

757-204/236
ILLUSTRATED PARTS CATALOGUE

CHAPTER 33 – LIGHTS

THOMSONFLY CUSTOMISATIONS



757-204/236

PUBLICATION REVISION
ILLUSTRATED PARTS CATALOGUE

CHAPTER 33 – COMMUNICATION

EFFECTIVE PAGES

CH-SECT-UNIT-FIG	PAGE NO.	DATE	CH-SECT-UNIT-FIG	PAGE NO.	DATE
* 33 CONTENTS	1	NOV 02			
* 33-11-51-14	5	NOV 02			
* 33-11-51-15	3	NOV 02			
* 33-11-51-17	3	NOV 02			
* 33-13-01-02	OU	NOV 02			
* 33-13-01-12	15	NOV 02			
* 33-13-01-39	OF	NOV 02			
* 33-13-01-39	17	NOV 02			
* 33-13-02-01	0	NOV 02			
* 33-13-02-01	1	NOV 02			
* 33-13-02-02	1	NOV 02			
* 33-13-02-03	1	NOV 02			
* 33-16-51-01	1	NOV 02			
* 33-16-51-02	1	NOV 02			
* 33-16-51-03	1	NOV 02			
33-21-00-12	0	NOV 00			
33-21-00-12	2	NOV 00			
33-21-00-12	4	NOV 00			
33-21-00-12	10	NOV 00			
33-21-00-12	11	NOV 00			
33-24-01-29	2	NOV 00			
* 33-45-53-01	1	NOV 02			
* 33-45-53-02	1	NOV 02			
* 33-45-53-03	1	NOV 02			
33-52-00-02	OL	MAY 02			
33-52-00-02	2	MAY 02			

* INDICATES PAGES CHANGED OR ADDED BY THE CURRENT REVISION

757-204/236

PUBLICATION REVISION
ILLUSTRATED PARTS CATALOGUE

CHAPTER 33 - LIGHTS

TABLE OF CONTENTS

<u>SUBJECT</u>	<u>CHAPTER SECTION UNIT</u>	<u>FIGURE</u>
FLIGHT COMPARTMENT ILLUMINATION	33-11-00	
A PANEL INSTL – OVHD (FLIGHT COMPARTMENT ILLUMINATION ONLY)	33-11-51	14
A PANEL INSTL – OVHD (FLIGHT COMPARTMENT ILLUMINATION ONLY)	33-11-51	15
A PANEL INSTL – OVHD (FLIGHT COMPARTMENT ILLUMINATION ONLY)	33-11-51	17
A PANEL INSTL – OVHD (LIGHTPLATES ONLY)	33-13-01	02
A PANEL INSTL – OVHD (LIGHTPLATES ONLY)	33-13-01	39
A PANEL INSTL – OVHD (LIGHTPLATES AND DIMMER CONTROL UNIT)	33-13-02	01
A PANEL INSTL – OVHD (DIMMER CONTROL UNIT ONLY)	33-13-02	02
A PANEL INSTL – OVHD (DIMMER CONTROL UNIT ONLY)	33-13-02	03
A PANEL INSTL – OVHD (MASTER DIM AND TEST ONLY)	33-16-51	01
A PANEL INSTL – OVHD (MASTER DIM AND TEST ONLY)	33-16-51	02
A PANEL INSTL – OVHD (MASTER DIM AND TEST ONLY)	33-16-51	03
PASSENGER COMPARTMENT ILLUMINATION LIGHTS	33-21-00	
LIGHT INSTL – SIDEWALL RH	33-21-00	12
PASSENGER SIGNS	33-24-00	
SERVICES UNIT INSTL – PASS	33-24-01	29
LOGO LIGHTS	33-45-00	
A PANEL INSTL – OVHD (LOGO LIGHTS ONLY)	33-45-53	01
A PANEL INSTL – OVHD (LOGO LIGHTS ONLY)	33-45-53	02
A PANEL INSTL – OVHD (LOGO LIGHTS ONLY)	33-45-53	03
FLOOR PATH LIGHTING SYSTEM	33-52-00	
END OF AISLE MARKERS	33-52-00	02

757-204/236

PUBLICATION REVISION
ILLUSTRATED PARTS CATALOGUE

FIG.	ITEM	PART NUMBER	DESCRIPTION	EFFECT FROM -TO	UNITS PER ASSY
45			PANEL INSTL - P5 OVHD(FLIGHT COMPARTMENT ILLUMINATION ONLY) <u>MOD/757/1263 ISSUE: 1</u>		RF
	* 45	233N3221-61	●PANEL ASSY – LIGHTING – CONT RPL BY 233N3221-104	001 - 010	RF
	* 45	233N3221-104	●PANEL ASSY – LIGHTING – CONT RPLS 233N3221-61		RF

* Not Illustrated

33-11-51-14

757-204/236

PUBLICATION REVISION
ILLUSTRATED PARTS CATALOGUE

FIG.	ITEM	PART NUMBER	DESCRIPTION	EFFECT FROM -TO	UNITS PER ASSY
15			PANEL INSTL - P5 OVHD(FLIGHT COMPARTMENT ILLUMINATION ONLY) <u>MOD/757/1263 ISSUE: 1</u>		RF
	* 100	233N3221-61	●PANEL ASSY – LIGHTING – CONT RPL BY 233N3221-104	011 - 099	1
	* 100	233N3221-104	●PANEL ASSY – LIGHTING – CONT RPLS 233N3221-61		1

* Not Illustrated

33-11-51-15

757-204/236

PUBLICATION REVISION
ILLUSTRATED PARTS CATALOGUE

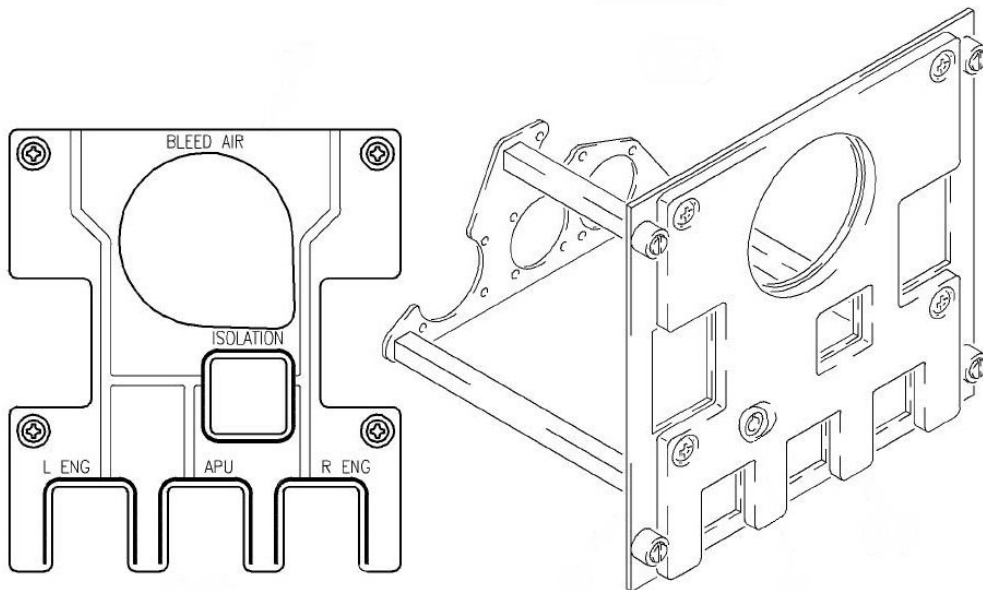
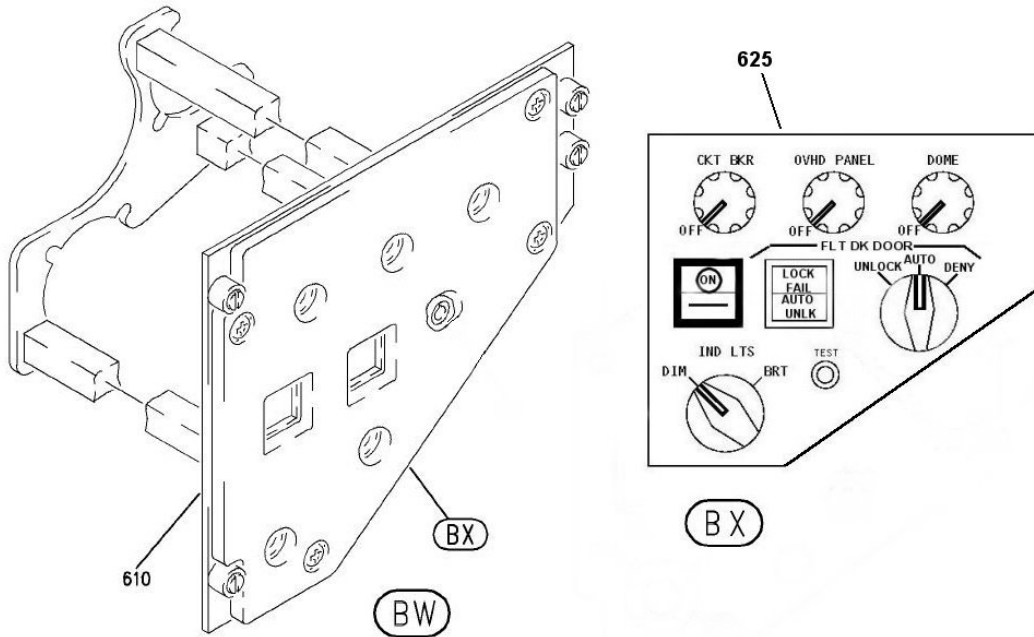
FIG.	ITEM	PART NUMBER	DESCRIPTION	EFFECT FROM -TO	UNITS PER ASSY
17			PANEL INSTL - P5 OVHD(FLIGHT COMPARTMENT ILLUMINATION ONLY) <u>MOD/757/1263 ISSUE: 1</u>		RF
	* 95	233N3221-61	●PANEL ASSY – LIGHTING – CONT RPL BY 233N3221-104	101 - 899	1
	* 95	233N3221-104	●PANEL ASSY – LIGHTING – CONT RPLS 233N3221-61		1

* Not Illustrated

33-11-51-17

757-204/236

PUBLICATION REVISION
ILLUSTRATED PARTS CATALOGUE



PANEL INSTL - P5 OVHD (LIGHTPLATES ONLY)
FIGURE 2 (SHEET 22)

33-13-01-02

757-204/236

PUBLICATION REVISION
ILLUSTRATED PARTS CATALOGUE

FIG.	ITEM	PART NUMBER	DESCRIPTION	EFFECT FROM -TO	UNITS PER ASSY
2			PANEL INSTL - P5 OVHD (LIGHTPLATES ONLY)		RF
			<u>MOD/757/1263 ISSUE: 1</u>		
	610	233N3221-61	●PANEL ASSY - LIGHTING - CONT RPL BY 233N3221-104	011 - 099	RF
	610	233N3221-104	●PANEL ASSY - LIGHTING - CONT RPLS 233N3221-61		RF
	625	800-002786	●● LIGHTPLATE RPL BY 800-008834		1
	625	800-008834	●● LIGHTPLATE RPLS 800-002786		1

* Not Illustrated

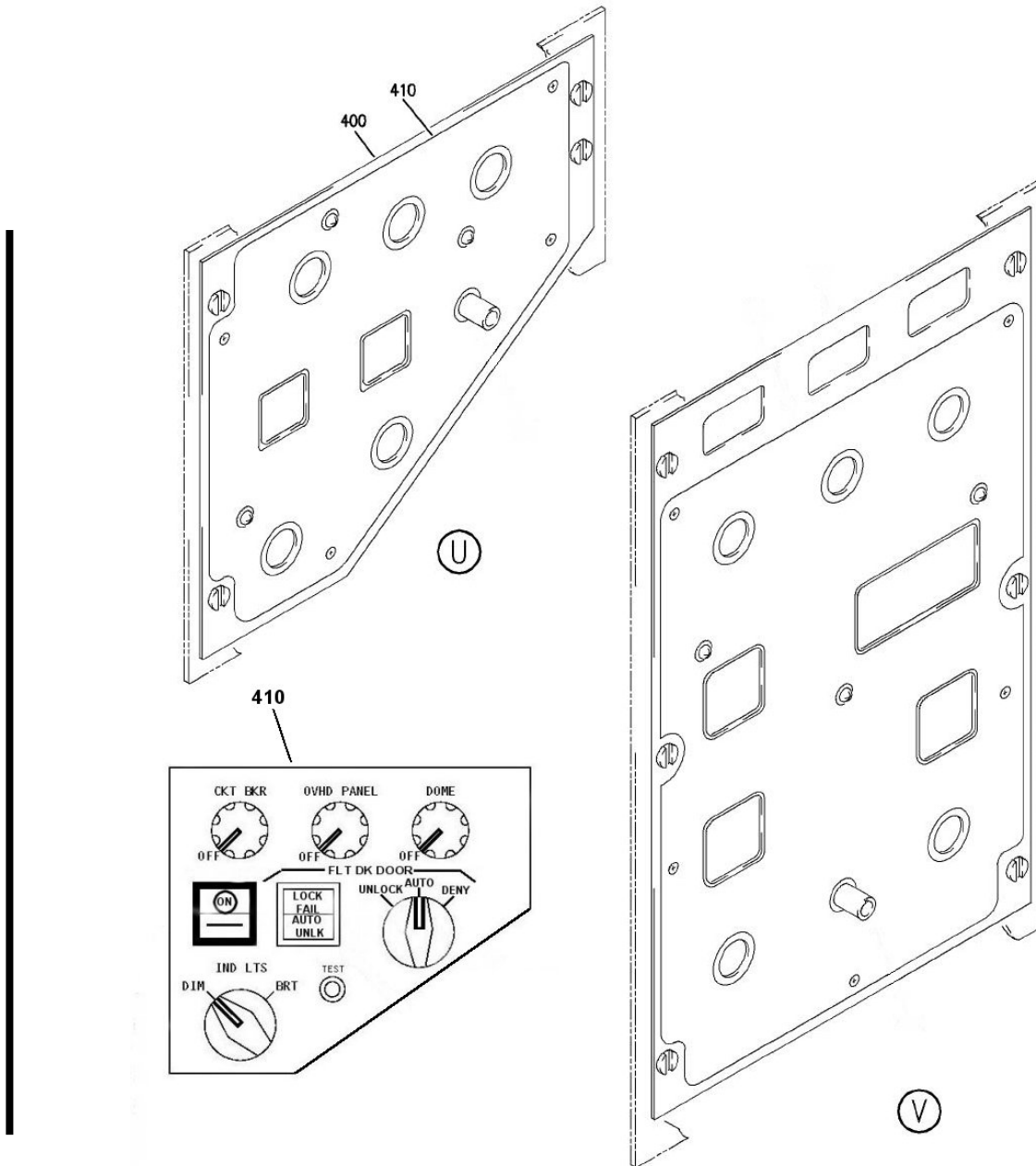
33-13-01-02



Britannia

757-204/236

PUBLICATION REVISION
ILLUSTRATED PARTS CATALOGUE



PANEL INSTL-P5 OVHD (LIGHTPLATES ONLY)
FIGURE 39 (SHEET 7)

33-13-01-39

757-204/236

PUBLICATION REVISION
ILLUSTRATED PARTS CATALOGUE

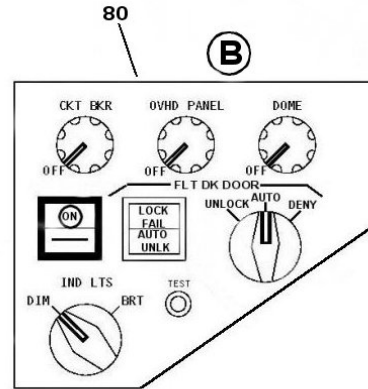
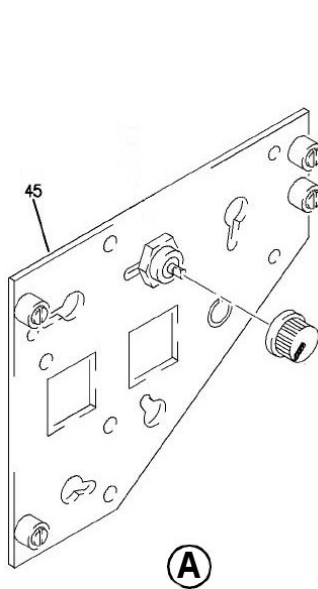
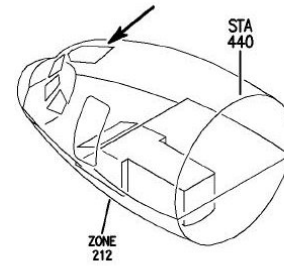
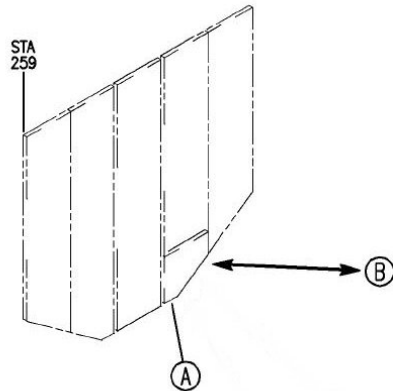
FIG.	ITEM	PART NUMBER	DESCRIPTION	EFFECT FROM -TO	UNITS PER ASSY
39			PANEL INSTL - P5 OVHD (LIGHTPLATES ONLY)		RF
			<u>MOD/757/1263 ISSUE: 1</u>		
	400	233N3221-61	● PANEL ASSY - LIGHTING - CONT RPL BY 233N3221-104	101 - 899	RF
	400	233N3221-104	● PANEL ASSY - LIGHTING - CONT RPLS 233N3221-61		RF
	410	800-002786	●● LIGHTPLATE RPL BY 800-008834		1
	410	800-008834	●● LIGHTPLATE RPLS 800-002786		1

* Not Illustrated

33-13-01-39

757-204/236

PUBLICATION REVISION
ILLUSTRATED PARTS CATALOGUE



PANEL INSTL -P5 OVHD (LIGHTPLATES AND DIMMER CONTROL UNIT)
FIGURE 1 (SHEET 1)

33-13-02-01



757-204/236

PUBLICATION REVISION
ILLUSTRATED PARTS CATALOGUE

FIG.	ITEM	PART NUMBER	DESCRIPTION	EFFECT FROM -TO	UNITS PER ASSY
1			PANEL INSTL - P5 OVHD (DIMER CONTROL UNIT ONLY)		RF
			<u>MOD/757/1263 ISSUE: 1</u>		
	45	233N3221-61	●PANEL ASSY - LIGHTING - CONT RPL BY 233N3221-104	001 - 010	RF
	45	233N3221-104	●PANEL ASSY - LIGHTING - CONT RPLS 233N3221-61		RF
	80	800-008834	●● LIGHTPLATE		1
					1

* Not Illustrated

33-13-02-01

757-204/236

PUBLICATION REVISION
ILLUSTRATED PARTS CATALOGUE

FIG.	ITEM	PART NUMBER	DESCRIPTION	EFFECT FROM -TO	UNITS PER ASSY
2			PANEL INSTL - P5 OVHD (DIMER CONTROL UNIT ONLY)		RF
			<u>MOD/757/1263 ISSUE: 1</u>		
	* 40	233N3221-61	●PANEL ASSY - LIGHTING - CONT RPL BY 233N3221-104	011 - 099	RF
	* 40	233N3221-104	●PANEL ASSY - LIGHTING - CONT RPLS 233N3221-61		RF

* Not Illustrated

33-13-02-02

757-204/236

PUBLICATION REVISION
ILLUSTRATED PARTS CATALOGUE

FIG.	ITEM	PART NUMBER	DESCRIPTION	EFFECT FROM -TO	UNITS PER ASSY
3			PANEL INSTL - P5 OVHD (DIMER CONTROL UNIT ONLY)		RF
			<u>MOD/757/1263 ISSUE: 1</u>		
	* 35	233N3221-61	●PANEL ASSY - LIGHTING - CONT RPL BY 233N3221-104	101 - 899	RF
	* 35	233N3221-104	●PANEL ASSY - LIGHTING - CONT RPLS 233N3221-61		RF

* Not Illustrated

33-13-02-03

757-204/236

PUBLICATION REVISION
ILLUSTRATED PARTS CATALOGUE

FIG.	ITEM	PART NUMBER	DESCRIPTION	EFFECT FROM -TO	UNITS PER ASSY
1			PANEL INSTL - P5 OVHD (MASTER DIM AND TEST ONLY)		RF
			<u>MOD/757/1263 ISSUE: 1</u>		
	* 5	233N3221-61	●PANEL ASSY - LIGHTING - CONT RPL BY 233N3221-104	001 - 010	RF
	* 5	233N3221-104	●PANEL ASSY - LIGHTING - CONT RPLS 233N3221-61		RF

* Not Illustrated

33-16-51-01



757-204/236

PUBLICATION REVISION
ILLUSTRATED PARTS CATALOGUE

FIG.	ITEM	PART NUMBER	DESCRIPTION	EFFECT FROM -TO	UNITS PER ASSY
2			PANEL INSTL - P5 OVHD (MASTER DIM AND TEST ONLY)		RF
			<u>MOD/757/1263 ISSUE: 1</u>		
	* 15	233N3221-61	●PANEL ASSY - LIGHTING - CONT RPL BY 233N3221-104	011 - 099	RF
	* 15	233N3221-104	●PANEL ASSY - LIGHTING - CONT RPLS 233N3221-61		RF

* Not Illustrated

33-16-51-02



757-204/236

PUBLICATION REVISION
ILLUSTRATED PARTS CATALOGUE

FIG.	ITEM	PART NUMBER	DESCRIPTION	EFFECT FROM -TO	UNITS PER ASSY
3			PANEL INSTL - P5 OVHD (MASTER DIM AND TEST ONLY)		RF
			<u>MOD/757/1263 ISSUE: 1</u>		
	* 25	233N3221-61	●PANEL ASSY - LIGHTING - CONT RPL BY 233N3221-104	101 - 899	RF
	* 25	233N3221-104	●PANEL ASSY - LIGHTING - CONT RPLS 233N3221-61		RF

* Not Illustrated

33-16-51-03

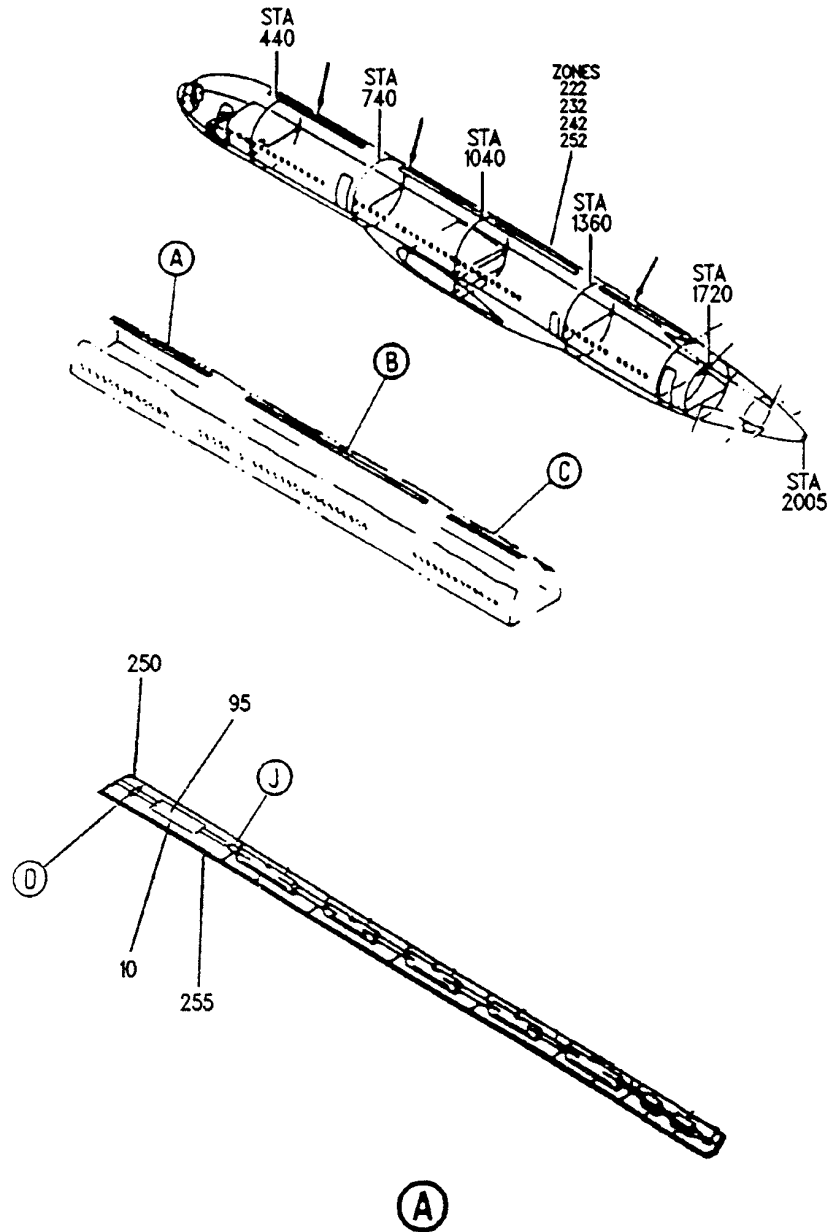


Britannia

757-204/236

PUBLICATION REVISION

ILLUSTRATED PARTS CATALOGUE



LIGHT INSTL - SIDEWALL RH (BRI)
FIGURE 12 (SHEET 1)

33-21-00-12

REV. NO: 29

DATE: NOV 00

33-21-00

FIG.12
PAGE 0

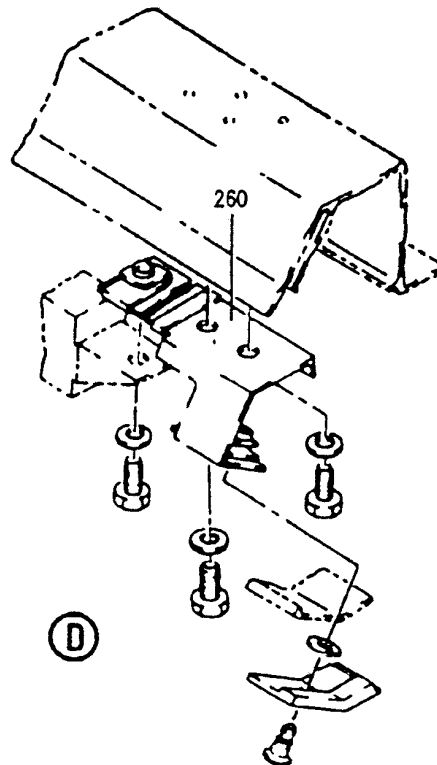


Britannia

757-204/236

PUBLICATION REVISION

ILLUSTRATED PARTS CATALOGUE



LIGHT INSTL - SIDEWALL RH (BRI)
FIGURE 12 (SHEET 3)

33-21-00-12

REV. NO: 29

DATE: NOV 00

33-21-00

FIG.12
PAGE 2

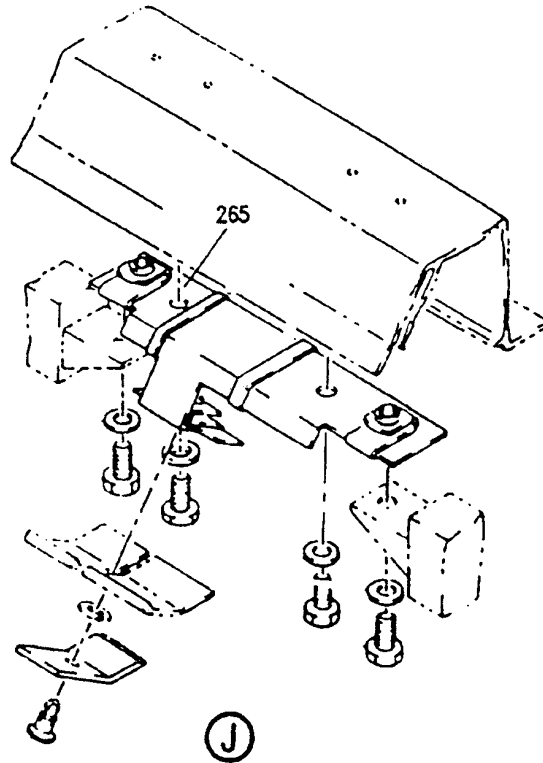


Britannia

757-204/236

PUBLICATION REVISION

ILLUSTRATED PARTS CATALOGUE



LIGHT INSTL - SIDEWALL RH (BRI)
FIGURE 12 (SHEET 5)

33-21-00-12

REV. NO: 29

DATE: NOV 00

33-21-00

FIG.12
PAGE 4

757-204/236

PUBLICATION REVISION

ILLUSTRATED PARTS CATALOGUE

FIG. ITEM	PART NUMBER	DESCRIPTION	EFFECT FROM - TO	UNITS PER ASSY
12		LIGHT INSTL - SIDEWALL RH		RF
		<u>MOD/757/1046 ISSUE:B</u>		
12	57-25-0055	CABIN CONFIG. 235 PASS	002 - 004 006 - 899	RF
10	F18T5WWRS	. LAMP – FLUORESCENT		1
20	MS3367-1-9	. STRAP		2
30	NAS1801-3-6	. SCREW		5
35	AN960JD10L	. WASHER		5
40	65C33259-62	. BRACKET ASSY – MTG RPL BY 65C33259-36		1
40	65C33259-36	. BRACKET ASSY - MTG RPLS 65C33259-62		1
50	65C33259-11	. BRACKET ASSY - MTG RPL BY 65C33259-34		1
50	65C33259-34	. BRACKET ASSY - MTG RPLS 65C33259-11		1
95	10-1327-1	. LIGHT ASSY		1

* Not Illustrated

33-21-00-12

33-21-00

FIG. 12
PAGE 10

REV. NO: 29

DATE: NOV 00

757-204/236

PUBLICATION REVISION

ILLUSTRATED PARTS CATALOGUE

FIG. ITEM	PART NUMBER	DESCRIPTION	EFFECT FROM -TO	UNITS PER ASSY
12		LIGHT INSTL - SIDEWALL RH		RF
		<u>MOD/757/1046 ISSUE:B</u>		
12	57-25—0055	CABIN CONFIG. 235 PASS	002 - 004 006 - 899	RF
145	65C33289-101	. RETAINER ASSY - LENS		1
250	57-25-0055-101	. LENS		1
255	417N5000-623	. LENS ASSY		1

* Not Illustrated

33-21-00

FIG. 12
PAGE 11

33-21-00-12

REV. NO: 29

DATE: NOV 00

757-204/236

PUBLICATION REVISION

ILLUSTRATED PARTS CATALOGUE

FIG. ITEM	PART NUMBER	DESCRIPTION	EFFECT FROM -TO	UNITS PER ASSY
29		SERVICE UNIT INSTL - PASS. (LIGHTS ONLY)		RF
		<u>MOD/757/1032 ISSUE:2</u>		
29	757-1041	PSU LAYOUT-232 PASSENGER SEATS	002 -004 006 - 899	RF
8	10-1018-47	. LENS-NO SMOKING FASTEN SEAT BELT		1
13	10-1018-1	. HOUSING ASSY-NO SMOKING FASTEN SEAT BELT		1

* Not Illustrated

33-24-01-29

33-24-01

FIG. 29
PAGE 2

REV. NO: 29

DATE: NOV 00

757-204/236

PUBLICATION REVISION
ILLUSTRATED PARTS CATALOGUE

FIG.	ITEM	PART NUMBER	DESCRIPTION	EFFECT FROM -TO	UNITS PER ASSY	
1			PANEL INSTL - P5 OVHD (LOGO LIGHTS ONLY)		RF	
			<u>MOD/757/1263 ISSUE: 1</u>			
	*	7	233N3221-61	●PANEL ASSY - LIGHTING - CONT RPL BY 233N3221-104	001 - 010	RF
	*	7	233N3221-104	●PANEL ASSY - LIGHTING - CONT RPLS 233N3221-61		RF

* Not Illustrated

33-45-53-01



757-204/236

PUBLICATION REVISION
ILLUSTRATED PARTS CATALOGUE

FIG.	ITEM	PART NUMBER	DESCRIPTION	EFFECT FROM -TO	UNITS PER ASSY
2			PANEL INSTL - P5 OVHD (LOGO LIGHTS ONLY) <u>MOD/757/1263 ISSUE: 1</u>		RF
*	12	233N3221-61	●PANEL ASSY - LIGHTING - CONT RPL BY 233N3221-104	011 - 099	RF
*	12	233N3221-104	●PANEL ASSY - LIGHTING - CONT RPLS 233N3221-61		RF

* Not Illustrated

33-45-53-02

757-204/236

PUBLICATION REVISION
ILLUSTRATED PARTS CATALOGUE

FIG.	ITEM	PART NUMBER	DESCRIPTION	EFFECT FROM -TO	UNITS PER ASSY	
3			PANEL INSTL - P5 OVHD (LOGO LIGHTS ONLY)		RF	
			<u>MOD/757/1263 ISSUE: 1</u>			
	*	15	233N3221-61	●PANEL ASSY - LIGHTING - CONT RPL BY 233N3221-104	101 - 899	RF
	*	15	233N3221-104	●PANEL ASSY - LIGHTING - CONT RPLS 233N3221-61		RF

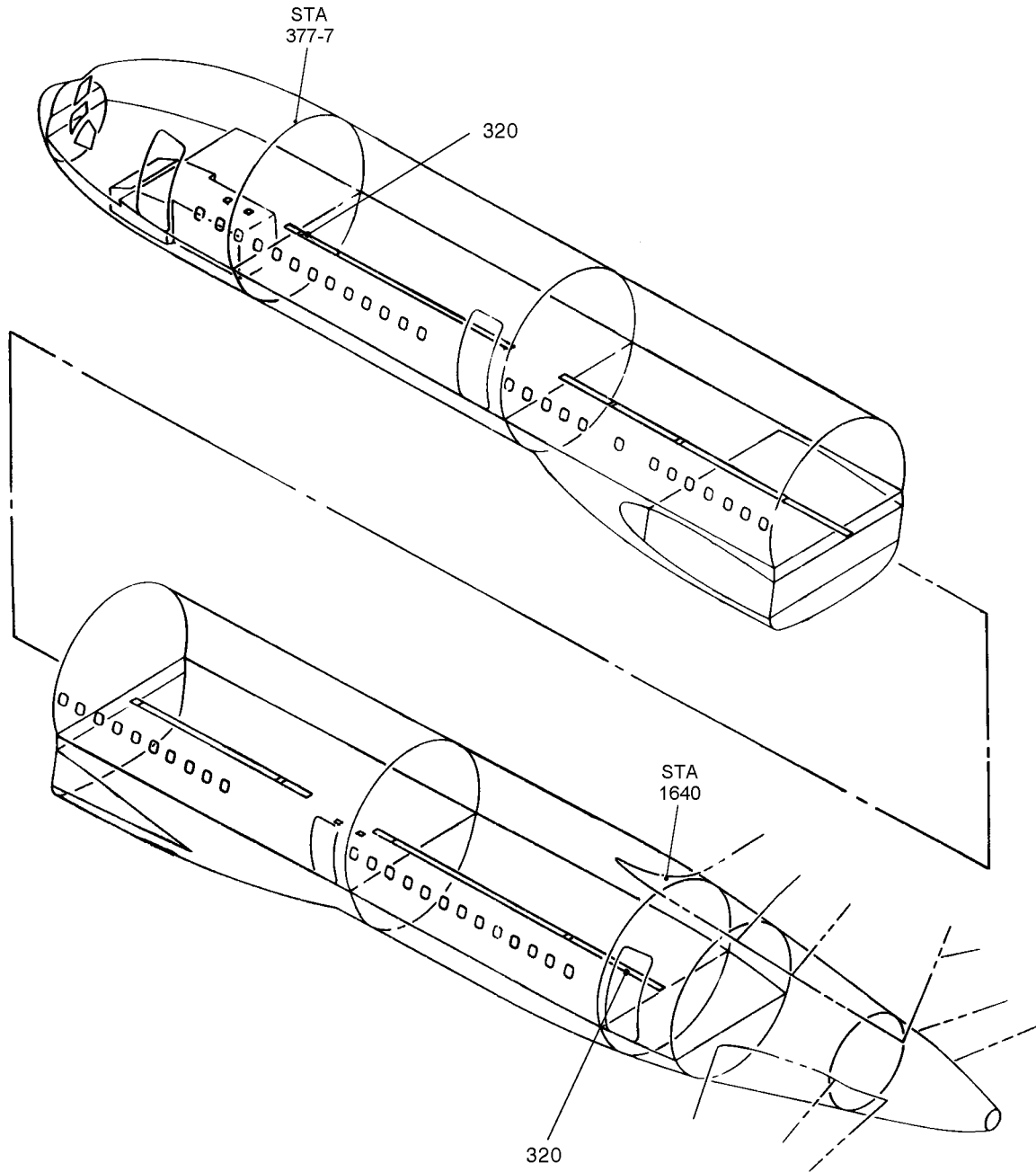
* Not Illustrated

33-45-53-03

757-204/236

PUBLICATION REVISION

ILLUSTRATED PARTS CATALOGUE



LIGHTING INSTL – EMERGENCY FLOOR PROXIMITY
FIGURE 2 (SHEET 13)

33-52-00-02

REV. NO: 30
DATE: MAY 02

33-52-00-02
FIG 2
PAGE 0L

757-204/236

PUBLICATION REVISION

ILLUSTRATED PARTS CATALOGUE

FIG. ITEM	PART NUMBER	DESCRIPTION	EFFECT FROM -TO	UNITS PER ASSY
02		ADDITION OF END OF AISLE MARKERS TO FLOOR PATH LIGHTING SYSTEM		RF
		<u>MOD/757/1221 ISSUE 2</u>		
320	5835-1	. OVERLAY ORANGE 26 INCHES	102	2

* Not Illustrated

REV. NO: 30
DATE: MAY 02

33-52-00-02

33-52-00-02
FIG. 2
PAGE 2



BLENDED WINGLET PROGRAM

FAA STC No. ST01518SE

**Supplement to D6-49286 for 757-200
with APB Winglets
Aircraft Illustrated Parts Catalog**

Boeing Model 757-200

Doc. No. AP57.2-0614

Revision G April, 2008

PUBLISHED BY AVIATION PARTNERS BOEING

**7299 PERIMETER ROAD SOUTH / SEATTLE, WA 98108
(206) 830-7699 / FAX (206) 762-1158**

**THE DATA CONTAINED HEREON AND HEREIN IS
PROPRIETARY TO AVIATION PARTNERS BOEING.
NEITHER THIS DATA NOR THE DATA CONTAINED HEREIN
SHALL BE REPRODUCED, USED OR DISCLOSED TO
OTHERS WITHOUT THE WRITTEN AUTHORIZATION OF
AVIATION PARTNERS BOEING**

Aviation Partners Boeing
757-200
SUPPLEMENT – PARTS CATALOG (MAINTENANCE)

REVISION RECORD

REVISION LEVEL	DATE	REVISED BY	APPROVED BY
Initial Release	APRIL-12-05	R. MANO	J. INMAN
A	JULY-15-05	R. MANO	S. NELSON
B	DEC-19-05	J. PLISKA	S. NELSON
C	FEB-15-06	R. MANO	S. NELSON
D	AUG-31-06	S. PERRY	J. INMAN
E	JULY-6-07	G.WULKOWICZ	C.KIEHN
F	JAN-31-08	R. CORRICK	G. BULLARD
G	APR-04-08	S.TAMERU	G. BULLARD

REVISION DESCRIPTION

REV LEVEL	DATE	PAGES AFFECTED	REMARKS
IR	APRIL-12-05		INITIAL RELEASE
A	JULY-15-05		
B	DEC-19-05		
C	FEB-15-06	<u>REVISION RECORD:</u> PG.1 <u>EFFECTIVE PAGES:</u> PG.1, 2 <u>28-44-01-01:</u> PG. 1 THRU 3 PG. 4 THRU 7 <u>33-44-01-02:</u> PG. 2 <u>57-31-01-01:</u> PG. 3, 4 <u>57-31-03-01:</u> PG. 2	ADDED REVISION DESCRIPTION TABLE. UPDATED. UPDATED FIGURE 1, SHEET 1, 2 & 3. ADDED FLEXI-STICK ASSY NO. 4 AND NO. 5, AND ALL COMPONENTS. ADDED 757-5100-5/-6. ADDED 757-5100-5/-6. 757-3381-2 WAS 757-3381-1.
D	AUG-31-06	<u>EFFECTIVE PAGES:</u> PG.1 <u>27-62-01-01</u> PG 1 THRU 9 <u>33-43-01-02</u> PG 2	UPDATED. ADDED 757-3904-5/-6 CONFIGURATION AND UPDATED SKETCHED TO SHOW DIFFERENT CONFIGURATIONS OF CRANK ADAPTER. CORRECTED LIGHT PART NUMBER TO READ 737-8800-1/-2.

Aviation Partners Boeing

757-200

SUPPLEMENT – PARTS CATALOG (MAINTENANCE)

E	JULY-6-07	<u>EFFECTIVE PAGES:</u> PG. 1 <u>33-44-01-01:</u> PG. 2, 3	UPDATED. ADDED EXPLODED VIEW OF LIGHT, AND LENS ASSY, FLASHTUBE, & SCREWS.
F	JAN-31-08	<u>EFFECTIVE PAGES:</u> PG. 1, 2 <u>27-62-01-01:</u> PG. 1, 2, 3, 4, 7, 8, 9, 10, 11, 12	UPDATED. UPDATED LIST OF PARTS, RENUMBERED FIGURE ITEMS.
G	APR-04-08	<u>EFFECTIVE PAGES:</u> PG. 1, 2 <u>28-44-01-01:</u> PG. 1, 2, 3, 4, 5, 6, 7, 8, 9, 10	UPDATED. ADDED FIGURE, RENUMBERED FIGURES, CORRECTED FIGURES TITLE, UPDATED LIST OF PARTS.

Aviation Partners Boeing

757-200

SUPPLEMENT – PARTS CATALOG (MAINTENANCE)

EFFECTIVE PAGES

Chapter Page	Date
<u>Title Page</u>	
1	Jan 2008
<u>Revision Record</u>	
1	Jan 2008
<u>Effective Pages</u>	
1	Jan 2008
2	Jan 2008
<u>Table of Contents</u>	
1	Apr 2005
<u>Introduction</u>	
1	Apr 2005
<u>Zone Diagrams</u>	
1	Apr 2005
<u>Sect/Sta Diagrams</u>	
1	Apr 2005
2	Apr 2005
<u>Major Drawing Index</u>	
1	Apr 2005
<u>Suppliers Name and Address Index</u>	
1	July 2005
<u>Service Bulletin List</u>	
1	Apr 2005
<u>27-CONTENTS</u>	
1	Apr 2005
<u>27-62-00</u>	
1	Apr 2005
<u>27-62-01-01</u>	
1	Jan 2008
2	Jan 2008
3	Jan 2008
4	Jan 2008
5	Aug 2006
6	Aug 2006
7	Jan 2008
8	Jan 2008
9	Jan 2008

Chapter Page	Date
10	Jan 2008
11	Jan 2008
12	Jan 2008
<u>27-62-01-02</u>	
1	Apr 2005
2	Apr 2005
3	Apr 2005
4	Apr 2005
<u>27-62-01-03</u>	
1	Apr 2005
2	Apr 2005
3	Apr 2005
<u>28-CONTENTS</u>	
1	Apr 2005
<u>28-44-00</u>	
1	Apr 2005
<u>28-44-01-01</u>	
1	Apr 2008
2	Apr 2008
3	Apr 2008
4	Apr 2008
5	Apr 2008
6	Apr 2008
7	Apr 2008
8	Apr 2008
9	Apr 2008
10	Apr 2008
<u>33-CONTENTS</u>	
1	Apr 2005
<u>33-43-00</u>	
1	Apr 2005
<u>33-43-01-01</u>	
1	Apr 2005
2	Apr 2005
3	Dec 2005
4	Dec 2005
<u>33-43-01-02</u>	
1	Apr 2005

Chapter Page	Date
2	Aug 2006
3	Dec 2005
<u>33-43-01-03</u>	
1	Apr 2005
2	Apr 2005
<u>33-44-00</u>	
1	Apr 2005
<u>33-44-01-01</u>	
1	Apr 2005
2	July 2007
3	July 2007
<u>33-44-01-02</u>	
1	Apr 2005
2	Feb 2006
<u>57-CONTENTS</u>	
1	Apr 2005
<u>57-25-00</u>	
1	Apr 2005
<u>57-25-01-01</u>	
1	July 2005
2	July 2005
<u>57-31-00</u>	
1	Apr 2005
<u>57-31-01-01</u>	
1	Apr 2005
2	Apr 2005
3	Feb 2006
4	Feb 2006
5	Apr 2005
<u>57-31-02</u>	
1	Apr 2005
<u>57-31-02-01</u>	
1	July 2005
2	Apr 2005
3	Apr 2005
4	Apr 2005

Aviation Partners Boeing

757-200

SUPPLEMENT – PARTS CATALOG (MAINTENANCE)

5	Apr 2005		
6	Apr 2005		
7	Dec 2005		
8	Dec 2005		
9	Dec 2005		
10	Dec 2005		
<u>57-31-03</u>			
1	Apr 2005		
<u>57-31-03-01</u>			
1	Apr 2005		
2	Feb 2006		
3	Apr 2005		

Aviation Partners Boeing
757-200
SUPPLEMENT – PARTS CATALOG (MAINTENANCE)

TABLE OF CONTENTS

TITLE	PAGE
REVISION RECORD	1
REVISION DESCRIPTION	
EFFECTIVE PAGES	1
TABLE OF CONTENTS	1
INTRODUCTION	1
ZONE DIAGRAMS	1
SECT/STA DIAGRAMS	1
MAJOR DRAWING INDEX	1
SUPPLIERS NAME AND ADDRESS INDEX	1
SERVICE BULLETIN LIST (SB LIST)	1
DETAILED PARTS LIST	CHAPTER NO.
AIRFRAME SYSTEMS	
Flight Controls	27
Fuel	28
Lights	33
STRUCTURE	
Wings	57

Aviation Partners Boeing

757-200

SUPPLEMENT – PARTS CATALOG (MAINTENANCE)

INTRODUCTION

General

This document is prepared, issued and revised by Aviation Partners Boeing for the exclusive use of its customers and is intended for use in provisioning, requisitioning, storing and issuing line maintenance parts. The content of this document is proprietary to Aviation Partners and its customers and is subject to change. The use of any part of this document by any other person or persons for any other purpose without written consent of Aviation Partners Boeing is expressly prohibited. In addition, Aviation Partners Boeing expressly disclaims any and all responsibility arising from or in any way related to any such use without Aviation Partners prior written consent thereto. This document is produced to support the configuration of the aircraft at the time of delivery to the original customer and changes submitted by the customer after delivery. It does not necessarily reflect the current configuration of any specific aircraft.

There are two configurations defined by the 757-200 APB wing retrofit in accordance with STC No.ST01518SE. They are as follows:

The Dash –1 Kit contains all of the structural modifications in the wing for a winglet configuration, except, in lieu of winglets, the basic wing tip is reinstalled. The modifications consists of the following:

- Reinforcement of wing structure.
- New upper and lower outboard wing skin panels.
- Adapter plate between the modified wing and the basic wing tip.
- Installation of the Load Alleviation System (LAS), deactivated.

The Dash –2 Kit contains all of the structural modifications in the wing for a winglet configuration, including the installation of the winglets. The modifications consists of the following:

- Reinforcement of wing structure.
- New upper and lower outboard wing skin panels.
- Installation of Adapter Plug.
- Installation of blended winglets.
- Installation of the Load Alleviation System (LAS), activated.
- Flutter ballast weights (included in the adapter plugs)

From this point forward, an airplane configuration with the basic wing tips installed shall be referred to as a Dash –1 Kit. An airplane configuration with APB winglets installed shall be referred to as a Dash –2 Kit.

This document supplements D6-49286, Boeing 757-200 Aircraft Illustrated Parts Catalog (AIPC) for 757-200 aircraft retrofitted with Aviation Partners Boeing winglets. Only differences from the production 757-200 are addressed in this supplement.

Manual Arrangement and Numbering System

Refer to the Boeing 757-200 Aircraft Illustrated Parts Catalog (AIPC), D6-49286 for definition.

Publication Change Request

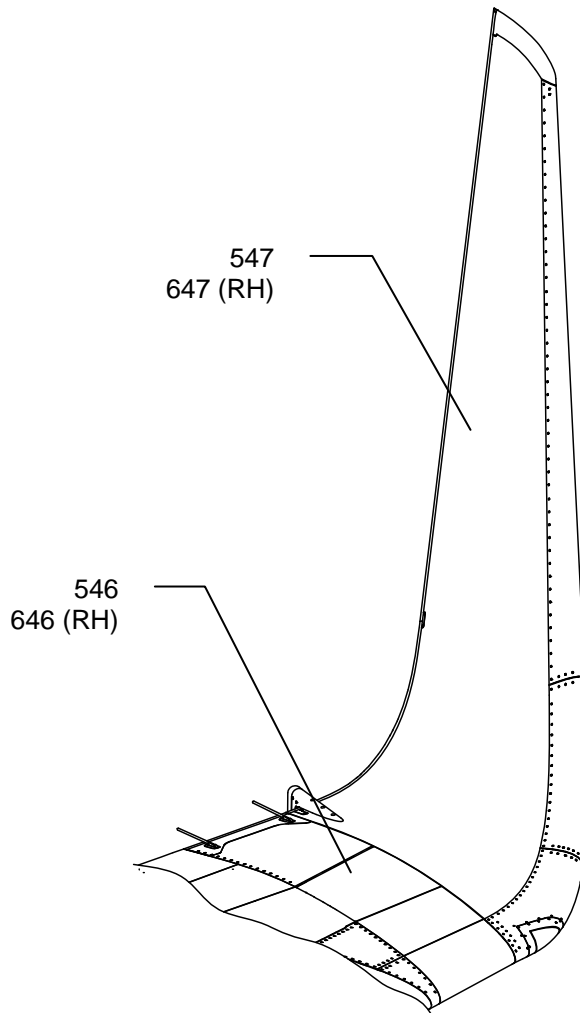
Communications concerning this publication should be directed to:

Aviation Partners Boeing
Attn: Manager - Aircraft Illustrated Parts Catalog
7299 Perimeter Road South
Seattle, WA 98108

Aviation Partners Boeing
757-200
SUPPLEMENT – PARTS CATALOG (MAINTENANCE)

ZONE INDEX/DIAGRAMS

Revise wing zone diagram to replace Wing Tip (Zone 545/645) with Adapter Plug (Zone 546/646) and Winglet (Zone 547/647) as shown in Figure 1.



ZONE NO.	TITLE
546	ADAPTER PLUG – LEFT WING
547	WINGLET – LEFT WING
646	ADAPTER PLUG – RIGHT WING
647	WINGLET – RIGHT WING

FIGURE 1
MAJOR ZONE 500 LEFT WING SHOWN
600 RIGHT WING OPPOSITE

Aviation Partners Boeing

757-200

SUPPLEMENT – PARTS CATALOG (MAINTENANCE)

AIRPLANE SECTION BREAKDOWN/STATION DIAGRAMS

Revise airplane sectional breakdown to replace wing tip with winglet and adapter plug as shown in Figure 1 and Figure 2.

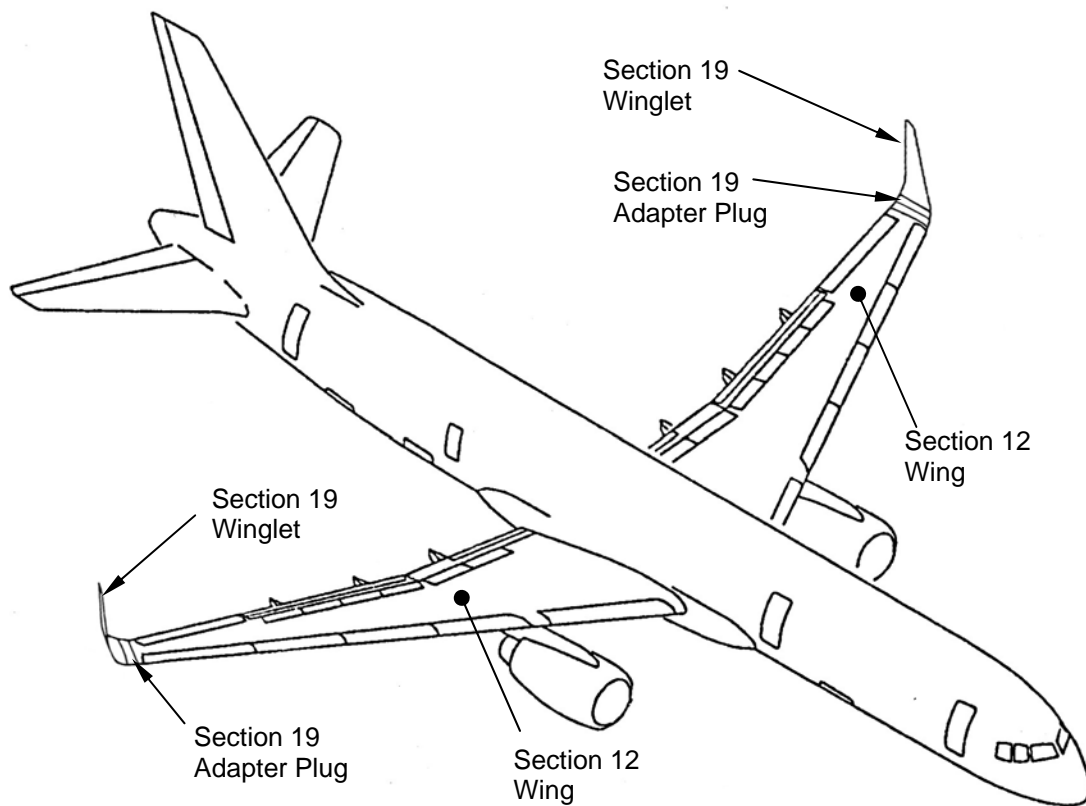


FIGURE 1
CHANGES TO SECTION 19

Aviation Partners Boeing

757-200

SUPPLEMENT – PARTS CATALOG (MAINTENANCE)

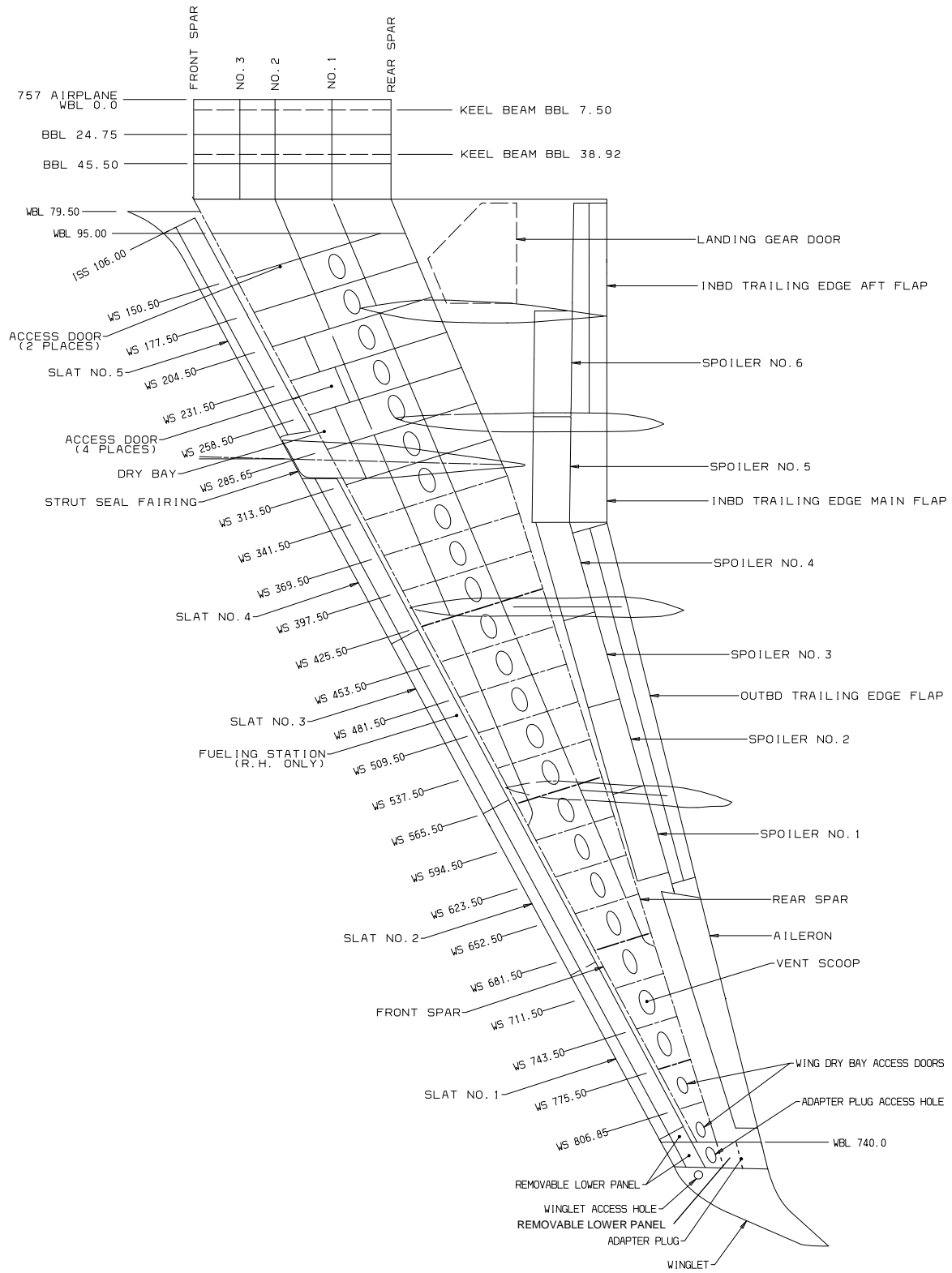


FIGURE 2
WING SECTION STATION DIAGRAM

Aviation Partners Boeing
757-200
SUPPLEMENT – PARTS CATALOG (MAINTENANCE)

MAJOR DRAWING INDEX

757-2000	TOP COLLETOR – 757-200
757-0002	WINGLET INSTALLATION
757-3010	TOP KIT – WING MOD, MIDSPAN
757-3020	TOP KIT – WING MOD, OUTBOARD
757-3050	VORTEX GENERATOR INSTALLATION – WING UPPER SURFACE
757-3280	LEADING EDGE INSTALLATION (-2 KIT)
757-3380	WING TIP INSTALLATION (-1 KIT)
757-3810	EQUIPMENT INSTALLATION
757-3900	TOP KIT – MECHANICAL SYSTEMS
757-5000	WINGLET ADAPTER PLUG INSTALLATION
757-8800	WIRING CONFIGURATION – FLIGHT MANAGEMENT COMPUTER

Aviation Partners Boeing
757-200
SUPPLEMENT – PARTS CATALOG (MAINTENANCE)

SUPPLIERS NAME AND ADDRESS INDEX

CAGE CODE	SUPPLIER
0SEC3	ACCRA MANUFACTURING COMPANY 17703 15 TH AVE SE BOTHELL, WASHINGTON 98012-6170
0ABM0	KING MACHINE 11710 CYRUS WAY MUKILTEO, WASHINTION 98275-5423
3X2T2	BAE SYSTEMS CONTROLS, INC. 3131 STORY ROAD WEST IRVING, TEXAS 75038-3514
72914	HONEYWELL GRIMES AEROSPACE 550 STREET RT. 55 URBANA, OHIO 43078
14752	ECTROCUBE INC. 1307 S. MYRTLE AVE. MONROVIA, CA 91016-4150
55635	DAYTON-GRANGER INC. FORT LAUDERDALE, FL 33302
81039	SMITH INDUSTRIES, ACTUATION SYSTEMS, INC. WHIPPANY, NJ 07981
86831	KAISER ELECTROPRECISION A ROCKWELL COLLINS COMPANY 17000 SOUTH RED HILL AVENUE IRVINE, CA 92614-5676

Aviation Partners Boeing
757-200
SUPPLEMENT – PARTS CATALOG (MAINTENANCE)
SERVICE BULLETIN

(RESERVED)

Aviation Partners Boeing
757-200
SUPPLEMENT – PARTS CATALOG (MAINTENANCE)

CHAPTER 27 – FLIGHT CONTROLS

TABLE OF CONTENTS

SUBJECT	CHAPTER SECTION UNIT	FIGURE	PAGE
SPEEDBRAKE CONTROL	27-62-00		1
INSTL – SPEEDBRAKE AUTOSTOW, MECH MODIFICATION	27-62-01	01	1
SPEEDBRAKE AUTOSTOW CONTROLLER INSTL	27-62-01	02	1
SPEEDBRAKE LIGHTPLATE – CONTROL STAND CONTROL STANDS WITH MOLDED PLASTIC COVER ASSEMBLY	27-62-01	03	1
SPEEDBRAKE LIGHTPLATE – CONTROL STAND CONTROL STANDS WITH SHEET METAL COVER ASSEMBLY	27-62-01	04	1

Aviation Partners Boeing
757-200
SUPPLEMENT – PARTS CATALOG (MAINTENANCE)

SPEEDBRAKE CONTROL

Aviation Partners Boeing
757-200
SUPPLEMENT – PARTS CATALOG (MAINTENANCE)

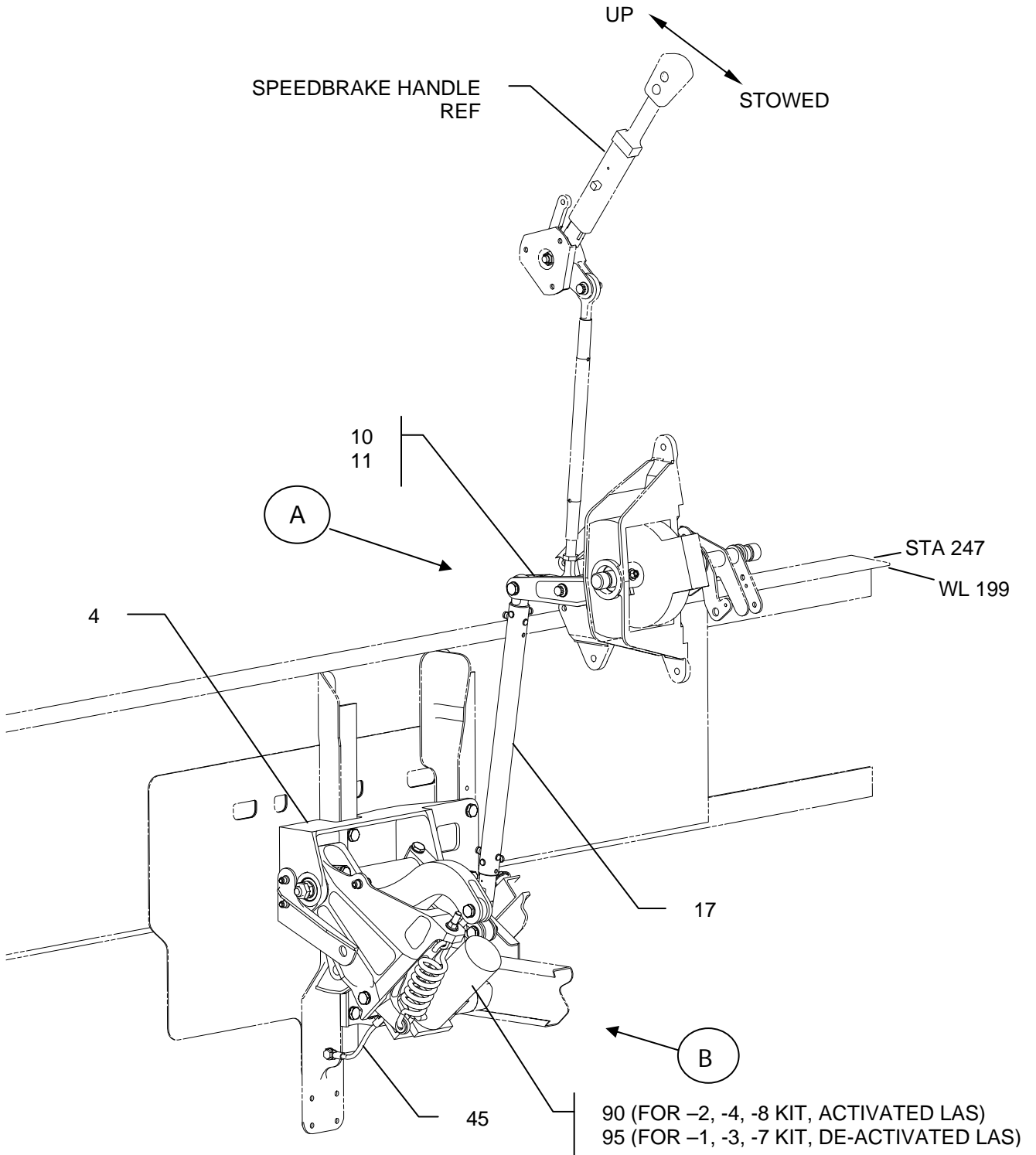


FIGURE 1 (SHEET 1)
SPEEDBRAKE AUTOSTOW MECHANISM

Aviation Partners Boeing
757-200
SUPPLEMENT – PARTS CATALOG (MAINTENANCE)

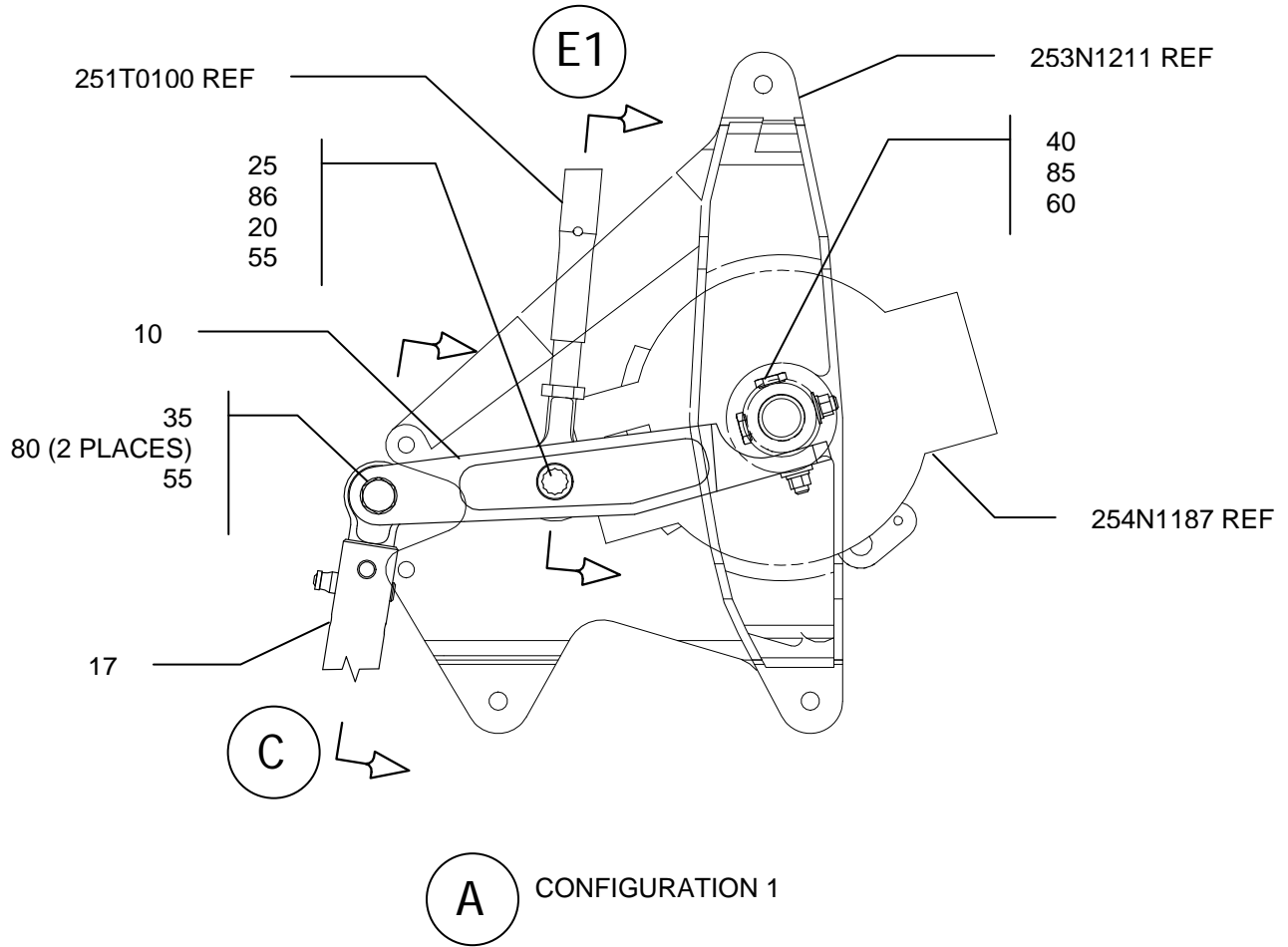


FIGURE 1 (SHEET 2)
SPEEDBRAKE AUTOSTOW MECHANISM

Aviation Partners Boeing
757-200
SUPPLEMENT – PARTS CATALOG (MAINTENANCE)

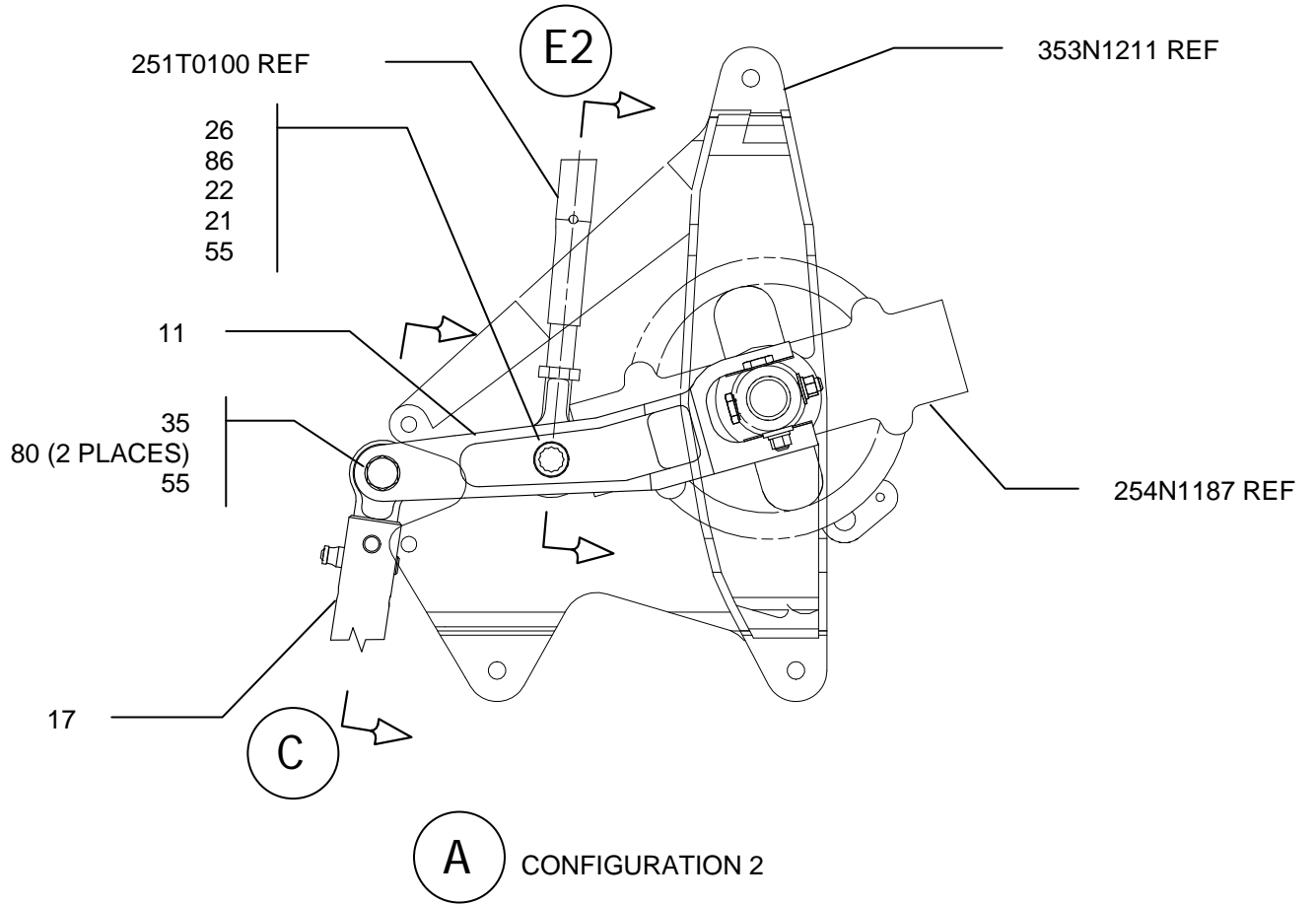


FIGURE 1 (SHEET 3)
SPEEDBRAKE AUTOSTOW MECHANISM

Aviation Partners Boeing
757-200
SUPPLEMENT – PARTS CATALOG (MAINTENANCE)

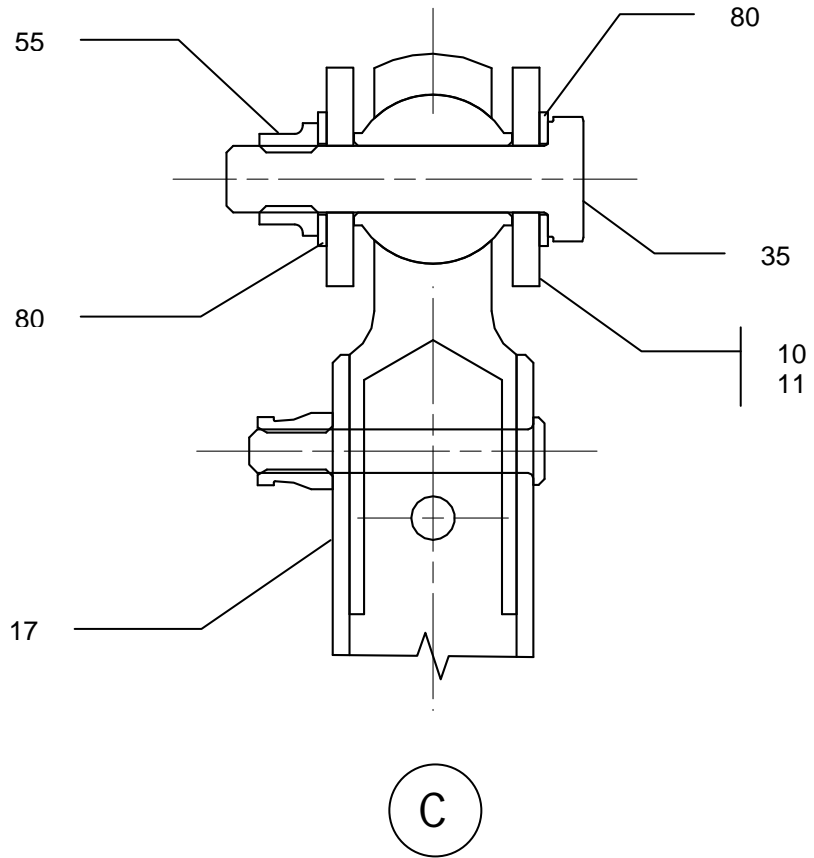
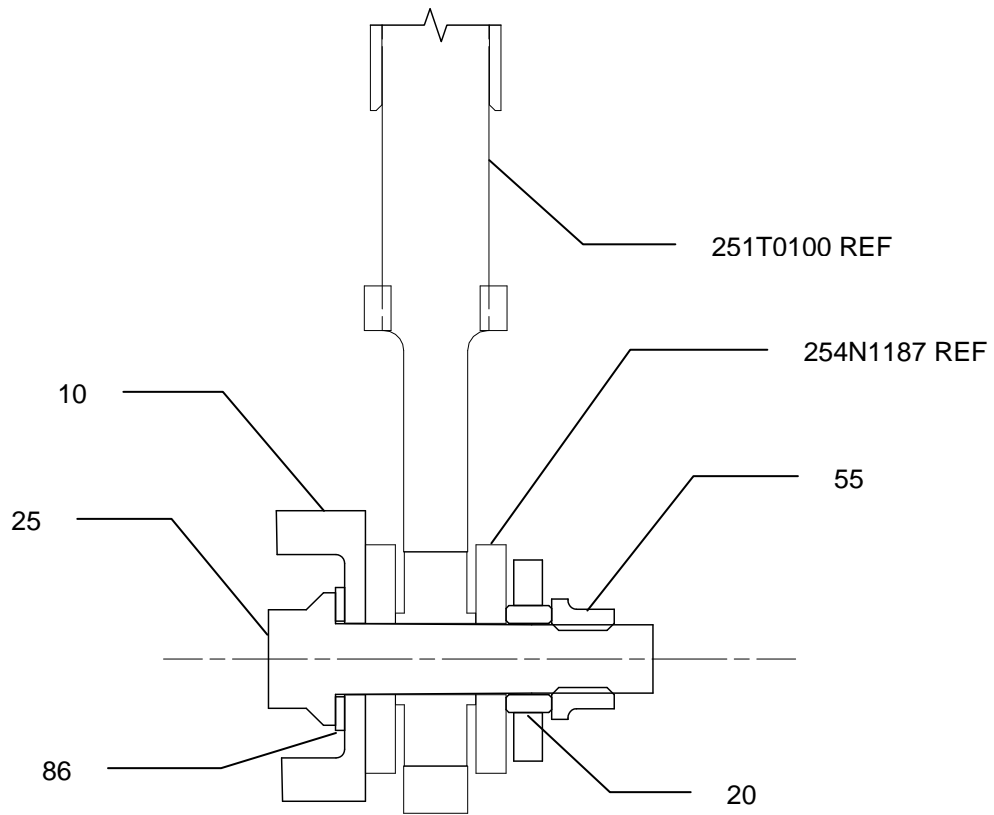


FIGURE 1 (SHEET 4)
SPEEDBRAKE AUTOSTOW MECHANISM

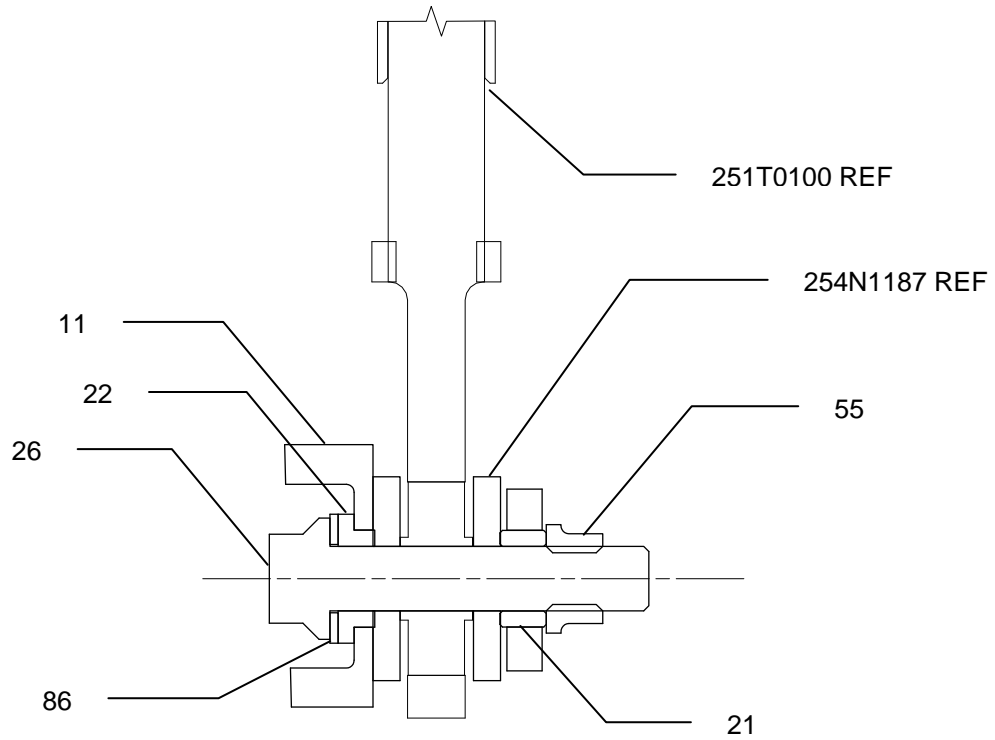
Aviation Partners Boeing
757-200
SUPPLEMENT – PARTS CATALOG (MAINTENANCE)



E1

FIGURE 1 (SHEET 5)
SPEEDBRAKE AUTOSTOW MECHANISM

Aviation Partners Boeing
757-200
SUPPLEMENT – PARTS CATALOG (MAINTENANCE)



E2

FIGURE 1 (SHEET 6)
SPEEDBRAKE AUTOSTOW MECHANISM

Aviation Partners Boeing
757-200
SUPPLEMENT – PARTS CATALOG (MAINTENANCE)

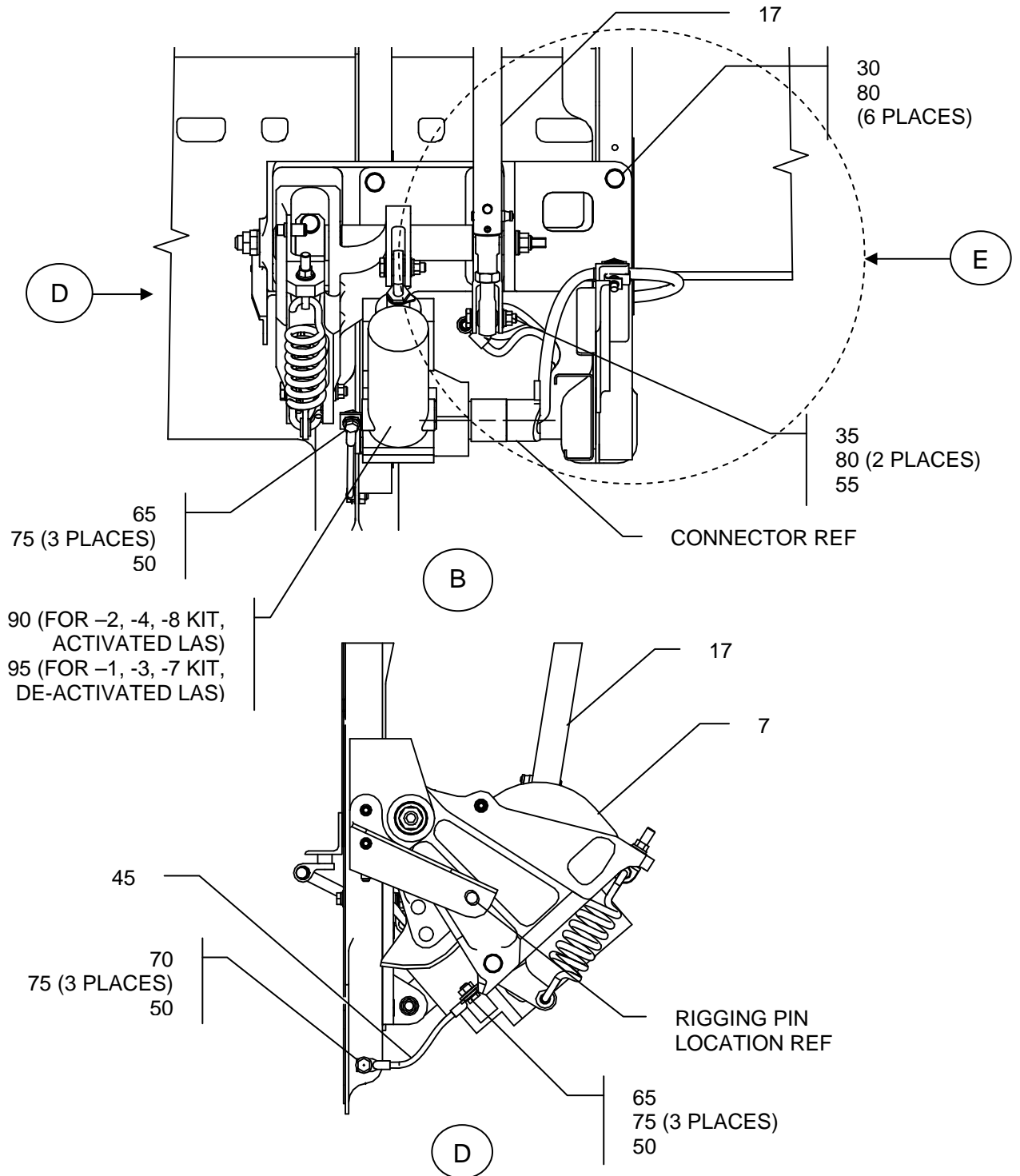
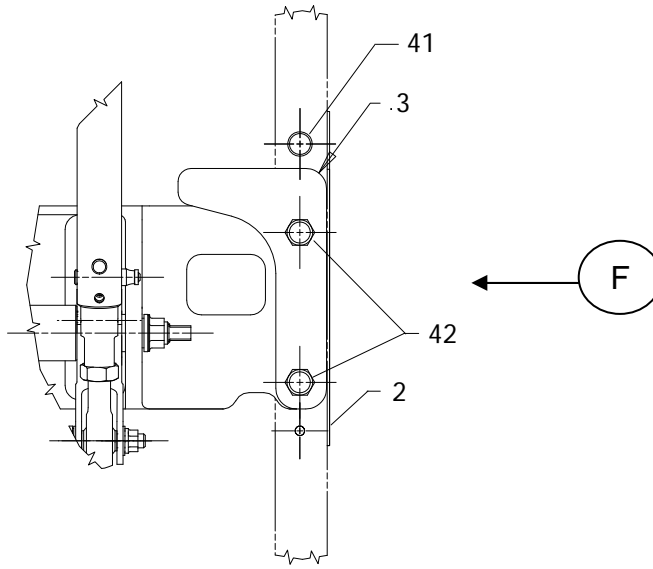
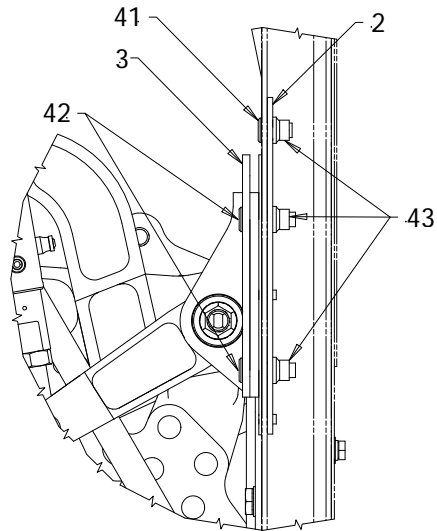


FIGURE 1 (SHEET 7)
SPEEDBRAKE AUTOSTOW MECHANISM

Aviation Partners Boeing
757-200
SUPPLEMENT – PARTS CATALOG (MAINTENANCE)



E



F

FIGURE 1 (SHEET 8)
SPEEDBRAKE AUTOSTOW MECHANISM

Aviation Partners Boeing

757-200

SUPPLEMENT – PARTS CATALOG (MAINTENANCE)

FIGURE ITEM	PART NUMBER	NOMENCLATURE							EFFECT FROM TO	UNITS PER ASSY
		1	2	3	4	5	6	7		
	757-3904-2, -4	INSTL – SPEEDBRAKE AUTOSTOW, MECH MODIFICATION -2 KIT, ACTIVATED LOAD ALLEVIATION SYSTEM							1	RF
	757-3904-1, -3	INSTL – SPEEDBRAKE AUTOSTOW, MECH MODIFICATION -1 KIT, DE-ACTIVATED LOAD ALLEVIATION SYSTEM							1	RF
	757-3904-6	INSTL – SPEEDBRAKE AUTOSTOW, MECH MODIFICATION -4 KIT, ACTIVATED LOAD ALLEVIATION SYSTEM							2	RF
	757-3904-5	INSTL – SPEEDBRAKE AUTOSTOW, MECH MODIFICATION -3 KIT, DE-ACTIVATED LOAD ALLEVIATION SYSTEM							2	RF
	757-3904-8	INSTL – SPEEDBRAKE AUTOSTOW, MECH MODIFICATION -4 KIT, ACTIVATED LOAD ALLEVIATION SYSTEM							3	RF
	757-3904-7	INSTL – SPEEDBRAKE AUTOSTOW, MECH MODIFICATION -3 KIT, DE-ACTIVATED LOAD ALLEVIATION SYSTEM							3	RF
	757-3904-14	INSTL – SPEEDBRAKE AUTOSTOW, MECH MODIFICATION -8 KIT, ACTIVATED LOAD ALLEVIATION SYSTEM							4	RF
	757-3904-13	INSTL – SPEEDBRAKE AUTOSTOW, MECH MODIFICATION -7 KIT, DE-ACTIVATED LOAD ALLEVIATION SYSTEM							4	RF
2	757-3904-11	. SPLICE STRAP USED ON: 757-3904-13, -14								1
3	757-3904-12	. RUB PLATE USED ON: 757-3904-13, -14								1
4	757-3905-2	. MECHANISM ASSY – SPEEDBRAKE AUTOSTOW FOR -2, -4 KIT, ACTIVATED LOAD ALLEVIATION SYSTEM. SUPPLIER CODE: 0SEC3 COMPONENTS MAINTENANCE MANUAL REF: AP57.2-0613, 27-62-00 USED ON: 757-3904-2, -4, -6, -8								11

Aviation Partners Boeing

757-200

SUPPLEMENT – PARTS CATALOG (MAINTENANCE)

FIGURE ITEM	PART NUMBER	NOMENCLATURE 1 2 3 4 5 6 7	EFFECT FROM TO	UNITS PER ASSY
(5)	757-3905-1	. MECHANISM ASSY – SPEEDBRAKE AUTOSTOW FOR –1,-3 KIT, DE-ACTIVATED LOAD ALLEVIATION SYSTEM. SUPPLIER CODE: 0SEC3 COMPONENTS MAINTENANCE MANUAL REF: AP57.2-0613, 27-62-00 USED ON: 757-3904-1, -3,-5, -7		11
(8)	757-3905-5	. MECHANISM ASSY – SPEEDBRAKE AUTOSTOW FOR –8 KIT, DE-ACTIVATED LOAD ALLEVIATION SYSTEM. SUPPLIER CODE: 0SEC3 COMPONENTS MAINTENANCE MANUAL REF: AP57.2-0613, 27-62-00 USED ON: 757-3904-14		1
(9)	757-3905-6	. MECHANISM ASSY – SPEEDBRAKE AUTOSTOW FOR –7 KIT, DE-ACTIVATED LOAD ALLEVIATION SYSTEM. SUPPLIER CODE: 0SEC3 COMPONENTS MAINTENANCE MANUAL REF: AP57.2-0613, 27-62-00 USED ON: 757-3904-13		1
10	757-3910-1	. NO BACK ADAPTER SUPPLIER CODE: USED ON: 757-3904-1, -2, -3, -4. FOR 757-3904-5, -6 INSTL, 757-3910-1 IS USED IN 757-3912-1 ASSY	Ref Flag Note 1	1
11	757-3912-1	. NO BACK ADAPTER SUPPLIER CODE: PREFERRED CONFIGURATION TO 757- 3910-1 FOR 757-3904-1, -2, -3, -4 INSTL (REF: SERVICE BULLETIN AP757-27-001) USED ON: 757-3904-5, -6	Ref Flag Note 1	1
(12)	757-3912-3	. NO BACK ADAPTER SUPPLIER CODE: USED ON: 757-3904-7, -8		1
(13)	757-3912-5	. NO BACK ADAPTER SUPPLIER CODE: USED ON: 757-3904-13, -14		1
(14)	757-3910-3	. . NO BACK ADAPTER SUPPLIER CODE: USED ON: 757-3912-1		1
(15)	757-3910-5	. . NO BACK ADAPTER SUPPLIER CODE: USED ON: 757-3912-3		1

Aviation Partners Boeing

757-200

SUPPLEMENT – PARTS CATALOG (MAINTENANCE)

FIGURE ITEM	PART NUMBER	NOMENCLATURE 1 2 3 4 5 6 7	EFFECT FROM TO	UNITS PER ASSY
(16)	757-3910-7	. . NO BACK ADAPTER SUPPLIER CODE: USED ON: 757-3912-5		1
17	757-3921-1	. CONTROL ROD ASSY SUPPLIER CODE:	ALL	1
20	BACB28AK04-016	. BUSHING USED ON: 757-3904-1, -2, -3, -4		1
21	BACB28AK04-018	. BUSHING FOR USE WITH 757-3912-1, -3, -5 (ITEM 11, 12, 13)		1
22	BACB28X4C008	. BUSHING FOR USE WITH 757-3912-1, -3, -5 (ITEM 11, 12, 13)		1
25	BACB30MR4K11	. BOLT USED ON: 757-3904-1, -2, -3, -4		1
26	BACB30MR4K13	. BOLT FOR USE WITH 757-3912-1, -3, -5 (ITEM 11, 12, 13)		1
30	BACB30NR4K5	. BOLT	ALL	6
35	BACB30NR4K13	. BOLT USED ON: 757-3904-1, -2, -3, -4		2
40	BACB30NM3K19	. BOLT USED ON: 757-3904-1, -2, -3, -4		1
41	BACB30VT8K3	. BOLT FOR USE WITH 757-3904-13, -14		
42	BACB30VT8K9	. BOLT FOR USE WITH 757-3904-13, -14		
43	BACC30BL8	. COLLAR FOR USE WITH 757-3904-13, -14		
45	BACJ40AB20-4	. JUMPER	ALL	1
50	BACN10JC3CD	. NUT	ALL	2
55	BACN10YR4CD	. NUT	ALL	3
60	BACN10YR3CD	. NUT	ALL	2
65	BACS12HN3-6	. SCREW	ALL	1
70	BACS12HN3-7	. SCREW	ALL	1
75	NAS1149D0316H	. WASHER	ALL	6

Aviation Partners Boeing

757-200

SUPPLEMENT – PARTS CATALOG (MAINTENANCE)

FIGURE ITEM	PART NUMBER	NOMENCLATURE 1 2 3 4 5 6 7	EFFECT FROM TO	UNITS PER ASSY
80	NAS1149D0432J	. WASHER	ALL	11
85	NAS1149D0363J	. WASHER USED ON: 757-3904-1, -2, -3, -4		1
86	BACW10BP4CD	. WASHER	ALL	1
90	10-61359-3	. . ACTUATOR FOR -2, -4, -8 KIT, ACTIVATED LOAD ALLEVIATION SYSTEM SUPPLIER CODE: 81039 USED ON: 757-3905-2, -5		1
95	737-8915-1	ROD, ACTUATOR REPLACEMENT FOR -1, -3, -7 KIT, DE-ACTIVATED LOAD ALLEVIATION SYSTEM USED ON: 757-3905-1, -6		1

- 1 757-3904-1, -2 are effective for Kit Serialization 52001 – 52036*
 757-3904-3, -4 are effective for Kit Serialization 52037 – 52054*
 The replacement installation for 757-3904-1, -3 is 757-3904-5
 The replacement installation for 757-3904-2, -4 is 757-3904-6

*Airplanes that have been modified per APB Service Bulletin AP757-27-001 will have 757-3912-1 installed in lieu of 757-3910-1

- 2 757-3904-5, -6 are effective for Kit Serialization 52055 – 52095
- 3 757-3904-7, -8 are effective for Kit Serialization 52096 – 52999
- 4 757-3904-13, -14 are required for Airplane Line Numbers 125 – 325 and interchangeable with 757-3904-7, -8 for Airplane Line Numbers 326 and on.

Aviation Partners Boeing
757-200
SUPPLEMENT – PARTS CATALOG (MAINTENANCE)

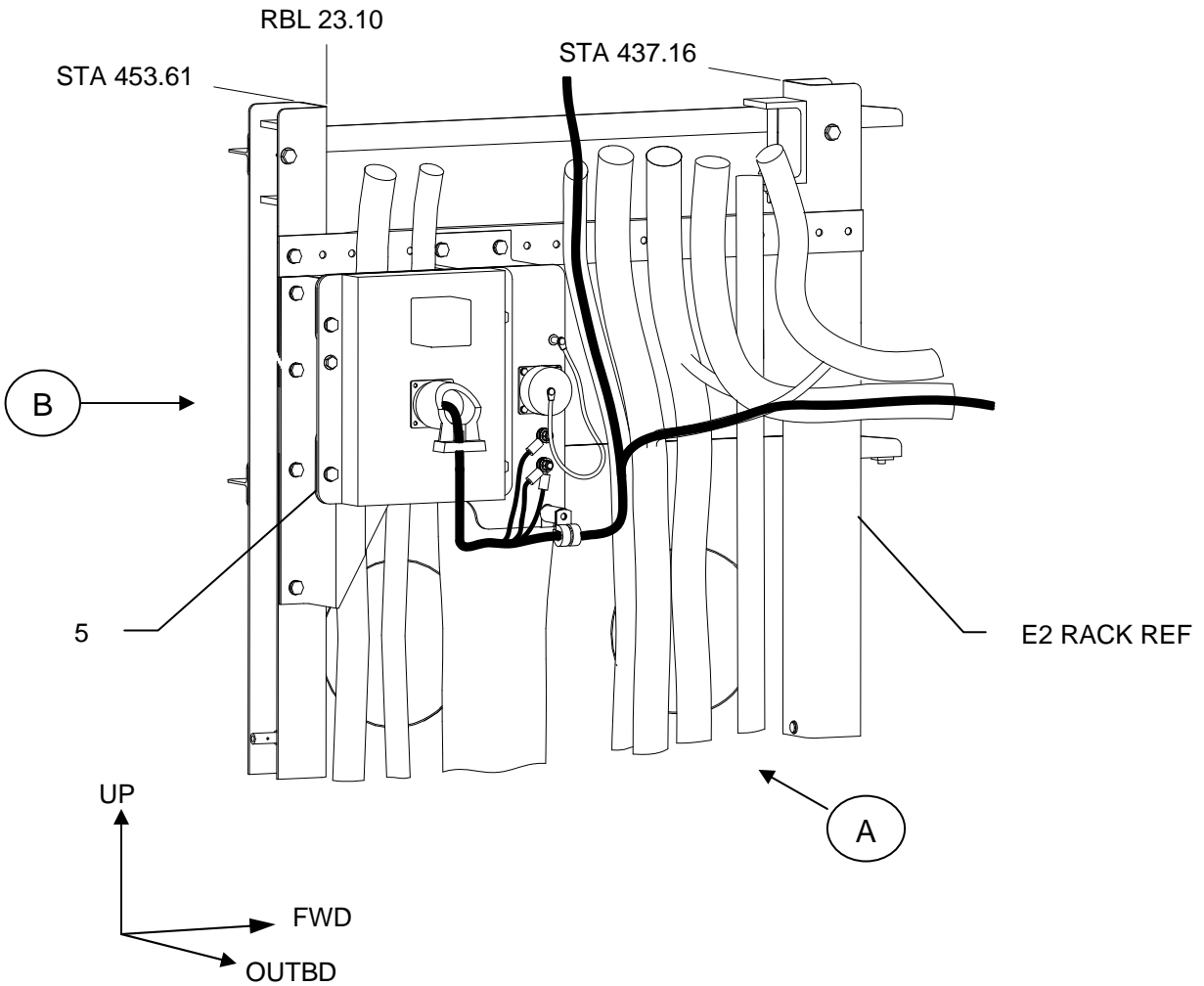
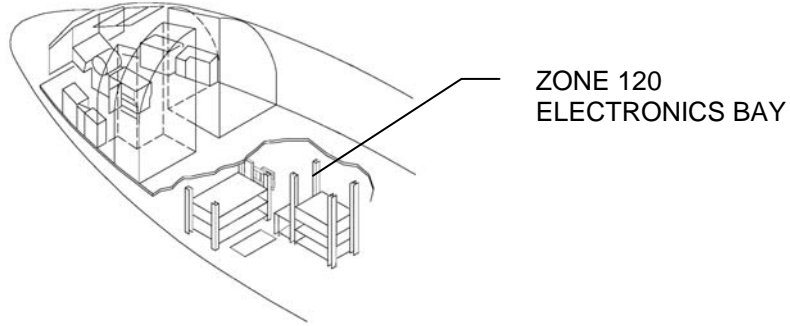


FIGURE 2 (SHEET 1)
SPEEDBRAKE AUTOSTOW CONTROL MODULE

Aviation Partners Boeing
757-200
SUPPLEMENT – PARTS CATALOG (MAINTENANCE)

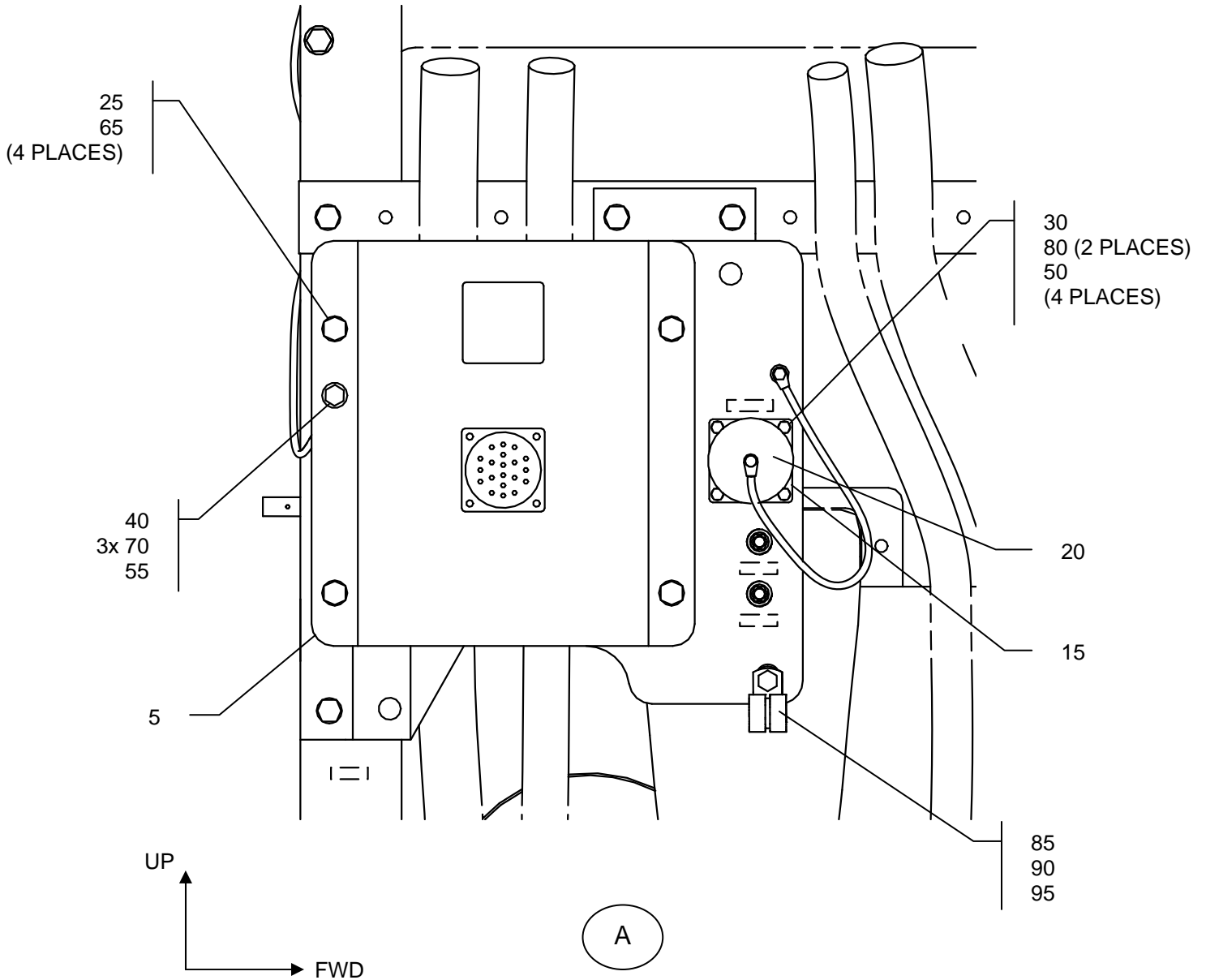


FIGURE 2 (SHEET 2)
SPEEDBRAKE AUTOSTOW CONTROL MODULE

Aviation Partners Boeing
757-200
SUPPLEMENT – PARTS CATALOG (MAINTENANCE)

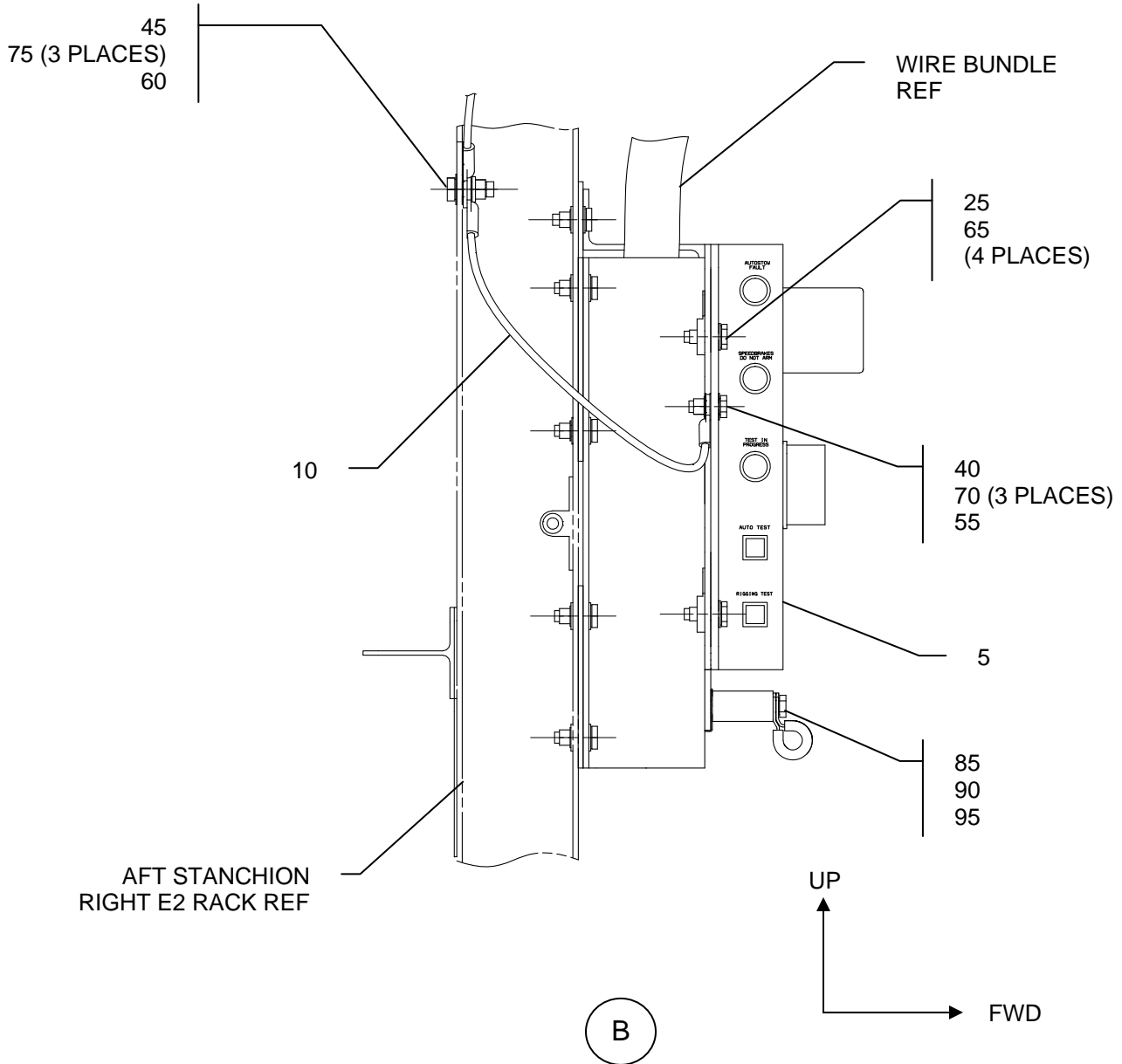
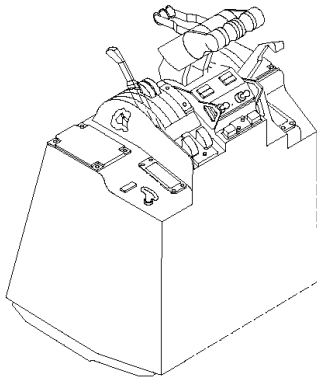


FIGURE 2 (SHEET 3)
SPEEDBRAKE AUTOSTOW CONTROL MODULE

Aviation Partners Boeing
757-200
SUPPLEMENT – PARTS CATALOG (MAINTENANCE)

FIGURE ITEM	PART NUMBER	NOMENCLATURE							EFFECT FROM TO	UNITS PER ASSY
		1	2	3	4	5	6	7		
FIG. 2 1	757-3930-1	EQUIPMENT INSTL – AUTOSTOW CONTROLLER, E2 - RACK							ALL	RF
5	737S3900-2	. CONTROLLER SUPPLIER CODE: 3X2T2							ALL	1
10	BACJ40AB21-8	. JUMPER ASSY							ALL	1
15	BACC45FN20-41P	. CONNECTOR							ALL	1
20	M83723-60-220AT	. CAP							ALL	1
25	BACB30LM3-5	. BOLT							ALL	4
30	NAS1802-04-6P	. SCREW							ALL	4
40	NAS1802-3-8P	. SCREW							ALL	1
45	NAS1802-4-10P	. SCREW							ALL	1
50	BACN10YR04CD	. NUT							ALL	4
55	BACN10YR3CD	. NUT							ALL	1
60	BACN10YR4CD	. NUT							ALL	1
65	NAS1149D0332J	. WASHER							ALL	4
70	NAS1149D0316H	. WASHER							ALL	3
75	NAS1149D0416H	. WASHER							ALL	3
80	NAS620-4	. WASHER							ALL	8
85	BACC10GE5A	. CLAMP							ALL	1
90	NAS1802-3	. SCREW							ALL	1
95	BACS18K10-64W	. SPACER							ALL	1

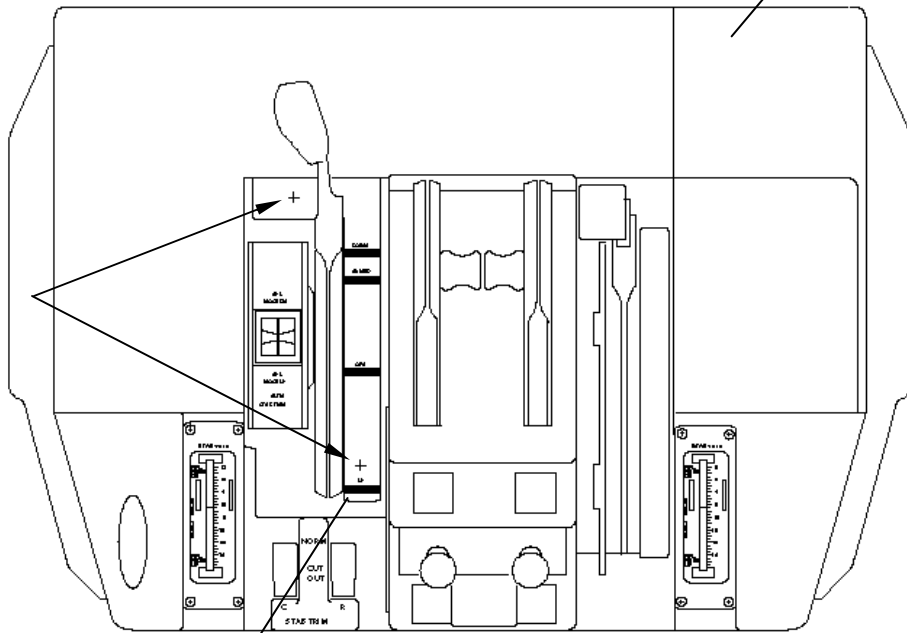
Aviation Partners Boeing
 757-200
 SUPPLEMENT – PARTS CATALOG (MAINTENANCE)



ZONE 211 / 212
 CONTROL CABIN

CONTROL STAND
 REF

SFSW6C5DL12BN REF
 LIGHTPLATE CAPTIVE
 FASTENER



5

FIGURE 3 (SHEET 1)
 SPEEDBRAKE LIGHTPLATE – CONTROL STAND
 CONTROL STANDS WITH MOLDED PLASTIC COVER ASSEMBLY

Aviation Partners Boeing
757-200
SUPPLEMENT – PARTS CATALOG (MAINTENANCE)

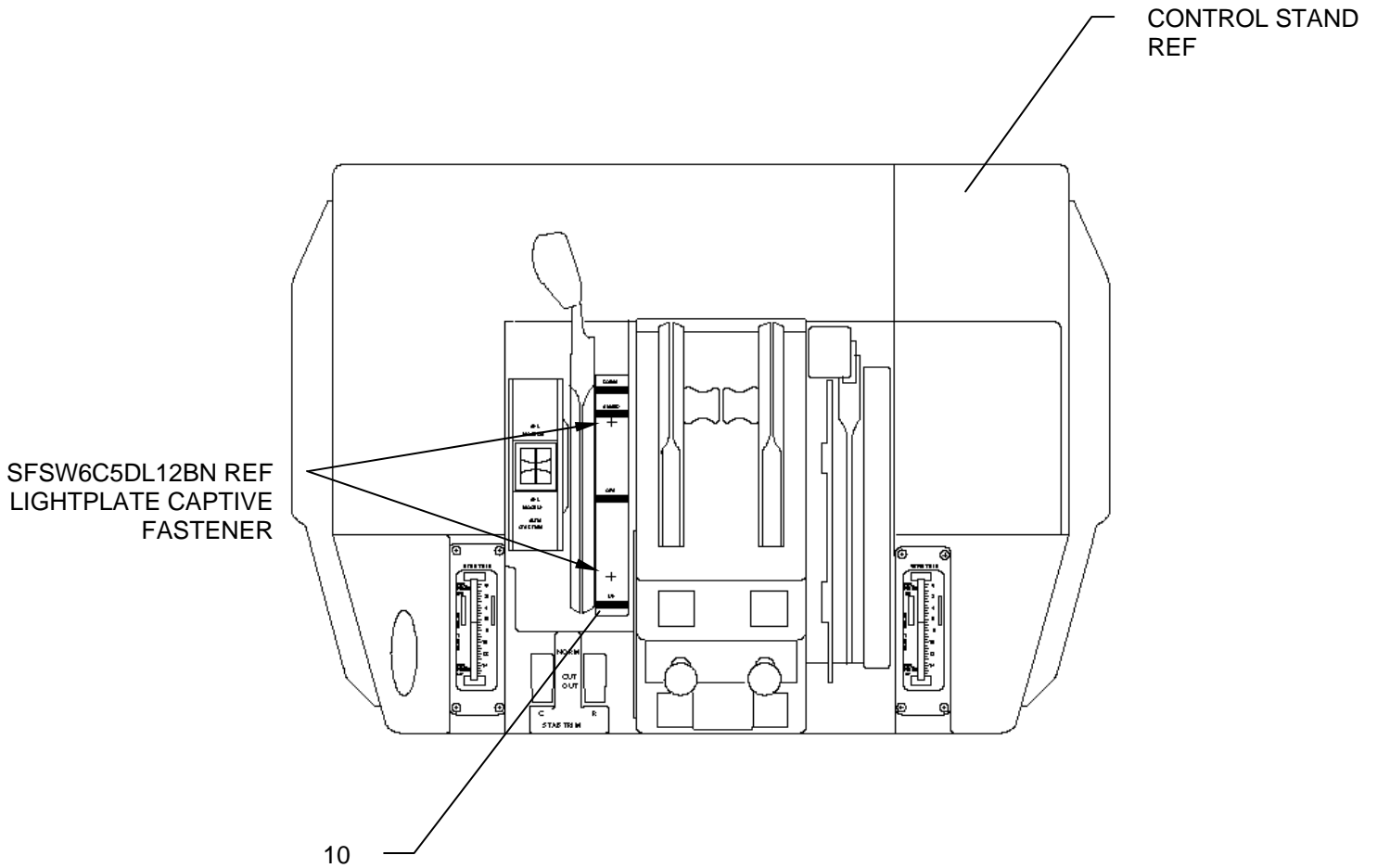


FIGURE 3 (SHEET 2)
SPEEDBRAKE LIGHTPLATE – CONTROL STAND
CONTROL STANDS WITH SHEET METAL COVER ASSEMBLY

Aviation Partners Boeing
757-200
SUPPLEMENT – PARTS CATALOG (MAINTENANCE)

CHAPTER 28 – FUEL

TABLE OF CONTENTS

SUBJECT	CHAPTER SECTION UNIT	FIGURE	WINGLET SERIAL NUMBER (EFFECT)
FUEL QUANTITY MEASURING STICKS	28-44-00		ALL
STICK INSTL FUEL QTY MEASURING	28-44-01	01	ALL
STICK ASSY FUEL QTY MEASURING	28-44-01	02	ALL

Aviation Partners Boeing
757-200
SUPPLEMENT – PARTS CATALOG (MAINTENANCE)

FUEL MEASURING STICKS

Aviation Partners Boeing

757-200

SUPPLEMENT – PARTS CATALOG (MAINTENANCE)

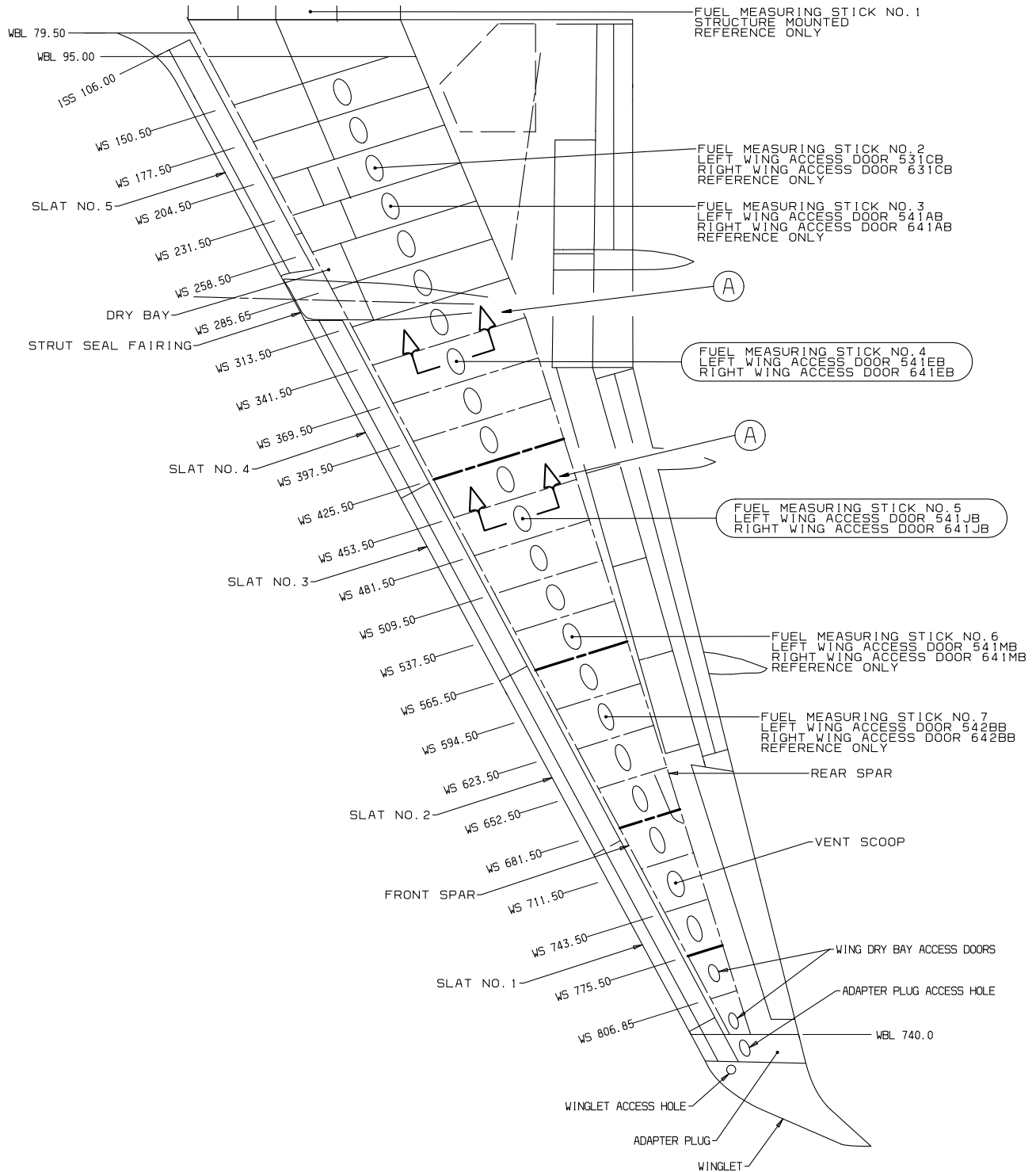
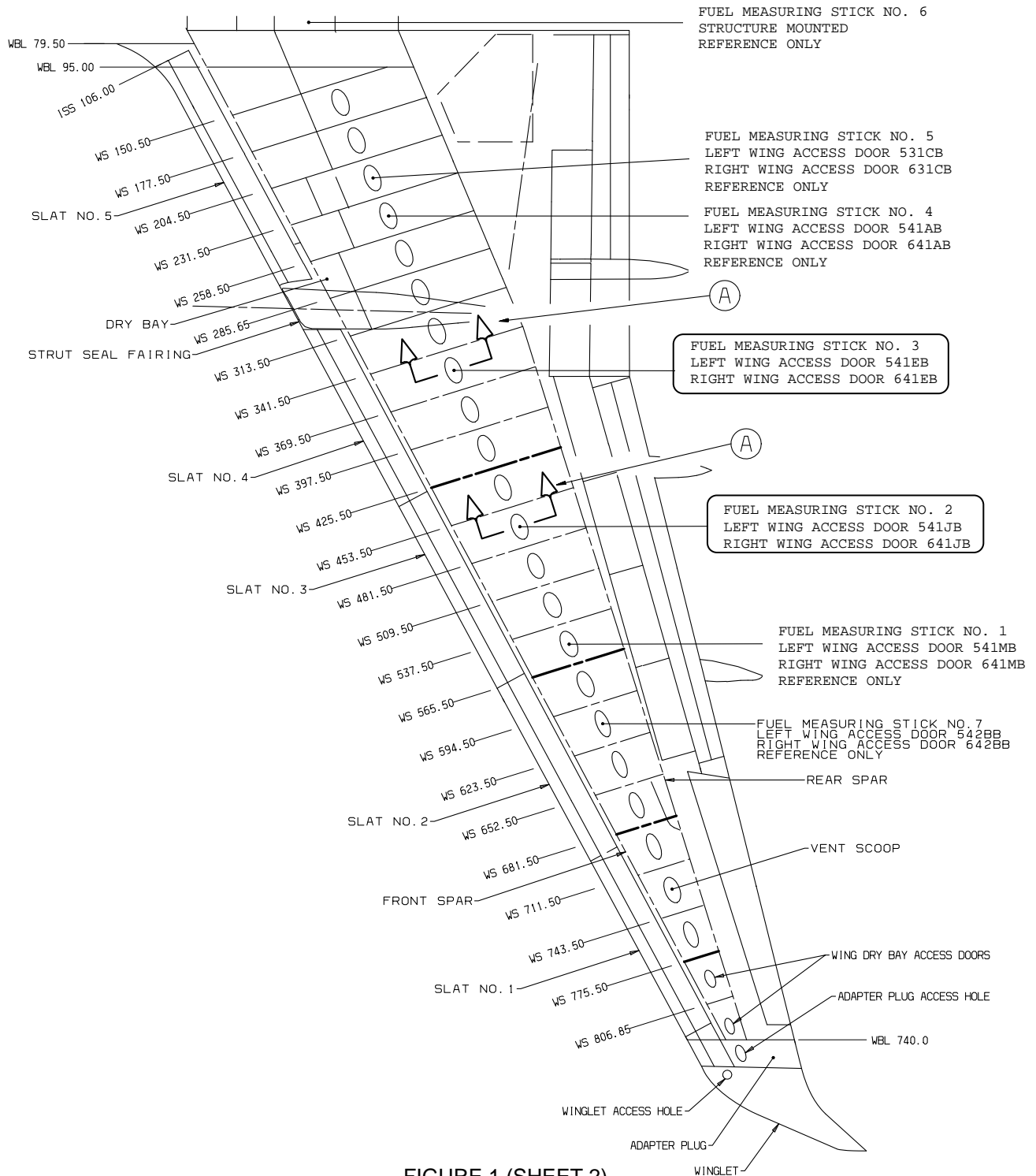


FIGURE 1 (SHEET 1)
LEFT WING SHOWN
RIGHT WING OPPOSITE
 Stick installation for airplane with sticks numbered INBD to OTBD 1, 2, 3, 4, 5, 6, 7

Aviation Partners Boeing 757-200 SUPPLEMENT – PARTS CATALOG (MAINTENANCE)



**FIGURE 1 (SHEET 2)
LEFT WING SHOWN
RIGHT WING OPPOSITE**

Stick installation for airplane with sticks numbered INBD to OTBD 6, 5, 4, 3, 2, 1, 7

Aviation Partners Boeing
757-200
SUPPLEMENT – PARTS CATALOG (MAINTENANCE)

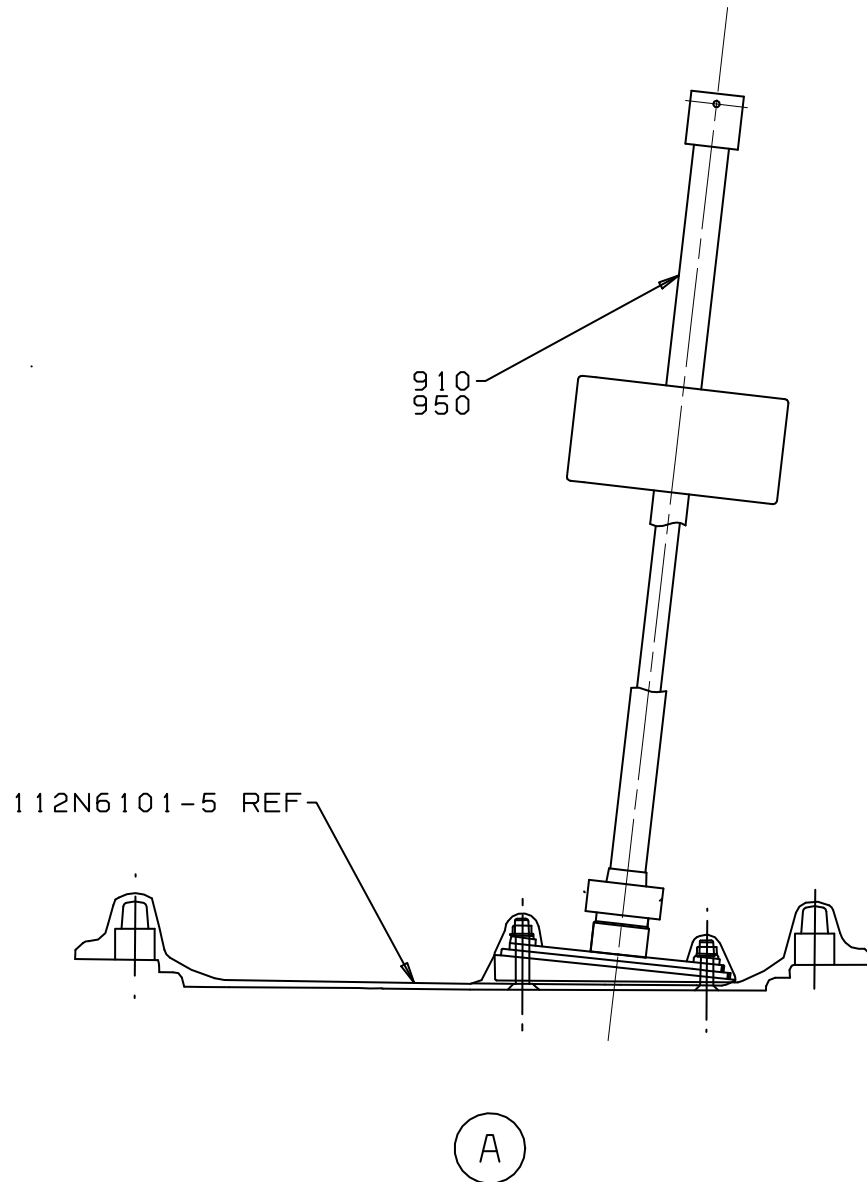


FIGURE 1 (SHEET 3)
DOOR ASSY – FUEL QUANTITY MEASURING

- 900 - Fuel measuring stick no. 5 for airplane with sticks numbered INBD to OTBD 1, 2, 3, 4, 5, 6, 7 or stick no. 2 for airplane with sticks numbered INBD to OTBD 6, 5, 4, 3, 2, 1, 7.
- 905 - Fuel measuring stick no. 4 for airplane with sticks numbered INBD to OTBD 1, 2, 3, 4, 5, 6, 7 or stick no. 3 for airplane with sticks numbered INBD to OTBD 6, 5, 4, 3, 2, 1, 7.

Aviation Partners Boeing
757-200
SUPPLEMENT – PARTS CATALOG (MAINTENANCE)

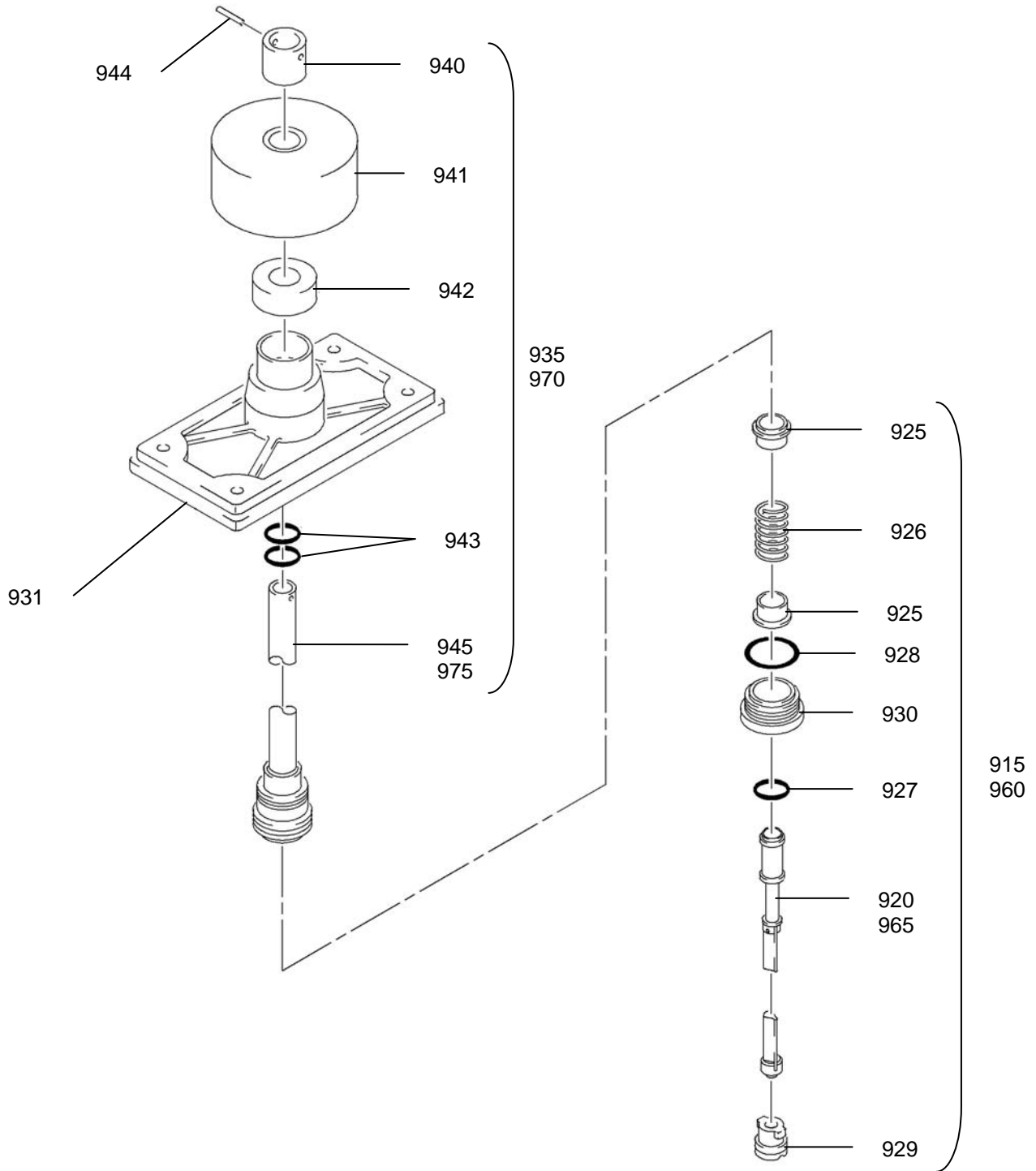


FIGURE 1 (SHEET 4)
STICK ASSY – FUEL QUANTITY MEASURING

- 910 - Fuel measuring stick no. 5 for airplane with sticks numbered INBD to OTBD 1, 2, 3, 4, 5, 6, 7 or stick no. 2 for airplane with sticks numbered INBD to OTBD 6, 5, 4, 3, 2, 1, 7.
- 950 - Fuel measuring stick no. 4 for airplane with sticks numbered INBD to OTBD 1, 2, 3, 4, 5, 6, 7 or stick no. 3 for airplane with sticks numbered INBD to OTBD 6, 5, 4, 3, 2, 1, 7.

Aviation Partners Boeing

757-200

SUPPLEMENT – PARTS CATALOG (MAINTENANCE)

FIGURE ITEM	PART NUMBER	NOMENCLATURE							EFFECT FROM TO	UNITS PER ASSY
		1	2	3	4	5	6	7		
FIG. 1 900	757-3700-1	DOOR ASSEMBLY – STICK NO. 5 FOR AIRPLANE WITH STICKS NUMBERED INBD TO OTBD 1, 2, 3, 4, 5, 6, 7. OR DOOR ASSEMBLY - STICK NO. 2 FOR AIRPLANE WITH STICKS NUMBERED INBD TO OTBD 6, 5, 4, 3, 2, 1, 7. REWORKED DOOR ASSY 65-50748-26 FOR NHA SEE: 757-3010							ALL	RF
910	1140-0110-() -219 (INCHES) -229 (LBS) -239 (LITERS) -249 (KGS)	FLEXI-STICK ASSEMBLY - STICK NO. 5 FOR AIRPLANE WITH STICKS NUMBERED INBD TO OTBD 1, 2, 3, 4, 5, 6, 7. OR FLEXI-STICK ASSEMBLY - STICK NO. 2 FOR AIRPLANE WITH STICKS NUMBERED INBD TO OTBD 6, 5, 4, 3, 2, 1, 7. SUPPLIER CODE: 86831 BOEING SCD: S345T001-219 S345T001-229 S345T001-239 S345T001-249 COMPONENT MAINT MANUAL REF: 28-40-06							ALL	1
935	757-3701-1	REWORKED HOUSING ASSEMBLY – STICK NO. 5 FOR AIRPLANE WITH STICKS NUMBERED INBD TO OTBD 1, 2, 3, 4, 5, 6, 7. OR REWORKED HOUSING ASSEMBLY – STICK NO. 2 FOR AIRPLANE WITH STICKS NUMBERED INBD TO OTBD 6, 5, 4, 3, 2, 1, 7. OPTIONAL PART: 4090-0033-209							ALL	1
915	757-3701-3	REWORKED STICK ASSEMBLY – STICK NO. 5 FOR AIRPLANE WITH STICKS NUMBERED INBD TO OTBD 1, 2, 3, 4, 5, 6, 7. OR REWORKED STICK ASSEMBLY – STICK NO. 2 FOR AIRPLANE WITH STICKS NUMBERED INBD TO OTBD 6, 5, 4, 3, 2, 1, 7. OPTIONAL PART: 4177-0146-219 (INCHES) 4177-0146-229 (LBS) 4177-0146-239 (LITERS) 4177-0146-249 (KGS)							ALL	1

Aviation Partners Boeing

757-200

SUPPLEMENT – PARTS CATALOG (MAINTENANCE)

FIGURE ITEM	PART NUMBER	NOMENCLATURE							EFFECT FROM TO	UNITS PER ASSY
		1	2	3	4	5	6	7		
915	4177-0146-() -219 (INCHES) -229 (LBS) -239 (LITERS) -249 (KGS)	ALL	1
		STICK ASSEMBLY – STICK NO. 5 FOR AIRPLANE WITH STICKS NUMBERED INBD TO OTBD 1, 2, 3, 4, 5, 6, 7. OR STICK ASSEMBLY - STICK NO. 2 FOR AIRPLANE WITH STICKS NUMBERED INBD TO OTBD 6, 5, 4, 3, 2, 1, 7. SUPPLIER CODE: 86831 USED ON: 1140-0110-219 1140-0110-229 1140-0110-239 1140-0110-249 OPTIONAL PART: 757-3701-3								
920	4177-0169-() -219 (INCHES) -229 (LBS) -239 (LITERS) -249 (KGS)	ALL	1
		STICK SUB ASSEMBLY – STICK NO. 5 FOR AIRPLANE WITH STICKS NUMBERED INBD TO OTBD 1, 2, 3, 4, 5, 6, 7. OR STICK SUB ASSEMBLY - STICK NO. 2 FOR AIRPLANE WITH STICKS NUMBERED INBD TO OTBD 6, 5, 4, 3, 2, 1, 7. SUPPLIER CODE: 86831 USED ON: 4177-0146-219 4177-0146-229 4177-0146-239 4177-0146-249								
925	2078-0058	ALL	2
		GUIDE - SUPPLIER CODE: 86831 OPTIONAL PART: 2078-0058-1								
925	2078-0058-1	ALL	2
		GUIDE - SUPPLIER CODE: 86831 OPTIONAL PART: 2078-0058								
926	2161-0210	ALL	1
		SPRING - SUPPLIER CODE: 86831								
927	RS900BS015	ALL	1
		O-RING - SUPPLIER CODE: 86831 OPTIONAL PART: MS29513-015								
927	MS29513-015	ALL	1
		O-RING - SUPPLIER CODE: 86831 OPTIONAL PART: RS900BS015								
928	RS900BS022	ALL	1
		O-RING - SUPPLIER CODE: 86831 OPTIONAL PART: MS29513-022								
928	MS29513-022	ALL	1
		O-RING - SUPPLIER CODE: 86831 OPTIONAL PART: RS900BS022								
929	4115-0001	ALL	1
		LATCH ASSY - SUPPLIER CODE: 86831								

Aviation Partners Boeing

757-200

SUPPLEMENT – PARTS CATALOG (MAINTENANCE)

FIGURE ITEM	PART NUMBER	NOMENCLATURE					EFFECT FROM TO	UNITS PER ASSY		
		1	2	3	4	5			6	7
930	2144-0074	.	.	.	RETAINER - SUPPLIER CODE: 86831			ALL	1	
931	2011-0012	.	.	BASE - SUPPLIER CODE: 86831					ALL	1
935	4090-0033-209	.	.	HOUSING ASSEMBLY – STICK NO. 5 FOR AIRPLANE WITH STICKS NUMBERED INBD TO OTBD 1, 2, 3, 4, 5, 6, 7. OR HOUSING ASSEMBLY - STICK NO. 2 FOR AIRPLANE WITH STICKS NUMBERED INBD TO OTBD 6, 5, 4, 3, 2, 1, 7. SUPPLIER CODE: 86831 USED ON: 1140-0110-219 1140-0110-229 1140-0110-239 1140-0110-249 OPTIONAL PART: 757-3701-1					ALL	1
940	2222-0018	.	.	.	STOP - SUPPLIER CODE: 86831			ALL	1	
941	4066-0053-1	.	.	.	FLOAT ASSY - SUPPLIER CODE: 86831			ALL	1	
942	2020-0011	.	.	.	BUMPER - SUPPLIER CODE: 86831			ALL	1	
943	RS900J016	.	.	.	O-RING - SUPPLIER CODE: 86831			ALL	2	
944	RS299-1	.	.	.	PIN - SUPPLIER CODE: 86831			ALL	1	
945	4177-0160-209	.	.	.	TUBE ASSY - SUPPLIER CODE: 86831			ALL	1	

Aviation Partners Boeing

757-200

SUPPLEMENT – PARTS CATALOG (MAINTENANCE)

FIGURE ITEM	PART NUMBER	NOMENCLATURE						EFFECT FROM TO	UNITS PER ASSY
		1	2	3	4	5	6		
FIG. 1 905	757-3700-3	DOOR ASSEMBLY – STICK NO. 4 FOR AIRPLANE WITH STICKS NUMBERED INBD TO OTBD 1, 2, 3, 4, 5, 6, 7. OR DOOR ASSEMBLY - STICK NO. 3 FOR AIRPLANE WITH STICKS NUMBERED INBD TO OTBD 6, 5, 4, 3, 2, 1, 7. REWORKED DOOR ASSY 65-50748-27 FOR NHA SEE: 757-3010						ALL	RF
950	1140-0110-() -220 (INCHES) -230 (LBS) -240 (LITERS) -250 (KGS)	FLEXI-STICK ASSEMBLY - STICK NO. 4 FOR AIRPLANE WITH STICKS NUMBERED INBD TO OTBD 1, 2, 3, 4, 5, 6, 7. OR FLEXI-STICK ASSEMBLY - STICK NO. 3 FOR AIRPLANE WITH STICKS NUMBERED INBD TO OTBD 6, 5, 4, 3, 2, 1, 7. SUPPLIER CODE: 86831 BOEING SCD: S345T001-220 S345T001-230 S345T001-240 S345T001-250 COMPONENT MAINT MANUAL REF: 28-40-06						ALL	1
970	757-3701-2	REWORKED HOUSING ASSEMBLY – STICK NO. 4 FOR AIRPLANE WITH STICKS NUMBERED INBD TO OTBD 1, 2, 3, 4, 5, 6, 7. OR REWORKED HOUSING ASSEMBLY – STICK NO. 3 FOR AIRPLANE WITH STICKS NUMBERED INBD TO OTBD 6, 5, 4, 3, 2, 1, 7. OPTIONAL PART: 4090-0033-210						ALL	1
960	757-3701-4	REWORKED STICK ASSEMBLY – STICK NO. 4 FOR AIRPLANE WITH STICKS NUMBERED INBD TO OTBD 1, 2, 3, 4, 5, 6, 7. OR REWORKED STICK ASSEMBLY – STICK NO. 3 FOR AIRPLANE WITH STICKS NUMBERED INBD TO OTBD 6, 5, 4, 3, 2, 1, 7. OPTIONAL PART: 4177-0146-220 (INCHES) 4177-0146-230 (LBS) 4177-0146-240 (LITERS) 4177-0146-250 (KGS)						ALL	1

Aviation Partners Boeing

757-200

SUPPLEMENT – PARTS CATALOG (MAINTENANCE)

FIGURE ITEM	PART NUMBER	NOMENCLATURE							EFFECT FROM TO	UNITS PER ASSY
		1	2	3	4	5	6	7		
960	4177-0146-() -220 (INCHES) -230 (LBS) -240 (LITERS) -250 (KGS)	.	.						ALL	1
		STICK ASSEMBLY – STICK NO. 4 FOR AIRPLANE WITH STICKS NUMBERED INBD TO OTBD 1, 2, 3, 4, 5, 6, 7. OR STICK ASSEMBLY - STICK NO. 3 FOR AIRPLANE WITH STICKS NUMBERED INBD TO OTBD 6, 5, 4, 3, 2, 1, 7. SUPPLIER CODE: 86831 USED ON: 1140-0110-220 1140-0110-230 1140-0110-240 1140-0110-250 OPTIONAL PART: 757-3701-4								
965	4177-0169-() -220 (INCHES) -230 (LBS) -240 (LITERS) -250 (KGS)	.	.	.					ALL	1
		STICK SUB ASSEMBLY – STICK NO. 4 FOR AIRPLANE WITH STICKS NUMBERED INBD TO OTBD 1, 2, 3, 4, 5, 6, 7. OR STICK SUB ASSEMBLY - STICK NO. 3 FOR AIRPLANE WITH STICKS NUMBERED INBD TO OTBD 6, 5, 4, 3, 2, 1, 7. SUPPLIER CODE: 86831 USED ON: 4177-0146-220 4177-0146-230 4177-0146-240 4177-0146-250								
925	2078-0058	.	.	.					ALL	2
		GUIDE - SUPPLIER CODE: 86831 OPTIONAL PART: 2078-0058-1								
925	2078-0058-1	.	.	.					ALL	2
		GUIDE - SUPPLIER CODE: 86831 OPTIONAL PART: 2078-0058								
926	2161-0210	.	.	.					ALL	1
		SPRING - SUPPLIER CODE: 86831								
927	RS900BS015	.	.	.					ALL	1
		O-RING - SUPPLIER CODE: 86831 OPTIONAL PART: MS29513-015								
927	MS29513-015	.	.	.					ALL	1
		O-RING - SUPPLIER CODE: 86831 OPTIONAL PART: RS900BS015								
928	RS900BS022	.	.	.					ALL	1
		O-RING - SUPPLIER CODE: 86831 OPTIONAL PART: MS29513-022								
928	MS29513-022	.	.	.					ALL	1
		O-RING - SUPPLIER CODE: 86831 OPTIONAL PART: RS900BS022								
929	4115-0001	.	.	.					ALL	1
		LATCH ASSY - SUPPLIER CODE: 86831								

Aviation Partners Boeing

757-200

SUPPLEMENT – PARTS CATALOG (MAINTENANCE)

FIGURE ITEM	PART NUMBER	NOMENCLATURE 1 2 3 4 5 6 7	EFFECT FROM TO	UNITS PER ASSY
930	2144-0074	. . . RETAINER - SUPPLIER CODE: 86831	ALL	1
931	2011-0012	. . BASE - SUPPLIER CODE: 86831	ALL	1
970	4090-0033-210	. . HOUSING ASSEMBLY – STICK NO. 4 FOR AIRPLANE WITH STICKS NUMBERED INBD TO OTBD 1, 2, 3, 4, 5, 6, 7. OR HOUSING ASSEMBLY - STICK NO. 3 FOR AIRPLANE WITH STICKS NUMBERED INBD TO OTBD 6, 5, 4, 3, 2, 1, 7. SUPPLIER CODE: 86831 USED ON: 1140-0110-220 1140-0110-230 1140-0110-240 1140-0110-250 OPTIONAL PART: 757-3701-2	ALL	1
940	2222-0018	. . . STOP - SUPPLIER CODE: 86831	ALL	1
941	4066-0053-1	. . . FLOAT ASSY - SUPPLIER CODE: 86831	ALL	1
942	2020-0011	. . . BUMPER - SUPPLIER CODE: 86831	ALL	1
943	RS900J016	. . . O-RING - SUPPLIER CODE: 86831	ALL	2
944	RS299-1	. . . PIN - SUPPLIER CODE: 86831	ALL	1
975	4177-0160-210	. . . TUBE ASSY - SUPPLIER CODE: 86831	ALL	1

Aviation Partners Boeing
757-200
SUPPLEMENT – PARTS CATALOG (MAINTENANCE)

CHAPTER 33 – LIGHTS

TABLE OF CONTENTS

SUBJECT	CHAPTER SECTION UNIT	FIGURE	PAGE
POSITION LIGHTS	33-43-00		1
FWD POSITION LIGHT	33-43-01	01	1
AFT POSITION LIGHT	33-43-01	02	1
TRANSFORMER INSTL	33-43-01	03	1
ANTI-COLLISION LIGHTS	33-44-00		1
LIGHT INSTALLATION	33-44-01	01	1
POWER SUPPLY INSTALLATION	33-44-01	02	1

Aviation Partners Boeing
757-200
SUPPLEMENT – PARTS CATALOG (MAINTENANCE)

POSITION (NAVIGATION) LIGHTS

Aviation Partners Boeing
757-200
SUPPLEMENT – PARTS CATALOG (MAINTENANCE)

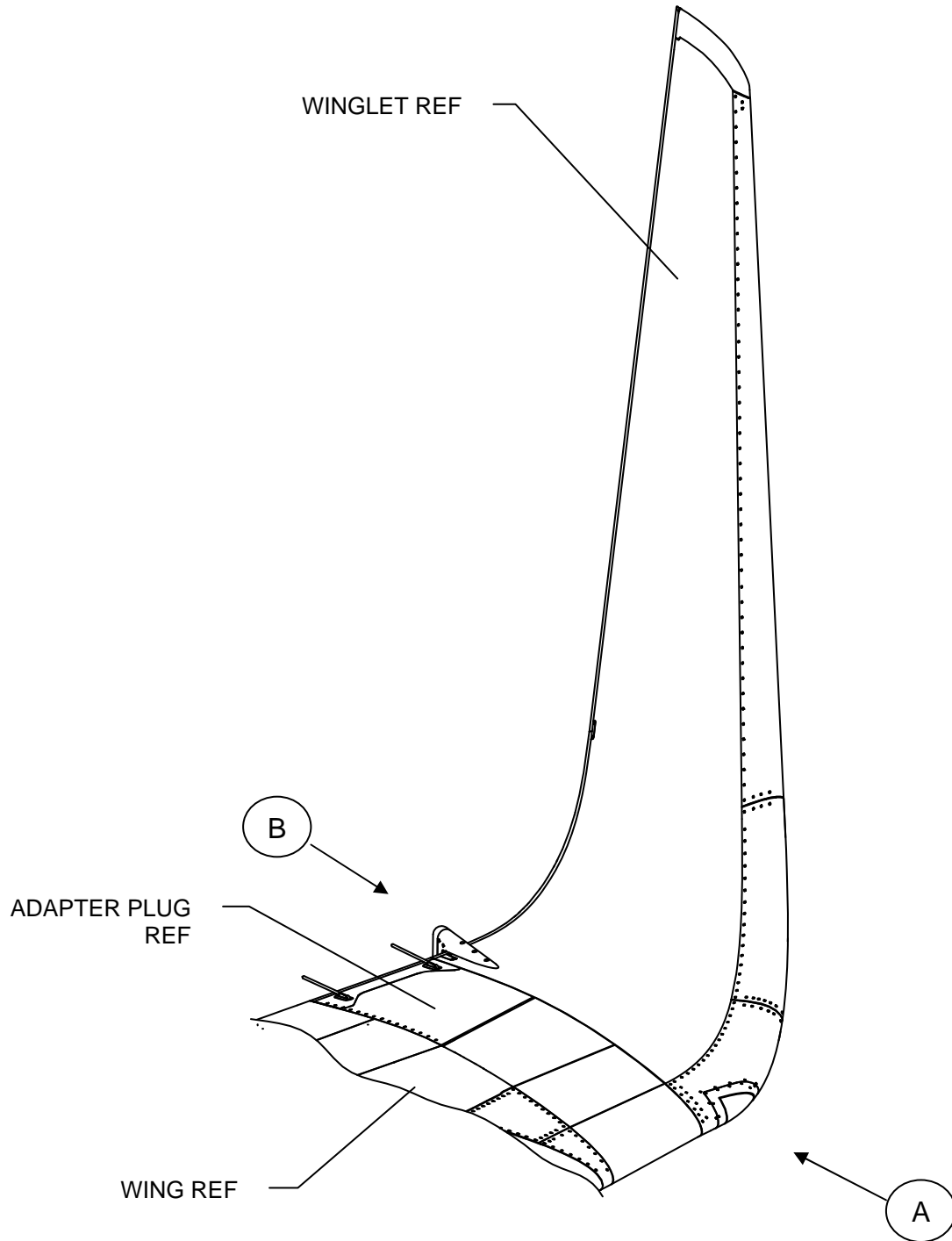


FIGURE 1 (SHEET 1)
WINGLET POSITION (NAVIGATION) LIGHTS

Aviation Partners Boeing
757-200
SUPPLEMENT – PARTS CATALOG (MAINTENANCE)

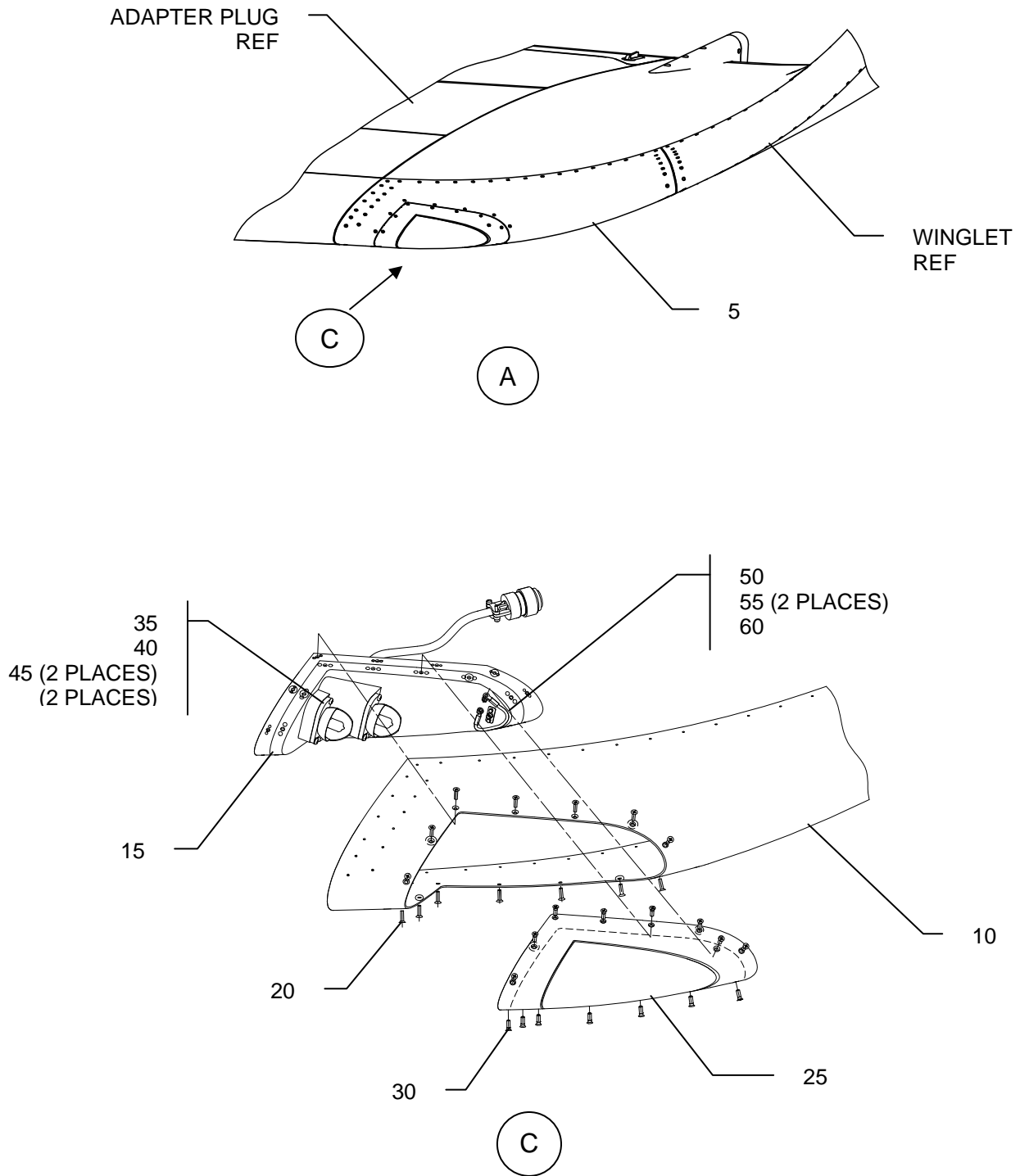


FIGURE 1 (SHEET 2)
WINGLET FORWARD POSITION LIGHT

Aviation Partners Boeing
757-200
SUPPLEMENT – PARTS CATALOG (MAINTENANCE)

FIGURE ITEM	PART NUMBER	NOMENCLATURE							EFFECT FROM TO	UNITS PER ASSY
		1	2	3	4	5	6	7		
	757-0010-3	.								RF
--	757-0010-4	.								RF
	757-0010-5	.								RF
--	757-0010-6	.								RF
5	757-0353-1	.	.							1
-- 6	757-0353-2	.	.							1
10	757-0351-1	.	.	.						1
-- 11	757-0351-2	.	.	.						1
15	31-9289-1	.	.	.						1
-- 16	31-9289-4	.	.	.						1
20	MS24693C28	.	.	.						14
25	31-9292-1					1
-- 26	31-9292-2					1
30	NAS8702-2					14
35	31-9379-1					2
-- 36	31-9379-2					2
40	LP-64621					2
45	MS51957-12					4

Aviation Partners Boeing
757-200
SUPPLEMENT – PARTS CATALOG (MAINTENANCE)

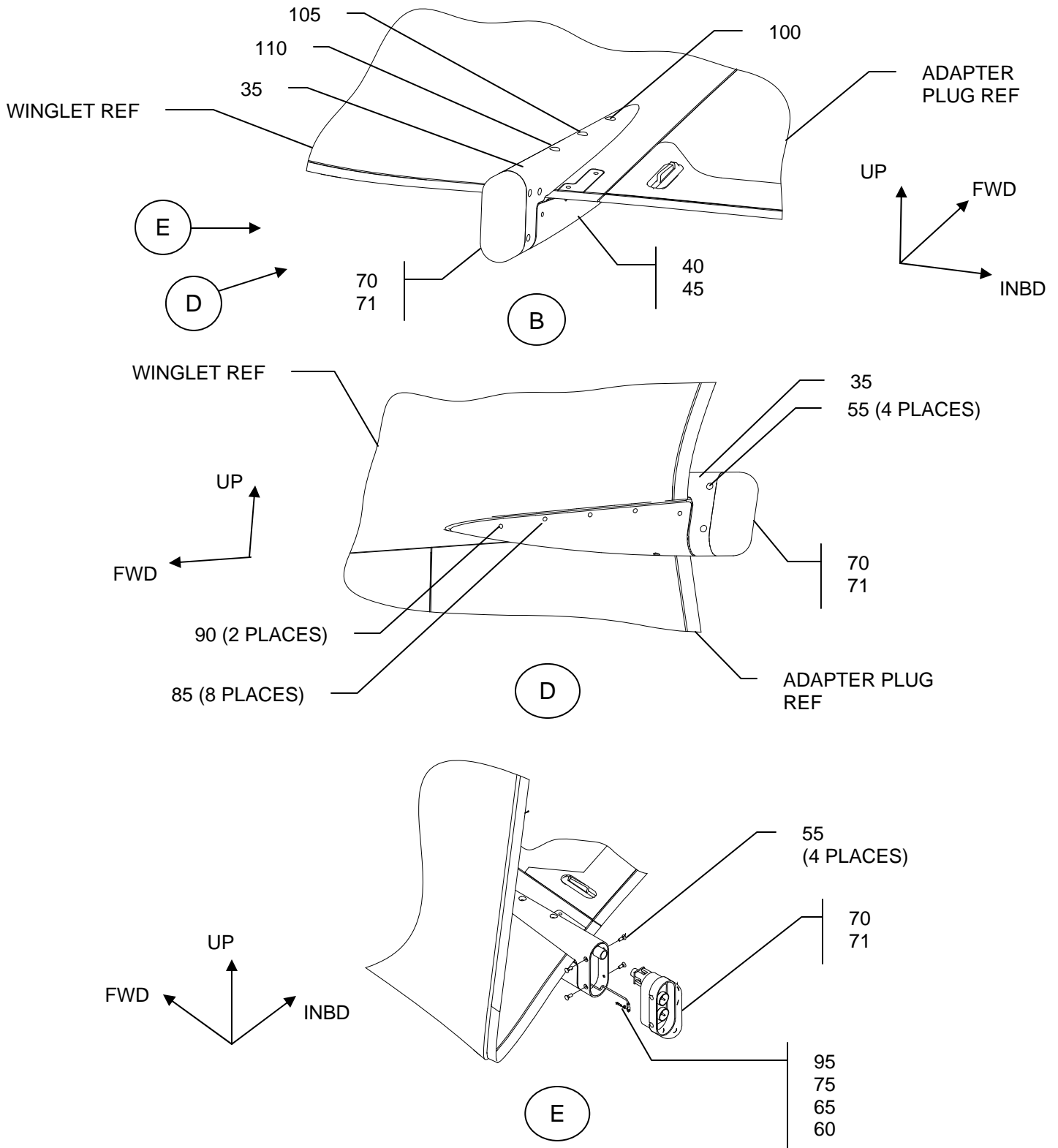


FIGURE 2 (SHEET 1)
WINGLET AFT POSITION LIGHT

Aviation Partners Boeing
757-200
SUPPLEMENT – PARTS CATALOG (MAINTENANCE)

FIGURE ITEM	PART NUMBER	NOMENCLATURE 1 2 3 4 5 6 7	EFFECT FROM TO	UNITS PER ASSY
	757-0010-3	. WINGLET ASSY, LH SIDE USED ON: 757-0002-3		RF
--	757-0010-4	. WINGLET ASSY, RH SIDE USED ON: 757-0002-4		RF
	757-0010-5	. WINGLET ASSY, LH SIDE USED ON: 757-0002-5		RF
--	757-0010-6	. WINGLET ASSY, RH SIDE USED ON: 757-0002-6		RF
	737-8800-1	. . LIGHT INSTL, AFT POSITION, LH USED ON: 757-0010-3, -5		RF
--	737-8800-2	. . LIGHT INSTL, AFT POSITION, RH USED ON: 757-0010-4, -6		RF
35	737-8871-1	. . LIGHT FTG, UPR, LH USED ON: 737-8800-1		1
-- 36	737-8871-2	. . LIGHT FTG, UPR, RH USED ON: 737-8800-2		1
40	737-8872-1	. . LIGHT FTG, LWR, LH USED ON: 737-8800-1		1
-- 41	737-8872-2	. . LIGHT FTG, LWR, RH USED ON: 737-8800-2		1
45	737-8873-1	. . LIGHT FTG, CLOSEOUT USED ON: 737-8800-1/-2		1
55	BACB30NN3K3	. . . BOLT USED ON: 737-8800-1/-2		4
60	BACN10YR3CD	. . . NUT USED ON: 737-8800-1/-2		1
65	NAS1149D0316H	. . . WASHER USED ON: 737-8800-1/-2		3
70	30-2481-5 NOTE: This is the preferred Spare.	. . . LIGHT ASSY USED ON: 737-8800-1/-2 SUPPLIER CODE: 72914 GRIMES AEROSPACE		1
71	30-2481-3	. . . LIGHT ASSY USED ON: 737-8800-1/-2 SUPPLIER CODE: 72914 GRIMES AEROSPACE		1
75	NAS514P1032-10P	. . . SCREW USED ON: 737-8800-1/-2		1

Aviation Partners Boeing
757-200
SUPPLEMENT – PARTS CATALOG (MAINTENANCE)

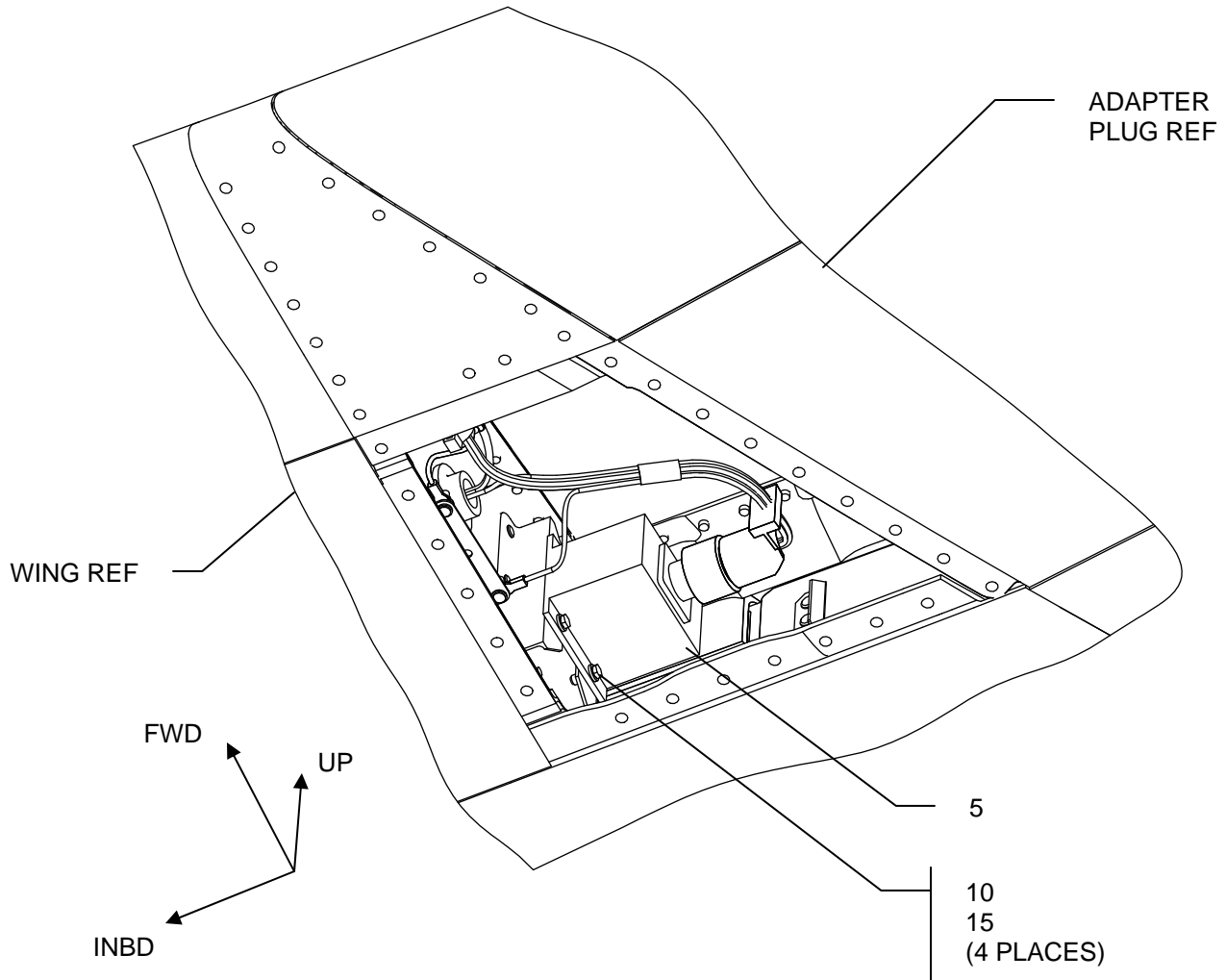


FIGURE 3 (SHEET 1)
TRANSFORMER INSTALLATION - POSITION LIGHTS

Aviation Partners Boeing
757-200
SUPPLEMENT – PARTS CATALOG (MAINTENANCE)

FIGURE ITEM	PART NUMBER	NOMENCLATURE							EFFECT FROM TO	UNITS PER ASSY
		1	2	3	4	5	6	7		
FIG. 3	757-3810-1	EQUIPMENT INSTALLATION – LEFT WING -2 KIT, WINGLET FOR NHA SEE: 757-2000-2							ALL	RF
--	757-3810-2	EQUIPMENT INSTALLATION – RIGHT WING -2 KIT, WINGLET FOR NHA SEE: 757-2000-2							ALL	RF
	757-3810-3	EQUIPMENT INSTALLATION – LEFT WING -1 KIT, WING TIP FOR NHA SEE: 757-2000-1							ALL	RF
--	757-3810-4	EQUIPMENT INSTALLATION – LEFT WING -1 KIT, WING TIP FOR NHA SEE: 757-2000-1							ALL	RF
5	FT1348	. AUTO TRANSFORMER 10V SUPPLIER CODE: 14752							ALL	1
(6)	FT1246	. AUTO TRANSFORMER 9V SUPPLIER CODE: 14752							ALL	1
10	NAS1802—3-10P	. BOLT							ALL	4
15	NAS1149D0363J	. WASHER							ALL	4

Aviation Partners Boeing
757-200
SUPPLEMENT – PARTS CATALOG (MAINTENANCE)

WINGLET ANTI-COLLISION LIGHT

Aviation Partners Boeing
757-200
SUPPLEMENT – PARTS CATALOG (MAINTENANCE)

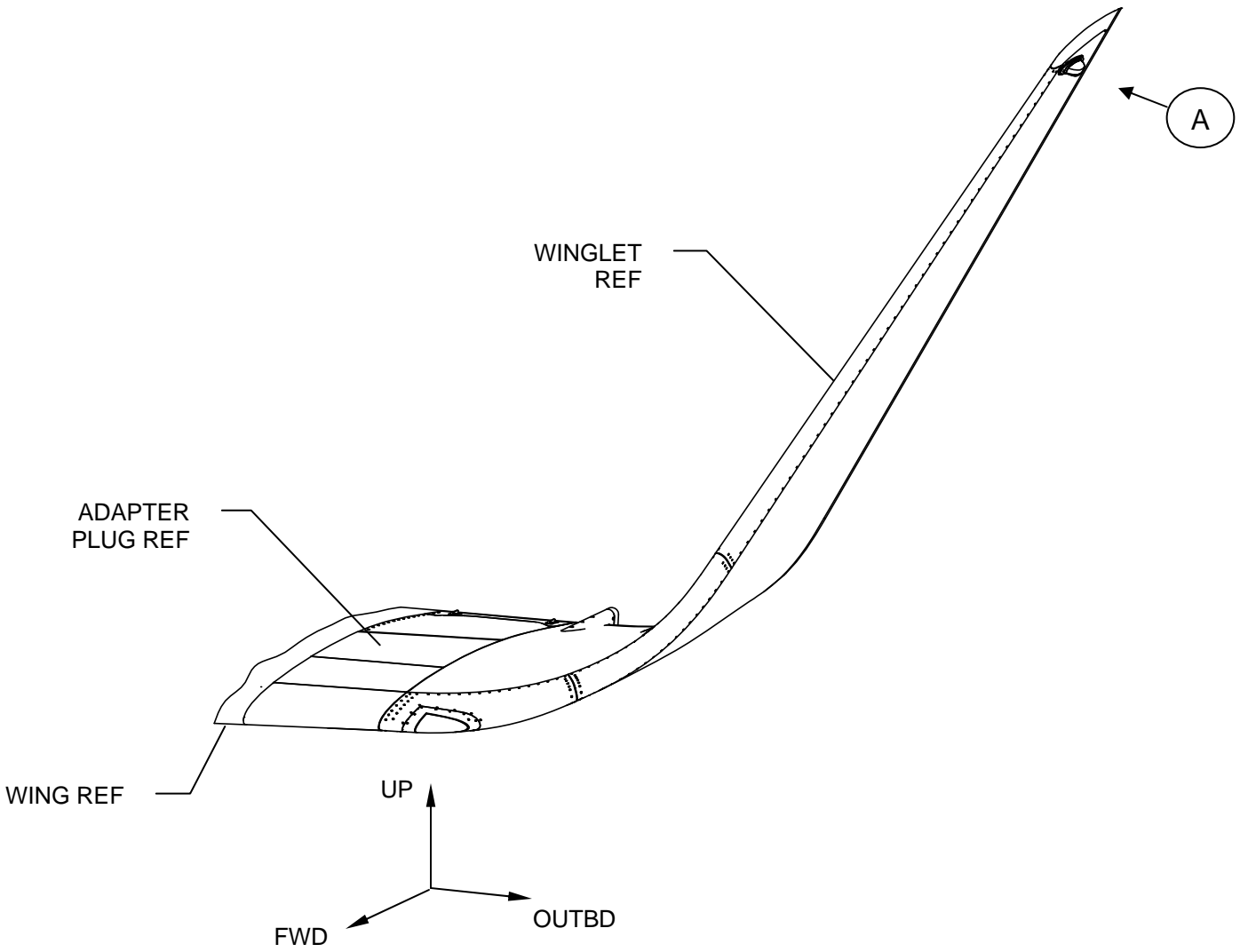


FIGURE 1 (SHEET 1)
WINGLET ANTI-COLLISION LIGHT

Aviation Partners Boeing
757-200
SUPPLEMENT – PARTS CATALOG (MAINTENANCE)

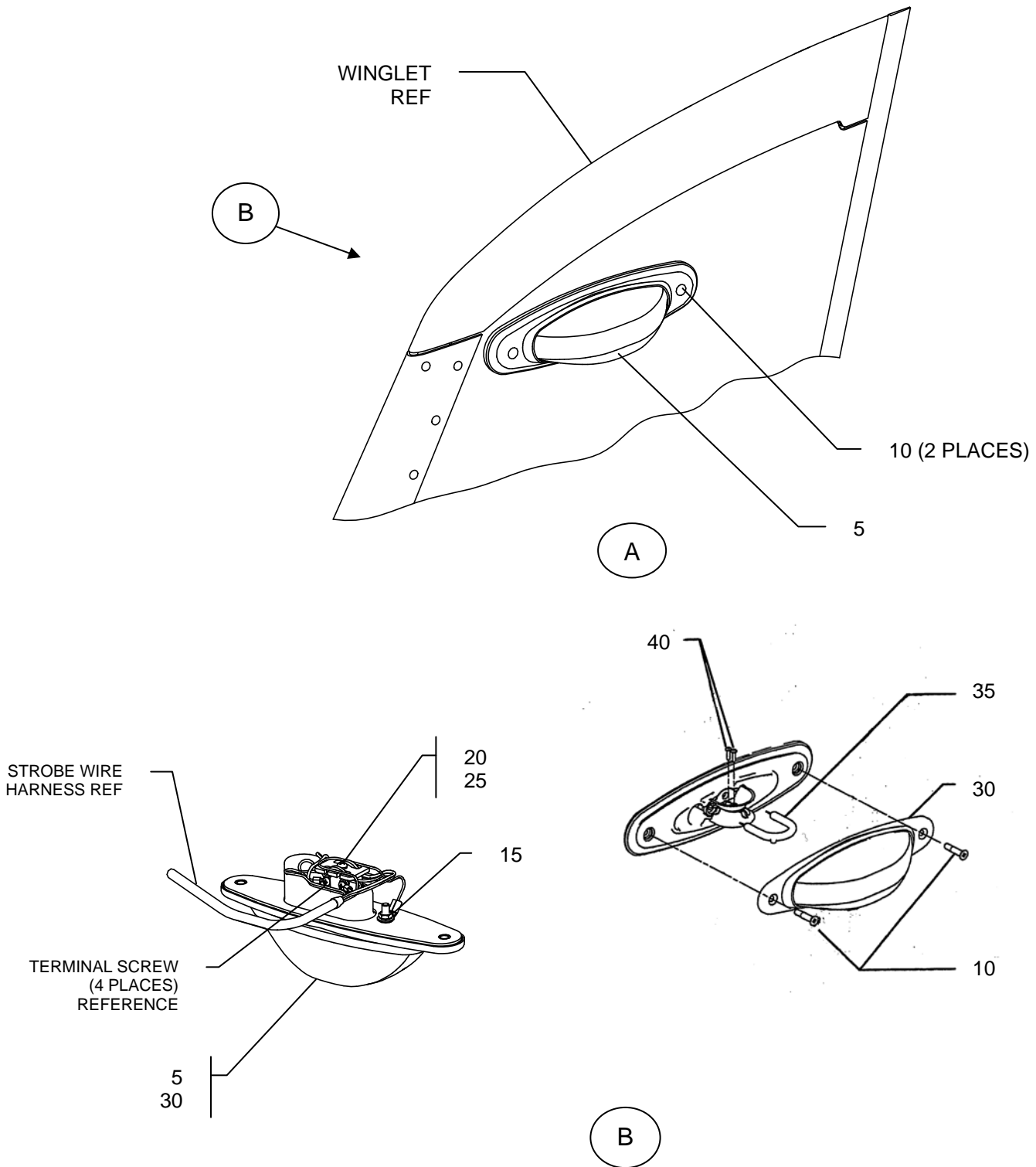


FIGURE 1 (SHEET 2) WINGLET ANTI-COLLISION LIGHT

Aviation Partners Boeing
757-200
SUPPLEMENT – PARTS CATALOG (MAINTENANCE)

FIGURE ITEM	PART NUMBER	NOMENCLATURE							EFFECT FROM TO	UNITS PER ASSY
		1	2	3	4	5	6	7		
FIG. 1	757-1800-1	LIGHT INSTL – STROBE, LEFT WING USED ON: 757-0010-3, -5							ALL	RF
--	757-1800-2	LIGHT INSTL – STROBE, RIGHT WING USED ON: 757-0010-4, -6							ALL	RF
5	30-2849-1	. LIGHT ASSY – STROBE SUPPLIER CODE: 72914 USED ON: 757-1800-1/-2							ALL	1
10	BACB30LH3-9	. BOLT							ALL	2
15	MS35650-304	. . NUT USED ON: 30-2849-1							ALL	1
20	MS51957-27	. . SCREW USED ON: 30-2849-1							ALL	1
25	MS35338-136	. . WASHER, LOCK USED ON: 30-2849-1							ALL	1
30	31-9366-1	. . LENS ASSY SUPPLIER CODE: 72914 USED ON: 30-2849-1							ALL	1
35	55-2199-3	. . FLASHTUBE SUPPLIER CODE: 72914 USED ON: 30-2849-1							ALL	1
40	MS51957-6	. . SCREW USED ON: 30-2849-1							ALL	2

Aviation Partners Boeing
757-200
SUPPLEMENT – PARTS CATALOG (MAINTENANCE)

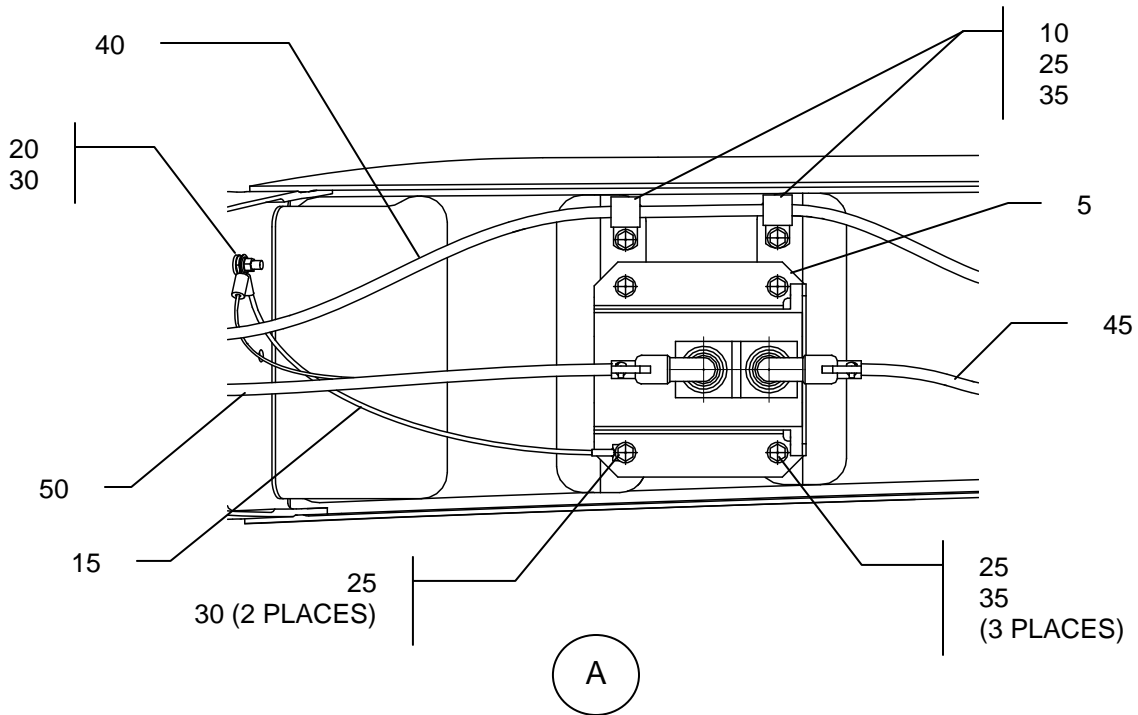
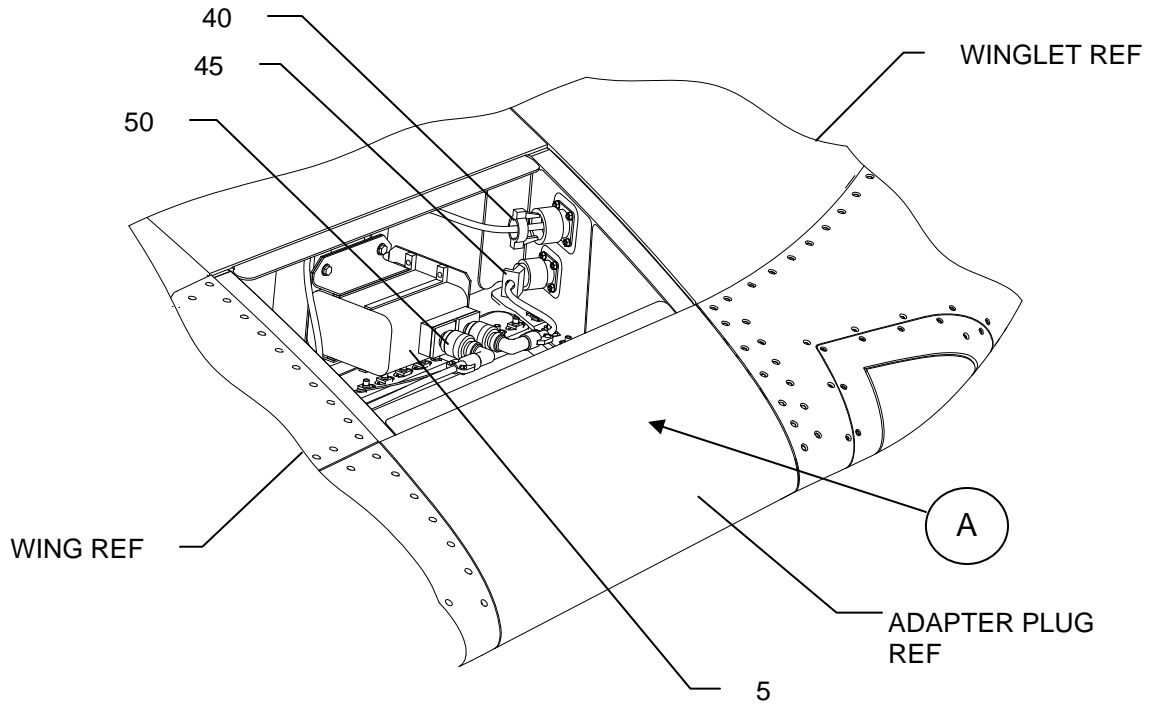


FIGURE 2 (SHEET 1)
POWER SUPPLY INSTALLATION - WINGLET ANTI-COLLISION LIGHT

Aviation Partners Boeing
757-200
SUPPLEMENT – PARTS CATALOG (MAINTENANCE)

FIGURE ITEM	PART NUMBER	NOMENCLATURE							EFFECT FROM TO	UNITS PER ASSY	
		1	2	3	4	5	6	7			
FIG. 2 1	757-5100-1, -3, -5	.							ADAPTER PLUG ASSY – LEFT WING USED ON: 757-5000-1	ALL	RF
FIG. 2 -- 2	757-5100-2, -4, -6	.							ADAPTER PLUG ASSY – RIGHT WING USED ON: 757-5000-2	ALL	RF
5	60-5213-1	.	.						POWER SUPPLY SUPPLIER CODE: 72914	ALL	1
10	BACC10GU103	.	.						CLAMP	ALL	2
15	BACJ40AB20-10	.	.						JUMPER ASSY	ALL	1
20	BACN10YR3CD	.	.						NUT	ALL	1
25	NAS1802-3-11P	.	.						BOLT	ALL	6
30	NAS1149D0316J	.	.						WASHER	ALL	3
35	NAS1149D0332J	.	.						WASHER	ALL	5
40	757-1832-1								WIRE HARNESS ASSY – POSITION LIGHT WDM: AP57.2-0615-2 USED ON: 757-5100-1/-2, -3/-4, -5/-6	ALL	1
45	757-1834-2								WIRE HARNESS ASSY – STROBE LIGHT WDM: AP57.2-0615-2 USED ON: 757-5100-1/-2, -3/-4, -5/-6	ALL	1
50	757-1834-3								WIRE HARNESS ASSY – STROBE LIGHT WDM: AP57.2-0615-2 USED ON: 757-5100-1/-2, -3/-4, -5/-6	ALL	1

Aviation Partners Boeing
757-200
SUPPLEMENT – PARTS CATALOG (MAINTENANCE)

CHAPTER 57 – WINGS

TABLE OF CONTENTS

SUBJECT	CHAPTER SECTION UNIT	FIGURE	WINGLET SERIAL NUMBER (EFFECT)
VORTEX GENERATORS	57-25-00		
GENERATOR INSTALLATION	57-25-01	01	
DASH –2 KIT (WINGLET CONFIG.)			
WING ADAPTER PLUG	57-31-01		
ADAPTER PLUG INSTALLATION	57-31-01	01	
DASH –2 KIT (WINGLET CONFIG.)			
WINGLET	57-31-02		
WINGLET INSTALLATION	57-31-02	01	
DASH –2 KIT (WINGLET CONFIG.)			
WING TIP	57-31-03		
WING TIP INSTALLATION	57-31-03	01	
DASH –1 KIT (WING TIP CONFIG.)			

Aviation Partners Boeing
757-200
SUPPLEMENT – PARTS CATALOG (MAINTENANCE)

VORTEX GENERATORS

Aviation Partners Boeing
757-200
SUPPLEMENT – PARTS CATALOG (MAINTENANCE)

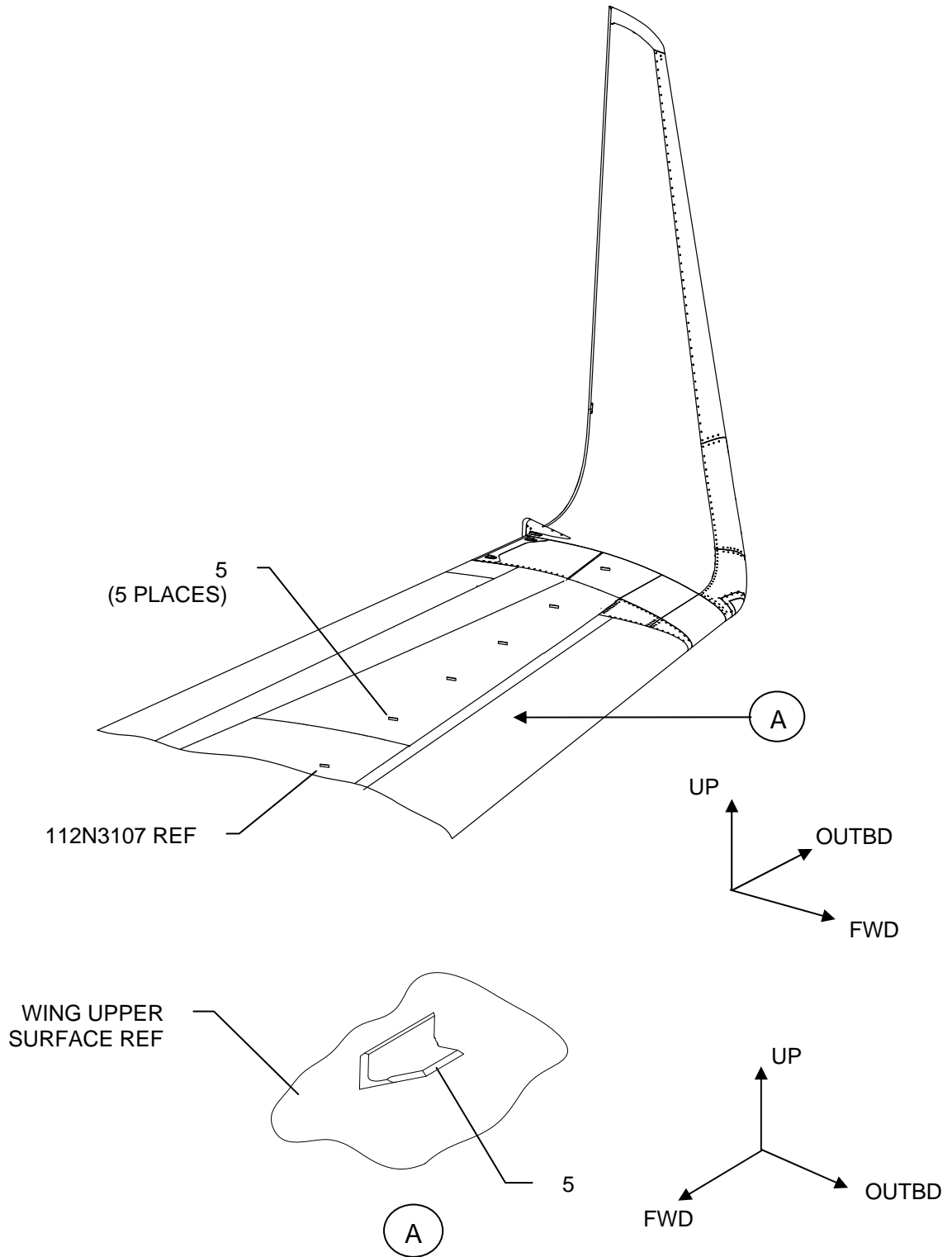


FIGURE 1 (SHEET 1)
VORTEX GENERATOR INSTALLATION

Aviation Partners Boeing
757-200
SUPPLEMENT – PARTS CATALOG (MAINTENANCE)

ADAPTER PLUG

Aviation Partners Boeing
757-200
SUPPLEMENT – PARTS CATALOG (MAINTENANCE)

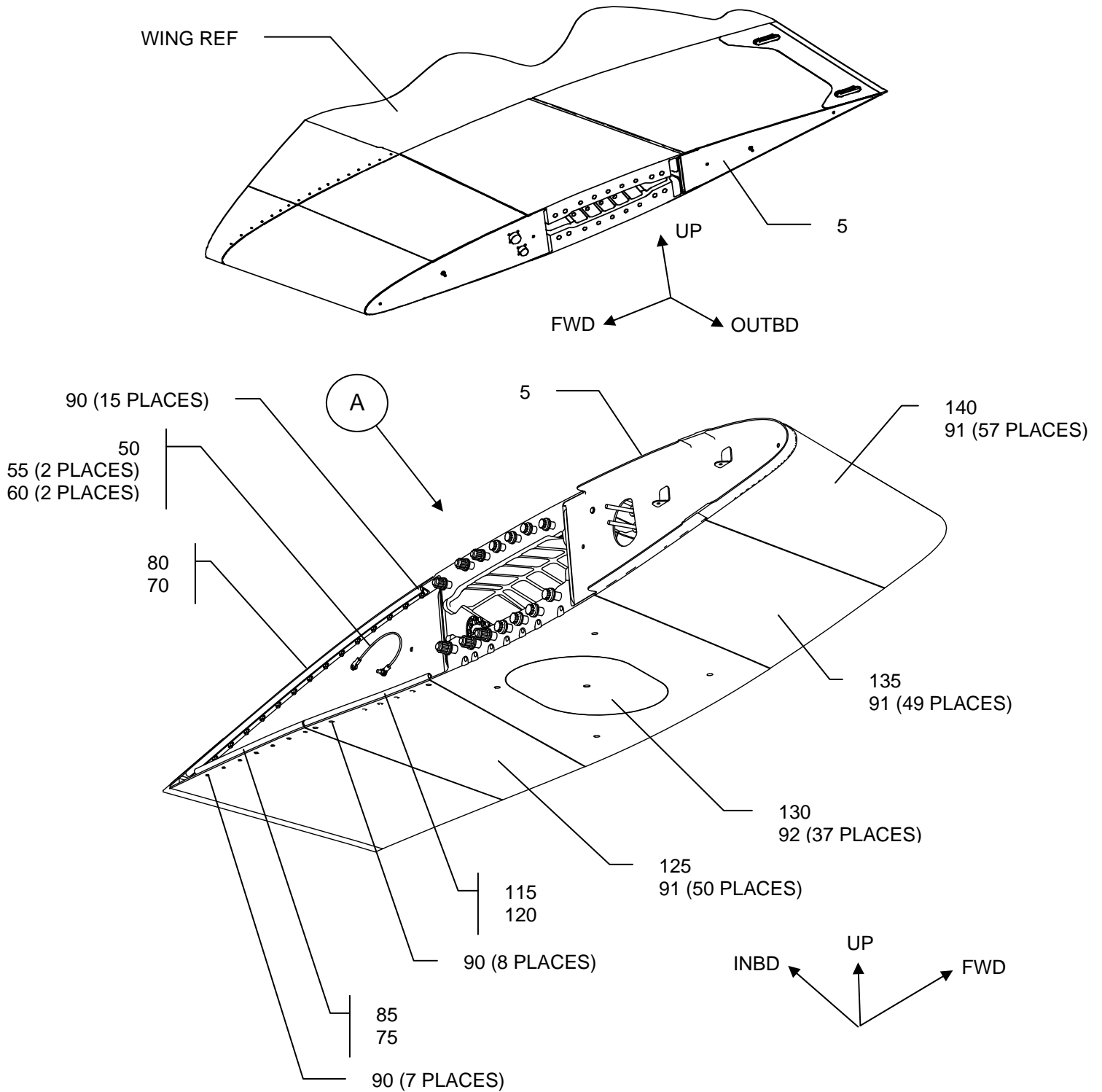


FIGURE 1 (SHEET 1)
ADAPTER PLUG INSTALLATION – WING

Aviation Partners Boeing
757-200
SUPPLEMENT – PARTS CATALOG (MAINTENANCE)

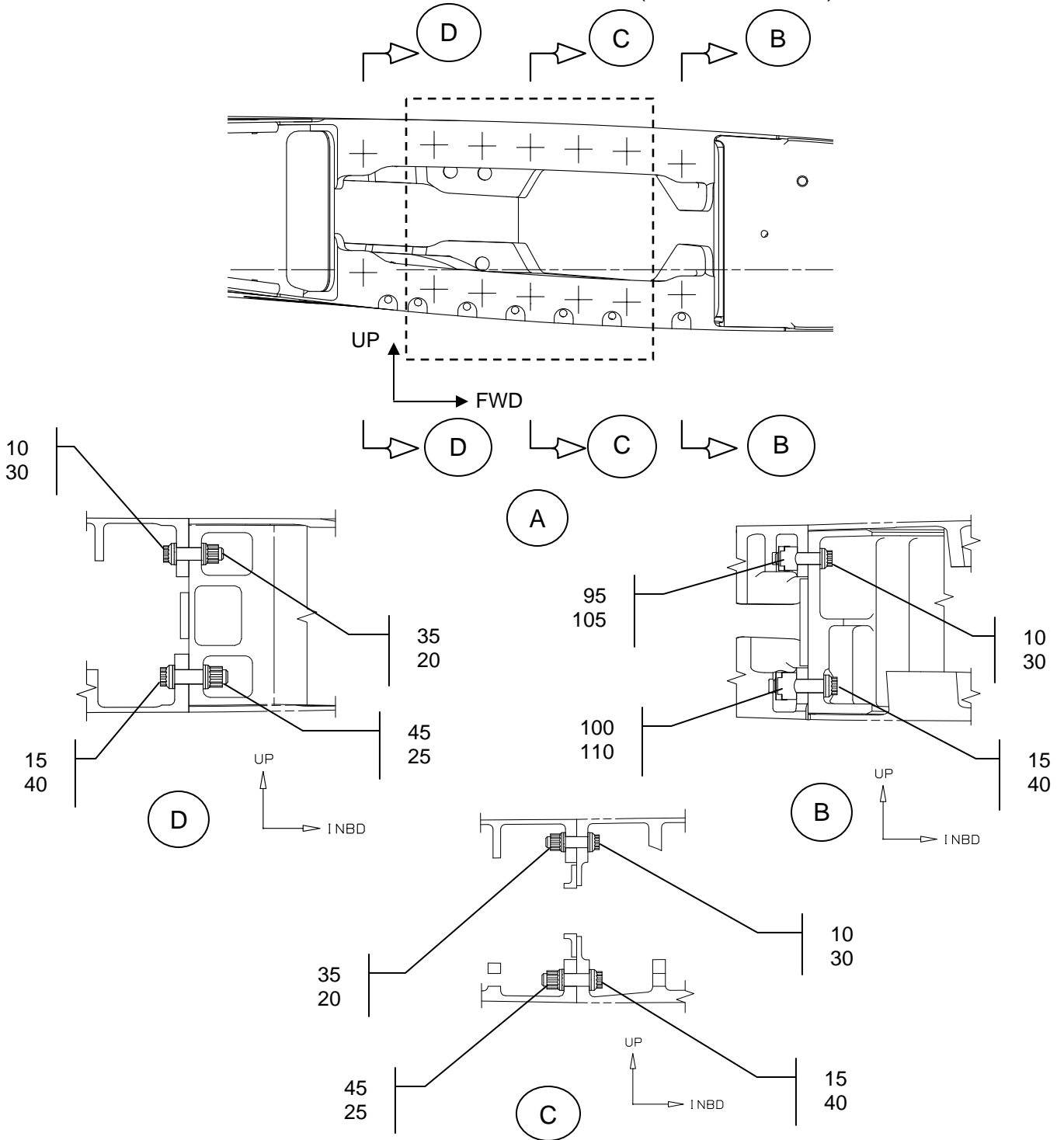


FIGURE 1 (SHEET 2)
ADAPTER PLUG INSTALLATION – WING

Aviation Partners Boeing
757-200
SUPPLEMENT – PARTS CATALOG (MAINTENANCE)

FIGURE ITEM	PART NUMBER	NOMENCLATURE 1 2 3 4 5 6 7	EFFECT FROM TO	UNITS PER ASSY
FIG. 1	757-5000-1	ADAPTER PLUG INSTALLATION – LH USED ON: 757-2000-2	ALL	RF
--	757-5000-2	ADAPTER PLUG INSTALLATION – RH USED ON: 757-2000-2	ALL	RF
5	757-5100-1, -3, -5	. ADAPTER PLUG ASSY, LH	ALL	1
-- 6	757-5100-2, -4, -6	. ADAPTER PLUG ASSY, RH	ALL	1
10	BACB30US7K16	. BOLT		7
15	BACB30US8K18	. BOLT		7
20	BACN10HR7CD	. NUT		6
25	BACN10HR8CD	. NUT		6
30	BACW10BP7CD	. WASHER		7
35	BACW10BP7DP	. WASHER		6
40	BACW10BP8CD	. WASHER		7
45	BACW10BP8DP	. WASHER		6
50	BACJ40AB20-8	. JUMPER ASSY		1
55	BACN10YR3CD	. NUT		2
60	NAS1149D0316H	. WASHER		2
65	16785	. STATIC DISCHARGER SUPPLIER CODE: 55635		2
70	757-5320-1	. . RETAINER SEAL, LH USED ON: 757-5100-1, -3, -5		1
-- 71	757-5320-2	. . RETAINER SEAL, RH USED ON: 757-5100-2, -4, -6		1
75	757-5320-5	. . RETAINER SEAL, LH USED ON: 757-5100-1, -3, -5		1

Aviation Partners Boeing

757-200

SUPPLEMENT – PARTS CATALOG (MAINTENANCE)

FIGURE ITEM	PART NUMBER	NOMENCLATURE 1 2 3 4 5 6 7	EFFECT FROM TO	UNITS PER ASSY
-- 76	757-5320-6	. . RETAINER SEAL, RH USED ON: 757-5100-2, -4, -6		1
80	757-5330-1	. . SEAL, LH USED ON: 757-5100-1, -3, -5		1
-- 81	757-5330-2	. . SEAL, RH USED ON: 757-5100-2, -4, -6		1
85	757-5330-5	. . SEAL, LH USED ON: 757-5100-1, -3, -5		1
-- 86	757-5330-6	. . SEAL, RH USED ON: 757-5100-2, -4, -6		1
90	BACB30VF3K3	. . BOLT		22
91	BACB30VF3K5	. . BOLT		156
92	BACB30VF4K8	. . BOLT		30
95	BACN11X7CD	. . BARREL NUT		1
100	BACN1X8CD	. . BARREL NUT		1
105	SLR4169C7EASP1	. . RETAINER		1
110	SLR4169C8EASP1	. . RETAINER		1
125	757-5105-1	. . PANEL ASSY – TE, LH		1
115	757-5330-3	. . . SEAL, LH		1
120	757-5320-3	. . . RETAINER – SEAL, LH		1
-- 126	757-5105-2	. . PANEL ASSY – TE, RH		1
-- 116	757-5330-4	. . . SEAL, RH		1
-- 121	757-5320-4	. . . RETAINER – SEAL, RH		1
130	757-5150-1, -5	. . ACCESS COVER, LH		1
-- 131	757-5150-2, -6	. . ACCESS COVER, RH		1
135	757-5220-1	. . PANEL ASSY – LE, LH		1

Aviation Partners Boeing
757-200
SUPPLEMENT – PARTS CATALOG (MAINTENANCE)

WINGLET

Aviation Partners Boeing
757-200
SUPPLEMENT – PARTS CATALOG (MAINTENANCE)

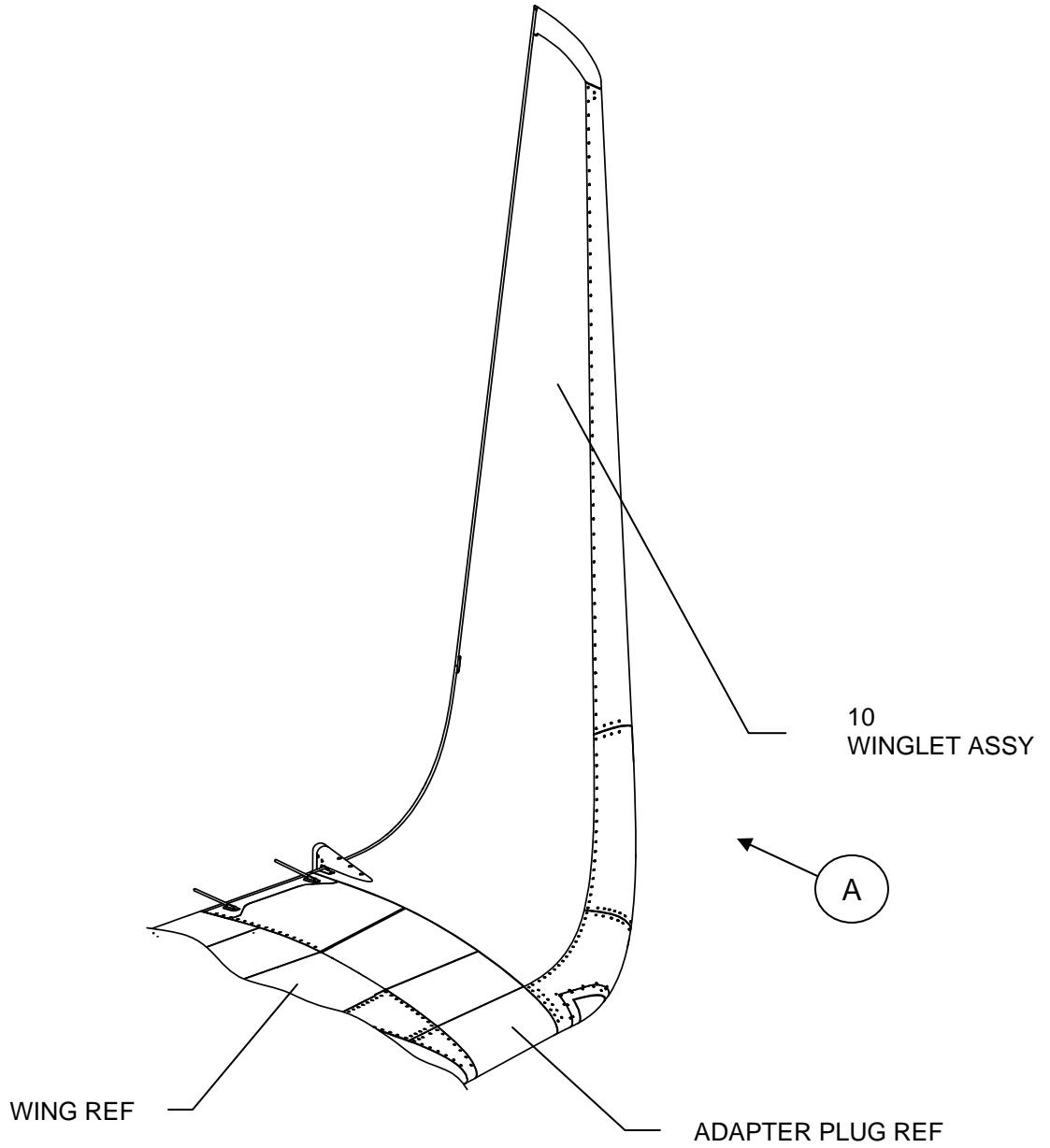


FIGURE 1 (SHEET 1)
WINGLET INSTALLATION

Aviation Partners Boeing
757-200
SUPPLEMENT – PARTS CATALOG (MAINTENANCE)

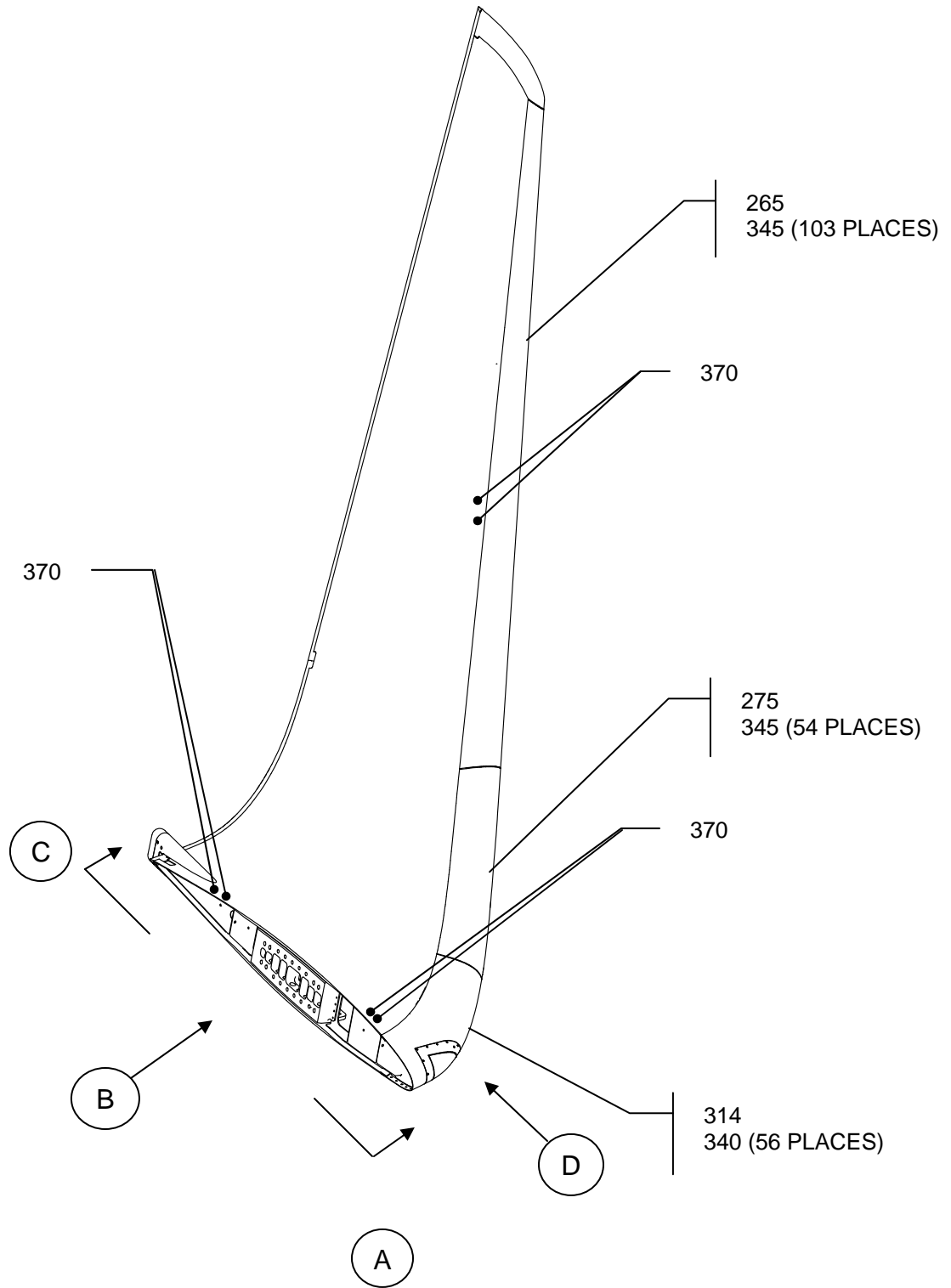


FIGURE 1 (SHEET 2)
WINGLET INSTALLATION

Aviation Partners Boeing
757-200
SUPPLEMENT – PARTS CATALOG (MAINTENANCE)

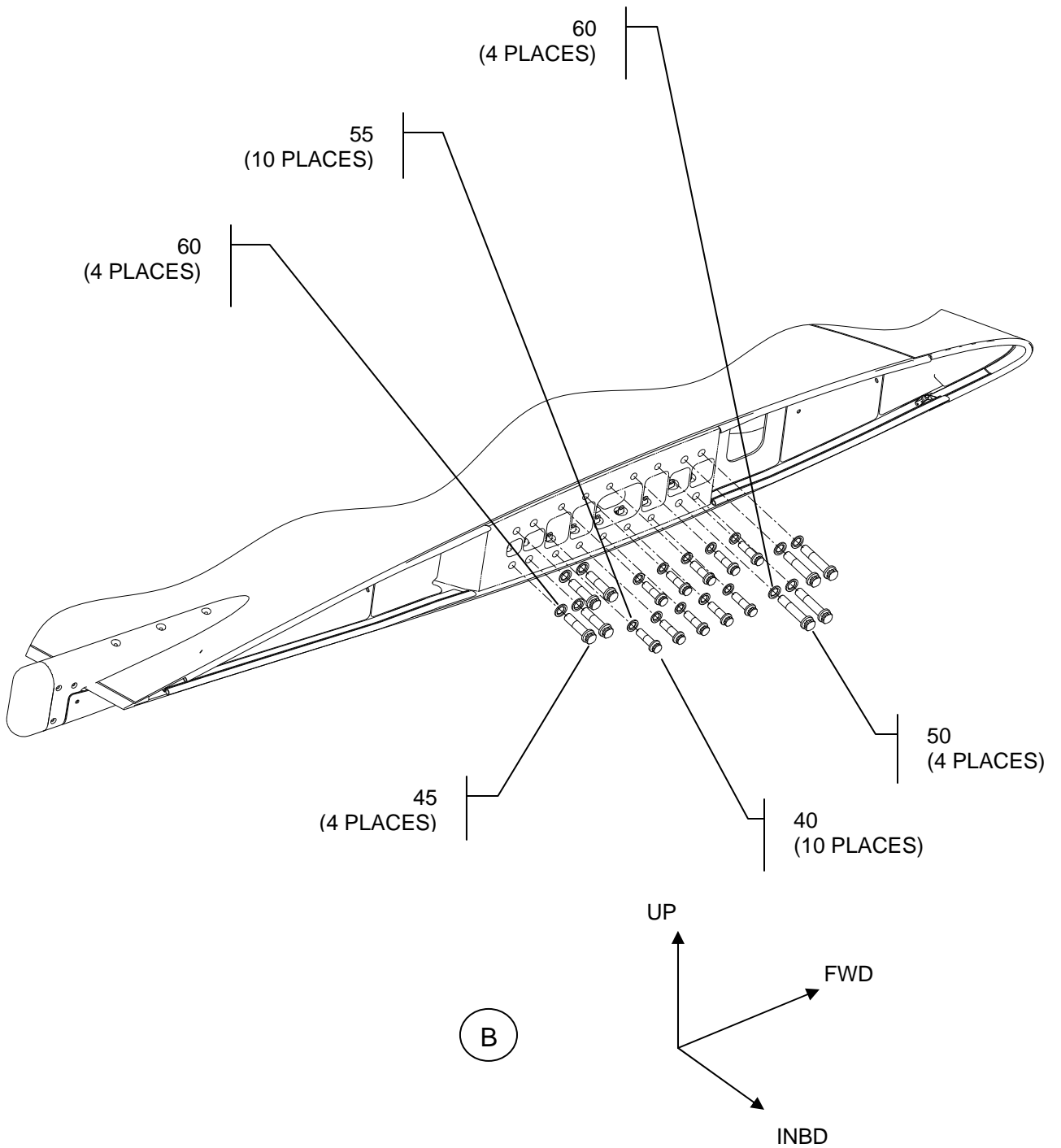


FIGURE 1 (SHEET 3)
WINGLET INSTALLATION

Aviation Partners Boeing

757-200

SUPPLEMENT – PARTS CATALOG (MAINTENANCE)

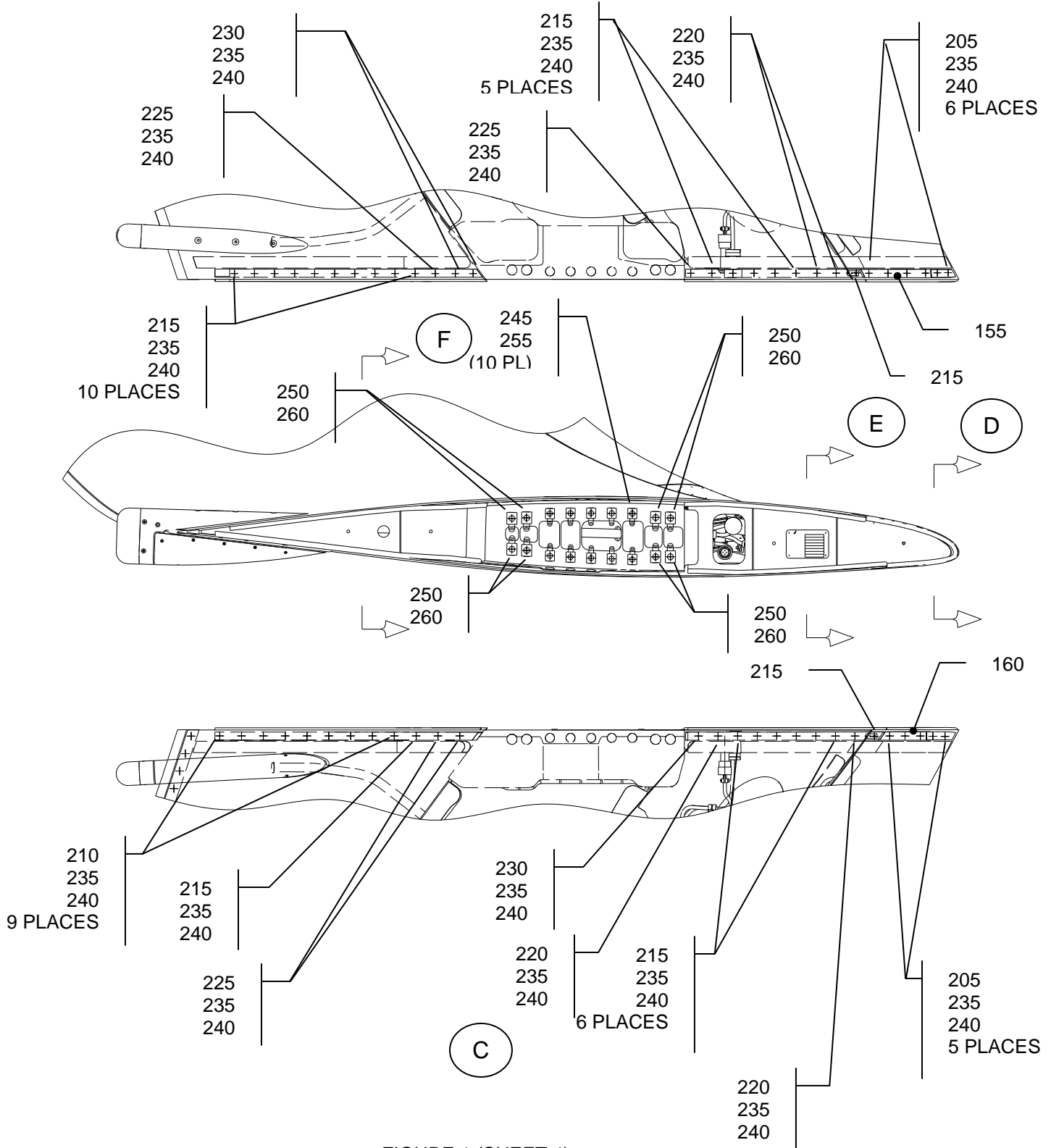


FIGURE 1 (SHEET 4)
WINGLET INSTALLATION

Aviation Partners Boeing
757-200
SUPPLEMENT – PARTS CATALOG (MAINTENANCE)

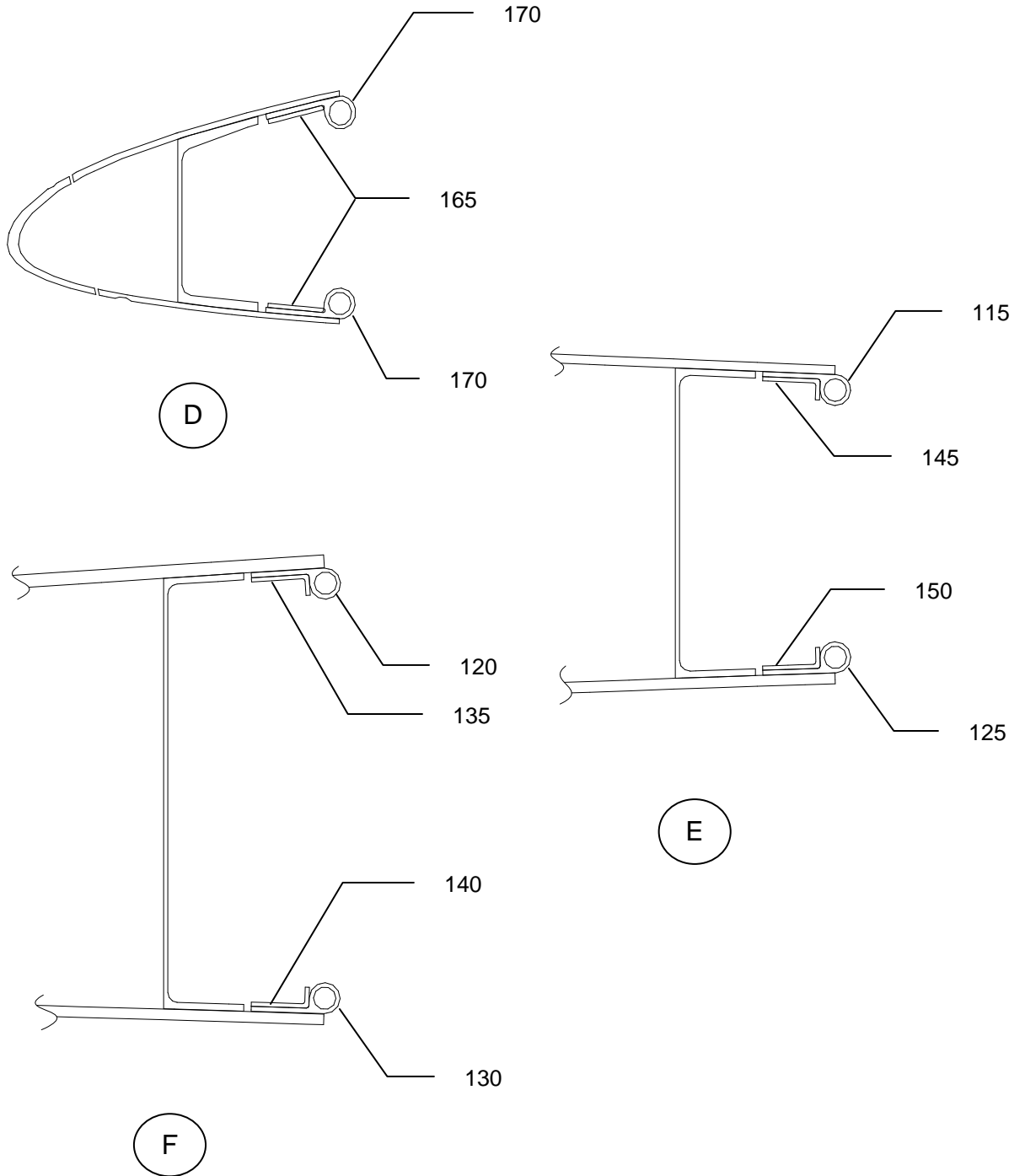
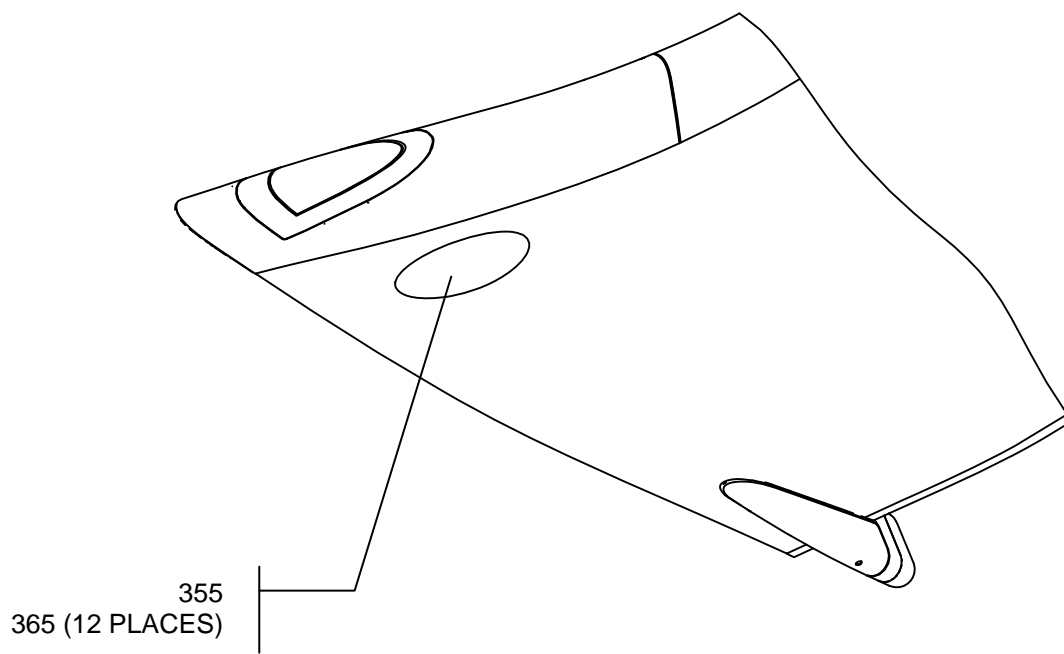


FIGURE 1 (SHEET 5)
WINGLET INSTALLATION

Aviation Partners Boeing
757-200
SUPPLEMENT – PARTS CATALOG (MAINTENANCE)



D

FIGURE 1 (SHEET 6)
WINGLET INSTALLATION

Aviation Partners Boeing
757-200
SUPPLEMENT – PARTS CATALOG (MAINTENANCE)

FIG. ITEM	PART NUMBER	NOMENCLATURE	EFFECT FROM TO	UNITS
				PER ASSY
FIG. 1 1	757-0002-3, -5	1 2 3 4 5 6 7 WINGLET INSTL, LH		RF
-- 5	757-0002-4, -6	WINGLET INSTL, RH		RF
10	757-0010-3	. WINGLET ASSY, LH USED ON: 757-0002-3		1
-- 11	757-0010-4	. WINGLET ASSY, RH USED ON: 757-0002-4		1
10	757-0010-5	. WINGLET ASSY, LH USED ON: 757-0002-5		1
-- 11	757-0010-6	. WINGLET ASSY, RH USED ON: 757-0002-6		1
40	BACB30US7K12	. BOLT USED ON: 757-0002-3/4, -5/-6		10
45	BACB30US8K18	. BOLT USED ON: 757-0002-3/4, -5/-6		4
50	BACB30US8K26	. BOLT USED ON: 757-0002-3/4, -5/-6		4
55	BACW10BP7CD	. WASHER USED ON: 757-0002-3/4, -5/-6		10
60	BACW10BP8CD	. WASHER USED ON: 757-0002-3/4, -5/-6		8
115	737-0010-3	. . SEAL, LH, FWD UPPER USED ON: 757-0010-3, -5		1
-- 116	737-0010-4	. . SEAL, RH, FWD UPPER USED ON: 757-0010-4, -6		1
120	737-0010-5	. . SEAL, LH, AFT UPPER USED ON: 757-0010-3, -5		1
-- 121	737-0010-6	. . SEAL, RH, AFT UPPER USED ON: 757-0010-4, -6		1
-- 125	737-0010-7	. . SEAL, LH, FWD LOWER USED ON: 757-0010-3, -5		1
-- 126	737-0010-8	. . SEAL, RH, FWD LOWER USED ON: 757-0010-4, -6		1
130	737-0010-9	. . SEAL, LH, AFT LOWER USED ON: 757-0010-3, -5		1
-- 131	737-0010-10	. . SEAL, RH, AFT LOWER USED ON: 757-0010-4, -6		1
135	737-0804-1	. . RETAINER, LH, AFT UPPER USED ON: 757-0010-3, -5		1

Aviation Partners Boeing
757-200
SUPPLEMENT – PARTS CATALOG (MAINTENANCE)

FIG. ITEM	PART NUMBER	NOMENCLATURE 1 2 3 4 5 6 7	EFFECT FROM TO	UNITS PER ASSY
-- 136	737-0804-2	. . RETAINER, RH, AFT UPPER USED ON: 757-0010-4, -6		1
140	737-0804-3	. . RETAINER, LH, AFT LOWER USED ON: 757-0010-3, -5		1
-- 141	737-0804-4	. . RETAINER, RH, AFT LOWER USED ON: 757-0010-4, -6		
145	737-0804-5	. . RETAINER, LH, FWD UPPER USED ON: 757-0010-3, -5		1
-- 146	737-0804-6	. . RETAINER, RH, FWD UPPER USED ON: 757-0010-4, -6		1
150	737-0804-7	. . RETAINER, LH, FWD LOWER USED ON: 757-0010-3, -5		1
-- 151	737-0804-8	. . RETAINER, RH, FWD LOWER USED ON: 757-0010-4, -6		1
155	737-0804-9	. . RETAINER, LH, FWD UPPER USED ON: 757-0010-3, -5		1
-- 156	737-0804-10	. . RETAINER, RH, FWD UPPER USED ON: 757-0010-4, -6		1
160	737-0804-11	. . RETAINER, LH, FWD LOWER USED ON: 757-0010-3, -5		1
-- 161	737-0804-12	. . RETAINER, RH, FWD LOWER USED ON: 757-0010-4, -6		1
165	737-0804-13	. . RETAINER, LH, FWD LOWER USED ON: 757-0010-3, -5		1
-- 166	737-0804-14	. . RETAINER, RH, FWD LOWER USED ON: 757-0010-4, -6		1
170	737-0805-1	. . SEAL, LH, FWD USED ON: 757-0010-3, -5		1
-- 171	737-0805-2	. . SEAL, RH, FWD USED ON: 757-0010-4, -6		1
205	BACB30VF3K3	. . BOLT USED ON: 757-0010-3/4, -5/-6		11
210	BACB30VF3K4	. . BOLT USED ON: 757-0010-3/4, -5/-6		9
215	BACB30VF3K5	. . BOLT USED ON: 757-0010-3/4, -5/-6		24
220	BACB30VF3K6	. . BOLT USED ON: 757-0010-3/4, -5/-6		4
225	BACB30VF3K7	. . BOLT USED ON: 757-0010-3/4, -5/-6		3

Aviation Partners Boeing
757-200
SUPPLEMENT – PARTS CATALOG (MAINTENANCE)

FIG. ITEM	PART NUMBER	NOMENCLATURE 1 2 3 4 5 6 7	EFFECT FROM TO	UNITS PER ASSY
230	BACB30VF3K8	. . BOLT USED ON: 757-0010-3/4, -5/-6		4
235	BACN10YR3CD	. . NUT USED ON: 757-0010-3/4, -5/-6		53
240	NAS1149EO332P	. . WASHER USED ON: 757-0010-3/4, -5/-6		53
245	SLR4169C7EASP1	. . RETAINER, BARREL NUT USED ON: 757-0010-3/4, -5/-6		10
250	SLR4169C8EASP1	. . RETAINER, BARREL NUT USED ON: 757-0010-3/4, -5/-6		8
255	BACN11X7CD	. . BARREL NUT USED ON: 757-0010-3/4, -5/-6 OPTIONAL: NAS577C7A OR SL4137A7A		10
260	BACN11X8CD	. . BARREL NUT USED ON: 757-0010-3/4, -5/-6 OPTIONAL: NAS577C8A OR SL4137A8A		8
265	737-0352-1	. . . SKIN, LE, OUTBD, LH USED ON: 757-0350-3 ALTERNATE PART: 757-0352-1		1
-- 270	737-0352-2	. . . SKIN, LE, OUTBD, RH USED ON: 757-0350-3 ALTERNATE PART: 757-0352-2		1
275	737-0351-3	. . . SKIN, LE, MID, LH USED ON: 757-0350-3		1
-- 280	737-0351-4	. . . SKIN, LE, MID, RH USED ON: 757-0350-4		1
285	757-0353-3	. . . LE ASSY, INBD, LH USED ON: 757-0350-3		1
-- 286	757-0353-4	. . . LE ASSY, INBD, RH USED ON: 757-0350-4		1
314	757-0351-1 SKIN, LE, INBD, LH USED ON: 757-0353-1		1
-- 315	757-0351-2 SKIN, LE, INBD, RH USED ON: 757-0353-2		1
335	BACB30VF3K2	. . . BOLT USED ON: 757-0350-3/-4		3

Aviation Partners Boeing
757-200
SUPPLEMENT – PARTS CATALOG (MAINTENANCE)

WING TIP

Aviation Partners Boeing
757-200
SUPPLEMENT – PARTS CATALOG (MAINTENANCE)

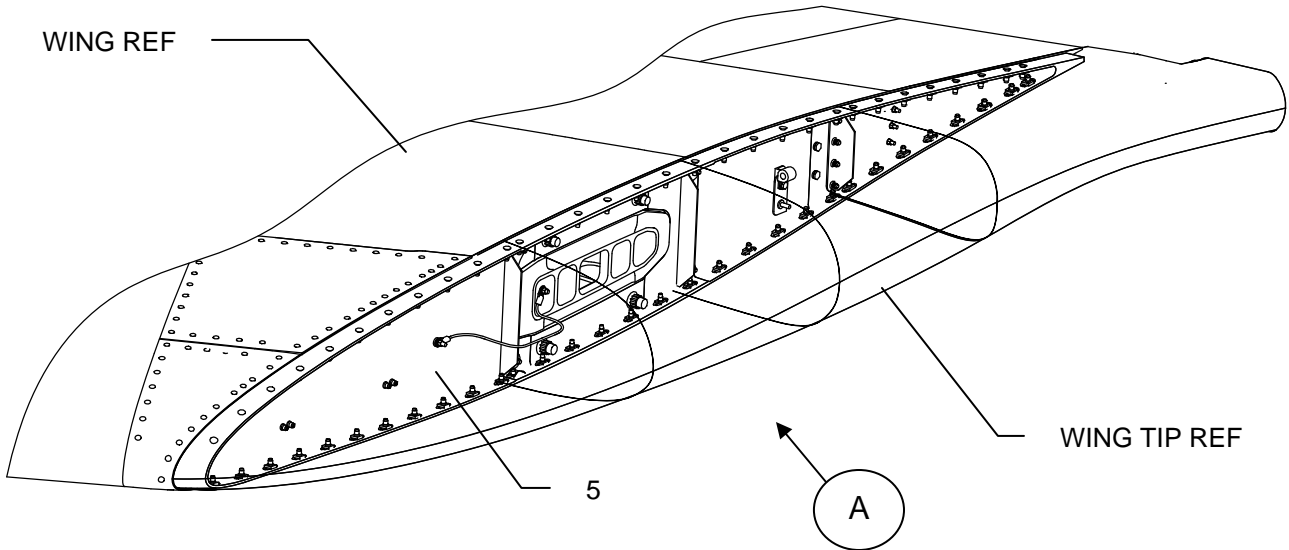
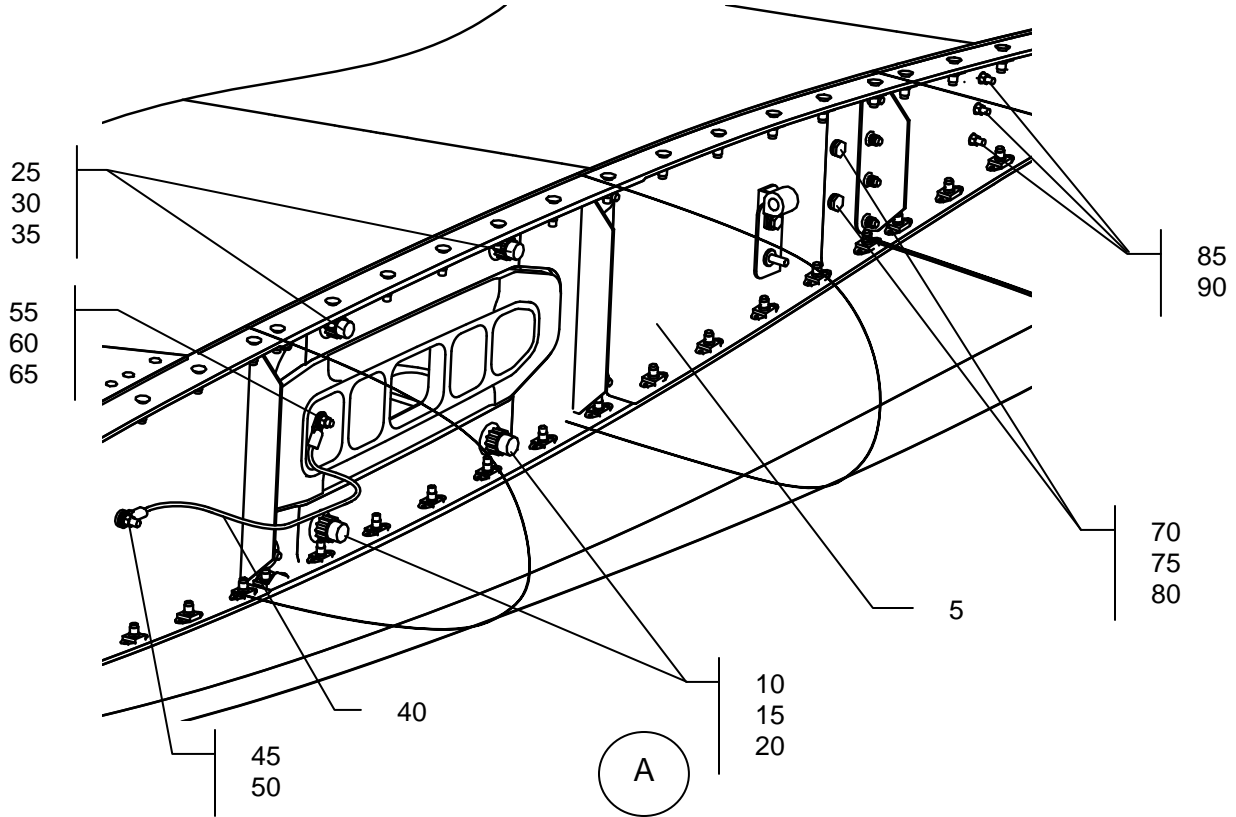


FIGURE 1 (SHEET 1)
WIP TIP INSTALLATION



Aviation Partners Boeing
757-200
SUPPLEMENT – PARTS CATALOG (MAINTENANCE)

FIGURE ITEM	PART NUMBER	NOMENCLATURE 1 2 3 4 5 6 7	EFFECT FROM TO	UNITS PER ASSY
FIG. 1	757-3380-1	WING TIP INSTALLATION, LH USED ON: 757-2000-1	ALL	RF
--	757-3380-2	WING TIP INSTALLATION, RH USED ON: 757-2000-1	ALL	RF
5	757-3381-1	. ADAPTER RIB USED ON: 757-3380-1	ALL	1
-- 6	757-3381-2	. ADAPTER RIB USED ON: 757-3380-2	ALL	1
10	BACB30LE8K12	. BOLT	ALL	2
15	BACW10BP8DP	. WASHER	ALL	2
20	BACN10HY8M	. NUT	ALL	2
25	BACB30LE7K11	. BOLT	ALL	2
30	BACW10BP7DP	. WASHER	ALL	2
35	BACN10HY7M	. NUT	ALL	2
40	BACJ40AB21-11	. JUMPER ASSY	ALL	1
45	BACN10YR3CD	. NUT	ALL	3
50	NAS1149D0316H	. WASHER	ALL	1
55	BACB30NM4K6	. BOLT	ALL	1
60	BACN10YR4CD	. NUT	ALL	1
65	NAS1149D0416H	. WASHER	ALL	1
70	BACB30LM3K5	. BOLT	ALL	2
75	BACW10BP3DP	. WASHER	ALL	2

BOEING 757

Monarch

AIR 2000

757-28A

PARTS CATALOGUE

Fig.	Item	Part Number	Description	Units per Assy
1	-	S417N503-7	Light Unit No Smoking - Fasten Seat Belt Sign. <u>Some aircraft may have one light unit fitted.</u>	Max 2

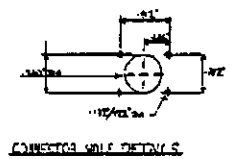
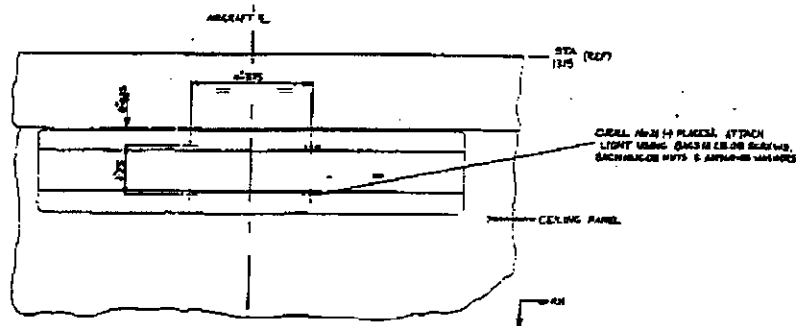
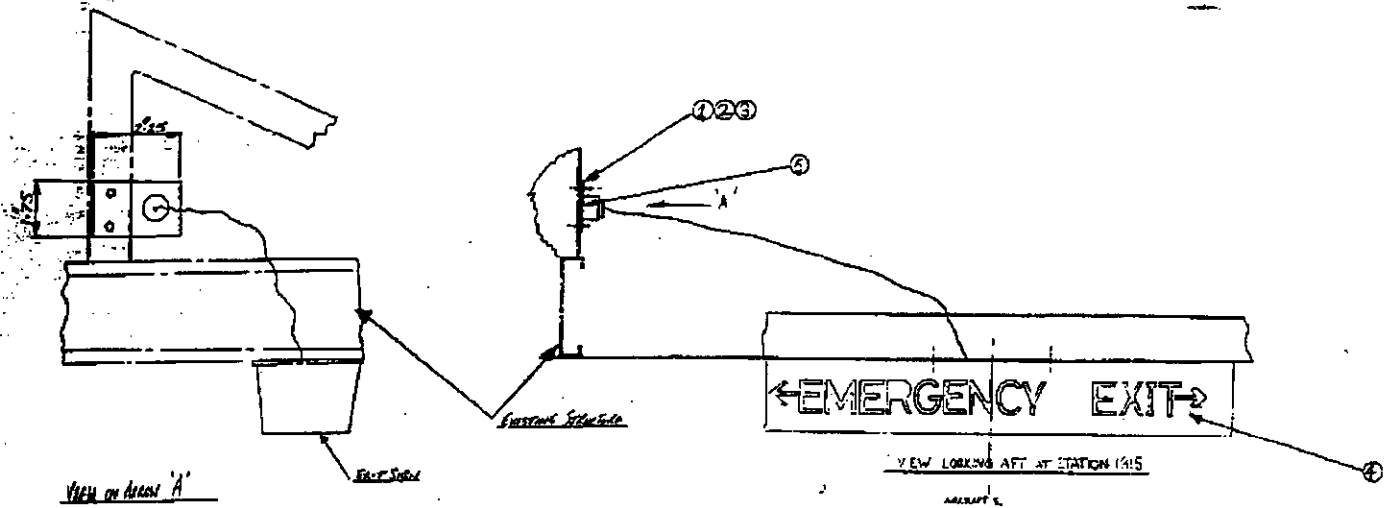
ACTIVITY

Aircraft incorporating M.A.E.L.
Modification ATT/757/33/1314.

33-26-51
Fig MON 1
Page MON 2
24.8.90

KS-16-419

REV	NO	DESCRIPTION	DATE	BY	CHKD
1	KS-16-419-1	THIS			
2	KS-16-419-2	REVISED			
3	KS-16-419-3	REVISED			
4	KS-16-419-4	REVISED			
5	KS-16-419-5	REVISED			



33-52-30
Fig MON 1
Page MON 3
22.1.82

BOEING 757 Monarch

AIR 2000

757-28A

PARTS CATALOGUE

CHAPTER 33 - LIGHTS

FIG.	ITEM	PART NUMBER	DESCRIPTION	UNITS PER ASSY
1	-	S417N505-123A	Emergency Light Assembly.	1
	-	S417N505-2001A	Lens Assembly.	1

EFFECTIVITY

-000A, G-000B, G-000C & G-000D.
Modification MON/757/1046.

33-52-30
Fig MON 1
Page MON 4
22.1.92

BOEING 757

Monarch

AIR 2000

757-28A

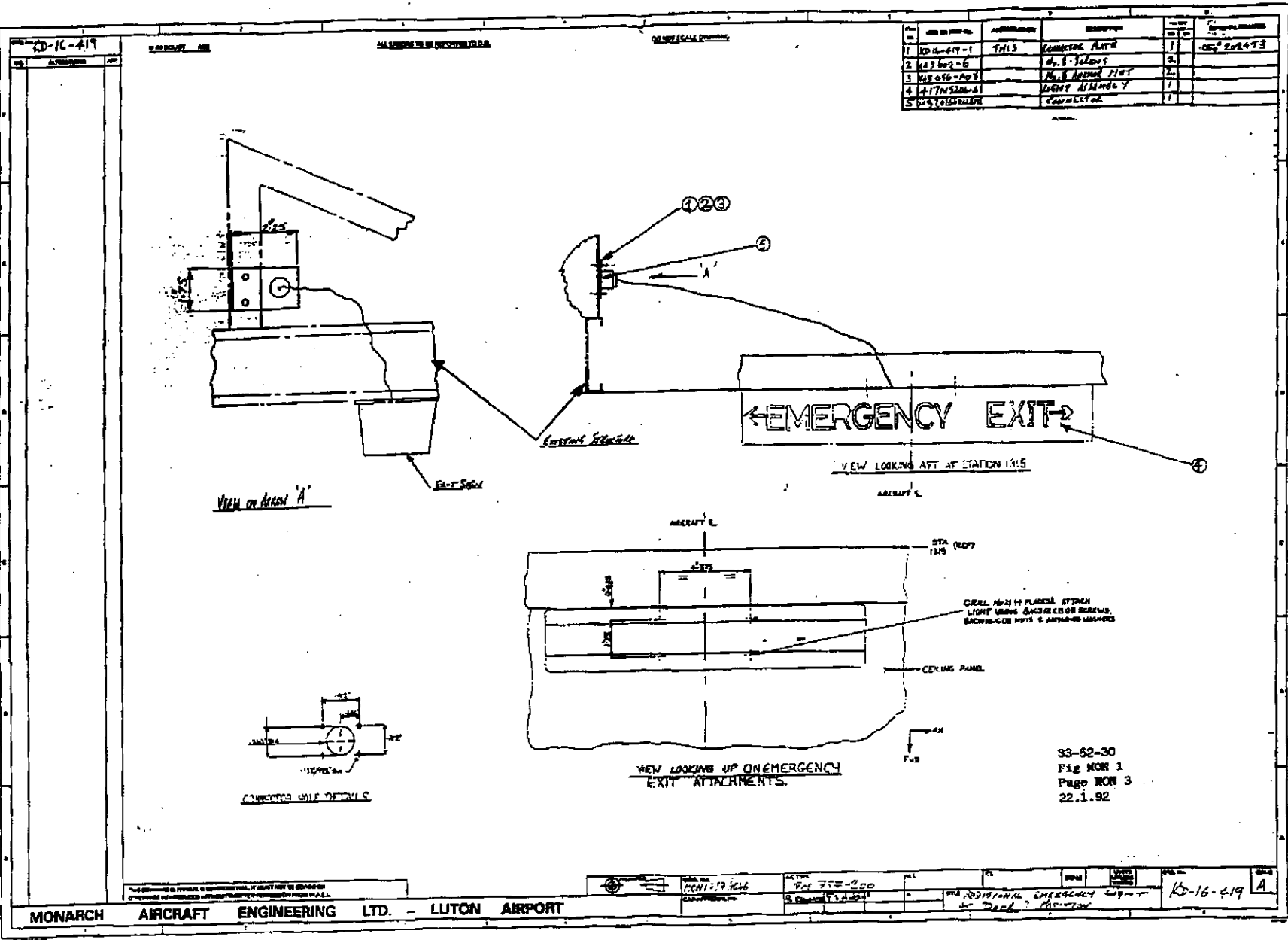
PARTS CATALOGUE

Fig. Item	Part Number	Description	Units per Assy
1 —	11-5559-1	Exit Sign.	2
1 —	25-1377-101	Lens.	2

EFFECTIVITY

G-000A, G-000B, G-000C & G-000D.
Modification MON/757/1404.

33-52-02
Figure MON 1
Page MON 1
22.11.91



NO.	QTY	DESCRIPTION	REVISION	DATE	BY
1	1	THIS	1		
2	2	No. 1 - 2000	2		
3	2	No. 2 - 2000	2		
4	1	NO. 3 - 2000	1		
5	1	NO. 4 - 2000	1		

33-62-30
 Fig MON 1
 Page MON 3
 22.1.92

BOEING 757

Monarch

AIR 2000

757-28A

PARTS CATALOGUE

CHAPTER 33 - LIGHTS

FIG. ITEM	PART NUMBER	DESCRIPTION	UNITS PER ASSY
1 -	S417N505-123A	Emergency Light Assembly.	1
-	S417N505-2001A	Lens Assembly.	1

EFFECTIVITY
-000A, G-000B, G-000C & G-000D.
Modification MON/757/1046.

33-52-30
Fig MON 1
Page MON 4
22.1.92

BOEING 757 Monarch

757-28A

PARTS CATALOGUE

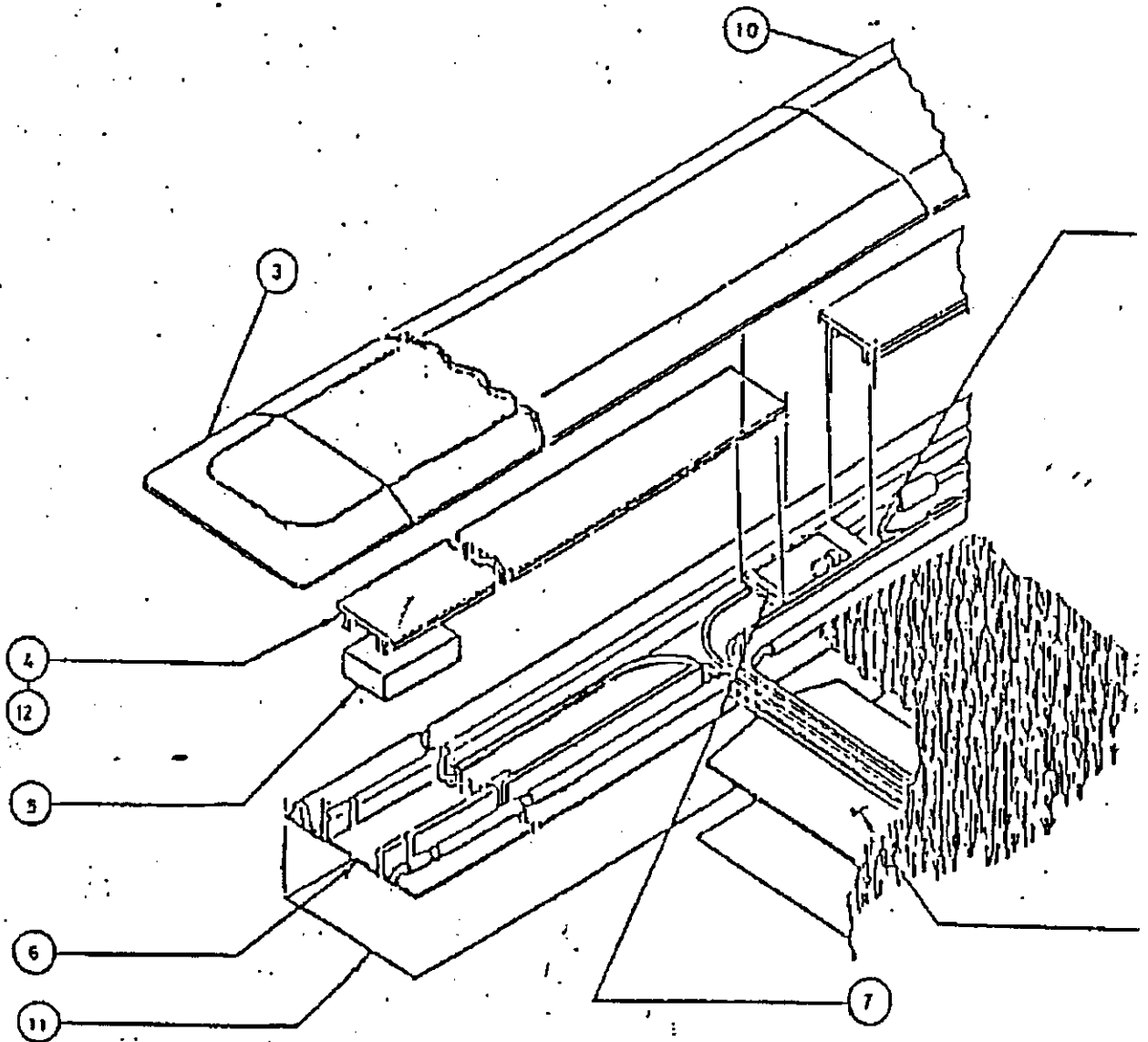
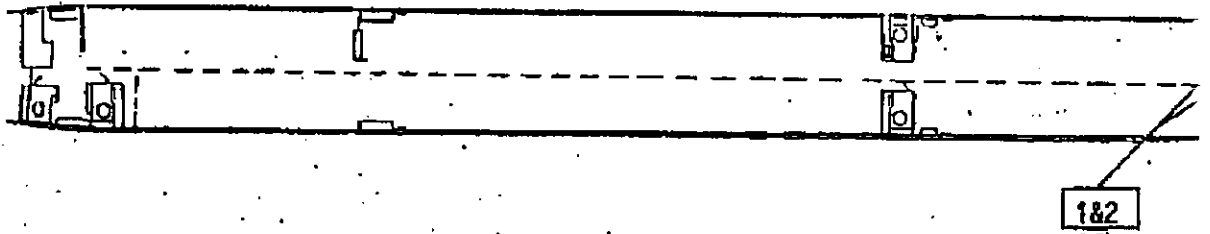
FLOOR PROXIMITY EMERGENCY LIGHTING

EFFECTIVITY

All aircraft incorporating mod
MON/757/953.

33-52-01
Page MON 1
5.8.88

757-28A
PARTS CATALOGUE



EFFECTIVITY

All Aircraft Incorporating Mod
MON/757/953.

Floor Track
Floor Proximity
Emergency Lighting
Figure 1
33.52.01.01

33.52.01
Fig.1
Page MON 0
5.8.88

BOEING 757 Monarch

757-28A

PARTS CATALOGUE

Fig.	Item	Part Number	Description	Units per Assy
1	1	11-5559-1	Light Assembly	2
	2	25-1377-101	Lens	2
	3	11-5566-1	End Cover	2
	4	11-5565-3	Wire Cover (19" long)	63
	5	11-5570-1	Moisture Seal	20
	6	11-5568-3	Base	11
	7	25-1411-5	Red Filter Assy	8
	8	11-5564-1	Wire Track	2
	9	10-1307-1	Lamp Module	As reqd
	10	11-5569-1	Cover	11
	11	Various	Double Face Carpet Tape	As reqd
	12	11-5565-9	Wire Cover (1" long)	10

ITEM 12 & ITEM 1 TO 10 SUPPLIED BY MIDLAND ROSS
(GRIMES DIVISION)

33.52.01.01

EFFECTIVITY

All aircraft incorporating mod
MON/757/953.

33-52-01
Fig 1
Page MON 1
5.8.88

**B757 MANUAL SUPPLEMENT - ATP 3510
SECTION 2 CHAPTER 33
CONTROL PAGE - INITIAL ISSUE**

- A. File the attached Temporary Revision/Alerts in the Manual Supplement in ATA Chapter/Section/Subject/Page sequence
- B. File this Control Page in front of the Chapter TRs/Alerts.
- C. The following list shows active TRs/Alerts together with TRs/Alerts added by this control page.

Chapter Section Subject	Page	TR/Alert No.
33-37-51-02	Item 75	* 33-535
33-37-51-03	4	* 33-536
33-37-51-09	5	* 33-537
33-37-51-10	4	* 33-538

- D. Remove and Destroy the following TRs/Alerts:

* Indicates TRs/Alerts issued with this control page

**ATP
TEMPORARY
REVISION**

NB322(PEP)

B757

TR Page 1 of 1
25 November, 1998

ILLUSTRATED PARTS CATALOGUE

TEMPORARY REVISION No. 33-535

THIS TEMPORARY REVISION IS ISSUED BY BRITISH AIRWAYS ENGINEERING (TECHNICAL INFORMATION SERVICES, G2, TBA, S401, P. O. BOX 70, HEATHROW AIRPORT, HOUNSLOW, MIDDLESEX TW6 2JA) AND COMPLIES WITH BCAR'S CHAPTER A5-3, B5-3 AND/OR TSS No. 0-2 AS REQUIRED. CAA DESIGN APPROVAL No. DAI/8566/78.

For CHIEF ENGINEER QUALITY AND TRAINING

Manual Reference 33-37-51-02 ITEM 75

REASON FOR REVISION

Mod 25H012 replaces some components in the Fwd and Aft cargo compartments due to upgraded fire regulations(FAR 121.314).

ACTION

Read the following in conjunction with the existing text:

Fig Item	Part Number	Nomenclature	Effect	Units/ Assy
2 75	453N2606-1	.PAN ASSY-SPRT (Pre SB 757-25A0189, EOC-757-25H012)	002	4
75	453N2606-5	.PAN ASSY-SPRT (Post SB 757-25A0189, EOC-757-25H012)	002	4

Originator: Paul Mason
Reference: 757-w-mcr-pm-98-0797 33-37-51-02
Workbook: SS 33-010

**ATP
TEMPORARY
REVISION**

NB322(PEP)

B757

TR Page 1 of 1
25 November, 1998

ILLUSTRATED PARTS CATALOGUE
TEMPORARY REVISION No. 33-536

THIS TEMPORARY REVISION IS ISSUED BY BRITISH AIRWAYS ENGINEERING (TECHNICAL INFORMATION SERVICES, G2, TBA, S401, P. O. BOX 70, HEATHROW AIRPORT, HOUNSLOW, MIDDLESEX TW6 2JA) AND COMPLIES WITH BCAR'S CHAPTER A5-3, B5-3 AND/OR TSS No. 0-2 AS REQUIRED. CAA DESIGN APPROVAL No. DAI/8566/78.

For CHIEF ENGINEER QUALITY AND TRAINING

Manual Reference 33-37-51-03 Page 4

REASON FOR REVISION

Mod 25H012 replaces some components in the Fwd and Aft cargo compartments due to upgraded fire regulations(FAR 121.314).

ACTION

Read the following in conjunction with the existing text:

Fig	Item	Part Number	Nomenclature	Effect	Units/ Assy
3	70	453N2606-1	.PAN ASSY-SPRT (Pre SB 757-25A0189, EOC-757-25H012)	002	3
	70	453N2606-5	.PAN ASSY-SPRT (Post SB 757-25A0189, EOC-757-25H012)	002	3

Originator: Paul Mason
Reference: 757-w-mcr-pm-98-0797 33-37-51-03
Workbook: SS 33-010 Page 4

**ATP
TEMPORARY
REVISION**

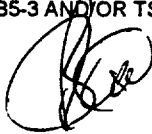
NB322(PEP)

B757

TR Page 1 of 1
25 November, 1998

**ILLUSTRATED PARTS CATALOGUE
TEMPORARY REVISION No. 33-537**

THIS TEMPORARY REVISION IS ISSUED BY BRITISH AIRWAYS ENGINEERING (TECHNICAL INFORMATION SERVICES, G2, TBA, S401, P. O. BOX 10, HEATHROW AIRPORT, HOUNSLOW, MIDDLESEX TW6 2JA) AND COMPLIES WITH BCAR'S CHAPTER A5-3, B5-3 AND/OR TSS No. 0-2 AS REQUIRED. CAA DESIGN APPROVAL No. DAI/8566/78.



For CHIEF ENGINEER QUALITY AND TRAINING

Manual Reference 33-37-51-09 Page 5

REASON FOR REVISION

Mod 25H012 replaces some components in the Fwd and Aft cargo compartments due to upgraded fire regulations(FAR 121.314).

ACTION

Read the following in conjunction with the existing text:

Fig	Item	Part Number	Nomenclature	Effect	Units/ Assy
9	215	453N2606-1	.PAN ASSY-SPRT (Pre SB 757-25A0189, EOC-757-25H012)	002	1
	215	453N2606-5	.PAN ASSY-SPRT (Post SB 757-25A0189, EOC-757-25H012)	002	1

Originator: Paul Mason
Reference: 757-w-mcr-pm-98-0797 33-37-51-09
Workbook: SS 33-010 Page 5

**ATP
TEMPORARY
REVISION**

NB322(PEP)

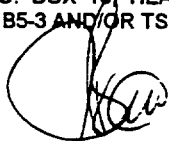
B757

TR Page 1 of 1
25 November, 1998

ILLUSTRATED PARTS CATALOGUE

TEMPORARY REVISION No. 33-538

THIS TEMPORARY REVISION IS ISSUED BY BRITISH AIRWAYS ENGINEERING (TECHNICAL INFORMATION SERVICES, G2, TBA, S401, P. O. BOX 10, HEATHROW AIRPORT, HOUNSLOW, MIDDLESEX TW6 2JA) AND COMPLIES WITH BCAR'S CHAPTER A5-3, B5-3 AND/OR TSS No. 0-2 AS REQUIRED. CAA DESIGN APPROVAL No. DAI/8566/78.



For CHIEF ENGINEER QUALITY AND TRAINING

Manual Reference 33-37-51-10 Page 4

REASON FOR REVISION

Mod 25H012 replaces some components in the Fwd and Aft cargo compartments due to upgraded fire regulations(FAR 121.314).

ACTION

Read the following in conjunction with the existing text:

Fig	Item	Part Number	Nomenclature	Effect	Units/ Assy
10	120	453N2606-1	.PAN ASSY-SPRT (Pre SB 757-25A0189, EOC-757-25H012)	002	1
	120	453N2606-5	.PAN ASSY-SPRT (Post SB 757-25A0189, EOC-757-25H012)	002	1

Originator: Paul Mason
Reference: 757-w-mcr-pm-98-0797 33-37-51-10
Workbook: SS 33-010 Page 4



www.aesglobal.com

JAR21 APPR: CAA.JA.02304

MODIFICATION TITLE:
INTRODUCTION OF 233Y PAX CABIN INTERIOR AND ASSOCIATED CUSTOMISATION

MODIFICATION No.
AES-757-192
PARTS A-L: ISSUE 4
Page 1 of 11

A/C TYPE:..	A/C VARIANT:..	A/C REG:..	A/C SERIAL No:..
B757	-236	G-OOBG	29942
B757	-236	G-OOBH	29944

Retro. Action: SEE SHT. YES/NO	Certificate of Airworthiness Category: PUBLIC TRANSPORT - PASSENGER	CAA / JAA Class: MAJOR/MINOR
Project No.: 0158	Performance Group: TURBINE JET	ATA: 25, 53, 33

Reason for Modification: TO SUIT THE REQUIREMENTS OF THE OPERATOR (FIRST CHOICE AIRWAYS)	Reports: AES-TR-0047 AES-SR-0017
---	--

WEIGHT CHANGE SEE SECTION 5.5.1	ELECTRICAL LOAD SEE SECTION 5.5.3	NOISE SEE SECTION 5.3	DOCUMENTS SEE SECTION 11.0
---	---	---------------------------------	--------------------------------------

CERTIFICATE OF DESIGN

I hereby certify that this modification defines all the changes associated with this certificate.

The technical information contained in this document has been approved under the authority of
JAA Design Organisation Approval No CAA.JA.02304

I further certify that, with the exceptions listed below, the design of this modification complies with the requirements specified by the CAA as the certification basis for this type of aircraft and with any additional requirements notified by the CAA in respect of the particular modification.

EXCEPTIONS

NONE

APPROVAL STATUS COMPLETE/INCOMPLETE (see section 10)	CAA AAN No.: NONE APPLICABLE
	CAA STC No.: NONE APPLICABLE

ISSUE	1	2	3	4			
DRN No.	0649	0681	0173	0788			
APPROVAL DATE	MAE 26.03.04	MAE 26.03.04	MAE 15.04.04				

ISSUE	RAISE ISSUE DETAIL					SHEETS AFFECTED	
2	DOI 0191 ADDED TO PARA 11.0 [SEE INSTRUCTIONS FOR DETAILS OF CHANGE]					9, 10	
3	DOI 0193 ADDED TO PARA 11.0 [SEE INSTRUCTIONS FOR DETAILS OF CHANGE]					10	
4	DOI 0206 ADDED TO PARA 11.0					10	
ISSUE	DATE	COMPILED	CVE / APP STRUCTURES	CVE / APP DESIGN	CVE / APP SYSTEMS	DOCUMENTS AFFECTED	SEE SHT
1	10.03.04	S SHAW	M EVANS	A DOLBY	A HEISSIG	MMEL MAINT MANUAL	8
2	28.03.04	A DOLBY	M A E	M A E	N / A	WDM* REPAIR MANUAL	
3	14.04.04	A DOLBY	M A E	M A E	N/A	FLIGHT MANUAL CREW MANUAL*	
4	04.06.04	MJ	M A E	A DOLBY	N/A	MAINT. SCHEDULE PART CATALOGUE*	
						* OPERATORS RESPONSIBILITY	8

DETAILS OF MODIFICATION

1.0 Introduction

- 1.1 This modification introduces a 233 passenger seating configuration and associated cabin interior furnishings. The new interior is similar to that used in the operator's previous and new delivery airplanes.
- 1.2 The subject aircraft are currently configured with the previous operator's standard cabin interior (National Airlines) with 175 passenger seat places.
- 1.3 This modification is introduced concurrently with AES modification AES-757-194 – 'Installation Of Video And Passenger Entertainment System' and is embodied concurrently.
- 1.4 This modification is introduced concurrently with AES modification AES-757-249 – 'Introduction of Galley 1A and is embodied concurrently.
- 1.5 This modification is introduced concurrently with AES modification AES-757-233 – 'Introduction of Galley 1B and is embodied concurrently.
- 1.6 This modification is introduced concurrently with AES modification AES-757-218 – 'Introduction of Galley 4B and is embodied concurrently.
- 1.7 The changes introduced via this modification are similar to Major Modification AES-757-104 (CAA AAN 28752)

2.0 Modification Definition

2.1 AES-757-192 Part A – Removal of Cabin Monuments.

2.1.1 The following cabin monuments, currently installed in the aircraft cabin, are removed.

Monument	P/No
Galley 1A	7572BS1AGA00
Galley 1B	7572BS1BGA00
Closet G1B	101712-201
Closet Door 2	101713-101
Class Divider	10472-401
Header Assy	101010-201
Galley 4B	7572BS4BGA00
Windbreak, Dr 4R	411N3108-92SP

The existing compliment of emergency equipment is removed.

The existing compliment of passenger seats are removed.

2.2 AES-757-192 Part B – Introduction of Cabin Seating

2.2.1 The existing compliment of passenger seat assemblies providing 175 passenger places are removed. Weber/ Airline Interiors AI-1000 triple and double seats are introduced providing 233 passenger seat places.

2.2.2 Delethalisation pads are introduced onto the aft faces of the Galley 1B and Aft face of the forward lavatory where head-strike is below 35" accepted minima.

2.2.3 The passenger cabin carpet is replaced using the operator's standard material specification [Specification number 1021158, (Manufacturer - Desso) or part number Melair 3232 LS D616/700 (Manufacturer - Lental)].

2.2.4 The passenger curtain fabric is replaced using the operator's standard material.

2.3 AES-757-192 Part C – Installation of door 2R Attendant Seat

2.3.1 Existing galley 2 structure at STA 660/680 RBL 10.44 is part removed to facilitate introduction of new seat track at RBL 11.75 to support the inboard leg attachments of the double attendant seat P/N S414N201-162GG at STA 688.45. The remaining redundant galley 2 structure is retained unaltered.

2.3.2 The redundant galley water feed, waste drain, ventilation and electrical connections are blanked off.

2.3.3 The cabin interphone, threshold lighting and floor panels are reworked to suit the new attendant seat location. (Note: The track mounted 2L double attendant seat was previously installed on LHS forward of door 2L)

2.3.4 The lavatory smoke detector panel currently installed in the OHSC bin end cap forward of door 2R is relocated to the upper door lining panel forward of door 1L where a door evacuation panel was originally installed at build.

2.4 AES-757-192 Part D – Introduction of Sidewall Linings

2.4.1 Cabin sidewall and air grills are introduced around on the cabin right hand side to accommodate the installation of the full height Galley 1B and removal of the monuments at door 2.

2.5 AES-757-192 Part E – Introduction of Cabin Windows

2.5.1 The existing window blanks, P/N 140N2314-2, locally to door 1R and 2R area are replaced using window assembly P/N 140N2139-1.

2.6 AES-757-192 Part F – Installation of Passenger Service Units.

2.6.1 Replacement Passenger Service Units (PSU's) are introduced to suit the new 233 passenger seat place layout. Each PSU assembly on the cabin left side

incorporates 4 emergency oxygen masks. The PSU's are similar in design and operation to the operator's existing types in use on their current 757 fleet.

2.6.2 The existing emergency battery packs are removed from the PSU infill blanks and installed directly to the underside of the overhead stowage compartment.

2.6.3 The door 2R Overdoor PSU assembly is reworked to add a speaker and chime unit for the new attendant's position.

2.7 AES-757-192 Part G – Introduction of Floor Path Lighting

2.7.1 The aircraft is currently fitted with a seat mounted floor path lighting installation. This floor path lighting system is removed, the redundant wiring is removed.

2.7.2 A new dual lane STG Aerospace Photo-luminescent floor path lighting system is fitted to each side of the passenger cabin aisle.

2.8 AES-757-192 Part H – Introduction of 4R Cabin Divider.

2.8.1 The existing aft right hand cabin divider P/No 413N3108-92SP is deleted. A replacement RH bulkhead P/No 413N3108-76 and associated support structure is installed. A single cabin attendant seat is fitted to the aft face of the bulkhead.

2.8.2 Lighting and oxygen provision for the new single cabin attendant seat mounted on the aft face of the door 4R bulkhead is installed.

2.9 AES-757-192 Part J – Intentionally left blank.

2.10 AES-757-192 Part K – Intentionally left blank.

2.11 AES-757-192 Part L – Introduction of Emergency Equipment

2.11.1 The existing compliment of Emergency Equipment is removed. An emergency equipment layout is installed to suit the operational requirements of the operator and conforms to the requirements of JAR-OPS Sub Part K.

2.11.2 The existing single lane emergency escape slides at door 2 (left and right sides) are replaced with dual lane items to accommodate the increase in passengers.

3.0 Approval Procedures

3.1 This modification certification/approval/validation has been carried out in accordance with JAR 21.

4.0 Basis of Certification/Validation/Approval

4.1 CAA Certification/Validation/Approval Basis For The Aircraft/Modification

FOR –236 A/C: The certification basis of the aircraft type is FAR25, UK Type Certificate Data Sheet FA28 Issue 5 refers (FAR Part 25 amendment 25-1 through 25-45).

Design requirements per JAR 25 Change 16 are also addressed within this modification as equivalent, or exceeding , the TCDS basis:

4.1.2

Requirement	Description
FAR 25.301 *	General (Loads – Structures)
FAR 25.303 *	Factor of Safety
FAR 25.305 *	Strength and Deformation
FAR 25.307 *	Proof of Structure
FAR 25.321 *	Flights Loads (General)
FAR/JAR 25.331-25.351	Flight Conditions
FAR 25.561 *	General (Emergency Landing Conditions)
JAR/FAR 25.601	General (Design & Construction)
JAR/FAR 25.603	Materials
JAR/FAR 25.605	Fabrication Methods
JAR/FAR 25.609	Protection of Structure
JAR/FAR 25.613	Material Strength Properties & Design Values
JAR/FAR 25.625	Fitting Factors
JAR/FAR 25.785	Seats, Berths, Safety Belts and Harnesses
JAR/FAR 25.787	Stowage Compartments
JAR/FAR 25.789	Retention of Items of Mass in Passenger and Crew Compartments and Galleys
JAR/FAR 25.791	Passenger Information Signs and Placards
JAR/FAR 25.793	Floor Surfaces
JAR/FAR 25.809	Emergency Exit Arrangement
JAR/FAR 25.810	Emergency egress assist means and escape routes
JAR/FAR 25.812	Emergency Lighting
JAR/FAR 25.813	Emergency Exit Access
JAR/FAR 25.815	Width of aisle
JAR/FAR 25.817	Maximum Number of Seats Abreast
JAR/FAR 25.851	Fire Extinguishers
JAR/FAR 25.853	Compartment interiors
JAR/FAR 25.854	Lavatory Fire Protection
JAR/FAR 25.1301	Function and Installation
JAR/FAR 25.1309	Equipment, systems and installations
JAR/FAR 25.1353	Electrical equipment and installations

Requirement	Description
JAR/FAR 25.1357	Circuit protective devices
JAR/FAR 25.1411	Safety Equipment (General)
JAR/FAR 25.1415	Ditching Equipment
JAR/FAR 25.1421	Megaphones
JAR/FAR 25.1423	Public Address system
JAR/FAR 25.1523	Minimum Flight Crew
JAR/FAR 25.1439	Protective Breathing Equipment
JAR/FAR 25.1447	Equipment Standards for Oxygen Dispensing Units
JAR/FAR 25.1541	Marking and placards (General)
JAR/FAR 25.1561	Safety Equipment

* Ground, flight and emergency landing load factors [pre-amendment 25-64 for model –200 aircraft] per D6-55441.

4.2 Design Requirements For Certificate Of Airworthiness

Not Applicable

4.3 Environmental Requirements

The aircraft noise requirements are detailed in CAA Noise Certificate No. 58 & 77, UK TCDS FA28 refers.

4.4 Design Requirements Associated With operational Approvals

The following CAA Airworthiness Notices have been addressed within this modification:

CAA AWN 39:	Selection of Procurement of Electronic Equipment
CAA AWN 56	Emergency Floor Path Lighting System.
CAA AWN 58	Flame resistant Furnishing Materials.
CAA AWN 59	Aircraft Seats and Berths – Resistance to Fire
CAA AWN 60	Cabin and Toilet Fire Protection
CAA AWN 61	Improved Flammability Test Standards for Cabin Interior Materials
CAA AWN 64	Minimum Space for Seated Passengers.
CAA AWN 67	Portable Oxygen Pressure Relief
CAA AWN 83	Fire Precautions – Aircraft Toilets
CAA AWN 89	Continuing Structural Integrity of Transport Aeroplanes
CAA AWN 99	Galley Equipment

The following CAA Specifications have been addressed within this modification:

CAA Spec 1:	Safety Belts
CAA Spec 5:	Inflatable Lifejackets
CAA Spec 8	Flame Resistant Testing of Aircraft Materials
CAA Spec 15:	Public Address System
CAA Spec 20:	Protective Breathing Equipment (Smoke Hoods)

The following JAR OPS-1 requirements (at amendment 6) have been addressed within this modification:

JAR OPS 1.270	Stowage of Baggage and Cargo
JAR OPS 1.280	Passenger Seating
JAR OPS 1.315	Assisting Means for emergency evacuation
JAR OPS 1.320	Seats, Safety Belts and Harnesses
JAR OPS 1.330	Accessibility of Emergency Equipment
JAR OPS 1.385	Use of Supplemental Oxygen
JAR OPS 1.640	Aeroplane Operating Lights
JAR OPS 1.730	Seats Safety Belts, Harnesses and Child Restraints
JAR OPS 1.731	Fasten Seat Belt and No Smoking Signs
JAR OPS 1.735	Internal Doors and Curtains
JAR OPS 1.745	First Aid Kits
JAR OPS 1.755	Emergency Medical Kit
JAR OPS 1.760	First Aid Oxygen
JAR OPS 1.770	Supplemental Oxygen Pressurised Airplanes
JAR OPS 1.780	Crew Protective Breathing Equipment
JAR OPS 1.795	Crash Axes and Crow Bars
JAR OPS 1.800	Marking of Break in points
JAR OPS 1.805	Means of Emergency Evacuation
JAR OPS 1.810	Megaphone
JAR OPS 1.815	Emergency Lighting
JAR OPS 1.820	ELT
JAR OPS 1.825	Lifejackets
JAR OPS 1.830	Life rafts & Survival ELT's
JAR OPS 1.835	Survival Equipment.

5.0 **Compliance with the Basis of Certification/Validation/Approval**

5.1 **Compliance with the Certification/Validation/Approval Basis for the Aircraft/Modification.**

5.1.1. For Compliance with the referenced requirements contained in paragraph 4.1 refer to reports AES-TR-0047 and AES-SR-0017.

5.2 **Compliance With Design Requirements For Certificate Of Airworthiness**

5.2.1 Not applicable.

5.3 **Compliance with Environmental Requirements**

5.3.1 Embodiment of this modification does not affect the existing noise certificate.

5.4 **Compliance with Design Requirements Associated with Operational Approvals**

5.4.1 For Compliance with the referenced requirements contained in paragraph 4.4 refer to AES-TR-0047.

5.5 **Required (Amendments to) Manuals and other Documents Including Mandatory Placards.**

5.5.1 The aircraft shall be reweighed on completion to include this and complimentary changes. It is the responsibility of the operator to amend the weight and balance manual.

5.5.2 The Aircraft Flight Manual (AFM) and Aircraft Maintenance Manual (AMM) are not affected by this modification.

5.5.3 Changes to the ELA are defined in document reference AES-TR-0054

5.5.4 A supplement to the WDM or IPC maybe produced at the operators discretion or this data can be appended to the existing manuals

6.0 **Conditions Affecting This Approval**

6.1 The compatibility of this modification with other previously approved modifications installed on the particular aircraft, must be verified by the installer. Where the potential for interactions between modifications exists, the advice of the Design Organisation/CAA shall be sought.

7.0 **Continued Airworthiness**

7.1 The influence of the modification on Airworthiness Directive, Service Bulletin eligibility and other data must be considered and the publications monitored accordingly. The maintenance schedule for the aircraft should include reference to this material additional to the original design. Co-ordination is the responsibility of the operator.

8.0 **Survey**

8.1 Post modification completion the aircraft shall be surveyed by a representative from the Design Organisation and the CAA for compliance with cabin airworthiness and carried out as part of the Import (CAA E3) process.

9.0 **Authorisation of Release to Service**

9.1 In addition to the actions required by the procedures for release to service following maintenance or modification, the following actions must be completed prior to signing the Certificate of Release to Service:

- a) All actions and ground test procedures specified by the modification instructions must be completed satisfactorily.
- b) It must be verified that the documents or amendments to documents, above are as specified, including any changes specified under Section 8 above.

10.0 **Approval**

10.1 This Minor modification AES-757-192 (MCA-AES-757-192) and related instructions has been approved under the authority of JAA Design Organisation Approval no. CAA.JA.02304.

10.2 This modification is classified as Minor based on similarity with previous major modification AES-757-104 (CAA AAN 28752).

11.0 Documents Required

11.1 New / Re-issued drawings / documents Introduced Applicable to AES-757-192

<u>Drawing Number</u>	<u>Issue</u>	<u>Title</u>	<u>AES-757-192</u> <u>Part ()</u>
▶ 0316-252-757 *	2	233 PAX CONFIG B757-236	B
0389-233-757 *	2	SEAT TO SEAT CABLE INSTLN B757-236 (233 PAX)	B
0391-252-757 *	2	DELETHALISATION PAD INSTLN B757-200	B
0645-113-757	1	PLACARD INSTLN	B
0652-252-757	1	CURTAIN INSTLN	B
0404-233-757 *	2	DOOR 2 ATTENDANT HAND SET WIRE ROUTING	C
0688-234-757	1	W/D CABIN INTERPHONE SYSTEM REWORK	C
0361-252-757 *	2	INSTL'N OF ATT SEAT TRACK DOOR 2R	C
0392-534-757 *	2	FLOOR PANEL INSTL'N DOOR 2	C
0735-261-757	1	LAVATORY SMOKE DETECTOR PANEL RELOCATION DOOR 1L	C
0396-261-757 *	1	W/D LAVATORY SMOKE DETECTOR PANEL RELOCATION	C
0640-252-757	1	WINDOW PANEL & GRILL INSTL'N	D
0635-562-757	1	WINDOW INSTL'N	E
0318-252-757 *	2	PSU LAYOUT 233Y PAX	F
0382-233-757 *	2	BATTERY PACK OVERHEAD BIN INSTALLATION	F
0387-231-757 *	2	RASTI MONITORING POS	F
0417-252-757 *	2	SPACER PANEL ASSY, DOOR 2 AREA	F
0430-233-757 *	2	19" PSU ASSY (MODIFIED)	F

<u>Drawing Number</u>	<u>Issue</u>	<u>Title</u>	<u>AES-757-192</u> <u>Part ()</u>
DOI 0184	1	INSTRUCTIONS: MANUFACTURE OF CUSTOMISED SPEAKER & CHIME UNIT PANEL FOR DOOR 2 AREA	F
DOI 0185	1	INSTRUCTIONS: TO CONNECT AIRCRAFT WIRING TO NEW SPEAKER AND CHIME PANEL AT DOOR 2 AREA	F
0606-335-757	1	FLOOR PATH LIGHTING INSTALLATION	G
▶ 0366-252-757 *	2	INSTL'N OF CABIN DIVIDER (AFT RIGHT)	H
0403-252-757 *	2	MOD TO AFT CEILING	H
0322-256-757 *	2	INSTL'N OF EMERGENCY EQUIPMENT	L
▶ 0321-256-757 *	3	EMERGENCY EQUIPMENT LAYOUT	L
DOI 0191	1	TEMPORARY NONE AVAILABILITY OF ATT SEAT DOOR 4R BULKHEAD P/N 413N3108-76	B, H, L
DOI 0193	1	INSTALLATION OF WATER & DRAIN BLANKS	A
DOI 0206	1	ATTENDANT SEAT DOOR 4R B/HEAD P/N 413N3108-76 NOW AVAILABLE TO REPLACE TEMPORARY B/HEAD. INTRODUCED VIA DOI - 0191	H

* Originally issued via AES Mod AES-757-104

▶ SEE DOI 0191, SUPERCEDED BY DOI - 0206

11.2 Existing Drawings Also Required

<u>Drawing Number</u>	<u>Issue</u>	<u>Title</u>
0390-252-757	2	DELETHALISATION PAD ASSY B757-200 AIR 200

11.3 Reports/Documents

11.3.1 Embodiment instructions:

<u>Document Number</u>	<u>Issue</u>	<u>Title</u>	<u>AES-757-192</u> <u>Part ()</u>
MEI-202	1	Removal of cabin furnishings	A
MEI-234	1	Instl'n of Cabin Seating	B
MEI-235	1	Instl'n of Floor Structure, Door 2 Area	C
MEI-309	1	Relocation of Lavatory Smoke Detector	C
MEI-236	1	Instl'n of Sidewall Linings	D

<u>Document Number</u>	<u>Issue</u>	<u>Title</u>	<u>AES-757-192 Part ()</u>
MEI-237	1	Inst'n of Cabin Windows	E
MEI-238	1	Inst'n of Passenger Service Units	F
MEI-239	1	Inst'n of Floor Path Lighting System	G
MEI-256	1	Removal of existing Seat Mounted EEPL	G
MEI-240	1	Inst'n of Cabin Dividers	H
MEI-258	1	Inst'n of Emergency Equipment	L

11.3.2 Strength / Technical reports.

<u>Document Number</u>	<u>Issue</u>	<u>Title</u>	<u>AES-757-192 Part ()</u>
AES-SR-0017		Interior customisation & conversion to first choice airways operational configuration	All
AES-TR-0054		Supplemental ELA Air 2000 B757-200 G-OOBG, G-OOBH	All
AES-TR-0047		COMPLIANCE WITH AIRWORTHINESS REQUIREMENTS FOR 233 PASSENGER SEAT LAYOUT FIRST CHOICE AIRWAYS. G-OOBG S/N 29942 G-OOBH S/N 29944	All

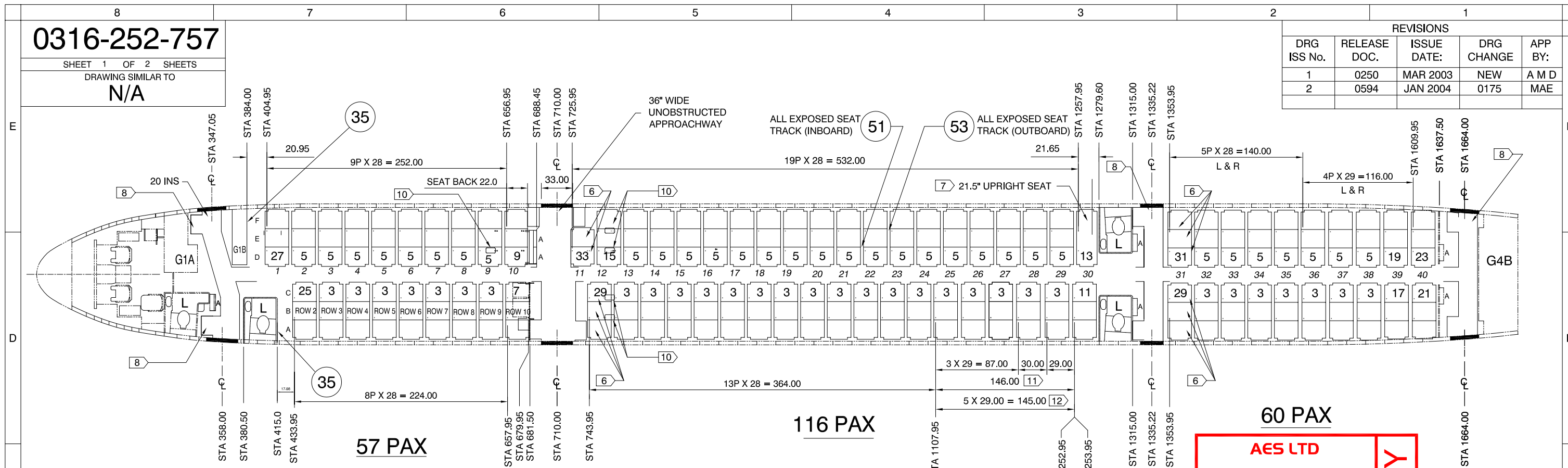
11.3.3 Modifications concurrently embodied.

<u>Modification Number</u>	<u>Issue</u>	<u>Title</u>
AES-757-194	1	Installation of Video and Passenger Entertainment System
AES-757-249	1	Introduction of Galley 1A
AES-757-233	1	Introduction of Galley 1B
AES-757-218	1	Introduction of Galley 4B
AES-757-217	1	Introduction of Airshow
AES-757-247	1	Review and Approve Entry Into Service Modifications
AES-757-226	1	Introduction of 8.33 kHz Channel spacing compliance for VHF communications systems
AES-757-246	1	Introduction of ACAS II compliant equipment

0316-252-757

SHEET 1 OF 2 SHEETS
DRAWING SIMILAR TO
N/A

REVISIONS				
DRG ISS No.	RELEASE DOC.	ISSUE DATE:	DRG CHANGE	APP BY:
1	0250	MAR 2003	NEW	A M D
2	0594	JAN 2004	0175	MAE



233 PAX CONFIGURATION (INSTL -001)

NOTES:

- 1 THIS DRAWING IS TO BE READ IN CONJUNCTION WITH MODIFICATION NUMBER AES-757-() EMBODIMENT INSTRUCTIONS MEI-() [SEE TABLE 1]
- 2 REMOVE & INSTALL ALL PASSENGER SEATS IN ACCORDANCE WITH AMM CH. 25-25-01-201. THE STATION NUMBERS INDICATED ARE TAKEN FROM THE CENTERLINE OF THE FRONT FOOT-STUD. SEE DETAIL A.
- 3 REPLACE OVERHEAD SEAT ROW NUMBERS AS INDICATED USING KIT PART NUMBER A2000-455FS IF REQUIRED.
- 4 VERIFY PASSENGER SERVICE UNITS (PSU'S) ARE POSITIONED THAT THE OXYGEN MASK DROP LIMITS ARE WITHIN THOSE SHOWN IN AMM CH. 25-23-01.
- 5 VERIFY CONTINUED COMPLIANCE WITH CAA AWN 64 IS MAINTAINED AT ALL PASSENGER SEAT PLACES.
- 6 NO BREAK FORWARD
- 7 NO RECLINE
- 8 SPACE AVAILABLE AT EXIT SATISFIES REGULATORY REQUIREMENTS FOR 20 INCH EXIT AISLE PLUS ATTENDANCE SPACE 12.0 INS X 20.0 INS
- 9 THE CAA REQUIREMENT IS A MINIMUM DIMENSION OF 36 INS BETWEEN AFT FACE OF DOUBLE ATTENDANCE SEAT TO CUSHIONS OF THE DOUBLE PASSENGER SEAT.

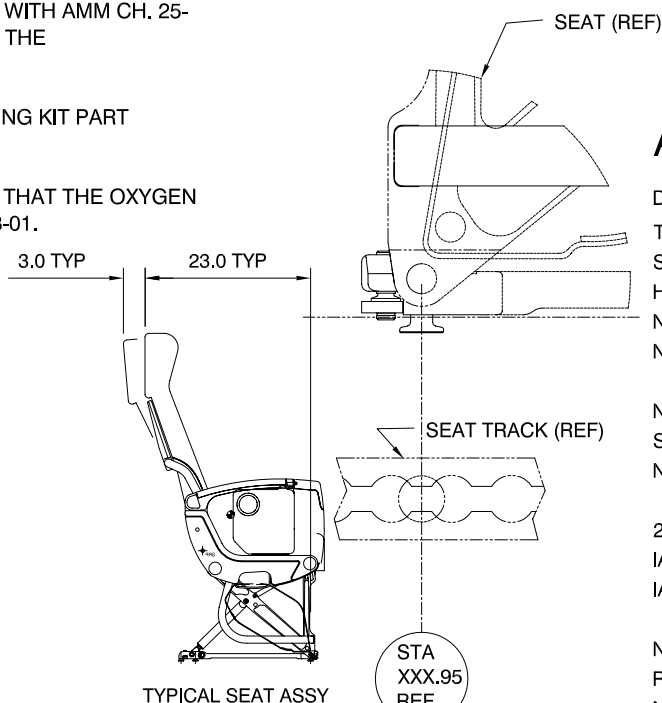
NOTES CONTINUED ON SHT 2.

TABLE 1

ASSEMBLY	MOD. No.	MEI. No.	REG.	SER. No.
-001	AES-757-104 Pt. B	MEI-107	G-CPEU	29941
-101	AES-757-104 Pt. B	MEI-107	G-CPEV	29943
-001	AES-757-192 Pt. B	MEI-234	G-OOBG	29942
-001	AES-757-192 Pt. B	MEI-234	G-OOBH	29944

- 1 INSTL'N -001 (233 PAX)
- 101 INSTL'N -101 (233 PAX) G-CPEV ONLY

AES LTD
OFFICIAL ISSUE
DATE: 09:02:2004
COPY



ABBREVIATIONS

- DBL DOUBLE
- TPL TRIPLE
- STD STANDARD
- HCAP HANDICAP
- NRW NARROW
- NRWO NARROW OUTBOARD
- PAX PLACE
- NRT NO REAR TABLES
- SPB SPECIAL BACK
- NRO NO RECLINE OUTBOARD
- PAX PLACE
- 2.0R 2.0 RECLINE
- IAT IN ARM TRAY
- IATO IN ARM TRAY OUTBOARD
- PAX PLACE
- NBF NO BREAK FORWARD
- RE REDUCED ENVELOPE
- NNT NARROW NO TABLES
- NO NARROW OUTBOARD
- NB NO BREAKOVER
- NR NO RECLINE
- RCL RECLINE
- LKT LOCKOUT

No. OFF	No. OFF	MAP REF	ITEM No.	PART NUMBER	ITEM ISS	KEYWORD / DESCRIPTION	MATERIAL	SPECIFICATION	WIDTH	EST WT (KG)	OR REMARKS
			101		-101	233Y PAX INSTALLATION					11 (ALL)
A/R	A/R		53	ACI-FL-107-02		SEAT TRACK INFILL - OUTBOARD					
A/R	A/R		51	ACI-FL-105-02		SEAT TRACK INFILL - INBOARD					
			1	1	39	57/252A2108-001					LH STOWAGE / DIVIDER
			1	1	35	0391-252-757-001					DELETHALISATION PAD INSTL
			1	1	33	117683-002					SEAT ASSY - DBL IAT (40.43)
			1	1	31	117682-004					SEAT ASSY - TPL IAT (59.60)
			2	2	29	117682-003					SEAT ASSY - TPL IAT NB (59.60)
			1	1	27	117682-002					SEAT ASSY - TPL IAT (59.60)
			1	1	25	117682-001					SEAT ASSY - TPL IAT (59.60)
			1	1	23	117681-016					SEAT ASSY - TPL STD HCAP (57.11)
			1	1	21	117681-015					SEAT ASSY - TPL STD HCAP NNT(57.11)
			1	1	19	117681-014					SEAT ASSY - TPL STD HCAP NNT(58.77)
			1	1	17	117681-013					SEAT ASSY - TPL STD HCAP NO(58.77)
			1	1	15	117681-012					SEAT ASSY - TPL IAT NB STD HCAP(59.60)
			1	1	13	117681-010					SEAT ASSY - TPL STD NT NR HCAP(59.60)
			1	1	11	117681-007					SEAT ASSY - TPL STD RCL HCAP(59.60)
			1	1	9	117681-006					SEAT ASSY - TPL STD LKT HCAP(59.60)
			1	1	7	117681-003					SEAT ASSY - TPL STD HCAP(59.60)
			32	32	5	117681-002					SEAT ASSY - TPL STD HCAP(59.60)
			31	31	3	117681-001					SEAT ASSY - TPL STD HCAP(59.60)

0316-252-757-101	0316-252-757-001	PART NUMBER	DRAWN BY: J.TIDD	DATE: FEB 2003	MODIFICATION No: SEE TABLE 1
			CHECKED BY: A D B	SCALE: 1:105 AT A3 U.O.S.	JAR 21: CAA.JA.02304
			STRESS: M A E	LIMITS: ±.25 U.O.S.	THIRD ANGLE PROJECTION:
			APPROVED: A M D	SURFACE FINISH: N/A	DIMENSIONS IN: INCHES
TITLE: 233 PAX CONFIGURATION B757-236					



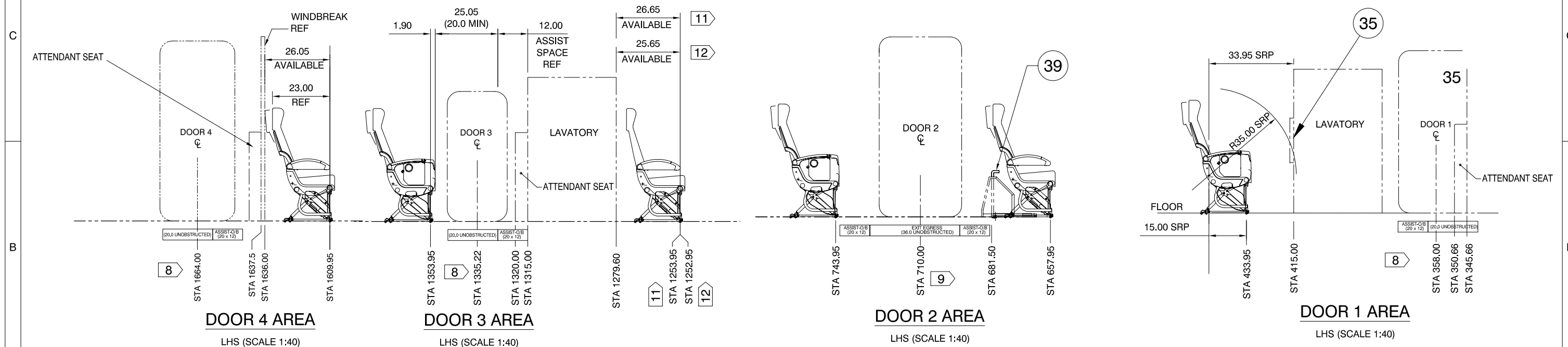
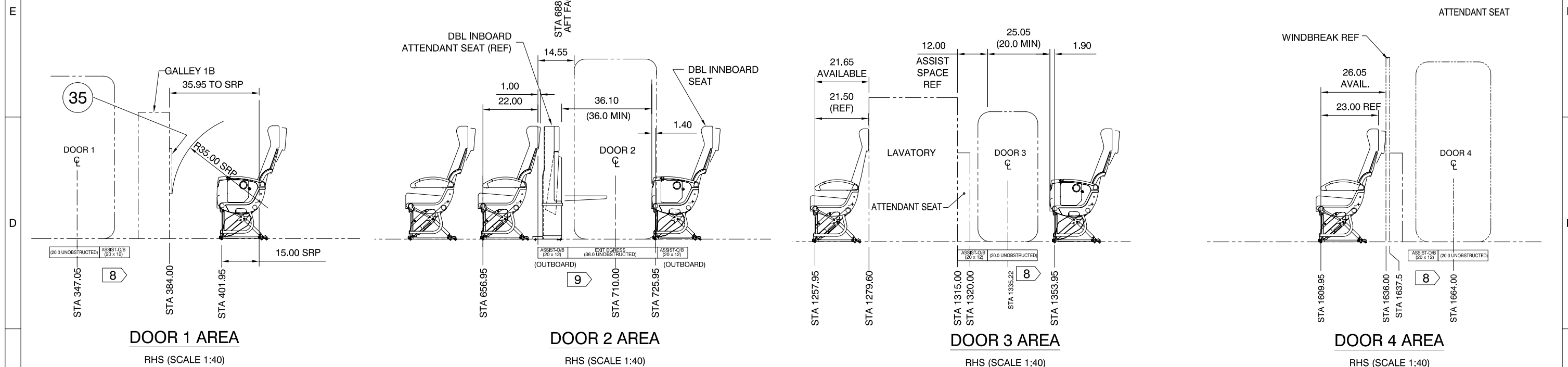
PT No	NHA	No. OFF	EFFECTIVITY
-001	AES-757-104 Pt B	1	B757-236 (G-CPEU/EV)
SEE TABLE 1			

0316-252-757

0316-252-757

SHEET 2 OF 2 SHEETS
DRAWING SIMILAR TO
N/A

REVISIONS				
DRG ISS No.	RELEASE DOC.	ISSUE DATE:	DRG CHANGE	APP BY:
1	0250	MAR 2003	NEW	M A E
2	0594	JAN 2004	0175	MAE



NOTES CONTINUED:

- 10 SEAT TRACK LIMITATIONS:
RBL 24.75: LAST USUABLE TRACK LIPS STA 641.95, NEXT USUABLE LIPS STA 643.95 AND ON.
RBL 24.75, RBL45.5, LBL 24.75, LBL 45.5: LAST USUABLE TRACK LIPS STA 763.95, NEXT USUABLE LIPS STA 766.95 AND ON.
- 11 DIMENSIONS AND STATIONS ARE APPLICABLE TO AIRCRAFT G-CPEV LH SIDE ONLY (INSLT -101)
- 12 DIMENSIONS AND STATIONS ARE APPLICABLE TO AIRCRAFT G-CPEU, G-OOBG & G-OOBH LH SIDE ONLY (INSTLN -001).

AES LTD
OFFICIAL ISSUE
DATE: 09:02:2004

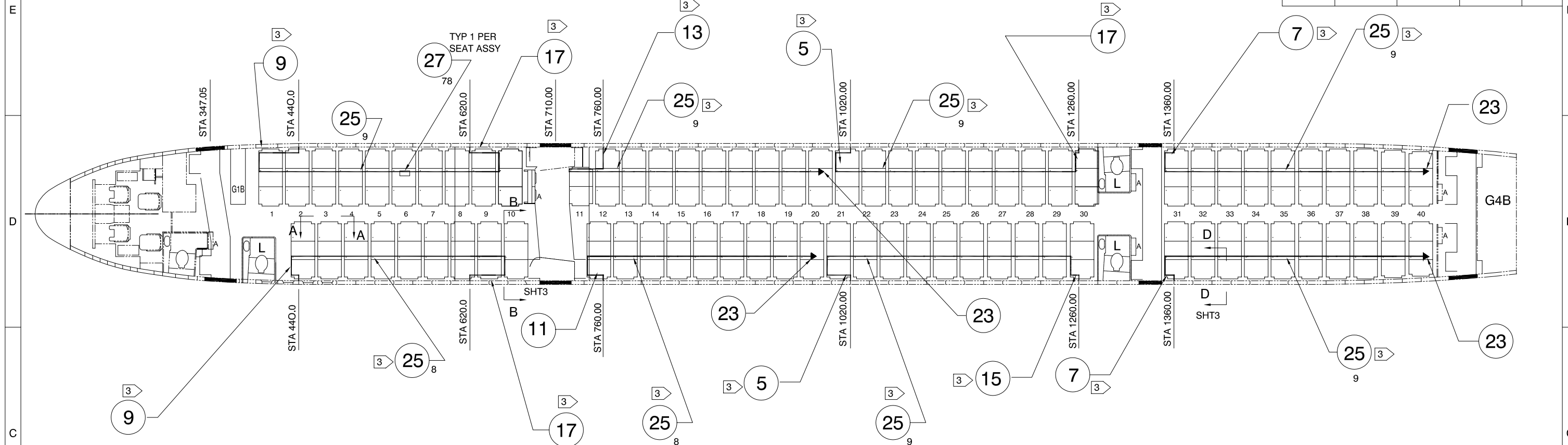
COPY

No. OFF	MAP REF	ITEM No.	PART NUMBER	ITEM ISS	SEE SHEET 1	MATERIAL	SPECIFICATION	WIDTH	EST WT (KG)
1	ISS				KEYWORD / DESCRIPTION				
DRAWN BY: J.TIDD						DATE: FEB 2003			
CHECKED BY: A D B						SCALE: 1:40 AT A3 U.O.S.			
STRESS: M A E						LIMITS: ±.25 U.O.S.			
APPROVED: A M D						SURFACE FINISH: N/A			
TITLE: 233 PAX CONFIGURATION B757-236						DIMENSIONS IN: INCHES			
PART NUMBER: 0316-252-757-001						THIRD ANGLE PROJECTION:			
						MATERIAL: 1.5 40			
						SPECIFICATION: NHA			
						WIDTH: -001			
						EST WT (KG): SEE TABLE 1			
						EFFECTIVITY: 1			
						B757-236 (G-CPEU/EV)			
						SEE TABLE 1			
						0316-252-757			
						SHEET 2 OF 2 SHEETS			

0389-233-757

SHEET 1 OF 3 SHEETS
DRAWING SIMILAR TO
N/A

REVISIONS				
DRG ISS No.	RELEASE DOC.	ISSUE DATE:	DRG CHANGE	APP BY:
1	0250	MAR 2003	NEW	M A E
2	0594	JAN 2004	DCN 0175	MAE



1 IFE CABLE INSTL/N (FOR RACEWAY INST/N SEE SHEET 2)
1 2 5

IFE CABLE INSTLN (INSTL -001)

- NOTES:
- 1 THIS DRAWING IS TO BE READ IN CONJUNCTION WITH MODIFICATION NUMBER AES-757-() AND EMBODIMENT INSTRUCTIONS MEI-() [SEE TABLE 1]
 - 2 INSTALL ALL SEAT-TO-SEAT AND SEAT-TO-SIDEWALL IFE CABLES AS SHOWN.
 - 3 ROUTE CABLE AS INCONSPICUOUSLY AS POSSIBLE OUT OF SHROUD AND INTO CONDUIT PROVIDED BENEATH INBOARD SIDE OF OUTBOARD SEAT TRACK COVER (DETAIL B). ROUTE CABLE THROUGH CONDUIT TO THE NEXT SEAT AFT AND ROUTE UP INTO SEB SHROUD. NOTCH CONDUIT AS REQUIRED TO ACCOMMODATE CABLE ENTRY AND EXIT. WHERE SHROUD IS INSTALLED HIGH ABOVE RACEWAY, ROUTE CABLES ALONG FORWARD OUTBD SEAT LEG AND UP INTO SHROUD. USE TIE DOWN STRAPS BACS38K2 OR EQUIVALENT TO RETAIN CABLE FOR MINIMUM EXPOSURE TO DAMAGE.
 - 4 INTENTIONALLY LEFT BLANK.
 - 5 REFER TO LOPA 0316-252-757 FOR SEAT INST/N.

AES LTD
OFFICIAL ISSUE
DATE: 09:02:2004
COPY

TABLE 1

ASSEMBLY	MOD. No.	MEI. No.	REG.	SER. No.
-001	AES-757-104 Pt. B	MEI-107	G-CPEU	29941
-001	AES-757-104 Pt. B	MEI-107	G-CPEV	29943
-001	AES-757-192 Pt. B	MEI-234	G-OOBG	29942
-001	AES-757-192 Pt. B	MEI-234	G-OOBH	29944

A/R	31	BHCS38K4A	CABLE TIES	ALTN/P/N TY23M	
A/R	30	413T3101-1	3/8" CONVOLUTED TUBING	ALTN/P/N TFE-2X SLEEVING	
A/R	29	SD511-2	DOUBLE SIDED TAPE		
	78	RD-AX4331-11	SEAT ELECTRONICS BOX	MATSUSHITA AVIONICS SYSTEMS	2
	70	RD-AM7913-14	SEAT TO SEAT HARNESS	MATSUSHITA AVIONICS SYSTEMS	2
	4	RD-AX4933-01	TERMINATION PLUG	MATSUSHITA AVIONICS SYSTEMS	2
A/R	21	ACI-EL-00153-02	RACEWAY (BLACK)		
-	19				
	3	RD-AM7915-21	SEAT TO SIDEWALL CABLE	MATSUSHITA AVIONICS SYSTEMS	2
	1	RD-AM7915-18	SEAT TO SIDEWALL CABLE	MATSUSHITA AVIONICS SYSTEMS	2
	1	RD-AM7914-32	SIDEWALL TO SEAT CABLE	MATSUSHITA AVIONICS SYSTEMS	2
	1	RD-AM7914-27	SIDEWALL TO SEAT CABLE	MATSUSHITA AVIONICS SYSTEMS	2
	2	RD-AM7914-23	SIDEWALL TO SEAT CABLE	MATSUSHITA AVIONICS SYSTEMS	2
	2	RD-AM7914-20	SIDEWALL TO SEAT CABLE	MATSUSHITA AVIONICS SYSTEMS	2
	2	RD-AM7914-17	SIDEWALL TO SEAT CABLE	MATSUSHITA AVIONICS SYSTEMS	2
-	3				
	1	-001	IFE INSTALLATION		ALL

No. OFF	MAP REF	ITEM No.	PART NUMBER	ITEM ISS	KEYWORD / DESCRIPTION	MATERIAL	SPECIFICATION	DIMENSIONS	PR. TREAT.	OR REMARKS
1	ISS									

DRAWN BY: J.TIDD DATE: MAR 2003 MODIFICATION No: SEE TABLE 1

CHECKED BY: A L H SCALE: 1:105 AT A3 U.O.S. JAR21.: CAA.JA.02304

STRESS: M A E LIMITS: ±.25 U.O.S. THIRD ANGLE PROJECTION:

APPROVED: A M D SURFACE FINISH: N/A DIMENSIONS IN: INCHES

TITLE: SEAT TO SEAT CABLE INSTLN B757-236 (233 PAX)

PT No: NHA No. OFF: 1 EFFECTIVITY: B757-236 (G-CPEU/EV)

SEE TABLE 1

0389-233-757

SHEET 1 OF 3 SHEETS

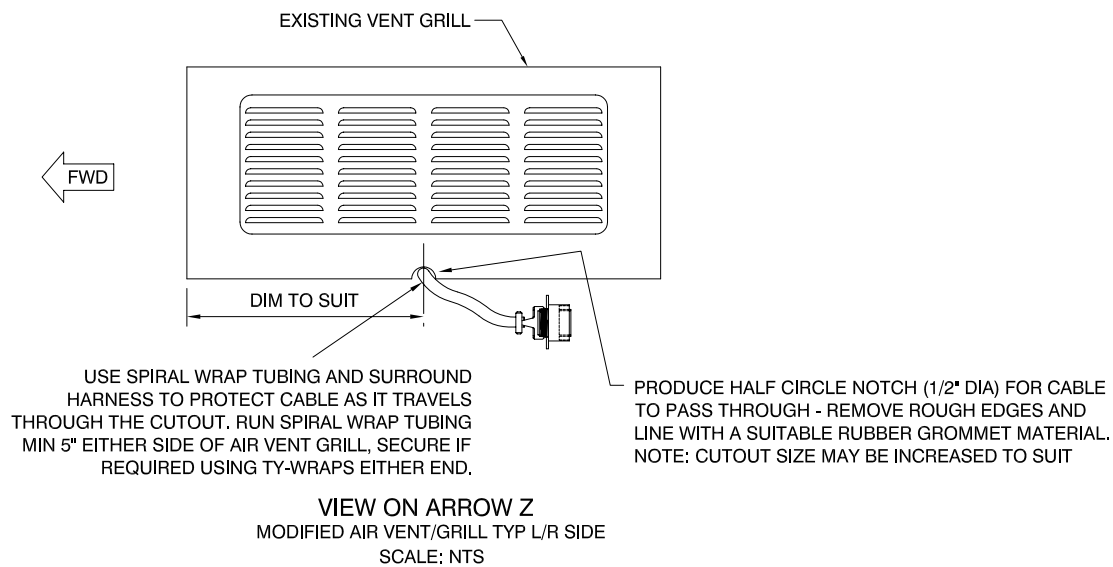
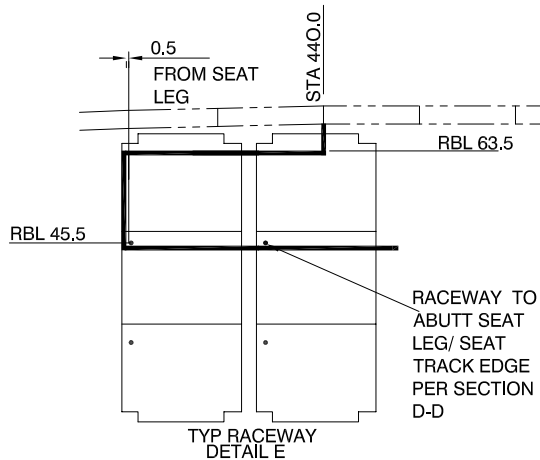
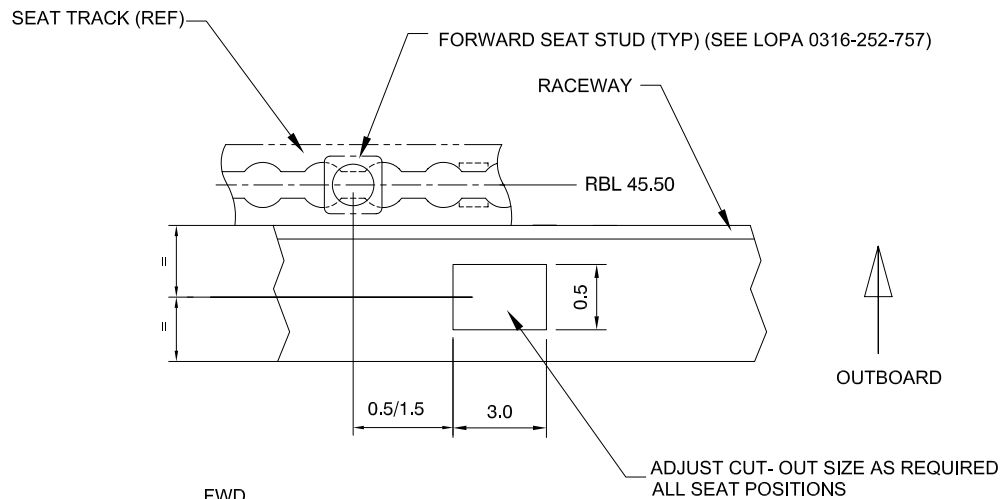
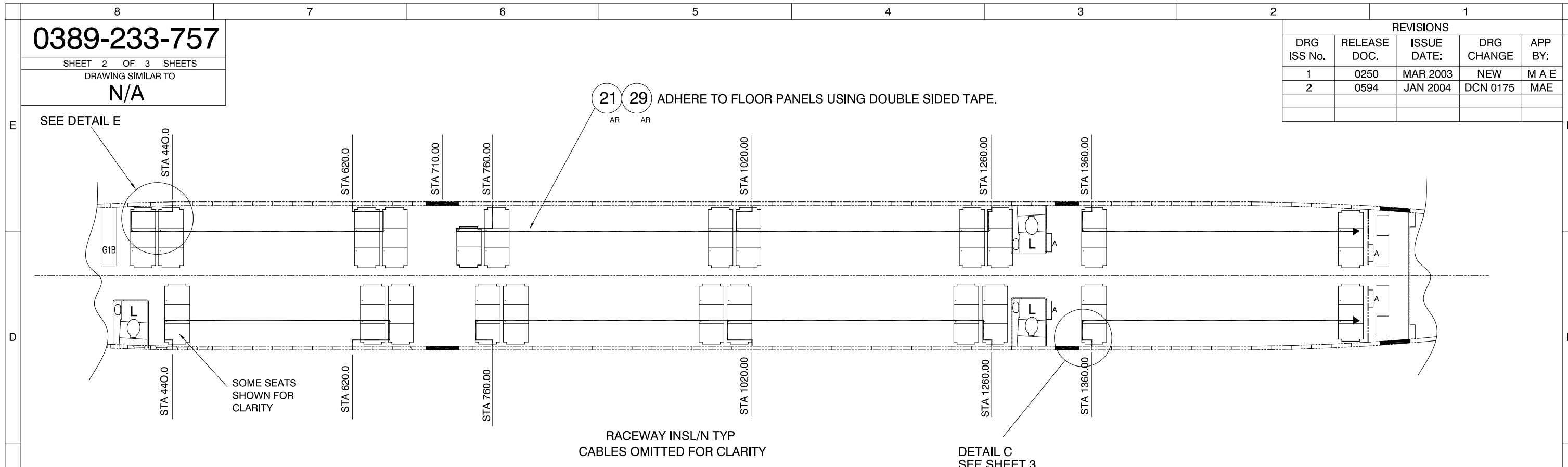
0389-233-757

SHEET 2 OF 3 SHEETS

DRAWING SIMILAR TO
N/A

REVISIONS

DRG ISS No.	RELEASE DOC.	ISSUE DATE:	DRG CHANGE	APP BY:
1	0250	MAR 2003	NEW	M A E
2	0594	JAN 2004	DCN 0175	MAE



AES LTD
OFFICIAL ISSUE
DATE: 09:02:2004
COPY

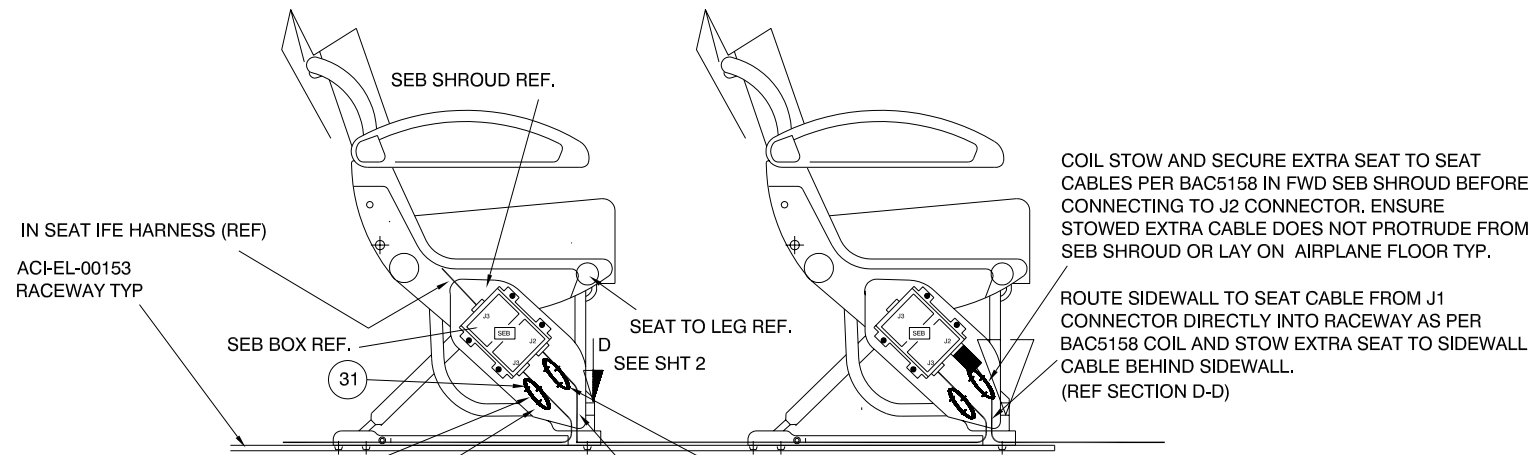
No. OFF	MAP REF	ITEM No.	PART NUMBER	ITEM ISS	KEYWORD / DESCRIPTION	MATERIAL	SPECIFICATION	DIMENSIONS	PR. TREAT.								
1	ISS																
DRAWN BY:		DATE:		MODIFICATION No:		<p>©2002 ALL RIGHTS RESERVED. THE INFORMATION CONTAINED HEREIN IS PROPRIETARY TO AEROSPACE ENGINEERING SOLUTIONS LIMITED AND SHALL NOT BE REPRODUCED OR DISCLOSED WITHOUT THE OWNERS WRITTEN PERMISSION.</p> <table border="1"> <tr> <th>PT No</th> <th>NHA</th> <th>No. OFF</th> <th>EFFECTIVITY</th> </tr> <tr> <td>-001</td> <td>AES-757-104, PT B</td> <td>1</td> <td>B757-236 (G-CPEU/EV)</td> </tr> </table> <p>SEE TABLE 1</p> <p style="font-size: 24pt; font-weight: bold;">0389-233-757</p> <p>SHEET 2 OF 3 SHEETS</p>				PT No	NHA	No. OFF	EFFECTIVITY	-001	AES-757-104, PT B	1	B757-236 (G-CPEU/EV)
PT No	NHA	No. OFF	EFFECTIVITY														
-001	AES-757-104, PT B	1	B757-236 (G-CPEU/EV)														
CHECKED BY:		SCALE:		JAR21.: CAA.JA.02304													
STRESS:		LIMITS:		THIRD ANGLE PROJECTION:													
APPROVED:		SURFACE FINISH:		DIMENSIONS IN:													
PART NUMBER		TYP		INCHES													
0389-233-757-001		RACEWAY		N/A													
TITLE:																	
SEAT TO SEAT CABLE INSTLN																	
B757-236 (233 PAX)																	

0389-233-757

SHEET 3 OF 3 SHEETS
DRAWING SIMILAR TO
N/A

REVISIONS

DRG ISS No.	RELEASE DOC.	ISSUE DATE:	DRG CHANGE	APP BY:
1	0250	MAR 2003	NEW	M A E
2	0594	JAN 2004	DCN 0175	MAE



THE CABLE BEND RADII OBJECTIVE IS SIX TIMES THE DIAMETER OF BUNDLES CONTAINING STANDARD WIRE. BUT SHALL NEVER BE LESS THAN THREE TIMES. SECURE WITH CABLE TIES AS NECESSARY PER BAC5157 TYP.

BACS38K4A CABLE TIE TYP
2 PLACES MIN 8 PLACES MAX

VIEW ROTATED FOR CLARITY TYPICAL SEAT TO SEAT CABLE. ROUTING SEATS AND RACEWAY OMITTED FOR CLARITY.

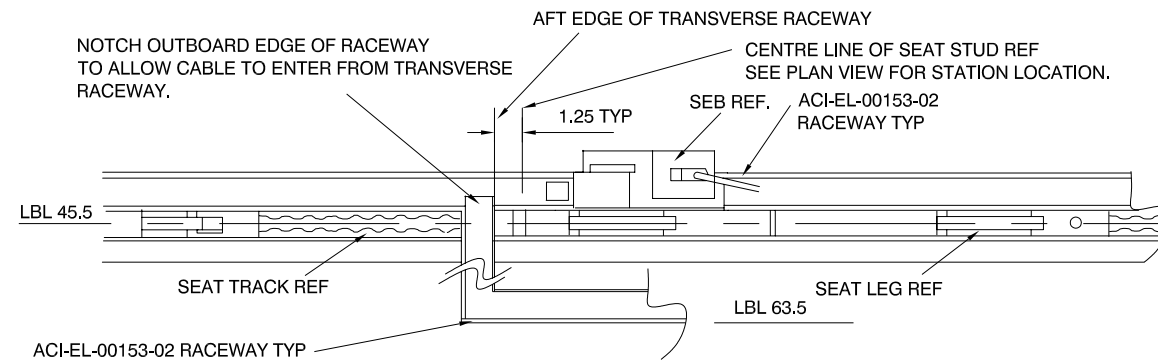
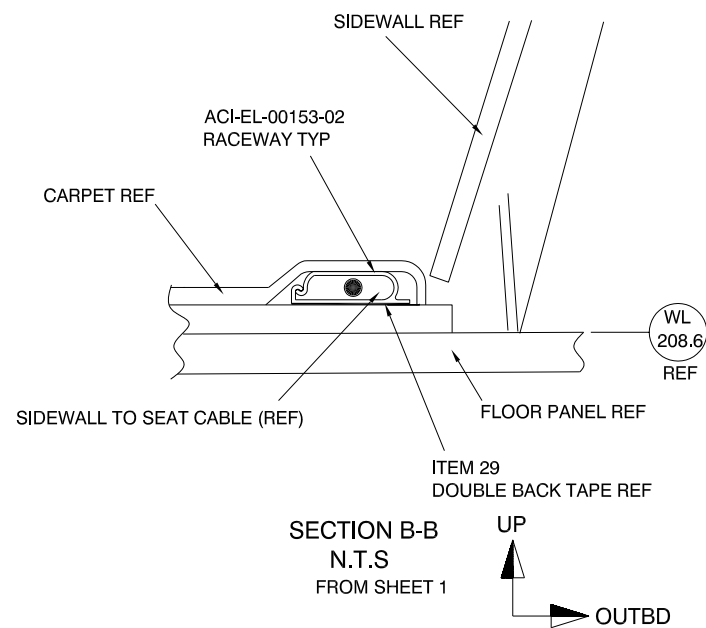
SECTION A-A SEE SHT 1
NTS (ROTATED)



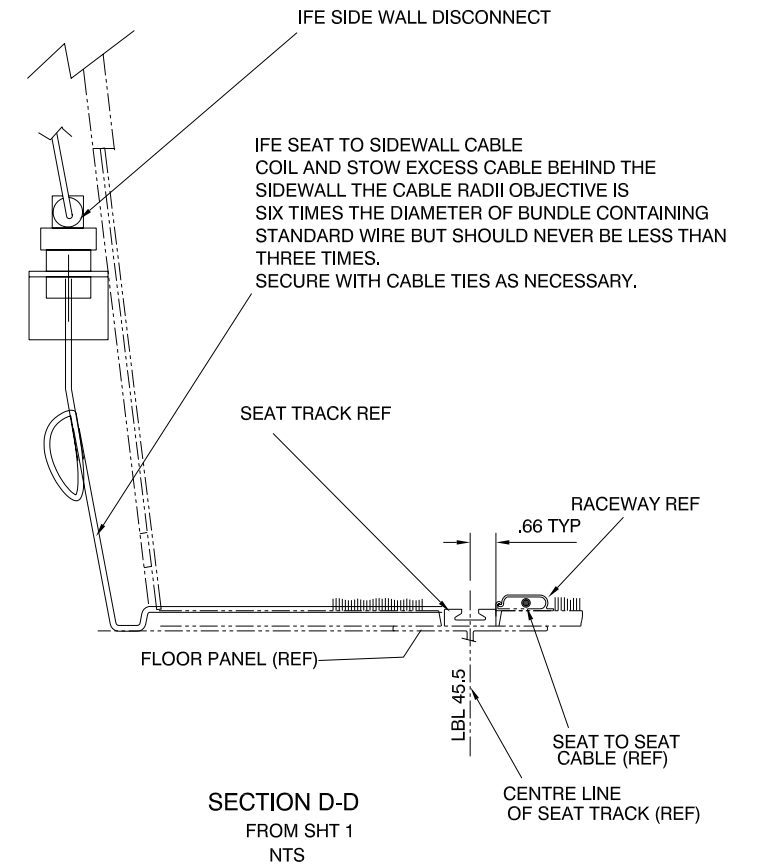
COIL STOW AND SECURE EXTRA SEAT TO SEAT CABLES PER BAC5158 IN FWD SEB SHROUD BEFORE CONNECTING TO J2 CONNECTOR. ENSURE STOWED EXTRA CABLE DOES NOT PROTRUDE FROM SEB SHROUD OR LAY ON AIRPLANE FLOOR TYP.

ROUTE SIDEWALL TO SEAT CABLE FROM J1 CONNECTOR DIRECTLY INTO RACEWAY AS PER BAC5158 COIL AND STOW EXTRA SEAT TO SIDEWALL CABLE BEHIND SIDEWALL. (REF SECTION D-D)

USE 3/8" CONVOLUTED TUBING 413T3101-1 (OPTIONAL TFE-2X SLEEVING) TO PROTECT THE IFE CABLES THAT COME IN CONTACT WITH SHARP EDGES OF THE SEB BOX AND SHROUD. TRIM LENGTHS AND SLIT LENGTH AS SPACE NECESSARY SECURE WITH CABLE TIES AS NECESSARY PER BAC5157 TYP.



DETAIL C FROM SHT2
TYP TRANSVERSE RACEWAY
N.T.S



SECTION D-D
FROM SHT 1
NTS

AES LTD
OFFICIAL ISSUE
DATE: 09:02:2004
COPY

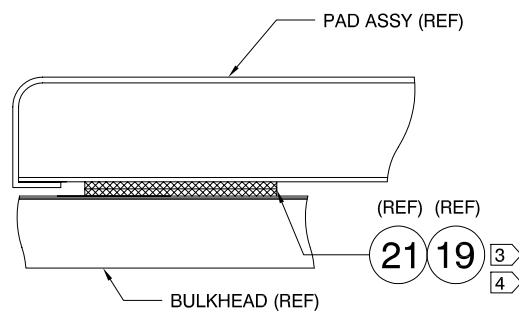
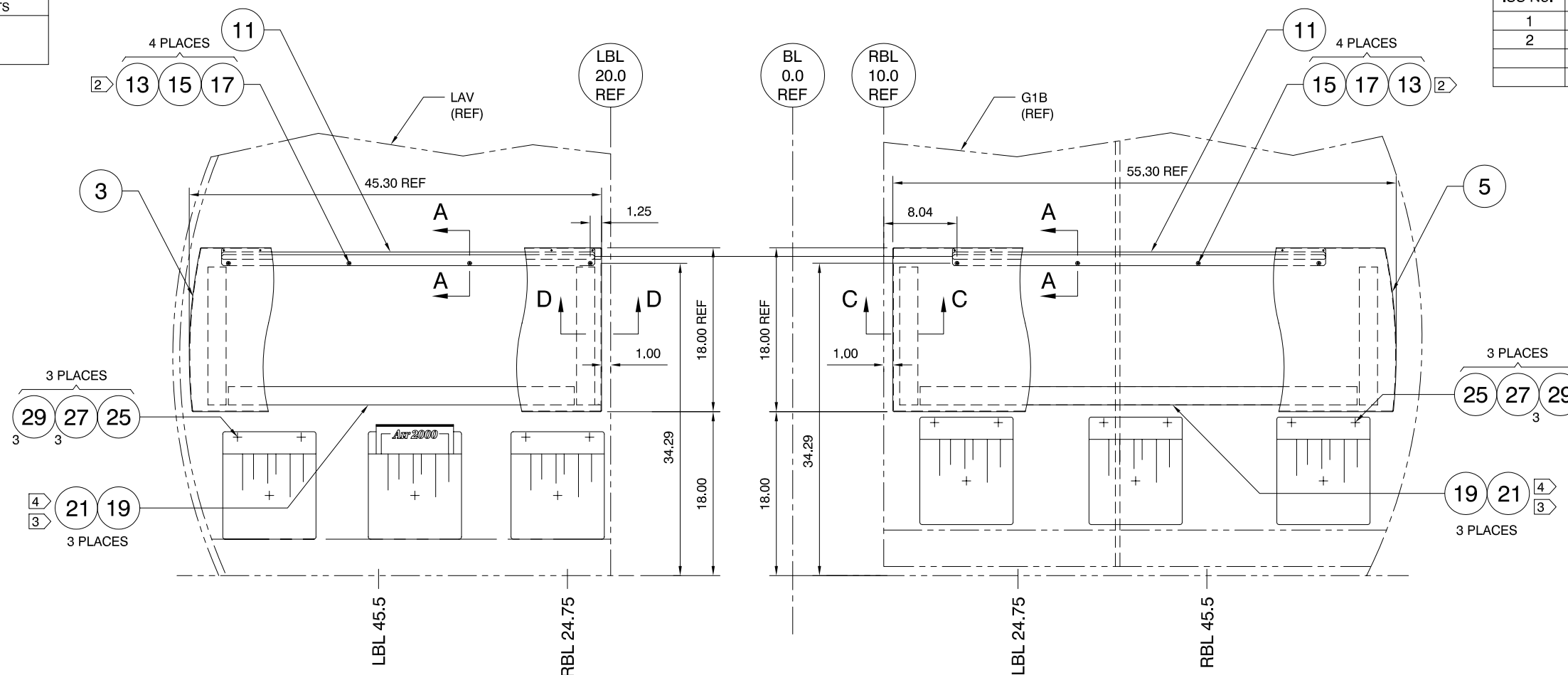
No. OFF	MAP REF	ITEM No.	PART NUMBER	ITEM ISS	KEYWORD / DESCRIPTION	MATERIAL	SPECIFICATION	DIMENSIONS	PR. TREAT.	OR REMARKS
1	ISS				DRAWN BY: J.TIDD DATE: MAR 2003 MODIFICATION No: SEE TABLE 1 CHECKED BY: ALH SCALE: 1:105 AT A3 U.O.S. JAR21.: CAA.JA.02304 STRESS: MAE LIMITS: ±.25 U.O.S. THIRD ANGLE PROJECTION: APPROVED: AMD SURFACE FINISH: N/A DIMENSIONS IN: INCHES TITLE: SEAT TO SEAT CABLE INSTLN B757-236 (233 PAX)					©2002 ALL RIGHTS RESERVED. THE INFORMATION CONTAINED HEREIN IS PROPRIETARY TO AEROSPACE ENGINEERING SOLUTIONS LIMITED AND SHALL NOT BE REPRODUCED OR DISCLOSED WITHOUT THE OWNERS WRITTEN PERMISSION. PT No: NHA No. OFF: 1 EFFECTIVITY: B757-236 (G-CPEU/EV) SEE TABLE 1
0389-233-757 SHEET 3 OF 3 SHEETS										

0391-252-757

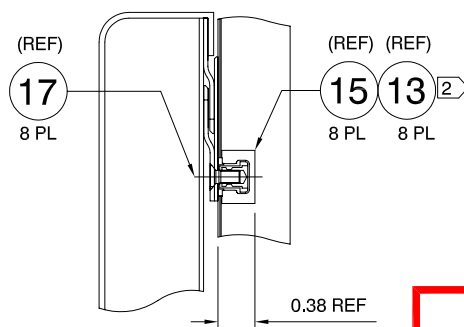
SHEET 1 OF 1 SHEETS
DRAWING SIMILAR TO
N/A

REVISIONS

DRG ISS No.	RELEASE DOC.	ISSUE DATE:	DRG CHANGE	APP BY:
1	0250	FEB 2003	NEW	M A E
2	0594	JAN 2004	DCN 0175	MAE



SECTION C-C
(D-D SIMILAR)
SCALE 1:2



SECTION A-A
SCALE 1:2

DELETHALISATION PAD INSTL'N

-001
SCALE 1:15

TABLE 1

ASSEMBLY	MOD. No.	MEI. No.	REG.	SER. No.
-001	AES-757-104 Pt. B	MEI-107	G-CPEU	29941
-001	AES-757-104 Pt. B	MEI-107	G-CPEV	29943
-001	AES-757-192 Pt. B	MEI-234	G-OOBG	29942
-001	AES-757-192 Pt. B	MEI-234	G-OOBH	29944

No. OFF	MAP REF	ITEM No.	PART NUMBER	ITEM ISS	KEYWORD / DESCRIPTION	MATERIAL	SPECIFICATION	WIDTH	EST WEIGHT	OR REMARKS
18		29	2499659-501		SPECIAL WASHER					
18		27	NAS514P1032-7		SCREW, 10-32					
6		25	A2KLITPOCKET	1	LITERATURE POCKET					
A/R		21	FASTBOND 10		ADHESIVE					▲OR EQUIVALENT
A/R		19	-019	1	VELCRO HOOK (FR QUALITY)					▲50mm WIDE. COLOUR: MID GREY, LENGTH TO SUIT
8		17	NAS514P632-7		SCREW, 6-32					▲ALT P/N A204-C10R
8		15	NAS1836-06-12		INSERT, 6-32					▲ALT P/N TYE2002-B-3
A/R		13	ARALDITE 420A/B		ADHESIVE					
2		11	57252A2050-005		WALL BRACKET ASSY					▲INFLITE P/No
1		5	0390-252-757-003	1	RHS PAD ASSY (55.0")					ALL
1		3	0390-252-757-001	1	LHS PAD ASSY (45.0")					ALL
1		-	-001	1	DELETHALISATION PAD INSTL'N					ALL

AES LTD
OFFICIAL ISSUE
DATE: 09:02:2004
COPY

DELETHALISATION PAD INSTALLATION

NOTES:

- 1) THIS DRAWING INSTALLS DELETHALISATION PADS TO THE LEFT & RIGHT FORWARD BULKHEADS AS SHOWN. READ IN CONJUNCTION WITH MEI-() [SEE TABLE 1]
- 2) INSTALL NEW INSERTS IN DIA .452/.457 x .38" DEEP. REMOVE LOOSE FIBRES AND ENSURE AREA IS FREE FROM DIRT & GREASE PRIOR TO POTTING. FILL ALL VOIDS. STORE MIX AND APPLY ADHESIVE IAW MANUFACTURERES DATA SHEETS.
- 3) ATTACH VELCRO (USING ITEM 21) TO BULKHEAD TO MATCH THE PAD ASSEMBLY WHEN CORRECTLY INSTALLED.
- 4) VELCRO TO BE COLOUR MID GREY, 50.0mm WIDE AND CUT TO SUIT.

0391-252-757-001	DRAWN BY:	A DOLBY	DATE:	FEB 2003	MODIFICATION No:	SEE TABLE 1
	CHECKED BY:	R B	SCALE:	1:20 AT A3 U.O.S.	JAR21.: CAA.JA.02304	
	STRESS:	M A E	LIMITS:	±.25 U.O.S.	THIRD ANGLE PROJECTION:	
	APPROVED:	M A E	SURFACE FINISH:		DIMENSIONS IN:	INCHES
	TITLE:	DELETHALISATION PAD INSTL'N B757-200				

1.5 40
30
1.0
20
0.5
10
0 0

IN MM

aes aerospace engineering solutions

©2003 ALL RIGHTS RESERVED. THE INFORMATION CONTAINED HEREIN IS PROPRIETARY TO AEROSPACE ENGINEERING SOLUTIONS LIMITED AND SHALL NOT BE REPRODUCED OR DISCLOSED WITHOUT THE OWNERS WRITTEN PERMISSION.

PT No	NHA	No. OFF	EFFECTIVITY
-001	AES-757-104 PT B	1	B757-236
-003	AES-757-104 PT B	1	B757-236

SEE TABLE 1

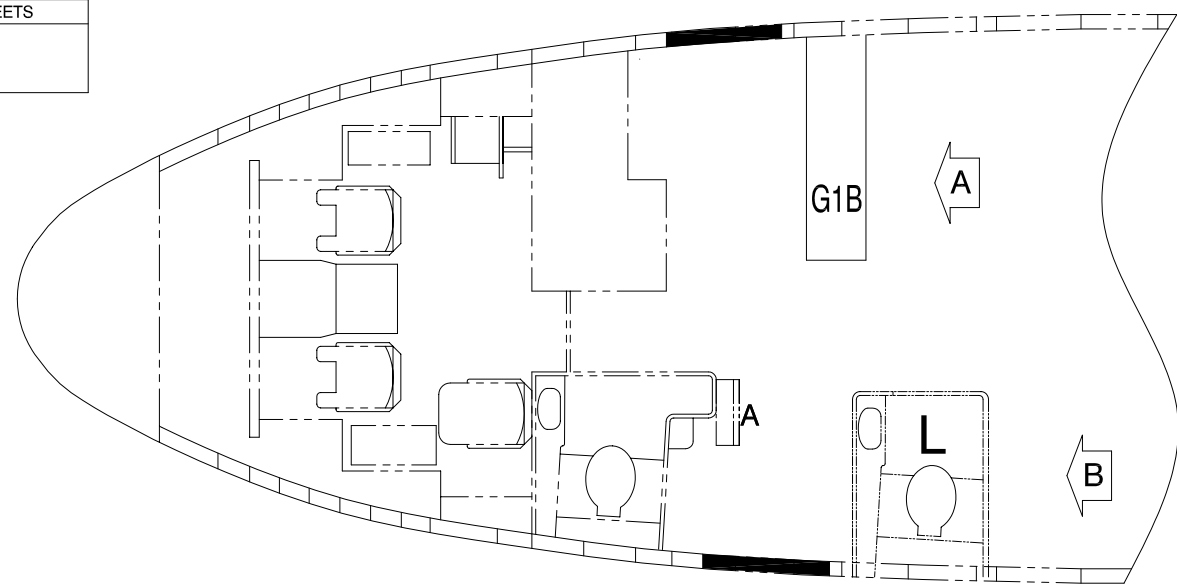
0391-252-757
SHEET 1 OF 1 SHEETS

0645-113-757

SHEET 1 OF 1 SHEETS
DRAWING SIMILAR TO
N/A

REVISIONS

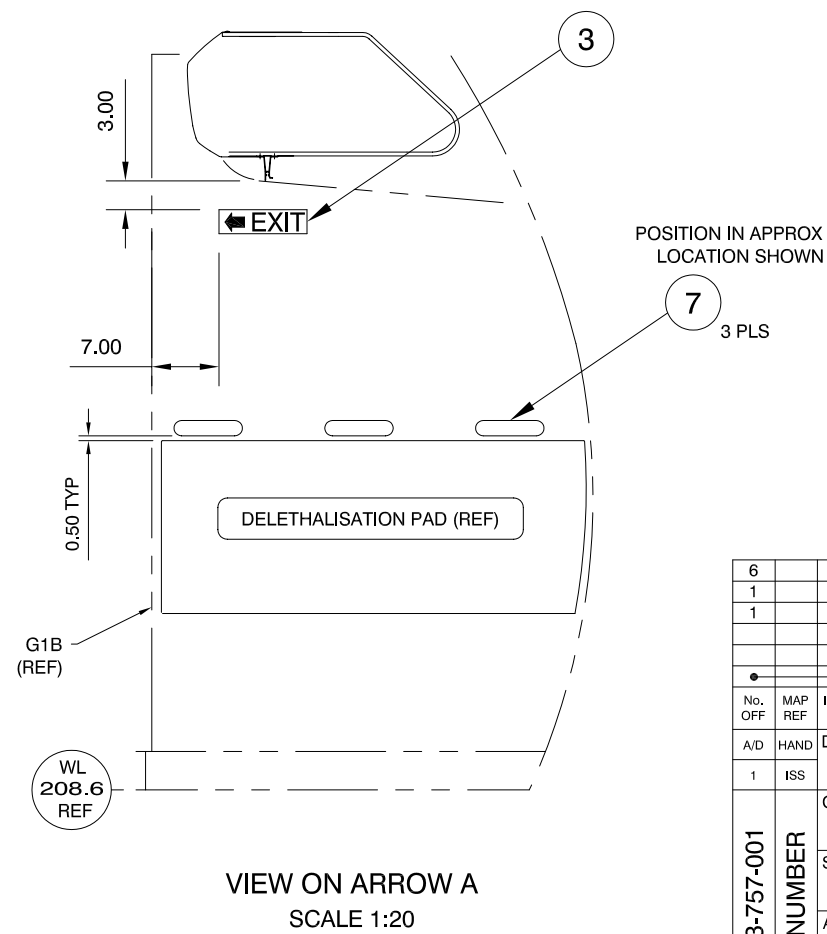
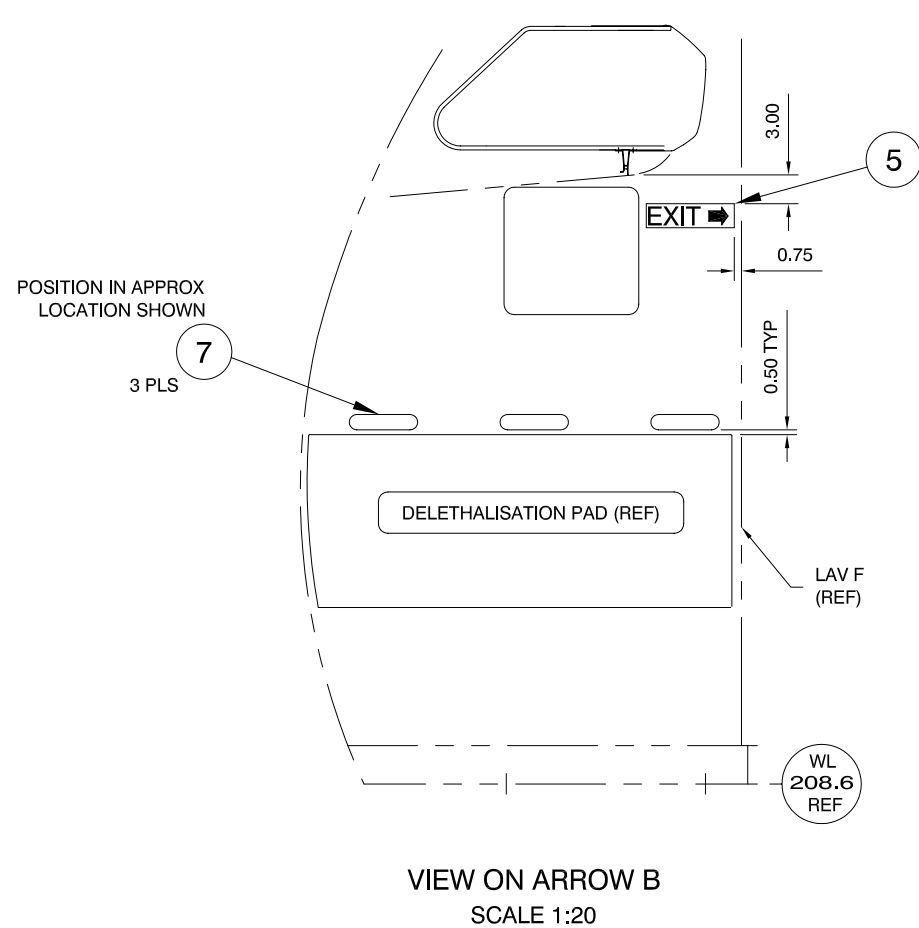
DRG ISS No.	RELEASE DOC.	ISSUE DATE:	DRG CHANGE	APP BY:
1	0594	JAN 2004	NEW	MAE



NOTES:

- THIS DRAWING IS TO BE READ IN CONJUNCTION WITH MODIFICATION NUMBER AES-757-192 Pt. B AND EMBODIMENT INSTRUCTIONS MEI-234.
- AFFIX EXIT PLACARDS ON THE AFT FACE OF LAV AND G1B GALLEY IN POSITIONS SHOWN.

1 PLACARD INSTALLATION



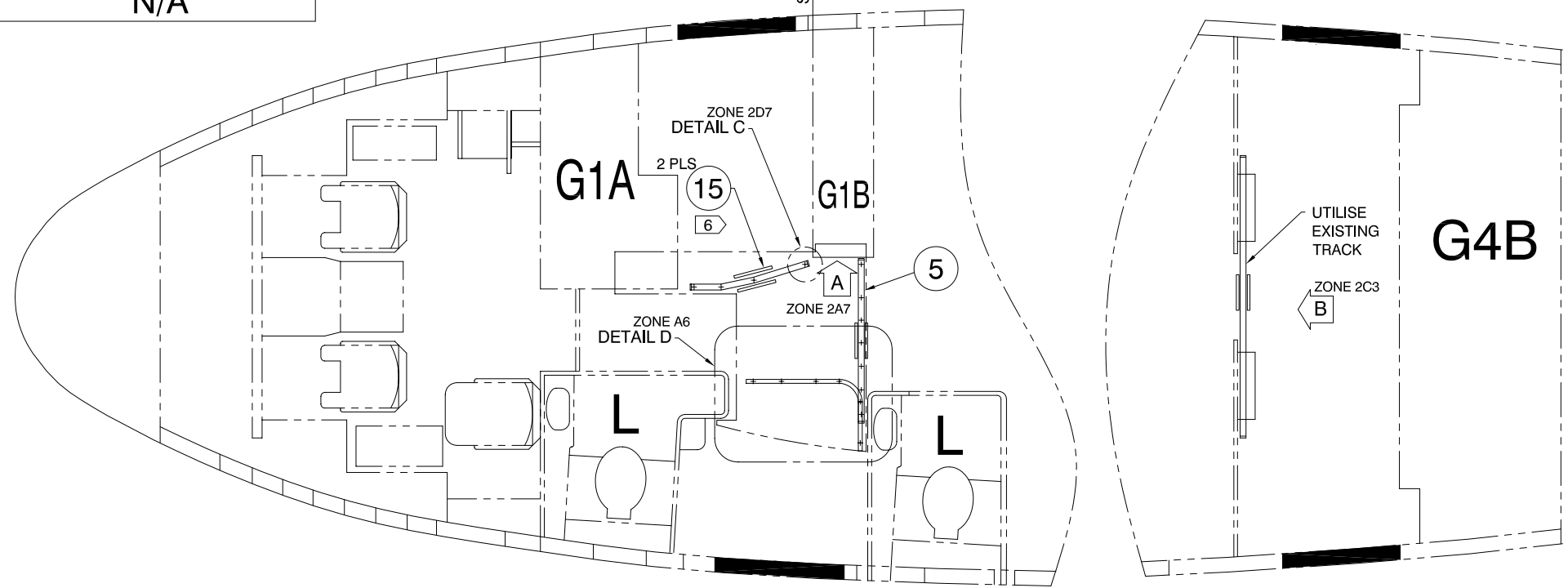
AES LTD
OFFICIAL ISSUE
DATE: 09:02:2004
COPY

No. OFF	MAP REF	ITEM No.	PART NUMBER	ITEM ISS	KEYWORD / DESCRIPTION	MATERIAL	SPECIFICATION	WIDTH	EST WEIGHT	ALL								
1		5	A2000-682		PLACARD 'EXIT'													
1		3	A2000-689		PLACARD 'EXIT'													
1				-001	1	PLACARD INSTALLATION												
DRAWN BY: S. SHAW						DATE: JAN 04		MODIFICATION No: AES-757-192 PT B										
CHECKED BY: AMD						SCALE: 1:50 AT A3 U.O.S.		JAR 21: CAA.JA.02304										
STRESS: M A E						LIMITS: ±.25 U.O.S.		THIRD ANGLE PROJECTION:										
APPROVED: A M D						SURFACE FINISH:		DIMENSIONS IN: INCHES										
TITLE: PLACARD INSTALLATION																		
PART NUMBER: 0645-113-757-001																		
<p style="font-size: small;">©2003 ALL RIGHTS RESERVED. THE INFORMATION CONTAINED HEREIN IS PROPRIETARY TO AEROSPACE ENGINEERING SOLUTIONS LIMITED AND SHALL NOT BE REPRODUCED OR DISCLOSED WITHOUT THE OWNERS WRITTEN PERMISSION.</p>						<table border="1"> <thead> <tr> <th>PT No</th> <th>NHA</th> <th>No. OFF</th> <th>EFFECTIVITY</th> </tr> </thead> <tbody> <tr> <td>-001</td> <td>AES-757-192 PT B</td> <td>1</td> <td>G-00BG G-00BH</td> </tr> </tbody> </table>					PT No	NHA	No. OFF	EFFECTIVITY	-001	AES-757-192 PT B	1	G-00BG G-00BH
PT No	NHA	No. OFF	EFFECTIVITY															
-001	AES-757-192 PT B	1	G-00BG G-00BH															
						<p style="font-size: large; font-weight: bold;">0645-113-757</p> <p style="font-size: small;">SHEET 1 OF 1 SHEETS</p>												

0652-252-757

SHEET 1 OF 2 SHEETS
DRAWING SIMILAR TO
N/A

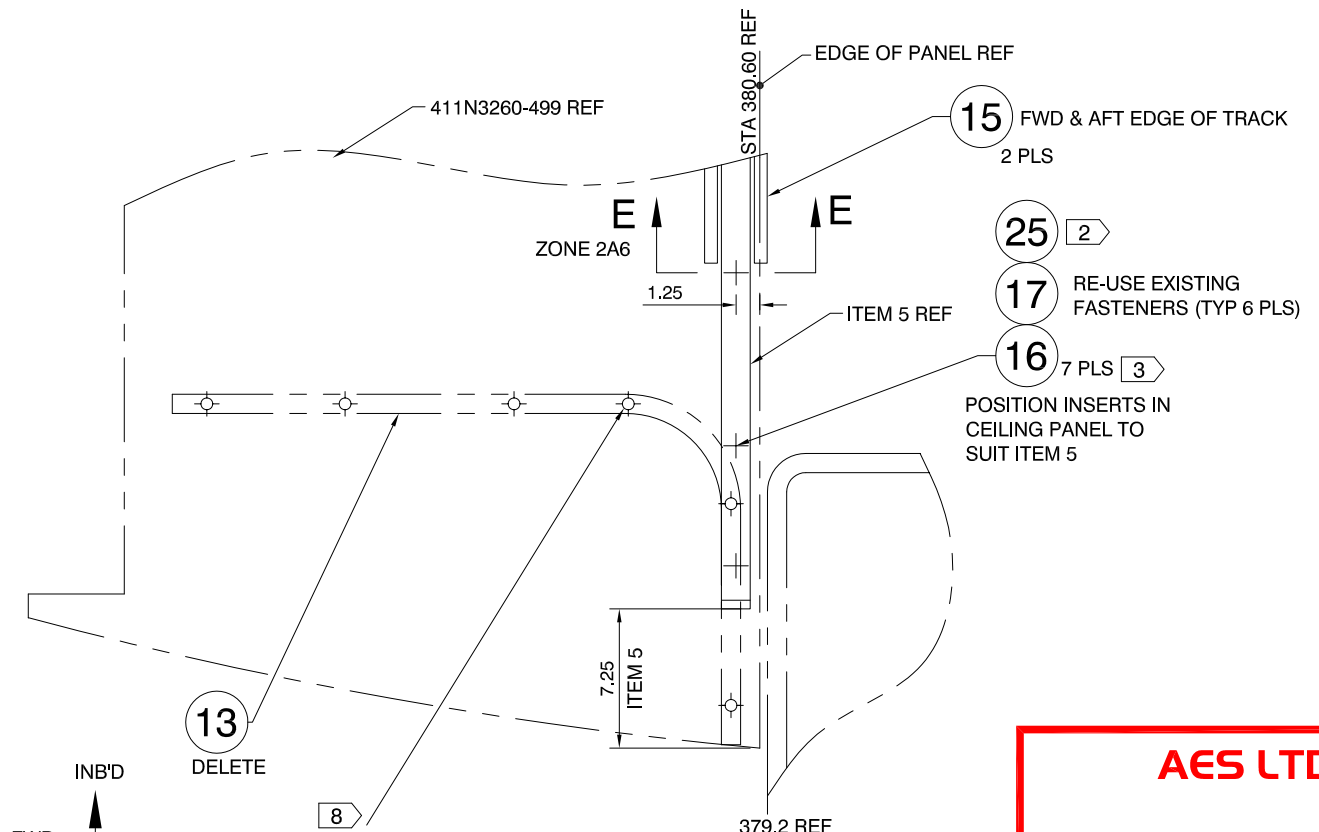
REVISIONS				
DRG ISS No.	RELEASE DOC.	ISSUE DATE:	DRG CHANGE	APP BY:
1	0594	JAN 2004	NEW	MAE



1 CURTAIN INSTALLATION
SCALE 1:40

NOTES:

1. THIS DRAWING IS TO BE READ IN CONJUNCTION WITH MODIFICATION NUMBER AES-757-192 Pt. B AND EMBODIMENT INSTRUCTIONS MEI-234.
2. INSERTS TO BE INSTALLED IN Ø0.452/0.457 x 0.37 DEEP HOLES USING ARALDITE 420 A/B.
3. STORE, MIX AND APPLY ADHESIVE AND EDGE FILLER IAW MANUFACTURERS DATA SHEET.
4. FINISH: APPLY DIRECTIONAL CORSE GRAIN BUFF SATIN FINISH USING 120 GRIT ALUMINIUM OXIDE. SULFURIC ACID ANODIZE ALL OVER.
5. PART MARK IN BLACK (ON NON DECORATIVE PART OF CURTAIN TRACK) USING INDELIBLE INK. SHOW MANUFACTURERS DATE, PART NUMBER AND THE LETTERS EPA.
6. ATTACH ITEM 15 TO CURTAIN TRACK ONLY IF EXISTING A2000-124 DECALS ARE NOT PRESENT.
7. ATTACH ITEM 14 ONLY IF EXISTING A2000-114 DECAL IS NOT PRESENT.
8. WHEN MAKING AND INSTALLING DECOR DISC'S (TO COVER UP EXISTING VISIBLE REDUNDANT INSERTS), USE IDENTICAL DECOR TO THAT OF APPLICABLE CEILING PANEL.
9. DELETE 413N3402-14, RETURN TO FCA STORES. RETAIN FASTENERS FOR RE-USE.
10. CURTAINS ARE SUPPLIED BY AIRLINE SERVICES AND INCLUDE THE FOLLOWING:
07480 HOOKS
07389-1206 SLIDER
11155-189 TIE BACK



DETAIL D
SCALE 1:10
ZONE D6

A/R	MAP REF	ITEM No.	PART NUMBER	ITEM ISS	KEYWORD / DESCRIPTION	MATERIAL	SPECIFICATION	WIDTH	PROT.TREAT	ALL
25			ARALDITE 420 A/B		ADHESIVE					
3		23	NAS603-7		SCREW					
3		22	AN970-3		WASHER					
1		21	707193-1893		CURTAIN		▲ AIRLINE SERVICES			10
1		20	707193-1890		CURTAIN		▲ AIRLINE SERVICES			10
1		19	715193-1890		CURTAIN		▲ AIRLINE SERVICES			10
1		18	716193-1890		CURTAIN		▲ AIRLINE SERVICES			10
1		17	BACS12FA3K14		WASHER HD SCREW					
8		16	NAS1836-3-11		INSERT					
6		15	A2000-124		DECAL "CURTAIN MUST BE STOWED"					
3		14	A2000-114		DECAL "CURTAIN MUST BE STOWED"					
1		13	413N3032-14		CURTAIN TRACK		▲DELETE			9
1		9	-009	1	CURTAIN TRACK		▲MAKE FROM 413N3402-468			4
1		5	-005	1	CURTAIN TRACK		▲BAC1520-1219 x 41			4
1		1	-001	1	CURTAIN INSTALLATION					

AES LTD
OFFICIAL ISSUE
DATE: 09:02:2004
COPY

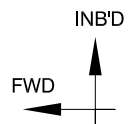
0652-252-757-001 PART NUMBER	DRAWN BY: S. SHAW	DATE: JAN 2004	MODIFICATION No: AES-757-192 PT B
	CHECKED BY: AMD	SCALE: 1:40 AT A3 U.O.S.	JAR 21: CAA.JA.02304
	STRESS: M A E	LIMITS: ±.25 U.O.S.	THIRD ANGLE PROJECTION:
	APPROVED: A M D	SURFACE FINISH: N/A	DIMENSIONS IN: INCHES
	TITLE: CURTAIN INSTALLATION		

©2003 ALL RIGHTS RESERVED. THE INFORMATION CONTAINED HEREIN IS PROPRIETARY TO AEROSPACE ENGINEERING SOLUTIONS LIMITED AND SHALL NOT BE REPRODUCED OR DISCLOSED WITHOUT THE OWNERS WRITTEN PERMISSION.

PT No	NHA	No. OFF	EFFECTIVITY
-001	AES-757-192 PT B	1	G-OOBG G-OOBH

0652-252-757

SHEET 1 OF 2 SHEETS

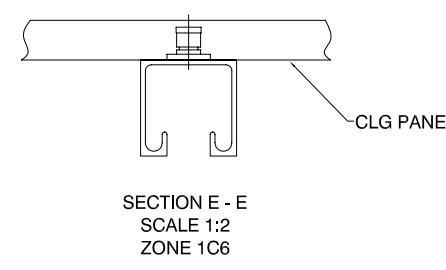
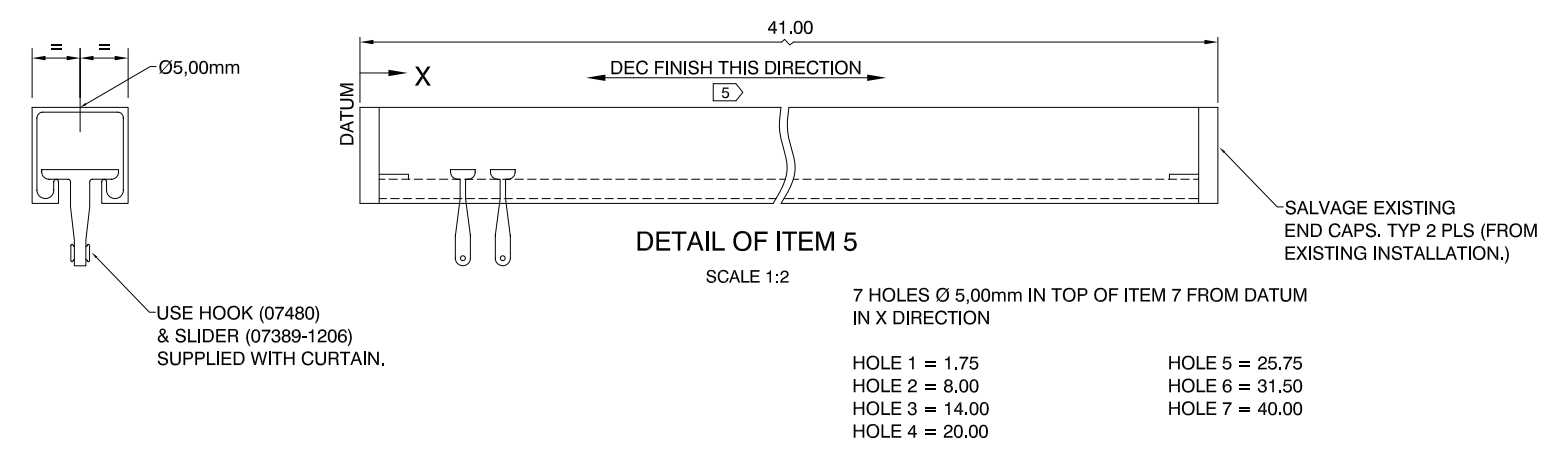
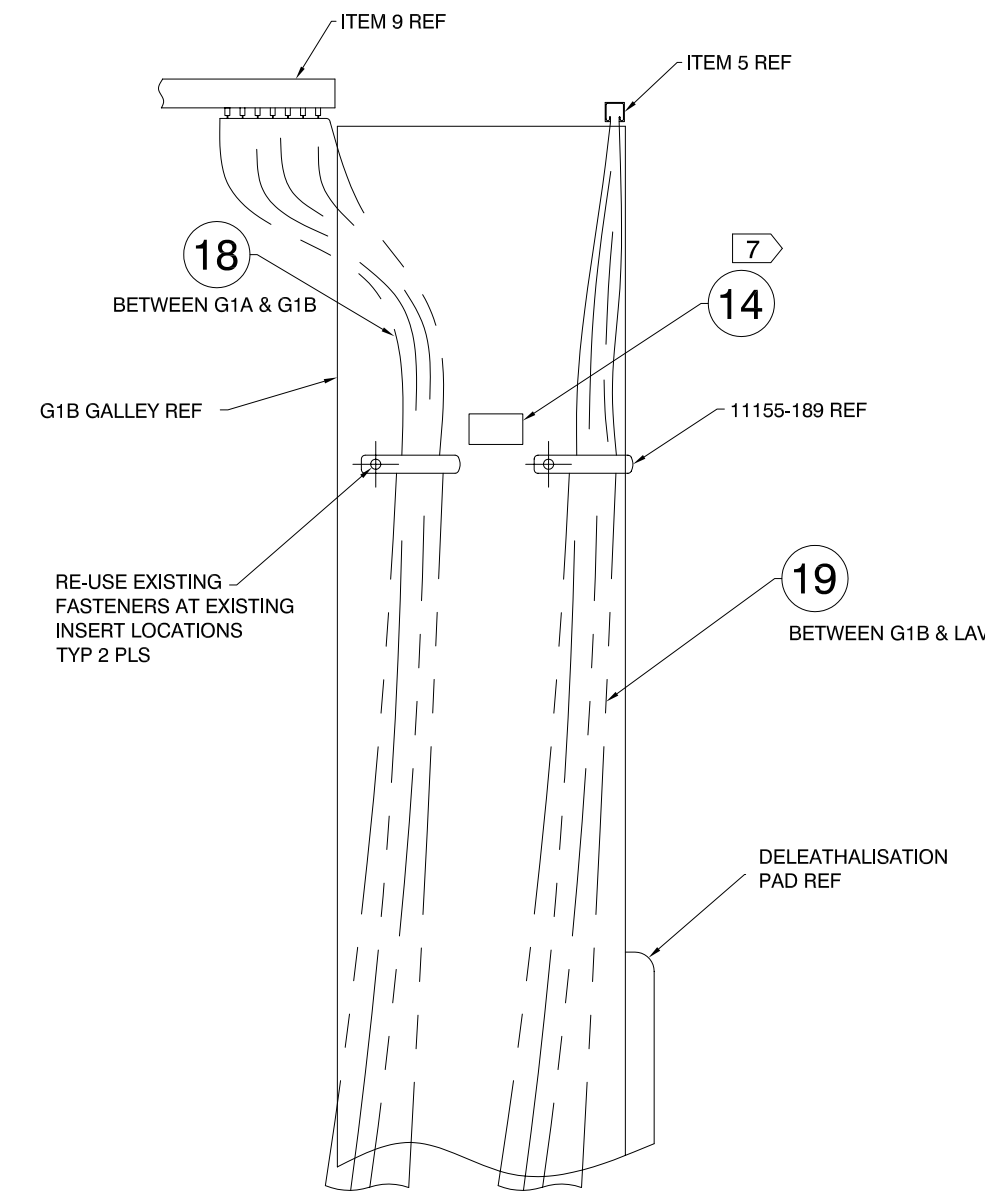
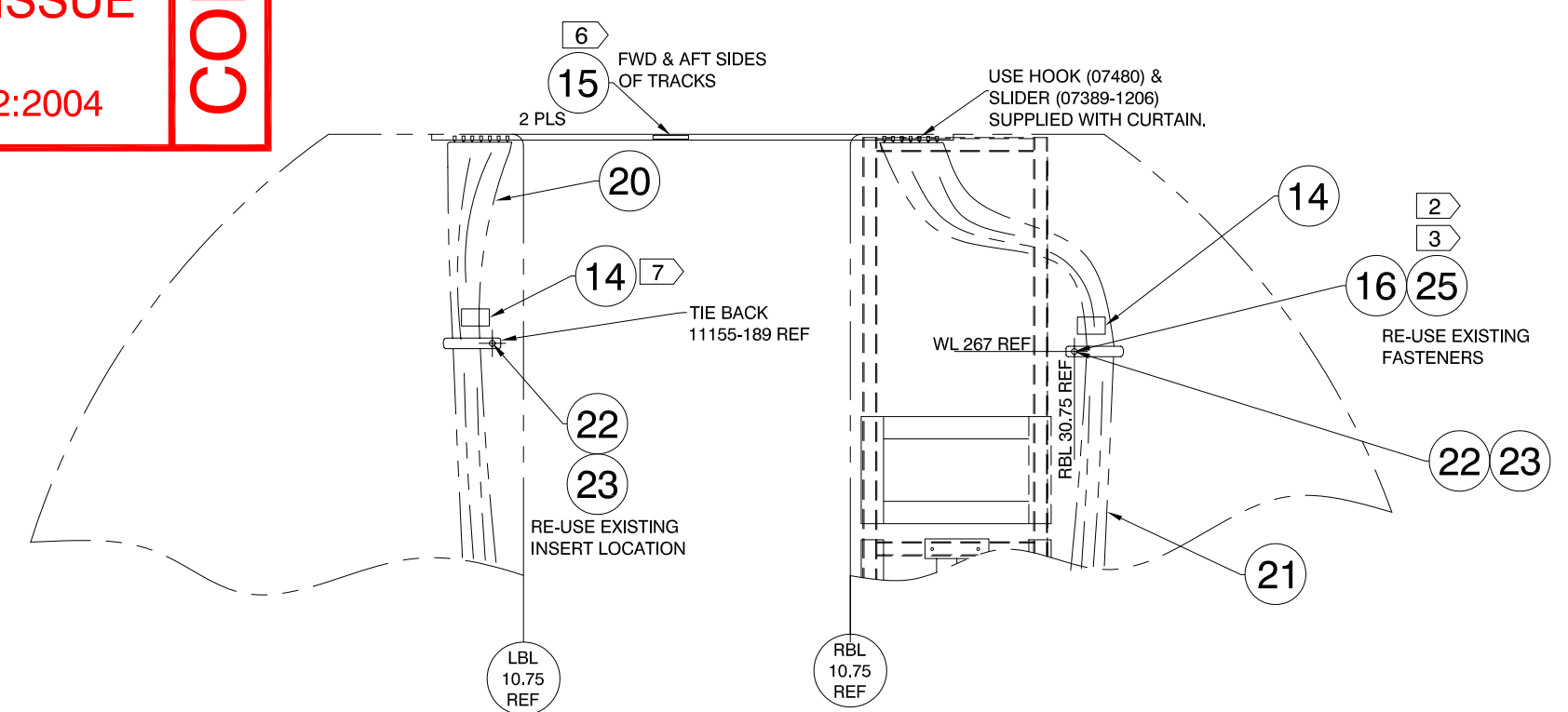
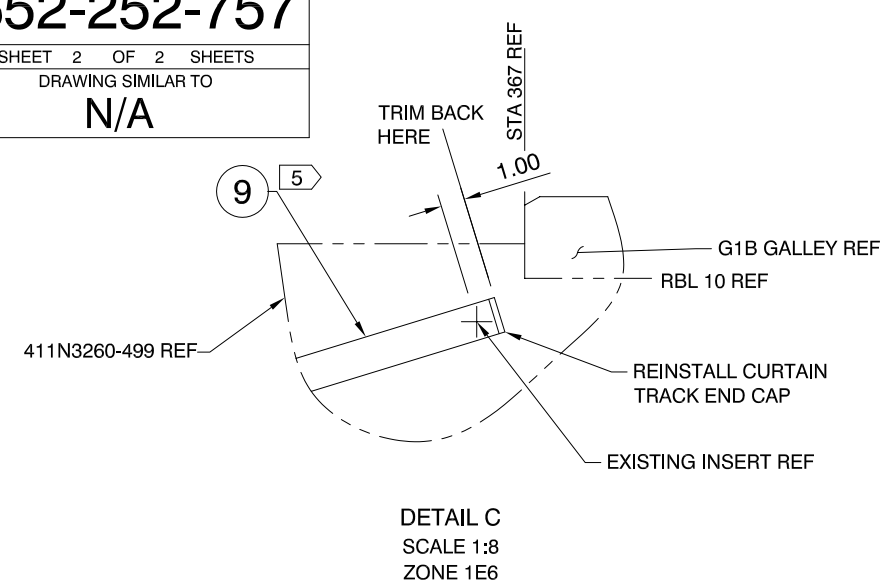


0652-252-757

SHEET 2 OF 2 SHEETS
DRAWING SIMILAR TO
N/A

AES LTD
OFFICIAL ISSUE
DATE: 09:02:2004
COPY

REVISIONS				
DRG ISS No.	RELEASE DOC.	ISSUE DATE:	DRG CHANGE	APP BY:
1	0594	JAN 2004	NEW	MAE



No. OFF	MAP REF	ITEM No.	PART NUMBER	ITEM ISS	SEE SHT 1	KEYWORD / DESCRIPTION	MATERIAL	SPECIFICATION	WIDTH	EST WEIGHT
1	ISS									
DRAWN BY:		DATE:		MODIFICATION No:						
S. SHAW		JAN 2004		AES-757-192 PT B						
CHECKED BY:		SCALE:		JAR 21: CAA.JA.02304						
AMD		1:40 AT A3 U.O.S.								
STRESS:		LIMITS:		THIRD ANGLE PROJECTION:						
MAE		±.25 U.O.S.		[Symbol]						
APPROVED:		SURFACE FINISH:		DIMENSIONS IN:						
AMD		N/A		INCHES						
TITLE:		CURTAIN TRACK INSTALLATION								

aes aerospace engineering solutions

©2003 ALL RIGHTS RESERVED. THE INFORMATION CONTAINED HEREIN IS PROPRIETARY TO AEROSPACE ENGINEERING SOLUTIONS LIMITED AND SHALL NOT BE REPRODUCED OR DISCLOSED WITHOUT THE OWNERS WRITTEN PERMISSION.

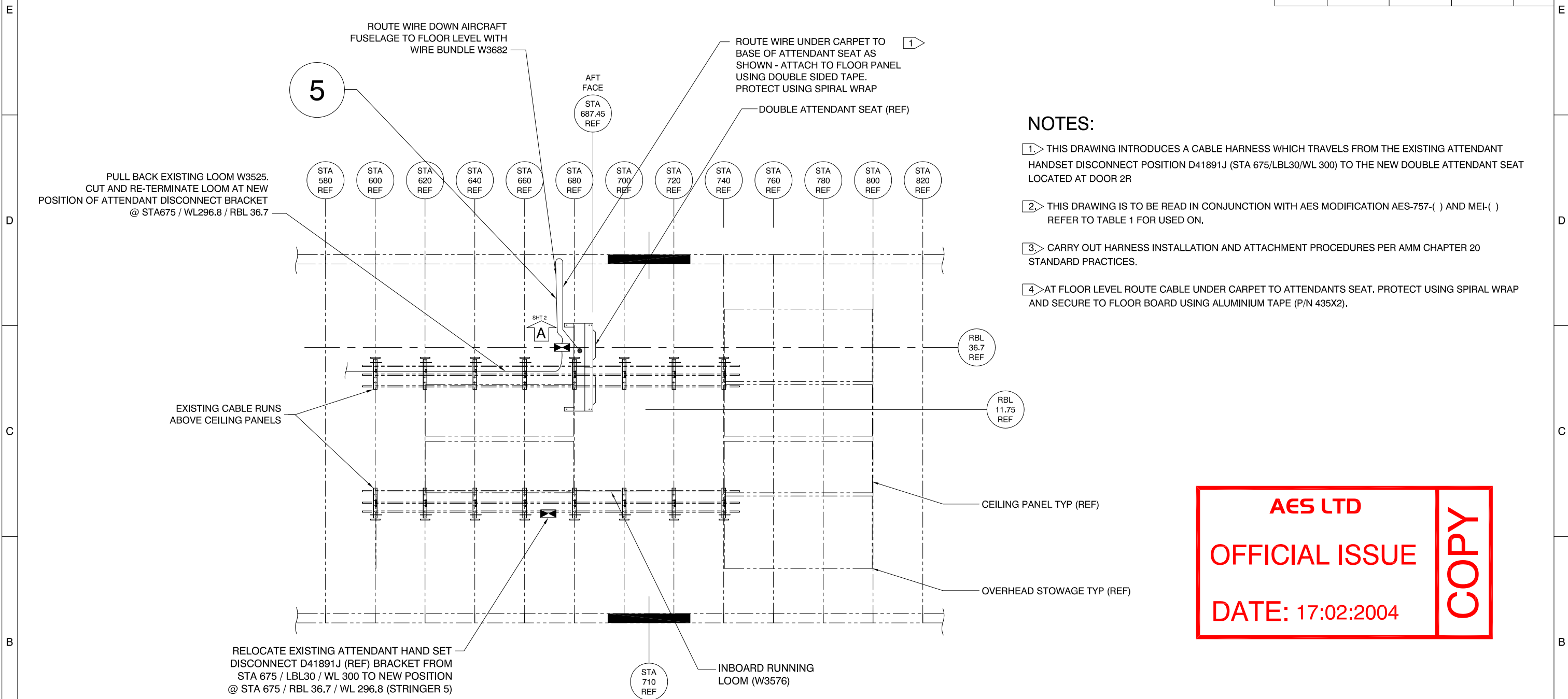
PT No	NHA	No. OFF	EFFECTIVITY
-001	AES-757-192 PT B	1	G-OOBG G-OOBH

0652-252-757
SHEET 2 OF 2 SHEETS

0404-233-757

SHEET 1 OF 2 SHEETS
DRAWING SIMILAR TO
N/A

REVISIONS				
DRG ISS No.	RELEASE DOC.	ISSUE DATE:	DRG CHANGE	APP BY:
1	DRN 0293	22.02.2002	NEW	M A E
2	DRN 0531	JAN 2004	DCN 0171	MAE



NOTES:

- 1. THIS DRAWING INTRODUCES A CABLE HARNESS WHICH TRAVELS FROM THE EXISTING ATTENDANT HANDSET DISCONNECT POSITION D41891J (STA 675/LBL30/WL 300) TO THE NEW DOUBLE ATTENDANT SEAT LOCATED AT DOOR 2R
- 2. THIS DRAWING IS TO BE READ IN CONJUNCTION WITH AES MODIFICATION AES-757-() AND MEI-() REFER TO TABLE 1 FOR USED ON.
- 3. CARRY OUT HARNESS INSTALLATION AND ATTACHMENT PROCEDURES PER AMM CHAPTER 20 STANDARD PRACTICES.
- 4. AT FLOOR LEVEL ROUTE CABLE UNDER CARPET TO ATTENDANTS SEAT. PROTECT USING SPIRAL WRAP AND SECURE TO FLOOR BOARD USING ALUMINIUM TAPE (P/N 435X2).

AES LTD
 OFFICIAL ISSUE
 DATE: 17:02:2004
 COPY

1 **INSTALLATION -001** 1 2 3
PLAN VIEW

TABLE 1

ASSEMBLY	MOD. No.	MEI. No.	REG.	SER. No.
-001	AES-757-104 Pt. C	MEI-108	G-CPEU	29941
-001	AES-757-104 Pt. C	MEI-108	G-CPEV	29943
-001	AES-757-192 Pt. C	MEI-235	G-OOBG	29942
-001	AES-757-192 Pt. C	MEI-235	G-OOBH	29944

A/R	9	435X2	ALUMINIUM TAPE	OR EQUIVALENT
A/R	7	2P	SPIRAL WRAP	OR EQUIVALENT
1	5	0407-233-757-001	HARNESS ASSY	▲
No. OFF	MAP REF	ITEM No.	PART NUMBER	ITEM ISS
1		-001	1	INSTALLATION
KEYWORD / DESCRIPTION				COLOUR
DRAWN BY: R BRACE				SPECIFICATION
DATE: 22.02.2003				ARTWORK FILE
MODIFICATION No: SEE TABLE 1				ALL
CHECKED BY: A L H				OR REMARKS
SCALE: 1:40 AT A3 U.O.S.				▲
STRESS: M A E				
LIMITS: ±.04 U.O.S.				
APPROVED: A M D				
SURFACE FINISH: N/A				
DIMENSIONS IN: INCHES				
TITLE: DOOR 2 - ATTENDANT HAND SET WIRE ROUTING				

0404-233-757-001

©2003 ALL RIGHTS RESERVED. THE INFORMATION CONTAINED HEREIN IS PROPRIETARY TO AEROSPACE ENGINEERING SOLUTIONS LIMITED AND SHALL NOT BE REPRODUCED OR DISCLOSED WITHOUT THE OWNERS WRITTEN PERMISSION.

PT No	NHA	No. OFF	EFFECTIVITY
-001	AES-757-104 Pt C	1	G-CPEU (NT404)-G-CPEV (NT406)
-001	SEE TABLE 1		

0404-233-757

SHEET 1 OF 2 SHEETS

0404-233-757

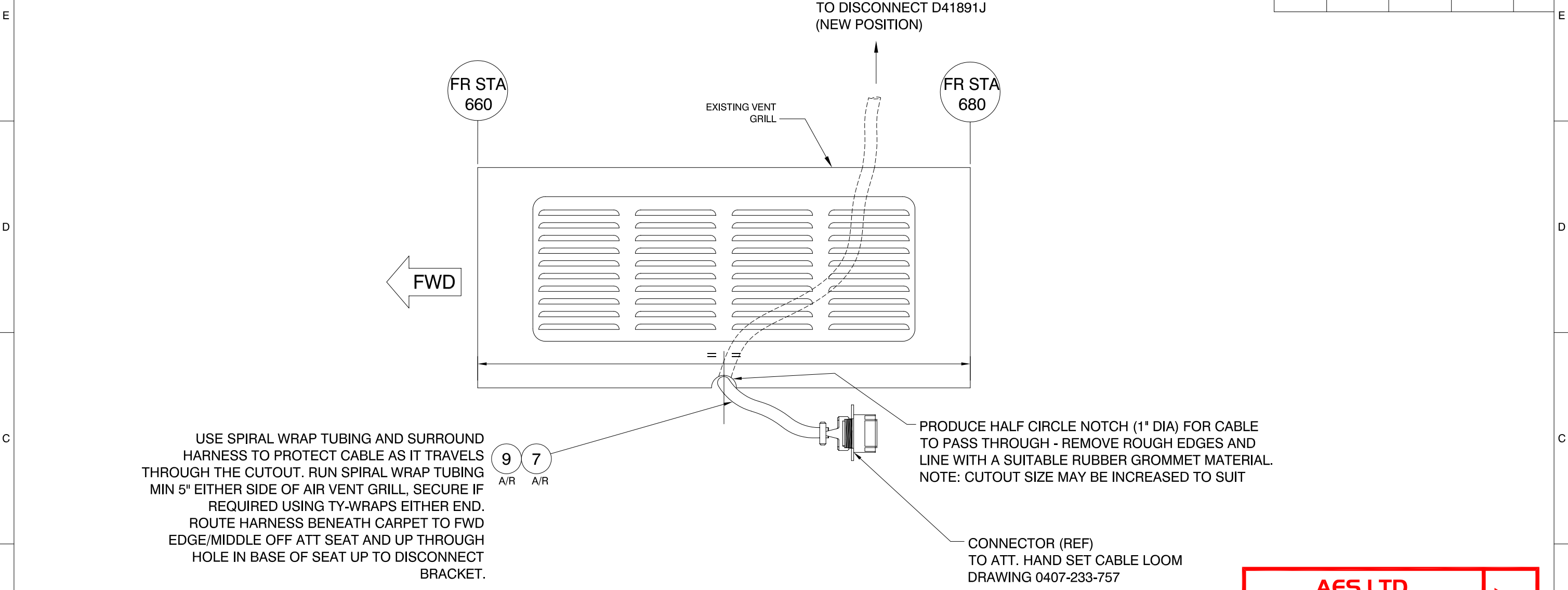
SHEET 2 OF 2 SHEETS

DRAWING SIMILAR TO

N/A

REVISIONS

DRG ISS No.	RELEASE DOC.	ISSUE DATE:	DRG CHANGE	APP BY:
1	DRN	22.02.2002	NEW	M A E
2	DRN 0531	JAN 2004	DCN 0171	MAE



USE SPIRAL WRAP TUBING AND SURROUND HARNESS TO PROTECT CABLE AS IT TRAVELS THROUGH THE CUTOUT. RUN SPIRAL WRAP TUBING MIN 5" EITHER SIDE OF AIR VENT GRILL, SECURE IF REQUIRED USING TY-WRAPPS EITHER END. ROUTE HARNESS BENEATH CARPET TO FWD EDGE/MIDDLE OFF ATT SEAT AND UP THROUGH HOLE IN BASE OF SEAT UP TO DISCONNECT BRACKET.

9 A/R 7 A/R

PRODUCE HALF CIRCLE NOTCH (1" DIA) FOR CABLE TO PASS THROUGH - REMOVE ROUGH EDGES AND LINE WITH A SUITABLE RUBBER GROMMET MATERIAL. NOTE: CUTOUT SIZE MAY BE INCREASED TO SUIT

CONNECTOR (REF) TO ATT. HAND SET CABLE LOOM DRAWING 0407-233-757

VIEW ON A

MODIFIED AIR VENT/GRILL RIGHT HAND SIDE
SCALE: NTS

AES LTD
OFFICIAL ISSUE
DATE: 17:02:2004
COPY

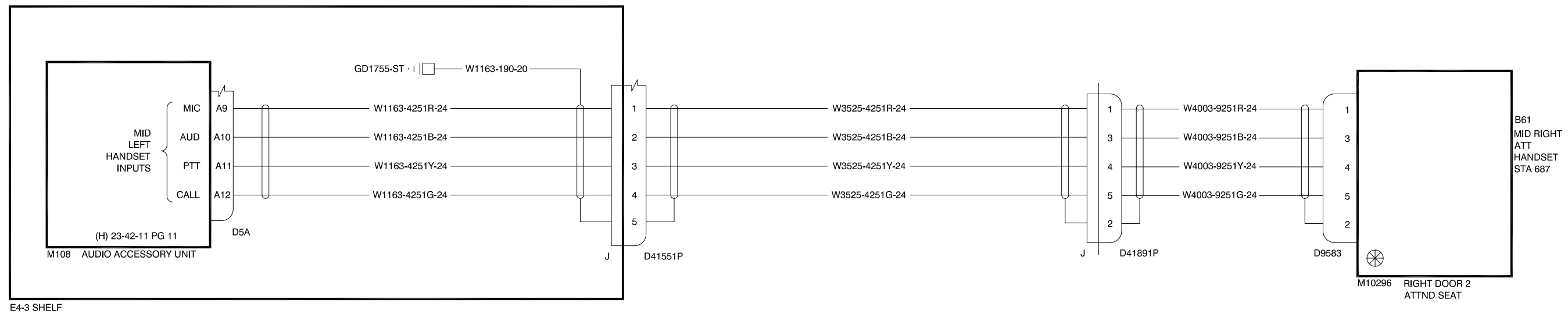
No. OFF	MAP REF	ITEM No.	PART NUMBER	ITEM ISS	KEYWORD / DESCRIPTION	COLOUR	SPECIFICATION	ARTWORK FILE
2	ISS				SEE SHEET 1			
DRAWN BY:		R BRACE		DATE:	22.02.2003	MODIFICATION No: SEE TABLE 1		
CHECKED BY:		A L H		SCALE:	1:40 AT A3 U.O.S.	JAR 21: CAA.JA.02304		
STRESS:		M A E		LIMITS:	±.04 U.O.S.	THIRD ANGLE PROJECTION:		
APPROVED:		A M D		SURFACE FINISH:	N/A	DIMENSIONS IN: INCHES		
TITLE:		DOOR 2 - ATTENDANT HAND SET WIRE ROUTING						
PART NUMBER		0404-233-757-001						
PT No		NHA		No. OFF	EFFECTIVITY			
-001		AES-757-104 Pt C		1	G-CPEU (NT404)-G-GPEV (NT406)			
-001		SEE TABLE 1						
IN		0404-233-757						
MM		SHEET 2 OF 2 SHEETS						

0688-234-757

SHEET 1 OF 1 SHEETS

REVISIONS				
DRG ISS No.	RELEASE DOC.	ISSUE DATE:	DRG CHANGE	APP BY:
1	DRN 0531	FEB 2004	NEW	ALH

AES LTD
OFFICIAL ISSUE
DATE: FEB 2004
COPY




505, 507

CABIN INTERPHONE SYSTEM

23-42-11
PAGE 1A
FEB / 2004

23-42-11
PAGE 1A
FEB / 2004

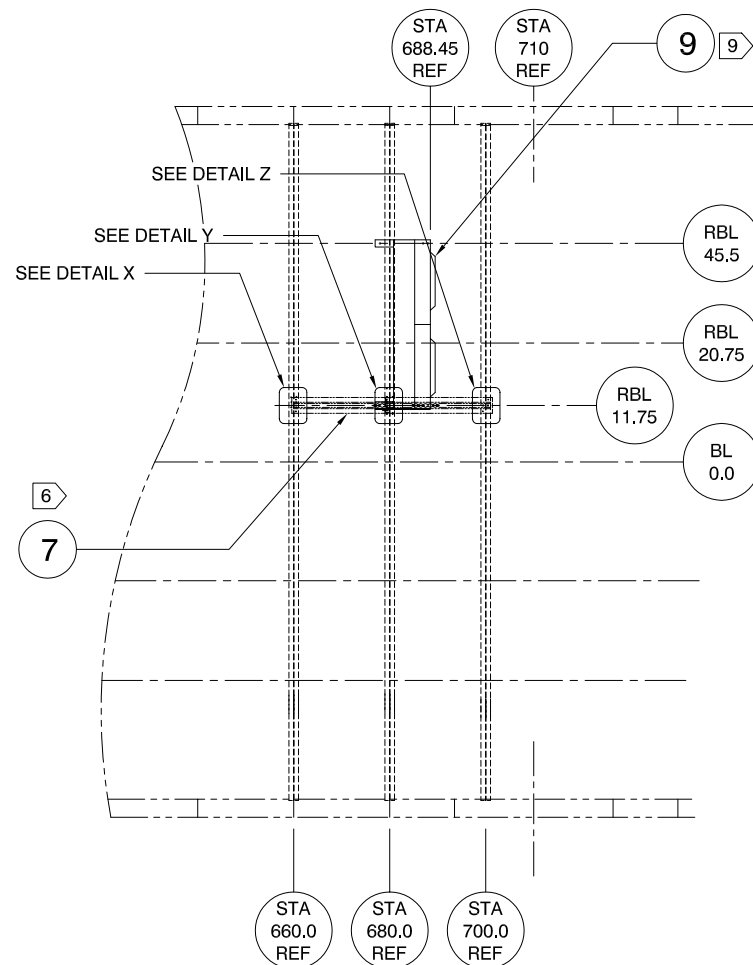
MODIFICATION No: AES-757-192 PT C	JAR 21 APPROVAL: CAA.JA.02304	 <small>©2004 ALL RIGHTS RESERVED. THE INFORMATION CONTAINED HEREIN IS PROPRIETARY TO AEROSPACE ENGINEERING SOLUTIONS LTD AND SHALL NOT BE REPRODUCED OR DISCLOSED WITHOUT THE OWNERS WRITTEN PERMISSION.</small> aes <small>aerospace engineering solutions</small>	<small>NT 405</small> <small>NT 407</small>		
DRAWN BY: M IRVINE	DATE: FEB 2004			NHA	EFFECTIVITY
CHECKED BY: AMD/ALH	DATE: FEB 2004			AES-757-192 PT C	G-OOBG (NT 405) G-OOBH (NT 407)
APPROVED: ALH	DATE: FEB 2004				
TITLE: W/D: CABIN INTERPHONE SYSTEM REWORK		0688-234-757			
		SHEET 1 OF 1 SHEETS			

0361-252-757

SHEET 1 OF 4 SHEETS
DRAWING SIMILAR TO
N/A

REVISIONS

DRG ISS No.	RELEASE DOC.	ISSUE DATE:	DRG CHANGE	APP BY:
1	0250	FEB 2003	NEW	M A E
2	0530	FEB 04	DCN 0208	M A E



DOOR 2 AREA
SCALE 1:40

1

NOTES:-

- 1 THIS DRAWING INSTALLS THE ATTENDANT SEAT & TRACK AT RBL 11.75 BETWEEN STA 660 AND STA 700. READ IN CONJUNCTION WITH MEI-() [SEE TABLE 1].
- 1.1 THIS AES DRAWING PROVIDES INSTRUCTION TO OVERCOME EXISTING HOLES (G2 PROVISIONS), WHERE MIN DISTANCES INDICATED HERE IN ARE LESS THAN STATED PLEASE ADVISE AES DESIGN. DO NOT DRILL ANY NEW HOLES IN FLOOR BEAM FLANGE IF FASTENER SPACING IS LESS THAN INDICATED.
- 2 REMOVE EXISTING STRUCTURE AS STATED IN MEI-() [SEE TABLE 1].
- 3 PLUG REDUNDANT HOLES USING BACR15CE6D() RIVETS WHERE INDICATED. INSTALL CSK IN CAP TO A DEPTH 0.015/.020 AND MICROSHAVE FLUSH. DETAIL P REFERS.
- 4 FABRICATED ITEMS (ITEM 21, 23 & 25):
REMOVE ALL BURRS AND SHARP EDGES
PART MARK ON VISIBLE FACE IN BLACK USING INDELIBLE INK, SHOW MANUFACTURER, DATE, PART NUMBER AND THE LETTERS EPA.
PROTECTIVE TREATMENT: ALODINE 1200 PER SRM (CH 51-21-01)
EPOXY PRIME PER SRM (BMS10-11 TYPE 1, CH 51-20-02)
FINISH: APPLY TOP COAT, POLYURETHANE (COLOUR WHITE) PER SRM.
- 5 INSTALL ALL FASTENERS IAW SRM CH. 51-40-02.
APPLY BMS5-95 TO ALL FAYING SURFACES.
- 6 WHEN LOCATING SEAT TRACK (ITEM 7) ENSURE THE SEAT TRACK LIPS ON THE NEWLY INSTALLED SEAT TRACK ARE TRANSVERSELY ALIGNED WITH THE LIPS ON THE OUTBOARD SEAT TRACK.
- 7 PLUG REDUNDANT HOLES USING BACR15CE8D() RIVETS WHERE INDICATED. INSTALL CSK IN CAP TO A DEPTH 0.015/.020 AND MICROSHAVE FLUSH. DETAIL P REFERS.
- 8 FORM IN THE 'O' CONDITION. FINAL HEAT TREAT -T62. FLAW DETECT USING DYE PENETRANT. PROCESS TO CONFORM WITH AIRPLANE SRM.
- 9 INSTALL FLOOR PANELS PER DRG 0392-534-757 PRIOR TO INSTALLATION OF ATTENDANT SEAT.

AES LTD
OFFICIAL ISSUE
DATE: 03.02.2004
COPY

TABLE 1

ASSEMBLY	MOD. No.	MEI. No.	REG.	SER. No.
-001	AES-757-104 Pt. C	MEI-108	G-CPEU	29941
-001	AES-757-104 Pt. C	MEI-108	G-CPEV	29943
-001	AES-757-192 Pt.C	MEI-235	G-OOBG	29942
-001	AES-757-192 Pt.C	MEI-235	G-OOBH	29944

A/R	MAP REF	ITEM No.	PART NUMBER	ITEM ISS	KEYWORD / DESCRIPTION	MATERIAL	SPECIFICATION	DIMENSIONS	TREATMENT	QTY
A/R	37		BACR15CE8D()		RIVET, 100 DEG (Ø1/4)					75
A/R	35		BACC30X		COLLAR					
A/R	33		BACB30NY8K()		HI-LOK CSK, Ø1/4					5
A/R	31		BACB30NY6K()		HI-LOK CSK, Ø3/16					5
A/R	29		BACR15FT6D()		RIVET, DOME HD (Ø3/16)					5
A/R	27		BACR15CE6D()		RIVET, 100 DEG (Ø3/16)					35
1		25		-025	THROAT PLATE	▲ AL ALLOY	2024-T3, QQ-A-250/5, .125"THK			4
2		23		-023	CHANNEL (OUTER)	▲ AL ALLOY	7075-T62, QQ-A-250/12, .071"THK			48
2		21		-021	CHANNEL (INSIDE)	▲ AL ALLOY	7075-T62, QQ-A-250/12, .071"THK			48
2		19			143N5303-2					
		17								
		15								
1		9	S414N201-112EN		ATTENDANT SEAT (DBL)	▲	INCLUDES ATTACHMENT FIXINGS ALT P/N S414N201-162GG			
1		7	143N5300U6		SEAT TRACK SECTION					6
		3								
		1		-001	1	INSTALLATION				1, 1.1

No. OFF	MAP REF	ITEM No.	PART NUMBER	ITEM ISS	KEYWORD / DESCRIPTION	MATERIAL	SPECIFICATION	DIMENSIONS	TREATMENT	QTY
1	ISS									

0361-252-757-001

DRAWN BY: A DOLBY **DATE:** JAN 2003 **MODIFICATION No:** SEE TABLE 1

CHECKED BY: M A E **SCALE:** 1:40 AT A3 U.O.S. **JAR21.: CAA.JA.02304**

STRESS: M A E **LIMITS:** .020 U.O.S. **THIRD ANGLE PROJECTION:**

APPROVED: A M D **SURFACE FINISH:** N/A **DIMENSIONS IN:** INCHES

TITLE: ATTENDANT SEAT INSTL STA 660-700 (RHS)

1.5 40

30

1.0

20

0.5

10

0

IN MM

©2002 ALL RIGHTS RESERVED. THE INFORMATION CONTAINED HEREIN IS PROPRIETARY TO AEROSPACE ENGINEERING SOLUTIONS LIMITED AND SHALL NOT BE REPRODUCED OR DISCLOSED WITHOUT THE OWNERS WRITTEN PERMISSION.

PT No	NHA	No. OFF	EFFECTIVITY
-001	AES-757-104 PT-C	1	G-CPEU G-CPEV

0361-252-757

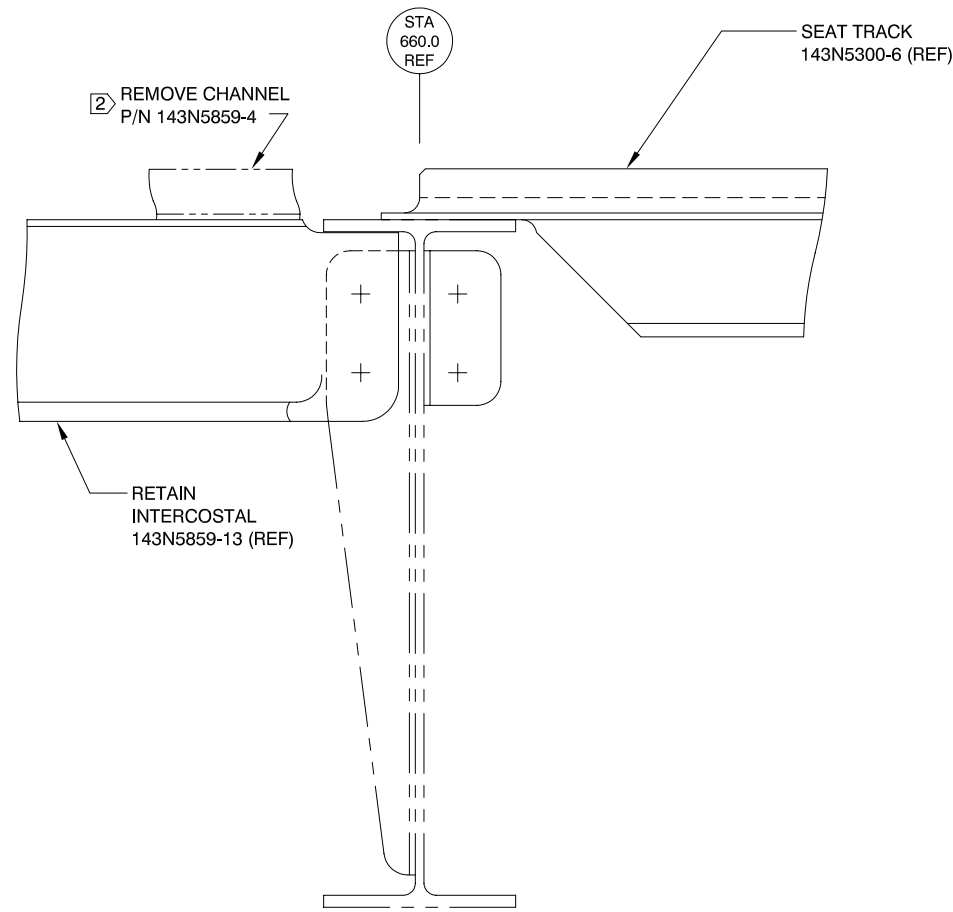
SHEET 1 OF 4 SHEETS

0361-252-757

SHEET 2 OF 4 SHEETS
DRAWING SIMILAR TO
N/A

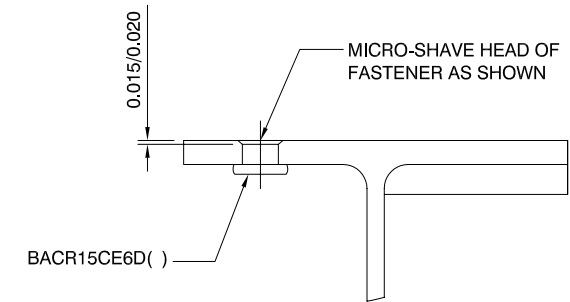
REVISIONS

DRG ISS No.	RELEASE DOC.	ISSUE DATE:	DRG CHANGE	APP BY:
1	0250	FEB 2003	NEW	M A E
2	0530	FEB 04	DCN 0208	M A E



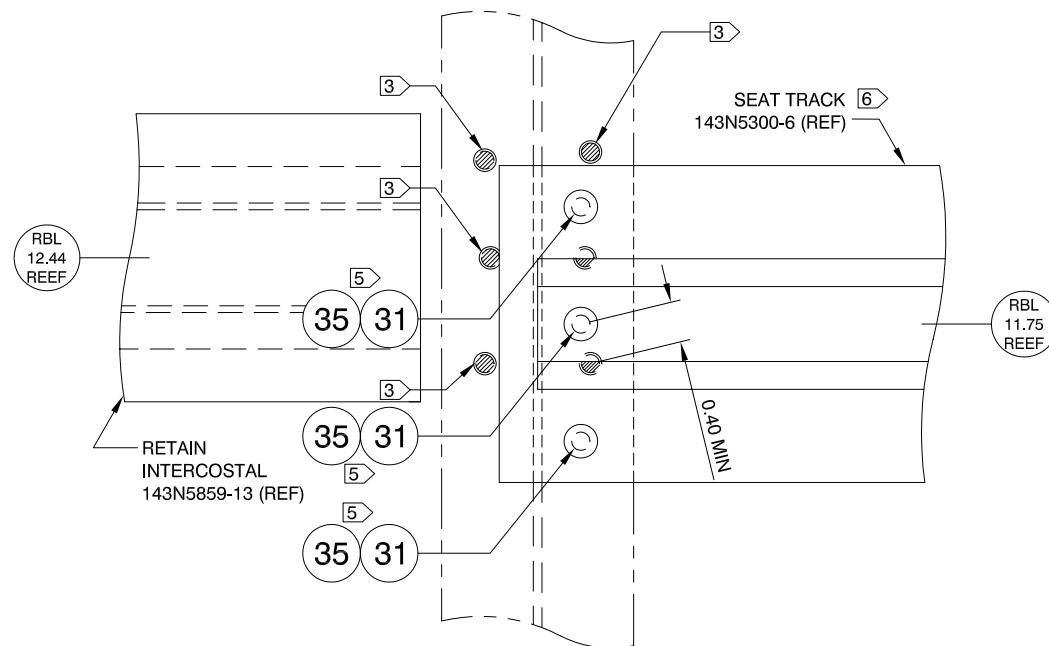
VIEW ON ARROW D
STA 660 (LOOKING OUTB'D)

SCALE 1:2



DETAIL P
TYP PLUG INSTL'N

5



DETAIL X
STA 660

SCALE 1:2

D

AES LTD
OFFICIAL ISSUE
DATE: 03.02.2004
COPY

No. OFF	MAP REF	ITEM No.	PART NUMBER	ITEM ISS	KEYWORD / DESCRIPTION	MATERIAL	SPECIFICATION	DIMENSIONS	TREATMENT	OR REMARKS
1	ISS				SEE SHEET 1					
DRAWN BY:		A DOLBY		DATE:		JAN 2003		MODIFICATION No:		
CHECKED BY:		M A E		SCALE:		1:2 AT A3 U.O.S.		JAR21.: CAA.JA.02304		
STRESS:		M A E		LIMITS:		.020 U.O.S.		THIRD ANGLE PROJECTION:		
APPROVED:		A M D		SURFACE FINISH:		N/A		DIMENSIONS IN: INCHES		
TITLE:		ATTENDANT SEAT INSTL STA 660-700 (RHS)								

©2002 ALL RIGHTS RESERVED. THE INFORMATION CONTAINED HEREIN IS PROPRIETARY TO AEROSPACE ENGINEERING SOLUTIONS LIMITED AND SHALL NOT BE REPRODUCED OR DISCLOSED WITHOUT THE OWNERS WRITTEN PERMISSION.

aes
aerospace engineering solutions

PT No	NHA	No. OFF	EFFECTIVITY
SEE SHEET 1			
SEE TABLE 1			G-CPEV

0361-252-757

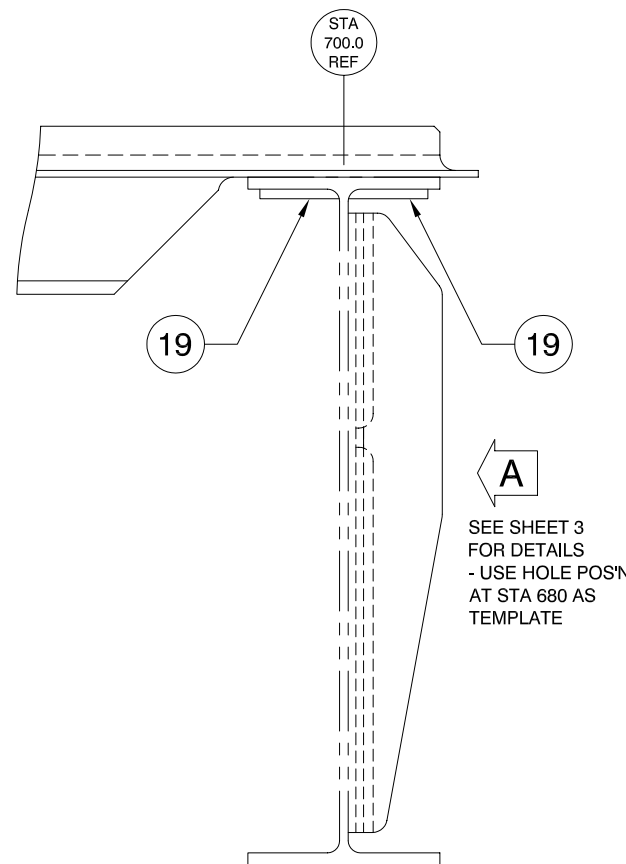
SHEET 2 OF 4 SHEETS

0361-252-757

SHEET 4 OF 4 SHEETS
DRAWING SIMILAR TO
N/A

REVISIONS

DRG ISS No.	RELEASE DOC.	ISSUE DATE:	DRG CHANGE	APP BY:
1	0250	FEB 2003	NEW	M A E
2	0530	FEB 04	DCN 0208	M A E

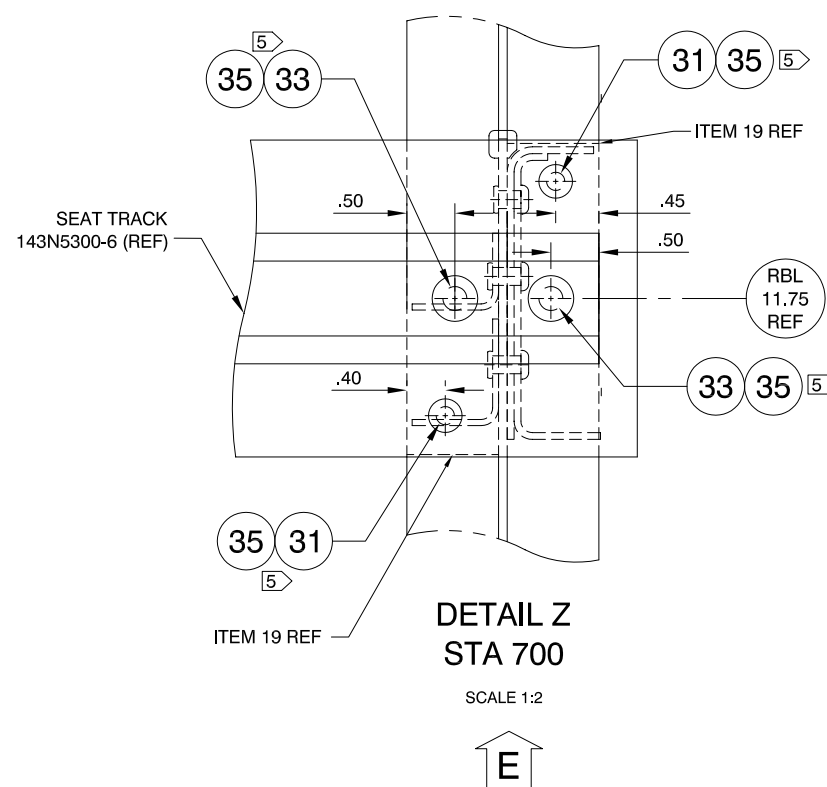


SEE SHEET 3
FOR DETAILS
- USE HOLE POS'N
AT STA 680 AS
TEMPLATE

VIEW ON ARROW E
STA 700 (LOOKING OUTB'D)
SCALE 1:2

AES LTD
OFFICIAL ISSUE
DATE: 03.02.2004

COPY



DETAIL Z
STA 700
SCALE 1:2



No. OFF	MAP REF	ITEM No.	PART NUMBER	ITEM ISS	KEYWORD / DESCRIPTION	MATERIAL	SPECIFICATION	DIMENSIONS	TREATMENT
1	ISS				SEE SHEET 1				
DRAWN BY: A DOLBY						DATE: JAN 2003		MODIFICATION No: SEE TABLE 1	
CHECKED BY: M A E						SCALE: 1:2 AT A3 U.O.S.		JAR21.: CAA.JA.02304	
STRESS: M A E						LIMITS: .020 U.O.S.		THIRD ANGLE PROJECTION:	
APPROVED: A M D						SURFACE FINISH: N/A		DIMENSIONS IN: INCHES	
TITLE: ATTENDANT SEAT INSTL STA 660-700 (RHS)									

0361-252-757-001

PART NUMBER

PT No	NHA	No. OFF	EFFECTIVITY
SEE SHEET 1			
SEE TABLE 1			-G-CPEV-

©2002 ALL RIGHTS RESERVED. THE INFORMATION CONTAINED HEREIN IS PROPRIETARY TO AEROSPACE ENGINEERING SOLUTIONS LIMITED AND SHALL NOT BE REPRODUCED OR DISCLOSED WITHOUT THE OWNERS WRITTEN PERMISSION.

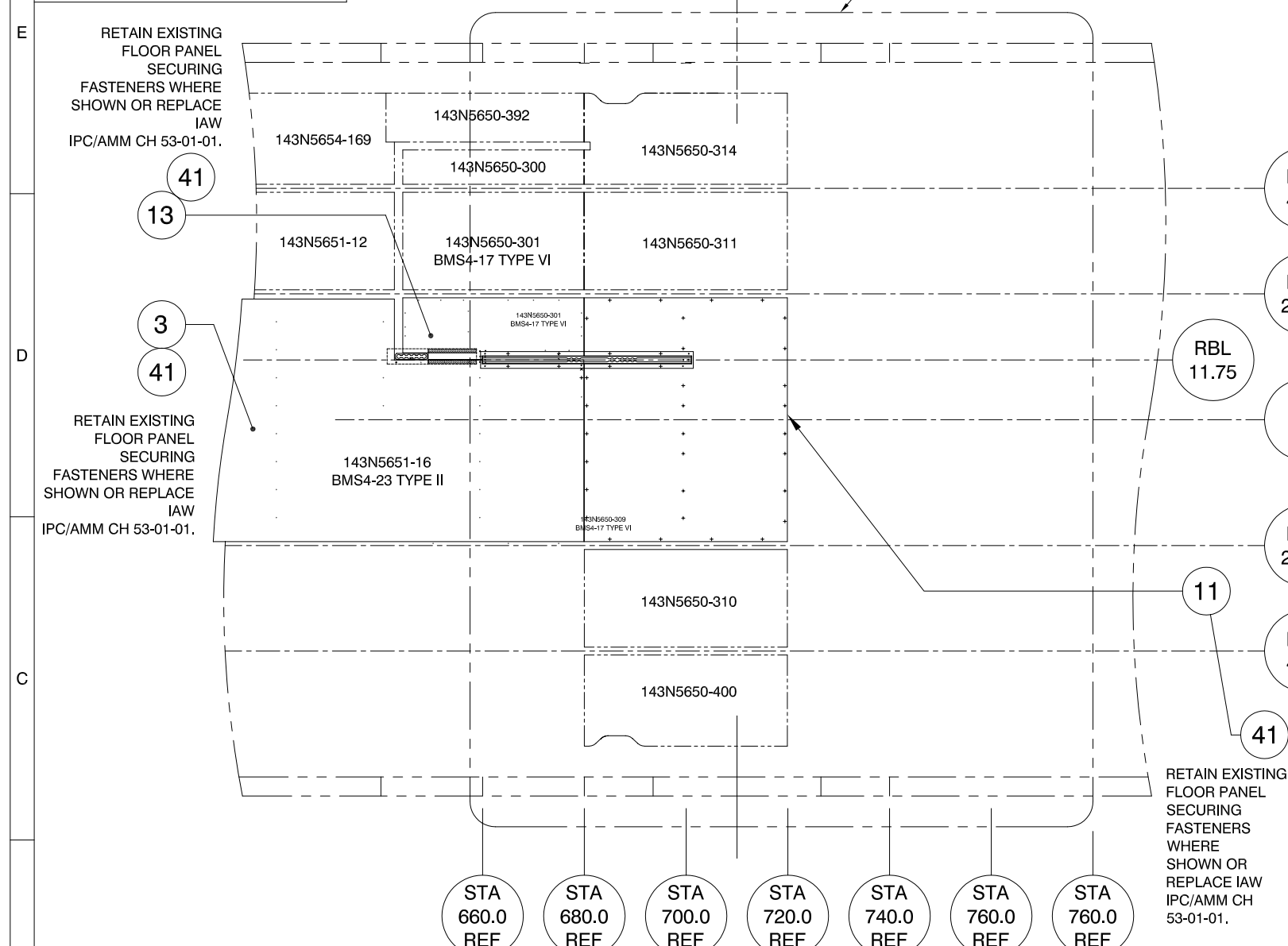
0361-252-757

SHEET 4 OF 4 SHEETS

0392-534-757

SHEET 1 OF 3 SHEETS
DRAWING SIMILAR TO
N/A

REVISIONS				
DRG ISS No.	RELEASE DOC.	ISSUE DATE:	DRG CHANGE	APP BY:
1	0250	FEB 2003	NEW	M A E
2	0530	FEB 04	DCN 0208	M A E



- NOTES.
- THIS DRAWING MODIFIES/REPLACES THE EXISTING FLOOR PANELS AFFECTED BY THE REMOVAL OF GALLEY 2B. FOR THE EXISTING FLOOR PANEL INSTALLATION REFER TO BOEING DRAWING 143N5580-45. READ IN CONJUNCTION WITH MODIFICATION AES-757-() & MEI-() [SEE TABLE 1]
- CARRY OUT ALL REWORK IN ACCORDANCE WITH AIRCRAFT AMM/SRM STANDARD PRACTICES. REPORT ANY DEVIATIONS TO A.E.S. DESIGN AND SUPPLEMENTARY DESIGN INSTRUCTIONS SHALL BE ISSUED.
 - MODIFY EXISTING PANEL P/N 143N5651-16 AS SHOWN TO ACHIEVE ITEM -003.
 - MANUFACTURE NEW PANEL ASSY, ITEM -011, USING BMS4-17 TYPE II GRADE A OR B (THK=0.40").
 - MANUFACTURE NEW PANEL ASSY, ITEM -013, USING BMS4-17 TYPE II GRADE A OR B (THK=0.40").
 - SEE BOEING DRAWING 143N5584 SHEET 29 DETAILS FOR TYPICAL ATTACHMENT AND FLOOR STRUCTURE INTERFACE. NOTE FLAG NOTES 1 THRU 26 FOR SCREW/SEALING REQUIREMENTS.
 - INSTALL BACN11K1 CLIP-ON NUT PLATES FOR GAUGES .020-.015, IN AREAS WHICH PROHIBIT USE OF CLIP ON NUTPLATES, INSTALL BAC10JR3CFD NUTPLATES WITH TWO BACR15DR3 BLIND RIVETS (LENGTH AS REQUIRED) WET WITH BMS 5-95 SEALANT.
 - INSTALL INSERT PLUG AND SLEEVE PER BAC5085. INSTALL IN DIA .500/.510 THRU PANEL. ENSURE AREAS ARE FREE OF DIRT AND GRIT PRIOR TO POTTING IN POSITION. STORE, MIX AND APPLY ADHESIVE PER MANUFACTURERS DATA SHEETS. ENSURE ALL VOIDS ARE FILLED WITH ADHESIVE.
 - PART MARK IN BLACK USING INDELIBLE INK WHERE SHOWN SHOW MANUFACTURER, DATE, PART NUMBERS AND THE LETTERS EPA.
 - EDGE FILL ALL NEW EXPOSED EDGES TO A DEPTH OF 0.10" USING ARLDITE 252 EDGE FILLER.
 - FOR GENERAL INFORMATION SPECIFIC TO THE INSTALLATION OF FLOOR PANELS REFER TO BOEING DRAWING 143N5584. TAKE NOTE OF APPLICABLE GENERAL AND FLAG NOTES APPLICABLE TO WET AREA SEALING AND APPLICATION OF PRESSURE SENSITIVE ROLLTAPE.
 - STORE, MIX AND APPLY ADHESIVE, EDGE FILLER AND SEALANT PER THE MANUFACTURES DATA SHEET.
 - ATTACH ALL FLOOR PANELS TO THE SUPPORTING STRUCTURE AS EXISTING USING THE EXISTING FASTENERS. FOR NEW PANEL INSERTS AND SCREW INSTALLATIONS REFER SPECIFIC DETAILS (SHTS 2 AND 3)
 - INSTALL PROTECTIVE BARRIER IN THE AREA INDICATED PER AMM CHAPTER 25-27-01.

STA 660.0 REF	STA 680.0 REF	STA 700.0 REF	STA 720.0 REF	STA 740.0 REF	STA 760.0 REF	STA 760.0 REF
---------------	---------------	---------------	---------------	---------------	---------------	---------------

1 FLOOR PANEL INSTALLATION
SCALE 1:30
(REFER TO BOEING INSTL'N 143N5884-4015 FOR DELIVERY ARRANGEMENT)

AES LTD
OFFICIAL ISSUE
DATE: 03.02.2004
COPY

TABLE 1

ASSEMBLY	MOD. No.	MEI. No.	REG.	SER. No.
-001	AES-757-104 Pt. C	MEI-108	G-CPEU	29941
-001	AES-757-104 Pt. C	MEI-108	G-CPEV	29943
-001	AES-757-192 Pt.C	MEI-235	G-OOBG	29942
-001	AES-757-192 Pt.C	MEI-235	G-OOBH	29944

A/R	A/R	A/R	A/R	A/R	53	BMS5-107	ADHESIVE			7
A/R	A/R	A/R	A/R	A/R	51	ARALDITE 252	FILLER	OR SIMILAR		11
			A/R	A/R	49	BMS5-95	SEALANT			
			A/R	A/R	47	RTV326	1/8" THK ROLLERTAPE 1.0"	RUBATEX OR SIMILAR		
			A/R	A/R	45	RTV326	1/16" THK ROLLERTAPE 1.0"	RUBATEX OR SIMILAR		
A/R	A/R	A/R			41	BACS12GR3T20	SCREW	ALT BACS12GR3L20 (WET AREA)		
			A/R		37	BACN11K1	CLIP ON NUT			11
1					31	-031	PANEL	NOTE 8		13
	1				29	-029	PANEL	▲NOTE 7		13
A/R	A/R	A/R			23	SLP5182A3-400-2	SLEEVE			12
A/R	A/R	A/R			21	SLP5182A3-1	PLUG			12
					1	-13	FLOOR PANEL ASSY			8, 10
					1	-11	FLOOR PANEL ASSY			7, 10
					1	-3	FLOOR PANEL ASSY	▲MAKE FROM EXISTING P/N 143N5651-16		2, 10
					1	-001	FLOOR PANEL INSTLN			ALL

No. OFF	No. OFF	No. OFF	No. OFF	MAP REF	ITEM No.	PART NUMBER	ITEM ISS	KEYWORD / DESCRIPTION	MATERIAL	SPECIFICATION	WIDTH	EST WEIGHT	
A/D	A/D	A/D	A/D	HAND									
1	1	1	1	ISS									

DRAWN BY: A DOLBY DATE: FEB 2003 MODIFICATION No: SEE TABLE 1

CHECKED BY: L M D SCALE: 1:30 AT A3 U.O.S. JAR21.: CAA.JA.02304

STRESS: M A E LIMITS: ±.25 U.O.S. THIRD ANGLE PROJECTION:

APPROVED: M A E SURFACE FINISH: N/A DIMENSIONS IN: INCHES

TITLE: FLOOR PANEL INSTALLTION DOOR 2 AREA

0392-534-757-013

0392-534-757-011

0392-534-757-003

0392-534-757-001

PART NUMBER

0392-534-757

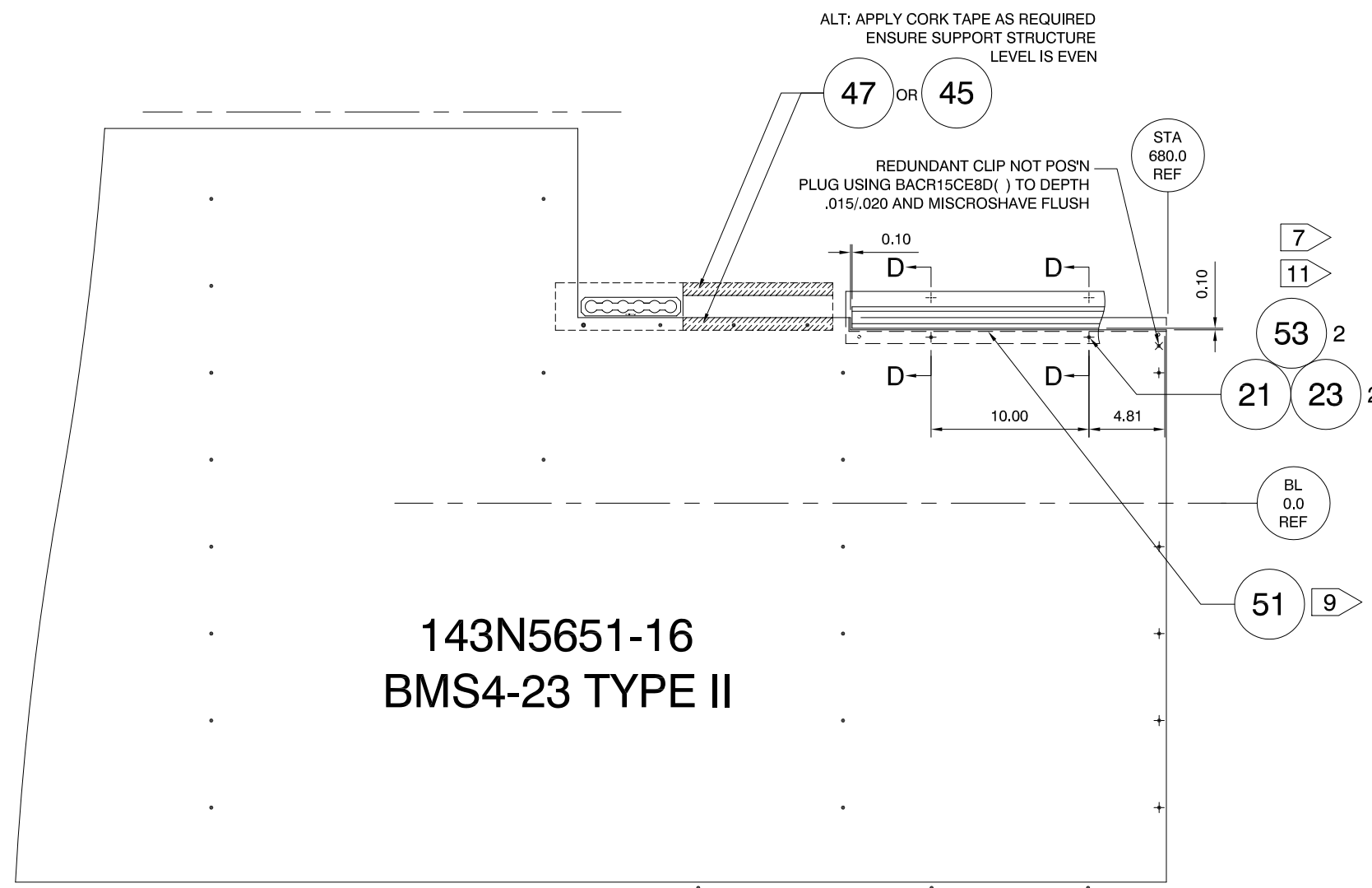
SHEET 1 OF 3 SHEETS

0392-534-757

SHEET 3 OF 3 SHEETS
DRAWING SIMILAR TO
N/A

REVISIONS

DRG ISS No.	RELEASE DOC.	ISSUE DATE:	DRG CHANGE	APP BY:
1	0250	FEB 2003	NEW	M A E
2	0530	FEB 04	DCN 0208	M A E



143N5651-16
BMS4-23 TYPE II

ASSY -003

MAKE FROM EXISTING PANEL P/No 143N5651-16, TRIM AREA LOCAL
TO NEW ATTENDANT SEAT TRACK
SCALE 1:10

2 9
8

AES LTD
OFFICIAL ISSUE
DATE: 03.02.2004
COPY

No. OFF	MAP REF	ITEM No.	PART NUMBER	ITEM ISS	KEYWORD / DESCRIPTION	MATERIAL	SPECIFICATION	WIDTH	EST WEIGHT	OR REMARKS								
					SEE SHEET 1													
					DRAWN BY: A DOLBY					<p>©2003 ALL RIGHTS RESERVED. THE INFORMATION CONTAINED HEREIN IS PROPRIETARY TO AEROSPACE ENGINEERING SOLUTIONS LIMITED AND SHALL NOT BE REPRODUCED OR DISCLOSED WITHOUT THE OWNERS WRITTEN PERMISSION.</p> <table border="1"> <thead> <tr> <th>PT No</th> <th>NHA</th> <th>No. OFF</th> <th>EFFECTIVITY</th> </tr> </thead> <tbody> <tr> <td>-001</td> <td>AES-757-104 PT C</td> <td>1</td> <td>B757-236 G-CPEU G-CPEV</td> </tr> </tbody> </table>	PT No	NHA	No. OFF	EFFECTIVITY	-001	AES-757-104 PT C	1	B757-236 G-CPEU G-CPEV
PT No	NHA	No. OFF	EFFECTIVITY															
-001	AES-757-104 PT C	1	B757-236 G-CPEU G-CPEV															
				CHECKED BY: L M D	DATE: FEB 2003													
				STRESS: M A E	SCALE: 1:10 AT A3 U.O.S.													
				APPROVED: M A E	LIMITS: ±.04 U.O.S.													
				TITLE: FLOOR PANEL INSTALLTION DOOR 2 AREA	SURFACE FINISH: N/A													
					THIRD ANGLE PROJECTION:													
					DIMESNIIONS IN: INCHES													

0392-534-757
SHEET 3 OF 3 SHEETS

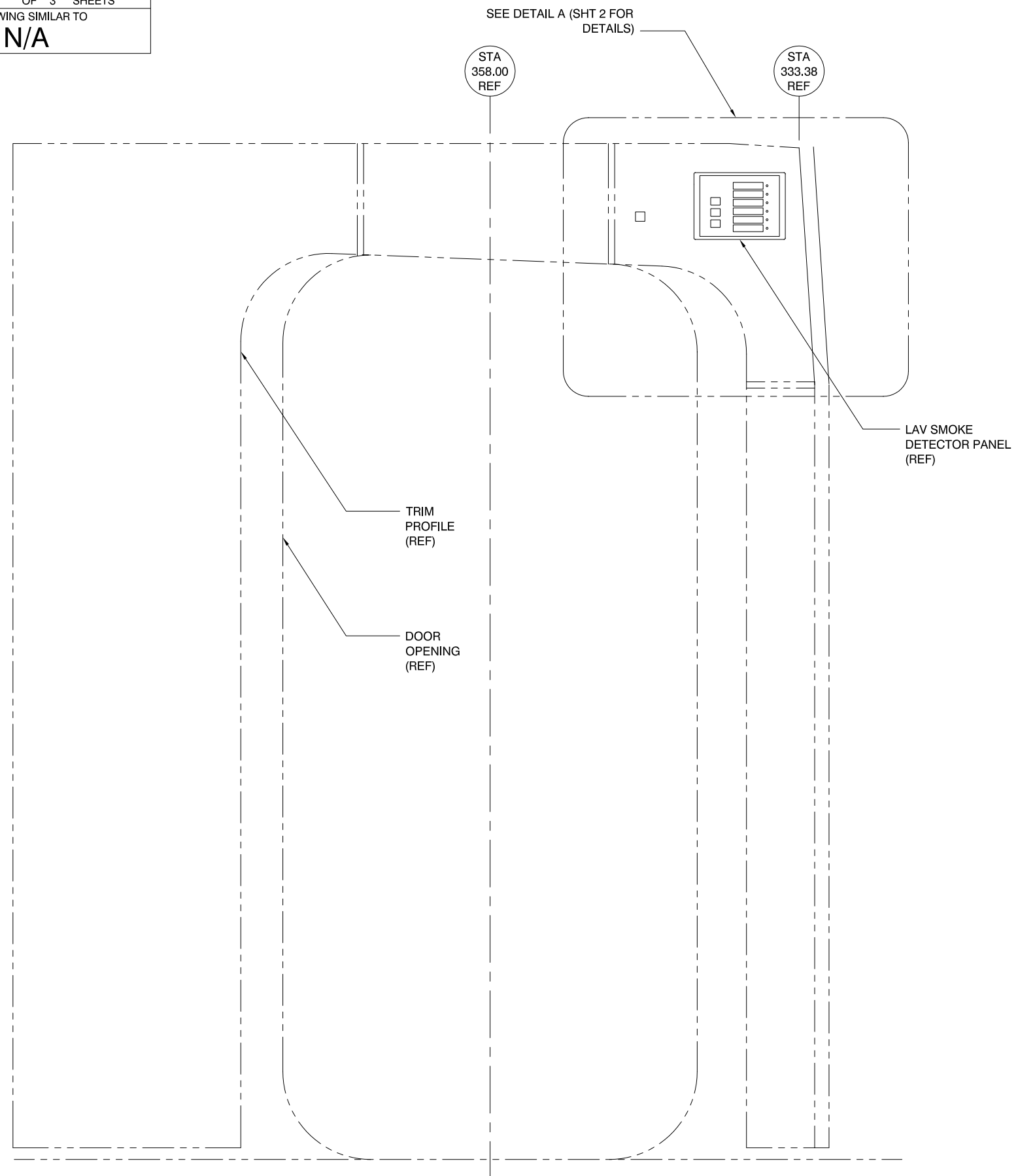
0735-261-757

SHEET 1 OF 3 SHEETS
DRAWING SIMILAR TO
N/A

REVISIONS

DRG ISS No.	RELEASE DOC.	ISSUE DATE:	DRG CHANGE	APP BY:
1	0638	MAR 04	NEW	M A E

AES LTD
OFFICIAL ISSUE
DATE: 11:03:2003
COPY



- NOTES:
- 1 THIS DRAWING RELOCATES THE EXISTING LAVATORY SMOKE DETECTOR MONITORING PANEL FROM THE AFT FACE OF THE BIN END CAP AT DOOR 2R.
 - 2 REMOVE / RETAIN EXISTING ATTACHING HARDWARE.
 - 3 REMOVE ALL SHARP EDGES, PROTECTIVE TREATMENT:- ALOCROME 1200, EPOXY PRIME PER SRM
 - 4 INCREASE CUTOUT IN DOOR LINING PANEL AS SHOWN TO ALLOW INSTALLATION OF SMOKE DETECTOR PANEL. SECURE NUTPLATE TO LINING PANEL USING ADHESIVE - AVOID GETTING ADHESIVE IN FASTENER HOLES.
 - 5 INSTALL INSERT IN DIA 0.452/.457 HOLE. BOND IN PLACE USING ITEM 13 AS SHOWN. STORE MIX AND APPLY ADHESIVE IAW MANUFACTURERS DATA SHEETS.
 - 6 REMOVE CORE LOCALLY AND BOND ITEM 11 INTO POSN USING ITEM 13, STORE MIX AND APPLY ADHESIVE IAW MANUFACTURERS DATA SHEETS. ENSURE ANY EXCESS ADHESIVE IS REMOVED FROM THE BORE OF THE SPACER. TRIM SPACER AS REQUIRED.
 - 7 APPROXIMATE LOCATION, POSITION SUPPORT ATTACHMENT TO SUIT.
 - 8 PART MARK USING BLACK INDELIBLE INK WHERE SHOWN THUS: SHOW MANUFACTURER, DATE, PART NUMBER AND THE LETTERS EPA.

8	37	BACR15BA3D()	CSK HD RIVET					
4	35	BACN10JP04B	SINGLE LEG NUT PLATE					
1	33	BACS38P4	SUPPORT ATTACHMENT STRAP					7
1	31	BACS38P3	SUPPORT ATTACHMENT 2 INSERT					7
4	29	NAS603-4P	SCREW 10-32 PN HD					
4	27	NAS1149D0332J	WASHER PLAIN					
8	25	BACN10NW1	CLIP NUT					
8	23	NAS1149DN416J	WASHER					
8	21	NAS600-4P	SCREW 4-40 PN HD					
2	19	NAS1836-3-07	INSERT 10-32 (0.21 LG)					5
2	15	-015	DISCONNECT BRACKET			▲AL ALLOY 2024-T3 QQ-A-250/5 THK =.050		3 & 8
A/R	13	ARALDITE 420 A/B	ADHESIVE					4, 5
4	11	NAS43DD3-32N	SPACER TUBE			▲0.5 LG		6
1	9	-009	RETAINER			▲AL ALLOY 2024-T3 QQ-A-250/5 THK = .050		3 & 8
REF	7	TRA72-61	LAV SMOKE DETECTOR			▲EXISTING		1, 2

No. OFF	MAP REF	ITEM No.	PART NUMBER	ITEM ISS	KEYWORD / DESCRIPTION	MATERIAL	SPECIFICATION	WIDTH	EST WT (KG)	
		1		-001	1	INSTALLATION				ALL
DRAWN BY: A VOICE						DATE: MAR, 2004		MODIFICATION No: AES-757-192 PT C		
CHECKED BY: S SHAW						SCALE: 1:10 AT A3 U.O.S.		JAR APP.: CAA.JA.02304		
STRESS: M A E						LIMITS: N/A		THIRD ANGLE PROJECTION:		
APPROVED: A M D						SURFACE FINISH: N/A		DIMENSIONS IN: INCHES		
TITLE: LAV SMOKE DETECTOR PANEL RELOCATION DOOR 1L										

0735-261-757-001

©2004 ALL RIGHTS RESERVED. THE INFORMATION CONTAINED HEREIN IS PROPRIETARY TO AEROSPACE ENGINEERING SOLUTIONS LIMITED AND SHALL NOT BE REPRODUCED OR DISCLOSED WITHOUT THE OWNERS WRITTEN PERMISSION.

PT No	NHA	No. OFF	EFFECTIVITY
-001	AES-757-192 PT C	1	G-OOBG G-OOBH

0735-261-757

SHEET 1 OF 3 SHEETS

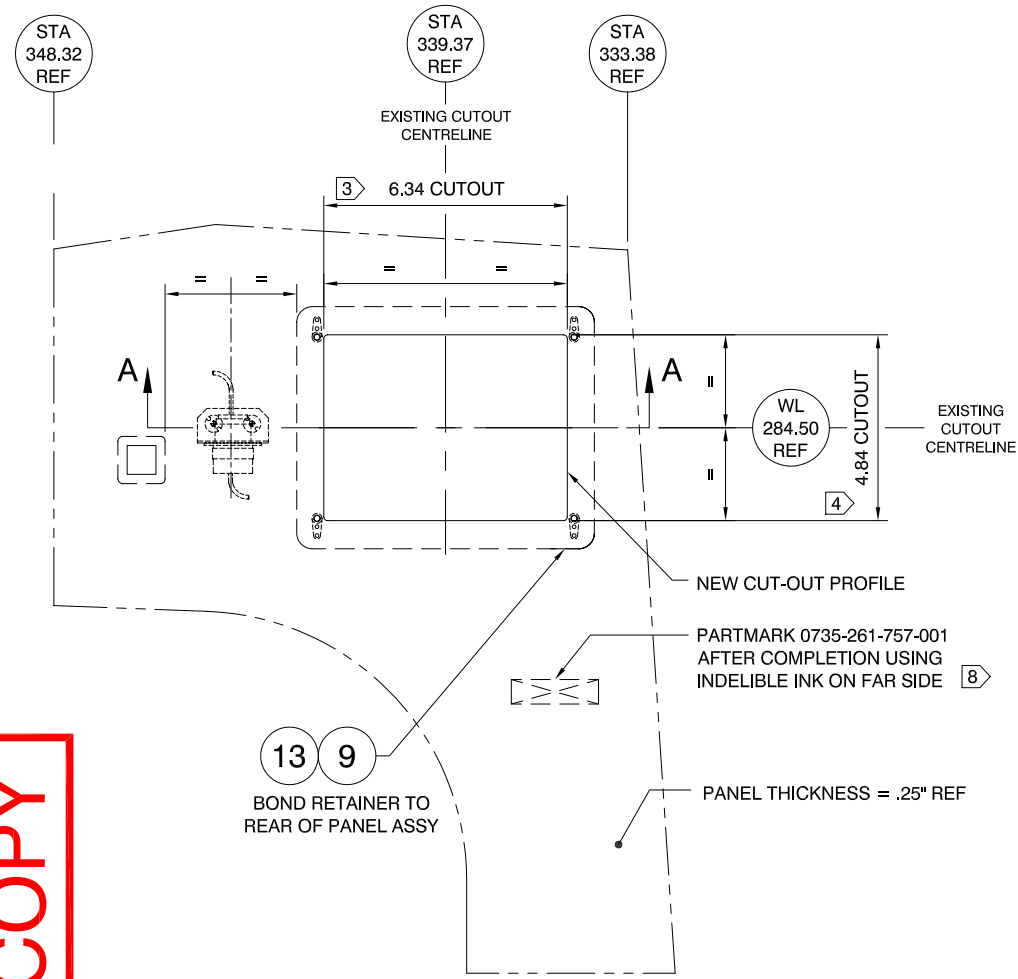
INSTLN -001 1

DOOR 1L AREA
(LOOKING OUTBOARD)

0735-261-757

SHEET 2 OF 3 SHEETS
DRAWING SIMILAR TO
N/A

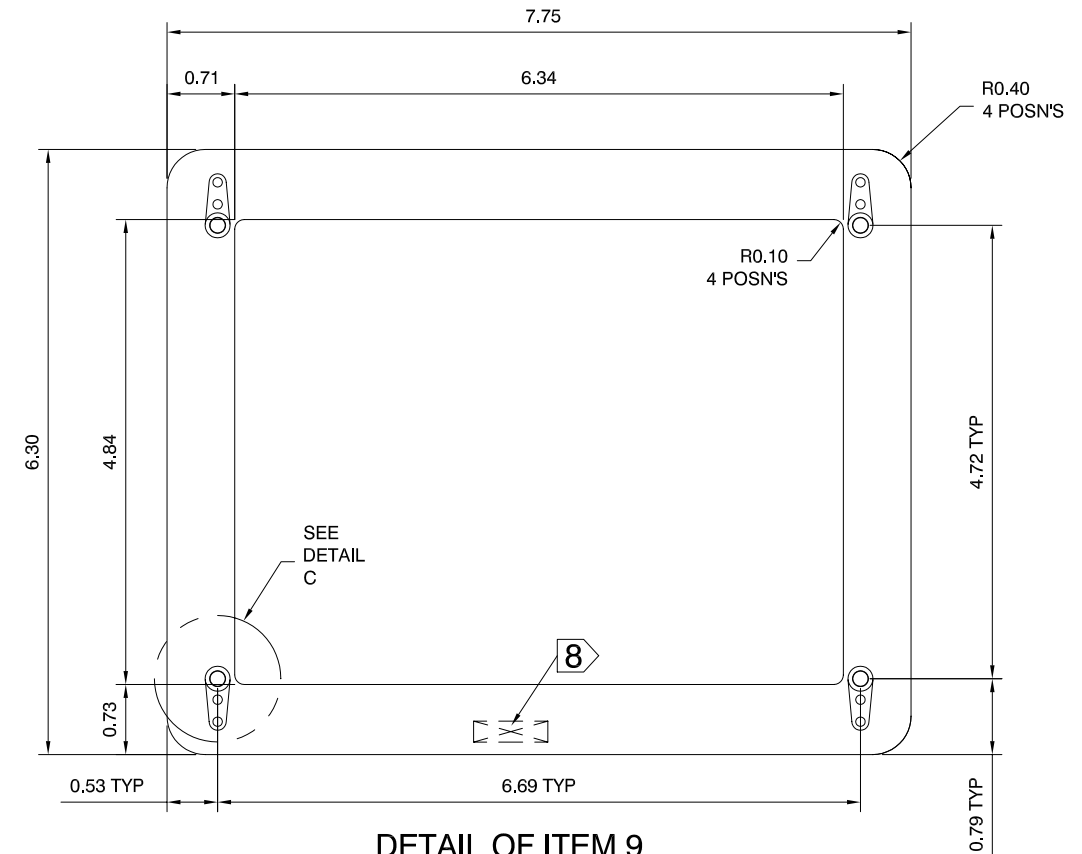
REVISIONS				
DRG ISS No.	RELEASE DOC.	ISSUE DATE:	DRG CHANGE	APP BY:
1	0638	MAR 03	NEW	M A E



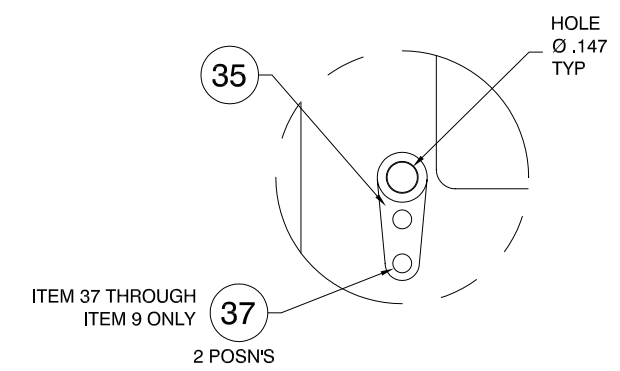
AES LTD
OFFICIAL ISSUE
DATE: 11:03:2003
COPY

DETAIL A (POST MOD)
DETECTOR NOT SHOWN

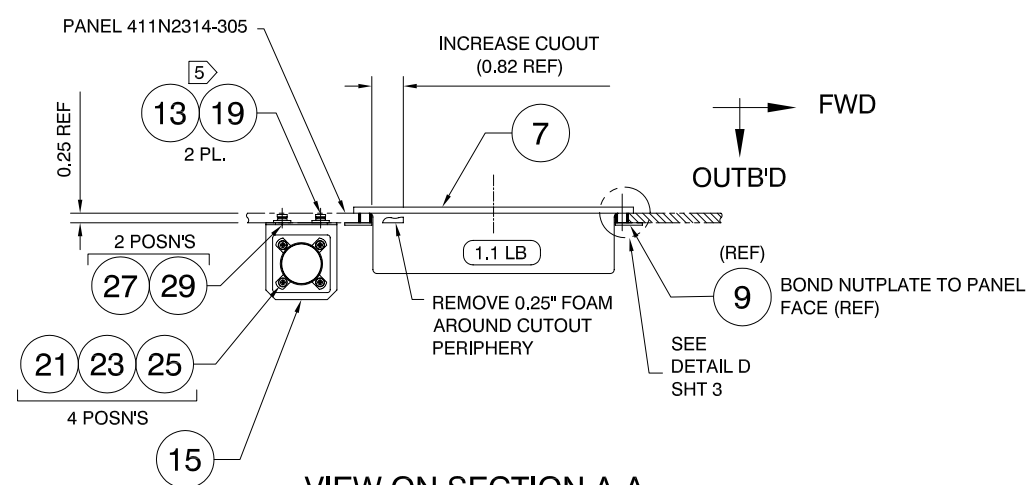
(PANEL P/No 411N2314-305)



DETAIL OF ITEM 9
SCALE 1:2



DETAIL C
SCALE 1:1
TYP 4 PLS



VIEW ON SECTION A-A
(SHOWING DETECTOR INSTALLED, DISC BRACKET SHOWN)
SCALE 1:5

No. OFF	MAP REF	ITEM No.	PART NUMBER	ITEM ISS	KEYWORD / DESCRIPTION	MATERIAL	SPECIFICATION	WIDTH	EST WT (KG)	ALL	
1	ISS				SEE SHEET 1						
DRAWN BY: A VOICE						DATE: MAR, 2004		MODIFICATION No: AES-757-192 PT C			
CHECKED BY: S SHAW						SCALE: 1:5 AT A3 U.O.S.		JAR APP: CAA.JA.02304			
STRESS: M A E						LIMITS: ±.020 U.O.S.		THIRD ANGLE PROJECTION:			
APPROVED: A M D						SURFACE FINISH: N/A		DIMENSIONS IN: INCHES			
TITLE: LAV SMOKE DETECTOR PANEL RELOCATION DOOR 1L											
0735-261-757-001 PART NUMBER						1.5		40		aes aerospace engineering solutions	
						-30		-20			PT No: NHA
						-10		-0		EFFECTIVITY: G-OOBH	
						0		0		SEE SHEET 1	
						IN		MM		0735-261-757	
						0		0		SHEET 2 OF 3 SHEETS	

©2004 ALL RIGHTS RESERVED. THE INFORMATION CONTAINED HEREIN IS PROPRIETARY TO AEROSPACE ENGINEERING SOLUTIONS LIMITED AND SHALL NOT BE REPRODUCED OR DISCLOSED WITHOUT THE OWNERS WRITTEN PERMISSION.

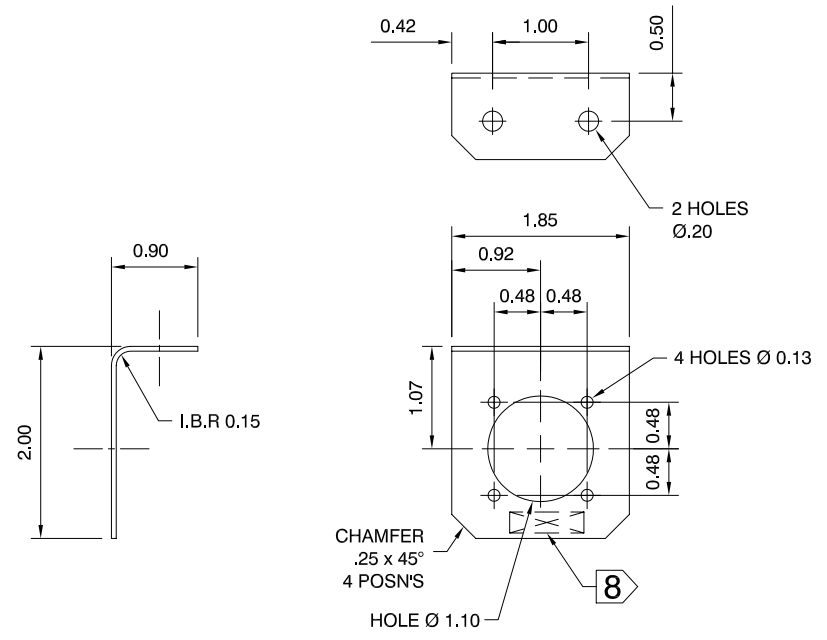
0735-261-757

SHEET 2 OF 3 SHEETS

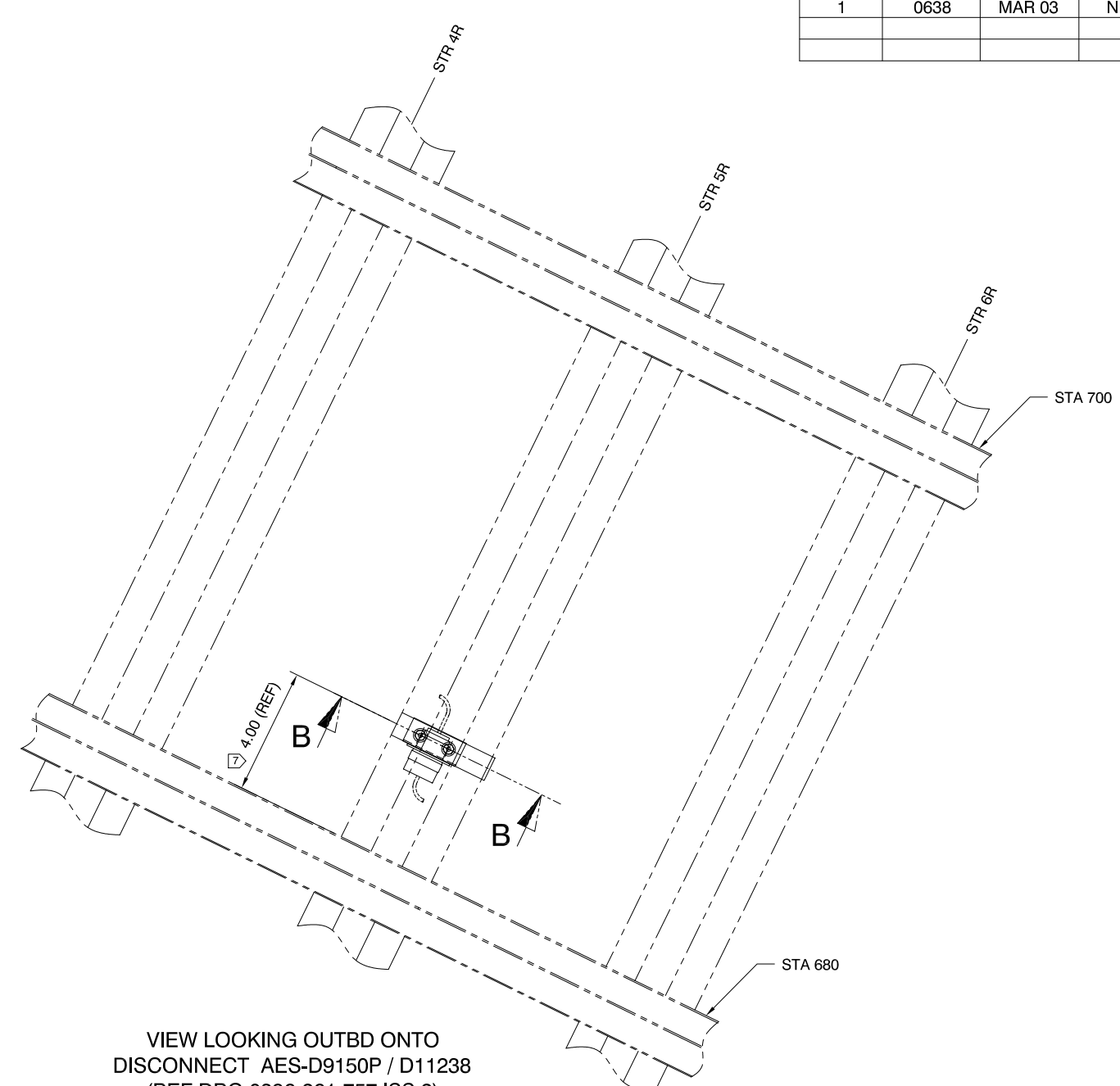
0735-261-757

SHEET 3 OF 3 SHEETS
DRAWING SIMILAR TO
N/A

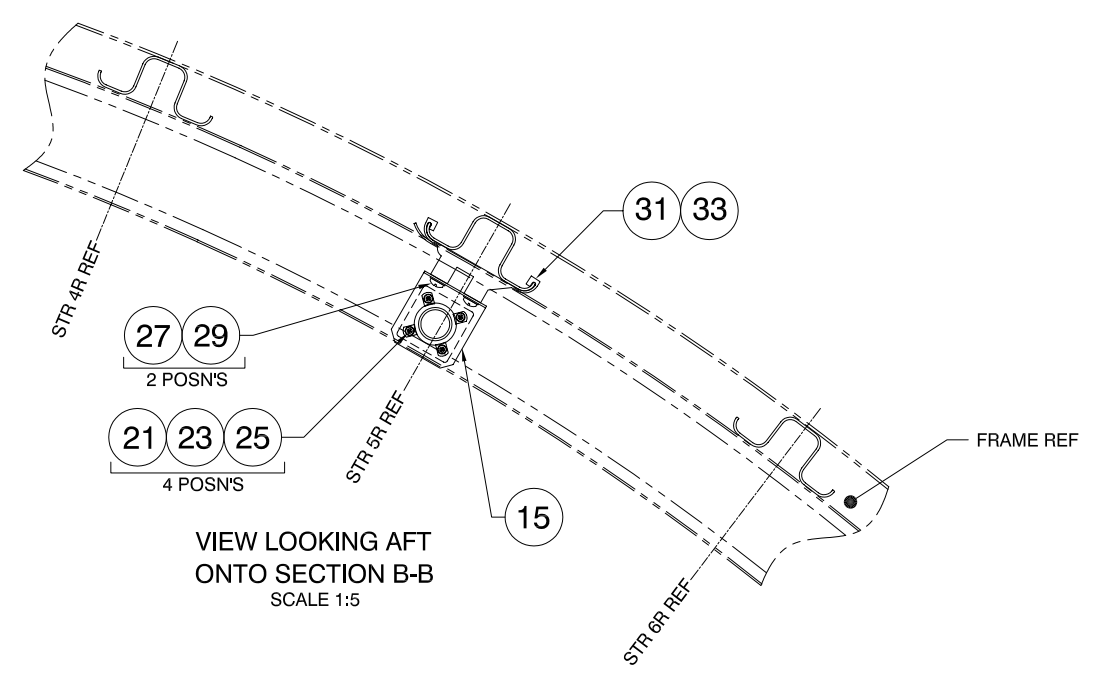
REVISIONS				
DRG ISS No.	RELEASE DOC.	ISSUE DATE:	DRG CHANGE	APP BY:
1	0638	MAR 03	NEW	M A E



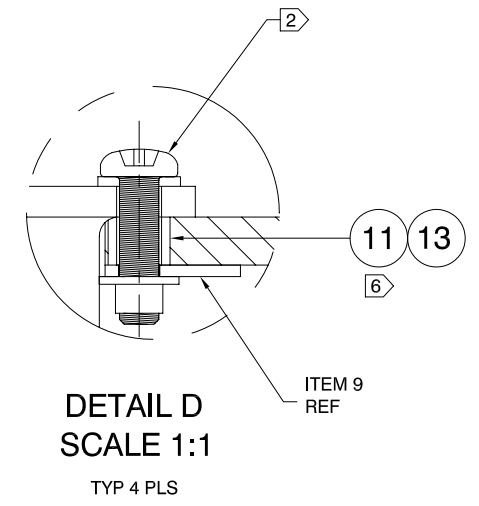
DETAIL OF ITEM 15
SCALE 1:2



VIEW LOOKING OUTBD ONTO
DISCONNECT AES-D9150P / D11238
(REF DRG 0396-261-757 ISS 2)
SCALE 1:5



VIEW LOOKING AFT
ONTO SECTION B-B
SCALE 1:5



DETAIL D
SCALE 1:1
TYP 4 PLS

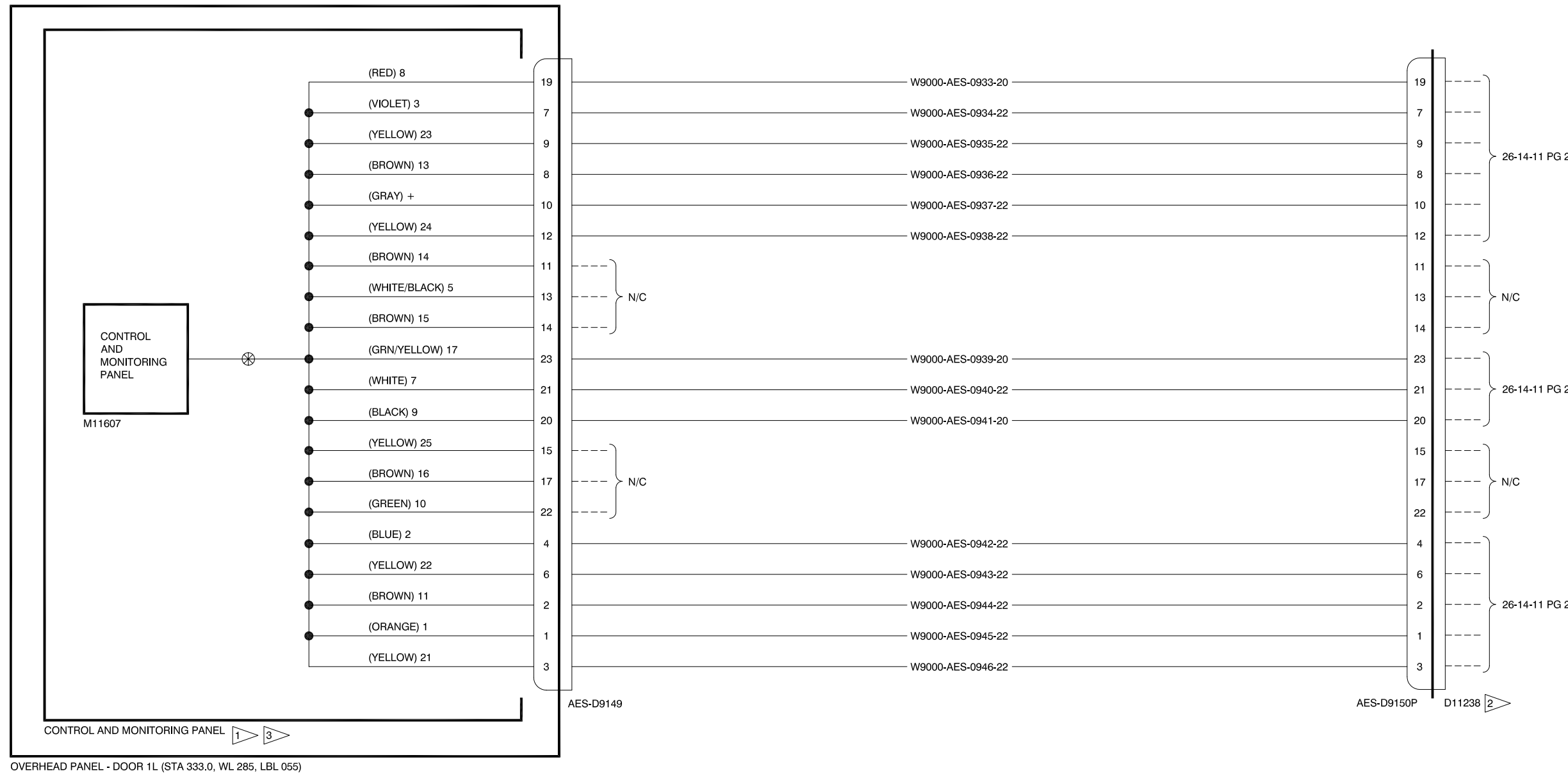
AES LTD
OFFICIAL ISSUE
DATE: 11:03:2003
COPY

No. OFF	MAP REF	ITEM No.	PART NUMBER	ITEM ISS	KEYWORD / DESCRIPTION	MATERIAL	SPECIFICATION	WIDTH	EST WT (KG)	ALL	
1	ISS				SEE SHEET 1						
DRAWN BY: A VOICE						DATE: MAR, 2004		MODIFICATION No: AES-757-192 PT C			
CHECKED BY: S SHAW						SCALE: 1:5 AT A3 U.O.S.		JAR APP: CAA.JA.02304			
STRESS: M A E						LIMITS: ±.020 U.O.S.		THIRD ANGLE PROJECTION:			
APPROVED: A M D						SURFACE FINISH: N/A		DIMENSIONS IN: INCHES			
TITLE: LAV SMOKE DETECTOR PANEL RELOCATION DOOR 1L											
0735-261-757-001 PART NUMBER						1.5		40		aes	
						-30		-10			PT No NHA No. OFF EFFECTIVITY
						1.0		-20		SEE SHEET 1 G-OOBG G-OOBH	
						0.5		-10			
						0		0			
						IN		MM			
						0		0			
										0735-261-757	
										SHEET 3 OF 3 SHEETS	

0396-261-757

SHEET 1 OF 2 SHEETS

REVISIONS				
DRG ISS No.	RELEASE DOC.	ISSUE DATE:	DRG CHANGE	APP BY:
1	DRN0307	MAR 2003	NEW	ALH
2	DRN0638	FEB 2004	DCN 0225	ALH



504, 506
505, 507

LAVATORY SMOKE DETECTORS

26-14-11
PAGE 2A
MAR / 2003

26-14-11
PAGE 2A
MAR / 2003

NOTES:


- 1 RELOCATE EXISTING PANEL FROM DOOR 2R TO DOOR 1L IAW AES DRAWING 0421-261-757. (G-CPEU & G-CPEV ONLY)
- 2 RELOCATE EXISTING CONNECTOR 'D11238' TO GALLEY 2A DISCONNECT BRACKET. CROSS REFER TO DOI 0071 (G-CPEU & G-CPEV).
- 3 RELOCATE EXISTING PANEL FROM DOOR 2R TO DOOR 1L IAW AES DRAWING 0735-261-757. (G-OOBG & G-OOBH ONLY).

AES LTD

OFFICIAL ISSUE

DATE: 11-03-2004

COPY

MODIFICATION No: SEE TABLE 1	BCAR APPROVAL: AD/1833/01 JAR 21 APPROVAL: CAA JA. 02304	 <small>©2004 ALL RIGHTS RESERVED. THE INFORMATION CONTAINED HEREIN IS PROPRIETARY TO AEROSPACE ENGINEERING SOLUTIONS LTD AND SHALL NOT BE REPRODUCED OR DISCLOSED WITHOUT THE OWNERS WRITTEN PERMISSION.</small>
DRAWN BY: R.KENNY	DATE: FEB 2004	
CHECKED BY: MAI	DATE: FEB 2004	NHA
APPROVED: ALH	DATE: FEB 2004	EFFECTIVITY
TITLE: W/D: LAVATORY SMOKE DETECTOR PANEL RELOCATION		SEE SHEET 2, TABLE 1
		G-CPEU (NT404) G-CPEV (NT406) G-OOBG (NT405) G-OOBH (NT407)
		0396-261-757
		SHEET 1 OF 2 SHEETS

0396-261-757

SHEET 2 OF 2 SHEETS

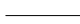

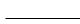
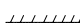


REVISIONS				
DRG ISS No.	RELEASE DOC.	ISSUE DATE:	DRG CHANGE	APP BY:
1	DRN0307	MAR 2003	NEW	ALH
2	DRN0638	FEB 2004	DCN 0225	ALH

NOTES:

1. CARRY OUT WIRING CHANGES IN ACCORDANCE WITH CHAPTER 20.
2. FOR AIRCRAFT APPLICABILITY REFER TO TABLE 1


TABLE 1

MOD. No.	MEI. No.	REG.	SER. No.
AES-757-104 PT D	MEI-109	G-CPEU	29941
AES-757-104 PT D	MEI-109	G-CPEV	29943
AES-757-192 PT C	MEI-309	G-OOBG	29942
AES-757-192 PT C	MEI-309	G-OOBH	29944

LEGEND USED ON WIRING DIAGRAMS	
	NEW WIRE
	NEW ROUTE OF EXISTING WIRE
	EXISTING WIRE
	DELETED WIRE OR FORMER ROUTE OF EXISTING WIRE
	CAPPED WIRE
	DENOTES REWORK OR CROSS REFERENCE INSTRUCTION # = NUMERALS

QTY	ITEM No.	CIRCUIT CODE	PART No.	DESC	REMARKS
660FT	6	---	BMS13-60T01C01G022	WIRE SINGLE CORE 22AWG	BOEING SPEC
180FT	5	---	BMS13-60T01C01G020	WIRE SINGLE CORE 20AWG	BOEING SPEC
1	4	AES-D9150T	BACC10JC16	BACKSHELL	BOEING SPEC
1	3	AES-D9150P	BACC45FT16-24P	CONN'R - PLUG	BOEING SPEC
1	2	AES-D9149	BACC45FN16-24S	CONN'R - RECEPTACLE	BOEING SPEC
REF	1	M11607	TRA72-61	CONTROL AND MONITORING PANEL	EXISTING PANEL

AES LTD
OFFICIAL ISSUE
DATE: 11-03-2004
COPY

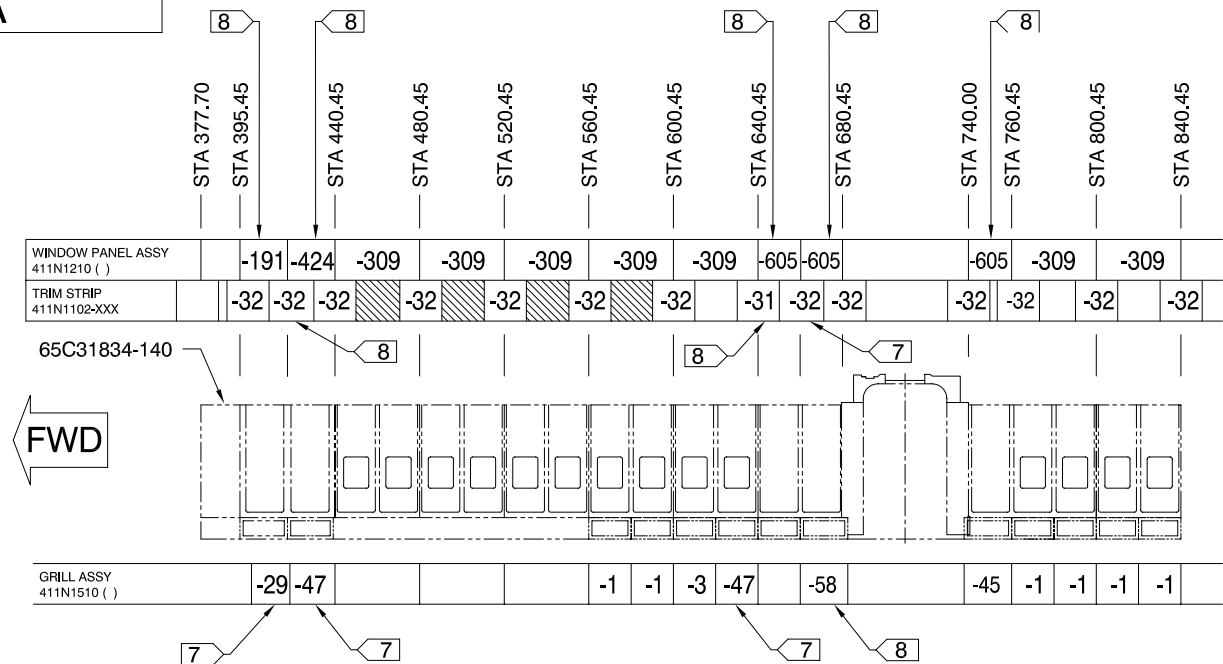
MODIFICATION No: SEE TABLE 1	BCAR APPROVAL: AD/1833/01 JAR 21 APPROVAL: CAA JA. 02304	 <small>©2004 ALL RIGHTS RESERVED. THE INFORMATION CONTAINED HEREIN IS PROPRIETARY TO AEROSPACE ENGINEERING SOLUTIONS LTD AND SHALL NOT BE REPRODUCED OR DISCLOSED WITHOUT THE OWNERS WRITTEN PERMISSION.</small>
DRAWN BY: R.KENNY	DATE: FEB 2004	
CHECKED BY: MAI	DATE: FEB 2004	NHA
APPROVED: ALH	DATE: FEB 2004	SEE TABLE 1
TITLE: W/D: LAVATORY SMOKE DETECTOR PANEL RELOCATION		EFFECTIVITY G-CPEU (NT404) G-CPEV (NT406) G-OOBG (NT405) G-OOBH (NT407)
0396-261-757		
SHEET 2 OF 2 SHEETS		

0640-252-757

SHEET 1 OF 2 SHEETS
DRAWING SIMILAR TO
N/A

REVISIONS

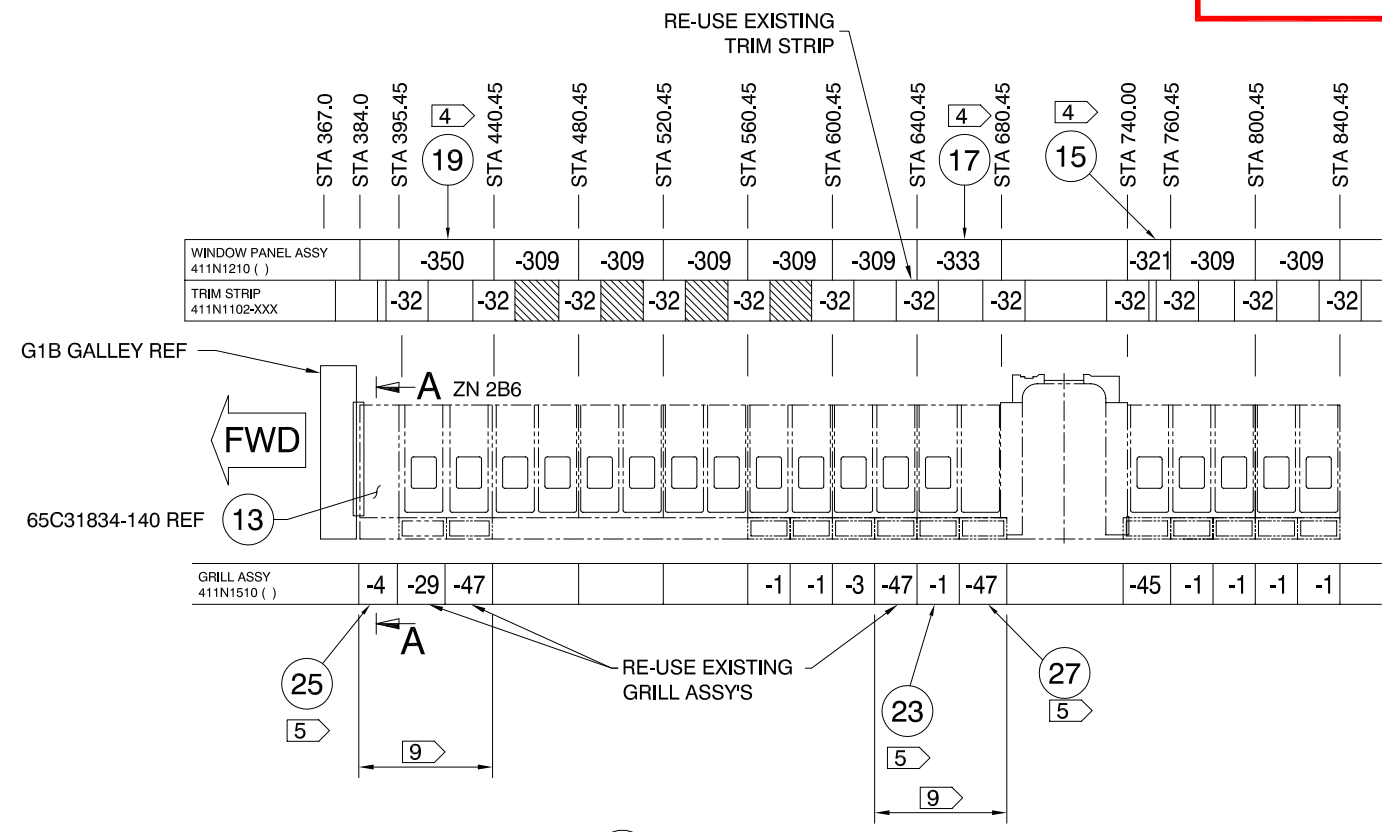
DRG ISS No.	RELEASE DOC.	ISSUE DATE:	DRG CHANGE	APP BY:
1	0540	JAN 2004	NEW	M A E



PRE MOD ARRANGEMENT
(SCALE 1:80)

RIGHT SIDE

AES LTD
OFFICIAL ISSUE
DATE: 26.01.2004
COPY



POST MOD ARRANGEMENT
(SCALE 1:80)

NOTES.

1. THIS DRAWING REPLACES EXISTING WINDOW PANELS AND AIR GRILLS AT THE DOOR 2 AREA AND THE G1B GALLEY AREA AS INDICATED. READ IN CONJUNCTION WITH MEI-236.
2. FOR EXISTING A/C WINDOW PANEL INSTL'N (LHS & RHS) REFER TO BF GOODRICH EO NO. 25-20-757-046 & 25-20-757-047
FOR EXISTING A/CRETURN GRILLE INSTL'N (LHS & RHS) REFER TO BF GOODRICH EO NO. 25-20-757-046 & 25-20-757-047
3. PRIOR TO SIDEWALL INSTALLATION ENSURE INSULATION IS REPAIRED AROUND NEW CUTOUTS AND FITTED CORRECTLY. AMM CH 25-21-05 P.BLOCK 401 AND 801.
4. INSTALL WINDOW PANELS IAW AMM CH 25-21-02-401. REPLACE / INSTALL NEW SIDEWALL INSULATION IAW AMM CH 25-21-05-401 AS REQUIRED.
5. INSTALL AIR RETURN GRILLS IAW AMM CH 21-23-05-401.
6. POT INSERTS IN Ø0.452 / 0.457 X 0.375 DEEP USING ADHESIVE ITEM 37. ENSURE INSERTS ARE FLUSH WITH PANEL FACE. STORE, MIX AND APPLY ADHESIVE I.A.W MANUFACTURERS DATA SHEETS
7. REMOVE AND RETAIN FOR RE-INSTALLATION.
8. REMOVE AND RETURN TO F.C.A STORES.
9. IT IS PERMISSABLE TO OVERLAP GRILLE ASSY TO ACHIEVE THE REQUIRED INSTALLATION ARRANGEMENT.

A/R	No.	MAP REF	ITEM No.	PART NUMBER	ITEM ISS	KEYWORD / DESCRIPTION	MATERIAL	SPECIFICATION	WIDTH	EST WEIGHT	OR REMARKS
	37			ARALDITE 420A/B		ADHESIVE					
	5			NAS603-6		SCREW					
	5			NAS1149D0316J		WASHER					
	5			NAS1836-3-11		BLIND INSERT 0.375 LG				6	
	1			65C32768-27		TRIM ANGLE					
	1			411N1510-47		GRILLE ASSY 22 INCHES				5.9	
	1			411N1510-4		GRILLE ASSY 21.50 INCHES				5.9	
	1			411N1510-1		GRILLE ASSY 20 INCHES				5.9	
	1			411N1210-350		WINDOW PANEL				4	
	1			411N1210-333		WINDOW PANEL				4	
	1			411N1210-321		WINDOW PANEL				4	
	1			-013	1	SIDEWALL PANEL					MAKE FROM 65C31834-140
	1			-001	1	SIDEWALL PANEL INSTL'N					ALL
	1	ISS									

0640-252-757-001	DRAWN BY: S.SHAW		DATE: JAN 04	MODIFICATION No: AES-757-192 PT D
	CHECKED BY: A M D		SCALE: 1:80 AT A3 U.O.S.	JAR 21: CAA.JA.02304
	STRESS: M A E		LIMITS: ±.25 U.O.S.	THIRD ANGLE PROJECTION:
	APPROVED: A M D		SURFACE FINISH: N/A	DIMENSIONS IN: INCHES
TITLE: WINDOW PANEL & GRILLE INSTALLATION				

PT No	NHA	No. OFF	EFFECTIVITY
-001	AES-757-192 PT D	1	G-OOBG G-OOBH

0640-252-757

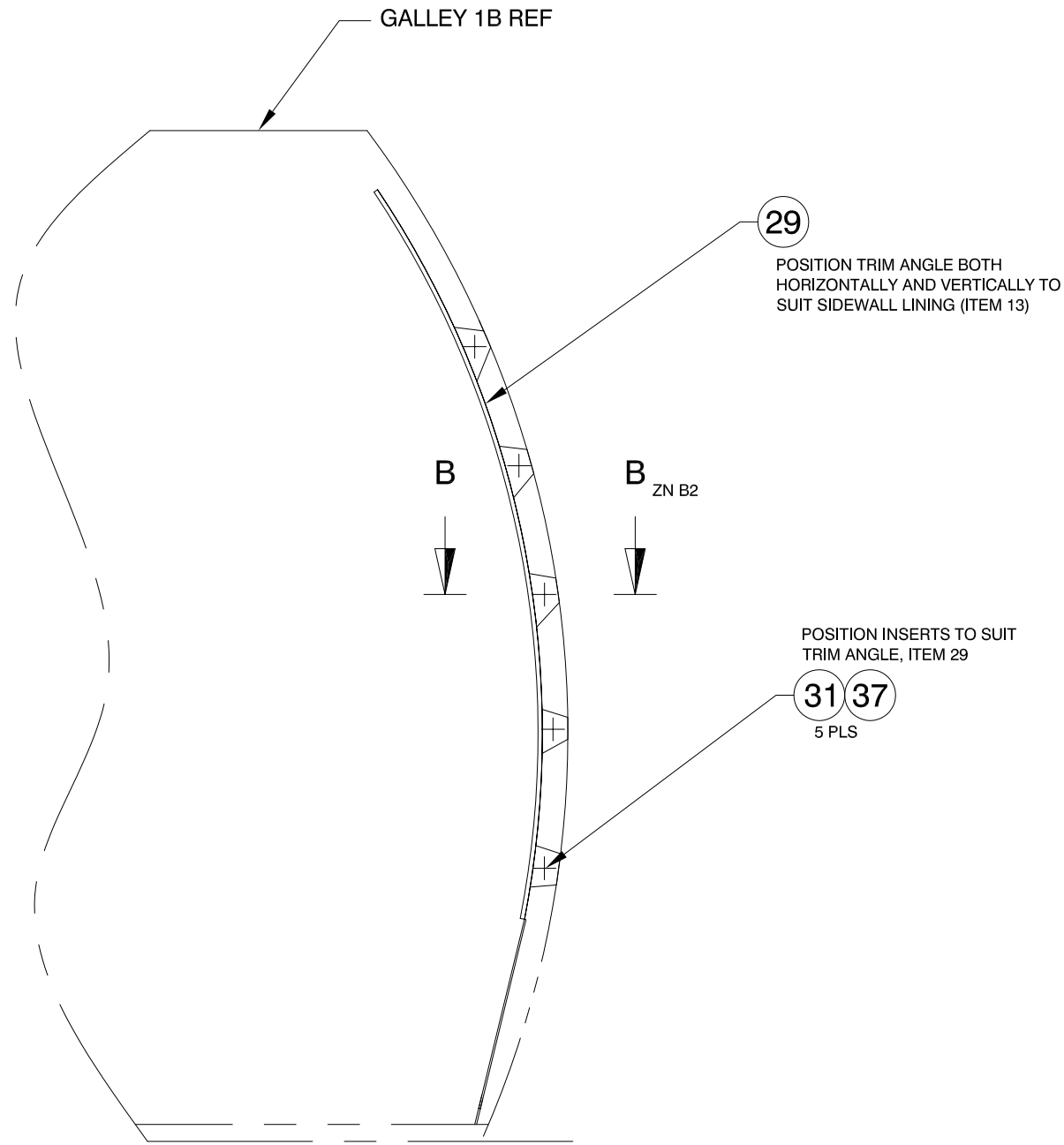
SHEET 1 OF 2 SHEETS

0640-252-757

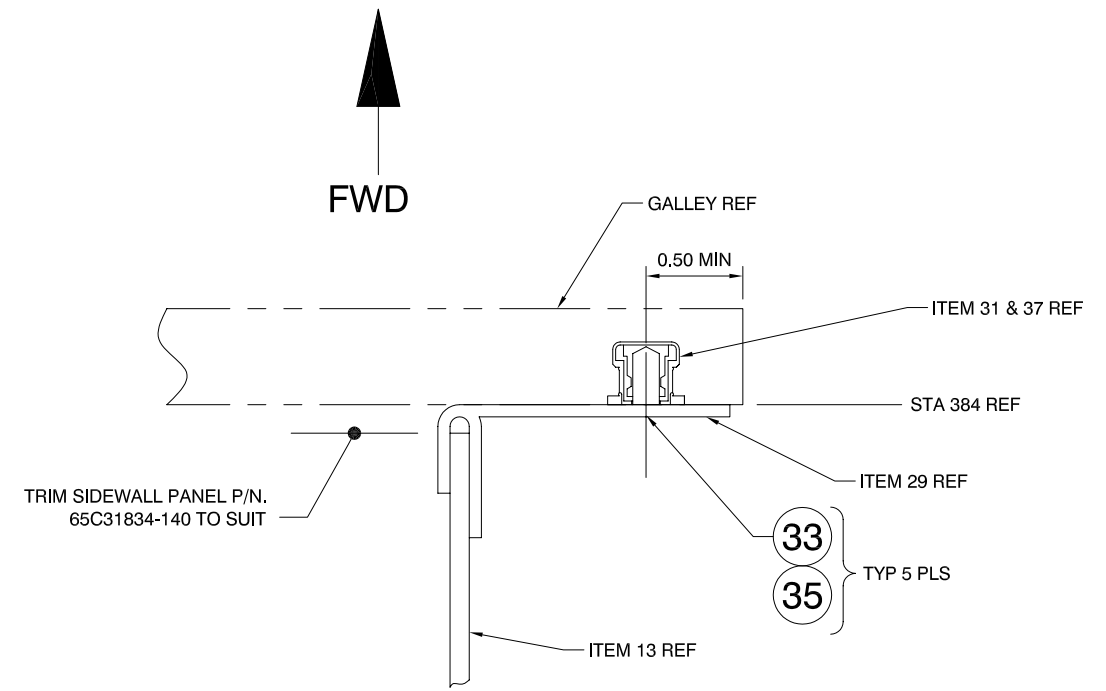
SHEET 2 OF 2 SHEETS
DRAWING SIMILAR TO
N/A

REVISIONS

DRG ISS No.	RELEASE DOC.	ISSUE DATE:	DRG CHANGE	APP BY:
1	0540	JAN 2004	NEW	M A E



SECTION A - A
(VIEW LOOKING FWD STA 384)
SCALE 1:10
ZN 1B7



SECTION B - B
SCALE 1:1
ZN D5

AES LTD
OFFICIAL ISSUE
DATE: 26.01.2004

COPY

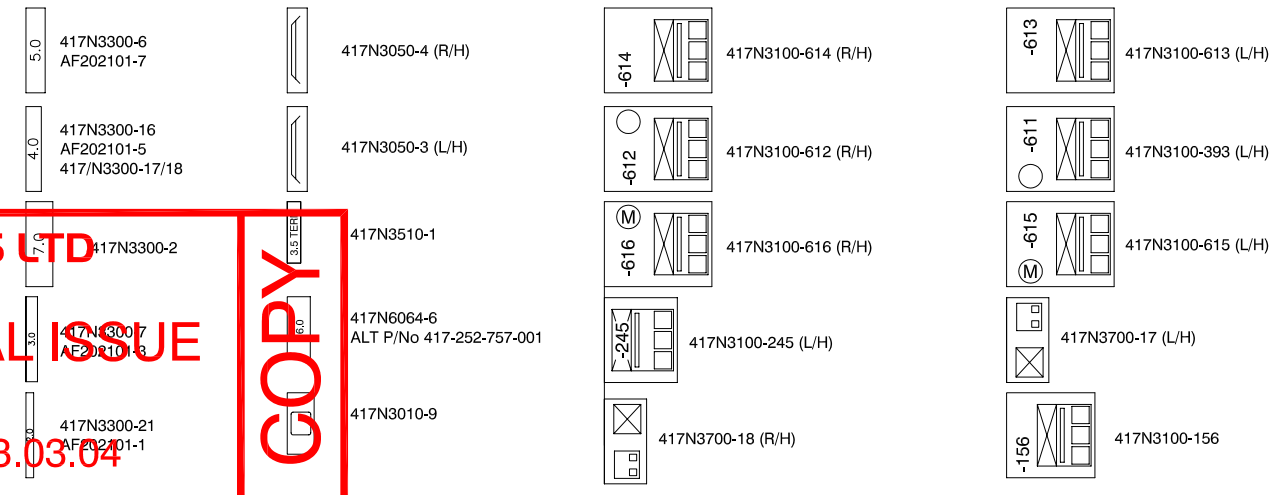
No. OFF	MAP REF	ITEM No.	PART NUMBER	ITEM ISS	KEYWORD / DESCRIPTION	MATERIAL	SPECIFICATION	WIDTH	EST WEIGHT	OR REMARKS								
1	ISS				SEE SHT 1													
0640-252-757-001	PART NUMBER	DRAWN BY: S. SHAW		DATE: JAN 04		MODIFICATION No: AES-757-192 PT D												
		CHECKED BY: A M D		SCALE: 1:80 AT A3 U.O.S.		JAR 21: CAA.JA.02304												
		STRESS: M A E		LIMITS: ±.25 U.O.S.		THIRD ANGLE PROJECTION:												
		APPROVED: A M D		SURFACE FINISH: N/A		DIMENSIONS IN: INCHES												
TITLE: WINDOW PANEL & GRILL INSTALLATION																		
								<small>©2003 ALL RIGHTS RESERVED. THE INFORMATION CONTAINED HEREIN IS PROPRIETARY TO AEROSPACE ENGINEERING SOLUTIONS LIMITED AND SHALL NOT BE REPRODUCED OR DISCLOSED WITHOUT THE OWNERS WRITTEN PERMISSION.</small>										
						<table border="1"> <tr> <th>PT No</th> <th>NHA</th> <th>No. OFF</th> <th>EFFECTIVITY</th> </tr> <tr> <td>-001</td> <td>AES-757-192 PT D</td> <td>1</td> <td>G-OOBG G-OOBH</td> </tr> </table>		PT No	NHA	No. OFF	EFFECTIVITY	-001	AES-757-192 PT D	1	G-OOBG G-OOBH	<p style="font-size: 1.5em; font-weight: bold;">0640-252-757</p>		
PT No	NHA	No. OFF	EFFECTIVITY															
-001	AES-757-192 PT D	1	G-OOBG G-OOBH															
						SHEET 2 OF 2 SHEETS												

0318-252-757

SHEET 1 OF 4 SHEETS
DRAWING SIMILAR TO
N/A

REVISIONS				
DRG ISS No.	RELEASE DOC.	ISSUE DATE:	DRG CHANGE	APP BY:
1	0250	MAR 2003	NEW	M A E
2	0573	JAN 2004	0190	AMD

AES LTD
OFFICIAL ISSUE
DATE: 03.03.04
COPY



DOI 0083 (G-CPEU & G-CPEV)
 DOI 0112 (G-CPEV)
 DOI 0115 (G-CPEV)
 DOI 0122 (G-CPEV)

TABLE 1

ASSEMBLY	MOD. No.	MEI. No.	REG.	SER. No.
-001	AES-757-106 Pt. A	MEI-117	G-CPEU	29941
-001	AES-757-106 Pt. A	MEI-117	G-CPEV	29943
-001	AES-757-192 Pt. F	MEI-238	G-OOBG	29942
-001	AES-757-192 Pt. F	MEI-238	G-OOBH	29944

LEGEND ③

PSU CONFIG. 233Y (INSTL -001)

NOTES:

- ① READ IN CONJUNCTION WITH MEI-() AND MODIFICATION AES-757-(). [SEE TABLE 1]
- ② REMOVE / INSTALL / REPOSITION ALL PSU ASSEMBLIES IN ACCORDANCE WITH AMM CH 25-23-01-401
- ③ A CIRCLE ON THE PSU DETAIL INDICATES A SPEAKER POSITION. ADDITIONAL SPEAKERS MAY BE ADDED TO THE LAYOUT IN LIEU OF PSU ASSEMBLIES WITHOUT SPEAKERS FITTED.
- ④ WHERE A SPACER PANEL OF A NOMINAL LENGTH IS UNAVAILABLE A NUMBER OF SMALLER PANELS EQUALING THE REQUIRED PANEL LENGTH MAY BE USED. PLEASE ADVISE DESIGN DEPARTMENT OR OPERATOR OF SUCH CHANGES.
- ⑤ THE MOST FORWARD / AFT PSU SPACER INFILL PANEL LENGTHS MAY VARY - PLEASE ADVISE DESIGN DEPARTMENT OR OPERATOR OF SUCH CHANGES.
- ⑥ POST COMPLETION OF PSU SHUFFLE PERFORM A FUNCTION TEST OF THE FOLLOWING:
 NSFSB SIGNS PER MM CH. 33-24-00-201
 ATTENDANT CALL SWITCH PER MM CH. 33-25-00-201
 OXYGEN DROP MECHANISM PER MM CH. 35-21-00-401
 PASSENGER READING LIGHTS PER MM CH. 33-23-00-201
- ⑦ ENSURE THAT THE OXYGEN MASK DOES NOT FALL FORWARD OF THE FRONT SEAT BACK WHEN IN THE FULLY RECLINED POSITION (TO DISTINGUISH A DEPLOYED OXYGEN MASK FOR THE OCCUPANT)
- ⑧ CAP ALL REDUNDANT PUNKER LOUVER OUTLETS (AIRFRAME SIDE) USING CAP P/No 12-1000 AS REQUIRED.
- ⑨ ALTERNATIVE P/N 417N3010-8 CAN BE FITTED RHS O/D SPEAKER MUST BE MUTED (SEE SHEET 4 OF THIS DRG FOR MUTING MOD DETAILS)
- ⑩ ALTERNATIVE P/N 417N3100-611
- ⑪ ALTERNATIVE P/N 477N3100-113 IN LIEU OF 417N3100-611 (-611 MOVED TO APPROX STA 1340)

No. OFF	MAP REF	ITEM No.	PART NUMBER	ITEM ISS	KEYWORD / DESCRIPTION	MATERIAL	EXISTING	ADD ROD	LENGTH	ALT P/N	1,2
					CONTINUED ON SHEET 4						
4	71		417N3510-1		DOOR 2 TERMINATION PANEL					TAPERED	
7	65		417N6064-6		DOOR 2 SPACER PANEL					▲ALT P/No 417-252-757-001	6'
1	59		417N3200-42		DOOR 2 PSU OXYGEN						18'
1	57		417N3200-41		DOOR 2 PSU OXYGEN					▲ALT 417N3200-5	18'
2	53		417N3010-9		SPEAKER PANEL						7'
4	45		417N3300-2		STD SPACER PANEL						7"
2	41		417N3300-6		STD SPACER PANEL					▲ALT P/No 202101-7	5"
6	39		417N3300-16		STD SPACER PANEL					▲ALT 417N3300-17/-18 OR 202101-5	4"
5	37		417N3300-7		STD SPACER PANEL					▲ALT P/No 202101-3	3"
2	35		417N3300-21		STD SPACER PANEL					▲ALT P/No 202101-1	2"
1	31		417N3700-18		ASU 11* RHS (PARTIAL) NO SPKR					▲ALT 417N3200-2	11"
1	29		417N3700-17		ASU 11* LHS (PARTIAL) NO SPKR					▲ALT 417N3700-1, -3	11"
2	27		417N3050-4		NSFSB SIGN RHS						5.0"
2	25		417N3050-3		NSFSB SIGN LHS						5.0"
1	21		0430-233-757-001		PSU 19* LHS (PARTIAL) NO SPKR					▲MAKE FROM 417N3100-245	19"
2	17		417N3100-156		PSU RHS (PARTIAL) NO SPKR (MAX 23")						23"
1	13		417N3100-616		PSU RHS MUTED SPKR NO GASP (3 M)					▲ALT 417N3100-28	28"
1	11		417N3100-615		PSU LHS MUTED SPKR NO GASP (4 M)					▲ALT 417N3100-611	28"
16	9		417N3100-614		PSU RHS NO SPKR NO GASP (3 MASK)					▲ALT 417N3100-36 / -232	28"
18	7		417N3100-613		PSU LHS NO SPKR NO GASP (4 MASK)					▲ALT 417N3100-117	28"
20	5		417N3100-612		PSU RHS SPKR NO GASP (3 MASK)					▲ALT 417N3100-38	28"
18	3		417N3100-611		PSU LHS SPKR NO GASP (4 MASK)					▲ALT 417N3100-113/-231	28"
●	2		-001	1	PSU INSTALLATION						

0318-252-757-001	PART NUMBER	DRAWN BY: A DOLBY	DATE: MAR 03	MODIFICATION No: SEE TABLE 1
		CHECKED BY: L M D	SCALE: 1:50 AT A3 U.O.S.	JAR APP.: CAA.JA.02304
		STRESS: M A E	LIMITS: ±.25 U.O.S.	THIRD ANGLE PROJECTION:
		APPROVED: A M D	SURFACE FINISH:	DIMESNIONS IN: INCHES
		TITLE: PSU LAYOUT (ALT 233 PAX) B757-236		

©2003 ALL RIGHTS RESERVED. THE INFORMATION CONTAINED HEREIN IS PROPRIETARY TO AEROSPACE ENGINEERING SOLUTIONS LIMITED AND SHALL NOT BE REPRODUCED OR DISCLOSED WITHOUT THE OWNERS WRITTEN PERMISSION.

PT No	NHA	No. OFF	EFFECTIVITY
SEE TABLE 1			

0318-252-757

SHEET 1 OF 4 SHEETS

0318-252-757

SHEET 4 OF 4 SHEETS
DRAWING SIMILAR TO
N/A

REVISIONS

DRG ISS No.	RELEASE DOC.	ISSUE DATE:	DRG CHANGE	APP BY:
1	0250	MAR 2003	NEW	M A E
2	0573	JAN 2004	0190	AMD

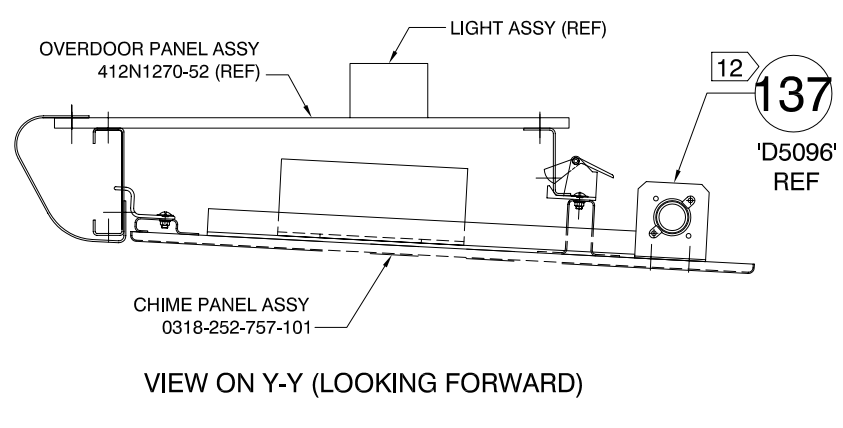
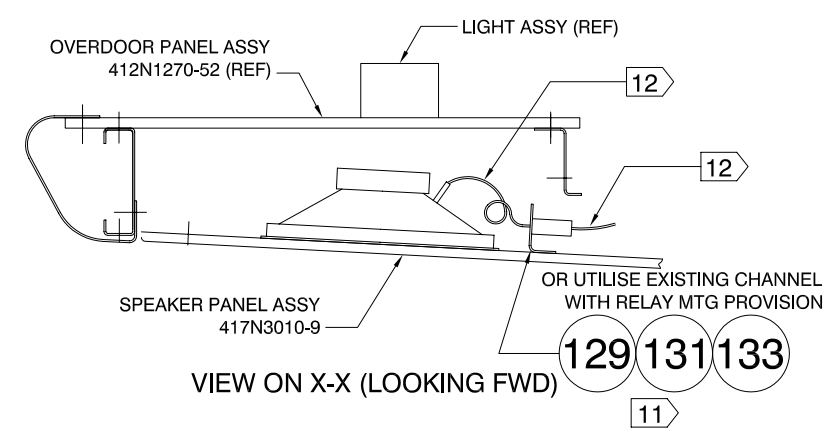
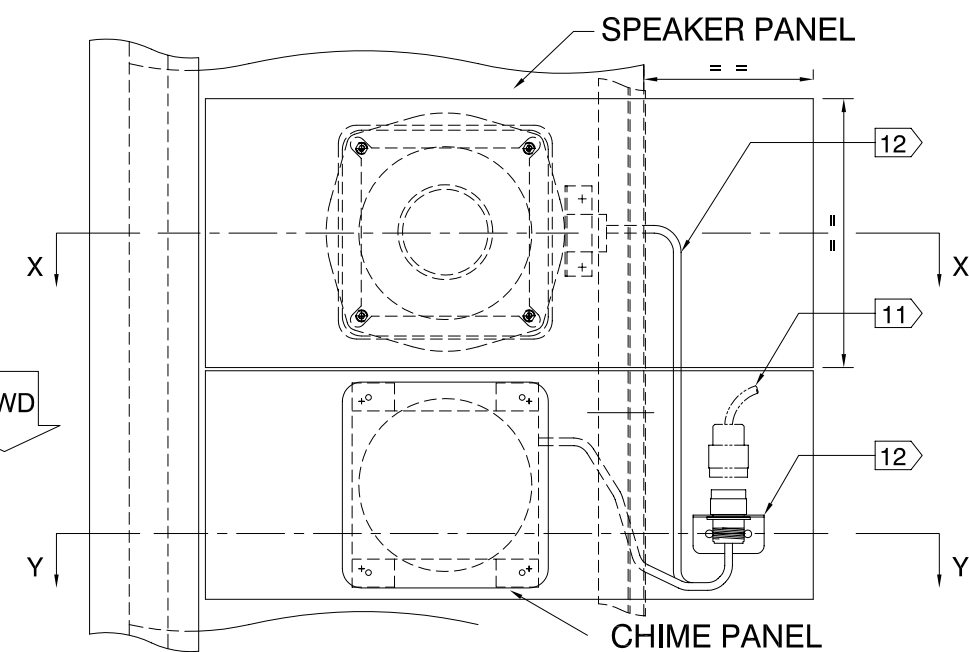
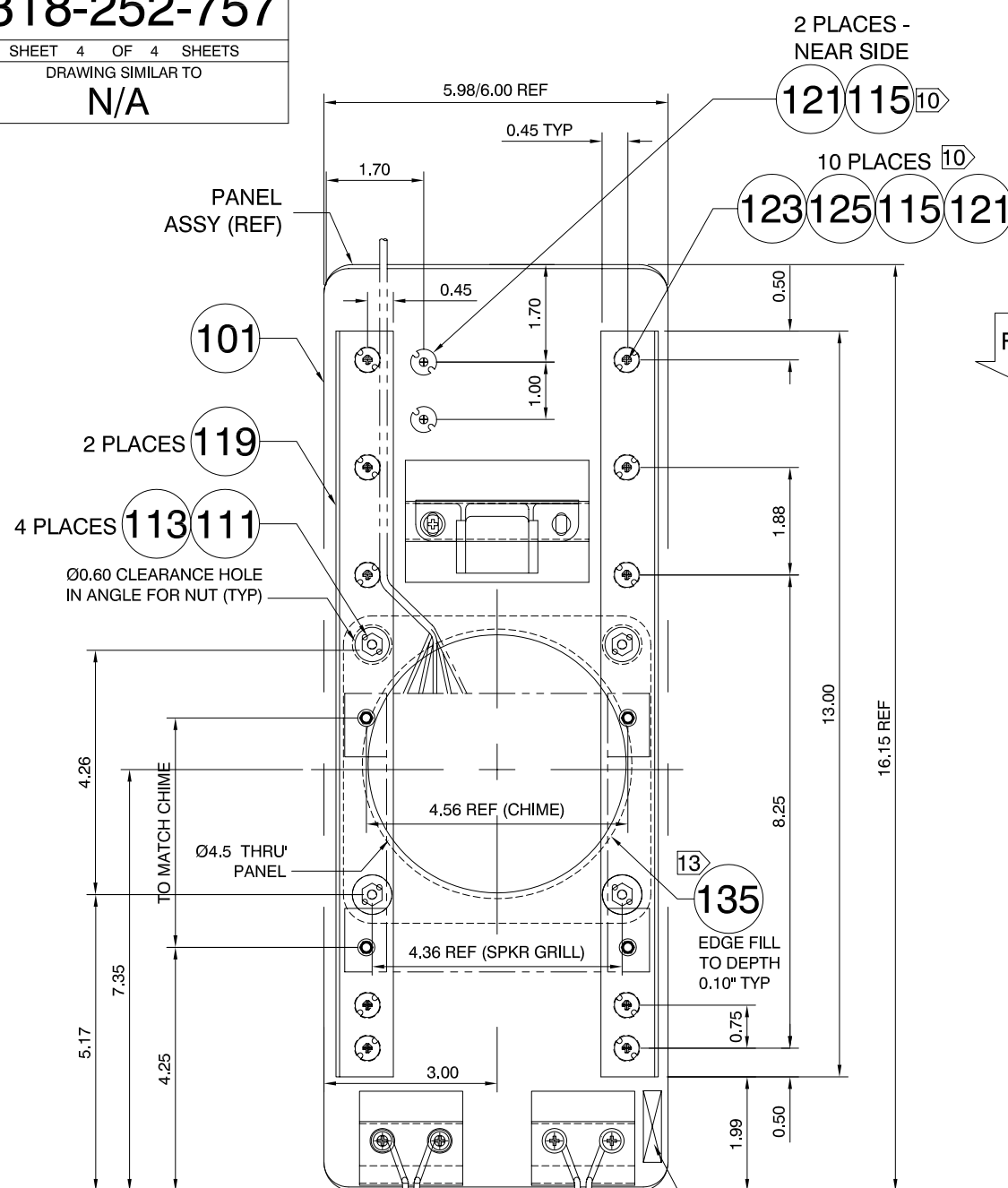
NOTES (FROM SHEET 1)

10> INSTALL INSERTS IN DIA 0.452/0.457 TO DEPTH 0.22 (DO NOT DRILL THRU' PANEL. STORE MIX AND APPLY ADHESIVE IAW MANUFACTURERS DATA SHEETS. USE EXISTING HARDWARE AS TEMPLATE WHEN PRODUCE HOLES FROM CHIME PANEL AND SPEAKER GRILL.

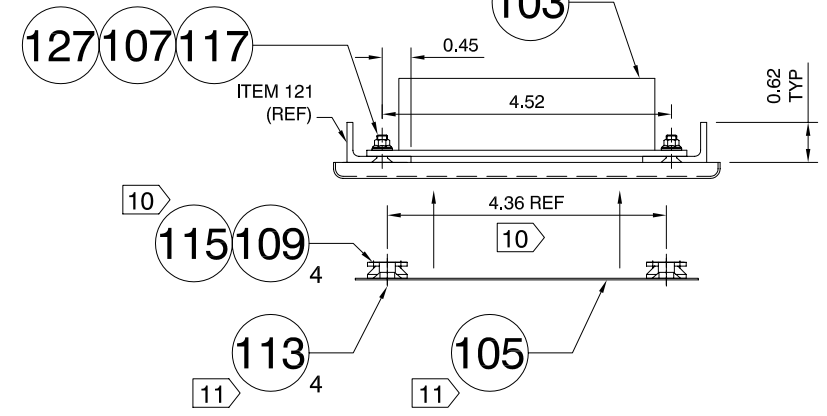
11> G-CPEU & G-CPEV: RETAIN PARTS INDICATED FROM EXISTING DOOR 2L PANEL ASSY 411N3262-187.
G-OOBG & G-OOBH: REFER TO DOI 0185 FOR INSTLN INSTRUCTIONS.

12> G-CPEU & G-CPEV: RETAIN DISCONNECT ANGLE (P/No 415N7006-6), AND RECEPTACLE (D5096) WITH ATTACHING PARTS FROM DOOR 2L PANEL (SEE FN11) AND RE-LOCATE AS SHOWN.
G-OOBG & G-OOBH: REFER TO DOI 0184 FOR ASSY INSTRUCTIONS.

13> APPLY EDGE FILLER TO A DEPTH OF .10" TYP ALL EXPOSED EDGES. STORE MIX AND APPLY IAW MANUFACTURERS DATA SHEETS.



6-32 (REF) CSK FAR SIDE ANGLE
100° x .068" DEEP - 4 PLACES



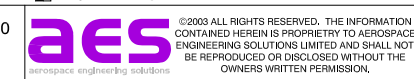
CHIME PANEL P/No 0318-252-757-101

PART MARK PANEL ASSY
USING BLACK INDELIBLE INK.
SHOW MANUFACTURER, DATE
PART NUMBER AND THE LETTERS EPA

AES LTD
OFFICIAL ISSUE
DATE: 03.03.04
COPY

1		137	415N7006-6	BRACKET - DISCONNECT					12
A/R		135	ARALDITE 252	EDGE FILLER					13
	1	133	BACS16AG1	SCREW					11
	1	131	BACR13CD2	SCREW					11
	1	129	411N3141-123	BRACKET - RELAY					11
4		127	MS21042-06	NUT, 6-32					▲(OR SIMILAR)
10		125	NAS1801-3-5	SCREW, 10-32					
10		123	NAS1149DN316J	WASHER No 10					
10		121	NAS1836-3-7	INSERT 10-32, 0.21" LG					11
2		119	-119	ANGLE, 1.0 x .625 x .125					▲AND10134-1002 7075-T6 QQ-A-250/12
4		117	NAS514P632-8	CSK SCREW No 6					
A/R		115	ARALDITE 420A/B	ADHESIVE					10
4		113	BACN10MG8	SCREW No 8					11
4		111	NAS1149DN832J	WASHER No 8					11
4		109	NAS1836-08-7	INSERT 8-32, 0.21" LG					10
4		107	NAS1149DN632J	WASHER No 6					
1		105	416N1011-5	SPEAKER GRILL					11
1		103	S222T102-101	CHIME PANEL ASSY					11
•	1	101	0318-252-757-101	CHIME PANEL ASSY					▲MAKE FROM 417-252-757-001
				CONT FROM SHEET 1					

No. OFF	MAP REF	HAND	ITEM No.	PART NUMBER	ITEM ISS	KEYWORD / DESCRIPTION	MATERIAL	SPECIFICATION	WIDTH	EST WEIGHT	
A/D	A/D										
2	2	ISS									
DRAWN BY:				DATE:		MODIFICATION No:					
A DOLBY				MAR 03		SEE SHEET 1					
CHECKED BY:				SCALE:		JAR APP: CAA.JA.02304					
L M D				1:50 AT A3							
STRESS:				LIMITS:		THIRD ANGLE PROJECTION:					
M A E				± .25		U.O.S.					
APPROVED:				SURFACE FINISH:		DIMENSIONS IN:					
A M D						INCHES					
TITLE:				PSU LAYOUT (ALT 233 PAX)							
				B757-236							



PT No	NHA	No. OFF	EFFECTIVITY
SEE SHEET 1			

0318-252-757

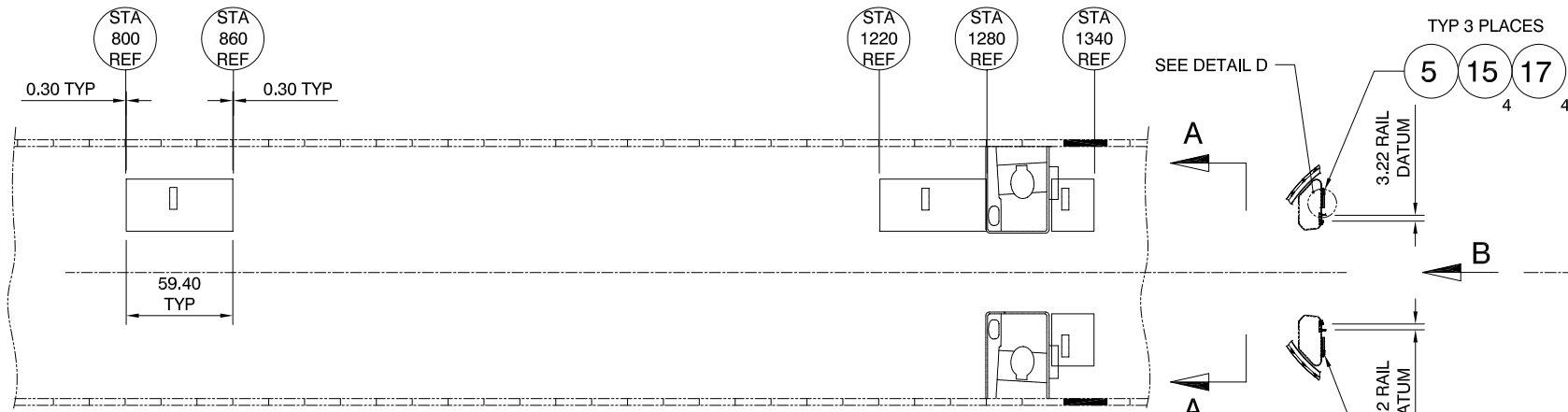
SHEET 4 OF 4 SHEETS

0382-233-757

SHEET 1 OF 1 SHEETS
DRAWING SIMILAR TO
N/A

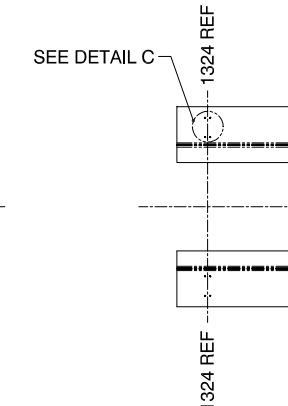
REVISIONS

DRG ISS No.	RELEASE DOC.	ISSUE DATE:	DRG CHANGE	APP BY:
1	0250	FEB 03	NEW	M A E
2	0573	MAR 04	0194	



VIEW SHOWING O/HD. BINS WITH MOUNTED BATTERY PACKS

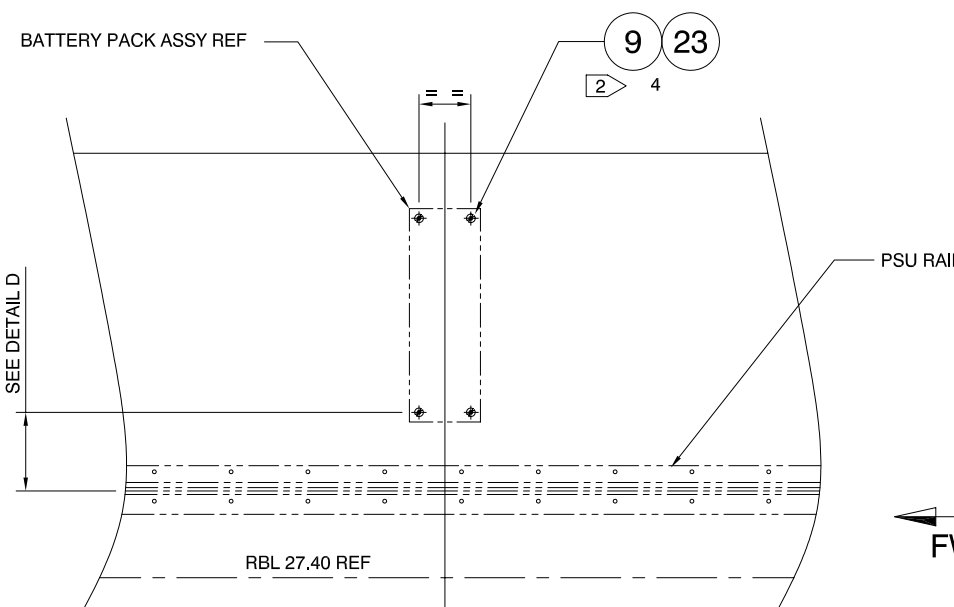
AFT CABIN
SCALE 1:100



VIEW ON ARROW B

LOOKING ON UNDERSIDE OF AFT BINS ONLY
SCALE 1:100

1 -001 BATTERY PACK O/HD. BINS INSTL.

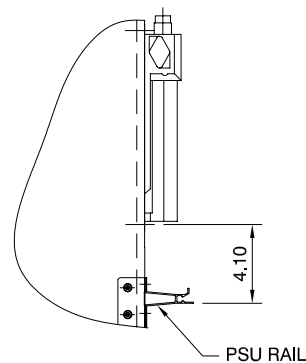


NOTES:-

- READ IN CONJUNCTION WITH MEI- () AND MODIFICATION AES-757 (). [SEE TABLE 1]
- 1 THE INSTALLATION OF THE BATTERY PACK MUST BE APPLIED POST THE PSU INSTALLATION TO ENSURE BATTERY PACK DOES NOT INTERFERE WITH THE PSU.
 - 2 INSTALL INSERTS IN A HOLE Ø 0.452 / 0.457 TO A DEPTH 0.35 USING ARALDITE 420 A/B STORE, MIX AND APPLY ADHESIVE IAW MANUFACTURES DATA

TABLE 1

ASSEMBLY	MOD. No.	MEI. No.	REG.	SER. No.
-001	AES-757-106 Pt. A	MEI-117	G-CPEU	29941
-001	AES-757-106 Pt. A	MEI-117	G-CPEV	29943
-001	AES-757-192 Pt. F	MEI-238	G-OOBG	29942
-001	AES-757-192 Pt. F	MEI-238	G-OOBH	29944



DETAIL D

SHOWING POSITION OF INBOARD PAIR OF BATTERY PACK MOUNTING HOLES
SCALE 1:10

STA 1324.0 REF R & LHS
STA 1246.0 REF
STA 826.5 REF

DETAIL C

SHOWING INSERT INSTALLATION
SCALE 1:10

AES LTD
 OFFICIAL ISSUE
 DATE: 02.03.2004
 COPY

No. OFF	MAP REF	ITEM No.	PART NUMBER	ITEM ISS	KEYWORD / DESCRIPTION	MATERIAL	SPECIFICATION	DIMENSIONS	TREATMENT	OR REMARKS
		27								
		25								
A/R		23	ARALDITE 420 A/B		ADHESIVE					
		21								
		19								
		16	NAS1149DN816J		WASHER PLAIN					
		16	BACS12FA08K5		SCREW WASHER HD. 8-32					
		13								
		11								
		9	NAS1836-08-07		THREADED INSERT BLIND 8-32					
		7								
REF		5	2013-1		BATTERY PACK (4-OFF)					▲ EXISTING COMPONENT
		3								
		2	-001	1	BATTERY PACK O/HD. BINS INSTL.					

0382-233-757-001 PART NUMBER	DRAWN BY: R.WHITLEY	DATE: FEB 2003	MODIFICATION No: SEE TABLE 1
	CHECKED BY: A M D	SCALE: 1:100 AT A3 U.O.S.	JAR APP.: CAA.JA.02304
	STRESS: M A E	LIMITS: ±.05 U.O.S.	THIRD ANGLE PROJECTION:
	APPROVED: A M D	SURFACE FINISH:	DIMENSIONS IN: INCHES
	TITLE: BATTERY PACK O/HD. BINS INSTL.		

aes
aerospace engineering solutions

©2003 ALL RIGHTS RESERVED. THE INFORMATION CONTAINED HEREIN IS PROPRIETARY TO AEROSPACE ENGINEERING SOLUTIONS LIMITED AND SHALL NOT BE REPRODUCED OR DISCLOSED WITHOUT THE OWNERS WRITTEN PERMISSION.

PT No	NHA	No. OFF	EFFECTIVITY
	SEE TABLE 1		

0382-233-757

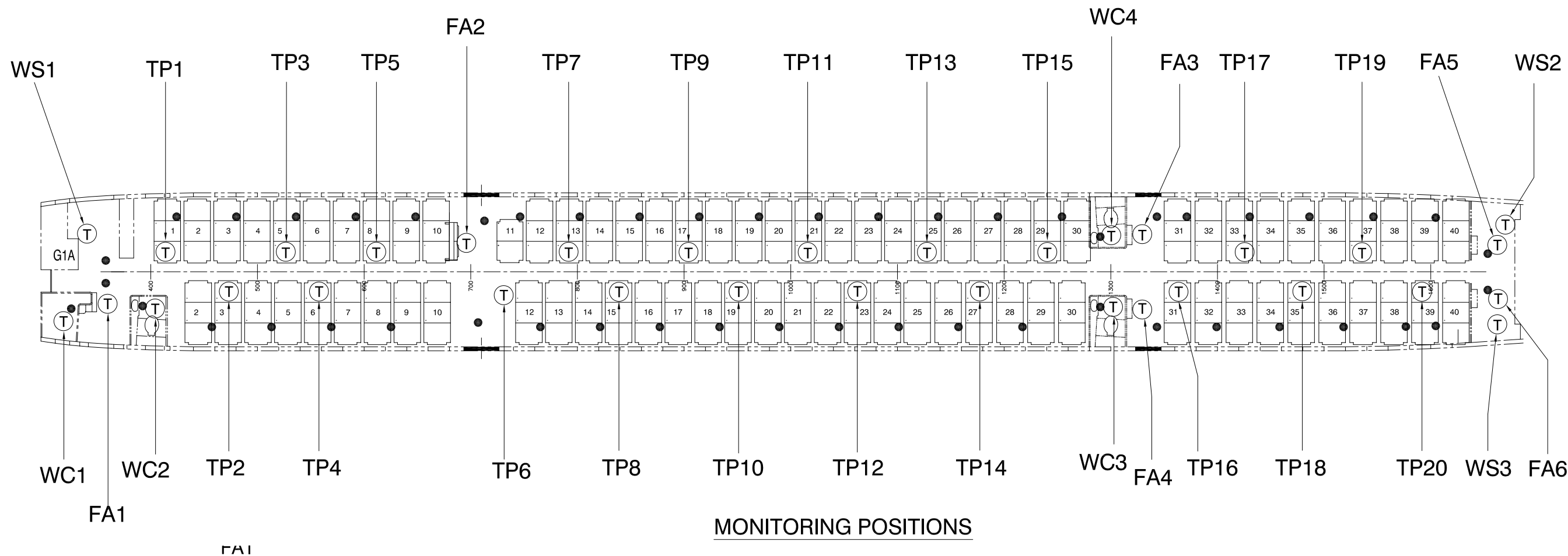
SHEET 1 OF 1 SHEETS

0387-231-757

SHEET 1 OF 1 SHEETS
DRAWING SIMILAR TO
N/A

REVISIONS

DRG ISS No.	RELEASE DOC.	ISSUE DATE:	DRG CHANGE	APP BY:
1	0250	MAR 03	NEW	M A E
2	0573	JAN 04	0194	M A E



MONITORING POSITIONS

MONITORING POSITIONS

NOTES:

- 1 READ IN CONJUNCTION WITH MEI-() AND MODIFICATION AES-757-(). [SEE TABLE 1]
- 2 THIS DRAWING INDICATES THE POSITIONS OF THE MICROPHONE WHEN CARRYING OUT A CAA SPEC 15 'RASTI' CHECK IN CONJUNCTION WITH THE 233 PASSENGER RECONFIGURATION.
- 3 THE POSITIONS INDICATED ARE BASED ON PREVIOUS READING POSITIONS - AIR 2000 ENGINEERING ORDER EO-757-25-055R4 APP III REFERS.
- 4 A PSU PANEL WITH A SPEAKER FITTED IS SHOWN BY A SOLID DOT '●' ABOVE THE INDICATED SEAT.

TABLE 1

ASSEMBLY	MOD. No.	MEI. No.	REG.	SER. No.
-001	AES-757-106 Pt. A	MEI-117	G-CPEU	29941
-001	AES-757-106 Pt. A	MEI-117	G-CPEV	29943
-001	AES-757-192 Pt. F	MEI-238	G-OOBG	29942
-001	AES-757-192 Pt. F	MEI-238	G-OOBH	29944

AES LTD
OFFICIAL ISSUE
DATE: 02.03.2004

COPY

No. OFF	MAP REF	ITEM No.	PART NUMBER	ITEM ISS	KEYWORD / DESCRIPTION	MATERIAL	SPECIFICATION	WIDTH	EST WEIGHT	ALL
1	ISS				RASTI MONITOR TEST POSITIONS					
DRAWN BY: A DOLBY						DATE: MAR 03		MODIFICATION No: SEE TABLE 1		
CHECKED BY: L M D						SCALE: 1:105 AT A3 U.O.S.		JAR APP.: CAA.JA.02304		
STRESS: M A E						LIMITS: ±.25 U.O.S.		THIRD ANGLE PROJECTION:		
APPROVED: A M D						SURFACE FINISH:		DIMESNIIONS IN: INCHES		
TITLE: RASTI MONITOR POS. B757-236 - 233 PAX										

0387-231-757-001

PART NUMBER

0387-231-757

SHEET 1 OF 1 SHEETS

PT No NHA No. OFF EFFECTIVITY

SEE TABLE 1

0417-252-757

SHEET 1 OF 1 SHEETS
DRAWING SIMILAR TO
N/A

REVISIONS

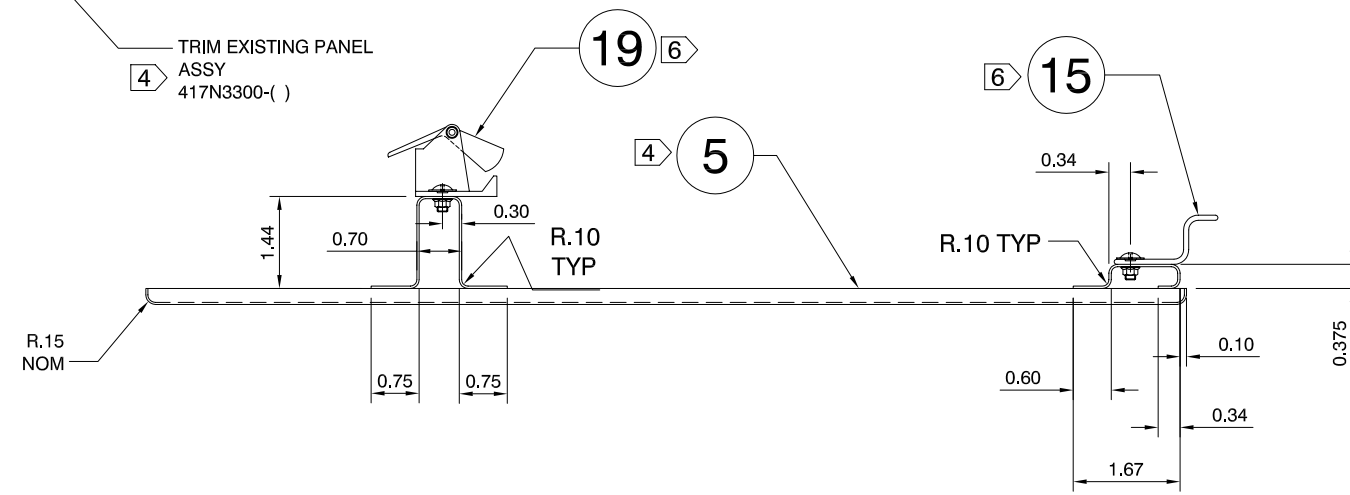
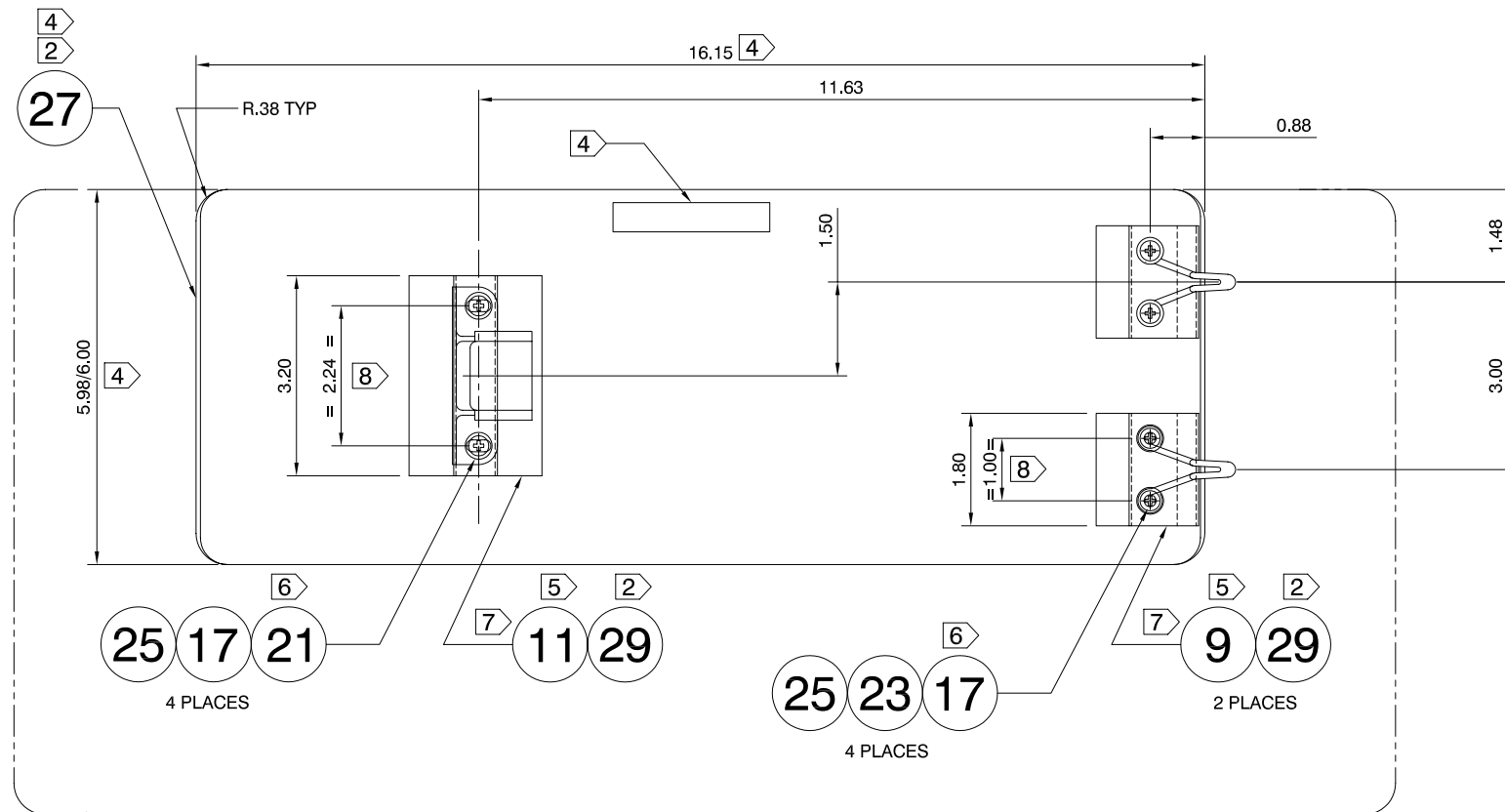
DRG ISS No.	RELEASE DOC.	ISSUE DATE:	DRG CHANGE	APP BY:
1	0225	NOV 2002	NEW	M A E
2	0573	JAN 04	0194	M A E

PSU INSTL'N DOOR 2

NOTES:

READ IN CONJUNCTION WITH MEI- () AND MODIFICATION AES-757-(). [SEE TABLE 1]

- 1 THIS DRAWING PROVIDES INSTRUCTIONS TO MAKE A SPACER PANEL (DOOR 2) FROM AN EXISTING OEM STANDARD SPACER PANEL (UNDERBIN) P/No 417N3300-()
- 2 STORE, MIX AND APPLY ADHESIVE IN ACCORDANCE WITH MANUFACTURERS DATA SHEETS.
- 3 PART MARK NEW OVERDOOR SPACER ASSEMBLY AS SHOWN.
- 4 WHEN TRIMMING EXISTING PANEL TRIM METALLIC SHELL AND REFORM TO PRODUCE OVERALL DIMENSIONS (ALT METHOD, FILL EXPOSED EDGES TO A DEPTH OF .10 DEEP. APPLY DECORATIVE FINISH TO THE PANELS (IF REQUIRED) PER APPLICABLE COMPONENT CMM.
- 5 FINISH: NONE
- 6 SALVAGE PARTS FROM EXISTING SPACER PANEL
- 7 BOND PARTS TO SPACER PANEL (ENSURE AREAS TO BE BONDED ARE CLEAN AND FREE OF GREASE). ABRASE FAY SURFACE USING 120 GRIT AL. OXIDE PAPER
- 8 PRODUCE MTG HOLES IN CONJUNCTION WITH HARDWARE



ASSY -001 (6" SPACER PANEL)
(SCALE 1:3)

TABLE 1

ASSEMBLY	MOD. No.	MEI. No.	REG.	SER. No.
-001	AES-757-106 Pt. A	MEI-117	G-CPEU	29941
-001	AES-757-106 Pt. A	MEI-117	G-CPEV	29943
-001	AES-757-192 Pt. F	MEI-238	G-OOBG	29942
-001	AES-757-192 Pt. F	MEI-238	G-OOBH	29944

No. OFF	No. OFF	No. OFF	MAP REF	ITEM No.	PART NUMBER	ITEM ISS	KEYWORD / DESCRIPTION	MATERIAL	SPECIFICATION	WIDTH	EST WEIGHT	
				29	ARALDITE 420A/B		ADHESIVE					2
				27	ARALDITE 252		MICRO BALLOON FILLER					2
				26	NAS114DN816		WASHER	(OR SIMILAR)				
				23	MS21042-08		NUT #8-32					
				21	BACCS12FA08K4		SCREW #8-32					6
				19	417N3170-10		LATCH ASSY					6
				17	BACCS12FA08K3		SCREW #8-32					6
				15	417N3173-10		SPRING					6
				11	-011	1	CHANNEL	AL ALLOY	2024-T3 QQ-A-250/5	.036"		5 7 8
				9	-009	1	CHANNEL	AL ALLOY	2024-T3 QQ-A-250/5	.036"		5 7 8
				5	-005	1	PANEL ASSY (MODIFIED)					3 4
				-001	1	6.0" SPACER PANEL (DOOR 2)						1,2

AES LTD
OFFICIAL ISSUE
DATE: 02.03.2004
COPY

DRAWN BY: A DOLBY DATE: FEB 03 MODIFICATION No: SEE TABLE 1
 CHECKED BY: A D B SCALE: 1:3 AT A3 U.O.S. JAR APP.: CAA.JA.02304
 STRESS: M A E LIMITS: ±.10 U.O.S. THIRD ANGLE PROJECTION: DIMENSIONS IN: INCHES
 APPROVED: M A E SURFACE FINISH: DIMENSIONS IN: INCHES
 TITLE: SPACER PANEL ASSY DOOR 2 AREA

©2003 ALL RIGHTS RESERVED. THE INFORMATION CONTAINED HEREIN IS PROPRIETARY TO AEROSPACE ENGINEERING SOLUTIONS LIMITED AND SHALL NOT BE REPRODUCED OR DISCLOSED WITHOUT THE OWNERS WRITTEN PERMISSION.
 PT No: NHA No. OFF: EFFECTIVITY: SEE TABLE 1
0417-252-757
 SHEET 1 OF 1 SHEETS

0430-233-757

SHEET 1 OF 4 SHEETS
DRAWING SIMILAR TO
N/A

REVISIONS

DRG ISS No.	RELEASE DOC.	ISSUE DATE:	DRG CHANGE	APP BY:
1	0331	MAR 2003	NEW	MAE
2	0573	JAN 04	0194	M A E

(ASSY -001)

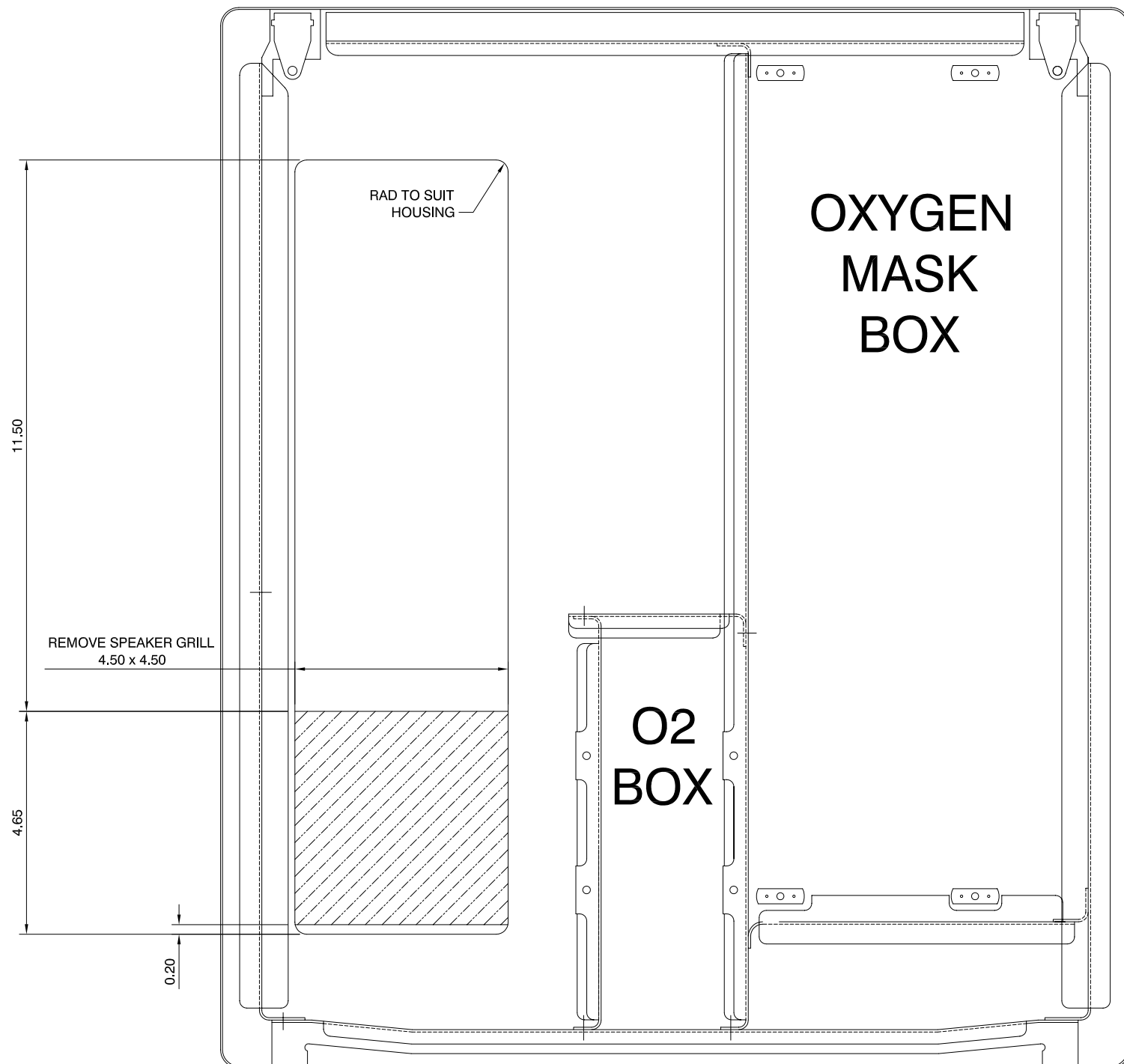
NOTES:

READ IN CONJUNCTION WITH MEI-() AND MODIFICATION AES-757-(). [SEE TABLE 1]

- 1 THIS DRAWING MODIFIES AN EXISTING 19" PARTIAL PSU (P/No 417N3100-245) BY REMOVING THE SPEAKER PANEL AND INTRODUCING A STANDAR MODULE INCLUDING PASSENGER READING LIGHTS AND ATTENDNAT CALL BUTTONS SALVAGED FROM PSU ASSY 417N3100-38.
- 2 SALVAGE PARTS FROM EXISTING 28" STANDARD PSU P/No 417N3100-36) WHERE SHOWN.
- 3 REPLACE WIRE HARNESS USING ASSEMBLY FROM PSU P/No 417N3100-36 (STD 28" PSU)
- 4 CARRY OUT FUNCTION TEST OF PSU ASSY TO ENSURE CORRECT LIGHT AND ATTENDANT CALL OPERATION AND CORRECT DEPLYMENT OF O2 RELEASE MECHANISM.
- 5 BOND PARTS IDENTIFIED IN POSITION USING ARALDITE 420A/B. STORE MIX AND APPLY ADHESIVE IAW MANUFACTURERS DATA SHEETS. ADJUST THICKNESS OF PACKING USING .022" SHIM MATERIAL TO SUIT. BOD SHIMS TO GETHER USING ARALDITE 420. ENSURE VISIBLE AREAS TO PASSENGER ARE SMOOTH AND NO SHARP EDGES ARE PRESENT.
- 6 SPEAKER DELETED.
- 7 CAP AND STOW WIRES AT PINS 13,14 AND 15.
- 8 CAP AND STOW WIRES AT PINS 1 AND 7.

TABLE 1

ASSEMBLY	MOD. No.	MEI. No.	REG.	SER. No.
-001	AES-757-106 Pt. A	MEI-117	G-CPEU	29941
-001	AES-757-106 Pt. A	MEI-117	G-CPEV	29943
-001	AES-757-192 Pt. F	MEI-238	G-OOBG	29942
-001	AES-757-192 Pt. F	MEI-238	G-OOBH	29944



AES LTD
OFFICIAL ISSUE
DATE: 02.03.2004

COPY

STEP 1
(PRODUCE CUT-OUT IN FACEPLATE)
SCALE 1:3

No. OFF	MAP REF	ITEM No.	PART NUMBER	ITEM ISS	KEYWORD / DESCRIPTION	MATERIAL	EXISTING	ADD ROD	LENGTH	ALT P/N	OR REMARKS
1		25	ARALDITE 420A/B		ADHESIVE						
1		21	-021		ANGLE	AL ALLOY			2024-T3, .050THK, QQ-A-250/5 (ALT .035" BS L164)		5
1		19	-019		ANGLE	AL ALLOY			2024-T3, .050THK, QQ-A-250/5 (ALT .035" BS L164)		5
1		17	-017		ANGLE	AL ALLOY			2024-T3, .050THK, QQ-A-250/5 (ALT .035" BS L164)		5
A/R		13	-013		PACKER	AL ALLOY			2024-T3, PACK TO SUIT (ALT BS L164 .022THK)		5
A/R		11	-011		PACKER	AL ALLOY			2024-T3, PACK TO SUIT (ALT BS L164 .022THK)		5
1		9	-009		CHANNEL	AL ALLOY			2024-T3, PACK TO SUIT (ALT BS L164 .035" THK)		5
A/R		7	-007		PACKER (OUTBOARD / INBOARD)	AL ALLOY			2024-T3, PACK TO SUIT (ALT BS L164 .022THK)		5
1		3	-003		19" PSU				MAKE FROM 417N3100-245	19"	
		1	-001	1	ASSEMBLY						ALL

0430-233-757-001	PART NUMBER	DRAWN BY: A DOLBY	DATE: MAR 03	MODIFICATION No: SEE TABLE 1
		CHECKED BY: ALH	SCALE: 1:3 AT A3 U.O.S.	JAR APP.: CAA/JAA 02304
		STRESS: MAE	LIMITS: ±.04 U.O.S.	THIRD ANGLE PROJECTION:
		APPROVED: AMD	SURFACE FINISH:	DIMESNIONS IN: INCHES
		TITLE: 19" PSU ASSY (MODIFIED)		

aes aerospace engineering solutions

©2003 ALL RIGHTS RESERVED. THE INFORMATION CONTAINED HEREIN IS PROPRIETARY TO AEROSPACE ENGINEERING SOLUTIONS LIMITED AND SHALL NOT BE REPRODUCED OR DISCLOSED WITHOUT THE OWNERS WRITTEN PERMISSION.

PT No	NHA	No. OFF	EFFECTIVITY

0430-233-757

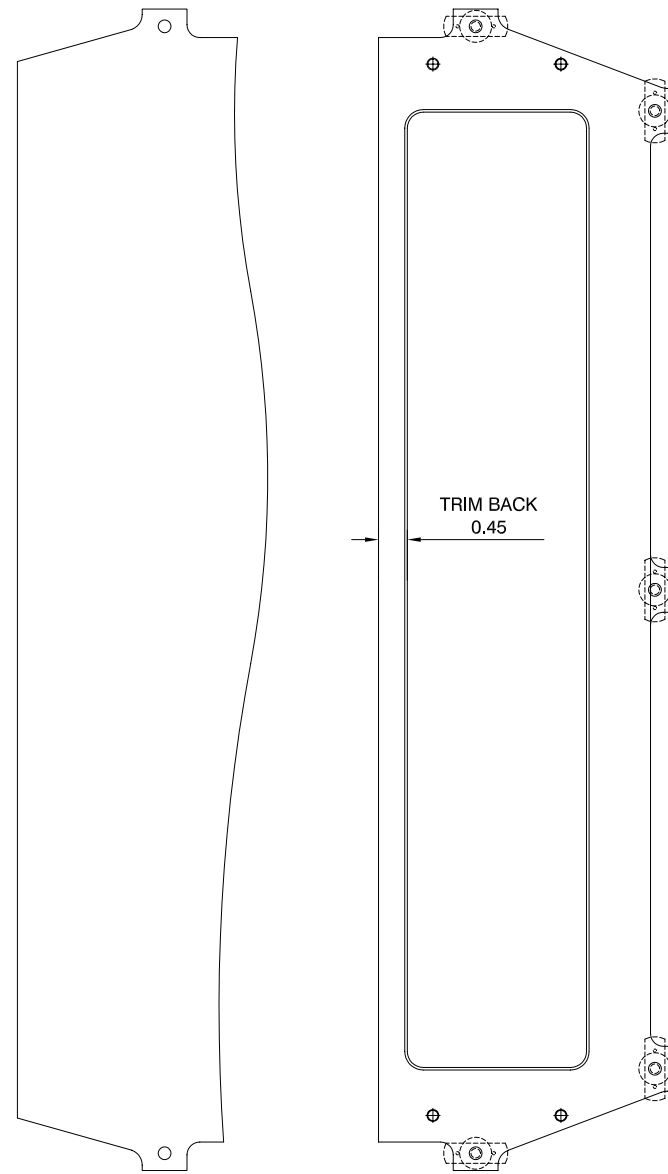
SHEET 1 OF 4 SHEETS

0430-233-757

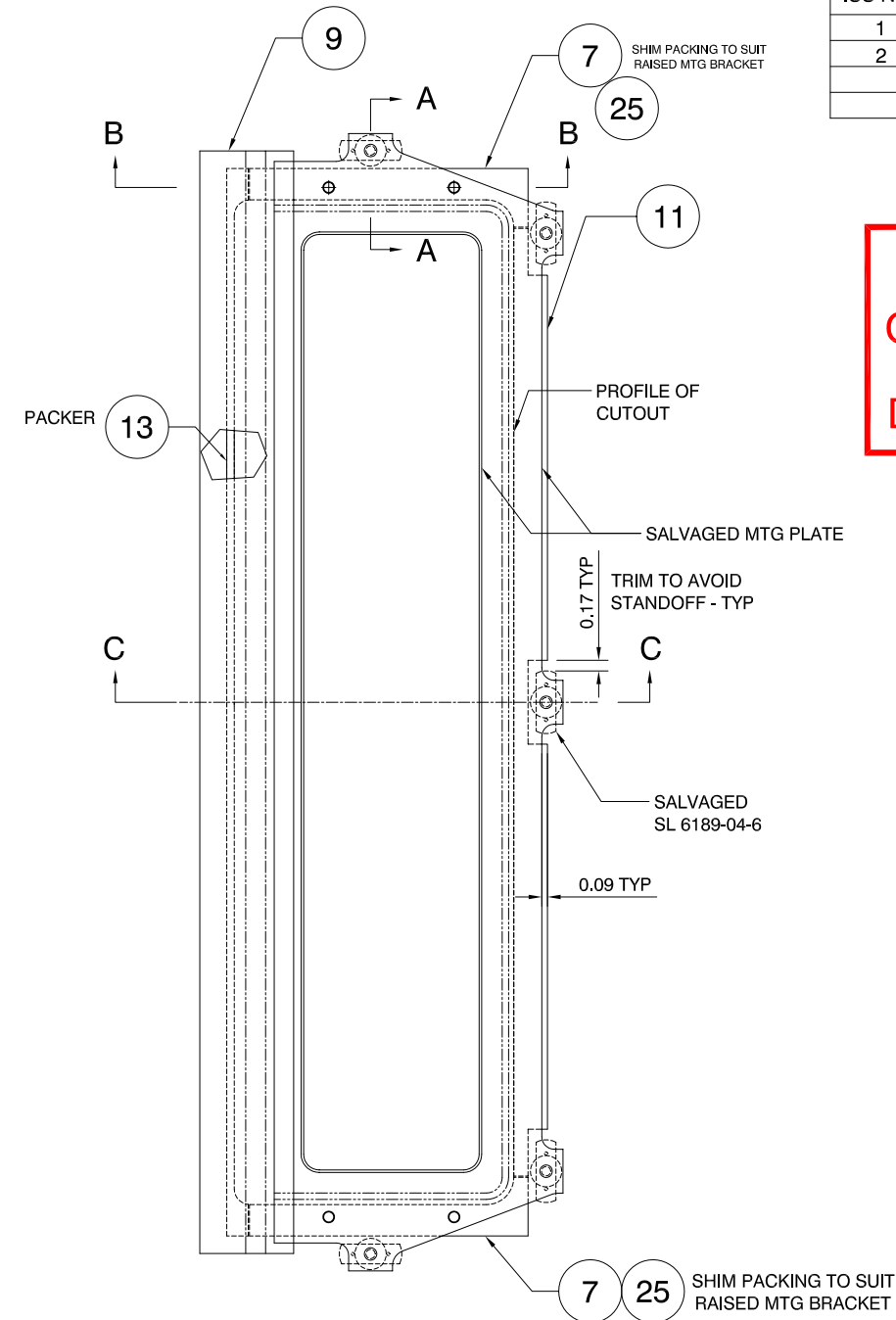
SHEET 2 OF 4 SHEETS
DRAWING SIMILAR TO
N/A

REVISIONS

DRG ISS No.	RELEASE DOC.	ISSUE DATE:	DRG CHANGE	APP BY:
1	0331	MAR 2003	NEW	MAE
2	0573	JAN 04	0194	M A E



MODIFICATION TO MTG BRACKET
SCALE 1:3



DETAIL E (FROM SHT 4) - VIEW ON MODIFIED MTG PANEL ASSY
(LIGHT CLUSTER AND FACEPLATE NOT SHOWN)
SCALE 1:3

AES LTD
OFFICIAL ISSUE
DATE: 02.03.2004
COPY

No. OFF	MAP REF	ITEM No.	PART NUMBER	ITEM ISS	KEYWORD / DESCRIPTION	MATERIAL	EXISTING	ADD QDD	LENGTH	ALT P/N	OR REMARKS
1	ISS				SEE SHEET 1						
DRAWN BY:		A DOLBY		DATE:		MAR 03		MODIFICATION No:		SEE SHEET 1	
CHECKED BY:		ALH		SCALE:		1:3 AT A3 U.O.S.		JAR APP.:		CAA/JAA 02304	
STRESS:		MAE		LIMITS:		±.04 U.O.S.		THIRD ANGLE PROJECTION:			
APPROVED:		AMD		SURFACE FINISH:				DIMESNIONS IN:		INCHES	
TITLE:		19" PSU ASSY (MODIFIED)									
<small>©2003 ALL RIGHTS RESERVED. THE INFORMATION CONTAINED HEREIN IS PROPRIETARY TO AEROSPACE ENGINEERING SOLUTIONS LIMITED AND SHALL NOT BE REPRODUCED OR DISCLOSED WITHOUT THE OWNERS WRITTEN PERMISSION.</small>											
PT No		NHA		No. OFF		EFFECTIVITY					
		SEE SHEET 1									
<h1 style="margin: 0;">0430-233-757</h1>										SHEET 2 OF 4 SHEETS	

0430-233-757

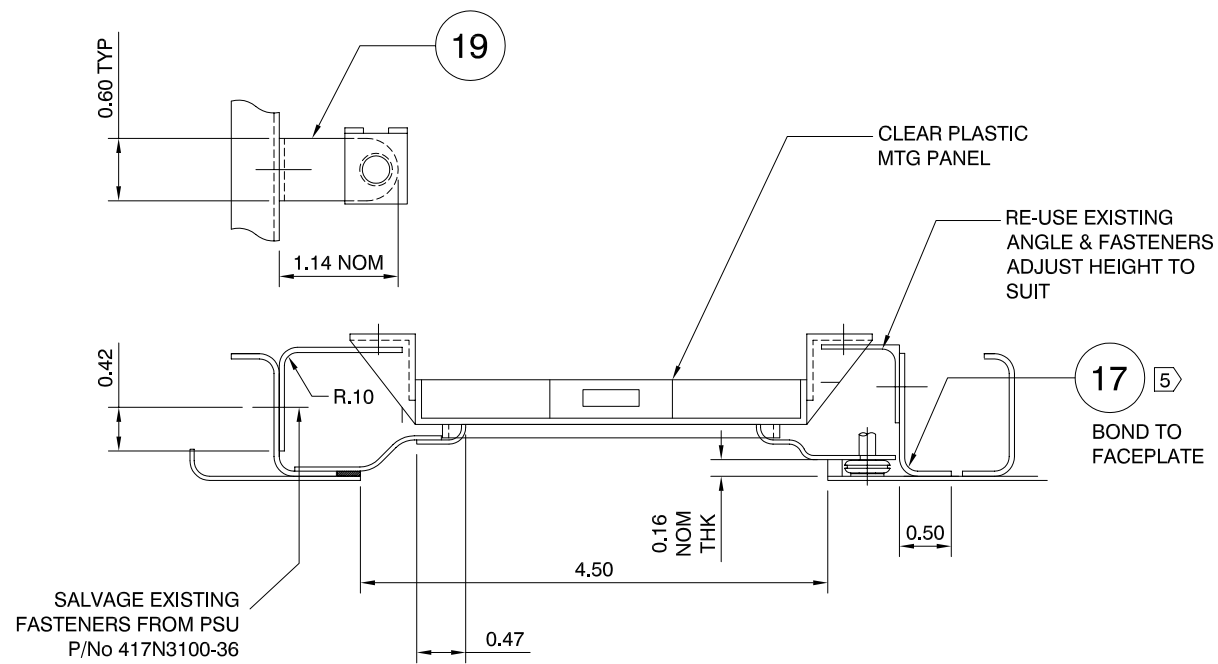
SHEET 3 OF 4 SHEETS

DRAWING SIMILAR TO

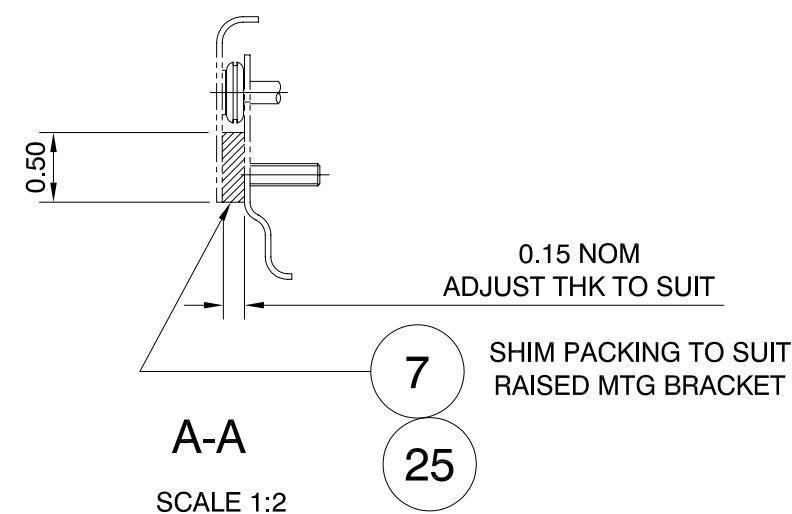
N/A

REVISIONS

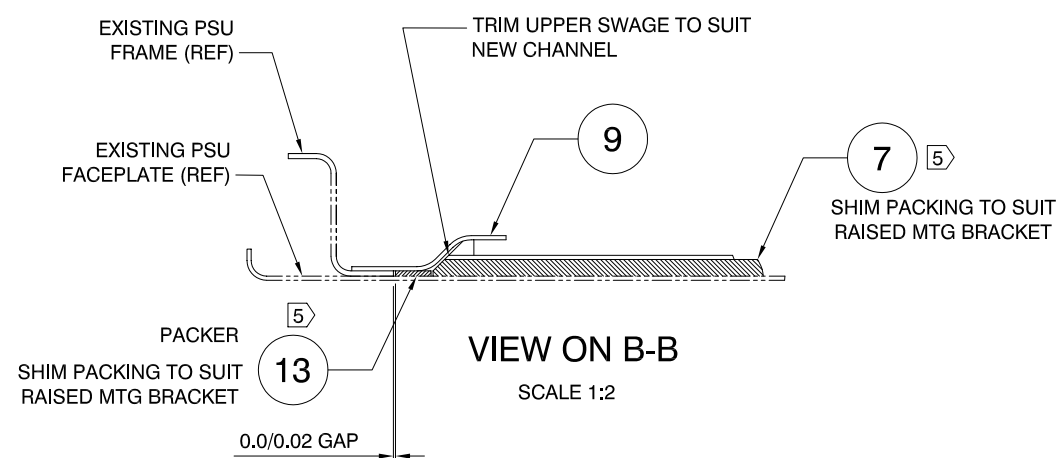
DRG ISS No.	RELEASE DOC.	ISSUE DATE:	DRG CHANGE	APP BY:
1	0331	MAR 2003	NEW	MAE
2	0573	JAN 04	0194	M A E



VIEW ON C-C
(LIGHT CLUSTER NOT SHOWN)
SCALE 1:2



A-A
SCALE 1:2



VIEW ON B-B
SCALE 1:2

AES LTD
OFFICIAL ISSUE
DATE: 02.03.2004
COPY

No. OFF	MAP REF	ITEM No.	PART NUMBER	ITEM ISS	KEYWORD / DESCRIPTION	MATERIAL	EXISTING	ADD ROD	LENGTH	ALT P/N	OR REMARKS
1	ISS				SEE SHEET 1						
DRAWN BY: A DOLBY						DATE: MAR 03		MODIFICATION No: SEE SHEET 1			
CHECKED BY: ALH						SCALE: 1:2 AT A3 U.O.S.		JAR APP.: CAA/JAA 02304			
STRESS: MAE						LIMITS: ±.04 U.O.S.		THIRD ANGLE PROJECTION:			
APPROVED: AMD						SURFACE FINISH:		DIMENSIONS IN: INCHES			
TITLE: 19" PSU ASSY (MODIFIED)											

0430-233-757-001

PART NUMBER

0430-233-757

SHEET 3 OF 4 SHEETS

0430-233-757

SHEET 4 OF 4 SHEETS
DRAWING SIMILAR TO
N/A

REVISIONS

DRG ISS No.	RELEASE DOC.	ISSUE DATE:	DRG CHANGE	APP BY:
1	0331	MAR 2003	NEW	MAE
2	0573	JAN 04	0194	M A E

BOND SLAVAGED SL6189-08-4 THREADSERTS TO FACEPLATE USING ARALDITE 420 TYP - LOCATION TO SUIT CUT-OUT

BOND ANGLE TO FACEPLATE. TRANSFER SWITCH FROM DONOR PSU PANEL AND INSTALL TO ANGLE. LOCATION OF ANGLE TO SUIT ANGLE DETAILS: 0.5 x 0.5 x 0.90 HIGH, BR .10

21 25

OUTBD

OXYGEN MASK BOX

FWD

O2 BOX

INBD

AFT

SEE DETAIL E

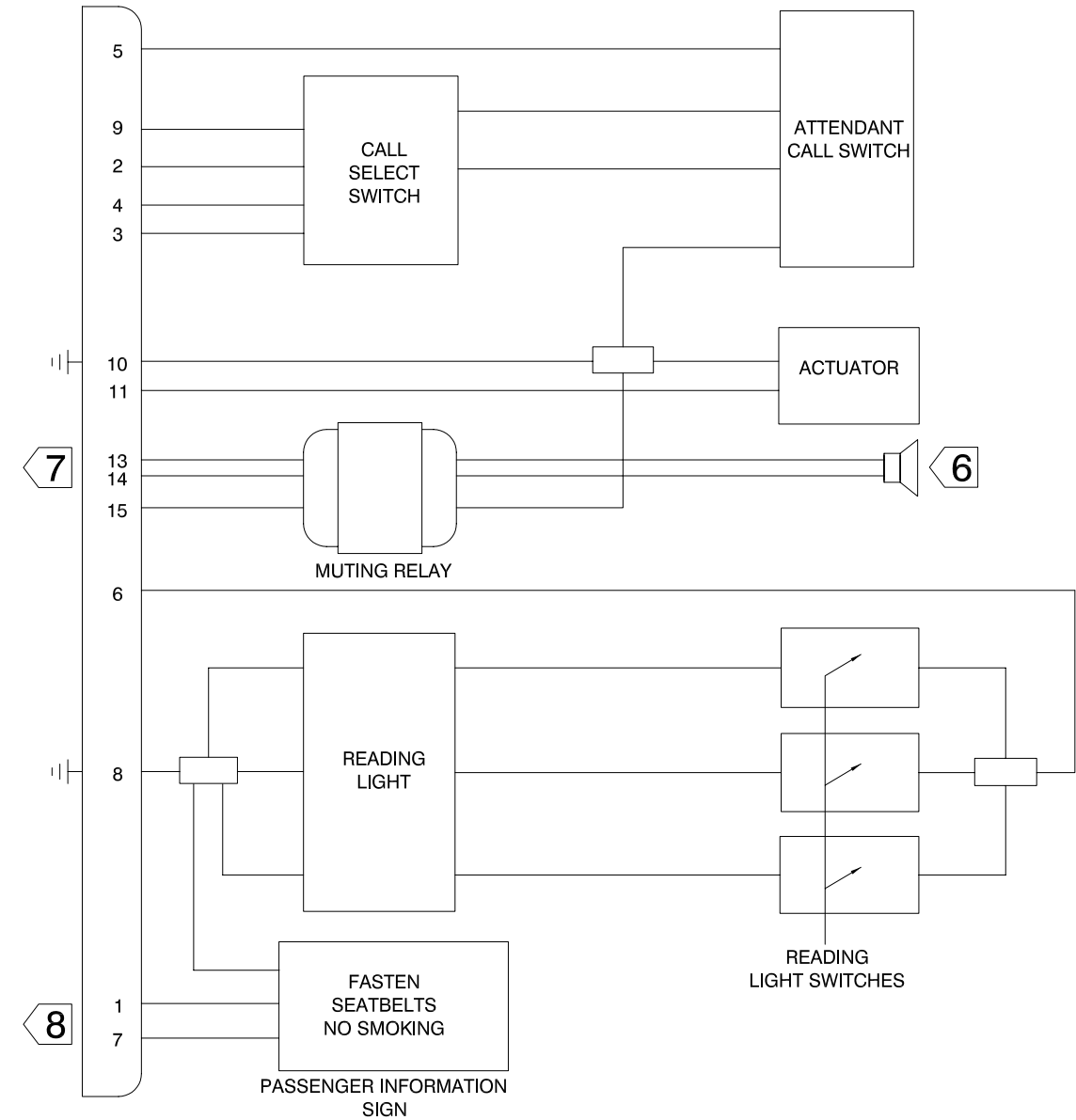
1

PLAN VIEW - G.A. DETAIL -001

1 2 3 4 6

AES LTD
OFFICIAL ISSUE
DATE: 02.03.2004

COPY



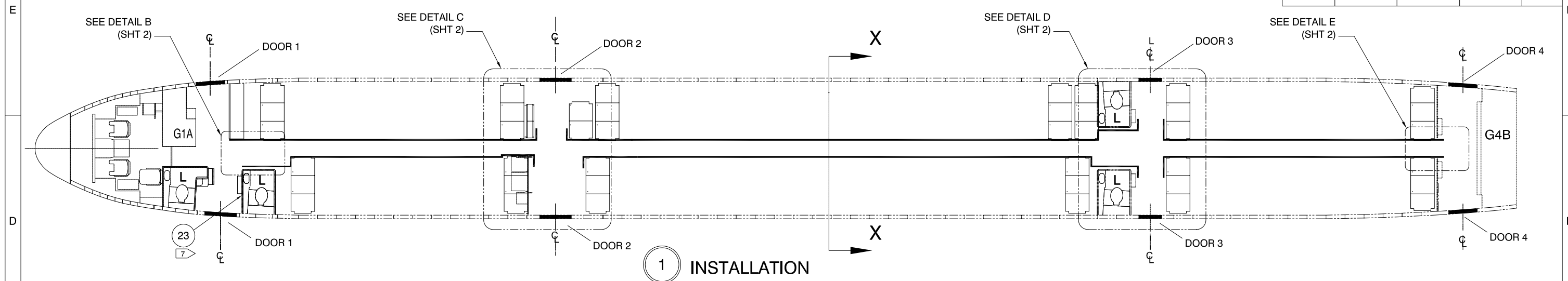
No. OFF	MAP REF	ITEM No.	PART NUMBER	ITEM ISS	KEYWORD / DESCRIPTION	MATERIAL	EXISTING	ADD ROD	LENGTH	ALT P/N	OR REMARKS
1	ISS				SEE SHEET 1						
DRAWN BY:		A DOLBY		DATE: MAR 03		MODIFICATION No:		SEE SHEET 1			
CHECKED BY:		ALH		SCALE: 1:4 AT A3 U.O.S.		JAR APP.: CAA/JAA 02304					
STRESS:		MAE		LIMITS: ±.04 U.O.S.		THIRD ANGLE PROJECTION:					
APPROVED:		AMD		SURFACE FINISH:		DIMENSIONS IN: INCHES					
TITLE:		19" PSU ASSY (MODIFIED)									
PART NUMBER		0430-233-757-001									
PT No		NHA		No. OFF		EFFECTIVITY					
SEE SHEET 1											
0430-233-757		SHEET 4 OF 4 SHEETS									

0606-335-757

SHEET 1 OF 2 SHEETS
DRAWING SIMILAR TO
N/A

REVISIONS

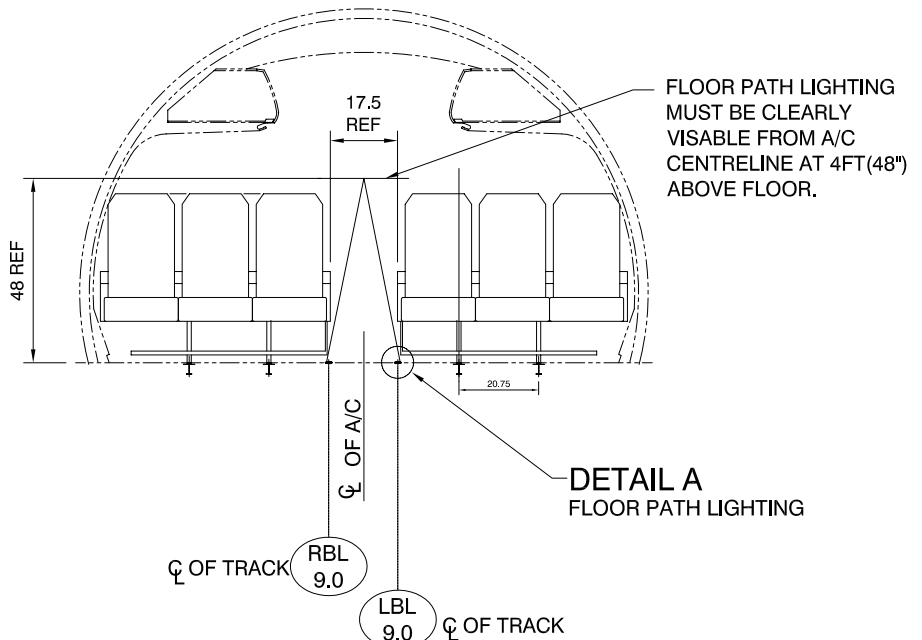
DRG ISS No.	RELEASE DOC.	ISSUE DATE:	DRG CHANGE	APP BY:
1	0509	NOV, 03	NEW	



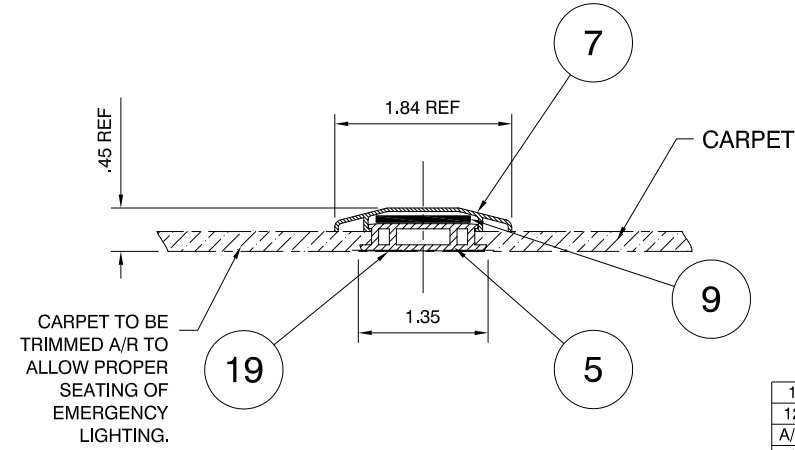
1 INSTALLATION

NOTES

- THIS DRAWING INSTALLS A DUAL LANE PHOTOLUMINESCENT FLOOR PATH LIGHTING SYSTEM IN THE PASSENGER CABIN.
- THIS DRAWING IS TO BE READ IN CONJUNCTION WITH AES MODIFICATION AES-757-192 PART G AND MEI-239 & STG AEROSPACE 1000 STANDARD TRACK FLOOR PATH MARKING SYSTEMS ASSEMBLY AND MAINTENANCE MANUAL.
AIRCRAFT APPLICABILITY - G-OOBG/G-OOBH
- ALL DIMS ARE TO THE CENTRELINE OF OF FLOOR TRACK AND RELEVANT SEAT TRACKS. UNLESS OTHERWISE STATED.
- INTENTIONALLY LEFT BLANK.
- ENSURE THAT END CAPS, ITEM 11, ARE INSTALLED AT ALL TRACK ENDS PER DETAIL F.
- TO AVOID POSSIBLE DAMAGE TO FLOOR, DRILLING OF THE TRACK AND END CAPS SHOULD BE CARRIED OUT PRIOR TO FINAL FITTING.
- AFFIX PLACARD ADJACENT TO EXISTING ATTENDANT LIGHT CONTROL PANEL



SECTION X-X
VIEW LOOKING AFT
TYP



DETAIL A
TYPICAL CROSS SECTION VIEW OF THE STANDARD
FLOOR PROXIMITY LIGHTING
N.T.S

AES LTD
OFFICIAL ISSUE
DATE: 19.01.2004
COPY

No.	MAP REF	ITEM No.	PART NUMBER	ITEM ISS	KEYWORD / DESCRIPTION	MATERIAL	SPECIFICATION	WIDTH	EST WEIGHT	ALL
1		23	BAC29PPS50520		PLACARD					
12		21	MS24628-20		SCREW, SELF TAPPING					
A/R		19	SD511-2		TAPE, DOUBLE SIDED, 2.0" WIDE	▲3M OR SIMILAR				
6		17	SG9342		PLACARD, EXIT ARROW, RH	▲STG AEROSPACE				
6		15	SG9341		PLACARD, EXIT ARROW, LH	▲STG AEROSPACE				
12		13	SG9345		PLACARD, DOUBLE DOT	STG AEROSPACE				
12		11	SG9446		END CAP					FN 5, 6
70M		9	SG9422		STRIP, PHOTOLUMINESCENT	▲STG AEROSPACE, 10M LENGTHS, CUT TO SUIT				
70M		7	SG9501		TRACK, TOP	▲STG AEROSPACE, 2M LENGTHS				
70M		5	SG9442		TRACK, BOTTOM	▲STG AEROSPACE, 2M LENGTHS				
		3								
		1		-001	1 INSTL'N, FLOOR PATH LIGHTING					ALL

0606-335-757-001	PART NUMBER	DRAWN BY:	DATE:	MODIFICATION No:
		JME	NOV, 03	AES-757-192 PT G
		CHECKED BY:	SCALE:	JAR APP: CAA.JA.02304.
			1:2, 1:50 AT A3 U.O.S.	
	STRESS:	LIMITS:	THIRD ANGLE PROJECTION:	
		±.25 U.O.S.		
	APPROVED:	SURFACE FINISH:	DIMENSIONS IN:	
			INCHES	
TITLE: FLOOR PATH LIGHTING INSTL'N - PHOTO-LUMINESCENT				

©2003 ALL RIGHTS RESERVED. THE INFORMATION CONTAINED HEREIN IS PROPRIETARY TO AEROSPACE ENGINEERING SOLUTIONS LIMITED AND SHALL NOT BE REPRODUCED OR DISCLOSED WITHOUT THE OWNERS WRITTEN PERMISSION.

PT No	NHA	No. OFF	EFFECTIVITY
-001	AES-757-192 PT G	1	B757-236 G-OOBG G-OOBH

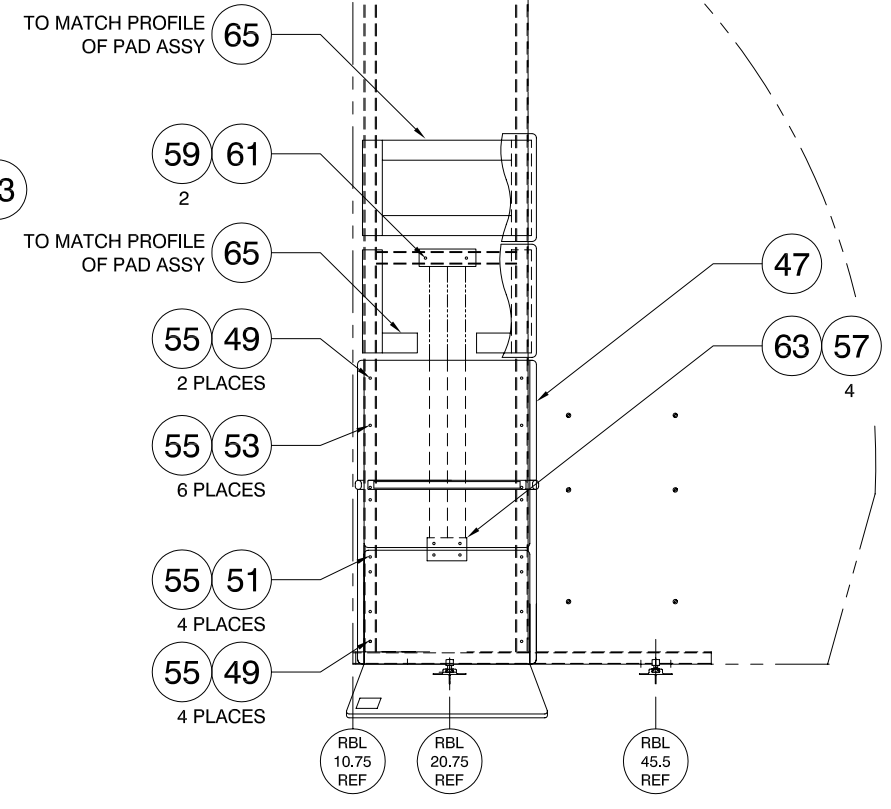
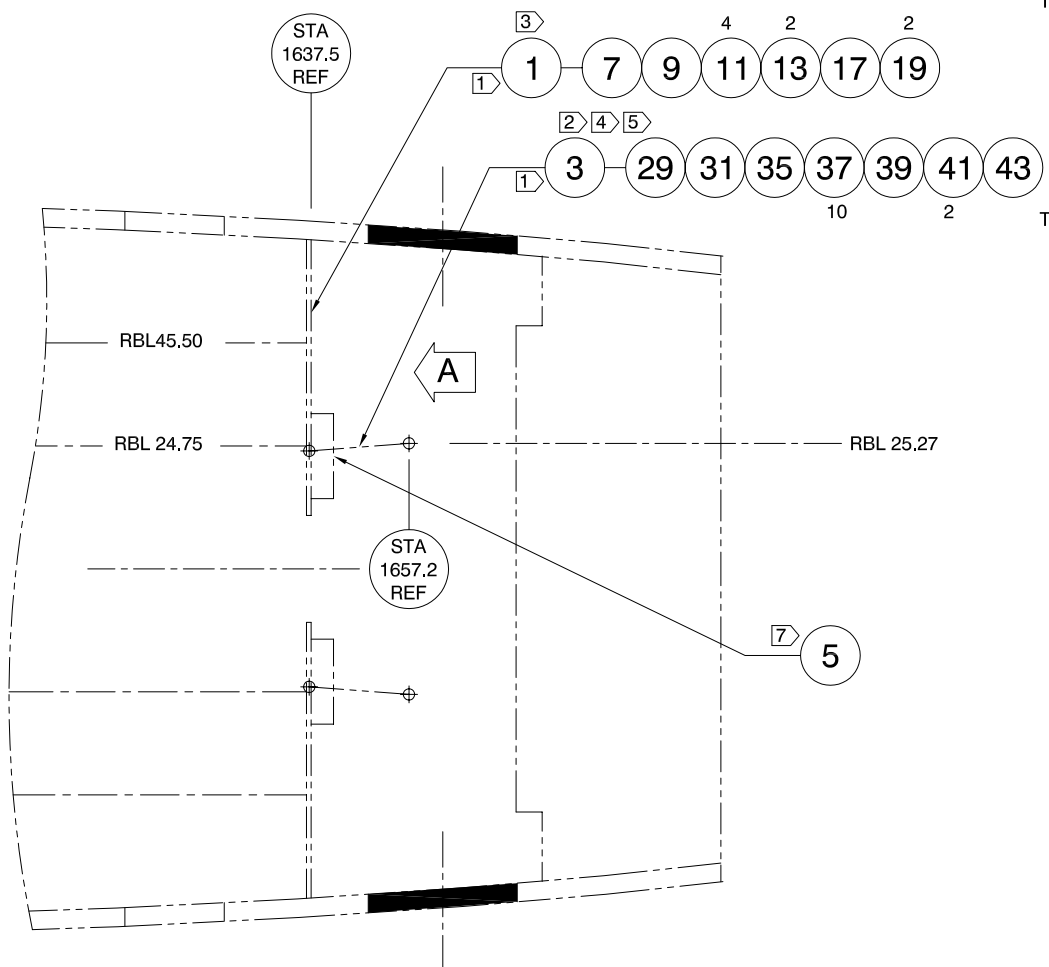
0606-335-757

SHEET 1 OF 2 SHEETS

0366-252-757

SHEET 1 OF 1 SHEETS
DRAWING SIMILAR TO
N/A

REVISIONS				
DRG ISS No.	RELEASE DOC.	ISSUE DATE:	DRG CHANGE	APP BY:
1	0250	JAN 2003	NEW	M A E
2	0532	JAN 2004	0172	M A E



VIEW ON ARROW A
SCALE 1:20

NOTES:-

- 1 READ IN CONJUNCTION WITH MEI-XXX (SEE TABLE 1)
- 2 INSTALL CABIN DIVIDER SUPPORT PER BOEING DRG 413N3701-37, PIC SHT 9.
- 3 INSTALL CABIN DIVIDER PER BOEING DRG 413N3104-29, PIC SHT 14.
- 4 ALL MANUFACTURING PROCESSES INCLUDING HOLE PREPARATION AND FINISH / TREATMENT SHALL CONFORM WITH THE CONSTRUCTOR'S REPAIR AND MAINTENANCE MANUAL WHERE NEW STRUCTURE IS INTRODUCED.
- 5 NEW HOLES FOR PARTS INTRODUCED TO MAINTAIN 4D MIN SPACING FROM ANY EXISTING HOLE CENTRE AND 2D EDGE MARGIN.
- 6 DEVIATIONS FROM THE CONSTRUCTOR'S APPROVED INSTALLATION TO BE REVIEWED BY DESIGN AND SUPPLEMENTAL INSTRUCTIONS ISSUED.
- 7 INSTALL ATTENDANT SEAT AS SHOWN, AMM CH25-25-02 P.BLOCK 401.

- 1 3 1 AFT RH DIVIDER INSTALLATION
- 1 2 4 5 3 AFT RH DIVIDER SUPPORT INSTALLATION
- 7 5 SEAT INSTALLATION

AES LTD
OFFICIAL ISSUE
DATE: 26.01.2004

COPY

TABLE 1

ASSEMBLY	MOD. No.	MEI. No.	REG.	SER. No.
-001 / -003 / -005	AES-757-104 Pt. K	MEI-115	G-CPEU	29941
-001 / -003 / -005	AES-757-104 Pt. K	MEI-115	G-CPEV	29943
-001 / -003 / -005	AES-757-192 Pt. H	MEI-240	G-OOBG	29942
-001 / -003 / -005	AES-757-192 Pt. H	MEI-240	G-OOBH	29944

A/R	QTY	ITEM No.	PART NUMBER	KEYWORD / DESCRIPTION	MATERIAL	SPECIFICATION	DIMENSIONS	TREATMENT
		65	BMS8-285	ADHESIVE HOOK/LOOP	OR SIMILAR			
1		63	414N2011-7	RESTRAINT SYSTEM	OR SIMILAR			
1		61	414N2011-11	BELT GUIDE ASSY	OR SIMILAR			
2		59	BACB30LU4-16	BOLT				
4		57	BACB30LU3-4	BOLT				
16		55	AN960-416	WASHER				
6		53	NAS6604-5	BOLT				
4		51	NAS6604-6	BOLT				
6		49	NAS6604-3	BOLT				
1		47	91465-117	ATT SEAT (SGL)	ALT P/N 91465-111, 91465-113, 914565-115 & 91465-119			7
1		43	1293-77	TIE ROD				2
2		41	NAS43HT4-20	SPACER				2
1		39	NAS1515H4	WASHER, NYLON	ALT NAS1515H4L			2
10		37	NAS1149D0332J	WASHER				2
1		35	MS20392-3C39	PIN				2
1		31	AN316C5R	NUT				2
1		29	415N3003-6	CLEVIS FITTING				2
2		19	44585-10	SEAT TRACK				3
1		17	BACP18T4-27	PIN				3
2		13	BACB30NR4K17	BOLT				3
4		11	AN960JD416L	WASHER				3
1		9	AN415-5	PIN				3
1		7	413N3108-76	WINDSCREEN ASSY				3
		5	-005	1 ATT SEAT INSTLN				1,7
		3	-003	1 DIVIDER SUPPORT INSTALLATION				1,2,4
		1	-001	1 DIVIDER INSTALLATION				1,3

No. OFF	No. OFF	No. OFF	MAP REF	ITEM No.	PART NUMBER	ITEM ISS	KEYWORD / DESCRIPTION	MATERIAL	SPECIFICATION	DIMENSIONS	TREATMENT
A/D	A/D	A/D	HAND	DRAWN BY:	DATE:	MODIFICATION No:					
1	1	1	ISS	A DOLBY	JAN 2003	SEE TABLE 1					
				CHECKED BY:	SCALE:	JAR.APP.: CAA.JAA 02304					
				R W	1:20 AT A3	BCAR APP.: AD/1833/01					
				STRESS:	LIMITS:	THIRD ANGLE PROJECTION:					
				M A E	N/A						
				APPROVED:	SURFACE FINISH:	DIMENSIONS IN:					
				A M D		INCHES					
				TITLE:	CABIN DIVIDER INSTLN AFT RH						

©2003 ALL RIGHTS RESERVED. THE INFORMATION CONTAINED HEREIN IS PROPRIETARY TO AEROSPACE ENGINEERING SOLUTIONS LIMITED AND SHALL NOT BE REPRODUCED OR DISCLOSED WITHOUT THE OWNERS WRITTEN PERMISSION.

aes aerospace engineering solutions

PT No	NHA	No. OFF	EFFECTIVITY
	SEE TABLE 1		

0366-252-757
SHEET 1 OF 1 SHEETS

0403-252-757

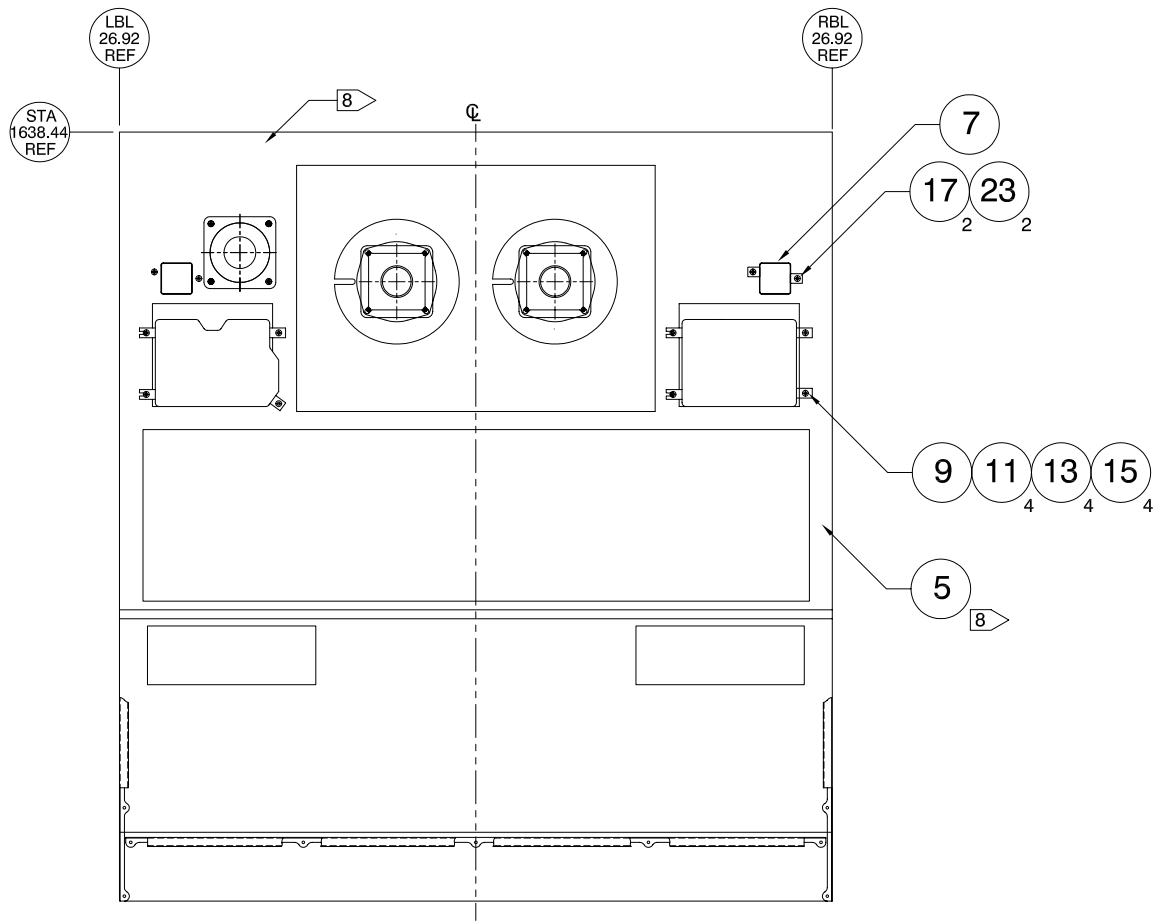
SHEET 1 OF 1 SHEETS

DRAWING SIMILAR TO

N/A

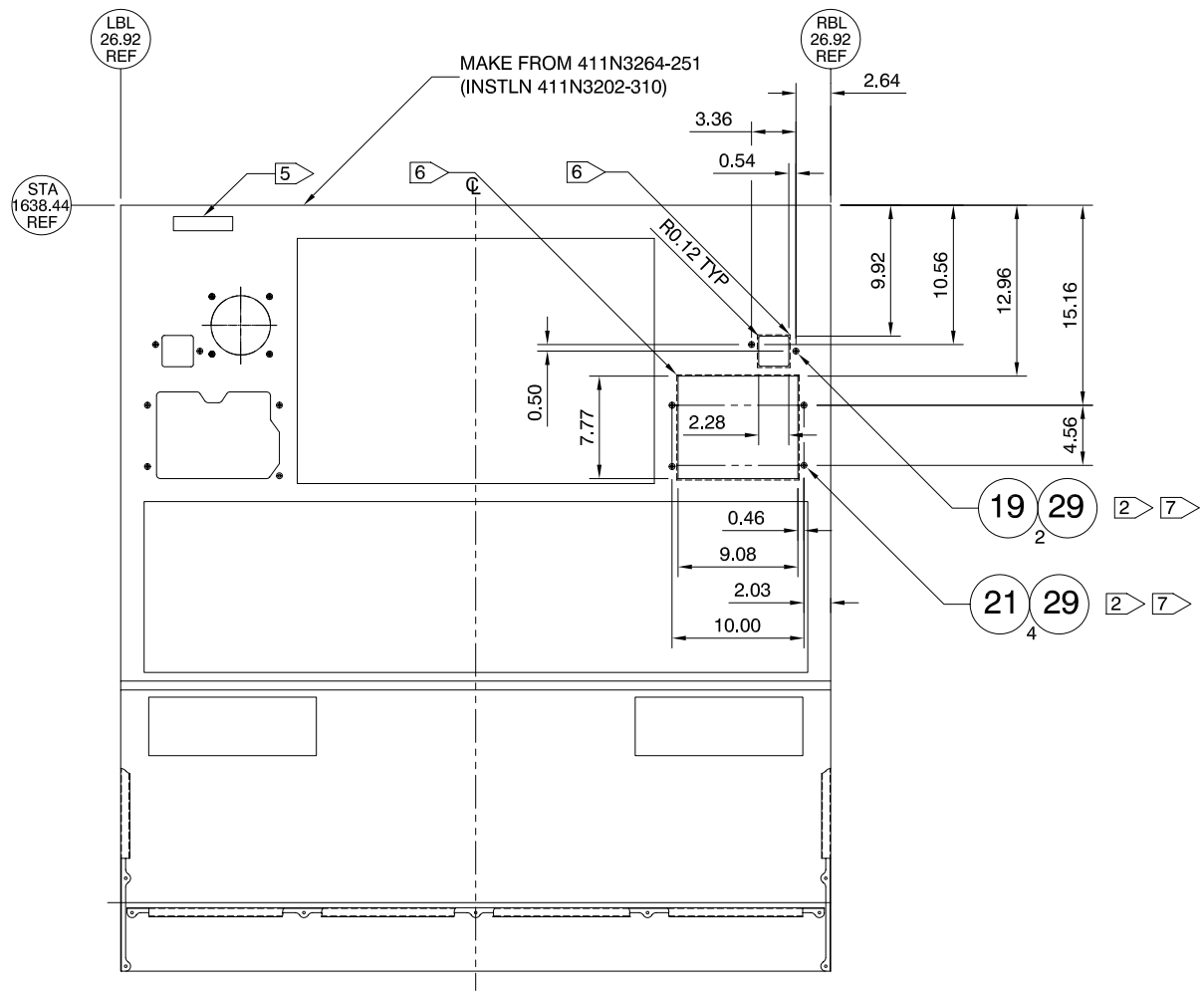
REVISIONS

DRG ISS No.	RELEASE DOC.	ISSUE DATE:	DRG CHANGE	APP BY:
1	0250	FEB 2003	NEW	M A E
2	0532	JAN 04	DCN 0172	M A E



PLAN VIEW POST MOD ASSY -001

SCALE 1:15



MODIFICATION TO PANEL SHOWING ADDITIONAL HOLES AND CUTOUTS

SCALE 1:15

AES LTD
 OFFICIAL ISSUE
 DATE: 26.01.2004
 COPY

NOTES:-

1. READ IN CONJUNCTION WITH MEI-() [SEE TABLE 1.] THIS DRG MODIFIES THE EXISTING . AFT CEILING PANEL Pt No 411N3264-251
2. INSTALL INSERTS IN A HOLE Ø 0.452 / 0.457 X 0.35 DEEP USING ARALDITE 420A/B ITEM 29. STORE, MIX AND APPLY ADHESIVE I.A.W. MANUFACTURERS DATA SHEETS
3. INTENTIONALLY LEFT BLANK.
4. INTENTIONALLY LEFT BLANK
5. PART MARK IN BLACK USING INDELIBLE INK WHERE SHOWN THUS SHOW MANUFACTURER, DATE, PART NUMBER AND THE LETTERS EPA.
6. EXPOSED EDGES FILL TO A DEPTH OF 0.10 USING ARALDITE 255 EDGE FILLER, ITEM 27.
7. LOCATE INSERTS IN CONJUNCTION WITH HARDWARE.
8. REFIT TO AIRCRAFT PANEL IN ORIGINAL POSITION.

TABLE 1

ASSEMBLY	MOD. No.	MEI. No.	REG.	SER. No.
-001	AES-757-104 Pt. B	MEI-107	G-CPEU	29941
-001	AES-757-104 Pt. B	MEI-107	G-CPEV	29943
-001	AES-757-192 Pt. H	MEI-240	G-OOBG	29942
-001	AES-757-192 Pt. H	MEI-240	G-OOBH	29944

A/R	MAP REF	ITEM No.	PART NUMBER	ITEM ISS	KEYWORD / DESCRIPTION	MATERIAL	SPECIFICATION	WIDTH	EST WT (KG)	OR REMARKS
		29	ARALDITE 420A/B		ADHESIVE					
		27	ARALDITE 255		ADHESIVE					
		25								
2		23	NAS1149DN816J		WASHER					
4		21	NAS1836-3-10		INSERT					
2		19	NAS1836-08-10		INSERT					
2		17	BACS12GU08K5		SCREW					
4		15	NAS1149C0332R FS		WASHER					
4		13	NAS1149D0316J		WASHER					
4		11	BACS12GU3K5		SCREW					
1		9	417N3810-5SP		OXYGEN BOX ASSY ALT -6SP					
1		7	S417N502-2		LIGHT HOUSING ASSY					
1		5	-005		PNL. ASSY. CEILING AFT					▲ MAKE FROM 411N3264-251
		3								
		1	-001	1	MODIFICATION TO AFT CEILING PANEL					ALL

0403-252-757-001 PART NUMBER

DRAWN BY: J.TIDD	DATE: FEB 2003	MODIFICATION No: SEE TABLE 1
CHECKED BY: A M D	SCALE: 1:50 AT A3 U.O.S.	JAR APP.: CAA.JAA. 02304 BCAR APP.: AD/1833/01
STRESS: M A E	LIMITS: ± .25 U.O.S.	THIRD ANGLE PROJECTION:
APPROVED: A M D	SURFACE FINISH:	DIMENSIONS IN: INCHES
TITLE: MOD'N TO AFT CEILING PANEL		

©2003 ALL RIGHTS RESERVED. THE INFORMATION CONTAINED HEREIN IS PROPRIETARY TO AEROSPACE ENGINEERING SOLUTIONS LIMITED AND SHALL NOT BE REPRODUCED OR DISCLOSED WITHOUT THE OWNERS WRITTEN PERMISSION.

PT No	NHA	No. OFF	EFFECTIVITY
SEE TABLE 1			

0403-252-757

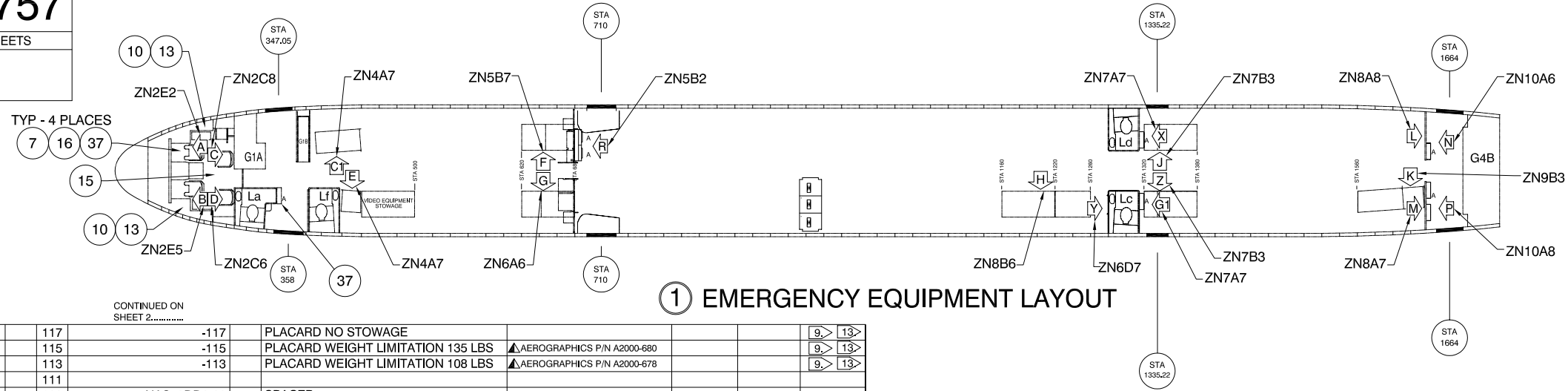
SHEET 1 OF 1 SHEETS

0322-256-757

SHEET 1 OF 11 SHEETS
DRAWING SIMILAR TO
N/A

REVISIONS

DRG ISS No.	RELEASE DOC.	ISSUE DATE:	DRG CHANGE	APP BY:
1	0268	FEB 2003	NEW	M A E
2	0565	FEB 2004	0183	MAE



1 EMERGENCY EQUIPMENT LAYOUT

LAST SECTION LETTER USED																	
A	B	C	D	E	F	G	H	J	K	L	M	N	O	P	R	S	T
U	V	W	X	Y	Z	A1	B1	C1	D1	E1	F1	G1	H1	J1	K1	L1	M1

CONTINUED ON SHEET 2.....

No. OFF	No. OFF	No. OFF	No. OFF	No. OFF	MAP REF	ITEM No.	PART NUMBER	ITEM ISS	KEYWORD / DESCRIPTION	MATERIAL	SPECIFICATION	WIDTH	EST WEIGHT	OR REMARKS
						117	-117		PLACARD NO STOWAGE					
						115	-115		PLACARD WEIGHT LIMITATION 135 LBS	▲AEROGRAPHICS P/N A2000-680				
						113	-113		PLACARD WEIGHT LIMITATION 108 LBS	▲AEROGRAPHICS P/N A2000-678				
						109	NAS43DD6-62		SPACER					
						108	NAS43DD4-62		SPACER					
						107	NAS43DD3-14		SPACER					
						105	BACL20AB		HOOK	▲OR SIMILAR				
						103	P6/A6/0321		WEBBING, 25MM BLUE	▲OR SIMILAR				
						101	NYLON		THREAD	▲OR SIMILAR				
						99	LB25K2		BUCKLE ASSY	▲YKK OR SIMILAR P/N				
						97	-097		PLACARD WEIGHT LIMITATION 87 LBS					
						95	-095		PLACARD WEIGHT LIMITATION 75 LBS	▲AEROGRAPHICS P/N A2000-681				
						93	-093	1	ANGLE	▲2024 T3 .050THK QQ-A-250/5				
						91	-091	1	ANGLE	▲2024 T3 .050THK QQ-A-250/5				
						89	-089	1	SHELF	▲FIBRELAM GRADE 2 LS (0.40 THK)				
						87	-087	1	B757 BIN DIVIDER ASSY					
						86	-086	1	COMPOSITE PANEL	▲FIBRELAM GRADE 2 LS (0.40 THK)				
						85	69B41608-7		STRAP ASSY (CRASH AXE)					
						84	69B41608-6		STRAP ASSY (CRASH AXE)					
						83	69B41604-1		PAD					
						82	TBA		VELCRO FR 2" WIDE LOOP					
						81	TBA		VELCRO FR 2" WIDE HOOK					
						80	NAS514P1032-5		CSK SCREW, 10-32 5/16" LG					
						79	NAS514P1032-8		CSK SCREW, 10-32, 1/2" LG					
						78	NAS514P1032-12		CSK SCREW 10-32 3/4" LG					
						77	NAS603-6P		SCREW, 10-32, 3/8" LG					
						76	NAS603-8P		SCREW, 10-32, 1/2" LG					
						75	NAS603-20P		SCREW, 10-32, 1-1/4" LG					
						74	AN960C10		WASHER No 10					
						73	BACW10P168L		WASHER 10-32					
						72	NAS1149D0316J		WASHER					
						71	NAS1836-3-12		INSERT, 10-32, 3/8" LG					
						70	NAS1836-3-11		INSERT, 10-32, 11/32" LG	▲ALTERNATIVE SL607-3-6				
						68	A2000-113		PLACARD ARROW					
						67	ARALDITE 420A/B		ADHESIVE					
						66	ARALDITE 252		EDGE FILLER					
						65	A2000-172		PLACARD SEAT BELT EXT INSIDE					
						64	A2000-161		PLACARD TORCH (SYMBOLIC)					
						63	A2000-109		PLACARD FIRE EXT (SYMBOLIC)					
						62	A2000-171		PLACARD PROTECTIVE GLOVES INSIDE					
						61	A2000-170		PLACARD PORTABLE OXYGEN INSIDE					
						60	A2000-130		PLACARD MEGAPHONE (PICTORIAL)					
						59	A2000-173		PLACARD DEFIBRILLATOR					
						58	A2000-175		PLACARD DEMO EQUIPMENT INSIDE					
						57	A2000-250		PLACARD ELT					
						56	A2000-298		PLACARD FIRST AID SYMBOLIC					
						55	A2000-238		PLACARD DOCTORS BOX / EMK					
						54	A2000-318		PLACARD BABYCOT					
						53	A2000-251		PLACARD CRASH AXE					
						52	A2000-237		PLACARD RESUS MASK					
						51	A2000-169		PLACARD SMOKEHOOD INSIDE					
						50	A2000-319		PLACARD SMOKEHOOD					

No. OFF	No. OFF	No. OFF	No. OFF	No. OFF	MAP REF	ITEM No.	PART NUMBER	ITEM ISS	KEYWORD / DESCRIPTION	MATERIAL	SPECIFICATION	WIDTH	EST WEIGHT	OR REMARKS
						49	A2000-314		PLACARD INFANT LIFE JACKET					
						48	A2000-313		PLACARD SPARE LIFE JACKET					
						47	A2000-317		PLACARD MEDISLING					
						46	A2000-559		PLACARD WHEELCHAIR					
						45	A2000-558		PLACARD VIEWING MIRROR					
						44	67/252A2724-001		POUCH - SPARE LIFEVEST					
						43	67/252A2723-001		POUCH - EXT SEAT BELTS					
						42	FGA2000001AMFRUHAS		POUCH - CRASH AXE	▲FRANK GUY				
						41	32/252A2930-001		POUCH - INSPECTION MIRROR					
						40	67/252A2701-001		POUCH - INFANT LIFEJACKET					
						39	67/252A2721-001		POUCH - DEMO KIT					
						38	232T4102-2		CRASH AXE COVER ASSY	▲BOEING				
						37	A2000-159		PLACARD CREW LIFEJACKET INSIDE					
						36	A2000-112		PLACARD CREW USE ONLY					
						35	A2000-311		PLACARD OXYGEN					
						34								
						33	A0861		ELT MOUNTING BRACKET	▲H R SMITH				
						32								
						31	BA50102-3		BRACKET - FIRE EXTINGUISHER					
						30	BACB20J3A		BRACKET - OXY BOTTLE REAR	▲ALT P/N BACB20J5A				
						29	BACB20J1A		BRACKET - OXY BOTTLE FRONT	▲ALT P/N BACB20J4A				
						28	E28183-04		BRACKET SMOKEHOOD	▲8 EXISTING 1 REQUIRED				
						27	69-64084-1		LOUDHAILER BRACKET	▲EXISTING				
						26	2520502		WHEELCHAIR	▲GERALD SIMONDS MEYRA				
						25	A20046		INSPECTION MIRROR					
						24	820003		RESUS MASK	▲EXISTING LAERDAL ALT P/N 764-625				
						23	MEDISLING		MEDISLING	▲MEDesIgn LTD				
						22	5500-B1A-BF23A		PORTABLE OXYGEN BOTTLE	▲SCOTT				
						21	LIFEPAK 500		DEFIBRILLATOR					7.19 LBS
						20	AMMFAK1		FIRST AID KIT					18.7 LBS
						19	STATKIT 600		MEDICAL KIT					3.96 LBS
						18	BA51015G3		BCF FIRE EXT.	▲2 EXISTING 5 ROD ALT BA51015S3 / BA51015-3				14.9 LBS
						17	501848-417-1849		SEAT BELT EXT.					3.3 LBS
						16	FKK8-35K1		FIRE GLOVES	▲EXISTING				
						15	MP210-00		CREW SMOKE GOGGLES	▲EXISTING				
						14	A346600A00		BABYCOT	▲BEAUFORT MKIV				3.2 LBS
						13	NPN		ESCAPE ROPE	▲EXISTING				
						12	SEE NOTE 1		DEMO KIT					
						11	500-12Y		ELT	▲HR SMITH				1.3 LBS
						10	MC10-08-107		CREW OXY MASK	▲EXISTING				
						9	00002256		SPARE LIFEVEST	▲ALT P/N RFD 102 MK1/MK2 OR BEAUFORT MK20 OR 00002214				1.1 LBS
						8	00002260		INFANT LIFEVEST	▲ALT P/N RFD 105 MK1 OR BEAUFORT MK22 OR 00002143				1.1 LBS
						7	00002264		CREW LIFEVEST	▲ALT P/N RFD 102 MK1 OR MK2 OR 00002215				1.1 LBS
						6	P2-07-0001-201		TORCH	▲EXISTING ALT P/N P2-07-0001-212				1.5 LBS
						5	ACMREM1BA		LOUDHAILER	▲EXISTING (ALT P/N ACR-EM1)				2.3 LBS
						4	42D8331-443		CRASH AXE					2.2 LBS
						3	E28180-10		SMOKEHOOD	▲8 EXISTING AND 1 REQUIRED				6.6 LBS

No. OFF	No. OFF	No. OFF	No. OFF	No. OFF	MAP REF	ITEM No.	PART NUMBER	ITEM ISS	KEYWORD / DESCRIPTION	MATERIAL	SPECIFICATION	WIDTH	EST WEIGHT	OR REMARKS
						2	-001		CONT. FROM RHS					

No. OFF	No. OFF	No. OFF	No. OFF	No. OFF	MAP REF	ITEM No.	PART NUMBER	ITEM ISS	KEYWORD / DESCRIPTION	MATERIAL	SPECIFICATION	WIDTH	EST WEIGHT	OR REMARKS
						2	-001		EQUIPMENT INSTALLATION					

A/D	A/D	A/D	A/D	A/D
2	2	1	1	2

0322-256-757-121	0322-256-757-120	0322-256-757-119	0322-256-757-087	0322-256-757-001

AES LTD
OFFICIAL ISSUE
DATE: 16:02:2004
COPY

0322-256-757-121	0322-256-757-120	0322-256-757-119	0322-256-757-087	0322-256-757-001

DRAWN BY: A BUGDEN	DATE: FEB 2003	MODIFICATION No: SEE TABLE 1
CHECKED BY: RW / MAE	SCALE: 1:120 AT A3 U.O.S.	JAR APP.: CAA.JAA.02304 BCAR APP.: AD/1833/01
STRESS: M A E	LIMITS: ± .25 U.O.S.	THIRD ANGLE PROJECTION:
APPROVED: A M D	SURFACE FINISH:	DIMENSIONS IN: INCHES
TITLE: EMERGENCY EQUIPMENT INSTALLATION		

©2003 ALL RIGHTS RESERVED. THE INFORMATION CONTAINED HEREIN IS PROPRIETARY TO AEROSPACE ENGINEERING SOLUTIONS LIMITED AND SHALL NOT BE REPRODUCED OR DISCLOSED WITHOUT THE OWNERS WRITTEN PERMISSION.

PT No	NHA	No. OFF	EFFECTIVITY
SEE TABLE 1 (SHEET 2)			

0322-256-757

SHEET 1 OF 11 SHEETS

0322-256-757

SHEET 2 OF 11 SHEETS
DRAWING SIMILAR TO
N/A

REVISIONS				
DRG ISS No.	RELEASE DOC.	ISSUE DATE:	DRG CHANGE	APP BY:
1	0268	FEB 2003	NEW	M A E
2	0565	FEB 2004	0183	MAE

NOTES:

THIS DRAWING RELOCATES INSTALLS EMERGENCY EQUIPMENT TO THE SUBJECT AIRCRAFT TO SATISFY FIRST CHOICE AIRWAYS REQUIREMENTS. READ IN CONJUNCTION WITH MEI-258 AND LAYOUT DRAWING 0321-256-757.

1. EACH DEMO EQUIPMENT POUCH ITEM 39 SHALL CONTAIN THE FOLLOWING EQUIPMENT:
 DEMO LIFEJACKET - RFD 102 YELLOW OR 40982002.
 DEMO OXYGEN MASK - SIERRA 289-701-27.
 DEMO EXT SEAT BELT - AM SAFE 501848-417-1849.
 SAFETY CARD.

2. INTENTIONALLY LEFT BLANK.

3. INSTALL (OR REPLACE) NEW PLACARDS WHERE NECESSARY
 LOCATE NEW PLACARDS IN APPROXIMATE LOCATION AS SHOWN.

4. MATL: 0.40" THK FIBRELAM GRADE 2 LS.

5. INTENTIONALLY LEFT BLANK.

6. EXISTING EQUIPMENT INSTALLED AT THIS LOCATION AT TIME OF DELIVERY.

7. INTENTIONALLY LEFT BLANK.

8. PART MARK USING BLACK INDELIBLE INK WHERE SHOWN "□". PART MARK DETAILS TO INCLUDE MANUFACTURERS NAME (OR TRADEMARK OR SYMBOL), DATE AND THE LETTERS E.P.A.

ON SMALL ITEMS SUPPLIED AS KITS OR DECALS. BAG AND LABEL EACH ITEM WITH THE FOLLOWING INFORMATION: MANUFACTURERS NAME (OR TRADEMARK OR SYMBOL), DATE AND THE LETTERS E.P.A.

9. BLACK CHARACTERS ON WHITE SELF ADHESIVE BACKGROUND COVER WITH CLEAR SELF ADHESIVE FILM.

10. POT INSERTS IN Ø.452/.457 x DEPTH FOR ITEM 70 0.344" AND DEPTH FOR ITEM 71 0.375 TYP (UOS) USING ADHESIVE, ITEM 67 AND FILL ALL VOIDS. ENSURE INSERT LIES FLUSH WITH PANEL FACE. ENSURE NEW INSERTS DO NOT INTERFERE WITH ANY EXISTING FRAMEWORK OR OTHER INTERNAL SUPPORTING STRUCTURE - REPOSITION A/R & ADVISE DESIGN OF NEW LOCATION.

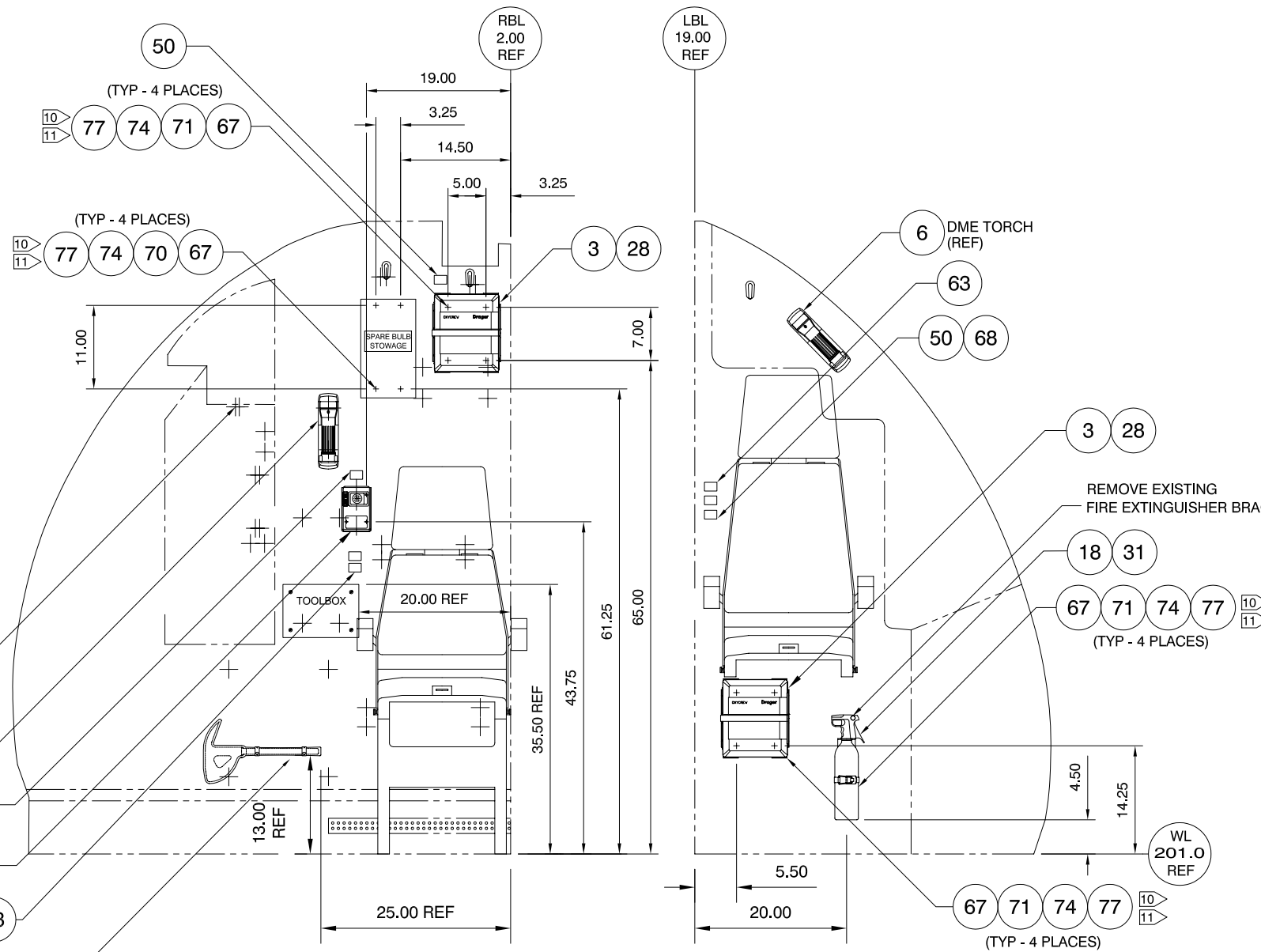
11. STORE, MIX AND APPLY ADHESIVES AND FILLERS PER MANUFACTURERS DATA SHEETS.

12. EDGE FILL ALL EXPOSED EDGES TO A DEPTH OF ".10 USING ARALEDITE 252, ITEM 66.

13. INSTALL WEIGHT LIMITATION PLACARDS ITEMS 95, 97, 113, 115 AND 117 OVER EXISTING BIN LIMITATION DECAL.

14. ETCH PRIME & PAINT TO MATCH FLIGHTDECK CONSOLE.

15. CARRIAGE OF THE DEFIBRILLATOR IS THE RESPONSIBILITY OF THE OPERATOR.



VIEW ON ARROW 'C'
FLIGHTDECK RH BULKHEAD
SCALE 1:20
VIEW LOOKING AFT

VIEW ON ARROW 'D'
FLIGHTDECK LH BULKHEAD
SCALE 1:20
VIEW LOOKING AFT

TABLE 1

ASSEMBLY	MOD. No.	MEI. No.	REG.	SER. No.
-001	AES-757-104 Pt. J	MEI-089	G-CPEU	29941
-001	AES-757-104 Pt. J	MEI-089	G-CPEV	29943
-001	AES-757-192 Pt. L	MEI-258	G-OOBG	29942
-001	AES-757-192 Pt. L	MEI-258	G-OOBH	29944

No. OFF	No. OFF	No. OFF	No. OFF	No. OFF	MAP REF	ITEM No.	PART NUMBER	ITEM ISS	KEYWORD / DESCRIPTION	MATERIAL	SPECIFICATION	WIDTH	EST WEIGHT	
1						127	-127	2	COMPOSITE PANEL	▲FIBRELAM GRADE 2 LS 0.40" THK	11.5" x 16.5"			4
4	4	4				125	NAS1834-3K-400		INSERT SLEEVE 10-32 x 0.40" LG					
	1	1				123	-123	2	COMPOSITE PANEL	▲FIBRELAM GRADE 2 LS 0.40" THK	16.5" x 16.5"			4
			3			-121	-121	2	SAFETY EQUIP BASEBOARD ASSY					
			2			-120	-120	2	SAFETY EQUIP BASEBOARD ASSY					
			2			-119	-119	1	SAFETY EQUIP BASEBOARD ASSY					
									SEE SHEET 1					

No. OFF	No. OFF	No. OFF	No. OFF	No. OFF	MAP REF	ITEM No.	PART NUMBER	ITEM ISS	KEYWORD / DESCRIPTION	MATERIAL	SPECIFICATION	WIDTH	EST WEIGHT	
2	2	1	1	2	ISS				DRAWN BY: A BUGDEN	DATE: FEB 2003	MODIFICATION No: SEE TABLE 1			
									CHECKED BY: RW / MAE	SCALE: 1:10 AT A3 U.O.S.	JAR APP.: CAA-JAA.02304 BCAR APP.: AD/1833/01			
									STRESS: M A E	LIMITS: ±.25 U.O.S.	THIRD ANGLE PROJECTION: 			
									APPROVED: A M D	SURFACE FINISH:	DIMENSIONS IN: INCHES			
									TITLE: EMERGENCY EQUIPMENT INSTALLATION					

AES LTD
OFFICIAL ISSUE
DATE: 16:02:2004

COPY

1.5 40
30
1.0
20
0.5
10
0
0

IN MM

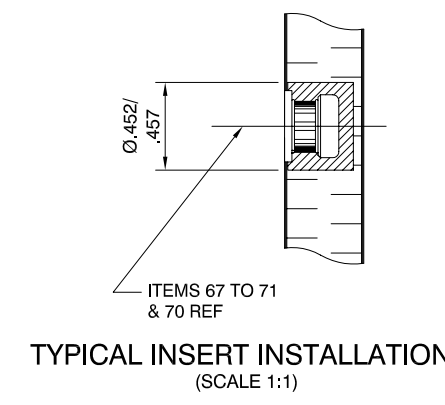
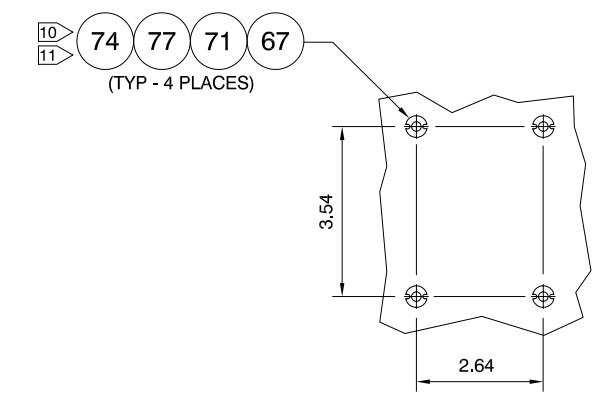
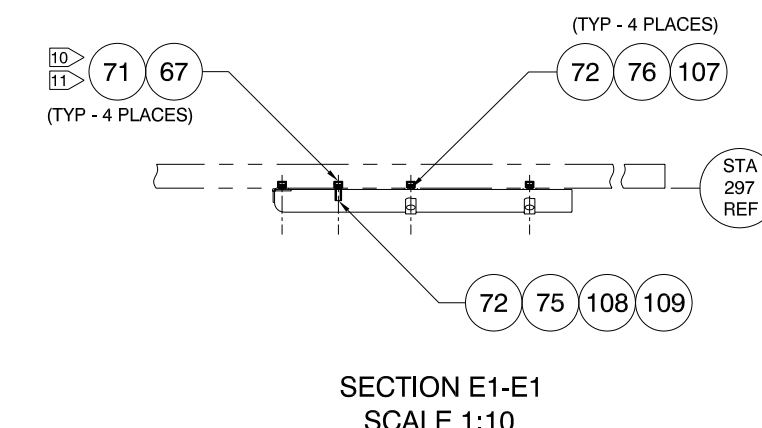
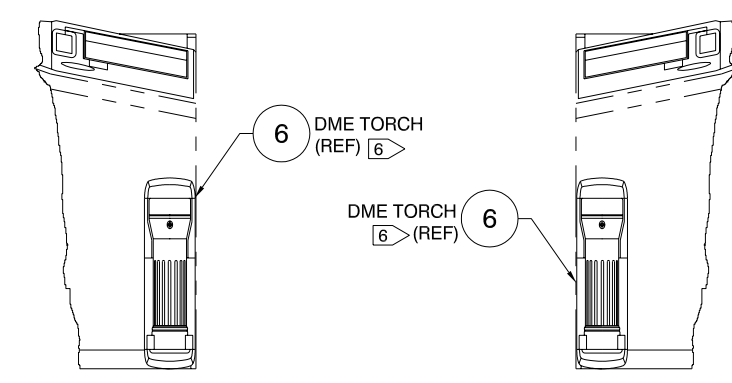
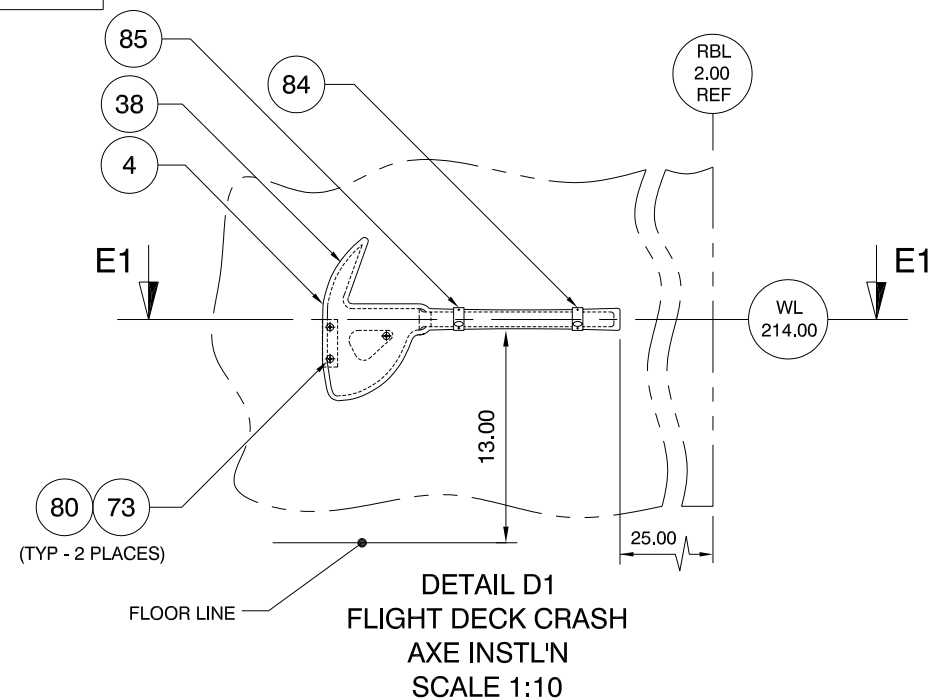
0322-256-757
SHEET 2 OF 11 SHEETS

0322-256-757

SHEET 3 OF 11 SHEETS
DRAWING SIMILAR TO
N/A

REVISIONS

DRG ISS No.	RELEASE DOC.	ISSUE DATE:	DRG CHANGE	APP BY:
1	0268	FEB 2003	NEW	M A E
2	0565	FEB 2004	0183	MAE



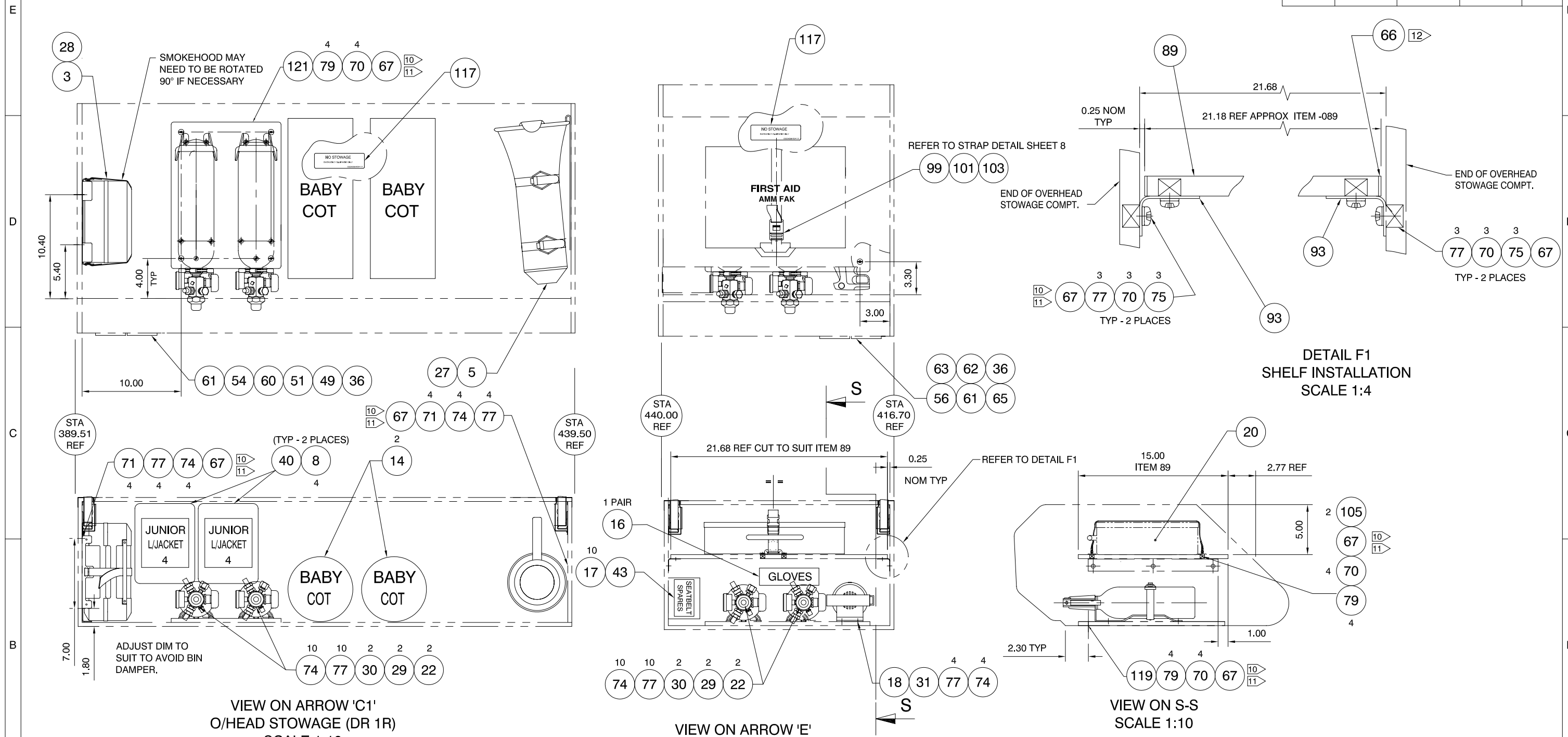
AES LTD
OFFICIAL ISSUE
DATE: 16:02:2004
COPY

MAP REF	ITEM No.	PART NUMBER	ITEM ISS	KEYWORD / DESCRIPTION	MATERIAL	SPECIFICATION	WIDTH	EST WEIGHT								
				SEE SHEET 1												
HAND	DRAWN BY: A BUGDEN		DATE: FEB 2003	MODIFICATION No: SEE TABLE 1	<p>©2003 ALL RIGHTS RESERVED. THE INFORMATION CONTAINED HEREIN IS PROPRIETARY TO AEROSPACE ENGINEERING SOLUTIONS LIMITED AND SHALL NOT BE REPRODUCED OR DISCLOSED WITHOUT THE OWNERS WRITTEN PERMISSION.</p> <table border="1"> <tr> <th>PT No</th> <th>NHA</th> <th>No. OFF</th> <th>EFFECTIVITY</th> </tr> <tr> <td></td> <td>SEE TABLE 1 (SHEET 2)</td> <td></td> <td></td> </tr> </table>				PT No	NHA	No. OFF	EFFECTIVITY		SEE TABLE 1 (SHEET 2)		
PT No	NHA	No. OFF	EFFECTIVITY													
	SEE TABLE 1 (SHEET 2)															
ISS	CHECKED BY: RW / MAE		SCALE: 1:10 AT A3 U.O.S.	JAR APP.: CAA.JAA.02304 BCAR APP.: AD/1833/01												
	STRESS: M A E		LIMITS: ±.25 U.O.S.	THIRD ANGLE PROJECTION:												
	APPROVED: A M D		SURFACE FINISH:	DIMENSIONS IN: INCHES												
	TITLE: EMERGENCY EQUIPMENT INSTALLATION				<p style="font-size: 24pt; font-weight: bold;">0322-256-757</p> <p style="font-size: 10pt;">SHEET 3 OF 11 SHEETS</p>											

0322-256-757

SHEET 4 OF 11 SHEETS
DRAWING SIMILAR TO
N/A

REVISIONS				
DRG ISS No.	RELEASE DOC.	ISSUE DATE:	DRG CHANGE	APP BY:
1	0268	FEB 2003	NEW	M A E
2	0565	FEB 2004	0183	MAE



AES LTD
OFFICIAL ISSUE
DATE: 16:02:2004
COPY

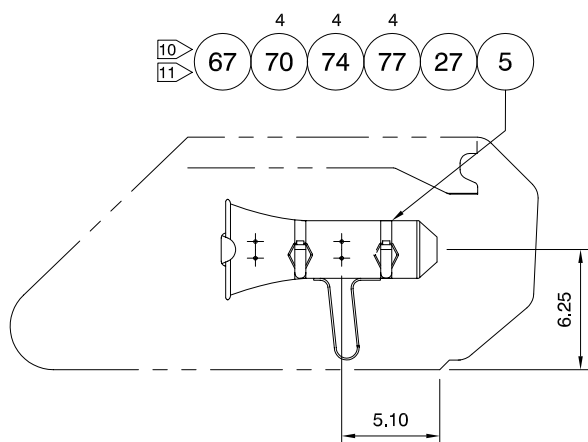
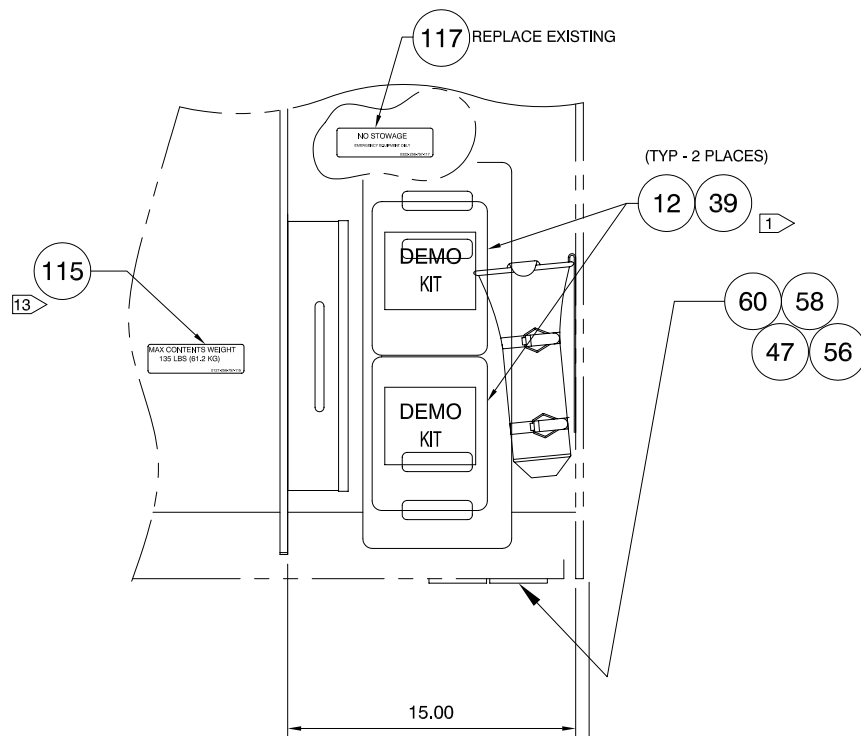
MAP REF	ITEM No.	PART NUMBER	ITEM ISS	KEYWORD / DESCRIPTION	MATERIAL	SPECIFICATION	WIDTH	EST WEIGHT
				SEE SHEET 1				
HAND	DRAWN BY: A BUGDEN		DATE: FEB 2003	MODIFICATION No: SEE TABLE 1				
ISS	CHECKED BY: RW / MAE		SCALE: 1:10 AT A3 U.O.S.	JAR APP.: CAA.JAA.02304 BCAR APP.: AD/1833/01				
	STRESS: M A E		LIMITS: ±.25 U.O.S.	THIRD ANGLE PROJECTION:				
	APPROVED: A M D		SURFACE FINISH:	DIMENSIONS IN: INCHES				
	TITLE: EMERGENCY EQUIPMENT INSTALLATION							
PART NUMBER					PT No	NHA	No. OFF	EFFECTIVITY
					SEE TABLE 1 (SHEET 2)			
					0322-256-757			
					SHEET 4 OF 11 SHEETS			

0322-256-757

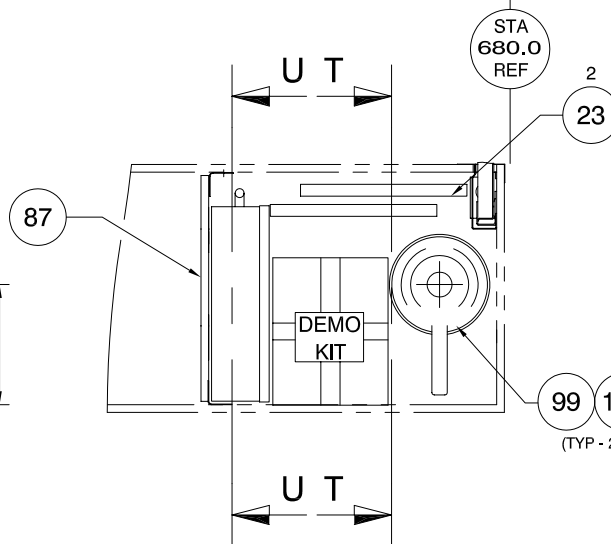
SHEET 5 OF 11 SHEETS
DRAWING SIMILAR TO
N/A

REVISIONS

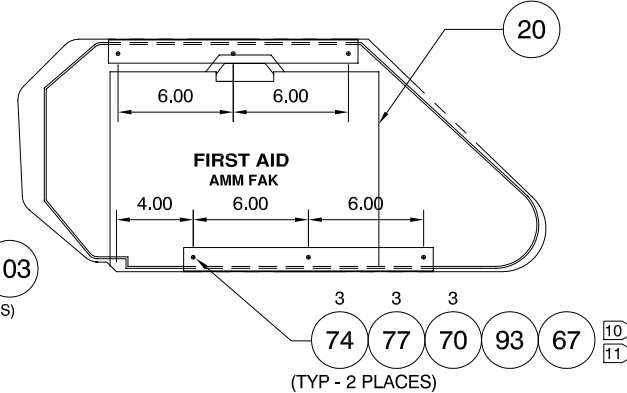
DRG ISS No.	RELEASE DOC.	ISSUE DATE:	DRG CHANGE	APP BY:
1	0268	FEB 2003	NEW	M A E
2	0565	FEB 2004	0183	MAE



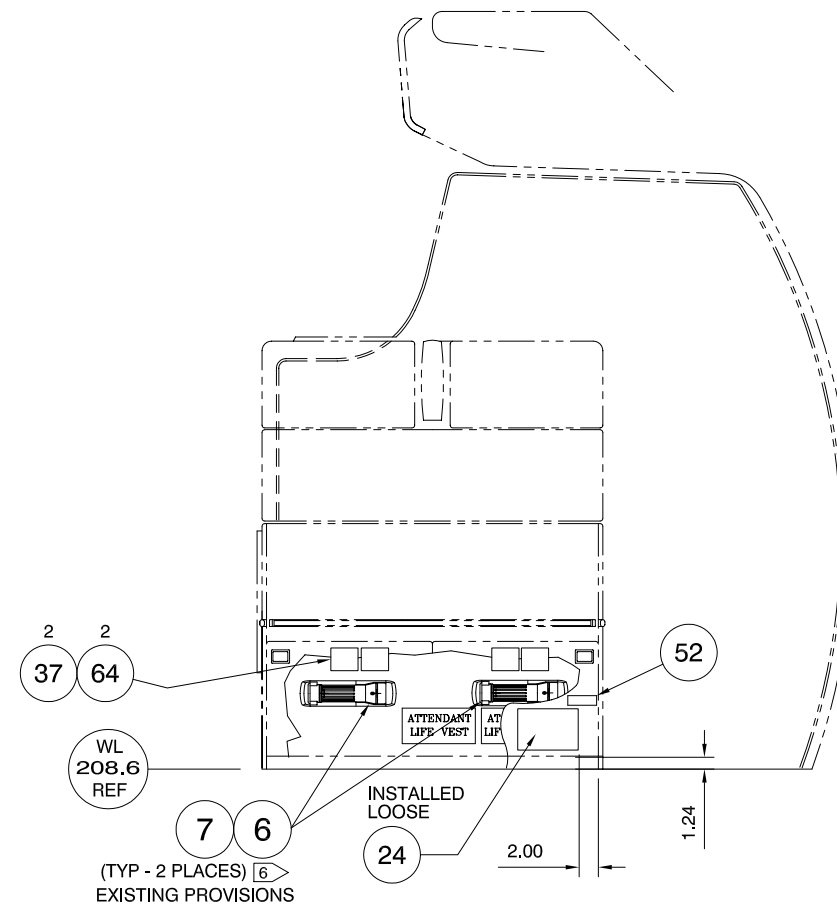
VIEW ON T-T
SCALE 1:10



VIEW ON ARROW 'F'
O/HEAD STORAGE (DR 2R FWD)
SCALE 1:10
VIEW LOOKING OUTBOARD



VIEW ON U-U
SCALE 1:10



VIEW ON ARROW 'R'
DBL ATTENDANT SEAT
SCALE 1:20
VIEW LOOKING FORWARD

FWD

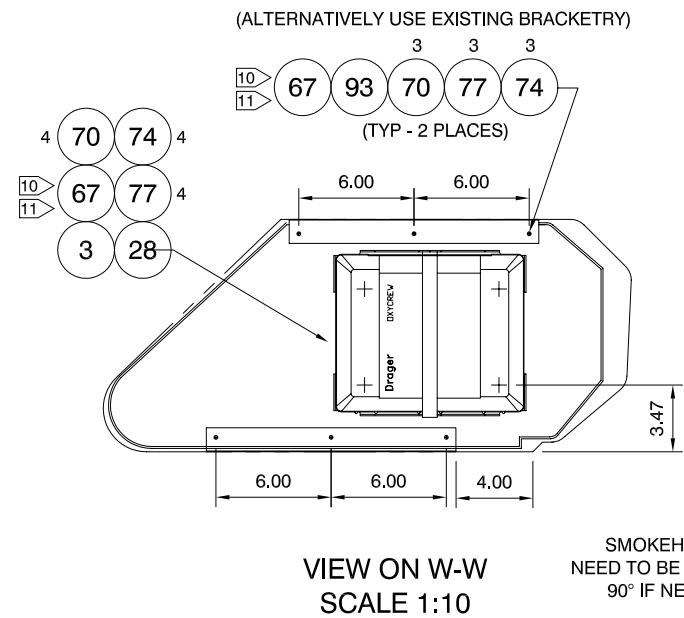
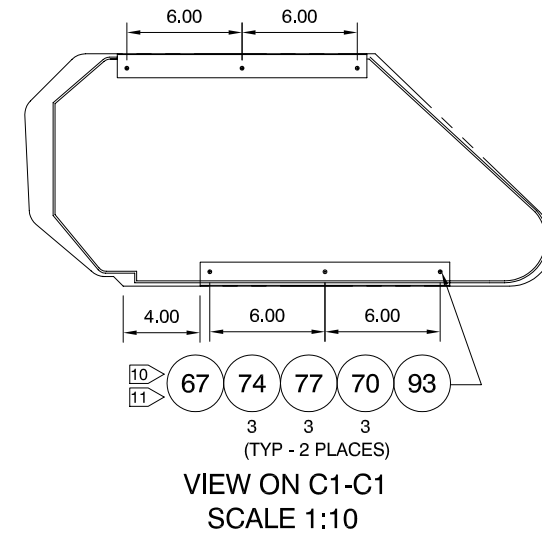
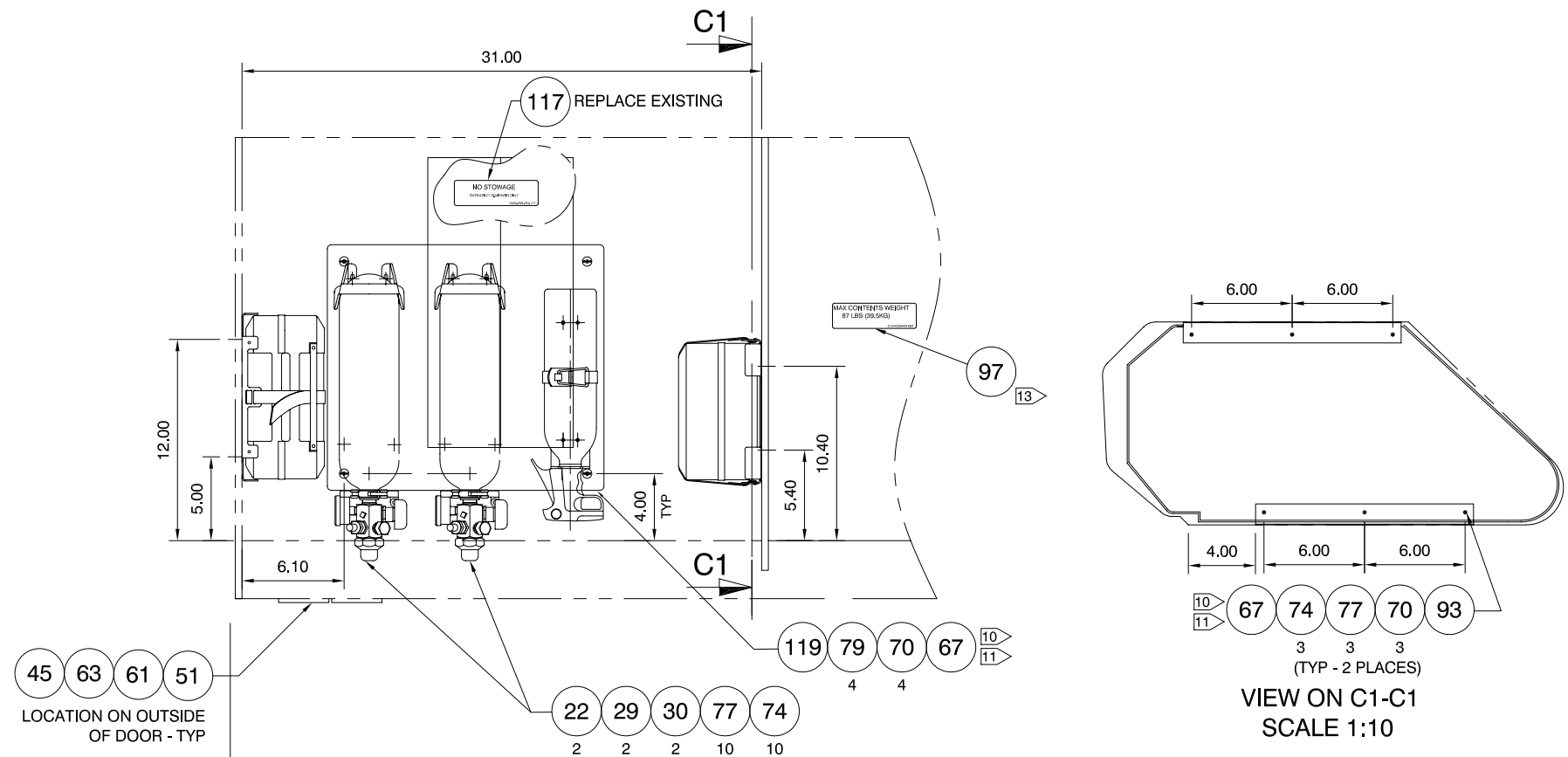
AES LTD
OFFICIAL ISSUE
DATE: 16:02:2004
COPY

MAP REF	ITEM No.	PART NUMBER	ITEM ISS	KEYWORD / DESCRIPTION	MATERIAL	SPECIFICATION	WIDTH	EST WEIGHT
				SEE SHEET 1				
HAND	DRAWN BY: A BUGDEN		DATE: FEB 2003	MODIFICATION No: SEE TABLE 1	OR REMARKS			
ISS	CHECKED BY: RW / MAE		SCALE: 1:10 AT A3 U.O.S.	JAR APP.: CAA, JAA, 02304 BCAR APP.: AD/1833/01	©2003 ALL RIGHTS RESERVED. THE INFORMATION CONTAINED HEREIN IS PROPRIETARY TO AEROSPACE ENGINEERING SOLUTIONS LIMITED AND SHALL NOT BE REPRODUCED OR DISCLOSED WITHOUT THE OWNERS WRITTEN PERMISSION.			
PART NUMBER	STRESS: M A E	LIMITS: ±.25 U.O.S.	THIRD ANGLE PROJECTION:	DIMENSIONS IN: INCHES	PT No	NHA	No. OFF	EFFECTIVITY
	APPROVED: A M D	SURFACE FINISH:			SEE TABLE 1 (SHEET 2)			
	TITLE: EMERGENCY EQUIPMENT INSTALLATION				0322-256-757			
					SHEET 5 OF 11 SHEETS			

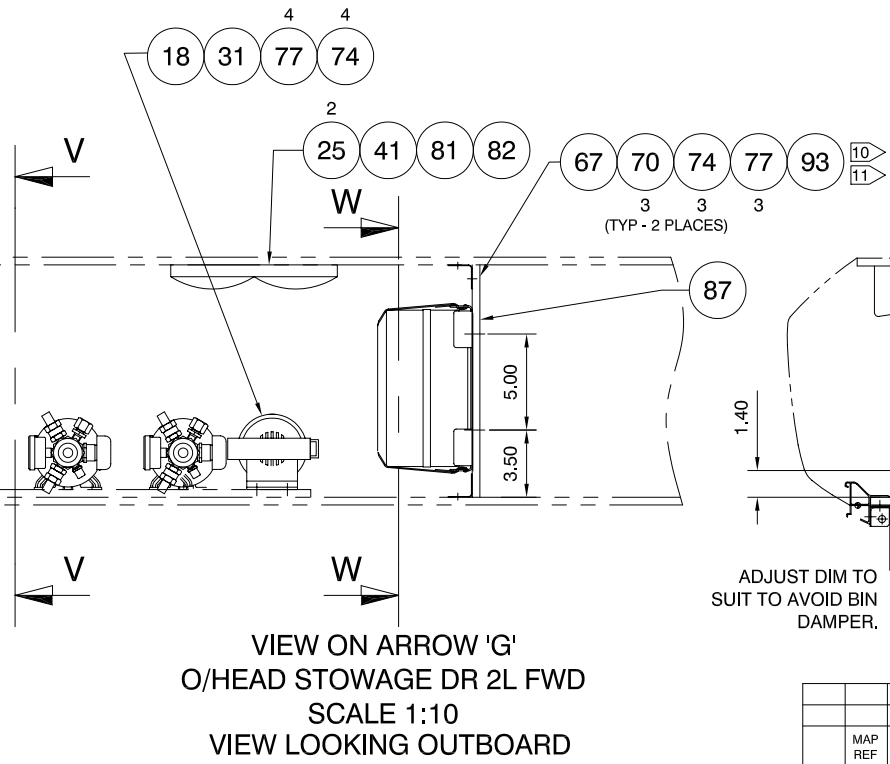
0322-256-757

SHEET 6 OF 11 SHEETS
DRAWING SIMILAR TO
N/A

REVISIONS				
DRG ISS No.	RELEASE DOC.	ISSUE DATE:	DRG CHANGE	APP BY:
1	0268	FEB 2003	NEW	M A E
2	0565	FEB 2004	0183	MAE



SMOKEHOOD MAY NEED TO BE ROTATED 90° IF NECESSARY



ADJUST DIM TO SUIT TO AVOID BIN DAMPER.

VIEW ON V-V SCALE 1:10

SMOKEHOOD MAY NEED TO BE ROTATED 90° IF NECESSARY

AES LTD
OFFICIAL ISSUE
DATE: 16:02:2004

COPY

FWD →

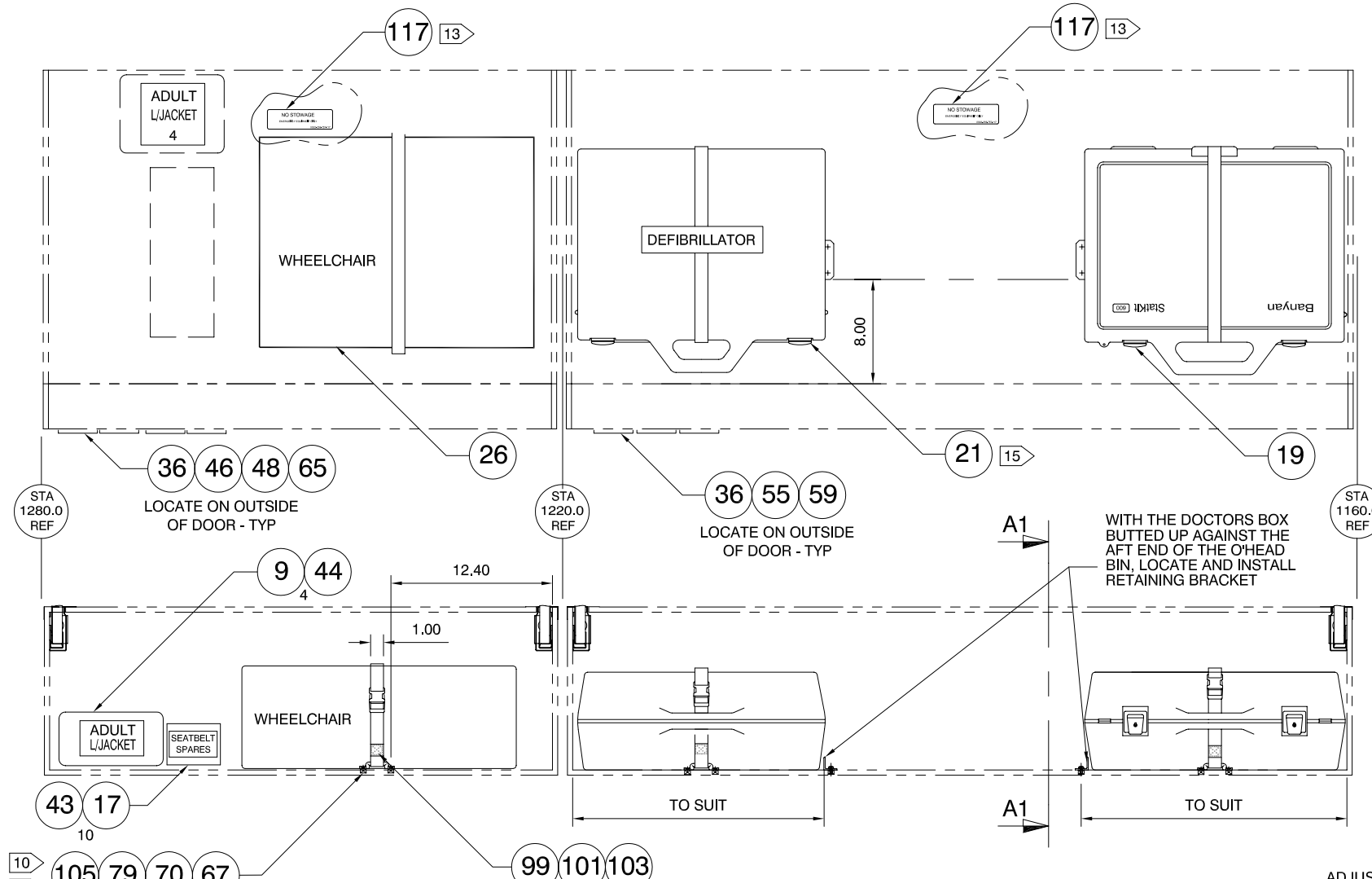
MAP REF	ITEM No.	PART NUMBER	ITEM ISS	KEYWORD / DESCRIPTION	MATERIAL	SPECIFICATION	WIDTH	EST WEIGHT								
				SEE SHEET 1												
HAND	DRAWN BY: A BUGDEN		DATE: FEB 2003	MODIFICATION No: SEE TABLE 1	<p>©2003 ALL RIGHTS RESERVED. THE INFORMATION CONTAINED HEREIN IS PROPRIETARY TO AEROSPACE ENGINEERING SOLUTIONS LIMITED AND SHALL NOT BE REPRODUCED OR DISCLOSED WITHOUT THE OWNERS WRITTEN PERMISSION.</p> <table border="1"> <tr> <th>PT No</th> <th>NHA</th> <th>No. OFF</th> <th>EFFECTIVITY</th> </tr> <tr> <td colspan="4">SEE TABLE 1 (SHEET 2)</td> </tr> </table>				PT No	NHA	No. OFF	EFFECTIVITY	SEE TABLE 1 (SHEET 2)			
PT No	NHA	No. OFF	EFFECTIVITY													
SEE TABLE 1 (SHEET 2)																
ISS	CHECKED BY: RW / MAE		SCALE: 1:10 AT A3 U.O.S.	JAR APP.: CAA.JAA.02304 BCAR APP.: AD/1833/01												
	STRESS: M A E		LIMITS: ±.25 U.O.S.	THIRD ANGLE PROJECTION:												
	APPROVED: A M D		SURFACE FINISH:	DIMENSIONS IN: INCHES												
	TITLE: EMERGENCY EQUIPMENT INSTALLATION				<p>0322-256-757</p> <p>SHEET 6 OF 11 SHEETS</p>											

0322-256-757

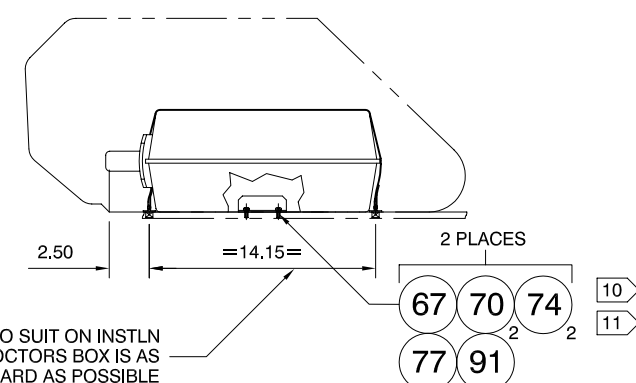
SHEET 8 OF 11 SHEETS
DRAWING SIMILAR TO
N/A

REVISIONS

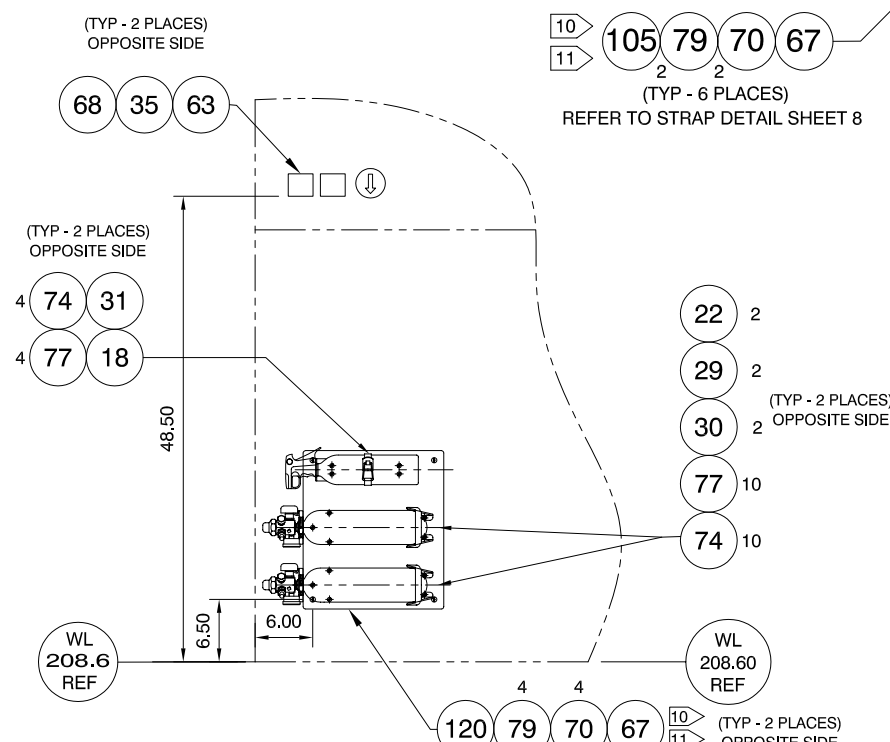
DRG ISS No.	RELEASE DOC.	ISSUE DATE:	DRG CHANGE	APP BY:
1	0268	FEB 2003	NEW	M A E
2	0565	FEB 2004	0183	MAE



VIEW ON ARROW 'H'
O/HEAD STORAGE FWD
LAV C
SCALE 1:12
VIEW LOOKING OUTBOARD
FWD



VIEW ON A1-A1
SCALE 1:12



VIEW ON ARROW 'M' SHOWN
VIEW ON ARROW L OPPOSITE SIDE (SIMILAR)
AFT WINDBREAK
SCALE 1:20
VIEW LOOKING AFT

AES LTD
OFFICIAL ISSUE
DATE: 16:02:2004
COPY

MAP REF	ITEM No.	PART NUMBER	ITEM ISS	KEYWORD / DESCRIPTION	MATERIAL	SPECIFICATION	WIDTH	EST WEIGHT
				SEE SHEET 1				
HAND	DRAWN BY: A BUGDEN		DATE: FEB 2003	MODIFICATION No: SEE TABLE 1				
ISS	CHECKED BY: RW / MAE		SCALE: 1:10 AT A3 U.O.S.	JAR APP.: CAA.JAA.02304 BCAR APP.: AD/1833/01				
PART NUMBER	STRESS: M A E		LIMITS: ±.25 U.O.S.	THIRD ANGLE PROJECTION:				
	APPROVED: A M D		SURFACE FINISH:	DIMENSIONS IN: INCHES				
	TITLE: EMERGENCY EQUIPMENT INSTALLATION							
					1.5	40		
					30			
					1.0			
					20			
					0.5			
					10			
					0			
					IN	MM		
					0	0		

0322-256-757

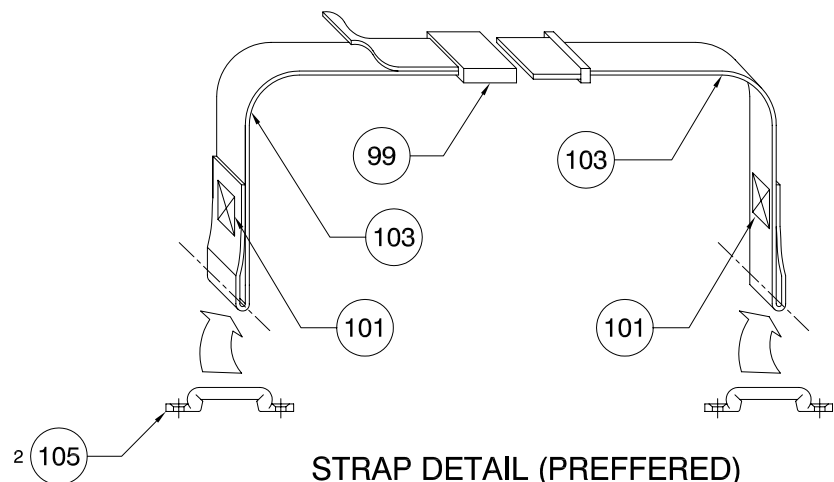
SHEET 8 OF 11 SHEETS

0322-256-757

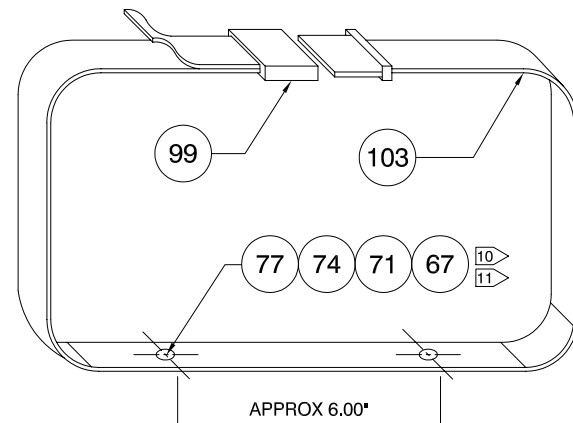
SHEET 9 OF 11 SHEETS
DRAWING SIMILAR TO
N/A

REVISIONS

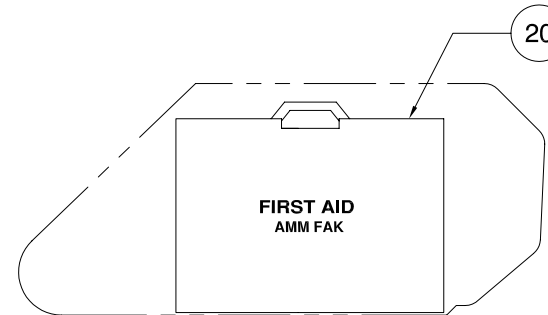
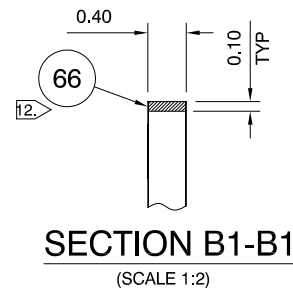
DRG ISS No.	RELEASE DOC.	ISSUE DATE:	DRG CHANGE	APP BY:
1	0268	FEB 2003	NEW	M A E
2	0565	FEB 2004	0183	MAE



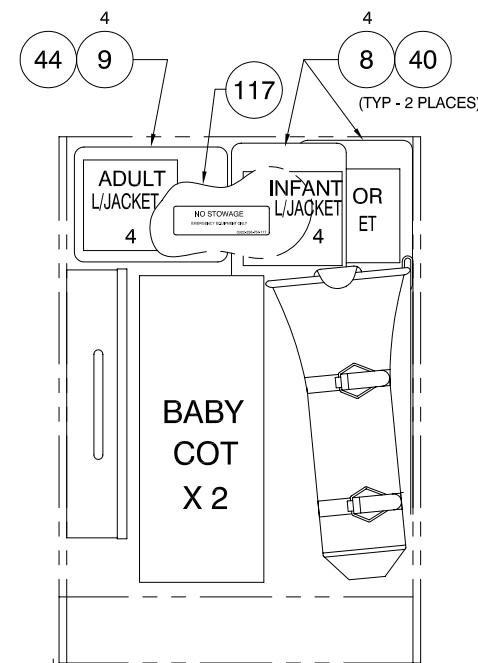
STRAP DETAIL (PREFERRED)
QTY 4 OFF
FROM SHEET 7, 3
SCALE 1:4



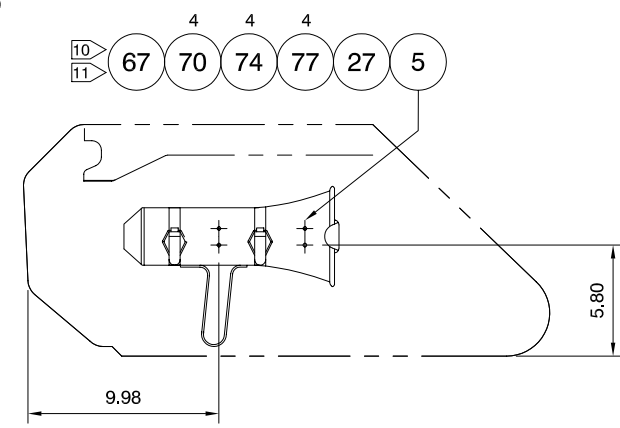
STRAP DETAIL (ALTERNATIVE)
QTY 4 OFF
FROM SHEET 7, 3
SCALE 1:4



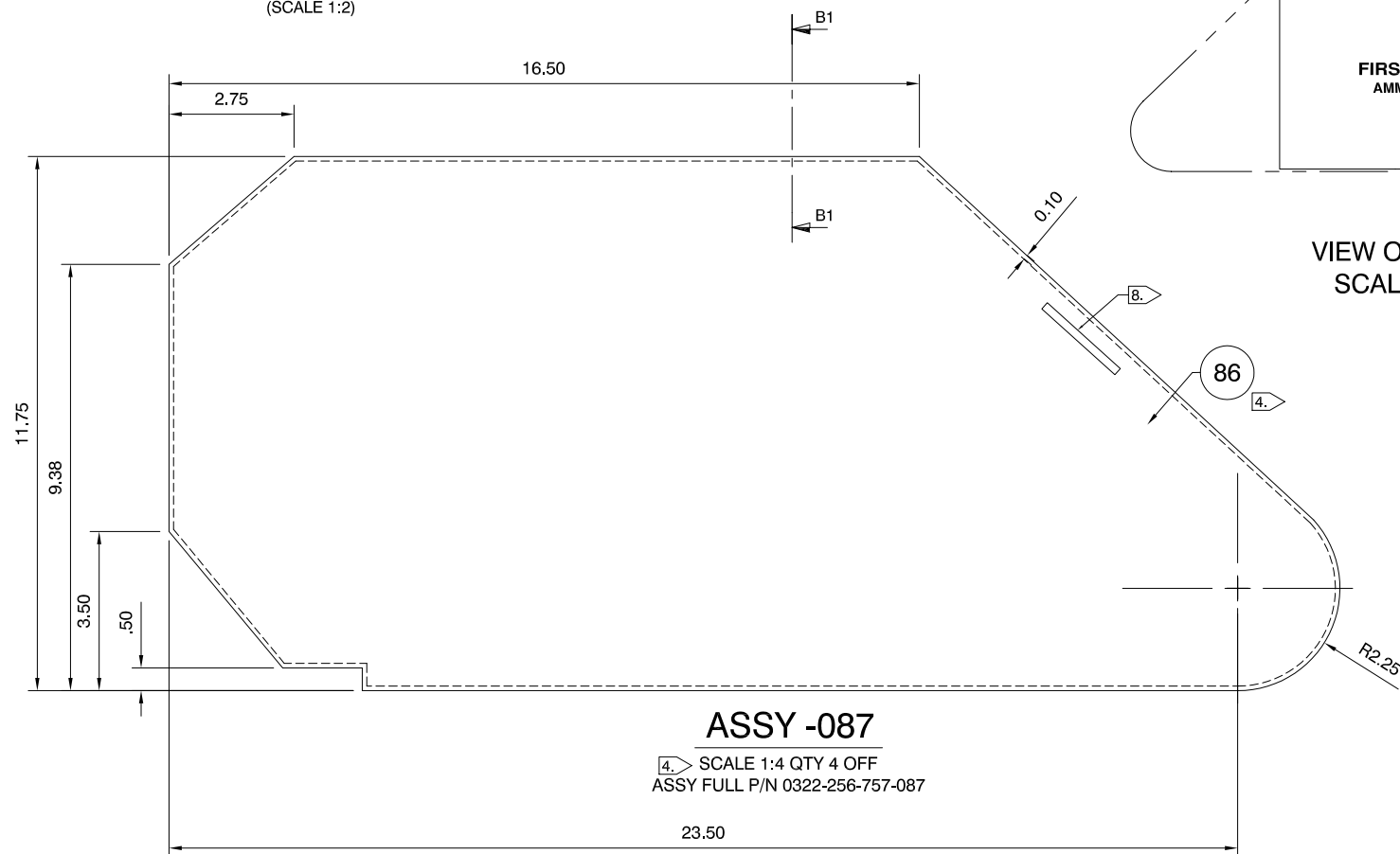
VIEW ON D1-D1
SCALE 1:20



VIEW ON ARROW 'K'
O/HEAD STOWAGE DOOR 4L
SCALE 1:10
VIEW LOOKING OUTBOARD
FWD



VIEW ON E1-E1
SCALE 1:20



ASSY -087
SCALE 1:4 QTY 4 OFF
ASSY FULL P/N 0322-256-757-087

MAP REF	ITEM No.	PART NUMBER	ITEM ISS	KEYWORD / DESCRIPTION	MATERIAL	SPECIFICATION	WIDTH	EST WEIGHT								
				SEE SHEET 1												
HAND	DRAWN BY: A BUGDEN		DATE: FEB 2003	MODIFICATION No: SEE TABLE 1	<p>©2003 ALL RIGHTS RESERVED. THE INFORMATION CONTAINED HEREIN IS PROPRIETARY TO AEROSPACE ENGINEERING SOLUTIONS LIMITED AND SHALL NOT BE REPRODUCED OR DISCLOSED WITHOUT THE OWNERS WRITTEN PERMISSION.</p> <table border="1"> <tr> <th>PT No</th> <th>NHA</th> <th>No. OFF</th> <th>EFFECTIVITY</th> </tr> <tr> <td colspan="4">SEE TABLE 1 (SHEET 2)</td> </tr> </table>				PT No	NHA	No. OFF	EFFECTIVITY	SEE TABLE 1 (SHEET 2)			
PT No	NHA	No. OFF	EFFECTIVITY													
SEE TABLE 1 (SHEET 2)																
ISS	CHECKED BY: RW / MAE		SCALE: 1:120 AT A3 U.O.S.	JAR.APP.: CAA.JAA.02304 BCAR APP.: AD/1833/01												
	STRESS: M A E		LIMITS: ±.25 U.O.S.	THIRD ANGLE PROJECTION:												
	APPROVED: A M D		SURFACE FINISH:	DIMENSIONS IN: INCHES												
	TITLE: EMERGENCY EQUIPMENT INSTALLATION				<p>0322-256-757</p> <p>SHEET 9 OF 11 SHEETS</p>											

AES LTD
OFFICIAL ISSUE
DATE: 16:02:2004
COPY

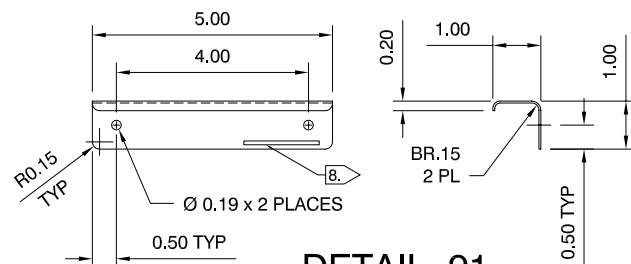
0322-256-757

SHEET 10 OF 11 SHEETS
DRAWING SIMILAR TO
N/A

REVISIONS

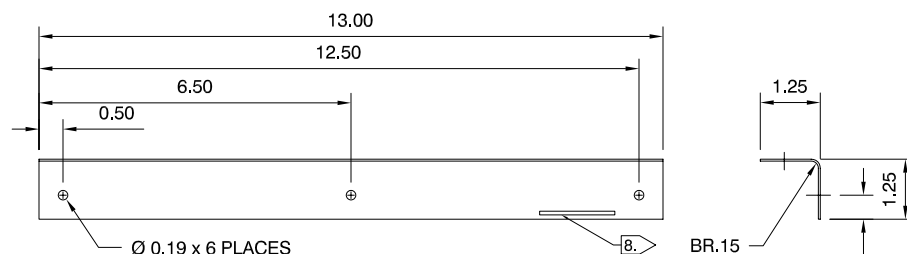
DRG ISS No.	RELEASE DOC.	ISSUE DATE:	DRG CHANGE	APP BY:
1	0268	FEB 2003	NEW	M A E
2	0565	FEB 2004	0183	MAE

AES LTD
OFFICIAL ISSUE
DATE: 16:02:2004
COPY



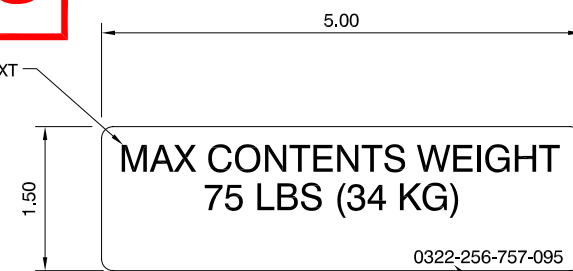
DETAIL -91

SCALE 1:4 QTY 2 OFF
MAT'L: 2024-T3, .050THK
FINISH: PRIME AND PAINT TO MATCH OVERHEAD BIN
INTERIOR ALT GLOSS WHITE (DTD 5555)



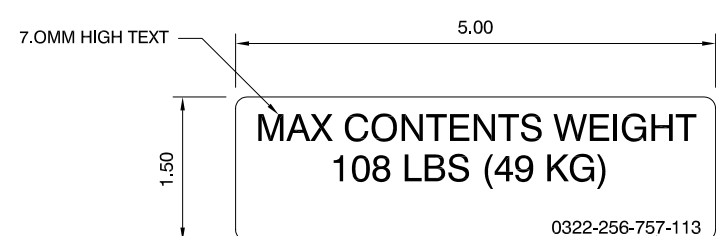
DETAIL -93

SCALE 1:4 QTY 10 OFF
MAT'L: 2024-T3, .050THK
FINISH: PRIME AND PAINT TO MATCH OVERHEAD BIN
INTERIOR ALT GLOSS WHITE (DTD 5555)



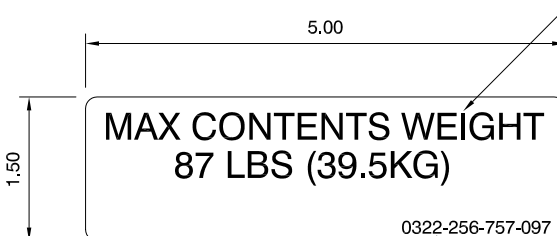
DETAIL ITEM 95

TYP 1 OFF - AEROGRAPHICS P/N A2000-681
(SCALE 1:2)



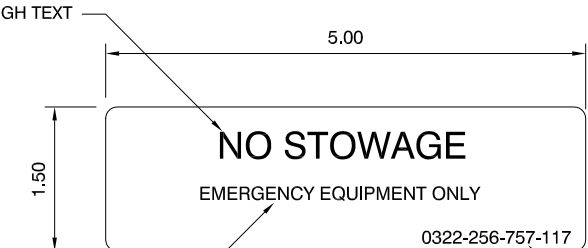
DETAIL ITEM 113

TYP 1 OFF - AEROGRAPHICS P/N A2000-678
(SCALE 1:2)



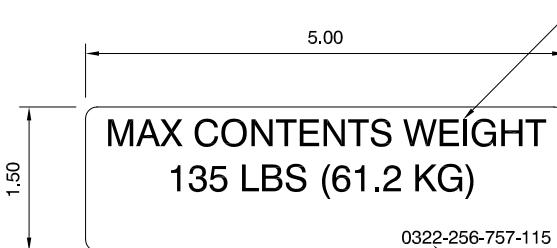
DETAIL ITEM 97

TYP 1 OFF
(SCALE 1:2)



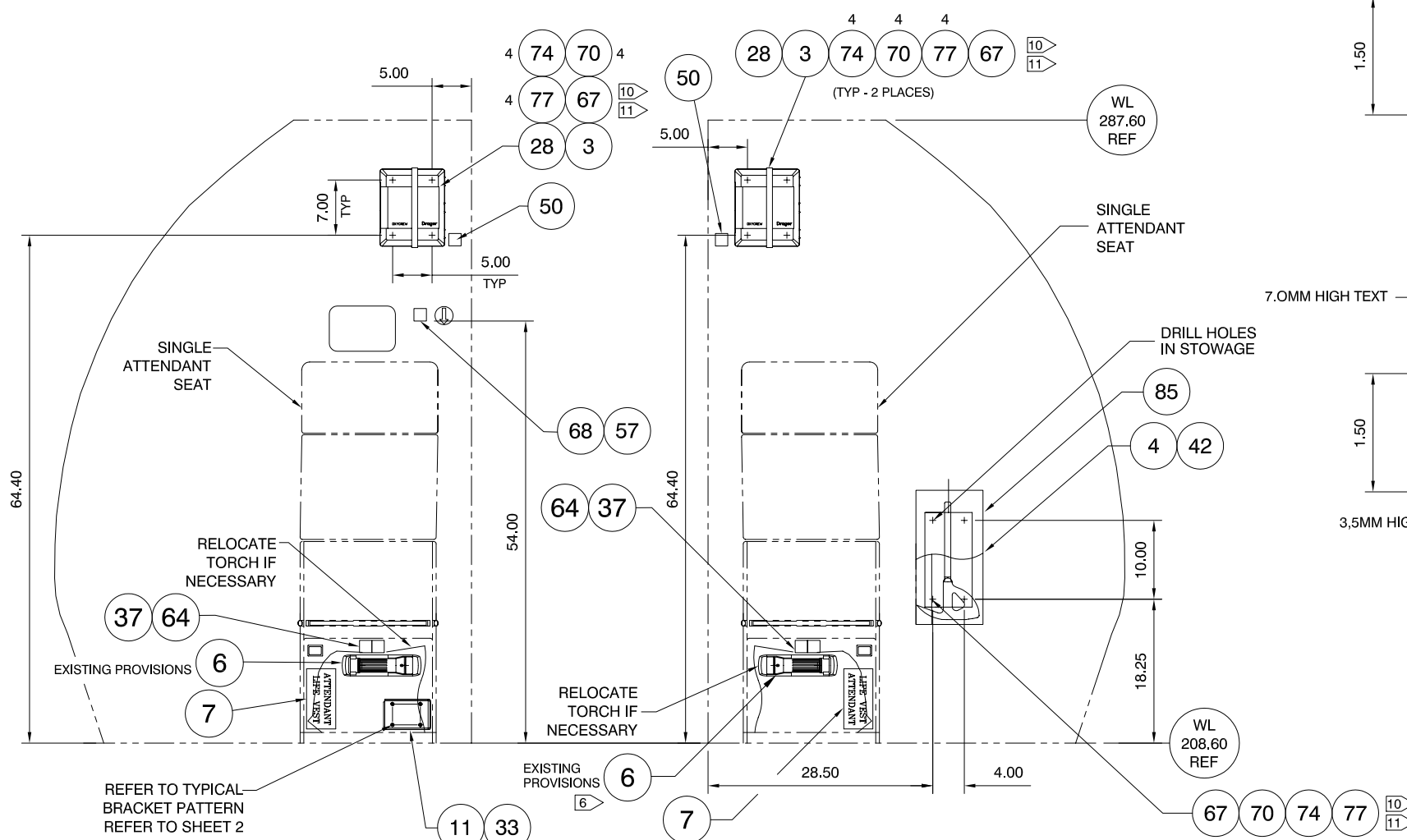
DETAIL ITEM 117

TYP 8 OFF
(SCALE 1:2)



DETAIL ITEM 115

TYP 3 OFF - AEROGRAPHICS P/N A2000-680
(SCALE 1:2)



VIEW ON ARROW 'P'
AFT WINDBREAK
SCALE 1:20
VIEW LOOKING FORWARD

VIEW ON ARROW 'N'
AFT WINDBREAK
SCALE 1:20
VIEW LOOKING FORWARD

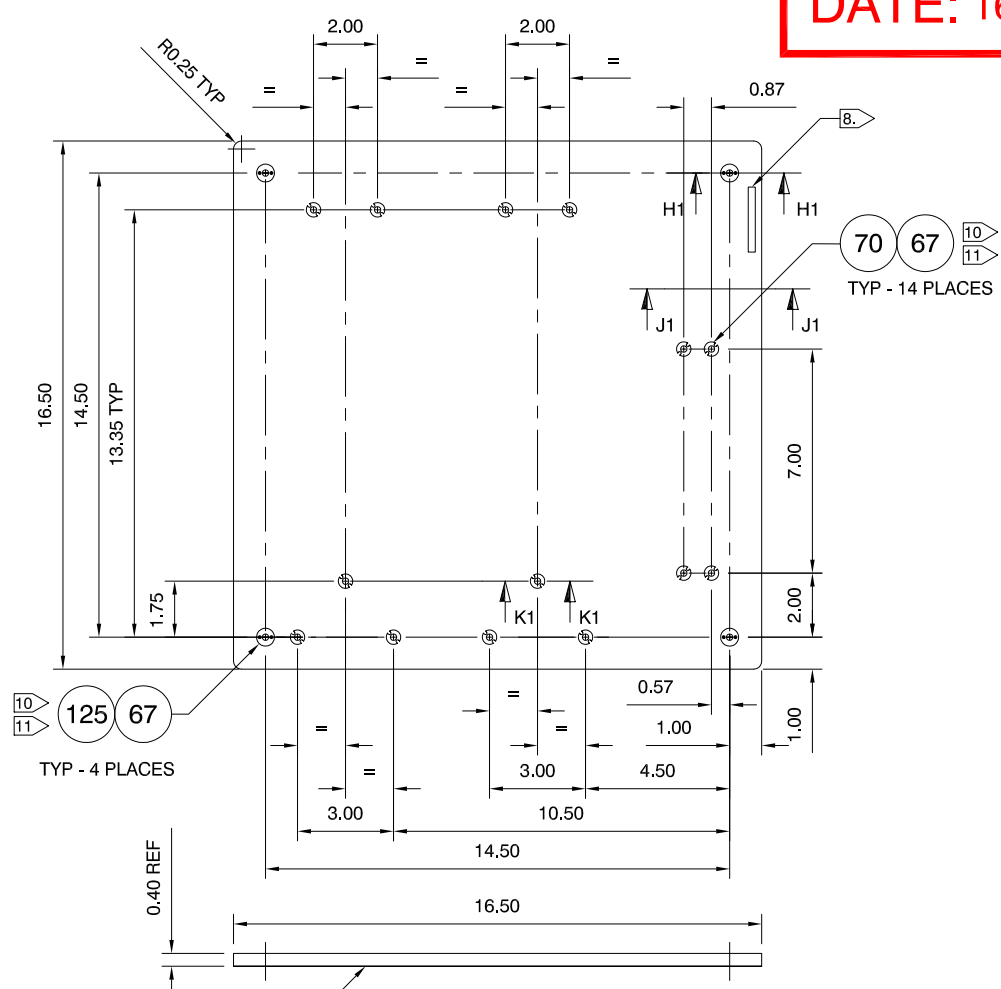
MAP REF	ITEM No.	PART NUMBER	ITEM ISS	KEYWORD / DESCRIPTION	MATERIAL	SPECIFICATION	WIDTH	EST WEIGHT								
				SEE SHEET 1												
HAND	ISS	STRESS:	APPROVED:	TITLE:	OR REMARKS											
		M A E	A M D	EMERGENCY EQUIPMENT INSTALLATION	<p>©2003 ALL RIGHTS RESERVED. THE INFORMATION CONTAINED HEREIN IS PROPRIETARY TO AEROSPACE ENGINEERING SOLUTIONS LIMITED AND SHALL NOT BE REPRODUCED OR DISCLOSED WITHOUT THE OWNERS WRITTEN PERMISSION.</p> <table border="1"> <tr> <th>PT No</th> <th>NHA</th> <th>No. OFF</th> <th>EFFECTIVITY</th> </tr> <tr> <td></td> <td>SEE TABLE 1 (SHEET 2)</td> <td></td> <td></td> </tr> </table>				PT No	NHA	No. OFF	EFFECTIVITY		SEE TABLE 1 (SHEET 2)		
PT No	NHA	No. OFF	EFFECTIVITY													
	SEE TABLE 1 (SHEET 2)															
					<p>0322-256-757</p> <p>SHEET 10 OF 11 SHEETS</p>											

0322-256-757

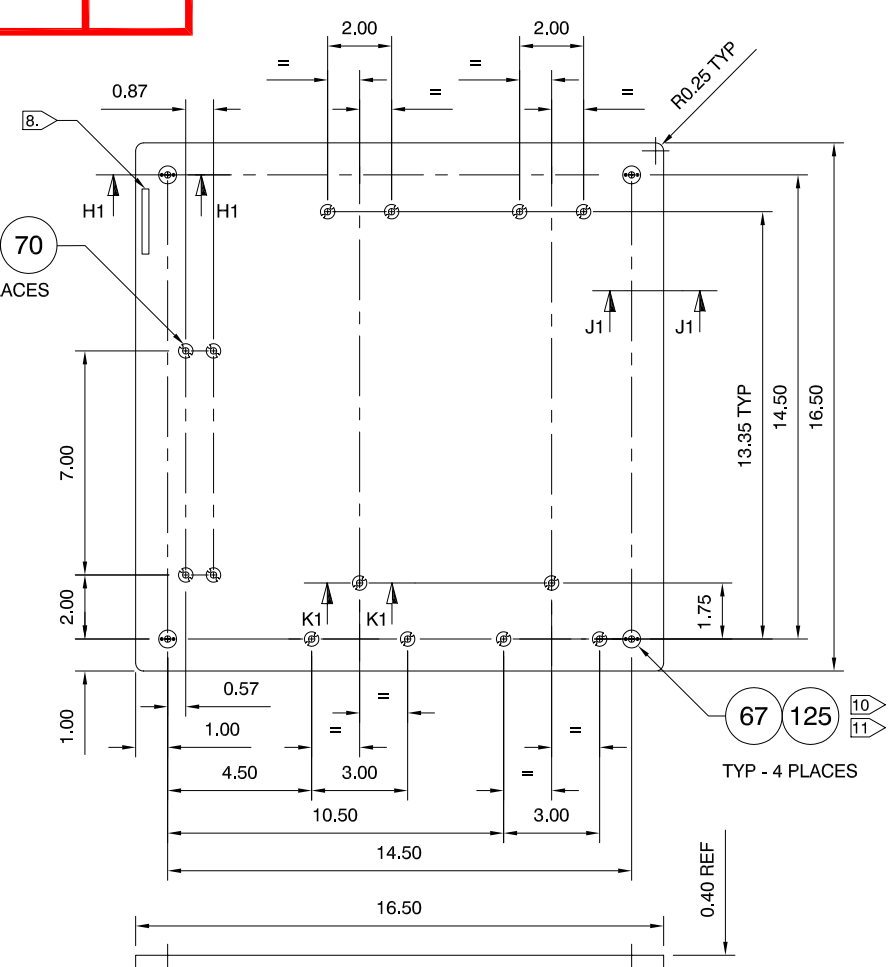
SHEET 11 OF 11 SHEETS
DRAWING SIMILAR TO
N/A

AES LTD
OFFICIAL ISSUE
DATE: 16:02:2004
COPY

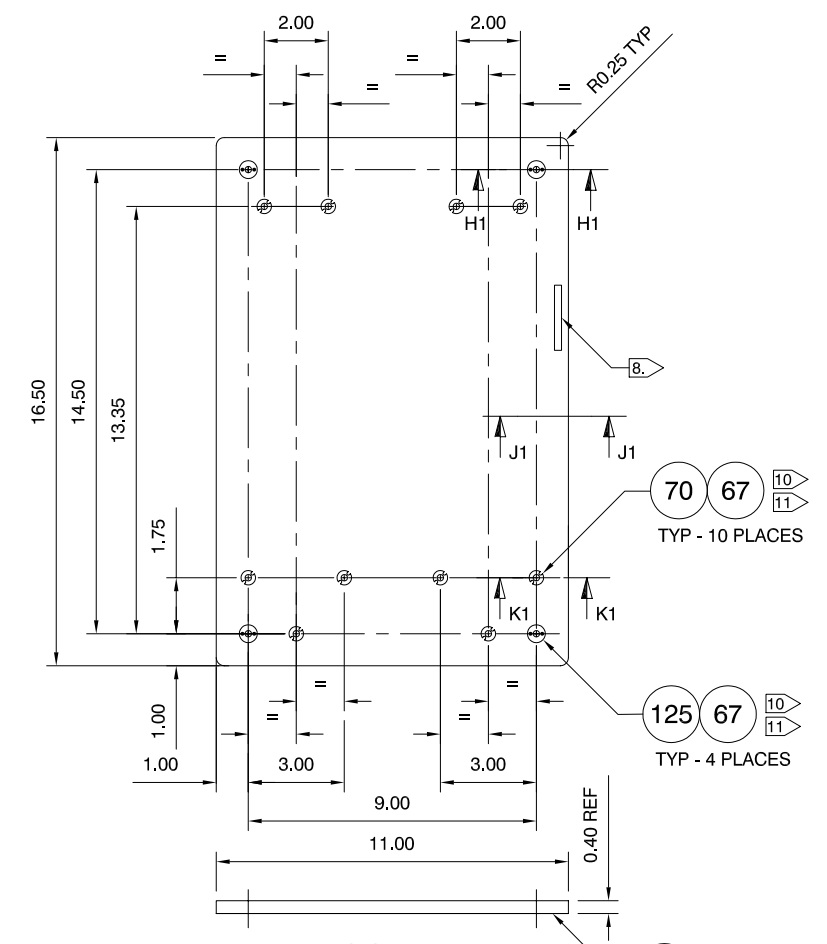
REVISIONS				
DRG ISS No.	RELEASE DOC.	ISSUE DATE:	DRG CHANGE	APP BY:
1	0268	FEB 2003	NEW	M A E
2	0565	FEB 2004	0183	MAE



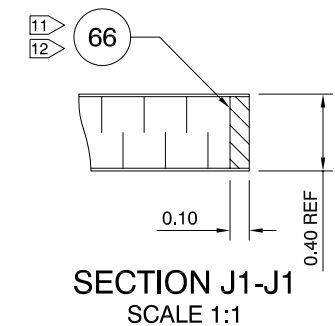
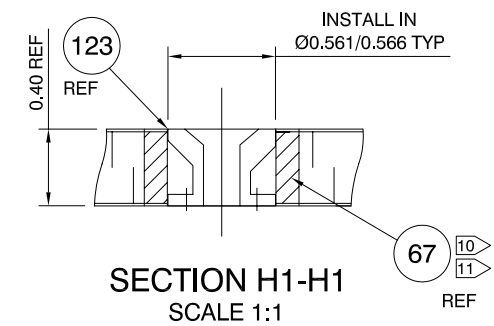
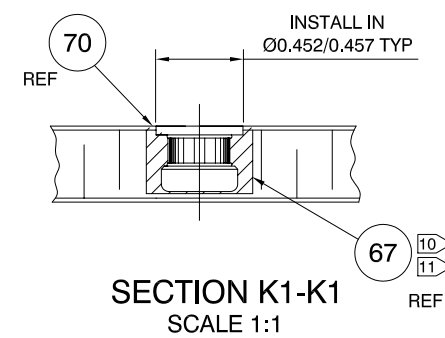
ASSY -119
SAFETY EQUIPMENT BASEBOARD
FULL P/N 0322-256-757-120
SCALE 1:6



ASSY -120
SAFETY EQUIPMENT BASEBOARD
FULL P/N 0322-256-757-120
SCALE 1:6



ASSY -121
SAFETY EQUIPMENT BASEBOARD
FULL P/N 0322-256-757-121
SCALE 1:6



MAP REF	ITEM No.	PART NUMBER	ITEM ISS	KEYWORD / DESCRIPTION	MATERIAL	SPECIFICATION	WIDTH	EST WEIGHT
				SEE SHEET 1				
HAND	DRAWN BY: A BUGDEN		DATE: FEB 2003	MODIFICATION No: SEE TABLE 1	©2003 ALL RIGHTS RESERVED. THE INFORMATION CONTAINED HEREIN IS PROPRIETARY TO AEROSPACE ENGINEERING SOLUTIONS LIMITED AND SHALL NOT BE REPRODUCED OR DISCLOSED WITHOUT THE OWNERS WRITTEN PERMISSION.			
ISS	CHECKED BY: RW / MAE		SCALE: 1:20 AT A3 U.O.S.	JAR.APP.: CAA.JAA.02304 BCAR APP.: AD/1833/01				
	STRESS: M A E		LIMITS: ±.25 U.O.S.	THIRD ANGLE PROJECTION:				
	APPROVED: A M D		SURFACE FINISH:	DIMENSIONS IN: INCHES				
	TITLE: EMERGENCY EQUIPMENT INSTALLATION							
					PT No	NHA	No. OFF	EFFECTIVITY
					SEE TABLE 1 (SHEET 2)			
					0322-256-757			
					SHEET 11 OF 11 SHEETS			

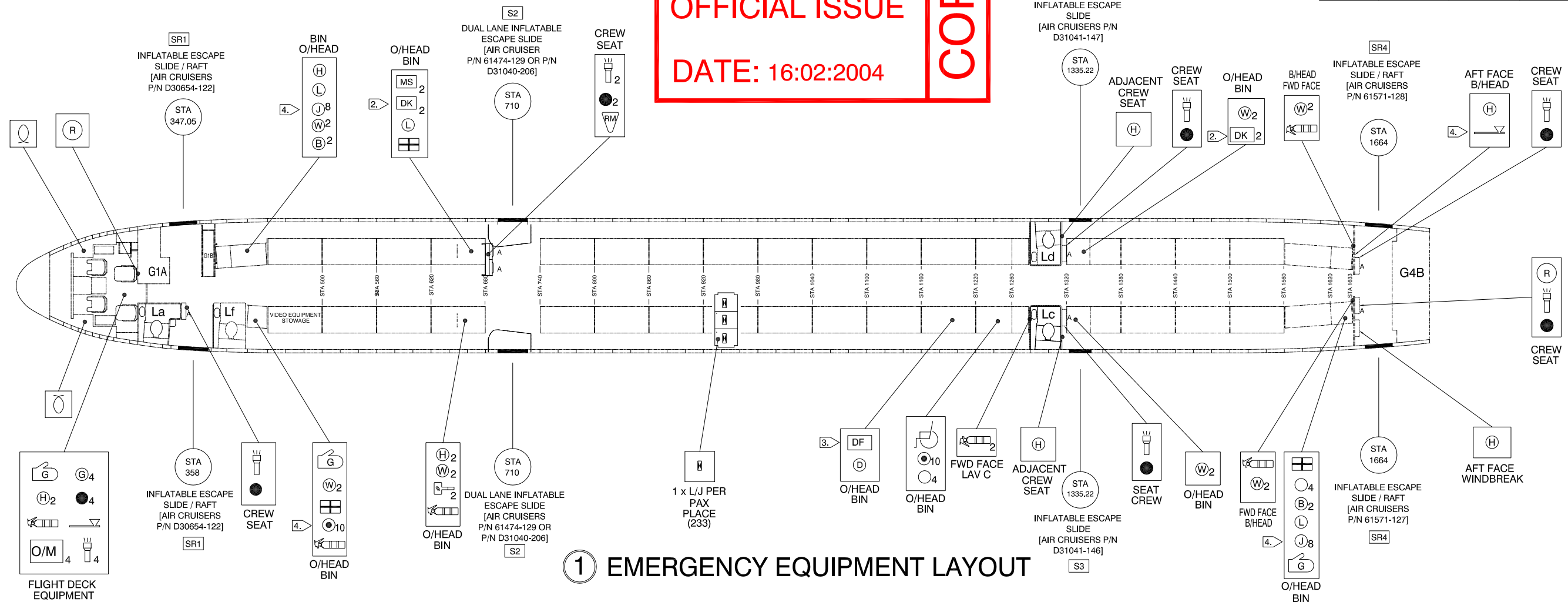
0321-256-757

SHEET 1 OF 1 SHEETS
DRAWING SIMILAR TO
N/A

REVISIONS

DRG ISS No.	RELEASE DOC.	ISSUE DATE:	DRG CHANGE	APP BY:
1	0268	FEB 2003	NEW	M A E
2	0312	MAR 2003	DCN 0095	M A E
3	0565	JAN 2004	DCN 0183	MAE

AES LTD
OFFICIAL ISSUE
DATE: 16:02:2004
COPY



① EMERGENCY EQUIPMENT LAYOUT

- LEGEND -

Ⓜ	9	SMOKE HOOD	DRAGER E28180-10
⚔	2	CRASH AXE	42D8331-443
Ⓜ	3	FIRST AID KIT	AMMFAK1
Ⓜ	3	LOUDHAILER	ACR-EM1
🔦	11	TORCH	DME TYPE EF1 P/N P2-07-0001-201
🧥	11	CREW LIFEJACKET	(RFD ORANGE) 00002264 ALT P/N RFD 102 MK1 OR MK 2 OR 00002215
🧥	2	ELT	HR SMITH 500-12Y
🧥	16	JUNIOR LIFEJACKET	(RFD YELLOW) 00002260 ALT P/N RFD 105 MK1 OR BEAUFORT MK22 OR 00002143
🧤	3	GLOVES-ASBESTOS	BENNET SAFETYWEAR PANOTEX FKK8-35L
🧥	8	SPARE LIFEJACKET	(RFD YELLOW) 00002256 ALT P/N RFD102 MK1 / MK 2 OR BEAUFORT MK 20 OR 00002214
🧴	4	OXYGEN MASK-CREW	MC10-08-107 (OR -109)
👶	4	BABYCOT	A346600A00
📦	4	DEMO KIT	SEE NOTE 2
🧶	2	EXTENSION ROPE	TBA
👤	20	EXTENSION SEAT BELT	AMERICAN SAFETY 501848-417-1849
👁	4	SMOKE GOGGLES	EROS MXP210-010
🪑	1	TRAVEL CHAIR	GERALD SIMONDS 2520502

👤	14	WALKAROUND OXYGEN	SCOTT 5500-BIA-BF 23A(SEE NOTE 1) WITH ATTACHED MASK 28314-12
👤	1	DOCTORS BOX	STATKIT 600
🧯	7	BCF EXTINGUISHER	PERCIVAL BA51015G3 ALT P/N BA51015S3 / BA51015-3
📄	2	MEDI-SLINGS	MEDeslgn Ltd
🧢	1	RESUSCITATION MASK	LAERDAL RES. MASK 820003 OR 764-625
📄	1	DEFIBRILLATOR	LIFEPAK 500 ALT P/N M3880A (HARRELL MEDICAL INC)
🚪	2	ESCAPE SLIDE / RAFT-DOOR 1	SINGLE LANE (D30654-122)
🚪	2	ESCAPE DUAL LANE SLIDE-DOOR 2	DUAL LANE (61474-129)
🚪	2	ESCAPE SLIDE-DOOR 3	SINGLE LANE (D31041-147)
🚪	2	ESCAPE SLIDE / RAFT-DOOR 4	SINGLE LANE (61571-127)
🧥	233	LIFEJACKET	(RFD YELLOW) 00002256 ALT P/N RFD102 MK1 / MK 2 OR BEAUFORT MK 20 OR 00002214
🪞	2	VIEWING MIRROR	A20046

NOTES.

- ①. EACH PORTABLE OXYGEN BOTTLE SHALL HAVE ONE MASK ATTACHED TO THE BOTTLE PLUS ONE ADDITIONAL MASK CONTAINED IN A POUCH STRAPPED TO THE SIDE OF THE BOTTLE.
- ②. DEMO EQUIPMENT CONTAINED IN A DEMO KIT POUCH IS INDICATED BY: DK
EACH DEMO POUCH CONTAINS THE FOLLOWING EQPT [4 KITS REQ]:
DEMO LIFEJACKET - RFD 102 YELLOW OR 40982002
DEMO OXYGEN MASK - SIERRA 289-701-27
DEMO EXT SEAT BELT - AM SAFE 501848-417-1849.
SAFETY CARD
- ③. CARRIAGE OF THE DEFIBRILLATOR IS THE RESPONSIBILITY OF THE OPERATOR.
- ④. CONTAINED IN POUCH

No.	MAP OFF	REF	ITEM No.	PART NUMBER	ITEM ISS	KEYWORD / DESCRIPTION	MATERIAL	SPECIFICATION	WIDTH	EST WEIGHT	ALL
DRAWN BY: A. BUGDEN							DATE: FEB 2003		MODIFICATION No: AES-757-104 PT J		
CHECKED BY: RW / MAE							SCALE: 1:120 AT A3 U.O.S.		JAR APP.: CAA.JA.02304 BCAR APP.: AD/1833/01		
STRESS: M A E							LIMITS: ±.25 U.O.S.		THIRD ANGLE PROJECTION:		
APPROVED: A M D							SURFACE FINISH:		DIMENSIONS IN: INCHES		
TITLE: EMERGENCY EQUIPMENT LAYOUT											
<small>©2003 ALL RIGHTS RESERVED. THE INFORMATION CONTAINED HEREIN IS PROPRIETARY TO AEROSPACE ENGINEERING SOLUTIONS LIMITED AND SHALL NOT BE REPRODUCED OR DISCLOSED WITHOUT THE OWNERS WRITTEN PERMISSION.</small>											
PT No			NHA			No. OFF		EFFECTIVITY			
-001			AES-757-104 PT J			1		B757-236 G-CPEU G-CPEV G-OOBG G-OOBH			
-001			AES-757-192 PT L			1					
0321-256-757											
SHEET 1 OF 1 SHEETS											



www.aesglobal.com
 TEL: 44 (0)1279 818010
 FAX: 44 (0)1279 647683

AES Limited
 28 Golds Nurseries Business Park
 Elsenham
 Essex
 CM22 6JX

DOI No: **0206**

MOD No. AES-757-192 PT H

DESIGN ORGANISATION INSTRUCTION

APPLICABILITY: G-OOBG (NT 405)		AFFECTED DOCUMENT: AES-757-192							
ORIGIN OF QUERY FCA		AUTHORITY DESIGN							
<p>REASON: REMOVAL OF TEMPORARY BULKHEAD INTRODUCED VIA DOI 0191 INSTALLATION OF BULKHEAD (P/No 413N3108-76) AND ATTENDANT SEAT AT POSITION 4R.</p>									
		MECH SIG.	INSP STAMP						
<p>THIS DOI SUPERCEDES INFORMATION AND INSTRUCTIONS PROVIDED VIA DOI 0191. THESE INSTRUCTIONS ARE DIRECTLY EXTRACTED FROM MEI 240 WHICH INTRODUCES CABIN DIVIDER (AFT RIGHT). THIS DOI IS SPECIFIC TO AIRCRAFT G-OOBG AND ONCE EMBODIED MEETS THE SAME STANDARD CONTAINED WITHIN MEI 240.</p> <p>DRGS / DOCS REQD:- 0366-252-757 ISS 2 CABIN DIVIDER INSTLN AFT RH 0316-252-757 ISS 2 233 PAX CONFIG B757-236 DOI 0191 ISS 1 DESIGN ORGANISATION INSTRUCTION 413N3701-37 - BOEING DRG PICTURE SHEET 9 413N3701-45 - BOEING DRG PICTURE SHEET 30 413N3104-56 - BOEING DRG PICTURE SHEET 34 413N3104-29 - BOEING DRG PICTURE SHEET 14</p>		N/A	N/A						
1.0	<p>Refer to DOI-0191</p> <p>Delete / Remove the following parts</p> <table border="1"> <thead> <tr> <th>P/N</th> <th>Qty</th> <th>Description</th> </tr> </thead> <tbody> <tr> <td>413N3108-()</td> <td>1</td> <td>WINDSCREEN ASSY</td> </tr> </tbody> </table> <p>Removed items are to be inspected for serviceability, re-certified, tagged and routed to First Choice Airways stores.</p>			P/N	Qty	Description	413N3108-()	1	WINDSCREEN ASSY
P/N	Qty	Description							
413N3108-()	1	WINDSCREEN ASSY							

DISTRIBUTION	
PRINTS:	P. SIGLEY (FCA)

COMPILED BY:	M JOHNSON
APPROVED BY:	
AVIONICS / STRESS:	
DATE:	10.06.04



www.aesglobal.com
 TEL: 44 (0)1279 818010
 FAX: 44 (0)1279 647683

AES Limited
 28 Golds Nurseries Business Park
 Elsenham
 Essex
 CM22 6JX

DOI No: **0206**

MOD No. AES-757-192 PT H

DESIGN ORGANISATION INSTRUCTION

APPLICABILITY: G-OOBG (NT 405)		AFFECTED DOCUMENT: AES-757-192	
ORIGIN OF QUERY FCA		AUTHORITY DESIGN	
REASON: REMOVAL OF TEMPORARY BULKHEAD INTRODUCED VIA DOI 0191 INSTALLATION OF BULKHEAD (P/No 413N3108-76) AND ATTENDANT SEAT AT POSITION 4R.			
		MECH SIG.	INSP STAMP
1.1	Refer to existing Installation Drg. 413N3104-56 picture sheet 34. Delete / Remove the following parts BACB30PW4-17 2 BOLT BACP18T4-29 1 PIN 43995-18 2 FITTING ASSY Removed items are to be inspected for serviceability, re-certified, tagged and routed to First Choice Airways stores.		
1.2	Refer to existing Installation Drg. 413N3701-45 picture sheet 30. Delete / Remove the following parts P/N Qty Description BACP18BC02C04P 1 COTTER PIN BACP18T4-17 1 FLATHEAD PIN NAS1149D0416J 2 WASHER 1293-13 1 TIE ROD ASSY Removed items are to be inspected for serviceability, re-certified, tagged and routed to First Choice Airways stores.		

DISTRIBUTION	
PRINTS:	P. SIGLEY (FCA)

COMPILED BY:	M JOHNSON
APPROVED BY:	
AVIONICS / STRESS:	
DATE:	10.06.04



www.aesglobal.com
 TEL: 44 (0)1279 818010
 FAX: 44 (0)1279 647683

AES Limited
 28 Golds Nurseries Business Park
 Elsenham
 Essex
 CM22 6JX

DOI No: **0206**

MOD No. AES-757-192 PT H

DESIGN ORGANISATION INSTRUCTION

APPLICABILITY: G-OOBG (NT 405)		AFFECTED DOCUMENT: AES-757-192																									
ORIGIN OF QUERY FCA		AUTHORITY DESIGN																									
REASON: REMOVAL OF TEMPORARY BULKHEAD INTRODUCED VIA DOI 0191 INSTALLATION OF BULKHEAD (P/No 413N3108-76) AND ATTENDANT SEAT AT POSITION 4R.																											
		MECH SIG.	INSP STAMP																								
1.3	Refer to AES DRG 0366-252-757, Installation –003. Install the following parts for the upper tie rod structure provision IAW reference drawing & Installation DRG 413N3701-37 (Picture Sheet 9)																										
	<table border="1"> <thead> <tr> <th>P/N</th> <th>Qty</th> <th>Description</th> </tr> </thead> <tbody> <tr> <td>415N3003-6</td> <td>1</td> <td>CLEVIS FITTING</td> </tr> <tr> <td>AN315C5R</td> <td>1</td> <td>NUT</td> </tr> <tr> <td>MS20392-3C39</td> <td>1</td> <td>WASHER</td> </tr> <tr> <td>NAS1149D0332J</td> <td>10</td> <td>WASHER</td> </tr> <tr> <td>NAS1515H4</td> <td>1</td> <td>WASHER</td> </tr> <tr> <td>NAS43HT4-20</td> <td>2</td> <td>SPACER</td> </tr> <tr> <td>1293-77</td> <td>1</td> <td>TIE ROD</td> </tr> </tbody> </table>	P/N	Qty	Description	415N3003-6	1	CLEVIS FITTING	AN315C5R	1	NUT	MS20392-3C39	1	WASHER	NAS1149D0332J	10	WASHER	NAS1515H4	1	WASHER	NAS43HT4-20	2	SPACER	1293-77	1	TIE ROD		
P/N	Qty	Description																									
415N3003-6	1	CLEVIS FITTING																									
AN315C5R	1	NUT																									
MS20392-3C39	1	WASHER																									
NAS1149D0332J	10	WASHER																									
NAS1515H4	1	WASHER																									
NAS43HT4-20	2	SPACER																									
1293-77	1	TIE ROD																									
1.4	Refer to AES DRG 0366-252-757, Installation –001. Install the following parts for the divider installation IAW reference drawing & Installation DRG 413N3104-29 (Picture Sheet 14)																										
	<table border="1"> <thead> <tr> <th>P/N</th> <th>Qty</th> <th>Description</th> </tr> </thead> <tbody> <tr> <td>413N3108-76</td> <td>1</td> <td>DIVIDER ASSY</td> </tr> <tr> <td>AN415-5</td> <td>1</td> <td>PIN</td> </tr> <tr> <td>AN960JD416L</td> <td>4</td> <td>WASHER</td> </tr> <tr> <td>BACB30NR4K17</td> <td>2</td> <td>BOLT</td> </tr> <tr> <td>BACP18T4-27</td> <td>1</td> <td>PIN</td> </tr> <tr> <td>44585-10</td> <td>2</td> <td>TRACK FITTING</td> </tr> </tbody> </table>	P/N	Qty	Description	413N3108-76	1	DIVIDER ASSY	AN415-5	1	PIN	AN960JD416L	4	WASHER	BACB30NR4K17	2	BOLT	BACP18T4-27	1	PIN	44585-10	2	TRACK FITTING					
P/N	Qty	Description																									
413N3108-76	1	DIVIDER ASSY																									
AN415-5	1	PIN																									
AN960JD416L	4	WASHER																									
BACB30NR4K17	2	BOLT																									
BACP18T4-27	1	PIN																									
44585-10	2	TRACK FITTING																									

DISTRIBUTION	
PRINTS:	P. SIGLEY (FCA)

COMPILED BY:	M JOHNSON
APPROVED BY:	
AVIONICS / STRESS:	
DATE:	10.06.04



www.aesglobal.com
 TEL: 44 (0)1279 818010
 FAX: 44 (0)1279 647683

AES Limited
 28 Golds Nurseries Business Park
 Elsenham
 Essex
 CM22 6JX

DOI No: **0206**

MOD No. AES-757-192 PT H

DESIGN ORGANISATION INSTRUCTION

APPLICABILITY: G-OOBG (NT 405)		AFFECTED DOCUMENT: AES-757-192																																					
ORIGIN OF QUERY FCA		AUTHORITY DESIGN																																					
REASON: REMOVAL OF TEMPORARY BULKHEAD INTRODUCED VIA DOI 0191 INSTALLATION OF BULKHEAD (P/No 413N3108-76) AND ATTENDANT SEAT AT POSITION 4R.																																							
		MECH SIG.	INSP STAMP																																				
1.5	<p>Refer to AES DRG 0366-252-757, Installation -005</p> <p>Install the following parts to the aft face of the cabin divider utilising the existing structural mounting provisions.</p> <table border="1"> <thead> <tr> <th>P/N</th> <th>Qty</th> <th>Description</th> </tr> </thead> <tbody> <tr> <td>91465-117</td> <td>1</td> <td>ATTENDANT SEAT</td> </tr> <tr> <td colspan="3">ALT P/N 91465-111, OR 91465-113, OR 91465-115, OR 91495-119.</td> </tr> <tr> <td>NAS6604-3</td> <td>6</td> <td>BOLT</td> </tr> <tr> <td>NAS6604-6</td> <td>4</td> <td>BOLT</td> </tr> <tr> <td>NAS6604-5</td> <td>6</td> <td>BOLT</td> </tr> <tr> <td>AN960-416</td> <td>16</td> <td>WASHER</td> </tr> <tr> <td>BACB30LU3-4</td> <td>4</td> <td>BOLT</td> </tr> <tr> <td>BACB30LU4-16</td> <td>2</td> <td>BOLT</td> </tr> <tr> <td>414N2011-11</td> <td>1</td> <td>BELT GUIDE ASSY (OR SIMILAR P/No)</td> </tr> <tr> <td>501867-415-2251*</td> <td>1</td> <td>REST SYS (ALT P/No 414N2011-7)</td> </tr> <tr> <td>BMS2-285</td> <td>A/R</td> <td>HOOK/LOOP ADHESIVE TAPE (OR SIMILAR P/No)</td> </tr> </tbody> </table> <p>* CAA Approval Ref. AR-255</p>		P/N	Qty	Description	91465-117	1	ATTENDANT SEAT	ALT P/N 91465-111, OR 91465-113, OR 91465-115, OR 91495-119.			NAS6604-3	6	BOLT	NAS6604-6	4	BOLT	NAS6604-5	6	BOLT	AN960-416	16	WASHER	BACB30LU3-4	4	BOLT	BACB30LU4-16	2	BOLT	414N2011-11	1	BELT GUIDE ASSY (OR SIMILAR P/No)	501867-415-2251*	1	REST SYS (ALT P/No 414N2011-7)	BMS2-285	A/R	HOOK/LOOP ADHESIVE TAPE (OR SIMILAR P/No)	
P/N	Qty	Description																																					
91465-117	1	ATTENDANT SEAT																																					
ALT P/N 91465-111, OR 91465-113, OR 91465-115, OR 91495-119.																																							
NAS6604-3	6	BOLT																																					
NAS6604-6	4	BOLT																																					
NAS6604-5	6	BOLT																																					
AN960-416	16	WASHER																																					
BACB30LU3-4	4	BOLT																																					
BACB30LU4-16	2	BOLT																																					
414N2011-11	1	BELT GUIDE ASSY (OR SIMILAR P/No)																																					
501867-415-2251*	1	REST SYS (ALT P/No 414N2011-7)																																					
BMS2-285	A/R	HOOK/LOOP ADHESIVE TAPE (OR SIMILAR P/No)																																					
1.6	<p>Verify the Aft right hand attendant overhead automatically deployed Oxygen Box and Work light is installed in the Aft Lowered ceiling panel on the right hand side.</p> <p>Function test work light to ensure correct functionality.</p>																																						

FOR ADDITIONAL INFORMATION REGARDING INSTALLATION OF EMERGENCY EQUIPMENT TO DOOR 4R BULKHEAD SEE DOI 207

DISTRIBUTION	
PRINTS:	P. SIGLEY (FCA)

COMPILED BY:	M JOHNSON
APPROVED BY:	
AVIONICS / STRESS:	
DATE:	10.06.04

MODIFICATION EMBODIMENT INSTRUCTIONS

A. TITLE PAGE

TITLE: REMOVAL OF GALLEYS, CABIN MONUMENTS AND FURNISHINGS

DATE COMPILED: JAN 2004

MODIFICATION NO.: AES-757-192 PART A

PROJECT NO.: 0158

EFFECTIVITY:	A/C TYPE	REGISTRATION	SERIAL NO.
	B757-236	G-OOBG	29942
	B757-236	G-OOBH	29944

This document is issued for production engineering purposes.

The definitive design requirements are shown in mod AES-757-192, the contents of which override information contained in this MEI.

Differences resulting from existing repairs, variation in build standard or corrosion to be reported to AES Ltd Design Department.

Manufacturing processes and inspection and installation procedures are the responsibility of FIRST CHOICE AIRWAYS LTD.

ISSUE	1	2	3	4	5	6
DRN:	0545					
DATE	JAN 2004					
COMPILED BY:	S.SHAW					
CHECKED BY:	A M D					
DESIGN APP:	M A E					



www.aesglobal.com
TEL: 44 (0)1279 818010
FAX:44 (0)1279 647683

AES Limited
28 Golds Nurseries Business Park
Elsenham
Essex
CM22 6JX

MEI-202

ISSUE 1, JAN 2004

Page 2 of 20

MODIFICATION EMBODIMENT INSTRUCTIONS

B. REVISION DETAILS:

WRITE BELOW A BRIEF SUMMARY OF THE CHANGES WHICH HAVE BEEN INTRODUCED AT THE STATED REVISION:

ISSUE	DESCRIPTION
1	NEW ISSUE

MODIFICATION EMBODIMENT INSTRUCTIONS

C. CONTENTS:

SEC.	DESCRIPTION	PAGE No
A.	TITLE PAGE	1
B.	REVISION STATUS	2
C.	CONTENTS	3
D1.	ACCOMPLISHMENT INSTRUCTIONS – REMOVALS	4
E.	DRAWINGS & DOCUMENTS REQUIRED	7
F.	SPECIAL TOOLS REQUIRED	8
G.	ESTIMATED TIME REQUIRED	9
H.	PARTS REQUIRED/REMOVED	10
J.	REPORT SHEET	12
	APPENDIX A – ATZ RE-CERTIFICATION CONTROL SHEET	13
	APPENDIX B – ADDITIONAL WORK CARD INDEX SHEET	14
	QUERY NOTE BLANK	18

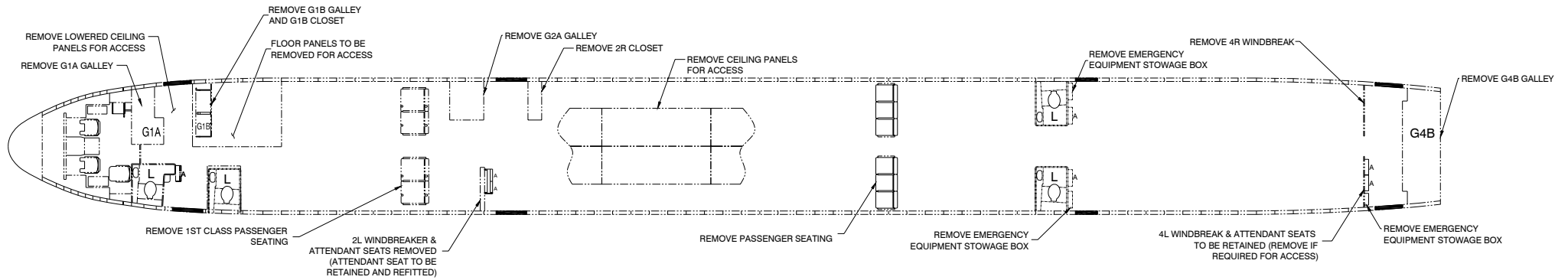


FIGURE.1
Galley, Cabin Monuments and Furnishings removal
For
A/C G-OOBG & G-OOBH

MODIFICATION EMBODIMENT INSTRUCTIONS

D1 ACCOMPLISHMENT INSTRUCTIONS – REMOVALS		
<i>Ensure all direct work carried out conforms to the applicable aircraft constructor's manuals e.g. Avionic I.A.W. – SWPM Chapter 20 & Structural I.A.W. – AMM & SRM.</i>		
	MECH SIG.	INSP STAMP
REMOVALS: Ensure all direct work carried out conforms to the applicable aircraft constructor's manuals e.g. Avionic I.A.W. – SWPM Chapter 20 & Structural I.A.W. – AMM & SRM. NOTE: Retain any attaching parts with the removed equipment unless stated otherwise . For any item of equipment removed, please complete appendix A		
D1.0 Passenger Seats (Business Class) Refer to AMM Ch. 25-25-01 p.block 216 Remove the Business Class seats from the forward cabin. Retain all track fittings and fasteners. Disconnect any seat/sidewall, seat/seat floor proximity wiring from the seat prior to seat removal. Check for serviceability, tag, re-certify and route to First Choice Airways stores / workshops.		
D1.1 Passenger Seats (Tourist Class) Refer to AMM Ch. 25-25-01 p.block 201 Remove the Tourist Class seats from the mid and aft cabin. Retain all track fittings and fasteners. Disconnect any seat/sidewall, seat to seat floor proximity wiring from the seat prior to seat removal. Check for serviceability, tag, re-certify and route to First Choice Airways stores / workshops.		
D1.2 Remove all kick strips on all monuments		
D1.2.1 Remove all seat track infill strips		
D1.3 G1A Galley (fwd of door 1R) Refer to B.F Goodrich E.O 25-00-757-049 Remove the G1A Galley Assy P/N 757BS1AGA00 IAW with the reference instructions. Retain all track fittings, fasteners and tie rod fittings. Retain water feed connecting hose on top of galley for new galley. Keep as kit with monument. Check for serviceability, tag, re-certify and return to First Choice Airways stores/workshops		

MODIFICATION EMBODIMENT INSTRUCTIONS

D1	ACCOMPLISHMENT INSTRUCTIONS – REMOVALS	
<i>Ensure all direct work carried out conforms to the applicable aircraft constructor's manuals e.g. Avionic I.A.W. – SWPM Chapter 20 & Structural I.A.W. – AMM & SRM.</i>		
D1.3.1	<p>Floor Panels</p> <p>Refer to AMM Ch. 53-01-01 p.block 401</p> <p>Remove the floor panels to the right of a/c centreline from Approx STA347.0 up to STA 440 RHS.</p> <p>Note Galley is powered and wet.</p> <p>Check for serviceability, Tag, route to first choice Airways stores / workshops for re-installation.</p>	
D1.4	<p>G1B Galley (aft of door)</p> <p>Refer to B.F Goodrich E.O 25-30-757-019</p> <p>Remove the G1B Galley Assy P/N 757BS1BGA00 IAW with the reference instructions.</p> <p>Note Galley is not powered and dry.</p> <p>Retain all track fittings, fasteners and tie rod fittings. Keep as kit with monument. Check for serviceability, tag, re-certify and route to First Choice Airways stores / workshops.</p>	
D1.5	<p>Closet G1B (STA 403 RHS)</p> <p>Refer to B.F Goodrich 25-00-757-049</p> <p>Remove the Closet Assy P/N 101713-201 IAW with the reference instructions. Retain all track fittings, fasteners and tie rod fittings. Keep as kit monument. Check for serviceability, tag, re-certify and route to First Choice Airways stores / workshops.</p>	
D1.6	<p>G2A Galley (fwd of 2R door)</p> <p>Refer to B.F. Goodrich E.O 25-00-757-049</p> <p>Remove the G2A Galley Assy P/N 101712-201 IAW with the reference instructions. Retain all track fittings, fasteners and tie rod fittings. Keep as kit with monument. Check for serviceability, tag, re-certify and route to First Choice Airways stores / workshops.</p>	
D1.7	<p>Class Divider (fwd of 2L door)</p> <p>Refer to B.F. Goodrich E.O 25-00-757-049</p> <p>Remove the Class Divider P/N 101472-401 IAW with the reference instructions. Retain all track fittings, fasteners and tie rod fasteners. Keep as kit with monument. Check for serviceability, tag, re-certify and route to First Choice Airways stores / workshops.</p>	
D1.8	<p>2L Attendant Seat</p> <p>Refer to B.F. Goodrich E.O 25-00-757-050</p> <p>Disconnect handset wiring and remove the floor mounted attendant seats P/N S414N201-162GG IAW with the reference instructions. Retain all track fittings and fasteners. Keep as kit with monument for later installation at door 2R.</p>	

MODIFICATION EMBODIMENT INSTRUCTIONS

D1	ACCOMPLISHMENT INSTRUCTIONS – REMOVALS		
	<i>Ensure all direct work carried out conforms to the applicable aircraft constructor's manuals e.g. Avionic I.A.W. – SWPM Chapter 20 & Structural I.A.W. – AMM & SRM.</i>		
D1.9	<p>G2B Closet (aft of 2R door)</p> <p>Refer to B.F. Goodrich E.O 25-00-757-049</p> <p>Remove the closet P/N AN737TW46 with the reference instructions. Retain all track fittings, fasteners and tie rod fittings. Keep as kit with monument. Check for serviceability, tag, re-certify and route to First Choice Airways stores / workshops.</p>		
D1.10	<p>Ceiling Panels</p> <p>Refer to AMM Ch 25-22-01 p. block 401</p> <p>Remove and retain all centre ceiling panels door 1 to door 4 IAW with the reference instructions. Check for serviceability, Tag, route to first choice Airways stores / workshops for re-installation</p>		
D1.11	<p>RHS Windbreak (fwd of 4R door)</p> <p>Refer to AMM Ch 25-24-01 p. block 401</p> <p>Remove the RHS windbreak P/N 411N3108-92SP IAW with the reference instructions. Retain all track fittings, fasteners and tie rod fittings. Keep as kit with monument. Check for serviceability, tag, re-certify and route to First Choice Airways stores / workshops.</p>		
D1.12	<p>LHS Windbreak ((fwd of 4L door)</p> <p>Refer to AMM Ch. 25-24-01 p. block 401</p> <p>Remove the LHS windbreak (if required for access) P/N TBD IAW with the reference instructions. Retain all track fittings, fasteners and tie rod fittings. Keep as kit with monument. Check for serviceability, tag, route to first choice airways stores / workshops for re-installation.</p>		
D1.13	<p>G4B Galley</p> <p>Refer to B.F Goodrich E.O 25-31-757-019</p> <p>Remove the G4B Galley P/N 7572BS4BGA00 IAW with the reference instructions. Retain all track fittings, fasteners and tie rod fittings. Keep as kit with monument. Check for serviceability, tag, re-certify and route to First Choice Airways stores / workshops.</p>		
D1.14	<p>With reference to the SRM and standard practices, remove the shear deck plate from beneath the galley 4B area in preparation for the 4B structural provision rework.</p>		

MODIFICATION EMBODIMENT INSTRUCTIONS

D1 ACCOMPLISHMENT INSTRUCTIONS – REMOVALS		
<i>Ensure all direct work carried out conforms to the applicable aircraft constructor's manuals e.g. Avionic I.A.W. – SWPM Chapter 20 & Structural I.A.W. – AMM & SRM.</i>		
		MECH SIG. INSP STAMP
D1.15	Emergency equipment stowage boxes Refer to B.F Goodrich E.O 25-60-757-007 Remove the emergency equipment stowage boxes from the aft face 3R & 3L Lavatory and the aft face of 4L windbreak IAW with the reference instructions. Retain all fasteners and keep as kit with monument. Check for serviceability, tag, re-certify and route to First Choice Airways stores / workshops.	
D1.16	For sidewall linings and associated removals refer to MEI - 236.	
D1.17	Emergency Equipment Refer to B.F Goodrich E.O 25-60-757-007 Remove all emergency equipment. Retain all associated brackets and fasteners, and keep as kit. Refer to MEI-240 to ascertain which items are required to be shipped to First Choice Airways stores / workshops.	
D1.18	Door 2 Header & Curtain Refer to B.F Goodrich E.O 25-20-757-049 Remover Header and Curtain Instl (99-070, 99-071 & 99-072) from the door 2 area. Retain and keep as kit. Check for serviceability, tag, re-certify and route to First Choice Airways stores.	
D1.19	Remove curtain assy (99-063), including all fixtures and fittings, from 1R door area, aft cross aisle (4L & 4R windbreaks). Retain and keep as kit Check for serviceability, tag, re-certify and route to First Choice Airways stores / workshops.	
D1.20	Spare lamp test deactivation by safety collaring the applicable circuit breaker located on P11 overhead panel and capping the applicable wiring.	

MODIFICATION EMBODIMENT INSTRUCTIONS

D1	ACCOMPLISHMENT INSTRUCTIONS – REMOVALS	
	<i>Ensure all direct work carried out conforms to the applicable aircraft constructor's manuals e.g. Avionic I.A.W. – SWPM Chapter 20 & Structural I.A.W. – AMM & SRM.</i>	
D1.21	<p>Girt Bar Engaged Warning Horns</p> <p>Pull the door aural warning unit circuit breaker, and disable with an orange split collar p/n 20266-4</p> <p>Affix an 'INOP' decal adjacent to the aural warning sounder</p> <p>Carry out the door slide engaged audible warning test, and verify that when the handle is opened, the door warning light illuminates and the aural warning is not present. Note all main entry doors must be closed when a door is tested.</p> <p>L1 Door – C9001</p> <p>L2 Door – C9002</p> <p>L3 Door – C9003</p> <p>R1 Door – C9004</p> <p>R2 Door – C9005</p> <p>R3 Door – C9006</p> <p>Ref WDM 25-66-11 pg 5C</p> <p>Remove aircraft power IAW 22-22-00p. block 201. Locate Door 2R Audio Warning Unit (B9006) circuit Breaker (C9005). Remove over door panel and remove Audio warning (B9006) complete. Disconnect and remove circuit breaker (C9005).</p> <p>Remove redundant wiring back to connector D10728 & D10730. Bag and stow connectors D10728 & D10730 securely.</p> <p>Retain Girt Bar Annunciator (L406) at door 2R</p> <p>Locate Door 2L audio warning Unit (B9003) circuit breaker (C9002). Remove over door panel and remove audio warning unit (B9003) complete. Disconnect and circuit breaker (C9002)</p> <p>Remove redundant wiring back to connector D10740 & D10742. Bag and stow connectors D10740 & D10742 securely.</p> <p>Retain girt bar Annunciator (L405) at Door 2L</p>	
	End	

MODIFICATION EMBODIMENT INSTRUCTIONS

E. DOCUMENTS REQUIRED:

THE FOLLOWING DOCUMENTS ARE REQUIRED FOR EMBODIMENT OF MODIFICATION AES-757-192 Part A. **NOTE: REFER TO MODIFICATION SHEET FOR LATEST DRAWING ISSUE.**

The following existing drawings/documents are required for Section D1 and on.:

<u>Drawing No</u>	<u>Title</u>	<u>SOURCE</u>
99-036	Passenger Arrangement National Airlines B757-236	BF Goodrich
99-041	Emergency Equipment Installation	BF Goodrich
99-062	Curtain Installation – G1A – G1B	BF Goodrich
99-070	Header Assy	BF Goodrich
99-071	Curtain Installation	BF Goodrich
99-072	Curtain Installation	BF Goodrich

MODIFICATION EMBODIMENT INSTRUCTIONS

F. SPECIAL TOOLS REQUIRED:

<u>PART NUMBER</u>	<u>DESCRIPTION</u>	<u>VENDOR</u>	<u>COMMENTS</u>
		NONE	

G. ESTIMATED TIME REQUIRED:

The removal of equipment will be carried out in conjunction with a bridging check and cabin interior conversion. (Man-hours TBA)



www.aesglobal.com

TEL: 44 (0)1279 818010

FAX: 44 (0)1279 647683

AES Limited
Unit 28, Golds Nursery
Business Park
Elsenham
Essex

MEI-202

ISSUE 1, JAN 2004

Page 12 of 18

MODIFICATION EMBODIMENT INSTRUCTIONS

H. PARTS ADDED LIST (MOD. NUMBER: AES-757-192 PT A)

ITEM NO	PART NUMBER	QTY RQD	DESCRIPTION	USED ON	ADD/ REMOVE/ REWORK	REMARKS / VENDOR	ALT PART NUMBER	OWNER	REVISION
1	NONE								

MODIFICATION EMBODIMENT INSTRUCTIONS

H. PARTS REMOVED LIST (MOD. NUMBER: AES-757-192 PART A)

ITEM NO	PART NUMBER	QTY RQD	DESCRIPTION	USED ON	ADD/ REMOVE/ REWORK	REMARKS / VENDOR	ALT PART NUMBER	OWNER	REVISION
1	757BS1AGA00	1	G1A Galley		REMOVE				
2	757BS1BGA00	1	G1B Galley		REMOVE				
3	VAR	A/R	Floor Panels (RHS Aft of 1R door to fs440)		REMOVE				
4	101713-201	1	Closet		REMOVE				
5	VAR	SHIPSET	1 st Class PAX seats		REMOVE				
6	VAR	SHIPSET	Passenger Seats (Tour Class)		REMOVE				
7	101712-201	1	G2A Galley		REMOVE				
8	101472-401	1	Class Divider		REMOVE				
9	AN737TW46	1	G2B Closet (aft of 2R Door)		REMOVE				
10	VAR	A/R	Ceiling Panels		REMOVE				
11	S414N201-162GG	1	Attendants Seat (2L)		REMOVE				
12	411N3108-92SP	1	4R Windbreak		REMOVE				
13		1	4L Windbreak		REMOVE				
14	757BS4BGA00	1	G4B Galley		REMOVE				



www.aesglobal.com

TEL: 44 (0)1279 818010

FAX: 44 (0)1279 647683

AES Limited
Unit 28, Golds Nursery
Business Park
Elsenham
Essex

MEI-202

ISSUE 1, JAN 2004

Page 14 of 18

MODIFICATION EMBODIMENT INSTRUCTIONS

H. PARTS REMOVED LIST (MOD. NUMBER: AES-757-192 PART A)

ITEM NO	PART NUMBER	QTY RQD	DESCRIPTION	USED ON	ADD/ REMOVE/ REWORK	REMARKS / VENDOR	ALT PART NUMBER	OWNER	REVISION
15		1	G4B Shear Deck		REMOVE				
16	VAR	3	Emergency Equipment Stowage Boxes		REMOVE				

MODIFICATION EMBODIMENT INSTRUCTIONS

J. MEI - REPORT SHEET.

THE MEI REPORT SHEET IS PROVIDED FOR THE PURPOSE OF COMMUNICATING TO AES DESIGN OFFICE ANY IMPROVEMENTS / SUGGESTIONS ARISING FROM THE EMBODIMENT OF THE MODIFICATION.

REPORT SHEET	MEI No: MEI-202 MOD No: AES-757-192
AIRCRAFT TYPE:	
REGISTRATION AND SERIAL NUMBER:	
LOCATION:	
COMMENTS:	
PREPARED BY / DATE: _____	

MODIFICATION EMBODIMENT INSTRUCTIONS

APPENDIX A:- First Choice AIRLINES RE-CERTIFICATION CONTROL SHEET

(This sheet must be faxed on completion to First Choice Airways Projects dept Fax No 0161 489 0238)

PART NUMBER	DESCRIPTION	SERIAL NO.	WORK CARD REF	QTY.	COMMENTS I.E. SERVICEABLE / UNSERVICEABLE	DATE / INSPECTION STAMP



AES Limited
Unit 28, Golds Nursery
Business Park
Elsenham
Essex

MEI-202

ISSUE 1, JAN 2004

Page 17 of 18

www.aesglobal.com

TEL: 44 (0)1279 818010

FAX: 44 (0)1279 647683

MODIFICATION EMBODIMENT INSTRUCTIONS

APPENDIX A:- First Choice AIRLINES RE-CERTIFICATION CONTROL SHEET

(This sheet must be faxed on completion to First Choice Airways Projects dept Fax No 0161 489 0238)

PART NUMBER	DESCRIPTION	SERIAL NO.	WORK CARD REF	QTY.	COMMENTS I.E. SERVICEABLE / UNSERVICEABLE	DATE / INSPECTION STAMP



www.aesglobal.com
TEL: 44 (0)1279 818010
FAX: 44 (0)1279 647683

AES Limited
28 Golds Nurseries Business Park
Elsenham
Essex
CM22 6JX

QUERY NOTE		AES REF No.: QN-AES-.....-.....-..... <small>(COMPLETED BY AES STAFF ONLY)</small>
AIRCRAFT TYPE:.....	APPLICANTS NAME:.....	
REGISTRATION:.....	DATE:.....	
LOCATION:.....	APPLICANTS FAX No:.....	
DRAWING (S) / P/N AFFECTED:	APPLICANTS TEL No:.....	
GIVE FULL DETAILS, INCLUDE OR ATTACH RELEVANT SKETCHES		

DESIGN RESPONSE TO QUERY NOTE	
DRAWING (S) TO BE AMENDED YES / NO	DATE AMENDED:
(AEROSPACE ENGINEERING SOLUTIONS LIMITED DESIGN OFFICE USE ONLY)	
COMPILED BY:	APPROVED BY:

MODIFICATION EMBODIMENT INSTRUCTIONS

A. TITLE PAGE

TITLE: INSTALLATION OF CABIN SEATING AND MISC CABIN INTERIOR CHANGES

DATE COMPILED: JAN 2004

MODIFICATION NO.: AES-757-192 PART B

PROJECT NO.: 0158

EFFECTIVITY:	A/C TYPE	REGISTRATION	SERIAL NO.
	B757-236	G-OOBG	29942
	B757-236	G-OOBH	29944

This document is issued for production engineering purposes.

The definitive design requirements are shown in mod AES-757-192, the contents of which override information contained in this MEI.

Differences resulting from existing repairs, variation in build standard or corrosion to be reported to AES Ltd Design Department.

Manufacturing processes and inspection and installation procedures are the responsibility of FIRST CHOICE AIRWAYS

ISSUE	1	2	3	4	5	6
DRN:	0545					
DATE	JAN 2004					
COMPILED BY:	S.SHAW					
CHECKED BY:	AB					
DESIGN APP:	AMD					

MODIFICATION EMBODIMENT INSTRUCTIONS

B. REVISION DETAILS:

WRITE BELOW A BRIEF SUMMARY OF THE CHANGES WHICH HAVE BEEN INTRODUCED AT THE STATED REVISION:

ISSUE	DESCRIPTION
1	NEW ISSUE

MODIFICATION EMBODIMENT INSTRUCTIONS

C. CONTENTS:

SEC.	DESCRIPTION	PAGE No
A.	TITLE PAGE	1
B.	REVISION STATUS	2
C.	CONTENTS	3
D1.	ACCOMPLISHMENT INSTRUCTIONS – CABIN SEATING INSTLN	4
D2.	ACCOMPLISHMENT INSTRUCTIONS – MISC CABIN CHANGES	6
D3.	ACCOMPLISHMENT INSTRUCTIONS – CURTAIN INSTALLATION	8
D4.	ACCOMPLISHMENT INSTRUCTIONS – CHECKS	9
E.	DRAWINGS & DOCUMENTS REQUIRED	10
F.	SPECIAL TOOLS REQUIRED	11
G.	ESTIMATED TIME REQUIRED	11
H.	PARTS REQUIRED/REMOVED	12
J.	REPORT SHEET	19
	APPENDIX A – ATZ RE-CERTIFICATION CONTROL SHEET	20
	APPENDIX B – ADDITIONAL WORK CARD INDEX SHEET	21
	APPENDIX C – JAR 25 REQUIREMENTS – REF ONLY	22
	APPENDIX D – FAR 25 REQUIREMENTS – REF ONLY	28
	APPENDIX E – AWN 64 REQUIREMENTS – REF ONLY	33
	QUERY NOTE BLANK	36

MODIFICATION EMBODIMENT INSTRUCTIONS

D1 ACCOMPLISHMENT INSTRUCTIONS – CABIN SEAT INSTALLATION		
	MECH SIG.	INSP STAMP
Installations Install any equipment IAW relevant section of the AMM.		
Forward Cabin		
D1.0 Carry out all procedures in accordance with the relevant sections of the Airplane Maintenance Manual (AMM)		
D1.1 Ref DRG 0316-252-757 Install the front R/H triple seat as shown and install the remaining seats per the drawing IAW AMM Ch 25-25-001 page block 401.		
D1.2 Refer to DRG 0316-252-757. Install the front L/H triple seat as shown and install the remaining seats per the drawing IAW AMM Ch 25-25-001 page block 401.		
D1.3 Refer to DRG 0316-252-757. Cut new seat-track infill strips and install as required. Use part number ACI-FL-00105-02 inboard and part number ACI-FL-00107-02 outboard per AMM Ch 25-25-01 page block 201.		
D1.4 Refer to DRG 0624-252-757. Ensure that the aft face of the Double Cabin Attendant Seat at door 2R is at STA 688.45. If required remove and reposition as shown.		
D1.5 Intentionally left blank.		
D1.6 Intentionally left blank.		
D1.7 Intentionally left blank.		
D1.8 Intentionally left blank.		
D1.9 Intentionally left blank.		
Mid Cabin		
D1.10 Refer to DRG 0316-252-757 Install the front R/H double seat as shown and install the remaining seats per the drawing IAW AMM Ch 25-25-001 page block 401.		
D1.11 Refer to DRG 0316-252-757 Install the front L/H triple seat as shown and install the remaining seats per the drawing IAW AMM Ch 25-25-001 page block 401.		
D1.12 Refer to DRG 0316-252-757 Cut new seat-track infill strips and install as required. Use part number ACI-FL-00105-02 inboard and part number ACI-FL-00107-02 outboard per AMM Ch 25-25-01 page block 201.		

MODIFICATION EMBODIMENT INSTRUCTIONS

D1 ACCOMPLISHMENT INSTRUCTIONS – CABIN SEAT INSTALLATION		
D1.13	Intentionally left blank.	
D1.14	Intentionally left blank.	
	Aft Cabin	
D1.15	Refer to DRG 0316-252-757 Install the front R/H triple seat as shown and install the remaining seats per the drawing IAW AMM Ch 25-25-001 page block 401.	
D1.16	Refer to DRG 0316-252-757 Install the front L/H triple seat as shown and install the remaining seats per the drawing IAW AMM Ch 25-25-001 page block 401.	
D1.17	Refer to DRG 0316-252-757 Cut new seat-track infill strips and install as required. Use part number ACI-FL-00105-02 inboard and part number ACI-FL-00107-02 outboard per AMM Ch 25-25-01 page block 201.	
D1.18	Intentionally left blank.	
D1.19	Intentionally left blank.	
D1.20	END	

MODIFICATION EMBODIMENT INSTRUCTIONS

D2. ACCOMPLISHMENT INSTRUCTIONS – MISCELLANEOUS CABIN REWORK			
		MECH SIG.	INSP STAMP
Seat Row Placards			
D2.1	Refer to drawing 0316-252-757: Replace the seat row identifiers throughout the cabin using kit part number A2000-455FS to match the drawing physical seat positions.		
D2.2	Intentionally left blank.		
D2.3	Intentionally left blank.		
Floor Covering			
D2.4	Install Cabin Carpet P/No 1021158 in the passenger cabin IAW AMM Chapter 25-27-01 Page 401.		
D2.5	Install Galley matting material P/No Aerofloor AF476/1957-C2193M96 in the forward vestibule area IAW AMM Ch 25-27-01Page 401. Cross Refer to Galley Sealing Embodiment Instructions MEI-203 for Galley sealing.		
D2.6	Install Galley matting material P/No Aerofloor AF476/1957-C2193M96 in the aft vestibule area IAW AMM Ch 25-27-01Page 401. Cross Refer to Galley Sealing Embodiment Instructions MEI-203 for Galley sealing.		
Delethalsation Pad Installation			
D2.7	Refer to drawing 0391-252-757: Install L/H Delethalsation Pad on the aft face of the forward bulkhead as shown on reference drawing.		
D2.8	Refer to drawing 0391-252-757: Install R/H Delethalsation Pad on the aft face of the forward bulkhead as shown on reference drawing.		
D2.9	Intentionally left blank.		

MODIFICATION EMBODIMENT INSTRUCTIONS

D2. ACCOMPLISHMENT INSTRUCTIONS – MISCELLANEOUS CABIN REWORK		
	MECH SIG.	INSP STAMP
IFE Cabling		
D2.10		
Refer to drawing 0389-233-757 Install Raceway as shown on reference drawing along the length of the cabin.		
D2.11		
Refer to drawing 0389-233-757 Install Cabin Seat to sidewall cables as shown on the reference drawing.		
D2.12		
Refer to drawing 0389-233-757 Install Cabin Seat to Seat cables as shown on the reference drawing.		
D2.13		
<u>Refer to drawing 0389-233-757</u> Install Cabin Seat terminators as shown on the reference drawing.		
Stowage Assy		
D2.14		
<u>Refer to drawing 0316-252-757</u> Install LH mid cabin divider/stowage assy P/N 57/252A2109-001 with aft face at 681.5 on LHS.		
Placards		
D2.15		
<u>0645-113-757</u> Install Exit Placards on the Aft face of the Lavatory F and Aft face of the Galley 1B as shown on the reference document.		
D2.16		
<u>0645-113-757</u> Install Life vest under your seat, fasten seat belt while seated (P/N A2000-353) typ 6 places above delethalisation pad as shown on reference drawing.		
Literature Pockets		
D2.17		
<u>Re DRG 0391-252-757</u> Install literature pockets to the forward bulkheads as per reference drawing.		
END		

MODIFICATION EMBODIMENT INSTRUCTIONS

D3 ACCOMPLISHMENT INSTRUCTIONS – CURTAIN INSTALLATION		MECH SIG.	INSP STAMP
D3.1	<p><u>Refer to drawing 0652-252-757:</u></p> <p>Locate and remove existing curtain rail assy P/N 413N3042-468 at fwd RHS location. Trim back to dimension shown. Retain end Cap.</p> <p>Remove existing slides and hooks and replace with 07480 (hook) & 07389-1206 (slider), supplied with curtain assy.</p> <p>Reattach end cap to new trimmed end.</p> <p>Refit rail to ceiling panel.</p> <p>Attach curtain P/N 716193-1890 to hooks.</p>		
D3.2	<p><u>Refer to drawing 0652-252-757:</u></p> <p>Install curtain track between G1B and Lav F as per reference drawing. Install curtain (715193-1890) with supplied hooks (07480) and slides (07389-1206). Re-use existing end caps.</p>		
D3.3	<p><u>Refer to drawing 0652-252-757:</u></p> <p>Install curtains 707193-1890 (AFT LHS Curtain) & 707193 -1893 (AFT RHS Curtain) as per reference drawing. Re-use existing end caps.</p>		
D3.4	<p><u>Refer to drawing 0652-252-757:</u></p> <p>Install curtain tie back P/N 11155-189 at four places shown on reference drawing.</p>		
D3.5	<p><u>Refer to drawing 0652-252-757:</u></p> <p>Affix placard P/N A2000-124 to each side of the curtain rail assy – affix in approx central location for clear visibility (6 places)</p>		
D3.6	<p><u>Refer to drawing 0652-252-757:</u></p> <p>Affix placard P/N A2000-114 adjacent to each curtain tie back as shown on reference drawing</p>		
D3.7	Intentionally left blank.		
END			

MODIFICATION EMBODIMENT INSTRUCTIONS

D4. ACCOMPLISHMENT INSTRUCTIONS		
CHECKS		
	MECH SIG.	INSP STAMP
D4.1 Cabin Seats		
D4.1.1 Carry out a mechanical function test for each passenger seat in the cabin to ensure all mechanical operations function correctly. (e.g. recline, in-arm table). Note: All seats should have a 3.0" recline except where noted.		
D4.1.2 Ensure a life jacket under seat placard is clearly visible for each seated passenger.		
D4.2 Seat Belts		
D4.2.1 (Airline Interior Seats) Verify a CAA approved Seat Belt is fitted to each PAX seat.		
D4.2.2 Ensure fasten seat belt sign(s) are installed visible to all passenger in a seated position.		
D4.3 Cabin Layout		
D4.3.1 Carry out a compliance check to ensure that the repositioned seats provide continued compliance with CAA AWN 64 (minimum space for seated passengers). (Refer to Appendix E)		
D4.3.2 Carry out a compliance check to ensure that the replacement seat locations provide continued compliance with FAR/JAR25.815 throughout the cabin (minimum aisle width). (Refer to Appendix C/D)		
D4.3.3 Emergency Exits: Ensure all emergency exits meet the requirements of JAR/FAR 25.810. (Refer to Appendix C/D)		
D4.3.4 Emergency Exits: Ensure all emergency exits meet the requirements of JAR/FAR 25.811. (Refer to Appendix C/D)		
D4.3.5 Emergency Exits: Ensure all emergency exits meet the requirements of JAR/FAR 25.813. (Refer to Appendix C/D)		

MODIFICATION EMBODIMENT INSTRUCTIONS

D4.	ACCOMPLISHMENT INSTRUCTIONS		
	CHECKS		
D4.4	Life Jackets (Life Vests) Ensure a lifejacket is fitted beneath each passenger (post MEI-258, Emergency Equipment Changes)		

MODIFICATION EMBODIMENT INSTRUCTIONS

E. DOCUMENTS REQUIRED:

THE FOLLOWING DOCUMENTS ARE REQUIRED FOR EMBODIMENT OF MODIFICATION AES-757-192 Part B. **NOTE: REFER TO MODIFICATION SHEET FOR LATEST DRAWING ISSUE.**

The following drawings/documents are required for Section D.:

<u>Drawing No</u>	<u>Title</u>	<u>SOURCE</u>
0316-252-757	233 PAX CONFIGURTAION B757-236 AIR	AES
0389-233-757	SEAT TO SEAT CABLE INSTALLATION B757-236 (233 PAX)	AES
0391-252-757	DELETHALISATION PAD INSTLN B757-200	AES
0645-113-757	PLACARD INSTALLATION	AES
0652-252-757	CURTAIN INSTALLATION	AES

The following existing drawings/documents are required for REFRENERCE ONLY in Section D1

<u>Drawing No</u>	<u>Title</u>	<u>SOURCE</u>

MODIFICATION EMBODIMENT INSTRUCTIONS

F. SPECIAL TOOLS REQUIRED:

<u>PART NUMBER</u>	<u>DESCRIPTION</u>	<u>VENDOR</u>	<u>COMMENTS</u>
		NONE	

G. ESTIMATED TIME REQUIRED:

It is estimated that this installation will be carried out in conjunction with a pre input to service maintenance check and cabin conversion. (Man-hours TBA)

MODIFICATION EMBODIMENT INSTRUCTIONS

ITEM NO	PART NUMBER	QTY RQD	DESCRIPTION	USED ON	ADD/ REMOVE/ REWORK	REMARKS / VENDOR	ALT PART NUMBER	REVISION
1	117681-001	31	SEAT ASSY – TPL STD HCAP	0316-252-757	ADD	WEBER		1
2	117681-002	32	SEAT ASSY – TPL STD HCAP	0316-252-757	ADD	WEBER		1
3	117681-003	1	SEAT ASSY – TPL STD HCAP	0316-252-757	ADD	WEBER		1
4	117681-006	1	SEAT ASSY - TPL STD LKT HCAP	0316-252-757	ADD	WEBER		1
5	117681-007	1	SEAT ASSY – TPL STD RCL HCAP	0316-252-757	ADD	WEBER		1
6	117681-010	1	SEAT ASSY – TPL STD NT NR HCAP	0316-252-757	ADD	WEBER		1
7	117681-012	1	SEAT ASSY – TPL IAT NB STD HCAP	0316-252-757	ADD	WEBER		1
8	117681-013	1	SEAT ASSY – TPL STD HCAP NO	0316-252-757	ADD	WEBER		1
9	117681-014	1	SEAT ASSY – TPL STD HCAP NNT	0316-252-757	ADD	WEBER		1
10	117681-015	1	SEAT ASSY – TPL STD HCAP NNT	0316-252-757	ADD	WEBER		1
11	117681-016	1	SEAT ASSY – TPL STD HCAP	0316-252-757	ADD	WEBER		1
12	117682-001	1	SEAT ASSY – TPL IAT	0316-252-757	ADD	WEBER		1
13	117682-002	1	SEAT ASSY – TPL IAT	0316-252-757	ADD	WEBER		1

MODIFICATION EMBODIMENT INSTRUCTIONS

ITEM NO	PART NUMBER	QTY RQD	DESCRIPTION	USED ON	ADD/ REMOVE/ REWORK	REMARKS / VENDOR	ALT PART NUMBER	REVISION
14	117682-003	2	SEAT ASSY – TPL IAT NB	0316-252-757	ADD	WEBER		1
15	117682-004	1	SEAT ASSY – TPL IAT	0316-252-757	ADD	WEBER		1
16	117683-002	1	SEAT ASSY – DBL IAT	0316-252-757	ADD	WEBER		1
17	57\252A2108-001	1	DIVIDER ASSY (LHS)	0316-252-757	ADD			1
18	ACI-FL-107-02	A/R	SEAT TRACK CAPPING OUTBD	0316-252-757	ADD			1
19	ACI-FL-105-02	A/R	SEAT TRACK CAPPING INBD	0316-252-757	ADD			1
20	RD-AM7914-17	2	SIDEWALL TO SEAT CABLE	0389-233-757	ADD	MATSUSHITA AVIONICS SYSTEMS		1
21	RD-AM7914-20	2	SIDEWALL TO SEAT CABLE	0389-233-757	ADD	MATSUSHITA AVIONICS SYSTEMS		1
22	RD-AM7914-23	2	SIDEWALL TO SEAT CABLE	0389-233-757	ADD	MATSUSHITA AVIONICS SYSTEMS		1
23	RD-AM7914-27	1	SIDEWALL TO SEAT CABLE	0389-233-757	ADD	MATSUSHITA AVIONICS SYSTEMS		1
24	RD-AM7914-32	1	SIDEWALL TO SEAT CABLE	0389-233-757	ADD	MATSUSHITA AVIONICS SYSTEMS		1
25	RD-AM7915-18	1	SEAT TO SIDEWALL CABLE	0389-233-757	ADD	MATSUSHITA AVIONICS SYSTEMS		1

MODIFICATION EMBODIMENT INSTRUCTIONS

ITEM NO	PART NUMBER	QTY RQD	DESCRIPTION	USED ON	ADD/ REMOVE/ REWORK	REMARKS / VENDOR	ALT PART NUMBER	REVISION
26	RD-AM7915-21	3	SEAT TO SIDEWALL CABLE	0389-233-757	ADD	MATSUSHITA AVIONICS SYSTEMS		1
27	ACI-EL-00153-02	A/R	RACEWAY	0389-233-757	ADD			1
28	RD-AX4933-01	4	TERMINATION PLUG	0389-233-757	ADD	MATSUSHITA AVIONICS SYSTEMS		1
29	RD-AM7913-14	70	SEAT TO SEAT HARNESS	0389-233-757	ADD	MATSUSHITA AVIONICS SYSTEMS		1
30	RD-AX4331-11	78	SEAT ELECTRONICS BOX	0389-233-757	ADD	MATSUSHITA AVIONICS SYSTEMS		1
31	SD511-2	A/R	DOUBLE SIDED TAPE	0389-233-757	ADD			1
32	413T3101-1	A/R	3/8" CONVOLUTED TUBING	0389-233-757	ADD		TFE-2X SLEEVING	1
33	BHCS38K4A	A/R	CABLE TIES	0389-233-757	ADD		TY23M	1
34	0390-252-757-001	1	DEL PAD ASSY (LHS)	0391-252-757	ADD			1
35	0390-252-757-003	1	DEL PAD ASSY (RHS)	0391-252-757	ADD			1
36	57\252A2050-005	2	WALL BRACKET ASSY	0391-252-757	ADD			1
37	ARALDITE 420A/B	1	ADHESIVE	0391-252-757	ADD			1
38	NAS1836-06-12	8	INSERT, 6-32	0391-252-757	ADD			1

MODIFICATION EMBODIMENT INSTRUCTIONS

ITEM NO	PART NUMBER	QTY RQD	DESCRIPTION	USED ON	ADD/ REMOVE/ REWORK	REMARKS / VENDOR	ALT PART NUMBER	REVISION
39	NAS514P632-7	8	SCREW	0391-252-757	ADD			1
40	0391-252-757-019	A/R	VELCRO, HOOK (FR QUALITY)	0391-252-757	ADD	50MM WIDE		1
41	A2KLITPOCKET	6	LITERATURE POCKET	0391-252-757	ADD			1
42	NAS514P10-32-7	18	SCREW	0391-252-757	ADD			1
43	2499659-501	18	WASHER	0391-252-757	ADD			1
44	FASTBOND 10	A/R	ADHESIVE	0391-252-757	ADD			1
45	A2000-682	1	PLACARD 'EXIT'	0645-113-757	ADD			1
46	A2000-689	1	PLACARD 'EXIT'	0645-113-757	ADD			1
47	0652-252-757-005	1	CURTAIN TRACK	0652-252-757	ADD	MAKE FROM BAC1520-1249 x 41		1
48	0652-252-757-009	1	CURTAIN TRACK	0652-252-757	ADD	MAKE FROM 413N3402-468		1
49	A2000-114	3	DECAL 'CURTAIN MUST BE STOWED'	0625-252-757	ADD			1
50	A2000-124	6	DECAL 'CURTAIN MUST BE STOWED'	0625-252-757	ADD			1
51	NAS1836-3-11	8	INSERT	0652-252-757	ADD			1



www.aesglobal.com

TEL: 44 (0)1279 818010

FAX: 44 (0)1279 647683

AES Limited
Unit 28, Golds Nursery
Business Park
Elsenham
Essex

MEI-234

ISSUE 1, JAN 2004

Page 17 of 36

MODIFICATION EMBODIMENT INSTRUCTIONS

ITEM NO	PART NUMBER	QTY RQD	DESCRIPTION	USED ON	ADD/ REMOVE/ REWORK	REMARKS / VENDOR	ALT PART NUMBER	REVISION
52	BACS12FAK14	1	WASHER HD SCREW	0652-252-757	ADD			1
53	716193-1890	1	CURTAIN	0652-252-757	ADD			1
54	715193-1890	1	CURTAIN	0652-252-757	ADD			1
55	707193-1890	1	CURTAIN	0652-252-757	ADD			1
56	707193-1893	1	CURTAIN	0652-252-757	ADD			1
57	AN970-3	3	WASHER	0652-252-757	ADD			1
58	NAS603-7	3	SCREW	0652-252-757	ADD			1
59	ARALDITE 420A/B	A/R	ADHESIVE	0652-252-757	ADD			1
60	A2000-455	1	SEAT ROW NO. KIT	0316-252-757	ADD			1
61	A2000-353	6	FSB + L/J UNDER SEAT	0645-113-757	ADD			1



www.aesglobal.com

TEL: 44 (0)1279 818010

FAX: 44 (0)1279 647683

AES Limited
Unit 28, Golds Nursery
Business Park
Elsenham
Essex

MEI-234

ISSUE 1, JAN 2004

Page 18 of 36

MODIFICATION EMBODIMENT INSTRUCTIONS

H. PARTS REMOVED LIST (MOD. NUMBER: AES-757-192 PT B)

ITEM NO	PART NUMBER	QTY RQD	DESCRIPTION	USED ON	ADD/ REMOVE/ REWORK	REMARKS / VENDOR	ALT PART NUMBER	OWNER	REVISION
1	413N3032-14	1	CURTAIN TRACK	0652-252-757	REMOVE	RETURN TO FCA STORES			

MODIFICATION EMBODIMENT INSTRUCTIONS

J. MEI - REPORT SHEET.

THE MEI REPORT SHEET IS PROVIDED FOR THE PURPOSE OF COMMUNICATING TO AES DESIGN OFFICE ANY IMPROVEMENTS / SUGGESTIONS ARISING FROM THE EMBODIMENT OF THE MODIFICATION.

REPORT SHEET	MEI No: MEI-234 MOD No: AES-757-192 PT B
AIRCRAFT TYPE:	
REGISTRATION AND SERIAL NUMBER:	
LOCATION:	
COMMENTS:	
PREPARED BY / DATE: _____	

MODIFICATION EMBODIMENT INSTRUCTIONS

APPENDIX A:- FIRST CHOICE AIRWAYS RE-CERTIFICATION CONTROL SHEET
(This sheet must be faxed on completion to FTC Projects dept Fax No 0161 489 0238)

PART NUMBER	DESCRIPTION	SERIAL NO.	WORK CARD REF	QTY.	COMMENTS I.E. SERVICEABLE / UNSERVICEABLE	DATE / INSPECTION STAMP

APPENDIX C:- JAR 25 REQUIREMENTS – REFERENCE ONLY.

JAR-25

SECTION 1

JAR 25.807(f) (continued)

evacuation by the crew. One exit shall be provided on each side of the aeroplane; or, alternatively, a top hatch shall be provided. Each exit must encompass an unobstructed rectangular opening of at least 19 by 20 inches (482.6 by 508 mm) unless satisfactory exit utility can be demonstrated by a typical crew member.

JAR 25.809 Emergency exit arrangement

(a) Each emergency exit, including a flight crew emergency exit, must be a movable door or hatch in the external walls of the fuselage, allowing unobstructed opening to the outside.

(b) Each emergency exit must be openable from the inside and the outside except that sliding window emergency exits in the flight crew area need not be openable from the outside if other approved exits are convenient and readily accessible to the flight crew area. Each emergency exit must be capable of being opened, when there is no fuselage deformation –

(1) With the aeroplane in the normal ground attitude and in each of the attitudes corresponding to collapse of one or more legs of the landing gear; and

(2) Within 10 seconds measured from the time when the opening means is actuated to the time when the exit is fully opened.

(c) The means of opening emergency exits must be simple and obvious and may not require exceptional effort. Internal exit-opening means involving sequence operations (such as operation of two handles or latches or the release of safety catches) may be used for flight crew emergency exits if it can be reasonably established that these means are simple and obvious to crew members trained in their use.

(d) If a single power-boost or single power-operated system is the primary system for operating more than one exit in an emergency, each exit must be capable of meeting the requirements of sub-paragraph (b) of this paragraph in the event of failure of the primary system. Manual operation of the exit (after failure of the primary system) is acceptable.

(e) Each emergency exit must be shown by tests, or by a combination of analysis and tests, to meet the requirements of sub-paragraphs (b) and (c) of this paragraph.

(f) There must be a means to lock each emergency exit and to safeguard against its opening in flight, either inadvertently by persons

JAR 25.809 (continued)

or as a result of mechanical failure. In addition, there must be a means for direct visual inspection of the locking mechanism by crew members to determine that each emergency exit, for which the initial opening movement is outward, is fully locked.

(g) There must be provisions to minimise the probability of jamming of the emergency exits resulting from fuselage deformation in a minor crash landing.

(h) Not required for JAR-25.

JAR 25.810 Emergency egress assist means and escape routes

(a) Each non-over-wing landplane emergency exit more than 6 feet from the ground with the aeroplane on the ground and the landing gear extended and each non-over-wing Type A exit must have an approved means to assist the occupants in descending to the ground.

(1) The assisting means for each passenger emergency exit must be a self-supporting slide or equivalent; and, in the case of a Type A exit, it must be capable of carrying simultaneously two parallel lines of evacuees. In addition, the assisting means must be designed to meet the following requirements.

(i) It must be automatically deployed and deployment must begin during the interval between the time the exit opening means is actuated from inside the aeroplane and the time the exit is fully opened. However, each passenger emergency exit which is also a passenger entrance door or a service door must be provided with means to prevent deployment of the assisting means when it is opened from either the inside or the outside under non-emergency conditions for normal use.

(ii) It must be automatically erected within 10 seconds after deployment is begun.

(iii) It must be of such length after full deployment that the lower end is self-supporting on the ground and provides safe evacuation of occupants to the ground after collapse of one or more legs of the landing gear.

SECTION 1

JAR-25

JAR 25.810(a)(1) (continued)

(iv) It must have the capability, in 25-knot winds directed from the most critical angle, to deploy and, with the assistance of only one person, to remain usable after full deployment to evacuate occupants safely to the ground.

(v) For each system installation (mock-up or aeroplane installed), five consecutive deployment and inflation tests must be conducted (per exit) without failure, and at least three tests of each such five-test series must be conducted using a single representative sample of the device. The sample devices must be deployed and inflated by the system's primary means after being subjected to the inertia forces specified in JAR 25.561(b). If any part of the system fails or does not function properly during the required tests, the cause of the failure or malfunction must be corrected by positive means and after that, the full series of five consecutive deployment and inflation tests must be conducted without failure.

(2) The assisting means for flight crew emergency exits may be a rope or any other means demonstrated to be suitable for the purpose. If the assisting means is a rope, or an approved device equivalent to a rope, it must be –

(i) Attached to the fuselage structure at or above the top of the emergency exit opening, or, for a device at a pilot's emergency exit window, at another approved location if the stowed device, or its attachment, would reduce the pilot's view in flight.

(ii) Able (with its attachment) to withstand a 400-lb (181.6 kg) static load.

(b) Assist means from the cabin to the wing are required for each Type A exit located above the wing and having a step-down unless the exit without an assist means can be shown to have a rate of passenger egress at least equal to that of the same type of non-over-wing exit. If an assist means is required, it must be automatically deployed and automatically erected, concurrent with the opening of the exit and self-supporting within 10 seconds.

(c) An escape route must be established from each over-wing emergency exit, and (except for flap surfaces suitable as slides) covered with a

JAR 25.810 (continued)

slip resistant surface. Except where a means for channelling the flow of evacuees is provided –

(1) The escape route must be at least 42 inches (1.067 m) wide at Type A passenger emergency exits and must be at least 2 feet (609.6 mm) wide at all other passenger emergency exits, and

(2) The escape route surface must have a reflectance of at least 80%, and must be defined by markings with a surface-to-marking contrast ratio of at least 5:1. (See ACJ 25.810 (c) (2).)

(d) If the place on the aeroplane structure at which the escape route required in sub-paragraph (c) of this paragraph terminates, is more than 6 feet (1.829 m) from the ground with the aeroplane on the ground and the landing gear extended, means to reach the ground must be provided to assist evacuees who have used the escape route. If the escape route is over a flap, the height of the terminal edge must be measured with the flap in the take-off or landing position, whichever is higher from the ground. The assisting means must be usable and self-supporting with one or more landing gear legs collapsed and under a 25-knot wind directed from the most critical angle. The assisting means provided for each escape route leading from a Type A emergency exit must be capable of carrying simultaneously two parallel lines of evacuees. For other than Type A exits, the assist means must be capable of carrying simultaneously as many parallel lines of evacuees as there are required escape routes.

JAR 25.811 Emergency exit marking

(a) Each passenger emergency exit, its means of access, and its means of opening must be conspicuously marked.

(b) The identity and location of each passenger emergency exit must be recognisable from a distance equal to the width of the cabin.

(c) Means must be provided to assist the occupants in locating the exits in conditions of dense smoke.

(d) The location of each passenger emergency exit must be indicated by a sign visible to occupants approaching along the main passenger aisle (or aisles). There must be –

(1) A passenger emergency exit locator sign above the aisle (or aisles) near each passenger emergency exit, or at another

SECTION 1

JAR-25

JAR 25.812(l)(3) (continued)

remains operative exclusive of those that are directly damaged by the separation.

JAR 25.813 Emergency exit access
(See ACJ 25.807)

Each required emergency exit must be accessible to the passengers and located where it will afford an effective means of evacuation. Emergency exit distribution must be as uniform as practical, taking passenger distribution into account; however, the size and location of exits on both sides of the cabin need not be symmetrical. If only one floor level exit per side is prescribed, and the aeroplane does not have a tail cone or ventral emergency exit, the floor level exit must be in the rearward part of the passenger compartment, unless another location affords a more effective means of passenger evacuation. Where more than one floor level exit per side is prescribed, at least one floor level exit per side must be located near each end of the cabin, except that this provision does not apply to combination cargo/passenger configuration. In addition –

(a) There must be a passageway leading from each main aisle to each Type I, Type II, or Type A emergency exit and between individual passenger areas. If two or more main aisles are provided, there must be a cross aisle leading directly to each passageway between the exit and the nearest main aisle. Each passageway leading to a Type A exit must be unobstructed and at least 36 inches (914.4 mm) wide. Other passageways and cross aisles must be unobstructed and at least 20 inches (508 mm) wide. Unless there are two or more main aisles, each Type A exit must be located so that there is passenger flow along the main aisle to that exit from both the forward and aft directions.

(b) Adequate space to allow crew-member(s) to assist in the evacuation of passengers must be provided as follows:

(1) The assist space must not reduce the unobstructed width of the passageway below that required for the exit.

(2) For each Type A exit, assist space must be provided at each side of the exit regardless of whether the exit is covered by JAR 25.810(a).

(3) For any other type exit that is covered by JAR 25.810(a), space must at least be provided at one side of the passageway.

JAR 25.813(b) (continued)

(c) There must be access from each aisle to each Type III or Type IV exit, and –

(1) For aeroplanes that have a passenger seating configuration, excluding pilot's seats, of 20 or more, the projected opening of the exit provided may not be obstructed and there must be no interference in opening the exit by seats, berths, or other protrusions (including seatbacks in any position) for a distance from that exit not less than the width of the narrowest passenger seat installed on the aeroplane.

(2) For aeroplanes that have a passenger seating configuration, excluding pilots seats, of 19 or less, there may be minor obstructions in this region, if there are compensating factors to maintain the effectiveness of the exit.

(d) If it is necessary to pass through a passageway between passenger compartments to reach any required emergency exit from any seat in the passenger cabin, the passageway must be unobstructed. However, curtains may be used if they allow free entry through the passageway.

(e) No door may be installed in any partition between passenger compartments.

(f) If it is necessary to pass through a doorway separating the passenger cabin from other areas to reach any required emergency exit from any passenger seat, the door must have a means to latch it in open position. The latching means must be able to withstand the loads imposed upon it when the door is subjected to the ultimate inertia forces, relative to the surrounding structure, listed in JAR 25.561 (b).

JAR 25.815 Width of aisle

The passenger aisle width at any point between seats must equal or exceed the values in the following table:

Passenger seating capacity	Minimum passenger aisle width (inches)	
	Less than 25 inches from floor	25 inches and more from floor
10 or less	12*	15
11 to 19	12	20
20 or more	15	20

* A narrower width not less than 9 inches may be approved when substantiated by tests found necessary by the Authority.

JAR-25

SECTION 1

JAR 25.817 Maximum number of seats abreast

On aeroplanes having only one passenger aisle, no more than 3 seats abreast may be placed on each side of the aisle in any one row.

JAR 25.819 Lower deck service compartments (including galleys)

For aeroplanes with a service compartment located below the main deck, which may be occupied during the taxi or flight but not during take-off or landing, the following apply:

(a) There must be at least two emergency evacuation routes, one at each end of each lower deck service compartment or two having sufficient separation within each compartment, which could be used by each occupant of the lower deck service compartment to rapidly evacuate to the main deck under normal and emergency lighting conditions. The routes must provide for the evacuation of incapacitated persons, with assistance. The use of the evacuation routes may not be dependent on any powered device. The routes must be designed to minimise the possibility of blockage which might result from fire, mechanical or structural failure, or persons standing on top of or against the escape routes. In the event the aeroplane's main power system or compartment main lighting system should fail, emergency illumination for each lower deck service compartment must be automatically provided.

(b) There must be a means for two-way voice communication between the flight deck and each lower deck service compartment, which remains available following loss of normal electrical power generating system.

(c) There must be an aural emergency alarm system, audible during normal and emergency conditions, to enable crew members on the flight deck and at each required floor level emergency exit to alert occupants of each lower deck service compartment of an emergency situation.

(d) There must be a means, readily detectable by occupants of each lower deck service compartment, that indicates when seat belts should be fastened.

(e) If a public address system is installed in the aeroplane, speakers must be provided in each lower deck service compartment.

JAR 25.819 (continued)

(f) For each occupant permitted in a lower deck service compartment, there must be a forward or aft facing seat which meets the requirements of JAR 25.785 (d) and must be able to withstand maximum flight loads when occupied.

(g) For each powered lift system installed between a lower deck service compartment and the main deck for the carriage of persons or equipment, or both, the system must meet the following requirements:

(1) Each lift control switch outside the lift, except emergency stop buttons, must be designed to prevent the activation of the lift if the lift door, or the hatch required by sub-paragraph (g) (3) of this paragraph, or both are open.

(2) An emergency stop button, that when activated will immediately stop the lift, must be installed within the lift and at each entrance to the lift.

(3) There must be a hatch capable of being used for evacuating persons from the lift that is openable from inside and outside the lift without tools, with the lift in any position.

VENTILATION AND HEATING

JAR 25.831 Ventilation

(a) Each passenger and crew compartment must be ventilated and each crew compartment must have enough fresh air (but not less than 10 cubic ft per minute per crew member) to enable crew members to perform their duties without undue discomfort or fatigue. (See ACJ 25.831 (a).)

(b) Crew and passenger compartment air must be free from harmful or hazardous concentrations of gases or vapours. In meeting this requirement, the following apply:

(1) Carbon monoxide concentrations in excess of one part in 20 000 parts of air are considered hazardous. For test purposes, any acceptable carbon monoxide detection method may be used.

(2) Carbon dioxide in excess of 3% by volume (sea-level equivalent) is considered hazardous in the case of crew members. Higher concentrations of carbon dioxide may be allowed in crew compartments if appropriate protective breathing equipment is available.

SECTION 1

JAR-25

JAR 25.851(a)(6) (continued)

extinguisher required by this paragraph must be appropriate for the kinds of fires likely to occur where used.

(7) The quantity of extinguishing agent used in each extinguisher required by this paragraph must be appropriate for the kinds of fires likely to occur where used.

(8) Each extinguisher intended for use in a personnel compartment must be designed to minimise the hazard of toxic gas concentration.

(b) *Built-in fire extinguishers.* If a built-in fire extinguisher is provided –

(1) Each built-in fire extinguishing system must be installed so that –

(i) No extinguishing agent likely to enter personnel compartments will be hazardous to the occupants; and

(ii) No discharge of the extinguisher can cause structural damage.

(2) The capacity of each required built-in fire extinguishing system must be adequate for any fire likely to occur in the compartment where used, considering the volume of the compartment and the ventilation rate.

JAR 25.853 Compartment interiors

For each compartment occupied by the crew or passengers, the following apply:

(a) Materials (including finishes or decorative surfaces applied to the materials) must meet the applicable test criteria prescribed in Part I of Appendix F or other approved equivalent methods.

(b) In addition to meeting the requirements of sub-paragraph (a) of this paragraph, seat cushions, except those on flight crew member seats, must meet the test requirements of Part II of Appendix F, or equivalent.

(c) For aeroplanes with passenger capacities of 20 or more, interior ceiling and wall panels (other than lighting lenses), partitions, and the outer surfaces of galleys, large cabinets and stowage compartments (other than underseat stowage compartments and compartments for stowing small items, such as magazines and maps) must also meet the test requirements of Parts IV and V of Appendix F, or other approved equivalent method, in addition to the flammability requirements prescribed in sub-paragraph (a) of this paragraph. (See ACJ 25.853 (c).)

JAR 25.853 (continued)

(d) Smoking is not to be allowed in lavatories. If smoking is to be allowed in any compartment occupied by the crew or passengers, an adequate number of self-contained, removable ashtrays must be provided for all seated occupants; and

(e) Regardless of whether smoking is allowed in any other part of the aeroplane, lavatories must have self-contained removable ashtrays located conspicuously both inside and outside each lavatory. One ashtray located outside a lavatory door may serve more than one lavatory door if the ashtray can be seen readily from the cabin side of each lavatory door served.

(f) Each receptacle used for the disposal of flammable waste material must be fully enclosed, constructed of at least fire resistant materials, and must contain fires likely to occur in it under normal use. The ability of the receptacle to contain those fires under all probable conditions of wear, misalignment, and ventilation expected in service must be demonstrated by test.

JAR 25.854 Lavatory fire protection

For aeroplanes with a passenger capacity of 20 or more –

(a) Each lavatory must be equipped with a smoke detector system or equivalent that provides a warning light in the cockpit, or provides a warning light or audible warning in the passenger [cabin that would be readily detected by a cabin crew member; and]

(b) Each lavatory must be equipped with a built-in fire extinguisher for each disposal receptacle for towels, paper, or waste, located within the lavatory. The extinguisher must be designed to discharge automatically into each disposal receptacle upon occurrence of a fire in that receptacle.

JAR 25.855 Cargo or baggage compartments

For each cargo or baggage compartment not occupied by crew or passengers, the following apply:

(a) The compartment must meet one of the class requirements of JAR 25.857.

JAR-25

SECTION 1

JAR 25.1549 Powerplant instruments
(See ACJ 25.1549)

For each powerplant instrument either a placard or colour markings or an acceptable combination must be provided to convey information on the maximum and (where applicable) minimum operating limits. Colour coding must comply with the following:

- (a) Each maximum and, if applicable, minimum safe operating limit must be marked with a red radial or a red line;
- (b) Each normal operating range must be marked with a green arc or green line, not extending beyond the maximum and minimum safe limits;
- (c) Each take-off and precautionary range must be marked with a yellow arc or a yellow line; and
- (d) Each engine or propeller speed range that is restricted because of excessive vibration stresses must be marked with red arcs or red lines.

JAR 25.1551 Oil quantity indicator

Each oil quantity indicating means must be marked to indicate the quantity of oil readily and accurately.

JAR 25.1553 Fuel quantity indicator

If the unusable fuel supply for any tank exceeds one gallon, or 5% of the tank capacity, whichever is greater, a red arc must be marked on its indicator extending from the calibrated zero reading to the lowest reading obtainable in level flight.

JAR 25.1555 Control markings

- (a) Each cockpit control, other than primary flight controls and controls whose function is obvious, must be plainly marked as to its function and method of operation.
- (b) Each aerodynamic control must be marked under the requirements of JAR 25.677 and 25.699.
- (c) For powerplant fuel controls –
 - (1) Each fuel tank selector control must be marked to indicate the position

JAR 25.1555(c)(1) (continued)

corresponding to each tank and to each existing cross feed position;

- (2) If safe operation requires the use of any tanks in a specific sequence, that sequence must be marked on, or adjacent to, the selector for those tanks; and
- (3) Each valve control for each engine must be marked to indicate the position corresponding to each engine controlled.
- (d) For accessory, auxiliary, and emergency controls –
 - (1) Each emergency control (including each fuel jettisoning and fluid shutoff control) must be coloured red; and
 - (2) Each visual indicator required by JAR 25.729 (e) must be marked so that the pilot can determine at any time when the wheels are locked in either extreme position, if retractable landing gear is used.

JAR 25.1557 Miscellaneous markings and placards

(a) *Baggage and cargo compartments and ballast location.* Each baggage and cargo compartment, and each ballast location must have a placard stating any limitations on contents, including weight, that are necessary under the loading requirements. However, underseat compartments designed for the storage of carry-on articles weighing not more than 20 pounds need not have a loading limitation placard. (See ACJ 25.1557 (a).)

(b) *Powerplant fluid filler openings.* The following apply:

- (1) Fuel filler openings must be marked at or near the filler cover with –
 - (i) The word 'fuel';
 - (ii) *Not required for JAR-25.*
 - (iii) The permissible fuel [designations; and]
 - (iv) For pressure fuelling systems, the maximum permissible fuelling supply pressure and the maximum permissible defuelling pressure.
- (2) Oil filler openings must be marked at or near the filler cover with the word 'oil'.

APPENDIX D:- FAR 25 REQUIREMENTS – REFERENCE ONLY.



THIS DATA CURRENT AS OF THE FEDERAL REGISTER DATED OCTOBER 8, 2002

14 CFR - CHAPTER I - PART 25

[View Part](#)

§ 25.810 Emergency egress assist means and escape routes.

(a) Each non over-wing Type A, Type B or Type C exit, and any other non over-wing landplane emergency exit more than 6 feet from the ground with the airplane on the ground and the landing gear extended, must have an approved means to assist the occupants in descending to the ground.

(1) The assisting means for each passenger emergency exit must be a self-supporting slide or equivalent; and, in the case of Type A or Type B exits, it must be capable of carrying simultaneously two parallel lines of evacuees. In addition, the assisting means must be designed to meet the following requirements --

(i) It must be automatically deployed and deployment must begin during the interval between the time the exit opening means is actuated from inside the airplane and the time the exit is fully opened. However, each passenger emergency exit which is also a passenger entrance door or a service door must be provided with means to prevent deployment of the assisting means when it is opened from either the inside or the outside under nonemergency conditions for normal use.

(ii) Except for assisting means installed at Type C exits, it must be automatically erected within 6 seconds after deployment is begun. Assisting means installed at Type C exits must be automatically erected within 10 seconds from the time the opening means of the exit is actuated.

(iii) It must be of such length after full deployment that the lower end is self-supporting on the ground and provides safe evacuation of occupants to the ground after collapse of one or more legs of the landing gear.

(iv) It must have the capability, in 25-knot winds directed from the most critical angle, to deploy and, with the assistance of only one person, to remain usable after full deployment to evacuate occupants safely to the ground.

(v) For each system installation (mockup or airplane installed), five consecutive deployment and inflation tests must be conducted (per exit) without failure, and at least three tests of each such five-test series must be conducted using a single representative sample of the device. The sample devices must be deployed and inflated by the system's primary means after being subjected to the inertia forces specified in § 25.561(b). If any part of the system fails or does not function properly during the required tests, the cause of the failure or malfunction must be corrected by positive means and after that, the full series of five consecutive deployment and inflation tests must be conducted without failure.

(2) The assisting means for flightcrew emergency exits may be a rope or any other means demonstrated to be suitable for the purpose. If the assisting means is a rope, or an approved device equivalent to a rope, it must be --

(i) Attached to the fuselage structure at or above the top of the emergency exit opening, or, for a device at a pilot's emergency exit window, at another approved location if the stowed device, or its attachment, would reduce the pilot's view in flight;

(ii) Able (with its attachment) to withstand a 400-pound static load.

(b) Assist means from the cabin to the wing are required for each type A or Type B exit located above the wing and having a stepdown unless the exit without an assist-means can be shown to have a rate of passenger egress at least equal to that of the same type of non over-wing exit. If an assist means is required, it must be automatically deployed and automatically erected concurrent with the opening of the exit. In the case of assist means installed at Type C exits, it must be self-supporting within 10 seconds from the time the opening means of the exits is actuated. For all other exit types, it must be self-supporting 6 seconds after deployment is begun.

(c) An escape route must be established from each overwing emergency exit, and (except for flap surfaces suitable as slides) covered with a slip resistant surface. Except where a means for channeling the flow of evacuees is provided --

(1) The escape route from each Type A or Type B passenger emergency exit, or any common escape route from two Type III passenger emergency exits, must be at least 42 inches wide; that from any other passenger emergency exit must be at least 24 inches wide; and

(2) The escape route surface must have a reflectance of at least 80 percent, and must be defined by markings with a surface-to-marking contrast ratio of at least 5:1.

(d) Means must be provided to assist evacuees to reach the ground for all Type C exits located over the wing and, if the place on the airplane structure at which the escape route required in paragraph (c) of this section terminates is more than 6 feet from the ground with the airplane on the ground and the landing gear extended, for all other exit types.

(1) If the escape route is over the flap, the height of the terminal edge must be measured with the flap in the takeoff or landing position, whichever is higher from the ground.

(2) The assisting means must be usable and self-supporting with one or more landing gear legs collapsed and under a 25-knot wind directed from the most critical angle.

(3) The assisting means provided for each escape route leading from a Type A or B emergency exit must be capable of carrying simultaneously two parallel lines of evacuees; and, the assisting means leading from any other exit type must be capable of carrying as many parallel lines of evacuees as there are required escape routes.

(4) The assisting means provided for each escape route leading from a Type C exit must be automatically erected within 10 seconds from the time the opening means of the exit is actuated, and that provided for the escape route leading from any other exit type must be automatically erected within 10 seconds after actuation of the erection system.

[Amdt. 25-72, 55 FR 29782, July 20, 1990, as amended by Amdt. 25-88, 61 FR 57958, Nov. 8, 1996; 62 FR 1817, Jan. 13, 1997]

THIS DATA CURRENT AS OF THE FEDERAL REGISTER DATED OCTOBER 8, 2002

14 CFR - CHAPTER I - PART 25

[View Part](#)

§ 25.813 Emergency exit access.

Each required emergency exit must be accessible to the passengers and located where it will afford an effective means of evacuation. Emergency exit distribution must be as uniform as practical, taking passenger distribution into account; however, the size and location of exits on both sides of the cabin need not be symmetrical. If only one floor level exit per side is prescribed, and the airplane does not have a tailcone or ventral emergency exit, the floor level exit must be in the rearward part of the passenger compartment, unless another location affords a more effective means of passenger evacuation. Where more than one floor level exit per side is prescribed, at least one floor level exit per side must be located near each end of the cabin, except that this provision does not apply to combination cargo/passenger configurations. In addition --

(a) There must be a passageway leading from the nearest main aisle to each Type A, Type B, Type C, Type I, or Type II emergency exit and between individual passenger areas. Each passageway leading to a Type A or Type B exit must be unobstructed and at least 36 inches wide. Passageways between individual passenger areas and those leading to Type I, Type II, or Type C emergency exits must be unobstructed and at least 20 inches wide. Unless there are two or more main aisles, each Type A or B exit must be located so that there is passenger flow along the main aisle to that exit from both the forward and aft directions. If two or more main aisles are provided, there must be unobstructed cross-aisles at least 20 inches wide between main aisles. There must be --

(1) A cross-aisle which leads directly to each passageway between the nearest main aisle and a Type A or B exit; and

(2) A cross-aisle which leads to the immediate vicinity of each passageway between the nearest main aisle and a Type I, Type II, or Type III exit; except that when two Type III exits are located within three passenger rows of each other, a single cross-aisle may be used if it leads to the vicinity between the passageways from the nearest main aisle to each exit.

(b) Adequate space to allow crewmember(s) to assist in the evacuation of passengers must be provided as follows:

(1) The assist space must not reduce the unobstructed width of the passageway below that required for the exit.

(2) For each Type A or Type B exit, assist space must be provided at each side of the exit regardless of whether a means is required by § 25.810(a) to assist passengers in descending to the ground from that exit.

(3) Assist space must be provided at one side of any other type exit required by § 25.810(a) to have a means to assist passengers in descending to the ground from that exit.

(c) The following must be provided for each Type III or Type IV exit -- (1) There must be access from the nearest aisle to each exit. In addition, for each Type III exit in an airplane that has a passenger seating configuration of 60 or more --

(i) Except as provided in paragraph (c)(1)(ii), the access must be provided by an unobstructed passageway that is at

least 10 inches in width for interior arrangements in which the adjacent seat rows on the exit side of the aisle contain no more than two seats, or 20 inches in width for interior arrangements in which those rows contain three seats. The width of the passageway must be measured with adjacent seats adjusted to their most adverse position. The centerline of the required passageway width must not be displaced more than 5 inches horizontally from that of the exit.

(ii) In lieu of one 10- or 20-inch passageway, there may be two passageways, between seat rows only, that must be at least 6 inches in width and lead to an unobstructed space adjacent to each exit. (Adjacent exits must not share a common passageway.) The width of the passageways must be measured with adjacent seats adjusted to their most adverse position. The unobstructed space adjacent to the exit must extend vertically from the floor to the ceiling (or bottom of sidewall stowage bins), inboard from the exit for a distance not less than the width of the narrowest passenger seat installed on the airplane, and from the forward edge of the forward passageway to the aft edge of the aft passageway. The exit opening must be totally within the fore and aft bounds of the unobstructed space.

(2) In addition to the access --

(i) For airplanes that have a passenger seating configuration of 20 or more, the projected opening of the exit provided must not be obstructed and there must be no interference in opening the exit by seats, berths, or other protrusions (including any seatback in the most adverse position) for a distance from that exit not less than the width of the narrowest passenger seat installed on the airplane.

(ii) For airplanes that have a passenger seating configuration of 19 or fewer, there may be minor obstructions in this region, if there are compensating factors to maintain the effectiveness of the exit.

(3) For each Type III exit, regardless of the passenger capacity of the airplane in which it is installed, there must be placards that --

(i) Are readable by all persons seated adjacent to and facing a passageway to the exit;

(ii) Accurately state or illustrate the proper method of opening the exit, including the use of handholds; and

(iii) If the exit is a removable hatch, state the weight of the hatch and indicate an appropriate location to place the hatch after removal.

(d) If it is necessary to pass through a passageway between passenger compartments to reach any required emergency exit from any seat in the passenger cabin, the passageway must be unobstructed. However, curtains may be used if they allow free entry through the passageway.

(e) No door may be installed in any partition between passenger compartments.

(f) If it is necessary to pass through a doorway separating the passenger cabin from other areas to reach any required emergency exit from any passenger seat, the door must have a means to latch it in open position. The latching means must be able to withstand the loads imposed upon it when the door is subjected to the ultimate inertia forces, relative to the surrounding structure, listed in § 25.561(b).

[Amdt. 25-1, 30 FR 3204, Mar. 9, 1965, as amended by Amdt. 25-15, 32 FR 13265, Sept. 20, 1967; Amdt. 25-32, 37 FR 3971, Feb. 24, 1972; Amdt. 25-46, 43 FR 50597, Oct. 30, 1978; Amdt. 25-72, 55 FR 29783, July 20, 1990; Amdt. 25-76, 57 FR 19244, May 4, 1992; Amdt. 25-76, 57 FR 29120, June 30, 1992; Amdt. 25-88, 61 FR 57958, Nov. 8, 1996]

Electronic Code of Federal Regulations
e-CFR™

THIS DATA CURRENT AS OF THE FEDERAL REGISTER DATED OCTOBER 8, 2002

14 CFR - CHAPTER I - PART 25

[View Part](#)

§ 25.815 Width of aisle.

The passenger aisle width at any point between seats must equal or exceed the values in the following table:

Passenger seating capacity	Minimum passenger aisle width (inches)	
	Less than 25 in. from floor	25 in. and more from floor
10 or less.....	12	15
11 through 19.....	12	20
20 or more.....	15	20

\1A narrower width not less than 9 inches may be approved when substantiated by tests found necessary by the Administrator.

[Amdt. 25-15, 32 FR 13265, Sept. 20, 1967, as amended by Amdt. 25-38, 41 FR 55466, Dec. 20, 1976]

APPENDIX E:- AWN 64 REQUIREMENTS – REFERENCE ONLY.

UK Civil Aviation Authority

AIRWORTHINESS NOTICE

MANDATORY



No. 64
Issue 2
29 October 2001

Minimum Space For Seated Passengers

- 1** **APPLICABILITY** This Airworthiness Notice is applicable to all UK registered aeroplanes over 5700 kg MTWA, certificated in the Transport Category (Passenger) and configured to carry 20 or more passengers.
- 2** **INTRODUCTION**
- 2.1 The CAA is required to approve the cabin interior layout of each aircraft on the UK register. As part of that approval each seat type shall be approved as required by JAR 25.785 or BCAR Section D, Chapter D4-4 paragraph 2.1.2. The approval procedure for such controlled items is defined in BCAR Sections A or B, Chapter A4-8 or B4-8, and JAR-21 Subparts E and K.
- 2.2 At the initial evaluation of a seat an assessment of the limiting conditions of use is made and, when agreed with the seat manufacturer, these are specified on the GA drawing, on the Declaration of Design and Performance (DDP) or specifically highlighted in a letter of approval. Included in these limitations is a minimum seat pitch at which approval for installation on an aeroplane has been granted. This minimum pitch is defined taking into account head, trunk and leg strike areas of the seat in front, the ability to occupy the seat and, if necessary, quickly vacate the seat and enter the aisle in an emergency.
- 2.3 The CAA has been asked to re-assess the use of seats at a pitch less than has generally been requested in the past, particularly with respect to the more modern, high technology seat designs, and yet still to be satisfied that the various general criteria above are being achieved. Of particular concern is the effect that such lower seat pitches can have on the seat occupancy and the ease of egress from these seats.
- 2.4 To formalise minimum acceptable seating standards the normal design extremes used for certification purposes for all occupied zones, namely the anthropometric data for the 5th percentile female to the 95th percentile male, have been taken into account. In this regard the critical dimension for the seated occupant is the buttock-knee length. Additionally, affecting the ease with which the occupant can stand up and move from the seat to the main cabin aisle, is the minimum distance and the vertically projected distance between the seat and any seat or fixed structure immediately ahead of the occupant.
- 2.5 Use of these three dimensions as the criteria for the determination of the acceptability of any seating configuration is considered to provide a realistic minimum standard which can be uniformly adopted whether the seating being considered is placed adjacent to seats of the same or different types, or other typical aeroplane interior structures. These Requirements are not intended to supersede or replace existing occupant protection Criteria prescribed in JAR 25.785 or BCAR D4-4.
- 3** **COMPLIANCE**
- 3.1 With effect from 1 April 1989, all aeroplanes defined in paragraph 1 above and which are being subject to the provision of a new (not previously CAA approved) or amended seating configuration, shall comply with the requirements of this Notice.
- 3.2 With effect from 1 January 1992 all aeroplanes defined in paragraph 1 above shall comply with the requirements of this Notice.

4 REQUIREMENTS

- 4.1 The minimum distance between the back support cushion of a seat and the back of the seat or other fixed structure in front, shall be 26 inches. (Figure 1, Dimension A.)
- 4.2 The minimum distance between a seat and the seat or other fixed structure in front, shall be 7 inches. (Figure 1, Dimension B.)
- 4.3 The minimum vertically projected distance between seat rows or between a seat and any fixed structure forward of the seat, shall be 3 inches. (Figure 1, Dimension C.)

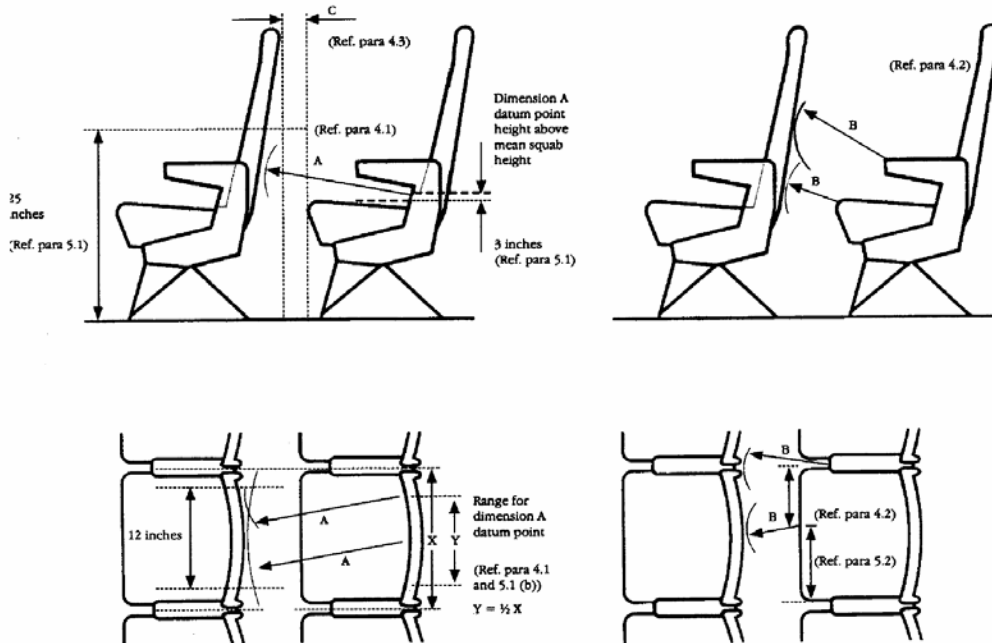


Figure 1 Minimum Dimensions required by paragraphs 4.1, 4.2 and 4.3

5 ADDITIONAL INFORMATION

- 5.1 The measurements required for the demonstration of compliance with the requirement given in paragraph 4.1 above are as follows:
 - (a) from a datum point in the centre of the seat back at a height of 3 inches above the mean uncompressed seat squab height to the seat or other fixed structure in front made in both vertical and horizontal arcs up to a limiting height of 25 inches above the carpeted floor level, over the full seat place width 'X'. (See Figure 1.)
 - (b) from any point on the seat back within the centre one half 'Y' of the seat place width at a height of 3 inches above the mean uncompressed seat squab height to the seat or other fixed structure within the central 12 inch region in front made in vertical and horizontal arcs up to a limiting height of 25 inches above the carpeted floor level.
- 5.2 The full width of the forward edges of the seat squab cushion and the seat arm rests shall be used as the datum points for the measurements of the minimum distance required by paragraph 4.2 above. From these points the measurement of the distance shall be made in both horizontal and vertical unlimited arcs.
- 5.3 The vertically projected distance required by paragraph 4.3 above shall be measured between the forward edge of the seat squab cushion or the most forward extremity of the armrests and the most aft part of the seat or fixed structure in front.

- 5.4 Where a magazine rack is provided for the normal stowage of the cabin safety leaflet, sick bag and in-flight reading material provided by the operator, such normally provided material shall be in place during the measurements. Similarly, any fold down or other type of meal table attached to either seat or fixed structure should be in its normal stowed (take-off and landing) position for all measurements.
- 5.5 All measurements shall be made with the seats in the upright (take-off and landing) position, and the armrests shall be down.
- 5.6 No alleviation to these requirements will be granted on the basis of deformable soft furnishings.
- 5.7 All modifications to seats, their installation or any modification to adjacent fixed structures, necessary to achieve compliance with the requirements of this Notice shall be the subject of the appropriate BCAR Section A or Section B major modification procedure, Chapters A2-5/B2-5 or JAR-21 Subpart E procedures.
- 6 CANCELLATION** This Notice cancels Airworthiness Notice No. 64 Issue 1, dated 16 March 1989, which should be destroyed.



www.aesglobal.com
 TEL: 44 (0)1279 818010
 FAX: 44 (0)1279 647683

AES Limited
 28 Golds Nurseries Business Park
 Elsenham
 Essex
 CM22 6JX

QUERY NOTE		AES REF No.: QN-AES-.....-.....-..... <small>(COMPLETED BY AES STAFF ONLY)</small>
AIRCRAFT TYPE:.....	APPLICANTS NAME:.....	
REGISTRATION:.....	DATE:.....	
LOCATION:.....	APPLICANTS FAX No:.....	
DRAWING (S) / P/N AFFECTED:	APPLICANTS TEL No:.....	
GIVE FULL DETAILS, INCLUDE OR ATTACH RELEVANT SKETCHES		

DESIGN RESPONSE TO QUERY NOTE	
DRAWING (S) TO BE AMENDED YES / NO	DATE AMENDED:
(AEROSPACE ENGINEERING SOLUTIONS LIMITED DESIGN OFFICE USE ONLY)	
COMPILED BY:	APPROVED BY:

MODIFICATION EMBODIMENT INSTRUCTIONS

A. TITLE PAGE

TITLE: DOOR 2 STRUCTURE REWORK (ATT SEAT)

DATE COMPILED: FEB 2004

MODIFICATION NO.: AES-757-192 PART C

PROJECT NO.: 0158

EFFECTIVITY:	A/C TYPE	REGISTRATION	SERIAL NO.
	B757-236	G-OOBG	29942
	B757-236	G-OOBH	29944

This document is issued for production engineering purposes.

The definitive design requirements are shown in mod AES-757-192 PT.C , the contents of which override information contained in this MEI.

Differences resulting from existing repairs, variation in build standard or corrosion to be reported to AES Ltd Design Department.

Manufacturing processes and inspection and installation procedures are the responsibility of FIRST CHOICE AIRWAYS LTD.

ISSUE	1	2	3	4	5	6
DRN:	0531					
DATE	FEB 04					
COMPILED BY:	S.SHAW					
CHECKED BY:	A M D					
DESIGN APP:	A L H					



www.aesglobal.com
TEL: 44 (0)1279 818010
FAX:44 (0)1279 647683

AES Limited
28 Golds Nurseries Business Park
Elsenham
Essex
CM22 6JX

MEI-235

ISSUE 1, FEB 2004

Page 2 of 21

MODIFICATION EMBODIMENT INSTRUCTIONS

B. REVISION DETAILS:

WRITE BELOW A BRIEF SUMMARY OF THE CHANGES WHICH HAVE BEEN INTRODUCED AT THE STATED REVISION:

ISSUE	DESCRIPTION
1	NEW ISSUE

MODIFICATION EMBODIMENT INSTRUCTIONS

C. CONTENTS:

SEC.	DESCRIPTION	PAGE No
A.	TITLE PAGE	1
B.	REVISION STATUS	2
C.	CONTENTS	3
D1.	ACCOMPLISHMENT INSTRUCTIONS – REMOVALS	4
D2.	ACCOMPLISHMENT INSTRUCTIONS – INSTALLATION	6
D3	ACCOMPLISHMENT INSTRUCTIONS – ATTENDANT SEAT WIRING INSTL	8
D4.	ACCOMPLISHMENT INSTRUCTIONS – FUNCTION CHECKS	12
E.	DRAWINGS & DOCUMENTS REQUIRED	13
F.	SPECIAL TOOLS REQUIRED	14
G.	ESTIMATED TIME REQUIRED	14
H.	PARTS REQUIRED/REMOVED	15
J.	REPORT SHEET	18
	APPENDIX A – ATZ RE-CERTIFICATION CONTROL SHEET	19
	APPENDIX B – ADDITIONAL WORK CARD INDEX SHEET	20
	QUERY NOTE BLANK	

MODIFICATION EMBODIMENT INSTRUCTIONS

D1 ACCOMPLISHMENT INSTRUCTIONS – REMOVALS			MECH SIG.	INSP STAMP																								
	REMOVALS: Remove any equipment IAW relevant section of the AMM.																											
D1.0	Refer to AMM Ch. 53-01-01 p/block 401 (DRG 143N5584 Sheet 29) Remove floor-boards to gain access to under floor structure at door 2R area.																											
D1.1	GALLEY SUPPORT Refer to DRG 143N5841 SHT 13 Remove the following structure from RBL 12.44 in order to install provision to install attendant seat track. Remove the following window plugs from the subject area <table border="0" style="width: 100%;"> <tr> <td style="width: 20%;">143N5859-3</td> <td style="width: 20%;">CHANNEL</td> <td style="width: 10%;">1 OFF</td> <td style="width: 20%;">STA 660-680</td> <td style="width: 30%;">RBL12.44</td> </tr> <tr> <td>143N5859-4</td> <td>INTERCOSTAL</td> <td>1 OFF</td> <td>STA 650-675</td> <td>RBL 12.44</td> </tr> <tr> <td>140N2510-4</td> <td>TRACK FITTING</td> <td>1 OFF</td> <td>STA 678</td> <td>RBL 12.44</td> </tr> <tr> <td>143N5859-56</td> <td>PLATE</td> <td>1 OFF</td> <td>STA 660-680</td> <td>RBL12.44</td> </tr> <tr> <td>143N5860-2</td> <td>ANGLE</td> <td>1 OFF</td> <td>STA 680 AFT FACE</td> <td></td> </tr> </table> Retain existing web stiffeners, clips and associated fixings.	143N5859-3	CHANNEL	1 OFF	STA 660-680	RBL12.44	143N5859-4	INTERCOSTAL	1 OFF	STA 650-675	RBL 12.44	140N2510-4	TRACK FITTING	1 OFF	STA 678	RBL 12.44	143N5859-56	PLATE	1 OFF	STA 660-680	RBL12.44	143N5860-2	ANGLE	1 OFF	STA 680 AFT FACE			
143N5859-3	CHANNEL	1 OFF	STA 660-680	RBL12.44																								
143N5859-4	INTERCOSTAL	1 OFF	STA 650-675	RBL 12.44																								
140N2510-4	TRACK FITTING	1 OFF	STA 678	RBL 12.44																								
143N5859-56	PLATE	1 OFF	STA 660-680	RBL12.44																								
143N5860-2	ANGLE	1 OFF	STA 680 AFT FACE																									
D1.2	CAP OFF OVERHEAD WATER SUPPLY. Refer IPC Ch 38-11-62-01-100 (DRG 417N2201-2) Remove the supply hose P/N 10-61998-457 (ALT P/N 78001-457) supply hose and associated unions at the end. Install P/N BACC14AD08JL (or equivalent) at the main water supply line.		N/A	N/A																								
D1.3	WASTE WATER DRAIN INSTL'N (IF REQUIRED) Refer IPC Ch 38-31-54-550(detail F) (DRG 417N2202-7) Cap the existing drain line (STA 671, above crease beam) using Cap P/N 69B50212-1)																											

MODIFICATION EMBODIMENT INSTRUCTIONS

D1 ACCOMPLISHMENT INSTRUCTIONS – REMOVALS			
		MECH SIG.	INSP STAMP
D1.4	<p>REDUNDANT DRAINS IN FLOOR (Galley 2)</p> <p>Remove the existing galley drain plates situated around the redundant galley positions. Fabricate filler plate (Al alloy 2024-T3, QQ-A-250/5, THK=.05 (adjust thickness to suit)to fill the gap above the floor drain where the drain plates were installed. Secure in position using 3M Y-436 (Aluminium Tape).</p> <p>(Note the gutter drain system leads to a valve which is closed off during flight.</p>		
D1.5	Intentionally left blank.		
	END		

MODIFICATION EMBODIMENT INSTRUCTIONS

D2. ACCOMPLISHMENT INSTRUCTIONS – INSTALLATIONS																							
		MECH SIG.	INSP STAMP																				
	<p>INSTALLATION:</p> <p>Install any equipment IAW relevant section of the AMM.</p>																						
D2.0	<p>ATTENDANT SEAT TRACK – DOOR 2R</p> <p>Refer to DRG 0361-252-757</p> <p>Locally fabricate Stiffener Channel P/N 0361-252-757-021.</p>																						
D2.1	<p>ATTENDANT SEAT TRACK – DOOR 2R</p> <p>Refer to DRG 0361-252-757</p> <p>Locally fabricate Stiffener Channel P/N 0361-252-757-023.</p>																						
D2.2	<p>ATTENDANT SEAT TRACK – DOOR 2R</p> <p>Refer to DRG 0361-252-757</p> <p>Locally fabricate Throat Plate P/N 0361-252-757-025.</p>																						
D2.3	<p>ATTENDANT SEAT TRACK – DOOR 2R</p> <p>Refer to DRG 0361-252-757</p> <p>Install the parts in accordance with the reference drawing.</p> <table border="0"> <tr> <td>143N5300U6</td> <td>1 OFF</td> <td>STA 660-700</td> <td>RHS</td> </tr> <tr> <td>0624-252-757-021</td> <td>2 OFF</td> <td>STA 680/700</td> <td>RHS</td> </tr> <tr> <td>0624-252-757-023</td> <td>2 OFF</td> <td>STA 680/700</td> <td>RHS</td> </tr> <tr> <td>0624-252-757-025</td> <td>1 OFF</td> <td>STA 680</td> <td>RHS</td> </tr> <tr> <td>143N5303-2</td> <td>2 OFF</td> <td>STA 700</td> <td>RHS</td> </tr> </table> <p>Note: Install new parts wet using BMS5-95.</p> <p>Note: Remove and Install fasteners IAW SRM 51-40-02/51-40-05.</p> <p>Note: Install Hi-Lock Bolts in transition fit holes per SRM.</p>	143N5300U6	1 OFF	STA 660-700	RHS	0624-252-757-021	2 OFF	STA 680/700	RHS	0624-252-757-023	2 OFF	STA 680/700	RHS	0624-252-757-025	1 OFF	STA 680	RHS	143N5303-2	2 OFF	STA 700	RHS		
143N5300U6	1 OFF	STA 660-700	RHS																				
0624-252-757-021	2 OFF	STA 680/700	RHS																				
0624-252-757-023	2 OFF	STA 680/700	RHS																				
0624-252-757-025	1 OFF	STA 680	RHS																				
143N5303-2	2 OFF	STA 700	RHS																				

MODIFICATION EMBODIMENT INSTRUCTIONS

D2. ACCOMPLISHMENT INSTRUCTIONS – INSTALLATIONS			
		MECH SIG.	INSP STAMP
D2.4	Intentionally left blank.		
D2.5	FLOOR PANEL REWORK Refer to 0392-534-757 Modify Existing Floor Panel P/N 143N5651-16 as shown to achieve —003 ASSY		
D2.6	FLOOR PANEL REWORK Refer to 0392-534-757 Manufacture new Floor Panel Assy P/N 0392-534-757-011 as shown		
D2.7	FLOOR PANEL REWORK Refer to 0392-534-757 Manufacture new Floor Panel Assy P/N 0392-534-757-013 as shown		
D2.8	FLOOR PANEL INSTALLATION Refer to 0392-534-757 Install Floor panels as shown.		
D2.9	FLOOR PANEL REWORK Refer to 0392-534-757 Apply floor sealing in areas identified by drawing per AMM standard practices 25-27-01		
D2.10	ATTENDANT SEAT INSTL Refer to 0361-252-757 Install attendant seat as shown on drawing.		
D2.11	Intentionally left blank.		
	END		

MODIFICATION EMBODIMENT INSTRUCTIONS

D3 ACCOMPLISHMENT INSTRUCTIONS – ATTENDANT SEAT WIRING INSTL						
	MECH SIG.	INSP STAMP				
D3.1						
<p><u>Ref BFGoodrich W/D 23-42-11</u></p> <p>Remove aircraft power IAW AMM 24-22-00 p/block 201.</p> <p>Make sure these circuit breakers on the overhead circuit breaker panel, P11, are open:</p> <ul style="list-style-type: none"> (a) 11B18, WARN ELEX B (b) 11C22, PASS ADRS AMPL (c) 11C23, INTERPHONE CABIN SERVICE (d) 11H35, AURAL WARN SPKR RIGHT <p>In conjunction with the removal and relocation of the D2L attendant's seat.</p> <p>Gain access to behind the ceiling panels, Left and Right Sidewall panels and Doorway lining around Door 2 area by removing panels as required IAW AMM 25-21-06 p/block 401, 25-21-02 p/block 401, 25-21-05 p/block 401, 25-22-01 p/block 401.</p> <p>Disconnect the following connectors:</p> <table style="width: 100%; border: none;"> <tr> <td style="text-align: left;"><u>End 1</u></td> <td style="text-align: left;"><u>End 2</u></td> </tr> <tr> <td>D9583</td> <td>D41891P</td> </tr> </table> <p>Carefully salvage harness W4003 from left hand sidewall STA 680 for installation at Door 2R.</p> <p>Carry out OR and IR checks on the removed harness and ensure serviceability.</p>			<u>End 1</u>	<u>End 2</u>	D9583	D41891P
<u>End 1</u>	<u>End 2</u>					
D9583	D41891P					
D3.2						
<p>Gain access to fuselage crown between station 660-680, stringer 4L. Locate disconnect bracket-holding connector D41891J. Remove receptacle from bracket and retain for re-termination.</p>						

MODIFICATION EMBODIMENT INSTRUCTIONS

D3 ACCOMPLISHMENT INSTRUCTIONS – ATTENDANT SEAT WIRING INSTL														
	MECH SIG.	INSP STAMP												
<p>D3.3 <u>Ref AES Dwg 0404-233-757 & Fig 1</u></p> <p>Re-position disconnect bracket utilising existing stringer clips on right hand side at STA 675, WL 296.8, RBL 36.7 (Stringer 5R). Pull back existing loom W3525 back to new disconnect position, cut and terminate loom W3525 to existing connector D41891J as follows using contact P/N BACC47CP1A (Qty 5):</p> <table border="0"> <tr> <td><u>Wire no</u></td> <td><u>Connector D41891J</u></td> </tr> <tr> <td>W3525-4251R-24</td> <td>Pin 1</td> </tr> <tr> <td>W3525-4251B-24</td> <td>Pin 3</td> </tr> <tr> <td>W3525-4251Y-24</td> <td>Pin 4</td> </tr> <tr> <td>W3525-4251G-24</td> <td>Pin 5</td> </tr> <tr> <td>W3525-4251Z</td> <td>Pin 2</td> </tr> </table>	<u>Wire no</u>	<u>Connector D41891J</u>	W3525-4251R-24	Pin 1	W3525-4251B-24	Pin 3	W3525-4251Y-24	Pin 4	W3525-4251G-24	Pin 5	W3525-4251Z	Pin 2		
<u>Wire no</u>	<u>Connector D41891J</u>													
W3525-4251R-24	Pin 1													
W3525-4251B-24	Pin 3													
W3525-4251Y-24	Pin 4													
W3525-4251G-24	Pin 5													
W3525-4251Z	Pin 2													
<p>D3.4 <u>Ref AES Dwg 0404-233-757 & 0688-234-757</u></p> <p>Connect attendant harness plug D41891P to disconnect D41891J at STA 675, WL 296.3, RBL 36.7 and route harness W4003 retrieved from Op D3.1 down the right passenger cabin sidewall following existing wire bundle W3682 [Fig 2] to floor level. Re-use as required salvaged p-clips and fasteners from Left hand sidewall.</p> <p>Produce cut-out in grill IAW drawing 0404-233-757. Protect cable using spiral wrap or suitable equivalent and route harness below carpet aft towards position of new attendants seat STA 688. Protect cable harness using spiral wrap and secure to floor board using suitable aluminium tape.</p>														
<p>D3.5 Carry out continuity and resistance checks on new wiring.</p> <p>Re-connect connector D9583 to relocated Attendant seat disconnect bracket.</p>														

MODIFICATION EMBODIMENT INSTRUCTIONS

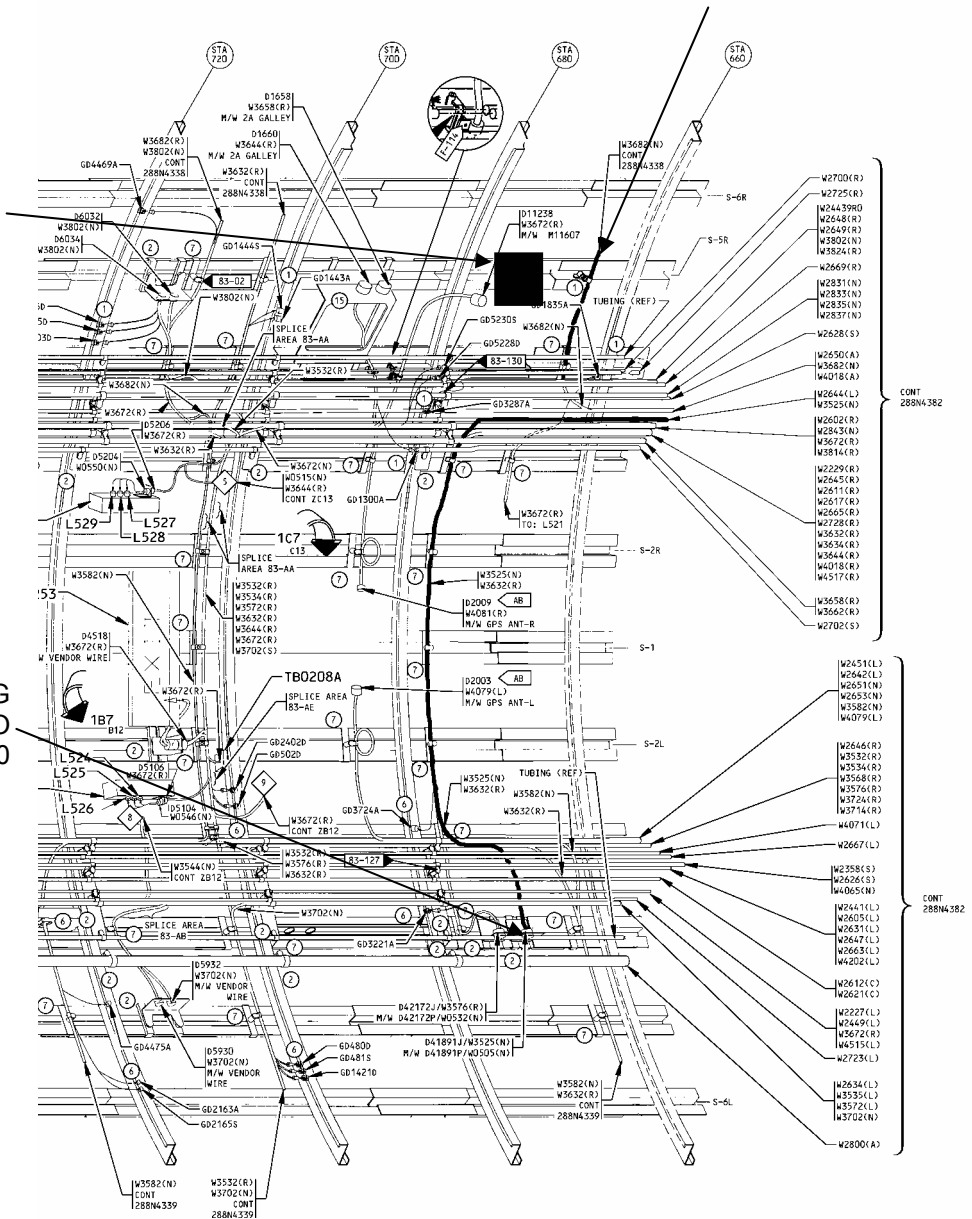
D3	ACCOMPLISHMENT INSTRUCTIONS – ATTENDANT SEAT WIRING INSTL	MECH SIG.	INSP STAMP

FIG.1 FS 660 – 720

ROUTE SALVAGED HARNESS W4003 ALONG EXISTING WIRING LOOM W3682 [REFER TO FIG 2]

REPOSITION EXISTING DISCONNECT BRACKET ON STRINGER 5R AND RE-TERMINATE EXISTING LOOM W3525 TO CONNECTOR D41891J

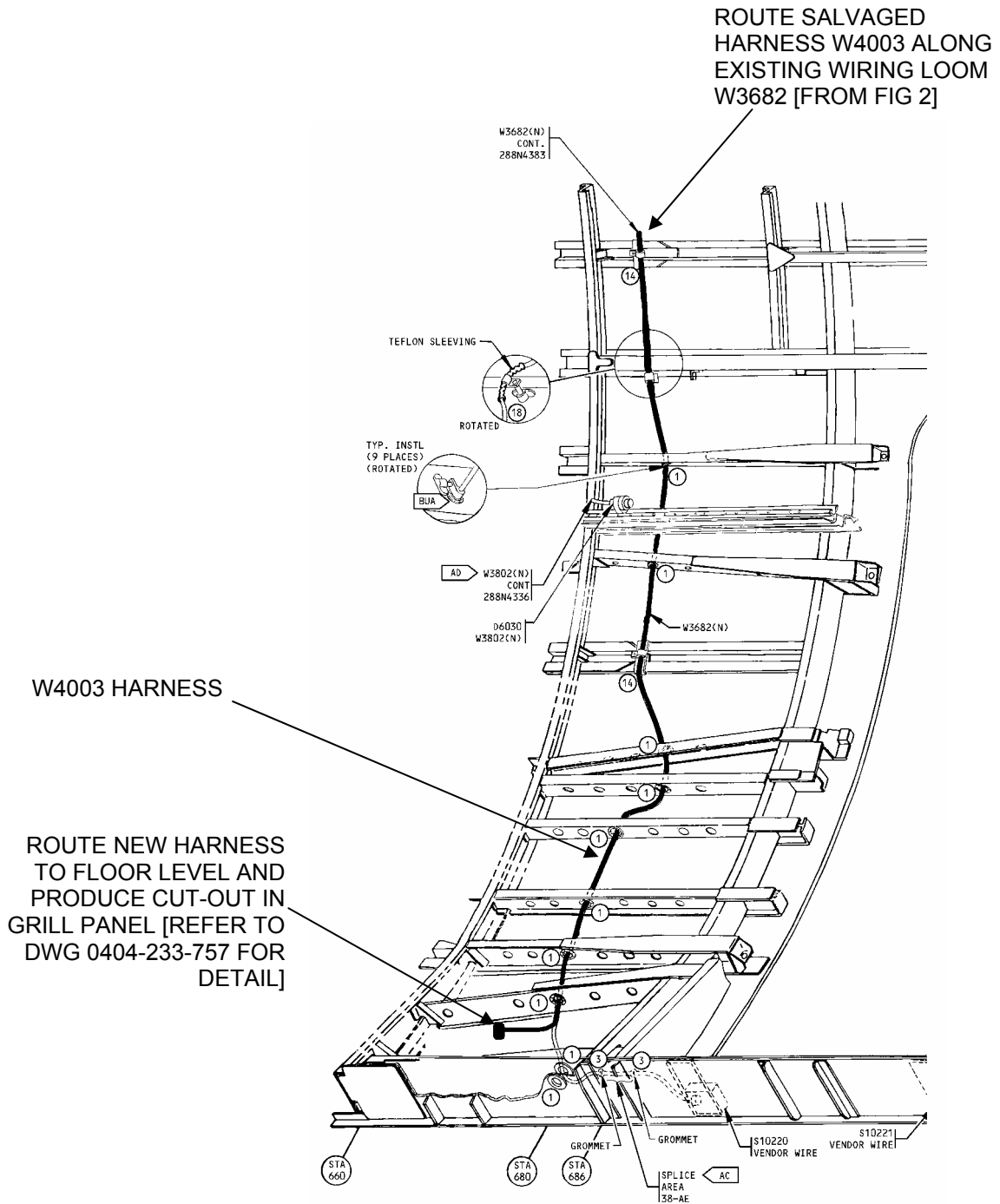
PULL BACK EXISTING LOOM W3525 TO RIGHTHAND STA 660-680



MODIFICATION EMBODIMENT INSTRUCTIONS

D3. ACCOMPLISHMENT INSTRUCTIONS – ATTENDANT SEAT WIRING INSTL

FIG.2 Sidewall FS FS660 – 680



MODIFICATION EMBODIMENT INSTRUCTIONS

D4. ACCOMPLISHMENT INSTRUCTIONS – FUNCTION CHECK			
		MECH SIG.	INSP STAMP
D4.1	<p>Re-fit all panels removed for access around Door 2 area IAW AMM 25-21-06 p/block 401, 25-21-02 p/block 401, 25-21-05 p/block 401, 25-22-01 p/block 401.</p> <p>Remove all tools and clean area.</p>		
D4.2	<p>Supply aircraft power IAW AMM 24-22-00 p/block 201</p> <p>Make sure these circuit breakers on the overhead circuit breaker panel, P11, are closed:</p> <ul style="list-style-type: none"> (a) 11B18, WARN ELEX B (b) 11C22, PASS ADRS AMPL (c) 11C23, INTERPHONE CABIN SERVICE (d) 11H35, AURAL WARN SPKR RIGHT 		
D4.3	<p>Carry out an function test of 2R attendants handset I.A.W. AMM CH 23-42-00 p/block 501</p>		

MODIFICATION EMBODIMENT INSTRUCTIONS

E. DOCUMENTS REQUIRED:

THE FOLLOWING DOCUMENTS ARE REQUIRED FOR EMBODIMENT OF MODIFICATION AES-757-192 Part C. **NOTE: REFER TO MODIFICATION SHEET FOR LATEST DRAWING ISSUE.**

The following drawings/documents are required:

<u>Drawing No</u>	<u>Title</u>	<u>SOURCE</u>
0361-252-757	ATTENDANT SEAT INSTL STA 660-700 (RHS)	AES
0392-534-757	FLOOR PANEL INSTALLATION DOOR 2 AREA	AES
0404-233-757	DOOR 2 – ATTENDANT HAND SET WIRE ROUTING	AES
0688-234-757	W/D: CABLE INTERPHONE SYSTEM	AES

The following existing drawings/documents are required for REFRENERCE ONLY in Section D1

<u>Drawing No</u>	<u>Title</u>	<u>SOURCE</u>
143N5841 SHT 13	GALLEY SUPPORT STRUCTURE INSTL'N	BOEING



www.aesglobal.com
TEL: 44 (0)1279 818010
FAX:44 (0)1279 647683

AES Limited
28 Golds Nurseries Business Park
Elsenham
Essex
CM22 6JX

MEI-235

ISSUE 1, FEB 2004

Page 14 of 21

MODIFICATION EMBODIMENT INSTRUCTIONS

F. SPECIAL TOOLS REQUIRED:

<u>PART NUMBER</u>	<u>DESCRIPTION</u>	<u>VENDOR</u>	<u>COMMENTS</u>
		NONE	

G. ESTIMATED TIME REQUIRED:

It is estimated that this installation will be carried out in conjunction with a pre input to service maintenance check and cabin conversion. (Man-hours TBA)

MODIFICATION EMBODIMENT INSTRUCTIONS

H. PARTS ADDED LIST (MOD. NUMBER: AES-757-192 PT C)

ITEM NO	PART NUMBER	QTY RQD	DESCRIPTION	USED ON	ADD/ REMOVE/ REWORK	REMARKS / VENDOR	ALT PART NUMBER	OWNER	REVISION
1	143N5300U6	1	SEAT TRACK	0361-252-757-001	ADD				1
2	143N5303-2	2	RADIUS FILLER	0361-252-757-001	ADD				1
3	0361-252-757-021	2	CHANNEL	0361-252-757-001	ADD	LOCALLY MANUFACTURE			1
4	0361-252-757-023	2	CHANNEL	0361-252-757-001	ADD	LOCALLY MANUFACTURER			1
5	0361-252-757-025	1	THROAT PLATE	0361-252-757-001	ADD	LOCALLY MANUFACTURER			1
6	BACR15CE6D()	A/R	RIVET	0361-252-757-001	ADD				1
7	BACR15FT6()	A/R	RIVET	0361-252-757-001	ADD				1
8	BACB30NY6K()	A/R	BOLT	0361-252-757-001	ADD				1
9	BACB30NY8K()	A/R	BOLT	0361-252-757-001	ADD				1
10	BACC30X	A/R	COLLAR	0361-252-757-001	ADD				1
11	S414N201-162GG	1 REF	ATTENDANT SEAT	0361-252-757-001	ADD	UTILISE EXISTING DOOR 2 SEAT			1
12	0392-534-757-003	1	FLOOR PANEL ASSY	0392-534-757-001	ADD				

MODIFICATION EMBODIMENT INSTRUCTIONS

I. PARTS ADDED LIST (MOD. NUMBER: AES-757-192 PT C)

ITEM NO	PART NUMBER	QTY RQD	DESCRIPTION	USED ON	ADD/ REMOVE/ REWORK	REMARKS / VENDOR	ALT PART NUMBER	OWNER	REVISION
13	0392-534-757-029	1	FLOOR PANEL	0392-534-757-011	ADD				1
14	0392-534-757-031	1	FLOOR PANEL	0392-534-757-013	ADD				1
15	SLP5182A3-1	A/R	PLUG	0392-534-757-003, -011, -013	ADD				1
16	SLP5182A3-400-2	A/R	SLEEVE	0392-534-757-003, -011, -013	ADD				1
17	BACN11K1	A/R	CLIP NUT	0392-534-757-001	ADD				1
18	BACS12GR3T20	A/R	SCREW	0392-534-757-003, -011, -013	ADD				1
19	RTV326	A/R	1/16" THK ROLLERTAPE 1.0"	0392-534-757-001	ADD				1
20	RTV326	A/R	1/8" THK ROLLERTAPE 1.0"	0392-534-757-001	ADD				1
21	BMS5-95	A/R	SEALANT	0392-534-757-001, 003, -011, -013	ADD				1
22	ARALDITE 252	A/R	FILLER	0392-534-757-001, 003, -011, -013	ADD				1
23	BMS5-107	A/R	ADHESIVE	0392-534-757-001, 003, -011, -013	ADD				1
24	0407-233-757-001	1	HARNES ASSY	0404-233-757	ADD				



www.aesglobal.com

TEL: 44 (0)1279 818010

FAX: 44 (0)1279 647683

AES Limited
Unit 28, Golds Nursery
Business Park
Elsenham
Essex

MEI-235

ISSUE 1, FEB 2004

Page 17 of 21

MODIFICATION EMBODIMENT INSTRUCTIONS

I. PARTS ADDED LIST (MOD. NUMBER: AES-757-192 PT C)

ITEM NO	PART NUMBER	QTY RQD	DESCRIPTION	USED ON	ADD/ REMOVE/ REWORK	REMARKS / VENDOR	ALT PART NUMBER	OWNER	REVISION
25	2P	A/R	SPIRAL WRAP	0404-233-757	ADD				
26	435X2	A/R	ALUMINIUM TAPE	0404-233-757	ADD				
27	BACR15CE8D()	A/R	RIVET	0361-252-757-001	ADD				



AES Limited
Unit 28, Golds Nursery
Business Park
Elsenham
Essex

MEI-235

ISSUE 1, FEB 2004

Page 18 of 21

www.aesglobal.com

TEL: 44 (0)1279 818010

FAX: 44 (0)1279 647683

MODIFICATION EMBODIMENT INSTRUCTIONS

J. MEI - REPORT SHEET.

THE MEI REPORT SHEET IS PROVIDED FOR THE PURPOSE OF COMMUNICATING TO AES DESIGN OFFICE ANY IMPROVEMENTS / SUGGESTIONS ARISING FROM THE EMBODIMENT OF THE MODIFICATION.

REPORT SHEET	MEI No: MEI-235 MOD No: AES-757-192PT C
AIRCRAFT TYPE:	
REGISTRATION AND SERIAL NUMBER:	
LOCATION:	
COMMENTS:	
PREPARED BY / DATE: _____	

MODIFICATION EMBODIMENT INSTRUCTIONS

APPENDIX A:- FIRST CHOICE AIRWAYS RE-CERTIFICATION CONTROL SHEET

(This sheet must be faxed on completion to FCA Projects dept Fax No 0161 489 0238)

PART NUMBER	DESCRIPTION	SERIAL NO.	WORK CARD REF	QTY.	COMMENTS I.E. SERVICEABLE / UNSERVICEABLE	DATE / INSPECTION STAMP



www.aesglobal.com
TEL: 44 (0)1279 818010
FAX: 44 (0)1279 647683

AES Limited
28 Golds Nurseries Business Park
Elsenham
Essex
CM22 6JX

QUERY NOTE		AES REF No.: QN-AES-.....-.....-..... <small>(COMPLETED BY AES STAFF ONLY)</small>
AIRCRAFT TYPE:.....	APPLICANTS NAME:.....	
REGISTRATION:.....	DATE:.....	
LOCATION:.....	APPLICANTS FAX No:.....	
DRAWING (S) / P/N AFFECTED:	APPLICANTS TEL No:.....	
GIVE FULL DETAILS, INCLUDE OR ATTACH RELEVANT SKETCHES		

DESIGN RESPONSE TO QUERY NOTE	
DRAWING (S) TO BE AMENDED YES / NO	DATE AMENDED:
(AEROSPACE ENGINEERING SOLUTIONS LIMITED DESIGN OFFICE USE ONLY)	
COMPILED BY:	APPROVED BY:

MODIFICATION EMBODIMENT INSTRUCTIONS

A. TITLE PAGE

TITLE: LAV SMOKE DETECTOR PANEL RELOCATION DOOR 1L

DATE COMPILED: MAR 2004

MODIFICATION NO.: AES-757-192 PART C

PROJECT NO.: 0158

EFFECTIVITY:	A/C TYPE	REGISTRATION	SERIAL NO.
	B757-236	G-OOBG	29942 (NT405)
	B757-236	G-OOBH	29943 (NT407)

This document is issued for production engineering purposes.

The definitive design requirements are shown in mod AES-757-192, the contents of which override information contained in this MEI.

Differences resulting from existing repairs, variation in build standard or corrosion to be reported to AES Ltd Design Department.

Manufacturing processes and inspection and installation procedures are the responsibility of First Choice Airways.

ISSUE	1	2	3	4	5	6
DRN:	0638					
DATE	MAR 2004					
COMPILED BY:	A VOICE					
CHECKED BY:	S SHAW					
DESIGN APP:	A M D					



www.aesglobal.com
TEL: 44 (0)1279 818010
FAX:44 (0)1279 647683

AES Limited
28 Golds Nurseries Business Park
Elsenham
Essex
CM22 6JX

MEI-309
ISSUE 1, MAR 2004
Page 2 of 17

MODIFICATION EMBODIMENT INSTRUCTIONS

B. REVISION DETAILS:

WRITE BELOW A BRIEF SUMMARY OF THE CHANGES WHICH HAVE BEEN INTRODUCED AT THE STATED REVISION:

ISSUE	DESCRIPTION
1	NEW ISSUE

MODIFICATION EMBODIMENT INSTRUCTIONS

C. CONTENTS:

SEC.	DESCRIPTION	PAGE No
A.	TITLE PAGE	1
B.	REVISION STATUS	2
C.	CONTENTS	3
D1.	ACCOMPLISHMENT INSTRUCTIONS – REMOVALS	4
D2.	ACCOMPLISHMENT INSTRUCTIONS – INSTALLATION	5
D3.	ACCOMPLISHMENT INSTRUCTIONS – CHECKS	6
E.	DRAWINGS & DOCUMENTS REQUIRED	7
F.	SPECIAL TOOLS REQUIRED	8
G.	ESTIMATED TIME REQUIRED	8
H.	PARTS REQUIRED/REMOVED	9
J.	REPORT SHEET	13
	APPENDIX A – FCA RE-CERTIFICATION CONTROL SHEET	14
	APPENDIX B – ADDITIONAL WORK CARD INDEX SHEET	15
	APPENDIX C – LAV SMOKE DETECTORS	16
	QUERY NOTE BLANK	17

MODIFICATION EMBODIMENT INSTRUCTIONS

D1 ACCOMPLISHMENT INSTRUCTIONS – REMOVAL OF SMOKE DETECTOR CONTROLLER			
		MECH SIG.	INSP STAMP
D1.1	Remove aircraft power I.A.W AMM 24-22-00 p/block 201.		
D1.2	Open the following circuit breakers on the circuit breaker panel P11-2, And install DO-NOT-CLOSE tags if not already safety tagged: A) C4588 LAVATORY SMOKE DETECTOR		
D1.3	Locate and remove the Lavatory Smoke detector monitoring panel (P/N TRA72-61) from the aft face of the bin end cap forward of door 2R .(This will involve disconnecting plug D11238J from the monitoring panel fly lead, Stow the lead locally (See para D2.4) Retain the monitoring panel for re-installation at Door 1L		
D1.4	Remove bin end cap IAW standard AMM practices.		
D1.5	Repair Cutout in Bin end cap I.A.W SRM Standard practices.		
D1.6	Refit Bin end cap IAW standard practices.		
D1.7	END		

MODIFICATION EMBODIMENT INSTRUCTIONS

D2. ACCOMPLISHMENT INSTRUCTIONS – RELOCATION OF SMOKE DETECTOR CONTROLLER		
	MECH SIG.	INSP STAMP
INSTALLATION: Install any equipment IAW relevant section of the AMM.		
Lavatory Smoke Detector Relocation		
D2.1 <u>Referring to Drawing 0735-261-757:</u> Locally manufacture, 2 disconnect brackets (P/N 0735-261-757-015) as per reference drawing, ensure protective treatments are applied.		
D2.2 <u>Referring to Drawing 0735-261-757</u> Locally manufacture, retainer (P/N 0735-261-757-009) as per reference drawing, ensure protective treatments are applied. Attach 4 off nutplates (P/N BACN10JP04B) using rivets, P/N BACR15BA3D() in location shown.		
D2.3 <u>Referring to drawing 0735-261-757</u> Install disconnect bracket onto stringer 5R between stations 680 and 700 as per reference drawing		
D2.4 <u>Referring to Drawing 0735-261-757</u> Remove the existing forward upper door lining panel (P/N 411N2314-305) from Door 1L IAW standard AMM practices. Remove the existing blanking plate and framework where the evacuation Test panel was originally installed and any associated bracketry. Rework the door lining panel cut-out and install disconnect bracket as shown on reference drawing. (See Para 2.8)		
D2.5 <u>Refer to W/D 0396-261-757</u> Cut and ident wires IAW MEI-309 wire list. Terminate to new connector AES-D9150P. Connect new plug AES-D9150P to existing receptacle D11238J stowed near door2R.		
D2.6 <u>Ref to W/D 0396-261-757</u> Route new wire harness along existing cable routing to Door1L (IAW SWPM 20-10-11) and terminate at relocated control and monitoring panel connector D11238P using appropriate length spacers and p-clips determined on installation. (IAW SWPM 20-10-12)		

MODIFICATION EMBODIMENT INSTRUCTIONS

D2. ACCOMPLISHMENT INSTRUCTIONS – RELOCATION OF SMOKE DETECTOR CONTROLLER			
		MECH SIG.	INSP STAMP
D2.7	Carry out continuity and resistance checks on all new and disturbed wiring.		
D2.8	Refer to DRG 0735-261-757 Install the lavatory Smoke Detector panel P/N TRA72-61, and the manufactured disconnect bracket and retainer brackets, onto the door 1L upper door lining panel IAW reference drawing.		
D2.9	Refit the modified door lining panel IAW standard AMM practices.		
D2.10	Close the following circuit breakers on the circuit breaker panel P11-2, And Remove DO-NOT-CLOSE tags if not required: A) C4588 LAVATORY SMOKE DETECTOR		
D2.11	Supply aircraft power I.A.W AMM 24-22-00 p/block 201.		
D2.12	END		

MODIFICATION EMBODIMENT INSTRUCTIONS

D3. ACCOMPLISHMENT INSTRUCTIONS			
CHECKS			
		MECH SIG.	INSP STAMP
	Lavatory Smoke Detector		
D3.1	Carry out function test of Lavatory Smoke Detection System IAW AMM Ch 26-14-00 task 26-14-00-735-001 to ensure continued correct operation.		
D3.2	Intentionally left blank.		
D3.3	END		

MODIFICATION EMBODIMENT INSTRUCTIONS

E. DOCUMENTS REQUIRED:

THE FOLLOWING DOCUMENTS ARE REQUIRED FOR EMBODIMENT OF MODIFICATION AES-757-192 Part C. **NOTE: REFER TO MODIFICATION SHEET FOR LATEST DRAWING ISSUE.**

The following drawings/documents are required for Section D1 and on.:

<u>Drawing No</u>	<u>Title</u>	<u>SOURCE</u>
0396-261-757	W/D LAV SMOKE DETECTOR PANEL RELOCATION	AES
0735-261-757	LAV SMOKE DETECTOR PANEL RELOCATION DOOR 1L	AES

The following existing drawings/documents are required for REFRENERCE ONLY in Section D1 and on:

<u>Drawing No</u>	<u>Title</u>	<u>SOURCE</u>
411N2314 PIC SHT 34	BASIC PANEL ASSY DR 1L	BOEING

MODIFICATION EMBODIMENT INSTRUCTIONS

F. SPECIAL TOOLS REQUIRED:

<u>PART NUMBER</u>	<u>DESCRIPTION</u>	<u>VENDOR</u>	<u>COMMENTS</u>
		NONE	

G. ESTIMATED TIME REQUIRED:

It is estimated that this installation will be carried out in conjunction with a pre input to service maintenance check and cabin conversion. (Man-hours TBA)

MODIFICATION EMBODIMENT INSTRUCTIONS

H. PARTS ADDED LIST (MOD. NUMBER: AES-757-192PT C)

ITEM NO	PART NUMBER	QTY RQD	DESCRIPTION	USED ON	ADD/ REMOVE/ REWORK	REMARKS / VENDOR	ALT PART NUMBER	OWNER	REVISION
1	0735-261-757-009	1	RETAINER	0735-261-757	ADD	LOCALLY MANUFACTURE			1
2	ARALDITE 420 A/B	A/R	ADHESIVE	0735-261-757	ADD				1
3	0735-261-757-015	2	DISCONNECT BRACKET	0735-261-757	ADD	LOCALLY MANUFACTURE			1
4	NAS1836-3-07	2	INSERT 10-32	0735-261-757	ADD				1
5	NAS600-4P	8	SCREW 4-40 PN HD	0735-261-757	ADD				1
6	NAS1149DN416J	8	WASHER	0735-261-751	ADD				1
7	BACN10NW1	8	CLIP NUT	0735-261-757	ADD				1
8	NAS1149D0332J	4	WASHER PLAIN	0735-261-757	ADD				1
9	NAS603-4P	4	SCREW 10-32 PN HD	0735-261-757	ADD				1
10	BACS38P3	1	SUPPORT ATTACHMENT 2 INSERT	0735-261-757	ADD				1
11	BACS38P4	1	SUPPORT ATTACHMENT STRAP	0735-261-757	ADD				1
12	TRA72-61	1	CONTROL & MONITORING PANEL	0735-261-757	EXISTING				1

MODIFICATION EMBODIMENT INSTRUCTIONS

H. PARTS ADDED LIST (MOD. NUMBER: AES-757-192PT C)

ITEM NO	PART NUMBER	QTY RQD	DESCRIPTION	USED ON	ADD/ REMOVE/ REWORK	REMARKS / VENDOR	ALT PART NUMBER	OWNER	REVISION
13	BACN10JP04B	4	NUTPLATE	0735-261-757	ADD				1
14	BACR15BA3D()	8	CSK HD RIVET	0735-261-757	ADD				1
15	BACC45FN16-24S	1	CONN'R RECEPTACLE	0396-261-757	ADD	BOEING SPEC			1
16	BACC45FT16-24P	1	CONN'R PLUG	0396-261-757	ADD	BOEING SPEC			1
17	BACC10JC16	1	BACKSHELL	0396-261-757	ADD	BOEING SPEC			1
18	BMS13-60T01C01G020	180FT	WIRE SINGLE CORE 20AWG	0396-261-757	ADD	BOEING SPEC			1
19	BMS13-60T01C01G022	660FT	WIRE SINGLE CORE 22AWG	0396-261-757	ADD	BOEING SPEC			1
20	NAS43DD3-32N	4	SPACER	0735-261-757	ADD				1



www.aesglobal.com

TEL: 44 (0)1279 818010

FAX: 44 (0)1279 647683

AES Limited
Unit 28, Golds Nursery
Business Park
Elsenham
Essex

MEI-309

ISSUE 1, FEB 2004

Page 12 of 17

MODIFICATION EMBODIMENT INSTRUCTIONS

H. PARTS REMOVED LIST (MOD. NUMBER: AES-757-192 PART C)

ITEM NO	PART NUMBER	QTY RQD	DESCRIPTION	USED ON	ADD/ REMOVE/ REWORK	REMARKS / VENDOR	ALT PART NUMBER	OWNER	REVISION
1	NONE	NONE	NONE	NONE	NONE	NONE	NONE	NONE	NONE
END									

MODIFICATION EMBODIMENT INSTRUCTIONS

J. MEI - REPORT SHEET.

THE MEI REPORT SHEET IS PROVIDED FOR THE PURPOSE OF COMMUNICATING TO AES DESIGN OFFICE ANY IMPROVEMENTS / SUGGESTIONS ARISING FROM THE EMBODIMENT OF THE MODIFICATION.

REPORT SHEET	MEI No: MEI-309 MOD No: AES-757-192 'C'
AIRCRAFT TYPE:	
REGISTRATION AND SERIAL NUMBER:	
LOCATION:	
COMMENTS:	
PREPARED BY / DATE: _____	



AES Limited
Unit 28, Golds Nursery
Business Park
Elsenham
Essex

MEI-309

ISSUE 1, FEB 2004

Page 14 of 17

www.aesglobal.com

TEL: 44 (0)1279 818010

FAX: 44 (0)1279 647683

MODIFICATION EMBODIMENT INSTRUCTIONS

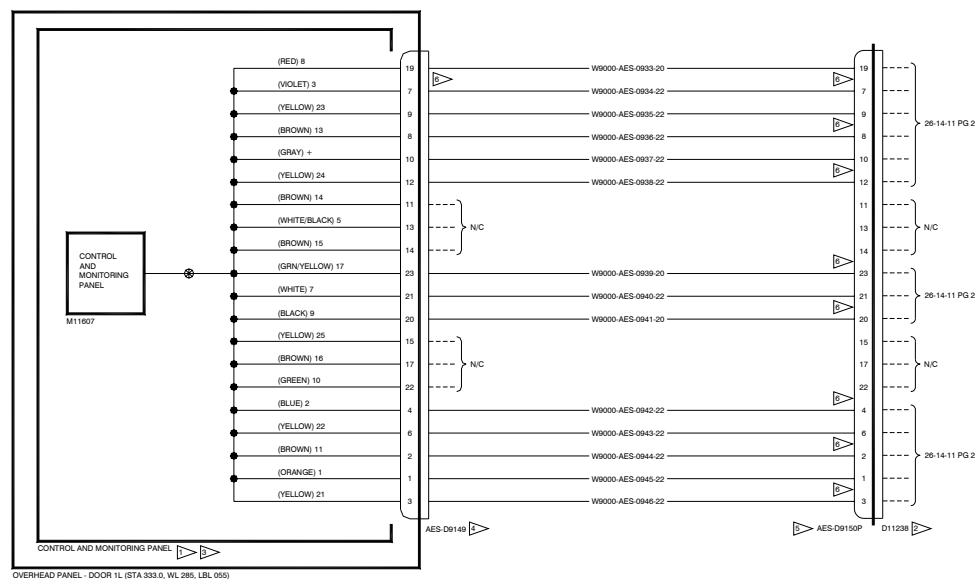
FIRST CHOICE AIRWAYS RE-CERTIFICATION CONTROL SHEET

(This sheet must be faxed on completion to FCA Projects dept Fax No 0161 489 0238)

PART NUMBER	DESCRIPTION	SERIAL NO.	WORK CARD REF	QTY.	COMMENTS I.E. SERVICEABLE / UNSERVICEABLE	DATE / INSPECTION STAMP

MODIFICATION EMBODIMENT INSTRUCTIONS

APPENDIX C:- LAVATORY SMOKE DETECTORS





www.aesglobal.com
TEL: 44 (0)1279 818010
FAX: 44 (0)1279 647683

AES Limited
28 Golds Nurseries Business Park
Elsenham
Essex
CM22 6JX

QUERY NOTE

AES REF No.:
QN-AES-.....-.....-.....
(COMPLETED BY AES STAFF ONLY)

AIRCRAFT TYPE:.....	APPLICANTS NAME:.....
REGISTRATION:.....	DATE:.....
LOCATION:.....	APPLICANTS FAX No:.....
DRAWING (S) / P/N AFFECTED:	APPLICANTS TEL No:.....

GIVE FULL DETAILS, INCLUDE OR ATTACH RELEVANT SKETCHES

DESIGN RESPONSE TO QUERY NOTE

DRAWING (S) TO BE AMENDED YES / NO	DATE AMENDED:
------------------------------------	---------------

(AEROSPACE ENGINEERING SOLUTIONS LIMITED DESIGN OFFICE USE ONLY)

COMPILED BY:	APPROVED BY:
--------------	--------------

MODIFICATION EMBODIMENT INSTRUCTIONS

A. TITLE PAGE

TITLE: INTRODUCTION OF CABIN SIDEWALLS

DATE COMPILED: JAN 2004

MODIFICATION NO.: AES-757-192 PART D

PROJECT NO.: 0096

EFFECTIVITY:	A/C TYPE	REGISTRATION	SERIAL NO.
	B757-236	G-OOBG	29942
	B757-236	G-OOBH	29944

This document is issued for production engineering purposes.

The definitive design requirements are shown in mod AES-757-192, the contents of which override information contained in this MEI.

Differences resulting from existing repairs, variation in build standard or corrosion to be reported to AES Ltd Design Department.

Manufacturing processes and inspection and installation procedures are the responsibility of FIRST CHOICE AIRWAYS

ISSUE	1	2	3	4	5	6
DRN:	0540					
DATE	JAN 2004					
COMPILED BY:	S.SHAW					
CHECKED BY:	A. DOLBY					
DESIGN APP:	M. EVANS					

MODIFICATION EMBODIMENT INSTRUCTIONS

B. REVISION DETAILS:

WRITE BELOW A BRIEF SUMMARY OF THE CHANGES WHICH HAVE BEEN INTRODUCED AT THE STATED REVISION:

ISSUE	DESCRIPTION
1	NEW ISSUE

MODIFICATION EMBODIMENT INSTRUCTIONS

C. CONTENTS:

SEC.	DESCRIPTION	PAGE No
A.	TITLE PAGE	1
B.	REVISION STATUS	2
C.	CONTENTS	3
D1.	ACCOMPLISHMENT INSTRUCTIONS – REMOVALS	4
D2.	ACCOMPLISHMENT INSTRUCTIONS – INSTALLATION	5
D3.	ACCOMPLISHMENT INSTRUCTIONS – CHECKS	6
E.	DRAWINGS & DOCUMENTS REQUIRED	7
F.	SPECIAL TOOLS REQUIRED	8
G.	ESTIMATED TIME REQUIRED	8
H.	PARTS REQUIRED/REMOVED	9
J.	REPORT SHEET	11
	APPENDIX A – First Choice Airways RE-CERTIFICATION CONTROL SHEET	12
	APPENDIX B – ADDITIONAL WORK CARD INDEX SHEET	13
	QUERY NOTE BLANK	14

MODIFICATION EMBODIMENT INSTRUCTIONS

D1 ACCOMPLISHMENT INSTRUCTIONS –		
	MECH SIG.	INSP STAMP
REMOVALS: Remove any equipment IAW relevant section of the AMM.		
D1.0 Refer to DRG 0640-252-757 (AMM 25-21-02 p.block 401) Remove the following sidewalls from the subject area 411N1210-605 1 OFF STA 740 - 760.45 RHS 411N1210-605 2 OFF STA 640.45 – 680.45 RHS 411N1210-424 1 OFF STA 418.0 – 440.45 RHS 411N1210-191 1 OFF STA 395.45 – 418.0 RHS Refer to DRG 0640-252-757 (AMM 25-21-02 p.block 401) Remove the following trim strips from the subject area 411N1102-31 1 OFF STA 640.45 RHS 411N1102-32 1 OFF STA 418.0 RHS Retain existing insulation behind panels.		
D1.1 Refer to DRG 0640-252-757 (AMM 25-21-02 p.block 401) Remove the following air return grills from the subject area 411N1510-58 1 OFF STA 680.45 – 660.45 RHS (IN 2 PARTS) 411N1510-29 1 OFF STA 418.0 – 395.45 RHS		
D1.2 Intentionally left blank.		
D1.3 Intentionally left blank.		
D1.4 Intentionally left blank.		
D1.5 Intentionally left blank.		
END		

MODIFICATION EMBODIMENT INSTRUCTIONS

D2. ACCOMPLISHMENT INSTRUCTIONS –		
	MECH SIG.	INSP STAMP
<p>INSTALLATION:</p> <p>Install any equipment IAW relevant section of the AMM.</p> <p>Prior to installing window panels ensure window and window plugs are replaced per MEI-237 and insulation repaired per AMM-25-05 p401 & p801</p>		
Cabin Sidewall Panels		
<p>D2.1 Refer to DRG 0640-252-757 (AMM 25-21-02 p.block 401)</p> <p>Install the new / replacement sidewall panels on the cabin RHS per the applicable drawing.</p> <p>65C31834-140 1 OFF STA 384.0 – 394.45 RHS</p> <p>Note 65C31384-140 to be trimmed, ref D2.2</p> <p>411N1210-350 1 OFF STA 395.45 – 440.45 RHS</p> <p>411N1210-339 1 OFF STA 640.45 – 680.45 RHS</p> <p>411N1210-321 1 OFF STA 740.0 – 760.45 RHS</p>		
<p>D2.2 Refer to DRG 0640-252-757 – Post G1B installation</p> <p>Attach trim angle 65C32678-27 trim angle to G1B galley as per reference drawing.</p> <p>Trim panel 65C31834-140 to suit galley installation. Panel to be fitted in trim angle as per reference drawing.</p>		
Air Return Grills		
<p>D2.3 Refer to DRG 0640-252-757 (AMM 25-21-02 p.block 401)</p> <p>Install the new / replacement air return grills on the cabin RHS per the applicable drawing.</p> <p>411N1510-4 1 OFF STA 384.0 – 394.45 RHS</p> <p>411N1510-29 & -47 to be re-used. It is permissible to overlap -4, -29 & -47 to achieve installation requirements</p> <p>411N1510-1 1 OFF STA 640.45 – 660.45 RHS</p> <p>411n1510-47 1 OFF STA 660.45 – 680.45 RHS</p> <p>411N1510-47 to be re-used. It is permissible to overlap -47, -1 & -47 to achieve installation requirements</p>		
D2.4 Intentionally left blank		
END		

MODIFICATION EMBODIMENT INSTRUCTIONS

D3. ACCOMPLISHMENT INSTRUCTIONS CHECKS		
	MECH SIG.	INSP STAMP
D3.1 Panel Fitment Verify all panels are secure and in position. Further rework to panels may be required at a later stage.		
D3.2 Intentionally left blank.		
D3.3 Intentionally left blank.		

MODIFICATION EMBODIMENT INSTRUCTIONS

E. DOCUMENTS REQUIRED:

THE FOLLOWING DOCUMENTS ARE REQUIRED FOR EMBODIMENT OF MODIFICATION AES-757-192 Part D. **NOTE: REFER TO MODIFICATION SHEET FOR LATEST DRAWING ISSUE.**

The following drawings/documents are required for Section D1 and on.:

<u>Drawing No</u>	<u>Title</u>	<u>SOURCE</u>
0640-252-757	WINDOW PANEL AND GRILL INSTALALTION	AES

The following existing drawings/documents are required for REFRENERCE ONLY in Section D1 and on:

<u>Drawing No</u>	<u>Title</u>	<u>SOURCE</u>
NONE		

MODIFICATION EMBODIMENT INSTRUCTIONS

F. SPECIAL TOOLS REQUIRED:

<u>PART NUMBER</u>	<u>DESCRIPTION</u>	<u>VENDOR</u>	<u>COMMENTS</u>
		NONE	

G. ESTIMATED TIME REQUIRED:

It is estimated that this installation will be carried out in conjunction with a pre input to service maintenance check and cabin conversion. (Man-hours TBA)



www.aesglobal.com

TEL: 44 (0)1279 818010
FAX: 44 (0)1279 647683

AES Limited
Unit 28, Golds Nursery
Business Park
Elsenham
Essex

MEI-236

ISSUE 1, JAN 2004

Page 9 of 14

MODIFICATION EMBODIMENT INSTRUCTIONS

H. PARTS ADDED LIST (MOD. NUMBER: AES-757-192 PT D)

ITEM NO	PART NUMBER	QTY RQD	DESCRIPTION	USED ON	ADD/ REMOVE/ REWORK	REMARKS / VENDOR	ALT PART NUMBER	OWNER	REVISION
1	411N1210-321	1	WINDOW PANEL	0640-252-757	ADD				
2	411N1210-333	1	WINDOW PANEL	0640-252-757	ADD				
3	411N1210-350	1	WINDOW PANEL	0640-252-757	ADD				
4	411N1510-1	1	AIR GRILL ASSY	0640-252-757	ADD				
5	411N1510-4	1	AIR GRILL ASSY	0640-252-757	ADD				
6	411N1510-47	1	AIR GRILLE ASSY	0640-252-757	ADD				
7	0640-252-757-013	1	WINDOW PANEL	0640-252-757	ADD	Make from 65C31834-140			
8	65C32768-27	1	TRIM ANGLE	0640-252-757	ADD				
9	NAS1836-3-11	5	BLIND INSERT	0640-252-757	ADD				
10	NAS1149D0316J	5	WASHER	0640-252-757	ADD				
11	NAS603-6	5	SCREW	0640-252-757	ADD				
12	ARALDITE 420 A/B	A/R	ADHESIVE	0640-252-757	ADD				

MODIFICATION EMBODIMENT INSTRUCTIONS

H. PARTS REMOVED LIST (MOD. NUMBER: AES-757-192 PART D)

ITEM NO	PART NUMBER	QTY RQD	DESCRIPTION	USED ON	ADD/ REMOVE/ REWORK	REMARKS / VENDOR	ALT PART NUMBER	OWNER	REVISION
1	411N1210-191	1	PANEL STA 395.45-418.0 RHS		REMOVE				
2	411N1210-424	1	PANEL STA 418-440.45 RHS		REMOVE				
3	411N1210-605	2	PANEL STA 640.45-680.45 RHS		REMOVE				
4	411N1210-605	1	PANEL STA 740.0-760.45 RHS		REMOVE				
5	411N1102-32	1	PANEL STA 418.0 RHS		REMOVE				
6	411N1102-31	1	PANEL STA 640.45 RHS		REMOVE				
7	411N1510-58	1	PANEL STA 660.45-680.4		REMOVE	In 2 Parts			

MODIFICATION EMBODIMENT INSTRUCTIONS

J. MEI - REPORT SHEET.

THE MEI REPORT SHEET IS PROVIDED FOR THE PURPOSE OF COMMUNICATING TO AES DESIGN OFFICE ANY IMPROVEMENTS / SUGGESTIONS ARISING FROM THE EMBODIMENT OF THE MODIFICATION.

REPORT SHEET	MEI No: MEI-236 MOD No: AES-757-192 'D'
AIRCRAFT TYPE:	
REGISTRATION AND SERIAL NUMBER:	
LOCATION:	
COMMENTS:	
PREPARED BY / DATE: _____	



www.aesglobal.com

TEL: 44 (0)1279 818010

FAX: 44 (0)1279 647683

AES Limited
Unit 28, Golds Nursery
Business Park
Elsenham
Essex

MEI-0236

ISSUE 1, JAN 2004

Page 12 of 14

MODIFICATION EMBODIMENT INSTRUCTIONS

APPENDIX A:- FIRST CHOICE AIRWAYS RE-CERTIFICATION CONTROL SHEET

(This sheet must be faxed on completion to First Choice Airways Projects dept Fax No 0161 489 0238)

PART NUMBER	DESCRIPTION	SERIAL NO.	WORK CARD REF	QTY.	COMMENTS I.E. SERVICEABLE / UNSERVICEABLE	DATE / INSPECTION STAMP



www.aesglobal.com
 TEL: 44 (0)1279 818010
 FAX: 44 (0)1279 647683

AES Limited
 28 Golds Nurseries Business Park
 Elsenham
 Essex
 CM22 6JX

QUERY NOTE		AES REF No.: QN-AES-.....-.....-..... <small>(COMPLETED BY AES STAFF ONLY)</small>
AIRCRAFT TYPE:.....	APPLICANTS NAME:.....	
REGISTRATION:.....	DATE:.....	
LOCATION:.....	APPLICANTS FAX No:.....	
DRAWING (S) / P/N AFFECTED:	APPLICANTS TEL No:.....	
GIVE FULL DETAILS, INCLUDE OR ATTACH RELEVANT SKETCHES		

DESIGN RESPONSE TO QUERY NOTE	
DRAWING (S) TO BE AMENDED YES / NO	DATE AMENDED:
(AEROSPACE ENGINEERING SOLUTIONS LIMITED DESIGN OFFICE USE ONLY)	
COMPILED BY:	APPROVED BY:

MODIFICATION EMBODIMENT INSTRUCTIONS

A. TITLE PAGE

TITLE: REPLACEMENT OF WINDOW PLUGS WITH WINDOWS

DATE COMPILED: JAN 2004

MODIFICATION NO.: AES-757-192 PART E

PROJECT NO.: 0158

EFFECTIVITY:	A/C TYPE	REGISTRATION	SERIAL NO.
	B757-236	G-OOBG	29942
	B757-236	G-OOBH	29944

This document is issued for production engineering purposes.

The definitive design requirements are shown in mod AES-757-192 Pt.E, the contents of which override information contained in this MEI.

Differences resulting from existing repairs, variation in build standard or corrosion to be reported to AES Ltd Design Department.

Manufacturing processes and inspection and installation procedures are the responsibility of FIRST CHOICE AIRWAYS LTD

ISSUE	1	2	3	4	5	6
DRN:	0539					
DATE	JAN 04					
COMPILED BY:	S.SHAW					
CHECKED BY:	A. DOLBY					
DESIGN APP:	M. EVANS					

MODIFICATION EMBODIMENT INSTRUCTIONS

B. REVISION DETAILS:

WRITE BELOW A BRIEF SUMMARY OF THE CHANGES WHICH HAVE BEEN INTRODUCED AT THE STATED REVISION:

ISSUE	DESCRIPTION
1	NEW ISSUE

MODIFICATION EMBODIMENT INSTRUCTIONS

C. CONTENTS:

SEC.	DESCRIPTION	PAGE No
A.	TITLE PAGE	1
B.	REVISION STATUS	2
C.	CONTENTS	3
D1.	ACCOMPLISHMENT INSTRUCTIONS – REMOVALS	4
D2.	ACCOMPLISHMENT INSTRUCTIONS – INSTALLATION	5
D3.	ACCOMPLISHMENT INSTRUCTIONS – CHECKS	6
E.	DRAWINGS & DOCUMENTS REQUIRED	7
F.	SPECIAL TOOLS REQUIRED	8
G.	ESTIMATED TIME REQUIRED	8
H.	PARTS REQUIRED/REMOVED	9
J.	REPORT SHEET	11
	APPENDIX A – ATZ RE-CERTIFICATION CONTROL SHEET	12
	APPENDIX B – ADDITIONAL WORK CARD INDEX SHEET	13
	QUERY NOTE BLANK	14

MODIFICATION EMBODIMENT INSTRUCTIONS

D1 ACCOMPLISHMENT INSTRUCTIONS –														
	MECH SIG.	INSP STAMP												
D1.0														
<p>REMOVALS:</p> <p>Remove any equipment IAW relevant section of the AMM.</p> <p>Refer to DRG 0635-562-757 (AMM 56-21-01 p.block 401)</p> <p>This section assumes the galleys are removed from the door 2 area.</p> <p>Remove the following window plugs from the subject area</p> <table border="0"> <tr> <td>140N2314-2</td> <td>1 OFF STA 406.70</td> <td>RHS</td> </tr> <tr> <td>140N2142-2</td> <td>1 OFF STA 429.20</td> <td>RHS</td> </tr> <tr> <td>140N2142-2</td> <td>1 OFF STA 650.45</td> <td>RHS</td> </tr> <tr> <td>140N2314-2</td> <td>1 OFF STA 750.45</td> <td>RHS</td> </tr> </table> <p>Retain existing clips and associated fixings.</p> <p>Re-certify and tag removed items and route to First Choice Airways stores.</p>	140N2314-2	1 OFF STA 406.70	RHS	140N2142-2	1 OFF STA 429.20	RHS	140N2142-2	1 OFF STA 650.45	RHS	140N2314-2	1 OFF STA 750.45	RHS		
140N2314-2	1 OFF STA 406.70	RHS												
140N2142-2	1 OFF STA 429.20	RHS												
140N2142-2	1 OFF STA 650.45	RHS												
140N2314-2	1 OFF STA 750.45	RHS												
D1.1														
Intentionally left Blank														
D1.2														
Intentionally left blank.														
END														

MODIFICATION EMBODIMENT INSTRUCTIONS

D2. ACCOMPLISHMENT INSTRUCTIONS –			MECH SIG.	INSP STAMP
INSTALLATION: Install any equipment IAW relevant section of the AMM.				
D2.0	Refer to DRG 0635-562-757 (AMM 56-21-01 p.block 401) Install the following window assemblies to the subject area			
	140N2139-1	1 OFF STA 406.70 RHS		
	140N2139-1	1 OFF STA 429.20 RHS		
	140N2139-1	1 OFF STA 650.45 RHS		
	140N2139-1	1 OFF STA 750.45 RHS		
	NOTE: Each window requires an additional 20 non-metal washers P/N NAS549-10. (Boeing DRG 140N2312 pic sht 18 & 21 refers).			
	Re-use existing clips and associated fixings.			
D2.1	Intentionally left blank.			
D2.3	Intentionally left blank.			
	END			



www.aesglobal.com
TEL: 44 (0)1279 818010
FAX:44 (0)1279 647683

AES Limited
28 Golds Nurseries Business Park
Elsenham
Essex
CM22 6JX

MEI-237

ISSUE 1, JAN 2004

Page 6 of 14

MODIFICATION EMBODIMENT INSTRUCTIONS

D3. ACCOMPLISHMENT INSTRUCTIONS		
CHECKS		
	MECH SIG.	INSP STAMP
D3.1	Inspect replaced windows IAW AMM CH. 56-21-01 p. block 601.	
D3.2	Intentionally left blank.	
D3.3	Intentionally left blank.	

MODIFICATION EMBODIMENT INSTRUCTIONS

E. DOCUMENTS REQUIRED:

THE FOLLOWING DOCUMENTS ARE REQUIRED FOR EMBODIMENT OF MODIFICATION AES-757-192 Part E. **NOTE: REFER TO MODIFICATION SHEET FOR LATEST DRAWING ISSUE.**

The following drawings/documents are required for Section D1 and on.:

<u>Drawing No</u>	<u>Title</u>	<u>SOURCE</u>
0635-562-757	WINDOW INSTALLATION	AES

The following existing drawings/documents are required for REFERENCE ONLY in Section D1

<u>Drawing No</u>	<u>Title</u>	<u>SOURCE</u>
140N2312 Pic Sht 18 & 21, P/L flag Notes	WINDOW INSTLN.	OEM

MODIFICATION EMBODIMENT INSTRUCTIONS

F. SPECIAL TOOLS REQUIRED:

<u>PART NUMBER</u>	<u>DESCRIPTION</u>	<u>VENDOR</u>	<u>COMMENTS</u>
		NONE	

G. ESTIMATED TIME REQUIRED:

It is estimated that this installation will be carried out in conjunction with a pre input to service maintenance check and cabin conversion. (Man-hours TBA)



www.aesglobal.com

TEL: 44 (0)1279 818010
FAX: 44 (0)1279 647683

AES Limited
Unit 28, Golds Nursery
Business Park
Elsenham
Essex

MEI-237

ISSUE 1, JAN 2004

Page 9 of 14

MODIFICATION EMBODIMENT INSTRUCTIONS

H. PARTS ADDED LIST (MOD. NUMBER: AES-757-192 PT E)

ITEM NO	PART NUMBER	QTY RQD	DESCRIPTION	USED ON	ADD/ REMOVE/ REWORK	REMARKS / VENDOR	ALT PART NUMBER	OWNER	REVISION
1	140N2139-1	4	WINDOW	0635-562-757	ADD				1
2	NAS549-10	80	NON METAL WASHER	0635-562-757	ADD				1
3									
4									



www.aesglobal.com

TEL: 44 (0)1279 818010
FAX: 44 (0)1279 647683

AES Limited
Unit 28, Golds Nursery
Business Park
Elsenham
Essex

MEI-237

ISSUE 1, JAN 2004

Page 10 of 14

MODIFICATION EMBODIMENT INSTRUCTIONS

H. PARTS REMOVED LIST (MOD. NUMBER: AES-757-192 PART E)

ITEM NO	PART NUMBER	QTY RQD	DESCRIPTION	USED ON	ADD/ REMOVE/ REWORK	REMARKS / VENDOR	ALT PART NUMBER	OWNER	REVISION
1	140N2314-2	4	WINDOW PLUG	0635-562-757	REMOVE				1

MODIFICATION EMBODIMENT INSTRUCTIONS

J. MEI - REPORT SHEET.

THE MEI REPORT SHEET IS PROVIDED FOR THE PURPOSE OF COMMUNICATING TO AES DESIGN OFFICE ANY IMPROVEMENTS / SUGGESTIONS ARISING FROM THE EMBODIMENT OF THE MODIFICATION.

REPORT SHEET	MEI No: MEI-237 MOD No: AES-757-192PT E
AIRCRAFT TYPE:	
REGISTRATION AND SERIAL NUMBER:	
LOCATION:	
COMMENTS:	
PREPARED BY / DATE: _____	



www.aesglobal.com

TEL: 44 (0)1279 818010

FAX: 44 (0)1279 647683

AES Limited
Unit 28, Golds Nursery
Business Park
Elsenham
Essex

MEI-237

ISSUE 1, JAN 2004

Page 12 of 14

MODIFICATION EMBODIMENT INSTRUCTIONS

APPENDIX A:- AIR 2000 AIRLINES RE-CERTIFICATION CONTROL SHEET

(This sheet must be faxed on completion to ATZ Projects dept Fax No 0161 489 0238)

PART NUMBER	DESCRIPTION	SERIAL NO.	WORK CARD REF	QTY.	CO MMENTS I.E. SERVICEABLE / UNSERVICEABLE	DATE / INSPECTION STAMP



www.aesglobal.com
TEL: 44 (0)1279 818010
FAX: 44 (0)1279 647683

AES Limited
28 Golds Nurseries Business Park
Elsenham
Essex
CM22 6JX

QUERY NOTE		AES REF No.: QN-AES-.....-.....-..... <small>(COMPLETED BY AES STAFF ONLY)</small>
AIRCRAFT TYPE:.....	APPLICANTS NAME:.....	
REGISTRATION:.....	DATE:.....	
LOCATION:.....	APPLICANTS FAX No:.....	
DRAWING (S) / P/N AFFECTED:	APPLICANTS TEL No:.....	
GIVE FULL DETAILS, INCLUDE OR ATTACH RELEVANT SKETCHES		

DESIGN RESPONSE TO QUERY NOTE	
DRAWING (S) TO BE AMENDED YES / NO	DATE AMENDED:
(AEROSPACE ENGINEERING SOLUTIONS LIMITED DESIGN OFFICE USE ONLY)	
COMPILED BY:	APPROVED BY:

MODIFICATION EMBODIMENT INSTRUCTIONS

A. TITLE PAGE

TITLE: INSTALLATION OF PASSENGER SERVICE UNITS

DATE COMPILED: 19 JAN 2004

MODIFICATION NO.: AES-757-192 PART F

PROJECT NO.: 0158

EFFECTIVITY:	A/C TYPE	REGISTRATION	SERIAL NO.
	B757-200	G-OOBG	29942 (NT405)
	B757-200	G-OOBH	29944 (NT407)

This document is issued for production engineering purposes.

The definitive design requirements are shown in mod AES-757-192, the contents of which override information contained in this MEI.

Differences resulting from existing repairs, variation in build standard or corrosion to be reported to AES Ltd Design Department.

Manufacturing processes and inspection and installation procedures are the responsibility of First Choice Airways LTD.

ISSUE	1	2	3	4	5	6
DRN:	0173					
DATE	JAN 04					
COMPILED BY:	A VOICE					
CHECKED BY:	S SHAW					
DESIGN APP:	A M D					



www.aesglobal.com
TEL: 44 (0)1279 818010
FAX:44 (0)1279 647683

AES Limited
28 Golds Nurseries Business Park
Elsenham
Essex
CM22 6JX

MEI-238

ISSUE 1, JAN 2004

Page 2 of 22

MODIFICATION EMBODIMENT INSTRUCTIONS

B. REVISION DETAILS:

WRITE BELOW A BRIEF SUMMARY OF THE CHANGES WHICH HAVE BEEN INTRODUCED AT THE STATED REVISION:

ISSUE	DESCRIPTION
1	NEW ISSUE

MODIFICATION EMBODIMENT INSTRUCTIONS

C. CONTENTS:

SEC.	DESCRIPTION	PAGE No
A.	TITLE PAGE	1
B.	REVISION STATUS	2
C.	CONTENTS	3
D1.	ACCOMPLISHMENT INSTRUCTIONS – REMOVALS	4
D2.	ACCOMPLISHMENT INSTRUCTIONS – INSTALLATION	5
D3.	ACCOMPLISHMENT INSTRUCTIONS – CHECKS	8
E.	DRAWINGS & DOCUMENTS REQUIRED	9
F.	SPECIAL TOOLS REQUIRED	10
G.	ESTIMATED TIME REQUIRED	10
H.	PARTS REQUIRED/REMOVED	11
J.	REPORT SHEET	17
	APPENDIX A – ATZ RE-CERTIFICATION CONTROL SHEET	18
	APPENDIX B – ADDITIONAL WORK CARD INDEX SHEET	19
	APPENDIX C – PSU LAYOUT QTY'S	20
	QUERY NOTE BLANK	22

MODIFICATION EMBODIMENT INSTRUCTIONS

D1 ACCOMPLISHMENT INSTRUCTIONS – REMOVALS		
	MECH SIG.	INSP STAMP
REMOVALS: Remove any equipment IAW relevant section of the AMM.		
D1.0 Remove the existing compliment of Passenger Service Units IAW AMM Chapter 25-23-01 Page 401. (Refer to BFG EO 25-00-757-019 and DRG 99-036 ISS B)		
D1.1 Blank off redundant PSU Gasper outlets using Blank P/No 12-1000 (quantity as required)		
D1.2 Intentionally left blank.		
END		

MODIFICATION EMBODIMENT INSTRUCTIONS

D2. ACCOMPLISHMENT INSTRUCTIONS – INSTALLATIONS		MECH SIG.	INSP STAMP
OXYGEN GENERATOR REPLACEMENT Replace all existing Oxygen Generators fitted to the PSU's (See Appendix C for details)			
BATTERY PACK INSTALLATION: Install any equipment IAW relevant section of the AMM.			
D2.0	Refer to DRG 0382-233-757 Install battery pack provision and battery pack P/N EXISTING at STA 1324.0 R & LH as shown on DRG.		
D2.1	Refer to DRG 0382-233-757 Install battery pack provision and battery pack P/N EXISTING at STA 1246.0 as shown on DRG.		
D2.2	Refer to DRG 0382-233-757 Install battery pack provision and battery pack P/N EXISTING at STA 826.5 as shown on DRG.		

PSU CONNECTOR REPLACEMENT:			
D2.3	Locate PSU Panels Part No. 417N3100-156 at Row 1 and Row 15 RHS.		
D2.4	Breakdown existing 14-pin electrical flying lead connector in preparation for de-pining.		
D2.5	Locate new 16-pin connector Pt No BACC45FT20-16P in preparation for installation.		
D2.6	De-pin existing 14 pin connector, pin by pin inserting each wire into the equivalent pin no. of the new 16 pin connector.		
D2.7	After completing the connector change ensure all unused pins have filler plugs inserted. I.A.W SWPM.		
D2.8	Locate the second PSU Panel and repeat the above steps.		
D2.9	Carry out I/R & O/R checks on all disturbed wiring.		
D2.10	Locate PSU panels Part No. 417N3200-41 & 417N3200-42 at door 2 RHS.		
D2.11	Breakdown existing 14-pin electrical flying lead connector on 417N3200-41 panel in preparation for de-pining.		
D2.12	Locate new 16-pin connector Pt No BACC45FT20-16P (MS24266R20B16PN) in preparation for installation.		

MODIFICATION EMBODIMENT INSTRUCTIONS

D2. ACCOMPLISHMENT INSTRUCTIONS – INSTALLATIONS			MECH SIG.	INSP STAMP																																																					
D2.13	De-pin existing 14 pin connector, pin by pin inserting each wire into the equivalent pin no. of the new 16 pin connector.																																																								
	<table border="0"> <thead> <tr> <th></th> <th><u>Existing PSU Conn'r</u></th> <th><u>New Connector</u></th> </tr> <tr> <th><u>Pin</u></th> <th><u>Wire Colour</u></th> <th><u>Pin</u></th> </tr> </thead> <tbody> <tr> <td>1(Unused)</td> <td></td> <td>1(Unused)</td> </tr> <tr> <td>2</td> <td>White/Purple</td> <td>2</td> </tr> <tr> <td>3</td> <td>White/Green</td> <td>3</td> </tr> <tr> <td>4</td> <td>White/Orange</td> <td>4</td> </tr> <tr> <td>5</td> <td>Purple</td> <td>5</td> </tr> <tr> <td>6</td> <td>Brown</td> <td>6</td> </tr> <tr> <td>7(Unused)</td> <td></td> <td>7(Unused)</td> </tr> <tr> <td>8</td> <td>Orange</td> <td>8</td> </tr> <tr> <td>9(Unused)</td> <td></td> <td>9(Unused)</td> </tr> <tr> <td>10</td> <td>Black</td> <td>10</td> </tr> <tr> <td>11</td> <td>Green</td> <td>11</td> </tr> <tr> <td>12(Unused)</td> <td></td> <td>12(Unused)</td> </tr> <tr> <td>13(Unused)</td> <td></td> <td>13(Unused)</td> </tr> <tr> <td>14(Unused)</td> <td></td> <td>14(Unused)</td> </tr> <tr> <td></td> <td></td> <td>15(Unused)</td> </tr> <tr> <td></td> <td></td> <td>16(Unused)</td> </tr> </tbody> </table>		<u>Existing PSU Conn'r</u>	<u>New Connector</u>	<u>Pin</u>	<u>Wire Colour</u>	<u>Pin</u>	1(Unused)		1(Unused)	2	White/Purple	2	3	White/Green	3	4	White/Orange	4	5	Purple	5	6	Brown	6	7(Unused)		7(Unused)	8	Orange	8	9(Unused)		9(Unused)	10	Black	10	11	Green	11	12(Unused)		12(Unused)	13(Unused)		13(Unused)	14(Unused)		14(Unused)			15(Unused)			16(Unused)		
	<u>Existing PSU Conn'r</u>	<u>New Connector</u>																																																							
<u>Pin</u>	<u>Wire Colour</u>	<u>Pin</u>																																																							
1(Unused)		1(Unused)																																																							
2	White/Purple	2																																																							
3	White/Green	3																																																							
4	White/Orange	4																																																							
5	Purple	5																																																							
6	Brown	6																																																							
7(Unused)		7(Unused)																																																							
8	Orange	8																																																							
9(Unused)		9(Unused)																																																							
10	Black	10																																																							
11	Green	11																																																							
12(Unused)		12(Unused)																																																							
13(Unused)		13(Unused)																																																							
14(Unused)		14(Unused)																																																							
		15(Unused)																																																							
		16(Unused)																																																							
D2.14	After completing the connector change ensure all unused pins have filler plugs inserted. I.A.W SWPM																																																								
D2.15	Locate the second PSU Panel 417N3200-42 and repeat the above steps.																																																								
D2.16	Carry out I/R & O/R checks on all disturbed wiring.																																																								
D2.17	Intentionally left blank.																																																								

MODIFICATION EMBODIMENT INSTRUCTIONS

	PSU INSTALLATION: Install any equipment IAW relevant section of the AMM 25-23-01		
D2.18	Refer to DRG 0318-252-757 Install Passenger Service Units in the forward RH Cabin IAW reference drawing.		
D2.19	Refer to DRG 0318-252-757 Install Passenger Service Units in the forward LH Cabin IAW reference drawing.		
D2.20	Refer to DRG 0318-252-757 Install Passenger Service Units in the Mid RH Cabin IAW reference drawing.		
D2.21	Refer to DRG 0318-252-757 Install Passenger Service Units in the Mid LH Cabin IAW reference drawing.		
D2.22	Refer to DRG 0318-252-757 Install Passenger Service Units in the Aft RH Cabin IAW reference drawing.		
D2.23	Refer to DRG 0318-252-757 Install Passenger Service Units in the Aft LH Cabin IAW reference drawing.		
D2.26	END		

MODIFICATION EMBODIMENT INSTRUCTIONS

D3. ACCOMPLISHMENT INSTRUCTIONS		
CHECKS		
		MECH SIG.
		INSP STAMP
D3.0	If required adjust passenger reading lights per AMM Ch 33-23-00 p/block 201.	
D3.1	Carry out function test of the Oxygen Mask Drop Doors IAW AMM Ch.35-21-00 p/block 501.	
D3.2	Make sure the passenger signs operate correctly per AMM CH 33-24-00 p/block 201.	
D3.3	Make sure the PSU speakers operate correctly per AMM Ch 23-31-00 p/block 501.	
D3.4	Make sure the call lights operate correctly per AMM Ch 33-25-00 p/block 201.	
D3.5	<u>Ref DRG 0387-231-757 & ATZ Form ATT/AM/139</u> Carry out CAA Spec 15 compliance check IAW reference documents.	
D3.6	Carry out function test of the Chime System Do a test of the electronic chime: 1) Supply electrical power (AMM 24-22-00/201). 2) Remove the forward attendant handset from the cradle and push the MID call button on the handset. 3) Make sure that a sound of a Hi/Lo chime is given by the electronic chime that is installed above Door 2R. 4) Put back the forward attendant handset to its cradle. 5) Remove electrical power if it is not necessary (AMM 24-22-00/201). END	

MODIFICATION EMBODIMENT INSTRUCTIONS

E. DOCUMENTS REQUIRED:

THE FOLLOWING DOCUMENTS ARE REQUIRED FOR EMBODIMENT OF MODIFICATION AES-757-192 Part F. **NOTE: REFER TO MODIFICATION SHEET FOR LATEST DRAWING ISSUE.**

The following drawings/documents are required for Section D1 AND SUBSECTIONS.:

<u>Drawing No</u>	<u>Title</u>	<u>SOURCE</u>
0318-252-757	PSU INSTALLATION	AES
0382-233-757	BATTERY PACK O/HD. BINS INST'N.	AES
0387-231-757	RASTI MONITORING POSITIONS	AES
0417-252-757	SPACER PANEL ASSY, DOOR 2 AREA	AES
0430-233-757	19" PSU ASSY (MODIFIED)	AES

The following existing drawings/documents are required for REFERENCE ONLY in Section D1

<u>Drawing No</u>	<u>Title</u>	<u>SOURCE</u>
417N3055-1021	PSU INSTLN PIC SHEET 216	Boeing
99-037	PSU ARRANGENMENT NATIONAL AIRLINES B757-236	BF Goodrich
EO 25-00-757-019	INTERIOR ARRANGEMENT	BF Goodrich

MODIFICATION EMBODIMENT INSTRUCTIONS

F. SPECIAL TOOLS REQUIRED:

<u>PART NUMBER</u>	<u>DESCRIPTION</u>	<u>VENDOR</u>	<u>COMMENTS</u>
		NONE	

G. ESTIMATED TIME REQUIRED:

It is estimated that this installation will be carried out in conjunction with a pre input to service maintenance check and cabin conversion. (Man-hours TBA)

MODIFICATION EMBODIMENT INSTRUCTIONS

H. PARTS ADDED LIST (MOD. NUMBER: AES-757-192 PT F)

ITEM NO	PART NUMBER	QTY RQD	DESCRIPTION	USED ON	ADD/ REMOVE/ REWORK	REMARKS / VENDOR	ALT PART NUMBER	OWNER	REVISION
1	417N3100-611	18	PSU ASSY, LHS NO GASP	0318-252-757	ADD		ALT 417N3100-113 ALT 417N3100-231		1
2	417N3100-612	20	PSU ASSY, RHS NO GASP	0318-252-757	ADD		ALT 417N3100-38		1
3	417N3100-613	18	PSU ASSY, LHS NO GASP	0318-252-757	ADD		ALT 417N3100-117		1
4	417N3100-614	16	PSU ASSY, RHS NO GASP	0318-252-757	ADD		ALT 417N3100-36 ALT 417N3100-232		1
5	417N3100-615	1	PSU ASSY, LHS NO GASP, MUTED SPEAKER	0318-252-757	ADD		ALT 417N3100-611		1
6	417N3100-616	1	PSU ASSY, RHS NO GASP, MUTED SPEAKER	0318-252-757	ADD		ALT 417N3100-28		1
7	417N3100-156	2	23" PSU ASSY, RHS NO SPKR	0318-252-757	ADD	REWORK			1
8	0430-233-757-001	1	19" PSU ASSY, LHS	0318-252-757	ADD				1
9	417N3050-3	2	NSFSB LHS	0318-252-757	ADD				1
10	417N3050-4	2	NSFSB RHS	0318-252-757	ADD		417N3700-1 417N3700-3		1

MODIFICATION EMBODIMENT INSTRUCTIONS

H. PARTS ADDED LIST (MOD. NUMBER: AES-757-192 PT F)

ITEM NO	PART NUMBER	QTY RQD	DESCRIPTION	USED ON	ADD/ REMOVE/ REWORK	REMARKS / VENDOR	ALT PART NUMBER	OWNER	REVISION
11	417N3700-17	1	11" ASU RHS	0318-252-757	ADD		417N3700-2		1
12	417N3700-18	1	11" ASU LHS	0318-252-757	ADD				1
13	417N3300-21	2	STD 2" SPACER PANEL	0318-252-757	ADD		ALT 202101-1		1
14	417N3300-7	5	STD 3" SPACER PANEL	0318-252-757	ADD		ALT 202101-3		1
15	417N3300-16	6	STD 4" SPACER PANEL	0318-252-757	ADD		ALT 417N3300-17 ALT 417N3300-18 ALT 202101-5		1
16	417N3300-6	2	STD 5" SPACER PANEL	0318-252-757	ADD		ALT 202101-7		1
17	417N3300-2	2	STD 7" SPACER PANEL	0318-252-757	ADD				1
18	417N3010-9	2	DOOR 2 SPEAKER PANEL	0318-252-757	ADD				1
19	417N3200-41	1	DOOR 2 PSU OXYGEN	0318-252-757	ADD		ALT 417N3200-5		1
20	417N3200-42	1	DOOR 2 PSU OXYGEN	0318-252-757	ADD				1
21	417N6064-6	8	DOOR 2 SPACER PANELS	0318-252-757	ADD		ALT 0417-252-757-001		1
22	417N3510-1	4	DOOR 2 TERMINATION PANELS	0318-252-757	ADD				1
23	BMS13-60TO1C02G022	50FT	22AWG TWISTED PAIR	0429-233-757	ADD				1

MODIFICATION EMBODIMENT INSTRUCTIONS

H. PARTS ADDED LIST (MOD. NUMBER: AES-757-192 PT F)

ITEM NO	PART NUMBER	QTY RQD	DESCRIPTION	USED ON	ADD/ REMOVE/ REWORK	REMARKS / VENDOR	ALT PART NUMBER	OWNER	REVISION
24	BMS13-60TO1C01G020	30FT	20AWG SGL WIRE	0429-233-757	ADD				1
25	BMS13-60TO1C01G022	30FT	22AWG SGL WIRE	0429-233-757	ADD				1
26	D436-7	1	SPLICE	0429-233-757	ADD				1
27	BACC47CP1S	11	CONTACT - SOCKET	0429-233-757	ADD				1
28	BACT12AR204	2	CONTACT - SOCKET	0429-233-757	ADD				1
29	NAS1836-08-07	16	INSERT	0382-233-757	ADD				1
30	BACS12FA08K5	16	SCREW	0382-233-757	ADD				1
31	NAS1149DN816J	16	WASHER PLAIN	0382-233-757	ADD				1
32	ARALDITE 420 A/B	A/R	ADHESIVE	0382-233-757	ADD				1
33	BACC45FT20-16P ALT P/N MS24266R20B16PN	4	CONNECTOR -PLUG	MEI 238	ADD				1
34	GTR01C20 (OR EQUIV)	2	BACKSHELL	MEI 238	ADD				1
35	0430-233-757-003	1	19" PSU	0430-233-757	REWORK	MAKE FROM 417N3100-245			1
36	0430-233-757-007	A/R	PACKER (OUTB'D / INB'D)	0430-233-757	ADD				1



www.aesglobal.com

TEL: 44 (0)1279 818010

FAX: 44 (0)1279 647683

AES Limited
Unit 28, Golds Nursery
Business Park
Elsenham
Essex

MEI-238

ISSUE 1, JAN 2004

Page 14 of 22

MODIFICATION EMBODIMENT INSTRUCTIONS

H. PARTS ADDED LIST (MOD. NUMBER: AES-757-192 PT F)

ITEM NO	PART NUMBER	QTY RQD	DESCRIPTION	USED ON	ADD/ REMOVE/ REWORK	REMARKS / VENDOR	ALT PART NUMBER	OWNER	REVISION
37	0430-233-757-009	1	CHANNEL	0430-233-757	ADD				1
38	0430-233-757-011	A/R	PACKER	0430-233-757	ADD				1
39	0430-233-757-013	A/R	PACKER	0430-233-757	ADD				1
40	0430-233-757-017	1	ANGLE	0430-233-757	ADD				
41	0430-233-757-019	1	ANGLE	0430-233-757	ADD				1
42	0430-233-757-021	1	ANGLE	0430-233-757	ADD				1
43	ARALDITE 420 A/B	A/R	ADHESIVE	0430-233-757	ADD				1
44	0318-252-757-101	1	CHIME PANEL ASSY	0318-252-757	ADD				1
	END	END	END	END	END	END	END	END	END

MODIFICATION EMBODIMENT INSTRUCTIONS

H. PARTS REMOVED LIST (MOD. NUMBER: AES-757-104 PART F)

ITEM NO	PART NUMBER	QTY RQD	DESCRIPTION	USED ON	ADD/ REMOVE/ REWORK	REMARKS / VENDOR	ALT PART NUMBER	OWNER	REVISION
1	SHIP SET PSU – DETAILS TO FOLLOW AT NEXT RAISE IN ISSUE				REMOVE				1
2	414N3011-363	18	PSU ASSY	99-037	REMOVE				
3	417N3011-364	18	PSU ASSY	99-037	REMOVE				
4	417N3011-365	15	PSU ASSY	99-037	REMOVE				
5	417N3011-366	13	PSU ASSY	99-037	REMOVE				
6	417N3023-13	2	TERMINATION PANEL	99-037	REMOVE				
7	417N3023-14	2	TERMINATION PANEL	99-037	REMOVE				
8	417N3023-15	1	TERMINATION PANEL	99-037	REMOVE				
9	417N3023-16	1	TERMINATION PANEL	99-037	REMOVE				
10	417N3023-17	3	TERMINATION PANEL	99-037	REMOVE				
11	417N3023-18	3	TERMINATION PANEL	99-037	REMOVE				
12	417N3026-4	4	TRASITION PANEL	99-037	REMOVE				
13	417N3045-11	5	SPACER PANEL	99-037	REMOVE				
14	417N3045-12	5	SPACER PANEL	99-037	REMOVE				

MODIFICATION EMBODIMENT INSTRUCTIONS

H. PARTS REMOVED LIST (MOD. NUMBER: AES-757-104 PART F)

ITEM NO	PART NUMBER	QTY RQD	DESCRIPTION	USED ON	ADD/ REMOVE/ REWORK	REMARKS / VENDOR	ALT PART NUMBER	OWNER	REVISION
15	417N3045-13	35	SPACER PANEL	99-037	REMOVE				
16	417N3045-14	66	SPACER PANEL	99-037	REMOVE				
17	417N3045-15	1	SPACER PANEL	99-037	REMOVE				
18	417N3045-16	1	SPACER PANEL	99-037	REMOVE				
19	417N3045-19	2	SPACER PANEL	99-037	REMOVE				
20	417N3045-20	14	SPACER PANEL	99-037	REMOVE				
21	417N3051-152	2	OVR DOOR PSU	99-037	REMOVE				
22	417N3051-55	2	OVR DOOR PSU	99-037	REMOVE				
23	417N3136-43	4	MTG BRKT	99-037	REMOVE				
24	417N3136-44	4	MTG BRKT	99-037	REMOVE				
25	417N6064-6	6	OVR DOOR SPACER	99-037	REMOVE				
26	417N6066-5	1	OVR DOOR SPEAKER	99-037	REMOVE				
27	417N6066-6	1	OVR DOOR SPEAKER	99-037	REMOVE				
28	417N6068-2	4	OVR DOOR TERM	99-037	REMOVE				
29	P-11	A/R	TAPE, ALUM FOIL	99-037	REMOVE				



www.aesglobal.com

TEL: 44 (0)1279 818010
FAX: 44 (0)1279 647683

AES Limited
Unit 28, Golds Nursery
Business Park
Elsenham
Essex

MEI-238

ISSUE 1, JAN 2004

Page 17 of 22

MODIFICATION EMBODIMENT INSTRUCTIONS

J. MEI - REPORT SHEET.

THE MEI REPORT SHEET IS PROVIDED FOR THE PURPOSE OF COMMUNICATING TO AES DESIGN OFFICE ANY IMPROVEMENTS / SUGGESTIONS ARISING FROM THE EMBODIMENT OF THE MODIFICATION.

REPORT SHEET	MEI No: MEI-238 MOD No: AES-757-192 PT F
AIRCRAFT TYPE:	
REGISTRATION AND SERIAL NUMBER:	
LOCATION:	
COMMENTS:	
PREPARED BY / DATE: _____	

MODIFICATION EMBODIMENT INSTRUCTIONS

APPENDIX A:- AIR 2000 AIRLINES RE-CERTIFICATION CONTROL SHEET

(This sheet must be faxed on completion to ATZ Projects dept Fax No 0161 489 0238)

PART NUMBER	DESCRIPTION	SERIAL NO.	WORK CARD REF	QTY.	COMMENTS I.E. SERVICEABLE / UNSERVICEABLE	DATE / INSPECTION STAMP

MODIFICATION EMBODIMENT INSTRUCTIONS

APPENDIX C:- PSU LAYOUT QTY'S (INCLUDING NEW OXYGEN GENERATOR PART NUMBERS)

Part Number	Alternate PtNo.	Description	Qty	Oxygen Generator Assy	Replacement Oxygen Generator Part No
417N3100-614	417N3100-36/-232	PSU RHS NO SPKR NO GASP (3 MASK)	16	417N3100-46	S417T401-62 or 117080-03
417N3100-612	417N3100-38	PSU RHS SPKR NO GASP (3 MASK)	20	417N3100-46	S417T401-62 or 117080-03
417N3100-616	417N3100-28	PSU RHS MUTED SPKR NO GASP (3 MASK)	1	417N3100-46	S417T401-62 or 117080-03
417N3700-18		ASU 11" RHS (PARTIAL) NO SPKR	1	S417T401-25/-31	S417T401-61 or 117080-02
417N3100-613	417N3100-117	PSU LHS NO SPKR NO GASP (4 MASK)	18	417N3100-48	S417T401-60 or 117080-04
417N3100-615	417N3100-611	PSU LHS MUTED SPKR NO GASP (4 MASK)	1	417N3100-48	S417T401-60 or 117080-04
417N3700-17		ASU 11" LHS (PARTIAL) NO SPKR	1	S417T401-25/-31	S417T401-61 or 117080-02
417N3100-156		PSU RHS (PARTIAL) NO SPKR (MASK 23")	2	417N3100-46	S417T401-62 or 117080-03
417N3100-611	417N3100-113/-231	PSU LHS SPKR NO GASP (4 MASK)	18	417N3100-48	S417T401-60 or 117080-04
0430-233-757-001	Make from 417N3100-245	PSU 19" LHS (PARTIAL) NO SPKR	1	417N3100-48	S417T401-60 or 117080-04
417N3300-2		7" STANDARD SPACER PANEL	4		
417N3300-6	202101-7	5" STANDARD SPACER PANEL	2		
417N3300-16	417N3300-17/-18 OR 202101-5	4" STANDARD SPACER PANEL	6		
417N3300-7	202101-3	3" STANDARD SPACER PANEL	5		
417N3300-21	202101-1	2" STANDARD SPACER PANEL	2		
417N3050-4		NSFSB SIGN RHS	2		
417N3050-3		NSFSB SIGN LHS	2		

MODIFICATION EMBODIMENT INSTRUCTIONS

APPENDIX C:- PSU LAYOUT QTY'S (INCLUDING NEW OXYGEN GENERATOR PART NUMBERS)

Part Number	Alternate PtNo.	Description	Qty	Oxygen Generator Assy	Replacement Oxygen Generator Part No
Over Door 2					
417N3510-1		DOOR 2 TERMINATION PANEL	4		
417N3200-42			1	S417T401-25/-31	S417T401-61 or 117080-02
0418-252-757-101			1		
417N3010-9		SPEAKER PANEL	2		
417N3200-41			1	S417T401-25/-31	S417T401-61 or 117080-02
417N6064-6	417-252-757-001	DOOR 2 SPACER PANEL	8		



www.aesglobal.com
TEL: 44 (0)1279 818010
FAX: 44 (0)1279 647683

AES Limited
28 Golds Nurseries Business Park
Elsenham
Essex
CM22 6JX

QUERY NOTE		AES REF No.: QN-AES-.....-.....-..... <small>(COMPLETED BY AES STAFF ONLY)</small>
AIRCRAFT TYPE:.....	APPLICANTS NAME:.....	
REGISTRATION:.....	DATE:.....	
LOCATION:.....	APPLICANTS FAX No:.....	
DRAWING (S) / P/N AFFECTED:	APPLICANTS TEL No:.....	
GIVE FULL DETAILS, INCLUDE OR ATTACH RELEVANT SKETCHES		

DESIGN RESPONSE TO QUERY NOTE	
DRAWING (S) TO BE AMENDED YES / NO	DATE AMENDED:
(AEROSPACE ENGINEERING SOLUTIONS LIMITED DESIGN OFFICE USE ONLY)	
COMPILED BY:	APPROVED BY:

MODIFICATION EMBODIMENT INSTRUCTIONS

A. TITLE PAGE

TITLE: INTRODUCTION OF FLOOR PATH LIGHTING – PHOTO LUMINESCENT

DATE COMPILED: 07.11.03

MODIFICATION NO.: AES-757-192 PART G

PROJECT NO.: PN 0158

EFFECTIVITY:	A/C TYPE	REGISTRATION	SERIAL NO.
	B757-236	G-OOBG	29942 (NT 405)
	B757-236	G-OOBH	29944 (NT 407)

This document is issued for production engineering purposes.

The definitive design requirements are shown in mod AES-757-192, the contents of which override information contained in this MEI.

Differences resulting from existing repairs, variation in build standard or corrosion to be reported to AES Ltd Design Department.

Manufacturing processes and inspection and installation procedures are the responsibility of Air 2000 Limited.

ISSUE	1	2	3	4	5	6
DRN:	0509					
DATE	NOV 2003					
COMPILED BY:	J.M.E					
CHECKED BY:	S S					
DESIGN APP:	A M D					

MODIFICATION EMBODIMENT INSTRUCTIONS

B. REVISION DETAILS:

WRITE BELOW A BRIEF SUMMARY OF THE CHANGES WHICH HAVE BEEN INTRODUCED AT THE STATED REVISION:

ISSUE	DESCRIPTION
1	NEW ISSUE

MODIFICATION EMBODIMENT INSTRUCTIONS

C. CONTENTS:

SEC.	DESCRIPTION	PAGE No
A.	TITLE PAGE	1
B.	REVISION STATUS	2
C.	CONTENTS	3
D1.	ACCOMPLISHMENT INSTRUCTIONS – PREPARATION	4
D2.	ACCOMPLISHMENT INSTRUCTIONS – FLOOR TRACK CHANGES	5
D3.	ACCOMPLISHMENT INSTRUCTIONS – TESTING	7
E.	DRAWINGS & DOCUMENTS REQUIRED	8
F.	SPECIAL TOOLS REQUIRED	9
G.	ESTIMATED TIME REQUIRED	9
H.	PARTS REQUIRED	10
J.	REPORT SHEET	11
	APPENDIX A – SERVICEABLE ITEM SHEET	12
	QUERY NOTE BLANK	13

MODIFICATION EMBODIMENT INSTRUCTIONS

D1. ACCOMPLISHMENT INSTRUCTIONS PREPARATION (EQUIPMENT REMOVAL)		
	MECH SIG.	INSP STAMP
D1.0 Refer to MEI – 0256 for removal of existing floor path lighting system.		

MODIFICATION EMBODIMENT INSTRUCTIONS

D2. ACCOMPLISHMENT INSTRUCTIONS – SECTION D2		
INSTALLATION OF FLOOR PATH LIGHTING		
	MECH SIG.	INSP STAMP
D2.0	Intentionally left blank.	
D2.1	Forward Cabin: 0606-335-757	
D2.1.1	Refer to DRG 0606-355-757: Clean and degrease areas where floor path lighting is to be laid.	
D2.1.2	Refer to DRG 0606-355-757: Install track at RBL9.0 from STA 367 (aligned with fwd face G1B) along the length of the fuselage up to the attendant seat at door 2R. Install correct track end pieces at forward end.	
D2.1.2	Refer to DRG 0606-355-757: Install track such that the track runs along the inboard edge of the Lavatory F threshold plate in line with the forward edge of the lavatory. Make a joggle at the first seat and run the track aft at LBL 9.0 along the length of the fuselage up to the last seat in the forward cabin. Install correct track end pieces at forward end.	
D2.1.3	Refer to DRG 0606-355-757: Install right-angled terminations at door 2 (4 places) as shown. Terminate all track ends with caps and secure using self-tapping screws.	
D2.1.4	Intentionally left blank.	
D2.2	Mid Cabin:	
D2.2.1	Refer to DRG 0606-355-757: Clean and degrease areas where floor path lighting is to be laid.	
D2.2.2	Refer to DRG 0606-355-757: Install track at RBL9.0 along the length of the fuselage up to the last triple passenger seat in the mid cabin. Produce a joggle that travels outboard and then aft to travel along the edge of the lavatory threshold plate at door 3R. Extend the track further aft beyond the existing attendant seat unit and joggle outboard as shown.	
D2.2.3	Refer to DRG 0606-355-757: Install track at LBL9.0 along the length of the fuselage up to the last triple passenger seat in the mid cabin. Produce a joggle that travels outboard and then aft to travel along the edge of the lavatory threshold plate at door 3L. Extend the track further aft beyond the existing attendant seat unit and joggle outboard as shown.	

MODIFICATION EMBODIMENT INSTRUCTIONS

D2. ACCOMPLISHMENT INSTRUCTIONS – SECTION D2		
INSTALLATION OF FLOOR PATH LIGHTING		
	MECH SIG.	INSP STAMP
D2.2.4	Refer to DRG 0606-355-757: Install right-angled terminations at door 3 (4 places) as shown. Terminate all track ends with caps and secure using self-tapping screws.	
D2.2.4	Intentionally left blank.	
D2.3 Aft Cabin:		
D2.3.1	Refer to DRG 0606-355-757: Clean and degrease areas where floor path lighting is to be laid.	
D2.3.2	Refer to DRG 0606-355-757: Install track at RBL9.0 along the length of the fuselage up to the last triple passenger seat in the aft cabin, continue aft beyond this seat to the attendant seat on the aft RH bulkhead.	
D2.3.3	Refer to DRG 0606-355-757: Install track at LBL9.0 along the length of the fuselage up to the last triple passenger seat in the aft cabin, continue aft beyond this seat to the attendant seat on the aft LH bulkhead.	
D2.3.4	Refer to DRG 0606-355-757: Terminate all track ends with caps and secure using self-tapping screws.	
Cabin Carpet and Vestibule Flooring		
D2.4	Refer to MEI-234 for details of galley matting installation. Trim matting material around newly installed floor path lighting strips.	
D2.5	Trim / replace any carpet in accordance with AMM Ch 25-27-01/401.	
D2.6	Intentionally left blank.	
Placards		
D2.7	Refer to DRG 0606-355-757: Affix placard P/N BAC29PPS50520 adjacent to existing attendant light control panel	
END		

MODIFICATION EMBODIMENT INSTRUCTIONS

D3. ACCOMPLISHMENT INSTRUCTIONS		
FUNCTION TEST		
	MECH SIG.	INSP STAMP
D3.0	Perform a walk of the cabin from front to back and verify that the dual lane photo-luminescent strips can be clearly seen from a height of 4ft above the cabin floor at the centre of the aisle. Ensure there are no obvious indications that would lead persons to an area where there is no exit i.e. into a lavatory or stowage.	
D3.1	Intentionally left blank.	
D3.2	Intentionally left blank.	
D3.3	Intentionally left blank.	
D3.4	Intentionally left blank.	
D3.5	Intentionally left blank.	
D3.6	Intentionally left blank.	
D3.7	Intentionally left blank.	
	END	

MODIFICATION EMBODIMENT INSTRUCTIONS

E. DOCUMENTS REQUIRED:

THE FOLLOWING DOCUMENTS ARE REQUIRED FOR EMBODIMENT OF MODIFICATION AES-757-192 PART G.

THE FOLLOWING AES DRAWINGS ARE REQUIRED:

DRAWING No	TITLE
0606-335-757	FLOOR PATH LIGHTING INSTALLATION – PHOTO-LUMINESCENT SYSTEM

REFER TO MODIFICATION SHEET FOR LATEST ISSUE.

THE FOLLOWING EXISTING DOCUMENTS ARE REQUIRED FOR REFERENCE ONLY:

DOCUMENT No	TITLE

NO ADDITIONAL DRAWINGS REQUIRED

MODIFICATION EMBODIMENT INSTRUCTIONS

F. SPECIAL TOOLS REQUIRED:

LIST OF SPECIALIST TOOLING REQUIRED TO EMBODY THESE INSTRUCTIONS.

<u>PART NUMBER</u>	<u>DESCRIPTION</u>	<u>VENDOR</u>	<u>COMMENTS</u>
NO SPECIAL TOOLS REQUIRED			

G. ESTIMATED TIME REQUIRED:

The Floor Path Lighting Changes shall be carried out in conjunction with a maintenance input.



www.aesglobal.com

TEL: 44 (0)1279 818010
 FAX: 44 (0)1279 647683

AES Limited
 Unit 28, Golds Nursery
 Business Park
 Elsenham
 Essex

MEI-239

ISSUE 1, NOV 2003

Page 10 of 13

MODIFICATION EMBODIMENT INSTRUCTIONS

H. PARTS LIST (MOD. NUMBER : AES-757-192 PART G, FLOOR PATH LIGHTING INSTL'N)									
LINE ITEM NO.	ACTION (ADD/ DELETE/ REWORK)	PART NUMBER COMMENT	QTY	DESCRIPTION	USED ON PART / WIRE BUNDLE	VENDOR / REMARKS	BATCH No (ENGINEER TO COMPLETE)	SERIAL No (ENGINEER TO COMPLETE)	INTRO./ CHANGED AT ISSUE
1	DEL	TBD	SHIPSET	EXISTING GRIMES FLOOR PATH LIGHTING SYSTEM					1
2	ADD	SG9442	70M	BOTTOM TRACK (2M LG)	0606-335-757	STG AEROSPACE			1
3	ADD	SG9501	70M	TOP TRACK (2M LG)	0606-335-757	STG AEROSPACE			1
4	ADD	SG9422	70M	PHOTO LUMINESCANT STRIP (10M LG)	0606-335-757	STG AEROSPACE			1
5	ADD	SG9446	12	END CAPS	0606-335-757	STG AEROSPACE			1
6	ADD	SG9341	6	EXIT PLACARD INSERT	0606-335-757	STG AEROSPACE			1
7	ADD	SG9342	6	EXIT PLACARD INSERT	0606-335-757	STG AEROSPACE			1
8	ADD	SG9345	12	DOUBLE DOT INSERT	0606-335-757	STG AEROSPACE			1
9	ADD	SD511-2 OR SIMILAR	A/R	DOUBLE SIDED TAPE 2" (50mm) WIDE	0606-335-757				1
10	ADD	MS24628-20	12	SELF TAPPING SCREW	0606-335-757				1
11	ADD	BAC29PPS50520	1	PLACARD	0606-335-757				1
	END	END	END	END	END	END	END	END	END

MODIFICATION EMBODIMENT INSTRUCTIONS

J. MEI - REPORT SHEET.

THE MEI REPORT SHEET IS PROVIDED FOR THE PURPOSE OF COMMUNICATING TO AES DESIGN OFFICE ANY IMPROVEMENTS / SUGGESTIONS ARISING FROM THE EMBODIMENT OF THE MODIFICATION.

REPORT SHEET	MEI No: MEI-239 MOD No: AES-757-192 'G'
AIRCRAFT TYPE:	
REGISTRATION AND SERIAL NUMBER:	
LOCATION:	
COMMENTS:	
PREPARED BY / DATE: _____	



www.aesglobal.com
TEL: 44 (0)1279 818010
FAX: 44 (0)1279 647683

AES Limited
28 Golds Nurseries Business Park
Elsenham
Essex
CM22 6JX

QUERY NOTE		AES REF No.: QN-AES-.....-.....-..... <small>(COMPLETED BY AES STAFF ONLY)</small>
AIRCRAFT TYPE:.....	APPLICANTS NAME:.....	
REGISTRATION:.....	DATE:.....	
LOCATION:.....	APPLICANTS FAX No:.....	
DRAWING (S) / P/N AFFECTED:	APPLICANTS TEL No:.....	
GIVE FULL DETAILS, INCLUDE OR ATTACH RELEVANT SKETCHES		

DESIGN RESPONSE TO QUERY NOTE	
DRAWING (S) TO BE AMENDED YES / NO	DATE AMENDED:
(AEROSPACE ENGINEERING SOLUTIONS LIMITED DESIGN OFFICE USE ONLY)	
COMPILED BY:	APPROVED BY:

MODIFICATION EMBODIMENT INSTRUCTIONS

A. TITLE PAGE

TITLE: REMOVAL OF EXISTING FLOOR PATH LIGHTING SYSTEM (G-OOBG AND G-OOBH)

DATE COMPILED: 02.03.04

MODIFICATION NO.: AES-757-192 PT A

PROJECT NO.: 0158

EFFECTIVITY:	A/C TYPE	REGISTRATION	SERIAL NO.
	B757-236	G-OOBG	29942 (NT405)
	B757-236	G-OOBH	29944 (NT407)

This document is issued for production engineering purposes.

The definitive design requirements are shown in mod AES-757-192 PT A, the contents of which override information contained in this MEI.

Differences resulting from existing repairs, variation in build standard or corrosion to be reported to AES Ltd Design Department.

Manufacturing processes and inspection and installation procedures are the responsibility of FIRST CHOICE AIRWAYS LTD.

ISSUE	1	2	3	4	5	6
DRN:	0647					
DATE	02.03.04					
COMPILED BY:	M IRVINE					
CHECKED BY:	A HEISSIG					
DESIGN APP:	A HEISSIG					

MODIFICATION EMBODIMENT INSTRUCTIONS

B. REVISION DETAILS:

WRITE BELOW A BRIEF SUMMARY OF THE CHANGES WHICH HAVE BEEN INTRODUCED AT THE STATED REVISION:

ISSUE	DESCRIPTION
1	NEW ISSUE

MODIFICATION EMBODIMENT INSTRUCTIONS

C. CONTENTS:

SEC.	DESCRIPTION	PAGE No
A.	TITLE PAGE	1
B.	REVISION STATUS	2
C.	CONTENTS	3
D1.	ACCOMPLISHMENT INSTRUCTIONS – PREPARATION	4
D2.	ACCOMPLISHMENT INSTRUCTIONS – REMOVAL OF SEAT TO SIDEWALL WIRE HARNESSSES	5
D3.	ACCOMPLISHMENT INSTRUCTIONS – REMOVAL OF SEAT TO SEAT WIRE HARNESSSES	6
D4	ACCOMPLISHMENT INSTRUCTIONS – CAP & STOW WIRING	7
D5	ACCOMPLISHMENT INSTRUCTIONS – CLOSE UP	8
E.	DRAWINGS & DOCUMENTS REQUIRED	9
F.	SPECIAL TOOLS REQUIRED	10
G.	ESTIMATED TIME REQUIRED	10
H.	PARTS REQUIRED/REMOVED	11
J.	REPORT SHEET	13
	APPENDIX A – FCA RE-CERTIFICATION CONTROL SHEET	14
	APPENDIX B – ADDITIONAL WORK CARD INDEX SHEET	15
	APPENDIX C – FLOOR PROXIMITY WIRING DIAGRAM (REF ONLY)	16
	QUERY NOTE BLANK	17

MODIFICATION EMBODIMENT INSTRUCTIONS

D1 ACCOMPLISHMENT INSTRUCTIONS – PREPARATION		
	MECH SIG.	INSP STAMP
D1.1	Remove aircraft power I.A.W AMM 24-22-00 p/block 201.	
D1.2	Open the following circuit breakers on the overhead circuit breaker panel P11, and attach DO-NOT-CLOSE tags if not already safety tagged: a) 11N35 EMER CHARGER L b) 11N36 EMER CHARGER R	
D1.3	Gain access to the Ceiling panels @ stations 370, 700, 1240, 1680. (I.A.W AMM 25-22-01/401)	
D1.4	Gain access to the side wall panels @ stations 450, 810, 1030, 1370 (I.A.W AMM 25-21-02/401)	

MODIFICATION EMBODIMENT INSTRUCTIONS

D2. ACCOMPLISHMENT INSTRUCTIONS – REMOVAL OF SEAT TO SIDEWALL WIRE HARNESSES		
	MECH SIG.	INSP STAMP
D2.1		
D2.2		
D2.3		
D2.4		

MODIFICATION EMBODIMENT INSTRUCTIONS

D3. ACCOMPLISHMENT INSTRUCTIONS – REMOVAL OF SEAT TO SEAT WIRE HARNESSSES		
	MECH SIG.	INSP STAMP
<p>D3.1 <u>REF APPENDIX C:</u></p> <p>Remove all floor proximity lighting seat to seat cable harness (P/N 0202787-003 or -004) installed in the forward, middle and aft section of the aircraft. NOTE: harness location only on left hand side of aircraft.</p> <p>Bag all removed harnesses and route to operator’s representative.</p> <p>NOTE: Carry out in conjunction with seat removal AES modification AES-757-192 PT A</p>		

MODIFICATION EMBODIMENT INSTRUCTIONS

D4. ACCOMPLISHMENT INSTRUCTIONS – CAP & STOW WIRING						MECH SIG.	INSP STAMP
D4.1	<u>REF WDM: 33-51-21, & 33-51-22</u> Cap & Stow the following wires near the applicable connector. I.A.W SWPM 20-10-11						
	WIRE	EQUIPMENT	CONNECTOR	PIN	STATION		
	W3532-0110-20	M731	D68	10	@369		
	W3532-0519-20	M733	D72	12	@705		
	W3634-0622-20	M10699	D7290	12	@1240		
	W3534-0510-20	M737	D80	10	@1678		

MODIFICATION EMBODIMENT INSTRUCTIONS

D5. ACCOMPLISHMENT INSTRUCTIONS – CLOSE UP		
	MECH SIG.	INSP STAMP
D5.1	Replace any side wall panels removed for access. (I.A.W AMM 25-21-02/401)	
D5.2	Replace any Ceiling panels removed for access. (I.A.W AMM 25-22-01/401)	
D5.3	Remove the DO-NOT-CLOSE tags if not required and Close the following circuit breakers on the overhead circuit breaker panel P11: a) 11N35 EMER CHARGER L b) 11N36 EMER CHARGER R	
D5.4	Remove all tooling and close up.	
D5.5	performs an emergency lighting operation test. (I.A.W AMM 33-51-00/501)	
D5.6	Ensure all remaining emergency lights function correctly.	

MODIFICATION EMBODIMENT INSTRUCTIONS

E. DOCUMENTS REQUIRED:

THE FOLLOWING DOCUMENTS ARE REQUIRED FOR EMBODIMENT OF MODIFICATION AES-757-192 PT A. **NOTE: REFER TO MODIFICATION SHEET FOR LATEST DRAWING ISSUE.**

The following existing drawings/documents are required:

WDM:
33-51-21
33-51-22

MODIFICATION EMBODIMENT INSTRUCTIONS

F. SPECIAL TOOLS REQUIRED:

<u>PART NUMBER</u>	<u>DESCRIPTION</u>	<u>VENDOR</u>	<u>COMMENTS</u>
		NONE	

G. ESTIMATED TIME REQUIRED:

It is estimated that the removal of the floor path lighting will take approximately 7 man-hours.

This is based on the direct labour cost to do the work. The estimated assume that the work will be done by experienced personal, and may need to be revised upwards to suit operators' circumstances. The estimates do not include the time to prepare, plan or inspect the work. Manufacture and procurement of parts and tools' drying time for paints sealants, etc and general administration work are also not included.



www.aesglobal.com

TEL: 44 (0)1279 818010
FAX: 44 (0)1279 647683

AES Limited
Unit 28, Golds Nursery
Business Park
Elsenham
Essex

MEI-256

ISSUE 1, MARCH 2004

Page 11 of 17

MODIFICATION EMBODIMENT INSTRUCTIONS

H. PARTS ADDED LIST (MOD. NUMBER: AES-757-192)

ITEM NO	PART NUMBER	QTY RQD	DESCRIPTION	USED ON	ADD/ REMOVE/ REWORK	REMARKS / VENDOR	ALT PART NUMBER	OWNER	REVISION
1					NONE				



www.aesglobal.com

TEL: 44 (0)1279 818010
FAX: 44 (0)1279 647683

AES Limited
Unit 28, Golds Nursery
Business Park
Elsenham
Essex

MEI-256

ISSUE 1, MARCH 2004

Page 12 of 17

MODIFICATION EMBODIMENT INSTRUCTIONS

H. PARTS REMOVED LIST (MOD. NUMBER: AES-757-192 PT A)

ITEM NO	PART NUMBER	QTY RQD	DESCRIPTION	USED ON	ADD/ REMOVE/ REWORK	REMARKS / VENDOR	ALT PART NUMBER	OWNER	REVISION
1	0202787-003	4	WIRE HARNESS	MEI-256	REMOVE	LUMINATOR		FCA	1
2	0202787-004	TBA	INTERFACE HARNESS	MEI-256	REMOVE	LUMINATOR		FCA	1
3					REMOVE				

MODIFICATION EMBODIMENT INSTRUCTIONS

J. MEI - REPORT SHEET.

THE MEI REPORT SHEET IS PROVIDED FOR THE PURPOSE OF COMMUNICATING TO AES DESIGN OFFICE ANY IMPROVEMENTS / SUGGESTIONS ARISING FROM THE EMBODIMENT OF THE MODIFICATION.

REPORT SHEET	MEI No: MEI-256 MOD No: AES-757-192
AIRCRAFT TYPE:	
REGISTRATION AND SERIAL NUMBER:	
LOCATION:	
COMMENTS:	
PREPARED BY / DATE: _____	



www.aesglobal.com

TEL: 44 (0)1279 818010

FAX: 44 (0)1279 647683

AES Limited
Unit 28, Golds Nursery
Business Park
Elsenham
Essex

MEI-256

ISSUE 1, MARCH 2004

Page 14 of 17

MODIFICATION EMBODIMENT INSTRUCTIONS

APPENDIX A:- FIRST CHOICE AIRWAYS RE-CERTIFICATION CONTROL SHEET

(This sheet must be faxed on completion to FCA Projects dept Fax No 0161 489 0238)

PART NUMBER	DESCRIPTION	SERIAL NO.	WORK CARD REF	QTY.	COMMENTS I.E. SERVICEABLE / UNSERVICEABLE	DATE / INSPECTION STAMP

MODIFICATION EMBODIMENT INSTRUCTIONS

APPENDIX C:- FLOOR PROXIMITY WIRING DIAGRAM.

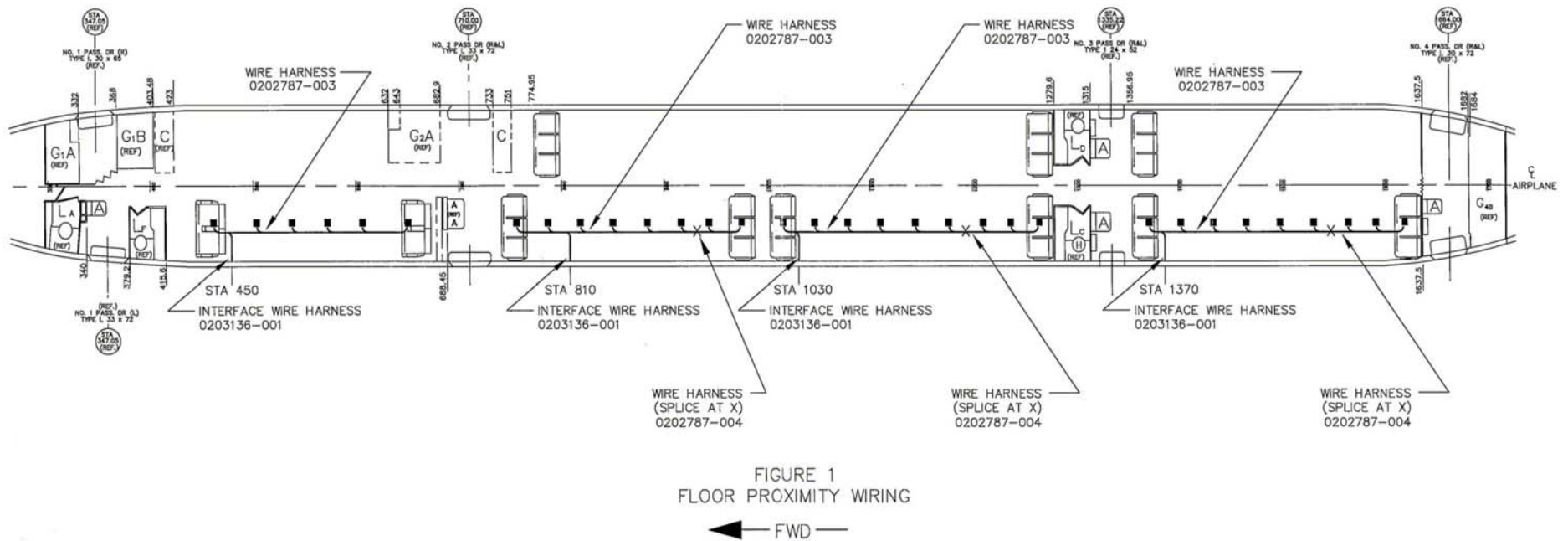


FIGURE 1
FLOOR PROXIMITY WIRING

← FWD →



www.aesglobal.com
TEL: 44 (0)1279 818010
FAX: 44 (0)1279 647683

AES Limited
28 Golds Nurseries Business Park
Elsenham
Essex
CM22 6JX

QUERY NOTE		AES REF No.: QN-AES-.....-.....-..... (COMPLETED BY AES STAFF ONLY)
AIRCRAFT TYPE:.....	APPLICANTS NAME:.....	
REGISTRATION:.....	DATE:.....	
LOCATION:.....	APPLICANTS FAX No:.....	
DRAWING (S) / P/N AFFECTED:	APPLICANTS TEL No:.....	
GIVE FULL DETAILS, INCLUDE OR ATTACH RELEVANT SKETCHES		

DESIGN RESPONSE TO QUERY NOTE	
DRAWING (S) TO BE AMENDED YES / NO	DATE AMENDED:
(AEROSPACE ENGINEERING SOLUTIONS LIMITED DESIGN OFFICE USE ONLY)	
COMPILED BY:	APPROVED BY:

MODIFICATION EMBODIMENT INSTRUCTIONS

A. TITLE PAGE

TITLE: INTRODUCTION OF CABIN DIVIDER (AFT RIGHT)

DATE COMPILED: JAN 2004

MODIFICATION NO.: AES-757-192 PART H

PROJECT NO.: 0158

EFFECTIVITY:	A/C TYPE	REGISTRATION	SERIAL NO.
	B757-236	G-OOBG	29942 (NT405)
	B757-236	G-OOBH	29944 (NT407)

This document is issued for production engineering purposes.

The definitive design requirements are shown in mod AES-757-192 PT H, the contents of which override information contained in this MEI.

Differences resulting from existing repairs, variation in build standard or corrosion to be reported to AES Ltd Design Department.

Manufacturing processes and inspection and installation procedures are the responsibility of FIRST CHOICE AIRWAYS LTD.

ISSUE	1	2	3	4	5	6
DRN:	0532					
DATE	JAN 2004					
COMPILED BY:	J M EVANS					
CHECKED BY:	AMD / ALH					
DESIGN APP:	M EVANS					

MODIFICATION EMBODIMENT INSTRUCTIONS

B. REVISION DETAILS:

WRITE BELOW A BRIEF SUMMARY OF THE CHANGES WHICH HAVE BEEN INTRODUCED AT THE STATED REVISION:

ISSUE	DESCRIPTION
1	NEW ISSUE

MODIFICATION EMBODIMENT INSTRUCTIONS

C. CONTENTS:

SEC.	DESCRIPTION	PAGE No
A.	TITLE PAGE	1
B.	REVISION STATUS	2
C.	CONTENTS	3
D1.	ACCOMPLISHMENT INSTRUCTIONS –DIVIDER STRUCTURE PROVISION	4
D2.	ACCOMPLISHMENT INSTRUCTIONS – DIVIDER INSTALLATION	5
D3.	ACCOMPLISHMENT INSTRUCTIONS – ATT SEAT INSTALLATION	6
D4.	ACCOMPLISHMENT INSTRUCTIONS - PROVISION OF OXYGEN MODULE & ATTENDANT WORK LIGHT AT G4B AFT CEILING PANEL	7
D5	ACCOMPLISHMENT INSTRUCTIONS – FUNCTIONAL CHECKS	11
E.	DRAWINGS & DOCUMENTS REQUIRED	12
F.	SPECIAL TOOLS REQUIRED	13
G.	ESTIMATED TIME REQUIRED	13
H.	PARTS REQUIRED/REMOVED	14
J.	REPORT SHEET	18
	APPENDIX A – RE-CERTIFICATION CONTROL SHEET	19
	QUERY NOTE BLANK	20

MODIFICATION EMBODIMENT INSTRUCTIONS

D1 ACCOMPLISHMENT INSTRUCTIONS –STRUCTURE PROVISION			MECH SIG.	INSP STAMP
All instructions stated within this part of the Embodiment Instructions are to be carried out in accordance with the relevant sections of the AMM.				
D1.0	Remove existing AFT RH CABIN DIVIDER P/N 413N3108-92SP Retain all attaching parts including tie rods and floor fittings. Removed items are to be inspected for serviceability, re-certified, tagged and routed to First Choice Airways.			
D1.1	Intentionally left Blank			
D1.2	Refer to AES DRG 0366-252-757, installation –003. Install the following parts for the upper tie rod structure provision IAW reference drawing & Installation DRG 413N3701-37 (Pic Sheet 9)			
	P/N	Qty Description		
	415N3003-6	1 CLEVIS FITTING		
	AN315C5R	1 NUT		
	MS20392-3C39	1 WASHER		
	NAS1149D0332J	10 WASHER		
	NAS1515H4	1 WASHER		
	NAS43HT4-20	2 SPACER		
	1293-77	1 TIE ROD		
D1.3	Intentionally left blank.			
D1.4	Intentionally left blank.			
D1.3	END			

MODIFICATION EMBODIMENT INSTRUCTIONS

D2. ACCOMPLISHMENT INSTRUCTIONS – DIVIDER INSTALLATION			MECH SIG.	INSP STAMP
D2.0	Refer to AES DRG 0366-252-757, Installation -001 Install the following parts for the divider installation IAW reference drawing & Installation DRG 413N3704-29 (Pic Sheet 14)			
	P/N	Qty	Description	
	413N3108-76	1	DIVIDER ASSY	
	AN415-5	1	PIN	
	AN960JD416L	4	WASHER	
	BACB30NR4K17	2	BOLT	
	BACP18T4-27	1	PIN	
	44585-10	2	TRACK FITTING	
D2.1	Intentionally left Blank.			
D2.2	Intentionally left Blank.			
D2.3	Intentionally left blank.			
D2.4	Intentionally left blank.			
D2.5	END			

MODIFICATION EMBODIMENT INSTRUCTIONS

D3. ACCOMPLISHMENT INSTRUCTIONS – EQUIPMENT INSTALLATION			MECH SIG.	INSP STAMP																																			
D3.1	<p>Refer to AES DRG 0366-252-757, Installation -005 Install the following parts to the aft face of the cabin divider.</p> <table border="1"> <thead> <tr> <th>P/N</th> <th>Qty</th> <th>Description</th> </tr> </thead> <tbody> <tr> <td>91465-117</td> <td>1</td> <td>ATTENDANT SEAT</td> </tr> <tr> <td colspan="3">ALT P/N 91465-111, OR 91465-113, OR 91465-115, OR 91495-119.</td> </tr> <tr> <td>NAS6604-3</td> <td>6</td> <td>BOLT</td> </tr> <tr> <td>NAS6604-6</td> <td>4</td> <td>BOLT</td> </tr> <tr> <td>NAS6604-5</td> <td>6</td> <td>BOLT</td> </tr> <tr> <td>AN960-416</td> <td>16</td> <td>WASHER</td> </tr> <tr> <td>BACB30LU3-4</td> <td>4</td> <td>BOLT</td> </tr> <tr> <td>BACB30LU4-16</td> <td>2</td> <td>BOLT</td> </tr> <tr> <td>414N2011-11</td> <td>1</td> <td>BELT GUIDE ASSY (OR SIMILAR P/No)</td> </tr> <tr> <td>414N2011-7</td> <td>1</td> <td>RESTRAINT SYSTEM (OR SIM P/No)</td> </tr> <tr> <td>BMS2-285</td> <td>A/R</td> <td>HOOK/LOOP ADHESIVE TAPE (OR SIMILAR P/No)</td> </tr> </tbody> </table>	P/N	Qty	Description	91465-117	1	ATTENDANT SEAT	ALT P/N 91465-111, OR 91465-113, OR 91465-115, OR 91495-119.			NAS6604-3	6	BOLT	NAS6604-6	4	BOLT	NAS6604-5	6	BOLT	AN960-416	16	WASHER	BACB30LU3-4	4	BOLT	BACB30LU4-16	2	BOLT	414N2011-11	1	BELT GUIDE ASSY (OR SIMILAR P/No)	414N2011-7	1	RESTRAINT SYSTEM (OR SIM P/No)	BMS2-285	A/R	HOOK/LOOP ADHESIVE TAPE (OR SIMILAR P/No)		
P/N	Qty	Description																																					
91465-117	1	ATTENDANT SEAT																																					
ALT P/N 91465-111, OR 91465-113, OR 91465-115, OR 91495-119.																																							
NAS6604-3	6	BOLT																																					
NAS6604-6	4	BOLT																																					
NAS6604-5	6	BOLT																																					
AN960-416	16	WASHER																																					
BACB30LU3-4	4	BOLT																																					
BACB30LU4-16	2	BOLT																																					
414N2011-11	1	BELT GUIDE ASSY (OR SIMILAR P/No)																																					
414N2011-7	1	RESTRAINT SYSTEM (OR SIM P/No)																																					
BMS2-285	A/R	HOOK/LOOP ADHESIVE TAPE (OR SIMILAR P/No)																																					
D3.2	Intentionally left blank.																																						
D3.3	Intentionally left blank.																																						

MODIFICATION EMBODIMENT INSTRUCTIONS

D4. ACCOMPLISHMENT INSTRUCTIONS – OXYGEN MODULE & ATTENDANT WORK LIGHT (G4B)		
	MECH SIG.	INSP STAMP
ATTENDANTS WORK LIGHT INSTALLATION		
4.1		
<p><u>Ref AES Dwg 0403-252-757 & Fig 3:</u></p> <p>Remove ceiling panel above door 4 (P/N 411N3264-251) IAW AMM 25-22-00 p/block 401.</p> <p>Modify ceiling panel IAW AES drawing 0403-252-757 to P/N 0403-252-757-005 and produce cut-outs for both new attendant work light and oxygen module.</p> <p>Install new light (P/N S417N502-2) using attaching hardware detailed on drawing 0403-252-757.</p>		
4.2		
<p><u>Ref WDM 33-22-14 and Fig 1:</u></p> <p>Locate existing left hand side attendants work light [L518] and wire no. W3576-0054-22. Remove from light assembly and cut off ring tag terminal. Install new wiring IAW Fig 1 of this MEI existing light assy [L518] and new light assy [AES-L9005].</p> <p>Install new wire W9000-AES-0953-20 from existing ground stud 'GD4471- AC' [STA 1161, WL 290, RBL 035], route wire and terminate at new light assy terminal =G.</p>		
ATTENDANTS OXYGEN MODULE WIRING INSTALLATION		
4.3		
<p><u>Ref AES Dwg 0403-252-757 & Fig 3:</u></p> <p>Install new oxygen module (P/N 417N3810-5SP or 417N3810-6SP) using attaching hardware detailed on drawing 0403-252-757.</p>		
4.4		
<p><u>Ref WDM 35-21-22 & Fig 2:</u></p> <p>Locate existing splice 'SM159'. Install replacement splice and new wire W9000-AES-0955-20 IAW Fig 2 and route to aft ceiling panel – oxygen module [AES-M90054]. Terminate using removable splice (P/N 48-7191), ensure the wire is terminated with sufficient length to reach the oxygen module fly lead.</p> <p>Install new wire W9000-AES-0954-18 from existing ground GD522-DC [STA 1684, WL 292, RBL 025], route wire and terminate at new oxygen module using removable splice (P/N 48-7190), ensure the wire is terminated with sufficient length to reach the oxygen module fly lead.</p>		
4.5		
<p>Carry out continuity and resistance checks on all new wiring.</p> <p>Re fit ceiling panel above door 4 IAW AMM 25-22-00 p/block 401.</p>		
END		

MODIFICATION EMBODIMENT INSTRUCTIONS

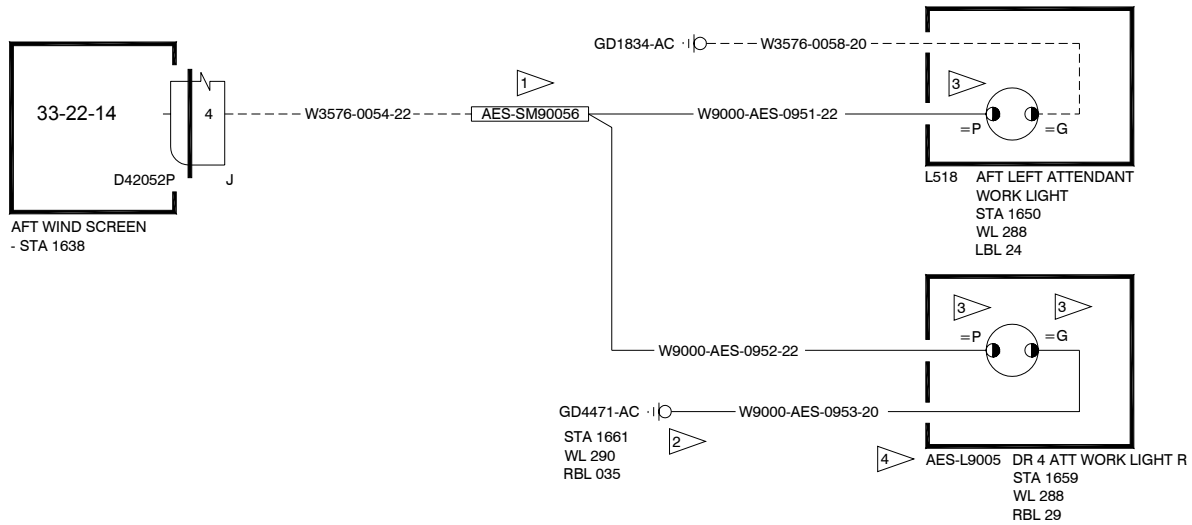


FIG 1: WIRING TO NEW CEILING PANEL ATTENDANT WORKLIGHT

FLAG NOTE No.	PART No.	QTY	DESCRIPTION	NOTES
1	D436-37	1	SPLICE	
2	BACT12AR204	1	RING TERMINAL	
3	BACT12AR222	3	RING TERMINAL	
4	S417N502-2	1	LIGHT ASSY	

WIRE LIST

WIRE No.	TYPE	GAUGE	LENGTH
W9000-AES-0951-22	BMS13-60T01C01G022	22	1ft
W9000-AES-0952-22	BMS13-60T01C01G022	22	10ft
W9000-AES-0953-20	BMS13-60T01C01G020	20	10ft

MODIFICATION EMBODIMENT INSTRUCTIONS

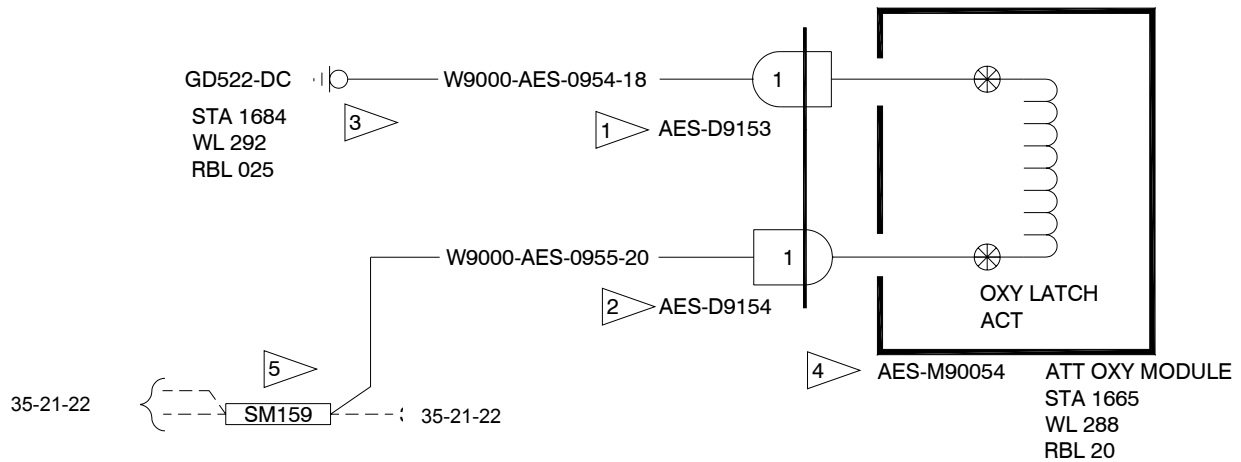


FIG 2: WIRING TO NEW CEILING PANEL ATTENDANT OXYGEN MODULE

FLAG NOTE No.	PART No.	QTY	DESCRIPTION	NOTES
1	48-7190	1	PLUG	AES-D9153
2	48-7191	1	RECEPTACLE	AES-D9154
3	BACT12AR184	1	RING TERMINAL	
4	417N3810-5SP	1	OXYGEN MODULE	AES-M90054
5	D436-38	1	SPLICE	

WIRE LIST

WIRE No.	TYPE	GAUGE	LENGTH
W9000-AES-0954-18	BMS13-60T01C01G018	18	6ft
W9000-AES-0955-20	BMS13-60T01C01G020	20	25ft

MODIFICATION EMBODIMENT INSTRUCTIONS

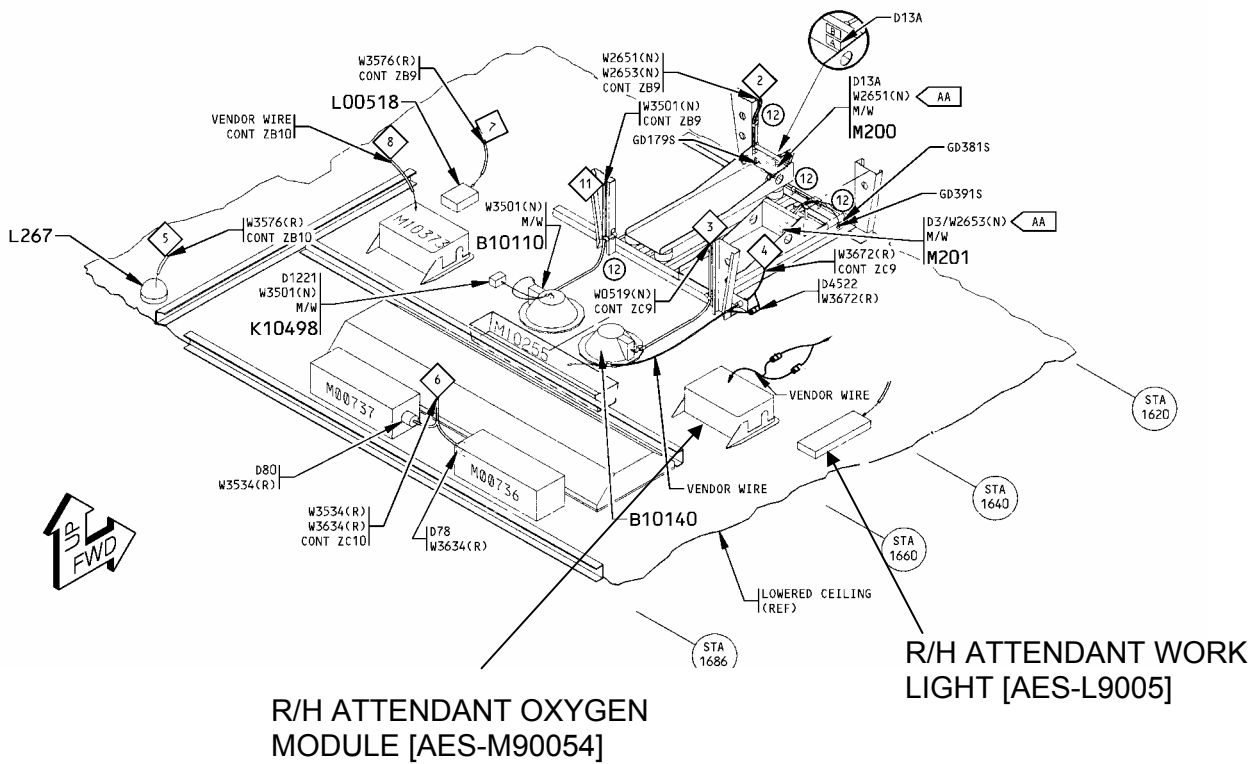


FIG 3: AFT LOWERED CEILING PANEL G4B

MODIFICATION EMBODIMENT INSTRUCTIONS

D5. ACCOMPLISHMENT INSTRUCTIONS - Functional Checks		
CHECKS		
	MECH SIG.	INSP STAMP
D5.1 Work Lights (G4 Area)		
D5.1.1 Carry out function test of the Aft Vestibule Attendants Work Lights at the G4B area IAW AMM Ch 33-22-00 p/block 501 to ensure correct operation.		
D5.2 Carry out the procedure to check the latch mechanism of the aft right hand attendants oxygen door with the right hand PASS OXY switch IAW AMM chapter 35-2-00 p/block 501.		
END		

MODIFICATION EMBODIMENT INSTRUCTIONS

E. DOCUMENTS REQUIRED:

THE FOLLOWING DOCUMENTS ARE REQUIRED FOR EMBODIMENT OF MODIFICATION AES-757-192 PT H . **NOTE: REFER TO MODIFICATION SHEET FOR LATEST DRAWING ISSUE.**

The following existing drawings/documents are required for Section D:

<u>Drawing No</u>	<u>Title</u>	<u>SOURCE</u>
0366-252-757	CABIN DIVIDER INSTALLATION (AFT RH)	AES
413N3701 INSTL-37 PIC SHEET 9	SUPPORT INSTL'N, AFT RH	BOEING
413N3104 INSTL-29 PIC SHEET 14	WINDSCREEN INSTL'N, AFT RH	BOEING
0403-252-757	MOD'N TO AFT CEILING PANEL	AES
35-21-22	OXYGEN MASK DEPLOYMENT – RIGHT AFT	EXISTING WDM NO D280N059
33-22-14	ENTRY AND ATTENDANTS LIGHTS – AFT	EXISTING WDM NO D280N059

MODIFICATION EMBODIMENT INSTRUCTIONS

F. SPECIAL TOOLS REQUIRED:

<u>PART NUMBER</u>	<u>DESCRIPTION</u>	<u>VENDOR</u>	<u>COMMENTS</u>
		NONE	

G. ESTIMATED TIME REQUIRED:

This part of the subject modification shall be carried out in conjunction with a maintenance input and cabin conversion. (Man-hours TBA)



www.aesglobal.com

TEL: 44 (0)1279 818010
 FAX: 44 (0)1279 647683

AES Limited
 Unit 28, Golds Nursery
 Business Park
 Elsenham
 Essex

MEI-240

ISSUE 1, JAN 2004

Page 14 of 20

MODIFICATION EMBODIMENT INSTRUCTIONS

H. PARTS ADDED LIST (MOD. NUMBER: AES-757-192 PT H)

ITEM NO	PART NUMBER	QTY RQD	DESCRIPTION	USED ON	ADD/ REMOVE/ REWORK	REMARKS / VENDOR	ALT PART NUMBER	OWNER	REVISION
1	413n3108-76	1	WINDSCREEN ASSY RHS	0366-252-757-001	ADD				1
2	AN415-5	1	PIN	0366-252-757-001	ADD				1
3	AN960JD416L	4	WASHER	0366-252-757-001	ADD				1
4	BACB30NR4K17	2	BOLT	0366-252-757-001	ADD				1
5	BACP18T4-27	1	PIN	0366-252-757-001	ADD				1
6	44585-10	2	TRACK FITTING	0366-252-757-001	ADD				1
7	---	---	---	---	---				
8	415N3003-6	1	CLEVIS FITTING	0366-252-757-003	ADD				1
9	AN316C5R	1	NUT	0366-252-757-003	ADD				1
10	MS20392-3C39	1	PIN	0366-252-757-003	ADD				1
11	NAS1149D0332J	10	WASHER	0366-252-757-003	ADD				1
12	NAS1515H4	1	WASHER, NYLON	0366-252-757-003	ADD				1
13	NAS43HT4-20	2	SPACER	0366-252-757-003	ADD				1
14	1293-77	1	TIE ROD	0366-252-757-003	ADD				1
15	---	---	---	---	---				



www.aesglobal.com

TEL: 44 (0)1279 818010
 FAX: 44 (0)1279 647683

AES Limited
 Unit 28, Golds Nursery
 Business Park
 Elsenham
 Essex

MEI-240

ISSUE 1, JAN 2004

Page 15 of 20

MODIFICATION EMBODIMENT INSTRUCTIONS

H. PARTS ADDED LIST (MOD. NUMBER: AES-757-192 PT H)

ITEM NO	PART NUMBER	QTY RQD	DESCRIPTION	USED ON	ADD/ REMOVE/ REWORK	REMARKS / VENDOR	ALT PART NUMBER	OWNER	REVISION
16	91465-117	1	ATTENDANT SEAT	0366-252-757-005	ADD		ALT 91465-111 ALT 91465-113 ALT 91465-115 ALT 91465-119		1
17	NAS6604-3	6	BOLT	0366-252-757-005	ADD				1
18	NAS6604-6	4	BOLT	0366-252-757-005	ADD				1
19	NAS6604-5	6	BOLT	0366-252-757-005	ADD				1
20	AN960-416	16	WASHER	0366-252-757-005	ADD				1
21	BACB30LU3-4	4	BOLT	0366-252-757-005	ADD				1
22	BACB30LU4-16	2	BOLT	0366-252-757-005	ADD				1
23	414N2011-11	1	BELT GUIDE ASSY	0366-252-757-005	ADD	(OR SIM P/No)			1
24	414N2011-7	1	RESTRAINT SYSTEM	0366-252-757-005	ADD	(OR SIM P/No)			1
25	BMS2-285	1	HOOK/LOOP ADHESIVE TAPE	0366-252-757-005	ADD	(OR SIM P/No)			1



www.aesglobal.com

TEL: 44 (0)1279 818010
 FAX: 44 (0)1279 647683

AES Limited
 Unit 28, Golds Nursery
 Business Park
 Elsenham
 Essex

MEI-240

ISSUE 1, JAN 2004

Page 16 of 20

MODIFICATION EMBODIMENT INSTRUCTIONS

H. PARTS ADDED LIST (MOD. NUMBER: AES-757-192 PT H)

ITEM NO	PART NUMBER	QTY RQD	DESCRIPTION	USED ON	ADD/ REMOVE/ REWORK	REMARKS / VENDOR	ALT PART NUMBER	OWNER	REVISION
26	0403-252-757-005	1	PANEL ASSY CEILING AFT [MAKE FROM EXISTING PANEL 411N3264-251]	0403-252-757-001	ADD				1
27	S417N502-2	1	LIGHT HOUSE ASSY	0403-252-757-001	ADD				1
28	417N3810-5SP	1	OXYGEN BOX ASSY	0403-252-757-001	ADD		417N3810-6SP		1
29	BACS12GU3K5	4	SCREW	0403-252-757-001	ADD				1
30	NAS1149D0316J	4	WASHER	0403-252-757-001	ADD				1
31	NAS1149C0332R FS	4	WASHER	0403-252-757-001	ADD				1
32	BACS12GU08KS	2	SCREW	0403-252-757-001	ADD				1
33	NAS1836-08-10	2	INSERT	0403-252-757-001	ADD				1
34	NAS1836-3-10	4	INSERT	0403-252-757-001	ADD				1
35	NAS1149DN816J	2	WASHER	0403-252-757-001	ADD				1
36	D436-37	1	SPLICE		ADD				
37	BACT12AR204	1	RING TERMINAL		ADD				



www.aesglobal.com

TEL: 44 (0)1279 818010
FAX: 44 (0)1279 647683

AES Limited
Unit 28, Golds Nursery
Business Park
Elsenham
Essex

MEI-240

ISSUE 1, JAN 2004

Page 17 of 20

MODIFICATION EMBODIMENT INSTRUCTIONS

H. PARTS ADDED LIST (MOD. NUMBER: AES-757-192 PT H)

ITEM NO	PART NUMBER	QTY RQD	DESCRIPTION	USED ON	ADD/ REMOVE/ REWORK	REMARKS / VENDOR	ALT PART NUMBER	OWNER	REVISION
38	BACT12AR222	3	RING TERMINAL		ADD				
39	48-7190	1	PLUG		ADD				
40	48-7191	1	RECEPTACLE		ADD				
41	BACT12AR184	1	RING TERMINAL		ADD				
42	D436-38	1	SPLICE		ADD				
43	BMS13-60T01C01G022	10 FT	WIRE SINGLE CORE 22AWG		ADD				
44	BMS13-60T01C01G020	35 FT	WIRE SINGLE CORE 20AWG		ADD				
45	BMS13-60T01C01G018	20 FT	WIRE SINGLE CORE 18 AWG		ADD				

MODIFICATION EMBODIMENT INSTRUCTIONS

J. MEI - REPORT SHEET.

THE MEI REPORT SHEET IS PROVIDED FOR THE PURPOSE OF COMMUNICATING TO AES DESIGN OFFICE ANY IMPROVEMENTS / SUGGESTIONS ARISING FROM THE EMBODIMENT OF THE MODIFICATION.

REPORT SHEET	MEI No: MEI-240 MOD No: AES-757-192 PT H
AIRCRAFT TYPE:	
REGISTRATION AND SERIAL NUMBER:	
LOCATION:	
COMMENTS:	
PREPARED BY / DATE: _____	



www.aesglobal.com

TEL: 44 (0)1279 818010

FAX: 44 (0)1279 647683

AES Limited
Unit 28, Golds Nursery
Business Park
Elsenham
Essex

MEI-240

ISSUE 1, JAN 2004

Page 19 of 20

MODIFICATION EMBODIMENT INSTRUCTIONS

APPENDIX A:- RE-CERTIFICATION CONTROL SHEET

PART NUMBER	DESCRIPTION	SERIAL NO.	LOCATION	QTY.	COMMENTS I.E. SERVICEABLE / UNSERVICEABLE	DATE / INSPECTION STAMP



www.aesglobal.com
TEL: 44 (0)1279 818010
FAX: 44 (0)1279 647683

AES Limited
28 Golds Nurseries Business Park
Elsenham
Essex
CM22 6JX

QUERY NOTE		AES REF No.: QN-AES-.....-.....-..... <small>(COMPLETED BY AES STAFF ONLY)</small>
AIRCRAFT TYPE:.....	APPLICANTS NAME:.....	
REGISTRATION:.....	DATE:.....	
LOCATION:.....	APPLICANTS FAX No:.....	
DRAWING (S) / P/N AFFECTED:	APPLICANTS TEL No:.....	
GIVE FULL DETAILS, INCLUDE OR ATTACH RELEVANT SKETCHES		

DESIGN RESPONSE TO QUERY NOTE	
DRAWING (S) TO BE AMENDED YES / NO	DATE AMENDED:
(AEROSPACE ENGINEERING SOLUTIONS LIMITED DESIGN OFFICE USE ONLY)	
COMPILED BY:	APPROVED BY:

MODIFICATION EMBODIMENT INSTRUCTIONS

A. TITLE PAGE

TITLE: INTRODUCTION OF EMERGENCY EQUIPMENT

DATE COMPILED: 08.01.04

MODIFICATION NO.: AES-757-192 PT L

PROJECT NO.: 0158

EFFECTIVITY:	A/C TYPE	REGISTRATION	SERIAL NO.
	B757-236	G-OOBG	29942
	B757-236	G-OOBH	29944

This document is issued for production engineering purposes.

The definitive design requirements are shown in mod AES-757-192 PT L, the contents of which override information contained in this MEI.

Differences resulting from existing repairs, variation in build standard or corrosion to be reported to AES Ltd Design Department.

Manufacturing processes and inspection and installation procedures are the responsibility of FIRST CHOICE AIRLINES

ISSUE	1	2	3	4	5	6
DRN:	0565					
DATE	08.01.04					
COMPILED BY:	M JOHNSON					
CHECKED BY:	S A S					
DESIGN APP:	A M D					

MODIFICATION EMBODIMENT INSTRUCTIONS

B. REVISION DETAILS:

WRITE BELOW A BRIEF SUMMARY OF THE CHANGES WHICH HAVE BEEN INTRODUCED AT THE STATED REVISION:

ISSUE	DESCRIPTION
1	NEW ISSUE

MODIFICATION EMBODIMENT INSTRUCTIONS

C. CONTENTS:

SEC.	DESCRIPTION	PAGE No
A.	TITLE PAGE	1
B.	REVISION STATUS	2
C.	CONTENTS	3
D1.	ACCOMPLISHMENT INSTRUCTIONS – MANUFACTURE SAFETY EQUIPMENT BASEBOARD, DIVIDERS AND ASSOC. BRACKETS	4
D2.	ACCOMPLISHMENT INSTRUCTIONS – INSTALLATION OF EMERGENCY EQUIPMENT	6
D3.	ACCOMPLISHMENT INSTRUCTIONS – DOOR 2L & 2R EMERGENCY ESCAPE SLIDE INSTALLATION.	21
E.	DRAWINGS & DOCUMENTS REQUIRED	22
F.	SPECIAL TOOLS REQUIRED	23
G.	ESTIMATED TIME REQUIRED	23
H.	PARTS REQUIRED/REMOVED	24
J.	REPORT SHEET	32
	APPENDIX A – RE-CERTIFICATION CONTROL SHEET	33
	QUERY NOTE BLANK	34

MODIFICATION EMBODIMENT INSTRUCTIONS

D1 ACCOMPLISHMENT INSTRUCTIONS – MANUFACTURE SAFTEY EQUIPMENT BASEBOARD, DIVIDERS AND ASSOC. BRACKETS		
	MECH SIG.	INSP STAMP
D1.0 General Notes Manufacture the following detail and assembly parts in accordance with AMM Chapter 20 & SRM Chapter 51.		
D1.1 DETAIL PART NUMBER 0322-256-757-091 Refer to DRG 0322-256-757 Sheet 10 Zone 10D7 Manufacture 2 Off Detail -091 angle bracket drill holes on installation.		
D1.2 DETAIL PART NUMBER 0322-256-757-093 Refer to DRG 0322-256-757 Sheet 10 Zone 10D5 Manufacture 10 Off Detail -093 angle bracket drill holes on installation.		
D1.3 ASSEMBLY PART NUMBER 0322-256-757-087 Refer to DRG 0322-256-757 Sheet 9 Zone 9A6 Manufacture 4 Off Assy -087 Bin divider Manufacture Detail -086 Bin Divider from Flag note 4 from drawing ensure all edges are edge filled. Drill holes on installation in conjunction with inserts on installation.		
D1.4 ASSEMBLY PART NUMBER 0322-256-757-119 Refer to DRG 0322-256-757 Sheet 11 Zone 11B7 Manufacture 2 Off Assy -119 Safety Equipment Baseboard Manufacture Detail -123 Bin Divider from Flag note 4 from drawing ensure all edges are edge filled.		
D1.5 ASSEMBLY PART NUMBER 0322-256-757-120 Refer to DRG 0322-256-757 Sheet 11 Zone 11B4 Manufacture 2 Off Assy -120 Safety Equipment Baseboard Manufacture Detail -123 Bin Divider from Flag note 4 from drawing ensure all edges are edge filled.		

MODIFICATION EMBODIMENT INSTRUCTIONS

D1 ACCOMPLISHMENT INSTRUCTIONS – MANUFACTURE SAFTEY EQUIPMENT BASEBOARD, DIVIDERS AND ASSOC. BRACKETS		
	MECH SIG.	INSP STAMP
<p>D1.6 ASSEMBLY PART NUMBER 0322-256-757-121</p> <p>Refer to DRG 0322-256-757 Sheet 11 Zone 11B2</p> <p>Manufacture 3 Off Assy -121 Safety Equipment Baseboard</p> <p>Manufacture Detail -127 Bin Divider from Flag note 4 from drawing ensure all edges are edge filled.</p>		
END		

MODIFICATION EMBODIMENT INSTRUCTIONS

D2 ACCOMPLISHMENT INSTRUCTIONS – INSTALLATION OF EMERGENCY EQUIPMENT (G-OOBG / G-OOBH)			MECH SIG.	INSP STAMP																																																												
D2.0 General Notes	Each Oxygen Portable Oxygen Bottle shall have 1 x Disposable mask attached to the bottle plus 1 x additional mask attached to the side of the bottle.																																																															
D2.1	<p>FLIGHT DECK: Refer to DRG 0322-256-757 Sheet 2 Arrow C & D, and Sheet 3 Arrow A & B.</p> <p>Ensure the following Emergency Equipment is fitted within the flight deck else Install as required:</p> <table border="1"> <thead> <tr> <th>Description</th> <th>Qty</th> <th>Part Number</th> <th>Bracket</th> <th>Placard P/N</th> </tr> </thead> <tbody> <tr> <td>Smoke hood</td> <td>2</td> <td>E28180-10</td> <td>E28183-04</td> <td>A2000-319</td> </tr> <tr> <td>DME Torch</td> <td>4</td> <td>P2-07-0001-201</td> <td>N/A</td> <td>A2000-161</td> </tr> <tr> <td>Crew life vest (located under seats)</td> <td>4</td> <td>00002264</td> <td>N/A</td> <td>A2000-159</td> </tr> <tr> <td>Smoke Goggles</td> <td>4</td> <td>MXP210-00</td> <td>Stowage</td> <td>EXISTING</td> </tr> <tr> <td>ELT</td> <td>1</td> <td>500-12Y</td> <td>A0861</td> <td>A2000-250</td> </tr> <tr> <td>Escape Rope</td> <td>2</td> <td>NPN (EXISTING)</td> <td>Stowage</td> <td>EXISTING</td> </tr> <tr> <td>Crew O₂ Mask</td> <td>4</td> <td>MC10-08-107</td> <td>Stowage</td> <td>EXISTING</td> </tr> <tr> <td>Fire Gloves</td> <td>1</td> <td>FKK8-35K1</td> <td>Stowage</td> <td>A2000-171</td> </tr> <tr> <td>BCF Extinguisher</td> <td>1</td> <td>BA51015G3</td> <td>BA50102-3</td> <td>A2000-109</td> </tr> </tbody> </table> <p>FLIGHT DECK: Refer to DRG 0322-256-757 Sheet 3 Section E1-E1.</p> <p>Ensure the following Emergency Equipment is fitted to fwd face of galley G1A in the flight deck. Including all bracketry indicated on sheet 3 Zone D6.</p> <table border="1"> <thead> <tr> <th>Description</th> <th>Qty</th> <th>Part Number</th> <th>Bracket</th> <th>Placard P/N</th> </tr> </thead> <tbody> <tr> <td>Crash Axe</td> <td>1</td> <td>42D8331-443</td> <td>232T4102-2</td> <td>A2000-251</td> </tr> </tbody> </table> <p>Install relevant equipment placards in a prominent position on the flight deck bulkhead as indicated on drawing 0322-256-757.</p>		Description	Qty	Part Number	Bracket	Placard P/N	Smoke hood	2	E28180-10	E28183-04	A2000-319	DME Torch	4	P2-07-0001-201	N/A	A2000-161	Crew life vest (located under seats)	4	00002264	N/A	A2000-159	Smoke Goggles	4	MXP210-00	Stowage	EXISTING	ELT	1	500-12Y	A0861	A2000-250	Escape Rope	2	NPN (EXISTING)	Stowage	EXISTING	Crew O ₂ Mask	4	MC10-08-107	Stowage	EXISTING	Fire Gloves	1	FKK8-35K1	Stowage	A2000-171	BCF Extinguisher	1	BA51015G3	BA50102-3	A2000-109	Description	Qty	Part Number	Bracket	Placard P/N	Crash Axe	1	42D8331-443	232T4102-2	A2000-251		
Description	Qty	Part Number	Bracket	Placard P/N																																																												
Smoke hood	2	E28180-10	E28183-04	A2000-319																																																												
DME Torch	4	P2-07-0001-201	N/A	A2000-161																																																												
Crew life vest (located under seats)	4	00002264	N/A	A2000-159																																																												
Smoke Goggles	4	MXP210-00	Stowage	EXISTING																																																												
ELT	1	500-12Y	A0861	A2000-250																																																												
Escape Rope	2	NPN (EXISTING)	Stowage	EXISTING																																																												
Crew O ₂ Mask	4	MC10-08-107	Stowage	EXISTING																																																												
Fire Gloves	1	FKK8-35K1	Stowage	A2000-171																																																												
BCF Extinguisher	1	BA51015G3	BA50102-3	A2000-109																																																												
Description	Qty	Part Number	Bracket	Placard P/N																																																												
Crash Axe	1	42D8331-443	232T4102-2	A2000-251																																																												

MODIFICATION EMBODIMENT INSTRUCTIONS

D2 ACCOMPLISHMENT INSTRUCTIONS – INSTALLATION OF EMERGENCY EQUIPMENT (G-OOBG / G-OOBH)					MECH SIG.	INSP STAMP																																								
<p>D2.2 BELOW SINGLE CABIN ATTENDANT SEAT DR 1L: Refer to DRG 0321-256-757 Install the following Emergency Equipment below the CAS:</p> <table border="1"> <thead> <tr> <th>Description</th> <th>Qty</th> <th>Part Number</th> <th>Bracket</th> <th>Placard P/N</th> </tr> </thead> <tbody> <tr> <td>Crew life vest</td> <td>1</td> <td>00002264</td> <td>N/A</td> <td>A2000-159</td> </tr> <tr> <td>DME Torch</td> <td>1</td> <td>P2-07-0001-201</td> <td>N/A</td> <td>A2000-161</td> </tr> </tbody> </table> <p>Install relevant equipment placards in a prominent position on the outside compartment door of the CAS.</p>					Description	Qty	Part Number	Bracket	Placard P/N	Crew life vest	1	00002264	N/A	A2000-159	DME Torch	1	P2-07-0001-201	N/A	A2000-161																											
Description	Qty	Part Number	Bracket	Placard P/N																																										
Crew life vest	1	00002264	N/A	A2000-159																																										
DME Torch	1	P2-07-0001-201	N/A	A2000-161																																										
<p>D2.3 1st OVERHEAD STOWAGE LH (STA 416.70-440.00): Refer to DRG 0322-256-757 Sheet 4 Arrow E. Install the following Emergency Equipment in the “small” stowage compartment:</p> <table border="1"> <thead> <tr> <th>Description</th> <th>Qty</th> <th>Part Number</th> <th>Bracket</th> <th>Placard P/N</th> </tr> </thead> <tbody> <tr> <td>Portable O₂</td> <td>2</td> <td>5500-B1A-BF23A</td> <td>BACB20J1A* + BACB20J3A*</td> <td>A2000-170</td> </tr> <tr> <td>First Aid Kit</td> <td>1</td> <td>AMMFAK1</td> <td>N/A</td> <td>A2000-298</td> </tr> <tr> <td>Fire Gloves</td> <td>1</td> <td>FKK8-35K1</td> <td>N/A</td> <td>A2000-171</td> </tr> <tr> <td>Ext seat Belt</td> <td>10</td> <td>501848-417-1849</td> <td>67\252A2723-001 (Pouch)</td> <td>A2000-172</td> </tr> <tr> <td>BCF Extinguisher</td> <td>1</td> <td>BA51015G3</td> <td>BA50102-3*</td> <td>A2000-109</td> </tr> <tr> <td>Shelf</td> <td>1</td> <td>0322-256-757-089</td> <td>0322-256-757-091</td> <td></td> </tr> <tr> <td>Safety Equipment Baseboard</td> <td>1</td> <td>0322-256-757-119</td> <td></td> <td></td> </tr> </tbody> </table> <p>*Fire Extinguisher (ALT P/N BA51015S3 / BA51015-3)</p> <p>When installing strap assembly use the preferred method on Sheet 9 (if parts are not available within the timescale use the alternative method).</p> <p>Ensure ‘No Stowage Emergency Equipment only’ placard (P/N 0322-256-757-117) is installed over existing bin limitation placard.</p> <p>Install relevant equipment placards in a prominent position on the outside compartment door of the overhead stowage.</p>					Description	Qty	Part Number	Bracket	Placard P/N	Portable O ₂	2	5500-B1A-BF23A	BACB20J1A* + BACB20J3A*	A2000-170	First Aid Kit	1	AMMFAK1	N/A	A2000-298	Fire Gloves	1	FKK8-35K1	N/A	A2000-171	Ext seat Belt	10	501848-417-1849	67\252A2723-001 (Pouch)	A2000-172	BCF Extinguisher	1	BA51015G3	BA50102-3*	A2000-109	Shelf	1	0322-256-757-089	0322-256-757-091		Safety Equipment Baseboard	1	0322-256-757-119				
Description	Qty	Part Number	Bracket	Placard P/N																																										
Portable O ₂	2	5500-B1A-BF23A	BACB20J1A* + BACB20J3A*	A2000-170																																										
First Aid Kit	1	AMMFAK1	N/A	A2000-298																																										
Fire Gloves	1	FKK8-35K1	N/A	A2000-171																																										
Ext seat Belt	10	501848-417-1849	67\252A2723-001 (Pouch)	A2000-172																																										
BCF Extinguisher	1	BA51015G3	BA50102-3*	A2000-109																																										
Shelf	1	0322-256-757-089	0322-256-757-091																																											
Safety Equipment Baseboard	1	0322-256-757-119																																												

MODIFICATION EMBODIMENT INSTRUCTIONS

D2 ACCOMPLISHMENT INSTRUCTIONS – INSTALLATION OF EMERGENCY EQUIPMENT (G-OOBG / G-OOBH)					MECH SIG.	INSP STAMP
D2.4	1ST OVERHEAD STOWAGE RH (STA 389.51-439.50): Refer to DRG 0322-256-757 Sheet 4 Arrow C1. Install the following Emergency Equipment in the 50" stowage aft of galley G1B:					
	Description	Qty	Part Number	Bracket	Placard P/N	
	Portable O ₂	2	5500-B1A-BF23A	BACB20J1A* + BACB20J3A*	A2000-170	
	Baby-cot	2	A346600A00	N/A	A2000-318	
	Infant L/J	8	00002260	2 OFF 67/252A2701- 001 (POUCH)	A2000-314	
	Smoke-hood	1	E28180-10	E28183-04	A2000-169 (INSIDE)	
	Loudhailer	1	ACMREM1BA*	69-64084-1	A2000-130	
	Safety Equipment Baseboard	1	0322-256-757-121			
<p>*(ALT Bracket P/N BACB20J4A AND BACB20J5A) *(ALT Loudhailer P/N ACR-EM1)</p> <p>Ensure ' No Stowage Emergency Equipment Only' placard (P/N 0322-256-757-117) is installed over existing bin limitation placard.</p> <p>Install relevant equipment placards in a prominent position on the outside compartment door of the overhead stowage.</p>						

MODIFICATION EMBODIMENT INSTRUCTIONS

D2 ACCOMPLISHMENT INSTRUCTIONS – INSTALLATION OF EMERGENCY EQUIPMENT (G-OOBG / G-OOBH)		MECH SIG.	INSP STAMP																									
<p>D2.5 OVERHEAD STOWAGE FWD OF DOOR 2R (STA 680.00): Refer to DRG 0322-256-757 Sheet 5 Arrow F. Install overhead bin compartment divider P/N 0322-256-757-087 15" from the aft inside face of the compartment with 2 angle brackets P/N 0322-256-757-093 and ensure weight limitation placard is positioned on the existing decal in the fwd section of the compartment.</p> <p>Install the following Emergency Equipment in the stowage aft end of the compartment:</p> <table border="1"> <thead> <tr> <th>Description</th> <th>Qty</th> <th>Part Number</th> <th>Bracket</th> <th>Placard P/N</th> </tr> </thead> <tbody> <tr> <td>Loudhailer</td> <td>1</td> <td>ACMREM1BA*</td> <td>69-64084-1</td> <td>A2000-130</td> </tr> <tr> <td>First Aid Kit</td> <td>1</td> <td>AMMFAK1</td> <td>N/A</td> <td>A2000-298</td> </tr> <tr> <td>Medi-Sling</td> <td>2</td> <td>MEDISLING</td> <td>N/A (VELCRO)</td> <td>A2000-317</td> </tr> <tr> <td>Demo Kit</td> <td>2</td> <td>See Below</td> <td>(Pouch) 67\252A2721-001</td> <td>A2000-175</td> </tr> </tbody> </table> <p>Each demo kit contains the following equipment;</p> <ul style="list-style-type: none"> 1 x Demo Life Jacket P/N 40982002 OR (RFD 102 YELLOW) 1 x Demo Ext. Seat Belt P/N 501848-417-1849 1 x Demo Oxygen Mask P/N SIERRA 289-701-27 1 x Safety Card <p>*(ALT Loudhailer P/N ACR-EM1)</p> <p>Ensure 'No Stowage Emergency Equipment Only' placard (P/N 0322-256-757-117) is installed over existing bin limitation placard.</p> <p>Install relevant equipment placards in a prominent position on the outside compartment door of the overhead stowage.</p>		Description	Qty	Part Number	Bracket	Placard P/N	Loudhailer	1	ACMREM1BA*	69-64084-1	A2000-130	First Aid Kit	1	AMMFAK1	N/A	A2000-298	Medi-Sling	2	MEDISLING	N/A (VELCRO)	A2000-317	Demo Kit	2	See Below	(Pouch) 67\252A2721-001	A2000-175		
Description	Qty	Part Number	Bracket	Placard P/N																								
Loudhailer	1	ACMREM1BA*	69-64084-1	A2000-130																								
First Aid Kit	1	AMMFAK1	N/A	A2000-298																								
Medi-Sling	2	MEDISLING	N/A (VELCRO)	A2000-317																								
Demo Kit	2	See Below	(Pouch) 67\252A2721-001	A2000-175																								

MODIFICATION EMBODIMENT INSTRUCTIONS

D2 ACCOMPLISHMENT INSTRUCTIONS – INSTALLATION OF EMERGENCY EQUIPMENT (G-OOBG / G-OOBH)					MECH SIG.	INSP STAMP
D2.6	BELOW DOUBLE CABIN ATTENDANT SEAT DR 2R:					
	Refer to DRG 0322-256-757 Sheet 5 Arrow R.					
	Install the following Emergency Equipment below the CAS:					
	Description	Qty	Part Number	Bracket	Placard P/N	
	Crew life vest	2	00002264		A2000-159	
	DME Torch	2	P2-07-0001-201		A2000-161	
	Resus mask	1	820003		A2000-237	
	Install relevant equipment placards in a prominent position on the outside compartment door of the CAS.					

MODIFICATION EMBODIMENT INSTRUCTIONS

D2 ACCOMPLISHMENT INSTRUCTIONS – INSTALLATION OF EMERGENCY EQUIPMENT (G-OOBG / G-OOBH)		MECH SIG.	INSP STAMP
D2.7 OVERHEAD STOWAGE FWD OF DOOR 2L (STA680.00):			
Refer to DRG 0322-256-757 Sheet 6 Arrow G.			
Install overhead bin compartment divider using 2 angle brackets P/N 0322-256-757-093 and ensure weight limitation placard is positioned on the existing decal in the fwd section of the compartment.			
Install the following Emergency Equipment in the stowage aft end of the compartment;			
Description	Qty	Part Number	Bracket
Portable O ₂	2	5500-B1A-BF23A	BACB20J1A* + BACB20J3A*
Smoke Hood	2	E28180-10	E28183-04
BCF Extinguisher	1	BA51015G3*	BA50102-3
Insp. Mirror	2	A20046	32\252A2930-001(Pouch)
Safety Equipment Baseboard	1	0322-256-757-119	A2000-170 A2000-319 A2000-109 A2000-558
*(ALT Portable O ₂ Bracket P/N BACB20J4A AND BACB20J5A)			
*(ALT BCF Fire Extinguisher P/N BA51015S3 / BA51015-3)			
Install relevant equipment placards in a prominent position on the outside compartment door of the overhead stowage.			
Ensure 'No Stowage Emergency Equipment Only' placard (P/N 0322-256-757-117) is installed over existing bin limitation placard.			

MODIFICATION EMBODIMENT INSTRUCTIONS

D2 ACCOMPLISHMENT INSTRUCTIONS – INSTALLATION OF EMERGENCY EQUIPMENT (G-OOBG / G-OOBH)					MECH SIG.	INSP STAMP	
D2.8 FWD FACE OF LAV C	Refer to DRG 0322-256-757 Sheet 7 Arrow Y. Install the following on the forward face of Lav C.						
Description	Qty	Part Number	Bracket	Placard P/N			
BCF Extinguisher	2	BA51015G3*	BA50102-3	A2000-109			
*(ALT BCF Fire Extinguisher P/N BA51015S3 / BA51015-3)							
Install relevant equipment placards in a prominent position on the flight deck bulkhead as indicated on drawing 0322-256-757.							
D2.9 ADJACENT TO CABIN ATTENDANT SEAT DR 3R:	Refer to DRG 0322-256-757 Sheet 7 Arrow X. Install the following Emergency Equipment above the CAS:						
Description	Qty	Part Number	Bracket	Placard P/N			
Smoke-hood	1	E28180-10	E28183-04	A2000-319			
Install smoke hood placard in a prominent position on the aft face of Lavatory.							
D2.10 3R SINGLE CABIN ATTENDANT SEAT RH :	Refer to DRG 0322-256-757 Sheet 7 Arrow X. Install the following Emergency Equipment below the double CAS:						
Description	Qty	Part Number	Bracket	Placard P/N			
Crew life vest	1	00002264	N/A	A2000-159			
DME Torch	1	P2-07-0001-201	N/A	A2000-161			
Install relevant equipment placards in a prominent position on the outside compartment door of the CAS.							

MODIFICATION EMBODIMENT INSTRUCTIONS

D2 ACCOMPLISHMENT INSTRUCTIONS – INSTALLATION OF EMERGENCY EQUIPMENT (G-OOBG / G-OOBH)					MECH SIG.	INSP STAMP
D2.11 ADJACENT TO CABIN ATTENDANT SEAT DR 3L: Refer to DRG 0322-256-757 Sheet 7 Arrow X. Install the following Emergency Equipment above the CAS:						
Description	Qty	Part Number	Bracket	Placard P/N		
Smoke-hood	1	E28180-10	E28183-04	A2000-319		
Install smoke hood placard in a prominent position on the aft face of Lavatory.						
D2.12 3R SINGLE CABIN ATTENDANT SEAT LH : Refer to DRG 0322-256-757 Sheet 7 Arrow X. Install the following Emergency Equipment below the double CAS:						
Description	Qty	Part Number	Bracket	Placard P/N		
Crew life vest	1	00002264	N/A	A2000-159		
DME Torch	1	P2-07-0001-201	N/A	A2000-161		
Install relevant equipment placards in a prominent position on the outside compartment door of the CAS.						

MODIFICATION EMBODIMENT INSTRUCTIONS

D2 ACCOMPLISHMENT INSTRUCTIONS – INSTALLATION OF EMERGENCY EQUIPMENT (G-OOBG / G-OOBH)		MECH SIG.	INSP STAMP																				
D2.13 OVERHEAD STOWAGE AFT OF DOOR 3R (STA 1320.00): Refer to DRG 0322-256-757 Sheet 7 Arrow J. Install overhead bin compartment divider P/N 0322-256-757-087 15" from the fwd inside face of the compartment with 2 angle brackets P/N 0322-256-757-093 and ensure weight limitation placard is positioned on the existing decal in the aft section of the compartment. Install the following Emergency Equipment in the stowage aft end of the compartment:																							
<table border="1"> <thead> <tr> <th>Description</th> <th>Qty</th> <th>Part Number</th> <th>Bracket</th> <th>Placard P/N</th> </tr> </thead> <tbody> <tr> <td>Portable O₂</td> <td>2</td> <td>5500-B1A-BF23A</td> <td>BACB20J1A* + BACB20J3A*</td> <td>A2000-170</td> </tr> <tr> <td>Safety Equipment Baseboard</td> <td>1</td> <td>0322-256-757-121</td> <td></td> <td></td> </tr> <tr> <td>Demo Kit</td> <td>2</td> <td>See Below</td> <td>67VA252A2721-001 (POUCH)</td> <td>A2000-175</td> </tr> </tbody> </table>	Description	Qty	Part Number	Bracket	Placard P/N	Portable O ₂	2	5500-B1A-BF23A	BACB20J1A* + BACB20J3A*	A2000-170	Safety Equipment Baseboard	1	0322-256-757-121			Demo Kit	2	See Below	67VA252A2721-001 (POUCH)	A2000-175			
Description	Qty	Part Number	Bracket	Placard P/N																			
Portable O ₂	2	5500-B1A-BF23A	BACB20J1A* + BACB20J3A*	A2000-170																			
Safety Equipment Baseboard	1	0322-256-757-121																					
Demo Kit	2	See Below	67VA252A2721-001 (POUCH)	A2000-175																			
<p>*(ALT Bracket P/N BACB20J4A AND BACB20J5A)</p> <p>Each demo kit contains the following equipment:</p> <ul style="list-style-type: none"> 1 x Demo Life Jacket P/N 40982002 1 x Demo Ext Seat Belt P/N 501848-417-1849 OR (RFD 102 YELLOW) 1 x Demo Oxygen Mask P/N SIERRA 289-701-27 1 x Safety Card <p>Install relevant equipment placards in a prominent position on the outside compartment door of the overhead stowage.</p> <p>Ensure ' No Stowage Emergency Equipment Only' placard (P/N 0322-256-757-117) is installed over existing bin limitation placard and Max contents placard (P/N 0322-256-757-115) is installed in the remainder of the overhead stowage.</p>																							

MODIFICATION EMBODIMENT INSTRUCTIONS

D2 ACCOMPLISHMENT INSTRUCTIONS – INSTALLATION OF EMERGENCY EQUIPMENT (G-OOBG / G-OOBH)		MECH SIG.	INSP STAMP															
D2.14 OVERHEAD STOWAGE AFT OF DOOR 3L (STA 1320.00): Refer to DRG 0322-256-757 Sheet 7 Arrow Z. Install overhead bin compartment divider P/N 0322-256-757-087 15" from the fwd inside face of the compartment with 2 angle brackets P/N 0322-256-757-093 and ensure weight limitation placard is positioned on the existing decal in the aft section of the compartment. Install the following Emergency Equipment in the stowage aft end of the compartment:																		
<table border="1"> <thead> <tr> <th>Description</th> <th>Qty</th> <th>Part Number</th> <th>Bracket</th> <th>Placard P/N</th> </tr> </thead> <tbody> <tr> <td>Portable O₂</td> <td>2</td> <td>5500-B1A-BF23A</td> <td>BACB20J1A* + BACB20J3A*</td> <td>A2000-170</td> </tr> <tr> <td>Safety Equipment Baseboard</td> <td>1</td> <td>0322-256-757-121</td> <td></td> <td></td> </tr> </tbody> </table>	Description	Qty	Part Number	Bracket	Placard P/N	Portable O ₂	2	5500-B1A-BF23A	BACB20J1A* + BACB20J3A*	A2000-170	Safety Equipment Baseboard	1	0322-256-757-121					
Description	Qty	Part Number	Bracket	Placard P/N														
Portable O ₂	2	5500-B1A-BF23A	BACB20J1A* + BACB20J3A*	A2000-170														
Safety Equipment Baseboard	1	0322-256-757-121																
<p>*(ALT Bracket P/N BACB20J4A AND BACB20J5A)</p> <p>Install relevant equipment placards in a prominent position on the outside compartment door of the overhead stowage.</p> <p>Ensure ' No Stowage Emergency Equipment Only' placard (P/N 0322-256-757-117) is installed over existing bin limitation placard and Max contents placard (P/N 0322-256-757-115) is installed in the remainder of the overhead stowage.</p>																		

MODIFICATION EMBODIMENT INSTRUCTIONS

D2 ACCOMPLISHMENT INSTRUCTIONS – INSTALLATION OF EMERGENCY EQUIPMENT (G-OOBG / G-OOBH)					MECH SIG.	INSP STAMP																				
<p>D2.15 OVERHEAD STOWAGE LH (STA 1220 - 1280): Refer to DRG 0322-256-757 Sheet 8 Arrow H.</p> <p>Install the following in the Emergency Equipment overhead stowage compartment:</p> <table border="1"> <thead> <tr> <th>Description</th> <th>Qty</th> <th>Part Number</th> <th>Bracket</th> <th>Placard P/N</th> </tr> </thead> <tbody> <tr> <td>Wheelchair</td> <td>1</td> <td>2520502</td> <td>Strap</td> <td>A2000-559</td> </tr> <tr> <td>Spare L/J</td> <td>4</td> <td>00002256</td> <td>(Pouch) 67252A2724-001</td> <td>A2000-313</td> </tr> <tr> <td>Ext seat Belt</td> <td>10</td> <td>501848-417-1849</td> <td>(Pouch) 67252A2723-001</td> <td>A2000-172</td> </tr> </tbody> </table> <p>When installing strap assembly use the preferred method on Sheet 9 if parts are not available within the timescale use the alternative method.</p> <p>Ensure 'No Stowage Emergency Equipment Only' placard (P/N 0322-256-757-117) is installed over existing bin limitation placard.</p> <p>Install relevant equipment placards in a prominent position on the outside compartment door of the overhead stowage.</p>					Description	Qty	Part Number	Bracket	Placard P/N	Wheelchair	1	2520502	Strap	A2000-559	Spare L/J	4	00002256	(Pouch) 67252A2724-001	A2000-313	Ext seat Belt	10	501848-417-1849	(Pouch) 67252A2723-001	A2000-172		
Description	Qty	Part Number	Bracket	Placard P/N																						
Wheelchair	1	2520502	Strap	A2000-559																						
Spare L/J	4	00002256	(Pouch) 67252A2724-001	A2000-313																						
Ext seat Belt	10	501848-417-1849	(Pouch) 67252A2723-001	A2000-172																						
<p>D2.16 OVERHEAD STOWAGE LH (STA 1160 -1220): Refer to DRG 0322-256-757 Sheet 8 Arrow H</p> <p>Install the following Emergency Equipment in the stowage compartment:</p> <table border="1"> <thead> <tr> <th>Description</th> <th>Qty</th> <th>Part Number</th> <th>Bracket</th> <th>Placard P/N</th> </tr> </thead> <tbody> <tr> <td>Doctors Box</td> <td>1</td> <td>Statkit 600</td> <td>Strap</td> <td>A2000-238</td> </tr> <tr> <td>Defibrillator</td> <td>1</td> <td>Lifepak 500</td> <td>Strap</td> <td>A2000-173</td> </tr> </tbody> </table> <p>When installing strap assembly use the preferred method on Sheet 9 if parts are not available within the timescale use the alternative method.</p> <p>Ensure 'No Stowage Emergency Equipment Only' placard (P/N 0322-256-757-117) is installed over existing bin limitation placard.</p> <p>Install relevant equipment placards in a prominent position on the outside compartment door of the overhead stowage.</p>					Description	Qty	Part Number	Bracket	Placard P/N	Doctors Box	1	Statkit 600	Strap	A2000-238	Defibrillator	1	Lifepak 500	Strap	A2000-173							
Description	Qty	Part Number	Bracket	Placard P/N																						
Doctors Box	1	Statkit 600	Strap	A2000-238																						
Defibrillator	1	Lifepak 500	Strap	A2000-173																						

MODIFICATION EMBODIMENT INSTRUCTIONS

D2 ACCOMPLISHMENT INSTRUCTIONS – INSTALLATION OF EMERGENCY EQUIPMENT (G-OOBG / G-OOBH)					MECH SIG.	INSP STAMP																				
<p>D2.17 FWD FACE WINDBREAK LH (STA 1637): Refer to DRG 0322-256-757 Sheet 8 Arrow M. Install the following Emergency Equipment on the fwd face of the windbreak:</p> <table border="1"> <thead> <tr> <th>Description</th> <th>Qty</th> <th>Part Number</th> <th>Bracket</th> <th>Placard P/N</th> </tr> </thead> <tbody> <tr> <td>BCF Extinguisher</td> <td>1</td> <td>BA51015G3*</td> <td>BA50102-3*</td> <td>A2000-109</td> </tr> <tr> <td>Portable O₂</td> <td>2</td> <td>5500-B1A-BF23A</td> <td>BACB20J1A* + BACB20J3A*</td> <td>A2000-170</td> </tr> <tr> <td>Safety Equipment Baseboard</td> <td>1</td> <td>0322-256-757-120</td> <td></td> <td></td> </tr> </tbody> </table> <p>*(ALT Portable O₂ Bracket P/N BACB20J4A AND BACB20J5A) *(ALT BCF Fire Extinguisher P/N BA51015S3 / BA51015-3)</p> <p>Install relevant equipment placards in a prominent position on the forward face of windbreak as shown on drawing 0322-256-757.</p>					Description	Qty	Part Number	Bracket	Placard P/N	BCF Extinguisher	1	BA51015G3*	BA50102-3*	A2000-109	Portable O ₂	2	5500-B1A-BF23A	BACB20J1A* + BACB20J3A*	A2000-170	Safety Equipment Baseboard	1	0322-256-757-120				
Description	Qty	Part Number	Bracket	Placard P/N																						
BCF Extinguisher	1	BA51015G3*	BA50102-3*	A2000-109																						
Portable O ₂	2	5500-B1A-BF23A	BACB20J1A* + BACB20J3A*	A2000-170																						
Safety Equipment Baseboard	1	0322-256-757-120																								
<p>D2.18 FWD FACE WINDBREAK RH (STA 1637): Refer to DRG 0322-256-757 Sheet 8 Arrow L Install the following Emergency Equipment on the fwd face of the windbreak:</p> <table border="1"> <thead> <tr> <th>Description</th> <th>Qty</th> <th>Part Number</th> <th>Bracket</th> <th>Placard P/N</th> </tr> </thead> <tbody> <tr> <td>BCF Extinguisher</td> <td>1</td> <td>BA51015G3*</td> <td>BA50102-3*</td> <td>A2000-109</td> </tr> <tr> <td>Portable O₂</td> <td>2</td> <td>5500-B1A-BF23A</td> <td>BACB20J1A* + BACB20J3A*</td> <td>A2000-170</td> </tr> <tr> <td>Safety Equipment Baseboard</td> <td>1</td> <td>0322-256-757-120</td> <td></td> <td></td> </tr> </tbody> </table> <p>*(ALT Portable O₂ Bracket P/N BACB20J4A AND BACB20J5A) *(ALT BCF Fire Extinguisher P/N BA51015S3 / BA51015-3)</p> <p>Install relevant equipment placards in a prominent position on the forward face of windbreak as shown on drawing 0322-256-757.</p>					Description	Qty	Part Number	Bracket	Placard P/N	BCF Extinguisher	1	BA51015G3*	BA50102-3*	A2000-109	Portable O ₂	2	5500-B1A-BF23A	BACB20J1A* + BACB20J3A*	A2000-170	Safety Equipment Baseboard	1	0322-256-757-120				
Description	Qty	Part Number	Bracket	Placard P/N																						
BCF Extinguisher	1	BA51015G3*	BA50102-3*	A2000-109																						
Portable O ₂	2	5500-B1A-BF23A	BACB20J1A* + BACB20J3A*	A2000-170																						
Safety Equipment Baseboard	1	0322-256-757-120																								

MODIFICATION EMBODIMENT INSTRUCTIONS

D2 ACCOMPLISHMENT INSTRUCTIONS – INSTALLATION OF EMERGENCY EQUIPMENT (G-OOBG / G-OOBH)					MECH SIG.	INSP STAMP																																			
<p>D2.19 OVERHEAD STOWAGE FWD OF WINDBREAK 4L (STA 1636.0): Refer to DRG 0322-256-757 Sheet 9 Arrow K</p> <p>Install the following Emergency Equipment in the stowage compartment:</p> <table border="1"> <thead> <tr> <th>Description</th> <th>Qty</th> <th>Part Number</th> <th>Bracket</th> <th>Placard P/N</th> </tr> </thead> <tbody> <tr> <td>First Aid Kit</td> <td>1</td> <td>AMMFAK1</td> <td>N/A</td> <td>A2000-109</td> </tr> <tr> <td>Baby-cot</td> <td>2</td> <td>A346600A00</td> <td>N/A</td> <td>A2000-318</td> </tr> <tr> <td>Loudhailer</td> <td>1</td> <td>ACREM1BA*</td> <td>69-64084-1</td> <td>A2000-130</td> </tr> <tr> <td>Spare L/J</td> <td>4</td> <td>00002256</td> <td>67\252A2724-001 (POUCH)</td> <td>A2000-313</td> </tr> <tr> <td>Infant L/J</td> <td>8</td> <td>00002260</td> <td>2 x 67\252A2701- 001 (POUCH)</td> <td>A2000-314</td> </tr> <tr> <td>Fire Gloves</td> <td>1</td> <td>FKK8-35K1</td> <td>N/A</td> <td>A2000-171</td> </tr> </tbody> </table> <p>*(ALT P/N Loudhailer ACR-EM1)</p> <p>Install relevant equipment placards in a prominent position on the outside compartment door of the overhead stowage.</p> <p>Ensure 'No Stowage Emergency Equipment Only' placard (P/N 0322-256-757-117) is installed over existing bin limitation placard.</p>					Description	Qty	Part Number	Bracket	Placard P/N	First Aid Kit	1	AMMFAK1	N/A	A2000-109	Baby-cot	2	A346600A00	N/A	A2000-318	Loudhailer	1	ACREM1BA*	69-64084-1	A2000-130	Spare L/J	4	00002256	67\252A2724-001 (POUCH)	A2000-313	Infant L/J	8	00002260	2 x 67\252A2701- 001 (POUCH)	A2000-314	Fire Gloves	1	FKK8-35K1	N/A	A2000-171		
Description	Qty	Part Number	Bracket	Placard P/N																																					
First Aid Kit	1	AMMFAK1	N/A	A2000-109																																					
Baby-cot	2	A346600A00	N/A	A2000-318																																					
Loudhailer	1	ACREM1BA*	69-64084-1	A2000-130																																					
Spare L/J	4	00002256	67\252A2724-001 (POUCH)	A2000-313																																					
Infant L/J	8	00002260	2 x 67\252A2701- 001 (POUCH)	A2000-314																																					
Fire Gloves	1	FKK8-35K1	N/A	A2000-171																																					
<p>D2.20 AFT FACE WINDBREAK LH (STA 1637): Refer to DRG 0322-256-757 Sheet 10 Arrow P.</p> <p>Install the following on the aft face of the windbreak:</p> <table border="1"> <thead> <tr> <th>Description</th> <th>Qty</th> <th>Part Number</th> <th>Bracket</th> <th>Placard P/N</th> </tr> </thead> <tbody> <tr> <td>Smoke-hood</td> <td>1</td> <td>E28180-10</td> <td>E28183-04</td> <td>A2000-319</td> </tr> </tbody> </table> <p>Install relevant equipment placards in a prominent position on the rear face of bulkhead as shown on drawing 0322-256-757.</p>					Description	Qty	Part Number	Bracket	Placard P/N	Smoke-hood	1	E28180-10	E28183-04	A2000-319																											
Description	Qty	Part Number	Bracket	Placard P/N																																					
Smoke-hood	1	E28180-10	E28183-04	A2000-319																																					

MODIFICATION EMBODIMENT INSTRUCTIONS

D2 ACCOMPLISHMENT INSTRUCTIONS – INSTALLATION OF EMERGENCY EQUIPMENT (G-OOBG / G-OOBH)					MECH SIG.	INSP STAMP																				
<p>D2.21 AFT FACE WINDBREAK RH (STA 1637): Refer to DRG 0322-256-757 Sheet 10 Arrow N. Install the following Emergency Equipment on the aft face of the windbreak:</p> <table border="1"> <thead> <tr> <th>Description</th> <th>Qty</th> <th>Part Number</th> <th>Bracket</th> <th>Placard P/N</th> </tr> </thead> <tbody> <tr> <td>Smoke-hood</td> <td>1</td> <td>E28180-10</td> <td>E28183-04</td> <td>A2000-319</td> </tr> <tr> <td>Crash Axe</td> <td>1</td> <td>42D8331</td> <td>(SEE BELOW) Pouch</td> <td>NONE</td> </tr> </tbody> </table> <p>Ensure Crash Axe pouch P/N FGA2000001AMFRUHAS is installed with 4 off inserts into windbreak. Install relevant equipment placards in a prominent position on the rear face of bulkhead as shown on drawing 0322-256-757.</p>					Description	Qty	Part Number	Bracket	Placard P/N	Smoke-hood	1	E28180-10	E28183-04	A2000-319	Crash Axe	1	42D8331	(SEE BELOW) Pouch	NONE							
Description	Qty	Part Number	Bracket	Placard P/N																						
Smoke-hood	1	E28180-10	E28183-04	A2000-319																						
Crash Axe	1	42D8331	(SEE BELOW) Pouch	NONE																						
<p>D2.22 CABIN SINGLE ATTENDANT SEAT LH DOOR 4L (STA 1637): Refer to DRG 0322-256-757 Sheet 10 Arrow P. Install the following Emergency Equipment below the CAS:</p> <table border="1"> <thead> <tr> <th>Description</th> <th>Qty</th> <th>Part Number</th> <th>Bracket</th> <th>Placard P/N</th> </tr> </thead> <tbody> <tr> <td>Crew life vest</td> <td>1</td> <td>00002264</td> <td>N/A</td> <td>A2000-159</td> </tr> <tr> <td>DME Torch</td> <td>1</td> <td>P2-07-0001-201</td> <td>N/A</td> <td>A2000-161</td> </tr> <tr> <td>ELT</td> <td>1</td> <td>500-12Y</td> <td>A0861</td> <td>A2000-250</td> </tr> </tbody> </table> <p>Install relevant equipment placards in a prominent position on the rear face of bulkhead as shown on drawing 0322-256-757.</p>					Description	Qty	Part Number	Bracket	Placard P/N	Crew life vest	1	00002264	N/A	A2000-159	DME Torch	1	P2-07-0001-201	N/A	A2000-161	ELT	1	500-12Y	A0861	A2000-250		
Description	Qty	Part Number	Bracket	Placard P/N																						
Crew life vest	1	00002264	N/A	A2000-159																						
DME Torch	1	P2-07-0001-201	N/A	A2000-161																						
ELT	1	500-12Y	A0861	A2000-250																						

MODIFICATION EMBODIMENT INSTRUCTIONS

D2 ACCOMPLISHMENT INSTRUCTIONS – INSTALLATION OF EMERGENCY EQUIPMENT (G-OOBG / G-OOBH)			MECH SIG.	INSP STAMP	
D2.23	CABIN SINGLE ATTENDANT SEAT RH DOOR 4R (STA 1637): Refer to DRG 0322-256-757 Sheet 10 Arrow N. Install the following Emergency Equipment below the CAS:				
	Description	Qty	Part Number	Bracket	Placard P/N
	Crew life vest	1	00002264	N/A	A2000-159
	DME Torch	1	P2-07-0001-201	N/A	A2000-161
	Install relevant equipment placards in a prominent position on the rear face of bulkhead as shown on drawing 0322-256-757.				
D2.24	PASSENGER SEAT (CABIN): Refer to DRG 0322-256-757 Install a passenger life vest below each seat.				
	Description	Qty	Part Number	Bracket	Placard P/N
	Pax life vest	233	00002256	N/A	Under Seat
	Ensure all lifejacket under seat placards are installed.				
D2.25	Equipment Refer to Emergency Equipment Layout DRG 0322-256-757 Carry out a physical inspection of the aircraft flight deck and passenger cabin and ensure all equipment is fitted as shown on the reference layout.				
D2.26	On all over head stowage compartments which carry emergency equipment install a placard P/N A2000-112 "CREW USE ONLY" adjacent to the existing contents placards. (Note 5 off required)				
D2.27	Intentionally left blank.				
	END				

MODIFICATION EMBODIMENT INSTRUCTIONS

D3. ACCOMPLISHMENT INSTRUCTIONS – DOOR 2L& 2R EMERGENCY EXIT SLIDE INSTALLATION		
	MECH SIG.	INSP STAMP
D3.1 General Notes This section installs new door mounted escape slides and bustles at passenger doors 2R and 2L.		
D3.2 RH ESCAPE SLIDE Install RH escape slide Air Cruiser Part Number 61474-129 in accordance with AMM Chapter 25-66-01 page 412, Task 25-66-01-404-044.		
D3.2 RH ESCAPE SLIDE DOOR BUSTLE Install RHS escape slide door bustle Boeing Part Number 416N2100-733 in accordance with AMM Chapter 25-66-01 page 412, Task 25-66-01-404-044.		
D3.3 LH ESCAPE SLIDE Install LH escape slide Air Cruiser Part Number 61474-129 in accordance with AMM Chapter 25-66-01 page 412, Task 25-66-01-404-044.		
D3.4 LH ESCAPE SLIDE DOOR BUSTLE Install LHS escape slide door bustle Boeing Part Number 416N2100-734 in accordance with AMM Chapter 25-66-01 page 412, Task 25-66-01-404-044.		
D3.5 Ensure all escape slide are clearly and correctly placarded.		
D3.6 END		

MODIFICATION EMBODIMENT INSTRUCTIONS

E. DOCUMENTS REQUIRED:

THE FOLLOWING DOCUMENTS ARE REQUIRED FOR EMBODIMENT OF MODIFICATION AES-757-192 Part L.

NOTE: REFER TO MODIFICATION SHEET FOR LATEST DRAWING ISSUE.

The following existing drawings/documents are required for Section D1:

<u>Drawing No</u>	<u>Title</u>	<u>SOURCE</u>
0321-256-757	EMERGENCY EQUIPMENT LAYOUT	A.E.S
0322-256-757	EMERGENCY EQUIPMENT INSTALLATION	A.E.S

<u>Documents</u>	<u>Title</u>	<u>SOURCE</u>
DESREV-0054	B757-200 EMERGENCY EQUIPMENT SUMMARY CHECKLIST (G-OOBG / BH)	A.E.S

MODIFICATION EMBODIMENT INSTRUCTIONS

F. SPECIAL TOOLS REQUIRED:

<u>PART NUMBER</u>	<u>DESCRIPTION</u>	<u>VENDOR</u>	<u>COMMENTS</u>
		NONE	

G. ESTIMATED TIME REQUIRED:

It is estimated that the installation will take approximately 60 man-hours + adhesive cure time of 24 hours.

MODIFICATION EMBODIMENT INSTRUCTIONS

H. PARTS ADDED LIST (MOD. NUMBER: AES-757-192 PT L)

LINE ITEM NO.	ACTION	PART NUMBER	QTY	DESCRIPTION	USED ON PART / WIRE BUNDLE	VENDOR / REMARKS	BATCH No (ENGINEER TO COMPLETE)	SERIAL No (ENGINEER TO COMPLETE)	INTRO./ CHANGED AT ISSUE
1	ADD	E28180-10	9	SMOKEHOOD	0322-256-757	8 EXISTING			1
2	ADD	42D8331-443	2	CRASH AXE	0322-256-757				1
3	ADD	ACMREM1BA*	3	LOUDHAILER	0322-256-757	3 EXISTING			1
4	ADD	P2-07-0001-201	11	TORCH	0322-256-757	11 EXISTING			1
5	ADD	00002264*	11	CREW LIFE VEST	0322-256-757				1
6	ADD	00002260*	16	INFANT LIFE VEST	0322-256-757 / 0321-256-757				1
7	ADD	00002256*	233	PAX LIFE VEST	0322-256-757 / 0321-256-757				1
8	ADD	500-12Y	2	ELT	0322-256-757	H R SMITH			1
9	ADD	40982002*	4	DEMO LIFE VEST	0322-256-757				1
10	ADD	289-701-27	4	DEMO OXY MASK	0322-256-757				1
11	ADD	501848-417-1849	4	DEMO EXT SEAT BELT	0322-256-757	AM SAFE			1
12	ADD	N/A	4	SAFETY CARD	0322-256-757				1
13	ADD	671252A2721-001	4	POUCH DEMO KIT	0322-256-757				1
14	ADD	A346600A00	4	BABYCOT	0322-256-757				1

*ITEM 3 ALTERNATIVE PARTNUMBER – ACR-EM1

*ITEM 5 ALTERNATIVE PARTNUMBER – RFD 102 MK1 OR MK 2 (ORANGE) OR 00002215.

*ITEM 6 ALTERNATIVE PARTNUMBER – RFD 105 MK1 OR BEAUFORT MK22 (YELLOW) OR 00002143. *ITEM 9 ALTERNATIVE PARTNUMBER – RFD 102 YELLOW.

*ITEM 7 ALTERNATIVE PARTNUMBER – RFD 102 MK1 / MK2 (YELLOW) OR BEAUFORT MK20 OR 00002214

MODIFICATION EMBODIMENT INSTRUCTIONS

LINE ITEM NO.	ACTION	PART NUMBER	QTY	DESCRIPTION	USED ON PART / WIRE BUNDLE	VENDOR / REMARKS	BATCH No (ENGINEER TO COMPLETE)	SERIAL No (ENGINEER TO COMPLETE)	INTRO./ CHANGED AT ISSUE
15	ADD	FKK8-35K1	3	FIRE PROOF GLOVES	0322-256-757	EXISTING			1
16	ADD	501848-417-1849	20	EXT SEAT BELTS	0322-256-757	AM SAFE			1
17	ADD	BA51015G3	7	BCF FIRE EXTINGUISHER	0322-256-757	ALT P/N BA51015S3 / BA51015-3 2 EXISTING			1
18	ADD	STATKIT 600	1	DOCTORS BOX	0322-256-757				1
19	ADD	AMMFAK1	3	FIRST AID KIT	0322-256-757				1
20	ADD	LIFEPAK 500	1	DEFIBRILLATOR	0322-256-757				1
21	ADD	5500-B1A-BF23A	14	PORTABLE OXYGEN BOTTLE	0322-256-757				1
22	ADD	MEDISLING	2	MEDISLING	0322-256-757	MEDesign LTD			1
23	ADD	820003	1	RESUS MASK	0322-256-757				1
24	ADD	A20046	2	INSPECTION MIRROR	0322-256-757				1
25	ADD	2520502	1	WHEELCHAIR	0322-256-757	GERALD SIMMONDS			1
26	ADD	69-64084-1	3	BRACKET - LOUDHAILER	0322-256-757				1
27	ADD	E28183-04	9	BRACKET - SMOKE HOOD	0322-256-757				1
28	ADD	BACB20J1A	14	BRACKET BOTTLE -OXYGEN	0322-256-757	ALT BACB20J4A			1
29	ADD	BACB20J3A	14	BRACKET BOTTLE -OXYGEN	0322-256-757	ALT BACB20J5A			1
30	ADD	BA50102-3	7	BRACKET - FIRE EXT,	0322-256-757				1
31	ADD	A0861	2	ELT MOUNTING BRACKET	0322-256-757	H R SMITH			1

MODIFICATION EMBODIMENT INSTRUCTIONS

LINE ITEM NO.	ACTION	PART NUMBER	QTY	DESCRIPTION	USED ON PART / WIRE BUNDLE	VENDOR / REMARKS	BATCH No (ENGINEER TO COMPLETE)	SERIAL No (ENGINEER TO COMPLETE)	INTRO./ CHANGED AT ISSUE
32	ADD	A2000-311	2	PLACARD OXYGEN	0322-256-757				1
33	ADD	A2000-112	5	PLACARD CREW USE ONLY	0322-256-757				1
34	ADD	A2000-159	11	PLACARD CREW LIFEJACKET INSIDE	0322-256-757				1
35	ADD	232T4102-2	1	CRASH AXE COVER	0322-256-757				1
36	ADD	67\252A2701-001	4	POUCH – INFANT LIFEJACKET	0322-256-757				1
37	ADD	32\252A2930-001	1	POUCH – INSPECTION MIRROR	0322-256-757				1
38	ADD	FGA2000001AMFRUHAS	1	POUCH – CRASH AXE	0322-256-757	FRANK GUY			1
39	ADD	67\252A2723-001	2	POUCH – EXT SEAT BELTS	0322-256-757				1
40	ADD	67\252A2724-001	2	POUCH – SPARE LIFEJACKETS	0322-256-757				1
41	ADD	A2000-558	1	PLACARD – VIEWING MIRROR	0322-256-757				1
42	ADD	A2000-559	1	PLACARD - WHEELCHAIR	0322-256-757				1
43	ADD	A2000-317	1	PLACARD - MEDISLING	0322-256-757				1
44	ADD	A2000-313	2	PLACARD – SPARE LIFE JACKET	0322-256-757				1
45	ADD	A2000-314	2	PLACARD – INFANT LIFEJACKET	0322-256-757				1
46	ADD	A2000-319	6	PLACARD SMOKEHOOD	0322-256-757				1

MODIFICATION EMBODIMENT INSTRUCTIONS

LINE ITEM NO.	ACTION	PART NUMBER	QTY	DESCRIPTION	USED ON PART / WIRE BUNDLE	VENDOR / REMARKS	BATCH No (ENGINEER TO COMPLETE)	SERIAL No (ENGINEER TO COMPLETE)	INTRO./ CHANGED AT ISSUE
47	ADD	A2000-169	2	PLACARD – SMOKEHOOD INSIDE	0322-256-757				1
48	ADD	A2000-237	1	PLACARD – RESUS MASK	0322-256-757				1
49	ADD	A2000-251	1	PLACARD – CRASH AXE	0322-256-757				1
50	ADD	A2000-318	2	PLACARD - BABYCOT	0322-256-757				1
51	ADD	A2000-238	1	PLACARD – DOCTORS BOX	0322-256-757				1
52	ADD	A2000-298	3	PLACARD – FIRST AID KIT SYMOBLIC	0322-256-757				1
53	ADD	A2000-250	2	PLACARD - ELT	0322-256-757				1
54	ADD	A2000-175	2	PLACARD – DEMO KIT INSIDE	0322-256-757				1
55	ADD	A2000-173	1	PLACARD - DEFIBRILLATOR	0322-256-757				1
56	ADD	A2000-130	3	PLACARD – MEGAPHONE (PICTORIAL)	0322-256-757				1
57	ADD	A2000-170	5	PLACRAD – PORTABLE OXYGEN INSIDE	0322-256-757				1
58	ADD	A2000-171	2	PLACARD - PROTECTIVE GLOVES INSIDE	0322-256-757				1
59	ADD	A2000-109	6	PLACARD – FIRE EXT (SYMBOLIC)	0322-256-757				1
60	ADD	A2000-161	6	PLACARD – TORCH (SYMOBLIC)	0322-256-757				1

MODIFICATION EMBODIMENT INSTRUCTIONS

LINE ITEM NO.	ACTION	PART NUMBER	QTY	DESCRIPTION	USED ON PART / WIRE BUNDLE	VENDOR / REMARKS	BATCH No (ENGINEER TO COMPLETE)	SERIAL No (ENGINEER TO COMPLETE)	INTRO./ CHANGED AT ISSUE
62	ADD	A2000-172	2	PLACARD – SEAT EXT INSIDE	0322-256-757				1
63	ADD	ARALDITE 252	A/R	EDGE FILLER	0322-256-757				1
64	ADD	ARALDITE 420 A/B	A/R	ADHESIVE	0322-256-757				1
65	ADD	A2000-113	5	PLACARD - ARROW	0322-256-757				1
66	ADD	NAS1836-3-11	202	INSERT 10-32 11/32" LG	0322-256-757	ALT SL607-3-6			1
67	ADD	NAS1836-3-12	40	INSERT 10-32, 3 /8" LG	0322-256-757				1
68	ADD	NAS1149D0316J	8	FLAT WASHER	0322-256-757				1
69	ADD	BACW10P168L	2	FLAT WASHER	0322-256-757				1
70	ADD	AN960C10	194	10-32 FLAT WASHER	0322-256-757				1
71	ADD	NAS603-20P	12	10-32 SCREW, 1 1/4 LG	0322-256-757				1
72	ADD	NAS603-8P	4	10-32 SCREW, 1/2 LG	0322-256-757				1
73	ADD	NAS603-6P	194	10-32 SCREW, 3/8 LG	0322-256-757				1
74	ADD	NAS514P1032-12	3	CSK SCREW 10-32 3/4 LG	0322-256-757				1
75	ADD	NAS514P1032-8	47	CSK SCREW 10-32 1/2 LG	0322-256-757				1
76	ADD	NAS514P1032-5	2	CSK SCREW 10-32 5/16 LG	0322-256-757				1
77	ADD	TBA	A/R	"2 WIDE VELCRO FR LOOP	0322-256-757	FIRE RESISTANT QUALITY			1
78	ADD	TBA	A/R	"2 WIDE VELCRO FR LOOP	0322-256-757	FIRE RESISTANT QUALITY			1
79	ADD	69B41604-1	2	PAD	0322-256-757	BOEING			1



www.aesglobal.com

TEL: 44 (0)1279 818010

FAX: 44 (0)1279 647683

AES Limited
 Unit 28, Golds Nursery
 Business Park
 Elsenham
 Essex

MEI-258

ISSUE 1, JAN 2004

Page 29 of 34

MODIFICATION EMBODIMENT INSTRUCTIONS

LINE ITEM NO.	ACTION	PART NUMBER	QTY	DESCRIPTION	USED ON PART / WIRE BUNDLE	VENDOR / REMARKS	BATCH No (ENGINEER TO COMPLETE)	SERIAL No (ENGINEER TO COMPLETE)	INTRO./ CHANGED AT ISSUE
80	ADD	69B41608-6	1	STRAP ASSY – CRASH AXE	0322-256-757	BOEING			1
81	ADD	69B41608-7	1	STRAP ASSY – CRASH AXE	0322-256-757	BOEING			1
82	ADD	0322-256-757-087	4	B757 BIN DIVIDER ASSY	0322-256-757				1
83	ADD	0322-256-757-086	4	COMPOSITE PANEL	0322-256-757				1
84	ADD	0322-256-757-089	1	SHELF	0322-256-757				1
85	ADD	0322-256-757-091	2	ANGLE	0322-256-757				1
86	ADD	0322-256-757-093	10	ANGLE	0322-256-757				1
87	ADD	0322-256-757-095	1	WEIGHT LIMITATION PLACARD 75 LBS	0322-256-757	AEROGRAPHICS P/N A2000-681			1
88	ADD	0322-256-757-097	1	WEIGHT LIMITATION PLACARD 87 LBS	0322-256-757	AEROGRAPHICS P/N A2000-679			1
89	ADD	LB25K2	4	BUCKLE ASSY	OR SIMILAR				1
90	ADD	NYLON	A/R	THREAD	OR SIMILAR				1
91	ADD	P6/A6/0321	A/R	WEBBING, 25MM BLUE	OR SIMILAR				1
92	ADD	BACL20AB	8	HOOK	OR SIMILAR				1
93	ADD	NAS43DD3-14	4	SPACER	0322-256-757				1
94	ADD	NAS43DD4-62	1	SPACER	0322-256-757				1



www.aesglobal.com

TEL: 44 (0)1279 818010

FAX: 44 (0)1279 647683

AES Limited
 Unit 28, Golds Nursery
 Business Park
 Elsenham
 Essex

MEI-258

ISSUE 1, JAN 2004

Page 30 of 34

MODIFICATION EMBODIMENT INSTRUCTIONS

LINE ITEM NO.	ACTION	PART NUMBER	QTY	DESCRIPTION	USED ON PART / WIRE BUNDLE	VENDOR / REMARKS	BATCH No (ENGINEER TO COMPLETE)	SERIAL No (ENGINEER TO COMPLETE)	INTRO./ CHANGED AT ISSUE
95	ADD	NAS43DD6-62	1	SPACER	0322-256-757				1
96	ADD	0322-256-757-113	1	WEIGHT LIMITATION PLACARD 108 LBS	0322-256-757	AEROGRAPHICS P/N A2000-678			1
97	ADD	0322-256-757-115	3	WEIGHT LIMITATION PLACARD 135 LBS	0322-256-757	AEROGRAPHICS P/N A2000-680			1
98	ADD	0322-256-757-117	9	PLACARD 'NO STOWAGE'	0322-256-757				1
99	ADD	TBA	2	ESCAPE ROPE	0322-256-757 / 0321-256-757	EXISTING			1
100	ADD	MXP210-010	4	CREW SMOKE GOGGLES	0322-256-757 / 0321-256-757	EXISTING	EROS		1
101	ADD	61474-129	2	ESCAPE SLIDES	0322-256-757 / 0321-256-757	AIR CRUISER			1
102	ADD	416N2100-733	1	ESCAPE SLIDE DOOR BUSTLE		BOEING			1
103	ADD	416N2100-734	1	ESCAPE SLIDE DOOR BUSTLE		BOEING			1
104	ADD	0322-256-757-119	2	SAFETY EQUIP. BASEBOARD ASSY	0322-256-757				1
105	ADD	0322-256-757-120	2	SAFETY EQUIP. BASEBOARD ASSY	0322-256-757				1
106	ADD	0322-256-757-121	3	SAFETY EQUIP. BASEBOARD ASSY	0322-256-757				1
107	ADD	0322-256-757-123	4	COMPOSITE BASE PANEL	0322-256-757	APPROX SIZE 17" x 17"			1



www.aesglobal.com

TEL: 44 (0)1279 818010

FAX: 44 (0)1279 647683

AES Limited
Unit 28, Golds Nursery
Business Park
Elsenham
Essex

MEI-258

ISSUE 1, JAN 2004

Page 31 of 34

MODIFICATION EMBODIMENT INSTRUCTIONS

LINE ITEM NO.	ACTION	PART NUMBER	QTY	DESCRIPTION	USED ON PART / WIRE BUNDLE	VENDOR / REMARKS	BATCH No (ENGINEER TO COMPLETE)	SERIAL No (ENGINEER TO COMPLETE)	INTRO./ CHANGED AT ISSUE
108	ADD	NAS1834-3K-400	28	INSERT SLEEVE 10 - 32 x 0.40" LG					1
109	ADD	0322-256-757-127	3	COMPOSITE BASE PANEL	0322-256-757	APPROX SIZE 12" x 17"			1
110	ADD	00002256*	8	SPARE LIFEVEST	0322-256-757				1
111	ADD	MC10-08-107	2	CREW OXY MASK	0322-256-757	EXISTING			1

*ALTERNATIVE PART NUMBER RFD 102 MK1 OR BEAUFORT MK 20 OR 00002214

MODIFICATION EMBODIMENT INSTRUCTIONS

J. MEI - REPORT SHEET.

THE MEI REPORT SHEET IS PROVIDED FOR THE PURPOSE OF COMMUNICATING TO AES DESIGN OFFICE ANY IMPROVEMENTS / SUGGESTIONS ARISING FROM THE EMBODIMENT OF THE MODIFICATION.

REPORT SHEET	MEI No: MEI- MOD No: AES-
AIRCRAFT TYPE:	
REGISTRATION AND SERIAL NUMBER:	
LOCATION:	
COMMENTS:	
PREPARED BY / DATE: _____	



www.aesglobal.com

TEL: 44 (0)1279 818010

FAX: 44 (0)1279 647683

AES Limited
Unit 28, Golds Nursery
Business Park
Elsenham
Essex

MEI-258

ISSUE 1, JAN 2004

Page 33 of 34

MODIFICATION EMBODIMENT INSTRUCTIONS

APPENDIX A:- RE-CERTIFICATION CONTROL SHEET

PART NUMBER	DESCRIPTION	SERIAL NO.	LOCATION	QTY.	COMMENTS I.E. SERVICEABLE / UNSERVICEABLE	DATE / INSPECTION STAMP



www.aesglobal.com
 TEL: 44 (0)1279 818010
 FAX: 44 (0)1279 647683

AES Limited
 28 Golds Nurseries Business Park
 Elsenham
 Essex
 CM22 6JX

QUERY NOTE		AES REF No.: QN-AES-.....-.....-..... (COMPLETED BY AES STAFF ONLY)
AIRCRAFT TYPE:.....	APPLICANTS NAME:.....	
REGISTRATION:.....	DATE:.....	
LOCATION:.....	APPLICANTS FAX No:.....	
DRAWING (S) / P/N AFFECTED:	APPLICANTS TEL No:.....	
GIVE FULL DETAILS, INCLUDE OR ATTACH RELEVANT SKETCHES		

DESIGN RESPONSE TO QUERY NOTE	
DRAWING (S) TO BE AMENDED YES / NO	DATE AMENDED:
(AEROSPACE ENGINEERING SOLUTIONS LIMITED DESIGN OFFICE USE ONLY)	
COMPILED BY:	APPROVED BY:



www.aesglobal.com
 TEL: 44 (0)1279 818010
 FAX: 44 (0)1279 647683

AES Limited
 28 Golds Nurseries Business Park
 Elsenham
 Essex
 CM22 6JX

DOI No: **0191**

ISSUE 1

MOD No. AES-757-192

DESIGN ORGANISATION INSTRUCTION

APPLICABILITY: G-OOBG (NT405) G-OOBH (NT407)	AFFECTED DOCUMENT: AES-757-192
ORIGIN OF QUERY GAMCO	AUTHORITY DESIGN
REASON: TEMPORARY NONE AVAILABILITY OF ATT SEAT DOOR 4R BULKHEAD P/N 413N3108-76	

DRGS AFFECTED: 0366-252-757 CABIN DIVIDER INSTL'N AFT RH
 0316-252-757 233 PAX CONFIG B757-236
 0683-256-757 EMERGENCY EQUIPMENT LAYOUT

[AES MOD No AES-757-192 PT H, PT B, PT L)

ACTION: PENDING AVAILABILITY OF CORRECT BULKHEAD INCORPORATING PROVISION TO MOUNT THE 4R ATT SEAT , DO NOT INSTALL ATTENDANT SEAT OR EMERGENCY EQUIPMENT NORMALLY LOCATED IN THE SEAT LOWER STOWAGE COMPARTMENT.

*** FIRST CHOICE AIRWAYS (FCA) TO CONTROL TEMPORARY REVISION TO CREW OPS PROCEDURES **AND OBTAIN CAA PERMISSION** TO OPERATE WITH ONE ATTENDANT AT DOOR 4L.

[TOTAL No. OF ATTENDANTS REDUCED FROM 7 TO 6, MINIMUM REQUIREMENTS OF AIR NAVIGATION ORDER ARE EXCEEDED. REMAINING ATTENDANTS ARE LOCATED AT DOOR 1L, DOUBLE AT DOOR 2R, SINGLE SEATS AT DOOR 3L AND 3R AND ONE AT DOOR 4L]

FURTHER INSTRUCTIONS WILL BE PROVIDED WHEN THE CORRECT BULKHEAD P/N 413N3108-76 IS AVAILABLE.

DISTRIBUTION	
PRINTS:	MR P SIGLEY

COMPILED BY:	M EVANS
APPROVED BY:	A M D
AVIONICS / STRESS:	A M D
DATE:	28.03.04

MOD No. AES-757-192

DESIGN ORGANISATION INSTRUCTION

APPLICABILITY: G-OOBG (NT405) G-OOBH (NT407)	AFFECTED DOCUMENT: AES-757-192
ORIGIN OF QUERY GAMCO	AUTHORITY DESIGN
REASON: INSTALLATION OF BLANKS	

INSTALLATION OF WATER AND DRAIN BLANKS

- 1 POST REMOVAL OF THE GALLEY 2 (FWD DOOR 2R) THE EXISTING WATER FEED AND DRAIN REQUIRES BLANKING.
- 2 INSTALL DRAIN CAP P/No **69B50212-1** AND CLAMP P/No **AN737TW46** OVER THE EXISTING DRAIN SPOUT AT STA 671.5, RBL 67, WL 208.1. SEE FIGURE 1, PAGE 2
- 3 INSTALL WATER FEED CAP P/No **BACC14AD08JL** OVER THE EXISTING WATER FEED END CAP AT STA 680, RBL67, WL212.5. SEE FIGURE 2, PAGE 3.

DISTRIBUTION	
PRINTS:	MR H HARTLEY
	MR D KNIGHT

COMPILED BY:	A DOLBY
APPROVED BY:	MAE
AVIONICS / STRESS:	MAE
DATE:	15.4.04

MOD No. AES-757-192

DESIGN ORGANISATION INSTRUCTION

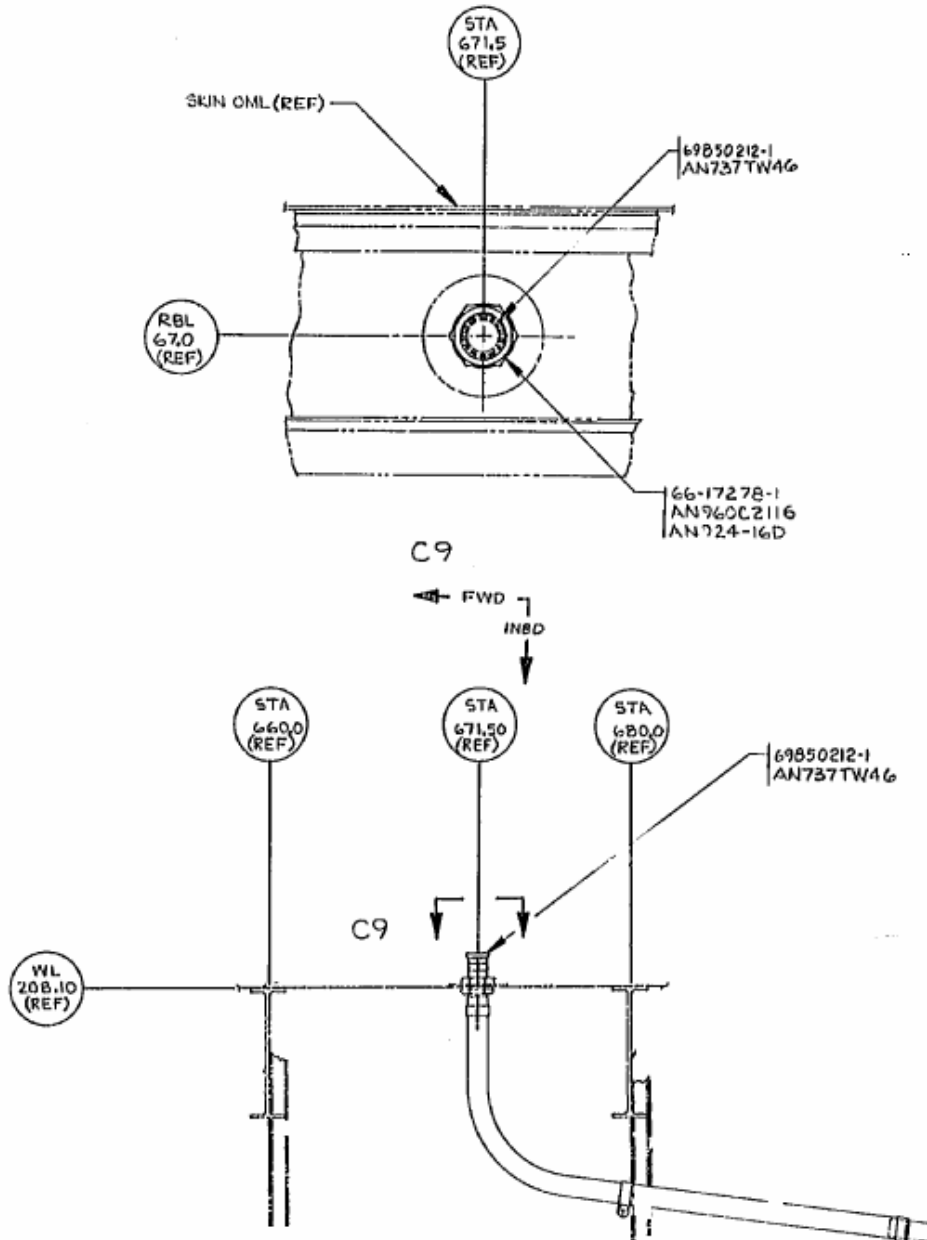


FIGURE 1, DRAIN CAP

DISTRIBUTION	
PRINTS:	MR H HARTLEY
	MR D KNIGHT

COMPILED BY:	A DOLBY
APPROVED BY:	MAE
AVIONICS / STRESS:	MAE
DATE:	15.4.04

MOD No. AES-757-192

DESIGN ORGANISATION INSTRUCTION

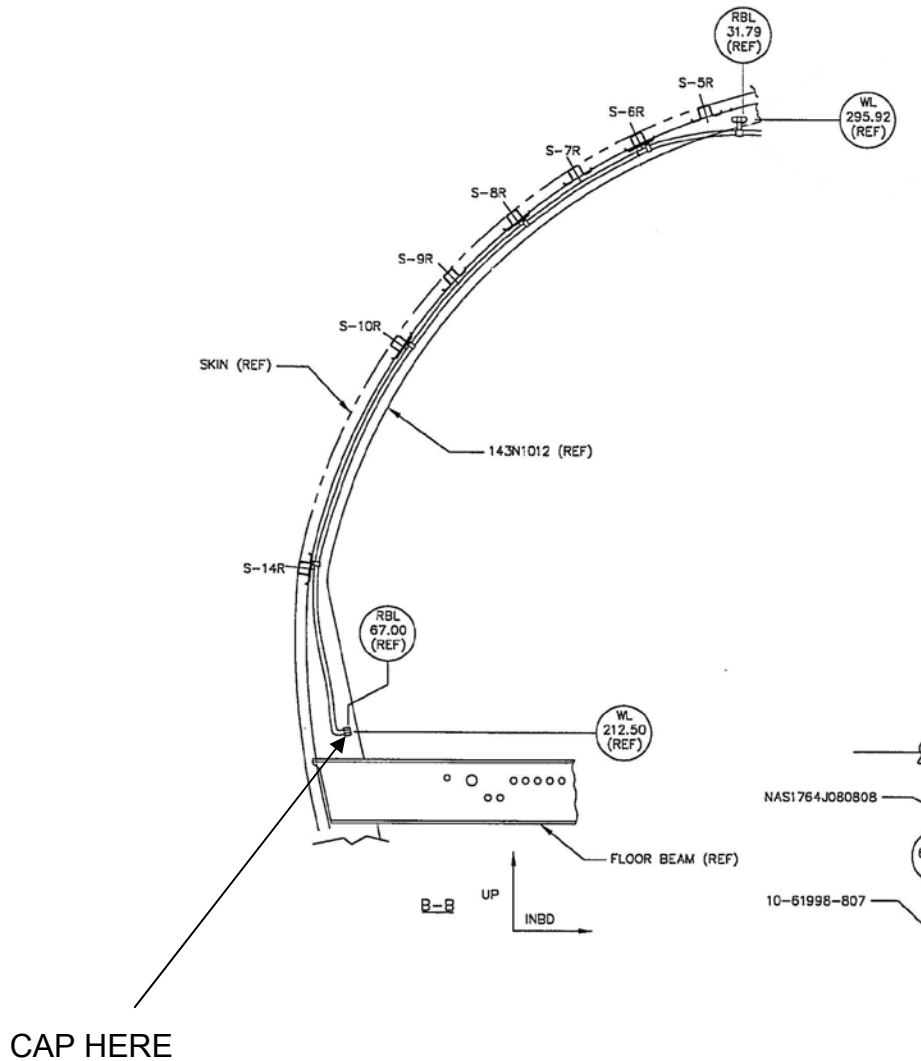


FIGURE 2, WATER LINE CAP, STA 680 LHS
(SOURCE: EXISTING INSTLN BFG DRG 99-055)

DISTRIBUTION	
PRINTS:	MR H HARTLEY
	MR D KNIGHT

COMPILED BY:	A DOLBY
APPROVED BY:	MAE
AVIONICS / STRESS:	MAE
DATE:	15.4.04



www.aesglobal.com
 TEL: 44 (0)1279 818010
 FAX: 44 (0)1279 647683

AES Limited
 28 Golds Nurseries Business Park
 Elsenham
 Essex
 CM22 6JX

DOI No: **0184**

ISSUE 1

MOD No. AES-757-192 PT F

DESIGN ORGANISATION INSTRUCTION

APPLICABILITY: G-OOBG (NT404) G-OOBH (NT405)	AFFECTED DOCUMENT: NONE
ORIGIN OF QUERY N/A	AUTHORITY DESIGN
REASON: TO FACILITATE MANUFACTURE OF CUSTOMISED SPEAKER AND CHIME UNIT PANEL FOR DOOR 2R AREA	

PARTS REQUIRED (ELECTRICAL):

ITEM	PART No.	QTY	DESCRIPTION	NOTES
1	BACS16AG1	1	RELAY BASE	OR EQUIVALENT
2	BACR13CD2	1	RELAY	OR EQUIVALENT
3	D436-37	2	SPLICE	OR EQUIVALENT
4	BACC45FN14-15P	1	CONN'R	OR EQUIVALENT
5	BACT12AR202	2	RING TERM	OR EQUIVALENT
6	BACT12AR222	2	RING TERM	OR EQUIVALENT
7	BACC47ER1	6	CONTACT	OR EQUIVALENT
8	42640-2 + 1-480416-4	1	RED FASTON	REF SWPM 20-30-15
9	42640-2 + 1-480416-3	1	BLUE FASTON	REF SWPM 20-30-15
10	BACC47CN1A	11	CONTACT - PIN	ALTN BACC47CN1S
11	BACC10GH14	1	BACKSHELL	OR EQUIVALENT
12	BMS13-60T01C02G022	30ft	WIRE – TWISTED PAIR 22AWG	BOEING CODE GB
13	BMS13-60T01C01G020	20ft	WIRE – SINGLE CORE 20AWG	BOEING CODE GA
14	BMS13-60T01C01G022	30ft	WIRE – SINGLE CORE 22AWG	BOEING CODE GA
15	TMS-SCE-1/8-4	4	IDENT SLEEVING	OR EQUIVALENT
16	TMS-SCE-3/16-4	7	IDENT SLEEVING	OR EQUIVALENT
17	TY-23M	A/R	TY-WRAP	OR EQUIVALENT

DISTRIBUTION	
PRINTS:	MR P SIGLEY
	MR G DEANS

COMPILED BY:	M IRVINE
APPROVED BY:	A.M.D
AVIONICS / STRESS:	A.L.H
DATE:	03.03.04



www.aesglobal.com
TEL: 44 (0)1279 818010
FAX: 44 (0)1279 647683

AES Limited
28 Golds Nurseries Business Park
Elsenham
Essex
CM22 6JX

DOI No: **0184**

ISSUE 1

MOD No. AES-757-192 PT F

DESIGN ORGANISATION INSTRUCTION

<i>ITEM</i>	<i>PART No.</i>	<i>QTY</i>	<i>DESCRIPTION</i>	<i>NOTES</i>
18	NAS600-4	4	SCREW 4-40	OR EQUIVALENT
19	NAS1149DN416J	8	WASHER No 4	OR EQUIVALENT
20	MS21042-04	2	NUT	OR EQUIVALENT
21	NAS1801-3-5	2	SCREW	OR EQUIVALENT
22	NAS1149D0316J	2	WASHER No 10	OR EQUIVALENT

DISTRIBUTION	
PRINTS:	MR P SIGLEY
	MR G DEANS

COMPILED BY:	M IRVINE
APPROVED BY:	A.M.D
AVIONICS / STRESS :	A.L.H
DATE:	03.03.04



www.aesglobal.com
 TEL: 44 (0)1279 818010
 FAX: 44 (0)1279 647683

AES Limited
 28 Golds Nurseries Business Park
 Elsenham
 Essex
 CM22 6JX

DOI No: **0184**

ISSUE 1

MOD No. AES-757-192 PT F

DESIGN ORGANISATION INSTRUCTION

D1 ACCOMPLISHMENT INSTRUCTIONS –		
CARRY OUT ALL WIRING CHANGES I.A.W SWPM D6-54446.	MECH SIG.	INSP STAMP
1.1 <u>Ref DOI-184 wire list:</u> Cut and ident wires required using reference wire list within this DOI.		
1.2 <u>Ref DOI-184 Wiring diagram:</u> Install new relay and base (P/N BACS16AG1 & BACR13CD2) in provisioned bracket. Install new wiring between speaker and relay, speaker and new connector (P/N BACC45FN14-15P) Install new wiring between chime panel unit and new connector IAW reference sheet of this DOI. Terminate all wiring at respective equipment and new connector. Mount new connector in provisioned bracket. Ensure all new wiring is routed correctly and secured to the panel using appropriate ty-wrap bases.		
1.3 locally manufacture the following decals and place adjacent to the respective equipment as follows: AES-B90000 Chime Unit AES-B90001 Speaker Unit AES-K90011 Relay AES-D9169 Relay Base AES-D9168J Panel Disconnect Connector		
1.4 Produce cut-out in Speaker Panel (P/N 417N3010-9) in order for the relay to be installed. Figure 1, 2 and 3 refers in Appendix A		
1.5 Fabricate Receptacle mounting plate as shown. Produce cut-out in bracket for Harness receptacle. Figure 1, 2 and 3 refers in Appendix A		
1.6 Carry out full continuity and resistance checks on all new wiring.		

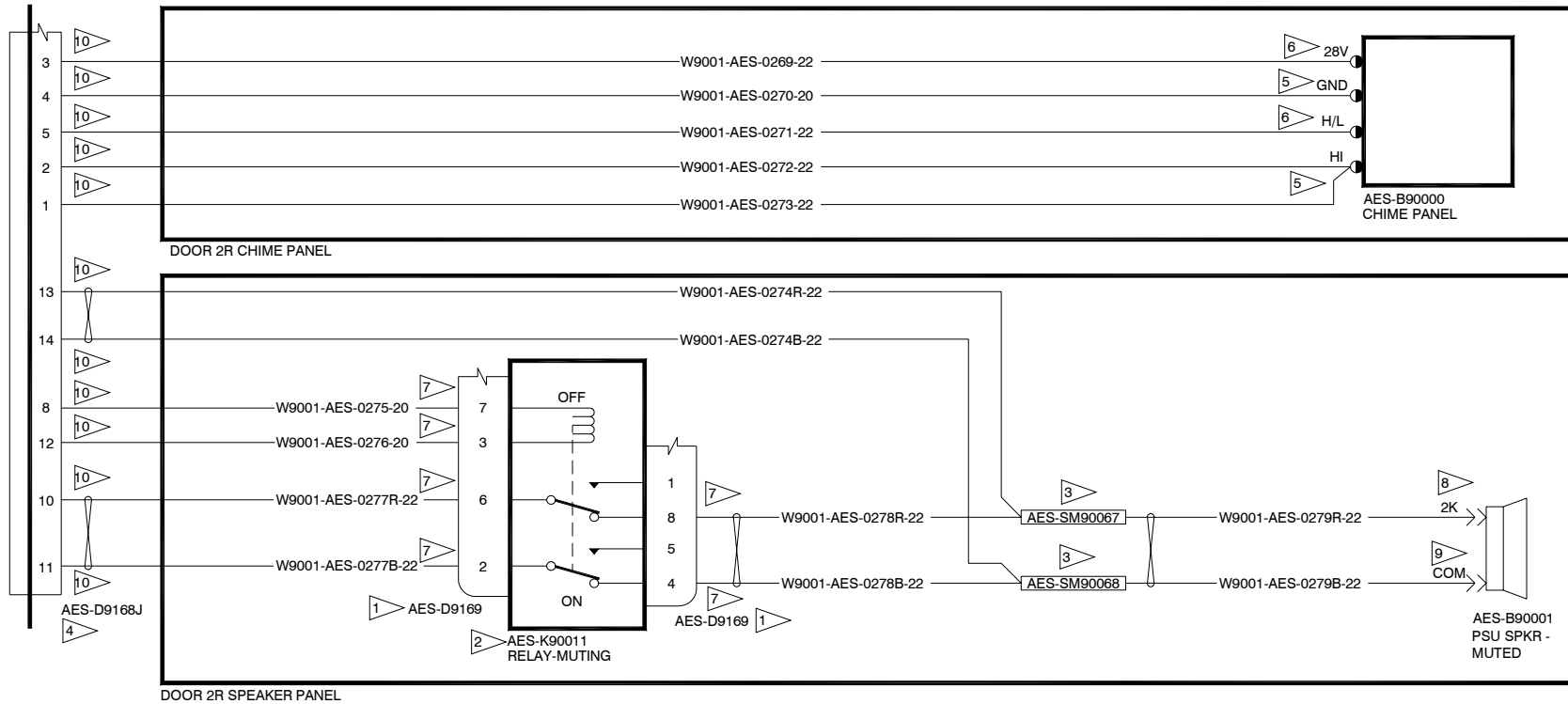
DISTRIBUTION	
PRINTS:	MR P SIGLEY
	MR G DEANS

COMPILED BY:	M IRVINE
APPROVED BY:	A.M.D
AVIONICS / STRESS:	A.L.H
DATE:	03.03.04

MOD No. AES-757-192 PT F

DESIGN ORGANISATION INSTRUCTION

WIRING DIAGRAM:



DISTRIBUTION	
PRINTS:	MR P SIGLEY
	MR G DEANS

COMPILED BY:	M IRVINE
APPROVED BY:	A.M.D
AVIONICS / STRESS:	A.L.H
DATE:	03.03.04



www.aesglobal.com
 TEL: 44 (0)1279 818010
 FAX: 44 (0)1279 647683

AES Limited
 28 Golds Nurseries Business Park
 Elsenham
 Essex
 CM22 6JX

DOI No: **0184**

ISSUE 1

MOD No. AES-757-192 PT F

DESIGN ORGANISATION INSTRUCTION

FLAG NOTE No.	PART No.	QTY	DESCRIPTION	NOTES
1	BACS16AG1	1	RELAY BASE	
2	BACR13CD2	1	RELAY	
3	D436-37	2	SPLICE	
4	BACC45FN14-15P	1	CONN'R	+ BACC10GH14 (BACKSHELL)
5	BACT12AR202	2	RING TERM	
6	BACT12AR222	2	RING TERM	
7	BACC47ER1	6	CONTACT	
8	42640-2 + 1-480416-4	1	RED FASTON	
9	42640-2 + 1-480416-3	1	BLUE FASTON	
10	BACC47CN1A	11	CONTACT - PIN	

DISTRIBUTION	
PRINTS:	MR P SIGLEY
	MR G DEANS

COMPILED BY:	M IRVINE
APPROVED BY:	A.M.D
AVIONICS / STRESS:	A.L.H
DATE:	03.03.04



www.aesglobal.com
 TEL: 44 (0)1279 818010
 FAX: 44 (0)1279 647683

AES Limited
 28 Golds Nurseries Business Park
 Elsenham
 Essex
 CM22 6JX

DOI No: **0184**

ISSUE 1

MOD No. AES-757-192 PT F

DESIGN ORGANISATION INSTRUCTION – APPENDIX A

WIRE LIST

WIRE NO.	WIRE TYPE	GAUGE (AWG)	BOEING CODE	LENGTH (ft)	DWG USED ON
W9001-AES-0269-22	BMS13-60T01C01G022	22	GA	5	DOI-184
W9001-AES-0270-20	BMS13-60T01C01G020	20	GA	5	DOI-184
W9001-AES-0271-22	BMS13-60T01C01G022	22	GA	5	DOI-184
W9001-AES-0272-22	BMS13-60T01C01G022	22	GA	5	DOI-184
W9001-AES-0273-22	BMS13-60T01C01G022	22	GA	5	DOI-184
W9001-AES-0274R-22	BMS13-60T01C02G022	22	GB	7	DOI-184
W9001-AES-0274B-22	BMS13-60T01C02G022	22	GB	7	DOI-184
W9001-AES-0275-20	BMS13-60T01C01G020	20	GA	5	DOI-184
W9001-AES-0276-20	BMS13-60T01C01G020	20	GA	5	DOI-184
W9001-AES-0277R-22	BMS13-60T01C02G022	22	GB	7	DOI-184
W9001-AES-0277B-22	BMS13-60T01C02G022	22	GB	7	DOI-184

DISTRIBUTION	
PRINTS:	MR P SIGLEY
	MR G DEANS

COMPILED BY:	M IRVINE
APPROVED BY:	A.M.D
AVIONICS / STRESS:	A.L.H
DATE:	03.03.04



www.aesglobal.com
 TEL: 44 (0)1279 818010
 FAX: 44 (0)1279 647683

AES Limited
 28 Golds Nurseries Business Park
 Elsenham
 Essex
 CM22 6JX

DOI No: **0184**

ISSUE 1

MOD No. **AES-757-192 PT F**

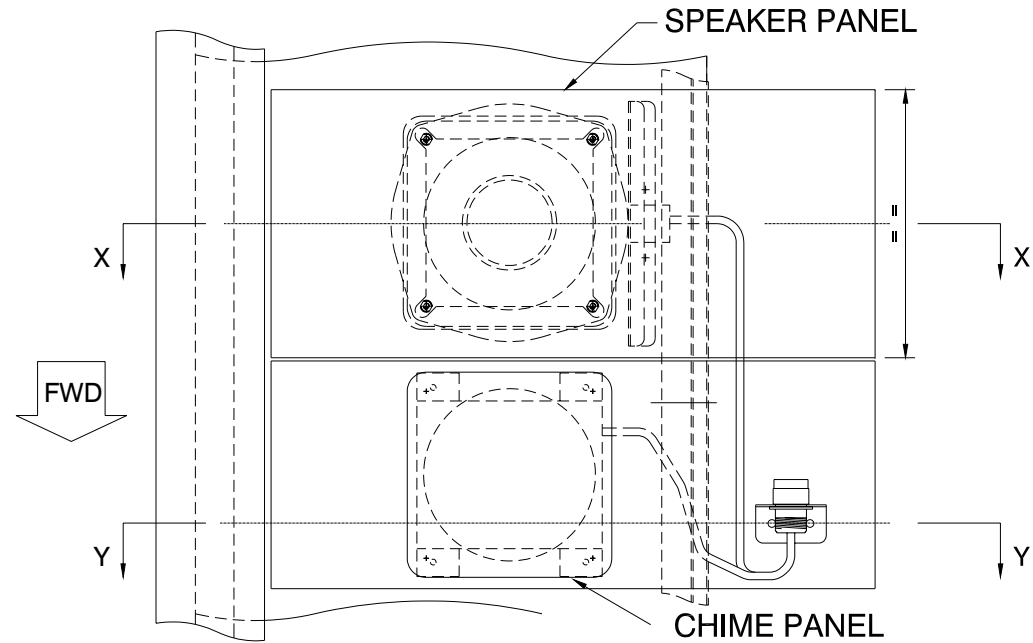
DESIGN ORGANISATION INSTRUCTION – APPENDIX A

WIRE NO.	WIRE TYPE	GAUGE (AWG)	BOEING CODE	LENGTH (ft)	DWG USED ON
W9001-AES-0278R-22	BMS13-60T01C02G022	22	GB	5	DOI-184
W9001-AES-0278B-22	BMS13-60T01C02G022	22	GB	5	DOI-184
W9001-AES-0279R-22	BMS13-60T01C02G022	22	GB	2	DOI-184
W9001-AES-0279B-22	BMS13-60T01C02G022	22	GB	2	DOI-184

DISTRIBUTION	
PRINTS:	MR P SIGLEY
	MR G DEANS

COMPILED BY:	M IRVINE
APPROVED BY:	A.M.D
AVIONICS / STRESS:	A.L.H
DATE:	03.03.04

DESIGN ORGANISATION INSTRUCTION – APPENDIX A



VIEW ON UNDERSIDE OF DOOR 2R
PSU PANEL

FIGURE 1

DISTRIBUTION	
PRINTS:	MR P SIGLEY
	MR G DEANS

COMPILED BY:	M IRVINE
APPROVED BY:	A.M.D
AVIONICS / STRESS:	A.L.H
DATE:	03.03.04

DESIGN ORGANISATION INSTRUCTION – APPENDIX A

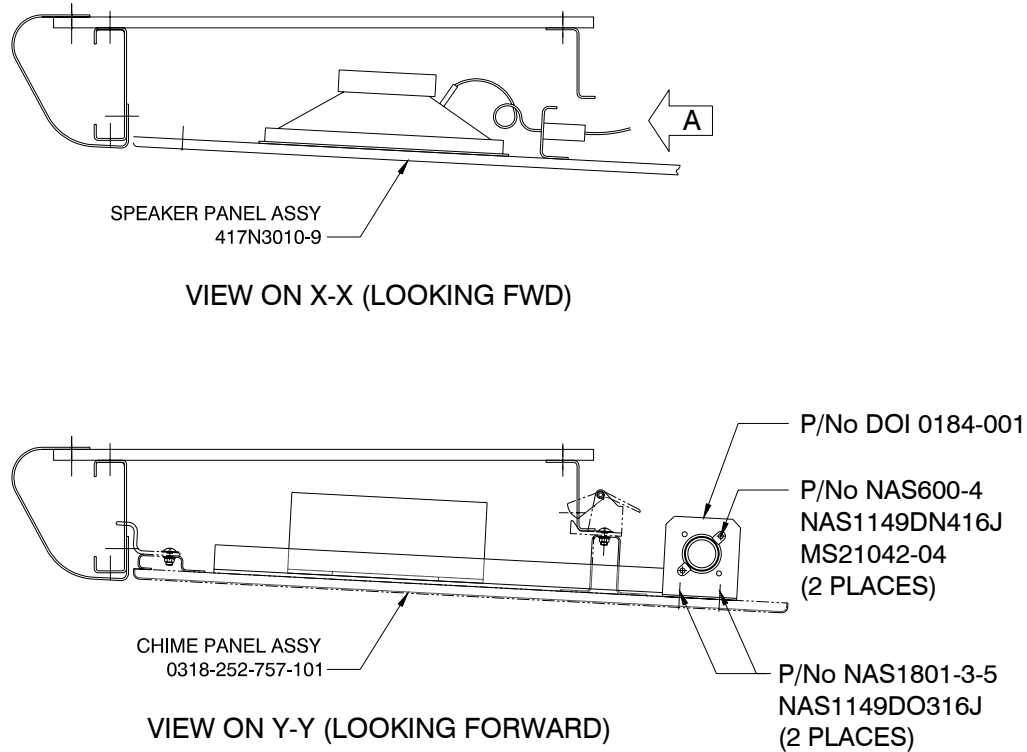


FIGURE 2

DISTRIBUTION	
PRINTS:	MR P SIGLEY
	MR G DEANS

COMPILED BY:	M IRVINE
APPROVED BY:	A.M.D
AVIONICS / STRESS:	A.L.H
DATE:	03.03.04

DESIGN ORGANISATION INSTRUCTION – APPENDIX A

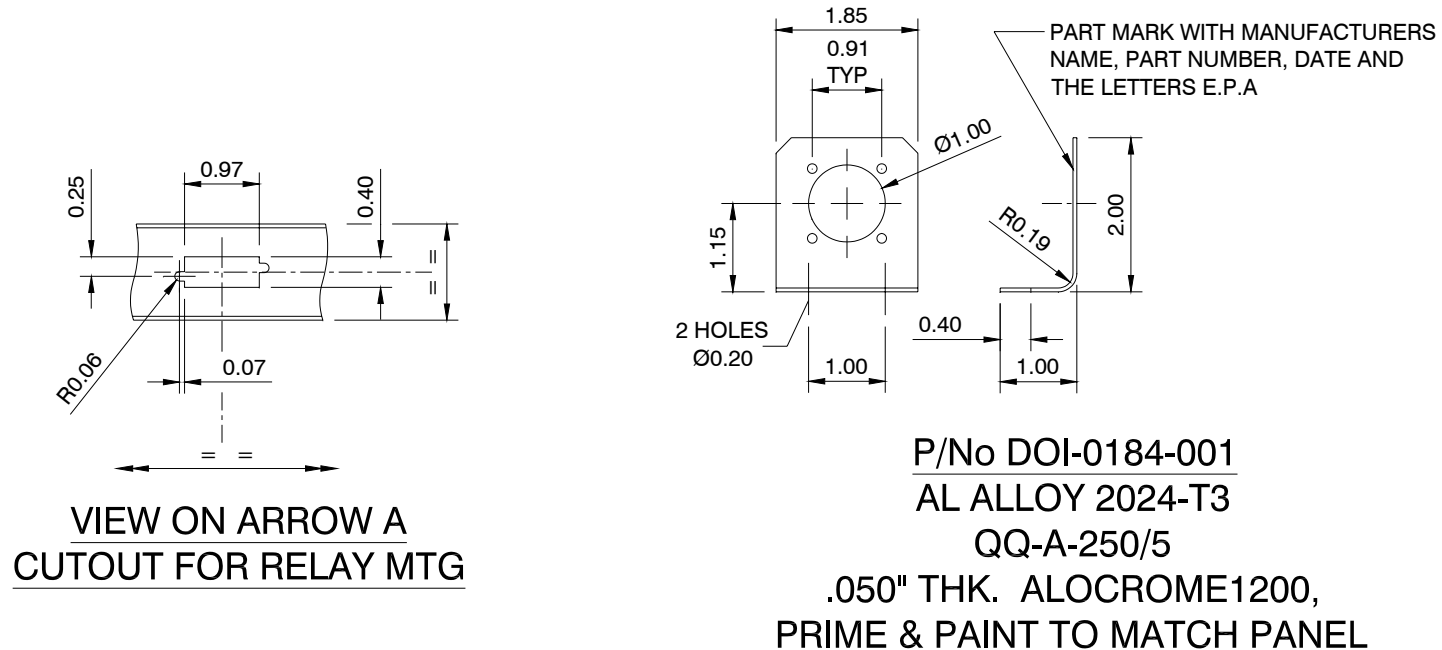


FIGURE 3

DISTRIBUTION	
PRINTS:	MR P SIGLEY
	MR G DEANS

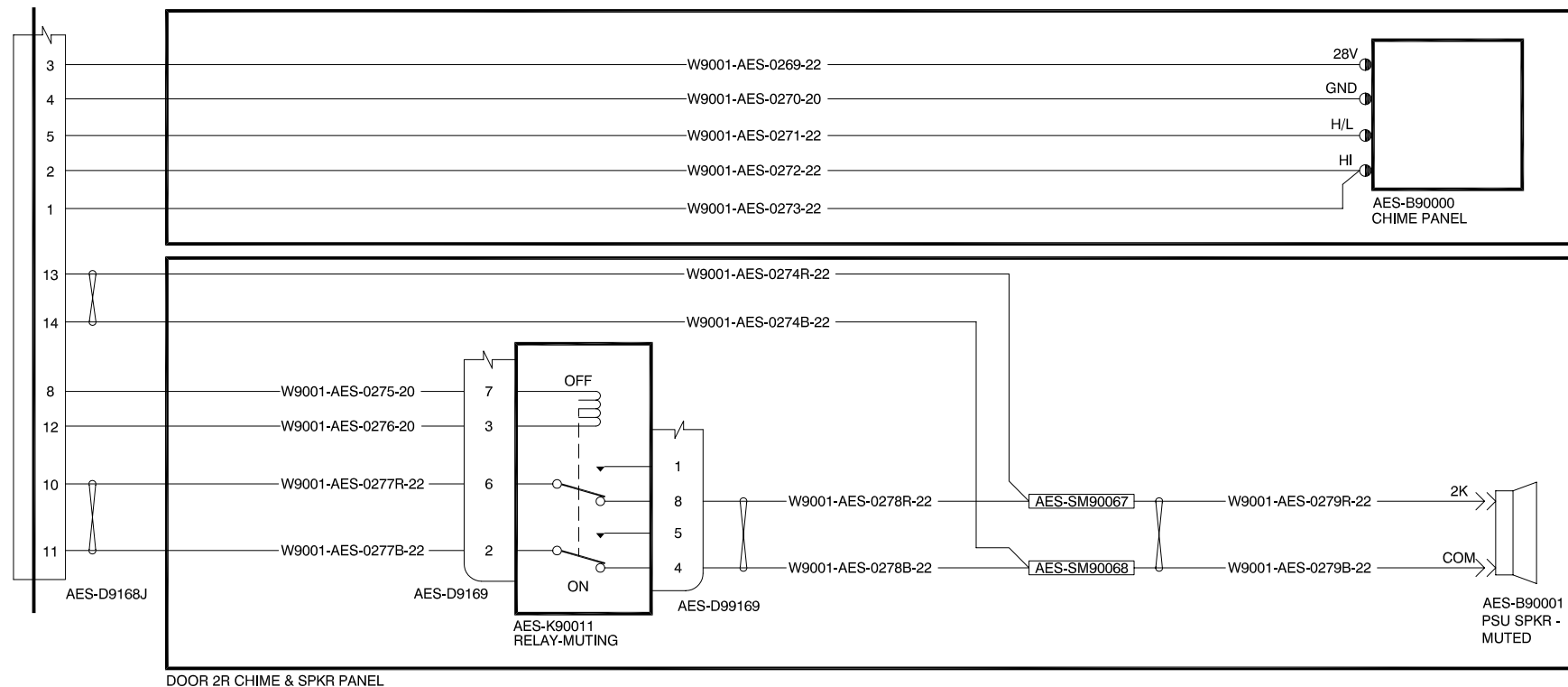
COMPILED BY:	M IRVINE
APPROVED BY:	A.M.D
AVIONICS / STRESS:	A.L.H
DATE:	03.03.04

DOI-184

SHEET 1 OF 1 SHEETS

REVISIONS

DRG ISS No.	RELEASE DOC.	ISSUE DATE:	DRG CHANGE	APP BY:
1	N/A	MAR 2004	NEW	ALH



505, 507
PA SPEAKER AND CHIME PANEL WIRING

23-31-32
PAGE 1A
MAR / 2004

23-31-32
PAGE 1A
MAR / 2004

AES LTD
OFFICIAL ISSUE
DATE: MARCH 2004
COPY

MODIFICATION No: AES-757-192 PT F	JAR21 APPROVAL: CAA.JA.02304 BCAR APPROVAL: AD/1833/01	 <small>©2004 ALL RIGHTS RESERVED. THE INFORMATION CONTAINED HEREIN IS PROPRIETARY TO AEROSPACE ENGINEERING SOLUTIONS LTD AND SHALL NOT BE REPRODUCED OR DISCLOSED WITHOUT THE OWNERS WRITTEN PERMISSION.</small>	
DRAWN BY: M IRVINE	DATE: MARCH 2004	NHA	EFFECTIVITY
CHECKED BY: AMD	DATE: MARCH 2004	AES-757-192 PT F	G-OOBG (NT405) G-OOBH (NT407)
APPROVED: ALH	DATE: MARCH 2004	DOI-184	
TITLE: W/D: SPEAKER & CHIME PANEL WIRING		SHEET 1 OF 1 SHEETS	



www.aesglobal.com
 TEL: 44 (0)1279 818010
 FAX: 44 (0)1279 647683

AES Limited
 28 Golds Nurseries Business Park
 Elsenham
 Essex
 CM22 6JX

DOI No: **0185**

ISSUE 1

MOD No. AES-757-192 PT F

DESIGN ORGANISATION INSTRUCTION

APPLICABILITY: G-OOBG (NT405) G-OOBH (NT407)	AFFECTED DOCUMENT: NONE
ORIGIN OF QUERY N/A	AUTHORITY DESIGN
REASON: TO CONNECT AIRCRAFT WIRING TO NEW SPEAKER AND CHIME PANEL @ DOOR 2R (REF DOI-0184)	

PARTS REQUIRED (ELECTRICAL):

ITEM	PART No.	QTY	DESCRIPTION	NOTES
1	BACC45FN14-15P	1	CONN'R	OR EQUIVALENT
2	BACC45FT14-15S	1	CONN'R	OR EQUIVALENT
3	BACC47CN1A	11	CONTACT - PIN	ALTN BACC47CN1S
4	BACC47CP1A	11	CONTACT - SOCKET	ALTN BACC47CP1S
5	BACC10GH14	1	BACKSHELL	OR EQUIVALENT
6	BMS13-60T01C02G022	40ft	WIRE – TWISTED PAIR 22AWG	BOEING CODE GB
7	BMS13-60T01C01G020	60ft	WIRE – SINGLE CORE 20AWG	BOEING CODE GA
8	BMS13-60T01C01G022	80ft	WIRE – SINGLE CORE 22AWG	BOEING CODE GA
9	TMS-SCE-1/8-4	A/R	IDENT SLEEVING	OR EQUIVALENT
10	TMS-SCE-3/16-4	A/R	IDENT SLEEVING	OR EQUIVALENT
11	BMS13-54 TYPE III CLASS 1	A/R	LACING TAPE (USE COLOUR WHITE FOR CATEGORY N SEPARATION. REF SWPM 20-10-19)	OR EQUIVALENT

DISTRIBUTION	
PRINTS:	MR P SIGLEY

COMPILED BY:	M IRVINE
APPROVED BY:	A DOLBY
AVIONICS / STRESS:	A HEISSIG
DATE:	10.03.04



www.aesglobal.com
TEL: 44 (0)1279 818010
FAX: 44 (0)1279 647683

AES Limited
28 Golds Nurseries Business Park
Elsenham
Essex
CM22 6JX

DOI No: **0185**

ISSUE 1

MOD No. AES-757-192 PT F

DESIGN ORGANISATION INSTRUCTION

PARTS REQUIRED (MECHANICAL):

ITEM	PART No.	QTY	DESCRIPTION	NOTES
1	NAS1149DO332J	2	WASHER	
2	NAS603-4P	2	SCREW 10-32 PN HD	
3	BACN10NW1	4	CLIPNUT (4-40)	
4	BACS38P3	1	STRINGER CLIP (DUEL LUG)	
5	BACS38P4	1	STRINGER CLIP (STRAP)	
6	NAS600-4P	4	SCREW	
7	NAS1149DN332J	4	WASHER	

DISTRIBUTION	
PRINTS:	MR P SIGLEY

COMPILED BY:	M IRVINE
APPROVED BY:	A DOLBY
AVIONICS / STRESS:	A HEISSIG
DATE:	10.03.04



www.aesglobal.com
 TEL: 44 (0)1279 818010
 FAX: 44 (0)1279 647683

AES Limited
 28 Golds Nurseries Business Park
 Elsenham
 Essex
 CM22 6JX

DOI No: **0185**

ISSUE 1

MOD No. AES-757-192 PT F

DESIGN ORGANISATION INSTRUCTION

CARRY OUT ALL WIRING CHANGES I.A.W SWPM D6-54446.	MECH SIG.	INSP STAMP
Remove aircraft power I.A.W AMM 24-22-00 (p/block 201)		
<p>Open the following circuit breakers on the overhead circuit breaker panel P11, and attach DO-NOT-CLOSE tags if not already safety tagged:</p> <p>A) 11C22, PASS ADRS AMPL B) 11C23, INTERPHONE CABIN C) 11C25, INTERPHONE FLT AMPL ASP 1 BAT PWR D) 11C26, INTERPHONE FLT AMPL ASP 2 BAT PWR E) 11G29, INTERPHONE FLT AMPL ASP 1 R PWR F) 11G30, INTERPHONE FLT AMPL ASP 2 R PWR</p> <p>Gain access to ceiling area @STA 670 by removing applicable ceiling panel I.A.W. AMM 25-22-01/401</p>		
<p><u>Ref DOI-0185 wire list + DOI-0185 Figure 1 + Figure 2:</u></p> <p>Cut and ident wires IAW DOI-0185 wire list.</p> <p>Terminate wires at new connector AES-D9170.</p> <p>Manufacture new connector mounting bracket P/N DOI-0185-001 I.A.W Figure 2 .</p> <p>Install new bracket close to existing connector D5098 (loc. STA 695, WL 290, L030) using suitable stringer clips P/N BACS38P3 + BACS38P4.</p> <p>Install new connector AES-D9170 to bracket and secure.</p> <p>Route harness using existing pathways to newly installed chime panel @ door 2R (REF 0318-252-757) and terminate at new connector plug AES-D9168P. Ensure enough slack is provisioned in the harness to comfortably remove the chime/speaker panel if required.</p> <p>Carry out continuity and resistance checks on new wire harness.</p> <p>Connect free plug AES-D9168P to chime/speaker panel connector AES-D9168J. Connect free plug D5098 to new receptacle AES-D9170</p>		

DISTRIBUTION	
PRINTS:	MR P SIGLEY

COMPILED BY:	M IRVINE
APPROVED BY:	A DOLBY
AVIONICS / STRESS:	A HEISSIG
DATE:	10.03.04



www.aesglobal.com
 TEL: 44 (0)1279 818010
 FAX: 44 (0)1279 647683

AES Limited
 28 Golds Nurseries Business Park
 Elsenham
 Essex
 CM22 6JX

DOI No: **0185**

ISSUE 1

MOD No. AES-757-192 PT F

DESIGN ORGANISATION INSTRUCTION

CARRY OUT ALL WIRING CHANGES I.A.W SWPM D6-54446.	MECH SIG.	INSP STAMP
Energise aircraft power I.A.W AMM 24-22-00 (p/block 201)		
Close the following circuit breakers on the overhead circuit breaker panel P11, and remove DO-NOT-CLOSE tags if not required: A) 11C22, PASS ADRS AMPL B) 11C23, INTERPHONE CABIN C) 11C25, INTERPHONE FLT AMPL ASP 1 BAT PWR D) 11C26, INTERPHONE FLT AMPL ASP 2 BAT PWR E) 11G29, INTERPHONE FLT AMPL ASP 1 R PWR F) 11G30, INTERPHONE FLT AMPL ASP 2 R PWR		
Perform a cable interphone systems test. (I.A.W AMM 23-42-00/501). For the MID attendants position. Ensure the Hi/Lo chime is heard from the PA speakers Carry out a voice announcement test I.A.W AMM 23-31-00 p/block 501 section H. Ensure the PA speaker @Door 2R operates correctly. NOTE: During the system test at door 2R, make sure the door 2R speaker is muted when the attendant is speaking.		
Re-install all ceiling panels removed for access. I.A.W AMM 25-22-01/401		

DISTRIBUTION	
PRINTS:	MR P SIGLEY

COMPILED BY:	M IRVINE
APPROVED BY:	A DOLBY
AVIONICS / STRESS:	A HEISSIG
DATE:	10.03.04



www.aesglobal.com
 TEL: 44 (0)1279 818010
 FAX: 44 (0)1279 647683

AES Limited
 28 Golds Nurseries Business Park
 Elsenham
 Essex
 CM22 6JX

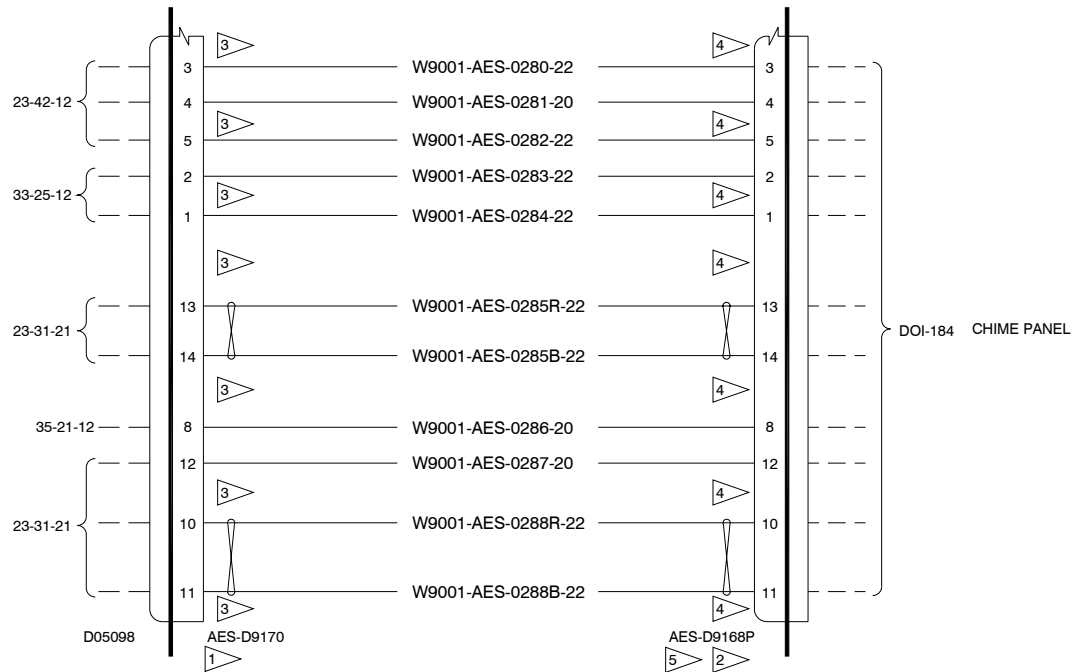
DOI No: **0185**

ISSUE 1

MOD No. AES-757-192 PT F

DESIGN ORGANISATION INSTRUCTION

WIRING DIAGRAM:



DISTRIBUTION	
PRINTS:	MR P SIGLEY

COMPILED BY:	M IRVINE
APPROVED BY:	A DOLBY
AVIONICS / STRESS:	A HEISSIG
DATE:	10.03.04



www.aesglobal.com
 TEL: 44 (0)1279 818010
 FAX: 44 (0)1279 647683

AES Limited
 28 Golds Nurseries Business Park
 Elsenham
 Essex
 CM22 6JX

DOI No: **0185**

ISSUE 1

MOD No. AES-757-192 PT F

DESIGN ORGANISATION INSTRUCTION

FLAG NOTE No.	PART No.	QTY	DESCRIPTION	NOTES
1	BACC45FN14-15P	1	CONN'R	
2	BACC45FT14-15S	1	CONN'R	
3	BACC47CN1A	11	CONTACT – PIN	
4	BACC47CP1A	11	CONTACT – SOCKET	
5	BACC10GH14	1	BACKSHELL	

DISTRIBUTION	
PRINTS:	MR P SIGLEY

COMPILED BY:	M IRVINE
APPROVED BY:	A DOLBY
AVIONICS / STRESS:	A HEISSIG
DATE:	10.03.04



www.aesglobal.com
 TEL: 44 (0)1279 818010
 FAX: 44 (0)1279 647683

AES Limited
 28 Golds Nurseries Business Park
 Elsenham
 Essex
 CM22 6JX

DOI No: **0185**

ISSUE 1

MOD No. AES-757-192 PT F

DESIGN ORGANISATION INSTRUCTION

WIRE LIST

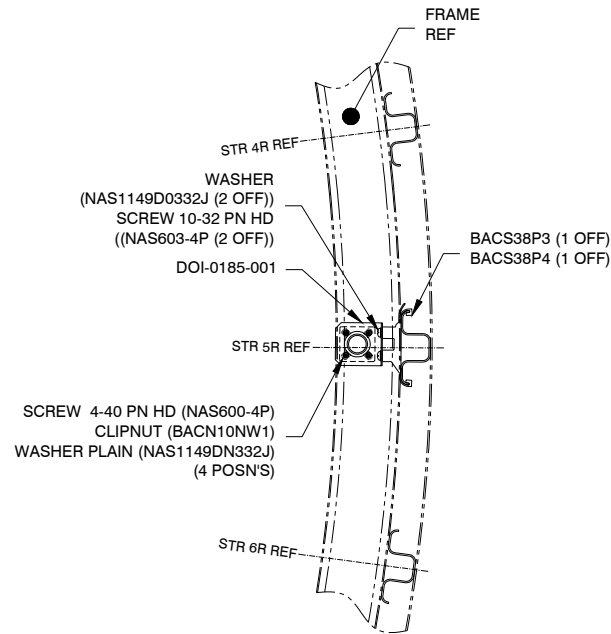
WIRE NO.	WIRE TYPE	GAUGE (AWG)	BOEING CODE	LENGTH (ft)	DWG USED ON
W9001-AES-0280-22	BMS13-60T01C01G022	22	GA	20	DOI-185
W9001-AES-0281-20	BMS13-60T01C01G020	20	GA	20	DOI-185
W9001-AES-0282-22	BMS13-60T01C01G022	22	GA	20	DOI-185
W9001-AES-0283-22	BMS13-60T01C01G022	22	GA	20	DOI-185
W9001-AES-0284-22	BMS13-60T01C01G022	22	GA	20	DOI-185
W9001-AES-0285R-22	BMS13-60T01C02G022	22	GB	20	DOI-185
W9001-AES-0285B-22	BMS13-60T01C02G022	22	GB	20	DOI-185
W9001-AES-0286-20	BMS13-60T01C01G020	20	GA	20	DOI-185
W9001-AES-0287-20	BMS13-60T01C01G020	20	GA	20	DOI-185
W9001-AES-0288R-22	BMS13-60T01C02G022	22	GB	20	DOI-185
W9001-AES-0288B-22	BMS13-60T01C02G022	22	GB	20	DOI-185

DISTRIBUTION	
PRINTS:	MR P SIGLEY

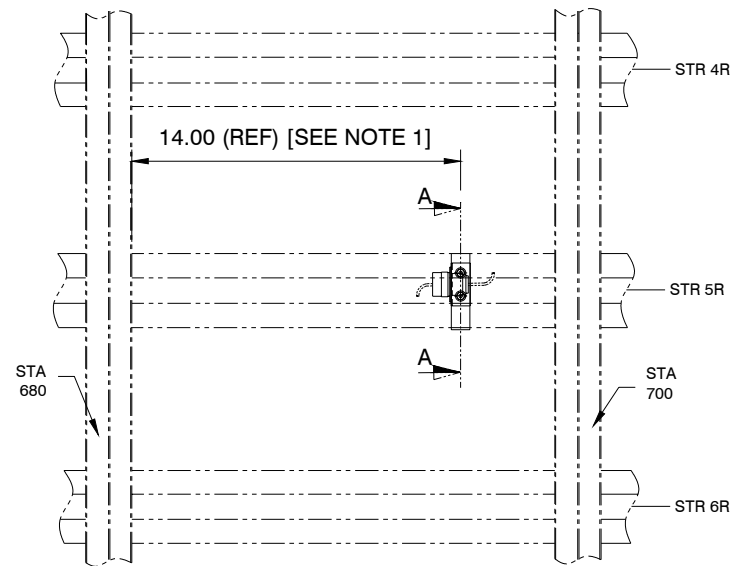
COMPILED BY:	M IRVINE
APPROVED BY:	A DOLBY
AVIONICS / STRESS:	A HEISSIG
DATE:	10.03.04

MOD No. AES-757-192 PT F

DESIGN ORGANISATION INSTRUCTION



VIEW LOOKING AFT
ONTO SECTION A-A



VIEW LOOKING OUTBD ONTO
DISCONNECT

NOTES

1) APPROXIMATE LOCATION, POSITION
SUPPORT ATTACHMENT TO SUIT.

DISTRIBUTION	
PRINTS:	MR P SIGLEY

COMPILED BY:	M IRVINE
APPROVED BY:	A DOLBY
AVIONICS / STRESS:	A HEISSIG
DATE:	10.03.04



www.aesglobal.com
TEL: 44 (0)1279 818010
FAX: 44 (0)1279 647683

AES Limited
28 Golds Nurseries Business Park
Elsenham
Essex
CM22 6JX

DOI No: **0185**

ISSUE 1

MOD No. AES-757-192 PT F

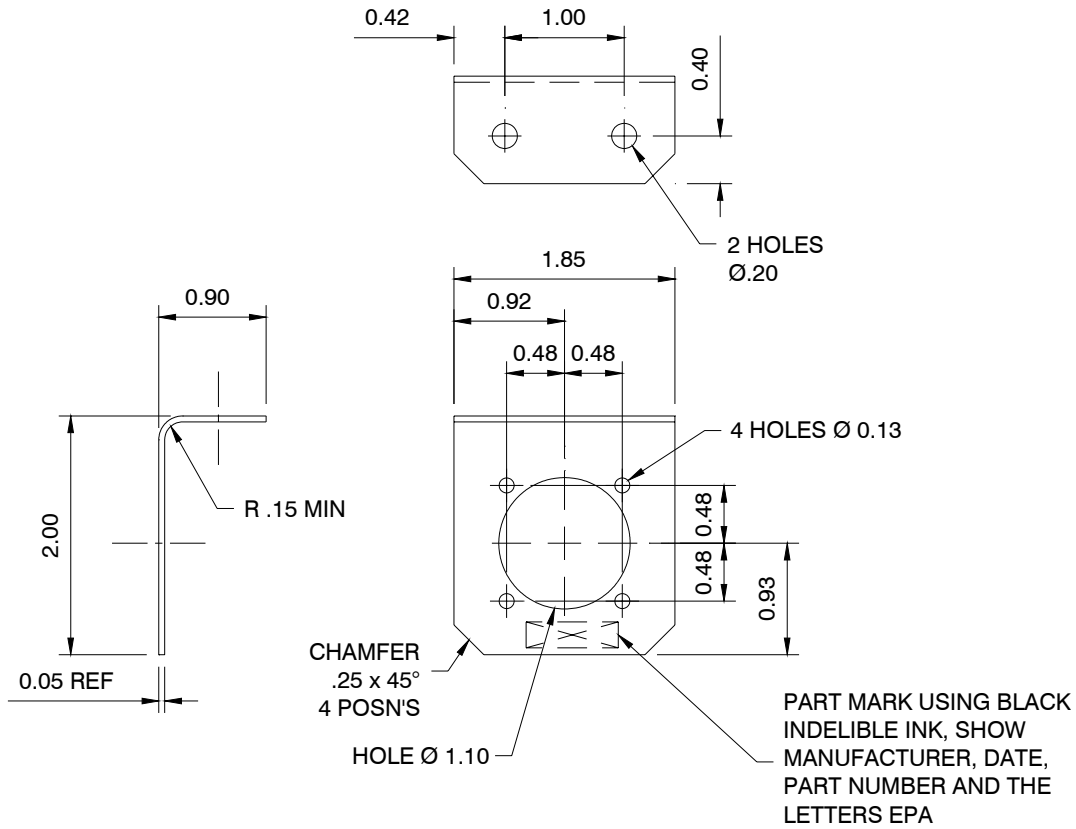
DESIGN ORGANISATION INSTRUCTION

FIGURE 2 A

DISTRIBUTION	
PRINTS:	MR P SIGLEY

COMPILED BY:	M IRVINE
APPROVED BY:	A DOLBY
AVIONICS / STRESS :	A HEISSIG
DATE:	10.03.04

DESIGN ORGANISATION INSTRUCTION



DETAIL OF P/N DOI-0185-001

MATERIAL AL ALLOY 2024-T3 QQ-A-250/5 THK = .050
REMOVE ALL SHARP EDGES, PROTECTIVE TREATMENT :-
ALOCROME 1200, EPOXY PRIME PER SRM

FIGURE 2 B

DISTRIBUTION	
PRINTS:	MR P SIGLEY

COMPILED BY:	M IRVINE
APPROVED BY:	A DOLBY
AVIONICS / STRESS:	A HEISSIG
DATE:	10.03.04


BOEING
 757
PARTS CATALOG (MAINTENANCE)

CH-SECT-UNIT-FIG	PAGE NO.	DATE	CH-SECT-UNIT-FIG	PAGE NO.	DATE
*33	1	MAY 20/09	33-11-03- 1	8	JAN 20/09
*33	2	MAY 20/09	33-11-03- 1	9	JAN 20/09
*33	3	MAY 20/09	33-11-03- 1	10	JAN 20/09
*33	4	MAY 20/09	33-11-03- 1	11	JAN 20/09
*33	5	MAY 20/09	33-11-03- 1	12	JAN 20/09
*33	6	MAY 20/09	33-11-03- 1	13	JAN 20/09
*33	7	MAY 20/09	33-11-03- 1	14	JAN 20/09
*33	8	MAY 20/09	33-11-03- 1	15	JAN 20/09
*33	9	MAY 20/09	33-11-03- 1	16	JAN 20/09
*33	10	MAY 20/09	33-11-03- 1	17	JAN 20/09
*33	11	MAY 20/09	33-11-03- 1	18	JAN 20/09
*33	12	MAY 20/09	33-11-03- 1	19	JAN 20/09
*33	13	MAY 20/09	33-11-03- 1	20	JAN 20/09
*33	14	MAY 20/09	33-11-03- 1	21	JAN 20/09
*33	15	MAY 20/09	33-11-03- 1	22	JAN 20/09
*33	16	MAY 20/09	33-11-03- 1	23	JAN 20/09
*33	17	MAY 20/09	33-11-03- 1	24	JAN 20/09
*33	18	MAY 20/09	33-11-03- 1	25	JAN 20/09
*33	19	MAY 20/09	33-11-03- 1	26	JAN 20/09
*33	20	MAY 20/09	33-11-03- 1	27	JAN 20/09
*33	21	MAY 20/09	33-11-03- 2	0	MAY 28/07
*33	22	MAY 20/09	33-11-03- 2	0A	MAY 28/07
*33	23	MAY 20/09	33-11-03- 2	1	JAN 20/09
*33	24	MAY 20/09	33-11-03- 2	2	JAN 20/09
*33	25	MAY 20/09	33-11-03- 2	3	JAN 20/09
*33	26	MAY 20/09	33-11-03- 2	4	JAN 20/09
*33	27	MAY 20/09	33-11-03- 2	5	JAN 20/09
*33	28	MAY 20/09	33-11-03- 2	6	JAN 20/09
*33	29	MAY 20/09	33-11-03- 3	0	MAY 28/07
*33	30	MAY 20/09	33-11-03- 3	1	JAN 20/09
*33	31	MAY 20/09	33-11-03- 3	2	JAN 20/09
*33	32	MAY 20/09	33-11-03- 3	3	JAN 20/09
*33	33	MAY 20/09	33-11-03- 3	4	JAN 20/09
*33	34	MAY 20/09	33-11-03- 3	5	JAN 20/09
*33	35	MAY 20/09	33-11-03- 3	6	JAN 20/09
*33	36	MAY 20/09	33-11-03- 3	7	JAN 20/09
*33	37	MAY 20/09	33-11-03- 3	8	JAN 20/09
33-00-00	1	JAN 20/09	33-11-03- 3	9	JAN 20/09
33-00-51- 1A	0	JAN 20/09	33-11-03- 4	0	MAY 28/07
33-00-51- 1A	1	JAN 20/09	33-11-03- 4	1	JAN 20/09
33-11-00	1	MAY 28/07	33-11-03- 4	2	JAN 20/09
33-11-03- 1	0	MAY 20/08	33-11-03- 4	3	JAN 20/09
33-11-03- 1	0A	MAY 28/07	33-11-03- 4	4	JAN 20/09
33-11-03- 1	0B	MAY 20/08	33-11-03- 5	0	MAY 28/07
33-11-03- 1	1	JAN 20/09	33-11-03- 5	1	JAN 20/09
33-11-03- 1	2	JAN 20/09	33-11-03- 5	2	JAN 20/09
33-11-03- 1	3	JAN 20/09	33-11-51- 1	0	MAY 28/07
33-11-03- 1	4	JAN 20/09	33-11-51- 1	1	JAN 20/09
33-11-03- 1	5	JAN 20/09	33-11-51- 1	2	JAN 20/09
33-11-03- 1	6	JAN 20/09	33-11-51- 5	0	MAY 28/07
33-11-03- 1	7	JAN 20/09	33-11-51- 5	0A	MAY 28/07

* THE ASTERISK INDICATES PAGES CHANGED OR ADDED BY THE CURRENT REVISION



757

PARTS CATALOG (MAINTENANCE)

CH-SECT-UNIT-FIG	PAGE NO.	DATE	CH-SECT-UNIT-FIG	PAGE NO.	DATE
33-11-51- 5	1	JAN 20/09	33-11-51-16	3	JAN 20/09
33-11-51- 5	2	JAN 20/09	33-11-51-16	4	JAN 20/09
33-11-51- 5	3	JAN 20/09	33-11-51-16	5	JAN 20/09
33-11-51- 7	0	MAY 28/07	33-11-51-17	0	MAY 28/07
33-11-51- 7	0A	MAY 28/07	33-11-51-17	0A	MAY 28/07
33-11-51- 7	1	JAN 20/09	33-11-51-17	0B	MAY 28/07
33-11-51- 7	2	JAN 20/09	33-11-51-17	1	JAN 20/09
33-11-51- 7	3	JAN 20/09	33-11-51-17	2	JAN 20/09
33-11-51- 7	4	JAN 20/09	33-11-51-17	3	JAN 20/09
33-11-51- 7	5	JAN 20/09	33-11-51-17	4	JAN 20/09
33-11-51- 7	6	JAN 20/09	33-11-51-17	5	JAN 20/09
33-11-51-10	0	MAY 28/07	33-11-51-17	6	JAN 20/09
33-11-51-10	1	JAN 20/09	33-11-51-17	7	JAN 20/09
33-11-51-10	2	JAN 20/09	33-11-51-17	8	JAN 20/09
33-11-51-12	0	MAY 28/07	33-11-51-17	9	JAN 20/09
33-11-51-12	1	JAN 20/09	33-11-51-17	10	JAN 20/09
33-11-51-12	2	JAN 20/09	33-11-51-17	11	JAN 20/09
33-11-51-12	3	JAN 20/09	33-11-51-17	12	JAN 20/09
33-11-51-12	4	JAN 20/09	33-11-51-17	13	JAN 20/09
33-11-51-12	5	JAN 20/09	33-11-51-17	14	JAN 20/09
33-11-51-13	0	MAY 28/07	33-11-51-50	0	MAY 28/07
33-11-51-13	1	JAN 20/09	33-11-51-50	1	JAN 20/09
33-11-51-13	2	JAN 20/09	33-11-51-50	2	JAN 20/09
33-11-51-13	3	JAN 20/09	33-11-55- 1	0	JAN 20/09
33-11-51-13	4	JAN 20/09	33-11-55- 1	0A	MAY 28/07
33-11-51-13	5	JAN 20/09	33-11-55- 1	1	JAN 20/09
33-11-51-14	0	MAY 28/07	33-11-55- 1	2	JAN 20/09
33-11-51-14	0A	MAY 28/07	33-11-55- 1	3	JAN 20/09
33-11-51-14	0B	MAY 28/07	33-13-00	1	MAY 28/07
33-11-51-14	0C	MAY 28/07	33-13-00-10	0	MAY 28/07
33-11-51-14	1	JAN 20/09	33-13-00-10	1	JAN 20/09
33-11-51-14	2	JAN 20/09	33-13-00-10	2	JAN 20/09
33-11-51-14	3	JAN 20/09	33-13-00-10	3	JAN 20/09
33-11-51-14	4	JAN 20/09	33-13-00-10	4	JAN 20/09
33-11-51-14	5	JAN 20/09	33-13-00-10	5	JAN 20/09
33-11-51-14	6	JAN 20/09	33-13-00-10	6	JAN 20/09
33-11-51-14	7	JAN 20/09	33-13-00-10	7	JAN 20/09
33-11-51-14	8	JAN 20/09	33-13-00-11	0	JAN 20/09
33-11-51-14	9	JAN 20/09	33-13-00-11	1	JAN 20/09
33-11-51-14	10	JAN 20/09	33-13-00-11	2	JAN 20/09
33-11-51-15	0	MAY 28/07	33-13-00-11	3	JAN 20/09
33-11-51-15	0A	MAY 28/07	33-13-00-11	4	JAN 20/09
33-11-51-15	1	JAN 20/09	33-13-00-11	5	JAN 20/09
33-11-51-15	2	JAN 20/09	33-13-00-11	6	JAN 20/09
33-11-51-15	3	JAN 20/09	33-13-00-11	7	JAN 20/09
33-11-51-15	4	JAN 20/09	33-13-00-12	0	JAN 20/09
33-11-51-15	5	JAN 20/09	33-13-00-12	1	JAN 20/09
33-11-51-16	0	MAY 28/07	33-13-00-12	2	JAN 20/09
33-11-51-16	0A	MAY 28/07	33-13-00-12	3	JAN 20/09
33-11-51-16	1	JAN 20/09	33-13-00-12	4	JAN 20/09
33-11-51-16	2	JAN 20/09	33-13-00-12A	0	JAN 20/09

* THE ASTERISK INDICATES PAGES CHANGED OR ADDED BY THE CURRENT REVISION



757
PARTS CATALOG (MAINTENANCE)

CH-SECT-UNIT-FIG	PAGE NO.	DATE	CH-SECT-UNIT-FIG	PAGE NO.	DATE
33-13-00-12A	1	JAN 20/09	33-13-00-17	9	JAN 20/09
33-13-00-12A	2	JAN 20/09	33-13-00-17	10	JAN 20/09
33-13-00-12A	3	JAN 20/09	33-13-00-17	11	JAN 20/09
33-13-00-13	0	JAN 20/09	33-13-00-17	12	JAN 20/09
33-13-00-13	1	JAN 20/09	33-13-00-17	13	JAN 20/09
33-13-00-13	2	JAN 20/09	33-13-00-17A	0	MAY 28/07
33-13-00-13	3	JAN 20/09	33-13-00-17A	1	JAN 20/09
33-13-00-13	4	JAN 20/09	33-13-00-17A	2	JAN 20/09
33-13-00-13	5	JAN 20/09	33-13-00-17A	3	JAN 20/09
33-13-00-13	6	JAN 20/09	33-13-00-17A	4	JAN 20/09
33-13-00-13	7	JAN 20/09	33-13-00-17A	5	JAN 20/09
33-13-00-14	0	JAN 20/09	33-13-00-17A	6	JAN 20/09
33-13-00-14	1	JAN 20/09	33-13-00-17A	7	JAN 20/09
33-13-00-14	2	JAN 20/09	33-13-00-17A	8	JAN 20/09
33-13-00-14	3	JAN 20/09	33-13-00-17A	9	JAN 20/09
33-13-00-14	4	JAN 20/09	33-13-00-17A	10	JAN 20/09
33-13-00-14	5	JAN 20/09	33-13-00-17A	11	JAN 20/09
33-13-00-15	0	JAN 20/09	33-13-00-18	0	MAY 28/07
33-13-00-15	1	JAN 20/09	33-13-00-18	1	JAN 20/09
33-13-00-15	2	JAN 20/09	33-13-00-18	2	JAN 20/09
33-13-00-15	3	JAN 20/09	33-13-00-18	3	JAN 20/09
33-13-00-15	4	JAN 20/09	33-13-00-18	4	JAN 20/09
33-13-00-15	5	JAN 20/09	33-13-00-18	5	JAN 20/09
33-13-00-15A	0	MAY 28/07	33-13-00-18	6	JAN 20/09
33-13-00-15A	1	JAN 20/09	33-13-00-18	7	JAN 20/09
33-13-00-15A	2	JAN 20/09	33-13-00-18	8	JAN 20/09
33-13-00-15A	3	JAN 20/09	33-13-00-18	9	JAN 20/09
33-13-00-15A	4	JAN 20/09	33-13-00-18	10	JAN 20/09
33-13-00-15A	5	JAN 20/09	33-13-00-18	11	JAN 20/09
33-13-00-15A	6	JAN 20/09	33-13-00-19	0	MAY 28/07
33-13-00-15A	7	JAN 20/09	33-13-00-19	1	JAN 20/09
33-13-00-15A	8	JAN 20/09	33-13-00-19	2	JAN 20/09
33-13-00-15A	9	JAN 20/09	33-13-00-19	3	JAN 20/09
33-13-00-16	0	SEP 20/08	33-13-00-19	4	JAN 20/09
33-13-00-16	1	JAN 20/09	33-13-00-19	5	JAN 20/09
33-13-00-16	2	JAN 20/09	33-13-00-19	6	JAN 20/09
33-13-00-16	3	JAN 20/09	33-13-00-19	7	JAN 20/09
33-13-00-16	4	JAN 20/09	33-13-00-19A	0	MAY 28/07
33-13-00-16	5	JAN 20/09	33-13-00-19A	1	JAN 20/09
33-13-00-16	6	JAN 20/09	33-13-00-19A	2	JAN 20/09
33-13-00-16	7	JAN 20/09	33-13-00-19A	3	JAN 20/09
33-13-00-16	8	JAN 20/09	33-13-00-19A	4	JAN 20/09
33-13-00-17	0	MAY 28/07	33-13-00-19A	5	JAN 20/09
33-13-00-17	1	JAN 20/09	33-13-00-19A	6	JAN 20/09
33-13-00-17	2	JAN 20/09	33-13-00-19A	7	JAN 20/09
33-13-00-17	3	JAN 20/09	33-13-00-19A	8	JAN 20/09
33-13-00-17	4	JAN 20/09	33-13-00-19A	9	JAN 20/09
33-13-00-17	5	JAN 20/09	33-13-00-19A	10	JAN 20/09
33-13-00-17	6	JAN 20/09	33-13-00-20	0	MAY 28/07
33-13-00-17	7	JAN 20/09	33-13-00-20	1	JAN 20/09
33-13-00-17	8	JAN 20/09	33-13-00-20	2	JAN 20/09

* THE ASTERISK INDICATES PAGES CHANGED OR ADDED BY THE CURRENT REVISION

BRI
MAY 20/09

33 - LIST OF EFFECTIVE PAGES
PAGE 3



757

PARTS CATALOG (MAINTENANCE)

CH-SECT-UNIT-FIG	PAGE NO.	DATE	CH-SECT-UNIT-FIG	PAGE NO.	DATE
33-13-00-21	0	MAY 28/07	33-13-00-31	3	JAN 20/09
33-13-00-21	1	JAN 20/09	33-13-00-31	4	JAN 20/09
33-13-00-21	2	JAN 20/09	33-13-00-32	0	JAN 20/09
33-13-00-21	3	JAN 20/09	33-13-00-32	1	JAN 20/09
33-13-00-22A	0	MAY 28/07	33-13-00-32A	0	MAY 28/07
33-13-00-22A	1	SEP 20/08	33-13-00-32A	1	SEP 20/08
33-13-00-23	0	MAY 28/07	33-13-00-33	0	MAY 28/07
33-13-00-23	1	JAN 20/09	33-13-00-33	1	JAN 20/09
33-13-00-23	2	JAN 20/09	33-13-00-33	2	JAN 20/09
33-13-00-23	3	JAN 20/09	33-13-00-33	3	JAN 20/09
33-13-00-24	0	MAY 28/07	33-13-00-33	4	JAN 20/09
33-13-00-24	1	JAN 20/09	33-13-00-34	0	MAY 28/07
33-13-00-24	2	JAN 20/09	33-13-00-34	1	JAN 20/09
33-13-00-24	3	JAN 20/09	33-13-00-34	2	JAN 20/09
33-13-00-24	4	JAN 20/09	33-13-00-34	3	JAN 20/09
33-13-00-25	0	JAN 20/09	33-13-00-34	4	JAN 20/09
33-13-00-25	1	JAN 20/09	33-13-00-35	0	MAY 28/07
33-13-00-25	2	JAN 20/09	33-13-00-35	1	JAN 20/09
33-13-00-25A	0	MAY 28/07	33-13-00-35	2	JAN 20/09
33-13-00-25A	1	JAN 20/09	33-13-00-35A	0	MAY 28/07
33-13-00-25A	2	JAN 20/09	33-13-00-35A	1	JAN 20/09
33-13-00-26	0	MAY 28/07	33-13-00-35A	2	JAN 20/09
33-13-00-26	1	JAN 20/09	33-13-00-35A	3	JAN 20/09
33-13-00-26	2	JAN 20/09	33-13-00-36	0	MAY 28/07
33-13-00-27	0	MAY 28/07	33-13-00-36	1	JAN 20/09
33-13-00-27	1	JAN 20/09	33-13-00-36	2	JAN 20/09
33-13-00-27	2	JAN 20/09	33-13-00-36	3	JAN 20/09
33-13-00-27	3	JAN 20/09	33-13-00-36	4	JAN 20/09
33-13-00-27	4	JAN 20/09	33-13-00-37	0	MAY 28/07
33-13-00-27A	0	MAY 28/07	33-13-00-37	1	JAN 20/09
33-13-00-27A	1	JAN 20/09	33-13-00-37	2	JAN 20/09
33-13-00-27A	2	JAN 20/09	33-13-00-37	3	JAN 20/09
33-13-00-27A	3	JAN 20/09	33-13-00-37	4	JAN 20/09
33-13-00-28	0	MAY 28/07	33-13-00-37A	0	MAY 28/07
33-13-00-28	1	JAN 20/09	33-13-00-37A	1	JAN 20/09
33-13-00-28	2	JAN 20/09	33-13-00-37A	2	JAN 20/09
33-13-00-28	3	JAN 20/09	33-13-00-37A	3	JAN 20/09
33-13-00-28	4	JAN 20/09	33-13-00-37A	4	JAN 20/09
33-13-00-29	0	MAY 28/07	33-13-00-37A	5	JAN 20/09
33-13-00-29	1	JAN 20/09	33-13-00-38	0	MAY 28/07
33-13-00-29	2	JAN 20/09	33-13-00-38	1	JAN 20/09
33-13-00-29A	0	MAY 28/07	33-13-00-38	2	JAN 20/09
33-13-00-29A	1	JAN 20/09	33-13-00-38	3	JAN 20/09
33-13-00-29A	2	JAN 20/09	33-13-00-38	4	JAN 20/09
33-13-00-30	0	MAY 28/07	33-13-00-39	0	MAY 28/07
33-13-00-30	1	JAN 20/09	33-13-00-39	1	JAN 20/09
33-13-00-30	2	JAN 20/09	33-13-00-39	2	JAN 20/09
33-13-00-30	3	JAN 20/09	33-13-00-39A	0	MAY 28/07
33-13-00-31	0	MAY 28/07	33-13-00-39A	1	JAN 20/09
33-13-00-31	1	JAN 20/09	33-13-00-39A	2	JAN 20/09
33-13-00-31	2	JAN 20/09	33-13-00-40	0	MAY 28/07

* THE ASTERISK INDICATES PAGES CHANGED OR ADDED BY THE CURRENT REVISION



757

PARTS CATALOG (MAINTENANCE)

CH-SECT-UNIT-FIG	PAGE NO.	DATE	CH-SECT-UNIT-FIG	PAGE NO.	DATE
33-13-00-40	1	JAN 20/09	33-13-00-43	16	JAN 20/09
33-13-00-40	2	JAN 20/09	33-13-00-44	0	MAY 28/07
33-13-00-40	3	JAN 20/09	33-13-00-44	1	JAN 20/09
33-13-00-40	4	JAN 20/09	33-13-00-44	2	JAN 20/09
33-13-00-40	5	JAN 20/09	33-13-00-44	3	JAN 20/09
33-13-00-40	6	JAN 20/09	33-13-00-44	4	JAN 20/09
33-13-00-40	7	JAN 20/09	33-13-00-44	5	JAN 20/09
33-13-00-40	8	JAN 20/09	33-13-00-44	6	JAN 20/09
33-13-00-41	0	MAY 28/07	33-13-00-44	7	JAN 20/09
33-13-00-41	1	JAN 20/09	33-13-00-44	8	JAN 20/09
33-13-00-41	2	JAN 20/09	33-13-00-44	9	JAN 20/09
33-13-00-41	3	JAN 20/09	33-13-00-44	10	JAN 20/09
33-13-00-41	4	JAN 20/09	33-13-00-44	11	JAN 20/09
33-13-00-41	5	JAN 20/09	33-13-00-44	12	JAN 20/09
33-13-00-41	6	JAN 20/09	33-13-00-44	13	JAN 20/09
33-13-00-41	7	JAN 20/09	33-13-00-44	14	JAN 20/09
33-13-00-41	8	JAN 20/09	33-13-00-44	15	JAN 20/09
33-13-00-41	9	JAN 20/09	33-13-00-45	0	JAN 20/09
33-13-00-41	10	JAN 20/09	33-13-00-45	1	JAN 20/09
33-13-00-41	11	JAN 20/09	33-13-00-45	2	JAN 20/09
33-13-00-41	12	JAN 20/09	33-13-00-45	3	JAN 20/09
33-13-00-41	13	JAN 20/09	33-13-00-45	4	JAN 20/09
33-13-00-41	14	JAN 20/09	33-13-00-45	5	JAN 20/09
33-13-00-41	15	JAN 20/09	33-13-00-45A	0	MAY 28/07
33-13-00-41	16	JAN 20/09	33-13-00-45A	1	JAN 20/09
33-13-00-41	17	JAN 20/09	33-13-00-45A	2	JAN 20/09
33-13-00-42	0	JAN 20/09	33-13-00-45A	3	JAN 20/09
33-13-00-42	1	JAN 20/09	33-13-00-45A	4	JAN 20/09
33-13-00-42	2	JAN 20/09	33-13-00-45A	5	JAN 20/09
33-13-00-42	3	JAN 20/09	33-13-00-45A	6	JAN 20/09
33-13-00-42	4	JAN 20/09	33-13-00-45A	7	JAN 20/09
33-13-00-42A	0	MAY 28/07	33-13-00-45A	8	JAN 20/09
33-13-00-42A	1	SEP 20/08	33-13-00-45A	9	JAN 20/09
33-13-00-42A	2	SEP 20/08	33-13-00-45A	10	JAN 20/09
33-13-00-42A	3	SEP 20/08	33-13-00-46	0	MAY 28/07
33-13-00-43	0	MAY 28/07	33-13-00-46	1	SEP 20/08
33-13-00-43	1	JAN 20/09	33-13-00-46	2	JAN 20/09
33-13-00-43	2	JAN 20/09	33-13-00-46	3	JAN 20/09
33-13-00-43	3	JAN 20/09	33-13-00-46	4	JAN 20/09
33-13-00-43	4	JAN 20/09	33-13-00-46	5	JAN 20/09
33-13-00-43	5	JAN 20/09	33-13-00-46	6	JAN 20/09
33-13-00-43	6	JAN 20/09	33-13-00-46	7	JAN 20/09
33-13-00-43	7	JAN 20/09	33-13-00-46	8	JAN 20/09
33-13-00-43	8	JAN 20/09	33-13-00-46	9	JAN 20/09
33-13-00-43	9	JAN 20/09	33-13-00-46	10	JAN 20/09
33-13-00-43	10	JAN 20/09	33-13-00-46	11	JAN 20/09
33-13-00-43	11	JAN 20/09	33-13-00-46	12	JAN 20/09
33-13-00-43	12	JAN 20/09	33-13-00-46	13	JAN 20/09
33-13-00-43	13	JAN 20/09	33-13-00-47	0	MAY 28/07
33-13-00-43	14	JAN 20/09	33-13-00-47	1	JAN 20/09
33-13-00-43	15	JAN 20/09	33-13-00-47	2	JAN 20/09

* THE ASTERISK INDICATES PAGES CHANGED OR ADDED BY THE CURRENT REVISION



757

PARTS CATALOG (MAINTENANCE)

CH-SECT-UNIT-FIG	PAGE NO.	DATE	CH-SECT-UNIT-FIG	PAGE NO.	DATE
33-13-00-47	3	JAN 20/09	33-13-01- 2	0	MAY 28/07
33-13-00-47	4	JAN 20/09	33-13-01- 2	0A	MAY 28/07
33-13-00-47	5	JAN 20/09	33-13-01- 2	0B	MAY 28/07
33-13-00-47	6	JAN 20/09	33-13-01- 2	0C	MAY 28/07
33-13-00-47	7	JAN 20/09	33-13-01- 2	0D	MAY 28/07
33-13-00-47	8	JAN 20/09	33-13-01- 2	0E	MAY 28/07
33-13-00-47	9	JAN 20/09	33-13-01- 2	0F	MAY 28/07
33-13-00-47	10	JAN 20/09	33-13-01- 2	0G	MAY 28/07
33-13-00-47A	0	JAN 20/09	33-13-01- 2	0H	MAY 28/07
33-13-00-47A	1	SEP 20/08	33-13-01- 2	0I	MAY 28/07
33-13-00-47A	2	JAN 20/09	33-13-01- 2	0J	MAY 28/07
33-13-00-47A	3	JAN 20/09	33-13-01- 2	0K	MAY 28/07
33-13-00-47A	4	JAN 20/09	33-13-01- 2	0L	MAY 28/07
33-13-00-47A	5	JAN 20/09	33-13-01- 2	0M	MAY 28/07
33-13-00-47A	6	JAN 20/09	33-13-01- 2	0N	MAY 28/07
33-13-00-47A	7	JAN 20/09	33-13-01- 2	0O	MAY 28/07
33-13-00-47A	8	JAN 20/09	33-13-01- 2	0P	MAY 28/07
33-13-00-47A	9	JAN 20/09	33-13-01- 2	0Q	MAY 28/07
33-13-00-47A	10	JAN 20/09	33-13-01- 2	0R	MAY 28/07
33-13-00-47A	11	JAN 20/09	33-13-01- 2	0S	MAY 28/07
33-13-00-47A	12	JAN 20/09	33-13-01- 2	0T	MAY 28/07
33-13-00-47A	13	JAN 20/09	33-13-01- 2	0U	MAY 28/07
33-13-00-47A	14	JAN 20/09	33-13-01- 2	0V	MAY 28/07
33-13-00-47A	15	JAN 20/09	33-13-01- 2	0W	MAY 28/07
33-13-00-48	0	MAY 28/07	33-13-01- 2	0X	MAY 28/07
33-13-00-48	1	JAN 20/09	*33-13-01- 2	1	MAY 20/09
33-13-00-48	2	JAN 20/09	33-13-01- 2	2	JAN 20/09
33-13-00-48	3	JAN 20/09	33-13-01- 2	3	JAN 20/09
33-13-00-48	4	JAN 20/09	33-13-01- 2	4	JAN 20/09
33-13-00-48	5	JAN 20/09	*33-13-01- 2	5	MAY 20/09
33-13-00-48	6	JAN 20/09	33-13-01- 2	6	JAN 20/09
33-13-00-48	7	JAN 20/09	33-13-01- 2	7	JAN 20/09
33-13-00-48	8	JAN 20/09	33-13-01- 2	8	JAN 20/09
33-13-00-48	9	JAN 20/09	*33-13-01- 2	9	MAY 20/09
33-13-00-48	10	JAN 20/09	*33-13-01- 2	10	MAY 20/09
33-13-00-49	0	MAY 28/07	*33-13-01- 2	11	MAY 20/09
33-13-00-49	1	JAN 20/09	*33-13-01- 2	12	MAY 20/09
33-13-00-49	2	JAN 20/09	*33-13-01- 2	13	MAY 20/09
33-13-00-49	3	JAN 20/09	*33-13-01- 2	14	MAY 20/09
33-13-00-49	4	JAN 20/09	*33-13-01- 2	15	MAY 20/09
33-13-00-49	5	JAN 20/09	*33-13-01- 2	16	MAY 20/09
33-13-00-49	6	JAN 20/09	*33-13-01- 2	17	MAY 20/09
33-13-00-49	7	JAN 20/09	*33-13-01- 2	18	MAY 20/09
33-13-00-49A	0	MAY 28/07	*33-13-01- 2	19	MAY 20/09
33-13-00-49A	1	JAN 20/09	*33-13-01- 2	20	MAY 20/09
33-13-00-49A	2	JAN 20/09	*33-13-01- 2	21	MAY 20/09
33-13-00-49A	3	JAN 20/09	*33-13-01- 2	22	MAY 20/09
33-13-00-49A	4	JAN 20/09	*33-13-01- 2	23	MAY 20/09
33-13-00-49A	5	JAN 20/09	*33-13-01- 2	24	MAY 20/09
33-13-00-49A	6	JAN 20/09	*33-13-01- 2	25	MAY 20/09
33-13-00-49A	7	JAN 20/09	*33-13-01- 2	26	MAY 20/09

* THE ASTERISK INDICATES PAGES CHANGED OR ADDED BY THE CURRENT REVISION



757

PARTS CATALOG (MAINTENANCE)

CH-SECT-UNIT-FIG	PAGE NO.	DATE
*33-13-01- 2	27	MAY 20/09
*33-13-01- 2	28	MAY 20/09
*33-13-01- 2	29	MAY 20/09
*33-13-01- 2	30	MAY 20/09
*33-13-01- 2	31	MAY 20/09
*33-13-01- 2	32	MAY 20/09
*33-13-01- 2	33	MAY 20/09
*33-13-01- 2	34	MAY 20/09
*33-13-01- 2	35	MAY 20/09
*33-13-01- 2	36	MAY 20/09
*33-13-01- 2	37	MAY 20/09
*33-13-01- 2	38	MAY 20/09
*33-13-01- 2	39	MAY 20/09
*33-13-01- 2	40	MAY 20/09
*33-13-01- 2	41	MAY 20/09
*33-13-01- 2	42	MAY 20/09
*33-13-01- 2	43	MAY 20/09
*33-13-01- 2	44	MAY 20/09
*33-13-01- 2	45	MAY 20/09
*33-13-01- 2	46	MAY 20/09
*33-13-01- 2	47	MAY 20/09
*33-13-01- 2	48	MAY 20/09
*33-13-01- 2	49	MAY 20/09
*33-13-01- 2	50	MAY 20/09
*33-13-01- 2	51	MAY 20/09
*33-13-01- 2	52	MAY 20/09
*33-13-01- 2	53	MAY 20/09
*33-13-01- 2	54	MAY 20/09
*33-13-01- 2	55	MAY 20/09
*33-13-01- 2	56	MAY 20/09
*33-13-01- 2	57	MAY 20/09
*33-13-01- 2	58	MAY 20/09
*33-13-01- 2	59	MAY 20/09
*33-13-01- 2	60	MAY 20/09
33-13-01- 4	0	JAN 20/09
33-13-01- 4	0A	JAN 20/09
33-13-01- 4	0B	JAN 20/09
33-13-01- 4	0C	JAN 20/09
33-13-01- 4	0D	JAN 20/09
33-13-01- 4	0E	JAN 20/09
33-13-01- 4	0F	JAN 20/09
33-13-01- 4	0G	JAN 20/09
33-13-01- 4	1	JAN 20/09
*33-13-01- 4	2	MAY 20/09
33-13-01- 4	3	JAN 20/09
33-13-01- 4	4	JAN 20/09
33-13-01- 4	5	JAN 20/09
33-13-01- 4	6	JAN 20/09
33-13-01- 4	7	JAN 20/09
*33-13-01- 4	8	MAY 20/09
33-13-01- 4	9	JAN 20/09

CH-SECT-UNIT-FIG	PAGE NO.	DATE
*33-13-01- 4	10	MAY 20/09
33-13-01- 4	11	JAN 20/09
*33-13-01- 4	12	MAY 20/09
*33-13-01- 4	13	MAY 20/09
*33-13-01- 4	14	MAY 20/09
33-13-01- 4	15	JAN 20/09
*33-13-01- 4	16	MAY 20/09
*33-13-01- 4	17	MAY 20/09
33-13-01- 7	0	JAN 20/09
33-13-01- 7	0A	JAN 20/09
33-13-01- 7	0B	JAN 20/09
33-13-01- 7	0C	JAN 20/09
33-13-01- 7	0D	JAN 20/09
33-13-01- 7	0E	JAN 20/09
33-13-01- 7	0F	JAN 20/09
33-13-01- 7	0G	JAN 20/09
33-13-01- 7	0H	JAN 20/09
33-13-01- 7	0I	JAN 20/09
33-13-01- 7	0J	JAN 20/09
33-13-01- 7	0K	JAN 20/09
33-13-01- 7	1	JAN 20/09
*33-13-01- 7	2	MAY 20/09
33-13-01- 7	3	JAN 20/09
*33-13-01- 7	4	MAY 20/09
*33-13-01- 7	5	MAY 20/09
*33-13-01- 7	6	MAY 20/09
*33-13-01- 7	7	MAY 20/09
*33-13-01- 7	8	MAY 20/09
*33-13-01- 7	9	MAY 20/09
33-13-01- 7	10	JAN 20/09
*33-13-01- 7	11	MAY 20/09
*33-13-01- 7	12	MAY 20/09
33-13-01- 7	13	JAN 20/09
33-13-01- 7	14	JAN 20/09
33-13-01- 7	15	JAN 20/09
*33-13-01- 7	16	MAY 20/09
33-13-01- 7	17	JAN 20/09
33-13-01-12	0	MAY 28/07
33-13-01-12	0A	MAY 28/07
33-13-01-12	0B	MAY 28/07
33-13-01-12	0C	MAY 28/07
33-13-01-12	0D	MAY 28/07
33-13-01-12	0E	MAY 28/07
33-13-01-12	0F	MAY 28/07
33-13-01-12	0G	MAY 28/07
33-13-01-12	1	JAN 20/09
33-13-01-12	2	JAN 20/09
33-13-01-12	3	JAN 20/09
*33-13-01-12	4	MAY 20/09
*33-13-01-12	5	MAY 20/09
*33-13-01-12	6	MAY 20/09

* THE ASTERISK INDICATES PAGES CHANGED OR ADDED BY THE CURRENT REVISION



757
PARTS CATALOG (MAINTENANCE)

CH-SECT-UNIT-FIG	PAGE NO.	DATE	CH-SECT-UNIT-FIG	PAGE NO.	DATE
33-13-01-12	7	JAN 20/09	*33-13-01-23	3	MAY 20/09
*33-13-01-12	8	MAY 20/09	*33-13-01-23	4	MAY 20/09
*33-13-01-12	9	MAY 20/09	*33-13-01-23	5	MAY 20/09
33-13-01-12	10	JAN 20/09	*33-13-01-23	6	MAY 20/09
*33-13-01-12	11	MAY 20/09	*33-13-01-23	7	MAY 20/09
33-13-01-12	12	JAN 20/09	*33-13-01-23	8	MAY 20/09
*33-13-01-12	13	MAY 20/09	33-13-01-23	9	JAN 20/09
33-13-01-12	14	JAN 20/09	33-13-01-23	10	JAN 20/09
*33-13-01-12	15	MAY 20/09	33-13-01-23	11	JAN 20/09
33-13-01-12	16	JAN 20/09	33-13-01-23	12	JAN 20/09
33-13-01-12	17	JAN 20/09	*33-13-01-23	13	MAY 20/09
33-13-01-12	18	JAN 20/09	*33-13-01-23	14	MAY 20/09
33-13-01-16	0	JAN 20/09	*33-13-01-23	15	MAY 20/09
33-13-01-16	0A	JAN 20/09	*33-13-01-23	16	MAY 20/09
33-13-01-16	0B	JAN 20/09	*33-13-01-23	17	MAY 20/09
33-13-01-16	0C	JAN 20/09	*33-13-01-23	18	MAY 20/09
33-13-01-16	0D	JAN 20/09	*33-13-01-23	19	MAY 20/09
33-13-01-16	0E	JAN 20/09	*33-13-01-23	20	MAY 20/09
33-13-01-16	0F	JAN 20/09	*33-13-01-23	21	MAY 20/09
33-13-01-16	0G	JAN 20/09	*33-13-01-23	22	MAY 20/09
33-13-01-16	1	JAN 20/09	33-13-01-23	23	JAN 20/09
33-13-01-16	2	JAN 20/09	33-13-01-23	24	JAN 20/09
33-13-01-16	3	JAN 20/09	33-13-01-23	25	JAN 20/09
33-13-01-16	4	JAN 20/09	33-13-01-23	26	JAN 20/09
*33-13-01-16	5	MAY 20/09	33-13-01-23	27	JAN 20/09
*33-13-01-16	6	MAY 20/09	33-13-01-23	28	JAN 20/09
33-13-01-16	7	JAN 20/09	33-13-01-23	29	JAN 20/09
33-13-01-16	8	JAN 20/09	33-13-01-23	30	JAN 20/09
33-13-01-16	9	JAN 20/09	33-13-01-23	31	JAN 20/09
33-13-01-16	10	JAN 20/09	33-13-01-23	32	JAN 20/09
33-13-01-16	11	JAN 20/09	33-13-01-23	33	JAN 20/09
*33-13-01-16	12	MAY 20/09	33-13-01-23	34	JAN 20/09
*33-13-01-16	13	MAY 20/09	33-13-01-23	35	JAN 20/09
*33-13-01-16	14	MAY 20/09	33-13-01-23	36	JAN 20/09
*33-13-01-16	15	MAY 20/09	33-13-01-23	37	JAN 20/09
33-13-01-23	0	JAN 20/09	33-13-01-23	38	JAN 20/09
33-13-01-23	0A	JAN 20/09	33-13-01-23	39	JAN 20/09
33-13-01-23	0B	JAN 20/09	33-13-01-23	40	JAN 20/09
33-13-01-23	0C	JAN 20/09	33-13-01-39	0	MAY 28/07
33-13-01-23	0D	JAN 20/09	33-13-01-39	0A	MAY 28/07
33-13-01-23	0E	JAN 20/09	33-13-01-39	0B	MAY 28/07
33-13-01-23	0F	JAN 20/09	33-13-01-39	0C	MAY 28/07
33-13-01-23	0G	JAN 20/09	33-13-01-39	0D	MAY 28/07
33-13-01-23	0H	JAN 20/09	33-13-01-39	0E	MAY 28/07
33-13-01-23	0I	JAN 20/09	33-13-01-39	0F	MAY 28/07
33-13-01-23	0J	JAN 20/09	33-13-01-39	0G	MAY 28/07
33-13-01-23	0K	JAN 20/09	33-13-01-39	1	JAN 20/09
33-13-01-23	0L	JAN 20/09	33-13-01-39	2	JAN 20/09
33-13-01-23	0M	JAN 20/09	33-13-01-39	3	JAN 20/09
33-13-01-23	1	JAN 20/09	33-13-01-39	4	JAN 20/09
*33-13-01-23	2	MAY 20/09	33-13-01-39	5	JAN 20/09

* THE ASTERISK INDICATES PAGES CHANGED OR ADDED BY THE CURRENT REVISION



757
PARTS CATALOG (MAINTENANCE)

CH-SECT-UNIT-FIG	PAGE NO.	DATE	CH-SECT-UNIT-FIG	PAGE NO.	DATE
33-13-01-39	6	JAN 20/09	33-13-01-65	0J	JAN 20/09
33-13-01-39	7	JAN 20/09	33-13-01-65	OK	JAN 20/09
33-13-01-39	8	JAN 20/09	33-13-01-65	OL	JAN 20/09
33-13-01-39	9	JAN 20/09	33-13-01-65	OM	JAN 20/09
33-13-01-39	10	JAN 20/09	33-13-01-65	ON	JAN 20/09
33-13-01-39	11	JAN 20/09	33-13-01-65	OO	JAN 20/09
33-13-01-39	12	JAN 20/09	33-13-01-65	1	JAN 20/09
33-13-01-39	13	JAN 20/09	33-13-01-65	2	JAN 20/09
33-13-01-39	14	JAN 20/09	33-13-01-65	3	JAN 20/09
33-13-01-39	15	JAN 20/09	33-13-01-65	4	JAN 20/09
33-13-01-39	16	JAN 20/09	33-13-01-65	5	JAN 20/09
33-13-01-39	17	JAN 20/09	33-13-01-65	6	JAN 20/09
33-13-01-39	18	JAN 20/09	33-13-01-65	7	JAN 20/09
33-13-01-39	19	JAN 20/09	33-13-01-65	8	JAN 20/09
33-13-01-39	20	JAN 20/09	33-13-01-65	9	JAN 20/09
33-13-01-39	21	JAN 20/09	33-13-01-65	10	JAN 20/09
33-13-01-39	22	JAN 20/09	33-13-01-65	11	JAN 20/09
33-13-01-39	23	JAN 20/09	33-13-01-65	12	JAN 20/09
33-13-01-39	24	JAN 20/09	33-13-01-65	13	JAN 20/09
33-13-01-39	25	JAN 20/09	33-13-01-65	14	JAN 20/09
33-13-01-39	26	JAN 20/09	33-13-01-65	15	JAN 20/09
33-13-01-39	27	JAN 20/09	33-13-01-65	16	JAN 20/09
33-13-01-39	28	JAN 20/09	33-13-01-65	17	JAN 20/09
33-13-01-39	29	JAN 20/09	33-13-01-65	18	JAN 20/09
33-13-01-39	30	JAN 20/09	33-13-01-65	19	JAN 20/09
33-13-01-39	31	JAN 20/09	33-13-01-65	20	JAN 20/09
33-13-01-39	32	JAN 20/09	33-13-01-65	21	JAN 20/09
33-13-01-39	33	JAN 20/09	33-13-01-65	22	JAN 20/09
*33-13-01-39	34	MAY 20/09	33-13-01-65	23	JAN 20/09
33-13-01-39	35	JAN 20/09	33-13-01-65	24	JAN 20/09
33-13-01-39	36	JAN 20/09	33-13-01-65	25	JAN 20/09
33-13-01-39	37	JAN 20/09	33-13-01-65	26	JAN 20/09
33-13-01-39	38	JAN 20/09	33-13-01-65	27	JAN 20/09
33-13-01-39	39	JAN 20/09	33-13-01-65	28	JAN 20/09
33-13-01-39	40	JAN 20/09	33-13-01-65	29	JAN 20/09
33-13-01-39	41	JAN 20/09	33-13-01-65	30	JAN 20/09
33-13-01-39	42	JAN 20/09	33-13-01-65	31	JAN 20/09
33-13-01-63	0	MAY 28/07	33-13-01-70	0	MAY 28/07
33-13-01-63	1	SEP 20/08	33-13-01-70	0A	MAY 28/07
33-13-01-63	2	SEP 20/08	33-13-01-70	0B	MAY 28/07
33-13-01-63	3	SEP 20/08	33-13-01-70	0C	MAY 28/07
33-13-01-65	0	JAN 20/09	33-13-01-70	0D	MAY 28/07
33-13-01-65	0A	JAN 20/09	33-13-01-70	0E	MAY 28/07
33-13-01-65	0B	JAN 20/09	33-13-01-70	0F	MAY 28/07
33-13-01-65	0C	JAN 20/09	33-13-01-70	0G	MAY 28/07
33-13-01-65	0D	JAN 20/09	33-13-01-70	0H	MAY 28/07
33-13-01-65	0E	JAN 20/09	33-13-01-70	0I	MAY 20/08
33-13-01-65	0F	JAN 20/09	33-13-01-70	0J	MAY 28/07
33-13-01-65	0G	JAN 20/09	33-13-01-70	OK	MAY 28/07
33-13-01-65	0H	JAN 20/09	33-13-01-70	OL	MAY 28/07
33-13-01-65	0I	JAN 20/09	33-13-01-70	OM	MAY 28/07

* THE ASTERISK INDICATES PAGES CHANGED OR ADDED BY THE CURRENT REVISION



757

PARTS CATALOG (MAINTENANCE)

CH-SECT-UNIT-FIG	PAGE NO.	DATE	CH-SECT-UNIT-FIG	PAGE NO.	DATE
33-13-01-70	0N	MAY 28/07	33-13-01-71	0	MAY 28/07
33-13-01-70	00	MAY 28/07	33-13-01-71	0A	MAY 28/07
33-13-01-70	0P	MAY 28/07	33-13-01-71	0B	MAY 28/07
33-13-01-70	0Q	MAY 28/07	33-13-01-71	0C	MAY 28/07
33-13-01-70	1	JAN 20/09	33-13-01-71	0D	MAY 28/07
33-13-01-70	2	JAN 20/09	33-13-01-71	0E	MAY 28/07
33-13-01-70	3	JAN 20/09	33-13-01-71	0F	MAY 28/07
*33-13-01-70	4	MAY 20/09	33-13-01-71	0G	MAY 28/07
*33-13-01-70	5	MAY 20/09	33-13-01-71	0H	JAN 20/08
33-13-01-70	6	JAN 20/09	33-13-01-71	0I	MAY 28/07
33-13-01-70	7	JAN 20/09	33-13-01-71	0J	MAY 28/07
33-13-01-70	8	JAN 20/09	33-13-01-71	0K	MAY 28/07
33-13-01-70	9	JAN 20/09	33-13-01-71	0L	MAY 28/07
33-13-01-70	10	JAN 20/09	33-13-01-71	0M	MAY 28/07
33-13-01-70	11	JAN 20/09	33-13-01-71	0N	MAY 28/07
33-13-01-70	12	JAN 20/09	33-13-01-71	0O	MAY 28/07
33-13-01-70	13	JAN 20/09	33-13-01-71	0P	MAY 28/07
33-13-01-70	14	JAN 20/09	33-13-01-71	0Q	MAY 28/07
33-13-01-70	15	JAN 20/09	33-13-01-71	0R	MAY 28/07
33-13-01-70	16	JAN 20/09	33-13-01-71	1	JAN 20/09
*33-13-01-70	17	MAY 20/09	33-13-01-71	2	JAN 20/09
33-13-01-70	18	JAN 20/09	*33-13-01-71	3	MAY 20/09
*33-13-01-70	19	MAY 20/09	33-13-01-71	4	JAN 20/09
33-13-01-70	20	JAN 20/09	33-13-01-71	5	JAN 20/09
*33-13-01-70	21	MAY 20/09	33-13-01-71	6	JAN 20/09
33-13-01-70	22	JAN 20/09	33-13-01-71	7	JAN 20/09
33-13-01-70	23	JAN 20/09	33-13-01-71	8	JAN 20/09
33-13-01-70	24	JAN 20/09	33-13-01-71	9	JAN 20/09
33-13-01-70	25	JAN 20/09	33-13-01-71	10	JAN 20/09
33-13-01-70	26	JAN 20/09	33-13-01-71	11	JAN 20/09
33-13-01-70	27	JAN 20/09	33-13-01-71	12	JAN 20/09
33-13-01-70	28	JAN 20/09	33-13-01-71	13	JAN 20/09
33-13-01-70	29	JAN 20/09	33-13-01-71	14	MAY 20/09
33-13-01-70	30	JAN 20/09	*33-13-01-71	15	MAY 20/09
33-13-01-70	31	JAN 20/09	33-13-01-71	16	JAN 20/09
33-13-01-70	32	JAN 20/09	33-13-01-71	17	JAN 20/09
33-13-01-70	33	JAN 20/09	*33-13-01-71	18	MAY 20/09
33-13-01-70	34	JAN 20/09	33-13-01-71	19	JAN 20/09
33-13-01-70	35	JAN 20/09	*33-13-01-71	20	MAY 20/09
*33-13-01-70	36	MAY 20/09	33-13-01-71	21	JAN 20/09
33-13-01-70	37	JAN 20/09	33-13-01-71	22	JAN 20/09
33-13-01-70	38	JAN 20/09	33-13-01-71	23	JAN 20/09
*33-13-01-70	39	MAY 20/09	33-13-01-71	24	JAN 20/09
33-13-01-70	40	JAN 20/09	33-13-01-71	25	JAN 20/09
33-13-01-70	41	JAN 20/09	33-13-01-71	26	JAN 20/09
33-13-01-70	42	JAN 20/09	33-13-01-71	27	JAN 20/09
33-13-01-70	43	JAN 20/09	33-13-01-71	28	JAN 20/09
33-13-01-70	44	JAN 20/09	33-13-01-71	29	JAN 20/09
*33-13-01-70	45	MAY 20/09	33-13-01-71	30	JAN 20/09
33-13-01-70	46	JAN 20/09	33-13-01-71	31	JAN 20/09
33-13-01-70	47	JAN 20/09	33-13-01-71	32	JAN 20/09

* THE ASTERISK INDICATES PAGES CHANGED OR ADDED BY THE CURRENT REVISION



757
PARTS CATALOG (MAINTENANCE)

CH-SECT-UNIT-FIG	PAGE NO.	DATE	CH-SECT-UNIT-FIG	PAGE NO.	DATE
33-13-01-71	33	JAN 20/09	33-13-51-50B	2	JAN 20/09
*33-13-01-71	34	MAY 20/09	33-13-51-50B	3	JAN 20/09
33-13-01-71	35	JAN 20/09	33-13-51-50B	4	JAN 20/09
33-13-01-71	36	JAN 20/09	33-13-51-50B	5	JAN 20/09
33-13-01-71	37	JAN 20/09	33-13-51-50B	6	JAN 20/09
33-13-01-71	38	JAN 20/09	33-13-51-50B	7	JAN 20/09
33-13-01-71	39	JAN 20/09	33-13-51-50B	8	JAN 20/09
*33-13-01-71	40	MAY 20/09	33-13-51-50B	9	JAN 20/09
33-13-01-71	41	JAN 20/09	33-13-51-50C	0	MAY 28/07
33-13-01-71	42	JAN 20/09	33-13-51-50C	1	SEP 20/08
33-13-01-71	43	JAN 20/09	33-13-51-50C	2	SEP 20/08
33-13-01-71	44	JAN 20/09	33-13-51-50C	3	SEP 20/08
*33-13-01-71	45	MAY 20/09	33-13-51-50D	0	MAY 28/07
33-13-01-71	46	JAN 20/09	33-13-51-50D	1	JAN 20/09
33-13-02- 1	0	MAY 28/07	33-13-51-50D	2	JAN 20/09
33-13-02- 1	0A	MAY 28/07	33-13-51-50D	2	JAN 20/09
33-13-02- 1	1	JAN 20/09	33-13-51-50E	0	MAY 28/07
33-13-02- 1	2	JAN 20/09	*33-13-51-50E	1	MAY 20/09
33-13-02- 2	0	MAY 28/07	33-13-51-50F	0	MAY 28/07
33-13-02- 2	1	JAN 20/09	33-13-51-50F	1	JAN 20/09
33-13-02- 3	0	MAY 28/07	33-13-51-50F	2	JAN 20/09
33-13-02- 3	1	JAN 20/09	33-13-51-50G	0	MAY 28/07
33-13-02- 3	2	JAN 20/09	33-13-51-50G	1	JAN 20/09
33-13-02- 3	3	JAN 20/09	33-13-51-51	0	MAY 28/07
33-13-02- 3	4	JAN 20/09	33-13-51-51	1	JAN 20/09
33-13-02- 3	5	JAN 20/09	33-13-51-51	2	JAN 20/09
33-13-02- 3	6	JAN 20/09	33-13-51-52	0	MAY 28/07
33-13-02- 3	7	JAN 20/09	33-13-51-52	1	JAN 20/09
33-13-02- 3	7	JAN 20/09	33-13-51-52	2	JAN 20/09
33-13-51- 1	0	MAY 28/07	33-13-51-52	3	JAN 20/09
33-13-51- 1	1	JAN 20/09	33-13-51-52	4	JAN 20/09
33-13-51- 1	2	JAN 20/09	33-13-51-52A	0	MAY 28/07
33-13-51- 1	3	JAN 20/09	33-13-51-52A	1	JAN 20/09
33-13-51- 1	4	JAN 20/09	33-13-51-52A	2	JAN 20/09
33-13-51- 1	5	JAN 20/09	33-13-51-52A	3	JAN 20/09
33-13-51-50	0	SEP 20/08	33-13-51-52A	4	JAN 20/09
33-13-51-50	0A	MAY 28/07	33-13-51-52A	5	JAN 20/09
33-13-51-50	1	JAN 20/09	33-13-51-52B	0	JAN 20/09
33-13-51-50	2	JAN 20/09	33-13-51-52B	1	JAN 20/09
33-13-51-50	3	JAN 20/09	33-13-51-52B	2	JAN 20/09
33-13-51-50	4	JAN 20/09	33-13-51-52D	0	MAY 28/07
33-13-51-50	5	JAN 20/09	33-13-51-52D	1	JAN 20/09
33-13-51-50	6	JAN 20/09	33-13-51-52E	0	MAY 28/07
33-13-51-50	7	JAN 20/09	33-13-51-52E	0A	MAY 28/07
33-13-51-50	8	JAN 20/09	33-13-51-52E	1	JAN 20/09
33-13-51-50	9	JAN 20/09	33-13-51-52F	0	MAY 28/07
33-13-51-50	10	JAN 20/09	33-13-51-52F	1	SEP 20/08
33-13-51-50	11	JAN 20/09	33-13-51-52F	2	SEP 20/08
33-13-51-50B	0	MAY 28/07	33-13-51-52G	0	JAN 20/09
33-13-51-50B	0A	MAY 20/08	33-13-51-52G	1	JAN 20/09
33-13-51-50B	0B	MAY 28/07	33-13-51-52K	0	JAN 20/09
33-13-51-50B	1	JAN 20/09	33-13-51-52K	1	JAN 20/09

* THE ASTERISK INDICATES PAGES CHANGED OR ADDED BY THE CURRENT REVISION



757

PARTS CATALOG (MAINTENANCE)

CH-SECT-UNIT-FIG	PAGE NO.	DATE	CH-SECT-UNIT-FIG	PAGE NO.	DATE
33-13-51-52L	0	JAN 20/09	33-13-54- 2	1	JAN 20/09
33-13-51-52L	1	JAN 20/09	33-13-54- 2	2	JAN 20/09
33-13-51-52M	0	JAN 20/09	33-13-54- 2	3	JAN 20/09
33-13-51-52M	1	JAN 20/09	33-13-54- 2	4	JAN 20/09
33-13-51-52N	0	JAN 20/09	33-13-55- 1	0	MAY 28/07
33-13-51-52N	1	JAN 20/09	33-13-55- 1	1	JAN 20/09
33-13-51-52P	0	MAY 28/07	33-13-55- 1	2	JAN 20/09
33-13-51-52P	1	JAN 20/09	33-13-55- 1	3	JAN 20/09
33-13-51-52P	2	JAN 20/09	33-13-55- 1	4	JAN 20/09
33-13-51-52P	3	JAN 20/09	33-13-57- 1	0	MAY 20/08
33-13-51-52S	0	MAY 28/07	33-13-57- 1	0A	MAY 28/07
33-13-51-52S	0A	MAY 28/07	33-13-57- 1	0B	MAY 28/07
33-13-51-52S	1	JAN 20/09	33-13-57- 1	0C	MAY 28/07
33-13-51-52S	2	JAN 20/09	33-13-57- 1	0D	MAY 28/07
33-13-51-52U	0	MAY 28/07	33-13-57- 1	0E	MAY 28/07
33-13-51-52U	0A	MAY 28/07	33-13-57- 1	0F	MAY 28/07
33-13-51-52U	1	JAN 20/09	33-13-57- 1	0G	MAY 28/07
33-13-51-52U	2	JAN 20/09	33-13-57- 1	0H	MAY 28/07
33-13-51-53	0	MAY 28/07	33-13-57- 1	0I	MAY 28/07
33-13-51-53	1	JAN 20/09	33-13-57- 1	0J	MAY 28/07
33-13-51-53	2	JAN 20/09	33-13-57- 1	0K	MAY 28/07
33-13-51-54	0	MAY 28/07	33-13-57- 1	0L	MAY 20/08
33-13-51-54	0A	MAY 28/07	33-13-57- 1	0M	MAY 20/08
33-13-51-54	0B	MAY 28/07	33-13-57- 1	0N	MAY 28/07
33-13-51-54	1	JAN 20/09	33-13-57- 1	0O	MAY 28/07
33-13-51-54	2	JAN 20/09	33-13-57- 1	0P	MAY 28/07
33-13-51-54A	0	MAY 28/07	33-13-57- 1	0Q	MAY 28/07
33-13-51-54A	1	JAN 20/09	33-13-57- 1	0R	MAY 28/07
33-13-51-54A	2	JAN 20/09	33-13-57- 1	0S	MAY 20/08
33-13-51-55	0	MAY 28/07	33-13-57- 1	0T	MAY 28/07
33-13-51-55	0A	MAY 28/07	33-13-57- 1	1	JAN 20/09
33-13-51-55	1	JAN 20/09	33-13-57- 1	2	JAN 20/09
33-13-51-55	2	JAN 20/09	33-13-57- 1	3	JAN 20/09
33-13-51-55	3	JAN 20/09	33-13-57- 1	4	JAN 20/09
33-13-51-55	4	JAN 20/09	33-13-57- 1	5	JAN 20/09
33-13-51-55	5	JAN 20/09	33-13-57- 1	6	JAN 20/09
33-13-51-55	6	JAN 20/09	33-13-57- 1	7	JAN 20/09
33-13-51-55	7	JAN 20/09	33-13-57- 1	8	JAN 20/09
33-13-51-56	0	MAY 28/07	33-13-57- 1	9	JAN 20/09
33-13-51-56	0A	MAY 28/07	*33-13-57- 1	10	MAY 20/09
33-13-51-56	0B	MAY 28/07	33-13-57- 1	11	JAN 20/09
33-13-51-56	1	SEP 20/08	33-13-57- 1	12	JAN 20/09
33-13-51-56	2	SEP 20/08	33-13-57- 1	13	JAN 20/09
33-13-51-56	3	SEP 20/08	33-13-57- 1	14	JAN 20/09
33-13-54- 1	0	MAY 28/07	*33-13-57- 1	15	MAY 20/09
33-13-54- 1	1	JAN 20/09	33-13-57- 1	16	JAN 20/09
33-13-54- 1	2	JAN 20/09	33-13-57- 1	17	JAN 20/09
33-13-54- 1	3	JAN 20/09	33-13-57- 1	18	JAN 20/09
33-13-54- 1	4	JAN 20/09	33-13-57- 1	19	JAN 20/09
33-13-54- 1	5	JAN 20/09	33-13-57- 1A	0	MAY 20/08
33-13-54- 2	0	MAY 28/07	33-13-57- 1A	0A	MAY 28/07

* THE ASTERISK INDICATES PAGES CHANGED OR ADDED BY THE CURRENT REVISION



757
PARTS CATALOG (MAINTENANCE)

CH-SECT-UNIT-FIG	PAGE NO.	DATE	CH-SECT-UNIT-FIG	PAGE NO.	DATE
33-13-57- 1A	0B	MAY 28/07	33-13-57- 2	0	MAY 20/08
33-13-57- 1A	0C	MAY 28/07	33-13-57- 2	0A	MAY 28/07
33-13-57- 1A	0D	MAY 28/07	33-13-57- 2	0B	MAY 28/07
33-13-57- 1A	0E	MAY 28/07	33-13-57- 2	0C	MAY 28/07
33-13-57- 1A	0F	MAY 28/07	33-13-57- 2	0D	MAY 28/07
33-13-57- 1A	0G	MAY 28/07	33-13-57- 2	0E	MAY 28/07
33-13-57- 1A	0H	MAY 28/07	33-13-57- 2	0F	MAY 28/07
33-13-57- 1A	0I	MAY 28/07	33-13-57- 2	0G	MAY 28/07
33-13-57- 1A	0J	MAY 28/07	33-13-57- 2	0H	MAY 28/07
33-13-57- 1A	0K	MAY 28/07	33-13-57- 2	0I	MAY 20/08
33-13-57- 1A	0L	MAY 28/07	33-13-57- 2	0J	MAY 28/07
33-13-57- 1A	0M	MAY 28/07	33-13-57- 2	0K	MAY 28/07
33-13-57- 1A	0N	MAY 28/07	33-13-57- 2	0L	MAY 20/08
33-13-57- 1A	0O	MAY 28/07	*33-13-57- 2	1	MAY 20/09
33-13-57- 1A	0P	JAN 20/09	33-13-57- 2	2	JAN 20/09
33-13-57- 1A	0Q	MAY 20/08	*33-13-57- 2	3	MAY 20/09
33-13-57- 1A	1	JAN 20/09	33-13-57- 2	4	JAN 20/09
33-13-57- 1A	2	JAN 20/09	33-13-57- 2	5	JAN 20/09
*33-13-57- 1A	3	MAY 20/09	33-13-57- 2	6	JAN 20/09
33-13-57- 1A	4	JAN 20/09	33-13-57- 2	7	JAN 20/09
*33-13-57- 1A	5	MAY 20/09	33-13-57- 2	8	JAN 20/09
33-13-57- 1A	6	JAN 20/09	33-13-57- 2	9	JAN 20/09
33-13-57- 1A	7	JAN 20/09	33-13-57- 2	10	JAN 20/09
33-13-57- 1A	8	JAN 20/09	33-13-58- 1	0	SEP 20/08
33-13-57- 1A	9	JAN 20/09	33-13-58- 1	0A	JAN 20/09
33-13-57- 1A	10	JAN 20/09	33-13-58- 1	0B	MAY 28/07
33-13-57- 1A	11	JAN 20/09	33-13-58- 1	0C	MAY 28/07
33-13-57- 1A	12	JAN 20/09	33-13-58- 1	0D	MAY 28/07
33-13-57- 1A	13	JAN 20/09	33-13-58- 1	0E	MAY 28/07
33-13-57- 1A	14	JAN 20/09	33-13-58- 1	0F	MAY 28/07
33-13-57- 1A	15	JAN 20/09	33-13-58- 1	0G	MAY 28/07
33-13-57- 1A	16	JAN 20/09	33-13-58- 1	0H	MAY 28/07
*33-13-57- 1A	17	MAY 20/09	33-13-58- 1	0I	MAY 28/07
*33-13-57- 1A	18	MAY 20/09	33-13-58- 1	0J	JAN 20/09
33-13-57- 1A	19	JAN 20/09	33-13-58- 1	0K	MAY 28/07
33-13-57- 1A	20	JAN 20/09	33-13-58- 1	0L	MAY 28/07
33-13-57- 1A	21	JAN 20/09	33-13-58- 1	1	JAN 20/09
33-13-57- 1A	22	JAN 20/09	33-13-58- 1	2	JAN 20/09
33-13-57- 1A	23	JAN 20/09	33-13-58- 1	3	JAN 20/09
33-13-57- 1A	24	JAN 20/09	33-13-58- 1	4	JAN 20/09
33-13-57- 1A	25	JAN 20/09	33-13-58- 1	5	JAN 20/09
33-13-57- 1A	26	JAN 20/09	33-13-58- 1	6	JAN 20/09
33-13-57- 1A	27	JAN 20/09	33-13-58- 1	7	JAN 20/09
33-13-57- 1A	28	JAN 20/09	33-13-58- 1	8	JAN 20/09
33-13-57- 1A	29	JAN 20/09	33-13-58- 1	9	JAN 20/09
33-13-57- 1A	30	JAN 20/09	33-13-58- 1	10	JAN 20/09
33-13-57- 1A	31	JAN 20/09	33-13-58- 1	11	JAN 20/09
33-13-57- 1A	32	JAN 20/09	33-13-58- 1	12	JAN 20/09
33-13-57- 1A	33	JAN 20/09	*33-13-58- 1	13	MAY 20/09
*33-13-57- 1A	34	MAY 20/09	*33-13-58- 1	14	MAY 20/09
33-13-57- 1A	35	JAN 20/09	*33-13-58- 1	15	MAY 20/09

* THE ASTERISK INDICATES PAGES CHANGED OR ADDED BY THE CURRENT REVISION



757

PARTS CATALOG (MAINTENANCE)

CH-SECT-UNIT-FIG	PAGE NO.	DATE
33-13-58- 1	16	JAN 20/09
33-13-58- 1	17	JAN 20/09
33-13-58- 1	18	JAN 20/09
33-13-58- 1	19	JAN 20/09
33-13-58- 1	20	JAN 20/09
*33-13-58- 1	21	MAY 20/09
33-13-58- 1	22	JAN 20/09
33-13-58- 1	23	JAN 20/09
*33-13-58- 1	24	MAY 20/09
*33-13-58- 1	25	MAY 20/09
33-13-58- 1	26	JAN 20/09
33-13-58- 1	27	JAN 20/09
33-13-58- 1	28	JAN 20/09
33-13-58- 1	29	JAN 20/09
33-13-58- 1	30	JAN 20/09
33-13-58- 1	31	JAN 20/09
33-13-58- 1	32	JAN 20/09
33-13-58- 2	0	MAY 28/07
33-13-58- 2	0A	MAY 28/07
33-13-58- 2	0B	MAY 28/07
33-13-58- 2	0C	MAY 28/07
33-13-58- 2	0D	MAY 28/07
33-13-58- 2	0E	MAY 28/07
33-13-58- 2	0F	MAY 28/07
33-13-58- 2	0G	MAY 28/07
33-13-58- 2	0H	MAY 28/07
33-13-58- 2	0I	MAY 28/07
33-13-58- 2	0J	MAY 28/07
33-13-58- 2	0K	MAY 28/07
33-13-58- 2	0L	MAY 28/07
33-13-58- 2	1	JAN 20/09
33-13-58- 2	2	JAN 20/09
33-13-58- 2	3	JAN 20/09
33-13-58- 2	4	JAN 20/09
33-13-58- 2	5	JAN 20/09
33-13-58- 2	6	JAN 20/09
*33-13-58- 2	7	MAY 20/09
*33-13-58- 2	8	MAY 20/09
33-13-58- 2	9	JAN 20/09
33-13-58- 2	10	JAN 20/09
33-13-58- 2	11	JAN 20/09
*33-13-58- 2	12	MAY 20/09
33-13-58- 2	13	JAN 20/09
*33-13-58- 2	14	MAY 20/09
*33-13-58- 2	15	MAY 20/09
33-13-58- 2	16	JAN 20/09
*33-13-58- 2	17	MAY 20/09
33-13-58- 2	18	JAN 20/09
33-13-58- 2	19	JAN 20/09
33-13-58- 2	20	JAN 20/09
33-13-58- 3	0	MAY 28/07

CH-SECT-UNIT-FIG	PAGE NO.	DATE
33-13-58- 3	0A	MAY 28/07
33-13-58- 3	1	JAN 20/09
33-13-58- 3	2	JAN 20/09
33-13-58- 3	3	JAN 20/09
33-13-58- 3	4	JAN 20/09
33-13-58- 3	5	JAN 20/09
33-13-58- 3	6	JAN 20/09
33-13-60- 1	0	MAY 28/07
33-13-60- 1	0A	MAY 28/07
33-13-60- 1	0B	MAY 28/07
33-13-60- 1	0C	MAY 28/07
33-13-60- 1	1	JAN 20/09
33-13-60- 1	2	JAN 20/09
33-13-60- 1	3	JAN 20/09
33-13-60- 1	4	JAN 20/09
33-13-60- 1	5	JAN 20/09
33-13-60- 1	6	JAN 20/09
33-13-60- 1	7	JAN 20/09
33-13-60- 1	8	JAN 20/09
33-13-60- 1	9	JAN 20/09
33-13-60- 1	10	JAN 20/09
33-13-60- 2	0	MAY 28/07
33-13-60- 2	0A	MAY 28/07
33-13-60- 2	0B	MAY 28/07
33-13-60- 2	0C	MAY 28/07
33-13-60- 2	0D	MAY 28/07
33-13-60- 2	1	JAN 20/09
33-13-60- 2	2	JAN 20/09
33-13-60- 2	3	JAN 20/09
33-13-60- 2	4	JAN 20/09
33-13-60- 2	5	JAN 20/09
33-13-61- 1	0	MAY 28/07
33-13-61- 1	0A	MAY 28/07
33-13-61- 1	1	JAN 20/09
33-13-61- 1	2	JAN 20/09
33-13-61- 2	0	MAY 28/07
33-13-61- 2	0A	MAY 28/07
33-13-61- 2	0B	MAY 28/07
33-13-61- 2	1	JAN 20/09
33-13-61- 2	2	JAN 20/09
33-13-61- 2	3	JAN 20/09
33-13-61- 2	4	JAN 20/09
33-13-61- 2	5	JAN 20/09
33-13-65- 1	0	SEP 20/08
33-13-65- 1	1	JAN 20/09
33-13-65- 1	2	JAN 20/09
33-13-65- 1	3	JAN 20/09
33-13-65- 1	4	JAN 20/09
33-13-65- 1	5	JAN 20/09
33-13-65- 1	6	JAN 20/09
33-13-65- 1	7	JAN 20/09

* THE ASTERISK INDICATES PAGES CHANGED OR ADDED BY THE CURRENT REVISION



757

PARTS CATALOG (MAINTENANCE)

CH-SECT-UNIT-FIG	PAGE NO.	DATE	CH-SECT-UNIT-FIG	PAGE NO.	DATE
33-13-65- 1	8	JAN 20/09	33-13-66- 4	7	JAN 20/09
33-13-65- 1	9	JAN 20/09	33-13-66- 4	8	JAN 20/09
33-13-65- 1	10	JAN 20/09	33-13-66- 4	9	JAN 20/09
33-13-65- 1	11	JAN 20/09	33-13-66- 4	10	JAN 20/09
33-13-65- 4	0	MAY 28/07	33-13-66- 4	11	JAN 20/09
33-13-65- 4	1	JAN 20/09	33-13-66- 4	12	JAN 20/09
33-13-65- 4	2	JAN 20/09	33-13-66- 4	13	JAN 20/09
33-13-65- 4	3	JAN 20/09	33-13-66- 4	14	JAN 20/09
33-13-65- 4	4	JAN 20/09	33-13-67- 1	0	JAN 20/09
33-13-65- 4	5	JAN 20/09	33-13-67- 1	1	JAN 20/09
33-13-65- 4	6	JAN 20/09	33-13-67- 1	2	JAN 20/09
33-13-65- 4	7	JAN 20/09	33-13-67- 1	3	JAN 20/09
33-13-65- 4	8	JAN 20/09	33-13-67- 1	4	JAN 20/09
33-13-65- 4	9	JAN 20/09	33-13-67- 1	5	JAN 20/09
33-13-65- 4	10	JAN 20/09	33-13-67- 1	6	JAN 20/09
33-13-66- 1	0	SEP 20/08	33-13-67- 1	7	JAN 20/09
33-13-66- 1	1	JAN 20/09	33-13-67- 1	8	JAN 20/09
33-13-66- 1	2	JAN 20/09	33-13-67- 1	9	JAN 20/09
33-13-66- 1	3	JAN 20/09	33-13-67- 1	10	JAN 20/09
33-13-66- 1	4	JAN 20/09	33-13-67- 1	11	JAN 20/09
33-13-66- 1	5	JAN 20/09	33-13-67- 3	0	MAY 28/07
33-13-66- 1	6	JAN 20/09	33-13-67- 3	1	SEP 20/08
33-13-66- 1	7	JAN 20/09	33-13-67- 3	2	SEP 20/08
33-13-66- 1	8	JAN 20/09	33-13-67- 3	3	SEP 20/08
33-13-66- 1	9	JAN 20/09	33-13-67- 3	4	SEP 20/08
33-13-66- 2	0	SEP 20/08	33-13-67- 3	5	SEP 20/08
33-13-66- 2	1	JAN 20/09	33-13-67- 3	6	SEP 20/08
33-13-66- 2	2	JAN 20/09	33-13-67- 3	7	SEP 20/08
33-13-66- 2	3	JAN 20/09	33-13-67- 4	0	MAY 28/07
33-13-66- 2	4	JAN 20/09	33-13-67- 4	1	JAN 20/09
33-13-66- 2	5	JAN 20/09	33-13-67- 4	2	JAN 20/09
33-13-66- 2	6	JAN 20/09	33-13-67- 4	3	JAN 20/09
33-13-66- 2	7	JAN 20/09	33-13-67- 4	4	JAN 20/09
33-13-66- 2	8	JAN 20/09	33-13-67- 4	5	JAN 20/09
33-13-66- 2	9	JAN 20/09	33-13-67- 4	6	JAN 20/09
33-13-66- 2	10	JAN 20/09	33-13-67- 4	7	JAN 20/09
33-13-66- 3	0	MAY 28/07	33-13-67- 4	8	JAN 20/09
33-13-66- 3	1	SEP 20/08	33-13-67- 4	9	JAN 20/09
33-13-66- 3	2	SEP 20/08	33-13-67- 4	10	JAN 20/09
33-13-66- 3	3	JAN 20/09	33-13-67- 4	11	JAN 20/09
33-13-66- 3	4	SEP 20/08	33-13-67- 4	12	JAN 20/09
33-13-66- 3	5	SEP 20/08	33-13-67- 4	13	JAN 20/09
33-13-66- 3	6	SEP 20/08	33-13-68- 1	0	MAY 28/07
33-13-66- 3	7	SEP 20/08	33-13-68- 1	1	JAN 20/09
33-13-66- 4	0	MAY 28/07	33-13-68- 1	2	JAN 20/09
33-13-66- 4	1	JAN 20/09	33-13-68- 1	3	JAN 20/09
33-13-66- 4	2	JAN 20/09	33-13-68- 1	4	JAN 20/09
33-13-66- 4	3	JAN 20/09	33-13-68- 1	5	JAN 20/09
33-13-66- 4	4	JAN 20/09	33-13-68- 1	6	JAN 20/09
33-13-66- 4	5	JAN 20/09	33-13-68- 1	7	JAN 20/09
33-13-66- 4	6	JAN 20/09	33-13-68- 1	8	JAN 20/09

* THE ASTERISK INDICATES PAGES CHANGED OR ADDED BY THE CURRENT REVISION



757

PARTS CATALOG (MAINTENANCE)

CH-SECT-UNIT-FIG	PAGE NO.	DATE	CH-SECT-UNIT-FIG	PAGE NO.	DATE
33-13-68- 1	9	JAN 20/09	33-14-51- 2	3	JAN 20/09
33-13-68- 1	10	JAN 20/09	33-14-51- 2	4	JAN 20/09
33-13-68- 1	11	JAN 20/09	33-14-51- 2	5	JAN 20/09
33-13-68- 1	12	JAN 20/09	33-14-51- 2	6	JAN 20/09
33-13-68- 3	0	MAY 28/07	33-14-51- 2	7	JAN 20/09
33-13-68- 3	1	JAN 20/09	33-14-51- 2	8	JAN 20/09
33-13-68- 3	2	SEP 20/08	33-14-51- 2	9	JAN 20/09
33-13-68- 3	3	SEP 20/08	33-14-51- 2	10	JAN 20/09
33-13-68- 3	4	SEP 20/08	33-14-51- 2	11	JAN 20/09
33-13-68- 3	5	SEP 20/08	33-14-51- 2	12	JAN 20/09
33-13-68- 3	6	SEP 20/08	33-14-51- 2	13	JAN 20/09
33-13-68- 3	7	SEP 20/08	33-14-51- 2	14	JAN 20/09
33-13-68- 4	0	MAY 28/07	33-14-51- 2	15	JAN 20/09
33-13-68- 4	1	JAN 20/09	33-14-51- 5	0	MAY 28/07
33-13-68- 4	2	JAN 20/09	33-14-51- 5	1	JAN 20/09
33-13-68- 4	3	JAN 20/09	*33-14-51- 5	2	MAY 20/09
33-13-68- 4	4	JAN 20/09	33-14-51- 7	0	JAN 20/09
33-13-68- 4	5	JAN 20/09	33-14-51- 7	1	JAN 20/09
33-13-68- 4	6	JAN 20/09	*33-14-51- 7	2	MAY 20/09
33-13-68- 4	7	JAN 20/09	33-14-51- 7	3	JAN 20/09
33-13-68- 4	8	JAN 20/09	33-14-51-10	0	MAY 28/07
33-13-68- 4	9	JAN 20/09	33-14-51-10	0A	MAY 28/07
33-13-68- 4	10	JAN 20/09	33-14-51-10	1	JAN 20/09
33-13-68- 4	11	JAN 20/09	33-14-51-10	2	JAN 20/09
33-13-68- 4	12	JAN 20/09	33-14-51-15	0	MAY 28/07
33-13-68- 4	13	JAN 20/09	33-14-51-15	1	JAN 20/09
33-13-68- 4	14	JAN 20/09	33-14-51-15	2	JAN 20/09
33-13-70- 1	0	MAY 28/07	33-14-51-15	3	JAN 20/09
33-13-70- 1	1	SEP 20/08	33-14-51-20	0	JAN 20/09
33-13-70- 1	2	JAN 20/09	33-14-51-20	0A	JAN 20/09
33-13-70- 1	3	JAN 20/09	33-14-51-20	0B	JAN 20/09
33-13-70- 1	4	JAN 20/09	33-14-51-20	1	JAN 20/09
33-13-70- 1	5	JAN 20/09	33-14-51-20	2	JAN 20/09
33-13-70- 1	6	JAN 20/09	33-14-51-24	0	JAN 20/09
33-13-70- 1	7	JAN 20/09	*33-14-51-24	1	MAY 20/09
33-13-70- 1	8	JAN 20/09	*33-14-51-24	2	MAY 20/09
33-14-00	1	MAY 28/07	33-14-51-50	0	MAY 28/07
33-14-51- 1	0	MAY 28/07	33-14-51-50	1	JAN 20/09
33-14-51- 1	1	JAN 20/09	33-14-51-50	2	JAN 20/09
33-14-51- 1	2	JAN 20/09	33-14-51-50	3	JAN 20/09
33-14-51- 1	3	JAN 20/09	33-14-51-50	4	JAN 20/09
33-14-51- 1	4	JAN 20/09	33-14-70- 1	0	JAN 20/08
33-14-51- 1	5	JAN 20/09	33-14-70- 1	1	JAN 20/09
33-14-51- 1	6	JAN 20/09	33-14-70- 1	2	JAN 20/09
33-14-51- 2	0	MAY 28/07	33-14-70- 1	3	JAN 20/09
33-14-51- 2	0A	MAY 28/07	33-14-70- 1	4	JAN 20/09
33-14-51- 2	0B	MAY 28/07	33-14-70- 1	5	JAN 20/09
33-14-51- 2	0C	MAY 28/07	33-14-70- 1	6	JAN 20/09
33-14-51- 2	0D	MAY 28/07	33-14-70- 1	7	JAN 20/09
33-14-51- 2	1	JAN 20/09	33-14-70- 1	8	JAN 20/09
33-14-51- 2	2	JAN 20/09	33-14-70- 1	9	JAN 20/09

* THE ASTERISK INDICATES PAGES CHANGED OR ADDED BY THE CURRENT REVISION



757

PARTS CATALOG (MAINTENANCE)

CH-SECT-UNIT-FIG	PAGE NO.	DATE
33-14-70- 1	10	JAN 20/09
33-14-70- 1	11	JAN 20/09
33-14-70- 1	12	JAN 20/09
33-14-70- 1	13	JAN 20/09
33-14-70- 1	14	JAN 20/09
33-14-70- 1	15	JAN 20/09
33-14-70- 1	16	JAN 20/09
33-14-70- 2	0	MAY 28/07
33-14-70- 2	1	SEP 20/08
*33-14-70- 2	2	MAY 20/09
*33-14-70- 2	3	MAY 20/09
33-14-70- 2	4	JAN 20/09
33-14-70- 2	5	JAN 20/09
33-14-70- 2	6	JAN 20/09
33-14-70- 2	7	JAN 20/09
33-14-70- 2	8	JAN 20/09
33-14-70- 2	9	JAN 20/09
33-14-70- 2	10	JAN 20/09
33-14-70- 2	11	JAN 20/09
33-14-70- 2	12	JAN 20/09
33-14-70- 2	13	JAN 20/09
33-14-70- 2	14	JAN 20/09
33-14-70- 2	15	JAN 20/09
33-14-70- 2	16	JAN 20/09
33-14-70- 2	17	JAN 20/09
*33-14-70- 2	18	MAY 20/09
33-14-70- 2	19	JAN 20/09
33-14-70- 2	20	JAN 20/09
33-14-70- 2	21	JAN 20/09
33-14-70- 2	22	JAN 20/09
*33-14-70- 2	23	MAY 20/09
33-14-70- 2	24	JAN 20/09
33-14-70- 2	25	JAN 20/09
33-14-70- 2	26	JAN 20/09
33-14-70- 2	27	JAN 20/09
33-14-70- 2	28	JAN 20/09
33-14-70- 2	29	JAN 20/09
*33-14-70- 2	30	MAY 20/09
33-14-70- 2	31	JAN 20/09
33-14-70- 2	32	JAN 20/09
33-14-70- 2	33	JAN 20/09
33-14-70- 2	34	JAN 20/09
33-14-70- 2	35	JAN 20/09
33-14-70- 2	36	JAN 20/09
33-14-70- 2	37	JAN 20/09
33-14-70- 2	38	JAN 20/09
33-14-70- 2	39	JAN 20/09
33-14-70- 2	40	JAN 20/09
33-14-70- 2	41	JAN 20/09
33-14-70- 2	42	JAN 20/09
33-14-70- 2	43	JAN 20/09

CH-SECT-UNIT-FIG	PAGE NO.	DATE
33-14-70- 2	44	JAN 20/09
33-14-70- 2	45	JAN 20/09
33-14-70- 2	46	JAN 20/09
*33-14-70- 2	47	MAY 20/09
33-14-70- 2	48	JAN 20/09
33-14-70- 2	49	JAN 20/09
33-14-70- 2	50	JAN 20/09
33-14-70- 2	51	JAN 20/09
33-14-70- 2	52	JAN 20/09
33-14-70- 3	0	MAY 28/07
33-14-70- 3	0A	MAY 28/07
33-14-70- 3	1	JAN 20/09
33-14-70- 3	2	JAN 20/09
33-14-70- 3	3	JAN 20/09
33-14-70- 3	4	JAN 20/09
33-14-70- 3	5	JAN 20/09
33-14-70- 3	6	JAN 20/09
33-14-70- 3	7	JAN 20/09
33-14-70- 3	8	JAN 20/09
33-14-70- 3	9	JAN 20/09
33-14-70- 3	10	JAN 20/09
33-14-70- 3	11	JAN 20/09
33-14-70- 3	12	JAN 20/09
33-14-70- 3	13	JAN 20/09
33-14-70- 3	14	JAN 20/09
33-14-70- 3	15	JAN 20/09
33-14-70- 3	16	JAN 20/09
33-14-70- 3	17	JAN 20/09
33-14-70- 3	18	JAN 20/09
33-14-70- 3	19	JAN 20/09
33-14-70- 3	20	JAN 20/09
33-14-70- 3	21	JAN 20/09
33-14-70- 3	22	JAN 20/09
33-14-70- 3	23	JAN 20/09
33-14-70- 3	24	JAN 20/09
33-14-70- 3	25	JAN 20/09
33-14-70- 3	26	JAN 20/09
33-14-70- 3	27	JAN 20/09
33-14-70- 3	28	JAN 20/09
33-14-70- 3	29	JAN 20/09
33-14-70- 3	30	JAN 20/09
33-14-70- 3	31	JAN 20/09
33-14-70- 3	32	JAN 20/09
33-14-70- 3	33	JAN 20/09
33-14-70- 3	34	JAN 20/09
33-14-70- 3	35	JAN 20/09
33-14-70- 3	36	JAN 20/09
33-14-70- 3	37	JAN 20/09
33-14-70- 3	38	JAN 20/09
33-14-70- 3	39	JAN 20/09
33-14-70- 3	40	JAN 20/09

* THE ASTERISK INDICATES PAGES CHANGED OR ADDED BY THE CURRENT REVISION



757

PARTS CATALOG (MAINTENANCE)

CH-SECT-UNIT-FIG	PAGE NO.	DATE	CH-SECT-UNIT-FIG	PAGE NO.	DATE
33-14-70- 3	41	JAN 20/09	33-16-71- 1	0	MAY 28/07
33-14-70- 3	42	JAN 20/09	33-16-71- 1	0A	MAY 28/07
33-14-70- 3	43	JAN 20/09	33-16-71- 1	1	JAN 20/09
33-14-70- 3	44	JAN 20/09	33-16-71- 1	2	SEP 20/08
33-14-70- 3	45	JAN 20/09	33-16-71- 1	3	SEP 20/08
33-14-70- 3	46	JAN 20/09	33-16-71- 1	4	SEP 20/08
33-14-70- 3	47	JAN 20/09	33-16-71- 1	5	SEP 20/08
33-14-70- 3	48	JAN 20/09	33-16-71- 1	6	JAN 20/09
33-14-70- 3	49	JAN 20/09	33-16-71- 1	7	SEP 20/08
33-14-70- 3	50	JAN 20/09	33-16-71- 1	8	SEP 20/08
33-14-70- 3	51	JAN 20/09	33-16-71- 1	9	SEP 20/08
33-14-70- 3	52	JAN 20/09	33-16-71-50	0	MAY 28/07
33-14-70- 3	53	JAN 20/09	33-16-71-50	0A	MAY 28/07
33-14-70- 5	0	MAY 28/07	33-16-71-50	1	JAN 20/09
33-14-70- 5	1	JAN 20/09	33-16-71-50	2	JAN 20/09
33-16-00	1	MAY 28/07	33-16-71-50	3	SEP 20/08
33-16-51- 1	0	MAY 28/07	33-20-00	1	MAY 28/07
33-16-51- 1	0A	MAY 28/07	33-20-51- 1	0	MAY 28/07
33-16-51- 1	1	JAN 20/09	33-20-51- 1	0A	JAN 20/09
33-16-51- 1	2	JAN 20/09	33-20-51- 1	0B	MAY 28/07
33-16-51- 2	0	MAY 28/07	33-20-51- 1	0C	JAN 20/09
33-16-51- 2	0A	MAY 28/07	33-20-51- 1	0D	JAN 20/09
33-16-51- 2	1	JAN 20/09	33-20-51- 1	1	JAN 20/09
33-16-51- 2	2	JAN 20/09	33-20-51- 1	2	JAN 20/09
33-16-51- 3	0	MAY 28/07	33-20-51- 1	3	JAN 20/09
33-16-51- 3	0A	MAY 28/07	33-20-51- 1	4	JAN 20/09
33-16-51- 3	1	JAN 20/09	33-20-51- 1	5	JAN 20/09
33-16-51- 3	2	JAN 20/09	33-20-51- 1B	0	JAN 20/09
33-16-51- 3	3	JAN 20/09	33-20-51- 1B	1	JAN 20/09
33-16-51- 3	4	JAN 20/09	33-20-51- 1B	2	JAN 20/09
33-16-51- 3	5	JAN 20/09	33-20-51- 2	0	JAN 20/09
33-16-51- 3	6	JAN 20/09	33-20-51- 2	0A	MAY 28/07
33-16-51- 3	7	JAN 20/09	33-20-51- 2	0B	MAY 28/07
33-16-52- 1	0	MAY 28/07	33-20-51- 2	0C	MAY 28/07
33-16-52- 1	1	JAN 20/09	33-20-51- 2	0D	MAY 28/07
33-16-52- 1	2	JAN 20/09	33-20-51- 2	0E	MAY 28/07
33-16-52- 1	3	JAN 20/09	33-20-51- 2	0F	MAY 28/07
33-16-52- 1	4	JAN 20/09	33-20-51- 2	0G	MAY 28/07
33-16-52- 1	5	JAN 20/09	33-20-51- 2	0H	MAY 28/07
33-16-52- 2	0	MAY 28/07	33-20-51- 2	1	JAN 20/09
33-16-52- 2	1	JAN 20/09	33-20-51- 2	2	JAN 20/09
33-16-52- 2	2	JAN 20/09	33-20-51- 2	3	JAN 20/09
33-16-52- 2	3	JAN 20/09	33-20-51- 2	4	JAN 20/09
33-16-52- 3	0	MAY 28/07	33-20-51- 2	5	JAN 20/09
33-16-52- 3	1	JAN 20/09	33-20-51- 2	6	JAN 20/09
33-16-52- 3	2	JAN 20/09	33-20-51- 3	0	MAY 28/07
33-16-52- 3	3	JAN 20/09	33-20-51- 3	0A	MAY 28/07
33-16-52- 3	4	JAN 20/09	33-20-51- 3	0B	MAY 28/07
33-16-52- 3	5	JAN 20/09	33-20-51- 3	0C	MAY 28/07
33-16-52- 3	6	JAN 20/09	33-20-51- 3	0D	MAY 28/07
33-16-52- 3	7	JAN 20/09	33-20-51- 3	0E	MAY 28/07

* THE ASTERISK INDICATES PAGES CHANGED OR ADDED BY THE CURRENT REVISION


BOEING
 757
PARTS CATALOG (MAINTENANCE)

CH-SECT-UNIT-FIG	PAGE NO.	DATE	CH-SECT-UNIT-FIG	PAGE NO.	DATE
33-20-51- 3	0F	MAY 28/07	33-21-00- 5	1	JAN 20/09
33-20-51- 3	0G	MAY 28/07	33-21-00- 5	2	JAN 20/09
33-20-51- 3	1	JAN 20/09	33-21-00- 5	3	JAN 20/09
33-20-51- 3	2	JAN 20/09	33-21-00- 5	4	JAN 20/09
33-20-51- 3	3	JAN 20/09	33-21-00- 5	5	JAN 20/09
33-20-51- 3	4	JAN 20/09	33-21-00- 5	6	JAN 20/09
33-20-51- 3	5	JAN 20/09	33-21-00- 5	7	JAN 20/09
33-20-51-10	0	JAN 20/09	33-21-00- 5	8	JAN 20/09
33-20-51-10	0A	JAN 20/09	33-21-00- 5	9	JAN 20/09
33-20-51-10	0B	JAN 20/09	33-21-00- 5A	0	MAY 28/07
33-20-51-10	0C	JAN 20/09	33-21-00- 5A	0A	MAY 28/07
33-20-51-10	1	JAN 20/09	33-21-00- 5A	0B	MAY 28/07
33-20-51-10B	0	JAN 20/09	33-21-00- 5A	0C	MAY 28/07
33-20-51-10B	0A	JAN 20/09	33-21-00- 5A	0D	MAY 28/07
33-20-51-10B	1	JAN 20/09	33-21-00- 5A	0E	MAY 28/07
33-20-51-15	0	JAN 20/09	33-21-00- 5A	0F	MAY 28/07
33-20-51-15	1	JAN 20/09	33-21-00- 5A	0G	MAY 28/07
33-20-51-16	0	MAY 28/07	33-21-00- 5A	0H	MAY 28/07
33-20-51-16	0A	MAY 28/07	33-21-00- 5A	1	JAN 20/09
33-20-51-16	0B	MAY 28/07	33-21-00- 5A	2	JAN 20/09
33-20-51-16	0C	MAY 28/07	33-21-00- 5A	3	JAN 20/09
33-20-51-16	1	JAN 20/09	33-21-00- 5A	4	JAN 20/09
33-20-52-16	0	JAN 20/09	33-21-00- 5A	5	JAN 20/09
33-20-52-16	1	JAN 20/09	33-21-00- 5A	6	JAN 20/09
33-21-00	1	MAY 28/07	33-21-00- 5A	7	JAN 20/09
33-21-00- 1F	0	JAN 20/09	33-21-00- 5C	0	JAN 20/09
33-21-00- 1F	0A	JAN 20/09	33-21-00- 5C	0A	JAN 20/09
33-21-00- 1F	0B	JAN 20/09	33-21-00- 5C	0B	JAN 20/09
33-21-00- 1F	0C	JAN 20/09	33-21-00- 5C	0C	JAN 20/09
33-21-00- 1F	0D	JAN 20/09	33-21-00- 5C	0D	JAN 20/09
33-21-00- 1F	1	JAN 20/09	33-21-00- 5C	0E	JAN 20/09
33-21-00- 1F	2	JAN 20/09	33-21-00- 5C	0F	JAN 20/09
33-21-00- 1F	3	JAN 20/09	33-21-00- 5C	0G	JAN 20/09
33-21-00- 1F	4	JAN 20/09	33-21-00- 5C	0H	JAN 20/09
33-21-00- 1F	5	JAN 20/09	33-21-00- 5C	0I	JAN 20/09
33-21-00- 1F	6	JAN 20/09	33-21-00- 5C	0J	JAN 20/09
33-21-00- 1F	7	JAN 20/09	33-21-00- 5C	0K	JAN 20/09
33-21-00- 1F	8	JAN 20/09	33-21-00- 5C	0L	JAN 20/09
33-21-00- 5	0	JAN 20/08	33-21-00- 5C	1	JAN 20/09
33-21-00- 5	0A	JAN 20/08	33-21-00- 5C	2	JAN 20/09
33-21-00- 5	0B	JAN 20/08	33-21-00- 5C	3	JAN 20/09
33-21-00- 5	0C	JAN 20/08	33-21-00- 5C	4	JAN 20/09
33-21-00- 5	0D	JAN 20/08	33-21-00- 5C	5	JAN 20/09
33-21-00- 5	0E	JAN 20/08	33-21-00- 5C	6	JAN 20/09
33-21-00- 5	0F	JAN 20/08	33-21-00- 5C	7	JAN 20/09
33-21-00- 5	0G	JAN 20/08	33-21-00- 5C	8	JAN 20/09
33-21-00- 5	0H	JAN 20/08	33-21-00- 9B	0	JAN 20/09
33-21-00- 5	0I	JAN 20/08	33-21-00- 9B	0A	JAN 20/09
33-21-00- 5	0J	JAN 20/08	33-21-00- 9B	0B	JAN 20/09
33-21-00- 5	0K	JAN 20/08	33-21-00- 9B	0C	JAN 20/09
33-21-00- 5	0L	JAN 20/08	33-21-00- 9B	0D	JAN 20/09

* THE ASTERISK INDICATES PAGES CHANGED OR ADDED BY THE CURRENT REVISION

BRI
MAY 20/09

33 - LIST OF EFFECTIVE PAGES
PAGE 19


BOEING
 757
PARTS CATALOG (MAINTENANCE)

CH-SECT-UNIT-FIG	PAGE NO.	DATE
33-21-00- 9B	0E	JAN 20/09
33-21-00- 9B	0F	JAN 20/09
33-21-00- 9B	0G	JAN 20/09
33-21-00- 9B	0H	JAN 20/09
33-21-00- 9B	1	JAN 20/09
33-21-00- 9B	2	JAN 20/09
33-21-00- 9B	3	JAN 20/09
33-21-00- 9B	4	JAN 20/09
33-21-00- 9B	5	JAN 20/09
33-21-00- 9B	6	JAN 20/09
33-21-00- 9B	7	JAN 20/09
33-21-00- 9B	8	JAN 20/09
33-21-00- 9B	9	JAN 20/09
33-21-00- 9D	0	JAN 20/09
33-21-00- 9D	0A	JAN 20/09
33-21-00- 9D	0B	JAN 20/09
33-21-00- 9D	0C	JAN 20/09
33-21-00- 9D	0D	JAN 20/09
33-21-00- 9D	0E	JAN 20/09
33-21-00- 9D	0F	JAN 20/09
33-21-00- 9D	0G	JAN 20/09
33-21-00- 9D	0H	JAN 20/09
33-21-00- 9D	0I	JAN 20/09
33-21-00- 9D	1	JAN 20/09
33-21-00- 9D	2	JAN 20/09
33-21-00- 9D	3	JAN 20/09
33-21-00- 9D	4	JAN 20/09
33-21-00- 9D	5	JAN 20/09
33-21-00- 9D	6	JAN 20/09
33-21-00- 9D	7	JAN 20/09
33-21-00- 9D	8	JAN 20/09
33-21-00- 9D	9	JAN 20/09
33-21-00- 9D	10	JAN 20/09
33-21-00-13B	0	JAN 20/09
33-21-00-13B	0A	JAN 20/09
33-21-00-13B	0B	JAN 20/09
33-21-00-13B	0C	JAN 20/09
33-21-00-13B	1	JAN 20/09
33-21-00-13B	2	JAN 20/09
33-21-00-13B	3	JAN 20/09
33-21-00-13B	4	JAN 20/09
33-21-00-14B	0	JAN 20/09
33-21-00-14B	0A	JAN 20/09
33-21-00-14B	0B	JAN 20/09
33-21-00-14B	0C	JAN 20/09
33-21-00-14B	0D	JAN 20/09
33-21-00-14B	0E	JAN 20/09
33-21-00-14B	0F	JAN 20/09
33-21-00-14B	1	JAN 20/09
33-21-00-14B	2	JAN 20/09
33-21-00-14B	3	JAN 20/09

CH-SECT-UNIT-FIG	PAGE NO.	DATE
33-21-00-14B	4	JAN 20/09
33-21-00-15B	0	MAY 28/07
33-21-00-15B	0A	MAY 28/07
33-21-00-15B	0B	MAY 28/07
33-21-00-15B	0C	MAY 28/07
33-21-00-15B	1	JAN 20/09
33-21-00-15B	2	JAN 20/09
33-21-00-15B	3	JAN 20/09
33-21-00-15B	4	JAN 20/09
33-21-00-16	0	MAY 28/07
33-21-00-16	0A	MAY 28/07
33-21-00-16	0B	MAY 28/07
33-21-00-16	0C	MAY 28/07
33-21-00-16	0D	MAY 28/07
33-21-00-16	0E	MAY 28/07
33-21-00-16	0F	MAY 28/07
33-21-00-16	0G	MAY 28/07
33-21-00-16	0H	MAY 28/07
33-21-00-16	0I	MAY 28/07
33-21-00-16	0J	MAY 28/07
33-21-00-16	0K	MAY 28/07
33-21-00-16	0L	MAY 28/07
33-21-00-16	0M	MAY 28/07
33-21-00-16	0N	MAY 28/07
33-21-00-16	0O	MAY 28/07
33-21-00-16	0P	MAY 28/07
33-21-00-16	0Q	MAY 28/07
33-21-00-16	1	JAN 20/09
33-21-00-16	2	JAN 20/09
33-21-00-16	3	JAN 20/09
33-21-00-16	4	JAN 20/09
33-21-00-16A	0	JAN 20/09
33-21-00-16A	0A	JAN 20/09
33-21-00-16A	0B	JAN 20/09
33-21-00-16A	0C	JAN 20/09
33-21-00-16A	1	JAN 20/09
33-21-00-16A	2	JAN 20/09
33-21-00-16A	3	JAN 20/09
33-21-00-16A	4	JAN 20/09
33-21-00-17	0	JAN 20/09
33-21-00-17	0A	JAN 20/09
33-21-00-17	0B	JAN 20/09
33-21-00-17	0C	JAN 20/09
33-21-00-17	0D	JAN 20/09
33-21-00-17	0E	JAN 20/09
33-21-00-17	0F	JAN 20/09
33-21-00-17	1	JAN 20/09
33-21-00-17	2	JAN 20/09
33-21-00-17	3	JAN 20/09
33-21-00-17	4	JAN 20/09
33-21-00-17	5	JAN 20/09

* THE ASTERISK INDICATES PAGES CHANGED OR ADDED BY THE CURRENT REVISION


BOEING
 757
PARTS CATALOG (MAINTENANCE)

CH-SECT-UNIT-FIG	PAGE NO.	DATE
33-21-00-17	6	JAN 20/09
33-21-00-17	7	JAN 20/09
33-21-00-20A	0	MAY 28/07
33-21-00-20A	0A	MAY 28/07
33-21-00-20A	0B	MAY 28/07
33-21-00-20A	0C	MAY 28/07
33-21-00-20A	1	JAN 20/09
33-21-00-20A	2	JAN 20/09
33-21-00-20A	3	JAN 20/09
33-21-00-20A	4	JAN 20/09
33-21-00-40	0	JAN 20/09
33-21-00-40	0A	JAN 20/09
33-21-00-40	0B	JAN 20/09
33-21-00-40	0C	JAN 20/09
33-21-00-40	0D	JAN 20/09
33-21-00-40	0E	JAN 20/09
33-21-00-40	0F	JAN 20/09
33-21-00-40	0G	JAN 20/09
33-21-00-40	0H	JAN 20/09
33-21-00-40	0I	JAN 20/09
33-21-00-40	1	JAN 20/09
33-21-00-40	2	JAN 20/09
33-21-00-40	3	JAN 20/09
33-21-00-40	4	JAN 20/09
33-21-00-41	0	JAN 20/09
33-21-00-41	0A	JAN 20/09
33-21-00-41	0B	JAN 20/09
33-21-00-41	0C	JAN 20/09
33-21-00-41	0D	JAN 20/09
33-21-00-41	0E	JAN 20/09
33-21-00-41	0F	JAN 20/09
33-21-00-41	0G	JAN 20/09
33-21-00-41	0H	JAN 20/09
33-21-00-41	0I	JAN 20/09
33-21-00-41	1	JAN 20/09
33-21-00-41	2	JAN 20/09
33-21-00-41	3	JAN 20/09
33-21-00-41	4	JAN 20/09
33-21-00-50A	0	MAY 28/07
33-21-00-50A	0A	MAY 28/07
33-21-00-50A	0B	MAY 28/07
33-21-00-50A	0C	MAY 28/07
33-21-00-50A	0D	MAY 28/07
33-21-00-50A	0E	MAY 28/07
33-21-00-50A	0F	MAY 28/07
33-21-00-50A	1	JAN 20/09
33-21-00-50A	2	JAN 20/09
33-21-00-50A	3	JAN 20/09
33-21-00-50A	4	JAN 20/09
33-21-00-50A	5	JAN 20/09
33-21-00-50A	6	JAN 20/09

CH-SECT-UNIT-FIG	PAGE NO.	DATE
33-21-00-50A	7	JAN 20/09
33-21-00-50D	0	JAN 20/09
33-21-00-50D	0A	JAN 20/09
33-21-00-50D	0B	JAN 20/09
33-21-00-50D	0C	JAN 20/09
33-21-00-50D	0D	JAN 20/09
33-21-00-50D	1	JAN 20/09
33-21-00-50D	2	JAN 20/09
33-21-00-50D	3	JAN 20/09
33-21-00-55D	0	JAN 20/09
33-21-00-55D	0A	JAN 20/09
33-21-00-55D	0B	JAN 20/09
33-21-00-55D	0C	JAN 20/09
33-21-00-55D	0D	JAN 20/09
33-21-00-55D	1	JAN 20/09
33-21-00-55D	2	JAN 20/09
33-21-01- 1	0	JAN 20/09
33-21-01- 1	0A	JAN 20/09
33-21-01- 1	0B	JAN 20/09
33-21-01- 1	1	JAN 20/09
33-21-01- 1	2	JAN 20/09
33-21-01- 1	3	JAN 20/09
33-21-01- 1	4	JAN 20/09
33-21-01- 1	5	JAN 20/09
33-21-01- 1	6	JAN 20/09
33-21-01- 1	7	JAN 20/09
33-21-01- 1	8	JAN 20/09
33-21-01- 1	9	JAN 20/09
33-21-01- 1	10	JAN 20/09
33-21-01- 1	11	JAN 20/09
33-21-01- 1	12	JAN 20/09
33-21-01- 1	13	JAN 20/09
33-21-51- 1	0	JAN 20/09
33-21-51- 1	0A	JAN 20/09
33-21-51- 1	1	JAN 20/09
*33-21-51- 1	2	MAY 20/09
*33-21-51- 1	3	MAY 20/09
33-21-51- 1	4	JAN 20/09
33-21-51- 1A	0	JAN 20/09
33-21-51- 1A	0A	JAN 20/09
33-21-51- 1A	1	JAN 20/09
*33-21-51- 1A	2	MAY 20/09
*33-21-51- 1A	3	MAY 20/09
*33-21-51- 1A	4	MAY 20/09
33-21-51- 1B	0	JAN 20/09
33-21-51- 1B	0A	JAN 20/09
33-21-51- 1B	0B	JAN 20/09
33-21-51- 1B	1	JAN 20/09
33-21-51- 1B	2	JAN 20/09
*33-21-51- 1B	3	MAY 20/09
33-21-51- 1C	0	JAN 20/09

* THE ASTERISK INDICATES PAGES CHANGED OR ADDED BY THE CURRENT REVISION



757
PARTS CATALOG (MAINTENANCE)

CH-SECT-UNIT-FIG	PAGE NO.	DATE	CH-SECT-UNIT-FIG	PAGE NO.	DATE
33-21-51- 1C	1	JAN 20/09	33-21-51-11	6	JAN 20/09
*33-21-51- 1C	2	MAY 20/09	33-21-51-11	7	JAN 20/09
33-21-51- 2	0	JAN 20/09	33-21-51-11	8	JAN 20/09
33-21-51- 2	0A	JAN 20/09	33-21-51-11	9	JAN 20/09
33-21-51- 2	1	JAN 20/09	33-21-51-11	10	JAN 20/09
33-21-51- 2	2	JAN 20/09	*33-21-51-11	11	MAY 20/09
33-21-51- 2	3	JAN 20/09	*33-21-51-11	12	MAY 20/09
*33-21-51- 2	4	MAY 20/09	*33-21-51-11	13	MAY 20/09
*33-21-51- 2	5	MAY 20/09	33-21-51-11	14	JAN 20/09
*33-21-51- 2	6	MAY 20/09	*33-21-51-11	15	MAY 20/09
*33-21-51- 2	7	MAY 20/09	*33-21-51-11	16	MAY 20/09
*33-21-51- 2	8	MAY 20/09	*33-21-51-11	17	MAY 20/09
*33-21-51- 2	9	MAY 20/09	33-21-51-11	18	JAN 20/09
*33-21-51- 2	10	MAY 20/09	33-21-51-11	19	JAN 20/09
33-21-51- 3	0	JAN 20/09	*33-21-51-11	20	MAY 20/09
33-21-51- 3	0A	JAN 20/09	*33-21-51-11	21	MAY 20/09
33-21-51- 3	1	JAN 20/09	*33-21-51-11	22	MAY 20/09
*33-21-51- 3	2	MAY 20/09	33-21-51-11	23	JAN 20/09
33-21-51- 4	0	JAN 20/09	33-21-51-11A	0	MAY 28/07
33-21-51- 4	0A	JAN 20/09	33-21-51-11A	0A	MAY 28/07
33-21-51- 4	0B	JAN 20/09	33-21-51-11A	0B	MAY 28/07
33-21-51- 4	1	JAN 20/09	33-21-51-11A	1	JAN 20/09
*33-21-51- 4	2	MAY 20/09	*33-21-51-11A	2	MAY 20/09
*33-21-51- 4	3	MAY 20/09	*33-21-51-11A	3	MAY 20/09
33-21-51- 4	4	JAN 20/09	*33-21-51-11A	4	MAY 20/09
33-21-51- 4	5	JAN 20/09	33-21-51-21C	0	JAN 20/09
33-21-51- 4	6	JAN 20/09	33-21-51-21C	1	JAN 20/09
33-21-51- 4	7	JAN 20/09	33-21-51-21C	2	JAN 20/09
*33-21-51- 4	8	MAY 20/09	*33-21-51-21C	3	MAY 20/09
33-21-51- 4	9	JAN 20/09	33-21-51-22	0	JAN 20/09
33-21-51- 4	10	JAN 20/09	33-21-51-22	1	JAN 20/09
*33-21-51- 4	11	MAY 20/09	*33-21-51-22	2	MAY 20/09
*33-21-51- 4	12	MAY 20/09	*33-21-51-22	3	MAY 20/09
*33-21-51- 4	13	MAY 20/09	*33-21-51-22	4	MAY 20/09
33-21-51- 6F	0	JAN 20/09	33-21-51-24A	0	JAN 20/09
33-21-51- 6F	0A	JAN 20/09	33-21-51-24A	0A	JAN 20/09
33-21-51- 6F	1	JAN 20/09	*33-21-51-24A	1	MAY 20/09
*33-21-51- 6F	2	MAY 20/09	*33-21-51-24A	2	MAY 20/09
*33-21-51- 6F	3	MAY 20/09	33-21-51-24C	0	JAN 20/09
*33-21-51- 6F	4	MAY 20/09	33-21-51-24C	1	JAN 20/09
33-21-51-11	0	MAY 28/07	*33-21-51-24C	2	MAY 20/09
33-21-51-11	0A	MAY 28/07	33-21-51-25	0	JAN 20/09
33-21-51-11	0B	MAY 28/07	33-21-51-25	0A	JAN 20/09
33-21-51-11	0C	MAY 28/07	33-21-51-25	0B	JAN 20/09
33-21-51-11	0D	MAY 28/07	33-21-51-25	0C	JAN 20/09
33-21-51-11	0E	MAY 28/07	33-21-51-25	1	JAN 20/09
33-21-51-11	1	JAN 20/09	33-21-51-25	2	JAN 20/09
33-21-51-11	2	JAN 20/09	33-21-51-25	3	JAN 20/09
33-21-51-11	3	JAN 20/09	33-21-51-25	4	JAN 20/09
33-21-51-11	4	JAN 20/09	33-21-51-25	5	JAN 20/09
33-21-51-11	5	JAN 20/09	*33-21-51-25	6	MAY 20/09

* THE ASTERISK INDICATES PAGES CHANGED OR ADDED BY THE CURRENT REVISION



757
PARTS CATALOG (MAINTENANCE)

CH-SECT-UNIT-FIG	PAGE NO.	DATE
*33-21-51-25	7	MAY 20/09
*33-21-51-25	8	MAY 20/09
*33-21-51-25	9	MAY 20/09
*33-21-51-25	10	MAY 20/09
*33-21-51-25	11	MAY 20/09
*33-21-51-25	12	MAY 20/09
*33-21-51-25	13	MAY 20/09
*33-21-51-25	14	MAY 20/09
*33-21-51-25	15	MAY 20/09
*33-21-51-25	16	MAY 20/09
33-21-51-27	0	MAY 28/07
33-21-51-27	0A	MAY 28/07
33-21-51-27	0B	MAY 28/07
33-21-51-27	0C	MAY 28/07
33-21-51-27	1	SEP 20/08
*33-21-51-27	2	MAY 20/09
*33-21-51-27	3	MAY 20/09
33-21-51-27	4	SEP 20/08
33-21-51-27	5	SEP 20/08
33-21-51-27	6	SEP 20/08
33-21-51-27	7	SEP 20/08
*33-21-51-27	8	MAY 20/09
33-21-51-27	9	SEP 20/08
33-21-51-27	10	SEP 20/08
33-21-51-27	11	SEP 20/08
*33-21-51-27	12	MAY 20/09
*33-21-51-27	13	MAY 20/09
33-21-51-30	0	JAN 20/09
33-21-51-30	0A	JAN 20/09
33-21-51-30	0B	JAN 20/09
33-21-51-30	1	JAN 20/09
33-21-51-30	2	JAN 20/09
33-21-51-30	3	JAN 20/09
*33-21-51-30	4	MAY 20/09
*33-21-51-30	5	MAY 20/09
*33-21-51-30	6	MAY 20/09
*33-21-51-30	7	MAY 20/09
*33-21-51-30	8	MAY 20/09
*33-21-51-30	9	MAY 20/09
*33-21-51-30	10	MAY 20/09
*33-21-51-30	11	MAY 20/09
*33-21-51-30	12	MAY 20/09
33-21-51-35	0	JAN 20/09
33-21-51-35	1	JAN 20/09
33-21-51-35	2	JAN 20/09
33-21-51-35C	0	MAY 28/07
33-21-51-35C	1	JAN 20/09
*33-21-51-35C	2	MAY 20/09
*33-21-51-35C	3	MAY 20/09
33-21-51-35D	0	MAY 28/07
*33-21-51-35D	1	MAY 20/09

CH-SECT-UNIT-FIG	PAGE NO.	DATE
33-21-51-35E	0	MAY 28/07
*33-21-51-35E	1	MAY 20/09
33-21-51-35F	0	MAY 28/07
33-21-51-35F	1	JAN 20/09
33-21-51-35F	2	JAN 20/09
33-21-51-35G	0	MAY 28/07
33-21-51-35G	1	JAN 20/09
*33-21-51-35G	2	MAY 20/09
*33-21-51-35G	3	MAY 20/09
33-21-51-35H	0	MAY 28/07
33-21-51-35H	1	JAN 20/09
33-21-51-35H	2	JAN 20/09
33-21-51-36	0	JAN 20/08
33-21-51-36	1	JAN 20/09
33-21-51-36	2	JAN 20/09
33-21-51-36	3	JAN 20/09
33-21-51-36	4	JAN 20/09
33-21-51-36A	0	JAN 20/09
33-21-51-36A	1	JAN 20/09
33-21-51-36A	2	JAN 20/09
33-21-51-36A	3	JAN 20/09
33-21-51-36B	0	JAN 20/09
33-21-51-36B	1	JAN 20/09
33-21-51-36B	2	JAN 20/09
33-21-51-36K	0	JAN 20/09
33-21-51-36K	1	JAN 20/09
33-21-51-37	0	JAN 20/09
33-21-51-37	0A	JAN 20/09
33-21-51-37	0B	JAN 20/09
33-21-51-37	0C	JAN 20/09
33-21-51-37	0D	JAN 20/09
33-21-51-37	0E	JAN 20/09
33-21-51-37	0F	JAN 20/09
33-21-51-37	0G	JAN 20/09
*33-21-51-37	1	MAY 20/09
*33-21-51-37	2	MAY 20/09
33-21-51-38	0	JAN 20/09
33-21-51-38	1	JAN 20/09
33-21-51-38	2	JAN 20/09
33-21-51-38	3	JAN 20/09
33-21-51-38	4	JAN 20/09
33-21-51-38C	0	MAY 28/07
33-21-51-38C	1	JAN 20/09
33-21-51-38C	2	JAN 20/09
33-21-51-38C	3	JAN 20/09
*33-21-51-38C	4	MAY 20/09
*33-21-51-38C	5	MAY 20/09
*33-21-51-38C	6	MAY 20/09
33-21-51-38D	0	MAY 28/07
33-21-51-38D	1	JAN 20/09
33-21-51-38D	2	JAN 20/09

* THE ASTERISK INDICATES PAGES CHANGED OR ADDED BY THE CURRENT REVISION



757
PARTS CATALOG (MAINTENANCE)

CH-SECT-UNIT-FIG	PAGE NO.	DATE	CH-SECT-UNIT-FIG	PAGE NO.	DATE
*33-21-51-38D	3	MAY 20/09	33-21-51-90	14	JAN 20/09
*33-21-51-38D	4	MAY 20/09	33-21-51-90	15	JAN 20/09
33-21-51-43	0	JAN 20/09	33-21-51-90	16	JAN 20/09
33-21-51-43	1	JAN 20/09	33-21-51-90	17	JAN 20/09
33-21-51-43	2	JAN 20/09	33-21-51-90	18	JAN 20/09
33-21-51-43A	0	MAY 28/07	33-21-51-90	19	JAN 20/09
33-21-51-43A	1	JAN 20/09	33-21-51-90	20	JAN 20/09
*33-21-51-43A	2	MAY 20/09	33-21-51-90	21	JAN 20/09
*33-21-51-43A	3	MAY 20/09	33-21-51-90	22	JAN 20/09
33-21-51-43B	0	JAN 20/09	33-21-51-90	23	JAN 20/09
33-21-51-43B	0A	JAN 20/09	33-21-51-90	24	JAN 20/09
*33-21-51-43B	1	MAY 20/09	33-21-51-90	25	JAN 20/09
*33-21-51-43B	2	MAY 20/09	33-21-51-90	26	JAN 20/09
*33-21-51-43B	3	MAY 20/09	33-21-51-90	27	JAN 20/09
33-21-51-45	0	MAY 28/07	33-21-51-90	28	JAN 20/09
33-21-51-45	1	JAN 20/09	33-21-51-90	29	JAN 20/09
33-21-51-60	0	JAN 20/09	33-21-51-90	30	JAN 20/09
33-21-51-60	1	JAN 20/09	33-21-51-90	31	JAN 20/09
33-21-51-60	2	JAN 20/09	33-21-51-90	32	JAN 20/09
33-21-51-60A	0	JAN 20/09	33-21-51-90	33	JAN 20/09
33-21-51-60A	1	JAN 20/09	33-21-51-90	34	JAN 20/09
33-21-51-60A	2	JAN 20/09	33-21-51-90	35	JAN 20/09
33-21-51-61	0	JAN 20/09	33-21-51-90	36	JAN 20/09
33-21-51-61	1	JAN 20/09	33-21-51-90	37	JAN 20/09
33-21-51-61A	0	JAN 20/09	33-21-51-90	38	JAN 20/09
33-21-51-61A	1	JAN 20/09	33-21-51-90	39	JAN 20/09
33-21-51-62A	0	JAN 20/09	33-21-52- 1	0	JAN 20/09
33-21-51-62A	1	JAN 20/09	33-21-52- 1	0A	MAY 28/07
33-21-51-63	0	JAN 20/09	33-21-52- 1	0B	MAY 28/07
33-21-51-63	1	JAN 20/09	33-21-52- 1	0C	MAY 28/07
33-21-51-63	2	JAN 20/09	33-21-52- 1	0D	JAN 20/09
33-21-51-63A	0	JAN 20/09	33-21-52- 1	0E	MAY 28/07
33-21-51-63A	1	JAN 20/09	33-21-52- 1	0F	MAY 28/07
33-21-51-65	0	JAN 20/09	33-21-52- 1	0G	MAY 28/07
33-21-51-65	1	JAN 20/09	33-21-52- 1	0H	MAY 28/07
33-21-51-90	0	MAY 28/07	33-21-52- 1	0I	MAY 28/07
33-21-51-90	0A	MAY 28/07	33-21-52- 1	0J	JAN 20/09
33-21-51-90	0B	MAY 28/07	33-21-52- 1	1	JAN 20/09
33-21-51-90	1	JAN 20/09	33-21-52- 1	2	JAN 20/09
33-21-51-90	2	JAN 20/09	33-21-52- 1	3	JAN 20/09
33-21-51-90	3	JAN 20/09	33-21-52- 1	4	JAN 20/09
33-21-51-90	4	JAN 20/09	33-21-52- 1	5	JAN 20/09
33-21-51-90	5	JAN 20/09	33-21-52- 1	6	JAN 20/09
33-21-51-90	6	JAN 20/09	33-21-52-10	0	JAN 20/09
33-21-51-90	7	JAN 20/09	33-21-52-10	1	JAN 20/09
33-21-51-90	8	JAN 20/09	33-21-55-51	0	JAN 20/09
33-21-51-90	9	JAN 20/09	33-21-55-51	0A	JAN 20/09
33-21-51-90	10	JAN 20/09	33-21-55-51	0B	JAN 20/09
33-21-51-90	11	JAN 20/09	33-21-55-51	1	JAN 20/09
33-21-51-90	12	JAN 20/09	33-21-55-51	2	JAN 20/09
33-21-51-90	13	JAN 20/09	33-21-55-51	3	JAN 20/09

* THE ASTERISK INDICATES PAGES CHANGED OR ADDED BY THE CURRENT REVISION



757

PARTS CATALOG (MAINTENANCE)

CH-SECT-UNIT-FIG	PAGE NO.	DATE	CH-SECT-UNIT-FIG	PAGE NO.	DATE
33-21-55-51	4	JAN 20/09	33-22-05- 3A	1	JAN 20/09
33-21-71- 1	0	MAY 28/07	33-22-05- 3A	2	JAN 20/09
33-21-71- 1	0A	JAN 20/09	33-22-05- 3A	3	JAN 20/09
33-21-71- 1	0B	MAY 28/07	33-22-05-15	0	JAN 20/09
33-21-71- 1	1	JAN 20/09	33-22-05-15	0A	JAN 20/09
33-21-71- 1	2	JAN 20/09	33-22-05-15	1	JAN 20/09
33-21-71- 1	3	JAN 20/09	33-22-05-51	0	MAY 28/07
33-21-71- 1	4	JAN 20/09	33-22-05-51	1	JAN 20/09
33-21-71- 1A	0	MAY 28/07	33-22-06- 2	0	JAN 20/09
33-21-71- 1A	0A	MAY 28/07	33-22-06- 2	0A	JAN 20/09
33-21-71- 1A	1	JAN 20/09	33-22-06- 2	0B	JAN 20/09
33-21-71- 2	0	JAN 20/09	33-22-06- 2	1	JAN 20/09
33-21-71- 2	1	JAN 20/09	33-22-06- 2	2	JAN 20/09
33-21-71- 2	2	JAN 20/09	33-22-06- 2	3	JAN 20/09
33-21-71- 2	3	JAN 20/09	33-22-06- 3	0	MAY 28/07
33-21-71- 2	4	JAN 20/09	33-22-06- 3	0A	MAY 28/07
33-21-71- 2	5	JAN 20/09	33-22-06- 3	0B	MAY 28/07
33-22-00	1	MAY 28/07	33-22-06- 3	1	JAN 20/09
33-22-05- 1	0	JAN 20/09	33-22-06- 3	2	JAN 20/09
33-22-05- 1	0A	MAY 28/07	33-22-06- 3	3	JAN 20/09
33-22-05- 1	0B	MAY 28/07	33-22-06- 3	4	JAN 20/09
33-22-05- 1	0C	JAN 20/09	33-22-06- 6	0	MAY 28/07
33-22-05- 1	1	JAN 20/09	33-22-06- 6	0A	MAY 28/07
33-22-05- 1	2	JAN 20/09	33-22-06- 6	0B	MAY 28/07
33-22-05- 1	3	JAN 20/09	33-22-06- 6	1	JAN 20/09
33-22-05- 1	4	JAN 20/09	33-22-06- 6	2	JAN 20/09
33-22-05- 1	5	JAN 20/09	33-22-06- 6	3	JAN 20/09
33-22-05- 1A	0	MAY 28/07	33-22-06- 6	4	JAN 20/09
33-22-05- 1A	0A	MAY 28/07	33-22-06- 9	0	MAY 28/07
33-22-05- 1A	0B	MAY 28/07	33-22-06- 9	1	JAN 20/09
33-22-05- 1A	1	JAN 20/09	33-22-06-15	0	JAN 20/09
33-22-05- 1A	2	JAN 20/09	33-22-06-15	1	JAN 20/09
33-22-05- 1A	3	JAN 20/09	33-22-07- 1	0	JAN 20/09
33-22-05- 1A	4	JAN 20/09	33-22-07- 1	0A	JAN 20/09
33-22-05- 1A	5	JAN 20/09	33-22-07- 1	0B	JAN 20/09
33-22-05- 1B	0	JAN 20/09	33-22-07- 1	0C	JAN 20/09
33-22-05- 1B	0A	JAN 20/09	33-22-07- 1	1	JAN 20/09
33-22-05- 1B	0B	JAN 20/09	33-22-07- 1	2	JAN 20/09
33-22-05- 1B	0C	JAN 20/09	33-22-07- 1	3	JAN 20/09
33-22-05- 1B	0D	JAN 20/09	33-22-07- 2	0	JAN 20/09
33-22-05- 1B	0E	JAN 20/09	33-22-07- 2	0A	JAN 20/09
33-22-05- 1B	1	JAN 20/09	33-22-07- 2	1	JAN 20/09
33-22-05- 1B	2	JAN 20/09	33-22-07- 2	2	JAN 20/09
33-22-05- 3	0	JAN 20/09	33-22-07- 3	0	MAY 28/07
33-22-05- 3	0A	JAN 20/09	33-22-07- 3	1	JAN 20/09
33-22-05- 3	0B	JAN 20/09	33-22-07- 3	2	JAN 20/09
33-22-05- 3	1	JAN 20/09	33-22-07- 3	3	JAN 20/09
33-22-05- 3	2	JAN 20/09	33-22-07- 3	4	JAN 20/09
33-22-05- 3	3	JAN 20/09	33-22-07- 3	5	JAN 20/09
33-22-05- 3	4	JAN 20/09	33-22-07- 3	6	JAN 20/09
33-22-05- 3A	0	JAN 20/09	33-22-51- 1	0	MAY 28/07

* THE ASTERISK INDICATES PAGES CHANGED OR ADDED BY THE CURRENT REVISION


BOEING
 757
PARTS CATALOG (MAINTENANCE)

CH-SECT-UNIT-FIG	PAGE NO.	DATE	CH-SECT-UNIT-FIG	PAGE NO.	DATE
33-22-51- 1	0A	MAY 28/07	33-22-52- 7	0D	MAY 28/07
33-22-51- 1	0B	MAY 28/07	33-22-52- 7	1	JAN 20/09
33-22-51- 1	1	JAN 20/09	33-22-52- 7	2	JAN 20/09
33-22-51- 1	2	JAN 20/09	33-22-52- 7	3	JAN 20/09
33-22-51- 1	3	JAN 20/09	33-22-52- 9	0	JAN 20/09
33-22-51- 1	4	JAN 20/09	33-22-52- 9	1	JAN 20/09
33-22-51- 1	5	JAN 20/09	33-22-52- 9	2	JAN 20/09
33-22-51- 1	6	JAN 20/09	33-22-52- 9	3	JAN 20/09
33-22-51- 1	7	JAN 20/09	33-22-52-10	0	JAN 20/09
33-22-51- 1	8	JAN 20/09	33-22-52-10	1	JAN 20/09
33-22-51- 1	9	JAN 20/09	33-22-60- 1	0	MAY 28/07
33-22-51- 1	10	JAN 20/09	33-22-60- 1	1	JAN 20/09
33-22-51- 1	11	JAN 20/09	33-22-60- 1	2	JAN 20/09
33-22-51- 4	0	JAN 20/09	33-22-71- 1	0	MAY 28/07
33-22-51- 4	0A	JAN 20/09	33-22-71- 1	0A	MAY 28/07
33-22-51- 4	0B	JAN 20/09	33-22-71- 1	1	JAN 20/09
33-22-51- 4	0C	JAN 20/09	33-22-71- 1	2	JAN 20/09
33-22-51- 4	0D	JAN 20/09	33-22-71- 1A	0	MAY 28/07
33-22-51- 4	1	JAN 20/09	33-22-71- 1A	1	JAN 20/09
33-22-51- 4	2	JAN 20/09	33-22-71- 1A	2	JAN 20/09
33-22-51- 4	3	JAN 20/09	33-22-71- 2	0	JAN 20/09
33-22-51- 4	4	JAN 20/09	33-22-71- 2	1	JAN 20/09
33-22-52- 1	0	MAY 28/07	33-22-71- 2	2	JAN 20/09
33-22-52- 1	0A	MAY 28/07	33-22-71- 2	3	JAN 20/09
33-22-52- 1	0B	MAY 28/07	33-23-00	1	MAY 28/07
33-22-52- 1	0C	MAY 28/07	33-23-01- 2	0	JAN 20/09
33-22-52- 1	0D	MAY 28/07	33-23-01- 2	0A	JAN 20/09
33-22-52- 1	1	JAN 20/09	33-23-01- 2	0B	JAN 20/09
33-22-52- 1	2	JAN 20/09	33-23-01- 2	0C	JAN 20/09
33-22-52- 1	3	JAN 20/09	33-23-01- 2	1	JAN 20/09
33-22-52- 1	4	JAN 20/09	33-23-01- 2	2	JAN 20/09
33-22-52- 1	5	JAN 20/09	33-23-01- 2	3	JAN 20/09
33-22-52- 1	6	JAN 20/09	33-23-01- 2	4	JAN 20/09
33-22-52- 1	7	JAN 20/09	33-23-01- 2	5	JAN 20/09
33-22-52- 1	8	JAN 20/09	33-23-01- 2	6	JAN 20/09
33-22-52- 1	9	JAN 20/09	33-23-01- 2	7	JAN 20/09
33-22-52- 2	0	JAN 20/09	33-23-01- 2	8	JAN 20/09
33-22-52- 2	1	JAN 20/09	33-23-01- 2	9	JAN 20/09
33-22-52- 2	2	JAN 20/09	33-23-01- 2	10	JAN 20/09
33-22-52- 2	3	JAN 20/09	33-23-01- 2	11	JAN 20/09
33-22-52- 3A	0	JAN 20/09	33-23-01-18	0	MAY 28/07
33-22-52- 3A	0A	JAN 20/09	33-23-01-18	0A	MAY 28/07
33-22-52- 3A	0B	JAN 20/09	33-23-01-18	0B	MAY 28/07
33-22-52- 3A	0C	JAN 20/09	33-23-01-18	0C	MAY 28/07
33-22-52- 3A	1	JAN 20/09	33-23-01-18	1	JAN 20/09
33-22-52- 3A	2	JAN 20/09	33-23-01-18	2	JAN 20/09
33-22-52- 3A	3	JAN 20/09	33-23-01-18	3	JAN 20/09
33-22-52- 7	0	MAY 28/07	33-23-01-18	4	JAN 20/09
33-22-52- 7	0A	MAY 28/07	33-23-01-18	5	JAN 20/09
33-22-52- 7	0B	MAY 28/07	33-23-01-18	6	JAN 20/09
33-22-52- 7	0C	MAY 28/07	33-23-01-18	7	JAN 20/09

* THE ASTERISK INDICATES PAGES CHANGED OR ADDED BY THE CURRENT REVISION



757
PARTS CATALOG (MAINTENANCE)

CH-SECT-UNIT-FIG	PAGE NO.	DATE
33-23-01-18	8	JAN 20/09
33-23-01-24	0	JAN 20/09
33-23-01-24	0A	JAN 20/09
33-23-01-24	0B	JAN 20/09
33-23-01-24	0C	JAN 20/09
33-23-01-24	1	JAN 20/09
33-23-01-24	2	JAN 20/09
33-23-01-24	3	JAN 20/09
33-23-01-27	0	MAY 28/07
33-23-01-27	0A	MAY 28/07
33-23-01-27	0B	MAY 28/07
33-23-01-27	0C	MAY 28/07
33-23-01-27	0D	MAY 28/07
33-23-01-27	0E	MAY 28/07
33-23-01-27	0F	MAY 28/07
33-23-01-27	1	JAN 20/09
33-23-01-27	2	JAN 20/09
33-23-01-27	3	JAN 20/09
33-23-01-27	4	JAN 20/09
33-23-01-27	5	JAN 20/09
33-23-01-27	6	JAN 20/09
33-23-01-27	7	JAN 20/09
33-23-01-27	8	JAN 20/09
33-23-01-27	9	JAN 20/09
33-23-01-31	0	JAN 20/09
33-23-01-31	0A	JAN 20/09
33-23-01-31	0B	JAN 20/09
33-23-01-31	0C	JAN 20/09
33-23-01-31	1	JAN 20/09
33-23-01-31	2	JAN 20/09
33-23-01-31	3	JAN 20/09
33-23-01-31	4	JAN 20/09
33-23-01-31	5	JAN 20/09
33-23-01-31	6	JAN 20/09
33-23-01-31	7	JAN 20/09
33-23-01-31	8	JAN 20/09
33-23-01-31	9	JAN 20/09
33-23-01-31	10	JAN 20/09
33-23-01-31	11	JAN 20/09
33-23-01-31	12	JAN 20/09
33-23-01-31	13	JAN 20/09
33-23-01-31	14	JAN 20/09
33-23-01-31	15	JAN 20/09
33-23-01-31B	0	JAN 20/09
33-23-01-31B	0A	JAN 20/09
33-23-01-31B	0B	JAN 20/09
33-23-01-31B	0C	JAN 20/09
33-23-01-31B	0D	JAN 20/09
33-23-01-31B	1	JAN 20/09
33-23-01-31B	2	JAN 20/09
33-23-01-31B	3	JAN 20/09

CH-SECT-UNIT-FIG	PAGE NO.	DATE
33-23-01-31B	4	JAN 20/09
33-23-01-31B	5	JAN 20/09
33-23-01-31B	6	JAN 20/09
33-23-01-31B	7	JAN 20/09
33-23-01-31B	8	JAN 20/09
33-23-01-31B	9	JAN 20/09
33-23-01-31B	10	JAN 20/09
33-23-01-31B	11	JAN 20/09
33-23-01-31B	12	JAN 20/09
33-23-01-31B	13	JAN 20/09
33-23-01-31B	14	JAN 20/09
33-23-01-31B	15	JAN 20/09
33-23-01-31B	16	JAN 20/09
33-23-01-31C	0	JAN 20/09
33-23-01-31C	0A	JAN 20/09
33-23-01-31C	1	JAN 20/09
33-23-01-31C	2	JAN 20/09
33-23-01-31H	0	JAN 20/09
33-23-01-31H	0A	JAN 20/09
33-23-01-31H	0B	JAN 20/09
33-23-01-31H	1	JAN 20/09
33-23-01-31H	2	JAN 20/09
33-23-01-31H	3	JAN 20/09
33-23-01-31H	4	JAN 20/09
33-23-01-33	0	MAY 28/07
33-23-01-33	0A	MAY 28/07
33-23-01-33	0B	MAY 28/07
33-23-01-33	0C	MAY 28/07
33-23-01-33	0D	MAY 28/07
33-23-01-33	1	JAN 20/09
33-23-01-33	2	JAN 20/09
33-23-01-33	3	JAN 20/09
33-23-01-33	4	JAN 20/09
33-23-01-33	5	JAN 20/09
33-23-01-33	6	JAN 20/09
33-23-01-33	7	JAN 20/09
33-23-01-33	8	JAN 20/09
33-23-01-34A	0	JAN 20/09
33-23-01-34A	0A	JAN 20/09
33-23-01-34A	0B	JAN 20/09
33-23-01-34A	1	JAN 20/09
33-23-01-34A	2	JAN 20/09
33-23-01-34A	3	JAN 20/09
33-23-01-34A	4	JAN 20/09
33-23-01-34A	5	JAN 20/09
33-23-01-34A	6	JAN 20/09
33-23-01-34A	7	JAN 20/09
33-23-01-34A	8	JAN 20/09
33-23-01-34A	9	JAN 20/09
33-23-01-34A	10	JAN 20/09
33-23-01-34A	11	JAN 20/09

* THE ASTERISK INDICATES PAGES CHANGED OR ADDED BY THE CURRENT REVISION



757
PARTS CATALOG (MAINTENANCE)

CH-SECT-UNIT-FIG	PAGE NO.	DATE
33-23-01-34A	12	JAN 20/09
33-23-01-34A	13	JAN 20/09
33-23-01-34A	14	JAN 20/09
33-23-01-34A	15	JAN 20/09
33-23-01-52	0	JAN 20/09
33-23-01-52	0A	JAN 20/09
33-23-01-52	0B	JAN 20/09
33-23-01-52	0C	JAN 20/09
33-23-01-52	0D	JAN 20/09
33-23-01-52	1	JAN 20/09
33-23-01-52	2	JAN 20/09
33-23-01-52	3	JAN 20/09
33-23-01-52	4	JAN 20/09
33-23-01-52	5	JAN 20/09
33-23-01-52	6	JAN 20/09
33-23-01-66D	0	JAN 20/09
33-23-01-66D	0A	JAN 20/09
33-23-01-66D	0B	JAN 20/09
33-23-01-66D	0C	JAN 20/09
33-23-01-66D	1	JAN 20/09
33-23-01-66D	2	JAN 20/09
33-23-01-66D	3	JAN 20/09
33-23-01-66D	4	JAN 20/09
33-23-01-66D	5	JAN 20/09
33-23-01-66D	6	JAN 20/09
33-23-01-70	0	JAN 20/09
33-23-01-70	0A	JAN 20/09
33-23-01-70	0B	JAN 20/09
33-23-01-70	0C	JAN 20/09
33-23-01-70	0D	JAN 20/09
33-23-01-70	0E	JAN 20/09
33-23-01-70	1	JAN 20/09
33-23-01-70	2	JAN 20/09
33-23-01-70	3	JAN 20/09
33-23-01-70	4	JAN 20/09
33-23-01-70	5	JAN 20/09
33-23-01-70	6	JAN 20/09
33-23-01-70	7	JAN 20/09
33-23-01-70	8	JAN 20/09
33-23-01-70	9	JAN 20/09
33-23-01-70	10	JAN 20/09
33-23-01-70	11	JAN 20/09
33-23-01-73	0	JAN 20/09
33-23-01-73	0A	JAN 20/09
33-23-01-73	1	JAN 20/09
33-23-01-73	2	JAN 20/09
33-23-01-73	3	JAN 20/09
33-23-01-95	0	MAY 28/07
*33-23-01-95	1	MAY 20/09
*33-23-01-95	2	MAY 20/09
33-23-01-95	3	JAN 20/09

CH-SECT-UNIT-FIG	PAGE NO.	DATE
33-23-01-95	4	JAN 20/09
33-23-01-95	5	JAN 20/09
33-23-01-95	6	JAN 20/09
33-23-01-95	7	JAN 20/09
33-23-01-95	8	JAN 20/09
33-23-01-96	0	MAY 28/07
33-23-01-96	0A	MAY 28/07
33-23-01-96	1	JAN 20/09
*33-23-01-96	2	MAY 20/09
*33-23-01-96	3	MAY 20/09
33-23-01-96	4	JAN 20/09
33-23-01-96	5	JAN 20/09
33-23-01-96	6	JAN 20/09
33-23-01-96	7	JAN 20/09
33-23-51- 1	0	JAN 20/09
33-23-51- 1	0A	MAY 28/07
*33-23-51- 1	1	MAY 20/09
*33-23-51- 1	2	MAY 20/09
*33-23-51- 1	3	MAY 20/09
33-23-51- 1A	0	JAN 20/09
33-23-51- 1A	1	JAN 20/09
*33-23-51- 1A	2	MAY 20/09
33-23-51- 2	0	MAY 28/07
33-23-51- 2	0A	MAY 28/07
33-23-51- 2	1	JAN 20/09
33-23-51-50	0	JAN 20/09
33-23-51-50	1	JAN 20/09
33-24-00	1	MAY 28/07
33-24-00-10	0	JAN 20/09
33-24-00-10	0A	JAN 20/09
33-24-00-10	0B	JAN 20/09
33-24-00-10	1	JAN 20/09
33-24-00-10	2	JAN 20/09
33-24-00-23	0	MAY 28/07
33-24-00-23	0A	MAY 28/07
33-24-00-23	1	JAN 20/09
33-24-00-23	2	JAN 20/09
33-24-00-23	3	JAN 20/09
33-24-00-25	0	JAN 20/09
33-24-00-25	0A	JAN 20/09
33-24-00-25	0B	JAN 20/09
33-24-00-25	0C	JAN 20/09
33-24-00-25	1	JAN 20/09
33-24-00-25	2	JAN 20/09
33-24-00-25	3	JAN 20/09
33-24-00-25	4	JAN 20/09
33-24-01- 2	0	JAN 20/09
33-24-01- 2	0A	JAN 20/09
33-24-01- 2	1	JAN 20/09
33-24-01-19	0	MAY 28/07
33-24-01-19	1	JAN 20/09

* THE ASTERISK INDICATES PAGES CHANGED OR ADDED BY THE CURRENT REVISION



757
PARTS CATALOG (MAINTENANCE)

CH-SECT-UNIT-FIG	PAGE NO.	DATE	CH-SECT-UNIT-FIG	PAGE NO.	DATE
33-24-01-19	2	JAN 20/09	33-24-51- 4	2	JAN 20/09
33-24-01-19	3	JAN 20/09	33-24-51- 4	3	JAN 20/09
33-24-01-25	0	JAN 20/09	33-24-51- 4	4	JAN 20/09
33-24-01-25	0A	JAN 20/09	33-24-51- 5	0	JAN 20/09
33-24-01-25	1	JAN 20/09	33-24-51- 5	1	JAN 20/09
33-24-01-29	0	MAY 28/07	33-24-51- 5	2	JAN 20/09
33-24-01-29	0A	MAY 28/07	33-24-51-10	0	JAN 20/09
33-24-01-29	0B	MAY 28/07	33-24-51-10	1	JAN 20/09
33-24-01-29	1	JAN 20/09	33-24-51-50	0	MAY 28/07
33-24-01-29	2	JAN 20/09	33-24-51-50	0A	MAY 28/07
33-24-01-31B	0	JAN 20/09	33-24-51-50	0B	MAY 28/07
33-24-01-31B	1	JAN 20/09	33-24-51-50	1	JAN 20/09
33-24-01-31B	2	JAN 20/09	33-24-51-50	2	JAN 20/09
33-24-01-31B	3	JAN 20/09	33-24-51-50A	0	JAN 20/09
33-24-01-31B	4	JAN 20/09	33-24-51-50A	1	JAN 20/09
33-24-01-31B	5	JAN 20/09	33-24-51-50B	0	JAN 20/09
33-24-01-33	0	MAY 28/07	33-24-51-50B	1	JAN 20/09
33-24-01-33	1	JAN 20/09	33-24-51-51B	0	JAN 20/09
33-24-01-34A	0	JAN 20/09	33-24-51-51B	1	JAN 20/09
33-24-01-34A	1	JAN 20/09	33-24-51-51B	2	JAN 20/09
33-24-01-34A	2	JAN 20/09	33-24-51-51C	0	JAN 20/09
33-24-01-34A	3	JAN 20/09	33-24-51-51C	1	JAN 20/09
33-24-01-34A	4	JAN 20/09	33-24-51-51J	0	JAN 20/09
33-24-01-66D	0	JAN 20/09	33-24-51-51J	0A	JAN 20/09
33-24-01-66D	1	JAN 20/09	33-24-51-51J	1	JAN 20/09
33-24-01-66D	2	JAN 20/09	33-24-51-51J	2	JAN 20/09
33-24-01-66D	3	JAN 20/09	33-24-51-51J	3	JAN 20/09
33-24-01-70	0	JAN 20/09	33-24-51-53	0	JAN 20/09
33-24-01-70	1	JAN 20/09	33-24-51-53	1	JAN 20/09
33-24-01-70	2	JAN 20/09	33-24-51-53A	0	MAY 28/07
33-24-01-70	3	JAN 20/09	33-24-51-53A	1	JAN 20/09
33-24-01-70	4	JAN 20/09	33-24-51-54	0	MAY 28/07
33-24-01-77	0	JAN 20/09	33-24-51-54	1	JAN 20/09
33-24-01-77	1	JAN 20/09	33-24-51-54A	0	JAN 20/09
33-24-01-77	2	JAN 20/09	33-24-51-54A	1	JAN 20/09
33-24-01-77	3	JAN 20/09	33-24-51-54A	2	JAN 20/09
33-24-01-77	4	JAN 20/09	33-24-51-55	0	JAN 20/09
33-24-51- 1	0	MAY 28/07	33-24-51-55	1	JAN 20/09
33-24-51- 1	1	JAN 20/09	33-24-51-55A	0	JAN 20/09
33-24-51- 1	2	JAN 20/09	33-24-51-55A	1	JAN 20/09
33-24-51- 2	0	MAY 28/07	33-24-51-56B	0	JAN 20/09
33-24-51- 2	1	JAN 20/09	33-24-51-56B	1	JAN 20/09
33-24-51- 2	2	JAN 20/09	33-24-51-90	0	JAN 20/09
33-24-51- 2	3	JAN 20/09	33-24-51-90	1	JAN 20/09
33-24-51- 2	4	JAN 20/09	33-24-51-90	2	JAN 20/09
33-24-51- 2	5	JAN 20/09	33-24-51-90	3	JAN 20/09
33-24-51- 2	6	JAN 20/09	33-24-51-90	4	JAN 20/09
33-24-51- 2	7	JAN 20/09	33-24-51-95	0	JAN 20/09
33-24-51- 4	0	JAN 20/09	33-24-51-95	1	JAN 20/09
33-24-51- 4	0A	JAN 20/09	33-24-71- 1	0	MAY 28/07
33-24-51- 4	1	JAN 20/09	33-24-71- 1	1	JAN 20/09

* THE ASTERISK INDICATES PAGES CHANGED OR ADDED BY THE CURRENT REVISION



757

PARTS CATALOG (MAINTENANCE)

CH-SECT-UNIT-FIG	PAGE NO.	DATE	CH-SECT-UNIT-FIG	PAGE NO.	DATE
33-24-71- 1	2	JAN 20/09	33-25-01-31B	2	JAN 20/09
33-24-71- 1	3	JAN 20/09	33-25-01-31B	3	JAN 20/09
33-24-71- 1	4	JAN 20/09	33-25-01-31C	0	JAN 20/09
33-24-71- 1A	0	MAY 28/07	33-25-01-31C	1	JAN 20/09
33-24-71- 1A	1	JAN 20/09	33-25-01-31H	0	JAN 20/09
33-24-71- 1A	2	JAN 20/09	33-25-01-31H	1	JAN 20/09
33-24-71- 2	0	JAN 20/09	33-25-01-33	0	MAY 28/07
33-24-71- 2	1	JAN 20/09	33-25-01-33	0A	MAY 28/07
33-24-71- 2	2	JAN 20/09	33-25-01-33	0B	MAY 28/07
33-24-71- 2	3	JAN 20/09	33-25-01-33	0C	MAY 28/07
33-24-71- 2	4	JAN 20/09	33-25-01-33	1	JAN 20/09
33-25-00	1	MAY 28/07	33-25-01-33	2	JAN 20/09
33-25-01- 2	0	JAN 20/09	33-25-01-33	3	JAN 20/09
33-25-01- 2	0A	JAN 20/09	33-25-01-33	4	JAN 20/09
33-25-01- 2	1	JAN 20/09	33-25-01-34A	0	JAN 20/09
33-25-01- 2	2	JAN 20/09	33-25-01-34A	1	JAN 20/09
33-25-01- 2	3	JAN 20/09	33-25-01-34A	2	JAN 20/09
33-25-01- 2	4	JAN 20/09	33-25-01-54	0	JAN 20/09
33-25-01- 2	5	JAN 20/09	33-25-01-54	1	JAN 20/09
*33-25-01- 2	6	MAY 20/09	33-25-01-54	2	JAN 20/09
*33-25-01- 2	7	MAY 20/09	33-25-01-54	3	JAN 20/09
33-25-01-18	0	MAY 28/07	33-25-01-66D	0	JAN 20/09
33-25-01-18	0A	MAY 28/07	33-25-01-66D	1	JAN 20/09
33-25-01-18	0B	MAY 28/07	33-25-01-66D	2	JAN 20/09
33-25-01-18	0C	MAY 28/07	33-25-01-70	0	JAN 20/09
33-25-01-18	0D	MAY 28/07	33-25-01-70	1	JAN 20/09
33-25-01-18	1	JAN 20/09	33-25-01-70	2	JAN 20/09
33-25-01-18	2	JAN 20/09	33-25-01-70	3	JAN 20/09
33-25-01-18	3	JAN 20/09	33-25-01-73	0	JAN 20/09
33-25-01-18	4	JAN 20/09	33-25-01-73	1	JAN 20/09
33-25-01-24	0	JAN 20/09	33-25-51- 1	0	MAY 28/07
33-25-01-24	0A	JAN 20/09	33-25-51- 1	0A	MAY 28/07
33-25-01-24	0B	JAN 20/09	33-25-51- 1	1	JAN 20/09
33-25-01-24	0C	JAN 20/09	33-25-51- 1	2	JAN 20/09
33-25-01-24	1	JAN 20/09	33-25-51- 1	3	JAN 20/09
33-25-01-24	2	JAN 20/09	33-25-51- 1	4	JAN 20/09
33-25-01-28	0	MAY 28/07	33-25-51- 1A	0	MAY 28/07
33-25-01-28	0A	MAY 28/07	33-25-51- 1A	0A	MAY 28/07
33-25-01-28	0B	MAY 28/07	33-25-51- 1A	1	JAN 20/09
33-25-01-28	0C	MAY 28/07	33-25-51- 1A	2	JAN 20/09
33-25-01-28	0D	MAY 28/07	33-25-51- 1C	0	MAY 28/07
33-25-01-28	0E	MAY 28/07	33-25-51- 1C	1	JAN 20/09
33-25-01-28	0F	MAY 28/07	33-25-51- 1C	2	JAN 20/09
33-25-01-28	0G	MAY 28/07	33-25-51- 1C	3	JAN 20/09
33-25-01-28	1	JAN 20/09	33-25-51- 1C	4	JAN 20/09
33-25-01-28	2	JAN 20/09	33-25-51- 2	0	MAY 28/07
33-25-01-28	3	JAN 20/09	33-25-51- 2	0A	MAY 28/07
33-25-01-28	4	JAN 20/09	33-25-51- 2	1	JAN 20/09
33-25-01-28	5	JAN 20/09	33-25-51- 2	2	JAN 20/09
33-25-01-31B	0	JAN 20/09	33-25-51- 2	3	JAN 20/09
33-25-01-31B	1	JAN 20/09	33-25-51- 2	4	JAN 20/09

* THE ASTERISK INDICATES PAGES CHANGED OR ADDED BY THE CURRENT REVISION



757
PARTS CATALOG (MAINTENANCE)

CH-SECT-UNIT-FIG	PAGE NO.	DATE
33-25-51- 2C	0	JAN 20/09
33-25-51- 2C	0A	JAN 20/09
33-25-51- 2C	0B	JAN 20/09
33-25-51- 2C	1	JAN 20/09
33-25-51- 2C	2	JAN 20/09
33-25-51-50	0	MAY 28/07
33-25-51-50	1	JAN 20/09
33-25-51-50C	0	JAN 20/09
33-25-51-50C	1	JAN 20/09
33-25-51-50D	0	JAN 20/09
33-25-51-50D	1	JAN 20/09
33-25-51-51A	0	JAN 20/09
33-25-51-51A	0A	JAN 20/09
33-25-51-51A	1	JAN 20/09
33-25-51-51A	2	JAN 20/09
33-25-51-51A	3	JAN 20/09
33-25-51-51D	0	MAY 28/07
33-25-51-51D	0A	MAY 28/07
33-25-51-51D	1	JAN 20/09
33-25-51-51D	2	JAN 20/09
33-25-51-51G	0	JAN 20/09
33-25-51-51G	0A	JAN 20/09
33-25-51-51G	1	JAN 20/09
33-25-51-51G	2	JAN 20/09
33-25-52- 2	0	JAN 20/09
33-25-52- 2	1	JAN 20/09
33-25-52- 2	2	JAN 20/09
33-25-53- 1	0	MAY 28/07
33-25-53- 1	1	JAN 20/09
33-25-53- 1	2	JAN 20/09
33-25-53- 2	0	JAN 20/09
33-25-53- 2	1	JAN 20/09
33-25-53- 2	2	JAN 20/09
33-26-00	1	MAY 28/07
33-26-51- 1	0	JAN 20/09
33-26-51- 1	0A	JAN 20/09
33-26-51- 1	0B	MAY 28/07
33-26-51- 1	1	JAN 20/09
33-26-51- 1	2	JAN 20/09
33-26-51- 1	3	JAN 20/09
33-26-51- 1	4	JAN 20/09
33-26-51- 1	5	JAN 20/09
33-26-52- 2	0	JAN 20/09
33-26-52- 2	0A	JAN 20/09
33-26-52- 2	0B	JAN 20/09
33-26-52- 2	1	JAN 20/09
33-26-52- 2	2	JAN 20/09
33-26-52- 2	3	JAN 20/09
33-26-52- 2	4	JAN 20/09
33-26-52-10	0	MAY 28/07
33-26-52-10	0A	MAY 28/07

CH-SECT-UNIT-FIG	PAGE NO.	DATE
33-26-52-10	1	JAN 20/09
33-26-52-10	2	JAN 20/09
33-26-52-10	3	JAN 20/09
33-26-52-10	4	JAN 20/09
33-26-52-10	5	JAN 20/09
33-26-52-10	6	JAN 20/09
33-26-52-10	7	JAN 20/09
33-26-52-10	8	JAN 20/09
33-26-52-10C	0	JAN 20/09
33-26-52-10C	0A	JAN 20/09
33-26-52-10C	1	JAN 20/09
33-26-52-10C	2	JAN 20/09
33-26-52-10C	3	JAN 20/09
33-26-52-10C	4	JAN 20/09
33-26-52-15	0	MAY 28/07
33-26-52-15	0A	MAY 28/07
33-26-52-15	1	JAN 20/09
33-26-52-15	2	JAN 20/09
33-26-52-15	3	JAN 20/09
33-26-52-15	4	JAN 20/09
33-26-52-15	5	JAN 20/09
33-26-52-15	6	JAN 20/09
33-26-52-15B	0	MAY 28/07
33-26-52-15B	0A	MAY 28/07
33-26-52-15B	1	JAN 20/09
33-26-52-15B	2	JAN 20/09
33-26-52-15B	3	JAN 20/09
33-26-52-15C	0	MAY 28/07
33-26-52-15C	1	JAN 20/09
33-26-52-15C	2	JAN 20/09
33-26-52-15C	3	JAN 20/09
33-26-52-20	0	MAY 28/07
33-26-52-20	1	JAN 20/09
33-26-52-40	0	MAY 28/07
33-26-52-40	1	JAN 20/09
33-26-52-40	2	JAN 20/09
33-26-52-50	0	MAY 28/07
33-26-52-50	0A	MAY 28/07
33-26-52-50	1	JAN 20/09
33-26-52-50	2	JAN 20/09
33-26-52-50	3	JAN 20/09
33-26-52-50	4	JAN 20/09
33-26-52-50	5	JAN 20/09
33-26-52-50	6	JAN 20/09
33-26-52-50	7	JAN 20/09
33-26-52-50A	0	MAY 28/07
33-26-52-50A	1	JAN 20/09
33-26-52-50A	2	JAN 20/09
33-26-52-60	0	MAY 28/07
33-26-52-60	0A	MAY 28/07
33-26-52-60	1	JAN 20/09

* THE ASTERISK INDICATES PAGES CHANGED OR ADDED BY THE CURRENT REVISION



757
PARTS CATALOG (MAINTENANCE)

CH-SECT-UNIT-FIG	PAGE NO.	DATE	CH-SECT-UNIT-FIG	PAGE NO.	DATE
33-26-52-60	2	JAN 20/09	33-26-52-82A	1	JAN 20/09
33-26-52-60E	0	JAN 20/09	33-26-52-82A	2	JAN 20/09
33-26-52-60E	0A	JAN 20/09	33-26-52-82A	3	JAN 20/09
33-26-52-60E	1	JAN 20/09	33-26-52-82A	4	JAN 20/09
33-26-52-61	0	JAN 20/09	33-26-53- 1	0	MAY 28/07
33-26-52-61	0A	JAN 20/09	33-26-53- 1	0A	MAY 28/07
33-26-52-61	1	JAN 20/09	33-26-53- 1	0B	MAY 28/07
33-26-52-61	2	JAN 20/09	33-26-53- 1	0C	MAY 28/07
33-26-52-65C	0	JAN 20/09	33-26-53- 1	0D	MAY 28/07
33-26-52-65C	1	JAN 20/09	33-26-53- 1	0E	MAY 28/07
33-26-52-65C	2	JAN 20/09	33-26-53- 1	1	JAN 20/09
33-26-52-70A	0	JAN 20/09	33-26-53- 1	2	JAN 20/09
33-26-52-70A	0A	JAN 20/09	33-26-53- 1	3	JAN 20/09
33-26-52-70A	1	JAN 20/09	33-26-53- 1	4	JAN 20/09
33-26-52-70A	2	JAN 20/09	33-26-53- 1	5	JAN 20/09
33-26-52-70B	0	JAN 20/09	33-26-53- 3	0	MAY 28/07
33-26-52-70B	0A	JAN 20/09	33-26-53- 3	0A	MAY 28/07
33-26-52-70B	1	JAN 20/09	33-26-53- 3	1	JAN 20/09
33-26-52-70B	2	JAN 20/09	33-26-53- 3	2	JAN 20/09
33-26-52-74	0	JAN 20/09	33-26-54- 1	0	MAY 28/07
33-26-52-74	1	JAN 20/09	33-26-54- 1	1	JAN 20/09
33-26-52-74A	0	MAY 28/07	33-26-54- 1	2	JAN 20/09
33-26-52-74A	1	JAN 20/09	33-26-54- 1	3	JAN 20/09
33-26-52-75	0	JAN 20/09	33-26-54- 1	4	JAN 20/09
33-26-52-75	1	JAN 20/09	33-27-00	1	MAY 28/07
33-26-52-75A	0	JAN 20/09	33-27-51- 1	0	MAY 28/07
33-26-52-75A	1	JAN 20/09	33-27-51- 1	0A	MAY 28/07
33-26-52-75A	2	JAN 20/09	33-27-51- 1	0B	MAY 28/07
33-26-52-75C	0	JAN 20/09	33-27-51- 1	0C	MAY 28/07
33-26-52-75C	1	JAN 20/09	33-27-51- 1	0D	MAY 28/07
33-26-52-78E	0	JAN 20/09	33-27-51- 1	0E	MAY 28/07
33-26-52-78E	0A	JAN 20/09	33-27-51- 1	0F	MAY 28/07
33-26-52-78E	0B	JAN 20/09	33-27-51- 1	0G	MAY 28/07
33-26-52-78E	1	JAN 20/09	33-27-51- 1	1	JAN 20/09
33-26-52-78E	2	JAN 20/09	33-27-51- 1	2	JAN 20/09
33-26-52-78E	3	JAN 20/09	33-27-51- 1	3	JAN 20/09
33-26-52-80C	0	MAY 28/07	33-27-51- 1	4	JAN 20/09
33-26-52-80C	0A	MAY 28/07	33-27-51- 1	5	JAN 20/09
33-26-52-80C	1	JAN 20/09	33-27-51- 1	6	JAN 20/09
33-26-52-80C	2	JAN 20/09	33-27-51- 1	7	JAN 20/09
33-26-52-80C	3	JAN 20/09	33-27-51- 1	8	JAN 20/09
33-26-52-81	0	JAN 20/09	33-27-51- 1	9	JAN 20/09
33-26-52-81	1	JAN 20/09	33-27-51- 1	10	JAN 20/09
33-26-52-81A	0	JAN 20/09	33-27-51- 1	11	JAN 20/09
33-26-52-81A	0A	JAN 20/09	33-27-51- 1	12	JAN 20/09
33-26-52-81A	1	JAN 20/09	33-27-51- 1	13	JAN 20/09
33-26-52-81A	2	JAN 20/09	33-27-51- 1	14	JAN 20/09
33-26-52-81A	3	JAN 20/09	33-27-51- 1	15	JAN 20/09
33-26-52-81C	0	JAN 20/09	33-27-51- 1	16	JAN 20/09
33-26-52-81C	1	JAN 20/09	33-27-51- 2	0	JAN 20/09
33-26-52-82A	0	JAN 20/09	33-27-51- 2	1	JAN 20/09

* THE ASTERISK INDICATES PAGES CHANGED OR ADDED BY THE CURRENT REVISION



757
PARTS CATALOG (MAINTENANCE)

CH-SECT-UNIT-FIG	PAGE NO.	DATE
33-27-52- 9	0	JAN 20/09
33-27-52- 9	0A	JAN 20/09
33-27-52- 9	0B	JAN 20/09
33-27-52- 9	0C	JAN 20/09
33-27-52- 9	0D	JAN 20/09
33-27-52- 9	1	JAN 20/09
33-27-52- 9	2	JAN 20/09
33-27-52- 9	3	JAN 20/09
33-27-52- 9	4	JAN 20/09
33-27-52- 9	5	JAN 20/09
33-27-52- 9	6	JAN 20/09
33-27-52- 9	7	JAN 20/09
33-27-52- 9	8	JAN 20/09
33-27-52- 9	9	JAN 20/09
33-27-52- 9	10	JAN 20/09
33-27-52- 9	11	JAN 20/09
33-27-52- 9	12	JAN 20/09
33-27-52- 9	13	JAN 20/09
33-27-52- 9	14	JAN 20/09
33-27-53- 1	0	MAY 28/07
33-27-53- 1	0A	MAY 28/07
33-27-53- 1	0B	MAY 28/07
33-27-53- 1	0C	MAY 28/07
33-27-53- 1	0D	MAY 28/07
33-27-53- 1	1	JAN 20/09
33-27-53- 1	2	JAN 20/09
33-27-53- 1	3	JAN 20/09
33-27-53- 1	4	JAN 20/09
33-27-53- 1	5	JAN 20/09
33-27-53- 1	6	JAN 20/09
33-27-53- 1	7	JAN 20/09
33-27-53- 1	8	JAN 20/09
33-27-53- 1	9	JAN 20/09
33-27-53- 1	10	JAN 20/09
33-27-53- 1	11	JAN 20/09
33-27-54- 1	0	JAN 20/09
33-27-54- 1	1	JAN 20/09
33-27-54- 1	2	JAN 20/09
33-27-55- 1	0	MAY 28/07
33-27-55- 1	0A	MAY 28/07
33-27-55- 1	0B	MAY 28/07
33-27-55- 1	1	JAN 20/09
33-27-55- 1	2	JAN 20/09
33-27-56- 1	0	MAY 28/07
33-27-56- 1	0A	MAY 28/07
33-27-56- 1	0B	MAY 28/07
33-27-56- 1	1	JAN 20/09
33-27-56- 1	2	JAN 20/09
33-27-56- 1	3	JAN 20/09
33-27-56- 1	4	JAN 20/09
33-27-56- 1	5	JAN 20/09

CH-SECT-UNIT-FIG	PAGE NO.	DATE
33-27-56- 1	6	JAN 20/09
33-27-56- 1	7	JAN 20/09
33-27-56- 1	8	JAN 20/09
33-27-56- 1	9	JAN 20/09
33-27-56- 1	10	JAN 20/09
33-27-60-24	0	JAN 20/09
33-27-60-24	0A	JAN 20/09
33-27-60-24	1	JAN 20/09
33-31-00	1	MAY 28/07
33-31-50- 5	0	JAN 20/09
33-31-50- 5	1	JAN 20/09
33-31-51- 4	0	MAY 28/07
33-31-51- 4	1	JAN 20/09
33-31-51- 4	2	JAN 20/09
33-31-51- 4	3	JAN 20/09
33-31-51- 4	4	JAN 20/09
33-31-51- 5	0	MAY 28/07
33-31-51- 5	0A	MAY 28/07
33-31-51- 5	0B	MAY 28/07
33-31-51- 5	1	JAN 20/09
33-31-51- 5	2	JAN 20/09
33-31-51- 5	3	JAN 20/09
33-31-51- 5	4	JAN 20/09
33-31-51- 5	5	JAN 20/09
33-31-51- 5	6	JAN 20/09
33-31-51- 5	7	JAN 20/09
33-31-51- 5A	0	JAN 20/09
33-31-51- 5A	0A	JAN 20/09
33-31-51- 5A	1	JAN 20/09
33-31-51- 6	0	MAY 28/07
33-31-51- 6	0A	MAY 28/07
33-31-51- 6	0B	MAY 28/07
33-31-51- 6	1	JAN 20/09
33-31-51- 6	2	JAN 20/09
33-31-51- 6	3	JAN 20/09
33-31-51- 6	4	JAN 20/09
33-31-51- 6	5	JAN 20/09
33-31-51- 6	6	JAN 20/09
33-31-51- 6	7	JAN 20/09
33-31-51- 6	8	JAN 20/09
33-31-51- 6	9	JAN 20/09
33-31-51- 6	10	JAN 20/09
33-31-51- 6	11	JAN 20/09
33-31-51-10	0	MAY 28/07
33-31-51-10	0A	MAY 28/07
33-31-51-10	1	JAN 20/09
33-31-51-10	2	JAN 20/09
33-31-51-10	3	JAN 20/09
33-31-51-10	4	JAN 20/09
33-31-51-50	0	MAY 28/07
33-31-51-50	1	JAN 20/09

* THE ASTERISK INDICATES PAGES CHANGED OR ADDED BY THE CURRENT REVISION


BOEING
 757
PARTS CATALOG (MAINTENANCE)

CH-SECT-UNIT-FIG	PAGE NO.	DATE	CH-SECT-UNIT-FIG	PAGE NO.	DATE
33-31-51-50	2	SEP 20/08	33-31-60- 1	0E	JAN 20/09
33-31-51-51	0	MAY 28/07	33-31-60- 1	0F	JAN 20/09
33-31-51-51	1	JAN 20/09	33-31-60- 1	1	JAN 20/09
33-31-52- 1	0	MAY 28/07	33-31-60- 1	2	JAN 20/09
33-31-52- 1	1	JAN 20/09	33-31-60- 1	3	JAN 20/09
33-31-52- 1	2	JAN 20/09	33-31-60- 1	4	JAN 20/09
33-31-52- 1	3	JAN 20/09	33-31-60- 1	5	JAN 20/09
33-31-52- 1	4	JAN 20/09	33-31-60- 1	6	JAN 20/09
33-31-52- 1	5	JAN 20/09	33-37-00	1	MAY 28/07
33-31-52- 2	0	MAY 28/07	33-37-51- 1	0	MAY 28/07
33-31-52- 2	0A	MAY 28/07	33-37-51- 1	0A	MAY 28/07
33-31-52- 2	0B	MAY 28/07	33-37-51- 1	1	JAN 20/09
33-31-52- 2	1	JAN 20/09	33-37-51- 1	2	JAN 20/09
33-31-52- 2	2	JAN 20/09	33-37-51- 1	3	JAN 20/09
33-31-52- 2	3	JAN 20/09	33-37-51- 1	4	JAN 20/09
33-31-52- 2	4	JAN 20/09	33-37-51- 2	0	MAY 28/07
33-31-52- 2	5	JAN 20/09	33-37-51- 2	0A	MAY 28/07
33-31-52- 2	6	JAN 20/09	33-37-51- 2	0B	MAY 28/07
33-31-52- 2	7	JAN 20/09	33-37-51- 2	0C	MAY 28/07
33-31-52- 3	0	MAY 28/07	33-37-51- 2	1	JAN 20/09
33-31-52- 3	0A	MAY 28/07	*33-37-51- 2	2	MAY 20/09
33-31-52- 3	0B	MAY 28/07	*33-37-51- 2	3	MAY 20/09
33-31-52- 3	1	JAN 20/09	*33-37-51- 2	4	MAY 20/09
33-31-52- 3	2	JAN 20/09	33-37-51- 2	5	JAN 20/09
33-31-52- 3	3	JAN 20/09	*33-37-51- 2	6	MAY 20/09
33-31-52- 3	4	JAN 20/09	33-37-51- 3	0	MAY 28/07
33-31-52- 3	5	JAN 20/09	33-37-51- 3	0A	MAY 28/07
33-31-53- 1	0	MAY 28/07	33-37-51- 3	0B	MAY 28/07
33-31-53- 1	1	JAN 20/09	33-37-51- 3	1	JAN 20/09
33-31-53- 1	2	JAN 20/09	*33-37-51- 3	2	MAY 20/09
33-31-54- 1	0	MAY 28/07	*33-37-51- 3	3	MAY 20/09
33-31-54- 1	1	JAN 20/09	*33-37-51- 3	4	MAY 20/09
33-31-55- 1	0	MAY 28/07	*33-37-51- 3	5	MAY 20/09
33-31-55- 1	1	SEP 20/08	33-37-51- 3	6	JAN 20/09
33-31-56- 1	0	MAY 28/07	*33-37-51- 3	7	MAY 20/09
33-31-56- 1	1	JAN 20/09	*33-37-51- 3	8	MAY 20/09
33-31-56- 1	2	JAN 20/09	33-37-51- 3	9	JAN 20/09
33-31-56- 1	3	JAN 20/09	33-37-51- 4	0	MAY 28/07
33-31-56- 1B	0	MAY 28/07	33-37-51- 4	1	JAN 20/09
33-31-56- 1B	1	JAN 20/09	33-37-51- 4	2	JAN 20/09
33-31-56- 2	0	JAN 20/09	33-37-51- 4	3	JAN 20/09
33-31-56- 2	1	JAN 20/09	33-37-51- 5	0	MAY 28/07
33-31-56- 2	2	JAN 20/09	33-37-51- 5	1	JAN 20/09
33-31-57- 1	0	MAY 28/07	33-37-51- 6	0	MAY 28/07
33-31-57- 1	1	JAN 20/09	33-37-51- 6	0A	MAY 28/07
33-31-57- 1	2	JAN 20/09	33-37-51- 6	1	JAN 20/09
33-31-60- 1	0	JAN 20/09	33-37-51- 6	2	JAN 20/09
33-31-60- 1	0A	JAN 20/09	33-37-51- 7	0	MAY 28/07
33-31-60- 1	0B	JAN 20/09	33-37-51- 7	1	JAN 20/09
33-31-60- 1	0C	JAN 20/09	33-37-51- 7	2	JAN 20/09
33-31-60- 1	0D	JAN 20/09	33-37-51- 7A	0	MAY 28/07

* THE ASTERISK INDICATES PAGES CHANGED OR ADDED BY THE CURRENT REVISION



757

PARTS CATALOG (MAINTENANCE)

CH-SECT-UNIT-FIG	PAGE NO.	DATE
33-37-51- 7A	0A	MAY 28/07
33-37-51- 7A	1	JAN 20/09
33-37-51- 7A	2	JAN 20/09
33-37-51- 9	0	MAY 28/07
33-37-51- 9	0A	MAY 28/07
33-37-51- 9	0B	MAY 28/07
33-37-51- 9	0C	MAY 28/07
33-37-51- 9	0D	MAY 28/07
33-37-51- 9	0E	MAY 28/07
33-37-51- 9	1	JAN 20/09
33-37-51- 9	2	JAN 20/09
33-37-51- 9	3	JAN 20/09
33-37-51- 9	4	JAN 20/09
33-37-51- 9	5	JAN 20/09
33-37-51- 9	6	JAN 20/09
33-37-51- 9	7	JAN 20/09
33-37-51- 9	8	JAN 20/09
33-37-51- 9	9	JAN 20/09
33-37-51- 9	10	JAN 20/09
33-37-51- 9	11	JAN 20/09
33-37-51- 9	12	JAN 20/09
33-37-51- 9	13	JAN 20/09
33-37-51- 9	14	JAN 20/09
33-37-51- 9	15	JAN 20/09
33-37-51- 9	16	JAN 20/09
33-37-51-10	0	MAY 28/07
33-37-51-10	0A	MAY 28/07
33-37-51-10	0B	MAY 28/07
33-37-51-10	1	JAN 20/09
33-37-51-10	2	JAN 20/09
33-37-51-10	3	JAN 20/09
33-37-51-10	4	JAN 20/09
33-37-51-10	5	JAN 20/09
33-37-51-10	6	JAN 20/09
33-37-51-11	0	MAY 28/07
33-37-51-11	1	JAN 20/09
33-37-51-12	0	JAN 20/09
33-37-51-12	0A	JAN 20/09
33-37-51-12	0B	JAN 20/09
33-37-51-12	0C	JAN 20/09
33-37-51-12	0D	JAN 20/09
33-37-51-12	1	JAN 20/09
33-37-51-12	2	JAN 20/09
33-37-51-12	3	JAN 20/09
33-37-51-12	4	JAN 20/09
33-37-51-12	5	JAN 20/09
33-37-51-50	0	MAY 28/07
33-37-51-50	0A	MAY 28/07
33-37-51-50	1	JAN 20/09
33-37-51-50	2	JAN 20/09
33-37-51-50	3	JAN 20/09

CH-SECT-UNIT-FIG	PAGE NO.	DATE
33-37-51-50	4	JAN 20/09
33-37-51-50A	0	MAY 28/07
33-37-51-50A	0A	MAY 28/07
33-37-51-50A	0B	MAY 28/07
*33-37-51-50A	1	MAY 20/09
33-37-51-50A	2	JAN 20/09
33-37-51-50A	3	JAN 20/09
33-37-51-50A	4	JAN 20/09
33-37-51-50A	5	JAN 20/09
33-37-51-50A	6	JAN 20/09
33-37-51-50A	7	JAN 20/09
33-37-51-60	0	MAY 28/07
33-37-51-60	1	JAN 20/09
33-37-51-60	2	JAN 20/09
33-37-51-60	3	JAN 20/09
33-37-52- 1	0	MAY 28/07
33-37-52- 1	0A	MAY 28/07
33-37-52- 1	1	JAN 20/09
33-37-52- 1	2	JAN 20/09
33-37-52- 1	3	JAN 20/09
33-37-52- 1A	0	JAN 20/09
33-37-52- 1A	0A	JAN 20/09
33-37-52- 1A	1	JAN 20/09
33-37-52- 1A	2	JAN 20/09
33-37-52- 1A	3	JAN 20/09
33-37-52- 1B	0	MAY 28/07
33-37-52- 1B	1	JAN 20/09
33-37-52- 1B	2	JAN 20/09
33-37-52- 3	0	MAY 28/07
33-37-52- 3	1	JAN 20/09
33-37-53- 1	0	MAY 28/07
33-37-53- 1	1	JAN 20/09
33-37-53- 1	2	JAN 20/09
33-37-53- 1	3	JAN 20/09
33-37-71- 1	0	JAN 20/09
33-37-71- 1	1	JAN 20/09
33-37-71- 2	0	JAN 20/09
33-37-71- 2	1	JAN 20/09
33-37-71- 2	2	JAN 20/09
33-41-00	1	MAY 28/07
33-41-51- 1	0	MAY 28/07
33-41-51- 1	0A	MAY 28/07
33-41-51- 1	1	JAN 20/09
33-41-51- 1	2	JAN 20/09
33-41-51- 1	3	JAN 20/09
33-41-51- 1	4	JAN 20/09
33-41-51- 1	5	JAN 20/09
33-41-51- 1	6	JAN 20/09
33-41-51- 1	7	JAN 20/09
33-41-51- 1	8	JAN 20/09
33-41-52- 1	0	MAY 28/07

* THE ASTERISK INDICATES PAGES CHANGED OR ADDED BY THE CURRENT REVISION



757

PARTS CATALOG (MAINTENANCE)

CH-SECT-UNIT-FIG	PAGE NO.	DATE
33-41-52- 1	1	JAN 20/09
33-41-52- 1	2	JAN 20/09
33-41-52- 1	3	JAN 20/09
33-41-52- 1	4	JAN 20/09
33-41-52- 1	5	JAN 20/09
33-41-52- 1	6	JAN 20/09
33-41-52- 3	0	MAY 28/07
33-41-52- 3	1	JAN 20/09
33-41-52- 3	2	JAN 20/09
33-41-52- 3	3	JAN 20/09
33-41-52- 4	0	MAY 28/07
33-41-52- 4	1	JAN 20/09
33-41-52- 4	2	JAN 20/09
33-41-52- 4	3	JAN 20/09
33-41-52- 4	4	JAN 20/09
33-41-52- 4	5	JAN 20/09
33-41-52- 4	6	JAN 20/09
33-41-52- 4	7	JAN 20/09
33-41-52- 4	8	JAN 20/09
33-41-52- 4	9	JAN 20/09
33-41-52- 4	10	JAN 20/09
33-42-00	1	MAY 28/07
33-42-00- 1	0	JAN 20/09
33-42-00- 1	1	JAN 20/09
33-42-01- 1	0	MAY 28/07
33-42-01- 1	0A	MAY 28/07
33-42-01- 1	0B	MAY 28/07
33-42-01- 1	0C	MAY 28/07
33-42-01- 1	0D	MAY 28/07
33-42-01- 1	1	JAN 20/09
33-42-01- 1	2	JAN 20/09
33-42-01- 1	3	JAN 20/09
33-42-01- 1	4	JAN 20/09
33-42-01- 1	5	JAN 20/09
*33-42-01- 1	6	MAY 20/09
*33-42-01- 1	7	MAY 20/09
*33-42-01- 1	8	MAY 20/09
*33-42-01- 1	9	MAY 20/09
*33-42-01- 1	10	MAY 20/09
33-42-01- 1	11	JAN 20/09
*33-42-01- 1	12	MAY 20/09
*33-42-01- 1	13	MAY 20/09
33-42-01- 1	14	JAN 20/09
*33-42-01- 1	15	MAY 20/09
*33-42-01- 1	16	MAY 20/09
33-42-01- 1	17	JAN 20/09
33-42-01- 1	18	JAN 20/09
33-42-01- 1	19	JAN 20/09
33-42-01- 1	20	JAN 20/09
33-42-01- 2	0	MAY 28/07
33-42-01- 2	0A	MAY 28/07

CH-SECT-UNIT-FIG	PAGE NO.	DATE
33-42-01- 2	0B	MAY 28/07
33-42-01- 2	0C	MAY 28/07
33-42-01- 2	0D	MAY 28/07
33-42-01- 2	0E	MAY 28/07
33-42-01- 2	0F	MAY 28/07
33-42-01- 2	0G	MAY 28/07
33-42-01- 2	0H	MAY 28/07
33-42-01- 2	0I	MAY 28/07
33-42-01- 2	0J	MAY 28/07
33-42-01- 2	0K	MAY 28/07
33-42-01- 2	1	JAN 20/09
33-42-01- 2	2	SEP 28/07
33-42-01- 2	3	JAN 20/09
33-42-01- 2	4	JAN 20/09
33-42-01- 2	5	JAN 20/09
33-42-01- 2	6	JAN 20/09
33-42-01- 2	7	MAY 28/07
33-42-01- 2	8	JAN 20/09
33-42-01- 2	9	MAY 28/07
33-42-01- 2	10	JAN 20/09
33-42-01- 3	0	MAY 28/07
33-42-01- 3	0A	MAY 28/07
33-42-01- 3	0B	MAY 28/07
33-42-01- 3	0C	MAY 28/07
33-42-01- 3	0D	MAY 28/07
33-42-01- 3	1	JAN 20/09
33-42-01- 3	2	JAN 20/09
33-42-01- 3	3	JAN 20/09
33-42-01- 3	4	JAN 20/09
33-42-01- 3	5	JAN 20/09
33-42-01- 3	6	JAN 20/09
33-42-01- 4	0	MAY 28/07
33-42-01- 4	1	JAN 20/09
33-42-01- 4	2	JAN 20/09
33-42-01- 4	3	JAN 20/09
33-42-01- 4	4	JAN 20/09
33-42-01- 4	5	JAN 20/09
33-42-01- 4	6	JAN 20/09
33-42-01- 4	7	JAN 20/09
33-42-01- 4	8	JAN 20/09
33-42-01- 5	0	MAY 28/07
33-42-01- 5	1	JAN 20/09
33-42-01- 5	2	JAN 20/09
33-42-01- 5	3	JAN 20/09
33-42-01- 6	0	MAY 28/07
33-42-01- 6	1	JAN 20/09
33-42-01- 6	2	JAN 20/09
33-42-02- 1	0	JAN 20/09
33-42-02- 1	1	JAN 20/09
33-42-02- 1	2	JAN 20/09
33-42-02- 2	0	JAN 20/09

* THE ASTERISK INDICATES PAGES CHANGED OR ADDED BY THE CURRENT REVISION



757
PARTS CATALOG (MAINTENANCE)

CH-SECT-UNIT-FIG	PAGE NO.	DATE
33-42-02- 2	1	JAN 20/09
33-42-02- 3	0	JAN 20/09
33-42-02- 3	0A	JAN 20/09
33-42-02- 3	0B	JAN 20/09
33-42-02- 3	1	JAN 20/09
33-42-02- 3	2	JAN 20/09
33-42-02- 3	3	JAN 20/09
33-42-02- 4	0	JAN 20/09
33-42-02- 4	1	JAN 20/09
33-42-02- 4	2	JAN 20/09
33-42-02- 4	3	JAN 20/09
33-42-02- 4	4	JAN 20/09
33-42-02- 4	5	JAN 20/09
33-42-02- 4	6	JAN 20/09
33-42-02- 5	0	JAN 20/09
33-42-02- 5	1	JAN 20/09
33-42-02- 5	2	JAN 20/09
33-42-04- 1	0	JAN 20/09
33-42-04- 1	0A	JAN 20/09
33-42-04- 1	0B	MAY 28/07
33-42-04- 1	0C	JAN 20/09
33-42-04- 1	0D	MAY 28/07
33-42-04- 1	0E	MAY 28/07
33-42-04- 1	0F	MAY 28/07
33-42-04- 1	1	JAN 20/09
33-42-04- 1	2	JAN 20/09
33-42-04- 1	3	JAN 20/09
33-42-04- 1	4	JAN 20/09
33-42-04- 1	5	JAN 20/09
33-42-04- 1	6	JAN 20/09
33-42-04- 1	7	JAN 20/09
33-42-04- 1	8	JAN 20/09
33-42-04- 1	9	JAN 20/09
33-42-04- 1	10	JAN 20/09
33-42-04- 1	11	JAN 20/09
33-42-04- 1	12	JAN 20/09
33-42-51- 1	0	MAY 28/07
33-42-51- 1	1	JAN 20/09
33-42-51- 1	2	JAN 20/09
*33-42-51- 1	3	MAY 20/09
*33-42-51- 1	4	MAY 20/09
33-42-51- 1	5	JAN 20/09
33-42-51-10	0	MAY 28/07
33-42-51-10	1	SEP 20/08
33-42-51-10	2	JAN 20/09
33-42-51-10	3	JAN 20/09
33-42-52- 1	0	MAY 28/07
33-42-52- 1	1	JAN 20/09
33-42-52- 1	2	JAN 20/09
33-42-52- 3	0	MAY 28/07
33-42-52- 3	1	JAN 20/09

CH-SECT-UNIT-FIG	PAGE NO.	DATE
33-42-52- 3	2	JAN 20/09
33-42-52- 4	0	MAY 28/07
33-42-52- 4	1	JAN 20/09
33-42-52- 4	2	JAN 20/09
33-42-52- 4	3	JAN 20/09
33-42-52- 4	4	JAN 20/09
33-42-52- 4	5	JAN 20/09
33-42-52- 4	6	JAN 20/09
33-42-52- 4	7	JAN 20/09
33-42-71- 1	0	MAY 28/07
33-42-71- 1	1	JAN 20/09
33-42-71- 1A	0	MAY 28/07
33-42-71- 1A	1	JAN 20/09
33-42-71- 2	0	MAY 28/07
33-42-71- 2	1	JAN 20/09
33-42-71- 2A	0	MAY 28/07
33-42-71- 2A	1	JAN 20/09
33-42-71- 2B	0	JAN 20/09
33-42-71- 2B	1	JAN 20/09
33-42-71- 2B	2	JAN 20/09
33-42-71- 3	0	JAN 20/09
33-42-71- 3	1	JAN 20/09
33-42-71- 3	2	JAN 20/09
33-43-00	1	MAY 28/07
33-43-01- 1	0	MAY 28/07
33-43-01- 1	0A	JAN 20/09
33-43-01- 1	0B	JAN 20/09
33-43-01- 1	0C	JAN 20/09
33-43-01- 1	1	JAN 20/09
33-43-01- 1	2	JAN 20/09
33-43-01- 1	3	JAN 20/09
33-43-01- 1	4	JAN 20/09
33-43-01- 1	5	JAN 20/09
33-43-01- 1	6	JAN 20/09
33-43-01- 1	7	JAN 20/09
33-43-01- 1	8	JAN 20/09
33-43-01- 1	9	JAN 20/09
33-43-01- 1	10	JAN 20/09
33-43-01- 1	11	JAN 20/09
33-43-01- 1	12	JAN 20/09
33-43-51- 1	0	MAY 28/07
33-43-51- 1	1	JAN 20/09
33-43-51- 1	2	JAN 20/09
33-43-51- 1	3	JAN 20/09
33-43-51- 1	4	JAN 20/09
33-43-51- 3	0	MAY 28/07
33-43-51- 3	1	JAN 20/09
33-43-51- 3	2	JAN 20/09
33-43-51- 4	0	MAY 28/07
33-43-51- 4	1	JAN 20/09
33-43-51- 4	2	JAN 20/09

* THE ASTERISK INDICATES PAGES CHANGED OR ADDED BY THE CURRENT REVISION



757
PARTS CATALOG (MAINTENANCE)

CH-SECT-UNIT-FIG	PAGE NO.	DATE	CH-SECT-UNIT-FIG	PAGE NO.	DATE
33-43-51- 4	3	JAN 20/09	33-44-02- 2	6	JAN 20/09
33-43-51- 4	4	JAN 20/09	33-44-02- 2	7	JAN 20/09
33-43-51- 4	5	JAN 20/09	33-44-02- 2	8	JAN 20/09
33-43-51- 4	6	JAN 20/09	33-44-02- 2	9	JAN 20/09
33-43-51- 4	7	JAN 20/09	33-44-02- 2	10	JAN 20/09
33-43-51- 4	8	JAN 20/09	33-44-51- 1	0	MAY 28/07
33-43-55- 1B	0	MAY 28/07	33-44-51- 1	1	JAN 20/09
33-43-55- 1B	1	JAN 20/09	33-44-51- 1	2	JAN 20/09
33-43-55- 1D	0	JAN 20/09	33-44-51- 1	3	JAN 20/09
33-43-55- 1D	1	JAN 20/09	33-44-51- 1	4	JAN 20/09
33-43-55- 1D	2	JAN 20/09	33-44-51- 1	5	JAN 20/09
33-43-55- 1D	3	JAN 20/09	33-44-51- 4	0	MAY 28/07
33-43-55- 1D	4	JAN 20/09	33-44-51- 4	1	JAN 20/09
33-43-55- 1D	5	JAN 20/09	33-44-51- 4	2	JAN 20/09
33-44-00	1	MAY 28/07	33-44-51- 5	0	MAY 28/07
33-44-01- 1	0	SEP 20/08	33-44-51- 5	1	JAN 20/09
33-44-01- 1	0A	MAY 28/07	33-44-51- 5	2	JAN 20/09
33-44-01- 1	0B	MAY 28/07	33-44-51- 5	3	JAN 20/09
33-44-01- 1	1	JAN 20/09	33-44-51- 5	4	JAN 20/09
33-44-01- 1	2	JAN 20/09	33-44-51- 5	5	JAN 20/09
33-44-01- 1	3	JAN 20/09	33-44-51- 5	6	JAN 20/09
33-44-01- 1	4	JAN 20/09	33-44-51- 5	7	JAN 20/09
33-44-01- 1	5	JAN 20/09	33-44-51- 5	8	JAN 20/09
33-44-01- 1	6	JAN 20/09	33-44-51- 5	9	JAN 20/09
33-44-01- 1	7	JAN 20/09	33-44-52- 1	0	MAY 28/07
33-44-01- 1	8	JAN 20/09	33-44-52- 1	1	SEP 20/08
33-44-01- 1	9	JAN 20/09	33-44-52- 1	2	JAN 20/09
33-44-01- 1	10	JAN 20/09	33-44-52- 1	3	SEP 20/08
33-44-01- 1	11	JAN 20/09	33-44-52- 1	4	JAN 20/09
33-44-01- 1	12	JAN 20/09	33-44-52- 1	5	JAN 20/09
33-44-01- 1	13	JAN 20/09	33-44-52- 1	6	JAN 20/09
33-44-02- 1	0	MAY 28/07	33-44-52- 1	7	JAN 20/09
33-44-02- 1	0A	MAY 28/07	33-44-52- 1	8	SEP 20/08
33-44-02- 1	0B	MAY 28/07	33-44-52- 1	9	JAN 20/09
33-44-02- 1	0C	MAY 28/07	33-44-52- 1	10	SEP 20/08
33-44-02- 1	1	JAN 20/09	33-45-00	1	MAY 28/07
33-44-02- 1	2	JAN 20/09	33-45-51- 1	0	MAY 28/07
33-44-02- 1	3	JAN 20/09	33-45-51- 1	1	JAN 20/09
33-44-02- 1	4	JAN 20/09	33-45-51- 1	2	JAN 20/09
33-44-02- 1	5	JAN 20/09	33-45-51- 1	3	JAN 20/09
33-44-02- 1	6	JAN 20/09	33-45-51- 1	4	JAN 20/09
33-44-02- 1	7	JAN 20/09	33-45-51- 1	5	JAN 20/09
33-44-02- 1	8	JAN 20/09	33-45-51- 1	6	JAN 20/09
33-44-02- 1	9	JAN 20/09	33-45-51- 1	7	JAN 20/09
33-44-02- 2	0	MAY 28/07	33-45-51- 1	8	SEP 20/08
33-44-02- 2	0A	MAY 28/07	33-45-51- 1	9	JAN 20/09
33-44-02- 2	1	JAN 20/09	33-45-51- 1	10	JAN 20/09
33-44-02- 2	2	JAN 20/09	33-45-51- 1	11	SEP 20/08
33-44-02- 2	3	JAN 20/09	33-45-51- 1	12	SEP 20/08
33-44-02- 2	4	JAN 20/09	33-45-51- 1	13	JAN 20/09
33-44-02- 2	5	JAN 20/09	33-45-51- 1	14	SEP 20/08

* THE ASTERISK INDICATES PAGES CHANGED OR ADDED BY THE CURRENT REVISION



757

PARTS CATALOG (MAINTENANCE)

CH-SECT-UNIT-FIG	PAGE NO.	DATE	CH-SECT-UNIT-FIG	PAGE NO.	DATE
33-45-51- 1	15	JAN 20/09	33-45-52- 3	26	JAN 20/09
33-45-51- 1	16	JAN 20/09	33-45-53- 1	0	MAY 28/07
33-45-51- 1	17	JAN 20/09	33-45-53- 1	1	JAN 20/09
33-45-51- 2	0	MAY 28/07	33-45-53- 1	2	JAN 20/09
33-45-51- 2	1	JAN 20/09	33-45-53- 1	3	JAN 20/09
33-45-51- 2A	0	MAY 28/07	33-45-53- 2	0	MAY 28/07
33-45-51- 2A	1	JAN 20/09	33-45-53- 2	1	JAN 20/09
33-45-51- 2B	0	JAN 20/09	33-45-53- 2	2	JAN 20/09
33-45-51- 2B	1	JAN 20/09	33-45-53- 3	0	MAY 28/07
33-45-51- 2B	2	JAN 20/09	33-45-53- 3	1	JAN 20/09
33-45-52- 1	0	MAY 28/07	33-45-53- 3	2	JAN 20/09
33-45-52- 1	1	JAN 20/09	33-45-53- 3	3	JAN 20/09
33-45-52- 1	2	JAN 20/09	33-45-53- 3	4	JAN 20/09
33-45-52- 1	3	JAN 20/09	33-45-53- 3	5	JAN 20/09
33-45-52- 1	4	JAN 20/09	33-45-53- 3	6	JAN 20/09
33-45-52- 1	5	JAN 20/09	33-45-53- 3	7	JAN 20/09
33-45-52- 1	6	JAN 20/09	33-45-53- 3	8	JAN 20/09
33-45-52- 2	0	MAY 28/07	33-50-00	1	JAN 20/09
33-45-52- 2	1	JAN 20/09	33-50-51- 1	0	JAN 20/09
33-45-52- 2	2	JAN 20/09	33-50-51- 1	1	JAN 20/09
33-45-52- 2	3	JAN 20/09	33-51-00	1	MAY 28/07
33-45-52- 2	4	JAN 20/09	33-51-01- 1	0	JAN 20/09
33-45-52- 2	5	JAN 20/09	33-51-01- 1	0A	JAN 20/09
33-45-52- 3	0	MAY 28/07	33-51-01- 1	0B	JAN 20/09
33-45-52- 3	0A	MAY 28/07	33-51-01- 1	1	JAN 20/09
33-45-52- 3	0B	MAY 28/07	33-51-01- 1	2	JAN 20/09
33-45-52- 3	1	SEP 20/08	33-51-01- 1	3	JAN 20/09
33-45-52- 3	2	SEP 20/08	33-51-01- 1	4	JAN 20/09
33-45-52- 3	3	SEP 20/08	33-51-01- 1	5	JAN 20/09
33-45-52- 3	4	SEP 20/08	33-51-01- 1	6	JAN 20/09
33-45-52- 3	5	JAN 20/09	33-51-01- 1	7	JAN 20/09
33-45-52- 3	6	SEP 20/08	33-51-01-11	0	JAN 20/09
33-45-52- 3	7	SEP 20/08	33-51-01-11	1	JAN 20/09
33-45-52- 3	8	SEP 20/08	33-51-01-11	2	JAN 20/09
33-45-52- 3	9	JAN 20/09	33-51-01-14	0	JAN 20/09
33-45-52- 3	10	JAN 20/09	33-51-01-14	0A	JAN 20/09
33-45-52- 3	11	SEP 20/08	33-51-01-14	0B	JAN 20/09
33-45-52- 3	12	SEP 20/08	33-51-01-14	0C	JAN 20/09
33-45-52- 3	13	SEP 20/08	33-51-01-14	0D	JAN 20/09
33-45-52- 3	14	SEP 20/08	33-51-01-14	1	JAN 20/09
33-45-52- 3	15	SEP 20/08	33-51-01-14	2	JAN 20/09
33-45-52- 3	16	SEP 20/08	33-51-01-14	3	JAN 20/09
33-45-52- 3	17	SEP 20/08	33-51-01-14	4	JAN 20/09
33-45-52- 3	18	SEP 20/08	33-51-01-14	5	JAN 20/09
33-45-52- 3	19	SEP 20/08	33-51-01-14	6	JAN 20/09
33-45-52- 3	20	JAN 20/09	33-51-01-21	0	JAN 20/09
33-45-52- 3	21	JAN 20/09	33-51-01-21	0A	JAN 20/09
33-45-52- 3	22	JAN 20/09	33-51-01-21	0B	JAN 20/09
33-45-52- 3	23	JAN 20/09	33-51-01-21	0C	JAN 20/09
33-45-52- 3	24	JAN 20/09	33-51-01-21	0D	JAN 20/09
33-45-52- 3	25	JAN 20/09	33-51-01-21	0E	JAN 20/09

* THE ASTERISK INDICATES PAGES CHANGED OR ADDED BY THE CURRENT REVISION



757
PARTS CATALOG (MAINTENANCE)

CH-SECT-UNIT-FIG	PAGE NO.	DATE
33-51-01-21	1	JAN 20/09
33-51-01-21	2	JAN 20/09
33-51-01-21A	0	JAN 20/09
33-51-01-21A	0A	JAN 20/09
33-51-01-21A	1	JAN 20/09
33-51-01-21B	0	JAN 20/09
33-51-01-21B	0A	JAN 20/09
33-51-01-21B	0B	JAN 20/09
33-51-01-21B	0C	JAN 20/09
33-51-01-21B	0D	JAN 20/09
33-51-01-21B	1	JAN 20/09
33-51-01-21D	0	JAN 20/09
33-51-01-21D	1	JAN 20/09
33-51-01-23	0	JAN 20/09
33-51-01-23	0A	JAN 20/09
33-51-01-23	1	JAN 20/09
33-51-01-23A	0	JAN 20/09
33-51-01-23A	1	JAN 20/09
33-51-01-23A	2	JAN 20/09
33-51-01-25A	0	JAN 20/09
33-51-01-25A	1	JAN 20/09
33-51-01-25A	2	JAN 20/09
33-51-01-31	0	MAY 28/07
33-51-01-31	0A	MAY 28/07
33-51-01-31	0B	MAY 28/07
33-51-01-31	1	JAN 20/09
33-51-01-31	2	JAN 20/09
33-51-01-31	3	JAN 20/09
33-51-01-31	4	JAN 20/09
33-51-01-31	5	JAN 20/09
33-51-01-31	6	JAN 20/09
33-51-01-31	7	JAN 20/09
33-51-01-44	0	JAN 20/09
33-51-01-44	0A	MAY 28/07
33-51-01-44	0B	MAY 28/07
33-51-01-44	0C	JAN 20/09
33-51-01-44	0D	JAN 20/09
33-51-01-44	1	JAN 20/09
33-51-01-44	2	JAN 20/09
33-51-01-44	3	JAN 20/09
33-51-01-44	4	JAN 20/09
33-51-01-44	5	JAN 20/09
33-51-01-44	6	JAN 20/09
33-51-01-44	7	JAN 20/09
33-51-01-50	0	JAN 20/09
33-51-01-50	0A	JAN 20/09
33-51-01-50	0B	JAN 20/09
33-51-01-50	1	JAN 20/09
33-51-01-50	2	JAN 20/09
33-51-01-50	3	JAN 20/09
33-51-01-50	4	JAN 20/09

CH-SECT-UNIT-FIG	PAGE NO.	DATE
33-51-01-50	5	JAN 20/09
33-51-01-50	6	JAN 20/09
33-51-01-50	7	JAN 20/09
33-51-01-50C	0	JAN 20/09
33-51-01-50C	0A	JAN 20/09
33-51-01-50C	1	JAN 20/09
33-51-01-52	0	MAY 28/07
33-51-01-52	0A	MAY 28/07
33-51-01-52	0B	MAY 28/07
33-51-01-52	1	SEP 20/08
33-51-01-52	2	SEP 20/08
33-51-01-52	3	SEP 20/08
33-51-01-52	4	SEP 20/08
33-51-01-52	5	SEP 20/08
33-51-01-52	6	SEP 20/08
33-51-01-52	7	SEP 20/08
33-51-01-57	0	JAN 20/09
33-51-01-57	0A	JAN 20/09
33-51-01-57	0B	JAN 20/09
33-51-01-57	0C	JAN 20/09
33-51-01-57	1	JAN 20/09
33-51-01-57	2	JAN 20/09
33-51-01-57	3	JAN 20/09
33-51-01-57	4	JAN 20/09
33-51-01-57	5	JAN 20/09
33-51-01-57	6	JAN 20/09
33-51-01-57	7	JAN 20/09
33-51-01-57	8	JAN 20/09
33-51-01-57	9	JAN 20/09
33-51-01-66	0	MAY 28/07
33-51-01-66	0A	MAY 28/07
33-51-01-66	0B	MAY 28/07
33-51-01-66	1	JAN 20/09
33-51-01-66	2	JAN 20/09
33-51-01-66	3	JAN 20/09
33-51-01-66	4	JAN 20/09
33-51-01-66	5	JAN 20/09
33-51-01-66	6	JAN 20/09
33-51-01-66	7	JAN 20/09
33-51-01-66	8	JAN 20/09
33-51-01-70	0	JAN 20/09
33-51-01-70	0A	JAN 20/09
33-51-01-70	0B	JAN 20/09
33-51-01-70	0C	JAN 20/09
33-51-01-70	1	JAN 20/09
33-51-01-70	2	JAN 20/09
33-51-01-70	3	JAN 20/09
33-51-01-70	4	JAN 20/09
33-51-01-70	5	JAN 20/09
33-51-01-70	6	JAN 20/09
33-51-01-70	7	JAN 20/09

* THE ASTERISK INDICATES PAGES CHANGED OR ADDED BY THE CURRENT REVISION


BOEING
 757
PARTS CATALOG (MAINTENANCE)

CH-SECT-UNIT-FIG	PAGE NO.	DATE	CH-SECT-UNIT-FIG	PAGE NO.	DATE
33-51-01-70	8	JAN 20/09	33-51-05- 6	0	MAY 28/07
33-51-01-75	0	MAY 28/07	33-51-05- 6	0A	MAY 28/07
33-51-01-75	0A	MAY 28/07	*33-51-05- 6	1	MAY 20/09
*33-51-01-75	1	MAY 20/09	*33-51-05- 6	2	MAY 20/09
*33-51-01-75	2	MAY 20/09	*33-51-05- 6	3	MAY 20/09
33-51-01-75	3	JAN 20/09	*33-51-05- 6	4	MAY 20/09
33-51-01-75	4	JAN 20/09	33-51-05- 8	0	JAN 20/09
33-51-01-75	5	JAN 20/09	33-51-05- 8	0A	JAN 20/09
33-51-01-75	6	JAN 20/09	33-51-05- 8	0B	JAN 20/09
33-51-01-75	7	JAN 20/09	33-51-05- 8	1	JAN 20/09
33-51-01-75	8	JAN 20/09	33-51-05-10	0	MAY 28/07
33-51-01-75	9	JAN 20/09	33-51-05-10	1	JAN 20/09
33-51-01-75	10	JAN 20/09	33-51-05-10	2	JAN 20/09
33-51-01-75	11	JAN 20/09	33-51-05-10	3	JAN 20/09
33-51-01-75	12	JAN 20/09	33-51-05-15	0	MAY 28/07
33-51-01-75	13	JAN 20/09	33-51-05-15	0A	MAY 28/07
33-51-01-75	14	JAN 20/09	33-51-05-15	0B	MAY 28/07
33-51-01-75	15	JAN 20/09	33-51-05-15	1	JAN 20/09
33-51-01-75	16	JAN 20/09	33-51-05-15	2	JAN 20/09
33-51-01-75	17	JAN 20/09	33-51-05-15	3	JAN 20/09
33-51-01-75	18	JAN 20/09	*33-51-05-15	4	MAY 20/09
33-51-01-80	0	JAN 20/09	33-51-05-15	5	JAN 20/09
33-51-01-80	1	JAN 20/09	33-51-05-15	6	JAN 20/09
33-51-01-90	0	MAY 28/07	33-51-05-15	7	JAN 20/09
33-51-01-90	1	JAN 20/09	33-51-05-15	8	JAN 20/09
33-51-01-90	2	JAN 20/09	33-51-05-15	9	JAN 20/09
33-51-01-90	3	JAN 20/09	33-51-05-15	10	JAN 20/09
33-51-01-90A	0	JAN 20/09	33-51-05-17	0	MAY 28/07
33-51-01-90A	1	JAN 20/09	33-51-05-17	1	JAN 20/09
33-51-01-90B	0	MAY 28/07	33-51-05-17	2	JAN 20/09
33-51-01-90B	0A	MAY 28/07	33-51-05-17	3	JAN 20/09
*33-51-01-90B	1	MAY 20/09	33-51-05-17	4	JAN 20/09
*33-51-01-90B	2	MAY 20/09	33-51-05-17	5	JAN 20/09
33-51-01-90C	0	JAN 20/09	33-51-05-17	6	JAN 20/09
33-51-01-90C	0A	JAN 20/09	33-51-05-17	7	JAN 20/09
33-51-01-90C	1	JAN 20/09	33-51-05-17	8	JAN 20/09
33-51-01-90C	2	JAN 20/09	33-51-05-17	9	JAN 20/09
33-51-01-90E	0	JAN 20/09	33-51-05-17	10	JAN 20/09
33-51-01-90E	1	JAN 20/09	33-51-05-17A	0	JAN 20/09
33-51-02- 1	0	MAY 28/07	33-51-05-17A	1	JAN 20/09
33-51-02- 1	0A	MAY 28/07	33-51-05-17A	2	JAN 20/09
33-51-02- 1	0B	MAY 28/07	33-51-05-17A	3	JAN 20/09
33-51-02- 1	1	JAN 20/09	33-51-05-17A	4	JAN 20/09
33-51-02- 1	2	JAN 20/09	33-51-05-17A	5	JAN 20/09
33-51-02- 1	3	JAN 20/09	33-51-05-20	0	JAN 20/09
33-51-02- 1	4	JAN 20/09	33-51-05-20	0A	JAN 20/09
33-51-05- 1	0	JAN 20/09	33-51-05-20	1	JAN 20/09
33-51-05- 1	0A	JAN 20/09	33-51-05-20A	0	JAN 20/09
33-51-05- 1	1	JAN 20/09	33-51-05-20A	0A	JAN 20/09
33-51-05- 1	2	JAN 20/09	33-51-05-20A	1	JAN 20/09
33-51-05- 1	3	JAN 20/09	33-51-05-20A	2	JAN 20/09

* THE ASTERISK INDICATES PAGES CHANGED OR ADDED BY THE CURRENT REVISION



757
PARTS CATALOG (MAINTENANCE)

CH-SECT-UNIT-FIG	PAGE NO.	DATE	CH-SECT-UNIT-FIG	PAGE NO.	DATE
33-51-05-21	0	JAN 20/09	33-51-06-50	11	JAN 20/09
33-51-05-21	0A	JAN 20/09	*33-51-06-51	0	MAY 20/09
33-51-05-21	1	JAN 20/09	33-51-06-51	0A	MAY 28/07
33-51-05-22	0	JAN 20/09	33-51-06-51	1	SEP 20/08
33-51-05-22	0A	JAN 20/09	33-51-06-51	2	SEP 20/08
33-51-05-22	1	JAN 20/09	33-51-06-51	3	SEP 20/08
33-51-05-23	0	JAN 20/09	33-51-06-51	4	SEP 20/08
33-51-05-23	0A	JAN 20/09	33-51-06-51	5	SEP 20/08
33-51-05-23	1	JAN 20/09	33-51-06-51	6	SEP 20/08
33-51-05-51	0	JAN 20/09	33-51-06-51	7	JAN 20/09
33-51-05-51	1	JAN 20/09	33-51-06-51	8	SEP 20/08
33-51-05-51A	0	JAN 20/09	33-51-06-51	9	JAN 20/09
33-51-05-51A	1	JAN 20/09	33-51-06-51	10	JAN 20/09
33-51-06- 5	0	MAY 28/07	33-51-06-51	11	JAN 20/09
33-51-06- 5	0A	MAY 28/07	33-51-06-51	12	JAN 20/09
33-51-06- 5	0B	MAY 28/07	33-51-06-51	13	JAN 20/09
33-51-06- 5	0C	MAY 28/07	33-51-06-51	14	JAN 20/09
33-51-06- 5	1	JAN 20/09	33-51-06-51	15	SEP 20/08
33-51-06- 5	2	JAN 20/09	33-51-06-51	16	SEP 20/08
33-51-06- 5	3	JAN 20/09	33-51-06-51	17	JAN 20/09
33-51-06- 5	4	JAN 20/09	33-51-06-51	18	JAN 20/09
33-51-06- 5	5	JAN 20/09	33-51-06-51	19	SEP 20/08
33-51-06- 5	6	JAN 20/09	33-51-06-51	20	SEP 20/08
33-51-06- 5	7	JAN 20/09	33-51-06-51	21	SEP 20/08
33-51-06- 5	8	JAN 20/09	33-51-06-51	22	JAN 20/09
33-51-06- 5	9	JAN 20/09	33-51-06-51	23	JAN 20/09
33-51-06- 5	10	JAN 20/09	33-51-06-51	24	JAN 20/09
33-51-06- 5	11	JAN 20/09	33-51-06-51	25	JAN 20/09
33-51-06- 5	12	JAN 20/09	33-51-06-51	26	JAN 20/09
33-51-06- 5	13	JAN 20/09	33-51-06-51	27	JAN 20/09
33-51-06- 5	14	JAN 20/09	33-51-06-51	28	JAN 20/09
33-51-06- 5	15	JAN 20/09	33-51-06-51	29	JAN 20/09
33-51-06- 5	16	JAN 20/09	33-51-06-51	30	JAN 20/09
33-51-06- 5	17	JAN 20/09	33-51-06-51	31	JAN 20/09
33-51-06- 5	18	JAN 20/09	33-51-06-51	32	JAN 20/09
33-51-06- 5	19	JAN 20/09	33-51-06-51	33	JAN 20/09
33-51-06- 5	20	JAN 20/09	33-51-06-51	34	JAN 20/09
33-51-06- 5	21	JAN 20/09	33-51-06-51	35	JAN 20/09
33-51-06- 5	22	JAN 20/09	33-51-06-51	36	JAN 20/09
33-51-06- 5	23	JAN 20/09	33-51-06-51	37	JAN 20/09
33-51-06-50	0	JAN 20/09	*33-51-06-51	38	MAY 20/09
33-51-06-50	1	JAN 20/09	33-51-07- 2	0	JAN 20/09
33-51-06-50	2	JAN 20/09	33-51-07- 2	0A	JAN 20/09
33-51-06-50	3	JAN 20/09	33-51-07- 2	1	JAN 20/09
33-51-06-50	4	JAN 20/09	33-51-07- 2	2	JAN 20/09
33-51-06-50	5	JAN 20/09	33-51-07- 3A	0	JAN 20/09
33-51-06-50	6	JAN 20/09	33-51-07- 3A	0A	JAN 20/09
33-51-06-50	7	JAN 20/09	33-51-07- 3A	0B	JAN 20/09
33-51-06-50	8	JAN 20/09	33-51-07- 3A	1	JAN 20/09
33-51-06-50	9	JAN 20/09	33-51-07- 3A	2	JAN 20/09
33-51-06-50	10	JAN 20/09	33-51-07- 3A	3	JAN 20/09

* THE ASTERISK INDICATES PAGES CHANGED OR ADDED BY THE CURRENT REVISION



757
PARTS CATALOG (MAINTENANCE)

CH-SECT-UNIT-FIG	PAGE NO.	DATE
33-51-07- 3A	4	JAN 20/09
33-51-07- 3A	5	JAN 20/09
33-51-07- 4	0	JAN 20/09
33-51-07- 4	0A	JAN 20/09
33-51-07- 4	0B	JAN 20/09
33-51-07- 4	0C	JAN 20/09
33-51-07- 4	0D	MAY 28/07
33-51-07- 4	0E	MAY 28/07
33-51-07- 4	0F	MAY 28/07
33-51-07- 4	1	JAN 20/09
33-51-07- 4	2	JAN 20/09
33-51-07- 4	3	JAN 20/09
33-51-07- 4	4	JAN 20/09
33-51-07- 4	5	JAN 20/09
33-51-07- 4	6	JAN 20/09
33-51-07- 4	7	JAN 20/09
33-51-07- 4	8	JAN 20/09
33-51-07- 4	9	JAN 20/09
33-51-07- 4	10	JAN 20/09
33-51-07- 5	0	JAN 20/09
33-51-07- 5	1	JAN 20/09
33-51-07- 6	0	JAN 20/09
33-51-07- 6	1	JAN 20/09
33-51-07- 6	2	JAN 20/09
33-51-07-50	0	JAN 20/09
33-51-07-50	0A	JAN 20/09
33-51-07-50	0B	JAN 20/09
33-51-07-50	1	JAN 20/09
33-51-07-50	2	JAN 20/09
33-51-08- 1	0	MAY 28/07
33-51-08- 1	1	JAN 20/09
33-51-08- 1	2	JAN 20/09
33-51-08- 1	3	JAN 20/09
33-51-08- 1	4	JAN 20/09
33-51-08- 1	5	JAN 20/09
33-51-08- 1	6	JAN 20/09
33-51-08- 3	0	MAY 20/08
33-51-08- 3	1	JAN 20/09
33-51-08- 3	2	JAN 20/09
33-51-08- 3	3	JAN 20/09
33-51-08- 3	4	JAN 20/09
33-51-08- 5	0	MAY 28/07
33-51-08- 5	1	JAN 20/09
33-51-08- 5	2	JAN 20/09
33-51-08- 5	3	JAN 20/09
33-51-08- 5	4	JAN 20/09
33-51-08- 5	5	JAN 20/09
33-51-08- 5	6	JAN 20/09
33-51-08- 5	7	JAN 20/09
33-51-08- 5	8	JAN 20/09
33-51-08- 5	9	JAN 20/09

CH-SECT-UNIT-FIG	PAGE NO.	DATE
33-51-09- 1	0	MAY 28/07
33-51-09- 1	1	JAN 20/09
33-51-09- 1	2	JAN 20/09
33-51-09- 2	0	MAY 28/07
33-51-09- 2	0A	MAY 28/07
33-51-09- 2	1	JAN 20/09
33-51-09- 2B	0	MAY 28/07
33-51-09- 2B	0A	MAY 28/07
33-51-09- 2B	1	JAN 20/09
33-51-10- 1	0	JAN 20/09
33-51-10- 1	0A	JAN 20/09
33-51-10- 1	1	JAN 20/09
33-51-10- 1	2	JAN 20/09
33-51-10- 8	0	JAN 20/09
33-51-10- 8	0A	JAN 20/09
33-51-10- 8	0B	JAN 20/09
33-51-10- 8	1	JAN 20/09
33-51-10- 8	2	JAN 20/09
33-51-10- 8	3	JAN 20/09
33-51-10- 8	4	JAN 20/09
33-51-11- 4	0	JAN 20/09
33-51-11- 4	0A	JAN 20/09
33-51-11- 4	0B	JAN 20/09
33-51-11- 4	0C	JAN 20/09
33-51-11- 4	0D	JAN 20/09
33-51-11- 4	1	JAN 20/09
33-51-11- 4	2	JAN 20/09
33-51-11- 4	3	JAN 20/09
33-51-11- 4	4	JAN 20/09
33-51-11- 4	5	JAN 20/09
33-51-11- 5	0	JAN 20/09
33-51-11- 5	1	JAN 20/09
33-51-11- 5	2	JAN 20/09
33-51-11- 7A	0	JAN 20/09
33-51-11- 7A	1	JAN 20/09
33-51-11- 7A	2	JAN 20/09
33-51-11-11	0	MAY 28/07
33-51-11-11	0A	MAY 28/07
33-51-11-11	1	JAN 20/09
33-51-11-11	2	JAN 20/09
33-51-11-11	3	JAN 20/09
33-51-11-16	0	JAN 20/09
33-51-11-16	1	JAN 20/09
33-51-11-16	2	JAN 20/09
33-51-50-10	0	JAN 20/09
33-51-50-10	1	JAN 20/09
33-51-51-28	0	JAN 20/09
33-51-51-28	0A	JAN 20/09
33-51-51-28	1	JAN 20/09
33-51-51-28	2	JAN 20/09
33-51-51-28	3	JAN 20/09

* THE ASTERISK INDICATES PAGES CHANGED OR ADDED BY THE CURRENT REVISION



757
PARTS CATALOG (MAINTENANCE)

CH-SECT-UNIT-FIG	PAGE NO.	DATE	CH-SECT-UNIT-FIG	PAGE NO.	DATE
33-51-51-28	4	JAN 20/09	33-51-71- 1	1	JAN 20/09
33-51-51-35	0	JAN 20/09	33-51-71- 1	2	JAN 20/09
33-51-51-35	1	JAN 20/09	33-51-71- 1	3	JAN 20/09
33-51-51-55	0	JAN 20/09	33-51-71- 1B	0	MAY 28/07
33-51-51-55	1	JAN 20/09	33-51-71- 1B	1	JAN 20/09
33-51-52- 2	0	JAN 20/09	33-51-71- 1D	0	JAN 20/09
33-51-52- 2	0A	JAN 20/09	33-51-71- 1D	1	JAN 20/09
33-51-52- 2	1	JAN 20/09	33-51-71- 1D	2	JAN 20/09
33-51-52- 2	2	JAN 20/09	33-51-71- 1D	3	JAN 20/09
33-51-53- 1	0	MAY 28/07	33-51-71- 1D	4	JAN 20/09
33-51-53- 1	0A	MAY 28/07	33-51-71- 1D	5	JAN 20/09
33-51-53- 1	1	JAN 20/09	33-52-00	1	MAY 28/07
33-51-53- 1	2	JAN 20/09	33-52-00- 2	0	JAN 20/09
33-51-53- 1	3	JAN 20/09	33-52-00- 2	0A	JAN 20/09
33-51-53- 1	4	JAN 20/09	33-52-00- 2	0B	JAN 20/09
33-51-53- 1A	0	MAY 28/07	33-52-00- 2	0C	JAN 20/09
33-51-53- 1A	0A	MAY 28/07	33-52-00- 2	0D	JAN 20/09
33-51-53- 1A	1	JAN 20/09	33-52-00- 2	0E	JAN 20/09
33-51-53- 1A	2	JAN 20/09	33-52-00- 2	0F	JAN 20/09
33-51-53- 1A	3	JAN 20/09	33-52-00- 2	0G	JAN 20/09
33-51-53- 1B	0	JAN 20/09	33-52-00- 2	0H	JAN 20/09
33-51-53- 1B	0A	JAN 20/09	33-52-00- 2	0I	JAN 20/09
33-51-53- 1B	1	JAN 20/09	33-52-00- 2	0J	JAN 20/09
33-51-53- 1B	2	JAN 20/09	33-52-00- 2	0K	JAN 20/09
33-51-53- 1B	3	JAN 20/09	33-52-00- 2	1	JAN 20/09
33-51-53- 3	0	MAY 28/07	33-52-00- 2	2	JAN 20/09
33-51-53- 3	1	JAN 20/09	33-52-00- 2	3	JAN 20/09
33-51-53- 3	2	JAN 20/09	33-52-00- 9	0	JAN 20/09
33-51-53- 3	3	JAN 20/09	33-52-00- 9	0A	JAN 20/09
33-51-53- 4	0	MAY 28/07	33-52-00- 9	0B	JAN 20/09
33-51-53- 4	1	JAN 20/09	33-52-00- 9	0C	JAN 20/09
33-51-53- 4	2	JAN 20/09	33-52-00- 9	0D	JAN 20/09
33-51-53- 4	3	JAN 20/09	33-52-00- 9	1	JAN 20/09
33-51-53- 4	4	JAN 20/09	33-52-00- 9	2	JAN 20/09
33-51-53- 5	0	JAN 20/09	33-52-00- 9	3	JAN 20/09
33-51-53- 5	1	JAN 20/09	33-52-00- 9	4	JAN 20/09
33-51-54- 1	0	MAY 28/07	33-52-00-22	0	MAY 28/07
33-51-54- 1	0A	MAY 28/07	33-52-00-22	0A	MAY 28/07
33-51-54- 1	0B	MAY 28/07	33-52-00-22	0B	MAY 28/07
33-51-54- 1	0C	MAY 28/07	33-52-00-22	0C	MAY 28/07
33-51-54- 1	0D	MAY 28/07	33-52-00-22	1	JAN 20/09
33-51-54- 1	0E	JAN 20/09	33-52-00-22	2	JAN 20/09
33-51-54- 1	0F	MAY 28/07	33-52-00-23	0	MAY 28/07
33-51-54- 1	0G	MAY 28/07	33-52-00-23	0A	MAY 28/07
33-51-54- 1	1	JAN 20/09	33-52-00-23	0B	MAY 28/07
33-51-54- 1	2	JAN 20/09	33-52-00-23	0C	MAY 28/07
33-51-54- 1	3	JAN 20/09	33-52-00-23	0D	MAY 28/07
33-51-54- 1	4	JAN 20/09	33-52-00-23	1	JAN 20/09
33-51-54- 1	5	JAN 20/09	33-52-00-23	2	JAN 20/09
33-51-71- 1	0	MAY 28/07	33-52-00-30	0	MAY 28/07
33-51-71- 1	0A	MAY 28/07	33-52-00-30	0A	MAY 28/07

* THE ASTERISK INDICATES PAGES CHANGED OR ADDED BY THE CURRENT REVISION

 **BOEING**
757
PARTS CATALOG (MAINTENANCE)

CHAPTER 33 — LIGHTS

TABLE OF CONTENTS

SUBJECT	CC-SS-UU	FIGURE	EFFECT
LIGHTS - GENERAL	33-00-00		
PROVISION INSTL-CONDUIT	33-00-51	01A	106106


BOEING
 757
PARTS CATALOG (MAINTENANCE)

CHAPTER 33 — LIGHTS

TABLE OF CONTENTS

SUBJECT	CC-SS-UU	FIGURE	EFFECT
FLIGHT COMPARTMENT ILLUMINATION	33-11-00		
DIMMER INSTL-INSTR PNL	33-11-03	01	002004 006999
FLOODLIGHT INSTL-ELECTRONIC PNL AFT	33-11-51	10	107107 904949
GLARESHIELD ASSY AND PANEL INSTL-FWD (FLIGHT COMPARTMENT ILLUMINATION ONLY)	33-11-51	13	002004 006999
GLARESHIELD ASSY-(LIGHTS ONLY)	33-11-51	12	002004 006100 107107 121503 904999
GLARESHIELD INSTL	33-11-51	16	101106 108120 504903
LIGHT ASSY-FLOOD	33-11-51	50	002004 006010 107107 121503 904999
LIGHT INSTL-DOME	33-11-51	01	002004 006999
LIGHT INSTL-DOME	33-11-51	05	107107 904949
LIGHT INSTL-P6 FLOOD	33-11-55	01	002004 006999
PANEL ASSY-DOME AND FLOOD LIGHTS (LIGHTS ONLY)	33-11-51	07	002004 006010 121503 950999
PANEL INSTL-OVHD (FLIGHT COMPARTMENT ILLUMINATION ONLY)	33-11-51	14	002004 006010 107107 121503 904999
PANEL INSTL-OVHD (FLIGHT COMPARTMENT ILLUMINATION ONLY)	33-11-51	15	011100

 **BOEING**
757
PARTS CATALOG (MAINTENANCE)

CHAPTER 33 — LIGHTS

TABLE OF CONTENTS

SUBJECT	CC-SS-UU	FIGURE	EFFECT
PANEL INSTL-OVHD (FLOODLIGHT DIMMER CONTROL UNITS ONLY)	33-11-03	04	002004 006010 107107 121503 904999
PANEL INSTL-OVHD (FLOODLIGHT DIMMER CONTROL UNITS ONLY)	33-11-03	05	011100
PANEL INSTL-P12 DIMMER MODULE PANEL	33-11-03	02	011106 108120 504903
PANEL INSTL-P5 OVHD (FLIGHT COMPARTMENT ILLUMINATION ONLY)	33-11-51	17	101106 108120 504903
PANEL INSTL-P5 OVHD (FLOODLIGHT DIMMER CONTROL UNITS ONLY)	33-11-03	03	101106 108120 504903
INTEGRAL PANEL LIGHTS	33-13-00		
ANNUNCIATOR ASSY-RADIO MAGNETIC BRG IND (LIGHTS ONLY)	33-13-51	52D	121949
CLOCK ASSY-GMT ELECTRONIC AND AIDS OUTPUT (LIGHTS ONLY)	33-13-51	54A	002004 107107 121503 904949 952952
DIMMER INSTL-LWR SECT. 41 (M794 AND M795)	33-13-55	01	002004 006999
GLARESHIELD ASSY AND PANEL INSTL-CAPT AND FIRST OFFICER FWD (INTEGRAL PANEL LIGHTS ONLY)	33-13-51	01	002004 006999
INDICATOR -INTEGRATED FUEL QTY (LIGHTS ONLY)	33-13-51	50G	107107 904949
INDICATOR ASSY-ALTIMETER (LIGHTS ONLY)	33-13-51	50	002004 006999
INDICATOR ASSY-AUTOLAND STATUS (LIGHTS ONLY)	33-13-51	53	002004 006102 107999
INDICATOR ASSY-COMPT TEMP (LIGHTS ONLY)	33-13-51	56	002004 006999
INDICATOR ASSY-DME/RAD (LIGHTS ONLY)	33-13-51	54	002004 006999



BOEING
757
PARTS CATALOG (MAINTENANCE)

CHAPTER 33 — LIGHTS

TABLE OF CONTENTS

SUBJECT	CC-SS-UU	FIGURE	EFFECT
INDICATOR ASSY-MACH AIRSPEED	33-13-51	51	002004 006999
INDICATOR ASSY-STBY ATTITUDE (LIGHTS ONLY)	33-13-51	50D	002004 006102 107999
INDICATOR-DUAL DISTANCE DDI-713 (LIGHTS ONLY)	33-13-51	52E	121949
INDICATOR-VERT SPEED (LIGHTS ONLY)	33-13-51	50E	002004 006949 952999
LIGHTPLATE	33-13-70	01	002004 006999
LIGHTPLATE INSTL P11-1 (LIGHTS ONLY)	33-13-65	04	102106 108120 504903
LIGHTPLATE INSTL P11-2 (LIGHTS ONLY)	33-13-66	04	102106 108120 504903
LIGHTPLATE INSTL-CONT STAND (INTEGRAL PANEL LIGHTS ONLY)	33-13-54	01	002004 006999
LIGHTPLATE INSTL-P11-3 (LIGHTS ONLY)	33-13-67	04	102106 108120 504903
LIGHTPLATE INSTL-P11-4 (LIGHTS ONLY)	33-13-68	04	102106 108120 504903
PANEL AND LIGHTPLATE INSTL-PILOTS FWD (INTEGRAL PANEL LIGHTS ONLY)	33-13-57	01A	101106 108120 504903
PANEL ASSY ADF FREQUENCY CONT DFP-713 (LIGHTS ONLY)	33-13-51	52B	952952
PANEL ASSY-CAB PRESSURE GAGES (LIGHTS ONLY)	33-13-51	50F	002004 006999
PANEL ASSY-CAB. PRESSURE SELECTOR (LIGHTS ONLY)	33-13-51	50C	002004 006999
PANEL ASSY-DUAL AIR TRAFFIC CONT (LIGHTS ONLY)	33-13-51	52K	950951
PANEL ASSY-DUAL AIR TRAFFIC CONT (LIGHTS ONLY)	33-13-51	52L	952952


BOEING
 757
PARTS CATALOG (MAINTENANCE)

CHAPTER 33 — LIGHTS

TABLE OF CONTENTS

SUBJECT	CC-SS-UU	FIGURE	EFFECT
PANEL ASSY-DUAL AIR TRAFFIC CONT (LIGHTS ONLY)	33-13-51	52M	504903
PANEL ASSY-DUAL AIR TRAFFIC CONT (LIGHTS ONLY)	33-13-51	52U	002004 006106 108120
PANEL ASSY-DUAL AIR TRAFFIC CONT (LIGHTS ONLY) (CUSTOMER FURNISHED)	33-13-51	52G	953999
PANEL ASSY-ELECTRONIC FLIGHT INSTRUMENT CONTROL (LIGHTS ONLY)	33-13-51	50B	002004 006999
PANEL ASSY-ENG INDICATING AND CREW ALERTING SYS DISPLAY SELECTOR (LIGHTS ONLY)	33-13-51	52F	002004 006999
PANEL ASSY-FLIGHT MANAGEMENT COMPUTER CONT (LIGHTS ONLY)	33-13-58	03	002004 006999
PANEL ASSY-FREQUENCY VHF COMM VFP-712 (LIGHTS ONLY)	33-13-51	52	002004 006100 950952
PANEL ASSY-HF CONT (LIGHTS ONLY)	33-13-51	52A	002004 006100 107107 121999
PANEL ASSY-INERTIAL REF (LIGHTS ONLY)	33-13-51	55	002004 006999
PANEL ASSY-P11-1 CB (INTEGRAL PANEL LIGHTS ONLY)	33-13-65	01	002004 006100 107107 121503 904999
PANEL ASSY-P11-1 CB (LIGHTPLATES ONLY)	33-13-01	63	101101
PANEL ASSY-P11-2 CB (INTEGRAL PANEL LIGHTS ONLY)	33-13-66	01	107107 121503 904949
PANEL ASSY-P11-2 CB (INTEGRAL PANEL LIGHTS ONLY)	33-13-66	02	002004 006100 950999
PANEL ASSY-P11-3 CB (INTEGRAL PANEL LIGHTS ONLY)	33-13-67	01	002004 006100 107107 121503 904999

 **BOEING**
757
PARTS CATALOG (MAINTENANCE)

CHAPTER 33 — LIGHTS

TABLE OF CONTENTS

SUBJECT	CC-SS-UU	FIGURE	EFFECT
PANEL ASSY-P11-4 CB (INTEGRAL PANEL LIGHTS ONLY)	33-13-68	01	002004 006100 107107 121503 904999
PANEL ASSY-VHF COMM CONT (LIGHTS ONLY (CUSTOMER FURNISHED))	33-13-51	52S	101102 108120
PANEL INSTL- P8, P9, P10 ELECTRONICS (LIGHTS ONLY)	33-13-01	12	101102
PANEL INSTL-AUX, P13, P14, P17, AUDIO SELECT PRE-MODULE, PTT (INTEGRAL PANEL LIGHTS ONLY)	33-13-60	01	002004 006010 101503 904999
PANEL INSTL-CAPT AND FIRST OFFICER FWD (INTEGRAL PANEL LIGHTS ONLY)	33-13-57	01	002004 006010 107107 121503 904999
PANEL INSTL-CAPT AND FIRST OFFICER FWD (INTEGRAL PANEL LIGHTS ONLY)	33-13-57	02	011100
PANEL INSTL-P11-2 (INTEGRAL PANEL LIGHTS ONLY)	33-13-66	03	101101
PANEL INSTL-P11-3 (INTEGRAL PANEL LIGHTS ONLY)	33-13-67	03	101101
PANEL INSTL-P11-4 (INTEGRAL PANEL LIGHTS ONLY)	33-13-68	03	101101
PANEL INSTL-P13, P14, P17, AUX AND AUX HEATER CONT (INTEGRAL PANEL LIGHTS ONLY)	33-13-60	02	011106 108120 504903
PANEL INSTL-P5 OVERHEAD (PANEL DIMMER CONTROL UNIT ONLY)	33-13-02	01	002004 006010 107107 121503 904999
PANEL INSTL-P5 OVERHEAD (PANEL DIMMER CONTROL UNIT ONLY)	33-13-02	02	011100
PANEL INSTL-P5 OVHD (LIGHTPLATES ONLY)	33-13-01	02	011100 108120
PANEL INSTL-P5 OVHD (LIGHTPLATES ONLY)	33-13-01	23	504903
PANEL INSTL-P5 OVHD (LIGHTPLATES ONLY)	33-13-01	39	101102

 **BOEING**
757
PARTS CATALOG (MAINTENANCE)

CHAPTER 33 — LIGHTS

TABLE OF CONTENTS

SUBJECT	CC-SS-UU	FIGURE	EFFECT
PANEL INSTL-P5 OVHD (LIGHTPLATES ONLY)	33-13-01	65	103106
PANEL INSTL-P5 OVHD (LIGHTPLATES ONLY)	33-13-01	70	107107 121503 904949
PANEL INSTL-P5 OVHD (LIGHTPLATES ONLY)	33-13-01	71	002004 006010 950999
PANEL INSTL-P5 OVHD (PANEL DIMMER CONTROL UNIT ONLY)	33-13-02	03	101106 108120 504903
PANEL INSTL-P61 R SIDEWALL (INTEGRAL PANEL LIGHTS ONLY)	33-13-61	01	002004 006100
PANEL INSTL-P61 R SIDEWALL (INTEGRAL PANEL LIGHTS ONLY)	33-13-61	02	101102
PANEL INSTL-P8 ELECTRONIC (INTEGRAL PANEL LIGHTS ONLY)	33-13-58	01	002004 006010 107107 121503 904999
PANEL INSTL-P8, P9, P10 ELECTRONIC (INTEGRAL PANEL LIGHTS ONLY)	33-13-58	02	011100
PANEL INSTL-P8, P9, P10 ELECTRONICS (LIGHTS ONLY)	33-13-01	07	103106
PANEL INSTL-P8,P9,P10 ELECTRONIC (LIGHTS ONLY)	33-13-01	04	504903
PANEL INSTL-P8,P9,P10 ELECTRONICS (LIGHTS ONLY)	33-13-01	16	108120
PANEL-WEATHER RDR CONT (LIGHTS ONLY)	33-13-51	52P	002004 006102 107107 121951
PANEL-WEATHER RDR IND (LIGHTS ONLY)	33-13-51	52N	107107 950951
SEAL INSTL-LEVERS CONT STAND AND WIRE BUNDLE ASSY-CONT STAND (INTEGRAL PANEL LIGHTS ONLY)	33-13-54	02	002004 006106 108903 950999


BOEING
 757
PARTS CATALOG (MAINTENANCE)

CHAPTER 33 — LIGHTS

TABLE OF CONTENTS

SUBJECT	CC-SS-UU	FIGURE	EFFECT
SWITCH ASSY-LIGHTED PUSH BUTTON IND	33-13-00	10	002004 006010 107107 121503 904999
SWITCH ASSY-LIGHTED PUSH BUTTON IND	33-13-00	11	107107
SWITCH ASSY-LIGHTED PUSH BUTTON IND	33-13-00	12	107107
SWITCH ASSY-LIGHTED PUSH BUTTON IND	33-13-00	12A	107107
SWITCH ASSY-LIGHTED PUSH BUTTON IND	33-13-00	13	107107
SWITCH ASSY-LIGHTED PUSH BUTTON IND	33-13-00	14	107107
SWITCH ASSY-LIGHTED PUSH BUTTON IND	33-13-00	15	107107
SWITCH ASSY-LIGHTED PUSH BUTTON IND	33-13-00	15A	101102 107949
SWITCH ASSY-LIGHTED PUSH BUTTON IND	33-13-00	16	002004 006010 101102 107120 950999
SWITCH ASSY-LIGHTED PUSH BUTTON IND	33-13-00	17	002004 006120 504903 950999
SWITCH ASSY-LIGHTED PUSH BUTTON IND	33-13-00	17A	002004 006102 107999
SWITCH ASSY-LIGHTED PUSH BUTTON IND	33-13-00	19A	002004 006010 101102 107999
SWITCH ASSY-LIGHTED PUSH BUTTON IND	33-13-00	21	002004 006102 107999
SWITCH ASSY-LIGHTED PUSH BUTTON IND	33-13-00	23	002004 006999
SWITCH ASSY-LIGHTED PUSH BUTTON IND	33-13-00	30	002004 006100 107107 121503 904999



BOEING
757
PARTS CATALOG (MAINTENANCE)

CHAPTER 33 — LIGHTS

TABLE OF CONTENTS

SUBJECT	CC-SS-UU	FIGURE	EFFECT
SWITCH ASSY-LIGHTED PUSH BUTTON IND	33-13-00	31	002004 006102 107999
SWITCH ASSY-LIGHTED PUSH BUTTON IND	33-13-00	32	107107
SWITCH ASSY-LIGHTED PUSH BUTTON IND	33-13-00	32A	002004 006999
SWITCH ASSY-LIGHTED PUSH BUTTON IND	33-13-00	33	002004 006999
SWITCH ASSY-LIGHTED PUSH BUTTON IND	33-13-00	35	002004 006102 107999
SWITCH ASSY-LIGHTED PUSH BUTTON IND	33-13-00	39	002004 006999
SWITCH ASSY-LIGHTED PUSHBUTTON IND	33-13-00	18	002004 006102 107999
SWITCH ASSY-LIGHTED PUSHBUTTON IND	33-13-00	19	002004 006010 107107 121503 904999
SWITCH ASSY-LIGHTED PUSHBUTTON IND	33-13-00	20	002004 107107 121503 904949 952952
SWITCH ASSY-LIGHTED PUSHBUTTON IND	33-13-00	22A	002004 006999
SWITCH ASSY-LIGHTED PUSHBUTTON IND	33-13-00	24	002004 006102 107999
SWITCH ASSY-LIGHTED PUSHBUTTON IND	33-13-00	25	107107
SWITCH ASSY-LIGHTED PUSHBUTTON IND	33-13-00	25A	101102 107949
SWITCH ASSY-LIGHTED PUSHBUTTON IND	33-13-00	26	002004 006999
SWITCH ASSY-LIGHTED PUSHBUTTON IND	33-13-00	27	002004 006999
SWITCH ASSY-LIGHTED PUSHBUTTON IND	33-13-00	27A	002004 006999



BOEING
757
PARTS CATALOG (MAINTENANCE)

CHAPTER 33 — LIGHTS

TABLE OF CONTENTS

SUBJECT	CC-SS-UU	FIGURE	EFFECT
SWITCH ASSY-LIGHTED PUSHBUTTON IND	33-13-00	28	002004 006102 107999
SWITCH ASSY-LIGHTED PUSHBUTTON IND	33-13-00	29	002004 006999
SWITCH ASSY-LIGHTED PUSHBUTTON IND	33-13-00	29A	002004 006999
SWITCH ASSY-LIGHTED PUSHBUTTON IND	33-13-00	34	002004 006102 107999
SWITCH ASSY-LIGHTED PUSHBUTTON IND	33-13-00	35A	002004 006999
SWITCH ASSY-LIGHTED PUSHBUTTON IND	33-13-00	36	002004 006999
SWITCH ASSY-LIGHTED PUSHBUTTON IND	33-13-00	37	002004 006999
SWITCH ASSY-LIGHTED PUSHBUTTON IND	33-13-00	37A	002004 006999
SWITCH ASSY-LIGHTED PUSHBUTTON IND	33-13-00	38	002004 006999
SWITCH ASSY-LIGHTED PUSHBUTTON IND	33-13-00	39A	002004 006999
SWITCH ASSY-LIGHTED PUSHBUTTON IND	33-13-00	40	002004 006999
SWITCH ASSY-LIGHTED PUSHBUTTON IND	33-13-00	41	002004 006999
SWITCH ASSY-LIGHTED PUSHBUTTON IND	33-13-00	42	107107
SWITCH ASSY-LIGHTED PUSHBUTTON IND	33-13-00	42A	002004 006999
SWITCH ASSY-LIGHTED PUSHBUTTON IND	33-13-00	43	002004 006999
SWITCH ASSY-LIGHTED PUSHBUTTON IND	33-13-00	44	002004 006999
SWITCH ASSY-LIGHTED PUSHBUTTON IND	33-13-00	45	002004 006102 107999
SWITCH ASSY-LIGHTED PUSHBUTTON IND	33-13-00	45A	002004 006999
SWITCH ASSY-LIGHTED PUSHBUTTON IND	33-13-00	46	002004 006999


BOEING
 757
PARTS CATALOG (MAINTENANCE)

CHAPTER 33 — LIGHTS

TABLE OF CONTENTS

SUBJECT	CC-SS-UU	FIGURE	EFFECT
SWITCH ASSY-LIGHTED PUSHBUTTON IND	33-13-00	47	002004 006999
SWITCH ASSY-LIGHTED PUSHBUTTON IND	33-13-00	47A	002004 006999
SWITCH ASSY-LIGHTED PUSHBUTTON IND	33-13-00	48	002004 006999
SWITCH ASSY-LIGHTED PUSHBUTTON IND	33-13-00	49	002004 006999
SWITCH ASSY-LIGHTED PUSHBUTTON INDS ***	33-13-00	49A	002004 006999
FLIGHT COMPARTMENT MISCELLANEOUS LIGHTS	33-14-00		
GLARESHIELD ASSY AND PANEL INSTL-FWD (FLIGHT COMPARTMENT MISCELLANEOUS LIGHTS ONLY)	33-14-51	01	002004 006999
LIGHT ASSY MAP	33-14-51	50	011106 108120 504903
LIGHT ASSY-IND	33-14-70	01	002004 006999
LIGHT ASSY-IND	33-14-70	02	002004 006999
LIGHT ASSY-IND	33-14-70	03	002004 006999
LIGHT ASSY-P61 R SIDEWALL IND	33-14-70	05	002004 006999
LIGHT INSTL-CHART	33-14-51	15	002004 006999
LIGHT INSTL-MAP (STA 247)	33-14-51	05	107107 904949
LIGHT INSTL-THRESHOLD	33-14-51	10	002004 006999
LIGHT INSTL-UTILITY	33-14-51	02	002004 006999
PANEL ASSY-MAP LIGHT (LIGHTS ONLY)	33-14-51	07	002004 006010 121503 950999
WINDSCREEN ASSY-L AFT (LIGHTS ONLY)	33-14-51	24	103105 108120
WINDSCREEN ASSY-L FWD (LIGHTS ONLY)	33-14-51	20	103106


BOEING
 757
PARTS CATALOG (MAINTENANCE)

CHAPTER 33 — LIGHTS

TABLE OF CONTENTS

SUBJECT	CC-SS-UU	FIGURE	EFFECT
MASTER DIM AND TEST	33-16-00		
LIGHT ASSY-IND	33-16-71	50	002004 006999
PANEL ASSY-P26 LIGHTING EQPT (LIGHTS ONLY)	33-16-71	01	002004 006999
PANEL INSTL-CAPT AND FIRST OFFICER FWD (MASTER DIM AND TEST ONLY)	33-16-52	01	002004 006010 107107 121503 904999
PANEL INSTL-CAPT AND FIRST OFFICER FWD (MASTER DIM AND TEST ONLY)	33-16-52	02	011100
PANEL INSTL-P1-3 (MASTER DIM AND TEST ONLY)	33-16-52	03	101106 108120 504903
PANEL INSTL-P5 OVHD (MASTER DIM AND TEST ONLY)	33-16-51	01	002004 006010 107107 121503 904999
PANEL INSTL-P5 OVHD (MASTER DIM AND TEST ONLY)	33-16-51	02	011100
PANEL INSTL-P5 OVHD (MASTER DIM AND TEST ONLY)	33-16-51	03	101106 108120 504903


BOEING
 757
PARTS CATALOG (MAINTENANCE)

CHAPTER 33 — LIGHTS

TABLE OF CONTENTS

SUBJECT	CC-SS-UU	FIGURE	EFFECT
PASSENGER COMPARTMENT LIGHTS	33-20-00		
LIGHT INSTL-MISC	33-20-51	01	107107 121503 904951
LIGHT INSTL-MISC	33-20-51	02	002004 006017 950999
LIGHT INSTL-MISC	33-20-51	10	108120 504903
LIGHT INSTL-MISC	33-20-51	16	101102 108120 504903
LIGHT INSTL-MISC (AND FLYAWAY)	33-20-51	03	011100
LIGHT INSTL-NIGHT	33-20-51	10B	103106
LIGHTING INSTL	33-20-51	15	103106
PANEL ASSY (LIGHTS ONLY)	33-20-51	01B	103106
STOWAGE UNIT ASSY (LIGHTS ONLY)	33-20-52	16	103105
PASSENGER COMPARTMENT ILLUMINATION	33-21-00		
BIN ASSY-BIG 35 IN. (LIGHTS ONLY)	33-21-51	65	103106
BIN ASSY-BIG 40 IN. STD XSEC PASS ONLY AND AISLE LT BN (LIGHTS ONLY)	33-21-51	62A	103106
BIN ASSY-BIG 60 IN. (LIGHTS ONLY)	33-21-51	61	103106
BIN ASSY-BIG 60 IN. (LIGHTS ONLY)	33-21-51	61A	103106
BIN ASSY-BIG 80 IN. (LIGHTS ONLY)	33-21-51	60	103106
BIN ASSY-BIG 80 IN. (LIGHTS ONLY)	33-21-51	60A	103106
BIN ASSY-BIG 80 IN. (LIGHTS ONLY)	33-21-51	63	103106
BIN ASSY-BIG 80 IN. (LIGHTS ONLY)	33-21-51	63A	103106
CAP ASSY-END NO. 2 DOORWAY (LIGHTS ONLY)	33-21-51	45	018102 108120
CEILING ASSY-FWD HORSESHOE DOOR 4 LOWERED (PASSENGER COMPARTMENT ILLUMINATION ONLY)	33-21-55	51	103106
COMPARTMENT AND PANEL ASSY-OVHD STOWAGE (AFT SECT.) (LIGHTS ONLY)	33-21-51	22	107107
COMPARTMENT ASSY-OVERHEAD STOWAGE (FLYAWAY) (LIGHTS ONLY)	33-21-51	11A	121503 904949
COMPARTMENT ASSY-OVERHEAD STOWAGE (LIGHTS ONLY)	33-21-51	27	002004 006017
COMPARTMENT ASSY-OVERHEAD STOWAGE (LIGHTS ONLY)	33-21-51	30	950951


BOEING
 757
PARTS CATALOG (MAINTENANCE)

CHAPTER 33 — LIGHTS

TABLE OF CONTENTS

SUBJECT	CC-SS-UU	FIGURE	EFFECT
COMPARTMENT ASSY-OVERHEAD STOWAGE (4-DOOR) (LIGHTS ONLY)	33-21-51	35C	018102
COMPARTMENT ASSY-OVERHEAD STOWAGE (4-DOOR) (LIGHTS ONLY)	33-21-51	35D	018102
COMPARTMENT ASSY-OVERHEAD STOWAGE (4-DOOR) (LIGHTS ONLY)	33-21-51	35E	018102
COMPARTMENT ASSY-OVERHEAD STOWAGE (4-DOOR) (LIGHTS ONLY)	33-21-51	35F	018102
COMPARTMENT ASSY-OVERHEAD STOWAGE (4-DOOR) (LIGHTS ONLY)	33-21-51	35G	018102
COMPARTMENT ASSY-OVERHEAD STOWAGE (4-DOOR) (LIGHTS ONLY)	33-21-51	35H	018102
COMPARTMENT ASSY-OVERHEAD STOWAGE (4-DOOR) (LIGHTS ONLY)	33-21-51	38C	018102
COMPARTMENT ASSY-OVERHEAD STOWAGE (4-DOOR) (LIGHTS ONLY)	33-21-51	38D	018102
COMPARTMENT ASSY-OVHD STOWAGE (LIGHTS ONLY)	33-21-51	02	107107
COMPARTMENT ASSY-OVHD STOWAGE (LIGHTS ONLY)	33-21-51	03	107107
COMPARTMENT ASSY-OVHD STOWAGE (LIGHTS ONLY)	33-21-51	04	107107
COMPARTMENT ASSY-OVHD STOWAGE (LIGHTS ONLY)	33-21-51	25	952999
COMPARTMENT ASSY-OVHD STOWAGE (LIGHTS ONLY)	33-21-51	35	103106
COMPARTMENT ASSY-OVHD STOWAGE (LIGHTS ONLY)	33-21-51	37	121503
COMPARTMENT ASSY-OVHD STOWAGE (4 DOOR ONLY) (LIGHTS ONLY)	33-21-51	36	101102 108120 504903
COMPARTMENT ASSY-OVHD STOWAGE (4-DOOR ONLY) (LIGHTS ONLY)	33-21-51	38	108120 504903
COMPARTMENT ASSY-OVHD STOWAGE (4-DOOR) (LIGHTS ONLY)	33-21-51	36A	108120 504903
COMPARTMENT ASSY-OVHD STOWAGE (4-DOOR) (LIGHTS ONLY)	33-21-51	36B	108120 504903
COMPARTMENT ASSY-OVHD STOWAGE AND NO. 2 DOORWAY (LIGHTS ONLY)	33-21-51	11	121503 904949

 **BOEING**
757
PARTS CATALOG (MAINTENANCE)

CHAPTER 33 — LIGHTS

TABLE OF CONTENTS

SUBJECT	CC-SS-UU	FIGURE	EFFECT
COMPARTMENT ASSY-RH 60 IN. OVHD STOWAGE (LIGHTS ONLY)	33-21-51	24C	952999
COMPARTMENT ASSY-60 IN OVHD STOWAGE (LIGHTS ONLY) AFT SECT.	33-21-51	06F	107107
COMPARTMENT ASSY-60 IN. OVHD STOWAGE (LIGHTS ONLY)	33-21-51	01	107107
COMPARTMENT ASSY-60 IN. OVHD STOWAGE (LIGHTS ONLY)	33-21-51	01A	107107
COMPARTMENT ASSY-60 IN. OVHD STOWAGE (LIGHTS ONLY)	33-21-51	21C	107107
COMPARTMENT ASSY-60 IN. OVHD STOWAGE (LIGHTS ONLY)	33-21-51	36K	108120
COMPARTMENT ASSY-60 IN. OVHD STOWAGE (LIGHTS ONLY)	33-21-51	24A	952999
COMPARTMENT ASSY-60 IN. OVHD STOWAGE FWD SECT. (LIGHTS ONLY)	33-21-51	01B	107107
COMPARTMENT ASSY-60 IN. OVHD STOWAGE FWD. SECT. (LIGHTS ONLY)	33-21-51	01C	107107
LIGHT ASSY-FLOUR. WINDOW	33-21-51	90	002004 006106 108999
LIGHT INSTL-LH SIDEWALL	33-21-00	13B	953999
LIGHT INSTL-LH SIDEWALL	33-21-00	15B	002004 006100
LIGHT INSTL-RH SIDEWALL	33-21-00	14B	953999
LIGHT INSTL-RH SIDEWALL	33-21-00	20A	011100
LIGHT INSTL-SIDEWALL	33-21-00	16A	108120
LIGHT INSTL-SIDEWALL	33-21-00	17	108120 950951
LIGHT INSTL-SIDEWALL	33-21-00	50A	101102
LIGHT INSTL-SIDEWALL (RH)	33-21-00	16	002004 006010 950951
LIGHT INSTL-SIDEWALL L SIDE	33-21-00	55D	103106
LIGHT INSTL-SIDEWALL LH	33-21-00	05A	121503 904949
LIGHT INSTL-SIDEWALL LH	33-21-00	41	504903
LIGHT INSTL-SIDEWALL LH FIG SPLIT MOVED FROM 33-21-00-09	33-21-00	09D	952952
LIGHT INSTL-SIDEWALL R SIDE	33-21-00	50D	103106

 **BOEING**
757
PARTS CATALOG (MAINTENANCE)

CHAPTER 33 — LIGHTS

TABLE OF CONTENTS

SUBJECT	CC-SS-UU	FIGURE	EFFECT
LIGHT INSTL-SIDEWALL RH	33-21-00	05	904949
LIGHT INSTL-SIDEWALL RH	33-21-00	05C	121503 904949
LIGHT INSTL-SIDEWALL RH	33-21-00	09B	952952
LIGHT INSTL-SIDEWALL RH	33-21-00	40	504903
LIGHTING INSTL-AFT	33-21-00	01F	103106
MODULE ASSY-FWD LIGHTING WITH EMER EXIT LT, ATTENDANT PNL (PASSENGER COMPARTMENT ILLUMINATION ONLY)	33-21-52	10	103106
PACKAGE ASSY-OPTION P34 APU/EXT PWR (PASSENGER COMPARTMENT ILLUMINATION LIGHTS ONLY)	33-21-71	01A	101102 504903
PANEL ASSY-NO. 2 DOORWAY (LIGHTS ONLY)	33-21-51	43	108120
PANEL ASSY-NO. 2 DOORWAY (LIGHTS ONLY)	33-21-51	43A	002004 006102 121503 904999
PANEL ASSY-NO. 2 DOORWAY (LIGHTS ONLY)	33-21-51	43B	107107
PANEL ASSY-P34 APU/EXT PWR (PASSENGER COMPARTMENT ILLUMINATION LIGHTS ONLY)	33-21-71	01	002004 006102 107107 121503 904999
PANEL ASSY-P34 APU/EXT PWR (PASSENGER COMPARTMENT ILLUMINATION ONLY)	33-21-71	02	103106 108120
PANEL ASSY-SIDEWALL WINDOW (LIGHTS ONLY)	33-21-01	01	107107
PANEL INSTL-ATTENDANT (PASSENGER COMPARTMENT LIGHTS ONLY)	33-21-52	01	002004 006102 107949 952999
PASSENGER LOADING LIGHTS	33-22-00		
CEILING ASSY-ATTENDANT FWD (PANEL LIGHTS ONLY)	33-22-05	03A	103106
CEILING ASSY-ATTENDANT FWD (PANEL LIGHTS ONLY)	33-22-05	03	103106
CEILING ASSY-DOOR 2 (LIGHTS ONLY)	33-22-52	03A	103106
CEILING ASSY-ENTRY DOOR 4 LOWERED (AFT ATTENDANT'S PANEL ONLY)	33-22-06	02	103106
CEILING INSTL-ENTRY DOOR 2 (PASSENGER LOADING LIGHTS ONLY)	33-22-51	04	103106

 **BOEING**
757
PARTS CATALOG (MAINTENANCE)

CHAPTER 33 — LIGHTS

TABLE OF CONTENTS

SUBJECT	CC-SS-UU	FIGURE	EFFECT
DOOR INSTL-CREW (FLYAWAY) (LIGHTS ONLY)	33-22-60	01	002004 006100 107107 121503 904999
LIGHT INSTL-FWD ENTRY	33-22-51	01	107107 121503 904949
MODULE ASSY-AFT LIGHTING WITH EMER EXIT LT, ATTENDANT PNL (AFT ATTENDANT'S PANEL ONLY)	33-22-06	15	103106
MODULE ASSY-FWD LIGHTING WITH EMER EXIT LT, ATTENDANT PNL (FORWARD ATTENDANT'S PANEL ONLY)	33-22-05	15	103106
MODULE ASSY-LAV A (LIGHTS ONLY)	33-22-05	51	101102
PACKAGE ASSY-OPTION P34 APU/EXT PWR (PASSENGER LOADING LIGHTS ONLY)	33-22-71	01A	101102 504903
PANEL AND CEILING ASSY-(LIGHTS ONLY)	33-22-52	01	002004 006102 107999
PANEL AND HARNESS INSTL ATTENDANT (AFT ATTENDANT 'S PANEL ONLY)	33-22-06	03	002004 006010 107107 121503 904949 952999
PANEL ASSY-AFT CLG (LIGHTS ONLY)	33-22-52	07	101102 108120 504999
PANEL ASSY-CLG	33-22-52	02	107107
PANEL ASSY-DOOR NO. 2 FLAT (LIGHTS ONLY) (FLYAWAY)	33-22-52	10	504504 506506
PANEL ASSY-FLAT	33-22-52	09	504903 953999
PANEL ASSY-P34 APU/EXT PWR (PASSENGER LOADING LIGHTS ONLY)	33-22-71	01	002004 006102 107107 121503 904999

 **BOEING**
757
PARTS CATALOG (MAINTENANCE)

CHAPTER 33 — LIGHTS

TABLE OF CONTENTS

SUBJECT	CC-SS-UU	FIGURE	EFFECT
PANEL ASSY-P34 APU/EXT PWR (PASSENGER LOADING LIGHTS ONLY)	33-22-71	02	103106 108120
PANEL INSTL-ATTENDANT	33-22-06	06	101102 108120 504903
PANEL INSTL-ATTENDANT (AFT ATTENDANT'S PANEL ONLY)	33-22-06	09	011100 950951
PANEL INSTL-ATTENDANT (ATTENDANT'S PANEL ONLY)	33-22-07	01	108120 950999
PANEL INSTL-ATTENDANT (FORWARD ATTENDANT'S PANEL ONLY)	33-22-05	01	107107 121503 904999
PANEL INSTL-ATTENDANT (PASSENGER LOADING LIGHTS ONLY)	33-22-05	01A	002004 006102 504903
PANEL INSTL-ATTENDANT (PASSENGER LOADING LIGHTS ONLY)	33-22-05	01B	108120
PANEL INSTL-ENTRY DOOR NO. 2 AND 4 ATTENDANT	33-22-07	02	504903
PANEL INSTL-ENTRY DOOR NO. 2 ATTENDANT	33-22-07	03	002004 006102 107107 121503 904949
READING LIGHTS	33-23-00		
LIGHT ASSY-PASS. READING	33-23-01	95	002004 006102 107107 121503 904999
LIGHT ASSY-PASS. READING (TWO LIGHT ONLY)	33-23-01	96	002004 006102 107107 121503 904999
SERVICE UNIT ASSY-PASS. (PASSENGER READING LIGHTS ONLY)	33-23-01	31	103106 108120
SERVICE UNIT ASSY-PASS. (PASSENGER READING LIGHTS ONLY)	33-23-01	31B	103106 108120



BOEING
757
PARTS CATALOG (MAINTENANCE)

CHAPTER 33 — LIGHTS

TABLE OF CONTENTS

SUBJECT	CC-SS-UU	FIGURE	EFFECT
SERVICE UNIT ASSY-PASS. (PASSENGER READING LIGHTS ONLY)	33-23-01	34A	103106 108120
SERVICE UNIT ASSY-PASS. (PASSENGER READING LIGHTS ONLY)	33-23-01	52	950951
SERVICE UNIT ASSY-PASS. (PASSENGER READING LIGHTS ONLY)	33-23-01	66D	504903
SERVICE UNIT ASSY-PASS. (READING LIGHTS ONLY)	33-23-01	70	108120
SERVICE UNIT ASSY-PASS. LIGHT/GASPER (READING LIGHTS ONLY)	33-23-01	31H	108120
SERVICE UNIT ASSY-PASS. LOWERED CEILING, LIGHT/GASPER (PASSENGER READING LIGHTS ONLY)	33-23-01	31C	103106
SERVICE UNIT ASSY-PASS, (PASSENGER READING LIGHTS ONLY)	33-23-01	73	108120
SERVICE UNIT INSTL-PASS (PASSENGER READING LIGHTS ONLY)	33-23-01	33	011102
SERVICE UNIT INSTL-PASS. (PASSENGER READING LIGHTS ONLY)	33-23-01	02	107107
SERVICE UNIT INSTL-PASS. (PASSENGER READING LIGHTS ONLY)	33-23-01	24	950951
SERVICE UNIT INSTL-PASS. (PASSENGER READING LIGHTS ONLY)	33-23-01	27	002004 006100 952999
SERVICE UNIT INSTL-PASS. AND PASS. (FLYAWAY KIT) (PASSENGER READING LIGHTS ONLY)	33-23-01	18	121503 904949
SWITCH ASSY-MODULE	33-23-51	50	108120
TRANSFORMER INSTL	33-23-51	01	002004 006102 107999
TRANSFORMER INSTL	33-23-51	01A	103106
WIRE BUNDLE INSTL ATTENDANT SERVICE UNIT UNDER BIN	33-23-51	02	101102
INFORMATION SIGNS	33-24-00		
CEILING ASSY-SEG 150 LAV (PASSENGER SIGNS ONLY)	33-24-51	51B	504903
ELECTRICAL ASSY-LAV (PASSENGER SIGNS ONLY)	33-24-51	51C	107107



BOEING
757
PARTS CATALOG (MAINTENANCE)

CHAPTER 33 — LIGHTS

TABLE OF CONTENTS

SUBJECT	CC-SS-UU	FIGURE	EFFECT
ELECTRICAL ASSY-LAV A (PASSENGER SIGNS ONLY)	33-24-51	50B	107107
MODULE ASSY- LAV A (LIGHTS ONLY)	33-24-51	50	101102 108120
MODULE ASSY-LAV A (LIGHTS ONLY)	33-24-51	10	103106
MODULE ASSY-LAV C AND D (PASSENGER SIGNS ONLY)	33-24-51	51J	103106
MODULE ASSY-LAV S (PASSENGER SIGNS ONLY)	33-24-51	50A	108120
MONITOR ASSY-VIDEO PSU MODULE (LIGHTS ONLY)	33-24-51	95	103106
PACKAGE ASSY-OPTION P34 APU/EXT PWR (PASSENGER SIGNS ONLY)	33-24-71	01A	101102 504903
PANEL ASSY-P34 APU/EXT PWR (PASSENGER SIGNS ONLY)	33-24-71	01	002004 006102 107107 121503 904999
PANEL ASSY-P34 APU/EXT PWR (PASSENGER SIGNS ONLY)	33-24-71	02	103106 108120
PANEL INSTL-P5 OVERHEAD (PASSENGER SIGNS ONLY)	33-24-51	01	002004 006010 107107 121503 904999
PANEL INSTL-P5 OVHD (PASSENGER SIGNS ONLY)	33-24-51	02	011106 108120 504903
SERVICE UNIT ASSY-PASS. (PASSENGER SIGN ONLY)	33-24-01	70	108120
SERVICE UNIT ASSY-PASS. (PASSENGER SIGNS ONLY)	33-24-01	31B	103106 108120
SERVICE UNIT ASSY-PASS. (PASSENGER SIGNS ONLY)	33-24-01	34A	103106 108120
SERVICE UNIT ASSY-PASS. (PASSENGER SIGNS ONLY)	33-24-01	66D	504903
SERVICE UNIT ASSY-PASS. (PASSENGER SIGNS ONLY)	33-24-01	77	103106 108120
SERVICE UNIT INSTL-PASS. (LIGHTS ONLY)	33-24-01	02	107107
SERVICE UNIT INSTL-PASS. (LIGHTS ONLY)	33-24-01	25	950951



BOEING
757
PARTS CATALOG (MAINTENANCE)

CHAPTER 33 — LIGHTS

TABLE OF CONTENTS

SUBJECT	CC-SS-UU	FIGURE	EFFECT
SERVICE UNIT INSTL-PASS. (LIGHTS ONLY)	33-24-01	29	002004 006010 952999
SERVICE UNIT INSTL-PASS. (PASSENGER SIGNS ONLY)	33-24-01	33	011102
SERVICE UNIT INSTL-PASS. AND PASS. (FLYAWAY KIT) (LIGHTS ONLY)	33-24-01	19	121503 904949
SIGN AND HARNESS INSTL LIGHTED	33-24-51	04	103106
SIGN AND HARNESS ISTL LIGHTED	33-24-51	05	103106
SIGN ASSY-LAV OCCUPIED	33-24-51	90	103106
SIGN INSTL-LIGHTED (PASSENGER SIGNS ONLY)	33-24-00	10	504903
SIGN INSTL-LIGHTED (PASSENGER SIGNS ONLY)	33-24-00	25	108120
SIGN INSTL-LIGHTED (PASSENGER SIGNS ONLY) (BRI)	33-24-00	23	101102
WALL ASSY-OUT SEG 100 LAV (PASSENGER SIGNS ONLY)	33-24-51	56B	103106
WALL ASSY-OUT SEG 110 AND 100, LAV A FWD CAB. (PASSENGER SIGNS ONLY)	33-24-51	55	108120
WALL ASSY-OUT SEG 110 LAV A (PASSENGER SIGNS ONLY)	33-24-51	53A	101102
WALL ASSY-OUT SEG 110, LAV (PASSENGER SIGNS ONLY)	33-24-51	54	101102
WALL ASSY-OUT SEG 110, LAV (PASSENGER SIGNS ONLY)	33-24-51	54A	108120 504903
WALL ASSY-OUT SEG 110, LAV A (PASSENGER SIGNS ONLY)	33-24-51	53	504903
WALL ASSY-OUT, SEG 100, LAV A (PASSENGER SIGNS ONLY)	33-24-51	55A	103106
LAVATORY CALL LIGHTS AND MASTER CALL LIGHT MODULES	33-25-00		
BULLNOSE ASSY-CLG PNL (PASSENGER CALL LIGHTS ONLY)	33-25-53	01	002004 006102 107999
CEILING ASSY-CLOSE OUT CENTERLINE AND OFFSET EXIT SIGN (PASSENGER LAVATORY CALL LIGHTS ONLY)	33-25-53	02	103106



BOEING
757
PARTS CATALOG (MAINTENANCE)

CHAPTER 33 — LIGHTS

TABLE OF CONTENTS

SUBJECT	CC-SS-UU	FIGURE	EFFECT
ELECTRICAL ASSY-(PASSENGER AND LAVATORY CALL LIGHTS ONLY)	33-25-51	02	121503 904949 952999
ELECTRICAL ASSY-LAV (PASSENGER AND LAVATORY CALL LIGHTS ONLY)	33-25-51	01C	002004 006100 950951
ELECTRICAL ASSY-LAV (PASSENGER AND LAVATORY CALL LIGHTS)	33-25-51	02C	107107
ELECTRICAL ASSY-LAV A (PASSENGER AND LAVATORY CALL LIGHTS ONLY)	33-25-51	01	107107 121503 904949 952999
ELECTRICAL ASSY-LAV A (PASSENGER AND LAVATORY CALL LIGHTS ONLY)	33-25-51	01A	002004 006100 950951
PANEL ASSY-DOOR NO. 2 HEADER (FLYAWAY)	33-25-52	02	504504 506506
SERVICE UNIT ASSY-PASS. (PASSENGER CALL LIGHTS ONLY)	33-25-01	31B	103106 108120
SERVICE UNIT ASSY-PASS. (PASSENGER CALL LIGHTS ONLY)	33-25-01	31C	103106
SERVICE UNIT ASSY-PASS. (PASSENGER CALL LIGHTS ONLY)	33-25-01	34A	103106 108120
SERVICE UNIT ASSY-PASS. (PASSENGER CALL LIGHTS ONLY)	33-25-01	54	103106 108120
SERVICE UNIT ASSY-PASS. (PASSENGER CALL LIGHTS ONLY)	33-25-01	66D	504903
SERVICE UNIT ASSY-PASS. (PASSENGER CALL LIGHTS ONLY)	33-25-01	70	108120
SERVICE UNIT ASSY-PASS. LIGHT/GASPER (CALL LIGHTS ONLY)	33-25-01	31H	108120 952999
SERVICE UNIT INSTL-PASS (PASSENGER CALL LIGHTS ONLY)	33-25-01	33	011102 504903
SERVICE UNIT INSTL-PASS. (PASSENGER CALL LIGHTS ONLY)	33-25-01	02	107107
SERVICE UNIT INSTL-PASS. (PASSENGER CALL LIGHTS ONLY)	33-25-01	24	950951
SERVICE UNIT INSTL-PASS. (PASSENGER CALL LIGHTS ONLY)	33-25-01	28	002004 006010 952999

 **BOEING**
757
PARTS CATALOG (MAINTENANCE)

CHAPTER 33 — LIGHTS

TABLE OF CONTENTS

SUBJECT	CC-SS-UU	FIGURE	EFFECT
SERVICE UNIT INSTL-PASS. (PASSENGER CALL LIGHTS ONLY)	33-25-01	73	108120
SERVICE UNIT INSTL-PASS. AND PASS. (FLYAWAY KIT) (PASSENGER CALL LIGHTS ONLY)	33-25-01	18	121503 904949
WALL ASSY-OUT SEG 100 LAV A (PASSENGER AND LAVATORY CALL LIGHTS ONLY)	33-25-51	50D	103106
WALL ASSY-OUT SEG 100, LAV (PASSENGER AND LAVATORY CALL LIGHTS ONLY)	33-25-51	51G	103106
WALL ASSY-OUT SEG 110, LAV (PASSENGER AND LAVATORY CALL LIGHTS ONLY)	33-25-51	51A	108120 504903
WALL ASSY-OUT SEG 110, LAV (PASSENGER AND LAVATORY CALL LIGHTS ONLY)	33-25-51	51D	101102
WALL ASSY-OUT SEG 110, LAV A (PASSENGER AND LAVATORY CALL LIGHTS ONLY)	33-25-51	50	101102 504903
WALL ASSY-OUT, SEG 100, 110 LAV A (PASSENGER AND LAVATORY CALL LIGHTS ONLY)	33-25-51	50C	108120
LAVATORY LIGHTS AND SIGNS	33-26-00		
CABINET ASSY-LT AND UTILITY LAV A (LIGHTS ONLY)	33-26-52	40	002004 006100 107107 121503 904999
CEILING AND WALL ASSY-SEG 100 AND 150 LAV (LIGHTS ONLY)	33-26-52	78E	103106
CEILING AND WALL ASSY-SEG 110 AND 150, LAV (LIGHTS ONLY)	33-26-52	61	108120
CEILING ASSY-CLOSE OUT CENTERLINE AND OFFSET EXIT SIGN (LAVATORY LIGHTS ONLY)	33-26-52	81	103106
CEILING ASSY-DOOR 2 PLUG	33-26-52	81C	103106
CEILING ASSY-HORSESHOE DOOR 1	33-26-52	81A	103106
CEILING ASSY-HORSESHOE DOOR 2 (LAV LIGHTS ONLY)	33-26-52	82A	103106
CEILING ASSY-SEG 150 LAV A (LIGHTS ONLY)	33-26-52	74A	101102
CEILING ASSY-SEG 150 LAV A (LIGHTS ONLY)	33-26-52	75	504903
CEILING ASSY-SEG 150 LAV A (LIGHTS ONLY)	33-26-52	75C	103106
CEILING ASSY-SEG 150, LAV (LIGHTS ONLY)	33-26-52	75A	504903
CEILING ASSY-SEG 150, LAV (LIGHTS ONLY)	33-26-52	80C	101102


BOEING
 757
PARTS CATALOG (MAINTENANCE)

CHAPTER 33 — LIGHTS

TABLE OF CONTENTS

SUBJECT	CC-SS-UU	FIGURE	EFFECT
CEILING ASSY-SEG 150, LAV A (LIGHTS ONLY)	33-26-52	74	108120
ELECTRICAL ASSY-LAV (LIGHTS ONLY)	33-26-52	10	121503 904949 952999
ELECTRICAL ASSY-LAV (LIGHTS ONLY)	33-26-52	10C	107107
ELECTRICAL ASSY-LAV (LIGHTS ONLY)	33-26-52	15B	002004 006100 950951
ELECTRICAL ASSY-LAV (LIGHTS ONLY)	33-26-52	15C	002004 006100 950951
ELECTRICAL ASSY-LAV A (LIGHTS ONLY)	33-26-52	15	002004 006100 107107 121503 904949 952999
ELECTRICAL MIRROR AND LIGHT ASSY-LAV (LIGHTS ONLY)	33-26-52	02	952999
HEATER ASSY-WATER LAV (LIGHTS ONLY)	33-26-52	20	002004 006951
HOUSING ASSY	33-26-54	01	002004 006102 107999
MIRROR AND LIGHT INSTL-LAV (LIGHTS ONLY)	33-26-52	50	107107 121503 904999
MIRROR AND LIGHT INSTL-LAV (LIGHTS ONLY)	33-26-52	50A	002004 006100
PANEL ASSY-FLAT, CURVED CLG. AND MID CAB. ACCESS DOOR	33-26-53	03	006102 108120 504903 950999
PANEL ASSY-NON ACOUSTICAL AND ACOUSTICAL (LIGHTS ONLY)	33-26-53	01	002004 006102 107999
SIGN INSTL-LIGHTED	33-26-51	01	107107 121503 904949


BOEING
 757
PARTS CATALOG (MAINTENANCE)

CHAPTER 33 — LIGHTS

TABLE OF CONTENTS

SUBJECT	CC-SS-UU	FIGURE	EFFECT
WALL ASSY-OUT SEG 100 LAV A (LIGHTS ONLY)	33-26-52	70B	103106
WALL ASSY-OUT SEG 110 LAV (LAVATORY LIGHTS ONLY)	33-26-52	60E	504903
WALL ASSY-OUT SEG 110 LAV A (LIGHTS ONLY)	33-26-52	60	101102
WALL ASSY-OUT SEG 110, LAV (LIGHTS ONLY)	33-26-52	65C	504903
WALL ASSY-OUT, SEG 100, LAV A (LIGHTS ONLY)	33-26-52	70A	108120
GALLEY LIGHTS	33-27-00		
ELECTRICAL SYSTEM ASSY GALLEY G1B (LIGHTS ONLY)	33-27-60	24	950951
ELECTRICAL SYSTEM INSTL UNIT G1A (LIGHTS ONLY)	33-27-51	02	950951
LIGHT INSTL-GALLEY AFT	33-27-51	01	002004 006102 107999
PANEL ASSY-ACOUSTICAL, FLAT AND NON-ACOUSTICAL (LIGHTS ONLY)	33-27-53	01	002004 006102 107503 904999
PANEL ASSY-CLG (LIGHTS ONLY)	33-27-56	01	002004 006102 108120 952999
PANEL ASSY-CURVED CLG (LIGHTS ONLY)	33-27-54	01	504504 506506 950999
PANEL ASSY-DOOR NO. 2 FLAT (LIGHTS ONLY) (FLYAWAY)	33-27-52	09	504504 506506
PANEL INSTL-ATTENDANT (GALLEY LIGHTS ONLY)	33-27-55	01	121949

BOEING
757
PARTS CATALOG (MAINTENANCE)

CHAPTER 33 — LIGHTS

TABLE OF CONTENTS

SUBJECT	CC-SS-UU	FIGURE	EFFECT
SERVICE AND CARGO LOADING LIGHTS	33-31-00		
CEILING ASSY-ENTRY DOOR 1 (SERVICE LIGHTS ONLY)	33-31-60	01	103106
CEILING ASSY-ENTRY DOOR 2 (SERVICE LIGHTS ONLY)	33-31-56	02	103106
CONTROLLER ASSY-PACK STBY TEMP (LIGHTS ONLY)	33-31-51	50	002004 006999
EQUIPMENT INSTL-WING REFUELING PNL E/E (SERVICE LIGHTS ONLY)	33-31-51	04	002004 006999
INTERPHONE INSTL-SECT. 48 AND APU COMPT (LIGHTS ONLY)	33-31-53	01	002004 006999
LIGHT AND SWITCH INSTL-AIR CONDITIONING BAY SVCE	33-31-52	03	002004 006999
LIGHT AND SWITCH INSTL-HYDR SVCE COMPT	33-31-57	01	002004 006999
LIGHT INSTL-MAIN WHL WELL SVCE	33-31-52	02	002004 006999
LIGHT INSTL-NOSE WHL WELL SVCE	33-31-52	01	002004 006999
LIGHT INSTL-SECT. 41 AND 43 SVCE	33-31-51	05	002004 006999
LIGHT INSTL-SECT. 41 SVCE (LIGHTS ONLY)	33-31-51	10	002004 006999
LIGHT INSTL-SECT. 43 SVCE	33-31-51	05A	103106
LIGHT, SWITCH AND TRANSFORMER INSTL-SECT. 48 SVCE	33-31-51	06	002004 006999
MODULE ASSY ATE	33-31-51	51	002004 006102 107107 121503 904951 953999
MODULE ASSY-FWD LIGHTING WITH EMER EXIT LT, ATTENDANT PNL (GROUND SERVICE LIGHTS ONLY)	33-31-50	05	103106
PANEL ASSY-MAIN WHL WELL ELEC SVCE (LIGHTS ONLY)	33-31-55	01	002004 006999
PANEL ASSY-P62 AND P63 NLG LDG AND TURNOFF LTS (SERVICE LIGHTS ONLY)	33-31-56	01B	102106 108120 504903

 **BOEING**
757
PARTS CATALOG (MAINTENANCE)

CHAPTER 33 — LIGHTS

TABLE OF CONTENTS

SUBJECT	CC-SS-UU	FIGURE	EFFECT
PANEL INSTL-EQPT CTR SVCE (SERVICE LIGHTS ONLY)	33-31-54	01	002004 006999
PANEL INSTL-P62 AND P63 NLG LDG AND TURNOFF LTS (SERVICE LIGHTS ONLY)	33-31-56	01	002004 006101 107107 121503 904999
LOWER LOBE CARGO COMPARTMENT LIGHTS	33-37-00		
CONTROL PANEL INSTL-FWD AND AFT CARGO DOORS P43 AND P44 (LIGHTS ONLY)	33-37-51	06	002004 006999
ELECTRONICS ASSY-(LIGHTS ONLY)	33-37-51	60	002004 006100 107107 121503 904999
EQUIPMENT ASSY-AFT EQPT CTR E6 RELAY (LIGHTS ONLY)	33-37-51	04	121503 904949
EQUIPMENT ASSY-AFT EQPT CTR E6 RELAY (LIGHTS ONLY)	33-37-51	07	002004 006100 107107 950999
EQUIPMENT ASSY-E6 AFT EQPT CTR METER PNL (LIGHTS ONLY)	33-37-52	03	121503 904949
EQUIPMENT ASSY-E6 AFT EQPT CTR RELAY PNL OPTION PKG (CARGO COMPARTMENT LIGHTS ONLY)	33-37-51	07A	101102 504903
EQUIPMENT ASSY-E6 RELAY PNL AFT EQPT CTR (LIGHTS ONLY)	33-37-71	01	108120
EQUIPMENT ASSY-E6 RELAY PNL AFT EQPT CTR (LIGHTS ONLY)	33-37-71	02	103106
LIGHT ASSY-CARGO COMPARTMENT	33-37-51	50	017100
LIGHT ASSY-CARGO COMPARTMENT	33-37-51	50A	002004 006016 101105 107999
LIGHT INSTL-NO. 3 CARGO DOOR	33-37-51	05	121503 904949


BOEING
 757
PARTS CATALOG (MAINTENANCE)

CHAPTER 33 — LIGHTS

TABLE OF CONTENTS

SUBJECT	CC-SS-UU	FIGURE	EFFECT
LIGHTING INSTL-AFT CARGO COMPT	33-37-51	02	002004 006016 107107 121503 904999
LIGHTING INSTL-AFT CARGO COMPT	33-37-51	09	017106 504903
LIGHTING INSTL-AFT CARGO COMPT	33-37-51	12	108120
LIGHTING INSTL-CARGO COMPT FWD	33-37-51	03	002004 006016 107107 121503 904999
LIGHTING INSTL-CARGO COMPT FWD	33-37-51	10	017106 108120 504903
LIGHTING INSTL-CARGO COMPT NO. 1 AND NO. 2 CARGO DR	33-37-51	01	002004 006999
OPTION PACKAGE ASSY-P65 MISC	33-37-52	01B	101102
ELECTRONIC EQPT CTR (LIGHTS ONLY)			504903
PANEL ASSY-FWD AND AFT CARGO DOORS P43 AND P44 CONT (LIGHTS ONLY)	33-37-51	11	101106 108120 504903
PANEL ASSY-P65 MISC ELECTRONIC EQPT CTR (LIGHTS ONLY)	33-37-52	01	002004 006100 107107 121503 904999
PANEL INSTL-EQPT CTR SVCE (LOWER LOBE CARGO COMPARTMENT LIGHTS ONLY)	33-37-53	01	002004 006999
PANEL INSTL-P65 MISC RELAY (LIGHTS ONLY)	33-37-52	01A	103106 108120

 **BOEING**
757
PARTS CATALOG (MAINTENANCE)

CHAPTER 33 — LIGHTS

TABLE OF CONTENTS

SUBJECT	CC-SS-UU	FIGURE	EFFECT
WING ILLUMINATION LIGHTS	33-41-00		
LIGHT INSTL-WG ILLUMINATION	33-41-51	01	002004 006999
PANEL INSTL-P5 OVHD (WING ILLUMINATION LIGHTS ONLY)	33-41-52	01	002004 006010 107107 121503 904999
PANEL INSTL-P5 OVHD (WING ILLUMINATION LIGHTS ONLY)	33-41-52	03	011100
PANEL INSTL-P5 OVHD (WING ILLUMINATION LIGHTS ONLY)	33-41-52	04	101106 108120 504903
LANDING RUNWAY TURNOFF AND TAXI LIGHTS	33-42-00		
COLLECTOR INSTL-OPT	33-42-00	01	504903
LIGHT ASSY-INDICATOR	33-42-51	10	002004 006999
LIGHT INSTL-LDG	33-42-51	01	002004 006999
LIGHT INSTL-NLG TAXI	33-42-02	01	504903 952999
PACKAGE ASSY-OPTION P33 MISC ELEC EQPT (LIGHTS ONLY)	33-42-71	02A	101102 108120 504903
PACKAGE ASSY-OPTION P33 MISC ELEC EQPT (NOSE GEAR TAXI LIGHTS ONLY)	33-42-02	02	504903
PACKAGE ASSY-OPTION P34 APU/EXT PWR (LANDING, RUNWAY, TURNOFF AND TAXI LIGHTS ONLY)	33-42-71	01A	101102 504903
PANEL ASSY-P34 APU/EXT PWR (LANDING, RUNWAY, TURNOFF AND TAXI LIGHTS ONLY)	33-42-71	01	002004 006100 107107 121503 904999
PANEL ASSY-P34 APU/EXT PWR (LANDING, RUNWAY, TURNOFF TAXI LIGHTS ONLY)	33-42-71	03	103106 108120
PANEL ASSY-P62 AND P63 NLG LDG AND TURNOFF LTS (NOSE GEAR LANDING AND RUNAWAY TURNOFF LIGHTS ONLY)	33-42-01	03	102106 108120 504903

 **BOEING**
757
PARTS CATALOG (MAINTENANCE)

CHAPTER 33 — LIGHTS

TABLE OF CONTENTS

SUBJECT	CC-SS-UU	FIGURE	EFFECT
PANEL ASSY-P62 AND P63 NLG LDG AND TURNOFF LTS (NOSE GEAR TAXI LIGHTS ONLY)	33-42-02	03	103106 504903
PANEL INSTL-P5 OVERHEAD (LANDING RUNWAY TURNOFF AND TAXI LIGHTS ONLY)	33-42-52	03	011100
PANEL INSTL-P5 OVERHEAD (LANDING, RUNWAY TURNOFF AND TAXI LIGHTS ONLY)	33-42-52	01	002004 006010 107107 121503 904999
PANEL INSTL-P5 OVHD (LANDING RUNWAY TURNOFF AND TAXI LIGHTS ONLY)	33-42-52	04	101106 108120 504903
PANEL INSTL-P5 OVHD (NOSE GEAR LANDING AND RUNWAY TURNOFF LIGHTS ONLY)	33-42-01	04	101106 108120 504903
PANEL INSTL-P5 OVHD (NOSE GEAR LANDING AND RUNWAY TURNOFF LIGHTS ONLY)	33-42-01	05	002004 006010 107107 121503 904999
PANEL INSTL-P5 OVHD (NOSE GEAR LANDING AND RUNWAY TURNOFF LIGHTS ONLY)	33-42-01	06	011100
PANEL INSTL-P5 OVHD (NOSE GEAR TAXI LIGHT ONLY)	33-42-02	04	103106 504903
PANEL INSTL-P5 OVHD (NOSE GEAR TAXI LIGHT ONLY)	33-42-02	05	950999
PANEL INSTL-P62 AND P63 NLG LDG AND TURNOFF LTS (LANDING, RUNWAY TURNOFF AND TAXI LIGHTS ONLY)	33-42-01	01	002004 006017 107107 121503 904999
PANEL INSTL-P62 AND P63 NLG LDG AND TURNOFF LTS (LANDING, RUNWAY TURNOFF AND TAXI LIGHTS ONLY)	33-42-01	02	018101
PANEL INSTL-P62 AND P63 NLG LDG AND TURNOFF LTS (PANEL ONLY)	33-42-04	01	102106 108120 504903


BOEING
 757
PARTS CATALOG (MAINTENANCE)

CHAPTER 33 — LIGHTS

TABLE OF CONTENTS

SUBJECT	CC-SS-UU	FIGURE	EFFECT
SHIELD ASSY-P33 MISC ELEC EQPT (LIGHTS ONLY)	33-42-71	02	002004 006100 107107 121503 904999
SHIELD INSTL-P33 MISC ELEC EQPT (LIGHTS ONLY)	33-42-71	02B	103106
POSITION LIGHTS	33-43-00		
LIGHT INSTL-WING TIP POSITION	33-43-01	01	002004 006999
PACKAGE ASSY-OPTION P37 R MISC RELAY (POSITION LIGHTS ONLY)	33-43-55	01B	101102 504903
PANEL INSTL-P37 R MISC RELAY (POSITION LIGHTS ONLY)	33-43-55	01D	103106 108120
PANEL INSTL-P5 OVHD (POSITION (NAVIGATION) LIGHTS ONLY)	33-43-51	01	002004 006010 107107 121503 904999
PANEL INSTL-P5 OVHD (POSITION LIGHTS ONLY)	33-43-51	03	011100
PANEL INSTL-P5 OVHD (POSITION LIGHTS ONLY)	33-43-51	04	101106 108120 504903
ANTI-COLLISION LIGHTS	33-44-00		
CABLE ASSY-ANTI-COLLISION	33-44-52	01	002004 006999
LIGHT AND POWER PACK INSTL-ANTI COLLISION UPR	33-44-02	01	002004 006999
LIGHT AND POWER SUPPLY INSTL-ANTI COLLISION LWR	33-44-02	02	002004 006999
LIGHT INSTL-WING TIP ANTI-COLLISION	33-44-01	01	002004 006999
PANEL INSTL-P5 OVHD (ANTI-COLLISION LIGHTS ONLY)	33-44-51	01	002004 006010 107107 121503 904999
PANEL INSTL-P5 OVHD (ANTI-COLLISION LIGHTS ONLY)	33-44-51	04	011100

 **BOEING**
757
PARTS CATALOG (MAINTENANCE)

CHAPTER 33 — LIGHTS

TABLE OF CONTENTS

SUBJECT	CC-SS-UU	FIGURE	EFFECT
PANEL INSTL-P5 OVHD (ANTI-COLLISION LIGHTS ONLY)	33-44-51	05	101106 108120 504903
LOGO LIGHTS	33-45-00		
LIGHT ASSY-LOGO	33-45-52	03	002004 006999
LIGHT ASSY-LOGO (INBD)	33-45-52	01	002004 006100 107107 121503 904999
LIGHT INSTL-LOGO ILLUMINATION	33-45-51	01	002004 006999
LIGHT-OUTBD LOGO	33-45-52	02	002004 006100 107107 121503 904999
PACKAGE ASSY-OPTION P70 MISC RELAY (LIGHTS ONLY)	33-45-51	02A	101102 504903
PANEL ASSY- P70 MISC RELAY (LIGHTS ONLY)	33-45-51	02	002004 006100 107107 121503 904949 952999
PANEL ASSY- P70 MISC RELAY (LIGHTS ONLY)	33-45-51	02B	103106 108120
PANEL INSTL-P5 OVHD (LOGO LIGHTS ONLY)	33-45-53	01	002004 006010 107107 121503 904999
PANEL INSTL-P5 OVHD (LOGO LIGHTS ONLY)	33-45-53	02	011100
PANEL INSTL-P5 OVHD (LOGO LIGHTS ONLY)	33-45-53	03	101106 108120 504903

 **BOEING**
757
PARTS CATALOG (MAINTENANCE)

CHAPTER 33 — LIGHTS

TABLE OF CONTENTS

SUBJECT	CC-SS-UU	FIGURE	EFFECT
EMERGENCY LIGHTING	33-50-00		
PANEL ASSY-EMER EVACUATION ALARM (LIGHTS ONLY)	33-50-51	01	504903
EMERGENCY LIGHTS	33-51-00		
BULLNOSE AND CAP ASSY-EMER EQPT AND END NO. 2 DOORWAY (LIGHTS ONLY)	33-51-05	06	002004 006100 121503 904951 952999
BULLNOSE AND CAP ASSY-EMER EQPT AND END NO. 2 DOORWAY (LIGHTS ONLY)	33-51-05	08	952999
BULLNOSE AND END CAP ASSY-EMER EQPT (LIGHTS ONLY)	33-51-05	01	107107
BULLNOSE ASSY-CLG PNL (EMERGENCY LIGHTS ONLY)	33-51-05	10	002004 006102 107999
BULLNOSE ASSY-EMER EQPT (LIGHTS ONLY)	33-51-05	17	002004 006102 108903 950999
BULLNOSE ASSY-EMER EQPT (LIGHTS ONLY)	33-51-05	17A	504903 950951
CEILING ASSY DOOR 1 HORSESHOE (EMERGENCY AISLE LIGHT ONLY)	33-51-05	51A	103106
CEILING ASSY-CLOSE OUT CENTERLINE AND OFFSET EXIT, DOOR 1 (EMERGENCY LIGHTS ONLY)	33-51-01	80	103106
CEILING ASSY-ENTRY DOOR 1 (POWER SUPPLY ONLY)	33-51-07	05	103106
CEILING ASSY-ENTRY DOOR 2 (POWER SUPPLY ONLY)	33-51-07	06	103106
CEILING ASSY-ENTRY DOOR 2, LWD (EMERGENCY LIGHTS ONLY)	33-51-52	02	103106
CEILING ASSY-ENTRY DOOR 4 LOWERED (AFT ATTENDANT'S PANEL ONLY)	33-51-10	01	103106
CEILING ASSY-ENTRY DR 4 (LIGHTS ONLY)	33-51-07	02	103106
CEILING ASSY-FWD HORSESHOE DOOR 4 LOWERED (EMERGENCY AISLE LIGHT ONLY)	33-51-05	51	103106
COVER ASSY-BULLNOSE 35 IN. (LIGHTS ONLY)	33-51-05	22	103106
COVER ASSY-BULLNOSE 40 IN. WITH AISLE LIGHT (LIGHTS ONLY)	33-51-05	23	103106

 **BOEING**
757
PARTS CATALOG (MAINTENANCE)

CHAPTER 33 — LIGHTS

TABLE OF CONTENTS

SUBJECT	CC-SS-UU	FIGURE	EFFECT
COVER ASSY-BULLNOSE 57 IN. (LIGHTS ONLY)	33-51-05	21	103106
COVER ASSY-BULLNOSE 80 IN. (LIGHTS ONLY)	33-51-05	20	103106
COVER ASSY-BULLNOSE 80 IN. (LIGHTS ONLY)	33-51-05	20A	103106
EMERGENCY LIGHTING INSTL-SEAT MOUNTED (BAB)	33-51-11	04	504903
HOUSING ASSY-EXIT SIGN	33-51-01	75	002004 006102 107999
HOUSING ASSY-EXIT SIGN INTERIOR ILLUMINATED	33-51-01	90A	107107
HOUSING ASSY-EXIT SIGN INTERIOR ILLUMINATED	33-51-01	90B	121949
HOUSING ASSY-EXIT SIGN INTERIOR ILLUMINATED	33-51-01	90C	504903
HOUSING ASSY-INTERIOR ILLUMINATED EXIT SIGN	33-51-01	90	002004 006102 107503 904949 952999
HOUSING INSTL-EXIT SIGN (EXIT LIGHTS)	33-51-11	11	107107 121503 904949
HOUSING INSTL-EXIT SIGN AISLE LIGHTS	33-51-05	15	107107 121503 904949
LIGHT ASSY-EMERGENCY	33-51-51	55	103106
LIGHT ASSY-FWD, CTR, AFT AND EMER DOOR GND ILLUM SLIDE	33-51-06	51	002004 006999
LIGHT ASSY-WING ILLUMINATION	33-51-06	50	103106
LIGHT INSTL-EVACUATION SLIDES L AND R	33-51-06	05	002004 006999
LIGHTING INSTL-EMER ESCAPE PATH	33-51-10	08	950951
LIGHTING INSTL-EMER SEAT MOUNTED	33-51-11	07A	108120
LINING INSTL-DOORWAY NO. 1 (LIGHTS ONLY)	33-51-53	01	002004 006999
LINING INSTL-DOORWAY NO. 1 LH AND RH (LIGHTS ONLY)	33-51-53	01B	103106

 **BOEING**
757
PARTS CATALOG (MAINTENANCE)

CHAPTER 33 — LIGHTS

TABLE OF CONTENTS

SUBJECT	CC-SS-UU	FIGURE	EFFECT
LINING INSTL-DOORWAY NO. 3 (LIGHTS ONLY)	33-51-53	03	002004 006102 107503 904999
LINING INSTL-DOORWAY NO. 3 L (LIGHTS ONLY)	33-51-53	05	504903
LINING INSTL-DOORWAY NO. 4 (LIGHTS ONLY)	33-51-53	04	002004 006102 107999
MODULE ASSY-FWD LIGHTING WITH EMER EXIT LT, ATTENDANT PNL (EMERGENCY EXIT LIGHTS ONLY)	33-51-50	10	103106
PACK INSTL-BATTERY	33-51-07	03A	103106
PACK INSTL-DOOR 2 EMER BATTERY LH AND RH	33-51-02	01	002004 006102 107999
PACK INSTL-757 200 LOWERED CLG EMER BATTERY FWD AND AFT	33-51-07	04	002004 006102 107999
PANEL ASSY DOORWAY NO. 4 L (LIGHT ONLY)	33-51-51	28	103106 504903
PANEL ASSY-DOORWAY NO.3 LH AND RH HEADER (LIGHTS ONLY)	33-51-01	25A	103106
PANEL ASSY-DOORWAY NO. 1 CTR AND FWD AND AFT UPR (LIGHTS ONLY)	33-51-53	01A	102102 108120 504903
PANEL ASSY-DOORWAY NO. 2 (LIGHTS ONLY)	33-51-11	16	103106
PANEL ASSY-P62 AND P63 NLG LDG AND TURNOFF LTS (EMERGENCY LIGHTS ONLY)	33-51-09	02B	102106 108120 504903
PANEL INSTL AND PACKAGE ASSY-OPTION P37 MISC RELAY (EMERGENCY LIGHTS ONLY)	33-51-71	01B	101102
PANEL INSTL-ATTENDANT (EMERGENCY LIGHTS ONLY)	33-51-54	01	002004 006102 107949 952999
PANEL INSTL-P37 R MISC RELAY (EMERGENCY LIGHTS ONLY)	33-51-71	01D	103106 108120

 **BOEING**
757
PARTS CATALOG (MAINTENANCE)

CHAPTER 33 — LIGHTS

TABLE OF CONTENTS

SUBJECT	CC-SS-UU	FIGURE	EFFECT
PANEL INSTL-P5 OVERHEAD (EMERGENCY LIGHTING ONLY)	33-51-08	01	002004 006010 107107 121503 904999
PANEL INSTL-P5 OVHD (EMERGENCY LIGHTING ONLY)	33-51-08	03	011100
PANEL INSTL-P5 OVHD (EMERGENCY LIGHTING ONLY)	33-51-08	05	101106 108120 504903
PANEL INSTL-P62 AND P63 NLG LDG AND TURNOFF LTS (EMERGENCY LIGHTS ONLY)	33-51-09	01	002004 006017 107107 121503 904999
PANEL INSTL-P62 AND P63 NLG LDG AND TURNOFF LTS (EMERGENCY LIGHTS ONLY)	33-51-09	02	018101
POWER SUPPLY-EMER	33-51-07	50	103106
P37 MISC RELAY R (EMERGENCY LIGHTS ONLY)	33-51-71	01	002004 006100 107107 121503 904949 952999
SIGN AND TOP KIT INSTL-LIGHTED OVHD CL STOWAGE BINS	33-51-01	21	103106
SIGN ASSY -EXIT NO. 2 DOORWAY	33-51-11	05	103106
SIGN ASSY-EXIT, INTERIOR ILLUMINATED	33-51-01	90E	108120 950951
SIGN INSTL-BRI LIGHTED (ELECTRICALLY ILLUMINATED EXIT SIGNS ONLY)	33-51-01	31	101102
SIGN INSTL-LIGHTED	33-51-01	01	108120
SIGN INSTL-LIGHTED	33-51-01	21A	103106
SIGN INSTL-LIGHTED	33-51-01	21B	103106
SIGN INSTL-LIGHTED	33-51-01	21D	103106
SIGN INSTL-LIGHTED	33-51-01	23	103106
SIGN INSTL-LIGHTED	33-51-01	23A	103106
SIGN INSTL-LIGHTED	33-51-01	44	011100
SIGN INSTL-LIGHTED	33-51-01	50	952999
SIGN INSTL-LIGHTED	33-51-01	50C	103106

 **BOEING**
757
PARTS CATALOG (MAINTENANCE)

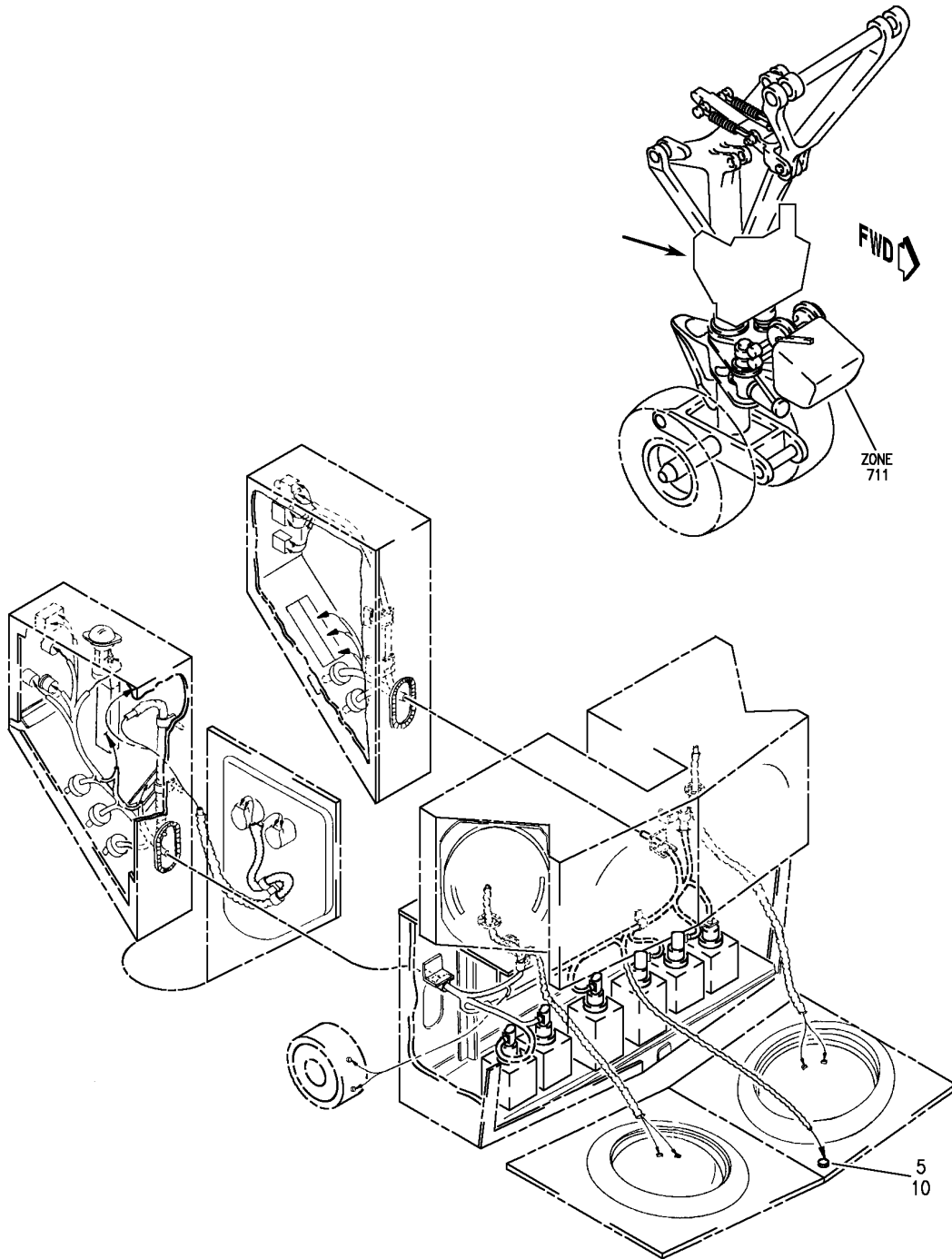
CHAPTER 33 — LIGHTS

TABLE OF CONTENTS

SUBJECT	CC-SS-UU	FIGURE	EFFECT
SIGN INSTL-LIGHTED	33-51-01	52	002004 006010
SIGN INSTL-LIGHTED	33-51-01	57	107107
SIGN INSTL-LIGHTED	33-51-01	66	121503 904949
SIGN INSTL-LIGHTED	33-51-51	35	103106
SIGN INSTL-LIGHTED (ELECTRICALLY ILLUMINATED EXIT SIGNS ONLY)	33-51-01	14	504903
SIGN INSTL-USAIR LIGHTED	33-51-01	70	950951
SUPPORT AND HEADER ASSY-CURTAIN (LIGHTS ONLY)	33-51-01	11	107120 950951
FLOOR PROXIMITY LIGHTING SYSTEM	33-52-00		
INVERTER INSTL-LSI SYS	33-52-00	22	002004 006102
LAMP ASSY-EMERGENCY FLOOR PROXIMITY	33-52-00	55	002004 006100
LIGHTING INSTL-EMER FLOOR PROXIMITY	33-52-00	02	504903 952999
LIGHTING INSTL-EMER FLOOR PROXIMITY	33-52-00	09	107107
LIGHTING INSTL-EMER FLOOR PROXIMITY	33-52-00	30	121503 904949
LIGHTING INSTL-EMER FLOOR PROXIMITY (EXIT LIGHTS ONLY)	33-52-20	02	107107 121503 904949 952999
LIGHTING INSTL-EMER FLOOR PROXIMITY-LSI SYS	33-52-00	23	002004 006102
LIGHTING INSTL-757 200 EMER, FLOOR PROXIMITY 4 DOOR	33-52-00	45A	103106
MODULE ASSY-LAV (FLOOR PROXIMITY LIGHTING ONLY)	33-52-51	52A	108120
MODULE ASSY-LAV B AND C (FLOOR PROXIMITY LIGHTING ONLY)	33-52-51	53A	103106
MODULE ASSY-LAV C (LIGHTS ONLY)	33-52-51	50A	108120

LIGHTS - GENERAL

BOEING
757
PARTS CATALOG (MAINTENANCE)



Y 33005101A REV 278

PROVISION INSTL-CONDUIT
FIGURE 1A

33-00-51-01A

BRI
JAN 20/09

33-00-51-01A
PAGE 0



757

PARTS CATALOG (MAINTENANCE)

FIG ITEM	PART NUMBER	1 2 3 4 5 6 7	NOMENCLATURE	EFFECT FROM TO	UNITS PER ASSY
1 A			PROVISION INSTL-CONDUIT	106106	RF
- 1	MODREF99836		PROVISION INSTL-CONDUIT	106106	1
			MODULE NUMBER: 287N6200-28#A		
5	5-86556-858		.LIGHT-PARKING BRAKE ON	106106	1
			SUPPLIER CODE: V97415		
			FUNCTIONAL DESCRIPTION: THE BRAKE STATUS LIGHTS ARE LOCATED ON THE NOSE GEAR BETWEEN THE LAN- DING LIGHTS AND THE TAXI LIGHTS AND ARE USED TO INFORM THE GROUND CREW OF THE CURRENT BRAKE STATUS.		
			ELECTRICAL EQUIP NUMBER: L00456		
			WIRING DIAGRAM REF: 324411		
10	MS25231-313		.LAMP-	106106	1
			SUPPLIER CODE: V96906		
			ELECTRICAL EQUIP NUMBER: L00456T		
			WIRING DIAGRAM REF: 324411		

MISSING ITEM NUMBERS NOT APPLICABLE

- ITEM NOT ILLUSTRATED

33-00-51-01A

33-00-51
FIG. 01A
PAGE 1
JAN 20/09

BRI

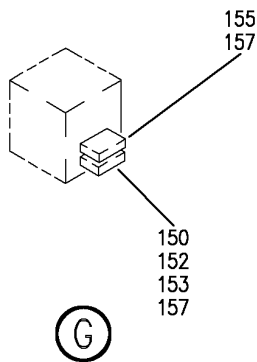
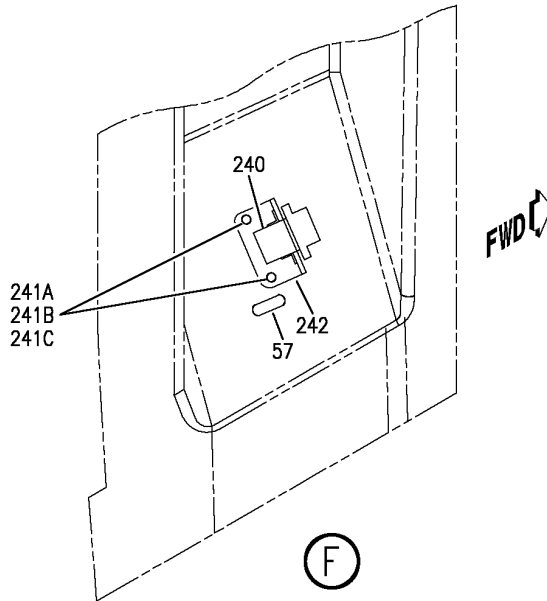
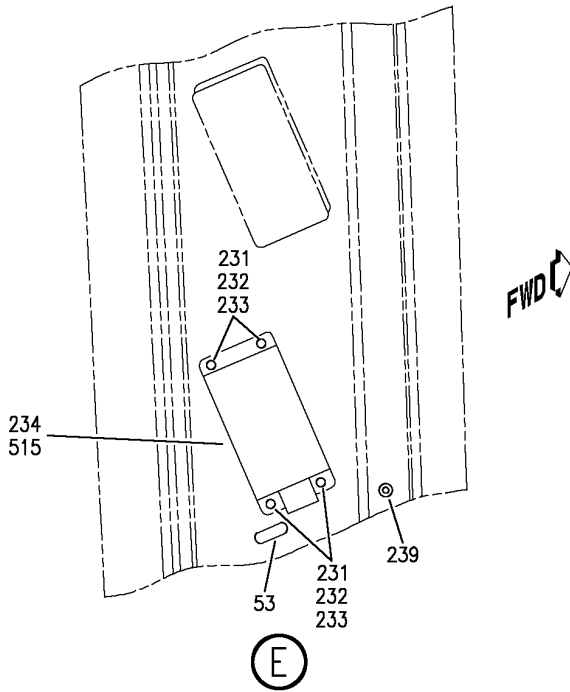
BOEING PROPRIETARY - Copyright © - Unpublished Work - See title page for details.

FLIGHT COMPARTMENT ILLUMINATION

BRI
MAY 28/07

33-11-00
SECTION TITLE
PAGE 1

BOEING
757
PARTS CATALOG (MAINTENANCE)



Y 33110301 SH-T 3 REV 321

DIMMER INSTL-INSTR PNL
FIGURE 1 (SHEET 3)

33-11-03-01

BRI
MAY 20/08

33-11-03-01
PAGE 0B



757

PARTS CATALOG (MAINTENANCE)

FIG ITEM	PART NUMBER	1 2 3 4 5 6 7	NOMENCLATURE	EFFECT FROM TO	UNITS PER ASSY
1			DIMMER INSTL-INSTR PNL	002004	
- 1	233N2400-4		DIMMER INSTL-INSTR PNL FOR NHA SEE: 25-10-00-05A	006999 107107	RF
- 1	233N2400-12		DIMMER INSTL-INSTR PNL FOR NHA SEE: 25-10-00-05A	904949	RF
- 1	233N2400-13		DIMMER INSTL-INSTR PNL FOR NHA SEE: 25-10-00-05A	002004 006010	RF
- 1	233N2400-16		DIMMER INSTL-INSTR PNL FOR NHA SEE: 25-10-00-05A	950999 121503	RF
- 1	233N2400-17		DIMMER INSTL-INSTR PNL FOR NHA SEE: 25-10-00-05A	011100 952999	RF
- 2	233N2400-21		DIMMER INSTL-INSTR PNL FOR NHA SEE: 25-10-00-15	101102 108120	RF
- 2	MODREF7894		DIMMER INSTL-INSTR PNL MODULE NUMBER: 233N2400-21 REV A	504903 103106	1
8	BAC27NFDE0065		.MARKER- PLACARD CONTENT: K10423	504903	1
10	BAC27NFDE0005		.MARKER- PLACARD CONTENT: K396	504903	1
12	BAC27NFDE0022		.MARKER- PLACARD CONTENT: M505	504903	1
14	BAC27NFDE0023		.MARKER- PLACARD CONTENT: M506	002004 006999	1
15	BAC27NFDE0006		.MARKER- PLACARD CONTENT: M788	002004 006999	1
20	BAC27NFDE0007		.MARKER- PLACARD CONTENT: M789	002004 006999	1
25	BAC27NFDE0008		.MARKER- PLACARD CONTENT: M790	504903	1
30	BAC27NFDE0009		.MARKER- PLACARD CONTENT: M791	002004 006010 107107 121503 904999	1

MISSING ITEM NUMBERS NOT APPLICABLE

- ITEM NOT ILLUSTRATED

33-11-03-01

33-11-03
FIG. 01
PAGE 1
JAN 20/09

BRI



757

PARTS CATALOG (MAINTENANCE)

FIG ITEM	PART NUMBER	1 2 3 4 5 6 7	NOMENCLATURE	EFFECT FROM TO	UNITS PER ASSY
1					
35	BAC27NFDE0010	. MARKER-	PLACARD CONTENT :	002004	1
			M792	006010	
				107107	
				121503	
				904999	
				504903	
40	BAC27NFDE0011	. MARKER-	PLACARD CONTENT :		1
			M793		
42	BAC27NFDE0111	. MARKER-	PLACARD CONTENT :	002004	1
			K10546	006999	
45	BAC27NFDE0014	. MARKER-	PLACARD CONTENT :	002004	1
			M796	006999	
47	BAC27NFDE0148	. MARKER-	PLACARD CONTENT :	002004	1
			M800	006010	
				121503	
				904999	
50	BAC27NFDE0015	. MARKER-	PLACARD CONTENT :	002004	1
			M803	006010	
				107107	
				121503	
				904999	
53	BAC27NFDE0176	. MARKER-	PLACARD CONTENT :	002004	1
			M10938	006010	
				121503	
				950999	
55	BAC27NFDE0016	. MARKER-	PLACARD CONTENT :	002004	1
			M804	006010	
				107107	
				121503	
				904999	
57	BAC27NFDE0177	. MARKER-	PLACARD CONTENT :	002004	1
			K10704	006010	
				121503	
				950999	
60	BAC27NFDE0017	. MARKER-	PLACARD CONTENT :	002004	1
			M805	006010	
				107107	
				121503	
				904999	
65	BAC27NFDE0018	. MARKER-	PLACARD CONTENT :	504903	1
			M843		
70	BAC27NFDE0019	. MARKER-	PLACARD CONTENT :	011100	1
			M10198	107107	

MISSING ITEM NUMBERS NOT APPLICABLE

- ITEM NOT ILLUSTRATED

33-11-03-01

33-11-03
FIG. 01
PAGE 2
JAN 20/09

BRI

BOEING PROPRIETARY - Copyright © - Unpublished Work - See title page for details.



757

PARTS CATALOG (MAINTENANCE)

FIG ITEM	PART NUMBER	1 2 3 4 5 6 7	NOMENCLATURE	EFFECT FROM TO	UNITS PER ASSY
1					
70	BAC27NFDE0019	.	MARKER- PLACARD CONTENT: M10198	504903	1
72	BAC27NFDE0075	.	MARKER- PLACARD CONTENT: K10273	002004 006999	1
74	BAC27NFDE0149	.	MARKER- PLACARD CONTENT: M10781	002004 006106 108999	1
75	BAC27NFDE0020	.	MARKER- PLACARD CONTENT: M10232	002004 006010 107107 121503 904999	1
78	BAC27NFDE0066	.	MARKER- PLACARD CONTENT: K10419	002004 006010 107107 121503 904999	1
80	BAC27NFDE0021	.	MARKER- PLACARD CONTENT: M10233	002004 006010 107107 121503 904999	1
82	BAC27NFDE0076	.	MARKER- PLACARD CONTENT: K10449	121903	1
87	BDC5	.	CONTROL-DIMMER SUPPLIER CODE: V1MXA1 FUNCTIONAL DESCRIPTION: CONTROLS & VARIES THE LIGHT INTENSITY OF INCANDESCENT LIGHT PLATES & INSTRUMENT PANELS ON THE FLIGHT DECK. SPECIFICATION NUMBER: S283T019-4 ELECTRICAL EQUIP NUMBER: M10781 M00788 M00789 M00796 COMPONENT MAINT MANUAL REF: 33-10-01 OPTIONAL PART: 708200-3 V19623	011106 108120 504903 952999	4

MISSING ITEM NUMBERS NOT APPLICABLE

- ITEM NOT ILLUSTRATED

33-11-03-01

33-11-03
FIG. 01
PAGE 3
JAN 20/09

BRI



757

PARTS CATALOG (MAINTENANCE)

FIG ITEM	PART NUMBER	1 2 3 4 5 6 7	NOMENCLATURE	EFFECT FROM TO	UNITS PER ASSY
1 87	708200-3		.CONTROL-DIMMER SUPPLIER CODE: V19623 SPECIFICATION NUMBER: S283T019-3 ELECTRICAL EQUIP NUMBER: M10781 M00788 M00789 M00796 COMPONENT MAINT MANUAL REF: 33-16-11 OPTIONAL PART: BDC5 V60540	011106 108120 504903 952999	4
87	708200-2		.CONTROL-DIMMER SUPPLIER CODE: V19623 SPECIFICATION NUMBER: S283T019-2 ELECTRICAL EQUIP NUMBER: M10781 M00788 M00789 M00796 COMPONENT MAINT MANUAL REF: 33-16-11	011106 108120 504903 952999	4
88	BDC5		.CONTROL-DIMMER SUPPLIER CODE: V1MXA1 FUNCTIONAL DESCRIPTION: CONTROLS & VARIES THE LIGHT INTENSITY OF INCANDESCENT LIGHT PLATES & INSTRUMENT PANELS ON THE FLIGHT DECK. SPECIFICATION NUMBER: S283T019-4 ELECTRICAL EQUIP NUMBER: M10198 COMPONENT MAINT MANUAL REF: 33-10-01 OPTIONAL PART: 708200-3 V19623	011100 103106	1

MISSING ITEM NUMBERS NOT APPLICABLE

- ITEM NOT ILLUSTRATED

33-11-03-01

33-11-03
FIG. 01
PAGE 4
JAN 20/09

BRI



757

PARTS CATALOG (MAINTENANCE)

FIG ITEM	PART NUMBER	1 2 3 4 5 6 7	NOMENCLATURE	EFFECT FROM TO	UNITS PER ASSY
1 88	708200-3		.CONTROL-DIMMER SUPPLIER CODE: V19623 SPECIFICATION NUMBER: S283T019-3 ELECTRICAL EQUIP NUMBER: M10198 COMPONENT MAINT MANUAL REF: 33-16-11 OPTIONAL PART: BDC5 V60540	011100 103106	1
88	708200-2		.CONTROL-DIMMER SUPPLIER CODE: V19623 SPECIFICATION NUMBER: S283T019-2 ELECTRICAL EQUIP NUMBER: M10198 COMPONENT MAINT MANUAL REF: 33-16-11	011100 103106	1

MISSING ITEM NUMBERS NOT APPLICABLE

- ITEM NOT ILLUSTRATED

BRI

33-11-03-01

BOEING PROPRIETARY - Copyright © - Unpublished Work - See title page for details.

33-11-03
FIG. 01
PAGE 5
JAN 20/09



757

PARTS CATALOG (MAINTENANCE)

FIG ITEM	PART NUMBER	1 2 3 4 5 6 7 NOMENCLATURE	EFFECT FROM TO	UNITS PER ASSY
1 91	BDC5	.CONTROL-DIMMER SUPPLIER CODE: V1MXA1 FUNCTIONAL DESCRIPTION: CONTROLS & VARIES THE LIGHT INTENSITY OF INCANDESCENT LIGHT PLATES & INSTRUMENT PANELS ON THE FLIGHT DECK. SPECIFICATION NUMBER: S283T019-4 ELECTRICAL EQUIP NUMBER: M00788 M00789 M00791 M00792 M00796 M00803 M00804 M00805 M10232 M10233 M10198 M00800 M10781 COMPONENT MAINT MANUAL REF: 33-10-01 OPTIONAL PART: 708200-3 V19623	121503 904949	13

MISSING ITEM NUMBERS NOT APPLICABLE

- ITEM NOT ILLUSTRATED

33-11-03-01

33-11-03
FIG. 01
PAGE 6
JAN 20/09

BRI



757

PARTS CATALOG (MAINTENANCE)

FIG ITEM	PART NUMBER	1 2 3 4 5 6 7	NOMENCLATURE	EFFECT FROM TO	UNITS PER ASSY
1	91 708200-2		.CONTROL-DIMMER SUPPLIER CODE: V19623 SPECIFICATION NUMBER: S283T019-2 ELECTRICAL EQUIP NUMBER: M00788 M00789 M00791 M00792 M00796 M00803 M00804 M00805 M10232 M10233 M10198 M00800 M10781 COMPONENT MAINT MANUAL REF: 33-16-11	121503 904949	13
	91 708200-3		.CONTROL-DIMMER SUPPLIER CODE: V19623 SPECIFICATION NUMBER: S283T019-3 ELECTRICAL EQUIP NUMBER: M00788 M00789 M00791 M00792 M00796 M00803 M00804 M00805 M10232 M10233 M10198 M00800 M10781 COMPONENT MAINT MANUAL REF: 33-16-11 OPTIONAL PART: BDC5 V60540	121503 904949	13

MISSING ITEM NUMBERS NOT APPLICABLE

- ITEM NOT ILLUSTRATED

33-11-03-01

33-11-03
FIG. 01
PAGE 7
JAN 20/09

BRI



757

PARTS CATALOG (MAINTENANCE)

FIG ITEM	PART NUMBER	1 2 3 4 5 6 7 NOMENCLATURE	EFFECT FROM TO	UNITS PER ASSY
1 93	BDC5	.CONTROL-DIMMER SUPPLIER CODE: V1MXA1 FUNCTIONAL DESCRIPTION: CONTROLS & VARIES THE LIGHT INTENSITY OF INCANDESCENT LIGHT PLATES & INSTRUMENT PANELS ON THE FLIGHT DECK. SPECIFICATION NUMBER: S283T019-4 ELECTRICAL EQUIP NUMBER: M00788 M00789 M00791 M00792 M00796 M10232 M10233 M00800 M10781 M00803 M00804 M00805 COMPONENT MAINT MANUAL REF: 33-10-01 OPTIONAL PART: 708200-3 V19623	002004 006010 950999	12

MISSING ITEM NUMBERS NOT APPLICABLE

- ITEM NOT ILLUSTRATED

33-11-03-01

33-11-03
FIG. 01
PAGE 8
JAN 20/09

BRI



757

PARTS CATALOG (MAINTENANCE)

FIG ITEM	PART NUMBER	1 2 3 4 5 6 7	NOMENCLATURE	EFFECT FROM TO	UNITS PER ASSY
1 93	708200-3		.CONTROL-DIMMER SUPPLIER CODE: V19623 SPECIFICATION NUMBER: S283T019-3 ELECTRICAL EQUIP NUMBER: M00788 M00789 M00791 M00792 M00796 M10232 M10233 M00800 M10781 M00803 M00804 M00805 COMPONENT MAINT MANUAL REF: 33-16-11 OPTIONAL PART: BDC5 V60540	002004 006010 950999	12
93	708200-2		.CONTROL-DIMMER SUPPLIER CODE: V19623 SPECIFICATION NUMBER: S283T019-2 ELECTRICAL EQUIP NUMBER: M00788 M00789 M00791 M00792 M00796 M10232 M10233 M00800 M10781 M00803 M00804 M00805 COMPONENT MAINT MANUAL REF: 33-16-11	002004 006010 950999	12

MISSING ITEM NUMBERS NOT APPLICABLE

- ITEM NOT ILLUSTRATED

BRI

33-11-03-01

BOEING PROPRIETARY - Copyright © - Unpublished Work - See title page for details.

33-11-03
FIG. 01
PAGE 9
JAN 20/09



757

PARTS CATALOG (MAINTENANCE)

FIG ITEM	PART NUMBER	1 2 3 4 5 6 7	NOMENCLATURE	EFFECT FROM TO	UNITS PER ASSY
1 94	708200-3		.CONTROL-DIMMER SUPPLIER CODE: V19623 SPECIFICATION NUMBER: S283T019-3 ELECTRICAL EQUIP NUMBER: M00788 M00789 M00791 M00792 M00796 M00803 M00804 M00805 M10232 M10233 COMPONENT MAINT MANUAL REF: 33-16-11 OPTIONAL PART: BDC5 V60540	107107	10
94	BDC5		.CONTROL-DIMMER SUPPLIER CODE: V1MXA1 FUNCTIONAL DESCRIPTION: CONTROLS & VARIES THE LIGHT INTENSITY OF INCANDESCENT LIGHT PLATES & INSTRUMENT PANELS ON THE FLIGHT DECK. SPECIFICATION NUMBER: S283T019-4 ELECTRICAL EQUIP NUMBER: M00788 M00789 M00791 M00792 M00796 M00803 M00804 M00805 M10232 M10233 COMPONENT MAINT MANUAL REF: 33-10-01 OPTIONAL PART: 708200-3 V19623	107107	10

MISSING ITEM NUMBERS NOT APPLICABLE

- ITEM NOT ILLUSTRATED

33-11-03-01

33-11-03
FIG. 01
PAGE 10
JAN 20/09

BRI



757

PARTS CATALOG (MAINTENANCE)

FIG ITEM	PART NUMBER	1 2 3 4 5 6 7	NOMENCLATURE	EFFECT FROM TO	UNITS PER ASSY
1 94	708200-2		.CONTROL-DIMMER SUPPLIER CODE: V19623 SPECIFICATION NUMBER: S283T019-2 ELECTRICAL EQUIP NUMBER: M00788 M00789 M00791 M00792 M00796 M00803 M00804 M00805 M10232 M10233 COMPONENT MAINT MANUAL REF: 33-16-11 OPTIONAL PART: BDC5 V60540 708200-3 V19623	107107	10
97	708200-3		.CONTROL-DIMMER SUPPLIER CODE: V19623 SPECIFICATION NUMBER: S283T019-3 ELECTRICAL EQUIP NUMBER: M10198 COMPONENT MAINT MANUAL REF: 33-16-11 OPTIONAL PART: BDC5 V60540	107107	1

MISSING ITEM NUMBERS NOT APPLICABLE

- ITEM NOT ILLUSTRATED

BRI

33-11-03-01

BOEING PROPRIETARY - Copyright © - Unpublished Work - See title page for details.

33-11-03
FIG. 01
PAGE 11
JAN 20/09



757

PARTS CATALOG (MAINTENANCE)

FIG ITEM	PART NUMBER	1 2 3 4 5 6 7	NOMENCLATURE	EFFECT FROM TO	UNITS PER ASSY
1	97 BDC5		.CONTROL-DIMMER SUPPLIER CODE: V1MXA1 FUNCTIONAL DESCRIPTION: CONTROLS & VARIES THE LIGHT INTENSITY OF INCANDESCENT LIGHT PLATES & INSTRUMENT PANELS ON THE FLIGHT DECK. SPECIFICATION NUMBER: S283T019-4 ELECTRICAL EQUIP NUMBER: M10198 COMPONENT MAINT MANUAL REF: 33-10-01 OPTIONAL PART: 708200-3 V19623	107107	1
	97 708200-2		.CONTROL-DIMMER SUPPLIER CODE: V19623 SPECIFICATION NUMBER: S283T019-2 ELECTRICAL EQUIP NUMBER: M10198 COMPONENT MAINT MANUAL REF: 33-16-11 OPTIONAL PART: BDC5 V60540 708200-3 V19623 ATTACHING PARTS	107107	1
	100 NAS1801-3-8		.SCREW	002004 006100 121503 904999	44
	102 NAS1801-3-8		.SCREW	002004 006100 107107 121503 904999	40
	102A NAS1801-3-8		.SCREW	101106 108120 504903	8
	104 BACS12FA3K8		.SCREW	002004 006106 108999	8

MISSING ITEM NUMBERS NOT APPLICABLE

- ITEM NOT ILLUSTRATED

33-11-03-01

33-11-03
FIG. 01
PAGE 12
JAN 20/09

BRI



757

PARTS CATALOG (MAINTENANCE)

FIG ITEM	PART NUMBER	1 2 3 4 5 6 7	NOMENCLATURE	EFFECT FROM TO	UNITS PER ASSY
1					
105	AN960PD10	.	WASHER	002004 006100 121503 904999	44
105B	NAS1149D0363J	.	WASHER	101106 108120 504903	8
107	AN960PD10	.	WASHER	002004 006100 107107 121503 904999	40
109	AN960JD10	.	WASHER	002004 006100 121503 904999	8
109	NAS1149D0363J	.	WASHER	101106 108120 504903	8
111	130007	.	NUT SUPPLIER CODE: V60119 SPECIFICATION NUMBER: BACN10FX83 OPTIONAL PART: BRC500-8-08 V52828 SL213-08-1 V97393 A11330-8-82 V72962 A4972-8-82 V72962 A4972-8-82 V72962	011100 107107	8
111C	130069	.	NUT- SUPPLIER CODE: V60119 SPECIFICATION NUMBER: BACN10FX16 OPTIONAL PART: A11330-6-3 V72962 A4972-6-02 V72962 A4972-6-02 V72962 -----*-----	101106 108120 504903	8

MISSING ITEM NUMBERS NOT APPLICABLE

- ITEM NOT ILLUSTRATED

33-11-03-01

33-11-03
FIG. 01
PAGE 13
JAN 20/09

BRI



757

PARTS CATALOG (MAINTENANCE)

FIG ITEM	PART NUMBER	1 2 3 4 5 6 7	NOMENCLATURE	EFFECT FROM TO	UNITS PER ASSY
1					
114	KAD9F005		.RELAY- SUPPLIER CODE: V58657 ELECTRICAL EQUIP NUMBER: K10546	002004 006999	1
116	233N2401-11		.ANGLE-	002004 006106 108120 504903 950999	2
116	233N2401-12		.ANGLE- ATTACHING PARTS	121949	2
117	BACS12FA3K8		.SCREW	002004 006106 108999	2
118	NAS1149D0363J		.WASHER	101106 108120 504903	2
118	AN960JD10		.WASHER	002004 006100 121503 904999	2
119	130007		.NUT SUPPLIER CODE: V60119 SPECIFICATION NUMBER: BACN10FX83 OPTIONAL PART: BRC500-8-08 V52828 SL213-08-1 V97393 A11330-8-82 V72962 A4972-8-82 V72962 A4972-8-82 V72962	002004 006100 121503 904999	2

MISSING ITEM NUMBERS NOT APPLICABLE

- ITEM NOT ILLUSTRATED

33-11-03-01

33-11-03
FIG. 01
PAGE 14
JAN 20/09

BRI



757

PARTS CATALOG (MAINTENANCE)

FIG ITEM	PART NUMBER	1 2 3 4 5 6 7	NOMENCLATURE	EFFECT FROM TO	UNITS PER ASSY
1 119	130069		.NUT- SUPPLIER CODE: V60119 SPECIFICATION NUMBER: BACN10FX16 OPTIONAL PART: A11330-6-3 V72962 A4972-6-02 V72962 A4972-6-02 V72962 -----*-----	101106 108120 504903	2
122	1546-1-4		.DIMMER- SUPPLIER CODE: V30242 SPECIFICATION NUMBER: S233T810-14 ELECTRICAL EQUIP NUMBER: M00506 COMPONENT MAINT MANUAL REF: 33-11-01	002004 006999	1
122	1546-1-6		.DIMMER ASSY- SUPPLIER CODE: V30242 SPECIFICATION NUMBER: S233T810-20 ELECTRICAL EQUIP NUMBER: M00506 COMPONENT MAINT MANUAL REF: 33-11-01	002004 006999	1
- 125	NAS1801-3-8		ATTACHING PARTS .SCREW-	002004 006100 107107 121503 904999	4
- 125	NAS514P1032-8		.SCREW-	101106 108120 504903	4
- 127	AN960PD10		.WASHER	002004 006100 107107 121503 904999	4
- 127	NAS1149D0363J		.WASHER -----*-----	101106 108120 504903	4

MISSING ITEM NUMBERS NOT APPLICABLE

- ITEM NOT ILLUSTRATED

33-11-03-01

33-11-03
FIG. 01
PAGE 15
JAN 20/09

BRI



757

PARTS CATALOG (MAINTENANCE)

FIG ITEM	PART NUMBER	1 2 3 4 5 6 7	NOMENCLATURE	EFFECT FROM TO	UNITS PER ASSY
1 135	FCC400-6		.RELAY-115 VAC COIL SUPPLIER CODE: V00213 SPECIFICATION NUMBER: 10-60450-2 ELECTRICAL EQUIP NUMBER: K00396 OPTIONAL PART: G59673-2 V73949 9524-6507 V35344 A410-159673-02 V73949	504903	1
136	FCC400-6		.RELAY-155 VAC COIL SUPPLIER CODE: V00213 SPECIFICATION NUMBER: 10-60450-2 ELECTRICAL EQUIP NUMBER: K10419 OPTIONAL PART: G59673-2 V73949 9524-6507 V35344 A410-159673-02 V73949	002004 006010 121503 904999	1
140	233N2401-1		.BRACKET	002004 006010 121503 904999	1
- 145	NAS1801-3-8		ATTACHING PARTS .SCREW	002004 006010 121503 904999	2
150	JAD9F007		-----*----- .RELAY- SUPPLIER CODE: V58657 SPECIFICATION NUMBER: BACR13CJ2 ELECTRICAL EQUIP NUMBER: K10273 K10423	504903	2

MISSING ITEM NUMBERS NOT APPLICABLE

- ITEM NOT ILLUSTRATED

33-11-03-01

33-11-03
FIG. 01
PAGE 16
JAN 20/09

BRI



757

PARTS CATALOG (MAINTENANCE)

FIG ITEM	PART NUMBER	1 2 3 4 5 6 7	NOMENCLATURE	EFFECT FROM TO	UNITS PER ASSY
1					
152	JAD9F007		.RELAY- SUPPLIER CODE: V58657 SPECIFICATION NUMBER: BACR13CJ2 ELECTRICAL EQUIP NUMBER: K10273	002004 006100 107107 950999	1
153	JAD9F007		.RELAY- SUPPLIER CODE: V58657 SPECIFICATION NUMBER: BACR13CJ2 ELECTRICAL EQUIP NUMBER: K10273	904949	2
160	233N2405-2		.MODULE ASSY-	107107 904949	1
160	233N2405-3		.MODULE ASSY-	002004 006106 108903 950999	1
- 162	NAS514P632-6		ATTACHING PARTS .SCREW	002004 006999	7
			-----*-----		
165	BAC27NFDE0011		..MARKER- PLACARD CONTENT: M793	002004 006999	1
170	BAC27NFDE0018		..MARKER- PLACARD CONTENT: M843	002004 006999	1
175	BAC27NFDE0008		..MARKER- PLACARD CONTENT: M790	002004 006999	1
180	BAC27NFDE0005		..MARKER- PLACARD CONTENT: K396	002004 006999	1
185	BAC27NFDE0022		..MARKER- PLACARD CONTENT: M505	002004 006999	1
190	BAC27NFDE0065		..MARKER- PLACARD CONTENT: K10423	002004 006999	1

MISSING ITEM NUMBERS NOT APPLICABLE

- ITEM NOT ILLUSTRATED

33-11-03-01

33-11-03
FIG. 01
PAGE 17
JAN 20/09

BRI



757

PARTS CATALOG (MAINTENANCE)

FIG ITEM	PART NUMBER	1 2 3 4 5 6 7	NOMENCLATURE	EFFECT FROM TO	UNITS PER ASSY
1 195	708200-2		.. CONTROL-DIMMER SUPPLIER CODE: V19623 SPECIFICATION NUMBER: S283T019-2 ELECTRICAL EQUIP NUMBER: M00790 M00793 M00843 COMPONENT MAINT MANUAL REF: 33-16-11 OPTIONAL PART: 708200-3 V19623 BDC5 V19623	002004 006999	3
195	708200-3		.. CONTROL-DIMMER SUPPLIER CODE: V19623 SPECIFICATION NUMBER: S283T019-3 ELECTRICAL EQUIP NUMBER: M00790 M00793 M00843 COMPONENT MAINT MANUAL REF: 33-16-11 OPTIONAL PART: 708200-2 V19623 BDC5 V19623	002004 006999	3

MISSING ITEM NUMBERS NOT APPLICABLE

- ITEM NOT ILLUSTRATED

BRI

33-11-03-01

BOEING PROPRIETARY - Copyright © - Unpublished Work - See title page for details.

33-11-03
FIG. 01
PAGE 18
JAN 20/09



757

PARTS CATALOG (MAINTENANCE)

FIG ITEM	PART NUMBER	1 2 3 4 5 6 7	NOMENCLATURE	EFFECT FROM TO	UNITS PER ASSY
1 195	BDC5		.. CONTROL-DIMMER SUPPLIER CODE: V1MXA1 FUNCTIONAL DESCRIPTION: CONTROLS & VARIES THE LIGHT INTENSITY OF INCANDESCENT LIGHT PLATES & INSTRUMENT PANELS ON THE FLIGHT DECK. SPECIFICATION NUMBER: S283T019-4 ELECTRICAL EQUIP NUMBER: M00790 M00793 M00843 COMPONENT MAINT MANUAL REF: 33-10-01 OPTIONAL PART: 708200-2 V19623 708200-3 V19623 ATTACHING PARTS	002004 006999	3
202	NAS1801-3-14		.. SCREW-	002004 006999	10
203	NAS1801-3-15		.. SCREW-	002004 006999	2
205	AN960PD10		.. WASHER	002004 006999	12
210	1546-1-4		-----*----- .. DIMMER- SUPPLIER CODE: V30242 SPECIFICATION NUMBER: S233T810-14 ELECTRICAL EQUIP NUMBER: M00505 COMPONENT MAINT MANUAL REF: 33-11-01	002004 006999	1
210	1546-1-6		.. DIMMER ASSY- SUPPLIER CODE: V30242 SPECIFICATION NUMBER: S233T810-20 ELECTRICAL EQUIP NUMBER: M00506 COMPONENT MAINT MANUAL REF: 33-11-01	002004 006999	1

MISSING ITEM NUMBERS NOT APPLICABLE

- ITEM NOT ILLUSTRATED

33-11-03-01

33-11-03
FIG. 01
PAGE 19
JAN 20/09

BRI



757

PARTS CATALOG (MAINTENANCE)

FIG ITEM	PART NUMBER	1 2 3 4 5 6 7	NOMENCLATURE	EFFECT FROM TO	UNITS PER ASSY
1			ATTACHING PARTS		
- 215	NAS1801-3-8	..	SCREW	002004 006999	4
- 220	AN960PD10	..	WASHER	002004 006999	4
225	FCC400-6	-----*----- ..	RELAY-115 VAC COIL SUPPLIER CODE: V00213 SPECIFICATION NUMBER: 10-60450-2 ELECTRICAL EQUIP NUMBER: K00396 OPTIONAL PART: G59673-2 V73949 9524-6507 V35344 A410-159673-02 V73949	002004 006999	1
230	JAD9F007	..	RELAY- SUPPLIER CODE: V58657 SPECIFICATION NUMBER: BACR13CJ2 ELECTRICAL EQUIP NUMBER: K10423	002004 006999	1
234	708200-3	. CONTROL-DIMMER SUPPLIER CODE: V19623 SPECIFICATION NUMBER: S283T019-3 ELECTRICAL EQUIP NUMBER: M10938 COMPONENT MAINT MANUAL REF: 33-16-11 OPTIONAL PART: BDC5 V60540	002004 006010 121503 950999	1	

MISSING ITEM NUMBERS NOT APPLICABLE

- ITEM NOT ILLUSTRATED

BRI

33-11-03-01

BOEING PROPRIETARY - Copyright © - Unpublished Work - See title page for details.

33-11-03
FIG. 01
PAGE 20
JAN 20/09



757

PARTS CATALOG (MAINTENANCE)

FIG ITEM	PART NUMBER	1 2 3 4 5 6 7	NOMENCLATURE	EFFECT FROM TO	UNITS PER ASSY
1 234	BDC5		.CONTROL-DIMMER SUPPLIER CODE: V1MXA1 FUNCTIONAL DESCRIPTION: CONTROLS & VARIES THE LIGHT INTENSITY OF INCANDESCENT LIGHT PLATES & INSTRUMENT PANELS ON THE FLIGHT DECK. SPECIFICATION NUMBER: S283T019-4 ELECTRICAL EQUIP NUMBER: M10938 COMPONENT MAINT MANUAL REF: 33-10-01 OPTIONAL PART: 708200-3 V19623	002004 006010 121503 950999	1
234	708200-2		.CONTROL-DIMMER SUPPLIER CODE: V19623 SPECIFICATION NUMBER: S283T019-2 ELECTRICAL EQUIP NUMBER: M10938 COMPONENT MAINT MANUAL REF: 33-16-11 ATTACHING PARTS	002004 006010 121503 950999	1
- 236	NAS1801-3-8		.SCREW	002004 006010 121503 950999	4
- 238	AN960JD10		.WASHER -----*-----	002004 006010 121503 950999	4

MISSING ITEM NUMBERS NOT APPLICABLE

- ITEM NOT ILLUSTRATED

33-11-03-01

33-11-03
FIG. 01
PAGE 21
JAN 20/09

BRI



757

PARTS CATALOG (MAINTENANCE)

FIG ITEM	PART NUMBER	1 2 3 4 5 6 7	NOMENCLATURE	EFFECT FROM TO	UNITS PER ASSY
1 240	ES210-1632		.RELAY- SUPPLIER CODE: V99699 SPECIFICATION NUMBER: BACR13CF2AB OPTIONAL PART: JD4L018 V35344 JD4L031 V35344 BR246S0111 V56623 BR64S105 V56623 FCA210-71 V78290 61GB2319-1A320 V98927 ELECTRICAL EQUIP NUMBER: K10704	002004 006010 121503 950999	1
242	233N2401-5		.BRACKET- ATTACHING PARTS	002004 006010 121503 950999	1
- 244	NAS1801-3-8		.SCREW	002004 006010 121503 950999	2
- 246	AN960JD10		.WASHER	002004 006010 121503 950999	2
- 250	286N2066-006		-----*----- WIRE BUNDLE ASSY	121503 904949	RF
- 250	286N2066-007		WIRE BUNDLE ASSY-	107107	RF
- 250	286N2066-008		WIRE BUNDLE ASSY-	002004 006100 950999	RF
- 255	286N2070-004		WIRE BUNDLE ASSY	107107	RF
- 255	286N2070-005		WIRE BUNDLE ASSY-	011100	RF
260	BACC10GH12		.CLAMP- ELECTRICAL EQUIP NUMBER: D02896T WIRING DIAGRAM REF: 331371	011100 107107	1

MISSING ITEM NUMBERS NOT APPLICABLE

- ITEM NOT ILLUSTRATED

33-11-03-01

33-11-03
FIG. 01
PAGE 22
JAN 20/09

BRI



757

PARTS CATALOG (MAINTENANCE)

FIG ITEM	PART NUMBER	1 2 3 4 5 6 7	NOMENCLATURE	EFFECT FROM TO	UNITS PER ASSY
1 265	GTR21-12CD		.CLAMP- SUPPLIER CODE: V06324 ELECTRICAL EQUIP NUMBER: D02894T WIRING DIAGRAM REF: 331351	002004 006100 107107 121503 904999	1
270	C0909A12-12S102		.CONNECTOR- SUPPLIER CODE: V13556 SPECIFICATION NUMBER: BACC63BN12-12S OPTIONAL PART: 48-63N12-12S V02660 C0909A12-12SN V13556 ELECTRICAL EQUIP NUMBER: D02896 WIRING DIAGRAM REF: 331371	011100 107107	1
272	C0909A12-12S102		.CONNECTOR- SUPPLIER CODE: V13556 SPECIFICATION NUMBER: BACC63BN12-12S OPTIONAL PART: 48-63N12-12S V02660 C0909A12-12SN V13556 ELECTRICAL EQUIP NUMBER: D02894 WIRING DIAGRAM REF: 331351	002004 006100 107107 121503 904999	1
275	BACS16X3		.SOCKET- ELECTRICAL EQUIP NUMBER: D05256 WIRING DIAGRAM REF: 331331	002004 006100 107107 121503 904999	1
- 295	286N0001-002		WIRE BUNDLE ASSY- REWORKED BY ALERT SB: 34A0222	121503 904949	RF
- 295	286N0001-003		WIRE BUNDLE ASSY- REWORKED BY ALERT SB: 34A0222	107107	RF
- 295	286N0001-005		WIRE BUNDLE ASSY- REWORKED BY ALERT SB: 34A0222	002004 006100 950999	RF

MISSING ITEM NUMBERS NOT APPLICABLE

- ITEM NOT ILLUSTRATED

33-11-03-01

33-11-03
FIG. 01
PAGE 23
JAN 20/09

BRI



757

PARTS CATALOG (MAINTENANCE)

FIG ITEM	PART NUMBER	1 2 3 4 5 6 7	NOMENCLATURE	EFFECT FROM TO	UNITS PER ASSY
1					
- 300	286N0003-002		WIRE BUNDLE ASSY- REWORKED BY ALERT SB: 34A0222	121503 904949	RF
- 300	286N0003-003		WIRE BUNDLE ASSY- REWORKED BY ALERT SB: 34A0222	107107	RF
- 300	286N0003-005		WIRE BUNDLE ASSY- REWORKED BY SB: 34-0200 REWORKED BY ALERT SB: 34A0222	002004 006100 950999	RF
305	BACC45FT16A24S		.CONNECTOR- ELECTRICAL EQUIP NUMBER: D00892 D00898 WIRING DIAGRAM REF: 331111	002004 006100 107107 121503 904999	1
310	BACC10GH12		.CLAMP- ELECTRICAL EQUIP NUMBER: D03406T WIRING DIAGRAM REF: 331121	002004 006100 107107 121503 904999	1
315	BACC10GH12		.CLAMP- ELECTRICAL EQUIP NUMBER: D02192T D02888T D02914T D02922T WIRING DIAGRAM REF: 331111 331312 331321 331341	002004 006100 107107 121503 904999	2
320	BACC45FT12-12S		.CONNECTOR- ELECTRICAL EQUIP NUMBER: D03406 WIRING DIAGRAM REF: 331121	002004 006100 107107 121503 904999	1
325	BACC45FT12-12S		.CONNECTOR- ELECTRICAL EQUIP NUMBER: D02192 D02888 D02914 D02922 WIRING DIAGRAM REF: 331111 331312 331321 331341	002004 006100 107107 121503 904999	2

MISSING ITEM NUMBERS NOT APPLICABLE

- ITEM NOT ILLUSTRATED

33-11-03-01

33-11-03
FIG. 01
PAGE 24
JAN 20/09

BRI



757

PARTS CATALOG (MAINTENANCE)

FIG ITEM	PART NUMBER	1 2 3 4 5 6 7	NOMENCLATURE	EFFECT FROM TO	UNITS PER ASSY
1					
330	BACS16X3		.SOCKET- ELECTRICAL EQUIP NUMBER: D05032 D05242 WIRING DIAGRAM REF: 331111 331341	002004 006100 107107 121503 904999	2
335	BACS16X3		.SOCKET- ELECTRICAL EQUIP NUMBER: D05254 WIRING DIAGRAM REF: 331311	002004 006100 107107 121503 904999	1
- 350	286N0128-003		WIRE BUNDLE ASSY-	121503 904949	RF
- 350	286N0128-004		WIRE BUNDLE ASSY-	107107	RF
- 350	286N0128-007		WIRE BUNDLE ASSY- REWORKED BY SB: 34-0200	002004 006100 950999	RF
355	BACC10GH12		.CLAMP- ELECTRICAL EQUIP NUMBER: D03018T WIRING DIAGRAM REF: 33136	002004 006100 107107 121503 904999	1
360	C0909A12-12S102		.CONNECTOR- SUPPLIER CODE: V13556 SPECIFICATION NUMBER: BACC63BN12-12S OPTIONAL PART: 48-63N12-12S V02660 C0909A12-12SN V13556 ELECTRICAL EQUIP NUMBER: D03018 WIRING DIAGRAM REF: 33136	002004 006100 107107 121503 904999	1
- 400	286N2070-003		WIRE BUNDLE ASSY-	121503 904949	RF
- 400	286N2070-004		WIRE BUNDLE ASSY-	107107	RF
- 400	286N2070-005		WIRE BUNDLE ASSY-	002004 006100 950999	RF
- 410	286N2066-006		WIRE BUNDLE ASSY-	121503 904949	RF
- 410	286N2066-007		WIRE BUNDLE ASSY-	107107	RF
- 410	286N2066-008		WIRE BUNDLE ASSY-	002004 006100 950999	RF

MISSING ITEM NUMBERS NOT APPLICABLE

- ITEM NOT ILLUSTRATED

33-11-03-01

33-11-03
FIG. 01
PAGE 25
JAN 20/09

BRI



757

PARTS CATALOG (MAINTENANCE)

FIG ITEM	PART NUMBER	1 2 3 4 5 6 7	NOMENCLATURE	EFFECT FROM TO	UNITS PER ASSY
1					
- 415	286N0124-003		WIRE BUNDLE ASSY-	121503 904949	RF
- 415	286N0124-004		WIRE BUNDLE ASSY-	107107	RF
- 415	286N0124-007		WIRE BUNDLE ASSY-	002004	RF
			REWORKED BY SB: 34-0200	006100 950999	
			REWORKED BY ALERT SB: 34A0222		
425	BACC10GH12		.CLAMP-	002004	2
			ELECTRICAL EQUIP NUMBER: D03016T D03020T D03408T D03410T D03412T D03414T	006100 107107 121503 904999	
430	C0909A12-12S102		.CONNECTOR-	002004	2
			SUPPLIER CODE: V13556	006100 107107	
			SPECIFICATION NUMBER: BACC63BN12-12S	121503	
			OPTIONAL PART: 48-63N12-12S V02660 C0909A12-12SN V13556	904999	
			ELECTRICAL EQUIP NUMBER: D03016 D03020 D03408 D03410 D03412 D03414		
			WIRING DIAGRAM REF: 331331 331332 331361		
- 500	233N2400-22		DIMMER INSTL-	101102	RF
			FOR NHA SEE: 25-10-00-15B		
- 500	233N2400-26		DIMMER INSTL-INSTR PNL	504903	RF
			FOR NHA SEE: 25-10-00-15B		

MISSING ITEM NUMBERS NOT APPLICABLE

- ITEM NOT ILLUSTRATED

33-11-03-01

33-11-03
FIG. 01
PAGE 26
JAN 20/09

BRI



757

PARTS CATALOG (MAINTENANCE)

FIG ITEM	PART NUMBER	1 2 3 4 5 6 7	NOMENCLATURE	EFFECT FROM TO	UNITS PER ASSY
1					
505	BAC27NFDE0019		.MARKER- PLACARD CONTENT: M10198	101102 504903	1
515	708200-3		.CONTROL-DIMMER SUPPLIER CODE: V19623 SPECIFICATION NUMBER: S283T019-3 ELECTRICAL EQUIP NUMBER: M10198 COMPONENT MAINT MANUAL REF: 33-16-11 OPTIONAL PART: BDC5 V60540	101102 504903	1
515	BDC5		.CONTROL-DIMMER SUPPLIER CODE: V1MXA1 FUNCTIONAL DESCRIPTION: CONTROLS & VARIES THE LIGHT INTENSITY OF INCANDESCENT LIGHT PLATES & INSTRUMENT PANELS ON THE FLIGHT DECK. SPECIFICATION NUMBER: S283T019-4 ELECTRICAL EQUIP NUMBER: M10198 COMPONENT MAINT MANUAL REF: 33-10-01 OPTIONAL PART: 708200-3 V19623	101102 504903	1
515	708200-2		.CONTROL-DIMMER SUPPLIER CODE: V19623 SPECIFICATION NUMBER: S283T019-2 ELECTRICAL EQUIP NUMBER: M10198 COMPONENT MAINT MANUAL REF: 33-16-11 ATTACHING PARTS	101102 504903	1
- 520	NAS1801-3-7		.SCREW	101102 504903	4
- 525	NAS1149D0363J		.WASHER	101102 504903	4
			-----*-----		

MISSING ITEM NUMBERS NOT APPLICABLE

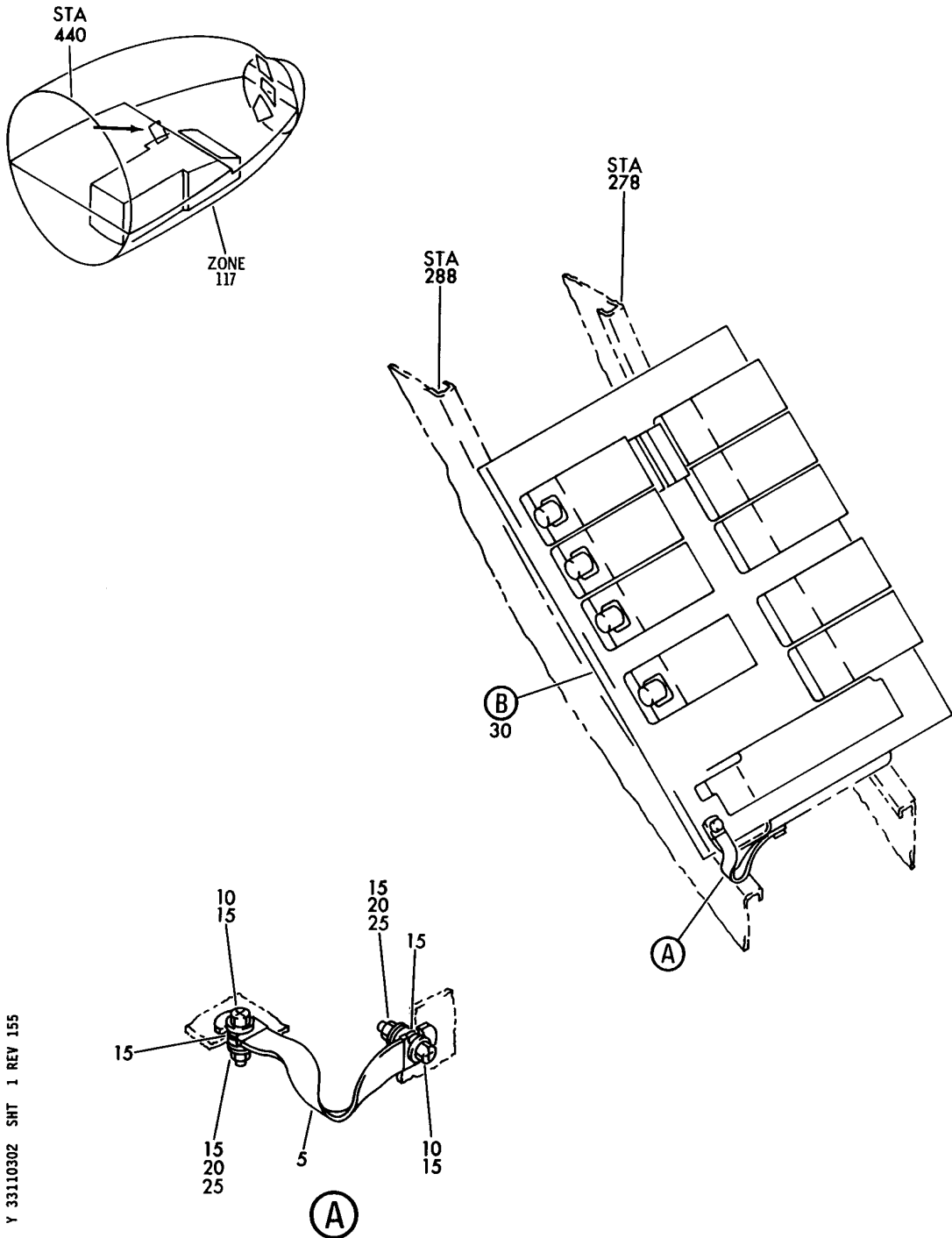
- ITEM NOT ILLUSTRATED

33-11-03-01

33-11-03
FIG. 01
PAGE 27
JAN 20/09

BRI

BOEING
757
PARTS CATALOG (MAINTENANCE)



Y 33110302 SHT 1 REV 155

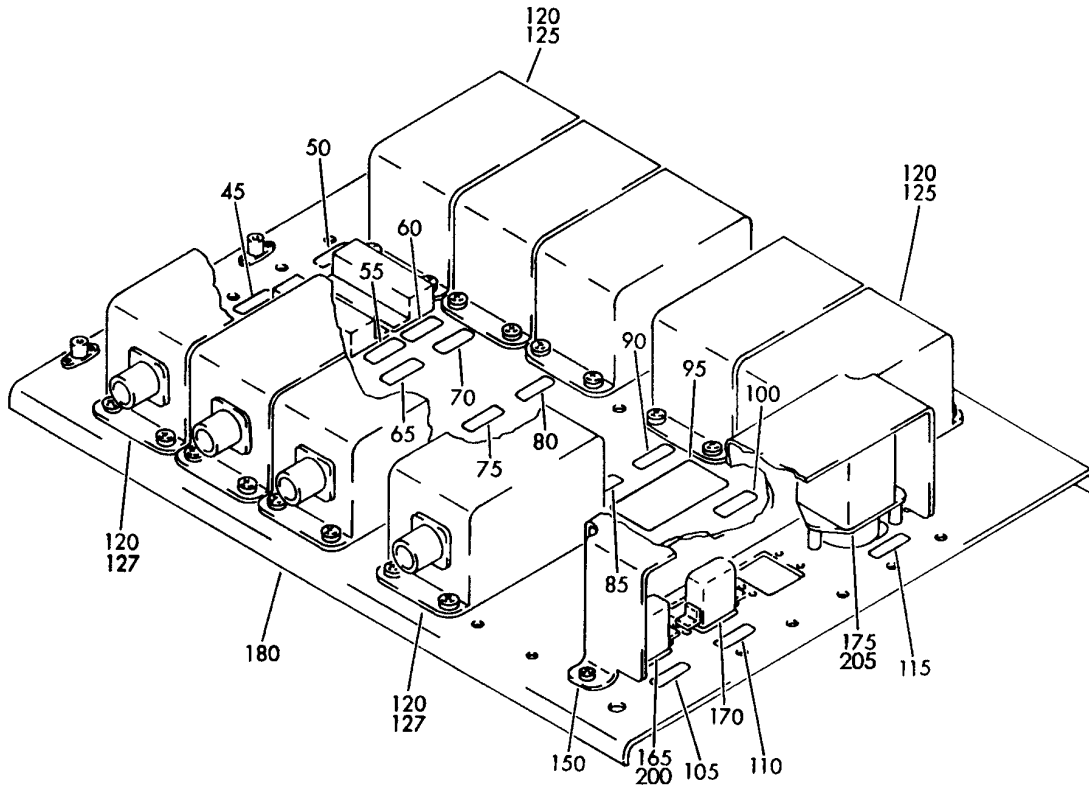
PANEL INSTL-P12 DIMMER MODULE PANEL
FIGURE 2 (SHEET 1)

33-11-03-02

BRI
MAY 28/07

33-11-03-02
PAGE 0

BOEING
757
PARTS CATALOG (MAINTENANCE)



(B)

Y 33110302 SHT 2 REV 206

PANEL INSTL-P12 DIMMER MODULE PANEL
FIGURE 2 (SHEET 2)

33-11-03-02

BRI
MAY 28/07

33-11-03-02
PAGE 0A



757

PARTS CATALOG (MAINTENANCE)

FIG ITEM	PART NUMBER	1 2 3 4 5 6 7	NOMENCLATURE	EFFECT FROM TO	UNITS PER ASSY
2			PANEL INSTL-P12 DIMMER MODULE PANEL	011106 108120 504903	
- 1	284N1201-1		PANEL INSTL-P12 DIMMER MODULE PANEL FOR NHA SEE: 24-00-58-01C	011100	RF
- 1	284N1201-3		PANEL INSTL-P12 DIMMER MODULE PANEL FOR NHA SEE: 24-00-58-05	101102 108120 504903	RF
- 1	MODREF24611		PANEL INSTL-P12 DIMMER MODULE PANEL MODULE NUMBER: 284N1201-4 REV B	103106	1
5	740C14-7		.JUMPER ASSY SUPPLIER CODE: V91812 SPECIFICATION NUMBER: BACJ40CG7G ATTACHING PARTS	011106 108120 504903	1
10	NAS1801-5-12		.SCREW	011106 108120 504903	2
15	NAS1149F0532P		.WASHER	011106 108120 504903	6
20	MS35338-45		.WASHER	011106 108120 504903	2
25	BRH10C5D		.NUT SUPPLIER CODE: V52828 SPECIFICATION NUMBER: BACN10JC5CD OPTIONAL PART: T6C524JCD V11815 102LH9075-5W V72962 H51650-5BAC V15653	011106 108120 504903	2
30	284N1202-1		-----*----- .PANEL ASSY-P12 DIMMER MODULE INSTL VARIABLE DRAWING REF: 284N1202-5001	011100	1

MISSING ITEM NUMBERS NOT APPLICABLE

- ITEM NOT ILLUSTRATED

BRI

33-11-03-02

33-11-03
FIG. 02
PAGE 1
JAN 20/09



757

PARTS CATALOG (MAINTENANCE)

FIG ITEM	PART NUMBER	1 2 3 4 5 6 7	NOMENCLATURE	EFFECT FROM TO	UNITS PER ASSY
2	30 284N1202-3		.PANEL ASSY-P12 DIMMER MODULE INSTL	101106 108120 504903	1
-	35 BACS12GU3K10		ATTACHING PARTS .SCREW	011106 108120 504903	15
-	40 NAS620C10L		.WASHER	011106 108120 504903	15
			-----*-----		
	45 BAC27NFDE0017		..MARKER- PLACARD CONTENT: M805	011100	1
	50 BAC27NFDE0176		..MARKER- PLACARD CONTENT: M10938	011100	1
	55 BAC27NEX2838		..DECAL- PLACARD CONTENT: GD3483	011100	1
	60 BAC27NEX2837		..DECAL- PLACARD CONTENT: GD3481	011100	1
	65 BAC27NFDE0015		..MARKER- PLACARD CONTENT: M803	011100	1
	70 BAC27NFDE0021		..MARKER- PLACARD CONTENT: M10233	011100	1
	75 BAC27NFDE0016		..MARKER- PLACARD CONTENT: M804	011100	1
	80 BAC27NFDE0010		..MARKER- PLACARD CONTENT: M792	011100	1
	85 BAC27NFDE0148		..MARKER- PLACARD CONTENT: M800	011100	1
	90 BAC27NFDE0020		..MARKER- PLACARD CONTENT: M10232	011100	1
	95 BAC27NEX2843		..DECAL- PLACARD CONTENT: P-12 CONTROL CABIN LIGHTING DIMMER	011106 108120 504903	1
	100 BAC27NFDE0009		..MARKER- PLACARD CONTENT: M791	011100	1

MISSING ITEM NUMBERS NOT APPLICABLE

- ITEM NOT ILLUSTRATED

33-11-03-02

33-11-03
FIG. 02
PAGE 2
JAN 20/09

BRI



757

PARTS CATALOG (MAINTENANCE)

FIG ITEM	PART NUMBER	1 2 3 4 5 6 7	NOMENCLATURE	EFFECT FROM TO	UNITS PER ASSY
2					
105	BAC27NFDE0177	..	MARKER- PLACARD CONTENT: K10704	011100	1
110	BAC27NFDE0077	..	MARKER- PLACARD CONTENT: K10450	011100	1
115	BAC27NFDE0066	..	MARKER- PLACARD CONTENT: K10419	011100	1
120	BDC5	..	CONTROL-DIMMER SUPPLIER CODE: V1MXA1 FUNCTIONAL DESCRIPTION: CONTROLS & VARIES THE LIGHT INTENSITY OF INCANDESCENT LIGHT PLATES & INSTRUMENT PANELS ON THE FLIGHT DECK. SPECIFICATION NUMBER: S283T019-4 ELECTRICAL EQUIP NUMBER: M791 M792 M800 M803 M804 M805 M10232 M10233 M10938 COMPONENT MAINT MANUAL REF: 33-10-01 OPTIONAL PART: 708200-3 V19623	011106 108120 504903	9

MISSING ITEM NUMBERS NOT APPLICABLE

- ITEM NOT ILLUSTRATED

33-11-03-02

33-11-03
FIG. 02
PAGE 3
JAN 20/09

BRI



757

PARTS CATALOG (MAINTENANCE)

FIG ITEM	PART NUMBER	1 2 3 4 5 6 7	NOMENCLATURE	EFFECT FROM TO	UNITS PER ASSY
2 120	708200-3		.. CONTROL-DIMMER SUPPLIER CODE: V19623 SPECIFICATION NUMBER: S283T019-3 ELECTRICAL EQUIP NUMBER: M791 M792 M800 M803 M804 M805 M10232 M10233 M10938 COMPONENT MAINT MANUAL REF: 33-16-11 OPTIONAL PART: BDC5 V60540 ATTACHING PARTS	011100	9
- 130	BACS12CK3-9		.. SCREW	011106 108120 504903	36
- 140	NAS620C10L		.. WASHER	011106 108120 504903	36
150	284N1204-11		-----*----- .. COVER	011106 108120 504903	1
- 155	BACS12CK04-6		ATTACHING PARTS .. SCREW-	011106 108120 504903	2
- 160	NAS1149DN416J		.. WASHER -----*-----	011106 108120 504903	2

MISSING ITEM NUMBERS NOT APPLICABLE

- ITEM NOT ILLUSTRATED

33-11-03-02

33-11-03
FIG. 02
PAGE 4
JAN 20/09

BRI



757

PARTS CATALOG (MAINTENANCE)

FIG ITEM	PART NUMBER	1 2 3 4 5 6 7	NOMENCLATURE	EFFECT FROM TO	UNITS PER ASSY
2 165	ES210-1632	..	RELAY-K10704 SUPPLIER CODE: V99699 SPECIFICATION NUMBER: BACR13CF2AB OPTIONAL PART: JD4L018 V35344 JD4L031 V35344 BR246S0111 V56623 BR64S105 V56623 FCA210-71 V78290 61GB2319-1A320 V98927	011100	1
170	JAD9F007	..	RELAY-K10450 SUPPLIER CODE: V58657 SPECIFICATION NUMBER: BACR13CJ2	011100	1
175	FCC400-6	..	RELAY- SUPPLIER CODE: V00213 SPECIFICATION NUMBER: 10-60450-2 ELECTRICAL EQUIP NUMBER: K10419 OPTIONAL PART: G59673-2 V73949 9524-6507 V35344 A410-159673-02 V73949	011100	1
180	284N1204-1	..	PANEL ASSY	011106 108120 504903	1

MISSING ITEM NUMBERS NOT APPLICABLE

- ITEM NOT ILLUSTRATED

BRI

33-11-03-02

BOEING PROPRIETARY - Copyright © - Unpublished Work - See title page for details.

33-11-03
FIG. 02
PAGE 5
JAN 20/09



757

PARTS CATALOG (MAINTENANCE)

FIG ITEM	PART NUMBER	1 2 3 4 5 6 7	NOMENCLATURE	EFFECT FROM TO	UNITS PER ASSY
2 200	ES210-1632		.RELAY- SUPPLIER CODE: V99699 SPECIFICATION NUMBER: BACR13CF2AB OPTIONAL PART: JD4L018 V35344 JD4L031 V35344 BR246S0111 V56623 BR64S105 V56623 FCA210-71 V78290 61GB2319-1A320 V98927 ELECTRICAL EQUIP NUMBER: K10704	101106 108120 504903	1
205	FCC400-6		.RELAY- SUPPLIER CODE: V00213 SPECIFICATION NUMBER: 10-60450-2 ELECTRICAL EQUIP NUMBER: K10419 OPTIONAL PART: G59673-2 V73949 9524-6507 V35344 A410-159673-02 V73949	101106 108120 504903	1

MISSING ITEM NUMBERS NOT APPLICABLE

- ITEM NOT ILLUSTRATED

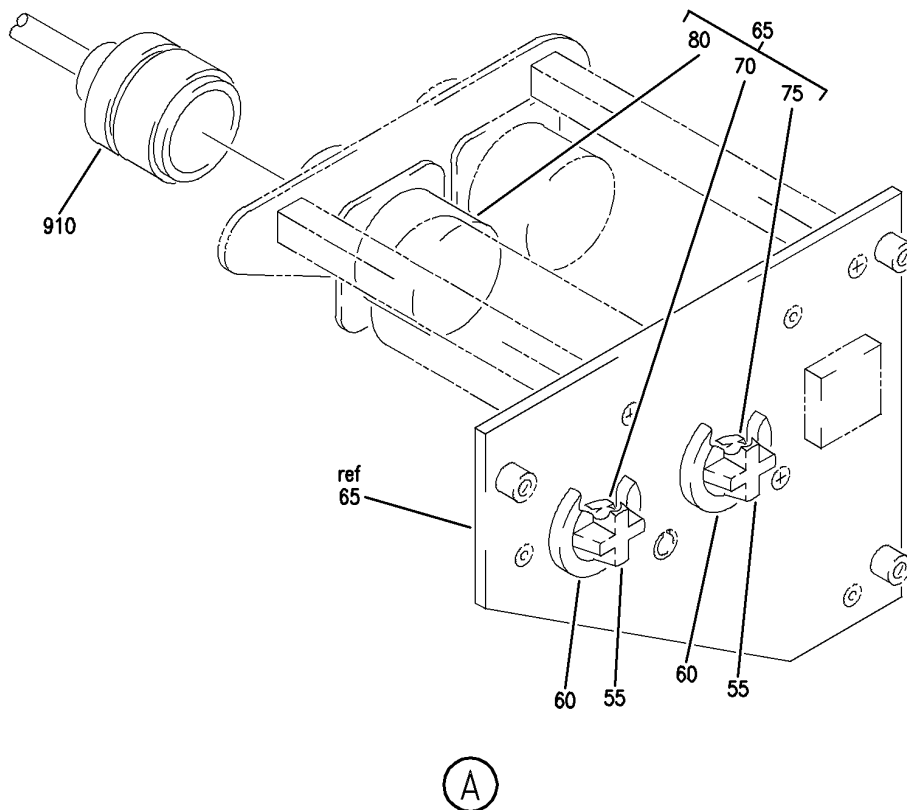
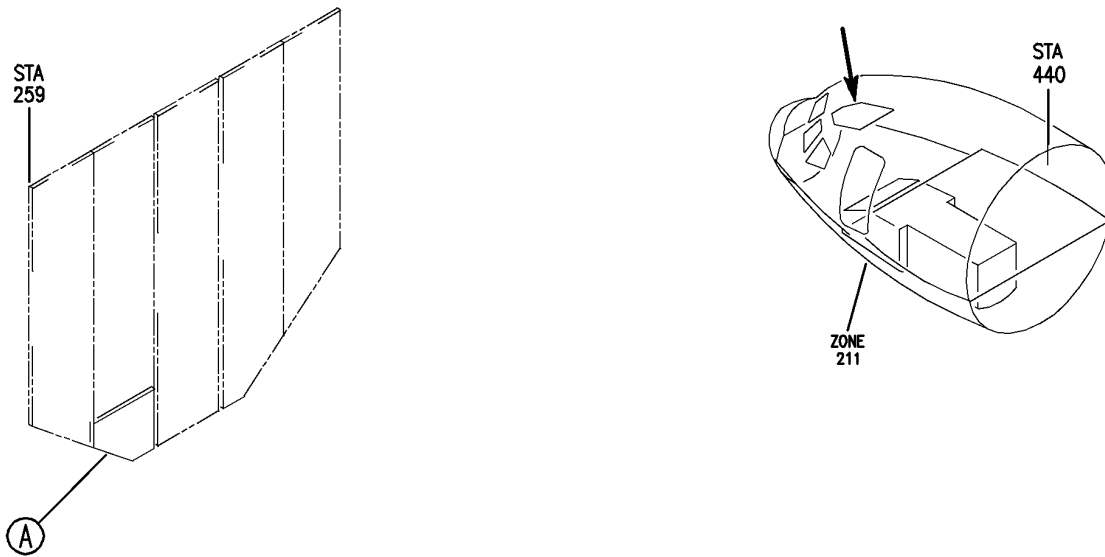
BRI

33-11-03-02

BOEING PROPRIETARY - Copyright © - Unpublished Work - See title page for details.

33-11-03
FIG. 02
PAGE 6
JAN 20/09

BOEING
757
PARTS CATALOG (MAINTENANCE)



Y 33110303 REV 255

PANEL INSTL-P5 OVHD (FLOODLIGHT DIMMER CONTROL UNITS ONLY)
FIGURE 3

33-11-03-03

BRI
MAY 28/07

33-11-03-03
PAGE 0



757

PARTS CATALOG (MAINTENANCE)

FIG ITEM	PART NUMBER	1 2 3 4 5 6 7	NOMENCLATURE	EFFECT FROM TO	UNITS PER ASSY
3			PANEL INSTL-P5 OVHD (FLOODLIGHT DIMMER CONTROL UNITS ONLY)	101106 108120 504903	
- 2	233N3103-132		PANEL INSTL-P5 OVHD (FLOODLIGHT DIMMER CONTROL UNITS ONLY) FOR NHA/OTHER SYS DET SEE: 25-10-00-15E	101102	RF
- 2	233N3103-136		PANEL INSTL-P5 OVHD (FLOODLIGHT DIMMER CONTROL UNITS ONLY) FOR NHA/OTHER SYS DET SEE: 25-10-00-15E	504903	RF
- 6	233N3103-59		PANEL INSTL-P5 OVHD (FLOODLIGHT DIMMER CONTROL UNITS ONLY) FOR NHA/OTHER SYS DET SEE: 25-10-00-15E	108120	RF
- 7	MODREF33760		PANEL INSTL-P5 OVHD (FLOODLIGHT DIMMER CONTROL UNITS ONLY) MODULE NUMBER: 233N3103-351 REV C FOR OTHER SYS DETAILS SEE: 11-31-10-12 21-25-55-03 21-31-01-02 21-33-51-03 21-51-54-03 21-58-19-10 21-58-51-03 21-61-04-03 21-65-51-01 22-21-01-04 22-24-51-02 23-24-01-01 23-32-00-11 23-42-02-02 23-71-05-02 24-11-52-05 24-22-01-03 24-31-01-10 24-31-03-09 24-33-04-01 24-41-51-04 24-51-62-01 26-18-51-04 27-21-53-02 27-41-55-01	103103	1

MISSING ITEM NUMBERS NOT APPLICABLE

- ITEM NOT ILLUSTRATED

33-11-03-03

33-11-03
FIG. 03
PAGE 1
JAN 20/09

BRI



757

PARTS CATALOG (MAINTENANCE)

FIG ITEM	PART NUMBER	1 2 3 4 5 6 7 NOMENCLATURE	EFFECT FROM TO	UNITS PER ASSY
3		27-61-51-03 27-62-52-02 28-22-51-02 28-41-04-01 28-41-51-03 29-11-02-03 29-11-05-04 29-11-52-07 29-21-54-03 29-31-00-01 29-32-51-03 29-33-52-03 30-11-51-03 30-21-51-03 30-31-51-02 30-32-51-01 30-33-51-02 30-41-51-03 30-42-51-03 31-12-11-91 31-12-11-91 A 32-42-52-03 33-13-01-65 33-13-02-03 33-16-51-03 33-24-51-02 33-41-52-04 33-42-01-04 33-42-02-04 33-42-52-04 33-43-51-04 33-44-51-05 33-45-53-03 33-51-08-05 34-21-02-01 35-21-51-04 36-11-04-01 36-21-00-01 36-21-02-05 36-22-51-03 49-41-00-02 49-52-00-01 49-70-00-01 52-51-51-03 52-71-51-02 73-21-52-02 74-31-51-05 75-32-00-01 80-11-09-02		

MISSING ITEM NUMBERS NOT APPLICABLE

- ITEM NOT ILLUSTRATED

33-11-03-03

33-11-03
FIG. 03
PAGE 2
JAN 20/09

BRI



757

PARTS CATALOG (MAINTENANCE)

FIG ITEM	PART NUMBER	1 2 3 4 5 6 7	NOMENCLATURE	EFFECT FROM TO	UNITS PER ASSY
3					
- 7	MODREF34038		FOR ADDITIONAL DETAILS SEE: 33-11-51-17 PANEL INSTL-P5 OVHD (FLOODLIGHT DIMMER CONTROL UNITS ONLY) MODULE NUMBER: 233N3103-351 REV D FOR OTHER SYS DETAILS SEE: 11-31-10-12 21-25-55-03 21-31-01-02 21-33-51-03 21-51-54-03 21-58-19-10 21-58-51-03 21-61-04-03 21-65-51-01 22-21-01-04 22-24-51-02 23-24-01-01 23-32-00-11 23-42-02-02 23-71-05-02 24-11-52-05 24-22-01-03 24-31-01-10 24-31-03-09 24-33-04-01 24-41-51-04 24-51-62-01 26-18-51-04 27-21-53-02 27-41-55-01 27-61-51-03 27-62-52-02 28-22-51-02 28-41-04-01 28-41-51-03 29-11-02-03 29-11-05-04 29-11-52-07 29-21-54-03 29-31-00-01 29-32-51-03 29-33-52-03 30-11-51-03 30-21-51-03 30-31-51-02 30-32-51-01	104105	1

MISSING ITEM NUMBERS NOT APPLICABLE

- ITEM NOT ILLUSTRATED

33-11-03-03

33-11-03
FIG. 03
PAGE 3
JAN 20/09

BRI



757

PARTS CATALOG (MAINTENANCE)

FIG ITEM	PART NUMBER	1 2 3 4 5 6 7	NOMENCLATURE	EFFECT FROM TO	UNITS PER ASSY
3			30-33-51-02 30-42-51-03 31-12-11-91 31-12-11-91A 32-42-52-03 33-13-01-65 33-13-02-03 33-16-51-03 33-24-51-02 33-41-52-04 33-42-01-04 33-42-02-04 33-42-52-04 33-43-51-04 33-44-51-05 33-45-53-03 33-51-08-05 34-21-02-01 35-21-51-04 36-11-04-01 36-21-00-01 36-21-02-05 36-22-51-03 49-41-00-02 49-52-00-01 49-70-00-01 52-51-51-03 52-71-51-02 73-21-52-02 74-31-51-05 75-32-00-01 80-11-09-02 FOR ADDITIONAL DETAILS SEE: 33-11-51-17 - 8 MODREF170180 PANEL INSTL-P5 OVHD (FLOODLIGHT DIMMER CONTROL UNITS ONLY) MODULE NUMBER: 233N3103-353 REV B FOR OTHER SYS DETAILS SEE: 11-31-10-12 21-25-55-03 21-31-01-02 21-33-51-03 21-51-54-03 21-58-19-10 21-58-51-03 21-61-04-03 21-65-51-01 MISSING ITEM NUMBERS NOT APPLICABLE	106106	1

- ITEM NOT ILLUSTRATED

33-11-03-03

33-11-03
 FIG. 03
 PAGE 4
 JAN 20/09

BRI



757

PARTS CATALOG (MAINTENANCE)

FIG ITEM	PART NUMBER	1 2 3 4 5 6 7 NOMENCLATURE	EFFECT FROM TO	UNITS PER ASSY
3		22-21-01-04 22-24-51-02 23-24-01-01 23-32-00-11 23-42-02-02 23-71-05-02 24-11-52-05 24-22-01-03 24-31-01-10 24-31-03-09 24-33-04-01 24-41-51-04 24-51-62-01 26-18-51-04 27-21-53-02 27-41-55-01 27-61-51-03 27-62-52-02 28-22-51-02 28-41-04-01 28-41-51-03 29-11-02-03 29-11-05-04 29-11-52-07 29-21-54-03 29-31-00-01 29-32-51-03 29-33-52-03 30-11-51-03 30-21-51-03 30-31-51-02 30-32-51-01 30-33-51-02 30-41-51-03 30-42-51-03 31-12-11-84 31-12-11-84 A 32-42-52-03 33-13-01-65 33-13-02-03 33-16-51-03 33-24-51-02 33-41-52-04 33-42-01-04 33-42-02-04 33-42-52-04 33-43-51-04 33-44-51-05 33-45-53-03		

MISSING ITEM NUMBERS NOT APPLICABLE

- ITEM NOT ILLUSTRATED

33-11-03-03

33-11-03
FIG. 03
PAGE 5
JAN 20/09

BRI



757

PARTS CATALOG (MAINTENANCE)

FIG ITEM	PART NUMBER	1 2 3 4 5 6 7 NOMENCLATURE	EFFECT FROM TO	UNITS PER ASSY
3		33-51-08-05 34-21-02-01 35-21-51-04 36-11-04-01 36-21-00-01 36-21-02-05 36-22-51-03 49-41-00-02 49-52-00-01 49-70-00-01 52-51-51-03 52-71-51-02 73-21-52-02 74-31-51-05 75-32-00-01 80-11-09-02		
- 50	233N3214-300	FOR ADDITIONAL DETAILS SEE: 33-11-51-17 .PANEL ASSY-LIGHTING CONT SUPPLIER CODE: V89954 POSITION DATA: L ELECTRICAL EQUIP NUMBER: M10056 COMPONENT MAINT MANUAL REF: 33-11-71 QUALIFIED I/W DATA: THE 233N3214-300 PANEL ASSY IS I/W THE 233N3214-31 PANEL ASSY T/W THE S233T100-6003 LIGHTPLATE AND (2) RC445-131 KNOBS AND (2) TT410-101 KNOBS	108120	RF

MISSING ITEM NUMBERS NOT APPLICABLE

- ITEM NOT ILLUSTRATED

BRI

33-11-03-03

BOEING PROPRIETARY - Copyright © - Unpublished Work - See title page for details.

33-11-03
 FIG. 03
 PAGE 6
 JAN 20/09



757

PARTS CATALOG (MAINTENANCE)

FIG ITEM	PART NUMBER	1 2 3 4 5 6 7	NOMENCLATURE	EFFECT FROM TO	UNITS PER ASSY
3 - 50	233N3214-301		.PANEL ASSY-LIGHTING CONT SUPPLIER CODE: V89954 POSITION DATA: L ELECTRICAL EQUIP NUMBER: M10056 COMPONENT MAINT MANUAL REF: 33-11-71 QUALIFIED I/W DATA: THE 233N3214-301 PANEL ASSY IS I/W THE 233N3214-32 PANEL ASSY T/W THE S233T100-6003 LIGHTPLATE AND (2) RC445-131 KNOBS AND (2) TT410-101 KNOBS	101102 108120	RF
- 50	233N3214-305		.PANEL ASSY-LIGHTING CONT SUPPLIER CODE: V89954 POSITION DATA: L ELECTRICAL EQUIP NUMBER: M10056 COMPONENT MAINT MANUAL REF: 33-11-71	103106 504903	RF
55	TT410-101		..KNOB- SUPPLIER CODE: V81590	101102 108120	2
55	TT410-106		..KNOB- SUPPLIER CODE: V81590	103106 504903	2
60	RC445-131		..KNOB- SUPPLIER CODE: V81590	101106 108120 504903	2

MISSING ITEM NUMBERS NOT APPLICABLE

- ITEM NOT ILLUSTRATED

33-11-03-03

33-11-03
FIG. 03
PAGE 7
JAN 20/09

BRI



757

PARTS CATALOG (MAINTENANCE)

FIG ITEM	PART NUMBER	1 2 3 4 5 6 7	NOMENCLATURE	EFFECT FROM TO	UNITS PER ASSY
3					
65	233N3214-31		..PANEL ASSY- SUPPLIER CODE: V89954 COMPONENT MAINT MANUAL REF: 33-11-71 QUALIFIED I/W DATA: 233N3214-24 -27 -31 -32 -33 ARE ALL INTERCHANGEABLE EXCEPT SUBJECT TO CUSTOMER PREFERENCE THE 233N3214-300 PANEL ASSY IS I/W THE 233N3214-31 PANEL ASSY T/W THE S233T100-6003 LIGHTPLATE AND (2) RC445-131 KNOBS AND (2) TT410-101 KNOBS	108120	1
65	233N3214-32		..PANEL ASSY- SUPPLIER CODE: V89954 COMPONENT MAINT MANUAL REF: 33-11-71 QUALIFIED I/W DATA: 233N3214-24 -27 -31 -32 -33 ARE ALL INTERCHANGEABLE EXCEPT SUBJECT TO CUSTOMER PREFERENCE THE 233N3214-301 PANEL ASSY IS I/W THE 233N3214-32 PANEL ASSY T/W THE S233T100-6003 LIGHTPLATE AND (2) RC445-131 KNOBS AND (2) TT410-101 KNOBS	101102	1
65	233N3214-34		..PANEL ASSY- SUPPLIER CODE: V89954 COMPONENT MAINT MANUAL REF: 33-11-71	103106 504903	1
70	WA03924A		...RHEOSTAT- SUPPLIER CODE: V34263	101106 108120	1
75	200-26549-01		...RESISTOR ASSY-VAR SUPPLIER CODE: V95266	504903 101106 108120 504903	1

MISSING ITEM NUMBERS NOT APPLICABLE

- ITEM NOT ILLUSTRATED

33-11-03-03

33-11-03
FIG. 03
PAGE 8
JAN 20/09

BRI



757

PARTS CATALOG (MAINTENANCE)

FIG ITEM	PART NUMBER	1 2 3 4 5 6 7	NOMENCLATURE	EFFECT FROM TO	UNITS PER ASSY
3	80	BACC45FN14-15P8	...CONNECTOR	101106 108120 504903	1
-	85	NAS1801-04-5	ATTACHING PARTS ...SCREW-	101102 108120	2
-	85	BACS12HN04-5	OPTIONAL PART: BACS12HN04-5 ...SCREW-	101102	2
-	90	BACS12HN04-5	OPTIONAL PART: NAS1801-04-5 ...SCREW-	103106 504903	3
-	90	NAS1801-04-5	OPTIONAL PART: NAS1801-04-5 ...SCREW-	103106 504903	3
-	95	K19798-04	...NUT SUPPLIER CODE: V15653 SPECIFICATION NUMBER: BACN10NW1 OPTIONAL PART: RMA4812-160-40 V72962 293162 V60119	101102 108120	2
-	100	K19798-04	...NUT SUPPLIER CODE: V15653 SPECIFICATION NUMBER: BACN10NW1 OPTIONAL PART: RMA4812-160-40 V72962 293162 V60119	103106 504903	3
-	900	286N2066-010	-----*----- WIRE BUNDLE ASSY	504903	RF
-	901	286N2066-334	WIRE BUNDLE ASSY	101102	RF
-	902	286N2066-346	WIRE BUNDLE ASSY	108120	RF
-	904	286N2066-602	WIRE BUNDLE ASSY	103106	RF
	910	BACC45FT14D15S8	.CONNECTOR- ELECTRICAL EQUIP NUMBER: D03503 WIRING DIAGRAM REF: 334221 331341	101106 108120 504903	1

MISSING ITEM NUMBERS NOT APPLICABLE

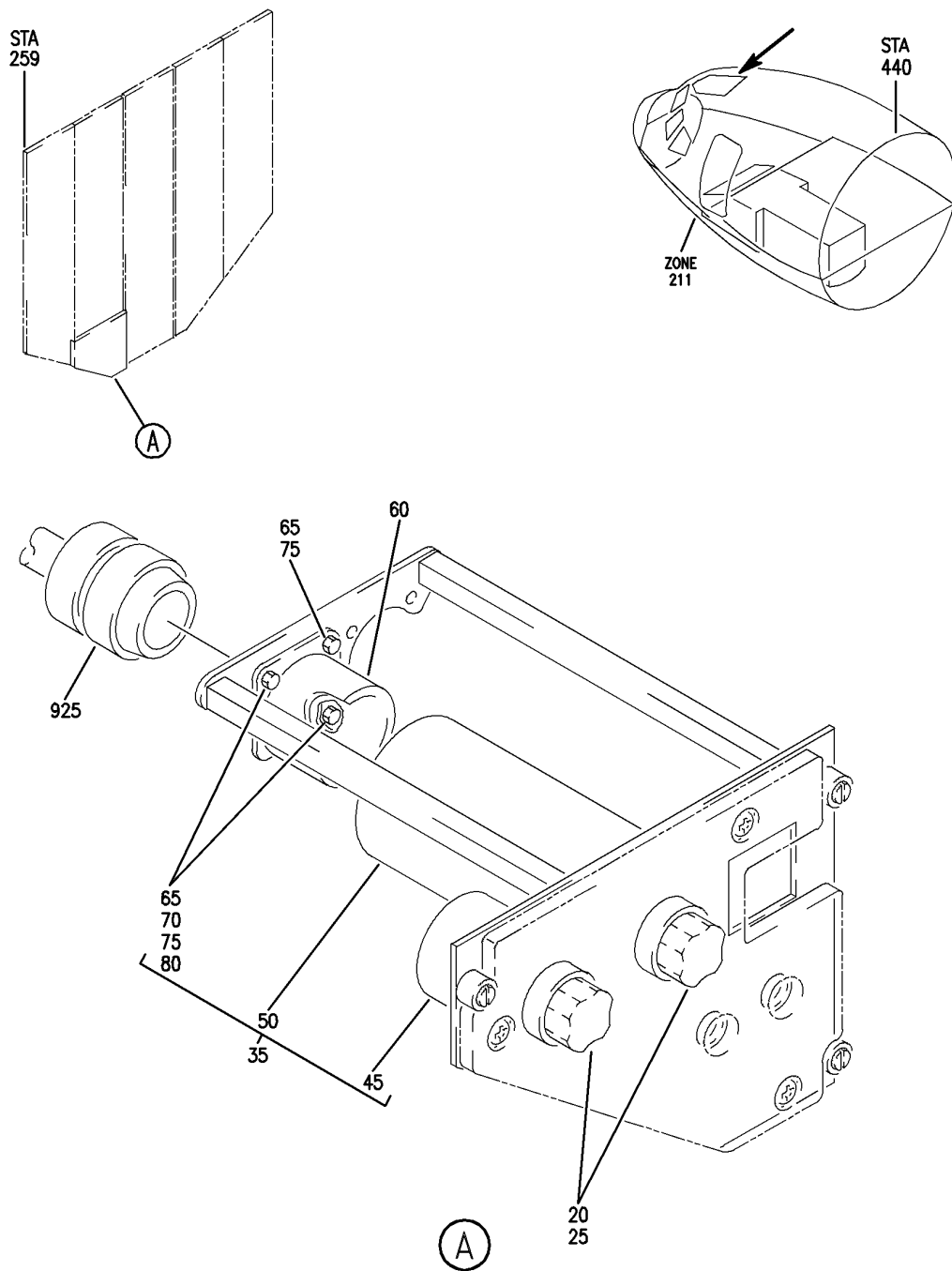
- ITEM NOT ILLUSTRATED

33-11-03-03

33-11-03
FIG. 03
PAGE 9
JAN 20/09

BRI

BOEING
757
PARTS CATALOG (MAINTENANCE)



Y 33110304 REV 259

PANEL INSTL-OVHD (FLOODLIGHT DIMMER CONTROL UNITS ONLY)

FIGURE 4

33-11-03-04

BRI
MAY 28/07

33-11-03-04
PAGE 0



757

PARTS CATALOG (MAINTENANCE)

FIG ITEM	PART NUMBER	1 2 3 4 5 6 7	NOMENCLATURE	EFFECT FROM TO	UNITS PER ASSY
4			PANEL INSTL-OVHD (FLOODLIGHT DIMMER CONTROL UNITS ONLY)	002004 006010 107107 121503 904999	
- 1	233N3101-1		PANEL INSTL-OVHD (FLOODLIGHT DIMMER CONTROL UNITS ONLY) VARIABLE DRAWING REF: 233N3101-5005 233N3101-5025 233N3101-5041 233N3101-5042 233N3101-5045 FOR NHA/OTHER SYS DET SEE: 25-10-00-05A	002004 006010 107107 121503 904999	RF
20	RC445-103		.KNOB- SUPPLIER CODE: V81590	002004 006010 107107 121503 904999	2
20	RC445-131		.KNOB- SUPPLIER CODE: V81590	002004 006010 107107 121503 904999	2
25	TT410-101		.KNOB- SUPPLIER CODE: V81590	002004 006010 107107 121503 904999	2
35	233N3214-27		.PANEL ASSY-LIGHTING CONT SUPPLIER CODE: V89954 POSITION DATA: L ELECTRICAL EQUIP NUMBER: M10056 COMPONENT MAINT MANUAL REF: 33-11-71 QUALIFIED I/W DATA: 233N3214-24 -27 -31 -32 -33 ARE ALL INTERCHANGEABLE EXCEPT SUBJECT TO CUSTOMER PREFERENCE OF KORRY OR MASTER SPECIALTIES LIGHTED PUSHBUTTON SWITCHES	107107	RF

MISSING ITEM NUMBERS NOT APPLICABLE

- ITEM NOT ILLUSTRATED

33-11-03-04

33-11-03
FIG. 04
PAGE 1
JAN 20/09

BRI



757

PARTS CATALOG (MAINTENANCE)

FIG ITEM	PART NUMBER	1 2 3 4 5 6 7	NOMENCLATURE	EFFECT FROM TO	UNITS PER ASSY
4 35	233N3214-28		.PANEL ASSY-LIGHTING CONT SUPPLIER CODE: V89954 POSITION DATA: L ELECTRICAL EQUIP NUMBER: M10056 COMPONENT MAINT MANUAL REF: 33-11-71 QUALIFIED I/W DATA: 233N3214-22 -26 -28 -29 ARE ALL INTERCHANGEABLE EXCEPT SUBJECT TO CUSTOMER PREFERENCE THE 233N3214-303 PANEL ASSY IS I/W THE 233N3214-28 PANEL ASSY T/W THE S233T100-6016 LIGHTPLATE AND (2) RC445-131 KNOBS AND (2) TT410-101 KNOBS	952999	RF
35	233N3214-31		.PANEL ASSY-LIGHTING CONT SUPPLIER CODE: V89954 POSITION DATA: L ELECTRICAL EQUIP NUMBER: M10056 COMPONENT MAINT MANUAL REF: 33-11-71 QUALIFIED I/W DATA: THE 233N3214-300 PANEL ASSY IS I/W THE 233N3214-31 PANEL ASSY T/W THE S233T100-6003 LIGHTPLATE AND (2) RC445-131 KNOBS AND (2) TT410-101 KNOBS 233N3214-24 -27 -31 -32 -33 ARE ALL INTERCHANGEABLE EXCEPT SUBJECT TO CUSTOMER PREFERENCE OF KORRY OR MASTER SPECIALTIES LIGHTED PUSHBUTTON SWITCHES	002004 006010	RF

MISSING ITEM NUMBERS NOT APPLICABLE

- ITEM NOT ILLUSTRATED

33-11-03-04

33-11-03
FIG. 04
PAGE 2
JAN 20/09

BRI



757

PARTS CATALOG (MAINTENANCE)

FIG ITEM	PART NUMBER	1 2 3 4 5 6 7	NOMENCLATURE	EFFECT FROM TO	UNITS PER ASSY
4	35 233N3214-33		.PANEL ASSY-LIGHTING CONT SUPPLIER CODE: V89954 POSITION DATA: L ELECTRICAL EQUIP NUMBER: M10056 COMPONENT MAINT MANUAL REF: 33-11-71 QUALIFIED I/W DATA: 233N3214-24 -27 -31 -32 -33 ARE ALL INTERCHANGEABLE EXCEPT SUBJECT TO CUSTOMER PREFERENCE	121503 904949	RF
	35 233N3214-41		.PANEL ASSY-LIGHTING CONT SUPPLIER CODE: V89954 POSITION DATA: L ELECTRICAL EQUIP NUMBER: M10056 COMPONENT MAINT MANUAL REF: 33-11-71 QUALIFIED I/W DATA: THE 233N3214-302 PANEL ASSY IS I/W THE 233N3214-41 PANEL ASSY T/W THE S233T100-6066 LIGHTPLATE AND (2) RC445-131 KNOBS AND (2) TT410-101 KNOBS	950951	RF
	45 WA03924A		..RHEOSTAT- SUPPLIER CODE: V34263	002004 006010 107107 121503 904999	1
	50 200-26549-01		..RESISTOR ASSY-VAR SUPPLIER CODE: V95266	002004 006010 107107 121503 904999	1
	60 BACC45FN14-15P8		..CONNECTOR	002004 006010 107107 121503 904999	1
	65 BACS12CB04-5		ATTACHING PARTS ..SCREW	107107	3

MISSING ITEM NUMBERS NOT APPLICABLE

- ITEM NOT ILLUSTRATED

33-11-03-04

33-11-03
FIG. 04
PAGE 3
JAN 20/09

BRI

BOEING PROPRIETARY - Copyright © - Unpublished Work - See title page for details.



757

PARTS CATALOG (MAINTENANCE)

FIG ITEM	PART NUMBER	1 2 3 4 5 6 7	NOMENCLATURE	EFFECT FROM TO	UNITS PER ASSY
4					
70	NAS1801-04-5	..	SCREW-	121503 904999	2
70	BACS12HN04-5	..	SCREW-	002004 006010	2
75	K19798-04	..	NUT SUPPLIER CODE: V15653 SPECIFICATION NUMBER: BACN10NW1 OPTIONAL PART: RMA4812-160-40 V72962 293162 V60119	107107	3
80	K19798-04	..	NUT SUPPLIER CODE: V15653 SPECIFICATION NUMBER: BACN10NW1 OPTIONAL PART: RMA4812-160-40 V72962 293162 V60119	002004 006010 121503 904999	2
- 905	286N2066-006	-----*	WIRE BUNDLE ASSY-	121503 904949	RF
- 905	286N2066-007		WIRE BUNDLE ASSY	107107	RF
- 905	286N2066-008		WIRE BUNDLE ASSY-	002004 006010 950999	RF
925	BACC45FT14D15S8	.	CONNECTOR- ELECTRICAL EQUIP NUMBER: D03503 WIRING DIAGRAM REF: 334221	002004 006010 107107 121503 904999	1

MISSING ITEM NUMBERS NOT APPLICABLE

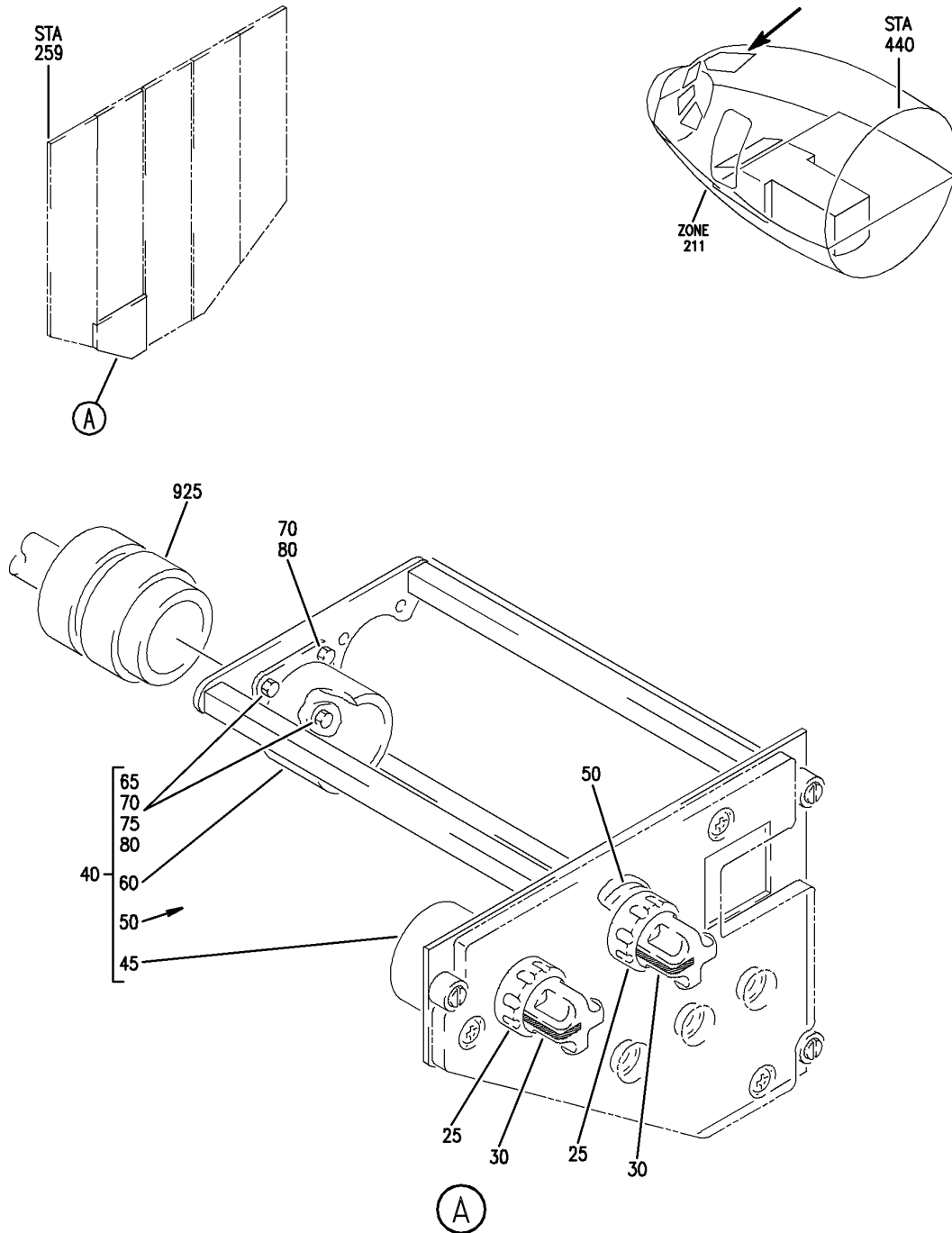
- ITEM NOT ILLUSTRATED

33-11-03-04

33-11-03
FIG. 04
PAGE 4
JAN 20/09

BRI

BOEING
757
PARTS CATALOG (MAINTENANCE)



Y. 33110305 REV 259

PANEL INSTL-OVHD (FLOODLIGHT DIMMER CONTROL UNITS ONLY)
FIGURE 5

33-11-03-05

BRI
MAY 28/07

33-11-03-05
PAGE 0



757

PARTS CATALOG (MAINTENANCE)

FIG ITEM	PART NUMBER	1 2 3 4 5 6 7	NOMENCLATURE	EFFECT FROM TO	UNITS PER ASSY
5			PANEL INSTL-OVHD (FLOODLIGHT DIMMER CONTROL UNITS ONLY)	011100	
- 1	233N3101-1		PANEL INSTL-OVHD (FLOODLIGHT DIMMER CONTROL UNITS ONLY) VARIABLE DRAWING REF: 233N3101-5142 FOR NHA/OTHER SYS DET SEE: 25-10-00-05A	011100	RF
- 20	233N3214-300		.PANEL ASSY-LIGHTING CONT SUPPLIER CODE: V89954 POSITION DATA: L COMPONENT MAINT MANUAL REF: 33-11-71 QUALIFIED I/W DATA: THE 233N3214-300 PANEL ASSY IS I/W THE 233N3214-31 PANEL ASSY T/W THE S233T100-6003 LIGHTPLATE AND (2) RC445-131 KNOBS AND (2) TT410-101 KNOBS	011100	RF
- 20	233N3214-301		.PANEL ASSY-LIGHTING CONT SUPPLIER CODE: V89954 POSITION DATA: L COMPONENT MAINT MANUAL REF: 33-11-71 QUALIFIED I/W DATA: THE 233N3214-301 PANEL ASSY IS I/W THE 233N3214-32 PANEL ASSY T/W THE S233T100-6003 LIGHTPLATE AND (2) RC445-131 KNOBS AND (2) TT410-101 KNOBS	011100	RF
25	RC445-131		..KNOB- SUPPLIER CODE: V81590	011100	2
30	TT410-101		..KNOB- SUPPLIER CODE: V81590	011100	2

MISSING ITEM NUMBERS NOT APPLICABLE

- ITEM NOT ILLUSTRATED

33-11-03-05

33-11-03
FIG. 05
PAGE 1
JAN 20/09

BRI



757

PARTS CATALOG (MAINTENANCE)

FIG ITEM	PART NUMBER	1 2 3 4 5 6 7	NOMENCLATURE	EFFECT FROM TO	UNITS PER ASSY
5 40	233N3214-31		.. PANEL ASSY- SUPPLIER CODE: V89954 COMPONENT MAINT MANUAL REF: 33-11-71 QUALIFIED I/W DATA: THE 233N3214-300 PANEL ASSY IS I/W THE 233N3214-31 PANEL ASSY T/W THE S233T100-6003 LIGHTPLATE AND (2) RC445-131 KNOBS AND (2) TT410-101 KNOBS	011100	1
45	WA03924A		...RHEOSTAT- SUPPLIER CODE: V34263	011100	1
50	200-26549-01		...RESISTOR ASSY-VAR SUPPLIER CODE: V95266	011100	1
60	BACC45FN14-15P8		...CONNECTOR ATTACHING PARTS	011100	1
65	BACS12HN04-5		...SCREW	011100	2
75	K19798-04		...NUT SUPPLIER CODE: V15653 SPECIFICATION NUMBER: BACN10NW1 OPTIONAL PART: RMA4812-160-40 V72962 293162 V60119	011100	2
- 900	286N2066-008		WIRE BUNDLE ASSY	011100	RF
925	BACC45FT14D15S8		.CONNECTOR- ELECTRICAL EQUIP NUMBER: D03503 WIRING DIAGRAM REF: 334221	011100	1

MISSING ITEM NUMBERS NOT APPLICABLE

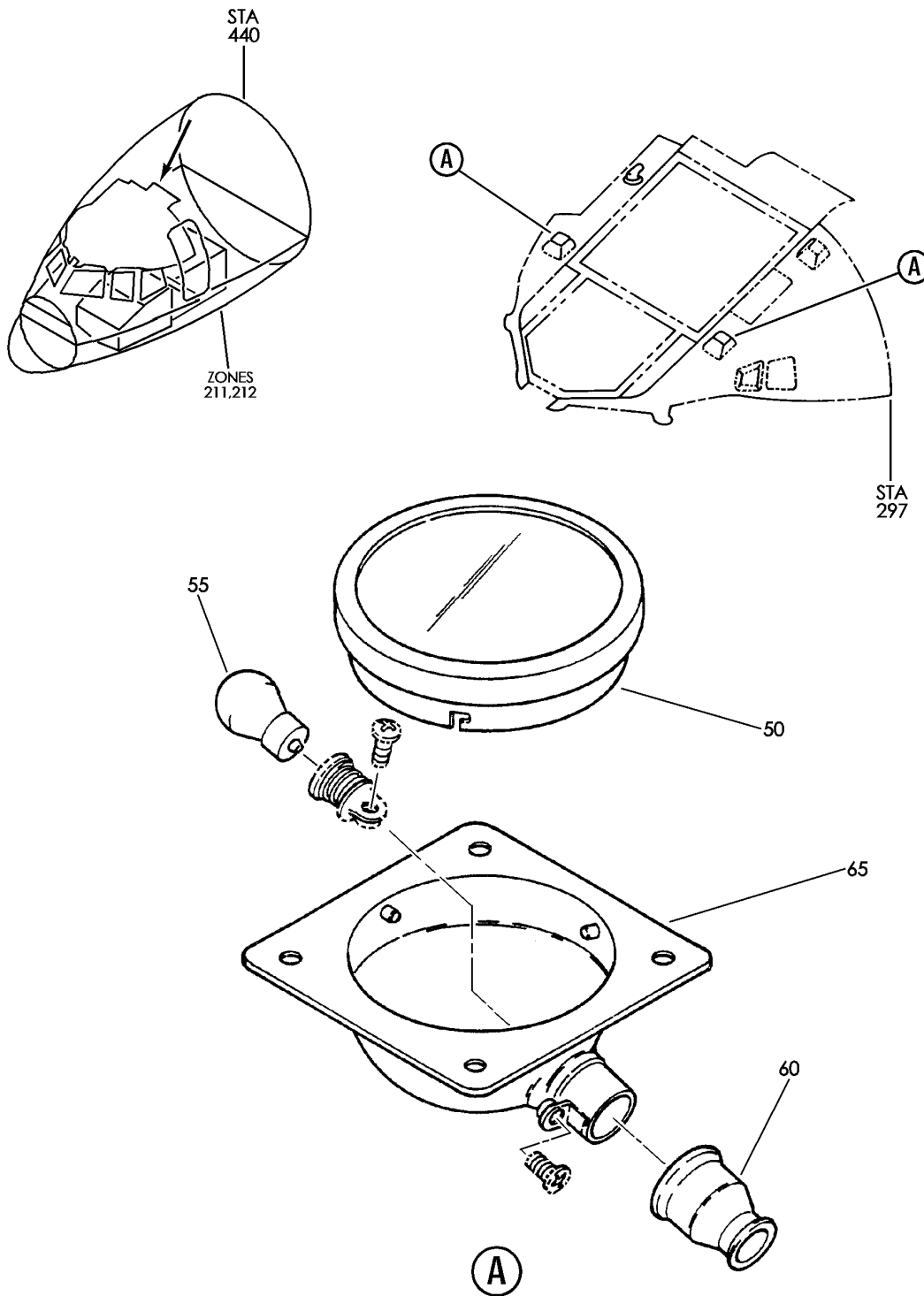
- ITEM NOT ILLUSTRATED

33-11-03-05

33-11-03
FIG. 05
PAGE 2
JAN 20/09

BRI

BOEING
757
PARTS CATALOG (MAINTENANCE)



Y 33115101 REV 243

LIGHT INSTL-DOME
FIGURE 1

33-11-51-01

BRI
MAY 28/07

33-11-51-01
PAGE 0



757

PARTS CATALOG (MAINTENANCE)

FIG ITEM	PART NUMBER	1 2 3 4 5 6 7	NOMENCLATURE	EFFECT FROM TO	UNITS PER ASSY
1			LIGHT INSTL-DOME	002004	
- 1	10-0359-9		LIGHT ASSY-DOME SUPPLIER CODE: V72914 FUNCTIONAL DESCRIPTION: THE DOME LIGHT IS DESIGNED TO PROVIDE AREA ILLUMINATION ON THE FLIGHT DECK. SPECIFICATION NUMBER: 60B40059-4 COMPONENT MAINT MANUAL REF: 33-10-20 FOR NHA SEE: 25-14-01-02 33-11-51-05 33-11-51-07	006999 002004 006999	RF
50	11-1232-1		.COVER ASSY- SUPPLIER CODE: V72914	011017	1
50	11-1232-1		.COVER ASSY- SUPPLIER CODE: V72914	002004 006010 018999	1
55	1665		.LAMP- SUPPLIER CODE: V71744 MISCELLANEOUS DATA: GRIMES AEROSPACE SPEC NO. GE1665-72914	011017	1
55	1665		.LAMP- SUPPLIER CODE: V71744 MISCELLANEOUS DATA: GRIMES AEROSPACE SPEC NO. GE1665-72914	002004 006010 018999	1
60	424		.NIPPLE-CABLE SUPPLIER CODE: V72914 CONFIG CHG DATA FROM A CMM: SUPSD BY 60-2517-1	011017	1
60	424		.NIPPLE-CABLE SUPPLIER CODE: V72914 CONFIG CHG DATA FROM A CMM: SUPSD BY 60-2517-1	002004 006010 018999	1

MISSING ITEM NUMBERS NOT APPLICABLE

- ITEM NOT ILLUSTRATED

33-11-51-01

33-11-51
FIG. 01
PAGE 1
JAN 20/09

BRI



757

PARTS CATALOG (MAINTENANCE)

FIG ITEM	PART NUMBER	1 2 3 4 5 6 7	NOMENCLATURE	EFFECT FROM TO	UNITS PER ASSY
1					
- 63	60-2517-1		.BOOT-CABLE SUPPLIER CODE: V72914 CONFIG CHG DATA FROM A CMM: SUPERSEDES 424	011017	1
- 63	60-2517-1		.BOOT-CABLE SUPPLIER CODE: V72914 CONFIG CHG DATA FROM A CMM: SUPERSEDES 424	002004 006010 018999	1
65	11-1286-1		.HOUSING ASSY- SUPPLIER CODE: V72914	011017	1
65	11-1286-1		.HOUSING ASSY- SUPPLIER CODE: V72914	002004 006010 018999	1

MISSING ITEM NUMBERS NOT APPLICABLE

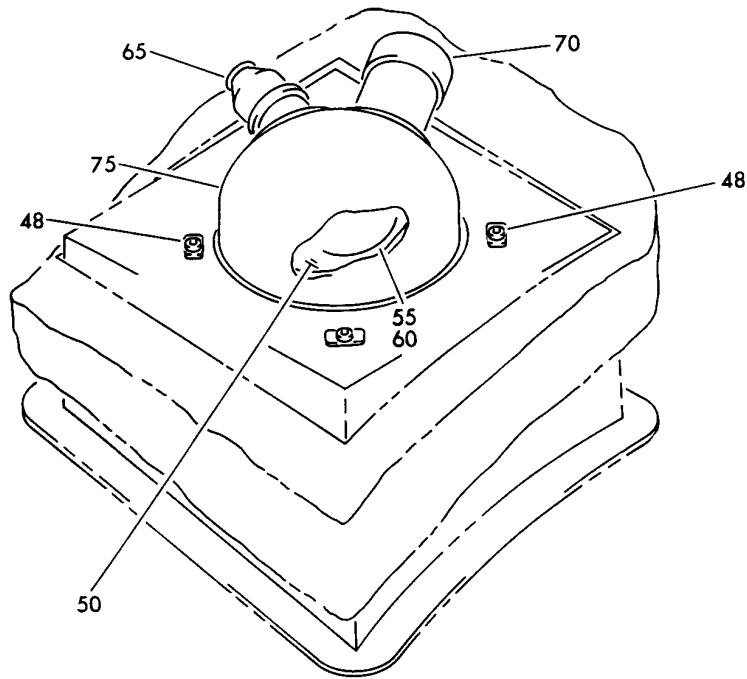
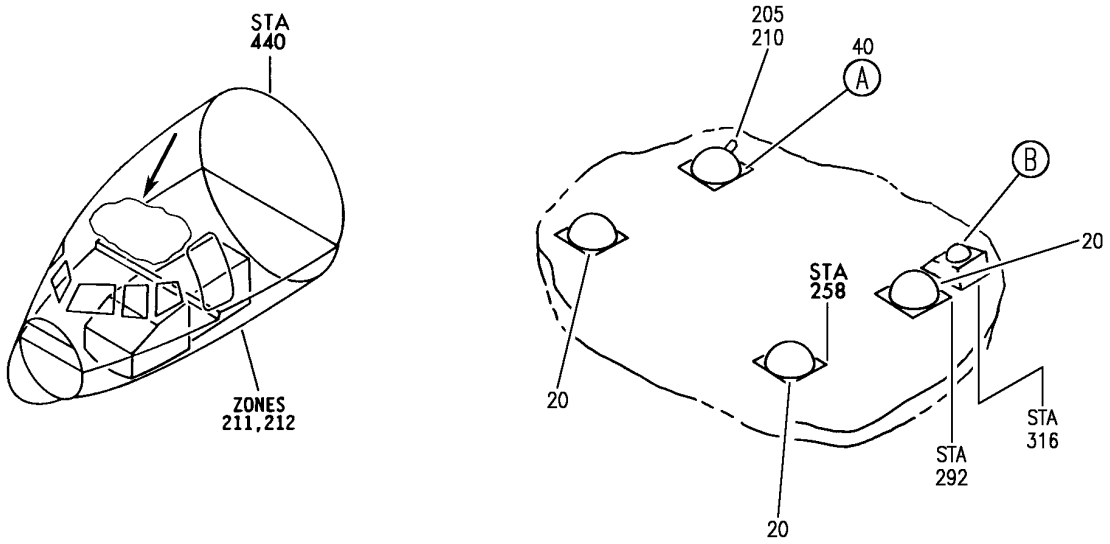
- ITEM NOT ILLUSTRATED

33-11-51-01

33-11-51
FIG. 01
PAGE 2
JAN 20/09

BRI

BOEING
757
PARTS CATALOG (MAINTENANCE)



(A)

Y 33115105 SHT 1 REV 252

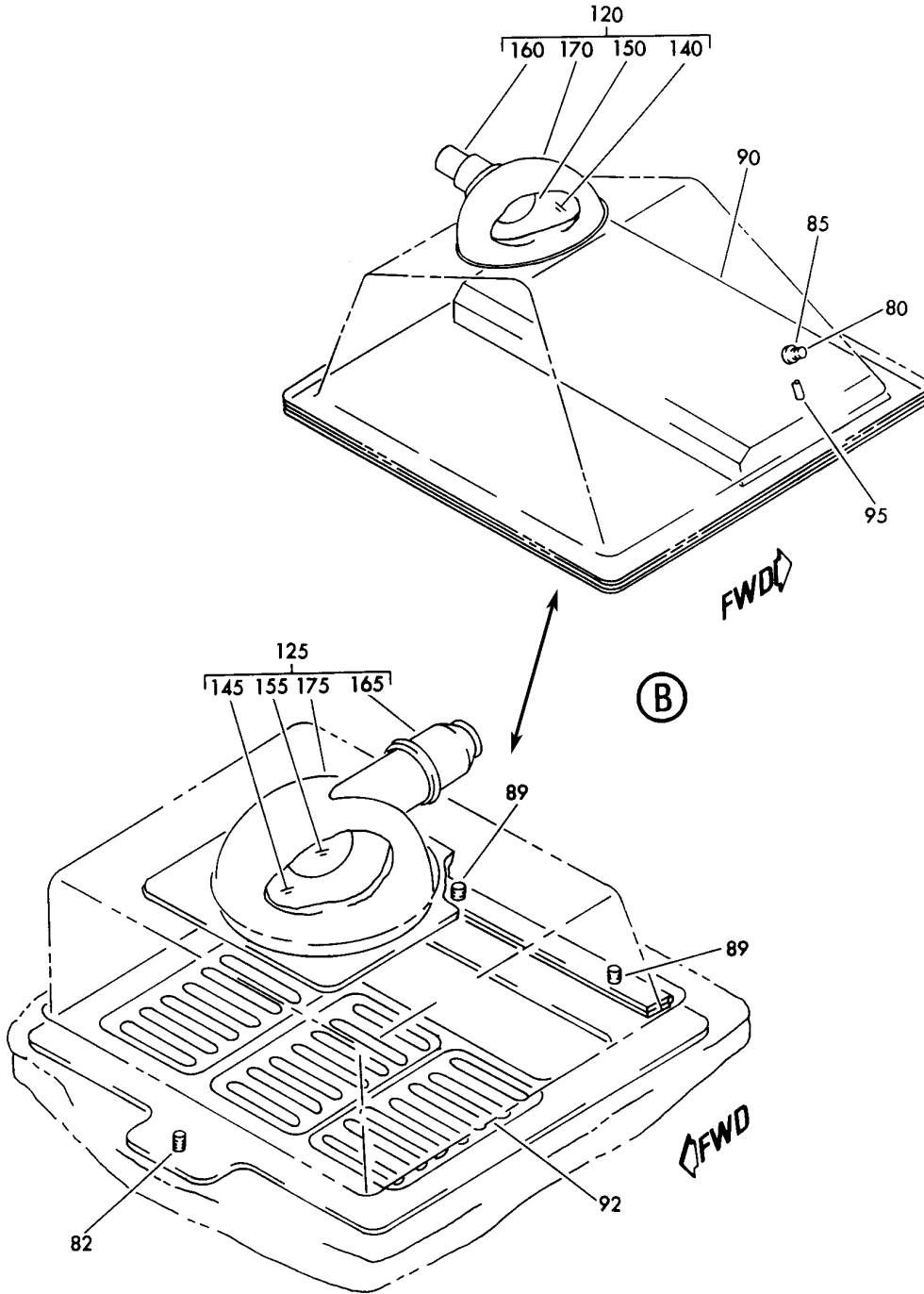
LIGHT INSTL-DOME
FIGURE 5 (SHEET 1)

33-11-51-05

BRI
MAY 28/07

33-11-51-05
PAGE 0

BOEING
757
PARTS CATALOG (MAINTENANCE)



Y 33115105 SHT 2 REV 252

LIGHT INSTL-DOME
FIGURE 5 (SHEET 2)

33-11-51-05

BRI
MAY 28/07

33-11-51-05
PAGE 0A



757

PARTS CATALOG (MAINTENANCE)

FIG ITEM	PART NUMBER	1 2 3 4 5 6 7	NOMENCLATURE	EFFECT FROM TO	UNITS PER ASSY
5			LIGHT INSTL-DOME	107107 904949	
- 1	232N5001-1		LIGHT INSTL-DOME POSITION DATA: STA 258 LH FOR NHA SEE: 25-10-00-01	107107 904949	RF
- 5	232N5001-5		LIGHT INSTL-DOME POSITION DATA: STA 292 LH FOR NHA SEE: 25-10-00-01	107107 904949	RF
- 10	232N5001-2		LIGHT INSTL-DOME POSITION DATA: STA 258 RH FOR NHA SEE: 25-10-00-01	107107 904949	RF
20	10-0359-9		.LIGHT ASSY- SUPPLIER CODE: V72914 FUNCTIONAL DESCRIPTION: THE DOME LIGHT IS DESIGNED TO PROVIDE AREA ILLUMINATION ON THE FLIGHT DECK. SPECIFICATION NUMBER: 60B40059-4 ELECTRICAL EQUIP NUMBER: L00275 L00276 COMPONENT MAINT MANUAL REF: 33-10-20 USED ON: 232N5001-1 232N5001-2 FOR DETAILS SEE: 33-11-51-01	107107 904949	1
- 25	SFSW10F7DL11BG		ATTACHING PARTS .SCREW- SUPPLIER CODE: V12324 -----*-----	107107 904949	4

MISSING ITEM NUMBERS NOT APPLICABLE

- ITEM NOT ILLUSTRATED

33-11-51-05

33-11-51
FIG. 05
PAGE 1
JAN 20/09

BRI



757

PARTS CATALOG (MAINTENANCE)

FIG ITEM	PART NUMBER	1 2 3 4 5 6 7	NOMENCLATURE	EFFECT FROM TO	UNITS PER ASSY
5					
40	10-1113-1		.LIGHT ASSY- SUPPLIER CODE: V72914 ELECTRICAL EQUIP NUMBER: M10549 COMPONENT MAINT MANUAL REF: 33-10-73 USED ON: 232N5001-5 ATTACHING PARTS	107107 904949	1
- 45	SFSW10F7DL11BG		.SCREW- SUPPLIER CODE: V12324 -----*-----	107107 904949	4
48	MS35206-227		.SCREW	107107 904949	4
50	11-1232-1		..COVER ASSY- SUPPLIER CODE: V72914	107107 904949	1
55	1317		..BULB- SUPPLIER CODE: V08806 OPTIONAL PART: GE1317 V08806	107107 904949	1
60	1665		..LAMP- SUPPLIER CODE: V71744	107107 904949	1
65	60-2517-1		..BOOT-CABLE SUPPLIER CODE: V72914	107107 904949	1
70	11-3438-5		..NIPPLE-CABLE SUPPLIER CODE: V72914	107107 904949	1
75	11-4815-1		..HOUSING ASSY- SUPPLIER CODE: V72914	107107 904949	1
- 200	286N2070-003		WIRE BUNDLE ASSY-	904949	RF
- 200	286N2070-004		WIRE BUNDLE ASSY	107107	RF
205	48-7190		.CONNECTOR- SUPPLIER CODE: V02660 ELECTRICAL EQUIP NUMBER: D05262 WIRING DIAGRAM REF: 335112	107107 904949	1

MISSING ITEM NUMBERS NOT APPLICABLE

- ITEM NOT ILLUSTRATED

33-11-51-05

33-11-51
FIG. 05
PAGE 2
JAN 20/09

BRI



757

PARTS CATALOG (MAINTENANCE)

FIG ITEM	PART NUMBER	1 2 3 4 5 6 7	NOMENCLATURE	EFFECT FROM TO	UNITS PER ASSY
5 210	48-7191		.CONNECTOR- SUPPLIER CODE: V02660 ELECTRICAL EQUIP NUMBER: D05264 WIRING DIAGRAM REF: 335112	107107 904949	1

MISSING ITEM NUMBERS NOT APPLICABLE

- ITEM NOT ILLUSTRATED

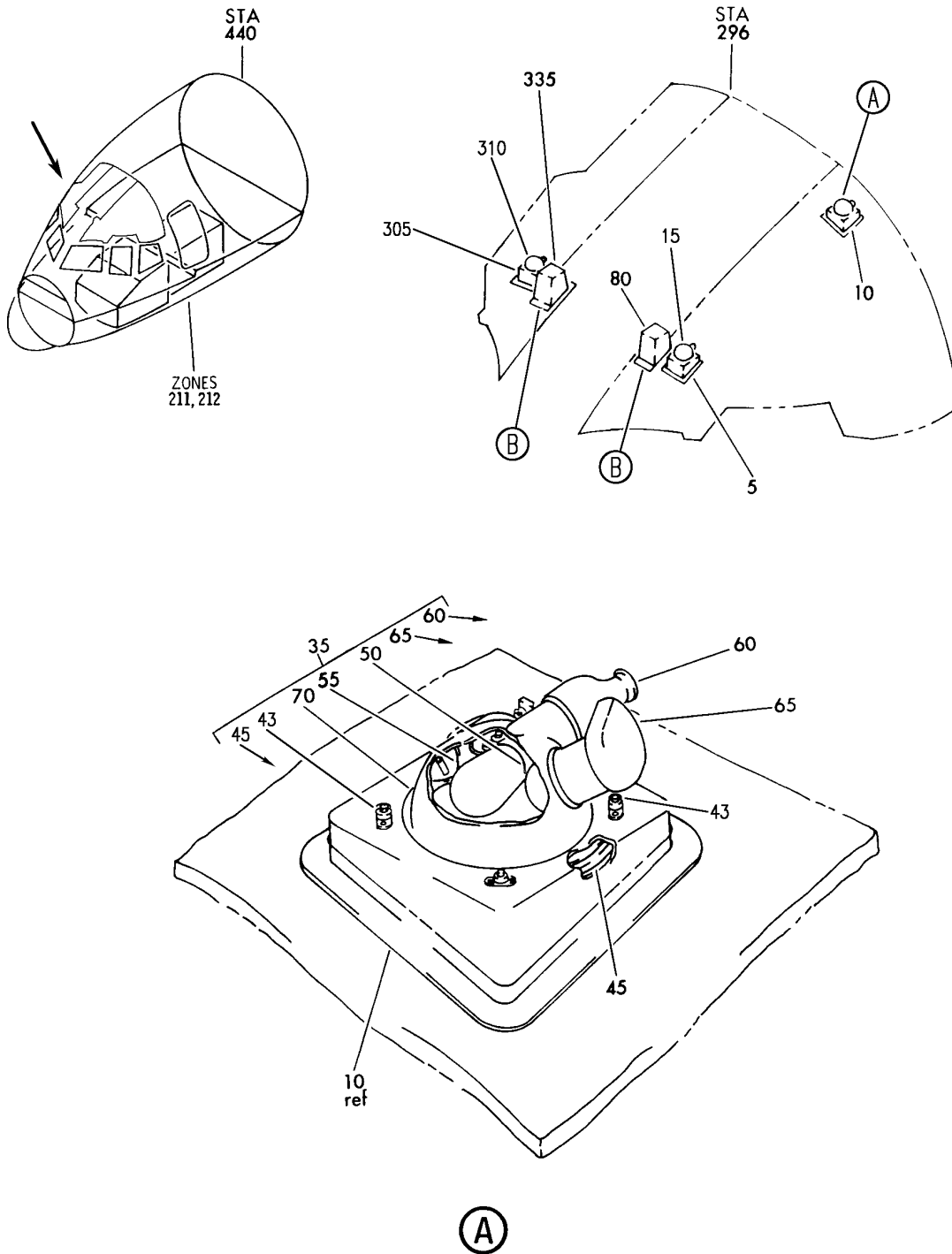
BRI

33-11-51-05

BOEING PROPRIETARY - Copyright © - Unpublished Work - See title page for details.

33-11-51
FIG. 05
PAGE 3
JAN 20/09

BOEING
757
PARTS CATALOG (MAINTENANCE)



Y 33115107 SHT 1 REV 252

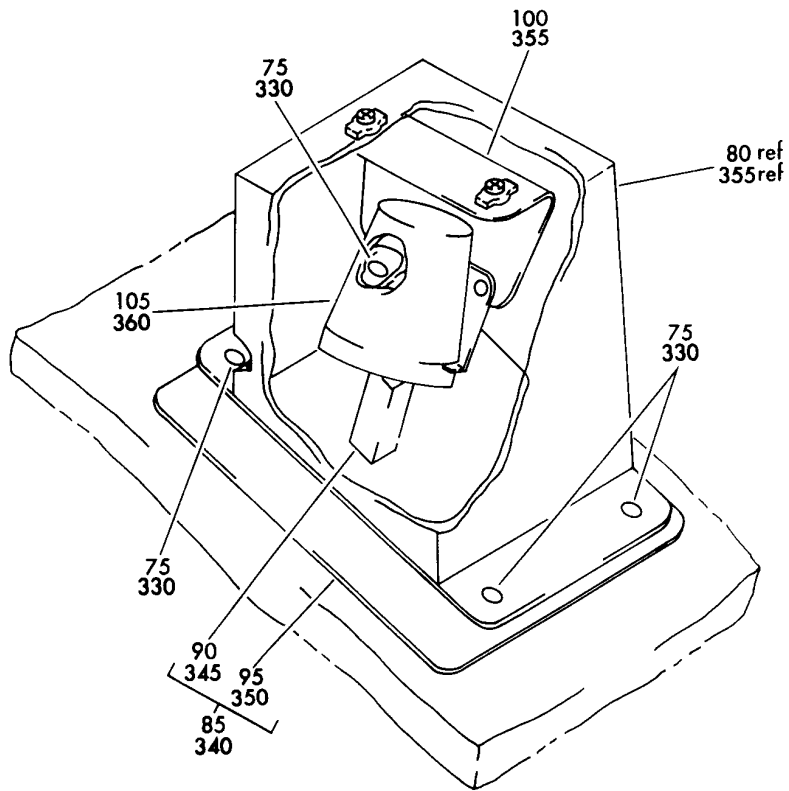
PANEL ASSY-DOME AND FLOOD LIGHTS (LIGHTS ONLY)
FIGURE 7 (SHEET 1)

33-11-51-07

BRI
MAY 28/07

33-11-51-07
PAGE 0

BOEING
757
PARTS CATALOG (MAINTENANCE)



(B)

Y 33115107 SH1 2 REV 252

PANEL ASSY-DOME AND FLOOD LIGHTS (LIGHTS ONLY)
FIGURE 7 (SHEET 2)

33-11-51-07

BRI
MAY 28/07

33-11-51-07
PAGE 0A



757

PARTS CATALOG (MAINTENANCE)

FIG ITEM	PART NUMBER	1 2 3 4 5 6 7	NOMENCLATURE	EFFECT FROM TO	UNITS PER ASSY
7			PANEL ASSY-DOME AND FLOOD LIGHTS (LIGHTS ONLY)	002004 006010 121503 950999	
- 1	232N1610-170		PANEL ASSY-DOME AND FLOOD LIGHT (LIGHTS ONLY) POSITION DATA: LH FOR NHA/OTHER SYS DET SEE: 25-14-01-01	952952	RF
- 1	232N1610-172		PANEL ASSY-DOME AND FLOOD LIGHT (LIGHTS ONLY) POSITION DATA: LH FOR NHA/OTHER SYS DET SEE: 25-14-01-01	121503	RF
- 1	232N1610-173		PANEL ASSY-DOME AND FLOOD LIGHT (LIGHTS ONLY) POSITION DATA: LH FOR NHA/OTHER SYS DET SEE: 25-14-01-01	002004	RF
- 1	232N1610-203		PANEL ASSY-DOME AND FLOOD LIGHT (LIGHTS ONLY) POSITION DATA: LH FOR NHA/OTHER SYS DET SEE: 25-14-01-01	006010 950951 953999	RF
5	232N1630-13		.HOUSING ASSY-DOME LIGHT POSITION DATA: FWD	002004 006010 121503 950999	1
10	232N1630-21		.HOUSING ASSY-DOME LIGHT POSITION DATA: AFT	002004 006010 121503 950999	1

MISSING ITEM NUMBERS NOT APPLICABLE

- ITEM NOT ILLUSTRATED

33-11-51-07

33-11-51
FIG. 07
PAGE 1
JAN 20/09

BRI



**757
PARTS CATALOG (MAINTENANCE)**

FIG ITEM	PART NUMBER	1 2 3 4 5 6 7	NOMENCLATURE	EFFECT FROM TO	UNITS PER ASSY
7 15	10-0359-9		.LIGHT ASSY-DOME SUPPLIER CODE: V72914 POSITION DATA: FWD FUNCTIONAL DESCRIPTION: THE DOME LIGHT IS DESIGNED TO PROVIDE AREA ILLUMINATION ON THE FLIGHT DECK. SPECIFICATION NUMBER: 60B40059-4 ELECTRICAL EQUIP NUMBER: L00277 COMPONENT MAINT MANUAL REF: 33-10-20 FOR DETAILS SEE: 33-11-51-01	002004 006010 121503 950999	1
- 20	PS10F7DL11BG		.SCREW- SUPPLIER CODE: V12324	952952	4
- 20	S10F7DL11BG		.SCREW- SUPPLIER CODE: V12324	002004 006010 121503 950951 953999	4
35	10-1113-1		-----*----- .LIGHT ASSY-DOME SUPPLIER CODE: V72914 POSITION DATA: AFT ELECTRICAL EQUIP NUMBER: M10549 COMPONENT MAINT MANUAL REF: 33-10-73	002004 006010 121503 950999	1
- 40	PS10F7DL11BG		ATTACHING PARTS .SCREW- SUPPLIER CODE: V12324	952952	4
- 40	S10F7DL11BG		.SCREW- SUPPLIER CODE: V12324 -----*-----	002004 006010 121503 950951 953999	4

MISSING ITEM NUMBERS NOT APPLICABLE

- ITEM NOT ILLUSTRATED

33-11-51-07

33-11-51
FIG. 07
PAGE 2
JAN 20/09

BRI



757

PARTS CATALOG (MAINTENANCE)

FIG ITEM	PART NUMBER	1 2 3 4 5 6 7	NOMENCLATURE	EFFECT FROM TO	UNITS PER ASSY
7					
43	MS35206-227	..	SCREW	002004 006010 121503 950999	4
45	11-1232-1	..	COVER ASSY- SUPPLIER CODE: V72914	002004 006010 121503 950999	1
50	1317	..	BULB- SUPPLIER CODE: V08806 OPTIONAL PART: GE1317 V08806	002004 006010 121503 950999	1
55	1665	..	LAMP- SUPPLIER CODE: V71744	002004 006010 121503 950999	1
60	60-2517-1	..	BOOT-CABLE SUPPLIER CODE: V72914	002004 006010 121503 950999	1
65	11-3438-5	..	NIPPLE-CABLE SUPPLIER CODE: V72914	002004 006010 121503 950999	1
70	11-4815-1	..	HOUSING ASSY- SUPPLIER CODE: V72914	002004 006010 121503 950999	1
75	PS10F5DL11BG	.	SCREW- SUPPLIER CODE: V12324	002004 006010 121503 950999	4
80	232N5008-2	.	HOUSING ASSY-FLOODLIGHT	002004 006010 121503 950999	1
85	232N5009-15	.	COVER ASSY-FLOODLIGHT	002004 006010 121503 950999	1
90	232N5009-17	..	MASK	002004 006010 121503 950999	1

MISSING ITEM NUMBERS NOT APPLICABLE

- ITEM NOT ILLUSTRATED

33-11-51-07

33-11-51
FIG. 07
PAGE 3
JAN 20/09

BRI

BOEING PROPRIETARY - Copyright © - Unpublished Work - See title page for details.



757

PARTS CATALOG (MAINTENANCE)

FIG ITEM	PART NUMBER	1 2 3 4 5 6 7	NOMENCLATURE	EFFECT FROM TO	UNITS PER ASSY
7 95	232N5009-19	.	. PLATE-COVER	002004 006010 121503 950999	1
100	232N5008-5	.	. ANGLE	002004 006010 121503 950999	1
105	B9735-2-1385	.	. LIGHT ASSY- SUPPLIER CODE: V72914 ELECTRICAL EQUIP NUMBER: L00443 FOR DETAILS SEE: 33-11-51-50	002004 006010 121503 950999	1
- 300	232N1610-200		PANEL ASSY-DOME AND FLOOD LIGHTS (LIGHTS ONLY) POSITION DATA: RH FOR NHA/OTHER SYS DET SEE: 25-14-01-01	006010 950951 953999	RF
- 300	232N1610-167		PANEL ASSY-DOME AND FLOOD LIGHTS (LIGHTS ONLY) POSITION DATA: RH FOR NHA/OTHER SYS DET SEE: 25-14-01-01	952952	RF
- 300	232N1610-169		PANEL ASSY-DOME AND FLOOD LIGHTS (LIGHTS ONLY) POSITION DATA: RH FOR NHA/OTHER SYS DET SEE: 25-14-01-01	002004 121503	RF
305	232N1630-14	.	. HOUSING ASSY-DOME LIGHT POSITION DATA: FWD	002004 006010 121503 950999	1

MISSING ITEM NUMBERS NOT APPLICABLE

- ITEM NOT ILLUSTRATED

33-11-51-07

33-11-51
FIG. 07
PAGE 4
JAN 20/09

BRI



**757
PARTS CATALOG (MAINTENANCE)**

FIG ITEM	PART NUMBER	1 2 3 4 5 6 7	NOMENCLATURE	EFFECT FROM TO	UNITS PER ASSY
7 310	10-0359-9		.LIGHT ASSY-DOME SUPPLIER CODE: V72914 POSITION DATA: FWD FUNCTIONAL DESCRIPTION: THE DOME LIGHT IS DESIGNED TO PROVIDE AREA ILLUMINATION ON THE FLIGHT DECK. SPECIFICATION NUMBER: 60B40059-4 ELECTRICAL EQUIP NUMBER: L00276 COMPONENT MAINT MANUAL REF: 33-10-20 FOR DETAILS SEE: 33-11-51-01 ATTACHING PARTS	002004 006010 121503 950999	1
- 315	PS10F7DL11BG		.SCREW- SUPPLIER CODE: V12324	952952	4
- 315	S10F7DL11BG		.SCREW- SUPPLIER CODE: V12324	002004 006010 121503 950951 953999	4
			-----*-----		
330	PS10F5DL11BG		.SCREW- SUPPLIER CODE: V12324	002004 006010 121503 950999	4
335	232N5008-1		.HOUSING ASSY-FLOODLIGHT	002004 006010 121503 950999	1
340	232N5009-16		.COVER ASSY	002004 006010 121503 950999	1
345	232N5009-18		..MASK	002004 006010 121503 950999	1
350	232N5009-20		..PLATE-COVER	002004 006010 121503 950999	1

MISSING ITEM NUMBERS NOT APPLICABLE

- ITEM NOT ILLUSTRATED

33-11-51-07

33-11-51
FIG. 07
PAGE 5
JAN 20/09

BRI



757

PARTS CATALOG (MAINTENANCE)

FIG ITEM	PART NUMBER	1 2 3 4 5 6 7	NOMENCLATURE	EFFECT FROM TO	UNITS PER ASSY
7 355	232N5008-5	.	ANGLE	002004 006010 121503 950999	1
360	B9735-2-1385	.	LIGHT ASSY- SUPPLIER CODE: V72914 ELECTRICAL EQUIP NUMBER: L00444 FOR DETAILS SEE: 33-11-51-50	002004 006010 121503 950999	1

MISSING ITEM NUMBERS NOT APPLICABLE

- ITEM NOT ILLUSTRATED

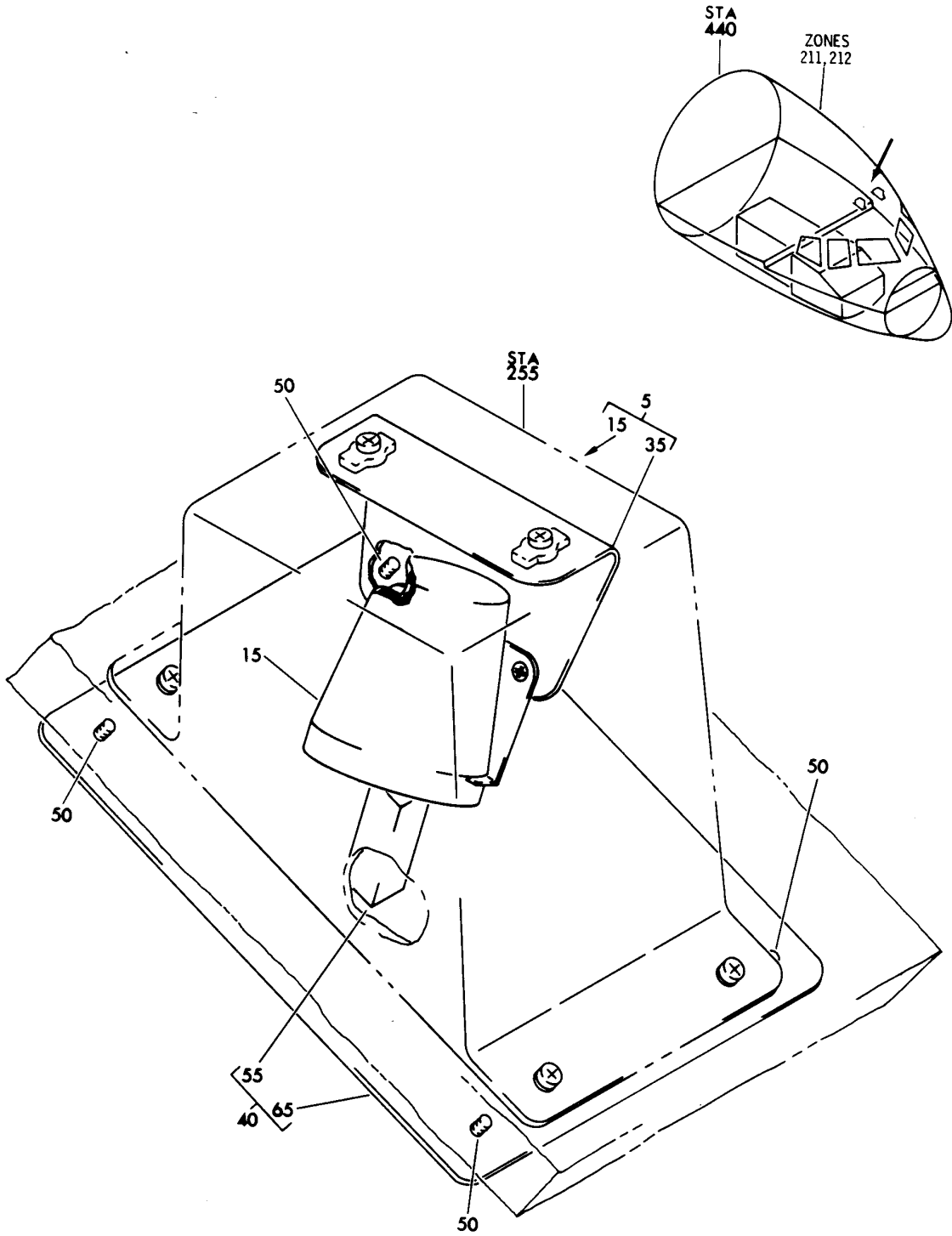
BRI

33-11-51-07

BOEING PROPRIETARY - Copyright © - Unpublished Work - See title page for details.

33-11-51
FIG. 07
PAGE 6
JAN 20/09

BOEING
757
PARTS CATALOG (MAINTENANCE)



Y 3311510 SHT 1 REV 008

FLOODLIGHT INSTL-ELECTRONIC PNL AFT
FIGURE 10

33-11-51-10

BRI
MAY 28/07

33-11-51-10
PAGE 0



757

PARTS CATALOG (MAINTENANCE)

FIG ITEM	PART NUMBER	1 2 3 4 5 6 7	NOMENCLATURE	EFFECT FROM TO	UNITS PER ASSY
10			FLOODLIGHT INSTL-ELECTRONIC PNL AFT	107107 904949	
- 1	232N5007-1		FLOODLIGHT INSTL-ELECTRONIC PNL CAPT POSITION DATA: AFT FOR NHA SEE: 25-10-00-01	107107 904949	RF
- 3	232N5007-2		FLOODLIGHT INSTL-ELECTRONIC PNL FIRST OFFICER POSITION DATA: AFT FOR NHA SEE: 25-10-00-01	107107 904949	RF
5	232N5007-3		.LIGHT ASSY	107107 904949	1
- 10	NAS603-8P		ATTACHING PARTS .SCREW	107107 904949	2
15	B9735-2-1385		-----*----- ..LIGHT ASSY- SUPPLIER CODE: V72914 FOR DETAILS SEE: 33-11-51-50 ATTACHING PARTS	107107 904949	1
- 20	NAS600-6P		..SCREW	107107 904949	2
- 25	AN960PD4L		..WASHER	107107 904949	2
- 30	BRH10A04		..NUT SUPPLIER CODE: V52828 SPECIFICATION NUMBER: BACN10JCO4 OPTIONAL PART: NS202101-40 V80539 RMLH9075-40W V72962 VN303A40 V92215 96-40 V80539 T6S440J V11815 H10-04BAC V15653 -----*-----	107107 904949	2

MISSING ITEM NUMBERS NOT APPLICABLE

- ITEM NOT ILLUSTRATED

33-11-51-10

33-11-51
FIG. 10
PAGE 1
JAN 20/09

BRI



757

PARTS CATALOG (MAINTENANCE)

FIG ITEM	PART NUMBER	1 2 3 4 5 6 7	NOMENCLATURE	EFFECT FROM TO	UNITS PER ASSY
10					
35	232N5008-5	. .	ANGLE	107107 904949	1
40	232N5009-7	. COVER	ASSY-CAPT	107107 904949	1
- 45	232N5009-8	. COVER	ASSY-FIRST OFFICER	107107 904949	1
50	SFSW10F5DL11BG	ATTACHING PARTS . SCREW-		107107 904949	4
		SUPPLIER CODE: V12324 -----*-----			
55	232N5009-5	. . MASK-	CAPT	107107 904949	1
- 60	232N5009-6	. . MASK-	FIRST OFFICER	107107 904949	1
65	232N5009-9	. . PLATE-	COVER CAPT	107107 904949	1
- 70	232N5009-10	. . PLATE-	COVER FIRST OFFICER	107107 904949	1

MISSING ITEM NUMBERS NOT APPLICABLE

- ITEM NOT ILLUSTRATED

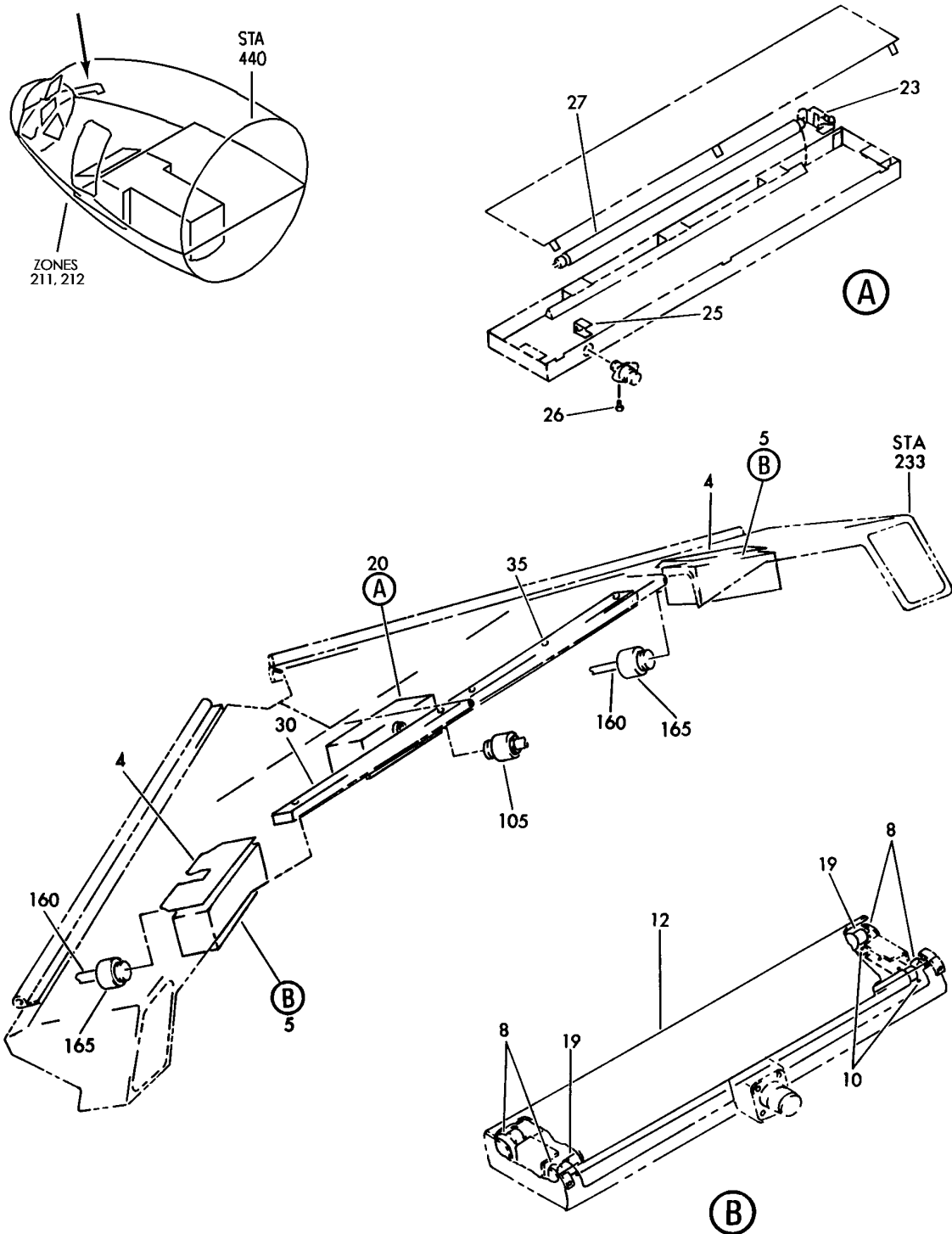
BRI

33-11-51-10

BOEING PROPRIETARY - Copyright © - Unpublished Work - See title page for details.

33-11-51
FIG. 10
PAGE 2
JAN 20/09

BOEING
757
PARTS CATALOG (MAINTENANCE)



Y 33115112 REV 229

GLARESHIELD ASSY-(LIGHTS ONLY)
FIGURE 12

33-11-51-12

BRI
MAY 28/07

33-11-51-12
PAGE 0



757

PARTS CATALOG (MAINTENANCE)

FIG ITEM	PART NUMBER	1 2 3 4 5 6 7	NOMENCLATURE	EFFECT FROM TO	UNITS PER ASSY
12			GLARESHIELD ASSY-(LIGHTS ONLY)	002004 006100 107107 121503 904999 904949	
- 1	233N8100-31		GLARESHIELD ASSY-(LIGHTS ONLY) FOR NHA/OTHER SYS DET SEE: 25-13-52-60	107107	RF
- 1	233N8100-32		GLARESHIELD ASSY-(LIGHTS ONLY) FOR NHA/OTHER SYS DET SEE: 25-13-52-60	107107	RF
- 1	233N8100-33		GLARESHIELD ASSY-(LIGHTS ONLY) FOR NHA/OTHER SYS DET SEE: 25-13-52-60	107107	RF
- 1	233N8100-29		GLARESHIELD ASSY-(LIGHTS ONLY) FOR NHA/OTHER SYS DET SEE: 25-13-52-60	904949	RF
- 1	233N8100-30		GLARESHIELD ASSY-(LIGHTS ONLY) FOR NHA/OTHER SYS DET SEE: 25-13-52-60	107107	RF
- 1	233N8100-35		GLARESHIELD ASSY-(LIGHTS ONLY) FOR NHA/OTHER SYS DET SEE: 25-13-52-60	121503	RF
- 1	233N8100-36		GLARESHIELD ASSY-(LIGHTS ONLY) FOR NHA/OTHER SYS DET SEE: 25-13-52-60	002004 006010 950999	RF
- 2	233N8100-43		GLARESHIELD ASSY-(LIGHTS ONLY) FOR NHA/OTHER SYS DET SEE: 25-13-52-60	011100	RF
4	233N8305-7		.BRACKET	011100	2

MISSING ITEM NUMBERS NOT APPLICABLE

- ITEM NOT ILLUSTRATED

33-11-51-12

33-11-51
FIG. 12
PAGE 1
JAN 20/09

BRI



757

PARTS CATALOG (MAINTENANCE)

FIG ITEM	PART NUMBER	1 2 3 4 5 6 7	NOMENCLATURE	EFFECT FROM TO	UNITS PER ASSY
12					
5	1547-1-1		.LAMP ASSY-CAPT AND FIRST OFFICER MAIN SUPPLIER CODE: V30242 SPECIFICATION NUMBER: S233T810-15 ELECTRICAL EQUIP NUMBER: L00272 L00274 COMPONENT MAINT MANUAL REF: 33-11-01 OPTIONAL PART: 1547-1 V30242	002004 006100 107107 121503 904999	2
5	1547-1		.LAMP ASSY-CAPT AND FIRST OFFICER MAIN SUPPLIER CODE: V30242 SPECIFICATION NUMBER: S233T810-1 ELECTRICAL EQUIP NUMBER: L00272 L00274 COMPONENT MAINT MANUAL REF: 33-11-01 OPTIONAL PART: 1547-1-1 V30242	002004 006100 107107 121503 904999	2
-	6	NAS514P1032-8	.ATTACHING PARTS .SCREW-	002004 006010 107107 121503 904999	4
-	6	NAS514P1032-9	.SCREW- OPTIONAL PART: BACS12GX3E9	011100	4
-	6	BACS12GX3E9	.SCREW- OPTIONAL PART: NAS514P1032-9	011100	4
			-----*-----		
8	1547-62		.. SOCKET ASSY- SUPPLIER CODE: V30242	002004 006100 107107 121503 904999	4

MISSING ITEM NUMBERS NOT APPLICABLE

- ITEM NOT ILLUSTRATED

33-11-51-12

33-11-51
FIG. 12
PAGE 2
JAN 20/09

BRI

BOEING
757
PARTS CATALOG (MAINTENANCE)

FIG ITEM	PART NUMBER	1 2 3 4 5 6 7	NOMENCLATURE	EFFECT FROM TO	UNITS PER ASSY
12			ATTACHING PARTS		
10	NAS662C2R4		.. SCREW	002004 006100 107107 121503 904999	4
12	1547-52		-----*----- .. WINDOW ASSY- SUPPLIER CODE: V30242 USED ON: 1547-1	002004 006100 107107 121503 904999	1
12	1547-152		.. WINDOW ASSY- SUPPLIER CODE: V30242 USED ON: 1547-1-1 USED ON: 1547-1	002004 006100 107107 121503 904999	1
19	5108WW		.. BULB- SUPPLIER CODE: V08806	002004 006100 107107 121503 904999	2
20	1548-1-2		. LAMP ASSY-CTR PNL LT SUPPLIER CODE: V30242 SPECIFICATION NUMBER: S233T810-10 ELECTRICAL EQUIP NUMBER: L00273 COMPONENT MAINT MANUAL REF: 33-11-01	002004 006100 107107 121503 904999	1
20	1548-1-1		. LAMP ASSY-TR PNL LT SUPPLIER CODE: V30242 SPECIFICATION NUMBER: S233T810-9 ELECTRICAL EQUIP NUMBER: L00273	002004 006100 107107 121503 904999	1
- 21	NAS514P1032-6		ATTACHING PARTS . SCREW	002004 006100 107107 121503 904999	4
			-----*-----		

MISSING ITEM NUMBERS NOT APPLICABLE

- ITEM NOT ILLUSTRATED

BRI

33-11-51-12

BOEING PROPRIETARY - Copyright © - Unpublished Work - See title page for details.

33-11-51
FIG. 12
PAGE 3
JAN 20/09



757

PARTS CATALOG (MAINTENANCE)

FIG ITEM	PART NUMBER	1 2 3 4 5 6 7	NOMENCLATURE	EFFECT FROM TO	UNITS PER ASSY
12			TEMPORARY BREAKDOWN FOR: 1548-1-1	002004 006100 107107 121503 904999	
23	1548-62		.. SOCKET ASSY- SUPPLIER CODE: V30242 POSITION DATA: RH ATTACHING PARTS	002004 006100 107107 121503 904999	1
- 24	NAS662C2R4		.. SCREW	002004 006100 107107 121503 904999	1
25	1548-62-1		-----*----- .. SOCKET ASSY- SUPPLIER CODE: V30242 POSITION DATA: LH ATTACHING PARTS	002004 006100 107107 121503 904999	1
26	NAS662C2R4		.. SCREW	002004 006100 107107 121503 904999	1
27	5108WW		-----*----- .. BULB- SUPPLIER CODE: V08806	002004 006100 107107 121503 904999	1
30	L0060001		. FLOODLIGHT- SUPPLIER CODE: V51896	002004 006100 107107 121503 904999	1
35	L0060002		. FLOODLIGHT- SUPPLIER CODE: V51896	002004 006100 107107 121503 904999	1

MISSING ITEM NUMBERS NOT APPLICABLE

- ITEM NOT ILLUSTRATED

33-11-51-12

33-11-51
FIG. 12
PAGE 4
JAN 20/09

BRI



757

PARTS CATALOG (MAINTENANCE)

FIG ITEM	PART NUMBER	1 2 3 4 5 6 7	NOMENCLATURE	EFFECT FROM TO	UNITS PER ASSY
12			ATTACHING PARTS		
- 40	NAS514P832-6		.SCREW-	002004 006010 107107 121503 904999	6
- 40	BACS12GX08E5		.SCREW-	011100	6
			OPTIONAL PART: NAS514P832-5		
- 40	NAS514P832-5		.SCREW-	011100	6
			OPTIONAL PART: BACS12GX08E5		
			-----*-----		
- 100	286N0001-002		WIRE BUNDLE ASSY-	121503	RF
			REWORKED BY ALERT SB: 34A0222	904949	
- 100	286N0001-003		WIRE BUNDLE ASSY-	107107	RF
			REWORKED BY ALERT SB: 34A0222		
- 100	286N0001-005		WIRE BUNDLE ASSY-	002004	RF
			REWORKED BY ALERT SB: 34A0222	006100 950999	
105	BACC45FT10-5S		.CONNECTOR-	002004	1
			ELECTRICAL EQUIP NUMBER: D00890	006100 107107	
			WIRING DIAGRAM REF: 331111	121503 904999	
- 150	286N0012-001		WIRE BUNDLE-	002004	RF
				006100 107107 121503 904999	
- 155	286N0010-001		WIRE BUNDLE-	002004	RF
				006100 107107 121503 904999	
165	BACC45FT12A12S		.CONNECTOR-	002004	2
			ELECTRICAL EQUIP NUMBER: D00888 D00896	006100 107107 121503	
			WIRING DIAGRAM REF: 331111	904999	

MISSING ITEM NUMBERS NOT APPLICABLE

- ITEM NOT ILLUSTRATED

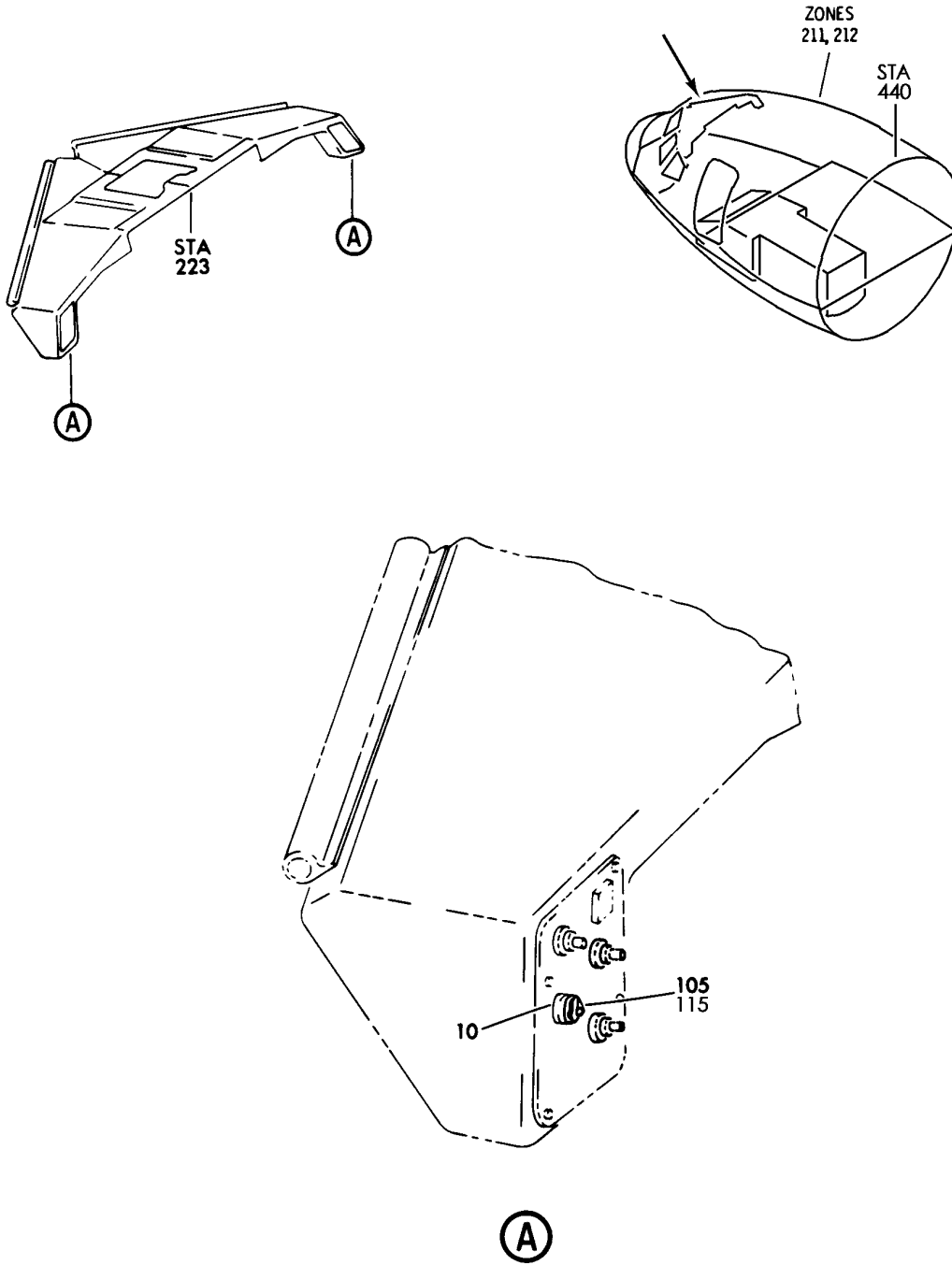
33-11-51-12

33-11-51
FIG. 12
PAGE 5
JAN 20/09

BRI

BOEING PROPRIETARY - Copyright © - Unpublished Work - See title page for details.

BOEING
757
PARTS CATALOG (MAINTENANCE)



Y 33115113 REV 220

GLARESHIELD ASSY AND PANEL INSTL-FWD (FLIGHT COMPARTMENT ILLUMINATION ONLY)
FIGURE 13

33-11-51-13

BRI
MAY 28/07

33-11-51-13
PAGE 0



757

PARTS CATALOG (MAINTENANCE)

FIG ITEM	PART NUMBER	1 2 3 4 5 6 7	NOMENCLATURE	EFFECT FROM TO	UNITS PER ASSY
13			GLARESHIELD ASSY AND PANEL INSTL-FWD (FLIGHT COMPARTMENT ILLUMINATION ONLY)	002004 006999	
- 1	233N8200-25		GLARESHIELD ASSY-PILOTS ELECTRICAL (FLIGHT COMPARTMENT ILLUMINATION ONLY) POSITION DATA: LH FOR NHA/OTHER SYS DET SEE: 25-13-52-60	904949	RF
- 1	233N8200-27		GLARESHIELD ASSY-PILOTS ELECTRICAL (FLIGHT COMPARTMENT ILLUMINATION ONLY) POSITION DATA: LH FOR NHA/OTHER SYS DET SEE: 25-13-52-60	107107	RF
- 1	233N8200-33		GLARESHIELD ASSY-PILOTS ELECTRICAL (FLIGHT COMPARTMENT ILLUMINATION ONLY) POSITION DATA: LH FOR NHA/OTHER SYS DET SEE: 25-13-52-60	904949	RF
- 1	233N8200-31		GLARESHIELD ASSY-PILOTS ELECTRICAL (FLIGHT COMPARTMENT ILLUMINATION ONLY) POSITION DATA: LH FOR NHA/OTHER SYS DET SEE: 25-13-52-60	107107	RF
- 1	233N8200-29		GLARESHIELD ASSY-PILOTS ELECTRICAL (FLIGHT COMPARTMENT ILLUMINATION ONLY) POSITION DATA: LH FOR NHA/OTHER SYS DET SEE: 25-13-52-60	107107	RF

MISSING ITEM NUMBERS NOT APPLICABLE

- ITEM NOT ILLUSTRATED

33-11-51-13

33-11-51
FIG. 13
PAGE 1
JAN 20/09

BRI



757

PARTS CATALOG (MAINTENANCE)

FIG ITEM	PART NUMBER	1 2 3 4 5 6 7	NOMENCLATURE	EFFECT FROM TO	UNITS PER ASSY
13					
- 1	233N8200-37		GLARESHIELD ASSY-PILOTS ELECTRICAL (FLIGHT COMPARTMENT ILLUMINATION ONLY) POSITION DATA: LH FOR NHA/OTHER SYS DET SEE: 25-13-52-60	002004 006010 950999	RF
- 1	233N8200-41		GLARESHIELD ASSY-PILOTS ELECTRICAL (FLIGHT COMPARTMENT ILLUMINATION ONLY) POSITION DATA: LH FOR NHA/OTHER SYS DET SEE: 25-13-52-60	121503	RF
- 2	233N8200-49		GLARESHIELD ASSY-PILOTS ELECTRICAL (FLIGHT COMPARTMENT ILLUMINATION ONLY) POSITION DATA: LH FOR NHA/OTHER SYS DET SEE: 25-13-52-60	011100	RF
- 2	233N8200-61		GLARESHIELD ASSY-PILOTS ELECTRICAL (FLIGHT COMPARTMENT ILLUMINATION ONLY) POSITION DATA: LH FOR NHA/OTHER SYS DET SEE: 25-13-52-60	101101	RF
- 5	233N8200-26		GLARESHIELD ASSY-PILOTS ELECTRICAL (FLIGHT COMPARTMENT ILLUMINATION ONLY) POSITION DATA: RH FOR NHA/OTHER SYS DET SEE: 25-13-03-01	904949	RF
- 5	233N8200-28		GLARESHIELD ASSY-PILOTS ELECTRICAL (FLIGHT COMPARTMENT ILLUMINATION ONLY) POSITION DATA: RH FOR NHA/OTHER SYS DET SEE: 25-13-52-60	107107	RF

MISSING ITEM NUMBERS NOT APPLICABLE

- ITEM NOT ILLUSTRATED

33-11-51-13

33-11-51
FIG. 13
PAGE 2
JAN 20/09

BRI



757

PARTS CATALOG (MAINTENANCE)

FIG ITEM	PART NUMBER	1 2 3 4 5 6 7	NOMENCLATURE	EFFECT FROM TO	UNITS PER ASSY
13					
- 5	233N8200-30		GLARESHIELD ASSY-PILOTS ELECTRICAL (FLIGHT COMPARTMENT ILLUMINATION ONLY) POSITION DATA: RH FOR NHA/OTHER SYS DET SEE: 25-13-52-60	107107	RF
- 5	233N8200-32		GLARESHIELD ASSY-PILOTS ELECTRICAL (FLIGHT COMPARTMENT ILLUMINATION ONLY) POSITION DATA: RH FOR NHA/OTHER SYS DET SEE: 25-13-52-60	107107	RF
- 5	233N8200-34		GLARESHIELD ASSY-PILOTS ELECTRICAL (FLIGHT COMPARTMENT ILLUMINATION ONLY) POSITION DATA: RH FOR NHA/OTHER SYS DET SEE: 25-13-52-60	904949	RF
- 5	233N8200-38		GLARESHIELD ASSY-PILOTS ELECTRICAL (FLIGHT COMPARTMENT ILLUMINATION ONLY) POSITION DATA: RH FOR NHA/OTHER SYS DET SEE: 25-13-52-60	002004 006010 950999	RF
- 5	233N8200-42		GLARESHIELD ASSY-PILOTS ELECTRICAL (FLIGHT COMPARTMENT ILLUMINATION ONLY) POSITION DATA: RH FOR NHA/OTHER SYS DET SEE: 25-13-52-60	121503	RF
- 6	233N8200-50		GLARESHIELD ASSY-PILOTS ELECTRICAL (FLIGHT COMPARTMENT ILLUMINATION ONLY) POSITION DATA: RH FOR NHA/OTHER SYS DET SEE: 25-13-52-60	011100	RF

MISSING ITEM NUMBERS NOT APPLICABLE

- ITEM NOT ILLUSTRATED

33-11-51-13

33-11-51
FIG. 13
PAGE 3
JAN 20/09

BRI



757

PARTS CATALOG (MAINTENANCE)

FIG ITEM	PART NUMBER	1 2 3 4 5 6 7	NOMENCLATURE	EFFECT FROM TO	UNITS PER ASSY
13					
- 6	233N8200-62		GLARESHIELD ASSY-PILOTS ELECTRICAL (FLIGHT COMPARTMENT ILLUMINATION ONLY) POSITION DATA: RH FOR NHA/OTHER SYS DET SEE: 25-13-03-01	101101	RF
10	86A2EZ28BA0689		.RHE0STAT- SUPPLIER CODE: V3Z867 ELECTRICAL EQUIP NUMBER: R00507 OPTIONAL PART: WB04060A V34263	002004 006101 107107 121503 904999	1
10	WB04060A		.RHE0STAT- SUPPLIER CODE: V34263 ELECTRICAL EQUIP NUMBER: R00507 OPTIONAL PART: 86A2EZ28BA0689 V3Z867	002004 006101 107107 121503 904999	1
- 100	233N2101-1		PANEL INSTL-CAPT AND FIRST OFFICER (FLIGHT COMPARTMENT ILLUMINATION ONLY) POSITION DATA: FWD VARIABLE DRAWING REF: 233N2101-5003 233N2101-5004 233N2101-5037 233N2101-5039 233N2101-5041 FOR NHA/OTHER SYS DET SEE: 25-10-00-05A	002004 006100 107107 121503 904999	RF
105	TT150-101		.KN0B- SUPPLIER CODE: V81590	002004 006100 107107 121503 904999	2
105	TT150-114		.KN0B- SUPPLIER CODE: V81590	002004 006100 107107 121503 904999	2

MISSING ITEM NUMBERS NOT APPLICABLE

- ITEM NOT ILLUSTRATED

33-11-51-13

33-11-51
FIG. 13
PAGE 4
JAN 20/09

BRI



757

PARTS CATALOG (MAINTENANCE)

FIG ITEM	PART NUMBER	1 2 3 4 5 6 7	NOMENCLATURE	EFFECT FROM TO	UNITS PER ASSY
13					
- 110	233N2103-1		PANEL INSTL-CAPT AND FIRST OFFICER (FLIGHT COMPARTMENT ILLUMINATION ONLY) POSITION DATA: FWD FOR NHA/OTHER SYS DET SEE: 25-10-00-15	101102 108120 504903	RF
- 110	MODREF33340		PANEL INSTL-CAPT AND FIRST OFFICER (FLIGHT COMPARTMENT ILLUMINATION ONLY) MODULE NUMBER: 233N2103-100 REV A POSITION DATA: FWD FOR OTHER SYS DETAILS SEE: 27-58-00-02 31-11-11-01 31-11-26-01 31-41-01-01 32-41-52-02 33-13-51-01 33-14-51-01 34-13-05-01 34-22-03-01 34-22-04-01	103106	1
115	TT150-114		.KNOB- SUPPLIER CODE: V81590	101106 108120 504903	2

MISSING ITEM NUMBERS NOT APPLICABLE

- ITEM NOT ILLUSTRATED

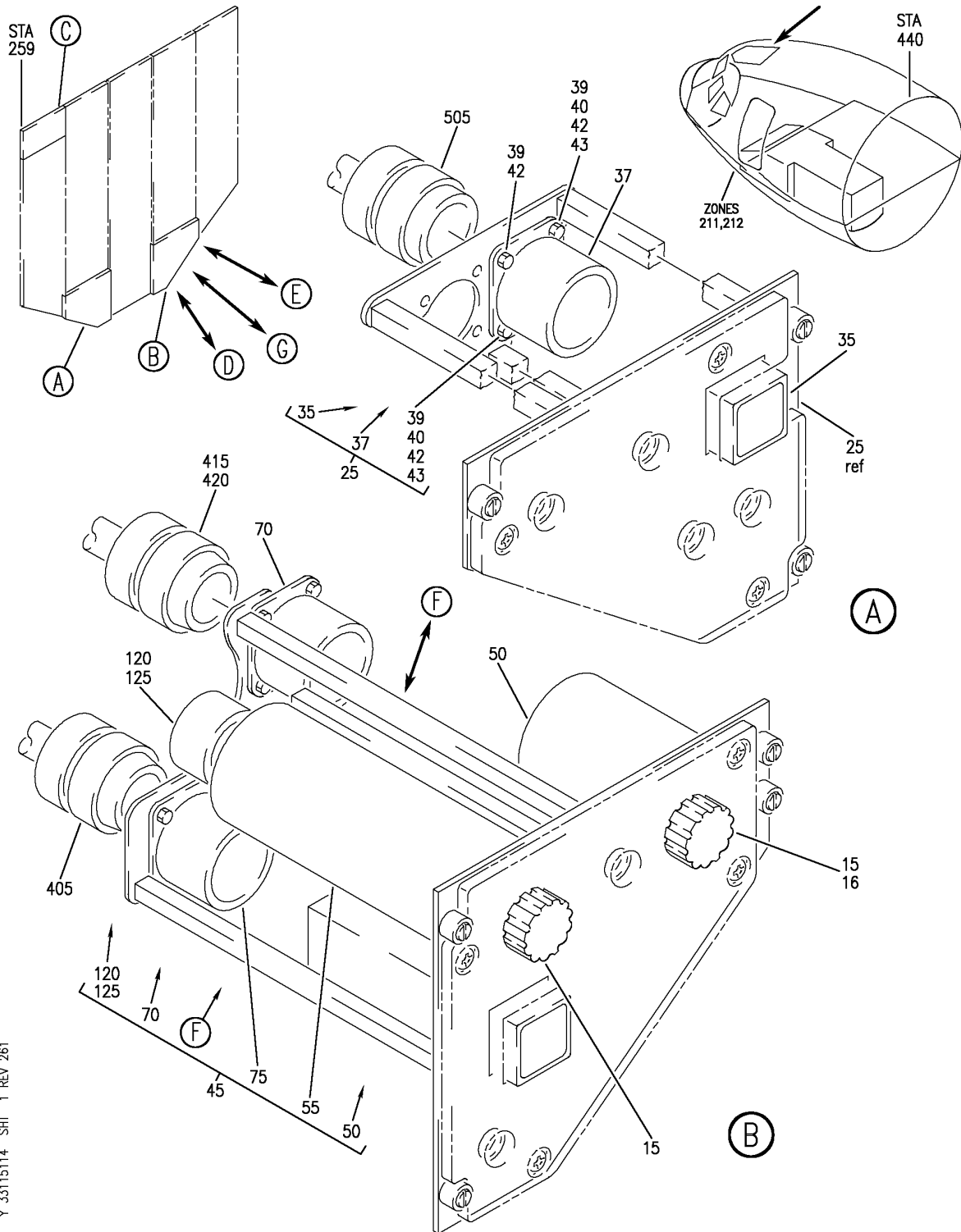
BRI

33-11-51-13

BOEING PROPRIETARY - Copyright © - Unpublished Work - See title page for details.

33-11-51
FIG. 13
PAGE 5
JAN 20/09


BOEING
 757
PARTS CATALOG (MAINTENANCE)



Y 33115114 SH1 1 REV 261

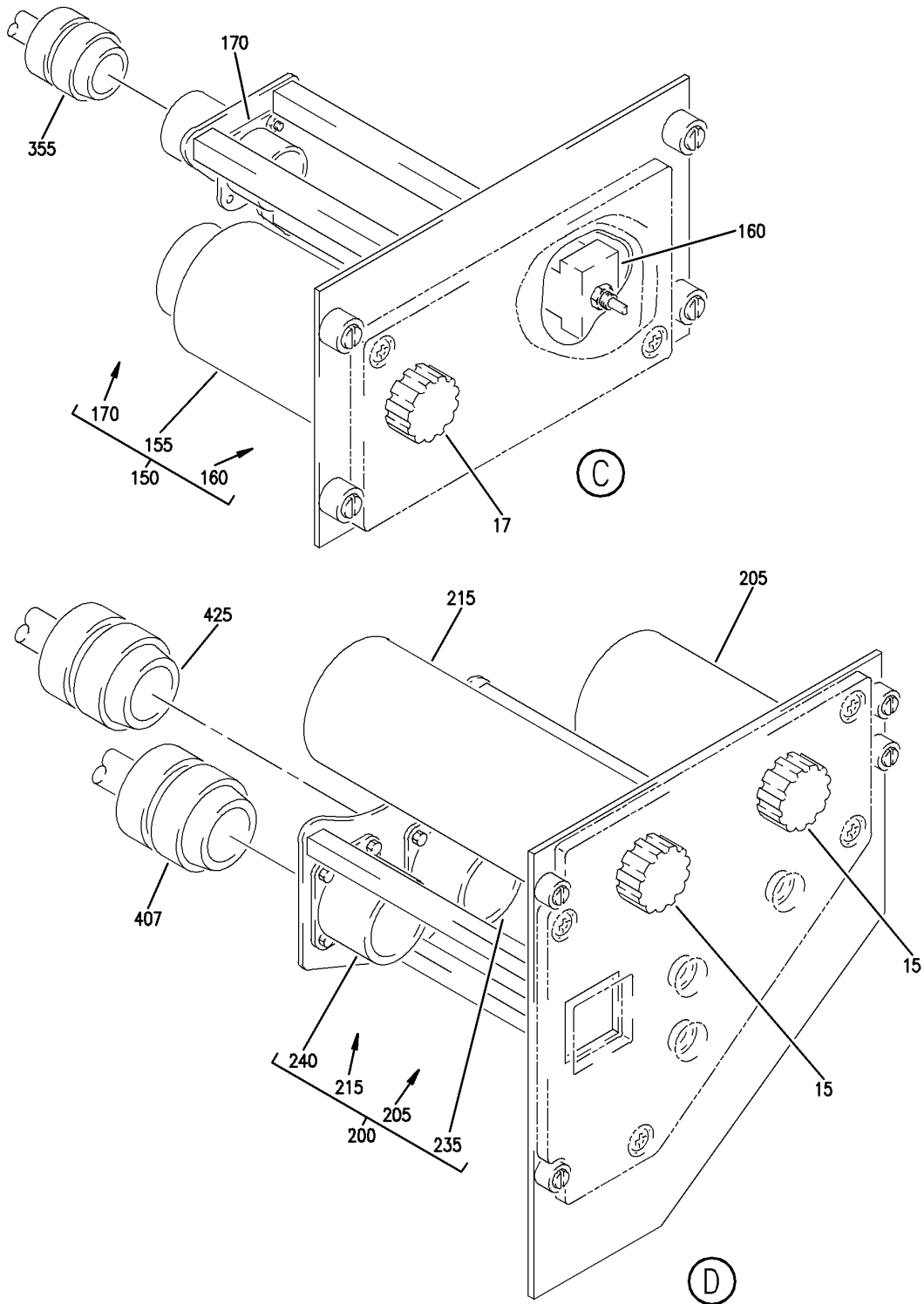
PANEL INSTL-OVHD (FLIGHT COMPARTMENT ILLUMINATION ONLY)
FIGURE 14 (SHEET 1)

33-11-51-14

BRI
MAY 28/07

33-11-51-14
PAGE 0


BOEING
 757
PARTS CATALOG (MAINTENANCE)



Y 33115114 SHT 2 REV 239

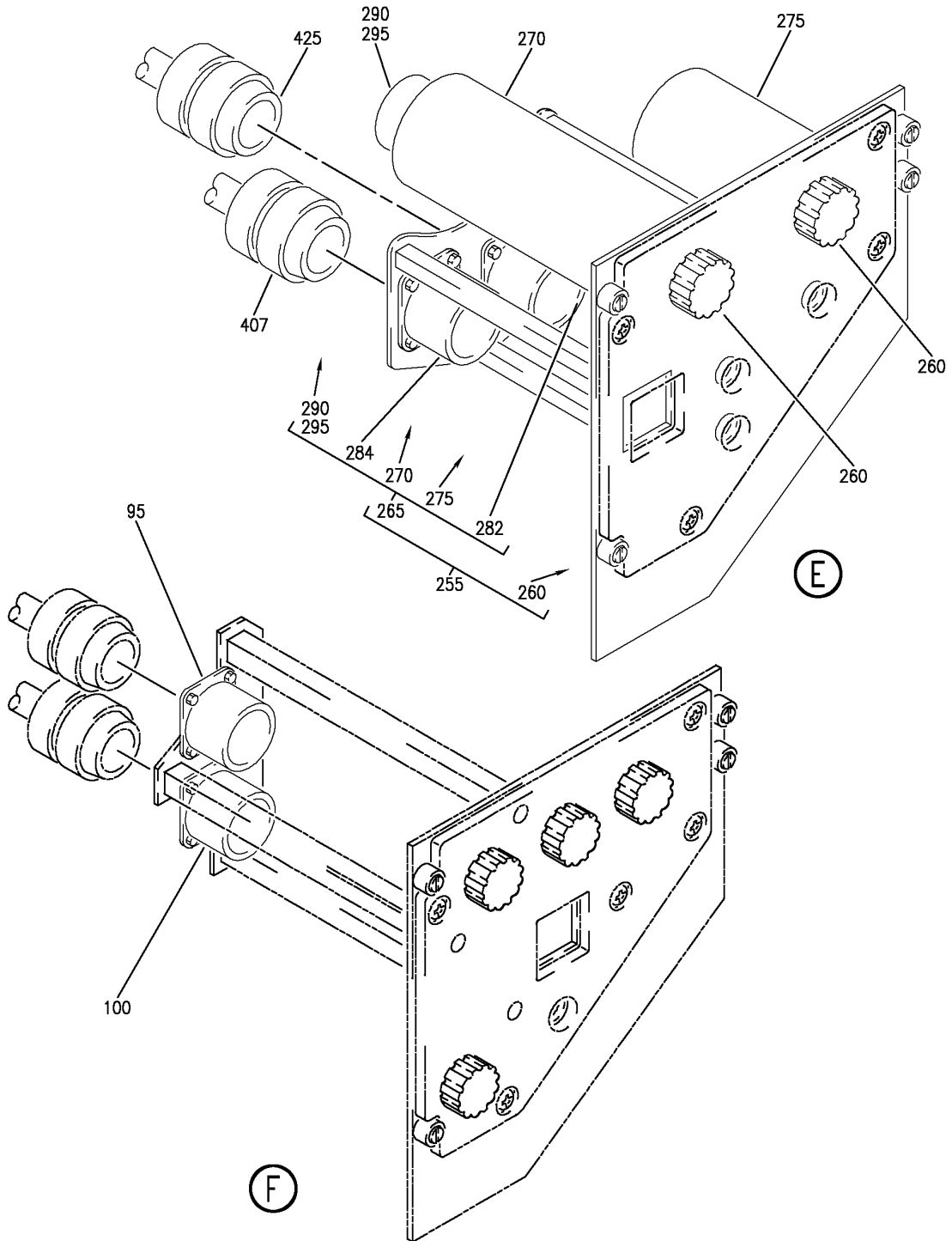
PANEL INSTL-OVHD (FLIGHT COMPARTMENT ILLUMINATION ONLY)
 FIGURE 14 (SHEET 2)

33-11-51-14

BRI
 MAY 28/07

33-11-51-14
 PAGE 0A

BOEING
 757
 PARTS CATALOG (MAINTENANCE)



Y 33115114 SHT 3 REV 247

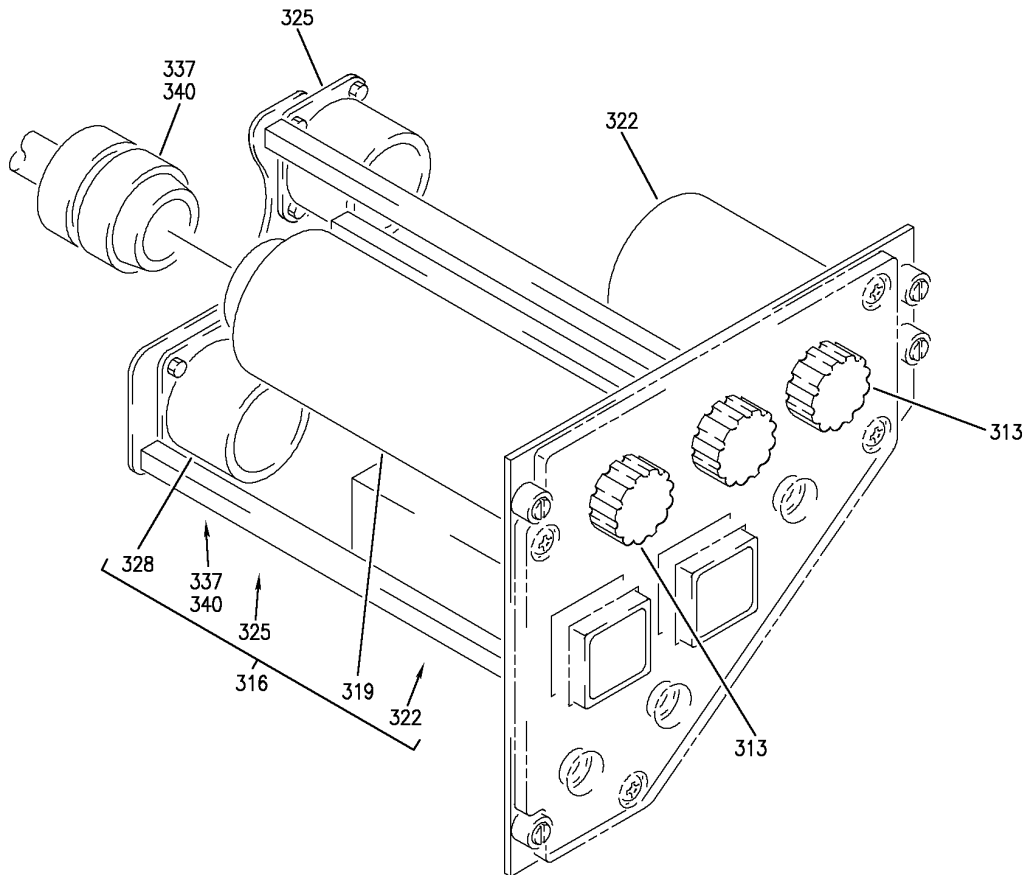
PANEL INSTL-OVHD (FLIGHT COMPARTMENT ILLUMINATION ONLY)
 FIGURE 14 (SHEET 3)

33-11-51-14

BRI
 MAY 28/07

33-11-51-14
 PAGE 0B

BOEING
757
PARTS CATALOG (MAINTENANCE)



(G)

Y 33115114 SH1 4 REV 261

PANEL INSTL-OVHD (FLIGHT COMPARTMENT ILLUMINATION ONLY)
FIGURE 14 (SHEET 4)

BRI
MAY 28/07

33-11-51-14

33-11-51-14
PAGE 0C



757

PARTS CATALOG (MAINTENANCE)

FIG ITEM	PART NUMBER	1 2 3 4 5 6 7	NOMENCLATURE	EFFECT FROM TO	UNITS PER ASSY
14			PANEL INSTL-OVHD (FLIGHT COMPARTMENT ILLUMINATION ONLY)	002004 006010 107107 121503 904999	
- 1	233N3101-1		PANEL INSTL-OVHD (FLIGHT COMPARTMENT ILLUMINATION ONLY) VARIABLE DRAWING REF: 233N3101-5005 233N3101-5025 233N3101-5041 233N3101-5042 233N3101-5045 FOR NHA/OTHER SYS DET SEE: 25-10-00-05A	002004 006010 107107 121503 904999	RF
15	RD241-102		.KN0B- SUPPLIER CODE: V81590	002004 006010 107107 121503 904999	2
15	RD241-119		.KN0B- SUPPLIER CODE: V81590	002004 006010 107107 121503 904999	2
17	RD241-102		.KN0B- SUPPLIER CODE: V81590	121503 904949	1
17	RD241-119		.KN0B- SUPPLIER CODE: V81590	121503 904949	1

MISSING ITEM NUMBERS NOT APPLICABLE

- ITEM NOT ILLUSTRATED

33-11-51-14

33-11-51
FIG. 14
PAGE 1
JAN 20/09

BRI



757

PARTS CATALOG (MAINTENANCE)

FIG ITEM	PART NUMBER	1 2 3 4 5 6 7	NOMENCLATURE	EFFECT FROM TO	UNITS PER ASSY
14 25	233N3214-27		.PANEL ASSY-LIGHTING CONT SUPPLIER CODE: V89954 POSITION DATA: L ELECTRICAL EQUIP NUMBER: M10056 COMPONENT MAINT MANUAL REF: 33-11-71 QUALIFIED I/W DATA: 233N3214-24 -27 -31 -32 -33 ARE ALL INTERCHANGEABLE EXCEPT SUBJECT TO CUSTOMER PREFERENCE OF KORRY OR MASTER SPECIALTIES LIGHTED PUSHBUTTON SWITCHES	107107	RF
25	233N3214-31		.PANEL ASSY-LIGHTING CONT SUPPLIER CODE: V89954 POSITION DATA: L ELECTRICAL EQUIP NUMBER: M10056 COMPONENT MAINT MANUAL REF: 33-11-71 QUALIFIED I/W DATA: THE 233N3214-300 PANEL ASSY IS I/W THE 233N3214-31 PANEL ASSY T/W THE S233T100-6003 LIGHTPLATE AND (2) RC445-131 KNOBS AND (2) TT410-101 KNOBS 233N3214-24 -27 -31 -32 -33 ARE ALL INTERCHANGEABLE EXCEPT SUBJECT TO CUSTOMER PREFERENCE OF KORRY OR MASTER SPECIALTIES LIGHTED PUSHBUTTON SWITCHES	002004 006010	RF

MISSING ITEM NUMBERS NOT APPLICABLE

- ITEM NOT ILLUSTRATED

33-11-51-14

33-11-51
FIG. 14
PAGE 2
JAN 20/09

BRI



757

PARTS CATALOG (MAINTENANCE)

FIG ITEM	PART NUMBER	1 2 3 4 5 6 7	NOMENCLATURE	EFFECT FROM TO	UNITS PER ASSY
14 25	233N3214-28		.PANEL ASSY-LIGHTING CONT SUPPLIER CODE: V89954 POSITION DATA: L ELECTRICAL EQUIP NUMBER: M10056 COMPONENT MAINT MANUAL REF: 33-11-71 QUALIFIED I/W DATA: 233N3214-22 -26 -28 -29 ARE ALL INTERCHANGEABLE EXCEPT SUBJECT TO CUSTOMER PREFERENCE THE 233N3214-303 PANEL ASSY IS I/W THE 233N3214-28 PANEL ASSY T/W THE S233T100-6016 LIGHTPLATE AND (2) RC445-131 KNOBS AND (2) TT410-101 KNOBS	952999	RF
25	233N3214-33		.PANEL ASSY-LIGHTING CONT SUPPLIER CODE: V89954 POSITION DATA: L ELECTRICAL EQUIP NUMBER: M10056 COMPONENT MAINT MANUAL REF: 33-11-71 QUALIFIED I/W DATA: 233N3214-24 -27 -31 -32 -33 ARE ALL INTERCHANGEABLE EXCEPT SUBJECT TO CUSTOMER PREFERENCE	121503 904949	RF

MISSING ITEM NUMBERS NOT APPLICABLE

- ITEM NOT ILLUSTRATED

33-11-51-14

33-11-51
FIG. 14
PAGE 3
JAN 20/09

BRI



757

PARTS CATALOG (MAINTENANCE)

FIG ITEM	PART NUMBER	1 2 3 4 5 6 7	NOMENCLATURE	EFFECT FROM TO	UNITS PER ASSY
14 25	233N3214-41		.PANEL ASSY-LIGHTING CONT SUPPLIER CODE: V89954 POSITION DATA: L ELECTRICAL EQUIP NUMBER: M10056 COMPONENT MAINT MANUAL REF: 33-11-71 QUALIFIED I/W DATA: THE 233N3214-302 PANEL ASSY IS I/W THE 233N3214-41 PANEL ASSY T/W THE S233T100-6066 LIGHTPLATE AND (2) RC445-131 KNOBS AND (2) TT410-101 KNOBS	950951	RF
35	BCREF7604		..SWITCH ASSY-LIGHTED PUSH BUTTON IND ON SUPPLIER CODE: V81590 OVERLENGTH PART NUMBER: 433-673-1001-1012 SPECIFICATION NUMBER: S231T290-1012 FOR DETAILS SEE: 33-13-00-15A	107107	1

MISSING ITEM NUMBERS NOT APPLICABLE

- ITEM NOT ILLUSTRATED

33-11-51-14

33-11-51
FIG. 14
PAGE 4
JAN 20/09

BRI



757

PARTS CATALOG (MAINTENANCE)

FIG ITEM	PART NUMBER	1 2 3 4 5 6 7	NOMENCLATURE	EFFECT FROM TO	UNITS PER ASSY
14 35	BCREFA0503		..SWITCH ASSY-LIGHTED PUSH BUTTON IND ON SUPPLIER CODE: V81590 OVERLENGTH PART NUMBER: 433-673-1004-4012 SPECIFICATION NUMBER: S231T290-4012 MISCELLANEOUS DATA: WHEN REPLACING THE PUSHBUTTON SWITCH ASSY OR THE MASTER MODULE WITHIN, VERIFY THAT A CONFIG D MASTER MODULE P/N 13206-001 IS INSTALLED IN LIEU OF ANY EARLIER CONFIGURATION MASTER MODULES. OPTIONAL PART: S231T290-5012 851-35100-5012 V96182 FOR DETAILS SEE: 33-13-00-45A	002004 006010 107107 121503 904999	1
35	851-35100-5012		..SWITCH ASSY-LIGHTED PUSHBUTTON IND ON SUPPLIER CODE: V96182 SPECIFICATION NUMBER: S231T290-5012 OPTIONAL PART: BCREFA0503 V81590	002004 006010 952999	1
35	851-30768-2012		..SWITCH ASSY-LIGHTED PUSH BUTTON IND ON SUPPLIER CODE: V96182 SPECIFICATION NUMBER: S231T290-2012 FOR DETAILS SEE: 33-13-00-25A	107107	1

MISSING ITEM NUMBERS NOT APPLICABLE

- ITEM NOT ILLUSTRATED

33-11-51-14

33-11-51
FIG. 14
PAGE 5
JAN 20/09

BRI



757

PARTS CATALOG (MAINTENANCE)

FIG ITEM	PART NUMBER	1 2 3 4 5 6 7	NOMENCLATURE	EFFECT FROM TO	UNITS PER ASSY
14					
35	851-30768-3012	..	SWITCH ASSY-LIGHTED PUSH BUTTON IND (ON) SUPPLIER CODE: V96182 SPECIFICATION NUMBER: S231T290-3012 OPTIONAL PART: S231T290-5012 FOR DETAILS SEE: 33-13-00-35A	002004 006010 107107 121503 904999	1
35	S231T290-5012	..	SWITCH ASSY-LIGHTED PUSH BUTTON IND ON OPTIONAL PART: 851-30768-3012 V96182 BCREFA0503 V81590	002004 006010 107107 121503 904999	1
35	4336731004-4212	..	SWITCH ASSY-LIGHTED PUSH BUTTON IND ON SUPPLIER CODE: V81590 SPECIFICATION NUMBER: S231T290-4212	002004 006010 107107 121503 904999	1
37	BACC45FN14-15P6	..	CONNECTOR	002004 006010 107107 121503 904999	1
			ATTACHING PARTS		
39	BACS12CB04-5	..	SCREW	107107	3
40	NAS1801-04-5	..	SCREW-	002004 006010 121503 904999	2
42	K19798-04	..	NUT SUPPLIER CODE: V15653 SPECIFICATION NUMBER: BACN10NW1 OPTIONAL PART: RMA4812-160-40 V72962 293162 V60119	107107	3

MISSING ITEM NUMBERS NOT APPLICABLE

- ITEM NOT ILLUSTRATED

33-11-51-14

33-11-51
FIG. 14
PAGE 6
JAN 20/09

BRI

BOEING PROPRIETARY - Copyright © - Unpublished Work - See title page for details.



757

PARTS CATALOG (MAINTENANCE)

FIG ITEM	PART NUMBER	1 2 3 4 5 6 7	NOMENCLATURE	EFFECT FROM TO	UNITS PER ASSY
14 43	K19798-04		..NUT SUPPLIER CODE: V15653 SPECIFICATION NUMBER: BACN10NW1 OPTIONAL PART: RMA4812-160-40 V72962 293162 V60119	002004 006010 121503 904999	2
45	233N3221-61		-----*----- .PANEL ASSY-LIGHTING CONT SUPPLIER CODE: V89954 POSITION DATA: R ELECTRICAL EQUIP NUMBER: M10057 COMPONENT MAINT MANUAL REF: 33-11-72 QUALIFIED I/W DATA: 233N3221-302 PANEL ASSY IS I/W 233N3221-61 PANEL ASSY T/W S233T100-6039 LIGHTPLATE AND (3) RD241-119 KNOBS AND (1) BP248-127 KNOB	002004 006010 950999	RF
45	233N3221-60		.PANEL ASSY-LIGHTING CONT SUPPLIER CODE: V89954 POSITION DATA: R ELECTRICAL EQUIP NUMBER: M10057 COMPONENT MAINT MANUAL REF: 33-11-72	121503 904949	RF
45	233N3221-83		.PANEL ASSY-LIGHTING CONT SUPPLIER CODE: V89954 POSITION DATA: R ELECTRICAL EQUIP NUMBER: M10057 COMPONENT MAINT MANUAL REF: 33-11-72	107107	RF

MISSING ITEM NUMBERS NOT APPLICABLE

- ITEM NOT ILLUSTRATED

33-11-51-14

33-11-51
FIG. 14
PAGE 7
JAN 20/09

BRI



757

PARTS CATALOG (MAINTENANCE)

FIG ITEM	PART NUMBER	1 2 3 4 5 6 7	NOMENCLATURE	EFFECT FROM TO	UNITS PER ASSY
14					
50	6430A		.. TRANSFORMER- SUPPLIER CODE: V95266	002004 006010 107107 121503 904999	1
55	200-26550-01		.. RESISTOR ASSY-VAR SUPPLIER CODE: V95266	002004 006010 107107 121503 904999	1
70	BACC45FN18-31P8		.. CONNECTOR-	002004 006010 107107 121503 904999	1
75	R071718-31D10		.. CONNECTOR- SUPPLIER CODE: V41118 SPECIFICATION NUMBER: BCREF3313 OVERLENGTH PART NUMBER: BACC45FN18-31P10 ATTACHING PARTS	002004 006010 107107 121503 904999	1
- 80	NAS1801-04-5		.. SCREW-	107107	4
- 80	BACS12HN04-5		.. SCREW-	002004 006010 121503 904999	4
- 85	K19798-04		.. NUT SUPPLIER CODE: V15653 SPECIFICATION NUMBER: BACN10NW1 OPTIONAL PART: RMA4812-160-40 V72962 293162 V60119	002004 006010 107107 121503 904999	4
120	C0909A12-12S102		-----*----- .. CONNECTOR SUPPLIER CODE: V13556 SPECIFICATION NUMBER: BACC63BN12-12S OPTIONAL PART: 48-63N12-12S V02660 C0909A12-12SN V13556	002004 006010 107107 121503 904999	1

MISSING ITEM NUMBERS NOT APPLICABLE

- ITEM NOT ILLUSTRATED

33-11-51-14

33-11-51
FIG. 14
PAGE 8
JAN 20/09

BRI



757

PARTS CATALOG (MAINTENANCE)

FIG ITEM	PART NUMBER	1 2 3 4 5 6 7	NOMENCLATURE	EFFECT FROM TO	UNITS PER ASSY
14 125	GTR21-12CD	..	CLAMP- SUPPLIER CODE: V06324	002004 006010 107107 121503 904999	1
150	233N3227-1	.	PANEL ASSY-CAPT DOMELIGHT OVERRIDE SUPPLIER CODE: V89954 ELECTRICAL EQUIP NUMBER: M10653 COMPONENT MAINT MANUAL REF: 33-11-14	121503 904949	RF
150	233N3227-6	.	PANEL ASSY-CAPT DOMELIGHT OVERRIDE SUPPLIER CODE: V89954 ELECTRICAL EQUIP NUMBER: M10653 COMPONENT MAINT MANUAL REF: 33-11-14 QUALIFIED I/W DATA: THE 233N3227-300 PANEL ASSY IS I/W THE 233N3227-6 PANEL ASSY T/W THE S233T100-6051 LIGHTPLATE AND RD241-119 KNOB.	121503 904949	RF
155	6430A	..	TRANSFORMER- SUPPLIER CODE: V95266	121503 904949	1
160	MS24523-23	..	SWITCH	121503 904949	1
170	BACC45FN14-15P	..	CONNECTOR	121503 904949	1
- 175	NAS1801-04-5	..	ATTACHING PARTS SCREW	121503 904949	3
- 180	K19798-04	..	NUT SUPPLIER CODE: V15653 SPECIFICATION NUMBER: BACN10NW1 OPTIONAL PART: RMA4812-160-40 V72962 293162 V60119 -----*-----	121503 904949	3

MISSING ITEM NUMBERS NOT APPLICABLE

- ITEM NOT ILLUSTRATED

33-11-51-14

33-11-51
FIG. 14
PAGE 9
JAN 20/09

BRI



757

PARTS CATALOG (MAINTENANCE)

FIG ITEM	PART NUMBER	1 2 3 4 5 6 7	NOMENCLATURE	EFFECT FROM TO	UNITS PER ASSY
14					
- 350	286N2070-003		WIRE BUNDLE ASSY	121503 904949	RF
355	BACC45FT14A15S		.CONNECTOR- ELECTRICAL EQUIP NUMBER: D05824 WIRING DIAGRAM REF: 331331	121503 904949	1
- 400	286N2156-003		WIRE BUNDLE ASSY-	121503 904949	RF
- 400	286N2156-004		WIRE BUNDLE ASSY	107107	RF
- 400	286N2156-005		WIRE BUNDLE ASSY-	002004 006010 950999	RF
405	R071618D31S10		.CONNECTOR- SUPPLIER CODE: V41118 SPECIFICATION NUMBER: BCREF6353 OPTIONAL PART: BMS2426618D31S1 V11139 OVERLENGTH PART NUMBER: BACC45FT18D31S10 ELECTRICAL EQUIP NUMBER: D03534 WIRING DIAGRAM REF: 525111	002004 006010 107107 121503 904999	1
- 410	286N2070-003		WIRE BUNDLE ASSY-	121503 904949	RF
- 410	286N2070-004		WIRE BUNDLE ASSY	107107	RF
- 410	286N2070-005		WIRE BUNDLE ASSY-	002004 006010 950999	RF
420	BACC45FT18D31S8		.CONNECTOR- ELECTRICAL EQUIP NUMBER: D03598 WIRING DIAGRAM REF: 525111	002004 006010 107107 121503 904999	1
- 500	286N2078-003		WIRE BUNDLE ASSY-	121503 904949	RF
- 500	286N2078-004		WIRE BUNDLE ASSY	107107	RF
- 500	286N2078-005		WIRE BUNDLE ASSY-	002004 006010 950999	RF
505	BACC45FT14D15S6		.CONNECTOR- ELECTRICAL EQUIP NUMBER: D03501 WIRING DIAGRAM REF: 334221	002004 006010 107107 121503 904999	1

MISSING ITEM NUMBERS NOT APPLICABLE

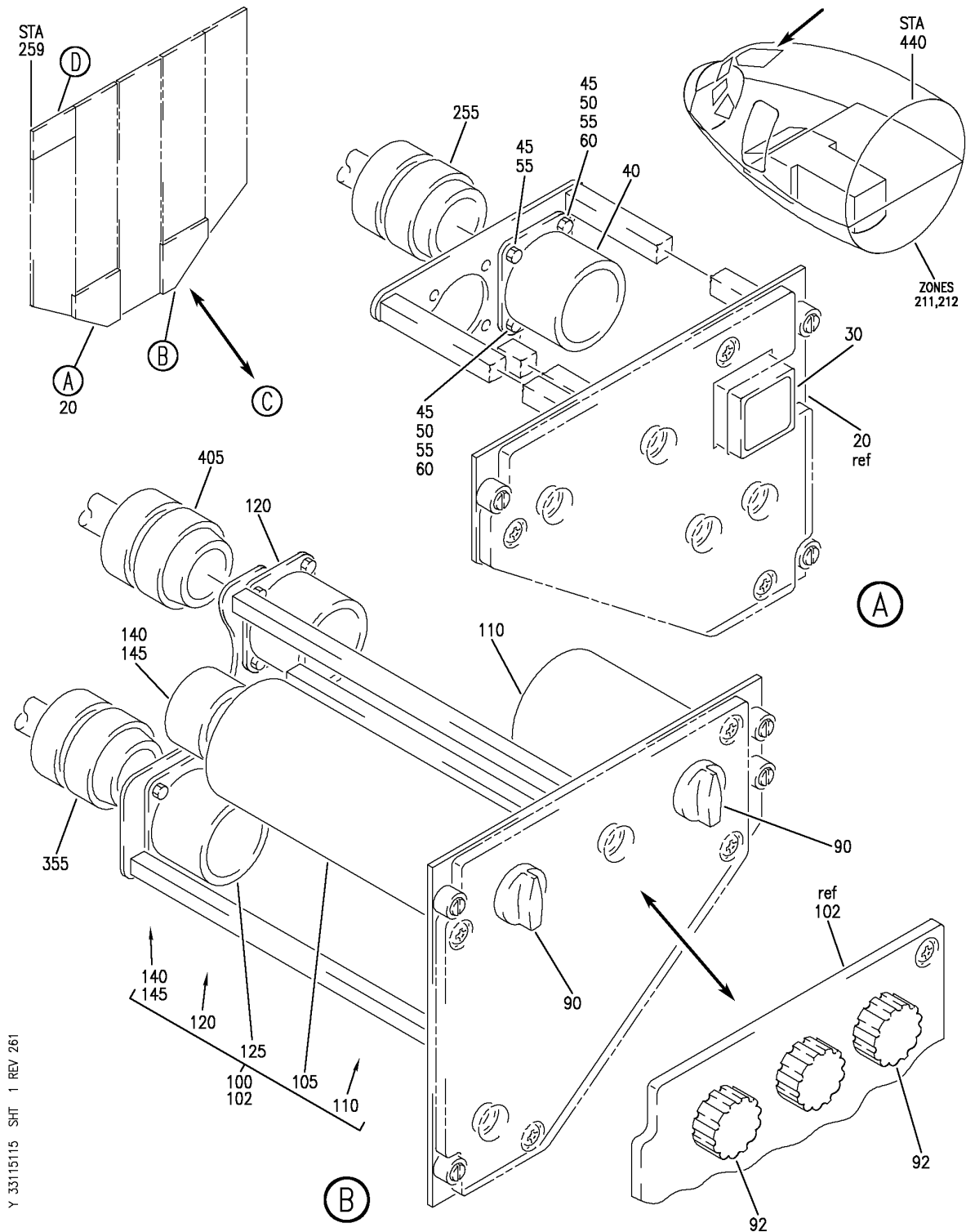
- ITEM NOT ILLUSTRATED

33-11-51-14

33-11-51
FIG. 14
PAGE 10
JAN 20/09

BRI

BOEING
757
PARTS CATALOG (MAINTENANCE)



Y 33115115 SH1 1 REV 261

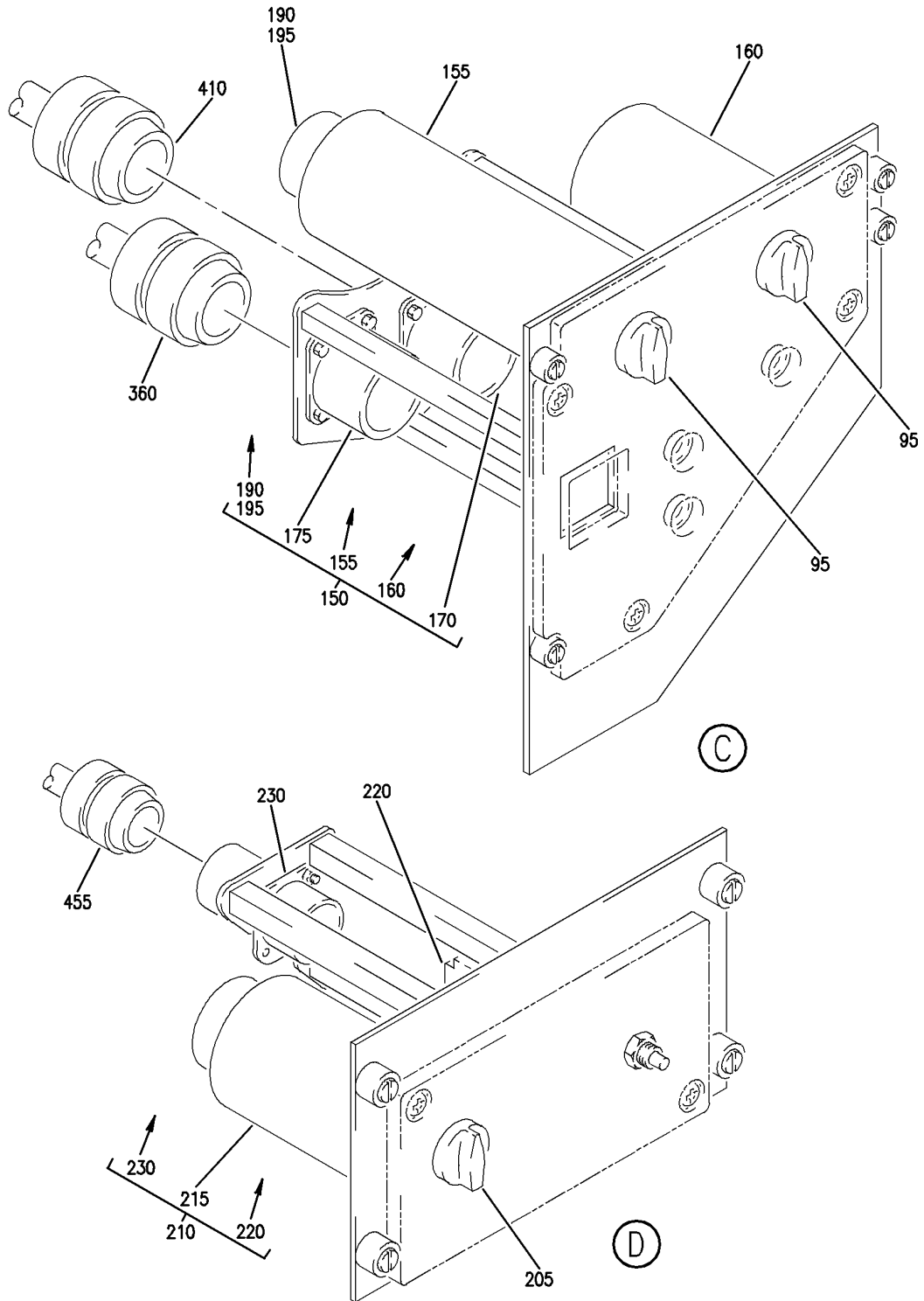
PANEL INSTL-OVHD (FLIGHT COMPARTMENT ILLUMINATION ONLY)
FIGURE 15 (SHEET 1)

33-11-51-15

BRI
MAY 28/07

33-11-51-15
PAGE 0

BOEING
757
PARTS CATALOG (MAINTENANCE)



Y 33115115 SH1 2 REV 239

PANEL INSTL-OVHD (FLIGHT COMPARTMENT ILLUMINATION ONLY)
FIGURE 15 (SHEET 2)

33-11-51-15

BRI
MAY 28/07

33-11-51-15
PAGE 0A



757

PARTS CATALOG (MAINTENANCE)

FIG ITEM	PART NUMBER	1 2 3 4 5 6 7	NOMENCLATURE	EFFECT FROM TO	UNITS PER ASSY
15			PANEL INSTL-OVHD (FLIGHT COMPARTMENT ILLUMINATION ONLY)	011100	
- 1	233N3101-1		PANEL INSTL-OVHD (FLIGHT COMPARTMENT ILLUMINATION ONLY) VARIABLE DRAWING REF: 233N3101-5142 FOR NHA/OTHER SYS DET SEE: 25-10-00-05A	011100	RF
- 5	233N3214-300		.PANEL ASSY-LIGHTING CONT SUPPLIER CODE: V89954 POSITION DATA: L COMPONENT MAINT MANUAL REF: 33-11-71 QUALIFIED I/W DATA: THE 233N3214-300 PANEL ASSY IS I/W THE 233N3214-31 PANEL ASSY T/W THE S233T100-6003 LIGHTPLATE AND (2) RC445-131 KNOBS AND (2) TT410-101 KNOBS	011100	RF
- 5	233N3214-301		.PANEL ASSY-LIGHTING CONT SUPPLIER CODE: V89954 POSITION DATA: L COMPONENT MAINT MANUAL REF: 33-11-71 QUALIFIED I/W DATA: THE 233N3214-301 PANEL ASSY IS I/W THE 233N3214-32 PANEL ASSY T/W THE S233T100-6003 LIGHTPLATE AND (2) RC445-131 KNOBS AND (2) TT410-101 KNOBS	011100	RF

MISSING ITEM NUMBERS NOT APPLICABLE

- ITEM NOT ILLUSTRATED

BRI

33-11-51-15

BOEING PROPRIETARY - Copyright © - Unpublished Work - See title page for details.

33-11-51
FIG. 15
PAGE 1
JAN 20/09



757

PARTS CATALOG (MAINTENANCE)

FIG ITEM	PART NUMBER	1 2 3 4 5 6 7	NOMENCLATURE	EFFECT FROM TO	UNITS PER ASSY
15 20	233N3214-31		.. PANEL ASSY- SUPPLIER CODE: V89954 ELECTRICAL EQUIP NUMBER: M10056 COMPONENT MAINT MANUAL REF: 33-11-71 QUALIFIED I/W DATA: THE 233N3214-300 PANEL ASSY IS I/W THE 233N3214-31 PANEL ASSY T/W THE S233T100-6003 LIGHTPLATE AND (2) RC445-131 KNOBS AND (2) TT410-101 KNOBS	011100	RF
30	BCREFA0503		... SWITCH ASSY-LIGHTED PUSH BUTTON IND ON SUPPLIER CODE: V81590 OVERLENGTH PART NUMBER: 433-673-1004-4012 SPECIFICATION NUMBER: S231T290-4012 MISCELLANEOUS DATA: WHEN REPLACING THE PUSHBUTTON SWITCH ASSY OR THE MASTER MODULE WITHIN, VERIFY THAT A CONFIG D MASTER MODULE P/N 13206-001 IS INSTALLED IN LIEU OF ANY EARLIER CONFIGURATION MASTER MODULES. OPTIONAL PART: 851-35100-5012 V96182 FOR DETAILS SEE: 33-13-00-45A	011100	1
30	851-30768-3012		... SWITCH ASSY-LIGHTED PUSH BUTTON IND ON SUPPLIER CODE: V96182 SPECIFICATION NUMBER: S231T290-3012 FOR DETAILS SEE: 33-13-00-35A	011100	1
30	S231T290-5012		... SWITCH ASSY-LIGHTED PUSH BUTTON IND ON	011100	1

MISSING ITEM NUMBERS NOT APPLICABLE

- ITEM NOT ILLUSTRATED

33-11-51-15

33-11-51
FIG. 15
PAGE 2
JAN 20/09

BRI



757

PARTS CATALOG (MAINTENANCE)

FIG ITEM	PART NUMBER	1 2 3 4 5 6 7	NOMENCLATURE	EFFECT FROM TO	UNITS PER ASSY
15					
30	851-35100-5012		...SWITCH ASSY-LIGHTED PUSH BUTTON IND ON SUPPLIER CODE: V96182 SPECIFICATION NUMBER: S231T290-5012 OPTIONAL PART: BCREFA0503 V81590	011100	1
30	4336731004-4212		...SWITCH ASSY-LIGHTED PUSH BUTTON IND ON SUPPLIER CODE: V81590 SPECIFICATION NUMBER: S231T290-4212	011100	1
40	BACC45FN14-15P6		...CONNECTOR ATTACHING PARTS	011100	1
50	BACS12HN04-5		...SCREW	011100	2
60	K19798-04		...NUT SUPPLIER CODE: V15653 SPECIFICATION NUMBER: BACN10NW1 OPTIONAL PART: RMA4812-160-40 V72962 293162 V60119	011100	2
- 75	233N3221-302		-----*----- .PANEL ASSY-LIGHTING CONT SUPPLIER CODE: V89954 POSITION DATA: R COMPONENT MAINT MANUAL REF: 33-11-72 QUALIFIED I/W DATA: 233N3221-302 PANEL ASSY IS I/W 233N3221-61 PANEL ASSY T/W S233T100-6039 LIGHTPLATE AND (3) RD241-119 KNOBS AND (1) BP248-127 KNOB	011100	RF
90	RD241-119		..KNOB- SUPPLIER CODE: V81590	011100	2

MISSING ITEM NUMBERS NOT APPLICABLE

- ITEM NOT ILLUSTRATED

33-11-51-15

33-11-51
FIG. 15
PAGE 3
JAN 20/09

BRI



757

PARTS CATALOG (MAINTENANCE)

FIG ITEM	PART NUMBER	1 2 3 4 5 6 7	NOMENCLATURE	EFFECT FROM TO	UNITS PER ASSY
15 100	233N3221-61		..PANEL ASSY- SUPPLIER CODE: V89954 ELECTRICAL EQUIP NUMBER: M10057 COMPONENT MAINT MANUAL REF: 33-11-72 QUALIFIED I/W DATA: 233N3221-302 PANEL ASSY IS I/W 233N3221-61 PANEL ASSY T/W S233T100-6039 LIGHTPLATE AND (3) RD241-119 KNOBS AND (1) BP248-127 KNOB	011100	1
105	200-26550-01		...RESISTOR ASSY-VAR SUPPLIER CODE: V95266	011100	1
110	6430A		...TRANSFORMER- SUPPLIER CODE: V95266	011100	1
120	BACC45FN18-31P8		...CONNECTOR-	011100	1
125	R071718-31D10		...CONNECTOR- SUPPLIER CODE: V41118 SPECIFICATION NUMBER: BCREF3313 OVERLENGTH PART NUMBER: BACC45FN18-31P10 ATTACHING PARTS	011100	1
- 130	BACS12HN04-5		...SCREW	011100	4
- 135	K19798-04		...NUT SUPPLIER CODE: V15653 SPECIFICATION NUMBER: BACN10NW1 OPTIONAL PART: RMA4812-160-40 V72962 293162 V60119	011100	4
140	GTR21-12CD		-----*----- ...CLAMP- SUPPLIER CODE: V06324	011100	1

MISSING ITEM NUMBERS NOT APPLICABLE

- ITEM NOT ILLUSTRATED

33-11-51-15

33-11-51
FIG. 15
PAGE 4
JAN 20/09

BRI



757

PARTS CATALOG (MAINTENANCE)

FIG ITEM	PART NUMBER	1 2 3 4 5 6 7	NOMENCLATURE	EFFECT FROM TO	UNITS PER ASSY
15 145	C0909A12-12S102	. . .	CONNECTOR SUPPLIER CODE: V13556 SPECIFICATION NUMBER: BACC63BN12-12S OPTIONAL PART: 48-63N12-12S V02660 C0909A12-12SN V13556	011100	1
- 250 255	286N2078-005 BACC45FT14D15S6		WIRE BUNDLE ASSY .CONNECTOR- ELECTRICAL EQUIP NUMBER: D03501 WIRING DIAGRAM REF: 334221	011100 011100	RF 1
- 350 355	286N2156-005 R071618D31S10		WIRE BUNDLE ASSY .CONNECTOR- SUPPLIER CODE: V41118 SPECIFICATION NUMBER: BCREF6353 OPTIONAL PART: BMS2426618D31S1 V11139 OVERLENGTH PART NUMBER: BACC45FT18D31S10 ELECTRICAL EQUIP NUMBER: D03534 WIRING DIAGRAM REF: 525111	011100 011100	RF 1
- 400 405	286N2070-005 BACC45FT18D31S8		WIRE BUNDLE ASSY- .CONNECTOR- ELECTRICAL EQUIP NUMBER: D03598 WIRING DIAGRAM REF: 525111	011100 011100	RF 1

MISSING ITEM NUMBERS NOT APPLICABLE

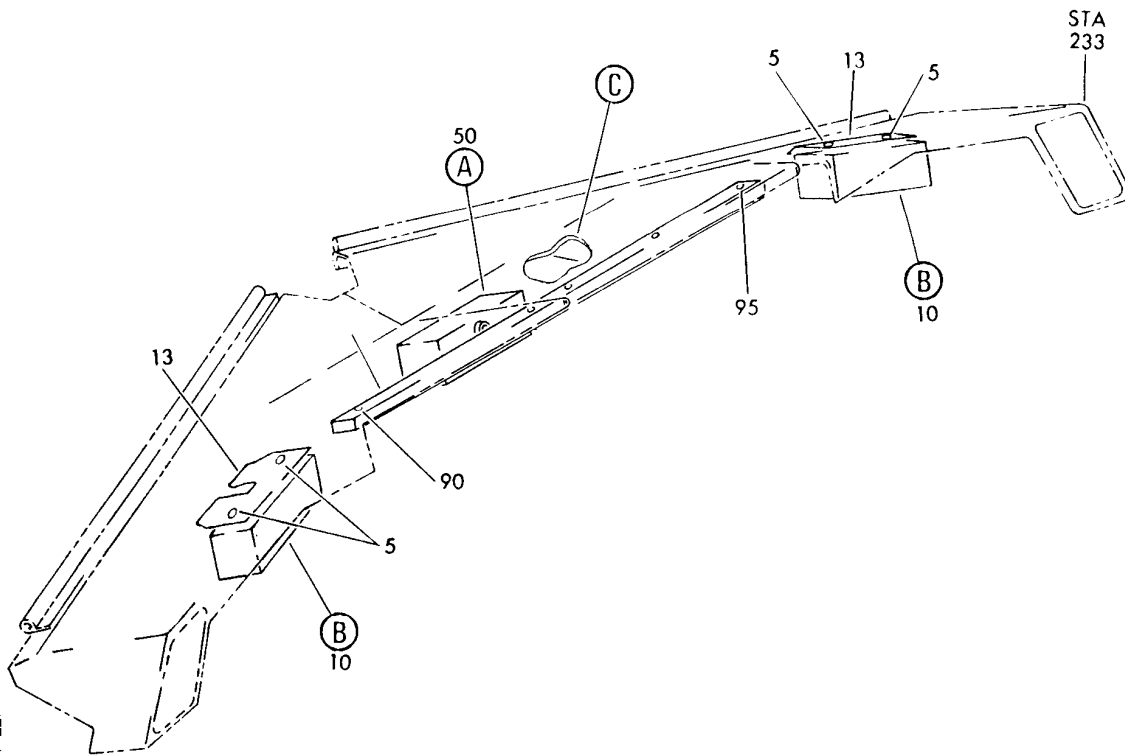
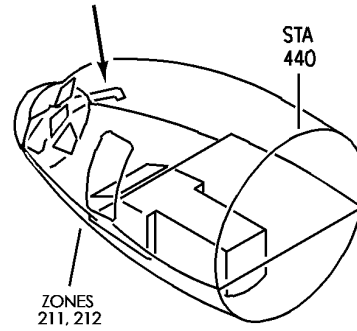
- ITEM NOT ILLUSTRATED

33-11-51-15

33-11-51
FIG. 15
PAGE 5
JAN 20/09

BRI

BOEING
757
PARTS CATALOG (MAINTENANCE)



Y 33115116 SHT 1 REV 229

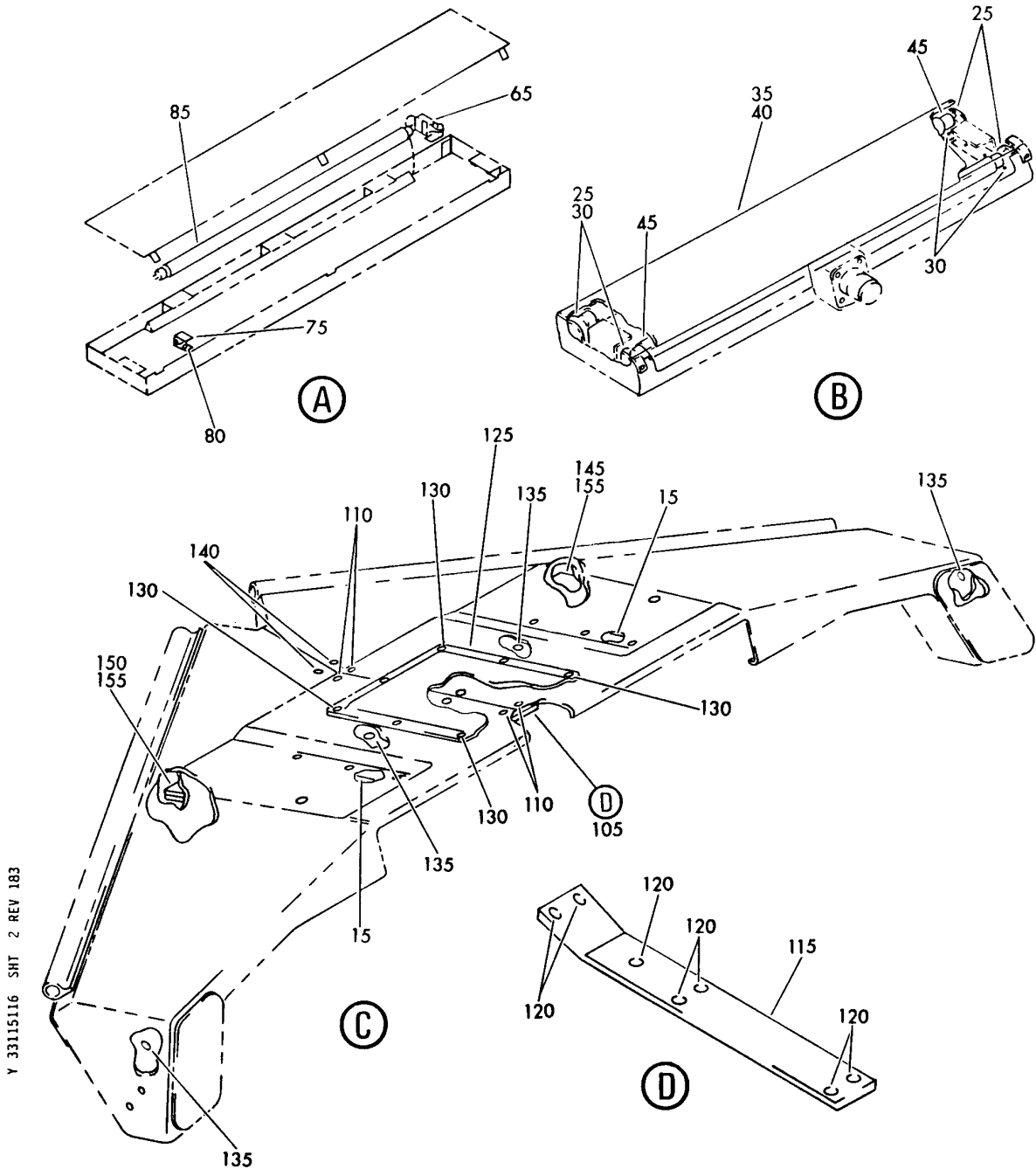
GLARESHIELD INSTL
FIGURE 16 (SHEET 1)

33-11-51-16

BRI
MAY 28/07

33-11-51-16
PAGE 0

BOEING
757
PARTS CATALOG (MAINTENANCE)



Y 33115116 SHT 2 REV 183

GLARESHIELD INSTL
FIGURE 16 (SHEET 2)

33-11-51-16

BRI
MAY 28/07

33-11-51-16
PAGE 0A



757

PARTS CATALOG (MAINTENANCE)

FIG ITEM	PART NUMBER	1 2 3 4 5 6 7	NOMENCLATURE	EFFECT FROM TO	UNITS PER ASSY
16			GLARESHIELD INSTL	101106 108120 504903	
- 1	233N8100-49		GLARESHIELD INSTL- FOR NHA SEE: 25-10-00-15	101101	RF
- 1	233N8100-400		GLARESHIELD INSTL- FOR NHA SEE: 25-10-00-15	102102 108120 504903	RF
- 1	MODREF8845		GLARESHIELD INSTL- MODULE NUMBER: 233N8100-400 REV A	103106	1
5	BACS12GX3E9		.SCREW- OPTIONAL PART: NAS514P1032-9	101106 108120 504903	4
5	NAS514P1032-9		.SCREW- OPTIONAL PART: BACS12GX3E9	101106 108120 504903	4
- 8	233N8100-57		.KIT ASSY-SUB OPTIONAL PART: 233N8100-58	101106 108120 504903	2
- 8	233N8100-58		.KIT ASSY-SUB OPTIONAL PART: 233N8100-57	101106 108120 504903	2
10	1547-1-1		..LAMP ASSY-CAPT AND FIRST OFFICER MAIN SUPPLIER CODE: V30242 SPECIFICATION NUMBER: S233T810-15 COMPONENT MAINT MANUAL REF: 33-11-01 OPTIONAL PART: 1547-1 V30242 USED ON: 233N8100-58	101106 108120 504903	1

MISSING ITEM NUMBERS NOT APPLICABLE

- ITEM NOT ILLUSTRATED

BRI

33-11-51-16

BOEING PROPRIETARY - Copyright © - Unpublished Work - See title page for details.

33-11-51
FIG. 16
PAGE 1
JAN 20/09

BOEING
757
PARTS CATALOG (MAINTENANCE)

FIG ITEM	PART NUMBER	1 2 3 4 5 6 7	NOMENCLATURE	EFFECT FROM TO	UNITS PER ASSY
16					
10	1547-1		..LAMP ASSY-CAPT AND FIRST OFFICER MAIN SUPPLIER CODE: V30242 SPECIFICATION NUMBER: S233T810-1 COMPONENT MAINT MANUAL REF: 33-11-01 OPTIONAL PART: 1547-1-1 V30242 USED ON: 233N8100-57	101106 108120 504903	1
13	233N8305-7		.BRACKET	101106 108120 504903	2
15	233N8100-4		.SHIM	101106 108120 504903	2
- 20	BACS12GX3E9		ATTACHING PARTS .SCREW- OPTIONAL PART: NAS514P1032-9	101106 108120 504903	6
- 20	NAS514P1032-9		.SCREW- OPTIONAL PART: BACS12GX3E9	101106 108120 504903	6
			-----*-----		
25	1547-62		..SOCKET ASSY- SUPPLIER CODE: V30242	101106 108120 504903	4
30	NAS662C2R4		ATTACHING PARTS ..SCREW	101106 108120 504903	4
			-----*-----		
35	1547-52		..WINDOW ASSY- SUPPLIER CODE: V30242 USED ON: 1547-1	101106 108120 504903	1
40	1547-152		..WINDOW ASSY- SUPPLIER CODE: V30242 USED ON: 1547-1	101106 108120 504903	1
45	5108WW		..BULB- SUPPLIER CODE: V08806	101106 108120 504903	2

MISSING ITEM NUMBERS NOT APPLICABLE

- ITEM NOT ILLUSTRATED

BRI

33-11-51-16

BOEING PROPRIETARY - Copyright © - Unpublished Work - See title page for details.

33-11-51
FIG. 16
PAGE 2
JAN 20/09



757

PARTS CATALOG (MAINTENANCE)

FIG ITEM	PART NUMBER	1 2 3 4 5 6 7	NOMENCLATURE	EFFECT FROM TO	UNITS PER ASSY
16					
50	1548-1-1		.LAMP ASSY-TR PNL LT SUPPLIER CODE: V30242 SPECIFICATION NUMBER: S233T810-9 ELECTRICAL EQUIP NUMBER: L00273	101106 108120 504903	1
50	1548-1-2		.LAMP ASSY-CTR PNL LT SUPPLIER CODE: V30242 SPECIFICATION NUMBER: S233T810-10 COMPONENT MAINT MANUAL REF: 33-11-01 ATTACHING PARTS	101106 108120 504903	1
- 55	NAS514P1032-6		.SCREW -----*-----	101106 108120 504903	4
			TEMPORARY BREAKDOWN FOR: 1548-1-1	101106 108120 504903	
65	1548-62		.. SOCKET ASSY- SUPPLIER CODE: V30242 POSITION DATA: RH ATTACHING PARTS	101106 108120 504903	1
- 70	NAS662C2R4		.. SCREW -----*-----	101106 108120 504903	1
75	1548-62-1		.. SOCKET ASSY- SUPPLIER CODE: V30242 POSITION DATA: LH ATTACHING PARTS	101106 108120 504903	1
80	NAS662C2R4		.. SCREW -----*-----	101106 108120 504903	1
85	5108WW		.. BULB- SUPPLIER CODE: V08806	101106 108120 504903	1
90	L0060001		. FLOODLIGHT- SUPPLIER CODE: V51896	101106 108120 504903	1

MISSING ITEM NUMBERS NOT APPLICABLE

- ITEM NOT ILLUSTRATED

33-11-51-16

33-11-51
FIG. 16
PAGE 3
JAN 20/09

BRI



757

PARTS CATALOG (MAINTENANCE)

FIG ITEM	PART NUMBER	1 2 3 4 5 6 7	NOMENCLATURE	EFFECT FROM TO	UNITS PER ASSY
16					
95	L0060002		. FLOODLIGHT- SUPPLIER CODE: V51896	101106 108120 504903	1
- 100	BACS12GX08E5		ATTACHING PARTS . SCREW-	101106 108120 504903	6
- 100	NAS514P832-5		OPTIONAL PART: NAS514P832-5 . SCREW-	101106 108120 504903	6
			OPTIONAL PART: BACS12GX08E5 -----*-----	101106 108120 504903	
105	233N8303-1		. ANGLE ASSY	101106 108120 504903	1
			ATTACHING PARTS . SCREW	101106 108120 504903	6
110	BACS12GX06E4		-----*-----		
115	233N8303-2		.. ANGLE	101106 108120 504903	1
120	SF6G6CD		.. FASTENER- SUPPLIER CODE: V12324	101106 108120 504903	7
125	233T8309-1		. HOLDER	101106 108120 504903	1
			ATTACHING PARTS . SCREW-	101106 108120 504903	7
130	BACS12CK06E5		OPTIONAL PART: NAS601-5P . SCREW-	101106 108120 504903	7
130	NAS601-5P		OPTIONAL PART: BACS12CK06E5 -----*-----	101106 108120 504903	7
135	PS10F7CPL21BN		. SCREW- SUPPLIER CODE: V12324	101106 108120 504903	4
140	BACS12GU3K8		. SCREW	101106 108120 504903	2
145	233N8304-7		. COVER ASSY	101106 108120 504903	1
150	233N8304-8		. COVER ASSY	101106 108120 504903	1

MISSING ITEM NUMBERS NOT APPLICABLE

- ITEM NOT ILLUSTRATED

33-11-51-16

33-11-51
FIG. 16
PAGE 4
JAN 20/09

BRI



757
PARTS CATALOG (MAINTENANCE)

FIG ITEM	PART NUMBER	1 2 3 4 5 6 7	NOMENCLATURE	EFFECT FROM TO	UNITS PER ASSY
16 155	233N8304-5		. . VELCRO-HOOK	101106 108120 504903	1

MISSING ITEM NUMBERS NOT APPLICABLE

- ITEM NOT ILLUSTRATED

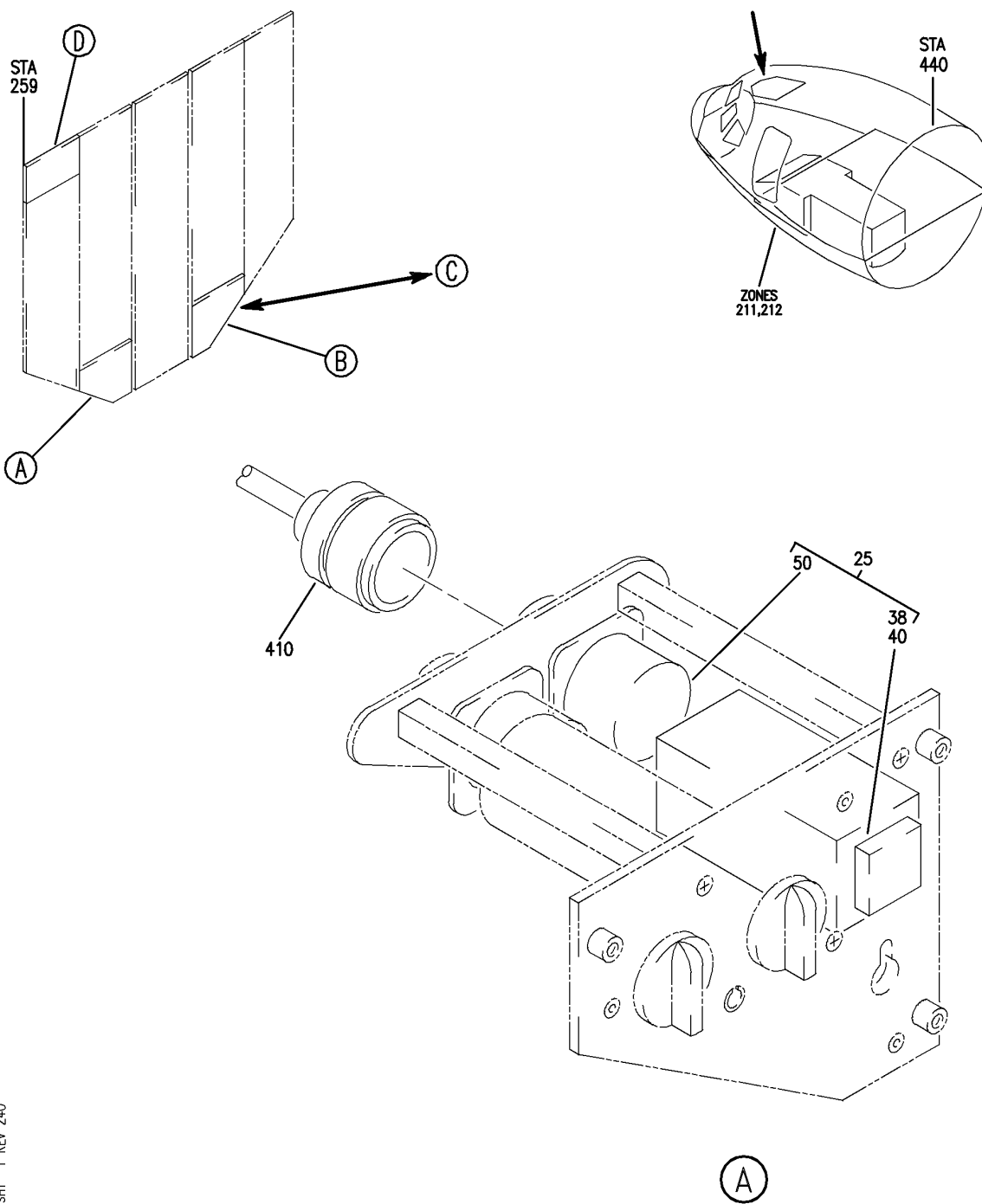
BRI

33-11-51-16

BOEING PROPRIETARY - Copyright © - Unpublished Work - See title page for details.

33-11-51
FIG. 16
PAGE 5
JAN 20/09

BOEING
757
PARTS CATALOG (MAINTENANCE)



Y 33115117 SHT 1 REV 240

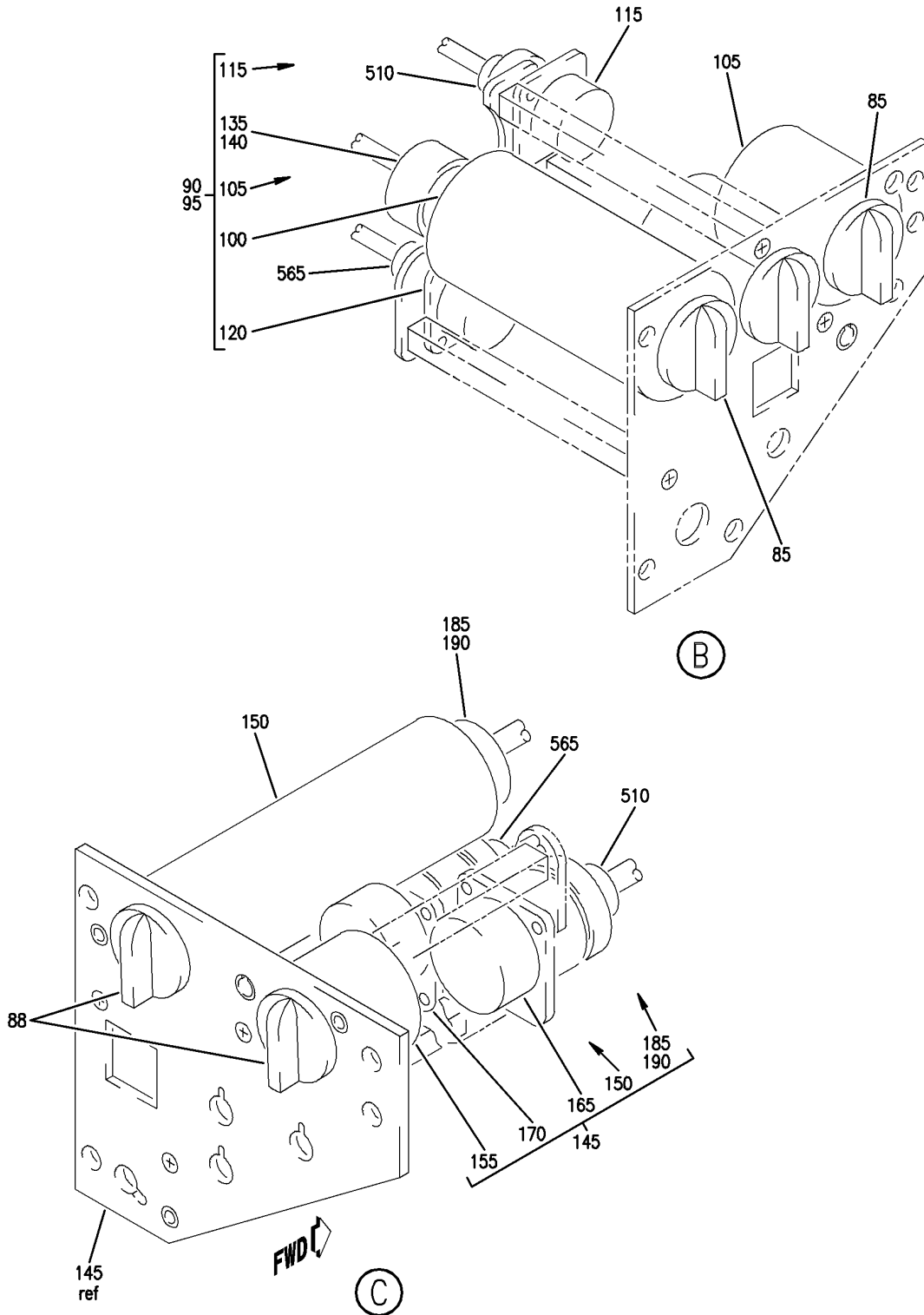
PANEL INSTL-P5 OVHD (FLIGHT COMPARTMENT ILLUMINATION ONLY)
FIGURE 17 (SHEET 1)

33-11-51-17

BRI
MAY 28/07

33-11-51-17
PAGE 0

BOEING
757
PARTS CATALOG (MAINTENANCE)



Y 33115117 SHT 2 REV 237

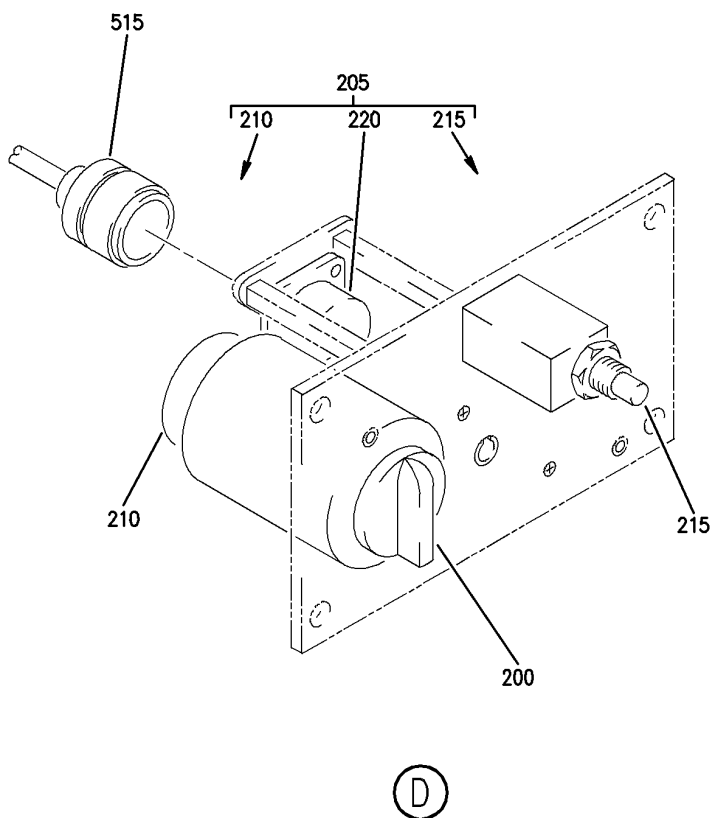
PANEL INSTL-P5 OVHD (FLIGHT COMPARTMENT ILLUMINATION ONLY)
FIGURE 17 (SHEET 2)

33-11-51-17

BRI
MAY 28/07

33-11-51-17
PAGE 0A

BOEING
757
PARTS CATALOG (MAINTENANCE)



Y 33115117 SH1 3 REV 235

PANEL INSTL-P5 OVHD (FLIGHT COMPARTMENT ILLUMINATION ONLY)
FIGURE 17 (SHEET 3)

33-11-51-17

BRI
MAY 28/07

33-11-51-17
PAGE 0B



757

PARTS CATALOG (MAINTENANCE)

FIG ITEM	PART NUMBER	1 2 3 4 5 6 7	NOMENCLATURE	EFFECT FROM TO	UNITS PER ASSY
17			PANEL INSTL-P5 OVHD (FLIGHT COMPARTMENT ILLUMINATION ONLY)	101106 108120 504903	
- 2	233N3103-132		PANEL INSTL-P5 OVHD (FLIGHT COMPARTMENT ILLUMINATION ONLY) FOR NHA/OTHER SYS DET SEE: 25-10-00-15E	101102	RF
- 2	233N3103-136		PANEL INSTL-P5 OVHD (FLIGHT COMPARTMENT ILLUMINATION ONLY) FOR NHA/OTHER SYS DET SEE: 25-10-00-15E	504903	RF
- 6	233N3103-59		PANEL INSTL-P5 OVHD (FLIGHT COMPARTMENT ILLUMINATION ONLY) FOR NHA/OTHER SYS DET SEE: 25-10-00-15E	108120	RF
- 7	MODREF33760		PANEL INSTL-P5 OVHD (FLIGHT COMPARTMENT ILLUMINATION ONLY) MODULE NUMBER: 233N3103-351 REV C FOR OTHER SYS DETAILS SEE: 11-31-10-12 21-25-55-03 21-31-01-02 21-33-51-03 21-51-54-03 21-58-19-10 21-58-51-03 21-61-04-03 21-65-51-01 22-21-01-04 22-24-51-02 23-24-01-01 23-32-00-11 23-42-02-02 23-71-05-02 24-11-52-05 24-22-01-03 24-31-01-10 24-31-03-09 24-33-04-01 24-41-51-04 24-51-62-01 26-18-51-04 27-21-53-02 27-41-55-01	103103	1

MISSING ITEM NUMBERS NOT APPLICABLE

- ITEM NOT ILLUSTRATED

33-11-51-17

33-11-51
FIG. 17
PAGE 1
JAN 20/09

BRI



757

PARTS CATALOG (MAINTENANCE)

FIG ITEM	PART NUMBER	1 2 3 4 5 6 7	NOMENCLATURE	EFFECT FROM TO	UNITS PER ASSY
17			27-61-51-03 27-62-52-02 28-22-51-02 28-41-04-01 28-41-51-03 29-11-02-03 29-11-05-04 29-11-52-07 29-21-54-03 29-31-00-01 29-32-51-03 29-33-52-03 30-11-51-03 30-21-51-03 30-31-51-02 30-32-51-01 30-33-51-02 30-41-51-03 30-42-51-03 31-12-11-91 31-12-11-91 A 32-42-52-03 33-13-01-65 33-13-02-03 33-16-51-03 33-24-51-02 33-41-52-04 33-42-01-04 33-42-02-04 33-42-52-04 33-43-51-04 33-44-51-05 33-45-53-03 33-51-08-05 34-21-02-01 35-21-51-04 36-11-04-01 36-21-00-01 36-21-02-05 36-22-51-03 49-41-00-02 49-52-00-01 49-70-00-01 52-51-51-03 52-71-51-02 73-21-52-02 74-31-51-05 75-32-00-01 80-11-09-02		

MISSING ITEM NUMBERS NOT APPLICABLE

- ITEM NOT ILLUSTRATED

33-11-51-17

33-11-51
FIG. 17
PAGE 2
JAN 20/09

BRI



757

PARTS CATALOG (MAINTENANCE)

FIG ITEM	PART NUMBER	1 2 3 4 5 6 7	NOMENCLATURE	EFFECT FROM TO	UNITS PER ASSY
17					
- 7	MODREF34038		FOR ADDITIONAL DETAILS SEE: 33-11-03-03 PANEL INSTL-P5 OVHD (FLIGHT COMPARTMENT ILLUMINATION ONLY) MODULE NUMBER: 233N3103-351 REV D FOR OTHER SYS DETAILS SEE: 11-31-10-12 21-25-55-03 21-31-01-02 21-33-51-03 21-51-54-03 21-58-19-10 21-58-51-03 21-61-04-03 21-65-51-01 22-21-01-04 22-24-51-02 23-24-01-01 23-32-00-11 23-42-02-02 23-71-05-02 24-11-52-05 24-22-01-03 24-31-01-10 24-31-03-09 24-33-04-01 24-41-51-04 24-51-62-01 26-18-51-04 27-21-53-02 27-41-55-01 27-61-51-03 27-62-52-02 28-22-51-02 28-41-04-01 28-41-51-03 29-11-02-03 29-11-05-04 29-11-52-07 29-21-54-03 29-31-00-01 29-32-51-03 29-33-52-03 30-11-51-03 30-21-51-03 30-31-51-02 30-32-51-01	104105	1

MISSING ITEM NUMBERS NOT APPLICABLE

- ITEM NOT ILLUSTRATED

33-11-51-17

33-11-51
FIG. 17
PAGE 3
JAN 20/09

BRI



757

PARTS CATALOG (MAINTENANCE)

FIG ITEM	PART NUMBER	1 2 3 4 5 6 7	NOMENCLATURE	EFFECT FROM TO	UNITS PER ASSY
17			30-33-51-02 30-41-51-03 30-42-51-03 31-12-11-91 31-12-11-91A 32-42-52-03 33-13-01-65 33-13-02-03 33-16-51-03 33-24-51-02 33-41-52-04 33-42-01-04 33-42-02-04 33-42-52-04 33-43-51-04 33-44-51-05 33-45-53-03 33-51-08-05 34-21-02-01 35-21-51-04 36-11-04-01 36-21-00-01 36-21-02-05 36-22-51-03 49-41-00-02 49-52-00-01 49-70-00-01 52-51-51-03 52-71-51-02 73-21-52-02 74-31-51-05 75-32-00-01 80-11-09-02 FOR ADDITIONAL DETAILS SEE: 33-11-03-03 PANEL INSTL-P5 OVHD (FLIGHT COMPARTMENT ILLUMINATION ONLY) MODULE NUMBER: 233N3103-353 REV B FOR OTHER SYS DETAILS SEE: 11-31-10-12 21-25-55-03 21-31-01-02 21-33-51-03 21-51-54-03 21-58-19-10 21-58-51-03 21-61-04-03 MISSING ITEM NUMBERS NOT APPLICABLE		
- 8	MODREF170180			106106	1

- ITEM NOT ILLUSTRATED

33-11-51-17

33-11-51
 FIG. 17
 PAGE 4
 JAN 20/09

BRI



757

PARTS CATALOG (MAINTENANCE)

FIG ITEM	PART NUMBER	1 2 3 4 5 6 7	NOMENCLATURE	EFFECT FROM TO	UNITS PER ASSY
17			21-65-51-01 22-21-01-04 22-24-51-02 23-32-00-11 23-42-02-02 23-71-05-02 24-11-52-05 24-22-01-03 24-31-01-10 24-31-03-09 24-33-04-01 24-41-51-04 24-51-62-01 26-18-51-04 27-21-53-02 27-41-55-01 27-61-51-03 27-62-52-02 28-22-51-02 28-41-04-01 28-41-51-03 29-11-02-03 29-11-05-04 29-11-52-07 29-21-54-03 29-31-00-01 29-32-51-03 29-33-52-03 30-11-51-03 30-21-51-03 30-31-51-02 30-32-51-01 30-33-51-02 30-41-51-03 30-42-51-03 31-12-11-84 31-12-11-84 A 32-42-52-03 33-13-01-65 33-13-02-03 33-16-51-03 33-24-51-02 33-41-52-04 33-42-01-04 33-42-02-04 33-42-52-04 33-43-51-04 33-44-51-05 33-45-53-03		

MISSING ITEM NUMBERS NOT APPLICABLE

- ITEM NOT ILLUSTRATED

33-11-51-17

33-11-51
FIG. 17
PAGE 5
JAN 20/09

BRI



757

PARTS CATALOG (MAINTENANCE)

FIG ITEM	PART NUMBER	1 2 3 4 5 6 7	NOMENCLATURE	EFFECT FROM TO	UNITS PER ASSY
17			33-51-08-05 34-21-02-01 35-21-51-04 36-11-04-01 36-21-00-01 36-21-02-05 36-22-51-03 49-41-00-02 49-52-00-01 49-70-00-01 52-51-51-03 52-71-51-02 73-21-52-02 74-31-51-05 75-32-00-01 80-11-09-02		
- 20	233N3214-300		FOR ADDITIONAL DETAILS SEE: 33-11-03-03 .PANEL ASSY-LIGHTING CONT SUPPLIER CODE: V89954 ELECTRICAL EQUIP NUMBER: M10056 COMPONENT MAINT MANUAL REF: 33-11-71 QUALIFIED I/W DATA: THE 233N3214-300 PANEL ASSY IS I/W THE 233N3214-31 PANEL ASSY T/W THE S233T100-6003 LIGHTPLATE AND (2) RC445-131 KNOBS AND (2) TT410-101 KNOBS	108120	RF
- 20	233N3214-301		.PANEL ASSY-LIGHTING CONT SUPPLIER CODE: V89954 ELECTRICAL EQUIP NUMBER: M10056 COMPONENT MAINT MANUAL REF: 33-11-71 QUALIFIED I/W DATA: THE 233N3214-301 PANEL ASSY IS I/W THE 233N3214-32 PANEL ASSY T/W THE S233T100-6003 LIGHTPLATE AND (2) RC445-131 KNOBS AND (2) TT410-101 KNOBS	101102 108120	RF

MISSING ITEM NUMBERS NOT APPLICABLE

- ITEM NOT ILLUSTRATED

33-11-51-17

33-11-51
FIG. 17
PAGE 6
JAN 20/09

BRI



757

PARTS CATALOG (MAINTENANCE)

FIG ITEM	PART NUMBER	1 2 3 4 5 6 7	NOMENCLATURE	EFFECT FROM TO	UNITS PER ASSY
17 - 20	233N3214-305		.PANEL ASSY-LIGHTING CONT SUPPLIER CODE: V89954 ELECTRICAL EQUIP NUMBER: M10056 COMPONENT MAINT MANUAL REF: 33-11-71	103106 504903	RF
25	233N3214-31		..PANEL ASSY- SUPPLIER CODE: V89954 COMPONENT MAINT MANUAL REF: 33-11-71 QUALIFIED I/W DATA: THE 233N3214-300 PANEL ASSY IS I/W THE 233N3214-31 PANEL ASSY T/W THE S233T100-6003 LIGHTPLATE AND (2) RC445-131 KNOBS AND (2) TT410-101 KNOBS	108120	1
25	233N3214-32		..PANEL ASSY- SUPPLIER CODE: V89954 COMPONENT MAINT MANUAL REF: 33-11-71 QUALIFIED I/W DATA: THE 233N3214-301 PANEL ASSY IS I/W THE 233N3214-32 PANEL ASSY T/W THE S233T100-6003 LIGHTPLATE AND (2) RC445-131 KNOBS AND (2) TT410-101 KNOBS	101102	1
25	233N3214-34		..PANEL ASSY- SUPPLIER CODE: V89954 COMPONENT MAINT MANUAL REF: 33-11-71	103106 504903	1

MISSING ITEM NUMBERS NOT APPLICABLE

- ITEM NOT ILLUSTRATED

33-11-51-17

33-11-51
FIG. 17
PAGE 7
JAN 20/09

BRI



757

PARTS CATALOG (MAINTENANCE)

FIG ITEM	PART NUMBER	1 2 3 4 5 6 7	NOMENCLATURE	EFFECT FROM TO	UNITS PER ASSY
17 40	BCREFA0503		...SWITCH ASSY-LIGHTED PUSH BUTTON IND ON SUPPLIER CODE: V81590 OVERLENGTH PART NUMBER: 433-673-1004-4012 SPECIFICATION NUMBER: S231T290-4012 MISCELLANEOUS DATA: WHEN REPLACING THE PUSHBUTTON SWITCH ASSY OR THE MASTER MODULE WITHIN, VERIFY THAT A CONFIG D MASTER MODULE P/N 13206-001 IS INSTALLED IN LIEU OF ANY EARLIER CONFIGURATION MASTER MODULES. OPTIONAL PART: 851-35100-5012 V96182 FOR DETAILS SEE: 33-13-00-45A	101106 108120 504903	1
40	S231T290-5012		...SWITCH ASSY-LIGHTED PUSH BUTTON IND ON	101106 108120 504903	1
40	BCREF7604		...SWITCH ASSY-LIGHTED PUSH BUTTON IND ON SUPPLIER CODE: V81590 OVERLENGTH PART NUMBER: 433-673-1001-1012 SPECIFICATION NUMBER: S231T290-1012 FOR DETAILS SEE: 33-13-00-15A	101102	1
40	851-30768-2012		...SWITCH ASSY-LIGHTED PUSH BUTTON IND ON SUPPLIER CODE: V96182 SPECIFICATION NUMBER: S231T290-2012 FOR DETAILS SEE: 33-13-00-25A	101102	1

MISSING ITEM NUMBERS NOT APPLICABLE

- ITEM NOT ILLUSTRATED

BRI

33-11-51-17

33-11-51
FIG. 17
PAGE 8
JAN 20/09



757

PARTS CATALOG (MAINTENANCE)

FIG ITEM	PART NUMBER	1 2 3 4 5 6 7	NOMENCLATURE	EFFECT FROM TO	UNITS PER ASSY
17					
40	851-30768-3012		...SWITCH ASSY-LIGHTED PUSH BUTTON IND ON SUPPLIER CODE: V96182 SPECIFICATION NUMBER: S231T290-3012 FOR DETAILS SEE: 33-13-00-35A	101106 108120 504903	1
40	851-35100-5012		...SWITCH ASSY-LIGHTED PUSH BUTTON IND ON SUPPLIER CODE: V96182 SPECIFICATION NUMBER: S231T290-5012 OPTIONAL PART: 4336731004-4212 V81590 BCREFA0503 V81590	103106 108120 504903	1
40	4336731004-4212		...SWITCH ASSY-LIGHTED PUSH BUTTON IND ON SUPPLIER CODE: V81590 SPECIFICATION NUMBER: S231T290-4212 OPTIONAL PART: 851-35100-5012 V96182	101106 108120 504903	1
50	BACC45FN14-15P6		...CONNECTOR	101106 108120 504903	1
- 55	BACS12HN04-5		ATTACHING PARTS ...SCREW- OPTIONAL PART: NAS1801-04-5	103106 504903	3
- 55	NAS1801-04-5		...SCREW- OPTIONAL PART: BACS12HN04-5	103106 504903	3
- 57	NAS1801-04-5		...SCREW- OPTIONAL PART: BACS12HN04-5	101102	2
- 57	BACS12HN04-5		...SCREW- OPTIONAL PART: NAS1801-04-5	101102 108120	2

MISSING ITEM NUMBERS NOT APPLICABLE

- ITEM NOT ILLUSTRATED

33-11-51-17

33-11-51
FIG. 17
PAGE 9
JAN 20/09

BRI



757

PARTS CATALOG (MAINTENANCE)

FIG ITEM	PART NUMBER	1 2 3 4 5 6 7	NOMENCLATURE	EFFECT FROM TO	UNITS PER ASSY
17 - 60	K19798-04	...	NUT SUPPLIER CODE: V15653 SPECIFICATION NUMBER: BACN10NW1 OPTIONAL PART: RMA4812-160-40 V72962 293162 V60119	103106 504903	3
- 62	K19798-04	...	NUT SUPPLIER CODE: V15653 SPECIFICATION NUMBER: BACN10NW1 OPTIONAL PART: RMA4812-160-40 V72962 293162 V60119	101102 108120	2
- 75	233N3221-302	-----*-----	.PANEL ASSY-LIGHTING CONT SUPPLIER CODE: V89954 ELECTRICAL EQUIP NUMBER: M10057 COMPONENT MAINT MANUAL REF: 33-11-72 QUALIFIED I/W DATA: 233N3221-302 PANEL ASSY IS I/W 233N3221-61 PANEL ASSY T/W S233T100-6039 LIGHTPLATE AND (3) RD241-119 KNOBS AND (1) BP248-127 KNOB	101102 108120 504903	RF
- 75	233N3221-326	.	PANEL ASSY-LIGHTING CONT SUPPLIER CODE: V89954 ELECTRICAL EQUIP NUMBER: M10057 COMPONENT MAINT MANUAL REF: 33-11-72	101106 108120 504903	RF
85	RD241-119	..	KNOB- SUPPLIER CODE: V81590	101106 108120 504903	3

MISSING ITEM NUMBERS NOT APPLICABLE

- ITEM NOT ILLUSTRATED

33-11-51-17

33-11-51
FIG. 17
PAGE 10
JAN 20/09

BRI



757

PARTS CATALOG (MAINTENANCE)

FIG ITEM	PART NUMBER	1 2 3 4 5 6 7	NOMENCLATURE	EFFECT FROM TO	UNITS PER ASSY
17					
95	233N3221-61	..	PANEL ASSY- SUPPLIER CODE: V89954 COMPONENT MAINT MANUAL REF: 33-11-72 QUALIFIED I/W DATA: 233N3221-302 PANEL ASSY IS I/W 233N3221-61 PANEL ASSY T/W S233T100-6039 LIGHTPLATE AND (3) RD241-119 KNOBS AND (1) BP248-127 KNOB USED ON: 233N3221-302	101102 108120 504903	1
95	233N3221-110	..	PANEL ASSY- SUPPLIER CODE: V89954 COMPONENT MAINT MANUAL REF: 33-11-72 USED ON: 233N3221-326	101106 108120 504903	1
100	200-26550-01	...	RESISTOR ASSY-VAR SUPPLIER CODE: V95266	101106 108120 504903	1
105	6430A	...	TRANSFORMER- SUPPLIER CODE: V95266	101106 108120 504903	1
115	BACC45FN18-31P8	...	CONNECTOR- USED ON: 233N3221-61	101102 108120 504903	1
115	BACC45FN18-31P9	...	CONNECTOR- USED ON: 233N3221-110	101106 108120 504903	1
120	R071718-31D10	...	CONNECTOR- SUPPLIER CODE: V41118 SPECIFICATION NUMBER: BCREF3313 OVERLENGTH PART NUMBER: BACC45FN18-31P10 ATTACHING PARTS	101106 108120 504903	1
- 125	BACS12HN04-5	...	SCREW- USED ON: 233N3221-61	101102 108120 504903	4
- 127	BACS12HN04-5	...	SCREW- USED ON: 233N3221-110	101106 108120 504903	6

MISSING ITEM NUMBERS NOT APPLICABLE

- ITEM NOT ILLUSTRATED

33-11-51-17

33-11-51
FIG. 17
PAGE 11
JAN 20/09

BRI



757

PARTS CATALOG (MAINTENANCE)

FIG ITEM	PART NUMBER	1 2 3 4 5 6 7	NOMENCLATURE	EFFECT FROM TO	UNITS PER ASSY
17					
- 130	K19798-04		...NUT- SUPPLIER CODE: V15653 SPECIFICATION NUMBER: BACN10NW1 OPTIONAL PART: RMA4812-160-40 V72962 293162 V60119 USED ON: 233N3221-61	101102 108120 504903	4
- 133	K19798-04		...NUT- SUPPLIER CODE: V15653 SPECIFICATION NUMBER: BACN10NW1 OPTIONAL PART: RMA4812-160-40 V72962 293162 V60119 USED ON: 233N3221-110	101106 108120 504903	6
			-----*-----		
135	GTR21-12CD		...CLAMP- SUPPLIER CODE: V06324	101106 108120 504903	1
140	C0909A12-12S102		...CONNECTOR- SUPPLIER CODE: V13556 SPECIFICATION NUMBER: BACC63BN12-12S OPTIONAL PART: 48-63N12-12S V02660 C0909A12-12SN V13556 USED ON: 233N3221-61	101102 108120 504903	1
140	BACC63BN12-12SN		...CONNECTOR- USED ON: 233N3221-110	101106 108120 504903	1

MISSING ITEM NUMBERS NOT APPLICABLE

- ITEM NOT ILLUSTRATED

33-11-51-17

33-11-51
FIG. 17
PAGE 12
JAN 20/09

BRI



757

PARTS CATALOG (MAINTENANCE)

FIG ITEM	PART NUMBER	1 2 3 4 5 6 7	NOMENCLATURE	EFFECT FROM TO	UNITS PER ASSY
17 - 195	233N3227-300		.PANEL ASSY-DOMELIGHT OVERRIDE CAPT SUPPLIER CODE: V89954 ELECTRICAL EQUIP NUMBER: M10653 COMPONENT MAINT MANUAL REF: 33-11-14 QUALIFIED I/W DATA: THE 233N3227-300 PANEL ASSY IS I/W THE 233N3227-6 PANEL ASSY T/W THE S233T100-6051 LIGHTPLATE AND RD241-119 KNOB.	504903	RF
200	RD241-119		..KNOB- SUPPLIER CODE: V81590	504903	1
205	233N3227-6		..PANEL ASSY- SUPPLIER CODE: V89954 COMPONENT MAINT MANUAL REF: 33-11-14 QUALIFIED I/W DATA: THE 233N3227-300 PANEL ASSY IS I/W THE 233N3227-6 PANEL ASSY T/W THE S233T100-6051 LIGHTPLATE AND RD241-119 KNOB.	504903	1
210	6430A		...TRANSFORMER- SUPPLIER CODE: V95266	504903	1
215	MS24523-23		...SWITCH	504903	1
220	BACC45FN14-15P		...CONNECTOR	504903	1
- 225	BACS12CB04-5		...SCREW	504903	3
- 230	K19798-04		...NUT SUPPLIER CODE: V15653 SPECIFICATION NUMBER: BACN10NW1 OPTIONAL PART: RMA4812-160-40 V72962 293162 V60119	504903	3
- 401	286N2078-328		-----*----- WIRE BUNDLE ASSY	504903	RF

MISSING ITEM NUMBERS NOT APPLICABLE

- ITEM NOT ILLUSTRATED

33-11-51-17

33-11-51
FIG. 17
PAGE 13
JAN 20/09

BRI



757

PARTS CATALOG (MAINTENANCE)

FIG ITEM	PART NUMBER	1 2 3 4 5 6 7	NOMENCLATURE	EFFECT FROM TO	UNITS PER ASSY
17					
- 401	286N2078-330		WIRE BUNDLE ASSY	101102	RF
- 401	286N2078-331		WIRE BUNDLE ASSY	108120	RF
- 402	286N2078-601		WIRE BUNDLE ASSY	103106	RF
410	BACC45FT14D15S6		.CONNECTOR- ELECTRICAL EQUIP NUMBER: D03501 WIRING DIAGRAM REF: 334221	101106 108120 504903	1
- 501	286N2070-335		WIRE BUNDLE ASSY	101102	RF
- 502	286N2070-337		WIRE BUNDLE ASSY	108120	RF
- 502	286N2070-340		WIRE BUNDLE ASSY	504903	RF
- 505	286N2070-601		WIRE BUNDLE ASSY	103106	RF
510	BACC45FT18D31S8		.CONNECTOR- ELECTRICAL EQUIP NUMBER: D03532 WIRING DIAGRAM REF: 525111	101106 108120 504903	1
515	BACC45FT14A15S		.CONNECTOR- ELECTRICAL EQUIP NUMBER: D05824 WIRING DIAGRAM REF: 331331	504903	1
- 551	286N2156-326		WIRE BUNDLE ASSY	101102	RF
- 551	286N2156-331		WIRE BUNDLE ASSY	504903	RF
- 551	286N2156-335		WIRE BUNDLE ASSY	108120	RF
- 552	286N2156-601		WIRE BUNDLE ASSY	103106	RF
565	R071618D31S10		.CONNECTOR- SUPPLIER CODE: V41118 SPECIFICATION NUMBER: BCREF6353 OPTIONAL PART: BMS2426618D31S1 V11139 OVERLENGTH PART NUMBER: BACC45FT18D31S10 ELECTRICAL EQUIP NUMBER: D03534 WIRING DIAGRAM REF: 525111 331161	101106 108120 504903	1

MISSING ITEM NUMBERS NOT APPLICABLE

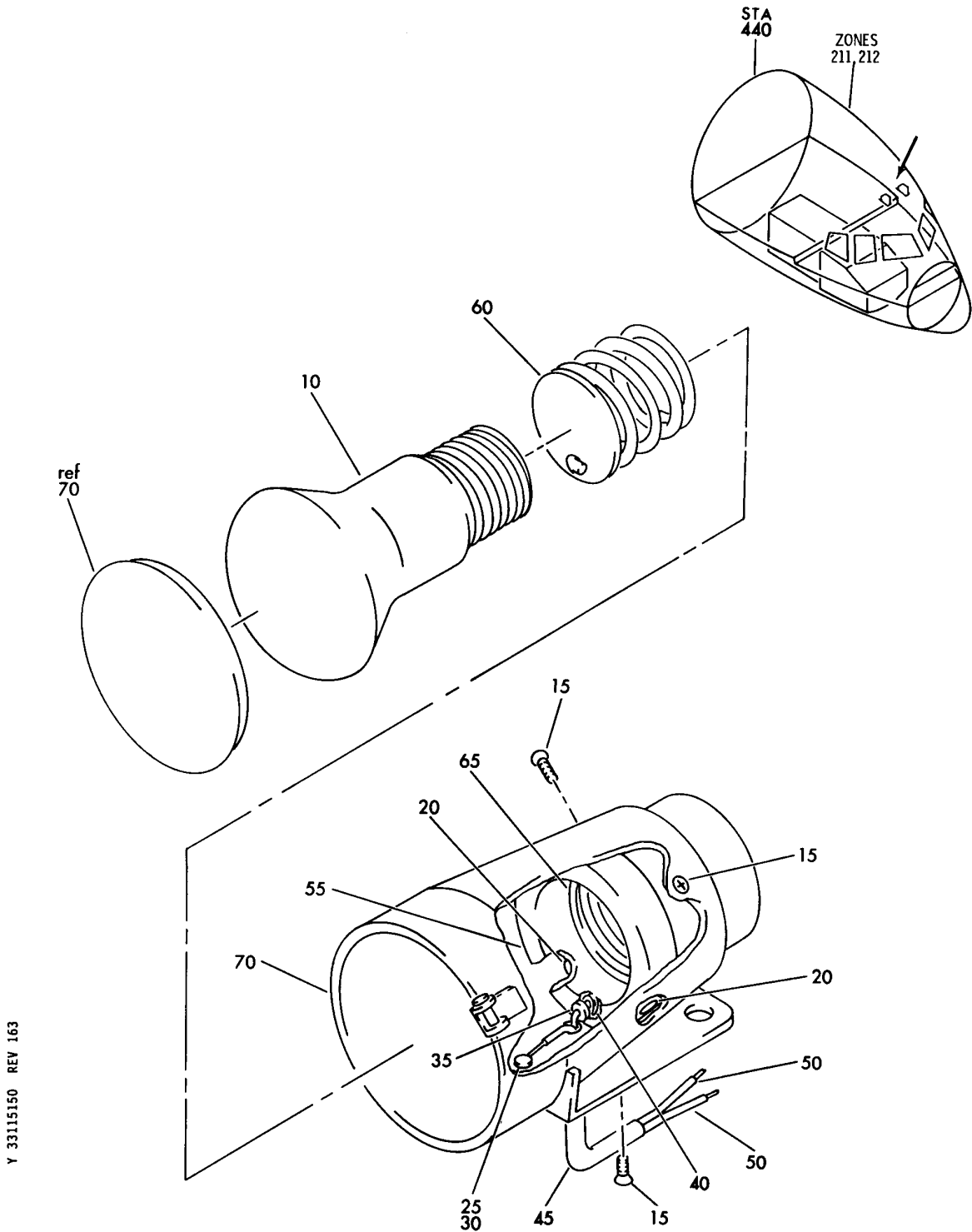
- ITEM NOT ILLUSTRATED

33-11-51-17

33-11-51
FIG. 17
PAGE 14
JAN 20/09

BRI

BOEING
757
PARTS CATALOG (MAINTENANCE)



Y 33115150 REV 163

LIGHT ASSY-FLOOD
FIGURE 50

33-11-51-50

BRI
MAY 28/07

33-11-51-50
PAGE 0



757

PARTS CATALOG (MAINTENANCE)

FIG ITEM	PART NUMBER	1 2 3 4 5 6 7	NOMENCLATURE	EFFECT FROM TO	UNITS PER ASSY
50			LIGHT ASSY-FLOOD	002004 006010 107107 121503 904999	
- 1	B9735-2-1385		LIGHT ASSY-FLOOD SUPPLIER CODE: V72914 MISCELLANEOUS DATA: USES LAMP NO. 1385 OR EQUIVALENT FOR NHA SEE: 33-11-51-07 33-11-51-10	002004 006010 107107 121503 904999	RF
10	MS35480-2		.BULB	002004 006010 107107 121503 904999	1
15	MS21318-7		.SCREW	002004 006010 107107 121503 904999	3
20	SC640		.SCREW-NO. 2-56 X 3/16 LG 82 DEGREE FLAT HEAD SUPPLIER CODE: V72914	002004 006010 107107 121503 904999	2
25	RV306		.RIVET-.123 DIA X 5/32 IN. LG OVAL HEAD TUBE STEEL SUPPLIER CODE: V72914	002004 006010 107107 121503 904999	2
30	TE097		.TERMINAL- SUPPLIER CODE: V72914	002004 006010 107107 121503 904999	1
35	10694		.PLUNGER- SUPPLIER CODE: V72914	002004 006010 107107 121503 904999	1
40	A3534		.SPRING- SUPPLIER CODE: V72914	002004 006010 107107 121503 904999	1

MISSING ITEM NUMBERS NOT APPLICABLE

- ITEM NOT ILLUSTRATED

33-11-51-50

33-11-51
FIG. 50
PAGE 1
JAN 20/09

BRI



757

PARTS CATALOG (MAINTENANCE)

FIG ITEM	PART NUMBER	1 2 3 4 5 6 7	NOMENCLATURE	EFFECT FROM TO	UNITS PER ASSY
50					
45	M23053-5-104-0	.	TUBING	002004 006010 107107 121503 904999	1
50	W1-330	.	WIRE-NO. 20 GAUGE X 36 IN. LG LIGHT GRAY SUPPLIER CODE: V72914	002004 006010 107107 121503 904999	2
55	10691	.	INSULATOR- SUPPLIER CODE: V72914	002004 006010 107107 121503 904999	1
60	10696	.	CONTACT-SPR SUPPLIER CODE: V72914	002004 006010 107107 121503 904999	1
65	16-2062-1	.	LAMPHOLDER- SUPPLIER CODE: V72914	002004 006010 107107 121503 904999	1
70	16-2061-3	.	HOUSING- SUPPLIER CODE: V72914	002004 006010 107107 121503 904999	1

MISSING ITEM NUMBERS NOT APPLICABLE

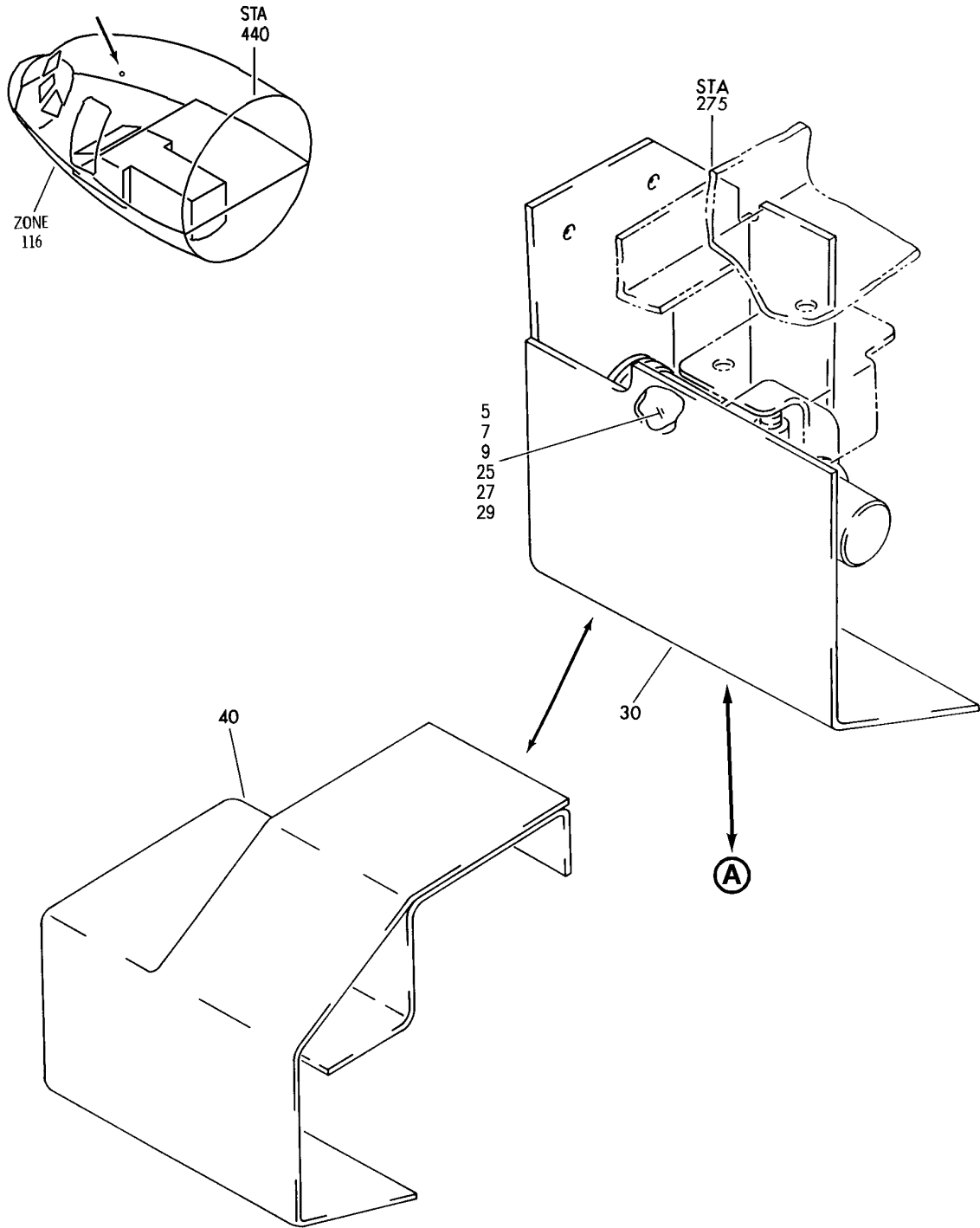
- ITEM NOT ILLUSTRATED

33-11-51-50

33-11-51
FIG. 50
PAGE 2
JAN 20/09

BRI

BOEING
757
PARTS CATALOG (MAINTENANCE)



Y 33115501 SH1 1 REV 331

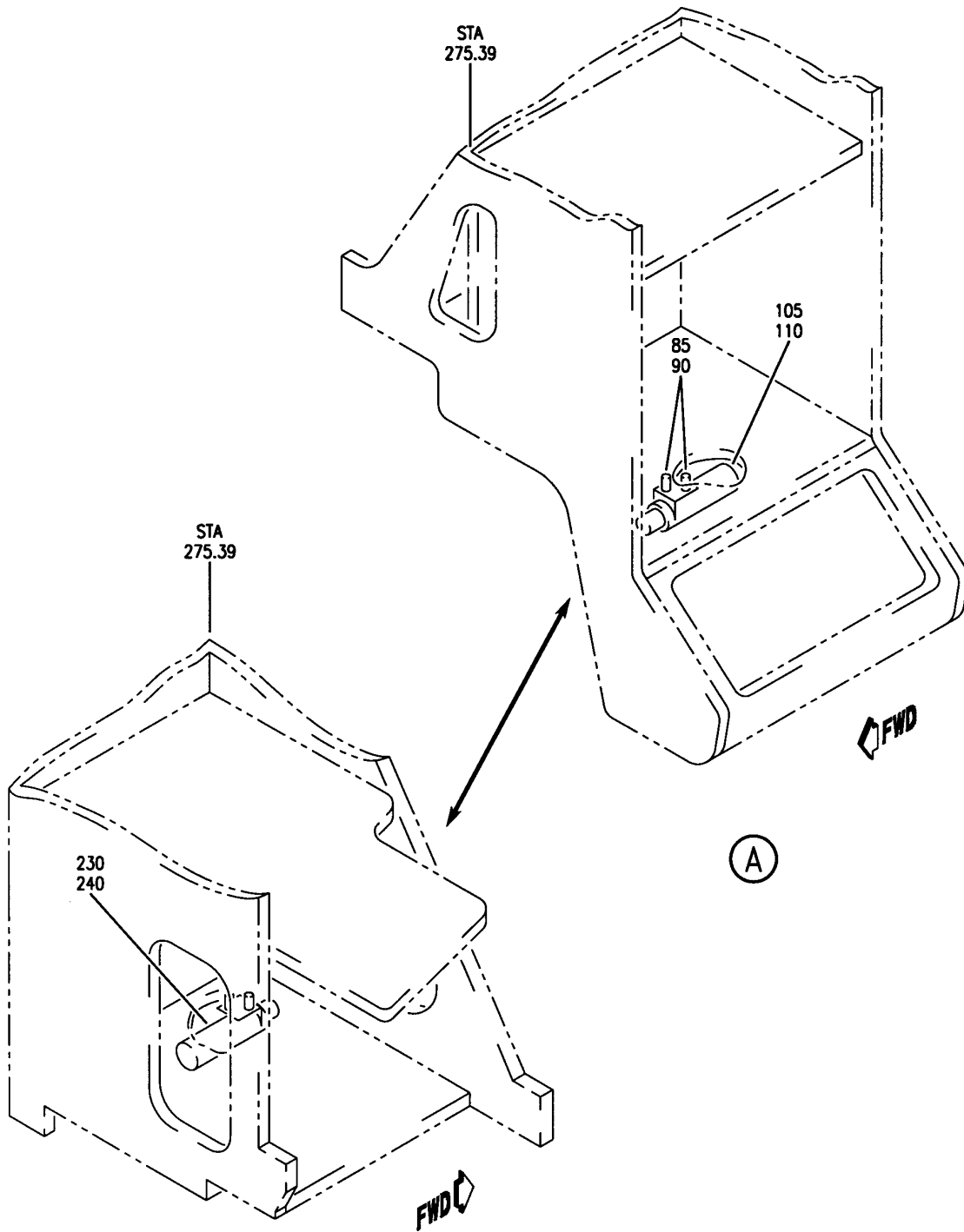
LIGHT INSTL-P6 FLOOD
FIGURE 1 (SHEET 1)

33-11-55-01

BRI
JAN 20/09

33-11-55-01
PAGE 0

BOEING
757
PARTS CATALOG (MAINTENANCE)



Y 33115501 SHT 2 REV 206

LIGHT INSTL-P6 FLOOD
FIGURE 1 (SHEET 2)

33-11-55-01

BRI
MAY 28/07

33-11-55-01
PAGE 0A



757

PARTS CATALOG (MAINTENANCE)

FIG ITEM	PART NUMBER	1 2 3 4 5 6 7	NOMENCLATURE	EFFECT FROM TO	UNITS PER ASSY
1			LIGHT INSTL-P6 FLOOD	002004 006999	
- 1	232N5011-6		LIGHT INSTL-P6 FLOOD FOR NHA SEE: 25-10-00-05	952999	RF
- 1	232N5011-5		LIGHT INSTL-P6 FLOOD FOR NHA SEE: 25-10-00-05	002004 006010 107107 121503 904951	RF
- 1	232N5011-7		LIGHT INSTL-P6 FLOOD FOR NHA SEE: 25-10-00-05	011100	RF
	5 69B41965-1		.LIGHT ASSY	002004 006010 107107 121503 904999	1
	7 69B41965-1		.LIGHT ASSY ATTACHING PARTS	011100	1
- 10	NAS601-6P		.SCREW-	002004 006010 107107 121503 904999	2
- 12	NAS1801-04-7		.SCREW-	011100	2
- 15	AN960PD6		.WASHER	002004 006010 107107 121503 904999	2

MISSING ITEM NUMBERS NOT APPLICABLE

- ITEM NOT ILLUSTRATED

BRI

33-11-55-01

BOEING PROPRIETARY - Copyright © - Unpublished Work - See title page for details.

33-11-55
FIG. 01
PAGE 1
JAN 20/09



757

PARTS CATALOG (MAINTENANCE)

FIG ITEM	PART NUMBER	1 2 3 4 5 6 7	NOMENCLATURE	EFFECT FROM TO	UNITS PER ASSY
1					
- 20	BRH10A06		.NUT- SUPPLIER CODE: V52828 SPECIFICATION NUMBER: BACN10JCO6 OPTIONAL PART: H10-06BAC V15653 RMLH9075-62W V72962 VN303A62 V92215 96-62 V80539 NS202101-62 V80539 T6S632J V11815 -----*-----	002004 006010 107107 121503 904999	2
25	A4135C1864		..LIGHT- SUPPLIER CODE: V72914	002004 006010 107107 121503 904999	1
27	A4135C1864		..LIGHT- SUPPLIER CODE: V72914	011100	1
30	232N5014-3		.BAFFLE ASSY- ATTACHING PARTS	002004 006010 107107 121503 904951	1
- 35	SFSW4C7DL12BN		.SCREW- SUPPLIER CODE: V12324 -----*-----	002004 006010 107107 121503 904951	2
40	232N5015-1		.BAFFLE ASSY- ATTACHING PARTS	952999	1
- 45	SFSW10F4DL12BN		.SCREW- SUPPLIER CODE: V12324 -----*-----	952999	2
- 80	232N5011-12		LIGHT INSTL-P6 FLOOD FOR NHA SEE: 25-10-00-10	101102 108120 504903	RF

MISSING ITEM NUMBERS NOT APPLICABLE

- ITEM NOT ILLUSTRATED

33-11-55-01

33-11-55
FIG. 01
PAGE 2
JAN 20/09

BRI

BOEING PROPRIETARY - Copyright © - Unpublished Work - See title page for details.



757

PARTS CATALOG (MAINTENANCE)

FIG ITEM	PART NUMBER	1 2 3 4 5 6 7	NOMENCLATURE	EFFECT FROM TO	UNITS PER ASSY
1					
- 80	MODREF7071		LIGHT INSTL-P6 FLOOD MODULE NUMBER: 232N5011-12 REV A	103106	1
85	NAS1801-04-7		.SCREW	101106 108120 504903	2
- 100	232N5011-10		LIGHT INSTL-P6 FLOOD FOR NHA SEE: 25-10-00-10	101102 108120 504903	RF
- 100	MODREF7069		LIGHT INSTL-P6 FLOOD MODULE NUMBER: 232N5011-10 REV A	103106	1
105	69B41965-1		.LIGHT ASSY	101106 108120 504903	1
110	A4135C1864		..LIGHT- SUPPLIER CODE: V72914	101106 108120 504903	1

MISSING ITEM NUMBERS NOT APPLICABLE

- ITEM NOT ILLUSTRATED

BRI

33-11-55-01

BOEING PROPRIETARY - Copyright © - Unpublished Work - See title page for details.

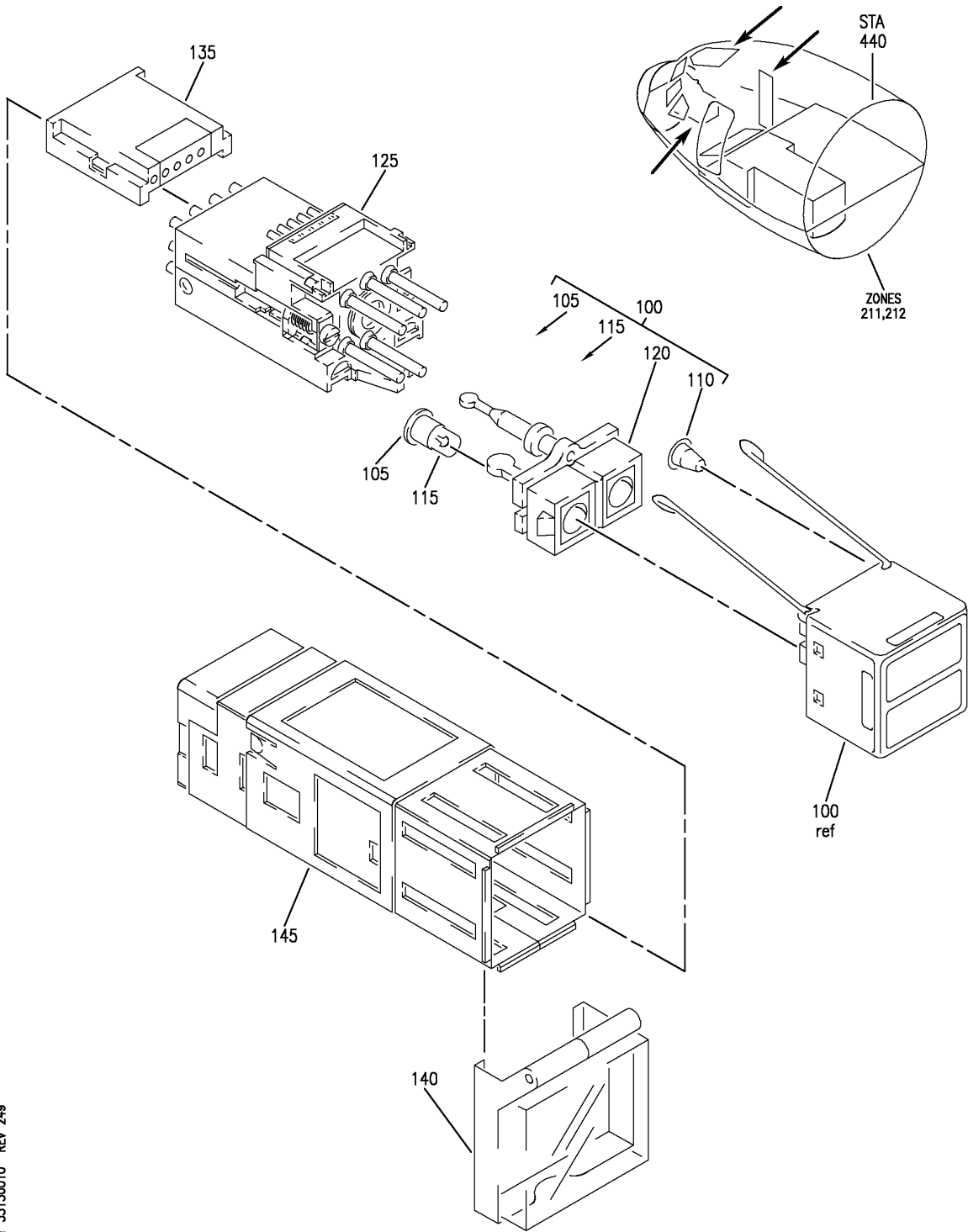
33-11-55
FIG. 01
PAGE 3
JAN 20/09

INTEGRAL PANEL LIGHTS

BRI
MAY 28/07

33-13-00
SECTION TITLE
PAGE 1

BOEING
757
PARTS CATALOG (MAINTENANCE)



Y 33130010 REV 249

SWITCH ASSY-LIGHTED PUSH BUTTON IND
FIGURE 10

33-13-00-10

BRI
MAY 28/07

33-13-00-10
PAGE 0



757

PARTS CATALOG (MAINTENANCE)

FIG ITEM	PART NUMBER	1 2 3 4 5 6 7	NOMENCLATURE	EFFECT FROM TO	UNITS PER ASSY
10			SWITCH ASSY-LIGHTED PUSH BUTTON IND	002004 006010 107107 121503 904999	
- 1	BCREF7611		SWITCH ASSY-LIGHTED PUSH BUTTON IND ON/OFF SUPPLIER CODE: V81590 OVERLENGTH PART NUMBER: 433-673-1001-1024 SPECIFICATION NUMBER: S231T290-1024 MISCELLANEOUS DATA: WHEN REPLACING THE PUSHBUTTON SWITCH ASSY OR THE MASTER MODULE WITHIN, VERIFY THAT A CONFIG D MASTER MODULE P/N 13206-001 IS INSTALLED IN LIEU OF ANY EARLIER CONFIGURATION MASTER MODULES. QUALIFIED I/W DATA: 851-30768-2024 TOGETHER WITH 851-30768-803 -813 OR 433-100-004 SWITCHGUARD I/W BCREF7611 851-30768-3024 BCREFA0510 OR 851-35100-5024 WITH 433-100-004 SWITCHGUARD FOR NHA SEE: 27-23-51-01	002004 006010 107107 950999	RF
- 5	BCREF7625		SWITCH ASSY-LIGHTED PUSH BUTTON IND FIELD OFF SUPPLIER CODE: V81590 OVERLENGTH PART NUMBER: 433-673-1001-1073 SPECIFICATION NUMBER: S231T290-1073 FOR NHA SEE: 24-22-73-01	002004 107107 121503 904949 952952	RF
100	673-1001-1024		.CAPSULE ASSY-LENS-ON/OFF SUPPLIER CODE: V81590 USED ON: BCREF7611	002004 006010 107107 950999	1

MISSING ITEM NUMBERS NOT APPLICABLE

- ITEM NOT ILLUSTRATED

33-13-00-10

33-13-00
FIG. 10
PAGE 1
JAN 20/09

BRI



757

PARTS CATALOG (MAINTENANCE)

FIG ITEM	PART NUMBER	1 2 3 4 5 6 7	NOMENCLATURE	EFFECT FROM TO	UNITS PER ASSY
10					
100	673-1001-1073	.	CAPSULE ASSY-LENS-FIELD OFF SUPPLIER CODE: V81590 USED ON: BCREF7625	002004 107107 121503 904949 952952	1
105	MS25237-387AS15	..	LAMP	006010 121503 904951 953999	2
105	MS25237-387AS15	..	LAMP	002004 107107 952952	2
110	MS25237-685AS15	..	LAMP- USED ON: 673-1001-1024	002004 006010 107107 950999	2
115	673-025-000	..	PLUG- SUPPLIER CODE: V81590 USED ON: 673-1001-1073	002004 107107 121503 904949 952952	2
120	673-092-005	..	HOLDER-LAMP SUPPLIER CODE: V81590	006010 121503 904951 953999	1
120	673-092-005	..	HOLDER-LAMP SUPPLIER CODE: V81590	002004 107107 952952	1
120	13963-001	..	HOLDER-LAMP SUPPLIER CODE: V81590	006010 121503 904951 953999	1
120	13963-001	..	HOLDER-LAMP SUPPLIER CODE: V81590	002004 107107 952952	1
125	13206-001	.	MODULE ASSY-MASTER SUPPLIER CODE: V81590 USED ON: BCREF7611	002004 006010 107107 950999	1
125	13203-001	.	MODULE ASSY-MASTER SUPPLIER CODE: V81590 USED ON: BCREF7625	002004 107107 121503 904949 952952	1

MISSING ITEM NUMBERS NOT APPLICABLE

- ITEM NOT ILLUSTRATED

33-13-00-10

33-13-00
FIG. 10
PAGE 2
JAN 20/09

BRI



757

PARTS CATALOG (MAINTENANCE)

FIG ITEM	PART NUMBER	1 2 3 4 5 6 7	NOMENCLATURE	EFFECT FROM TO	UNITS PER ASSY
10					
135	433-097-003	.	MODULE ASSY-CKT SUPPLIER CODE: V81590 USED ON: BCREF7611	002004 006010 107107 950999	1
135	433-097-001	.	MODULE ASSY-CKT SUPPLIER CODE: V81590 USED ON: BCREF7625	002004 107107 121503 904949 952952	1
140	433-100-002	.	GUARD-SWITCH SUPPLIER CODE: V81590 SPECIFICATION NUMBER: S231T290-821 OPTIONAL PART: 433-100-003 V81590 433-100-004 V81590 433-100-005 V81590 433-100-006 V81590 433-100-007 V81590	006010 121503 904951 953999	1
140	433-100-003	.	GUARD-SWITCH SUPPLIER CODE: V81590 SPECIFICATION NUMBER: S231T290-822 OPTIONAL PART: 433-100-002 V81590 433-100-004 V81590 433-100-005 V81590 433-100-006 V81590 433-100-007 V81590	006010 121503 904951 953999	1

MISSING ITEM NUMBERS NOT APPLICABLE

- ITEM NOT ILLUSTRATED

33-13-00-10

33-13-00
FIG. 10
PAGE 3
JAN 20/09

BRI

BOEING PROPRIETARY - Copyright © - Unpublished Work - See title page for details.



757

PARTS CATALOG (MAINTENANCE)

FIG ITEM	PART NUMBER	1 2 3 4 5 6 7	NOMENCLATURE	EFFECT FROM TO	UNITS PER ASSY
10 140	433-100-004		. GUARD-SWITCH SUPPLIER CODE: V81590 SPECIFICATION NUMBER: S231T290-823 OPTIONAL PART: 433-100-002 V81590 433-100-003 V81590 433-100-005 V81590 433-100-006 V81590 433-100-007 V81590	006010 121503 904951 953999	1
140	433-100-005		. GUARD-SWITCH SUPPLIER CODE: V81590 SPECIFICATION NUMBER: S231T290-824 OPTIONAL PART: 433-100-002 V81590 433-100-003 V81590 433-100-004 V81590 433-100-006 V81590 433-100-007 V81590	006010 121503 904951 953999	1
140	433-100-006		. GUARD-SWITCH SUPPLIER CODE: V81590 OPTIONAL PART: 433-100-002 V81590 433-100-003 V81590 433-100-004 V81590 433-100-005 V81590 433-100-007 V81590	006010 121503 904951 953999	1

MISSING ITEM NUMBERS NOT APPLICABLE

- ITEM NOT ILLUSTRATED

33-13-00-10

33-13-00
FIG. 10
PAGE 4
JAN 20/09

BRI



757

PARTS CATALOG (MAINTENANCE)

FIG ITEM	PART NUMBER	1 2 3 4 5 6 7	NOMENCLATURE	EFFECT FROM TO	UNITS PER ASSY
10 140	433-100-007		. GUARD-SWITCH SUPPLIER CODE: V81590 SPECIFICATION NUMBER: S231T290-826 OPTIONAL PART: 433-100-002 V81590 433-100-003 V81590 433-100-004 V81590 433-100-005 V81590 433-100-006 V81590	006010 121503 904951 953999	1
140	433-100-002		. GUARD-SWITCH SUPPLIER CODE: V81590 SPECIFICATION NUMBER: S231T290-821 OPTIONAL PART: 433-100-003 V81590 433-100-004 V81590 433-100-005 V81590 433-100-006 V81590 433-100-007 V81590	002004 107107 952952	1
140	433-100-003		. GUARD-SWITCH SUPPLIER CODE: V81590 SPECIFICATION NUMBER: S231T290-822 OPTIONAL PART: 433-100-002 V81590 433-100-004 V81590 433-100-005 V81590 433-100-006 V81590 433-100-007 V81590	002004 107107 952952	1

MISSING ITEM NUMBERS NOT APPLICABLE

- ITEM NOT ILLUSTRATED

33-13-00-10

33-13-00
FIG. 10
PAGE 5
JAN 20/09

BRI



757

PARTS CATALOG (MAINTENANCE)

FIG ITEM	PART NUMBER	1 2 3 4 5 6 7	NOMENCLATURE	EFFECT FROM TO	UNITS PER ASSY
10 140	433-100-004		. GUARD-SWITCH SUPPLIER CODE: V81590 SPECIFICATION NUMBER: S231T290-823 OPTIONAL PART: 433-100-002 V81590 433-100-003 V81590 433-100-005 V81590 433-100-006 V81590 433-100-007 V81590	002004 107107 952952	1
140	433-100-005		. GUARD-SWITCH SUPPLIER CODE: V81590 SPECIFICATION NUMBER: S231T290-824 OPTIONAL PART: 433-100-002 V81590 433-100-003 V81590 433-100-004 V81590 433-100-006 V81590 433-100-007 V81590	002004 107107 952952	1
140	433-100-006		. GUARD-SWITCH SUPPLIER CODE: V81590 OPTIONAL PART: 433-100-002 V81590 433-100-003 V81590 433-100-004 V81590 433-100-005 V81590 433-100-007 V81590	002004 107107 952952	1

MISSING ITEM NUMBERS NOT APPLICABLE

- ITEM NOT ILLUSTRATED

33-13-00-10

33-13-00
FIG. 10
PAGE 6
JAN 20/09

BRI



757

PARTS CATALOG (MAINTENANCE)

FIG ITEM	PART NUMBER	1 2 3 4 5 6 7	NOMENCLATURE	EFFECT FROM TO	UNITS PER ASSY
10 140	433-100-007		.GUARD-SWITCH SUPPLIER CODE: V81590 SPECIFICATION NUMBER: S231T290-826 OPTIONAL PART: 433-100-002 V81590 433-100-003 V81590 433-100-004 V81590 433-100-005 V81590 433-100-006 V81590	002004 107107 952952	1
145	433-107-002		.HOUSING ASSY-WITH MTG SLEEVE SUPPLIER CODE: V81590	006010 121503 904951 953999	1
145	433-107-002		.HOUSING ASSY-WITH MTG SLEEVE SUPPLIER CODE: V81590	002004 107107 952952	1

MISSING ITEM NUMBERS NOT APPLICABLE

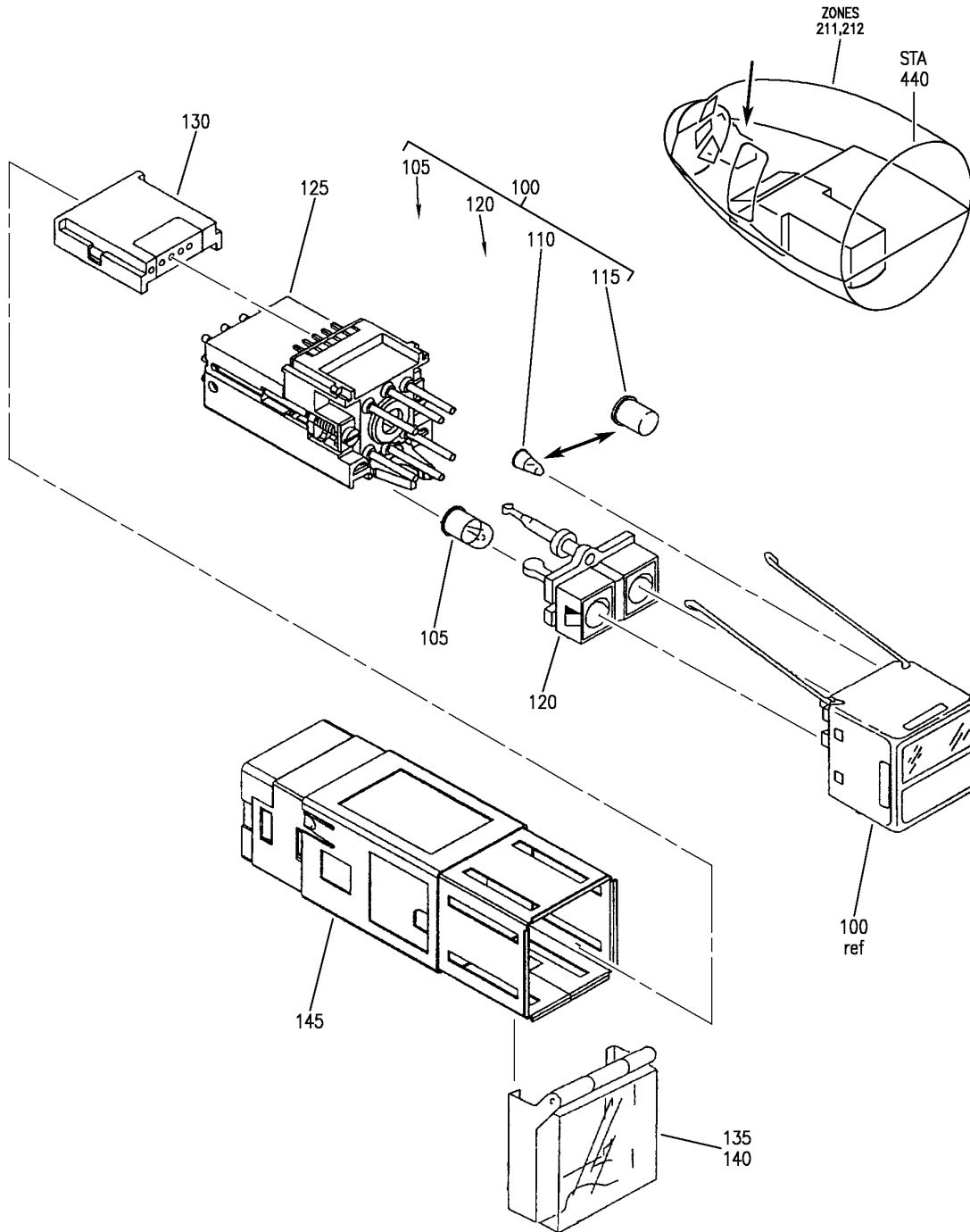
- ITEM NOT ILLUSTRATED

33-13-00-10

33-13-00
FIG. 10
PAGE 7
JAN 20/09

BRI

BOEING
757
PARTS CATALOG (MAINTENANCE)



Y 33130011 REV 269

SWITCH ASSY-LIGHTED PUSH BUTTON IND
FIGURE 11

33-13-00-11

BRI
JAN 20/09

33-13-00-11
PAGE 0



757

PARTS CATALOG (MAINTENANCE)

FIG ITEM	PART NUMBER	1 2 3 4 5 6 7 NOMENCLATURE	EFFECT FROM TO	UNITS PER ASSY
11 - 1	BCREF7749	SWITCH ASSY-LIGHTED PUSH BUTTON IND SWITCH ASSY-LIGHTED PUSH BUTTON IND DISCH SUPPLIER CODE: V81590 OVERLENGTH PART NUMBER: 433-673-1001-1060 SPECIFICATION NUMBER: S231T290-1060 MISCELLANEOUS DATA: WHEN REPLACING THE PUSHBUTTON SWITCH ASSY OR THE MASTER MODULE WITHIN, VERIFY THAT A CONFIG D MASTER MODULE P/N 13202-001 IS INSTALLED IN LIEU OF ANY EARLIER CONFIGURATION MASTER MODULES. REFERENCE SERVICE BULLETIN: 33A0044 REWORKED BY SB: 433-33-05 V81590 FOR NHA SEE: 26-23-52-02	107107 107107	RF

MISSING ITEM NUMBERS NOT APPLICABLE

- ITEM NOT ILLUSTRATED

BRI

33-13-00-11

BOEING PROPRIETARY - Copyright © - Unpublished Work - See title page for details.

33-13-00
FIG. 11
PAGE 1
JAN 20/09



757

PARTS CATALOG (MAINTENANCE)

FIG ITEM	PART NUMBER	1 2 3 4 5 6 7	NOMENCLATURE	EFFECT FROM TO	UNITS PER ASSY
11 - 5	BCREF7750		SWITCH ASSY-LIGHTED PUSH BUTTON OMD ARMED/FWD SUPPLIER CODE: V81590 OVERLENGTH PART NUMBER: 433-673-1001-1061 SPECIFICATION NUMBER: S231T290-1061 MISCELLANEOUS DATA: WHEN REPLACING THE PUSHBUTTON SWITCH ASSY OR THE MASTER MODULE WITHIN, VERIFY THAT A CONFIG D MASTER MODULE P/N 13206-001 IS INSTALLED IN LIEU OF ANY EARLIER CONFIGURATION MASTER MODULES. REFERENCE SERVICE BULLETIN: 33A0044 REWORKED BY SB: 433-33-05 V81590 FOR NHA SEE: 26-23-52-02	107107	RF

MISSING ITEM NUMBERS NOT APPLICABLE

- ITEM NOT ILLUSTRATED

BRI

33-13-00-11

BOEING PROPRIETARY - Copyright © - Unpublished Work - See title page for details.

33-13-00
FIG. 11
PAGE 2
JAN 20/09



757

PARTS CATALOG (MAINTENANCE)

FIG ITEM	PART NUMBER	1 2 3 4 5 6 7	NOMENCLATURE	EFFECT FROM TO	UNITS PER ASSY
11 - 10	BCREF7751		SWITCH ASSY-LIGHTED PUSH BUTTON OMD ARMED/AFT SUPPLIER CODE: V81590 OVERLENGTH PART NUMBER: 433-673-1001-1062 SPECIFICATION NUMBER: S231T290-1062 MISCELLANEOUS DATA: WHEN REPLACING THE PUSHBUTTON SWITCH ASSY OR THE MASTER MODULE WITHIN, VERIFY THAT A CONFIG D MASTER MODULE P/N 13206-001 IS INSTALLED IN LIEU OF ANY EARLIER CONFIGURATION MASTER MODULES. REFERENCE SERVICE BULLETIN: 33A0044 REWORKED BY SB: 433-33-05 V81590 FOR NHA SEE: 26-23-52-02	107107	RF
- 15	BCREF7633		SWITCH ASSY-LIGHTED PUSH BUTTON IND FAIL P-RESET SUPPLIER CODE: V81590 OVERLENGTH PART NUMBER: 433-673-1001-1063 SPECIFICATION NUMBER: S231T290-1063 FOR NHA SEE: 26-11-02-02	107107	RF
100	673-1001-1060		.CAPSULE ASSY-LENS-DISCH SUPPLIER CODE: V81590 USED ON: BCREF7749	107107	1
100	673-1001-1061		.CAPSULE ASSY-LENS ARMED/FWD SUPPLIER CODE: V81590 USED ON: BCREF7750	107107	1

MISSING ITEM NUMBERS NOT APPLICABLE

- ITEM NOT ILLUSTRATED

33-13-00-11

33-13-00
FIG. 11
PAGE 3
JAN 20/09

BRI



757

PARTS CATALOG (MAINTENANCE)

FIG ITEM	PART NUMBER	1 2 3 4 5 6 7	NOMENCLATURE	EFFECT FROM TO	UNITS PER ASSY
11 100	673-1001-1062	.	CAPSULE ASSY-LENS ARMED/AFT SUPPLIER CODE: V81590 USED ON: BCREF7751	107107	1
100	673-1001-1063	.	CAPSULE ASSY-LENS-FAIL P-PRESET SUPPLIER CODE: V81590 USED ON: BCREF7633	107107	1
105	MS25237-387AS15	..	LAMP	107107	2
110	MS24515-685AS15	..	LAMP- USED ON: 673-1001-1061 673-1001-1062	107107	2
115	673-025-000	..	PLUG- SUPPLIER CODE: V81590 USED ON: 673-1001-1060 673-1001-1063	107107	2
120	673-092-005	..	HOLDER-LAMP SUPPLIER CODE: V81590	107107	1
120	13963-001	..	HOLDER-LAMP SUPPLIER CODE: V81590	107107	1
125	13202-001	.	MODULE ASSY-MASTER SUPPLIER CODE: V81590 USED ON: BCREF7749	107107	1
125	13206-001	.	MODULE ASSY-MASTER SUPPLIER CODE: V81590 USED ON: BCREF7750	107107	1
125	13206-001	.	MODULE ASSY-MASTER SUPPLIER CODE: V81590 USED ON: BCREF7751	107107	1
125	13203-001	.	MODULE ASSY-MASTER SUPPLIER CODE: V81590 USED ON: BCREF7633	107107	1

MISSING ITEM NUMBERS NOT APPLICABLE

- ITEM NOT ILLUSTRATED

33-13-00-11

33-13-00
FIG. 11
PAGE 4
JAN 20/09

BRI



757

PARTS CATALOG (MAINTENANCE)

FIG ITEM	PART NUMBER	1 2 3 4 5 6 7	NOMENCLATURE	EFFECT FROM TO	UNITS PER ASSY
11					
130	433-097-001	.	MODULE ASSY-CKT SUPPLIER CODE: V81590 USED ON: BCREF7749	107107	1
130	433-097-003	.	MODULE ASSY-CKT SUPPLIER CODE: V81590 USED ON: BCREF7750	107107	1
130	433-097-003	.	MODULE ASSY-CKT SUPPLIER CODE: V81590 USED ON: BCREF7751	107107	1
130	433-097-001	.	MODULE ASSY-CKT SUPPLIER CODE: V81590 USED ON: BCREF7633	107107	1
140	433-100-002	.	GUARD-SWITCH SUPPLIER CODE: V81590 SPECIFICATION NUMBER: S231T290-821 OPTIONAL PART: 433-100-003 V81590 433-100-004 V81590 433-100-005 V81590 433-100-006 V81590 433-100-007 V81590	107107	1

MISSING ITEM NUMBERS NOT APPLICABLE

- ITEM NOT ILLUSTRATED

33-13-00-11

33-13-00
FIG. 11
PAGE 5
JAN 20/09

BRI



757

PARTS CATALOG (MAINTENANCE)

FIG ITEM	PART NUMBER	1 2 3 4 5 6 7	NOMENCLATURE	EFFECT FROM TO	UNITS PER ASSY
11 140	433-100-003		. GUARD-SWITCH SUPPLIER CODE: V81590 SPECIFICATION NUMBER: S231T290-822 OPTIONAL PART: 433-100-002 V81590 433-100-004 V81590 433-100-005 V81590 433-100-006 V81590 433-100-007 V81590	107107	1
140	433-100-004		. GUARD-SWITCH SUPPLIER CODE: V81590 SPECIFICATION NUMBER: S231T290-823 OPTIONAL PART: 433-100-002 V81590 433-100-003 V81590 433-100-005 V81590 433-100-006 V81590 433-100-007 V81590	107107	1
140	433-100-005		. GUARD-SWITCH SUPPLIER CODE: V81590 SPECIFICATION NUMBER: S231T290-824 OPTIONAL PART: 433-100-002 V81590 433-100-003 V81590 433-100-004 V81590 433-100-006 V81590 433-100-007 V81590	107107	1

MISSING ITEM NUMBERS NOT APPLICABLE

- ITEM NOT ILLUSTRATED

33-13-00-11

33-13-00
FIG. 11
PAGE 6
JAN 20/09

BRI



757

PARTS CATALOG (MAINTENANCE)

FIG ITEM	PART NUMBER	1 2 3 4 5 6 7	NOMENCLATURE	EFFECT FROM TO	UNITS PER ASSY
11 140	433-100-006		. GUARD-SWITCH SUPPLIER CODE: V81590 OPTIONAL PART: 433-100-002 V81590 433-100-003 V81590 433-100-004 V81590 433-100-005 V81590 433-100-007 V81590	107107	1
140	433-100-007		. GUARD-SWITCH SUPPLIER CODE: V81590 SPECIFICATION NUMBER: S231T290-826 OPTIONAL PART: 433-100-002 V81590 433-100-003 V81590 433-100-004 V81590 433-100-005 V81590 433-100-006 V81590	107107	1
145	433-107-002		. HOUSING ASSY-WITH MTG SLEEVE SUPPLIER CODE: V81590	107107	1

MISSING ITEM NUMBERS NOT APPLICABLE

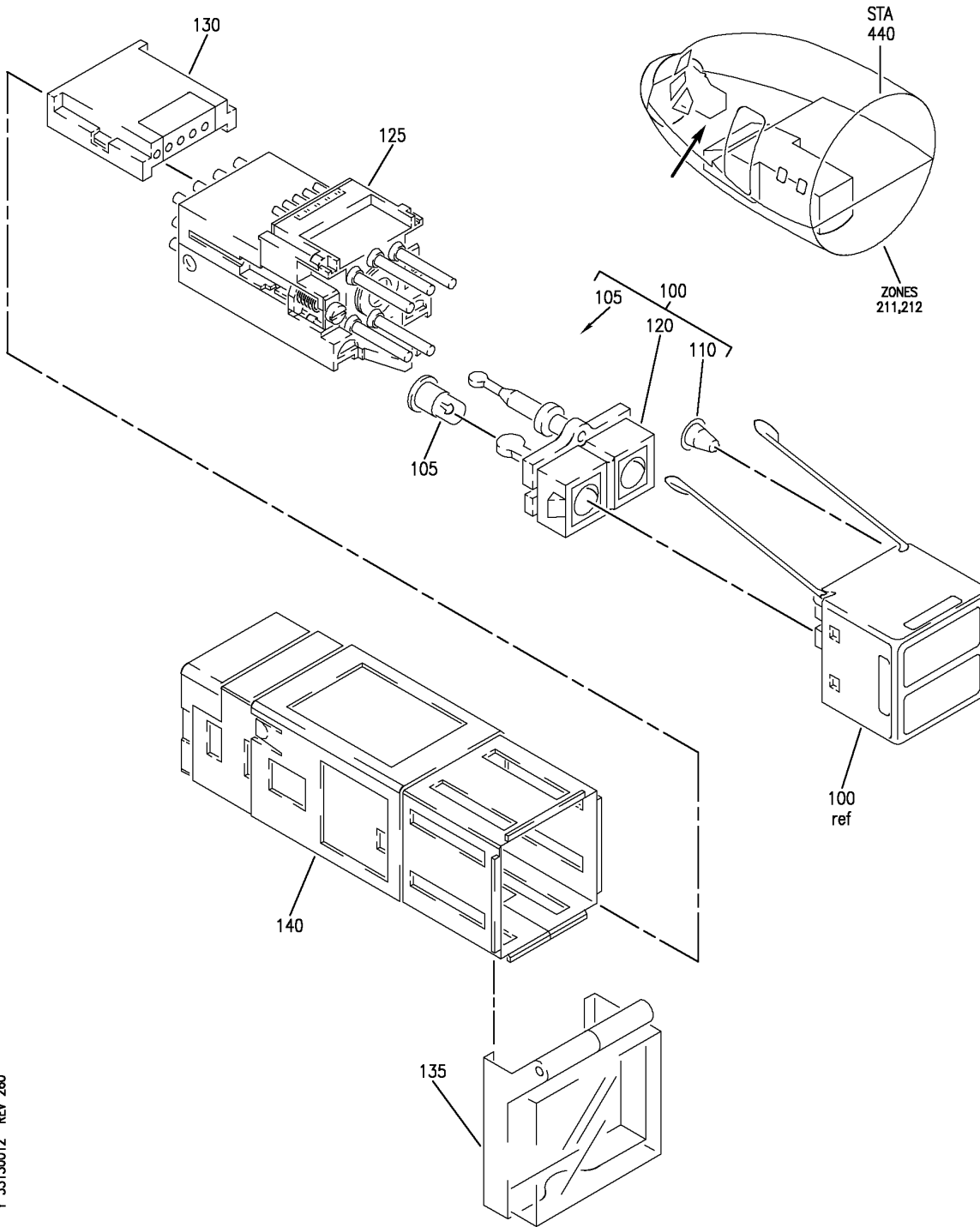
- ITEM NOT ILLUSTRATED

33-13-00-11

33-13-00
FIG. 11
PAGE 7
JAN 20/09

BRI

BOEING
757
PARTS CATALOG (MAINTENANCE)



Y 33130012 REV 260

SWITCH ASSY-LIGHTED PUSH BUTTON IND
FIGURE 12

33-13-00-12

BRI
JAN 20/09

33-13-00-12
PAGE 0



757

PARTS CATALOG (MAINTENANCE)

FIG ITEM	PART NUMBER	1 2 3 4 5 6 7	NOMENCLATURE	EFFECT FROM TO	UNITS PER ASSY
12			SWITCH ASSY-LIGHTED PUSH BUTTON IND	107107	
- 1	B cref7607		SWITCH ASSY-LIGHTED PUSH BUTTON IND SUPPLIER CODE: V81590 OVERLENGTH PART NUMBER: 433-673-1001-1017 SPECIFICATION NUMBER: S231T290-1017 QUALIFIED I/W DATA: 851-30768-2017 TOGETHER WITH 851-30768-815 OR 433-100-004 SWITCHGUARD I/W B cref7607 OR 851-30768-3017 B crefA0506 OR S231T290-5017 TOGETHER WITH 433-100-004 OPTIONAL PART: 851-30768-3017 V96182 FOR NHA SEE: 76-11-51-01	107107	RF
100	673-1001-1017	.	CAPSULE ASSY-LENS-ON/PRESS SUPPLIER CODE: V81590	107107	1
105	MS25237-387AS15	..	LAMP	107107	2
110	MS25237-685AS15	..	LAMP	107107	2
120	673-092-005	..	HOLDER-LAMP SUPPLIER CODE: V81590	107107	1
120	13963-001	..	HOLDER-LAMP SUPPLIER CODE: V81590	107107	1
125	13206-001	.	MODULE ASSY-MASTER SUPPLIER CODE: V81590	107107	1
130	433-097-003	.	MODULE ASSY-CKT SUPPLIER CODE: V81590	107107	1

MISSING ITEM NUMBERS NOT APPLICABLE

- ITEM NOT ILLUSTRATED

33-13-00-12

33-13-00
FIG. 12
PAGE 1
JAN 20/09

BRI



757

PARTS CATALOG (MAINTENANCE)

FIG ITEM	PART NUMBER	1 2 3 4 5 6 7	NOMENCLATURE	EFFECT FROM TO	UNITS PER ASSY
12 135	433-100-002		. GUARD-SWITCH SUPPLIER CODE: V81590 SPECIFICATION NUMBER: S231T290-821 OPTIONAL PART: 433-100-003 V81590 433-100-004 V81590 433-100-005 V81590 433-100-006 V81590 433-100-007 V81590	107107	1
135	433-100-003		. GUARD-SWITCH SUPPLIER CODE: V81590 SPECIFICATION NUMBER: S231T290-822 OPTIONAL PART: 433-100-002 V81590 433-100-004 V81590 433-100-005 V81590 433-100-006 V81590 433-100-007 V81590	107107	1
135	433-100-004		. GUARD-SWITCH SUPPLIER CODE: V81590 SPECIFICATION NUMBER: S231T290-823 OPTIONAL PART: 433-100-002 V81590 433-100-003 V81590 433-100-005 V81590 433-100-006 V81590 433-100-007 V81590	107107	1

MISSING ITEM NUMBERS NOT APPLICABLE

- ITEM NOT ILLUSTRATED

33-13-00-12

33-13-00
FIG. 12
PAGE 2
JAN 20/09

BRI



757

PARTS CATALOG (MAINTENANCE)

FIG ITEM	PART NUMBER	1 2 3 4 5 6 7	NOMENCLATURE	EFFECT FROM TO	UNITS PER ASSY
12 135	433-100-005		. GUARD-SWITCH SUPPLIER CODE: V81590 SPECIFICATION NUMBER: S231T290-824 OPTIONAL PART: 433-100-002 V81590 433-100-003 V81590 433-100-004 V81590 433-100-006 V81590 433-100-007 V81590	107107	1
135	433-100-006		. GUARD-SWITCH SUPPLIER CODE: V81590 OPTIONAL PART: 433-100-002 V81590 433-100-003 V81590 433-100-004 V81590 433-100-005 V81590 433-100-007 V81590	107107	1
135	433-100-007		. GUARD-SWITCH SUPPLIER CODE: V81590 SPECIFICATION NUMBER: S231T290-826 OPTIONAL PART: 433-100-002 V81590 433-100-003 V81590 433-100-004 V81590 433-100-005 V81590 433-100-006 V81590	107107	1

MISSING ITEM NUMBERS NOT APPLICABLE

- ITEM NOT ILLUSTRATED

33-13-00-12

33-13-00
FIG. 12
PAGE 3
JAN 20/09

BRI



757

PARTS CATALOG (MAINTENANCE)

FIG ITEM	PART NUMBER	1 2 3 4 5 6 7	NOMENCLATURE	EFFECT FROM TO	UNITS PER ASSY
12 140	433-107-002		.HOUSING ASSY-WITH MTG SLEEVE SUPPLIER CODE: V81590	107107	1

MISSING ITEM NUMBERS NOT APPLICABLE

- ITEM NOT ILLUSTRATED

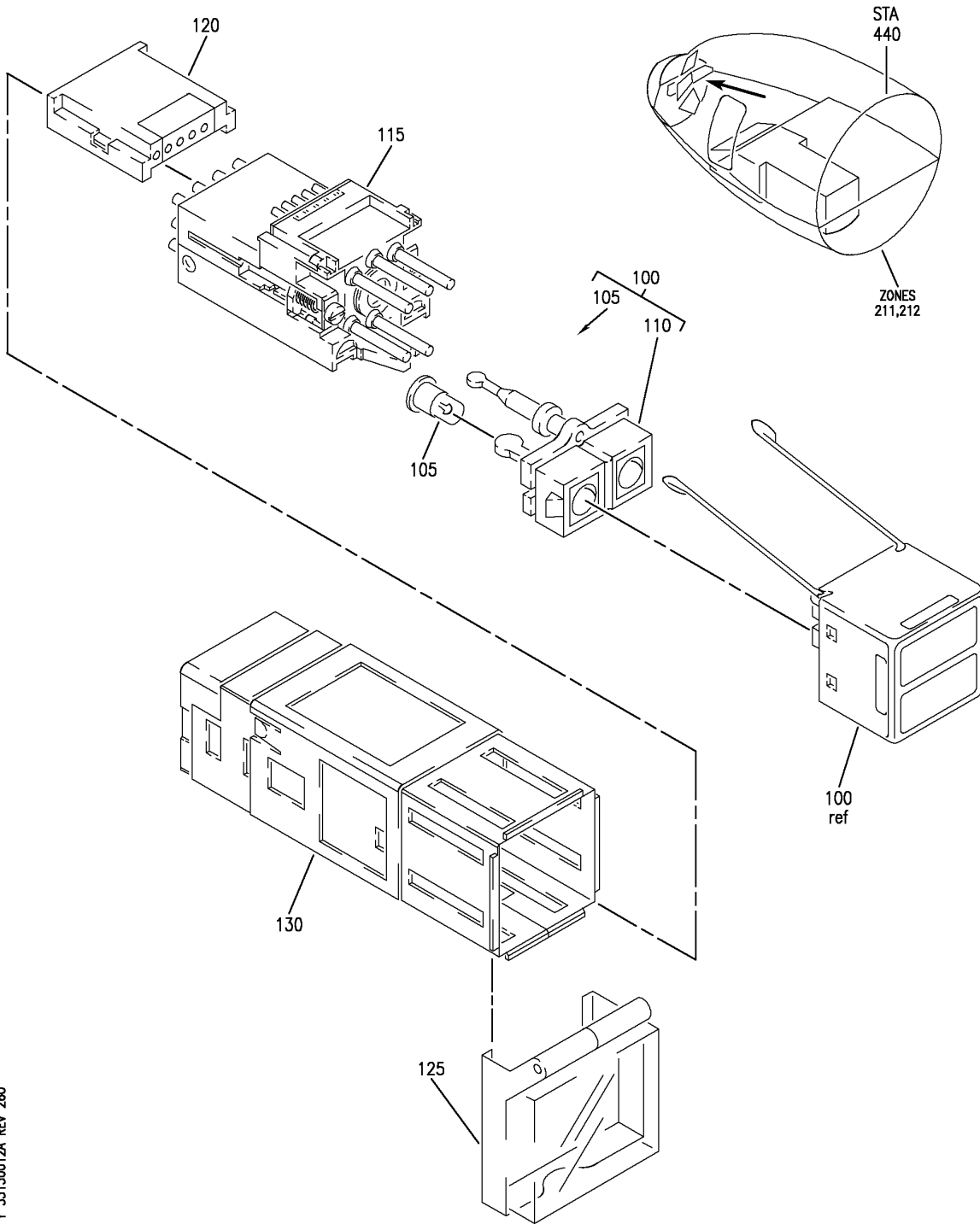
BRI

33-13-00-12

BOEING PROPRIETARY - Copyright © - Unpublished Work - See title page for details.

33-13-00
FIG. 12
PAGE 4
JAN 20/09

BOEING
757
PARTS CATALOG (MAINTENANCE)



Y 33130012A REV 260

SWITCH ASSY-LIGHTED PUSH BUTTON IND
FIGURE 12A

33-13-00-12A

BRI
JAN 20/09

33-13-00-12A
PAGE 0



757

PARTS CATALOG (MAINTENANCE)

FIG ITEM	PART NUMBER	1 2 3 4 5 6 7	NOMENCLATURE	EFFECT FROM TO	UNITS PER ASSY
12A			SWITCH ASSY-LIGHTED PUSH BUTTON IND	107107	
- 1	BCREF7748		SWITCH ASSY-LIGHTED PUSH BUTTON IND WARNING/ CAUTION SUPPLIER CODE: V81590 OVERLENGTH PART NUMBER: 433-673-1001-1042 SPECIFICATION NUMBER: S231T290-1042 ELECTRICAL EQUIP NUMBER: S00507 S00508 FOR NHA SEE: 31-25-51-01	107107	RF
100	673-1001-1042	.	CAPSULE ASSY-LENS WARNING/CAUTION SUPPLIER CODE: V81590	107107	1
105	MS25237-387AS15	..	LAMP	107107	4
110	673-092-005	..	HOLDER-LAMP SUPPLIER CODE: V81590	107107	1
110	13963-001	..	HOLDER-LAMP SUPPLIER CODE: V81590	107107	1
115	13203-001	.	MODULE ASSY-MASTER SUPPLIER CODE: V81590	107107	1
120	433-097-001	.	MODULE ASSY-CKT SUPPLIER CODE: V81590	107107	1
125	433-100-002	.	GUARD-SWITCH SUPPLIER CODE: V81590 SPECIFICATION NUMBER: S231T290-821 OPTIONAL PART: 433-100-003 V81590 433-100-004 V81590 433-100-005 V81590 433-100-006 V81590 433-100-007 V81590	107107	1

MISSING ITEM NUMBERS NOT APPLICABLE

- ITEM NOT ILLUSTRATED

33-13-00-12A

33-13-00
FIG. 12A
PAGE 1
JAN 20/09

BRI

BOEING PROPRIETARY - Copyright © - Unpublished Work - See title page for details.



757

PARTS CATALOG (MAINTENANCE)

FIG ITEM	PART NUMBER	1 2 3 4 5 6 7	NOMENCLATURE	EFFECT FROM TO	UNITS PER ASSY
12A 125	433-100-003	.	GUARD-SWITCH SUPPLIER CODE: V81590 SPECIFICATION NUMBER: S231T290-822 OPTIONAL PART: 433-100-002 V81590 433-100-004 V81590 433-100-005 V81590 433-100-006 V81590 433-100-007 V81590	107107	1
125	433-100-004	.	GUARD-SWITCH SUPPLIER CODE: V81590 SPECIFICATION NUMBER: S231T290-823 OPTIONAL PART: 433-100-002 V81590 433-100-003 V81590 433-100-005 V81590 433-100-006 V81590 433-100-007 V81590	107107	1
125	433-100-005	.	GUARD-SWITCH SUPPLIER CODE: V81590 SPECIFICATION NUMBER: S231T290-824 OPTIONAL PART: 433-100-002 V81590 433-100-003 V81590 433-100-004 V81590 433-100-006 V81590 433-100-007 V81590	107107	1

MISSING ITEM NUMBERS NOT APPLICABLE

- ITEM NOT ILLUSTRATED

33-13-00-12A

33-13-00
FIG. 12A
PAGE 2
JAN 20/09

BRI



757

PARTS CATALOG (MAINTENANCE)

FIG ITEM	PART NUMBER	1 2 3 4 5 6 7	NOMENCLATURE	EFFECT FROM TO	UNITS PER ASSY
12A 125	433-100-006		. GUARD-SWITCH SUPPLIER CODE: V81590 OPTIONAL PART: 433-100-002 V81590 433-100-003 V81590 433-100-004 V81590 433-100-005 V81590 433-100-007 V81590	107107	1
125	433-100-007		. GUARD-SWITCH SUPPLIER CODE: V81590 SPECIFICATION NUMBER: S231T290-826 OPTIONAL PART: 433-100-002 V81590 433-100-003 V81590 433-100-004 V81590 433-100-005 V81590 433-100-006 V81590	107107	1
130	433-107-002		. HOUSING ASSY-WITH MTG SLEEVE SUPPLIER CODE: V81590	107107	1

MISSING ITEM NUMBERS NOT APPLICABLE

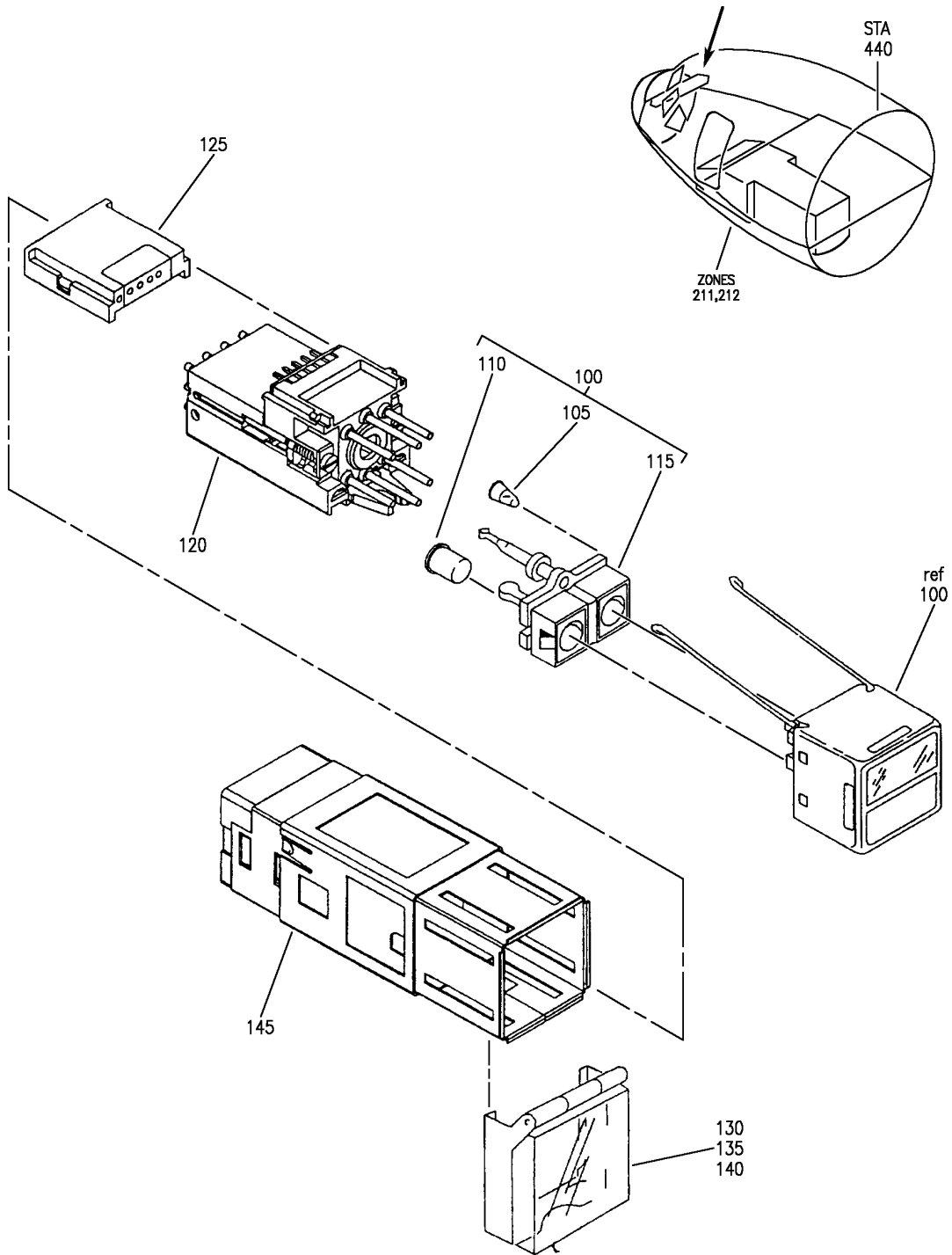
- ITEM NOT ILLUSTRATED

33-13-00-12A

33-13-00
FIG. 12A
PAGE 3
JAN 20/09

BRI

BOEING
757
PARTS CATALOG (MAINTENANCE)



Y 33130013 REV 268

SWITCH ASSY-LIGHTED PUSH BUTTON IND
FIGURE 13

33-13-00-13

BRI
JAN 20/09

33-13-00-13
PAGE 0



757

PARTS CATALOG (MAINTENANCE)

FIG ITEM	PART NUMBER	1 2 3 4 5 6 7 NOMENCLATURE	EFFECT FROM TO	UNITS PER ASSY
13 - 1	BCREF7679	SWITCH ASSY-LIGHTED PUSH BUTTON IND SWITCH ASSY-LIGHTED PUSH BUTTON IND ALTN SUPPLIER CODE: V81590 OVERLENGTH PART NUMBER: 433-673-1001-1001 SPECIFICATION NUMBER: S231T290-1001 MISCELLANEOUS DATA: WHEN REPLACING THE PUSHBUTTON SWITCH ASSY OR THE MASTER MODULE WITHIN, VERIFY THAT A CONFIG D MASTER MODULE P/N 13206-001 IS INSTALLED IN LIEU OF ANY EARLIER CONFIGURATION MASTER MODULES. ELECTRICAL EQUIP NUMBER: S10254 S10255 REFERENCE SERVICE BULLETIN: 33A0044 REWORKED BY SB: 433-33-05 V81590 FOR NHA SEE: 27-51-57-01 27-81-00-02	107107 107107	RF

MISSING ITEM NUMBERS NOT APPLICABLE

- ITEM NOT ILLUSTRATED

33-13-00-13

33-13-00
FIG. 13
PAGE 1
JAN 20/09

BRI



**757
PARTS CATALOG (MAINTENANCE)**

FIG ITEM	PART NUMBER	1 2 3 4 5 6 7 NOMENCLATURE	EFFECT FROM TO	UNITS PER ASSY
13 - 5	BCREF7679	SWITCH ASSY-LIGHTED PUSH BUTTON IND ALTN SUPPLIER CODE: V81590 OVERLENGTH PART NUMBER: 433-673-1001-1001 SPECIFICATION NUMBER: S231T290-1001 MISCELLANEOUS DATA: WHEN REPLACING THE PUSHBUTTON SWITCH ASSY OR THE MASTER MODULE WITHIN, VERIFY THAT A CONFIG D MASTER MODULE P/N 13206-001 IS INSTALLED IN LIEU OF ANY EARLIER CONFIGURATION MASTER MODULES. ELECTRICAL EQUIP NUMBER: S00482 FOR NHA SEE: 34-12-01-04	107107	RF

MISSING ITEM NUMBERS NOT APPLICABLE

- ITEM NOT ILLUSTRATED

BRI

33-13-00-13

BOEING PROPRIETARY - Copyright © - Unpublished Work - See title page for details.

33-13-00
FIG. 13
PAGE 2
JAN 20/09



757

PARTS CATALOG (MAINTENANCE)

FIG ITEM	PART NUMBER	1 2 3 4 5 6 7 NOMENCLATURE	EFFECT FROM TO	UNITS PER ASSY
13 - 10	BCREF7679	SWITCH ASSY-LIGHTED PUSH BUTTON IND ALTN SUPPLIER CODE: V81590 OVERLENGTH PART NUMBER: 433-673-1001-1001 SPECIFICATION NUMBER: S231T290-1001 MISCELLANEOUS DATA: WHEN REPLACING THE PUSHBUTTON SWITCH ASSY OR THE MASTER MODULE WITHIN, VERIFY THAT A CONFIG D MASTER MODULE P/N 13206-001 IS INSTALLED IN LIEU OF ANY EARLIER CONFIGURATION MASTER MODULES. ELECTRICAL EQUIP NUMBER: S00483 S00010 S00011 S00012 FOR NHA SEE: 34-12-01-04 34-21-02-04 34-22-02-06 34-61-02-15	107107	RF

MISSING ITEM NUMBERS NOT APPLICABLE

- ITEM NOT ILLUSTRATED

BRI

33-13-00-13

BOEING PROPRIETARY - Copyright © - Unpublished Work - See title page for details.

33-13-00
 FIG. 13
 PAGE 3
 JAN 20/09



757

PARTS CATALOG (MAINTENANCE)

FIG ITEM	PART NUMBER	1 2 3 4 5 6 7	NOMENCLATURE	EFFECT FROM TO	UNITS PER ASSY
13 - 15	BCREF7679		SWITCH ASSY-LIGHTED PUSH BUTTON IND ALTN SUPPLIER CODE: V81590 OVERLENGTH PART NUMBER: 433-673-1001-1001 SPECIFICATION NUMBER: S231T290-1001 MISCELLANEOUS DATA: WHEN REPLACING THE PUSHBUTTON SWITCH ASSY OR THE MASTER MODULE WITHIN, VERIFY THAT A CONFIG D MASTER MODULE P/N 13206-001 IS INSTALLED IN LIEU OF ANY EARLIER CONFIGURATION MASTER MODULES. ELECTRICAL EQUIP NUMBER: S00004 S00003 S00002 FOR NHA SEE: 34-21-02-04 34-22-02-06	107107	RF
100	673-1001-1001	.	CAPSULE ASSY-LENS-ALTN SUPPLIER CODE: V81590	107107	1
105	MS24515-685AS15	..	LAMP	107107	2
110	673-025-000	..	PLUG- SUPPLIER CODE: V81590	107107	2
115	13963-001	..	HOLDER-LAMP SUPPLIER CODE: V81590	107107	1
115	673-092-005	..	HOLDER-LAMP SUPPLIER CODE: V81590	107107	1
120	13206-001	.	MODULE ASSY-MASTER 13206-001 IS INTER- CHANGEABLE WITH 433-092-002 SUPPLIER CODE: V81590	107107	1
125	433-097-003	.	MODULE ASSY-CKT SUPPLIER CODE: V81590	107107	1

MISSING ITEM NUMBERS NOT APPLICABLE

- ITEM NOT ILLUSTRATED

33-13-00-13

33-13-00
FIG. 13
PAGE 4
JAN 20/09

BRI



757

PARTS CATALOG (MAINTENANCE)

FIG ITEM	PART NUMBER	1 2 3 4 5 6 7	NOMENCLATURE	EFFECT FROM TO	UNITS PER ASSY
13 135	433-100-002		. GUARD-SWITCH SUPPLIER CODE: V81590 SPECIFICATION NUMBER: S231T290-821 OPTIONAL PART: 433-100-003 V81590 433-100-004 V81590 433-100-005 V81590 433-100-006 V81590 433-100-007 V81590	107107	1
135	433-100-003		. GUARD-SWITCH SUPPLIER CODE: V81590 SPECIFICATION NUMBER: S231T290-822 OPTIONAL PART: 433-100-002 V81590 433-100-004 V81590 433-100-005 V81590 433-100-006 V81590 433-100-007 V81590	107107	1
135	433-100-004		. GUARD-SWITCH SUPPLIER CODE: V81590 SPECIFICATION NUMBER: S231T290-823 OPTIONAL PART: 433-100-002 V81590 433-100-003 V81590 433-100-005 V81590 433-100-006 V81590 433-100-007 V81590	107107	1

MISSING ITEM NUMBERS NOT APPLICABLE

- ITEM NOT ILLUSTRATED

33-13-00-13

33-13-00
FIG. 13
PAGE 5
JAN 20/09

BRI



757

PARTS CATALOG (MAINTENANCE)

FIG ITEM	PART NUMBER	1 2 3 4 5 6 7	NOMENCLATURE	EFFECT FROM TO	UNITS PER ASSY
13 135	433-100-005		. GUARD-SWITCH SUPPLIER CODE: V81590 SPECIFICATION NUMBER: S231T290-824 OPTIONAL PART: 433-100-002 V81590 433-100-003 V81590 433-100-004 V81590 433-100-006 V81590 433-100-007 V81590	107107	1
140	433-100-006		. GUARD-SWITCH SUPPLIER CODE: V81590 OPTIONAL PART: 433-100-002 V81590 433-100-003 V81590 433-100-004 V81590 433-100-005 V81590 433-100-007 V81590	107107	1
140	433-100-007		. GUARD-SWITCH SUPPLIER CODE: V81590 SPECIFICATION NUMBER: S231T290-826 OPTIONAL PART: 433-100-002 V81590 433-100-003 V81590 433-100-004 V81590 433-100-005 V81590 433-100-006 V81590	107107	1

MISSING ITEM NUMBERS NOT APPLICABLE

- ITEM NOT ILLUSTRATED

33-13-00-13

33-13-00
FIG. 13
PAGE 6
JAN 20/09

BRI



757

PARTS CATALOG (MAINTENANCE)

FIG ITEM	PART NUMBER	1 2 3 4 5 6 7	NOMENCLATURE	EFFECT FROM TO	UNITS PER ASSY
13 145	433-107-002		.HOUSING ASSY-WITH MTG SLEEVE SUPPLIER CODE: V81590	107107	1

MISSING ITEM NUMBERS NOT APPLICABLE

- ITEM NOT ILLUSTRATED

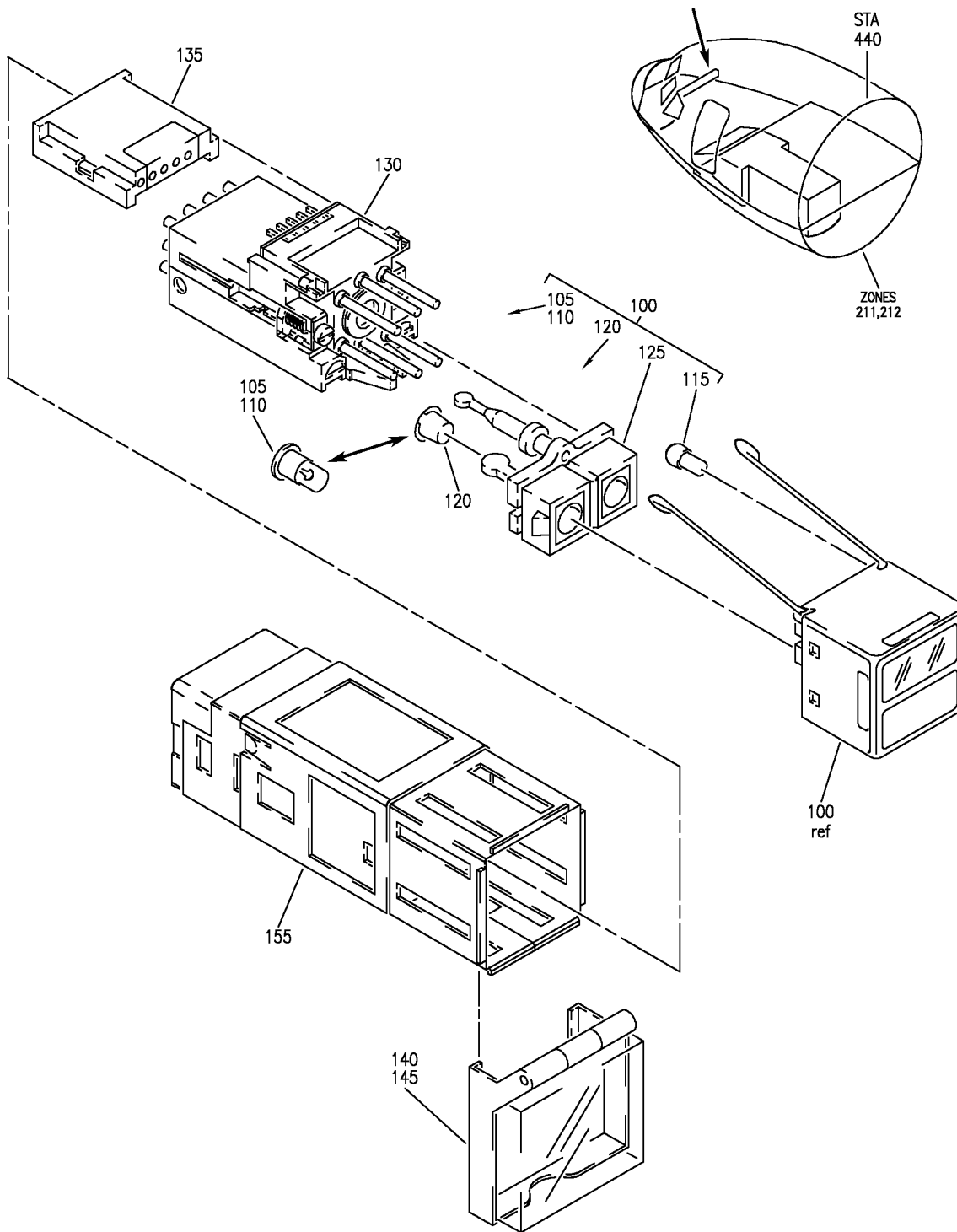
BRI

33-13-00-13

BOEING PROPRIETARY - Copyright © - Unpublished Work - See title page for details.

33-13-00
FIG. 13
PAGE 7
JAN 20/09

BOEING
757
PARTS CATALOG (MAINTENANCE)



Y 33130014 REV 268

SWITCH ASSY-LIGHTED PUSH BUTTON IND
FIGURE 14

33-13-00-14

BRI
JAN 20/09

33-13-00-14
PAGE 0



757

PARTS CATALOG (MAINTENANCE)

FIG ITEM	PART NUMBER	1 2 3 4 5 6 7	NOMENCLATURE	EFFECT FROM TO	UNITS PER ASSY
14			SWITCH ASSY-LIGHTED PUSH BUTTON IND	107107	
- 1	BCREF7682		SWITCH ASSY-LIGHTED PUSH BUTTON IND OVRD SUPPLIER CODE: V81590 OVERLENGTH PART NUMBER: 433-673-1001-1057 SPECIFICATION NUMBER: S231T290-1057 ELECTRICAL EQUIP NUMBER: S10172 S10231 FOR NHA SEE: 34-46-51-01	107107	RF
- 10	BCREF7683		SWITCH ASSY-LIGHTED PUSH BUTTON IND ALTN SUPPLIER CODE: V81590 OVERLENGTH PART NUMBER: 433-673-1001-1076 SPECIFICATION NUMBER: S231T290-1076 MISCELLANEOUS DATA: WHEN REPLACING THE PUSHBUTTON SWITCH ASSY OR THE MASTER MODULE WITHIN, VERIFY THAT A CONFIG D MASTER MODULE P/N 13202-001 IS INSTALLED IN LIEU OF ANY EARLIER CONFIGURATION MASTER MODULES. ELECTRICAL EQUIP NUMBER: S10260 REFERENCE SERVICE BULLETIN: 33A0044 REWORKED BY SB: 433-33-05 V81590 FOR NHA SEE: 32-35-52-01	107107	RF
100	673-1001-1057		.CAPSULE ASSY-LENS-OVRD SUPPLIER CODE: V81590 USED ON: BCREF7682	107107	1

MISSING ITEM NUMBERS NOT APPLICABLE

- ITEM NOT ILLUSTRATED

33-13-00-14

33-13-00
FIG. 14
PAGE 1
JAN 20/09

BRI



757

PARTS CATALOG (MAINTENANCE)

FIG ITEM	PART NUMBER	1 2 3 4 5 6 7	NOMENCLATURE	EFFECT FROM TO	UNITS PER ASSY
14 100	673-1001-1076	.	CAPSULE ASSY-LENS-ALTN SUPPLIER CODE: V81590 USED ON: BCREF7683	107107	1
110	MS25237-387AS15	..	LAMP- USED ON: 673-1001-1076	107107	2
115	MS24515-685AS15	..	LAMP- USED ON: 673-1001-1057	107107	2
120	673-025-000	..	PLUG- SUPPLIER CODE: V81590 USED ON: 673-1001-1057 673-1001-1076 673-1001-1081	107107	2
125	673-092-005	..	HOLDER-LAMP SUPPLIER CODE: V81590	107107	1
125	13963-001	..	HOLDER-LAMP SUPPLIER CODE: V81590	107107	1
130	13202-001	.	MODULE ASSY-MASTER SUPPLIER CODE: V81590 USED ON: BCREF7683	107107	1
130	13206-001	.	MODULE ASSY-MASTER SUPPLIER CODE: V81590 USED ON: BCREF7682	107107	1
135	433-097-001	.	MODULE ASSY-CKT SUPPLIER CODE: V81590 USED ON: BCREF7683	107107	1
135	433-097-003	.	MODULE ASSY-CKT SUPPLIER CODE: V81590 USED ON: BCREF7682	107107	1

MISSING ITEM NUMBERS NOT APPLICABLE

- ITEM NOT ILLUSTRATED

33-13-00-14

33-13-00
FIG. 14
PAGE 2
JAN 20/09

BRI



757

PARTS CATALOG (MAINTENANCE)

FIG ITEM	PART NUMBER	1 2 3 4 5 6 7	NOMENCLATURE	EFFECT FROM TO	UNITS PER ASSY
14 140	433-100-002		. GUARD-SWITCH SUPPLIER CODE: V81590 SPECIFICATION NUMBER: S231T290-821 OPTIONAL PART: 433-100-003 V81590 433-100-004 V81590 433-100-005 V81590 433-100-006 V81590 433-100-007 V81590	107107	1
140	433-100-003		. GUARD-SWITCH SUPPLIER CODE: V81590 SPECIFICATION NUMBER: S231T290-822 OPTIONAL PART: 433-100-002 V81590 433-100-004 V81590 433-100-005 V81590 433-100-006 V81590 433-100-007 V81590	107107	1
140	433-100-004		. GUARD-SWITCH SUPPLIER CODE: V81590 SPECIFICATION NUMBER: S231T290-823 OPTIONAL PART: 433-100-002 V81590 433-100-003 V81590 433-100-005 V81590 433-100-006 V81590 433-100-007 V81590	107107	1

MISSING ITEM NUMBERS NOT APPLICABLE

- ITEM NOT ILLUSTRATED

33-13-00-14

33-13-00
FIG. 14
PAGE 3
JAN 20/09

BRI



757

PARTS CATALOG (MAINTENANCE)

FIG ITEM	PART NUMBER	1 2 3 4 5 6 7	NOMENCLATURE	EFFECT FROM TO	UNITS PER ASSY
14 140	433-100-005		. GUARD-SWITCH SUPPLIER CODE: V81590 SPECIFICATION NUMBER: S231T290-824 OPTIONAL PART: 433-100-002 V81590 433-100-003 V81590 433-100-004 V81590 433-100-006 V81590 433-100-007 V81590	107107	1
140	433-100-006		. GUARD-SWITCH SUPPLIER CODE: V81590 OPTIONAL PART: 433-100-002 V81590 433-100-003 V81590 433-100-004 V81590 433-100-005 V81590 433-100-007 V81590	107107	1
145	433-100-007		. GUARD-SWITCH SUPPLIER CODE: V81590 SPECIFICATION NUMBER: S231T290-826 OPTIONAL PART: 433-100-002 V81590 433-100-003 V81590 433-100-004 V81590 433-100-005 V81590 433-100-006 V81590	107107	1

MISSING ITEM NUMBERS NOT APPLICABLE

- ITEM NOT ILLUSTRATED

33-13-00-14

33-13-00
FIG. 14
PAGE 4
JAN 20/09

BRI



757

PARTS CATALOG (MAINTENANCE)

FIG ITEM	PART NUMBER	1 2 3 4 5 6 7	NOMENCLATURE	EFFECT FROM TO	UNITS PER ASSY
14 155	433-107-002		.HOUSING ASSY-WITH MTG SLEEVE SUPPLIER CODE: V81590	107107	1

MISSING ITEM NUMBERS NOT APPLICABLE

- ITEM NOT ILLUSTRATED

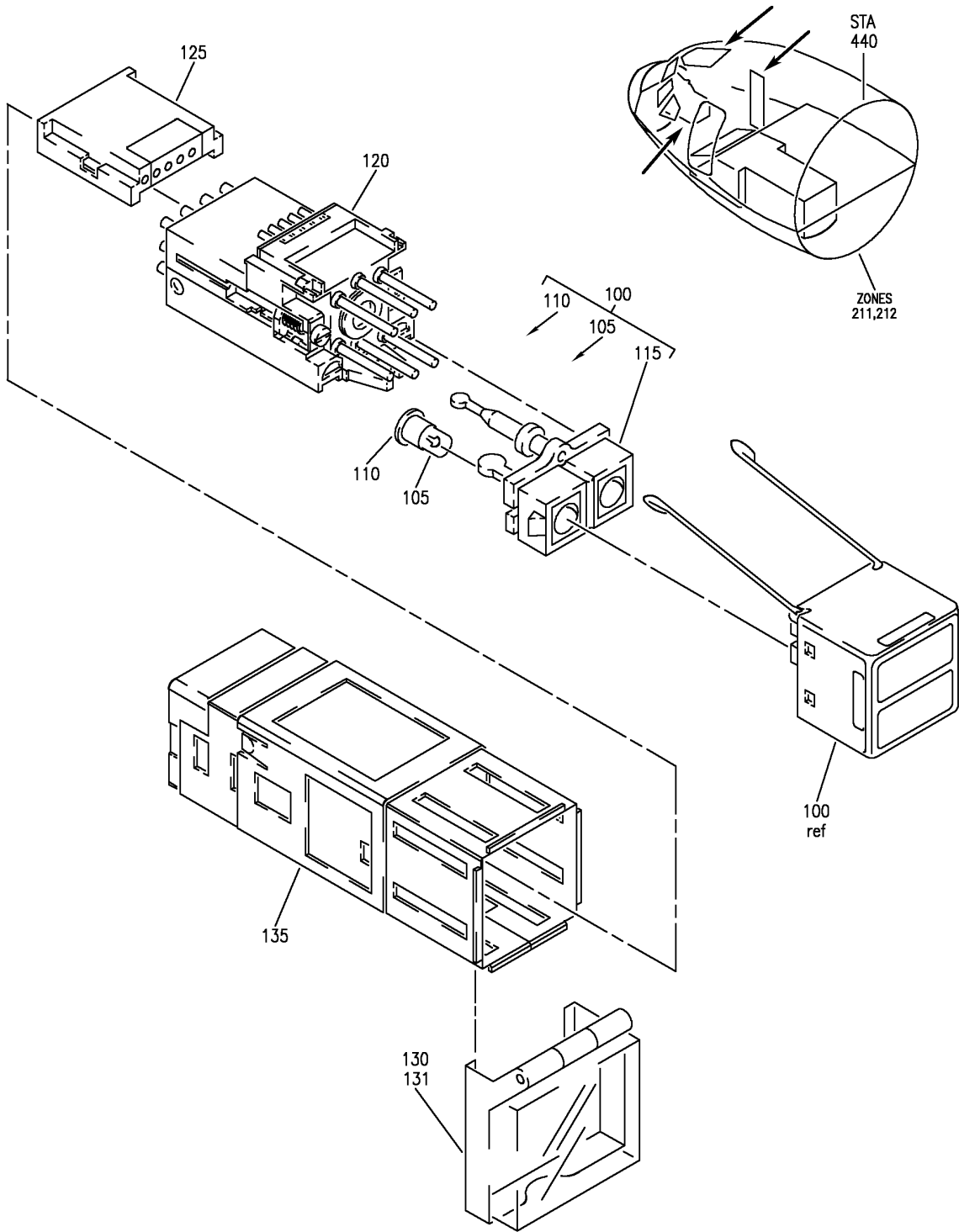
BRI

33-13-00-14

BOEING PROPRIETARY - Copyright © - Unpublished Work - See title page for details.

33-13-00
FIG. 14
PAGE 5
JAN 20/09

BOEING
757
PARTS CATALOG (MAINTENANCE)



Y 33130015 SH1 1 REV 266

SWITCH ASSY-LIGHTED PUSH BUTTON IND
FIGURE 15

33-13-00-15

BRI
JAN 20/09

33-13-00-15
PAGE 0



757

PARTS CATALOG (MAINTENANCE)

FIG ITEM	PART NUMBER	1 2 3 4 5 6 7	NOMENCLATURE	EFFECT FROM TO	UNITS PER ASSY
15					
- 1	BCREF7603		SWITCH ASSY-LIGHTED PUSH BUTTON IND SWITCH ASSY-LIGHTED PUSH BUTTON IND DRIVE SUPPLIER CODE: V81590 OVERLENGTH PART NUMBER: 433-673-1001-1007 SPECIFICATION NUMBER: S231T290-1007 MISCELLANEOUS DATA: WHEN REPLACING THE PUSHBUTTON SWITCH ASSY OR THE MASTER MODULE WITHIN, VERIFY THAT A CONFIG D MASTER MODULE P/N 13202-001 IS INSTALLED IN LIEU OF ANY EARLIER CONFIGURATION MASTER MODULES. REFERENCE SERVICE BULLETIN: 33A0044 REWORKED BY SB: 433-33-05 V81590 FOR NHA SEE: 24-11-52-01	107107 107107	RF

MISSING ITEM NUMBERS NOT APPLICABLE

- ITEM NOT ILLUSTRATED

33-13-00-15

33-13-00
 FIG. 15
 PAGE 1
 JAN 20/09

BRI



757

PARTS CATALOG (MAINTENANCE)

FIG ITEM	PART NUMBER	1 2 3 4 5 6 7	NOMENCLATURE	EFFECT FROM TO	UNITS PER ASSY
15 - 5	BCREF7618		SWITCH ASSY-LIGHTED PUSH BUTTON IND ON SUPPLIER CODE: V81590 OVERLENGTH PART NUMBER: 433-673-1001-1041 SPECIFICATION NUMBER: S231T290-1041 MISCELLANEOUS DATA: WHEN REPLACING THE PUSHBUTTON SWITCH ASSY OR THE MASTER MODULE WITHIN, VERIFY THAT A CONFIG D MASTER MODULE P/N 13202-001 IS INSTALLED IN LIEU OF ANY EARLIER CONFIGURATION MASTER MODULES. REFERENCE SERVICE BULLETIN: 33A0044 REWORKED BY SB: 433-33-05 V81590 FOR NHA SEE: 35-21-51-01	107107	RF
100	673-1001-1007	.	CAPSULE ASSY-LENS-DRIVE SUPPLIER CODE: V81590 USED ON: BCREF7603	107107	1
100	673-1001-1041	.	CAPSULE ASSY-LENS-ON SUPPLIER CODE: V81590 USED ON: BCREF7618	107107	1
105	MS25237-387AS15	..	LAMP	107107	2
110	673-025-000	..	PLUG- SUPPLIER CODE: V81590	107107	2
115	673-092-005	..	HOLDER-LAMP SUPPLIER CODE: V81590	107107	1
115	13963-001	..	HOLDER-LAMP SUPPLIER CODE: V81590	107107	1
120	13202-001	.	MODULE ASSY-MASTER SUPPLIER CODE: V81590	107107	1

MISSING ITEM NUMBERS NOT APPLICABLE

- ITEM NOT ILLUSTRATED

33-13-00-15

33-13-00
FIG. 15
PAGE 2
JAN 20/09

BRI



757

PARTS CATALOG (MAINTENANCE)

FIG ITEM	PART NUMBER	1 2 3 4 5 6 7	NOMENCLATURE	EFFECT FROM TO	UNITS PER ASSY
15					
125	433-097-001		.MODULE ASSY-CKT SUPPLIER CODE: V81590	107107	1
130	433-100-002		.GUARD-SWITCH SUPPLIER CODE: V81590 SPECIFICATION NUMBER: S231T290-821 OPTIONAL PART: 433-100-003 V81590 433-100-004 V81590 433-100-005 V81590 433-100-006 V81590 433-100-007 V81590	107107	1
130	433-100-003		.GUARD-SWITCH SUPPLIER CODE: V81590 SPECIFICATION NUMBER: S231T290-822 OPTIONAL PART: 433-100-002 V81590 433-100-004 V81590 433-100-005 V81590 433-100-006 V81590 433-100-007 V81590	107107	1

MISSING ITEM NUMBERS NOT APPLICABLE

- ITEM NOT ILLUSTRATED

BRI

33-13-00-15

BOEING PROPRIETARY - Copyright © - Unpublished Work - See title page for details.

33-13-00
FIG. 15
PAGE 3
JAN 20/09



757

PARTS CATALOG (MAINTENANCE)

FIG ITEM	PART NUMBER	1 2 3 4 5 6 7	NOMENCLATURE	EFFECT FROM TO	UNITS PER ASSY
15 130	433-100-004		. GUARD-SWITCH SUPPLIER CODE: V81590 SPECIFICATION NUMBER: S231T290-823 OPTIONAL PART: 433-100-002 V81590 433-100-003 V81590 433-100-005 V81590 433-100-006 V81590 433-100-007 V81590	107107	1
130	433-100-005		. GUARD-SWITCH SUPPLIER CODE: V81590 SPECIFICATION NUMBER: S231T290-824 OPTIONAL PART: 433-100-002 V81590 433-100-003 V81590 433-100-004 V81590 433-100-006 V81590 433-100-007 V81590	107107	1
130	433-100-006		. GUARD-SWITCH SUPPLIER CODE: V81590 OPTIONAL PART: 433-100-002 V81590 433-100-003 V81590 433-100-004 V81590 433-100-005 V81590 433-100-007 V81590	107107	1

MISSING ITEM NUMBERS NOT APPLICABLE

- ITEM NOT ILLUSTRATED

33-13-00-15

33-13-00
FIG. 15
PAGE 4
JAN 20/09

BRI



757

PARTS CATALOG (MAINTENANCE)

FIG ITEM	PART NUMBER	1 2 3 4 5 6 7	NOMENCLATURE	EFFECT FROM TO	UNITS PER ASSY
15 130	433-100-007		. GUARD-SWITCH SUPPLIER CODE: V81590 SPECIFICATION NUMBER: S231T290-826 OPTIONAL PART: 433-100-002 V81590 433-100-003 V81590 433-100-004 V81590 433-100-005 V81590 433-100-006 V81590	107107	1
135	433-107-002		. HOUSING ASSY-WITH MTG SLEEVE SUPPLIER CODE: V81590	107107	1

MISSING ITEM NUMBERS NOT APPLICABLE

- ITEM NOT ILLUSTRATED

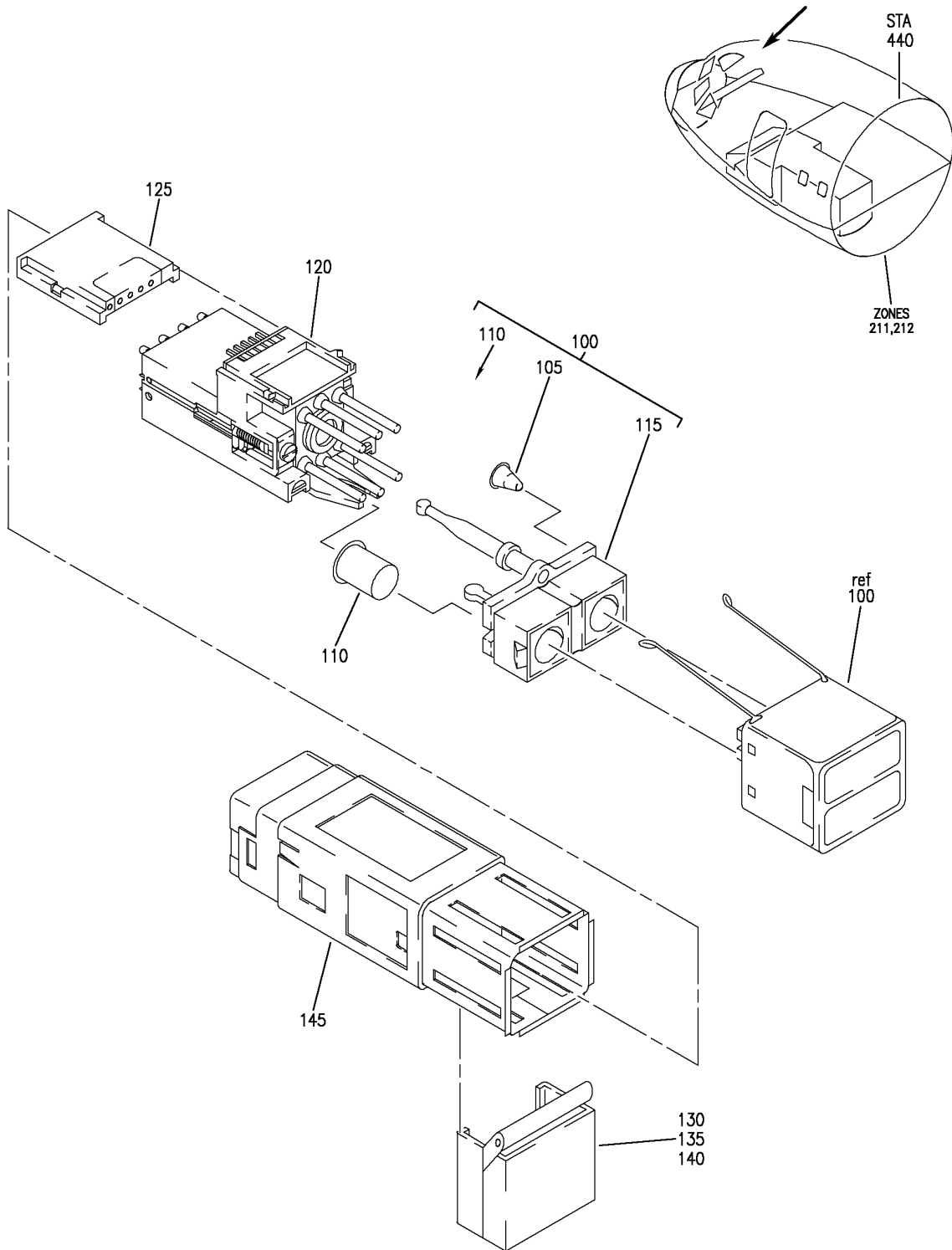
BRI

33-13-00-15

BOEING PROPRIETARY - Copyright © - Unpublished Work - See title page for details.

33-13-00
FIG. 15
PAGE 5
JAN 20/09

BOEING
757
PARTS CATALOG (MAINTENANCE)



Y 33130015A REV 249

SWITCH ASSY-LIGHTED PUSH BUTTON IND
FIGURE 15A

33-13-00-15A

BRI
MAY 28/07

33-13-00-15A
PAGE 0



757

PARTS CATALOG (MAINTENANCE)

FIG ITEM	PART NUMBER	1 2 3 4 5 6 7	NOMENCLATURE	EFFECT FROM TO	UNITS PER ASSY
15A					
- 1	BCREF7604		SWITCH ASSY-LIGHTED PUSH BUTTON IND SWITCH ASSY-LIGHTED PUSH BUTTON IND ON SUPPLIER CODE: V81590 OVERLENGTH PART NUMBER: 433-673-1001-1012 SPECIFICATION NUMBER: S231T290-1012 REFERENCE SERVICE BULLETIN: 33A0044 PRE ALERT SB: 30A0013R6 REWORKED BY SB: 433-33-05 V81590 FOR NHA SEE: 30-11-51-01 30-11-51-03	101102 107949 101102 107949	RF
- 5	BCREF7604		SWITCH ASSY-LIGHTED PUSHBUTTON IND ON SUPPLIER CODE: V81590 OVERLENGTH PART NUMBER: 433-673-1001-1012 SPECIFICATION NUMBER: S231T290-1012 FOR NHA SEE: 33-11-51-14 33-11-51-17	101102 107107	RF
- 10	BCREF7604		SWITCH ASSY-LIGHTED PUSHBUTTON IND ON SUPPLIER CODE: V81590 OVERLENGTH PART NUMBER: 433-673-1001-1012 SPECIFICATION NUMBER: S231T290-1012 FOR NHA SEE: 33-45-53-01	107107	RF

MISSING ITEM NUMBERS NOT APPLICABLE

- ITEM NOT ILLUSTRATED

33-13-00-15A

33-13-00
FIG. 15A
PAGE 1
JAN 20/09

BRI



757

PARTS CATALOG (MAINTENANCE)

FIG ITEM	PART NUMBER	1 2 3 4 5 6 7	NOMENCLATURE	EFFECT FROM TO	UNITS PER ASSY
15A - 15	BCREF7604		SWITCH ASSY-LIGHTED PUSHBUTTON IND SUPPLIER CODE: V81590 OVERLENGTH PART NUMBER: 433-673-1001-1012 SPECIFICATION NUMBER: S231T290-1012 FOR NHA SEE: 33-41-52-01 33-43-51-01 33-44-51-01	107107	RF
100	673-1001-1012	.	CAPSULE ASSY-LENS-ON SUPPLIER CODE: V81590 USED ON: BCREF7604	108949	1
100	673-1001-1012	.	CAPSULE ASSY-LENS-ON SUPPLIER CODE: V81590 USED ON: BCREF7604	101102	1
100	673-1001-1012	.	CAPSULE ASSY-LENS-ON SUPPLIER CODE: V81590 USED ON: BCREF7604	107107	1
105	MS24515-685AS15	..	LAMP	108949	2
105	MS24515-685AS15	..	LAMP	101102	2
105	MS24515-685AS15	..	LAMP	107107	2
110	673-025-000	..	PLUG- SUPPLIER CODE: V81590	108949	2
110	673-025-000	..	PLUG- SUPPLIER CODE: V81590	101102	2
110	673-025-000	..	PLUG- SUPPLIER CODE: V81590	107107	2
115	673-092-005	..	HOLDER-LAMP SUPPLIER CODE: V81590	108949	1
115	673-092-005	..	HOLDER-LAMP SUPPLIER CODE: V81590	101102	1
115	673-092-005	..	HOLDER-LAMP SUPPLIER CODE: V81590	107107	1

MISSING ITEM NUMBERS NOT APPLICABLE

- ITEM NOT ILLUSTRATED

33-13-00-15A

33-13-00
FIG. 15A
PAGE 2
JAN 20/09

BRI

BOEING PROPRIETARY - Copyright © - Unpublished Work - See title page for details.



757

PARTS CATALOG (MAINTENANCE)

FIG ITEM	PART NUMBER	1 2 3 4 5 6 7	NOMENCLATURE	EFFECT FROM TO	UNITS PER ASSY
15A 115	13963-001	..	HOLDER-LAMP SUPPLIER CODE: V81590	108949	1
115	13963-001	..	HOLDER-LAMP SUPPLIER CODE: V81590	101102	1
115	13963-001	..	HOLDER-LAMP SUPPLIER CODE: V81590	107107	1
120	13206-001	.M	MODULE ASSY-MASTER SUPPLIER CODE: V81590	108949	1
120	13206-001	.M	MODULE ASSY-MASTER SUPPLIER CODE: V81590	101102	1
120	13206-001	.M	MODULE ASSY-MASTER SUPPLIER CODE: V81590	107107	1
125	433-097-003	.M	MODULE ASSY-CKT SUPPLIER CODE: V81590	108949	1
125	433-097-003	.M	MODULE ASSY-CKT SUPPLIER CODE: V81590	101102	1
125	433-097-003	.M	MODULE ASSY-CKT SUPPLIER CODE: V81590	107107	1
130	433-100-002	.G	GUARD-SWITCH SUPPLIER CODE: V81590 SPECIFICATION NUMBER: S231T290-821 OPTIONAL PART: 433-100-003 V81590 433-100-004 V81590 433-100-005 V81590 433-100-006 V81590 433-100-007 V81590	108949	1

MISSING ITEM NUMBERS NOT APPLICABLE

- ITEM NOT ILLUSTRATED

33-13-00-15A

33-13-00
FIG. 15A
PAGE 3
JAN 20/09

BRI

BOEING PROPRIETARY - Copyright © - Unpublished Work - See title page for details.



757

PARTS CATALOG (MAINTENANCE)

FIG ITEM	PART NUMBER	1 2 3 4 5 6 7	NOMENCLATURE	EFFECT FROM TO	UNITS PER ASSY
15A 130	433-100-003		. GUARD-SWITCH SUPPLIER CODE: V81590 SPECIFICATION NUMBER: S231T290-822 OPTIONAL PART: 433-100-002 V81590 433-100-004 V81590 433-100-005 V81590 433-100-006 V81590 433-100-007 V81590	108949	1
130	433-100-004		. GUARD-SWITCH SUPPLIER CODE: V81590 SPECIFICATION NUMBER: S231T290-823 OPTIONAL PART: 433-100-002 V81590 433-100-003 V81590 433-100-005 V81590 433-100-006 V81590 433-100-007 V81590	108949	1
130	433-100-005		. GUARD-SWITCH SUPPLIER CODE: V81590 SPECIFICATION NUMBER: S231T290-824 OPTIONAL PART: 433-100-002 V81590 433-100-003 V81590 433-100-004 V81590 433-100-006 V81590 433-100-007 V81590	108949	1

MISSING ITEM NUMBERS NOT APPLICABLE

- ITEM NOT ILLUSTRATED

33-13-00-15A

33-13-00
FIG. 15A
PAGE 4
JAN 20/09

BRI



757

PARTS CATALOG (MAINTENANCE)

FIG ITEM	PART NUMBER	1 2 3 4 5 6 7	NOMENCLATURE	EFFECT FROM TO	UNITS PER ASSY
15A 130	433-100-006		. GUARD-SWITCH SUPPLIER CODE: V81590 OPTIONAL PART: 433-100-002 V81590 433-100-003 V81590 433-100-004 V81590 433-100-005 V81590 433-100-007 V81590	108949	1
130	433-100-007		. GUARD-SWITCH SUPPLIER CODE: V81590 SPECIFICATION NUMBER: S231T290-826 OPTIONAL PART: 433-100-002 V81590 433-100-003 V81590 433-100-004 V81590 433-100-005 V81590 433-100-006 V81590	108949	1
130	433-100-002		. GUARD-SWITCH SUPPLIER CODE: V81590 SPECIFICATION NUMBER: S231T290-821 OPTIONAL PART: 433-100-003 V81590 433-100-004 V81590 433-100-005 V81590 433-100-006 V81590 433-100-007 V81590	101102	1

MISSING ITEM NUMBERS NOT APPLICABLE

- ITEM NOT ILLUSTRATED

33-13-00-15A

33-13-00
FIG. 15A
PAGE 5
JAN 20/09

BRI



757

PARTS CATALOG (MAINTENANCE)

FIG ITEM	PART NUMBER	1 2 3 4 5 6 7	NOMENCLATURE	EFFECT FROM TO	UNITS PER ASSY
15A 130	433-100-003		. GUARD-SWITCH SUPPLIER CODE: V81590 SPECIFICATION NUMBER: S231T290-822 OPTIONAL PART: 433-100-002 V81590 433-100-004 V81590 433-100-005 V81590 433-100-006 V81590 433-100-007 V81590	101102	1
130	433-100-004		. GUARD-SWITCH SUPPLIER CODE: V81590 SPECIFICATION NUMBER: S231T290-823 OPTIONAL PART: 433-100-002 V81590 433-100-003 V81590 433-100-005 V81590 433-100-006 V81590 433-100-007 V81590	101102	1
130	433-100-005		. GUARD-SWITCH SUPPLIER CODE: V81590 SPECIFICATION NUMBER: S231T290-824 OPTIONAL PART: 433-100-002 V81590 433-100-003 V81590 433-100-004 V81590 433-100-006 V81590 433-100-007 V81590	101102	1

MISSING ITEM NUMBERS NOT APPLICABLE

- ITEM NOT ILLUSTRATED

33-13-00-15A

33-13-00
FIG. 15A
PAGE 6
JAN 20/09

BRI



757

PARTS CATALOG (MAINTENANCE)

FIG ITEM	PART NUMBER	1 2 3 4 5 6 7	NOMENCLATURE	EFFECT FROM TO	UNITS PER ASSY
15A 130	433-100-006		. GUARD-SWITCH SUPPLIER CODE: V81590 OPTIONAL PART: 433-100-002 V81590 433-100-003 V81590 433-100-004 V81590 433-100-005 V81590 433-100-007 V81590	101102	1
130	433-100-007		. GUARD-SWITCH SUPPLIER CODE: V81590 SPECIFICATION NUMBER: S231T290-826 OPTIONAL PART: 433-100-002 V81590 433-100-003 V81590 433-100-004 V81590 433-100-005 V81590 433-100-006 V81590	101102	1
140	433-100-002		. GUARD-SWITCH SUPPLIER CODE: V81590 SPECIFICATION NUMBER: S231T290-821 OPTIONAL PART: 433-100-003 V81590 433-100-004 V81590 433-100-005 V81590 433-100-006 V81590 433-100-007 V81590	107107	1

MISSING ITEM NUMBERS NOT APPLICABLE

- ITEM NOT ILLUSTRATED

33-13-00-15A

33-13-00
FIG. 15A
PAGE 7
JAN 20/09

BRI



757

PARTS CATALOG (MAINTENANCE)

FIG ITEM	PART NUMBER	1 2 3 4 5 6 7	NOMENCLATURE	EFFECT FROM TO	UNITS PER ASSY
15A 140	433-100-003		. GUARD-SWITCH SUPPLIER CODE: V81590 SPECIFICATION NUMBER: S231T290-822 OPTIONAL PART: 433-100-002 V81590 433-100-004 V81590 433-100-005 V81590 433-100-006 V81590 433-100-007 V81590	107107	1
140	433-100-004		. GUARD-SWITCH SUPPLIER CODE: V81590 SPECIFICATION NUMBER: S231T290-823 OPTIONAL PART: 433-100-002 V81590 433-100-003 V81590 433-100-005 V81590 433-100-006 V81590 433-100-007 V81590	107107	1
140	433-100-005		. GUARD-SWITCH SUPPLIER CODE: V81590 SPECIFICATION NUMBER: S231T290-824 OPTIONAL PART: 433-100-002 V81590 433-100-003 V81590 433-100-004 V81590 433-100-006 V81590 433-100-007 V81590	107107	1

MISSING ITEM NUMBERS NOT APPLICABLE

- ITEM NOT ILLUSTRATED

33-13-00-15A

33-13-00
FIG. 15A
PAGE 8
JAN 20/09

BRI

 **BOEING**
757
PARTS CATALOG (MAINTENANCE)

FIG ITEM	PART NUMBER	1 2 3 4 5 6 7	NOMENCLATURE	EFFECT FROM TO	UNITS PER ASSY
15A 140	433-100-006		. GUARD-SWITCH SUPPLIER CODE: V81590 OPTIONAL PART: 433-100-002 V81590 433-100-003 V81590 433-100-004 V81590 433-100-005 V81590 433-100-007 V81590	107107	1
140	433-100-007		. GUARD-SWITCH SUPPLIER CODE: V81590 SPECIFICATION NUMBER: S231T290-826 OPTIONAL PART: 433-100-002 V81590 433-100-003 V81590 433-100-004 V81590 433-100-005 V81590 433-100-006 V81590	107107	1
145	433-107-002		. HOUSING ASSY-WITH MTG SLEEVE SUPPLIER CODE: V81590	108949	1
145	433-107-002		. HOUSING ASSY-WITH MTG SLEEVE SUPPLIER CODE: V81590	101102	1
145	433-107-002		. HOUSING ASSY-WITH MTG SLEEVE SUPPLIER CODE: V81590	107107	1

MISSING ITEM NUMBERS NOT APPLICABLE

— ITEM NOT ILLUSTRATED

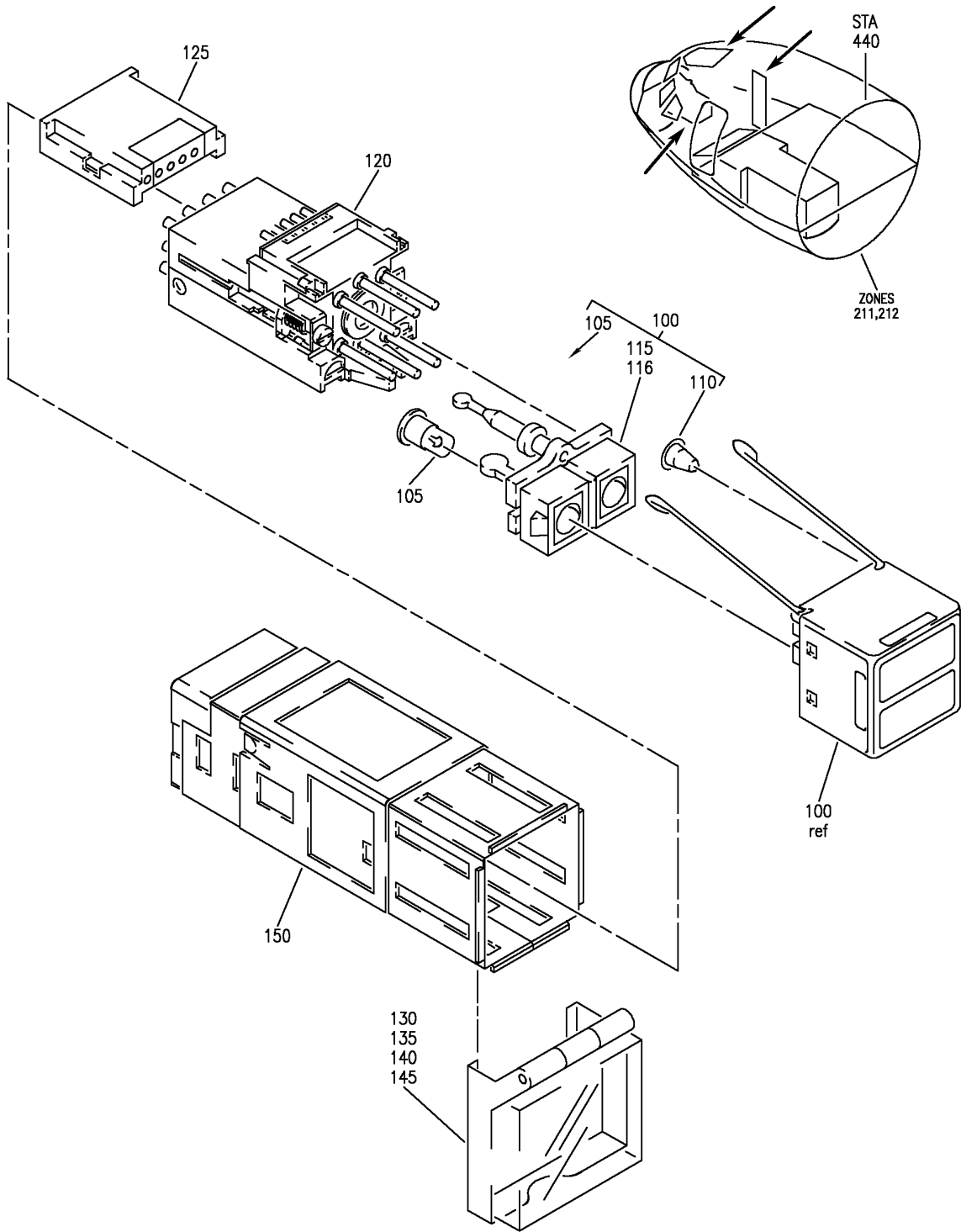
33-13-00-15A

33-13-00
FIG. 15A
PAGE 9
JAN 20/09

BRI

BOEING PROPRIETARY - Copyright © - Unpublished Work - See title page for details.

BOEING
757
PARTS CATALOG (MAINTENANCE)



Y 33130016 REV 325

SWITCH ASSY-LIGHTED PUSH BUTTON IND
FIGURE 16

33-13-00-16

BRI
SEP 20/08

33-13-00-16
PAGE 0



757

PARTS CATALOG (MAINTENANCE)

FIG ITEM	PART NUMBER	1 2 3 4 5 6 7	NOMENCLATURE	EFFECT FROM TO	UNITS PER ASSY
16			SWITCH ASSY-LIGHTED PUSH BUTTON IND	002004 006010 101102 107120 950999	
- 1	BCREF7606		SWITCH ASSY-LIGHTED PUSH BUTTON IND ON/INOP SUPPLIER CODE: V81590 OVERLENGTH PART NUMBER: 433-673-1001-1016 SPECIFICATION NUMBER: S231T290-1016 MISCELLANEOUS DATA: WHEN REPLACING THE PUSHBUTTON SWITCH ASSY OR THE MASTER MODULE WITHIN, VERIFY THAT A CONFIG D MASTER MODULE P/N 13206-001 IS INSTALLED IN LIEU OF ANY EARLIER CONFIGURATION MASTER MODULES. FOR NHA SEE: 21-25-55-01	107107	RF

MISSING ITEM NUMBERS NOT APPLICABLE

- ITEM NOT ILLUSTRATED

BRI

33-13-00-16

BOEING PROPRIETARY - Copyright © - Unpublished Work - See title page for details.

33-13-00
FIG. 16
PAGE 1
JAN 20/09



757

PARTS CATALOG (MAINTENANCE)

FIG ITEM	PART NUMBER	1 2 3 4 5 6 7	NOMENCLATURE	EFFECT FROM TO	UNITS PER ASSY
16 - 1	BCREF7606		SWITCH ASSY-LIGHTED PUSH BUTTON IND ON/INOP SUPPLIER CODE: V81590 OVERLENGTH PART NUMBER: 433-673-1001-1016 SPECIFICATION NUMBER: S231T290-1016 MISCELLANEOUS DATA: WHEN REPLACING THE PUSHBUTTON SWITCH ASSY OR THE MASTER MODULE WITHIN, VERIFY THAT A CONFIG D MASTER MODULE P/N 13206-001 IS INSTALLED IN LIEU OF ANY EARLIER CONFIGURATION MASTER MODULES. REFERENCE SERVICE BULLETIN: 33A0044 REWORKED BY SB: 433-33-05 V81590 FOR NHA SEE: 22-21-01-01	107107	RF
- 1	BCREF7606		SWITCH ASSY-LIGHTED PUSH BUTTON IND ON/INOP SUPPLIER CODE: V81590 OVERLENGTH PART NUMBER: 433-673-1001-1016 SPECIFICATION NUMBER: S231T290-1016 MISCELLANEOUS DATA: WHEN REPLACING THE PUSHBUTTON SWITCH ASSY OR THE MASTER MODULE WITHIN, VERIFY THAT A CONFIG D MASTER MODULE P/N 13206-001 IS INSTALLED IN LIEU OF ANY EARLIER CONFIGURATION MASTER MODULES. FOR NHA SEE: 30-41-51-01	107107	RF

MISSING ITEM NUMBERS NOT APPLICABLE

- ITEM NOT ILLUSTRATED

33-13-00-16

33-13-00
FIG. 16
PAGE 2
JAN 20/09

BRI



757

PARTS CATALOG (MAINTENANCE)

FIG ITEM	PART NUMBER	1 2 3 4 5 6 7	NOMENCLATURE	EFFECT FROM TO	UNITS PER ASSY
16 - 1	BCREF7606		SWITCH ASSY-LIGHTED PUSH BUTTON IND ON/INOP SUPPLIER CODE: V81590 OVERLENGTH PART NUMBER: 433-673-1001-1016 SPECIFICATION NUMBER: S231T290-1016 MISCELLANEOUS DATA: WHEN REPLACING THE PUSHBUTTON SWITCH ASSY OR THE MASTER MODULE WITHIN, VERIFY THAT A CONFIG D MASTER MODULE P/N 13206-001 IS INSTALLED IN LIEU OF ANY EARLIER CONFIGURATION MASTER MODULES. REFERENCE SERVICE BULLETIN: 33A0044 REWORKED BY SB: 433-33-05 V81590 FOR NHA SEE: 73-21-52-01 73-21-52-02	002004 006010 101102 107120 950999	RF
100	673-1001-1016	.	CAPSULE ASSY-LENS-ON/INOP SUPPLIER CODE: V81590	002004 006010 101102 108120 950999	1
100	673-1001-1016	.	CAPSULE ASSY-LENS-ON/INOP SUPPLIER CODE: V81590	107107	1
105	MS25237-387AS15	..	LAMP	002004 006010 101102 108120 950999	2
105	MS25237-387AS15	..	LAMP	107107	2
110	MS24515-685AS15	..	LAMP	002004 006010 101102 108120 950999	2
110	MS24515-685AS15	..	LAMP	107107	2

MISSING ITEM NUMBERS NOT APPLICABLE

- ITEM NOT ILLUSTRATED

33-13-00-16

33-13-00
FIG. 16
PAGE 3
JAN 20/09

BRI



757

PARTS CATALOG (MAINTENANCE)

FIG ITEM	PART NUMBER	1 2 3 4 5 6 7	NOMENCLATURE	EFFECT FROM TO	UNITS PER ASSY
16					
115	673-092-005		.. HOLDER-LAMP SUPPLIER CODE: V81590	002004 006010 101102 108120 950999	1
115	673-092-005		.. HOLDER-LAMP SUPPLIER CODE: V81590	107107	1
115	13963-001		.. HOLDER-LAMP SUPPLIER CODE: V81590	002004 006010 101102 108120 950999	1
115	13963-001		.. HOLDER-LAMP SUPPLIER CODE: V81590	107107	1
120	13206-001		.MODULE ASSY-MASTER SUPPLIER CODE: V81590	002004 006010 101102 108120 950999	1
120	13206-001		.MODULE ASSY-MASTER SUPPLIER CODE: V81590	107107	1
125	433-097-003		.MODULE ASSY-CKT SUPPLIER CODE: V81590	002004 006010 101102 108120 950999	1
125	433-097-003		.MODULE ASSY-CKT SUPPLIER CODE: V81590	107107	1
130	433-100-002		.GUARD-SWITCH SUPPLIER CODE: V81590 SPECIFICATION NUMBER: S231T290-821 OPTIONAL PART: 433-100-003 V81590 433-100-004 V81590 433-100-005 V81590 433-100-006 V81590 433-100-007 V81590	002004 006010 101102 108120 950999	1

MISSING ITEM NUMBERS NOT APPLICABLE

- ITEM NOT ILLUSTRATED

33-13-00-16

33-13-00
FIG. 16
PAGE 4
JAN 20/09

BRI



757

PARTS CATALOG (MAINTENANCE)

FIG ITEM	PART NUMBER	1 2 3 4 5 6 7	NOMENCLATURE	EFFECT FROM TO	UNITS PER ASSY
16 130	433-100-003	.	GUARD-SWITCH SUPPLIER CODE: V81590 SPECIFICATION NUMBER: S231T290-822 OPTIONAL PART: 433-100-002 V81590 433-100-004 V81590 433-100-005 V81590 433-100-006 V81590 433-100-007 V81590	002004 006010 101102 108120 950999	1
130	433-100-004	.	GUARD-SWITCH SUPPLIER CODE: V81590 SPECIFICATION NUMBER: S231T290-823 OPTIONAL PART: 433-100-002 V81590 433-100-003 V81590 433-100-005 V81590 433-100-006 V81590 433-100-007 V81590	002004 006010 101102 108120 950999	1
130	433-100-005	.	GUARD-SWITCH SUPPLIER CODE: V81590 SPECIFICATION NUMBER: S231T290-824 OPTIONAL PART: 433-100-002 V81590 433-100-003 V81590 433-100-004 V81590 433-100-006 V81590 433-100-007 V81590	002004 006010 101102 108120 950999	1

MISSING ITEM NUMBERS NOT APPLICABLE

- ITEM NOT ILLUSTRATED

33-13-00-16

33-13-00
FIG. 16
PAGE 5
JAN 20/09

BRI



757

PARTS CATALOG (MAINTENANCE)

FIG ITEM	PART NUMBER	1 2 3 4 5 6 7	NOMENCLATURE	EFFECT FROM TO	UNITS PER ASSY
16 130	433-100-006		. GUARD-SWITCH SUPPLIER CODE: V81590 OPTIONAL PART: 433-100-002 V81590 433-100-003 V81590 433-100-004 V81590 433-100-005 V81590 433-100-007 V81590	002004 006010 101102 108120 950999	1
130	433-100-007		. GUARD-SWITCH SUPPLIER CODE: V81590 SPECIFICATION NUMBER: S231T290-826 OPTIONAL PART: 433-100-002 V81590 433-100-003 V81590 433-100-004 V81590 433-100-005 V81590 433-100-006 V81590	002004 006010 101102 108120 950999	1
140	433-100-002		. GUARD-SWITCH SUPPLIER CODE: V81590 SPECIFICATION NUMBER: S231T290-821 OPTIONAL PART: 433-100-003 V81590 433-100-004 V81590 433-100-005 V81590 433-100-006 V81590 433-100-007 V81590	107107	1

MISSING ITEM NUMBERS NOT APPLICABLE

- ITEM NOT ILLUSTRATED

BRI

33-13-00-16

BOEING PROPRIETARY - Copyright © - Unpublished Work - See title page for details.

33-13-00
FIG. 16
PAGE 6
JAN 20/09



757

PARTS CATALOG (MAINTENANCE)

FIG ITEM	PART NUMBER	1 2 3 4 5 6 7	NOMENCLATURE	EFFECT FROM TO	UNITS PER ASSY
16 140	433-100-003		. GUARD-SWITCH SUPPLIER CODE: V81590 SPECIFICATION NUMBER: S231T290-822 OPTIONAL PART: 433-100-002 V81590 433-100-004 V81590 433-100-005 V81590 433-100-006 V81590 433-100-007 V81590	107107	1
140	433-100-004		. GUARD-SWITCH SUPPLIER CODE: V81590 SPECIFICATION NUMBER: S231T290-823 OPTIONAL PART: 433-100-002 V81590 433-100-003 V81590 433-100-005 V81590 433-100-006 V81590 433-100-007 V81590	107107	1
140	433-100-005		. GUARD-SWITCH SUPPLIER CODE: V81590 SPECIFICATION NUMBER: S231T290-824 OPTIONAL PART: 433-100-002 V81590 433-100-003 V81590 433-100-004 V81590 433-100-006 V81590 433-100-007 V81590	107107	1

MISSING ITEM NUMBERS NOT APPLICABLE

- ITEM NOT ILLUSTRATED

33-13-00-16

33-13-00
FIG. 16
PAGE 7
JAN 20/09

BRI



757

PARTS CATALOG (MAINTENANCE)

FIG ITEM	PART NUMBER	1 2 3 4 5 6 7	NOMENCLATURE	EFFECT FROM TO	UNITS PER ASSY
16 140	433-100-006		. GUARD-SWITCH SUPPLIER CODE: V81590 OPTIONAL PART: 433-100-002 V81590 433-100-003 V81590 433-100-004 V81590 433-100-005 V81590 433-100-007 V81590	107107	1
140	433-100-007		. GUARD-SWITCH SUPPLIER CODE: V81590 SPECIFICATION NUMBER: S231T290-826 OPTIONAL PART: 433-100-002 V81590 433-100-003 V81590 433-100-004 V81590 433-100-005 V81590 433-100-006 V81590	107107	1
150	433-107-002		. HOUSING ASSY-WITH MTG SLEEVE SUPPLIER CODE: V81590	002004 006010 101102 108120 950999	1
150	433-107-002		. HOUSING ASSY-WITH MTG SLEEVE SUPPLIER CODE: V81590	107107	1

MISSING ITEM NUMBERS NOT APPLICABLE

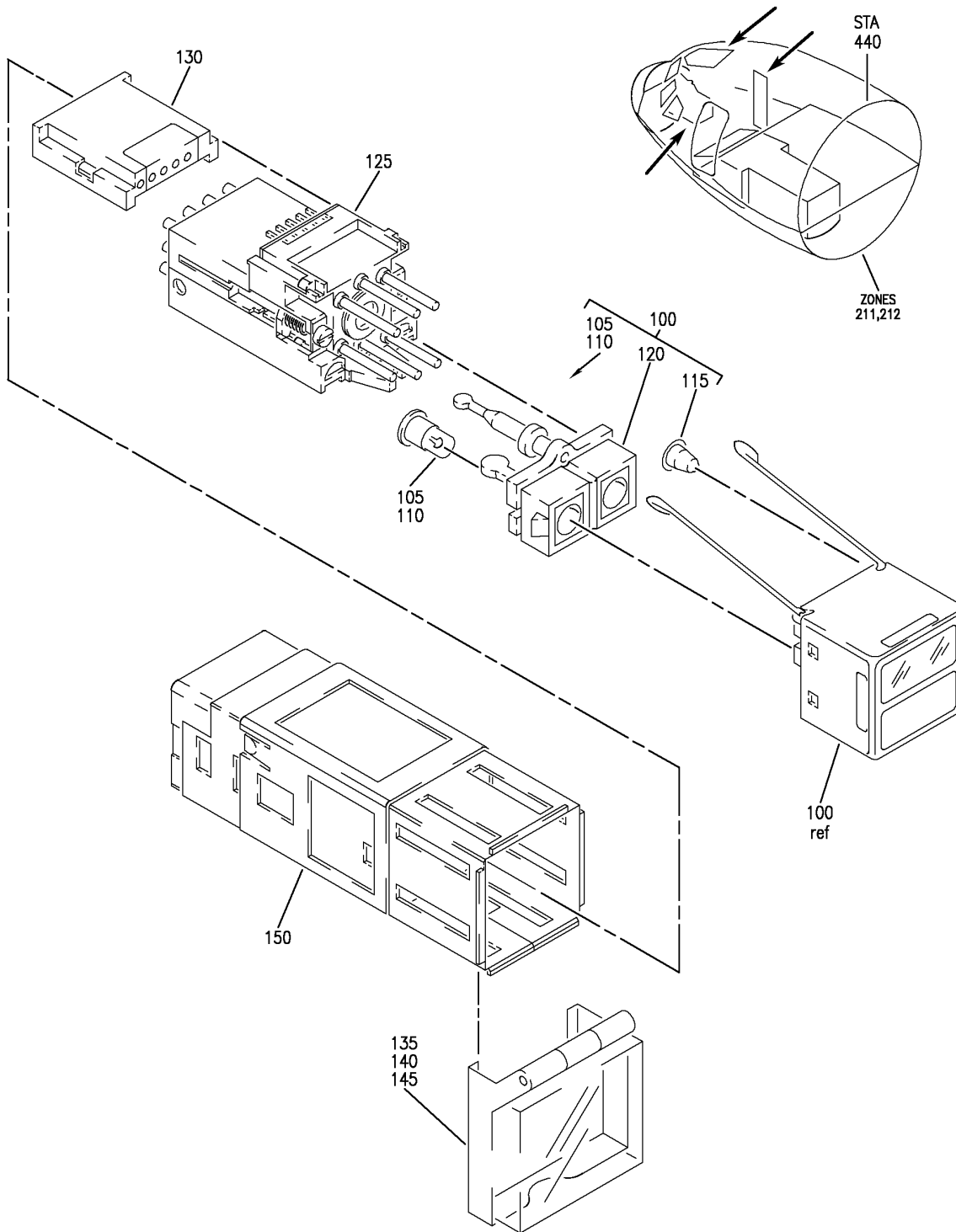
- ITEM NOT ILLUSTRATED

33-13-00-16

33-13-00
FIG. 16
PAGE 8
JAN 20/09

BRI

BOEING
757
PARTS CATALOG (MAINTENANCE)



Y 33130017 REV 250

SWITCH ASSY-LIGHTED PUSH BUTTON IND
FIGURE 17

33-13-00-17

BRI
MAY 28/07

33-13-00-17
PAGE 0



757

PARTS CATALOG (MAINTENANCE)

FIG ITEM	PART NUMBER	1 2 3 4 5 6 7	NOMENCLATURE	EFFECT FROM TO	UNITS PER ASSY
17			SWITCH ASSY-LIGHTED PUSH BUTTON IND	002004 006120 504903 950999	
- 1	BCREF7616		SWITCH ASSY-LIGHTED PUSH BUTTON IND PRESS/UNLKD SUPPLIER CODE: V81590 OVERLENGTH PART NUMBER: 433-673-1001-1036 SPECIFICATION NUMBER: S231T290-1036 MISCELLANEOUS DATA: WHEN REPLACING THE PUSHBUTTON SWITCH ASSY OR THE MASTER MODULE WITHIN, VERIFY THAT A CONFIG D MASTER MODULE P/N 13203-001 IS INSTALLED IN LIEU OF ANY EARLIER CONFIGURATION MASTER MODULES. REFERENCE SERVICE BULLETIN: 33A0044 REWORKED BY SB: 433-33-05 V81590 FOR NHA SEE: 29-21-54-01 29-21-54-03	002004 006010 101102 107120 950999	RF
- 5	BCREF7619		SWITCH ASSY-LIGHTED PUSH BUTTON IND ON/AVAIL SUPPLIER CODE: V81590 OVERLENGTH PART NUMBER: 433-673-1001-1045 SPECIFICATION NUMBER: S231T290-1045 REFERENCE SERVICE BULLETIN: 33A0044 REWORKED BY SB: 433-33-05 V81590 FOR NHA SEE: 24-41-51-01	107107	RF

MISSING ITEM NUMBERS NOT APPLICABLE

- ITEM NOT ILLUSTRATED

33-13-00-17

33-13-00
FIG. 17
PAGE 1
JAN 20/09

BRI



757

PARTS CATALOG (MAINTENANCE)

FIG ITEM	PART NUMBER	1 2 3 4 5 6 7	NOMENCLATURE	EFFECT FROM TO	UNITS PER ASSY
17 - 10	BCREF7622		SWITCH ASSY-LIGHTED PUSH BUTTON IND INOP/PACK OFF SUPPLIER CODE: V81590 OVERLENGTH PART NUMBER: 433-673-1001-1056 SPECIFICATION NUMBER: S231T290-1056 FOR NHA SEE: 21-51-54-01 21-51-54-02 21-51-54-03	011120 504903	RF
- 15	BCREF7626		SWITCH ASSY-LIGHTED PUSH BUTTON IND UNLKD/UNLKD SUPPLIER CODE: V81590 OVERLENGTH PART NUMBER: 433-673-1001-1077 SPECIFICATION NUMBER: S231T290-1077 FOR NHA SEE: 52-51-51-01	107107	RF
- 20	BCREF7627		SWITCH ASSY-LIGHTED PUSH BUTTON IND ALTN/OVHT SUPPLIER CODE: V81590 OVERLENGTH PART NUMBER: 433-673-1001-1080 SPECIFICATION NUMBER: S231T290-1080 MISCELLANEOUS DATA: WHEN REPLACING THE PUSHBUTTON SWITCH ASSY OR THE MASTER MODULE WITHIN, VERIFY THAT A CONFIG D MASTER MODULE P/N 13206-001 IS INSTALLED IN LIEU OF ANY EARLIER CONFIGURATION MASTER MODULES. REFERENCE SERVICE BULLETIN: 33A0044 REWORKED BY SB: 433-33-05 V81590 FOR NHA SEE: 21-58-51-01	107107	RF

MISSING ITEM NUMBERS NOT APPLICABLE

- ITEM NOT ILLUSTRATED

33-13-00-17

33-13-00
FIG. 17
PAGE 2
JAN 20/09

BRI



757

PARTS CATALOG (MAINTENANCE)

FIG ITEM	PART NUMBER	1 2 3 4 5 6 7	NOMENCLATURE	EFFECT FROM TO	UNITS PER ASSY
17					
100	673-1001-1036	.	CAPSULE ASSY-LENS PRESS UNLKD SUPPLIER CODE: V81590 USED ON: BCREF7616	002004 006010 101102 107120 950999	1
100	673-1001-1045	.	CAPSULE ASSY-LENS ON/AVAIL SUPPLIER CODE: V81590 USED ON: BCREF7619	107107	1
100	673-1001-1056	.	CAPSULE ASSY-LENS INOP PACK OFF SUPPLIER CODE: V81590 USED ON: BCREF7622	011120 504903	1
100	673-1001-1077	.	CAPSULE ASSY-LENS UNLKD/UNLKD SUPPLIER CODE: V81590 USED ON: BCREF7626	107107	1
100	673-1001-1080	.	CAPSULE ASSY-LENS ALTN/OVHT SUPPLIER CODE: V81590 USED ON: BCREF7627	107107	1
105	MS25237-387AS15	..	LAMP- USED ON: 673-1001-1036	002004 006010 101102 107120 950999	4
105	MS25237-387AS15	..	LAMP- USED ON: 673-1001-1045	107107	4
105	MS25237-387AS15	..	LAMP- USED ON: 673-1001-1056	011120 504903	4
110	MS25237-387AS15	..	LAMP- USED ON: 673-1001-1077	107107	2
110	MS25237-387AS15	..	LAMP- USED ON: 673-1001-1080	107107	2
115	MS24515-685AS15	..	LAMP- USED ON: 673-1001-1077	107107	2

MISSING ITEM NUMBERS NOT APPLICABLE

- ITEM NOT ILLUSTRATED

33-13-00-17

33-13-00
FIG. 17
PAGE 3
JAN 20/09

BRI

 **BOEING**
757
PARTS CATALOG (MAINTENANCE)

FIG ITEM	PART NUMBER	1 2 3 4 5 6 7	NOMENCLATURE	EFFECT FROM TO	UNITS PER ASSY
17					
115	MS24515-685AS15	..	LAMP- USED ON: 673-1001-1080	107107	2
120	673-092-005	..	HOLDER-LAMP SUPPLIER CODE: V81590	002004 006010 950999	1
120	673-092-005	..	HOLDER-LAMP SUPPLIER CODE: V81590	103106 504903	1
120	673-092-005	..	HOLDER-LAMP SUPPLIER CODE: V81590	011102 108120	1
120	673-092-005	..	HOLDER-LAMP SUPPLIER CODE: V81590	107107	1
120	13963-001	..	HOLDER-LAMP SUPPLIER CODE: V81590	002004 006010 950999	1
120	13963-001	..	HOLDER-LAMP SUPPLIER CODE: V81590	103106 504903	1
120	13963-001	..	HOLDER-LAMP SUPPLIER CODE: V81590	011102 108120	1
120	13963-001	..	HOLDER-LAMP SUPPLIER CODE: V81590	107107	1
125	13203-001	.MODULE	ASSY-MASTER SUPPLIER CODE: V81590 USED ON: BCREF7616	002004 006010 101102 107120 950999	1
125	13203-001	.MODULE	ASSY-MASTER SUPPLIER CODE: V81590 USED ON: BCREF7619	107107	1
125	13203-001	.MODULE	ASSY-MASTER SUPPLIER CODE: V81590 USED ON: BCREF7622	011120 504903	1
125	13206-001	.MODULE	ASSY-MASTER SUPPLIER CODE: V81590 USED ON: BCREF7626	107107	1

MISSING ITEM NUMBERS NOT APPLICABLE

— ITEM NOT ILLUSTRATED

BRI

33-13-00-17

33-13-00
FIG. 17
PAGE 4
JAN 20/09



757

PARTS CATALOG (MAINTENANCE)

FIG ITEM	PART NUMBER	1 2 3 4 5 6 7	NOMENCLATURE	EFFECT FROM TO	UNITS PER ASSY
17 125	13206-001		.MODULE ASSY-MASTER SUPPLIER CODE: V81590 USED ON: BCREF7627	107107	1
130	433-097-001		.MODULE ASSY-CKT SUPPLIER CODE: V81590 USED ON: BCREF7616	002004 006010 101102 107120 950999	1
130	433-097-001		.MODULE ASSY-CKT SUPPLIER CODE: V81590 USED ON: BCREF7619	107107	1
130	433-097-001		.MODULE ASSY-CKT SUPPLIER CODE: V81590 USED ON: BCREF7622	011120 504903	1
130	433-097-003		.MODULE ASSY-CKT SUPPLIER CODE: V81590 USED ON: BCREF7626	107107	1
130	433-097-003		.MODULE ASSY-CKT SUPPLIER CODE: V81590 USED ON: BCREF7627	107107	1
135	433-100-002		.GUARD-SWITCH SUPPLIER CODE: V81590 SPECIFICATION NUMBER: S231T290-821 OPTIONAL PART: 433-100-003 V81590 433-100-004 V81590 433-100-005 V81590 433-100-006 V81590 433-100-007 V81590	002004 006010 950999	1

MISSING ITEM NUMBERS NOT APPLICABLE

- ITEM NOT ILLUSTRATED

33-13-00-17

33-13-00
FIG. 17
PAGE 5
JAN 20/09

BRI



757

PARTS CATALOG (MAINTENANCE)

FIG ITEM	PART NUMBER	1 2 3 4 5 6 7	NOMENCLATURE	EFFECT FROM TO	UNITS PER ASSY
17 135	433-100-003		. GUARD-SWITCH SUPPLIER CODE: V81590 SPECIFICATION NUMBER: S231T290-822 OPTIONAL PART: 433-100-002 V81590 433-100-004 V81590 433-100-005 V81590 433-100-006 V81590 433-100-007 V81590	002004 006010 950999	1
135	433-100-004		. GUARD-SWITCH SUPPLIER CODE: V81590 SPECIFICATION NUMBER: S231T290-823 OPTIONAL PART: 433-100-002 V81590 433-100-003 V81590 433-100-005 V81590 433-100-006 V81590 433-100-007 V81590	002004 006010 950999	1
135	433-100-005		. GUARD-SWITCH SUPPLIER CODE: V81590 SPECIFICATION NUMBER: S231T290-824 OPTIONAL PART: 433-100-002 V81590 433-100-003 V81590 433-100-004 V81590 433-100-006 V81590 433-100-007 V81590	002004 006010 950999	1

MISSING ITEM NUMBERS NOT APPLICABLE

- ITEM NOT ILLUSTRATED

33-13-00-17

33-13-00
FIG. 17
PAGE 6
JAN 20/09

BRI



757

PARTS CATALOG (MAINTENANCE)

FIG ITEM	PART NUMBER	1 2 3 4 5 6 7	NOMENCLATURE	EFFECT FROM TO	UNITS PER ASSY
17 135	433-100-006		. GUARD-SWITCH SUPPLIER CODE: V81590 OPTIONAL PART: 433-100-002 V81590 433-100-003 V81590 433-100-004 V81590 433-100-005 V81590 433-100-007 V81590	002004 006010 950999	1
135	433-100-007		. GUARD-SWITCH SUPPLIER CODE: V81590 SPECIFICATION NUMBER: S231T290-826 OPTIONAL PART: 433-100-002 V81590 433-100-003 V81590 433-100-004 V81590 433-100-005 V81590 433-100-006 V81590	002004 006010 950999	1
135	433-100-002		. GUARD-SWITCH SUPPLIER CODE: V81590 SPECIFICATION NUMBER: S231T290-821 OPTIONAL PART: 433-100-003 V81590 433-100-004 V81590 433-100-005 V81590 433-100-006 V81590 433-100-007 V81590	103106 504903	1

MISSING ITEM NUMBERS NOT APPLICABLE

- ITEM NOT ILLUSTRATED

33-13-00-17

33-13-00
FIG. 17
PAGE 7
JAN 20/09

BRI



757

PARTS CATALOG (MAINTENANCE)

FIG ITEM	PART NUMBER	1 2 3 4 5 6 7	NOMENCLATURE	EFFECT FROM TO	UNITS PER ASSY
17 135	433-100-003		. GUARD-SWITCH SUPPLIER CODE: V81590 SPECIFICATION NUMBER: S231T290-822 OPTIONAL PART: 433-100-002 V81590 433-100-004 V81590 433-100-005 V81590 433-100-006 V81590 433-100-007 V81590	103106 504903	1
135	433-100-004		. GUARD-SWITCH SUPPLIER CODE: V81590 SPECIFICATION NUMBER: S231T290-823 OPTIONAL PART: 433-100-002 V81590 433-100-003 V81590 433-100-005 V81590 433-100-006 V81590 433-100-007 V81590	103106 504903	1
135	433-100-005		. GUARD-SWITCH SUPPLIER CODE: V81590 SPECIFICATION NUMBER: S231T290-824 OPTIONAL PART: 433-100-002 V81590 433-100-003 V81590 433-100-004 V81590 433-100-006 V81590 433-100-007 V81590	103106 504903	1

MISSING ITEM NUMBERS NOT APPLICABLE

- ITEM NOT ILLUSTRATED

33-13-00-17

33-13-00
FIG. 17
PAGE 8
JAN 20/09

BRI



757

PARTS CATALOG (MAINTENANCE)

FIG ITEM	PART NUMBER	1 2 3 4 5 6 7	NOMENCLATURE	EFFECT FROM TO	UNITS PER ASSY
17 135	433-100-006		. GUARD-SWITCH SUPPLIER CODE: V81590 OPTIONAL PART: 433-100-002 V81590 433-100-003 V81590 433-100-004 V81590 433-100-005 V81590 433-100-007 V81590	103106 504903	1
135	433-100-007		. GUARD-SWITCH SUPPLIER CODE: V81590 SPECIFICATION NUMBER: S231T290-826 OPTIONAL PART: 433-100-002 V81590 433-100-003 V81590 433-100-004 V81590 433-100-005 V81590 433-100-006 V81590	103106 504903	1
135	433-100-002		. GUARD-SWITCH SUPPLIER CODE: V81590 SPECIFICATION NUMBER: S231T290-821 OPTIONAL PART: 433-100-003 V81590 433-100-004 V81590 433-100-005 V81590 433-100-006 V81590 433-100-007 V81590	011102 108120	1

MISSING ITEM NUMBERS NOT APPLICABLE

- ITEM NOT ILLUSTRATED

33-13-00-17

33-13-00
FIG. 17
PAGE 9
JAN 20/09

BRI



757

PARTS CATALOG (MAINTENANCE)

FIG ITEM	PART NUMBER	1 2 3 4 5 6 7	NOMENCLATURE	EFFECT FROM TO	UNITS PER ASSY
17 135	433-100-003		. GUARD-SWITCH SUPPLIER CODE: V81590 SPECIFICATION NUMBER: S231T290-822 OPTIONAL PART: 433-100-002 V81590 433-100-004 V81590 433-100-005 V81590 433-100-006 V81590 433-100-007 V81590	011102 108120	1
135	433-100-004		. GUARD-SWITCH SUPPLIER CODE: V81590 SPECIFICATION NUMBER: S231T290-823 OPTIONAL PART: 433-100-002 V81590 433-100-003 V81590 433-100-005 V81590 433-100-006 V81590 433-100-007 V81590	011102 108120	1
135	433-100-005		. GUARD-SWITCH SUPPLIER CODE: V81590 SPECIFICATION NUMBER: S231T290-824 OPTIONAL PART: 433-100-002 V81590 433-100-003 V81590 433-100-004 V81590 433-100-006 V81590 433-100-007 V81590	011102 108120	1

MISSING ITEM NUMBERS NOT APPLICABLE

- ITEM NOT ILLUSTRATED

33-13-00-17

33-13-00
FIG. 17
PAGE 10
JAN 20/09

BRI



757

PARTS CATALOG (MAINTENANCE)

FIG ITEM	PART NUMBER	1 2 3 4 5 6 7	NOMENCLATURE	EFFECT FROM TO	UNITS PER ASSY
17 135	433-100-006		. GUARD-SWITCH SUPPLIER CODE: V81590 OPTIONAL PART: 433-100-002 V81590 433-100-003 V81590 433-100-004 V81590 433-100-005 V81590 433-100-007 V81590	011102 108120	1
140	433-100-007		. GUARD-SWITCH SUPPLIER CODE: V81590 SPECIFICATION NUMBER: S231T290-826 OPTIONAL PART: 433-100-002 V81590 433-100-003 V81590 433-100-004 V81590 433-100-005 V81590 433-100-006 V81590	011102 108120	1
140	433-100-002		. GUARD-SWITCH SUPPLIER CODE: V81590 SPECIFICATION NUMBER: S231T290-821 OPTIONAL PART: 433-100-003 V81590 433-100-004 V81590 433-100-005 V81590 433-100-006 V81590 433-100-007 V81590	107107	1

MISSING ITEM NUMBERS NOT APPLICABLE

- ITEM NOT ILLUSTRATED

33-13-00-17

33-13-00
FIG. 17
PAGE 11
JAN 20/09

BRI



757

PARTS CATALOG (MAINTENANCE)

FIG ITEM	PART NUMBER	1 2 3 4 5 6 7	NOMENCLATURE	EFFECT FROM TO	UNITS PER ASSY
17 140	433-100-003		. GUARD-SWITCH SUPPLIER CODE: V81590 SPECIFICATION NUMBER: S231T290-822 OPTIONAL PART: 433-100-002 V81590 433-100-004 V81590 433-100-005 V81590 433-100-006 V81590 433-100-007 V81590	107107	1
140	433-100-004		. GUARD-SWITCH SUPPLIER CODE: V81590 SPECIFICATION NUMBER: S231T290-823 OPTIONAL PART: 433-100-002 V81590 433-100-003 V81590 433-100-005 V81590 433-100-006 V81590 433-100-007 V81590	107107	1
140	433-100-005		. GUARD-SWITCH SUPPLIER CODE: V81590 SPECIFICATION NUMBER: S231T290-824 OPTIONAL PART: 433-100-002 V81590 433-100-003 V81590 433-100-004 V81590 433-100-006 V81590 433-100-007 V81590	107107	1

MISSING ITEM NUMBERS NOT APPLICABLE

- ITEM NOT ILLUSTRATED

33-13-00-17

33-13-00
FIG. 17
PAGE 12
JAN 20/09

BRI



757

PARTS CATALOG (MAINTENANCE)

FIG ITEM	PART NUMBER	1 2 3 4 5 6 7	NOMENCLATURE	EFFECT FROM TO	UNITS PER ASSY
17 145	433-100-006		.GUARD-SWITCH SUPPLIER CODE: V81590 OPTIONAL PART: 433-100-002 V81590 433-100-003 V81590 433-100-004 V81590 433-100-005 V81590 433-100-007 V81590	107107	1
145	433-100-007		.GUARD-SWITCH SUPPLIER CODE: V81590 SPECIFICATION NUMBER: S231T290-826 OPTIONAL PART: 433-100-002 V81590 433-100-003 V81590 433-100-004 V81590 433-100-005 V81590 433-100-006 V81590	107107	1
150	433-107-002		.HOUSING ASSY-WITH MTG SLEEVE SUPPLIER CODE: V81590	002004 006010 950999	1
150	433-107-002		.HOUSING ASSY-WITH MTG SLEEVE SUPPLIER CODE: V81590	103106 504903	1
150	433-107-002		.HOUSING ASSY-WITH MTG SLEEVE SUPPLIER CODE: V81590	011102 108120	1
150	433-107-002		.HOUSING ASSY-WITH MTG SLEEVE SUPPLIER CODE: V81590	107107	1

MISSING ITEM NUMBERS NOT APPLICABLE

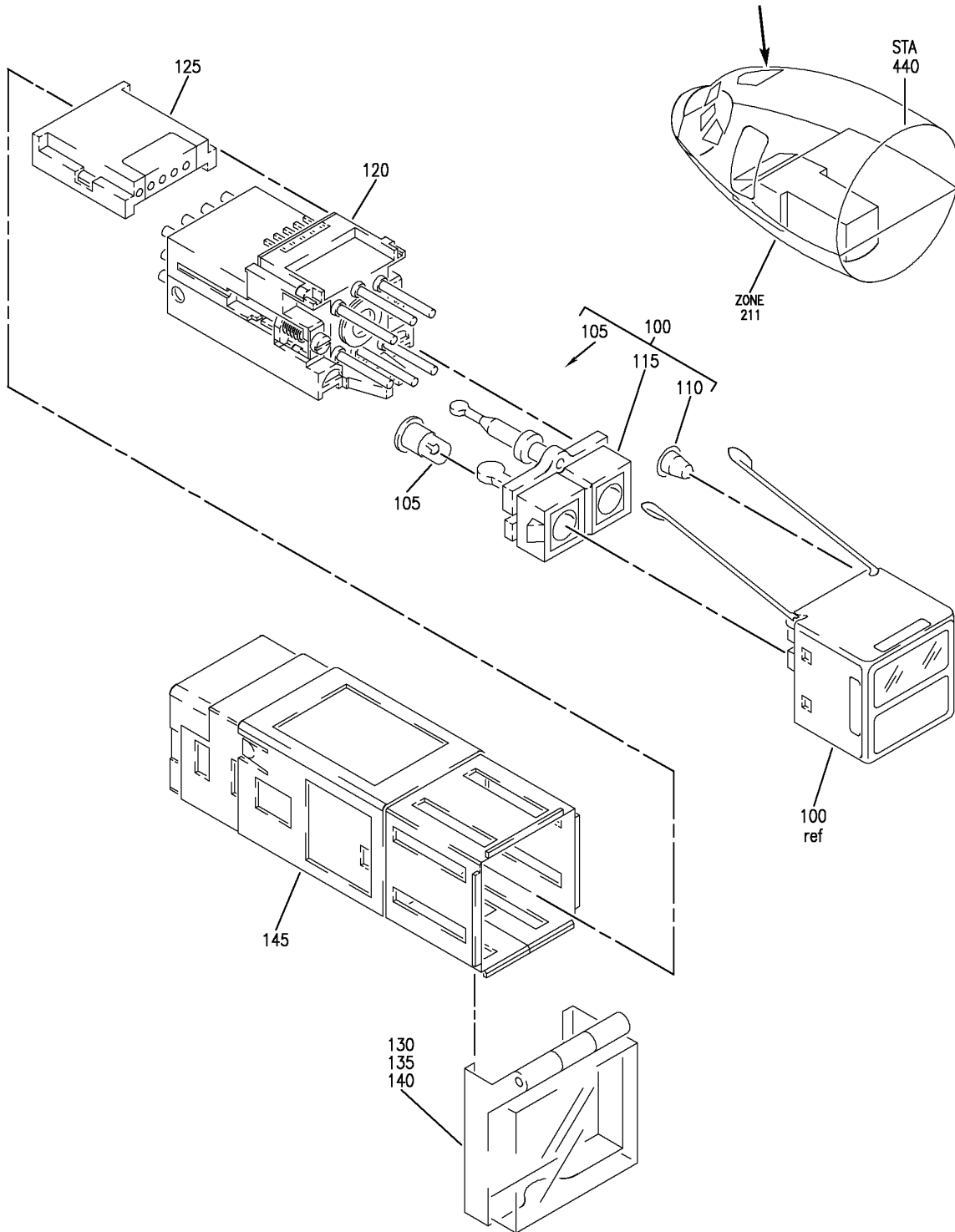
- ITEM NOT ILLUSTRATED

33-13-00-17

33-13-00
FIG. 17
PAGE 13
JAN 20/09

BRI

BOEING
757
PARTS CATALOG (MAINTENANCE)



Y 33130017A REV 250

SWITCH ASSY-LIGHTED PUSH BUTTON IND
FIGURE 17A

33-13-00-17A

BRI
MAY 28/07

33-13-00-17A
PAGE 0



757

PARTS CATALOG (MAINTENANCE)

FIG ITEM	PART NUMBER	1 2 3 4 5 6 7	NOMENCLATURE	EFFECT FROM TO	UNITS PER ASSY
17A			SWITCH ASSY-LIGHTED PUSH BUTTON IND	002004 006102 107999	
- 1	BCREF7611		SWITCH ASSY-LIGHTED PUSH BUTTON IND ON/OFF SUPPLIER CODE: V81590 OVERLENGTH PART NUMBER: 433-673-1001-1024 SPECIFICATION NUMBER: S231T290-1024 MISCELLANEOUS DATA: WHEN REPLACING THE PUSHBUTTON SWITCH ASSY OR THE MASTER MODULE WITHIN, VERIFY THAT A CONFIG D MASTER MODULE P/N 13206-001 IS INSTALLED IN LIEU OF ANY EARLIER CONFIGURATION MASTER MODULES. FOR NHA SEE: 21-61-04-01	107107	RF
- 1	BCREF7611		SWITCH ASSY-LIGHTED PUSH BUTTON IND ON/OFF SUPPLIER CODE: V81590 OVERLENGTH PART NUMBER: 433-673-1001-1024 SPECIFICATION NUMBER: S231T290-1024 MISCELLANEOUS DATA: WHEN REPLACING THE PUSHBUTTON SWITCH ASSY OR THE MASTER MODULE WITHIN, VERIFY THAT A CONFIG D MASTER MODULE P/N 13206-001 IS INSTALLED IN LIEU OF ANY EARLIER CONFIGURATION MASTER MODULES. REFERENCE SERVICE BULLETIN: 33A0044 REWORKED BY SB: 433-33-05 V81590 FOR NHA SEE: 24-31-01-11	107107	RF

MISSING ITEM NUMBERS NOT APPLICABLE

- ITEM NOT ILLUSTRATED

33-13-00-17A

33-13-00
FIG. 17A
PAGE 1
JAN 20/09

BRI



757

PARTS CATALOG (MAINTENANCE)

FIG ITEM	PART NUMBER	1 2 3 4 5 6 7 NOMENCLATURE	EFFECT FROM TO	UNITS PER ASSY
17A - 5	BCREF7617	SWITCH ASSY-LIGHTED PUSH BUTTON IND VALVE BUTTON IND VALVE SUPPLIER CODE: V81590 OVERLENGTH PART NUMBER: 433-673-1001-1038 SPECIFICATION NUMBER: S231T290-1038 MISCELLANEOUS DATA: WHEN REPLACING THE PUSHBUTTON SWITCH ASSY OR THE MASTER MODULE WITHIN, VERIFY THAT A CONFIG D MASTER MODULE P/N 13206-001 IS INSTALLED IN LIEU OF ANY EARLIER CONFIGURATION MASTER MODULES. OPTIONAL PART: 851-30768-3038 V96182 BCREFA0517 V81590 REFERENCE SERVICE BULLETIN: 33A0044 POST ALERT SB: 28A0105R1 REWORKED BY SB: 433-33-05 V81590 POST COMPONENT SB: 233N3206-28-03 FOR NHA SEE: 28-22-51-01	002004 006010 107107 121503 904999	RF

MISSING ITEM NUMBERS NOT APPLICABLE

- ITEM NOT ILLUSTRATED

33-13-00-17A

33-13-00
FIG. 17A
PAGE 2
JAN 20/09

BRI



757

PARTS CATALOG (MAINTENANCE)

FIG ITEM	PART NUMBER	1 2 3 4 5 6 7	NOMENCLATURE	EFFECT FROM TO	UNITS PER ASSY
17A - 5	BCREF7617		SWITCH ASSY-LIGHTED PUSH PUSHBUTTON IND VALVE SUPPLIER CODE: V81590 OVERLENGTH PART NUMBER: 433-673-1001-1038 SPECIFICATION NUMBER: S231T290-1038 MISCELLANEOUS DATA: WHEN REPLACING THE PUSHBUTTON SWITCH ASSY OR THE MASTER MODULE WITHIN, VERIFY THAT A CONFIG D MASTER MODULE P/N 13206-001 IS INSTALLED IN LIEU OF ANY EARLIER CONFIGURATION MASTER MODULES. REFERENCE SERVICE BULLETIN: 33A0044 REWORKED BY SB: 433-33-05 V81590 FOR NHA SEE: 36-11-04-02	107107	RF
- 10	BCREF7623		SWITCH ASSY-LIGHTED PUSH BUTTON IND AUTO/ISLN SUPPLIER CODE: V81590 OVERLENGTH PART NUMBER: 433-673-1001-1064 SPECIFICATION NUMBER: S231T290-1064 REFERENCE SERVICE BULLETIN: 33A0044 REWORKED BY SB: 433-33-05 V81590 FOR NHA SEE: 24-22-01-03 24-22-01-04 24-22-01-05	002004 006102 107999	RF
100	673-1001-1024		.CAPSULE ASSY-LENS-ON/OFF SUPPLIER CODE: V81590 USED ON: BCREF7611	107107	1

MISSING ITEM NUMBERS NOT APPLICABLE

- ITEM NOT ILLUSTRATED

33-13-00-17A

33-13-00
FIG. 17A
PAGE 3
JAN 20/09

BRI



757

PARTS CATALOG (MAINTENANCE)

FIG ITEM	PART NUMBER	1 2 3 4 5 6 7	NOMENCLATURE	EFFECT FROM TO	UNITS PER ASSY
17A 100	673-1001-1038	.	CAPSULE ASSY-LENS-VALVE SUPPLIER CODE: V81590 USED ON: BCREF7617	002004 006010 107107 121503 904999	1
100	673-1001-1064	.	CAPSULE ASSY-LENS AUTO/ISLN SUPPLIER CODE: V81590 USED ON: BCREF7623	002004 006102 107999	1
105	MS25237-387AS15	..	LAMP	006010 950951 953999	2
105	MS25237-387AS15	..	LAMP	002004 121503 904949 952952	2
105	MS25237-387AS15	..	LAMP	107107	2
110	MS24515-685AS15	..	LAMP	006010 950951 953999	2
110	MS24515-685AS15	..	LAMP	002004 121503 904949 952952	2
110	MS24515-685AS15	..	LAMP	107107	2
115	673-092-005	..	HOLDER-LAMP SUPPLIER CODE: V81590	006010 950951 953999	1
115	673-092-005	..	HOLDER-LAMP SUPPLIER CODE: V81590	002004 121503 904949 952952	1
115	673-092-005	..	HOLDER-LAMP SUPPLIER CODE: V81590	107107	1
115	13963-001	..	HOLDER-LAMP SUPPLIER CODE: V81590	006010 950951 953999	1
115	13963-001	..	HOLDER-LAMP SUPPLIER CODE: V81590	002004 121503 904949 952952	1
115	13963-001	..	HOLDER-LAMP SUPPLIER CODE: V81590	107107	1

MISSING ITEM NUMBERS NOT APPLICABLE

- ITEM NOT ILLUSTRATED

33-13-00-17A

33-13-00
FIG. 17A
PAGE 4
JAN 20/09

BRI

BOEING PROPRIETARY - Copyright © - Unpublished Work - See title page for details.



757

PARTS CATALOG (MAINTENANCE)

FIG ITEM	PART NUMBER	1 2 3 4 5 6 7	NOMENCLATURE	EFFECT FROM TO	UNITS PER ASSY
17A 120	13206-001		.MODULE ASSY-MASTER SUPPLIER CODE: V81590	006010 950951 953999	1
120	13206-001		.MODULE ASSY-MASTER SUPPLIER CODE: V81590	002004 121503 904949 952952	1
120	13206-001		.MODULE ASSY-MASTER SUPPLIER CODE: V81590	107107	1
125	433-097-003		.MODULE ASSY-CKT SUPPLIER CODE: V81590	006010 950951 953999	1
125	433-097-003		.MODULE ASSY-CKT SUPPLIER CODE: V81590	002004 121503 904949 952952	1
125	433-097-003		.MODULE ASSY-CKT SUPPLIER CODE: V81590	107107	1
130	433-100-002		.GUARD-SWITCH SUPPLIER CODE: V81590 SPECIFICATION NUMBER: S231T290-821 OPTIONAL PART: 433-100-003 V81590 433-100-004 V81590 433-100-005 V81590 433-100-006 V81590 433-100-007 V81590	006010 950951 953999	1

MISSING ITEM NUMBERS NOT APPLICABLE

- ITEM NOT ILLUSTRATED

33-13-00-17A

33-13-00
FIG. 17A
PAGE 5
JAN 20/09

BRI



757

PARTS CATALOG (MAINTENANCE)

FIG ITEM	PART NUMBER	1 2 3 4 5 6 7	NOMENCLATURE	EFFECT FROM TO	UNITS PER ASSY
17A 130	433-100-003		. GUARD-SWITCH SUPPLIER CODE: V81590 SPECIFICATION NUMBER: S231T290-822 OPTIONAL PART: 433-100-002 V81590 433-100-004 V81590 433-100-005 V81590 433-100-006 V81590 433-100-007 V81590	006010 950951 953999	1
130	433-100-004		. GUARD-SWITCH SUPPLIER CODE: V81590 SPECIFICATION NUMBER: S231T290-823 OPTIONAL PART: 433-100-002 V81590 433-100-003 V81590 433-100-005 V81590 433-100-006 V81590 433-100-007 V81590	006010 950951 953999	1
130	433-100-005		. GUARD-SWITCH SUPPLIER CODE: V81590 SPECIFICATION NUMBER: S231T290-824 OPTIONAL PART: 433-100-002 V81590 433-100-003 V81590 433-100-004 V81590 433-100-006 V81590 433-100-007 V81590	006010 950951 953999	1

MISSING ITEM NUMBERS NOT APPLICABLE

- ITEM NOT ILLUSTRATED

33-13-00-17A

33-13-00
FIG. 17A
PAGE 6
JAN 20/09

BRI



757

PARTS CATALOG (MAINTENANCE)

FIG ITEM	PART NUMBER	1 2 3 4 5 6 7	NOMENCLATURE	EFFECT FROM TO	UNITS PER ASSY
17A 130	433-100-006		. GUARD-SWITCH SUPPLIER CODE: V81590 OPTIONAL PART: 433-100-002 V81590 433-100-003 V81590 433-100-004 V81590 433-100-005 V81590 433-100-007 V81590	006010 950951 953999	1
130	433-100-007		. GUARD-SWITCH SUPPLIER CODE: V81590 SPECIFICATION NUMBER: S231T290-826 OPTIONAL PART: 433-100-002 V81590 433-100-003 V81590 433-100-004 V81590 433-100-005 V81590 433-100-006 V81590	006010 950951 953999	1
130	433-100-002		. GUARD-SWITCH SUPPLIER CODE: V81590 SPECIFICATION NUMBER: S231T290-821 OPTIONAL PART: 433-100-003 V81590 433-100-004 V81590 433-100-005 V81590 433-100-006 V81590 433-100-007 V81590	002004 121503 904949 952952	1

MISSING ITEM NUMBERS NOT APPLICABLE

- ITEM NOT ILLUSTRATED

33-13-00-17A

33-13-00
FIG. 17A
PAGE 7
JAN 20/09

BRI



757

PARTS CATALOG (MAINTENANCE)

FIG ITEM	PART NUMBER	1 2 3 4 5 6 7	NOMENCLATURE	EFFECT FROM TO	UNITS PER ASSY
17A 130	433-100-003	.	GUARD-SWITCH SUPPLIER CODE: V81590 SPECIFICATION NUMBER: S231T290-822 OPTIONAL PART: 433-100-002 V81590 433-100-004 V81590 433-100-005 V81590 433-100-006 V81590 433-100-007 V81590	002004 121503 904949 952952	1
130	433-100-004	.	GUARD-SWITCH SUPPLIER CODE: V81590 SPECIFICATION NUMBER: S231T290-823 OPTIONAL PART: 433-100-002 V81590 433-100-003 V81590 433-100-005 V81590 433-100-006 V81590 433-100-007 V81590	002004 121503 904949 952952	1
130	433-100-005	.	GUARD-SWITCH SUPPLIER CODE: V81590 SPECIFICATION NUMBER: S231T290-824 OPTIONAL PART: 433-100-002 V81590 433-100-003 V81590 433-100-004 V81590 433-100-006 V81590 433-100-007 V81590	002004 121503 904949 952952	1

MISSING ITEM NUMBERS NOT APPLICABLE

- ITEM NOT ILLUSTRATED

33-13-00-17A

33-13-00
FIG. 17A
PAGE 8
JAN 20/09

BRI



757

PARTS CATALOG (MAINTENANCE)

FIG ITEM	PART NUMBER	1 2 3 4 5 6 7	NOMENCLATURE	EFFECT FROM TO	UNITS PER ASSY
17A 130	433-100-006		. GUARD-SWITCH SUPPLIER CODE: V81590 OPTIONAL PART: 433-100-002 V81590 433-100-003 V81590 433-100-004 V81590 433-100-005 V81590 433-100-007 V81590	002004 121503 904949 952952	1
135	433-100-007		. GUARD-SWITCH SUPPLIER CODE: V81590 SPECIFICATION NUMBER: S231T290-826 OPTIONAL PART: 433-100-002 V81590 433-100-003 V81590 433-100-004 V81590 433-100-005 V81590 433-100-006 V81590	002004 121503 904949 952952	1
135	433-100-002		. GUARD-SWITCH SUPPLIER CODE: V81590 SPECIFICATION NUMBER: S231T290-821 OPTIONAL PART: 433-100-003 V81590 433-100-004 V81590 433-100-005 V81590 433-100-006 V81590 433-100-007 V81590	107107	1

MISSING ITEM NUMBERS NOT APPLICABLE

- ITEM NOT ILLUSTRATED

33-13-00-17A

33-13-00
FIG. 17A
PAGE 9
JAN 20/09

BRI



757

PARTS CATALOG (MAINTENANCE)

FIG ITEM	PART NUMBER	1 2 3 4 5 6 7	NOMENCLATURE	EFFECT FROM TO	UNITS PER ASSY
17A 135	433-100-003		. GUARD-SWITCH SUPPLIER CODE: V81590 SPECIFICATION NUMBER: S231T290-822 OPTIONAL PART: 433-100-002 V81590 433-100-004 V81590 433-100-005 V81590 433-100-006 V81590 433-100-007 V81590	107107	1
135	433-100-004		. GUARD-SWITCH SUPPLIER CODE: V81590 SPECIFICATION NUMBER: S231T290-823 OPTIONAL PART: 433-100-002 V81590 433-100-003 V81590 433-100-005 V81590 433-100-006 V81590 433-100-007 V81590	107107	1
135	433-100-005		. GUARD-SWITCH SUPPLIER CODE: V81590 SPECIFICATION NUMBER: S231T290-824 OPTIONAL PART: 433-100-002 V81590 433-100-003 V81590 433-100-004 V81590 433-100-006 V81590 433-100-007 V81590	107107	1

MISSING ITEM NUMBERS NOT APPLICABLE

- ITEM NOT ILLUSTRATED

33-13-00-17A

33-13-00
FIG. 17A
PAGE 10
JAN 20/09

BRI



757

PARTS CATALOG (MAINTENANCE)

FIG ITEM	PART NUMBER	1 2 3 4 5 6 7	NOMENCLATURE	EFFECT FROM TO	UNITS PER ASSY
17A 140	433-100-006		. GUARD-SWITCH SUPPLIER CODE: V81590 OPTIONAL PART: 433-100-002 V81590 433-100-003 V81590 433-100-004 V81590 433-100-005 V81590 433-100-007 V81590	107107	1
140	433-100-007		. GUARD-SWITCH SUPPLIER CODE: V81590 SPECIFICATION NUMBER: S231T290-826 OPTIONAL PART: 433-100-002 V81590 433-100-003 V81590 433-100-004 V81590 433-100-005 V81590 433-100-006 V81590	107107	1
145	433-107-002		. HOUSING ASSY-WITH MTG SLEEVE SUPPLIER CODE: V81590	006010 950951 953999	1
145	433-107-002		. HOUSING ASSY-WITH MTG SLEEVE SUPPLIER CODE: V81590	002004 121503 904949 952952	1
145	433-107-002		. HOUSING ASSY-WITH MTG SLEEVE SUPPLIER CODE: V81590	107107	1

MISSING ITEM NUMBERS NOT APPLICABLE

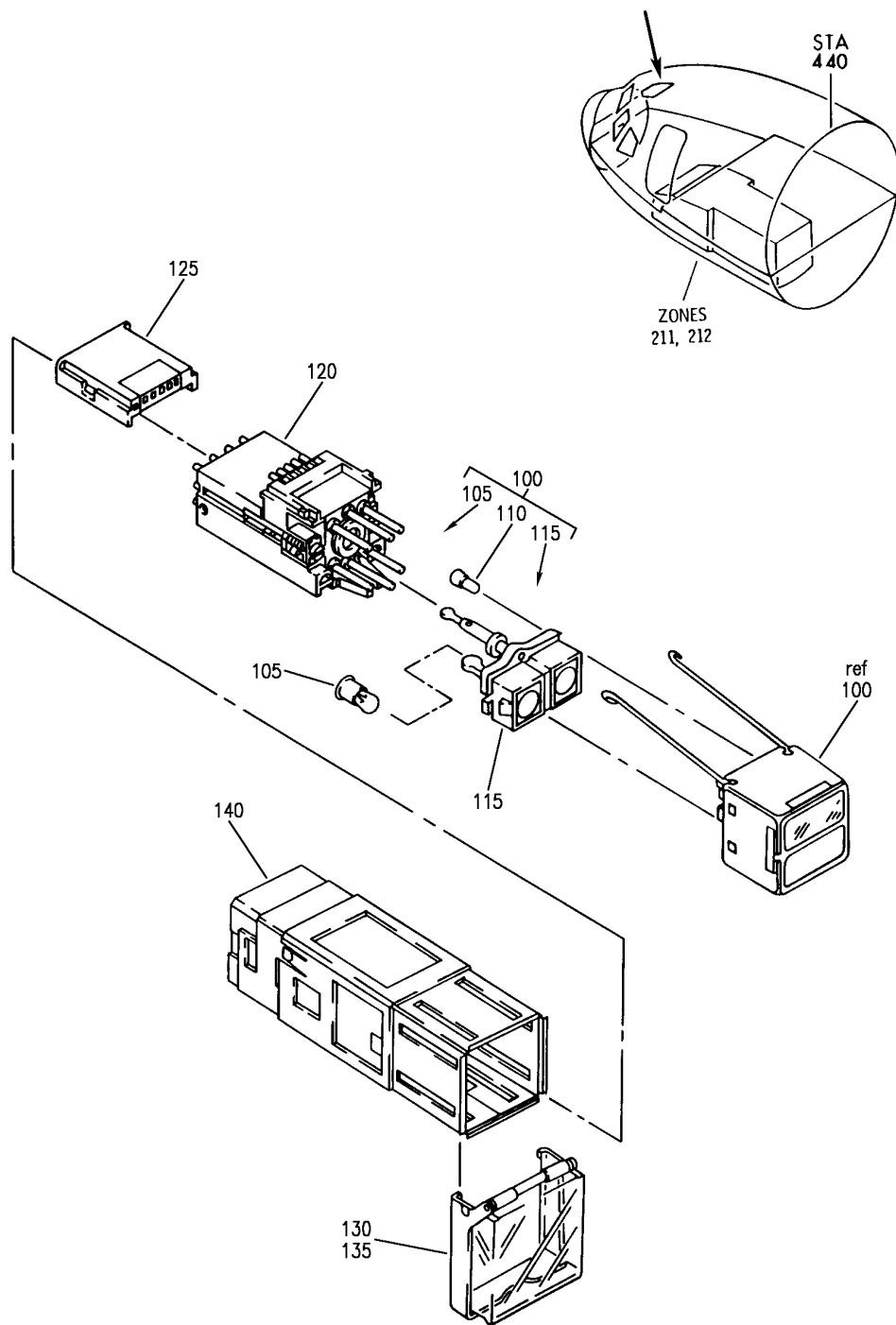
- ITEM NOT ILLUSTRATED

33-13-00-17A

33-13-00
FIG. 17A
PAGE 11
JAN 20/09

BRI

BOEING
757
PARTS CATALOG (MAINTENANCE)



Y 33130018 REV 251

SWITCH ASSY-LIGHTED PUSHBUTTON IND
FIGURE 18

33-13-00-18

BRI
MAY 28/07

33-13-00-18
PAGE 0



757

PARTS CATALOG (MAINTENANCE)

FIG ITEM	PART NUMBER	1 2 3 4 5 6 7	NOMENCLATURE	EFFECT FROM TO	UNITS PER ASSY
18			SWITCH ASSY-LIGHTED PUSHBUTTON IND	002004 006102 107999	
- 1	BCREF7609		SWITCH ASSY-LIGHTED PUSHBUTTON IND ON/PRESS SUPPLIER CODE: V81590 OVERLENGTH PART NUMBER: 433-673-1001-1021 SPECIFICATION NUMBER: S231T290-1021 OPTIONAL PART: 851-30768-3021 V96182 BCREFA0508 V81590 4336731004-4221 V81590 POST ALERT SB: 28A0105R1 POST COMPONENT SB: 233N3206-28-03 FOR NHA SEE: 28-22-51-01	002004 006010 107107 121503 904999	RF
- 5	BCREF7610		SWITCH ASSY-LIGHTED PUSHBUTTON IND ON/PRESS SUPPLIER CODE: V81590 OVERLENGTH PART NUMBER: 433-673-1001-1022 SPECIFICATION NUMBER: S231T290-1022 OPTIONAL PART: BCREFA0509 V81590 4336731004-4222 V81590 POST ALERT SB: 28A0105R1 POST COMPONENT SB: 233N3206-28-03 FOR NHA SEE: 28-22-51-01	002004 006010 107107 121503 904999	RF

MISSING ITEM NUMBERS NOT APPLICABLE

- ITEM NOT ILLUSTRATED

33-13-00-18

33-13-00
FIG. 18
PAGE 1
JAN 20/09

BRI



757

PARTS CATALOG (MAINTENANCE)

FIG ITEM	PART NUMBER	1 2 3 4 5 6 7	NOMENCLATURE	EFFECT FROM TO	UNITS PER ASSY
18 - 10	BCREF7615		SWITCH ASSY-LIGHTED PUSHBUTTON IND OFF/ON SUPPLIER CODE: V81590 OVERLENGTH PART NUMBER: 433-673-1001-1031 SPECIFICATION NUMBER: S231T290-1031 FOR NHA SEE: 24-22-01-04	107107	RF
- 15	BCREF7605		SWITCH ASSY-LIGHTED PUSHBUTTON IND OFF SUPPLIER CODE: V81590 OVERLENGTH PART NUMBER: 433-673-1001-1013 SPECIFICATION NUMBER: S231T290-1013 MISCELLANEOUS DATA: WHEN REPLACING THE PUSHBUTTON SWITCH ASSY OR THE MASTER MODULE WITHIN, VERIFY THAT A CONFIG D MASTER MODULE P/N 13206-001 IS INSTALLED IN LIEU OF ANY EARLIER CONFIGURATION MASTER MODULES. REFERENCE SERVICE BULLETIN: 33A0044 REWORKED BY SB: 433-33-05 V81590 FOR NHA SEE: 75-32-00-02	107107	RF
- 20	BCREF7624		SWITCH ASSY-LIGHTED PUSHBUTTON IND VALVE SUPPLIER CODE: V81590 OVERLENGTH PART NUMBER: 433-673-1001-1067 SPECIFICATION NUMBER: S231T290-1067 FOR NHA SEE: 49-52-00-02	107107	RF

MISSING ITEM NUMBERS NOT APPLICABLE

- ITEM NOT ILLUSTRATED

33-13-00-18

33-13-00
FIG. 18
PAGE 2
JAN 20/09

BRI



757

PARTS CATALOG (MAINTENANCE)

FIG ITEM	PART NUMBER	1 2 3 4 5 6 7	NOMENCLATURE	EFFECT FROM TO	UNITS PER ASSY
18 - 25	BCREF7614		SWITCH ASSY-LIGHTED PUSHBUTTON IND OFF SUPPLIER CODE: V81590 OVERLENGTH PART NUMBER: 433-673-1001-1030 SPECIFICATION NUMBER: S231T290-1030 MISCELLANEOUS DATA: WHEN REPLACING THE PUSHBUTTON SWITCH ASSY OR THE MASTER MODULE WITHIN, VERIFY THAT A CONFIG D MASTER MODULE P/N 13206-001 IS INSTALLED IN LIEU OF ANY EARLIER CONFIGURATION MASTER MODULES. REFERENCE SERVICE BULLETIN: 33A0044 REWORKED BY SB: 433-33-05 V81590 FOR NHA SEE: 75-32-00-01 75-32-00-02 75-32-00-03	002004 006102 107999	RF
100	673-1001-1021		.CAPSULE ASSY-LENS ON/PRESS SUPPLIER CODE: V81590 USED ON: BCREF7609	002004 006010 107107 121503 904999	1
100	673-1001-1022		.CAPSULE ASSY-LENS PRESS/ON SUPPLIER CODE: V81590 USED ON: BCREF7610	002004 006010 107107 121503 904999	1
100	673-1001-1031		.CAPSULE ASSY-LENS OFF/ON SUPPLIER CODE: V81590 USED ON: BCREF7615	107107	1
100	673-1001-1013		.CAPSULE ASSY-LENS OFF SUPPLIER CODE: V81590 USED ON: BCREF7605	107107	1

MISSING ITEM NUMBERS NOT APPLICABLE

- ITEM NOT ILLUSTRATED

33-13-00-18

33-13-00
FIG. 18
PAGE 3
JAN 20/09

BRI



757

PARTS CATALOG (MAINTENANCE)

FIG ITEM	PART NUMBER	1 2 3 4 5 6 7	NOMENCLATURE	EFFECT FROM TO	UNITS PER ASSY
18 100	673-1001-1067	.	CAPSULE ASSY-LENS VALVE SUPPLIER CODE: V81590 USED ON: BCREF7624	107107	1
100	673-1001-1030	.	CAPSULE ASSY-LENS OFF SUPPLIER CODE: V81590 USED ON: BCREF7614	002004 006102 107999	1
105	MS25237-387AS15	..	LAMP	002004 121503 904949 952952	2
105	MS25237-387AS15	..	LAMP	107107	2
105	MS25237-387AS15	..	LAMP	006102 108120 504903 950951 953999	2
110	MS24515-685AS15	..	LAMP	002004 121503 904949 952952	2
110	MS24515-685AS15	..	LAMP	107107	2
110	MS24515-685AS15	..	LAMP	006102 108120 504903 950951 953999	2
115	673-092-005	..	HOLDER-LAMP SUPPLIER CODE: V81590	002004 121503 904949 952952	1
115	673-092-005	..	HOLDER-LAMP SUPPLIER CODE: V81590	107107	1
115	673-092-005	..	HOLDER-LAMP SUPPLIER CODE: V81590	006102 108120 504903 950951 953999	1
115	13963-001	..	HOLDER-LAMP SUPPLIER CODE: V81590	002004 121503 904949 952952	1
115	13963-001	..	HOLDER-LAMP SUPPLIER CODE: V81590	107107	1

MISSING ITEM NUMBERS NOT APPLICABLE

- ITEM NOT ILLUSTRATED

33-13-00-18

33-13-00
FIG. 18
PAGE 4
JAN 20/09

BRI



757

PARTS CATALOG (MAINTENANCE)

FIG ITEM	PART NUMBER	1 2 3 4 5 6 7	NOMENCLATURE	EFFECT FROM TO	UNITS PER ASSY
18					
115	13963-001		. . HOLDER-LAMP SUPPLIER CODE: V81590	006102 108120 504903 950951 953999	1
120	13206-001		.MODULE ASSY-MASTER SUPPLIER CODE: V81590	002004 121503 904949 952952	1
120	13206-001		.MODULE ASSY-MASTER SUPPLIER CODE: V81590	107107	1
120	13206-001		.MODULE ASSY-MASTER SUPPLIER CODE: V81590	006102 108120 504903 950951 953999	1
125	433-097-003		.MODULE ASSY-CKT SUPPLIER CODE: V81590	002004 121503 904949 952952	1
125	433-097-003		.MODULE ASSY-CKT SUPPLIER CODE: V81590	107107	1
125	433-097-003		.MODULE ASSY-CKT SUPPLIER CODE: V81590	006102 108120 504903 950951 953999	1
130	433-100-002		.GUARD-SWITCH SUPPLIER CODE: V81590 SPECIFICATION NUMBER: S231T290-821 OPTIONAL PART: 433-100-003 V81590 433-100-004 V81590 433-100-005 V81590 433-100-006 V81590 433-100-007 V81590	002004 121503 904949 952952	1

MISSING ITEM NUMBERS NOT APPLICABLE

- ITEM NOT ILLUSTRATED

33-13-00-18

33-13-00
FIG. 18
PAGE 5
JAN 20/09

BRI



757

PARTS CATALOG (MAINTENANCE)

FIG ITEM	PART NUMBER	1 2 3 4 5 6 7	NOMENCLATURE	EFFECT FROM TO	UNITS PER ASSY
18 130	433-100-003	.	GUARD-SWITCH SUPPLIER CODE: V81590 SPECIFICATION NUMBER: S231T290-822 OPTIONAL PART: 433-100-002 V81590 433-100-004 V81590 433-100-005 V81590 433-100-006 V81590 433-100-007 V81590	002004 121503 904949 952952	1
130	433-100-004	.	GUARD-SWITCH SUPPLIER CODE: V81590 SPECIFICATION NUMBER: S231T290-823 OPTIONAL PART: 433-100-002 V81590 433-100-003 V81590 433-100-005 V81590 433-100-006 V81590 433-100-007 V81590	002004 121503 904949 952952	1
130	433-100-005	.	GUARD-SWITCH SUPPLIER CODE: V81590 SPECIFICATION NUMBER: S231T290-824 OPTIONAL PART: 433-100-002 V81590 433-100-003 V81590 433-100-004 V81590 433-100-006 V81590 433-100-007 V81590	002004 121503 904949 952952	1

MISSING ITEM NUMBERS NOT APPLICABLE

- ITEM NOT ILLUSTRATED

33-13-00-18

33-13-00
FIG. 18
PAGE 6
JAN 20/09

BRI



757

PARTS CATALOG (MAINTENANCE)

FIG ITEM	PART NUMBER	1 2 3 4 5 6 7	NOMENCLATURE	EFFECT FROM TO	UNITS PER ASSY
18 130	433-100-006		. GUARD-SWITCH SUPPLIER CODE: V81590 OPTIONAL PART: 433-100-002 V81590 433-100-003 V81590 433-100-004 V81590 433-100-005 V81590 433-100-007 V81590	002004 121503 904949 952952	1
130	433-100-002		. GUARD-SWITCH SUPPLIER CODE: V81590 SPECIFICATION NUMBER: S231T290-821 OPTIONAL PART: 433-100-003 V81590 433-100-004 V81590 433-100-005 V81590 433-100-006 V81590 433-100-007 V81590	107107	1
130	433-100-003		. GUARD-SWITCH SUPPLIER CODE: V81590 SPECIFICATION NUMBER: S231T290-822 OPTIONAL PART: 433-100-002 V81590 433-100-004 V81590 433-100-005 V81590 433-100-006 V81590 433-100-007 V81590	107107	1

MISSING ITEM NUMBERS NOT APPLICABLE

- ITEM NOT ILLUSTRATED

33-13-00-18

33-13-00
FIG. 18
PAGE 7
JAN 20/09

BRI



757

PARTS CATALOG (MAINTENANCE)

FIG ITEM	PART NUMBER	1 2 3 4 5 6 7	NOMENCLATURE	EFFECT FROM TO	UNITS PER ASSY
18 130	433-100-004		. GUARD-SWITCH SUPPLIER CODE: V81590 SPECIFICATION NUMBER: S231T290-823 OPTIONAL PART: 433-100-002 V81590 433-100-003 V81590 433-100-005 V81590 433-100-006 V81590 433-100-007 V81590	107107	1
130	433-100-005		. GUARD-SWITCH SUPPLIER CODE: V81590 SPECIFICATION NUMBER: S231T290-824 OPTIONAL PART: 433-100-002 V81590 433-100-003 V81590 433-100-004 V81590 433-100-006 V81590 433-100-007 V81590	107107	1
130	433-100-006		. GUARD-SWITCH SUPPLIER CODE: V81590 OPTIONAL PART: 433-100-002 V81590 433-100-003 V81590 433-100-004 V81590 433-100-005 V81590 433-100-007 V81590	107107	1

MISSING ITEM NUMBERS NOT APPLICABLE

- ITEM NOT ILLUSTRATED

33-13-00-18

33-13-00
FIG. 18
PAGE 8
JAN 20/09

BRI



757

PARTS CATALOG (MAINTENANCE)

FIG ITEM	PART NUMBER	1 2 3 4 5 6 7	NOMENCLATURE	EFFECT FROM TO	UNITS PER ASSY
18 135	433-100-007		. GUARD-SWITCH SUPPLIER CODE: V81590 SPECIFICATION NUMBER: S231T290-826 OPTIONAL PART: 433-100-002 V81590 433-100-003 V81590 433-100-004 V81590 433-100-005 V81590 433-100-006 V81590	107107	1
135	433-100-002		. GUARD-SWITCH SUPPLIER CODE: V81590 SPECIFICATION NUMBER: S231T290-821 OPTIONAL PART: 433-100-003 V81590 433-100-004 V81590 433-100-005 V81590 433-100-006 V81590 433-100-007 V81590	006102 108120 504903 950951 953999	1
135	433-100-003		. GUARD-SWITCH SUPPLIER CODE: V81590 SPECIFICATION NUMBER: S231T290-822 OPTIONAL PART: 433-100-002 V81590 433-100-004 V81590 433-100-005 V81590 433-100-006 V81590 433-100-007 V81590	006102 108120 504903 950951 953999	1

MISSING ITEM NUMBERS NOT APPLICABLE

- ITEM NOT ILLUSTRATED

33-13-00-18

33-13-00
FIG. 18
PAGE 9
JAN 20/09

BRI



757

PARTS CATALOG (MAINTENANCE)

FIG ITEM	PART NUMBER	1 2 3 4 5 6 7	NOMENCLATURE	EFFECT FROM TO	UNITS PER ASSY
18 135	433-100-004		. GUARD-SWITCH SUPPLIER CODE: V81590 SPECIFICATION NUMBER: S231T290-823 OPTIONAL PART: 433-100-002 V81590 433-100-003 V81590 433-100-005 V81590 433-100-006 V81590 433-100-007 V81590	006102 108120 504903 950951 953999	1
135	433-100-005		. GUARD-SWITCH SUPPLIER CODE: V81590 SPECIFICATION NUMBER: S231T290-824 OPTIONAL PART: 433-100-002 V81590 433-100-003 V81590 433-100-004 V81590 433-100-006 V81590 433-100-007 V81590	006102 108120 504903 950951 953999	1
136	433-100-006		. GUARD-SWITCH SUPPLIER CODE: V81590 OPTIONAL PART: 433-100-002 V81590 433-100-003 V81590 433-100-004 V81590 433-100-005 V81590 433-100-007 V81590	006102 108120 504903 950951 953999	1

MISSING ITEM NUMBERS NOT APPLICABLE

- ITEM NOT ILLUSTRATED

33-13-00-18

33-13-00
FIG. 18
PAGE 10
JAN 20/09

BRI



757

PARTS CATALOG (MAINTENANCE)

FIG ITEM	PART NUMBER	1 2 3 4 5 6 7	NOMENCLATURE	EFFECT FROM TO	UNITS PER ASSY
18 136	433-100-007		.GUARD-SWITCH SUPPLIER CODE: V81590 SPECIFICATION NUMBER: S231T290-826 OPTIONAL PART: 433-100-002 V81590 433-100-003 V81590 433-100-004 V81590 433-100-005 V81590 433-100-006 V81590	006102 108120 504903 950951 953999	1
140	433-107-002		.HOUSING ASSY-WITH MTG SLEEVE SUPPLIER CODE: V81590	002004 121503 904949 952952	1
140	433-107-002		.HOUSING ASSY-WITH MTG SLEEVE SUPPLIER CODE: V81590	107107	1
140	433-107-002		.HOUSING ASSY-WITH MTG SLEEVE SUPPLIER CODE: V81590	006102 108120 504903 950951 953999	1

MISSING ITEM NUMBERS NOT APPLICABLE

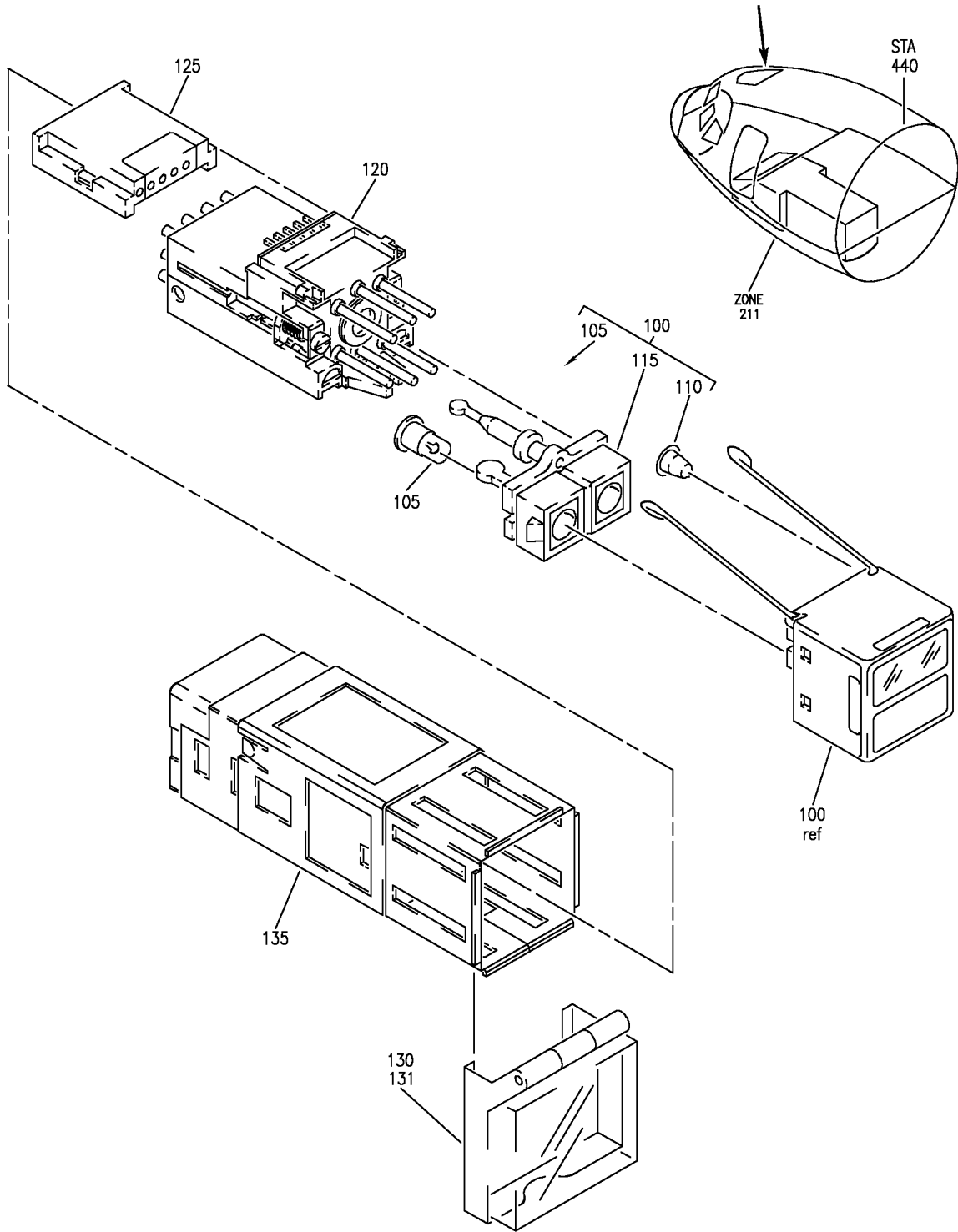
- ITEM NOT ILLUSTRATED

33-13-00-18

33-13-00
FIG. 18
PAGE 11
JAN 20/09

BRI

BOEING
757
PARTS CATALOG (MAINTENANCE)



Y 33130019 REV 267

SWITCH ASSY-LIGHTED PUSHBUTTON IND
FIGURE 19

33-13-00-19

BRI
MAY 28/07

33-13-00-19
PAGE 0



757

PARTS CATALOG (MAINTENANCE)

FIG ITEM	PART NUMBER	1 2 3 4 5 6 7	NOMENCLATURE	EFFECT FROM TO	UNITS PER ASSY
19			SWITCH ASSY-LIGHTED PUSHBUTTON IND	002004 006010 107107 121503 904999	
- 1	BCREF7620		SWITCH ASSY-LIGHTED PUSHBUTTON IND ON/OFF SUPPLIER CODE: V81590 OVERLENGTH PART NUMBER: 433-673-1001-1053 SPECIFICATION NUMBER: S231T290-1053 FOR NHA SEE: 24-51-02-01	107107	RF
- 5	BCREF7621		SWITCH ASSY-LIGHTED PUSHBUTTON IND ON/OFF SUPPLIER CODE: V81590 OVERLENGTH PART NUMBER: 433-673-1001-1054 SPECIFICATION NUMBER: S231T290-1054 FOR NHA SEE: 24-51-02-01	107107	RF
- 10	BCREF7608		SWITCH ASSY-LIGHTED PUSHBUTTON IND ON/PRESS SUPPLIER CODE: V81590 OVERLENGTH PART NUMBER: 433-673-1001-1020 SPECIFICATION NUMBER: S231T290-1020 FOR NHA SEE: 29-11-02-07 29-11-05-06 29-11-52-01	002004 006010 107107 121503 904999	RF
100	673-1001-1053		.CAPSULE ASSY-LENS ON/OFF SUPPLIER CODE: V81590 USED ON: BCREF7620	107107	1
100	673-1001-1054		.CAPSULE ASSY-LENS ON/OFF SUPPLIER CODE: V81590 USED ON: BCREF7621	107107	1

MISSING ITEM NUMBERS NOT APPLICABLE

- ITEM NOT ILLUSTRATED

33-13-00-19

33-13-00
FIG. 19
PAGE 1
JAN 20/09

BRI



757

PARTS CATALOG (MAINTENANCE)

FIG ITEM	PART NUMBER	1 2 3 4 5 6 7	NOMENCLATURE	EFFECT FROM TO	UNITS PER ASSY
19					
100	673-1001-1020	.	CAPSULE ASSY-LENS ON/PRESS SUPPLIER CODE: V81590 USED ON: BCREF7608	002004 006010 107107 121503 904999	1
105	MS25237-387AS15	..	LAMP	107107	2
105	MS25237-387AS15	..	LAMP	002004 006010 121503 904999	2
110	MS24515-685AS15	..	LAMP	107107	2
110	MS24515-685AS15	..	LAMP	002004 006010 121503 904999	2
115	673-092-005	..	HOLDER-LAMP SUPPLIER CODE: V81590	107107	1
115	673-092-005	..	HOLDER-LAMP SUPPLIER CODE: V81590	002004 006010 121503 904999	1
115	13963-001	..	HOLDER-LAMP SUPPLIER CODE: V81590	107107	1
115	13963-001	..	HOLDER-LAMP SUPPLIER CODE: V81590	002004 006010 121503 904999	1
120	13206-001	.	MODULE ASSY-MASTER SUPPLIER CODE: V81590	107107	1
120	13206-001	.	MODULE ASSY-MASTER SUPPLIER CODE: V81590	002004 006010 121503 904999	1
125	433-097-003	.	MODULE ASSY-CKT SUPPLIER CODE: V81590	107107	1
125	433-097-003	.	MODULE ASSY-CKT SUPPLIER CODE: V81590	002004 006010 121503 904999	1

MISSING ITEM NUMBERS NOT APPLICABLE

- ITEM NOT ILLUSTRATED

33-13-00-19

33-13-00
FIG. 19
PAGE 2
JAN 20/09

BRI

BOEING PROPRIETARY - Copyright © - Unpublished Work - See title page for details.



757

PARTS CATALOG (MAINTENANCE)

FIG ITEM	PART NUMBER	1 2 3 4 5 6 7	NOMENCLATURE	EFFECT FROM TO	UNITS PER ASSY
19 130	433-100-002		. GUARD-SWITCH SUPPLIER CODE: V81590 SPECIFICATION NUMBER: S231T290-821 OPTIONAL PART: 433-100-003 V81590 433-100-004 V81590 433-100-005 V81590 433-100-006 V81590 433-100-007 V81590	107107	1
130	433-100-003		. GUARD-SWITCH SUPPLIER CODE: V81590 SPECIFICATION NUMBER: S231T290-822 OPTIONAL PART: 433-100-002 V81590 433-100-004 V81590 433-100-005 V81590 433-100-006 V81590 433-100-007 V81590	107107	1
130	433-100-004		. GUARD-SWITCH SUPPLIER CODE: V81590 SPECIFICATION NUMBER: S231T290-823 OPTIONAL PART: 433-100-002 V81590 433-100-003 V81590 433-100-005 V81590 433-100-006 V81590 433-100-007 V81590	107107	1

MISSING ITEM NUMBERS NOT APPLICABLE

- ITEM NOT ILLUSTRATED

33-13-00-19

33-13-00
FIG. 19
PAGE 3
JAN 20/09

BRI



757

PARTS CATALOG (MAINTENANCE)

FIG ITEM	PART NUMBER	1 2 3 4 5 6 7	NOMENCLATURE	EFFECT FROM TO	UNITS PER ASSY
19 130	433-100-005		. GUARD-SWITCH SUPPLIER CODE: V81590 SPECIFICATION NUMBER: S231T290-824 OPTIONAL PART: 433-100-002 V81590 433-100-003 V81590 433-100-004 V81590 433-100-006 V81590 433-100-007 V81590	107107	1
130	433-100-006		. GUARD-SWITCH SUPPLIER CODE: V81590 OPTIONAL PART: 433-100-002 V81590 433-100-003 V81590 433-100-004 V81590 433-100-005 V81590 433-100-007 V81590	107107	1
130	433-100-007		. GUARD-SWITCH SUPPLIER CODE: V81590 SPECIFICATION NUMBER: S231T290-826 OPTIONAL PART: 433-100-002 V81590 433-100-003 V81590 433-100-004 V81590 433-100-005 V81590 433-100-006 V81590	107107	1

MISSING ITEM NUMBERS NOT APPLICABLE

- ITEM NOT ILLUSTRATED

33-13-00-19

33-13-00
FIG. 19
PAGE 4
JAN 20/09

BRI



757

PARTS CATALOG (MAINTENANCE)

FIG ITEM	PART NUMBER	1 2 3 4 5 6 7	NOMENCLATURE	EFFECT FROM TO	UNITS PER ASSY
19 131	433-100-002		. GUARD-SWITCH SUPPLIER CODE: V81590 SPECIFICATION NUMBER: S231T290-821 OPTIONAL PART: 433-100-003 V81590 433-100-004 V81590 433-100-005 V81590 433-100-006 V81590 433-100-007 V81590	002004 006010 121503 904999	1
131	433-100-003		. GUARD-SWITCH SUPPLIER CODE: V81590 SPECIFICATION NUMBER: S231T290-822 OPTIONAL PART: 433-100-002 V81590 433-100-004 V81590 433-100-005 V81590 433-100-006 V81590 433-100-007 V81590	002004 006010 121503 904999	1
131	433-100-004		. GUARD-SWITCH SUPPLIER CODE: V81590 SPECIFICATION NUMBER: S231T290-823 OPTIONAL PART: 433-100-002 V81590 433-100-003 V81590 433-100-005 V81590 433-100-006 V81590 433-100-007 V81590	002004 006010 121503 904999	1

MISSING ITEM NUMBERS NOT APPLICABLE

- ITEM NOT ILLUSTRATED

33-13-00-19

33-13-00
FIG. 19
PAGE 5
JAN 20/09

BRI



757

PARTS CATALOG (MAINTENANCE)

FIG ITEM	PART NUMBER	1 2 3 4 5 6 7	NOMENCLATURE	EFFECT FROM TO	UNITS PER ASSY
19 131	433-100-005	.	GUARD-SWITCH SUPPLIER CODE: V81590 SPECIFICATION NUMBER: S231T290-824 OPTIONAL PART: 433-100-002 V81590 433-100-003 V81590 433-100-004 V81590 433-100-006 V81590 433-100-007 V81590	002004 006010 121503 904999	1
131	433-100-006	.	GUARD-SWITCH SUPPLIER CODE: V81590 OPTIONAL PART: 433-100-002 V81590 433-100-003 V81590 433-100-004 V81590 433-100-005 V81590 433-100-007 V81590	002004 006010 121503 904999	1
131	433-100-007	.	GUARD-SWITCH SUPPLIER CODE: V81590 SPECIFICATION NUMBER: S231T290-826 OPTIONAL PART: 433-100-002 V81590 433-100-003 V81590 433-100-004 V81590 433-100-005 V81590 433-100-006 V81590	002004 006010 121503 904999	1

MISSING ITEM NUMBERS NOT APPLICABLE

- ITEM NOT ILLUSTRATED

33-13-00-19

33-13-00
FIG. 19
PAGE 6
JAN 20/09

BRI



757

PARTS CATALOG (MAINTENANCE)

FIG ITEM	PART NUMBER	1 2 3 4 5 6 7	NOMENCLATURE	EFFECT FROM TO	UNITS PER ASSY
19					
135	433-107-002		.HOUSING ASSY-WITH MTG SLEEVE SUPPLIER CODE: V81590	107107	1
135	433-107-002		.HOUSING ASSY-WITH MTG SLEEVE SUPPLIER CODE: V81590	002004 006010 121503 904999	1

MISSING ITEM NUMBERS NOT APPLICABLE

- ITEM NOT ILLUSTRATED

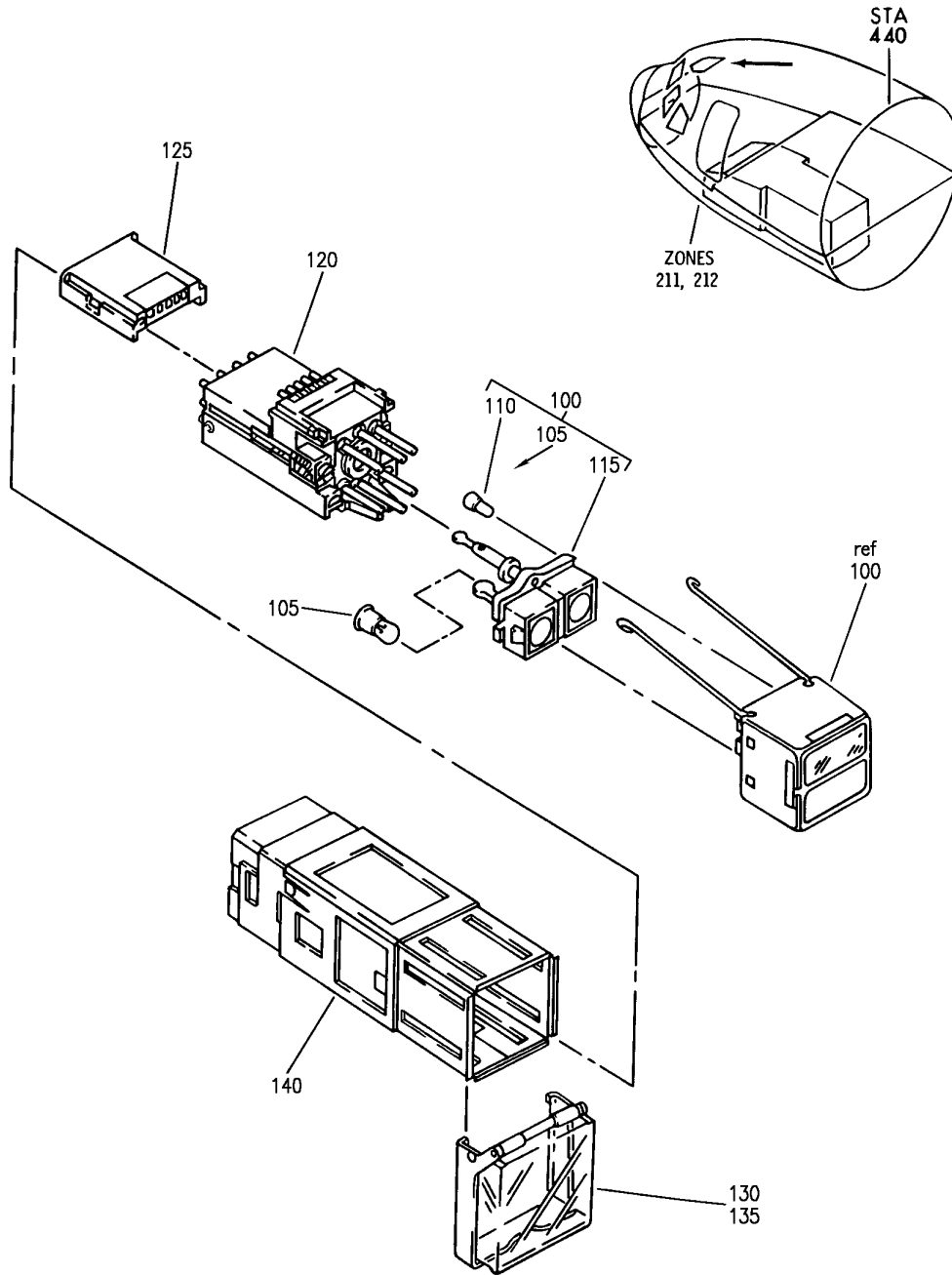
BRI

33-13-00-19

BOEING PROPRIETARY - Copyright © - Unpublished Work - See title page for details.

33-13-00
FIG. 19
PAGE 7
JAN 20/09

BOEING
757
PARTS CATALOG (MAINTENANCE)



Y 33130019A REV 252

SWITCH ASSY-LIGHTED PUSH BUTTON IND
FIGURE 19A

33-13-00-19A

BRI
MAY 28/07

33-13-00-19A
PAGE 0



757

PARTS CATALOG (MAINTENANCE)

FIG ITEM	PART NUMBER	1 2 3 4 5 6 7	NOMENCLATURE	EFFECT FROM TO	UNITS PER ASSY
19A			SWITCH ASSY-LIGHTED PUSH BUTTON IND	002004 006010 101102 107999	
- 1	BCREF7612		SWITCH ASSY-LIGHTED PUSHBUTTON IND ON/PRESS SUPPLIER CODE: V81590 OVERLENGTH PART NUMBER: 433-673-1001-1026 SPECIFICATION NUMBER: S231T290-1026 OPTIONAL PART: 851-30768-3026 V96182 BCREFA0511 V81590 BCREFA0508 V81590 4336731004-4226 V81590 POST ALERT SB: 28A0105R1 POST COMPONENT SB: 233N3206-28-03 FOR NHA SEE: 28-22-51-01	002004 006010 107107 121503 904999	RF

MISSING ITEM NUMBERS NOT APPLICABLE

- ITEM NOT ILLUSTRATED

BRI

33-13-00-19A

BOEING PROPRIETARY - Copyright © - Unpublished Work - See title page for details.

33-13-00
FIG. 19A
PAGE 1
JAN 20/09



757

PARTS CATALOG (MAINTENANCE)

FIG ITEM	PART NUMBER	1 2 3 4 5 6 7	NOMENCLATURE	EFFECT FROM TO	UNITS PER ASSY
19A - 5	BCREF7613		SWITCH ASSY-LIGHTED PUSHBUTTON IND ON/VALVE SUPPLIER CODE: V81590 OVERLENGTH PART NUMBER: 433-673-1001-1027 SPECIFICATION NUMBER: S231T290-1027 MISCELLANEOUS DATA: WHEN REPLACING THE PUSHBUTTON SWITCH ASSY OR THE MASTER MODULE WITHIN, VERIFY THAT A CONFIG D MASTER MODULE P/N 13206-001 IS INSTALLED IN LIEU OF ANY EARLIER CONFIGURATION MASTER MODULES. PRE ALERT SB: 33A0044 FOR NHA SEE: 30-21-51-01 30-21-51-03	101102 107949	RF
100	673-1001-1026	.	CAPSULE ASSY-LENS-ON/PRESS SUPPLIER CODE: V81590 USED ON: BCREF7612	002004 006010 107107 121503 904999	1
100	673-1001-1027	.	CAPSULE ASSY-LENS-ON/VALVE SUPPLIER CODE: V81590 USED ON: BCREF7613	101102 107949	1
105	MS25237-387AS15	..	LAMP	101102 108120 504903	2
105	MS25237-387AS15	..	LAMP	002004 006010 950999	2
105	MS25237-387AS15	..	LAMP	107107 121503 904949	2
110	MS24515-685AS15	..	LAMP	101102 108120 504903	2
110	MS24515-685AS15	..	LAMP	002004 006010 950999	2

MISSING ITEM NUMBERS NOT APPLICABLE

- ITEM NOT ILLUSTRATED

33-13-00-19A

33-13-00
FIG. 19A
PAGE 2
JAN 20/09

BRI

BOEING PROPRIETARY - Copyright © - Unpublished Work - See title page for details.



757

PARTS CATALOG (MAINTENANCE)

FIG ITEM	PART NUMBER	1 2 3 4 5 6 7	NOMENCLATURE	EFFECT FROM TO	UNITS PER ASSY
19A					
110	MS24515-685AS15	. .	LAMP	107107 121503 904949	2
115	673-092-005	. .	HOLDER-LAMP SUPPLIER CODE: V81590	101102 108120 504903	1
115	673-092-005	. .	HOLDER-LAMP SUPPLIER CODE: V81590	002004 006010 950999	1
115	673-092-005	. .	HOLDER-LAMP SUPPLIER CODE: V81590	107107 121503 904949	1
115	13963-001	. .	HOLDER-LAMP SUPPLIER CODE: V81590	101102 108120 504903	1
115	13963-001	. .	HOLDER-LAMP SUPPLIER CODE: V81590	002004 006010 950999	1
115	13963-001	. .	HOLDER-LAMP SUPPLIER CODE: V81590	107107 121503 904949	1
120	13206-001	. .	MODULE ASSY-MASTER SUPPLIER CODE: V81590	101102 108120 504903	1
120	13206-001	. .	MODULE ASSY-MASTER SUPPLIER CODE: V81590	002004 006010 950999	1
120	13206-001	. .	MODULE ASSY-MASTER SUPPLIER CODE: V81590	107107 121503 904949	1
125	433-097-003	. .	MODULE ASSY-CKT SUPPLIER CODE: V81590	101102 108120 504903	1
125	433-097-003	. .	MODULE ASSY-CKT SUPPLIER CODE: V81590	002004 006010 950999	1
125	433-097-003	. .	MODULE ASSY-CKT SUPPLIER CODE: V81590	107107 121503 904949	1

MISSING ITEM NUMBERS NOT APPLICABLE

- ITEM NOT ILLUSTRATED

33-13-00-19A

33-13-00
FIG. 19A
PAGE 3
JAN 20/09

BRI

BOEING PROPRIETARY - Copyright © - Unpublished Work - See title page for details.



757

PARTS CATALOG (MAINTENANCE)

FIG ITEM	PART NUMBER	1 2 3 4 5 6 7	NOMENCLATURE	EFFECT FROM TO	UNITS PER ASSY
19A 130	433-100-002		. GUARD-SWITCH SUPPLIER CODE: V81590 SPECIFICATION NUMBER: S231T290-821 OPTIONAL PART: 433-100-003 V81590 433-100-004 V81590 433-100-005 V81590 433-100-006 V81590 433-100-007 V81590	101102 108120 504903	1
130	433-100-003		. GUARD-SWITCH SUPPLIER CODE: V81590 SPECIFICATION NUMBER: S231T290-822 OPTIONAL PART: 433-100-002 V81590 433-100-004 V81590 433-100-005 V81590 433-100-006 V81590 433-100-007 V81590	101102 108120 504903	1
130	433-100-004		. GUARD-SWITCH SUPPLIER CODE: V81590 SPECIFICATION NUMBER: S231T290-823 OPTIONAL PART: 433-100-002 V81590 433-100-003 V81590 433-100-005 V81590 433-100-006 V81590 433-100-007 V81590	101102 108120 504903	1

MISSING ITEM NUMBERS NOT APPLICABLE

- ITEM NOT ILLUSTRATED

33-13-00-19A

33-13-00
FIG. 19A
PAGE 4
JAN 20/09

BRI



757

PARTS CATALOG (MAINTENANCE)

FIG ITEM	PART NUMBER	1 2 3 4 5 6 7	NOMENCLATURE	EFFECT FROM TO	UNITS PER ASSY
19A 130	433-100-005		. GUARD-SWITCH SUPPLIER CODE: V81590 SPECIFICATION NUMBER: S231T290-824 OPTIONAL PART: 433-100-002 V81590 433-100-003 V81590 433-100-004 V81590 433-100-006 V81590 433-100-007 V81590	101102 108120 504903	1
130	433-100-006		. GUARD-SWITCH SUPPLIER CODE: V81590 OPTIONAL PART: 433-100-002 V81590 433-100-003 V81590 433-100-004 V81590 433-100-005 V81590 433-100-007 V81590	101102 108120 504903	1
130	433-100-007		. GUARD-SWITCH SUPPLIER CODE: V81590 SPECIFICATION NUMBER: S231T290-826 OPTIONAL PART: 433-100-002 V81590 433-100-003 V81590 433-100-004 V81590 433-100-005 V81590 433-100-006 V81590	101102 108120 504903	1

MISSING ITEM NUMBERS NOT APPLICABLE

- ITEM NOT ILLUSTRATED

33-13-00-19A

33-13-00
FIG. 19A
PAGE 5
JAN 20/09

BRI

BOEING PROPRIETARY - Copyright © - Unpublished Work - See title page for details.



757

PARTS CATALOG (MAINTENANCE)

FIG ITEM	PART NUMBER	1 2 3 4 5 6 7	NOMENCLATURE	EFFECT FROM TO	UNITS PER ASSY
19A 130	433-100-002	.	GUARD-SWITCH SUPPLIER CODE: V81590 SPECIFICATION NUMBER: S231T290-821 OPTIONAL PART: 433-100-003 V81590 433-100-004 V81590 433-100-005 V81590 433-100-006 V81590 433-100-007 V81590	002004 006010 950999	1
130	433-100-003	.	GUARD-SWITCH SUPPLIER CODE: V81590 SPECIFICATION NUMBER: S231T290-822 OPTIONAL PART: 433-100-002 V81590 433-100-004 V81590 433-100-005 V81590 433-100-006 V81590 433-100-007 V81590	002004 006010 950999	1
130	433-100-004	.	GUARD-SWITCH SUPPLIER CODE: V81590 SPECIFICATION NUMBER: S231T290-823 OPTIONAL PART: 433-100-002 V81590 433-100-003 V81590 433-100-005 V81590 433-100-006 V81590 433-100-007 V81590	002004 006010 950999	1

MISSING ITEM NUMBERS NOT APPLICABLE

- ITEM NOT ILLUSTRATED

33-13-00-19A

33-13-00
FIG. 19A
PAGE 6
JAN 20/09

BRI



757

PARTS CATALOG (MAINTENANCE)

FIG ITEM	PART NUMBER	1 2 3 4 5 6 7	NOMENCLATURE	EFFECT FROM TO	UNITS PER ASSY
19A 130	433-100-005	.	GUARD-SWITCH SUPPLIER CODE: V81590 SPECIFICATION NUMBER: S231T290-824 OPTIONAL PART: 433-100-002 V81590 433-100-003 V81590 433-100-004 V81590 433-100-006 V81590 433-100-007 V81590	002004 006010 950999	1
130	433-100-006	.	GUARD-SWITCH SUPPLIER CODE: V81590 OPTIONAL PART: 433-100-002 V81590 433-100-003 V81590 433-100-004 V81590 433-100-005 V81590 433-100-007 V81590	002004 006010 950999	1
130	433-100-007	.	GUARD-SWITCH SUPPLIER CODE: V81590 SPECIFICATION NUMBER: S231T290-826 OPTIONAL PART: 433-100-002 V81590 433-100-003 V81590 433-100-004 V81590 433-100-005 V81590 433-100-006 V81590	002004 006010 950999	1

MISSING ITEM NUMBERS NOT APPLICABLE

- ITEM NOT ILLUSTRATED

33-13-00-19A

33-13-00
FIG. 19A
PAGE 7
JAN 20/09

BRI



757

PARTS CATALOG (MAINTENANCE)

FIG ITEM	PART NUMBER	1 2 3 4 5 6 7	NOMENCLATURE	EFFECT FROM TO	UNITS PER ASSY
19A 130	433-100-002		. GUARD-SWITCH SUPPLIER CODE: V81590 SPECIFICATION NUMBER: S231T290-821 OPTIONAL PART: 433-100-003 V81590 433-100-004 V81590 433-100-005 V81590 433-100-006 V81590 433-100-007 V81590	107107 121503 904949	1
130	433-100-003		. GUARD-SWITCH SUPPLIER CODE: V81590 SPECIFICATION NUMBER: S231T290-822 OPTIONAL PART: 433-100-002 V81590 433-100-004 V81590 433-100-005 V81590 433-100-006 V81590 433-100-007 V81590	107107 121503 904949	1
130	433-100-004		. GUARD-SWITCH SUPPLIER CODE: V81590 SPECIFICATION NUMBER: S231T290-823 OPTIONAL PART: 433-100-002 V81590 433-100-003 V81590 433-100-005 V81590 433-100-006 V81590 433-100-007 V81590	107107 121503 904949	1

MISSING ITEM NUMBERS NOT APPLICABLE

- ITEM NOT ILLUSTRATED

33-13-00-19A

33-13-00
FIG. 19A
PAGE 8
JAN 20/09

BRI



757

PARTS CATALOG (MAINTENANCE)

FIG ITEM	PART NUMBER	1 2 3 4 5 6 7	NOMENCLATURE	EFFECT FROM TO	UNITS PER ASSY
19A 130	433-100-005		. GUARD-SWITCH SUPPLIER CODE: V81590 SPECIFICATION NUMBER: S231T290-824 OPTIONAL PART: 433-100-002 V81590 433-100-003 V81590 433-100-004 V81590 433-100-006 V81590 433-100-007 V81590	107107 121503 904949	1
130	433-100-006		. GUARD-SWITCH SUPPLIER CODE: V81590 OPTIONAL PART: 433-100-002 V81590 433-100-003 V81590 433-100-004 V81590 433-100-005 V81590 433-100-007 V81590	107107 121503 904949	1
135	433-100-007		. GUARD-SWITCH SUPPLIER CODE: V81590 SPECIFICATION NUMBER: S231T290-826 OPTIONAL PART: 433-100-002 V81590 433-100-003 V81590 433-100-004 V81590 433-100-005 V81590 433-100-006 V81590	107107 121503 904949	1

MISSING ITEM NUMBERS NOT APPLICABLE

- ITEM NOT ILLUSTRATED

33-13-00-19A

33-13-00
FIG. 19A
PAGE 9
JAN 20/09

BRI



757

PARTS CATALOG (MAINTENANCE)

FIG ITEM	PART NUMBER	1 2 3 4 5 6 7	NOMENCLATURE	EFFECT FROM TO	UNITS PER ASSY
19A 140	433-107-002		.HOUSING ASSY-WITH MTG SLEEVE SUPPLIER CODE: V81590	101102 108120 504903	1
140	433-107-002		.HOUSING ASSY-WITH MTG SLEEVE SUPPLIER CODE: V81590	002004 006010 950999	1
140	433-107-002		.HOUSING ASSY-WITH MTG SLEEVE SUPPLIER CODE: V81590	107107 121503 904949	1

MISSING ITEM NUMBERS NOT APPLICABLE

- ITEM NOT ILLUSTRATED

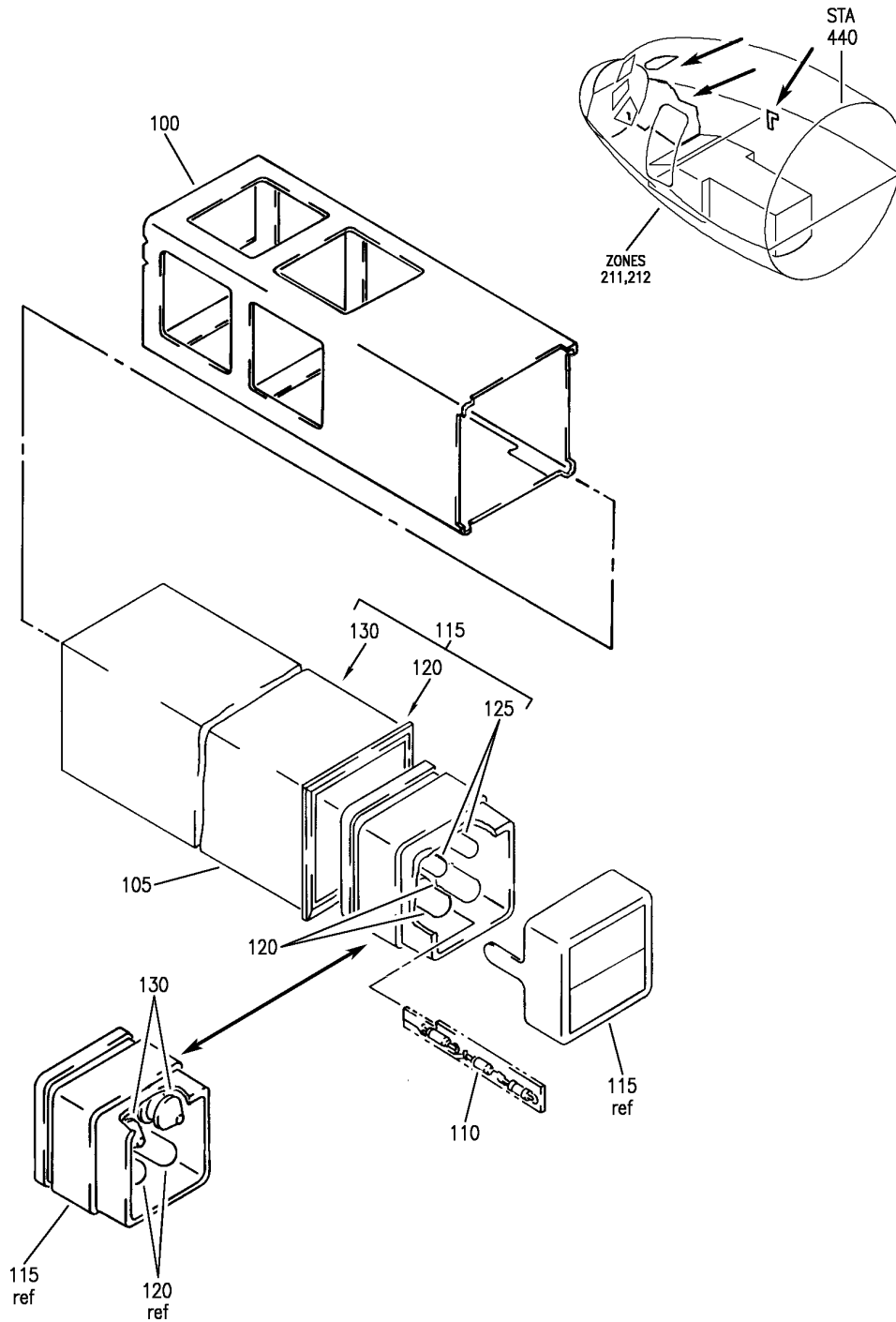
BRI

33-13-00-19A

BOEING PROPRIETARY - Copyright © - Unpublished Work - See title page for details.

33-13-00
FIG. 19A
PAGE 10
JAN 20/09

BOEING
757
PARTS CATALOG (MAINTENANCE)



Y 33130020 REV 252

SWITCH ASSY-LIGHTED PUSHBUTTON IND
FIGURE 20

33-13-00-20

BRI
MAY 28/07

33-13-00-20
PAGE 0



757

PARTS CATALOG (MAINTENANCE)

FIG ITEM	PART NUMBER	1 2 3 4 5 6 7	NOMENCLATURE	EFFECT FROM TO	UNITS PER ASSY
20			SWITCH ASSY-LIGHTED PUSHBUTTON IND	002004 107107 121503 904949 952952	
- 1	851-30768-2024		SWITCH ASSY-LIGHTED PUSHBUTTON IND ON/OFF SUPPLIER CODE: V96182 SPECIFICATION NUMBER: S231T290-2024 QUALIFIED I/W DATA: 851-30768-2024 TOGETHER WITH 851-30768-803 -813 OR 433-100-004 SWITCHGUARD I/W BCREF7611 851-30768-3024 OR 851-35100-5024 WITH 433-100-004 SWITCHGUARD FOR NHA SEE: 27-23-51-01	002004 107107 952952	RF
- 5	851-30768-2073		SWITCH ASSY-LIGHTED PUSHBUTTON IND FIELD OFF SUPPLIER CODE: V96182 SPECIFICATION NUMBER: S231T290-2073 FOR NHA SEE: 24-22-73-01	002004 107107 121503 904949 952952	RF
100	851-30768-3825		.SLEEVE-MTG SUPPLIER CODE: V96182	121503 904949	1
100	851-30768-3825		.SLEEVE-MTG SUPPLIER CODE: V96182	002004 107107 952952	1
105	851-30768-702		.BASE ASSY- SUPPLIER CODE: V96182 USED ON: 851-30768-2024	002004 107107 952952	1
105	851-30768-709		.BASE ASSY- SUPPLIER CODE: V96182 USED ON: 851-30768-2073	002004 107107 121503 904949 952952	1
110	851-30768-823		..MODULE-DIODE/FUSE SUPPLIER CODE: V96182	121503 904949	1

MISSING ITEM NUMBERS NOT APPLICABLE

- ITEM NOT ILLUSTRATED

33-13-00-20

33-13-00
FIG. 20
PAGE 1
JAN 20/09

BRI



757

PARTS CATALOG (MAINTENANCE)

FIG ITEM	PART NUMBER	1 2 3 4 5 6 7	NOMENCLATURE	EFFECT FROM TO	UNITS PER ASSY
20					
110	851-30768-823	..	MODULE-DIODE/FUSE SUPPLIER CODE: V96182	002004 107107 952952	1
115	851-30768-524	.C	CAPSULE ASSY-LENS-ON/OFF SUPPLIER CODE: V96182 USED ON: 851-30768-2024	002004 107107 952952	1
115	851-30768-573	.C	CAPSULE ASSY-LENS-FIELD OFF SUPPLIER CODE: V96182 USED ON: 851-30768-2073	002004 107107 121503 904949 952952	1
120	MS25237-387	..	LAMP	121503 904949	2
120	MS25237-387	..	LAMP	002004 107107 952952	2
125	MS24515-685AS15	..	LAMP- USED ON: 851-30768-524	002004 107107 952952	2
130	851-30768-829	..	PLUG-LAMP SUPPLIER CODE: V96182 USED ON: 851-30768-573	002004 107107 121503 904949 952952	2

MISSING ITEM NUMBERS NOT APPLICABLE

- ITEM NOT ILLUSTRATED

33-13-00-20

33-13-00
FIG. 20
PAGE 2
JAN 20/09

BRI



757

PARTS CATALOG (MAINTENANCE)

FIG ITEM	PART NUMBER	1 2 3 4 5 6 7	NOMENCLATURE	EFFECT FROM TO	UNITS PER ASSY
21			SWITCH ASSY-LIGHTED PUSH BUTTON IND	002004 006102 107999	
- 1	851-30768-2060		SWITCH ASSY-LIGHTED PUSH BUTTON IND DISCH SUPPLIER CODE: V96182 SPECIFICATION NUMBER: S231T290-2060 FOR NHA SEE: 26-23-52-02	107107	RF
- 5	851-30768-2061		SWITCH ASSY-LIGHTED PUSH BUTTON IND ARMED/FWD SUPPLIER CODE: V96182 SPECIFICATION NUMBER: S231T290-2061 FOR NHA SEE: 26-23-52-02	002004 006010 101102 107999	RF
- 10	851-30768-2062		SWITCH ASSY-LIGHTED PUSH BUTTON IND ARMED/AFT SUPPLIER CODE: V96182 SPECIFICATION NUMBER: S231T290-2062 FOR NHA SEE: 26-23-52-02 26-23-52-04A	002004 006102 107999	RF
- 15	851-30768-2063		SWITCH ASSY-LIGHTED PUSH BUTTON IND FAIL P-RESET SUPPLIER CODE: V96182 SPECIFICATION NUMBER: S231T290-2063 FOR NHA SEE: 26-11-02-02	107107	RF
100	851-30768-3825		.SLEEVE-MTG SUPPLIER CODE: V96182	011100	1
100	851-30768-3825		.SLEEVE-MTG SUPPLIER CODE: V96182	002004 006010 101102 108999	1
100	851-30768-3825		.SLEEVE-MTG SUPPLIER CODE: V96182	107107	1

MISSING ITEM NUMBERS NOT APPLICABLE

- ITEM NOT ILLUSTRATED

33-13-00-21

33-13-00
FIG. 21
PAGE 1
JAN 20/09

BRI



757

PARTS CATALOG (MAINTENANCE)

FIG ITEM	PART NUMBER	1 2 3 4 5 6 7	NOMENCLATURE	EFFECT FROM TO	UNITS PER ASSY
21					
105	851-30768-709		.BASE ASSY- SUPPLIER CODE: V96182 USED ON: 851-30768-2060	107107	1
105	851-30768-709		.BASE ASSY- SUPPLIER CODE: V96182 USED ON: 851-30768-2063	107107	1
105	851-30768-702		.BASE ASSY- SUPPLIER CODE: V96182 USED ON: 851-30768-2062	002004 006102 107999	1
105	851-30768-702		.BASE ASSY- SUPPLIER CODE: V96182 USED ON: 851-30768-2061	002004 006010 101102 107999	1
112	851-30768-823		..MODULE-DIODE/FUSE SUPPLIER CODE: V96182	002004 006010 101102 108999	1
112	851-30768-823		..MODULE-DIODE/FUSE SUPPLIER CODE: V96182	011100	1
112	851-30768-823		..MODULE-DIODE/FUSE SUPPLIER CODE: V96182	107107	1
115	851-30768-560		.CAPSULE ASSY-LENS-DISCH SUPPLIER CODE: V96182 USED ON: 851-30768-2060	107107	1
115	851-30768-561		.CAPSULE ASSY-LENS-ARMED/ FWD SUPPLIER CODE: V96182 USED ON: 851-30768-2061	002004 006010 101102 107999	1
115	851-30768-562		.CAPSULE ASSY-LENS-ARMED/ AFT SUPPLIER CODE: V96182 USED ON: 851-30768-2062	002004 006102 107999	1

MISSING ITEM NUMBERS NOT APPLICABLE

- ITEM NOT ILLUSTRATED

33-13-00-21

33-13-00
FIG. 21
PAGE 2
JAN 20/09

BRI



757

PARTS CATALOG (MAINTENANCE)

FIG ITEM	PART NUMBER	1 2 3 4 5 6 7	NOMENCLATURE	EFFECT FROM TO	UNITS PER ASSY
21					
115	851-30768-563	.	CAPSULE ASSY-LENS-P-PRESET SUPPLIER CODE: V96182 USED ON: 851-30768-2063	107107	1
120	MS25237-387	..	LAMP	011100	2
120	MS25237-387	..	LAMP	002004	2
				006010	
				101102	
				108999	
120	MS25237-387	..	LAMP	107107	2
125	MS24515-685AS15	..	LAMP- USED ON: 851-30768-562	002004	2
				006102	
				107999	
125	MS24515-685AS15	..	LAMP- USED ON: 851-30768-561	002004	2
				006010	
				101102	
				107999	
130	851-30768-829	..	PLUG-LAMP SUPPLIER CODE: V96182 USED ON: 851-30768-563	107107	2
130	851-30768-829	..	PLUG-LAMP SUPPLIER CODE: V96182 USED ON: 851-30768-560	107107	2

MISSING ITEM NUMBERS NOT APPLICABLE

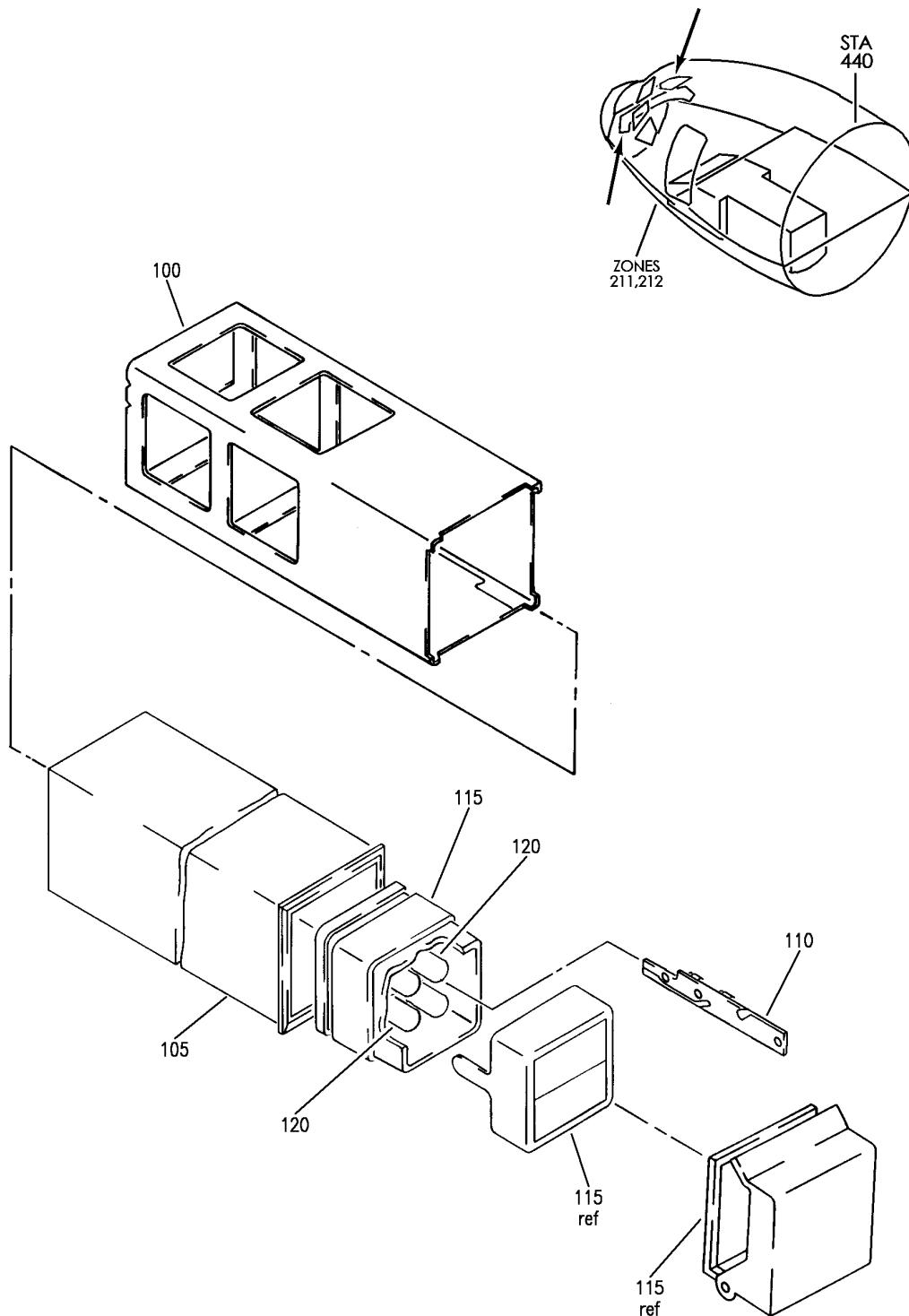
- ITEM NOT ILLUSTRATED

33-13-00-21

33-13-00
FIG. 21
PAGE 3
JAN 20/09

BRI

BOEING
757
PARTS CATALOG (MAINTENANCE)



Y 33130022A REV 252

SWITCH ASSY-LIGHTED PUSHBUTTON IND
FIGURE 22A

33-13-00-22A

BRI
MAY 28/07

33-13-00-22A
PAGE 0



757

PARTS CATALOG (MAINTENANCE)

FIG ITEM	PART NUMBER	1 2 3 4 5 6 7	NOMENCLATURE	EFFECT FROM TO	UNITS PER ASSY
22A			SWITCH ASSY-LIGHTED PUSHBUTTON IND	002004 006999	
- 1	851-30768-2042		SWITCH ASSY-LIGHTED PUSHBUTTON IND WARNING/ CAUTION SUPPLIER CODE: V96182 SPECIFICATION NUMBER: S231T290-2042 FOR NHA SEE: 31-25-51-01	002004 006999	RF
100	851-30768-3825		.SLEEVE-MTG SUPPLIER CODE: V96182	002004 006999	1
105	851-30768-705		.BASE ASSY- SUPPLIER CODE: V96182	002004 006999	1
110	851-30768-823		..MODULE-DIODE/FUSE SUPPLIER CODE: V96182	002004 006999	1
115	851-30768-542		.CAPSULE ASSY-LENS-WARNING/ CAUTION SUPPLIER CODE: V96182	002004 006999	1
120	MS25237-387		..LAMP	002004 006999	4

MISSING ITEM NUMBERS NOT APPLICABLE

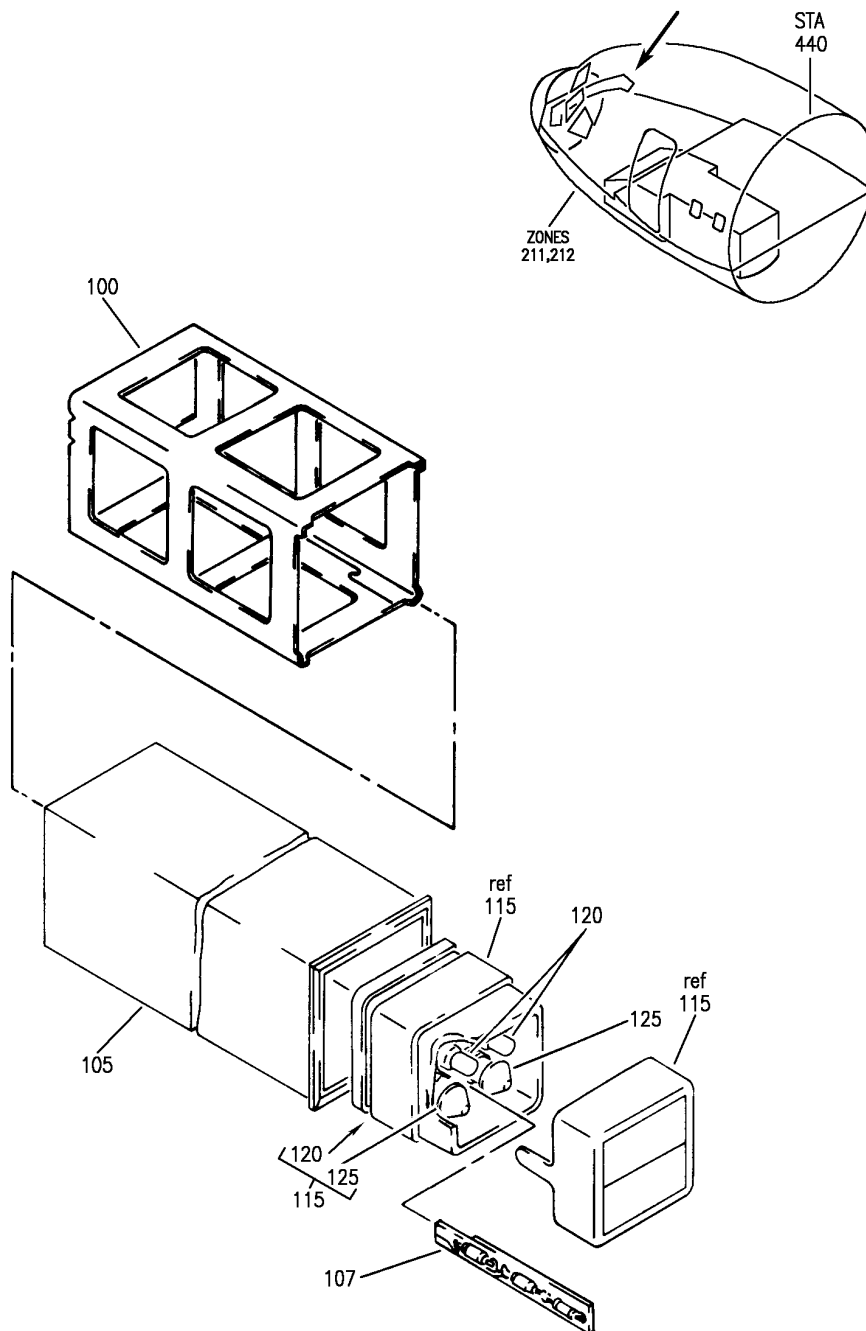
- ITEM NOT ILLUSTRATED

33-13-00-22A

33-13-00
FIG. 22A
PAGE 1
SEP 20/08

BRI

BOEING
757
PARTS CATALOG (MAINTENANCE)



Y 33130023 REV 268

SWITCH ASSY-LIGHTED PUSH BUTTON IND
FIGURE 23

33-13-00-23

BRI
MAY 28/07

33-13-00-23
PAGE 0



757

PARTS CATALOG (MAINTENANCE)

FIG ITEM	PART NUMBER	1 2 3 4 5 6 7	NOMENCLATURE	EFFECT FROM TO	UNITS PER ASSY
23			SWITCH ASSY-LIGHTED PUSH BUTTON IND	002004 006999	
- 1	851-30768-2001		SWITCH ASSY-LIGHTED PUSH BUTTON IND ALTN SUPPLIER CODE: V96182 SPECIFICATION NUMBER: S231T290-2001 FOR NHA SEE: 27-51-57-01 27-51-57-02 27-51-57-03 27-81-00-01 27-81-00-02 27-81-00-03	002004 006102 107999	RF
- 6	851-30768-2001		SWITCH ASSY-LIGHTED PUSH BUTTON IND ALTN SUPPLIER CODE: V96182 SPECIFICATION NUMBER: S231T290-2001 FOR NHA SEE: 34-21-02-02 34-22-02-02	103106	RF
- 8	851-30768-2001		SWITCH ASSY-LIGHTED PUSH BUTTON IND ALTN SUPPLIER CODE: V96182 SPECIFICATION NUMBER: S231T290-2001 FOR NHA SEE: 34-12-01-03 34-12-01-05 34-21-02-02 34-21-02-03 34-22-02-02 34-22-02-05 34-61-02-02 34-61-02-14	011102 108120 504903	RF
- 9	851-30768-2001		SWITCH ASSY-LIGHTED PUSH BUTTON IND ALTN SUPPLIER CODE: V96182 SPECIFICATION NUMBER: S231T290-2001 FOR NHA SEE: 34-12-01-04	002004 006010 107107 121503 904999	RF

MISSING ITEM NUMBERS NOT APPLICABLE

- ITEM NOT ILLUSTRATED

33-13-00-23

33-13-00
FIG. 23
PAGE 1
JAN 20/09

BRI



757

PARTS CATALOG (MAINTENANCE)

FIG ITEM	PART NUMBER	1 2 3 4 5 6 7	NOMENCLATURE	EFFECT FROM TO	UNITS PER ASSY
23 - 11	851-30768-2001		SWITCH ASSY-LIGHTED PUSH BUTTON IND ALTN SUPPLIER CODE: V96182 SPECIFICATION NUMBER: S231T290-2001 FOR NHA SEE: 34-21-02-04 34-22-02-06 34-61-02-15	002004 006010 107107 121503 904999	RF
- 18	851-30768-2001		SWITCH ASSY-LIGHTED PUSH BUTTON IND ALTN SUPPLIER CODE: V96182 SPECIFICATION NUMBER: S231T290-2001 FOR NHA SEE: 34-12-01-03 34-12-01-04 34-12-01-05 34-21-02-02 34-21-02-03 34-21-02-04 34-22-02-02 34-22-02-05 34-22-02-06 34-61-02-02 34-61-02-14 34-61-02-15	002004 006102 107999	RF
100	851-30768-826		.SLEEVE-MTG SUPPLIER CODE: V96182	103106	1
100	851-30768-826		.SLEEVE-MTG SUPPLIER CODE: V96182	011102 108120 504903	1
100	851-30768-826		.SLEEVE-MTG SUPPLIER CODE: V96182	002004 006010 107107 121503 904999	1
105	851-30768-701		.BASE ASSY- SUPPLIER CODE: V96182	103106	1
105	851-30768-701		.BASE ASSY- SUPPLIER CODE: V96182	011102 108120 504903	1

MISSING ITEM NUMBERS NOT APPLICABLE

- ITEM NOT ILLUSTRATED

33-13-00-23

33-13-00
FIG. 23
PAGE 2
JAN 20/09

BRI



757

PARTS CATALOG (MAINTENANCE)

FIG ITEM	PART NUMBER	1 2 3 4 5 6 7	NOMENCLATURE	EFFECT FROM TO	UNITS PER ASSY
23					
105	851-30768-701	.BASE ASSY- SUPPLIER CODE: V96182		002004 006010 107107 121503 904999 103106	1
107	851-30768-823	..MODULE-DIODE/FUSE SUPPLIER CODE: V96182			1
107	851-30768-823	..MODULE-DIODE/FUSE SUPPLIER CODE: V96182		011102 108120 504903	1
107	851-30768-823	..MODULE-DIODE/FUSE SUPPLIER CODE: V96182		002004 006010 107107 121503 904999 103106	1
115	851-30768-501	.CAPSULE ASSY-LENS-ALTN SUPPLIER CODE: V96182			1
115	851-30768-501	.CAPSULE ASSY-LENS-ALTN SUPPLIER CODE: V96182		011102 108120 504903	1
115	851-30768-501	.CAPSULE ASSY-LENS-ALTN SUPPLIER CODE: V96182		002004 006010 107107 121503 904999 103106	1
120	MS24515-685AS15	..LAMP		103106	2
120	MS24515-685AS15	..LAMP		011102 108120 504903	2
120	MS24515-685AS15	..LAMP		002004 006010 107107 121503 904999 103106	2
125	851-30768-829	..PLUG- SUPPLIER CODE: V96182			2
125	851-30768-829	..PLUG- SUPPLIER CODE: V96182		011102 108120 504903	2
125	851-30768-829	..PLUG- SUPPLIER CODE: V96182		002004 006010 107107 121503 904999	2

MISSING ITEM NUMBERS NOT APPLICABLE

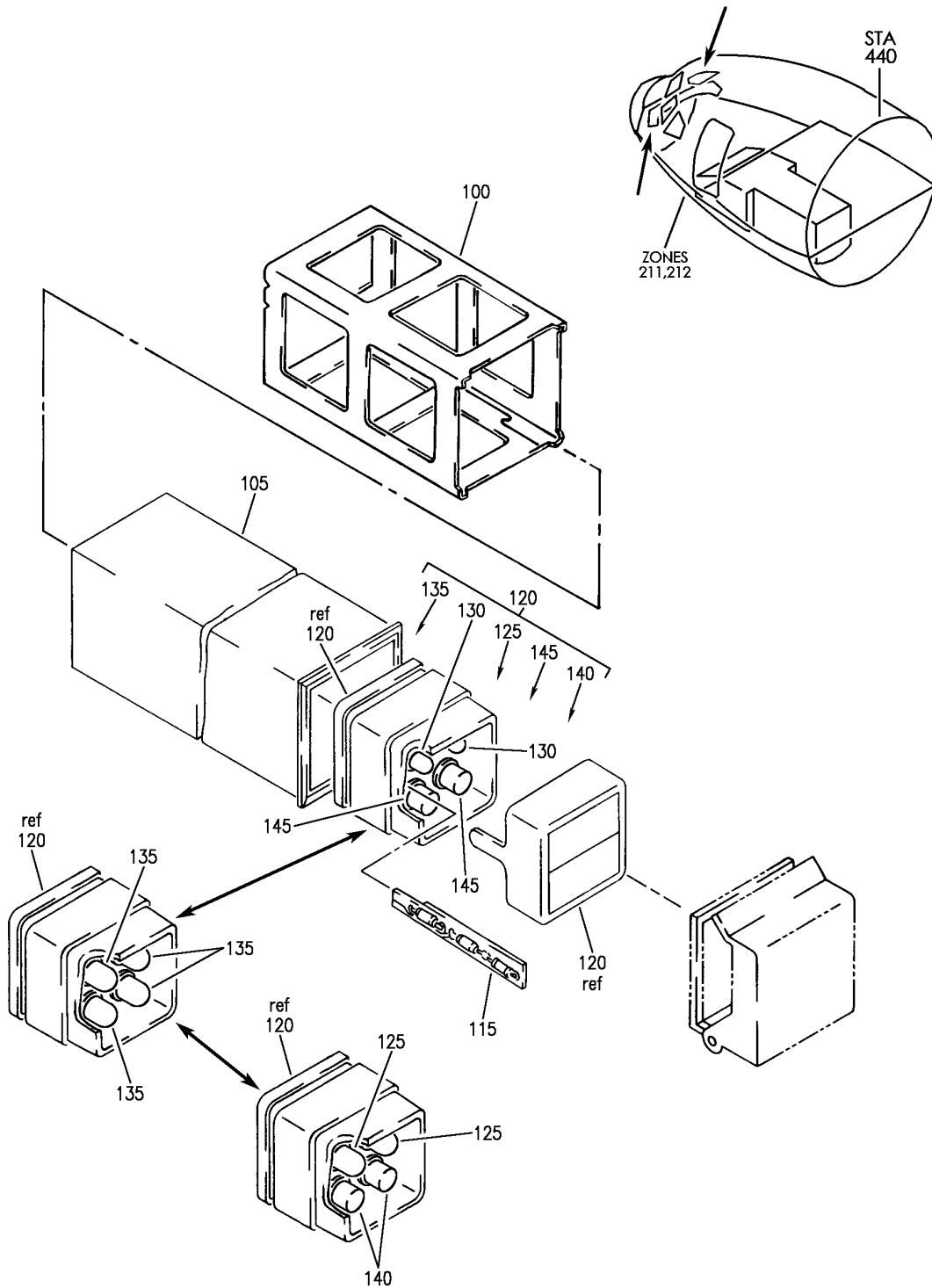
- ITEM NOT ILLUSTRATED

33-13-00-23

33-13-00
FIG. 23
PAGE 3
JAN 20/09

BRI

BOEING
757
PARTS CATALOG (MAINTENANCE)



Y 33130024 REV 252

SWITCH ASSY-LIGHTED PUSHBUTTON IND
FIGURE 24

33-13-00-24

BRI
MAY 28/07

33-13-00-24
PAGE 0



757

PARTS CATALOG (MAINTENANCE)

FIG ITEM	PART NUMBER	1 2 3 4 5 6 7	NOMENCLATURE	EFFECT FROM TO	UNITS PER ASSY
24			SWITCH ASSY-LIGHTED PUSHBUTTON IND	002004 006102 107999	
- 1	851-30768-2057		SWITCH ASSY-LIGHTED PUSHBUTTON IND OVRD SUPPLIER CODE: V96182 SPECIFICATION NUMBER: S231T290-2057 QUALIFIED I/W DATA: 851-30768-2057 TOGETHER WITH 851-30768-801 OR -811 OR 433-100-002 SWITCHGUARD I/W BCREF7682 OR 851-30768-3057 BCREFA0524 OR S231T290-5057 T/W 433-100-002 SWITCHGUARD FOR NHA SEE: 34-46-51-01	107107	RF
- 5	851-30768-2070		SWITCH ASSY-LIGHTED PUSHBUTTON IND GND/PROX G/S INHB SUPPLIER CODE: V96182 SPECIFICATION NUMBER: S231T290-2070 FOR NHA SEE: 34-46-51-01 34-46-51-02	002004 006102 107503 904999	RF

MISSING ITEM NUMBERS NOT APPLICABLE

- ITEM NOT ILLUSTRATED

33-13-00-24

33-13-00
FIG. 24
PAGE 1
JAN 20/09

BRI



757

PARTS CATALOG (MAINTENANCE)

FIG ITEM	PART NUMBER	1 2 3 4 5 6 7	NOMENCLATURE	EFFECT FROM TO	UNITS PER ASSY
24 - 10	851-30768-2076		SWITCH ASSY-LIGHTED PUSHBUTTON IND (ALTN) SUPPLIER CODE: V96182 SPECIFICATION NUMBER: S231T290-2076 QUALIFIED I/W DATA: (851-30768-2076 TOGETHER WITH 851-30768-801 OR -811 OR 433-100-002 SWITCHGUARD I/W BCREF7683 OR 851-30768-3076 BCREFA0534 OR S231T290-5076 TOGETHER WITH 433-100-002 SWITCHGUARD) FOR NHA SEE: 32-35-52-01	107107	RF
- 15	851-30768-2081		SWITCH ASSY-LIGHTED PUSHBUTTON IND ON SUPPLIER CODE: V96182 SPECIFICATION NUMBER: S231T290-2081 FOR NHA SEE: 29-21-55-01 29-21-55-02	011102 108949	RF
- 15	851-30768-2081		SWITCH ASSY-LIGHTED PUSHBUTTON IND ON SUPPLIER CODE: V96182 SPECIFICATION NUMBER: S231T290-2081 FOR NHA SEE: 29-21-55-01	002004 006010 107107 950999	RF
100	851-30768-826		.SLEEVE-MTG SUPPLIER CODE: V96182	504903	1
100	851-30768-826		.SLEEVE-MTG SUPPLIER CODE: V96182	002004 006102 108503 904999	1
100	851-30768-826		.SLEEVE-MTG SUPPLIER CODE: V96182	107107	1

MISSING ITEM NUMBERS NOT APPLICABLE

- ITEM NOT ILLUSTRATED

33-13-00-24

33-13-00
FIG. 24
PAGE 2
JAN 20/09

BRI



757

PARTS CATALOG (MAINTENANCE)

FIG ITEM	PART NUMBER	1 2 3 4 5 6 7	NOMENCLATURE	EFFECT FROM TO	UNITS PER ASSY
24 105	851-30768-701		.BASE ASSY- SUPPLIER CODE: V96182 USED ON: 851-30768-2057 851-30768-2081	002004 006102 108999	1
105	851-30768-701		.BASE ASSY- SUPPLIER CODE: V96182 USED ON: 851-30768-2057 851-30768-2081	107107	1
105	851-30768-705		.BASE ASSY- SUPPLIER CODE: V96182 USED ON: 851-30768-2070	002004 006102 107503 904999	1
105	851-30768-712		.BASE ASSY- SUPPLIER CODE: V96182 USED ON: 851-30768-2076	107107	1
115	851-30768-823		..MODULE-DIODE/FUSE SUPPLIER CODE: V96182	504903	1
115	851-30768-823		..MODULE-DIODE/FUSE SUPPLIER CODE: V96182	002004 006102 108503 904999	1
115	851-30768-823		..MODULE-DIODE/FUSE SUPPLIER CODE: V96182	107107	1
120	851-30768-557		.CAPSULE ASSY-LENS SUPPLIER CODE: V96182 USED ON: 851-30768-2057	107107	1
120	851-30768-570		.CAPSULE ASSY-LENS SUPPLIER CODE: V96182 USED ON: 851-30768-2070	002004 006102 107503 904999	1
120	851-30768-576		.CAPSULE ASSY-LENS SUPPLIER CODE: V96182 USED ON: 851-30768-2076	107107	1

MISSING ITEM NUMBERS NOT APPLICABLE

- ITEM NOT ILLUSTRATED

33-13-00-24

33-13-00
FIG. 24
PAGE 3
JAN 20/09

BRI



757

PARTS CATALOG (MAINTENANCE)

FIG ITEM	PART NUMBER	1 2 3 4 5 6 7	NOMENCLATURE	EFFECT FROM TO	UNITS PER ASSY
24 120	851-30768-581	.	CAPSULE ASSY-LENS SUPPLIER CODE: V96182 USED ON: 851-30768-2081	002004 006102 107999	1
125	MS25237-387	..	LAMP- USED ON: 851-30768-576	107107	2
130	MS24515-685AS15	..	LAMP- USED ON: 851-30768-557 851-30768-581	002004 006102 108999	2
130	MS24515-685AS15	..	LAMP- USED ON: 851-30768-557 851-30768-581	107107	2
135	MS25237-387	..	LAMP- USED ON: 851-30768-570	002004 006102 107503 904999	4
140	851-30768-829	..	PLUG- SUPPLIER CODE: V96182 USED ON: 851-30768-576	107107	2
145	851-30768-829	..	PLUG- SUPPLIER CODE: V96182 USED ON: 851-30768-557 851-30768-581	002004 006102 108999	2
145	851-30768-829	..	PLUG- SUPPLIER CODE: V96182 USED ON: 851-30768-557 851-30768-581	107107	2

MISSING ITEM NUMBERS NOT APPLICABLE

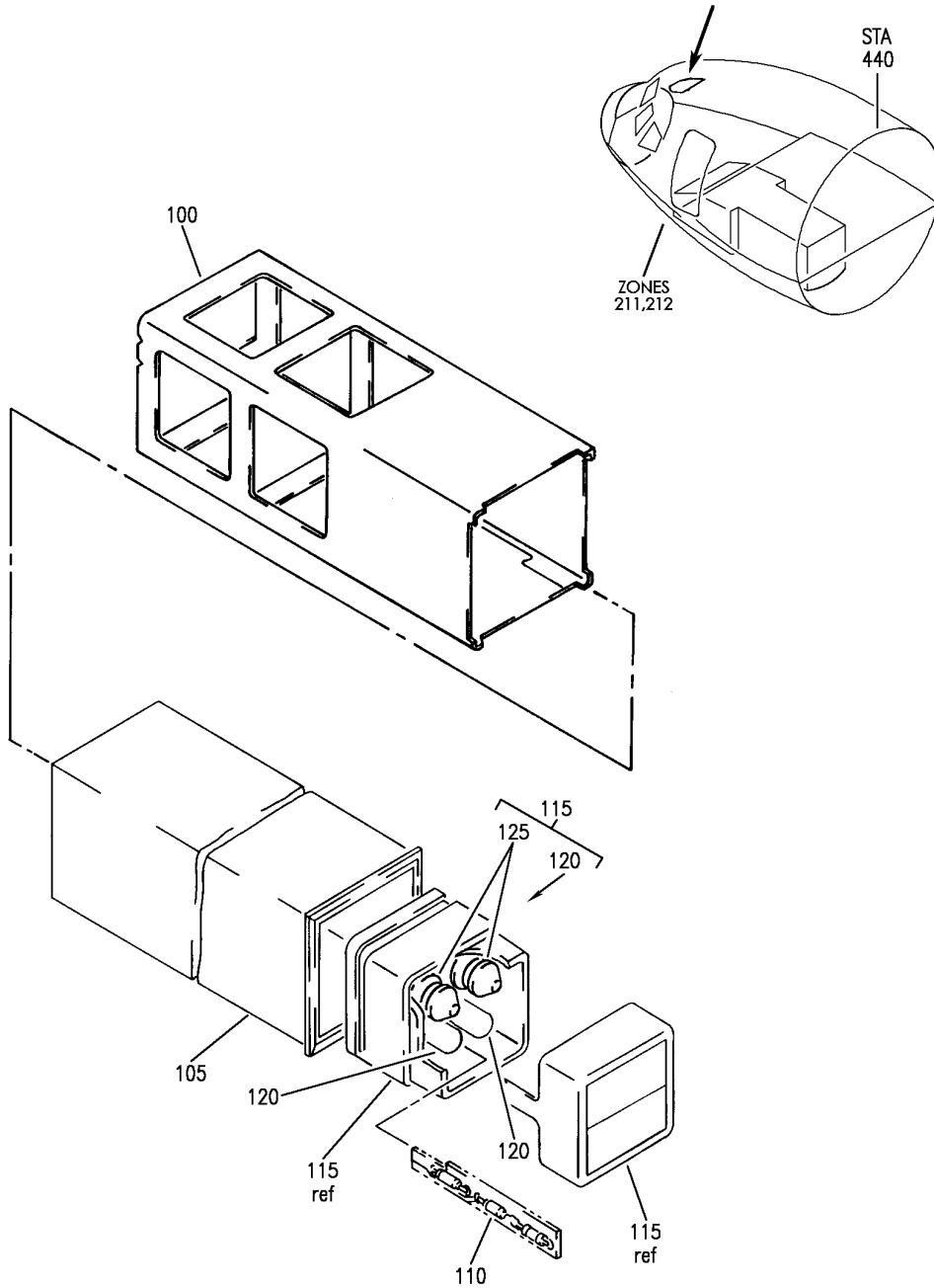
- ITEM NOT ILLUSTRATED

33-13-00-24

33-13-00
FIG. 24
PAGE 4
JAN 20/09

BRI

BOEING
757
PARTS CATALOG (MAINTENANCE)



Y 33130025 REV 252

SWITCH ASSY-LIGHTED PUSHBUTTON IND
FIGURE 25

33-13-00-25

BRI
JAN 20/09

33-13-00-25
PAGE 0



757

PARTS CATALOG (MAINTENANCE)

FIG ITEM	PART NUMBER	1 2 3 4 5 6 7	NOMENCLATURE	EFFECT FROM TO	UNITS PER ASSY
25			SWITCH ASSY-LIGHTED PUSHBUTTON IND	107107	
- 1	851-30768-2007		SWITCH ASSY-LIGHTED PUSHBUTTON IND DRIVE SUPPLIER CODE: V96182 SPECIFICATION NUMBER: S231T290-2007 QUALIFIED I/W DATA: 851-30768-2007 TOGETHER WITH 851-30768-802 OR -812 OR 433-100-003 SWITCHGUARD I/W BCREF7603 OR 851-30768-3007 BCREFA0502 S231T290-5007 TOGETHER WITH 433-100-003 SWITCHGUARD FOR NHA SEE: 24-11-52-01	107107	RF
- 5	851-30768-2041		SWITCH ASSY-LIGHTED PUSHBUTTON IND ON SUPPLIER CODE: V96182 SPECIFICATION NUMBER: S231T290-2041 QUALIFIED I/W DATA: 851-30768-2041 TOGETHER WITH 851-30768-802 -812 OR 433-100-003 SWITCHGUARD I/W BCREF7618 851-30768-3041 BCREFA0518 OR S231T290-5041 T/W 433-100-003 FOR NHA SEE: 35-21-51-01	107107	RF
100	851-30768-3825		.SLEEVE-MTG SUPPLIER CODE: V96182	107107	1
105	851-30768-709		.BASE ASSY- SUPPLIER CODE: V96182	107107	1
110	851-30768-823		..MODULE-DIODE/FUSE SUPPLIER CODE: V96182	107107	1

MISSING ITEM NUMBERS NOT APPLICABLE

- ITEM NOT ILLUSTRATED

33-13-00-25

33-13-00
FIG. 25
PAGE 1
JAN 20/09

BRI



757

PARTS CATALOG (MAINTENANCE)

FIG ITEM	PART NUMBER	1 2 3 4 5 6 7	NOMENCLATURE	EFFECT FROM TO	UNITS PER ASSY
25 115	851-30768-507		.CAPSULE ASSY-LENS-DRIVE SUPPLIER CODE: V96182 USED ON: 851-30768-2007	107107	1
115	851-30768-541		.CAPSULE ASSY-LENS-ON SUPPLIER CODE: V96182 USED ON: 851-30768-2041	107107	1
120	MS25237-387		..LAMP	107107	2
125	851-30768-829		..PLUG-LAMP SUPPLIER CODE: V96182	107107	2

MISSING ITEM NUMBERS NOT APPLICABLE

- ITEM NOT ILLUSTRATED

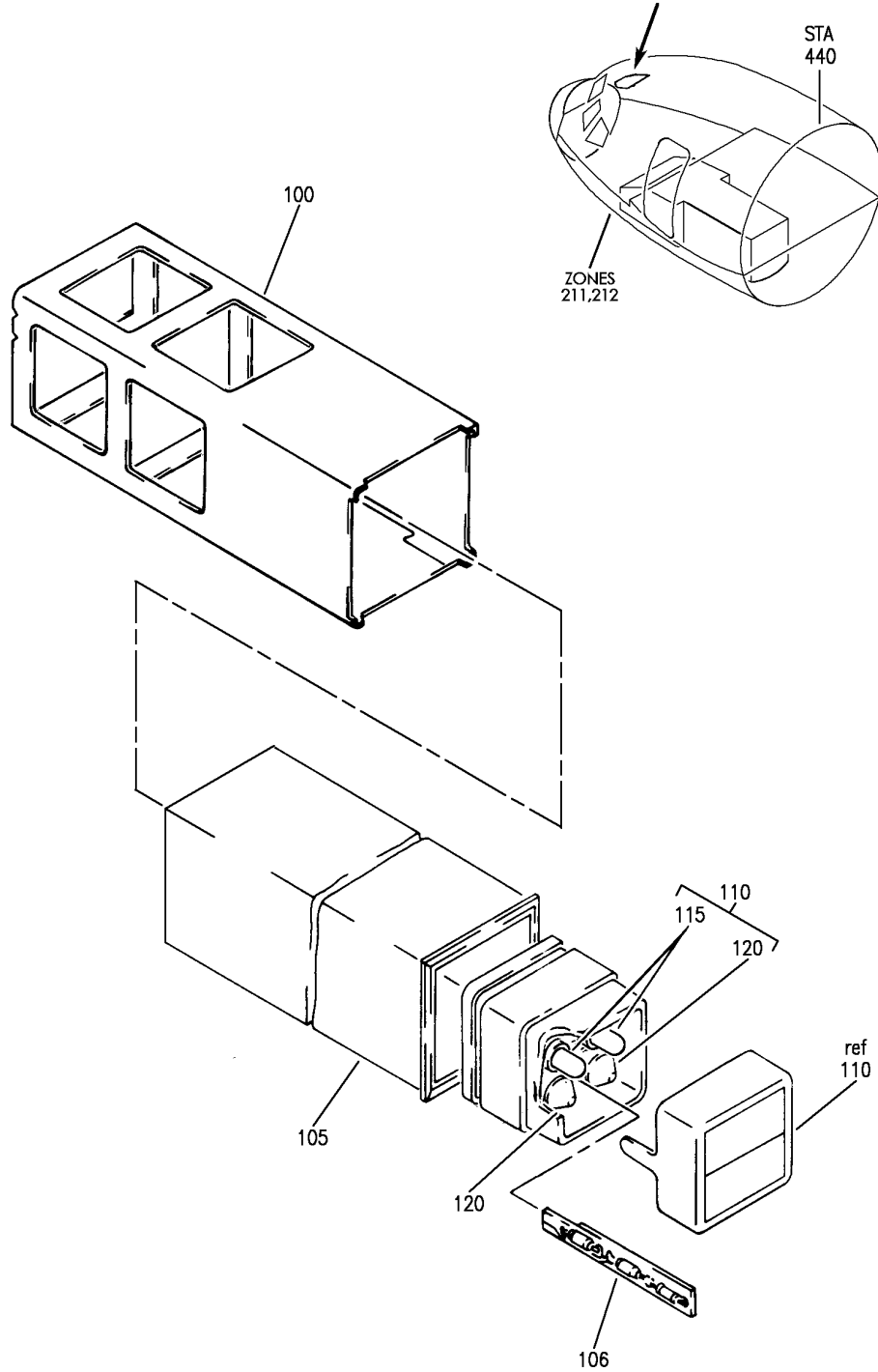
BRI

33-13-00-25

BOEING PROPRIETARY - Copyright © - Unpublished Work - See title page for details.

33-13-00
FIG. 25
PAGE 2
JAN 20/09

BOEING
757
PARTS CATALOG (MAINTENANCE)



Y 33130025A REV 252

SWITCH ASSY-LIGHTED PUSHBUTTON IND
FIGURE 25A

33-13-00-25A

BRI
MAY 28/07

33-13-00-25A
PAGE 0



757

PARTS CATALOG (MAINTENANCE)

FIG ITEM	PART NUMBER	1 2 3 4 5 6 7	NOMENCLATURE	EFFECT FROM TO	UNITS PER ASSY
25A					
- 1	851-30768-2012		SWITCH ASSY-LIGHTED PUSHBUTTON IND SWITCH ASSY-LIGHTED PUSHBUTTON IND ON SUPPLIER CODE: V96182 SPECIFICATION NUMBER: S231T290-2012 FOR NHA SEE: 30-11-51-01 30-11-51-03	101102 107949 101102 107949	RF
- 5	851-30768-2012		SWITCH ASSY-LIGHTED PUSHBUTTON IND ON SUPPLIER CODE: V96182 SPECIFICATION NUMBER: S231T290-2012 FOR NHA SEE: 33-41-52-01 33-43-51-01 33-44-51-01	107107	RF
- 10	851-30768-2012		SWITCH ASSY-LIGHTED PUSHBUTTON IND ON SUPPLIER CODE: V96182 SPECIFICATION NUMBER: S231T290-2012 FOR NHA SEE: 33-11-51-14 33-11-51-17	101102 107107	RF
- 15	851-30768-2012		SWITCH ASSY-LIGHTED PUSHBUTTON IND ON SUPPLIER CODE: V96182 SPECIFICATION NUMBER: S231T290-2012 FOR NHA SEE: 33-45-53-01	107107	RF
100	851-30768-3825		.SLEEVE-MTG SUPPLIER CODE: V96182	107503 904949	1
100	851-30768-3825		.SLEEVE-MTG SUPPLIER CODE: V96182	101102 504903	1
105	851-30768-701		.BASE ASSY- SUPPLIER CODE: V96182	107503 904949	1

MISSING ITEM NUMBERS NOT APPLICABLE

- ITEM NOT ILLUSTRATED

33-13-00-25A

33-13-00
FIG. 25A
PAGE 1
JAN 20/09

BRI



757

PARTS CATALOG (MAINTENANCE)

FIG ITEM	PART NUMBER	1 2 3 4 5 6 7	NOMENCLATURE	EFFECT FROM TO	UNITS PER ASSY
25A 105	851-30768-701		.BASE ASSY- SUPPLIER CODE: V96182	101102 504903	1
106	851-30768-823		..MODULE-DIODE/FUSE SUPPLIER CODE: V96182	107503 904949	1
106	851-30768-823		..MODULE-DIODE/FUSE SUPPLIER CODE: V96182	101102 504903	1
110	851-30768-512		.CAPSULE ASSY-LENS-ON SUPPLIER CODE: V96182 USED ON: 851-30768-2012	107503 904949	1
110	851-30768-512		.CAPSULE ASSY-LENS-ON SUPPLIER CODE: V96182 USED ON: 851-30768-2012	101102 504903	1
115	MS24515-685AS15		..LAMP	107503 904949	2
115	MS24515-685AS15		..LAMP	101102 504903	2
120	851-30768-829		..PLUG- SUPPLIER CODE: V96182	107503 904949	2
120	851-30768-829		..PLUG- SUPPLIER CODE: V96182	101102 504903	2

MISSING ITEM NUMBERS NOT APPLICABLE

- ITEM NOT ILLUSTRATED

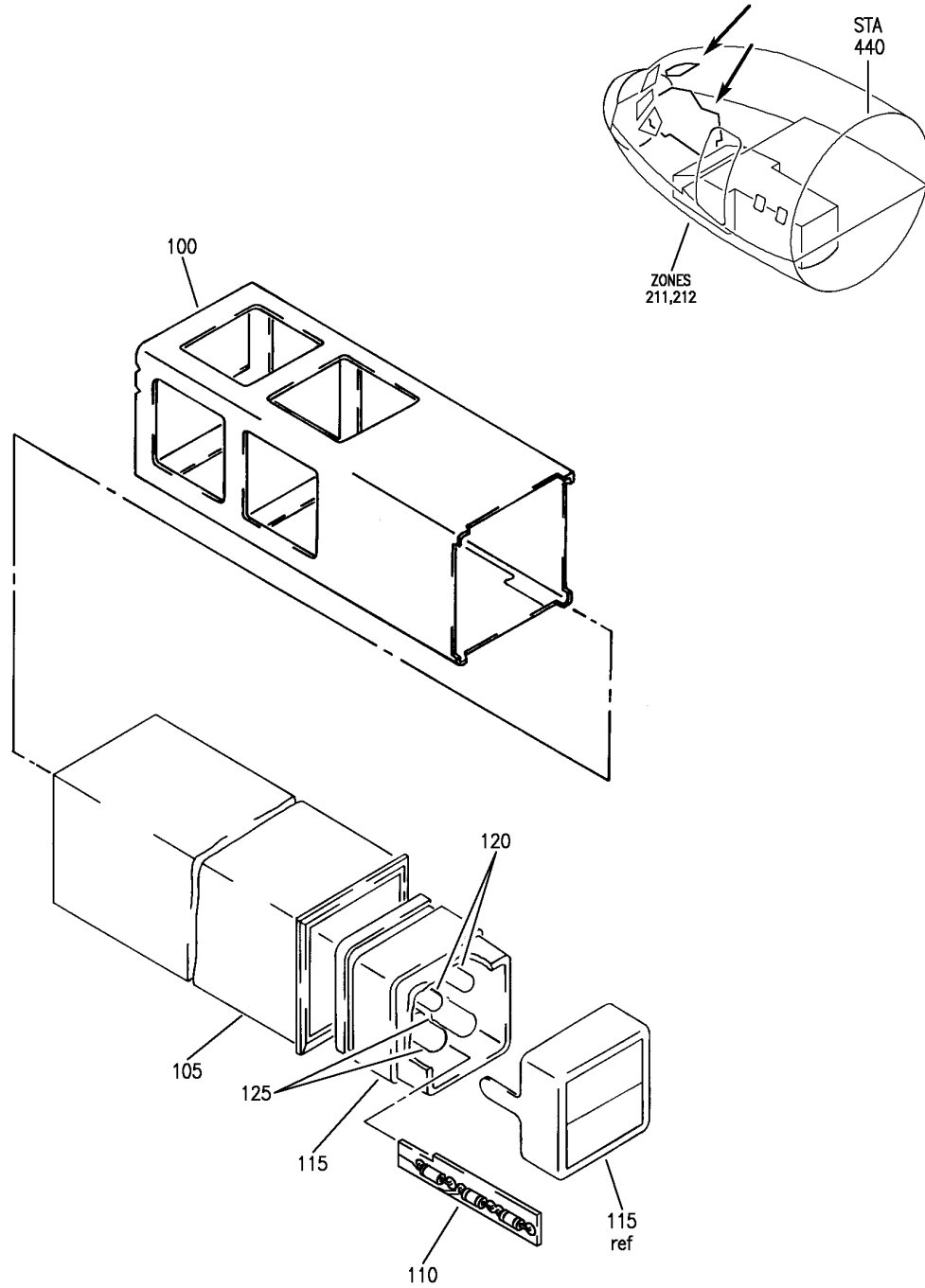
33-13-00-25A

33-13-00
FIG. 25A
PAGE 2
JAN 20/09

BRI

BOEING PROPRIETARY - Copyright © - Unpublished Work - See title page for details.

BOEING
757
PARTS CATALOG (MAINTENANCE)



Y 33130026 REV 252

SWITCH ASSY-LIGHTED PUSHBUTTON IND
FIGURE 26

33-13-00-26

BRI
MAY 28/07

33-13-00-26
PAGE 0



757

PARTS CATALOG (MAINTENANCE)

FIG ITEM	PART NUMBER	1 2 3 4 5 6 7	NOMENCLATURE	EFFECT FROM TO	UNITS PER ASSY
26			SWITCH ASSY-LIGHTED PUSHBUTTON IND	002004 006999	
- 1	851-30768-2016		SWITCH ASSY-LIGHTED PUSHBUTTON IND SUPPLIER CODE: V96182 SPECIFICATION NUMBER: S231T290-2016 FOR NHA SEE: 21-25-55-01 21-25-55-02 21-25-55-03	002004 006999	RF
- 5	851-30768-2016		SWITCH ASSY-LIGHTED PUSHBUTTON IND SUPPLIER CODE: V96182 SPECIFICATION NUMBER: S231T290-2016 FOR NHA SEE: 22-21-01-01 22-21-01-02 22-21-01-04	002004 006100 107999	RF
- 10	851-30768-2016		SWITCH ASSY-LIGHTED PUSHBUTTON IND SUPPLIER CODE: V96182 SPECIFICATION NUMBER: S231T290-2016 FOR NHA SEE: 73-21-52-01 73-21-52-02	002004 006102 107999	RF
- 15	851-30768-2016		SWITCH ASSY-LIGHTED PUSHBUTTON IND SUPPLIER CODE: V96182 SPECIFICATION NUMBER: S231T290-2016 FOR NHA SEE: 30-41-51-01 30-41-51-02 30-41-51-03	002004 006999	RF
100	851-30768-3825		.SLEEVE-MTG SUPPLIER CODE: V96182	103106	1
100	851-30768-3825		.SLEEVE-MTG SUPPLIER CODE: V96182	101102	1

MISSING ITEM NUMBERS NOT APPLICABLE

- ITEM NOT ILLUSTRATED

33-13-00-26

33-13-00
FIG. 26
PAGE 1
JAN 20/09

BRI



757

PARTS CATALOG (MAINTENANCE)

FIG ITEM	PART NUMBER	1 2 3 4 5 6 7	NOMENCLATURE	EFFECT FROM TO	UNITS PER ASSY
26					
100	851-30768-3825	.	SLEEVE-MTG SUPPLIER CODE: V96182	002004 006100 107999	1
105	851-30768-702	.	BASE ASSY- SUPPLIER CODE: V96182	103106	1
105	851-30768-702	.	BASE ASSY- SUPPLIER CODE: V96182	101102	1
105	851-30768-702	.	BASE ASSY- SUPPLIER CODE: V96182	002004 006100 107999	1
110	851-30768-823	..	MODULE-DIODE/FUSE SUPPLIER CODE: V96182	103106	1
110	851-30768-823	..	MODULE-DIODE/FUSE SUPPLIER CODE: V96182	101102	1
110	851-30768-823	..	MODULE-DIODE/FUSE SUPPLIER CODE: V96182	002004 006100 107999	1
115	851-30768-516	.	CAPSULE ASSY-LENS-ON/INOP SUPPLIER CODE: V96182	103106	1
115	851-30768-516	.	CAPSULE ASSY-LENS-ON/INOP SUPPLIER CODE: V96182	101102	1
115	851-30768-516	.	CAPSULE ASSY-LENS-ON/INOP SUPPLIER CODE: V96182	002004 006100 107999	1
120	MS24515-685AS15	..	LAMP	103106	2
120	MS24515-685AS15	..	LAMP	101102	2
120	MS24515-685AS15	..	LAMP	002004 006100 107999	2
125	MS25237-387	..	LAMP	103106	2
125	MS25237-387	..	LAMP	101102	2
125	MS25237-387	..	LAMP	002004 006100 107999	2

MISSING ITEM NUMBERS NOT APPLICABLE

- ITEM NOT ILLUSTRATED

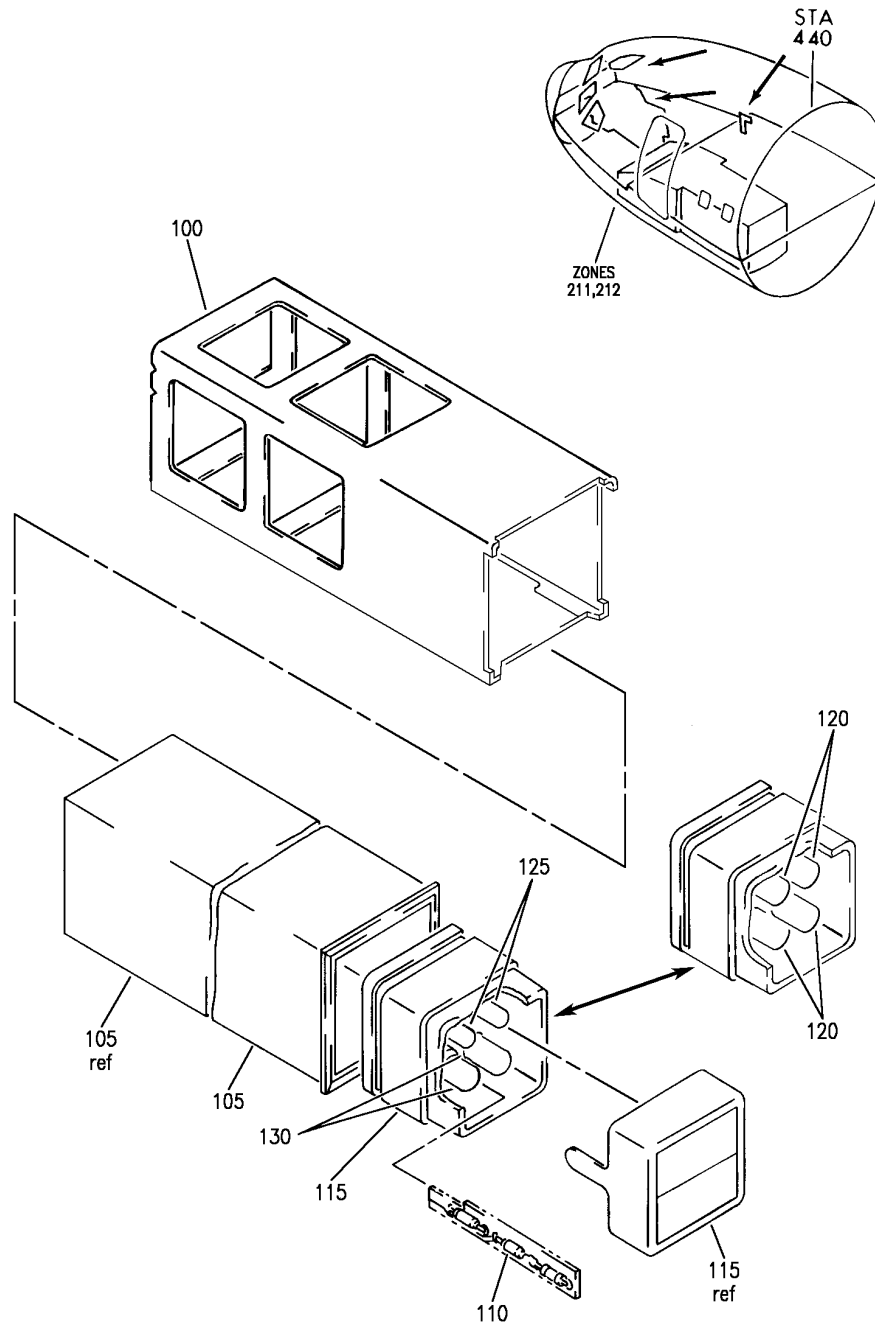
33-13-00-26

33-13-00
FIG. 26
PAGE 2
JAN 20/09

BRI

BOEING PROPRIETARY - Copyright © - Unpublished Work - See title page for details.

BOEING
757
PARTS CATALOG (MAINTENANCE)



Y 33130027 REV 252

SWITCH ASSY-LIGHTED PUSHBUTTON IND
FIGURE 27

33-13-00-27

BRI
MAY 28/07

33-13-00-27
PAGE 0



757

PARTS CATALOG (MAINTENANCE)

FIG ITEM	PART NUMBER	1 2 3 4 5 6 7	NOMENCLATURE	EFFECT FROM TO	UNITS PER ASSY
27					
- 1	851-30768-2036		SWITCH ASSY-LIGHTED PUSHBUTTON IND SWITCH ASSY-LIGHTED PUSHBUTTON IND PRESS/UNLKD SUPPLIER CODE: V96182 SPECIFICATION NUMBER: S231T290-2036 QUALIFIED I/W DATA: 851-30768-2036 TOGETHER WITH 851-30768-801 OR -811 OR 433-100-002 SWITCHGUARD I/W BCREF7616 851-30768-3036 BCREFA0516 OR S231T290-5036 TOGETHER WITH 433-100-002 SWITCHGUARD FOR NHA SEE: 29-21-54-01 29-21-54-03	002004 006999 002004 006010 101102 107120 950999	RF
- 5	851-30768-2045		SWITCH ASSY-LIGHTED PUSHBUTTON IND ON/AVAIL SUPPLIER CODE: V96182 SPECIFICATION NUMBER: S231T290-2045 FOR NHA SEE: 24-41-51-01 24-41-51-03 24-41-51-04	002004 006102 107999	RF
- 10	851-30768-2056		SWITCH ASSY-LIGHTED PUSH BUTTON IND INOP/PACK OFF SUPPLIER CODE: V96182 SPECIFICATION NUMBER: S231T290-2056 FOR NHA SEE: 21-51-54-01 21-51-54-02 21-51-54-03	002004 006999	RF

MISSING ITEM NUMBERS NOT APPLICABLE

- ITEM NOT ILLUSTRATED

33-13-00-27

33-13-00
FIG. 27
PAGE 1
JAN 20/09

BRI



757

PARTS CATALOG (MAINTENANCE)

FIG ITEM	PART NUMBER	1 2 3 4 5 6 7	NOMENCLATURE	EFFECT FROM TO	UNITS PER ASSY
27					
- 20	851-30768-2077		SWITCH ASSY-LIGHTED PUSHBUTTON IND UNLKD/ UNLKD SUPPLIER CODE: V96182 SPECIFICATION NUMBER: S231T290-2077 FOR NHA SEE: 52-51-51-01 52-51-51-02 52-51-51-03	002004 006102 107999	RF
20	851-30768-3080		SWITCH ASSY-LIGHTED PUSH BUTTON IND ALTN/OVHT SUPPLIER CODE: V96182 SPECIFICATION NUMBER: S231T290-3080 FOR NHA SEE: 21-58-51-02	011100	1
- 25	851-30768-2080		SWITCH ASSY-LIGHTED PUSHBUTTON IND ALTN/OVHT SUPPLIER CODE: V96182 SPECIFICATION NUMBER: S231T290-2080 FOR NHA SEE: 21-58-51-01 21-58-51-03	101102 107120 504903	RF
100	851-30768-3825		.SLEEVE-MTG SUPPLIER CODE: V96182	011100 121503 904949	1
100	851-30768-3825		.SLEEVE-MTG SUPPLIER CODE: V96182	002004 006010 504903 950999	1
100	851-30768-3825		.SLEEVE-MTG SUPPLIER CODE: V96182	101102 107120	1
100	851-30768-3825		.SLEEVE-MTG SUPPLIER CODE: V96182	103106	1
105	851-30768-705		.BASE ASSY- SUPPLIER CODE: V96182 USED ON: 851-30768-2056 851-30768-2036 851-30768-2045	103106	1

MISSING ITEM NUMBERS NOT APPLICABLE

- ITEM NOT ILLUSTRATED

33-13-00-27

33-13-00
FIG. 27
PAGE 2
JAN 20/09

BRI



757

PARTS CATALOG (MAINTENANCE)

FIG ITEM	PART NUMBER	1 2 3 4 5 6 7	NOMENCLATURE	EFFECT FROM TO	UNITS PER ASSY
27 105	851-30768-705		.BASE ASSY- SUPPLIER CODE: V96182 USED ON: 851-30768-2045 851-30768-2056 851-30768-2036	011100 121949	1
105	851-30768-705		.BASE ASSY- SUPPLIER CODE: V96182 USED ON: 851-30768-2036 851-30768-2045 851-30768-2056	002004 006010 101102 107120 950999	1
105	851-30768-702		.BASE ASSY- SUPPLIER CODE: V96182 USED ON: 851-30768-2077	002004 006100 121503 904999	1
105	851-30768-702		.BASE ASSY- SUPPLIER CODE: V96182 USED ON: 851-30768-2077 851-30768-2080	101102 107120 504903	1
110	851-30768-823		..MODULE-DIODE/FUSE SUPPLIER CODE: V96182	011100 121503 904949	1
110	851-30768-823		..MODULE-DIODE/FUSE SUPPLIER CODE: V96182	002004 006010 504903 950999	1
110	851-30768-823		..MODULE-DIODE/FUSE SUPPLIER CODE: V96182	101102 107120	1
110	851-30768-823		..MODULE-DIODE/FUSE SUPPLIER CODE: V96182	103106	1
115	851-30768-536		.CAPSULE ASSY-LENS-PRESS/ UNLKD SUPPLIER CODE: V96182 USED ON: 851-30768-2036	002004 006010 101102 107120 950999	1
115	851-30768-545		.CAPSULE ASSY-LENS-ON/AVAIL SUPPLIER CODE: V96182 USED ON: 851-30768-2045	002004 006102 107999	1

MISSING ITEM NUMBERS NOT APPLICABLE

- ITEM NOT ILLUSTRATED

33-13-00-27

33-13-00
FIG. 27
PAGE 3
JAN 20/09

BRI



757

PARTS CATALOG (MAINTENANCE)

FIG ITEM	PART NUMBER	1 2 3 4 5 6 7	NOMENCLATURE	EFFECT FROM TO	UNITS PER ASSY
27 115	851-30768-556		.CAPSULE ASSY-LENS-INOP/ PACK OFF SUPPLIER CODE: V96182 USED ON: 851-30768-2056	002004 006999	1
115	851-30768-577		.CAPSULE ASSY-LENS-UNLKD/ UNLKD SUPPLIER CODE: V96182 USED ON: 851-30768-2077	002004 006102 107999	1
115	851-30768-580		.CAPSULE ASSY-LENS-ALTN/ OVHT SUPPLIER CODE: V96182 USED ON: 851-30768-2080	101102 107120 504903	1
120	MS25237-387		..LAMP- USED ON: 851-30768-556	103106	4
120	MS25237-387		..LAMP- USED ON: 851-30768-545 851-30768-556	011100 121949	4
120	MS25237-387		..LAMP- USED ON: 851-30768-536 851-30768-545 851-30768-556	002004 006010 101102 107120 950999	4
125	MS24515-685AS15		..LAMP- USED ON: 851-30768-577	002004 006100 121503 904999	2
125	MS24515-685AS15		..LAMP- USED ON: 851-30768-577 851-30768-580	101102 107120 504903	2
130	MS25237-387		..LAMP- USED ON: 851-30768-577	002004 006100 121503 904999	2
130	MS25237-387		..LAMP- USED ON: 851-30768-577 851-30768-580	101102 107120 504903	2

MISSING ITEM NUMBERS NOT APPLICABLE

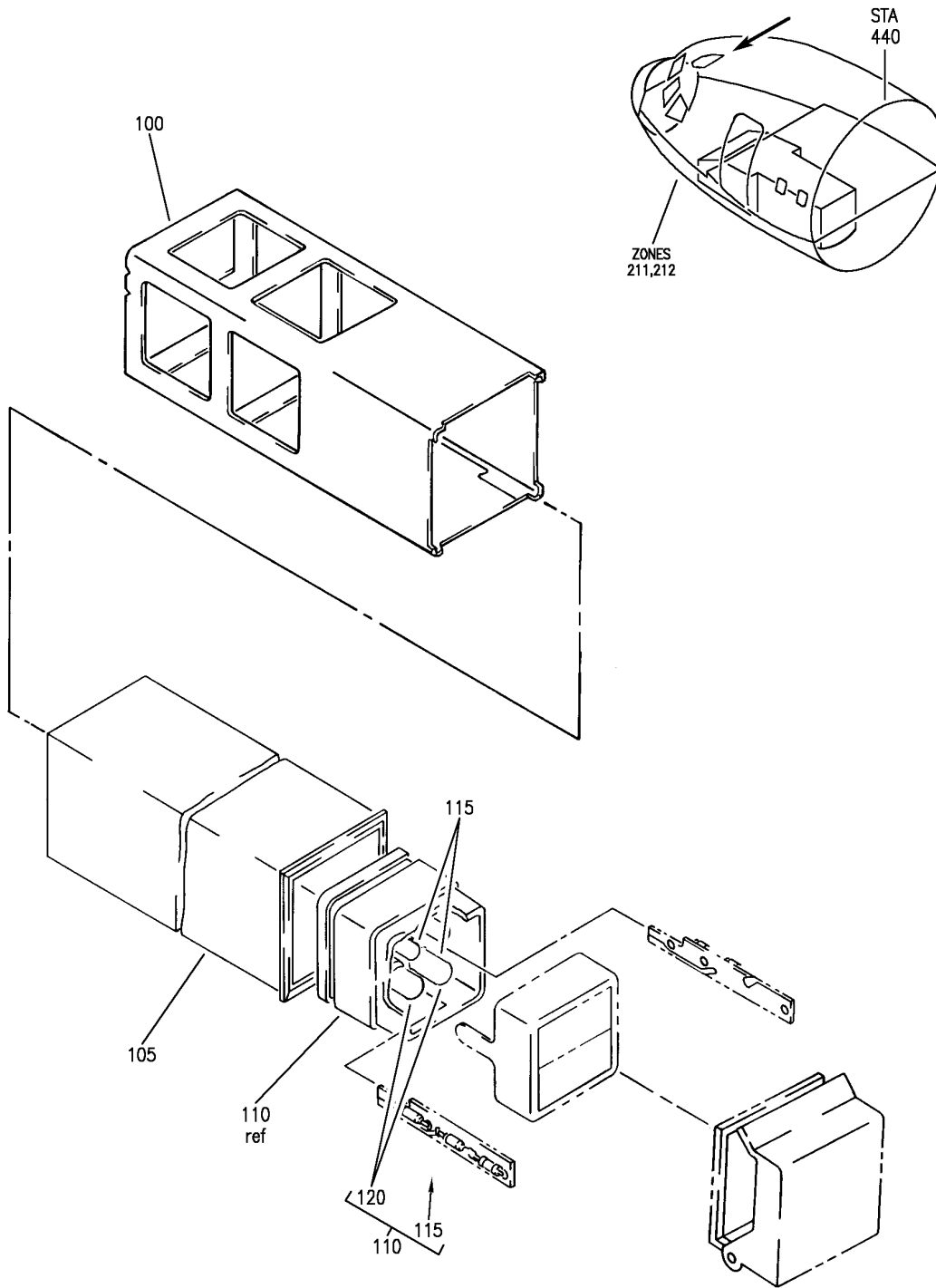
- ITEM NOT ILLUSTRATED

33-13-00-27

33-13-00
FIG. 27
PAGE 4
JAN 20/09

BRI

BOEING
757
PARTS CATALOG (MAINTENANCE)



Y 33130027A REV 264

SWITCH ASSY-LIGHTED PUSHBUTTON IND
FIGURE 27A

33-13-00-27A

BRI
MAY 28/07

33-13-00-27A
PAGE 0



757

PARTS CATALOG (MAINTENANCE)

FIG ITEM	PART NUMBER	1 2 3 4 5 6 7	NOMENCLATURE	EFFECT FROM TO	UNITS PER ASSY
27A			SWITCH ASSY-LIGHTED PUSHBUTTON IND	002004 006999	
- 1	851-30768-2024		SWITCH ASSY-LIGHTED PUSH BUTTON IND ON/OFF SUPPLIER CODE: V96182 SPECIFICATION NUMBER: S231T290-2024 FOR NHA SEE: 21-61-04-01	002004 006010 107107 121503 904999	RF
- 1	851-30768-2024		SWITCH ASSY-LIGHTED PUSH BUTTON IND ON/OFF SUPPLIER CODE: V96182 SPECIFICATION NUMBER: S231T290-2024 FOR NHA SEE: 21-61-04-02 21-61-04-03	011106 108120 504903	RF
- 1	851-30768-2024		SWITCH ASSY-LIGHTED PUSH BUTTON IND ON/OFF SUPPLIER CODE: V96182 SPECIFICATION NUMBER: S231T290-2024 QUALIFIED I/W DATA: 851-30768-2024 TOGETHER WITH 851-30768-803 -813 OR 433-100-004 SWITCHGUARD I/W BCREF7611 851-30768-3024 OR 851-35100-5024 WITH 433-100-004 SWITCHGUARD FOR NHA SEE: 24-31-01-11	107107	RF
- 5	851-30768-2038		SWITCH ASSY-LIGHTED PUSH BUTTON IND VALVE SUPPLIER CODE: V96182 SPECIFICATION NUMBER: S231T290-2038 FOR NHA SEE: 28-22-51-01 28-22-51-02	002004 006999	RF

MISSING ITEM NUMBERS NOT APPLICABLE

- ITEM NOT ILLUSTRATED

33-13-00-27A

33-13-00
FIG. 27A
PAGE 1
JAN 20/09

BRI



757

PARTS CATALOG (MAINTENANCE)

FIG ITEM	PART NUMBER	1 2 3 4 5 6 7	NOMENCLATURE	EFFECT FROM TO	UNITS PER ASSY
27A - 5	851-30768-2038		SWITCH ASSY-LIGHTED PUSH BUTTON IND VALVE SUPPLIER CODE: V96182 SPECIFICATION NUMBER: S231T290-2038 FOR NHA SEE: 36-11-04-01 36-11-04-02 36-11-04-03	002004 006102 107999	RF
- 10	851-30768-2064		SWITCH ASSY-LIGHTED PUSH BUTTON IND AUTO/ISLN SUPPLIER CODE: V96182 SPECIFICATION NUMBER: S231T290-2064 FOR NHA SEE: 24-22-01-03 24-22-01-04 24-22-01-05	002004 006102 107999	RF
100	851-30768-3825		.SLEEVE-MTG SUPPLIER CODE: V96182	103106	1
100	851-30768-3825		.SLEEVE-MTG SUPPLIER CODE: V96182	002004 121503 904949 952952	1
100	851-30768-3825		.SLEEVE-MTG SUPPLIER CODE: V96182	006102 107120 504903 950951 953999	1
105	851-30768-702		.BASE ASSY- SUPPLIER CODE: V96182	103106	1
105	851-30768-702		.BASE ASSY- SUPPLIER CODE: V96182	002004 121503 904949 952952	1
105	851-30768-702		.BASE ASSY- SUPPLIER CODE: V96182	006102 107120 504903 950951 953999	1
110	851-30768-524		.CAPSULE ASSY-LENS SUPPLIER CODE: V96182 USED ON: 851-30768-2024	002004 006106 108999	1

MISSING ITEM NUMBERS NOT APPLICABLE

- ITEM NOT ILLUSTRATED

33-13-00-27A

33-13-00
FIG. 27A
PAGE 2
JAN 20/09

BRI

BOEING PROPRIETARY - Copyright © - Unpublished Work - See title page for details.



757

PARTS CATALOG (MAINTENANCE)

FIG ITEM	PART NUMBER	1 2 3 4 5 6 7	NOMENCLATURE	EFFECT FROM TO	UNITS PER ASSY
27A 110	851-30768-524	.	CAPSULE ASSY-LENS SUPPLIER CODE: V96182 USED ON: 851-30768-2024	107107	1
110	851-30768-538	.	CAPSULE ASSY-LENS SUPPLIER CODE: V96182 USED ON: 851-30768-2038	002004 103107 121503 904949 952952	1
110	851-30768-538	.	CAPSULE ASSY-LENS SUPPLIER CODE: V96182 USED ON: 851-30768-2038	006102 108120 504903 950951 953999	1
110	851-30768-564	.	CAPSULE ASSY-LENS SUPPLIER CODE: V96182 USED ON: 851-30768-2064	002004 006102 107999	1
115	MS24515-685AS15	..	LAMP	103106	2
115	MS24515-685AS15	..	LAMP	002004 121503 904949 952952	2
115	MS24515-685AS15	..	LAMP	006102 107120 504903 950951 953999	2
120	MS25237-387	..	LAMP	103106	2
120	MS25237-387	..	LAMP	002004 121503 904949 952952	2
120	MS25237-387	..	LAMP	006102 107120 504903 950951 953999	2

MISSING ITEM NUMBERS NOT APPLICABLE

- ITEM NOT ILLUSTRATED

33-13-00-27A

33-13-00
FIG. 27A
PAGE 3
JAN 20/09

BRI

BOEING PROPRIETARY - Copyright © - Unpublished Work - See title page for details.



757

PARTS CATALOG (MAINTENANCE)

FIG ITEM	PART NUMBER	1 2 3 4 5 6 7	NOMENCLATURE	EFFECT FROM TO	UNITS PER ASSY
28			SWITCH ASSY-LIGHTED PUSHBUTTON IND	002004 006102 107999	
- 1	851-30768-2021		SWITCH ASSY-LIGHTED PUSH BUTTON IND ON/PRESS SUPPLIER CODE: V96182 SPECIFICATION NUMBER: S231T290-2021 OPTIONAL PART: 4336731004-4221 V81590 POST ALERT SB: 28A0105R1 POST COMPONENT SB: 233N3206-28-03 FOR NHA SEE: 28-22-51-01	002004 006010 107107 121503 904999	RF
- 5	851-30768-2022		SWITCH ASSY-LIGHTED PUSH BUTTON IND PRESS/ON SUPPLIER CODE: V96182 SPECIFICATION NUMBER: S231T290-2022 OPTIONAL PART: 4336731004-4222 V81590 POST ALERT SB: 28A0105R1 POST COMPONENT SB: 233N3206-28-03 FOR NHA SEE: 28-22-51-01	002004 006010 107107 121503 904999	RF
- 10	851-30768-2031		SWITCH ASSY-LIGHTED PUSH BUTTON IND OFF/ON SUPPLIER CODE: V96182 SPECIFICATION NUMBER: S231T290-2031 FOR NHA SEE: 24-22-01-03 24-22-01-04 24-22-01-05	002004 006102 107999	RF

MISSING ITEM NUMBERS NOT APPLICABLE

- ITEM NOT ILLUSTRATED

33-13-00-28

33-13-00
FIG. 28
PAGE 1
JAN 20/09

BRI



757

PARTS CATALOG (MAINTENANCE)

FIG ITEM	PART NUMBER	1 2 3 4 5 6 7	NOMENCLATURE	EFFECT FROM TO	UNITS PER ASSY
28					
- 15	851-30768-2013		SWITCH ASSY-LIGHTED PUSH BUTTON IND OFF SUPPLIER CODE: V96182 SPECIFICATION NUMBER: S231T290-2013 FOR NHA SEE: 75-32-00-01 75-32-00-02 75-32-00-03	002004 006102 107999	RF
- 20	851-30768-2030		SWITCH ASSY-LIGHTED PUSH BUTTON IND OFF SUPPLIER CODE: V96182 SPECIFICATION NUMBER: S231T290-2030 FOR NHA SEE: 75-32-00-01 75-32-00-02 75-32-00-03	002004 006102 107999	RF
- 25	851-30768-2067		SWITCH ASSY-LIGHTED PUSH BUTTON IND VALVE SUPPLIER CODE: V96182 SPECIFICATION NUMBER: S231T290-2067 FOR NHA SEE: 49-52-00-01 49-52-00-02 49-52-00-03	002004 006102 107999	RF
100	851-30768-3825		.SLEEVE-MTG SUPPLIER CODE: V96182	006102 108120 504903 950951 953999	1
100	851-30768-3825		.SLEEVE-MTG SUPPLIER CODE: V96182	002004 107107 121503 904949 952952	1
110	851-30768-715		.BASE ASSY- SUPPLIER CODE: V96182 USED ON: 851-30768-2013 851-30768-2021 851-30768-2067	002004 107107 121503 904949 952952	1

MISSING ITEM NUMBERS NOT APPLICABLE

- ITEM NOT ILLUSTRATED

33-13-00-28

33-13-00
FIG. 28
PAGE 2
JAN 20/09

BRI



757

PARTS CATALOG (MAINTENANCE)

FIG ITEM	PART NUMBER	1 2 3 4 5 6 7	NOMENCLATURE	EFFECT FROM TO	UNITS PER ASSY
28					
110	851-30768-714		.BASE ASSY- SUPPLIER CODE: V96182 USED ON: 851-30768-2022 851-30768-2030 851-30768-2031	006102 108120 504903 950951 953999	1
110	851-30768-714		.BASE ASSY- SUPPLIER CODE: V96182 USED ON: 851-30768-2022 851-30768-2030 851-30768-2031	002004 107107 121503 904949 952952	1
110	851-30768-715		.BASE ASSY- SUPPLIER CODE: V96182 USED ON: 851-30768-2021	002004 006010 107107 121503 904999	1
115	851-30768-513		.CAPSULE ASSY-LENS-OFF SUPPLIER CODE: V96182 USED ON: 851-30768-2013	002004 006102 107999	1
115	851-30768-521		.CAPSULE ASSY-LENS-OFF SUPPLIER CODE: V96182 USED ON: 851-30768-2021	002004 006010 107107 121503 904999	1
115	851-30768-567		.CAPSULE ASSY-LENS-OFF SUPPLIER CODE: V96182 USED ON: 851-30768-2067	002004 006102 107999	1
120	MS25237-387		.. LAMP	006102 108120 504903 950951 953999	2
120	MS25237-387		.. LAMP	002004 107107 121503 904949 952952	2
125	MS24515-685AS15		.. LAMP	006102 108120 504903 950951 953999	2

MISSING ITEM NUMBERS NOT APPLICABLE

- ITEM NOT ILLUSTRATED

33-13-00-28

33-13-00
FIG. 28
PAGE 3
JAN 20/09

BRI

BOEING PROPRIETARY - Copyright © - Unpublished Work - See title page for details.



757

PARTS CATALOG (MAINTENANCE)

FIG ITEM	PART NUMBER	1 2 3 4 5 6 7	NOMENCLATURE	EFFECT FROM TO	UNITS PER ASSY
28					
125	MS24515-685AS15	. .	LAMP	002004 107107 121503 904949 952952	2
130	851-30768-522	. .	CAPSULE ASSY-PRESS/ON SUPPLIER CODE: V96182 USED ON: 851-30768-2022	002004 006010 107107 121503 904999	1
130	851-30768-530	. .	CAPSULE ASSY-PRESS/ON SUPPLIER CODE: V96182 USED ON: 851-30768-2030	002004 006102 107999	1
130	851-30768-531	. .	CAPSULE ASSY-PRESS/ON SUPPLIER CODE: V96182 USED ON: 851-30768-2031	002004 006102 107999	1
135	MS25237-387	. .	LAMP	006102 108120 504903 950951 953999	2
135	MS25237-387	. .	LAMP	002004 107107 121503 904949 952952	2
140	MS24515-685AS15	. .	LAMP	006102 108120 504903 950951 953999	2
140	MS24515-685AS15	. .	LAMP	002004 107107 121503 904949 952952	2

MISSING ITEM NUMBERS NOT APPLICABLE

- ITEM NOT ILLUSTRATED

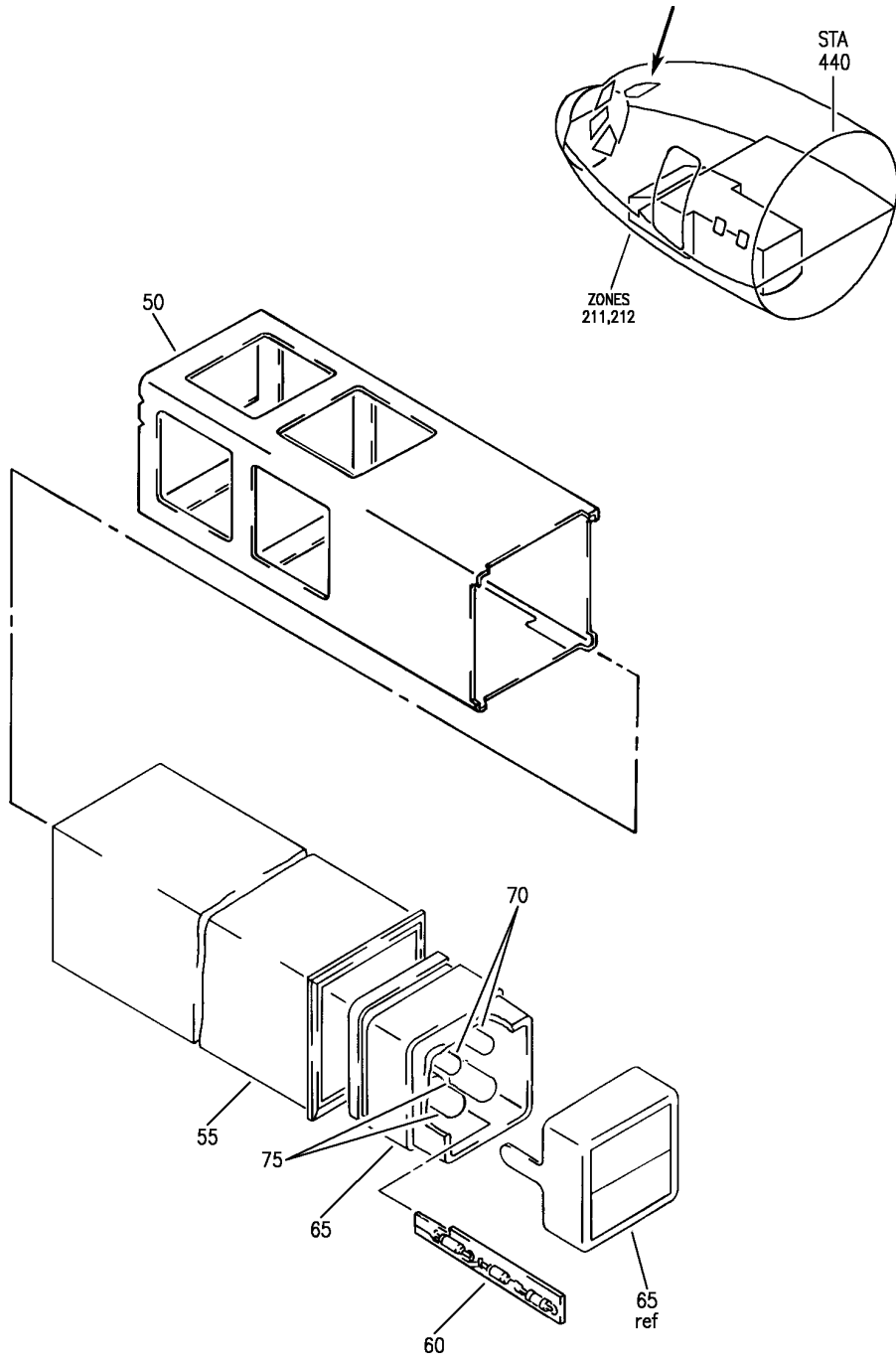
33-13-00-28

33-13-00
FIG. 28
PAGE 4
JAN 20/09

BRI

BOEING PROPRIETARY - Copyright © - Unpublished Work - See title page for details.

BOEING
757
PARTS CATALOG (MAINTENANCE)



Y 33130029 REV 269

SWITCH ASSY-LIGHTED PUSHBUTTON IND
FIGURE 29

33-13-00-29

BRI
MAY 28/07

33-13-00-29
PAGE 0

 **BOEING**
757
PARTS CATALOG (MAINTENANCE)

FIG ITEM	PART NUMBER	1 2 3 4 5 6 7	NOMENCLATURE	EFFECT FROM TO	UNITS PER ASSY
29			SWITCH ASSY-LIGHTED PUSHBUTTON IND	002004 006999	
- 1	851-30768-2020		SWITCH ASSY-LIGHTED PUSHBUTTON IND ON/PRESS SUPPLIER CODE: V96182 SPECIFICATION NUMBER: S231T290-2020 FOR NHA SEE: 29-11-02-03 29-11-02-06 29-11-02-07 29-11-05-04 29-11-05-05 29-11-05-06 29-11-52-01 29-11-52-02 29-11-52-07	002004 006999	RF
- 5	851-30768-2053		SWITCH ASSY-LIGHTED PUSHBUTTON IND ON/OFF SUPPLIER CODE: V96182 SPECIFICATION NUMBER: S231T290-2053 FOR NHA SEE: 24-51-02-01 24-51-62-01	002004 006102 107999	RF
- 10	851-30768-2054		SWITCH ASSY-LIGHTED PUSHBUTTON IND ON/OFF SUPPLIER CODE: V96182 SPECIFICATION NUMBER: S231T290-2054 FOR NHA SEE: 24-51-02-01 24-51-62-01	002004 006102 107999	RF
50	851-30768-3825		.SLEEVE-MTG SUPPLIER CODE: V96182	002004 006102 107999	1
50	851-30768-3825		.SLEEVE-MTG SUPPLIER CODE: V96182	103106	1
55	851-30768-702		.BASE ASSY- SUPPLIER CODE: V96182	002004 006102 107999	1
55	851-30768-702		.BASE ASSY- SUPPLIER CODE: V96182	103106	1

MISSING ITEM NUMBERS NOT APPLICABLE

- ITEM NOT ILLUSTRATED

BRI

33-13-00-29

33-13-00
FIG. 29
PAGE 1
JAN 20/09



757

PARTS CATALOG (MAINTENANCE)

FIG ITEM	PART NUMBER	1 2 3 4 5 6 7	NOMENCLATURE	EFFECT FROM TO	UNITS PER ASSY
29					
60	851-30768-823	..	MODULE-DIODE/FUSE SUPPLIER CODE: V96182	002004 006102 107999	1
60	851-30768-823	..	MODULE-DIODE/FUSE SUPPLIER CODE: V96182	103106	1
65	851-30768-520	.C	CAPSULE ASSY-LENS-ON/PRESS SUPPLIER CODE: V96182 USED ON: 851-30768-2020	002004 006999	1
65	851-30768-553	.C	CAPSULE ASSY-LENS-ON/OFF SUPPLIER CODE: V96182 USED ON: 851-30768-2053	002004 006102 107999	1
65	851-30768-554	.C	CAPSULE ASSY-LENS-ON/OFF SUPPLIER CODE: V96182 USED ON: 851-30768-2054	002004 006102 107999	1
70	MS24515-685AS15	..	LAMP	002004 006102 107999	2
70	MS24515-685AS15	..	LAMP	103106	2
75	MS25237-387	..	LAMP	002004 006102 107999	2
75	MS25237-387	..	LAMP	103106	2

MISSING ITEM NUMBERS NOT APPLICABLE

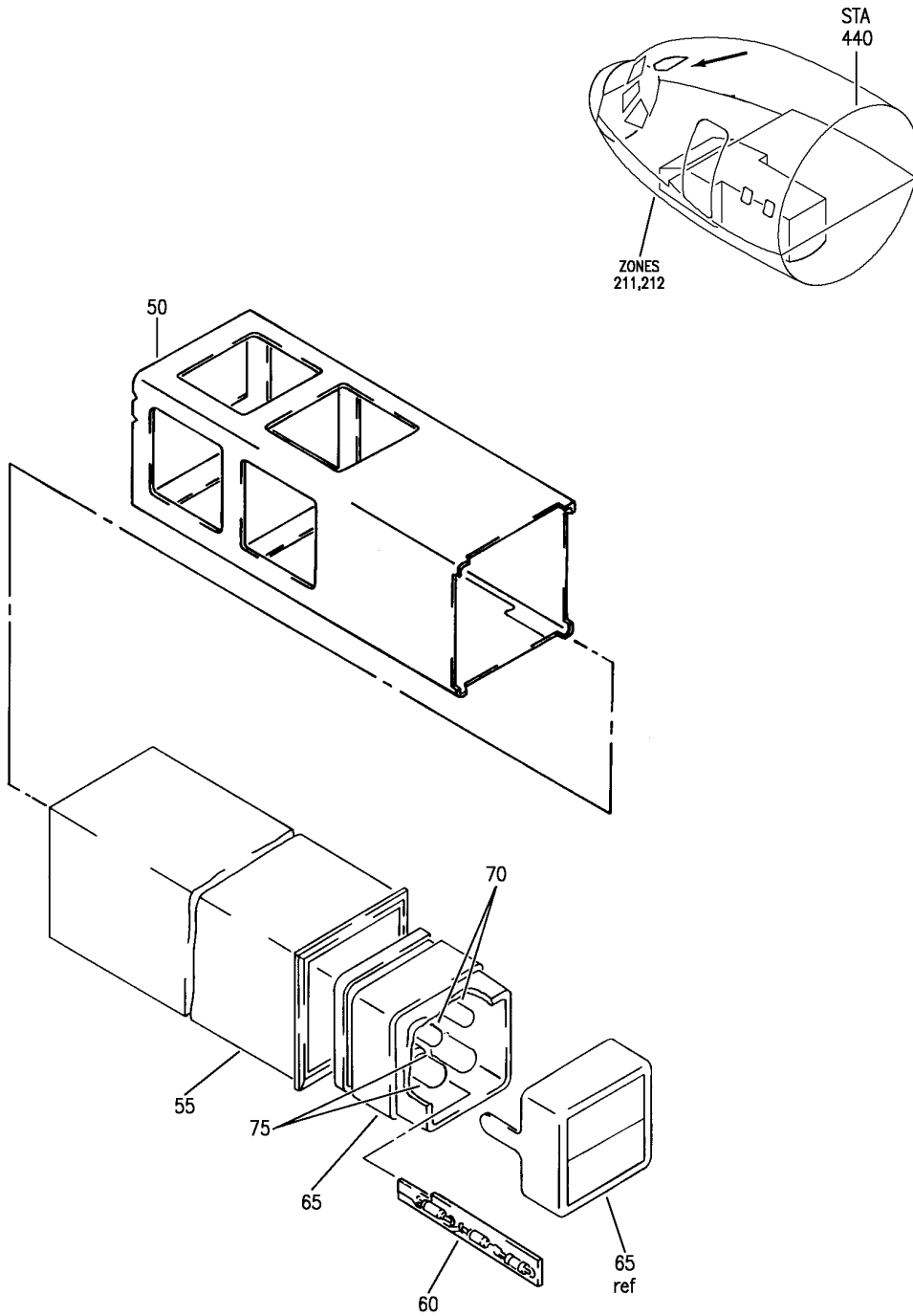
- ITEM NOT ILLUSTRATED

33-13-00-29

33-13-00
FIG. 29
PAGE 2
JAN 20/09

BRI

BOEING
757
PARTS CATALOG (MAINTENANCE)



Y 33130029A REV 252

SWITCH ASSY-LIGHTED PUSHBUTTON IND
FIGURE 29A

33-13-00-29A

BRI
MAY 28/07

33-13-00-29A
PAGE 0



757

PARTS CATALOG (MAINTENANCE)

FIG ITEM	PART NUMBER	1 2 3 4 5 6 7	NOMENCLATURE	EFFECT FROM TO	UNITS PER ASSY
29A			SWITCH ASSY-LIGHTED PUSHBUTTON IND	002004 006999	
- 1	851-30768-2026		SWITCH ASSY-LIGHTED PUSHBUTTON IND ON/PRESS SUPPLIER CODE: V96182 SPECIFICATION NUMBER: S231T290-2026 OPTIONAL PART: 4336731004-4226 V81590 FOR NHA SEE: 28-22-51-01 28-22-51-02	002004 006999	RF
- 5	851-30768-2027		SWITCH ASSY-LIGHTED PUSHBUTTON IND ON/VALVE SUPPLIER CODE: V96182 SPECIFICATION NUMBER: S231T290-2027 FOR NHA SEE: 30-21-51-01 30-21-51-02 30-21-51-03	002004 006102 107999	RF
50	851-30768-3825		.SLEEVE-MTG SUPPLIER CODE: V96182	103106	1
50	851-30768-3825		.SLEEVE-MTG SUPPLIER CODE: V96182	002004 006102 107999	1
55	851-30768-702		.BASE ASSY- SUPPLIER CODE: V96182	103106	1
55	851-30768-702		.BASE ASSY- SUPPLIER CODE: V96182	002004 006102 107999	1
60	851-30768-823		..MODULE-DIODE/FUSE SUPPLIER CODE: V96182	002004 006102 107999	1
60	851-30768-823		..MODULE-DIODE/FUSE SUPPLIER CODE: V96182	103106	1
65	851-30768-526		.CAPSULE ASSY-LENS-ON/PRESS SUPPLIER CODE: V96182 USED ON: 851-30768-2026	002004 006999	1

MISSING ITEM NUMBERS NOT APPLICABLE

- ITEM NOT ILLUSTRATED

33-13-00-29A

33-13-00
FIG. 29A
PAGE 1
JAN 20/09

BRI



757

PARTS CATALOG (MAINTENANCE)

FIG ITEM	PART NUMBER	1 2 3 4 5 6 7	NOMENCLATURE	EFFECT FROM TO	UNITS PER ASSY
29A 65	851-30768-527	.	CAPSULE ASSY-LENS-ON/VALVE SUPPLIER CODE: V96182 USED ON: 851-30768-2027	002004 006102 107999	1
70	MS24515-685AS15	..	LAMP	103106	2
70	MS24515-685AS15	..	LAMP	002004 006102 107999	2
75	MS25237-387	..	LAMP	103106	2
75	MS25237-387	..	LAMP	002004 006102 107999	2

MISSING ITEM NUMBERS NOT APPLICABLE

- ITEM NOT ILLUSTRATED

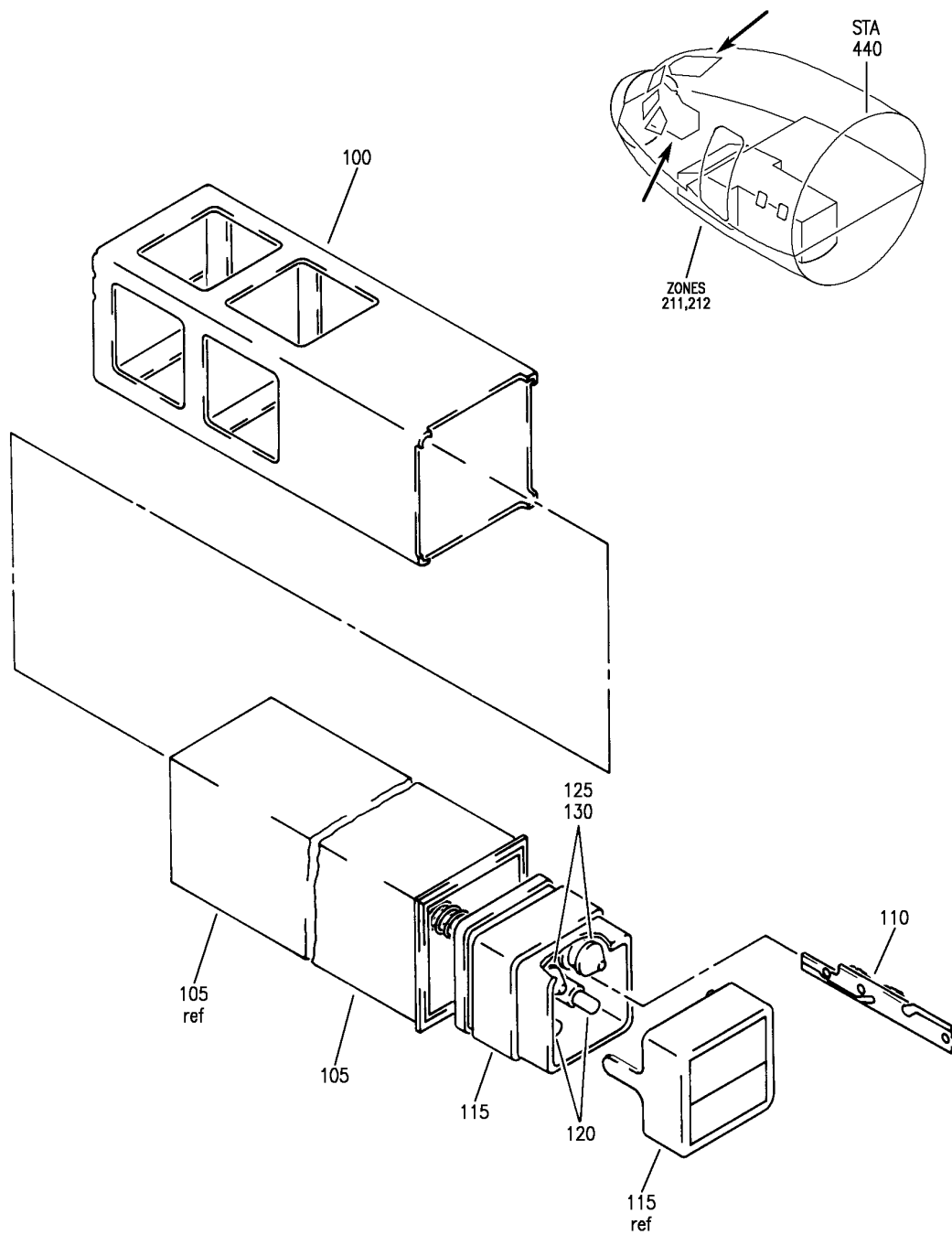
33-13-00-29A

33-13-00
FIG. 29A
PAGE 2
JAN 20/09

BRI

BOEING PROPRIETARY - Copyright © - Unpublished Work - See title page for details.

BOEING
757
PARTS CATALOG (MAINTENANCE)



Y 33130030 REV 249

SWITCH ASSY-LIGHTED PUSH BUTTON IND
FIGURE 30

33-13-00-30

BRI
MAY 28/07

33-13-00-30
PAGE 0



757

PARTS CATALOG (MAINTENANCE)

FIG ITEM	PART NUMBER	1 2 3 4 5 6 7	NOMENCLATURE	EFFECT FROM TO	UNITS PER ASSY
30			SWITCH ASSY-LIGHTED PUSH BUTTON IND	002004 006100 107107 121503 904999	
- 1	851-30768-3073		SWITCH ASSY-LIGHTED PUSH BUTTON IND FIELD OFF SUPPLIER CODE: V96182 SPECIFICATION NUMBER: S231T290-3073 OPTIONAL PART: 851-35100-5073 V96182 FOR NHA SEE: 24-22-73-01	002004 107107 121503 904949 952952	RF
- 5	851-30768-3024		SWITCH ASSY-LIGHTED PUSH BUTTON IND ON/OFF SUPPLIER CODE: V96182 SPECIFICATION NUMBER: S231T290-3024 QUALIFIED I/W DATA: 851-30768-2024 TOGETHER WITH 851-30768-803 -813 OR 433-100-004 SWITCHGUARD I/W BCREF7611 851-30768-3024 BCREFA0510 OR 851-35100-5024 WITH 433-100-004 SWITCHGUARD OPTIONAL PART: 851-35100-5024 V96182 FOR NHA SEE: 27-23-51-01	002004 006100 107107 121503 904999	RF
100	851-30768-3825		.SLEEVE-MTG SUPPLIER CODE: V96182	003004 006100 950951 953999	1
100	851-30768-3825		.SLEEVE-MTG SUPPLIER CODE: V96182	002004 107107 121503 904949 952952	1

MISSING ITEM NUMBERS NOT APPLICABLE

- ITEM NOT ILLUSTRATED

33-13-00-30

33-13-00
FIG. 30
PAGE 1
JAN 20/09

BRI



757

PARTS CATALOG (MAINTENANCE)

FIG ITEM	PART NUMBER	1 2 3 4 5 6 7	NOMENCLATURE	EFFECT FROM TO	UNITS PER ASSY
30					
105	851-30768-3709		.BASE ASSY- SUPPLIER CODE: V96182 USED ON: 851-30768-3073	002004 107107 121503 904949 952952	1
105	851-30768-3715		.BASE ASSY- SUPPLIER CODE: V96182 USED ON: 851-30768-3024	002004 006100 107107 121503 904999	1
110	851-30768-3823		..MODULE-DIODE/FUSE SUPPLIER CODE: V96182	003004 006100 950951 953999	1
110	851-30768-3823		..MODULE-DIODE/FUSE SUPPLIER CODE: V96182	002004 107107 121503 904949 952952	1
115	851-30768-3573		.CAPSULE ASSY-LENS-FIELD OFF SUPPLIER CODE: V96182 USED ON: 851-30768-3073	002004 107107 121503 904949 952952	1
115	851-30768-3524		.CAPSULE ASSY-LENS ON/OFF SUPPLIER CODE: V96182 USED ON: 851-30768-3024	002004 006100 107107 121503 904999	1
120	851-30768-3828		..LAMP- SUPPLIER CODE: V96182	003004 006100 950951 953999	2
120	851-30768-3828		..LAMP- SUPPLIER CODE: V96182	002004 107107 121503 904949 952952	2
125	851-30768-3827		..LAMP- SUPPLIER CODE: V96182 USED ON: 851-30768-3524	002004 006100 107107 121503 904999	2

MISSING ITEM NUMBERS NOT APPLICABLE

- ITEM NOT ILLUSTRATED

33-13-00-30

33-13-00
FIG. 30
PAGE 2
JAN 20/09

BRI

BOEING PROPRIETARY - Copyright © - Unpublished Work - See title page for details.



757

PARTS CATALOG (MAINTENANCE)

FIG ITEM	PART NUMBER	1 2 3 4 5 6 7	NOMENCLATURE	EFFECT FROM TO	UNITS PER ASSY
30 130	851-30768-3829		. . PLUG-LAMP SUPPLIER CODE : V96182 USED ON: 851-30768-3573	002004 107107 121503 904949 952952	2

MISSING ITEM NUMBERS NOT APPLICABLE

- ITEM NOT ILLUSTRATED

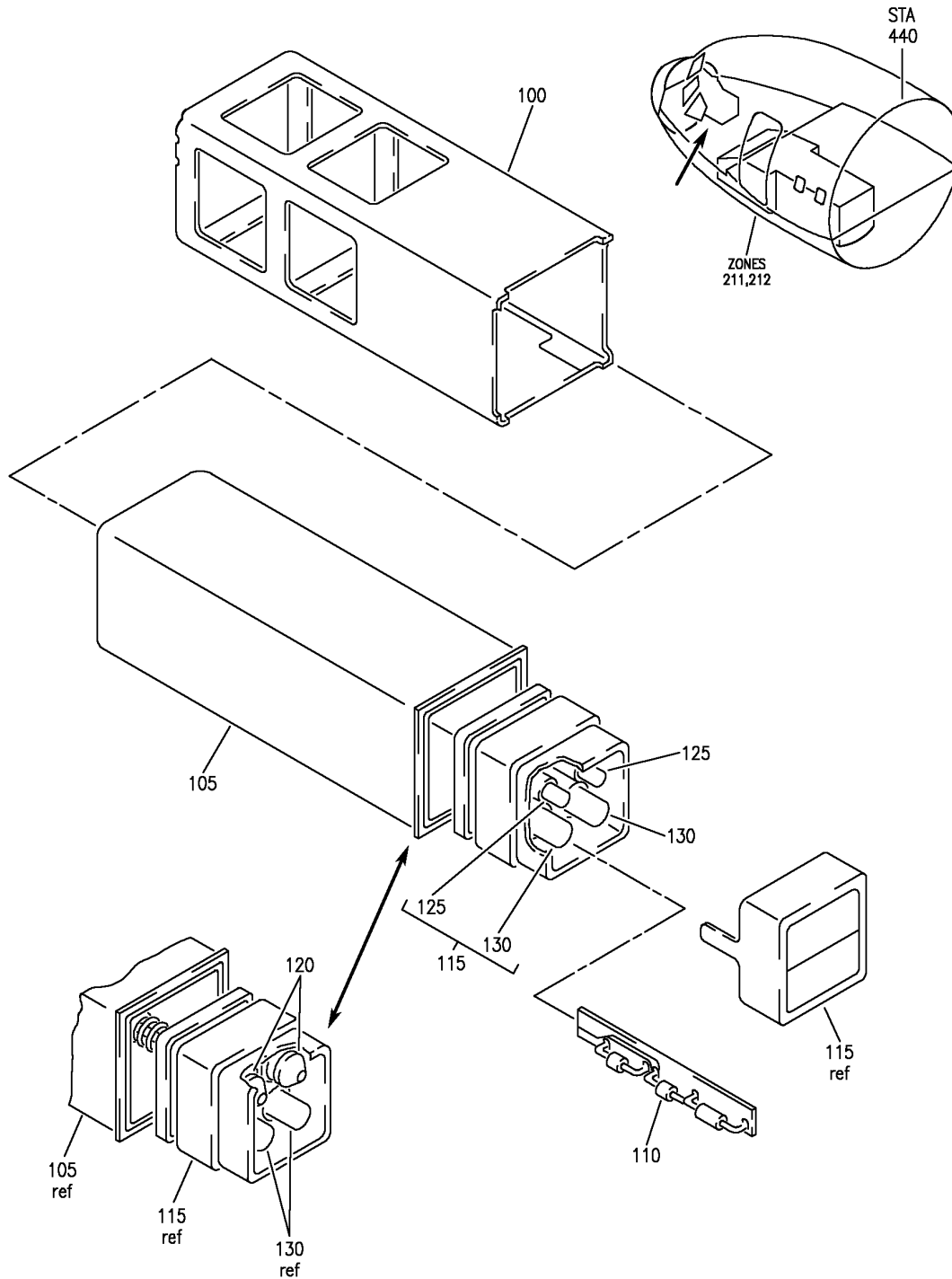
BRI

33-13-00-30

BOEING PROPRIETARY - Copyright © - Unpublished Work - See title page for details.

33-13-00
FIG. 30
PAGE 3
JAN 20/09

BOEING
757
PARTS CATALOG (MAINTENANCE)



Y 33130031 REV 269

SWITCH ASSY-LIGHTED PUSH BUTTON IND
FIGURE 31

33-13-00-31

BRI
MAY 28/07

33-13-00-31
PAGE 0



757

PARTS CATALOG (MAINTENANCE)

FIG ITEM	PART NUMBER	1 2 3 4 5 6 7	NOMENCLATURE	EFFECT FROM TO	UNITS PER ASSY
31			SWITCH ASSY-LIGHTED PUSH BUTTON IND	002004 006102 107999	
- 1	851-30768-3060		SWITCH ASSY-LIGHTED PUSH BUTTON IND DISCH SUPPLIER CODE: V96182 SPECIFICATION NUMBER: S231T290-3060 OPTIONAL PART: BCREF10576 V81590 851-35100-5060 V96182 S231T290-5060 FOR NHA SEE: 26-23-52-02 26-23-52-04	002004 006100 107107 121503 904999	RF
- 1	851-30768-3060		SWITCH ASSY-LIGHTED PUSH BUTTON IND DISCH SUPPLIER CODE: V96182 SPECIFICATION NUMBER: S231T290-3060 OPTIONAL PART: BCREF10576 V81590 851-35100-5060 V96182 FOR NHA SEE: 26-23-52-04A	101102 108120 504903	RF
- 5	851-30768-3061		SWITCH ASSY-LIGHTED PUSH BUTTON IND ARMED/FWD SUPPLIER CODE: V96182 SPECIFICATION NUMBER: S231T290-3061 OPTIONAL PART: S231T290-5061 FOR NHA SEE: 26-23-52-02 26-23-52-04A	002004 006010 101102 107999	RF

MISSING ITEM NUMBERS NOT APPLICABLE

- ITEM NOT ILLUSTRATED

33-13-00-31

33-13-00
FIG. 31
PAGE 1
JAN 20/09

BRI



757

PARTS CATALOG (MAINTENANCE)

FIG ITEM	PART NUMBER	1 2 3 4 5 6 7	NOMENCLATURE	EFFECT FROM TO	UNITS PER ASSY
31					
- 10	851-30768-3062		SWITCH ASSY-LIGHTED PUSH BUTTON IND ARMED/AFT SUPPLIER CODE: V96182 SPECIFICATION NUMBER: S231T290-3062 OPTIONAL PART: S231T290-5062 FOR NHA SEE: 26-23-52-02 26-23-52-04 26-23-52-04A	002004 006102 107999	RF
- 15	851-30768-3063		SWITCH ASSY-LIGHTED PUSH BUTTON IND FAIL P-RESET SUPPLIER CODE: V96182 SPECIFICATION NUMBER: S231T290-3063 FOR NHA SEE: 26-11-02-02	107107 121503 904949	RF
100	851-30768-3825		.SLEEVE-MTG SUPPLIER CODE: V96182	011100	1
100	851-30768-3825		.SLEEVE-MTG SUPPLIER CODE: V96182	002004 006010 101102 108120 504903 950999	1
100	851-30768-3825		.SLEEVE-MTG SUPPLIER CODE: V96182	107107 121503 904949	1
105	851-30768-3709		.BASE ASSY- SUPPLIER CODE: V96182 USED ON: 851-30768-3060	002004 006102 107999	1
105	851-30768-3702		.BASE ASSY- SUPPLIER CODE: V96182 USED ON: 851-30768-3061	002004 006010 101102 107999	1
105	851-30768-3702		.BASE ASSY- SUPPLIER CODE: V96182 USED ON: 851-30768-3062	002004 006102 107999	1

MISSING ITEM NUMBERS NOT APPLICABLE

- ITEM NOT ILLUSTRATED

33-13-00-31

33-13-00
FIG. 31
PAGE 2
JAN 20/09

BRI



757

PARTS CATALOG (MAINTENANCE)

FIG ITEM	PART NUMBER	1 2 3 4 5 6 7	NOMENCLATURE	EFFECT FROM TO	UNITS PER ASSY
31					
105	851-30768-3702		.BASE ASSY- SUPPLIER CODE: V96182 USED ON: 851-30768-3063	107107 121503 904949	1
110	851-30768-3823		..MODULE-DIODE/FUSE SUPPLIER CODE: V96182	011100	1
110	851-30768-3823		..MODULE-DIODE/FUSE SUPPLIER CODE: V96182	002004 006010 101102 108120 504903 950999	1
110	851-30768-3823		..MODULE-DIODE/FUSE SUPPLIER CODE: V96182	107107 121503 904949	1
115	851-30768-3560		.CAPSULE ASSY-LENS-DISCH SUPPLIER CODE: V96182 USED ON: 851-30768-3060	002004 006102 107999	1
115	851-30768-3561		.CAPSULE ASSY-LENS-DISCH ARMED/FWD SUPPLIER CODE: V96182 USED ON: 851-30768-3061	002004 006010 101102 107999	1
115	851-30768-3562		.CAPSULE ASSY-LENS ARMED/AFT SUPPLIER CODE: V96182 USED ON: 851-30768-3062	002004 006102 107999	1
115	851-30768-3563		.CAPSULE ASSY-LENS-P-PRESET SUPPLIER CODE: V96182 USED ON: 851-30768-3063	107107 121503 904949	1
120	851-30768-3829		..PLUG-LAMP SUPPLIER CODE: V96182 USED ON: 851-30768-3560	002004 006102 107999	2
120	851-30768-3829		..PLUG-LAMP SUPPLIER CODE: V96182 USED ON: 851-30768-3563	107107 121503 904949	2

MISSING ITEM NUMBERS NOT APPLICABLE

- ITEM NOT ILLUSTRATED

33-13-00-31

33-13-00
FIG. 31
PAGE 3
JAN 20/09

BRI



757

PARTS CATALOG (MAINTENANCE)

FIG ITEM	PART NUMBER	1 2 3 4 5 6 7	NOMENCLATURE	EFFECT FROM TO	UNITS PER ASSY
31					
125	851-30768-3828	..	LAMP- SUPPLIER CODE: V96182 USED ON: 851-30768-3561	002004 006010 101102 107999	2
125	851-30768-3828	..	LAMP- SUPPLIER CODE: V96182 USED ON: 851-30768-3562	002004 006102 107999	2
130	851-30768-3827	..	LAMP- SUPPLIER CODE: V96182	011100	2
130	851-30768-3827	..	LAMP- SUPPLIER CODE: V96182	002004 006010 101102 108120 504903 950999	2
130	851-30768-3827	..	LAMP- SUPPLIER CODE: V96182	107107 121503 904949	2

MISSING ITEM NUMBERS NOT APPLICABLE

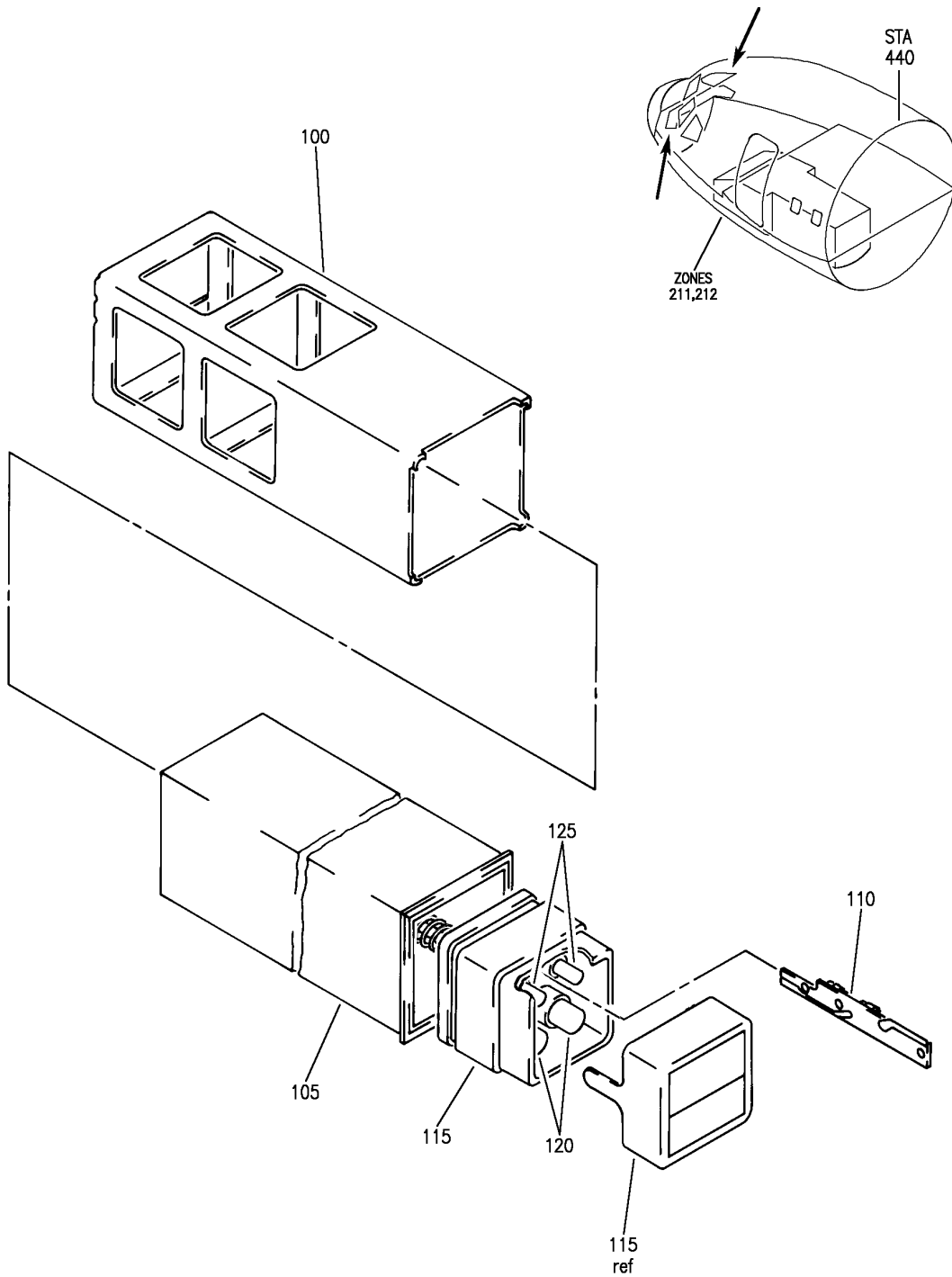
- ITEM NOT ILLUSTRATED

33-13-00-31

33-13-00
FIG. 31
PAGE 4
JAN 20/09

BRI

BOEING
757
PARTS CATALOG (MAINTENANCE)



Y 33130032 REV 252

SWITCH ASSY-LIGHTED PUSH BUTTON IND
FIGURE 32

33-13-00-32

BRI
JAN 20/09

33-13-00-32
PAGE 0



757

PARTS CATALOG (MAINTENANCE)

FIG ITEM	PART NUMBER	1 2 3 4 5 6 7	NOMENCLATURE	EFFECT FROM TO	UNITS PER ASSY
32			SWITCH ASSY-LIGHTED PUSH BUTTON IND	107107	
- 1	851-30768-3017		SWITCH ASSY-LIGHTED PUSH BUTTON IND SUPPLIER CODE: V96182 SPECIFICATION NUMBER: S231T290-3017 QUALIFIED I/W DATA: 851-30768-2017 TOGETHER WITH 851-30768-815 OR 433-100-004 SWITCHGUARD I/W BCREFA0506 OR 851-30768-3017 BCREFA0506 OR S231T290-5017 TOGETHER WITH 433-100-004 OPTIONAL PART: BCREF7607 V81590 FOR NHA SEE: 76-11-51-01	107107	RF
100	851-30768-3825	.	SLEEVE-MTG SUPPLIER CODE: V96182	107107	1
105	851-30768-3702	.BASE ASSY-	SUPPLIER CODE: V96182	107107	1
110	851-30768-3823	..MODULE-DIODE/FUSE	SUPPLIER CODE: V96182	107107	1
115	851-30768-3517	.CAPSULE ASSY-LENS ON/INOP	SUPPLIER CODE: V96182	107107	1
120	851-30768-3828	..LAMP-	SUPPLIER CODE: V96182	107107	2
125	851-30768-3827	..LAMP-	SUPPLIER CODE: V96182	107107	2

MISSING ITEM NUMBERS NOT APPLICABLE

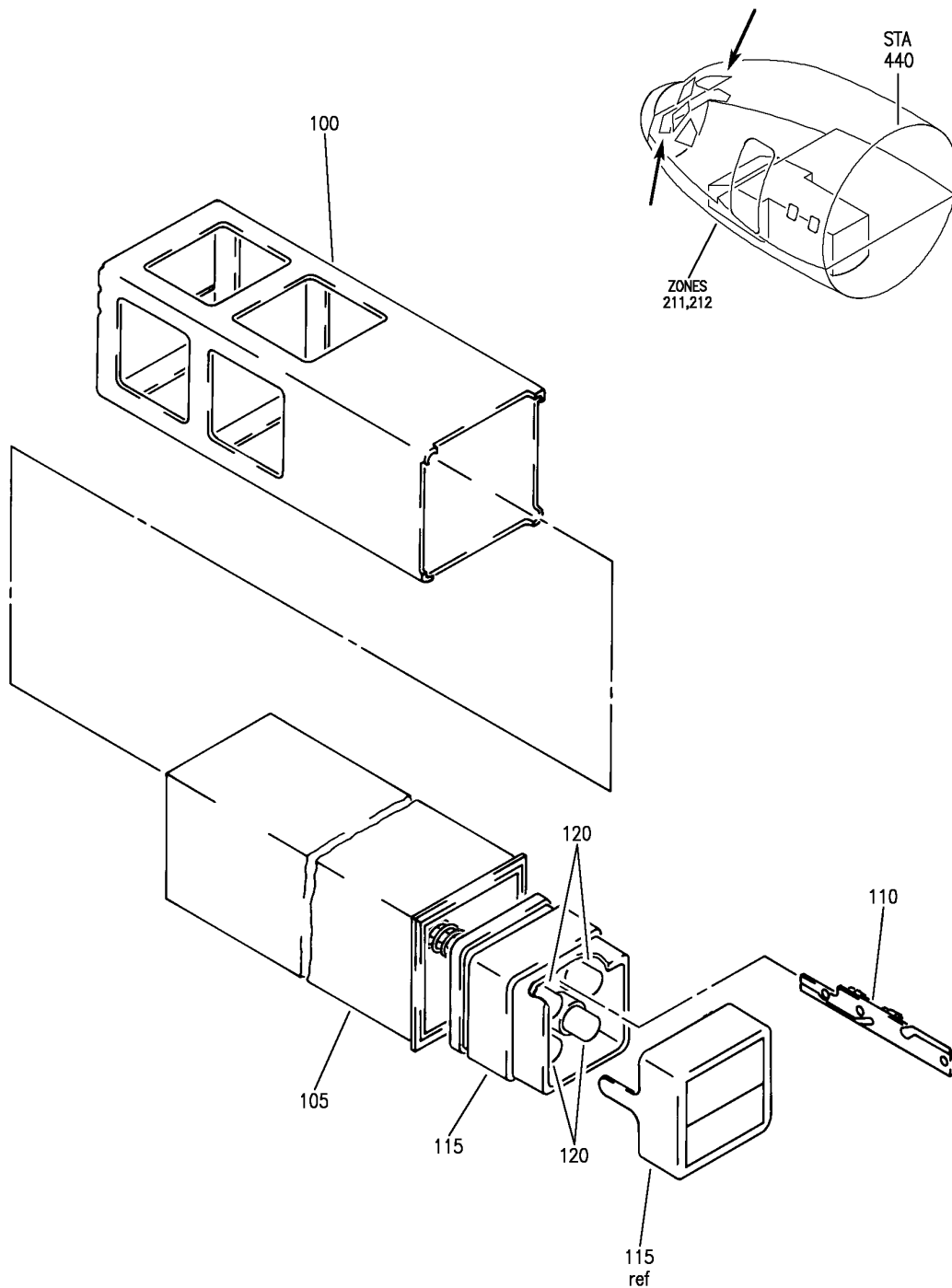
- ITEM NOT ILLUSTRATED

33-13-00-32

33-13-00
FIG. 32
PAGE 1
JAN 20/09

BRI

BOEING
757
PARTS CATALOG (MAINTENANCE)



Y 33130032A REV 252

SWITCH ASSY-LIGHTED PUSH BUTTON IND
FIGURE 32A

33-13-00-32A

BRI
MAY 28/07

33-13-00-32A
PAGE 0



757

PARTS CATALOG (MAINTENANCE)

FIG ITEM	PART NUMBER	1 2 3 4 5 6 7	NOMENCLATURE	EFFECT FROM TO	UNITS PER ASSY
32A			SWITCH ASSY-LIGHTED PUSH BUTTON IND	002004 006999	
- 1	851-30768-3042		SWITCH ASSY-LIGHTED PUSH BUTTON IND WARNING/ CAUTION SUPPLIER CODE: V96182 SPECIFICATION NUMBER: S231T290-3042 ELECTRICAL EQUIP NUMBER: S00507 S00508 OPTIONAL PART: S231T290-5042 FOR NHA SEE: 31-25-51-01	002004 006999	RF
100	851-30768-3825		.SLEEVE-MTG SUPPLIER CODE: V96182	002004 006999	1
105	851-30768-3705		.BASE ASSY- SUPPLIER CODE: V96182	002004 006999	1
110	851-30768-3823		..MODULE-DIODE/FUSE SUPPLIER CODE: V96182	002004 006999	1
115	851-30768-3542		.CAPSULE ASSY-LENS WARNING/CAUTION SUPPLIER CODE: V96182	002004 006999	1
120	851-30768-3828		..LAMP- SUPPLIER CODE: V96182	002004 006999	4

MISSING ITEM NUMBERS NOT APPLICABLE

- ITEM NOT ILLUSTRATED

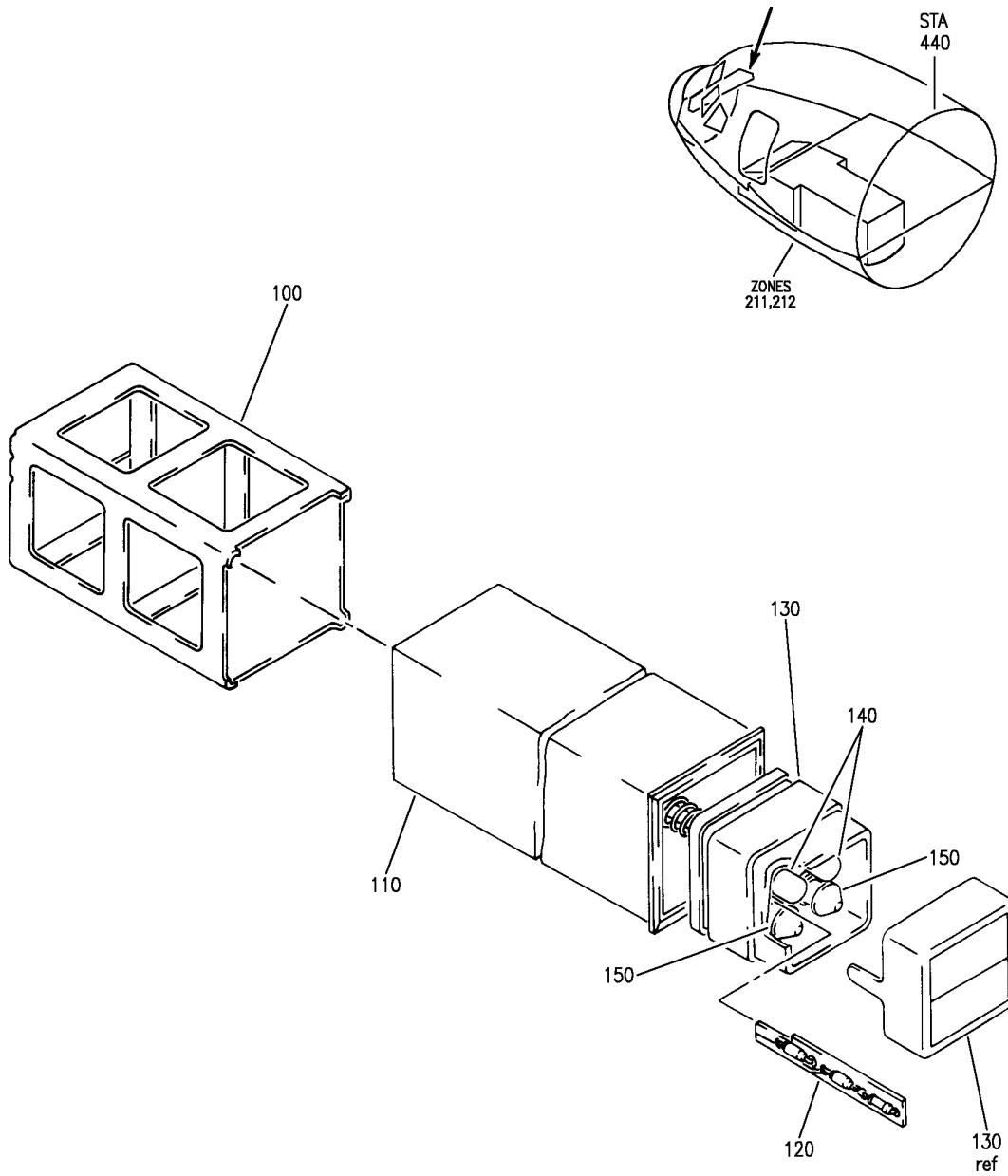
33-13-00-32A

33-13-00
FIG. 32A
PAGE 1
SEP 20/08

BRI

BOEING PROPRIETARY - Copyright © - Unpublished Work - See title page for details.

BOEING
757
PARTS CATALOG (MAINTENANCE)



Y 33130033 REV 265

SWITCH ASSY-LIGHTED PUSH BUTTON IND
FIGURE 33

33-13-00-33

BRI
MAY 28/07

33-13-00-33
PAGE 0



757

PARTS CATALOG (MAINTENANCE)

FIG ITEM	PART NUMBER	1 2 3 4 5 6 7	NOMENCLATURE	EFFECT FROM TO	UNITS PER ASSY
33			SWITCH ASSY-LIGHTED PUSH BUTTON IND	002004 006999	
- 1	851-30768-3001		SWITCH ASSY-LIGHTED PUSH BUTTON IND ALTN SUPPLIER CODE: V96182 SPECIFICATION NUMBER: S231T290-3001 OPTIONAL PART: S231T290-5001 FOR NHA SEE: 27-51-57-01 27-51-57-02 27-51-57-03 27-81-00-01 27-81-00-02 27-81-00-03	002004 006102 107999	RF
- 5	851-30768-3001		SWITCH ASSY-LIGHTED PUSH BUTTON IND ALTN SUPPLIER CODE: V96182 SPECIFICATION NUMBER: S231T290-3001 OPTIONAL PART: S231T290-5001 FOR NHA SEE: 34-12-01-04 34-21-02-04 34-22-02-06 34-61-02-15	002004 006010 107107 121503 904999	RF
- 7	851-30768-3001		SWITCH ASSY-LIGHTED PUSH BUTTON IND ALTN SUPPLIER CODE: V96182 SPECIFICATION NUMBER: S231T290-3001 FOR NHA SEE: 34-12-01-03 34-12-01-05 34-21-02-02 34-21-02-03 34-22-02-02 34-22-02-05 34-61-02-02 34-61-02-14	011102 108120 504903	RF

MISSING ITEM NUMBERS NOT APPLICABLE

- ITEM NOT ILLUSTRATED

33-13-00-33

33-13-00
FIG. 33
PAGE 1
JAN 20/09

BRI



757

PARTS CATALOG (MAINTENANCE)

FIG ITEM	PART NUMBER	1 2 3 4 5 6 7	NOMENCLATURE	EFFECT FROM TO	UNITS PER ASSY
33 - 15	851-30768-3001		SWITCH ASSY-LIGHTED PUSH BUTTON IND ALTN SUPPLIER CODE: V96182 SPECIFICATION NUMBER: S231T290-3001 OPTIONAL PART: S231T290-5001 FOR NHA SEE: 34-22-02-06 34-61-02-15	002004 006010 107107 121503 904999	RF
- 20	851-30768-3001		SWITCH ASSY-LIGHTED PUSH BUTTON IND ALTN SUPPLIER CODE: V96182 SPECIFICATION NUMBER: S231T290-3001 OPTIONAL PART: S231T290-5001 FOR NHA SEE: 34-12-01-04	002004 006010 107107 121503 904999	RF
- 25	851-30768-3001		SWITCH ASSY-LIGHTED PUSH BUTTON IND ALTN SUPPLIER CODE: V96182 SPECIFICATION NUMBER: S231T290-3001 OPTIONAL PART: S231T290-5001 FOR NHA SEE: 34-21-02-04	002004 006010 107107 121503 904999	RF
- 30	851-30768-3001		SWITCH ASSY-LIGHTED PUSH BUTTON IND ALTN SUPPLIER CODE: V96182 SPECIFICATION NUMBER: S231T290-3001 FOR NHA SEE: 34-12-01-03 34-21-02-02 34-22-02-02 34-61-02-02	101102 108120 504903	RF

MISSING ITEM NUMBERS NOT APPLICABLE

- ITEM NOT ILLUSTRATED

33-13-00-33

33-13-00
FIG. 33
PAGE 2
JAN 20/09

BRI



757

PARTS CATALOG (MAINTENANCE)

FIG ITEM	PART NUMBER	1 2 3 4 5 6 7	NOMENCLATURE	EFFECT FROM TO	UNITS PER ASSY
33					
- 35	851-30768-3001		SWITCH ASSY-LIGHTED PUSH BUTTON IND ALTN SUPPLIER CODE: V96182 SPECIFICATION NUMBER: S231T290-3001 FOR NHA SEE: 34-12-01-05 34-21-02-03 34-22-02-05 34-61-02-14	011100	RF
- 45	851-30768-3001		SWITCH ASSY-LIGHTED PUSH BUTTON IND ALTN SUPPLIER CODE: V96182 SPECIFICATION NUMBER: S231T290-3001 FOR NHA SEE: 34-21-02-02 34-22-02-02	103106	RF
100	851-30768-3826	.	SLEEVE-MTG SUPPLIER CODE: V96182	103106	1
100	851-30768-3826	.	SLEEVE-MTG SUPPLIER CODE: V96182	011102 108120 504903	1
100	851-30768-3826	.	SLEEVE-MTG SUPPLIER CODE: V96182	002004 006010 107107 121503 904999 103106	1
110	851-30768-3701	.	BASE ASSY- SUPPLIER CODE: V96182		1
110	851-30768-3701	.	BASE ASSY- SUPPLIER CODE: V96182	011102 108120 504903	1
110	851-30768-3701	.	BASE ASSY- SUPPLIER CODE: V96182	002004 006010 107107 121503 904999 103106	1
120	851-30768-3823	..	MODULE-DIODE/FUSE SUPPLIER CODE: V96182		1
120	851-30768-3823	..	MODULE-DIODE/FUSE SUPPLIER CODE: V96182	011102 108120 504903	1

MISSING ITEM NUMBERS NOT APPLICABLE

- ITEM NOT ILLUSTRATED

33-13-00-33

33-13-00
FIG. 33
PAGE 3
JAN 20/09

BRI



757

PARTS CATALOG (MAINTENANCE)

FIG ITEM	PART NUMBER	1 2 3 4 5 6 7	NOMENCLATURE	EFFECT FROM TO	UNITS PER ASSY
33					
120	851-30768-3823	..	MODULE-DIODE/FUSE SUPPLIER CODE: V96182	002004 006010 107107 121503 904999	1
130	851-30768-3501	.C	CAPSULE ASSY-LENS-ALT SUPPLIER CODE: V96182	103106	1
130	851-30768-3501	.C	CAPSULE ASSY-LENS-ALT SUPPLIER CODE: V96182	011102 108120 504903	1
130	851-30768-3501	.C	CAPSULE ASSY-LENS-ALT SUPPLIER CODE: V96182	002004 006010 107107 121503 904999	1
140	851-30768-3827	..	LAMP- SUPPLIER CODE: V96182	103106	2
140	851-30768-3827	..	LAMP- SUPPLIER CODE: V96182	011102 108120 504903	2
140	851-30768-3827	..	LAMP- SUPPLIER CODE: V96182	002004 006010 107107 121503 904999	2
150	851-30768-3829	..	PLUG-LAMP SUPPLIER CODE: V96182	103106	2
150	851-30768-3829	..	PLUG-LAMP SUPPLIER CODE: V96182	011102 108120 504903	2
150	851-30768-3829	..	PLUG-LAMP SUPPLIER CODE: V96182	002004 006010 107107 121503 904999	2

MISSING ITEM NUMBERS NOT APPLICABLE

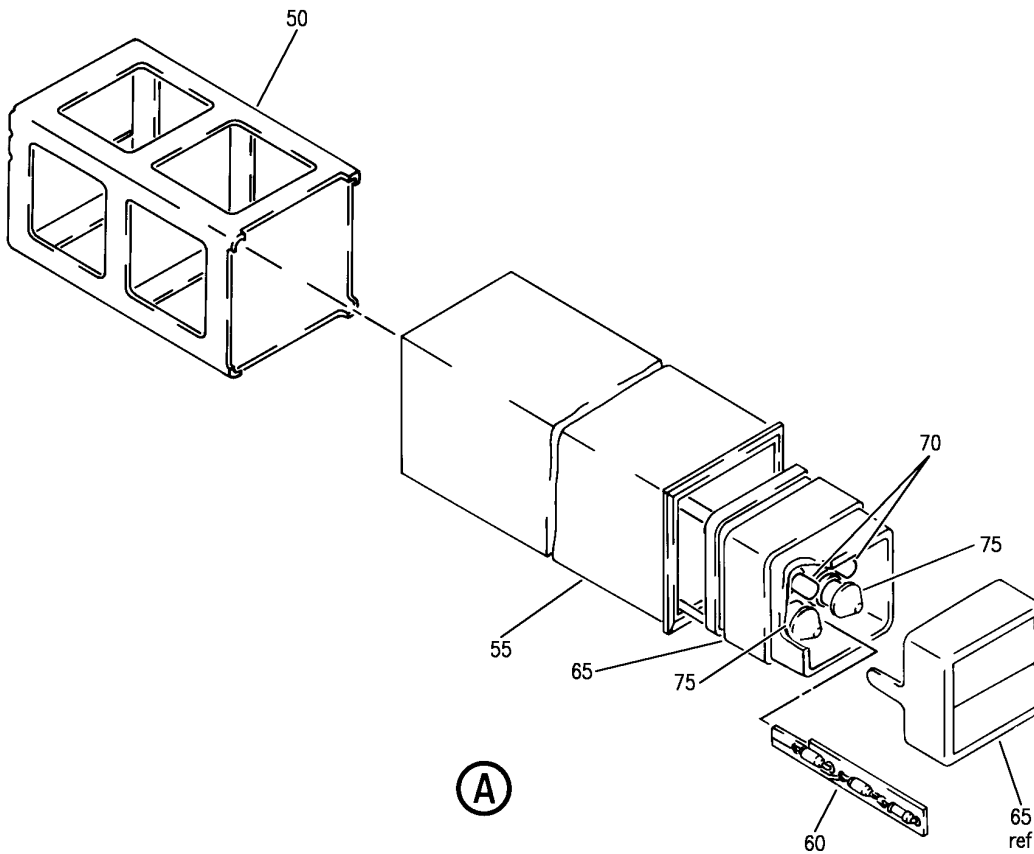
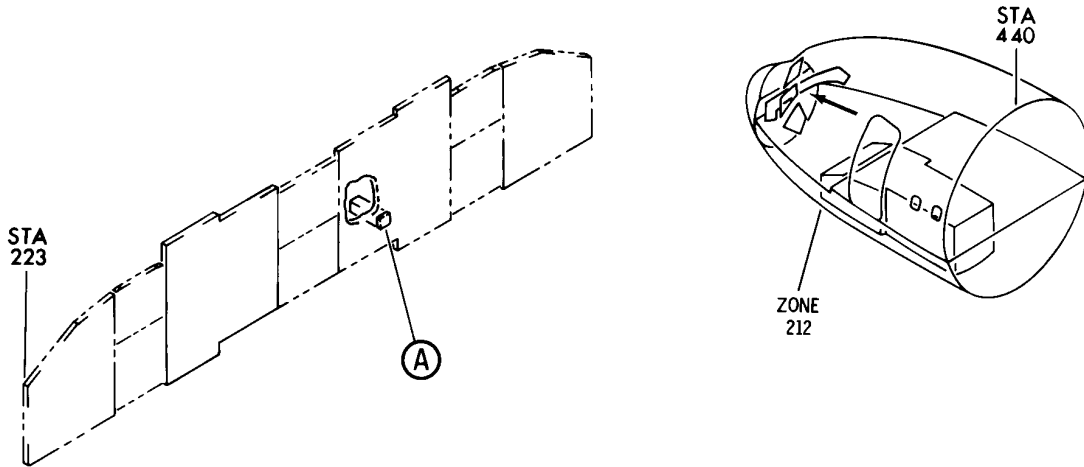
- ITEM NOT ILLUSTRATED

33-13-00-33

33-13-00
FIG. 33
PAGE 4
JAN 20/09

BRI

BOEING
757
PARTS CATALOG (MAINTENANCE)



Y 33130034 REV 251

SWITCH ASSY-LIGHTED PUSHBUTTON IND
FIGURE 34

33-13-00-34

BRI
MAY 28/07

33-13-00-34
PAGE 0



757

PARTS CATALOG (MAINTENANCE)

FIG ITEM	PART NUMBER	1 2 3 4 5 6 7	NOMENCLATURE	EFFECT FROM TO	UNITS PER ASSY
34			SWITCH ASSY-LIGHTED PUSHBUTTON IND	002004 006102 107999	
- 1	851-30768-3057		SWITCH ASSY-LIGHTED PUSH BUTTON IND OVRD SUPPLIER CODE: V96182 SPECIFICATION NUMBER: S231T290-3057 OPTIONAL PART: S231T290-5057 FOR NHA SEE: 34-46-51-01 34-46-51-02	002004 006101 107107 121503 904999	RF
- 5	851-30768-3070		SWITCH ASSY-LIGHTED PUSHBUTTON IND GND/PROX G/S INHB SUPPLIER CODE: V96182 SPECIFICATION NUMBER: S231T290-3070 OPTIONAL PART: S231T290-5070 FOR NHA SEE: 34-46-51-01 34-46-51-02	002004 006102 107503 904999	RF
- 10	851-30768-3076		SWITCH ASSY-LIGHTED PUSHBUTTON IND ALTN SUPPLIER CODE: V96182 SPECIFICATION NUMBER: S231T290-3076 OPTIONAL PART: S231T290-5076 FOR NHA SEE: 32-35-52-01	107107 121503 904949	RF
- 15	851-30768-3081		SWITCH ASSY-LIGHTED PUSHBUTTON IND ON SUPPLIER CODE: V96182 SPECIFICATION NUMBER: S231T290-3081 OPTIONAL PART: S231T290-5081 FOR NHA SEE: 29-21-55-01 29-21-55-02	002004 006102 107999	RF

MISSING ITEM NUMBERS NOT APPLICABLE

- ITEM NOT ILLUSTRATED

33-13-00-34

33-13-00
FIG. 34
PAGE 1
JAN 20/09

BRI



757

PARTS CATALOG (MAINTENANCE)

FIG ITEM	PART NUMBER	1 2 3 4 5 6 7	NOMENCLATURE	EFFECT FROM TO	UNITS PER ASSY
34					
50	851-30768-3826	.	SLEEVE-MTG SUPPLIER CODE: V96182	504903	1
50	851-30768-3826	.	SLEEVE-MTG SUPPLIER CODE: V96182	002004 006100	1
50	851-30768-3826	.	SLEEVE-MTG SUPPLIER CODE: V96182	002004 006102 107999	1
50	851-30768-3826	.	SLEEVE-MTG SUPPLIER CODE: V96182	107107 121503 904949	1
55	851-30768-3712	.	BASE ASSY- SUPPLIER CODE: V96182 USED ON: 851-30768-3076	107107 121503 904949	1
55	851-30768-3705	.	BASE ASSY- SUPPLIER CODE: V96182 USED ON: 851-30768-3070	002004 006102 107503 904999	1
55	851-30768-3701	.	BASE ASSY- SUPPLIER CODE: V96182 USED ON: 851-30768-3081	002004 006102 107999	1
55	851-30768-3701	.	BASE ASSY- SUPPLIER CODE: V96182 USED ON: 851-30768-3057	002004 006101 107107 121503 904999	1
60	851-30768-3823	..	MODULE-DIODE/FUSE SUPPLIER CODE: V96182	504903	1
60	851-30768-3823	..	MODULE-DIODE/FUSE SUPPLIER CODE: V96182	002004 006100	1
60	851-30768-3823	..	MODULE-DIODE/FUSE SUPPLIER CODE: V96182	002004 006102 107999	1
60	851-30768-3823	..	MODULE-DIODE/FUSE SUPPLIER CODE: V96182	107107 121503 904949	1
65	851-30768-3576	.	CAPSULE ASSY-LENS ALTN SUPPLIER CODE: V96182 USED ON: 851-30768-3076	107107 121503 904949	1

MISSING ITEM NUMBERS NOT APPLICABLE

- ITEM NOT ILLUSTRATED

33-13-00-34

33-13-00
FIG. 34
PAGE 2
JAN 20/09

BRI



757

PARTS CATALOG (MAINTENANCE)

FIG ITEM	PART NUMBER	1 2 3 4 5 6 7	NOMENCLATURE	EFFECT FROM TO	UNITS PER ASSY
34					
65	851-30768-3570	.	CAPSULE ASSY-LENS ALTN SUPPLIER CODE: V96182 USED ON: 851-30768-3070	002004 006102 107503 904999	1
65	851-30768-3557	.	CAPSULE ASSY-LENS ALTN SUPPLIER CODE: V96182 USED ON: 851-30768-3057	002004 006101 107107 121503 904999	1
65	851-30768-3581	.	CAPSULE ASSY-LENS ALTN SUPPLIER CODE: V96182 USED ON: 851-30768-3081	002004 006102 107999	1
70	851-30768-3827	..	LAMP- SUPPLIER CODE: V96182 USED ON: 851-30768-3581	002004 006102 107999	2
70	851-30768-3827	..	LAMP- SUPPLIER CODE: V96182 USED ON: 851-30768-3557	002004 006101 107107 121503 904999	2
70	851-30768-3828	..	LAMP- SUPPLIER CODE: V96182 USED ON: 851-30768-3570 851-30768-3576	002004 006102 107503 904999	2
75	851-30768-3829	..	PLUG-LAMP SUPPLIER CODE: V96182 USED ON: 851-30768-3557 851-30768-3576 851-30768-3581	107107 121503 904949	2
75	851-30768-3829	..	PLUG-LAMP SUPPLIER CODE: V96182 USED ON: 851-30768-3557 851-30768-3576 851-30768-3581	002004 006101 950999	2

MISSING ITEM NUMBERS NOT APPLICABLE

- ITEM NOT ILLUSTRATED

33-13-00-34

33-13-00
FIG. 34
PAGE 3
JAN 20/09

BRI



757

PARTS CATALOG (MAINTENANCE)

FIG ITEM	PART NUMBER	1 2 3 4 5 6 7	NOMENCLATURE	EFFECT FROM TO	UNITS PER ASSY
34 75	851-30768-3829		. . PLUG-LAMP SUPPLIER CODE : V96182 USED ON: 851-30768-3581	102102 108120 504903	2

MISSING ITEM NUMBERS NOT APPLICABLE

- ITEM NOT ILLUSTRATED

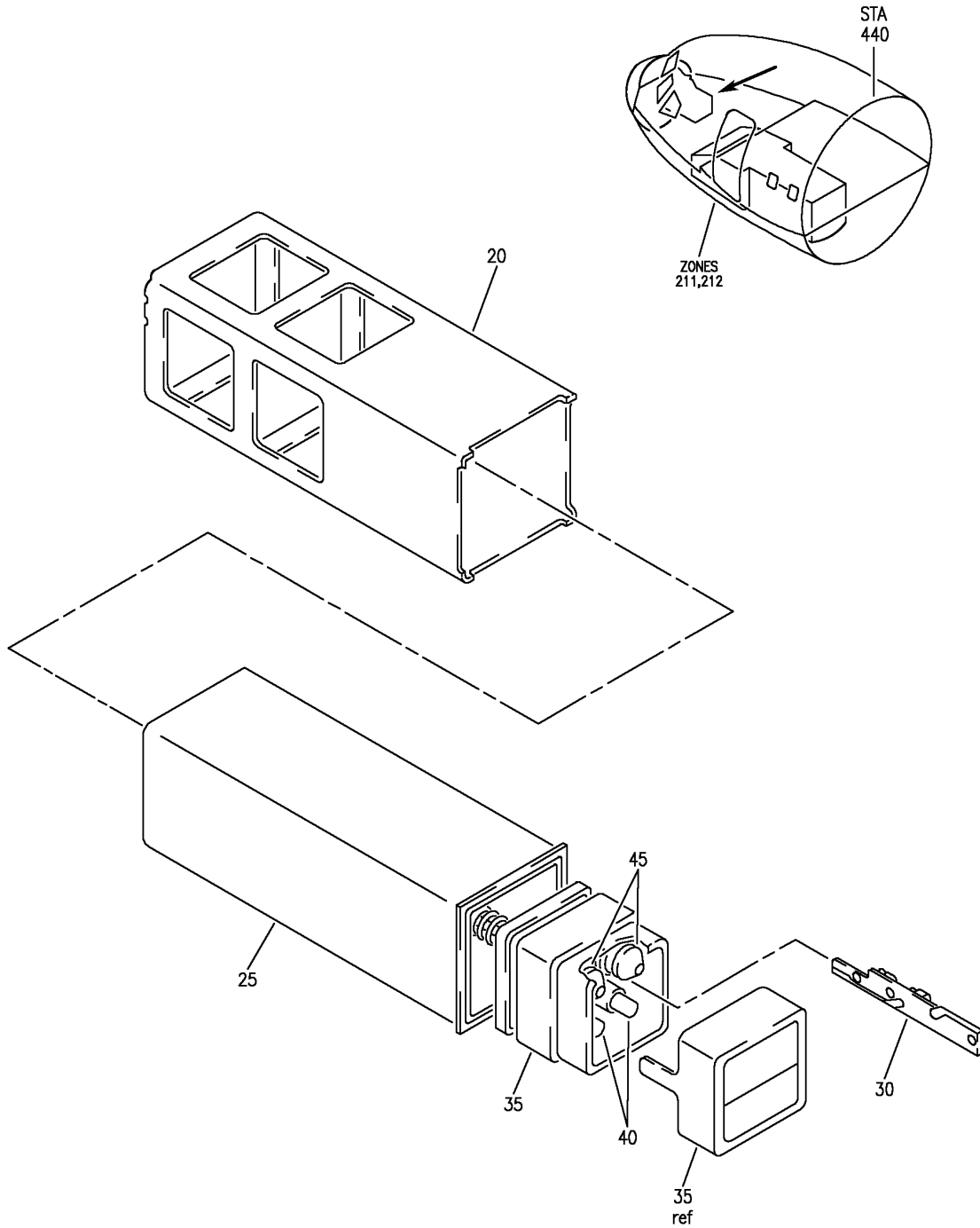
BRI

33-13-00-34

BOEING PROPRIETARY - Copyright © - Unpublished Work - See title page for details.

33-13-00
FIG. 34
PAGE 4
JAN 20/09

BOEING
757
PARTS CATALOG (MAINTENANCE)



Y 33130035 REV 263

SWITCH ASSY-LIGHTED PUSH BUTTON IND
FIGURE 35

33-13-00-35

BRI
MAY 28/07

33-13-00-35
PAGE 0



757

PARTS CATALOG (MAINTENANCE)

FIG ITEM	PART NUMBER	1 2 3 4 5 6 7	NOMENCLATURE	EFFECT FROM TO	UNITS PER ASSY
35			SWITCH ASSY-LIGHTED PUSH BUTTON IND	002004 006102 107999	
- 1	851-30768-3041		SWITCH ASSY-LIGHTED PUSH BUTTON IND ON SUPPLIER CODE: V96182 SPECIFICATION NUMBER: S231T290-3041 OPTIONAL PART: S231T290-5041 FOR NHA SEE: 35-21-51-01 35-21-51-03 35-21-51-04	002004 006102 107999	RF
- 5	851-30768-3007		SWITCH ASSY-LIGHTED PUSH BUTTON IND DRIVE SUPPLIER CODE: V96182 SPECIFICATION NUMBER: S231T290-3007 QUALIFIED I/W DATA: 851-30768-2007 TOGETHER WITH 851-30768-802 OR -812 OR 433-100-003 SWITCHGUARD I/W BCREF7603 OR 851-30768-3007 TOGETHER WITH 433-100-003 SWITCHGUARD OPTIONAL PART: S231T290-5007 FOR NHA SEE: 24-11-52-01	107107 121503 904949	RF
20	851-30768-3825		.SLEEVE-MTG SUPPLIER CODE: V96182	002004 006102 108120 504903 950999	1
20	851-30768-3825		.SLEEVE-MTG SUPPLIER CODE: V96182	107107 121503 904949	1
25	851-30768-3709		.BASE ASSY- SUPPLIER CODE: V96182	002004 006102 108120 504903 950999	1

MISSING ITEM NUMBERS NOT APPLICABLE

- ITEM NOT ILLUSTRATED

33-13-00-35

33-13-00
FIG. 35
PAGE 1
JAN 20/09

BRI



757

PARTS CATALOG (MAINTENANCE)

FIG ITEM	PART NUMBER	1 2 3 4 5 6 7	NOMENCLATURE	EFFECT FROM TO	UNITS PER ASSY
35					
25	851-30768-3709	.	BASE ASSY- SUPPLIER CODE: V96182	107107 121503 904949	1
30	851-30768-3823	..	MODULE-DIODE/FUSE SUPPLIER CODE: V96182	002004 006102 108120 504903 950999	1
30	851-30768-3823	..	MODULE-DIODE/FUSE SUPPLIER CODE: V96182	107107 121503 904949	1
35	851-30768-3507	.	CAPSULE ASSY-LENS-DRIVE SUPPLIER CODE: V96182	107107 121503 904949	1
35	851-30768-3541	.	CAPSULE ASSY-LENS-ON SUPPLIER CODE: V96182	002004 006102 107999	1
40	851-30768-3828	..	LAMP- SUPPLIER CODE: V96182	002004 006102 108120 504903 950999	2
40	851-30768-3828	..	LAMP- SUPPLIER CODE: V96182	107107 121503 904949	2
45	851-30768-3829	..	PLUG-LAMP SUPPLIER CODE: V96182	002004 006102 108120 504903 950999	2
45	851-30768-3829	..	PLUG-LAMP SUPPLIER CODE: V96182	107107 121503 904949	2

MISSING ITEM NUMBERS NOT APPLICABLE

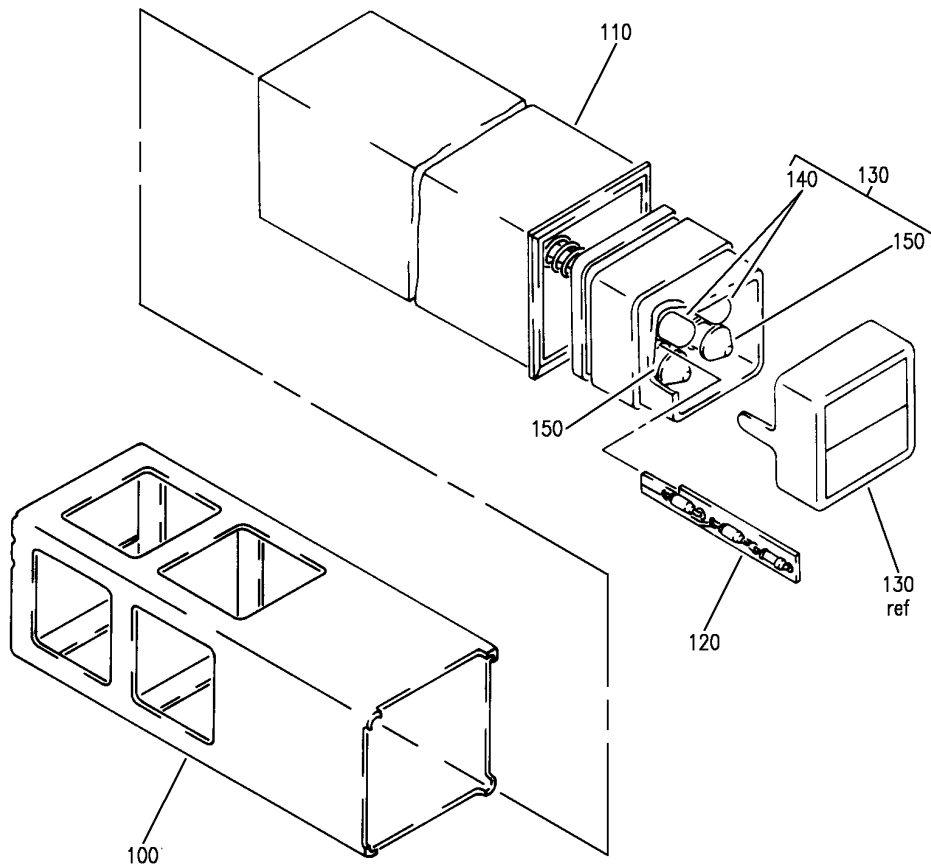
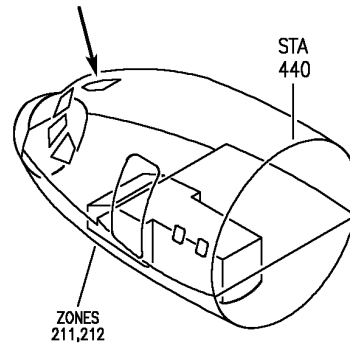
- ITEM NOT ILLUSTRATED

33-13-00-35

33-13-00
FIG. 35
PAGE 2
JAN 20/09

BRI

BOEING
757
PARTS CATALOG (MAINTENANCE)



Y 33130035A REV 265

SWITCH ASSY-LIGHTED PUSHBUTTON IND
FIGURE 35A

33-13-00-35A

BRI
MAY 28/07

33-13-00-35A
PAGE 0



757

PARTS CATALOG (MAINTENANCE)

FIG ITEM	PART NUMBER	1 2 3 4 5 6 7	NOMENCLATURE	EFFECT FROM TO	UNITS PER ASSY
35A					
- 1	851-30768-3012		SWITCH ASSY-LIGHTED PUSHBUTTON IND SWITCH ASSY-LIGHTED PUSH BUTTON IND ON SUPPLIER CODE: V96182 SPECIFICATION NUMBER: S231T290-3012 OPTIONAL PART: S231T290-5012 FOR NHA SEE: 33-41-52-01 33-41-52-04 33-43-51-01 33-43-51-04 33-44-51-01 33-44-51-05	002004 006999 108503 904949	RF
- 10	851-30768-3012		SWITCH ASSY-LIGHTED PUSHBUTTON IND SUPPLIER CODE: V96182 SPECIFICATION NUMBER: S231T290-3012 FOR NHA SEE: 33-41-52-01 33-43-51-01 33-44-51-01	107107	RF
- 25	851-30768-3012		SWITCH ASSY-LIGHTED PUSH BUTTON IND ON SUPPLIER CODE: V96182 SPECIFICATION NUMBER: S231T290-3012 OPTIONAL PART: S231T290-5012 FOR NHA SEE: 33-45-53-01 33-45-53-02 33-45-53-03	002004 006999	RF

MISSING ITEM NUMBERS NOT APPLICABLE

- ITEM NOT ILLUSTRATED

33-13-00-35A

33-13-00
FIG. 35A
PAGE 1
JAN 20/09

BRI



757

PARTS CATALOG (MAINTENANCE)

FIG ITEM	PART NUMBER	1 2 3 4 5 6 7	NOMENCLATURE	EFFECT FROM TO	UNITS PER ASSY
35A - 30	851-30768-3012		SWITCH ASSY-LIGHTED PUSH BUTTON IND (ON) SUPPLIER CODE: V96182 SPECIFICATION NUMBER: S231T290-3012 OPTIONAL PART: S231T290-5012 PRE ALERT SB: 30A0013R6 FOR NHA SEE: 33-11-51-14 33-11-51-15 33-11-51-17	002004 006999	RF
- 35	851-30768-3012		SWITCH ASSY-LIGHTED PUSHBUTTON IND ON SUPPLIER CODE: V96182 SPECIFICATION NUMBER: S231T290-3012 PRE ALERT SB: 30A0013R6 FOR NHA SEE: 30-11-51-01 30-11-51-02 30-11-51-03	011102 107949	RF
100	851-30768-3825		.SLEEVE-MTG SUPPLIER CODE: V96182	002004 006010 103106 950999	1
100	851-30768-3825		.SLEEVE-MTG SUPPLIER CODE: V96182	107503 904949	1
100	851-30768-3825		.SLEEVE-MTG SUPPLIER CODE: V96182	011102 504903	1
110	851-30768-3701		.BASE ASSY- SUPPLIER CODE: V96182	002004 006010 103106 950999	1
110	851-30768-3701		.BASE ASSY- SUPPLIER CODE: V96182	107503 904949	1
110	851-30768-3701		.BASE ASSY- SUPPLIER CODE: V96182	011102 504903	1

MISSING ITEM NUMBERS NOT APPLICABLE

- ITEM NOT ILLUSTRATED

33-13-00-35A

33-13-00
FIG. 35A
PAGE 2
JAN 20/09

BRI



757

PARTS CATALOG (MAINTENANCE)

FIG ITEM	PART NUMBER	1 2 3 4 5 6 7	NOMENCLATURE	EFFECT FROM TO	UNITS PER ASSY
35A 120	851-30768-3823	..	MODULE-DIODE/FUSE SUPPLIER CODE: V96182	002004 006010 103106 950999	1
120	851-30768-3823	..	MODULE-DIODE/FUSE SUPPLIER CODE: V96182	107503 904949	1
120	851-30768-3823	..	MODULE-DIODE/FUSE SUPPLIER CODE: V96182	011102 504903	1
130	851-30768-3512	.C	CAPSULE ASSY-LENS-ON SUPPLIER CODE: V96182 USED ON: 851-30768-3012	002004 006010 103106 950999	1
130	851-30768-3512	.C	CAPSULE ASSY-LENS-ON SUPPLIER CODE: V96182 USED ON: 851-30768-3012	107503 904949	1
130	851-30768-3512	.C	CAPSULE ASSY-LENS-ON SUPPLIER CODE: V96182 USED ON: 851-30768-3012	011102 504903	1
140	851-30768-3827	..	LAMP- SUPPLIER CODE: V96182	002004 006010 103106 950999	2
140	851-30768-3827	..	LAMP- SUPPLIER CODE: V96182	107503 904949	2
140	851-30768-3827	..	LAMP- SUPPLIER CODE: V96182	011102 504903	2
150	851-30768-3829	..	PLUG-LAMP SUPPLIER CODE: V96182	002004 006010 103106 950999	2
150	851-30768-3829	..	PLUG-LAMP SUPPLIER CODE: V96182	107503 904949	2
150	851-30768-3829	..	PLUG-LAMP SUPPLIER CODE: V96182	011102 504903	2

MISSING ITEM NUMBERS NOT APPLICABLE

- ITEM NOT ILLUSTRATED

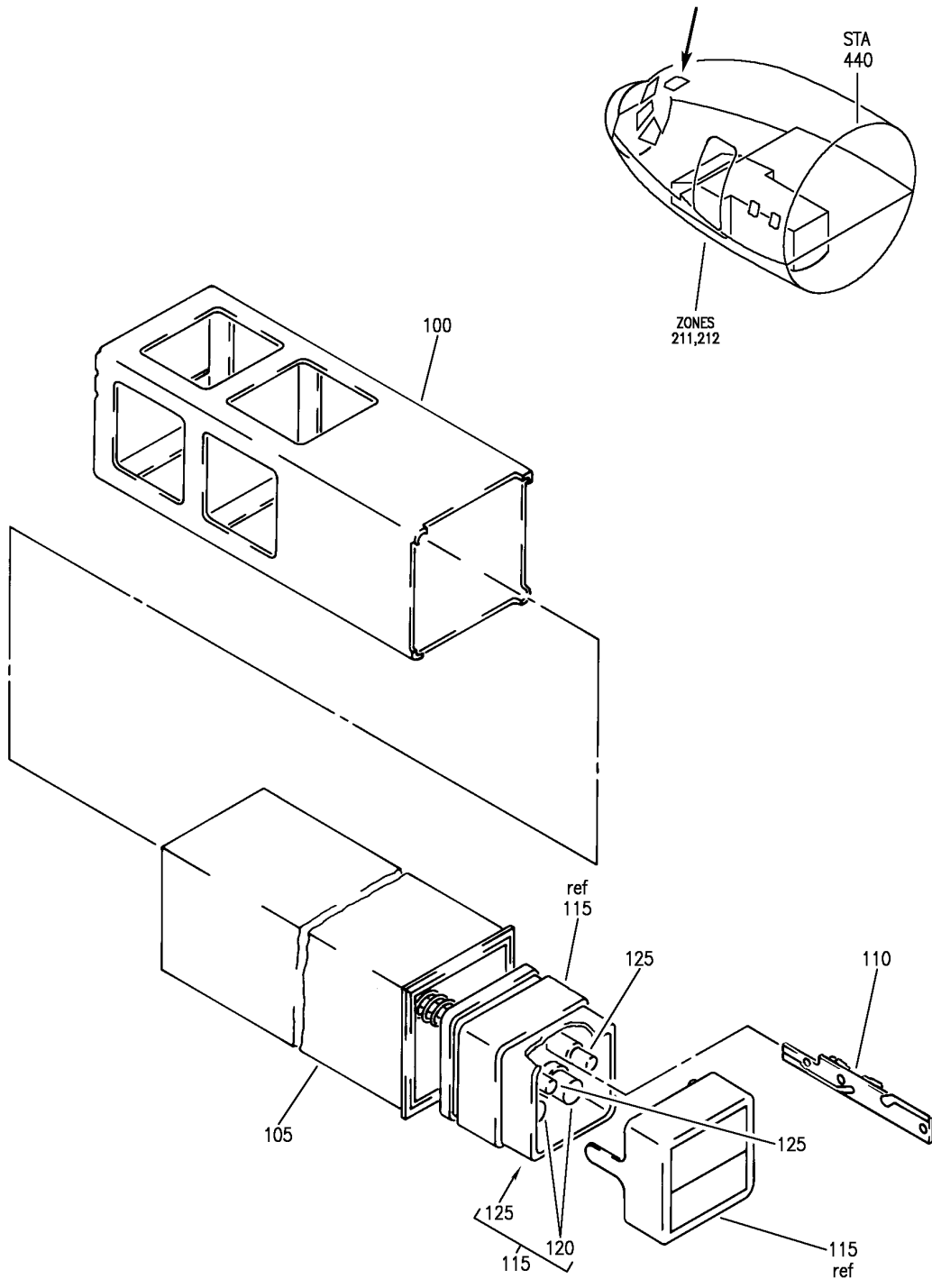
33-13-00-35A

33-13-00
FIG. 35A
PAGE 3
JAN 20/09

BRI

BOEING PROPRIETARY - Copyright © - Unpublished Work - See title page for details.

BOEING
757
PARTS CATALOG (MAINTENANCE)



Y 33130036 REV 264

SWITCH ASSY-LIGHTED PUSHBUTTON IND
FIGURE 36

33-13-00-36

BRI
MAY 28/07

33-13-00-36
PAGE 0



757

PARTS CATALOG (MAINTENANCE)

FIG ITEM	PART NUMBER	1 2 3 4 5 6 7	NOMENCLATURE	EFFECT FROM TO	UNITS PER ASSY
36			SWITCH ASSY-LIGHTED PUSHBUTTON IND	002004 006999	
- 1	851-30768-3016		SWITCH ASSY-LIGHTED PUSH BUTTON IND ON/INOP SUPPLIER CODE: V96182 SPECIFICATION NUMBER: S231T290-3016 OPTIONAL PART: 851-35100-5016 V96182 FOR NHA SEE: 21-25-55-01 21-25-55-02 21-25-55-03	002004 006999	RF
- 1	851-30768-3016		SWITCH ASSY-LIGHTED PUSH BUTTON IND ON/INOP SUPPLIER CODE: V96182 SPECIFICATION NUMBER: S231T290-3016 OPTIONAL PART: 851-35100-5016 V96182 FOR NHA SEE: 22-21-01-01 22-21-01-02 22-21-01-04	002004 006100 107999	RF
- 1	851-30768-3016		SWITCH ASSY-LIGHTED PUSH BUTTON IND ON/INOP SUPPLIER CODE: V96182 SPECIFICATION NUMBER: S231T290-3016 OPTIONAL PART: 851-35100-5016 V96182 FOR NHA SEE: 73-21-52-01 73-21-52-02	002004 006102 107999	RF

MISSING ITEM NUMBERS NOT APPLICABLE

- ITEM NOT ILLUSTRATED

33-13-00-36

33-13-00
FIG. 36
PAGE 1
JAN 20/09

BRI



757

PARTS CATALOG (MAINTENANCE)

FIG ITEM	PART NUMBER	1 2 3 4 5 6 7	NOMENCLATURE	EFFECT FROM TO	UNITS PER ASSY
36					
- 1	851-30768-3016		SWITCH ASSY-LIGHTED PUSH BUTTON IND ON/INOP SUPPLIER CODE: V96182 SPECIFICATION NUMBER: S231T290-3016 OPTIONAL PART: 851-35100-5016 V96182 FOR NHA SEE: 73-21-52-01	121503 904949	RF
- 1	851-30768-3016		SWITCH ASSY-LIGHTED PUSH BUTTON IND ON/INOP SUPPLIER CODE: V96182 SPECIFICATION NUMBER: S231T290-3016 OPTIONAL PART: 851-35100-5016 V96182 FOR NHA SEE: 73-21-52-01	002004 006999	RF
100	851-30768-3825		.SLEEVE-MTG SUPPLIER CODE: V96182	103106	1
100	851-30768-3825		.SLEEVE-MTG SUPPLIER CODE: V96182	101102	1
100	851-30768-3825		.SLEEVE-MTG SUPPLIER CODE: V96182	002004 006100 107120 504903 950999	1
100	851-30768-3825		.SLEEVE-MTG SUPPLIER CODE: V96182	121503 904949	1
105	851-30768-3702		.BASE ASSY- SUPPLIER CODE: V96182	103106	1
105	851-30768-3702		.BASE ASSY- SUPPLIER CODE: V96182	101102	1
105	851-30768-3702		.BASE ASSY- SUPPLIER CODE: V96182	002004 006100 107120 504903 950999	1

MISSING ITEM NUMBERS NOT APPLICABLE

- ITEM NOT ILLUSTRATED

33-13-00-36

33-13-00
FIG. 36
PAGE 2
JAN 20/09

BRI



757

PARTS CATALOG (MAINTENANCE)

FIG ITEM	PART NUMBER	1 2 3 4 5 6 7	NOMENCLATURE	EFFECT FROM TO	UNITS PER ASSY
36					
105	851-30768-3702		.BASE ASSY- SUPPLIER CODE: V96182	121503 904949	1
110	851-30768-3823		..MODULE-DIODE/FUSE SUPPLIER CODE: V96182	103106	1
110	851-30768-3823		..MODULE-DIODE/FUSE SUPPLIER CODE: V96182	101102	1
110	851-30768-3823		..MODULE-DIODE/FUSE SUPPLIER CODE: V96182	002004 006100 107120 504903 950999	1
110	851-30768-3823		..MODULE-DIODE/FUSE SUPPLIER CODE: V96182	121503 904949	1
115	851-30768-3516		.CAPSULE ASSY-LENS ON/INOP SUPPLIER CODE: V96182	103106	1
115	851-30768-3516		.CAPSULE ASSY-LENS ON/INOP SUPPLIER CODE: V96182	101102	1
115	851-30768-3516		.CAPSULE ASSY-LENS ON/INOP SUPPLIER CODE: V96182	002004 006100 107120 504903 950999	1
115	851-30768-3516		.CAPSULE ASSY-LENS ON/INOP SUPPLIER CODE: V96182	121503 904949	1
120	851-30768-3827		..LAMP- SUPPLIER CODE: V96182	103106	2
120	851-30768-3827		..LAMP- SUPPLIER CODE: V96182	101102	2
120	851-30768-3827		..LAMP- SUPPLIER CODE: V96182	002004 006100 107120 504903 950999	2
120	851-30768-3827		..LAMP- SUPPLIER CODE: V96182	121503 904949	2

MISSING ITEM NUMBERS NOT APPLICABLE

- ITEM NOT ILLUSTRATED

33-13-00-36

33-13-00
FIG. 36
PAGE 3
JAN 20/09

BRI



757

PARTS CATALOG (MAINTENANCE)

FIG ITEM	PART NUMBER	1 2 3 4 5 6 7	NOMENCLATURE	EFFECT FROM TO	UNITS PER ASSY
36					
125	851-30768-3828	..	LAMP- SUPPLIER CODE: V96182	103106	2
125	851-30768-3828	..	LAMP- SUPPLIER CODE: V96182	101102	2
125	851-30768-3828	..	LAMP- SUPPLIER CODE: V96182	002004 006100 107120 504903 950999	2
125	851-30768-3828	..	LAMP- SUPPLIER CODE: V96182	121503 904949	2

MISSING ITEM NUMBERS NOT APPLICABLE

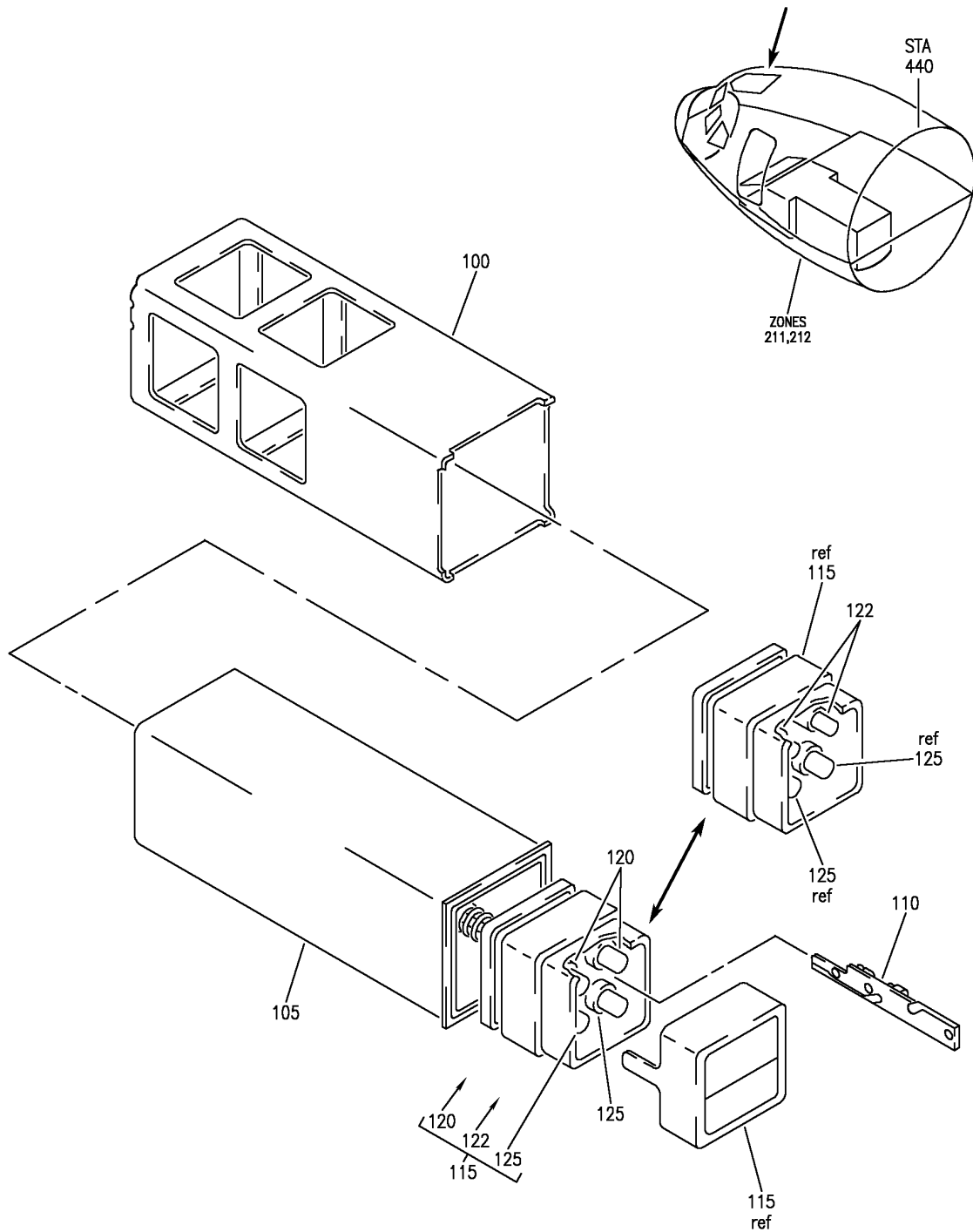
- ITEM NOT ILLUSTRATED

33-13-00-36

33-13-00
FIG. 36
PAGE 4
JAN 20/09

BRI

BOEING
757
PARTS CATALOG (MAINTENANCE)



Y 33130037 REV 264

SWITCH ASSY-LIGHTED PUSHBUTTON IND
FIGURE 37

33-13-00-37

BRI
MAY 28/07

33-13-00-37
PAGE 0



757

PARTS CATALOG (MAINTENANCE)

FIG ITEM	PART NUMBER	1 2 3 4 5 6 7	NOMENCLATURE	EFFECT FROM TO	UNITS PER ASSY
37					
- 1	851-30768-3036		SWITCH ASSY-LIGHTED PUSHBUTTON IND SWITCH ASSY-LIGHTED PUSHBUTTON IND SUPPLIER CODE: V96182 SPECIFICATION NUMBER: S231T290-3036 OPTIONAL PART: S231T290-5036 FOR NHA SEE: 29-21-54-01 29-21-54-02 29-21-54-03	002004 006999 002004 006102 107999	RF
- 5	851-30768-3045		SWITCH ASSY-LIGHTED PUSHBUTTON IND SUPPLIER CODE: V96182 SPECIFICATION NUMBER: S231T290-3045 OPTIONAL PART: S231T290-5045 FOR NHA SEE: 24-41-51-01 24-41-51-03 24-41-51-04	002004 006102 107999	RF
- 10	851-30768-3056		SWITCH ASSY-LIGHTED PUSHBUTTON IND SUPPLIER CODE: V96182 SPECIFICATION NUMBER: S231T290-3056 OPTIONAL PART: S231T290-5056 FOR NHA SEE: 21-51-54-01 21-51-54-02 21-51-54-03	002004 006999	RF

MISSING ITEM NUMBERS NOT APPLICABLE

- ITEM NOT ILLUSTRATED

33-13-00-37

33-13-00
FIG. 37
PAGE 1
JAN 20/09

BRI



757

PARTS CATALOG (MAINTENANCE)

FIG ITEM	PART NUMBER	1 2 3 4 5 6 7	NOMENCLATURE	EFFECT FROM TO	UNITS PER ASSY
37					
- 15	851-30768-3077		SWITCH ASSY-LIGHTED PUSHBUTTON IND SUPPLIER CODE: V96182 SPECIFICATION NUMBER: S231T290-3077 OPTIONAL PART: S231T290-5077 FOR NHA SEE: 52-51-51-01 52-51-51-02 52-51-51-03	002004 006102 107999	RF
- 20	851-30768-3080		SWITCH ASSY-LIGHTED PUSHBUTTON IND SUPPLIER CODE: V96182 SPECIFICATION NUMBER: S231T290-3080 OPTIONAL PART: S231T290-5080 FOR NHA SEE: 21-58-51-01 21-58-51-03	002004 006010 101102 107999	RF
100	851-30768-3825		.SLEEVE-MTG SUPPLIER CODE: V96182	002004 006010 101102 107999	1
100	851-30768-3825		.SLEEVE-MTG SUPPLIER CODE: V96182	010100	1
100	851-30768-3825		.SLEEVE-MTG SUPPLIER CODE: V96182	103106	1
105	851-30768-3709		.BASE ASSY- SUPPLIER CODE: V96182	002004 006010 101102 107999	1
105	851-30768-3709		.BASE ASSY- SUPPLIER CODE: V96182	010100	1
105	851-30768-3709		.BASE ASSY- SUPPLIER CODE: V96182	103106	1
110	851-30768-3823		..MODULE-DIODE/FUSE SUPPLIER CODE: V96182	002004 006010 101102 107999	1

MISSING ITEM NUMBERS NOT APPLICABLE

- ITEM NOT ILLUSTRATED

33-13-00-37

33-13-00
FIG. 37
PAGE 2
JAN 20/09

BRI



757

PARTS CATALOG (MAINTENANCE)

FIG ITEM	PART NUMBER	1 2 3 4 5 6 7	NOMENCLATURE	EFFECT FROM TO	UNITS PER ASSY
37					
110	851-30768-3823	..	MODULE-DIODE/FUSE SUPPLIER CODE: V96182	010100	1
110	851-30768-3823	..	MODULE-DIODE/FUSE SUPPLIER CODE: V96182	103106	1
115	851-30768-3536	.CAPSULE ASSY-LENS-PRESS/ UNLKD SUPPLIER CODE: V96182 USED ON: 851-30768-3036		002004 006102 107999	1
115	851-30768-3545	.CAPSULE ASSY-LENS-ON/ AVAIL SUPPLIER CODE: V96182 USED ON: 851-30768-3045		002004 006102 107999	1
115	851-30768-3556	.CAPSULE ASSY-LENS-INOP/ PACK OFF SUPPLIER CODE: V96182 USED ON: 851-30768-3056		002004 006999	1
115	851-30768-3577	.CAPSULE ASSY-LENS-UNLKD/ UNLKD SUPPLIER CODE: V96182 USED ON: 851-30768-3077		002004 006102 107999	1
115	851-30768-3580	.CAPSULE ASSY-LENS-ALTN/ OVHT SUPPLIER CODE: V96182 USED ON: 851-30768-3080		002004 006010 101102 107999	1
120	851-30768-3828	..LAMP- SUPPLIER CODE: V96182 USED ON: 851-30768-3536 851-30768-3545 851-30768-3556		002004 006102 107999	2

MISSING ITEM NUMBERS NOT APPLICABLE

- ITEM NOT ILLUSTRATED

33-13-00-37

33-13-00
FIG. 37
PAGE 3
JAN 20/09

BRI



757

PARTS CATALOG (MAINTENANCE)

FIG ITEM	PART NUMBER	1 2 3 4 5 6 7	NOMENCLATURE	EFFECT FROM TO	UNITS PER ASSY
37 120	851-30768-3828	..	LAMP- SUPPLIER CODE: V96182 USED ON: 851-30768-3536 851-30768-3545 851-30768-3556	103106	2
122	851-30768-3827	..	LAMP- SUPPLIER CODE: V96182 USED ON: 851-30768-3577 851-30768-3580 851-30768-3586	002004 006010 101102 107999	2
122	851-30768-3827	..	LAMP- SUPPLIER CODE: V96182 USED ON: 851-30768-3577 851-30768-3580 851-30768-3586	011100	2
125	851-30768-3828	..	LAMP- SUPPLIER CODE: V96182	002004 006010 101102 107999	2
125	851-30768-3828	..	LAMP- SUPPLIER CODE: V96182	010100	2
125	851-30768-3828	..	LAMP- SUPPLIER CODE: V96182	103106	2

MISSING ITEM NUMBERS NOT APPLICABLE

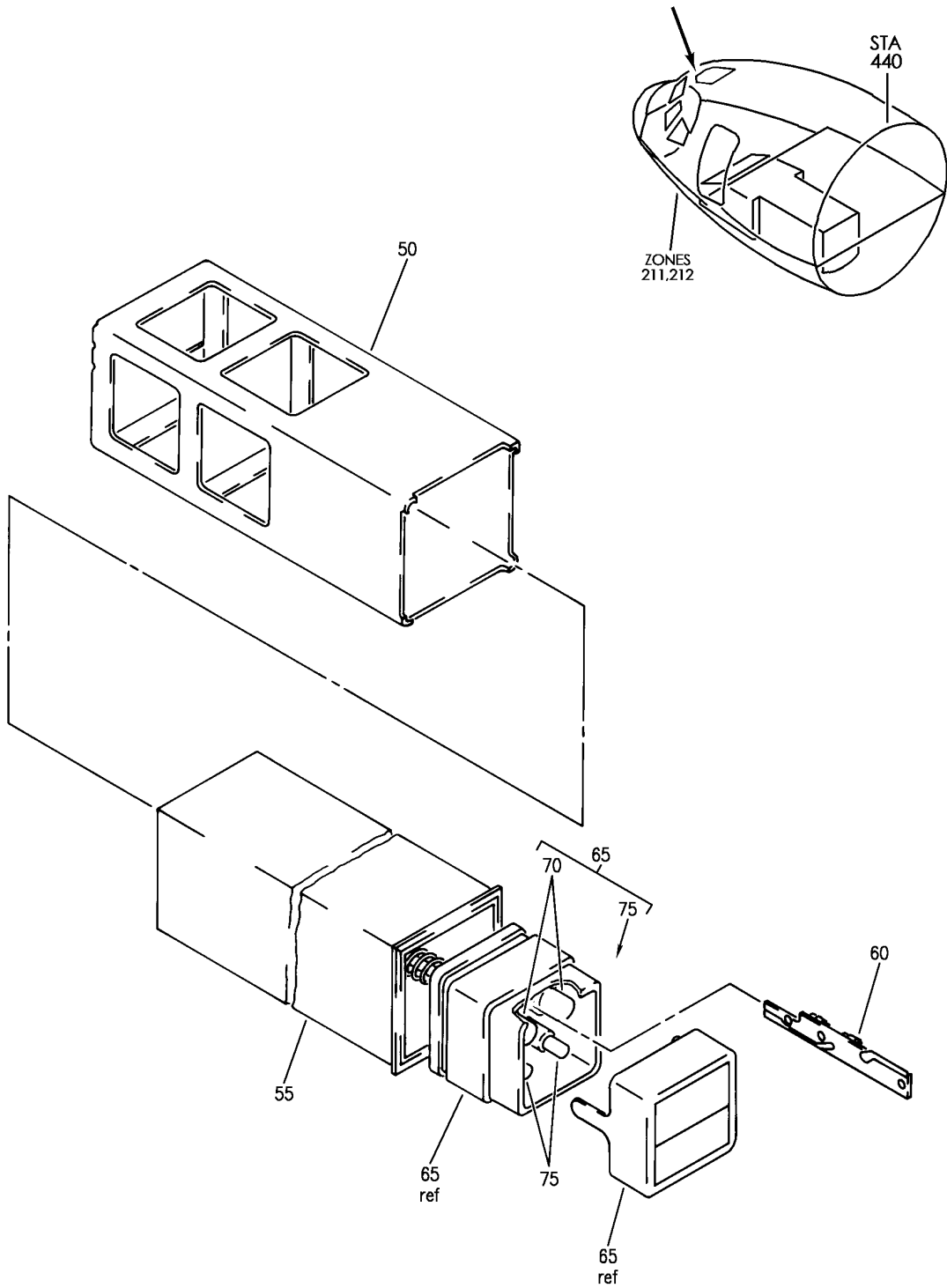
- ITEM NOT ILLUSTRATED

33-13-00-37

33-13-00
FIG. 37
PAGE 4
JAN 20/09

BRI

BOEING
757
PARTS CATALOG (MAINTENANCE)



Y 33130037A REV 252

SWITCH ASSY-LIGHTED PUSHBUTTON IND
FIGURE 37A

33-13-00-37A

BRI
MAY 28/07

33-13-00-37A
PAGE 0



757

PARTS CATALOG (MAINTENANCE)

FIG ITEM	PART NUMBER	1 2 3 4 5 6 7	NOMENCLATURE	EFFECT FROM TO	UNITS PER ASSY
37A			SWITCH ASSY-LIGHTED PUSHBUTTON IND	002004 006999	
- 1	851-30768-3024		SWITCH ASSY-LIGHTED PUSHBUTTON IND ON/OFF SUPPLIER CODE: V96182 SPECIFICATION NUMBER: S231T290-3024 OPTIONAL PART: 851-35100-5024 V96182 FOR NHA SEE: 21-61-04-01 21-61-04-02 21-61-04-03	002004 006999	RF
- 1	851-30768-3024		SWITCH ASSY-LIGHTED PUSHBUTTON IND ON/OFF SUPPLIER CODE: V96182 SPECIFICATION NUMBER: S231T290-3024 QUALIFIED I/W DATA: 851-30768-2024 TOGETHER WITH 851-30768-803 -813 OR 433-100-004 SWITCHGUARD I/W BCREF7611 851-30768-3024 BCREFA0510 OR 851-35100-5024 WITH 433-100-004 SWITCHGUARD 851-30768-3024 T/W 433-100-004 SWITCHGUARD I/W 851-35100-5024 OPTIONAL PART: 851-35100-5024 V96182 FOR NHA SEE: 24-31-01-11	107107 121503 904949	RF

MISSING ITEM NUMBERS NOT APPLICABLE

- ITEM NOT ILLUSTRATED

33-13-00-37A

33-13-00
FIG. 37A
PAGE 1
JAN 20/09

BRI



757

PARTS CATALOG (MAINTENANCE)

FIG ITEM	PART NUMBER	1 2 3 4 5 6 7	NOMENCLATURE	EFFECT FROM TO	UNITS PER ASSY
37A - 5	851-30768-3038		SWITCH ASSY-LIGHTED PUSHBUTTON IND VALVE SUPPLIER CODE: V96182 SPECIFICATION NUMBER: S231T290-3038 OPTIONAL PART: BCREF7617 V81590 851-30768-5038 V96182 FOR NHA SEE: 28-22-51-01 28-22-51-02	006106 108120 504903 950951 953999	RF
- 5	851-30768-3038		SWITCH ASSY-LIGHTED PUSHBUTTON IND VALVE SUPPLIER CODE: V96182 SPECIFICATION NUMBER: S231T290-3038 OPTIONAL PART: BCREF7617 V81590 851-30768-5038 V96182 FOR NHA SEE: 28-22-51-01 28-22-51-02	002004 107107 121503 904949 952952	RF
- 5	851-30768-3038		SWITCH ASSY-LIGHTED PUSHBUTTON IND VALVE SUPPLIER CODE: V96182 SPECIFICATION NUMBER: S231T290-3038 OPTIONAL PART: BCREF7617 V81590 851-35100-5038 V96182 FOR NHA SEE: 36-11-04-01 36-11-04-02 36-11-04-03	002004 006102 107999	RF

MISSING ITEM NUMBERS NOT APPLICABLE

- ITEM NOT ILLUSTRATED

33-13-00-37A

33-13-00
FIG. 37A
PAGE 2
JAN 20/09

BRI



757

PARTS CATALOG (MAINTENANCE)

FIG ITEM	PART NUMBER	1 2 3 4 5 6 7	NOMENCLATURE	EFFECT FROM TO	UNITS PER ASSY
37A - 10	851-30768-3064		SWITCH ASSY-LIGHTED PUSHBUTTON IND AUTO/ISLN SUPPLIER CODE: V96182 SPECIFICATION NUMBER: S231T290-3064 OPTIONAL PART: S231T290-5064 FOR NHA SEE: 24-22-01-03 24-22-01-04 24-22-01-05	002004 006102 107999	RF
50	851-30768-3825	.	SLEEVE-MTG SUPPLIER CODE: V96182	002004 952952	1
50	851-30768-3825	.	SLEEVE-MTG SUPPLIER CODE: V96182	103106	1
50	851-30768-3825	.	SLEEVE-MTG SUPPLIER CODE: V96182	006102 107951 953999	1
55	851-30768-3715	.	BASE ASSY- SUPPLIER CODE: V96182 USED ON: 851-30768-3024	002004 006106 108120 504903 950999	1
55	851-30768-3702	.	BASE ASSY- SUPPLIER CODE: V96182 USED ON: 851-30768-3038 851-30768-3064	103106	1
55	851-30768-3715	.	BASE ASSY- SUPPLIER CODE: V96182 USED ON: 851-30768-3024	107107 121503 904949	1
55	851-30768-3702	.	BASE ASSY- SUPPLIER CODE: V96182 USED ON: 851-30768-3038 851-30768-3064	002004 107107 121503 904949 952952	1

MISSING ITEM NUMBERS NOT APPLICABLE

- ITEM NOT ILLUSTRATED

33-13-00-37A

33-13-00
FIG. 37A
PAGE 3
JAN 20/09

BRI



757

PARTS CATALOG (MAINTENANCE)

FIG ITEM	PART NUMBER	1 2 3 4 5 6 7	NOMENCLATURE	EFFECT FROM TO	UNITS PER ASSY
37A					
55	851-30768-3702		.BASE ASSY- SUPPLIER CODE: V96182 USED ON: 851-30768-3038 851-30768-3064	006102 108120 504903 950951 953999	1
60	851-30768-3823		..MODULE-DIODE/FUSE SUPPLIER CODE: V96182	002004 952952	1
60	851-30768-3823		..MODULE-DIODE/FUSE SUPPLIER CODE: V96182	103106	1
60	851-30768-3823		..MODULE-DIODE/FUSE SUPPLIER CODE: V96182	006102 107951 953999	1
65	851-30768-3524		.CAPSULE ASSY-LENS ON/OFF SUPPLIER CODE: V96182 USED ON: 851-30768-3024	002004 006106 108120 504903 950999	1
65	851-30768-3538		.CAPSULE ASSY-LENS ON/OFF SUPPLIER CODE: V96182 USED ON: 851-30768-3038	002004 103107 121503 904949 952952	1
65	851-30768-3564		.CAPSULE ASSY-LENS ON/OFF SUPPLIER CODE: V96182 USED ON: 851-30768-3064	002004 006102 107999	1
65	851-30768-3524		.CAPSULE ASSY-LENS ON/OFF SUPPLIER CODE: V96182 USED ON: 851-30768-3024	107107 121503 904949	1
65	851-30768-3538		.CAPSULE ASSY-LENS ON/OFF SUPPLIER CODE: V96182 USED ON: 851-30768-3038	006102 108120 504903 950951 953999	1
70	851-30768-3827		..LAMP- SUPPLIER CODE: V96182	002004 952952	2

MISSING ITEM NUMBERS NOT APPLICABLE

- ITEM NOT ILLUSTRATED

33-13-00-37A

33-13-00
FIG. 37A
PAGE 4
JAN 20/09

BRI

BOEING PROPRIETARY - Copyright © - Unpublished Work - See title page for details.



757

PARTS CATALOG (MAINTENANCE)

FIG ITEM	PART NUMBER	1 2 3 4 5 6 7	NOMENCLATURE	EFFECT FROM TO	UNITS PER ASSY
37A					
70	851-30768-3827	..	LAMP- SUPPLIER CODE: V96182	103106	2
70	851-30768-3827	..	LAMP- SUPPLIER CODE: V96182	006102 107951 953999	2
75	851-30768-3828	..	LAMP- SUPPLIER CODE: V96182	002004 952952	2
75	851-30768-3828	..	LAMP- SUPPLIER CODE: V96182	103106	2
75	851-30768-3828	..	LAMP- SUPPLIER CODE: V96182	006102 107951 953999	2

MISSING ITEM NUMBERS NOT APPLICABLE

- ITEM NOT ILLUSTRATED

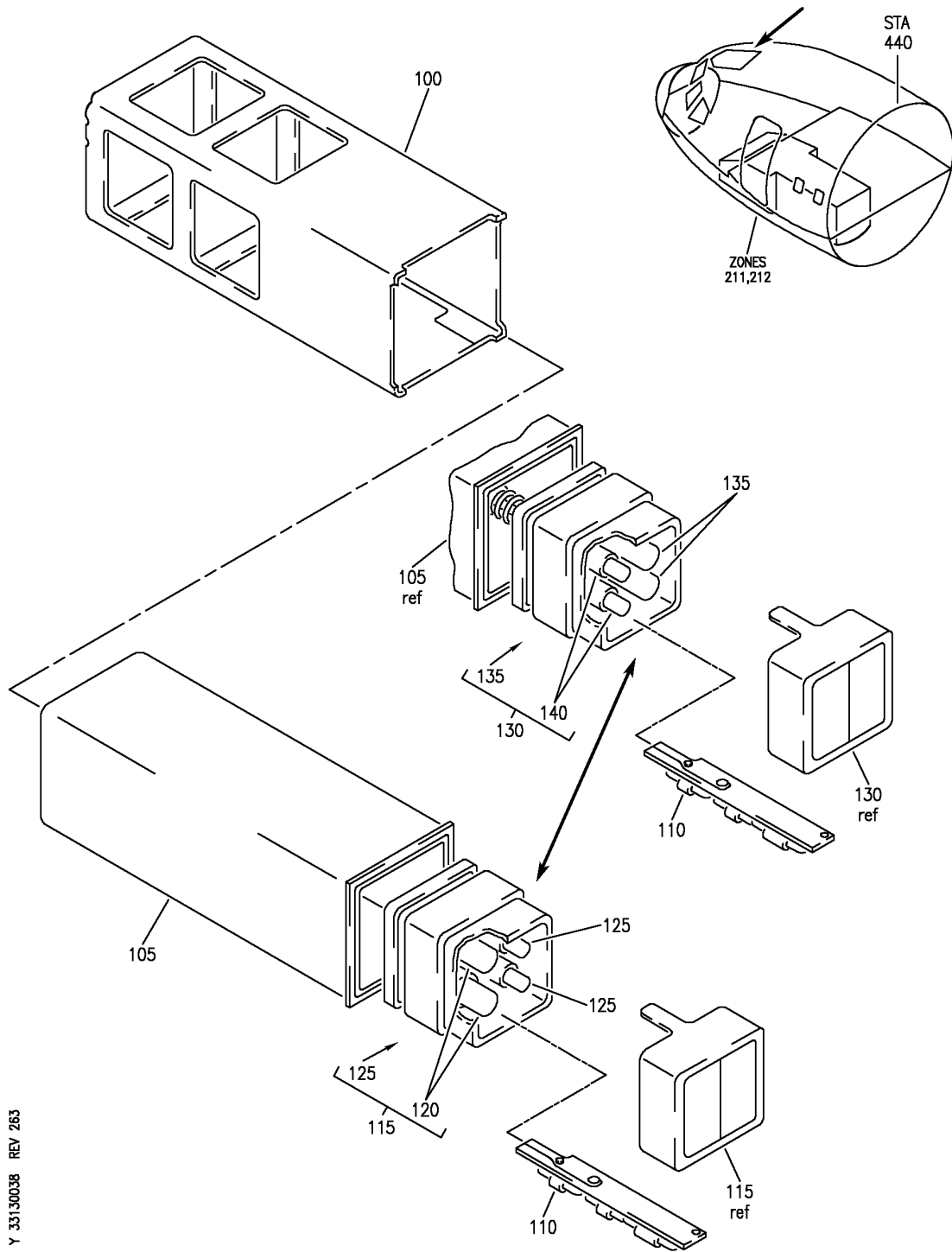
33-13-00-37A

33-13-00
FIG. 37A
PAGE 5
JAN 20/09

BRI

BOEING PROPRIETARY - Copyright © - Unpublished Work - See title page for details.

BOEING
757
PARTS CATALOG (MAINTENANCE)



Y 33130038 REV 263

SWITCH ASSY-LIGHTED PUSHBUTTON IND
FIGURE 38

33-13-00-38

BRI
MAY 28/07

33-13-00-38
PAGE 0



757

PARTS CATALOG (MAINTENANCE)

FIG ITEM	PART NUMBER	1 2 3 4 5 6 7	NOMENCLATURE	EFFECT FROM TO	UNITS PER ASSY
38			SWITCH ASSY-LIGHTED PUSHBUTTON IND	002004 006999	
- 1	851-30768-3021		SWITCH ASSY-LIGHTED PUSH BUTTON IND ON/PRESS SUPPLIER CODE: V96182 SPECIFICATION NUMBER: S231T290-3021 OPTIONAL PART: BCREF7609 V81590 851-35100-5021 V96182 4336731004-4221 V81590 FOR NHA SEE: 28-22-51-01 28-22-51-02	002004 006999	RF
- 5	851-30768-3022		SWITCH ASSY-LIGHTED PUSH BUTTON IND PRESS/ON SUPPLIER CODE: V96182 SPECIFICATION NUMBER: S231T290-3022 OPTIONAL PART: BCREF7610 V81590 851-35100-5022 V96182 4336731004-4222 V81590 FOR NHA SEE: 28-22-51-01 28-22-51-02	002004 006999	RF
- 10	851-30768-3031		SWITCH ASSY-LIGHTED PUSH BUTTON IND OFF/ON SUPPLIER CODE: V96182 SPECIFICATION NUMBER: S231T290-3031 OPTIONAL PART: S231T290-5031 FOR NHA SEE: 24-22-01-03 24-22-01-04 24-22-01-05	002004 006102 107999	RF

MISSING ITEM NUMBERS NOT APPLICABLE

- ITEM NOT ILLUSTRATED

33-13-00-38

33-13-00
FIG. 38
PAGE 1
JAN 20/09

BRI



757

PARTS CATALOG (MAINTENANCE)

FIG ITEM	PART NUMBER	1 2 3 4 5 6 7	NOMENCLATURE	EFFECT FROM TO	UNITS PER ASSY
38					
- 15	851-30768-3013		SWITCH ASSY-LIGHTED PUSH BUTTON IND OFF SUPPLIER CODE: V96182 SPECIFICATION NUMBER: S231T290-3013 OPTIONAL PART: S231T290-5013 FOR NHA SEE: 75-32-00-01 75-32-00-02 75-32-00-03	002004 006102 107999	RF
- 20	851-30768-3030		SWITCH ASSY-LIGHTED PUSH BUTTON IND OFF SUPPLIER CODE: V96182 SPECIFICATION NUMBER: S231T290-3030 OPTIONAL PART: S231T290-5030 FOR NHA SEE: 75-32-00-01 75-32-00-02 75-32-00-03	002004 006102 107999	RF
- 25	851-30768-3067		SWITCH ASSY-LIGHTED PUSH BUTTON IND VALVE SUPPLIER CODE: V96182 SPECIFICATION NUMBER: S231T290-3067 OPTIONAL PART: S231T290-5067 FOR NHA SEE: 49-52-00-01 49-52-00-02 49-52-00-03	002004 006102 107999	RF
100	851-30768-3825		.SLEEVE-MTG SUPPLIER CODE: V96182	103106	1
100	851-30768-3825		.SLEEVE-MTG SUPPLIER CODE: V96182	002004 006102 107999	1
105	851-30768-3714		.BASE ASSY- SUPPLIER CODE: V96182 USED ON: 851-30768-3022 851-30768-3030 851-30768-3031	103106	1

MISSING ITEM NUMBERS NOT APPLICABLE

- ITEM NOT ILLUSTRATED

33-13-00-38

33-13-00
FIG. 38
PAGE 2
JAN 20/09

BRI



757

PARTS CATALOG (MAINTENANCE)

FIG ITEM	PART NUMBER	1 2 3 4 5 6 7	NOMENCLATURE	EFFECT FROM TO	UNITS PER ASSY
38					
105	851-30768-3714		.BASE ASSY- SUPPLIER CODE: V96182 USED ON: 851-30768-3022 851-30768-3030 851-30768-3031	002004 006102 107999	1
105	851-30768-3715		.BASE ASSY- SUPPLIER CODE: V96182 USED ON: 851-30768-3013 851-30768-3021 851-30768-3067	103106	1
105	851-30768-3715		.BASE ASSY- SUPPLIER CODE: V96182 USED ON: 851-30768-3013 851-30768-3021 851-30768-3067	002004 006102 107999	1
110	851-30768-3823		..MODULE-DIODE/FUSE SUPPLIER CODE: V96182	103106	1
110	851-30768-3823		..MODULE-DIODE/FUSE SUPPLIER CODE: V96182	002004 006102 107999	1
115	851-30768-3522		.CAPSULE ASSY-LENS PRESS/ON SUPPLIER CODE: V96182 USED ON: 851-30768-3022	002004 006999	1
115	851-30768-3530		.CAPSULE ASSY-LENS OFF SUPPLIER CODE: V96182 USED ON: 851-30768-3030	002004 006102 107999	1
115	851-30768-3531		.CAPSULE ASSY-LENS OFF SUPPLIER CODE: V96182 USED ON: 851-30768-3031	002004 006102 107999	1
120	851-30768-3827		..LAMP- SUPPLIER CODE: V96182	103106	2
120	851-30768-3827		..LAMP- SUPPLIER CODE: V96182	002004 006102 107999	2

MISSING ITEM NUMBERS NOT APPLICABLE

- ITEM NOT ILLUSTRATED

33-13-00-38

33-13-00
FIG. 38
PAGE 3
JAN 20/09

BRI



757

PARTS CATALOG (MAINTENANCE)

FIG ITEM	PART NUMBER	1 2 3 4 5 6 7	NOMENCLATURE	EFFECT FROM TO	UNITS PER ASSY
38					
125	851-30768-3828	..	LAMP- SUPPLIER CODE: V96182	103106	2
125	851-30768-3828	..	LAMP- SUPPLIER CODE: V96182	002004 006102 107999	2
130	851-30768-3513	.C	CAPSULE ASSY-LENS OFF SUPPLIER CODE: V96182 USED ON: 851-30768-3013	002004 006102 107999	1
130	851-30768-3521	.C	CAPSULE ASSY-LENS ON/PRESS SUPPLIER CODE: V96182 USED ON: 851-30768-3021	002004 006999	1
130	851-30768-3567	.C	CAPSULE ASSY-LENS VALVE SUPPLIER CODE: V96182 USED ON: 851-30768-3067	002004 006102 107999	1
135	851-30768-3827	..	LAMP- SUPPLIER CODE: V96182	103106	2
135	851-30768-3827	..	LAMP- SUPPLIER CODE: V96182	002004 006102 107999	2
140	851-30768-3828	..	LAMP- SUPPLIER CODE: V96182	103106	2
140	851-30768-3828	..	LAMP- SUPPLIER CODE: V96182	002004 006102 107999	2

MISSING ITEM NUMBERS NOT APPLICABLE

- ITEM NOT ILLUSTRATED

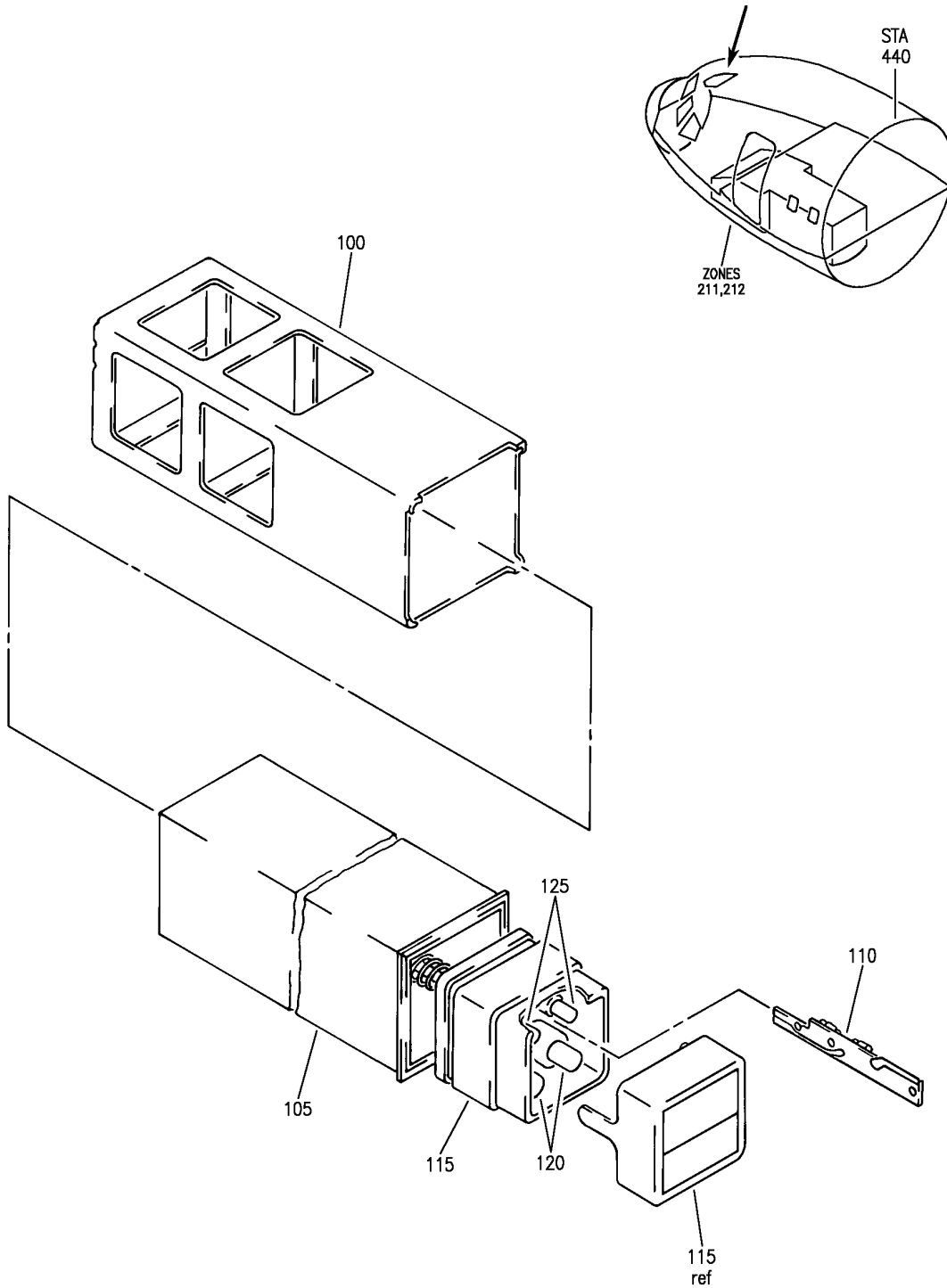
33-13-00-38

33-13-00
FIG. 38
PAGE 4
JAN 20/09

BRI

BOEING PROPRIETARY - Copyright © - Unpublished Work - See title page for details.

BOEING
757
PARTS CATALOG (MAINTENANCE)



Y 33130039 REV 269

SWITCH ASSY-LIGHTED PUSH BUTTON IND
FIGURE 39

33-13-00-39

BRI
MAY 28/07

33-13-00-39
PAGE 0



757

PARTS CATALOG (MAINTENANCE)

FIG ITEM	PART NUMBER	1 2 3 4 5 6 7	NOMENCLATURE	EFFECT FROM TO	UNITS PER ASSY
39			SWITCH ASSY-LIGHTED PUSH BUTTON IND	002004 006999	
- 5	851-30768-3053		SWITCH ASSY-LIGHTED PUSH BUTTON IND ON/OFF SUPPLIER CODE: V96182 SPECIFICATION NUMBER: S231T290-3053 OPTIONAL PART: S231T290-5053 FOR NHA SEE: 24-51-02-01 24-51-62-01	002004 006102 107999	RF
- 10	851-30768-3054		SWITCH ASSY-LIGHTED PUSH BUTTON IND ON/OFF SUPPLIER CODE: V96182 SPECIFICATION NUMBER: S231T290-3054 OPTIONAL PART: S231T290-5054 FOR NHA SEE: 24-51-02-01 24-51-62-01	002004 006102 107999	RF
- 15	851-30768-3020		SWITCH ASSY-LIGHTED PUSH BUTTON IND ON/PRESS SUPPLIER CODE: V96182 SPECIFICATION NUMBER: S231T290-3020 OPTIONAL PART: 851-35100-5020 V96182 FOR NHA SEE: 29-11-02-03 29-11-02-06 29-11-02-07 29-11-05-04 29-11-05-05 29-11-05-06 29-11-52-01 29-11-52-02 29-11-52-07	002004 006999	RF
100	851-30768-3825		.SLEEVE-MTG SUPPLIER CODE: V96182	002004 006102 107999	1
100	851-30768-3825		.SLEEVE-MTG SUPPLIER CODE: V96182	103106	1

MISSING ITEM NUMBERS NOT APPLICABLE

- ITEM NOT ILLUSTRATED

33-13-00-39

33-13-00
FIG. 39
PAGE 1
JAN 20/09

BRI



757

PARTS CATALOG (MAINTENANCE)

FIG ITEM	PART NUMBER	1 2 3 4 5 6 7	NOMENCLATURE	EFFECT FROM TO	UNITS PER ASSY
39					
105	851-30768-3702		.BASE ASSY- SUPPLIER CODE: V96182	002004 006102 107999	1
105	851-30768-3702		.BASE ASSY- SUPPLIER CODE: V96182	103106	1
110	851-30768-3823		..MODULE-DIODE/FUSE SUPPLIER CODE: V96182	002004 006102 107999	1
110	851-30768-3823		..MODULE-DIODE/FUSE SUPPLIER CODE: V96182	103106	1
115	851-30768-3520		.CAPSULE ASSY-LENS ON/PRESS SUPPLIER CODE: V96182	002004 006999	1
115	851-30768-3553		.CAPSULE ASSY-LENS ON/OFF SUPPLIER CODE: V96182	002004 006102 107999	1
115	851-30768-3554		.CAPSULE ASSY-LENS ON/OFF SUPPLIER CODE: V96182	002004 006102 107999	1
120	851-30768-3827		..LAMP- SUPPLIER CODE: V96182	002004 006102 107999	2
120	851-30768-3827		..LAMP- SUPPLIER CODE: V96182	103106	2
125	851-30768-3828		..LAMP- SUPPLIER CODE: V96182	002004 006102 107999	2
125	851-30768-3828		..LAMP- SUPPLIER CODE: V96182	103106	2

MISSING ITEM NUMBERS NOT APPLICABLE

- ITEM NOT ILLUSTRATED

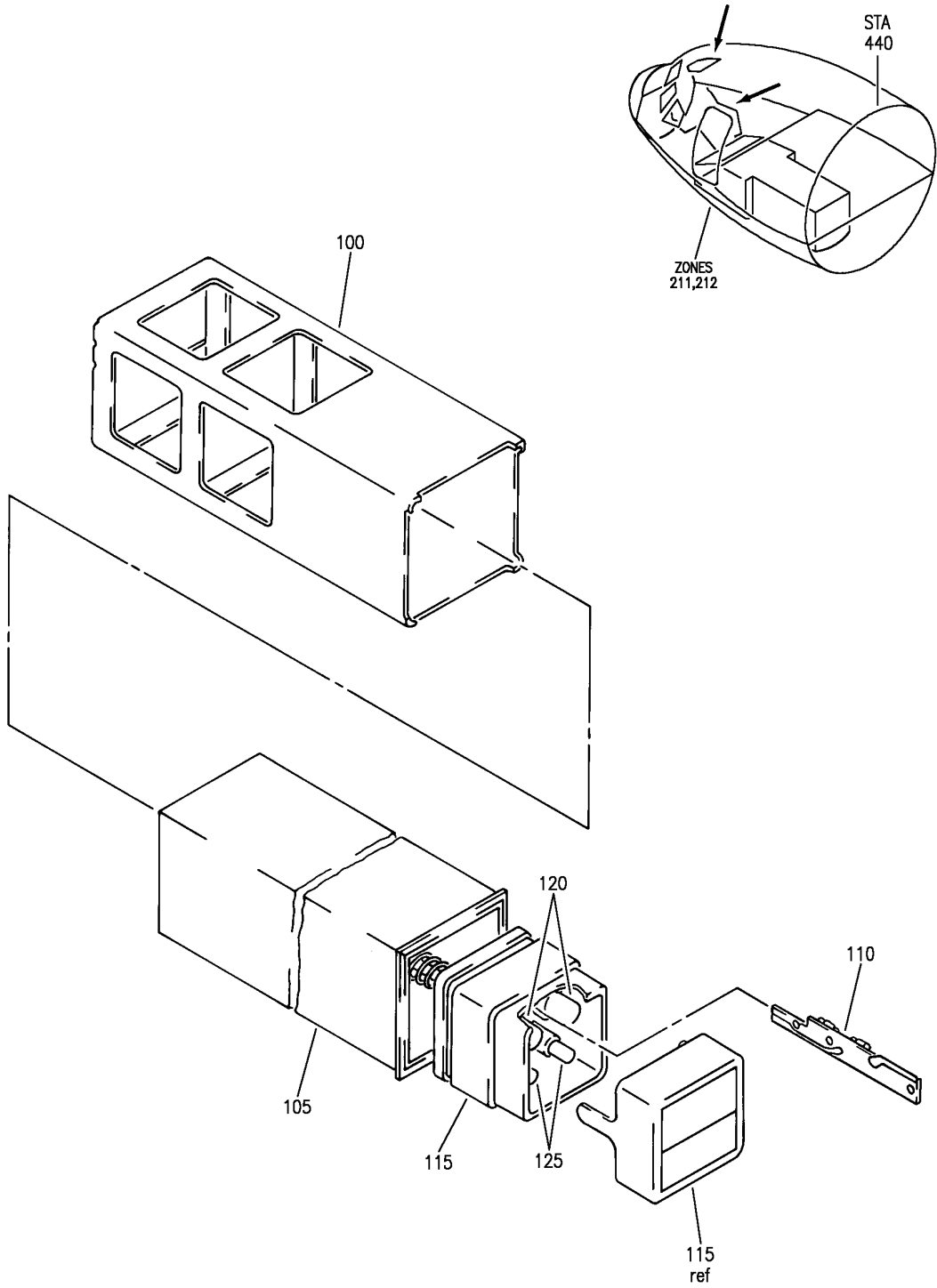
33-13-00-39

33-13-00
FIG. 39
PAGE 2
JAN 20/09

BRI

BOEING PROPRIETARY - Copyright © - Unpublished Work - See title page for details.

BOEING
757
PARTS CATALOG (MAINTENANCE)



Y 33130039A REV 250

SWITCH ASSY-LIGHTED PUSHBUTTON IND
FIGURE 39A

33-13-00-39A

BRI
MAY 28/07

33-13-00-39A
PAGE 0



757

PARTS CATALOG (MAINTENANCE)

FIG ITEM	PART NUMBER	1 2 3 4 5 6 7	NOMENCLATURE	EFFECT FROM TO	UNITS PER ASSY
39A					
- 1	851-30768-3027		SWITCH ASSY-LIGHTED PUSHBUTTON IND	002004 006999	RF
- 5	851-30768-3026		SWITCH ASSY-LIGHTED PUSHBUTTON IND ON/VALVE SUPPLIER CODE: V96182 SPECIFICATION NUMBER: S231T290-3027 FOR NHA SEE: 30-21-51-01 30-21-51-02 30-21-51-03	002004 006999	RF
100	851-30768-3825		.SLEEVE-MTG SUPPLIER CODE: V96182	002004 006102 107999	1
100	851-30768-3825		.SLEEVE-MTG SUPPLIER CODE: V96182	103106	1
105	851-30768-3702		.BASE ASSY- SUPPLIER CODE: V96182	002004 006102 107999	1
105	851-30768-3702		.BASE ASSY- SUPPLIER CODE: V96182	103106	1
110	851-30768-3823		..MODULE-DIODE/FUSE SUPPLIER CODE: V96182	002004 006102 107999	1

MISSING ITEM NUMBERS NOT APPLICABLE

- ITEM NOT ILLUSTRATED

33-13-00-39A

33-13-00
FIG. 39A
PAGE 1
JAN 20/09

BRI

BOEING PROPRIETARY - Copyright © - Unpublished Work - See title page for details.



757

PARTS CATALOG (MAINTENANCE)

FIG ITEM	PART NUMBER	1 2 3 4 5 6 7	NOMENCLATURE	EFFECT FROM TO	UNITS PER ASSY
39A 110	851-30768-3823	..	MODULE-DIODE/FUSE SUPPLIER CODE: V96182	103106	1
115	851-30768-3526	.C	CAPSULE ASSY-LENS ON/PRESS SUPPLIER CODE: V96182 USED ON: 851-30768-3026	002004 006999	1
115	851-30768-3527	.C	CAPSULE ASSY-LENS ON/PRESS SUPPLIER CODE: V96182 USED ON: 851-30768-3027	002004 006102 107999	1
120	851-30768-3827	..	LAMP- SUPPLIER CODE: V96182	002004 006999	2
120	851-30768-3827	..	LAMP- SUPPLIER CODE: V96182	002004 006102 107999	2
125	851-30768-3828	..	LAMP- SUPPLIER CODE: V96182	002004 006999	2
125	851-30768-3828	..	LAMP- SUPPLIER CODE: V96182	002004 006102 107999	2

MISSING ITEM NUMBERS NOT APPLICABLE

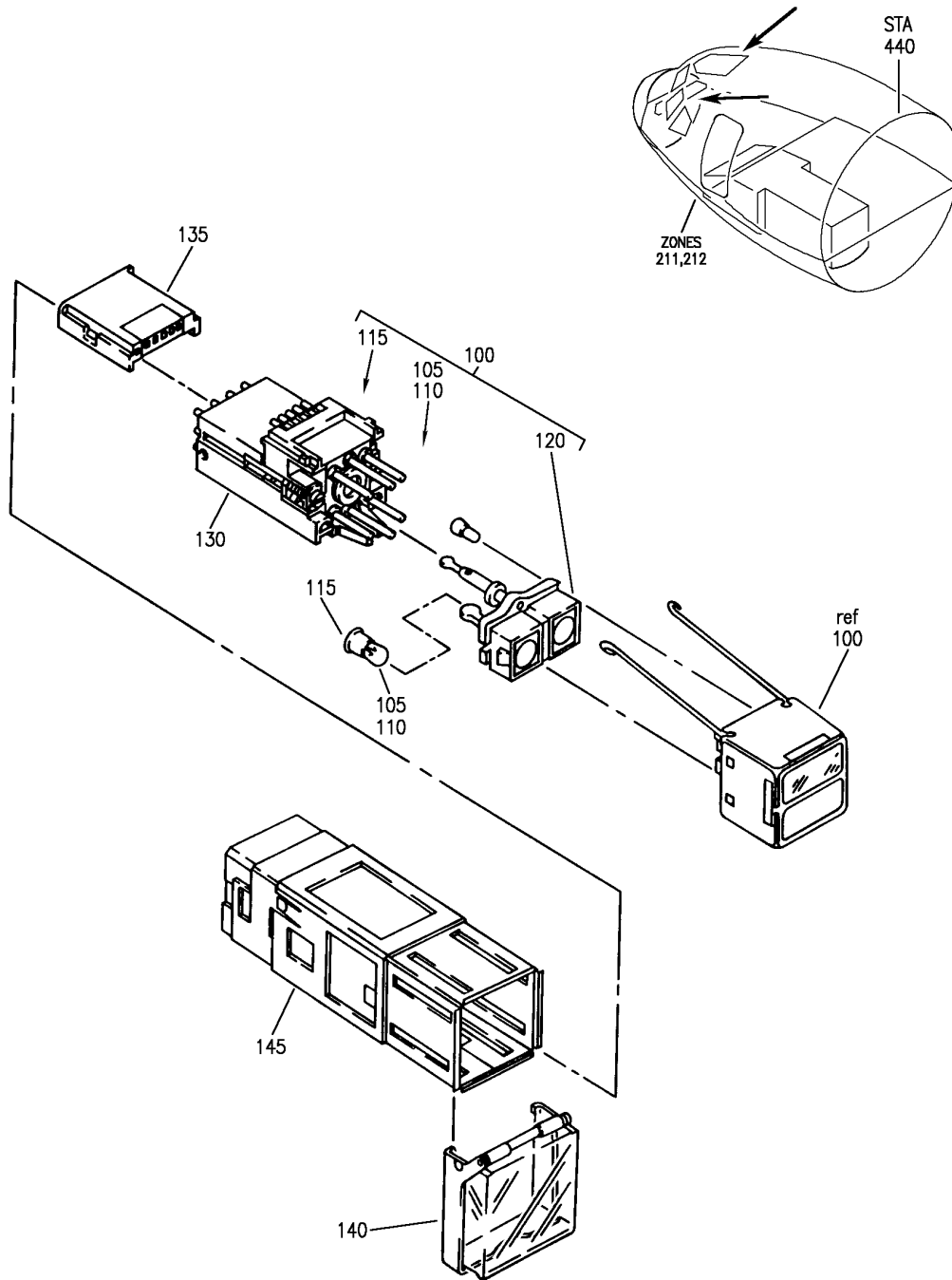
- ITEM NOT ILLUSTRATED

33-13-00-39A

33-13-00
FIG. 39A
PAGE 2
JAN 20/09

BRI

BOEING
757
PARTS CATALOG (MAINTENANCE)



Y 33130040 REV 249

SWITCH ASSY-LIGHTED PUSHBUTTON IND
FIGURE 40

33-13-00-40

BRI
MAY 28/07

33-13-00-40
PAGE 0



757

PARTS CATALOG (MAINTENANCE)

FIG ITEM	PART NUMBER	1 2 3 4 5 6 7	NOMENCLATURE	EFFECT FROM TO	UNITS PER ASSY
40					
- 1	BCREFA0510		SWITCH ASSY-LIGHTED PUSHBUTTON IND SWITCH ASSY-LIGHTED PUSHBUTTON IND ON/OFF SUPPLIER CODE: V81590 OVERLENGTH PART NUMBER: 433-673-1004-4024 SPECIFICATION NUMBER: S231T290-4024 MISCELLANEOUS DATA: WHEN REPLACING THE PUSHBUTTON SWITCH ASSY OR THE MASTER MODULE WITHIN, VERIFY THAT A CONFIG D MASTER MODULE P/N 13206-001 IS INSTALLED IN LIEU OF ANY EARLIER CONFIGURATION MASTER MODULES. QUALIFIED I/W DATA: 851-35100-5024 I/W BCREFA0510 EXCEPT SUBJECT TO CUSTOMER PREFERENCE OPTIONAL PART: 851-35100-5024 V96182 PRE SERVICE LETTER: 33-027 FOR NHA SEE: 27-23-51-01	002004 006999 002004 006100 107107 121503 904999	RF

MISSING ITEM NUMBERS NOT APPLICABLE

- ITEM NOT ILLUSTRATED

33-13-00-40

33-13-00
 FIG. 40
 PAGE 1
 JAN 20/09

BRI



757

PARTS CATALOG (MAINTENANCE)

FIG ITEM	PART NUMBER	1 2 3 4 5 6 7	NOMENCLATURE	EFFECT FROM TO	UNITS PER ASSY
40 - 1	BCREFA0510		SWITCH ASSY-LIGHTED PUSHBUTTON IND ON/OFF SUPPLIER CODE: V81590 OVERLENGTH PART NUMBER: 433-673-1004-4024 SPECIFICATION NUMBER: S231T290-4024 MISCELLANEOUS DATA: WHEN REPLACING THE PUSHBUTTON SWITCH ASSY OR THE MASTER MODULE WITHIN, VERIFY THAT A CONFIG D MASTER MODULE P/N 13206-001 IS INSTALLED IN LIEU OF ANY EARLIER CONFIGURATION MASTER MODULES. QUALIFIED I/W DATA: 851-35100-5024 I/W BCREFA0510 EXCEPT SUBJECT TO CUSTOMER PREFERENCE OPTIONAL PART: 851-35100-5024 V96182 FOR NHA SEE: 27-23-51-02	101106 108120 504903	RF
- 5	BCREFA0532		SWITCH ASSY-LIGHTED PUSHBUTTON IND FIELD OFF SUPPLIER CODE: V81590 OVERLENGTH PART NUMBER: 433-673-1004-4073 SPECIFICATION NUMBER: S231T290-4073 OPTIONAL PART: 851-35100-5073 V96182 FOR NHA SEE: 24-22-73-01	002004 107107 121503 904949 952952	RF
100	673-1004-4024		.CAPSULE ASSY-LENS ON/OFF SUPPLIER CODE: V81590 USED ON: BCREFA0510	002004 006999	1

MISSING ITEM NUMBERS NOT APPLICABLE

- ITEM NOT ILLUSTRATED

33-13-00-40

33-13-00
FIG. 40
PAGE 2
JAN 20/09

BRI



**757
PARTS CATALOG (MAINTENANCE)**

FIG ITEM	PART NUMBER	1 2 3 4 5 6 7	NOMENCLATURE	EFFECT FROM TO	UNITS PER ASSY
40					
100	673-1004-4073	.	CAPSULE ASSY-LENS FIELD OFF SUPPLIER CODE: V81590 USED ON: BCREFA0532	002004 107107 121503 904949 952952	1
105	MS25237-387AS15	..	LAMP	002004 107107 121503 904949 952952	2
105	MS25237-387AS15	..	LAMP	006106 108120 504903 950951 953999	2
110	MS24515-685AS15	..	LAMP- USED ON: 673-1004-4024	002004 006999	2
115	673-025-000	..	PLUG- SUPPLIER CODE: V81590 USED ON: 673-1004-4073	002004 107107 121503 904949 952952	2
120	673-092-005	..	HOLDER-LAMP SUPPLIER CODE: V81590	002004 107107 121503 904949 952952	1
120	673-092-005	..	HOLDER-LAMP SUPPLIER CODE: V81590	006106 108120 504903 950951 953999	1
120	13963-001	..	HOLDER-LAMP SUPPLIER CODE: V81590	002004 107107 121503 904949 952952	1
120	13963-001	..	HOLDER-LAMP SUPPLIER CODE: V81590	006106 108120 504903 950951 953999	1
130	13206-001	.	MODULE ASSY-MASTER SUPPLIER CODE: V81590 USED ON: BCREFA0510	002004 006999	1

MISSING ITEM NUMBERS NOT APPLICABLE

— ITEM NOT ILLUSTRATED

33-13-00-40

33-13-00
FIG. 40
PAGE 3
JAN 20/09

BRI

BOEING
757
PARTS CATALOG (MAINTENANCE)

FIG ITEM	PART NUMBER	1 2 3 4 5 6 7	NOMENCLATURE	EFFECT FROM TO	UNITS PER ASSY
40 130	13203-001		.MODULE ASSY-MASTER SUPPLIER CODE: V81590 USED ON: BCREFA0532	002004 107107 121503 904949 952952	1
135	433-097-003		.MODULE ASSY-CKT SUPPLIER CODE: V81590 USED ON: BCREFA0510	002004 006999	1
135	433-097-001		.MODULE ASSY-CKT SUPPLIER CODE: V81590 USED ON: BCREFA0532	002004 107107 121503 904949 952952	1
140	433-100-002		.GUARD-SWITCH SUPPLIER CODE: V81590 SPECIFICATION NUMBER: S231T290-821 OPTIONAL PART: 433-100-003 V81590 433-100-004 V81590 433-100-005 V81590 433-100-006 V81590 433-100-007 V81590	002004 107107 121503 904949 952952	1
140	433-100-003		.GUARD-SWITCH SUPPLIER CODE: V81590 SPECIFICATION NUMBER: S231T290-822 OPTIONAL PART: 433-100-002 V81590 433-100-004 V81590 433-100-005 V81590 433-100-006 V81590 433-100-007 V81590	002004 107107 121503 904949 952952	1

MISSING ITEM NUMBERS NOT APPLICABLE

— ITEM NOT ILLUSTRATED

BRI

33-13-00-40

BOEING PROPRIETARY - Copyright © - Unpublished Work - See title page for details.

33-13-00
FIG. 40
PAGE 4
JAN 20/09



757

PARTS CATALOG (MAINTENANCE)

FIG ITEM	PART NUMBER	1 2 3 4 5 6 7	NOMENCLATURE	EFFECT FROM TO	UNITS PER ASSY
40 140	433-100-004		. GUARD-SWITCH SUPPLIER CODE: V81590 SPECIFICATION NUMBER: S231T290-823 OPTIONAL PART: 433-100-002 V81590 433-100-003 V81590 433-100-005 V81590 433-100-006 V81590 433-100-007 V81590	002004 107107 121503 904949 952952	1
140	433-100-005		. GUARD-SWITCH SUPPLIER CODE: V81590 SPECIFICATION NUMBER: S231T290-824 OPTIONAL PART: 433-100-002 V81590 433-100-003 V81590 433-100-004 V81590 433-100-006 V81590 433-100-007 V81590	002004 107107 121503 904949 952952	1
140	433-100-006		. GUARD-SWITCH SUPPLIER CODE: V81590 OPTIONAL PART: 433-100-002 V81590 433-100-003 V81590 433-100-004 V81590 433-100-005 V81590 433-100-007 V81590	002004 107107 121503 904949 952952	1

MISSING ITEM NUMBERS NOT APPLICABLE

- ITEM NOT ILLUSTRATED

33-13-00-40

33-13-00
FIG. 40
PAGE 5
JAN 20/09

BRI



757

PARTS CATALOG (MAINTENANCE)

FIG ITEM	PART NUMBER	1 2 3 4 5 6 7	NOMENCLATURE	EFFECT FROM TO	UNITS PER ASSY
40 140	433-100-007		. GUARD-SWITCH SUPPLIER CODE: V81590 SPECIFICATION NUMBER: S231T290-826 OPTIONAL PART: 433-100-002 V81590 433-100-003 V81590 433-100-004 V81590 433-100-005 V81590 433-100-006 V81590	002004 107107 121503 904949 952952	1
140	433-100-002		. GUARD-SWITCH SUPPLIER CODE: V81590 SPECIFICATION NUMBER: S231T290-821 OPTIONAL PART: 433-100-003 V81590 433-100-004 V81590 433-100-005 V81590 433-100-006 V81590 433-100-007 V81590	006106 108120 504903 950951 953999	1
140	433-100-003		. GUARD-SWITCH SUPPLIER CODE: V81590 SPECIFICATION NUMBER: S231T290-822 OPTIONAL PART: 433-100-002 V81590 433-100-004 V81590 433-100-005 V81590 433-100-006 V81590 433-100-007 V81590	006106 108120 504903 950951 953999	1

MISSING ITEM NUMBERS NOT APPLICABLE

- ITEM NOT ILLUSTRATED

33-13-00-40

33-13-00
FIG. 40
PAGE 6
JAN 20/09

BRI



757

PARTS CATALOG (MAINTENANCE)

FIG ITEM	PART NUMBER	1 2 3 4 5 6 7	NOMENCLATURE	EFFECT FROM TO	UNITS PER ASSY
40 140	433-100-004		. GUARD-SWITCH SUPPLIER CODE: V81590 SPECIFICATION NUMBER: S231T290-823 OPTIONAL PART: 433-100-002 V81590 433-100-003 V81590 433-100-005 V81590 433-100-006 V81590 433-100-007 V81590	006106 108120 504903 950951 953999	1
140	433-100-005		. GUARD-SWITCH SUPPLIER CODE: V81590 SPECIFICATION NUMBER: S231T290-824 OPTIONAL PART: 433-100-002 V81590 433-100-003 V81590 433-100-004 V81590 433-100-006 V81590 433-100-007 V81590	006106 108120 504903 950951 953999	1
140	433-100-006		. GUARD-SWITCH SUPPLIER CODE: V81590 OPTIONAL PART: 433-100-002 V81590 433-100-003 V81590 433-100-004 V81590 433-100-005 V81590 433-100-007 V81590	006106 108120 504903 950951 953999	1

MISSING ITEM NUMBERS NOT APPLICABLE

- ITEM NOT ILLUSTRATED

33-13-00-40

33-13-00
FIG. 40
PAGE 7
JAN 20/09

BRI



757

PARTS CATALOG (MAINTENANCE)

FIG ITEM	PART NUMBER	1 2 3 4 5 6 7	NOMENCLATURE	EFFECT FROM TO	UNITS PER ASSY
40 140	433-100-007	.	GUARD-SWITCH SUPPLIER CODE: V81590 SPECIFICATION NUMBER: S231T290-826 OPTIONAL PART: 433-100-002 V81590 433-100-003 V81590 433-100-004 V81590 433-100-005 V81590 433-100-006 V81590	006106 108120 504903 950951 953999	1
145	433-107-002	.	HOUSING ASSY-WITH MTG SLEEVE SUPPLIER CODE: V81590	002004 107107 121503 904949 952952	1
145	433-107-002	.	HOUSING ASSY-WITH MTG SLEEVE SUPPLIER CODE: V81590	006106 108120 504903 950951 953999	1

MISSING ITEM NUMBERS NOT APPLICABLE

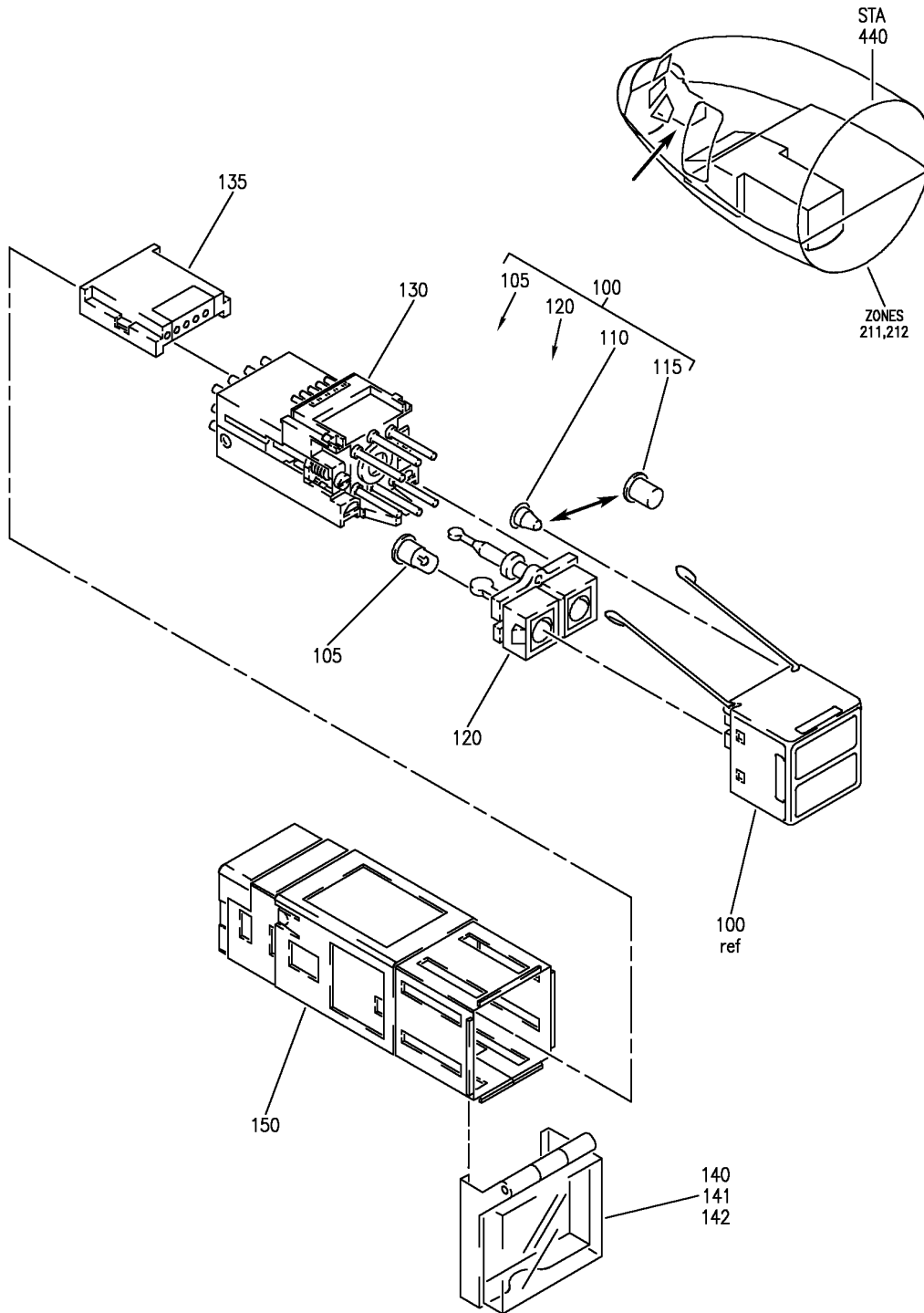
- ITEM NOT ILLUSTRATED

33-13-00-40

33-13-00
FIG. 40
PAGE 8
JAN 20/09

BRI

BOEING
757
PARTS CATALOG (MAINTENANCE)



Y 33130041 REV 269

SWITCH ASSY-LIGHTED PUSHBUTTON IND
FIGURE 41

33-13-00-41

BRI
MAY 28/07

33-13-00-41
PAGE 0



757

PARTS CATALOG (MAINTENANCE)

FIG ITEM	PART NUMBER	1 2 3 4 5 6 7	NOMENCLATURE	EFFECT FROM TO	UNITS PER ASSY
41					
- 1	BCREF10576		SWITCH ASSY-LIGHTED PUSHBUTTON IND SWITCH ASSY-LIGHTED PUSHBUTTON IND SUPPLIER CODE: V81590 OVERLENGTH PART NUMBER: 433-673-1004-4006 SPECIFICATION NUMBER: S231T290-4006 MISCELLANEOUS DATA: WHEN REPLACING THE PUSHBUTTON SWITCH ASSY OR THE MASTER MODULE WITHIN, VERIFY THAT A CONFIG D MASTER MODULE P/N 13203-001 IS INSTALLED IN LIEU OF ANY EARLIER CONFIGURATION MASTER MODULES. OPTIONAL PART: 851-30768-3060 V96182 851-35100-5060 V96182 REFERENCE SERVICE BULLETIN: 33A0044 REWORKED BY SB: 433-33-05 V81590 PRE SERVICE LETTER: 33-027 FOR NHA SEE: 26-23-52-02 26-23-52-04 26-23-52-04A	002004 006999 002004 006102 108120 504903 950999	RF

MISSING ITEM NUMBERS NOT APPLICABLE

- ITEM NOT ILLUSTRATED

33-13-00-41

33-13-00
 FIG. 41
 PAGE 1
 JAN 20/09

BRI



757

PARTS CATALOG (MAINTENANCE)

FIG ITEM	PART NUMBER	1 2 3 4 5 6 7	NOMENCLATURE	EFFECT FROM TO	UNITS PER ASSY
41 - 1	BCREFA0525		SWITCH ASSY-LIGHTED PUSHBUTTON IND SUPPLIER CODE: V81590 OVERLENGTH PART NUMBER: 433-673-1004-4060 SPECIFICATION NUMBER: S231T290-4060 MISCELLANEOUS DATA: WHEN REPLACING THE PUSHBUTTON SWITCH ASSY OR THE MASTER MODULE WITHIN, VERIFY THAT A CONFIG D MASTER MODULE P/N 13202-001 IS INSTALLED IN LIEU OF ANY EARLIER CONFIGURATION MASTER MODULES. OPTIONAL PART: S231T290-5060 REFERENCE SERVICE BULLETIN: 33A0044 REWORKED BY SB: 433-33-05 V81590 FOR NHA SEE: 26-23-52-02	002004 006010 107107 121503 904999	RF

MISSING ITEM NUMBERS NOT APPLICABLE

- ITEM NOT ILLUSTRATED

BRI

33-13-00-41

BOEING PROPRIETARY - Copyright © - Unpublished Work - See title page for details.

33-13-00
FIG. 41
PAGE 2
JAN 20/09



757

PARTS CATALOG (MAINTENANCE)

FIG ITEM	PART NUMBER	1 2 3 4 5 6 7	NOMENCLATURE	EFFECT FROM TO	UNITS PER ASSY
41 - 1	BCREFA0525		SWITCH ASSY-LIGHTED PUSHBUTTON IND SUPPLIER CODE: V81590 OVERLENGTH PART NUMBER: 433-673-1004-4060 SPECIFICATION NUMBER: S231T290-4060 MISCELLANEOUS DATA: WHEN REPLACING THE PUSHBUTTON SWITCH ASSY OR THE MASTER MODULE WITHIN, VERIFY THAT A CONFIG D MASTER MODULE P/N 13202-001 IS INSTALLED IN LIEU OF ANY EARLIER CONFIGURATION MASTER MODULES. REFERENCE SERVICE BULLETIN: 33A0044 REWORKED BY SB: 433-33-05 V81590 FOR NHA SEE: 26-23-52-04 26-23-52-04A	011102 108120 504903	RF

MISSING ITEM NUMBERS NOT APPLICABLE

- ITEM NOT ILLUSTRATED

BRI

33-13-00-41

BOEING PROPRIETARY - Copyright © - Unpublished Work - See title page for details.

33-13-00
FIG. 41
PAGE 3
JAN 20/09



757

PARTS CATALOG (MAINTENANCE)

FIG ITEM	PART NUMBER	1 2 3 4 5 6 7 NOMENCLATURE	EFFECT FROM TO	UNITS PER ASSY
41 - 5	BCREFA0526	SWITCH ASSY-LIGHTED PUSHBUTTON IND SUPPLIER CODE: V81590 OVERLENGTH PART NUMBER: 433-673-1004-4061 SPECIFICATION NUMBER: S231T290-4061 MISCELLANEOUS DATA: WHEN REPLACING THE PUSHBUTTON SWITCH ASSY OR THE MASTER MODULE WITHIN, VERIFY THAT A CONFIG D MASTER MODULE P/N 13206-001 IS INSTALLED IN LIEU OF ANY EARLIER CONFIGURATION MASTER MODULES. OPTIONAL PART: 851-35100-5061 V96182 S231T290-5061 REFERENCE SERVICE BULLETIN: 33A0044 REWORKED BY SB: 433-33-05 V81590 PRE SERVICE LETTER: 33-027 FOR NHA SEE: 26-23-52-02 26-23-52-04 26-23-52-04A	002004 006102 107999	RF

MISSING ITEM NUMBERS NOT APPLICABLE

- ITEM NOT ILLUSTRATED

33-13-00-41

33-13-00
FIG. 41
PAGE 4
JAN 20/09

BRI



757

PARTS CATALOG (MAINTENANCE)

FIG ITEM	PART NUMBER	1 2 3 4 5 6 7	NOMENCLATURE	EFFECT FROM TO	UNITS PER ASSY
41 - 10	BCREFA0527		SWITCH ASSY-LIGHTED PUSHBUTTON IND SUPPLIER CODE: V81590 OVERLENGTH PART NUMBER: 433-673-1004-4062 SPECIFICATION NUMBER: S231T290-4062 MISCELLANEOUS DATA: WHEN REPLACING THE PUSHBUTTON SWITCH ASSY OR THE MASTER MODULE WITHIN, VERIFY THAT A CONFIG D MASTER MODULE P/N 13206-001 IS INSTALLED IN LIEU OF ANY EARLIER CONFIGURATION MASTER MODULES. OPTIONAL PART: S231T290-5062 851-35100-5062 V96182 REFERENCE SERVICE BULLETIN: 33A0044 REWORKED BY SB: 433-33-05 V81590 PRE SERVICE LETTER: 33-027 FOR NHA SEE: 26-23-52-02 26-23-52-04 26-23-52-04A	002004 006102 107999	RF
- 15	BCREFA0528		SWITCH ASSY-LIGHTED PUSHBUTTON IND SUPPLIER CODE: V81590 OVERLENGTH PART NUMBER: 433-673-1004-4063 SPECIFICATION NUMBER: S231T290-4063 PRE SERVICE LETTER: 33-027 FOR NHA SEE: 26-11-02-01 26-11-02-02 26-11-02-03	002004 006999	RF

MISSING ITEM NUMBERS NOT APPLICABLE

- ITEM NOT ILLUSTRATED

33-13-00-41

33-13-00
FIG. 41
PAGE 5
JAN 20/09

BRI



757

PARTS CATALOG (MAINTENANCE)

FIG ITEM	PART NUMBER	1 2 3 4 5 6 7	NOMENCLATURE	EFFECT FROM TO	UNITS PER ASSY
41 - 15	BCREFA0528		SWITCH ASSY-LIGHTED PUSHBUTTON IND SUPPLIER CODE: V81590 OVERLENGTH PART NUMBER: 433-673-1004-4063 SPECIFICATION NUMBER: S231T290-4063 FOR NHA SEE: 26-11-02-01	101106 108120 504903	RF
100	673-1004-4006	.	CAPSULE ASSY-LENS DISCH SUPPLIER CODE: V81590 USED ON: BCREF10576	002004 006102 108120 504903 950999	1
100	673-1004-4060	.	CAPSULE ASSY-LENS DISCH SUPPLIER CODE: V81590 USED ON: BCREFA0525	002004 006102 107999	1
100	673-1004-4061	.	CAPSULE ASSY-LENS ARMED/ FWD SUPPLIER CODE: V81590 USED ON: BCREFA0526	002004 006102 107999	1
100	673-1004-4062	.	CAPSULE ASSY-LENS ARMED/ AFT SUPPLIER CODE: V81590 USED ON: BCREFA0527	002004 006102 107999	1
100	673-1004-4063	.	CAPSULE ASSY-LENS FAIL P-RESET SUPPLIER CODE: V81590 USED ON: BCREFA0528	002004 006100 107107 121503 904999	1
100	673-1004-4063	.	CAPSULE ASSY-LENS FAIL P-RESET SUPPLIER CODE: V81590 USED ON: BCREFA0528	101106 108120 504903	1
105	MS25237-387AS15	..	LAMP	103106	2
105	MS25237-387AS15	..	LAMP	101102 108120 504903	2

MISSING ITEM NUMBERS NOT APPLICABLE

- ITEM NOT ILLUSTRATED

33-13-00-41

33-13-00
FIG. 41
PAGE 6
JAN 20/09

BRI



757

PARTS CATALOG (MAINTENANCE)

FIG ITEM	PART NUMBER	1 2 3 4 5 6 7	NOMENCLATURE	EFFECT FROM TO	UNITS PER ASSY
41					
105	MS25237-387AS15	..	LAMP	107107 121503 904949	2
105	MS25237-387AS15	..	LAMP	002004 006100 950999	2
110	MS24515-685AS15	..	LAMP- USED ON: 673-1004-4061 673-1004-4062	002004 006102 107999	2
115	673-025-000	..	PLUG- SUPPLIER CODE: V81590 USED ON: 673-1004-4006	002004 006102 108120 504903 950999	2
115	673-025-000	..	PLUG- SUPPLIER CODE: V81590 USED ON: 673-1004-4006	002004 006102 107999	2
115	673-025-000	..	PLUG- SUPPLIER CODE: V81590 USED ON: 673-1004-4060	002004 006100 107107 121503 904999	2
115	673-025-000	..	PLUG- SUPPLIER CODE: V81590 USED ON: 673-1004-4063	101106 108120 504903	2
120	673-092-005	..	HOLDER-LAMP SUPPLIER CODE: V81590	103106	1
120	673-092-005	..	HOLDER-LAMP SUPPLIER CODE: V81590	101102 108120 504903	1
120	673-092-005	..	HOLDER-LAMP SUPPLIER CODE: V81590	107107 121503 904949	1
120	673-092-005	..	HOLDER-LAMP SUPPLIER CODE: V81590	002004 006100 950999	1
120	13963-001	..	HOLDER-LAMP SUPPLIER CODE: V81590	103106	1
120	13963-001	..	HOLDER-LAMP SUPPLIER CODE: V81590	101102 108120 504903	1

MISSING ITEM NUMBERS NOT APPLICABLE

- ITEM NOT ILLUSTRATED

33-13-00-41

33-13-00
FIG. 41
PAGE 7
JAN 20/09

BRI



757

PARTS CATALOG (MAINTENANCE)

FIG ITEM	PART NUMBER	1 2 3 4 5 6 7	NOMENCLATURE	EFFECT FROM TO	UNITS PER ASSY
41					
120	13963-001		.. HOLDER-LAMP SUPPLIER CODE: V81590	107107 121503 904949	1
120	13963-001		.. HOLDER-LAMP SUPPLIER CODE: V81590	002004 006100 950999	1
130	13202-001		.MODULE ASSY-MASTER SUPPLIER CODE: V81590 USED ON: BCREFA0525	002004 006102 107999	1
130	13203-001		.MODULE ASSY-MASTER SUPPLIER CODE: V81590 USED ON: BCREF10576	002004 006102 108120 504903 950999	1
130	13203-001		.MODULE ASSY-MASTER SUPPLIER CODE: V81590 USED ON: BCREFA0528	002004 006100 107107 121503 904999	1
130	13206-001		.MODULE ASSY-MASTER SUPPLIER CODE: V81590 USED ON: BCREFA0526 BCREFA0527	002004 006102 107999	1
130	13203-001		.MODULE ASSY-MASTER SUPPLIER CODE: V81590 USED ON: BCREFA0528	101106 108120 504903	1
135	433-097-001		.MODULE ASSY-CKT SUPPLIER CODE: V81590 USED ON: BCREFA0528	002004 006100 107107 121503 904999	1
135	433-097-001		.MODULE ASSY-CKT SUPPLIER CODE: V81590 USED ON: BCREFA0528	101106 108120 504903	1
135	433-097-003		.MODULE ASSY-CKT SUPPLIER CODE: V81590 USED ON: BCREFA0526 BCREFA0527	002004 006102 107999	1

MISSING ITEM NUMBERS NOT APPLICABLE

- ITEM NOT ILLUSTRATED

33-13-00-41

33-13-00
FIG. 41
PAGE 8
JAN 20/09

BRI



757

PARTS CATALOG (MAINTENANCE)

FIG ITEM	PART NUMBER	1 2 3 4 5 6 7	NOMENCLATURE	EFFECT FROM TO	UNITS PER ASSY
41 135	433-097-001		.MODULE ASSY-CKT SUPPLIER CODE: V81590 USED ON: BCREFA0525	002004 006102 107999	1
135	433-097-001		.MODULE ASSY-CKT SUPPLIER CODE: V81590 USED ON: BCREF10576	002004 006102 108120 504903 950999	1
140	433-100-002		.GUARD-SWITCH SUPPLIER CODE: V81590 SPECIFICATION NUMBER: S231T290-821 OPTIONAL PART: 433-100-003 V81590 433-100-004 V81590 433-100-005 V81590 433-100-006 V81590 433-100-007 V81590	103106	1
140	433-100-003		.GUARD-SWITCH SUPPLIER CODE: V81590 SPECIFICATION NUMBER: S231T290-822 OPTIONAL PART: 433-100-002 V81590 433-100-004 V81590 433-100-005 V81590 433-100-006 V81590 433-100-007 V81590	103106	1

MISSING ITEM NUMBERS NOT APPLICABLE

- ITEM NOT ILLUSTRATED

33-13-00-41

33-13-00
FIG. 41
PAGE 9
JAN 20/09

BRI



757

PARTS CATALOG (MAINTENANCE)

FIG ITEM	PART NUMBER	1 2 3 4 5 6 7	NOMENCLATURE	EFFECT FROM TO	UNITS PER ASSY
41 140	433-100-004		. GUARD-SWITCH SUPPLIER CODE: V81590 SPECIFICATION NUMBER: S231T290-823 OPTIONAL PART: 433-100-002 V81590 433-100-003 V81590 433-100-005 V81590 433-100-006 V81590 433-100-007 V81590	103106	1
140	433-100-005		. GUARD-SWITCH SUPPLIER CODE: V81590 SPECIFICATION NUMBER: S231T290-824 OPTIONAL PART: 433-100-002 V81590 433-100-003 V81590 433-100-004 V81590 433-100-006 V81590 433-100-007 V81590	103106	1
140	433-100-006		. GUARD-SWITCH SUPPLIER CODE: V81590 OPTIONAL PART: 433-100-002 V81590 433-100-003 V81590 433-100-004 V81590 433-100-005 V81590 433-100-007 V81590	103106	1

MISSING ITEM NUMBERS NOT APPLICABLE

- ITEM NOT ILLUSTRATED

33-13-00-41

33-13-00
FIG. 41
PAGE 10
JAN 20/09

BRI



757

PARTS CATALOG (MAINTENANCE)

FIG ITEM	PART NUMBER	1 2 3 4 5 6 7	NOMENCLATURE	EFFECT FROM TO	UNITS PER ASSY
41 140	433-100-007		. GUARD-SWITCH SUPPLIER CODE: V81590 SPECIFICATION NUMBER: S231T290-826 OPTIONAL PART: 433-100-002 V81590 433-100-003 V81590 433-100-004 V81590 433-100-005 V81590 433-100-006 V81590	103106	1
140	433-100-002		. GUARD-SWITCH SUPPLIER CODE: V81590 SPECIFICATION NUMBER: S231T290-821 OPTIONAL PART: 433-100-003 V81590 433-100-004 V81590 433-100-005 V81590 433-100-006 V81590 433-100-007 V81590	101102 108120 504903	1
140	433-100-003		. GUARD-SWITCH SUPPLIER CODE: V81590 SPECIFICATION NUMBER: S231T290-822 OPTIONAL PART: 433-100-002 V81590 433-100-004 V81590 433-100-005 V81590 433-100-006 V81590 433-100-007 V81590	101102 108120 504903	1

MISSING ITEM NUMBERS NOT APPLICABLE

- ITEM NOT ILLUSTRATED

33-13-00-41

33-13-00
FIG. 41
PAGE 11
JAN 20/09

BRI



757

PARTS CATALOG (MAINTENANCE)

FIG ITEM	PART NUMBER	1 2 3 4 5 6 7	NOMENCLATURE	EFFECT FROM TO	UNITS PER ASSY
41 140	433-100-004		. GUARD-SWITCH SUPPLIER CODE: V81590 SPECIFICATION NUMBER: S231T290-823 OPTIONAL PART: 433-100-002 V81590 433-100-003 V81590 433-100-005 V81590 433-100-006 V81590 433-100-007 V81590	101102 108120 504903	1
140	433-100-005		. GUARD-SWITCH SUPPLIER CODE: V81590 SPECIFICATION NUMBER: S231T290-824 OPTIONAL PART: 433-100-002 V81590 433-100-003 V81590 433-100-004 V81590 433-100-006 V81590 433-100-007 V81590	101102 108120 504903	1
140	433-100-006		. GUARD-SWITCH SUPPLIER CODE: V81590 OPTIONAL PART: 433-100-002 V81590 433-100-003 V81590 433-100-004 V81590 433-100-005 V81590 433-100-007 V81590	101102 108120 504903	1

MISSING ITEM NUMBERS NOT APPLICABLE

- ITEM NOT ILLUSTRATED

33-13-00-41

33-13-00
FIG. 41
PAGE 12
JAN 20/09

BRI



757

PARTS CATALOG (MAINTENANCE)

FIG ITEM	PART NUMBER	1 2 3 4 5 6 7	NOMENCLATURE	EFFECT FROM TO	UNITS PER ASSY
41 141	433-100-007		. GUARD-SWITCH SUPPLIER CODE: V81590 SPECIFICATION NUMBER: S231T290-826 OPTIONAL PART: 433-100-002 V81590 433-100-003 V81590 433-100-004 V81590 433-100-005 V81590 433-100-006 V81590	101102 108120 504903	1
141	433-100-002		. GUARD-SWITCH SUPPLIER CODE: V81590 SPECIFICATION NUMBER: S231T290-821 OPTIONAL PART: 433-100-003 V81590 433-100-004 V81590 433-100-005 V81590 433-100-006 V81590 433-100-007 V81590	107107 121503 904949	1
141	433-100-003		. GUARD-SWITCH SUPPLIER CODE: V81590 SPECIFICATION NUMBER: S231T290-822 OPTIONAL PART: 433-100-002 V81590 433-100-004 V81590 433-100-005 V81590 433-100-006 V81590 433-100-007 V81590	107107 121503 904949	1

MISSING ITEM NUMBERS NOT APPLICABLE

- ITEM NOT ILLUSTRATED

33-13-00-41

33-13-00
FIG. 41
PAGE 13
JAN 20/09

BRI



757

PARTS CATALOG (MAINTENANCE)

FIG ITEM	PART NUMBER	1 2 3 4 5 6 7	NOMENCLATURE	EFFECT FROM TO	UNITS PER ASSY
41 141	433-100-004		. GUARD-SWITCH SUPPLIER CODE: V81590 SPECIFICATION NUMBER: S231T290-823 OPTIONAL PART: 433-100-002 V81590 433-100-003 V81590 433-100-005 V81590 433-100-006 V81590 433-100-007 V81590	107107 121503 904949	1
141	433-100-005		. GUARD-SWITCH SUPPLIER CODE: V81590 SPECIFICATION NUMBER: S231T290-824 OPTIONAL PART: 433-100-002 V81590 433-100-003 V81590 433-100-004 V81590 433-100-006 V81590 433-100-007 V81590	107107 121503 904949	1
141	433-100-006		. GUARD-SWITCH SUPPLIER CODE: V81590 OPTIONAL PART: 433-100-002 V81590 433-100-003 V81590 433-100-004 V81590 433-100-005 V81590 433-100-007 V81590	107107 121503 904949	1

MISSING ITEM NUMBERS NOT APPLICABLE

- ITEM NOT ILLUSTRATED

33-13-00-41

33-13-00
FIG. 41
PAGE 14
JAN 20/09

BRI



757

PARTS CATALOG (MAINTENANCE)

FIG ITEM	PART NUMBER	1 2 3 4 5 6 7	NOMENCLATURE	EFFECT FROM TO	UNITS PER ASSY
41 141	433-100-007		. GUARD-SWITCH SUPPLIER CODE: V81590 SPECIFICATION NUMBER: S231T290-826 OPTIONAL PART: 433-100-002 V81590 433-100-003 V81590 433-100-004 V81590 433-100-005 V81590 433-100-006 V81590	107107 121503 904949	1
142	433-100-002		. GUARD-SWITCH SUPPLIER CODE: V81590 SPECIFICATION NUMBER: S231T290-821 OPTIONAL PART: 433-100-003 V81590 433-100-004 V81590 433-100-005 V81590 433-100-006 V81590 433-100-007 V81590	002004 006100 950999	1
142	433-100-003		. GUARD-SWITCH SUPPLIER CODE: V81590 SPECIFICATION NUMBER: S231T290-822 OPTIONAL PART: 433-100-002 V81590 433-100-004 V81590 433-100-005 V81590 433-100-006 V81590 433-100-007 V81590	002004 006100 950999	1

MISSING ITEM NUMBERS NOT APPLICABLE

- ITEM NOT ILLUSTRATED

33-13-00-41

33-13-00
FIG. 41
PAGE 15
JAN 20/09

BRI



757

PARTS CATALOG (MAINTENANCE)

FIG ITEM	PART NUMBER	1 2 3 4 5 6 7	NOMENCLATURE	EFFECT FROM TO	UNITS PER ASSY
41 142	433-100-004		. GUARD-SWITCH SUPPLIER CODE: V81590 SPECIFICATION NUMBER: S231T290-823 OPTIONAL PART: 433-100-002 V81590 433-100-003 V81590 433-100-005 V81590 433-100-006 V81590 433-100-007 V81590	002004 006100 950999	1
142	433-100-005		. GUARD-SWITCH SUPPLIER CODE: V81590 SPECIFICATION NUMBER: S231T290-824 OPTIONAL PART: 433-100-002 V81590 433-100-003 V81590 433-100-004 V81590 433-100-006 V81590 433-100-007 V81590	002004 006100 950999	1
142	433-100-006		. GUARD-SWITCH SUPPLIER CODE: V81590 OPTIONAL PART: 433-100-002 V81590 433-100-003 V81590 433-100-004 V81590 433-100-005 V81590 433-100-007 V81590	002004 006100 950999	1

MISSING ITEM NUMBERS NOT APPLICABLE

- ITEM NOT ILLUSTRATED

33-13-00-41

33-13-00
FIG. 41
PAGE 16
JAN 20/09

BRI



757

PARTS CATALOG (MAINTENANCE)

FIG ITEM	PART NUMBER	1 2 3 4 5 6 7	NOMENCLATURE	EFFECT FROM TO	UNITS PER ASSY
41 142	433-100-007		.GUARD-SWITCH SUPPLIER CODE: V81590 SPECIFICATION NUMBER: S231T290-826 OPTIONAL PART: 433-100-002 V81590 433-100-003 V81590 433-100-004 V81590 433-100-005 V81590 433-100-006 V81590	002004 006100 950999	1
150	433-107-002		.HOUSING ASSY-WITH MTG SLEEVE SUPPLIER CODE: V81590	103106	1
150	433-107-002		.HOUSING ASSY-WITH MTG SLEEVE SUPPLIER CODE: V81590	101102 108120 504903	1
150	433-107-002		.HOUSING ASSY-WITH MTG SLEEVE SUPPLIER CODE: V81590	107107 121503 904949	1
150	433-107-002		.HOUSING ASSY-WITH MTG SLEEVE SUPPLIER CODE: V81590	002004 006100 950999	1

MISSING ITEM NUMBERS NOT APPLICABLE

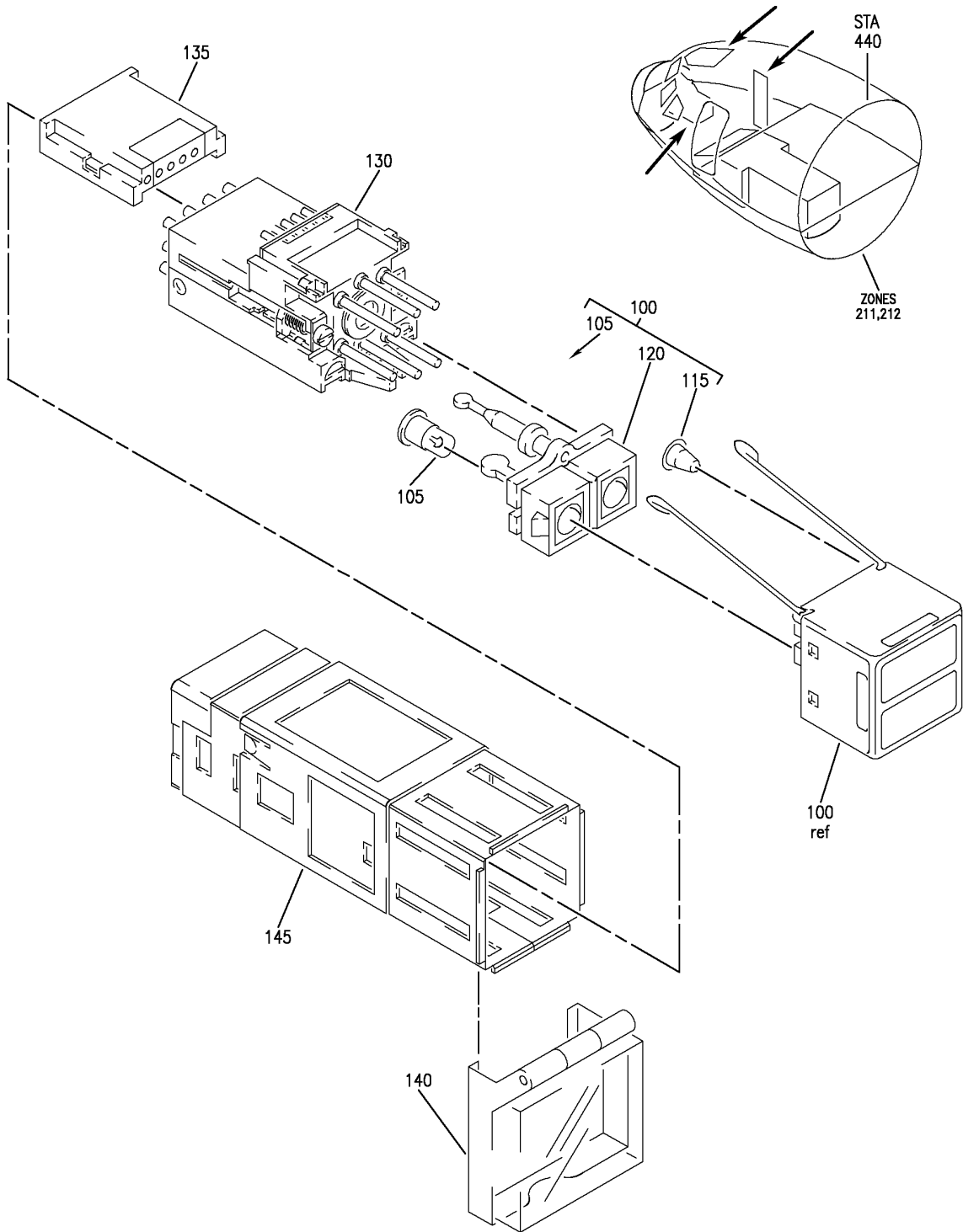
- ITEM NOT ILLUSTRATED

33-13-00-41

33-13-00
FIG. 41
PAGE 17
JAN 20/09

BRI

BOEING
757
PARTS CATALOG (MAINTENANCE)



Y 33130042 REV 252

SWITCH ASSY-LIGHTED PUSHBUTTON IND
FIGURE 42

33-13-00-42

BRI
JAN 20/09

33-13-00-42
PAGE 0



757

PARTS CATALOG (MAINTENANCE)

FIG ITEM	PART NUMBER	1 2 3 4 5 6 7	NOMENCLATURE	EFFECT FROM TO	UNITS PER ASSY
42			SWITCH ASSY-LIGHTED PUSHBUTTON IND	107107	
- 1	BCREFA0506		SWITCH ASSY-LIGHTED PUSHBUTTON IND SUPPLIER CODE: V81590 OVERLENGTH PART NUMBER: 433-673-1004-4017 SPECIFICATION NUMBER: S231T290-4017 QUALIFIED I/W DATA: 851-30768-2017 TOGETHER WITH 851-30768-815 OR 433-100-004 SWITCHGUARD I/W BCREFA0506 851-30768-3017 BCREFA0506 OR S231T290-5017 TOGETHER WITH 433-100-004 FOR NHA SEE: 76-11-51-01	107107	RF
100	673-1004-4017	.	CAPSULE ASSY-LENS ON/INOP SUPPLIER CODE: V81590 USED ON: BCREFA0506	107107	1
105	MS25237-387AS15	..	LAMP	107107	2
115	MS24515-685AS15	..	LAMP- USED ON: 673-1004-4017	107107	2
120	673-092-005	..	HOLDER-LAMP SUPPLIER CODE: V81590	107107	1
120	13963-001	..	HOLDER-LAMP SUPPLIER CODE: V81590	107107	1
130	13206-001	.	MODULE ASSY-MASTER SUPPLIER CODE: V81590	107107	1
135	433-097-003	.	MODULE ASSY-CKT SUPPLIER CODE: V81590	107107	1

MISSING ITEM NUMBERS NOT APPLICABLE

- ITEM NOT ILLUSTRATED

33-13-00-42

33-13-00
FIG. 42
PAGE 1
JAN 20/09

BRI



757

PARTS CATALOG (MAINTENANCE)

FIG ITEM	PART NUMBER	1 2 3 4 5 6 7	NOMENCLATURE	EFFECT FROM TO	UNITS PER ASSY
42 140	433-100-002		. GUARD-SWITCH SUPPLIER CODE: V81590 SPECIFICATION NUMBER: S231T290-821 OPTIONAL PART: 433-100-003 V81590 433-100-004 V81590 433-100-005 V81590 433-100-006 V81590 433-100-007 V81590	107107	1
140	433-100-003		. GUARD-SWITCH SUPPLIER CODE: V81590 SPECIFICATION NUMBER: S231T290-822 OPTIONAL PART: 433-100-002 V81590 433-100-004 V81590 433-100-005 V81590 433-100-006 V81590 433-100-007 V81590	107107	1
140	433-100-004		. GUARD-SWITCH SUPPLIER CODE: V81590 SPECIFICATION NUMBER: S231T290-823 OPTIONAL PART: 433-100-002 V81590 433-100-003 V81590 433-100-005 V81590 433-100-006 V81590 433-100-007 V81590	107107	1

MISSING ITEM NUMBERS NOT APPLICABLE

- ITEM NOT ILLUSTRATED

33-13-00-42

33-13-00
FIG. 42
PAGE 2
JAN 20/09

BRI



757

PARTS CATALOG (MAINTENANCE)

FIG ITEM	PART NUMBER	1 2 3 4 5 6 7	NOMENCLATURE	EFFECT FROM TO	UNITS PER ASSY
42 140	433-100-005		. GUARD-SWITCH SUPPLIER CODE: V81590 SPECIFICATION NUMBER: S231T290-824 OPTIONAL PART: 433-100-002 V81590 433-100-003 V81590 433-100-004 V81590 433-100-006 V81590 433-100-007 V81590	107107	1
140	433-100-006		. GUARD-SWITCH SUPPLIER CODE: V81590 OPTIONAL PART: 433-100-002 V81590 433-100-003 V81590 433-100-004 V81590 433-100-005 V81590 433-100-007 V81590	107107	1
140	433-100-007		. GUARD-SWITCH SUPPLIER CODE: V81590 SPECIFICATION NUMBER: S231T290-826 OPTIONAL PART: 433-100-002 V81590 433-100-003 V81590 433-100-004 V81590 433-100-005 V81590 433-100-006 V81590	107107	1

MISSING ITEM NUMBERS NOT APPLICABLE

- ITEM NOT ILLUSTRATED

33-13-00-42

33-13-00
FIG. 42
PAGE 3
JAN 20/09

BRI



757

PARTS CATALOG (MAINTENANCE)

FIG ITEM	PART NUMBER	1 2 3 4 5 6 7	NOMENCLATURE	EFFECT FROM TO	UNITS PER ASSY
42 145	433-107-002		.HOUSING ASSY-WITH MTG SLEEVE SUPPLIER CODE: V81590	107107	1

MISSING ITEM NUMBERS NOT APPLICABLE

- ITEM NOT ILLUSTRATED

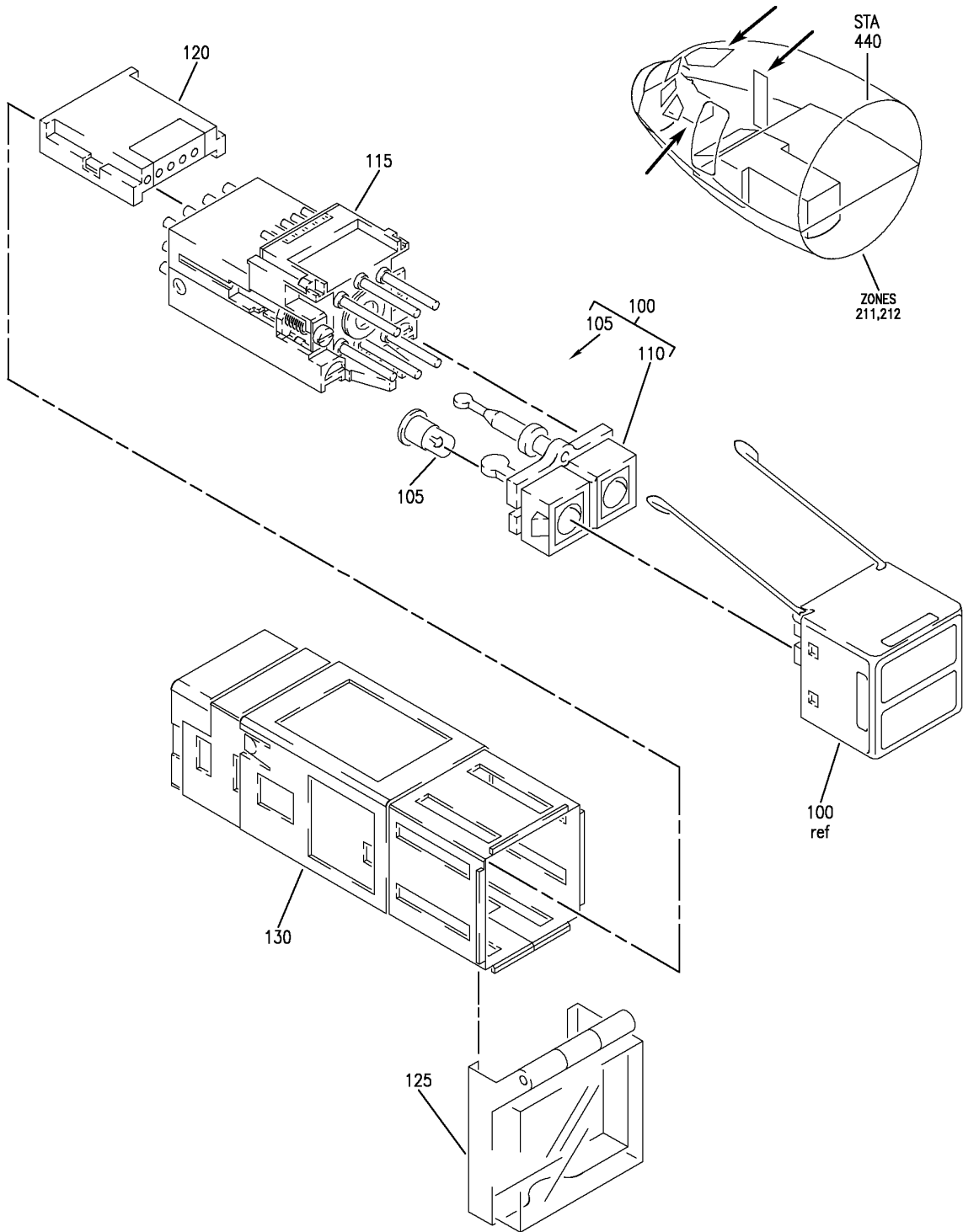
BRI

33-13-00-42

BOEING PROPRIETARY - Copyright © - Unpublished Work - See title page for details.

33-13-00
FIG. 42
PAGE 4
JAN 20/09

BOEING
757
PARTS CATALOG (MAINTENANCE)



Y 33130042A REV 252

SWITCH ASSY-LIGHTED PUSHBUTTON IND
FIGURE 42A

33-13-00-42A

BRI
MAY 28/07

33-13-00-42A
PAGE 0

 **BOEING**
757
PARTS CATALOG (MAINTENANCE)

FIG ITEM	PART NUMBER	1 2 3 4 5 6 7	NOMENCLATURE	EFFECT FROM TO	UNITS PER ASSY
42A			SWITCH ASSY-LIGHTED PUSHBUTTON IND	002004 006999	
- 1	BCREFA0519		SWITCH ASSY-LIGHTED PUSHBUTTON IND SUPPLIER CODE: V81590 OVERLENGTH PART NUMBER: 433-673-1004-4042 SPECIFICATION NUMBER: S231T290-4042 OPTIONAL PART: S231T290-5042 FOR NHA SEE: 31-25-51-01	002004 006999	RF
100	673-1004-4042		.CAPSULE ASSY-LENS WARNING/ CAUTION SUPPLIER CODE: V81590	002004 006999	1
105	MS25237-387AS15		..LAMP	002004 006999	4
110	673-092-005		..HOLDER-LAMP SUPPLIER CODE: V81590	002004 006999	1
110	13963-001		..HOLDER-LAMP SUPPLIER CODE: V81590	002004 006999	1
115	13203-001		.MODULE ASSY-MASTER SUPPLIER CODE: V81590	002004 006999	1
120	433-097-001		.MODULE ASSY-CKT SUPPLIER CODE: V81590	002004 006999	1
125	433-100-002		.GUARD-SWITCH SUPPLIER CODE: V81590 SPECIFICATION NUMBER: S231T290-821 OPTIONAL PART: 433-100-003 V81590 433-100-004 V81590 433-100-005 V81590 433-100-006 V81590 433-100-007 V81590	002004 006999	1

MISSING ITEM NUMBERS NOT APPLICABLE

- ITEM NOT ILLUSTRATED

33-13-00-42A

33-13-00
FIG. 42A
PAGE 1
SEP 20/08

BRI

BOEING PROPRIETARY - Copyright © - Unpublished Work - See title page for details.



757

PARTS CATALOG (MAINTENANCE)

FIG ITEM	PART NUMBER	1 2 3 4 5 6 7	NOMENCLATURE	EFFECT FROM TO	UNITS PER ASSY
42A 125	433-100-003	.	GUARD-SWITCH SUPPLIER CODE: V81590 SPECIFICATION NUMBER: S231T290-822 OPTIONAL PART: 433-100-002 V81590 433-100-004 V81590 433-100-005 V81590 433-100-006 V81590 433-100-007 V81590	002004 006999	1
125	433-100-004	.	GUARD-SWITCH SUPPLIER CODE: V81590 SPECIFICATION NUMBER: S231T290-823 OPTIONAL PART: 433-100-002 V81590 433-100-003 V81590 433-100-005 V81590 433-100-006 V81590 433-100-007 V81590	002004 006999	1
125	433-100-005	.	GUARD-SWITCH SUPPLIER CODE: V81590 SPECIFICATION NUMBER: S231T290-824 OPTIONAL PART: 433-100-002 V81590 433-100-003 V81590 433-100-004 V81590 433-100-006 V81590 433-100-007 V81590	002004 006999	1

MISSING ITEM NUMBERS NOT APPLICABLE

- ITEM NOT ILLUSTRATED

33-13-00-42A

33-13-00
FIG. 42A
PAGE 2
SEP 20/08

BRI



757

PARTS CATALOG (MAINTENANCE)

FIG ITEM	PART NUMBER	1 2 3 4 5 6 7	NOMENCLATURE	EFFECT FROM TO	UNITS PER ASSY
42A 125	433-100-006		. GUARD-SWITCH SUPPLIER CODE: V81590 OPTIONAL PART: 433-100-002 V81590 433-100-003 V81590 433-100-004 V81590 433-100-005 V81590 433-100-007 V81590	002004 006999	1
125	433-100-007		. GUARD-SWITCH SUPPLIER CODE: V81590 SPECIFICATION NUMBER: S231T290-826 OPTIONAL PART: 433-100-002 V81590 433-100-003 V81590 433-100-004 V81590 433-100-005 V81590 433-100-006 V81590	002004 006999	1
130	433-107-002		. HOUSING ASSY-WITH MTG SLEEVE SUPPLIER CODE: V81590	002004 006999	1

MISSING ITEM NUMBERS NOT APPLICABLE

- ITEM NOT ILLUSTRATED

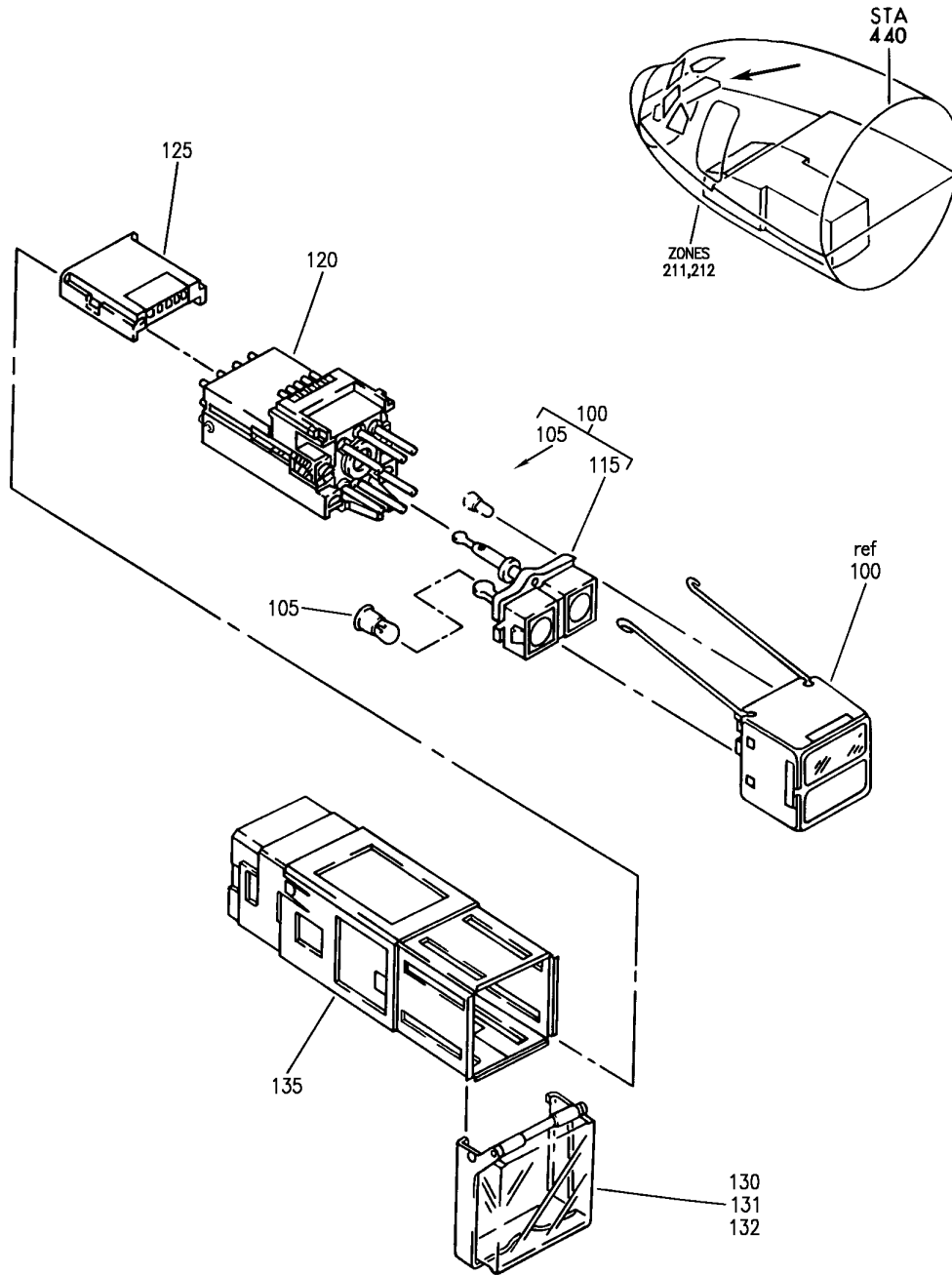
33-13-00-42A

33-13-00
FIG. 42A
PAGE 3
SEP 20/08

BRI

BOEING PROPRIETARY - Copyright © - Unpublished Work - See title page for details.

BOEING
757
PARTS CATALOG (MAINTENANCE)



Y 33130043 REV 252

SWITCH ASSY-LIGHTED PUSHBUTTON IND
FIGURE 43

33-13-00-43

BRI
MAY 28/07

33-13-00-43
PAGE 0



757

PARTS CATALOG (MAINTENANCE)

FIG ITEM	PART NUMBER	1 2 3 4 5 6 7	NOMENCLATURE	EFFECT FROM TO	UNITS PER ASSY
43					
- 1	BCREFA0501		SWITCH ASSY-LIGHTED PUSHBUTTON IND SWITCH ASSY-LIGHTED PUSHBUTTON IND SUPPLIER CODE: V81590 OVERLENGTH PART NUMBER: 433-673-1004-4001 SPECIFICATION NUMBER: S231T290-4001 MISCELLANEOUS DATA: WHEN REPLACING THE PUSHBUTTON SWITCH ASSY OR THE MASTER MODULE WITHIN, VERIFY THAT A CONFIG D MASTER MODULE P/N 13206-001 IS INSTALLED IN LIEU OF ANY EARLIER CONFIGURATION MASTER MODULES. OPTIONAL PART: S231T290-5001 REFERENCE SERVICE BULLETIN: 33A0044 REWORKED BY SB: 433-33-05 V81590 PRE SERVICE LETTER: 33-027 FOR NHA SEE: 27-51-57-01 27-51-57-02	002004 006999 002004 006100 107107 121503 904999	RF

MISSING ITEM NUMBERS NOT APPLICABLE

- ITEM NOT ILLUSTRATED

33-13-00-43

33-13-00
 FIG. 43
 PAGE 1
 JAN 20/09

BRI



757

PARTS CATALOG (MAINTENANCE)

FIG ITEM	PART NUMBER	1 2 3 4 5 6 7 NOMENCLATURE	EFFECT FROM TO	UNITS PER ASSY
43 - 2	BCREFA0501	SWITCH ASSY-LIGHTED PUSHBUTTON IND SUPPLIER CODE: V81590 OVERLENGTH PART NUMBER: 433-673-1004-4001 SPECIFICATION NUMBER: S231T290-4001 MISCELLANEOUS DATA: WHEN REPLACING THE PUSHBUTTON SWITCH ASSY OR THE MASTER MODULE WITHIN, VERIFY THAT A CONFIG D MASTER MODULE P/N 13206-001 IS INSTALLED IN LIEU OF ANY EARLIER CONFIGURATION MASTER MODULES. OPTIONAL PART: S231T290-5001 REFERENCE SERVICE BULLETIN: 33A0044 REWORKED BY SB: 433-33-05 V81590 PRE SERVICE LETTER: 33-027 FOR NHA SEE: 27-81-00-02 27-81-00-03	002004 006100 107107 121503 904999	RF

MISSING ITEM NUMBERS NOT APPLICABLE

- ITEM NOT ILLUSTRATED

BRI

33-13-00-43

BOEING PROPRIETARY - Copyright © - Unpublished Work - See title page for details.

33-13-00
FIG. 43
PAGE 2
JAN 20/09



757

PARTS CATALOG (MAINTENANCE)

FIG ITEM	PART NUMBER	1 2 3 4 5 6 7 NOMENCLATURE	EFFECT FROM TO	UNITS PER ASSY
43 - 3	BCREFA0501	SWITCH ASSY-LIGHTED PUSHBUTTON IND SUPPLIER CODE: V81590 OVERLENGTH PART NUMBER: 433-673-1004-4001 SPECIFICATION NUMBER: S231T290-4001 MISCELLANEOUS DATA: WHEN REPLACING THE PUSHBUTTON SWITCH ASSY OR THE MASTER MODULE WITHIN, VERIFY THAT A CONFIG D MASTER MODULE P/N 13206-001 IS INSTALLED IN LIEU OF ANY EARLIER CONFIGURATION MASTER MODULES. OPTIONAL PART: S231T290-5001 851-35100-5001 V81590 POST SERVICE BULLETIN: 34-0200 REFERENCE SERVICE BULLETIN: 33A0044 REWORKED BY SB: 433-33-05 V81590 FOR NHA SEE: 27-51-57-01 27-51-57-03 27-81-00-01 27-81-00-02	101102 108120 504903 952952	RF

MISSING ITEM NUMBERS NOT APPLICABLE

- ITEM NOT ILLUSTRATED

33-13-00-43

33-13-00
FIG. 43
PAGE 3
JAN 20/09

BRI



757

PARTS CATALOG (MAINTENANCE)

FIG ITEM	PART NUMBER	1 2 3 4 5 6 7 NOMENCLATURE	EFFECT FROM TO	UNITS PER ASSY
43 - 10	BCREFA0501	SWITCH ASSY-LIGHTED PUSHBUTTON IND SUPPLIER CODE: V81590 OVERLENGTH PART NUMBER: 433-673-1004-4001 SPECIFICATION NUMBER: S231T290-4001 MISCELLANEOUS DATA: WHEN REPLACING THE PUSHBUTTON SWITCH ASSY OR THE MASTER MODULE WITHIN, VERIFY THAT A CONFIG D MASTER MODULE P/N 13206-001 IS INSTALLED IN LIEU OF ANY EARLIER CONFIGURATION MASTER MODULES. OPTIONAL PART: S231T290-5001 851-35100-5001 V96182 PRE SERVICE LETTER: 33-027 FOR NHA SEE: 34-12-01-03 34-12-01-04 34-12-01-05 34-21-02-02 34-21-02-03 34-22-02-02 34-22-02-05 34-22-02-06 34-61-02-15	002004 006102 107999	RF

MISSING ITEM NUMBERS NOT APPLICABLE

- ITEM NOT ILLUSTRATED

BRI

33-13-00-43

BOEING PROPRIETARY - Copyright © - Unpublished Work - See title page for details.

33-13-00
FIG. 43
PAGE 4
JAN 20/09



757

PARTS CATALOG (MAINTENANCE)

FIG ITEM	PART NUMBER	1 2 3 4 5 6 7 NOMENCLATURE	EFFECT FROM TO	UNITS PER ASSY
43 - 13	BCREFA0501	SWITCH ASSY-LIGHTED PUSHBUTTON IND SUPPLIER CODE: V81590 OVERLENGTH PART NUMBER: 433-673-1004-4001 SPECIFICATION NUMBER: S231T290-4001 MISCELLANEOUS DATA: WHEN REPLACING THE PUSHBUTTON SWITCH ASSY OR THE MASTER MODULE WITHIN, VERIFY THAT A CONFIG D MASTER MODULE P/N 13206-001 IS INSTALLED IN LIEU OF ANY EARLIER CONFIGURATION MASTER MODULES. OPTIONAL PART: S231T290-5001 851-35100-5001 V96182 PRE SERVICE LETTER: 33-027 FOR NHA SEE: 34-21-02-04 34-61-02-02 34-61-02-14	002004 006102 107999	RF

MISSING ITEM NUMBERS NOT APPLICABLE

- ITEM NOT ILLUSTRATED

BRI

33-13-00-43

BOEING PROPRIETARY - Copyright © - Unpublished Work - See title page for details.

33-13-00
FIG. 43
PAGE 5
JAN 20/09



757

PARTS CATALOG (MAINTENANCE)

FIG ITEM	PART NUMBER	1 2 3 4 5 6 7	NOMENCLATURE	EFFECT FROM TO	UNITS PER ASSY
43 - 15	BCREFA0501		SWITCH ASSY-LIGHTED PUSHBUTTON IND SUPPLIER CODE: V81590 OVERLENGTH PART NUMBER: 433-673-1004-4001 SPECIFICATION NUMBER: S231T290-4001 MISCELLANEOUS DATA: WHEN REPLACING THE PUSHBUTTON SWITCH ASSY OR THE MASTER MODULE WITHIN, VERIFY THAT A CONFIG D MASTER MODULE P/N 13206-001 IS INSTALLED IN LIEU OF ANY EARLIER CONFIGURATION MASTER MODULES. OPTIONAL PART: S231T290-5001 851-35100-5001 V96182 FOR NHA SEE: 34-12-01-05 34-21-02-03 34-22-02-05	011100	RF

MISSING ITEM NUMBERS NOT APPLICABLE

- ITEM NOT ILLUSTRATED

BRI

33-13-00-43

BOEING PROPRIETARY - Copyright © - Unpublished Work - See title page for details.

33-13-00
FIG. 43
PAGE 6
JAN 20/09



757

PARTS CATALOG (MAINTENANCE)

FIG ITEM	PART NUMBER	1 2 3 4 5 6 7 NOMENCLATURE	EFFECT FROM TO	UNITS PER ASSY
43 - 16	BCREFA0501	SWITCH ASSY-LIGHTED PUSHBUTTON IND SUPPLIER CODE: V81590 OVERLENGTH PART NUMBER: 433-673-1004-4001 SPECIFICATION NUMBER: S231T290-4001 MISCELLANEOUS DATA: WHEN REPLACING THE PUSHBUTTON SWITCH ASSY OR THE MASTER MODULE WITHIN, VERIFY THAT A CONFIG D MASTER MODULE P/N 13206-001 IS INSTALLED IN LIEU OF ANY EARLIER CONFIGURATION MASTER MODULES. OPTIONAL PART: S231T290-5001 851-35100-5001 V96182 FOR NHA SEE: 34-12-01-03 34-21-02-02 34-22-02-02	101102 108120 504903	RF

MISSING ITEM NUMBERS NOT APPLICABLE

- ITEM NOT ILLUSTRATED

BRI

33-13-00-43

BOEING PROPRIETARY - Copyright © - Unpublished Work - See title page for details.

33-13-00
FIG. 43
PAGE 7
JAN 20/09



757

PARTS CATALOG (MAINTENANCE)

FIG ITEM	PART NUMBER	1 2 3 4 5 6 7 NOMENCLATURE	EFFECT FROM TO	UNITS PER ASSY
43 - 17	BCREFA0501	SWITCH ASSY-LIGHTED PUSHBUTTON IND SUPPLIER CODE: V81590 OVERLENGTH PART NUMBER: 433-673-1004-4001 SPECIFICATION NUMBER: S231T290-4001 MISCELLANEOUS DATA: WHEN REPLACING THE PUSHBUTTON SWITCH ASSY OR THE MASTER MODULE WITHIN, VERIFY THAT A CONFIG D MASTER MODULE P/N 13206-001 IS INSTALLED IN LIEU OF ANY EARLIER CONFIGURATION MASTER MODULES. OPTIONAL PART: S231T290-5001 851-35100-5001 V96182 PRE SERVICE LETTER: 33-027 FOR NHA SEE: 34-21-02-02 34-22-02-02 34-22-02-06 34-61-02-15	002004 006010 103107 121503 904999	RF

MISSING ITEM NUMBERS NOT APPLICABLE

- ITEM NOT ILLUSTRATED

33-13-00-43

33-13-00
FIG. 43
PAGE 8
JAN 20/09

BRI



757

PARTS CATALOG (MAINTENANCE)

FIG ITEM	PART NUMBER	1 2 3 4 5 6 7 NOMENCLATURE	EFFECT FROM TO	UNITS PER ASSY
43 - 18	BCREFA0501	SWITCH ASSY-LIGHTED PUSHBUTTON IND SUPPLIER CODE: V81590 OVERLENGTH PART NUMBER: 433-673-1004-4001 SPECIFICATION NUMBER: S231T290-4001 MISCELLANEOUS DATA: WHEN REPLACING THE PUSHBUTTON SWITCH ASSY OR THE MASTER MODULE WITHIN, VERIFY THAT A CONFIG D MASTER MODULE P/N 13206-001 IS INSTALLED IN LIEU OF ANY EARLIER CONFIGURATION MASTER MODULES. OPTIONAL PART: S231T290-5001 851-35100-5001 V96182 PRE SERVICE LETTER: 33-027 FOR NHA SEE: 34-12-01-04	002004 006010 107107 121503 904999	RF

MISSING ITEM NUMBERS NOT APPLICABLE

- ITEM NOT ILLUSTRATED

BRI

33-13-00-43

BOEING PROPRIETARY - Copyright © - Unpublished Work - See title page for details.

33-13-00
FIG. 43
PAGE 9
JAN 20/09



757

PARTS CATALOG (MAINTENANCE)

FIG ITEM	PART NUMBER	1 2 3 4 5 6 7	NOMENCLATURE	EFFECT FROM TO	UNITS PER ASSY
43 - 19	BCREFA0501		SWITCH ASSY-LIGHTED PUSHBUTTON IND SUPPLIER CODE: V81590 OVERLENGTH PART NUMBER: 433-673-1004-4001 SPECIFICATION NUMBER: S231T290-4001 MISCELLANEOUS DATA: WHEN REPLACING THE PUSHBUTTON SWITCH ASSY OR THE MASTER MODULE WITHIN, VERIFY THAT A CONFIG D MASTER MODULE P/N 13206-001 IS INSTALLED IN LIEU OF ANY EARLIER CONFIGURATION MASTER MODULES. OPTIONAL PART: S231T290-5001 851-35100-5001 V96182 PRE SERVICE LETTER: 33-027 FOR NHA SEE: 34-21-02-04	002004 006010 107107 121503 904999	RF

MISSING ITEM NUMBERS NOT APPLICABLE

- ITEM NOT ILLUSTRATED

BRI

33-13-00-43

BOEING PROPRIETARY - Copyright © - Unpublished Work - See title page for details.

33-13-00
FIG. 43
PAGE 10
JAN 20/09



757

PARTS CATALOG (MAINTENANCE)

FIG ITEM	PART NUMBER	1 2 3 4 5 6 7	NOMENCLATURE	EFFECT FROM TO	UNITS PER ASSY
43 - 21	BCREFA0501		SWITCH ASSY-LIGHTED PUSHBUTTON IND SUPPLIER CODE: V81590 OVERLENGTH PART NUMBER: 433-673-1004-4001 SPECIFICATION NUMBER: S231T290-4001 MISCELLANEOUS DATA: WHEN REPLACING THE PUSHBUTTON SWITCH ASSY OR THE MASTER MODULE WITHIN, VERIFY THAT A CONFIG D MASTER MODULE P/N 13206-001 IS INSTALLED IN LIEU OF ANY EARLIER CONFIGURATION MASTER MODULES. OPTIONAL PART: 851-35100-5001 V96182 S231T290-5001 FOR NHA SEE: 34-61-02-02 34-61-02-14	011102 108120 504903	RF
100	673-1004-4001	.	CAPSULE ASSY-LENS ON/INOP SUPPLIER CODE: V81590	002004 006102 107999	1
100	673-1004-4001	.	CAPSULE ASSY-LENS ON/INOP SUPPLIER CODE: V81590	103106	1
105	MS24515-685AS15	..	LAMP	002004 006102 107999	2
105	MS24515-685AS15	..	LAMP	103106	2
115	673-092-005	..	HOLDER-LAMP SUPPLIER CODE: V81590	002004 006102 107999	1
115	673-092-005	..	HOLDER-LAMP SUPPLIER CODE: V81590	103106	1
115	13963-001	..	HOLDER-LAMP SUPPLIER CODE: V81590	002004 006102 107999	1
115	13963-001	..	HOLDER-LAMP SUPPLIER CODE: V81590	103106	1

MISSING ITEM NUMBERS NOT APPLICABLE

- ITEM NOT ILLUSTRATED

33-13-00-43

33-13-00
FIG. 43
PAGE 11
JAN 20/09

BRI



757

PARTS CATALOG (MAINTENANCE)

FIG ITEM	PART NUMBER	1 2 3 4 5 6 7	NOMENCLATURE	EFFECT FROM TO	UNITS PER ASSY
43					
120	13206-001		.MODULE ASSY-MASTER SUPPLIER CODE: V81590	002004 006102 107999	1
120	13206-001		.MODULE ASSY-MASTER SUPPLIER CODE: V81590	103106	1
125	433-097-003		.MODULE ASSY-CKT SUPPLIER CODE: V81590	002004 006102 107999	1
125	433-097-003		.MODULE ASSY-CKT SUPPLIER CODE: V81590	103106	1
130	433-100-002		.GUARD-SWITCH SUPPLIER CODE: V81590 SPECIFICATION NUMBER: S231T290-821 OPTIONAL PART: 433-100-003 V81590 433-100-004 V81590 433-100-005 V81590 433-100-006 V81590 433-100-007 V81590	002004 006102 107999	1
130	433-100-003		.GUARD-SWITCH SUPPLIER CODE: V81590 SPECIFICATION NUMBER: S231T290-822 OPTIONAL PART: 433-100-002 V81590 433-100-004 V81590 433-100-005 V81590 433-100-006 V81590 433-100-007 V81590	002004 006102 107999	1

MISSING ITEM NUMBERS NOT APPLICABLE

- ITEM NOT ILLUSTRATED

33-13-00-43

33-13-00
FIG. 43
PAGE 12
JAN 20/09

BRI



757

PARTS CATALOG (MAINTENANCE)

FIG ITEM	PART NUMBER	1 2 3 4 5 6 7	NOMENCLATURE	EFFECT FROM TO	UNITS PER ASSY
43 130	433-100-004		. GUARD-SWITCH SUPPLIER CODE: V81590 SPECIFICATION NUMBER: S231T290-823 OPTIONAL PART: 433-100-002 V81590 433-100-003 V81590 433-100-005 V81590 433-100-006 V81590 433-100-007 V81590	002004 006102 107999	1
131	433-100-005		. GUARD-SWITCH SUPPLIER CODE: V81590 SPECIFICATION NUMBER: S231T290-824 OPTIONAL PART: 433-100-002 V81590 433-100-003 V81590 433-100-004 V81590 433-100-006 V81590 433-100-007 V81590	002004 006102 107999	1
131	433-100-006		. GUARD-SWITCH SUPPLIER CODE: V81590 OPTIONAL PART: 433-100-002 V81590 433-100-003 V81590 433-100-004 V81590 433-100-005 V81590 433-100-007 V81590	002004 006102 107999	1

MISSING ITEM NUMBERS NOT APPLICABLE

- ITEM NOT ILLUSTRATED

33-13-00-43

33-13-00
FIG. 43
PAGE 13
JAN 20/09

BRI



757

PARTS CATALOG (MAINTENANCE)

FIG ITEM	PART NUMBER	1 2 3 4 5 6 7	NOMENCLATURE	EFFECT FROM TO	UNITS PER ASSY
43 132	433-100-007		. GUARD-SWITCH SUPPLIER CODE: V81590 SPECIFICATION NUMBER: S231T290-826 OPTIONAL PART: 433-100-002 V81590 433-100-003 V81590 433-100-004 V81590 433-100-005 V81590 433-100-006 V81590	002004 006102 107999	1
132	433-100-002		. GUARD-SWITCH SUPPLIER CODE: V81590 SPECIFICATION NUMBER: S231T290-821 OPTIONAL PART: 433-100-003 V81590 433-100-004 V81590 433-100-005 V81590 433-100-006 V81590 433-100-007 V81590	103106	1
132	433-100-003		. GUARD-SWITCH SUPPLIER CODE: V81590 SPECIFICATION NUMBER: S231T290-822 OPTIONAL PART: 433-100-002 V81590 433-100-004 V81590 433-100-005 V81590 433-100-006 V81590 433-100-007 V81590	103106	1

MISSING ITEM NUMBERS NOT APPLICABLE

- ITEM NOT ILLUSTRATED

33-13-00-43

33-13-00
FIG. 43
PAGE 14
JAN 20/09

BRI



**757
PARTS CATALOG (MAINTENANCE)**

FIG ITEM	PART NUMBER	1 2 3 4 5 6 7	NOMENCLATURE	EFFECT FROM TO	UNITS PER ASSY
43 132	433-100-004		. GUARD-SWITCH SUPPLIER CODE: V81590 SPECIFICATION NUMBER: S231T290-823 OPTIONAL PART: 433-100-002 V81590 433-100-003 V81590 433-100-005 V81590 433-100-006 V81590 433-100-007 V81590	103106	1
132	433-100-005		. GUARD-SWITCH SUPPLIER CODE: V81590 SPECIFICATION NUMBER: S231T290-824 OPTIONAL PART: 433-100-002 V81590 433-100-003 V81590 433-100-004 V81590 433-100-006 V81590 433-100-007 V81590	103106	1
132	433-100-006		. GUARD-SWITCH SUPPLIER CODE: V81590 OPTIONAL PART: 433-100-002 V81590 433-100-003 V81590 433-100-004 V81590 433-100-005 V81590 433-100-007 V81590	103106	1

MISSING ITEM NUMBERS NOT APPLICABLE

— ITEM NOT ILLUSTRATED

33-13-00-43

33-13-00
FIG. 43
PAGE 15
JAN 20/09

BRI



757

PARTS CATALOG (MAINTENANCE)

FIG ITEM	PART NUMBER	1 2 3 4 5 6 7	NOMENCLATURE	EFFECT FROM TO	UNITS PER ASSY
43 132	433-100-007		. GUARD-SWITCH SUPPLIER CODE: V81590 SPECIFICATION NUMBER: S231T290-826 OPTIONAL PART: 433-100-002 V81590 433-100-003 V81590 433-100-004 V81590 433-100-005 V81590 433-100-006 V81590	103106	1
135	433-107-002		. HOUSING ASSY-WITH MTG SLEEVE SUPPLIER CODE: V81590	002004 006102 107999	1
135	433-107-002		. HOUSING ASSY-WITH MTG SLEEVE SUPPLIER CODE: V81590	103106	1

MISSING ITEM NUMBERS NOT APPLICABLE

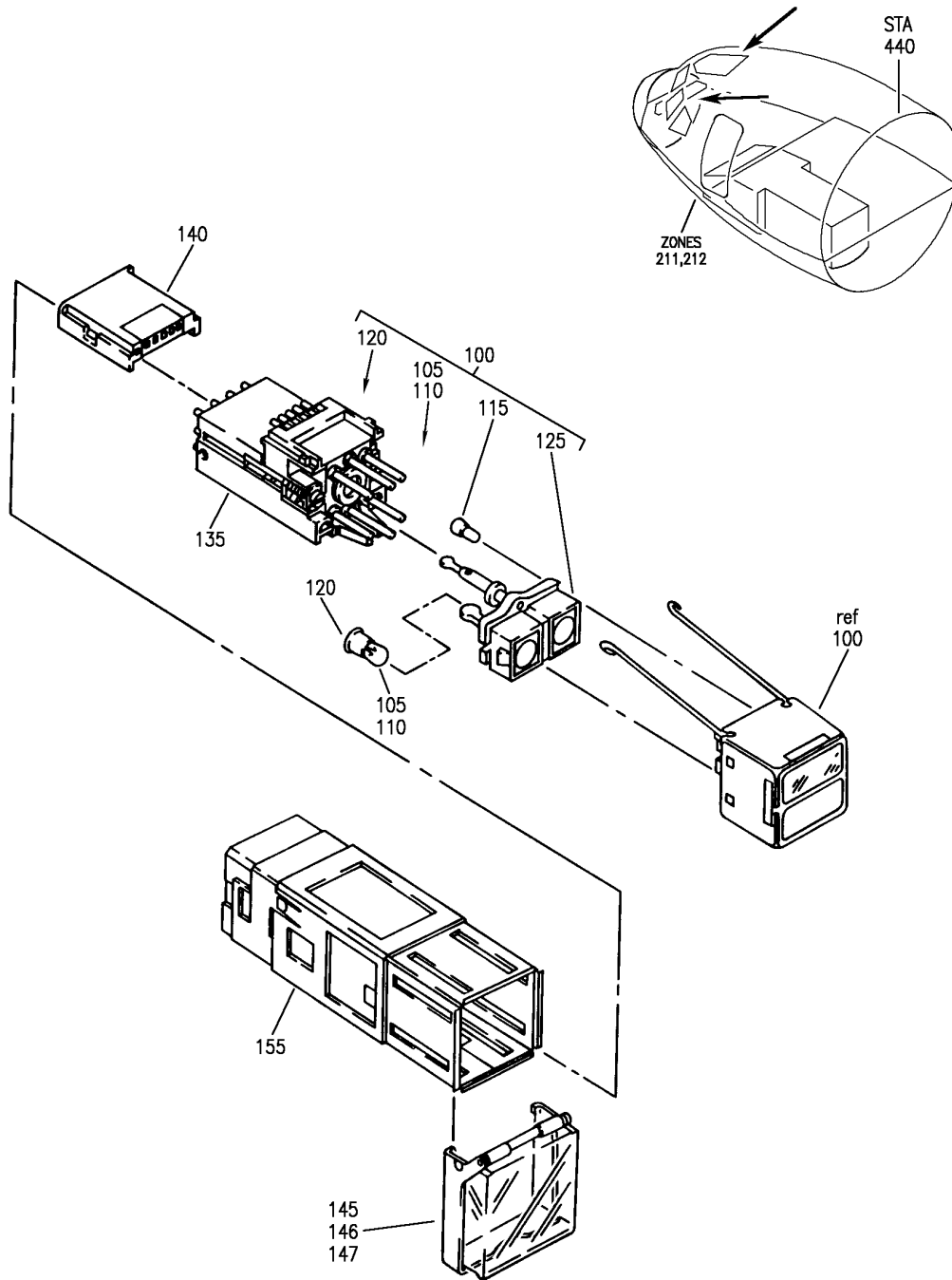
- ITEM NOT ILLUSTRATED

33-13-00-43

33-13-00
FIG. 43
PAGE 16
JAN 20/09

BRI

BOEING
757
PARTS CATALOG (MAINTENANCE)



Y 33130044 REV 249

SWITCH ASSY-LIGHTED PUSHBUTTON IND
FIGURE 44

33-13-00-44

BRI
MAY 28/07

33-13-00-44
PAGE 0



757

PARTS CATALOG (MAINTENANCE)

FIG ITEM	PART NUMBER	1 2 3 4 5 6 7	NOMENCLATURE	EFFECT FROM TO	UNITS PER ASSY
44					
- 1	BCREFA0524		SWITCH ASSY-LIGHTED PUSHBUTTON IND SWITCH ASSY-LIGHTED PUSHBUTTON IND OVRD SUPPLIER CODE: V81590 OVERLENGTH PART NUMBER: 433-673-1004-4057 SPECIFICATION NUMBER: S231T290-4057 OPTIONAL PART: S231T290-5057 851-35100-5057 V96182 PRE SERVICE LETTER: 33-027 FOR NHA SEE: 34-46-51-01 34-46-51-02	002004 006999 002004 006101 107107 121503 904999	RF
- 1	BCREFA0524		SWITCH ASSY-LIGHTED PUSHBUTTON IND OVRD SUPPLIER CODE: V81590 OVERLENGTH PART NUMBER: 433-673-1004-4057 SPECIFICATION NUMBER: S231T290-4057 FOR NHA SEE: 34-46-51-01 34-46-51-02	102102 108120 504903 952952	RF
- 5	BCREFA0531		SWITCH ASSY-LIGHTED PUSHBUTTON IND GND/PROX G/S INHB SUPPLIER CODE: V81590 OVERLENGTH PART NUMBER: 433-673-1004-4070 SPECIFICATION NUMBER: S231T290-4070 OPTIONAL PART: S231T290-5070 PRE SERVICE LETTER: 33-027 FOR NHA SEE: 34-46-51-01 34-46-51-02	002004 006503 904999	RF

MISSING ITEM NUMBERS NOT APPLICABLE

- ITEM NOT ILLUSTRATED

33-13-00-44

33-13-00
FIG. 44
PAGE 1
JAN 20/09

BRI



757

PARTS CATALOG (MAINTENANCE)

FIG ITEM	PART NUMBER	1 2 3 4 5 6 7	NOMENCLATURE	EFFECT FROM TO	UNITS PER ASSY
44 - 10	BCREFA0534		SWITCH ASSY-LIGHTED PUSHBUTTON IND SUPPLIER CODE: V81590 OVERLENGTH PART NUMBER: 433-673-1004-4076 SPECIFICATION NUMBER: S231T290-4076 MISCELLANEOUS DATA: WHEN REPLACING THE PUSHBUTTON SWITCH ASSY OR THE MASTER MODULE WITHIN, VERIFY THAT A CONFIG D MASTER MODULE P/N 13202-001 IS INSTALLED IN LIEU OF ANY EARLIER CONFIGURATION MASTER MODULES. REFERENCE SERVICE BULLETIN: 33A0044 REWORKED BY SB: 433-33-05 V81590 FOR NHA SEE: 32-35-52-01	107107 121503 904949	RF

MISSING ITEM NUMBERS NOT APPLICABLE

- ITEM NOT ILLUSTRATED

BRI

33-13-00-44

BOEING PROPRIETARY - Copyright © - Unpublished Work - See title page for details.

33-13-00
FIG. 44
PAGE 2
JAN 20/09

 **BOEING**
757
PARTS CATALOG (MAINTENANCE)

FIG ITEM	PART NUMBER	1 2 3 4 5 6 7	NOMENCLATURE	EFFECT FROM TO	UNITS PER ASSY
44 - 10	BCREFA0534		SWITCH ASSY-LIGHTED PUSHBUTTON IND SUPPLIER CODE: V81590 OVERLENGTH PART NUMBER: 433-673-1004-4076 SPECIFICATION NUMBER: S231T290-4076 MISCELLANEOUS DATA: WHEN REPLACING THE PUSHBUTTON SWITCH ASSY OR THE MASTER MODULE WITHIN, VERIFY THAT A CONFIG D MASTER MODULE P/N 13202-001 IS INSTALLED IN LIEU OF ANY EARLIER CONFIGURATION MASTER MODULES. REFERENCE SERVICE BULLETIN: 33A0044 REWORKED BY SB: 433-33-05 V81590 FOR NHA SEE: 32-35-52-03	504903	RF
- 15	BCREFA0537		SWITCH ASSY-LIGHTED PUSHBUTTON IND SUPPLIER CODE: V81590 OVERLENGTH PART NUMBER: 433-673-1004-4081 SPECIFICATION NUMBER: S231T290-4081 OPTIONAL PART: S231T290-5081 FOR NHA SEE: 29-21-55-01 29-21-55-02	002004 006999	RF
100	673-1004-4057		.CAPSULE ASSY-LENS OVRD SUPPLIER CODE: V81590 USED ON: BCREFA0524	002004 006101 107107 121503 904951 953999	1
100	673-1004-4057		.CAPSULE ASSY-LENS OVRD SUPPLIER CODE: V81590 USED ON: BCREFA0524	102102 108120 504903	1

MISSING ITEM NUMBERS NOT APPLICABLE

- ITEM NOT ILLUSTRATED

BRI

33-13-00-44

BOEING PROPRIETARY - Copyright © - Unpublished Work - See title page for details.

33-13-00
FIG. 44
PAGE 3
JAN 20/09



757

PARTS CATALOG (MAINTENANCE)

FIG ITEM	PART NUMBER	1 2 3 4 5 6 7	NOMENCLATURE	EFFECT FROM TO	UNITS PER ASSY
44 100	673-1004-4057	.	CAPSULE ASSY-LENS OVRD SUPPLIER CODE: V81590 USED ON: BCREFA0524	952952	1
100	673-1004-4070	.	CAPSULE ASSY-LENS GND/PROX G/S INHB SUPPLIER CODE: V81590 USED ON: BCREFA0531	002004 006503 904999	1
100	673-1004-4076	.	CAPSULE ASSY-LENS ALTN SUPPLIER CODE: V81590 USED ON: BCREFA0534	107107 121949	1
100	673-1004-4081	.	CAPSULE ASSY-LENS ON SUPPLIER CODE: V81590 USED ON: BCREFA0537	002004 006999	1
105	MS25237-387AS15	..	LAMP	107107 121949	2
110	MS25237-387AS15	..	LAMP	002004 006503 904999	1
115	MS24515-685AS15	..	LAMP	103106	2
115	MS24515-685AS15	..	LAMP	002004 006101 107107 121503 904951 953999	2
115	MS24515-685AS15	..	LAMP	102102 108120 504903	2
115	MS24515-685AS15	..	LAMP	952952	2
120	673-025-000	..	PLUG- SUPPLIER CODE: V81590	103106	2
120	673-025-000	..	PLUG- SUPPLIER CODE: V81590	002004 006101 950951 953999	2
120	673-025-000	..	PLUG- SUPPLIER CODE: V81590	102102 107949	2

MISSING ITEM NUMBERS NOT APPLICABLE

- ITEM NOT ILLUSTRATED

33-13-00-44

33-13-00
FIG. 44
PAGE 4
JAN 20/09

BRI



757

PARTS CATALOG (MAINTENANCE)

FIG ITEM	PART NUMBER	1 2 3 4 5 6 7	NOMENCLATURE	EFFECT FROM TO	UNITS PER ASSY
44 120	673-025-000	..	PLUG- SUPPLIER CODE: V81590	952952	2
125	673-092-005	..	HOLDER-LAMP SUPPLIER CODE: V81590	103106	1
125	673-092-005	..	HOLDER-LAMP SUPPLIER CODE: V81590	002004 006101 950951 953999	1
125	673-092-005	..	HOLDER-LAMP SUPPLIER CODE: V81590	102102 107949	1
125	673-092-005	..	HOLDER-LAMP SUPPLIER CODE: V81590	952952	1
125	13963-001	..	HOLDER-LAMP SUPPLIER CODE: V81590	103106	1
125	13963-001	..	HOLDER-LAMP SUPPLIER CODE: V81590	002004 006101 950951 953999	1
125	13963-001	..	HOLDER-LAMP SUPPLIER CODE: V81590	102102 107949	1
125	13963-001	..	HOLDER-LAMP SUPPLIER CODE: V81590	952952	1
135	13206-001	.MODULE ASSY-MASTER SUPPLIER CODE: V81590 USED ON: BCREFA0524 BCREFA0537	103106	1	
135	13206-001	.MODULE ASSY-MASTER SUPPLIER CODE: V81590 USED ON: BCREFA0524 BCREFA0537	002004 006101 107107 121503 904951 953999	1	
135	13206-001	.MODULE ASSY-MASTER SUPPLIER CODE: V81590 USED ON: BCREFA0524 BCREFA0537	102102 108120 504903	1	

MISSING ITEM NUMBERS NOT APPLICABLE

- ITEM NOT ILLUSTRATED

33-13-00-44

33-13-00
FIG. 44
PAGE 5
JAN 20/09

BRI



757

PARTS CATALOG (MAINTENANCE)

FIG ITEM	PART NUMBER	1 2 3 4 5 6 7	NOMENCLATURE	EFFECT FROM TO	UNITS PER ASSY
44 135	13206-001		.MODULE ASSY-MASTER SUPPLIER CODE: V81590 USED ON: BCREFA0524 BCREFA0537	952952	1
135	13203-001		.MODULE ASSY-MASTER SUPPLIER CODE: V81590 USED ON: BCREFA0531	002004 006503 904999	1
135	13202-001		.MODULE ASSY-MASTER SUPPLIER CODE: V81590 USED ON: BCREFA0534	107107 121949	1
140	433-097-003		.MODULE ASSY-CKT SUPPLIER CODE: V81590 USED ON: BCREFA0524 BCREFA0537	103106	1
140	433-097-003		.MODULE ASSY-CKT SUPPLIER CODE: V81590 USED ON: BCREFA0524 BCREFA0537	002004 006101 107107 121503 904951 953999	1
140	433-097-003		.MODULE ASSY-CKT SUPPLIER CODE: V81590 USED ON: BCREFA0524 BCREFA0537	102102 108120 504903	1
140	433-097-003		.MODULE ASSY-CKT SUPPLIER CODE: V81590 USED ON: BCREFA0524 BCREFA0537	952952	1
140	433-097-001		.MODULE ASSY-CKT SUPPLIER CODE: V81590 USED ON: BCREFA0531 BCREFA0534	002004 006106 108120 504903 950999	1

MISSING ITEM NUMBERS NOT APPLICABLE

- ITEM NOT ILLUSTRATED

33-13-00-44

33-13-00
FIG. 44
PAGE 6
JAN 20/09

BRI



757

PARTS CATALOG (MAINTENANCE)

FIG ITEM	PART NUMBER	1 2 3 4 5 6 7	NOMENCLATURE	EFFECT FROM TO	UNITS PER ASSY
44 140	433-097-001		.MODULE ASSY-CKT SUPPLIER CODE: V81590 USED ON: BCREFA0531 BCREFA0534	107107 121503 904949	1
145	433-100-002		.GUARD-SWITCH SUPPLIER CODE: V81590 SPECIFICATION NUMBER: S231T290-821 OPTIONAL PART: 433-100-003 V81590 433-100-004 V81590 433-100-005 V81590 433-100-006 V81590 433-100-007 V81590	103106	1
145	433-100-003		.GUARD-SWITCH SUPPLIER CODE: V81590 SPECIFICATION NUMBER: S231T290-822 OPTIONAL PART: 433-100-002 V81590 433-100-004 V81590 433-100-005 V81590 433-100-006 V81590 433-100-007 V81590	103106	1

MISSING ITEM NUMBERS NOT APPLICABLE

- ITEM NOT ILLUSTRATED

33-13-00-44

33-13-00
FIG. 44
PAGE 7
JAN 20/09

BRI



757

PARTS CATALOG (MAINTENANCE)

FIG ITEM	PART NUMBER	1 2 3 4 5 6 7	NOMENCLATURE	EFFECT FROM TO	UNITS PER ASSY
44 145	433-100-004		. GUARD-SWITCH SUPPLIER CODE: V81590 SPECIFICATION NUMBER: S231T290-823 OPTIONAL PART: 433-100-002 V81590 433-100-003 V81590 433-100-005 V81590 433-100-006 V81590 433-100-007 V81590	103106	1
145	433-100-005		. GUARD-SWITCH SUPPLIER CODE: V81590 SPECIFICATION NUMBER: S231T290-824 OPTIONAL PART: 433-100-002 V81590 433-100-003 V81590 433-100-004 V81590 433-100-006 V81590 433-100-007 V81590	103106	1
145	433-100-006		. GUARD-SWITCH SUPPLIER CODE: V81590 OPTIONAL PART: 433-100-002 V81590 433-100-003 V81590 433-100-004 V81590 433-100-005 V81590 433-100-007 V81590	103106	1

MISSING ITEM NUMBERS NOT APPLICABLE

- ITEM NOT ILLUSTRATED

33-13-00-44

33-13-00
FIG. 44
PAGE 8
JAN 20/09

BRI



757

PARTS CATALOG (MAINTENANCE)

FIG ITEM	PART NUMBER	1 2 3 4 5 6 7	NOMENCLATURE	EFFECT FROM TO	UNITS PER ASSY
44 145	433-100-007		. GUARD-SWITCH SUPPLIER CODE: V81590 SPECIFICATION NUMBER: S231T290-826 OPTIONAL PART: 433-100-002 V81590 433-100-003 V81590 433-100-004 V81590 433-100-005 V81590 433-100-006 V81590	103106	1
146	433-100-002		. GUARD-SWITCH SUPPLIER CODE: V81590 SPECIFICATION NUMBER: S231T290-821 OPTIONAL PART: 433-100-003 V81590 433-100-004 V81590 433-100-005 V81590 433-100-006 V81590 433-100-007 V81590	002004 006101 950951 953999	1
146	433-100-003		. GUARD-SWITCH SUPPLIER CODE: V81590 SPECIFICATION NUMBER: S231T290-822 OPTIONAL PART: 433-100-002 V81590 433-100-004 V81590 433-100-005 V81590 433-100-006 V81590 433-100-007 V81590	002004 006101 950951 953999	1

MISSING ITEM NUMBERS NOT APPLICABLE

- ITEM NOT ILLUSTRATED

33-13-00-44

33-13-00
FIG. 44
PAGE 9
JAN 20/09

BRI



757

PARTS CATALOG (MAINTENANCE)

FIG ITEM	PART NUMBER	1 2 3 4 5 6 7	NOMENCLATURE	EFFECT FROM TO	UNITS PER ASSY
44 146	433-100-004		. GUARD-SWITCH SUPPLIER CODE: V81590 SPECIFICATION NUMBER: S231T290-823 OPTIONAL PART: 433-100-002 V81590 433-100-003 V81590 433-100-005 V81590 433-100-006 V81590 433-100-007 V81590	002004 006101 950951 953999	1
146	433-100-005		. GUARD-SWITCH SUPPLIER CODE: V81590 SPECIFICATION NUMBER: S231T290-824 OPTIONAL PART: 433-100-002 V81590 433-100-003 V81590 433-100-004 V81590 433-100-006 V81590 433-100-007 V81590	002004 006101 950951 953999	1
146	433-100-006		. GUARD-SWITCH SUPPLIER CODE: V81590 OPTIONAL PART: 433-100-002 V81590 433-100-003 V81590 433-100-004 V81590 433-100-005 V81590 433-100-007 V81590	002004 006101 950951 953999	1

MISSING ITEM NUMBERS NOT APPLICABLE

- ITEM NOT ILLUSTRATED

33-13-00-44

33-13-00
FIG. 44
PAGE 10
JAN 20/09

BRI



757

PARTS CATALOG (MAINTENANCE)

FIG ITEM	PART NUMBER	1 2 3 4 5 6 7	NOMENCLATURE	EFFECT FROM TO	UNITS PER ASSY
44 146	433-100-007		. GUARD-SWITCH SUPPLIER CODE: V81590 SPECIFICATION NUMBER: S231T290-826 OPTIONAL PART: 433-100-002 V81590 433-100-003 V81590 433-100-004 V81590 433-100-005 V81590 433-100-006 V81590	002004 006101 950951 953999	1
146	433-100-002		. GUARD-SWITCH SUPPLIER CODE: V81590 SPECIFICATION NUMBER: S231T290-821 OPTIONAL PART: 433-100-003 V81590 433-100-004 V81590 433-100-005 V81590 433-100-006 V81590 433-100-007 V81590	102102 107949	1
146	433-100-003		. GUARD-SWITCH SUPPLIER CODE: V81590 SPECIFICATION NUMBER: S231T290-822 OPTIONAL PART: 433-100-002 V81590 433-100-004 V81590 433-100-005 V81590 433-100-006 V81590 433-100-007 V81590	102102 107949	1

MISSING ITEM NUMBERS NOT APPLICABLE

- ITEM NOT ILLUSTRATED

33-13-00-44

33-13-00
FIG. 44
PAGE 11
JAN 20/09

BRI



757

PARTS CATALOG (MAINTENANCE)

FIG ITEM	PART NUMBER	1 2 3 4 5 6 7	NOMENCLATURE	EFFECT FROM TO	UNITS PER ASSY
44 146	433-100-004		. GUARD-SWITCH SUPPLIER CODE: V81590 SPECIFICATION NUMBER: S231T290-823 OPTIONAL PART: 433-100-002 V81590 433-100-003 V81590 433-100-005 V81590 433-100-006 V81590 433-100-007 V81590	102102 107949	1
146	433-100-005		. GUARD-SWITCH SUPPLIER CODE: V81590 SPECIFICATION NUMBER: S231T290-824 OPTIONAL PART: 433-100-002 V81590 433-100-003 V81590 433-100-004 V81590 433-100-006 V81590 433-100-007 V81590	102102 107949	1
146	433-100-006		. GUARD-SWITCH SUPPLIER CODE: V81590 OPTIONAL PART: 433-100-002 V81590 433-100-003 V81590 433-100-004 V81590 433-100-005 V81590 433-100-007 V81590	102102 107949	1

MISSING ITEM NUMBERS NOT APPLICABLE

- ITEM NOT ILLUSTRATED

33-13-00-44

33-13-00
FIG. 44
PAGE 12
JAN 20/09

BRI



757

PARTS CATALOG (MAINTENANCE)

FIG ITEM	PART NUMBER	1 2 3 4 5 6 7	NOMENCLATURE	EFFECT FROM TO	UNITS PER ASSY
44 146	433-100-007		. GUARD-SWITCH SUPPLIER CODE: V81590 SPECIFICATION NUMBER: S231T290-826 OPTIONAL PART: 433-100-002 V81590 433-100-003 V81590 433-100-004 V81590 433-100-005 V81590 433-100-006 V81590	102102 107949	1
147	433-100-002		. GUARD-SWITCH SUPPLIER CODE: V81590 SPECIFICATION NUMBER: S231T290-821 OPTIONAL PART: 433-100-003 V81590 433-100-004 V81590 433-100-005 V81590 433-100-006 V81590 433-100-007 V81590	952952	1
147	433-100-003		. GUARD-SWITCH SUPPLIER CODE: V81590 SPECIFICATION NUMBER: S231T290-822 OPTIONAL PART: 433-100-002 V81590 433-100-004 V81590 433-100-005 V81590 433-100-006 V81590 433-100-007 V81590	952952	1

MISSING ITEM NUMBERS NOT APPLICABLE

- ITEM NOT ILLUSTRATED

33-13-00-44

33-13-00
FIG. 44
PAGE 13
JAN 20/09

BRI



757

PARTS CATALOG (MAINTENANCE)

FIG ITEM	PART NUMBER	1 2 3 4 5 6 7	NOMENCLATURE	EFFECT FROM TO	UNITS PER ASSY
44 147	433-100-004		. GUARD-SWITCH SUPPLIER CODE: V81590 SPECIFICATION NUMBER: S231T290-823 OPTIONAL PART: 433-100-002 V81590 433-100-003 V81590 433-100-005 V81590 433-100-006 V81590 433-100-007 V81590	952952	1
147	433-100-005		. GUARD-SWITCH SUPPLIER CODE: V81590 SPECIFICATION NUMBER: S231T290-824 OPTIONAL PART: 433-100-002 V81590 433-100-003 V81590 433-100-004 V81590 433-100-006 V81590 433-100-007 V81590	952952	1
147	433-100-006		. GUARD-SWITCH SUPPLIER CODE: V81590 OPTIONAL PART: 433-100-002 V81590 433-100-003 V81590 433-100-004 V81590 433-100-005 V81590 433-100-007 V81590	952952	1

MISSING ITEM NUMBERS NOT APPLICABLE

- ITEM NOT ILLUSTRATED

33-13-00-44

33-13-00
FIG. 44
PAGE 14
JAN 20/09

BRI



757

PARTS CATALOG (MAINTENANCE)

FIG ITEM	PART NUMBER	1 2 3 4 5 6 7	NOMENCLATURE	EFFECT FROM TO	UNITS PER ASSY
44 147	433-100-007		.GUARD-SWITCH SUPPLIER CODE: V81590 SPECIFICATION NUMBER: S231T290-826 OPTIONAL PART: 433-100-002 V81590 433-100-003 V81590 433-100-004 V81590 433-100-005 V81590 433-100-006 V81590	952952	1
155	433-107-002		.HOUSING ASSY-WITH MTG SLEEVE SUPPLIER CODE: V81590	103106	1
155	433-107-002		.HOUSING ASSY-WITH MTG SLEEVE SUPPLIER CODE: V81590	002004 006101 950951 953999	1
155	433-107-002		.HOUSING ASSY-WITH MTG SLEEVE SUPPLIER CODE: V81590	102102 107949	1
155	433-107-002		.HOUSING ASSY-WITH MTG SLEEVE SUPPLIER CODE: V81590	952952	1

MISSING ITEM NUMBERS NOT APPLICABLE

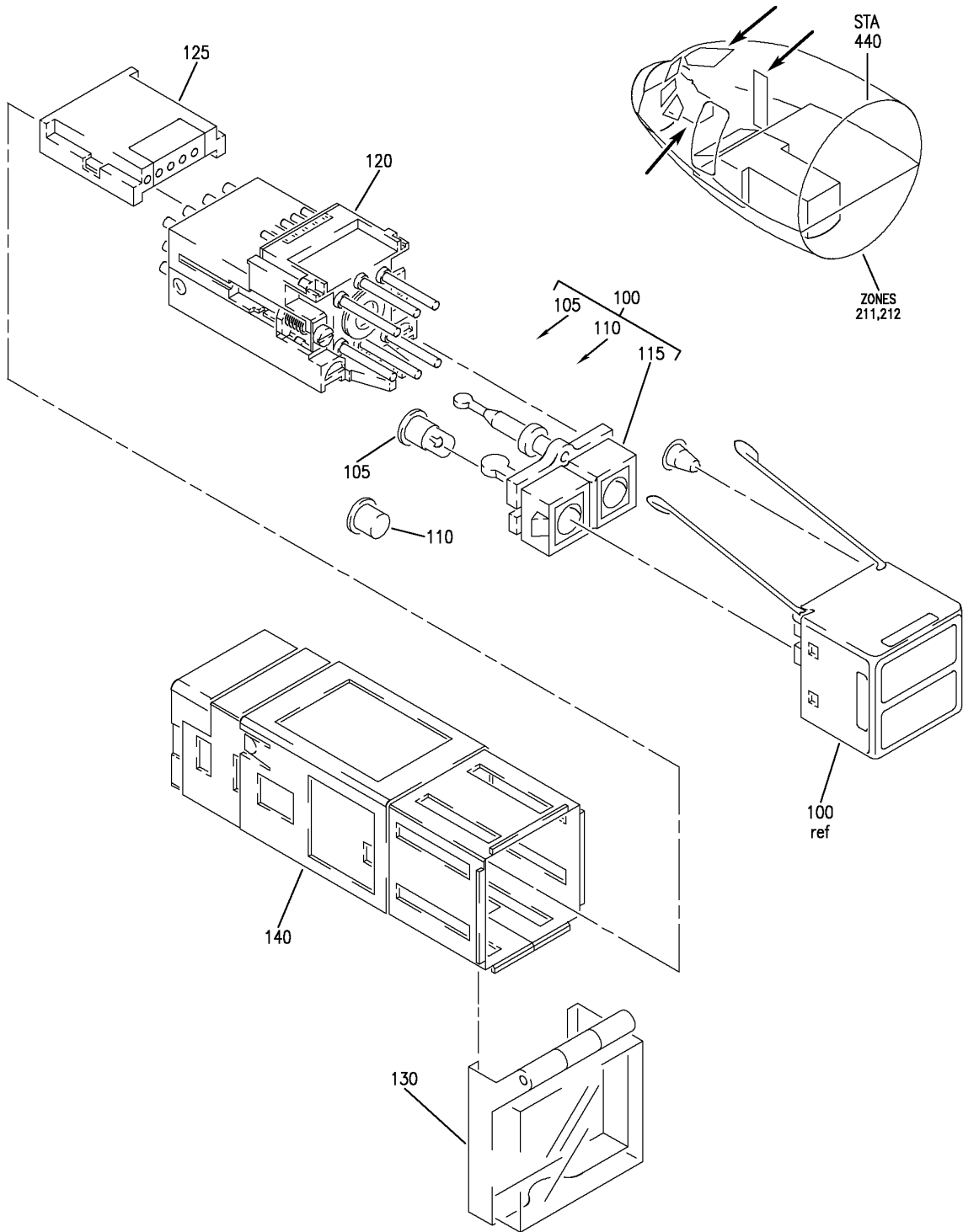
- ITEM NOT ILLUSTRATED

33-13-00-44

33-13-00
FIG. 44
PAGE 15
JAN 20/09

BRI

BOEING
757
PARTS CATALOG (MAINTENANCE)



Y 33130045 REV 331

SWITCH ASSY-LIGHTED PUSHBUTTON IND
FIGURE 45

33-13-00-45

BRI
JAN 20/09

33-13-00-45
PAGE 0



757

PARTS CATALOG (MAINTENANCE)

FIG ITEM	PART NUMBER	1 2 3 4 5 6 7 NOMENCLATURE	EFFECT FROM TO	UNITS PER ASSY
45 - 1	BCREFA0502	SWITCH ASSY-LIGHTED PUSHBUTTON IND SWITCH ASSY-LIGHTED PUSHBUTTON IND SUPPLIER CODE: V81590 OVERLENGTH PART NUMBER: 433-673-1004-4007 SPECIFICATION NUMBER: S231T290-4007 MISCELLANEOUS DATA: WHEN REPLACING THE PUSHBUTTON SWITCH ASSY OR THE MASTER MODULE WITHIN, VERIFY THAT A CONFIG D MASTER MODULE P/N 13202-001 IS INSTALLED IN LIEU OF ANY EARLIER CONFIGURATION MASTER MODULES. OPTIONAL PART: 851-35100-5007 V96182 REFERENCE SERVICE BULLETIN: 33A0044 REWORKED BY SB: 433-33-05 V81590 FOR NHA SEE: 24-11-52-01 24-11-52-03 24-11-52-05	002004 006102 107999 002004 006102 107999	RF

MISSING ITEM NUMBERS NOT APPLICABLE

- ITEM NOT ILLUSTRATED

33-13-00-45

33-13-00
 FIG. 45
 PAGE 1
 JAN 20/09

BRI



757

PARTS CATALOG (MAINTENANCE)

FIG ITEM	PART NUMBER	1 2 3 4 5 6 7	NOMENCLATURE	EFFECT FROM TO	UNITS PER ASSY
45 - 5	BCREFA0518		SWITCH ASSY-LIGHTED PUSHBUTTON IND SUPPLIER CODE: V81590 OVERLENGTH PART NUMBER: 433-673-1004-4041 SPECIFICATION NUMBER: S231T290-4041 MISCELLANEOUS DATA: WHEN REPLACING THE PUSHBUTTON SWITCH ASSY OR THE MASTER MODULE WITHIN, VERIFY THAT A CONFIG D MASTER MODULE P/N 13202-001 IS INSTALLED IN LIEU OF ANY EARLIER CONFIGURATION MASTER MODULES. OPTIONAL PART: S231T290-5041 REFERENCE SERVICE BULLETIN: 33A0044 REWORKED BY SB: 433-33-05 V81590 FOR NHA SEE: 35-21-51-01 35-21-51-03 35-21-51-04	002004 006102 107999	RF
100	673-1004-4007		.CAPSULE ASSY-LENS ON/DRIVE SUPPLIER CODE: V81590 USED ON: BCREFA0502	002004 006102 107999	1
100	673-1004-4041		.CAPSULE ASSY-LENS DRIVE/ON SUPPLIER CODE: V81590 USED ON: BCREFA0518	002004 006102 107999	1
105	MS25237-387AS15		..LAMP	002004 006102 107999	2
110	673-025-000		..PLUG- SUPPLIER CODE: V81590	002004 006102 107999	2
115	673-092-005		..HOLDER-LAMP SUPPLIER CODE: V81590	002004 006102 107999	1

MISSING ITEM NUMBERS NOT APPLICABLE

- ITEM NOT ILLUSTRATED

33-13-00-45

33-13-00
FIG. 45
PAGE 2
JAN 20/09

BRI



757

PARTS CATALOG (MAINTENANCE)

FIG ITEM	PART NUMBER	1 2 3 4 5 6 7	NOMENCLATURE	EFFECT FROM TO	UNITS PER ASSY
45					
115	13963-001		. . HOLDER-LAMP SUPPLIER CODE: V81590	002004 006102 107999	1
120	13202-001		. MODULE ASSY-MASTER SUPPLIER CODE: V81590	002004 006102 107999	1
125	433-097-001		. MODULE ASSY-CKT SUPPLIER CODE: V81590	002004 006102 107999	1
130	433-100-002		. GUARD-SWITCH SUPPLIER CODE: V81590 SPECIFICATION NUMBER: S231T290-821 OPTIONAL PART: 433-100-003 V81590 433-100-004 V81590 433-100-005 V81590 433-100-006 V81590 433-100-007 V81590	002004 006102 107999	1
130	433-100-003		. GUARD-SWITCH SUPPLIER CODE: V81590 SPECIFICATION NUMBER: S231T290-822 OPTIONAL PART: 433-100-002 V81590 433-100-004 V81590 433-100-005 V81590 433-100-006 V81590 433-100-007 V81590	002004 006102 107999	1

MISSING ITEM NUMBERS NOT APPLICABLE

- ITEM NOT ILLUSTRATED

33-13-00-45

33-13-00
FIG. 45
PAGE 3
JAN 20/09

BRI



**757
PARTS CATALOG (MAINTENANCE)**

FIG ITEM	PART NUMBER	1 2 3 4 5 6 7	NOMENCLATURE	EFFECT FROM TO	UNITS PER ASSY
45 130	433-100-004		. GUARD-SWITCH SUPPLIER CODE: V81590 SPECIFICATION NUMBER: S231T290-823 OPTIONAL PART: 433-100-002 V81590 433-100-003 V81590 433-100-005 V81590 433-100-006 V81590 433-100-007 V81590	002004 006102 107999	1
130	433-100-005		. GUARD-SWITCH SUPPLIER CODE: V81590 SPECIFICATION NUMBER: S231T290-824 OPTIONAL PART: 433-100-002 V81590 433-100-003 V81590 433-100-004 V81590 433-100-006 V81590 433-100-007 V81590	002004 006102 107999	1
130	433-100-006		. GUARD-SWITCH SUPPLIER CODE: V81590 OPTIONAL PART: 433-100-002 V81590 433-100-003 V81590 433-100-004 V81590 433-100-005 V81590 433-100-007 V81590	002004 006102 107999	1

MISSING ITEM NUMBERS NOT APPLICABLE

— ITEM NOT ILLUSTRATED

33-13-00-45

33-13-00
FIG. 45
PAGE 4
JAN 20/09

BRI



**757
PARTS CATALOG (MAINTENANCE)**

FIG ITEM	PART NUMBER	1 2 3 4 5 6 7	NOMENCLATURE	EFFECT FROM TO	UNITS PER ASSY
45 130	433-100-007		.GUARD-SWITCH SUPPLIER CODE: V81590 SPECIFICATION NUMBER: S231T290-826 OPTIONAL PART: 433-100-002 V81590 433-100-003 V81590 433-100-004 V81590 433-100-005 V81590 433-100-006 V81590	002004 006102 107999	1
140	433-107-002		.HOUSING ASSY-WITH MTG SLEEVE SUPPLIER CODE: V81590	002004 006102 107999	1

MISSING ITEM NUMBERS NOT APPLICABLE

— ITEM NOT ILLUSTRATED

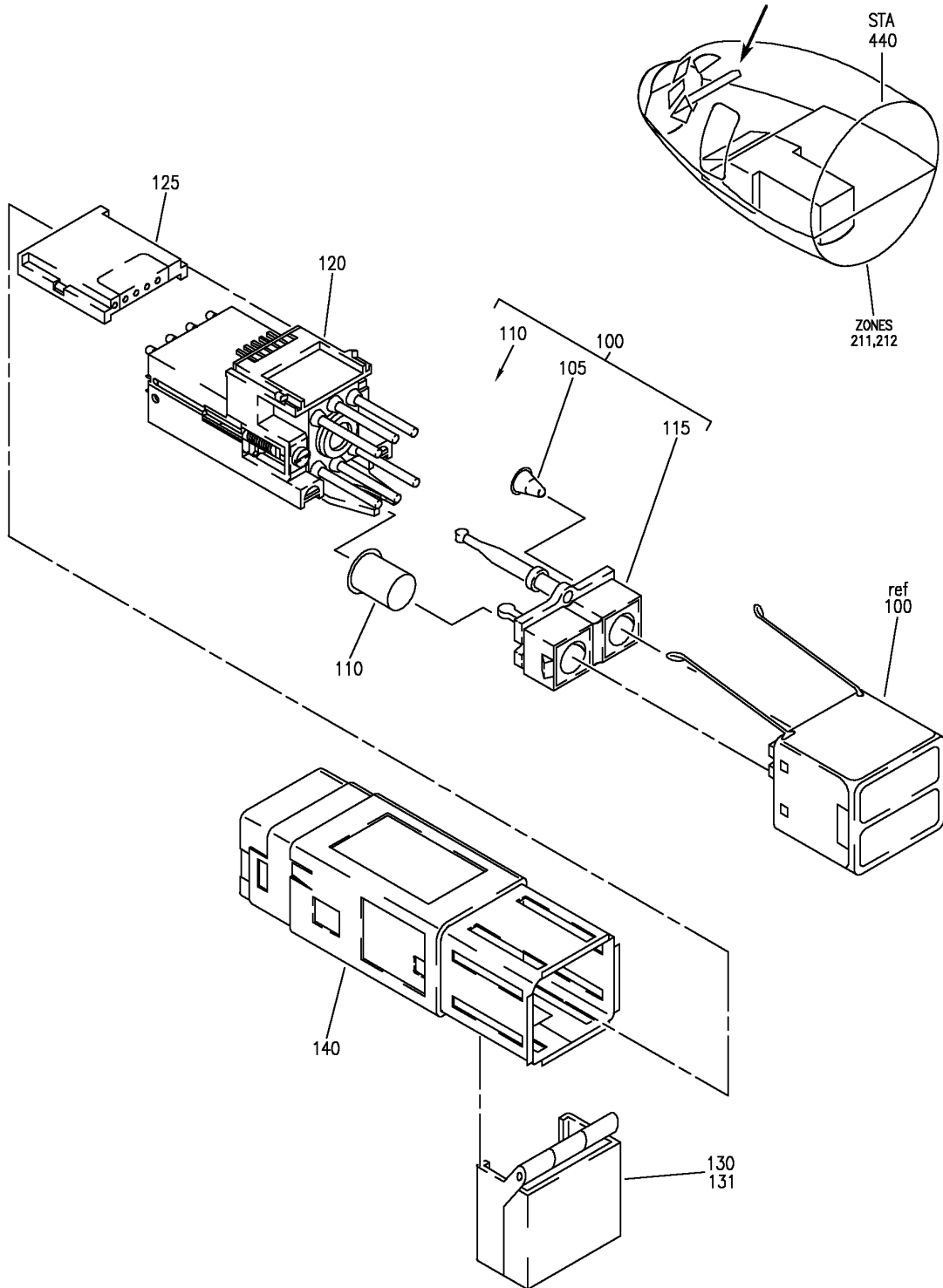
BRI

33-13-00-45

BOEING PROPRIETARY - Copyright © - Unpublished Work - See title page for details.

33-13-00
FIG. 45
PAGE 5
JAN 20/09

BOEING
757
PARTS CATALOG (MAINTENANCE)



Y 33130045A REV 265

SWITCH ASSY-LIGHTED PUSHBUTTON IND
FIGURE 45A

33-13-00-45A

BRI
MAY 28/07

33-13-00-45A
PAGE 0



757

PARTS CATALOG (MAINTENANCE)

FIG ITEM	PART NUMBER	1 2 3 4 5 6 7	NOMENCLATURE	EFFECT FROM TO	UNITS PER ASSY
45A					
- 1	BCREFA0503		SWITCH ASSY-LIGHTED PUSHBUTTON IND SWITCH ASSY-LIGHTED PUSHBUTTON IND SUPPLIER CODE: V81590 OVERLENGTH PART NUMBER: 433-673-1004-4012 SPECIFICATION NUMBER: S231T290-4012 MISCELLANEOUS DATA: WHEN REPLACING THE PUSHBUTTON SWITCH ASSY OR THE MASTER MODULE WITHIN, VERIFY THAT A CONFIG D MASTER MODULE P/N 13206-001 IS INSTALLED IN LIEU OF ANY EARLIER CONFIGURATION MASTER MODULES. OPTIONAL PART: 851-35100-5012 V96182 S231T290-5012 REFERENCE SERVICE BULLETIN: 33A0044 REWORKED BY SB: 433-33-05 V81590 PRE SERVICE LETTER: 33-027 FOR NHA SEE: 30-11-51-01 30-11-51-02 30-11-51-03	002004 006999 002004 006102 107999	RF

MISSING ITEM NUMBERS NOT APPLICABLE

- ITEM NOT ILLUSTRATED

33-13-00-45A

33-13-00
 FIG. 45A
 PAGE 1
 JAN 20/09

BRI



757

PARTS CATALOG (MAINTENANCE)

FIG ITEM	PART NUMBER	1 2 3 4 5 6 7	NOMENCLATURE	EFFECT FROM TO	UNITS PER ASSY
45A - 15	BCREFA0503		SWITCH ASSY-LIGHTED PUSHBUTTON IND SUPPLIER CODE: V81590 OVERLENGTH PART NUMBER: 433-673-1004-4012 SPECIFICATION NUMBER: S231T290-4012 MISCELLANEOUS DATA: WHEN REPLACING THE PUSHBUTTON SWITCH ASSY OR THE MASTER MODULE WITHIN, VERIFY THAT A CONFIG D MASTER MODULE P/N 13206-001 IS INSTALLED IN LIEU OF ANY EARLIER CONFIGURATION MASTER MODULES. OPTIONAL PART: S231T290-5012 851-35100-5012 V96182 FOR NHA SEE: 33-11-51-14 33-11-51-15 33-11-51-17	002004 006999	RF

MISSING ITEM NUMBERS NOT APPLICABLE

- ITEM NOT ILLUSTRATED

33-13-00-45A

33-13-00
FIG. 45A
PAGE 2
JAN 20/09

BRI



757

PARTS CATALOG (MAINTENANCE)

FIG ITEM	PART NUMBER	1 2 3 4 5 6 7 NOMENCLATURE	EFFECT FROM TO	UNITS PER ASSY
45A - 20	BCREFA0503	SWITCH ASSY-LIGHTED PUSHBUTTON IND SUPPLIER CODE: V81590 OVERLENGTH PART NUMBER: 433-673-1004-4012 SPECIFICATION NUMBER: S231T290-4012 MISCELLANEOUS DATA: WHEN REPLACING THE PUSHBUTTON SWITCH ASSY OR THE MASTER MODULE WITHIN, VERIFY THAT A CONFIG D MASTER MODULE P/N 13206-001 IS INSTALLED IN LIEU OF ANY EARLIER CONFIGURATION MASTER MODULES. REFERENCE SERVICE BULLETIN: 33A0044 REWORKED BY SB: 433-33-05 V81590 FOR NHA SEE: 33-41-52-01 33-41-52-04 33-43-51-01 33-43-51-04 33-44-51-01 33-44-51-05	107503 904949	RF

MISSING ITEM NUMBERS NOT APPLICABLE

- ITEM NOT ILLUSTRATED

33-13-00-45A

33-13-00
FIG. 45A
PAGE 3
JAN 20/09

BRI



757

PARTS CATALOG (MAINTENANCE)

FIG ITEM	PART NUMBER	1 2 3 4 5 6 7 NOMENCLATURE	EFFECT FROM TO	UNITS PER ASSY
45A - 20	BCREFA0503	SWITCH ASSY-LIGHTED PUSHBUTTON IND SUPPLIER CODE: V81590 OVERLENGTH PART NUMBER: 433-673-1004-4012 SPECIFICATION NUMBER: S231T290-4012 MISCELLANEOUS DATA: WHEN REPLACING THE PUSHBUTTON SWITCH ASSY OR THE MASTER MODULE WITHIN, VERIFY THAT A CONFIG D MASTER MODULE P/N 13206-001 IS INSTALLED IN LIEU OF ANY EARLIER CONFIGURATION MASTER MODULES. PRE SERVICE LETTER: 33-027 FOR NHA SEE: 33-41-52-01 33-41-52-03 33-41-52-04 33-43-51-01 33-43-51-03 33-43-51-04 33-44-51-01 33-44-51-04 33-44-51-05	002004 006106 504903 950999	RF

MISSING ITEM NUMBERS NOT APPLICABLE

- ITEM NOT ILLUSTRATED

33-13-00-45A

33-13-00
FIG. 45A
PAGE 4
JAN 20/09

BRI



757

PARTS CATALOG (MAINTENANCE)

FIG ITEM	PART NUMBER	1 2 3 4 5 6 7	NOMENCLATURE	EFFECT FROM TO	UNITS PER ASSY
45A - 25	BCREFA0503		SWITCH ASSY-LIGHTED PUSHBUTTON IND SUPPLIER CODE: V81590 OVERLENGTH PART NUMBER: 433-673-1004-4012 SPECIFICATION NUMBER: S231T290-4012 MISCELLANEOUS DATA: WHEN REPLACING THE PUSHBUTTON SWITCH ASSY OR THE MASTER MODULE WITHIN, VERIFY THAT A CONFIG D MASTER MODULE P/N 13206-001 IS INSTALLED IN LIEU OF ANY EARLIER CONFIGURATION MASTER MODULES. PRE SERVICE LETTER: 33-027 FOR NHA SEE: 33-45-53-01 33-45-53-02 33-45-53-03	002004 006999	RF
100	673-1004-4012	.	CAPSULE ASSY-LENS ON SUPPLIER CODE: V81590 USED ON: BCREFA0503	002004 006102 107999	1
100	673-1004-4012	.	CAPSULE ASSY-LENS ON SUPPLIER CODE: V81590 USED ON: BCREFA0503	103106	1
105	MS24515-685AS15	..	LAMP	002004 006102 107999	2
105	MS24515-685AS15	..	LAMP	103106	2
110	673-025-000	..	PLUG- SUPPLIER CODE: V81590	002004 006102 107999	2
110	673-025-000	..	PLUG- SUPPLIER CODE: V81590	103106	2
115	673-092-005	..	HOLDER-LAMP SUPPLIER CODE: V81590	002004 006102 107999	1

MISSING ITEM NUMBERS NOT APPLICABLE

- ITEM NOT ILLUSTRATED

33-13-00-45A

33-13-00
FIG. 45A
PAGE 5
JAN 20/09

BRI

BOEING PROPRIETARY - Copyright © - Unpublished Work - See title page for details.



757

PARTS CATALOG (MAINTENANCE)

FIG ITEM	PART NUMBER	1 2 3 4 5 6 7	NOMENCLATURE	EFFECT FROM TO	UNITS PER ASSY
45A 115	673-092-005	..	HOLDER-LAMP SUPPLIER CODE: V81590	103106	1
115	13963-001	..	HOLDER-LAMP SUPPLIER CODE: V81590	002004 006102 107999	1
115	13963-001	..	HOLDER-LAMP SUPPLIER CODE: V81590	103106	1
120	13206-001	.M	MODULE ASSY-MASTER SUPPLIER CODE: V81590	002004 006102 107999	1
120	13206-001	.M	MODULE ASSY-MASTER SUPPLIER CODE: V81590	103106	1
125	433-097-003	.M	MODULE ASSY-CKT SUPPLIER CODE: V81590	002004 006102 107999	1
125	433-097-003	.M	MODULE ASSY-CKT SUPPLIER CODE: V81590	103106	1
130	433-100-002	.G	GUARD-SWITCH SUPPLIER CODE: V81590 SPECIFICATION NUMBER: S231T290-821 OPTIONAL PART: 433-100-003 V81590 433-100-004 V81590 433-100-005 V81590 433-100-006 V81590 433-100-007 V81590	002004 006102 107999	1

MISSING ITEM NUMBERS NOT APPLICABLE

- ITEM NOT ILLUSTRATED

33-13-00-45A

33-13-00
FIG. 45A
PAGE 6
JAN 20/09

BRI

BOEING PROPRIETARY - Copyright © - Unpublished Work - See title page for details.



757

PARTS CATALOG (MAINTENANCE)

FIG ITEM	PART NUMBER	1 2 3 4 5 6 7	NOMENCLATURE	EFFECT FROM TO	UNITS PER ASSY
45A 130	433-100-003	.	GUARD-SWITCH SUPPLIER CODE: V81590 SPECIFICATION NUMBER: S231T290-822 OPTIONAL PART: 433-100-002 V81590 433-100-004 V81590 433-100-005 V81590 433-100-006 V81590 433-100-007 V81590	002004 006102 107999	1
130	433-100-004	.	GUARD-SWITCH SUPPLIER CODE: V81590 SPECIFICATION NUMBER: S231T290-823 OPTIONAL PART: 433-100-002 V81590 433-100-003 V81590 433-100-005 V81590 433-100-006 V81590 433-100-007 V81590	002004 006102 107999	1
130	433-100-005	.	GUARD-SWITCH SUPPLIER CODE: V81590 SPECIFICATION NUMBER: S231T290-824 OPTIONAL PART: 433-100-002 V81590 433-100-003 V81590 433-100-004 V81590 433-100-006 V81590 433-100-007 V81590	002004 006102 107999	1

MISSING ITEM NUMBERS NOT APPLICABLE

- ITEM NOT ILLUSTRATED

33-13-00-45A

33-13-00
FIG. 45A
PAGE 7
JAN 20/09

BRI



757

PARTS CATALOG (MAINTENANCE)

FIG ITEM	PART NUMBER	1 2 3 4 5 6 7	NOMENCLATURE	EFFECT FROM TO	UNITS PER ASSY
45A 130	433-100-006	.	GUARD-SWITCH SUPPLIER CODE: V81590 OPTIONAL PART: 433-100-002 V81590 433-100-003 V81590 433-100-004 V81590 433-100-005 V81590 433-100-007 V81590	002004 006102 107999	1
130	433-100-007	.	GUARD-SWITCH SUPPLIER CODE: V81590 SPECIFICATION NUMBER: S231T290-826 OPTIONAL PART: 433-100-002 V81590 433-100-003 V81590 433-100-004 V81590 433-100-005 V81590 433-100-006 V81590	002004 006102 107999	1
130	433-100-002	.	GUARD-SWITCH SUPPLIER CODE: V81590 SPECIFICATION NUMBER: S231T290-821 OPTIONAL PART: 433-100-003 V81590 433-100-004 V81590 433-100-005 V81590 433-100-006 V81590 433-100-007 V81590	103106	1

MISSING ITEM NUMBERS NOT APPLICABLE

- ITEM NOT ILLUSTRATED

33-13-00-45A

33-13-00
FIG. 45A
PAGE 8
JAN 20/09

BRI



757

PARTS CATALOG (MAINTENANCE)

FIG ITEM	PART NUMBER	1 2 3 4 5 6 7	NOMENCLATURE	EFFECT FROM TO	UNITS PER ASSY
45A 130	433-100-003		. GUARD-SWITCH SUPPLIER CODE: V81590 SPECIFICATION NUMBER: S231T290-822 OPTIONAL PART: 433-100-002 V81590 433-100-004 V81590 433-100-005 V81590 433-100-006 V81590 433-100-007 V81590	103106	1
130	433-100-004		. GUARD-SWITCH SUPPLIER CODE: V81590 SPECIFICATION NUMBER: S231T290-823 OPTIONAL PART: 433-100-002 V81590 433-100-003 V81590 433-100-005 V81590 433-100-006 V81590 433-100-007 V81590	103106	1
130	433-100-005		. GUARD-SWITCH SUPPLIER CODE: V81590 SPECIFICATION NUMBER: S231T290-824 OPTIONAL PART: 433-100-002 V81590 433-100-003 V81590 433-100-004 V81590 433-100-006 V81590 433-100-007 V81590	103106	1

MISSING ITEM NUMBERS NOT APPLICABLE

- ITEM NOT ILLUSTRATED

33-13-00-45A

33-13-00
FIG. 45A
PAGE 9
JAN 20/09

BRI



757

PARTS CATALOG (MAINTENANCE)

FIG ITEM	PART NUMBER	1 2 3 4 5 6 7	NOMENCLATURE	EFFECT FROM TO	UNITS PER ASSY
45A 130	433-100-006		. GUARD-SWITCH SUPPLIER CODE: V81590 OPTIONAL PART: 433-100-002 V81590 433-100-003 V81590 433-100-004 V81590 433-100-005 V81590 433-100-007 V81590	103106	1
131	433-100-007		. GUARD-SWITCH SUPPLIER CODE: V81590 SPECIFICATION NUMBER: S231T290-826 OPTIONAL PART: 433-100-002 V81590 433-100-003 V81590 433-100-004 V81590 433-100-005 V81590 433-100-006 V81590	103106	1
140	433-107-002		. HOUSING ASSY-WITH MTG SLEEVE SUPPLIER CODE: V81590	002004 006102 107999	1
140	433-107-002		. HOUSING ASSY-WITH MTG SLEEVE SUPPLIER CODE: V81590	103106	1

MISSING ITEM NUMBERS NOT APPLICABLE

- ITEM NOT ILLUSTRATED

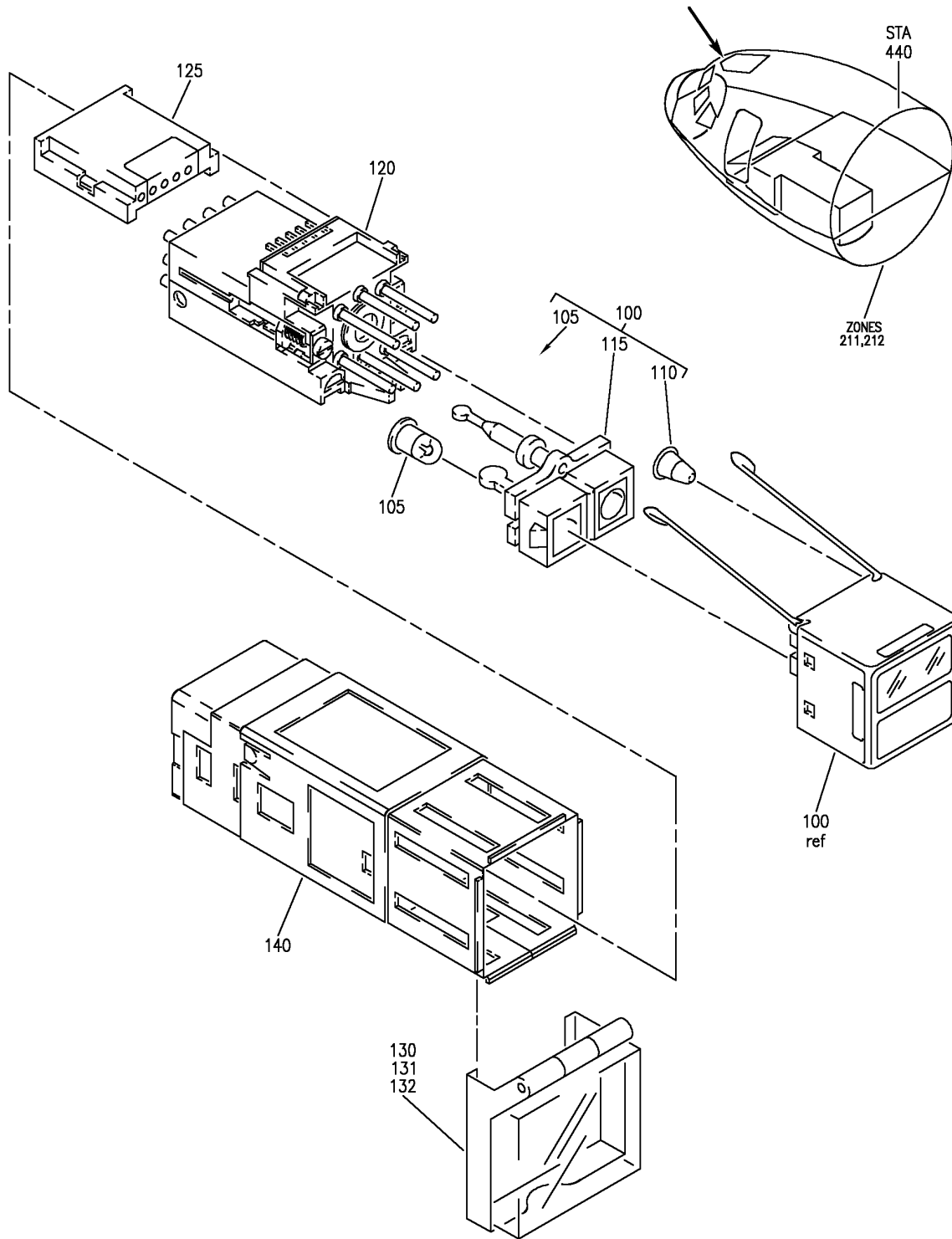
33-13-00-45A

33-13-00
FIG. 45A
PAGE 10
JAN 20/09

BRI

BOEING PROPRIETARY - Copyright © - Unpublished Work - See title page for details.

BOEING
757
PARTS CATALOG (MAINTENANCE)



Y 33130046 REV 265

SWITCH ASSY-LIGHTED PUSHBUTTON IND
FIGURE 46

33-13-00-46

BRI
MAY 28/07

33-13-00-46
PAGE 0



757

PARTS CATALOG (MAINTENANCE)

FIG ITEM	PART NUMBER	1 2 3 4 5 6 7	NOMENCLATURE	EFFECT FROM TO	UNITS PER ASSY
46			SWITCH ASSY-LIGHTED PUSHBUTTON IND	002004 006999	
- 1	BCREFA0505		SWITCH ASSY-LIGHTED PUSHBUTTON IND SUPPLIER CODE: V81590 OVERLENGTH PART NUMBER: 433-673-1004-4016 SPECIFICATION NUMBER: S231T290-4016 MISCELLANEOUS DATA: WHEN REPLACING THE PUSHBUTTON SWITCH ASSY OR THE MASTER MODULE WITHIN, VERIFY THAT A CONFIG D MASTER MODULE P/N 13206-001 IS INSTALLED IN LIEU OF ANY EARLIER CONFIGURATION MASTER MODULES. OPTIONAL PART: 851-35100-5016 V96182 FOR NHA SEE: 21-25-55-01 21-25-55-02 21-25-55-03	002004 006999	RF

MISSING ITEM NUMBERS NOT APPLICABLE

- ITEM NOT ILLUSTRATED

33-13-00-46

33-13-00
FIG. 46
PAGE 1
SEP 20/08

BRI



757

PARTS CATALOG (MAINTENANCE)

FIG ITEM	PART NUMBER	1 2 3 4 5 6 7 NOMENCLATURE	EFFECT FROM TO	UNITS PER ASSY
46 - 5	BCREFA0505	SWITCH ASSY-LIGHTED PUSHBUTTON IND SUPPLIER CODE: V81590 OVERLENGTH PART NUMBER: 433-673-1004-4016 SPECIFICATION NUMBER: S231T290-4016 MISCELLANEOUS DATA: WHEN REPLACING THE PUSHBUTTON SWITCH ASSY OR THE MASTER MODULE WITHIN, VERIFY THAT A CONFIG D MASTER MODULE P/N 13206-001 IS INSTALLED IN LIEU OF ANY EARLIER CONFIGURATION MASTER MODULES. OPTIONAL PART: 851-35100-5016 V96182 REFERENCE SERVICE BULLETIN: 33A0044 REWORKED BY SB: 433-33-05 V81590 PRE SERVICE LETTER: 33-027 FOR NHA SEE: 22-21-01-01 22-21-01-02 22-21-01-04	002004 006102 107999	RF

MISSING ITEM NUMBERS NOT APPLICABLE

- ITEM NOT ILLUSTRATED

BRI

33-13-00-46

BOEING PROPRIETARY - Copyright © - Unpublished Work - See title page for details.

33-13-00
FIG. 46
PAGE 2
JAN 20/09



757

PARTS CATALOG (MAINTENANCE)

FIG ITEM	PART NUMBER	1 2 3 4 5 6 7	NOMENCLATURE	EFFECT FROM TO	UNITS PER ASSY
46 - 10	BCREFA0505		SWITCH ASSY-LIGHTED PUSHBUTTON IND SUPPLIER CODE: V81590 OVERLENGTH PART NUMBER: 433-673-1004-4016 SPECIFICATION NUMBER: S231T290-4016 MISCELLANEOUS DATA: WHEN REPLACING THE PUSHBUTTON SWITCH ASSY OR THE MASTER MODULE WITHIN, VERIFY THAT A CONFIG D MASTER MODULE P/N 13206-001 IS INSTALLED IN LIEU OF ANY EARLIER CONFIGURATION MASTER MODULES. OPTIONAL PART: 851-35100-5016 V96182 PRE SERVICE LETTER: 33-027 FOR NHA SEE: 30-41-51-01 30-41-51-02 30-41-51-03	002004 006999	RF

MISSING ITEM NUMBERS NOT APPLICABLE

- ITEM NOT ILLUSTRATED

BRI

33-13-00-46

BOEING PROPRIETARY - Copyright © - Unpublished Work - See title page for details.

33-13-00
FIG. 46
PAGE 3
JAN 20/09



757

PARTS CATALOG (MAINTENANCE)

FIG ITEM	PART NUMBER	1 2 3 4 5 6 7	NOMENCLATURE	EFFECT FROM TO	UNITS PER ASSY
46 - 15	BCREFA0505		SWITCH ASSY-LIGHTED PUSHBUTTON IND SUPPLIER CODE: V81590 OVERLENGTH PART NUMBER: 433-673-1004-4016 SPECIFICATION NUMBER: S231T290-4016 MISCELLANEOUS DATA: WHEN REPLACING THE PUSHBUTTON SWITCH ASSY OR THE MASTER MODULE WITHIN, VERIFY THAT A CONFIG D MASTER MODULE P/N 13206-001 IS INSTALLED IN LIEU OF ANY EARLIER CONFIGURATION MASTER MODULES. OPTIONAL PART: 851-35100-5016 V96182 REFERENCE SERVICE BULLETIN: 33A0044 REWORKED BY SB: 433-33-05 V81590 PRE SERVICE LETTER: 33-027 FOR NHA SEE: 73-21-52-01 73-21-52-02	002004 006102 107999	RF

MISSING ITEM NUMBERS NOT APPLICABLE

- ITEM NOT ILLUSTRATED

BRI

33-13-00-46

BOEING PROPRIETARY - Copyright © - Unpublished Work - See title page for details.

33-13-00
FIG. 46
PAGE 4
JAN 20/09



757

PARTS CATALOG (MAINTENANCE)

FIG ITEM	PART NUMBER	1 2 3 4 5 6 7	NOMENCLATURE	EFFECT FROM TO	UNITS PER ASSY
46 - 20	BCREFA0505		SWITCH ASSY-LIGHTED PUSHBUTTON IND SUPPLIER CODE: V81590 OVERLENGTH PART NUMBER: 433-673-1004-4016 SPECIFICATION NUMBER: S231T290-4016 MISCELLANEOUS DATA: WHEN REPLACING THE PUSHBUTTON SWITCH ASSY OR THE MASTER MODULE WITHIN, VERIFY THAT A CONFIG D MASTER MODULE P/N 13206-001 IS INSTALLED IN LIEU OF ANY EARLIER CONFIGURATION MASTER MODULES. OPTIONAL PART: 851-35100-5016 V96182 REFERENCE SERVICE BULLETIN: 33A0044 REWORKED BY SB: 433-33-05 V81590 FOR NHA SEE: 73-21-52-01 73-21-52-02	002004 006106 108120 504903 950999	RF
100	673-1004-4016	.	CAPSULE ASSY-LENS ON/INOP SUPPLIER CODE: V81590	002004 006102 108120 504903 950999	1
100	673-1004-4016	.	CAPSULE ASSY-LENS ON/INOP SUPPLIER CODE: V81590	107107 121503 904949	1
100	673-1004-4016	.	CAPSULE ASSY-LENS ON/INOP SUPPLIER CODE: V81590	103106	1
105	MS25237-387AS15	..	LAMP	002004 006102 108120 504903 950999	2
105	MS25237-387AS15	..	LAMP	107107 121503 904949	2
105	MS25237-387AS15	..	LAMP	103106	2

MISSING ITEM NUMBERS NOT APPLICABLE

- ITEM NOT ILLUSTRATED

33-13-00-46

33-13-00
FIG. 46
PAGE 5
JAN 20/09

BRI



757

PARTS CATALOG (MAINTENANCE)

FIG ITEM	PART NUMBER	1 2 3 4 5 6 7	NOMENCLATURE	EFFECT FROM TO	UNITS PER ASSY
46					
110	MS24515-685AS15	..	LAMP	002004 006102 108120 504903 950999	2
110	MS24515-685AS15	..	LAMP	107107 121503 904949	2
110	MS24515-685AS15	..	LAMP	103106	2
115	673-092-005	..	HOLDER-LAMP SUPPLIER CODE: V81590	002004 006102 108120 504903 950999	1
115	673-092-005	..	HOLDER-LAMP SUPPLIER CODE: V81590	107107 121503 904949	1
115	673-092-005	..	HOLDER-LAMP SUPPLIER CODE: V81590	103106	1
115	13963-001	..	HOLDER-LAMP SUPPLIER CODE: V81590	002004 006102 108120 504903 950999	1
115	13963-001	..	HOLDER-LAMP SUPPLIER CODE: V81590	107107 121503 904949	1
115	13963-001	..	HOLDER-LAMP SUPPLIER CODE: V81590	103106	1
120	13206-001	.MODULE	ASSY-MASTER SUPPLIER CODE: V81590	002004 006102 108120 504903 950999	1
120	13206-001	.MODULE	ASSY-MASTER SUPPLIER CODE: V81590	107107 121503 904949	1
120	13206-001	.MODULE	ASSY-MASTER SUPPLIER CODE: V81590	103106	1
125	433-097-003	.MODULE	ASSY-CKT SUPPLIER CODE: V81590	002004 006102 108120 504903 950999	1

MISSING ITEM NUMBERS NOT APPLICABLE

- ITEM NOT ILLUSTRATED

33-13-00-46

33-13-00
FIG. 46
PAGE 6
JAN 20/09

BRI



757

PARTS CATALOG (MAINTENANCE)

FIG ITEM	PART NUMBER	1 2 3 4 5 6 7	NOMENCLATURE	EFFECT FROM TO	UNITS PER ASSY
46					
125	433-097-003	.	MODULE ASSY-CKT SUPPLIER CODE: V81590	107107 121503 904949	1
125	433-097-003	.	MODULE ASSY-CKT SUPPLIER CODE: V81590	103106	1
130	433-100-002	.	GUARD-SWITCH SUPPLIER CODE: V81590 SPECIFICATION NUMBER: S231T290-821 OPTIONAL PART: 433-100-003 V81590 433-100-004 V81590 433-100-005 V81590 433-100-006 V81590 433-100-007 V81590	002004 006102 108120 504903 950999	1
130	433-100-003	.	GUARD-SWITCH SUPPLIER CODE: V81590 SPECIFICATION NUMBER: S231T290-822 OPTIONAL PART: 433-100-002 V81590 433-100-004 V81590 433-100-005 V81590 433-100-006 V81590 433-100-007 V81590	002004 006102 108120 504903 950999	1

MISSING ITEM NUMBERS NOT APPLICABLE

- ITEM NOT ILLUSTRATED

33-13-00-46

33-13-00
FIG. 46
PAGE 7
JAN 20/09

BRI



757

PARTS CATALOG (MAINTENANCE)

FIG ITEM	PART NUMBER	1 2 3 4 5 6 7	NOMENCLATURE	EFFECT FROM TO	UNITS PER ASSY
46 130	433-100-004		. GUARD-SWITCH SUPPLIER CODE: V81590 SPECIFICATION NUMBER: S231T290-823 OPTIONAL PART: 433-100-002 V81590 433-100-003 V81590 433-100-005 V81590 433-100-006 V81590 433-100-007 V81590	002004 006102 108120 504903 950999	1
130	433-100-005		. GUARD-SWITCH SUPPLIER CODE: V81590 SPECIFICATION NUMBER: S231T290-824 OPTIONAL PART: 433-100-002 V81590 433-100-003 V81590 433-100-004 V81590 433-100-006 V81590 433-100-007 V81590	002004 006102 108120 504903 950999	1
130	433-100-006		. GUARD-SWITCH SUPPLIER CODE: V81590 OPTIONAL PART: 433-100-002 V81590 433-100-003 V81590 433-100-004 V81590 433-100-005 V81590 433-100-007 V81590	002004 006102 108120 504903 950999	1

MISSING ITEM NUMBERS NOT APPLICABLE

- ITEM NOT ILLUSTRATED

33-13-00-46

33-13-00
FIG. 46
PAGE 8
JAN 20/09

BRI



757

PARTS CATALOG (MAINTENANCE)

FIG ITEM	PART NUMBER	1 2 3 4 5 6 7	NOMENCLATURE	EFFECT FROM TO	UNITS PER ASSY
46 130	433-100-007		. GUARD-SWITCH SUPPLIER CODE: V81590 SPECIFICATION NUMBER: S231T290-826 OPTIONAL PART: 433-100-002 V81590 433-100-003 V81590 433-100-004 V81590 433-100-005 V81590 433-100-006 V81590	002004 006102 108120 504903 950999	1
130	433-100-002		. GUARD-SWITCH SUPPLIER CODE: V81590 SPECIFICATION NUMBER: S231T290-821 OPTIONAL PART: 433-100-003 V81590 433-100-004 V81590 433-100-005 V81590 433-100-006 V81590 433-100-007 V81590	107107 121503 904949	1
130	433-100-003		. GUARD-SWITCH SUPPLIER CODE: V81590 SPECIFICATION NUMBER: S231T290-822 OPTIONAL PART: 433-100-002 V81590 433-100-004 V81590 433-100-005 V81590 433-100-006 V81590 433-100-007 V81590	107107 121503 904949	1

MISSING ITEM NUMBERS NOT APPLICABLE

- ITEM NOT ILLUSTRATED

33-13-00-46

33-13-00
FIG. 46
PAGE 9
JAN 20/09

BRI



**757
PARTS CATALOG (MAINTENANCE)**

FIG ITEM	PART NUMBER	1 2 3 4 5 6 7	NOMENCLATURE	EFFECT FROM TO	UNITS PER ASSY
46 130	433-100-004		. GUARD-SWITCH SUPPLIER CODE: V81590 SPECIFICATION NUMBER: S231T290-823 OPTIONAL PART: 433-100-002 V81590 433-100-003 V81590 433-100-005 V81590 433-100-006 V81590 433-100-007 V81590	107107 121503 904949	1
130	433-100-005		. GUARD-SWITCH SUPPLIER CODE: V81590 SPECIFICATION NUMBER: S231T290-824 OPTIONAL PART: 433-100-002 V81590 433-100-003 V81590 433-100-004 V81590 433-100-006 V81590 433-100-007 V81590	107107 121503 904949	1
130	433-100-006		. GUARD-SWITCH SUPPLIER CODE: V81590 OPTIONAL PART: 433-100-002 V81590 433-100-003 V81590 433-100-004 V81590 433-100-005 V81590 433-100-007 V81590	107107 121503 904949	1

MISSING ITEM NUMBERS NOT APPLICABLE

— ITEM NOT ILLUSTRATED

33-13-00-46

33-13-00
FIG. 46
PAGE 10
JAN 20/09

BRI



757

PARTS CATALOG (MAINTENANCE)

FIG ITEM	PART NUMBER	1 2 3 4 5 6 7	NOMENCLATURE	EFFECT FROM TO	UNITS PER ASSY
46 131	433-100-007	.	GUARD-SWITCH SUPPLIER CODE: V81590 SPECIFICATION NUMBER: S231T290-826 OPTIONAL PART: 433-100-002 V81590 433-100-003 V81590 433-100-004 V81590 433-100-005 V81590 433-100-006 V81590	107107 121503 904949	1
131	433-100-002	.	GUARD-SWITCH SUPPLIER CODE: V81590 SPECIFICATION NUMBER: S231T290-821 OPTIONAL PART: 433-100-003 V81590 433-100-004 V81590 433-100-005 V81590 433-100-006 V81590 433-100-007 V81590	103106	1
131	433-100-003	.	GUARD-SWITCH SUPPLIER CODE: V81590 SPECIFICATION NUMBER: S231T290-822 OPTIONAL PART: 433-100-002 V81590 433-100-004 V81590 433-100-005 V81590 433-100-006 V81590 433-100-007 V81590	103106	1

MISSING ITEM NUMBERS NOT APPLICABLE

- ITEM NOT ILLUSTRATED

33-13-00-46

33-13-00
FIG. 46
PAGE 11
JAN 20/09

BRI



757

PARTS CATALOG (MAINTENANCE)

FIG ITEM	PART NUMBER	1 2 3 4 5 6 7	NOMENCLATURE	EFFECT FROM TO	UNITS PER ASSY
46 131	433-100-004		. GUARD-SWITCH SUPPLIER CODE: V81590 SPECIFICATION NUMBER: S231T290-823 OPTIONAL PART: 433-100-002 V81590 433-100-003 V81590 433-100-005 V81590 433-100-006 V81590 433-100-007 V81590	103106	1
131	433-100-005		. GUARD-SWITCH SUPPLIER CODE: V81590 SPECIFICATION NUMBER: S231T290-824 OPTIONAL PART: 433-100-002 V81590 433-100-003 V81590 433-100-004 V81590 433-100-006 V81590 433-100-007 V81590	103106	1
131	433-100-006		. GUARD-SWITCH SUPPLIER CODE: V81590 OPTIONAL PART: 433-100-002 V81590 433-100-003 V81590 433-100-004 V81590 433-100-005 V81590 433-100-007 V81590	103106	1

MISSING ITEM NUMBERS NOT APPLICABLE

- ITEM NOT ILLUSTRATED

33-13-00-46

33-13-00
FIG. 46
PAGE 12
JAN 20/09

BRI



757

PARTS CATALOG (MAINTENANCE)

FIG ITEM	PART NUMBER	1 2 3 4 5 6 7	NOMENCLATURE	EFFECT FROM TO	UNITS PER ASSY
46 131	433-100-007		.GUARD-SWITCH SUPPLIER CODE: V81590 SPECIFICATION NUMBER: S231T290-826 OPTIONAL PART: 433-100-002 V81590 433-100-003 V81590 433-100-004 V81590 433-100-005 V81590 433-100-006 V81590	103106	1
140	433-107-002		.HOUSING ASSY-WITH MTG SLEEVE SUPPLIER CODE: V81590	002004 006102 108120 504903 950999	1
140	433-107-002		.HOUSING ASSY-WITH MTG SLEEVE SUPPLIER CODE: V81590	107107 121503 904949	1
140	433-107-002		.HOUSING ASSY-WITH MTG SLEEVE SUPPLIER CODE: V81590	103106	1

MISSING ITEM NUMBERS NOT APPLICABLE

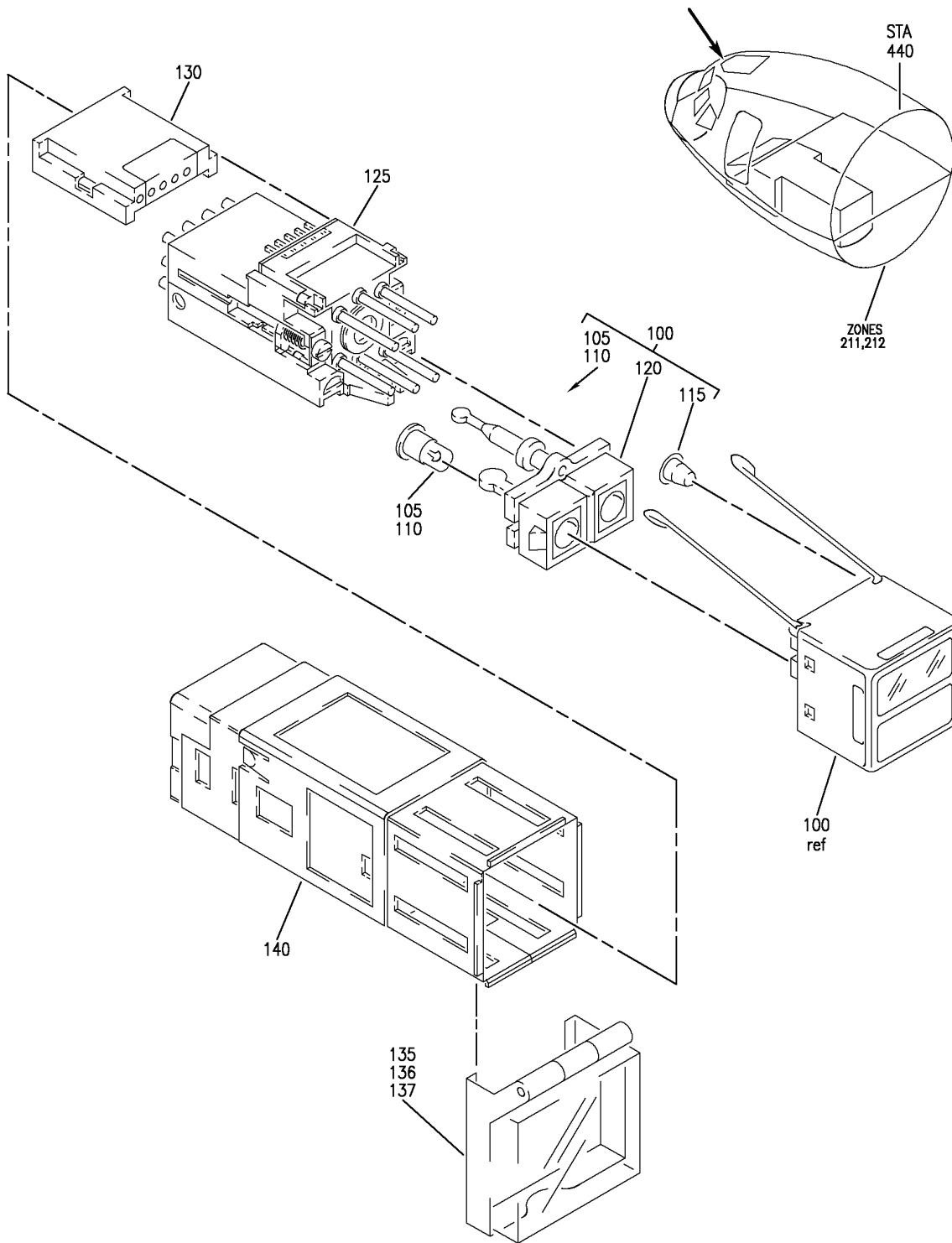
- ITEM NOT ILLUSTRATED

33-13-00-46

33-13-00
FIG. 46
PAGE 13
JAN 20/09

BRI

BOEING
757
PARTS CATALOG (MAINTENANCE)



Y 33130047 REV 264

SWITCH ASSY-LIGHTED PUSHBUTTON IND
FIGURE 47

33-13-00-47

BRI
MAY 28/07

33-13-00-47
PAGE 0



757

PARTS CATALOG (MAINTENANCE)

FIG ITEM	PART NUMBER	1 2 3 4 5 6 7	NOMENCLATURE	EFFECT FROM TO	UNITS PER ASSY
47					
- 1	BCREFA0516		SWITCH ASSY-LIGHTED PUSHBUTTON IND SWITCH ASSY-LIGHTED PUSHBUTTON IND SUPPLIER CODE: V81590 OVERLENGTH PART NUMBER: 433-673-1004-4036 SPECIFICATION NUMBER: S231T290-4036 MISCELLANEOUS DATA: WHEN REPLACING THE PUSHBUTTON SWITCH ASSY OR THE MASTER MODULE WITHIN, VERIFY THAT A CONFIG D MASTER MODULE P/N 13203-001 IS INSTALLED IN LIEU OF ANY EARLIER CONFIGURATION MASTER MODULES. OPTIONAL PART: 851-35100-5036 V96182 REWORKED BY SB: 433-33-05 V81590 FOR NHA SEE: 29-21-54-01 29-21-54-02 29-21-54-03	002004 006999 002004 006102 107999	RF

MISSING ITEM NUMBERS NOT APPLICABLE

- ITEM NOT ILLUSTRATED

BRI

33-13-00-47

BOEING PROPRIETARY - Copyright © - Unpublished Work - See title page for details.

33-13-00
FIG. 47
PAGE 1
JAN 20/09



**757
PARTS CATALOG (MAINTENANCE)**

FIG ITEM	PART NUMBER	1 2 3 4 5 6 7	NOMENCLATURE	EFFECT FROM TO	UNITS PER ASSY
47 - 5	BCREFA0520		SWITCH ASSY-LIGHTED PUSHBUTTON IND SUPPLIER CODE: V81590 OVERLENGTH PART NUMBER: 433-673-1004-4045 SPECIFICATION NUMBER: S231T290-4045 OPTIONAL PART: 851-35100-5045 V96182 REFERENCE SERVICE BULLETIN: 33A0044 REWORKED BY SB: 433-33-05 V81590 FOR NHA SEE: 24-41-51-01 24-41-51-03 24-41-51-04	002004 006102 107999	RF
- 10	BCREFA0523		SWITCH ASSY-LIGHTED PUSHBUTTON IND SUPPLIER CODE: V81590 OVERLENGTH PART NUMBER: 433-673-1004-4056 SPECIFICATION NUMBER: S231T290-4056 OPTIONAL PART: 4336731004-4256 V81590 FOR NHA SEE: 21-51-54-01 21-51-54-02 21-51-54-03	002004 006999	RF
- 15	BCREFA0535		SWITCH ASSY-LIGHTED PUSHBUTTON IND SUPPLIER CODE: V81590 OVERLENGTH PART NUMBER: 433-673-1004-4077 SPECIFICATION NUMBER: S231T290-4077 PRE SERVICE LETTER: 33-027 FOR NHA SEE: 52-51-51-01 52-51-51-02 52-51-51-03	002004 006102 107999	RF

MISSING ITEM NUMBERS NOT APPLICABLE

- ITEM NOT ILLUSTRATED

33-13-00-47

33-13-00
FIG. 47
PAGE 2
JAN 20/09

BRI



757

PARTS CATALOG (MAINTENANCE)

FIG ITEM	PART NUMBER	1 2 3 4 5 6 7	NOMENCLATURE	EFFECT FROM TO	UNITS PER ASSY
47 - 20	BCREFA0536		SWITCH ASSY-LIGHTED PUSHBUTTON IND SUPPLIER CODE: V81590 OVERLENGTH PART NUMBER: 433-673-1004-4080 SPECIFICATION NUMBER: S231T290-4080 MISCELLANEOUS DATA: WHEN REPLACING THE PUSHBUTTON SWITCH ASSY OR THE MASTER MODULE WITHIN, VERIFY THAT A CONFIG D MASTER MODULE P/N 13206-001 IS INSTALLED IN LIEU OF ANY EARLIER CONFIGURATION MASTER MODULES. OPTIONAL PART: 851-35100-5080 V96182 REFERENCE SERVICE BULLETIN: 33A0044 REWORKED BY SB: 433-33-05 V81590 FOR NHA SEE: 21-58-51-01 21-58-51-02 21-58-51-03	002004 006102 107999	RF
100	673-1004-4036		.CAPSULE ASSY-LENS PRESS/ UNLKD SUPPLIER CODE: V81590 USED ON: BCREFA0516	002004 006102 107999	1
100	673-1004-4045		.CAPSULE ASSY-LENS ON/AVAIL SUPPLIER CODE: V81590 USED ON: BCREFA0520	002004 006102 107999	1
100	673-1004-4056		.CAPSULE ASSY-LENS INOP/ PACK OFF SUPPLIER CODE: V81590 USED ON: BCREFA0523	002004 006999	1

MISSING ITEM NUMBERS NOT APPLICABLE

- ITEM NOT ILLUSTRATED

33-13-00-47

33-13-00
FIG. 47
PAGE 3
JAN 20/09

BRI



757

PARTS CATALOG (MAINTENANCE)

FIG ITEM	PART NUMBER	1 2 3 4 5 6 7	NOMENCLATURE	EFFECT FROM TO	UNITS PER ASSY
47 100	673-1004-4077	.	CAPSULE ASSY-LENS UNLKD/ UNLKD SUPPLIER CODE: V81590 USED ON: BCREFA0535	002004 006102 107999	1
100	673-1004-4080	.	CAPSULE ASSY-LENS ALTN/ OVHT SUPPLIER CODE: V81590 USED ON: BCREFA0536	002004 006102 107999	1
105	MS25237-387AS15	..	LAMP	002004 006102 107999	4
105	MS25237-387AS15	..	LAMP	103106	4
110	MS25237-387AS15	..	LAMP	002004 006102 107999	2
110	MS25237-387AS15	..	LAMP	106106	2
115	MS24515-685AS15	..	LAMP	002004 006102 107999	2
115	MS24515-685AS15	..	LAMP	106106	2
120	673-092-005	..	HOLDER-LAMP SUPPLIER CODE: V81590	002004 006102 107999	1
120	673-092-005	..	HOLDER-LAMP SUPPLIER CODE: V81590	103106	1
120	13963-001	..	HOLDER-LAMP SUPPLIER CODE: V81590	002004 006102 107999	1
120	13963-001	..	HOLDER-LAMP SUPPLIER CODE: V81590	103106	1
125	13203-001	.	MODULE ASSY-MASTER SUPPLIER CODE: V81590 USED ON: BCREFA0516 BCREFA0520 BCREFA0523	002004 006102 107999	1

MISSING ITEM NUMBERS NOT APPLICABLE

- ITEM NOT ILLUSTRATED

33-13-00-47

33-13-00
FIG. 47
PAGE 4
JAN 20/09

BRI

BOEING PROPRIETARY - Copyright © - Unpublished Work - See title page for details.



757

PARTS CATALOG (MAINTENANCE)

FIG ITEM	PART NUMBER	1 2 3 4 5 6 7	NOMENCLATURE	EFFECT FROM TO	UNITS PER ASSY
47 125	13203-001		.MODULE ASSY-MASTER SUPPLIER CODE: V81590 USED ON: BCREFA0516 BCREFA0520 BCREFA0523	103106	1
125	13206-001		.MODULE ASSY-MASTER SUPPLIER CODE: V81590 USED ON: BCREFA0535 BCREFA0536 BCREFA0538	002004 006102 107999	1
125	13206-001		.MODULE ASSY-MASTER SUPPLIER CODE: V81590 USED ON: BCREFA0535 BCREFA0536 BCREFA0538	106106	1
130	433-097-001		.MODULE ASSY-CKT SUPPLIER CODE: V81590 USED ON: BCREFA0516 BCREFA0520 BCREFA0523	002004 006102 107999	1
130	433-097-001		.MODULE ASSY-CKT SUPPLIER CODE: V81590 USED ON: BCREFA0516 BCREFA0520 BCREFA0523	103106	1
130	433-097-003		.MODULE ASSY-CKT SUPPLIER CODE: V81590 USED ON: BCREFA0535 BCREFA0536 BCREFA0538	002004 006102 107999	1
130	433-097-003		.MODULE ASSY-CKT SUPPLIER CODE: V81590 USED ON: BCREFA0535 BCREFA0536 BCREFA0538	106106	1

MISSING ITEM NUMBERS NOT APPLICABLE

- ITEM NOT ILLUSTRATED

33-13-00-47

33-13-00
FIG. 47
PAGE 5
JAN 20/09

BRI



757

PARTS CATALOG (MAINTENANCE)

FIG ITEM	PART NUMBER	1 2 3 4 5 6 7	NOMENCLATURE	EFFECT FROM TO	UNITS PER ASSY
47 135	433-100-002		. GUARD-SWITCH SUPPLIER CODE: V81590 SPECIFICATION NUMBER: S231T290-821 OPTIONAL PART: 433-100-003 V81590 433-100-004 V81590 433-100-005 V81590 433-100-006 V81590 433-100-007 V81590	002004 006102 107999	1
135	433-100-003		. GUARD-SWITCH SUPPLIER CODE: V81590 SPECIFICATION NUMBER: S231T290-822 OPTIONAL PART: 433-100-002 V81590 433-100-004 V81590 433-100-005 V81590 433-100-006 V81590 433-100-007 V81590	002004 006102 107999	1
135	433-100-004		. GUARD-SWITCH SUPPLIER CODE: V81590 SPECIFICATION NUMBER: S231T290-823 OPTIONAL PART: 433-100-002 V81590 433-100-003 V81590 433-100-005 V81590 433-100-006 V81590 433-100-007 V81590	002004 006102 107999	1

MISSING ITEM NUMBERS NOT APPLICABLE

- ITEM NOT ILLUSTRATED

33-13-00-47

33-13-00
FIG. 47
PAGE 6
JAN 20/09

BRI



757

PARTS CATALOG (MAINTENANCE)

FIG ITEM	PART NUMBER	1 2 3 4 5 6 7	NOMENCLATURE	EFFECT FROM TO	UNITS PER ASSY
47 135	433-100-005		. GUARD-SWITCH SUPPLIER CODE: V81590 SPECIFICATION NUMBER: S231T290-824 OPTIONAL PART: 433-100-002 V81590 433-100-003 V81590 433-100-004 V81590 433-100-006 V81590 433-100-007 V81590	002004 006102 107999	1
135	433-100-006		. GUARD-SWITCH SUPPLIER CODE: V81590 OPTIONAL PART: 433-100-002 V81590 433-100-003 V81590 433-100-004 V81590 433-100-005 V81590 433-100-007 V81590	002004 006102 107999	1
135	433-100-007		. GUARD-SWITCH SUPPLIER CODE: V81590 SPECIFICATION NUMBER: S231T290-826 OPTIONAL PART: 433-100-002 V81590 433-100-003 V81590 433-100-004 V81590 433-100-005 V81590 433-100-006 V81590	002004 006102 107999	1

MISSING ITEM NUMBERS NOT APPLICABLE

- ITEM NOT ILLUSTRATED

33-13-00-47

33-13-00
FIG. 47
PAGE 7
JAN 20/09

BRI



757

PARTS CATALOG (MAINTENANCE)

FIG ITEM	PART NUMBER	1 2 3 4 5 6 7	NOMENCLATURE	EFFECT FROM TO	UNITS PER ASSY
47 136	433-100-002		. GUARD-SWITCH SUPPLIER CODE: V81590 SPECIFICATION NUMBER: S231T290-821 OPTIONAL PART: 433-100-003 V81590 433-100-004 V81590 433-100-005 V81590 433-100-006 V81590 433-100-007 V81590	103106	1
136	433-100-003		. GUARD-SWITCH SUPPLIER CODE: V81590 SPECIFICATION NUMBER: S231T290-822 OPTIONAL PART: 433-100-002 V81590 433-100-004 V81590 433-100-005 V81590 433-100-006 V81590 433-100-007 V81590	103106	1
136	433-100-004		. GUARD-SWITCH SUPPLIER CODE: V81590 SPECIFICATION NUMBER: S231T290-823 OPTIONAL PART: 433-100-002 V81590 433-100-003 V81590 433-100-005 V81590 433-100-006 V81590 433-100-007 V81590	103106	1

MISSING ITEM NUMBERS NOT APPLICABLE

- ITEM NOT ILLUSTRATED

33-13-00-47

33-13-00
FIG. 47
PAGE 8
JAN 20/09

BRI



757

PARTS CATALOG (MAINTENANCE)

FIG ITEM	PART NUMBER	1 2 3 4 5 6 7	NOMENCLATURE	EFFECT FROM TO	UNITS PER ASSY
47 136	433-100-005		. GUARD-SWITCH SUPPLIER CODE: V81590 SPECIFICATION NUMBER: S231T290-824 OPTIONAL PART: 433-100-002 V81590 433-100-003 V81590 433-100-004 V81590 433-100-006 V81590 433-100-007 V81590	103106	1
137	433-100-006		. GUARD-SWITCH SUPPLIER CODE: V81590 OPTIONAL PART: 433-100-002 V81590 433-100-003 V81590 433-100-004 V81590 433-100-005 V81590 433-100-007 V81590	103106	1
137	433-100-007		. GUARD-SWITCH SUPPLIER CODE: V81590 SPECIFICATION NUMBER: S231T290-826 OPTIONAL PART: 433-100-002 V81590 433-100-003 V81590 433-100-004 V81590 433-100-005 V81590 433-100-006 V81590	103106	1

MISSING ITEM NUMBERS NOT APPLICABLE

- ITEM NOT ILLUSTRATED

33-13-00-47

33-13-00
FIG. 47
PAGE 9
JAN 20/09

BRI



757

PARTS CATALOG (MAINTENANCE)

FIG ITEM	PART NUMBER	1 2 3 4 5 6 7	NOMENCLATURE	EFFECT FROM TO	UNITS PER ASSY
47 140	433-107-002		.HOUSING ASSY-WITH MTG SLEEVE SUPPLIER CODE: V81590	002004 006102 107999	1
140	433-107-002		.HOUSING ASSY-WITH MTG SLEEVE SUPPLIER CODE: V81590	103106	1

MISSING ITEM NUMBERS NOT APPLICABLE

- ITEM NOT ILLUSTRATED

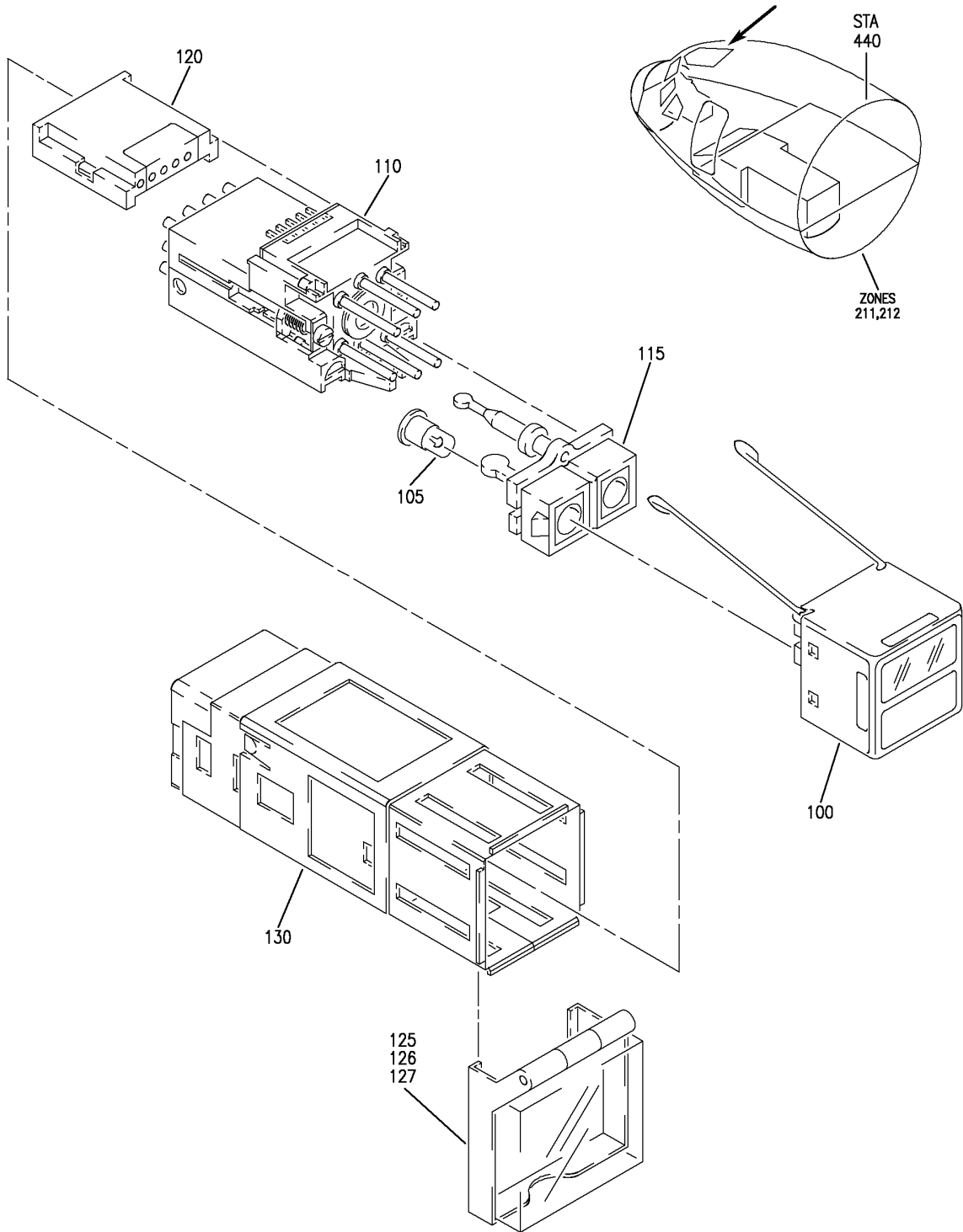
BRI

33-13-00-47

BOEING PROPRIETARY - Copyright © - Unpublished Work - See title page for details.

33-13-00
FIG. 47
PAGE 10
JAN 20/09

BOEING
757
PARTS CATALOG (MAINTENANCE)



Y 33130047A REV 331

SWITCH ASSY-LIGHTED PUSHBUTTON IND
FIGURE 47A

33-13-00-47A

BRI
JAN 20/09

33-13-00-47A
PAGE 0



757

PARTS CATALOG (MAINTENANCE)

FIG ITEM	PART NUMBER	1 2 3 4 5 6 7 NOMENCLATURE	EFFECT FROM TO	UNITS PER ASSY
47A - 1	BCREFA0510	SWITCH ASSY-LIGHTED PUSHBUTTON IND SWITCH ASSY-LIGHTED PUSHBUTTON IND SUPPLIER CODE: V81590 OVERLENGTH PART NUMBER: 433-673-1004-4024 SPECIFICATION NUMBER: S231T290-4024 MISCELLANEOUS DATA: WHEN REPLACING THE PUSHBUTTON SWITCH ASSY OR THE MASTER MODULE WITHIN, VERIFY THAT A CONFIG D MASTER MODULE P/N 13206-001 IS INSTALLED IN LIEU OF ANY EARLIER CONFIGURATION MASTER MODULES. FOR NHA SEE: 21-61-04-01 21-61-04-02 21-61-04-03	002004 006999 002004 006999	RF

MISSING ITEM NUMBERS NOT APPLICABLE

- ITEM NOT ILLUSTRATED

33-13-00-47A

33-13-00
 FIG. 47A
 PAGE 1
 SEP 20/08

BRI



757

PARTS CATALOG (MAINTENANCE)

FIG ITEM	PART NUMBER	1 2 3 4 5 6 7	NOMENCLATURE	EFFECT FROM TO	UNITS PER ASSY
47A - 5	BCREFA0510		SWITCH ASSY-LIGHTED PUSHBUTTON IND SUPPLIER CODE: V81590 OVERLENGTH PART NUMBER: 433-673-1004-4024 SPECIFICATION NUMBER: S231T290-4024 MISCELLANEOUS DATA: WHEN REPLACING THE PUSHBUTTON SWITCH ASSY OR THE MASTER MODULE WITHIN, VERIFY THAT A CONFIG D MASTER MODULE P/N 13206-001 IS INSTALLED IN LIEU OF ANY EARLIER CONFIGURATION MASTER MODULES. OPTIONAL PART: 851-35100-5024 V96182 REFERENCE SERVICE BULLETIN: 33A0044 REWORKED BY SB: 433-33-05 V81590 FOR NHA SEE: 24-31-01-11 24-31-01-12	002004 006100 107107 121503 904999	RF

MISSING ITEM NUMBERS NOT APPLICABLE

- ITEM NOT ILLUSTRATED

33-13-00-47A

33-13-00
FIG. 47A
PAGE 2
JAN 20/09

BRI



757

PARTS CATALOG (MAINTENANCE)

FIG ITEM	PART NUMBER	1 2 3 4 5 6 7	NOMENCLATURE	EFFECT FROM TO	UNITS PER ASSY
47A - 5	BCREFA0510		SWITCH ASSY-LIGHTED PUSHBUTTON IND SUPPLIER CODE: V81590 OVERLENGTH PART NUMBER: 433-673-1004-4024 SPECIFICATION NUMBER: S231T290-4024 MISCELLANEOUS DATA: WHEN REPLACING THE PUSHBUTTON SWITCH ASSY OR THE MASTER MODULE WITHIN, VERIFY THAT A CONFIG D MASTER MODULE P/N 13206-001 IS INSTALLED IN LIEU OF ANY EARLIER CONFIGURATION MASTER MODULES. OPTIONAL PART: 851-35100-5024 V96182 REFERENCE SERVICE BULLETIN: 33A0044 REWORKED BY SB: 433-33-05 V81590 FOR NHA SEE: 24-31-01-10	101102 108120 504903	RF

MISSING ITEM NUMBERS NOT APPLICABLE

- ITEM NOT ILLUSTRATED

BRI

33-13-00-47A

BOEING PROPRIETARY - Copyright © - Unpublished Work - See title page for details.

33-13-00
FIG. 47A
PAGE 3
JAN 20/09



757

PARTS CATALOG (MAINTENANCE)

FIG ITEM	PART NUMBER	1 2 3 4 5 6 7	NOMENCLATURE	EFFECT FROM TO	UNITS PER ASSY
47A - 15	BCREFA0517		SWITCH ASSY-LIGHTED PUSHBUTTON IND SUPPLIER CODE: V81590 OVERLENGTH PART NUMBER: 433-673-1004-4038 SPECIFICATION NUMBER: S231T290-4038 MISCELLANEOUS DATA: WHEN REPLACING THE PUSHBUTTON SWITCH ASSY OR THE MASTER MODULE WITHIN, VERIFY THAT A CONFIG D MASTER MODULE P/N 13206-001 IS INSTALLED IN LIEU OF ANY EARLIER CONFIGURATION MASTER MODULES. OPTIONAL PART: BCREF7617 V81590 851-35100-5038 V81590 REFERENCE SERVICE BULLETIN: 33A0044 REWORKED BY SB: 433-33-05 V81590 FOR NHA SEE: 28-22-51-01 28-22-51-02	006106 108120 504903 950951 953999	RF

MISSING ITEM NUMBERS NOT APPLICABLE

- ITEM NOT ILLUSTRATED

BRI

33-13-00-47A

BOEING PROPRIETARY - Copyright © - Unpublished Work - See title page for details.

33-13-00
FIG. 47A
PAGE 4
JAN 20/09



757

PARTS CATALOG (MAINTENANCE)

FIG ITEM	PART NUMBER	1 2 3 4 5 6 7 NOMENCLATURE	EFFECT FROM TO	UNITS PER ASSY
47A - 15	BCREFA0517	SWITCH ASSY-LIGHTED PUSHBUTTON IND SUPPLIER CODE: V81590 OVERLENGTH PART NUMBER: 433-673-1004-4038 SPECIFICATION NUMBER: S231T290-4038 MISCELLANEOUS DATA: WHEN REPLACING THE PUSHBUTTON SWITCH ASSY OR THE MASTER MODULE WITHIN, VERIFY THAT A CONFIG D MASTER MODULE P/N 13206-001 IS INSTALLED IN LIEU OF ANY EARLIER CONFIGURATION MASTER MODULES. OPTIONAL PART: BCREF7617 V81590 851-35100-5038 V81590 REFERENCE SERVICE BULLETIN: 33A0044 REWORKED BY SB: 433-33-05 V81590 FOR NHA SEE: 28-22-51-01	002004 107107 121503 904949 952952	RF

MISSING ITEM NUMBERS NOT APPLICABLE

- ITEM NOT ILLUSTRATED

33-13-00-47A

33-13-00
FIG. 47A
PAGE 5
JAN 20/09

BRI



757

PARTS CATALOG (MAINTENANCE)

FIG ITEM	PART NUMBER	1 2 3 4 5 6 7 NOMENCLATURE	EFFECT FROM TO	UNITS PER ASSY
47A - 20	BCREFA0517	SWITCH ASSY-LIGHTED PUSHBUTTON IND SUPPLIER CODE: V81590 OVERLENGTH PART NUMBER: 433-673-1004-4038 SPECIFICATION NUMBER: S231T290-4038 MISCELLANEOUS DATA: WHEN REPLACING THE PUSHBUTTON SWITCH ASSY OR THE MASTER MODULE WITHIN, VERIFY THAT A CONFIG D MASTER MODULE P/N 13206-001 IS INSTALLED IN LIEU OF ANY EARLIER CONFIGURATION MASTER MODULES. OPTIONAL PART: 851-35100-5038 V96182 REFERENCE SERVICE BULLETIN: 33A0044 REWORKED BY SB: 433-33-05 V81590 FOR NHA SEE: 36-11-04-01 36-11-04-02 36-11-04-03	002004 006102 107999	RF

MISSING ITEM NUMBERS NOT APPLICABLE

- ITEM NOT ILLUSTRATED

33-13-00-47A

33-13-00
FIG. 47A
PAGE 6
JAN 20/09

BRI



757

PARTS CATALOG (MAINTENANCE)

FIG ITEM	PART NUMBER	1 2 3 4 5 6 7	NOMENCLATURE	EFFECT FROM TO	UNITS PER ASSY
47A - 25	BCREFA0529		SWITCH ASSY-LIGHTED PUSHBUTTON IND SUPPLIER CODE: V81590 OVERLENGTH PART NUMBER: 433-673-1004-4064 SPECIFICATION NUMBER: S231T290-4064 OPTIONAL PART: S231T290-5064 851-35100-5064 V96182 REFERENCE SERVICE BULLETIN: 33A0044 REWORKED BY SB: 433-33-05 V81590 FOR NHA SEE: 24-22-01-03 24-22-01-04 24-22-01-05	002004 006102 107999	RF
100	673-1004-4024		.CAPSULE ASSY-LENS ON/OFF SUPPLIER CODE: V81590 USED ON: BCREFA0510	002004 006102 107999	1
100	673-1004-4024		.CAPSULE ASSY-LENS ON/OFF SUPPLIER CODE: V81590 USED ON: BCREFA0510	103106	1
100	673-1004-4038		.CAPSULE ASSY-LENS VALVE SUPPLIER CODE: V81590 USED ON: BCREFA0517	006102 108120 504903 950951 953999	1
100	673-1004-4038		.CAPSULE ASSY-LENS VALVE SUPPLIER CODE: V81590 USED ON: BCREFA0517	002004 103107 121503 904949 952952	1
100	673-1004-4064		.CAPSULE ASSY-LENS AUTO/ ISLN SUPPLIER CODE: V81590 USED ON: BCREFA0529	002004 006102 107999	1

MISSING ITEM NUMBERS NOT APPLICABLE

- ITEM NOT ILLUSTRATED

33-13-00-47A

33-13-00
FIG. 47A
PAGE 7
JAN 20/09

BRI

BOEING PROPRIETARY - Copyright © - Unpublished Work - See title page for details.

 **BOEING**
757
PARTS CATALOG (MAINTENANCE)

FIG ITEM	PART NUMBER	1 2 3 4 5 6 7	NOMENCLATURE	EFFECT FROM TO	UNITS PER ASSY
47A 105	MS25237-387AS15	. .	LAMP	006102 108120 504903 950951 953999	4
105	MS25237-387AS15	. .	LAMP	002004 107107 121503 904949 952952	4
105	MS25237-387AS15	. .	LAMP	103106	4
110	13206-001	. .	MODULE ASSY-MASTER SUPPLIER CODE: V81590	006102 108120 504903 950951 953999	1
110	13206-001	. .	MODULE ASSY-MASTER SUPPLIER CODE: V81590	002004 107107 121503 904949 952952	1
110	13206-001	. .	MODULE ASSY-MASTER SUPPLIER CODE: V81590	103106	1
115	673-092-005	. .	HOLDER-LAMP SUPPLIER CODE: V81590	006102 108120 504903 950951 953999	1
115	673-092-005	. .	HOLDER-LAMP SUPPLIER CODE: V81590	002004 107107 121503 904949 952952	1
115	673-092-005	. .	HOLDER-LAMP SUPPLIER CODE: V81590	103106	1
115	13963-001	. .	HOLDER-LAMP SUPPLIER CODE: V81590	006102 108120 504903 950951 953999	1
115	13963-001	. .	HOLDER-LAMP SUPPLIER CODE: V81590	002004 107107 121503 904949 952952	1

MISSING ITEM NUMBERS NOT APPLICABLE

— ITEM NOT ILLUSTRATED

BRI

33-13-00-47A

BOEING PROPRIETARY - Copyright © - Unpublished Work - See title page for details.

33-13-00
FIG. 47A
PAGE 8
JAN 20/09



757

PARTS CATALOG (MAINTENANCE)

FIG ITEM	PART NUMBER	1 2 3 4 5 6 7	NOMENCLATURE	EFFECT FROM TO	UNITS PER ASSY
47A 115	13963-001		. . HOLDER-LAMP SUPPLIER CODE: V81590	103106	1
120	433-097-003		. MODULE ASSY-CKT SUPPLIER CODE: V81590	006102 108120 504903 950951 953999	1
120	433-097-003		. MODULE ASSY-CKT SUPPLIER CODE: V81590	002004 107107 121503 904949 952952 103106	1
120	433-097-003		. MODULE ASSY-CKT SUPPLIER CODE: V81590	103106	1
126	433-100-002		. GUARD-SWITCH SUPPLIER CODE: V81590 SPECIFICATION NUMBER: S231T290-821 OPTIONAL PART: 433-100-003 V81590 433-100-004 V81590 433-100-005 V81590 433-100-006 V81590 433-100-007 V81590	006102 108120 504903 950951 953999	1
126	433-100-003		. GUARD-SWITCH SUPPLIER CODE: V81590 SPECIFICATION NUMBER: S231T290-822 OPTIONAL PART: 433-100-002 V81590 433-100-004 V81590 433-100-005 V81590 433-100-006 V81590 433-100-007 V81590	006102 108120 504903 950951 953999	1

MISSING ITEM NUMBERS NOT APPLICABLE

- ITEM NOT ILLUSTRATED

33-13-00-47A

33-13-00
FIG. 47A
PAGE 9
JAN 20/09

BRI

BOEING PROPRIETARY - Copyright © - Unpublished Work - See title page for details.



757

PARTS CATALOG (MAINTENANCE)

FIG ITEM	PART NUMBER	1 2 3 4 5 6 7	NOMENCLATURE	EFFECT FROM TO	UNITS PER ASSY
47A 126	433-100-004	.	GUARD-SWITCH SUPPLIER CODE: V81590 SPECIFICATION NUMBER: S231T290-823 OPTIONAL PART: 433-100-002 V81590 433-100-003 V81590 433-100-005 V81590 433-100-006 V81590 433-100-007 V81590	006102 108120 504903 950951 953999	1
126	433-100-005	.	GUARD-SWITCH SUPPLIER CODE: V81590 SPECIFICATION NUMBER: S231T290-824 OPTIONAL PART: 433-100-002 V81590 433-100-003 V81590 433-100-004 V81590 433-100-006 V81590 433-100-007 V81590	006102 108120 504903 950951 953999	1
126	433-100-006	.	GUARD-SWITCH SUPPLIER CODE: V81590 OPTIONAL PART: 433-100-002 V81590 433-100-003 V81590 433-100-004 V81590 433-100-005 V81590 433-100-007 V81590	006102 108120 504903 950951 953999	1

MISSING ITEM NUMBERS NOT APPLICABLE

- ITEM NOT ILLUSTRATED

33-13-00-47A

33-13-00
FIG. 47A
PAGE 10
JAN 20/09

BRI

BOEING PROPRIETARY - Copyright © - Unpublished Work - See title page for details.



757

PARTS CATALOG (MAINTENANCE)

FIG ITEM	PART NUMBER	1 2 3 4 5 6 7	NOMENCLATURE	EFFECT FROM TO	UNITS PER ASSY
47A 126	433-100-007	.	GUARD-SWITCH SUPPLIER CODE: V81590 SPECIFICATION NUMBER: S231T290-826 OPTIONAL PART: 433-100-002 V81590 433-100-003 V81590 433-100-004 V81590 433-100-005 V81590 433-100-006 V81590	006102 108120 504903 950951 953999	1
126	433-100-002	.	GUARD-SWITCH SUPPLIER CODE: V81590 SPECIFICATION NUMBER: S231T290-821 OPTIONAL PART: 433-100-003 V81590 433-100-004 V81590 433-100-005 V81590 433-100-006 V81590 433-100-007 V81590	002004 107107 121503 904949 952952	1
126	433-100-003	.	GUARD-SWITCH SUPPLIER CODE: V81590 SPECIFICATION NUMBER: S231T290-822 OPTIONAL PART: 433-100-002 V81590 433-100-004 V81590 433-100-005 V81590 433-100-006 V81590 433-100-007 V81590	002004 107107 121503 904949 952952	1

MISSING ITEM NUMBERS NOT APPLICABLE

- ITEM NOT ILLUSTRATED

33-13-00-47A

33-13-00
FIG. 47A
PAGE 11
JAN 20/09

BRI



757

PARTS CATALOG (MAINTENANCE)

FIG ITEM	PART NUMBER	1 2 3 4 5 6 7	NOMENCLATURE	EFFECT FROM TO	UNITS PER ASSY
47A 126	433-100-004		. GUARD-SWITCH SUPPLIER CODE: V81590 SPECIFICATION NUMBER: S231T290-823 OPTIONAL PART: 433-100-002 V81590 433-100-003 V81590 433-100-005 V81590 433-100-006 V81590 433-100-007 V81590	002004 107107 121503 904949 952952	1
126	433-100-005		. GUARD-SWITCH SUPPLIER CODE: V81590 SPECIFICATION NUMBER: S231T290-824 OPTIONAL PART: 433-100-002 V81590 433-100-003 V81590 433-100-004 V81590 433-100-006 V81590 433-100-007 V81590	002004 107107 121503 904949 952952	1
126	433-100-006		. GUARD-SWITCH SUPPLIER CODE: V81590 OPTIONAL PART: 433-100-002 V81590 433-100-003 V81590 433-100-004 V81590 433-100-005 V81590 433-100-007 V81590	002004 107107 121503 904949 952952	1

MISSING ITEM NUMBERS NOT APPLICABLE

- ITEM NOT ILLUSTRATED

33-13-00-47A

33-13-00
FIG. 47A
PAGE 12
JAN 20/09

BRI



757

PARTS CATALOG (MAINTENANCE)

FIG ITEM	PART NUMBER	1 2 3 4 5 6 7	NOMENCLATURE	EFFECT FROM TO	UNITS PER ASSY
47A 126	433-100-007	.	GUARD-SWITCH SUPPLIER CODE: V81590 SPECIFICATION NUMBER: S231T290-826 OPTIONAL PART: 433-100-002 V81590 433-100-003 V81590 433-100-004 V81590 433-100-005 V81590 433-100-006 V81590	002004 107107 121503 904949 952952	1
127	433-100-002	.	GUARD-SWITCH SUPPLIER CODE: V81590 SPECIFICATION NUMBER: S231T290-821 OPTIONAL PART: 433-100-003 V81590 433-100-004 V81590 433-100-005 V81590 433-100-006 V81590 433-100-007 V81590	103106	1
127	433-100-003	.	GUARD-SWITCH SUPPLIER CODE: V81590 SPECIFICATION NUMBER: S231T290-822 OPTIONAL PART: 433-100-002 V81590 433-100-004 V81590 433-100-005 V81590 433-100-006 V81590 433-100-007 V81590	103106	1

MISSING ITEM NUMBERS NOT APPLICABLE

- ITEM NOT ILLUSTRATED

33-13-00-47A

33-13-00
FIG. 47A
PAGE 13
JAN 20/09

BRI



757

PARTS CATALOG (MAINTENANCE)

FIG ITEM	PART NUMBER	1 2 3 4 5 6 7	NOMENCLATURE	EFFECT FROM TO	UNITS PER ASSY
47A 127	433-100-004		. GUARD-SWITCH SUPPLIER CODE: V81590 SPECIFICATION NUMBER: S231T290-823 OPTIONAL PART: 433-100-002 V81590 433-100-003 V81590 433-100-005 V81590 433-100-006 V81590 433-100-007 V81590	103106	1
127	433-100-005		. GUARD-SWITCH SUPPLIER CODE: V81590 SPECIFICATION NUMBER: S231T290-824 OPTIONAL PART: 433-100-002 V81590 433-100-003 V81590 433-100-004 V81590 433-100-006 V81590 433-100-007 V81590	103106	1
127	433-100-006		. GUARD-SWITCH SUPPLIER CODE: V81590 OPTIONAL PART: 433-100-002 V81590 433-100-003 V81590 433-100-004 V81590 433-100-005 V81590 433-100-007 V81590	103106	1

MISSING ITEM NUMBERS NOT APPLICABLE

- ITEM NOT ILLUSTRATED

33-13-00-47A

33-13-00
FIG. 47A
PAGE 14
JAN 20/09

BRI



757

PARTS CATALOG (MAINTENANCE)

FIG ITEM	PART NUMBER	1 2 3 4 5 6 7	NOMENCLATURE	EFFECT FROM TO	UNITS PER ASSY
47A 127	433-100-007		.GUARD-SWITCH SUPPLIER CODE: V81590 SPECIFICATION NUMBER: S231T290-826 OPTIONAL PART: 433-100-002 V81590 433-100-003 V81590 433-100-004 V81590 433-100-005 V81590 433-100-006 V81590	103106	1
130	433-107-002		.HOUSING ASSY-WITH MTG SLEEVE SUPPLIER CODE: V81590	006102 108120 504903 950951 953999	1
130	433-107-002		.HOUSING ASSY-WITH MTG SLEEVE SUPPLIER CODE: V81590	002004 107107 121503 904949 952952	1
130	433-107-002		.HOUSING ASSY-WITH MTG SLEEVE SUPPLIER CODE: V81590	103106	1

MISSING ITEM NUMBERS NOT APPLICABLE

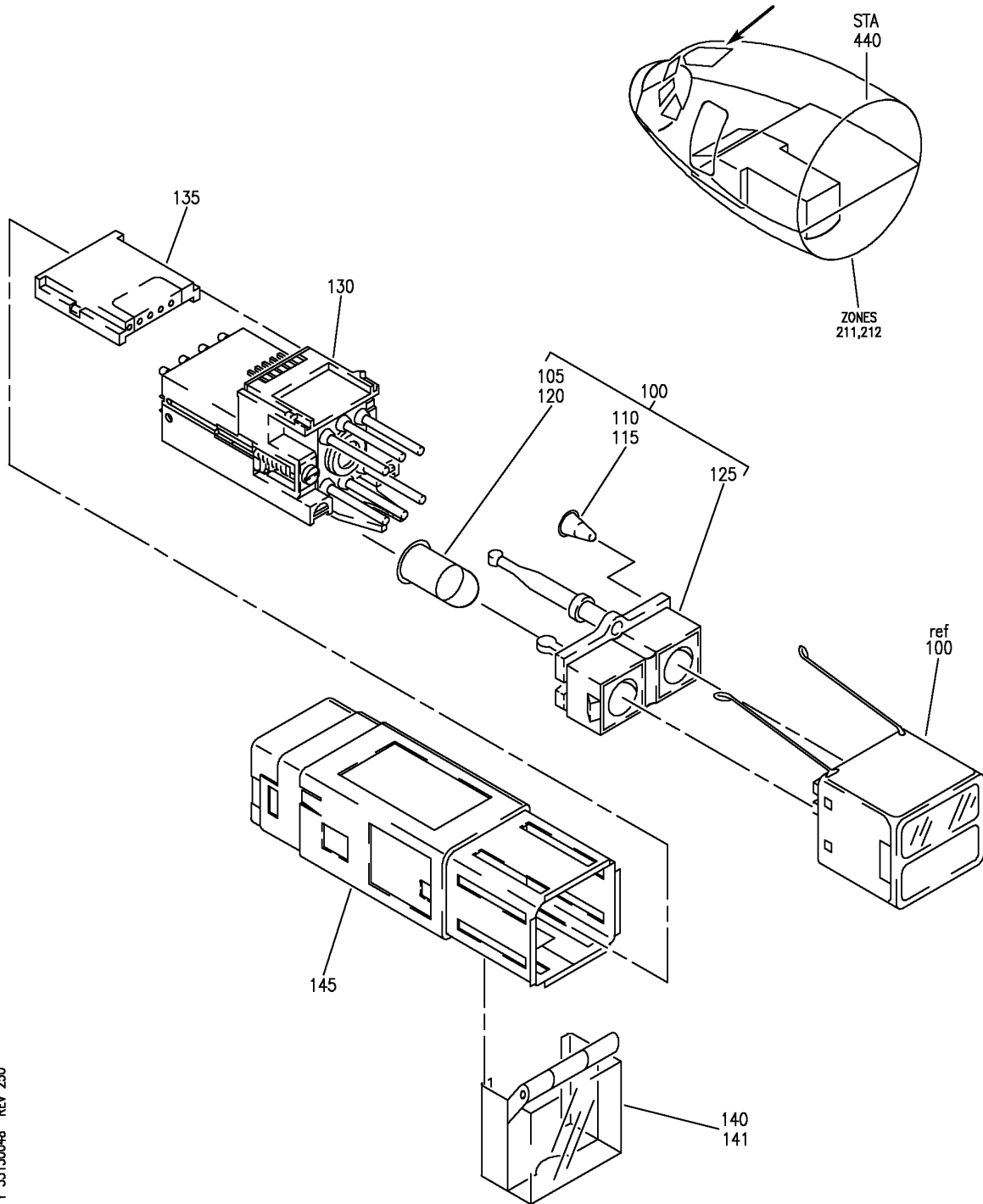
- ITEM NOT ILLUSTRATED

33-13-00-47A

33-13-00
FIG. 47A
PAGE 15
JAN 20/09

BRI

BOEING
757
PARTS CATALOG (MAINTENANCE)



Y 33130048 REV 250

SWITCH ASSY-LIGHTED PUSHBUTTON IND
FIGURE 48

33-13-00-48

BRI
MAY 28/07

33-13-00-48
PAGE 0



757

PARTS CATALOG (MAINTENANCE)

FIG ITEM	PART NUMBER	1 2 3 4 5 6 7	NOMENCLATURE	EFFECT FROM TO	UNITS PER ASSY
48			SWITCH ASSY-LIGHTED PUSHBUTTON IND	002004 006999	
- 1	BCREFA0514		SWITCH ASSY-LIGHTED PUSH BUTTON IND OFF/ON SUPPLIER CODE: V81590 OVERLENGTH PART NUMBER: 433-673-1004-4031 SPECIFICATION NUMBER: S231T290-4031 OPTIONAL PART: 851-35100-5031 V96182 S231T290-5031 FOR NHA SEE: 24-22-01-03 24-22-01-04 24-22-01-05	002004 006102 107999	RF
- 5	BCREFA0508		SWITCH ASSY-LIGHTED PUSH BUTTON IND ON/PRESS SUPPLIER CODE: V81590 OVERLENGTH PART NUMBER: 433-673-1004-4021 SPECIFICATION NUMBER: S231T290-4021 OPTIONAL PART: 851-35100-5021 V96182 BCREF7609 V81590 FOR NHA SEE: 28-22-51-01 28-22-51-02	002004 006999	RF

MISSING ITEM NUMBERS NOT APPLICABLE

- ITEM NOT ILLUSTRATED

33-13-00-48

33-13-00
FIG. 48
PAGE 1
JAN 20/09

BRI



757

PARTS CATALOG (MAINTENANCE)

FIG ITEM	PART NUMBER	1 2 3 4 5 6 7	NOMENCLATURE	EFFECT FROM TO	UNITS PER ASSY
48 - 10	BCREFA0509		SWITCH ASSY-LIGHTED PUSH BUTTON IND PRESS/ON SUPPLIER CODE: V81590 OVERLENGTH PART NUMBER: 433-673-1004-4022 SPECIFICATION NUMBER: S231T290-4022 OPTIONAL PART: 851-35100-5022 V96182 BCREF7610 V81590 FOR NHA SEE: 28-22-51-01 28-22-51-02	002004 006999	RF
- 15	BCREFA0530		SWITCH ASSY-LIGHTED PUSH BUTTON IND VALVE SUPPLIER CODE: V81590 OVERLENGTH PART NUMBER: 433-673-1004-4067 SPECIFICATION NUMBER: S231T290-4067 OPTIONAL PART: S231T290-5067 FOR NHA SEE: 49-52-00-01 49-52-00-02 49-52-00-03	002004 006102 107999	RF

MISSING ITEM NUMBERS NOT APPLICABLE

- ITEM NOT ILLUSTRATED

33-13-00-48

33-13-00
FIG. 48
PAGE 2
JAN 20/09

BRI



757

PARTS CATALOG (MAINTENANCE)

FIG ITEM	PART NUMBER	1 2 3 4 5 6 7	NOMENCLATURE	EFFECT FROM TO	UNITS PER ASSY
48 - 20	BCREFA0504		SWITCH ASSY-LIGHTED PUSH BUTTON IND OFF SUPPLIER CODE: V81590 OVERLENGTH PART NUMBER: 433-673-1004-4013 SPECIFICATION NUMBER: S231T290-4013 MISCELLANEOUS DATA: WHEN REPLACING THE PUSHBUTTON SWITCH ASSY OR THE MASTER MODULE WITHIN, VERIFY THAT A CONFIG D MASTER MODULE P/N 13206-001 IS INSTALLED IN LIEU OF ANY EARLIER CONFIGURATION MASTER MODULES. OPTIONAL PART: S231T290-5013 REFERENCE SERVICE BULLETIN: 33A0044 REWORKED BY SB: 433-33-05 V81590 PRE SERVICE LETTER: 33-027 FOR NHA SEE: 75-32-00-01 75-32-00-02 75-32-00-03	002004 006102 107999	RF

MISSING ITEM NUMBERS NOT APPLICABLE

- ITEM NOT ILLUSTRATED

BRI

33-13-00-48

BOEING PROPRIETARY - Copyright © - Unpublished Work - See title page for details.

33-13-00
FIG. 48
PAGE 3
JAN 20/09



757

PARTS CATALOG (MAINTENANCE)

FIG ITEM	PART NUMBER	1 2 3 4 5 6 7	NOMENCLATURE	EFFECT FROM TO	UNITS PER ASSY
48 - 25	BCREFA0513		SWITCH ASSY-LIGHTED PUSH BUTTON IND OFF SUPPLIER CODE: V81590 OVERLENGTH PART NUMBER: 433-673-1004-4030 SPECIFICATION NUMBER: S231T290-4030 MISCELLANEOUS DATA: WHEN REPLACING THE PUSHBUTTON SWITCH ASSY OR THE MASTER MODULE WITHIN, VERIFY THAT A CONFIG D MASTER MODULE P/N 13206-001 IS INSTALLED IN LIEU OF ANY EARLIER CONFIGURATION MASTER MODULES. OPTIONAL PART: S231T290-5030 REFERENCE SERVICE BULLETIN: 33A0044 REWORKED BY SB: 433-33-05 V81590 PRE SERVICE LETTER: 33-027 FOR NHA SEE: 75-32-00-01 75-32-00-02 75-32-00-03	002004 006102 107999	RF
100	673-1004-4031		.CAPSULE ASSY-LENS ON/INOP SUPPLIER CODE: V81590 USED ON: BCREFA0514	002004 006102 107999	1
100	673-1004-4021		.CAPSULE ASSY-LENS ON/INOP SUPPLIER CODE: V81590 USED ON: BCREFA0508	002004 006999	1
100	673-1004-4022		.CAPSULE ASSY-LENS ON/INOP SUPPLIER CODE: V81590 USED ON: BCREFA0509	002004 006999	1

MISSING ITEM NUMBERS NOT APPLICABLE

- ITEM NOT ILLUSTRATED

33-13-00-48

33-13-00
FIG. 48
PAGE 4
JAN 20/09

BRI

 **BOEING**
757
PARTS CATALOG (MAINTENANCE)

FIG ITEM	PART NUMBER	1 2 3 4 5 6 7	NOMENCLATURE	EFFECT FROM TO	UNITS PER ASSY
48					
100	673-1004-4067	.	CAPSULE ASSY-LENS ON/INOP SUPPLIER CODE: V81590 USED ON: BCREFA0530	002004 006102 107999	1
100	673-1004-4013	.	CAPSULE ASSY-LENS ON/INOP SUPPLIER CODE: V81590 USED ON: BCREFA0504	002004 006102 107999	1
100	673-1004-4030	.	CAPSULE ASSY-LENS ON/INOP SUPPLIER CODE: V81590 USED ON: BCREFA0513	002004 006102 107999	1
105	MS25237-387AS15	..	LAMP	002004 006102 107120 504903 950999	2
105	MS25237-387AS15	..	LAMP	121503 904949	2
105	MS25237-387AS15	..	LAMP	103106	2
110	MS24515-685AS15	..	LAMP	002004 006102 107120 504903 950999	2
110	MS24515-685AS15	..	LAMP	121503 904949	2
110	MS24515-685AS15	..	LAMP	103106	2
115	MS24515-685AS15	..	LAMP	002004 006102 107999	2
115	MS24515-685AS15	..	LAMP	103106	2
120	MS25237-387AS15	..	LAMP	002004 006102 107999	2
120	MS25237-387AS15	..	LAMP	103106	2
125	673-092-005	..	HOLDER-LAMP SUPPLIER CODE: V81590	002004 006102 107999	1
125	673-092-005	..	HOLDER-LAMP SUPPLIER CODE: V81590	103106	1
125	13963-001	..	HOLDER-LAMP SUPPLIER CODE: V81590	002004 006102 107999	1

MISSING ITEM NUMBERS NOT APPLICABLE

— ITEM NOT ILLUSTRATED

33-13-00-48

33-13-00
FIG. 48
PAGE 5
JAN 20/09

BRI

BOEING PROPRIETARY - Copyright © - Unpublished Work - See title page for details.



757

PARTS CATALOG (MAINTENANCE)

FIG ITEM	PART NUMBER	1 2 3 4 5 6 7	NOMENCLATURE	EFFECT FROM TO	UNITS PER ASSY
48					
125	13963-001		. . HOLDER-LAMP SUPPLIER CODE: V81590	103106	1
130	13206-001		. MODULE ASSY-MASTER SUPPLIER CODE: V81590	002004 006102 107999	1
130	13206-001		. MODULE ASSY-MASTER SUPPLIER CODE: V81590	103106	1
135	433-097-003		. MODULE ASSY-CKT SUPPLIER CODE: V81590	002004 006102 107999	1
135	433-097-003		. MODULE ASSY-CKT SUPPLIER CODE: V81590	103106	1
140	433-100-002		. GUARD-SWITCH SUPPLIER CODE: V81590 SPECIFICATION NUMBER: S231T290-821 OPTIONAL PART: 433-100-003 V81590 433-100-004 V81590 433-100-005 V81590 433-100-006 V81590 433-100-007 V81590	002004 006102 107999	1
140	433-100-002		. GUARD-SWITCH SUPPLIER CODE: V81590 SPECIFICATION NUMBER: S231T290-821 OPTIONAL PART: 433-100-003 V81590 433-100-004 V81590 433-100-005 V81590 433-100-006 V81590 433-100-007 V81590	103106	1

MISSING ITEM NUMBERS NOT APPLICABLE

- ITEM NOT ILLUSTRATED

33-13-00-48

33-13-00
FIG. 48
PAGE 6
JAN 20/09

BRI



757

PARTS CATALOG (MAINTENANCE)

FIG ITEM	PART NUMBER	1 2 3 4 5 6 7	NOMENCLATURE	EFFECT FROM TO	UNITS PER ASSY
48 140	433-100-003		. GUARD-SWITCH SUPPLIER CODE: V81590 SPECIFICATION NUMBER: S231T290-822 OPTIONAL PART: 433-100-002 V81590 433-100-004 V81590 433-100-005 V81590 433-100-006 V81590 433-100-007 V81590	002004 006102 107999	1
140	433-100-003		. GUARD-SWITCH SUPPLIER CODE: V81590 SPECIFICATION NUMBER: S231T290-822 OPTIONAL PART: 433-100-002 V81590 433-100-004 V81590 433-100-005 V81590 433-100-006 V81590 433-100-007 V81590	103106	1
140	433-100-004		. GUARD-SWITCH SUPPLIER CODE: V81590 SPECIFICATION NUMBER: S231T290-823 OPTIONAL PART: 433-100-002 V81590 433-100-003 V81590 433-100-005 V81590 433-100-006 V81590 433-100-007 V81590	002004 006102 107999	1

MISSING ITEM NUMBERS NOT APPLICABLE

- ITEM NOT ILLUSTRATED

33-13-00-48

33-13-00
FIG. 48
PAGE 7
JAN 20/09

BRI



757

PARTS CATALOG (MAINTENANCE)

FIG ITEM	PART NUMBER	1 2 3 4 5 6 7	NOMENCLATURE	EFFECT FROM TO	UNITS PER ASSY
48 140	433-100-004		. GUARD-SWITCH SUPPLIER CODE: V81590 SPECIFICATION NUMBER: S231T290-823 OPTIONAL PART: 433-100-002 V81590 433-100-003 V81590 433-100-005 V81590 433-100-006 V81590 433-100-007 V81590	103106	1
140	433-100-005		. GUARD-SWITCH SUPPLIER CODE: V81590 SPECIFICATION NUMBER: S231T290-824 OPTIONAL PART: 433-100-002 V81590 433-100-003 V81590 433-100-004 V81590 433-100-006 V81590 433-100-007 V81590	002004 006102 107999	1
140	433-100-005		. GUARD-SWITCH SUPPLIER CODE: V81590 SPECIFICATION NUMBER: S231T290-824 OPTIONAL PART: 433-100-002 V81590 433-100-003 V81590 433-100-004 V81590 433-100-006 V81590 433-100-007 V81590	103106	1

MISSING ITEM NUMBERS NOT APPLICABLE

- ITEM NOT ILLUSTRATED

33-13-00-48

33-13-00
FIG. 48
PAGE 8
JAN 20/09

BRI



757

PARTS CATALOG (MAINTENANCE)

FIG ITEM	PART NUMBER	1 2 3 4 5 6 7	NOMENCLATURE	EFFECT FROM TO	UNITS PER ASSY
48 140	433-100-006		. GUARD-SWITCH SUPPLIER CODE: V81590 OPTIONAL PART: 433-100-002 V81590 433-100-003 V81590 433-100-004 V81590 433-100-005 V81590 433-100-007 V81590	002004 006102 107999	1
141	433-100-006		. GUARD-SWITCH SUPPLIER CODE: V81590 OPTIONAL PART: 433-100-002 V81590 433-100-003 V81590 433-100-004 V81590 433-100-005 V81590 433-100-007 V81590	103106	1
141	433-100-007		. GUARD-SWITCH SUPPLIER CODE: V81590 SPECIFICATION NUMBER: S231T290-826 OPTIONAL PART: 433-100-002 V81590 433-100-003 V81590 433-100-004 V81590 433-100-005 V81590 433-100-006 V81590	002004 006102 107999	1

MISSING ITEM NUMBERS NOT APPLICABLE

- ITEM NOT ILLUSTRATED

33-13-00-48

33-13-00
FIG. 48
PAGE 9
JAN 20/09

BRI



757

PARTS CATALOG (MAINTENANCE)

FIG ITEM	PART NUMBER	1 2 3 4 5 6 7	NOMENCLATURE	EFFECT FROM TO	UNITS PER ASSY
48 141	433-100-007		. GUARD-SWITCH SUPPLIER CODE: V81590 SPECIFICATION NUMBER: S231T290-826 OPTIONAL PART: 433-100-002 V81590 433-100-003 V81590 433-100-004 V81590 433-100-005 V81590 433-100-006 V81590	103106	1
145	433-107-002		. HOUSING ASSY-WITH MTG SLEEVE SUPPLIER CODE: V81590	002004 006102 107999	1
145	433-107-002		. HOUSING ASSY-WITH MTG SLEEVE SUPPLIER CODE: V81590	103106	1

MISSING ITEM NUMBERS NOT APPLICABLE

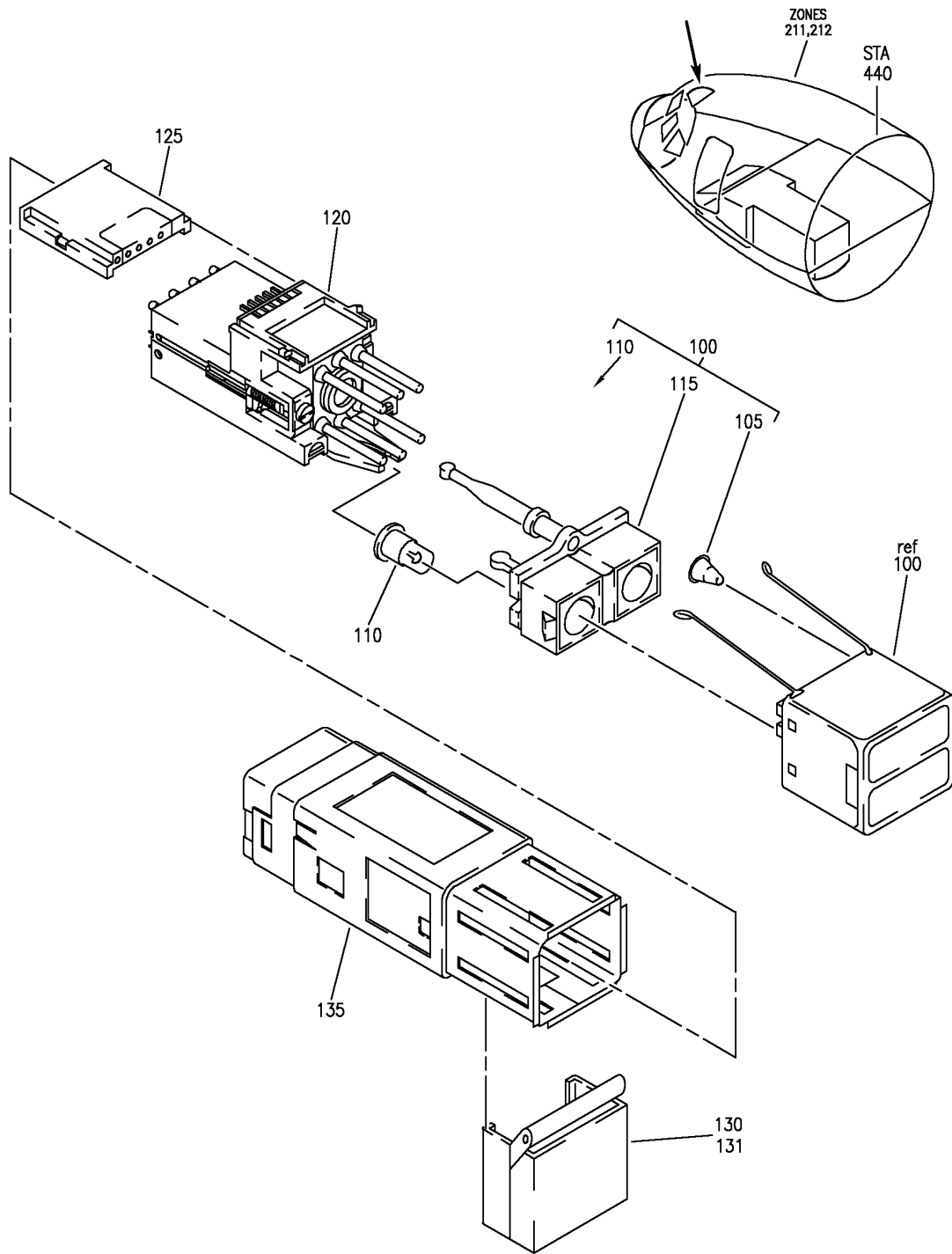
- ITEM NOT ILLUSTRATED

33-13-00-48

33-13-00
FIG. 48
PAGE 10
JAN 20/09

BRI

BOEING
757
PARTS CATALOG (MAINTENANCE)



Y 33130049 REV 269

SWITCH ASSY-LIGHTED PUSHBUTTON IND
FIGURE 49

33-13-00-49

BRI
MAY 28/07

33-13-00-49
PAGE 0



757

PARTS CATALOG (MAINTENANCE)

FIG ITEM	PART NUMBER	1 2 3 4 5 6 7	NOMENCLATURE	EFFECT FROM TO	UNITS PER ASSY
49			SWITCH ASSY-LIGHTED PUSHBUTTON IND	002004 006999	
- 1	BCREFA0507		SWITCH ASSY-LIGHTED PUSH BUTTON IND SUPPLIER CODE: V81590 OVERLENGTH PART NUMBER: 433-673-1004-4020 SPECIFICATION NUMBER: S231T290-4020 PRE SERVICE LETTER: 33-027 FOR NHA SEE: 29-11-02-03 29-11-02-06 29-11-02-07 29-11-05-04 29-11-05-05 29-11-05-06 29-11-52-01 29-11-52-02 29-11-52-07	002004 006999	RF
- 5	BCREFA0521		SWITCH ASSY-LIGHTED PUSH BUTTON IND SUPPLIER CODE: V81590 OVERLENGTH PART NUMBER: 433-673-1004-4053 SPECIFICATION NUMBER: S231T290-4053 OPTIONAL PART: 851-35100-5053 V96182 S231T290-5053 FOR NHA SEE: 24-51-02-01 24-51-62-01	002004 006102 107999	RF

MISSING ITEM NUMBERS NOT APPLICABLE

- ITEM NOT ILLUSTRATED

33-13-00-49

33-13-00
FIG. 49
PAGE 1
JAN 20/09

BRI



757

PARTS CATALOG (MAINTENANCE)

FIG ITEM	PART NUMBER	1 2 3 4 5 6 7	NOMENCLATURE	EFFECT FROM TO	UNITS PER ASSY
49 - 10	BCREFA0522		SWITCH ASSY-LIGHTED PUSH BUTTON IND SUPPLIER CODE: V81590 OVERLENGTH PART NUMBER: 433-673-1004-4054 SPECIFICATION NUMBER: S231T290-4054 OPTIONAL PART: 851-35100-5054 V96182 S231T290-5054 FOR NHA SEE: 24-51-02-01 24-51-62-01	002004 006102 107999	RF
100	673-1004-4020	.	CAPSULE ASSY-LENS ON/INOP SUPPLIER CODE: V81590 USED ON: BCREFA0507	002004 006999	1
100	673-1004-4053	.	CAPSULE ASSY-LENS ON/INOP SUPPLIER CODE: V81590 USED ON: BCREFA0521	002004 006102 107999	1
100	673-1004-4054	.	CAPSULE ASSY-LENS ON/INOP SUPPLIER CODE: V81590 USED ON: BCREFA0522	002004 006102 107999	1
105	MS24515-685AS15	..	LAMP	002004 006102 107999	2
105	MS24515-685AS15	..	LAMP	103106	2
110	MS25237-387AS15	..	LAMP	002004 006102 107999	2
110	MS25237-387AS15	..	LAMP	103106	2
115	673-092-005	..	HOLDER-LAMP SUPPLIER CODE: V81590	002004 006102 107999	1
115	673-092-005	..	HOLDER-LAMP SUPPLIER CODE: V81590	103106	1
115	13963-001	..	HOLDER-LAMP SUPPLIER CODE: V81590	002004 006102 107999	1

MISSING ITEM NUMBERS NOT APPLICABLE

- ITEM NOT ILLUSTRATED

33-13-00-49

33-13-00
FIG. 49
PAGE 2
JAN 20/09

BRI



757

PARTS CATALOG (MAINTENANCE)

FIG ITEM	PART NUMBER	1 2 3 4 5 6 7	NOMENCLATURE	EFFECT FROM TO	UNITS PER ASSY
49					
115	13963-001		. . HOLDER-LAMP SUPPLIER CODE: V81590	103106	1
120	13206-001		. MODULE ASSY-MASTER SUPPLIER CODE: V81590	002004 006102 107999	1
120	13206-001		. MODULE ASSY-MASTER SUPPLIER CODE: V81590	103106	1
125	433-097-003		. MODULE ASSY-CKT SUPPLIER CODE: V81590	002004 006102 107999	1
125	433-097-003		. MODULE ASSY-CKT SUPPLIER CODE: V81590	103106	1
130	433-100-002		. GUARD-SWITCH SUPPLIER CODE: V81590 SPECIFICATION NUMBER: S231T290-821 OPTIONAL PART: 433-100-003 V81590 433-100-004 V81590 433-100-005 V81590 433-100-006 V81590 433-100-007 V81590	002004 006102 107999	1
130	433-100-002		. GUARD-SWITCH SUPPLIER CODE: V81590 SPECIFICATION NUMBER: S231T290-821 OPTIONAL PART: 433-100-003 V81590 433-100-004 V81590 433-100-005 V81590 433-100-006 V81590 433-100-007 V81590	103106	1

MISSING ITEM NUMBERS NOT APPLICABLE

- ITEM NOT ILLUSTRATED

33-13-00-49

33-13-00
FIG. 49
PAGE 3
JAN 20/09

BRI



757

PARTS CATALOG (MAINTENANCE)

FIG ITEM	PART NUMBER	1 2 3 4 5 6 7	NOMENCLATURE	EFFECT FROM TO	UNITS PER ASSY
49 130	433-100-003		. GUARD-SWITCH SUPPLIER CODE: V81590 SPECIFICATION NUMBER: S231T290-822 OPTIONAL PART: 433-100-002 V81590 433-100-004 V81590 433-100-005 V81590 433-100-006 V81590 433-100-007 V81590	002004 006102 107999	1
130	433-100-003		. GUARD-SWITCH SUPPLIER CODE: V81590 SPECIFICATION NUMBER: S231T290-822 OPTIONAL PART: 433-100-002 V81590 433-100-004 V81590 433-100-005 V81590 433-100-006 V81590 433-100-007 V81590	103106	1
130	433-100-004		. GUARD-SWITCH SUPPLIER CODE: V81590 SPECIFICATION NUMBER: S231T290-823 OPTIONAL PART: 433-100-002 V81590 433-100-003 V81590 433-100-005 V81590 433-100-006 V81590 433-100-007 V81590	002004 006102 107999	1

MISSING ITEM NUMBERS NOT APPLICABLE

- ITEM NOT ILLUSTRATED

33-13-00-49

33-13-00
FIG. 49
PAGE 4
JAN 20/09

BRI



757

PARTS CATALOG (MAINTENANCE)

FIG ITEM	PART NUMBER	1 2 3 4 5 6 7	NOMENCLATURE	EFFECT FROM TO	UNITS PER ASSY
49 130	433-100-004		. GUARD-SWITCH SUPPLIER CODE: V81590 SPECIFICATION NUMBER: S231T290-823 OPTIONAL PART: 433-100-002 V81590 433-100-003 V81590 433-100-005 V81590 433-100-006 V81590 433-100-007 V81590	103106	1
130	433-100-005		. GUARD-SWITCH SUPPLIER CODE: V81590 SPECIFICATION NUMBER: S231T290-824 OPTIONAL PART: 433-100-002 V81590 433-100-003 V81590 433-100-004 V81590 433-100-006 V81590 433-100-007 V81590	002004 006102 107999	1
130	433-100-005		. GUARD-SWITCH SUPPLIER CODE: V81590 SPECIFICATION NUMBER: S231T290-824 OPTIONAL PART: 433-100-002 V81590 433-100-003 V81590 433-100-004 V81590 433-100-006 V81590 433-100-007 V81590	103106	1

MISSING ITEM NUMBERS NOT APPLICABLE

- ITEM NOT ILLUSTRATED

33-13-00-49

33-13-00
FIG. 49
PAGE 5
JAN 20/09

BRI



757

PARTS CATALOG (MAINTENANCE)

FIG ITEM	PART NUMBER	1 2 3 4 5 6 7	NOMENCLATURE	EFFECT FROM TO	UNITS PER ASSY
49 130	433-100-006		. GUARD-SWITCH SUPPLIER CODE: V81590 OPTIONAL PART: 433-100-002 V81590 433-100-003 V81590 433-100-004 V81590 433-100-005 V81590 433-100-007 V81590	002004 006102 107999	1
130	433-100-006		. GUARD-SWITCH SUPPLIER CODE: V81590 OPTIONAL PART: 433-100-002 V81590 433-100-003 V81590 433-100-004 V81590 433-100-005 V81590 433-100-007 V81590	103106	1
130	433-100-007		. GUARD-SWITCH SUPPLIER CODE: V81590 SPECIFICATION NUMBER: S231T290-826 OPTIONAL PART: 433-100-002 V81590 433-100-003 V81590 433-100-004 V81590 433-100-005 V81590 433-100-006 V81590	002004 006102 107999	1

MISSING ITEM NUMBERS NOT APPLICABLE

- ITEM NOT ILLUSTRATED

33-13-00-49

33-13-00
FIG. 49
PAGE 6
JAN 20/09

BRI



757

PARTS CATALOG (MAINTENANCE)

FIG ITEM	PART NUMBER	1 2 3 4 5 6 7	NOMENCLATURE	EFFECT FROM TO	UNITS PER ASSY
49 130	433-100-007		. GUARD-SWITCH SUPPLIER CODE: V81590 SPECIFICATION NUMBER: S231T290-826 OPTIONAL PART: 433-100-002 V81590 433-100-003 V81590 433-100-004 V81590 433-100-005 V81590 433-100-006 V81590	103106	1
135	433-107-002		. HOUSING ASSY-WITH MTG SLEEVE SUPPLIER CODE: V81590	002004 006102 107999	1
135	433-107-002		. HOUSING ASSY-WITH MTG SLEEVE SUPPLIER CODE: V81590	103106	1

MISSING ITEM NUMBERS NOT APPLICABLE

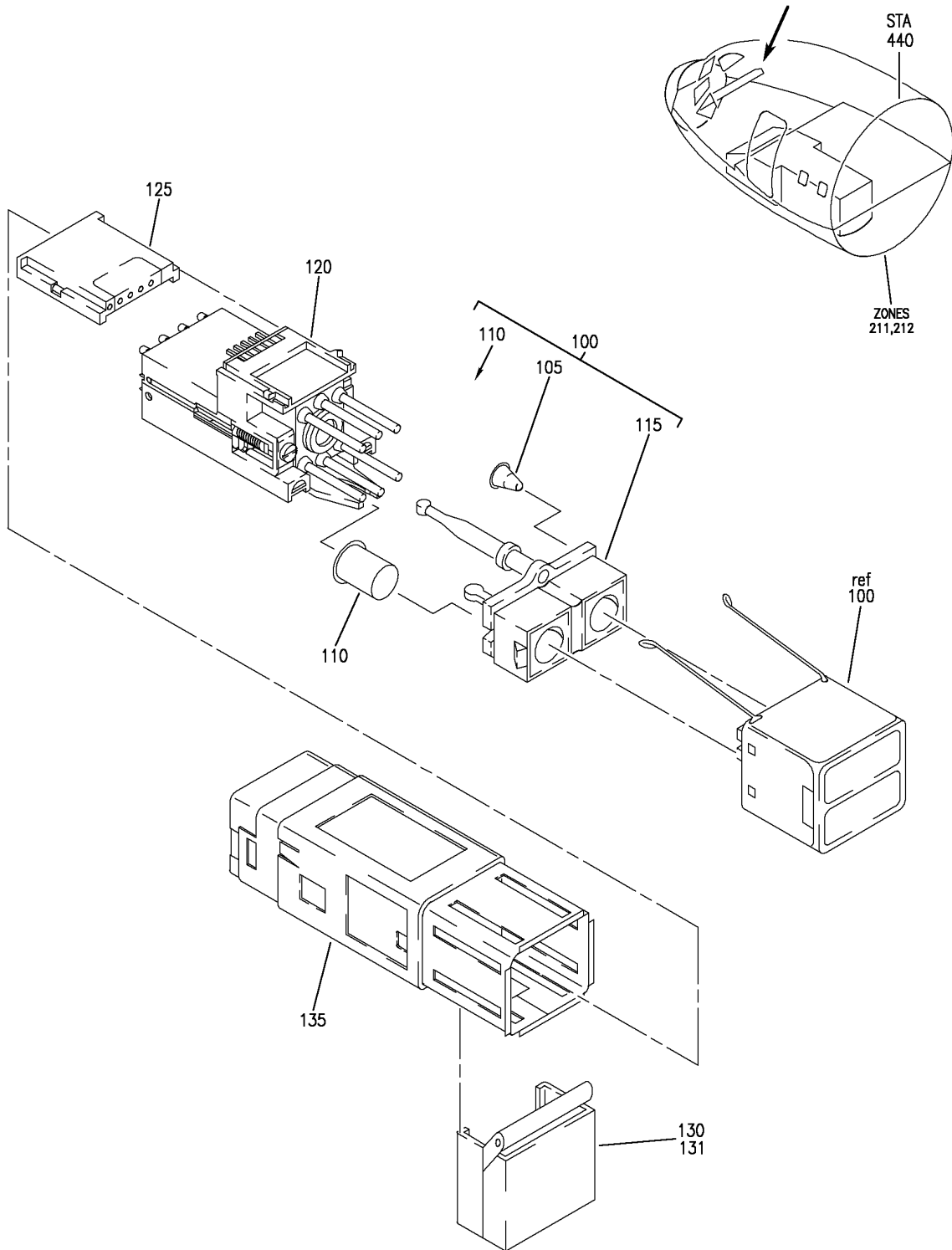
- ITEM NOT ILLUSTRATED

33-13-00-49

33-13-00
FIG. 49
PAGE 7
JAN 20/09

BRI

BOEING
757
PARTS CATALOG (MAINTENANCE)



Y 33130049A REV 249

SWITCH ASSY-LIGHTED PUSHBUTTON INDS ***
FIGURE 49A

33-13-00-49A

BRI
MAY 28/07

33-13-00-49A
PAGE 0



757

PARTS CATALOG (MAINTENANCE)

FIG ITEM	PART NUMBER	1 2 3 4 5 6 7	NOMENCLATURE	EFFECT FROM TO	UNITS PER ASSY
49A					
- 1	BCREFA0511		SWITCH ASSY-LIGHTED PUSHBUTTON INDS *** SWITCH ASSY-LIGHTED PUSH BUTTON IND SUPPLIER CODE: V81590 OVERLENGTH PART NUMBER: 433-673-1004-4026 SPECIFICATION NUMBER: S231T290-4026 OPTIONAL PART: 851-35100-5026 V96182 BCREF7612 V81590 FOR NHA SEE: 28-22-51-01 28-22-51-02	002004 006999 002004 006999	RF

MISSING ITEM NUMBERS NOT APPLICABLE

- ITEM NOT ILLUSTRATED

BRI

33-13-00-49A

BOEING PROPRIETARY - Copyright © - Unpublished Work - See title page for details.

33-13-00
FIG. 49A
PAGE 1
JAN 20/09



757

PARTS CATALOG (MAINTENANCE)

FIG ITEM	PART NUMBER	1 2 3 4 5 6 7	NOMENCLATURE	EFFECT FROM TO	UNITS PER ASSY
49A - 5	BCREFA0512		SWITCH ASSY-LIGHTED PUSH BUTTON IND SUPPLIER CODE: V81590 OVERLENGTH PART NUMBER: 433-673-1004-4027 SPECIFICATION NUMBER: S231T290-4027 MISCELLANEOUS DATA: WHEN REPLACING THE PUSHBUTTON SWITCH ASSY OR THE MASTER MODULE WITHIN, VERIFY THAT A CONFIG D MASTER MODULE P/N 13206-001 IS INSTALLED IN LIEU OF ANY EARLIER CONFIGURATION MASTER MODULES. OPTIONAL PART: 851-35100-5027 V96182 REFERENCE SERVICE BULLETIN: 33A0044 REWORKED BY SB: 433-33-05 V81590 PRE SERVICE LETTER: 33-027 FOR NHA SEE: 30-21-51-01 30-21-51-02 30-21-51-03	002004 006102 107999	RF
100	673-1004-4026		.CAPSULE ASSY-LENS ON/INOP SUPPLIER CODE: V81590 USED ON: BCREFA0511	002004 006999	1
100	673-1004-4027		.CAPSULE ASSY-LENS ON/INOP SUPPLIER CODE: V81590 USED ON: BCREFA0512	002004 006102 107120 504903 950999	1
105	MS24515-685AS15		..LAMP	002004 006102 107999	2
105	MS24515-685AS15		..LAMP	103106	2
110	MS25237-387AS15		..LAMP	002004 006102 107999	2

MISSING ITEM NUMBERS NOT APPLICABLE

- ITEM NOT ILLUSTRATED

33-13-00-49A

33-13-00
FIG. 49A
PAGE 2
JAN 20/09

BRI

BOEING PROPRIETARY - Copyright © - Unpublished Work - See title page for details.



757

PARTS CATALOG (MAINTENANCE)

FIG ITEM	PART NUMBER	1 2 3 4 5 6 7	NOMENCLATURE	EFFECT FROM TO	UNITS PER ASSY
49A					
110	MS25237-387AS15	.	LAMP	103106	2
115	673-092-005	..	HOLDER-LAMP	002004	1
			SUPPLIER CODE:	006102	
			V81590	107999	
115	673-092-005	..	HOLDER-LAMP	103106	1
			SUPPLIER CODE:		
			V81590		
115	13963-001	..	HOLDER-LAMP	002004	1
			SUPPLIER CODE:	006102	
			V81590	107999	
115	13963-001	..	HOLDER-LAMP	103106	1
			SUPPLIER CODE:		
			V81590		
120	13206-001	.	MODULE ASSY-MASTER	002004	1
			SUPPLIER CODE:	006102	
			V81590	107999	
120	13206-001	.	MODULE ASSY-MASTER	103106	1
			SUPPLIER CODE:		
			V81590		
125	433-097-003	.	MODULE ASSY-CKT	002004	1
			SUPPLIER CODE:	006102	
			V81590	107999	
125	433-097-003	.	MODULE ASSY-CKT	103106	1
			SUPPLIER CODE:		
			V81590		
130	433-100-002	.	GUARD-SWITCH	002004	1
			SUPPLIER CODE:	006102	
			V81590	107999	
			SPECIFICATION NUMBER:		
			S231T290-821		
			OPTIONAL PART:		
			433-100-003		
			V81590		
			433-100-004		
			V81590		
			433-100-005		
			V81590		
			433-100-006		
			V81590		
			433-100-007		
			V81590		

MISSING ITEM NUMBERS NOT APPLICABLE

- ITEM NOT ILLUSTRATED

33-13-00-49A

33-13-00
FIG. 49A
PAGE 3
JAN 20/09

BRI



757

PARTS CATALOG (MAINTENANCE)

FIG ITEM	PART NUMBER	1 2 3 4 5 6 7	NOMENCLATURE	EFFECT FROM TO	UNITS PER ASSY
49A 130	433-100-002		. GUARD-SWITCH SUPPLIER CODE: V81590 SPECIFICATION NUMBER: S231T290-821 OPTIONAL PART: 433-100-003 V81590 433-100-004 V81590 433-100-005 V81590 433-100-006 V81590 433-100-007 V81590	103106	1
130	433-100-003		. GUARD-SWITCH SUPPLIER CODE: V81590 SPECIFICATION NUMBER: S231T290-822 OPTIONAL PART: 433-100-002 V81590 433-100-004 V81590 433-100-005 V81590 433-100-006 V81590 433-100-007 V81590	002004 006102 107999	1
130	433-100-003		. GUARD-SWITCH SUPPLIER CODE: V81590 SPECIFICATION NUMBER: S231T290-822 OPTIONAL PART: 433-100-002 V81590 433-100-004 V81590 433-100-005 V81590 433-100-006 V81590 433-100-007 V81590	103106	1

MISSING ITEM NUMBERS NOT APPLICABLE

- ITEM NOT ILLUSTRATED

33-13-00-49A

33-13-00
FIG. 49A
PAGE 4
JAN 20/09

BRI



757

PARTS CATALOG (MAINTENANCE)

FIG ITEM	PART NUMBER	1 2 3 4 5 6 7	NOMENCLATURE	EFFECT FROM TO	UNITS PER ASSY
49A 130	433-100-004		. GUARD-SWITCH SUPPLIER CODE: V81590 SPECIFICATION NUMBER: S231T290-823 OPTIONAL PART: 433-100-002 V81590 433-100-003 V81590 433-100-005 V81590 433-100-006 V81590 433-100-007 V81590	002004 006102 107999	1
130	433-100-004		. GUARD-SWITCH SUPPLIER CODE: V81590 SPECIFICATION NUMBER: S231T290-823 OPTIONAL PART: 433-100-002 V81590 433-100-003 V81590 433-100-005 V81590 433-100-006 V81590 433-100-007 V81590	103106	1
130	433-100-005		. GUARD-SWITCH SUPPLIER CODE: V81590 SPECIFICATION NUMBER: S231T290-824 OPTIONAL PART: 433-100-002 V81590 433-100-003 V81590 433-100-004 V81590 433-100-006 V81590 433-100-007 V81590	002004 006102 107999	1

MISSING ITEM NUMBERS NOT APPLICABLE

- ITEM NOT ILLUSTRATED

33-13-00-49A

33-13-00
FIG. 49A
PAGE 5
JAN 20/09

BRI



757

PARTS CATALOG (MAINTENANCE)

FIG ITEM	PART NUMBER	1 2 3 4 5 6 7	NOMENCLATURE	EFFECT FROM TO	UNITS PER ASSY
49A 130	433-100-005		. GUARD-SWITCH SUPPLIER CODE: V81590 SPECIFICATION NUMBER: S231T290-824 OPTIONAL PART: 433-100-002 V81590 433-100-003 V81590 433-100-004 V81590 433-100-006 V81590 433-100-007 V81590	103106	1
130	433-100-006		. GUARD-SWITCH SUPPLIER CODE: V81590 OPTIONAL PART: 433-100-002 V81590 433-100-003 V81590 433-100-004 V81590 433-100-005 V81590 433-100-007 V81590	002004 006102 107999	1
130	433-100-006		. GUARD-SWITCH SUPPLIER CODE: V81590 OPTIONAL PART: 433-100-002 V81590 433-100-003 V81590 433-100-004 V81590 433-100-005 V81590 433-100-007 V81590	103106	1

MISSING ITEM NUMBERS NOT APPLICABLE

- ITEM NOT ILLUSTRATED

33-13-00-49A

33-13-00
FIG. 49A
PAGE 6
JAN 20/09

BRI



757

PARTS CATALOG (MAINTENANCE)

FIG ITEM	PART NUMBER	1 2 3 4 5 6 7	NOMENCLATURE	EFFECT FROM TO	UNITS PER ASSY
49A 130	433-100-007		. GUARD-SWITCH SUPPLIER CODE: V81590 SPECIFICATION NUMBER: S231T290-826 OPTIONAL PART: 433-100-002 V81590 433-100-003 V81590 433-100-004 V81590 433-100-005 V81590 433-100-006 V81590	002004 006102 107999	1
130	433-100-007		. GUARD-SWITCH SUPPLIER CODE: V81590 SPECIFICATION NUMBER: S231T290-826 OPTIONAL PART: 433-100-002 V81590 433-100-003 V81590 433-100-004 V81590 433-100-005 V81590 433-100-006 V81590	103106	1
135	433-107-002		. HOUSING ASSY-WITH MTG SLEEVE SUPPLIER CODE: V81590	002004 006102 107999	1
135	433-107-002		. HOUSING ASSY-WITH MTG SLEEVE SUPPLIER CODE: V81590	103106	1

MISSING ITEM NUMBERS NOT APPLICABLE

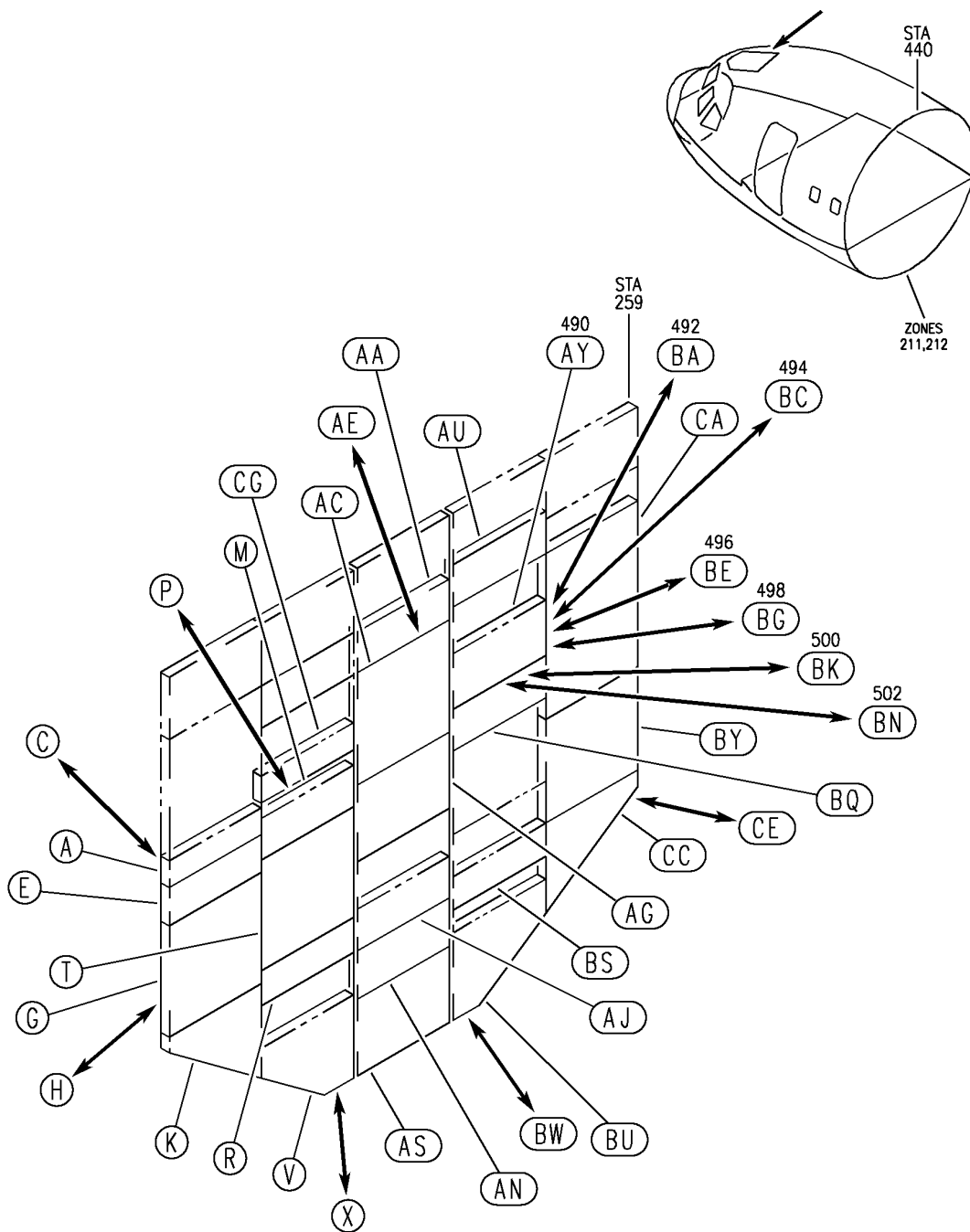
- ITEM NOT ILLUSTRATED

33-13-00-49A

33-13-00
FIG. 49A
PAGE 7
JAN 20/09

BRI

BOEING
757
PARTS CATALOG (MAINTENANCE)



Y 33130102 SHT 1 REV 305

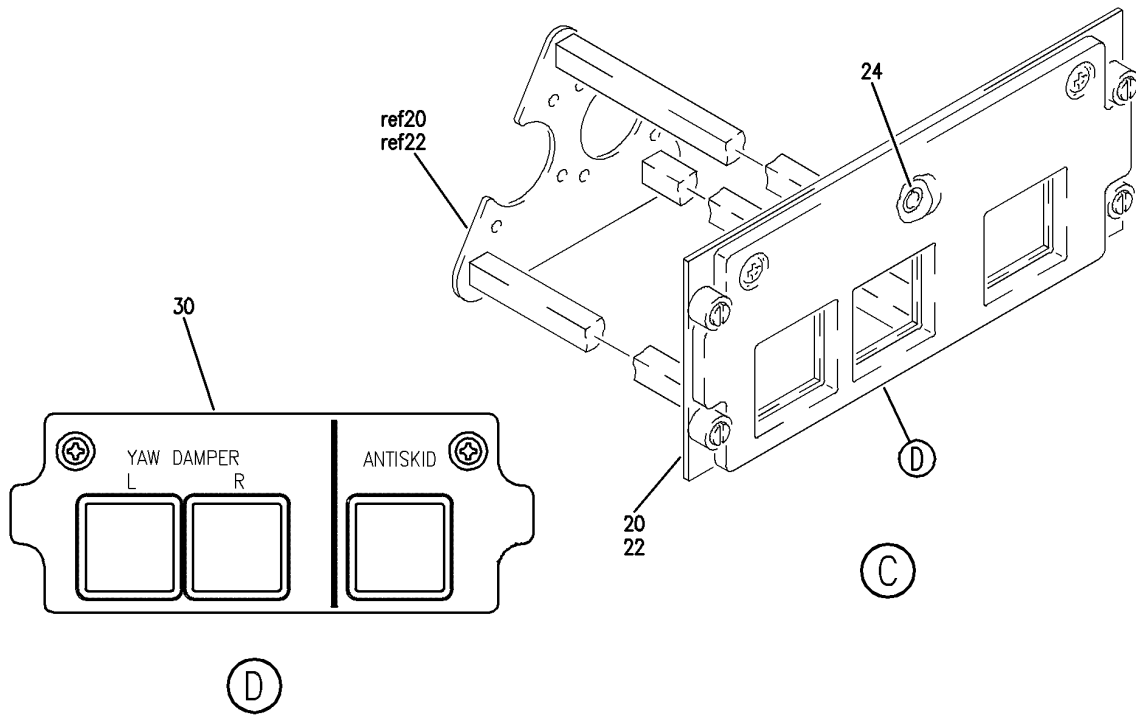
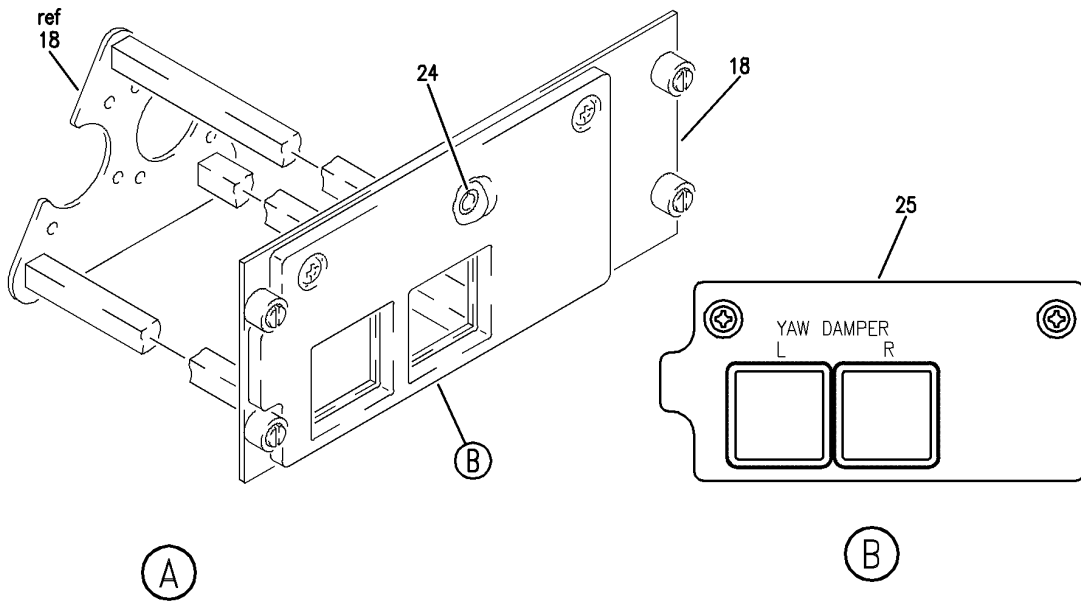
PANEL INSTL-P5 OVHD (LIGHTPLATES ONLY)
FIGURE 2 (SHEET 1)

33-13-01-02

BRI
MAY 28/07

33-13-01-02
PAGE 0


BOEING
 757
PARTS CATALOG (MAINTENANCE)



Y 33130102 SH1 2 REV 240

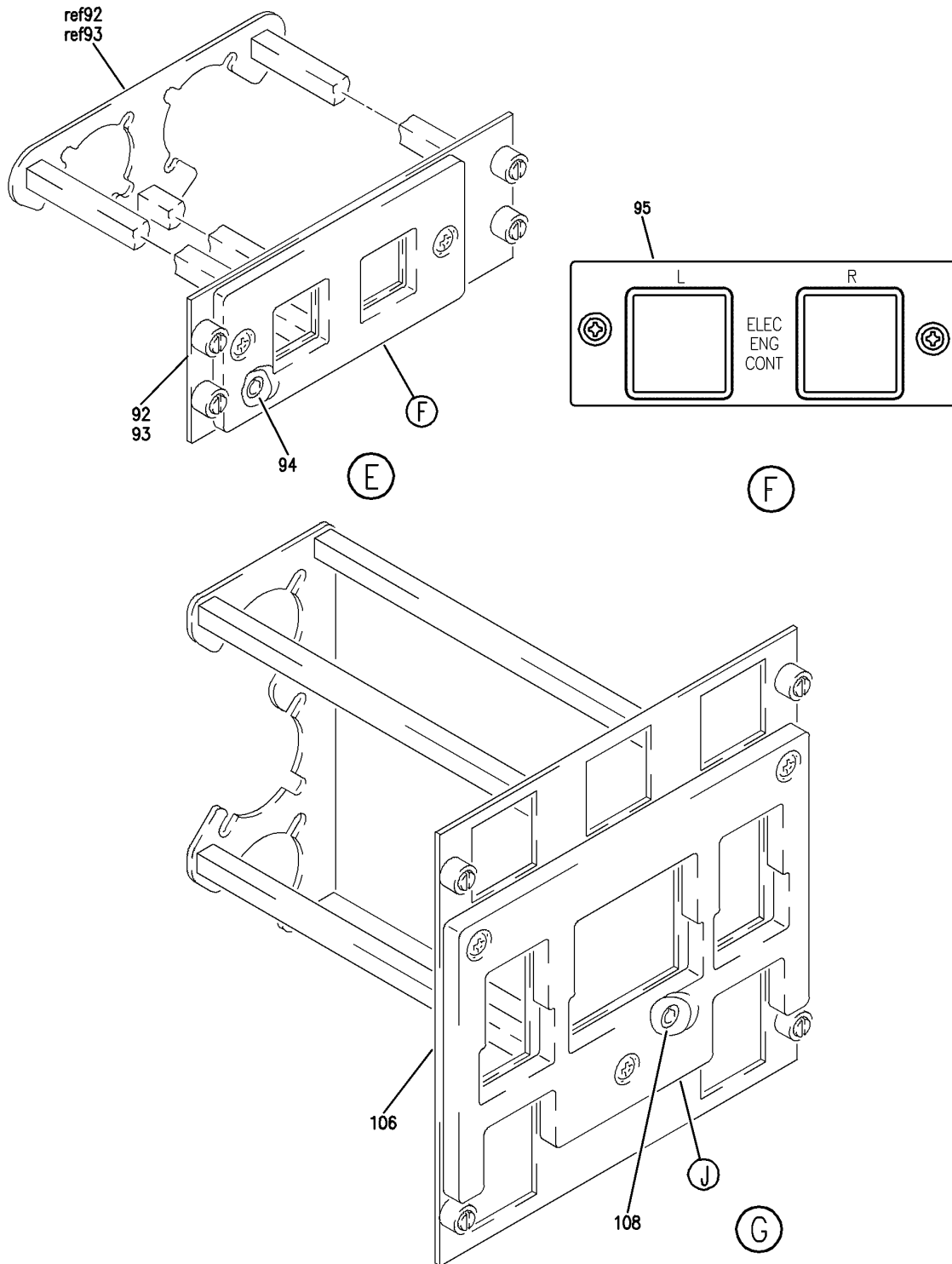
PANEL INSTL-P5 OVHD (LIGHTPLATES ONLY)
 FIGURE 2 (SHEET 2)

33-13-01-02

BRI
 MAY 28/07

33-13-01-02
 PAGE 0A

BOEING
757
PARTS CATALOG (MAINTENANCE)



Y 33130102 SHT 3 REV 240

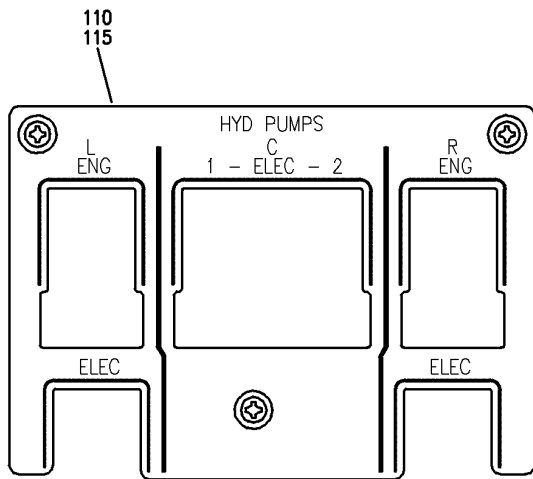
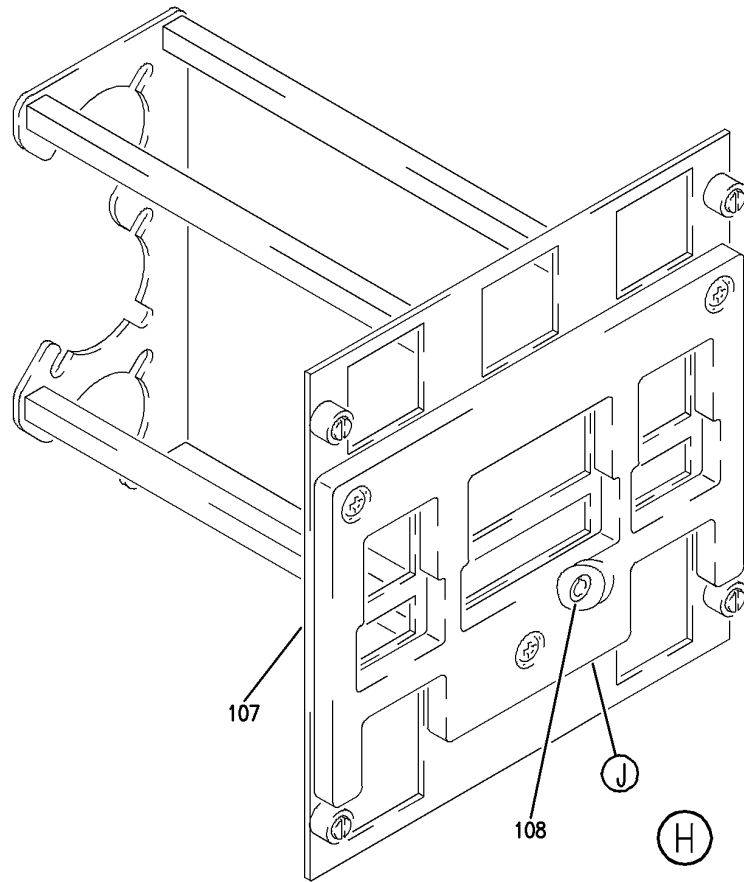
PANEL INSTL-P5 OVHD (LIGHTPLATES ONLY)
FIGURE 2 (SHEET 3)

33-13-01-02

BRI
MAY 28/07

33-13-01-02
PAGE 08

BOEING
757
PARTS CATALOG (MAINTENANCE)



Y 33130102 SHT 4 REV 240

J

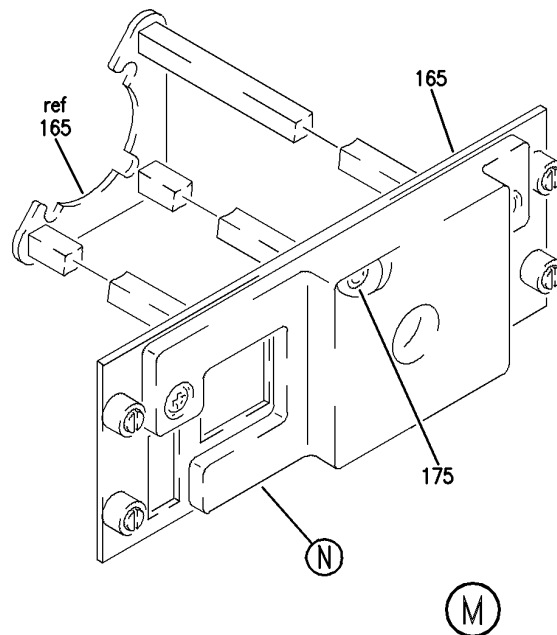
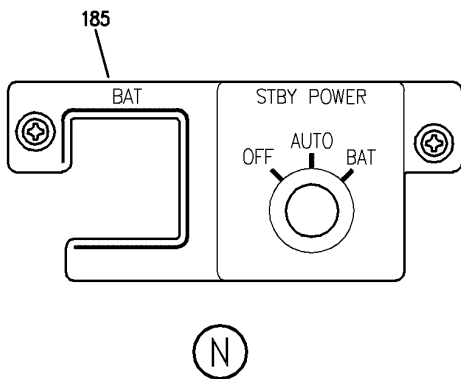
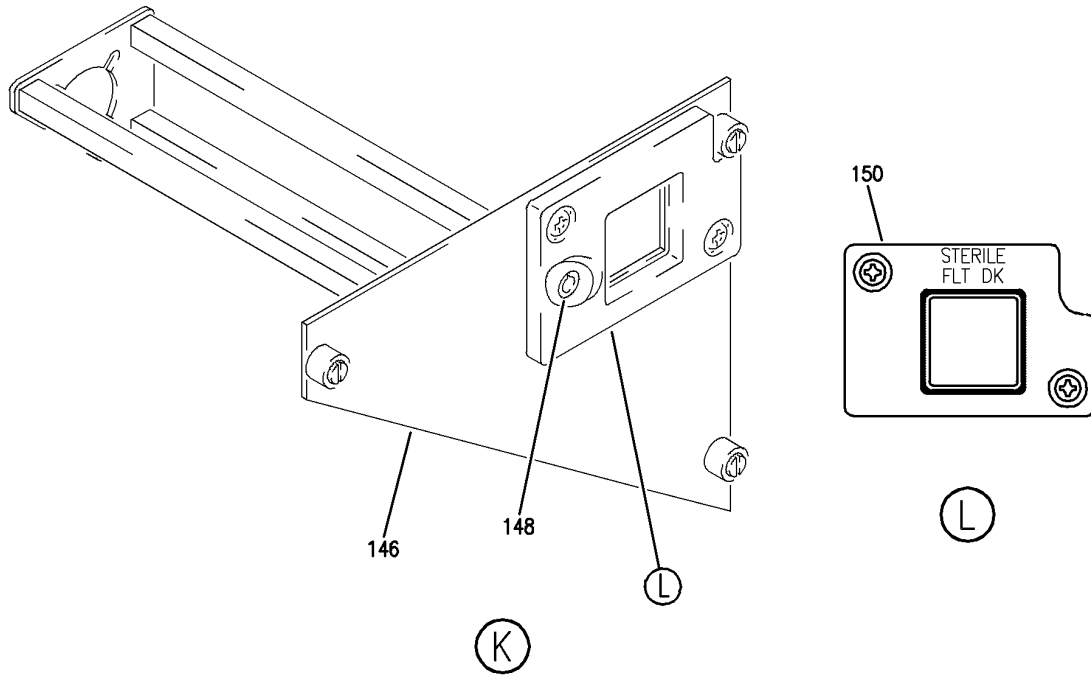
PANEL INSTL-P5 OVHD (LIGHTPLATES ONLY)
FIGURE 2 (SHEET 4)

33-13-01-02

BRI
MAY 28/07

33-13-01-02
PAGE 0C

BOEING
757
PARTS CATALOG (MAINTENANCE)



Y 33130102 SH 5 REV 240

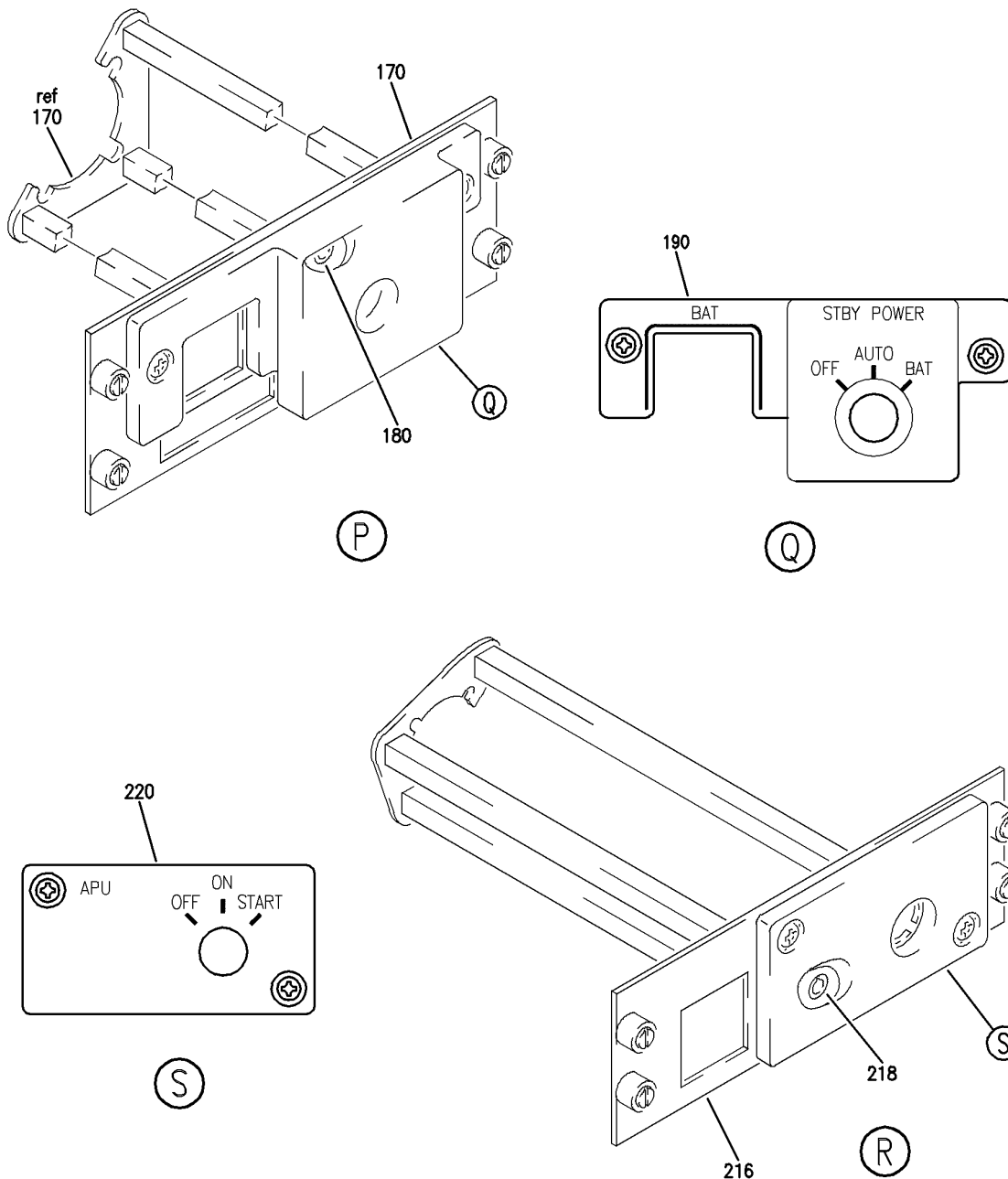
PANEL INSTL-P5 OVHD (LIGHTPLATES ONLY)
FIGURE 2 (SHEET 5)

33-13-01-02

BRI
MAY 28/07

33-13-01-02
PAGE 0D

BOEING
757
PARTS CATALOG (MAINTENANCE)



Y 33130102 SH1 6 REV 240

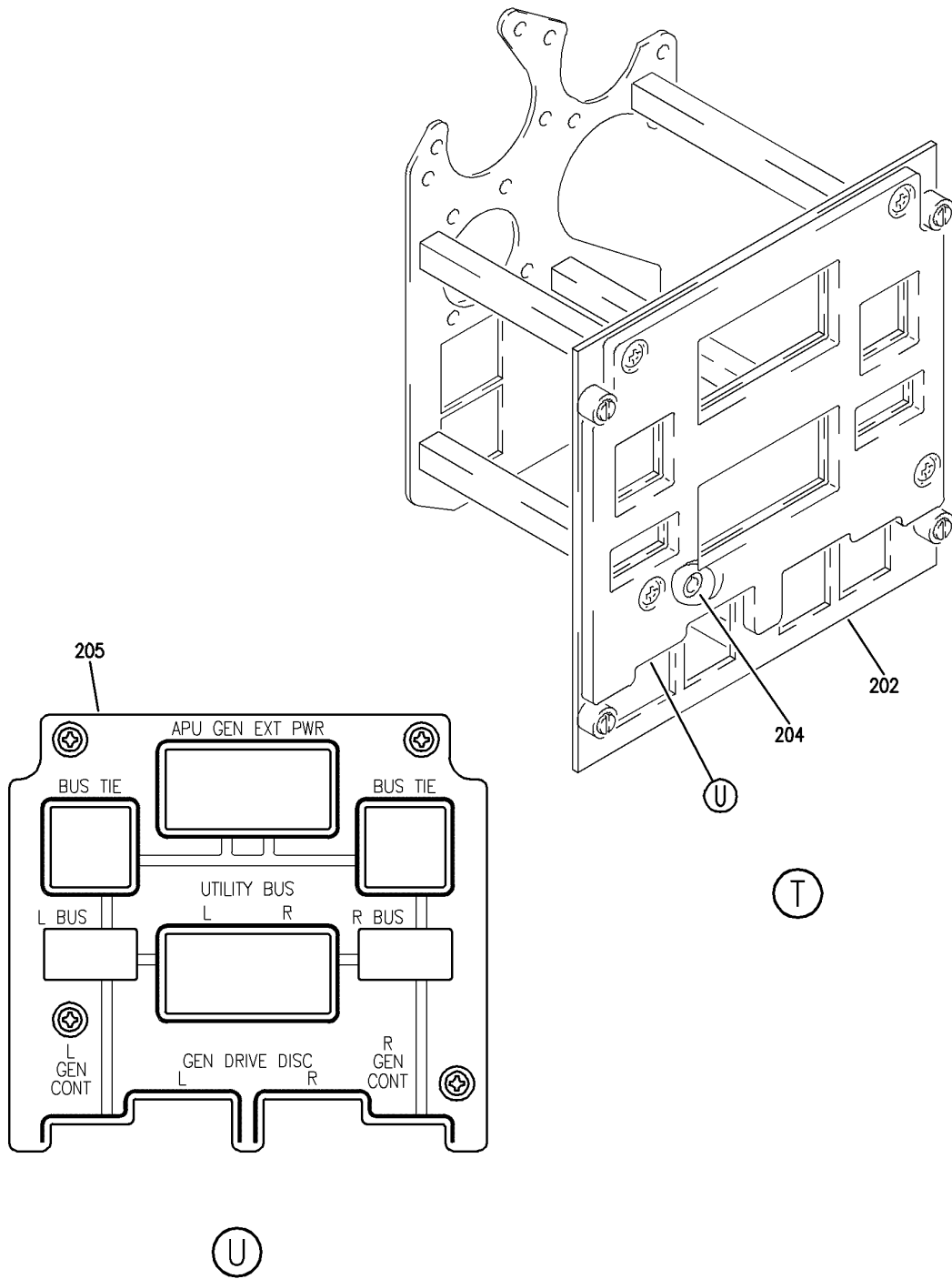
PANEL INSTL-P5 OVHD (LIGHTPLATES ONLY)
FIGURE 2 (SHEET 6)

33-13-01-02

BRI
MAY 28/07

33-13-01-02
PAGE 0E

BOEING
757
PARTS CATALOG (MAINTENANCE)



Y 33130102 SH7 7 REV 240

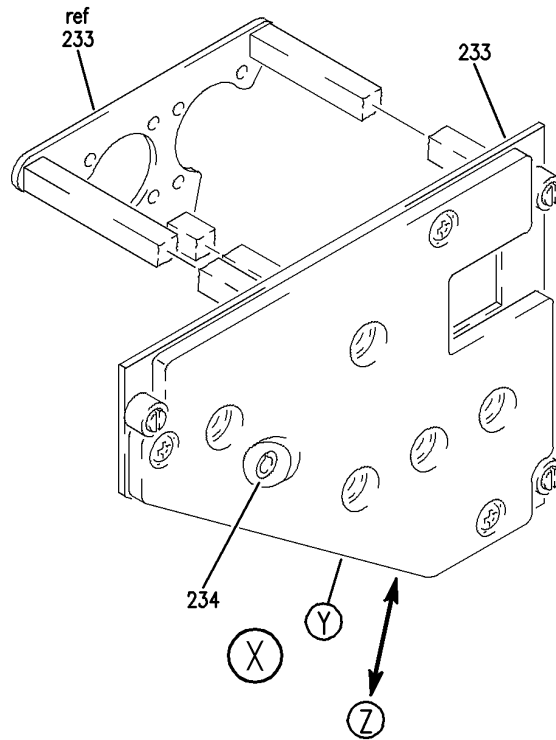
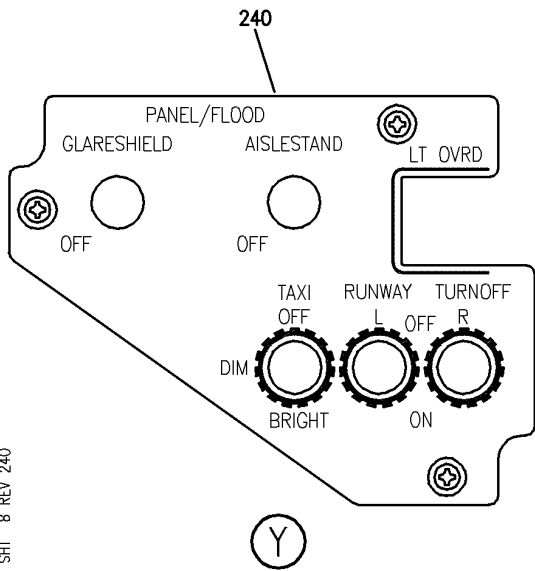
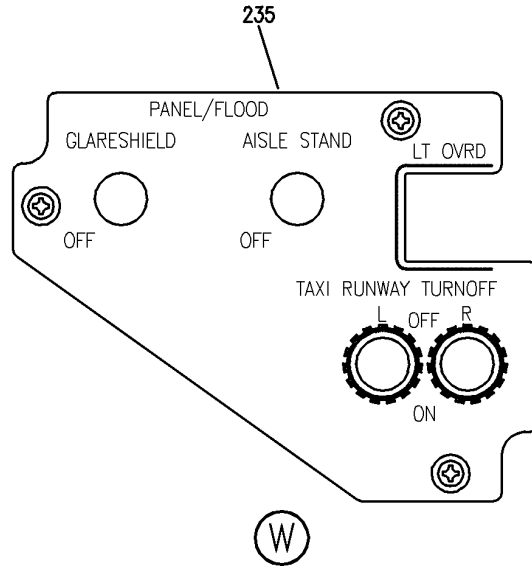
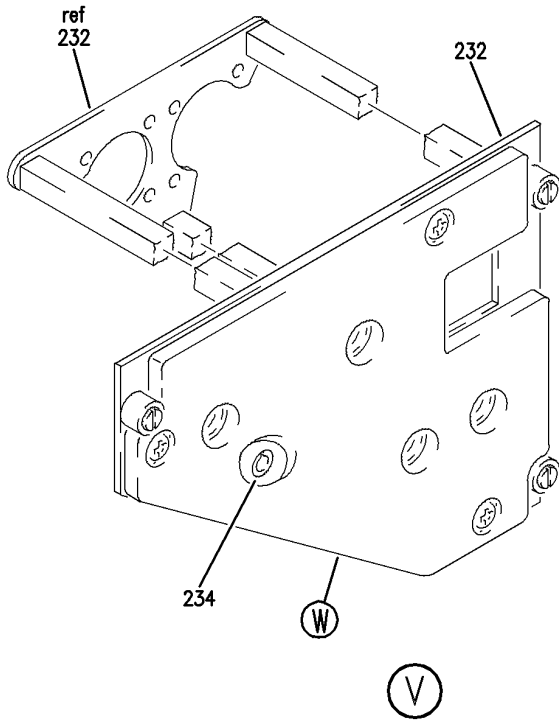
PANEL INSTL-P5 OVHD (LIGHTPLATES ONLY)
FIGURE 2 (SHEET 7)

33-13-01-02

BRI
MAY 28/07

33-13-01-02
PAGE OF


BOEING
 757
PARTS CATALOG (MAINTENANCE)



Y 33130102 SH8 8 REV 240

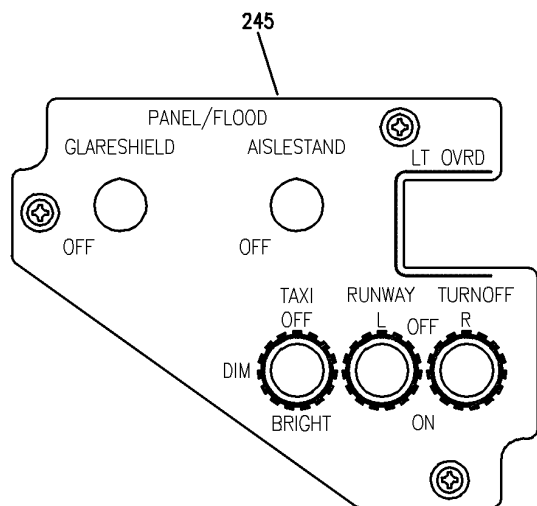
PANEL INSTL-P5 OVHD (LIGHTPLATES ONLY)
 FIGURE 2 (SHEET 8)

33-13-01-02

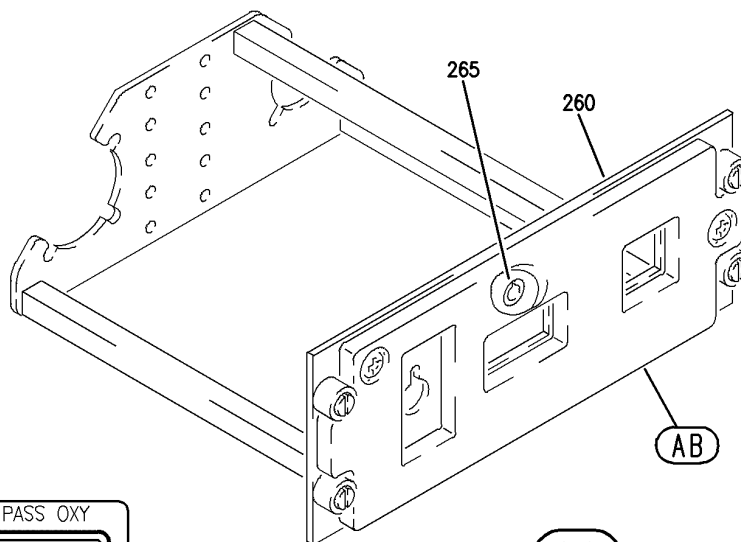
BRI
MAY 28/07

33-13-01-02
 PAGE 06

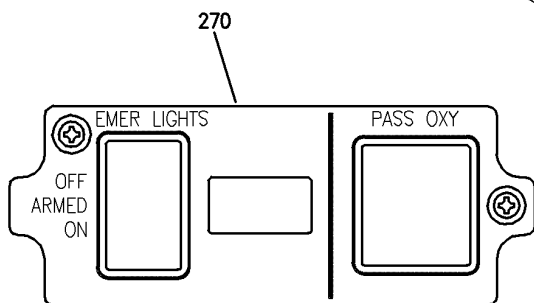
BOEING
757
PARTS CATALOG (MAINTENANCE)



(Z)



(AA)



(AB)

Y 33130102 SH 9 REV 240

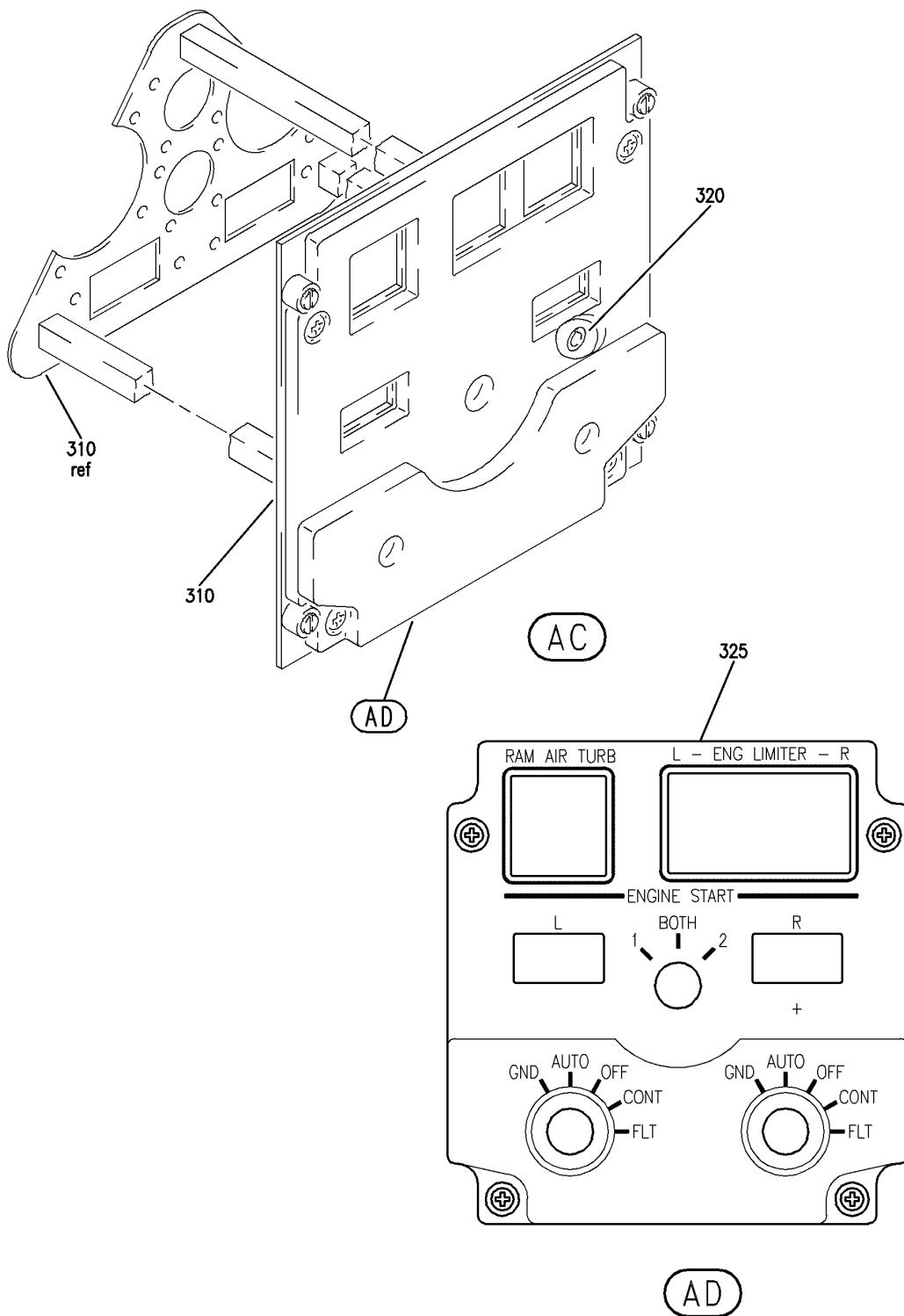
PANEL INSTL-P5 OVHD (LIGHTPLATES ONLY)
FIGURE 2 (SHEET 9)

33-13-01-02

BRI
MAY 28/07

33-13-01-02
PAGE 0H

BOEING
757
PARTS CATALOG (MAINTENANCE)



Y 33130102 SHT 10 REV 240

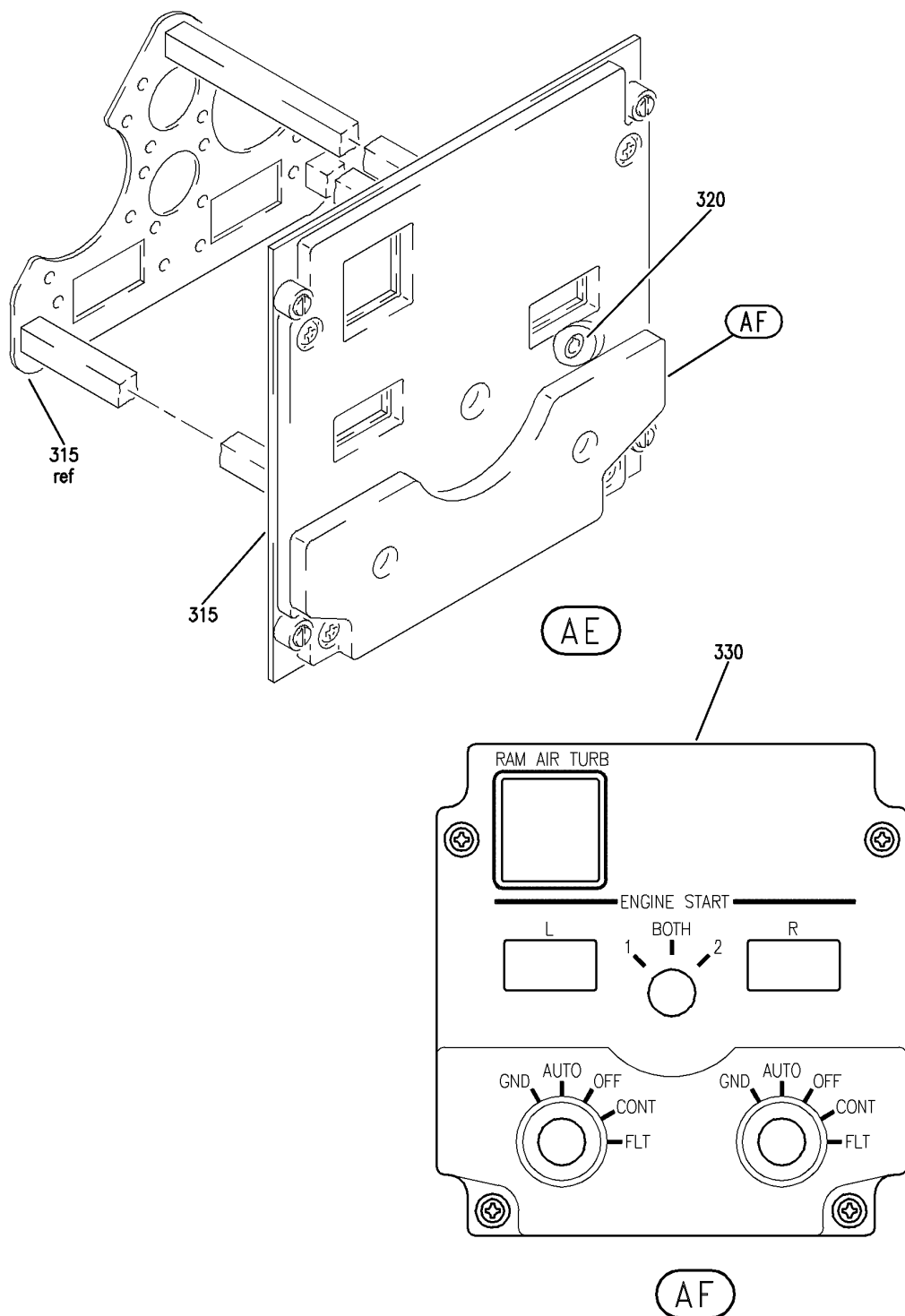
PANEL INSTL-P5 OVHD (LIGHTPLATES ONLY)
FIGURE 2 (SHEET 10)

33-13-01-02

BRI
MAY 28/07

33-13-01-02
PAGE 01

BOEING
757
PARTS CATALOG (MAINTENANCE)



Y 33130102 SHT 11 REV 240

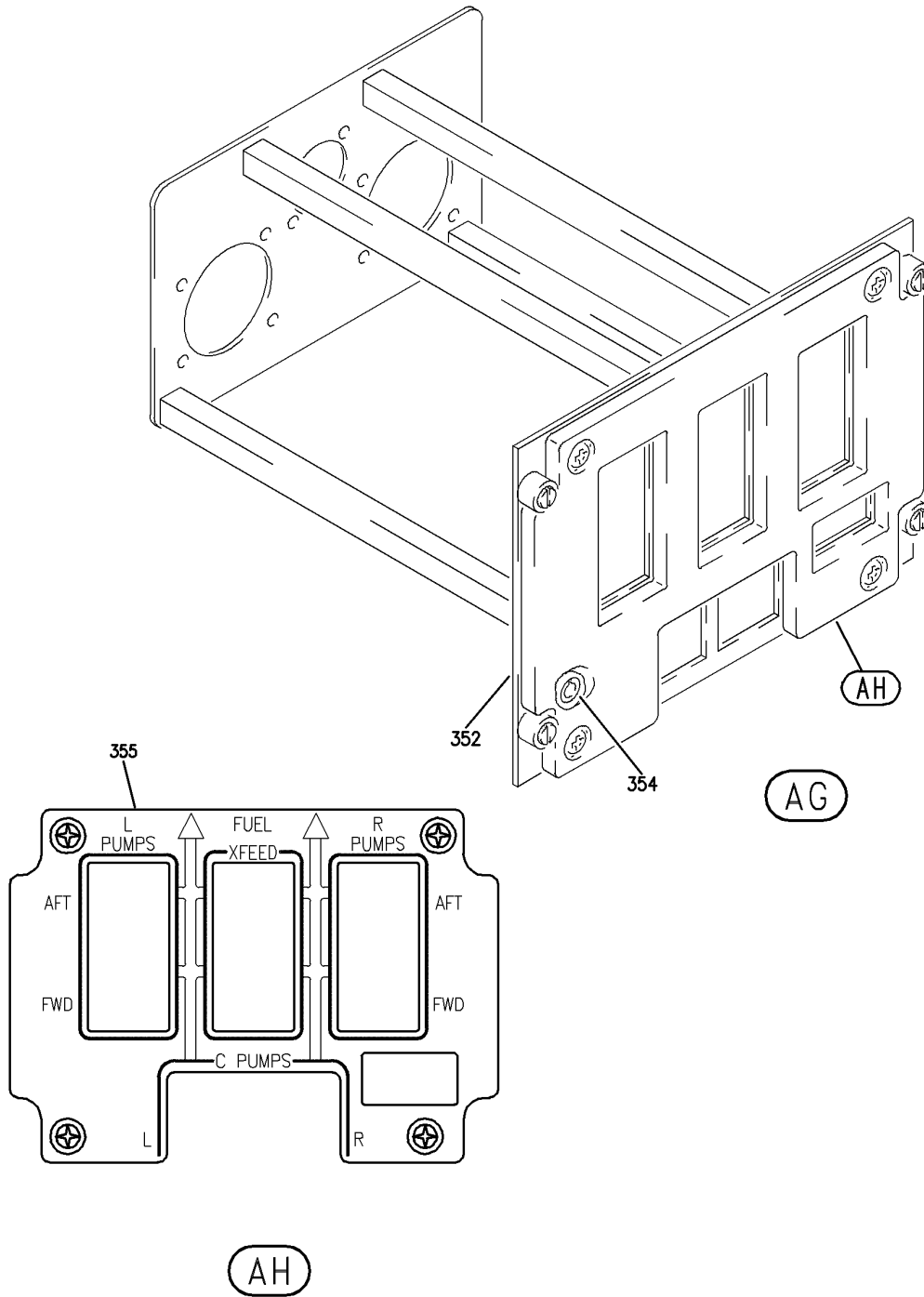
PANEL INSTL-P5 OVHD (LIGHTPLATES ONLY)
FIGURE 2 (SHEET 11)

33-13-01-02

BRI
MAY 28/07

33-13-01-02
PAGE 0J

BOEING
757
PARTS CATALOG (MAINTENANCE)



Y 33130102 SHT 12 REV 240

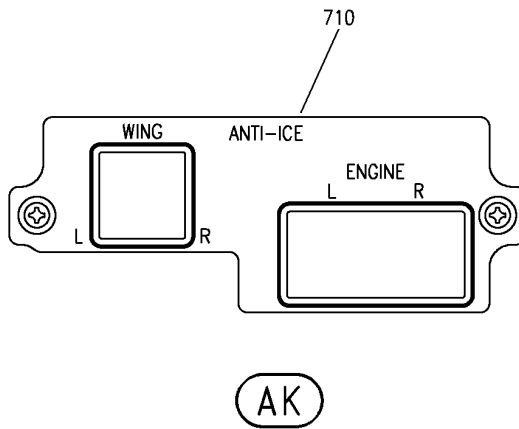
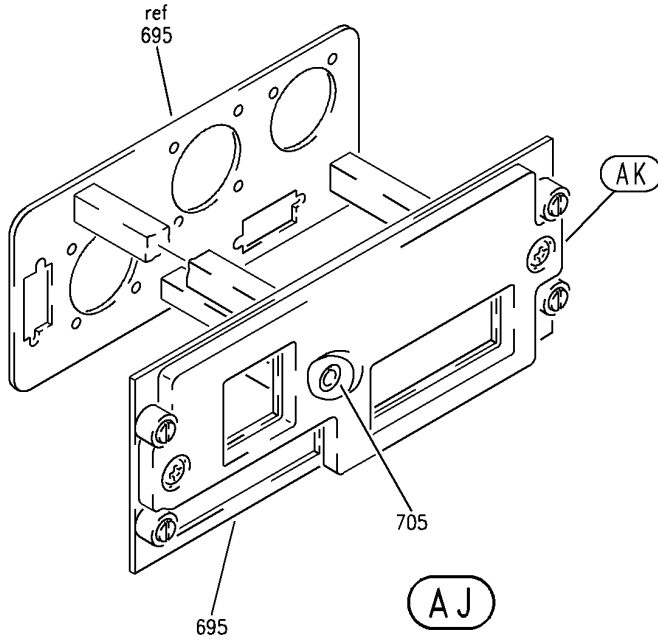
PANEL INSTL-P5 OVHD (LIGHTPLATES ONLY)
FIGURE 2 (SHEET 12)

33-13-01-02

BRI
MAY 28/07

33-13-01-02
PAGE 0K

BOEING
757
PARTS CATALOG (MAINTENANCE)



Y 33130102 SHT 13 REV 305

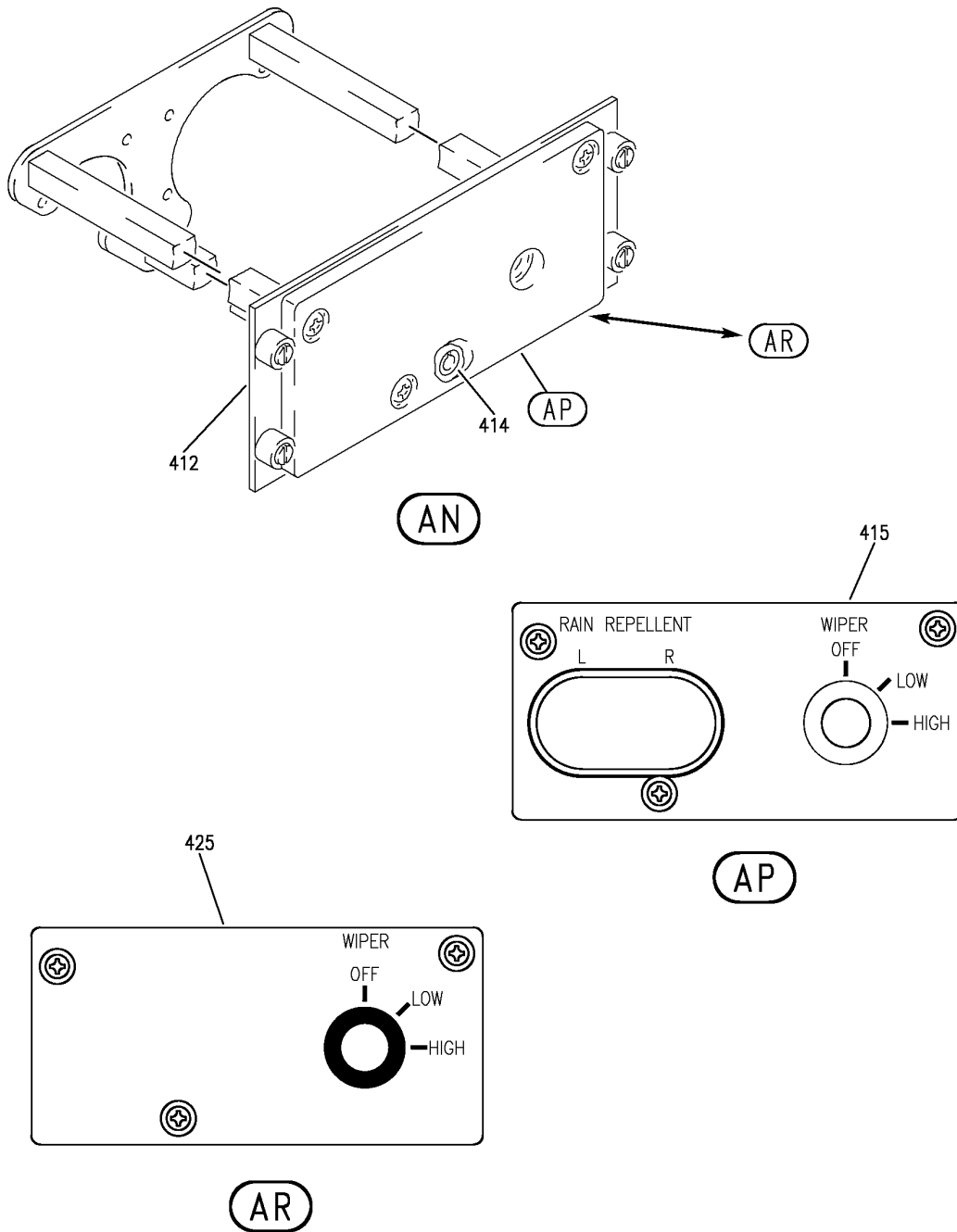
PANEL INSTL-P5 OVHD (LIGHTPLATES ONLY)
FIGURE 2 (SHEET 13)

33-13-01-02

BRI
MAY 28/07

33-13-01-02
PAGE 01

BOEING
757
PARTS CATALOG (MAINTENANCE)



Y 33130102 SHT 14 REV 245

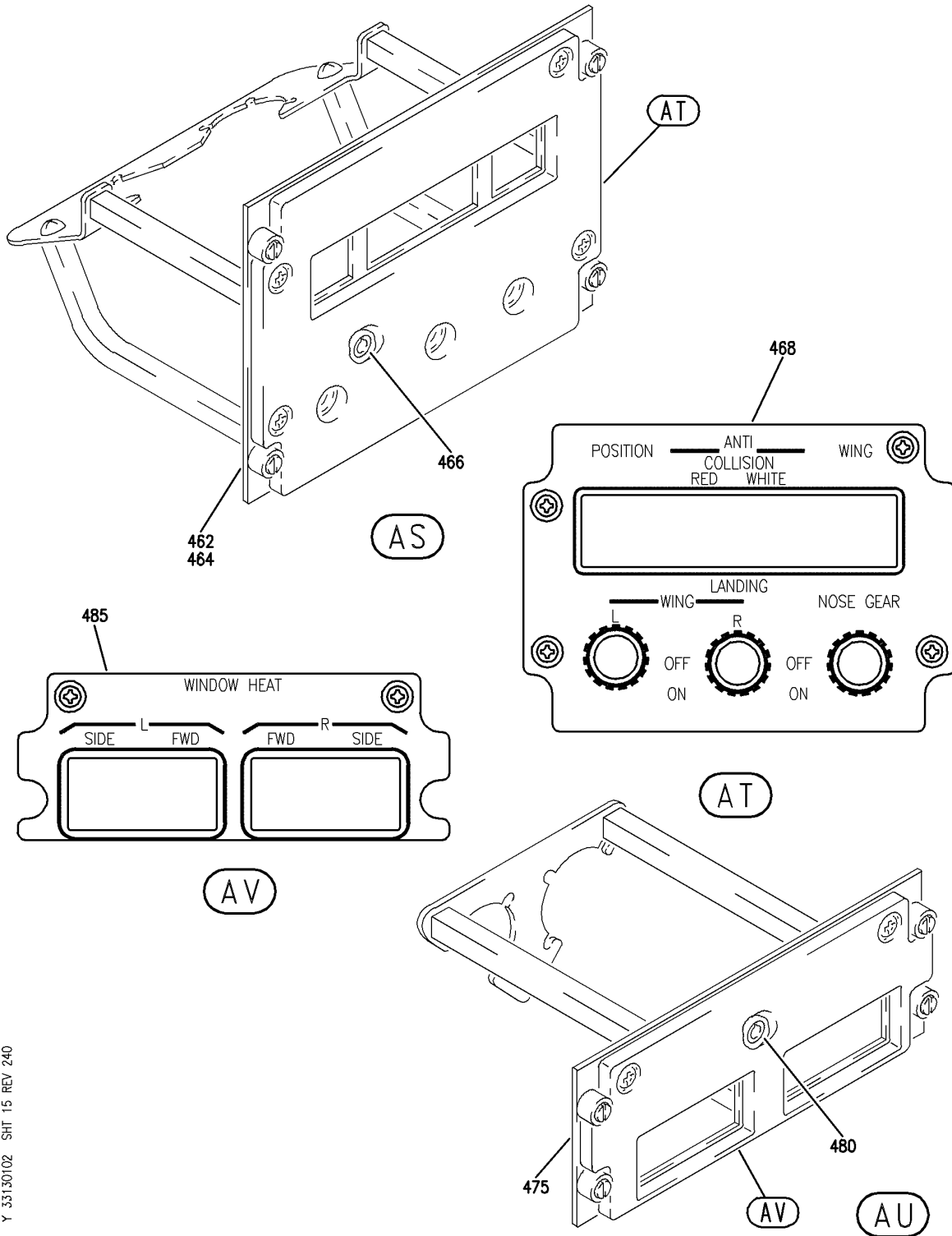
PANEL INSTL-P5 OVHD (LIGHTPLATES ONLY)
FIGURE 2 (SHEET 14)

33-13-01-02

BRI
MAY 28/07

33-13-01-02
PAGE 0M

BOEING
757
PARTS CATALOG (MAINTENANCE)



Y 33130102 SHT 15 REV 240

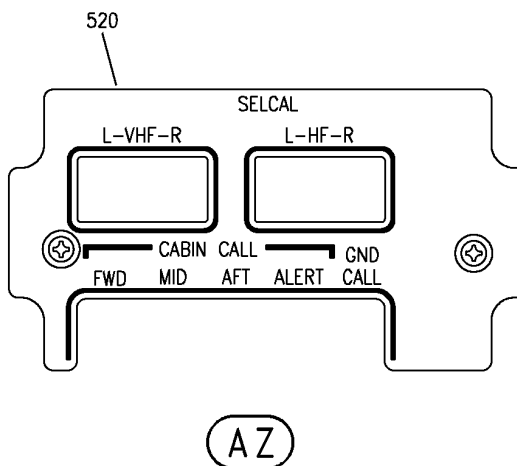
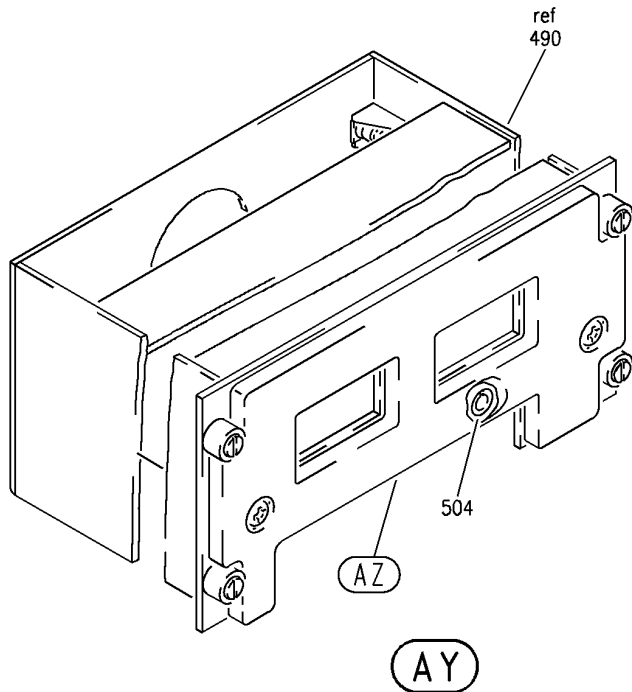
PANEL INSTL-P5 OVHD (LIGHTPLATES ONLY)
FIGURE 2 (SHEET 15)

33-13-01-02

BRI
MAY 28/07

33-13-01-02
PAGE ON

BOEING
757
PARTS CATALOG (MAINTENANCE)



Y 33130102 SHT 16 REV 305

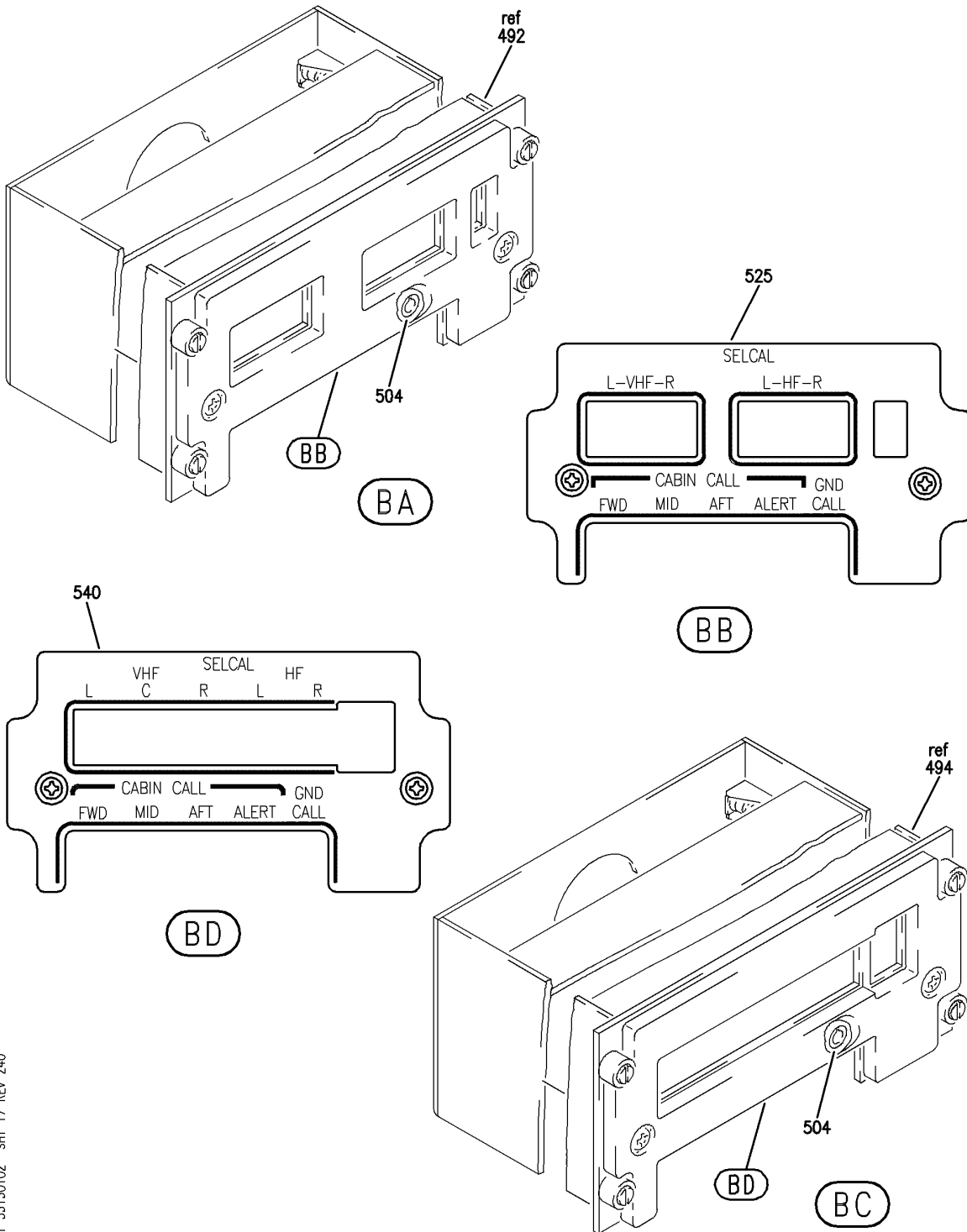
PANEL INSTL-P5 OVHD (LIGHTPLATES ONLY)
FIGURE 2 (SHEET 16)

33-13-01-02

BRI
MAY 28/07

33-13-01-02
PAGE 00

BOEING
757
PARTS CATALOG (MAINTENANCE)



Y 33130102 SHT 17 REV 240

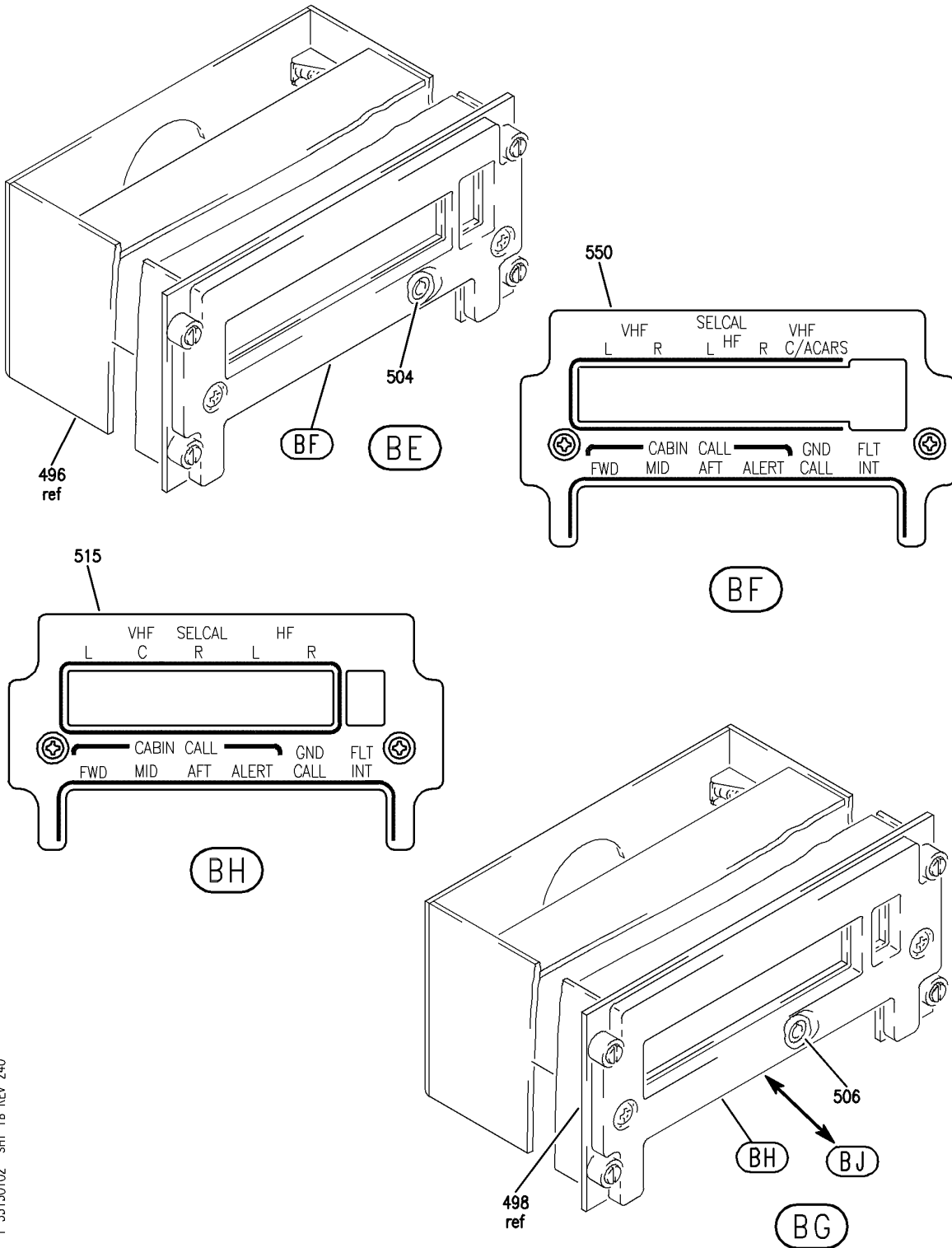
PANEL INSTL-P5 OVHD (LIGHTPLATES ONLY)
FIGURE 2 (SHEET 17)

33-13-01-02

BRI
MAY 28/07

33-13-01-02
PAGE 0P

BOEING
757
PARTS CATALOG (MAINTENANCE)



Y 33130102 SHT 18 REV 240

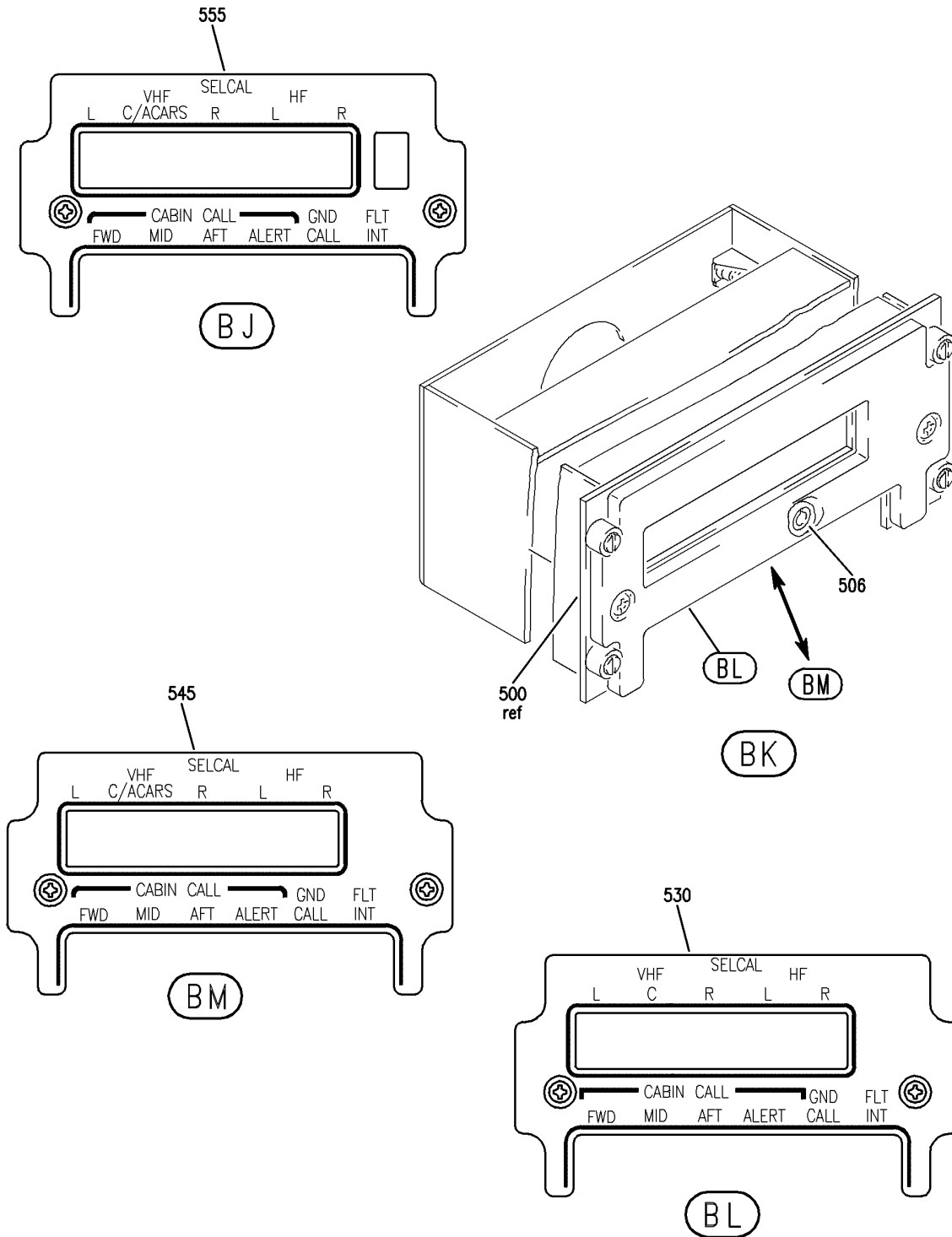
PANEL INSTL-P5 OVHD (LIGHTPLATES ONLY)
FIGURE 2 (SHEET 18)

33-13-01-02

BRI
MAY 28/07

33-13-01-02
PAGE 00


BOEING
 757
PARTS CATALOG (MAINTENANCE)



Y 33130102 SHT 19 REV 240

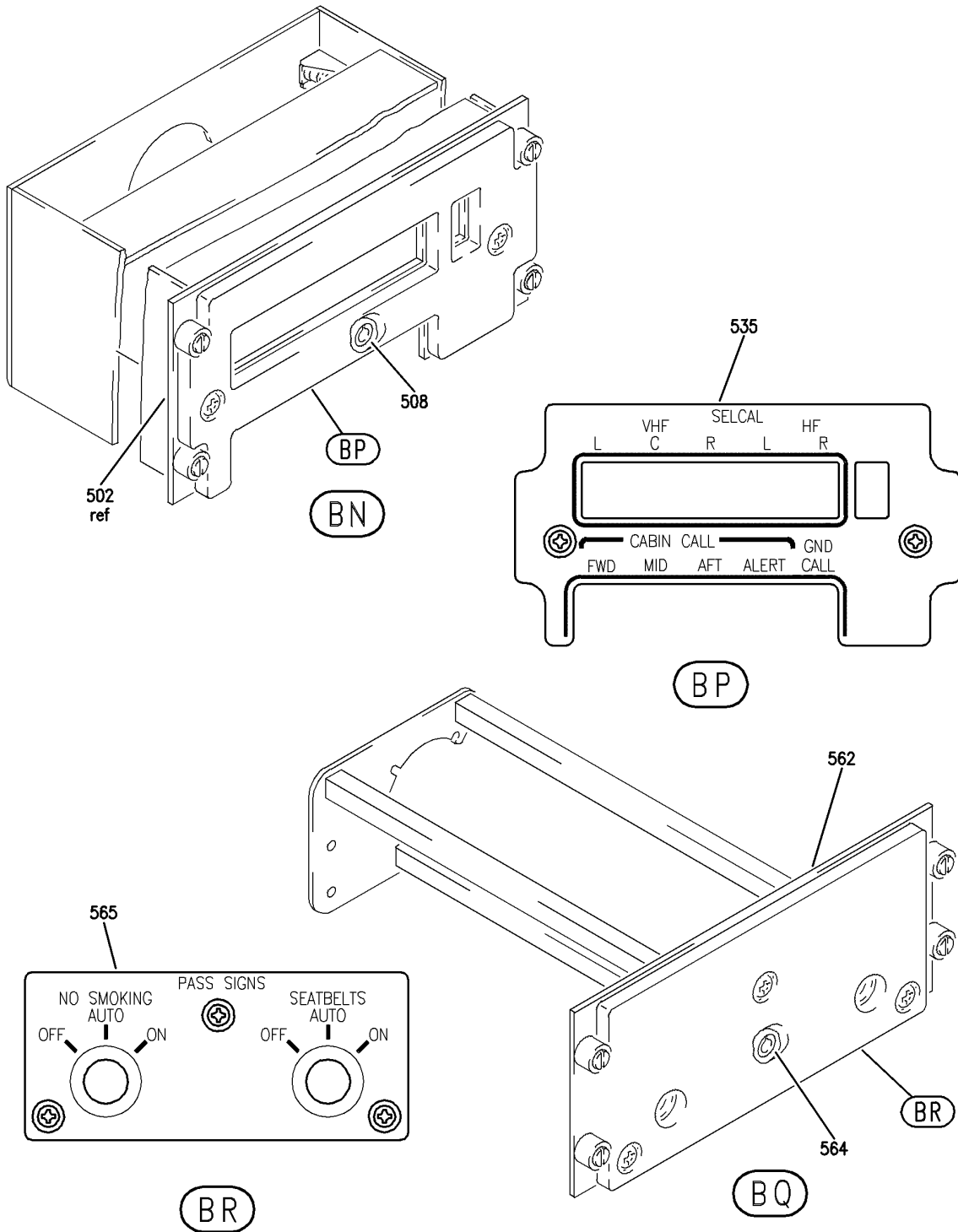
PANEL INSTL-P5 OVHD (LIGHTPLATES ONLY)
 FIGURE 2 (SHEET 19)

33-13-01-02

BRI
 MAY 28/07

33-13-01-02
 PAGE 08

BOEING
757
PARTS CATALOG (MAINTENANCE)



Y 33130102 SHT 20 REV 240

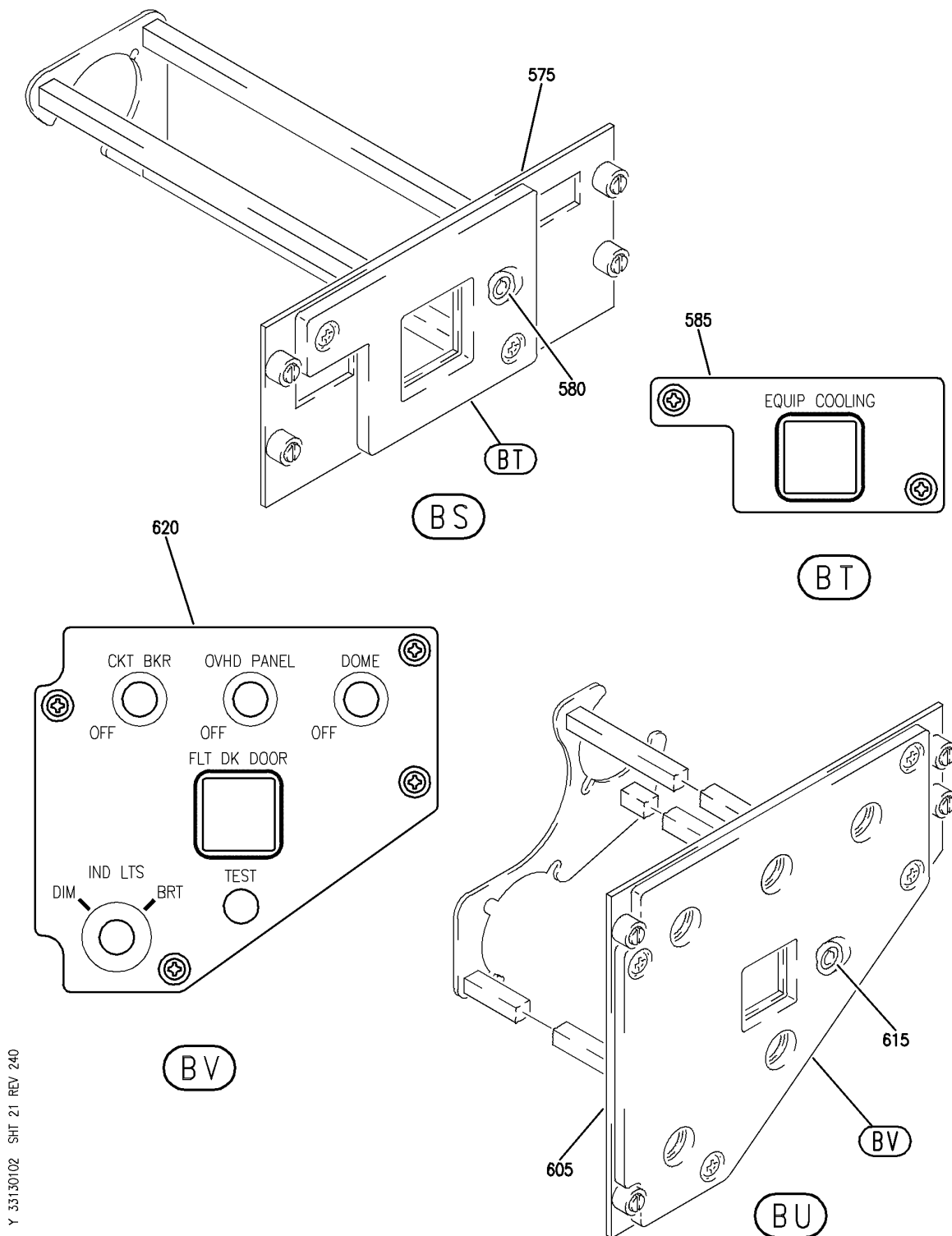
PANEL INSTL-P5 OVHD (LIGHTPLATES ONLY)
FIGURE 2 (SHEET 20)

33-13-01-02

BRI
MAY 28/07

33-13-01-02
PAGE 05

BOEING
757
PARTS CATALOG (MAINTENANCE)



Y 33130102 SH21 REV 240

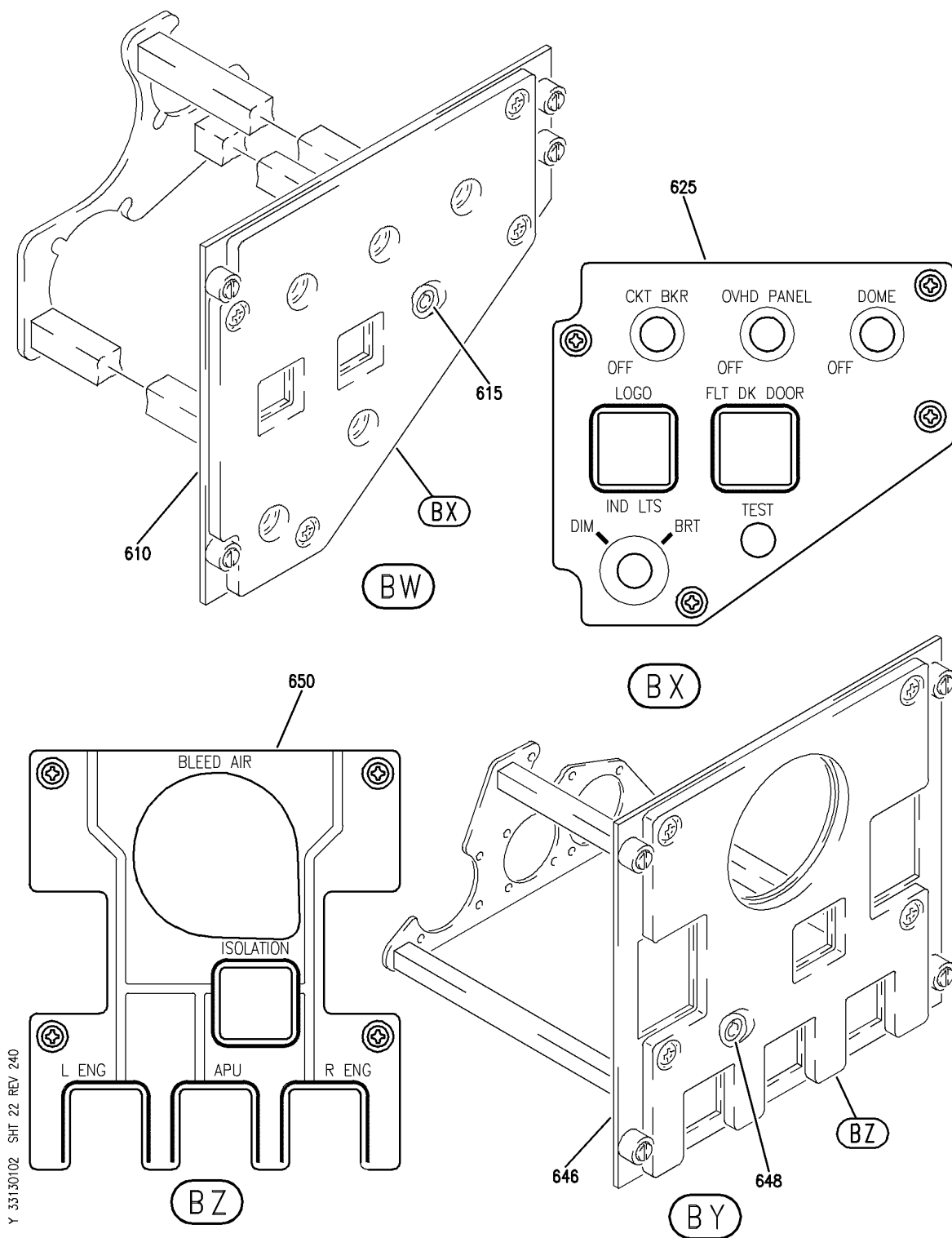
PANEL INSTL-P5 OVHD (LIGHTPLATES ONLY)
FIGURE 2 (SHEET 21)

33-13-01-02

BRI
MAY 28/07

33-13-01-02
PAGE 0T

BOEING
757
PARTS CATALOG (MAINTENANCE)



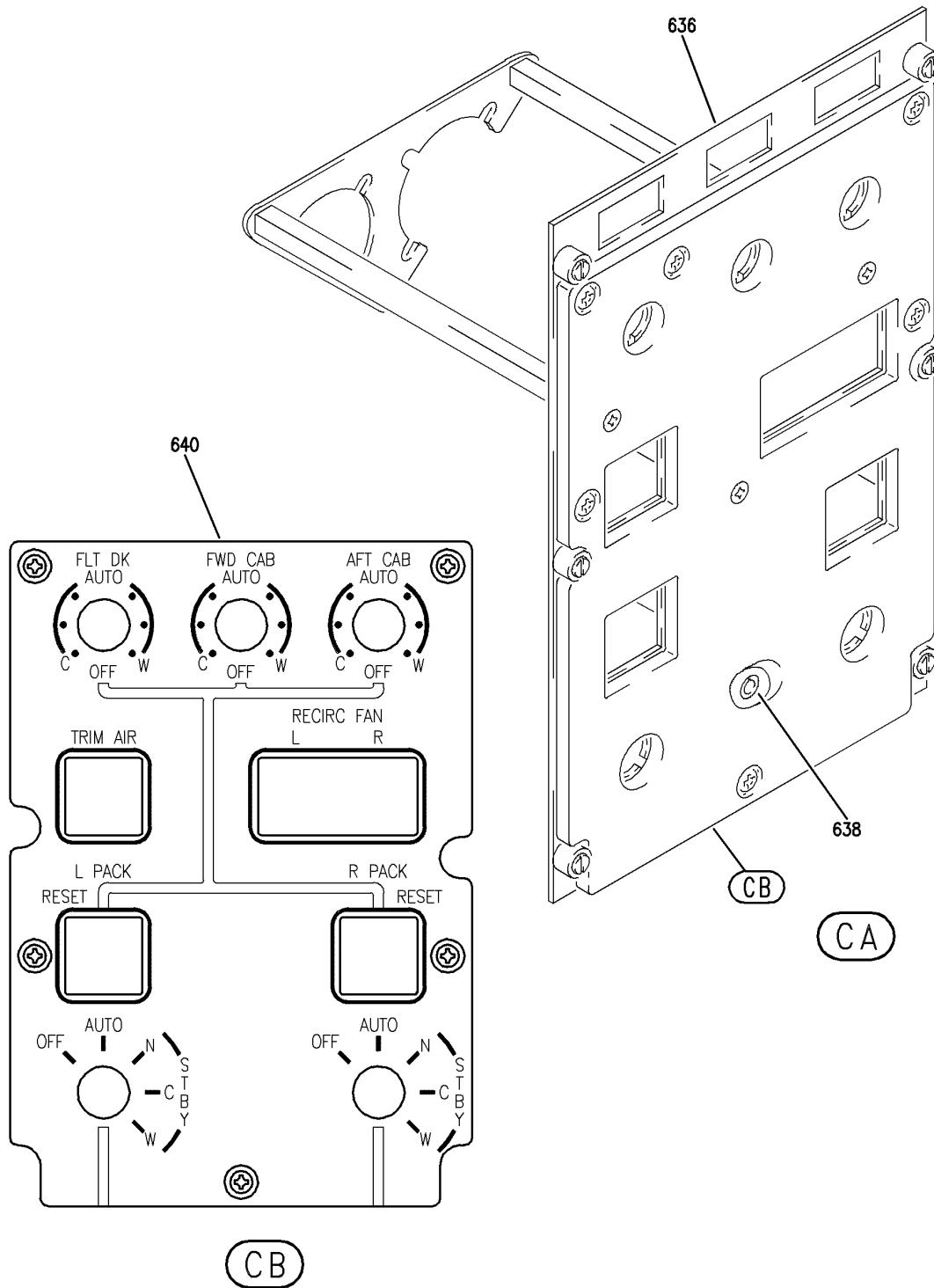
PANEL INSTL-P5 OVHD (LIGHTPLATES ONLY)
FIGURE 2 (SHEET 22)

33-13-01-02

BRI
MAY 28/07

33-13-01-02
PAGE 0U

BOEING
757
PARTS CATALOG (MAINTENANCE)



Y 33130102 SHT 23 REV 240

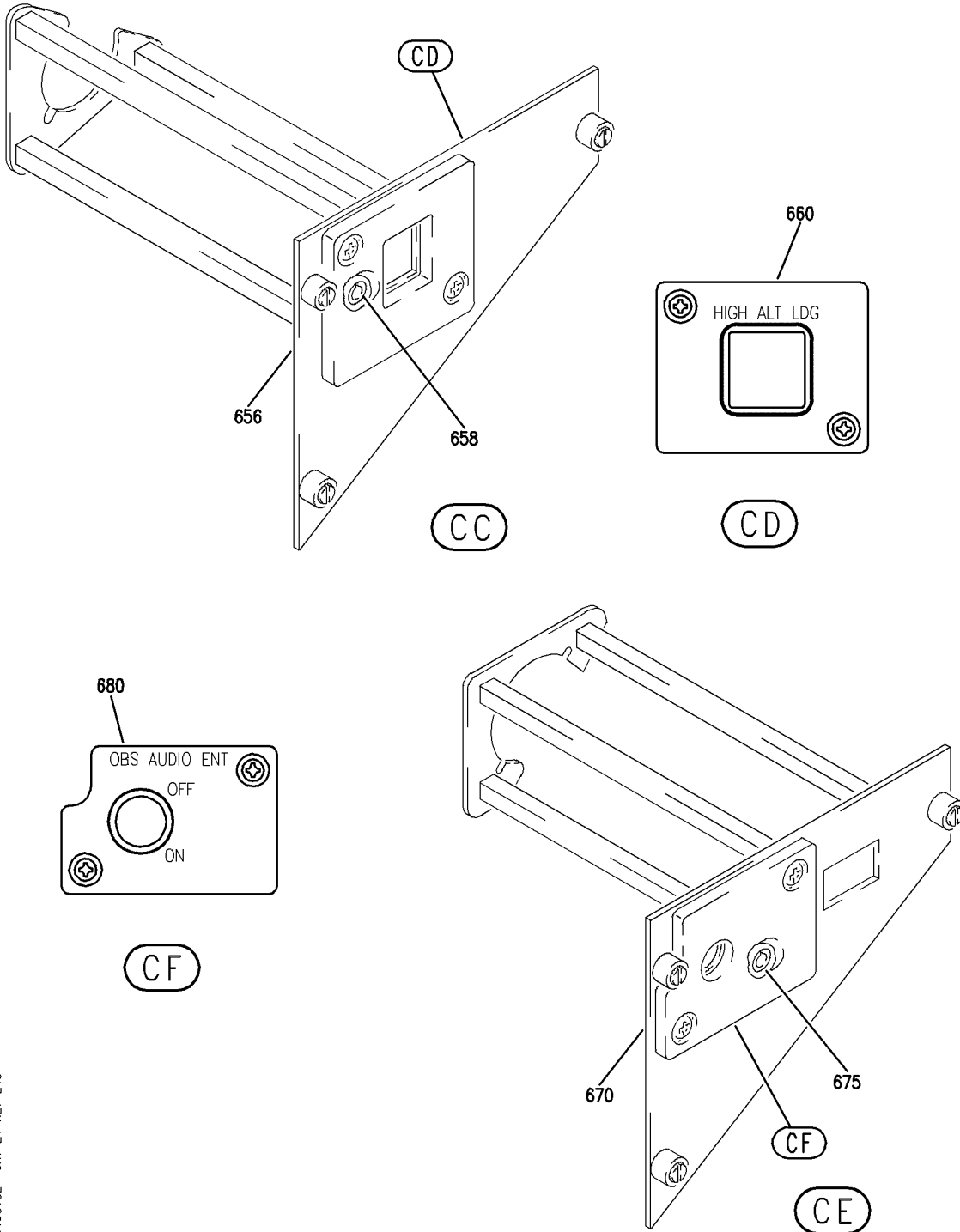
PANEL INSTL-P5 OVHD (LIGHTPLATES ONLY)
FIGURE 2 (SHEET 23)

33-13-01-02

BRI
MAY 28/07

33-13-01-02
PAGE 0V

BOEING
757
PARTS CATALOG (MAINTENANCE)



Y 33130102 SHT 24 REV 240

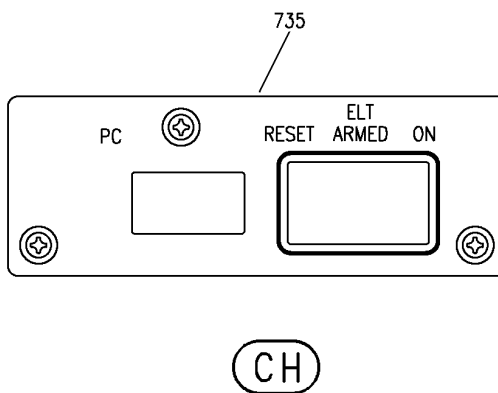
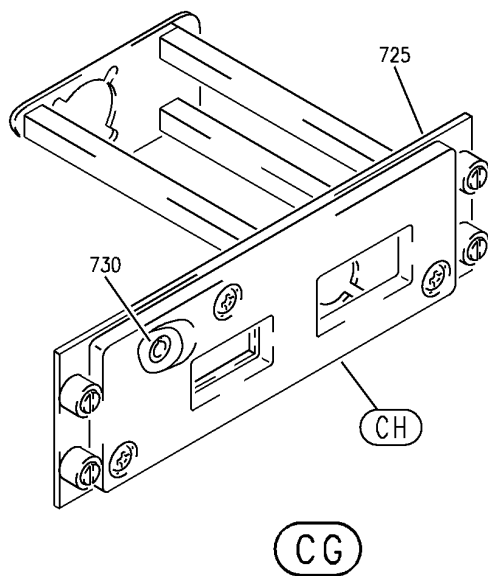
PANEL INSTL-P5 OVHD (LIGHTPLATES ONLY)
FIGURE 2 (SHEET 24)

33-13-01-02

BRI
MAY 28/07

33-13-01-02
PAGE 0W

BOEING
757
PARTS CATALOG (MAINTENANCE)



Y 33130102 SHT 25 REV 295

PANEL INSTL-P5 OVHD (LIGHTPLATES ONLY)
FIGURE 2 (SHEET 25)

33-13-01-02

BRI
MAY 28/07

33-13-01-02
PAGE 0X



757

PARTS CATALOG (MAINTENANCE)

FIG ITEM	PART NUMBER	1 2 3 4 5 6 7	NOMENCLATURE	EFFECT FROM TO	UNITS PER ASSY
2			PANEL INSTL-P5 OVHD (LIGHTPLATES ONLY)	011100 108120	
- 1	233N3101-1		PANEL INSTL-P5 OVHD (LIGHTPLATES ONLY) VARIABLE DRAWING REF: 233N3101-5142	011100	RF
- 4	233N3103-59		PANEL INSTL-P5 OVHD (LIGHTPLATES ONLY) FOR NHA/OTHER SYS DET SEE: 25-10-00-15E	108120	RF
- 12	233N3216-300		.PANEL ASSY-YAW DAMPER SUPPLIER CODE: V89954 ELECTRICAL EQUIP NUMBER: M10250 COMPONENT MAINT MANUAL REF: 22-21-71 QUALIFIED I/W DATA: THE 233N3216-300 PANEL ASSY IS I/W THE 233N3216-20 PANEL ASSY T/W THE S233T100-1075 LIGHTPLATE PRE ALERT SB: 33A0044	011100 108120	RF
- 12	233N3216-1300		.PANEL ASSY-YAW DAMPER SUPPLIER CODE: V89954 ELECTRICAL EQUIP NUMBER: M10250 COMPONENT MAINT MANUAL REF: 22-21-71 POST ALERT SB: 33A0044	011100 108120	RF
- 12	233N3216-309		.PANEL ASSY-YAW DAMPER SUPPLIER CODE: V89954 ELECTRICAL EQUIP NUMBER: M10250 COMPONENT MAINT MANUAL REF: 22-21-71	011100 108120	RF

R
R
R
R
R
R

MISSING ITEM NUMBERS NOT APPLICABLE

- ITEM NOT ILLUSTRATED

33-13-01-02

33-13-01
FIG. 02
PAGE 1
MAY 20/09

BRI



757

PARTS CATALOG (MAINTENANCE)

FIG ITEM	PART NUMBER	1 2 3 4 5 6 7	NOMENCLATURE	EFFECT FROM TO	UNITS PER ASSY
2 18	233N3216-20		..PANEL ASSY- SUPPLIER CODE: V89954 MISCELLANEOUS DATA: FOR SPARES PROCURE NEXT HIGHER ASSY COMPONENT MAINT MANUAL REF: 22-21-71 QUALIFIED I/W DATA: THE 233N3216-300 PANEL ASSY IS I/W THE 233N3216-20 PANEL ASSY T/W THE S233T100-1075 LIGHTPLATE PRE ALERT SB: 33A0044	011100 108120	RF
18	233N3216-35		..PANEL ASSY- SUPPLIER CODE: V89954 MISCELLANEOUS DATA: FOR SPARES PROCURE NEXT HIGHER ASSY COMPONENT MAINT MANUAL REF: 22-21-71 USED ON: 233N3216-309	011100 108120	RF
18	233N3216-1020		..PANEL ASSY- SUPPLIER CODE: V89954 ELECTRICAL EQUIP NUMBER: M10250 COMPONENT MAINT MANUAL REF: 22-21-71 POST ALERT SB: 33A0044	011100 108120	RF
24	800-000121-1		...CONNECTOR-PWR SUPPLIER CODE: V05617	011100 108120	1

MISSING ITEM NUMBERS NOT APPLICABLE

- ITEM NOT ILLUSTRATED

33-13-01-02

33-13-01
FIG. 02
PAGE 2
JAN 20/09

BRI



757

PARTS CATALOG (MAINTENANCE)

FIG ITEM	PART NUMBER	1 2 3 4 5 6 7	NOMENCLATURE	EFFECT FROM TO	UNITS PER ASSY
2					
25	S233T100-1075	..	LIGHTPLATE-5V WHITE ILLUMINATED INTEGRALLY- LIGHTED YAW DAMPER SUPPLIER CODE: V51896 SPECIFICATION NUMBER: S233T100-1075 OPTIONAL PART: 800-002799 V05617 USED ON: 233N3216-306	011100 108120	1
25	800-002799	..	LIGHTPLATE-5V WHITE ILLUMINATED INTEGRALLY LIGHTED YAW DAMPER SUPPLIER CODE: V05617 SPECIFICATION NUMBER: S233T100-1075 MISCELLANEOUS DATA: FOR VENDOR FSCM 05617 FOR SPARES ORDER THE 800-002799-1 OPTIONAL PART: S233T100-1075 V51896 800-002799-1 V05617	011100 108120	1
25	800-002799-1	..	LIGHTPLATE-5V WHITE ILLUMINATED INTEGRALLY LIGHTED YAW DAMPER SUPPLIER CODE: V05617 SPECIFICATION NUMBER: S233T100-1075 OPTIONAL PART: S233T100-1075 V51896 800-002799 V05617	011100 108120	1

MISSING ITEM NUMBERS NOT APPLICABLE

- ITEM NOT ILLUSTRATED

33-13-01-02

33-13-01
FIG. 02
PAGE 3
JAN 20/09

BRI



757

PARTS CATALOG (MAINTENANCE)

FIG ITEM	PART NUMBER	1 2 3 4 5 6 7	NOMENCLATURE	EFFECT FROM TO	UNITS PER ASSY
2 - 85	233T3242-301		.PANEL ASSY-EEC CONT SUPPLIER CODE: V89954 ELECTRICAL EQUIP NUMBER: M10761 COMPONENT MAINT MANUAL REF: 73-21-86 QUALIFIED I/W DATA: 233T3242-301 PANEL ASSY IS I/W 233T3242-6 PANEL ASSY T/W S233T100-1092 LIGHTPLATE PRE ALERT SB: 33A0044	011100 108120	RF
- 85	233T3242-1301		.PANEL ASSY-EEC CONT SUPPLIER CODE: V89954 ELECTRICAL EQUIP NUMBER: M10761 COMPONENT MAINT MANUAL REF: 73-21-86 POST ALERT SB: 33A0044	011100 108120	RF
92	233T3242-6		..PANEL ASSY- SUPPLIER CODE: V89954 COMPONENT MAINT MANUAL REF: 73-21-86 QUALIFIED I/W DATA: 233T3242-301 PANEL ASSY IS I/W 233T3242-6 PANEL ASSY T/W S233T100-1092 LIGHTPLATE PRE ALERT SB: 33A0044	011100 108120	RF
92	233T3242-1006		..PANEL ASSY- SUPPLIER CODE: V89954 ELECTRICAL EQUIP NUMBER: M10761 COMPONENT MAINT MANUAL REF: 73-21-86 POST ALERT SB: 33A0044	011100 108120	RF
94	800-000121-1		...CONNECTOR-PWR SUPPLIER CODE: V05617	011100 108120	1

MISSING ITEM NUMBERS NOT APPLICABLE

- ITEM NOT ILLUSTRATED

33-13-01-02

33-13-01
FIG. 02
PAGE 4
JAN 20/09

BRI



757

PARTS CATALOG (MAINTENANCE)

FIG ITEM	PART NUMBER	1 2 3 4 5 6 7	NOMENCLATURE	EFFECT FROM TO	UNITS PER ASSY
2	95 800-002855-1		..LIGHTPLATE-5V WHITE ILLUMINATED INTEGRALLY- LIGHTED EEC CONT SUPPLIER CODE: V05617 SPECIFICATION NUMBER: S233T100-1092 OPTIONAL PART: S233T100-1092 V58196 800-002855 V05617	011100 108120	1
R R	95 800-002855		..LIGHTPLATE-5V WHITE ILLUMINATED INTEGRALLY- LIGHTED EEC CONT SUPPLIER CODE: V05617 SPECIFICATION NUMBER: S233T100-1092 MISCELLANEOUS DATA: FOR VENDOR FSCM 05617 FOR SPARES ORDER THE 800-002855-1 OPTIONAL PART: S233T100-1092 V58196 800-002855-1 V05617 OPTIONAL SUPPLIER CODE: 05617 98140	011100 108120	1
-	105 233N3205-300		.PANEL ASSY-HYDR SUPPLIER CODE: V89954 ELECTRICAL EQUIP NUMBER: M10050 COMPONENT MAINT MANUAL REF: 29-00-71 QUALIFIED I/W DATA: 233N3205-300 PANEL ASSY IS I/W 233N3205-24 PANEL ASSY T/W S233T100-6044 LIGHTPLATE	108120	RF

MISSING ITEM NUMBERS NOT APPLICABLE

- ITEM NOT ILLUSTRATED

33-13-01-02

33-13-01
FIG. 02
PAGE 5
MAY 20/09

BRI



757

PARTS CATALOG (MAINTENANCE)

FIG ITEM	PART NUMBER	1 2 3 4 5 6 7	NOMENCLATURE	EFFECT FROM TO	UNITS PER ASSY
2 - 105	233N3205-302		.PANEL ASSY-HYDR SUPPLIER CODE: V89954 ELECTRICAL EQUIP NUMBER: M10050 COMPONENT MAINT MANUAL REF: 29-00-71 QUALIFIED I/W DATA: 233N3205-302 PANEL ASSY IS I/W 233N3205-27 PANEL ASSY T/W S233T100-6060 LIGHTPLATE	011100	RF
106	233N3205-24		..PANEL ASSY- SUPPLIER CODE: V89954 COMPONENT MAINT MANUAL REF: 29-00-71 QUALIFIED I/W DATA: 233N3205-300 PANEL ASSY IS I/W 233N3205-24 PANEL ASSY T/W S233T100-6044 LIGHTPLATE	108120	RF
107	233N3205-27		..PANEL ASSY- SUPPLIER CODE: V89954 COMPONENT MAINT MANUAL REF: 29-00-71 QUALIFIED I/W DATA: 233N3205-302 PANEL ASSY IS I/W 233N3205-27 PANEL ASSY T/W S233T100-6060 LIGHTPLATE	011100	RF
108	800-000121-1		...CONNECTOR-PWR SUPPLIER CODE: V05617	011100 108120	1
110	800-000446-1		..LIGHTPLATE-5V WHITE ILLUMINATED INTEGRALLY- LIGHTED HYDR SUPPLIER CODE: V05617 SPECIFICATION NUMBER: S233T100-6044 OPTIONAL PART: S233T100-6044 V51896 800-000446 V05617	108120	1

MISSING ITEM NUMBERS NOT APPLICABLE

- ITEM NOT ILLUSTRATED

33-13-01-02

33-13-01
FIG. 02
PAGE 6
JAN 20/09

BRI



757

PARTS CATALOG (MAINTENANCE)

FIG ITEM	PART NUMBER	1 2 3 4 5 6 7	NOMENCLATURE	EFFECT FROM TO	UNITS PER ASSY
2 110	800-000446		..LIGHTPLATE-5V WHITE ILLUMINATED INTEGRALLY- LIGHTED HYDR SUPPLIER CODE: V05617 SPECIFICATION NUMBER: S233T100-6044 MISCELLANEOUS DATA: FOR VENDOR FSCM 05617 FOR SPARES ORDER THE 800-000446-1 OPTIONAL PART: S233T100-6044 V51896 800-000446-1 V05617	108120	1
115	800-003315-1		..LIGHTPLATE-5V WHITE ILLUMINATED INTEGRALLY LIGHTED HYDR SUPPLIER CODE: V05617 SPECIFICATION NUMBER: S233T100-6060 OPTIONAL PART: S233T100-6060 V51896 800-003315 V05617	011100	1
115	800-003315		..LIGHTPLATE-5V WHITE ILLUMINATED INTEGRALLY LIGHTED HYDR SUPPLIER CODE: V05617 SPECIFICATION NUMBER: S233T100-6060 MISCELLANEOUS DATA: FOR VENDOR FSCM 05617 FOR SPARES ORDER THE 800-003315-1 OPTIONAL PART: S233T100-6060 V51896 800-003315-1 V05617	011100	1

MISSING ITEM NUMBERS NOT APPLICABLE

- ITEM NOT ILLUSTRATED

33-13-01-02

33-13-01
FIG. 02
PAGE 7
JAN 20/09

BRI



757

PARTS CATALOG (MAINTENANCE)

FIG ITEM	PART NUMBER	1 2 3 4 5 6 7	NOMENCLATURE	EFFECT FROM TO	UNITS PER ASSY
2 - 160	233N3211-1303		.PANEL ASSY-BATTERY/STBY PWR SUPPLIER CODE: V89954 ELECTRICAL EQUIP NUMBER: M10062 COMPONENT MAINT MANUAL REF: 24-33-72 POST ALERT SB: 33A0044	011100	RF
- 160	233N3211-303		.PANEL ASSY-BATTERY/STBY PWR SUPPLIER CODE: V89954 ELECTRICAL EQUIP NUMBER: M10062 COMPONENT MAINT MANUAL REF: 24-33-72 QUALIFIED I/W DATA: THE 233N3211-303 PANEL ASSY IS I/W THE 233N3211-40 PANEL ASSY T/W THE S233T100-1081 LIGHTPLATE AND BP248-127 KNOB PRE ALERT SB: 33A0044	011100	RF
- 160	233N3211-308		.PANEL ASSY-BATTERY/STBY PWR SUPPLIER CODE: V89954 ELECTRICAL EQUIP NUMBER: M10062 COMPONENT MAINT MANUAL REF: 24-33-72 PRE ALERT SB: 33A0044	011100	RF
- 160	233N3211-1308		.PANEL ASSY-BATTERY/STBY PWR SUPPLIER CODE: V89954 ELECTRICAL EQUIP NUMBER: M10062 COMPONENT MAINT MANUAL REF: 24-33-72 POST ALERT SB: 33A0044	011100	RF

MISSING ITEM NUMBERS NOT APPLICABLE

- ITEM NOT ILLUSTRATED

33-13-01-02

33-13-01
FIG. 02
PAGE 8
JAN 20/09

BRI



757

PARTS CATALOG (MAINTENANCE)

FIG ITEM	PART NUMBER	1 2 3 4 5 6 7	NOMENCLATURE	EFFECT FROM TO	UNITS PER ASSY
2 - 160	233N3211-308		.PANEL ASSY-BATTERY/STBY PWR SUPPLIER CODE: V89954 ELECTRICAL EQUIP NUMBER: M10062 COMPONENT MAINT MANUAL REF: 24-33-72 QUALIFIED I/W DATA: P/N 233N3211-303 IS FULLY I/W P/N 233N3211-308, EXCEPT ONE-WAY FORWARD FOR U/O 233N3103-121, -122, -21,-22 PRE ALERT SB: 33A0044	108120	RF
- 160	233N3211-1308		.PANEL ASSY-BATTERY/STBY PWR SUPPLIER CODE: V89954 ELECTRICAL EQUIP NUMBER: M10062 COMPONENT MAINT MANUAL REF: 24-33-72 POST ALERT SB: 33A0044	108120	RF
- 160	233N3211-319		.PANEL ASSY-BATTERY/STBY PWR SUPPLIER CODE: V89954 ELECTRICAL EQUIP NUMBER: M10062 COMPONENT MAINT MANUAL REF: 24-33-72	108120	RF
R R R R R R R R R R R	165	233N3211-1036	..PANEL ASSY- SUPPLIER CODE: V89954 ELECTRICAL EQUIP NUMBER: M10062 COMPONENT MAINT MANUAL REF: 24-33-72 USED ON: 233N3211-1300 POST SERVICE BULLETIN: 24-0130 POST ALERT SB: 33A0044	015015	RF

MISSING ITEM NUMBERS NOT APPLICABLE

- ITEM NOT ILLUSTRATED

33-13-01-02

33-13-01
FIG. 02
PAGE 9
MAY 20/09

BRI



757

PARTS CATALOG (MAINTENANCE)

FIG ITEM	PART NUMBER	1 2 3 4 5 6 7	NOMENCLATURE	EFFECT FROM TO	UNITS PER ASSY
R R R R R R R R R R R R R	2 170		233N3211-40 ..PANEL ASSY- SUPPLIER CODE: V89954 COMPONENT MAINT MANUAL REF: 24-33-72 QUALIFIED I/W DATA: THE 233N3211-303 PANEL ASSY IS I/W THE 233N3211-40 PANEL ASSY T/W THE S233T100-1081 LIGHTPLATE AND BP248-127 KNOB USED ON: 233N3211-303 PRE SERVICE BULLETIN: 24-0130 PRE ALERT SB: 33A0044	011100	RF
	170		233N3211-54 ..PANEL ASSY- SUPPLIER CODE: V89954 USED ON: 233N3211-308 PRE ALERT SB: 33A0044	011100	RF
	170		233N3211-54 ..PANEL ASSY- SUPPLIER CODE: V89954 PRE ALERT SB: 33A0044	108120	RF
R R R R R R R R R	170		233N3211-1040 ..PANEL ASSY- SUPPLIER CODE: V89954 COMPONENT MAINT MANUAL REF: 24-33-72 USED ON: 233N3211-1303 PRE SERVICE BULLETIN: 24-0130 POST ALERT SB: 33A0044	011100	RF

MISSING ITEM NUMBERS NOT APPLICABLE

- ITEM NOT ILLUSTRATED

33-13-01-02

33-13-01
FIG. 02
PAGE 10
MAY 20/09

BRI



757

PARTS CATALOG (MAINTENANCE)

FIG ITEM	PART NUMBER	1 2 3 4 5 6 7	NOMENCLATURE	EFFECT FROM TO	UNITS PER ASSY
R R R R R R R	2 170	233N3211-1054	..PANEL ASSY- SUPPLIER CODE: V89954 USED ON: 233N3211-1308 PRE SERVICE BULLETIN: 24-0130 POST ALERT SB: 33A0044	011100	RF
	170	233N3211-1054	..PANEL ASSY- SUPPLIER CODE: V89954 USED ON: 233N3211-1308 POST ALERT SB: 33A0044	108120	RF
	170	233N3211-68	..PANEL ASSY- SUPPLIER CODE: V89954 COMPONENT MAINT MANUAL REF: 24-33-72 USED ON: 233N3211-319	108120	RF
R R R R R	175	800000121-1	...CONNECTOR-PWR SUPPLIER CODE: V05617 USED ON: 233N3211-1036	015015	1
	180	800000121-1	...CONNECTOR-PWR SUPPLIER CODE: V05617 USED ON: 233N3211-54	011100 108120	1
	180	800-000121-1	...CONNECTOR-PWR SUPPLIER CODE: V05617 USED ON: 233N3211-68	108120	1

MISSING ITEM NUMBERS NOT APPLICABLE

- ITEM NOT ILLUSTRATED

33-13-01-02

33-13-01
FIG. 02
PAGE 11
MAY 20/09

BRI



757

PARTS CATALOG (MAINTENANCE)

FIG ITEM	PART NUMBER	1 2 3 4 5 6 7	NOMENCLATURE	EFFECT FROM TO	UNITS PER ASSY
2	800-000994-1		..LIGHTPLATE-5V WHITE ILLUMINATED INTEGRALLY LIGHTED BAT/STBY PWR SUPPLIER CODE: V05617 SPECIFICATION NUMBER: S233T100-1080 OPTIONAL PART: S233T100-1080 V51896 800-000994 V05617 POST SERVICE BULLETIN: 24-0130	015015	1
185	800-000994		..LIGHTPLATE-5V WHITE ILLUMINATED INTEGRALLY LIGHTED BAT/STBY PWR SUPPLIER CODE: V05617 SPECIFICATION NUMBER: S233T100-1080 MISCELLANEOUS DATA: FOR VENDOR FSCM 05617 FOR SPARES ORDER THE 800-000994-1 OPTIONAL PART: S233T100-1080 V51896 800-000994-1 V05617 USED ON: 233N3211-300 233N3211-306 233N3211-317 POST SERVICE BULLETIN: 24-0130	015015	1

MISSING ITEM NUMBERS NOT APPLICABLE

- ITEM NOT ILLUSTRATED

33-13-01-02

BRI



757
PARTS CATALOG (MAINTENANCE)

Table with 5 columns: FIG ITEM, PART NUMBER, 1 2 3 4 5 6 7, NOMENCLATURE, EFFECT FROM TO, UNITS PER ASSY. Contains three rows of part data including part numbers like 800-000918-1 and 233N3209-300.

- ITEM NOT ILLUSTRATED

33-13-01-02

BRI



757

PARTS CATALOG (MAINTENANCE)

FIG ITEM	PART NUMBER	1 2 3 4 5 6 7	NOMENCLATURE	EFFECT FROM TO	UNITS PER ASSY
2					
- 200	233N3209-1305		.PANEL ASSY-E/E SUPPLIER CODE: V89954 ELECTRICAL EQUIP NUMBER: M10063 COMPONENT MAINT MANUAL REF: 24-22-71 POST ALERT SB: 33A0044	011100 108120	RF
- 200	233N3209-305		.PANEL ASSY-E/E SUPPLIER CODE: V89954 ELECTRICAL EQUIP NUMBER: M10063 COMPONENT MAINT MANUAL REF: 24-22-71 PRE ALERT SB: 33A0044	011100	RF
- 200	233N3209-1300		.PANEL ASSY-E/E SUPPLIER CODE: V89954 ELECTRICAL EQUIP NUMBER: M10063 POST ALERT SB: 33A0044	011100	RF
- 200	233N3209-314		.PANEL ASSY-E/E SUPPLIER CODE: V89954 ELECTRICAL EQUIP NUMBER: M10063 COMPONENT MAINT MANUAL REF: 24-22-71	108120	RF
- 200	233N3209-305		.PANEL ASSY-E/E SUPPLIER CODE: V89954 ELECTRICAL EQUIP NUMBER: M10063 COMPONENT MAINT MANUAL REF: 24-22-71 PRE ALERT SB: 33A0044	108120	RF

MISSING ITEM NUMBERS NOT APPLICABLE

- ITEM NOT ILLUSTRATED

33-13-01-02

33-13-01
FIG. 02
PAGE 14
MAY 20/09

BRI



757

PARTS CATALOG (MAINTENANCE)

FIG ITEM	PART NUMBER	1 2 3 4 5 6 7	NOMENCLATURE	EFFECT FROM TO	UNITS PER ASSY
2 202	233N3209-25		..PANEL ASSY- SUPPLIER CODE: V89954 COMPONENT MAINT MANUAL REF: 24-22-71 QUALIFIED I/W DATA: 233N3209-300 PANEL ASSY IS I/W 233N3209-25 PANEL ASSY T/W S233T100-6004 LIGHTPLATE USED ON: 233N3209-300 PRE ALERT SB: 33A0044	011100	RF
202	233N3209-41		..PANEL ASSY- SUPPLIER CODE: V89954 MISCELLANEOUS DATA: FOR SPARES PROCURE THE NEXT HIGHER ASSY COMPONENT MAINT MANUAL REF: 24-22-71 USED ON: 233N3209-305 PRE ALERT SB: 33A0044	011100 108120	RF
202	233N3209-50		..PANEL ASSY- SUPPLIER CODE: V89954 COMPONENT MAINT MANUAL REF: 24-22-71 USED ON: 233N3209-314	011100 108120	RF
202	233N3209-1025		..PANEL ASSY- SUPPLIER CODE: V89954 ELECTRICAL EQUIP NUMBER: M10063 COMPONENT MAINT MANUAL REF: 24-22-71 POST ALERT SB: 33A0044	011100	RF

MISSING ITEM NUMBERS NOT APPLICABLE

- ITEM NOT ILLUSTRATED

33-13-01-02

BRI

BOEING PROPRIETARY - Copyright © - Unpublished Work - See title page for details.

33-13-01
FIG. 02
PAGE 15
MAY 20/09



757

PARTS CATALOG (MAINTENANCE)

FIG ITEM	PART NUMBER	1 2 3 4 5 6 7	NOMENCLATURE	EFFECT FROM TO	UNITS PER ASSY
2 202	233N3209-1041	..	PANEL ASSY- SUPPLIER CODE: V89954 COMPONENT MAINT MANUAL REF: 24-22-71 USED ON: 233N3209-1305 POST ALERT SB: 33A0044	011100 108120	RF
202	233N3209-51	..	PANEL ASSY- SUPPLIER CODE: V89954 ELECTRICAL EQUIP NUMBER: M10063 COMPONENT MAINT MANUAL REF: 24-22-71	011100	RF
204	800-000121-1	...	CONNECTOR-PWR SUPPLIER CODE: V05617	011100 108120	1
205	800-000928-1	..	LIGHTPLATE-5V WHITE ILLUMINATED INTEGRALLY LIGHTED E/E SUPPLIER CODE: V05617 SPECIFICATION NUMBER: S233T100-6004 OPTIONAL PART: S233T100-6004 V51896 800-000928 V05617	011100 108120	1
205	800-000928	..	LIGHTPLATE-5V WHITE ILLUMINATED INTEGRALLY LIGHTED E/E SUPPLIER CODE: V05617 SPECIFICATION NUMBER: S233T100-6004 MISCELLANEOUS DATA: FOR VENDOR FSCM 05617 FOR SPARES ORDER THE 800-000928-1 OPTIONAL PART: S233T100-6004 V51896 800-000928-1 V05617	011100 108120	1

MISSING ITEM NUMBERS NOT APPLICABLE

- ITEM NOT ILLUSTRATED

33-13-01-02

33-13-01
FIG. 02
PAGE 16
MAY 20/09

BRI



757

PARTS CATALOG (MAINTENANCE)

FIG ITEM	PART NUMBER	1 2 3 4 5 6 7	NOMENCLATURE	EFFECT FROM TO	UNITS PER ASSY
2					
- 215	233N3222-300		.PANEL ASSY-APU START SUPPLIER CODE: V89954 ELECTRICAL EQUIP NUMBER: M10324 QUALIFIED I/W DATA: THE 233N3222-300 PANEL ASSY IS I/W THE 233N3222-8 PANEL ASSY T/W THE S233T100-6025 LIGHTPLATE AND BP248-127 KNOB.	108120	RF
- 215	233T3232-300		.PANEL ASSY-APU START SUPPLIER CODE: V89954 ELECTRICAL EQUIP NUMBER: M00001 COMPONENT MAINT MANUAL REF: 49-61-52	011100	RF
216	233N3222-8		..PANEL ASSY- SUPPLIER CODE: V89954 COMPONENT MAINT MANUAL REF: 49-61-53 QUALIFIED I/W DATA: THE 233N3222-300 PANEL ASSY IS I/W THE 233N3222-8 PANEL ASSY T/W THE S233T100-6025 LIGHTPLATE AND BP248-127 KNOB.	108120	RF
216	233T3232-12		..PANEL ASSY- SUPPLIER CODE: V89954 COMPONENT MAINT MANUAL REF: 49-61-52	011100	RF
218	800-000121-1		...CONNECTOR-PWR SUPPLIER CODE: V05617	108120	1
218	800000121-1		...CONNECTOR-PWR SUPPLIER CODE: V05617	011100	1

MISSING ITEM NUMBERS NOT APPLICABLE

- ITEM NOT ILLUSTRATED

33-13-01-02

33-13-01
FIG. 02
PAGE 17
MAY 20/09

BRI



757

PARTS CATALOG (MAINTENANCE)

FIG ITEM	PART NUMBER	1 2 3 4 5 6 7	NOMENCLATURE	EFFECT FROM TO	UNITS PER ASSY
2 220	800-002583-1		..LIGHTPLATE-5V WHITE ILLUMINATED INTEGRALLY- LIGHTED APU START SUPPLIER CODE: V05617 SPECIFICATION NUMBER: S233T100-6025 OPTIONAL PART: S233T100-6025 V51896 800-002583 V05617	011100 108120	1
220	800-002583		..LIGHTPLATE-5V WHITE ILLUMINATED INTEGRALLY- LIGHTED APU START SUPPLIER CODE: V05617 SPECIFICATION NUMBER: S233T100-6025 MISCELLANEOUS DATA: FOR VENDOR FSCM 05617 FOR SPARES ORDER THE 800-002583-1 OPTIONAL PART: S233T100-6025 V51896 800-002583-1 V05617	011100 108120	1
- 230	233N3214-300		.PANEL ASSY-LIGHTING CONT SUPPLIER CODE: V89954 ELECTRICAL EQUIP NUMBER: M10056 COMPONENT MAINT MANUAL REF: 33-11-71 QUALIFIED I/W DATA: THE 233N3214-300 PANEL ASSY IS I/W THE 233N3214-31 PANEL ASSY T/W THE S233T100-6003 LIGHTPLATE AND (2) RC445-131 KNOBS AND (2) TT410-101 KNOBS	011100 108120	RF

MISSING ITEM NUMBERS NOT APPLICABLE

- ITEM NOT ILLUSTRATED

33-13-01-02

33-13-01
FIG. 02
PAGE 18
MAY 20/09

BRI



757

PARTS CATALOG (MAINTENANCE)

FIG ITEM	PART NUMBER	1 2 3 4 5 6 7	NOMENCLATURE	EFFECT FROM TO	UNITS PER ASSY
2 232	233N3214-31		..PANEL ASSY- SUPPLIER CODE: V89954 COMPONENT MAINT MANUAL REF: 33-11-71 QUALIFIED I/W DATA: THE 233N3214-300 PANEL ASSY IS I/W THE 233N3214-31 PANEL ASSY T/W THE S233T100-6003 LIGHTPLATE AND (2) RC445-131 KNOBS AND (2) TT410-101 KNOBS	011100 108120	RF
234	800-000121-1		...CONNECTOR-PWR SUPPLIER CODE: V05617	011100 108120	1
235	800-001279-1		..LIGHTPLATE-5V WHITE ILLUMINATED INTEGRALLY- LIGHTED LIGHTING L SUPPLIER CODE: V05617 POSITION DATA: L SIDE SPECIFICATION NUMBER: S233T100-6003 OPTIONAL PART: S233T100-6003 V51896 800-001279 V05617	011100 108120	1

MISSING ITEM NUMBERS NOT APPLICABLE

- ITEM NOT ILLUSTRATED

BRI

33-13-01-02

BOEING PROPRIETARY - Copyright © - Unpublished Work - See title page for details.

33-13-01
FIG. 02
PAGE 19
MAY 20/09



757

PARTS CATALOG (MAINTENANCE)

FIG ITEM	PART NUMBER	1 2 3 4 5 6 7	NOMENCLATURE	EFFECT FROM TO	UNITS PER ASSY
2					
- 255	233T3210-306		.PANEL ASSY-EMER LIGHTS PASS. OXY SUPPLIER CODE: V89954 ELECTRICAL EQUIP NUMBER: M00043 COMPONENT MAINT MANUAL REF: 33-51-03	011100	RF
- 255	233T3210-300		.PANEL ASSY-EMER LIGHTS PASS. OXY SUPPLIER CODE: V89954 ELECTRICAL EQUIP NUMBER: M00043 COMPONENT MAINT MANUAL REF: 33-51-03 QUALIFIED I/W DATA: THE 233T3210-300 PANEL ASSY IS I/W THE 233T3210-28 PANEL ASSY T/W THE S233T100-1077 LIGHTPLATE. PRE ALERT SB: 33A0044	108120	RF
- 255	233T3210-306		.PANEL ASSY-EMER LIGHTS PASS. OXY SUPPLIER CODE: V89954 ELECTRICAL EQUIP NUMBER: M00043 COMPONENT MAINT MANUAL REF: 33-51-03	108120	RF
- 255	233T3210-1300		.PANEL ASSY-EMER LIGHTS PASS. OXY SUPPLIER CODE: V89954 ELECTRICAL EQUIP NUMBER: M00043 COMPONENT MAINT MANUAL REF: 33-51-03 POST ALERT SB: 33A0044	108120	RF

MISSING ITEM NUMBERS NOT APPLICABLE

- ITEM NOT ILLUSTRATED

BRI

33-13-01-02

BOEING PROPRIETARY - Copyright © - Unpublished Work - See title page for details.

33-13-01
FIG. 02
PAGE 21
MAY 20/09



757

PARTS CATALOG (MAINTENANCE)

FIG ITEM	PART NUMBER	1 2 3 4 5 6 7	NOMENCLATURE	EFFECT FROM TO	UNITS PER ASSY
2 260	233T3210-28		..PANEL ASSY- SUPPLIER CODE: V89954 COMPONENT MAINT MANUAL REF: 33-51-03 QUALIFIED I/W DATA: THE 233T3210-300 PANEL ASSY IS I/W THE 233T3210-28 PANEL ASSY T/W THE S233T100-1077 LIGHTPLATE. USED ON: 233T3210-300 PRE ALERT SB: 33A0044	011100	RF
260	233T3210-28		..PANEL ASSY- SUPPLIER CODE: V89954 COMPONENT MAINT MANUAL REF: 33-51-03 QUALIFIED I/W DATA: THE 233T3210-300 PANEL ASSY IS I/W THE 233T3210-28 PANEL ASSY T/W THE S233T100-1077 LIGHTPLATE. USED ON: 233T3210-300 PRE ALERT SB: 33A0044	108120	RF
260	233T3210-1028		..PANEL ASSY- SUPPLIER CODE: V89954 ELECTRICAL EQUIP NUMBER: M00043 COMPONENT MAINT MANUAL REF: 33-51-03 USED ON: 233T3210-1300 POST ALERT SB: 33A0044	011100	RF
260	233T3210-42		..PANEL ASSY- SUPPLIER CODE: V89954 COMPONENT MAINT MANUAL REF: 33-51-03 USED ON: 233T3210-306	011100	RF

MISSING ITEM NUMBERS NOT APPLICABLE

- ITEM NOT ILLUSTRATED

33-13-01-02

33-13-01
FIG. 02
PAGE 22
MAY 20/09

BRI



757

PARTS CATALOG (MAINTENANCE)

FIG ITEM	PART NUMBER	1 2 3 4 5 6 7	NOMENCLATURE	EFFECT FROM TO	UNITS PER ASSY
2 260	233T3210-42		..PANEL ASSY- SUPPLIER CODE: V89954 COMPONENT MAINT MANUAL REF: 33-51-03 USED ON: 233T3210-306	108120	RF
260	233T3210-1028		..PANEL ASSY- SUPPLIER CODE: V89954 ELECTRICAL EQUIP NUMBER: M00043 COMPONENT MAINT MANUAL REF: 33-51-03 USED ON: 233T3210-1300 POST ALERT SB: 33A0044	108120	RF
265	800000121-1		...CONNECTOR-PWR SUPPLIER CODE: V05617 USED ON: 233T3210-28 233T3210-1028	011100 108120	1
265	800-000121-1		...CONNECTOR-PWR SUPPLIER CODE: V05617 USED ON: 233T3210-42	011100 108120	1

MISSING ITEM NUMBERS NOT APPLICABLE

- ITEM NOT ILLUSTRATED

BRI

33-13-01-02

BOEING PROPRIETARY - Copyright © - Unpublished Work - See title page for details.

33-13-01
FIG. 02
PAGE 23
MAY 20/09



757

PARTS CATALOG (MAINTENANCE)

FIG ITEM	PART NUMBER	1 2 3 4 5 6 7	NOMENCLATURE	EFFECT FROM TO	UNITS PER ASSY
2 270	800-000912-1		..LIGHTPLATE-5V WHITE ILLUMINATED INTEGRALLY LIGHTED EMER LTS/PASS OXY SUPPLIER CODE: V05617 SPECIFICATION NUMBER: S233T100-1077 OPTIONAL PART: S233T100-1077 V51896 800-000912 V05617	011100 108120	1
R R	270	800-000912	..LIGHTPLATE-5V WHITE ILLUMINATED INTEGRALLY LIGHTED EMER LTS/PASS OXY SUPPLIER CODE: V05617 SPECIFICATION NUMBER: S233T100-1077 MISCELLANEOUS DATA: FOR VENDOR FSCM 05617 FOR SPARES ORDER THE 800-000912-1 OPTIONAL PART: S233T100-1077 V51896 800-00912-1 V05617 OPTIONAL SUPPLIER CODE: 05617 98140 USED ON: 233T3210-300	011100 108120	1
	270	800-000912-1	..LIGHTPLATE-5V WHITE ILLUMINATED INTEGRALLY LIGHTED EMER LTS/PASS OXY SUPPLIER CODE: V05617 SPECIFICATION NUMBER: S233T100-1077 OPTIONAL PART: S233T100-1077 V51896 800-00912 V05617	011100 108120	1

MISSING ITEM NUMBERS NOT APPLICABLE

- ITEM NOT ILLUSTRATED

33-13-01-02

33-13-01
FIG. 02
PAGE 25
MAY 20/09

BRI



757

PARTS CATALOG (MAINTENANCE)

FIG ITEM	PART NUMBER	1 2 3 4 5 6 7	NOMENCLATURE	EFFECT FROM TO	UNITS PER ASSY
2 - 305	233N3223-1301		.PANEL ASSY-ENG START/RAT SUPPLIER CODE: V89954 ELECTRICAL EQUIP NUMBER: M10468 COMPONENT MAINT MANUAL REF: 31-12-01 OPTIONAL PART: 233N3223-1300 V89954 POST ALERT SB: 33A0044	108120	RF
- 305	233N3223-300		.PANEL ASSY-ENG START/RAT SUPPLIER CODE: V89954 ELECTRICAL EQUIP NUMBER: M10468 COMPONENT MAINT MANUAL REF: 31-12-01 QUALIFIED I/W DATA: THE 233N3223-300 PANEL ASSY IS I/W THE 233N3223-39 PANEL ASSY T/W THE S233T100-6046 LIGHTPLATE AND (3) BP248-127 KNOBS. OPTIONAL PART: 233N3223-301 V89954 PRE ALERT SB: 33A0044	011100 108120	RF

MISSING ITEM NUMBERS NOT APPLICABLE

- ITEM NOT ILLUSTRATED

BRI

33-13-01-02

BOEING PROPRIETARY - Copyright © - Unpublished Work - See title page for details.

33-13-01
FIG. 02
PAGE 26
MAY 20/09



757

PARTS CATALOG (MAINTENANCE)

FIG ITEM	PART NUMBER	1 2 3 4 5 6 7	NOMENCLATURE	EFFECT FROM TO	UNITS PER ASSY
2 - 305	233N3223-301		.PANEL ASSY-ENG START/RAT SUPPLIER CODE: V89954 ELECTRICAL EQUIP NUMBER: M10468 COMPONENT MAINT MANUAL REF: 31-12-01 QUALIFIED I/W DATA: THE 233N3223-301 PANEL ASSY IS I/W THE 233N3223-40 PANEL ASSY T/W THE S233T100-6046 LIGHTPLATE AND (3) BP248-127 KNOBS. OPTIONAL PART: 233N3223-300 V89954 PRE ALERT SB: 33A0044	108120	RF
- 305	233N3223-1300		.PANEL ASSY-ENG START/RAT SUPPLIER CODE: V89954 ELECTRICAL EQUIP NUMBER: M10468 COMPONENT MAINT MANUAL REF: 31-12-01 OPTIONAL PART: 233N3223-1301 V89954 POST ALERT SB: 33A0044	011100 108120	RF
- 305	233N3223-343		.PANEL ASSY-ENG START/RAT SUPPLIER CODE: V89954 ELECTRICAL EQUIP NUMBER: M10468	011100 108120	RF

MISSING ITEM NUMBERS NOT APPLICABLE

- ITEM NOT ILLUSTRATED

33-13-01-02

33-13-01
FIG. 02
PAGE 27
MAY 20/09

BRI



757

PARTS CATALOG (MAINTENANCE)

FIG ITEM	PART NUMBER	1 2 3 4 5 6 7	NOMENCLATURE	EFFECT FROM TO	UNITS PER ASSY
2 310	233N3223-39		..PANEL ASSY- SUPPLIER CODE: V89954 MISCELLANEOUS DATA: FOR SPARES PROCURE NEXT HIGHER ASSY COMPONENT MAINT MANUAL REF: 31-12-01 QUALIFIED I/W DATA: THE 233N3223-300 PANEL ASSY IS I/W THE 233N3223-39 PANEL ASSY T/W THE S233T100-6046 LIGHTPLATE AND (3) BP248-127 KNOBS. USED ON: 233N3223-300 PRE ALERT SB: 33A0044	011100 108120	RF
310	233N3223-40		..PANEL ASSY- SUPPLIER CODE: V89954 MISCELLANEOUS DATA: FOR SPARES PROCURE NEXT HIGHER ASSY COMPONENT MAINT MANUAL REF: 31-12-01 QUALIFIED I/W DATA: THE 233N3223-301 PANEL ASSY IS I/W THE 233N3223-40 PANEL ASSY T/W THE S233T100-6046 LIGHTPLATE AND (3) BP248-127 KNOBS. USED ON: 233N3223-301 PRE ALERT SB: 33A0044	108120	RF
310	233N3223-53		..PANEL ASSY- SUPPLIER CODE: V89954 MISCELLANEOUS DATA: FOR SPARES PROCURE NEXT HIGHER ASSY COMPONENT MAINT MANUAL REF: 31-12-01 USED ON: 233N3223-343	011100 108120	RF

MISSING ITEM NUMBERS NOT APPLICABLE

- ITEM NOT ILLUSTRATED

33-13-01-02

33-13-01
FIG. 02
PAGE 28
MAY 20/09

BRI



757

PARTS CATALOG (MAINTENANCE)

FIG ITEM	PART NUMBER	1 2 3 4 5 6 7	NOMENCLATURE	EFFECT FROM TO	UNITS PER ASSY
2 310	233N3223-1039	..	PANEL ASSY- SUPPLIER CODE: V89954 ELECTRICAL EQUIP NUMBER: M10468 COMPONENT MAINT MANUAL REF: 31-12-01 USED ON: 233N3223-1300 POST ALERT SB: 33A0044	011100 108120	RF
310	233N3223-1040	..	PANEL ASSY- SUPPLIER CODE: V89954 COMPONENT MAINT MANUAL REF: 31-12-01 USED ON: 233N3223-1301 POST ALERT SB: 33A0044	108120	RF
320	800000121-1	...	CONNECTOR-PWR SUPPLIER CODE: V05617 USED ON: 233N3223-39 233N3223-40 233N3223-42 233N3223-1039 233N3223-1040 233N3223-1042	011100 108120	1
320	800-000121-1	...	CONNECTOR-PWR SUPPLIER CODE: V05617 USED ON: 233N3223-53 233N3223-54	011100 108120	1

MISSING ITEM NUMBERS NOT APPLICABLE

- ITEM NOT ILLUSTRATED

33-13-01-02

33-13-01
FIG. 02
PAGE 29
MAY 20/09

BRI



757

PARTS CATALOG (MAINTENANCE)

FIG ITEM	PART NUMBER	1 2 3 4 5 6 7	NOMENCLATURE	EFFECT FROM TO	UNITS PER ASSY
2	800-000447		..LIGHTPLATE-5V WHITE ILLUMINATED INTEGRALLY LIGHTED ENG START/RAT SUPPLIER CODE: V05617 SPECIFICATION NUMBER: S233T100-6046 MISCELLANEOUS DATA: FOR VENDOR FSCM 05617 FOR SPARES ORDER THE 800-000447-1. OPTIONAL PART: S233T100-6046 V51896 800-000447-1 V05617 OPTIONAL PART: S233T100-6046 V51896 OPTIONAL SUPPLIER CODE: 05617 98140 USED ON: 233N3223-343	011100 108120	1
325	800-000447		..LIGHTPLATE-5V WHITE ILLUMINATED INTEGRALLY LIGHTED ENG START/RAT SUPPLIER CODE: V05617 SPECIFICATION NUMBER: S233T100-6046 MISCELLANEOUS DATA: FOR VENDOR FSCM 05617 FOR SPARES ORDER THE 800-000447-1. OPTIONAL PART: S233T100-6046 V51896 800-000447-1 V05617 OPTIONAL SUPPLIER CODE: 05617 98140 USED ON: 233N3223-39 233N3223-40 233N3223-1039 233N3223-1040	011100 108120	1

MISSING ITEM NUMBERS NOT APPLICABLE

- ITEM NOT ILLUSTRATED

33-13-01-02

33-13-01
FIG. 02
PAGE 30
MAY 20/09

BRI



757

PARTS CATALOG (MAINTENANCE)

FIG ITEM	PART NUMBER	1 2 3 4 5 6 7	NOMENCLATURE	EFFECT FROM TO	UNITS PER ASSY
R R R R R R R R R	2 325	S233T100-6046	..LIGHTPLATE- SUPPLIER CODE: V51896 SPECIFICATION NUMBER: S233T100-6046 OPTIONAL PART: 800-000447 V05617 OPTIONAL SUPPLIER CODE: 05617 98140 USED ON: 233N3223-343	011100 108120	1
	325	800-000447-1	..LIGHTPLATE-5V WHITE ILLUMINATED INTEGRALLY LIGHTED ENG START/RAT SUPPLIER CODE: V05617 SPECIFICATION NUMBER: S233T100-6046 OPTIONAL PART: S233T100-6046 V51896 800-000447 V05617	011100 108120	1
	325	800-000447-1	..LIGHTPLATE-5V WHITE ILLUMINATED INTEGRALLY LIGHTED ENG START/RAT SUPPLIER CODE: V05617 SPECIFICATION NUMBER: S233T100-6046 OPTIONAL PART: S233T100-6046 V51896 800-000447 V05617	011100 108120	1

MISSING ITEM NUMBERS NOT APPLICABLE

- ITEM NOT ILLUSTRATED

33-13-01-02

33-13-01
FIG. 02
PAGE 31
MAY 20/09

BRI



757

PARTS CATALOG (MAINTENANCE)

FIG ITEM	PART NUMBER	1 2 3 4 5 6 7	NOMENCLATURE	EFFECT FROM TO	UNITS PER ASSY
2 - 350	233N3206-300		.PANEL ASSY-FUEL CONT SUPPLIER CODE: V89954 ELECTRICAL EQUIP NUMBER: M10055 COMPONENT MAINT MANUAL REF: 28-41-71 QUALIFIED I/W DATA: THE 233N3206-300 PANEL ASSY IS I/W THE 233N3206-19 PANEL ASSY T/W THE S233T100-1106 LIGHTPLATE PRE ALERT SB: 28A0105R1 PRE COMPONENT SB: 233N3206-28-03	011100 108120	RF
- 350	233N3206-3300		.PANEL ASSY-FUEL CONT SUPPLIER CODE: V89954 ELECTRICAL EQUIP NUMBER: M10055 COMPONENT MAINT MANUAL REF: 28-41-71 POST ALERT SB: 28A0105R1 POST COMPONENT SB: 233N3206-28-03	011100 108120	RF
352	233N3206-19		..PANEL ASSY- SUPPLIER CODE: V89954 COMPONENT MAINT MANUAL REF: 28-41-71 QUALIFIED I/W DATA: THE 233N3206-300 PANEL ASSY IS I/W THE 233N3206-19 PANEL ASSY T/W THE S233T100-1106 LIGHTPLATE PRE ALERT SB: 28A0105R1 PRE COMPONENT SB: 233N3206-28-03	011100 108120	RF

MISSING ITEM NUMBERS NOT APPLICABLE

- ITEM NOT ILLUSTRATED

33-13-01-02

33-13-01
FIG. 02
PAGE 32
MAY 20/09

BRI



757

PARTS CATALOG (MAINTENANCE)

FIG ITEM	PART NUMBER	1 2 3 4 5 6 7	NOMENCLATURE	EFFECT FROM TO	UNITS PER ASSY
2 352	233N3206-3019	..	PANEL ASSY- SUPPLIER CODE: V89954 COMPONENT MAINT MANUAL REF: 28-41-71 POST ALERT SB: 28A0105R1 POST COMPONENT SB: 233N3206-28-03	011100 108120	RF
354	800-000121-1	...	CONNECTOR-PWR SUPPLIER CODE: V05617	011100 108120	1
355	800-000954-1	..	LIGHTPLATE-5V WHITE ILLUMINATED INTEGRALLY- LIGHTED FUEL MANAGEMENT SUPPLIER CODE: V05617 SPECIFICATION NUMBER: S233T100-1106 OPTIONAL PART: S233T100-1106 V51896 800-000954 V05617	011100 108120	1
355	800-000954	..	LIGHTPLATE-5V WHITE ILLUMINATED INTEGRALLY- LIGHTED FUEL MANAGEMENT SUPPLIER CODE: V05617 SPECIFICATION NUMBER: S233T100-1106 MISCELLANEOUS DATA: FOR VENDOR FSCM 05617 FOR SPARES ORDER THE 800-000954-1 OPTIONAL PART: S233T100-1106 V51896 800-000954-1 V05617 OPTIONAL SUPPLIER CODE: 05617 98140	011100 108120	1

MISSING ITEM NUMBERS NOT APPLICABLE

- ITEM NOT ILLUSTRATED

33-13-01-02

33-13-01
FIG. 02
PAGE 33
MAY 20/09

BRI



757

PARTS CATALOG (MAINTENANCE)

FIG ITEM	PART NUMBER	1 2 3 4 5 6 7	NOMENCLATURE	EFFECT FROM TO	UNITS PER ASSY
2					
- 410	233N3201-300	.	PANEL ASSY-WSHLD CLEARANCE SUPPLIER CODE: V89954 ELECTRICAL EQUIP NUMBER: M10023 COMPONENT MAINT MANUAL REF: 30-42-01 QUALIFIED I/W DATA: 233N3201-11 PANEL ASSY T/W S233T100-1074 LIGHTPLATE AND BP248-127 KNOB IS I/W 233N3201-300	011100	RF
- 410	233N3201-303	.	PANEL ASSY-WSHLD CLEARANCE SUPPLIER CODE: V89954 ELECTRICAL EQUIP NUMBER: M10023 COMPONENT MAINT MANUAL REF: 30-42-01	108120	RF
412	233N3201-11	..	PANEL ASSY- SUPPLIER CODE: V89954 COMPONENT MAINT MANUAL REF: 30-42-01 QUALIFIED I/W DATA: 233N3201-11 PANEL ASSY T/W S233T100-1074 LIGHTPLATE AND BP248-127 KNOB IS I/W 233N3201-300	011100	RF
412	233N3201-16	..	PANEL ASSY- SUPPLIER CODE: V89954 COMPONENT MAINT MANUAL REF: 30-42-01	108120	RF
414	800000121-1	...	CONNECTOR-PWR SUPPLIER CODE: V05617	011100 108120	1

MISSING ITEM NUMBERS NOT APPLICABLE

- ITEM NOT ILLUSTRATED

33-13-01-02

33-13-01
FIG. 02
PAGE 34
MAY 20/09

BRI



757

PARTS CATALOG (MAINTENANCE)

FIG ITEM	PART NUMBER	1 2 3 4 5 6 7	NOMENCLATURE	EFFECT FROM TO	UNITS PER ASSY
2 415	800-000919-1	..	LIGHTPLATE-5V WHITE ILLUMINATED INTEGRALLY LIGHTED RAIN REPELLENT/ WIPER SUPPLIER CODE: V05617 SPECIFICATION NUMBER: S233T100-1074 OPTIONAL PART: S233T100-1074 V51896 800-000919 V05617	011100	1
415	800-000919	..	LIGHTPLATE-5V WHITE ILLUMINATED INTEGRALLY LIGHTED RAIN REPELLENT/ WIPER SUPPLIER CODE: V05617 SPECIFICATION NUMBER: S233T100-1074 MISCELLANEOUS DATA: FOR VENDOR FSCM 05617 FOR SPARES ORDER THE 800-000919-1 OPTIONAL PART: S233T100-1074 V51896 800-000919-1 V05617	011100	1
425	S233T100-1113	..	LIGHTPLATE-5V WHITE ILLUMINATED INTEGRALLY- LIGHTED RAIN REPELLENT/ WIPER SUPPLIER CODE: V51896 SPECIFICATION NUMBER: S233T100-1113 OPTIONAL PART: 800-007678 V05617	108120	1

MISSING ITEM NUMBERS NOT APPLICABLE

- ITEM NOT ILLUSTRATED

BRI

33-13-01-02

BOEING PROPRIETARY - Copyright © - Unpublished Work - See title page for details.

33-13-01
FIG. 02
PAGE 35
MAY 20/09



757

PARTS CATALOG (MAINTENANCE)

FIG ITEM	PART NUMBER	1 2 3 4 5 6 7	NOMENCLATURE	EFFECT FROM TO	UNITS PER ASSY
2 425	800-007678		..LIGHTPLATE-5V WHITE ILLUMINATED INTEGRALLY LIGHTED RAIN REPELLENT/ WIPER SUPPLIER CODE: V05617 SPECIFICATION NUMBER: S233T100-1113 OPTIONAL PART: S233T100-1113 V51896	108120	1
- 455	233N3210-300		.PANEL ASSY-ANTI-COLLISION LIGHTING SUPPLIER CODE: V89954 ELECTRICAL EQUIP NUMBER: M10396 COMPONENT MAINT MANUAL REF: 33-44-71 QUALIFIED I/W DATA: THE 233N3210-300 PANEL ASSY IS I/W THE 233N3210-16 PANEL ASSY T/W THE S233T100-6030 LIGHTPLATE	108120	RF
- 460	233T3217-300		.PANEL ASSY-ANTI-COLLISION LIGHTING SUPPLIER CODE: V89954 ELECTRICAL EQUIP NUMBER: M00056 COMPONENT MAINT MANUAL REF: 33-44-72 QUALIFIED I/W DATA: THE 233T3217-300 PANEL ASSY IS I/W THE 233T3217-41 PANEL ASSY T/W THE S233T100-6030 LIGHTPLATE.	011100	RF

MISSING ITEM NUMBERS NOT APPLICABLE

- ITEM NOT ILLUSTRATED

33-13-01-02

33-13-01
FIG. 02
PAGE 36
MAY 20/09

BRI



757

PARTS CATALOG (MAINTENANCE)

FIG ITEM	PART NUMBER	1 2 3 4 5 6 7	NOMENCLATURE	EFFECT FROM TO	UNITS PER ASSY
2 462	233N3210-16		..PANEL ASSY- SUPPLIER CODE: V89954 COMPONENT MAINT MANUAL REF: 33-44-71 QUALIFIED I/W DATA: THE 233N3210-300 PANEL ASSY IS I/W THE 233N3210-16 PANEL ASSY T/W THE S233T100-6030 LIGHTPLATE	108120	RF
464	233T3217-41		..PANEL ASSY- SUPPLIER CODE: V89954 COMPONENT MAINT MANUAL REF: 33-44-72 QUALIFIED I/W DATA: THE 233T3217-300 PANEL ASSY IS I/W THE 233T3217-41 PANEL ASSY T/W THE S233T100-6030 LIGHTPLATE.	011100	RF
466	800-000121-1		...CONNECTOR-PWR SUPPLIER CODE: V05617	108120	1
466	800000121-1		...CONNECTOR-PWR SUPPLIER CODE: V05617	011100	1
468	800-000916		..LIGHTPLATE-5V WHITE ILLUMINATED INTEGRALLY LIGHTED ANTI-COLLISION SUPPLIER CODE: V05617 SPECIFICATION NUMBER: S233T100-6030 MISCELLANEOUS DATA: FOR VENDOR FSCM 05617 FOR SPARES ORDER THE 800-000916-1 OPTIONAL PART: S233T100-6030 V51896 800-000916-1 V05617	011100 108120	1

MISSING ITEM NUMBERS NOT APPLICABLE

- ITEM NOT ILLUSTRATED

33-13-01-02

33-13-01
FIG. 02
PAGE 37
MAY 20/09

BRI



757

PARTS CATALOG (MAINTENANCE)

FIG ITEM	PART NUMBER	1 2 3 4 5 6 7	NOMENCLATURE	EFFECT FROM TO	UNITS PER ASSY
2 468	800-000916-1		.. LIGHTPLATE-5V WHITE ILLUMINATED INTEGRALLY LIGHTED ANTI-COLLISION SUPPLIER CODE: V05617 SPECIFICATION NUMBER: S233T100-6030 OPTIONAL PART: S233T100-6030 V51896 800-000916 V05617	011100 108120	1
- 470	233N3212-300		. PANEL ASSY-WINDOW HEAT SUPPLIER CODE: V89954 ELECTRICAL EQUIP NUMBER: M10395 COMPONENT MAINT MANUAL REF: 30-41-71 QUALIFIED I/W DATA: THE 233N3212-300 PANEL ASSY IS I/W THE 233N3212-11 PANEL ASSY T/W THE S233T100-1073 LIGHTPLATE	011100	RF
- 470	233N3212-300		. PANEL ASSY-WINDOW HEAT SUPPLIER CODE: V89954 ELECTRICAL EQUIP NUMBER: M10395 COMPONENT MAINT MANUAL REF: 30-41-71 QUALIFIED I/W DATA: THE 233N3212-300 PANEL ASSY IS I/W THE 233N3212-11 PANEL ASSY T/W THE S233T100-1073 LIGHTPLATE OPTIONAL PART: 233N3212-302 V89954	108120	RF

MISSING ITEM NUMBERS NOT APPLICABLE

- ITEM NOT ILLUSTRATED

BRI

33-13-01-02

BOEING PROPRIETARY - Copyright © - Unpublished Work - See title page for details.

33-13-01
FIG. 02
PAGE 38
MAY 20/09



757

PARTS CATALOG (MAINTENANCE)

FIG ITEM	PART NUMBER	1 2 3 4 5 6 7	NOMENCLATURE	EFFECT FROM TO	UNITS PER ASSY
2 - 470	233N3212-302		.PANEL ASSY-WINDOW HEAT SUPPLIER CODE: V89954 ELECTRICAL EQUIP NUMBER: M10395 COMPONENT MAINT MANUAL REF: 30-41-71 OPTIONAL PART: 233N3212-300 V89954	108120	RF
475	233N3212-11		..PANEL ASSY- SUPPLIER CODE: V89954 COMPONENT MAINT MANUAL REF: 30-41-71 QUALIFIED I/W DATA: THE 233N3212-300 PANEL ASSY IS I/W THE 233N3212-11 PANEL ASSY T/W THE S233T100-1073 LIGHTPLATE	011100	RF
475	233N3212-11		..PANEL ASSY- SUPPLIER CODE: V89954 COMPONENT MAINT MANUAL REF: 30-41-71 QUALIFIED I/W DATA: THE 233N3212-300 PANEL ASSY IS I/W THE 233N3212-11 PANEL ASSY T/W THE S233T100-1073 LIGHTPLATE USED ON: 233N3212-300	108120	RF
475	233N3212-14		..PANEL ASSY- SUPPLIER CODE: V89954 COMPONENT MAINT MANUAL REF: 30-41-71 USED ON: 233N3212-302	108120	RF
480	800-000121-1		...CONNECTOR-PWR SUPPLIER CODE: V05617	011100 108120	1

MISSING ITEM NUMBERS NOT APPLICABLE

- ITEM NOT ILLUSTRATED

33-13-01-02

33-13-01
FIG. 02
PAGE 39
MAY 20/09

BRI



757

PARTS CATALOG (MAINTENANCE)

FIG ITEM	PART NUMBER	1 2 3 4 5 6 7	NOMENCLATURE	EFFECT FROM TO	UNITS PER ASSY
R R R R R R R R R R R	2 485	S233T100-1073	..LIGHTPLATE-5V WHITE ILLUMINATED INTEGRALLY LIGHTED WINDOW HEAT SUPPLIER CODE: V51896 SPECIFICATION NUMBER: S233T100-1073 OPTIONAL PART: 800-000920 V05617 OPTIONAL SUPPLIER CODE: 05617 98140 USED ON: 233N3212-302	108120	1
	485	800-000920-1	..LIGHTPLATE-5V WHITE ILLUMINATED INTEGRALLY LIGHTED WINDOW HEAT SUPPLIER CODE: V05617 SPECIFICATION NUMBER: S233T100-1073 OPTIONAL PART: S233T100-1073 V51896 800-000920 V05617	011100 108120	1
	485	800-000920-1	..LIGHTPLATE-5V WHITE ILLUMINATED INTEGRALLY LIGHTED WINDOW HEAT SUPPLIER CODE: V05617 SPECIFICATION NUMBER: S233T100-1073 OPTIONAL PART: S233T100-1073 V51896 OPTIONAL PART: S233T100-1073 V51896 800-000920 V05617	108120	1
	492	285T0024-26	.MODULE ASSY-PILOTS CALL SUPPLIER CODE: V89954 ELECTRICAL EQUIP NUMBER: M00051 COMPONENT MAINT MANUAL REF: 23-42-59	108120	RF

MISSING ITEM NUMBERS NOT APPLICABLE

- ITEM NOT ILLUSTRATED

33-13-01-02

33-13-01
FIG. 02
PAGE 41
MAY 20/09

BRI



757

PARTS CATALOG (MAINTENANCE)

FIG ITEM	PART NUMBER	1 2 3 4 5 6 7	NOMENCLATURE	EFFECT FROM TO	UNITS PER ASSY
2 494	285T0024-47		.MODULE ASSY-PILOTS CALL SUPPLIER CODE: V89954 ELECTRICAL EQUIP NUMBER: M00051 COMPONENT MAINT MANUAL REF: 23-42-62	011100	RF
504	800000121-1		..CONNECTOR-PWR SUPPLIER CODE: V05617	011100 108120	1
525	S233T100-1067		..LIGHTPLATE-5V WHITE ILLUMINATED INTEGRALLY- LIGHTED SELCAL SUPPLIER CODE: V51896 SPECIFICATION NUMBER: S233T100-1067 OPTIONAL PART: 800-002459 V05617 OPTIONAL SUPPLIER CODE: 05617 98140	108120	1
540	285T1163-7		..LIGHTPLATE-5V WHITE ILLUMINATED INTEGRALLY- LIGHTED SELCAL	011100	1
- 560	233T3216-300		.PANEL ASSY-PASS. SIGNS SUPPLIER CODE: V89954 ELECTRICAL EQUIP NUMBER: M00052 COMPONENT MAINT MANUAL REF: 33-24-02	011100 108120	RF
562	233T3216-10		..PANEL ASSY- SUPPLIER CODE: V89954 COMPONENT MAINT MANUAL REF: 33-24-02	011100 108120	RF
564	800-000121-1		...CONNECTOR-PWR SUPPLIER CODE: V05617	011100 108120	1

MISSING ITEM NUMBERS NOT APPLICABLE

- ITEM NOT ILLUSTRATED

33-13-01-02

33-13-01
FIG. 02
PAGE 42
MAY 20/09

BRI



757

PARTS CATALOG (MAINTENANCE)

FIG ITEM	PART NUMBER	1 2 3 4 5 6 7	NOMENCLATURE	EFFECT FROM TO	UNITS PER ASSY
2 565	800-000907-1		..LIGHTPLATE-5V WHITE ILLUMINATED INTEGRALLY- LIGHTED PASS. SIGNS SUPPLIER CODE: V05617 SPECIFICATION NUMBER: S233T100-1018 OPTIONAL PART: S233T100-1018 V51896 800-000907 V05617	011100 108120	1
R R	565		..LIGHTPLATE-5V WHITE ILLUMINATED INTEGRALLY- LIGHTED PASS. SIGNS SUPPLIER CODE: V05617 SPECIFICATION NUMBER: S233T100-1018 MISCELLANEOUS DATA: FOR VENDOR FSCM 05617 FOR SPARES ORDER THE 800-000907-1 OPTIONAL PART: S233T100-1018 V51896 800-000907-1 V05617 OPTIONAL SUPPLIER CODE: 05617 98140	011100 108120	1
-	570	233N3203-300	.PANEL ASSY-EQPT COOLING SUPPLIER CODE: V89954 ELECTRICAL EQUIP NUMBER: M10067 COMPONENT MAINT MANUAL REF: 21-58-71 QUALIFIED I/W DATA: 233N3203-300 PANEL ASSY IS I/W 233N3203-32 PANEL ASSY T/W S233T100-6045 LIGHTPLATE PRE ALERT SB: 33A0044	108120	RF

MISSING ITEM NUMBERS NOT APPLICABLE

- ITEM NOT ILLUSTRATED

33-13-01-02

33-13-01
FIG. 02
PAGE 43
MAY 20/09

BRI



757

PARTS CATALOG (MAINTENANCE)

FIG ITEM	PART NUMBER	1 2 3 4 5 6 7	NOMENCLATURE	EFFECT FROM TO	UNITS PER ASSY
2					
- 570	233N3203-1300	.	PANEL ASSY-EQPT COOLING SUPPLIER CODE: V89954 ELECTRICAL EQUIP NUMBER: M10067 COMPONENT MAINT MANUAL REF: 21-58-71 POST ALERT SB: 33A0044	011100 108120	RF
- 570	233N3203-337	.	PANEL ASSY-EQPT COOLING SUPPLIER CODE: V89954 ELECTRICAL EQUIP NUMBER: M10067 COMPONENT MAINT MANUAL REF: 21-58-71	011100 108120	RF
- 570	233N3203-300	.	PANEL ASSY-EQPT COOLING SUPPLIER CODE: V89954 ELECTRICAL EQUIP NUMBER: M10067 COMPONENT MAINT MANUAL REF: 21-58-71 QUALIFIED I/W DATA: 233N3203-300 PANEL ASSY IS I/W 233N3203-32 PANEL ASSY T/W S233T100-6045 LIGHTPLATE PRE ALERT SB: 33A0044	011100	RF
575	233N3203-32	..	PANEL ASSY- SUPPLIER CODE: V89954 COMPONENT MAINT MANUAL REF: 21-58-71 QUALIFIED I/W DATA: 233N3203-300 PANEL ASSY IS I/W 233N3203-32 PANEL ASSY T/W S233T100-6045 LIGHTPLATE USED ON: 233N3203-300 PRE ALERT SB: 33A0044	011100 108120	RF
575	233N3203-37	..	PANEL ASSY- SUPPLIER CODE: V89954 COMPONENT MAINT MANUAL REF: 21-58-71	011100 108120	RF

MISSING ITEM NUMBERS NOT APPLICABLE

- ITEM NOT ILLUSTRATED

33-13-01-02

33-13-01
FIG. 02
PAGE 44
MAY 20/09

BRI



757

PARTS CATALOG (MAINTENANCE)

FIG ITEM	PART NUMBER	1 2 3 4 5 6 7	NOMENCLATURE	EFFECT FROM TO	UNITS PER ASSY
2 575	233N3203-1032		.. PANEL ASSY- SUPPLIER CODE: V89954 ELECTRICAL EQUIP NUMBER: M10067 COMPONENT MAINT MANUAL REF: 21-58-71 POST ALERT SB: 33A0044	011100 108120	RF
580	800-000121-1		...CONNECTOR-PWR SUPPLIER CODE: V05617	011100 108120	1
585	800-000415-1		..LIGHTPLATE-5V WHITE ILLUMINATED INTEGRALLY LIGHTED EQPT COOLING SUPPLIER CODE: V05617 SPECIFICATION NUMBER: S233T100-6045 OPTIONAL PART: S233T100-6045 V51896 800-000415 V05617	011100 108120	1
585	800-000415		..LIGHTPLATE-5V WHITE ILLUMINATED INTEGRALLY LIGHTED EQPT COOLING SUPPLIER CODE: V05617 SPECIFICATION NUMBER: S233T100-6045 MISCELLANEOUS DATA: FOR VENDOR FSCM 05617 FOR SPARES ORDER THE 800-000415-1 OPTIONAL PART: S233T100-6045 V51896 800-000415-1 V05617	011100 108120	1

MISSING ITEM NUMBERS NOT APPLICABLE

- ITEM NOT ILLUSTRATED

33-13-01-02

33-13-01
FIG. 02
PAGE 45
MAY 20/09

BRI



757

PARTS CATALOG (MAINTENANCE)

FIG ITEM	PART NUMBER	1 2 3 4 5 6 7	NOMENCLATURE	EFFECT FROM TO	UNITS PER ASSY
2 - 600	233N3221-302		.PANEL ASSY-LIGHTING CONT SUPPLIER CODE: V89954 ELECTRICAL EQUIP NUMBER: M10057 COMPONENT MAINT MANUAL REF: 33-11-72 QUALIFIED I/W DATA: 233N3221-302 PANEL ASSY IS I/W 233N3221-61 PANEL ASSY T/W S233T100-6039 LIGHTPLATE AND (3) RD241-119 KNOBS AND (1) BP248-127 KNOB	108120	RF
- 600	233N3221-326		.PANEL ASSY-LIGHTING CONT SUPPLIER CODE: V89954 ELECTRICAL EQUIP NUMBER: M10057 COMPONENT MAINT MANUAL REF: 33-11-72	108120	RF
- 600	233N3221-302		.PANEL ASSY-LIGHTING CONT SUPPLIER CODE: V89954 ELECTRICAL EQUIP NUMBER: M10057 COMPONENT MAINT MANUAL REF: 33-11-72 QUALIFIED I/W DATA: 233N3221-302 PANEL ASSY IS I/W 233N3221-61 PANEL ASSY T/W S233T100-6039 LIGHTPLATE AND (3) RD241-119 KNOBS AND (1) BP248-127 KNOB	011100	RF
610	233N3221-61		..PANEL ASSY- SUPPLIER CODE: V89954 COMPONENT MAINT MANUAL REF: 33-11-72 QUALIFIED I/W DATA: 233N3221-302 PANEL ASSY IS I/W 233N3221-61 PANEL ASSY T/W S233T100-6039 LIGHTPLATE AND (3) RD241-119 KNOBS AND (1) BP248-127 KNOB USED ON: 233N3221-302	011100 108120	RF

MISSING ITEM NUMBERS NOT APPLICABLE

- ITEM NOT ILLUSTRATED

33-13-01-02

33-13-01
FIG. 02
PAGE 46
MAY 20/09

BRI



757

PARTS CATALOG (MAINTENANCE)

FIG ITEM	PART NUMBER	1 2 3 4 5 6 7	NOMENCLATURE	EFFECT FROM TO	UNITS PER ASSY
2 610	233N3221-110		.. PANEL ASSY- SUPPLIER CODE: V89954 COMPONENT MAINT MANUAL REF: 33-11-72 USED ON: 233N3221-326	108120	RF
615	800-000121-1		... CONNECTOR-PWR SUPPLIER CODE: V05617	011100 108120	1
625	S233T100-6039		.. LIGHTPLATE-5V WHITE ILLUMINATED INTEGRALLY LIGHTED LIGHTING R SUPPLIER CODE: V51896 SPECIFICATION NUMBER: S233T100-6039 OPTIONAL PART: 800-002786 V05617 OPTIONAL SUPPLIER CODE: 05617 98140 USED ON: 233N3221-302	011100 108120	1
625	800-002786		.. LIGHTPLATE-5V WHITE ILLUMINATED INTEGRALLY LIGHTED LIGHTING R SUPPLIER CODE: V05617 SPECIFICATION NUMBER: S233T100-6039 MISCELLANEOUS DATA: FOR VENDOR FSCM 05617 FOR SPARES ORDER THE 800-002786-1 OPTIONAL PART: S233T100-6039 V51896 800-002786-1 V05617 USED ON: 233N3221-302	011100 108120	1

MISSING ITEM NUMBERS NOT APPLICABLE

- ITEM NOT ILLUSTRATED

33-13-01-02

33-13-01
FIG. 02
PAGE 47
MAY 20/09

BRI



757

PARTS CATALOG (MAINTENANCE)

FIG ITEM	PART NUMBER	1 2 3 4 5 6 7	NOMENCLATURE	EFFECT FROM TO	UNITS PER ASSY
2 625	800-002786-1		..LIGHTPLATE-5V WHITE ILLUMINATED INTEGRALLY LIGHTED LIGHTING R SUPPLIER CODE: V05617 SPECIFICATION NUMBER: S233T100-6039 OPTIONAL PART: S233T100-6039 V51896 800-002786 V05617	011100 108120	1
- 627	800-008834		..LIGHTPLATE-5V WHITE ILLUMINATED INTEGRALLY LIGHTED RAIN REMOVAL/ANTI ICE SUPPLIER CODE: V05617 SPECIFICATION NUMBER: S233T100-6069 OPTIONAL PART: S233T100-6069 V51896 USED ON: 233N3221-326	108120	1
- 635	233N3217-300		.PANEL ASSY-AIR CONDITIONING CONT SUPPLIER CODE: V89954 ELECTRICAL EQUIP NUMBER: M10193 COMPONENT MAINT MANUAL REF: 21-51-71 QUALIFIED I/W DATA: THE 233N3217-300 PANEL ASSY IS I/W THE 233N3217-15 PANEL ASSY T/W THE S233T100-6014 LIGHTPLATE AND (2) BP248-127 KNOBS AND (3) BP260-113 KNOBS	011100 108120	RF

MISSING ITEM NUMBERS NOT APPLICABLE

- ITEM NOT ILLUSTRATED

BRI

33-13-01-02

BOEING PROPRIETARY - Copyright © - Unpublished Work - See title page for details.

33-13-01
FIG. 02
PAGE 48
MAY 20/09



757

PARTS CATALOG (MAINTENANCE)

FIG ITEM	PART NUMBER	1 2 3 4 5 6 7	NOMENCLATURE	EFFECT FROM TO	UNITS PER ASSY
2 636	233N3217-15		.. PANEL ASSY- SUPPLIER CODE: V89954 COMPONENT MAINT MANUAL REF: 21-51-71 QUALIFIED I/W DATA: THE 233N3217-300 PANEL ASSY IS I/W THE 233N3217-15 PANEL ASSY T/W THE S233T100-6014 LIGHTPLATE AND (2) BP248-127 KNOBS AND (3) BP260-113 KNOBS	011100 108120	RF
638	800-000121-1		...CONNECTOR-PWR SUPPLIER CODE: V05617	011100 108120	1
640	800-000445-1		.. LIGHTPLATE-5V WHITE ILLUMINATED INTEGRALLY- LIGHTED PACK CONT SUPPLIER CODE: V05617 SPECIFICATION NUMBER: S233T100-6014 OPTIONAL PART: S233T100-6014 V51896 800-000445 V05617	011100 108120	1
640	800-000445		.. LIGHTPLATE-5V WHITE ILLUMINATED INTEGRALLY- LIGHTED PACK CONT SUPPLIER CODE: V05617 SPECIFICATION NUMBER: S233T100-6014 MISCELLANEOUS DATA: FOR VENDOR FSCM 05617 FOR SPARES ORDER THE 800-000445-1. OPTIONAL PART: S233T100-6014 V51896 800-000445-1 V05617	011100 108120	1

MISSING ITEM NUMBERS NOT APPLICABLE

- ITEM NOT ILLUSTRATED

BRI

33-13-01-02

BOEING PROPRIETARY - Copyright © - Unpublished Work - See title page for details.

33-13-01
FIG. 02
PAGE 49
MAY 20/09



757

PARTS CATALOG (MAINTENANCE)

FIG ITEM	PART NUMBER	1 2 3 4 5 6 7	NOMENCLATURE	EFFECT FROM TO	UNITS PER ASSY
2 - 645	233N3215-302		.PANEL ASSY-BLEED AIR SUPPLIER CODE: V89954 ELECTRICAL EQUIP NUMBER: M10259 COMPONENT MAINT MANUAL REF: 36-11-71 QUALIFIED I/W DATA: THE 233N3215-302 PANEL ASSY IS I/W THE 233N3215-20 PANEL ASSY T/W THE S233T100-6009 LIGHTPLATE PRE ALERT SB: 33A0044	108120	RF
- 645	233N3215-1300		.PANEL ASSY-BLEED AIR SUPPLIER CODE: V89954 ELECTRICAL EQUIP NUMBER: M10259 COMPONENT MAINT MANUAL REF: 36-11-71 POST ALERT SB: 33A0044	011100	RF
- 645	233N3215-1302		.PANEL ASSY-BLEED AIR SUPPLIER CODE: V89954 ELECTRICAL EQUIP NUMBER: M10259 COMPONENT MAINT MANUAL REF: 36-11-71 REWORK DRAWING REF: 233N6251-4 POST ALERT SB: 33A0044	108120	RF
- 645	233N3215-303		.PANEL ASSY-BLEED AIR SUPPLIER CODE: V89954 ELECTRICAL EQUIP NUMBER: M10259 COMPONENT MAINT MANUAL REF: 36-11-71	011100	RF
- 645	233N3215-305		.PANEL ASSY-BLEED AIR SUPPLIER CODE: V89954 ELECTRICAL EQUIP NUMBER: M10259	108120	RF

MISSING ITEM NUMBERS NOT APPLICABLE

- ITEM NOT ILLUSTRATED

33-13-01-02

33-13-01
FIG. 02
PAGE 50
MAY 20/09

BRI



757

PARTS CATALOG (MAINTENANCE)

FIG ITEM	PART NUMBER	1 2 3 4 5 6 7	NOMENCLATURE	EFFECT FROM TO	UNITS PER ASSY
2 - 645	233N3215-300		.PANEL ASSY-BLEED AIR SUPPLIER CODE: V89954 ELECTRICAL EQUIP NUMBER: M10259 COMPONENT MAINT MANUAL REF: 36-11-71 QUALIFIED I/W DATA: THE 233N3215-300 PANEL ASSY IS I/W THE 233N3215-16 PANEL ASSY T/W THE S233T100-6009 LIGHTPLATE PRE ALERT SB: 33A0044	011100	RF
646	233N3215-16		..PANEL ASSY- SUPPLIER CODE: V89954 MISCELLANEOUS DATA: FOR SPARES PROCURE NEXT HIGHER ASSY COMPONENT MAINT MANUAL REF: 36-11-71 QUALIFIED I/W DATA: THE 233N3215-300 PANEL ASSY IS I/W THE 233N3215-16 PANEL ASSY T/W THE S233T100-6009 LIGHTPLATE PRE ALERT SB: 33A0044	011100	RF
646	233N3215-20		..PANEL ASSY- SUPPLIER CODE: V89954 MISCELLANEOUS DATA: FOR SPARES PROCURE NEXT HIGHER ASSY COMPONENT MAINT MANUAL REF: 36-11-71 QUALIFIED I/W DATA: THE 233N3215-302 PANEL ASSY IS I/W THE 233N3215-20 PANEL ASSY T/W THE S233T100-6009 LIGHTPLATE PRE ALERT SB: 33A0044	108120	RF

MISSING ITEM NUMBERS NOT APPLICABLE

- ITEM NOT ILLUSTRATED

33-13-01-02

33-13-01
FIG. 02
PAGE 51
MAY 20/09

BRI



757

PARTS CATALOG (MAINTENANCE)

FIG ITEM	PART NUMBER	1 2 3 4 5 6 7	NOMENCLATURE	EFFECT FROM TO	UNITS PER ASSY
2 646	233N3215-22		.. PANEL ASSY- SUPPLIER CODE: V89954 MISCELLANEOUS DATA: FOR SPARES PROCURE NEXT HIGHER ASSY COMPONENT MAINT MANUAL REF: 36-11-71	011100	RF
646	233N3215-23		.. PANEL ASSY- SUPPLIER CODE: V89954 MISCELLANEOUS DATA: FOR SPARES PROCURE NEXT HIGHER ASSY COMPONENT MAINT MANUAL REF: 36-11-71	108120	RF
646	233N3215-1016		.. PANEL ASSY- SUPPLIER CODE: V89954 ELECTRICAL EQUIP NUMBER: M10259 COMPONENT MAINT MANUAL REF: 36-11-71 POST ALERT SB: 33A0044	011100	RF
646	233N3215-1020		.. PANEL ASSY- SUPPLIER CODE: V89954 COMPONENT MAINT MANUAL REF: 36-11-71 QUALIFIED I/W DATA: 233N3215-1009,-1015 -1019 AND -1020 ARE INTERCHANGEABLE PER CUSTOMER PREFERENCE. POST ALERT SB: 33A0044	108120	RF
648	800-000121-1		...CONNECTOR-PWR SUPPLIER CODE: V05617	011100 108120	1

MISSING ITEM NUMBERS NOT APPLICABLE

- ITEM NOT ILLUSTRATED

33-13-01-02

33-13-01
FIG. 02
PAGE 52
MAY 20/09

BRI



757

PARTS CATALOG (MAINTENANCE)

FIG ITEM	PART NUMBER	1 2 3 4 5 6 7	NOMENCLATURE	EFFECT FROM TO	UNITS PER ASSY
R R R R R R R R R R R R R	2 650	800-000924	..LIGHTPLATE-5V WHITE ILLUMINATED INTEGRALLY LIGHTED BLEED AIR SUPPLIER CODE: V05617 SPECIFICATION NUMBER: S233T100-6009 MISCELLANEOUS DATA: FOR VENDOR FSCM 05617 FOR SPARES ORDER THE 800-000924-1. OPTIONAL PART: S233T100-6009 V51896 800-000924-1 V05617 OPTIONAL SUPPLIER CODE: 05617 98140	011100 108120	1
	650	800-000924-1	..LIGHTPLATE-5V WHITE ILLUMINATED INTEGRALLY LIGHTED BLEED AIR SUPPLIER CODE: V05617 SPECIFICATION NUMBER: S233T100-6009 OPTIONAL PART: S233T100-6009 V51896 800-000924 V05617	011100 108120	1
	- 690	233N3204-300	.PANEL ASSY-ANTI-ICE SUPPLIER CODE: V89954 ELECTRICAL EQUIP NUMBER: M10397 COMPONENT MAINT MANUAL REF: 30-11-72 QUALIFIED I/W DATA: 233N3204-300 PANEL ASSY IS I/W 233N3204-19 PANEL ASSY T/W S233T100-1070 LIGHTPLATE PRE ALERT SB: 33A0044	011100	RF

MISSING ITEM NUMBERS NOT APPLICABLE

- ITEM NOT ILLUSTRATED

33-13-01-02

33-13-01
FIG. 02
PAGE 53
MAY 20/09

BRI



757

PARTS CATALOG (MAINTENANCE)

FIG ITEM	PART NUMBER	1 2 3 4 5 6 7	NOMENCLATURE	EFFECT FROM TO	UNITS PER ASSY
2 - 690	233N3204-301		.PANEL ASSY-ANTI-ICE SUPPLIER CODE: V89954 ELECTRICAL EQUIP NUMBER: M10397 COMPONENT MAINT MANUAL REF: 30-11-72 QUALIFIED I/W DATA: 233N3204-301 PANEL ASSY IS I/W 233N3204-20 PANEL ASSY T/W S233T100-1070 LIGHTPLATE PRE ALERT SB: 33A0044	011100	RF
- 690	233N3204-1301		.PANEL ASSY-ANTI-ICE SUPPLIER CODE: V89954 ELECTRICAL EQUIP NUMBER: M10397 COMPONENT MAINT MANUAL REF: 30-11-72 POST ALERT SB: 33A0044	108120	RF
- 690	233N3204-300		.PANEL ASSY-ANTI-ICE SUPPLIER CODE: V89954 ELECTRICAL EQUIP NUMBER: M10397 COMPONENT MAINT MANUAL REF: 30-11-72 QUALIFIED I/W DATA: 233N3204-300 PANEL ASSY IS I/W 233N3204-19 PANEL ASSY T/W S233T100-1070 LIGHTPLATE OPTIONAL PART: 233N3204-301 V89954 PRE ALERT SB: 33A0044	108120	RF

MISSING ITEM NUMBERS NOT APPLICABLE

- ITEM NOT ILLUSTRATED

33-13-01-02

33-13-01
FIG. 02
PAGE 54
MAY 20/09

BRI



757

PARTS CATALOG (MAINTENANCE)

FIG ITEM	PART NUMBER	1 2 3 4 5 6 7	NOMENCLATURE	EFFECT FROM TO	UNITS PER ASSY
2 - 690	233N3204-301		.PANEL ASSY-ANTI-ICE SUPPLIER CODE: V89954 ELECTRICAL EQUIP NUMBER: M10397 COMPONENT MAINT MANUAL REF: 30-11-72 QUALIFIED I/W DATA: 233N3204-301 PANEL ASSY IS I/W 233N3204-20 PANEL ASSY T/W S233T100-1070 LIGHTPLATE OPTIONAL PART: 233N3204-300 V89954 PRE ALERT SB: 33A0044	108120	RF
- 690	233N3204-302		.PANEL ASSY-ANTI-ICE SUPPLIER CODE: V89954 ELECTRICAL EQUIP NUMBER: M10397 COMPONENT MAINT MANUAL REF: 30-11-72 QUALIFIED I/W DATA: 233N3204-302 PANEL ASSY IS I/W 233N3204-27 PANEL ASSY T/W S233T100-1070 LIGHTPLATE PRE ALERT SB: 33A0044	108120	RF
- 690	233N3204-303		.PANEL ASSY-ANTI-ICE SUPPLIER CODE: V89954 ELECTRICAL EQUIP NUMBER: M10397 COMPONENT MAINT MANUAL REF: 30-11-72 QUALIFIED I/W DATA: 233N3204-303 PANEL ASSY IS I/W 233N3204-28 PANEL ASSY T/W S233T100-1070 LIGHTPLATE PRE ALERT SB: 33A0044	108120	RF

MISSING ITEM NUMBERS NOT APPLICABLE

- ITEM NOT ILLUSTRATED

33-13-01-02

33-13-01
FIG. 02
PAGE 55
MAY 20/09

BRI



757

PARTS CATALOG (MAINTENANCE)

FIG ITEM	PART NUMBER	1 2 3 4 5 6 7	NOMENCLATURE	EFFECT FROM TO	UNITS PER ASSY
2					
- 690	233N3204-332		.PANEL ASSY-ANTI-ICE SUPPLIER CODE: V89954 ELECTRICAL EQUIP NUMBER: M10397 COMPONENT MAINT MANUAL REF: 30-11-72	108120	RF
- 690	233N3204-1300		.PANEL ASSY-ANTI-ICE SUPPLIER CODE: V89954 ELECTRICAL EQUIP NUMBER: M10397 COMPONENT MAINT MANUAL REF: 30-11-72 POST ALERT SB: 33A0044	011100	RF
- 690	233N3204-1300		.PANEL ASSY-ANTI-ICE SUPPLIER CODE: V89954 ELECTRICAL EQUIP NUMBER: M10397 COMPONENT MAINT MANUAL REF: 30-11-72 POST ALERT SB: 33A0044	108120	RF
- 690	233N3204-1301		.PANEL ASSY-ANTI-ICE SUPPLIER CODE: V89954 ELECTRICAL EQUIP NUMBER: M10397 COMPONENT MAINT MANUAL REF: 30-11-72 POST ALERT SB: 33A0044	011100	RF
- 690	233N3204-1302		.PANEL ASSY-ANTI-ICE SUPPLIER CODE: V89954 ELECTRICAL EQUIP NUMBER: M10397 COMPONENT MAINT MANUAL REF: 30-11-72 POST ALERT SB: 33A0044	108120	RF

MISSING ITEM NUMBERS NOT APPLICABLE

- ITEM NOT ILLUSTRATED

33-13-01-02

33-13-01
FIG. 02
PAGE 56
MAY 20/09

BRI



757

PARTS CATALOG (MAINTENANCE)

FIG ITEM	PART NUMBER	1 2 3 4 5 6 7	NOMENCLATURE	EFFECT FROM TO	UNITS PER ASSY
2 - 691	233N3204-1303		.PANEL ASSY-ANTI-ICE SUPPLIER CODE: V89954 ELECTRICAL EQUIP NUMBER: M10397 COMPONENT MAINT MANUAL REF: 30-11-72 POST ALERT SB: 33A0044	108120	RF
695	233N3204-19		..PANEL ASSY- SUPPLIER CODE: V89954 COMPONENT MAINT MANUAL REF: 30-11-72 QUALIFIED I/W DATA: 233N3204-300 PANEL ASSY IS I/W 233N3204-19 PANEL ASSY T/W S233T100-1070 LIGHTPLATE PRE ALERT SB: 33A0044	011100	RF
695	233N3204-20		..PANEL ASSY- SUPPLIER CODE: V89954 COMPONENT MAINT MANUAL REF: 30-11-72 QUALIFIED I/W DATA: 233N3204-301 PANEL ASSY IS I/W 233N3204-20 PANEL ASSY T/W S233T100-1070 LIGHTPLATE USED ON: 233N3204-301 PRE ALERT SB: 33A0044	011100	RF
695	233N3204-19		..PANEL ASSY- SUPPLIER CODE: V89954 COMPONENT MAINT MANUAL REF: 30-11-72 QUALIFIED I/W DATA: 233N3204-300 PANEL ASSY IS I/W 233N3204-19 PANEL ASSY T/W S233T100-1070 LIGHTPLATE USED ON: 233N3204-300 PRE ALERT SB: 33A0044	108120	RF

MISSING ITEM NUMBERS NOT APPLICABLE

- ITEM NOT ILLUSTRATED

33-13-01-02

33-13-01
FIG. 02
PAGE 57
MAY 20/09

BRI



757

PARTS CATALOG (MAINTENANCE)

FIG ITEM	PART NUMBER	1 2 3 4 5 6 7	NOMENCLATURE	EFFECT FROM TO	UNITS PER ASSY
2 695	233N3204-20		..PANEL ASSY- SUPPLIER CODE: V89954 COMPONENT MAINT MANUAL REF: 30-11-72 QUALIFIED I/W DATA: 233N3204-301 PANEL ASSY IS I/W 233N3204-20 PANEL ASSY T/W S233T100-1070 LIGHTPLATE USED ON: 233N3204-301 PRE ALERT SB: 33A0044	108120	RF
695	233N3204-27		..PANEL ASSY- SUPPLIER CODE: V89954 COMPONENT MAINT MANUAL REF: 30-11-72 QUALIFIED I/W DATA: 233N3204-302 PANEL ASSY IS I/W 233N3204-27 PANEL ASSY T/W S233T100-1070 LIGHTPLATE USED ON: 233N3204-302 PRE ALERT SB: 33A0044	108120	RF
695	233N3204-28		..PANEL ASSY- SUPPLIER CODE: V89954 COMPONENT MAINT MANUAL REF: 30-11-72 QUALIFIED I/W DATA: 233N3204-303 PANEL ASSY IS I/W 233N3204-28 PANEL ASSY T/W S233T100-1070 LIGHTPLATE USED ON: 233N3204-303 PRE ALERT SB: 33A0044	108120	RF
695	233N3204-36		..PANEL ASSY- SUPPLIER CODE: V89954 COMPONENT MAINT MANUAL REF: 30-11-72 USED ON: 233N3204-332	108120	RF

MISSING ITEM NUMBERS NOT APPLICABLE

- ITEM NOT ILLUSTRATED

33-13-01-02

33-13-01
FIG. 02
PAGE 58
MAY 20/09

BRI



757

PARTS CATALOG (MAINTENANCE)

FIG ITEM	PART NUMBER	1 2 3 4 5 6 7	NOMENCLATURE	EFFECT FROM TO	UNITS PER ASSY
2 695	233N3204-1019		..PANEL ASSY- SUPPLIER CODE: V89954 ELECTRICAL EQUIP NUMBER: M10397 COMPONENT MAINT MANUAL REF: 30-11-72 POST ALERT SB: 33A0044	011100	RF
695	233N3204-1019		..PANEL ASSY- SUPPLIER CODE: V89954 ELECTRICAL EQUIP NUMBER: M10397 COMPONENT MAINT MANUAL REF: 30-11-72 POST ALERT SB: 33A0044	108120	RF
695	233N3204-1020		..PANEL ASSY- SUPPLIER CODE: V89954 COMPONENT MAINT MANUAL REF: 30-11-72 USED ON: 233N3204-1301 POST ALERT SB: 33A0044	011100	RF
695	233N3204-1020		..PANEL ASSY- SUPPLIER CODE: V89954 COMPONENT MAINT MANUAL REF: 30-11-72 USED ON: 233N3204-1301 POST ALERT SB: 33A0044	108120	RF
695	233N3204-1027		..PANEL ASSY- SUPPLIER CODE: V89954 COMPONENT MAINT MANUAL REF: 30-11-72 USED ON: 233N3204-1302 POST ALERT SB: 33A0044	108120	RF

MISSING ITEM NUMBERS NOT APPLICABLE

- ITEM NOT ILLUSTRATED

33-13-01-02

33-13-01
FIG. 02
PAGE 59
MAY 20/09

BRI



757

PARTS CATALOG (MAINTENANCE)

FIG ITEM	PART NUMBER	1 2 3 4 5 6 7	NOMENCLATURE	EFFECT FROM TO	UNITS PER ASSY
2 695	233N3204-1028		..PANEL ASSY- SUPPLIER CODE: V89954 COMPONENT MAINT MANUAL REF: 30-11-72 USED ON: 233N3204-1303 POST ALERT SB: 33A0044	108120	RF
695	233N3204-1028		..PANEL ASSY- SUPPLIER CODE: V89954 COMPONENT MAINT MANUAL REF: 30-11-72 USED ON: 233N3204-1303 POST ALERT SB: 33A0044	108120	RF
705	800-000121-1		...CONNECTOR-PWR SUPPLIER CODE: V05617	011100 108120	1
710	800-001043		..LIGHTPLATE-5V WHITE ILLUMINATED INTEGRALLY- LIGHTED ANTI-ICE SUPPLIER CODE: V05617 SPECIFICATION NUMBER: S233T100-1070 MISCELLANEOUS DATA: FOR VENDOR FSCM 05617 FOR SPARES ORDER THE 800-001043-1 OPTIONAL PART: S233T100-1070 V51896 800-001043-1 V05617	011100 108120	1
710	800-001043-1		..LIGHTPLATE-5V WHITE ILLUMINATED INTEGRALLY- LIGHTED ANTI-ICE SUPPLIER CODE: V05617 SPECIFICATION NUMBER: S233T100-1070 OPTIONAL PART: S233T100-1070 V51896 800-001043 V05617	011100 108120	1

MISSING ITEM NUMBERS NOT APPLICABLE

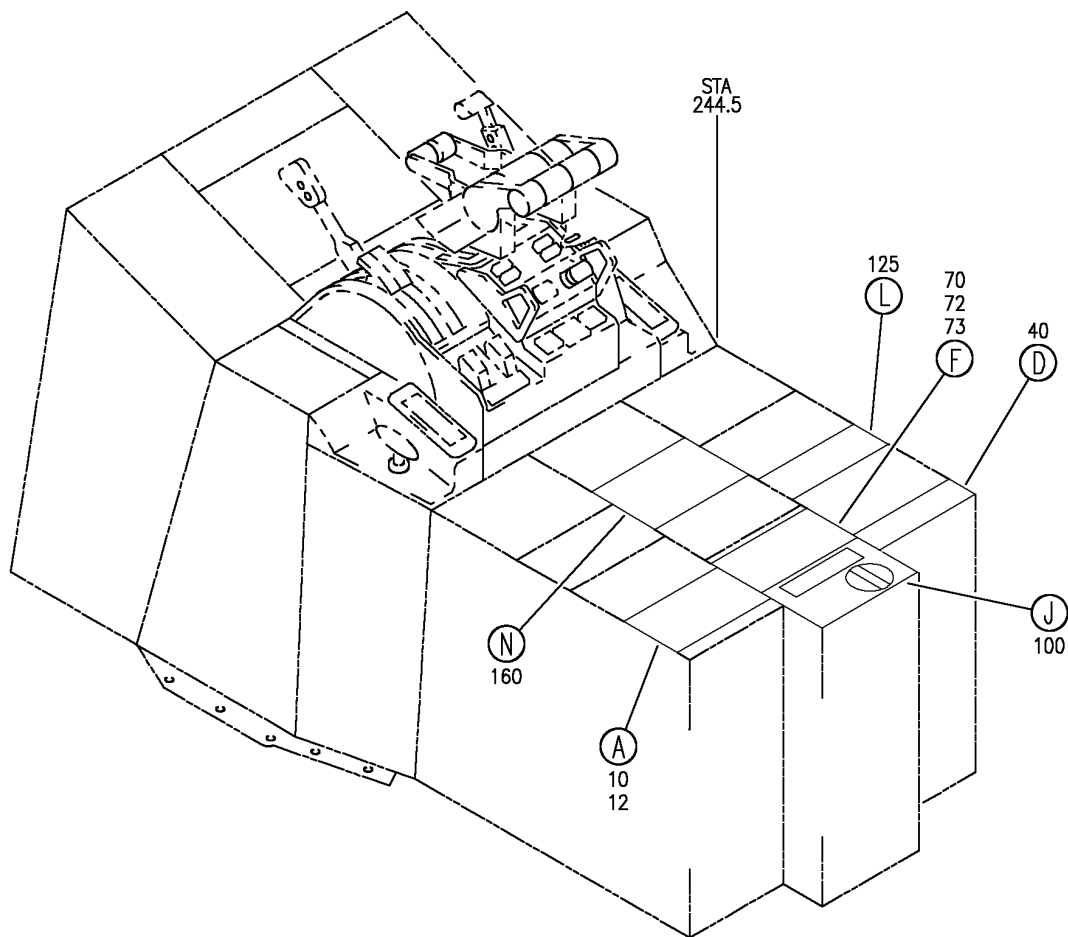
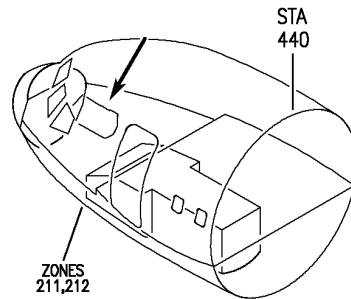
- ITEM NOT ILLUSTRATED

33-13-01-02

33-13-01
FIG. 02
PAGE 60
MAY 20/09

BRI

BOEING
757
PARTS CATALOG (MAINTENANCE)



Y 33130104 SHT 1 REV 253

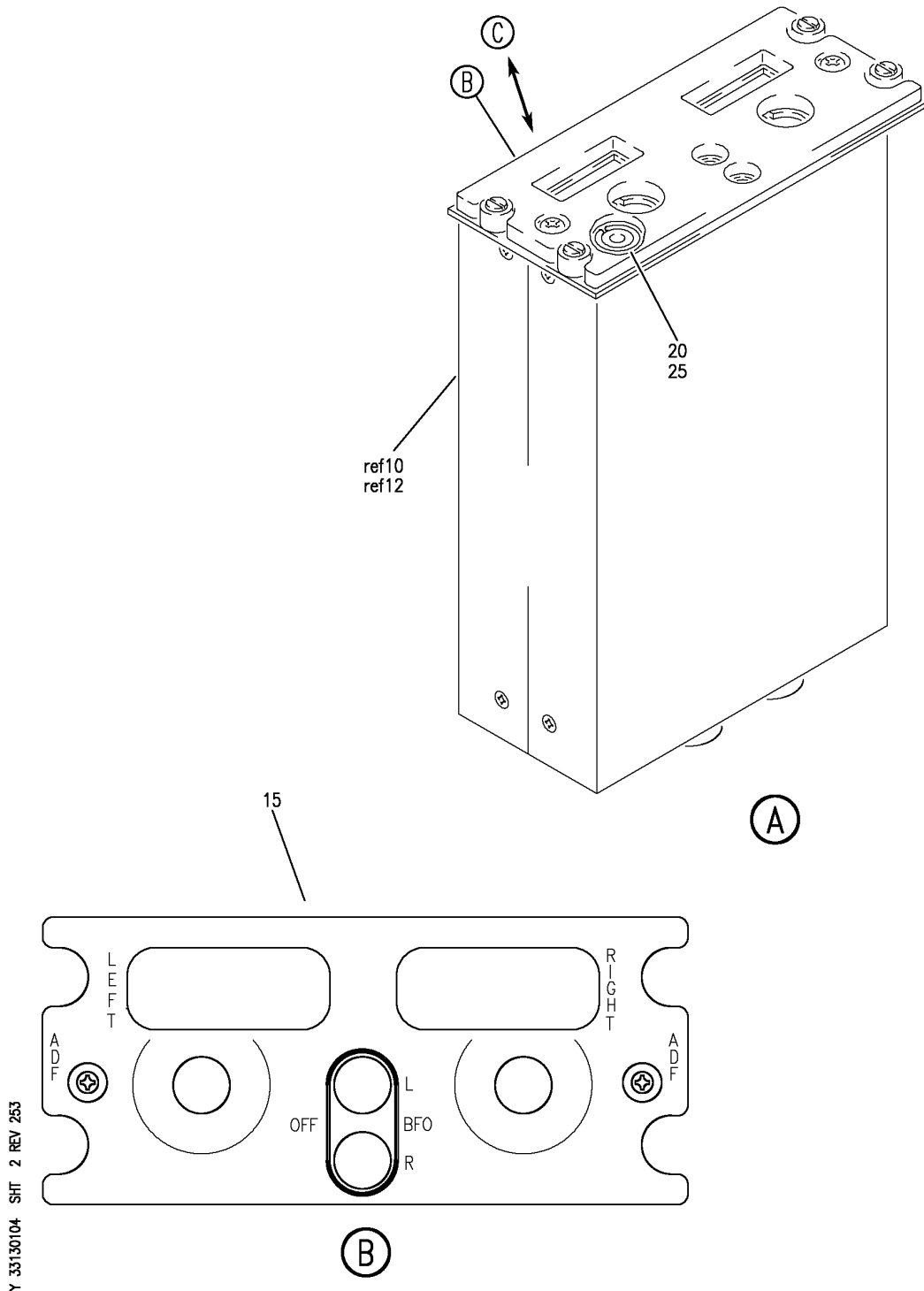
PANEL INSTL-P8,P9,P10 ELECTRONIC (LIGHTS ONLY)
FIGURE 4 (SHEET 1)

33-13-01-04

BRI
JAN 20/09

33-13-01-04
PAGE 0

BOEING
757
PARTS CATALOG (MAINTENANCE)



Y 33130104 SH1 2 REV 253

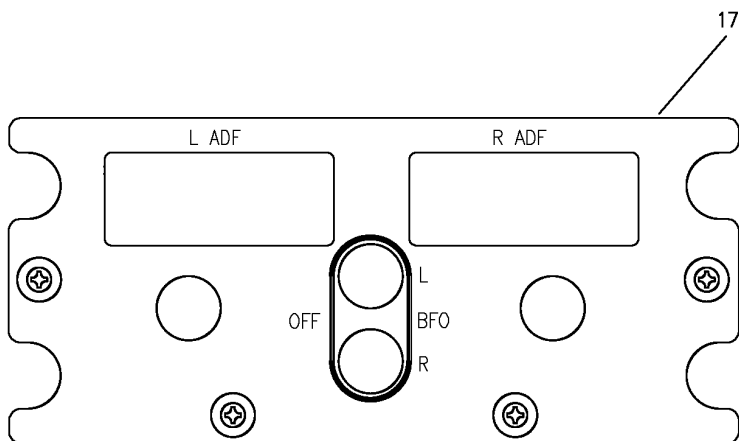
PANEL INSTL-P8,P9,P10 ELECTRONIC (LIGHTS ONLY)
FIGURE 4 (SHEET 2)

33-13-01-04

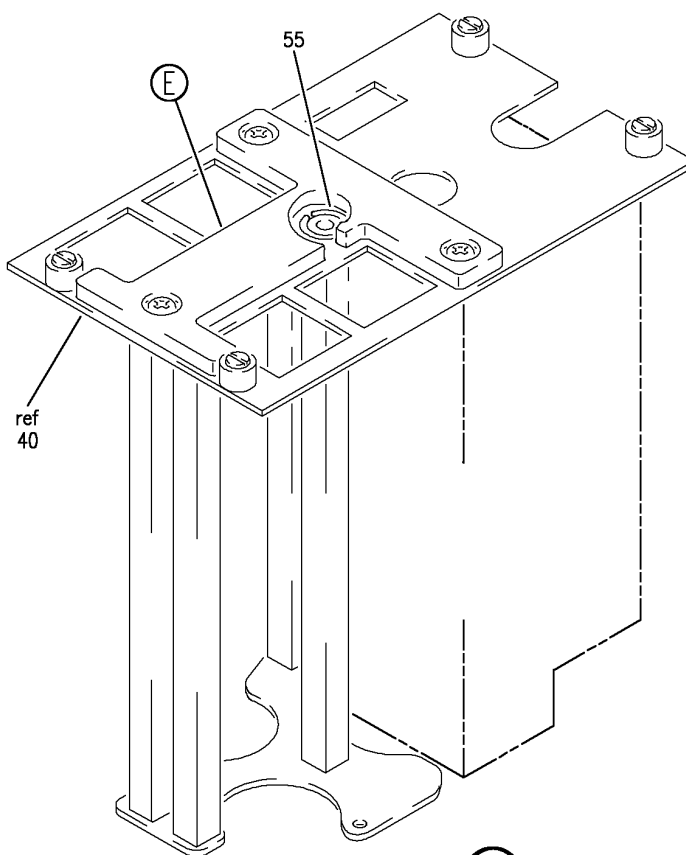
BRI
JAN 20/09

33-13-01-04
PAGE 0A

BOEING
757
PARTS CATALOG (MAINTENANCE)



(C)

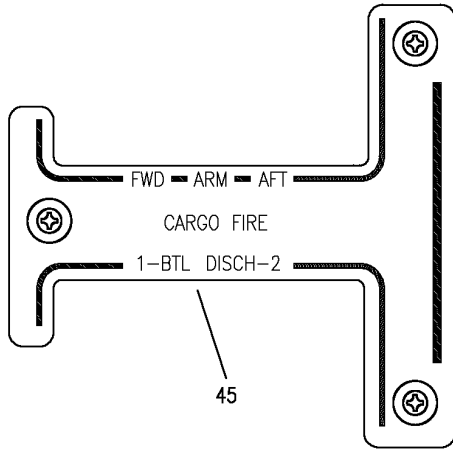


(D)

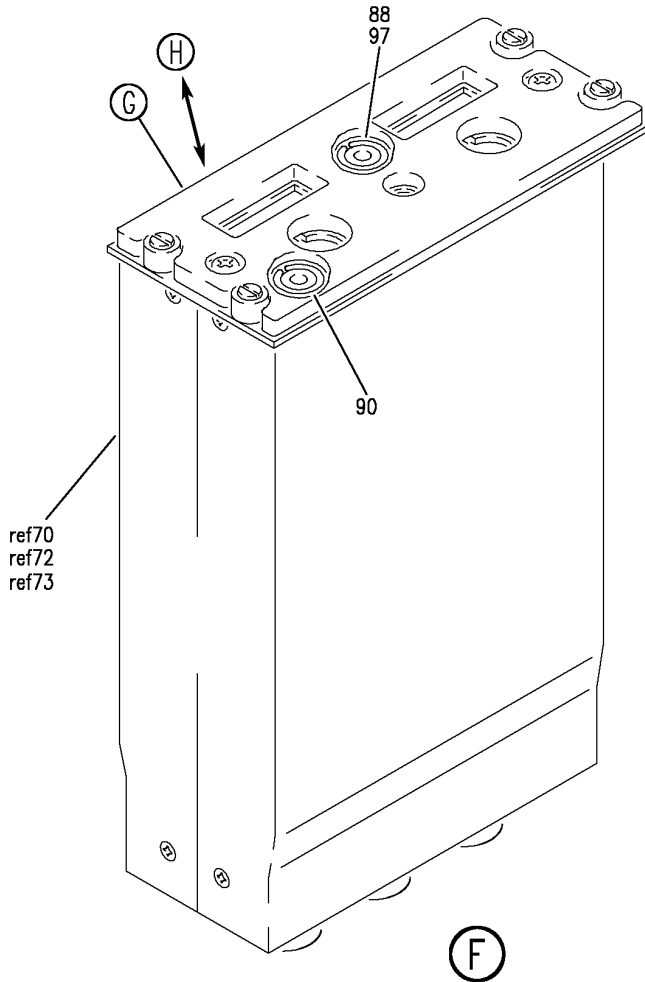
PANEL INSTL-P8,P9,P10 ELECTRONIC (LIGHTS ONLY)
FIGURE 4 (SHEET 3)

33-13-01-04

BOEING
757
PARTS CATALOG (MAINTENANCE)



(E)



Y 33130104 SHT 4 REV 253

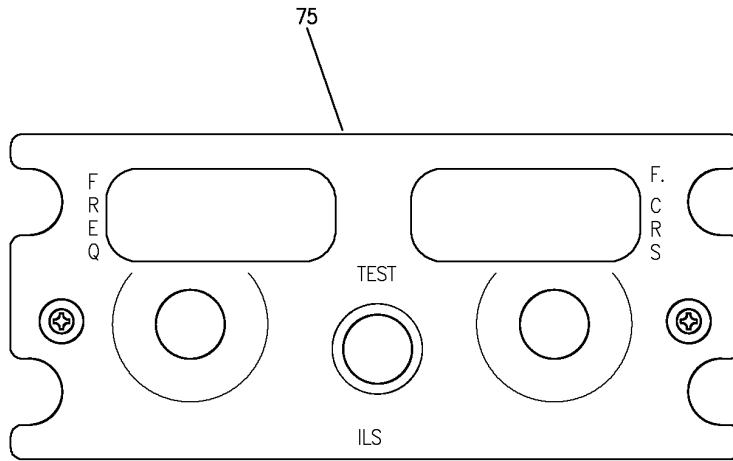
PANEL INSTL-P8,P9,P10 ELECTRONIC (LIGHTS ONLY)
FIGURE 4 (SHEET 4)

33-13-01-04

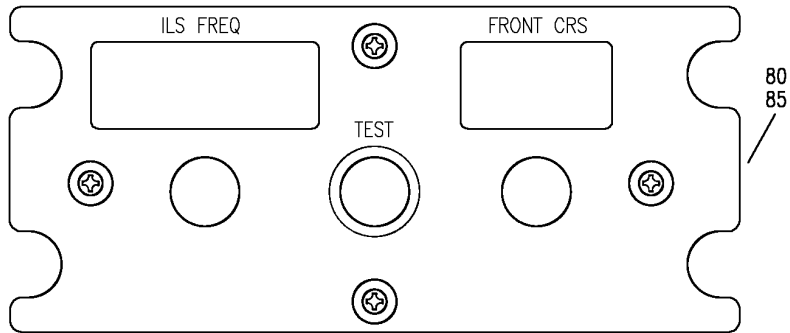
BRI
JAN 20/09

33-13-01-04
PAGE 0C

BOEING
757
PARTS CATALOG (MAINTENANCE)



(G)



(H)

Y 33130104 SHT 5 REV 253

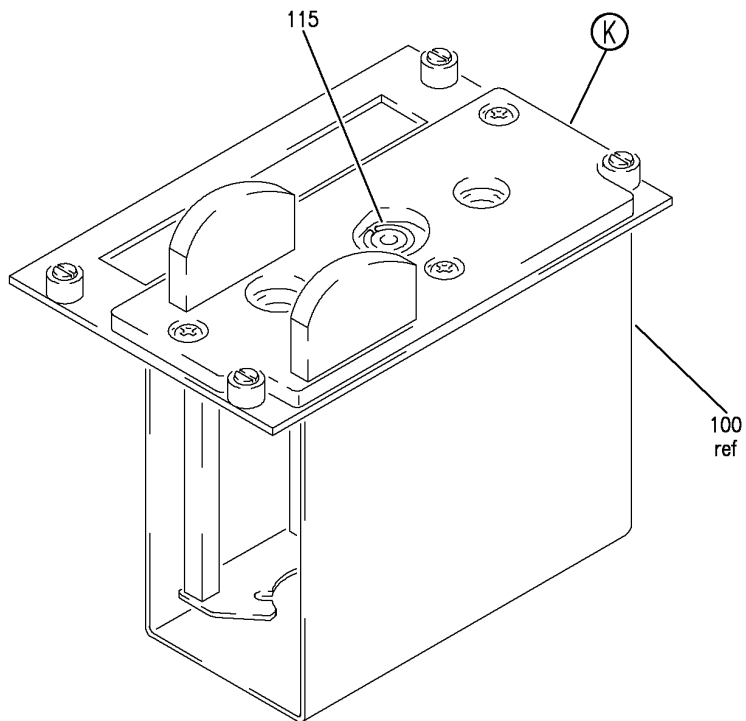
PANEL INSTL-P8,P9,P10 ELECTRONIC (LIGHTS ONLY)
FIGURE 4 (SHEET 5)

33-13-01-04

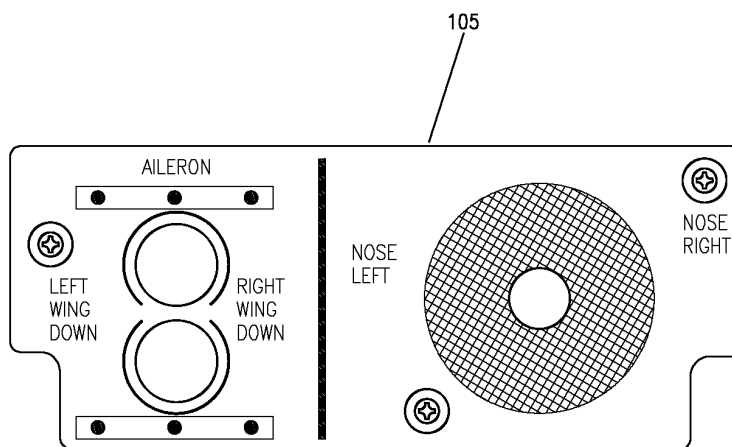
BRI
JAN 20/09

33-13-01-04
PAGE 0D

BOEING
757
PARTS CATALOG (MAINTENANCE)



(J)



(K)

Y 33130104 SHT 6 REV 253

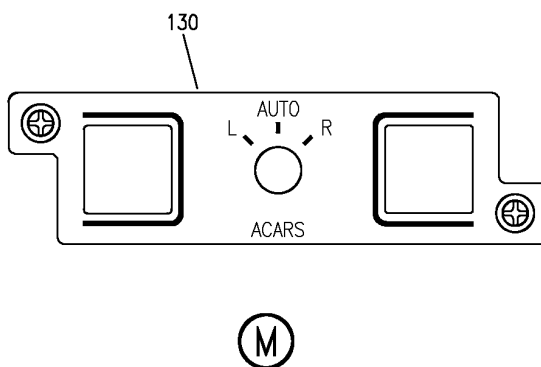
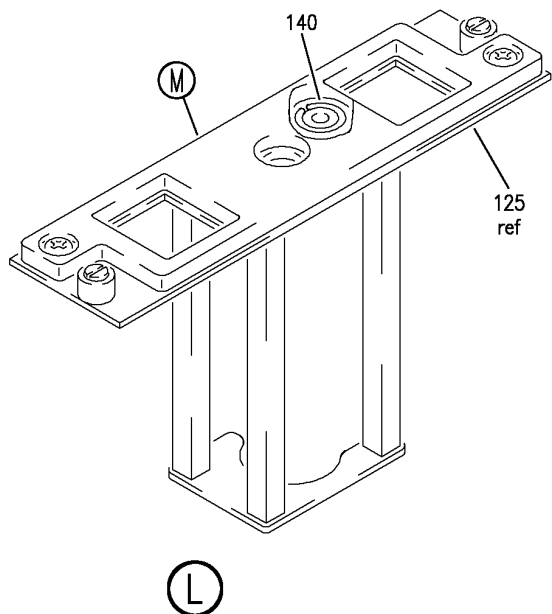
PANEL INSTL-P8,P9,P10 ELECTRONIC (LIGHTS ONLY)
FIGURE 4 (SHEET 6)

33-13-01-04

BRI
JAN 20/09

33-13-01-04
PAGE 0E

BOEING
757
PARTS CATALOG (MAINTENANCE)



Y 33130104 SHT 7 REV 253

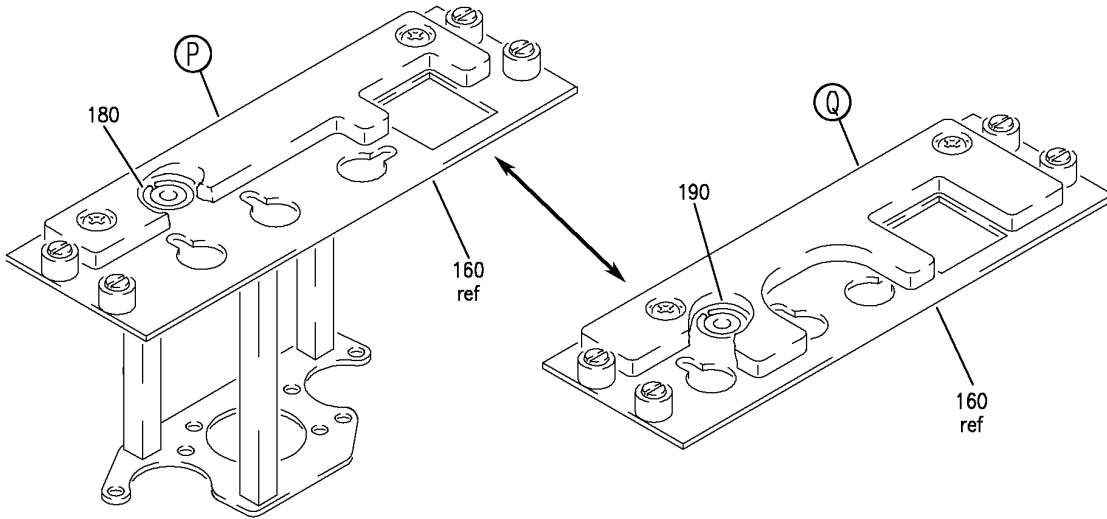
PANEL INSTL-P8,P9,P10 ELECTRONIC (LIGHTS ONLY)
FIGURE 4 (SHEET 7)

33-13-01-04

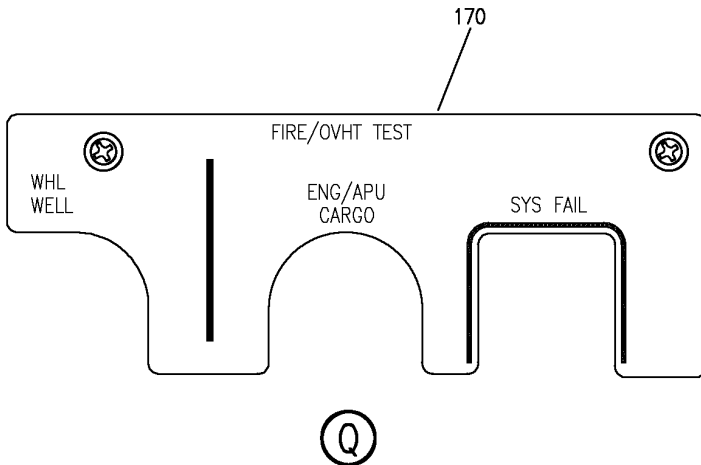
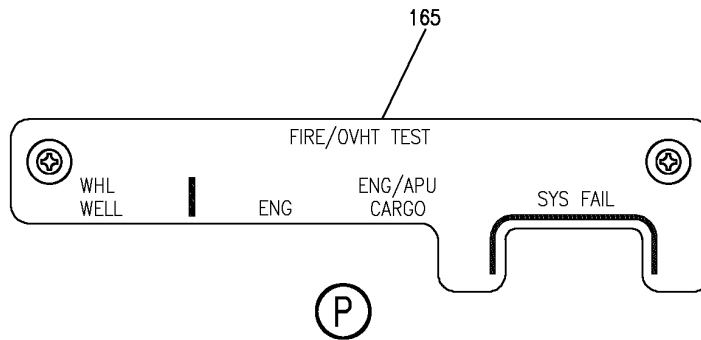
BRI
JAN 20/09

33-13-01-04
PAGE OF

BOEING
757
PARTS CATALOG (MAINTENANCE)



(N)



Y 33130104 SHT 8 REV 253

PANEL INSTL-P8,P9,P10 ELECTRONIC (LIGHTS ONLY)
FIGURE 4 (SHEET 8)

33-13-01-04



757

PARTS CATALOG (MAINTENANCE)

FIG ITEM	PART NUMBER	1 2 3 4 5 6 7	NOMENCLATURE	EFFECT FROM TO	UNITS PER ASSY
4			PANEL INSTL-P8,P9,P10 ELECTRONIC (LIGHTS ONLY)	504903	
- 1	233N6103-122		PANEL INSTL-P8,P9,P10 ELECTRONICS (LIGHTS ONLY) FOR NHA/OTHER SYS DET SEE: 25-10-00-15B	504903	RF
10	285T0557-1		.PANEL ASSY-ADF CONT SUPPLIER CODE: V89954 ELECTRICAL EQUIP NUMBER: M01046 COMPONENT MAINT MANUAL REF: 34-57-62	504903	RF
12	285T0537-1		.PANEL ASSY-ADF CONT SUPPLIER CODE: V89954 ELECTRICAL EQUIP NUMBER: M01046 COMPONENT MAINT MANUAL REF: 34-57-53	504903	RF
15	S233T100-563		..LIGHTPLATE-5V WHITE ILLUMINATED INTEGRALLY LIGHTED ADF DUAL W/BFO SUPPLIER CODE: V51896 OPTIONAL PART: 800-007856 V05617 USED ON: 285T0557-1	504903	1
15	800-007856		..LIGHTPLATE-5V WHITE ILLUMINATED INTEGRALLY LIGHTED ADF DUAL W/BFO SUPPLIER CODE: V05617 SPECIFICATION NUMBER: S233T100-563 OPTIONAL PART: S233T100-563 V51896 USED ON: 285T0557-1	504903	1

MISSING ITEM NUMBERS NOT APPLICABLE

- ITEM NOT ILLUSTRATED

33-13-01-04

33-13-01
FIG. 04
PAGE 1
JAN 20/09

BRI

 **BOEING**
757
PARTS CATALOG (MAINTENANCE)

FIG ITEM	PART NUMBER	1 2 3 4 5 6 7	NOMENCLATURE	EFFECT FROM TO	UNITS PER ASSY
R R	4 17	S233T100-558	..LIGHTPLATE-5V WHITE ILLUMINATED INTEGRALLY LIGHTED ADF DUAL W/BFO SUPPLIER CODE: V51896 SPECIFICATION NUMBER: S233T100-558 OPTIONAL PART: S233T100-551 V51896 OPTIONAL SUPPLIER CODE: 05617 98140 USED ON: 285T0537-1	504903	1
	17	S233T100-551	..LIGHTPLATE-5V WHITE ILLUMINATED INTEGRALLY LIGHTED ADF DUAL W/BFO SUPPLIER CODE: V51896 SPECIFICATION NUMBER: S233T100-551 OPTIONAL PART: S233T100-558 V51896 OPTIONAL SUPPLIER CODE: 05617 98140 USED ON: 285T0537-1	504903	1
	20	800-000121-1	..CONNECTOR-PWR SUPPLIER CODE: V05617 QUALIFIED OPTIONAL DATA: 800-000121-1 OPT TO 90-42303-1 WHEN USED WITH ASSOCIATED ITEMS USED ON: 285T0557-1	504903	1
	20	90-42303-1	..CONNECTOR-PWR SUPPLIER CODE: V51074 QUALIFIED OPTIONAL DATA: 800-000121-1 OPT TO 90-42303-1 WHEN USED WITH ASSOCIATED ITEMS USED ON: 285T0557-1	504903	1

MISSING ITEM NUMBERS NOT APPLICABLE

— ITEM NOT ILLUSTRATED

BRI

33-13-01-04

BOEING PROPRIETARY - Copyright © - Unpublished Work - See title page for details.

33-13-01
FIG. 04
PAGE 2
MAY 20/09



757

PARTS CATALOG (MAINTENANCE)

FIG ITEM	PART NUMBER	1 2 3 4 5 6 7	NOMENCLATURE	EFFECT FROM TO	UNITS PER ASSY
4 25	800-000121-1		.. CONNECTOR-PWR SUPPLIER CODE: V05617 USED ON: 285T0537-1	504903	1
40	233N6203-301		.PANEL ASSY-APU/CARGO FIRE CONT SUPPLIER CODE: V89954 ELECTRICAL EQUIP NUMBER: M10444 COMPONENT MAINT MANUAL REF: 26-15-51 QUALIFIED I/W DATA: THE 233N6203-301 PANEL ASSY IS I/W THE 233N6203-161 PANEL ASSY T/W THE S233T100-573 LIGHTPLATE. PRE ALERT SB: 33A0044	504903	RF
40	233N6203-355		.PANEL ASSY-APU/CARGO FIRE CONT SUPPLIER CODE: V89954 ELECTRICAL EQUIP NUMBER: M10444	504903	RF
40	233N6203-1301		.PANEL ASSY-APU/CARGO FIRE CONT SUPPLIER CODE: V89954 ELECTRICAL EQUIP NUMBER: M10444 COMPONENT MAINT MANUAL REF: 26-15-51 POST ALERT SB: 33A0044	504903	RF

MISSING ITEM NUMBERS NOT APPLICABLE

- ITEM NOT ILLUSTRATED

33-13-01-04

33-13-01
FIG. 04
PAGE 3
JAN 20/09

BRI



757

PARTS CATALOG (MAINTENANCE)

FIG ITEM	PART NUMBER	1 2 3 4 5 6 7	NOMENCLATURE	EFFECT FROM TO	UNITS PER ASSY
4 45	S233T100-573		..LIGHTPLATE-5V WHITE ILLUMINATED INTEGRALLY LIGHTED APU/CARGO FIRE SUPPLIER CODE: V51896 OPTIONAL PART: 800-007123 V05617 OPTIONAL PART: 800-007123 V05617 OPTIONAL SUPPLIER CODE: 05617 98140 USED ON: 233N6203-301	504903	1
45	800-007123		..LIGHTPLATE-5V WHITE ILLUMINATED INTEGRALLY LIGHTED APU/CARGO FIRE SUPPLIER CODE: V05617 SPECIFICATION NUMBER: S233T100-573 OPTIONAL PART: S233T100-573 V51896 OPTIONAL PART: S233T100-573 V51896 OPTIONAL SUPPLIER CODE: 05617 98140 USED ON: 233N6203-301	504903	1
45	800-007123		..LIGHTPLATE-5V WHITE ILLUMINATED INTEGRALLY LIGHTED APU/CARGO FIRE SUPPLIER CODE: V05617 SPECIFICATION NUMBER: S233T100-573 OPTIONAL PART: S233T100-573 V51896 OPTIONAL SUPPLIER CODE: 05617 98140 USED ON: 233N6203-355	504903	1

MISSING ITEM NUMBERS NOT APPLICABLE

- ITEM NOT ILLUSTRATED

33-13-01-04

33-13-01
FIG. 04
PAGE 4
JAN 20/09

BRI



757

PARTS CATALOG (MAINTENANCE)

FIG ITEM	PART NUMBER	1 2 3 4 5 6 7	NOMENCLATURE	EFFECT FROM TO	UNITS PER ASSY
4 - 50	233N6203-1161		..PANEL ASSY- SUPPLIER CODE: V89954 COMPONENT MAINT MANUAL REF: 26-15-51 USED ON: 233N6203-1301 POST ALERT SB: 33A0044	504903	RF
- 50	233N6203-161		..PANEL ASSY- SUPPLIER CODE: V89954 COMPONENT MAINT MANUAL REF: 26-15-51 QUALIFIED I/W DATA: THE 233N6203-301 PANEL ASSY IS I/W THE 233N6203-161 PANEL ASSY T/W THE S233T100-573 LIGHTPLATE. 233N6203-9/-23/-45/-104/ -105/-161 ARE ALL INTERCHANGEABLE EXCEPT SUBJECT TO CUSTOMER PREFERENCE USED ON: 233N6203-301 PRE ALERT SB: 33A0044	504903	RF
- 50	233N6203-252		..PANEL ASSY- SUPPLIER CODE: V89954 COMPONENT MAINT MANUAL REF: 26-15-51 USED ON: 233N6203-355	504903	RF
55	800000121-1		...CONNECTOR-PWR SUPPLIER CODE: V05617 USED ON: 233N6203-161	504903	1
55	800-000121-1		...CONNECTOR-PWR SUPPLIER CODE: V05617 USED ON: 233N6203-252	504903	1

MISSING ITEM NUMBERS NOT APPLICABLE

- ITEM NOT ILLUSTRATED

33-13-01-04

33-13-01
FIG. 04
PAGE 5
JAN 20/09

BRI



757

PARTS CATALOG (MAINTENANCE)

FIG ITEM	PART NUMBER	1 2 3 4 5 6 7	NOMENCLATURE	EFFECT FROM TO	UNITS PER ASSY
4					
70	285T0553-4		.PANEL ASSY-ILS CONT SUPPLIER CODE: V89954 ELECTRICAL EQUIP NUMBER: M00087 COMPONENT MAINT MANUAL REF: 34-31-61	504903	RF
70	285T0553-1		.PANEL ASSY-ILS CONT SUPPLIER CODE: V89954 ELECTRICAL EQUIP NUMBER: M00087 COMPONENT MAINT MANUAL REF: 34-31-61	504903	RF
70	285T0553-2		.PANEL ASSY-ILS CONT SUPPLIER CODE: V89954 ELECTRICAL EQUIP NUMBER: M00087 COMPONENT MAINT MANUAL REF: 34-31-61	504903	RF
70	285T0553-3		.PANEL ASSY-ILS CONT SUPPLIER CODE: V89954 ELECTRICAL EQUIP NUMBER: M00087 COMPONENT MAINT MANUAL REF: 34-31-61	504903	RF
72	285T0020-8		.PANEL ASSY-ILS CONT SUPPLIER CODE: V89954 ELECTRICAL EQUIP NUMBER: M00087 COMPONENT MAINT MANUAL REF: 34-31-51	504903	RF
73	285T0524-6		.PANEL ASSY-ILS CONT SUPPLIER CODE: V89954 ELECTRICAL EQUIP NUMBER: M00087 COMPONENT MAINT MANUAL REF: 34-31-52	504903	RF

MISSING ITEM NUMBERS NOT APPLICABLE

- ITEM NOT ILLUSTRATED

33-13-01-04

33-13-01
FIG. 04
PAGE 6
JAN 20/09

BRI



757

PARTS CATALOG (MAINTENANCE)

FIG ITEM	PART NUMBER	1 2 3 4 5 6 7	NOMENCLATURE	EFFECT FROM TO	UNITS PER ASSY
4 75	S233T100-559		..LIGHTPLATE-5V WHITE ILLUMINATED INTEGRALLY LIGHTED ILS SUPPLIER CODE: V51896 OPTIONAL PART: 800-007677 V05617 USED ON: 285T0553-1 285T0553-2 285T0553-3 285T0553-4	504903	1
75	800-007677		..LIGHTPLATE-5V WHITE ILLUMINATED INTEGRALLY LIGHTED ILS SUPPLIER CODE: V05617 SPECIFICATION NUMBER: S233T100-559 OPTIONAL PART: S233T100-559 V51896 USED ON: 285T0553-1 285T0553-2 285T0553-3 285T0553-4	504903	1
80	S233T100-543		..LIGHTPLATE-5V WHITE ILLUMINATED INTEGRALLY LIGHTED ILS SUPPLIER CODE: V51896 OPTIONAL PART: 800-008004 V05617 OPTIONAL PART: S233T100-544 V51896 S233T100-554 V51896 USED ON: 285T0020-8	504903	1

MISSING ITEM NUMBERS NOT APPLICABLE

- ITEM NOT ILLUSTRATED

BRI

33-13-01-04

BOEING PROPRIETARY - Copyright © - Unpublished Work - See title page for details.

33-13-01
FIG. 04
PAGE 7
JAN 20/09



757

PARTS CATALOG (MAINTENANCE)

FIG ITEM	PART NUMBER	1 2 3 4 5 6 7	NOMENCLATURE	EFFECT FROM TO	UNITS PER ASSY
R R	4 80	S233T100-544	.. LIGHTPLATE-5V WHITE ILLUMINATED INTEGRALLY LIGHTED ILS SUPPLIER CODE: V51896 SPECIFICATION NUMBER: S233T100-544 OPTIONAL PART: S233T100-543 V51896 S233T100-554 V51896 800-008004 V05617 800-007826 V05617 OPTIONAL SUPPLIER CODE: 05617 98140 USED ON: 285T0020-8	504903	1
	80	S233T100-554	.. LIGHTPLATE-5V WHITE ILLUMINATED INTEGRALLY LIGHTED ILS SUPPLIER CODE: V51896 OPTIONAL PART: 800-007826 V05617 OPTIONAL PART: S233T100-543 V51896 S233T100-544 V51896 800-008004 V05617 USED ON: 285T0020-8	504903	1

MISSING ITEM NUMBERS NOT APPLICABLE

- ITEM NOT ILLUSTRATED

33-13-01-04

BOEING PROPRIETARY - Copyright © - Unpublished Work - See title page for details.

33-13-01
FIG. 04
PAGE 8
MAY 20/09

BRI



757

PARTS CATALOG (MAINTENANCE)

FIG ITEM	PART NUMBER	1 2 3 4 5 6 7	NOMENCLATURE	EFFECT FROM TO	UNITS PER ASSY
4 80	800-008004		..LIGHTPLATE-5V WHITE ILLUMINATED INTEGRALLY LIGHTED ILS SUPPLIER CODE: V05617 SPECIFICATION NUMBER: S233T100-543 OPTIONAL PART: S233T100-543 V51896 OPTIONAL PART: S233T100-544 V51896 S233T100-554 V51896 800-007826 V05617 USED ON: 285T0020-8	504903	1
80	800-007826		..LIGHTPLATE-5V WHITE ILLUMINATED INTEGRALLY LIGHTED ILS SUPPLIER CODE: V05617 SPECIFICATION NUMBER: S233T100-554 OPTIONAL PART: S233T100-554 V51896 OPTIONAL PART: S233T100-543 V51896 S233T100-544 V51896 800-008004 V05617 USED ON: 285T0020-8	504903	1

MISSING ITEM NUMBERS NOT APPLICABLE

- ITEM NOT ILLUSTRATED

33-13-01-04

33-13-01
 FIG. 04
 PAGE 9
 JAN 20/09

BRI



757
PARTS CATALOG (MAINTENANCE)

FIG ITEM	PART NUMBER	1 2 3 4 5 6 7	NOMENCLATURE	EFFECT FROM TO	UNITS PER ASSY
R R	4 85	S233T100-545	..LIGHTPLATE-5V WHITE ILLUMINATED INTEGRALLY LIGHTED ILS SUPPLIER CODE: V51896 SPECIFICATION NUMBER: S233T100-545 OPTIONAL PART: S233T100-546 V51896 S233T100-555 V51896 OPTIONAL SUPPLIER CODE: 05617 98140 USED ON: 285T0524-6	504903	1
	85	S233T100-546	..LIGHTPLATE-5V WHITE ILLUMINATED INTEGRALLY LIGHTED ILS SUPPLIER CODE: V51896 SPECIFICATION NUMBER: S233T100-546 OPTIONAL PART: S233T100-545 V51896 S233T100-555 V51896 OPTIONAL SUPPLIER CODE: 05617 98140 USED ON: 285T0524-6	504903	1
	85	S233T100-555	..LIGHTPLATE-5V WHITE ILLUMINATED INTEGRALLY LIGHTED ILS SUPPLIER CODE: V51896 SPECIFICATION NUMBER: S233T100-555 OPTIONAL PART: S233T100-545 V51896 S233T100-546 V51896 OPTIONAL SUPPLIER CODE: 05617 98140 USED ON: 285T0524-6	504903	1

MISSING ITEM NUMBERS NOT APPLICABLE

- ITEM NOT ILLUSTRATED

33-13-01-04

33-13-01
FIG. 04
PAGE 10
MAY 20/09

BRI



757

PARTS CATALOG (MAINTENANCE)

FIG ITEM	PART NUMBER	1 2 3 4 5 6 7	NOMENCLATURE	EFFECT FROM TO	UNITS PER ASSY
4					
- 86	285T0082-10	..	MODULE ASSY-FRONT SUPPLIER CODE: V89954 OPTIONAL PART: 285T0082-14 V89954 USED ON: 285T0020-8	504903	RF
- 86	285T0082-14	..	MODULE ASSY-FRONT SUPPLIER CODE: V89954 OPTIONAL PART: 285T0082-10 V89954 USED ON: 285T0020-8	504903	RF
88	800-000121-1	...	CONNECTOR- SUPPLIER CODE: V05617	504903	1
90	800-000121-1	..	CONNECTOR- SUPPLIER CODE: V05617 QUALIFIED OPTIONAL DATA: 800-000121-1 OPTIONAL TO 90-42303-1 WHEN USED WITH ASSOCIATED PARTS USED ON: 285T0553-4	504903	1
90	90-42303-1	..	CONNECTOR- SUPPLIER CODE: V51074 QUALIFIED OPTIONAL DATA: 800-000121-1 OPTIONAL TO 90-42303-1 WHEN USED WITH ASSOCIATED PARTS USED ON: 285T0553-4	504903	1
90	800-000121-1	..	CONNECTOR- SUPPLIER CODE: V05617 USED ON: 285T0553-1 285T0553-2 285T0553-3	504903	1
- 95	285T0524-2	..	WIRE BUNDLE ASSY- SUPPLIER CODE: V89954 USED ON: 285T0524-6	504903	RF

MISSING ITEM NUMBERS NOT APPLICABLE

- ITEM NOT ILLUSTRATED

33-13-01-04

33-13-01
FIG. 04
PAGE 11
JAN 20/09

BRI



757

PARTS CATALOG (MAINTENANCE)

FIG ITEM	PART NUMBER	1 2 3 4 5 6 7	NOMENCLATURE	EFFECT FROM TO	UNITS PER ASSY
4 97	800-000121-1		...CONNECTOR- SUPPLIER CODE: V05617	504903	1
100	233T6201-324		.PANEL ASSY-AIL. RUD TRIM CONT SUPPLIER CODE: V89954 FUNCTIONAL DESCRIPTION: CONTROLS AILERON RUDDER TRIM AND DISPLAYS TRIM ANGLE. ELECTRICAL EQUIP NUMBER: M00074 COMPONENT MAINT MANUAL REF: 27-21-63 QUALIFIED I/W DATA: THE 233T6201-324 PANEL ASSY IS I/W THE 233T6201-21 PANEL ASSY T/W THE S233T100-528 LIGHTPLATE AND SA808-101 KNOB	504903	RF
105	800-000448		..LIGHTPLATE-5V WHITE ILLUMINATED INTEGRALLY LIGHTED AIL./RUD TRIM SUPPLIER CODE: V05617 SPECIFICATION NUMBER: S233T100-528 MISCELLANEOUS DATA: FOR VENDOR FSCM 05617 FOR SPARES ORDER THE 800-000448-1 OPTIONAL PART: S233T100-528 V51896 800-000448-1 V05617	504903	1

R
R
R
R
R
R
R
R
R
R
R
R
R
R
R

MISSING ITEM NUMBERS NOT APPLICABLE

- ITEM NOT ILLUSTRATED

33-13-01-04

33-13-01
FIG. 04
PAGE 12
MAY 20/09

BRI



757

PARTS CATALOG (MAINTENANCE)

FIG ITEM	PART NUMBER	1 2 3 4 5 6 7	NOMENCLATURE	EFFECT FROM TO	UNITS PER ASSY
4 105	800-000448-1		..LIGHTPLATE-5V WHITE ILLUMINATED INTEGRALLY LIGHTED AIL./RUD TRIM SUPPLIER CODE: V05617 SPECIFICATION NUMBER: S233T100-528 OPTIONAL PART: S233T100-528 V51896 800-000448 V05617	504903	1
- 110	233T6201-21		..PANEL ASSY- SUPPLIER CODE: V89954 COMPONENT MAINT MANUAL REF: 27-21-63 QUALIFIED I/W DATA: THE 233T6201-324 PANEL ASSY IS I/W THE 233T6201-21 PANEL ASSY T/W THE S233T100-528 LIGHTPLATE AND SA808-101 KNOB	504903	RF
115	800000121-1		...CONNECTOR- SUPPLIER CODE: V05617	504903	1
125	233N6206-302		.PANEL ASSY-ACARS SUPPLIER CODE: V89954 ELECTRICAL EQUIP NUMBER: M10775	504903	RF
130	800-007869		..LIGHTPLATE-ACARS SWITCHING SUPPLIER CODE: V05617 SPECIFICATION NUMBER: S233T100-5516 OPTIONAL PART: S233T100-5516 V51896	504903	1
- 135	233N6206-6		..PANEL ASSY- SUPPLIER CODE: V89954 COMPONENT MAINT MANUAL REF: 23-27-02	504903	RF
140	800-000121-1		...CONNECTOR-PWR SUPPLIER CODE: V05617	504903	1

MISSING ITEM NUMBERS NOT APPLICABLE

- ITEM NOT ILLUSTRATED

33-13-01-04

33-13-01
FIG. 04
PAGE 13
MAY 20/09

BRI



757

PARTS CATALOG (MAINTENANCE)

FIG ITEM	PART NUMBER	1 2 3 4 5 6 7	NOMENCLATURE	EFFECT FROM TO	UNITS PER ASSY
4 160	233N6204-301		.PANEL ASSY-FIRE OVERHEAT TEST SUPPLIER CODE: V89954 ELECTRICAL EQUIP NUMBER: M10445 COMPONENT MAINT MANUAL REF: 26-11-52 QUALIFIED I/W DATA: 233N6204-301 PANEL ASSY IS I/W 233N6204-15 PANEL ASSY T/W S233T100-5508 LIGHTPLATE,	504903	RF
160	233T6204-301		.PANEL ASSY-FIRE OVERHEAT TEST SUPPLIER CODE: V89954 ELECTRICAL EQUIP NUMBER: M10445 COMPONENT MAINT MANUAL REF: 26-11-51 QUALIFIED I/W DATA: 233T6204-301 PANEL ASSY IS I/W 233T6204-13 PANEL ASSY T/W S233T100-538 LIGHTPLATE	504903	RF
165	S233T100-5508		..LIGHTPLATE-5V WHITE ILLUMINATED INTEGRALLY LIGHTED FIRE/OVHT TEST SUPPLIER CODE: V51896 OPTIONAL PART: 800-000444 V05617 OPTIONAL SUPPLIER CODE: 05617 98140 USED ON: 233N6204-301	504903	1

R
R
R
R
R
R
R
R
R
R

MISSING ITEM NUMBERS NOT APPLICABLE

- ITEM NOT ILLUSTRATED

33-13-01-04

33-13-01
FIG. 04
PAGE 14
MAY 20/09

BRI



757

PARTS CATALOG (MAINTENANCE)

FIG ITEM	PART NUMBER	1 2 3 4 5 6 7	NOMENCLATURE	EFFECT FROM TO	UNITS PER ASSY
4 165	800-000444		..LIGHTPLATE-5V WHITE ILLUMINATED INTEGRALLY LIGHTED FIRE/OVHT TEST SUPPLIER CODE: V05617 SPECIFICATION NUMBER: S233T100-5508 MISCELLANEOUS DATA: FOR VENDOR FSCM 05617 FOR SPARES ORDER THE 800-000444-1 OPTIONAL PART: S233T100-5508 V51896 800-000444-1 V05617 USED ON: 233N6204-301	504903	1
165	800-000444-1		..LIGHTPLATE-5V WHITE ILLUMINATED INTEGRALLY LIGHTED FIRE/OVHT TEST SUPPLIER CODE: V05617 SPECIFICATION NUMBER: S233T100-5508 OPTIONAL PART: S233T100-5508 V51896 800-000444 V05617	504903	1
170	800-000903		..LIGHTPLATE-5V WHITE ILLUMINATED INTEGRALLY LIGHTED FIRE/OVHT TEST SUPPLIER CODE: V05617 SPECIFICATION NUMBER: S233T100-538 MISCELLANEOUS DATA: FOR VENDOR FSCM 05617 FOR SPARES ORDER THE 800-000903-1 OPTIONAL PART: S233T100-538 V51896 800-000903-1 V05617 USED ON: 233T6204-301	504903	1

MISSING ITEM NUMBERS NOT APPLICABLE

- ITEM NOT ILLUSTRATED

33-13-01-04

33-13-01
 FIG. 04
 PAGE 15
 JAN 20/09

BRI



757

PARTS CATALOG (MAINTENANCE)

FIG ITEM	PART NUMBER	1 2 3 4 5 6 7	NOMENCLATURE	EFFECT FROM TO	UNITS PER ASSY
4 170	800-000903-1		..LIGHTPLATE-5V WHITE ILLUMINATED INTEGRALLY LIGHTED FIRE/OVHT TEST SUPPLIER CODE: V05617 SPECIFICATION NUMBER: S233T100-538 OPTIONAL PART: S233T100-538 V51896 800-000903 V05617 USED ON: 233T6204-301	504903	1
- 175	233N6204-15		..PANEL ASSY- SUPPLIER CODE: V89954 COMPONENT MAINT MANUAL REF: 26-11-52 QUALIFIED I/W DATA: THE 233N6204-301 PANEL ASSY IS I/W THE 233N6204-15 PANEL ASSY T/W THE S233T100-5508 LIGHTPLATE. USED ON: 233N6204-301	504903	RF
180	800-000121-1		...CONNECTOR- SUPPLIER CODE: V05617	504903	1
R R R R R R R - 185	233T6204-16		..PANEL ASSY- SUPPLIER CODE: V89954 COMPONENT MAINT MANUAL REF: 26-11-52 USED ON: 233T6204-301	504903	RF
- 185	233T6204-13		..PANEL ASSY- SUPPLIER CODE: V89954 COMPONENT MAINT MANUAL REF: 26-11-52 QUALIFIED I/W DATA: 233T6204-301 PANEL ASSY IS I/W 233T6204-13 PANEL ASSY T/W S233T100-538 LIGHTPLATE USED ON: 233T6204-301	504903	RF

MISSING ITEM NUMBERS NOT APPLICABLE

- ITEM NOT ILLUSTRATED

33-13-01-04

33-13-01
FIG. 04
PAGE 16
MAY 20/09

BRI



757

PARTS CATALOG (MAINTENANCE)

FIG ITEM	PART NUMBER	1 2 3 4 5 6 7	NOMENCLATURE	EFFECT FROM TO	UNITS PER ASSY
4 190	800-000121-1		...CONNECTOR- SUPPLIER CODE: V05617	504903	1

MISSING ITEM NUMBERS NOT APPLICABLE

- ITEM NOT ILLUSTRATED

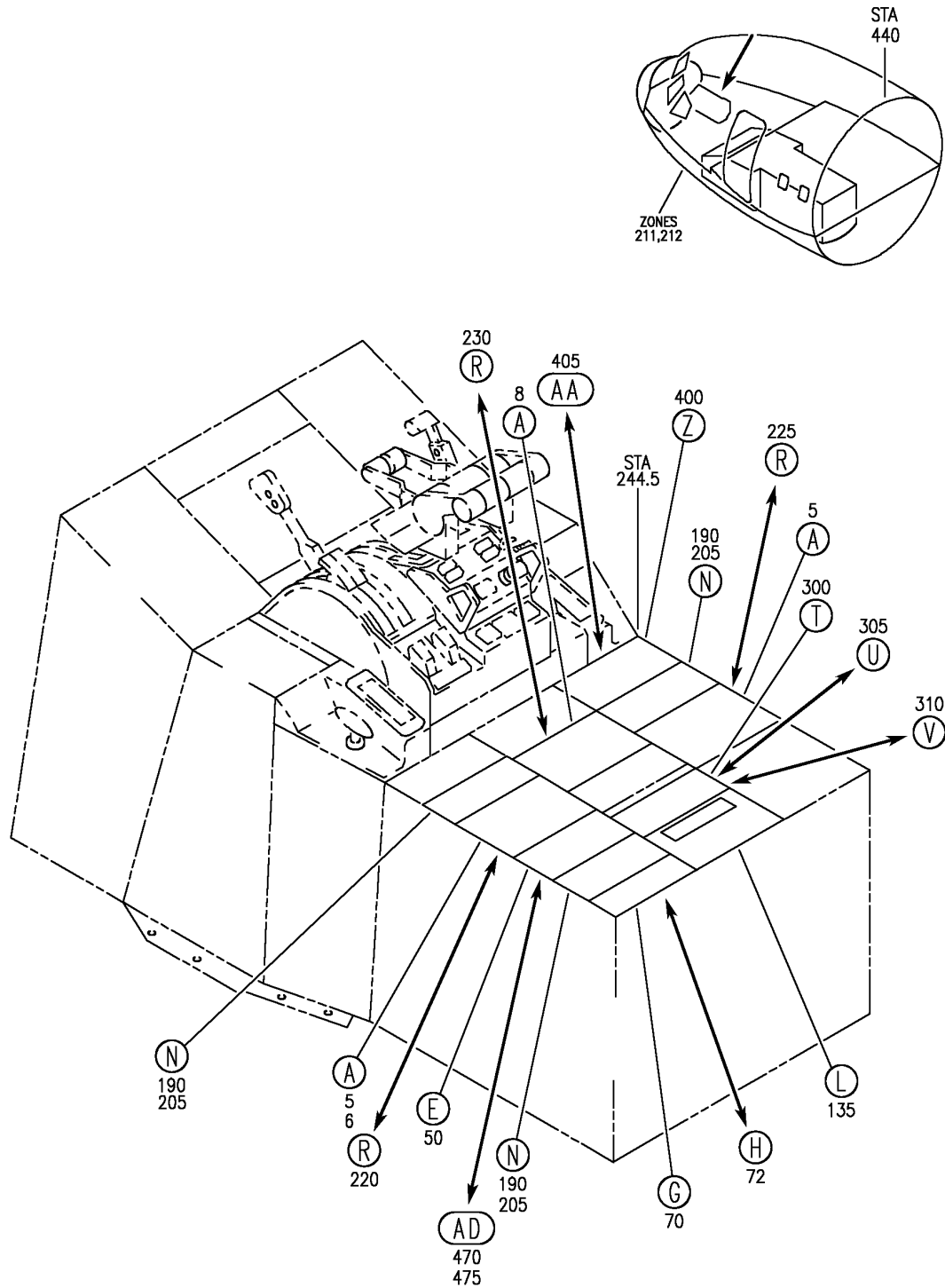
BRI

33-13-01-04

BOEING PROPRIETARY - Copyright © - Unpublished Work - See title page for details.

33-13-01
FIG. 04
PAGE 17
MAY 20/09

BOEING
757
PARTS CATALOG (MAINTENANCE)



Y 33130107 SH1 1 REV 293

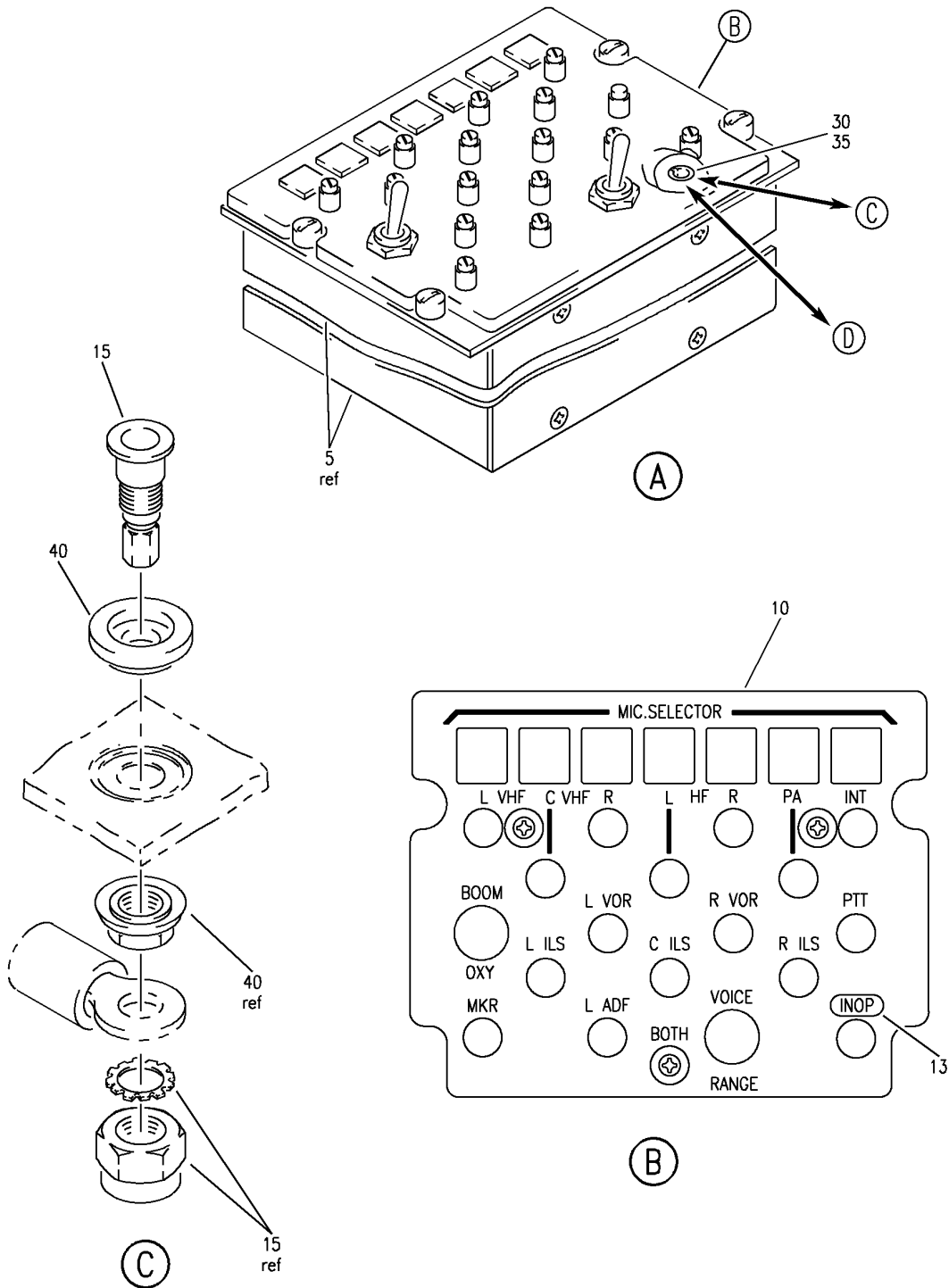
PANEL INSTL-P8, P9, P10 ELECTRONICS (LIGHTS ONLY)
FIGURE 7 (SHEET 1)

33-13-01-07

BRI
JAN 20/09

33-13-01-07
PAGE 0

BOEING
757
PARTS CATALOG (MAINTENANCE)



Y 33130107 SHT 2 REV 295

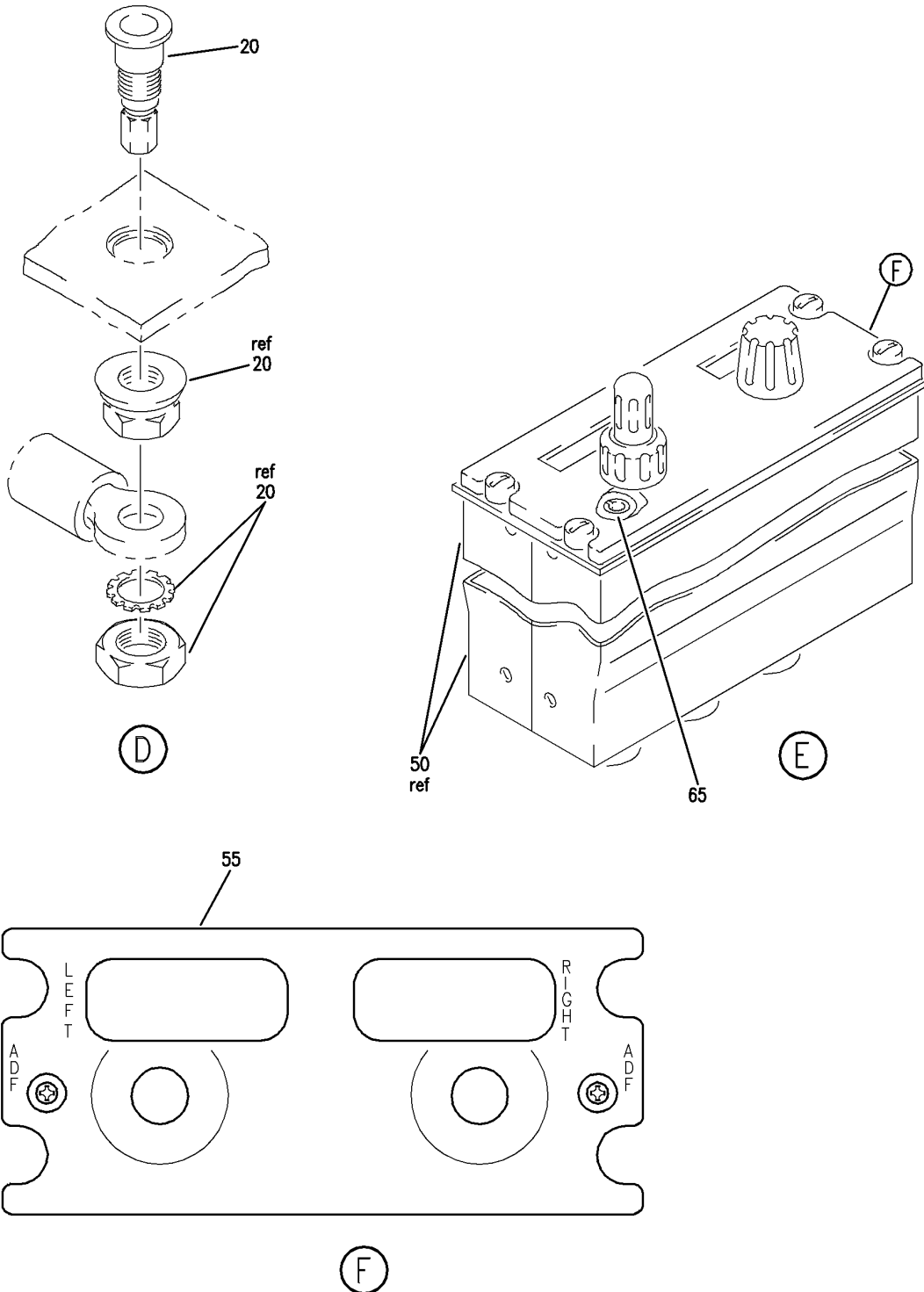
PANEL INSTL-P8, P9, P10 ELECTRONICS (LIGHTS ONLY)
FIGURE 7 (SHEET 2)

33-13-01-07

BRI
JAN 20/09

33-13-01-07
PAGE 0A

BOEING
757
PARTS CATALOG (MAINTENANCE)



Y 33130107 SHT 3 REV 237

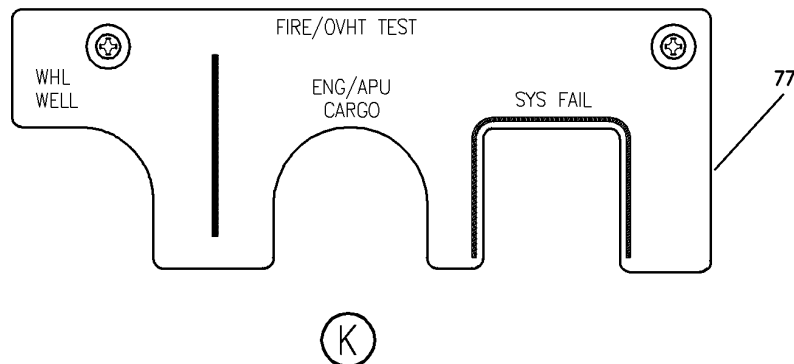
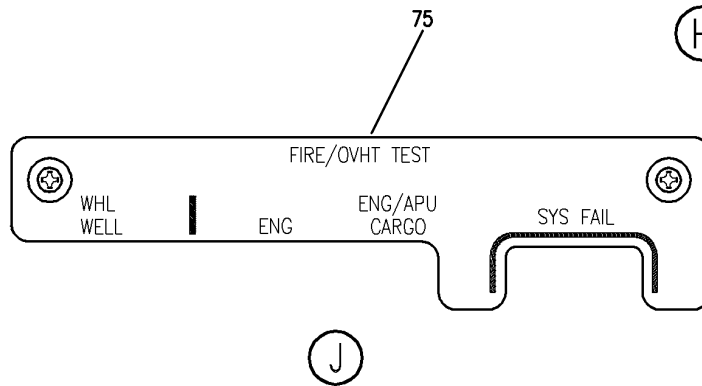
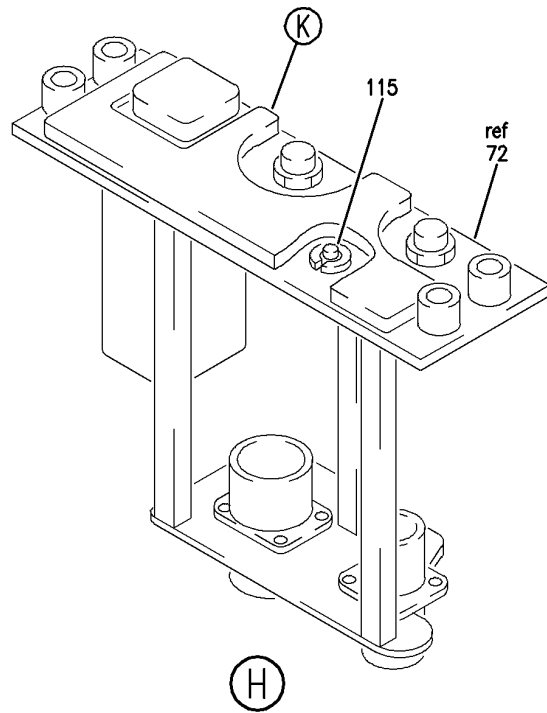
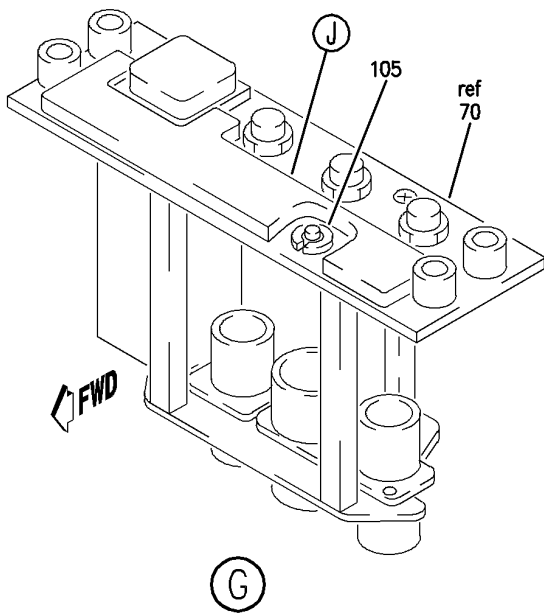
PANEL INSTL-P8, P9, P10 ELECTRONICS (LIGHTS ONLY)
FIGURE 7 (SHEET 3)

33-13-01-07

BRI
JAN 20/09

33-13-01-07
PAGE 08

BOEING
757
PARTS CATALOG (MAINTENANCE)



Y 33130107 SHT 4 REV 239

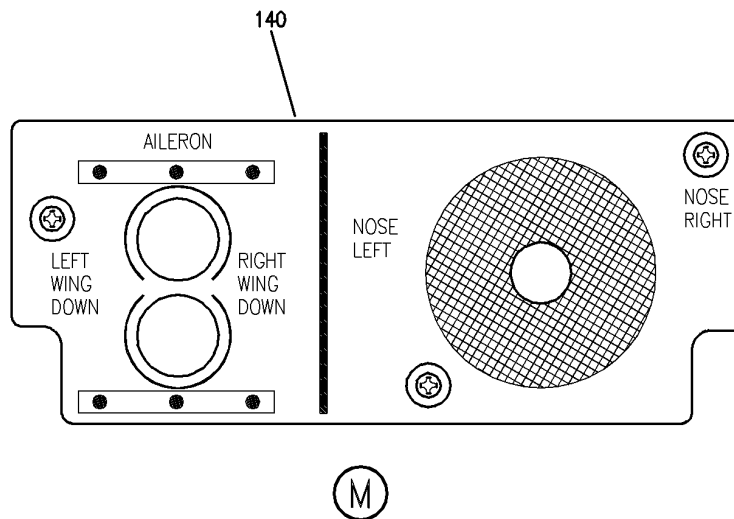
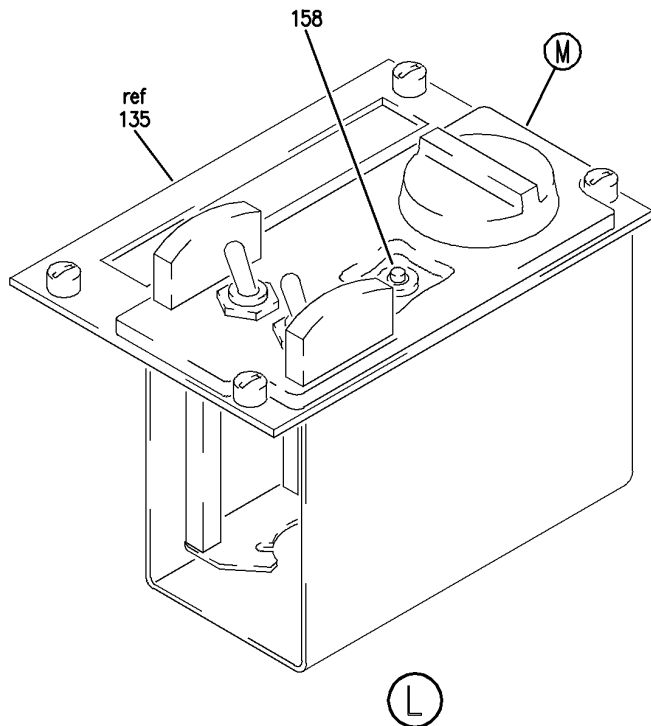
PANEL INSTL-P8, P9, P10 ELECTRONICS (LIGHTS ONLY)
FIGURE 7 (SHEET 4)

33-13-01-07

BRI
JAN 20/09

33-13-01-07
PAGE 0C

BOEING
757
PARTS CATALOG (MAINTENANCE)



Y 33130107 SHT 5 REV 239

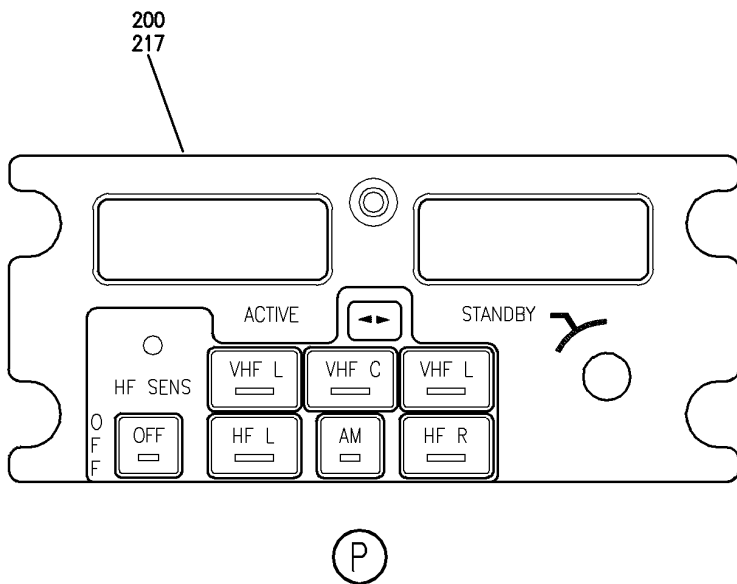
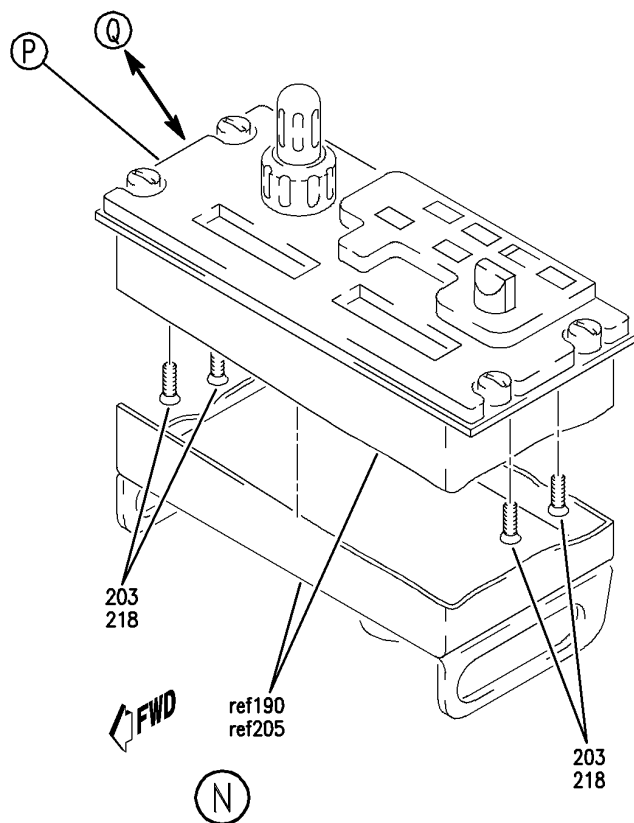
PANEL INSTL-P8, P9, P10 ELECTRONICS (LIGHTS ONLY)
FIGURE 7 (SHEET 5)

33-13-01-07

BRI
JAN 20/09

33-13-01-07
PAGE 0D

BOEING
757
PARTS CATALOG (MAINTENANCE)



Y 33130107 SHT 6 REV 237

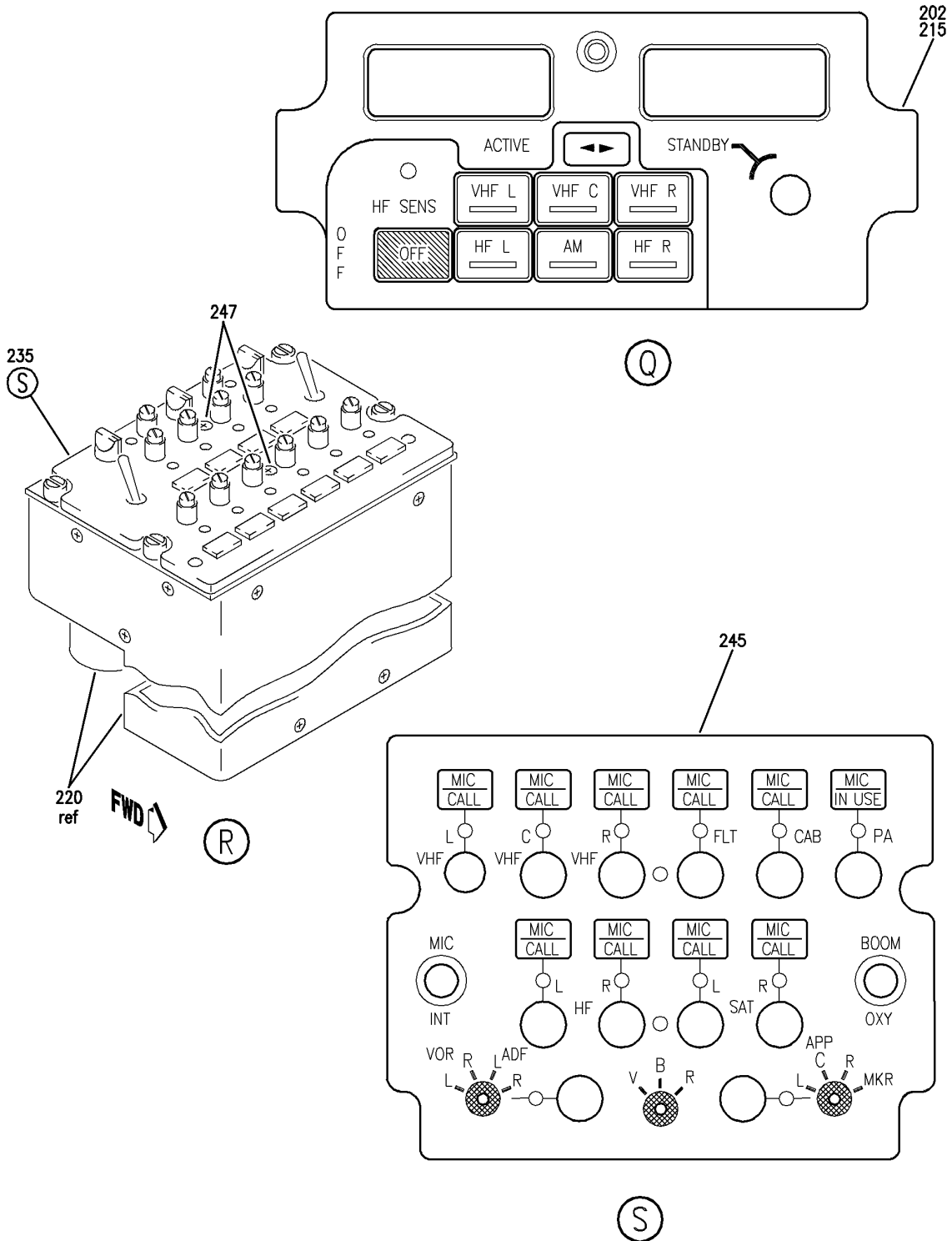
PANEL INSTL-P8, P9, P10 ELECTRONICS (LIGHTS ONLY)
FIGURE 7 (SHEET 6)

33-13-01-07

BRI
JAN 20/09

33-13-01-07
PAGE 0E

BOEING
757
PARTS CATALOG (MAINTENANCE)



Y 33130107 SH7 7 REV 239

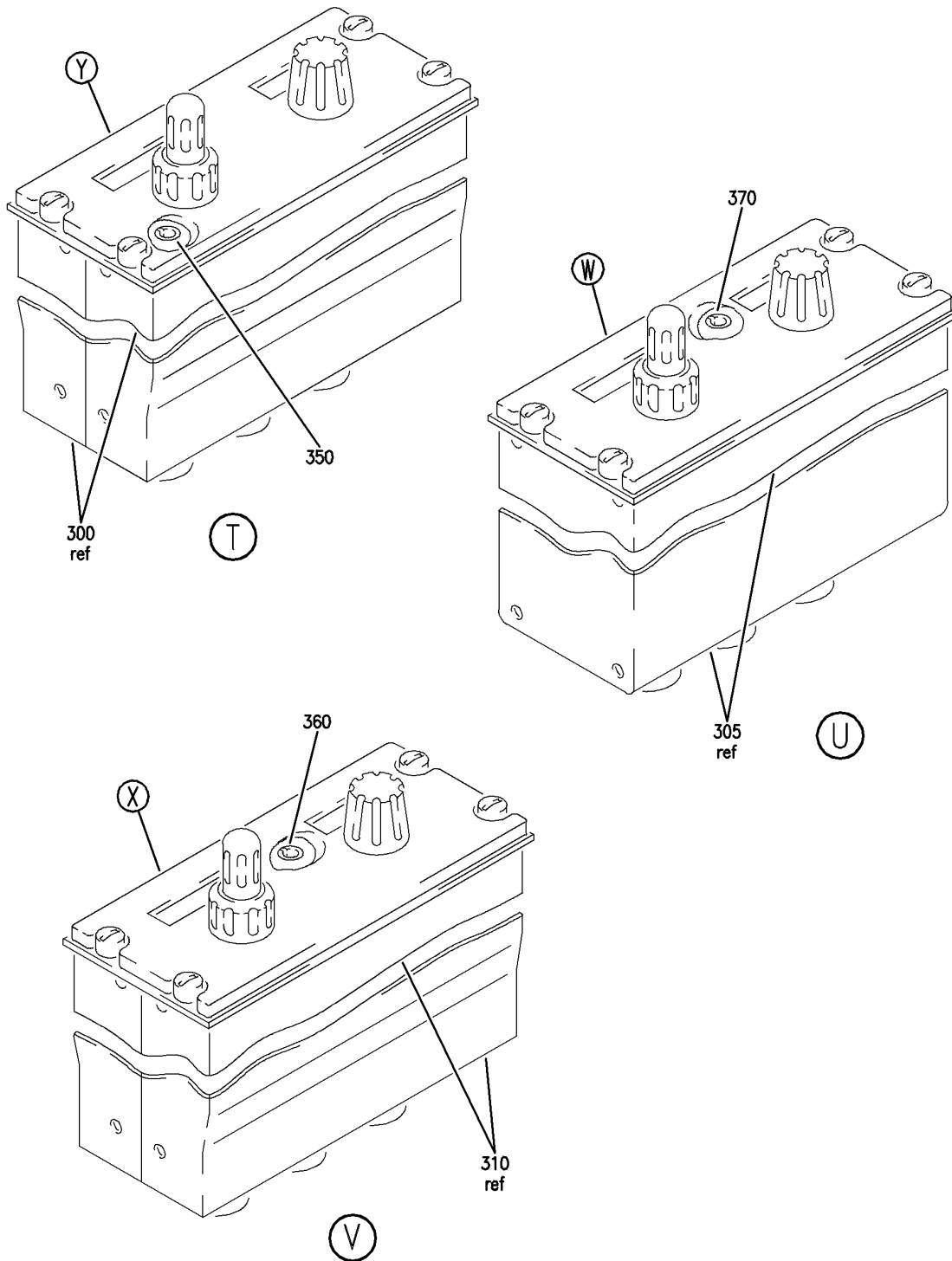
PANEL INSTL-P8, P9, P10 ELECTRONICS (LIGHTS ONLY)
FIGURE 7 (SHEET 7)

33-13-01-07

BRI
JAN 20/09

33-13-01-07
PAGE OF

BOEING
757
PARTS CATALOG (MAINTENANCE)



Y 33130107 SHT 8 REV 237

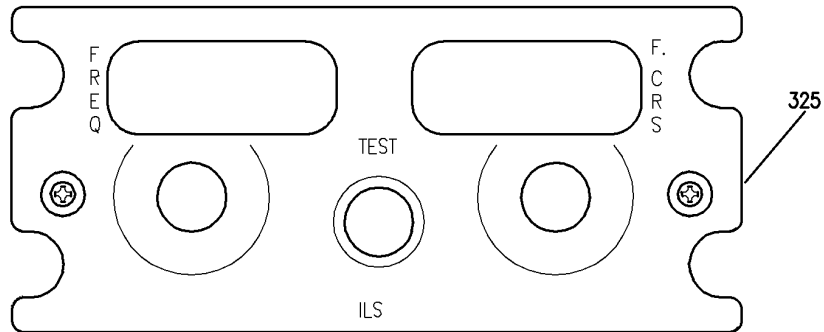
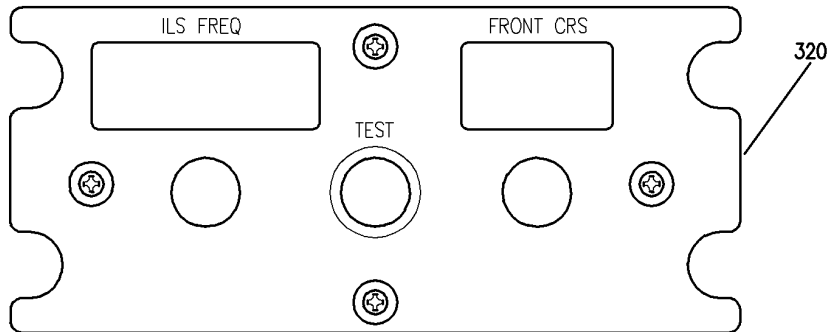
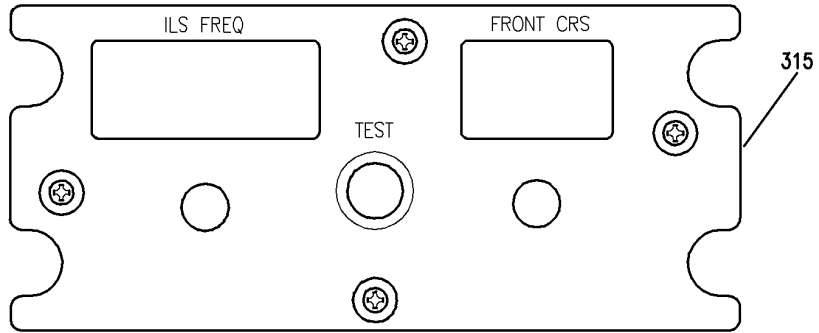
PANEL INSTL-P8, P9, P10 ELECTRONICS (LIGHTS ONLY)
FIGURE 7 (SHEET 8)

33-13-01-07

BRI
JAN 20/09

33-13-01-07
PAGE 06

BOEING
757
PARTS CATALOG (MAINTENANCE)



Y 33130107 SHT 9 REV 237

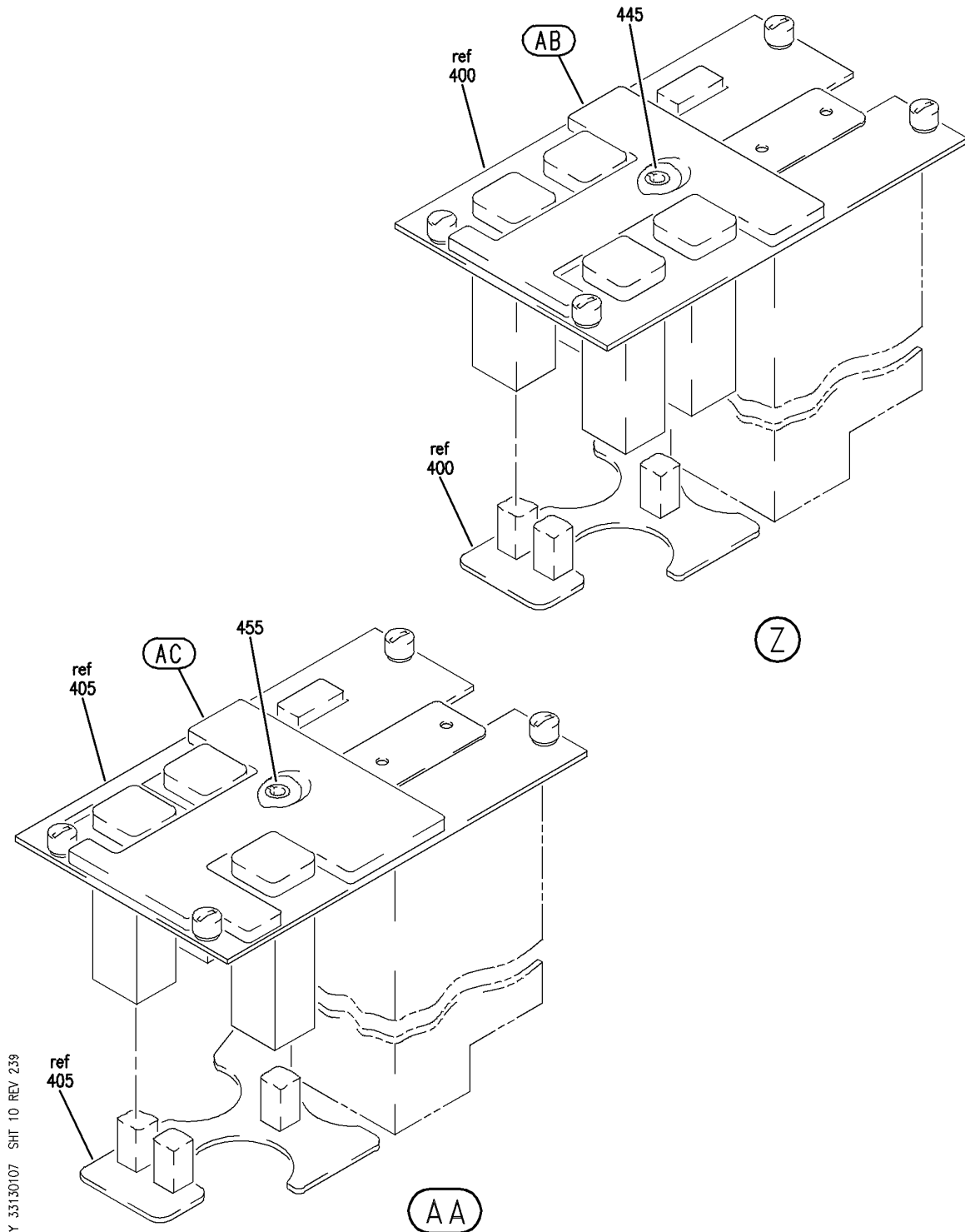
PANEL INSTL-P8, P9, P10 ELECTRONICS (LIGHTS ONLY)
FIGURE 7 (SHEET 9)

33-13-01-07

BRI
JAN 20/09

33-13-01-07
PAGE 0H

BOEING
757
PARTS CATALOG (MAINTENANCE)



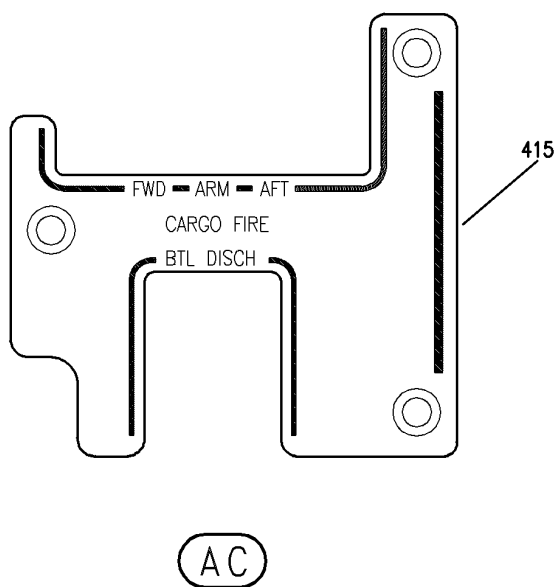
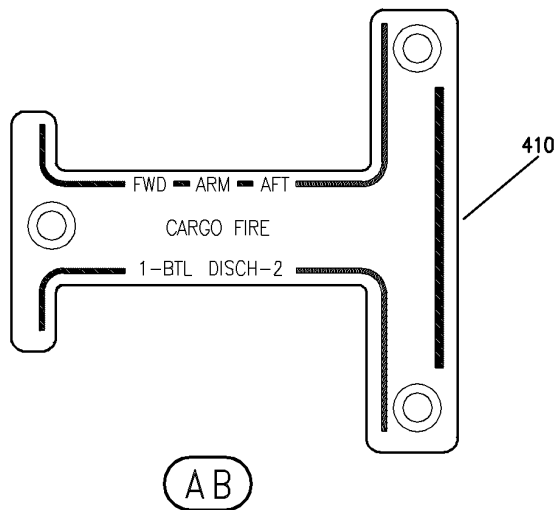
PANEL INSTL-P8, P9, P10 ELECTRONICS (LIGHTS ONLY)
FIGURE 7 (SHEET 10)

33-13-01-07

BRI
JAN 20/09

33-13-01-07
PAGE 01

BOEING
757
PARTS CATALOG (MAINTENANCE)



Y 33130107 SHT 11 REV 237

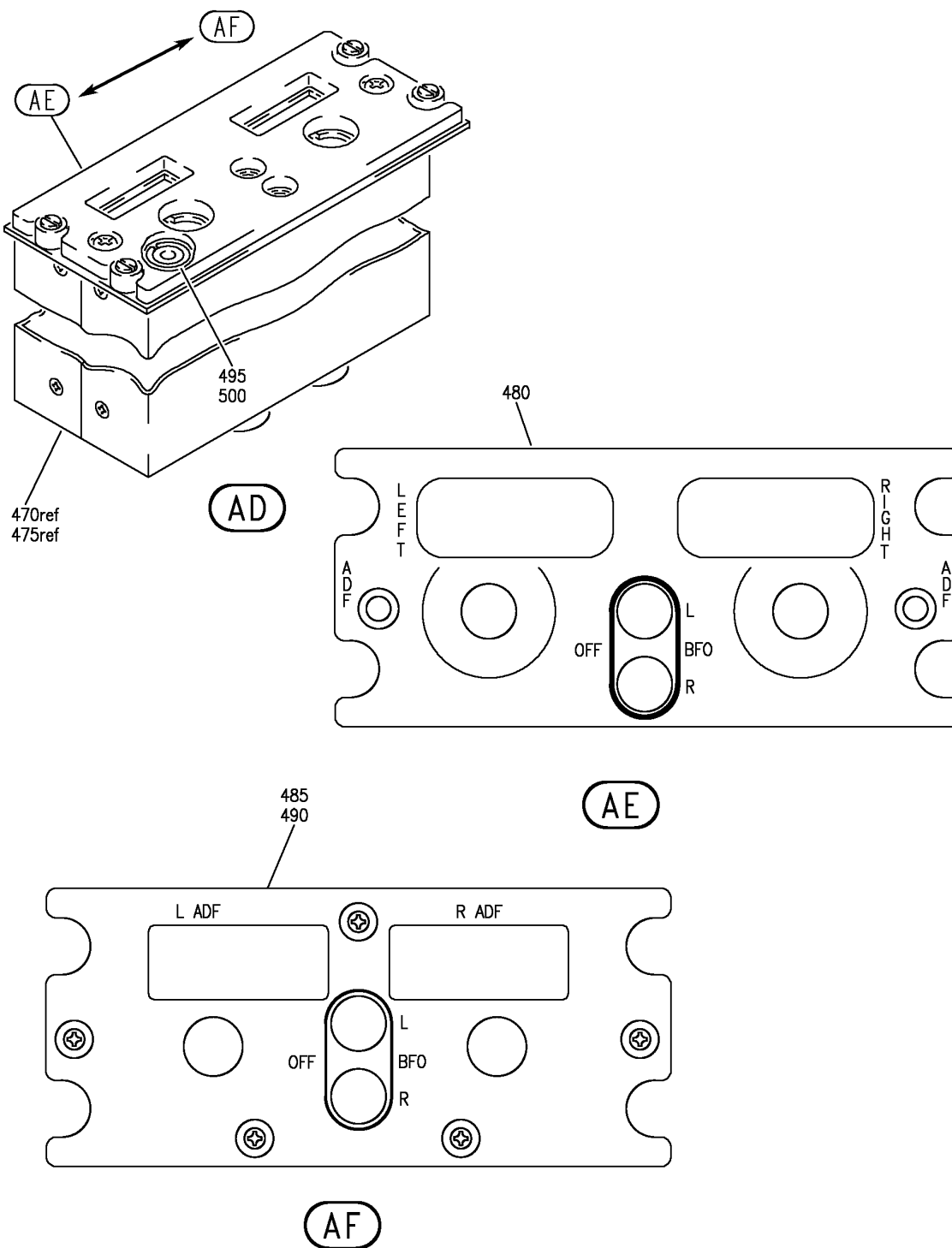
PANEL INSTL-P8, P9, P10 ELECTRONICS (LIGHTS ONLY)
FIGURE 7 (SHEET 11)

33-13-01-07

BRI
JAN 20/09

33-13-01-07
PAGE 0J


BOEING
 757
PARTS CATALOG (MAINTENANCE)



Y 33130107 SHT 12 REV 261

PANEL INSTL-P8, P9, P10 ELECTRONICS (LIGHTS ONLY)
 FIGURE 7 (SHEET 12)

33-13-01-07

BRI
JAN 20/09

33-13-01-07
 PAGE OK



757

PARTS CATALOG (MAINTENANCE)

FIG ITEM	PART NUMBER	1 2 3 4 5 6 7	NOMENCLATURE	EFFECT FROM TO	UNITS PER ASSY
7			PANEL INSTL-P8, P9, P10 ELECTRONICS (LIGHTS ONLY)	103106	
- 2	MODREF33990		PANEL INSTL-P8, P9, P10 ELECTRONICS (LIGHTS ONLY) MODULE NUMBER: 233N6103-253 REV B FOR OTHER SYS DETAILS SEE: 11-31-05-66F 23-12-02-03 23-51-01-05 26-11-02-01 26-11-54-02A 26-12-51-03 26-17-51-06 26-21-01-02 26-22-03-03 26-23-52-04A 27-11-23-03 27-21-23-03 27-28-02-01A 31-11-31-02 31-11-36-78 31-11-41-02 31-41-03-02 34-22-02-03 34-31-02-02 34-43-02-02 34-53-02-02 34-57-02-03 34-61-02-03	103106	1
70	233N6204-301		.PANEL ASSY-FIRE/OVERHEAT TEST SUPPLIER CODE: V89954 ELECTRICAL EQUIP NUMBER: M10445 COMPONENT MAINT MANUAL REF: 26-11-52 QUALIFIED I/W DATA: THE 233N6204-301 PANEL ASSY IS I/W THE 233N6204-15 PANEL ASSY T/W THE S233T100-5508 LIGHTPLATE.	103106	RF

MISSING ITEM NUMBERS NOT APPLICABLE

- ITEM NOT ILLUSTRATED

BRI

33-13-01-07

BOEING PROPRIETARY - Copyright © - Unpublished Work - See title page for details.

33-13-01
FIG. 07
PAGE 1
JAN 20/09



757

PARTS CATALOG (MAINTENANCE)

FIG ITEM	PART NUMBER	1 2 3 4 5 6 7	NOMENCLATURE	EFFECT FROM TO	UNITS PER ASSY
7 72	233T6204-301		.PANEL ASSY-FIRE/OVERHEAT TEST SUPPLIER CODE: V89954 ELECTRICAL EQUIP NUMBER: M10445 COMPONENT MAINT MANUAL REF: 26-11-51 QUALIFIED I/W DATA: 233T6204-301 PANEL ASSY IS I/W 233T6204-13 PANEL ASSY T/W S233T100-538 LIGHTPLATE	103106	RF
R R R R R R R R R R R	75 S233T100-5508		..LIGHTPLATE-5V WHITE ILLUMINATED INTEGRALLY LIGHTED FIRE/OVHT TEST SUPPLIER CODE: V51896 SPECIFICATION NUMBER: S233T100-5508 OPTIONAL PART: 800-000444 V05617 OPTIONAL SUPPLIER CODE: 05617 98140 USED ON: 233N6204-301	103106	1
	75 800-000444		..LIGHTPLATE-5V WHITE ILLUMINATED INTEGRALLY LIGHTED FIRE TEST SUPPLIER CODE: V05617 SPECIFICATION NUMBER: S233T100-5508 MISCELLANEOUS DATA: FOR VENDOR FSCM 05617 FOR SPARES ORDER THE 800-000444-1 OPTIONAL PART: S233T100-5508 V51896 800-000444-1 V05617 USED ON: 233N6204-301	103106	1

MISSING ITEM NUMBERS NOT APPLICABLE

- ITEM NOT ILLUSTRATED

33-13-01-07

33-13-01
FIG. 07
PAGE 2
MAY 20/09

BRI



757

PARTS CATALOG (MAINTENANCE)

FIG ITEM	PART NUMBER	1 2 3 4 5 6 7	NOMENCLATURE	EFFECT FROM TO	UNITS PER ASSY
7 75	800-000444-1		..LIGHTPLATE-5V WHITE ILLUMINATED INTEGRALLY LIGHTED FIRE TEST SUPPLIER CODE: V05617 SPECIFICATION NUMBER: S233T100-5508 OPTIONAL PART: S233T100-5508 V51896 800-000444 V05617	103106	1
77	800-000903		..LIGHTPLATE-5V WHITE ILLUMINATED INTEGRALLY LIGHTED FIRE TEST SUPPLIER CODE: V05617 SPECIFICATION NUMBER: S233T100-538 MISCELLANEOUS DATA: FOR VENDOR FSCM 05617 FOR SPARES ORDER THE 800-000903-1 OPTIONAL PART: S233T100-538 V51896 800-000903-1 V05617 USED ON: 233T6204-301	103106	1
77	800-000903-1		..LIGHTPLATE-5V WHITE ILLUMINATED INTEGRALLY LIGHTED FIRE TEST SUPPLIER CODE: V05617 SPECIFICATION NUMBER: S233T100-538 OPTIONAL PART: S233T100-538 V51896 800-000903 V05617	103106	1

MISSING ITEM NUMBERS NOT APPLICABLE

- ITEM NOT ILLUSTRATED

33-13-01-07

33-13-01
FIG. 07
PAGE 3
JAN 20/09

BRI



757

PARTS CATALOG (MAINTENANCE)

FIG ITEM	PART NUMBER	1 2 3 4 5 6 7	NOMENCLATURE	EFFECT FROM TO	UNITS PER ASSY
7 - 100	233N6204-15		..PANEL ASSY- SUPPLIER CODE: V89954 COMPONENT MAINT MANUAL REF: 26-11-52 QUALIFIED I/W DATA: THE 233N6204-301 PANEL ASSY IS I/W THE 233N6204-15 PANEL ASSY T/W THE S233T100-5508 LIGHTPLATE. USED ON: 233N6204-301	103106	RF
	105 800-000121-1		...CONNECTOR- SUPPLIER CODE: V05617	103106	1
R R R R R R R	- 110 233T6204-16		..PANEL ASSY- SUPPLIER CODE: V89954 COMPONENT MAINT MANUAL REF: 26-11-52 USED ON: 233T6204-301	103106	RF
	- 110 233T6204-13		..PANEL ASSY- SUPPLIER CODE: V89954 COMPONENT MAINT MANUAL REF: 26-11-52 QUALIFIED I/W DATA: 233T6204-301 PANEL ASSY IS I/W 233T6204-13 PANEL ASSY T/W S233T100-538 LIGHTPLATE USED ON: 233T6204-301	103106	RF
	115 800-000121-1		...CONNECTOR- SUPPLIER CODE: V05617	103106	1

MISSING ITEM NUMBERS NOT APPLICABLE

- ITEM NOT ILLUSTRATED

33-13-01-07

33-13-01
FIG. 07
PAGE 4
MAY 20/09

BRI



757

PARTS CATALOG (MAINTENANCE)

FIG ITEM	PART NUMBER	1 2 3 4 5 6 7	NOMENCLATURE	EFFECT FROM TO	UNITS PER ASSY
R R R R R R R R R R R R R	7 135	233T6201-324	.PANEL ASSY-AIL. RUD TRIM SUPPLIER CODE: V89954 FUNCTIONAL DESCRIPTION: CONTROLS AILERON RUDDER TRIM AND DISPLAYS TRIM ANGLE, ELECTRICAL EQUIP NUMBER: M00074 COMPONENT MAINT MANUAL REF: 27-21-63 QUALIFIED I/W DATA: THE 233T6201-324 PANEL ASSY IS I/W THE 233T6201-21 PANEL ASSY T/W THE S233T100-528 LIGHTPLATE AND SA808-101 KNOB	103106	RF
	140	800-000448-1	..LIGHTPLATE-5V WHITE ILLUMINATED INTEGRALLY LIGHTED AILERON AND RUDDER TRIM SUPPLIER CODE: V05617 SPECIFICATION NUMBER: S233T100-528 OPTIONAL PART: S233T100-528 V51896 800-000448 V05617	103106	1
	140	800-000448	..LIGHTPLATE-5V WHITE ILLUMINATED INTEGRALLY LIGHTED AILERON AND RUDDER TRIM SUPPLIER CODE: V05617 SPECIFICATION NUMBER: S233T100-528 MISCELLANEOUS DATA: FOR VENDOR FSCM 05617 FOR SPARES ORDER THE 800-000448-1 OPTIONAL PART: S233T100-528 V51896 800-000448-1 V05617	103106	1

MISSING ITEM NUMBERS NOT APPLICABLE

- ITEM NOT ILLUSTRATED

33-13-01-07

33-13-01
FIG. 07
PAGE 5
MAY 20/09

BRI



757

PARTS CATALOG (MAINTENANCE)

FIG ITEM	PART NUMBER	1 2 3 4 5 6 7	NOMENCLATURE	EFFECT FROM TO	UNITS PER ASSY
7 - 157	233T6201-21		..PANEL ASSY- SUPPLIER CODE: V89954 COMPONENT MAINT MANUAL REF: 27-21-63 QUALIFIED I/W DATA: THE 233T6201-324 PANEL ASSY IS I/W THE 233T6201-21 PANEL ASSY T/W THE S233T100-528 LIGHTPLATE AND SA808-101 KNOB	103106	RF
158	800000121-1		...CONNECTOR- SUPPLIER CODE: V05617	103106	1
205	285U0037-613		.PANEL ASSY-RADIO COMM SUPPLIER CODE: V89954 ELECTRICAL EQUIP NUMBER: M10864 M10865 M10866 COMPONENT MAINT MANUAL REF: 23-11-20 QUALIFIED I/W DATA: 285U0037-603 IS ONE WAY INTERCHANGEABLE WITH 285U0037-613 AND NOT INTERMIXABLE ONLY IF SERVICE BULLETIN 747-23-2466 OR 757-23-0057 IS INCORPORATED	103106	RF
215	11452		..LIGHTPLATE- SUPPLIER CODE: V51896 SPECIFICATION NUMBER: S906-10097-101 OPTIONAL PART: 15527-001 V81590 OPTIONAL PART: P90012596-3 V51896	103106	1

MISSING ITEM NUMBERS NOT APPLICABLE

- ITEM NOT ILLUSTRATED

33-13-01-07

33-13-01
FIG. 07
PAGE 6
MAY 20/09

BRI



757

PARTS CATALOG (MAINTENANCE)

FIG ITEM	PART NUMBER	1 2 3 4 5 6 7	NOMENCLATURE	EFFECT FROM TO	UNITS PER ASSY
7 217	P90012596-3		.. LIGHTPLATE- SUPPLIER CODE: V51896 SPECIFICATION NUMBER: 900-12596-3 OPTIONAL PART: 11452 V51896 ATTACHING PARTS	103106	1
- 218	MS24693C2		.. SCREW- OPTIONAL PART: NAS514P440-4P	103106	4
- 218	NAS514P440-4P		.. SCREW- OPTIONAL PART: MS24693C2 -----*-----	103106	4
220	285T0022-51		. PANEL ASSY-AUDIO SELECTOR SUPPLIER CODE: V89954 ELECTRICAL EQUIP NUMBER: M00070 COMPONENT MAINT MANUAL REF: 23-51-05	103106	RF
225	285T0022-51		. PANEL ASSY-AUDIO SELECTOR SUPPLIER CODE: V89954 ELECTRICAL EQUIP NUMBER: M00071 COMPONENT MAINT MANUAL REF: 23-51-05	103106	RF
235	285T0148-1		.. PANEL ASSY-FRONT SUPPLIER CODE: V89954 QUALIFIED OPTIONAL DATA: 285T0148-1 OPT TO 285T0148-2 USED WITH ASSOCIATED ITEMS	103106	RF
235	285T0148-2		.. PANEL ASSY-FRONT SUPPLIER CODE: V89954 QUALIFIED OPTIONAL DATA: 285T0148-1 OPT TO 285T0148-2 USED WITH ASSOCIATED ITEMS	103106	RF

MISSING ITEM NUMBERS NOT APPLICABLE

- ITEM NOT ILLUSTRATED

33-13-01-07

33-13-01
FIG. 07
PAGE 7
MAY 20/09

BRI



757

PARTS CATALOG (MAINTENANCE)

FIG ITEM	PART NUMBER	1 2 3 4 5 6 7	NOMENCLATURE	EFFECT FROM TO	UNITS PER ASSY
7 245	0277-0304		...LIGHTPLATE ASSY- SUPPLIER CODE: V33583 SPECIFICATION NUMBER: S906-60161-2 USED ON: 285T0148-1	103106	1
245	0277-0308		...LIGHTPLATE ASSY- SUPPLIER CODE: V33583 SPECIFICATION NUMBER: S906-60161-3 USED ON: 285T0148-2 ATTACHING PARTS	103106	1
- 247	PS4C7DL12BN		...SCREW- SUPPLIER CODE: V12324 -----*-----	103106	2
300	285T0553-4		.PANEL ASSY-ILS CONT SUPPLIER CODE: V89954 ELECTRICAL EQUIP NUMBER: M00087 COMPONENT MAINT MANUAL REF: 34-31-61	103106	RF
300	285T0553-1		.PANEL ASSY-ILS CONT SUPPLIER CODE: V89954 ELECTRICAL EQUIP NUMBER: M00087 COMPONENT MAINT MANUAL REF: 34-31-61	103106	RF
300	285T0553-2		.PANEL ASSY-ILS CONT SUPPLIER CODE: V89954 ELECTRICAL EQUIP NUMBER: M00087 COMPONENT MAINT MANUAL REF: 34-31-61	103106	RF
300	285T0553-3		.PANEL ASSY-ILS CONT SUPPLIER CODE: V89954 ELECTRICAL EQUIP NUMBER: M00087	103106	RF

MISSING ITEM NUMBERS NOT APPLICABLE

- ITEM NOT ILLUSTRATED

33-13-01-07

33-13-01
FIG. 07
PAGE 8
MAY 20/09

BRI



757

PARTS CATALOG (MAINTENANCE)

FIG ITEM	PART NUMBER	1 2 3 4 5 6 7	NOMENCLATURE	EFFECT FROM TO	UNITS PER ASSY
7 305	285T0020-8		.PANEL ASSY-ILS CONT SUPPLIER CODE: V89954 ELECTRICAL EQUIP NUMBER: M00087 COMPONENT MAINT MANUAL REF: 34-31-51	103106	RF
310	285T0524-6		.PANEL ASSY-ILS CONT SUPPLIER CODE: V89954 ELECTRICAL EQUIP NUMBER: M00087 COMPONENT MAINT MANUAL REF: 34-31-52	103106	RF
315	S233T100-543		..LIGHTPLATE-5V WHITE ILLUMINATED INTEGRALLY LIGHTED ILS SUPPLIER CODE: V51896 SPECIFICATION NUMBER: S233T100-543 OPTIONAL PART: 800-008004 V05617 OPTIONAL PART: S233T100-544 V51896 S233T100-554 V51896 800-007826 V05617 USED ON: 285T0020-8	103106	1
R R R R R R R R R R R R	315	S233T100-544	..LIGHTPLATE-5V WHITE ILLUMINATED INTEGRALLY LIGHTED ILS SUPPLIER CODE: V51896 SPECIFICATION NUMBER: S233T100-544 OPTIONAL PART: S233T100-543 V51896 S233T100-554 V51896 OPTIONAL SUPPLIER CODE: 05617 98140 USED ON: 285T0020-8	103106	1

MISSING ITEM NUMBERS NOT APPLICABLE

- ITEM NOT ILLUSTRATED

33-13-01-07

33-13-01
FIG. 07
PAGE 9
MAY 20/09

BRI



757

PARTS CATALOG (MAINTENANCE)

FIG ITEM	PART NUMBER	1 2 3 4 5 6 7	NOMENCLATURE	EFFECT FROM TO	UNITS PER ASSY
7 315	S233T100-554		..LIGHTPLATE-5V WHITE ILLUMINATED INTEGRALLY LIGHTED ILS SUPPLIER CODE: V51896 SPECIFICATION NUMBER: S233T100-554 OPTIONAL PART: 800-007826 V05617 OPTIONAL PART: S233T100-543 V51896 S233T100-544 V51896 800-008004 V05617 800-008004 V05617 800-007826 V05617 USED ON: 285T0020-8	103106	1
315	800-008004		..LIGHTPLATE-5V WHITE ILLUMINATED INTEGRALLY LIGHTED ILS SUPPLIER CODE: V05617 SPECIFICATION NUMBER: S233T100-543 OPTIONAL PART: S233T100-543 V51896 OPTIONAL PART: S233T100-544 V51896 S233T100-554 V51896 800-007826 V05617 USED ON: 285T0020-8	103106	1

MISSING ITEM NUMBERS NOT APPLICABLE

- ITEM NOT ILLUSTRATED

BRI

33-13-01-07

BOEING PROPRIETARY - Copyright © - Unpublished Work - See title page for details.

33-13-01
 FIG. 07
 PAGE 10
 JAN 20/09

 **BOEING**
757
PARTS CATALOG (MAINTENANCE)

FIG ITEM	PART NUMBER	1 2 3 4 5 6 7	NOMENCLATURE	EFFECT FROM TO	UNITS PER ASSY
7 315	800-007826		..LIGHTPLATE-5V WHITE ILLUMINATED INTEGRALLY LIGHTED ILS SUPPLIER CODE: V05617 SPECIFICATION NUMBER: S233T100-554 OPTIONAL PART: S233T100-554 V51896 OPTIONAL PART: S233T100-543 V51896 S233T100-544 V51896 800-008004 V05617 USED ON: 285T0020-8	103106	1
R R R R R R R R R R R R R	320	S233T100-545	..LIGHTPLATE-5V WHITE ILLUMINATED INTEGRALLY LIGHTED ILS SUPPLIER CODE: V51896 SPECIFICATION NUMBER: S233T100-545 OPTIONAL PART: S233T100-546 V51896 S233T100-555 V51896 OPTIONAL SUPPLIER CODE: 05617 98140 USED ON: 285T0524-6	103106	1

MISSING ITEM NUMBERS NOT APPLICABLE

— ITEM NOT ILLUSTRATED

BRI

33-13-01-07

BOEING PROPRIETARY - Copyright © - Unpublished Work - See title page for details.

33-13-01
FIG. 07
PAGE 11
MAY 20/09



757

PARTS CATALOG (MAINTENANCE)

FIG ITEM	PART NUMBER	1 2 3 4 5 6 7	NOMENCLATURE	EFFECT FROM TO	UNITS PER ASSY
R R	7 320	S233T100-546	..LIGHTPLATE-5V WHITE ILLUMINATED INTEGRALLY LIGHTED ILS SUPPLIER CODE: V51896 SPECIFICATION NUMBER: S233T100-546 OPTIONAL PART: S233T100-545 V51896 S233T100-555 V51896 OPTIONAL SUPPLIER CODE: 05617 98140 USED ON: 285T0524-6	103106	1
	320	S233T100-555	..LIGHTPLATE-5V WHITE ILLUMINATED INTEGRALLY LIGHTED ILS SUPPLIER CODE: V51896 SPECIFICATION NUMBER: S233T100-555 OPTIONAL PART: S233T100-545 V51896 S233T100-546 V51896 OPTIONAL SUPPLIER CODE: 05617 98140 USED ON: 285T0524-6	103106	1
	325	S233T100-559	..LIGHTPLATE-5V WHITE ILLUMINATED INTEGRALLY LIGHTED ILS LCD SUPPLIER CODE: V51896 SPECIFICATION NUMBER: S233T100-559 OPTIONAL PART: 800-007677 V05617 USED ON: 285T0553-1 285T0553-2 285T0553-3 285T0553-4	103106	1

MISSING ITEM NUMBERS NOT APPLICABLE

- ITEM NOT ILLUSTRATED

33-13-01-07

33-13-01
FIG. 07
PAGE 12
MAY 20/09

BRI



757

PARTS CATALOG (MAINTENANCE)

FIG ITEM	PART NUMBER	1 2 3 4 5 6 7	NOMENCLATURE	EFFECT FROM TO	UNITS PER ASSY
7 325	800-007677		..LIGHTPLATE-5V WHITE ILLUMINATED INTEGRALLY LIGHTED ILS LCD SUPPLIER CODE: V05617 SPECIFICATION NUMBER: S233T100-559 OPTIONAL PART: S233T100-559 V51896 USED ON: 285T0553-1 285T0553-2 285T0553-3 285T0553-4	103106	1
350	800-000121-1		..CONNECTOR- SUPPLIER CODE: V05617 QUALIFIED OPTIONAL DATA: 800-000121-1 OPTIONAL TO 90-42303-1 WHEN USED WITH ASSOCIATED PARTS USED ON: 285T0553-4	103106	1
350	90-42303-1		..CONNECTOR- SUPPLIER CODE: V51074 QUALIFIED OPTIONAL DATA: 800-000121-1 OPTIONAL TO 90-42303-1 WHEN USED WITH ASSOCIATED PARTS USED ON: 285T0553-4	103106	1
350	800-000121-1		..CONNECTOR- SUPPLIER CODE: V05617 USED ON: 285T0553-1 285T0553-2 285T0553-3	103106	1
- 355	285T0524-2		..WIRE BUNDLE ASSY- SUPPLIER CODE: V89954 USED ON: 285T0524-6	103106	RF
360	800-000121-1		...CONNECTOR- SUPPLIER CODE: V05617	103106	1

MISSING ITEM NUMBERS NOT APPLICABLE

- ITEM NOT ILLUSTRATED

33-13-01-07

33-13-01
FIG. 07
PAGE 13
JAN 20/09

BRI



757

PARTS CATALOG (MAINTENANCE)

FIG ITEM	PART NUMBER	1 2 3 4 5 6 7	NOMENCLATURE	EFFECT FROM TO	UNITS PER ASSY
7					
- 365	285T0082-10	..	MODULE ASSY-FRONT SUPPLIER CODE: V89954 OPTIONAL PART: 285T0082-14 V89954 USED ON: 285T0020-8	103106	RF
- 365	285T0082-14	..	MODULE ASSY-FRONT SUPPLIER CODE: V89954 OPTIONAL PART: 285T0082-10 V89954 USED ON: 285T0020-8	103106	RF
370	800-000121-1	...	CONNECTOR- SUPPLIER CODE: V05617	103106	1
400	233N6203-355	.PANEL ASSY-APU & CARGO FIRE CONT SUPPLIER CODE: V89954 ELECTRICAL EQUIP NUMBER: M10444		103106	RF
410	800-007123	..	LIGHTPLATE-5V WHITE ILLUMINATED INTEGRALLY LIGHTED APU/CARGO FIRE SUPPLIER CODE: V05617 SPECIFICATION NUMBER: S233T100-573 OPTIONAL PART: S233T100-573 V51896 OPTIONAL SUPPLIER CODE: 05617 98140 USED ON: 233N6203-301 233N6203-304 233N6203-355 233N6203-356 233N6203-1301	103106	1

MISSING ITEM NUMBERS NOT APPLICABLE

- ITEM NOT ILLUSTRATED

33-13-01-07

33-13-01
FIG. 07
PAGE 14
JAN 20/09

BRI



757

PARTS CATALOG (MAINTENANCE)

FIG ITEM	PART NUMBER	1 2 3 4 5 6 7	NOMENCLATURE	EFFECT FROM TO	UNITS PER ASSY
7 - 440	233N6203-252		.. PANEL ASSY- SUPPLIER CODE: V89954 COMPONENT MAINT MANUAL REF: 26-15-51 USED ON: 233N6203-355	103106	RF
445	800-000121-1		...CONNECTOR- SUPPLIER CODE: V05617 USED ON: 233N6203-252 233N6203-253	103106	1
470	285T0557-1		.PANEL ASSY-DUAL ADF CONT SUPPLIER CODE: V89954 ELECTRICAL EQUIP NUMBER: M01046 COMPONENT MAINT MANUAL REF: 34-57-62	103106	RF
475	285T0537-1		.PANEL ASSY-DUAL ADF CONT SUPPLIER CODE: V89954 ELECTRICAL EQUIP NUMBER: M01046 COMPONENT MAINT MANUAL REF: 34-57-53	103106	RF
480	S233T100-563		..LIGHTPLATE-5V WHITE ILLUMINATED INTEGRALLY LIGHTED ADF DUAL W/BFO SUPPLIER CODE: V51896 SPECIFICATION NUMBER: S233T100-563 OPTIONAL PART: 800-007856 V05617 USED ON: 285T0557-1	103106	1

MISSING ITEM NUMBERS NOT APPLICABLE

- ITEM NOT ILLUSTRATED

33-13-01-07

33-13-01
FIG. 07
PAGE 15
JAN 20/09

BRI



757

PARTS CATALOG (MAINTENANCE)

FIG ITEM	PART NUMBER	1 2 3 4 5 6 7	NOMENCLATURE	EFFECT FROM TO	UNITS PER ASSY
7 480	800-007856		..LIGHTPLATE-5V WHITE ILLUMINATED INTEGRALLY LIGHTED ADF DUAL W/BFO SUPPLIER CODE: V05617 SPECIFICATION NUMBER: S233T100-563 OPTIONAL PART: S233T100-563 V51896 USED ON: 285T0557-1	103106	1
R R	485	S233T100-558	..LIGHTPLATE-5V WHITE ILLUMINATED INTEGRALLY LIGHTED ADF DUAL W/BFO SUPPLIER CODE: V51896 SPECIFICATION NUMBER: S233T100-558 OPTIONAL PART: S233T100-551 V51896 OPTIONAL SUPPLIER CODE: 05617 98140 USED ON: 285T0537-1	103106	1
	490	S233T100-551	..LIGHTPLATE-5V WHITE ILLUMINATED INTEGRALLY LIGHTED ADF DUAL W/BFO SUPPLIER CODE: V51896 SPECIFICATION NUMBER: S233T100-551 OPTIONAL PART: S233T100-558 V51896 OPTIONAL SUPPLIER CODE: 05617 98140 USED ON: 285T0537-1	103106	1
	495	800-000121-1	..CONNECTOR-PWR SUPPLIER CODE: V05617 QUALIFIED OPTIONAL DATA: 800-000121-1 OPT TO 90-42303-1 WHEN USED WITH ASSOCIATED PARTS USED ON: 285T0557-1	103106	1

MISSING ITEM NUMBERS NOT APPLICABLE

- ITEM NOT ILLUSTRATED

33-13-01-07

33-13-01
FIG. 07
PAGE 16
MAY 20/09

BRI



757

PARTS CATALOG (MAINTENANCE)

FIG ITEM	PART NUMBER	1 2 3 4 5 6 7	NOMENCLATURE	EFFECT FROM TO	UNITS PER ASSY
7 495	90-42303-1		.. CONNECTOR-PWR SUPPLIER CODE: V51074 QUALIFIED OPTIONAL DATA: 800-000121-1 OPT TO 90-42303-1 WHEN USED WITH ASSOCIATED PARTS USED ON: 285T0557-1	103106	1
500	800-000121-1		.. CONNECTOR-PWR SUPPLIER CODE: V05617 USED ON: 285T0537-1	103106	1

MISSING ITEM NUMBERS NOT APPLICABLE

- ITEM NOT ILLUSTRATED

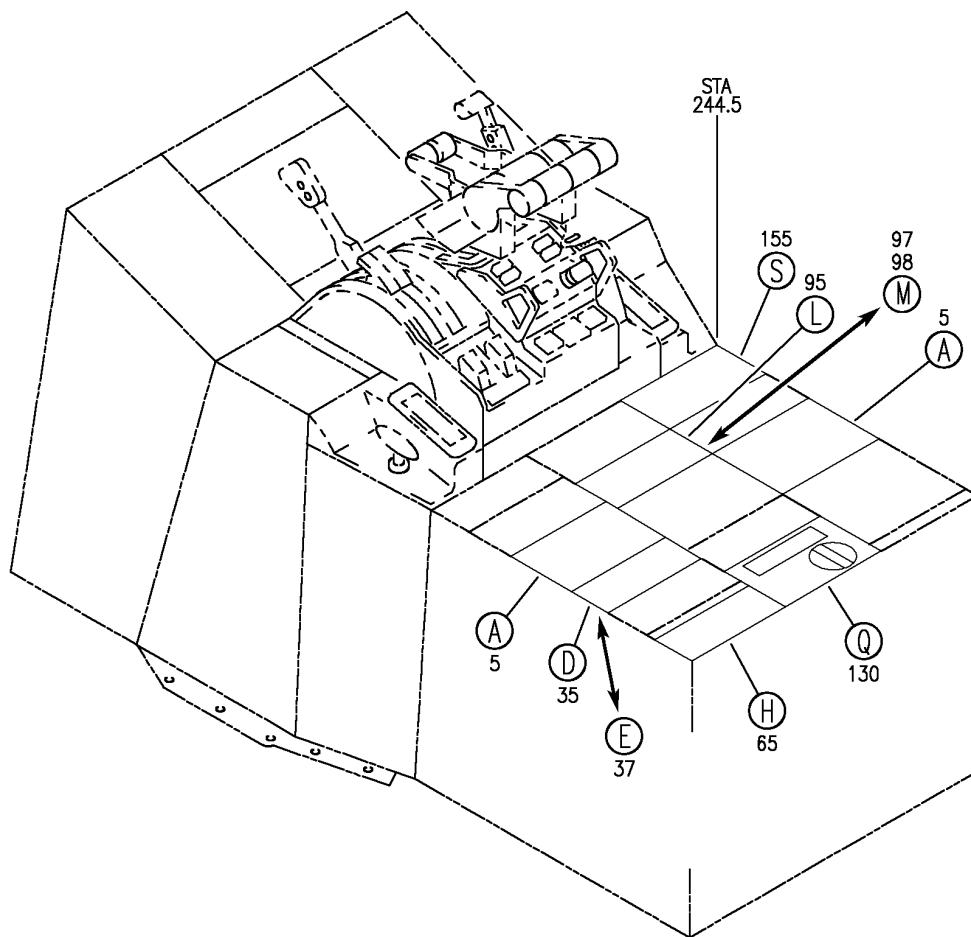
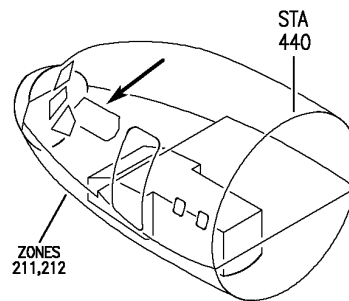
BRI

33-13-01-07

BOEING PROPRIETARY - Copyright © - Unpublished Work - See title page for details.

33-13-01
FIG. 07
PAGE 17
JAN 20/09

BOEING
757
PARTS CATALOG (MAINTENANCE)



Y 33130112 SH1 1 REV 253

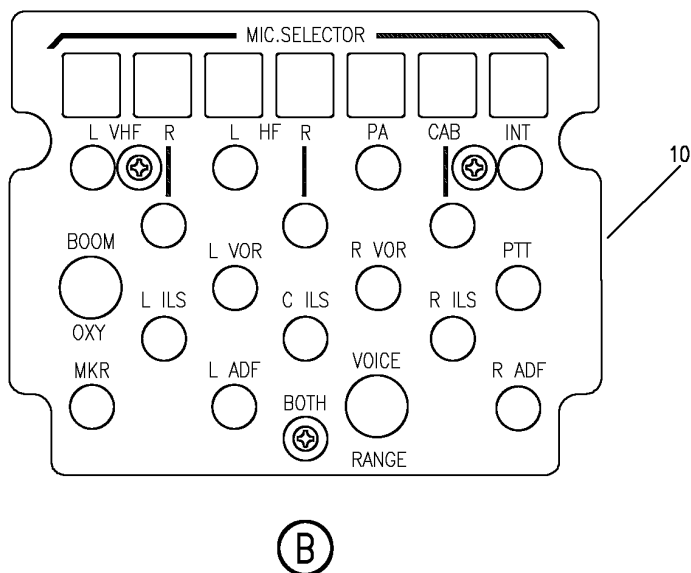
PANEL INSTL- P8, P9, P10 ELECTRONICS (LIGHTS ONLY)
FIGURE 12 (SHEET 1)

33-13-01-12

BRI
MAY 28/07

33-13-01-12
PAGE 0

BOEING
757
PARTS CATALOG (MAINTENANCE)



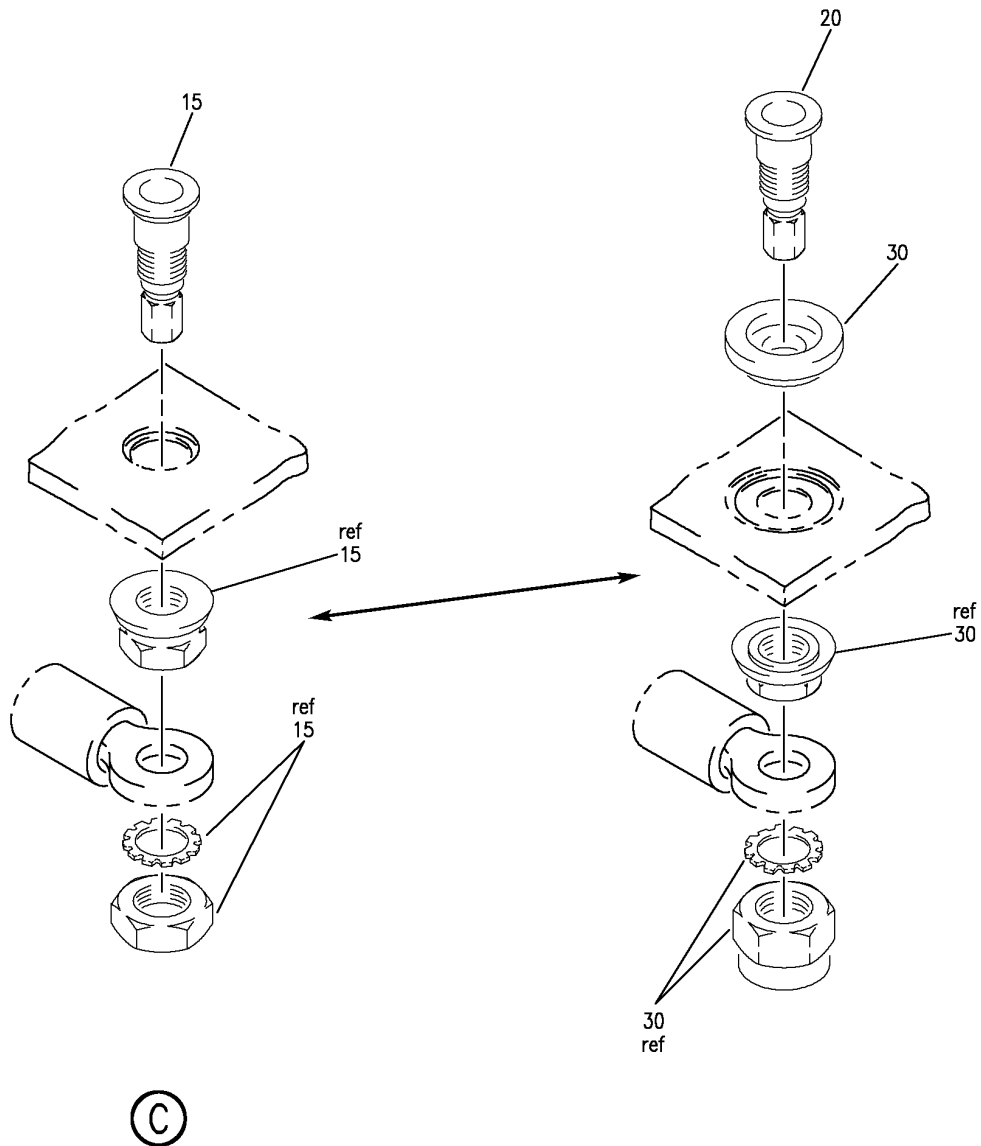
Y 33130112 SH1 2 REV 253

PANEL INSTL- P8, P9, P10 ELECTRONICS (LIGHTS ONLY)
FIGURE 12 (SHEET 2)

33-13-01-12

BRI
MAY 28/07

33-13-01-12
PAGE 0A



Y 33130112 SHT 3 REV 253

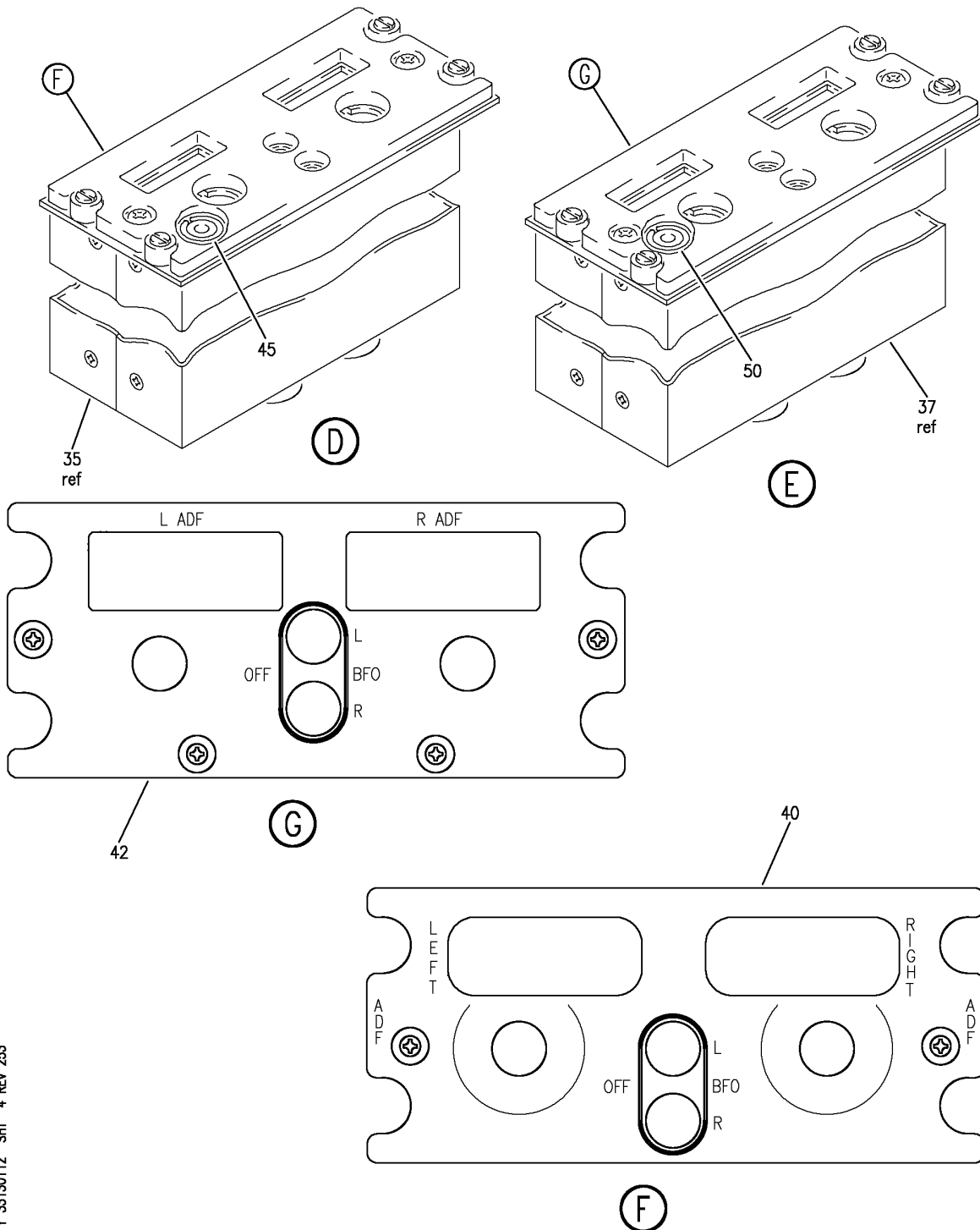
PANEL INSTL- P8, P9, P10 ELECTRONICS (LIGHTS ONLY)
FIGURE 12 (SHEET 3)

33-13-01-12

BRI
MAY 28/07

33-13-01-12
PAGE 0B

BOEING
757
PARTS CATALOG (MAINTENANCE)



Y 33130112 SH1 4 REV 253

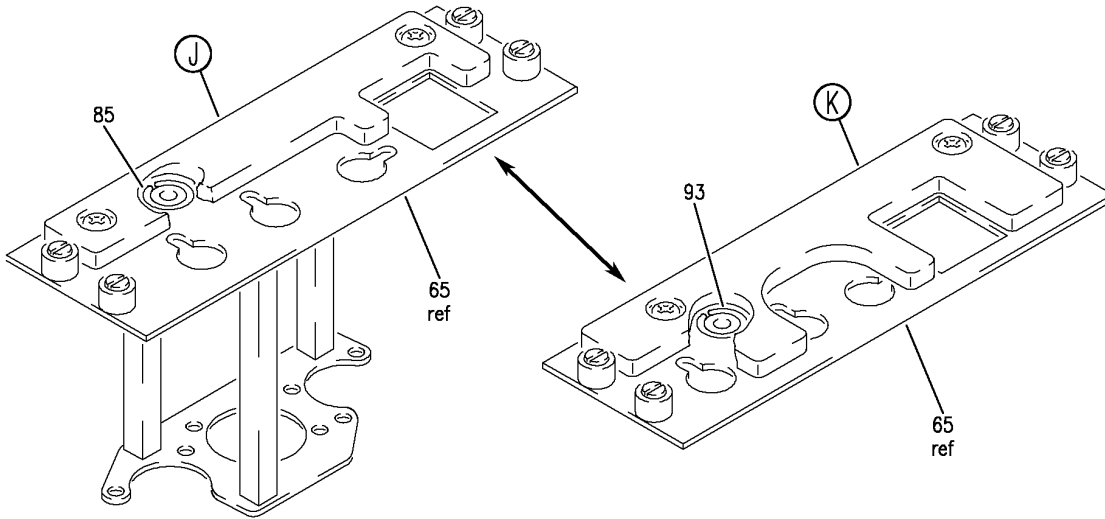
PANEL INSTL- P8, P9, P10 ELECTRONICS (LIGHTS ONLY)
FIGURE 12 (SHEET 4)

33-13-01-12

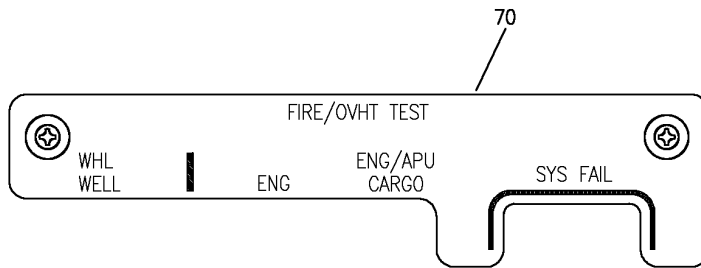
BRI
MAY 28/07

33-13-01-12
PAGE 0C

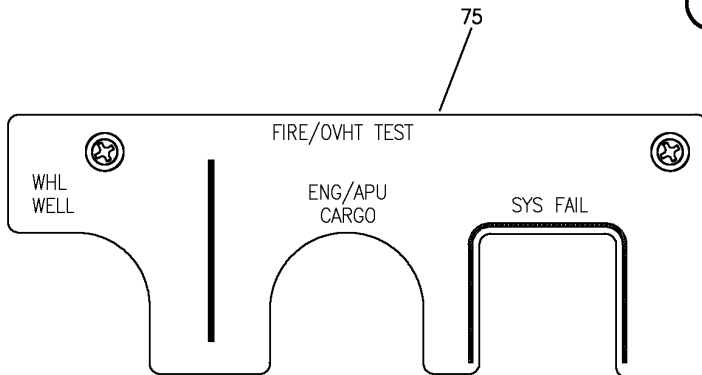
BOEING
757
PARTS CATALOG (MAINTENANCE)



(H)



(J)



(K)

Y 33130112 SHT 5 REV 253

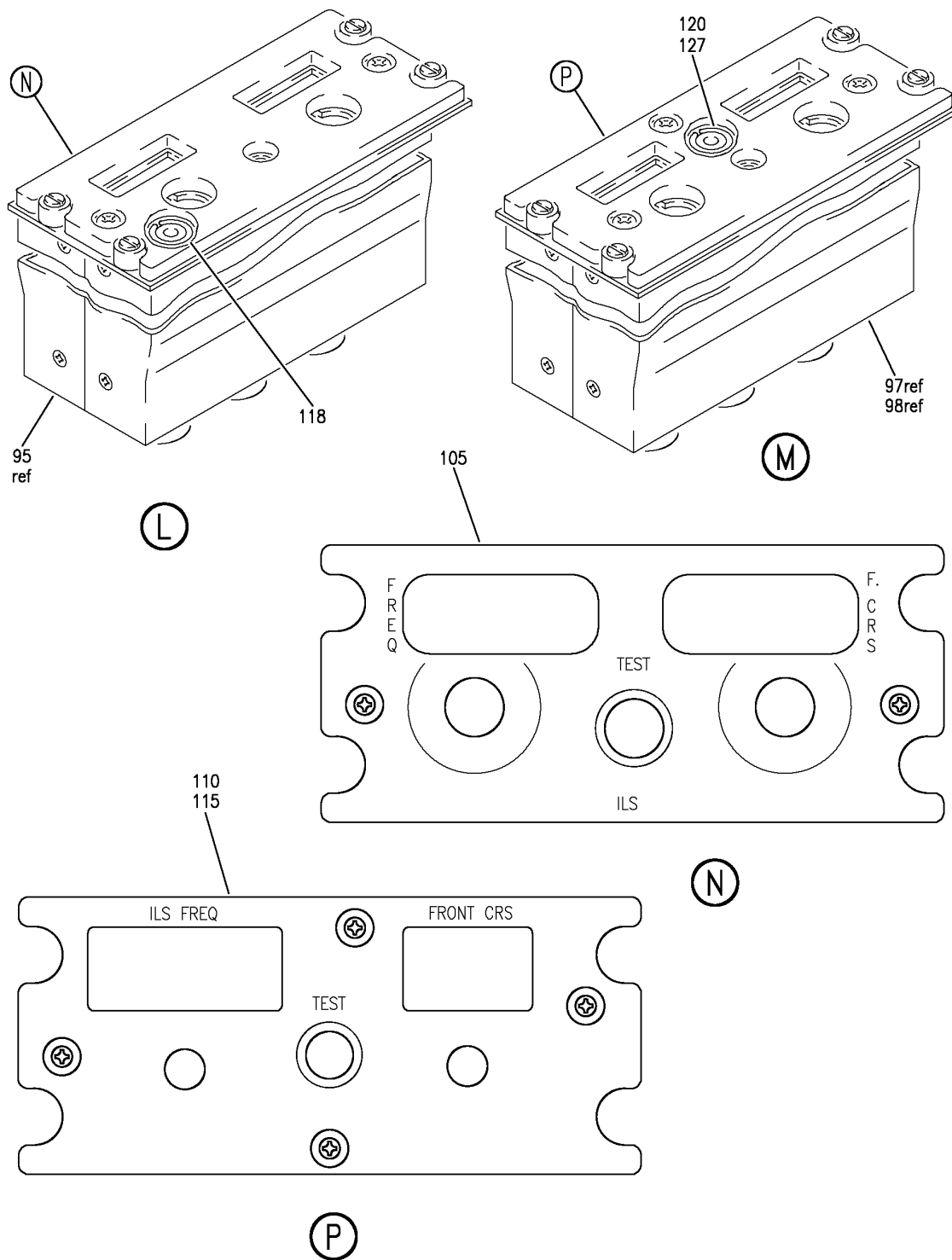
PANEL INSTL- P8, P9, P10 ELECTRONICS (LIGHTS ONLY)
FIGURE 12 (SHEET 5)

33-13-01-12

BRI
MAY 28/07

33-13-01-12
PAGE 0D

BOEING
757
PARTS CATALOG (MAINTENANCE)



Y 33130112 SH1 6 REV 253

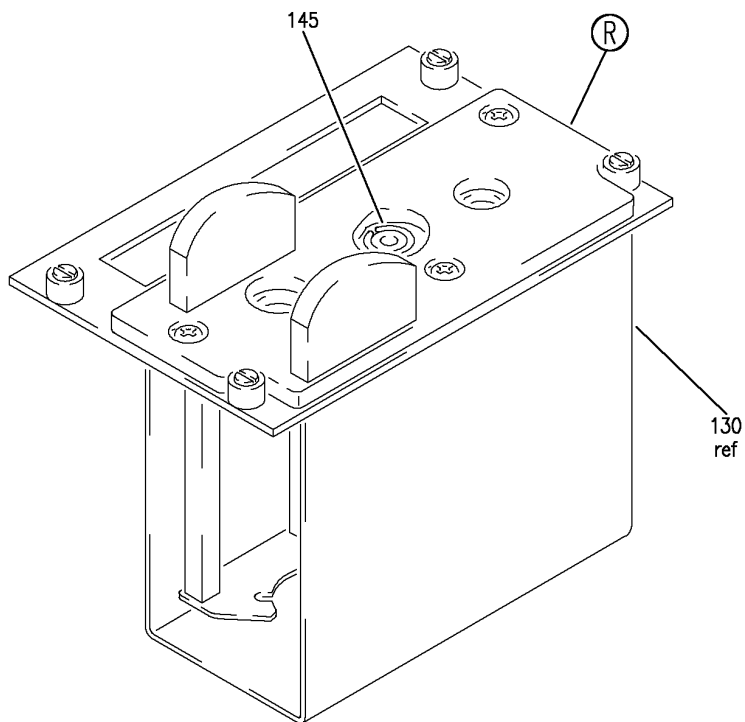
PANEL INSTL- P8, P9, P10 ELECTRONICS (LIGHTS ONLY)
FIGURE 12 (SHEET 6)

33-13-01-12

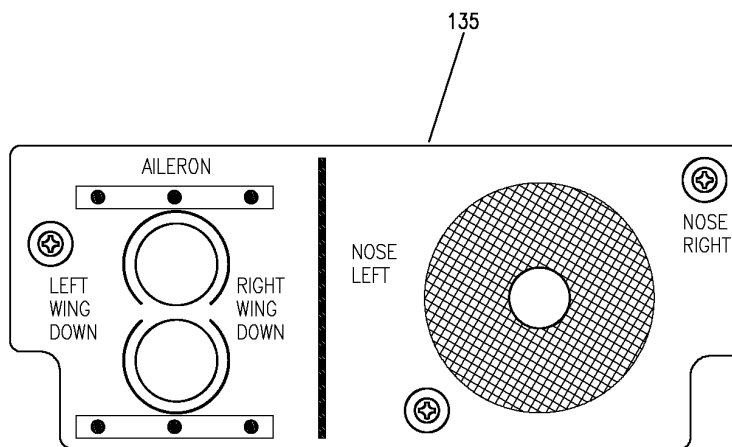
BRI
MAY 28/07

33-13-01-12
PAGE 0E

BOEING
757
PARTS CATALOG (MAINTENANCE)



Q



R

Y 33130112 SH1 7 REV 253

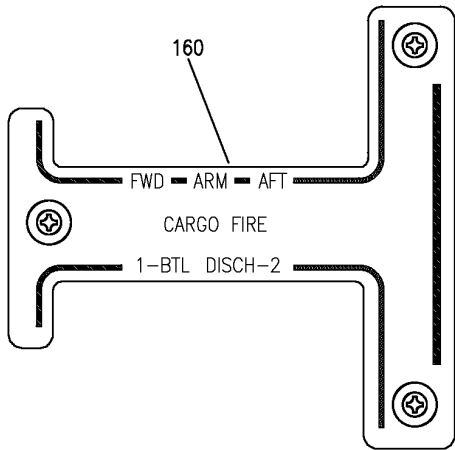
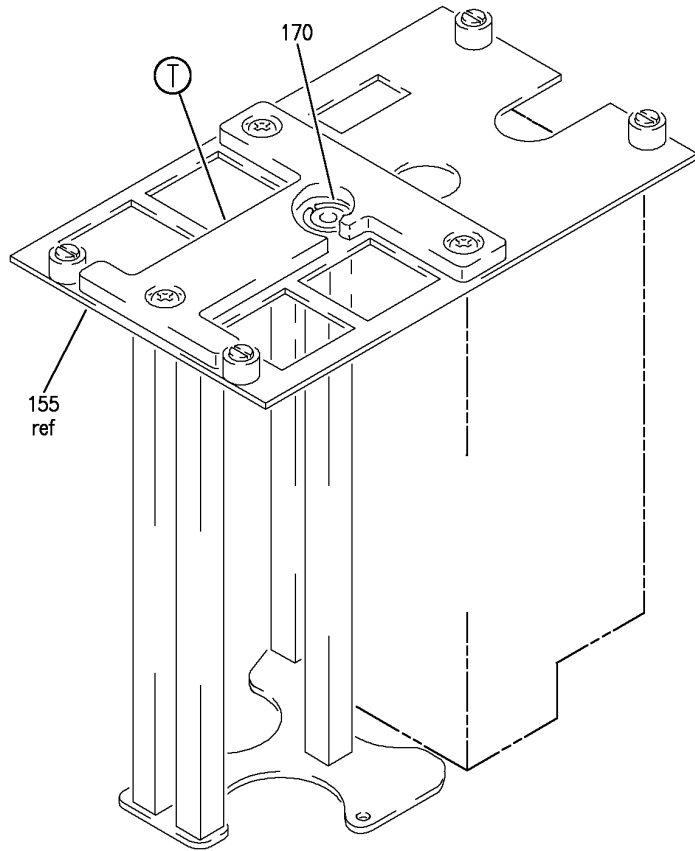
PANEL INSTL- P8, P9, P10 ELECTRONICS (LIGHTS ONLY)
FIGURE 12 (SHEET 7)

33-13-01-12

BRI
MAY 28/07

33-13-01-12
PAGE OF

BOEING
757
PARTS CATALOG (MAINTENANCE)



(S)

Y 33130112 SH1 8 REV 253

PANEL INSTL- P8, P9, P10 ELECTRONICS (LIGHTS ONLY)
FIGURE 12 (SHEET 8)

33-13-01-12

BRI
MAY 28/07

33-13-01-12
PAGE 06



757

PARTS CATALOG (MAINTENANCE)

FIG ITEM	PART NUMBER	1 2 3 4 5 6 7	NOMENCLATURE	EFFECT FROM TO	UNITS PER ASSY
12			PANEL INSTL- P8, P9, P10 ELECTRONICS (LIGHTS ONLY)	101102	
- 1	233N6103-28		PANEL INSTL-P8, P9, P10 ELECTRONICS (LIGHTS ONLY) FOR NHA/OTHER SYS DET SEE: 25-10-00-15B	101101	RF
- 1	233N6103-128		PANEL INSTL-P8, P9, P10 ELECTRONICS (LIGHTS ONLY) FOR NHA/OTHER SYS DET SEE: 25-10-00-15B	102102	RF
5	285T0022-44		.PANEL ASSY-AUDIO SELECTOR SUPPLIER CODE: V89954 ELECTRICAL EQUIP NUMBER: M00070 M00071 COMPONENT MAINT MANUAL REF: 23-51-54	101102	RF
5	285T0022-38		.PANEL ASSY-AUDIO SELECTOR SUPPLIER CODE: V89954 ELECTRICAL EQUIP NUMBER: M00070 M00071 COMPONENT MAINT MANUAL REF: 23-51-54	101102	RF
5	285T0022-28		.PANEL ASSY-AUDIO SELECTOR SUPPLIER CODE: V89954 ELECTRICAL EQUIP NUMBER: M00070 M00071 COMPONENT MAINT MANUAL REF: 23-51-54	101102	RF
10	800-001357-1		..LIGHTPLATE-5V WHITE ILLUMINATED INTEGRALLY- LIGHTED AUDIO SELECT SUPPLIER CODE: V05617 SPECIFICATION NUMBER: S233T100-531 OPTIONAL PART: S233T100-531 V51896 800-001357 V05617	101102	1

MISSING ITEM NUMBERS NOT APPLICABLE

- ITEM NOT ILLUSTRATED

33-13-01-12

33-13-01
FIG. 12
PAGE 1
JAN 20/09

BRI



757

PARTS CATALOG (MAINTENANCE)

FIG ITEM	PART NUMBER	1 2 3 4 5 6 7	NOMENCLATURE	EFFECT FROM TO	UNITS PER ASSY
12 10	800-001357		..LIGHTPLATE-5V WHITE ILLUMINATED INTEGRALLY- LIGHTED AUDIO SELECT SUPPLIER CODE: V05617 SPECIFICATION NUMBER: S233T100-531 MISCELLANEOUS DATA: FOR VENDOR FSCM 05617 FOR SPARES ORDER THE 800-001357-1 OPTIONAL PART: S233T100-531 V51896 800-001357-1 V05617	101102	1
15	800000121-1		..CONNECTOR-PWR SUPPLIER CODE: V05617 QUALIFIED I/W DATA: THE 800000121-1 T/W 285T0022-23 IS I/W 90-42301-1 USED ON: 285T0022-28 285T0022-38	101102	1
20	90-42301-1		..CONNECTOR-PWR SUPPLIER CODE: V51074 QUALIFIED I/W DATA: 90-42301-1 CONNECTOR CAN REPLACE BUT NOT BE REPLACED BY 285T0022-23 INSULATOR TOGETHER WITH 800000121-1 CONNECTOR. OPTIONAL PART: 285T0022-52 V89954 USED ON: 285T0022-44	101102	1

MISSING ITEM NUMBERS NOT APPLICABLE

- ITEM NOT ILLUSTRATED

BRI

33-13-01-12

BOEING PROPRIETARY - Copyright © - Unpublished Work - See title page for details.

33-13-01
 FIG. 12
 PAGE 2
 JAN 20/09



757

PARTS CATALOG (MAINTENANCE)

FIG ITEM	PART NUMBER	1 2 3 4 5 6 7	NOMENCLATURE	EFFECT FROM TO	UNITS PER ASSY
12 20	90-42301-1	..	CONNECTOR-PWR SUPPLIER CODE: V51074 QUALIFIED I/W DATA: 90-42301-1 CONNECTOR CAN REPLACE BUT NOT BE REPLACED BY 285T0022-23 INSULATOR TOGETHER WITH 800000121-1 CONNECTOR. QUALIFIED OPTIONAL DATA: 285T0022-23 USED WITH 800000121-1 OPTIONAL TO 90-42301-1 USED ON: 285T0022-38 285T0022-28	101102	1
- 25	285T0022-52	..	SUB KIT ASSY- SUPPLIER CODE: V89954 OPTIONAL PART: 90-42301-1 V51074 USED ON: 285T0022-44	101102	1
30	800000121-1	...	CONNECTOR-PWR SUPPLIER CODE: V05617 QUALIFIED I/W DATA: THE 800000121-1 T/W 285T0022-23 IS I/W 90-42301-1	101102	1
35	285T0557-1	.	PANEL ASSY-ADF CONT SUPPLIER CODE: V89954 ELECTRICAL EQUIP NUMBER: M01046 COMPONENT MAINT MANUAL REF: 34-57-62	101102	RF
37	285T0537-1	.	PANEL ASSY-ADF CONT SUPPLIER CODE: V89954 ELECTRICAL EQUIP NUMBER: M01046 COMPONENT MAINT MANUAL REF: 34-57-53	101102	RF

MISSING ITEM NUMBERS NOT APPLICABLE

- ITEM NOT ILLUSTRATED

33-13-01-12

33-13-01
FIG. 12
PAGE 3
JAN 20/09

BRI

 **BOEING**
757
PARTS CATALOG (MAINTENANCE)

FIG ITEM	PART NUMBER	1 2 3 4 5 6 7	NOMENCLATURE	EFFECT FROM TO	UNITS PER ASSY
12 40	S233T100-563		..LIGHTPLATE-5V WHITE ILLUMINATED INTEGRALLY LIGHTED ADF DUAL W/BFO SUPPLIER CODE: V51896 SPECIFICATION NUMBER: S233T100-563 OPTIONAL PART: 800-007856 V05617 USED ON: 285T0557-1	101102	1
40	800-007856		..LIGHTPLATE-5V WHITE ILLUMINATED INTEGRALLY LIGHTED ADF DUAL W/BFO SUPPLIER CODE: V05617 SPECIFICATION NUMBER: S233T100-563 OPTIONAL PART: S233T100-563 V51896 USED ON: 285T0557-1	101102	1
42	S233T100-558		..LIGHTPLATE-5V WHITE ILLUMINATED INTEGRALLY LIGHTED ADF DUAL W/BFO SUPPLIER CODE: V51896 SPECIFICATION NUMBER: S233T100-558 OPTIONAL PART: S233T100-551 V51896 OPTIONAL SUPPLIER CODE: 05617 98140 USED ON: 285T0537-1	101102	1

R
R
R
R
R
R
R
R
R
R
R

MISSING ITEM NUMBERS NOT APPLICABLE

- ITEM NOT ILLUSTRATED

BRI

33-13-01-12

BOEING PROPRIETARY - Copyright © - Unpublished Work - See title page for details.

33-13-01
FIG. 12
PAGE 4
MAY 20/09



757

PARTS CATALOG (MAINTENANCE)

FIG ITEM	PART NUMBER	1 2 3 4 5 6 7	NOMENCLATURE	EFFECT FROM TO	UNITS PER ASSY
R R R R R R R R R R R	12 42	S233T100-551	..LIGHTPLATE-5V WHITE ILLUMINATED INTEGRALLY LIGHTED ADF DUAL W/BFO SUPPLIER CODE: V51896 SPECIFICATION NUMBER: S233T100-551 OPTIONAL PART: S233T100-558 V51896 OPTIONAL SUPPLIER CODE: 05617 98140 USED ON: 285T0537-1	101102	1
	45	800-000121-1	..CONNECTOR-PWR SUPPLIER CODE: V05617 QUALIFIED OPTIONAL DATA: 800-000121-1 OPT TO 90-42303-1 WHEN USED WITH ASSOCIATED ITEMS USED ON: 285T0557-1	101102	1
	45	90-42303-1	..CONNECTOR-PWR SUPPLIER CODE: V51074 QUALIFIED OPTIONAL DATA: 800-000121-1 OPT TO 90-42303-1 WHEN USED WITH ASSOCIATED ITEMS USED ON: 285T0557-1	101102	1
	50	800-000121-1	..CONNECTOR-PWR SUPPLIER CODE: V05617 USED ON: 285T0537-1	101102	1

MISSING ITEM NUMBERS NOT APPLICABLE

- ITEM NOT ILLUSTRATED

33-13-01-12

33-13-01
FIG. 12
PAGE 5
MAY 20/09

BRI



757

PARTS CATALOG (MAINTENANCE)

FIG ITEM	PART NUMBER	1 2 3 4 5 6 7	NOMENCLATURE	EFFECT FROM TO	UNITS PER ASSY
12 65	233N6204-301		.PANEL ASSY-FIRE OVERHEAT TEST SUPPLIER CODE: V89954 ELECTRICAL EQUIP NUMBER: M10445 COMPONENT MAINT MANUAL REF: 26-11-52 QUALIFIED I/W DATA: THE 233N6204-301 PANEL ASSY IS I/W THE 233N6204-15 PANEL ASSY T/W THE S233T100-5508 LIGHTPLATE.	101102	RF
65	233T6204-301		.PANEL ASSY-FIRE OVERHEAT TEST SUPPLIER CODE: V89954 ELECTRICAL EQUIP NUMBER: M10445 COMPONENT MAINT MANUAL REF: 26-11-51	101102	RF
70	S233T100-5508		..LIGHTPLATE-5V WHITE ILLUMINATED INTEGRALLY LIGHTED FIRE/OVHT TEST SUPPLIER CODE: V51896 SPECIFICATION NUMBER: S233T100-5508 OPTIONAL PART: 800-000444 V05617 OPTIONAL SUPPLIER CODE: 05617 98140 USED ON: 233N6204-301	101102	1

R
R
R
R
R
R
R
R
R
R
R
R

MISSING ITEM NUMBERS NOT APPLICABLE

- ITEM NOT ILLUSTRATED

33-13-01-12

33-13-01
FIG. 12
PAGE 6
MAY 20/09

BRI



757

PARTS CATALOG (MAINTENANCE)

FIG ITEM	PART NUMBER	1 2 3 4 5 6 7	NOMENCLATURE	EFFECT FROM TO	UNITS PER ASSY
12 70	800-000444		..LIGHTPLATE-FIRE TEST SUPPLIER CODE: V05617 SPECIFICATION NUMBER: S233T100-5508 MISCELLANEOUS DATA: FOR VENDOR FSCM 05617 FOR SPARES ORDER THE 800-000444-1 OPTIONAL PART: S233T100-5508 V51896 800-000444-1 V05617	101102	1
70	800-000444-1		..LIGHTPLATE-FIRE TEST SUPPLIER CODE: V05617 SPECIFICATION NUMBER: S233T100-5508 OPTIONAL PART: S233T100-5508 V51896 800-000444 V05617	101102	1
75	800-000903		..LIGHTPLATE-5V WHITE ILLUMINATED INTEGRALLY LIGHTED FIRE/OVHT TEST SUPPLIER CODE: V05617 SPECIFICATION NUMBER: S233T100-538 MISCELLANEOUS DATA: FOR VENDOR FSCM 05617 FOR SPARES ORDER THE 800-000903-1 OPTIONAL PART: S233T100-538 V51896 800-000903-1 V05617 USED ON: 233T6204-301	101102	1

MISSING ITEM NUMBERS NOT APPLICABLE

- ITEM NOT ILLUSTRATED

BRI

33-13-01-12

BOEING PROPRIETARY - Copyright © - Unpublished Work - See title page for details.

33-13-01
FIG. 12
PAGE 7
JAN 20/09



757

PARTS CATALOG (MAINTENANCE)

FIG ITEM	PART NUMBER	1 2 3 4 5 6 7	NOMENCLATURE	EFFECT FROM TO	UNITS PER ASSY
12 75	800-000903-1		..LIGHTPLATE-5V WHITE ILLUMINATED INTEGRALLY LIGHTED FIRE/OVHT TEST SUPPLIER CODE: V05617 SPECIFICATION NUMBER: S233T100-538 OPTIONAL PART: S233T100-538 V51896 800-000903 V05617	101102	1
- 80	233N6204-15		..PANEL ASSY- SUPPLIER CODE: V89954 COMPONENT MAINT MANUAL REF: 26-11-52 QUALIFIED I/W DATA: THE 233N6204-301 PANEL ASSY IS I/W THE 233N6204-15 PANEL ASSY T/W THE S233T100-5508 LIGHTPLATE. USED ON: 233N6204-301	101102	RF
85	800-000121-1		...CONNECTOR- SUPPLIER CODE: V05617	101102	1
R R R R R R R - 90	233T6204-16		..PANEL ASSY- SUPPLIER CODE: V89954 COMPONENT MAINT MANUAL REF: 26-11-52 USED ON: 233T6204-301	101102	RF
- 90	233T6204-13		..PANEL ASSY- SUPPLIER CODE: V89954 COMPONENT MAINT MANUAL REF: 26-11-52 QUALIFIED I/W DATA: 233T6204-301 PANEL ASSY IS I/W 233T6204-13 PANEL ASSY T/W S233T100-538 LIGHTPLATE USED ON: 233T6204-301	101102	RF

MISSING ITEM NUMBERS NOT APPLICABLE

- ITEM NOT ILLUSTRATED

33-13-01-12

33-13-01
FIG. 12
PAGE 8
MAY 20/09

BRI



757

PARTS CATALOG (MAINTENANCE)

FIG ITEM	PART NUMBER	1 2 3 4 5 6 7	NOMENCLATURE	EFFECT FROM TO	UNITS PER ASSY
12					
93	800-000121-1		...CONNECTOR- SUPPLIER CODE: V05617	101102	1
95	285T0553-4		.PANEL ASSY-ILS CONT SUPPLIER CODE: V89954 ELECTRICAL EQUIP NUMBER: M00087 COMPONENT MAINT MANUAL REF: 34-31-61	101102	RF
95	285T0553-1		.PANEL ASSY-ILS CONT SUPPLIER CODE: V89954 ELECTRICAL EQUIP NUMBER: M00087 COMPONENT MAINT MANUAL REF: 34-31-61	101102	RF
95	285T0553-2		.PANEL ASSY-ILS CONT SUPPLIER CODE: V89954 ELECTRICAL EQUIP NUMBER: M00087 COMPONENT MAINT MANUAL REF: 34-31-61	101102	RF
95	285T0553-3		.PANEL ASSY-ILS CONT SUPPLIER CODE: V89954 ELECTRICAL EQUIP NUMBER: M00087	101102	RF
97	285T0020-8		.PANEL ASSY-ILS CONT SUPPLIER CODE: V89954 ELECTRICAL EQUIP NUMBER: M00087 COMPONENT MAINT MANUAL REF: 34-31-51	101102	RF
98	285T0524-6		.PANEL ASSY-ILS CONT SUPPLIER CODE: V89954 ELECTRICAL EQUIP NUMBER: M00087 COMPONENT MAINT MANUAL REF: 34-31-52	101102	RF

MISSING ITEM NUMBERS NOT APPLICABLE

- ITEM NOT ILLUSTRATED

BRI

33-13-01-12

BOEING PROPRIETARY - Copyright © - Unpublished Work - See title page for details.

33-13-01
FIG. 12
PAGE 9
MAY 20/09



757

PARTS CATALOG (MAINTENANCE)

FIG ITEM	PART NUMBER	1 2 3 4 5 6 7	NOMENCLATURE	EFFECT FROM TO	UNITS PER ASSY
12 105	S233T100-559		..LIGHTPLATE-5V WHITE ILLUMINATED INTEGRALLY LIGHTED ILS SUPPLIER CODE: V51896 SPECIFICATION NUMBER: S233T100-559 OPTIONAL PART: 800-007677 V05617 USED ON: 285T0553-1 285T0553-2 285T0553-3 285T0553-4	101102	1
105	800-007677		..LIGHTPLATE-5V WHITE ILLUMINATED INTEGRALLY LIGHTED ILS SUPPLIER CODE: V05617 SPECIFICATION NUMBER: S233T100-559 OPTIONAL PART: S233T100-559 V51896 USED ON: 285T0553-1 285T0553-2 285T0553-3 285T0553-4	101102	1
110	S233T100-543		..LIGHTPLATE-5V WHITE ILLUMINATED INTEGRALLY LIGHTED ILS SUPPLIER CODE: V51896 SPECIFICATION NUMBER: S233T100-543 OPTIONAL PART: 800-008004 V05617 OPTIONAL PART: S233T100-544 V51896 S233T100-554 V51896 800-007826 V05617 USED ON: 285T0020-8	101102	1

MISSING ITEM NUMBERS NOT APPLICABLE

- ITEM NOT ILLUSTRATED

33-13-01-12

33-13-01
FIG. 12
PAGE 10
JAN 20/09

BRI



757

PARTS CATALOG (MAINTENANCE)

FIG ITEM	PART NUMBER	1 2 3 4 5 6 7	NOMENCLATURE	EFFECT FROM TO	UNITS PER ASSY
R R	12 110	S233T100-544	..LIGHTPLATE-5V WHITE ILLUMINATED INTEGRALLY LIGHTED ILS SUPPLIER CODE: V51896 SPECIFICATION NUMBER: S233T100-544 OPTIONAL PART: S233T100-543 V51896 S233T100-554 V51896 800-008004 V05617 800-007826 V05617 OPTIONAL SUPPLIER CODE: 05617 98140 USED ON: 285T0020-8	101102	1
	110	S233T100-554	..LIGHTPLATE-5V WHITE ILLUMINATED INTEGRALLY LIGHTED ILS SUPPLIER CODE: V51896 SPECIFICATION NUMBER: S233T100-554 OPTIONAL PART: 800-007826 V05617 OPTIONAL PART: S233T100-543 V51896 S233T100-544 V51896 800-008004 V05617 USED ON: 285T0020-8	101102	1

MISSING ITEM NUMBERS NOT APPLICABLE

- ITEM NOT ILLUSTRATED

33-13-01-12

33-13-01
FIG. 12
PAGE 11
MAY 20/09

BRI



757

PARTS CATALOG (MAINTENANCE)

FIG ITEM	PART NUMBER	1 2 3 4 5 6 7	NOMENCLATURE	EFFECT FROM TO	UNITS PER ASSY
12 110	800-008004		..LIGHTPLATE-5V WHITE ILLUMINATED INTEGRALLY LIGHTED ILS SUPPLIER CODE: V05617 SPECIFICATION NUMBER: S233T100-543 OPTIONAL PART: S233T100-543 V51896 OPTIONAL PART: S233T100-544 V51896 S233T100-554 V51896 800-007826 V05617 USED ON: 285T0020-8	101102	1
110	800-007826		..LIGHTPLATE-5V WHITE ILLUMINATED INTEGRALLY LIGHTED ILS SUPPLIER CODE: V05617 SPECIFICATION NUMBER: S233T100-554 OPTIONAL PART: S233T100-554 V51896 OPTIONAL PART: S233T100-543 V51896 S233T100-544 V51896 800-008004 V05617 USED ON: 285T0020-8	101102	1

MISSING ITEM NUMBERS NOT APPLICABLE

- ITEM NOT ILLUSTRATED

BRI

33-13-01-12

BOEING PROPRIETARY - Copyright © - Unpublished Work - See title page for details.

33-13-01
 FIG. 12
 PAGE 12
 JAN 20/09



757

PARTS CATALOG (MAINTENANCE)

FIG ITEM	PART NUMBER	1 2 3 4 5 6 7	NOMENCLATURE	EFFECT FROM TO	UNITS PER ASSY
12					
- 117	285T0082-10	..	MODULE ASSY-FRONT SUPPLIER CODE: V89954 OPTIONAL PART: 285T0082-14 V89954 USED ON: 285T0020-8	101102	RF
- 117	285T0082-14	..	MODULE ASSY-FRONT SUPPLIER CODE: V89954 OPTIONAL PART: 285T0082-10 V89954 USED ON: 285T0020-8	101102	RF
118	800-000121-1	...	CONNECTOR- SUPPLIER CODE: V05617	101102	1
120	800-000121-1	..	CONNECTOR- SUPPLIER CODE: V05617 QUALIFIED OPTIONAL DATA: 800-000121-1 OPTIONAL TO 90-42303-1 WHEN USED WITH ASSOCIATED PARTS USED ON: 285T0553-4	101102	1
120	90-42303-1	..	CONNECTOR- SUPPLIER CODE: V51074 QUALIFIED OPTIONAL DATA: 800-000121-1 OPTIONAL TO 90-42303-1 WHEN USED WITH ASSOCIATED PARTS USED ON: 285T0553-4	101102	1
120	800-000121-1	..	CONNECTOR- SUPPLIER CODE: V05617 USED ON: 285T0553-1 285T0553-2 285T0553-3	101102	1
- 125	285T0524-2	..	WIRE BUNDLE ASSY- SUPPLIER CODE: V89954 USED ON: 285T0524-6	101102	RF

MISSING ITEM NUMBERS NOT APPLICABLE

- ITEM NOT ILLUSTRATED

33-13-01-12

33-13-01
FIG. 12
PAGE 14
JAN 20/09

BRI



757

PARTS CATALOG (MAINTENANCE)

FIG ITEM	PART NUMBER	1 2 3 4 5 6 7	NOMENCLATURE	EFFECT FROM TO	UNITS PER ASSY
12					
127	800-000121-1		...CONNECTOR- SUPPLIER CODE: V05617	101102	1
130	233T6201-324		.PANEL ASSY-AIL./RUD TRIM CONT SUPPLIER CODE: V89954 FUNCTIONAL DESCRIPTION: CONTROLS AILERON RUDDER TRIM AND DISPLAYS TRIM ANGLE. ELECTRICAL EQUIP NUMBER: M00074 COMPONENT MAINT MANUAL REF: 27-21-63 QUALIFIED I/W DATA: THE 233T6201-324 PANEL ASSY IS I/W THE 233T6201-21 PANEL ASSY T/W THE S233T100-528 LIGHTPLATE AND SA808-101 KNOB	101102	RF
135	800-000448		..LIGHTPLATE-RUD/TRIM CONTROL SUPPLIER CODE: V05617 SPECIFICATION NUMBER: S233T100-528 MISCELLANEOUS DATA: FOR VENDOR FSCM 05617 FOR SPARES ORDER THE 800-000448-1 OPTIONAL PART: S233T100-528 V51896 800-000448-1 V05617	101102	1
135	800-000448-1		..LIGHTPLATE-RUD/TRIM CONTROL SUPPLIER CODE: V05617 SPECIFICATION NUMBER: S233T100-528 OPTIONAL PART: S233T100-528 V51896 800-000448 V05617	101102	1

R
R
R
R
R
R
R
R
R
R
R
R
R
R
R
R
R
R
R
R
R
R

MISSING ITEM NUMBERS NOT APPLICABLE

- ITEM NOT ILLUSTRATED

33-13-01-12

33-13-01
FIG. 12
PAGE 15
MAY 20/09

BRI



757

PARTS CATALOG (MAINTENANCE)

FIG ITEM	PART NUMBER	1 2 3 4 5 6 7	NOMENCLATURE	EFFECT FROM TO	UNITS PER ASSY
12 - 140	233T6201-21	..	PANEL ASSY- SUPPLIER CODE: V89954 COMPONENT MAINT MANUAL REF: 27-21-63 QUALIFIED I/W DATA: THE 233T6201-324 PANEL ASSY IS I/W THE 233T6201-21 PANEL ASSY T/W THE S233T100-528 LIGHTPLATE AND SA808-101 KNOB	101102	RF
145	800000121-1	...	CONNECTOR- SUPPLIER CODE: V05617	101102	1
155	233N6203-301	.PANEL ASSY-APU/CARGO FIRE CONTROL SUPPLIER CODE: V89954 ELECTRICAL EQUIP NUMBER: M10444 COMPONENT MAINT MANUAL REF: 26-15-51 QUALIFIED I/W DATA: THE 233N6203-301 PANEL ASSY IS I/W THE 233N6203-161 PANEL ASSY T/W THE S233T100-573 LIGHTPLATE. PRE ALERT SB: 33A0044	101102	RF	
155	233N6203-355	.PANEL ASSY-APU/CARGO FIRE CONT SUPPLIER CODE: V89954 ELECTRICAL EQUIP NUMBER: M10444	101102	RF	
155	233N6203-1301	.PANEL ASSY-APU/CARGO FIRE CONTROL SUPPLIER CODE: V89954 ELECTRICAL EQUIP NUMBER: M10444 COMPONENT MAINT MANUAL REF: 26-15-51 POST ALERT SB: 33A0044	101102	RF	

MISSING ITEM NUMBERS NOT APPLICABLE

- ITEM NOT ILLUSTRATED

33-13-01-12

33-13-01
FIG. 12
PAGE 16
JAN 20/09

BRI



757

PARTS CATALOG (MAINTENANCE)

FIG ITEM	PART NUMBER	1 2 3 4 5 6 7	NOMENCLATURE	EFFECT FROM TO	UNITS PER ASSY
12 160	800-007123		..LIGHTPLATE-5V WHITE ILLUMINATED INTEGRALLY LIGHTED APU/CARGO FIRE SUPPLIER CODE: V05617 SPECIFICATION NUMBER: S233T100-573 OPTIONAL PART: S233T100-573 V51896 OPTIONAL SUPPLIER CODE: 05617 98140	101102	1
- 165	233N6203-1161		..PANEL ASSY- SUPPLIER CODE: V89954 COMPONENT MAINT MANUAL REF: 26-15-51 USED ON: 233N6203-1301 POST ALERT SB: 33A0044	101102	RF
- 165	233N6203-161		..PANEL ASSY- SUPPLIER CODE: V89954 COMPONENT MAINT MANUAL REF: 26-15-51 QUALIFIED I/W DATA: THE 233N6203-301 PANEL ASSY IS I/W THE 233N6203-161 PANEL ASSY T/W THE S233T100-573 LIGHTPLATE. 233N6203-9/-23/-45/-104/ -105/-161 ARE ALL INTERCHANGEABLE EXCEPT SUBJECT TO CUSTOMER PREFERENCE USED ON: 233N6203-301 PRE ALERT SB: 33A0044	101102	RF
- 165	233N6203-252		..PANEL ASSY- SUPPLIER CODE: V89954 COMPONENT MAINT MANUAL REF: 26-15-51 USED ON: 233N6203-355	101102	RF

MISSING ITEM NUMBERS NOT APPLICABLE

- ITEM NOT ILLUSTRATED

BRI

33-13-01-12

33-13-01
FIG. 12
PAGE 17
JAN 20/09



757

PARTS CATALOG (MAINTENANCE)

FIG ITEM	PART NUMBER	1 2 3 4 5 6 7	NOMENCLATURE	EFFECT FROM TO	UNITS PER ASSY
12 170	800000121-1		...CONNECTOR-PWR SUPPLIER CODE: V05617 USED ON: 233N6203-161	101102	1
170	800-000121-1		...CONNECTOR-PWR SUPPLIER CODE: V05617 USED ON: 233N6203-252	101102	1

MISSING ITEM NUMBERS NOT APPLICABLE

- ITEM NOT ILLUSTRATED

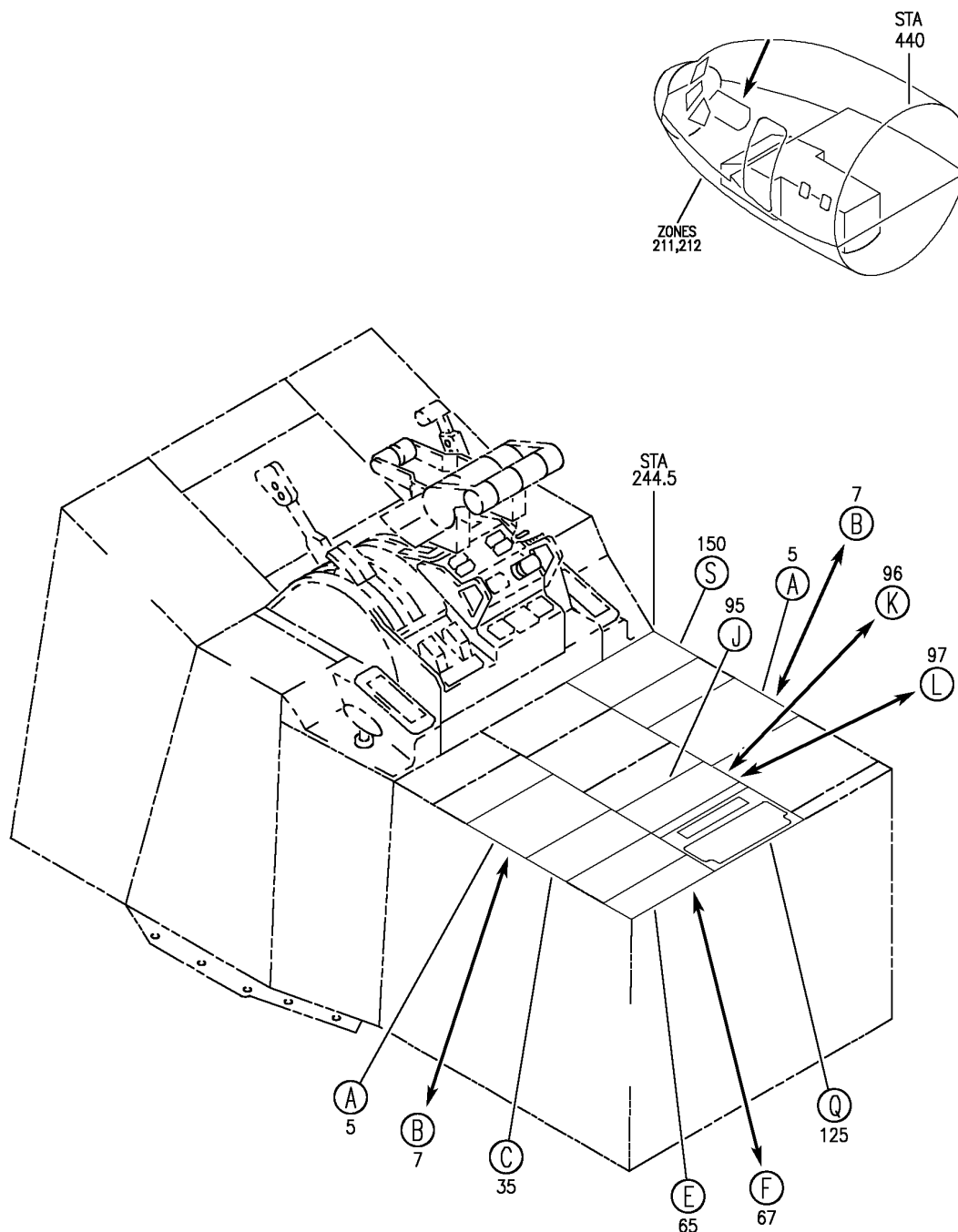
BRI

33-13-01-12

BOEING PROPRIETARY - Copyright © - Unpublished Work - See title page for details.

33-13-01
FIG. 12
PAGE 18
JAN 20/09

BOEING
757
PARTS CATALOG (MAINTENANCE)



Y 33130116 SHT 1 REV 253

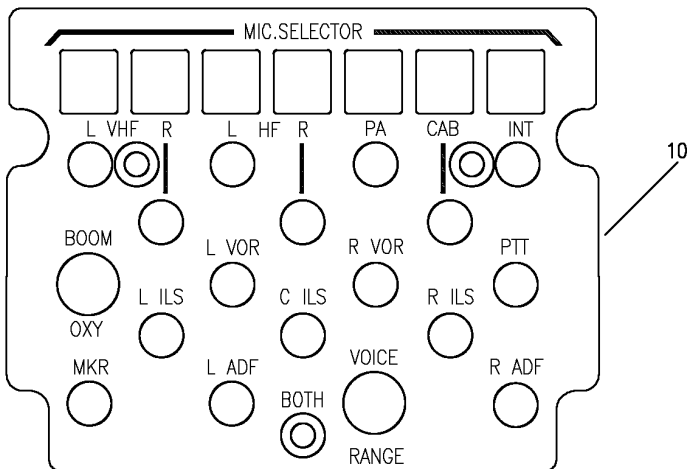
PANEL INSTL-P8,P9,P10 ELECTRONICS (LIGHTS ONLY)
FIGURE 16 (SHEET 1)

33-13-01-16

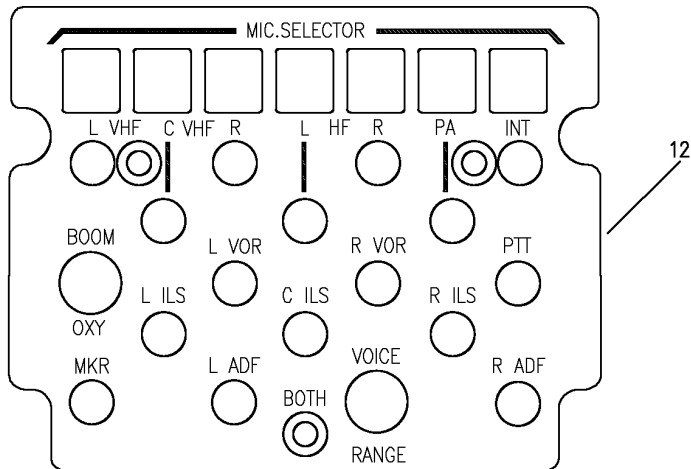
BRI
JAN 20/09

33-13-01-16
PAGE 0

BOEING
757
PARTS CATALOG (MAINTENANCE)



(A)



(B)

Y 33130116 SHT 2 REV 253

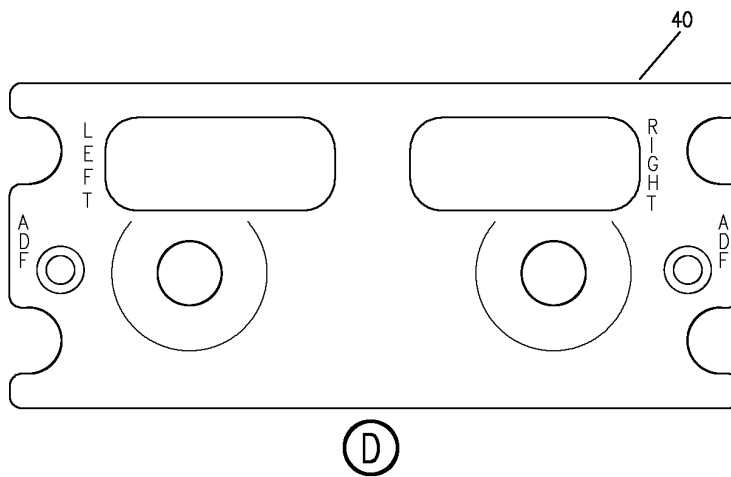
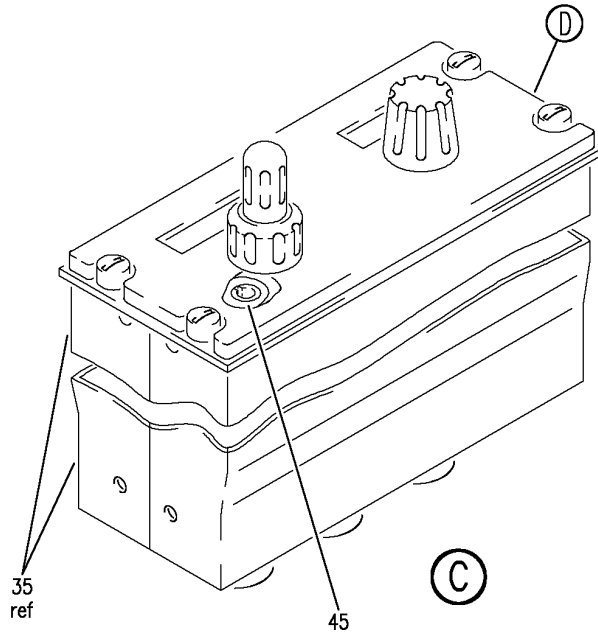
PANEL INSTL-P8,P9,P10 ELECTRONICS (LIGHTS ONLY)
FIGURE 16 (SHEET 2)

33-13-01-16

BRI
JAN 20/09

33-13-01-16
PAGE 0A

BOEING
757
PARTS CATALOG (MAINTENANCE)



Y 33130116 SH1 3 REV 253

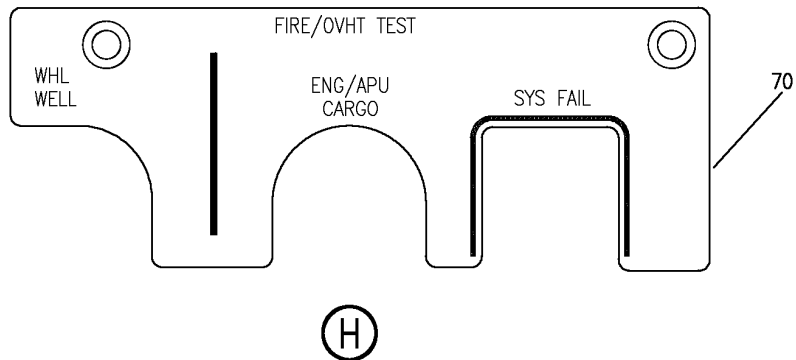
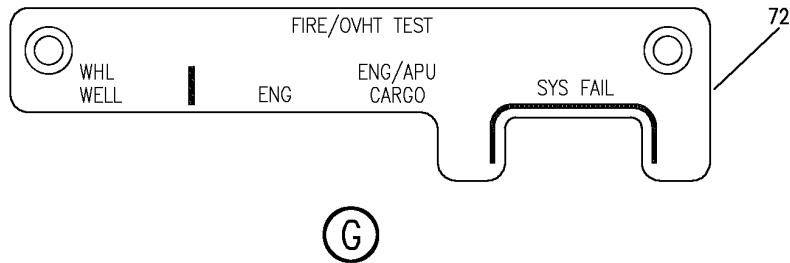
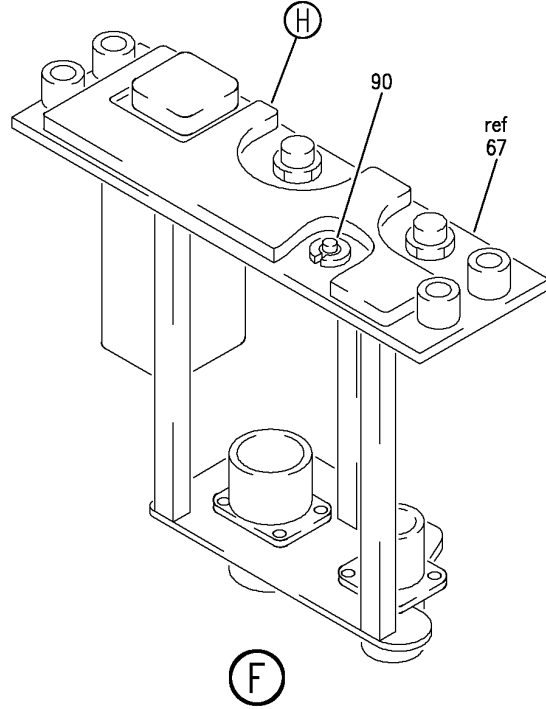
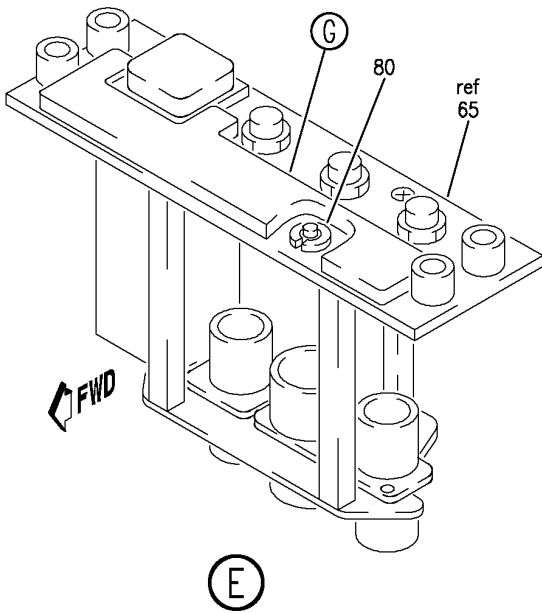
PANEL INSTL-P8,P9,P10 ELECTRONICS (LIGHTS ONLY)
FIGURE 16 (SHEET 3)

33-13-01-16

BRI
JAN 20/09

33-13-01-16
PAGE 0B

BOEING
757
PARTS CATALOG (MAINTENANCE)



Y 33130116 SHT 4 REV 253

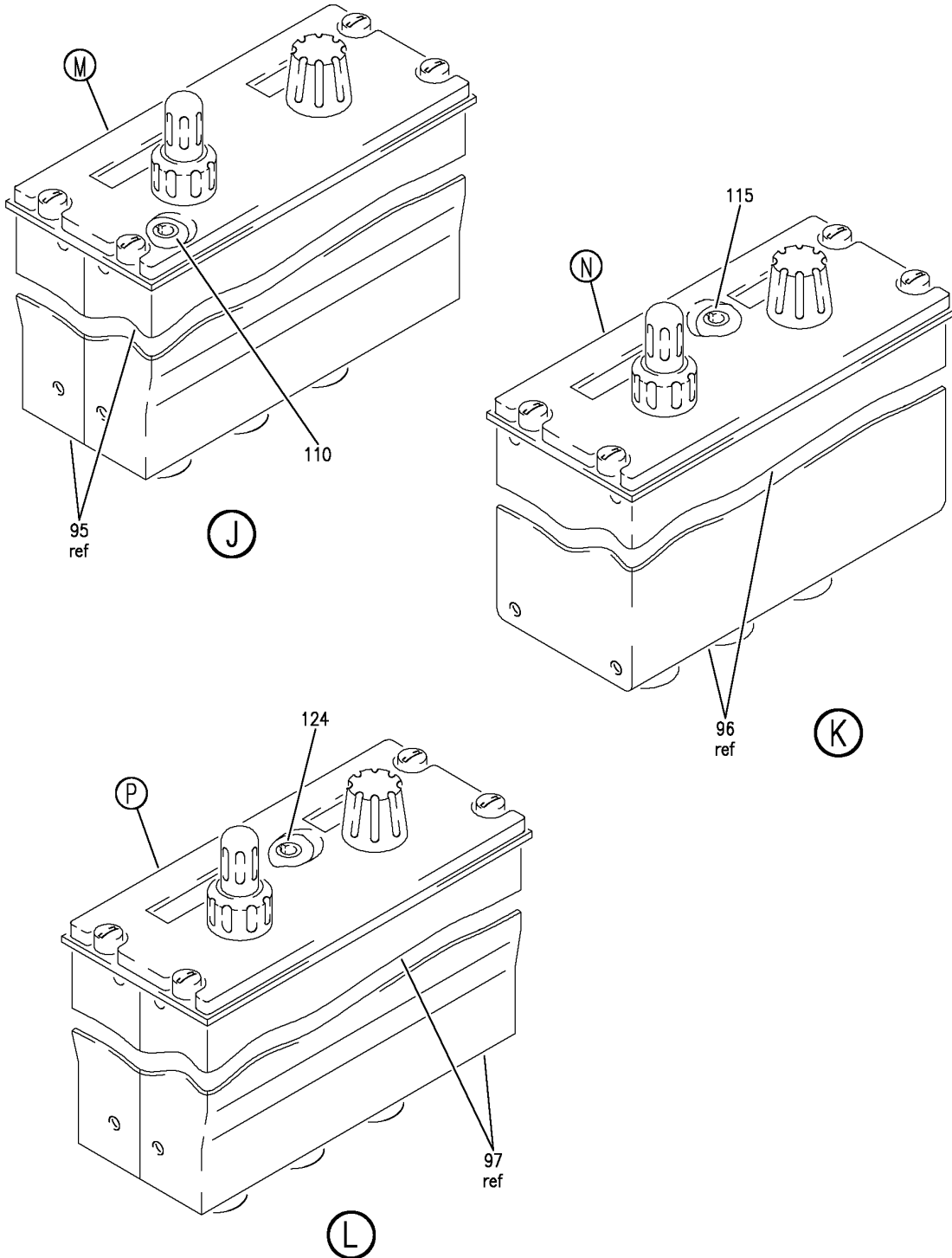
PANEL INSTL-P8,P9,P10 ELECTRONICS (LIGHTS ONLY)
FIGURE 16 (SHEET 4)

33-13-01-16

BRI
JAN 20/09

33-13-01-16
PAGE 0C

BOEING
757
PARTS CATALOG (MAINTENANCE)



Y 33130116 SHT 5 REV 253

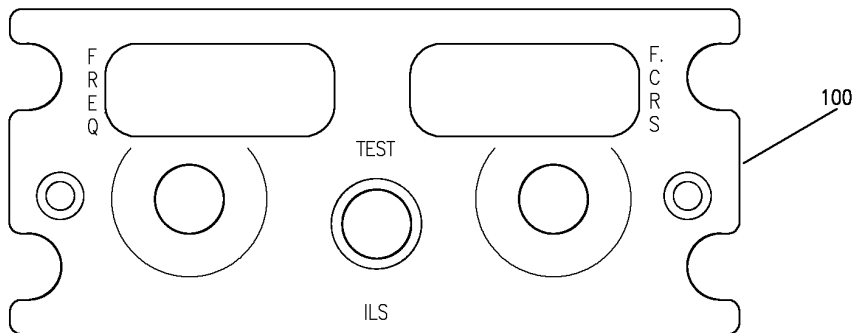
PANEL INSTL-P8,P9,P10 ELECTRONICS (LIGHTS ONLY)
FIGURE 16 (SHEET 5)

33-13-01-16

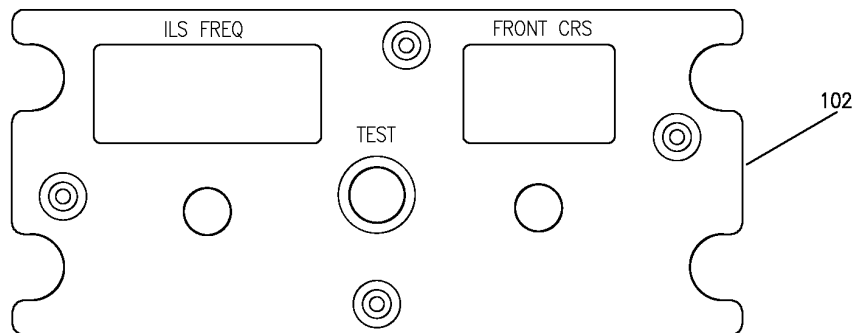
BRI
JAN 20/09

33-13-01-16
PAGE 0D

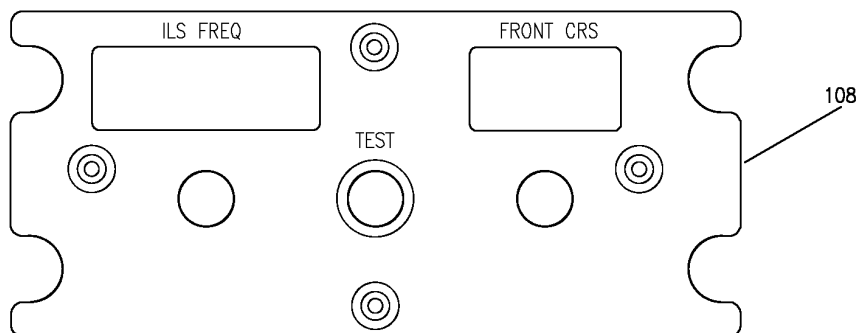
BOEING
757
PARTS CATALOG (MAINTENANCE)



(M)



(N)



(P)

Y 33130116 SHT 6 REV 253

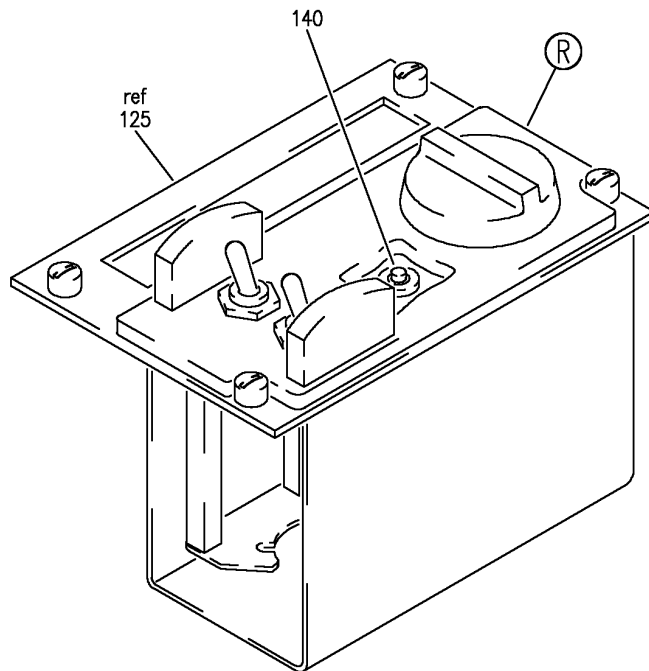
PANEL INSTL-P8,P9,P10 ELECTRONICS (LIGHTS ONLY)
FIGURE 16 (SHEET 6)

33-13-01-16

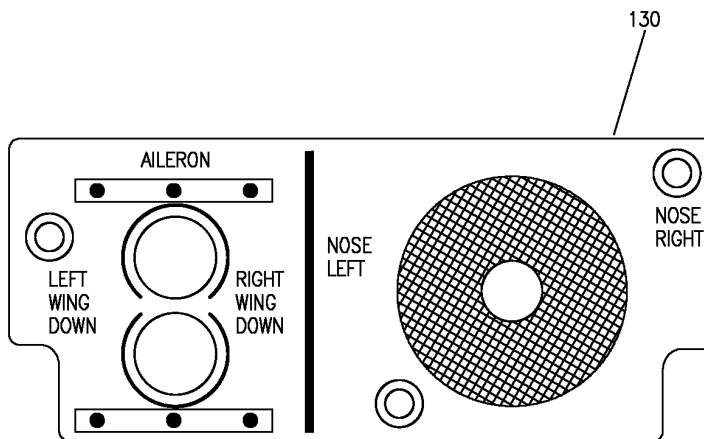
BRI
JAN 20/09

33-13-01-16
PAGE 0E

BOEING
757
PARTS CATALOG (MAINTENANCE)



Q



R

Y 33130116 SH1 7 REV 253

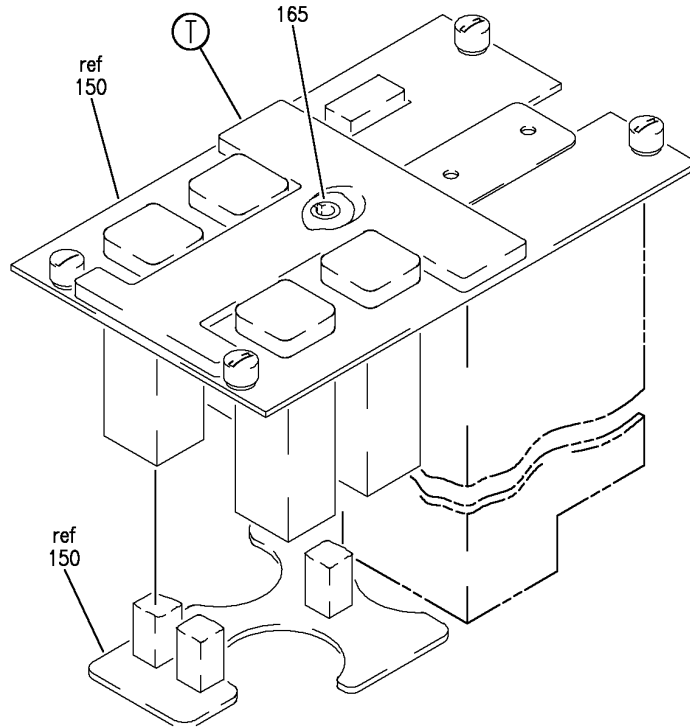
PANEL INSTL-P8,P9,P10 ELECTRONICS (LIGHTS ONLY)
FIGURE 16 (SHEET 7)

33-13-01-16

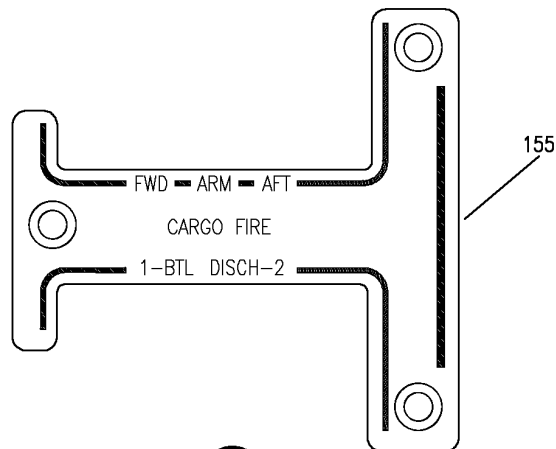
BRI
JAN 20/09

33-13-01-16
PAGE OF

BOEING
757
PARTS CATALOG (MAINTENANCE)



(S)



(T)

Y 33130116 SH-T 8 REV 253

PANEL INSTL-P8,P9,P10 ELECTRONICS (LIGHTS ONLY)
FIGURE 16 (SHEET 8)

33-13-01-16

BRI
JAN 20/09

33-13-01-16
PAGE 06



757

PARTS CATALOG (MAINTENANCE)

FIG ITEM	PART NUMBER	1 2 3 4 5 6 7	NOMENCLATURE	EFFECT FROM TO	UNITS PER ASSY
16			PANEL INSTL-P8,P9,P10 ELECTRONICS (LIGHTS ONLY)	108120	
- 1	233N6103-62		PANEL INSTL-P8,P9,P10 ELECTRONICS (LIGHTS ONLY) FOR NHA/OTHER SYS DET SEE: 25-10-00-15B	108120	RF
5	285T0022-44		.PANEL ASSY-AUDIO SELECTOR SUPPLIER CODE: V89954 ELECTRICAL EQUIP NUMBER: M00070 M00071 COMPONENT MAINT MANUAL REF: 23-51-54	108120	RF
5	285T0022-38		.PANEL ASSY-AUDIO SELECTOR SUPPLIER CODE: V89954 ELECTRICAL EQUIP NUMBER: M00070 M00071 COMPONENT MAINT MANUAL REF: 23-51-54	108120	RF
5	285T0022-28		.PANEL ASSY-AUDIO SELECTOR SUPPLIER CODE: V89954 ELECTRICAL EQUIP NUMBER: M00070 M00071 COMPONENT MAINT MANUAL REF: 23-51-51	108120	RF
10	S233T100-531		..LIGHTPLATE-5V WHITE ILLUMINATED INTEGRALLY LIGHTED AUDIO SELECTOR SUPPLIER CODE: V51896 OPTIONAL PART: 800-001357 V05617 USED ON: 285T0022-44	108120	1

MISSING ITEM NUMBERS NOT APPLICABLE

- ITEM NOT ILLUSTRATED

33-13-01-16

33-13-01
FIG. 16
PAGE 1
JAN 20/09

BRI



757

PARTS CATALOG (MAINTENANCE)

FIG ITEM	PART NUMBER	1 2 3 4 5 6 7	NOMENCLATURE	EFFECT FROM TO	UNITS PER ASSY
16 10	800-001357		..LIGHTPLATE-5V WHITE ILLUMINATED INTEGRALLY- LIGHTED AUDIO SELECTOR SUPPLIER CODE: V05617 SPECIFICATION NUMBER: S233T100-531 MISCELLANEOUS DATA: FOR VENDOR FSCM 05617 FOR SPARES ORDER THE 800-001357-1 OPTIONAL PART: S233T100-531 V51896 800-001357-1 V05617 USED ON: 285T0022-28 285T0022-38	108120	1
10	800-001357		..LIGHTPLATE-5V WHITE ILLUMINATED INTEGRALLY- LIGHTED AUDIO SELECTOR SUPPLIER CODE: V05617 SPECIFICATION NUMBER: S233T100-531 MISCELLANEOUS DATA: FOR VENDOR FSCM 05617 FOR SPARES ORDER THE 800-001357-1 OPTIONAL PART: S233T100-531 V51896 800-001357-1 V05617 USED ON: 285T0022-44	108120	1
10	800-001357-1		..LIGHTPLATE-5V WHITE ILLUMINATED INTEGRALLY- LIGHTED AUDIO SELECTOR SUPPLIER CODE: V05617 SPECIFICATION NUMBER: S233T100-531 OPTIONAL PART: S233T100-531 V51896 800-001357 V05617	108120	1

MISSING ITEM NUMBERS NOT APPLICABLE

- ITEM NOT ILLUSTRATED

33-13-01-16

33-13-01
 FIG. 16
 PAGE 2
 JAN 20/09

BRI



757

PARTS CATALOG (MAINTENANCE)

FIG ITEM	PART NUMBER	1 2 3 4 5 6 7	NOMENCLATURE	EFFECT FROM TO	UNITS PER ASSY
16 65	233N6204-301		.PANEL ASSY- SUPPLIER CODE: V89954 ELECTRICAL EQUIP NUMBER: M10445 COMPONENT MAINT MANUAL REF: 26-11-52 QUALIFIED I/W DATA: THE 233N6204-301 PANEL ASSY IS I/W THE 233N6204-15 PANEL ASSY T/W THE S233T100-5508 LIGHTPLATE.	108120	RF
67	233T6204-301		.PANEL ASSY- SUPPLIER CODE: V89954 ELECTRICAL EQUIP NUMBER: M10445 COMPONENT MAINT MANUAL REF: 26-11-51 QUALIFIED I/W DATA: 233T6204-301 PANEL ASSY IS I/W 233T6204-13 PANEL ASSY T/W S233T100-538 LIGHTPLATE	108120	RF
70	800-000903		..LIGHTPLATE-5V WHITE ILLUMINATED INTEGRALLY LIGHTED FIRE TEST SUPPLIER CODE: V05617 SPECIFICATION NUMBER: S233T100-538 MISCELLANEOUS DATA: FOR VENDOR FSCM 05617 FOR SPARES ORDER THE 800-000903-1 OPTIONAL PART: S233T100-538 V51896 800-000903-1 V05617 USED ON: 233T6204-301	108120	1

MISSING ITEM NUMBERS NOT APPLICABLE

- ITEM NOT ILLUSTRATED

33-13-01-16

33-13-01
FIG. 16
PAGE 3
JAN 20/09

BRI



757

PARTS CATALOG (MAINTENANCE)

FIG ITEM	PART NUMBER	1 2 3 4 5 6 7	NOMENCLATURE	EFFECT FROM TO	UNITS PER ASSY
16 70	800-000903-1		..LIGHTPLATE-5V WHITE ILLUMINATED INTEGRALLY LIGHTED FIRE TEST SUPPLIER CODE: V05617 SPECIFICATION NUMBER: S233T100-538 OPTIONAL PART: S233T100-538 V51896 800-000903 V05617	108120	1
72	800-000444		..LIGHTPLATE-5V WHITE ILLUMINATED INTEGRALLY LIGHTED FIRE TEST SUPPLIER CODE: V05617 SPECIFICATION NUMBER: S233T100-5508 MISCELLANEOUS DATA: FOR VENDOR FSCM 05617 FOR SPARES ORDER THE 800-000444-1 OPTIONAL PART: S233T100-5508 V51896 800-000444-1 V05617 USED ON: 233N6204-301	108120	1
72	S233T100-5508		..LIGHTPLATE-5V WHITE ILLUMINATED INTEGRALLY LIGHTED FIRE/OVHT TEST SUPPLIER CODE: V51896 OPTIONAL PART: 800-000444 V05617 USED ON: 233N6204-301	108120	1

MISSING ITEM NUMBERS NOT APPLICABLE

- ITEM NOT ILLUSTRATED

BRI

33-13-01-16

BOEING PROPRIETARY - Copyright © - Unpublished Work - See title page for details.

33-13-01
FIG. 16
PAGE 4
JAN 20/09

 **BOEING**
757
PARTS CATALOG (MAINTENANCE)

FIG ITEM	PART NUMBER	1 2 3 4 5 6 7	NOMENCLATURE	EFFECT FROM TO	UNITS PER ASSY
16 72	800-000444-1		..LIGHTPLATE-5V WHITE ILLUMINATED INTEGRALLY LIGHTED FIRE TEST SUPPLIER CODE: V05617 SPECIFICATION NUMBER: S233T100-5508 OPTIONAL PART: S233T100-5508 V51896 800-000444 V05617	108120	1
- 75	233N6204-15		..PANEL ASSY- SUPPLIER CODE: V89954 COMPONENT MAINT MANUAL REF: 26-11-52 QUALIFIED I/W DATA: THE 233N6204-301 PANEL ASSY IS I/W THE 233N6204-15 PANEL ASSY T/W THE S233T100-5508 LIGHTPLATE. USED ON: 233N6204-301	108120	RF
80	800-000121-1		...CONNECTOR- SUPPLIER CODE: V05617	108120	1
R R R R R R R - 85	233T6204-16		..PANEL ASSY- SUPPLIER CODE: V89954 COMPONENT MAINT MANUAL REF: 26-11-52 USED ON: 233T6204-301	108120	RF
- 85	233T6204-13		..PANEL ASSY- SUPPLIER CODE: V89954 COMPONENT MAINT MANUAL REF: 26-11-52 QUALIFIED I/W DATA: 233T6204-301 PANEL ASSY IS I/W 233T6204-13 PANEL ASSY T/W S233T100-538 LIGHTPLATE USED ON: 233T6204-301	108120	RF

MISSING ITEM NUMBERS NOT APPLICABLE

- ITEM NOT ILLUSTRATED

BRI

33-13-01-16

BOEING PROPRIETARY - Copyright © - Unpublished Work - See title page for details.

33-13-01
FIG. 16
PAGE 5
MAY 20/09



757

PARTS CATALOG (MAINTENANCE)

FIG ITEM	PART NUMBER	1 2 3 4 5 6 7	NOMENCLATURE	EFFECT FROM TO	UNITS PER ASSY
16					
90	800-000121-1		...CONNECTOR- SUPPLIER CODE: V05617	108120	1
95	285T0553-4		.PANEL ASSY-ILS CONT SUPPLIER CODE: V89954 ELECTRICAL EQUIP NUMBER: M00087 COMPONENT MAINT MANUAL REF: 34-31-61	108120	RF
95	285T0553-1		.PANEL ASSY-ILS CONT SUPPLIER CODE: V89954 ELECTRICAL EQUIP NUMBER: M00087 COMPONENT MAINT MANUAL REF: 34-31-61	108120	RF
95	285T0553-2		.PANEL ASSY-ILS CONT SUPPLIER CODE: V89954 ELECTRICAL EQUIP NUMBER: M00087 COMPONENT MAINT MANUAL REF: 34-31-61	108120	RF
95	285T0553-3		.PANEL ASSY-ILS CONT SUPPLIER CODE: V89954 ELECTRICAL EQUIP NUMBER: M00087 COMPONENT MAINT MANUAL REF: 34-31-61	108120	RF
96	285T0020-8		.PANEL ASSY-ILS CONT SUPPLIER CODE: V89954 ELECTRICAL EQUIP NUMBER: M00087 COMPONENT MAINT MANUAL REF: 34-31-51	108120	RF
97	285T0524-6		.PANEL ASSY-ILS CONT SUPPLIER CODE: V89954 ELECTRICAL EQUIP NUMBER: M00087 COMPONENT MAINT MANUAL REF: 34-31-52	108120	RF

MISSING ITEM NUMBERS NOT APPLICABLE

- ITEM NOT ILLUSTRATED

33-13-01-16

33-13-01
FIG. 16
PAGE 6
MAY 20/09

BRI



757

PARTS CATALOG (MAINTENANCE)

FIG ITEM	PART NUMBER	1 2 3 4 5 6 7	NOMENCLATURE	EFFECT FROM TO	UNITS PER ASSY
16 100	S233T100-559		..LIGHTPLATE-5V WHITE ILLUMINATED INTEGRALLY LIGHTED ILS LCD SUPPLIER CODE: V51896 OPTIONAL PART: 800-007677 V05617 USED ON: 285T0553-1 285T0553-2 285T0553-3 285T0553-4	108120	1
100	800-007677		..LIGHTPLATE-5V WHITE ILLUMINATED INTEGRALLY LIGHTED ILS LCD SUPPLIER CODE: V05617 SPECIFICATION NUMBER: S233T100-559 OPTIONAL PART: S233T100-559 V51896 USED ON: 285T0553-1 285T0553-2 285T0553-3 285T0553-4	108120	1
102	S233T100-543		..LIGHTPLATE-5V WHITE ILLUMINATED INTEGRALLY LIGHTED ILS SUPPLIER CODE: V51896 OPTIONAL PART: 800-008004 V05617 OPTIONAL PART: S233T100-544 V51896 S233T100-554 V51896 800-007826 V05617 USED ON: 285T0020-8	108120	1

MISSING ITEM NUMBERS NOT APPLICABLE

- ITEM NOT ILLUSTRATED

33-13-01-16

33-13-01
FIG. 16
PAGE 7
JAN 20/09

BRI



757

PARTS CATALOG (MAINTENANCE)

FIG ITEM	PART NUMBER	1 2 3 4 5 6 7	NOMENCLATURE	EFFECT FROM TO	UNITS PER ASSY
16 102	S233T100-544		..LIGHTPLATE-5V WHITE ILLUMINATED INTEGRALLY LIGHTED ILS SUPPLIER CODE: V51896 SPECIFICATION NUMBER: S233T100-544 OPTIONAL PART: S233T100-543 V51896 S233T100-554 V51896 800-008004 V05617 800-007826 V05617 USED ON: 285T0020-8	108120	1
102	S233T100-554		..LIGHTPLATE-5V WHITE ILLUMINATED INTEGRALLY LIGHTED ILS SUPPLIER CODE: V51896 SPECIFICATION NUMBER: S233T100-554 OPTIONAL PART: 800-007826 V05617 OPTIONAL PART: S233T100-543 V51896 S233T100-544 V51896 800-008004 V05617 USED ON: 285T0020-8	108120	1

MISSING ITEM NUMBERS NOT APPLICABLE

- ITEM NOT ILLUSTRATED

33-13-01-16

33-13-01
FIG. 16
PAGE 8
JAN 20/09

BRI



757

PARTS CATALOG (MAINTENANCE)

FIG ITEM	PART NUMBER	1 2 3 4 5 6 7	NOMENCLATURE	EFFECT FROM TO	UNITS PER ASSY
16 102	800-008004		..LIGHTPLATE-5V WHITE ILLUMINATED INTEGRALLY LIGHTED ILS SUPPLIER CODE: V05617 SPECIFICATION NUMBER: S233T100-543 OPTIONAL PART: S233T100-543 V51896 OPTIONAL PART: S233T100-544 V51896 S233T100-554 V51896 800-007826 V05617 USED ON: 285T0020-8	108120	1
102	800-007826		..LIGHTPLATE-5V WHITE ILLUMINATED INTEGRALLY LIGHTED ILS SUPPLIER CODE: V05617 SPECIFICATION NUMBER: S233T100-554 OPTIONAL PART: S233T100-554 V51896 OPTIONAL PART: S233T100-543 V51896 S233T100-544 V51896 800-008004 V05617 USED ON: 285T0020-8	108120	1

MISSING ITEM NUMBERS NOT APPLICABLE

- ITEM NOT ILLUSTRATED

33-13-01-16

33-13-01
 FIG. 16
 PAGE 9
 JAN 20/09

BRI



757

PARTS CATALOG (MAINTENANCE)

FIG ITEM	PART NUMBER	1 2 3 4 5 6 7	NOMENCLATURE	EFFECT FROM TO	UNITS PER ASSY
16 108	S233T100-545		..LIGHTPLATE-5V WHITE ILLUMINATED INTEGRALLY LIGHTED ILS SUPPLIER CODE: V51896 SPECIFICATION NUMBER: S233T100-545 OPTIONAL PART: S233T100-546 V51896 S233T100-555 V51896 USED ON: 285T0524-6	108120	1
108	S233T100-546		..LIGHTPLATE-5V WHITE ILLUMINATED INTEGRALLY LIGHTED ILS SUPPLIER CODE: V51896 SPECIFICATION NUMBER: S233T100-546 OPTIONAL PART: S233T100-545 V51896 S233T100-555 V51896 USED ON: 285T0524-6	108120	1
108	S233T100-555		..LIGHTPLATE-5V WHITE ILLUMINATED INTEGRALLY LIGHTED ILS SUPPLIER CODE: V51896 SPECIFICATION NUMBER: S233T100-555 OPTIONAL PART: S233T100-545 V51896 S233T100-546 V51896 USED ON: 285T0524-6	108120	1

MISSING ITEM NUMBERS NOT APPLICABLE

- ITEM NOT ILLUSTRATED

33-13-01-16

33-13-01
FIG. 16
PAGE 10
JAN 20/09

BRI



757

PARTS CATALOG (MAINTENANCE)

FIG ITEM	PART NUMBER	1 2 3 4 5 6 7	NOMENCLATURE	EFFECT FROM TO	UNITS PER ASSY
16 110	800-000121-1		..CONNECTOR- SUPPLIER CODE: V05617 QUALIFIED OPTIONAL DATA: 800-000121-1 OPTIONAL TO 90-42303-1 WHEN USED WITH ASSOCIATED PARTS USED ON: 285T0553-4	108120	1
110	90-42303-1		..CONNECTOR- SUPPLIER CODE: V51074 QUALIFIED OPTIONAL DATA: 800-000121-1 OPTIONAL TO 90-42303-1 WHEN USED WITH ASSOCIATED PARTS USED ON: 285T0553-4	108120	1
110	800-000121-1		..CONNECTOR- SUPPLIER CODE: V05617 USED ON: 285T0553-1 285T0553-2 285T0553-3	108120	1
- 113	285T0082-10		..MODULE ASSY-FRONT SUPPLIER CODE: V89954 OPTIONAL PART: 285T0082-14 V89954 USED ON: 285T0020-8	108120	RF
- 113	285T0082-14		..MODULE ASSY-FRONT SUPPLIER CODE: V89954 OPTIONAL PART: 285T0082-10 V89954 USED ON: 285T0020-8	108120	RF
115	800-000121-1		...CONNECTOR- SUPPLIER CODE: V05617	108120	1
- 120	285T0524-2		..WIRE BUNDLE ASSY- SUPPLIER CODE: V89954 USED ON: 285T0524-6	108120	RF

MISSING ITEM NUMBERS NOT APPLICABLE

- ITEM NOT ILLUSTRATED

33-13-01-16

33-13-01
FIG. 16
PAGE 11
JAN 20/09

BRI



757

PARTS CATALOG (MAINTENANCE)

FIG ITEM	PART NUMBER	1 2 3 4 5 6 7	NOMENCLATURE	EFFECT FROM TO	UNITS PER ASSY
16					
124	800-000121-1		...CONNECTOR- SUPPLIER CODE: V05617	108120	1
125	233T6201-324		.PANEL ASSY-AIL. RUD TRIM CONT SUPPLIER CODE: V89954 FUNCTIONAL DESCRIPTION: CONTROLS AILERON RUDDER TRIM AND DISPLAYS TRIM ANGLE. MISCELLANEOUS DATA: THE 233T6201-324 PANEL ASSY IS I/W THE 233T6201-21 PANEL ASSY T/W THE S233T100-528 LIGHTPLATE AND SA808-101 KNOB ELECTRICAL EQUIP NUMBER: M00074 COMPONENT MAINT MANUAL REF: 27-21-63	108120	RF
130	800-000448-1		..LIGHTPLATE-5V WHITE ILLUMINATED INTEGRALLY LIGHTED AIL./RUD TRIM SUPPLIER CODE: V05617 SPECIFICATION NUMBER: S233T100-528 OPTIONAL PART: S233T100-528 V51896 800-000448 V05617	108120	1

R
R
R
R
R
R
R
R
R
R
R
R
R
R
R
R
R
R
R
R
R
R

MISSING ITEM NUMBERS NOT APPLICABLE

- ITEM NOT ILLUSTRATED

33-13-01-16

33-13-01
FIG. 16
PAGE 12
MAY 20/09

BRI

 **BOEING**
757
PARTS CATALOG (MAINTENANCE)

FIG ITEM	PART NUMBER	1 2 3 4 5 6 7	NOMENCLATURE	EFFECT FROM TO	UNITS PER ASSY
16 130	800-000448		..LIGHTPLATE-5V WHITE ILLUMINATED INTEGRALLY LIGHTED AIL./RUD TRIM SUPPLIER CODE: V05617 SPECIFICATION NUMBER: S233T100-528 MISCELLANEOUS DATA: FOR VENDOR FSCM 05617 FOR SPARES ORDER THE 800-000448-1 OPTIONAL PART: S233T100-528 V51896 800-000448-1 V05617	108120	1
- 135	233T6201-21		..PANEL ASSY- SUPPLIER CODE: V89954 COMPONENT MAINT MANUAL REF: 27-21-63 QUALIFIED I/W DATA: THE 233T6201-324 PANEL ASSY IS I/W THE 233T6201-21 PANEL ASSY T/W THE S233T100-528 LIGHTPLATE AND SA808-101 KNOB	108120	RF
140	800000121-1		...CONNECTOR- SUPPLIER CODE: V05617	108120	1
150	233N6203-301		.PANEL ASSY- SUPPLIER CODE: V89954 ELECTRICAL EQUIP NUMBER: M10444 COMPONENT MAINT MANUAL REF: 26-15-51 QUALIFIED I/W DATA: THE 233N6203-301 PANEL ASSY IS I/W THE 233N6203-161 PANEL ASSY T/W THE S233T100-573 LIGHTPLATE. PRE ALERT SB: 33A0044	108120	RF

MISSING ITEM NUMBERS NOT APPLICABLE

- ITEM NOT ILLUSTRATED

BRI

33-13-01-16

BOEING PROPRIETARY - Copyright © - Unpublished Work - See title page for details.

33-13-01
FIG. 16
PAGE 13
MAY 20/09



757

PARTS CATALOG (MAINTENANCE)

FIG ITEM	PART NUMBER	1 2 3 4 5 6 7	NOMENCLATURE	EFFECT FROM TO	UNITS PER ASSY
16 150	233N6203-1301		.PANEL ASSY- SUPPLIER CODE: V89954 ELECTRICAL EQUIP NUMBER: M10444 COMPONENT MAINT MANUAL REF: 26-15-51 POST ALERT SB: 33A0044	108120	RF
150	233N6203-355		.PANEL ASSY-APU/CARGO FIRE CONT SUPPLIER CODE: V89954 ELECTRICAL EQUIP NUMBER: M10444	108120	RF
155	800-007123		..LIGHTPLATE-5V WHITE ILLUMINATED INTEGRALLY LIGHTED APU/CARGO FIRE SUPPLIER CODE: V05617 SPECIFICATION NUMBER: S233T100-573 OPTIONAL PART: S233T100-573 V51896	108120	1
- 160	233N6203-161		..PANEL ASSY- SUPPLIER CODE: V89954 COMPONENT MAINT MANUAL REF: 26-15-51 QUALIFIED I/W DATA: THE 233N6203-301 PANEL ASSY IS I/W THE 233N6203-161 PANEL ASSY T/W THE S233T100-573 LIGHTPLATE. 233N6203-9/-23/-45/-104/ -105/-161 ARE ALL INTERCHANGEABLE EXCEPT SUBJECT TO CUSTOMER PREFERENCE USED ON: 233N6203-301 PRE ALERT SB: 33A0044	108120	RF

MISSING ITEM NUMBERS NOT APPLICABLE

- ITEM NOT ILLUSTRATED

33-13-01-16

33-13-01
FIG. 16
PAGE 14
MAY 20/09

BRI



757

PARTS CATALOG (MAINTENANCE)

FIG ITEM	PART NUMBER	1 2 3 4 5 6 7	NOMENCLATURE	EFFECT FROM TO	UNITS PER ASSY
16					
- 160	233N6203-252		.. PANEL ASSY- SUPPLIER CODE: V89954 COMPONENT MAINT MANUAL REF: 26-15-51 USED ON: 233N6203-355	108120	RF
- 160	233N6203-1161		.. PANEL ASSY- SUPPLIER CODE: V89954 COMPONENT MAINT MANUAL REF: 26-15-51 USED ON: 233N6203-1301 POST ALERT SB: 33A0044	108120	RF
165	800000121-1		... CONNECTOR-PWR SUPPLIER CODE: V05617 USED ON: 233N6203-161	108120	1
165	800-000121-1		... CONNECTOR-PWR SUPPLIER CODE: V05617 USED ON: 233N6203-252	108120	1

MISSING ITEM NUMBERS NOT APPLICABLE

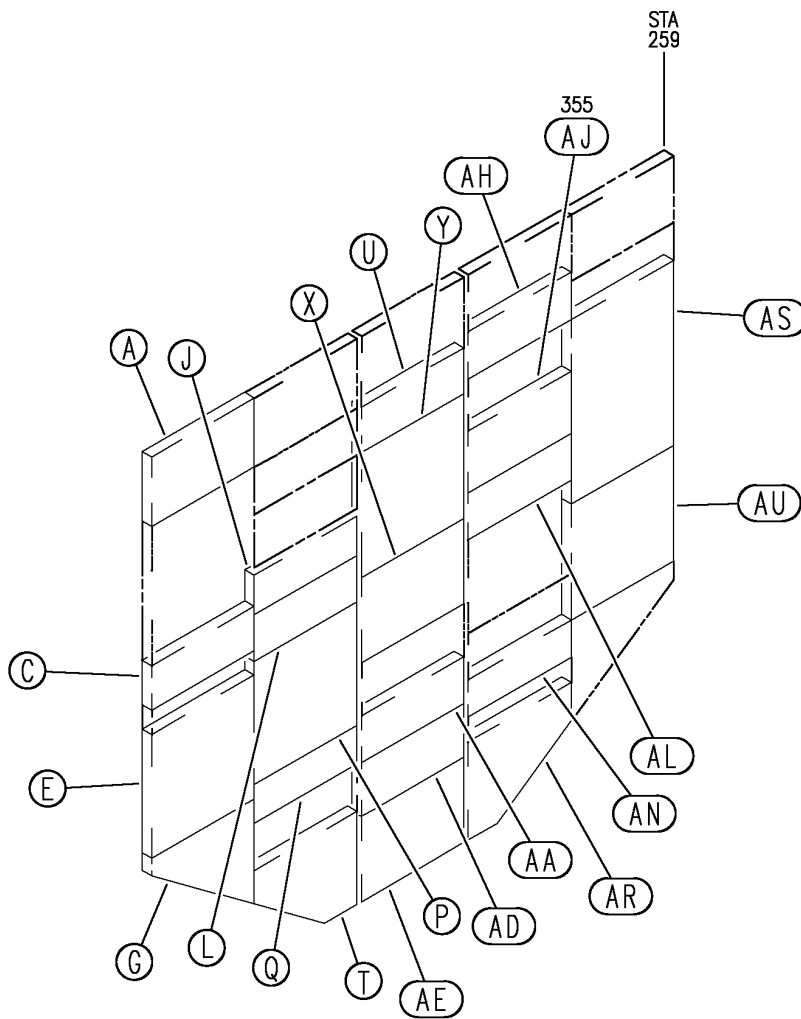
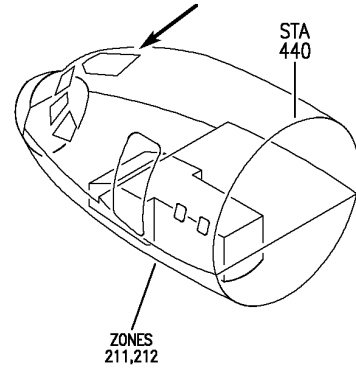
- ITEM NOT ILLUSTRATED

33-13-01-16

33-13-01
FIG. 16
PAGE 15
MAY 20/09

BRI

BOEING
757
PARTS CATALOG (MAINTENANCE)



Y 33130123 SHT 1 REV 252

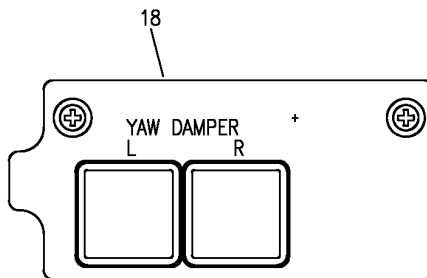
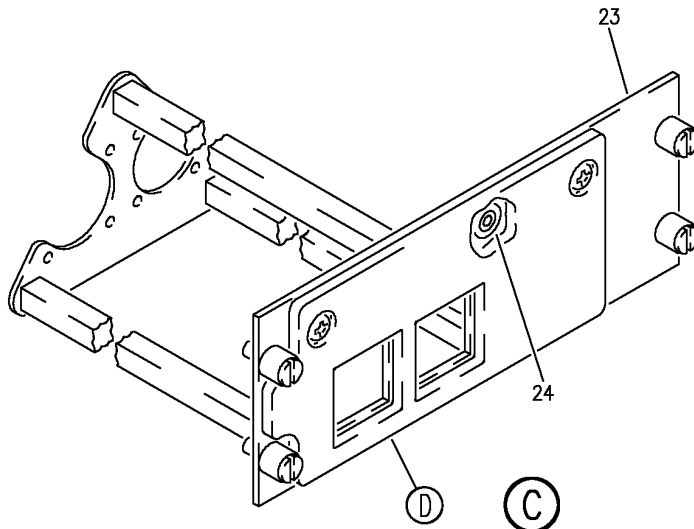
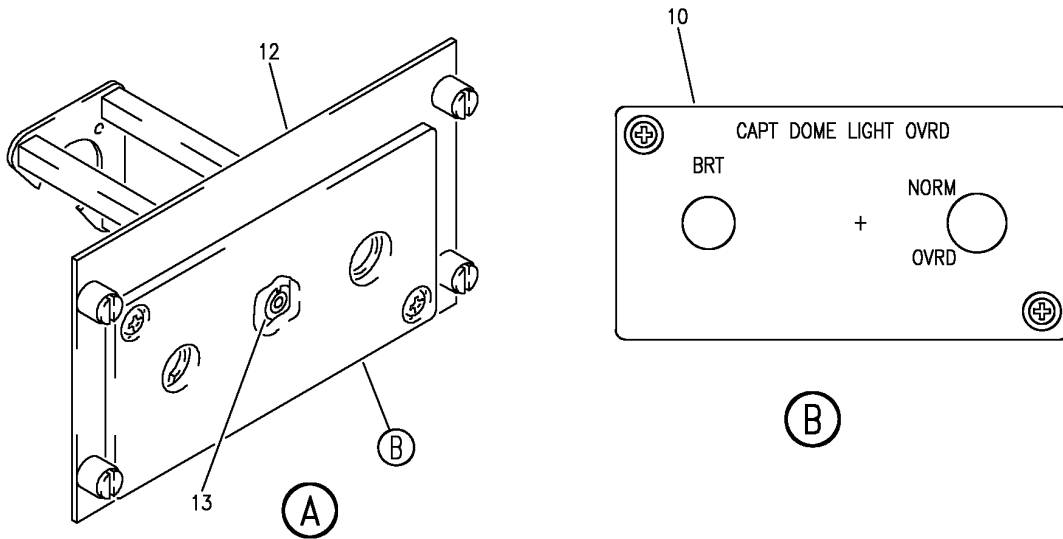
PANEL INSTL-P5 OVHD (LIGHTPLATES ONLY)
FIGURE 23 (SHEET 1)

33-13-01-23

BRI
JAN 20/09

33-13-01-23
PAGE 0

BOEING
757
PARTS CATALOG (MAINTENANCE)



D

Y 33130123 SH1 2 REV 267

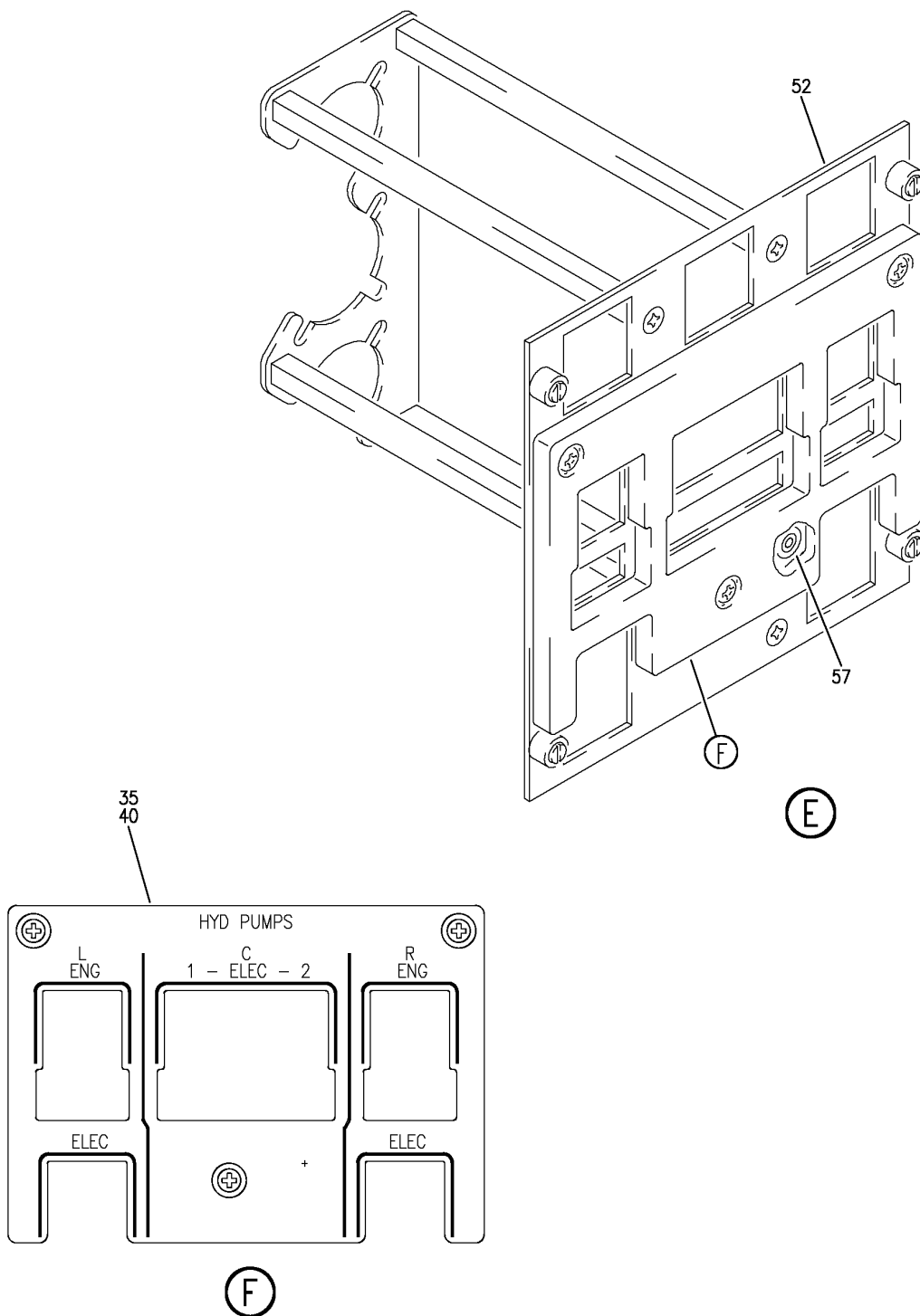
PANEL INSTL-P5 OVHD (LIGHTPLATES ONLY)
FIGURE 23 (SHEET 2)

33-13-01-23

BRI
JAN 20/09

33-13-01-23
PAGE 0A

BOEING
757
PARTS CATALOG (MAINTENANCE)



Y 33130123 SHT 3 REV 252

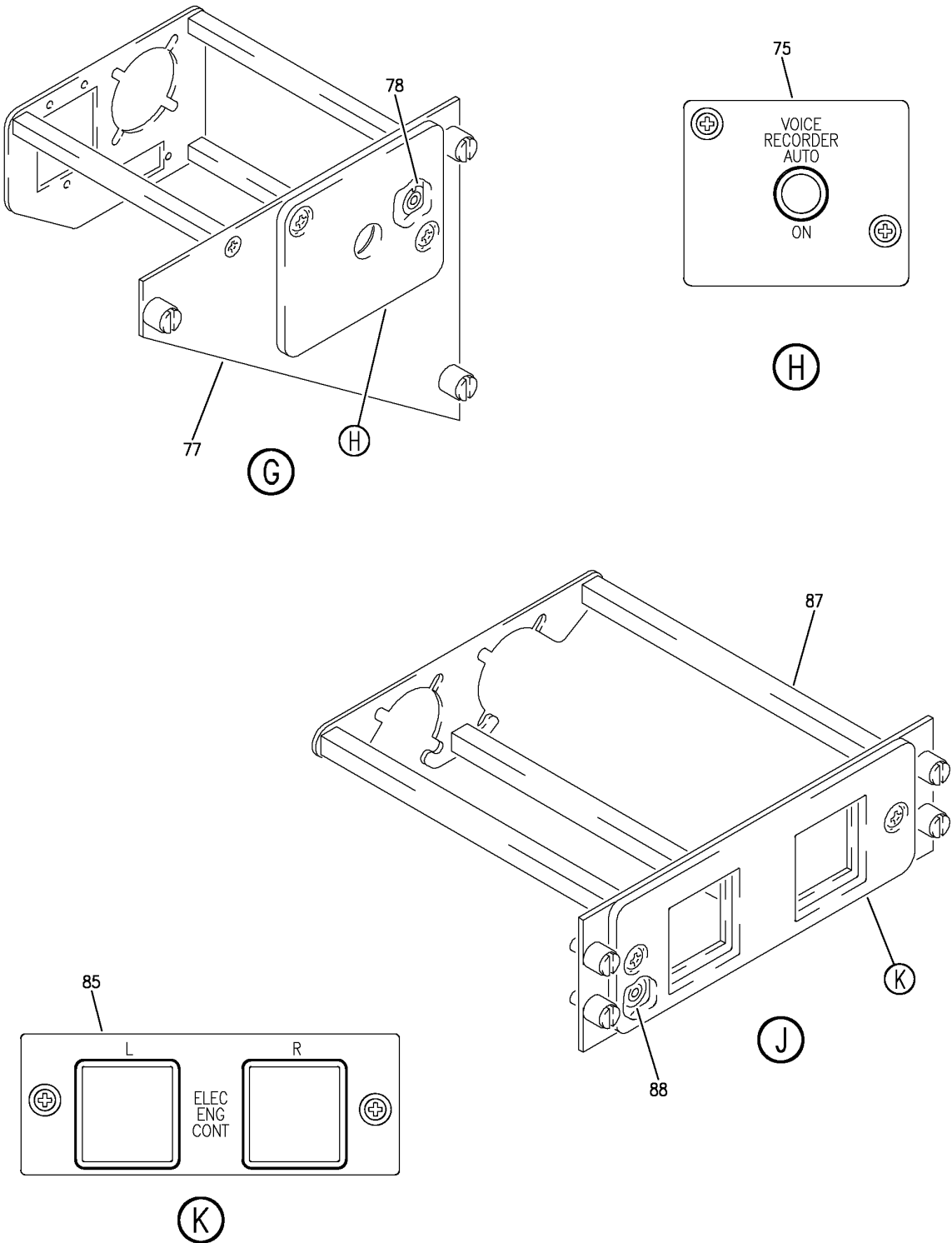
PANEL INSTL-P5 OVHD (LIGHTPLATES ONLY)
FIGURE 23 (SHEET 3)

33-13-01-23

BRI
JAN 20/09

33-13-01-23
PAGE 0B

BOEING
757
PARTS CATALOG (MAINTENANCE)



Y 33130123 SHT 4 REV 252

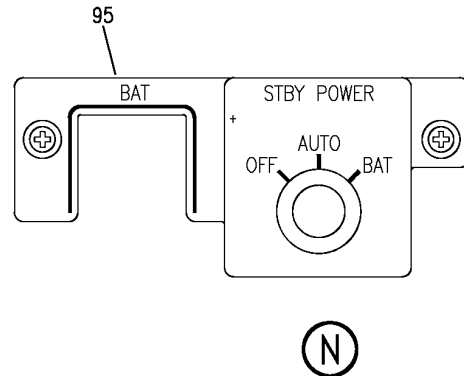
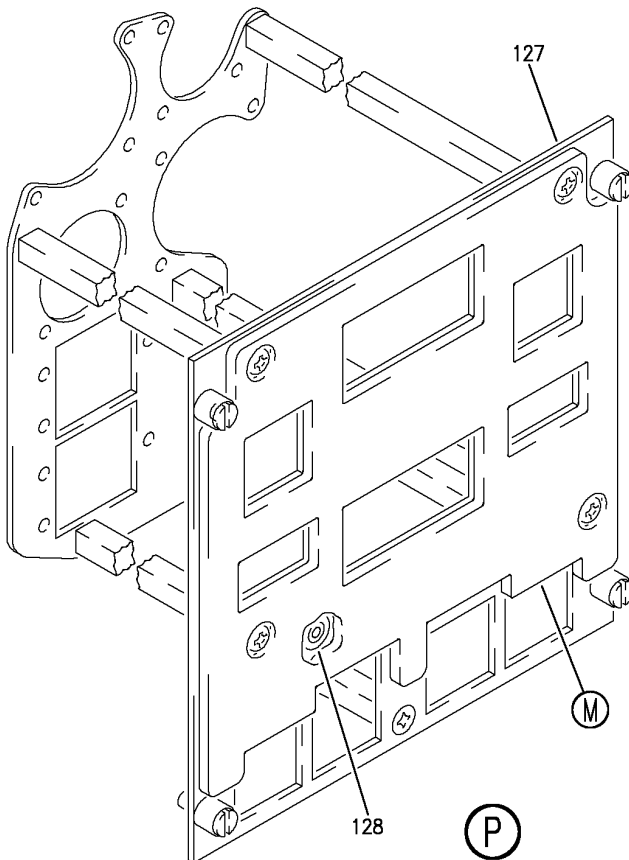
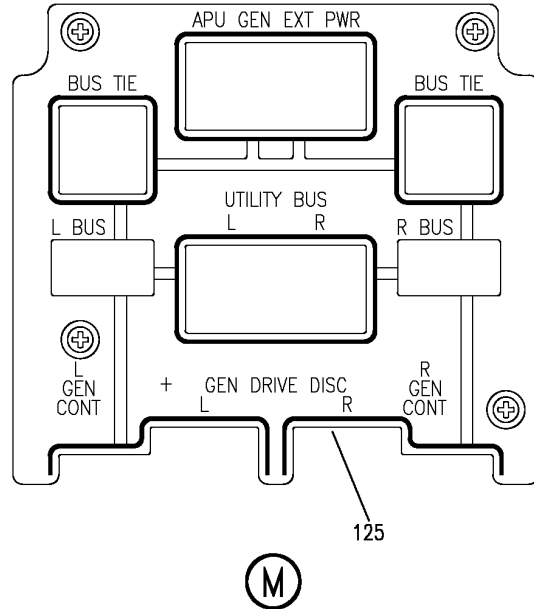
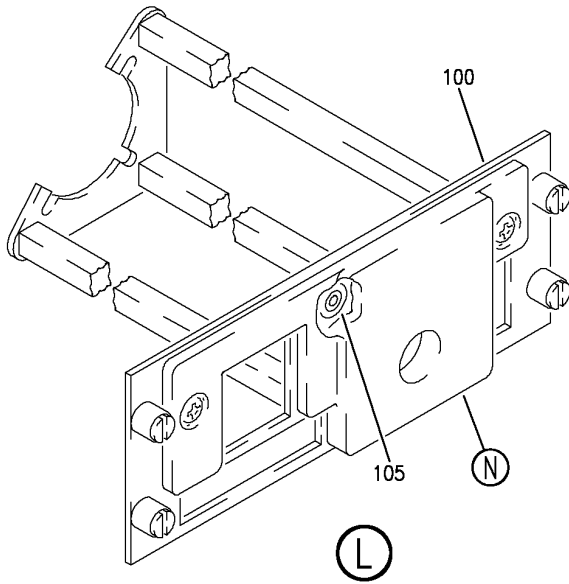
PANEL INSTL-P5 OVHD (LIGHTPLATES ONLY)
FIGURE 23 (SHEET 4)

33-13-01-23

BRI
JAN 20/09

33-13-01-23
PAGE 0C

BOEING
757
PARTS CATALOG (MAINTENANCE)



Y 33130123 SHT 5 REV 252

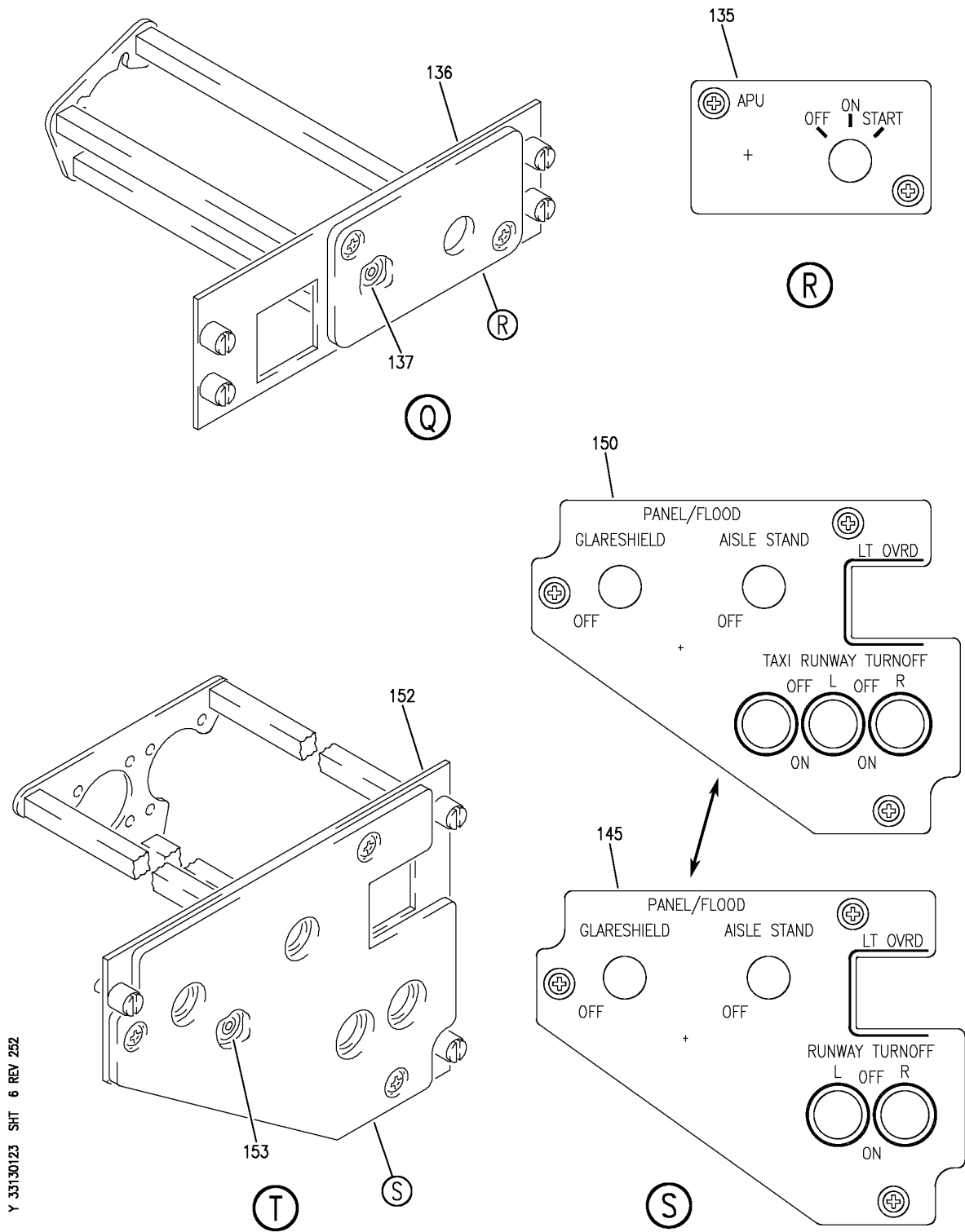
PANEL INSTL-P5 OVHD (LIGHTPLATES ONLY)
FIGURE 23 (SHEET 5)

33-13-01-23

BRI
JAN 20/09

33-13-01-23
PAGE 0D

BOEING
757
PARTS CATALOG (MAINTENANCE)



Y 33130123 SHT 6 REV 252

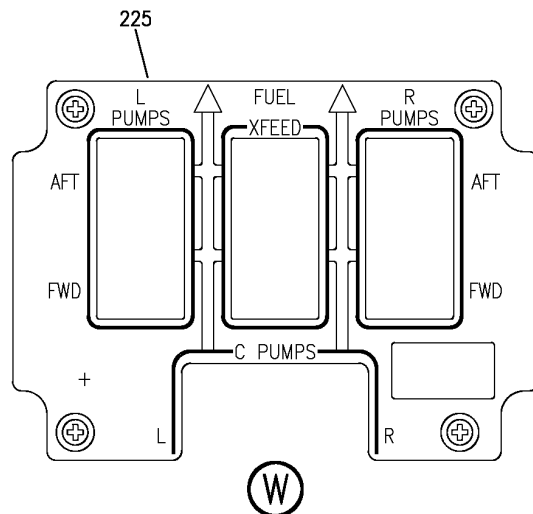
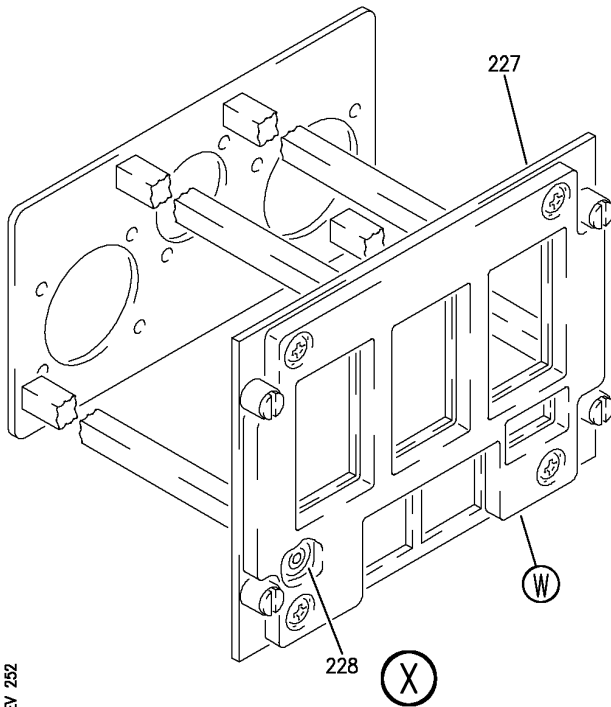
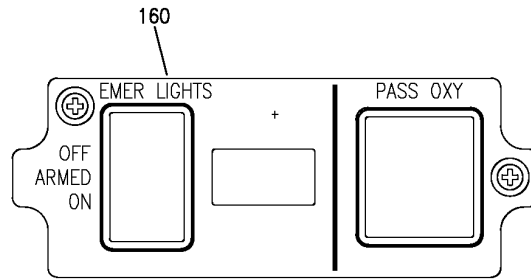
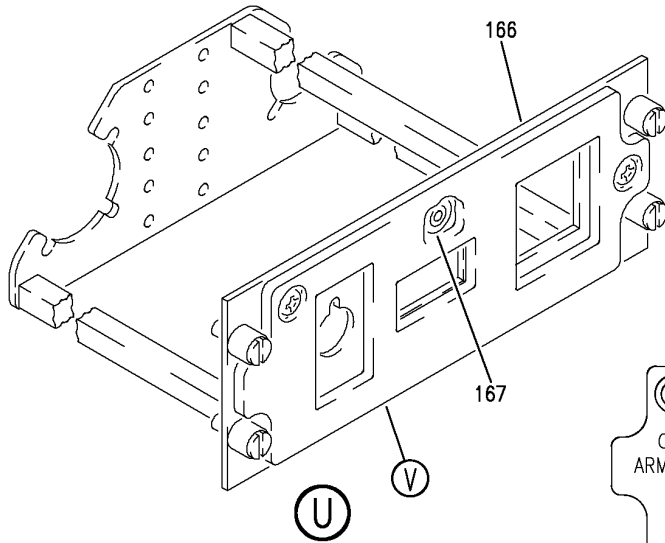
PANEL INSTL-P5 OVHD (LIGHTPLATES ONLY)
FIGURE 23 (SHEET 6)

33-13-01-23

BRI
JAN 20/09

33-13-01-23
PAGE 0E

BOEING
757
PARTS CATALOG (MAINTENANCE)



Y 33130123 SH1 7 REV 252

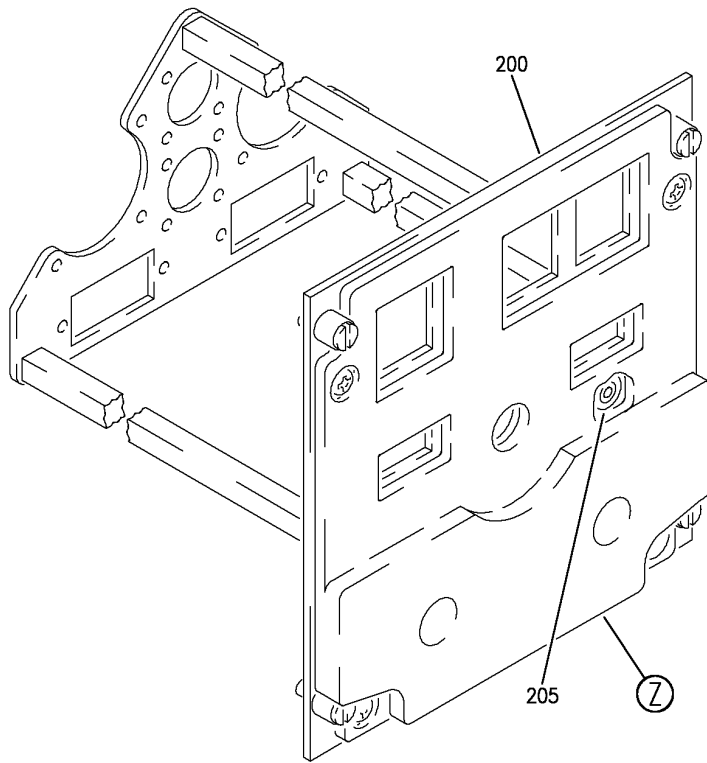
PANEL INSTL-P5 OVHD (LIGHTPLATES ONLY)
FIGURE 23 (SHEET 7)

33-13-01-23

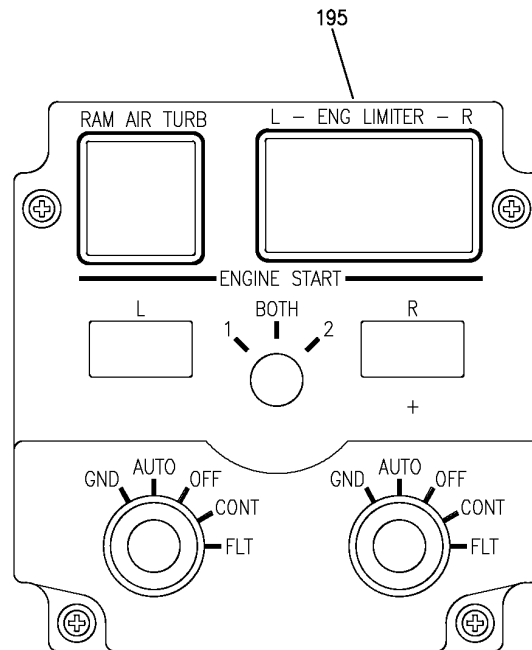
BRI
JAN 20/09

33-13-01-23
PAGE OF

BOEING
757
PARTS CATALOG (MAINTENANCE)



Y



Z

Y 33130123 SH1 8 REV 252

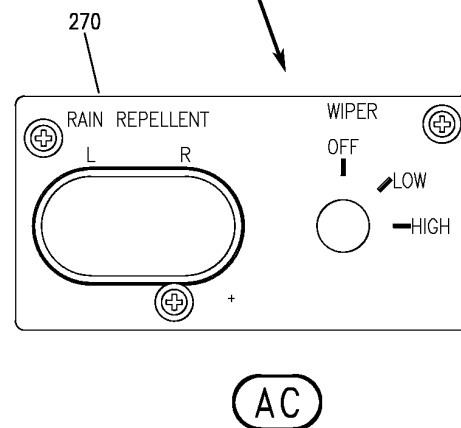
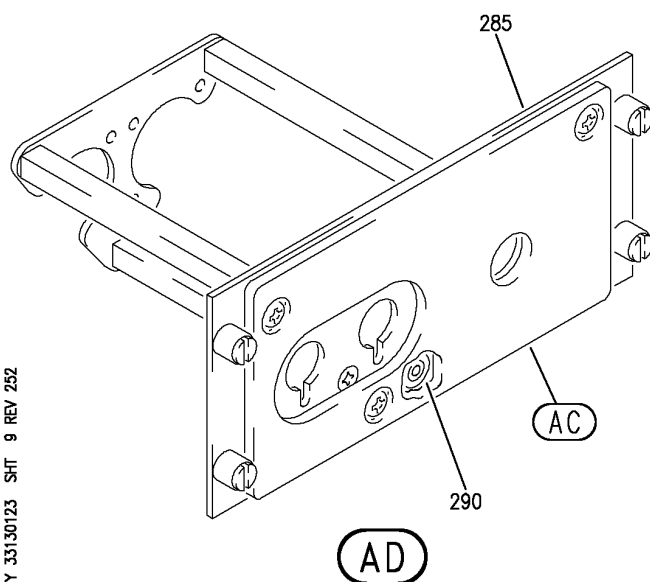
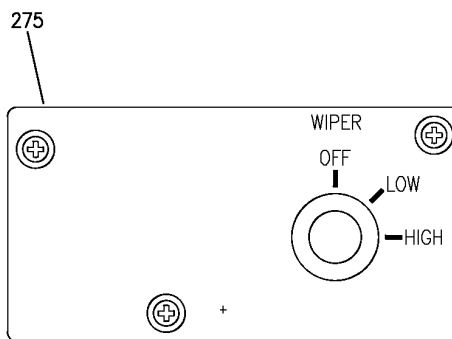
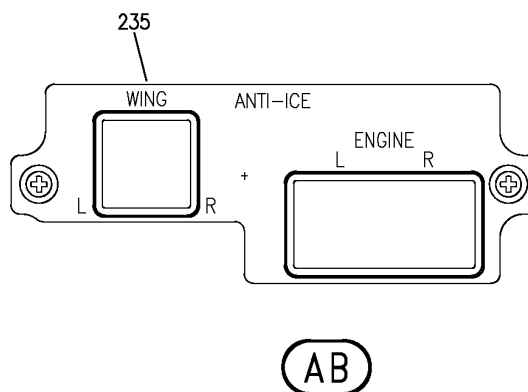
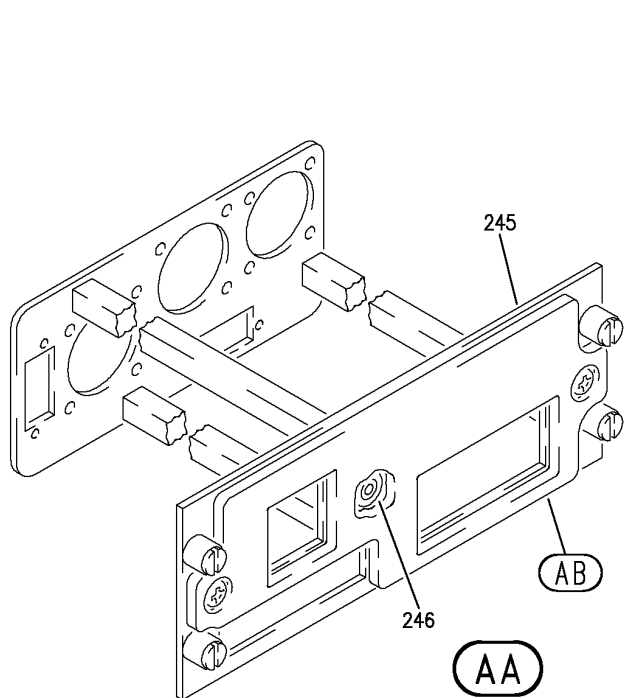
PANEL INSTL-P5 OVHD (LIGHTPLATES ONLY)
FIGURE 23 (SHEET 8)

33-13-01-23

BRI
JAN 20/09

33-13-01-23
PAGE 08

BOEING
757
PARTS CATALOG (MAINTENANCE)



Y 33130123 SH1 9 REV 252

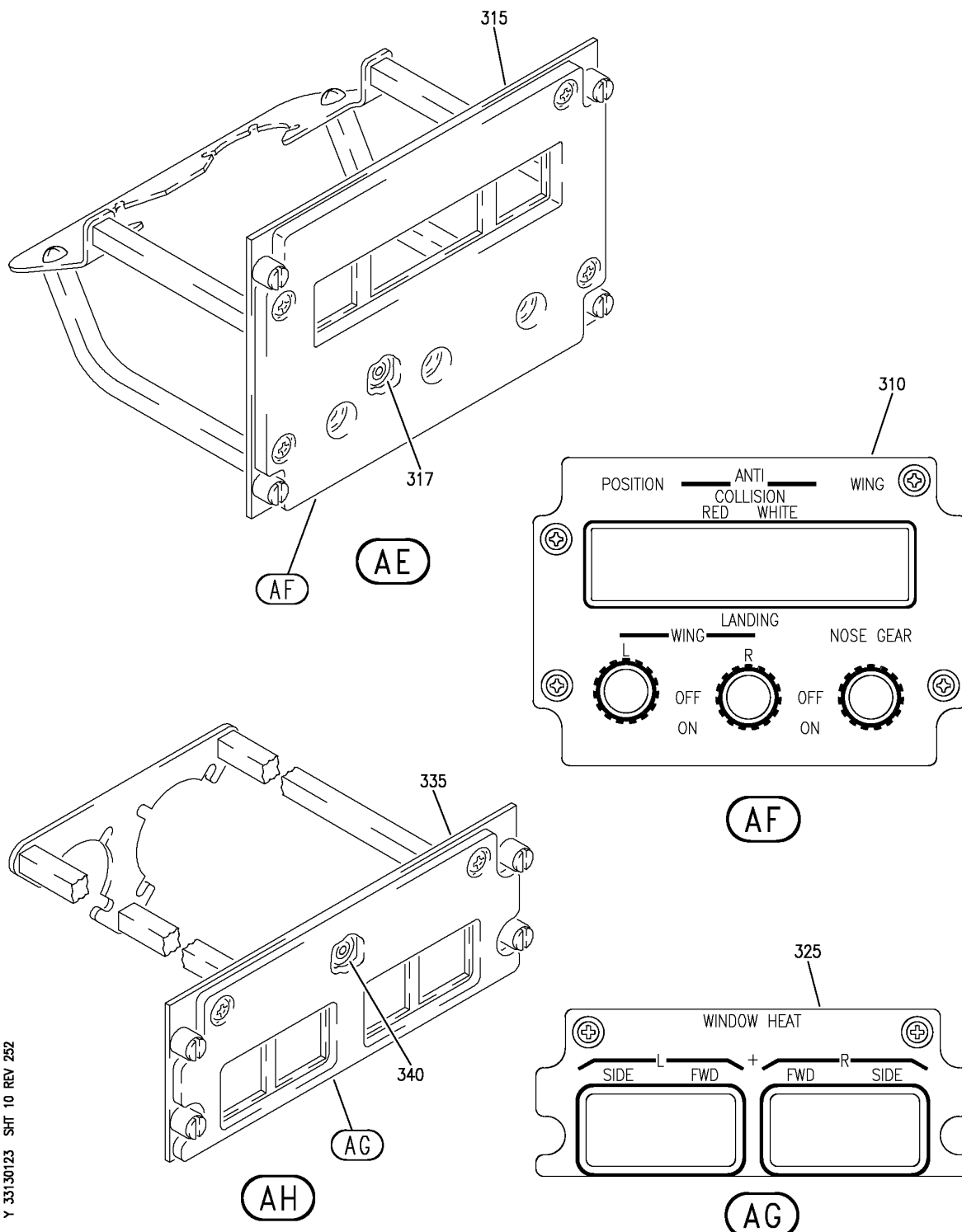
PANEL INSTL-P5 OVHD (LIGHTPLATES ONLY)
FIGURE 23 (SHEET 9)

33-13-01-23

BRI
JAN 20/09

33-13-01-23
PAGE 0H

BOEING
757
PARTS CATALOG (MAINTENANCE)



Y 33130123 SH1 10 REV 252

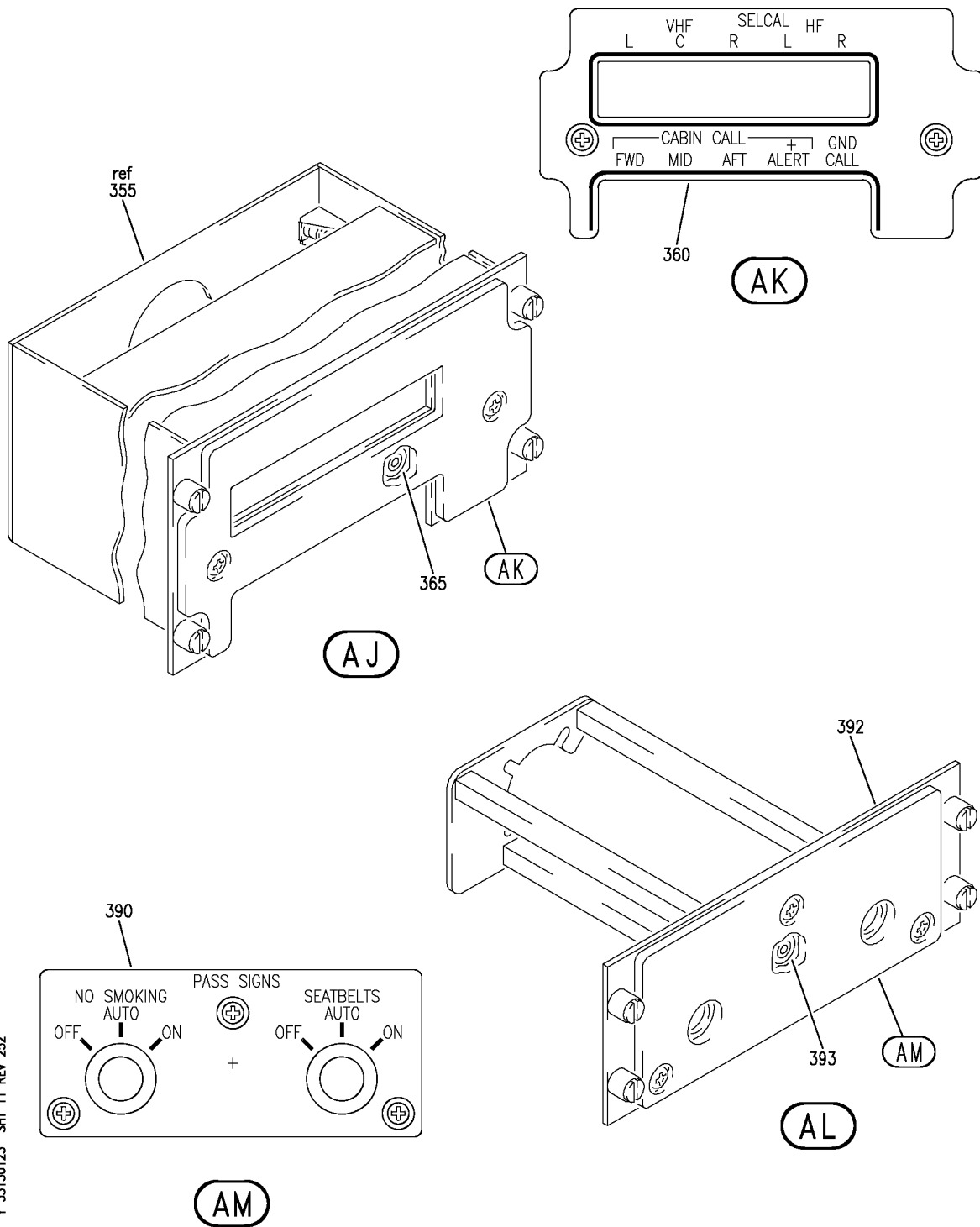
PANEL INSTL-P5 OVHD (LIGHTPLATES ONLY)
FIGURE 23 (SHEET 10)

33-13-01-23

BRI
JAN 20/09

33-13-01-23
PAGE 01


BOEING
 757
PARTS CATALOG (MAINTENANCE)



Y 33130123 SHT 11 REV 252

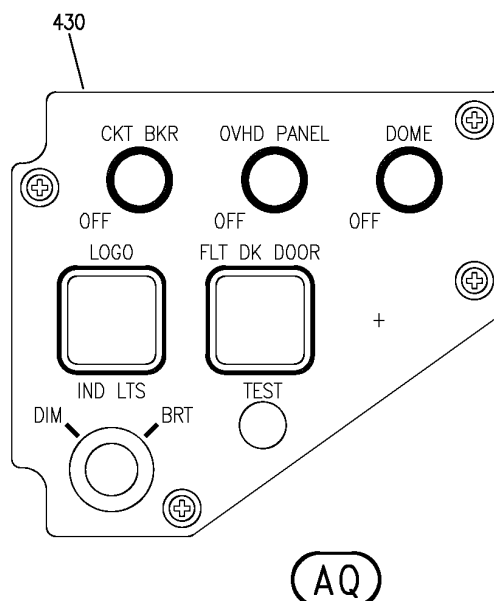
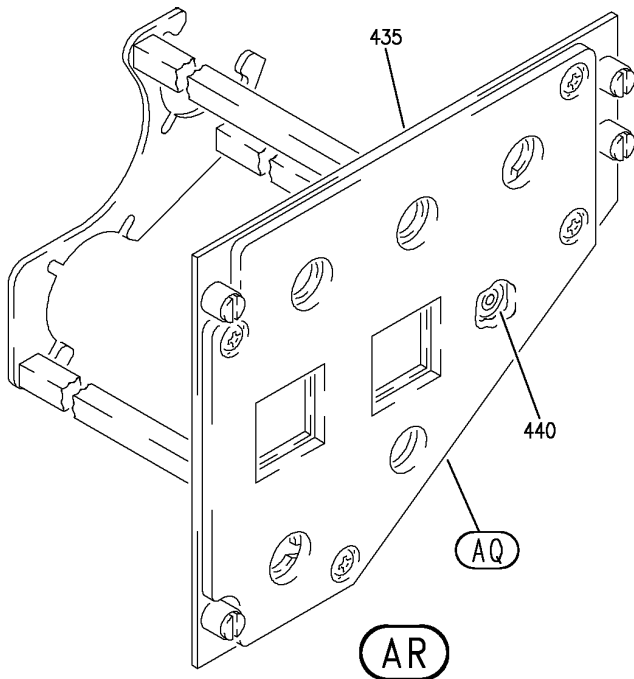
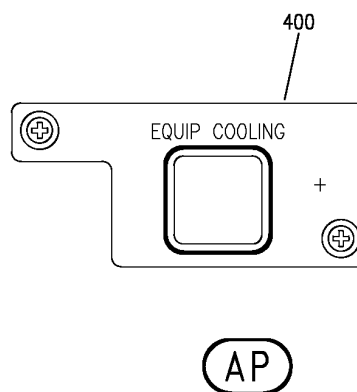
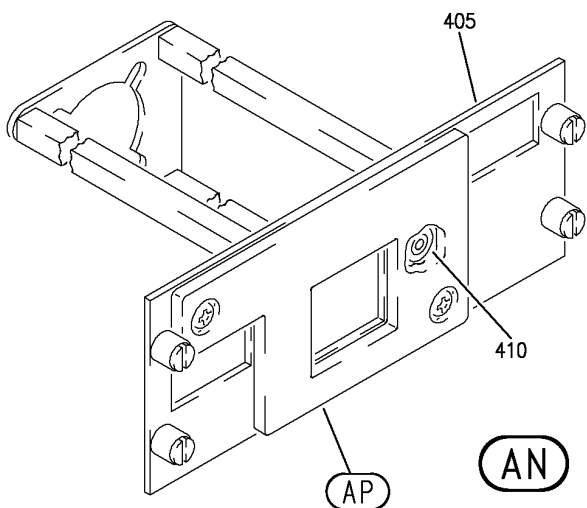
PANEL INSTL-P5 OVHD (LIGHTPLATES ONLY)
 FIGURE 23 (SHEET 11)

33-13-01-23

BRI
JAN 20/09

33-13-01-23
 PAGE 0J

BOEING
757
PARTS CATALOG (MAINTENANCE)



Y 33130123 SH1 12 REV 252

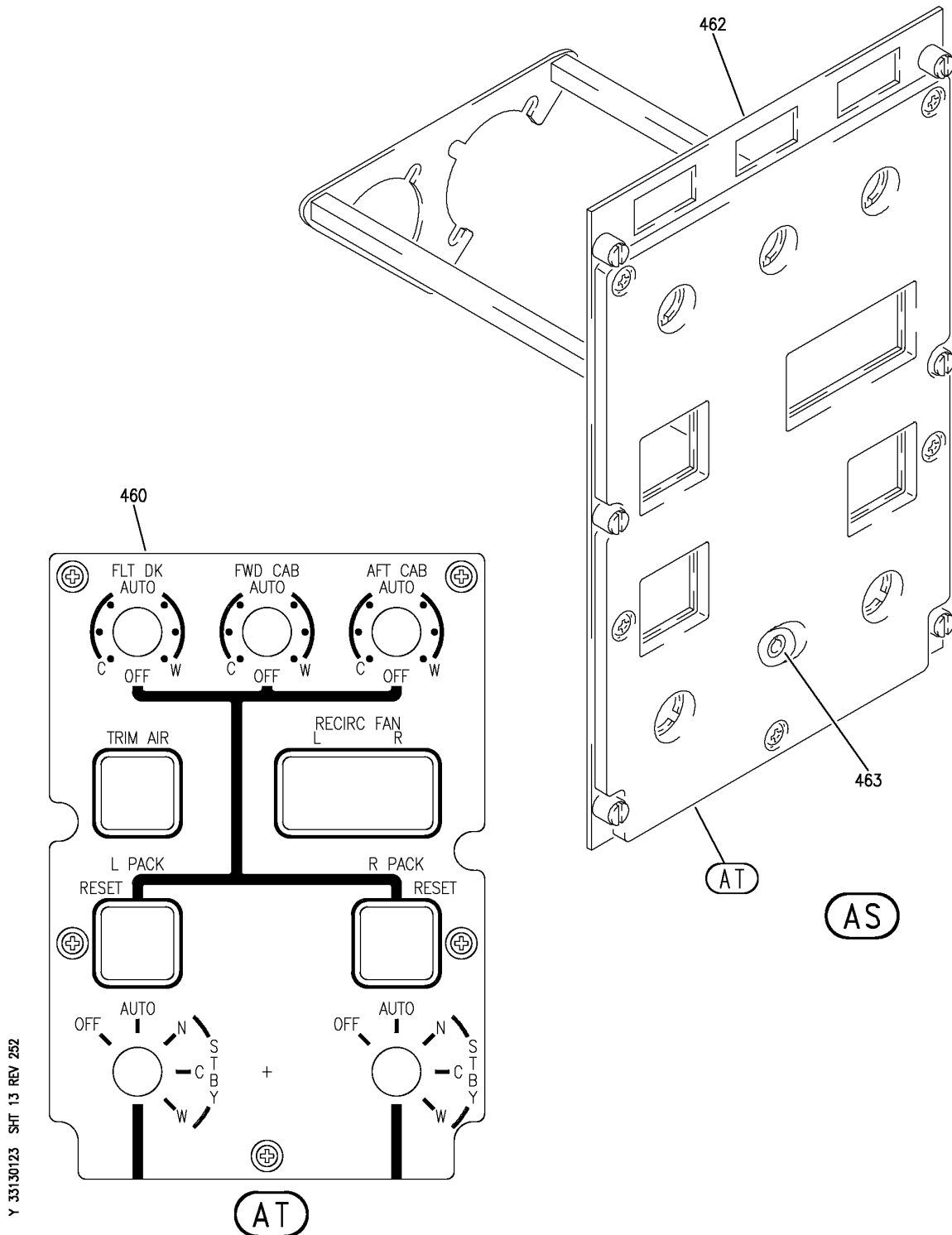
PANEL INSTL-P5 OVHD (LIGHTPLATES ONLY)
FIGURE 23 (SHEET 12)

33-13-01-23

BRI
JAN 20/09

33-13-01-23
PAGE OK

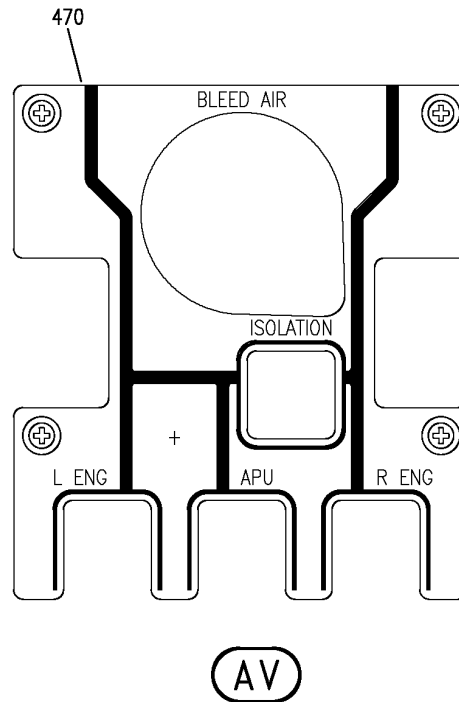
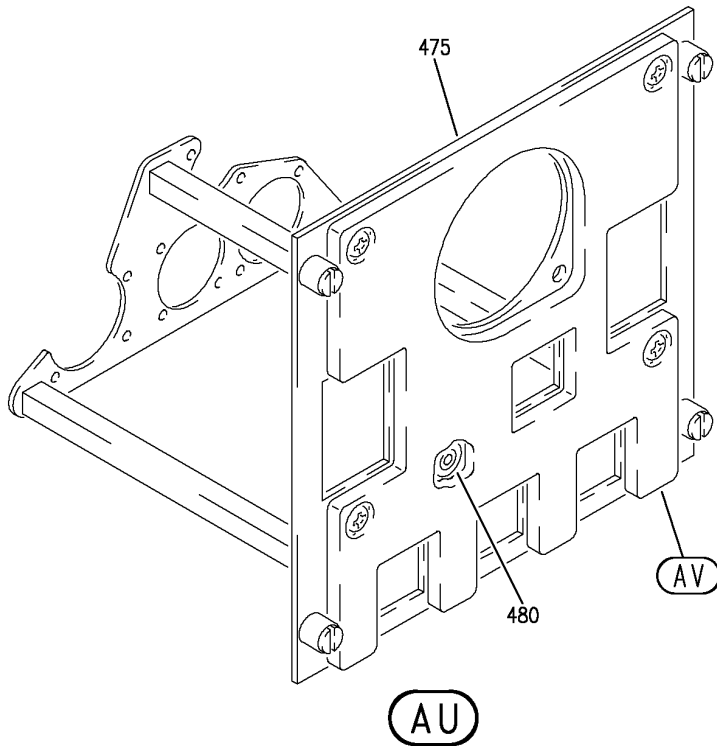
BOEING
757
PARTS CATALOG (MAINTENANCE)



PANEL INSTL-P5 OVHD (LIGHTPLATES ONLY)
FIGURE 23 (SHEET 13)

33-13-01-23

BOEING
757
PARTS CATALOG (MAINTENANCE)



Y 33130123 SH1 14 REV 252

PANEL INSTL-P5 OVHD (LIGHTPLATES ONLY)
FIGURE 23 (SHEET 14)

33-13-01-23

BRI
JAN 20/09

33-13-01-23
PAGE 0M



757

PARTS CATALOG (MAINTENANCE)

FIG ITEM	PART NUMBER	1 2 3 4 5 6 7	NOMENCLATURE	EFFECT FROM TO	UNITS PER ASSY
23			PANEL INSTL-P5 OVHD (LIGHTPLATES ONLY)	504903	
- 2	233N3103-136		PANEL INSTL-P5 OVHD (LIGHTPLATES ONLY)	504903	RF
- 5	233N3227-300		FOR NHA/OTHER SYS DET SEE: 25-10-00-15E		
			.PANEL ASSY-CAPT DOMELIGHT OVRD SUPPLIER CODE: V89954 ELECTRICAL EQUIP NUMBER: M10653 COMPONENT MAINT MANUAL REF: 33-11-14 QUALIFIED I/W DATA: THE 233N3227-300 PANEL ASSY IS I/W THE 233N3227-6 PANEL ASSY T/W THE S233T100-6051 LIGHTPLATE AND RD241-119 KNOB.	504903	RF
10	800-003598		..LIGHTPLATE-5V WHITE ILLUMINATED INTEGRALLY LIGHTED CAPT DOMELIGHT OVRD SUPPLIER CODE: V05617 SPECIFICATION NUMBER: S233T100-6051 OPTIONAL PART: S233T100-6051 V51896	504903	1
12	233N3227-6		..PANEL ASSY- SUPPLIER CODE: V89954 COMPONENT MAINT MANUAL REF: 33-11-14 QUALIFIED I/W DATA: THE 233N3227-300 PANEL ASSY IS I/W THE 233N3227-6 PANEL ASSY T/W THE S233T100-6051 LIGHTPLATE AND RD241-119 KNOB.	504903	RF
13	800-000121-1		...CONNECTOR-PWR SUPPLIER CODE: V05617	504903	1

MISSING ITEM NUMBERS NOT APPLICABLE

- ITEM NOT ILLUSTRATED

33-13-01-23

33-13-01
FIG. 23
PAGE 1
JAN 20/09

BRI



757

PARTS CATALOG (MAINTENANCE)

FIG ITEM	PART NUMBER	1 2 3 4 5 6 7	NOMENCLATURE	EFFECT FROM TO	UNITS PER ASSY
23 - 15	233N3216-300		.PANEL ASSY-YAW DAMPER SUPPLIER CODE: V89954 ELECTRICAL EQUIP NUMBER: M10250 COMPONENT MAINT MANUAL REF: 22-21-71 QUALIFIED I/W DATA: THE 233N3216-300 PANEL ASSY IS I/W THE 233N3216-20 PANEL ASSY T/W THE S233T100-1075 LIGHTPLATE PRE ALERT SB: 33A0044	504903	RF
- 15	233N3216-1300		.PANEL ASSY-YAW DAMPER SUPPLIER CODE: V89954 ELECTRICAL EQUIP NUMBER: M10250 COMPONENT MAINT MANUAL REF: 22-21-71 POST ALERT SB: 33A0044	504903	RF
- 15	233N3216-309		.PANEL ASSY-YAW DAMPER SUPPLIER CODE: V89954 ELECTRICAL EQUIP NUMBER: M10250 COMPONENT MAINT MANUAL REF: 22-21-71	504903	RF
18	S233T100-1075		..LIGHTPLATE-5V WHITE ILLUMINATED INTEGRALLY- LIGHTED YAW DAMPER SUPPLIER CODE: V51896 SPECIFICATION NUMBER: S233T100-1075 OPTIONAL PART: 800-002799 V05617	504903	1

R
R
R
R
R
R

MISSING ITEM NUMBERS NOT APPLICABLE

- ITEM NOT ILLUSTRATED

33-13-01-23

33-13-01
FIG. 23
PAGE 2
MAY 20/09

BRI



757

PARTS CATALOG (MAINTENANCE)

FIG ITEM	PART NUMBER	1 2 3 4 5 6 7	NOMENCLATURE	EFFECT FROM TO	UNITS PER ASSY
23 18	800-002799-1		..LIGHTPLATE-5V WHITE ILLUMINATED INTEGRALLY LIGHTED YAW DAMPER SUPPLIER CODE: V05617 SPECIFICATION NUMBER: S233T100-1075 OPTIONAL PART: S233T100-1075 V51896 800-002799 V05617	504903	1
18	800-002799		..LIGHTPLATE-5V WHITE ILLUMINATED INTEGRALLY LIGHTED YAW DAMPER SUPPLIER CODE: V05617 SPECIFICATION NUMBER: S233T100-1075 MISCELLANEOUS DATA: FOR VENDOR FSCM 05617 FOR SPARES ORDER THE 800-002799-1 OPTIONAL PART: S233T100-1075 V51896 800-002799-1 V05617	504903	1
23	233N3216-20		..PANEL ASSY- SUPPLIER CODE: V89954 MISCELLANEOUS DATA: FOR SPARES PROCURE NEXT HIGHER ASSY COMPONENT MAINT MANUAL REF: 22-21-71 QUALIFIED I/W DATA: THE 233N3216-300 PANEL ASSY IS I/W THE 233N3216-20 PANEL ASSY T/W THE S233T100-1075 LIGHTPLATE PRE ALERT SB: 33A0044	504903	RF

MISSING ITEM NUMBERS NOT APPLICABLE

- ITEM NOT ILLUSTRATED

33-13-01-23

33-13-01
FIG. 23
PAGE 3
MAY 20/09

BRI



757

PARTS CATALOG (MAINTENANCE)

FIG ITEM	PART NUMBER	1 2 3 4 5 6 7	NOMENCLATURE	EFFECT FROM TO	UNITS PER ASSY
23	233N3216-1020	..	PANEL ASSY- SUPPLIER CODE: V89954 COMPONENT MAINT MANUAL REF: 22-21-71 POST ALERT SB: 33A0044	504903	RF
23	233N3216-35	..	PANEL ASSY- SUPPLIER CODE: V89954 MISCELLANEOUS DATA: FOR SPARES PROCURE NEXT HIGHER ASSY ELECTRICAL EQUIP NUMBER: M10250 COMPONENT MAINT MANUAL REF: 22-21-71	504903	1
24	800-000121-1	...	CONNECTOR-PWR SUPPLIER CODE: V05617	504903	1
- 30	233N3205-302	.	PANEL ASSY-HYDRAULICS SUPPLIER CODE: V89954 ELECTRICAL EQUIP NUMBER: M10050 COMPONENT MAINT MANUAL REF: 29-00-71 QUALIFIED I/W DATA: 233N3205-302 PANEL ASSY IS I/W 233N3205-27 PANEL ASSY T/W S233T100-6060 LIGHTPLATE	504903	RF
40	800-003315-1	..	LIGHTPLATE-HYDRAULICS SUPPLIER CODE: V05617 SPECIFICATION NUMBER: S233T100-6060 OPTIONAL PART: S233T100-6060 V51896 800-003315 V05617	504903	1

MISSING ITEM NUMBERS NOT APPLICABLE

- ITEM NOT ILLUSTRATED

33-13-01-23

33-13-01
FIG. 23
PAGE 4
MAY 20/09

BRI



757

PARTS CATALOG (MAINTENANCE)

FIG ITEM	PART NUMBER	1 2 3 4 5 6 7	NOMENCLATURE	EFFECT FROM TO	UNITS PER ASSY
23 40	800-003315		..LIGHTPLATE-HYDRAULICS SUPPLIER CODE: V05617 SPECIFICATION NUMBER: S233T100-6060 MISCELLANEOUS DATA: FOR VENDOR FSCM 05617 FOR SPARES ORDER THE 800-003315-1 OPTIONAL PART: S233T100-6060 V51896 800-003315-1 V05617	504903	1
52	233N3205-27		..PANEL ASSY- SUPPLIER CODE: V89954 COMPONENT MAINT MANUAL REF: 29-00-71 QUALIFIED I/W DATA: 233N3205-302 PANEL ASSY IS I/W 233N3205-27 PANEL ASSY T/W S233T100-6060 LIGHTPLATE	504903	RF
57	800000121-1		...CONNECTOR-PWR SUPPLIER CODE: V05617	504903	1
- 70	233T3255-300		.MODULE ASSY-VOICE RECORDER SUPPLIER CODE: V89954 ELECTRICAL EQUIP NUMBER: M06763 COMPONENT MAINT MANUAL REF: 23-71-01	504903	RF
75	S233T100-1129		..LIGHTPLATE-5V WHITE ILLUMINATED INTEGRALLY LIGHTED BAT/STBY PWR SUPPLIER CODE: V51896 SPECIFICATION NUMBER: S233T100-1129 OPTIONAL PART: 800-009033 V05617	504903	1

MISSING ITEM NUMBERS NOT APPLICABLE

- ITEM NOT ILLUSTRATED

33-13-01-23

33-13-01
FIG. 23
PAGE 5
MAY 20/09

BRI



757

PARTS CATALOG (MAINTENANCE)

FIG ITEM	PART NUMBER	1 2 3 4 5 6 7	NOMENCLATURE	EFFECT FROM TO	UNITS PER ASSY
23 75	800-009033		..LIGHTPLATE-5V WHITE ILLUMINATED INTEGRALLY LIGHTED BAT/STBY PWR SUPPLIER CODE: V05617 SPECIFICATION NUMBER: S233T100-1129 OPTIONAL PART: S233T100-1129 V51896	504903	1
77	233T3255-1		..MODULE ASSY- SUPPLIER CODE: V89954 COMPONENT MAINT MANUAL REF: 23-71-01	504903	RF
78	800000121-1		...CONNECTOR-PWR SUPPLIER CODE: V05617	504903	1
- 80	233T3242-301		.PANEL ASSY-EEC CONT SUPPLIER CODE: V89954 ELECTRICAL EQUIP NUMBER: M10761 COMPONENT MAINT MANUAL REF: 73-21-86 QUALIFIED I/W DATA: 233T3242-301 PANEL ASSY IS I/W 233T3242-6 PANEL ASSY T/W S233T100-1092 LIGHTPLATE PRE ALERT SB: 33A0044	504903	RF
- 80	233T3242-1301		.PANEL ASSY-EEC CONT SUPPLIER CODE: V89954 ELECTRICAL EQUIP NUMBER: M10761 COMPONENT MAINT MANUAL REF: 73-21-86 POST ALERT SB: 33A0044	504903	RF

MISSING ITEM NUMBERS NOT APPLICABLE

- ITEM NOT ILLUSTRATED

33-13-01-23

33-13-01
FIG. 23
PAGE 6
MAY 20/09

BRI



757

PARTS CATALOG (MAINTENANCE)

FIG ITEM	PART NUMBER	1 2 3 4 5 6 7	NOMENCLATURE	EFFECT FROM TO	UNITS PER ASSY
23 85	800-002855-1	..	LIGHTPLATE-5V WHITE ILLUMINATED INTEGRALLY- LIGHTED EEC CONT SUPPLIER CODE: V05617 SPECIFICATION NUMBER: S233T100-1092 OPTIONAL PART: S233T100-1092 V58196 800-002855 V05617	504903	1
85	800-002855	..	LIGHTPLATE-5V WHITE ILLUMINATED INTEGRALLY- LIGHTED EEC CONT SUPPLIER CODE: V05617 SPECIFICATION NUMBER: S233T100-1092 MISCELLANEOUS DATA: FOR VENDOR FSCM 05617 FOR SPARES ORDER THE 800-002855-1 OPTIONAL PART: S233T100-1092 V58196 800-002855-1 V05617	504903	1
87	233T3242-6	..	PANEL ASSY- SUPPLIER CODE: V89954 COMPONENT MAINT MANUAL REF: 73-21-86 QUALIFIED I/W DATA: 233T3242-301 PANEL ASSY IS I/W 233T3242-6 PANEL ASSY T/W S233T100-1092 LIGHTPLATE PRE ALERT SB: 33A0044	504903	RF
87	233T3242-1006	..	PANEL ASSY- SUPPLIER CODE: V89954 COMPONENT MAINT MANUAL REF: 73-21-86 POST ALERT SB: 33A0044	504903	RF

MISSING ITEM NUMBERS NOT APPLICABLE

- ITEM NOT ILLUSTRATED

33-13-01-23

33-13-01
FIG. 23
PAGE 7
MAY 20/09

BRI



757

PARTS CATALOG (MAINTENANCE)

FIG ITEM	PART NUMBER	1 2 3 4 5 6 7	NOMENCLATURE	EFFECT FROM TO	UNITS PER ASSY
23 88	800-000121-1		...CONNECTOR-PWR SUPPLIER CODE: V05617	504903	1
- 90	233N3211-303		.PANEL ASSY-BATTERY/STANDBY PWR SUPPLIER CODE: V89954 ELECTRICAL EQUIP NUMBER: M10062 COMPONENT MAINT MANUAL REF: 24-33-72 QUALIFIED I/W DATA: P/N 233N3211-303 IS FULLY I/W P/N 233N3211-308, EXCEPT ONE-WAY FORWARD FOR U/O 233N3103-121, -122, -21 -22 THE 233N3211-303 PANEL ASSY IS I/W THE 233N3211-40 PANEL ASSY T/W THE S233T100-1081 LIGHTPLATE AND BP248-127 KNOB PRE ALERT SB: 33A0044	504903	RF
- 90	233N3211-1303		.PANEL ASSY-BATTERY/STANDBY PWR SUPPLIER CODE: V89954 ELECTRICAL EQUIP NUMBER: M10062 COMPONENT MAINT MANUAL REF: 24-33-72 POST ALERT SB: 33A0044	504903	RF
95	800-000918-1		..LIGHTPLATE-5V WHITE ILLUMINATED INTEGRALLY LIGHTED BAT/STBY PWR SUPPLIER CODE: V05617 SPECIFICATION NUMBER: S233T100-1081 OPTIONAL PART: S233T100-1081 V51896 800-000918 V05617	504903	1

MISSING ITEM NUMBERS NOT APPLICABLE

- ITEM NOT ILLUSTRATED

33-13-01-23

33-13-01
FIG. 23
PAGE 8
MAY 20/09

BRI



757

PARTS CATALOG (MAINTENANCE)

FIG ITEM	PART NUMBER	1 2 3 4 5 6 7	NOMENCLATURE	EFFECT FROM TO	UNITS PER ASSY
23 95	800-000918		..LIGHTPLATE-5V WHITE ILLUMINATED INTEGRALLY LIGHTED BAT/STBY PWR SUPPLIER CODE: V05617 SPECIFICATION NUMBER: S233T100-1081 MISCELLANEOUS DATA: FOR VENDOR FSCM 05617 FOR SPARES ORDER THE 800-000918-1 OPTIONAL PART: S233T100-1081 V51896 800-000918-1 V05617	504903	1
100	233N3211-40		..PANEL ASSY- SUPPLIER CODE: V89954 COMPONENT MAINT MANUAL REF: 24-33-72 QUALIFIED I/W DATA: THE 233N3211-303 PANEL ASSY IS I/W THE 233N3211-40 PANEL ASSY G/W THE S233T100-1081 LIGHTPLATE AND BP248-127 USED ON: 233N3211-303 PRE ALERT SB: 33A0044	504903	RF
100	233N3211-1040		..PANEL ASSY- SUPPLIER CODE: V89954 COMPONENT MAINT MANUAL REF: 24-33-72 USED ON: 233N3211-1303 POST ALERT SB: 33A0044	504903	RF
105	800000121-1		...CONNECTOR-PWR SUPPLIER CODE: V05617	504903	1

MISSING ITEM NUMBERS NOT APPLICABLE

- ITEM NOT ILLUSTRATED

33-13-01-23

33-13-01
 FIG. 23
 PAGE 9
 JAN 20/09

BRI



757

PARTS CATALOG (MAINTENANCE)

FIG ITEM	PART NUMBER	1 2 3 4 5 6 7	NOMENCLATURE	EFFECT FROM TO	UNITS PER ASSY
23 - 120	233N3209-305	.	PANEL ASSY-E/E SUPPLIER CODE: V89954 ELECTRICAL EQUIP NUMBER: M10063 COMPONENT MAINT MANUAL REF: 24-22-71 PRE ALERT SB: 33A0044	504903	RF
- 120	233N3209-314	.	PANEL ASSY-E/E SUPPLIER CODE: V89954 ELECTRICAL EQUIP NUMBER: M10063 COMPONENT MAINT MANUAL REF: 24-22-71	504903	RF
- 120	233N3209-1305	.	PANEL ASSY-E/E SUPPLIER CODE: V89954 ELECTRICAL EQUIP NUMBER: M10063 COMPONENT MAINT MANUAL REF: 24-22-71 POST ALERT SB: 33A0044	504903	RF
125	800-000928-1	..	LIGHTPLATE-5V WHITE ILLUMINATED INTEGRALLY LIGHTED E/E SUPPLIER CODE: V05617 SPECIFICATION NUMBER: S233T100-6004 OPTIONAL PART: S233T100-6004 V51896 800-000928 V05617	504903	1

MISSING ITEM NUMBERS NOT APPLICABLE

- ITEM NOT ILLUSTRATED

BRI

33-13-01-23

BOEING PROPRIETARY - Copyright © - Unpublished Work - See title page for details.

33-13-01
FIG. 23
PAGE 10
JAN 20/09



757

PARTS CATALOG (MAINTENANCE)

FIG ITEM	PART NUMBER	1 2 3 4 5 6 7	NOMENCLATURE	EFFECT FROM TO	UNITS PER ASSY
23 125	800-000928		..LIGHTPLATE-5V WHITE ILLUMINATED INTEGRALLY LIGHTED E/E SUPPLIER CODE: V05617 SPECIFICATION NUMBER: S233T100-6004 MISCELLANEOUS DATA: FOR VENDOR FSCM 05617 FOR SPARES ORDER THE 800-000928-1 OPTIONAL PART: S233T100-6004 V51896 800-000928-1 V05617	504903	1
127	233N3209-41		..PANEL ASSY- SUPPLIER CODE: V89954 MISCELLANEOUS DATA: FOR SPARES PROCURE THE NEXT HIGHER ASSY COMPONENT MAINT MANUAL REF: 24-22-71 USED ON: 233N3209-305 PRE ALERT SB: 33A0044	504903	RF
127	233N3209-1041		..PANEL ASSY- SUPPLIER CODE: V89954 COMPONENT MAINT MANUAL REF: 24-22-71 USED ON: 233N3209-1305 POST ALERT SB: 33A0044	504903	RF
127	233N3209-50		..PANEL ASSY- SUPPLIER CODE: V89954 ELECTRICAL EQUIP NUMBER: M10063 COMPONENT MAINT MANUAL REF: 24-22-71 USED ON: 233N3209-314	504903	RF
128	800-000121-1		...CONNECTOR-PWR SUPPLIER CODE: V05617	504903	1

MISSING ITEM NUMBERS NOT APPLICABLE

- ITEM NOT ILLUSTRATED

33-13-01-23

33-13-01
FIG. 23
PAGE 11
JAN 20/09

BRI



757

PARTS CATALOG (MAINTENANCE)

FIG ITEM	PART NUMBER	1 2 3 4 5 6 7	NOMENCLATURE	EFFECT FROM TO	UNITS PER ASSY
23 - 130	233T3232-300		.PANEL ASSY-APU START SUPPLIER CODE: V89954 ELECTRICAL EQUIP NUMBER: M00001 COMPONENT MAINT MANUAL REF: 49-61-52	504903	RF
- 130	233T3232-302		.PANEL ASSY-APU START SUPPLIER CODE: V89954 ELECTRICAL EQUIP NUMBER: M00001 COMPONENT MAINT MANUAL REF: 49-61-52	504903	RF
- 130	233T3232-305		.PANEL ASSY-APU START SUPPLIER CODE: V89954 ELECTRICAL EQUIP NUMBER: M00001 COMPONENT MAINT MANUAL REF: 49-61-52	504903	RF
135	800-002583-1		..LIGHTPLATE-5V WHITE ILLUMINATED INTEGRALLY LIGHTED APU START SUPPLIER CODE: V05617 SPECIFICATION NUMBER: S233T100-6025 OPTIONAL PART: S233T100-6025 V51896 800-002583 V05617	504903	1
135	800-002583		..LIGHTPLATE-5V WHITE ILLUMINATED INTEGRALLY LIGHTED APU START SUPPLIER CODE: V05617 SPECIFICATION NUMBER: S233T100-6025 MISCELLANEOUS DATA: FOR VENDOR FSCM 05617 FOR SPARES ORDER THE 800-002583-1 OPTIONAL PART: S233T100-6025 V51896 800-002583-1 V05617	504903	1

MISSING ITEM NUMBERS NOT APPLICABLE

- ITEM NOT ILLUSTRATED

33-13-01-23

33-13-01
FIG. 23
PAGE 12
JAN 20/09

BRI



757

PARTS CATALOG (MAINTENANCE)

FIG ITEM	PART NUMBER	1 2 3 4 5 6 7	NOMENCLATURE	EFFECT FROM TO	UNITS PER ASSY
23 136	233T3232-12		..PANEL ASSY- SUPPLIER CODE: V89954 COMPONENT MAINT MANUAL REF: 49-61-52 USED ON: 233T3232-300	504903	RF
136	233T3232-15		..PANEL ASSY- SUPPLIER CODE: V89954 COMPONENT MAINT MANUAL REF: 49-61-52 USED ON: 233T3232-302	504903	RF
136	233T3232-23		..PANEL ASSY- SUPPLIER CODE: V89954 COMPONENT MAINT MANUAL REF: 49-61-52 USED ON: 233T3232-305	504903	RF
137	800000121-1		...CONNECTOR-PWR SUPPLIER CODE: V05617 USED ON: 233T3232-12	504903	1
137	800-000121-1		...CONNECTOR-PWR SUPPLIER CODE: V05617 USED ON: 233T3232-15 233T3232-23	504903	1
- 140	233N3214-305		.PANEL ASSY-LIGHTING CONT SUPPLIER CODE: V89954 ELECTRICAL EQUIP NUMBER: M10056 COMPONENT MAINT MANUAL REF: 33-11-71	504903	RF

R
R
R
R
R
R

MISSING ITEM NUMBERS NOT APPLICABLE

- ITEM NOT ILLUSTRATED

33-13-01-23

33-13-01
FIG. 23
PAGE 13
MAY 20/09

BRI



757

PARTS CATALOG (MAINTENANCE)

FIG ITEM	PART NUMBER	1 2 3 4 5 6 7	NOMENCLATURE	EFFECT FROM TO	UNITS PER ASSY
23 150	800-000922-1		..LIGHTPLATE-5V WHITE ILLUMINATED INTEGRALLY- LIGHTED LIGHTING SUPPLIER CODE: V05617 POSITION DATA: L SIDE SPECIFICATION NUMBER: S233T100-6016 OPTIONAL PART: S233T100-6016 V51896 800-000922 V05617	504903	1
150	800-000922		..LIGHTPLATE-5V WHITE ILLUMINATED INTEGRALLY- LIGHTED LIGHTING SUPPLIER CODE: V05617 POSITION DATA: L SIDE SPECIFICATION NUMBER: S233T100-6016 MISCELLANEOUS DATA: FOR VENDOR FSCM 05617 FOR SPARES ORDER THE 800-000922-1 OPTIONAL PART: S233T100-6016 V51896 800-000922-1 V05617	504903	1
150	S233T100-6016		..LIGHTPLATE- SUPPLIER CODE: V51896 POSITION DATA: L SIDE SPECIFICATION NUMBER: S233T100-6016 OPTIONAL PART: 800-000922 V05617	504903	1
152	233N3214-34		..PANEL ASSY- SUPPLIER CODE: V89954 COMPONENT MAINT MANUAL REF: 33-11-71	504903	RF

MISSING ITEM NUMBERS NOT APPLICABLE

- ITEM NOT ILLUSTRATED

33-13-01-23

33-13-01
FIG. 23
PAGE 14
MAY 20/09

BRI



757

PARTS CATALOG (MAINTENANCE)

FIG ITEM	PART NUMBER	1 2 3 4 5 6 7	NOMENCLATURE	EFFECT FROM TO	UNITS PER ASSY
23 153	800-000121-1		...CONNECTOR-PWR SUPPLIER CODE: V05617	504903	1
- 155	233T3210-300		.PANEL ASSY-EMER LIGHTS PASS. OXY SUPPLIER CODE: V89954 ELECTRICAL EQUIP NUMBER: M00043 COMPONENT MAINT MANUAL REF: 33-51-03 QUALIFIED I/W DATA: THE 233T3210-300 PANEL ASSY IS I/W THE 233T3210-28 PANEL ASSY T/W THE S233T100-1077 LIGHTPLATE. PRE ALERT SB: 33A0044	504903	RF
- 155	233T3210-1300		.PANEL ASSY-EMER LIGHTS PASS. OXY SUPPLIER CODE: V89954 ELECTRICAL EQUIP NUMBER: M00043 COMPONENT MAINT MANUAL REF: 33-51-03 POST ALERT SB: 33A0044	504903	RF
- 155	233T3210-306		.PANEL ASSY-EMER LIGHTS PASS. OXY SUPPLIER CODE: V89954 ELECTRICAL EQUIP NUMBER: M00043 COMPONENT MAINT MANUAL REF: 33-51-03	504903	RF

MISSING ITEM NUMBERS NOT APPLICABLE

- ITEM NOT ILLUSTRATED

33-13-01-23

33-13-01
FIG. 23
PAGE 15
MAY 20/09

BRI



757

PARTS CATALOG (MAINTENANCE)

FIG ITEM	PART NUMBER	1 2 3 4 5 6 7	NOMENCLATURE	EFFECT FROM TO	UNITS PER ASSY
23 160	800-000912-1		..LIGHTPLATE-5V WHITE ILLUMINATED INTEGRALLY- LIGHTED EMER LTS/PASS OXY SUPPLIER CODE: V05617 SPECIFICATION NUMBER: S233T100-1077 OPTIONAL PART: S233T100-1077 V51896 800-000912 V05617	504903	1
160	800-000912		..LIGHTPLATE-5V WHITE ILLUMINATED INTEGRALLY- LIGHTED EMER LTS/PASS OXY SUPPLIER CODE: V05617 SPECIFICATION NUMBER: S233T100-1077 MISCELLANEOUS DATA: FOR VENDOR FSCM 05617 FOR SPARES ORDER THE 800-000912-1 OPTIONAL PART: S233T100-1077 V51896 800-000912-1 V05617 USED ON: 233T3210-300	504903	1

MISSING ITEM NUMBERS NOT APPLICABLE

- ITEM NOT ILLUSTRATED

BRI

33-13-01-23

BOEING PROPRIETARY - Copyright © - Unpublished Work - See title page for details.

33-13-01
 FIG. 23
 PAGE 16
 MAY 20/09



757

PARTS CATALOG (MAINTENANCE)

FIG ITEM	PART NUMBER	1 2 3 4 5 6 7	NOMENCLATURE	EFFECT FROM TO	UNITS PER ASSY
23 160	800-000912		..LIGHTPLATE-5V WHITE ILLUMINATED INTEGRALLY- LIGHTED EMER LTS/PASS OXY SUPPLIER CODE: V05617 SPECIFICATION NUMBER: S233T100-1077 MISCELLANEOUS DATA: FOR VENDOR FSCM 05617 FOR SPARES ORDER THE 800-000912-1 OPTIONAL PART: S233T100-1077 V51896 800-000912-1 V05617 USED ON: 233T3210-306	504903	1
160	800-000912-1		..LIGHTPLATE-5V WHITE ILLUMINATED INTEGRALLY- LIGHTED EMER LTS/PASS OXY SUPPLIER CODE: V05617 SPECIFICATION NUMBER: S233T100-1077 OPTIONAL PART: S233T100-1077 V51896 800-000912 V05617	504903	1
160	S233T100-1077		..LIGHTPLATE-5V WHITE ILLUMINATED INTEGRALLY- LIGHTED EMER LTS/PASS OXY SUPPLIER CODE: V51896 SPECIFICATION NUMBER: S233T100-1077 OPTIONAL PART: 800-000912 V05617 USED ON: 233T3210-306	504903	1

MISSING ITEM NUMBERS NOT APPLICABLE

- ITEM NOT ILLUSTRATED

33-13-01-23

33-13-01
FIG. 23
PAGE 17
MAY 20/09

BRI



757

PARTS CATALOG (MAINTENANCE)

FIG ITEM	PART NUMBER	1 2 3 4 5 6 7	NOMENCLATURE	EFFECT FROM TO	UNITS PER ASSY
23 166	233T3210-28		..PANEL ASSY- SUPPLIER CODE: V89954 COMPONENT MAINT MANUAL REF: 33-51-03 QUALIFIED I/W DATA: THE 233T3210-300 PANEL ASSY IS I/W THE 233T3210-28 PANEL ASSY T/W THE S233T100-1077 LIGHTPLATE. USED ON: 233T3210-300 PRE ALERT SB: 33A0044	504903	RF
166	233T3210-42		..PANEL ASSY- SUPPLIER CODE: V89954 COMPONENT MAINT MANUAL REF: 33-51-03 USED ON: 233T3210-306	504903	RF
166	233T3210-1028		..PANEL ASSY- SUPPLIER CODE: V89954 COMPONENT MAINT MANUAL REF: 33-51-03 USED ON: 233T3210-1300 POST ALERT SB: 33A0044	504903	RF
167	800000121-1		...CONNECTOR-PWR SUPPLIER CODE: V05617 USED ON: 233T3210-28	504903	1
167	800-000121-1		...CONNECTOR-PWR SUPPLIER CODE: V05617 USED ON: 233T3210-42	504903	1

MISSING ITEM NUMBERS NOT APPLICABLE

- ITEM NOT ILLUSTRATED

33-13-01-23

33-13-01
FIG. 23
PAGE 18
MAY 20/09

BRI



757

PARTS CATALOG (MAINTENANCE)

FIG ITEM	PART NUMBER	1 2 3 4 5 6 7	NOMENCLATURE	EFFECT FROM TO	UNITS PER ASSY
23 - 190	233N3223-302		.PANEL ASSY-ENG START/RAT SUPPLIER CODE: V89954 ELECTRICAL EQUIP NUMBER: M10468 QUALIFIED I/W DATA: THE 233N3223-302 PANEL ASSY IS I/W THE 233N3223-50 PANEL ASSY T/W THE S233T100-6046 LIGHTPLATE AND (3) BP248-127 KNOBS. PRE ALERT SB: 33A0044	504903	RF
- 190	233N3223-1302		.PANEL ASSY-ENG START/RAT SUPPLIER CODE: V89954 ELECTRICAL EQUIP NUMBER: M10468 POST ALERT SB: 33A0044	504903	RF
195	800-000447-1		..LIGHTPLATE-5V WHITE ILLUMINATED INTEGRALLY- LIGHTED ENG START/RAT SUPPLIER CODE: V05617 SPECIFICATION NUMBER: S233T100-6046 OPTIONAL PART: S233T100-6046 V51896 800-000447 V05617	504903	1
195	800-000447		..LIGHTPLATE-5V WHITE ILLUMINATED INTEGRALLY- LIGHTED ENG START/RAT SUPPLIER CODE: V05617 SPECIFICATION NUMBER: S233T100-6046 MISCELLANEOUS DATA: FOR VENDOR FSCM 05617 FOR SPARES ORDER THE 800-000447-1 OPTIONAL PART: S233T100-6046 V51896 800-000447-1 V05617	504903	1

MISSING ITEM NUMBERS NOT APPLICABLE

- ITEM NOT ILLUSTRATED

33-13-01-23

33-13-01
FIG. 23
PAGE 19
MAY 20/09

BRI



757

PARTS CATALOG (MAINTENANCE)

FIG ITEM	PART NUMBER	1 2 3 4 5 6 7	NOMENCLATURE	EFFECT FROM TO	UNITS PER ASSY
23 200	233N3223-1050	..	PANEL ASSY- SUPPLIER CODE: V89954 COMPONENT MAINT MANUAL REF: 31-12-01 POST ALERT SB: 33A0044	504903	RF
200	233N3223-50	..	PANEL ASSY- SUPPLIER CODE: V89954 COMPONENT MAINT MANUAL REF: 31-12-01 QUALIFIED I/W DATA: THE 233N3223-302 PANEL ASSY IS I/W THE 233N3223-50 PANEL ASSY T/W THE S233T100-6046 LIGHTPLATE AND (3) BP248-127 KNOBS. PRE ALERT SB: 33A0044	504903	RF
205	800000121-1	...	CONNECTOR-PWR SUPPLIER CODE: V05617	504903	1
- 220	233N3206-300	.PANEL ASSY-FUEL CONT	SUPPLIER CODE: V89954 ELECTRICAL EQUIP NUMBER: M10055 COMPONENT MAINT MANUAL REF: 28-41-71 QUALIFIED I/W DATA: THE 233N3206-300 PANEL ASSY IS I/W THE 233N3206-19 PANEL ASSY T/W THE S233T100-1106 LIGHTPLATE PRE ALERT SB: 28A0105R1	504903	RF
- 220	233N3206-3300	.PANEL ASSY-FUEL CONT	SUPPLIER CODE: V89954 ELECTRICAL EQUIP NUMBER: M10055 COMPONENT MAINT MANUAL REF: 28-41-71 POST ALERT SB: 28A0105R1	504903	RF

MISSING ITEM NUMBERS NOT APPLICABLE

- ITEM NOT ILLUSTRATED

33-13-01-23

33-13-01
FIG. 23
PAGE 20
MAY 20/09

BRI



757

PARTS CATALOG (MAINTENANCE)

FIG ITEM	PART NUMBER	1 2 3 4 5 6 7	NOMENCLATURE	EFFECT FROM TO	UNITS PER ASSY
23 225	800-000954-1	..	LIGHTPLATE-5V WHITE ILLUMINATED INTEGRALLY- LIGHTED FUEL SUPPLIER CODE: V05617 SPECIFICATION NUMBER: S233T100-1106 OPTIONAL PART: S233T100-1106 V51896 800-000954 V05617	504903	1
225	800-000954	..	LIGHTPLATE-5V WHITE ILLUMINATED INTEGRALLY- LIGHTED FUEL SUPPLIER CODE: V05617 SPECIFICATION NUMBER: S233T100-1106 MISCELLANEOUS DATA: FOR VENDOR FSCM 05617 FOR SPARES ORDER THE 800-000954-1 OPTIONAL PART: S233T100-1106 V51896 800-000954-1 V05617	504903	1
227	233N3206-19	..	PANEL ASSY- SUPPLIER CODE: V89954 COMPONENT MAINT MANUAL REF: 28-41-71 QUALIFIED I/W DATA: THE 233N3206-300 PANEL ASSY IS I/W THE 233N3206-19 PANEL ASSY T/W THE S233T100-1106 LIGHTPLATE PRE ALERT SB: 28A0105R1	504903	RF
227	233N3206-3019	..	PANEL ASSY- SUPPLIER CODE: V89954 COMPONENT MAINT MANUAL REF: 28-41-71 POST ALERT SB: 28A0105R1	504903	RF

MISSING ITEM NUMBERS NOT APPLICABLE

- ITEM NOT ILLUSTRATED

33-13-01-23

33-13-01
FIG. 23
PAGE 21
MAY 20/09

BRI



757

PARTS CATALOG (MAINTENANCE)

FIG ITEM	PART NUMBER	1 2 3 4 5 6 7	NOMENCLATURE	EFFECT FROM TO	UNITS PER ASSY
23 228	800-000121-1		...CONNECTOR-PWR SUPPLIER CODE: V05617	504903	1
- 230	233N3204-300		.PANEL ASSY-ANTI-ICE SUPPLIER CODE: V89954 ELECTRICAL EQUIP NUMBER: M10397 COMPONENT MAINT MANUAL REF: 30-11-72 QUALIFIED I/W DATA: 233N3204-300 PANEL ASSY IS I/W 233N3204-19 PANEL ASSY T/W S233T100-1070 LIGHTPLATE OPTIONAL PART: 233N3204-301 V89954 PRE ALERT SB: 33A0044	504903	RF
- 230	233N3204-301		.PANEL ASSY-ANTI-ICE SUPPLIER CODE: V89954 ELECTRICAL EQUIP NUMBER: M10397 COMPONENT MAINT MANUAL REF: 30-11-72 QUALIFIED I/W DATA: 233N3204-301 PANEL ASSY IS I/W 233N3204-20 PANEL ASSY T/W S233T100-1070 LIGHTPLATE OPTIONAL PART: 233N3204-300 V89954 PRE ALERT SB: 33A0044	504903	RF
- 230	233N3204-1301		.PANEL ASSY-ANTI-ICE SUPPLIER CODE: V89954 ELECTRICAL EQUIP NUMBER: M10397 COMPONENT MAINT MANUAL REF: 30-11-72 POST ALERT SB: 33A0044	504903	RF

MISSING ITEM NUMBERS NOT APPLICABLE

- ITEM NOT ILLUSTRATED

33-13-01-23

33-13-01
FIG. 23
PAGE 22
MAY 20/09

BRI



757

PARTS CATALOG (MAINTENANCE)

FIG ITEM	PART NUMBER	1 2 3 4 5 6 7	NOMENCLATURE	EFFECT FROM TO	UNITS PER ASSY
23 - 230	233N3204-332		.PANEL ASSY-ANTI-ICE SUPPLIER CODE: V89954 ELECTRICAL EQUIP NUMBER: M10397 COMPONENT MAINT MANUAL REF: 30-11-72	504903	RF
235	800-001043-1		..LIGHTPLATE-5V WHITE ILLUMINATED INTEGRALLY- LIGHTED ANTI-ICE SUPPLIER CODE: V05617 SPECIFICATION NUMBER: S233T100-1070 OPTIONAL PART: S233T100-1070 V51896 800-001043 V05617	504903	1
235	800-001043		..LIGHTPLATE-5V WHITE ILLUMINATED INTEGRALLY- LIGHTED ANTI-ICE SUPPLIER CODE: V05617 SPECIFICATION NUMBER: S233T100-1070 MISCELLANEOUS DATA: FOR VENDOR FSCM 05617 FOR SPARES ORDER THE 800-001043-1 OPTIONAL PART: S233T100-1070 V51896 800-001043-1 V05617	504903	1
245	233N3204-1019		..PANEL ASSY- SUPPLIER CODE: V89954 COMPONENT MAINT MANUAL REF: 30-11-72 USED ON: 233N3204-1300 POST ALERT SB: 33A0044	504903	RF

MISSING ITEM NUMBERS NOT APPLICABLE

- ITEM NOT ILLUSTRATED

33-13-01-23

33-13-01
FIG. 23
PAGE 23
JAN 20/09

BRI



757

PARTS CATALOG (MAINTENANCE)

FIG ITEM	PART NUMBER	1 2 3 4 5 6 7	NOMENCLATURE	EFFECT FROM TO	UNITS PER ASSY
23 245	233N3204-19		..PANEL ASSY- SUPPLIER CODE: V89954 COMPONENT MAINT MANUAL REF: 30-11-72 QUALIFIED I/W DATA: 233N3204-300 PANEL ASSY IS I/W 233N3204-19 PANEL ASSY T/W S233T100-1070 LIGHTPLATE USED ON: 233N3204-300 PRE ALERT SB: 33A0044	504903	RF
245	233N3204-20		..PANEL ASSY- SUPPLIER CODE: V89954 COMPONENT MAINT MANUAL REF: 30-11-72 QUALIFIED I/W DATA: 233N3204-301 PANEL ASSY IS I/W 233N3204-20 PANEL ASSY T/W S233T100-1070 LIGHTPLATE USED ON: 233N3204-301 PRE ALERT SB: 33A0044	504903	RF
245	233N3204-28		..PANEL ASSY- SUPPLIER CODE: V89954 COMPONENT MAINT MANUAL REF: 30-11-72 QUALIFIED I/W DATA: 233N3204-303 PANEL ASSY IS I/W 233N3204-28 PANEL ASSY T/W S233T100-1070 LIGHTPLATE USED ON: 233N3204-303 PRE ALERT SB: 33A0044	504903	RF

MISSING ITEM NUMBERS NOT APPLICABLE

- ITEM NOT ILLUSTRATED

33-13-01-23

33-13-01
FIG. 23
PAGE 24
JAN 20/09

BRI



757

PARTS CATALOG (MAINTENANCE)

FIG ITEM	PART NUMBER	1 2 3 4 5 6 7	NOMENCLATURE	EFFECT FROM TO	UNITS PER ASSY
23 245	233N3204-27		..PANEL ASSY- SUPPLIER CODE: V89954 COMPONENT MAINT MANUAL REF: 30-11-72 QUALIFIED I/W DATA: 233N3204-302 PANEL ASSY IS I/W 233N3204-27 PANEL ASSY T/W S233T100-1070 LIGHTPLATE USED ON: 233N3204-302 PRE ALERT SB: 33A0044	504903	RF
245	233N3204-1020		..PANEL ASSY- SUPPLIER CODE: V89954 COMPONENT MAINT MANUAL REF: 30-11-72 USED ON: 233N3204-1301 POST ALERT SB: 33A0044	504903	RF
245	233N3204-1028		..PANEL ASSY- SUPPLIER CODE: V89954 COMPONENT MAINT MANUAL REF: 30-11-72 USED ON: 233N3204-1303 POST ALERT SB: 33A0044	504903	RF
245	233N3204-1027		..PANEL ASSY- SUPPLIER CODE: V89954 COMPONENT MAINT MANUAL REF: 30-11-72 USED ON: 233N3204-1302 POST ALERT SB: 33A0044	504903	RF
245	233N3204-36		..PANEL ASSY- SUPPLIER CODE: V89954 COMPONENT MAINT MANUAL REF: 30-11-72 USED ON: 233N3204-332	504903	RF

MISSING ITEM NUMBERS NOT APPLICABLE

- ITEM NOT ILLUSTRATED

33-13-01-23

33-13-01
FIG. 23
PAGE 25
JAN 20/09

BRI



757

PARTS CATALOG (MAINTENANCE)

FIG ITEM	PART NUMBER	1 2 3 4 5 6 7	NOMENCLATURE	EFFECT FROM TO	UNITS PER ASSY
23 246	800-000121-1		...CONNECTOR-PWR SUPPLIER CODE: V05617	504903	1
- 265	233N3201-303		.PANEL ASSY-WSHLD CLEARANCE SUPPLIER CODE: V89954 ELECTRICAL EQUIP NUMBER: M10023 COMPONENT MAINT MANUAL REF: 30-42-01	504903	RF
275	S233T100-1113		..LIGHTPLATE-5V WHITE ILLUMINATED INTEGRALLY- LIGHTED RAIN REPELLENT SUPPLIER CODE: V51896 SPECIFICATION NUMBER: S233T100-1113 OPTIONAL PART: 800-007678 V05617	504903	1
275	800-007678		..LIGHTPLATE-5V WHITE ILLUMINATED INTEGRALLY LIGHTED RAIN REPELLENT SUPPLIER CODE: V05617 SPECIFICATION NUMBER: S233T100-1113 OPTIONAL PART: S233T100-1113 V51896	504903	1
285	233N3201-16		..PANEL ASSY- SUPPLIER CODE: V89954 COMPONENT MAINT MANUAL REF: 30-42-01	504903	RF
290	800000121-1		...CONNECTOR-PWR SUPPLIER CODE: V05617	504903	1

MISSING ITEM NUMBERS NOT APPLICABLE

- ITEM NOT ILLUSTRATED

33-13-01-23

33-13-01
FIG. 23
PAGE 26
JAN 20/09

BRI



757

PARTS CATALOG (MAINTENANCE)

FIG ITEM	PART NUMBER	1 2 3 4 5 6 7	NOMENCLATURE	EFFECT FROM TO	UNITS PER ASSY
23 - 305	233T3217-300		. PANEL ASSY-ANTI-COLLISION LIGHTING SUPPLIER CODE: V89954 ELECTRICAL EQUIP NUMBER: M00056 COMPONENT MAINT MANUAL REF: 33-44-72 QUALIFIED I/W DATA: THE 233T3217-300 PANEL ASSY IS I/W THE 233T3217-41 PANEL ASSY T/W THE S233T100-6030 LIGHTPLATE.	504903	RF
310	800-000916-1		.. LIGHTPLATE-5V WHITE ILLUMINATED INTEGRALLY LIGHTED ANTI-COLLISION SUPPLIER CODE: V05617 SPECIFICATION NUMBER: S233T100-6030 OPTIONAL PART: S233T100-6030 V51896 800-000916 V05617	504903	1
310	800-000916		.. LIGHTPLATE-5V WHITE ILLUMINATED INTEGRALLY LIGHTED ANTI-COLLISION SUPPLIER CODE: V05617 SPECIFICATION NUMBER: S233T100-6030 MISCELLANEOUS DATA: FOR VENDOR FSCM 05617 FOR SPARES ORDER THE 800-000916-1 OPTIONAL PART: S233T100-6030 V51896 800-000916-1 V05617	504903	1

MISSING ITEM NUMBERS NOT APPLICABLE

- ITEM NOT ILLUSTRATED

33-13-01-23

33-13-01
FIG. 23
PAGE 27
JAN 20/09

BRI



757

PARTS CATALOG (MAINTENANCE)

FIG ITEM	PART NUMBER	1 2 3 4 5 6 7	NOMENCLATURE	EFFECT FROM TO	UNITS PER ASSY
23 315	233T3217-41	..	PANEL ASSY- SUPPLIER CODE: V89954 COMPONENT MAINT MANUAL REF: 33-44-72 QUALIFIED I/W DATA: THE 233T3217-300 PANEL ASSY IS I/W THE 233T3217-41 PANEL ASSY T/W THE S233T100-6030 LIGHTPLATE.	504903	RF
317	800-000121-1	...	CONNECTOR-PWR SUPPLIER CODE: V05617	504903	1
- 320	233N3212-302	.PANEL ASSY-WINDOW HEAT	SUPPLIER CODE: V89954 ELECTRICAL EQUIP NUMBER: M10395 COMPONENT MAINT MANUAL REF: 30-41-71 OPTIONAL PART: 233N3212-300 V89954	504903	RF
- 320	233N3212-300	.PANEL ASSY-WINDOW HEAT	SUPPLIER CODE: V89954 ELECTRICAL EQUIP NUMBER: M10395 COMPONENT MAINT MANUAL REF: 30-41-71 QUALIFIED I/W DATA: THE 233N3212-300 PANEL ASSY IS I/W THE 233N3212-11 PANEL ASSY T/W THE S233T100-1073 LIGHTPLATE OPTIONAL PART: 233N3212-302 V89954	504903	RF

MISSING ITEM NUMBERS NOT APPLICABLE

- ITEM NOT ILLUSTRATED

33-13-01-23

33-13-01
FIG. 23
PAGE 28
JAN 20/09

BRI



757

PARTS CATALOG (MAINTENANCE)

FIG ITEM	PART NUMBER	1 2 3 4 5 6 7	NOMENCLATURE	EFFECT FROM TO	UNITS PER ASSY
23 325	S233T100-1073		..LIGHTPLATE-5V WHITE ILLUMINATED INTEGRALLY LIGHTED WINDOW HEAT SUPPLIER CODE: V51896 SPECIFICATION NUMBER: S233T100-1073 OPTIONAL PART: 800-000920 V05617 USED ON: 233N3212-302	504903	1
325	800-000920		..LIGHTPLATE-5V WHITE ILLUMINATED INTEGRALLY- LIGHTED WINDOW HEAT SUPPLIER CODE: V05617 SPECIFICATION NUMBER: S233T100-1073 MISCELLANEOUS DATA: FOR VENDOR FSCM 05617 FOR SPARES ORDER THE 800-000920-1 OPTIONAL PART: S233T100-1073 V51896 800-000920-1 V05617 USED ON: 233N3212-300	504903	1
325	800-000920		..LIGHTPLATE-5V WHITE ILLUMINATED INTEGRALLY- LIGHTED WINDOW HEAT SUPPLIER CODE: V05617 SPECIFICATION NUMBER: S233T100-1073 MISCELLANEOUS DATA: FOR VENDOR FSCM 05617 FOR SPARES ORDER THE 800-000920-1 OPTIONAL PART: S233T100-1073 V51896 800-000920-1 V05617 USED ON: 233N3212-302	504903	1

MISSING ITEM NUMBERS NOT APPLICABLE

- ITEM NOT ILLUSTRATED

33-13-01-23

33-13-01
FIG. 23
PAGE 29
JAN 20/09

BRI



757

PARTS CATALOG (MAINTENANCE)

FIG ITEM	PART NUMBER	1 2 3 4 5 6 7	NOMENCLATURE	EFFECT FROM TO	UNITS PER ASSY
23 325	800-000920-1	..	LIGHTPLATE-5V WHITE ILLUMINATED INTEGRALLY- LIGHTED WINDOW HEAT SUPPLIER CODE: V05617 SPECIFICATION NUMBER: S233T100-1073 OPTIONAL PART: S233T100-1073 V51896 800-000920 V05617	504903	1
325	800-000920-1	..	LIGHTPLATE-5V WHITE ILLUMINATED INTEGRALLY- LIGHTED WINDOW HEAT SUPPLIER CODE: V05617 SPECIFICATION NUMBER: S233T100-1073 OPTIONAL PART: S233T100-1073 V51896 800-000920 V05617	504903	1
335	233N3212-11	..	PANEL ASSY- SUPPLIER CODE: V89954 COMPONENT MAINT MANUAL REF: 30-41-71 QUALIFIED I/W DATA: THE 233N3212-300 PANEL ASSY IS I/W THE 233N3212-11 PANEL ASSY T/W THE S233T100-1073 LIGHTPLATE USED ON: 233N3212-300	504903	RF
335	233N3212-14	..	PANEL ASSY- SUPPLIER CODE: V89954 COMPONENT MAINT MANUAL REF: 30-41-71 USED ON: 233N3212-302	504903	RF
340	800-000121-1	...	CONNECTOR-PWR SUPPLIER CODE: V05617	504903	1

MISSING ITEM NUMBERS NOT APPLICABLE

- ITEM NOT ILLUSTRATED

33-13-01-23

33-13-01
FIG. 23
PAGE 30
JAN 20/09

BRI



757

PARTS CATALOG (MAINTENANCE)

FIG ITEM	PART NUMBER	1 2 3 4 5 6 7	NOMENCLATURE	EFFECT FROM TO	UNITS PER ASSY
23 355	285T0024-24		.MODULE ASSY-PILOT CALL PNL SUPPLIER CODE: V89954 ELECTRICAL EQUIP NUMBER: M00051 COMPONENT MAINT MANUAL REF: 23-42-59	504903	RF
360	800-003458		..LIGHTPLATE-5V WHITE ILLUMINATED INTEGRALLY LIGHTED SELCAL SUPPLIER CODE: V05617 SPECIFICATION NUMBER: S233T100-6031 OPTIONAL PART: S233T100-6031 V51896	504903	1
365	800000121-1		..CONNECTOR-PWR SUPPLIER CODE: V05617	504903	1
- 385	233T3216-300		.PANEL ASSY-PASS. SIGN CONT SUPPLIER CODE: V89954 ELECTRICAL EQUIP NUMBER: M00052 COMPONENT MAINT MANUAL REF: 33-24-02	504903	RF
390	800-000907-1		..LIGHTPLATE-5V WHITE ILLUMINATED INTEGRALLY- LIGHTED PASS. SIGNS SUPPLIER CODE: V05617 SPECIFICATION NUMBER: S233T100-1018 OPTIONAL PART: S233T100-1018 V51896 800-000907 V05617	504903	1

MISSING ITEM NUMBERS NOT APPLICABLE

- ITEM NOT ILLUSTRATED

33-13-01-23

33-13-01
FIG. 23
PAGE 31
JAN 20/09

BRI



757

PARTS CATALOG (MAINTENANCE)

FIG ITEM	PART NUMBER	1 2 3 4 5 6 7	NOMENCLATURE	EFFECT FROM TO	UNITS PER ASSY
23 390	800-000907		..LIGHTPLATE-5V WHITE ILLUMINATED INTEGRALLY- LIGHTED PASS. SIGNS SUPPLIER CODE: V05617 SPECIFICATION NUMBER: S233T100-1018 MISCELLANEOUS DATA: FOR VENDOR FSCM 05617 FOR SPARES ORDER THE 800-000907-1 OPTIONAL PART: S233T100-1018 V51896 800-000907-1 V05617	504903	1
392	233T3216-10		..PANEL ASSY- SUPPLIER CODE: V89954 COMPONENT MAINT MANUAL REF: 33-24-02	504903	RF
393	800-000121-1		...CONNECTOR-PWR SUPPLIER CODE: V05617	504903	1
- 395	233N3203-300		.PANEL ASSY-EQPT COOLING SUPPLIER CODE: V89954 ELECTRICAL EQUIP NUMBER: M10067 COMPONENT MAINT MANUAL REF: 21-58-71 QUALIFIED I/W DATA: 233N3203-300 PANEL ASSY IS I/W 233N3203-32 PANEL ASSY T/W S233T100-6045 LIGHTPLATE PRE ALERT SB: 33A0044	504903	RF
- 395	233N3203-1300		.PANEL ASSY-EQPT COOLING SUPPLIER CODE: V89954 ELECTRICAL EQUIP NUMBER: M10067 COMPONENT MAINT MANUAL REF: 21-58-71 POST ALERT SB: 33A0044	504903	RF

MISSING ITEM NUMBERS NOT APPLICABLE

- ITEM NOT ILLUSTRATED

33-13-01-23

33-13-01
FIG. 23
PAGE 32
JAN 20/09

BRI



757

PARTS CATALOG (MAINTENANCE)

FIG ITEM	PART NUMBER	1 2 3 4 5 6 7	NOMENCLATURE	EFFECT FROM TO	UNITS PER ASSY
23 - 395	233N3203-337		.PANEL ASSY-EQPT COOLING SUPPLIER CODE: V89954 ELECTRICAL EQUIP NUMBER: M10067 COMPONENT MAINT MANUAL REF: 21-58-71	504903	RF
400	800-000415-1		..LIGHTPLATE-5V WHITE ILLUMINATED INTEGRALLY- LIGHTED EQPT COOLING SUPPLIER CODE: V05617 SPECIFICATION NUMBER: S233T100-6045 OPTIONAL PART: S233T100-6045 V51896 800-000415 V05617	504903	1
400	800-000415		..LIGHTPLATE-5V WHITE ILLUMINATED INTEGRALLY- LIGHTED EQPT COOLING SUPPLIER CODE: V05617 SPECIFICATION NUMBER: S233T100-6045 MISCELLANEOUS DATA: FOR VENDOR FSCM 05617 FOR SPARES ORDER THE 800-000415-1 OPTIONAL PART: S233T100-6045 V51896 800-000415-1 V05617	504903	1
405	233N3203-1032		..PANEL ASSY- SUPPLIER CODE: V89954 COMPONENT MAINT MANUAL REF: 21-58-71 POST ALERT SB: 33A0044	504903	RF

MISSING ITEM NUMBERS NOT APPLICABLE

- ITEM NOT ILLUSTRATED

33-13-01-23

33-13-01
FIG. 23
PAGE 33
JAN 20/09

BRI



757

PARTS CATALOG (MAINTENANCE)

FIG ITEM	PART NUMBER	1 2 3 4 5 6 7	NOMENCLATURE	EFFECT FROM TO	UNITS PER ASSY
23 405	233N3203-32	..	PANEL ASSY- SUPPLIER CODE: V89954 COMPONENT MAINT MANUAL REF: 21-58-71 QUALIFIED I/W DATA: 233N3203-300 PANEL ASSY IS I/W 233N3203-32 PANEL ASSY T/W S233T100-6045 LIGHTPLATE USED ON: 233N3203-300 PRE ALERT SB: 33A0044	504903	RF
405	233N3203-37	..	PANEL ASSY- SUPPLIER CODE: V89954 COMPONENT MAINT MANUAL REF: 21-58-71 USED ON: 233N3203-337	504903	RF
410	800-000121-1	...	CONNECTOR-PWR SUPPLIER CODE: V05617	504903	1
- 425	233N3221-302	.	PANEL ASSY-LIGHTING CONT SUPPLIER CODE: V89954 ELECTRICAL EQUIP NUMBER: M10057 COMPONENT MAINT MANUAL REF: 33-11-72 QUALIFIED I/W DATA: 233N3221-302 PANEL ASSY IS I/W 233N3221-61 PANEL ASSY T/W S233T100-6039 LIGHTPLATE AND (3) RD241-119 KNOBS AND (1) BP248-127 KNOB	504903	RF
- 425	233N3221-326	.	PANEL ASSY-LIGHTING CONT SUPPLIER CODE: V89954 ELECTRICAL EQUIP NUMBER: M10057 COMPONENT MAINT MANUAL REF: 33-11-72	504903	RF

MISSING ITEM NUMBERS NOT APPLICABLE

- ITEM NOT ILLUSTRATED

33-13-01-23

33-13-01
FIG. 23
PAGE 34
JAN 20/09

BRI



757

PARTS CATALOG (MAINTENANCE)

FIG ITEM	PART NUMBER	1 2 3 4 5 6 7	NOMENCLATURE	EFFECT FROM TO	UNITS PER ASSY
23 430	S233T100-6039		..LIGHTPLATE-5V WHITE ILLUMINATED INTEGRALLY- LIGHTED LIGHTING CONT SUPPLIER CODE: V51896 SPECIFICATION NUMBER: S233T100-6039 OPTIONAL PART: 800-002786 V05617 USED ON: 233N3221-302	504903	1
430	800-002786		..LIGHTPLATE-5V WHITE ILLUMINATED INTEGRALLY LIGHTED LIGHTING CONT SUPPLIER CODE: V05617 SPECIFICATION NUMBER: S233T100-6039 MISCELLANEOUS DATA: FOR VENDOR FSCM 05617 FOR SPARES ORDER THE 800-002786-1 OPTIONAL PART: S233T100-6039 V51896 800-002786-1 V05617 USED ON: 233N3221-302	504903	1
430	800-002786-1		..LIGHTPLATE-5V WHITE ILLUMINATED INTEGRALLY LIGHTED LIGHTING CONT SUPPLIER CODE: V05617 SPECIFICATION NUMBER: S233T100-6039 OPTIONAL PART: S233T100-6039 V51896 800-002786 V05617	504903	1

MISSING ITEM NUMBERS NOT APPLICABLE

- ITEM NOT ILLUSTRATED

33-13-01-23

33-13-01
FIG. 23
PAGE 35
JAN 20/09

BRI



757

PARTS CATALOG (MAINTENANCE)

FIG ITEM	PART NUMBER	1 2 3 4 5 6 7	NOMENCLATURE	EFFECT FROM TO	UNITS PER ASSY
23 - 432	800-008834		..LIGHTPLATE-5V WHITE ILLUMINATED INTEGRALLY LIGHTED RAIN REMOVAL/ANTI ICE SUPPLIER CODE: V05617 SPECIFICATION NUMBER: S233T100-6069 OPTIONAL PART: S233T100-6069 V51896 USED ON: 233N3221-326	504903	1
435	233N3221-61		..PANEL ASSY- SUPPLIER CODE: V89954 COMPONENT MAINT MANUAL REF: 33-11-72 QUALIFIED I/W DATA: 233N3221-302 PANEL ASSY IS I/W 233N3221-61 PANEL ASSY T/W S233T100-6039 LIGHTPLATE AND (3) RD241-119 KNOBS AND (1) BP248-127 KNOB USED ON: 233N3221-302	504903	RF
435	233N3221-110		..PANEL ASSY- SUPPLIER CODE: V89954 COMPONENT MAINT MANUAL REF: 33-11-72 USED ON: 233N3221-326	504903	RF
440	800-000121-1		...CONNECTOR-PWR SUPPLIER CODE: V05617	504903	1

MISSING ITEM NUMBERS NOT APPLICABLE

- ITEM NOT ILLUSTRATED

BRI

33-13-01-23

BOEING PROPRIETARY - Copyright © - Unpublished Work - See title page for details.

33-13-01
FIG. 23
PAGE 36
JAN 20/09



757

PARTS CATALOG (MAINTENANCE)

FIG ITEM	PART NUMBER	1 2 3 4 5 6 7	NOMENCLATURE	EFFECT FROM TO	UNITS PER ASSY
23 - 455	233N3217-300		.PANEL ASSY-AIR CONDITIONING CONT SUPPLIER CODE: V89954 ELECTRICAL EQUIP NUMBER: M10193 COMPONENT MAINT MANUAL REF: 21-51-71 QUALIFIED I/W DATA: THE 233N3217-300 PANEL ASSY IS I/W THE 233N3217-15 PANEL ASSY T/W THE S233T100-6014 LIGHTPLATE AND (2) BP248-127 KNOBS AND (3) BP260-113 KNOBS	504903	RF
460	800-000445-1		..LIGHTPLATE-5V WHITE ILLUMINATED INTEGRALLY- LIGHTED PACK CONTROLS SUPPLIER CODE: V05617 SPECIFICATION NUMBER: S233T100-6014 OPTIONAL PART: S233T100-6014 V51896 800-000445 V05617	504903	1
460	800-000445		..LIGHTPLATE-5V WHITE ILLUMINATED INTEGRALLY- LIGHTED PACK CONTROLS SUPPLIER CODE: V05617 SPECIFICATION NUMBER: S233T100-6014 MISCELLANEOUS DATA: FOR VENDOR FSCM 05617 FOR SPARES ORDER THE 800-000445-1 OPTIONAL PART: S233T100-6014 V51896 800-000445-1 V05617	504903	1

MISSING ITEM NUMBERS NOT APPLICABLE

- ITEM NOT ILLUSTRATED

33-13-01-23

33-13-01
FIG. 23
PAGE 37
JAN 20/09

BRI



757

PARTS CATALOG (MAINTENANCE)

FIG ITEM	PART NUMBER	1 2 3 4 5 6 7	NOMENCLATURE	EFFECT FROM TO	UNITS PER ASSY
23 462	233N3217-15	..	PANEL ASSY- SUPPLIER CODE: V89954 COMPONENT MAINT MANUAL REF: 21-51-71 QUALIFIED I/W DATA: THE 233N3217-300 PANEL ASSY IS I/W THE 233N3217-15 PANEL ASSY T/W THE S233T100-6014 LIGHTPLATE AND (2) BP248-127 KNOBS AND (3) BP260-113 KNOBS	504903	RF
463	800-000121-1	...	CONNECTOR-PWR SUPPLIER CODE: V05617	504903	1
- 465	233N3215-300	.PANEL ASSY-BLEED AIR	SUPPLIER CODE: V89954 ELECTRICAL EQUIP NUMBER: M10259 COMPONENT MAINT MANUAL REF: 36-11-71 QUALIFIED I/W DATA: THE 233N3215-300 PANEL ASSY IS I/W THE 233N3215-16 PANEL ASSY T/W THE S233T100-6009 LIGHTPLATE PRE ALERT SB: 33A0044	504903	RF
- 465	233N3215-1300	.PANEL ASSY-BLEED AIR	SUPPLIER CODE: V89954 ELECTRICAL EQUIP NUMBER: M10259 COMPONENT MAINT MANUAL REF: 36-11-71 POST ALERT SB: 33A0044	504903	RF
- 465	233N3215-303	.PANEL ASSY-BLEED AIR	SUPPLIER CODE: V89954 ELECTRICAL EQUIP NUMBER: M10259 COMPONENT MAINT MANUAL REF: 36-11-71	504903	RF

MISSING ITEM NUMBERS NOT APPLICABLE

- ITEM NOT ILLUSTRATED

33-13-01-23

33-13-01
FIG. 23
PAGE 38
JAN 20/09

BRI



757

PARTS CATALOG (MAINTENANCE)

FIG ITEM	PART NUMBER	1 2 3 4 5 6 7	NOMENCLATURE	EFFECT FROM TO	UNITS PER ASSY
23 470	800-000924-1		..LIGHTPLATE-5V WHITE ILLUMINATED INTEGRALLY LIGHTED BLEED AIR SYS SUPPLIER CODE: V05617 SPECIFICATION NUMBER: S233T100-6009 OPTIONAL PART: S233T100-6009 V51896 800-000924 V05617	504903	1
470	800-000924		..LIGHTPLATE-5V WHITE ILLUMINATED INTEGRALLY LIGHTED BLEED AIR SYS SUPPLIER CODE: V05617 SPECIFICATION NUMBER: S233T100-6009 MISCELLANEOUS DATA: FOR VENDOR FSCM 05617 FOR SPARES ORDER THE 800-000924-1 OPTIONAL PART: S233T100-6009 V51896 800-000924-1 V05617	504903	1
475	233N3215-16		..PANEL ASSY- SUPPLIER CODE: V89954 MISCELLANEOUS DATA: FOR SPARES PROCURE NEXT HIGHER ASSY COMPONENT MAINT MANUAL REF: 36-11-71 QUALIFIED I/W DATA: THE 233N3215-300 PANEL ASSY IS I/W THE 233N3215-16 PANEL ASSY T/W THE S233T100-6009 LIGHTPLATE USED ON: 233N3215-300 PRE ALERT SB: 33A0044	504903	RF

MISSING ITEM NUMBERS NOT APPLICABLE

- ITEM NOT ILLUSTRATED

33-13-01-23

33-13-01
FIG. 23
PAGE 39
JAN 20/09

BRI



757

PARTS CATALOG (MAINTENANCE)

FIG ITEM	PART NUMBER	1 2 3 4 5 6 7	NOMENCLATURE	EFFECT FROM TO	UNITS PER ASSY
23 475	233N3215-1016		..PANEL ASSY- SUPPLIER CODE: V89954 COMPONENT MAINT MANUAL REF: 36-11-71 POST ALERT SB: 33A0044	504903	RF
475	233N3215-22		..PANEL ASSY- SUPPLIER CODE: V89954 MISCELLANEOUS DATA: FOR SPARES PROCURE NEXT HIGHER ASSY ELECTRICAL EQUIP NUMBER: M10259 COMPONENT MAINT MANUAL REF: 36-11-71 USED ON: 233N3215-22	504903	RF
480	800-000121-1		...CONNECTOR-PWR SUPPLIER CODE: V05617	504903	1

MISSING ITEM NUMBERS NOT APPLICABLE

- ITEM NOT ILLUSTRATED

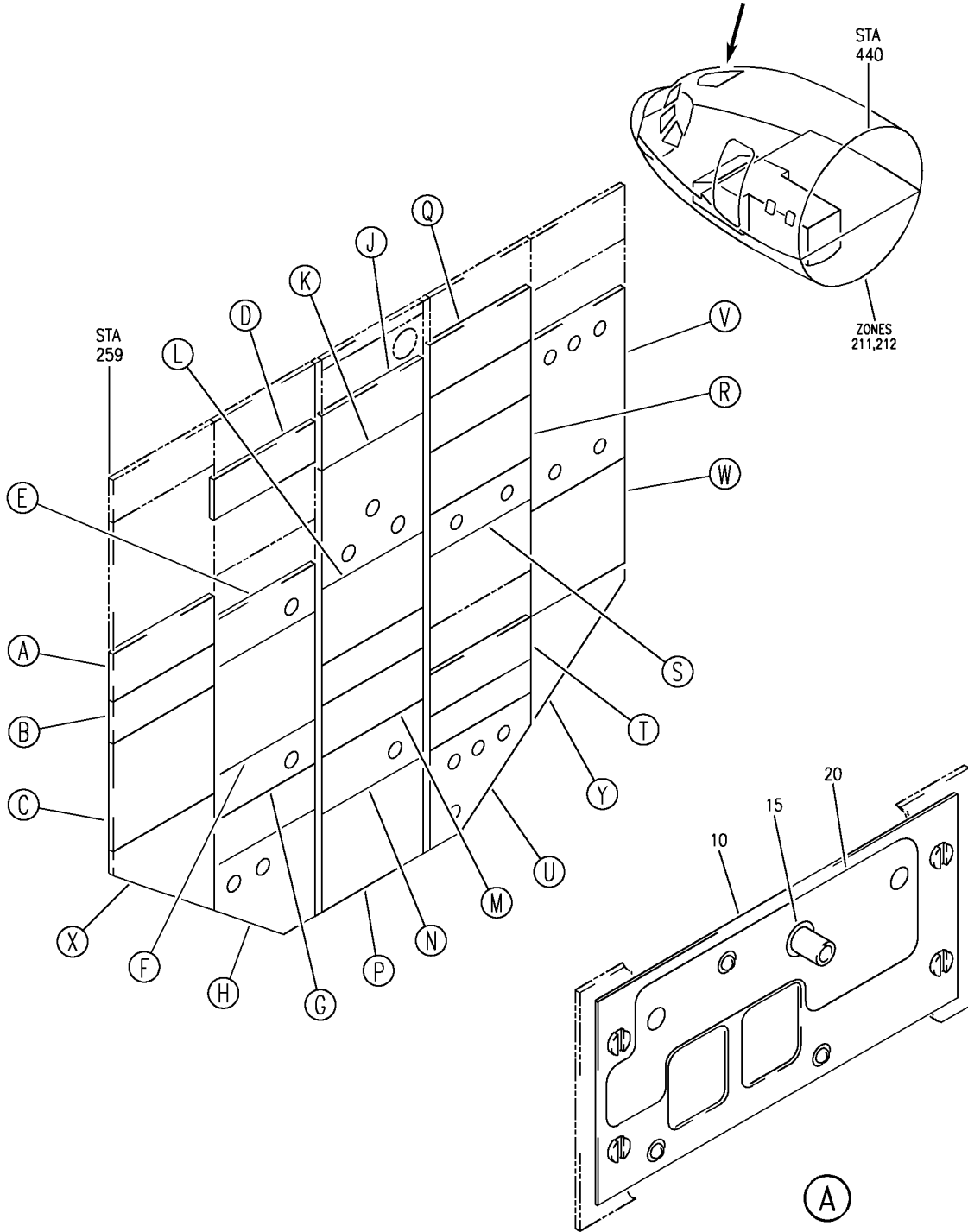
BRI

33-13-01-23

BOEING PROPRIETARY - Copyright © - Unpublished Work - See title page for details.

33-13-01
FIG. 23
PAGE 40
JAN 20/09

BOEING
757
PARTS CATALOG (MAINTENANCE)



Y 33130139 SHT 1 REV 287

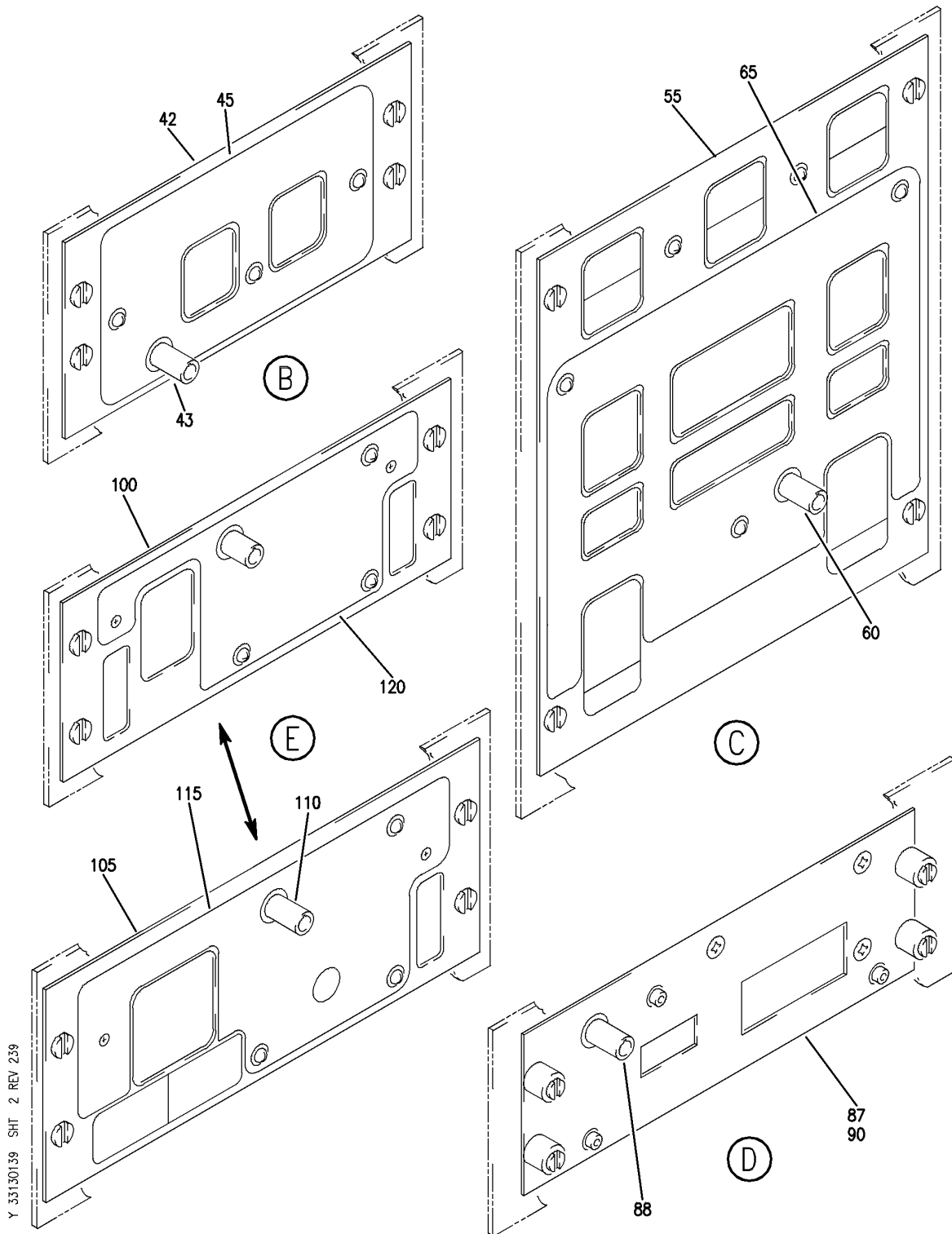
PANEL INSTL-P5 OVHD (LIGHTPLATES ONLY)
FIGURE 39 (SHEET 1)

33-13-01-39

BRI
MAY 28/07

33-13-01-39
PAGE 0

BOEING
757
PARTS CATALOG (MAINTENANCE)



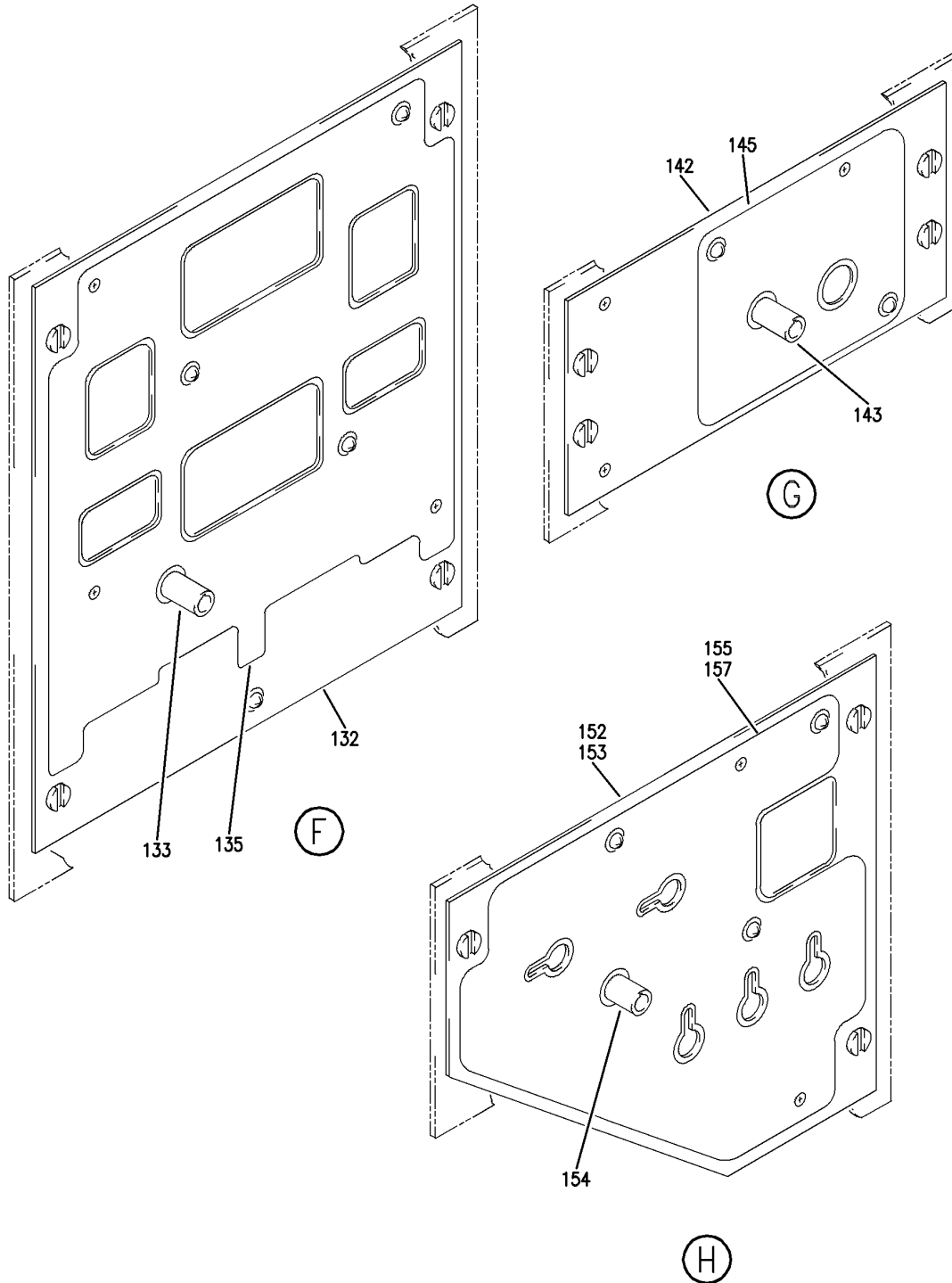
PANEL INSTL-P5 OVHD (LIGHTPLATES ONLY)
FIGURE 39 (SHEET 2)

33-13-01-39

BRI
MAY 28/07

33-13-01-39
PAGE 0A

BOEING
757
PARTS CATALOG (MAINTENANCE)



Y 33130139 SH1 3 REV 239

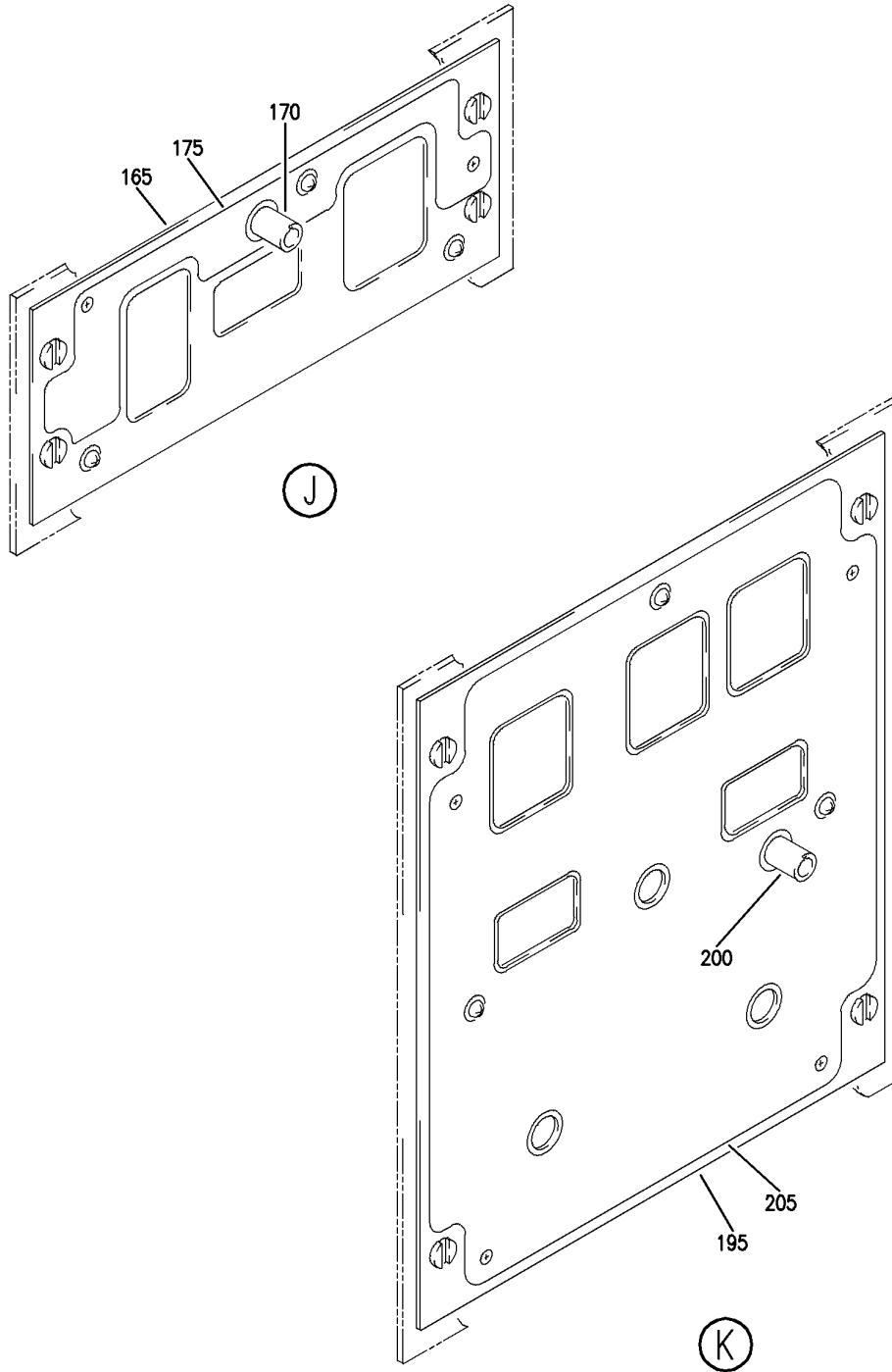
PANEL INSTL-P5 OVHD (LIGHTPLATES ONLY)
FIGURE 39 (SHEET 3)

33-13-01-39

BRI
MAY 28/07

33-13-01-39
PAGE 0B

BOEING
757
PARTS CATALOG (MAINTENANCE)



Y 33130139 SHT 4 REV 239

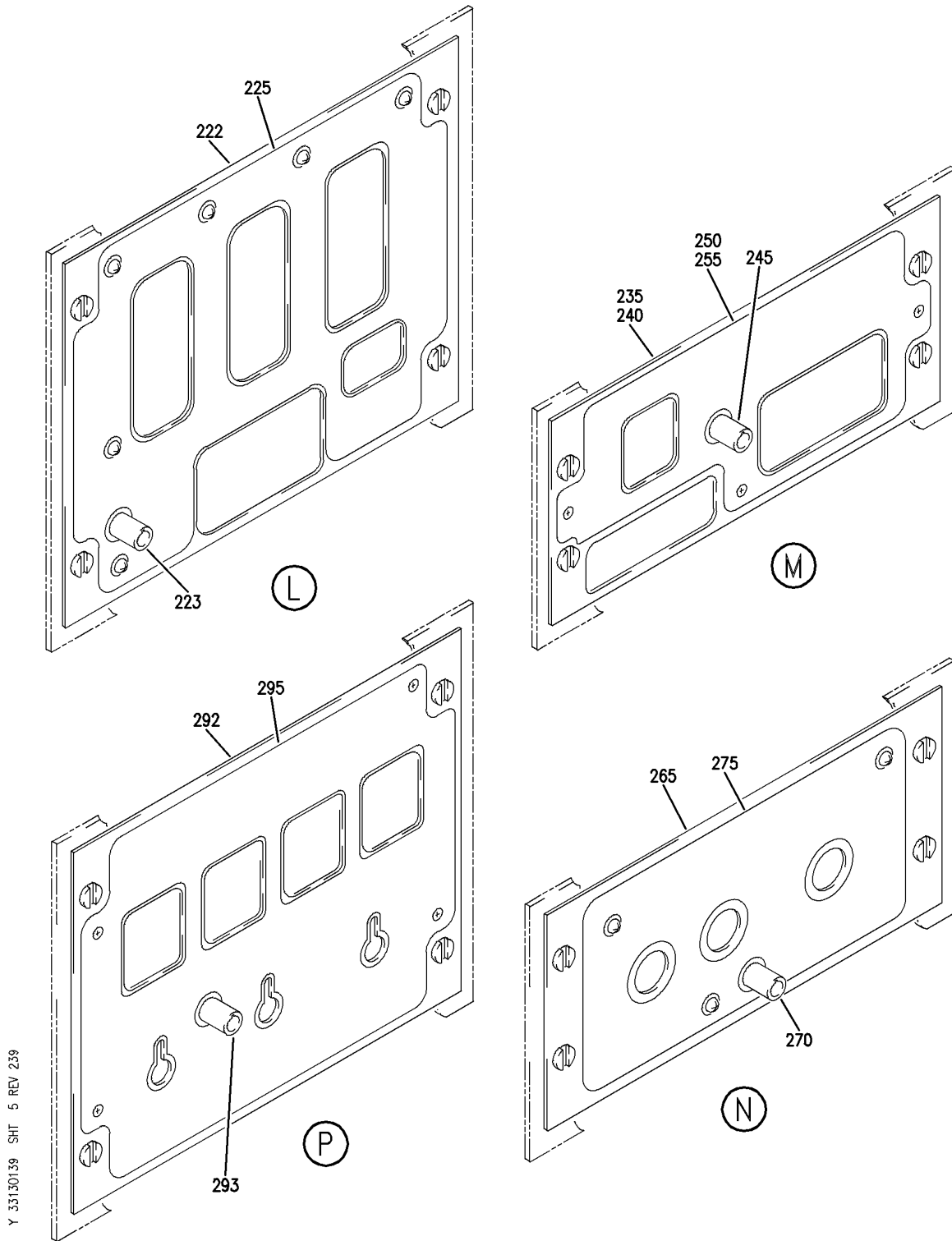
PANEL INSTL-P5 OVHD (LIGHTPLATES ONLY)
FIGURE 39 (SHEET 4)

33-13-01-39

BRI
MAY 28/07

33-13-01-39
PAGE 0C

BOEING
757
PARTS CATALOG (MAINTENANCE)



Y 33130139 SH1 5 REV 239

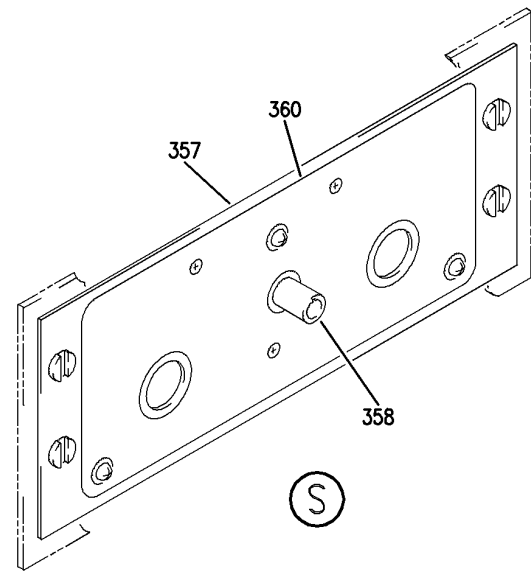
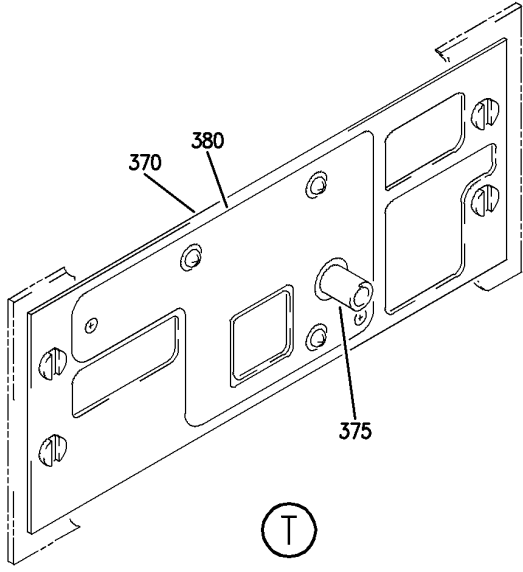
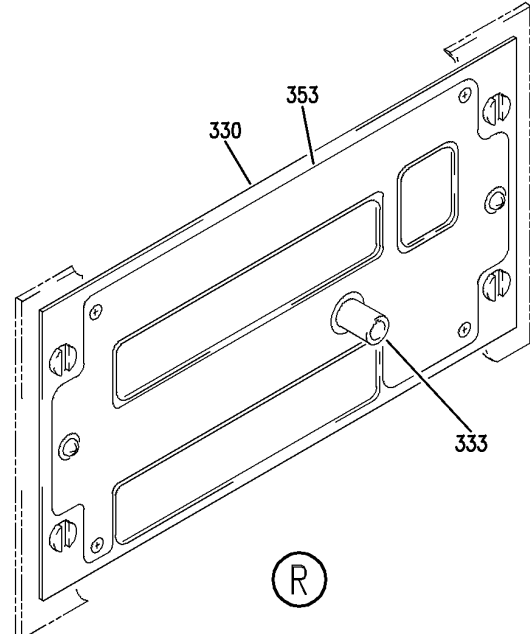
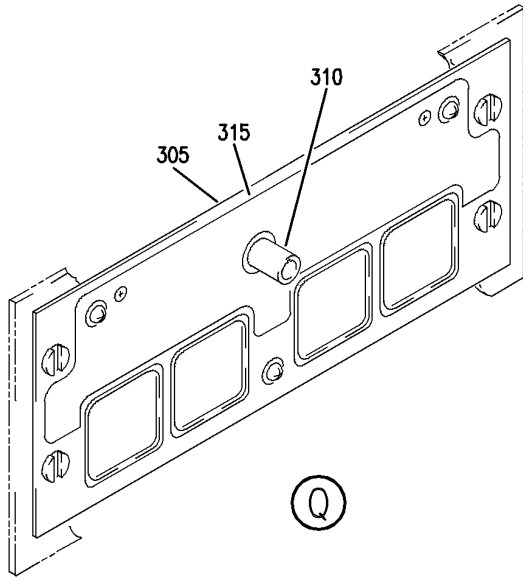
PANEL INSTL-P5 OVHD (LIGHTPLATES ONLY)
FIGURE 39 (SHEET 5)

33-13-01-39

BRI
MAY 28/07

33-13-01-39
PAGE 0D

BOEING
757
PARTS CATALOG (MAINTENANCE)



Y 33130139 SH1 6 REV 239

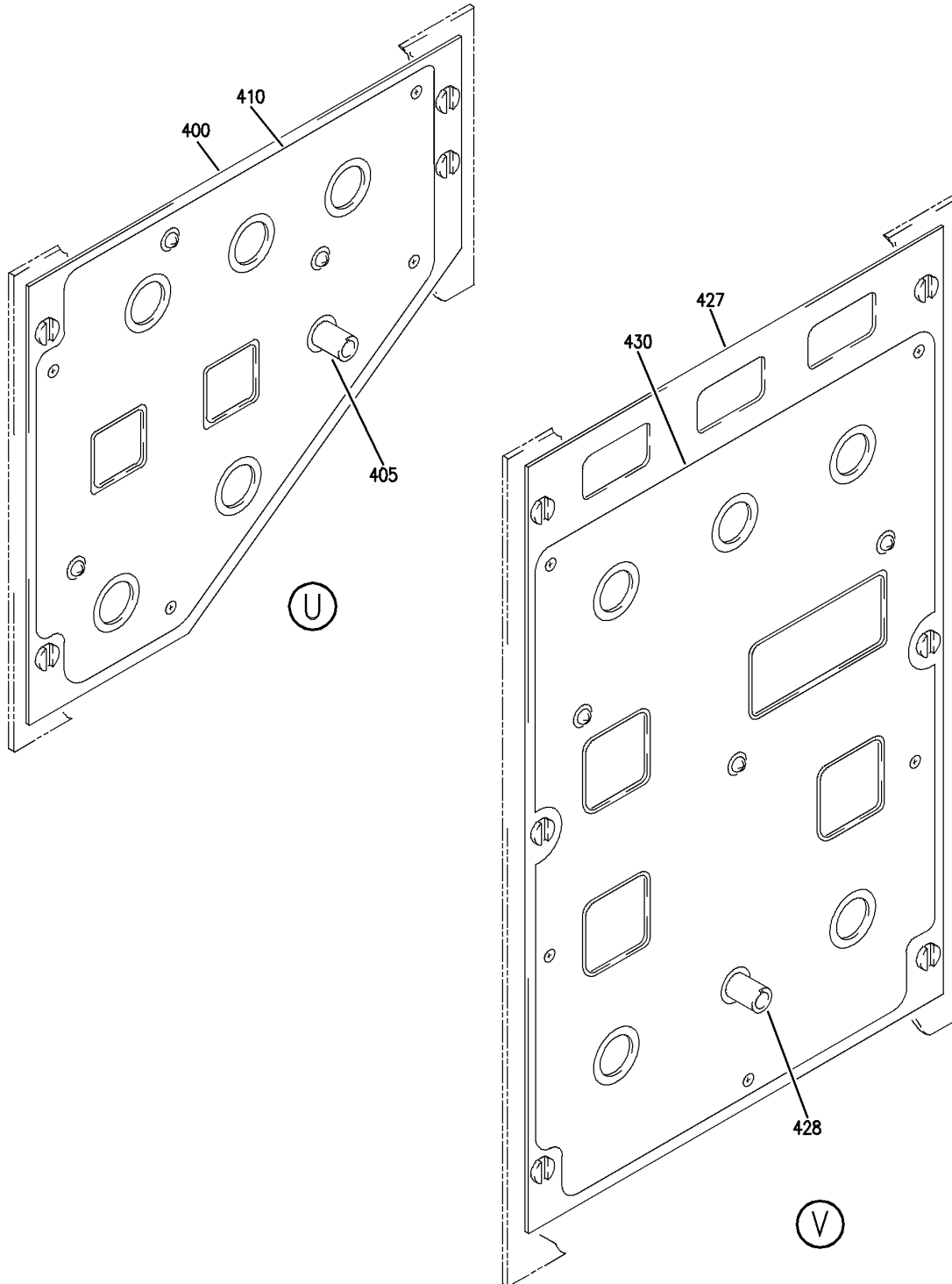
PANEL INSTL-P5 OVHD (LIGHTPLATES ONLY)
FIGURE 39 (SHEET 6)

33-13-01-39

BRI
MAY 28/07

33-13-01-39
PAGE 0E

BOEING
757
PARTS CATALOG (MAINTENANCE)



Y 33130139 SHT 7 REV 239

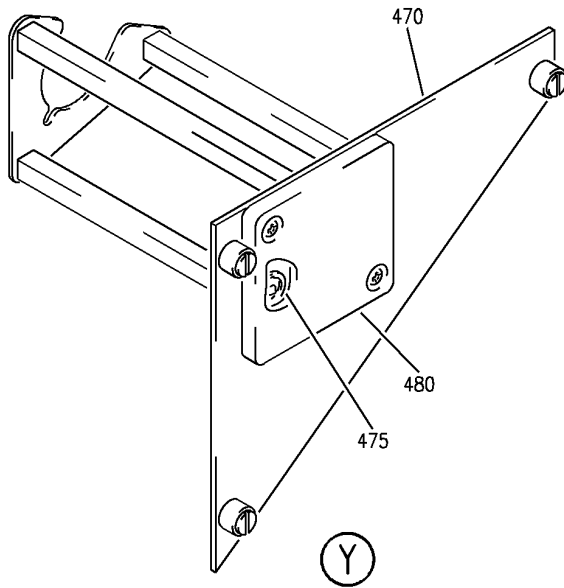
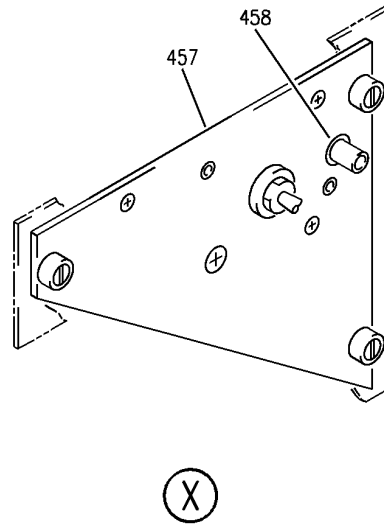
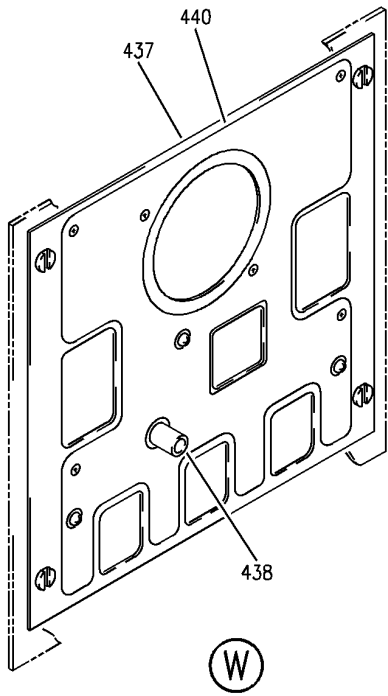
PANEL INSTL-P5 OVHD (LIGHTPLATES ONLY)
FIGURE 39 (SHEET 7)

33-13-01-39

BRI
MAY 28/07

33-13-01-39
PAGE OF

BOEING
757
PARTS CATALOG (MAINTENANCE)



Y 33130139 SH1 8 REV 287

PANEL INSTL-P5 OVHD (LIGHTPLATES ONLY)
FIGURE 39 (SHEET 8)

33-13-01-39

BRI
MAY 28/07

33-13-01-39
PAGE 0G



757

PARTS CATALOG (MAINTENANCE)

FIG ITEM	PART NUMBER	1 2 3 4 5 6 7	NOMENCLATURE	EFFECT FROM TO	UNITS PER ASSY
39			PANEL INSTL-P5 OVHD (LIGHTPLATES ONLY)	101102	
- 1	233N3103-132		PANEL INSTL-P5 OVHD (LIGHTPLATES ONLY)	101102	RF
- 5	233N3216-306		FOR NHA/OTHER SYS DET SEE: 25-10-00-15E		
- 5	233N3216-309		.PANEL ASSY-YAW DAMPER SUPPLIER CODE: V89954 ELECTRICAL EQUIP NUMBER: M10250 COMPONENT MAINT MANUAL REF: 22-21-71 PRE ALERT SB: 33A0044	101102	RF
- 5	233N3216-1306		.PANEL ASSY-YAW DAMPER SUPPLIER CODE: V89954 ELECTRICAL EQUIP NUMBER: M10250 COMPONENT MAINT MANUAL REF: 22-21-71	101102	RF
10	233N3216-26		..PANEL ASSY- SUPPLIER CODE: V89954 MISCELLANEOUS DATA: FOR SPARES PROCURE NEXT HIGHER ASSY COMPONENT MAINT MANUAL REF: 22-21-71 USED ON: 233N3216-306 PRE ALERT SB: 33A0044	101102	RF

MISSING ITEM NUMBERS NOT APPLICABLE

- ITEM NOT ILLUSTRATED

33-13-01-39

33-13-01
FIG. 39
PAGE 1
JAN 20/09

BRI



757

PARTS CATALOG (MAINTENANCE)

FIG ITEM	PART NUMBER	1 2 3 4 5 6 7	NOMENCLATURE	EFFECT FROM TO	UNITS PER ASSY
39 10	233N3216-35		..PANEL ASSY- SUPPLIER CODE: V89954 MISCELLANEOUS DATA: FOR SPARES PROCURE NEXT HIGHER ASSY COMPONENT MAINT MANUAL REF: 22-21-71 USED ON: 233N3216-309	101102	RF
10	233N3216-1026		..PANEL ASSY- SUPPLIER CODE: V89954 COMPONENT MAINT MANUAL REF: 22-21-71 USED ON: 233N3216-1306 POST ALERT SB: 33A0044	101102	RF
15	800-000121-1		...CONNECTOR-PWR SUPPLIER CODE: V05617	101102	1
20	S233T100-1075		..LIGHTPLATE-5V WHITE ILLUMINATED INTEGRALLY LIGHTED YAW DAMPER SUPPLIER CODE: V51896 SPECIFICATION NUMBER: S233T100-1075 OPTIONAL PART: 800-002799 V05617	101102	1
20	800-002799		..LIGHTPLATE-5V WHITE ILLUMINATED INTEGRALLY LIGHTED YAW DAMPER SUPPLIER CODE: V05617 SPECIFICATION NUMBER: S233T100-1075 MISCELLANEOUS DATA: FOR VENDOR FSCM 05617 FOR SPARES ORDER THE 800-002799-1 OPTIONAL PART: S233T100-1075 V51896 800-002799-1 V05617	101102	1

MISSING ITEM NUMBERS NOT APPLICABLE

- ITEM NOT ILLUSTRATED

33-13-01-39

33-13-01
FIG. 39
PAGE 2
JAN 20/09

BRI



757

PARTS CATALOG (MAINTENANCE)

FIG ITEM	PART NUMBER	1 2 3 4 5 6 7	NOMENCLATURE	EFFECT FROM TO	UNITS PER ASSY
39 20	800-002799-1		..LIGHTPLATE-5V WHITE ILLUMINATED INTEGRALLY LIGHTED YAW DAMPER SUPPLIER CODE: V05617 SPECIFICATION NUMBER: S233T100-1075 OPTIONAL PART: S233T100-1075 V51896 800-002799 V05617	101102	1
- 40	233T3242-301		.PANEL ASSY-EEC CONT SUPPLIER CODE: V89954 ELECTRICAL EQUIP NUMBER: M10761 COMPONENT MAINT MANUAL REF: 73-21-86 QUALIFIED I/W DATA: 233T3242-301 PANEL ASSY IS I/W 233T3242-6 PANEL ASSY T/W S233T100-1092 LIGHTPLATE PRE ALERT SB: 33A0044	101102	RF
- 40	233T3242-1301		.PANEL ASSY-EEC CONT SUPPLIER CODE: V89954 ELECTRICAL EQUIP NUMBER: M10761 COMPONENT MAINT MANUAL REF: 73-21-86 POST ALERT SB: 33A0044	101102	RF
42	233T3242-6		..PANEL ASSY- SUPPLIER CODE: V89954 COMPONENT MAINT MANUAL REF: 73-21-86 QUALIFIED I/W DATA: 233T3242-301 PANEL ASSY IS I/W 233T3242-6 PANEL ASSY T/W S233T100-1092 LIGHTPLATE PRE ALERT SB: 33A0044	101102	RF

MISSING ITEM NUMBERS NOT APPLICABLE

- ITEM NOT ILLUSTRATED

33-13-01-39

33-13-01
FIG. 39
PAGE 3
JAN 20/09

BRI



757

PARTS CATALOG (MAINTENANCE)

FIG ITEM	PART NUMBER	1 2 3 4 5 6 7	NOMENCLATURE	EFFECT FROM TO	UNITS PER ASSY
39					
42	233T3242-1006	..	PANEL ASSY- SUPPLIER CODE: V89954 COMPONENT MAINT MANUAL REF: 73-21-86 POST ALERT SB: 33A0044	101102	RF
43	800-000121-1	...	CONNECTOR-PWR SUPPLIER CODE: V05617	101102	1
45	800-002855	..	LIGHTPLATE-5V WHITE ILLUMINATED INTEGRALLY- LIGHTED EEC CONT SUPPLIER CODE: V05617 SPECIFICATION NUMBER: S233T100-1092 MISCELLANEOUS DATA: FOR VENDOR FSCM 05617 FOR SPARES ORDER THE 800-002855-1 OPTIONAL PART: S233T100-1092 V58196 800-002855-1 V05617	101102	1
45	800-002855-1	..	LIGHTPLATE-5V WHITE ILLUMINATED INTEGRALLY- LIGHTED EEC CONT SUPPLIER CODE: V05617 SPECIFICATION NUMBER: S233T100-1092 OPTIONAL PART: S233T100-1092 V58196 800-002855 V05617	101102	1

MISSING ITEM NUMBERS NOT APPLICABLE

- ITEM NOT ILLUSTRATED

33-13-01-39

33-13-01
FIG. 39
PAGE 4
JAN 20/09

BRI



757

PARTS CATALOG (MAINTENANCE)

FIG ITEM	PART NUMBER	1 2 3 4 5 6 7	NOMENCLATURE	EFFECT FROM TO	UNITS PER ASSY
39					
- 50	233N3205-302	.	PANEL ASSY-HYDR SUPPLIER CODE: V89954 ELECTRICAL EQUIP NUMBER: M10050 COMPONENT MAINT MANUAL REF: 29-00-71 QUALIFIED I/W DATA: 233N3205-302 PANEL ASSY IS I/W 233N3205-27 PANEL ASSY T/W S233T100-6060 LIGHTPLATE	101102	RF
55	233N3205-27	..	PANEL ASSY- SUPPLIER CODE: V89954 COMPONENT MAINT MANUAL REF: 29-00-71 QUALIFIED I/W DATA: 233N3205-302 PANEL ASSY IS I/W 233N3205-27 PANEL ASSY T/W S233T100-6060 LIGHTPLATE	101102	RF
60	800-000121-1	...	CONNECTOR-PWR SUPPLIER CODE: V05617	101102	1
65	800-003315	..	LIGHTPLATE-5V WHITE ILLUMINATED INTEGRALLY LIGHTED HYDR SUPPLIER CODE: V05617 SPECIFICATION NUMBER: S233T100-6060 MISCELLANEOUS DATA: FOR VENDOR FSCM 05617 FOR SPARES ORDER THE 800-003315-1 OPTIONAL PART: S233T100-6060 V51896 800-003315-1 V05617	101102	1

MISSING ITEM NUMBERS NOT APPLICABLE

- ITEM NOT ILLUSTRATED

33-13-01-39

33-13-01
FIG. 39
PAGE 5
JAN 20/09

BRI



757

PARTS CATALOG (MAINTENANCE)

FIG ITEM	PART NUMBER	1 2 3 4 5 6 7	NOMENCLATURE	EFFECT FROM TO	UNITS PER ASSY
39 65	800-003315-1		..LIGHTPLATE-5V WHITE ILLUMINATED INTEGRALLY LIGHTED HYDR SUPPLIER CODE: V05617 SPECIFICATION NUMBER: S233T100-6060 OPTIONAL PART: S233T100-6060 V51896 800-003315 V05617	101102	1
- 95	233N3211-1308		.PANEL ASSY-BATTERY/STBY PWR SUPPLIER CODE: V89954 ELECTRICAL EQUIP NUMBER: M10062 COMPONENT MAINT MANUAL REF: 24-33-72 POST ALERT SB: 33A0044	101102	RF
- 95	233N3211-308		.PANEL ASSY-BATTERY/STBY PWR SUPPLIER CODE: V89954 ELECTRICAL EQUIP NUMBER: M10062 COMPONENT MAINT MANUAL REF: 24-33-72 QUALIFIED I/W DATA: P/N 233N3211-303 IS FULLY I/W P/N 233N3211-308, EXCEPT ONE-WAY FORWARD FOR U/O 233N3103-121, -122, -21, -22 PRE ALERT SB: 33A0044	101102	RF
- 95	233N3211-319		.PANEL ASSY-BATTERY/STBY PWR SUPPLIER CODE: V89954 ELECTRICAL EQUIP NUMBER: M10062 COMPONENT MAINT MANUAL REF: 24-33-72	101102	RF

MISSING ITEM NUMBERS NOT APPLICABLE

- ITEM NOT ILLUSTRATED

33-13-01-39

33-13-01
FIG. 39
PAGE 6
JAN 20/09

BRI



757

PARTS CATALOG (MAINTENANCE)

FIG ITEM	PART NUMBER	1 2 3 4 5 6 7	NOMENCLATURE	EFFECT FROM TO	UNITS PER ASSY
39 105	233N3211-1054	..	PANEL ASSY- SUPPLIER CODE: V89954 POST ALERT SB: 33A0044	101102	RF
105	233N3211-54	..	PANEL ASSY- SUPPLIER CODE: V89954 COMPONENT MAINT MANUAL REF: 24-33-72 USED ON: 233N3211-308 PRE ALERT SB: 33A0044	101102	RF
105	233N3211-68	..	PANEL ASSY- SUPPLIER CODE: V89954 COMPONENT MAINT MANUAL REF: 24-33-72 USED ON: 233N3211-319 PRE ALERT SB: 33A0044	101102	RF
110	800000121-1	...	CONNECTOR-PWR SUPPLIER CODE: V05617 USED ON: 233N3211-54	101102	1
110	800-000121-1	...	CONNECTOR-PWR SUPPLIER CODE: V05617 USED ON: 233N3211-68	101102	1
120	800-000918	..	LIGHTPLATE-5V WHITE ILLUMINATED INTEGRALLY LIGHTED STBY PWR SUPPLIER CODE: V05617 SPECIFICATION NUMBER: S233T100-1081 MISCELLANEOUS DATA: FOR VENDOR FSCM 05617 FOR SPARES ORDER THE 800-000918-1 OPTIONAL PART: S233T100-1081 V51896 800-000918-1 V05617	101102	1

MISSING ITEM NUMBERS NOT APPLICABLE

- ITEM NOT ILLUSTRATED

33-13-01-39

33-13-01
FIG. 39
PAGE 7
JAN 20/09

BRI



757

PARTS CATALOG (MAINTENANCE)

FIG ITEM	PART NUMBER	1 2 3 4 5 6 7	NOMENCLATURE	EFFECT FROM TO	UNITS PER ASSY
39 120	800-000918-1		..LIGHTPLATE-5V WHITE ILLUMINATED INTEGRALLY LIGHTED STBY PWR SUPPLIER CODE: V05617 SPECIFICATION NUMBER: S233T100-1081 OPTIONAL PART: S233T100-1081 V51896 800-000918 V05617	101102	1
- 130	233N3209-305		.PANEL ASSY-E/E SUPPLIER CODE: V89954 ELECTRICAL EQUIP NUMBER: M10063 COMPONENT MAINT MANUAL REF: 24-22-71 PRE ALERT SB: 33A0044	101102	RF
- 130	233N3209-1305		.PANEL ASSY-E/E SUPPLIER CODE: V89954 ELECTRICAL EQUIP NUMBER: M10063 COMPONENT MAINT MANUAL REF: 24-22-71 POST ALERT SB: 33A0044	101102	RF
- 130	233N3209-314		.PANEL ASSY-E/E SUPPLIER CODE: V89954 ELECTRICAL EQUIP NUMBER: M10063 COMPONENT MAINT MANUAL REF: 24-22-71	101102	RF
132	233N3209-41		..PANEL ASSY- SUPPLIER CODE: V89954 MISCELLANEOUS DATA: FOR SPARES PROCURE THE NEXT HIGHER ASSY COMPONENT MAINT MANUAL REF: 24-22-71 USED ON: 233N3209-305 PRE ALERT SB: 33A0044	101102	RF

MISSING ITEM NUMBERS NOT APPLICABLE

- ITEM NOT ILLUSTRATED

33-13-01-39

33-13-01
FIG. 39
PAGE 8
JAN 20/09

BRI



757

PARTS CATALOG (MAINTENANCE)

FIG ITEM	PART NUMBER	1 2 3 4 5 6 7	NOMENCLATURE	EFFECT FROM TO	UNITS PER ASSY
39 132	233N3209-1041	..	PANEL ASSY- SUPPLIER CODE: V89954 COMPONENT MAINT MANUAL REF: 24-22-71 POST ALERT SB: 33A0044	101102	RF
132	233N3209-50	..	PANEL ASSY- SUPPLIER CODE: V89954 ELECTRICAL EQUIP NUMBER: M10063 COMPONENT MAINT MANUAL REF: 24-22-71 USED ON: 233N3209-314	101102	RF
133	800-000121-1	...	CONNECTOR-PWR SUPPLIER CODE: V05617	101102	1
135	800-000928-1	..	LIGHTPLATE-5V WHITE ILLUMINATED INTEGRALLY LIGHTED E/E SUPPLIER CODE: V05617 SPECIFICATION NUMBER: S233T100-6004 OPTIONAL PART: S233T100-6004 V51896 800-000928 V05617	101102	1
135	800-000928	..	LIGHTPLATE-5V WHITE ILLUMINATED INTEGRALLY LIGHTED E/E SUPPLIER CODE: V05617 SPECIFICATION NUMBER: S233T100-6004 MISCELLANEOUS DATA: FOR VENDOR FSCM 05617 FOR SPARES ORDER THE 800-000928-1 OPTIONAL PART: S233T100-6004 V51896 800-000928-1 V05617	101102	1

MISSING ITEM NUMBERS NOT APPLICABLE

- ITEM NOT ILLUSTRATED

33-13-01-39

33-13-01
FIG. 39
PAGE 9
JAN 20/09

BRI



757

PARTS CATALOG (MAINTENANCE)

FIG ITEM	PART NUMBER	1 2 3 4 5 6 7	NOMENCLATURE	EFFECT FROM TO	UNITS PER ASSY
39					
- 140	233T3232-300		.PANEL ASSY-APU START SUPPLIER CODE: V89954 ELECTRICAL EQUIP NUMBER: M00001	101102	RF
- 140	233T3232-302		.PANEL ASSY-APU START SUPPLIER CODE: V89954 ELECTRICAL EQUIP NUMBER: M00001 COMPONENT MAINT MANUAL REF: 49-61-52	101102	RF
- 140	233T3232-305		.PANEL ASSY-APU START SUPPLIER CODE: V89954 ELECTRICAL EQUIP NUMBER: M00001 COMPONENT MAINT MANUAL REF: 49-61-52	101102	RF
142	233T3232-12		..PANEL ASSY- SUPPLIER CODE: V89954 COMPONENT MAINT MANUAL REF: 49-61-52 USED ON: 233T3232-300	101102	RF
142	233T3232-15		..PANEL ASSY- SUPPLIER CODE: V89954 COMPONENT MAINT MANUAL REF: 49-61-52 USED ON: 233T3232-302	101102	RF
142	233T3232-23		..PANEL ASSY- SUPPLIER CODE: V89954 COMPONENT MAINT MANUAL REF: 49-61-52 USED ON: 233T3232-305	101102	RF
143	800000121-1		...CONNECTOR-PWR SUPPLIER CODE: V05617 USED ON: 233T3232-12	101102	1

MISSING ITEM NUMBERS NOT APPLICABLE

- ITEM NOT ILLUSTRATED

33-13-01-39

33-13-01
FIG. 39
PAGE 10
JAN 20/09

BRI

 **BOEING**
757
PARTS CATALOG (MAINTENANCE)

FIG ITEM	PART NUMBER	1 2 3 4 5 6 7	NOMENCLATURE	EFFECT FROM TO	UNITS PER ASSY
39 143	800-000121-1		...CONNECTOR-PWR SUPPLIER CODE: V05617 USED ON: 233T3232-15 233T3232-23	101102	1
145	800-002583		..LIGHTPLATE-5V WHITE ILLUMINATED INTEGRALLY LIGHTED APU START SUPPLIER CODE: V05617 SPECIFICATION NUMBER: S233T100-6025 MISCELLANEOUS DATA: FOR VENDOR FSCM 05617 FOR SPARES ORDER THE 800-002583-1 OPTIONAL PART: S233T100-6025 V51896 800-002583-1 V05617	101102	1
145	800-002583-1		..LIGHTPLATE-5V WHITE ILLUMINATED INTEGRALLY LIGHTED APU START SUPPLIER CODE: V05617 SPECIFICATION NUMBER: S233T100-6025 OPTIONAL PART: S233T100-6025 V51896 800-002583 V05617	101102	1
- 150	233N3214-300		.PANEL ASSY-LIGHTING CONT SUPPLIER CODE: V89954 ELECTRICAL EQUIP NUMBER: M10056 COMPONENT MAINT MANUAL REF: 33-11-71 QUALIFIED I/W DATA: THE 233N3214-300 PANEL ASSY IS I/W THE 233N3214-31 PANEL ASSY T/W THE S233T100-6003 LIGHTPLATE AND (2) RC445-131 KNOBS AND (2) TT410-101 KNOBS	101102	RF

MISSING ITEM NUMBERS NOT APPLICABLE

- ITEM NOT ILLUSTRATED

BRI

33-13-01-39

BOEING PROPRIETARY - Copyright © - Unpublished Work - See title page for details.

33-13-01
FIG. 39
PAGE 11
JAN 20/09



757

PARTS CATALOG (MAINTENANCE)

FIG ITEM	PART NUMBER	1 2 3 4 5 6 7	NOMENCLATURE	EFFECT FROM TO	UNITS PER ASSY
39 - 150	233N3214-301	.	PANEL ASSY-LIGHTING CONT SUPPLIER CODE: V89954 ELECTRICAL EQUIP NUMBER: M10056 COMPONENT MAINT MANUAL REF: 33-11-71 QUALIFIED I/W DATA: THE 233N3214-301 PANEL ASSY IS I/W THE 233N3214-32 PANEL ASSY T/W THE S233T100-6003 LIGHTPLATE AND (2) RC445-131 KNOBS AND (2) TT410-101 KNOBS	101102	RF
152	233N3214-32	..	PANEL ASSY- SUPPLIER CODE: V89954 COMPONENT MAINT MANUAL REF: 33-11-71 QUALIFIED I/W DATA: THE 233N3214-301 PANEL ASSY IS I/W THE 233N3214-32 PANEL ASSY T/W THE S233T100-6003 LIGHTPLATE AND (2) RC445-131 KNOBS AND (2)	101102	RF
154	800-000121-1	...	CONNECTOR- SUPPLIER CODE: V05617	101102	1
155	S233T100-6003	..	LIGHTPLATE-5V WHITE ILLUMINATED INTEGRALLY LIGHTED LIGHTING L SUPPLIER CODE: V51896 POSITION DATA: L SIDE OPTIONAL PART: 800-001279 V05617	101102	1

MISSING ITEM NUMBERS NOT APPLICABLE

- ITEM NOT ILLUSTRATED

33-13-01-39

33-13-01
FIG. 39
PAGE 12
JAN 20/09

BRI

 **BOEING**
757
PARTS CATALOG (MAINTENANCE)

FIG ITEM	PART NUMBER	1 2 3 4 5 6 7	NOMENCLATURE	EFFECT FROM TO	UNITS PER ASSY
39 155	800-001279		..LIGHTPLATE-5V WHITE ILLUMINATED INTEGRALLY- LIGHTED LIGHTING L SUPPLIER CODE: V05617 POSITION DATA: L SIDE SPECIFICATION NUMBER: S233T100-6003 MISCELLANEOUS DATA: FOR VENDOR FSCM 05617 FOR SPARES ORDER THE 800-001279-1 OPTIONAL PART: S233T100-6003 V51896 800-001279-1 V05617	101102	1
155	800-001279-1		..LIGHTPLATE-5V WHITE ILLUMINATED INTEGRALLY- LIGHTED LIGHTING L SUPPLIER CODE: V05617 POSITION DATA: L SIDE SPECIFICATION NUMBER: S233T100-6003 OPTIONAL PART: S233T100-6003 V51896 800-001279 V05617	101102	1
- 160	233T3210-300		.PANEL ASSY-EMER LIGHTS PASS. OXY SUPPLIER CODE: V89954 ELECTRICAL EQUIP NUMBER: M00043 COMPONENT MAINT MANUAL REF: 33-51-03 QUALIFIED I/W DATA: THE 233T3210-300 PANEL ASSY IS I/W THE 233T3210-28 PANEL ASSY T/W THE S233T100-1077 LIGHTPLATE. PRE ALERT SB: 33A0044	101102	RF

MISSING ITEM NUMBERS NOT APPLICABLE

- ITEM NOT ILLUSTRATED

BRI

33-13-01-39

BOEING PROPRIETARY - Copyright © - Unpublished Work - See title page for details.

33-13-01
FIG. 39
PAGE 13
JAN 20/09



757

PARTS CATALOG (MAINTENANCE)

FIG ITEM	PART NUMBER	1 2 3 4 5 6 7	NOMENCLATURE	EFFECT FROM TO	UNITS PER ASSY
39					
- 160	233T3210-306		.PANEL ASSY-EMER LIGHTS PASS. OXY SUPPLIER CODE: V89954 ELECTRICAL EQUIP NUMBER: M00043 COMPONENT MAINT MANUAL REF: 33-51-03	101102	RF
- 160	233T3210-1300		.PANEL ASSY-EMER LIGHTS PASS. OXY SUPPLIER CODE: V89954 ELECTRICAL EQUIP NUMBER: M00043 COMPONENT MAINT MANUAL REF: 33-51-03 POST ALERT SB: 33A0044	101102	RF
165	233T3210-28		..PANEL ASSY- SUPPLIER CODE: V89954 COMPONENT MAINT MANUAL REF: 33-51-03 QUALIFIED I/W DATA: THE 233T3210-300 PANEL ASSY IS I/W THE 233T3210-28 PANEL ASSY T/W THE S233T100-1077 LIGHTPLATE. USED ON: 233T3210-300 PRE ALERT SB: 33A0044	101102	RF
165	233T3210-42		..PANEL ASSY- SUPPLIER CODE: V89954 COMPONENT MAINT MANUAL REF: 33-51-03 USED ON: 233T3210-306	101102	RF
165	233T3210-1028		..PANEL ASSY- SUPPLIER CODE: V89954 COMPONENT MAINT MANUAL REF: 33-51-03 USED ON: 233T3210-1300 POST ALERT SB: 33A0044	101102	RF

MISSING ITEM NUMBERS NOT APPLICABLE

- ITEM NOT ILLUSTRATED

33-13-01-39

33-13-01
FIG. 39
PAGE 14
JAN 20/09

BRI



757

PARTS CATALOG (MAINTENANCE)

FIG ITEM	PART NUMBER	1 2 3 4 5 6 7	NOMENCLATURE	EFFECT FROM TO	UNITS PER ASSY
39 170	800000121-1		...CONNECTOR-PWR SUPPLIER CODE: V05617 USED ON: 233T3210-28	101102	1
170	800-000121-1		...CONNECTOR-PWR SUPPLIER CODE: V05617 USED ON: 233T3210-42	101102	1
175	800-000912		..LIGHTPLATE-5V WHITE ILLUMINATED INTEGRALLY LIGHTED EMER LTS/PASS OXY SUPPLIER CODE: V05617 SPECIFICATION NUMBER: S233T100-1077 MISCELLANEOUS DATA: FOR VENDOR FSCM 05617 FOR SPARES ORDER THE 800-000912-1 OPTIONAL PART: S233T100-1077 V51896 800-000912-1 V05617 USED ON: 233T3210-300	101102	1
175	800-000912		..LIGHTPLATE-5V WHITE ILLUMINATED INTEGRALLY- LIGHTED EMER LTS/PASS OXY SUPPLIER CODE: V05617 SPECIFICATION NUMBER: S233T100-1077 MISCELLANEOUS DATA: FOR VENDOR FSCM 05617 FOR SPARES ORDER THE 800-000912-1 OPTIONAL PART: S233T100-1077 V51896 800-000912-1 V05617 USED ON: 233T3210-306	101102	1

MISSING ITEM NUMBERS NOT APPLICABLE

- ITEM NOT ILLUSTRATED

33-13-01-39

33-13-01
FIG. 39
PAGE 15
JAN 20/09

BRI



757

PARTS CATALOG (MAINTENANCE)

FIG ITEM	PART NUMBER	1 2 3 4 5 6 7	NOMENCLATURE	EFFECT FROM TO	UNITS PER ASSY
39 175	S233T100-1077		..LIGHTPLATE-5V WHITE ILLUMINATED INTEGRALLY- LIGHTED EMER LTS/PASS OXY SUPPLIER CODE: V51896 SPECIFICATION NUMBER: S233T100-1077 OPTIONAL PART: 800-000912 V05617 USED ON: 233T3210-306	101102	1
175	800-000912-1		..LIGHTPLATE-5V WHITE ILLUMINATED INTEGRALLY LIGHTED EMER LTS/PASS OXY SUPPLIER CODE: V05617 SPECIFICATION NUMBER: S233T100-1077 OPTIONAL PART: S233T100-1077 V51896 800-000912 V05617	101102	1
175	800-000912-1		..LIGHTPLATE-5V WHITE ILLUMINATED INTEGRALLY- LIGHTED EMER LTS/PASS OXY SUPPLIER CODE: V05617 SPECIFICATION NUMBER: S233T100-1077 OPTIONAL PART: S233T100-1077 V51896 800-000912 V05617	101102	1

MISSING ITEM NUMBERS NOT APPLICABLE

- ITEM NOT ILLUSTRATED

BRI

33-13-01-39

BOEING PROPRIETARY - Copyright © - Unpublished Work - See title page for details.

33-13-01
FIG. 39
PAGE 16
JAN 20/09



757

PARTS CATALOG (MAINTENANCE)

FIG ITEM	PART NUMBER	1 2 3 4 5 6 7	NOMENCLATURE	EFFECT FROM TO	UNITS PER ASSY
39 - 190	233N3223-301		.PANEL ASSY-ENG START/RAT SUPPLIER CODE: V89954 ELECTRICAL EQUIP NUMBER: M10468 COMPONENT MAINT MANUAL REF: 31-12-01 QUALIFIED I/W DATA: THE 233N3223-301 PANEL ASSY IS I/W THE 233N3223-40 PANEL ASSY T/W THE S233T100-6046 LIGHTPLATE AND (3) BP248-127 KNOBS. OPTIONAL PART: 233N3223-300 V89954 PRE ALERT SB: 33A0044	101102	RF
- 190	233N3223-300		.PANEL ASSY-ENG START/RAT SUPPLIER CODE: V89954 ELECTRICAL EQUIP NUMBER: M10468 COMPONENT MAINT MANUAL REF: 31-12-01 QUALIFIED I/W DATA: THE 233N3223-300 PANEL ASSY IS I/W THE 233N3223-39 PANEL ASSY T/W THE S233T100-6046 LIGHTPLATE AND (3) BP248-127 KNOBS. OPTIONAL PART: 233N3223-301 V89954 PRE ALERT SB: 33A0044	101102	RF

MISSING ITEM NUMBERS NOT APPLICABLE

- ITEM NOT ILLUSTRATED

33-13-01-39

33-13-01
FIG. 39
PAGE 17
JAN 20/09

BRI



757

PARTS CATALOG (MAINTENANCE)

FIG ITEM	PART NUMBER	1 2 3 4 5 6 7	NOMENCLATURE	EFFECT FROM TO	UNITS PER ASSY
39					
- 190	233N3223-1301		.PANEL ASSY-ENG START/RAT SUPPLIER CODE: V89954 ELECTRICAL EQUIP NUMBER: M10468 COMPONENT MAINT MANUAL REF: 31-12-01 OPTIONAL PART: 233N3223-1300 V89954 POST ALERT SB: 33A0044	101102	RF
- 190	233N3223-1300		.PANEL ASSY-ENG START/RAT SUPPLIER CODE: V89954 ELECTRICAL EQUIP NUMBER: M10468 COMPONENT MAINT MANUAL REF: 31-12-01 OPTIONAL PART: 233N3223-1301 V89954 POST ALERT SB: 33A0044	101102	RF
- 190	233N3223-343		.PANEL ASSY-ENG START/RAT SUPPLIER CODE: V89954 ELECTRICAL EQUIP NUMBER: M10468	101102	RF
195	233N3223-40		..PANEL ASSY- SUPPLIER CODE: V89954 MISCELLANEOUS DATA: FOR SPARES PROCURE NEXT HIGHER ASSY COMPONENT MAINT MANUAL REF: 31-12-01 QUALIFIED I/W DATA: THE 233N3223-301 PANEL ASSY IS I/W THE 233N3223-40 PANEL ASSY T/W THE S233T100-6046 LIGHTPLATE AND (3) BP248-127 KNOBS. USED ON: 233N3223-301 PRE ALERT SB: 33A0044	101102	RF

MISSING ITEM NUMBERS NOT APPLICABLE

- ITEM NOT ILLUSTRATED

33-13-01-39

33-13-01
FIG. 39
PAGE 18
JAN 20/09

BRI



757

PARTS CATALOG (MAINTENANCE)

FIG ITEM	PART NUMBER	1 2 3 4 5 6 7	NOMENCLATURE	EFFECT FROM TO	UNITS PER ASSY
39 195	233N3223-53	..	PANEL ASSY- SUPPLIER CODE: V89954 MISCELLANEOUS DATA: FOR SPARES PROCURE NEXT HIGHER ASSY COMPONENT MAINT MANUAL REF: 31-12-01 USED ON: 233N3223-343	101102	RF
195	233N3223-39	..	PANEL ASSY- SUPPLIER CODE: V89954 MISCELLANEOUS DATA: FOR SPARES PROCURE NEXT HIGHER ASSY COMPONENT MAINT MANUAL REF: 31-12-01 QUALIFIED I/W DATA: THE 233N3223-300 PANEL ASSY IS I/W THE 233N3223-39 PANEL ASSY T/W THE S233T100-6046 LIGHTPLATE AND (3) BP248-127 KNOBS. USED ON: 233N3223-300 PRE ALERT SB: 33A0044	101102	RF
195	233N3223-1040	..	PANEL ASSY- SUPPLIER CODE: V89954 COMPONENT MAINT MANUAL REF: 31-12-01 USED ON: 233N3223-1301	101102	RF
195	233N3223-1039	..	PANEL ASSY- SUPPLIER CODE: V89954 COMPONENT MAINT MANUAL REF: 31-12-01 USED ON: 233N3223-1300	101102	RF
200	800-000121-1	...	CONNECTOR-PWR SUPPLIER CODE: V05617 USED ON: 233N3223-53	101102	1

MISSING ITEM NUMBERS NOT APPLICABLE

- ITEM NOT ILLUSTRATED

33-13-01-39

33-13-01
FIG. 39
PAGE 19
JAN 20/09

BRI



757

PARTS CATALOG (MAINTENANCE)

FIG ITEM	PART NUMBER	1 2 3 4 5 6 7	NOMENCLATURE	EFFECT FROM TO	UNITS PER ASSY
39 200	800000121-1		...CONNECTOR-PWR SUPPLIER CODE: V05617 USED ON: 233N3223-39 233N3223-40 233N3223-1039 233N3223-1040	101102	1
205	800-000447		..LIGHTPLATE-5V WHITE ILLUMINATED INTEGRALLY LIGHTED ENG START/RAT SUPPLIER CODE: V05617 SPECIFICATION NUMBER: S233T100-6046 MISCELLANEOUS DATA: FOR VENDOR FSCM 05617 FOR SPARES ORDER THE 800-000447-1 OPTIONAL PART: S233T100-6046 V51896 800-000447-1 V05617 USED ON: 233N3223-343	101102	1
205	800-000447		..LIGHTPLATE-5V WHITE ILLUMINATED INTEGRALLY LIGHTED ENG START/RAT SUPPLIER CODE: V05617 SPECIFICATION NUMBER: S233T100-6046 MISCELLANEOUS DATA: FOR VENDOR FSCM 05617 FOR SPARES ORDER THE 800-000447-1 OPTIONAL PART: S233T100-6046 V51896 800-000447-1 V05617 USED ON: 233N3223-1300 233N3223-1301 USED ON: 233N3223-300 233N3223-301	101102	1

MISSING ITEM NUMBERS NOT APPLICABLE

- ITEM NOT ILLUSTRATED

33-13-01-39

33-13-01
FIG. 39
PAGE 20
JAN 20/09

BRI



757

PARTS CATALOG (MAINTENANCE)

FIG ITEM	PART NUMBER	1 2 3 4 5 6 7	NOMENCLATURE	EFFECT FROM TO	UNITS PER ASSY
39 205	S233T100-6046		.. LIGHTPLATE- SUPPLIER CODE: V51896 SPECIFICATION NUMBER: S233T100-6046 OPTIONAL PART: 800-000447 V05617 USED ON: 233N3223-343	101102	1
205	800-000447-1		.. LIGHTPLATE-5V WHITE ILLUMINATED INTEGRALLY LIGHTED ENG START/RAT SUPPLIER CODE: V05617 SPECIFICATION NUMBER: S233T100-6046 OPTIONAL PART: S233T100-6046 V51896 800-000447 V05617	101102	1
205	800-000447-1		.. LIGHTPLATE-5V WHITE ILLUMINATED INTEGRALLY LIGHTED ENG START/RAT SUPPLIER CODE: V05617 SPECIFICATION NUMBER: S233T100-6046 OPTIONAL PART: S233T100-6046 V51896 800-000447 V05617	101102	1

MISSING ITEM NUMBERS NOT APPLICABLE

- ITEM NOT ILLUSTRATED

BRI

33-13-01-39

BOEING PROPRIETARY - Copyright © - Unpublished Work - See title page for details.

33-13-01
FIG. 39
PAGE 21
JAN 20/09



757

PARTS CATALOG (MAINTENANCE)

FIG ITEM	PART NUMBER	1 2 3 4 5 6 7	NOMENCLATURE	EFFECT FROM TO	UNITS PER ASSY
39 - 220	233N3206-300		.PANEL ASSY-FUEL CONT SUPPLIER CODE: V89954 ELECTRICAL EQUIP NUMBER: M10055 COMPONENT MAINT MANUAL REF: 28-41-71 QUALIFIED I/W DATA: THE 233N3206-300 PANEL ASSY IS I/W THE 233N3206-19 PANEL ASSY T/W THE S233T100-1106 LIGHTPLATE PRE ALERT SB: 28A0105R1 PRE COMPONENT SB: 233N3206-28-03	101102	RF
- 220	233N3206-3300		.PANEL ASSY-FUEL CONT SUPPLIER CODE: V89954 ELECTRICAL EQUIP NUMBER: M10055 COMPONENT MAINT MANUAL REF: 28-41-71 POST ALERT SB: 28A0105R1 POST COMPONENT SB: 233N3206-28-03	101102	RF
222	233N3206-19		..PANEL ASSY- SUPPLIER CODE: V89954 COMPONENT MAINT MANUAL REF: 28-41-71 QUALIFIED I/W DATA: THE 233N3206-300 PANEL ASSY IS I/W THE 233N3206-19 PANEL ASSY T/W THE S233T100-1106 LIGHTPLATE PRE ALERT SB: 28A0105R1 PRE COMPONENT SB: 233N3206-28-03	101102	RF

MISSING ITEM NUMBERS NOT APPLICABLE

- ITEM NOT ILLUSTRATED

33-13-01-39

33-13-01
FIG. 39
PAGE 22
JAN 20/09

BRI



757

PARTS CATALOG (MAINTENANCE)

FIG ITEM	PART NUMBER	1 2 3 4 5 6 7	NOMENCLATURE	EFFECT FROM TO	UNITS PER ASSY
39 222	233N3206-3019		..PANEL ASSY- SUPPLIER CODE: V89954 COMPONENT MAINT MANUAL REF: 28-41-71 POST ALERT SB: 28A0105R1 POST COMPONENT SB: 233N3206-28-03	101102	RF
223	800-000121-1		...CONNECTOR-PWR SUPPLIER CODE: V05617	101102	1
225	800-000954		..LIGHTPLATE-5V WHITE ILLUMINATED INTEGRALLY- LIGHTED FUEL SUPPLIER CODE: V05617 SPECIFICATION NUMBER: S233T100-1106 MISCELLANEOUS DATA: FOR VENDOR FSCM 05617 FOR SPARES ORDER THE 800-000954-1 OPTIONAL PART: S233T100-1106 V51896 800-000954-1 V05617	101102	1
225	800-000954-1		..LIGHTPLATE-5V WHITE ILLUMINATED INTEGRALLY- LIGHTED FUEL SUPPLIER CODE: V05617 SPECIFICATION NUMBER: S233T100-1106 OPTIONAL PART: S233T100-1106 V51896 800-000954 V05617	101102	1

MISSING ITEM NUMBERS NOT APPLICABLE

- ITEM NOT ILLUSTRATED

BRI

33-13-01-39

BOEING PROPRIETARY - Copyright © - Unpublished Work - See title page for details.

33-13-01
FIG. 39
PAGE 23
JAN 20/09



757

PARTS CATALOG (MAINTENANCE)

FIG ITEM	PART NUMBER	1 2 3 4 5 6 7	NOMENCLATURE	EFFECT FROM TO	UNITS PER ASSY
39 - 230	233N3204-300		.PANEL ASSY-ANTI-ICE SUPPLIER CODE: V89954 ELECTRICAL EQUIP NUMBER: M10397 COMPONENT MAINT MANUAL REF: 30-11-72 QUALIFIED I/W DATA: 233N3204-300 PANEL ASSY IS I/W 233N3204-19 PANEL ASSY T/W S233T100-1070 LIGHTPLATE OPTIONAL PART: 233N3204-301 V89954 PRE ALERT SB: 33A0044	101102	RF
- 230	233N3204-301		.PANEL ASSY-ANTI-ICE SUPPLIER CODE: V89954 ELECTRICAL EQUIP NUMBER: M10397 COMPONENT MAINT MANUAL REF: 30-11-72 QUALIFIED I/W DATA: 233N3204-301 PANEL ASSY IS I/W 233N3204-20 PANEL ASSY T/W S233T100-1070 LIGHTPLATE OPTIONAL PART: 233N3204-300 V89954 PRE ALERT SB: 33A0044	101102	RF
- 230	233N3204-1300		.PANEL ASSY-ANTI-ICE SUPPLIER CODE: V89954 ELECTRICAL EQUIP NUMBER: M10397 COMPONENT MAINT MANUAL REF: 30-11-72 POST ALERT SB: 33A0044	101102	RF

MISSING ITEM NUMBERS NOT APPLICABLE

- ITEM NOT ILLUSTRATED

33-13-01-39

33-13-01
FIG. 39
PAGE 24
JAN 20/09

BRI



757

PARTS CATALOG (MAINTENANCE)

FIG ITEM	PART NUMBER	1 2 3 4 5 6 7	NOMENCLATURE	EFFECT FROM TO	UNITS PER ASSY
39					
- 230	233N3204-1301	.	PANEL ASSY-ANTI-ICE SUPPLIER CODE: V89954 ELECTRICAL EQUIP NUMBER: M10397 COMPONENT MAINT MANUAL REF: 30-11-72 POST ALERT SB: 33A0044	101102	RF
- 230	233N3204-332	.	PANEL ASSY-ANTI-ICE SUPPLIER CODE: V89954 ELECTRICAL EQUIP NUMBER: M10397 COMPONENT MAINT MANUAL REF: 30-11-72	101102	RF
235	233N3204-19	..	PANEL ASSY- SUPPLIER CODE: V89954 COMPONENT MAINT MANUAL REF: 30-11-72 QUALIFIED I/W DATA: 233N3204-300 PANEL ASSY IS I/W 233N3204-19 PANEL ASSY T/W S233T100-1070 LIGHTPLATE USED ON: 233N3204-300 PRE ALERT SB: 33A0044	101102	RF
235	233N3204-20	..	PANEL ASSY- SUPPLIER CODE: V89954 COMPONENT MAINT MANUAL REF: 30-11-72 QUALIFIED I/W DATA: 233N3204-301 PANEL ASSY IS I/W 233N3204-20 PANEL ASSY T/W S233T100-1070 LIGHTPLATE USED ON: 233N3204-301 PRE ALERT SB: 33A0044	101102	RF

MISSING ITEM NUMBERS NOT APPLICABLE

- ITEM NOT ILLUSTRATED

33-13-01-39

33-13-01
FIG. 39
PAGE 25
JAN 20/09

BRI



757

PARTS CATALOG (MAINTENANCE)

FIG ITEM	PART NUMBER	1 2 3 4 5 6 7	NOMENCLATURE	EFFECT FROM TO	UNITS PER ASSY
39 235	233N3204-1019	..	PANEL ASSY- SUPPLIER CODE: V89954 COMPONENT MAINT MANUAL REF: 30-11-72 USED ON: 233N3204-1300 POST ALERT SB: 33A0044	101102	RF
235	233N3204-1020	..	PANEL ASSY- SUPPLIER CODE: V89954 COMPONENT MAINT MANUAL REF: 30-11-72 USED ON: 233N3204-1301 POST ALERT SB: 33A0044	101102	RF
235	233N3204-36	..	PANEL ASSY- SUPPLIER CODE: V89954 COMPONENT MAINT MANUAL REF: 30-11-72 USED ON: 233N3204-332	101102	RF
245	800-000121-1	...	CONNECTOR-PWR SUPPLIER CODE: V05617	101102	1
250	800-001043	..	LIGHTPLATE-5V WHITE ILLUMINATED INTEGRALLY LIGHTED ANTI-ICE SUPPLIER CODE: V05617 SPECIFICATION NUMBER: S233T100-1070 MISCELLANEOUS DATA: FOR VENDOR FSCM 05617 FOR SPARES ORDER THE 800-001043-1 OPTIONAL PART: S233T100-1070 V51896 800-001043-1 V05617	101102	1

MISSING ITEM NUMBERS NOT APPLICABLE

- ITEM NOT ILLUSTRATED

33-13-01-39

33-13-01
FIG. 39
PAGE 26
JAN 20/09

BRI



757

PARTS CATALOG (MAINTENANCE)

FIG ITEM	PART NUMBER	1 2 3 4 5 6 7	NOMENCLATURE	EFFECT FROM TO	UNITS PER ASSY
39 250	800-001043-1		..LIGHTPLATE-5V WHITE ILLUMINATED INTEGRALLY LIGHTED ANTI-ICE SUPPLIER CODE: V05617 SPECIFICATION NUMBER: S233T100-1070 OPTIONAL PART: S233T100-1070 V51896 800-001043 V05617	101102	1
- 260	233N3201-303		.PANEL ASSY-WSHLD CLEARANCE SUPPLIER CODE: V89954 ELECTRICAL EQUIP NUMBER: M10023 COMPONENT MAINT MANUAL REF: 30-42-01	101102	RF
265	233N3201-16		..PANEL ASSY- SUPPLIER CODE: V89954 COMPONENT MAINT MANUAL REF: 30-42-01	101102	RF
270	800000121-1		...CONNECTOR-PWR SUPPLIER CODE: V05617	101102	1
275	S233T100-1113		..LIGHTPLATE-5V WHITE ILLUMINATED INTEGRALLY LIGHTED RAIN REPELLENT/ WIPER SUPPLIER CODE: V51896 SPECIFICATION NUMBER: S233T100-1113 OPTIONAL PART: 800-007678 V05617	101102	1
275	800-007678		..LIGHTPLATE-5V WHITE ILLUMINATED INTEGRALLY LIGHTED RAIN REPELLENT/ WIPER SUPPLIER CODE: V05617 SPECIFICATION NUMBER: S233T100-1113 OPTIONAL PART: S233T100-1113 V51896	101102	1

MISSING ITEM NUMBERS NOT APPLICABLE

- ITEM NOT ILLUSTRATED

33-13-01-39

33-13-01
FIG. 39
PAGE 27
JAN 20/09

BRI



757

PARTS CATALOG (MAINTENANCE)

FIG ITEM	PART NUMBER	1 2 3 4 5 6 7	NOMENCLATURE	EFFECT FROM TO	UNITS PER ASSY
39 - 290	233T3217-300	. 1	PANEL ASSY-ANTI-COLLISION LIGHTING SUPPLIER CODE: V89954 ELECTRICAL EQUIP NUMBER: M00056 COMPONENT MAINT MANUAL REF: 33-44-72 QUALIFIED I/W DATA: THE 233T3217-300 PANEL ASSY IS I/W THE 233T3217-41 PANEL ASSY T/W THE S233T100-6030 LIGHTPLATE.	101102	RF
292	233T3217-41	.. 2	PANEL ASSY- SUPPLIER CODE: V89954 COMPONENT MAINT MANUAL REF: 33-44-72 QUALIFIED I/W DATA: THE 233T3217-300 PANEL ASSY IS I/W THE 233T3217-41 PANEL ASSY T/W THE S233T100-6030 LIGHTPLATE.	101102	RF
293	800-000121-1	... 3	CONNECTOR-PWR SUPPLIER CODE: V05617	101102	1
295	800-000916	.. 4	LIGHTPLATE-5V WHITE ILLUMINATED INTEGRALLY LIGHTED ANTI-COLLISION SUPPLIER CODE: V05617 SPECIFICATION NUMBER: S233T100-6030 MISCELLANEOUS DATA: FOR VENDOR FSCM 05617 FOR SPARES ORDER THE 800-000916-1 OPTIONAL PART: S233T100-6030 V51896 800-000916-1 V05617	101102	1

MISSING ITEM NUMBERS NOT APPLICABLE

- ITEM NOT ILLUSTRATED

BRI

33-13-01-39

33-13-01
FIG. 39
PAGE 28
JAN 20/09



757

PARTS CATALOG (MAINTENANCE)

FIG ITEM	PART NUMBER	1 2 3 4 5 6 7	NOMENCLATURE	EFFECT FROM TO	UNITS PER ASSY
39 295	800-000916-1		..LIGHTPLATE-5V WHITE ILLUMINATED INTEGRALLY LIGHTED ANTI-COLLISION SUPPLIER CODE: V05617 SPECIFICATION NUMBER: S233T100-6030 OPTIONAL PART: S233T100-6030 V51896 800-000916 V05617	101102	1
- 300	233N3212-300		.PANEL ASSY-WINDOW HEAT SUPPLIER CODE: V89954 ELECTRICAL EQUIP NUMBER: M10395 COMPONENT MAINT MANUAL REF: 30-41-71 QUALIFIED I/W DATA: THE 233N3212-300 PANEL ASSY IS I/W THE 233N3212-11 PANEL ASSY T/W THE S233T100-1073 LIGHTPLATE OPTIONAL PART: 233N3212-302 V89954	101102	RF
- 300	233N3212-302		.PANEL ASSY-WINDOW HEAT SUPPLIER CODE: V89954 ELECTRICAL EQUIP NUMBER: M10395 COMPONENT MAINT MANUAL REF: 30-41-71 OPTIONAL PART: 233N3212-300 V89954	101102	RF

MISSING ITEM NUMBERS NOT APPLICABLE

- ITEM NOT ILLUSTRATED

BRI

33-13-01-39

33-13-01
FIG. 39
PAGE 29
JAN 20/09



757

PARTS CATALOG (MAINTENANCE)

FIG ITEM	PART NUMBER	1 2 3 4 5 6 7	NOMENCLATURE	EFFECT FROM TO	UNITS PER ASSY
39 305	233N3212-11	..	PANEL ASSY- SUPPLIER CODE: V89954 COMPONENT MAINT MANUAL REF: 30-41-71 QUALIFIED I/W DATA: THE 233N3212-300 PANEL ASSY IS I/W THE 233N3212-11 PANEL ASSY T/W THE S233T100-1073 LIGHTPLATE USED ON: 233N3212-300	101102	RF
305	233N3212-14	..	PANEL ASSY- SUPPLIER CODE: V89954 COMPONENT MAINT MANUAL REF: 30-41-71 USED ON: 233N3212-302	101102	RF
310	800-000121-1	...	CONNECTOR-PWR SUPPLIER CODE: V05617	101102	1
315	800-000920	..	LIGHTPLATE-5V WHITE ILLUMINATED INTEGRALLY LIGHTED WINDOW HEAT SUPPLIER CODE: V05617 SPECIFICATION NUMBER: S233T100-1073 MISCELLANEOUS DATA: FOR VENDOR FSCM 05617 FOR SPARES ORDER THE 800-000920-1 OPTIONAL PART: S233T100-1073 V51896 800-000920-1 V05617 USED ON: 233N3212-300	101102	1

MISSING ITEM NUMBERS NOT APPLICABLE

- ITEM NOT ILLUSTRATED

33-13-01-39

33-13-01
FIG. 39
PAGE 30
JAN 20/09

BRI



757

PARTS CATALOG (MAINTENANCE)

FIG ITEM	PART NUMBER	1 2 3 4 5 6 7	NOMENCLATURE	EFFECT FROM TO	UNITS PER ASSY
39 315	800-000920		..LIGHTPLATE-5V WHITE ILLUMINATED INTEGRALLY LIGHTED WINDOW HEAT SUPPLIER CODE: V05617 SPECIFICATION NUMBER: S233T100-1073 MISCELLANEOUS DATA: FOR VENDOR FSCM 05617 FOR SPARES ORDER THE 800-000920-1 OPTIONAL PART: S233T100-1073 V51896 800-000920-1 V05617 USED ON: 233N3212-302	101102	1
315	S233T100-1073		..LIGHTPLATE-5V WHITE ILLUMINATED INTEGRALLY LIGHTED WINDOW HEAT SUPPLIER CODE: V51896 SPECIFICATION NUMBER: S233T100-1073 OPTIONAL PART: 800-000920 V05617 USED ON: 233N3212-302	101102	1
315	800-000920-1		..LIGHTPLATE-5V WHITE ILLUMINATED INTEGRALLY LIGHTED WINDOW HEAT SUPPLIER CODE: V05617 SPECIFICATION NUMBER: S233T100-1073 OPTIONAL PART: S233T100-1073 V51896 800-000920 V05617	101102	1

MISSING ITEM NUMBERS NOT APPLICABLE

- ITEM NOT ILLUSTRATED

33-13-01-39

33-13-01
FIG. 39
PAGE 31
JAN 20/09

BRI



757

PARTS CATALOG (MAINTENANCE)

FIG ITEM	PART NUMBER	1 2 3 4 5 6 7	NOMENCLATURE	EFFECT FROM TO	UNITS PER ASSY
39 315	800-000920-1		..LIGHTPLATE-5V WHITE ILLUMINATED INTEGRALLY LIGHTED WINDOW HEAT SUPPLIER CODE: V05617 SPECIFICATION NUMBER: S233T100-1073 OPTIONAL PART: S233T100-1073 V51896 800-000920 V05617	101102	1
330	285T0024-47		.MODULE ASSY-PILOTS CALL PNL SUPPLIER CODE: V89954 ELECTRICAL EQUIP NUMBER: M00051 COMPONENT MAINT MANUAL REF: 23-42-62	101102	RF
333	800000121-1		..CONNECTOR-PWR SUPPLIER CODE: V05617	101102	1
340	285T1163-7		..LIGHTPLATE-5V WHITE ILLUMINATED INTEGRALLY- LIGHTED SELCAL	101102	1
- 355	233T3216-300		.PANEL ASSY-PASS. SIGN CONT SUPPLIER CODE: V89954 ELECTRICAL EQUIP NUMBER: M00052 COMPONENT MAINT MANUAL REF: 33-24-02	101102	RF
357	233T3216-10		..PANEL ASSY- SUPPLIER CODE: V89954 COMPONENT MAINT MANUAL REF: 33-24-02	101102	RF
358	800-000121-1		...CONNECTOR-PWR SUPPLIER CODE: V05617	101102	1

MISSING ITEM NUMBERS NOT APPLICABLE

- ITEM NOT ILLUSTRATED

33-13-01-39

33-13-01
FIG. 39
PAGE 32
JAN 20/09

BRI



757

PARTS CATALOG (MAINTENANCE)

FIG ITEM	PART NUMBER	1 2 3 4 5 6 7	NOMENCLATURE	EFFECT FROM TO	UNITS PER ASSY
39 360	800-000907		..LIGHTPLATE-5V WHITE ILLUMINATED INTEGRALLY- LIGHTED PASS. SIGNS SUPPLIER CODE: V05617 SPECIFICATION NUMBER: S233T100-1018 MISCELLANEOUS DATA: FOR VENDOR FSCM 05617 FOR SPARES ORDER THE 800-000907-1 OPTIONAL PART: S233T100-1018 V51896 800-000907-1 V05617	101102	1
360	800-000907-1		..LIGHTPLATE-5V WHITE ILLUMINATED INTEGRALLY- LIGHTED PASS. SIGNS SUPPLIER CODE: V05617 SPECIFICATION NUMBER: S233T100-1018 OPTIONAL PART: S233T100-1018 V51896 800-000907 V05617	101102	1
- 365	233N3203-300		.PANEL ASSY-EQPT COOLING SUPPLIER CODE: V89954 ELECTRICAL EQUIP NUMBER: M10067 COMPONENT MAINT MANUAL REF: 21-58-71 QUALIFIED I/W DATA: 233N3203-300 PANEL ASSY IS I/W 233N3203-32 PANEL ASSY T/W S233T100-6045 LIGHTPLATE PRE ALERT SB: 33A0044	101102	RF

MISSING ITEM NUMBERS NOT APPLICABLE

- ITEM NOT ILLUSTRATED

33-13-01-39

33-13-01
FIG. 39
PAGE 33
JAN 20/09

BRI



757

PARTS CATALOG (MAINTENANCE)

FIG ITEM	PART NUMBER	1 2 3 4 5 6 7	NOMENCLATURE	EFFECT FROM TO	UNITS PER ASSY
39					
- 365	233N3203-1300	.	PANEL ASSY-EQPT COOLING SUPPLIER CODE: V89954 ELECTRICAL EQUIP NUMBER: M10067 COMPONENT MAINT MANUAL REF: 21-58-71 POST ALERT SB: 33A0044	101102	RF
- 365	233N3203-337	.	PANEL ASSY-EQPT COOLING SUPPLIER CODE: V89954 ELECTRICAL EQUIP NUMBER: M10067 COMPONENT MAINT MANUAL REF: 21-58-71	101102	RF
370	233N3203-32	..	PANEL ASSY- SUPPLIER CODE: V89954 COMPONENT MAINT MANUAL REF: 21-58-71 QUALIFIED I/W DATA: 233N3203-300 PANEL ASSY IS I/W 233N3203-32 PANEL ASSY T/W S233T100-6045 LIGHTPLATE USED ON: 233N3203-300 PRE ALERT SB: 33A0044	101102	RF
370	233N3203-1032	..	PANEL ASSY- SUPPLIER CODE: V89954 COMPONENT MAINT MANUAL REF: 21-58-71 USED ON: 233N3203-1300 POST ALERT SB: 33A0044	101102	RF
370	233N3203-37	..	PANEL ASSY- SUPPLIER CODE: V89954 COMPONENT MAINT MANUAL REF: 21-58-71	101102	RF
375	800-000121-1	...	CONNECTOR-PWR SUPPLIER CODE: V05617	101102	1

R
R
R
R
R

MISSING ITEM NUMBERS NOT APPLICABLE

- ITEM NOT ILLUSTRATED

33-13-01-39

33-13-01
FIG. 39
PAGE 34
MAY 20/09

BRI



757

PARTS CATALOG (MAINTENANCE)

FIG ITEM	PART NUMBER	1 2 3 4 5 6 7	NOMENCLATURE	EFFECT FROM TO	UNITS PER ASSY
39 380	800-000415		..LIGHTPLATE-5V WHITE ILLUMINATED INTEGRALLY LIGHTED EQPT COOLING SUPPLIER CODE: V05617 SPECIFICATION NUMBER: S233T100-6045 MISCELLANEOUS DATA: FOR VENDOR FSCM 05617 FOR SPARES ORDER THE 800-000415-1 OPTIONAL PART: S233T100-6045 V51896 800-000415-1 V05617	101102	1
380	800-000415-1		..LIGHTPLATE-5V WHITE ILLUMINATED INTEGRALLY LIGHTED EQPT COOLING SUPPLIER CODE: V05617 SPECIFICATION NUMBER: S233T100-6045 OPTIONAL PART: S233T100-6045 V51896 800-000415 V05617	101102	1
- 395	233N3221-302		.PANEL ASSY-LIGHTING CONT SUPPLIER CODE: V89954 ELECTRICAL EQUIP NUMBER: M10057 COMPONENT MAINT MANUAL REF: 33-11-72 QUALIFIED I/W DATA: 233N3221-302 PANEL ASSY IS I/W 233N3221-61 PANEL ASSY T/W S233T100-6039 LIGHTPLATE AND (3) RD241-119 KNOBS AND (1) BP248-127 KNOB	101102	RF
- 395	233N3221-326		.PANEL ASSY-LIGHTING CONT SUPPLIER CODE: V89954 ELECTRICAL EQUIP NUMBER: M10057 COMPONENT MAINT MANUAL REF: 33-11-72	101102	RF

MISSING ITEM NUMBERS NOT APPLICABLE

- ITEM NOT ILLUSTRATED

33-13-01-39

33-13-01
FIG. 39
PAGE 35
JAN 20/09

BRI



757

PARTS CATALOG (MAINTENANCE)

FIG ITEM	PART NUMBER	1 2 3 4 5 6 7	NOMENCLATURE	EFFECT FROM TO	UNITS PER ASSY
39 400	233N3221-61		..PANEL ASSY- SUPPLIER CODE: V89954 COMPONENT MAINT MANUAL REF: 33-11-72 QUALIFIED I/W DATA: 233N3221-302 PANEL ASSY IS I/W 233N3221-61 PANEL ASSY T/W S233T100-6039 LIGHTPLATE AND (3) RD241-119 KNOBS AND (1) BP248-127 KNOB USED ON: 233N3221-302	101102	RF
400	233N3221-110		..PANEL ASSY- SUPPLIER CODE: V89954 COMPONENT MAINT MANUAL REF: 33-11-72 USED ON: 233N3221-326	101102	RF
405	800-000121-1		...CONNECTOR-PWR SUPPLIER CODE: V05617	101102	1
410	S233T100-6039		..LIGHTPLATE-5V WHITE ILLUMINATED INTEGRALLY LIGHTED LIGHTING CONT SUPPLIER CODE: V51896 SPECIFICATION NUMBER: S233T100-6039 OPTIONAL PART: 800-002786 V05617 USED ON: 233N3221-302	101102	1

MISSING ITEM NUMBERS NOT APPLICABLE

- ITEM NOT ILLUSTRATED

33-13-01-39

33-13-01
FIG. 39
PAGE 36
JAN 20/09

BRI



757

PARTS CATALOG (MAINTENANCE)

FIG ITEM	PART NUMBER	1 2 3 4 5 6 7	NOMENCLATURE	EFFECT FROM TO	UNITS PER ASSY
39 410	800-002786		..LIGHTPLATE-5V WHITE ILLUMINATED INTEGRALLY LIGHTED LIGHTING CONT SUPPLIER CODE: V05617 SPECIFICATION NUMBER: S233T100-6039 MISCELLANEOUS DATA: FOR VENDOR FSCM 05617 FOR SPARES ORDER THE 800-002786-1 OPTIONAL PART: S233T100-6039 V51896 800-002786-1 V05617 USED ON: 233N3221-302	101102	1
410	800-002786-1		..LIGHTPLATE-5V WHITE ILLUMINATED INTEGRALLY LIGHTED LIGHTING CONT SUPPLIER CODE: V05617 SPECIFICATION NUMBER: S233T100-6039 OPTIONAL PART: S233T100-6039 V51896 800-002786 V05617	101102	1
- 415	800-008834		..LIGHTPLATE-5V WHITE ILLUMINATED INTEGRALLY LIGHTED RAIN REMOVAL/ANTI ICE SUPPLIER CODE: V05617 SPECIFICATION NUMBER: S233T100-6069 OPTIONAL PART: S233T100-6069 V51896 USED ON: 233N3221-326	101102	1

MISSING ITEM NUMBERS NOT APPLICABLE

- ITEM NOT ILLUSTRATED

33-13-01-39

33-13-01
FIG. 39
PAGE 37
JAN 20/09

BRI



757

PARTS CATALOG (MAINTENANCE)

FIG ITEM	PART NUMBER	1 2 3 4 5 6 7	NOMENCLATURE	EFFECT FROM TO	UNITS PER ASSY
39 - 425	233N3217-300	.	PANEL ASSY-AIR CONDITIONING CONT SUPPLIER CODE: V89954 ELECTRICAL EQUIP NUMBER: M10193 COMPONENT MAINT MANUAL REF: 21-51-71 QUALIFIED I/W DATA: THE 233N3217-300 PANEL ASSY IS I/W THE 233N3217-15 PANEL ASSY T/W THE S233T100-6014 LIGHTPLATE AND (2) BP248-127 KNOBS AND (3) BP260-113 KNOBS	101102	RF
427	233N3217-15	..	PANEL ASSY- SUPPLIER CODE: V89954 COMPONENT MAINT MANUAL REF: 21-51-71 QUALIFIED I/W DATA: THE 233N3217-300 PANEL ASSY IS I/W THE 233N3217-15 PANEL ASSY T/W THE S233T100-6014 LIGHTPLATE AND (2) BP248-127 KNOBS AND (3) BP260-113 KNOBS	101102	RF
428	800-000121-1	...	CONNECTOR-PWR SUPPLIER CODE: V05617	101102	1
430	800-000445	..	LIGHTPLATE-5V WHITE ILLUMINATED INTEGRALLY- LIGHTED PACK CONT SUPPLIER CODE: V05617 SPECIFICATION NUMBER: S233T100-6014 MISCELLANEOUS DATA: FOR VENDOR FSCM 05617 FOR SPARES ORDER THE 800-000445-1 OPTIONAL PART: S233T100-6014 V51896 800-000445-1 V05617	101102	1

MISSING ITEM NUMBERS NOT APPLICABLE

- ITEM NOT ILLUSTRATED

33-13-01-39

33-13-01
FIG. 39
PAGE 38
JAN 20/09

BRI



757

PARTS CATALOG (MAINTENANCE)

FIG ITEM	PART NUMBER	1 2 3 4 5 6 7	NOMENCLATURE	EFFECT FROM TO	UNITS PER ASSY
39 430	800-000445-1		..LIGHTPLATE-5V WHITE ILLUMINATED INTEGRALLY- LIGHTED PACK CONT SUPPLIER CODE: V05617 SPECIFICATION NUMBER: S233T100-6014 OPTIONAL PART: S233T100-6014 V51896 800-000445 V05617	101102	1
- 435	233N3215-300		.PANEL ASSY-BLEED AIR SUPPLIER CODE: V89954 ELECTRICAL EQUIP NUMBER: M10259 COMPONENT MAINT MANUAL REF: 36-11-71 QUALIFIED I/W DATA: THE 233N3215-300 PANEL ASSY IS I/W THE 233N3215-16 PANEL ASSY T/W THE S233T100-6009 LIGHTPLATE PRE ALERT SB: 33A0044	101102	RF
- 435	233N3215-1300		.PANEL ASSY-BLEED AIR SUPPLIER CODE: V89954 ELECTRICAL EQUIP NUMBER: M10259 COMPONENT MAINT MANUAL REF: 36-11-71 POST ALERT SB: 33A0044	101102	RF
- 435	233N3215-303		.PANEL ASSY-BLEED AIR SUPPLIER CODE: V89954 ELECTRICAL EQUIP NUMBER: M10259 COMPONENT MAINT MANUAL REF: 36-11-71	101102	RF

MISSING ITEM NUMBERS NOT APPLICABLE

- ITEM NOT ILLUSTRATED

33-13-01-39

33-13-01
FIG. 39
PAGE 39
JAN 20/09

BRI



757

PARTS CATALOG (MAINTENANCE)

FIG ITEM	PART NUMBER	1 2 3 4 5 6 7	NOMENCLATURE	EFFECT FROM TO	UNITS PER ASSY
39 437	233N3215-16		..PANEL ASSY- SUPPLIER CODE: V89954 MISCELLANEOUS DATA: FOR SPARES PROCURE NEXT HIGHER ASSY COMPONENT MAINT MANUAL REF: 36-11-71 QUALIFIED I/W DATA: THE 233N3215-300 PANEL ASSY IS I/W THE 233N3215-16 PANEL ASSY T/W THE S233T100-6009 LIGHTPLATE USED ON: 233N3215-300 PRE ALERT SB: 33A0044	101102	RF
437	233N3215-1016		..PANEL ASSY- SUPPLIER CODE: V89954 COMPONENT MAINT MANUAL REF: 36-11-71 POST ALERT SB: 33A0044	101102	RF
437	233N3215-22		..PANEL ASSY- SUPPLIER CODE: V89954 MISCELLANEOUS DATA: FOR SPARES PROCURE NEXT HIGHER ASSY ELECTRICAL EQUIP NUMBER: M10259 COMPONENT MAINT MANUAL REF: 36-11-71 USED ON: 233N3215-303	101102	RF
438	800-000121-1		...CONNECTOR-PWR SUPPLIER CODE: V05617	101102	1

MISSING ITEM NUMBERS NOT APPLICABLE

- ITEM NOT ILLUSTRATED

33-13-01-39

33-13-01
FIG. 39
PAGE 40
JAN 20/09

BRI



757

PARTS CATALOG (MAINTENANCE)

FIG ITEM	PART NUMBER	1 2 3 4 5 6 7	NOMENCLATURE	EFFECT FROM TO	UNITS PER ASSY
39 440	800-000924		..LIGHTPLATE-5V WHITE ILLUMINATED INTEGRALLY LIGHTED BLEED AIR SUPPLIER CODE: V05617 SPECIFICATION NUMBER: S233T100-6009 MISCELLANEOUS DATA: FOR VENDOR FSCM 05617 FOR SPARES ORDER THE 800-000924-1 OPTIONAL PART: S233T100-6009 V51896 800-000924-1 V05617	101102	1
440	800-000924-1		..LIGHTPLATE-5V WHITE ILLUMINATED INTEGRALLY LIGHTED BLEED AIR SUPPLIER CODE: V05617 SPECIFICATION NUMBER: S233T100-6009 OPTIONAL PART: S233T100-6009 V51896 800-000924 V05617	101102	1
- 455	233T3255-300		.MODULE ASSY-CKPT VOICE RECORDER SWITCH SUPPLIER CODE: V89954 ELECTRICAL EQUIP NUMBER: M06763 COMPONENT MAINT MANUAL REF: 23-71-01	101102	RF
457	233T3255-1		..MODULE ASSY- SUPPLIER CODE: V89954 COMPONENT MAINT MANUAL REF: 23-71-01	101102	RF
458	800000121-1		...CONNECTOR-PWR SUPPLIER CODE: V05617	101102	1

MISSING ITEM NUMBERS NOT APPLICABLE

- ITEM NOT ILLUSTRATED

33-13-01-39

33-13-01
FIG. 39
PAGE 41
JAN 20/09

BRI



757

PARTS CATALOG (MAINTENANCE)

FIG ITEM	PART NUMBER	1 2 3 4 5 6 7	NOMENCLATURE	EFFECT FROM TO	UNITS PER ASSY
39 460	S233T100-1129		..LIGHTPLATE-5V WHITE ILLUMINATED INTEGRALLY LIGHTED BAT/STBY PWR SUPPLIER CODE: V51896 SPECIFICATION NUMBER: S233T100-1129 OPTIONAL PART: 800-009033 V05617	101102	1
460	800-009033		..LIGHTPLATE-5V WHITE ILLUMINATED INTEGRALLY LIGHTED BAT/STBY PWR SUPPLIER CODE: V05617 SPECIFICATION NUMBER: S233T100-1129 OPTIONAL PART: S233T100-1129 V51896	101102	1

MISSING ITEM NUMBERS NOT APPLICABLE

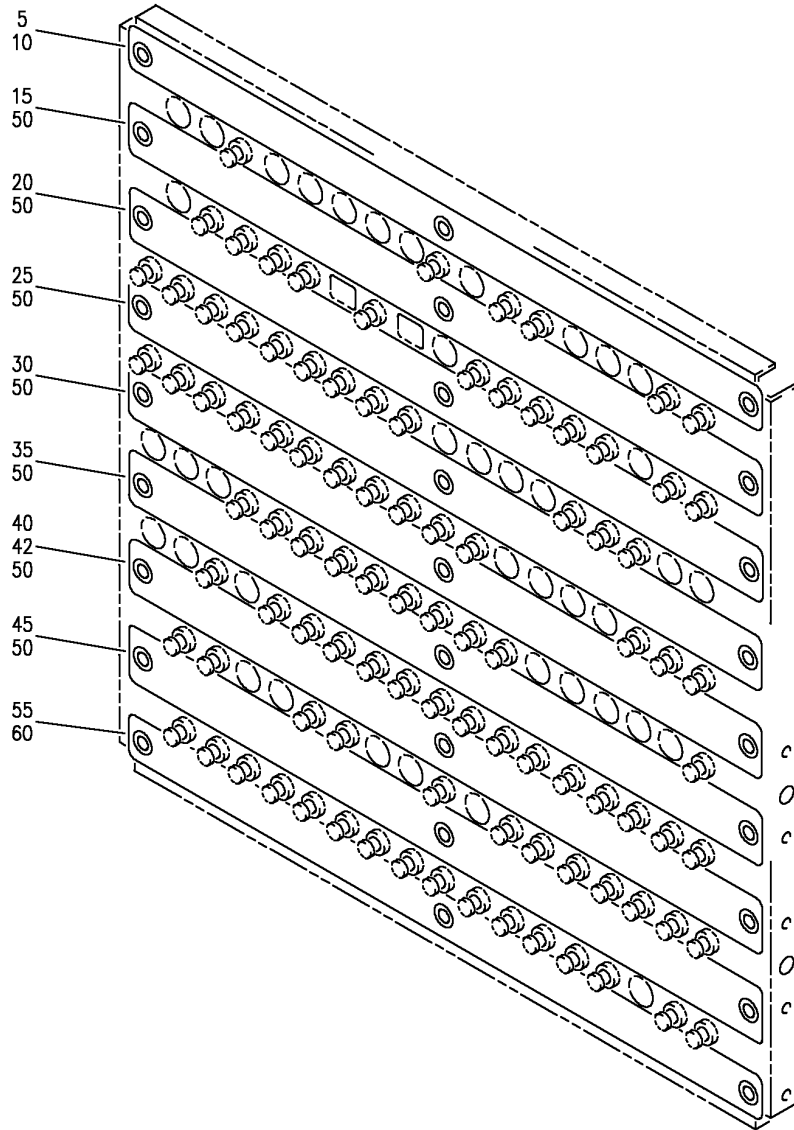
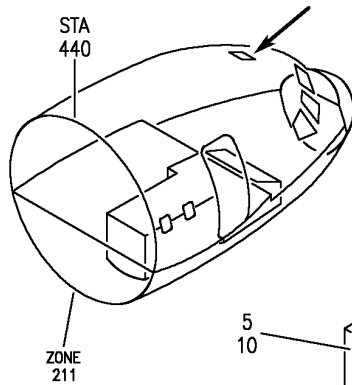
- ITEM NOT ILLUSTRATED

33-13-01-39

33-13-01
FIG. 39
PAGE 42
JAN 20/09

BRI

BOEING
757
PARTS CATALOG (MAINTENANCE)



Y 33130163 REV 277

PANEL ASSY-P11-1 CB (LIGHTPLATES ONLY)
FIGURE 63

33-13-01-63

BRI
MAY 28/07

33-13-01-63
PAGE 0



757

PARTS CATALOG (MAINTENANCE)

FIG ITEM	PART NUMBER	1 2 3 4 5 6 7	NOMENCLATURE	EFFECT FROM TO	UNITS PER ASSY
63			PANEL ASSY-P11-1 CB (LIGHTPLATES ONLY)	101101	
- 1	233N5211-159		PANEL ASSY-P11-1 CB (LIGHTPLATES ONLY) FOR NHA/OTHER SYS DET SEE: 24-00-51-01	101101	RF
5	233N5418-19		.LIGHTPLATE ASSY	101101	1
10	800-000522		..LIGHTPLATE- SUPPLIER CODE: V05617 SPECIFICATION NUMBER: S233T100-8006 MISCELLANEOUS DATA: FOR VENDOR FSCM 05617 FOR SPARES ORDER THE 800-000522-1 OPTIONAL PART: S233T100-8006 V51896 800-000522-1 V05617 FOR DETAILS SEE: 33-13-70-01	101101	1
10	800-000522-1		..LIGHTPLATE- SUPPLIER CODE: V05617 SPECIFICATION NUMBER: S233T100-8006 OPTIONAL PART: S233T100-8006 V51896 800-000522 V05617 FOR DETAILS SEE: 33-13-70-01	101101	1
15	233N5220-1191		.LIGHTPLATE ASSY	101101	1
20	233N5220-1179		.LIGHTPLATE ASSY	101101	1
25	233N5415-5		.LIGHTPLATE ASSY	101101	1
30	233N5220-1185		.LIGHTPLATE ASSY	101101	1
35	233N5220-1277		.LIGHTPLATE ASSY	101101	1
40	233N5220-1045		.LIGHTPLATE ASSY- PRE ALERT SB: 34A0222	101101	1
42	233N5412-1		.LIGHTPLATE ASSY-ROW B POST ALERT SB: 34A0222	101101	1
45	233N5411-1		.LIGHTPLATE ASSY	101101	1

MISSING ITEM NUMBERS NOT APPLICABLE

- ITEM NOT ILLUSTRATED

33-13-01-63

33-13-01
FIG. 63
PAGE 1
SEP 20/08

BRI



757

PARTS CATALOG (MAINTENANCE)

FIG ITEM	PART NUMBER	1 2 3 4 5 6 7	NOMENCLATURE	EFFECT FROM TO	UNITS PER ASSY
63 50	800-000524		..LIGHTPLATE- SUPPLIER CODE: V05617 SPECIFICATION NUMBER: S233T100-8004 MISCELLANEOUS DATA: FOR VENDOR FSCM 05617 FOR SPARES ORDER THE 800-000524-1 OPTIONAL PART: S233T100-8004 V51896 800-000524-1 V05617 FOR DETAILS SEE: 33-13-70-01	101101	1
50	800-000524-1		..LIGHTPLATE- SUPPLIER CODE: V05617 SPECIFICATION NUMBER: S233T100-8004 OPTIONAL PART: S233T100-8004 V51896 800-000524 V05617 FOR DETAILS SEE: 33-13-70-01	101101	1
55	233N5220-1041		.LIGHTPLATE ASSY	101101	1
60	800-001170		..LIGHTPLATE- SUPPLIER CODE: V05617 SPECIFICATION NUMBER: S233T100-8001 MISCELLANEOUS DATA: FOR VENDOR FSCM 05617 FOR SPARES ORDER THE 800-001170-1 OPTIONAL PART: S233T100-8001 V51896 800-001170-1 V05617 FOR DETAILS SEE: 33-13-70-01	101101	1

MISSING ITEM NUMBERS NOT APPLICABLE

- ITEM NOT ILLUSTRATED

33-13-01-63

33-13-01
FIG. 63
PAGE 2
SEP 20/08

BRI



757

PARTS CATALOG (MAINTENANCE)

FIG ITEM	PART NUMBER	1 2 3 4 5 6 7	NOMENCLATURE	EFFECT FROM TO	UNITS PER ASSY
63 60	800-001170-1		.. LIGHTPLATE- SUPPLIER CODE: V05617 SPECIFICATION NUMBER: S233T100-8001 OPTIONAL PART: S233T100-8001 V51896 800-001170 V05617 FOR DETAILS SEE: 33-13-70-01	101101	1

MISSING ITEM NUMBERS NOT APPLICABLE

- ITEM NOT ILLUSTRATED

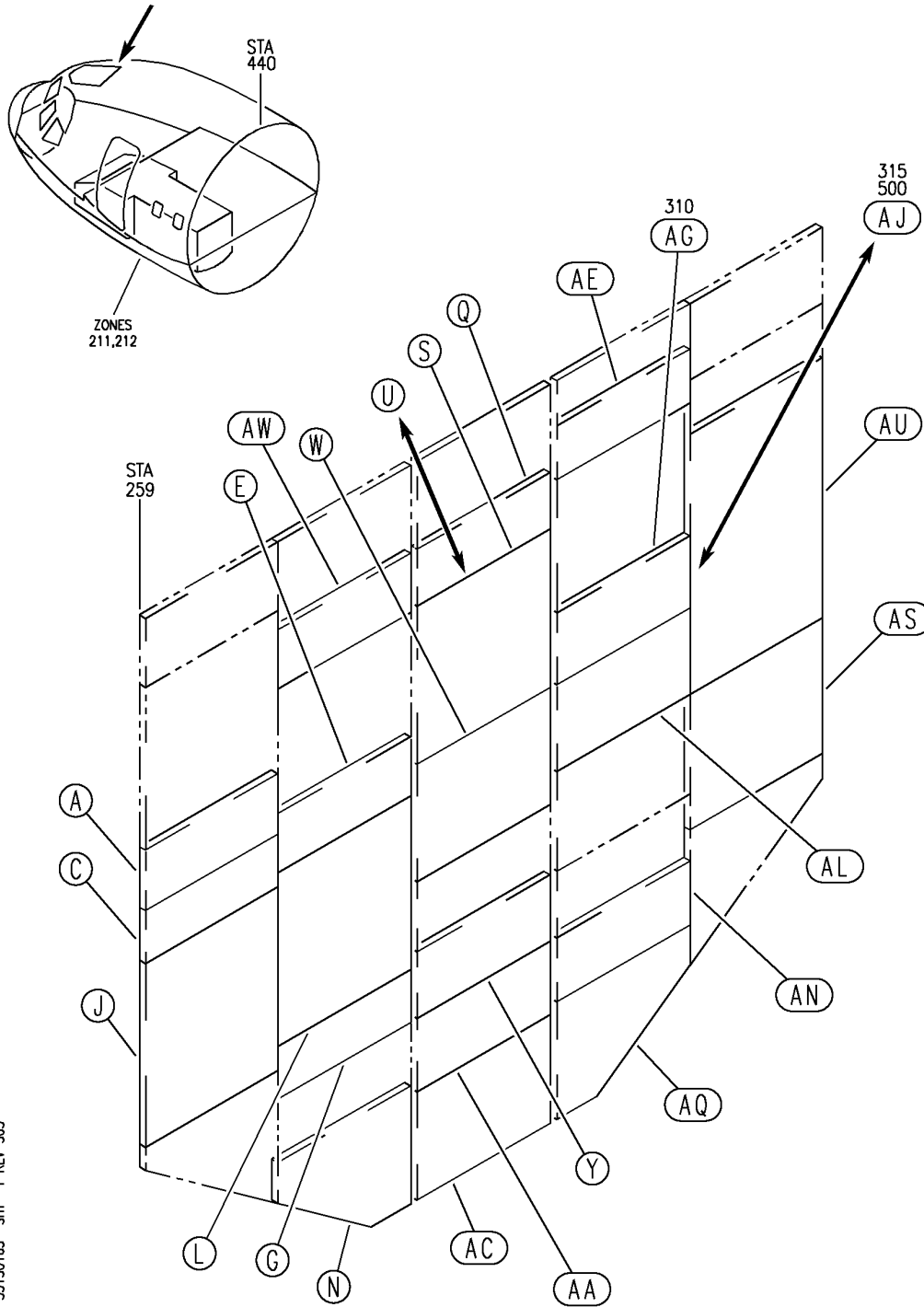
BRI

33-13-01-63

BOEING PROPRIETARY - Copyright © - Unpublished Work - See title page for details.

33-13-01
FIG. 63
PAGE 3
SEP 20/08

BOEING
757
PARTS CATALOG (MAINTENANCE)



Y 33130165 SHT 1 REV 305

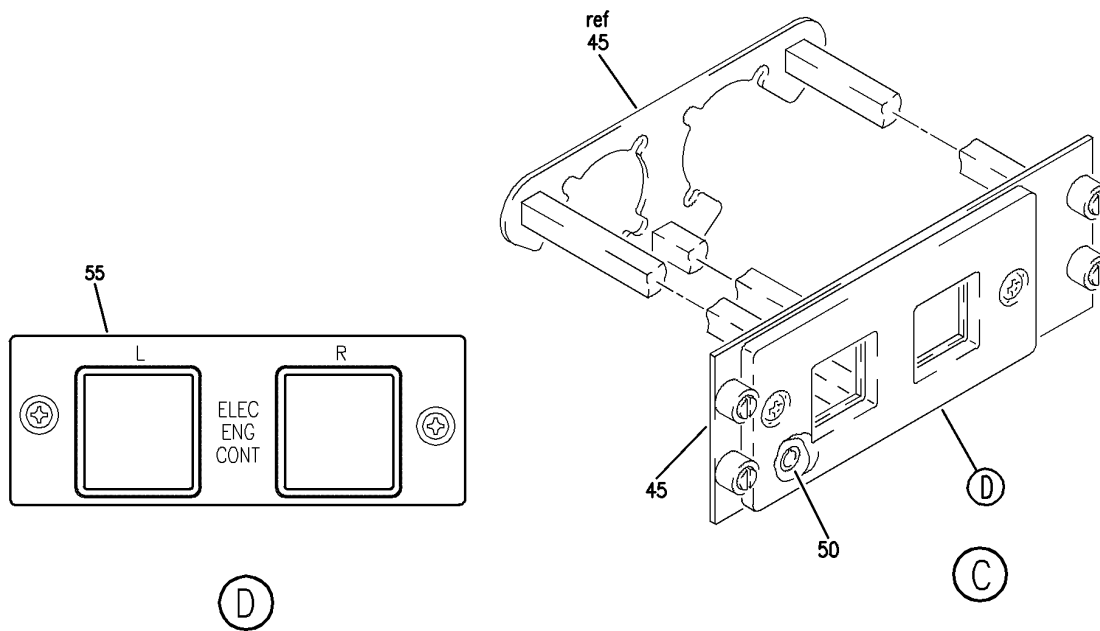
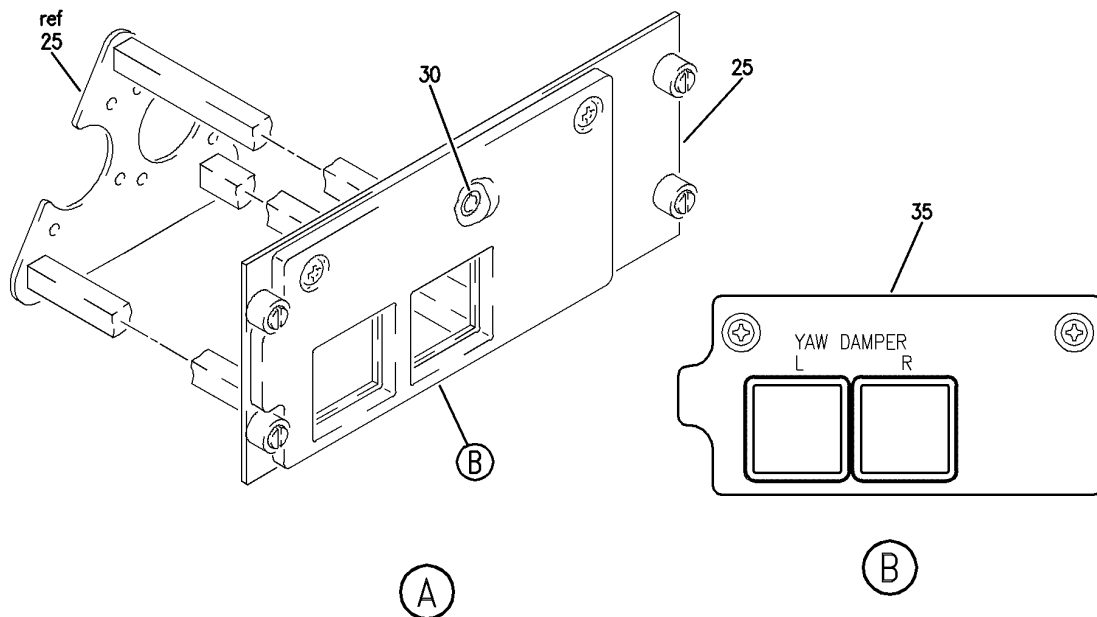
PANEL INSTL-P5 OVHD (LIGHTPLATES ONLY)
FIGURE 65 (SHEET 1)

33-13-01-65

BRI
JAN 20/09

33-13-01-65
PAGE 0

BOEING
757
PARTS CATALOG (MAINTENANCE)



Y 33130165 SHT 2 REV 240

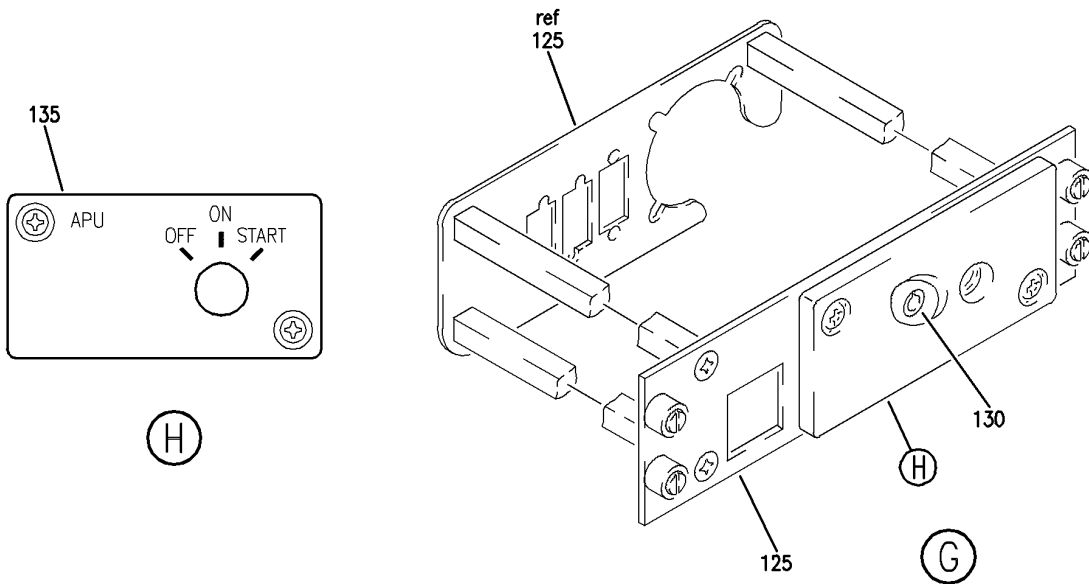
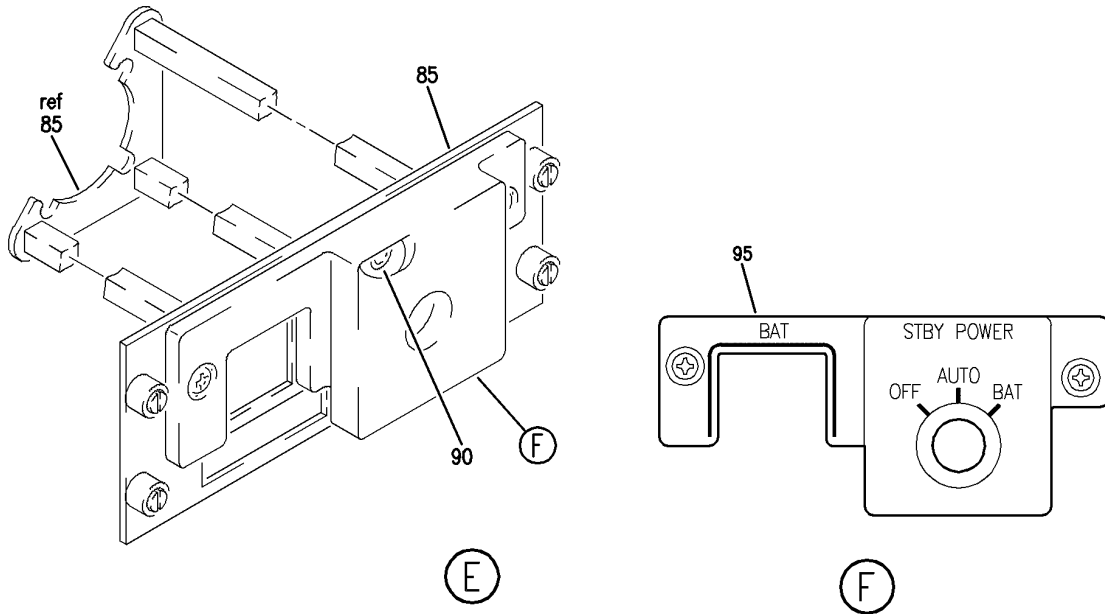
PANEL INSTL-P5 OVHD (LIGHTPLATES ONLY)
FIGURE 65 (SHEET 2)

33-13-01-65

BRI
JAN 20/09

33-13-01-65
PAGE 0A

BOEING
757
PARTS CATALOG (MAINTENANCE)



Y 33130165 SH1 3 REV 240

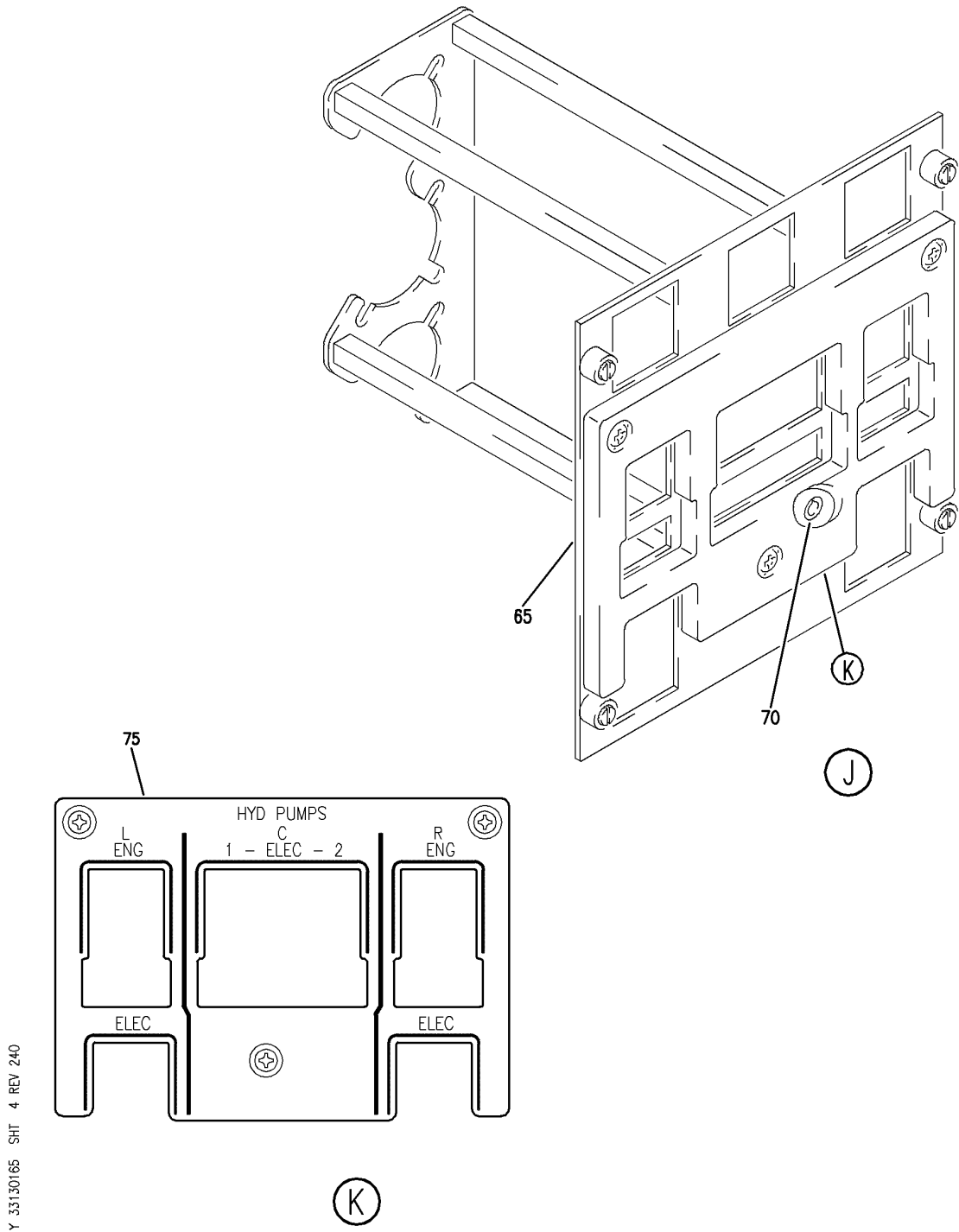
PANEL INSTL-P5 OVHD (LIGHTPLATES ONLY)
FIGURE 65 (SHEET 3)

33-13-01-65

BRI
JAN 20/09

33-13-01-65
PAGE 0B

BOEING
757
PARTS CATALOG (MAINTENANCE)



Y 33130165 SHT 4 REV 240

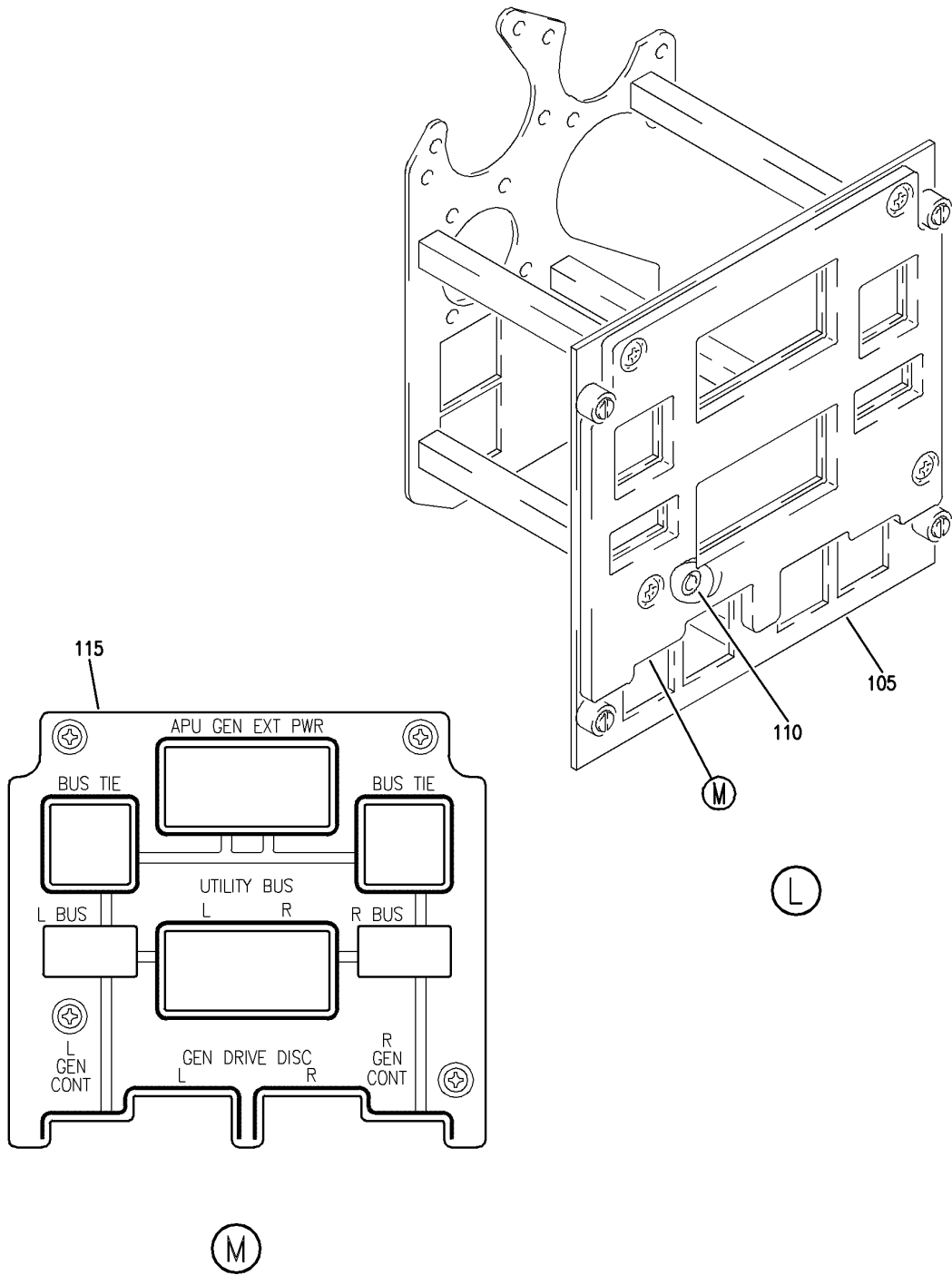
PANEL INSTL-P5 OVHD (LIGHTPLATES ONLY)
FIGURE 65 (SHEET 4)

33-13-01-65

BRI
JAN 20/09

33-13-01-65
PAGE 0C

BOEING
757
PARTS CATALOG (MAINTENANCE)



Y 33130165 SHT 5 REV 240

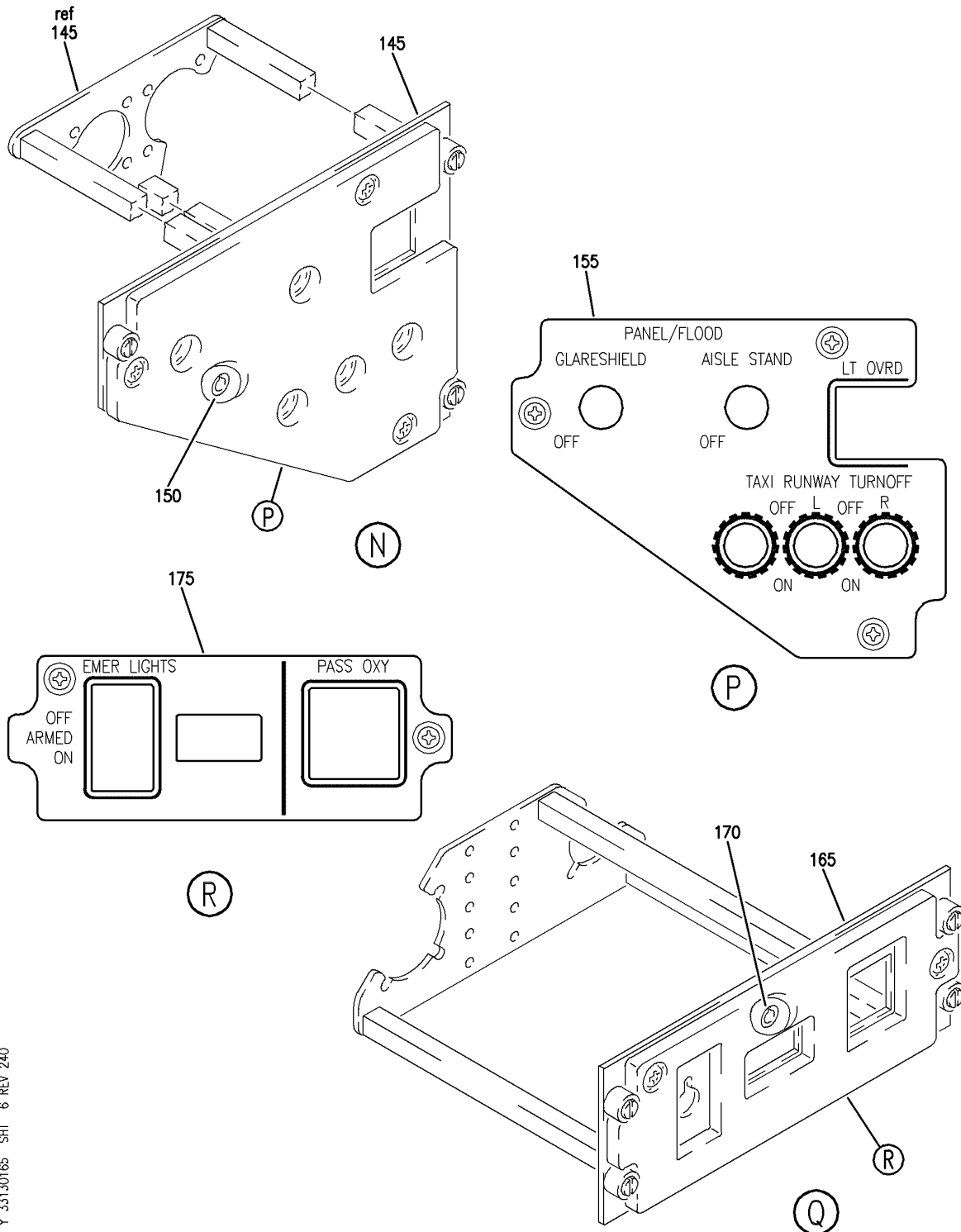
PANEL INSTL-P5 OVHD (LIGHTPLATES ONLY)
FIGURE 65 (SHEET 5)

33-13-01-65

BRI
JAN 20/09

33-13-01-65
PAGE 0D

BOEING
757
PARTS CATALOG (MAINTENANCE)



Y 33130165 SH1 6 REV 240

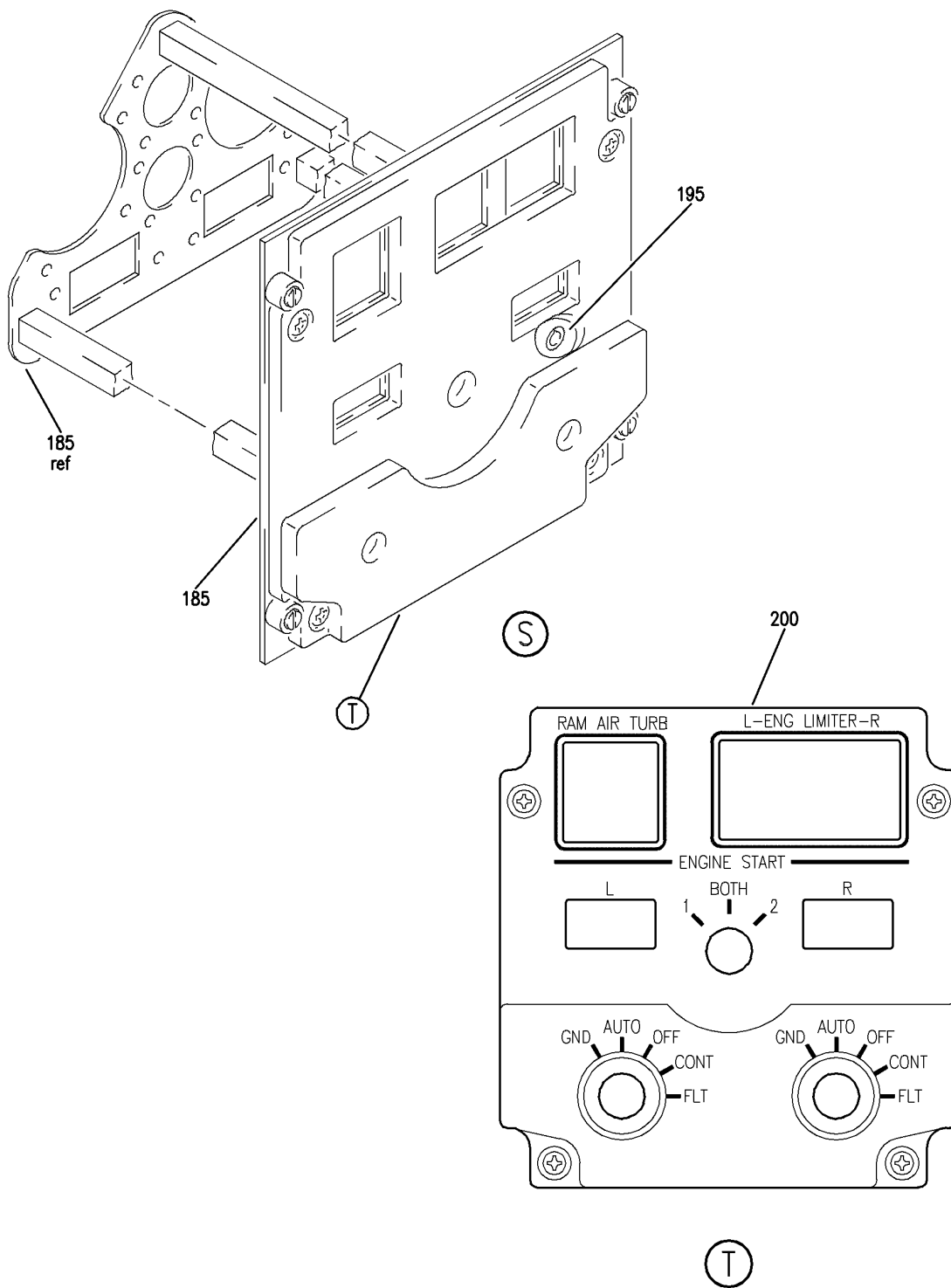
PANEL INSTL-P5 OVHD (LIGHTPLATES ONLY)
FIGURE 65 (SHEET 6)

33-13-01-65

BRI
JAN 20/09

33-13-01-65
PAGE 0E

BOEING
757
PARTS CATALOG (MAINTENANCE)



Y 33130165 SH7 7 REV 240

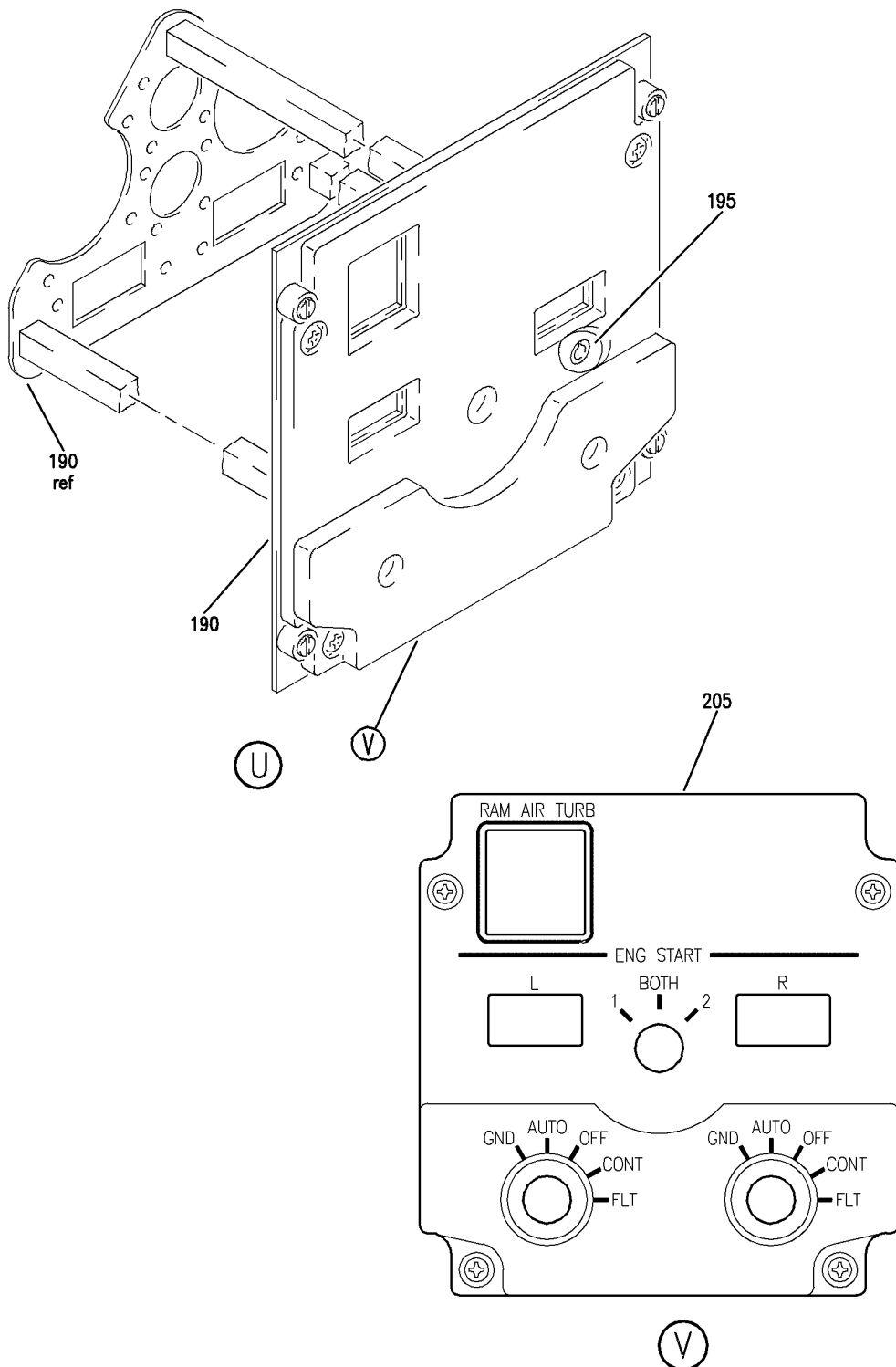
PANEL INSTL-P5 OVHD (LIGHTPLATES ONLY)
FIGURE 65 (SHEET 7)

33-13-01-65

BRI
JAN 20/09

33-13-01-65
PAGE OF

BOEING
757
PARTS CATALOG (MAINTENANCE)



Y 33130165 SH8 8 REV 240

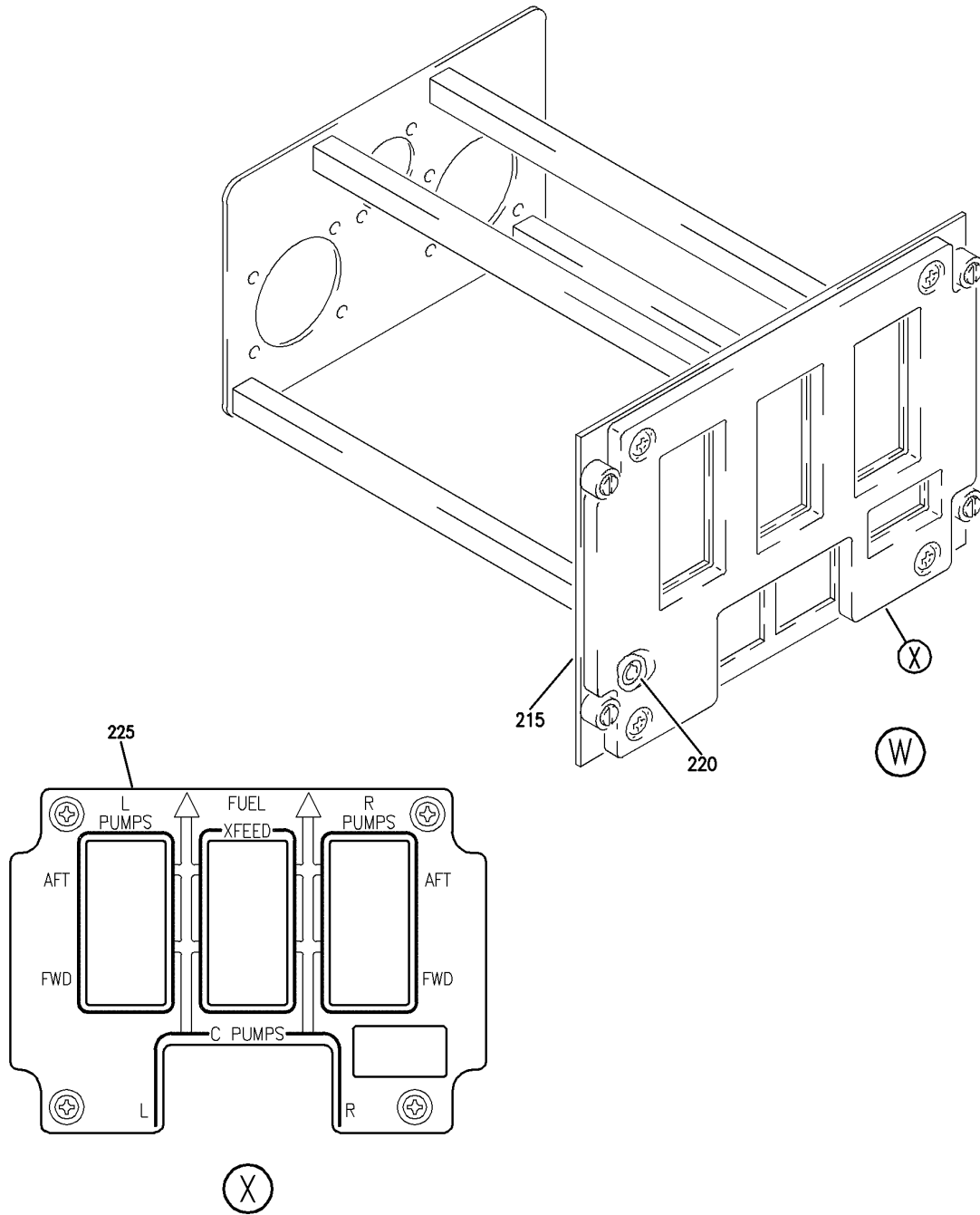
PANEL INSTL-P5 OVHD (LIGHTPLATES ONLY)
FIGURE 65 (SHEET 8)

33-13-01-65

BRI
JAN 20/09

33-13-01-65
PAGE 06

BOEING
757
PARTS CATALOG (MAINTENANCE)



Y 33130165 SH1 9 REV 240

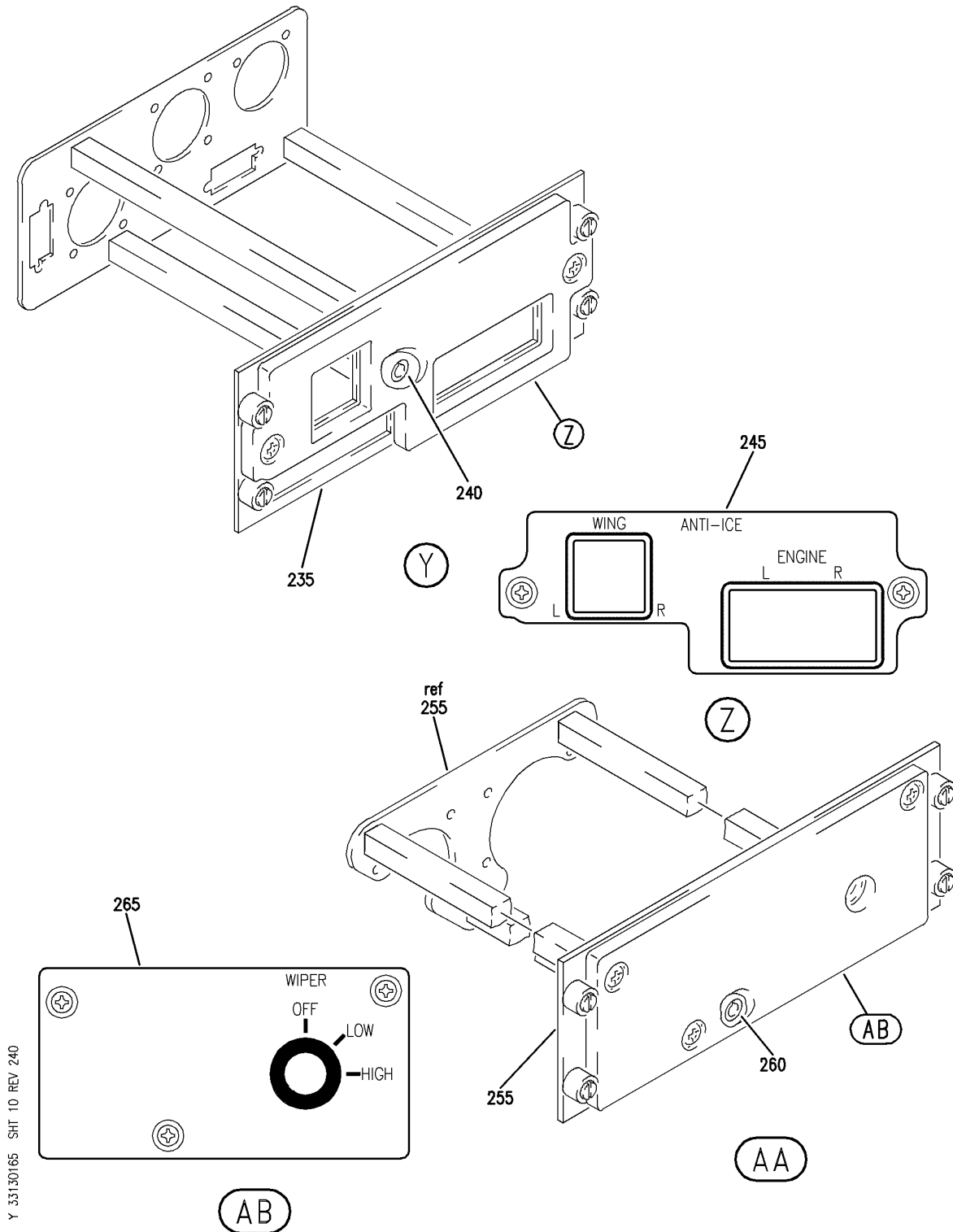
PANEL INSTL-P5 OVHD (LIGHTPLATES ONLY)
 FIGURE 65 (SHEET 9)

33-13-01-65

BRI
 JAN 20/09

33-13-01-65
 PAGE 0H

BOEING
757
PARTS CATALOG (MAINTENANCE)



Y 33130165 SHT 10 REV 240

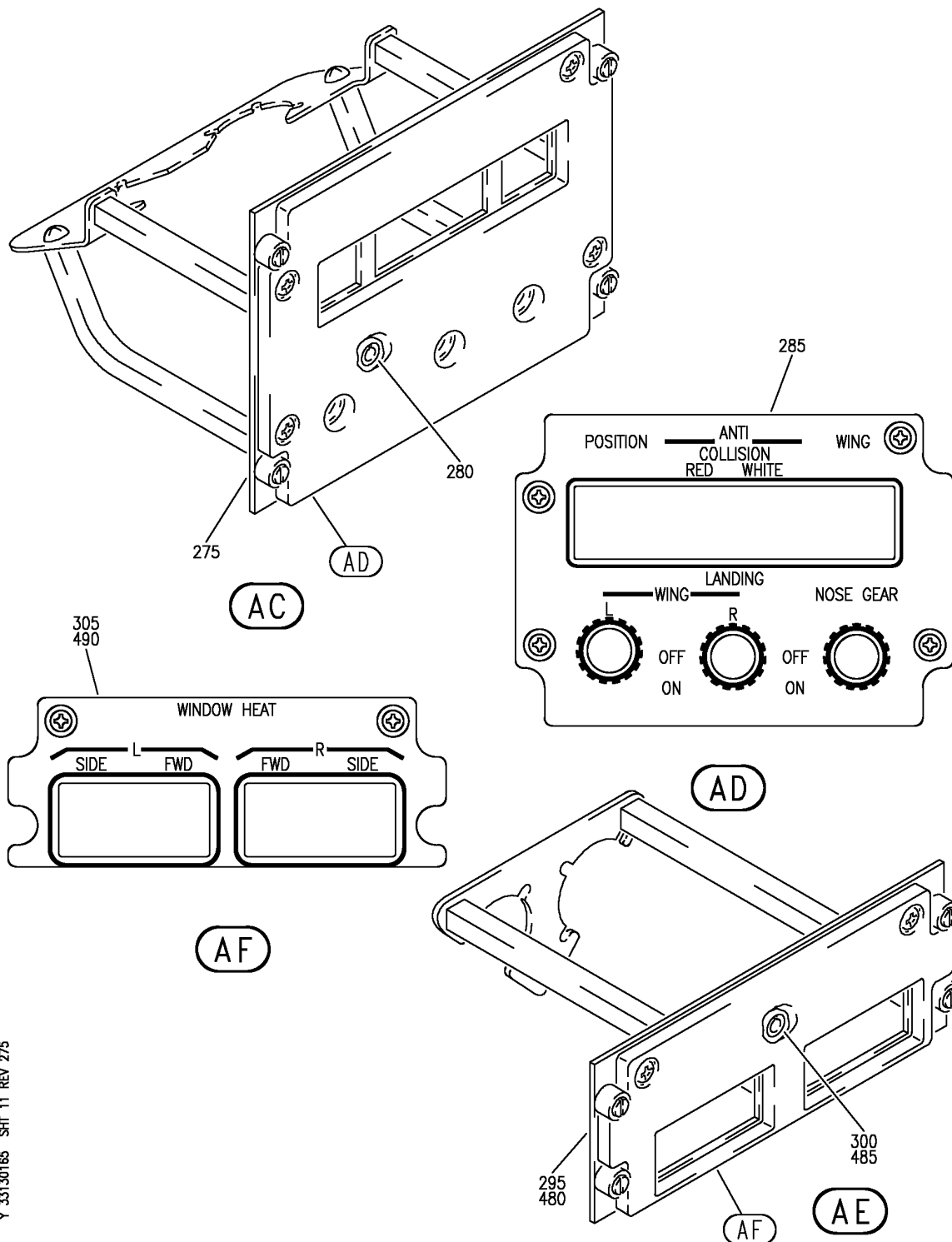
PANEL INSTL-P5 OVHD (LIGHTPLATES ONLY)
FIGURE 65 (SHEET 10)

33-13-01-65

BRI
JAN 20/09

33-13-01-65
PAGE 01

BOEING
757
PARTS CATALOG (MAINTENANCE)



Y 33130165 SHT 11 REV 275

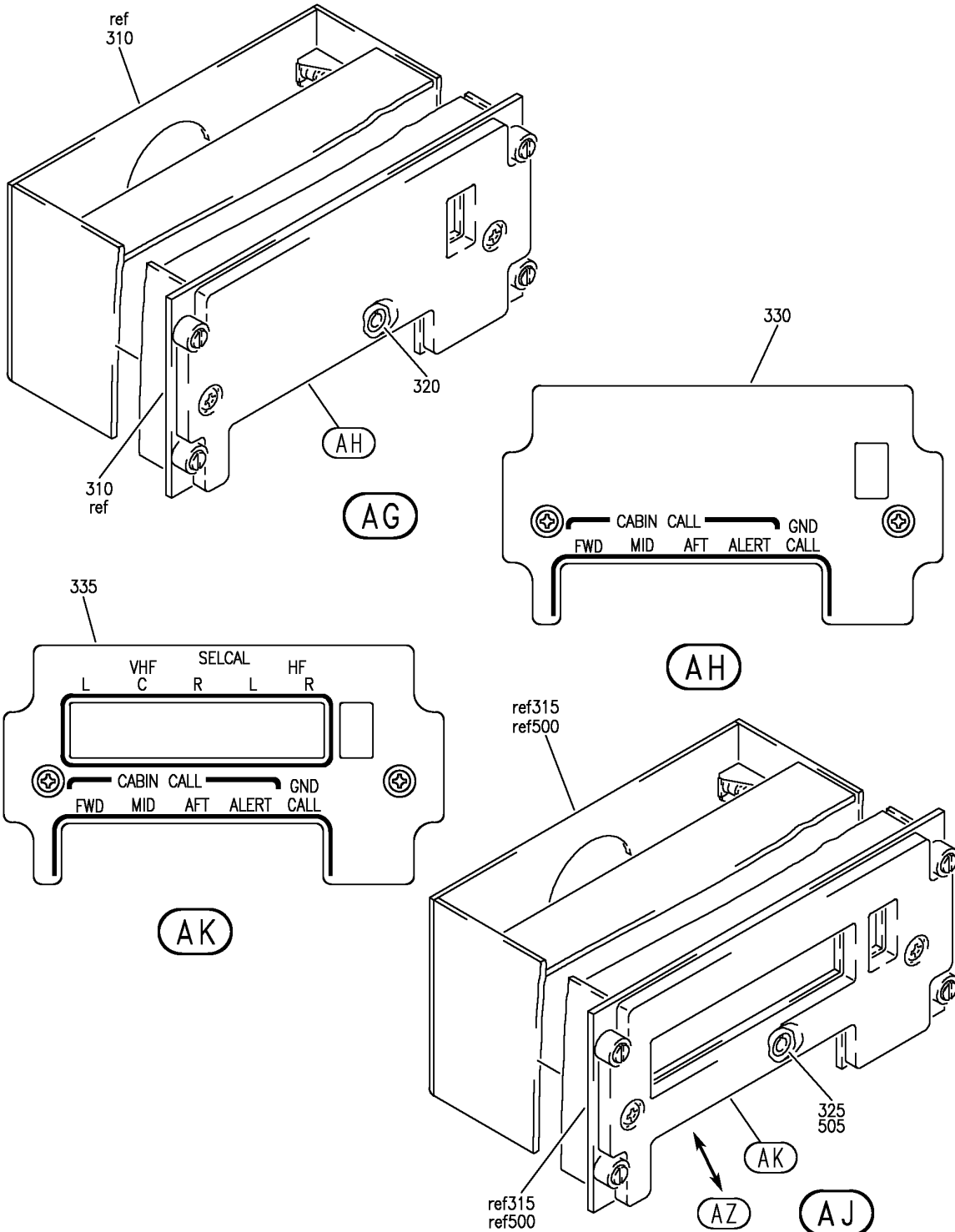
PANEL INSTL-P5 OVHD (LIGHTPLATES ONLY)
FIGURE 65 (SHEET 11)

33-13-01-65

BRI
JAN 20/09

33-13-01-65
PAGE 0J

BOEING
757
PARTS CATALOG (MAINTENANCE)



Y 33130165 SH1 12 REV 275

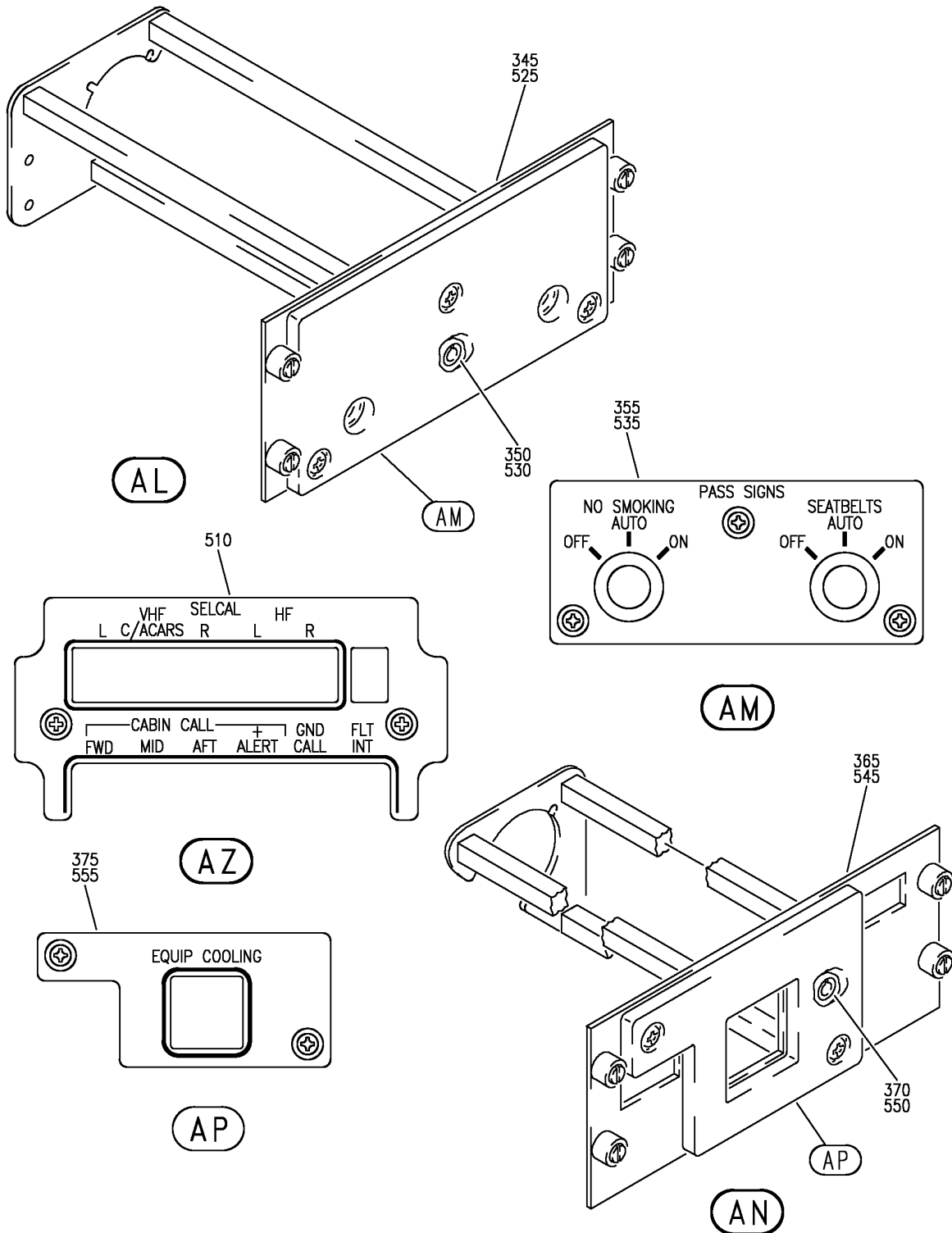
PANEL INSTL-P5 OVHD (LIGHTPLATES ONLY)
FIGURE 65 (SHEET 12)

33-13-01-65

BRI
JAN 20/09

33-13-01-65
PAGE 0K

BOEING
757
PARTS CATALOG (MAINTENANCE)



Y 33130165 SH1 13 REV 275

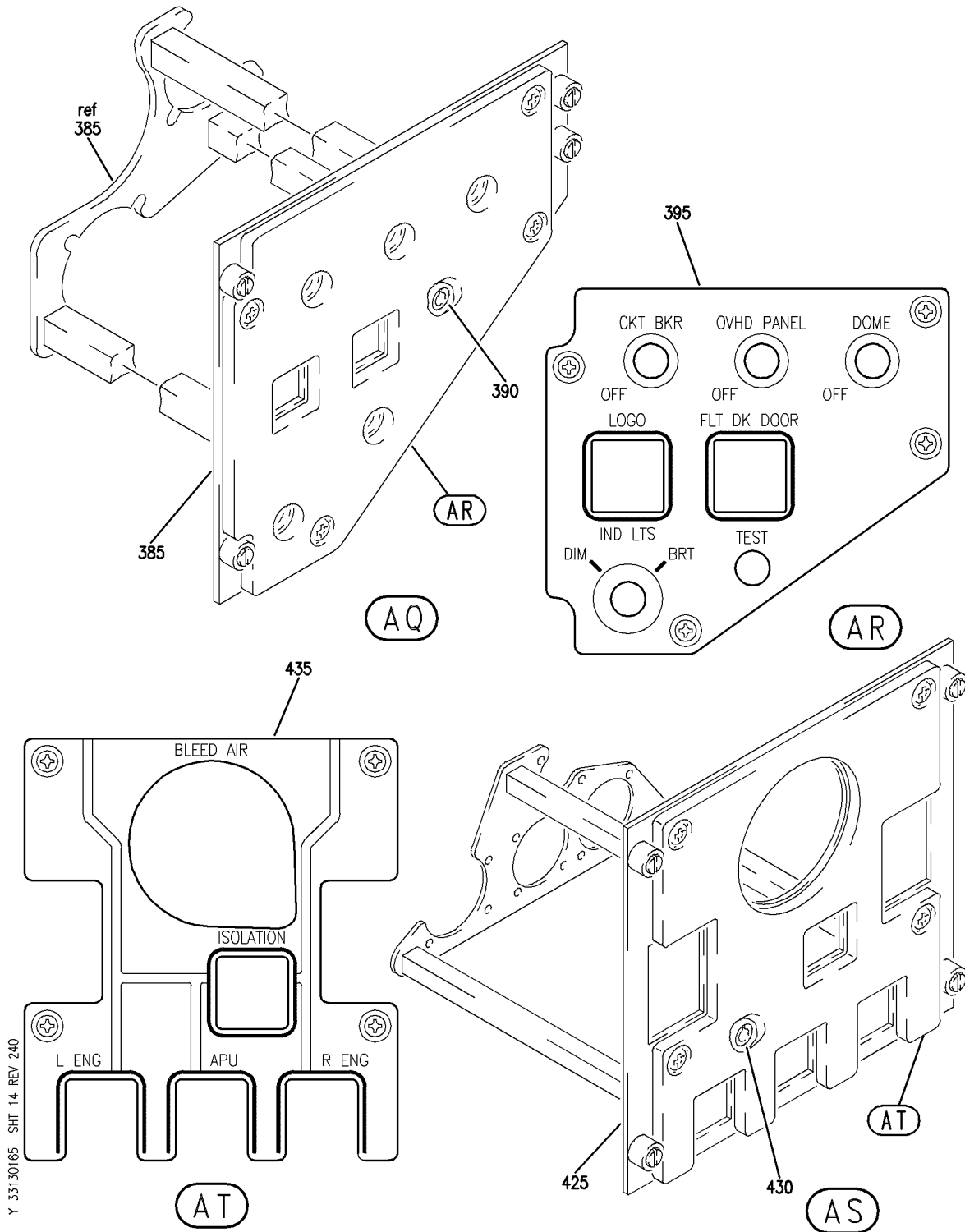
PANEL INSTL-P5 OVHD (LIGHTPLATES ONLY)
FIGURE 65 (SHEET 13)

33-13-01-65

BRI
JAN 20/09

33-13-01-65
PAGE 01

BOEING
757
PARTS CATALOG (MAINTENANCE)



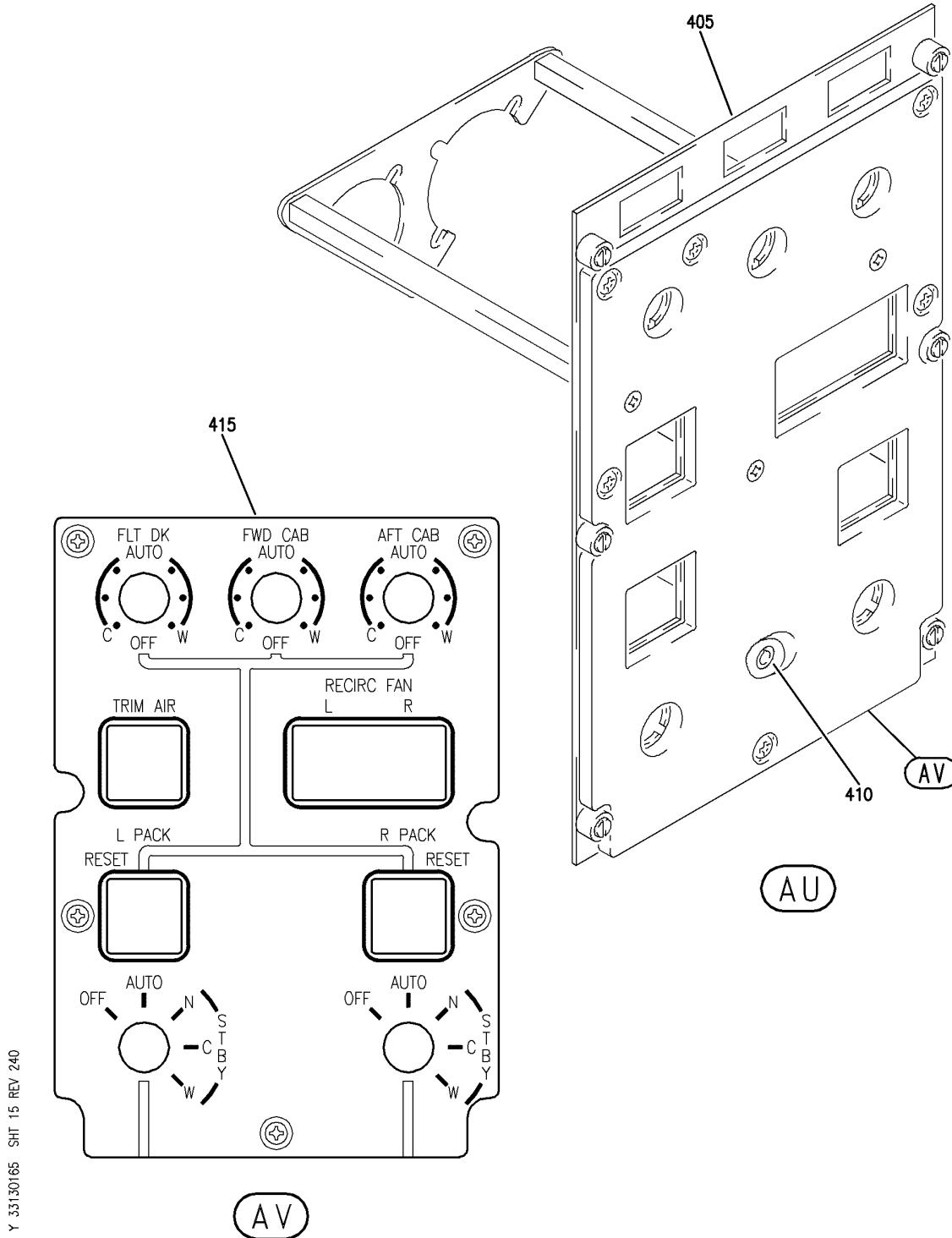
PANEL INSTL-P5 OVHD (LIGHTPLATES ONLY)
FIGURE 65 (SHEET 14)

33-13-01-65

BRI
JAN 20/09

33-13-01-65
PAGE 0M

BOEING
757
PARTS CATALOG (MAINTENANCE)



Y 33130165 SHT 15 REV 240

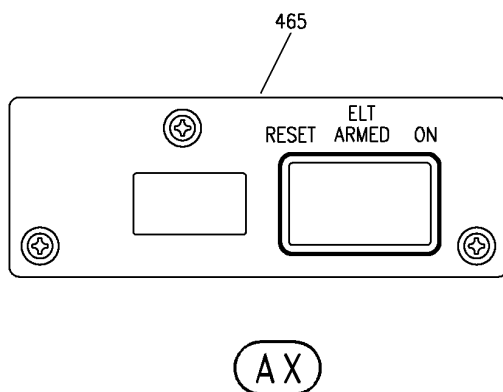
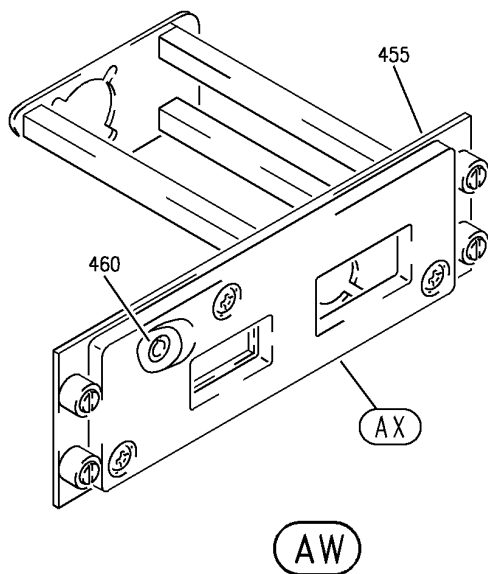
PANEL INSTL-P5 OVHD (LIGHTPLATES ONLY)
FIGURE 65 (SHEET 15)

33-13-01-65

BRI
JAN 20/09

33-13-01-65
PAGE ON

BOEING
757
PARTS CATALOG (MAINTENANCE)



Y 33130165 SHT 16 REV 305

PANEL INSTL-P5 OVHD (LIGHTPLATES ONLY)
FIGURE 65 (SHEET 16)

33-13-01-65

BRI
JAN 20/09

33-13-01-65
PAGE 00



757

PARTS CATALOG (MAINTENANCE)

FIG ITEM	PART NUMBER	1 2 3 4 5 6 7	NOMENCLATURE	EFFECT FROM TO	UNITS PER ASSY
65			PANEL INSTL-P5 OVHD (LIGHTPLATES ONLY)	103106	
- 1	MODREF33760		PANEL INSTL-P5 OVHD (LIGHTPLATES ONLY) MODULE NUMBER: 233N3103-351 REV C FOR OTHER SYS DETAILS SEE: 11-31-10-12 21-25-55-03 21-31-01-02 21-33-51-03 21-51-54-03 21-58-19-10 21-58-51-03 21-61-04-03 21-65-51-01 22-21-01-04 22-24-51-02 23-24-01-01 23-32-00-11 23-42-02-02 23-71-05-02 24-11-52-05 24-22-01-03 24-31-01-10 24-31-03-09 24-33-04-01 24-41-51-04 24-51-62-01 26-18-51-04 27-21-53-02 27-41-55-01 27-61-51-03 27-62-52-02 28-22-51-02 28-41-04-01 28-41-51-03 29-11-02-03 29-11-05-04 29-11-52-07 29-21-54-03 29-31-00-01 29-32-51-03 29-33-52-03 30-11-51-03 30-21-51-03 30-31-51-02 30-32-51-01 30-33-51-02	103103	1
MISSING ITEM NUMBERS NOT APPLICABLE					

- ITEM NOT ILLUSTRATED

33-13-01-65

33-13-01
FIG. 65
PAGE 1
JAN 20/09

BRI



757

PARTS CATALOG (MAINTENANCE)

FIG ITEM	PART NUMBER	1 2 3 4 5 6 7 NOMENCLATURE	EFFECT FROM TO	UNITS PER ASSY
65		30-41-51-03 30-42-51-03 31-12-11-91 31-12-11-91A 32-42-52-03 33-11-03-03 33-11-51-17 33-16-51-03 33-24-51-02 33-41-52-04 33-42-01-04 33-42-02-04 33-42-52-04 33-43-51-04 33-44-51-05 33-45-53-03 33-51-08-05 34-21-02-01 35-21-51-04 36-11-04-01 36-21-00-01 36-21-02-05 36-22-51-03 49-41-00-02 49-52-00-01 49-70-00-01 52-51-51-03 52-71-51-02 73-21-52-02 74-31-51-05 75-32-00-01 80-11-09-02 FOR ADDITIONAL DETAILS SEE: 33-13-02-03 PANEL INSTL-P5 OVHD (LIGHTPLATES ONLY) MODULE NUMBER: 233N3103-351 REV D FOR OTHER SYS DETAILS SEE: 11-31-10-12 21-25-55-03 21-31-01-02 21-33-51-03 21-51-54-03 21-58-19-10 21-58-51-03 21-61-04-03 21-65-51-01 22-21-01-04 MISSING ITEM NUMBERS NOT APPLICABLE	104105	1
-	1 MODREF34038			

- ITEM NOT ILLUSTRATED

33-13-01-65

33-13-01
 FIG. 65
 PAGE 2
 JAN 20/09

BRI



757

PARTS CATALOG (MAINTENANCE)

FIG ITEM	PART NUMBER	1 2 3 4 5 6 7	NOMENCLATURE	EFFECT FROM TO	UNITS PER ASSY
65			22-24-51-02 23-24-01-01 23-32-00-11 23-42-02-02 23-71-05-02 24-11-52-05 24-22-01-03 24-31-01-10 24-31-03-09 24-33-04-01 24-41-51-04 24-51-62-01 26-18-51-04 27-21-53-02 27-41-55-01 27-61-51-03 27-62-52-02 28-22-51-02 28-41-04-01 28-41-51-03 29-11-02-03 29-11-05-04 29-11-52-07 29-21-54-03 29-31-00-01 29-32-51-03 29-33-52-03 30-11-51-03 30-21-51-03 30-31-51-02 30-32-51-01 30-33-51-02 30-41-51-03 30-42-51-03 31-12-11-91 31-12-11-91 A 32-42-52-03 33-11-03-03 33-11-51-17 33-16-51-03 33-24-51-02 33-41-52-04 33-42-01-04 33-42-02-04 33-42-52-04 33-43-51-04 33-44-51-05 33-45-53-03 33-51-08-05		
MISSING ITEM NUMBERS NOT APPLICABLE					

- ITEM NOT ILLUSTRATED

33-13-01-65

33-13-01
FIG. 65
PAGE 3
JAN 20/09

BRI



757

PARTS CATALOG (MAINTENANCE)

FIG ITEM	PART NUMBER	1 2 3 4 5 6 7	NOMENCLATURE	EFFECT FROM TO	UNITS PER ASSY
65			34-21-02-01 35-21-51-04 36-11-04-01 36-21-00-01 36-21-02-05 36-22-51-03 49-41-00-02 49-52-00-01 49-70-00-01 52-51-51-03 52-71-51-02 73-21-52-02 74-31-51-05 75-32-00-01 80-11-09-02 FOR ADDITIONAL DETAILS SEE: 33-13-02-03 PANEL INSTL-P5 OVHD (LIGHTPLATES ONLY) MODULE NUMBER: 233N3103-353 REV B FOR OTHER SYS DETAILS SEE: 11-31-10-12 21-25-55-03 21-31-01-02 21-33-51-03 21-51-54-03 21-58-19-10 21-58-51-03 21-61-04-03 21-65-51-01 22-21-01-04 22-24-51-02 23-24-01-01 23-32-00-11 23-42-02-02 23-71-05-02 24-11-52-05 24-22-01-03 24-31-01-10 24-31-03-09 24-33-04-01 24-41-51-04 24-51-62-01 26-18-51-04 27-21-53-02 27-41-55-01 27-61-51-03 27-62-52-02		
- 1	MODREF170180		FOR ADDITIONAL DETAILS SEE: 33-13-02-03 PANEL INSTL-P5 OVHD (LIGHTPLATES ONLY) MODULE NUMBER: 233N3103-353 REV B FOR OTHER SYS DETAILS SEE: 11-31-10-12 21-25-55-03 21-31-01-02 21-33-51-03 21-51-54-03 21-58-19-10 21-58-51-03 21-61-04-03 21-65-51-01 22-21-01-04 22-24-51-02 23-24-01-01 23-32-00-11 23-42-02-02 23-71-05-02 24-11-52-05 24-22-01-03 24-31-01-10 24-31-03-09 24-33-04-01 24-41-51-04 24-51-62-01 26-18-51-04 27-21-53-02 27-41-55-01 27-61-51-03 27-62-52-02	106106	1

MISSING ITEM NUMBERS NOT APPLICABLE

- ITEM NOT ILLUSTRATED

33-13-01-65

33-13-01
FIG. 65
PAGE 4
JAN 20/09

BRI



757

PARTS CATALOG (MAINTENANCE)

FIG ITEM	PART NUMBER	1 2 3 4 5 6 7 NOMENCLATURE	EFFECT FROM TO	UNITS PER ASSY
65		28-22-51-02 28-41-04-01 28-41-51-03 29-11-02-03 29-11-05-04 29-11-52-07 29-21-54-03 29-31-00-01 29-32-51-03 29-33-52-03 30-11-51-03 30-21-51-03 30-31-51-02 30-32-51-01 30-33-51-02 30-41-51-03 30-42-51-03 31-12-11-84 31-12-11-84 A 32-42-52-03 33-11-03-03 33-11-51-17 33-16-51-03 33-24-51-02 33-41-52-04 33-42-01-04 33-42-02-04 33-42-52-04 33-43-51-04 33-44-51-05 33-45-53-03 33-51-08-05 34-21-02-01 35-21-51-04 36-11-04-01 36-21-00-01 36-21-02-05 36-22-51-03 49-41-00-02 49-52-00-01 49-70-00-01 52-51-51-03 52-71-51-02 73-21-52-02 74-31-51-05 75-32-00-01 80-11-09-02 FOR ADDITIONAL DETAILS SEE: 33-13-02-03		

MISSING ITEM NUMBERS NOT APPLICABLE

- ITEM NOT ILLUSTRATED

33-13-01-65

33-13-01
FIG. 65
PAGE 5
JAN 20/09

BRI



757

PARTS CATALOG (MAINTENANCE)

FIG ITEM	PART NUMBER	1 2 3 4 5 6 7	NOMENCLATURE	EFFECT FROM TO	UNITS PER ASSY
65 - 20	233N3216-309	.	PANEL ASSY-YAW DAMPER SUPPLIER CODE: V89954 ELECTRICAL EQUIP NUMBER: M10250 COMPONENT MAINT MANUAL REF: 22-21-71	103106	RF
25	233N3216-35	..	PANEL ASSY- SUPPLIER CODE: V89954 MISCELLANEOUS DATA: FOR SPARES PROCURE NEXT HIGHER ASSY COMPONENT MAINT MANUAL REF: 22-21-71 USED ON: 233N3216-309	103106	RF
30	800-000121-1	...	CONNECTOR-PWR SUPPLIER CODE: V05617	103106	1
35	800-002799	..	LIGHTPLATE-5V WHITE ILLUMINATED INTEGRALLY LIGHTED YAW DAMPER SUPPLIER CODE: V05617 SPECIFICATION NUMBER: S233T100-1075 MISCELLANEOUS DATA: FOR VENDOR FSCM 05617 FOR SPARES ORDER THE 800-002799-1 OPTIONAL PART: S233T100-1075 V51896 800-002799-1 V05617	103106	1
35	S233T100-1075	..	LIGHTPLATE-5V WHITE ILLUMINATED INTEGRALLY LIGHTED YAW DAMPER SUPPLIER CODE: V51896 SPECIFICATION NUMBER: S233T100-1075 OPTIONAL PART: 800-002799 V05617	103106	1

MISSING ITEM NUMBERS NOT APPLICABLE

- ITEM NOT ILLUSTRATED

33-13-01-65

33-13-01
FIG. 65
PAGE 6
JAN 20/09

BRI



757

PARTS CATALOG (MAINTENANCE)

FIG ITEM	PART NUMBER	1 2 3 4 5 6 7	NOMENCLATURE	EFFECT FROM TO	UNITS PER ASSY
65 35	800-002799-1		..LIGHTPLATE-5V WHITE ILLUMINATED INTEGRALLY LIGHTED YAW DAMPER SUPPLIER CODE: V05617 SPECIFICATION NUMBER: S233T100-1075 OPTIONAL PART: S233T100-1075 V51896 800-002799 V05617	103106	1
- 40	233T3242-301		.PANEL ASSY-EEC CONT SUPPLIER CODE: V89954 ELECTRICAL EQUIP NUMBER: M10761 COMPONENT MAINT MANUAL REF: 73-21-86 QUALIFIED I/W DATA: 233T3242-301 PANEL ASSY IS I/W 233T3242-6 PANEL ASSY T/W S233T100-1092 LIGHTPLATE	103106	RF
45	233T3242-6		..PANEL ASSY- SUPPLIER CODE: V89954 COMPONENT MAINT MANUAL REF: 73-21-86 QUALIFIED I/W DATA: 233T3242-301 PANEL ASSY IS I/W 233T3242-6 PANEL ASSY T/W S233T100-1092 LIGHTPLATE	103106	RF
50	800-000121-1		...CONNECTOR-PWR SUPPLIER CODE: V05617	103106	1

MISSING ITEM NUMBERS NOT APPLICABLE

- ITEM NOT ILLUSTRATED

33-13-01-65

33-13-01
FIG. 65
PAGE 7
JAN 20/09

BRI



757

PARTS CATALOG (MAINTENANCE)

FIG ITEM	PART NUMBER	1 2 3 4 5 6 7	NOMENCLATURE	EFFECT FROM TO	UNITS PER ASSY
65 55	800-002855		..LIGHTPLATE-5V WHITE ILLUMINATED INTEGRALLY LIGHTED EEC CONT SUPPLIER CODE: V05617 SPECIFICATION NUMBER: S233T100-1092 MISCELLANEOUS DATA: FOR VENDOR FSCM 05617 FOR SPARES ORDER THE 800-002855-1 OPTIONAL PART: S233T100-1092 V58196 800-002855-1 V05617	103106	1
55	800-002855-1		..LIGHTPLATE-5V WHITE ILLUMINATED INTEGRALLY LIGHTED EEC CONT SUPPLIER CODE: V05617 SPECIFICATION NUMBER: S233T100-1092 OPTIONAL PART: S233T100-1092 V58196 800-002855 V05617	103106	1
- 60	233N3205-302		.PANEL ASSY-HYDR SUPPLIER CODE: V89954 ELECTRICAL EQUIP NUMBER: M10050 COMPONENT MAINT MANUAL REF: 29-00-71 QUALIFIED I/W DATA: 233N3205-302 PANEL ASSY IS I/W 233N3205-27 PANEL ASSY T/W S233T100-6060 LIGHTPLATE	103106	RF

MISSING ITEM NUMBERS NOT APPLICABLE

- ITEM NOT ILLUSTRATED

33-13-01-65

33-13-01
FIG. 65
PAGE 8
JAN 20/09

BRI



757

PARTS CATALOG (MAINTENANCE)

FIG ITEM	PART NUMBER	1 2 3 4 5 6 7	NOMENCLATURE	EFFECT FROM TO	UNITS PER ASSY
65					
65	233N3205-27		..PANEL ASSY- SUPPLIER CODE: V89954 COMPONENT MAINT MANUAL REF: 29-00-71 QUALIFIED I/W DATA: 233N3205-302 PANEL ASSY IS I/W 233N3205-27 PANEL ASSY T/W S233T100-6060 LIGHTPLATE	103106	RF
70	800-000121-1		...CONNECTOR-PWR SUPPLIER CODE: V05617	103106	1
75	800-003315		..LIGHTPLATE-5V WHITE ILLUMINATED INTEGRALLY LIGHTED HYDR SUPPLIER CODE: V05617 SPECIFICATION NUMBER: S233T100-6060 MISCELLANEOUS DATA: FOR VENDOR FSCM 05617 FOR SPARES ORDER THE 800-003315-1 OPTIONAL PART: S233T100-6060 V51896 800-003315-1 V05617	103106	1
75	800-003315-1		..LIGHTPLATE-5V WHITE ILLUMINATED INTEGRALLY LIGHTED HYDR SUPPLIER CODE: V05617 SPECIFICATION NUMBER: S233T100-6060 OPTIONAL PART: S233T100-6060 V51896 800-003315 V05617	103106	1
- 80	233N3211-319		.PANEL ASSY-BATTERY/STBY PWR SUPPLIER CODE: V89954 ELECTRICAL EQUIP NUMBER: M10062 COMPONENT MAINT MANUAL REF: 24-33-72	103106	RF

MISSING ITEM NUMBERS NOT APPLICABLE

- ITEM NOT ILLUSTRATED

33-13-01-65

33-13-01
FIG. 65
PAGE 9
JAN 20/09

BRI



757

PARTS CATALOG (MAINTENANCE)

FIG ITEM	PART NUMBER	1 2 3 4 5 6 7	NOMENCLATURE	EFFECT FROM TO	UNITS PER ASSY
65					
85	233N3211-68		.. PANEL ASSY- SUPPLIER CODE: V89954 COMPONENT MAINT MANUAL REF: 24-33-72 USED ON: 233N3211-319	103106	RF
90	800-000121-1		... CONNECTOR-PWR SUPPLIER CODE: V05617 USED ON: 233N3211-68	103106	1
95	800-000918		.. LIGHTPLATE-5V WHITE ILLUMINATED INTEGRALLY LIGHTED BAT/STBY PWR SUPPLIER CODE: V05617 SPECIFICATION NUMBER: S233T100-1081 MISCELLANEOUS DATA: FOR VENDOR FSCM 05617 FOR SPARES ORDER THE 800-000918-1 OPTIONAL PART: S233T100-1081 V51896 800-000918-1 V05617 USED ON: 233N3211-308 233N3211-319	103106	1
95	800-000918-1		.. LIGHTPLATE-5V WHITE ILLUMINATED INTEGRALLY LIGHTED BAT/STBY PWR SUPPLIER CODE: V05617 SPECIFICATION NUMBER: S233T100-1081 OPTIONAL PART: S233T100-1081 V51896 800-000918 V05617	103106	1

MISSING ITEM NUMBERS NOT APPLICABLE

- ITEM NOT ILLUSTRATED

BRI

33-13-01-65

BOEING PROPRIETARY - Copyright © - Unpublished Work - See title page for details.

33-13-01
FIG. 65
PAGE 10
JAN 20/09



757

PARTS CATALOG (MAINTENANCE)

FIG ITEM	PART NUMBER	1 2 3 4 5 6 7	NOMENCLATURE	EFFECT FROM TO	UNITS PER ASSY
65 - 100	233N3209-314	.	PANEL ASSY-E/E SUPPLIER CODE: V89954 ELECTRICAL EQUIP NUMBER: M10063 COMPONENT MAINT MANUAL REF: 24-22-71	103106	RF
105	233N3209-50	..	PANEL ASSY- SUPPLIER CODE: V89954 COMPONENT MAINT MANUAL REF: 24-22-71 USED ON: 233N3209-314	103106	RF
110	800-000121-1	...	CONNECTOR-PWR SUPPLIER CODE: V05617	103106	1
115	800-000928	..	LIGHTPLATE-5V WHITE ILLUMINATED INTEGRALLY LIGHTED E/E SUPPLIER CODE: V05617 SPECIFICATION NUMBER: S233T100-6004 MISCELLANEOUS DATA: FOR VENDOR FSCM 05617 FOR SPARES ORDER THE 800-000928-1 OPTIONAL PART: S233T100-6004 V51896 800-000928-1 V05617	103106	1
115	800-000928-1	..	LIGHTPLATE-5V WHITE ILLUMINATED INTEGRALLY LIGHTED E/E SUPPLIER CODE: V05617 SPECIFICATION NUMBER: S233T100-6004 OPTIONAL PART: S233T100-6004 V51896 800-000928 V05617	103106	1

MISSING ITEM NUMBERS NOT APPLICABLE

- ITEM NOT ILLUSTRATED

33-13-01-65

33-13-01
FIG. 65
PAGE 11
JAN 20/09

BRI



757

PARTS CATALOG (MAINTENANCE)

FIG ITEM	PART NUMBER	1 2 3 4 5 6 7	NOMENCLATURE	EFFECT FROM TO	UNITS PER ASSY
65 - 120	233T3232-302		.PANEL ASSY-APU START SUPPLIER CODE: V89954 ELECTRICAL EQUIP NUMBER: M00001 COMPONENT MAINT MANUAL REF: 49-61-52	103106	RF
- 120	233T3232-305		.PANEL ASSY-APU START SUPPLIER CODE: V89954 ELECTRICAL EQUIP NUMBER: M00001 COMPONENT MAINT MANUAL REF: 49-61-52	103106	RF
125	233T3232-15		..PANEL ASSY- SUPPLIER CODE: V89954 COMPONENT MAINT MANUAL REF: 49-61-52 USED ON: 233T3232-302	103106	RF
125	233T3232-23		..PANEL ASSY- SUPPLIER CODE: V89954 COMPONENT MAINT MANUAL REF: 49-61-52 USED ON: 233T3232-305	103106	RF
130	800-000121-1		...CONNECTOR-PWR SUPPLIER CODE: V05617	103106	1
135	800-002583		..LIGHTPLATE-5V WHITE ILLUMINATED INTEGRALLY LIGHTED APU START SUPPLIER CODE: V05617 SPECIFICATION NUMBER: S233T100-6025 MISCELLANEOUS DATA: FOR VENDOR FSCM 05617 FOR SPARES ORDER THE 800-002583-1 OPTIONAL PART: S233T100-6025 V51896 800-002583-1 V05617	103106	1

MISSING ITEM NUMBERS NOT APPLICABLE

- ITEM NOT ILLUSTRATED

33-13-01-65

33-13-01
FIG. 65
PAGE 12
JAN 20/09

BRI



757

PARTS CATALOG (MAINTENANCE)

FIG ITEM	PART NUMBER	1 2 3 4 5 6 7	NOMENCLATURE	EFFECT FROM TO	UNITS PER ASSY
65 135	800-002583-1		..LIGHTPLATE-5V WHITE ILLUMINATED INTEGRALLY LIGHTED APU START SUPPLIER CODE: V05617 SPECIFICATION NUMBER: S233T100-6025 OPTIONAL PART: S233T100-6025 V51896 800-002583 V05617	103106	1
- 140	233N3214-305		.PANEL ASSY-LIGHTING CONT SUPPLIER CODE: V89954 POSITION DATA: L ELECTRICAL EQUIP NUMBER: M10056 COMPONENT MAINT MANUAL REF: 33-11-71	103106	RF
145	233N3214-34		..PANEL ASSY- SUPPLIER CODE: V89954 COMPONENT MAINT MANUAL REF: 33-11-71	103106	RF
150	800-000121-1		...CONNECTOR-PWR SUPPLIER CODE: V05617	103106	1
155	800-000922		..LIGHTPLATE-5V WHITE ILLUMINATED INTEGRALLY LIGHTED LIGHTING L SUPPLIER CODE: V05617 POSITION DATA: L SIDE SPECIFICATION NUMBER: S233T100-6016 MISCELLANEOUS DATA: FOR VENDOR FSCM 05617 FOR SPARES ORDER THE 800-000922-1 OPTIONAL PART: S233T100-6016 V51896 800-000922-1 V05617	103106	1

MISSING ITEM NUMBERS NOT APPLICABLE

- ITEM NOT ILLUSTRATED

33-13-01-65

33-13-01
FIG. 65
PAGE 13
JAN 20/09

BRI



757

PARTS CATALOG (MAINTENANCE)

FIG ITEM	PART NUMBER	1 2 3 4 5 6 7	NOMENCLATURE	EFFECT FROM TO	UNITS PER ASSY
65 155	800-000922-1		..LIGHTPLATE-5V WHITE ILLUMINATED INTEGRALLY LIGHTED LIGHTING L SUPPLIER CODE: V05617 POSITION DATA: L SIDE SPECIFICATION NUMBER: S233T100-6016 OPTIONAL PART: S233T100-6016 V51896 800-000922 V05617	103106	1
- 160	233T3210-306		.PANEL ASSY-EMER LIGHTS PASS. OXY SUPPLIER CODE: V89954 ELECTRICAL EQUIP NUMBER: M00043 COMPONENT MAINT MANUAL REF: 33-51-03	103106	RF
165	233T3210-42		..PANEL ASSY- SUPPLIER CODE: V89954 COMPONENT MAINT MANUAL REF: 33-51-03 USED ON: 233T3210-306	103106	RF
170	800-000121-1		...CONNECTOR-PWR SUPPLIER CODE: V05617 USED ON: 233T3210-42	103106	1

MISSING ITEM NUMBERS NOT APPLICABLE

- ITEM NOT ILLUSTRATED

33-13-01-65

33-13-01
FIG. 65
PAGE 14
JAN 20/09

BRI



757

PARTS CATALOG (MAINTENANCE)

FIG ITEM	PART NUMBER	1 2 3 4 5 6 7	NOMENCLATURE	EFFECT FROM TO	UNITS PER ASSY
65 175	800-000912		..LIGHTPLATE-5V WHITE ILLUMINATED INTEGRALLY LIGHTED EMER LTS/PASS OXY SUPPLIER CODE: V05617 SPECIFICATION NUMBER: S233T100-1077 MISCELLANEOUS DATA: FOR VENDOR FSCM 05617 FOR SPARES ORDER THE 800-000912-1 OPTIONAL PART: S233T100-1077 V51896 800-000912-1 V05617 USED ON: 233T3210-306	103106	1
175	S233T100-1077		..LIGHTPLATE-5V WHITE ILLUMINATED INTEGRALLY- LIGHTED EMER LTS/PASS OXY SUPPLIER CODE: V51896 SPECIFICATION NUMBER: S233T100-1077 OPTIONAL PART: 800-000912 V05617 USED ON: 233T3210-306	103106	1
175	800-000912-1		..LIGHTPLATE-5V WHITE ILLUMINATED INTEGRALLY LIGHTED EMER LTS/PASS OXY SUPPLIER CODE: V05617 SPECIFICATION NUMBER: S233T100-1077 OPTIONAL PART: S233T100-1077 V51896 800-000912 V05617	103106	1

MISSING ITEM NUMBERS NOT APPLICABLE

- ITEM NOT ILLUSTRATED

33-13-01-65

33-13-01
FIG. 65
PAGE 15
JAN 20/09

BRI



757

PARTS CATALOG (MAINTENANCE)

FIG ITEM	PART NUMBER	1 2 3 4 5 6 7	NOMENCLATURE	EFFECT FROM TO	UNITS PER ASSY
65 - 180	233N3223-343		.PANEL ASSY-ENG START/RAT SUPPLIER CODE: V89954 ELECTRICAL EQUIP NUMBER: M10468	103106	RF
185	233N3223-53		..PANEL ASSY- SUPPLIER CODE: V89954 MISCELLANEOUS DATA: FOR SPARES PROCURE NEXT HIGHER ASSY COMPONENT MAINT MANUAL REF: 31-12-01 USED ON: 233N3223-343	103106	RF
195	800-000121-1		...CONNECTOR-PWR SUPPLIER CODE: V05617 USED ON: 233N3223-53 233N3223-54	103106	1
200	800-000447		..LIGHTPLATE-5V WHITE ILLUMINATED INTEGRALLY LIGHTED ENG START/RAT SUPPLIER CODE: V05617 SPECIFICATION NUMBER: S233T100-6046 MISCELLANEOUS DATA: FOR VENDOR FSCM 05617 FOR SPARES ORDER THE 800-000447-1 OPTIONAL PART: S233T100-6046 V51896 800-000447-1 V05617 USED ON: 233N3223-343	103106	1

MISSING ITEM NUMBERS NOT APPLICABLE

- ITEM NOT ILLUSTRATED

33-13-01-65

33-13-01
FIG. 65
PAGE 16
JAN 20/09

BRI



757

PARTS CATALOG (MAINTENANCE)

FIG ITEM	PART NUMBER	1 2 3 4 5 6 7	NOMENCLATURE	EFFECT FROM TO	UNITS PER ASSY
65 200	S233T100-6046		..LIGHTPLATE-5V WHITE ILLUMINATED INTEGRALLY LIGHTED ENG START/RAT SUPPLIER CODE: V51896 SPECIFICATION NUMBER: S233T100-6046 OPTIONAL PART: 800-000447 V05617 USED ON: 233N3223-343	103106	1
200	800-000447-1		..LIGHTPLATE-5V WHITE ILLUMINATED INTEGRALLY LIGHTED ENG START/RAT SUPPLIER CODE: V05617 SPECIFICATION NUMBER: S233T100-6046 OPTIONAL PART: S233T100-6046 V51896 800-000447 V05617	103106	1
- 210	233N3206-300		.PANEL ASSY-FUEL CONT SUPPLIER CODE: V89954 ELECTRICAL EQUIP NUMBER: M10055 COMPONENT MAINT MANUAL REF: 28-41-71 QUALIFIED I/W DATA: THE 233N3206-300 PANEL ASSY IS I/W THE 233N3206-19 PANEL ASSY T/W THE S233T100-1106 LIGHTPLATE PRE ALERT SB: 28A0105R1 PRE COMPONENT SB: 233N3206-28-03	103106	RF

MISSING ITEM NUMBERS NOT APPLICABLE

- ITEM NOT ILLUSTRATED

33-13-01-65

33-13-01
FIG. 65
PAGE 17
JAN 20/09

BRI



757

PARTS CATALOG (MAINTENANCE)

FIG ITEM	PART NUMBER	1 2 3 4 5 6 7	NOMENCLATURE	EFFECT FROM TO	UNITS PER ASSY
65 - 210	233N3206-3300	.	PANEL ASSY-FUEL CONT SUPPLIER CODE: V89954 ELECTRICAL EQUIP NUMBER: M10055 COMPONENT MAINT MANUAL REF: 28-41-71 POST ALERT SB: 28A0105R1 POST COMPONENT SB: 233N3206-28-03	103106	RF
215	233N3206-19	..	PANEL ASSY- SUPPLIER CODE: V89954 COMPONENT MAINT MANUAL REF: 28-41-71 QUALIFIED I/W DATA: THE 233N3206-300 PANEL ASSY IS I/W THE 233N3206-19 PANEL ASSY T/W THE S233T100-1106 LIGHTPLATE PRE ALERT SB: 28A0105R1 PRE COMPONENT SB: 233N3206-28-03	103106	RF
215	233N3206-3019	...	PANEL ASSY- SUPPLIER CODE: V89954 COMPONENT MAINT MANUAL REF: 28-41-71 POST ALERT SB: 28A0105R1 POST COMPONENT SB: 233N3206-28-03	103106	RF
220	800-000121-1	...	CONNECTOR-PWR SUPPLIER CODE: V05617	103106	1

MISSING ITEM NUMBERS NOT APPLICABLE

- ITEM NOT ILLUSTRATED

33-13-01-65

33-13-01
FIG. 65
PAGE 18
JAN 20/09

BRI



757

PARTS CATALOG (MAINTENANCE)

FIG ITEM	PART NUMBER	1 2 3 4 5 6 7	NOMENCLATURE	EFFECT FROM TO	UNITS PER ASSY
65 225	800-000954		..LIGHTPLATE-5V WHITE ILLUMINATED INTEGRALLY LIGHTED FUEL MANAGEMENT SUPPLIER CODE: V05617 SPECIFICATION NUMBER: S233T100-1106 MISCELLANEOUS DATA: FOR VENDOR FSCM 05617 FOR SPARES ORDER THE 800-000954-1 OPTIONAL PART: S233T100-1106 V51896 800-000954-1 V05617	103106	1
225	800-000954-1		..LIGHTPLATE-5V WHITE ILLUMINATED INTEGRALLY LIGHTED FUEL MANAGEMENT SUPPLIER CODE: V05617 SPECIFICATION NUMBER: S233T100-1106 OPTIONAL PART: S233T100-1106 V51896 800-000954 V05617	103106	1
- 230	233N3204-332		.PANEL ASSY-ANTI-ICE SUPPLIER CODE: V89954 ELECTRICAL EQUIP NUMBER: M10397 COMPONENT MAINT MANUAL REF: 30-11-72	103106	RF
235	233N3204-36		..PANEL ASSY- SUPPLIER CODE: V89954 COMPONENT MAINT MANUAL REF: 30-11-72	103106	RF
240	800-000121-1		...CONNECTOR-PWR SUPPLIER CODE: V05617	103106	1

MISSING ITEM NUMBERS NOT APPLICABLE

- ITEM NOT ILLUSTRATED

33-13-01-65

33-13-01
FIG. 65
PAGE 19
JAN 20/09

BRI



757

PARTS CATALOG (MAINTENANCE)

FIG ITEM	PART NUMBER	1 2 3 4 5 6 7	NOMENCLATURE	EFFECT FROM TO	UNITS PER ASSY
65 245	800-001043		..LIGHTPLATE-5V WHITE ILLUMINATED INTEGRALLY LIGHTED ANTI-ICE SUPPLIER CODE: V05617 SPECIFICATION NUMBER: S233T100-1070 MISCELLANEOUS DATA: FOR VENDOR FSCM 05617 FOR SPARES ORDER THE 800-001043-1 OPTIONAL PART: S233T100-1070 V51896 800-001043-1 V05617	103106	1
245	800-001043-1		..LIGHTPLATE-5V WHITE ILLUMINATED INTEGRALLY LIGHTED ANTI-ICE SUPPLIER CODE: V05617 SPECIFICATION NUMBER: S233T100-1070 OPTIONAL PART: S233T100-1070 V51896 800-001043 V05617	103106	1
- 250	233N3201-303		.PANEL ASSY-WSHLD CLEARANCE SUPPLIER CODE: V89954 ELECTRICAL EQUIP NUMBER: M10023 COMPONENT MAINT MANUAL REF: 30-42-01	103106	RF
255	233N3201-16		..PANEL ASSY- SUPPLIER CODE: V89954 COMPONENT MAINT MANUAL REF: 30-42-01	103106	RF
260	800000121-1		...CONNECTOR-PWR SUPPLIER CODE: V05617	103106	1

MISSING ITEM NUMBERS NOT APPLICABLE

- ITEM NOT ILLUSTRATED

33-13-01-65

33-13-01
FIG. 65
PAGE 20
JAN 20/09

BRI



757

PARTS CATALOG (MAINTENANCE)

FIG ITEM	PART NUMBER	1 2 3 4 5 6 7	NOMENCLATURE	EFFECT FROM TO	UNITS PER ASSY
65 265	800-007678		..LIGHTPLATE-5V WHITE ILLUMINATED INTEGRALLY LIGHTED RAIN REPELLENT/ WIPER SUPPLIER CODE: V05617 SPECIFICATION NUMBER: S233T100-1113 OPTIONAL PART: S233T100-1113 V51896	103106	1
265	S233T100-1113		..LIGHTPLATE-5V WHITE ILLUMINATED INTEGRALLY LIGHTED RAIN REPELLENT/ WIPER SUPPLIER CODE: V51896 SPECIFICATION NUMBER: S233T100-1113 OPTIONAL PART: 800-007678 V05617	103106	1
- 270	233T3217-300		.PANEL ASSY-ANTI-COLLISION SUPPLIER CODE: V89954 ELECTRICAL EQUIP NUMBER: M00056 COMPONENT MAINT MANUAL REF: 33-44-72 QUALIFIED I/W DATA: THE 233T3217-300 PANEL ASSY IS I/W THE 233T3217-41 PANEL ASSY T/W THE S233T100-6030 LIGHTPLATE.	103106	RF
275	233T3217-41		..PANEL ASSY- SUPPLIER CODE: V89954 COMPONENT MAINT MANUAL REF: 33-44-72 QUALIFIED I/W DATA: THE 233T3217-300 PANEL ASSY IS I/W THE 233T3217-41 PANEL ASSY T/W THE S233T100-6030 LIGHTPLATE.	103106	RF
280	800-000121-1		...CONNECTOR-PWR SUPPLIER CODE: V05617	103106	1

MISSING ITEM NUMBERS NOT APPLICABLE

- ITEM NOT ILLUSTRATED

33-13-01-65

33-13-01
FIG. 65
PAGE 21
JAN 20/09

BRI



757

PARTS CATALOG (MAINTENANCE)

FIG ITEM	PART NUMBER	1 2 3 4 5 6 7	NOMENCLATURE	EFFECT FROM TO	UNITS PER ASSY
65 285	800-000916		..LIGHTPLATE-5V WHITE ILLUMINATED INTEGRALLY LIGHTED ANTI-COLLISION SUPPLIER CODE: V05617 SPECIFICATION NUMBER: S233T100-6030 MISCELLANEOUS DATA: FOR VENDOR FSCM 05617 FOR SPARES ORDER THE 800-000916-1 OPTIONAL PART: S233T100-6030 V51896 800-000916-1 V05617	103106	1
285	800-000916-1		..LIGHTPLATE-5V WHITE ILLUMINATED INTEGRALLY LIGHTED ANTI-COLLISION SUPPLIER CODE: V05617 SPECIFICATION NUMBER: S233T100-6030 OPTIONAL PART: S233T100-6030 V51896 800-000916 V05617	103106	1
- 290	233N3212-302		.PANEL ASSY-WINDOW HEAT SUPPLIER CODE: V89954 ELECTRICAL EQUIP NUMBER: M10395 COMPONENT MAINT MANUAL REF: 30-41-71 OPTIONAL PART: 233N3212-300 V89954	103106	RF

MISSING ITEM NUMBERS NOT APPLICABLE

- ITEM NOT ILLUSTRATED

33-13-01-65

33-13-01
FIG. 65
PAGE 22
JAN 20/09

BRI



757

PARTS CATALOG (MAINTENANCE)

FIG ITEM	PART NUMBER	1 2 3 4 5 6 7	NOMENCLATURE	EFFECT FROM TO	UNITS PER ASSY
65 - 290	233N3212-300	.	PANEL ASSY-WINDOW HEAT SUPPLIER CODE: V89954 ELECTRICAL EQUIP NUMBER: M10395 COMPONENT MAINT MANUAL REF: 30-41-71 QUALIFIED I/W DATA: THE 233N3212-300 PANEL ASSY IS I/W THE 233N3212-11 PANEL ASSY T/W THE S233T100-1073 LIGHTPLATE OPTIONAL PART: 233N3212-302 V89954	103106	RF
295	233N3212-14	..	PANEL ASSY- SUPPLIER CODE: V89954 COMPONENT MAINT MANUAL REF: 30-41-71 USED ON: 233N3212-302	103106	RF
295	233N3212-11	..	PANEL ASSY- SUPPLIER CODE: V89954 COMPONENT MAINT MANUAL REF: 30-41-71 QUALIFIED I/W DATA: THE 233N3212-300 PANEL ASSY IS I/W THE 233N3212-11 PANEL ASSY T/W THE S233T100-1073 LIGHTPLATE USED ON: 233N3212-300	103106	RF
300	800-000121-1	...	CONNECTOR-PWR SUPPLIER CODE: V05617	103106	1

MISSING ITEM NUMBERS NOT APPLICABLE

- ITEM NOT ILLUSTRATED

33-13-01-65

33-13-01
FIG. 65
PAGE 23
JAN 20/09

BRI



757

PARTS CATALOG (MAINTENANCE)

FIG ITEM	PART NUMBER	1 2 3 4 5 6 7	NOMENCLATURE	EFFECT FROM TO	UNITS PER ASSY
65 305	800-000920		..LIGHTPLATE-5V WHITE ILLUMINATED INTEGRALLY LIGHTED WINDOW HEAT SUPPLIER CODE: V05617 SPECIFICATION NUMBER: S233T100-1073 MISCELLANEOUS DATA: FOR VENDOR FSCM 05617 FOR SPARES ORDER THE 800-000920-1 OPTIONAL PART: S233T100-1073 V51896 800-000920-1 V05617 USED ON: 233N3212-302	103106	1
305	S233T100-1073		..LIGHTPLATE-5V WHITE ILLUMINATED INTEGRALLY LIGHTED WINDOW HEAT SUPPLIER CODE: V51896 SPECIFICATION NUMBER: S233T100-1073 OPTIONAL PART: 800-000920 V05617 USED ON: 233N3212-302	103106	1
305	800-000920		..LIGHTPLATE-5V WHITE ILLUMINATED INTEGRALLY LIGHTED WINDOW HEAT SUPPLIER CODE: V05617 SPECIFICATION NUMBER: S233T100-1073 MISCELLANEOUS DATA: FOR VENDOR FSCM 05617 FOR SPARES ORDER THE 800-000920-1 OPTIONAL PART: S233T100-1073 V51896 800-000920-1 V05617 USED ON: 233N3212-300	103106	1

MISSING ITEM NUMBERS NOT APPLICABLE

- ITEM NOT ILLUSTRATED

33-13-01-65

33-13-01
FIG. 65
PAGE 24
JAN 20/09

BRI



757

PARTS CATALOG (MAINTENANCE)

FIG ITEM	PART NUMBER	1 2 3 4 5 6 7	NOMENCLATURE	EFFECT FROM TO	UNITS PER ASSY
65 305	800-000920-1	..	LIGHTPLATE-5V WHITE ILLUMINATED INTEGRALLY LIGHTED WINDOW HEAT SUPPLIER CODE: V05617 SPECIFICATION NUMBER: S233T100-1073 OPTIONAL PART: S233T100-1073 V51896 800-000920 V05617	103106	1
305	800-000920-1	..	LIGHTPLATE-5V WHITE ILLUMINATED INTEGRALLY LIGHTED WINDOW HEAT SUPPLIER CODE: V05617 SPECIFICATION NUMBER: S233T100-1073 OPTIONAL PART: S233T100-1073 V51896 800-000920 V05617	103106	1
310	285T0024-53	.MODULE ASSY-PILOTS CALL SUPPLIER CODE: V89954 ELECTRICAL EQUIP NUMBER: M00051 COMPONENT MAINT MANUAL REF: 23-42-62		103106	RF
315	285T0024-46	.MODULE ASSY-PILOTS CALL SUPPLIER CODE: V89954 ELECTRICAL EQUIP NUMBER: M00051 COMPONENT MAINT MANUAL REF: 23-42-62 QUALIFIED I/W DATA: 285T0024-46 MAY REPLACE 285T0024-27 EXCEPT THE "FLT INT" SWITCH AND ASSOCIATED FUNCTIONALITY WILL NO LONGER BE PRESENT.285T0024-27 WITH "FLT INT" SWITCH LABELED INOP MAY REPLACE 285T0024-46		103106	RF

MISSING ITEM NUMBERS NOT APPLICABLE

- ITEM NOT ILLUSTRATED

33-13-01-65

33-13-01
FIG. 65
PAGE 25
JAN 20/09

BRI



757

PARTS CATALOG (MAINTENANCE)

FIG ITEM	PART NUMBER	1 2 3 4 5 6 7	NOMENCLATURE	EFFECT FROM TO	UNITS PER ASSY
65 320	800000121-1	..	CONNECTOR-PWR SUPPLIER CODE: V05617 USED ON: 285T0024-53	103106	1
325	800000121-1	..	CONNECTOR-PWR SUPPLIER CODE: V05617 USED ON: 285T0024-46	103106	1
330	285T1163-12	..	LIGHTPLATE-5V WHITE ILLUMINATED INTEGRALLY LIGHTED SELCAL USED ON: 285T0024-53	103106	1
335	285T1163-6	..	LIGHTPLATE ASSY-5V WHITE ILLUMINATED INTEGRALLY LIGHTED SELCAL USED ON: 285T0024-46	103106	1
- 336	CPS6C5D	...	FASTENER-CAPTIVE SUPPLIER CODE: V12324 OPTIONAL PART: P2-001000300 V51896	103106	2
- 336	P2-001000300	...	FASTENER-CAPTIVE SUPPLIER CODE: V51896 OPTIONAL PART: CPS6C5D V12324	103106	2
- 340	233T3216-300	.PANEL ASSY-PASS. SIGNS SUPPLIER CODE: V89954 ELECTRICAL EQUIP NUMBER: M00052 COMPONENT MAINT MANUAL REF: 33-24-02		103106	RF
345	233T3216-10	..PANEL ASSY- SUPPLIER CODE: V89954 COMPONENT MAINT MANUAL REF: 33-24-02		103106	RF
350	800-000121-1	...	CONNECTOR-PWR SUPPLIER CODE: V05617	103106	1

MISSING ITEM NUMBERS NOT APPLICABLE

- ITEM NOT ILLUSTRATED

33-13-01-65

33-13-01
FIG. 65
PAGE 26
JAN 20/09

BRI



757

PARTS CATALOG (MAINTENANCE)

FIG ITEM	PART NUMBER	1 2 3 4 5 6 7	NOMENCLATURE	EFFECT FROM TO	UNITS PER ASSY
65 355	800-000907		..LIGHTPLATE-5V WHITE ILLUMINATED INTEGRALLY LIGHTED PASS. SIGNS SUPPLIER CODE: V05617 SPECIFICATION NUMBER: S233T100-1018 MISCELLANEOUS DATA: FOR VENDOR FSCM 05617 FOR SPARES ORDER THE 800-000907-1 OPTIONAL PART: S233T100-1018 V51896 800-000907-1 V05617	103106	1
355	800-000907-1		..LIGHTPLATE-5V WHITE ILLUMINATED INTEGRALLY LIGHTED PASS. SIGNS SUPPLIER CODE: V05617 SPECIFICATION NUMBER: S233T100-1018 OPTIONAL PART: S233T100-1018 V51896 800-000907 V05617	103106	1
- 360	233N3203-337		.PANEL ASSY-EQPT COOLING SUPPLIER CODE: V89954 ELECTRICAL EQUIP NUMBER: M10067 COMPONENT MAINT MANUAL REF: 21-58-71	103106	RF
365	233N3203-37		..PANEL ASSY- SUPPLIER CODE: V89954 COMPONENT MAINT MANUAL REF: 21-58-71 USED ON: 233N3203-337	103106	RF
370	800-000121-1		...CONNECTOR-PWR SUPPLIER CODE: V05617	103106	1

MISSING ITEM NUMBERS NOT APPLICABLE

- ITEM NOT ILLUSTRATED

33-13-01-65

33-13-01
FIG. 65
PAGE 27
JAN 20/09

BRI



757

PARTS CATALOG (MAINTENANCE)

FIG ITEM	PART NUMBER	1 2 3 4 5 6 7	NOMENCLATURE	EFFECT FROM TO	UNITS PER ASSY
65 375	800-000415		..LIGHTPLATE-5V WHITE ILLUMINATED INTEGRALLY LIGHTED EQPT COOLING SUPPLIER CODE: V05617 SPECIFICATION NUMBER: S233T100-6045 MISCELLANEOUS DATA: FOR VENDOR FSCM 05617 FOR SPARES ORDER THE 800-000415-1 OPTIONAL PART: S233T100-6045 V51896 800-000415-1 V05617	103106	1
375	800-000415-1		..LIGHTPLATE-5V WHITE ILLUMINATED INTEGRALLY LIGHTED EQPT COOLING SUPPLIER CODE: V05617 SPECIFICATION NUMBER: S233T100-6045 OPTIONAL PART: S233T100-6045 V51896 800-000415 V05617	103106	1
- 380	233N3221-326		.PANEL ASSY-LIGHTING CONT SUPPLIER CODE: V89954 POSITION DATA: R ELECTRICAL EQUIP NUMBER: M10057 COMPONENT MAINT MANUAL REF: 33-11-72	103106	RF
385	233N3221-110		..PANEL ASSY- SUPPLIER CODE: V89954 COMPONENT MAINT MANUAL REF: 33-11-72 USED ON: 233N3221-326	103106	RF
390	800-000121-1		...CONNECTOR-PWR SUPPLIER CODE: V05617	103106	1

MISSING ITEM NUMBERS NOT APPLICABLE

- ITEM NOT ILLUSTRATED

33-13-01-65

33-13-01
FIG. 65
PAGE 28
JAN 20/09

BRI



757

PARTS CATALOG (MAINTENANCE)

FIG ITEM	PART NUMBER	1 2 3 4 5 6 7	NOMENCLATURE	EFFECT FROM TO	UNITS PER ASSY
65 398	800-008834		..LIGHTPLATE-5V WHITE ILLUMINATED INTEGRALLY LIGHTED RAIN REMOVAL/ANTI ICE SUPPLIER CODE: V05617 POSITION DATA: R SIDE SPECIFICATION NUMBER: S233T100-6069 OPTIONAL PART: S233T100-6069 V51896 USED ON: 233N3221-326	103106	1
- 400	233N3217-300		.PANEL ASSY-AIR CONDITIONING SUPPLIER CODE: V89954 ELECTRICAL EQUIP NUMBER: M10193 COMPONENT MAINT MANUAL REF: 21-51-71 QUALIFIED I/W DATA: THE 233N3217-300 PANEL ASSY IS I/W THE 233N3217-15 PANEL ASSY T/W THE S233T100-6014 LIGHTPLATE AND (2) BP248-127 KNOBS AND (3) BP260-113 KNOBS	103106	RF
405	233N3217-15		..PANEL ASSY- SUPPLIER CODE: V89954 COMPONENT MAINT MANUAL REF: 21-51-71 QUALIFIED I/W DATA: THE 233N3217-300 PANEL ASSY IS I/W THE 233N3217-15 PANEL ASSY T/W THE S233T100-6014 LIGHTPLATE AND (2) BP248-127 KNOBS AND (3) BP260-113 KNOBS	103106	RF
410	800-000121-1		...CONNECTOR-PWR SUPPLIER CODE: V05617	103106	1

MISSING ITEM NUMBERS NOT APPLICABLE

- ITEM NOT ILLUSTRATED

33-13-01-65

33-13-01
FIG. 65
PAGE 29
JAN 20/09

BRI



757

PARTS CATALOG (MAINTENANCE)

FIG ITEM	PART NUMBER	1 2 3 4 5 6 7	NOMENCLATURE	EFFECT FROM TO	UNITS PER ASSY
65 415	800-000445		..LIGHTPLATE-5V WHITE ILLUMINATED INTEGRALLY LIGHTED PACK CONT SUPPLIER CODE: V05617 SPECIFICATION NUMBER: S233T100-6014 MISCELLANEOUS DATA: FOR VENDOR FSCM 05617 FOR SPARES ORDER THE 800-000445-1 OPTIONAL PART: S233T100-6014 V51896 800-000445-1 V05617	103106	1
415	800-000445-1		..LIGHTPLATE-5V WHITE ILLUMINATED INTEGRALLY LIGHTED PACK CONT SUPPLIER CODE: V05617 SPECIFICATION NUMBER: S233T100-6014 OPTIONAL PART: S233T100-6014 V51896 800-000445 V05617	103106	1
- 420	233N3215-303		.PANEL ASSY-BLEED AIR SUPPLIER CODE: V89954 ELECTRICAL EQUIP NUMBER: M10259 COMPONENT MAINT MANUAL REF: 36-11-71	103106	RF
425	233N3215-22		..PANEL ASSY- SUPPLIER CODE: V89954 MISCELLANEOUS DATA: FOR SPARES PROCURE NEXT HIGHER ASSY COMPONENT MAINT MANUAL REF: 36-11-71 USED ON: 233N3215-303	103106	RF
430	800-000121-1		...CONNECTOR-PWR SUPPLIER CODE: V05617	103106	1

MISSING ITEM NUMBERS NOT APPLICABLE

- ITEM NOT ILLUSTRATED

33-13-01-65

33-13-01
FIG. 65
PAGE 30
JAN 20/09

BRI



757

PARTS CATALOG (MAINTENANCE)

FIG ITEM	PART NUMBER	1 2 3 4 5 6 7	NOMENCLATURE	EFFECT FROM TO	UNITS PER ASSY
65 435	800-000924		..LIGHTPLATE-5V WHITE ILLUMINATED INTEGRALLY LIGHTED BLEED AIR SUPPLIER CODE: V05617 SPECIFICATION NUMBER: S233T100-6009 MISCELLANEOUS DATA: FOR VENDOR FSCM 05617 FOR SPARES ORDER THE 800-000924-1 OPTIONAL PART: S233T100-6009 V51896 800-000924-1 V05617 USED ON: 233N3215-22	103106	1
435	S233T100-6009		..LIGHTPLATE-5V WHITE ILLUMINATED INTEGRALLY LIGHTED BLEED AIR SUPPLIER CODE: V51896 SPECIFICATION NUMBER: S233T100-6009 OPTIONAL PART: 800-000924 V05617 USED ON: 233N3215-22	103106	1
435	800-000924-1		..LIGHTPLATE-5V WHITE ILLUMINATED INTEGRALLY LIGHTED BLEED AIR SUPPLIER CODE: V05617 SPECIFICATION NUMBER: S233T100-6009 OPTIONAL PART: S233T100-6009 V51896 800-000924 V05617	103106	1

MISSING ITEM NUMBERS NOT APPLICABLE

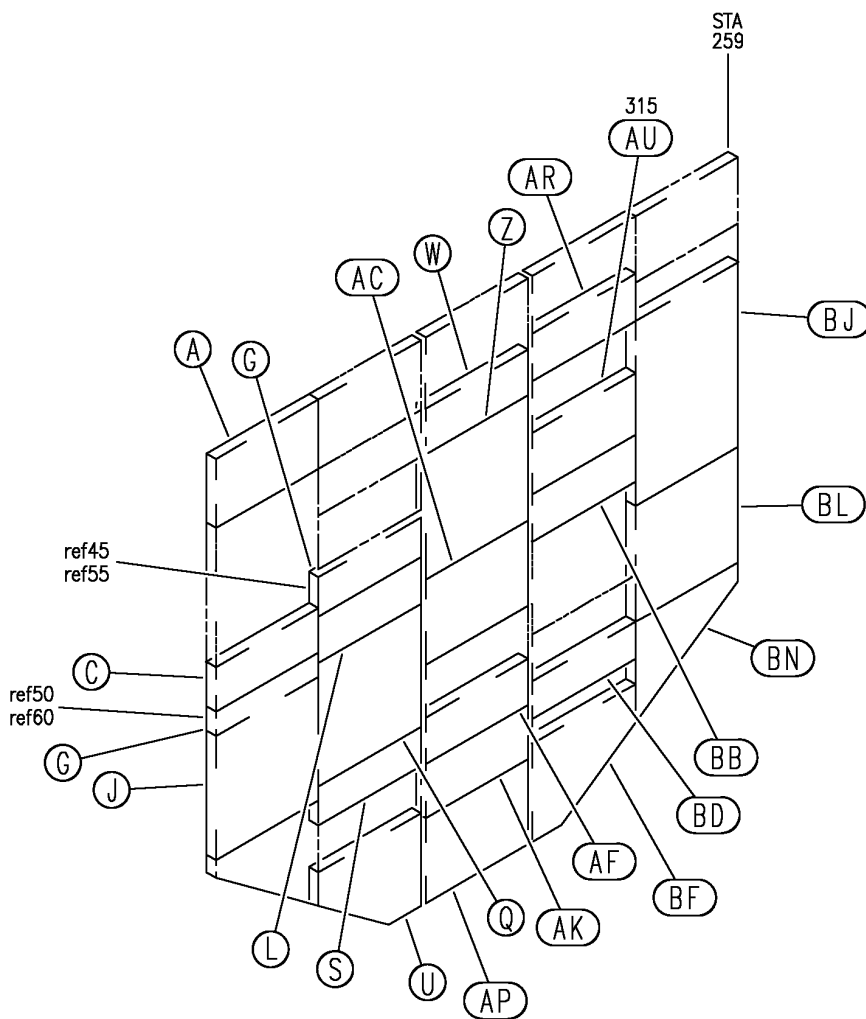
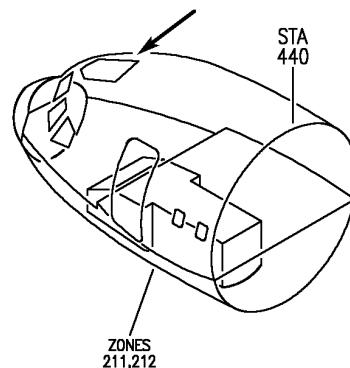
- ITEM NOT ILLUSTRATED

33-13-01-65

33-13-01
FIG. 65
PAGE 31
JAN 20/09

BRI

BOEING
757
PARTS CATALOG (MAINTENANCE)



Y 33130170 SH1 1 REV 271

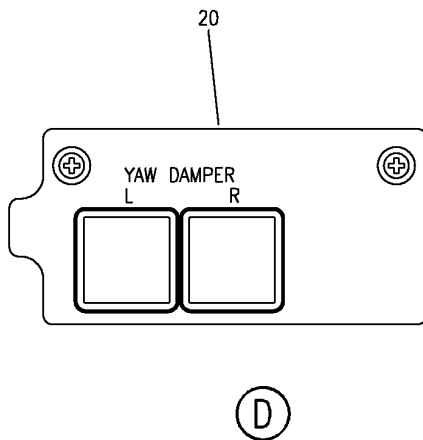
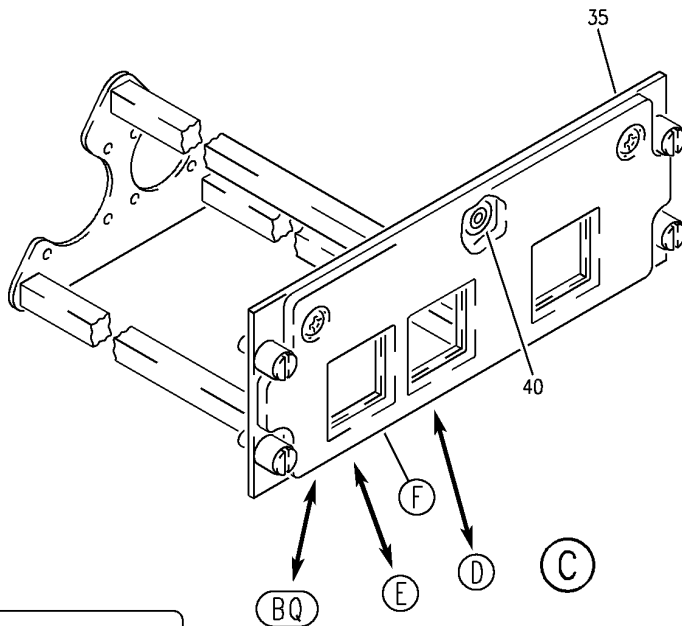
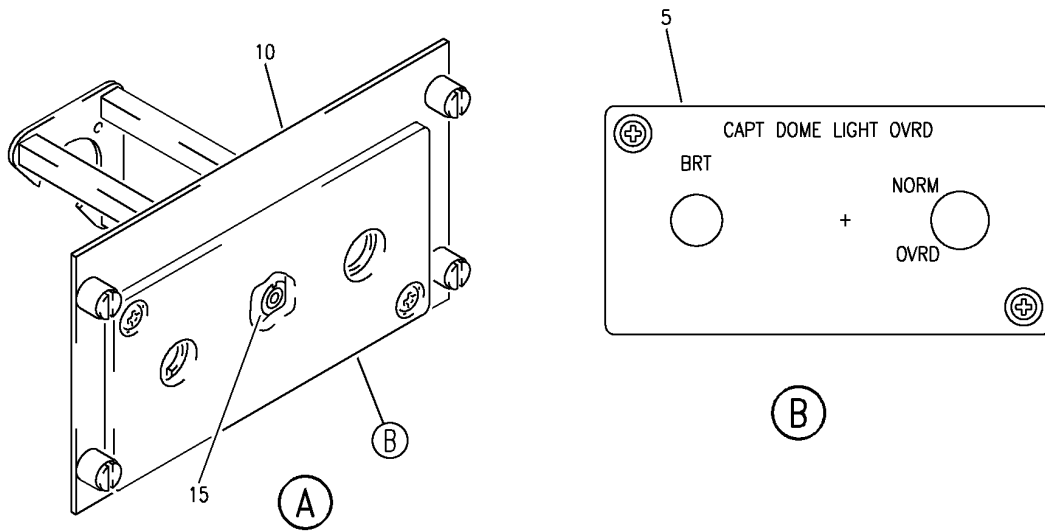
PANEL INSTL-P5 OVHD (LIGHTPLATES ONLY)
FIGURE 70 (SHEET 1)

33-13-01-70

BRI
MAY 28/07

33-13-01-70
PAGE 0

BOEING
757
PARTS CATALOG (MAINTENANCE)



Y 33130170 SHT 2 REV 303

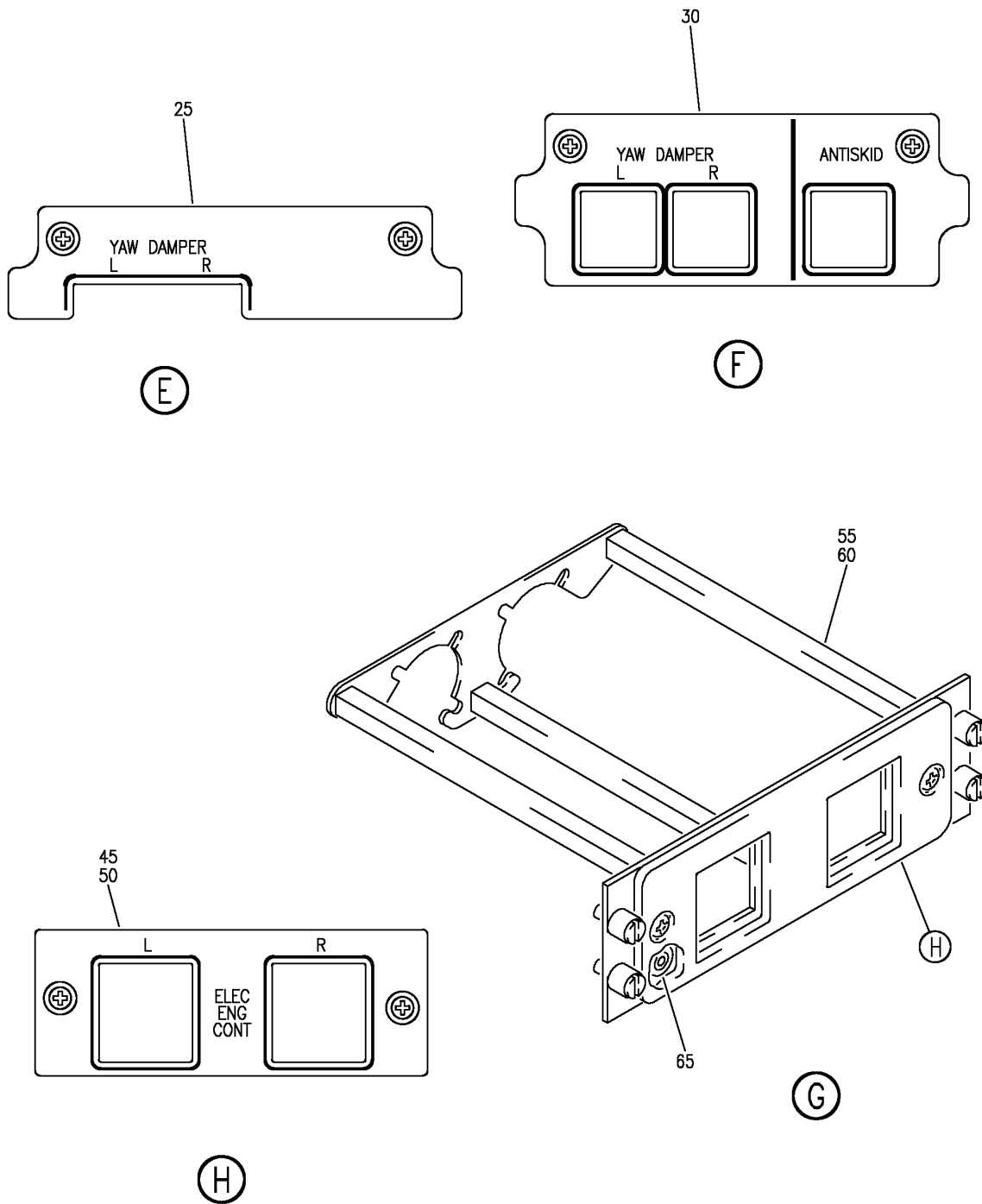
PANEL INSTL-P5 OVHD (LIGHTPLATES ONLY)
FIGURE 70 (SHEET 2)

33-13-01-70

BRI
MAY 28/07

33-13-01-70
PAGE 0A

BOEING
757
PARTS CATALOG (MAINTENANCE)



Y 33130170 SHT 3 REV 271

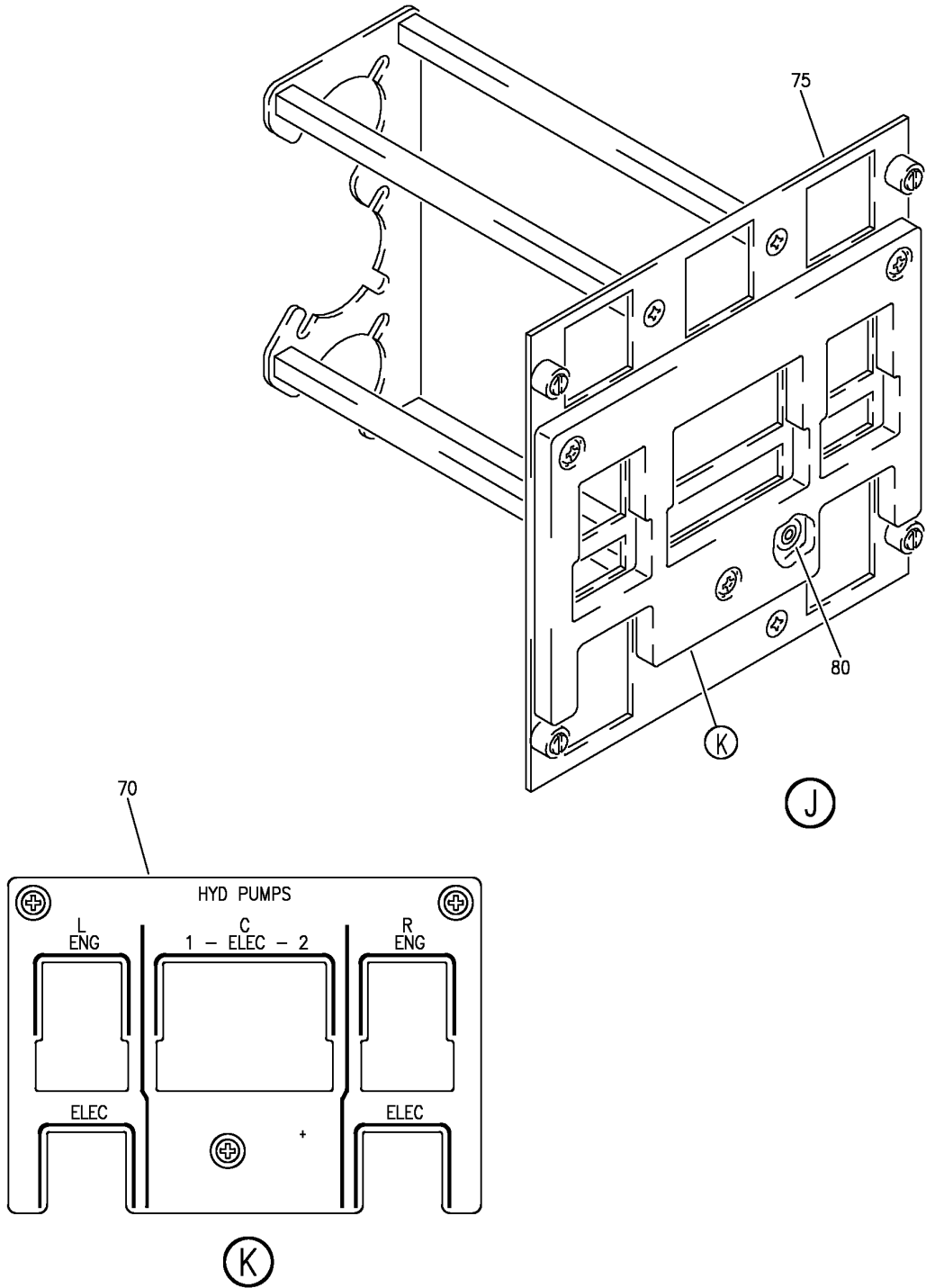
PANEL INSTL-P5 OVHD (LIGHTPLATES ONLY)
FIGURE 70 (SHEET 3)

33-13-01-70

BRI
MAY 28/07

33-13-01-70
PAGE 0B

BOEING
757
PARTS CATALOG (MAINTENANCE)



Y 33130170 SHIT 4 REV 271

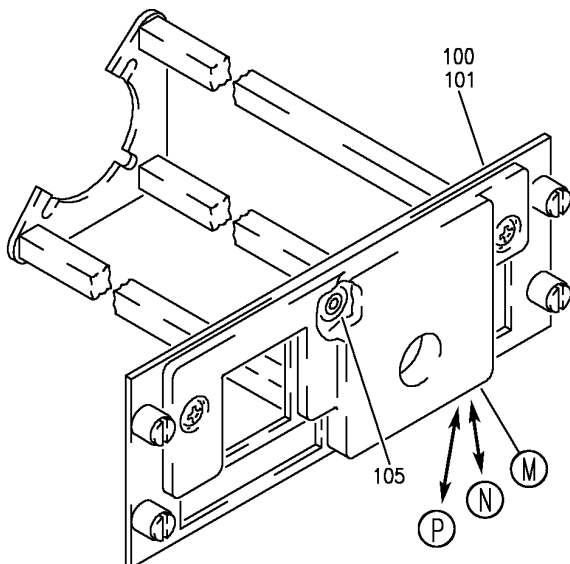
PANEL INSTL-P5 OVHD (LIGHTPLATES ONLY)
FIGURE 70 (SHEET 4)

33-13-01-70

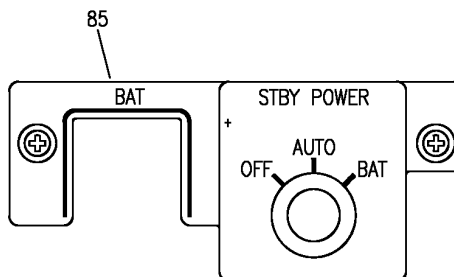
BRI
MAY 28/07

33-13-01-70
PAGE 0C

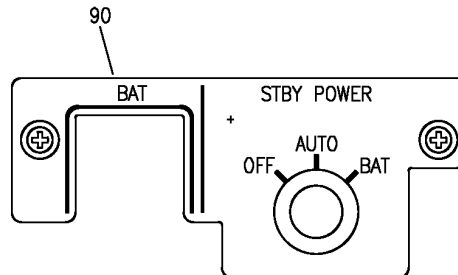
BOEING
757
PARTS CATALOG (MAINTENANCE)



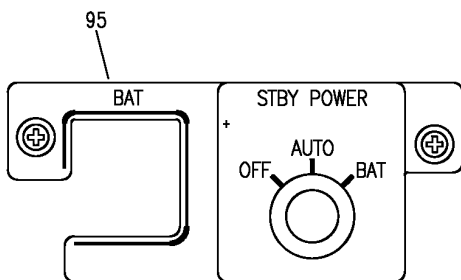
(L)



(M)



(N)



(P)

Y 33130170 SH1 5 REV 278

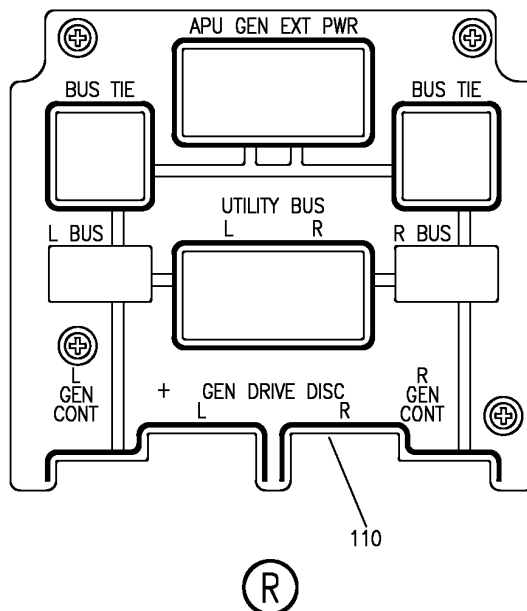
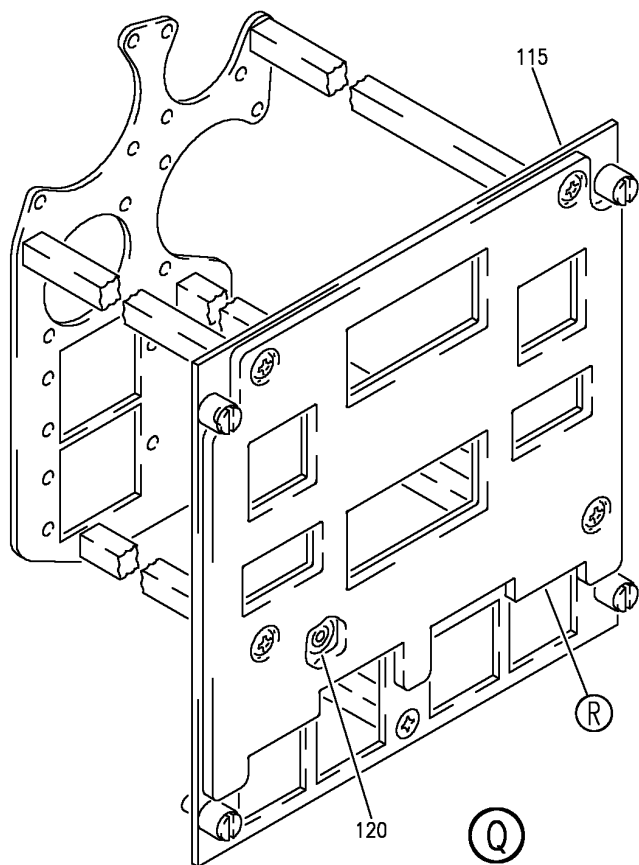
PANEL INSTL-P5 OVHD (LIGHTPLATES ONLY)
FIGURE 70 (SHEET 5)

33-13-01-70

BRI
MAY 28/07

33-13-01-70
PAGE 0D

BOEING
757
PARTS CATALOG (MAINTENANCE)



Y 33130170 SH1 6 REV 271

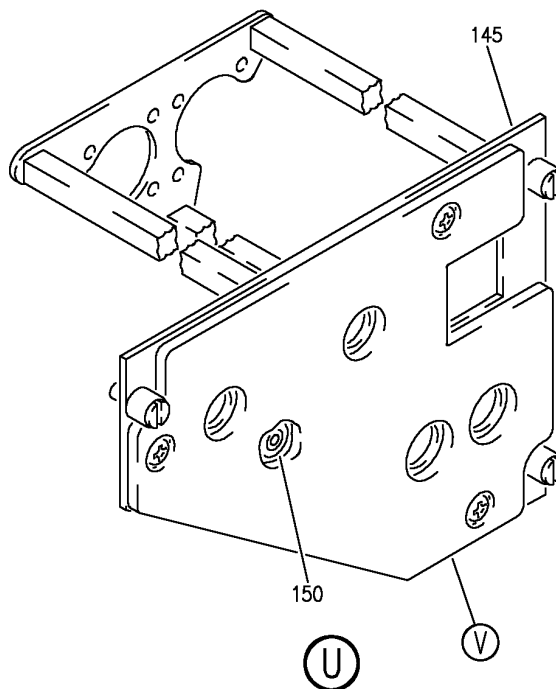
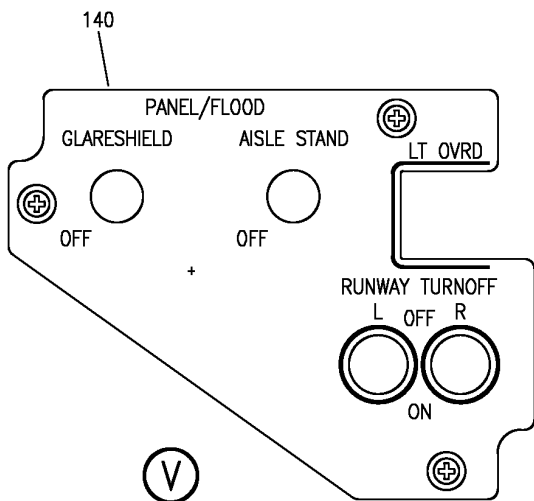
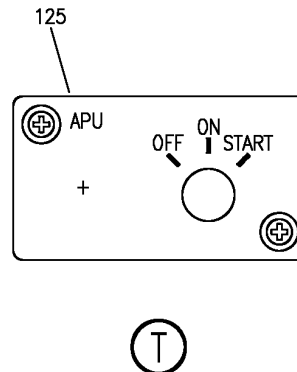
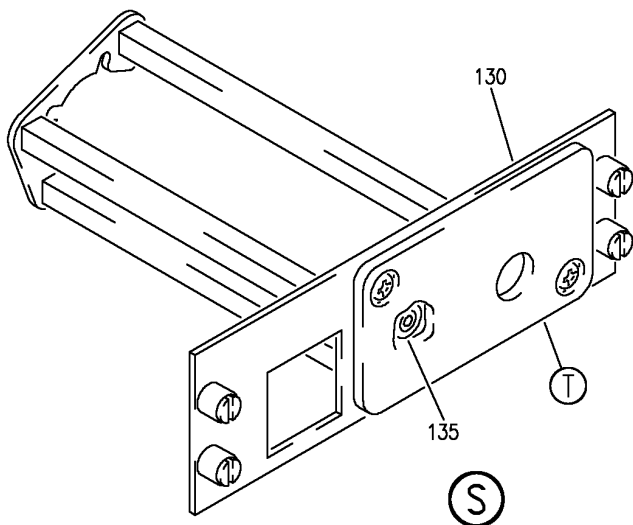
PANEL INSTL-P5 OVHD (LIGHTPLATES ONLY)
FIGURE 70 (SHEET 6)

33-13-01-70

BRI
MAY 28/07

33-13-01-70
PAGE 0E

BOEING
757
PARTS CATALOG (MAINTENANCE)



Y 33130170 SH7 7 REV 271

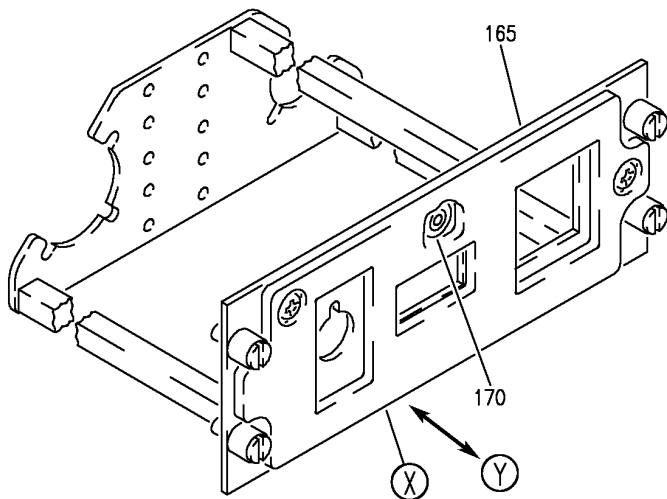
PANEL INSTL-P5 OVHD (LIGHTPLATES ONLY)
FIGURE 70 (SHEET 7)

33-13-01-70

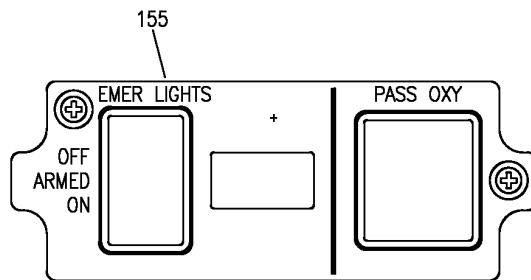
BRI
MAY 28/07

33-13-01-70
PAGE OF

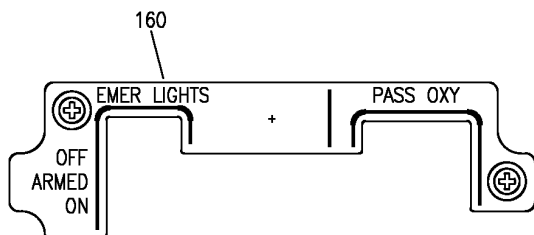
BOEING
757
PARTS CATALOG (MAINTENANCE)



(W)



(X)



(Y)

Y 33130170 SH1 8 REV 271

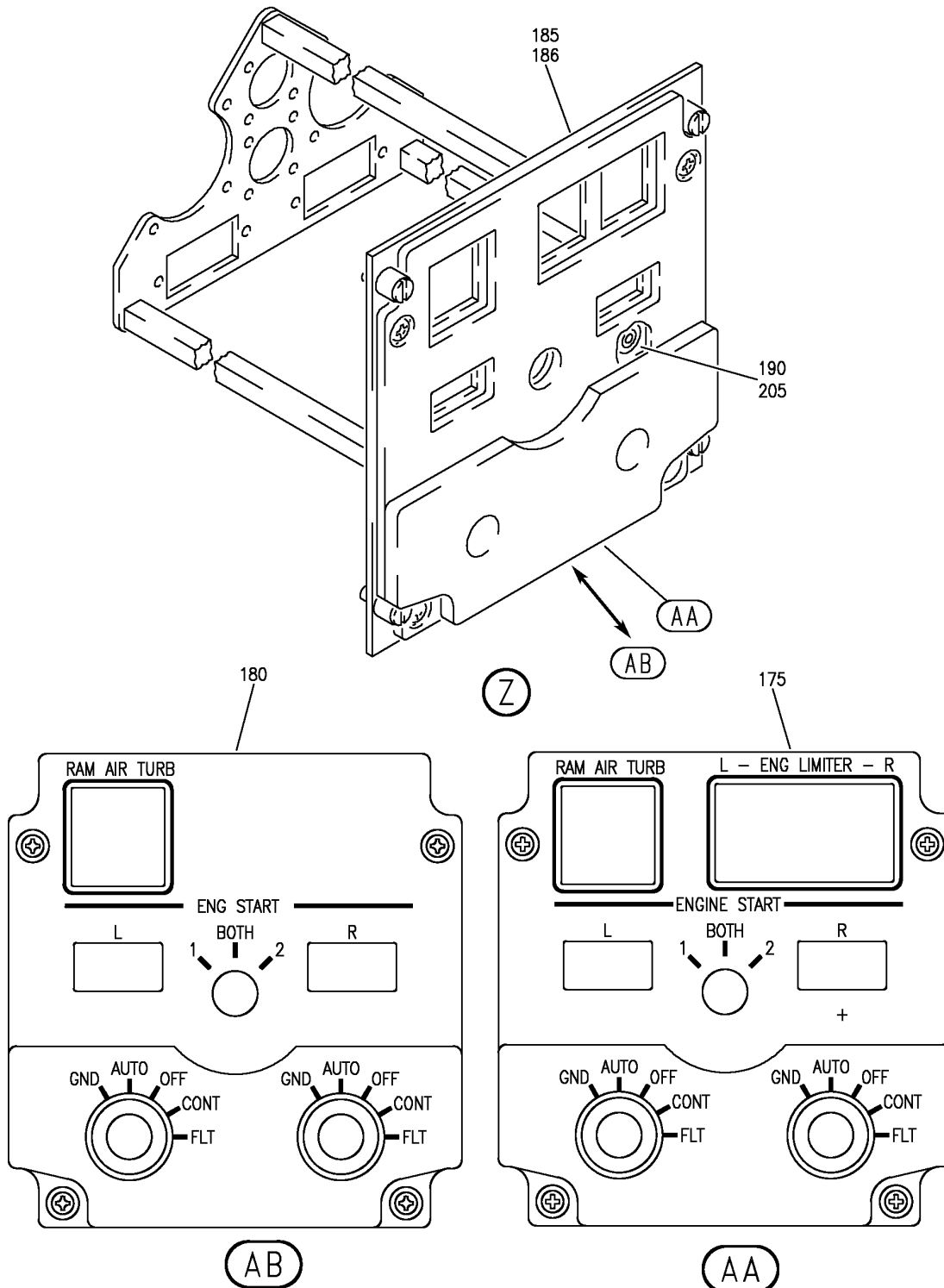
PANEL INSTL-P5 OVHD (LIGHTPLATES ONLY)
FIGURE 70 (SHEET 8)

33-13-01-70

BRI
MAY 28/07

33-13-01-70
PAGE 0G

BOEING
757
PARTS CATALOG (MAINTENANCE)



Y 33130170 SHT 9 REV 278

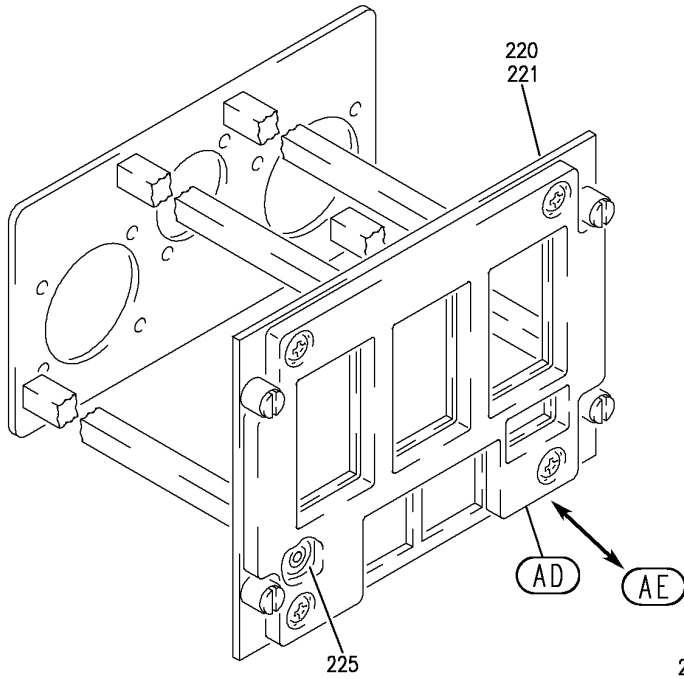
PANEL INSTL-P5 OVHD (LIGHTPLATES ONLY)
FIGURE 70 (SHEET 9)

33-13-01-70

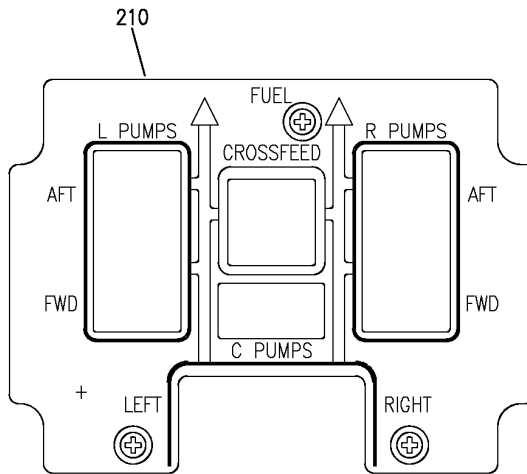
BRI
MAY 28/07

33-13-01-70
PAGE 0H

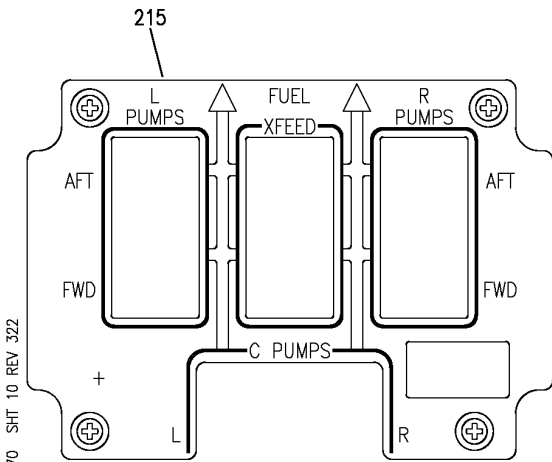
BOEING
757
PARTS CATALOG (MAINTENANCE)



AC



AD



AE

Y 33130170 SH1 10 REV 322

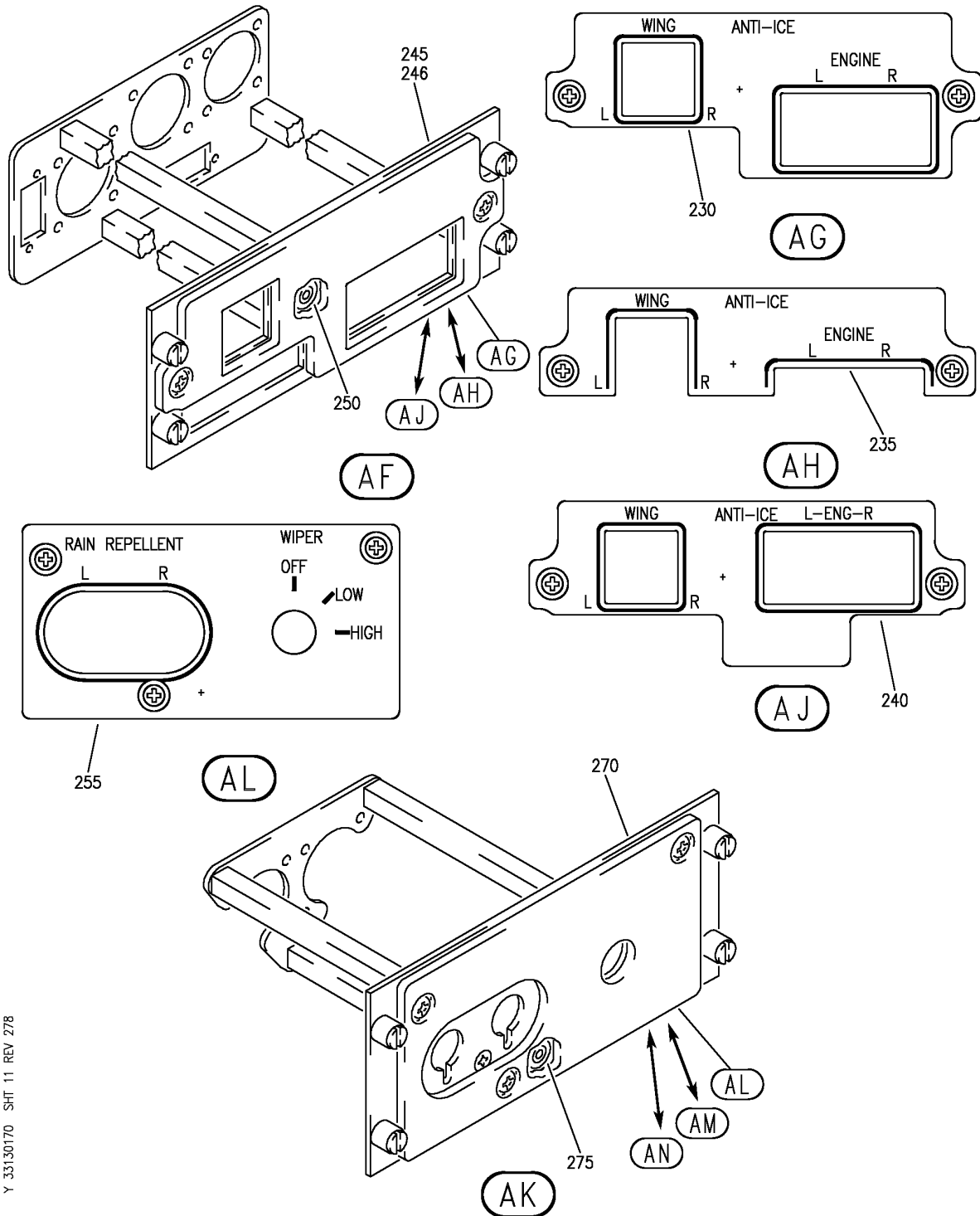
PANEL INSTL-P5 OVHD (LIGHTPLATES ONLY)
FIGURE 70 (SHEET 10)

33-13-01-70

BRI
MAY 20/08

33-13-01-70
PAGE 01

BOEING
757
PARTS CATALOG (MAINTENANCE)



Y 33130170 SHT 11 REV 27B

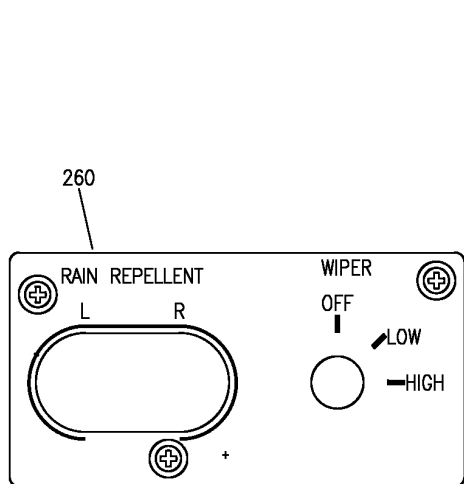
PANEL INSTL-P5 OVHD (LIGHTPLATES ONLY)
FIGURE 70 (SHEET 11)

33-13-01-70

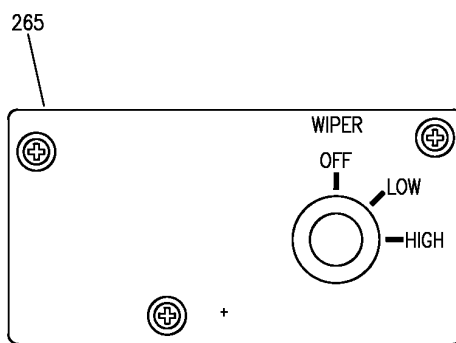
BRI
MAY 28/07

33-13-01-70
PAGE 0J

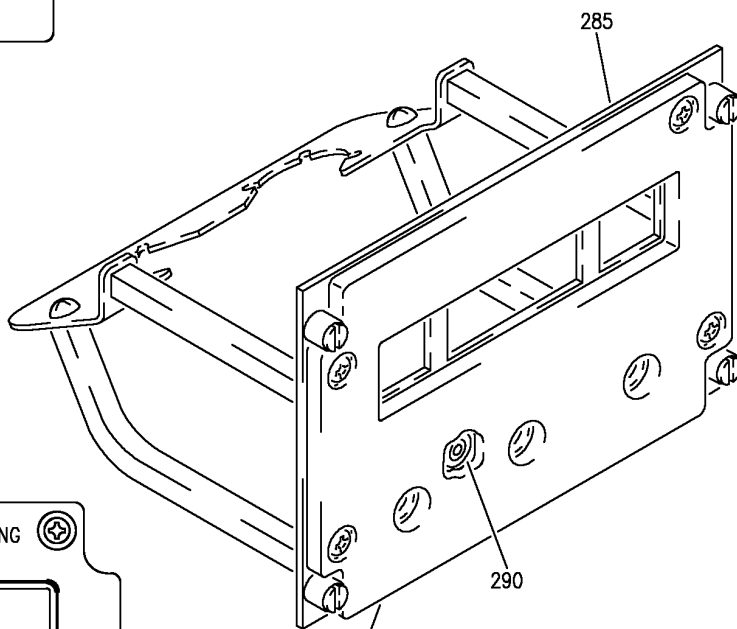
BOEING
757
PARTS CATALOG (MAINTENANCE)



AM

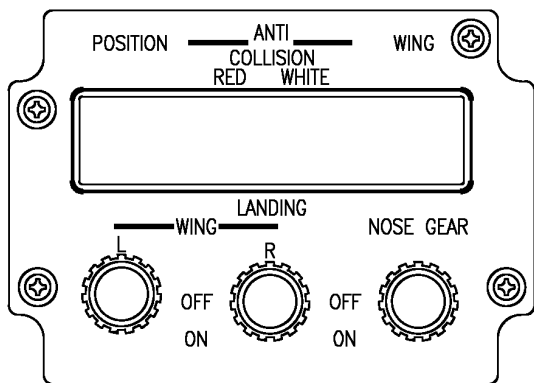


AN



AQ

AP



280

AQ

Y 33130170 SHT 12 REV 271

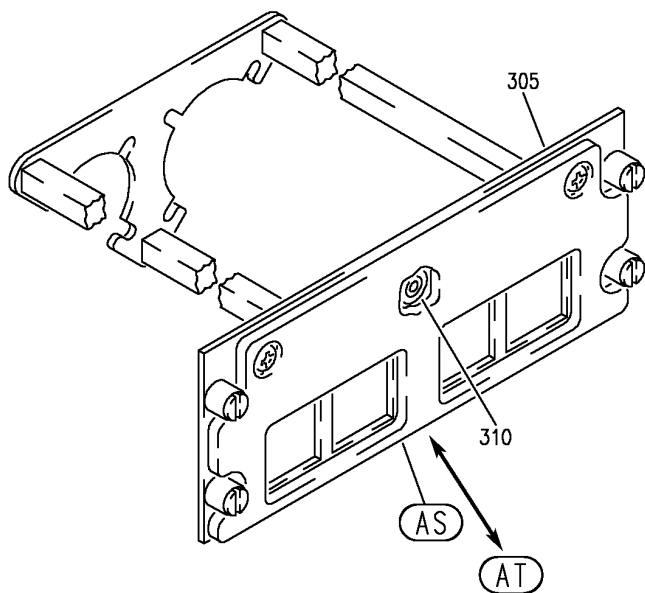
PANEL INSTL-P5 OVHD (LIGHTPLATES ONLY)
FIGURE 70 (SHEET 12)

33-13-01-70

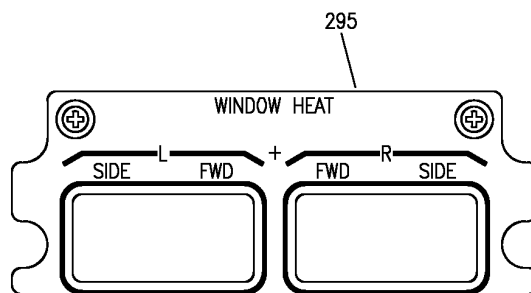
BRI
MAY 28/07

33-13-01-70
PAGE OK

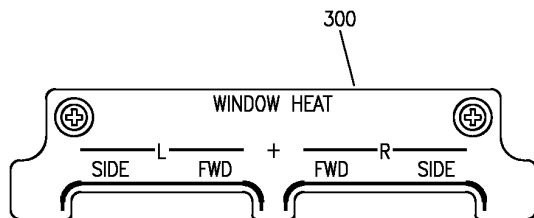
BOEING
757
PARTS CATALOG (MAINTENANCE)



AR



AS



AT

Y 33130170 SH1 13 REV 271

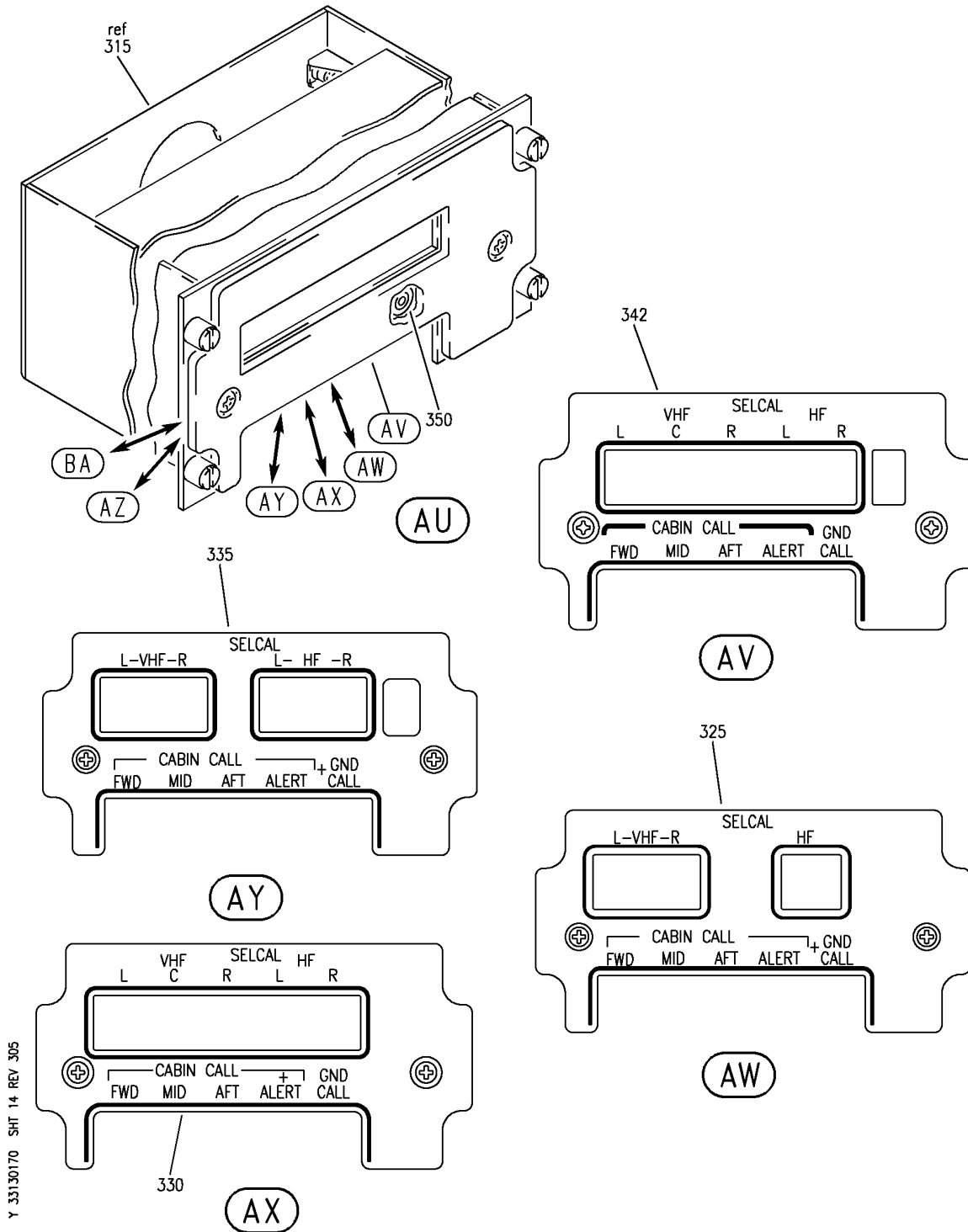
PANEL INSTL-P5 OVHD (LIGHTPLATES ONLY)
FIGURE 70 (SHEET 13)

33-13-01-70

BRI
MAY 28/07

33-13-01-70
PAGE 01

BOEING
757
PARTS CATALOG (MAINTENANCE)



Y 33130170 SHT 14 REV 305

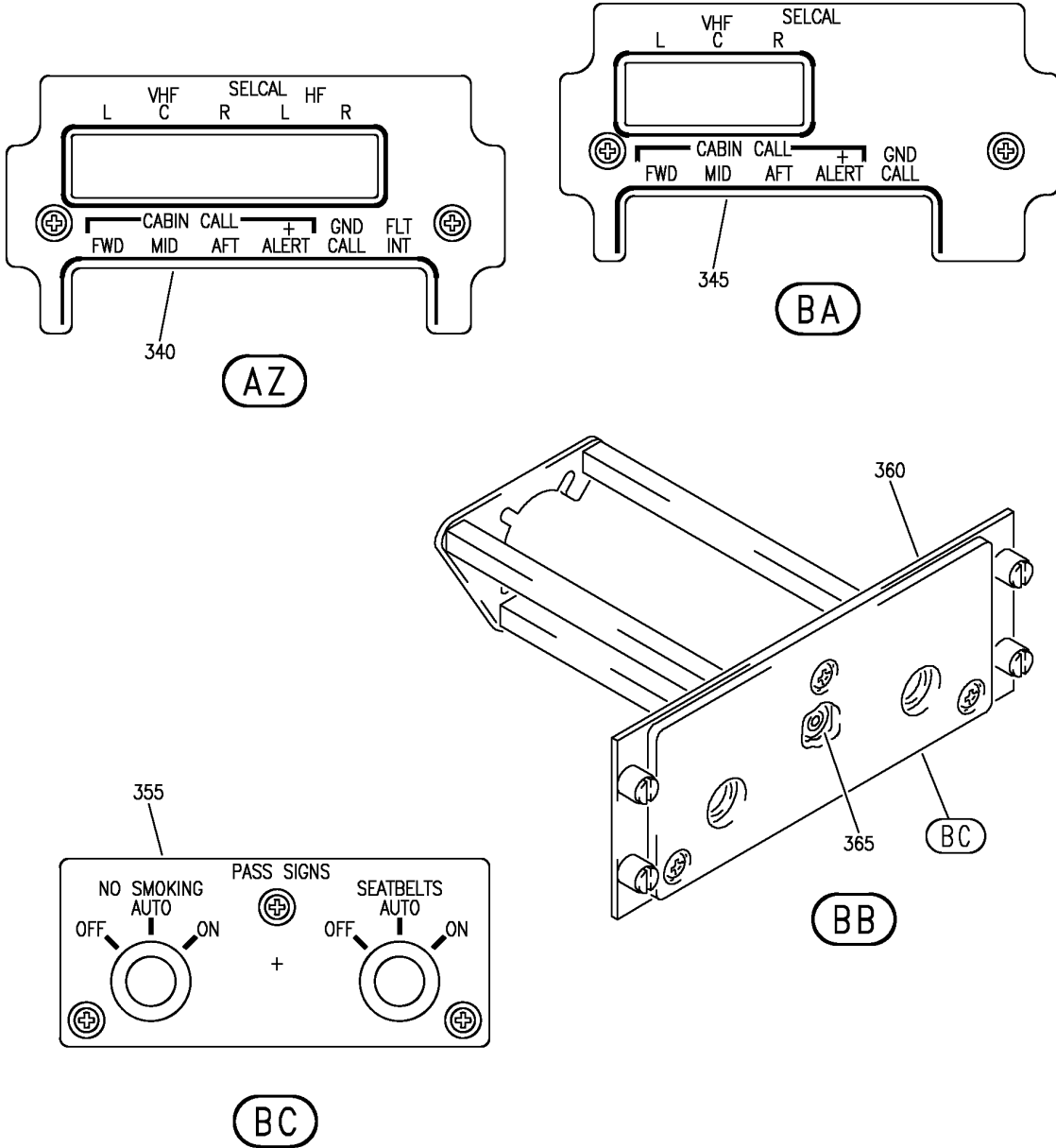
PANEL INSTL-P5 OVHD (LIGHTPLATES ONLY)
FIGURE 70 (SHEET 14)

33-13-01-70

BRI
MAY 28/07

33-13-01-70
PAGE 0M

BOEING
757
PARTS CATALOG (MAINTENANCE)



Y 33130170 SHT 15 REV 271

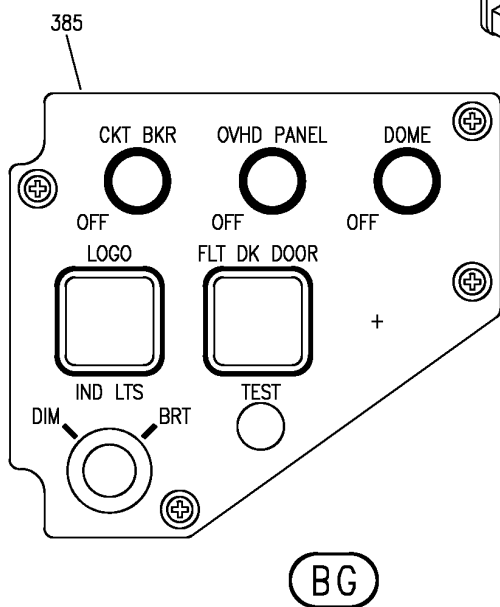
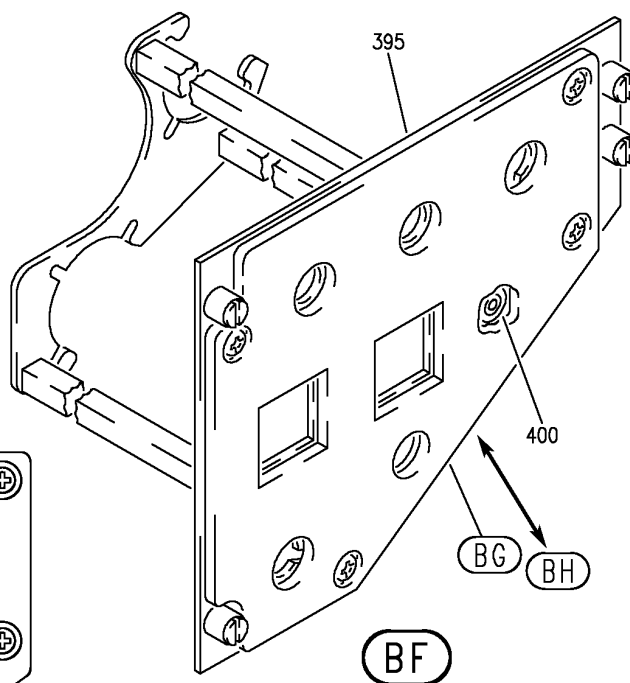
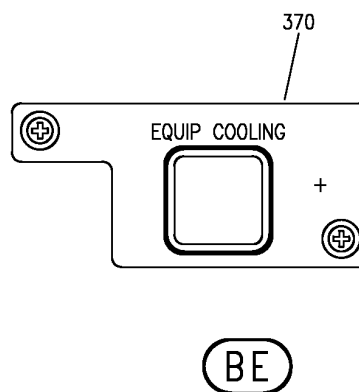
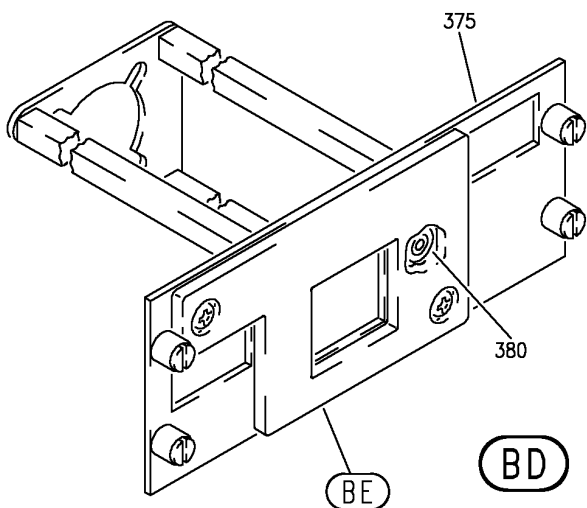
PANEL INSTL-P5 OVHD (LIGHTPLATES ONLY)
FIGURE 70 (SHEET 15)

33-13-01-70

BRI
MAY 28/07

33-13-01-70
PAGE ON

BOEING
757
PARTS CATALOG (MAINTENANCE)



Y 33130170 SHT 16 REV 271

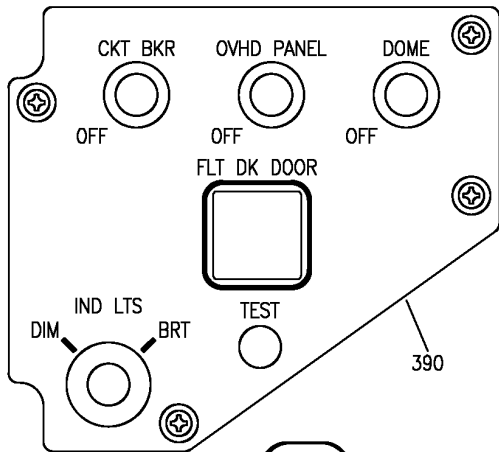
PANEL INSTL-P5 OVHD (LIGHTPLATES ONLY)
FIGURE 70 (SHEET 16)

33-13-01-70

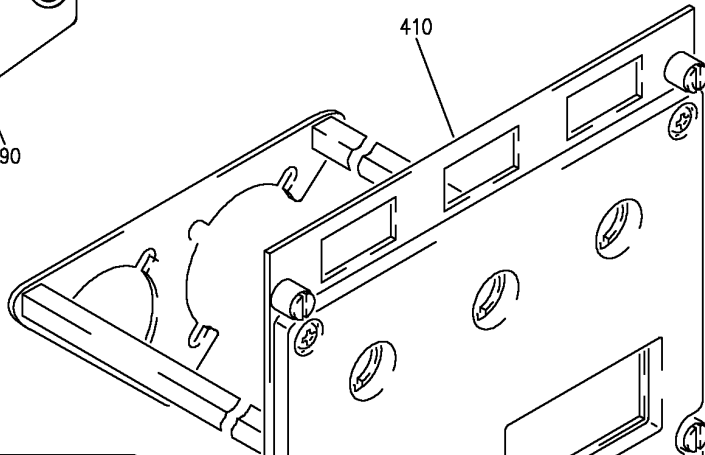
BRI
MAY 28/07

33-13-01-70
PAGE 00

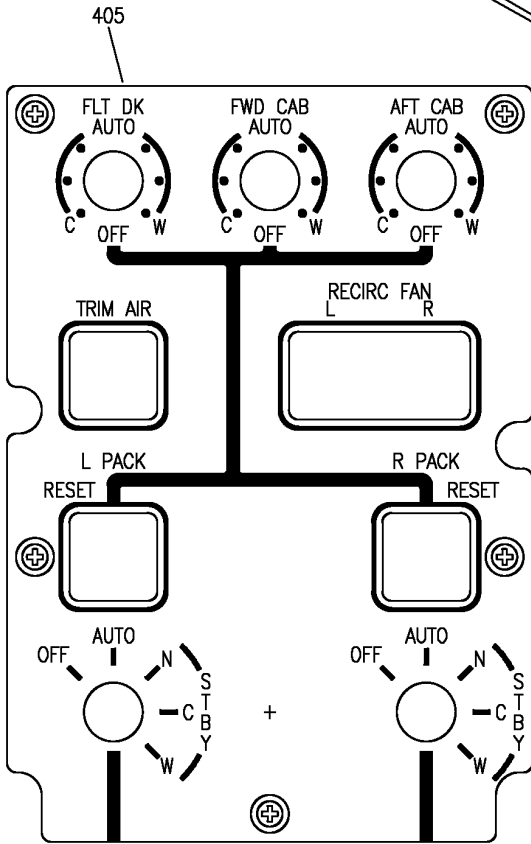

BOEING
 757
PARTS CATALOG (MAINTENANCE)



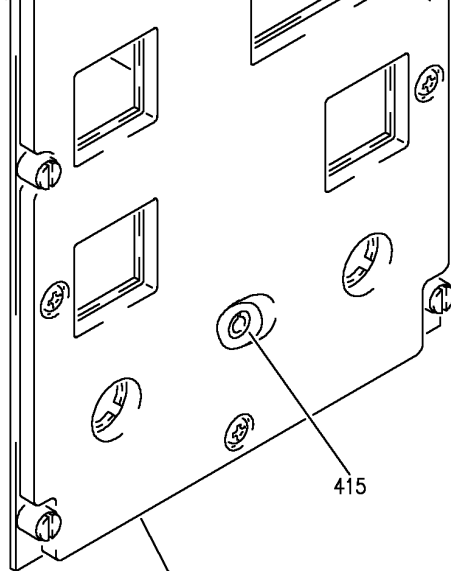
BH



410



BK



415

BK

BJ

Y 33130170 SHT 17 REV 271

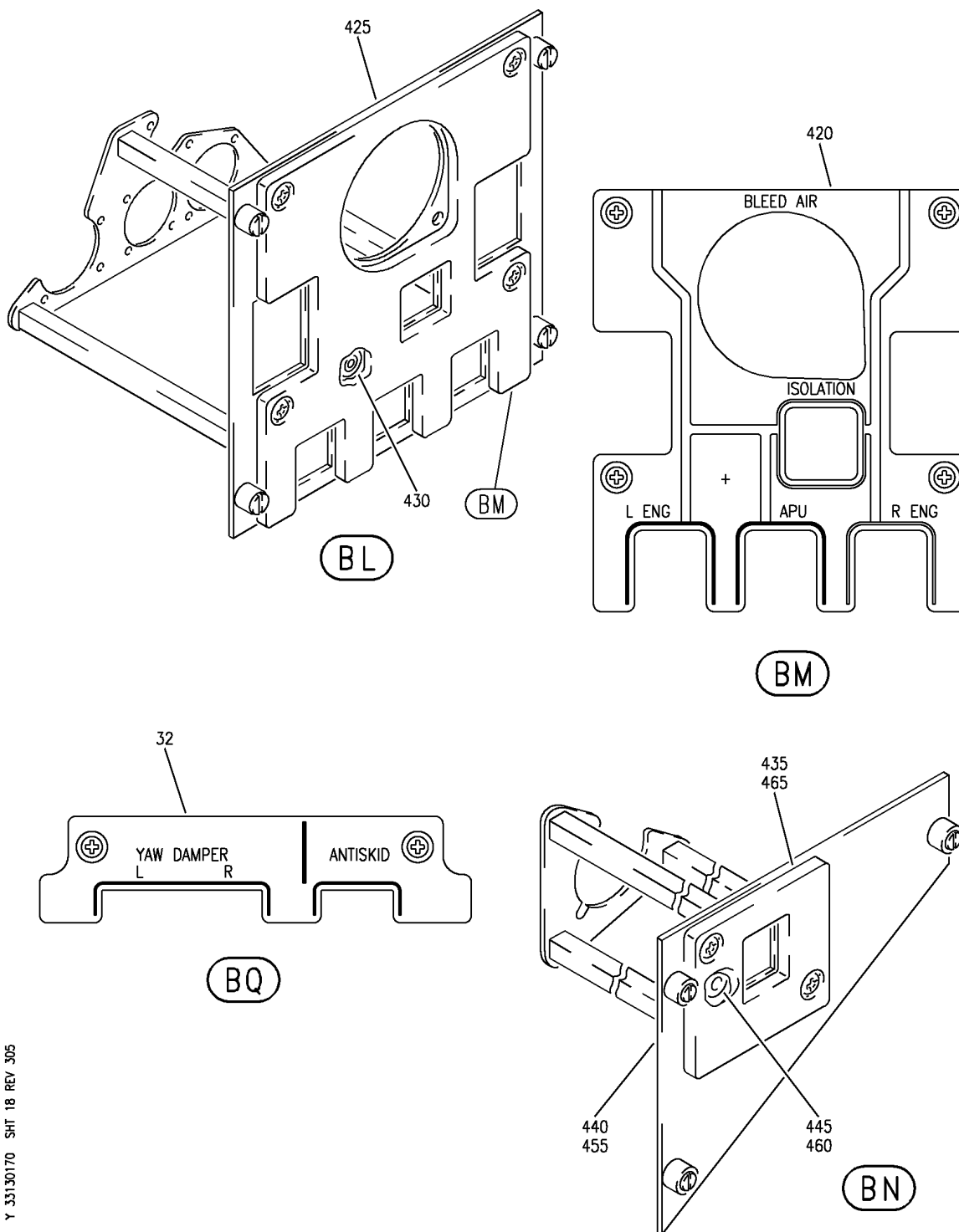
PANEL INSTL-P5 OVHD (LIGHTPLATES ONLY)
 FIGURE 70 (SHEET 17)

33-13-01-70

BRI
MAY 28/07

33-13-01-70
 PAGE 0P

BOEING
757
PARTS CATALOG (MAINTENANCE)



Y 33130170 SHT 18 REV 305

PANEL INSTL-P5 OVHD (LIGHTPLATES ONLY)
FIGURE 70 (SHEET 18)

33-13-01-70

BRI
MAY 28/07

33-13-01-70
PAGE 0Q



757

PARTS CATALOG (MAINTENANCE)

FIG ITEM	PART NUMBER	1 2 3 4 5 6 7	NOMENCLATURE	EFFECT FROM TO	UNITS PER ASSY
70			PANEL INSTL-P5 OVHD (LIGHTPLATES ONLY)	107107 121503 904949	
- 1	233N3101-1		PANEL INSTL-P5 OVERHEAD (LIGHTPLATES ONLY) VARIABLE DRAWING REF: 233N3101-5005 233N3101-5025 FOR NHA/OTHER SYS DET SEE: 25-10-00-05A	107107 121503 904949	RF
5	800-003598		.LIGHTPLATE-CAPT DOME LIGHT SUPPLIER CODE: V05617 SPECIFICATION NUMBER: S233T100-6051 OPTIONAL PART: S233T100-6051 V51896	121503 904949	1
10	233N3227-1		.PANEL ASSY-DOME LT OVERRIDE CAPT SUPPLIER CODE: V89954 ELECTRICAL EQUIP NUMBER: M10653 COMPONENT MAINT MANUAL REF: 33-11-14	121503 904949	RF
10	233N3227-6		.PANEL ASSY-DOME LT OVERRIDE CAPT SUPPLIER CODE: V89954 ELECTRICAL EQUIP NUMBER: M10653 COMPONENT MAINT MANUAL REF: 33-11-14 QUALIFIED I/W DATA: THE 233N3227-300 PANEL ASSY IS I/W THE 233N3227-6 PANEL ASSY T/W THE S233T100-6051 LIGHTPLATE AND RD241-119 KNOB.	121503 904949	RF
15	800-000121-1		..CONNECTOR-PWR SUPPLIER CODE: V05617	121503 904949	1

MISSING ITEM NUMBERS NOT APPLICABLE

- ITEM NOT ILLUSTRATED

33-13-01-70

33-13-01
FIG. 70
PAGE 1
JAN 20/09

BRI



757

PARTS CATALOG (MAINTENANCE)

FIG ITEM	PART NUMBER	1 2 3 4 5 6 7	NOMENCLATURE	EFFECT FROM TO	UNITS PER ASSY
70 20	800-002799	.	LIGHTPLATE-5V WHITE ILLUMINATED INTEGRALLY LIGHTED YAW DAMPER SUPPLIER CODE: V05617 SPECIFICATION NUMBER: S233T100-1075 MISCELLANEOUS DATA: FOR VENDOR FSCM 05617 FOR SPARES ORDER THE 800-002799-1 OPTIONAL PART: S233T100-1075 V51896 800-002799-1 V05617	107107 121503 904949	1
20	S233T100-1075	.	LIGHTPLATE-5V WHITE ILLUMINATED INTEGRALLY LIGHTED YAW DAMPER SUPPLIER CODE: V51896 OPTIONAL PART: 800-002799 V05617	107107 121503 904949	1
20	800-002799-1	.	LIGHTPLATE-5V WHITE ILLUMINATED INTEGRALLY LIGHTED YAW DAMPER SUPPLIER CODE: V05617 SPECIFICATION NUMBER: S233T100-1075 OPTIONAL PART: S233T100-1075 V51896 800-002799 V05617	107107 121503 904949	1
25	S233T100-6019	.	LIGHTPLATE-5V WHITE ILLUMINATED INTEGRALLY LIGHTED YAW DAMPER SUPPLIER CODE: V51896 SPECIFICATION NUMBER: S233T100-6019 OPTIONAL SUPPLIER CODE: 05617 98140	107107 121503 904949	1

MISSING ITEM NUMBERS NOT APPLICABLE

- ITEM NOT ILLUSTRATED

33-13-01-70

33-13-01
FIG. 70
PAGE 2
JAN 20/09

BRI



757

PARTS CATALOG (MAINTENANCE)

FIG ITEM	PART NUMBER	1 2 3 4 5 6 7	NOMENCLATURE	EFFECT FROM TO	UNITS PER ASSY
70 35	233N3216-18		.PANEL ASSY-YAW DAMPER SUPPLIER CODE: V89954 ELECTRICAL EQUIP NUMBER: M10250 COMPONENT MAINT MANUAL REF: 22-21-71 QUALIFIED I/W DATA: 233N3216-14 -18 -20 -21 -22 ARE ALL INTERCHANGEABLE EXCEPT SUBJECT TO CUSTOMER PREFERENCE PRE ALERT SB: 33A0044	107107	RF
35	233N3216-22		.PANEL ASSY-YAW DAMPER SUPPLIER CODE: V89954 ELECTRICAL EQUIP NUMBER: M10250 COMPONENT MAINT MANUAL REF: 22-21-71 QUALIFIED I/W DATA: 233N3216-14 -18 -20 -21 -22 ARE ALL INTERCHANGEABLE EXCEPT SUBJECT TO CUSTOMER PREFERENCE PRE ALERT SB: 33A0044R1	121503 904949	RF
35	233N3216-1018		.PANEL ASSY-YAW DAMPER SUPPLIER CODE: V89954 ELECTRICAL EQUIP NUMBER: M10250 COMPONENT MAINT MANUAL REF: 22-21-71 POST ALERT SB: 33A0044	107107	RF
35	233N3216-1022		.PANEL ASSY-YAW DAMPER SUPPLIER CODE: V89954 ELECTRICAL EQUIP NUMBER: M10250 COMPONENT MAINT MANUAL REF: 22-21-71 POST ALERT SB: 33A0044R1	121503 904949	RF

MISSING ITEM NUMBERS NOT APPLICABLE

- ITEM NOT ILLUSTRATED

33-13-01-70

33-13-01
FIG. 70
PAGE 3
JAN 20/09

BRI



757

PARTS CATALOG (MAINTENANCE)

FIG ITEM	PART NUMBER	1 2 3 4 5 6 7	NOMENCLATURE	EFFECT FROM TO	UNITS PER ASSY
R R	70 50	800-002855	.LIGHTPLATE-5V WHITE ILLUMINATED INTEGRALLY ELEC ENG CONT SUPPLIER CODE: V05617 SPECIFICATION NUMBER: S233T100-1092 MISCELLANEOUS DATA: FOR VENDOR FSCM 05617 FOR SPARES ORDER THE 800-002855-1 OPTIONAL PART: S233T100-1092 V58196 800-002855-1 V05617 OPTIONAL SUPPLIER CODE: 05617 98140 POST SERVICE BULLETIN: 73-0018	107107	1
	50	800-002855-1	.LIGHTPLATE-5V WHITE ILLUMINATED INTEGRALLY ELEC ENG CONT SUPPLIER CODE: V05617 SPECIFICATION NUMBER: S233T100-1092 OPTIONAL PART: S233T100-1092 V58196 800-002855 V05617 POST SERVICE BULLETIN: 73-0018	107107	1
	55	233T3242-7	.PANEL ASSY- SUPPLIER CODE: V89954 ELECTRICAL EQUIP NUMBER: M10761 COMPONENT MAINT MANUAL REF: 73-21-86 PRE ALERT SB: 33A0044R1	121503 904949	RF

MISSING ITEM NUMBERS NOT APPLICABLE

- ITEM NOT ILLUSTRATED

33-13-01-70

33-13-01
FIG. 70
PAGE 5
MAY 20/09

BRI



757

PARTS CATALOG (MAINTENANCE)

FIG ITEM	PART NUMBER	1 2 3 4 5 6 7	NOMENCLATURE	EFFECT FROM TO	UNITS PER ASSY
70 55	233T3242-1007		.PANEL ASSY- SUPPLIER CODE: V89954 ELECTRICAL EQUIP NUMBER: M10761 COMPONENT MAINT MANUAL REF: 73-21-86 POST ALERT SB: 33A0044R1	121503 904949	RF
60	233T3242-6		.PANEL ASSY-EEC CONT SUPPLIER CODE: V89954 ELECTRICAL EQUIP NUMBER: M10761 COMPONENT MAINT MANUAL REF: 73-21-86 QUALIFIED I/W DATA: 233T3242-301 PANEL ASSY IS I/W 233T3242-6 PANEL ASSY T/W S233T100-1092 LIGHTPLATE POST SERVICE BULLETIN: 73-0018 PRE ALERT SB: 33A0044	107107	RF
60	233T3242-1006		.PANEL ASSY-EEC CONT SUPPLIER CODE: V89954 ELECTRICAL EQUIP NUMBER: M10761 COMPONENT MAINT MANUAL REF: 73-21-86 POST ALERT SB: 33A0044	107107	RF
65	800-000121-1		..CONNECTOR-PWR SUPPLIER CODE: V05617	107107	1
65	800000121-1		..CONNECTOR-PWR SUPPLIER CODE: V05617	121503 904949	1

MISSING ITEM NUMBERS NOT APPLICABLE

- ITEM NOT ILLUSTRATED

BRI

33-13-01-70

BOEING PROPRIETARY - Copyright © - Unpublished Work - See title page for details.

33-13-01
FIG. 70
PAGE 6
JAN 20/09



757

PARTS CATALOG (MAINTENANCE)

FIG ITEM	PART NUMBER	1 2 3 4 5 6 7	NOMENCLATURE	EFFECT FROM TO	UNITS PER ASSY
70	800-000446		.LIGHTPLATE-5V WHITE ILLUMINATED INTEGRALLY LIGHTED HYDR SUPPLIER CODE: V05617 SPECIFICATION NUMBER: S233T100-6044 MISCELLANEOUS DATA: FOR VENDOR FSCM 05617 FOR SPARES ORDER THE 800-000446-1 OPTIONAL PART: S233T100-6044 V51896 800-000446-1 V05617	107107 121503 904949	1
70	800-000446-1		.LIGHTPLATE-5V WHITE ILLUMINATED INTEGRALLY LIGHTED HYDR SUPPLIER CODE: V05617 SPECIFICATION NUMBER: S233T100-6044 OPTIONAL PART: S233T100-6044 V51896 800-000446 V05617	107107 121503 904949	1
75	233N3205-19		.PANEL ASSY-HYDR SUPPLIER CODE: V89954 ELECTRICAL EQUIP NUMBER: M10050 COMPONENT MAINT MANUAL REF: 29-00-71	107107 121503 904949	RF
75	233N3205-27		.PANEL ASSY-HYDR SUPPLIER CODE: V89954 ELECTRICAL EQUIP NUMBER: M10050 COMPONENT MAINT MANUAL REF: 29-00-71 QUALIFIED I/W DATA: 233N3205-302 PANEL ASSY IS I/W 233N3205-27 PANEL ASSY T/W S233T100-6060 LIGHTPLATE	107107 121503 904949	RF

MISSING ITEM NUMBERS NOT APPLICABLE

- ITEM NOT ILLUSTRATED

33-13-01-70

33-13-01
FIG. 70
PAGE 7
JAN 20/09

BRI



757

PARTS CATALOG (MAINTENANCE)

FIG ITEM	PART NUMBER	1 2 3 4 5 6 7	NOMENCLATURE	EFFECT FROM TO	UNITS PER ASSY
70					
75	233N3205-21		.PANEL ASSY-HYDR SUPPLIER CODE: V89954 ELECTRICAL EQUIP NUMBER: M10050 COMPONENT MAINT MANUAL REF: 29-00-71	107107 121503 904949	RF
75	233N3205-24		.PANEL ASSY-HYDR SUPPLIER CODE: V89954 ELECTRICAL EQUIP NUMBER: M10050 COMPONENT MAINT MANUAL REF: 29-00-71 QUALIFIED I/W DATA: 233N3205-300 PANEL ASSY IS I/W 233N3205-24 PANEL ASSY T/W S233T100-6044 LIGHTPLATE	107107 121503 904949	RF
75	233N3205-25		.PANEL ASSY-HYDR SUPPLIER CODE: V89954 ELECTRICAL EQUIP NUMBER: M10050 COMPONENT MAINT MANUAL REF: 29-00-71 QUALIFIED I/W DATA: 233N3205-301 PANEL ASSY IS I/W 233N3205-25 PANEL ASSY T/W S233T100-6044 LIGHTPLATE	107107 121503 904949	RF
75	233N3205-26		.PANEL ASSY-HYDR SUPPLIER CODE: V89954 ELECTRICAL EQUIP NUMBER: M10050 COMPONENT MAINT MANUAL REF: 29-00-71	107107 121503 904949	RF
80	800-000121-1		..CONNECTOR-PWR SUPPLIER CODE: V05617 USED ON: 233N3205-19 233N3205-21 233N3205-24 233N3205-25 233N3205-27	107107 121503 904949	1

MISSING ITEM NUMBERS NOT APPLICABLE

- ITEM NOT ILLUSTRATED

33-13-01-70

33-13-01
FIG. 70
PAGE 8
JAN 20/09

BRI



757

PARTS CATALOG (MAINTENANCE)

FIG ITEM	PART NUMBER	1 2 3 4 5 6 7	NOMENCLATURE	EFFECT FROM TO	UNITS PER ASSY
70					
80	800000121-1		.. CONNECTOR-PWR SUPPLIER CODE: V05617 USED ON: 233N3205-26	107107 121503 904949	1
85	800-000918		. LIGHTPLATE-STBY PWR SUPPLIER CODE: V05617 SPECIFICATION NUMBER: S233T100-1081 MISCELLANEOUS DATA: FOR VENDOR FSCM 05617 FOR SPARES ORDER THE 800-000918-1 OPTIONAL PART: S233T100-1081 V51896 800-000918-1 V05617 PRE SERVICE BULLETIN: 24-0125R1	107107 121503 904949	1
85	800-000918-1		. LIGHTPLATE-STBY PWR SUPPLIER CODE: V05617 SPECIFICATION NUMBER: S233T100-1081 OPTIONAL PART: S233T100-1081 V51896 800-000918 V05617 PRE SERVICE BULLETIN: 24-0125R1	107107 121503 904949	1

MISSING ITEM NUMBERS NOT APPLICABLE

- ITEM NOT ILLUSTRATED

BRI

33-13-01-70

BOEING PROPRIETARY - Copyright © - Unpublished Work - See title page for details.

33-13-01
FIG. 70
PAGE 9
JAN 20/09



757

PARTS CATALOG (MAINTENANCE)

FIG ITEM	PART NUMBER	1 2 3 4 5 6 7	NOMENCLATURE	EFFECT FROM TO	UNITS PER ASSY
70 95	800-000994		.LIGHTPLATE-5V WHITE ILLUMINATED INTEGRALLY LIGHTED STANDBY PWR SUPPLIER CODE: V05617 SPECIFICATION NUMBER: S233T100-1080 MISCELLANEOUS DATA: FOR VENDOR FSCM 05617 FOR SPARES ORDER THE 800-000994-1 OPTIONAL PART: S233T100-1080 V51896 800-000994-1 V05617 POST SERVICE BULLETIN: 24-0125R1	107107	1
95	800-000994-1		.LIGHTPLATE-5V WHITE ILLUMINATED INTEGRALLY LIGHTED STANDBY PWR SUPPLIER CODE: V05617 SPECIFICATION NUMBER: S233T100-1080 OPTIONAL PART: S233T100-1080 V51896 800-000994 V05617 POST SERVICE BULLETIN: 24-0125R1	107107	1
100	233N3211-11		.PANEL ASSY-BATTERY/STBY PWR SUPPLIER CODE: V89954 ELECTRICAL EQUIP NUMBER: M10062 COMPONENT MAINT MANUAL REF: 24-33-71 PRE SERVICE BULLETIN: 24-0125R1 PRE ALERT SB: 33A0044	107107	RF

MISSING ITEM NUMBERS NOT APPLICABLE

- ITEM NOT ILLUSTRATED

33-13-01-70

33-13-01
FIG. 70
PAGE 10
JAN 20/09

BRI



757

PARTS CATALOG (MAINTENANCE)

FIG ITEM	PART NUMBER	1 2 3 4 5 6 7	NOMENCLATURE	EFFECT FROM TO	UNITS PER ASSY
70 100	233N3211-26		.PANEL ASSY-BATTERY/STBY PWR SUPPLIER CODE: V89954 ELECTRICAL EQUIP NUMBER: M10062 COMPONENT MAINT MANUAL REF: 24-33-71 QUALIFIED I/W DATA: 233N3211-24 -26 -31 -39 -40 ARE ALL INTERCHANGEABLE EXCEPT SUBJECT TO CUSTOMER PREFERENCE PRE SERVICE BULLETIN: 24-0125R1 PRE ALERT SB: 33A0044	107107	RF
100	233N3211-31		.PANEL ASSY-BATTERY/STBY PWR SUPPLIER CODE: V89954 ELECTRICAL EQUIP NUMBER: M10062 COMPONENT MAINT MANUAL REF: 24-33-71 QUALIFIED I/W DATA: 233N3211-24 -26 -31 -39 -40 ARE ALL INTERCHANGEABLE EXCEPT SUBJECT TO CUSTOMER PREFERENCE PRE SERVICE BULLETIN: 24-0125R1 PRE ALERT SB: 33A0044	107107	RF

MISSING ITEM NUMBERS NOT APPLICABLE

- ITEM NOT ILLUSTRATED

33-13-01-70

33-13-01
FIG. 70
PAGE 11
JAN 20/09

BRI



757

PARTS CATALOG (MAINTENANCE)

FIG ITEM	PART NUMBER	1 2 3 4 5 6 7	NOMENCLATURE	EFFECT FROM TO	UNITS PER ASSY
70 100	233N3211-39		.PANEL ASSY-BATTERY/STBY PWR SUPPLIER CODE: V89954 ELECTRICAL EQUIP NUMBER: M10062 COMPONENT MAINT MANUAL REF: 24-33-72 QUALIFIED I/W DATA: 233N3211-24 -26 -31 -39 -40 ARE ALL INTERCHANGEABLE SUBJECT TO CUSTOMER PREFERENCE PRE ALERT SB: 33A0044R1	121503 904949	RF
100	233N3211-1036		.PANEL ASSY-BATTERY/STBY PWR SUPPLIER CODE: V89954 ELECTRICAL EQUIP NUMBER: M10062 COMPONENT MAINT MANUAL REF: 24-33-72 POST SERVICE BULLETIN: 24-0125R1	107107	RF
100	233N3211-1011		.PANEL ASSY-BATTERY/STBY PWR SUPPLIER CODE: V89954 ELECTRICAL EQUIP NUMBER: M10062 COMPONENT MAINT MANUAL REF: 24-33-71 PRE SERVICE BULLETIN: 24-0125R1 POST ALERT SB: 33A0044	107107	RF
100	233N3211-1026		.PANEL ASSY-BATTERY/STBY PWR SUPPLIER CODE: V89954 ELECTRICAL EQUIP NUMBER: M10062 COMPONENT MAINT MANUAL REF: 24-33-71 PRE SERVICE BULLETIN: 24-0125R1 POST ALERT SB: 33A0044	107107	RF

MISSING ITEM NUMBERS NOT APPLICABLE

- ITEM NOT ILLUSTRATED

33-13-01-70

33-13-01
FIG. 70
PAGE 12
JAN 20/09

BRI



757

PARTS CATALOG (MAINTENANCE)

FIG ITEM	PART NUMBER	1 2 3 4 5 6 7	NOMENCLATURE	EFFECT FROM TO	UNITS PER ASSY
70 100	233N3211-1031		.PANEL ASSY-BATTERY/STBY PWR SUPPLIER CODE: V89954 ELECTRICAL EQUIP NUMBER: M10062 COMPONENT MAINT MANUAL REF: 24-33-71 PRE SERVICE BULLETIN: 24-0125R1 POST ALERT SB: 33A0044	107107	RF
101	233N3211-1039		.PANEL ASSY-BATTERY/STBY PWR SUPPLIER CODE: V89954 ELECTRICAL EQUIP NUMBER: M10062 COMPONENT MAINT MANUAL REF: 24-33-72 POST ALERT SB: 33A0044R1	121503 904949	RF
105	800-000121-1		..CONNECTOR-PWR SUPPLIER CODE: V05617	107107	1
105	800000121-1		..CONNECTOR-PWR SUPPLIER CODE: V05617	121503 904949	1
110	800-000928		.LIGHTPLATE-5V WHITE ILLUMINATED INTEGRALLY LIGHTED E/E SUPPLIER CODE: V05617 SPECIFICATION NUMBER: S233T100-6004 MISCELLANEOUS DATA: FOR VENDOR FSCM 05617 FOR SPARES ORDER THE 800-000928-1 OPTIONAL PART: S233T100-6004 V51896 800-000928-1 V05617	107107 121503 904949	1

MISSING ITEM NUMBERS NOT APPLICABLE

- ITEM NOT ILLUSTRATED

33-13-01-70

33-13-01
FIG. 70
PAGE 13
JAN 20/09

BRI



757

PARTS CATALOG (MAINTENANCE)

FIG ITEM	PART NUMBER	1 2 3 4 5 6 7	NOMENCLATURE	EFFECT FROM TO	UNITS PER ASSY
70 110	800-000928-1		.LIGHTPLATE-5V WHITE ILLUMINATED INTEGRALLY LIGHTED E/E SUPPLIER CODE: V05617 SPECIFICATION NUMBER: S233T100-6004 OPTIONAL PART: S233T100-6004 V51896 800-000928 V05617	107107 121503 904949	1
115	233N3209-18		.PANEL ASSY-E/E SUPPLIER CODE: V89954 ELECTRICAL EQUIP NUMBER: M10063 COMPONENT MAINT MANUAL REF: 24-22-71 QUALIFIED I/W DATA: 233N3209-12 -18 -20 -22 -25 -26 -27 ARE ALL INTERCHANGEABLE EXCEPT SUBJECT TO CUST PREFERENCE OPTIONAL PART: 233N3209-22 V89954 PRE ALERT SB: 33A0044	107107	RF
115	233N3209-22		.PANEL ASSY-E/E SUPPLIER CODE: V89954 ELECTRICAL EQUIP NUMBER: M10063 COMPONENT MAINT MANUAL REF: 24-22-71 QUALIFIED I/W DATA: 233N3209-12 -18 -20 -22 -25 -26 -27 ARE ALL INTERCHANGEABLE EXCEPT SUBJECT TO CUST PREFERENCE OPTIONAL PART: 233N3209-18 V89954 PRE ALERT SB: 33A0044	107107	RF

MISSING ITEM NUMBERS NOT APPLICABLE

- ITEM NOT ILLUSTRATED

33-13-01-70

33-13-01
FIG. 70
PAGE 14
JAN 20/09

BRI



757

PARTS CATALOG (MAINTENANCE)

FIG ITEM	PART NUMBER	1 2 3 4 5 6 7	NOMENCLATURE	EFFECT FROM TO	UNITS PER ASSY
70 115	233N3209-27		.PANEL ASSY-E/E SUPPLIER CODE: V89954 ELECTRICAL EQUIP NUMBER: M10063 COMPONENT MAINT MANUAL REF: 24-22-71 QUALIFIED I/W DATA: 233N3209-12 -18 -20 -22 -25 -26 -27 ARE ALL INTERCHANGEABLE EXCEPT SUBJECT TO CUST PREFERENCE	121503 904949	RF
115	233N3209-1018		.PANEL ASSY-E/E SUPPLIER CODE: V89954 ELECTRICAL EQUIP NUMBER: M10063 COMPONENT MAINT MANUAL REF: 24-22-71 POST ALERT SB: 33A0044	107107	RF
115	233N3209-1022		.PANEL ASSY-E/E SUPPLIER CODE: V89954 ELECTRICAL EQUIP NUMBER: M10063 COMPONENT MAINT MANUAL REF: 24-22-71 POST ALERT SB: 33A0044	107107	RF
120	800-000121-1		..CONNECTOR-PWR SUPPLIER CODE: V05617	107107 121503 904949	1

MISSING ITEM NUMBERS NOT APPLICABLE

- ITEM NOT ILLUSTRATED

BRI

33-13-01-70

BOEING PROPRIETARY - Copyright © - Unpublished Work - See title page for details.

33-13-01
FIG. 70
PAGE 15
JAN 20/09



757

PARTS CATALOG (MAINTENANCE)

FIG ITEM	PART NUMBER	1 2 3 4 5 6 7	NOMENCLATURE	EFFECT FROM TO	UNITS PER ASSY
70 125	800-002583		.LIGHTPLATE-5V WHITE ILLUMINATED INTEGRALLY LIGHTED APU START SUPPLIER CODE: V05617 SPECIFICATION NUMBER: S233T100-6025 MISCELLANEOUS DATA: FOR VENDOR FSCM 05617 FOR SPARES ORDER THE 800-002583-1 OPTIONAL PART: S233T100-6025 V51896 800-002583-1 V05617	107107 121503 904949	1
125	800-002583-1		.LIGHTPLATE-5V WHITE ILLUMINATED INTEGRALLY LIGHTED APU START SUPPLIER CODE: V05617 SPECIFICATION NUMBER: S233T100-6025 OPTIONAL PART: S233T100-6025 V51896 800-002583 V05617	107107 121503 904949	1
130	233N3222-8		.PANEL ASSY-APU START SUPPLIER CODE: V89954 ELECTRICAL EQUIP NUMBER: M10324 COMPONENT MAINT MANUAL REF: 49-61-53 QUALIFIED I/W DATA: THE 233N3222-300 PANEL ASSY IS I/W THE 233N3222-8 PANEL ASSY T/W THE S233T100-6025 LIGHTPLATE AND BP248-127 KNOB.	107107 121503 904949	RF
135	800-000121-1		..CONNECTOR-PWR SUPPLIER CODE: V05617	107107 121503 904949	1

MISSING ITEM NUMBERS NOT APPLICABLE

- ITEM NOT ILLUSTRATED

33-13-01-70

33-13-01
FIG. 70
PAGE 16
JAN 20/09

BRI



757

PARTS CATALOG (MAINTENANCE)

FIG ITEM	PART NUMBER	1 2 3 4 5 6 7	NOMENCLATURE	EFFECT FROM TO	UNITS PER ASSY
70 140	800-001279		.LIGHTPLATE-5V WHITE ILLUMINATED INTEGRALLY LIGHTED LIGHTING SUPPLIER CODE: V05617 POSITION DATA: L SPECIFICATION NUMBER: S233T100-6003 MISCELLANEOUS DATA: FOR VENDOR FSCM 05617 FOR SPARES ORDER THE 800-001279-1 OPTIONAL PART: S233T100-6003 V51896 800-001279-1 V05617 OPTIONAL SUPPLIER CODE: 05617 98140	107107 121503 904949	1
	800-001279-1		.LIGHTPLATE-5V WHITE ILLUMINATED INTEGRALLY LIGHTED LIGHTING SUPPLIER CODE: V05617 POSITION DATA: L SPECIFICATION NUMBER: S233T100-6003 OPTIONAL PART: S233T100-6003 V51896 800-001279 V05617	107107 121503 904949	1

R
R
R
R
R
R
R
R
R
R
R
R
R
R
R
R
R
R
R
R
R
R

MISSING ITEM NUMBERS NOT APPLICABLE

- ITEM NOT ILLUSTRATED

33-13-01-70

33-13-01
FIG. 70
PAGE 17
MAY 20/09

BRI



757

PARTS CATALOG (MAINTENANCE)

FIG ITEM	PART NUMBER	1 2 3 4 5 6 7	NOMENCLATURE	EFFECT FROM TO	UNITS PER ASSY
70 145	233N3214-27		.PANEL ASSY-LIGHTING CONT SUPPLIER CODE: V89954 ELECTRICAL EQUIP NUMBER: M10056 COMPONENT MAINT MANUAL REF: 33-11-71 QUALIFIED I/W DATA: 233N3214-24 -27 -31 -32 -33 ARE ALL INTERCHANGEABLE EXCEPT SUBJECT TO CUSTOMER PREFERENCE OF KORRY OR MASTER SPECIALTIES LIGHTED PUSHBUTTON SWITCHES	107107	RF
145	233N3214-33		.PANEL ASSY-LIGHTING CONT SUPPLIER CODE: V89954 ELECTRICAL EQUIP NUMBER: M10056 COMPONENT MAINT MANUAL REF: 33-11-71 QUALIFIED I/W DATA: 233N3214-24 -27 -31 -32 -33 ARE ALL INTERCHANGEABLE EXCEPT SUBJECT TO CUSTOMER PREFERENCE	121503 904949	RF
150	800-000121-1		..CONNECTOR-PWR SUPPLIER CODE: V05617	107107 121503 904949	1

MISSING ITEM NUMBERS NOT APPLICABLE

- ITEM NOT ILLUSTRATED

BRI

33-13-01-70

BOEING PROPRIETARY - Copyright © - Unpublished Work - See title page for details.

33-13-01
FIG. 70
PAGE 18
JAN 20/09



757

PARTS CATALOG (MAINTENANCE)

FIG ITEM	PART NUMBER	1 2 3 4 5 6 7	NOMENCLATURE	EFFECT FROM TO	UNITS PER ASSY
70 165	233T3210-25		.PANEL ASSY-EMER LIGHTS PASS. OXY SUPPLIER CODE: V89954 ELECTRICAL EQUIP NUMBER: M00043 COMPONENT MAINT MANUAL REF: 33-51-03 QUALIFIED I/W DATA: 233N3210-22 -25 -28 -29 -30 ARE ALL INTERCHANGEABLE EXCEPT SUBJECT TO CUSTOMER PREFERENCE PRE ALERT SB: 33A0044	107107	RF
165	233T3210-30		.PANEL ASSY-EMER LIGHTS SUPPLIER CODE: V89954 ELECTRICAL EQUIP NUMBER: M00043 COMPONENT MAINT MANUAL REF: 33-51-03 QUALIFIED I/W DATA: 233T3210-22 -25 -28 -29 -30 ARE ALL INTERCHANGEABLE EXCEPT SUBJECT TO CUSTOMER PREFERENCE PRE ALERT SB: 33A0044R1	121503 904949	RF
165	233T3210-1025		.PANEL ASSY-EMER LIGHTS PASS. OXY SUPPLIER CODE: V89954 ELECTRICAL EQUIP NUMBER: M00043 COMPONENT MAINT MANUAL REF: 33-51-03 POST ALERT SB: 33A0044	107107	RF

MISSING ITEM NUMBERS NOT APPLICABLE

- ITEM NOT ILLUSTRATED

33-13-01-70

33-13-01
FIG. 70
PAGE 20
JAN 20/09

BRI

BOEING
757
PARTS CATALOG (MAINTENANCE)

FIG ITEM	PART NUMBER	1 2 3 4 5 6 7	NOMENCLATURE	EFFECT FROM TO	UNITS PER ASSY
70 165	233T3210-1030		.PANEL ASSY-EMER LIGHTS SUPPLIER CODE: V89954 ELECTRICAL EQUIP NUMBER: M00043 COMPONENT MAINT MANUAL REF: 33-51-03 POST ALERT SB: 33A0044R1	121503 904949	RF
170	800000121-1		..CONNECTOR-PWR SUPPLIER CODE: V05617	107107 121503 904949	1
175	800-000447		.LIGHTPLATE-5V WHITE ILLUMINATED INTEGRALLY LIGHTED ENG START/RAT SUPPLIER CODE: V05617 SPECIFICATION NUMBER: S233T100-6046 MISCELLANEOUS DATA: FOR VENDOR FSCM 05617 FOR SPARES ORDER THE 800-000447-1 OPTIONAL PART: S233T100-6046 V51896 800-000447-1 V05617 OPTIONAL SUPPLIER CODE: 05617 98140	107107 121503 904949	1
175	800-000447-1		.LIGHTPLATE-5V WHITE ILLUMINATED INTEGRALLY LIGHTED ENG START/RAT SUPPLIER CODE: V05617 SPECIFICATION NUMBER: S233T100-6046 OPTIONAL PART: S233T100-6046 V51896 800-000447 V05617	107107 121503 904949	1
185	233N3223-37		.PANEL ASSY-ENG START/RAT SUPPLIER CODE: V89954 ELECTRICAL EQUIP NUMBER: M10468 COMPONENT MAINT MANUAL REF: 31-12-01	107107	RF

R
R
R
R
R
R
R
R
R
R
R
R
R
R
R
R
R
R
R
R
R
R

MISSING ITEM NUMBERS NOT APPLICABLE

- ITEM NOT ILLUSTRATED

33-13-01-70

33-13-01
FIG. 70
PAGE 21
MAY 20/09

BRI



757

PARTS CATALOG (MAINTENANCE)

FIG ITEM	PART NUMBER	1 2 3 4 5 6 7	NOMENCLATURE	EFFECT FROM TO	UNITS PER ASSY
70 185	233N3223-39		.PANEL ASSY-ENG START/RAT SUPPLIER CODE: V89954 MISCELLANEOUS DATA: FOR SPARES PROCURE NEXT HIGHER ASSY ELECTRICAL EQUIP NUMBER: M10468 COMPONENT MAINT MANUAL REF: 31-12-01 QUALIFIED I/W DATA: THE 233N3223-300 PANEL ASSY IS I/W THE 233N3223-39 PANEL ASSY T/W THE S233T100-6046 LIGHTPLATE AND (3) BP248-127 KNOBS.	107107	RF
185	233N3223-32		.PANEL ASSY-ENG START/RAT SUPPLIER CODE: V89954 ELECTRICAL EQUIP NUMBER: M10468 COMPONENT MAINT MANUAL REF: 31-12-01	107107	RF
185	233N3223-51		.PANEL ASSY-ENG START/RAT SUPPLIER CODE: V89954 ELECTRICAL EQUIP NUMBER: M10468 COMPONENT MAINT MANUAL REF: 31-12-01 PRE ALERT SB: 33A0044R1	121503 904949	RF
186	233N3223-1037		.PANEL ASSY-ENG START/RAT SUPPLIER CODE: V89954 ELECTRICAL EQUIP NUMBER: M10468 COMPONENT MAINT MANUAL REF: 31-12-01 POST ALERT SB: 33A0044	107107	RF

MISSING ITEM NUMBERS NOT APPLICABLE

- ITEM NOT ILLUSTRATED

BRI

33-13-01-70

BOEING PROPRIETARY - Copyright © - Unpublished Work - See title page for details.

33-13-01
FIG. 70
PAGE 22
JAN 20/09



757

PARTS CATALOG (MAINTENANCE)

FIG ITEM	PART NUMBER	1 2 3 4 5 6 7	NOMENCLATURE	EFFECT FROM TO	UNITS PER ASSY
70 186	233N3223-1039		.PANEL ASSY-ENG START/RAT SUPPLIER CODE: V89954 ELECTRICAL EQUIP NUMBER: M10468 COMPONENT MAINT MANUAL REF: 31-12-01 POST ALERT SB: 33A0044	107107	RF
186	233N3223-1032		.PANEL ASSY-ENG START/RAT SUPPLIER CODE: V89954 ELECTRICAL EQUIP NUMBER: M10468 COMPONENT MAINT MANUAL REF: 31-12-01 POST ALERT SB: 33A0044R1	107107	RF
186	233N3223-1051		.PANEL ASSY-ENG START/RAT SUPPLIER CODE: V89954 ELECTRICAL EQUIP NUMBER: M10468 COMPONENT MAINT MANUAL REF: 31-12-01 POST ALERT SB: 33A0044R1	121503 904949	RF
190	800-000121-1		..CONNECTOR-PWR SUPPLIER CODE: V05617 USED ON: 233N3223-16 233N3223-17 233N3223-27 233N3223-32 233N3223-36 233N3223-37 233N3223-38 233N3223-48 233N3223-1032 233N3223-1037	107107	1

MISSING ITEM NUMBERS NOT APPLICABLE

- ITEM NOT ILLUSTRATED

BRI

33-13-01-70

BOEING PROPRIETARY - Copyright © - Unpublished Work - See title page for details.

33-13-01
FIG. 70
PAGE 23
JAN 20/09



757

PARTS CATALOG (MAINTENANCE)

FIG ITEM	PART NUMBER	1 2 3 4 5 6 7	NOMENCLATURE	EFFECT FROM TO	UNITS PER ASSY
70 190	800000121-1		.. CONNECTOR-PWR SUPPLIER CODE: V05617 USED ON: 233N3223-39 233N3223-42 233N3223-43 233N3223-47 233N3223-50 233N3223-51 233N3223-1039	107107 121503 904949	1
- 195	233N3223-52		. PANEL ASSY-ENG START/RAT SUPPLIER CODE: V89954 ELECTRICAL EQUIP NUMBER: M10468 COMPONENT MAINT MANUAL REF: 31-12-01 PRE ALERT SB: 33A0044R1	121503 904949	RF
- 195	233N3223-1052		. PANEL ASSY-ENG START/RAT SUPPLIER CODE: V89954 ELECTRICAL EQUIP NUMBER: M10468 COMPONENT MAINT MANUAL REF: 31-12-01 POST ALERT SB: 33A0044R1	121503 904949	RF
- 200	233N3223-29		.. PANEL ASSY-ENG START/RAT SUPPLIER CODE: V89954 ELECTRICAL EQUIP NUMBER: M10468 COMPONENT MAINT MANUAL REF: 31-12-01 PRE ALERT SB: 33A0044R1	121503 904949	RF
- 200	233N3223-1029		.. PANEL ASSY-ENG START/RAT SUPPLIER CODE: V89954 ELECTRICAL EQUIP NUMBER: M10468 COMPONENT MAINT MANUAL REF: 31-12-01 POST ALERT SB: 33A0044R1	121503 904949	RF

MISSING ITEM NUMBERS NOT APPLICABLE

- ITEM NOT ILLUSTRATED

33-13-01-70

33-13-01
FIG. 70
PAGE 24
JAN 20/09

BRI



757

PARTS CATALOG (MAINTENANCE)

FIG ITEM	PART NUMBER	1 2 3 4 5 6 7	NOMENCLATURE	EFFECT FROM TO	UNITS PER ASSY
70 205	800-000121-1		. . . CONNECTOR-PWR SUPPLIER CODE: V05617	121503 904949	1
210	800-001259		. LIGHTPLATE-5V WHITE ILLUMINATED INTEGRALLY LIGHTED FUEL SUPPLIER CODE: V05617 SPECIFICATION NUMBER: S233T100-6043 MISCELLANEOUS DATA: FOR VENDOR FSCM 05617 FOR SPARES ORDER THE 800-001259-1 OPTIONAL PART: S233T100-6043 V51896 800-001259-1 V05617 OPTIONAL SUPPLIER CODE: 05617 98140	107107 121503 904949	1
210	800-001259-1		. LIGHTPLATE-5V WHITE ILLUMINATED INTEGRALLY LIGHTED FUEL SUPPLIER CODE: V05617 SPECIFICATION NUMBER: S233T100-6043 OPTIONAL PART: S233T100-6043 V51896 800-001259 V05617	107107 121503 904949	1
220	233N3206-13		. PANEL ASSY-FUEL CONT SUPPLIER CODE: V89954 ELECTRICAL EQUIP NUMBER: M10055 COMPONENT MAINT MANUAL REF: 28-41-71 PRE ALERT SB: 33A0044R1 28A0105R1	107107 121503 904949	RF

MISSING ITEM NUMBERS NOT APPLICABLE

- ITEM NOT ILLUSTRATED

33-13-01-70

33-13-01
FIG. 70
PAGE 25
JAN 20/09

BRI



757

PARTS CATALOG (MAINTENANCE)

FIG ITEM	PART NUMBER	1 2 3 4 5 6 7	NOMENCLATURE	EFFECT FROM TO	UNITS PER ASSY
70 220	233N3206-14		.PANEL ASSY-FUEL CONT SUPPLIER CODE: V89954 ELECTRICAL EQUIP NUMBER: M10055 COMPONENT MAINT MANUAL REF: 28-41-71 PRE ALERT SB: 33A0044 28A0105R1	107107 121503 904949	RF
220	233N3206-15		.PANEL ASSY-FUEL CONT SUPPLIER CODE: V89954 ELECTRICAL EQUIP NUMBER: M10055 COMPONENT MAINT MANUAL REF: 28-41-71 PRE ALERT SB: 33A0044 28A0105R1	107107 121503 904949	RF
220	233N3206-16		.PANEL ASSY-FUEL CONT SUPPLIER CODE: V89954 ELECTRICAL EQUIP NUMBER: M10055 COMPONENT MAINT MANUAL REF: 28-41-71 PRE ALERT SB: 33A0044 28A0105R1	107107 121503 904949	RF
220	233N3206-1016		.PANEL ASSY-FUEL CONT SUPPLIER CODE: V89954 ELECTRICAL EQUIP NUMBER: M10055 COMPONENT MAINT MANUAL REF: 28-41-71 POST ALERT SB: 33A0044 PRE ALERT SB: 28A0105R1	107107 121503 904949	RF

MISSING ITEM NUMBERS NOT APPLICABLE

- ITEM NOT ILLUSTRATED

33-13-01-70

33-13-01
FIG. 70
PAGE 26
JAN 20/09

BRI



757

PARTS CATALOG (MAINTENANCE)

FIG ITEM	PART NUMBER	1 2 3 4 5 6 7	NOMENCLATURE	EFFECT FROM TO	UNITS PER ASSY
70 220	233N3206-17		.PANEL ASSY-FUEL CONT SUPPLIER CODE: V89954 ELECTRICAL EQUIP NUMBER: M10055 COMPONENT MAINT MANUAL REF: 28-41-71 PRE ALERT SB: 33A0044R1 28A0105R1	107107 121503 904949	RF
220	233N3206-1013		.PANEL ASSY-FUEL CONT SUPPLIER CODE: V89954 ELECTRICAL EQUIP NUMBER: M10055 COMPONENT MAINT MANUAL REF: 28-41-71 POST ALERT SB: 33A0044R1 PRE ALERT SB: 28A0105R1	107107 121503 904949	RF
220	233N3206-1014		.PANEL ASSY-FUEL CONT SUPPLIER CODE: V89954 ELECTRICAL EQUIP NUMBER: M10055 COMPONENT MAINT MANUAL REF: 28-41-71 POST ALERT SB: 33A0044 PRE ALERT SB: 28A0105R1	107107 121503 904949	RF
220	233N3206-1015		.PANEL ASSY-FUEL CONT SUPPLIER CODE: V89954 ELECTRICAL EQUIP NUMBER: M10055 COMPONENT MAINT MANUAL REF: 28-41-71 POST ALERT SB: 33A0044 PRE ALERT SB: 28A0105R1	107107 121503 904949	RF

MISSING ITEM NUMBERS NOT APPLICABLE

- ITEM NOT ILLUSTRATED

33-13-01-70

33-13-01
FIG. 70
PAGE 27
JAN 20/09

BRI



757

PARTS CATALOG (MAINTENANCE)

FIG ITEM	PART NUMBER	1 2 3 4 5 6 7	NOMENCLATURE	EFFECT FROM TO	UNITS PER ASSY
70 220	233N3206-1017		.PANEL ASSY-FUEL CONT SUPPLIER CODE: V89954 ELECTRICAL EQUIP NUMBER: M10055 COMPONENT MAINT MANUAL REF: 28-41-71 POST ALERT SB: 33A0044R1 PRE ALERT SB: 28A0105R1	107107 121503 904949	RF
220	233N3206-2013		.PANEL ASSY-FUEL CONT SUPPLIER CODE: V89954 ELECTRICAL EQUIP NUMBER: M10055 COMPONENT MAINT MANUAL REF: 28-41-71 POST ALERT SB: 28A0105R1	107107 121503 904949	RF
220	233N3206-2014		.PANEL ASSY-FUEL CONT SUPPLIER CODE: V89954 ELECTRICAL EQUIP NUMBER: M10055 COMPONENT MAINT MANUAL REF: 28-41-71 POST ALERT SB: 28A0105R1	107107 121503 904949	1
220	233N3206-2015		.PANEL ASSY-FUEL CONT SUPPLIER CODE: V89954 ELECTRICAL EQUIP NUMBER: M10055 COMPONENT MAINT MANUAL REF: 28-41-71 POST ALERT SB: 28A0105R1	107107 121503 904949	RF
220	233N3206-2016		.PANEL ASSY-FUEL CONT SUPPLIER CODE: V89954 ELECTRICAL EQUIP NUMBER: M10055 COMPONENT MAINT MANUAL REF: 28-41-71 POST ALERT SB: 28A0105R1	107107 121503 904949	RF

MISSING ITEM NUMBERS NOT APPLICABLE

- ITEM NOT ILLUSTRATED

33-13-01-70

33-13-01
FIG. 70
PAGE 28
JAN 20/09

BRI



757

PARTS CATALOG (MAINTENANCE)

FIG ITEM	PART NUMBER	1 2 3 4 5 6 7	NOMENCLATURE	EFFECT FROM TO	UNITS PER ASSY
70 220	233N3206-2017		.PANEL ASSY-FUEL CONT SUPPLIER CODE: V89954 ELECTRICAL EQUIP NUMBER: M10055 COMPONENT MAINT MANUAL REF: 28-41-71 POST ALERT SB: 28A0105R1	107107 121503 904949	RF
221	233N3206-3013		.PANEL ASSY-FUEL CONT SUPPLIER CODE: V89954 ELECTRICAL EQUIP NUMBER: M10055 COMPONENT MAINT MANUAL REF: 28-41-71 POST ALERT SB: 28A0105R1	107107 121503 904949	RF
221	233N3206-3014		.PANEL ASSY-FUEL CONT SUPPLIER CODE: V89954 ELECTRICAL EQUIP NUMBER: M10055 COMPONENT MAINT MANUAL REF: 28-41-71 POST ALERT SB: 28A0105R1	107107 121503 904949	RF
221	233N3206-3015		.PANEL ASSY-FUEL CONT SUPPLIER CODE: V89954 ELECTRICAL EQUIP NUMBER: M10055 COMPONENT MAINT MANUAL REF: 28-41-71 POST ALERT SB: 28A0105R1	107107 121503 904949	RF
221	233N3206-3016		.PANEL ASSY-FUEL CONT SUPPLIER CODE: V89954 ELECTRICAL EQUIP NUMBER: M10055 COMPONENT MAINT MANUAL REF: 28-41-71 POST ALERT SB: 28A0105R1	107107 121503 904949	RF

MISSING ITEM NUMBERS NOT APPLICABLE

- ITEM NOT ILLUSTRATED

33-13-01-70

33-13-01
FIG. 70
PAGE 29
JAN 20/09

BRI



757

PARTS CATALOG (MAINTENANCE)

FIG ITEM	PART NUMBER	1 2 3 4 5 6 7	NOMENCLATURE	EFFECT FROM TO	UNITS PER ASSY
70 221	233N3206-3017		.PANEL ASSY-FUEL CONT SUPPLIER CODE: V89954 ELECTRICAL EQUIP NUMBER: M10055 COMPONENT MAINT MANUAL REF: 28-41-71 POST ALERT SB: 28A0105R1	107107 121503 904949	RF
225	800-000121-1		..CONNECTOR-PWR SUPPLIER CODE: V05617	107107 121503 904949	1
230	800-001043		.LIGHTPLATE-5V WHITE ILLUMINATED INTEGRALLY- LIGHTED ANTI-ICE SUPPLIER CODE: V05617 SPECIFICATION NUMBER: S233T100-1070 MISCELLANEOUS DATA: FOR VENDOR FSCM 05617 FOR SPARES ORDER THE 800-001043-1 OPTIONAL PART: S233T100-1070 V51896 800-001043-1 V05617	107107 121503 904949	1
230	800-001043-1		.LIGHTPLATE-5V WHITE ILLUMINATED INTEGRALLY- LIGHTED ANTI-ICE SUPPLIER CODE: V05617 SPECIFICATION NUMBER: S233T100-1070 OPTIONAL PART: S233T100-1070 V51896 800-001043 V05617	107107 121503 904949	1
235	S233T100-6027		.LIGHTPLATE-5V WHITE ILLUMINATED INTEGRALLY LIGHTED ANTI-ICE SUPPLIER CODE: V51896 SPECIFICATION NUMBER: S233T100-6027	107107 121503 904949	1

MISSING ITEM NUMBERS NOT APPLICABLE

- ITEM NOT ILLUSTRATED

33-13-01-70

33-13-01
FIG. 70
PAGE 30
JAN 20/09

BRI



757

PARTS CATALOG (MAINTENANCE)

FIG ITEM	PART NUMBER	1 2 3 4 5 6 7	NOMENCLATURE	EFFECT FROM TO	UNITS PER ASSY
70 245	233N3204-18		.PANEL ASSY-ANTI-ICE SUPPLIER CODE: V89954 ELECTRICAL EQUIP NUMBER: M10397 COMPONENT MAINT MANUAL REF: 30-11-72 QUALIFIED I/W DATA: 233N3204-17 -18 -20 ARE ALL INTERCHANGEABLE EXCEPT SUBJECT TO CUSTOMER PREFERENCE PRE ALERT SB: 30A0013R6 33A0044	107107	RF
245	233N3204-19		.PANEL ASSY-ANTI-ICE SUPPLIER CODE: V89954 ELECTRICAL EQUIP NUMBER: M10397 COMPONENT MAINT MANUAL REF: 30-11-72 QUALIFIED I/W DATA: 233N3204-300 PANEL ASSY IS I/W 233N3204-19 PANEL ASSY T/W S233T100-1070 LIGHTPLATE PRE ALERT SB: 33A0044 FOR OTHER SYS DETAILS SEE: 30-11-51-01 30-21-51-01	107107	RF
245	233N3204-1019		.PANEL ASSY-ANTI-ICE SUPPLIER CODE: V89954 ELECTRICAL EQUIP NUMBER: M10397 COMPONENT MAINT MANUAL REF: 30-11-72 POST ALERT SB: 33A0044	107107	RF

MISSING ITEM NUMBERS NOT APPLICABLE

- ITEM NOT ILLUSTRATED

33-13-01-70

33-13-01
FIG. 70
PAGE 31
JAN 20/09

BRI



757

PARTS CATALOG (MAINTENANCE)

FIG ITEM	PART NUMBER	1 2 3 4 5 6 7	NOMENCLATURE	EFFECT FROM TO	UNITS PER ASSY
70 245	233N3204-20		.PANEL ASSY-ANTI-ICE SUPPLIER CODE: V89954 ELECTRICAL EQUIP NUMBER: M10397 COMPONENT MAINT MANUAL REF: 30-11-72 QUALIFIED I/W DATA: 233N3204-17 -18 -19 -20 ARE ALL INTERCHANGEABLE EXCEPT SUBJECT TO CUSTOMER PREFERENCE 233N3204-301 PANEL ASSY IS I/W 233N3204-20 PANEL ASSY T/W S233T100-1070 LIGHTPLATE POST ALERT SB: 30A0013R6 PRE ALERT SB: 33A0044	107107 121503 904949	RF
245	233N3204-1018		.PANEL ASSY-ANTI-ICE SUPPLIER CODE: V89954 ELECTRICAL EQUIP NUMBER: M10397 COMPONENT MAINT MANUAL REF: 30-11-72 POST ALERT SB: 33A0044	107107	RF
245	233N3204-1020		.PANEL ASSY-ANTI-ICE SUPPLIER CODE: V89954 ELECTRICAL EQUIP NUMBER: M10397 COMPONENT MAINT MANUAL REF: 30-11-72 POST ALERT SB: 33A0044	107107 121503 904949	RF

MISSING ITEM NUMBERS NOT APPLICABLE

- ITEM NOT ILLUSTRATED

BRI

33-13-01-70

BOEING PROPRIETARY - Copyright © - Unpublished Work - See title page for details.

33-13-01
FIG. 70
PAGE 32
JAN 20/09



757

PARTS CATALOG (MAINTENANCE)

FIG ITEM	PART NUMBER	1 2 3 4 5 6 7	NOMENCLATURE	EFFECT FROM TO	UNITS PER ASSY
70 250	800-000121-1		.. CONNECTOR-PWR SUPPLIER CODE: V05617 USED ON: 233N3204-11 233N3204-13 233N3204-17 233N3204-18 233N3204-19 233N3204-20 233N3204-24 233N3204-31 233N3204-1013 233N3204-1017 233N3204-1018 233N3204-1019 233N3204-1020 233N3204-1024 233N3204-1031	107107 121503 904949	1
255	800-000919		. LIGHTPLATE-WSHLD CLEARANCE SUPPLIER CODE: V05617 SPECIFICATION NUMBER: S233T100-1074 MISCELLANEOUS DATA: FOR VENDOR FSCM 05617 FOR SPARES ORDER THE 800-000919-1 OPTIONAL PART: S233T100-1074 V51896 800-000919-1 V05617	107107 121503 904949	1
255	800-000919-1		. LIGHTPLATE-WSHLD CLEARANCE SUPPLIER CODE: V05617 SPECIFICATION NUMBER: S233T100-1074 OPTIONAL PART: S233T100-1074 V51896 800-000919 V05617	107107 121503 904949	1

MISSING ITEM NUMBERS NOT APPLICABLE

- ITEM NOT ILLUSTRATED

33-13-01-70

33-13-01
FIG. 70
PAGE 33
JAN 20/09

BRI



757

PARTS CATALOG (MAINTENANCE)

FIG ITEM	PART NUMBER	1 2 3 4 5 6 7	NOMENCLATURE	EFFECT FROM TO	UNITS PER ASSY
70 260	800-003452	.	LIGHTPLATE-5V WHITE ILLUMINATED INTEGRALLY LIGHTED RAIN REPELLENT SUPPLIER CODE: V05617 SPECIFICATION NUMBER: S233T100-6008 OPTIONAL PART: S233T100-6008 V51896	107107 121503 904949	1
260	S233T100-6008	.	LIGHTPLATE-5V WHITE ILLUMINATED INTEGRALLY LIGHTED RAIN REPELLENT SUPPLIER CODE: V51896 OPTIONAL PART: 800-003452 V05617	107107 121503 904949	1
265	800-007678	.	LIGHTPLATE-5V WHITE ILLUMINATED INTEGRALLY LIGHTED RAIN REPELLENT SUPPLIER CODE: V05617 SPECIFICATION NUMBER: S233T100-1113 OPTIONAL PART: S233T100-1113 V51896 POST SERVICE BULLETIN: 30-0016	107107	1
265	S233T100-1113	.	LIGHTPLATE-5V WHITE ILLUMINATED INTEGRALLY LIGHTED RAIN REPELLENT SUPPLIER CODE: V51896 SPECIFICATION NUMBER: S233T100-1113 OPTIONAL PART: 800-007678 V05617 POST SERVICE BULLETIN: 30-0016 QUALIFIED SB I/W DATA: PERMANENT DEACTIVATION	107107	1

MISSING ITEM NUMBERS NOT APPLICABLE

- ITEM NOT ILLUSTRATED

33-13-01-70

33-13-01
FIG. 70
PAGE 34
JAN 20/09

BRI



757

PARTS CATALOG (MAINTENANCE)

FIG ITEM	PART NUMBER	1 2 3 4 5 6 7	NOMENCLATURE	EFFECT FROM TO	UNITS PER ASSY
70 270	233N3201-11		.PANEL ASSY-RAIN REPELLENT SUPPLIER CODE: V89954 ELECTRICAL EQUIP NUMBER: M10023 COMPONENT MAINT MANUAL REF: 30-42-01 QUALIFIED I/W DATA: 233N3201-11 PANEL ASSY T/W S233T100-1074 LIGHTPLATE AND BP248-127 KNOB IS I/W 233N3201-300	107107 121503 904949	RF
275	800000121-1		..CONNECTOR-PWR SUPPLIER CODE: V05617	107107 121503 904949	1
280	800-000916		.LIGHTPLATE-5V WHITE ILLUMINATED INTEGRALLY LIGHTED ANTI COLLISION SUPPLIER CODE: V05617 SPECIFICATION NUMBER: S233T100-6030 MISCELLANEOUS DATA: FOR VENDOR FSCM 05617 FOR SPARES ORDER THE 800-000916-1 OPTIONAL PART: S233T100-6030 V51896 800-000916-1 V05617	107107 121503 904949	1
280	800-000916-1		.LIGHTPLATE-5V WHITE ILLUMINATED INTEGRALLY LIGHTED ANTI COLLISION SUPPLIER CODE: V05617 SPECIFICATION NUMBER: S233T100-6030 OPTIONAL PART: S233T100-6030 V51896 800-000916 V05617	107107 121503 904949	1

MISSING ITEM NUMBERS NOT APPLICABLE

- ITEM NOT ILLUSTRATED

33-13-01-70

33-13-01
FIG. 70
PAGE 35
JAN 20/09

BRI



757

PARTS CATALOG (MAINTENANCE)

FIG ITEM	PART NUMBER	1 2 3 4 5 6 7	NOMENCLATURE	EFFECT FROM TO	UNITS PER ASSY
70 285	233N3210-14		.PANEL ASSY-ANTI-COLLISION LIGHTING SUPPLIER CODE: V89954 ELECTRICAL EQUIP NUMBER: M10396 COMPONENT MAINT MANUAL REF: 33-44-71 QUALIFIED I/W DATA: 233N3210-13 -14 -15 -16 ARE ALL INTERCHANGEABLE EXCEPT SUBJECT TO CUSTOMER PREFERENCE	107107	RF
285	233N3210-15		.PANEL ASSY-ANTI-COLLISION LIGHTING SUPPLIER CODE: V89954 ELECTRICAL EQUIP NUMBER: M10396 COMPONENT MAINT MANUAL REF: 33-44-71 QUALIFIED I/W DATA: 233N3210-13 -14 -15 -16 ARE ALL INTERCHANGEABLE EXCEPT SUBJECT TO CUSTOMER PREFERENCE	121503 904949	RF
290	800-000121-1		..CONNECTOR-PWR SUPPLIER CODE: V05617	107107 121503 904949	1
295	800-000920		.LIGHTPLATE-5V WHITE ILLUMINATED INTEGRALLY LIGHTED WINDOW HEAT SUPPLIER CODE: V05617 SPECIFICATION NUMBER: S233T100-1073 MISCELLANEOUS DATA: FOR VENDOR FSCM 05617 FOR SPARES ORDER THE 800-000920-1 OPTIONAL PART: S233T100-1073 V51896 800-000920-1 V05617 OPTIONAL SUPPLIER CODE: 05617 98140	107107 121503 904949	1

R
R
R
R
R
R
R
R
R
R
R
R
R
R
R
R
R
R
R
R
R
R

MISSING ITEM NUMBERS NOT APPLICABLE

- ITEM NOT ILLUSTRATED

33-13-01-70

33-13-01
FIG. 70
PAGE 36
MAY 20/09

BRI



757

PARTS CATALOG (MAINTENANCE)

FIG ITEM	PART NUMBER	1 2 3 4 5 6 7	NOMENCLATURE	EFFECT FROM TO	UNITS PER ASSY
70 295	800-000920-1		.LIGHTPLATE-5V WHITE ILLUMINATED INTEGRALLY LIGHTED WINDOW HEAT SUPPLIER CODE: V05617 SPECIFICATION NUMBER: S233T100-1073 OPTIONAL PART: S233T100-1073 V51896 800-000920 V05617	107107 121503 904949	1
300	800-003413		.LIGHTPLATE-5V WHITE ILLUMINATED INTEGRALLY LIGHTED WINDOW HEAT SUPPLIER CODE: V05617 SPECIFICATION NUMBER: S233T100-6006 MISCELLANEOUS DATA: FOR VENDOR FSCM 05617 FOR SPARES ORDER THE 800-003413-1 OPTIONAL PART: S233T100-6006 V51896 800-003413-1 V05617 OPTIONAL SUPPLIER CODE: 05617 98140	107107 121503 904949	1
300	800-003413-1		.LIGHTPLATE-5V WHITE ILLUMINATED INTEGRALLY LIGHTED WINDOW HEAT SUPPLIER CODE: V05617 SPECIFICATION NUMBER: S233T100-6006 OPTIONAL PART: S233T100-6006 V51896 800-003413 V05617	107107 121503 904949	1

MISSING ITEM NUMBERS NOT APPLICABLE

- ITEM NOT ILLUSTRATED

33-13-01-70

33-13-01
FIG. 70
PAGE 37
JAN 20/09

BRI



757

PARTS CATALOG (MAINTENANCE)

FIG ITEM	PART NUMBER	1 2 3 4 5 6 7	NOMENCLATURE	EFFECT FROM TO	UNITS PER ASSY
70 305	233N3212-10		.PANEL ASSY-WINDOW HEAT SUPPLIER CODE: V89954 ELECTRICAL EQUIP NUMBER: M10395 COMPONENT MAINT MANUAL REF: 30-41-71 QUALIFIED I/W DATA: 233N3212-8 -10 -11 -12 -13 ARE ALL INTERCHANGEABLE EXCEPT SUBJECT TO CUSTOMER PREFERENCE	107107	RF
305	233N3212-13		.PANEL ASSY-WINDOW HEAT SUPPLIER CODE: V89954 ELECTRICAL EQUIP NUMBER: M10395 COMPONENT MAINT MANUAL REF: 30-41-71 QUALIFIED I/W DATA: 233N3212-8 -10 -11 -12 -13 ARE ALL INTERCHANGEABLE EXCEPT SUBJECT TO CUSTOMER PREFERENCE	121503 904949	RF
310	800-000121-1		..CONNECTOR-PWR SUPPLIER CODE: V05617	107107 121503 904949	1
315	285T0024-25		.MODULE ASSY-PILOT CALL PNL SUPPLIER CODE: V89954 ELECTRICAL EQUIP NUMBER: M00051 COMPONENT MAINT MANUAL REF: 23-42-59	107107 121503 904949	RF

MISSING ITEM NUMBERS NOT APPLICABLE

- ITEM NOT ILLUSTRATED

33-13-01-70

33-13-01
FIG. 70
PAGE 38
JAN 20/09

BRI

BOEING
757
PARTS CATALOG (MAINTENANCE)

FIG ITEM	PART NUMBER	1 2 3 4 5 6 7	NOMENCLATURE	EFFECT FROM TO	UNITS PER ASSY
70 335	800-000595		..LIGHTPLATE- SUPPLIER CODE: V05617 SPECIFICATION NUMBER: S233T100-6021 MISCELLANEOUS DATA: FOR VENDOR FSCM 05617 FOR SPARES ORDER THE 800-000595-1 OPTIONAL PART: S233T100-6021 V51896 800-000595-1 V05617	107107 121503 904949	1
	335 800-000595-1		..LIGHTPLATE- SUPPLIER CODE: V05617 SPECIFICATION NUMBER: S233T100-6021 OPTIONAL PART: S233T100-6021 V51896 800-000595 V05617	107107 121503 904949	1
	350 800000121-1		..CONNECTOR-PWR SUPPLIER CODE: V05617 USED ON: 285T0024-27	107107 121503 904949	1
	355 800-000907		.LIGHTPLATE-5V WHITE ILLUMINATED INTEGRALLY LIGHTED PASS. SIGNS SUPPLIER CODE: V05617 SPECIFICATION NUMBER: S233T100-1018 MISCELLANEOUS DATA: FOR VENDOR FSCM 05617 FOR SPARES ORDER THE 800-000907-1 ELECTRICAL EQUIP NUMBER: M00052 OPTIONAL PART: S233T100-1018 V51896 800-000907-1 V05617 OPTIONAL SUPPLIER CODE: 05617 98140	107107 121503 904949	1

R
R
R
R
R
R
R
R
R
R
R
R
R
R
R
R
R
R
R
R
R
R

MISSING ITEM NUMBERS NOT APPLICABLE

- ITEM NOT ILLUSTRATED

33-13-01-70

33-13-01
FIG. 70
PAGE 39
MAY 20/09

BRI



757

PARTS CATALOG (MAINTENANCE)

FIG ITEM	PART NUMBER	1 2 3 4 5 6 7	NOMENCLATURE	EFFECT FROM TO	UNITS PER ASSY
70 355	800-000907-1	.	LIGHTPLATE-5V WHITE ILLUMINATED INTEGRALLY LIGHTED PASS. SIGNS SUPPLIER CODE: V05617 SPECIFICATION NUMBER: S233T100-1018 ELECTRICAL EQUIP NUMBER: M00052 OPTIONAL PART: S233T100-1018 V51896 800-000907 V05617	107107 121503 904949	1
360	233T3216-10	.	PANEL ASSY-PASS. SIGN CONT SUPPLIER CODE: V89954 ELECTRICAL EQUIP NUMBER: M00052	107107 121503 904949	RF
365	800-000121-1	..	CONNECTOR-PWR SUPPLIER CODE: V05617	107107 121503 904949	1
370	800-000415	.	LIGHTPLATE-5V WHITE ILLUMINATED INTEGRALLY LIGHTED EQPT COOLING SUPPLIER CODE: V05617 SPECIFICATION NUMBER: S233T100-6045 MISCELLANEOUS DATA: FOR VENDOR FSCM 05617 FOR SPARES ORDER THE 800-000415-1 OPTIONAL PART: S233T100-6045 V51896 800-000415-1 V05617	107107 121503 904949	1

MISSING ITEM NUMBERS NOT APPLICABLE

- ITEM NOT ILLUSTRATED

BRI

33-13-01-70

BOEING PROPRIETARY - Copyright © - Unpublished Work - See title page for details.

33-13-01
FIG. 70
PAGE 40
JAN 20/09



757

PARTS CATALOG (MAINTENANCE)

FIG ITEM	PART NUMBER	1 2 3 4 5 6 7	NOMENCLATURE	EFFECT FROM TO	UNITS PER ASSY
70 370	800-000415-1		.LIGHTPLATE-5V WHITE ILLUMINATED INTEGRALLY LIGHTED EQPT COOLING SUPPLIER CODE: V05617 SPECIFICATION NUMBER: S233T100-6045 OPTIONAL PART: S233T100-6045 V51896 800-000415 V05617	107107 121503 904949	1
375	233N3203-27		.PANEL ASSY-EQPT COOLING SUPPLIER CODE: V89954 ELECTRICAL EQUIP NUMBER: M10067 COMPONENT MAINT MANUAL REF: 21-58-71 QUALIFIED I/W DATA: 233N3203-26 -27 -32 -33 -34 ARE ALL INTERCHANGEABLE EXCEPT SUBJECT TO CUSTOMER PREFERENCE PRE ALERT SB: 33A0044	107107	RF
375	233N3203-34		.PANEL ASSY-EQPT COOLING SUPPLIER CODE: V89954 ELECTRICAL EQUIP NUMBER: M10067 COMPONENT MAINT MANUAL REF: 21-58-71 QUALIFIED I/W DATA: 233N3203-26 -27 -32 -33 -34 ARE ALL INTERCHANGEABLE EXCEPT SUBJECT TO CUSTOMER PREFERENCE PRE ALERT SB: 33A0044R1	121503 904949	RF

MISSING ITEM NUMBERS NOT APPLICABLE

- ITEM NOT ILLUSTRATED

33-13-01-70

33-13-01
FIG. 70
PAGE 41
JAN 20/09

BRI



757

PARTS CATALOG (MAINTENANCE)

FIG ITEM	PART NUMBER	1 2 3 4 5 6 7	NOMENCLATURE	EFFECT FROM TO	UNITS PER ASSY
70 375	233N3203-1027	.	PANEL ASSY-EQPT COOLING SUPPLIER CODE: V89954 ELECTRICAL EQUIP NUMBER: M10067 COMPONENT MAINT MANUAL REF: 21-58-71 POST ALERT SB: 33A0044	107107	RF
375	233N3203-1034	.	PANEL ASSY-EQPT COOLING SUPPLIER CODE: V89954 ELECTRICAL EQUIP NUMBER: M10067 COMPONENT MAINT MANUAL REF: 21-58-71 POST ALERT SB: 33A0044R1	121503 904949	RF
380	800-000121-1	..	CONNECTOR-PWR SUPPLIER CODE: V05617	107107 121503 904949	1
385	800-002786	.	LIGHTPLATE-5V WHITE ILLUMINATED INTEGRALLY LIGHTED LIGHTING SUPPLIER CODE: V05617 POSITION DATA: R SPECIFICATION NUMBER: S233T100-6039 MISCELLANEOUS DATA: FOR VENDOR FSCM 05617 FOR SPARES ORDER THE 800-002786-1 OPTIONAL PART: S233T100-6039 V51896 800-002786-1 V05617	107107 121503 904949	1

MISSING ITEM NUMBERS NOT APPLICABLE

- ITEM NOT ILLUSTRATED

33-13-01-70

33-13-01
FIG. 70
PAGE 42
JAN 20/09

BRI



757

PARTS CATALOG (MAINTENANCE)

FIG ITEM	PART NUMBER	1 2 3 4 5 6 7	NOMENCLATURE	EFFECT FROM TO	UNITS PER ASSY
70 385	S233T100-6039		.LIGHTPLATE-5V WHITE ILLUMINATED INTEGRALLY LIGHTED LIGHTING SUPPLIER CODE: V51896 POSITION DATA: R OPTIONAL PART: 800-002786 V05617 OPTIONAL SUPPLIER CODE: 05617 98140	107107 121503 904949	1
385	800-002786-1		.LIGHTPLATE-5V WHITE ILLUMINATED INTEGRALLY LIGHTED LIGHTING SUPPLIER CODE: V05617 POSITION DATA: R SPECIFICATION NUMBER: S233T100-6039 OPTIONAL PART: S233T100-6039 V51896 800-002786 V05617	107107 121503 904949	1
395	233N3221-60		.PANEL ASSY-LIGHTING CONT SUPPLIER CODE: V89954 POSITION DATA: R ELECTRICAL EQUIP NUMBER: M10057 COMPONENT MAINT MANUAL REF: 33-11-72	121503 904949	RF
395	233N3221-83		.PANEL ASSY-LIGHTING CONT SUPPLIER CODE: V89954 POSITION DATA: R ELECTRICAL EQUIP NUMBER: M10057 COMPONENT MAINT MANUAL REF: 33-11-72	107107	RF
400	800-000121-1		..CONNECTOR-PWR SUPPLIER CODE: V05617	107107	1

MISSING ITEM NUMBERS NOT APPLICABLE

- ITEM NOT ILLUSTRATED

33-13-01-70

33-13-01
FIG. 70
PAGE 43
JAN 20/09

BRI



757

PARTS CATALOG (MAINTENANCE)

FIG ITEM	PART NUMBER	1 2 3 4 5 6 7	NOMENCLATURE	EFFECT FROM TO	UNITS PER ASSY
70 400	800000121-1		. . CONNECTOR-PWR SUPPLIER CODE: V05617	121503 904949	1
405	800-000445		. LIGHTPLATE-5V WHITE ILLUMINATED INTEGRALLY LIGHTED PACK CONTROLS SUPPLIER CODE: V05617 SPECIFICATION NUMBER: S233T100-6014 MISCELLANEOUS DATA: FOR VENDOR FSCM 05617 FOR SPARES ORDER THE 800-000445-1 OPTIONAL PART: S233T100-6014 V51896 800-000445-1 V05617	107107 121503 904949	1
405	800-000445-1		. LIGHTPLATE-5V WHITE ILLUMINATED INTEGRALLY LIGHTED PACK CONTROLS SUPPLIER CODE: V05617 SPECIFICATION NUMBER: S233T100-6014 OPTIONAL PART: S233T100-6014 V51896 800-000445 V05617	107107 121503 904949	1
410	233N3217-11		. PANEL ASSY-AIR CONDITIONING CONT SUPPLIER CODE: V89954 ELECTRICAL EQUIP NUMBER: M10193 COMPONENT MAINT MANUAL REF: 21-51-71 QUALIFIED I/W DATA: 233N3217-8 -11 -15 -16 -17 ARE ALL INTERCHANGEABLE EXCEPT SUBJECT TO CUSTOMER PREFERENCE	107107	RF

MISSING ITEM NUMBERS NOT APPLICABLE

- ITEM NOT ILLUSTRATED

33-13-01-70

33-13-01
FIG. 70
PAGE 44
JAN 20/09

BRI



757

PARTS CATALOG (MAINTENANCE)

FIG ITEM	PART NUMBER	1 2 3 4 5 6 7	NOMENCLATURE	EFFECT FROM TO	UNITS PER ASSY
70 410	233N3217-17		.PANEL ASSY-AIR CONDITIONING CONT SUPPLIER CODE: V89954 ELECTRICAL EQUIP NUMBER: M10193 COMPONENT MAINT MANUAL REF: 21-51-71 QUALIFIED I/W DATA: 233N3217-8 -11 -15 -16 -17 ARE ALL INTERCHANGEABLE EXCEPT SUBJECT TO CUSTOMER PREFERENCE	121503 904949	RF
415	800-000121-1		..CONNECTOR-PWR SUPPLIER CODE: V05617	107107 121503 904949	1
420	800-000924		.LIGHTPLATE-BLEED AIR SYS SUPPLIER CODE: V05617 SPECIFICATION NUMBER: S233T100-6009 MISCELLANEOUS DATA: FOR VENDOR FSCM 05617 FOR SPARES ORDER THE 800-000924-1 OPTIONAL PART: S233T100-6009 V51896 800-000924-1 V05617 OPTIONAL SUPPLIER CODE: 05617 98140	107107 121503 904949	1
420	800-000924-1		.LIGHTPLATE-BLEED AIR SYS SUPPLIER CODE: V05617 SPECIFICATION NUMBER: S233T100-6009 OPTIONAL PART: S233T100-6009 V51896 800-000924 V05617	107107 121503 904949	1

R
R
R
R
R
R
R
R
R
R
R
R
R
R
R

MISSING ITEM NUMBERS NOT APPLICABLE

- ITEM NOT ILLUSTRATED

33-13-01-70

33-13-01
FIG. 70
PAGE 45
MAY 20/09

BRI



757

PARTS CATALOG (MAINTENANCE)

FIG ITEM	PART NUMBER	1 2 3 4 5 6 7	NOMENCLATURE	EFFECT FROM TO	UNITS PER ASSY
70 425	233N3215-15		.PANEL ASSY-BLEED AIR SUPPLIER CODE: V89954 ELECTRICAL EQUIP NUMBER: M10259 COMPONENT MAINT MANUAL REF: 36-11-71 QUALIFIED I/W DATA: 233N3215-9 -15 -19 -20 ARE ALL INTERCHANGEABLE EXCEPT SUBJECT TO CUSTOMER PREFERENCE PRE ALERT SB: 33A0044	107107	RF
425	233N3215-19		.PANEL ASSY-BLEED AIR SUPPLIER CODE: V89954 ELECTRICAL EQUIP NUMBER: M10259 COMPONENT MAINT MANUAL REF: 36-11-71 QUALIFIED I/W DATA: 233N3215-9 -15 -19 -20 ARE ALL INTERCHANGEABLE EXCEPT SUBJECT TO CUSTOMER PREFERENCE PRE ALERT SB: 33A0044	121503 904949	RF
425	233N3215-1015		.PANEL ASSY-BLEED AIR SUPPLIER CODE: V89954 ELECTRICAL EQUIP NUMBER: M10259 COMPONENT MAINT MANUAL REF: 36-11-71 QUALIFIED I/W DATA: 233N3215-1009,-1015, -1019 AND -1020 ARE INTERCHANGEABLE PER CUSTOMER PREFERENCE. POST ALERT SB: 33A0044	107107	RF

MISSING ITEM NUMBERS NOT APPLICABLE

- ITEM NOT ILLUSTRATED

BRI

33-13-01-70

BOEING PROPRIETARY - Copyright © - Unpublished Work - See title page for details.

33-13-01
FIG. 70
PAGE 46
JAN 20/09



757

PARTS CATALOG (MAINTENANCE)

FIG ITEM	PART NUMBER	1 2 3 4 5 6 7	NOMENCLATURE	EFFECT FROM TO	UNITS PER ASSY
70 425	233N3215-1019	.	PANEL ASSY-BLEED AIR SUPPLIER CODE: V89954 ELECTRICAL EQUIP NUMBER: M10259 COMPONENT MAINT MANUAL REF: 36-11-71 QUALIFIED I/W DATA: 233N3215-1009,-1015, -1019 AND -1020 ARE INTERCHANGEABLE PER CUSTOMER PREFERENCE. POST ALERT SB: 33A0044R1	121503 904949	RF
430	800-000121-1	..	CONNECTOR-PWR SUPPLIER CODE: V05617	107107 121503 904949	1

MISSING ITEM NUMBERS NOT APPLICABLE

- ITEM NOT ILLUSTRATED

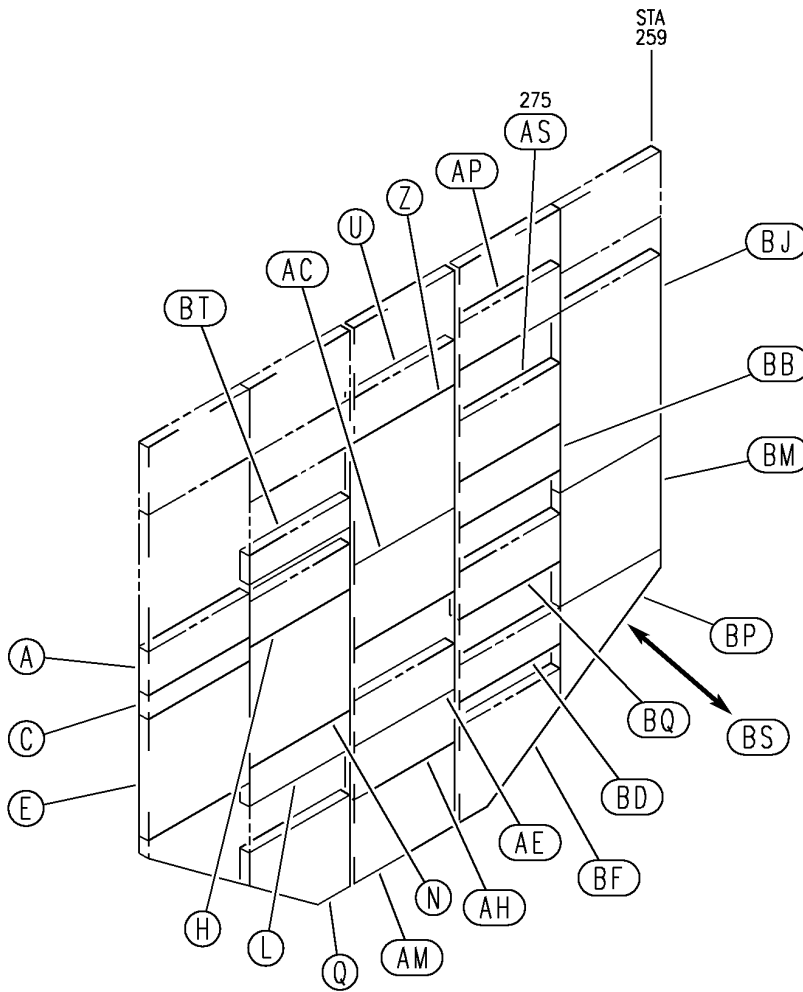
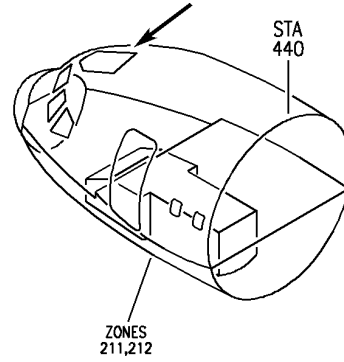
BRI

33-13-01-70

BOEING PROPRIETARY - Copyright © - Unpublished Work - See title page for details.

33-13-01
FIG. 70
PAGE 47
JAN 20/09

BOEING
757
PARTS CATALOG (MAINTENANCE)



Y 33130171 SHT 1 REV 295

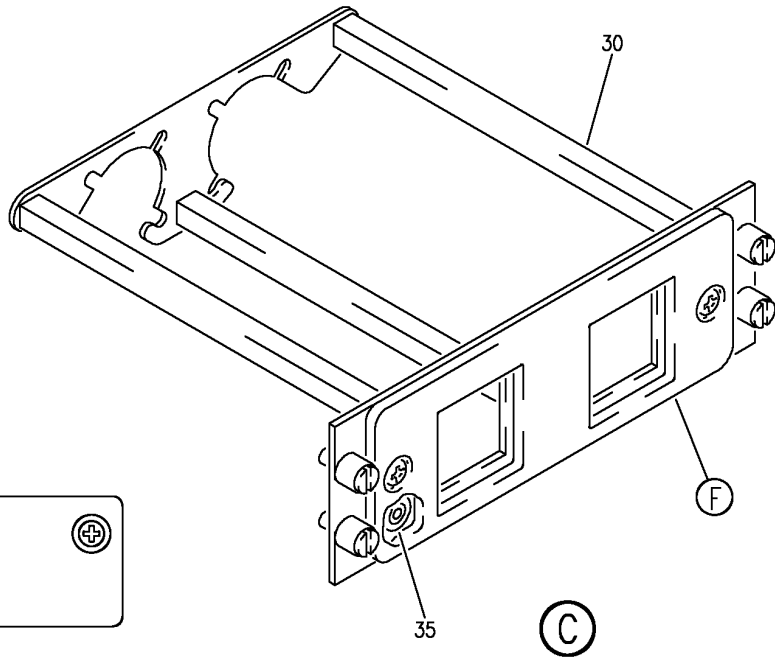
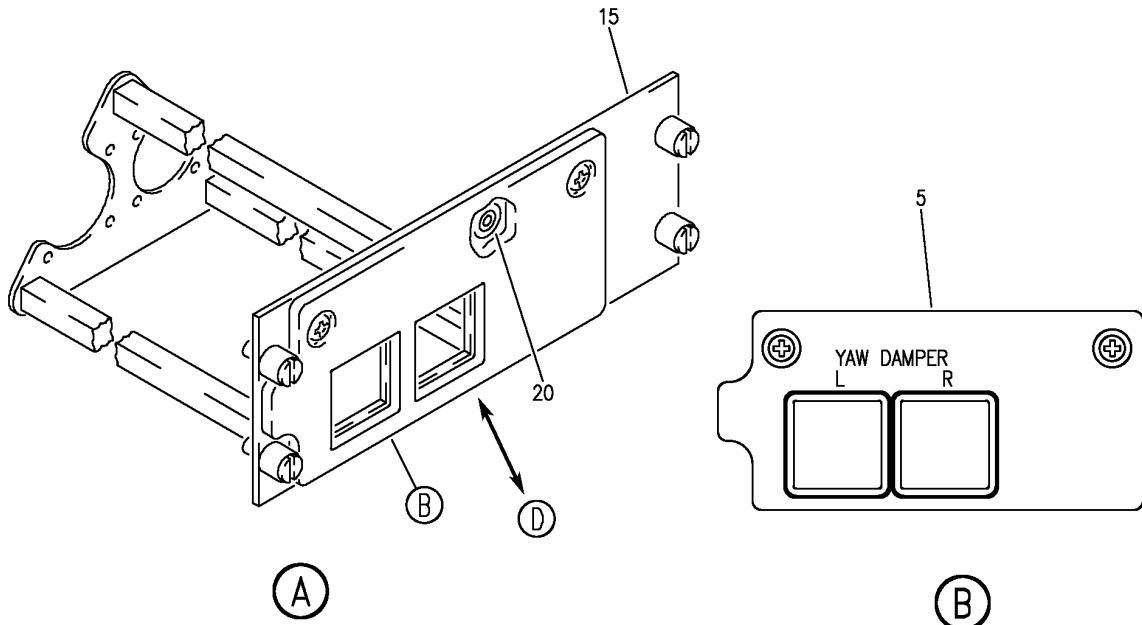
PANEL INSTL-P5 OVHD (LIGHTPLATES ONLY)
FIGURE 71 (SHEET 1)

33-13-01-71

BRI
MAY 28/07

33-13-01-71
PAGE 0

BOEING
757
PARTS CATALOG (MAINTENANCE)



Y 33130171 SH1 2 REV 271

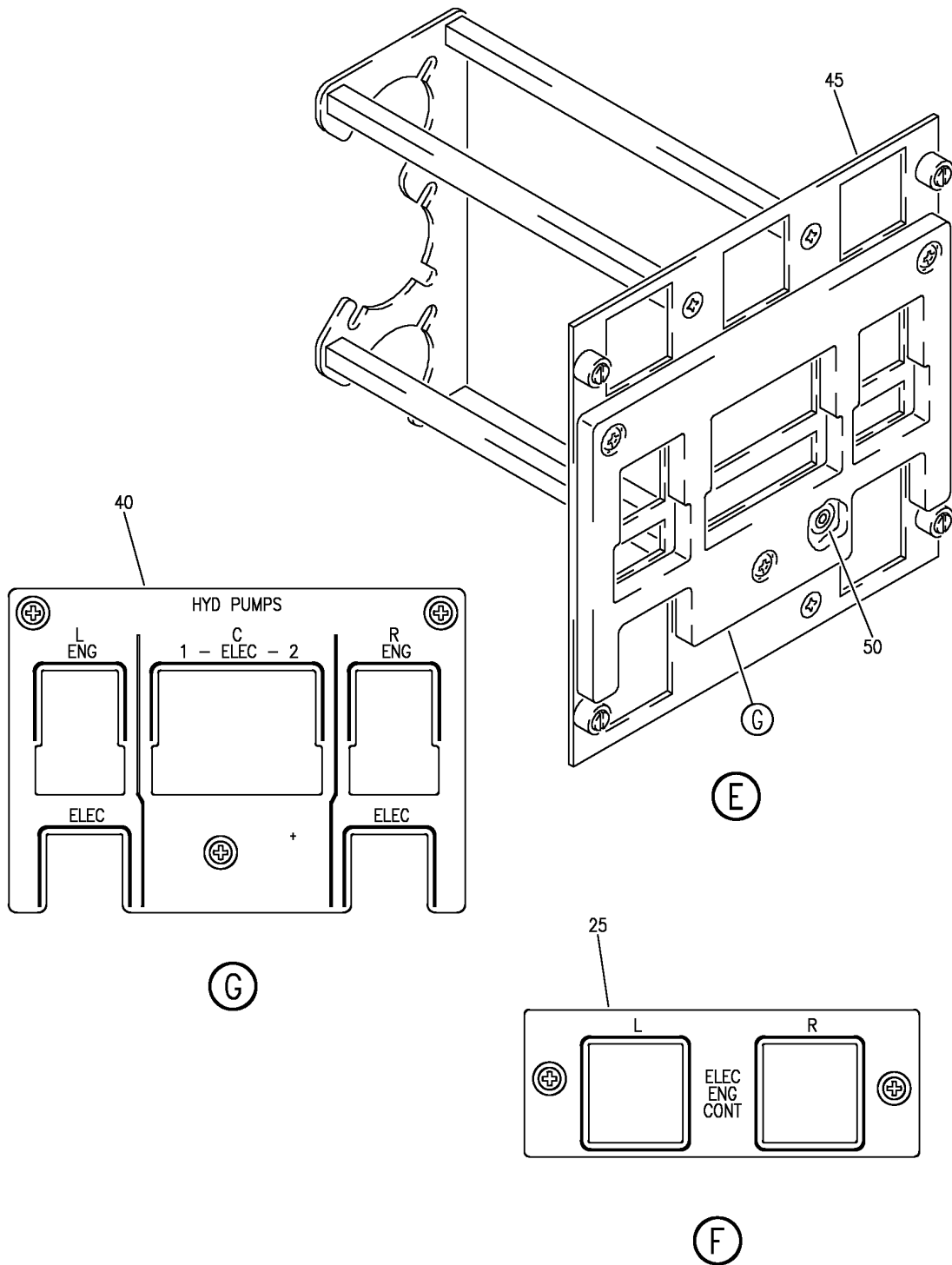
PANEL INSTL-P5 OVHD (LIGHTPLATES ONLY)
FIGURE 71 (SHEET 2)

33-13-01-71

BRI
MAY 28/07

33-13-01-71
PAGE 0A

BOEING
757
PARTS CATALOG (MAINTENANCE)



Y 33130171 SH1 3 REV 271

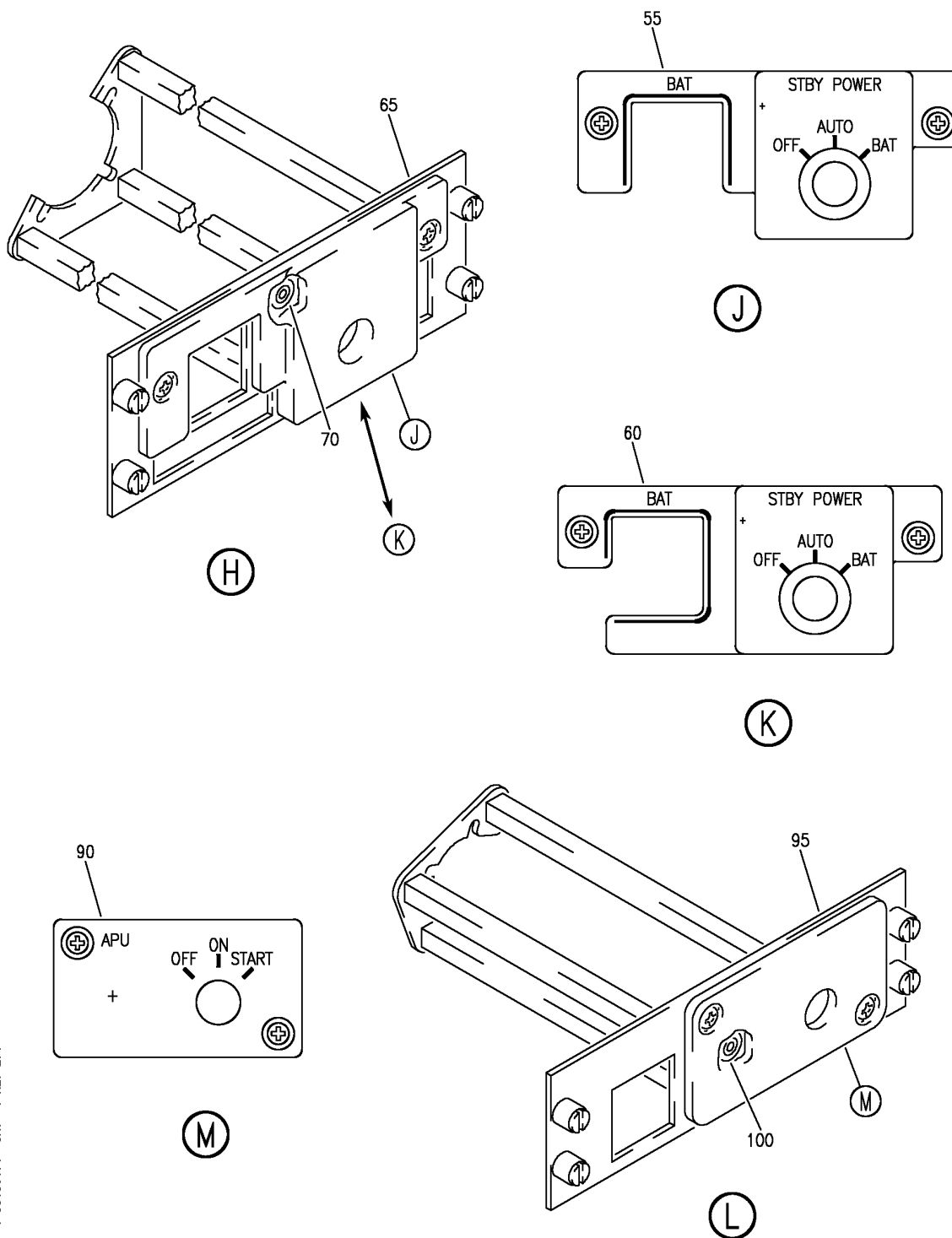
PANEL INSTL-P5 OVHD (LIGHTPLATES ONLY)
FIGURE 71 (SHEET 3)

33-13-01-71

BRI
MAY 28/07

33-13-01-71
PAGE 0B


BOEING
 757
PARTS CATALOG (MAINTENANCE)



Y 33130171 SH- 4 REV 271

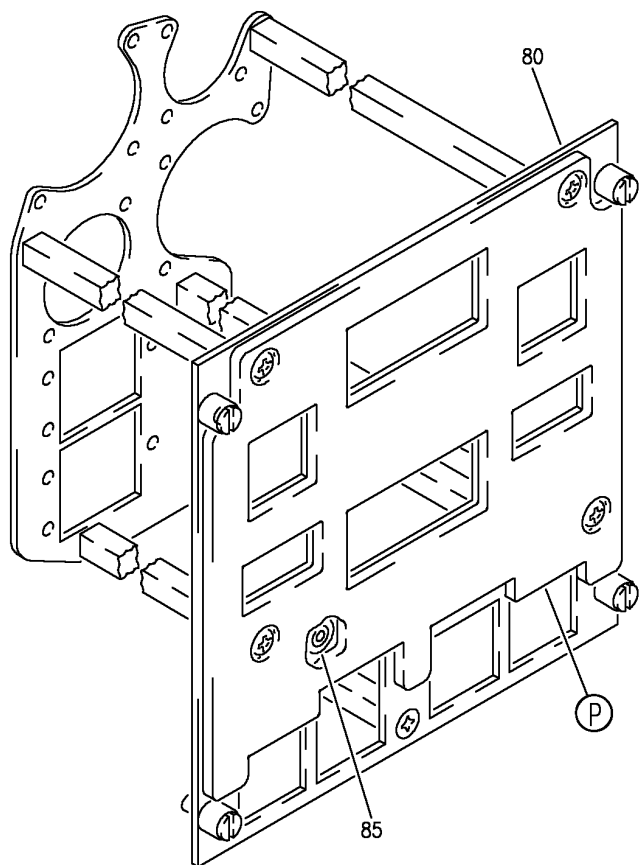
PANEL INSTL-P5 OVHD (LIGHTPLATES ONLY)
 FIGURE 71 (SHEET 4)

33-13-01-71

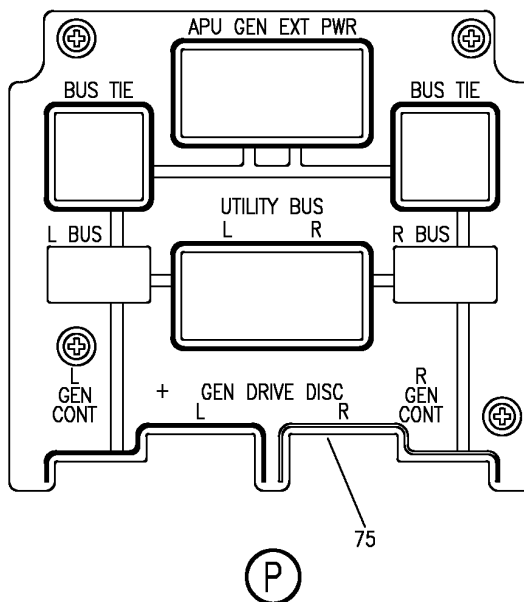
BRI
 MAY 28/07

33-13-01-71
 PAGE 0C

BOEING
757
PARTS CATALOG (MAINTENANCE)



(N)



Y 33130171 SH 5 REV 271

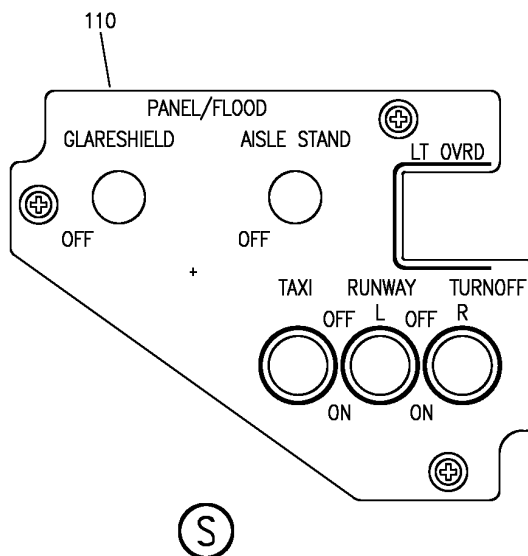
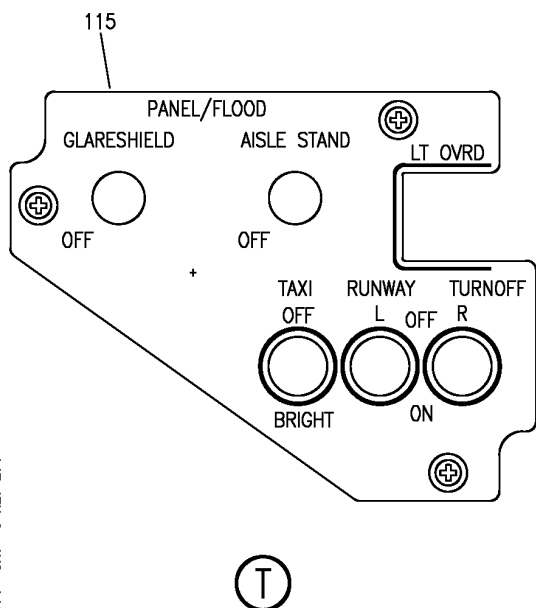
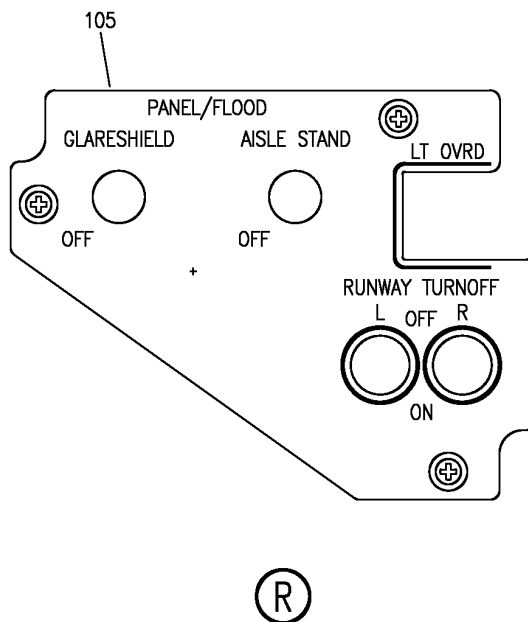
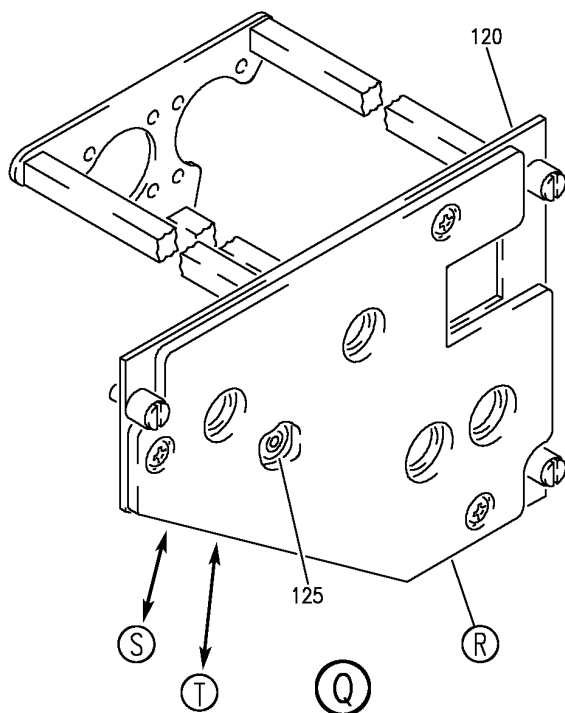
PANEL INSTL-P5 OVHD (LIGHTPLATES ONLY)
FIGURE 71 (SHEET 5)

33-13-01-71

BRI
MAY 28/07

33-13-01-71
PAGE 0D

BOEING
757
PARTS CATALOG (MAINTENANCE)



Y 33130171 SHT 6 REV 271

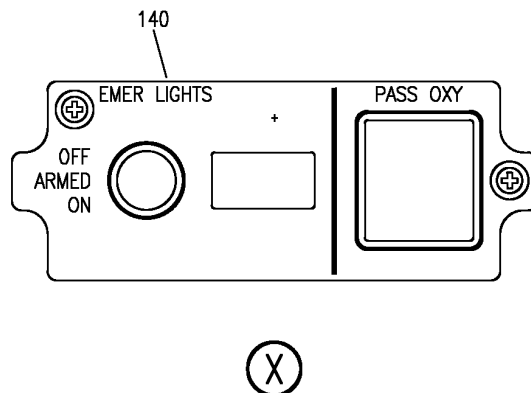
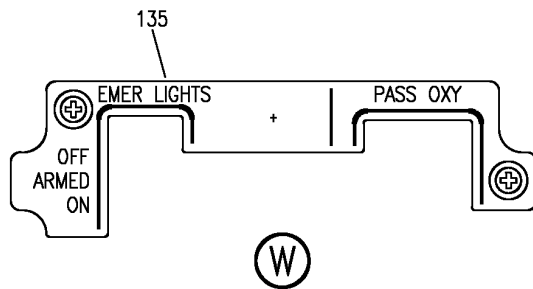
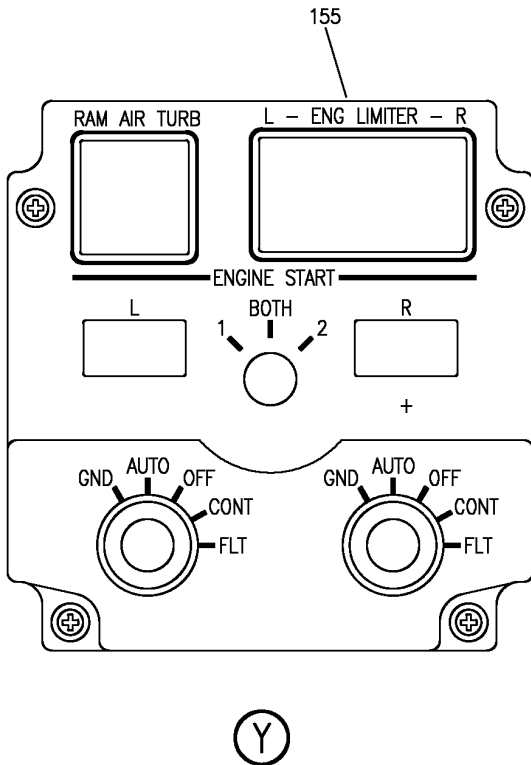
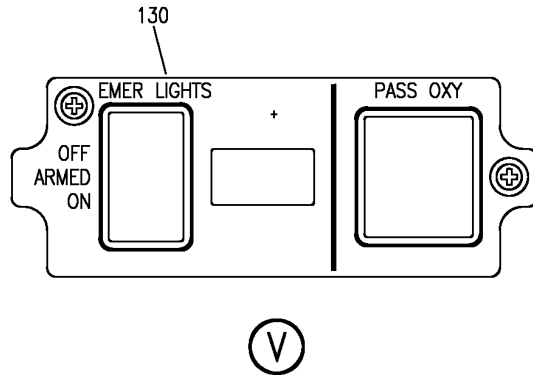
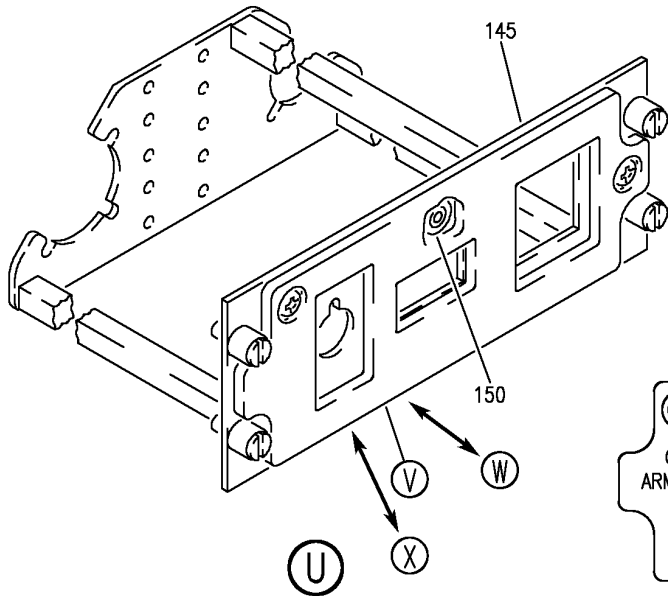
PANEL INSTL-P5 OVHD (LIGHTPLATES ONLY)
FIGURE 71 (SHEET 6)

33-13-01-71

BRI
MAY 28/07

33-13-01-71
PAGE 0E


BOEING
 757
PARTS CATALOG (MAINTENANCE)

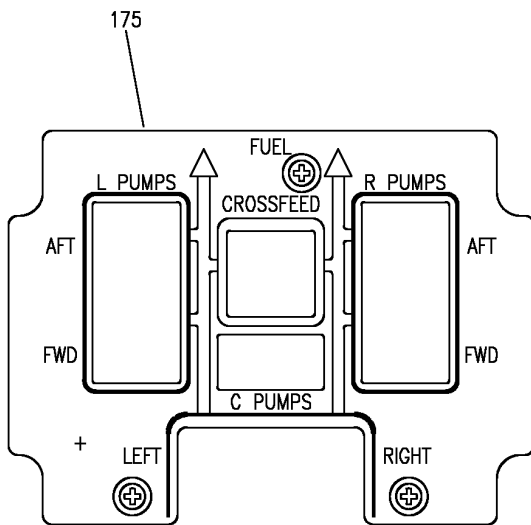
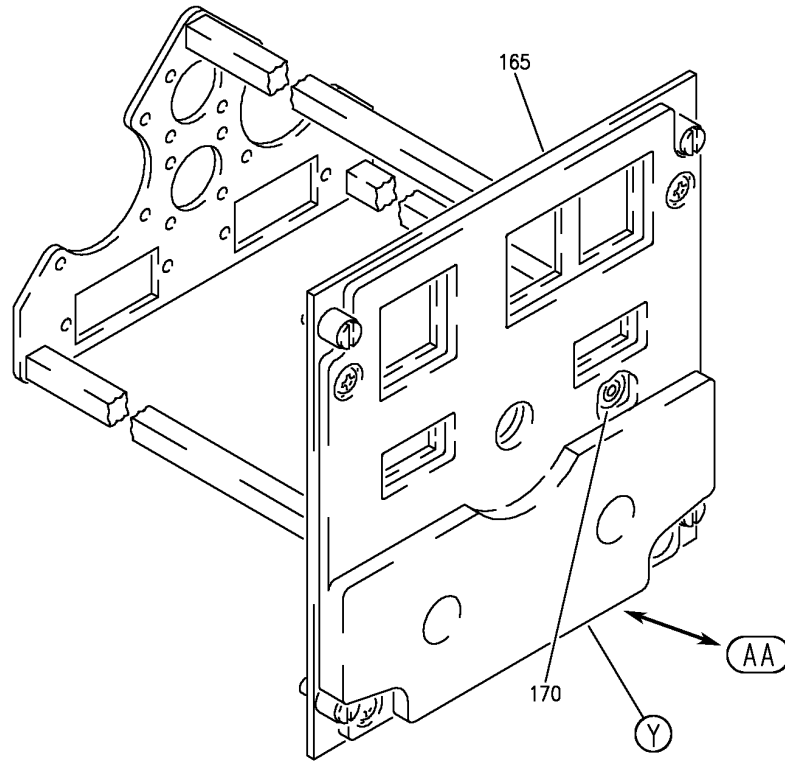


Y 33130171 SHT 7 REV 271

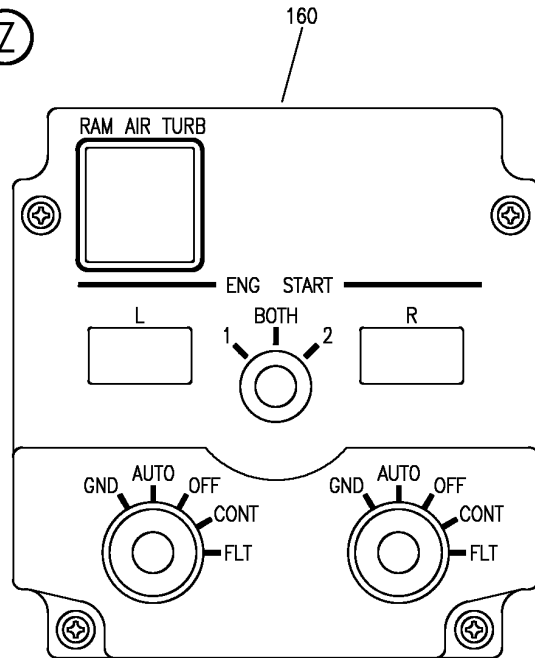
PANEL INSTL-P5 OVHD (LIGHTPLATES ONLY)
 FIGURE 71 (SHEET 7)

33-13-01-71


BOEING
 757
PARTS CATALOG (MAINTENANCE)



AB



AA

Y 33130171 SH 8 REV 271

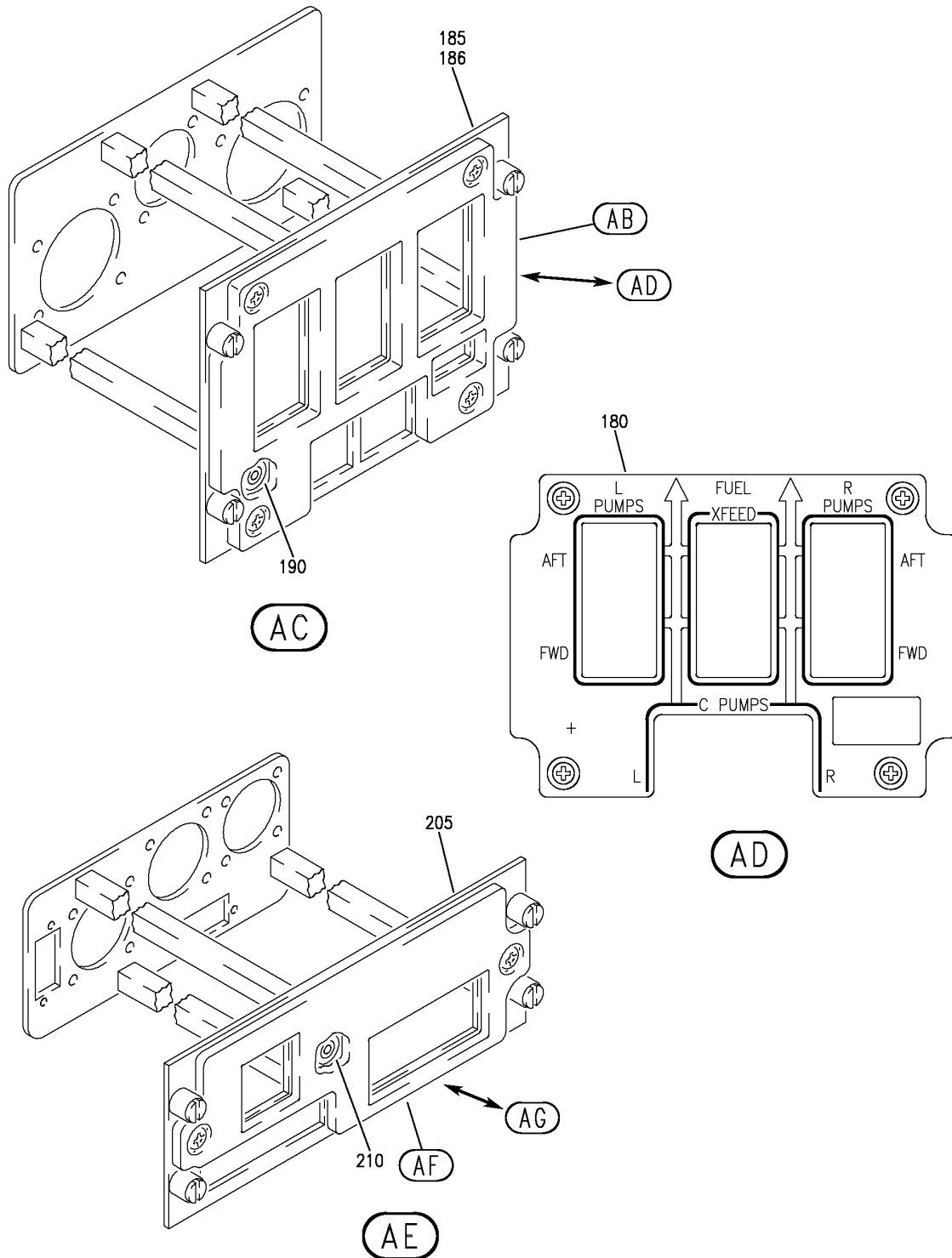
PANEL INSTL-P5 OVHD (LIGHTPLATES ONLY)
 FIGURE 71 (SHEET 8)

33-13-01-71

BRI
MAY 28/07

33-13-01-71
PAGE 0G

BOEING
757
PARTS CATALOG (MAINTENANCE)



Y 33130171 SH-T 9 REV 316

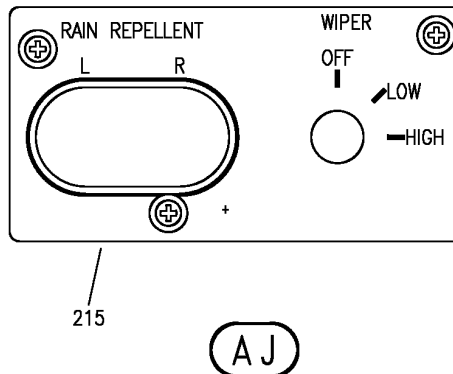
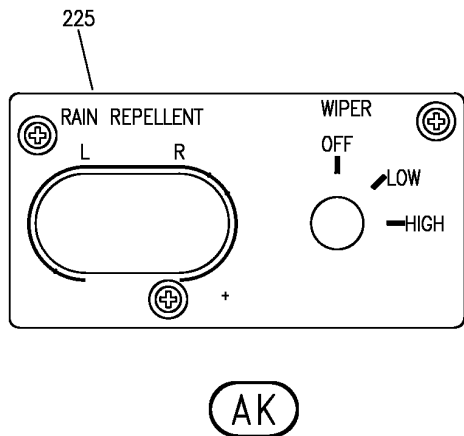
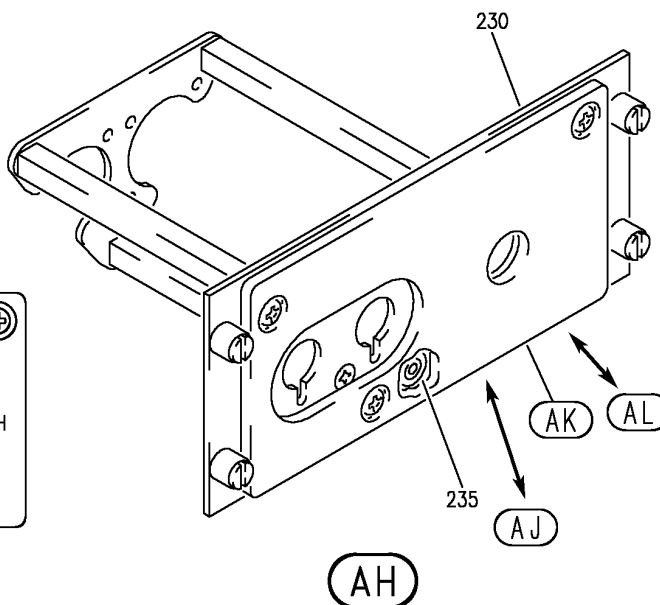
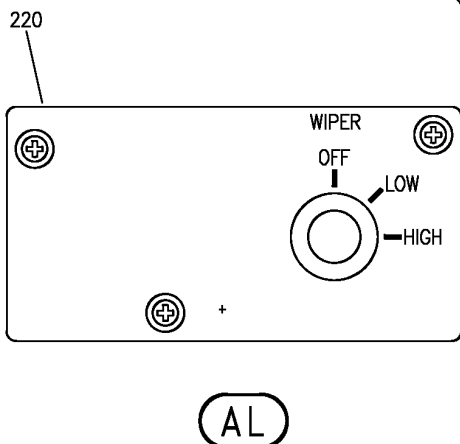
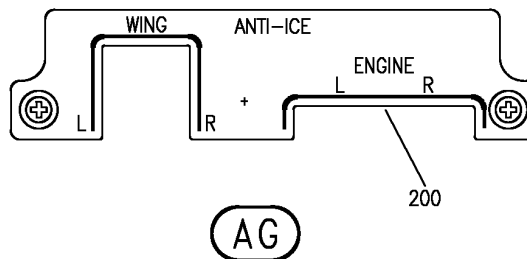
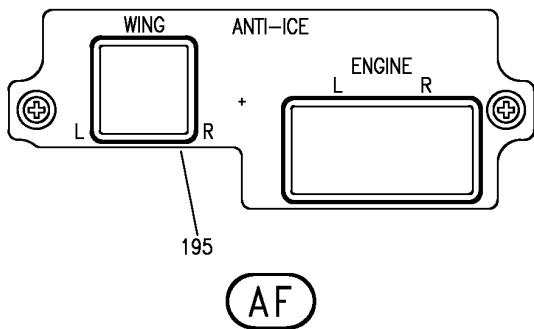
PANEL INSTL-P5 OVHD (LIGHTPLATES ONLY)
FIGURE 71 (SHEET 9)

33-13-01-71

BRI
JAN 20/08

33-13-01-71
PAGE 0H

BOEING
757
PARTS CATALOG (MAINTENANCE)



Y 33130171 SHT 10 REV 271

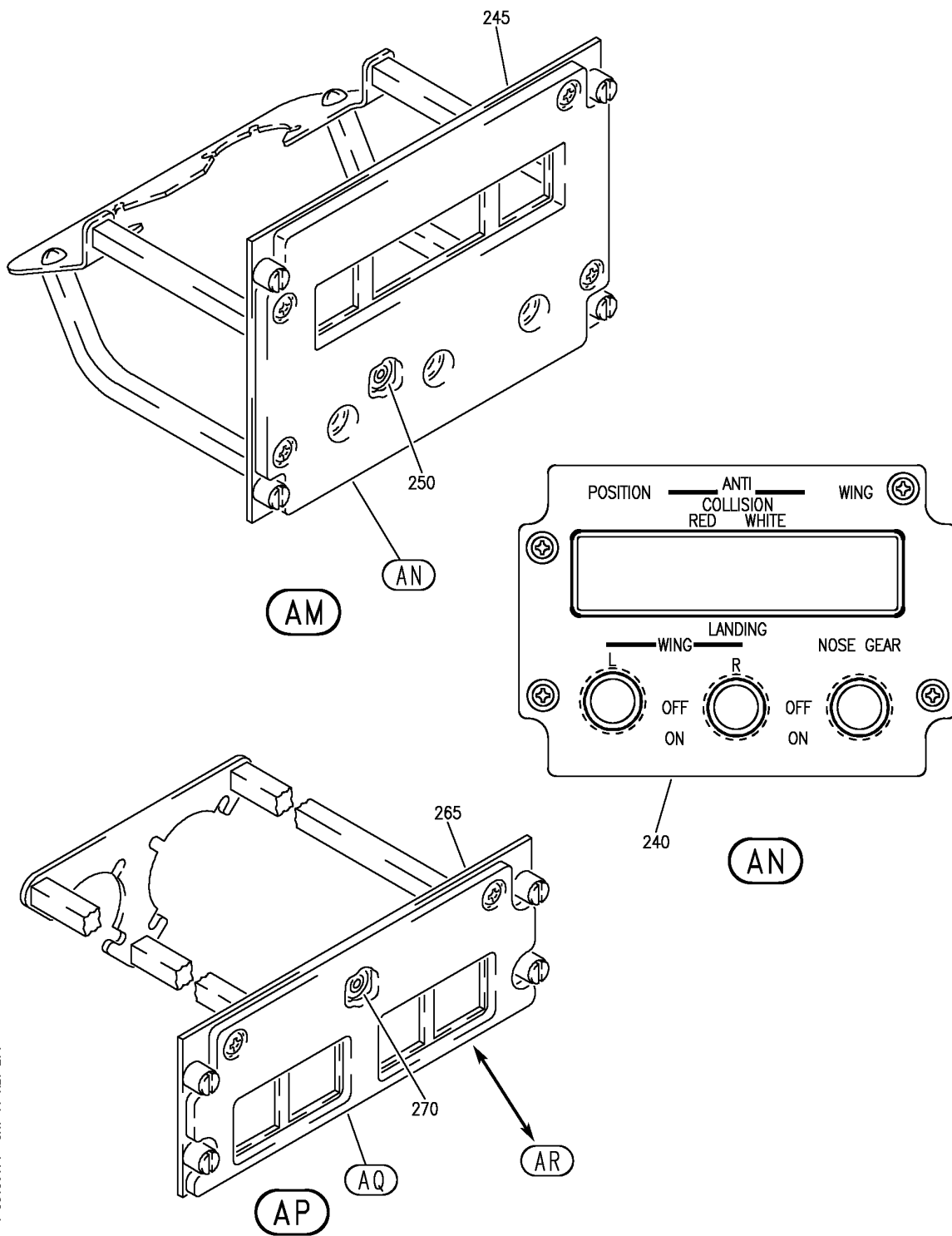
PANEL INSTL-P5 OVHD (LIGHTPLATES ONLY)
FIGURE 71 (SHEET 10)

33-13-01-71

BRI
MAY 28/07

33-13-01-71
PAGE 01

BOEING
757
PARTS CATALOG (MAINTENANCE)



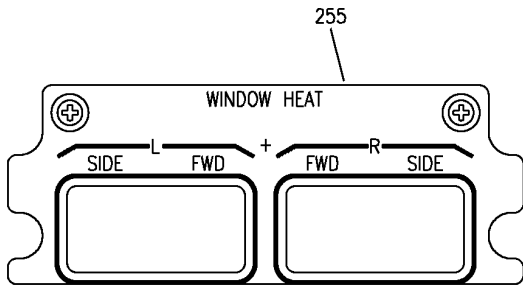
PANEL INSTL-P5 OVHD (LIGHTPLATES ONLY)
FIGURE 71 (SHEET 11)

33-13-01-71

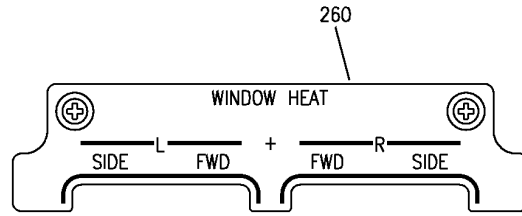
BRI
MAY 28/07

33-13-01-71
PAGE 0J

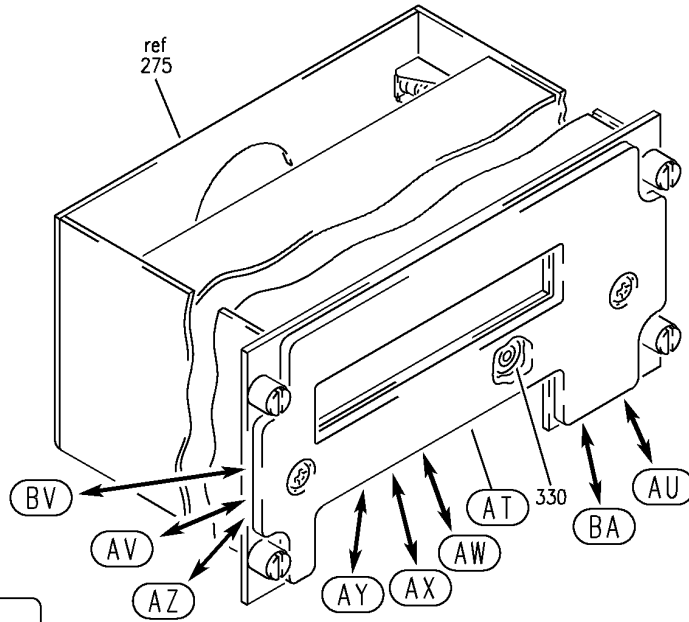
BOEING
757
PARTS CATALOG (MAINTENANCE)



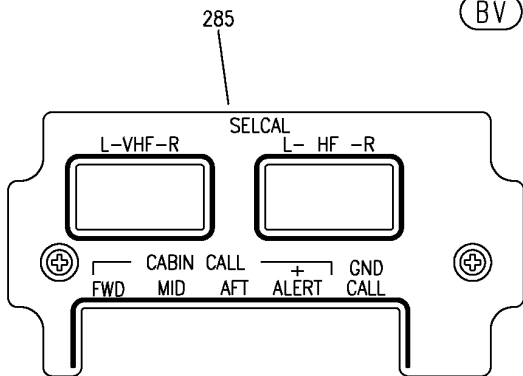
AQ



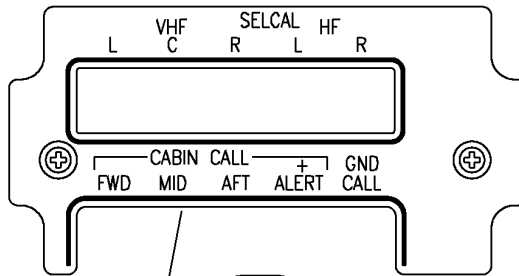
AR



AS



AU



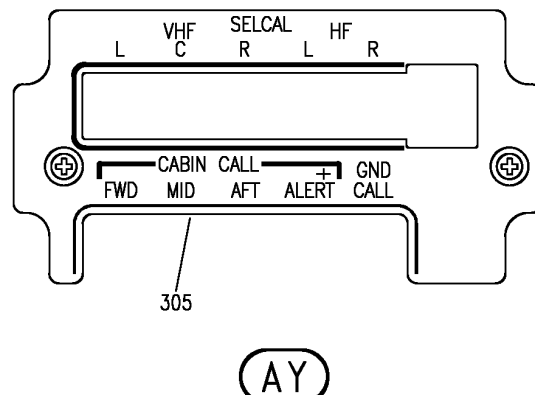
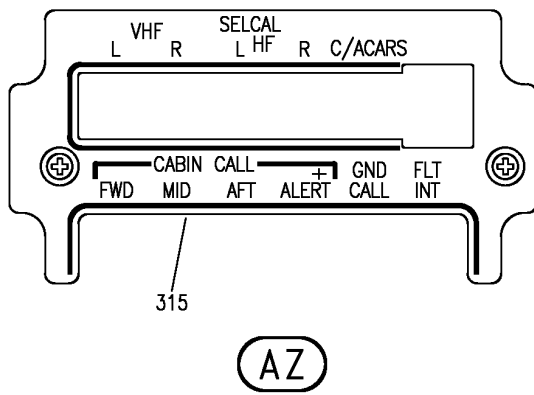
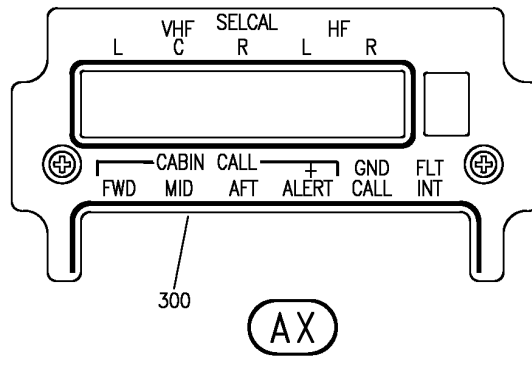
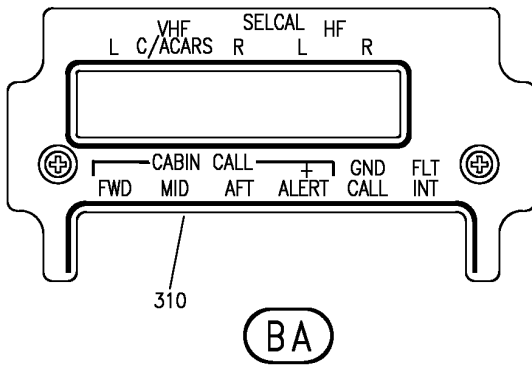
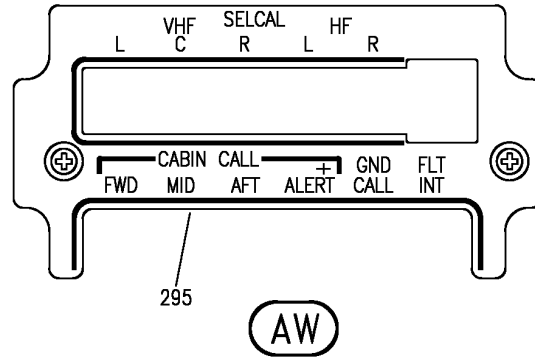
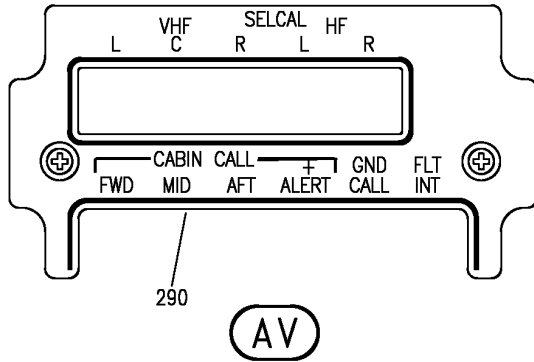
AT

Y 33130171 SHT 12 REV 298

PANEL INSTL-P5 OVHD (LIGHTPLATES ONLY)
FIGURE 71 (SHEET 12)

33-13-01-71

BOEING
757
PARTS CATALOG (MAINTENANCE)

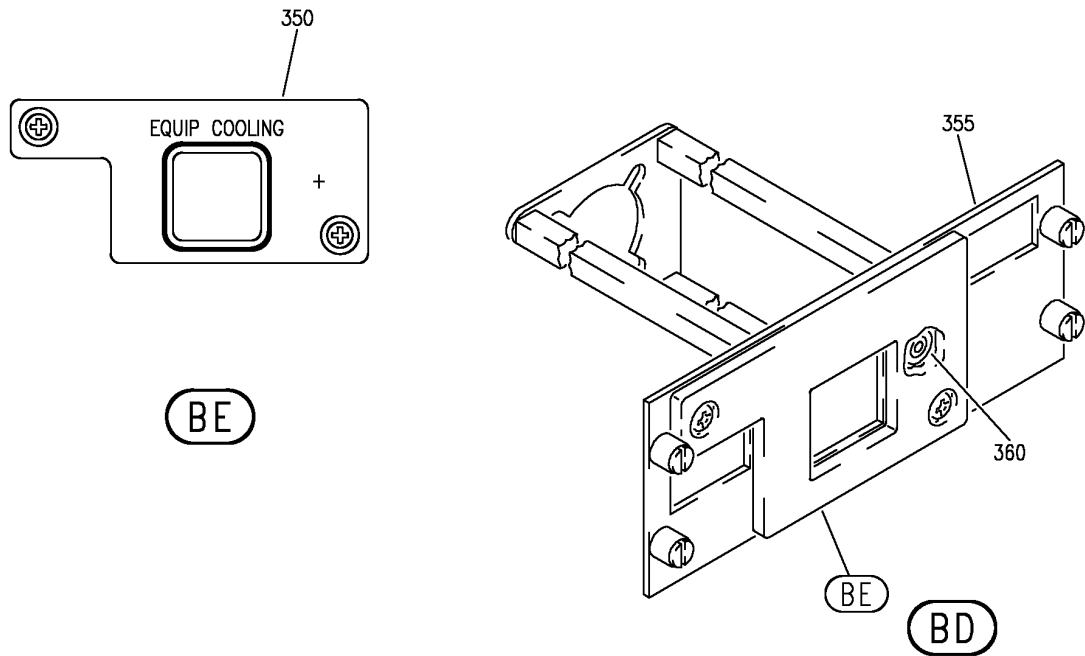
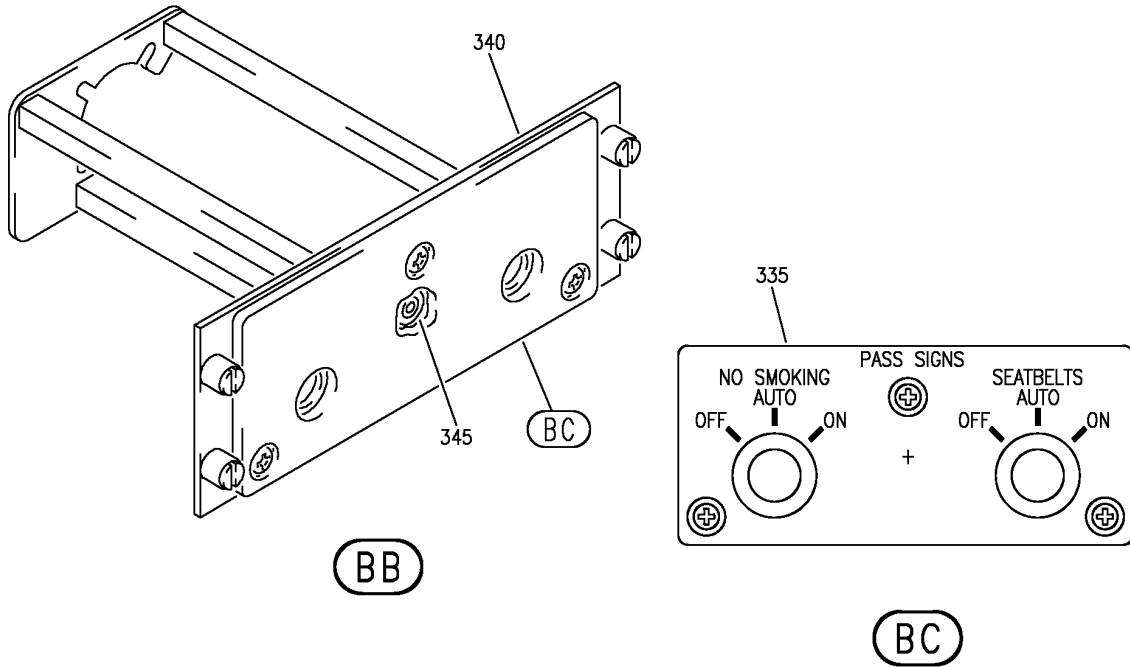


Y 33130171 SH1 13 REV 271

PANEL INSTL-P5 OVHD (LIGHTPLATES ONLY)
FIGURE 71 (SHEET 13)

33-13-01-71

BOEING
757
PARTS CATALOG (MAINTENANCE)



Y 33130171 SH1 14 REV 271

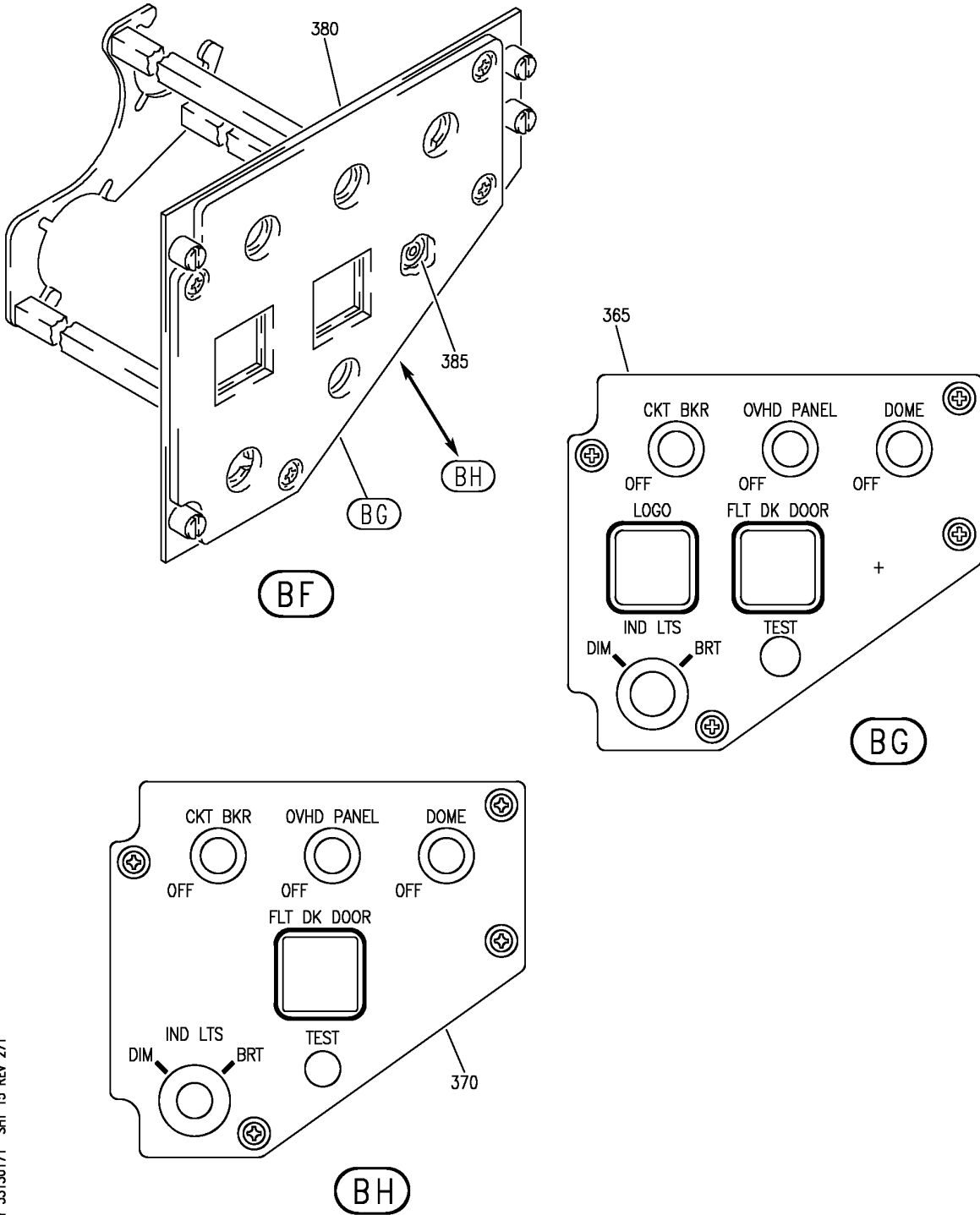
PANEL INSTL-P5 OVHD (LIGHTPLATES ONLY)
FIGURE 71 (SHEET 14)

33-13-01-71

BRI
MAY 28/07

33-13-01-71
PAGE 0M

BOEING
757
PARTS CATALOG (MAINTENANCE)



Y 33130171 SHT 15 REV 271

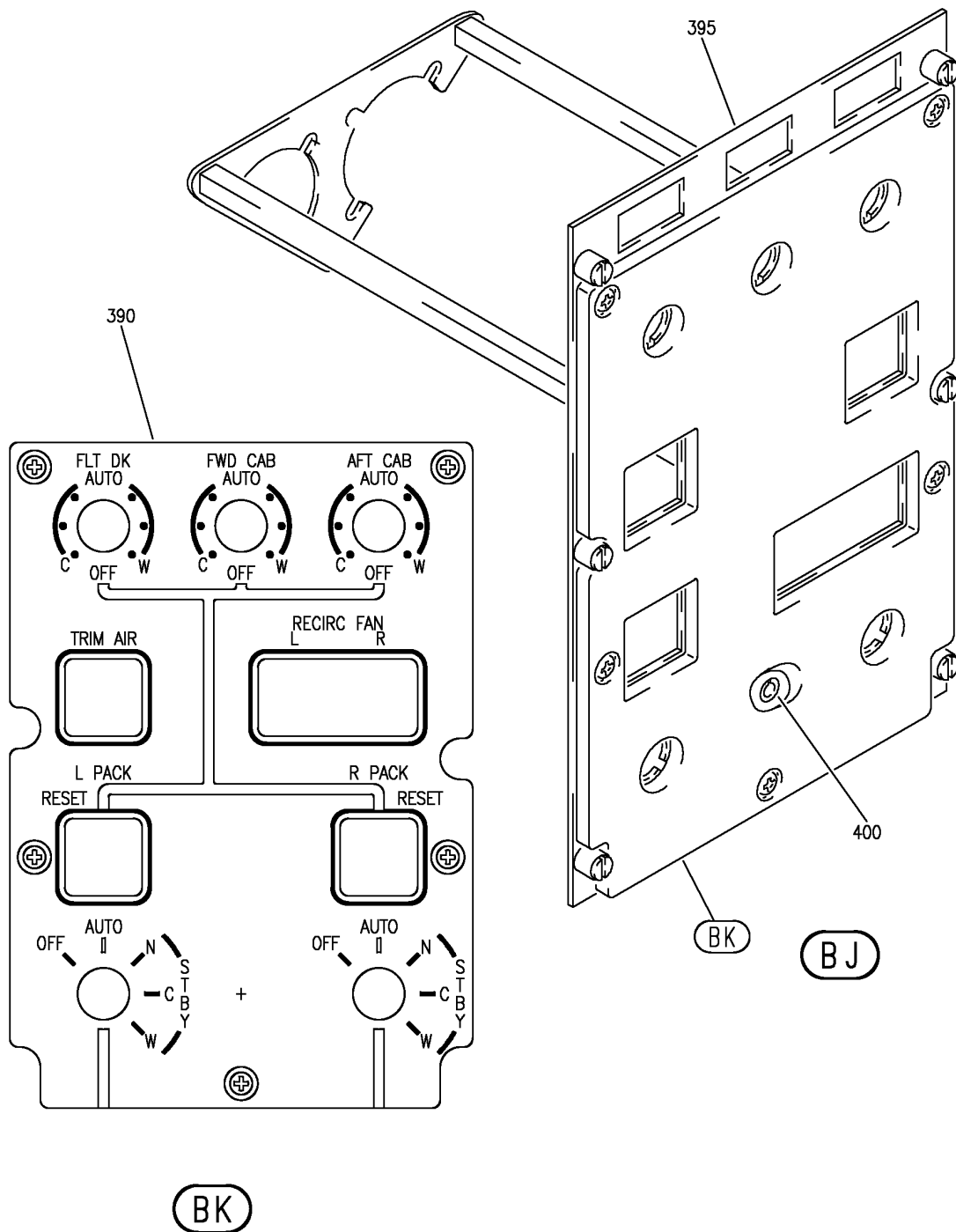
PANEL INSTL-P5 OVHD (LIGHTPLATES ONLY)
FIGURE 71 (SHEET 15)

33-13-01-71

BRI
MAY 28/07

33-13-01-71
PAGE ON

BOEING
757
PARTS CATALOG (MAINTENANCE)



Y 33130171 SH1 16 REV 271

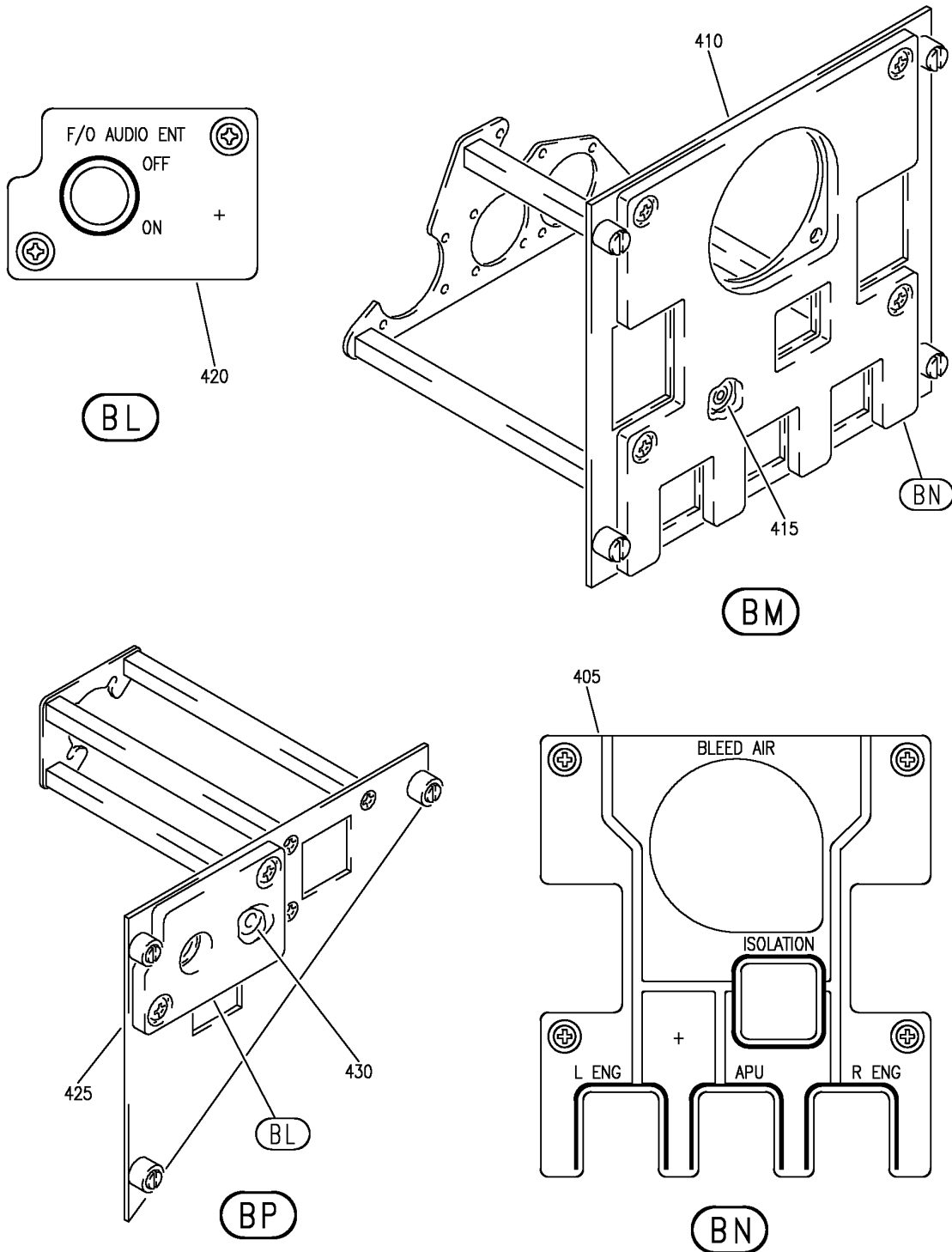
PANEL INSTL-P5 OVHD (LIGHTPLATES ONLY)
FIGURE 71 (SHEET 16)

33-13-01-71

BRI
MAY 28/07

33-13-01-71
PAGE 00

BOEING
757
PARTS CATALOG (MAINTENANCE)



Y 33130171 SH17 REV 271

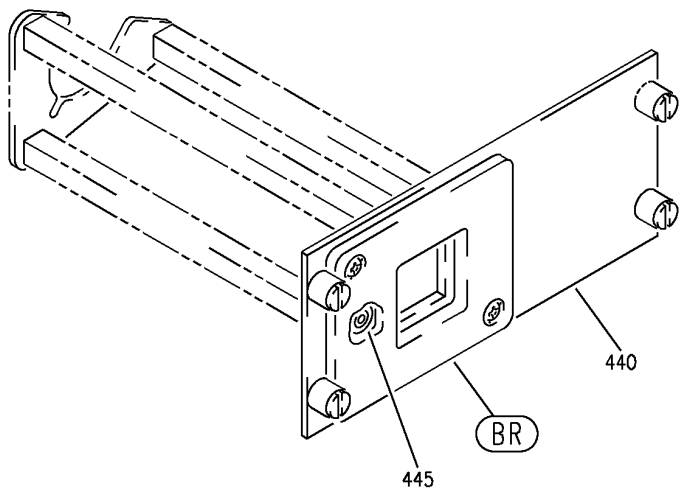
PANEL INSTL-P5 OVHD (LIGHTPLATES ONLY)
FIGURE 71 (SHEET 17)

33-13-01-71

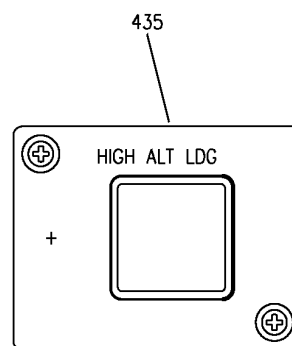
BRI
MAY 28/07

33-13-01-71
PAGE 0P

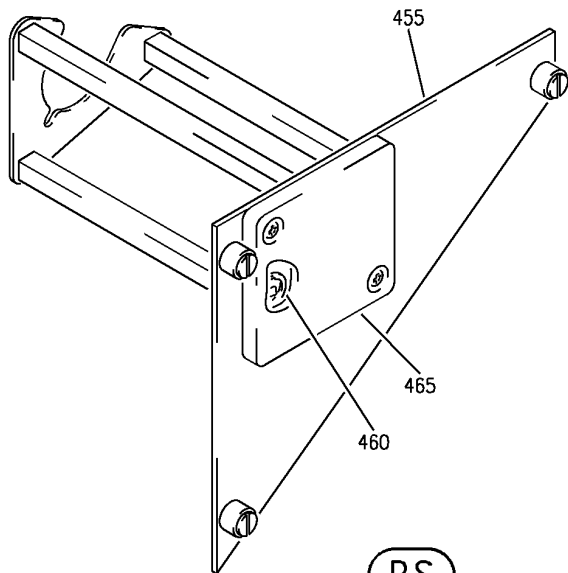
BOEING
757
PARTS CATALOG (MAINTENANCE)



BQ



BR



BS

Y 33130171 SHT 18 REV 287

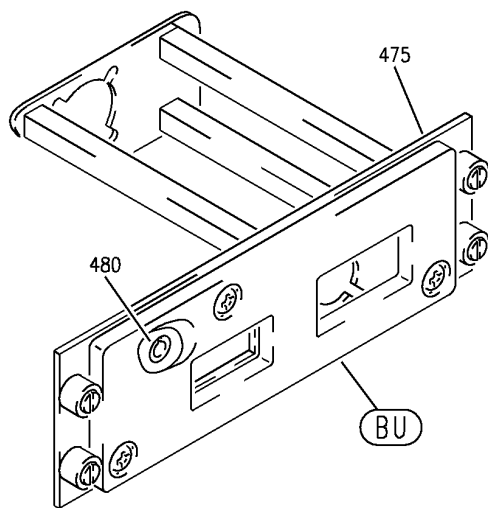
PANEL INSTL-P5 OVHD (LIGHTPLATES ONLY)
FIGURE 71 (SHEET 18)

33-13-01-71

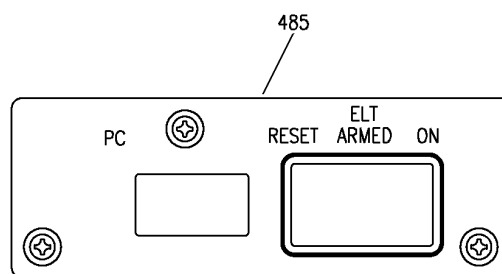
BRI
MAY 28/07

33-13-01-71
PAGE 0Q

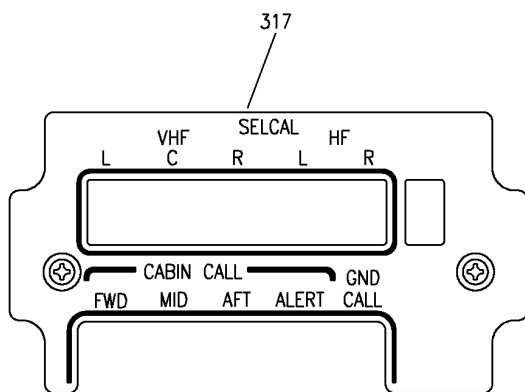
BOEING
757
PARTS CATALOG (MAINTENANCE)



BT



BU



BV

Y 33130171 SHT 19 REV 288

PANEL INSTL-P5 OVHD (LIGHTPLATES ONLY)
FIGURE 71 (SHEET 19)

33-13-01-71



757

PARTS CATALOG (MAINTENANCE)

FIG ITEM	PART NUMBER	1 2 3 4 5 6 7	NOMENCLATURE	EFFECT FROM TO	UNITS PER ASSY
71			PANEL INSTL-P5 OVHD (LIGHTPLATES ONLY)	002004 006010 950999	
- 1	233N3101-1		PANEL INSTL-P5 OVHD (LIGHTPLATES ONLY) VARIABLE DRAWING REF: 233N3101-5041 233N3101-5042 233N3101-5045 FOR NHA/OTHER SYS DET SEE: 25-10-00-05A	002004 006010 950999	RF
5	800-002799		.LIGHTPLATE-5V WHITE ILLUMINATED INTEGRALLY LIGHTED YAW DAMPER SUPPLIER CODE: V05617 SPECIFICATION NUMBER: S233T100-1075 MISCELLANEOUS DATA: FOR VENDOR FSCM 05617 FOR SPARES ORDER THE 800-002799-1 OPTIONAL PART: S233T100-1075 V51896 800-002799-1 V05617	002004 006010 950999	1
5	S233T100-1075		.LIGHTPLATE-5V WHITE ILLUMINATED INTEGRALLY LIGHTED YAW DAMPER SUPPLIER CODE: V51896 OPTIONAL PART: 800-002799 V05617	002004 006010 950999	1
5	800-002799-1		.LIGHTPLATE-5V WHITE ILLUMINATED INTEGRALLY LIGHTED YAW DAMPER SUPPLIER CODE: V05617 SPECIFICATION NUMBER: S233T100-1075 OPTIONAL PART: S233T100-1075 V51896 800-002799 V05617	002004 006010 950999	1

MISSING ITEM NUMBERS NOT APPLICABLE

- ITEM NOT ILLUSTRATED

33-13-01-71

33-13-01
FIG. 71
PAGE 1
JAN 20/09

BRI



757

PARTS CATALOG (MAINTENANCE)

FIG ITEM	PART NUMBER	1 2 3 4 5 6 7	NOMENCLATURE	EFFECT FROM TO	UNITS PER ASSY
71 10	S233T100-6019		.LIGHTPLATE-5V WHITE ILLUMINATED INTEGRALLY LIGHTED YAW DAMPER SUPPLIER CODE: V51896 SPECIFICATION NUMBER: S233T100-6019 OPTIONAL SUPPLIER CODE: 05617 98140	002004 006010 950999	1
15	233N3216-20		.PANEL ASSY- SUPPLIER CODE: V89954 MISCELLANEOUS DATA: FOR SPARES PROCURE NEXT HIGHER ASSY ELECTRICAL EQUIP NUMBER: M10250 COMPONENT MAINT MANUAL REF: 22-21-71 QUALIFIED I/W DATA: 233N3216-14 -18 -20 -21 -22 ARE ALL INTERCHANGEABLE EXCEPT SUBJECT TO CUSTOMER PREFERENCE THE 233N3216-300 PANEL ASSY IS I/W THE 233N3216-20 PANEL ASSY T/W THE S233T100-1075 LIGHTPLATE PRE ALERT SB: 33A0044	002004 006010 950999	RF
15	233N3216-1020		.PANEL ASSY- SUPPLIER CODE: V89954 ELECTRICAL EQUIP NUMBER: M10250 COMPONENT MAINT MANUAL REF: 22-21-71 POST ALERT SB: 33A0044	002004 006010 950999	RF
20	800-000121-1		..CONNECTOR-PWR SUPPLIER CODE: V05617	002004 006010 950999	1

MISSING ITEM NUMBERS NOT APPLICABLE

- ITEM NOT ILLUSTRATED

BRI

33-13-01-71

BOEING PROPRIETARY - Copyright © - Unpublished Work - See title page for details.

33-13-01
FIG. 71
PAGE 2
JAN 20/09



757

PARTS CATALOG (MAINTENANCE)

FIG ITEM	PART NUMBER	1 2 3 4 5 6 7	NOMENCLATURE	EFFECT FROM TO	UNITS PER ASSY
R R R R R R R R R R R R R	71 25	800-002855	.LIGHTPLATE-5V WHITE ILLUMINATED INTEGRALLY ELEC ENG CONT SUPPLIER CODE: V05617 SPECIFICATION NUMBER: S233T100-1092 MISCELLANEOUS DATA: FOR VENDOR FSCM 05617 FOR SPARES ORDER THE 800-002855-1 OPTIONAL PART: S233T100-1092 V58196 800-002855-1 V05617 OPTIONAL SUPPLIER CODE: 05617 98140	002004 006010 950999	1
	25	800-002855-1	.LIGHTPLATE-5V WHITE ILLUMINATED INTEGRALLY ELEC ENG CONT SUPPLIER CODE: V05617 SPECIFICATION NUMBER: S233T100-1092 OPTIONAL PART: S233T100-1092 V58196 800-002855 V05617	002004 006010 950999	1
	30	233T3242-6	.PANEL ASSY-EEC CONT SUPPLIER CODE: V89954 ELECTRICAL EQUIP NUMBER: M10761 COMPONENT MAINT MANUAL REF: 73-21-86 QUALIFIED I/W DATA: 233T3242-301 PANEL ASSY IS I/W 233T3242-6 PANEL ASSY T/W S233T100-1092 LIGHTPLATE PRE ALERT SB: 33A0044	002004 006010 950999	RF

MISSING ITEM NUMBERS NOT APPLICABLE

- ITEM NOT ILLUSTRATED

33-13-01-71

33-13-01
FIG. 71
PAGE 3
MAY 20/09

BRI



757

PARTS CATALOG (MAINTENANCE)

FIG ITEM	PART NUMBER	1 2 3 4 5 6 7	NOMENCLATURE	EFFECT FROM TO	UNITS PER ASSY
71 30	233T3242-1006		.PANEL ASSY-EEC CONT SUPPLIER CODE: V89954 ELECTRICAL EQUIP NUMBER: M10761 COMPONENT MAINT MANUAL REF: 73-21-86 POST ALERT SB: 33A0044	002004 006010 950999	RF
35	800-000121-1		..CONNECTOR-PWR SUPPLIER CODE: V05617	002004 006010 950999	1
40	800-003315		.LIGHTPLATE-HYDRAULICS SUPPLIER CODE: V05617 SPECIFICATION NUMBER: S233T100-6060 MISCELLANEOUS DATA: FOR VENDOR FSCM 05617 FOR SPARES ORDER THE 800-003315-1 OPTIONAL PART: S233T100-6060 V51896 800-003315-1 V05617	002004 006010 950999	1
40	800-003315-1		.LIGHTPLATE-HYDRAULICS SUPPLIER CODE: V05617 SPECIFICATION NUMBER: S233T100-6060 OPTIONAL PART: S233T100-6060 V51896 800-003315 V05617	002004 006010 950999	1
45	233N3205-27		.PANEL ASSY-HYDR SUPPLIER CODE: V89954 ELECTRICAL EQUIP NUMBER: M10050 COMPONENT MAINT MANUAL REF: 29-00-71 QUALIFIED I/W DATA: 233N3205-302 PANEL ASSY IS I/W 233N3205-27 PANEL ASSY T/W S233T100-6060 LIGHTPLATE	002004 006010 950999	RF

MISSING ITEM NUMBERS NOT APPLICABLE

- ITEM NOT ILLUSTRATED

33-13-01-71

33-13-01
FIG. 71
PAGE 4
JAN 20/09

BRI



757

PARTS CATALOG (MAINTENANCE)

FIG ITEM	PART NUMBER	1 2 3 4 5 6 7	NOMENCLATURE	EFFECT FROM TO	UNITS PER ASSY
71					
45	233N3205-19		.PANEL ASSY-HYDR SUPPLIER CODE: V89954 ELECTRICAL EQUIP NUMBER: M10050 COMPONENT MAINT MANUAL REF: 29-00-71	002004 006010 950999	RF
45	233N3205-21		.PANEL ASSY-HYDR SUPPLIER CODE: V89954 ELECTRICAL EQUIP NUMBER: M10050 COMPONENT MAINT MANUAL REF: 29-00-71	002004 006010 950999	RF
45	233N3205-24		.PANEL ASSY-HYDR SUPPLIER CODE: V89954 ELECTRICAL EQUIP NUMBER: M10050 COMPONENT MAINT MANUAL REF: 29-00-71 QUALIFIED I/W DATA: 233N3205-300 PANEL ASSY IS I/W 233N3205-24 PANEL ASSY T/W S233T100-6044 LIGHTPLATE	002004 006010 950999	RF
45	233N3205-25		.PANEL ASSY-HYDR SUPPLIER CODE: V89954 ELECTRICAL EQUIP NUMBER: M10050 COMPONENT MAINT MANUAL REF: 29-00-71 QUALIFIED I/W DATA: 233N3205-301 PANEL ASSY IS I/W 233N3205-25 PANEL ASSY T/W S233T100-6044 LIGHTPLATE	002004 006010 950999	RF
45	233N3205-26		.PANEL ASSY-HYDR SUPPLIER CODE: V89954 ELECTRICAL EQUIP NUMBER: M10050 COMPONENT MAINT MANUAL REF: 29-00-71	002004 006010 950999	RF

MISSING ITEM NUMBERS NOT APPLICABLE

- ITEM NOT ILLUSTRATED

33-13-01-71

33-13-01
FIG. 71
PAGE 5
JAN 20/09

BRI



757

PARTS CATALOG (MAINTENANCE)

FIG ITEM	PART NUMBER	1 2 3 4 5 6 7	NOMENCLATURE	EFFECT FROM TO	UNITS PER ASSY
71					
50	800-000121-1	..	CONNECTOR-PWR SUPPLIER CODE: V05617 USED ON: 233N3205-19 233N3205-21 233N3205-24 233N3205-25 233N3205-27	002004 006010 950999	1
50	800000121-1	..	CONNECTOR-PWR SUPPLIER CODE: V05617 USED ON: 233N3205-26	002004 006010 950999	1
55	800-000918	.L	LIGHTPLATE-5V WHITE ILLUMINATED INTEGRALLY LIGHTED BAT/STBY PWR SUPPLIER CODE: V05617 SPECIFICATION NUMBER: S233T100-1081 MISCELLANEOUS DATA: FOR VENDOR FSCM 05617 FOR SPARES ORDER THE 800-000918-1 OPTIONAL PART: S233T100-1081 V51896 800-000918-1 V05617 PRE SERVICE BULLETIN: 24-0125R2	002004 006010 952999	1
55	800-000918-1	.L	LIGHTPLATE-5V WHITE ILLUMINATED INTEGRALLY LIGHTED BAT/STBY PWR SUPPLIER CODE: V05617 SPECIFICATION NUMBER: S233T100-1081 OPTIONAL PART: S233T100-1081 V51896 800-000918 V05617 PRE SERVICE BULLETIN: 24-0125R2	002004 006010 952999	1

MISSING ITEM NUMBERS NOT APPLICABLE

- ITEM NOT ILLUSTRATED

33-13-01-71

33-13-01
FIG. 71
PAGE 6
JAN 20/09

BRI



757

PARTS CATALOG (MAINTENANCE)

FIG ITEM	PART NUMBER	1 2 3 4 5 6 7	NOMENCLATURE	EFFECT FROM TO	UNITS PER ASSY
71 60	800-000994		.LIGHTPLATE-5V WHITE ILLUMINATED INTEGRALLY LIGHTED STANDBY PWR SUPPLIER CODE: V05617 SPECIFICATION NUMBER: S233T100-1080 MISCELLANEOUS DATA: FOR VENDOR FSCM 05617 FOR SPARES ORDER THE 800-000994-1 OPTIONAL PART: S233T100-1080 V51896 800-000994-1 V05617 POST SERVICE BULLETIN: 24-0125R2	009009 950951	1
60	800-000994-1		.LIGHTPLATE-5V WHITE ILLUMINATED INTEGRALLY LIGHTED STANDBY PWR SUPPLIER CODE: V05617 SPECIFICATION NUMBER: S233T100-1080 OPTIONAL PART: S233T100-1080 V51896 800-000994 V05617 POST SERVICE BULLETIN: 24-0125R2	009009 950951	1

MISSING ITEM NUMBERS NOT APPLICABLE

- ITEM NOT ILLUSTRATED

BRI

33-13-01-71

BOEING PROPRIETARY - Copyright © - Unpublished Work - See title page for details.

33-13-01
FIG. 71
PAGE 7
JAN 20/09



757

PARTS CATALOG (MAINTENANCE)

FIG ITEM	PART NUMBER	1 2 3 4 5 6 7	NOMENCLATURE	EFFECT FROM TO	UNITS PER ASSY
71 65	233N3211-36		.PANEL ASSY-BATTERY/STBY PWR SUPPLIER CODE: V89954 ELECTRICAL EQUIP NUMBER: M10062 COMPONENT MAINT MANUAL REF: 24-33-72 QUALIFIED I/W DATA: 233N3211-25 -32 -36 -37 -38 ARE ALL INTERCHANGEABLE EXCEPT SUBJECT TO CUSTOMER PREFERENCE THE 233N3211-300 PANEL ASSY IS I/W THE 233N3211-36 PANEL ASSY T/W THE S233T100-1080 LIGHTPLATE AND BP248-127 KNOB PRE ALERT SB: 33A0044	950951	RF
65	233N3211-1036		.PANEL ASSY-BATTERY/STBY PWR SUPPLIER CODE: V89954 ELECTRICAL EQUIP NUMBER: M10062 COMPONENT MAINT MANUAL REF: 24-33-72 POST SERVICE BULLETIN: 24-0125R2 POST ALERT SB: 33A0044	009009 950951	RF

MISSING ITEM NUMBERS NOT APPLICABLE

- ITEM NOT ILLUSTRATED

BRI

33-13-01-71

BOEING PROPRIETARY - Copyright © - Unpublished Work - See title page for details.

33-13-01
FIG. 71
PAGE 8
JAN 20/09



757

PARTS CATALOG (MAINTENANCE)

FIG ITEM	PART NUMBER	1 2 3 4 5 6 7	NOMENCLATURE	EFFECT FROM TO	UNITS PER ASSY
71 65	233N3211-40		.PANEL ASSY-BATTERY/STBY PWR SUPPLIER CODE: V89954 ELECTRICAL EQUIP NUMBER: M10062 COMPONENT MAINT MANUAL REF: 24-33-72 QUALIFIED I/W DATA: 233N3211-24 -26 -31 -39 -40 ARE ALL INTERCHANGEABLE SUBJECT TO CUSTOMER PREFERENCE THE 233N3211-303 PANEL ASSY IS I/W THE 233N3211-40 PANEL ASSY T/W THE S233T100-1081 LIGHTPLATE AND BP248-127 KNOB PRE SERVICE BULLETIN: 24-0125R2 PRE ALERT SB: 33A0044	002004 006010 952999	RF
65	233N3211-1040		.PANEL ASSY-BATTERY/STBY PWR SUPPLIER CODE: V89954 ELECTRICAL EQUIP NUMBER: M10062 COMPONENT MAINT MANUAL REF: 24-33-72 PRE SERVICE BULLETIN: 24-0125R2 POST ALERT SB: 33A0044	002004 006010 952999	RF
65	233N3211-32		.PANEL ASSY-BATTERY/STBY PWR SUPPLIER CODE: V89954 ELECTRICAL EQUIP NUMBER: M10062 COMPONENT MAINT MANUAL REF: 24-33-71 PRE ALERT SB: 33A0044 POST AIRLINE MOD: 757-38-00 VALP	950951	RF

MISSING ITEM NUMBERS NOT APPLICABLE

- ITEM NOT ILLUSTRATED

33-13-01-71

33-13-01
FIG. 71
PAGE 9
JAN 20/09

BRI



757

PARTS CATALOG (MAINTENANCE)

FIG ITEM	PART NUMBER	1 2 3 4 5 6 7	NOMENCLATURE	EFFECT FROM TO	UNITS PER ASSY
71 65	233N3211-1032		.PANEL ASSY-BATTERY/STBY PWR SUPPLIER CODE: V89954 ELECTRICAL EQUIP NUMBER: M10062 COMPONENT MAINT MANUAL REF: 24-33-71 POST ALERT SB: 33A0044	950951	RF
65	233N3211-27		.PANEL ASSY-BATTERY/STBY PWR SUPPLIER CODE: V89954 ELECTRICAL EQUIP NUMBER: M10062 COMPONENT MAINT MANUAL REF: 24-33-71 PRE ALERT SB: 33A0044 POST AIRLINE MOD: 757-38-00 VALP	950951	RF
65	233N3211-1027		.PANEL ASSY-BATTERY/STBY PWR SUPPLIER CODE: V89954 ELECTRICAL EQUIP NUMBER: M10062 COMPONENT MAINT MANUAL REF: 24-33-71 POST ALERT SB: 33A0044	950951	RF
65	233N3211-25		.PANEL ASSY-BATTERY/STBY PWR SUPPLIER CODE: V89954 ELECTRICAL EQUIP NUMBER: M10062 COMPONENT MAINT MANUAL REF: 24-33-71 PRE ALERT SB: 33A0044 POST AIRLINE MOD: 757-38-00 VALP	950951	RF

MISSING ITEM NUMBERS NOT APPLICABLE

- ITEM NOT ILLUSTRATED

33-13-01-71

33-13-01
FIG. 71
PAGE 10
JAN 20/09

BRI



757

PARTS CATALOG (MAINTENANCE)

FIG ITEM	PART NUMBER	1 2 3 4 5 6 7	NOMENCLATURE	EFFECT FROM TO	UNITS PER ASSY
71 65	233N3211-1025		.PANEL ASSY-BATTERY/STBY PWR SUPPLIER CODE: V89954 ELECTRICAL EQUIP NUMBER: M10062 COMPONENT MAINT MANUAL REF: 24-33-71 POST ALERT SB: 33A0044	950951	RF
65	233N3211-15		.PANEL ASSY-BATTERY/STBY PWR SUPPLIER CODE: V89954 ELECTRICAL EQUIP NUMBER: M10062 COMPONENT MAINT MANUAL REF: 24-33-71 PRE ALERT SB: 33A0044 POST AIRLINE MOD: 757-38-00 VALP	950951	RF
65	233N3211-1015		.PANEL ASSY-BATTERY/STBY PWR SUPPLIER CODE: V89954 ELECTRICAL EQUIP NUMBER: M10062 COMPONENT MAINT MANUAL REF: 24-33-71 POST ALERT SB: 33A0044	950951	RF
70	800000121-1		..CONNECTOR-PWR SUPPLIER CODE: V05617	002004 006010 950999	1

MISSING ITEM NUMBERS NOT APPLICABLE

- ITEM NOT ILLUSTRATED

33-13-01-71

33-13-01
FIG. 71
PAGE 11
JAN 20/09

BRI



757

PARTS CATALOG (MAINTENANCE)

FIG ITEM	PART NUMBER	1 2 3 4 5 6 7	NOMENCLATURE	EFFECT FROM TO	UNITS PER ASSY
71 75	800-000928		.LIGHTPLATE-5V WHITE ILLUMINATED INTEGRALLY LIGHTED E/E SUPPLIER CODE: V05617 SPECIFICATION NUMBER: S233T100-6004 MISCELLANEOUS DATA: FOR VENDOR FSCM 05617 FOR SPARES ORDER THE 800-000928-1 OPTIONAL PART: S233T100-6004 V51896 800-000928-1 V05617	002004 006010 950999	1
75	800-000928-1		.LIGHTPLATE-5V WHITE ILLUMINATED INTEGRALLY LIGHTED E/E SUPPLIER CODE: V05617 SPECIFICATION NUMBER: S233T100-6004 OPTIONAL PART: S233T100-6004 V51896 800-000928 V05617	002004 006010 950999	1
80	233N3209-25		.PANEL ASSY-E/E SUPPLIER CODE: V89954 ELECTRICAL EQUIP NUMBER: M10063 COMPONENT MAINT MANUAL REF: 24-22-71 QUALIFIED I/W DATA: 233N3209-12 -18 -20 -22 -25 -26 -27 ARE ALL INTERCHANGEABLE EXCEPT SUBJECT TO CUST PREFERENCE 233N3209-300 PANEL ASSY IS I/W 233N3209-25 PANEL ASSY T/W S233T100-6004 LIGHTPLATE PRE ALERT SB: 33A0044	002004 006010 950999	RF

MISSING ITEM NUMBERS NOT APPLICABLE

- ITEM NOT ILLUSTRATED

33-13-01-71

33-13-01
FIG. 71
PAGE 12
JAN 20/09

BRI



757

PARTS CATALOG (MAINTENANCE)

FIG ITEM	PART NUMBER	1 2 3 4 5 6 7	NOMENCLATURE	EFFECT FROM TO	UNITS PER ASSY
71					
80	233N3209-1025	.	PANEL ASSY-E/E SUPPLIER CODE: V89954 ELECTRICAL EQUIP NUMBER: M10063 COMPONENT MAINT MANUAL REF: 24-22-71 POST ALERT SB: 33A0044	002004 006010 950999	RF
85	800-000121-1	..	CONNECTOR-PWR SUPPLIER CODE: V05617	002004 006010 950999	1
90	800-002583	.	LIGHTPLATE-5V WHITE ILLUMINATED INTEGRALLY LIGHTED APU START SUPPLIER CODE: V05617 SPECIFICATION NUMBER: S233T100-6025 MISCELLANEOUS DATA: FOR VENDOR FSCM 05617 FOR SPARES ORDER THE 800-002583-1 OPTIONAL PART: S233T100-6025 V51896 800-002583-1 V05617	002004 006010 950999	1
90	800-002583-1	.	LIGHTPLATE-5V WHITE ILLUMINATED INTEGRALLY LIGHTED APU START SUPPLIER CODE: V05617 SPECIFICATION NUMBER: S233T100-6025 OPTIONAL PART: S233T100-6025 V51896 800-002583 V05617	002004 006010 950999	1

MISSING ITEM NUMBERS NOT APPLICABLE

- ITEM NOT ILLUSTRATED

33-13-01-71

33-13-01
FIG. 71
PAGE 13
JAN 20/09

BRI



757

PARTS CATALOG (MAINTENANCE)

FIG ITEM	PART NUMBER	1 2 3 4 5 6 7	NOMENCLATURE	EFFECT FROM TO	UNITS PER ASSY
71 105	800-001279-1		.LIGHTPLATE-5V WHITE ILLUMINATED INTEGRALLY LIGHTED LIGHTING SUPPLIER CODE: V05617 POSITION DATA: L SPECIFICATION NUMBER: S233T100-6003 OPTIONAL PART: S233T100-6003 V51896 800-001279 V05617	002004 006010	1
R R	110	800-000922	.LIGHTPLATE-5V WHITE ILLUMINATED INTEGRALLY LIGHTED LIGHTING SUPPLIER CODE: V05617 POSITION DATA: L SPECIFICATION NUMBER: S233T100-6016 MISCELLANEOUS DATA: FOR VENDOR FSCM 05617 FOR SPARES ORDER THE 800-000922-1 OPTIONAL PART: S233T100-6016 V51896 800-000922-1 V05617 OPTIONAL SUPPLIER CODE: 05617 98140	952999	1
	110	800-000922-1	.LIGHTPLATE-5V WHITE ILLUMINATED INTEGRALLY LIGHTED LIGHTING SUPPLIER CODE: V05617 POSITION DATA: L SPECIFICATION NUMBER: S233T100-6016 OPTIONAL PART: S233T100-6016 V51896 800-000922 V05617	952999	1

MISSING ITEM NUMBERS NOT APPLICABLE

- ITEM NOT ILLUSTRATED

33-13-01-71

33-13-01
FIG. 71
PAGE 15
MAY 20/09

BRI



757

PARTS CATALOG (MAINTENANCE)

FIG ITEM	PART NUMBER	1 2 3 4 5 6 7	NOMENCLATURE	EFFECT FROM TO	UNITS PER ASSY
71 115	S233T100-6066		.LIGHTPLATE-5V WHITE ILLUMINATED INTEGRALLY LIGHTED LIGHTING SUPPLIER CODE: V51896 POSITION DATA: L SPECIFICATION NUMBER: S233T100-6066 OPTIONAL SUPPLIER CODE: 05617 98140	950951	1
120	233N3214-28		.PANEL ASSY-LIGHTING CONT SUPPLIER CODE: V89954 ELECTRICAL EQUIP NUMBER: M10056 COMPONENT MAINT MANUAL REF: 33-11-71 QUALIFIED I/W DATA: 233N3214-22 -26 -28 -29 ARE ALL INTERCHANGEABLE EXCEPT SUBJECT TO CUSTOMER PREFERENCE THE 233N3214-303 PANEL ASSY IS I/W THE 233N3214-28 PANEL ASSY T/W THE S233T100-6016 LIGHTPLATE AND (2) RC445-131 KNOBS AND (2) TT410-101 KNOBS	952999	RF

MISSING ITEM NUMBERS NOT APPLICABLE

- ITEM NOT ILLUSTRATED

BRI

33-13-01-71

BOEING PROPRIETARY - Copyright © - Unpublished Work - See title page for details.

33-13-01
FIG. 71
PAGE 16
JAN 20/09



757

PARTS CATALOG (MAINTENANCE)

FIG ITEM	PART NUMBER	1 2 3 4 5 6 7	NOMENCLATURE	EFFECT FROM TO	UNITS PER ASSY
71 120	233N3214-31		.PANEL ASSY-LIGHTING CONT SUPPLIER CODE: V89954 POSITION DATA: L ELECTRICAL EQUIP NUMBER: M10056 COMPONENT MAINT MANUAL REF: 33-11-71 QUALIFIED I/W DATA: THE 233N3214-300 PANEL ASSY IS I/W THE 233N3214-31 PANEL ASSY T/W THE S233T100-6003 LIGHTPLATE AND (2) RC445-131 KNOBS AND (2) TT410-101 KNOBS 233N3214-24 -27 -31 -32 -33 ARE ALL INTERCHANGEABLE EXCEPT SUBJECT TO CUSTOMER PREFERENCE OF KORRY OR MASTER SPECIALTIES LIGHTED PUSHBUTTON SWITCHES	952999	RF
120	233N3214-41		.PANEL ASSY-LIGHTING CONT SUPPLIER CODE: V89954 POSITION DATA: L ELECTRICAL EQUIP NUMBER: M10056 COMPONENT MAINT MANUAL REF: 33-11-71 QUALIFIED I/W DATA: THE 233N3214-302 PANEL ASSY IS I/W THE 233N3214-41 PANEL ASSY T/W THE S233T100-6066 LIGHTPLATE AND (2) RC445-131 KNOBS AND (2) TT410-101 KNOBS	950951	RF
125	800-000121-1		..CONNECTOR-PWR SUPPLIER CODE: V05617	002004 006010 950999	1

MISSING ITEM NUMBERS NOT APPLICABLE

- ITEM NOT ILLUSTRATED

33-13-01-71

33-13-01
FIG. 71
PAGE 17
JAN 20/09

BRI



757

PARTS CATALOG (MAINTENANCE)

FIG ITEM	PART NUMBER	1 2 3 4 5 6 7	NOMENCLATURE	EFFECT FROM TO	UNITS PER ASSY
R R R R R R R R R R R R R	71 130	800-000912	.LIGHTPLATE-5V WHITE ILLUMINATED INTEGRALLY LIGHTED EMER LTS/PASS OXY SUPPLIER CODE: V05617 SPECIFICATION NUMBER: S233T100-1077 MISCELLANEOUS DATA: FOR VENDOR FSCM 05617 FOR SPARES ORDER THE 800-000912-1 OPTIONAL PART: S233T100-1077 V51896 800-000912-1 V05617 OPTIONAL SUPPLIER CODE: 05617 98140	002004 006010 950999	1
	130	800-000912-1	.LIGHTPLATE-5V WHITE ILLUMINATED INTEGRALLY LIGHTED EMER LTS/PASS OXY SUPPLIER CODE: V05617 SPECIFICATION NUMBER: S233T100-1077 OPTIONAL PART: S233T100-1077 V51896 800-000912 V05617	002004 006010 950999	1
	135	800-003456	.LIGHTPLATE-5V WHITE ILLUMINATED INTEGRALLY LIGHTED EMER LTS/PASS OXY SUPPLIER CODE: V05617 SPECIFICATION NUMBER: S233T100-6022 OPTIONAL PART: S233T100-6022 V51896	002004 006010 950999	1

MISSING ITEM NUMBERS NOT APPLICABLE

- ITEM NOT ILLUSTRATED

33-13-01-71

33-13-01
FIG. 71
PAGE 18
MAY 20/09

BRI



757

PARTS CATALOG (MAINTENANCE)

FIG ITEM	PART NUMBER	1 2 3 4 5 6 7	NOMENCLATURE	EFFECT FROM TO	UNITS PER ASSY
71 145	233T3210-28		.PANEL ASSY-EMER LIGHTS PASS. OXY SUPPLIER CODE: V89954 ELECTRICAL EQUIP NUMBER: M00043 COMPONENT MAINT MANUAL REF: 33-51-03 QUALIFIED I/W DATA: 233T3210-22 -25 -28 -29 -30 ARE ALL INTERCHANGEABLE EXCEPT SUBJECT TO CUSTOMER PREFERENCE THE 233T3210-300 PANEL ASSY IS I/W THE 233T3210-28 PANEL ASSY T/W THE S233T100-1077 LIGHTPLATE. 233T3210-38 T/W S233T100-6065 CAN REPLACE OR BE REPLACED BY 233T3210-28 T/W S233T100-1077 SUBJECT TO CUSTOMER PREFERENCE OF HAVING OR NOT HAVING SWITCH GUARD 233T3210-305 CAN REPLACE OR BE REPLACED BY 233T3210-28 T/W S233T100-1077 SUBJECT TO CUSTOMER PREFERENCE OF HAVING OR NOT HAVING SWITCH GUARD PRE ALERT SB: 33A0044	002004 006010 950999	RF
145	233T3210-1028		.PANEL ASSY-EMER LIGHTS SUPPLIER CODE: V89954 ELECTRICAL EQUIP NUMBER: M00043 COMPONENT MAINT MANUAL REF: 33-51-03 POST ALERT SB: 33A0044	002004 006010 950999	RF
150	800-000121-1		..CONNECTOR-PWR SUPPLIER CODE: V05617	002004 006010 950999	1

MISSING ITEM NUMBERS NOT APPLICABLE

- ITEM NOT ILLUSTRATED

33-13-01-71

33-13-01
FIG. 71
PAGE 19
JAN 20/09

BRI



757

PARTS CATALOG (MAINTENANCE)

FIG ITEM	PART NUMBER	1 2 3 4 5 6 7	NOMENCLATURE	EFFECT FROM TO	UNITS PER ASSY
R R R R R R R R R R R R R	71 155	800-000447	.LIGHTPLATE-5V WHITE ILLUMINATED INTEGRALLY LIGHTED ENG START/RAT SUPPLIER CODE: V05617 SPECIFICATION NUMBER: S233T100-6046 MISCELLANEOUS DATA: FOR VENDOR FSCM 05617 FOR SPARES ORDER THE 800-000447-1 OPTIONAL PART: S233T100-6046 V51896 800-000447-1 V05617 OPTIONAL SUPPLIER CODE: 05617 98140	002004 006010 950999	1
	155	800-000447-1	.LIGHTPLATE-5V WHITE ILLUMINATED INTEGRALLY LIGHTED ENG START/RAT SUPPLIER CODE: V05617 SPECIFICATION NUMBER: S233T100-6046 OPTIONAL PART: S233T100-6046 V51896 800-000447 V05617	002004 006010 950999	1
	165	233N3223-39	.PANEL ASSY-ENG START/RAT SUPPLIER CODE: V89954 MISCELLANEOUS DATA: FOR SPARES PROCURE NEXT HIGHER ASSY ELECTRICAL EQUIP NUMBER: M10468 COMPONENT MAINT MANUAL REF: 31-12-01 QUALIFIED I/W DATA: THE 233N3223-300 PANEL ASSY IS I/W THE 233N3223-39 PANEL ASSY T/W THE S233T100-6046 LIGHTPLATE AND (3) BP248-127 KNOBS. PRE ALERT SB: 33A0044	002004 006010 950999	RF

MISSING ITEM NUMBERS NOT APPLICABLE

- ITEM NOT ILLUSTRATED

33-13-01-71

33-13-01
FIG. 71
PAGE 20
MAY 20/09

BRI



757

PARTS CATALOG (MAINTENANCE)

FIG ITEM	PART NUMBER	1 2 3 4 5 6 7	NOMENCLATURE	EFFECT FROM TO	UNITS PER ASSY
71 165	233N3223-1039		.PANEL ASSY-ENG START/RAT SUPPLIER CODE: V89954 ELECTRICAL EQUIP NUMBER: M10468 COMPONENT MAINT MANUAL REF: 31-12-01 POST ALERT SB: 33A0044	002004 006010 950999	RF
165	233N3223-32		.PANEL ASSY-ENG START/RAT SUPPLIER CODE: V89954 ELECTRICAL EQUIP NUMBER: M10468 COMPONENT MAINT MANUAL REF: 31-12-01 PRE ALERT SB: 33A0044	002004 006010 950999	RF
165	233N3223-37		.PANEL ASSY-ENG START/RAT SUPPLIER CODE: V89954 ELECTRICAL EQUIP NUMBER: M10468 COMPONENT MAINT MANUAL REF: 31-12-01 PRE ALERT SB: 33A0044	002004 006010 950999	RF
165	233N3223-1032		.PANEL ASSY-ENG START/RAT SUPPLIER CODE: V89954 ELECTRICAL EQUIP NUMBER: M10468 COMPONENT MAINT MANUAL REF: 31-12-01 POST ALERT SB: 33A0044	002004 006010 950999	RF
165	233N3223-1037		.PANEL ASSY-ENG START/RAT SUPPLIER CODE: V89954 ELECTRICAL EQUIP NUMBER: M10468 COMPONENT MAINT MANUAL REF: 31-12-01 POST ALERT SB: 33A0044	002004 006010 950999	RF

MISSING ITEM NUMBERS NOT APPLICABLE

- ITEM NOT ILLUSTRATED

33-13-01-71

33-13-01
FIG. 71
PAGE 21
JAN 20/09

BRI



757

PARTS CATALOG (MAINTENANCE)

FIG ITEM	PART NUMBER	1 2 3 4 5 6 7	NOMENCLATURE	EFFECT FROM TO	UNITS PER ASSY
71 170	800000121-1	..	CONNECTOR-PWR SUPPLIER CODE: V05617 USED ON: 233N3223-39 233N3223-42 233N3223-1039 233N3223-1042	002004 006010 950999	1
170	800-000121-1	..	CONNECTOR-PWR SUPPLIER CODE: V05617 USED ON: 233N3223-32 233N3223-37 233N3223-1032 233N3223-1037	002004 006010 950999	1
175	800-001259	.L	LIGHTPLATE-5V WHITE ILLUMINATED INTEGRALLY LIGHTED FUEL MANAGEMENT SUPPLIER CODE: V05617 SPECIFICATION NUMBER: S233T100-6043 MISCELLANEOUS DATA: FOR VENDOR FSCM 05617 FOR SPARES ORDER THE 800-001259-1 OPTIONAL PART: S233T100-6043 V51896 800-001259-1 V05617 OPTIONAL SUPPLIER CODE: 05617 98140	002004 952952	1
175	800-001259-1	.L	LIGHTPLATE-5V WHITE ILLUMINATED INTEGRALLY LIGHTED FUEL MANAGEMENT SUPPLIER CODE: V05617 SPECIFICATION NUMBER: S233T100-6043 OPTIONAL PART: S233T100-6043 V51896 800-001259 V05617	002004 952952	1

MISSING ITEM NUMBERS NOT APPLICABLE

- ITEM NOT ILLUSTRATED

33-13-01-71

33-13-01
FIG. 71
PAGE 22
JAN 20/09

BRI



757

PARTS CATALOG (MAINTENANCE)

FIG ITEM	PART NUMBER	1 2 3 4 5 6 7	NOMENCLATURE	EFFECT FROM TO	UNITS PER ASSY
71 180	800-000954		.LIGHTPLATE-5V WHITE ILLUMINATED INTEGRALLY LIGHTED FUEL MANAGEMENT SUPPLIER CODE: V05617 SPECIFICATION NUMBER: S233T100-1106 MISCELLANEOUS DATA: FOR VENDOR FSCM 05617 FOR SPARES ORDER THE 800-000954-1 OPTIONAL PART: S233T100-1106 V51896 800-000954-1 V05617 OPTIONAL SUPPLIER CODE: 05617 98140	006010 950951 953999	1
180	800-000954-1		.LIGHTPLATE-5V WHITE ILLUMINATED INTEGRALLY LIGHTED FUEL MANAGEMENT SUPPLIER CODE: V05617 SPECIFICATION NUMBER: S233T100-1106 OPTIONAL PART: S233T100-1106 V51896 800-000954 V05617	006010 950951 953999	1
185	233N3206-13		.PANEL ASSY-FUEL CONT SUPPLIER CODE: V89954 ELECTRICAL EQUIP NUMBER: M10055 COMPONENT MAINT MANUAL REF: 28-41-71 PRE ALERT SB: 33A0044R1 28A0105R1 PRE COMPONENT SB: 233N3206-28-03	002004 952952	RF

MISSING ITEM NUMBERS NOT APPLICABLE

- ITEM NOT ILLUSTRATED

33-13-01-71

33-13-01
FIG. 71
PAGE 23
JAN 20/09

BRI



757

PARTS CATALOG (MAINTENANCE)

FIG ITEM	PART NUMBER	1 2 3 4 5 6 7	NOMENCLATURE	EFFECT FROM TO	UNITS PER ASSY
71 185	233N3206-14		.PANEL ASSY-FUEL CONT SUPPLIER CODE: V89954 ELECTRICAL EQUIP NUMBER: M10055 COMPONENT MAINT MANUAL REF: 28-41-71 PRE ALERT SB: 33A0044 28A0105R1 PRE COMPONENT SB: 233N3206-28-03	002004 952952	RF
185	233N3206-15		.PANEL ASSY-FUEL CONT SUPPLIER CODE: V89954 ELECTRICAL EQUIP NUMBER: M10055 COMPONENT MAINT MANUAL REF: 28-41-71 PRE ALERT SB: 33A0044 28A0105R1 PRE COMPONENT SB: 233N3206-28-03	002004 952952	RF
185	233N3206-1015		.PANEL ASSY-FUEL CONT SUPPLIER CODE: V89954 ELECTRICAL EQUIP NUMBER: M10055 COMPONENT MAINT MANUAL REF: 28-41-71 POST ALERT SB: 33A0044 PRE ALERT SB: 28A0105R1 PRE COMPONENT SB: 233N3206-28-03	002004 952952	RF
185	233N3206-16		.PANEL ASSY-FUEL CONT SUPPLIER CODE: V89954 ELECTRICAL EQUIP NUMBER: M10055 COMPONENT MAINT MANUAL REF: 28-41-71 PRE ALERT SB: 33A0044 28A0105R1 PRE COMPONENT SB: 233N3206-28-03	002004 952952	RF

MISSING ITEM NUMBERS NOT APPLICABLE

- ITEM NOT ILLUSTRATED

33-13-01-71

33-13-01
FIG. 71
PAGE 24
JAN 20/09

BRI



757

PARTS CATALOG (MAINTENANCE)

FIG ITEM	PART NUMBER	1 2 3 4 5 6 7	NOMENCLATURE	EFFECT FROM TO	UNITS PER ASSY
71 185	233N3206-1016		.PANEL ASSY-FUEL CONT SUPPLIER CODE: V89954 ELECTRICAL EQUIP NUMBER: M10055 COMPONENT MAINT MANUAL REF: 28-41-71 POST ALERT SB: 33A0044 PRE ALERT SB: 28A0105R1 PRE COMPONENT SB: 233N3206-28-03	002004 952952	RF
185	233N3206-19		.PANEL ASSY-FUEL CONT SUPPLIER CODE: V89954 MISCELLANEOUS DATA: THE 233N3206-19 PANEL IS I/W THE 233N3206-20 PANEL, SUBJECT TO CUSTOMER PREFERENCE. THE -19 PANEL CONTAINS KORRY SWITCHES, THE -20 CONTAINS MASTER SPECIALTIES SWITCHES ELECTRICAL EQUIP NUMBER: M10055 COMPONENT MAINT MANUAL REF: 28-41-71 QUALIFIED I/W DATA: THE 233N3206-300 PANEL ASSY IS I/W THE 233N3206-19 PANEL ASSY T/W THE S233T100-1106 LIGHTPLATE PRE ALERT SB: 28A0105R1 PRE COMPONENT SB: 233N3206-28-03	006010 950951 953999	RF

MISSING ITEM NUMBERS NOT APPLICABLE

- ITEM NOT ILLUSTRATED

BRI

33-13-01-71

BOEING PROPRIETARY - Copyright © - Unpublished Work - See title page for details.

33-13-01
FIG. 71
PAGE 25
JAN 20/09



757

PARTS CATALOG (MAINTENANCE)

FIG ITEM	PART NUMBER	1 2 3 4 5 6 7	NOMENCLATURE	EFFECT FROM TO	UNITS PER ASSY
71 185	233N3206-17		.PANEL ASSY-FUEL CONT SUPPLIER CODE: V89954 ELECTRICAL EQUIP NUMBER: M10055 COMPONENT MAINT MANUAL REF: 28-41-71 PRE ALERT SB: 33A0044R1 28A0105R1 PRE COMPONENT SB: 233N3206-28-03	002004 952952	RF
185	233N3206-1013		.PANEL ASSY-FUEL CONT SUPPLIER CODE: V89954 ELECTRICAL EQUIP NUMBER: M10055 COMPONENT MAINT MANUAL REF: 28-41-71 POST ALERT SB: 33A0044R1 PRE ALERT SB: 28A0105R1 PRE COMPONENT SB: 233N3206-28-03	002004 952952	RF
185	233N3206-1014		.PANEL ASSY-FUEL CONT SUPPLIER CODE: V89954 ELECTRICAL EQUIP NUMBER: M10055 COMPONENT MAINT MANUAL REF: 28-41-71 POST ALERT SB: 33A0044 PRE ALERT SB: 28A0105R1 PRE COMPONENT SB: 233N3206-28-03	002004 952952	RF

MISSING ITEM NUMBERS NOT APPLICABLE

- ITEM NOT ILLUSTRATED

33-13-01-71

33-13-01
FIG. 71
PAGE 26
JAN 20/09

BRI



757

PARTS CATALOG (MAINTENANCE)

FIG ITEM	PART NUMBER	1 2 3 4 5 6 7	NOMENCLATURE	EFFECT FROM TO	UNITS PER ASSY
71 185	233N3206-1017		.PANEL ASSY-FUEL CONT SUPPLIER CODE: V89954 ELECTRICAL EQUIP NUMBER: M10055 COMPONENT MAINT MANUAL REF: 28-41-71 POST ALERT SB: 33A0044R1 PRE ALERT SB: 28A0105R1 PRE COMPONENT SB: 233N3206-28-03	002004 952952	RF
185	233N3206-3015		.PANEL ASSY-FUEL CONT REPLACES 233N3206-1015 SUPPLIER CODE: V89954 ELECTRICAL EQUIP NUMBER: M10055 COMPONENT MAINT MANUAL REF: 28-41-71 POST ALERT SB: 28A0105R1 POST COMPONENT SB: 233N3206-28-03	002004 952952	RF
185	233N3206-3016		.PANEL ASSY-FUEL CONT REPLACES 233N3206-1016 SUPPLIER CODE: V89954 ELECTRICAL EQUIP NUMBER: M10055 COMPONENT MAINT MANUAL REF: 28-41-71 POST ALERT SB: 28A0105R1 POST COMPONENT SB: 233N3206-28-03	002004 952952	RF
185	233N3206-3013		.PANEL ASSY-FUEL CONT REPLACES 233N3206-1013 SUPPLIER CODE: V89954 ELECTRICAL EQUIP NUMBER: M10055 COMPONENT MAINT MANUAL REF: 28-41-71 POST ALERT SB: 28A0105R1 POST COMPONENT SB: 233N3206-28-03	002004 952952	RF

MISSING ITEM NUMBERS NOT APPLICABLE

- ITEM NOT ILLUSTRATED

33-13-01-71

33-13-01
FIG. 71
PAGE 27
JAN 20/09

BRI



757

PARTS CATALOG (MAINTENANCE)

FIG ITEM	PART NUMBER	1 2 3 4 5 6 7	NOMENCLATURE	EFFECT FROM TO	UNITS PER ASSY
71 185	233N3206-3014		.PANEL ASSY-FUEL CONT REPLACES 233N3206-1014 SUPPLIER CODE: V89954 ELECTRICAL EQUIP NUMBER: M10055 COMPONENT MAINT MANUAL REF: 28-41-71 POST ALERT SB: 28A0105R1 POST COMPONENT SB: 233N3206-28-03	002004 952952	RF
186	233N3206-3017		.PANEL ASSY-FUEL CONT REPLACES 233N3206-1017 SUPPLIER CODE: V89954 ELECTRICAL EQUIP NUMBER: M10055 COMPONENT MAINT MANUAL REF: 28-41-71 POST ALERT SB: 28A0105R1 POST COMPONENT SB: 233N3206-28-03	002004 952952	RF
186	233N3206-3019		.PANEL ASSY-FUEL CONT REPLACES 233N3206-19 SUPPLIER CODE: V89954 ELECTRICAL EQUIP NUMBER: M10055 COMPONENT MAINT MANUAL REF: 28-41-71 POST ALERT SB: 28A0105R1 POST COMPONENT SB: 233N3206-28-03	006010 950951 953999	RF
186	233N3206-2013		.PANEL ASSY-FUEL CONT SUPPLIER CODE: V89954 ELECTRICAL EQUIP NUMBER: M10055 COMPONENT MAINT MANUAL REF: 28-41-71 POST ALERT SB: 28A0105R1 POST COMPONENT SB: 233N3206-28-03	002004 952952	RF

MISSING ITEM NUMBERS NOT APPLICABLE

- ITEM NOT ILLUSTRATED

33-13-01-71

33-13-01
FIG. 71
PAGE 28
JAN 20/09

BRI



757

PARTS CATALOG (MAINTENANCE)

FIG ITEM	PART NUMBER	1 2 3 4 5 6 7	NOMENCLATURE	EFFECT FROM TO	UNITS PER ASSY
71 186	233N3206-2014		.PANEL ASSY-FUEL CONT SUPPLIER CODE: V89954 ELECTRICAL EQUIP NUMBER: M10055 COMPONENT MAINT MANUAL REF: 28-41-71 POST ALERT SB: 28A0105R1 POST COMPONENT SB: 233N3206-28-03	002004 952952	RF
186	233N3206-2015		.PANEL ASSY-FUEL CONT SUPPLIER CODE: V89954 ELECTRICAL EQUIP NUMBER: M10055 COMPONENT MAINT MANUAL REF: 28-41-71 POST ALERT SB: 28A0105R1 POST COMPONENT SB: 233N3206-28-03	002004 952952	RF
186	233N3206-2016		.PANEL ASSY-FUEL CONT SUPPLIER CODE: V89954 ELECTRICAL EQUIP NUMBER: M10055 COMPONENT MAINT MANUAL REF: 28-41-71 POST ALERT SB: 28A0105R1 POST COMPONENT SB: 233N3206-28-03	002004 952952	RF
186	233N3206-2017		.PANEL ASSY-FUEL CONT SUPPLIER CODE: V89954 ELECTRICAL EQUIP NUMBER: M10055 COMPONENT MAINT MANUAL REF: 28-41-71 POST ALERT SB: 28A0105R1 POST COMPONENT SB: 233N3206-28-03	002004 952952	RF

MISSING ITEM NUMBERS NOT APPLICABLE

- ITEM NOT ILLUSTRATED

33-13-01-71

33-13-01
FIG. 71
PAGE 29
JAN 20/09

BRI



757

PARTS CATALOG (MAINTENANCE)

FIG ITEM	PART NUMBER	1 2 3 4 5 6 7	NOMENCLATURE	EFFECT FROM TO	UNITS PER ASSY
71 186	233N3206-2020		.PANEL ASSY-FUEL CONT SUPPLIER CODE: V89954 ELECTRICAL EQUIP NUMBER: M10055 COMPONENT MAINT MANUAL REF: 28-41-71 POST ALERT SB: 28A0105R1 POST COMPONENT SB: 233N3206-28-03	006010 950951 953999	RF
190	800-000121-1		..CONNECTOR-PWR SUPPLIER CODE: V05617	002004 006010 950999	1
195	800-001043		.LIGHTPLATE-5V WHITE ILLUMINATED INTEGRALLY LIGHTED ANTI-ICE SUPPLIER CODE: V05617 SPECIFICATION NUMBER: S233T100-1070 MISCELLANEOUS DATA: FOR VENDOR FSCM 05617 FOR SPARES ORDER THE 800-001043-1 OPTIONAL PART: S233T100-1070 V51896 800-001043-1 V05617	002004 006010 950999	1
195	800-001043-1		.LIGHTPLATE-5V WHITE ILLUMINATED INTEGRALLY LIGHTED ANTI-ICE SUPPLIER CODE: V05617 SPECIFICATION NUMBER: S233T100-1070 OPTIONAL PART: S233T100-1070 V51896 800-001043 V05617	002004 006010 950999	1
200	S233T100-6027		.LIGHTPLATE-5V WHITE ILLUMINATED INTEGRALLY LIGHTED ANTI-ICE SUPPLIER CODE: V51896 SPECIFICATION NUMBER: S233T100-6027	002004 006010 950999	1

MISSING ITEM NUMBERS NOT APPLICABLE

- ITEM NOT ILLUSTRATED

33-13-01-71

33-13-01
FIG. 71
PAGE 30
JAN 20/09

BRI



757

PARTS CATALOG (MAINTENANCE)

FIG ITEM	PART NUMBER	1 2 3 4 5 6 7	NOMENCLATURE	EFFECT FROM TO	UNITS PER ASSY
71 205	233N3204-19		.PANEL ASSY-ANTI-ICE SUPPLIER CODE: V89954 ELECTRICAL EQUIP NUMBER: M10397 COMPONENT MAINT MANUAL REF: 30-11-72 QUALIFIED I/W DATA: 233N3204-300 PANEL ASSY IS I/W 233N3204-19 PANEL ASSY T/W S233T100-1070 LIGHTPLATE PRE ALERT SB: 33A0044	002004 006010 950999	RF
205	233N3204-1019		.PANEL ASSY-ANTI-ICE SUPPLIER CODE: V89954 ELECTRICAL EQUIP NUMBER: M10397 COMPONENT MAINT MANUAL REF: 30-11-72 POST ALERT SB: 33A0044	002004 006010 950999	RF
210	800-000121-1		..CONNECTOR-PWR SUPPLIER CODE: V05617	002004 006010 950999	1
215	800-000919		.LIGHTPLATE-WSHLD CLEARANCE SUPPLIER CODE: V05617 SPECIFICATION NUMBER: S233T100-1074 MISCELLANEOUS DATA: FOR VENDOR FSCM 05617 FOR SPARES ORDER THE 800-000919-1 OPTIONAL PART: S233T100-1074 V51896 800-000919-1 V05617	002004 006010 950952	1

MISSING ITEM NUMBERS NOT APPLICABLE

- ITEM NOT ILLUSTRATED

33-13-01-71

33-13-01
FIG. 71
PAGE 31
JAN 20/09

BRI



757

PARTS CATALOG (MAINTENANCE)

FIG ITEM	PART NUMBER	1 2 3 4 5 6 7	NOMENCLATURE	EFFECT FROM TO	UNITS PER ASSY
71 215	800-000919-1		.LIGHTPLATE-WSHLD CLEARANCE SUPPLIER CODE: V05617 SPECIFICATION NUMBER: S233T100-1074 OPTIONAL PART: S233T100-1074 V51896 800-000919 V05617	002004 006010 950952	1
220	S233T100-1113		.LIGHTPLATE-5V WHITE ILLUMINATED INTEGRALLY LIGHTED RAIN REPELLENT SUPPLIER CODE: V51896 SPECIFICATION NUMBER: S233T100-1113 OPTIONAL PART: 800-007678 V05617 POST SERVICE BULLETIN: 30-0016 QUALIFIED SB I/W DATA: USED FOR PERMANENT DEACTIVATION	953999	1
220	800-007678		.LIGHTPLATE-5V WHITE ILLUMINATED INTEGRALLY LIGHTED RAIN REPELLENT SUPPLIER CODE: V05617 SPECIFICATION NUMBER: S233T100-1113 OPTIONAL PART: S233T100-1113 V51896 POST SERVICE BULLETIN: 30-0016	953999	1
225	800-003452		.LIGHTPLATE-5V WHITE ILLUMINATED INTEGRALLY LIGHTED WSHLD CLEARANCE SUPPLIER CODE: V05617 SPECIFICATION NUMBER: S233T100-6008 OPTIONAL PART: S233T100-6008 V51896	002004 006010 950952	1

MISSING ITEM NUMBERS NOT APPLICABLE

- ITEM NOT ILLUSTRATED

33-13-01-71

33-13-01
FIG. 71
PAGE 32
JAN 20/09

BRI



757

PARTS CATALOG (MAINTENANCE)

FIG ITEM	PART NUMBER	1 2 3 4 5 6 7	NOMENCLATURE	EFFECT FROM TO	UNITS PER ASSY
71 225	S233T100-6008		.LIGHTPLATE-5V WHITE ILLUMINATED INTEGRALLY LIGHTED RAIN REPELLENT SUPPLIER CODE: V51896 OPTIONAL PART: 800-003452 V05617	002004 006010 950952	1
230	233N3201-11		.PANEL ASSY-WSHLD CLEARANCE SUPPLIER CODE: V89954 ELECTRICAL EQUIP NUMBER: M10023 COMPONENT MAINT MANUAL REF: 30-42-01 QUALIFIED I/W DATA: 233N3201-11 PANEL ASSY T/W S233T100-1074 LIGHTPLATE AND BP248-127 KNOB IS I/W 233N3201-300	002004 006010 950999	RF
235	800000121-1		..CONNECTOR-PWR SUPPLIER CODE: V05617	002004 006010 950999	1
240	800-000916		.LIGHTPLATE-ANTI-COLLISION SUPPLIER CODE: V05617 SPECIFICATION NUMBER: S233T100-6030 MISCELLANEOUS DATA: FOR VENDOR FSCM 05617 FOR SPARES ORDER THE 800-000916-1 OPTIONAL PART: S233T100-6030 V51896 800-000916-1 V05617	002004 006010 950999	1
240	800-000916-1		.LIGHTPLATE-ANTI-COLLISION SUPPLIER CODE: V05617 SPECIFICATION NUMBER: S233T100-6030 OPTIONAL PART: S233T100-6030 V51896 800-000916 V05617	002004 006010 950999	1

MISSING ITEM NUMBERS NOT APPLICABLE

- ITEM NOT ILLUSTRATED

33-13-01-71

33-13-01
FIG. 71
PAGE 33
JAN 20/09

BRI

 **BOEING**
757
PARTS CATALOG (MAINTENANCE)

FIG ITEM	PART NUMBER	1 2 3 4 5 6 7	NOMENCLATURE	EFFECT FROM TO	UNITS PER ASSY
71 245	233T3217-41		.PANEL ASSY-ANTI-COLLISION LIGHTING SUPPLIER CODE: V89954 ELECTRICAL EQUIP NUMBER: M00056 COMPONENT MAINT MANUAL REF: 33-44-72 QUALIFIED I/W DATA: 233T3217-40 -41 -42 ARE ALL INTERCHANGEABLE EXCEPT SUBJECT TO CUSTOMER PREFERENCE THE 233T3217-300 PANEL ASSY IS I/W THE 233T3217-41 PANEL ASSY T/W THE S233T100-6030 LIGHTPLATE.	002004 006010 950999	RF
250	800-000121-1		..CONNECTOR-PWR SUPPLIER CODE: V05617	002004 006010 950999	1
255	800-000920		.LIGHTPLATE-5V WHITE ILLUMINATED INTEGRALLY LIGHTED WINDOW HEAT SUPPLIER CODE: V05617 SPECIFICATION NUMBER: S233T100-1073 MISCELLANEOUS DATA: FOR VENDOR FSCM 05617 FOR SPARES ORDER THE 800-000920-1 OPTIONAL PART: S233T100-1073 V51896 800-000920-1 V05617 OPTIONAL SUPPLIER CODE: 05617 98140	002004 006010 950999	1

R
R
R
R
R
R
R
R
R
R
R
R
R
R
R
R
R
R
R
R
R
R

MISSING ITEM NUMBERS NOT APPLICABLE

- ITEM NOT ILLUSTRATED

BRI

33-13-01-71

BOEING PROPRIETARY - Copyright © - Unpublished Work - See title page for details.

33-13-01
FIG. 71
PAGE 34
MAY 20/09



757

PARTS CATALOG (MAINTENANCE)

FIG ITEM	PART NUMBER	1 2 3 4 5 6 7	NOMENCLATURE	EFFECT FROM TO	UNITS PER ASSY
71 255	800-000920-1		.LIGHTPLATE-5V WHITE ILLUMINATED INTEGRALLY LIGHTED WINDOW HEAT SUPPLIER CODE: V05617 SPECIFICATION NUMBER: S233T100-1073 OPTIONAL PART: S233T100-1073 V51896 800-000920 V05617	002004 006010 950999	1
260	800-003413		.LIGHTPLATE-5V WHITE ILLUMINATED INTEGRALLY LIGHTED WINDOW HEAT SUPPLIER CODE: V05617 SPECIFICATION NUMBER: S233T100-6006 MISCELLANEOUS DATA: FOR VENDOR FSCM 05617 FOR SPARES ORDER THE 800-003413-1 OPTIONAL PART: S233T100-6006 V51896 800-003413-1 V05617 OPTIONAL SUPPLIER CODE: 05617 98140	002004 006010 950999	1
260	800-003413-1		.LIGHTPLATE-5V WHITE ILLUMINATED INTEGRALLY LIGHTED WINDOW HEAT SUPPLIER CODE: V05617 SPECIFICATION NUMBER: S233T100-6006 OPTIONAL PART: S233T100-6006 V51896 800-003413 V05617	002004 006010 950999	1

MISSING ITEM NUMBERS NOT APPLICABLE

- ITEM NOT ILLUSTRATED

33-13-01-71

33-13-01
FIG. 71
PAGE 35
JAN 20/09

BRI



757

PARTS CATALOG (MAINTENANCE)

FIG ITEM	PART NUMBER	1 2 3 4 5 6 7	NOMENCLATURE	EFFECT FROM TO	UNITS PER ASSY
71 265	233N3212-11		.PANEL ASSY-WINDOW HEAT SUPPLIER CODE: V89954 ELECTRICAL EQUIP NUMBER: M10395 COMPONENT MAINT MANUAL REF: 30-41-71 QUALIFIED I/W DATA: 233N3212-8 -10 -11 -12 -13 ARE ALL INTERCHANGEABLE EXCEPT SUBJECT TO CUSTOMER PREFERENCE THE 233N3212-300 PANEL ASSY IS I/W THE 233N3212-11 PANEL ASSY T/W THE S233T100-1073 LIGHTPLATE	002004 006010 950999	RF
270	800-000121-1		..CONNECTOR-PWR SUPPLIER CODE: V05617	002004 006010 950999	1
275	285T0024-27		.MODULE ASSY-PILOT CALL PNL SUPPLIER CODE: V89954 ELECTRICAL EQUIP NUMBER: M00051 COMPONENT MAINT MANUAL REF: 23-42-59 QUALIFIED I/W DATA: 285T0024-46 MAY REPLACE 285T0024-27 EXCEPT THE "FLT INT" SWITCH AND ASSOCIATED FUNCTIONALITY WILL NO LONGER BE PRESENT.285T0024-27 WITH "FLT INT" SWITCH LABELED INOP MAY REPLACE 285T0024-46	952999	RF
275	285T0024-47		.MODULE ASSY-PILOT CALL PNL SUPPLIER CODE: V89954 ELECTRICAL EQUIP NUMBER: M00051 COMPONENT MAINT MANUAL REF: 23-42-59	002004 006010	RF

MISSING ITEM NUMBERS NOT APPLICABLE

- ITEM NOT ILLUSTRATED

33-13-01-71

33-13-01
FIG. 71
PAGE 36
JAN 20/09

BRI



757

PARTS CATALOG (MAINTENANCE)

FIG ITEM	PART NUMBER	1 2 3 4 5 6 7	NOMENCLATURE	EFFECT FROM TO	UNITS PER ASSY
71 275	285T0024-48		.MODULE ASSY-PILOT CALL PNL SUPPLIER CODE: V89954 ELECTRICAL EQUIP NUMBER: M00051 COMPONENT MAINT MANUAL REF: 23-42-59 PRE AIRLINE MOD: E.O.2393R154 VALP	950951	RF
275	285T0024-20		.MODULE ASSY-PILOT CALL PNL SUPPLIER CODE: V89954 ELECTRICAL EQUIP NUMBER: M00051 COMPONENT MAINT MANUAL REF: 23-42-59 POST AIRLINE MOD: E.O.2393R154 VALP	950951	RF
275	285T0024-46		.MODULE ASSY-PILOTS CALL SUPPLIER CODE: V89954 ELECTRICAL EQUIP NUMBER: M00051 COMPONENT MAINT MANUAL REF: 23-42-62 QUALIFIED I/W DATA: 285T0024-46 MAY REPLACE 285T0024-27 EXCEPT THE"FLT INT" SWITCH AND ASSOCIATED FUNCTIONALITY WILL NO LONGER BE PRESENT.285T0024-27 WITH "FLT INT" SWITCH LABELED INOP MAY REPLACE 285T0024-46	952999	RF
290	S233T100-6050		..LIGHTPLATE-5V WHITE ILLUMINATED INTEGRALLY- LIGHTED SELCAL SUPPLIER CODE: V51896 SPECIFICATION NUMBER: S233T100-6050 OPTIONAL SUPPLIER CODE: 05617 98140 USED ON: 285T0024-27	952999	1

MISSING ITEM NUMBERS NOT APPLICABLE

- ITEM NOT ILLUSTRATED

33-13-01-71

33-13-01
FIG. 71
PAGE 37
JAN 20/09

BRI



757

PARTS CATALOG (MAINTENANCE)

FIG ITEM	PART NUMBER	1 2 3 4 5 6 7	NOMENCLATURE	EFFECT FROM TO	UNITS PER ASSY
71 300	800-003390		..LIGHTPLATE-5V WHITE ILLUMINATED INTEGRALLY LIGHTED SELCAL SUPPLIER CODE: V05617 SPECIFICATION NUMBER: S233T100-1043 MISCELLANEOUS DATA: FOR VENDOR FSCM 05617 FOR SPARES ORDER THE 800-003390-1 OPTIONAL PART: S233T100-1043 V51896 800-003390-1 V05617 USED ON: 285T0024-20	950951	1
300	800-003390-1		..LIGHTPLATE-5V WHITE ILLUMINATED INTEGRALLY LIGHTED SELCAL SUPPLIER CODE: V05617 SPECIFICATION NUMBER: S233T100-1043 OPTIONAL PART: S233T100-1043 V51896 800-003390 V05617	950951	1
305	285T1163-7		..LIGHTPLATE-5V WHITE ILLUMINATED INTEGRALLY LIGHTED SELCAL	002004 006010	1
310	285T1163-8		..LIGHTPLATE-5V WHITE ILLUMINATED INTEGRALLY LIGHTED SELCAL USED ON: 285T0024-48	950951	1
317	285T1163-6		..LIGHTPLATE ASSY-5V WHITE ILLUMINATED INTEGRALLY LIGHTED SELCAL USED ON: 285T0024-46	952999	1

MISSING ITEM NUMBERS NOT APPLICABLE

- ITEM NOT ILLUSTRATED

33-13-01-71

33-13-01
FIG. 71
PAGE 38
JAN 20/09

BRI



757

PARTS CATALOG (MAINTENANCE)

FIG ITEM	PART NUMBER	1 2 3 4 5 6 7	NOMENCLATURE	EFFECT FROM TO	UNITS PER ASSY
71 - 320	CPS6C5D		... FASTENER-CAPTIVE SUPPLIER CODE: V12324 OPTIONAL PART: P2-001000300 V51896 USED ON: 285T1163-7 285T1163-8 285T1163-9	002004 006010 950951	2
- 325	P2-001000300		... FASTENER-CAPTIVE SUPPLIER CODE: V51896 OPTIONAL PART: CPS6C5D V12324 USED ON: 285T1163-7 285T1163-8 285T1163-9	002004 006010 950951	2
330	800000121-1		.. CONNECTOR-PWR SUPPLIER CODE: V05617 USED ON: 285T0024-20 285T0024-24 285T0024-27 285T0024-38 285T0024-47 285T0024-49	002004 006010 950999	1
330	800-000121-1		.. CONNECTOR-PWR SUPPLIER CODE: V05617 USED ON: 285T0024-46 285T0024-48	950999	1

MISSING ITEM NUMBERS NOT APPLICABLE

- ITEM NOT ILLUSTRATED

33-13-01-71

33-13-01
FIG. 71
PAGE 39
JAN 20/09

BRI



757

PARTS CATALOG (MAINTENANCE)

FIG ITEM	PART NUMBER	1 2 3 4 5 6 7	NOMENCLATURE	EFFECT FROM TO	UNITS PER ASSY
R R R R R R R R R R R R	71 335	800-000907	.LIGHTPLATE-5V WHITE ILLUMINATED INTEGRALLY LIGHTED PASS. SIGNS SUPPLIER CODE: V05617 SPECIFICATION NUMBER: S233T100-1018 MISCELLANEOUS DATA: FOR VENDOR FSCM 05617 FOR SPARES ORDER THE 800-000907-1 OPTIONAL PART: S233T100-1018 V51896 800-000907-1 V05617 OPTIONAL SUPPLIER CODE: 05617 98140	002004 006010 950999	1
	335	800-000907-1	.LIGHTPLATE-5V WHITE ILLUMINATED INTEGRALLY LIGHTED PASS. SIGNS SUPPLIER CODE: V05617 SPECIFICATION NUMBER: S233T100-1018 OPTIONAL PART: S233T100-1018 V51896 800-000907 V05617	002004 006010 950999	1
	340	233T3216-10	.PANEL ASSY-PASS. SIGN SUPPLIER CODE: V89954 ELECTRICAL EQUIP NUMBER: M00052	002004 006010 950999	RF
	345	800-000121-1	..CONNECTOR-PWR SUPPLIER CODE: V05617	002004 006010 950999	1

MISSING ITEM NUMBERS NOT APPLICABLE

- ITEM NOT ILLUSTRATED

33-13-01-71

33-13-01
FIG. 71
PAGE 40
MAY 20/09

BRI



757

PARTS CATALOG (MAINTENANCE)

FIG ITEM	PART NUMBER	1 2 3 4 5 6 7	NOMENCLATURE	EFFECT FROM TO	UNITS PER ASSY
71 350	800-000415		.LIGHTPLATE-5V WHITE ILLUMINATED INTEGRALLY LIGHTED EQPT COOLING SUPPLIER CODE: V05617 SPECIFICATION NUMBER: S233T100-6045 MISCELLANEOUS DATA: FOR VENDOR FSCM 05617 FOR SPARES ORDER THE 800-000415-1 OPTIONAL PART: S233T100-6045 V51896 800-000415-1 V05617	002004 006010 950999	1
350	800-000415-1		.LIGHTPLATE-5V WHITE ILLUMINATED INTEGRALLY LIGHTED EQPT COOLING SUPPLIER CODE: V05617 SPECIFICATION NUMBER: S233T100-6045 OPTIONAL PART: S233T100-6045 V51896 800-000415 V05617	002004 006010 950999	1
355	233N3203-32		.PANEL ASSY-EQPT COOLING SUPPLIER CODE: V89954 ELECTRICAL EQUIP NUMBER: M10067 COMPONENT MAINT MANUAL REF: 21-58-71 QUALIFIED I/W DATA: 233N3203-26 -27 -32 -33 -34 ARE ALL INTERCHANGEABLE EXCEPT SUBJECT TO CUSTOMER PREFERENCE 233N3203-300 PANEL ASSY IS I/W 233N3203-32 PANEL ASSY T/W S233T100-6045 LIGHTPLATE PRE ALERT SB: 33A0044	002004 006010 950999	RF

MISSING ITEM NUMBERS NOT APPLICABLE

- ITEM NOT ILLUSTRATED

33-13-01-71

33-13-01
FIG. 71
PAGE 41
JAN 20/09

BRI



757

PARTS CATALOG (MAINTENANCE)

FIG ITEM	PART NUMBER	1 2 3 4 5 6 7	NOMENCLATURE	EFFECT FROM TO	UNITS PER ASSY
71 355	233N3203-1032		.PANEL ASSY-EQPT COOLING SUPPLIER CODE: V89954 ELECTRICAL EQUIP NUMBER: M10067 COMPONENT MAINT MANUAL REF: 21-58-71 POST ALERT SB: 33A0044	002004 006010 950999	RF
355	233N3203-37		.PANEL ASSY- SUPPLIER CODE: V89954 COMPONENT MAINT MANUAL REF: 21-58-71	002004 006010 950999	RF
360	800-000121-1		..CONNECTOR-PWR SUPPLIER CODE: V05617	002004 006010 950999	1
365	800-002786		.LIGHTPLATE-5V WHITE ILLUMINATED INTEGRALLY LIGHTED LIGHTING SUPPLIER CODE: V05617 POSITION DATA: R SPECIFICATION NUMBER: S233T100-6039 MISCELLANEOUS DATA: FOR VENDOR FSCM 05617 FOR SPARES ORDER THE 800-002786-1 OPTIONAL PART: S233T100-6039 V51896 800-002786-1 V05617	002004 006010 950999	1
365	S233T100-6039		.LIGHTPLATE-5V WHITE ILLUMINATED INTEGRALLY LIGHTED LIGHTING SUPPLIER CODE: V51896 POSITION DATA: R OPTIONAL PART: 800-002786 V05617 OPTIONAL SUPPLIER CODE: 05617 98140	002004 006010 950999	1

MISSING ITEM NUMBERS NOT APPLICABLE

- ITEM NOT ILLUSTRATED

33-13-01-71

33-13-01
FIG. 71
PAGE 42
JAN 20/09

BRI



757

PARTS CATALOG (MAINTENANCE)

FIG ITEM	PART NUMBER	1 2 3 4 5 6 7	NOMENCLATURE	EFFECT FROM TO	UNITS PER ASSY
71 365	800-002786-1		.LIGHTPLATE-5V WHITE ILLUMINATED INTEGRALLY LIGHTED LIGHTING SUPPLIER CODE: V05617 POSITION DATA: R SPECIFICATION NUMBER: S233T100-6039 OPTIONAL PART: S233T100-6039 V51896 800-002786 V05617	002004 006010 950999	1
380	233N3221-61		.PANEL ASSY-LIGHTING CONT SUPPLIER CODE: V89954 POSITION DATA: R ELECTRICAL EQUIP NUMBER: M10057 COMPONENT MAINT MANUAL REF: 33-11-72 QUALIFIED I/W DATA: 233N3221-302 PANEL ASSY IS I/W 233N3221-61 PANEL ASSY T/W S233T100-6039 LIGHTPLATE AND (3) RD241-119 KNOBS AND (1) BP248-127 KNOB	002004 006010 950999	RF
385	800-000121-1		..CONNECTOR-PWR SUPPLIER CODE: V05617	002004 006010 950999	1
390	800-000445		.LIGHTPLATE-5V WHITE ILLUMINATED INTEGRALLY LIGHTED PACK CONTROLS SUPPLIER CODE: V05617 SPECIFICATION NUMBER: S233T100-6014 MISCELLANEOUS DATA: FOR VENDOR FSCM 05617 FOR SPARES ORDER THE 800-000445-1 OPTIONAL PART: S233T100-6014 V51896 800-000445-1 V05617	002004 006010 950999	1

MISSING ITEM NUMBERS NOT APPLICABLE

- ITEM NOT ILLUSTRATED

33-13-01-71

33-13-01
FIG. 71
PAGE 43
JAN 20/09

BRI



757

PARTS CATALOG (MAINTENANCE)

FIG ITEM	PART NUMBER	1 2 3 4 5 6 7	NOMENCLATURE	EFFECT FROM TO	UNITS PER ASSY
71 390	800-000445-1		.LIGHTPLATE-5V WHITE ILLUMINATED INTEGRALLY LIGHTED PACK CONTROLS SUPPLIER CODE: V05617 SPECIFICATION NUMBER: S233T100-6014 OPTIONAL PART: S233T100-6014 V51896 800-000445 V05617	002004 006010 950999	1
395	233N3217-15		.PANEL ASSY-AIR CONDITIONING CONT SUPPLIER CODE: V89954 ELECTRICAL EQUIP NUMBER: M10193 COMPONENT MAINT MANUAL REF: 21-51-71 QUALIFIED I/W DATA: 233N3217-8 -11 -15 -16 -17 ARE ALL INTERCHANGEABLE EXCEPT SUBJECT TO CUSTOMER PREFERENCE THE 233N3217-300 PANEL ASSY IS I/W THE 233N317-15 PANEL ASSY T/W THE S233T100-6014 LIGHTPLATE AND (2) BP248-127 KNOBS AND (3) BP260-113 KNOBS	002004 006010 950999	RF
400	800-000121-1		..CONNECTOR-PWR SUPPLIER CODE: V05617	002004 006010 950999	1

MISSING ITEM NUMBERS NOT APPLICABLE

- ITEM NOT ILLUSTRATED

33-13-01-71

33-13-01
FIG. 71
PAGE 44
JAN 20/09

BRI

 **BOEING**
757
PARTS CATALOG (MAINTENANCE)

FIG ITEM	PART NUMBER	1 2 3 4 5 6 7	NOMENCLATURE	EFFECT FROM TO	UNITS PER ASSY
71 405	800-000924		.LIGHTPLATE-5V WHITE ILLUMINATED INTEGRALLY LIGHTED BLEED AIR SUPPLIER CODE: V05617 SPECIFICATION NUMBER: S233T100-6009 MISCELLANEOUS DATA: FOR VENDOR FSCM 05617 FOR SPARES ORDER THE 800-000924-1 OPTIONAL PART: S233T100-6009 V51896 800-000924-1 V05617 OPTIONAL SUPPLIER CODE: 05617 98140	002004 006010 950999	1
	405 800-000924-1		.LIGHTPLATE-5V WHITE ILLUMINATED INTEGRALLY LIGHTED BLEED AIR SUPPLIER CODE: V05617 SPECIFICATION NUMBER: S233T100-6009 OPTIONAL PART: S233T100-6009 V51896 800-000924 V05617	002004 006010 950999	1

R
R
R
R
R
R
R
R
R
R
R
R
R
R
R
R
R
R
R
R
R
R

MISSING ITEM NUMBERS NOT APPLICABLE

- ITEM NOT ILLUSTRATED

33-13-01-71

33-13-01
FIG. 71
PAGE 45
MAY 20/09

BRI



757

PARTS CATALOG (MAINTENANCE)

FIG ITEM	PART NUMBER	1 2 3 4 5 6 7	NOMENCLATURE	EFFECT FROM TO	UNITS PER ASSY
71 410	233N3215-16		.PANEL ASSY-BLEED AIR SUPPLIER CODE: V89954 MISCELLANEOUS DATA: FOR SPARES PROCURE NEXT HIGHER ASSY ELECTRICAL EQUIP NUMBER: M10259 COMPONENT MAINT MANUAL REF: 36-11-71 QUALIFIED I/W DATA: 233N3215-13 -14 -16 -17 ARE ALL INTERCHANGEABLE EXCEPT SUBJECT TO CUSTOMER PREFERENCE THE 233N3215-300 PANEL ASSY IS I/W THE 233N3215-16 PANEL ASSY T/W THE S233T100-6009 LIGHTPLATE PRE ALERT SB: 33A0044	002004 006010 950999	RF
410	233N3215-1016		.PANEL ASSY-BLEED AIR SUPPLIER CODE: V89954 ELECTRICAL EQUIP NUMBER: M10259 COMPONENT MAINT MANUAL REF: 36-11-71 POST ALERT SB: 33A0044	002004 006010 950999	1
410	233N3215-22		.PANEL ASSY-BLEED AIR SUPPLIER CODE: V89954 ELECTRICAL EQUIP NUMBER: M10259 COMPONENT MAINT MANUAL REF: 36-11-71	002004 006010 950999	1
415	800-000121-1		..CONNECTOR-PWR SUPPLIER CODE: V05617	002004 006010 950999	1

MISSING ITEM NUMBERS NOT APPLICABLE

- ITEM NOT ILLUSTRATED

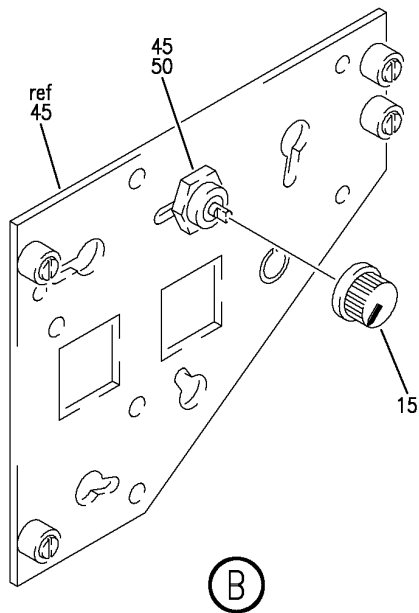
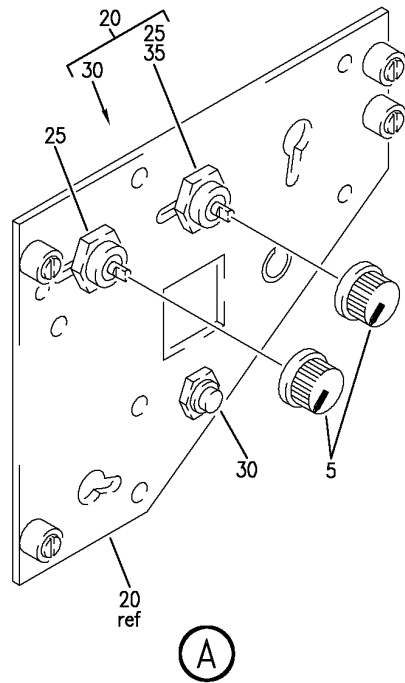
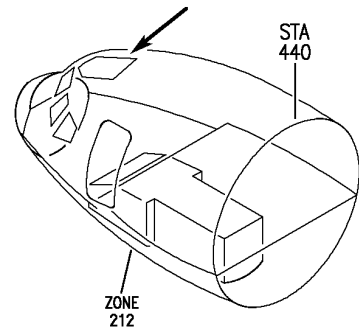
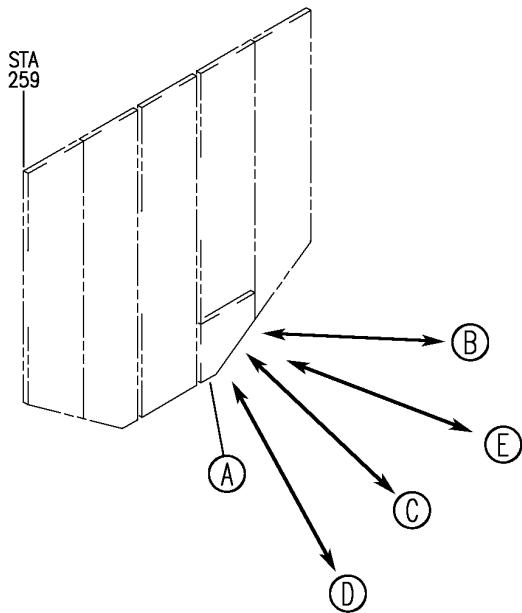
BRI

33-13-01-71

BOEING PROPRIETARY - Copyright © - Unpublished Work - See title page for details.

33-13-01
FIG. 71
PAGE 46
JAN 20/09

BOEING
757
PARTS CATALOG (MAINTENANCE)



Y 33130201 SH1 1 REV 261

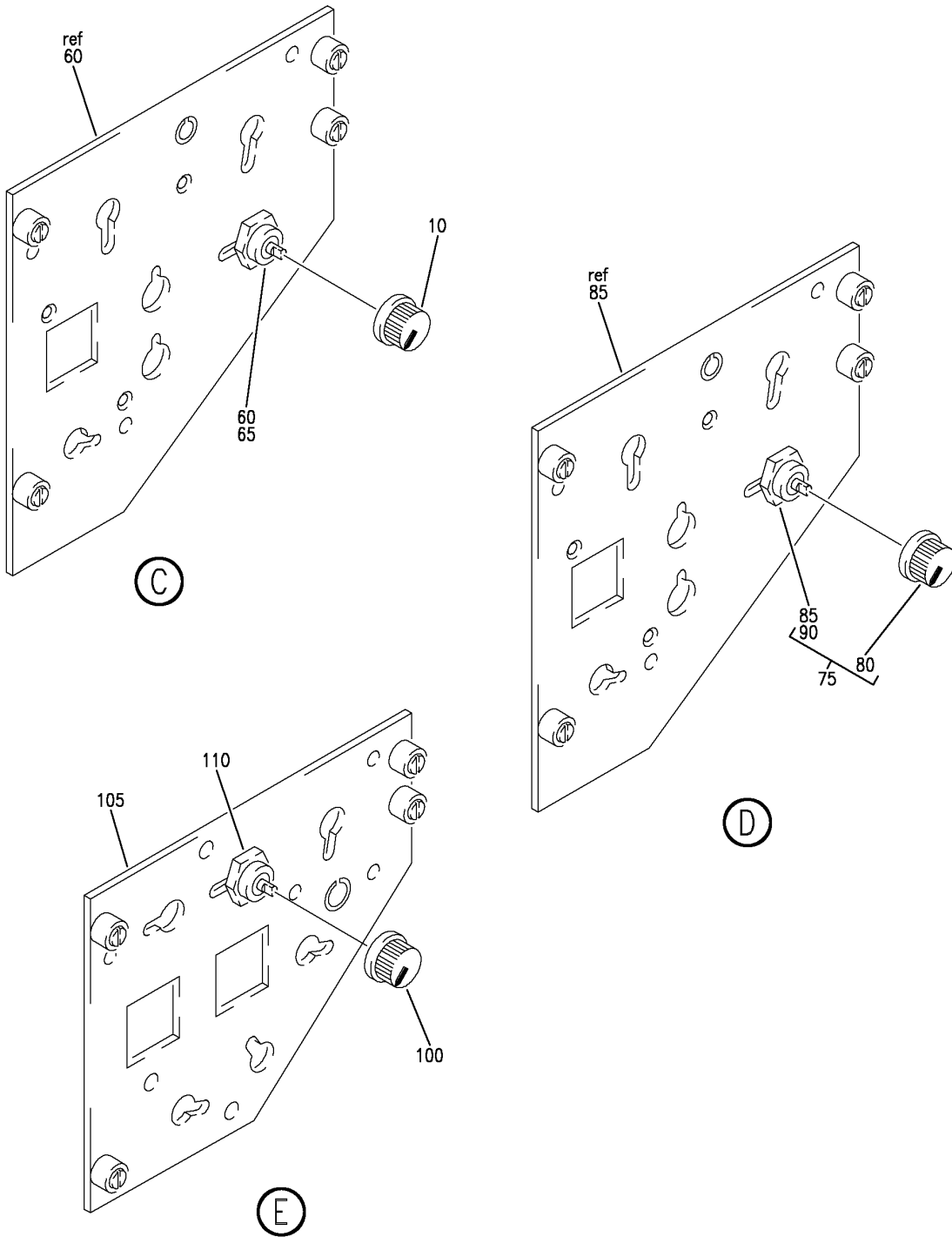
PANEL INSTL-P5 OVERHEAD (PANEL DIMMER CONTROL UNIT ONLY)
FIGURE 1 (SHEET 1)

33-13-02-01

BRI
MAY 28/07

33-13-02-01
PAGE 0

BOEING
757
PARTS CATALOG (MAINTENANCE)



Y 33130201 SH1 2 REV 261

PANEL INSTL-P5 OVERHEAD (PANEL DIMMER CONTROL UNIT ONLY)
FIGURE 1 (SHEET 2)

33-13-02-01

BRI
MAY 28/07

33-13-02-01
PAGE 0A



757

PARTS CATALOG (MAINTENANCE)

FIG ITEM	PART NUMBER	1 2 3 4 5 6 7	NOMENCLATURE	EFFECT FROM TO	UNITS PER ASSY
1			PANEL INSTL-P5 OVERHEAD (PANEL DIMMER CONTROL UNIT ONLY)	002004 006010 107107 121503 904999	RF
- 1	233N3101-1		PANEL INSTL-P5 OVERHEAD (PANEL DIMMER CONTROL UNIT ONLY) VARIABLE DRAWING REF: 233N3101-5005 233N3101-5025 233N3101-5041 233N3101-5042 233N3101-5045 FOR NHA/OTHER SYS DET SEE: 25-10-00-05A	002004 006010 107107 121503 904999	RF
15	RD241-102		.KNOB- SUPPLIER CODE: V81590	002004 006010 107107 121503 904999	1
15	RD241-119		.KNOB- SUPPLIER CODE: V81590	002004 006010 107107 121503 904999	1
45	233N3221-61		.PANEL ASSY-LIGHTING CONT SUPPLIER CODE: V89954 POSITION DATA: R ELECTRICAL EQUIP NUMBER: M10057 COMPONENT MAINT MANUAL REF: 33-11-72 QUALIFIED I/W DATA: 233N3221-302 PANEL ASSY IS I/W 233N3221-61 PANEL ASSY T/W S233T100-6039 LIGHTPLATE AND (3) RD241-119 KNOBS AND (1) BP248-127 KNOB	002004 006010 950999	RF

MISSING ITEM NUMBERS NOT APPLICABLE

- ITEM NOT ILLUSTRATED

33-13-02-01

33-13-02
FIG. 01
PAGE 1
JAN 20/09

BRI



757

PARTS CATALOG (MAINTENANCE)

FIG ITEM	PART NUMBER	1 2 3 4 5 6 7	NOMENCLATURE	EFFECT FROM TO	UNITS PER ASSY
1					
45	233N3221-60		.PANEL ASSY-LIGHTING CONT SUPPLIER CODE: V89954 POSITION DATA: R ELECTRICAL EQUIP NUMBER: M10057 COMPONENT MAINT MANUAL REF: 33-11-72	121503 904949	RF
45	233N3221-83		.PANEL ASSY-LIGHTING CONT SUPPLIER CODE: V89954 POSITION DATA: R ELECTRICAL EQUIP NUMBER: M10057 COMPONENT MAINT MANUAL REF: 33-11-72	107107	RF
50	WA03923A		..RHEOSTAT- SUPPLIER CODE: V34263	002004 006010 107107 121503 904999	1

MISSING ITEM NUMBERS NOT APPLICABLE

- ITEM NOT ILLUSTRATED

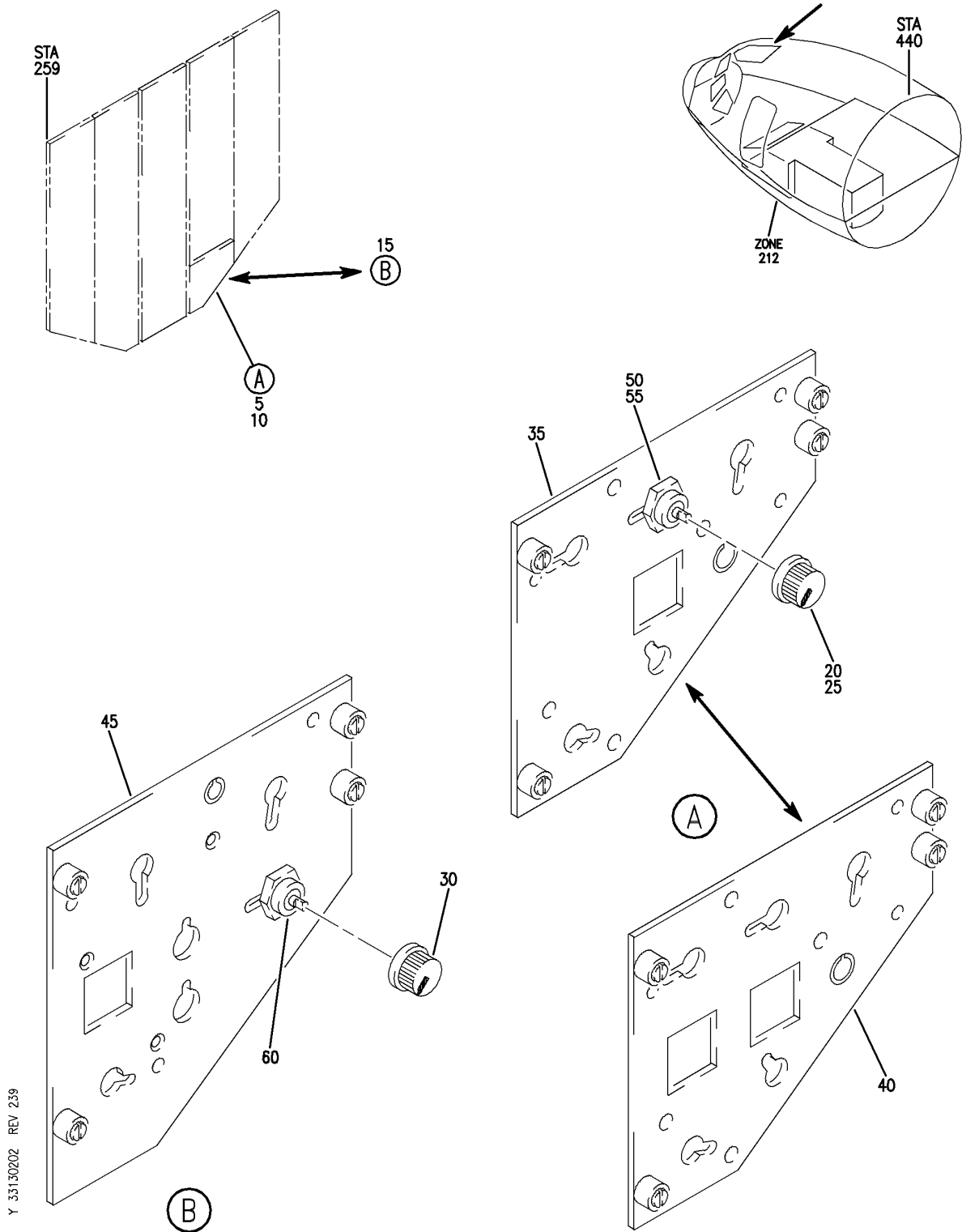
BRI

33-13-02-01

BOEING PROPRIETARY - Copyright © - Unpublished Work - See title page for details.

33-13-02
FIG. 01
PAGE 2
JAN 20/09

BOEING
757
PARTS CATALOG (MAINTENANCE)



PANEL INSTL-P5 OVERHEAD (PANEL DIMMER CONTROL UNIT ONLY)
FIGURE 2

33-13-02-02

BRI
MAY 28/07

33-13-02-02
PAGE 0



757

PARTS CATALOG (MAINTENANCE)

FIG ITEM	PART NUMBER	1 2 3 4 5 6 7	NOMENCLATURE	EFFECT FROM TO	UNITS PER ASSY
2			PANEL INSTL-P5 OVERHEAD (PANEL DIMMER CONTROL UNIT ONLY)	011100	
- 1	233N3101-1		PANEL INSTL-P5 OVERHEAD (PANEL DIMMER CONTROL UNIT ONLY) VARIABLE DRAWING REF: 233N3101-5142 FOR NHA/OTHER SYS DET SEE: 25-10-00-05A	011100	RF
10	233N3221-302		.PANEL ASSY-LIGHTING CONT SUPPLIER CODE: V89954 POSITION DATA: R ELECTRICAL EQUIP NUMBER: M10057 COMPONENT MAINT MANUAL REF: 33-11-72 QUALIFIED I/W DATA: 233N3221-302 PANEL ASSY IS I/W 233N3221-61 PANEL ASSY T/W S233T100-6039 LIGHTPLATE AND (3) RD241-119 KNOBS AND (1) BP248-127 KNOB	011100	RF
25	RD241-119		..KNOB- SUPPLIER CODE: V81590	011100	1
40	233N3221-61		..PANEL ASSY- SUPPLIER CODE: V89954 COMPONENT MAINT MANUAL REF: 33-11-72 QUALIFIED I/W DATA: 233N3221-302 PANEL ASSY IS I/W 233N3221-61 PANEL ASSY T/W S233T100-6039 LIGHTPLATE AND (3) RD241-119 KNOBS AND (1) BP248-127 KNOB	011100	RF
55	WA03923A		...RHEOSTAT- SUPPLIER CODE: V34263	011100	1

MISSING ITEM NUMBERS NOT APPLICABLE

- ITEM NOT ILLUSTRATED

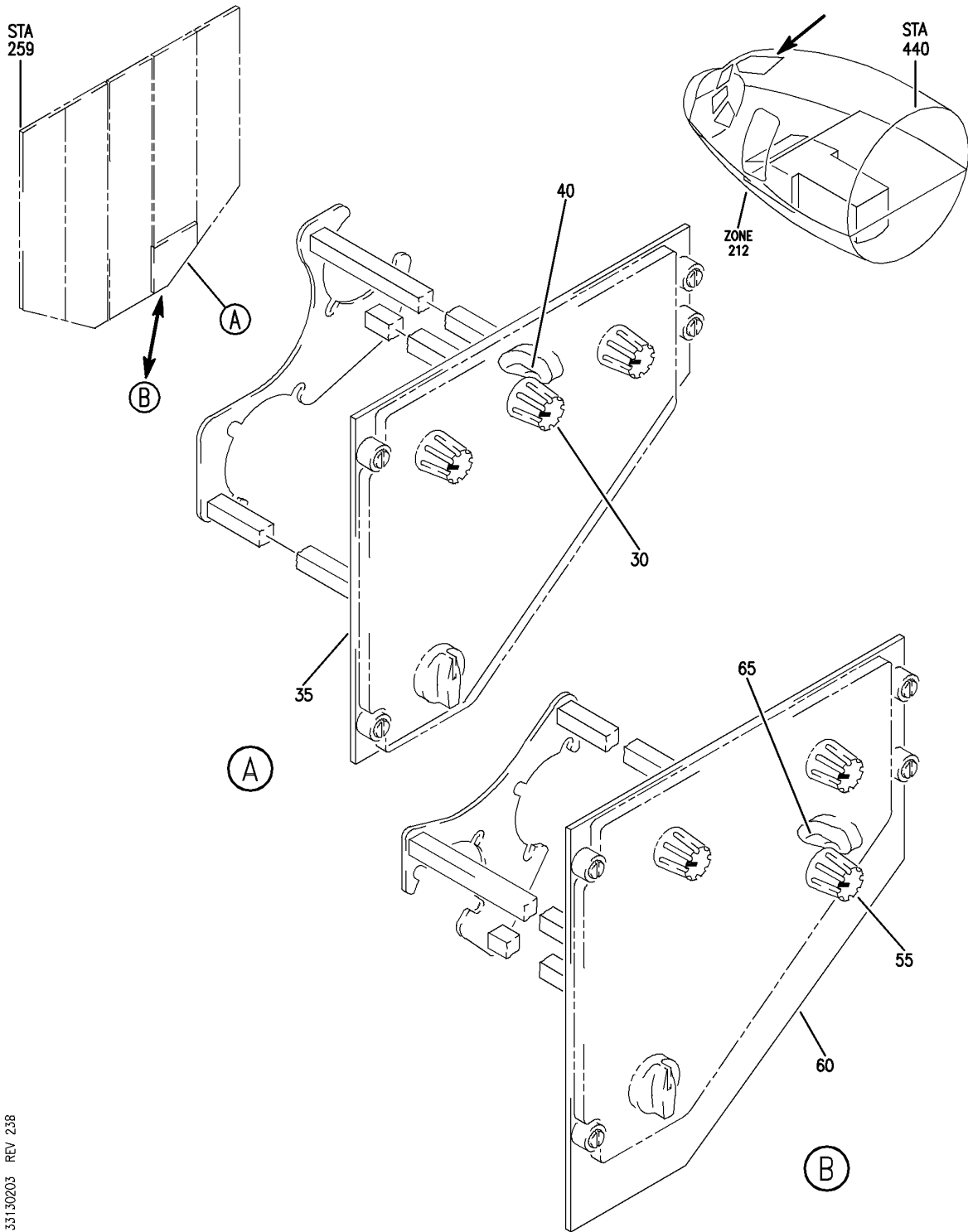
BRI

33-13-02-02

BOEING PROPRIETARY - Copyright © - Unpublished Work - See title page for details.

33-13-02
FIG. 02
PAGE 1
JAN 20/09

BOEING
757
PARTS CATALOG (MAINTENANCE)



Y 33130203 REV 258

PANEL INSTL-P5 OVHD (PANEL DIMMER CONTROL UNIT ONLY)
FIGURE 3

33-13-02-03

BRI
MAY 28/07

33-13-02-03
PAGE 0



757

PARTS CATALOG (MAINTENANCE)

FIG ITEM	PART NUMBER	1 2 3 4 5 6 7	NOMENCLATURE	EFFECT FROM TO	UNITS PER ASSY
3			PANEL INSTL-P5 OVHD (PANEL DIMMER CONTROL UNIT ONLY)	101106 108120 504903	
- 2	233N3103-132		PANEL INSTL-P5 OVHD (PANEL DIMMER CONTROL UNIT ONLY) FOR NHA/OTHER SYS DET SEE: 25-10-00-15E	101102	RF
- 2	233N3103-136		PANEL INSTL-P5 OVHD (PANEL DIMMER CONTROL UNIT ONLY) FOR NHA/OTHER SYS DET SEE: 25-10-00-15E	504903	RF
- 6	233N3103-59		PANEL INSTL-P5 OVHD (PANEL DIMMER CONTROL UNIT ONLY) FOR NHA/OTHER SYS DET SEE: 25-10-00-15E	108120	RF
- 7	MODREF33760		PANEL INSTL-P5 OVHD (PANEL DIMMER CONTROL UNIT ONLY) MODULE NUMBER: 233N3103-351 REV C FOR OTHER SYS DETAILS SEE: 11-31-10-12 21-25-55-03 21-31-01-02 21-33-51-03 21-51-54-03 21-58-19-10 21-58-51-03 21-61-04-03 21-65-51-01 22-21-01-04 22-24-51-02 23-24-01-01 23-32-00-11 23-42-02-02 23-71-05-02 24-11-52-05 24-22-01-03 24-31-01-10 24-31-03-09 24-33-04-01 24-41-51-04 24-51-62-01 26-18-51-04 27-21-53-02 27-41-55-01	103103	1

MISSING ITEM NUMBERS NOT APPLICABLE

- ITEM NOT ILLUSTRATED

33-13-02-03

33-13-02
FIG. 03
PAGE 1
JAN 20/09

BRI



757

PARTS CATALOG (MAINTENANCE)

FIG ITEM	PART NUMBER	1 2 3 4 5 6 7	NOMENCLATURE	EFFECT FROM TO	UNITS PER ASSY
3			27-61-51-03 27-62-52-02 28-22-51-02 28-41-04-01 28-41-51-03 29-11-02-03 29-11-05-04 29-11-52-07 29-21-54-03 29-31-00-01 29-32-51-03 29-33-52-03 30-11-51-03 30-21-51-03 30-31-51-02 30-32-51-01 30-33-51-02 30-41-51-03 30-42-51-03 31-12-11-91 31-12-11-91 A 32-42-52-03 33-11-03-03 33-11-51-17 33-16-51-03 33-24-51-02 33-41-52-04 33-42-01-04 33-42-02-04 33-42-52-04 33-43-51-04 33-44-51-05 33-45-53-03 33-51-08-05 34-21-02-01 35-21-51-04 36-11-04-01 36-21-00-01 36-21-02-05 36-22-51-03 49-41-00-02 49-52-00-01 49-70-00-01 52-51-51-03 52-71-51-02 73-21-52-02 74-31-51-05 75-32-00-01 80-11-09-02		

MISSING ITEM NUMBERS NOT APPLICABLE

- ITEM NOT ILLUSTRATED

33-13-02-03

33-13-02
FIG. 03
PAGE 2
JAN 20/09

BRI



757

PARTS CATALOG (MAINTENANCE)

FIG ITEM	PART NUMBER	1 2 3 4 5 6 7	NOMENCLATURE	EFFECT FROM TO	UNITS PER ASSY
3					
- 7	MODREF34038		FOR ADDITIONAL DETAILS SEE: 33-13-01-65 PANEL INSTL-P5 OVHD (PANEL DIMMER CONTROL UNIT ONLY) MODULE NUMBER: 233N3103-351 REV D FOR OTHER SYS DETAILS SEE: 11-31-10-12 21-25-55-03 21-31-01-02 21-33-51-03 21-51-54-03 21-58-19-10 21-58-51-03 21-61-04-03 21-65-51-01 22-21-01-04 22-24-51-02 23-24-01-01 23-32-00-11 23-42-02-02 23-71-05-02 24-11-52-05 24-22-01-03 24-31-01-10 24-31-03-09 24-33-04-01 24-41-51-04 24-51-62-01 26-18-51-04 27-21-53-02 27-41-55-01 27-61-51-03 27-62-52-02 28-22-51-02 28-41-04-01 28-41-51-03 29-11-02-03 29-11-05-04 29-11-52-07 29-21-54-03 29-31-00-01 29-32-51-03 29-33-52-03 30-11-51-03 30-21-51-03 30-31-51-02 30-32-51-01	104105	1

MISSING ITEM NUMBERS NOT APPLICABLE

- ITEM NOT ILLUSTRATED

33-13-02-03

33-13-02
FIG. 03
PAGE 3
JAN 20/09

BRI



757

PARTS CATALOG (MAINTENANCE)

FIG ITEM	PART NUMBER	1 2 3 4 5 6 7	NOMENCLATURE	EFFECT FROM TO	UNITS PER ASSY
3			30-33-51-02 30-41-51-03 30-42-51-03 31-12-11-91 31-12-11-91A 32-42-52-03 33-11-03-03 33-11-51-17 33-16-51-03 33-24-51-02 33-41-52-04 33-42-01-04 33-42-02-04 33-42-52-04 33-43-51-04 33-44-51-05 33-45-53-03 33-51-08-05 34-21-02-01 35-21-51-04 36-11-04-01 36-21-00-01 36-21-02-05 36-22-51-03 49-41-00-02 49-52-00-01 49-70-00-01 52-51-51-03 52-71-51-02 73-21-52-02 74-31-51-05 75-32-00-01 80-11-09-02 FOR ADDITIONAL DETAILS SEE: 33-13-01-65 - 7 MODREF170180 PANEL INSTL-P5 OVHD (PANEL DIMMER CONTROL UNIT ONLY) MODULE NUMBER: 233N3103-353 REV B FOR OTHER SYS DETAILS SEE: 11-31-10-12 21-25-55-03 21-31-01-02 21-33-51-03 21-51-54-03 21-58-19-10 21-58-51-03 21-61-04-03	106106	1

MISSING ITEM NUMBERS NOT APPLICABLE

- ITEM NOT ILLUSTRATED

33-13-02-03

33-13-02
FIG. 03
PAGE 4
JAN 20/09

BRI



757

PARTS CATALOG (MAINTENANCE)

FIG ITEM	PART NUMBER	1 2 3 4 5 6 7	NOMENCLATURE	EFFECT FROM TO	UNITS PER ASSY
3			21-65-51-01 22-21-01-04 22-24-51-02 23-24-01-01 23-32-00-11 23-42-02-02 23-71-05-02 24-11-52-05 24-22-01-03 24-31-01-10 24-31-03-09 24-33-04-01 24-41-51-04 24-51-62-01 26-18-51-04 27-21-53-02 27-41-55-01 27-61-51-03 27-62-52-02 28-22-51-02 28-41-04-01 28-41-51-03 29-11-02-03 29-11-05-04 29-11-52-07 29-21-54-03 29-31-00-01 29-32-51-03 29-33-52-03 30-11-51-03 30-21-51-03 30-31-51-02 30-32-51-01 30-33-51-02 30-41-51-03 30-42-51-03 31-12-11-84 31-12-11-84 A 32-42-52-03 33-11-03-03 33-11-51-17 33-16-51-03 33-24-51-02 33-41-52-04 33-42-01-04 33-42-02-04 33-42-52-04 33-43-51-04 33-44-51-05		

MISSING ITEM NUMBERS NOT APPLICABLE

- ITEM NOT ILLUSTRATED

33-13-02-03

33-13-02
FIG. 03
PAGE 5
JAN 20/09

BRI



757

PARTS CATALOG (MAINTENANCE)

FIG ITEM	PART NUMBER	1 2 3 4 5 6 7	NOMENCLATURE	EFFECT FROM TO	UNITS PER ASSY
3			33-45-53-03 33-51-08-05 34-21-02-01 35-21-51-04 36-11-04-01 36-21-00-01 36-21-02-05 36-22-51-03 49-41-00-02 49-52-00-01 49-70-00-01 52-51-51-03 52-71-51-02 73-21-52-02 74-31-51-05 75-32-00-01 80-11-09-02		
- 25	233N3221-302		FOR ADDITIONAL DETAILS SEE: 33-13-01-65 .PANEL ASSY-LIGHTING CONT SUPPLIER CODE: V89954 POSITION DATA: R ELECTRICAL EQUIP NUMBER: M10057 COMPONENT MAINT MANUAL REF: 33-11-72 QUALIFIED I/W DATA: 233N3221-302 PANEL ASSY IS I/W 233N3221-61 PANEL ASSY T/W S233T100-6039 LIGHTPLATE AND (3) RD241-119 KNOBS AND (1) BP248-127 KNOB	101102 108120 504903	RF
- 25	233N3221-326		.PANEL ASSY-LIGHTING CONT SUPPLIER CODE: V89954 POSITION DATA: R ELECTRICAL EQUIP NUMBER: M10057 COMPONENT MAINT MANUAL REF: 33-11-72	101106 108120 504903	RF
30	RD241-119		. . KNOB- SUPPLIER CODE: V81590	101106 108120 504903	1

MISSING ITEM NUMBERS NOT APPLICABLE

- ITEM NOT ILLUSTRATED

33-13-02-03

33-13-02
FIG. 03
PAGE 6
JAN 20/09

BRI



757

PARTS CATALOG (MAINTENANCE)

FIG ITEM	PART NUMBER	1 2 3 4 5 6 7	NOMENCLATURE	EFFECT FROM TO	UNITS PER ASSY
3					
35	233N3221-61		..PANEL ASSY- SUPPLIER CODE: V89954 COMPONENT MAINT MANUAL REF: 33-11-72 QUALIFIED I/W DATA: 233N3221-302 PANEL ASSY IS I/W 233N3221-61 PANEL ASSY T/W S233T100-6039 LIGHTPLATE AND (3) RD241-119 KNOBS AND (1) BP248-127 KNOB USED ON: 233N3221-302	101102 108120 504903	RF
35	233N3221-110		..PANEL ASSY- SUPPLIER CODE: V89954 COMPONENT MAINT MANUAL REF: 33-11-72 USED ON: 233N3221-326	101106 108120 504903	RF
40	WA03923A		...RHEOSTAT- SUPPLIER CODE: V34263	101106 108120 504903	1

MISSING ITEM NUMBERS NOT APPLICABLE

- ITEM NOT ILLUSTRATED

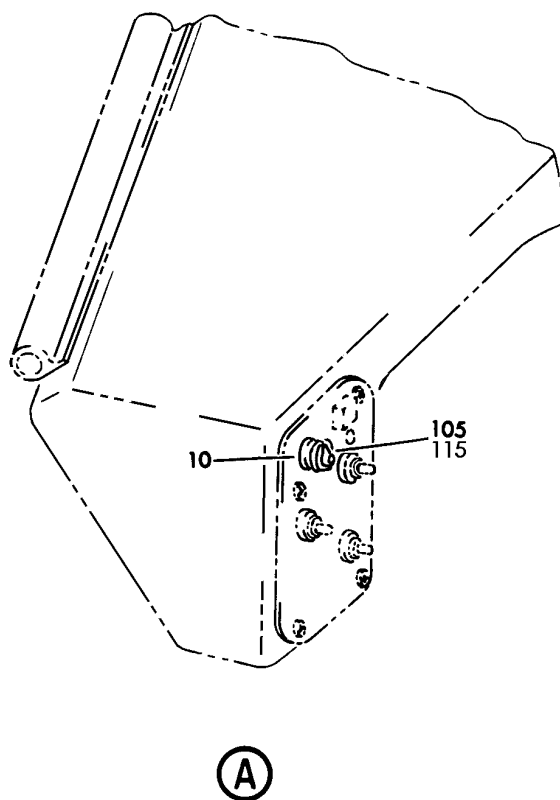
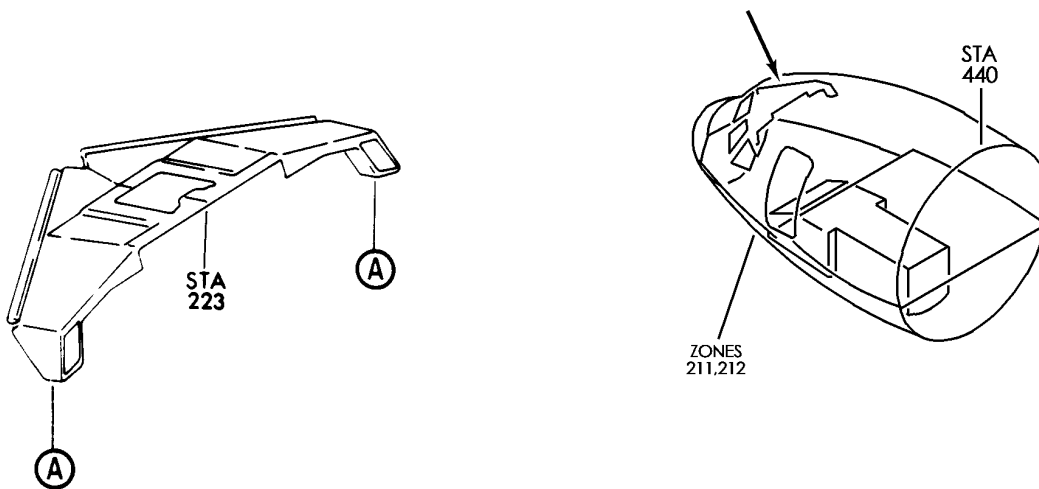
BRI

33-13-02-03

BOEING PROPRIETARY - Copyright © - Unpublished Work - See title page for details.

33-13-02
FIG. 03
PAGE 7
JAN 20/09

BOEING
757
PARTS CATALOG (MAINTENANCE)



Y 33135101 REV 220

GLARESHIELD ASSY AND PANEL INSTL-CAPT AND FIRST OFFICER FWD (INTEGRAL PANEL LIGHTS ONLY)
FIGURE 1

BRI
MAY 28/07

33-13-51-01

33-13-51-01
PAGE 0



757

PARTS CATALOG (MAINTENANCE)

FIG ITEM	PART NUMBER	1 2 3 4 5 6 7	NOMENCLATURE	EFFECT FROM TO	UNITS PER ASSY
1			GLARESHIELD ASSY AND PANEL INSTL-CAPT AND FIRST OFFICER FWD (INTEGRAL PANEL LIGHTS ONLY)	002004 006999	
- 1	233N8200-29		GLARESHIELD ASSY-PILOTS ELECTRICAL (INTEGRAL PANEL LIGHTS ONLY) POSITION DATA: LH FOR NHA/OTHER SYS DET SEE: 25-13-52-60	107107	RF
- 1	233N8200-31		GLARESHIELD ASSY-PILOTS ELECTRICAL (INTEGRAL PANEL LIGHTS ONLY) POSITION DATA: LH FOR NHA/OTHER SYS DET SEE: 25-13-52-60	107107	RF
- 1	233N8200-25		GLARESHIELD ASSY-PILOTS ELECTRICAL (INTEGRAL PANEL LIGHTS ONLY) POSITION DATA: LH FOR NHA/OTHER SYS DET SEE: 25-13-52-60	904949	RF
- 1	233N8200-27		GLARESHIELD ASSY-PILOTS ELECTRICAL (INTEGRAL PANEL LIGHTS ONLY) POSITION DATA: LH FOR NHA/OTHER SYS DET SEE: 25-13-52-60	107107	RF
- 1	233N8200-33		GLARESHIELD ASSY-PILOTS ELECTRICAL (INTEGRAL PANEL LIGHTS ONLY) POSITION DATA: LH FOR NHA/OTHER SYS DET SEE: 25-13-52-60	904949	RF
- 1	233N8200-37		GLARESHIELD ASSY-PILOTS ELECTRICAL (INTEGRAL PANEL LIGHTS ONLY) POSITION DATA: LH FOR NHA/OTHER SYS DET SEE: 25-13-52-60	002004 006010 950999	RF

MISSING ITEM NUMBERS NOT APPLICABLE

- ITEM NOT ILLUSTRATED

33-13-51-01

33-13-51
FIG. 01
PAGE 1
JAN 20/09

BRI



757

PARTS CATALOG (MAINTENANCE)

FIG ITEM	PART NUMBER	1 2 3 4 5 6 7	NOMENCLATURE	EFFECT FROM TO	UNITS PER ASSY
1					
- 1	233N8200-41		GLARESHIELD ASSY-PILOTS ELECTRICAL (INTEGRAL PANEL LIGHTS ONLY) POSITION DATA: LH FOR NHA/OTHER SYS DET SEE: 25-13-52-60	121503	RF
- 2	233N8200-49		GLARESHIELD ASSY-PILOTS ELECTRICAL (INTEGRAL PANEL LIGHTS ONLY) POSITION DATA: LH FOR NHA/OTHER SYS DET SEE: 25-13-52-60	011100	RF
- 2	233N8200-61		GLARESHIELD ASSY-PILOTS ELECTRICAL (INTEGRAL PANEL LIGHTS ONLY) POSITION DATA: LH FOR NHA/OTHER SYS DET SEE: 25-13-52-60	101101	RF
- 5	233N8200-30		GLARESHIELD ASSY-PILOTS ELECTRICAL (INTEGRAL PANEL LIGHTS ONLY) POSITION DATA: RH FOR NHA/OTHER SYS DET SEE: 25-13-03-01	107107	RF
- 5	233N8200-32		GLARESHIELD ASSY-PILOTS ELECTRICAL (INTEGRAL PANEL LIGHTS ONLY) POSITION DATA: RH FOR NHA/OTHER SYS DET SEE: 25-13-52-60	107107	RF
- 5	233N8200-26		GLARESHIELD ASSY-PILOTS ELECTRICAL (INTEGRAL PANEL LIGHTS ONLY) POSITION DATA: RH FOR NHA/OTHER SYS DET SEE: 25-13-52-60	904949	RF
- 5	233N8200-28		GLARESHIELD ASSY-PILOTS ELECTRICAL (INTEGRAL PANEL LIGHTS ONLY) POSITION DATA: RH FOR NHA/OTHER SYS DET SEE: 25-13-52-60	107107	RF

MISSING ITEM NUMBERS NOT APPLICABLE

- ITEM NOT ILLUSTRATED

33-13-51-01

33-13-51
FIG. 01
PAGE 2
JAN 20/09

BRI



757

PARTS CATALOG (MAINTENANCE)

FIG ITEM	PART NUMBER	1 2 3 4 5 6 7	NOMENCLATURE	EFFECT FROM TO	UNITS PER ASSY
1					
- 5	233N8200-34		GLARESHIELD ASSY-PILOTS ELECTRICAL (INTEGRAL PANEL LIGHTS ONLY) POSITION DATA: RH FOR NHA/OTHER SYS DET SEE: 25-13-52-60	904949	RF
- 5	233N8200-38		GLARESHIELD ASSY-PILOTS ELECTRICAL (INTEGRAL PANEL LIGHTS ONLY) POSITION DATA: RH FOR NHA/OTHER SYS DET SEE: 25-13-52-60	002004 006010 950999	RF
- 5	233N8200-42		GLARESHIELD ASSY-PILOTS ELECTRICAL (INTEGRAL PANEL LIGHTS ONLY) POSITION DATA: RH FOR NHA/OTHER SYS DET SEE: 25-13-52-60	121503	RF
- 6	233N8200-50		GLARESHIELD ASSY-PILOTS ELECTRICAL (INTEGRAL PANEL LIGHTS ONLY) POSITION DATA: RH FOR NHA/OTHER SYS DET SEE: 25-13-52-60	011100	RF
- 6	233N8200-62		GLARESHIELD ASSY-PILOTS ELECTRICAL (INTEGRAL PANEL LIGHTS ONLY) POSITION DATA: RH FOR NHA/OTHER SYS DET SEE: 25-13-52-60	101101	RF
10	WA03923A		.RHE0STAT- SUPPLIER CODE: V34263 ELECTRICAL EQUIP NUMBER: R00511	002004 006101 107107 121503 904999	1

MISSING ITEM NUMBERS NOT APPLICABLE

- ITEM NOT ILLUSTRATED

33-13-51-01

33-13-51
FIG. 01
PAGE 3
JAN 20/09

BRI



757

PARTS CATALOG (MAINTENANCE)

FIG ITEM	PART NUMBER	1 2 3 4 5 6 7	NOMENCLATURE	EFFECT FROM TO	UNITS PER ASSY
1 - 100	233N2101-1		PANEL INSTL-CAPT AND FIRST OFFICER (INTEGRAL PANEL LIGHTS ONLY) POSITION DATA: FWD VARIABLE DRAWING REF: 233N2101-5003 233N2101-5004 233N2101-5037 233N2101-5039 233N2101-5041 FOR NHA/OTHER SYS DET SEE: 25-10-00-05A	002004 006100 107107 121503 904999	RF
105	RD241-102		.KNOB- SUPPLIER CODE: V81590	002004 006100 107107 121503 904999	2
105	RD241-119		.KNOB- SUPPLIER CODE: V81590	002004 006100 107107 121503 904999	2
- 110	233N2103-1		PANEL INSTL-CAPT AND FIRST OFFICER (INTEGRAL PANEL LIGHTS ONLY) POSITION DATA: FWD FOR NHA/OTHER SYS DET SEE: 25-10-00-15	101102 108120 504903	RF
- 110	MODREF33340		PANEL INSTL-CAPT AND FIRST OFFICER (INTEGRAL PANEL LIGHTS ONLY) MODULE NUMBER: 233N2103-100 REV A POSITION DATA: FWD FOR OTHER SYS DETAILS SEE: 27-58-00-02 31-11-11-01 31-11-26-01 31-41-01-01 32-41-52-02 33-11-51-13 33-14-51-01 34-13-05-01 34-22-03-01 34-22-04-01	103106	1

MISSING ITEM NUMBERS NOT APPLICABLE

- ITEM NOT ILLUSTRATED

33-13-51-01

33-13-51
FIG. 01
PAGE 4
JAN 20/09

BRI



757

PARTS CATALOG (MAINTENANCE)

FIG ITEM	PART NUMBER	1 2 3 4 5 6 7	NOMENCLATURE	EFFECT FROM TO	UNITS PER ASSY
1 115	RD241-119		.KNOB- SUPPLIER CODE: V81590	101106 108120 504903	2

MISSING ITEM NUMBERS NOT APPLICABLE

- ITEM NOT ILLUSTRATED

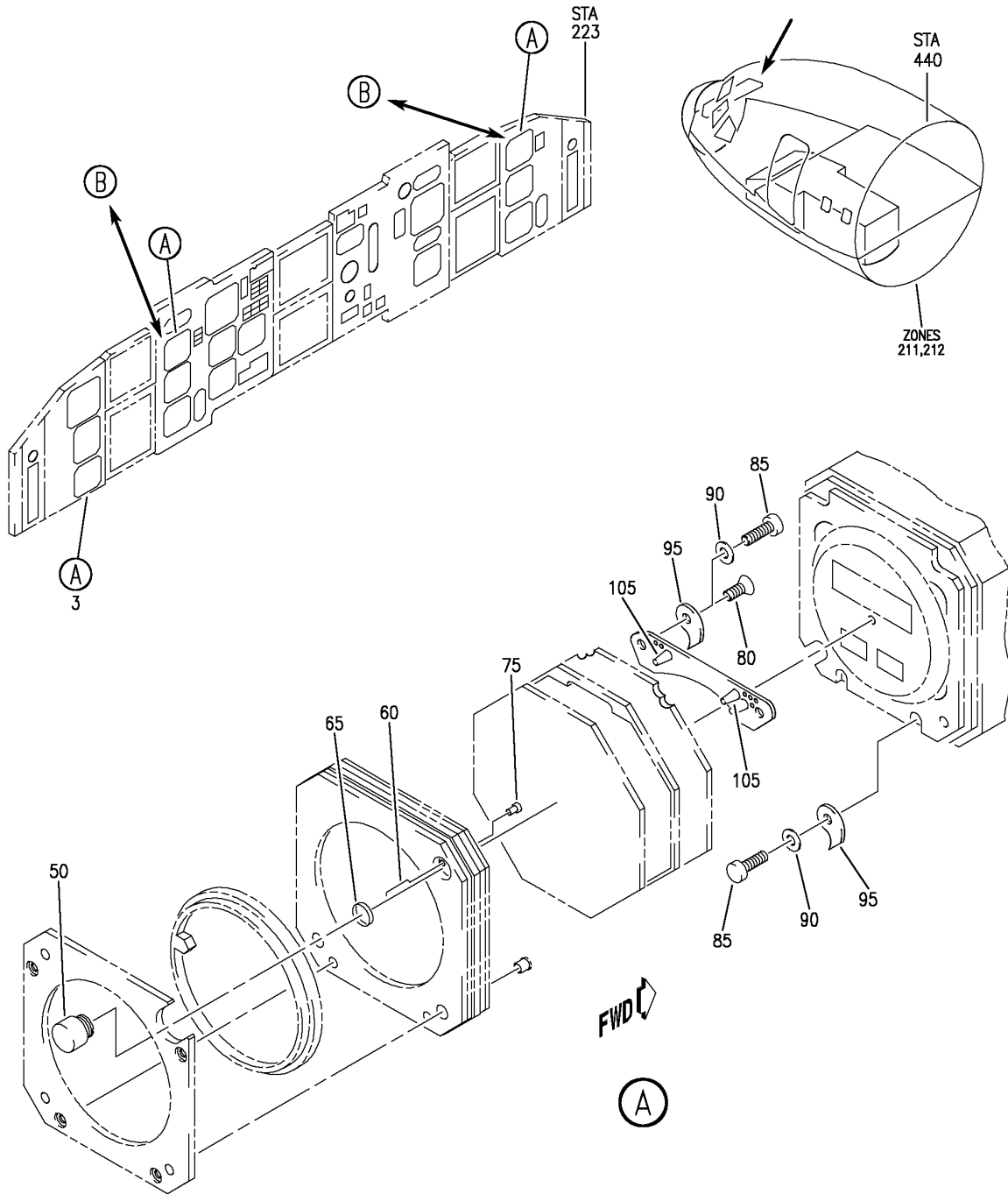
BRI

33-13-51-01

BOEING PROPRIETARY - Copyright © - Unpublished Work - See title page for details.

33-13-51
FIG. 01
PAGE 5
JAN 20/09

BOEING
757
PARTS CATALOG (MAINTENANCE)



Y 33135150 SH1 1 REV 324

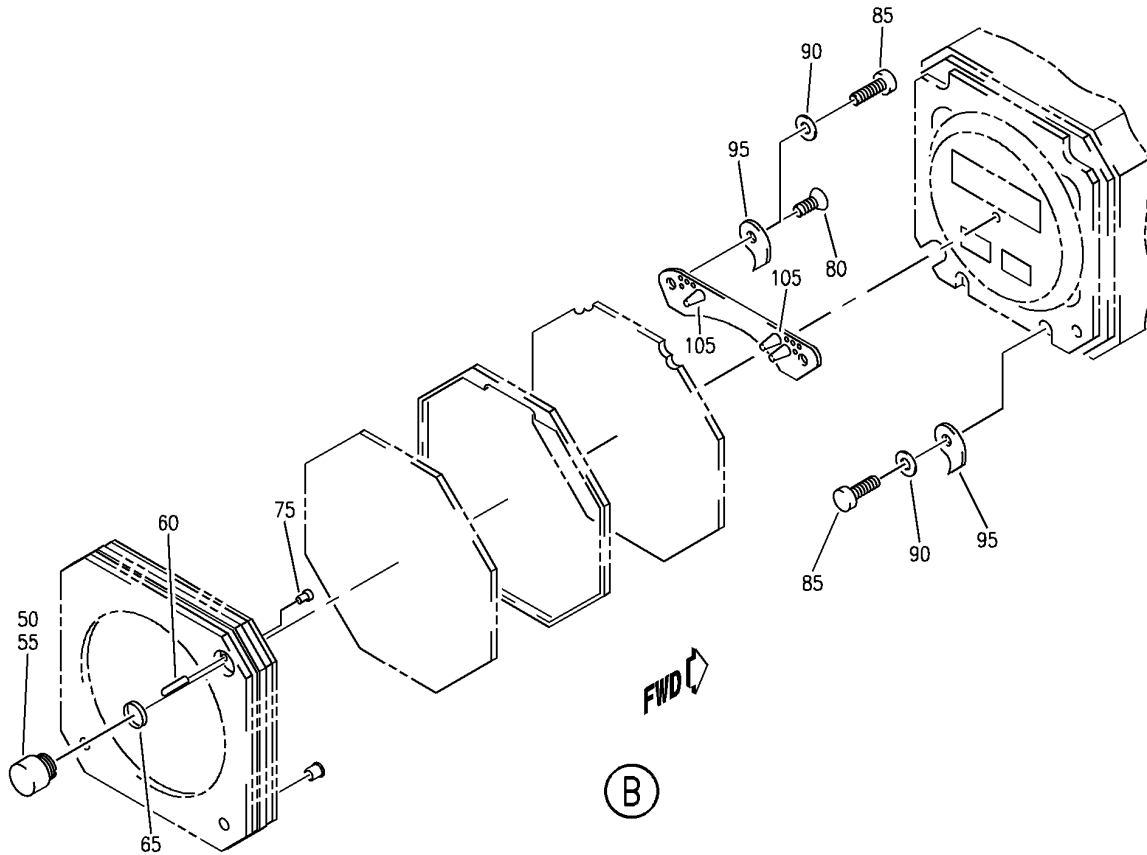
INDICATOR ASSY-ALTIMETER (LIGHTS ONLY)
FIGURE 50 (SHEET 1)

33-13-51-50

BRI
SEP 20/08

33-13-51-50
PAGE 0

BOEING
757
PARTS CATALOG (MAINTENANCE)



Y 33135150 SHT 2 REV 303

INDICATOR ASSY-ALTIMETER (LIGHTS ONLY)
FIGURE 50 (SHEET 2)

33-13-51-50

BRI
MAY 28/07

33-13-51-50
PAGE 0A



757

PARTS CATALOG (MAINTENANCE)

FIG ITEM	PART NUMBER	1 2 3 4 5 6 7	NOMENCLATURE	EFFECT FROM TO	UNITS PER ASSY
50			INDICATOR ASSY-ALTIMETER (LIGHTS ONLY)	002004 006999	
- 1	4039892-904		INDICATOR ASSY-ALTIMETER (LIGHTS ONLY) SUPPLIER CODE: V58960 SPECIFICATION NUMBER: S231T101-1 ELECTRICAL EQUIP NUMBER: N00008 N00048 COMPONENT MAINT MANUAL REF: 34-13-08 QUALIFIED I/W DATA: INTERCHANGEABLE AS A SHIPSET FOR NHA/OTHER SYS DET SEE: 34-13-01-01 34-13-01-02 34-13-01-03	103999	RF
- 1	4039892-907		INDICATOR ASSY-ALTIMETER (LIGHTS ONLY) SUPPLIER CODE: V58960 SPECIFICATION NUMBER: S231T101-4 ELECTRICAL EQUIP NUMBER: N00008 N00048 COMPONENT MAINT MANUAL REF: 34-13-08 FOR NHA/OTHER SYS DET SEE: 34-13-01-01 34-13-01-02	002004 006102	RF
50	1881162-1		. LENS- SUPPLIER CODE: V27878 CONFIG CHG DATA FROM A CMM: REPLD BY 129PAS104 MISCELLANEOUS DATA: HONEYWELL SPEC NO. 4043176-1 USED ON: 4039892-904 4039892-905	103999	1

MISSING ITEM NUMBERS NOT APPLICABLE

- ITEM NOT ILLUSTRATED

33-13-51-50

33-13-51
FIG. 50
PAGE 1
JAN 20/09

BRI



757

PARTS CATALOG (MAINTENANCE)

FIG ITEM	PART NUMBER	1 2 3 4 5 6 7	NOMENCLATURE	EFFECT FROM TO	UNITS PER ASSY
50	1881162-1		.LENS- SUPPLIER CODE: V27878 CONFIG CHG DATA FROM A CMM: REPLD BY 129PAS104 MISCELLANEOUS DATA: HONEYWELL SPEC NO. 4043176-1 USED ON: 4039892-904 4039892-907	002004 006102	1
50	129PAS104		.LENS- SUPPLIER CODE: V16498 SB DATA FROM A CMM: PRE 4039892-34-0008 CONFIG CHG DATA FROM A CMM: REPLACES 1881162-1 REPLD BY 4071606-1 MISCELLANEOUS DATA: HONEYWELL SPEC NO. 4043176-1 OPTIONAL PART: 4043176-1 V12778 USED ON: 4039892-904 4039892-905	103999	1
50	129PAS104		.LENS- SUPPLIER CODE: V16498 CONFIG CHG DATA FROM A CMM: REPLACES 1881162-1 REPLD BY 4071606-1 MISCELLANEOUS DATA: HONEYWELL SPEC NO. 4043176-1 OPTIONAL PART: 4043176-1 V12778 USED ON: 4039892-904 4039892-907	002004 006102	1

MISSING ITEM NUMBERS NOT APPLICABLE

- ITEM NOT ILLUSTRATED

33-13-51-50

33-13-51
FIG. 50
PAGE 2
JAN 20/09

BRI

BOEING PROPRIETARY - Copyright © - Unpublished Work - See title page for details.



757

PARTS CATALOG (MAINTENANCE)

FIG ITEM	PART NUMBER	1 2 3 4 5 6 7	NOMENCLATURE	EFFECT FROM TO	UNITS PER ASSY
50	4043176-1	. LENS-	SUPPLIER CODE: V12778 OPTIONAL PART: 129PAS104 V16498 USED ON: 4039892-904 4039892-905	103999	1
50	4043176-1	. LENS-	SUPPLIER CODE: V12778 OPTIONAL PART: 129PAS104 V16498 USED ON: 4039892-904 4039892-907	002004 006102	1
50	4071606-1	. LENS-	SUPPLIER CODE: V16498 SB DATA FROM A CMM: POST 4039892-34-0008 CONFIG CHG DATA FROM A CMM: REPLACES 129PAS104 USED ON: 4039892-904 4039892-905	103999	1
50	4071606-1	. LENS-	SUPPLIER CODE: V16498 CONFIG CHG DATA FROM A CMM: REPLACES 129PAS104 USED ON: 4039892-904 4039892-907	002004 006102	1

MISSING ITEM NUMBERS NOT APPLICABLE

- ITEM NOT ILLUSTRATED

33-13-51-50

33-13-51
FIG. 50
PAGE 3
JAN 20/09

BRI



757

PARTS CATALOG (MAINTENANCE)

FIG ITEM	PART NUMBER	1 2 3 4 5 6 7	NOMENCLATURE	EFFECT FROM TO	UNITS PER ASSY
50					
60	CM7-7839		.LAMP- SUPPLIER CODE: V71744 MISCELLANEOUS DATA: HONEYWELL SPEC NO. 4005553-1 OPTIONAL PART: 7839 V51702 OL6839BPA V58774 USED ON: 4039892-904 4039892-905 4039892-906	103999	2
60	CM7-7839		.LAMP- SUPPLIER CODE: V71744 MISCELLANEOUS DATA: HONEYWELL SPEC NO. 4005553-1 OPTIONAL PART: 7839 V51702 OL6839BPA V58774 USED ON: 4039892-904 4039892-907	002004 006102	2
60	7839		.BULB- SUPPLIER CODE: V51702 OPTIONAL PART: CM7-7839 V71744 USED ON: 4039892-904 4039892-905 4039892-906	103999	2
60	7839		.BULB- SUPPLIER CODE: V51702 OPTIONAL PART: CM7-7839 V71744 USED ON: 4039892-904 4039892-907	002004 006102	2

MISSING ITEM NUMBERS NOT APPLICABLE

- ITEM NOT ILLUSTRATED

33-13-51-50

33-13-51
FIG. 50
PAGE 4
JAN 20/09

BRI



757

PARTS CATALOG (MAINTENANCE)

FIG ITEM	PART NUMBER	1 2 3 4 5 6 7	NOMENCLATURE	EFFECT FROM TO	UNITS PER ASSY
50					
60	0L6839BPA		.BULB- SUPPLIER CODE: V58774 OPTIONAL PART: CM7-7839 V71744 USED ON: 4039892-904 4039892-905 4039892-906	103999	2
60	0L6839BPA		.BULB- SUPPLIER CODE: V58774 OPTIONAL PART: CM7-7839 V71744 USED ON: 4039892-904 4039892-907	002004 006102	2
65	2504219-20		.PACKING- SUPPLIER CODE: V58960 OPTIONAL PART: BCREF46971 V25184 OPTIONAL SUPPLIER CODE: 62351 83259 USED ON: 4039892-904 4039892-905 4039892-906	103999	1
65	2504219-20		.PACKING- SUPPLIER CODE: V58960 OPTIONAL PART: BCREF46971 V25184 OPTIONAL SUPPLIER CODE: 62351 83259 USED ON: 4039892-904 4039892-907	002004 006102	1

MISSING ITEM NUMBERS NOT APPLICABLE

- ITEM NOT ILLUSTRATED

33-13-51-50

33-13-51
FIG. 50
PAGE 5
JAN 20/09

BRI



757

PARTS CATALOG (MAINTENANCE)

FIG ITEM	PART NUMBER	1 2 3 4 5 6 7	NOMENCLATURE	EFFECT FROM TO	UNITS PER ASSY
50 65	BCREF46971		.PACKING- SUPPLIER CODE: V25184 OVERLENGTH PART NUMBER: 0-335X0-020-70BNBUNAN OPTIONAL PART: 2504219-20 V58960 OPTIONAL SUPPLIER CODE: 62351 83259 USED ON: 4039892-904 4039892-905 4039892-906	103999	1
65	BCREF46971		.PACKING- SUPPLIER CODE: V25184 OVERLENGTH PART NUMBER: 0-335X0-020-70BNBUNAN OPTIONAL PART: 2504219-20 V58960 OPTIONAL SUPPLIER CODE: 62351 83259 USED ON: 4039892-904 4039892-907	002004 006102	1
- 70	4043172-901		.BEZEL- SUPPLIER CODE: V58960 USED ON: 4039892-904 4039892-905 4039892-906	103999	1
- 70	4043172-902		.BEZEL- SUPPLIER CODE: V58960	002004 006102	1

MISSING ITEM NUMBERS NOT APPLICABLE

- ITEM NOT ILLUSTRATED

BRI

33-13-51-50

BOEING PROPRIETARY - Copyright © - Unpublished Work - See title page for details.

33-13-51
FIG. 50
PAGE 6
JAN 20/09



757

PARTS CATALOG (MAINTENANCE)

FIG ITEM	PART NUMBER	1 2 3 4 5 6 7	NOMENCLATURE	EFFECT FROM TO	UNITS PER ASSY
50					
75	CM21-1		.SOCKET- SUPPLIER CODE: V71744 MISCELLANEOUS DATA: HONEYWELL SPEC NO. 400552 OPTIONAL PART: 017-6000 V98291 USED ON: 4039892-904 4039892-905 4039892-906	103999	2
75	CM21-1		.SOCKET- SUPPLIER CODE: V71744 MISCELLANEOUS DATA: HONEYWELL SPEC NO. 400552 OPTIONAL PART: 017-6000 V98291 USED ON: 4039892-904 4039892-907	002004 006102	2
75	017-6000		.SOCKET- SUPPLIER CODE: V98291 OPTIONAL PART: CM21-1 V71744 USED ON: 4039892-904 4039892-905 4039892-906	103999	2
75	017-6000		.SOCKET- SUPPLIER CODE: V98291 OPTIONAL PART: CM21-1 V71744 USED ON: 4039892-904 4039892-907	002004 006102	2

MISSING ITEM NUMBERS NOT APPLICABLE

- ITEM NOT ILLUSTRATED

BRI

33-13-51-50

BOEING PROPRIETARY - Copyright © - Unpublished Work - See title page for details.

33-13-51
FIG. 50
PAGE 7
JAN 20/09



757

PARTS CATALOG (MAINTENANCE)

FIG ITEM	PART NUMBER	1 2 3 4 5 6 7	NOMENCLATURE	EFFECT FROM TO	UNITS PER ASSY
50					
80	2500600-2		.SCREW- SUPPLIER CODE: V58960 CONFIG CHG DATA FROM A CMM: REPLD BY MS16996-2 USED ON: 4039892-904 4039892-905 4039892-906	103999	2
80	2500600-2		.SCREW- SUPPLIER CODE: V58960 CONFIG CHG DATA FROM A CMM: REPLD BY MS16996-2 USED ON: 4039892-904 4039892-907 4039892-908	002004 006102	2
85	MS16996-2		.SCREW- CONFIG CHG DATA FROM A CMM: REPLACES 2500600-2 MISCELLANEOUS DATA: HONEYWELL SPEC NO. 0819-262 USED ON: 4039892-904 4039892-905 4039892-906	103999	4
85	MS16996-2		.SCREW- CONFIG CHG DATA FROM A CMM: REPLACES 2500600-2 MISCELLANEOUS DATA: HONEYWELL SPEC NO. 0819-262 USED ON: 4039892-904 4039892-907 4039892-908	002004 006102	4
90	NAS620C0		.WASHER- MISCELLANEOUS DATA: HONEYWELL SPEC NO. 2504638-1 USED ON: 4039892-904 4039892-905 4039892-906	103999	4

MISSING ITEM NUMBERS NOT APPLICABLE

- ITEM NOT ILLUSTRATED

33-13-51-50

33-13-51
FIG. 50
PAGE 8
JAN 20/09

BRI



757

PARTS CATALOG (MAINTENANCE)

FIG ITEM	PART NUMBER	1 2 3 4 5 6 7	NOMENCLATURE	EFFECT FROM TO	UNITS PER ASSY
50					
90	NAS620C0		.WASHER- MISCELLANEOUS DATA: HONEYWELL SPEC NO. 2504638-1 USED ON: 4039892-904 4039892-907 4039892-908	002004 006102	4
95	4002016		.CLIP- SUPPLIER CODE: V58960 CONFIG CHG DATA FROM A CMM: REPLD BY 4002016-2 USED ON: 4039892-904 4039892-905 4039892-906	103999	2
95	4002016		.CLIP- SUPPLIER CODE: V58960 CONFIG CHG DATA FROM A CMM: REPLD BY 4002016-2 USED ON: 4039892-904 4039892-907 4039892-908	002004 006102	2
95	4002016-2		.CLIP- SUPPLIER CODE: V58960 CONFIG CHG DATA FROM A CMM: REPLACES 4002016 USED ON: 4039892-904 4039892-905 4039892-906	103999	4
95	4002016-2		.CLIP- SUPPLIER CODE: V58960 CONFIG CHG DATA FROM A CMM: REPLACES 4002016 USED ON: 4039892-904 4039892-907 4039892-908	002004 006102	4

MISSING ITEM NUMBERS NOT APPLICABLE

- ITEM NOT ILLUSTRATED

33-13-51-50

33-13-51
FIG. 50
PAGE 9
JAN 20/09

BRI



757

PARTS CATALOG (MAINTENANCE)

FIG ITEM	PART NUMBER	1 2 3 4 5 6 7	NOMENCLATURE	EFFECT FROM TO	UNITS PER ASSY
50 - 100	4043175-901		.LIGHT ASSY- SUPPLIER CODE: V58960 USED ON: 4039892-904 4039892-905 4039892-906	103999	1
- 100	4043175-901		.LIGHT ASSY- SUPPLIER CODE: V58960 USED ON: 4039892-904 4039892-907 4039892-908	002004 006102	1
105	MS90451-7152		..LAMP- CONFIG CHG DATA FROM A CMM: REPLD BY 4002334-4 MISCELLANEOUS DATA: HONEYWELL SPEC NO. 4002334-4	103999	4
105	MS90451-7152		..LAMP- CONFIG CHG DATA FROM A CMM: REPLD BY 4002334-4 MISCELLANEOUS DATA: HONEYWELL SPEC NO. 4002334-4	002004 006102	4
105	4002334-4		..LAMP- SUPPLIER CODE: V58960 CONFIG CHG DATA FROM A CMM: REPLACES MS90451-7152 REPLD BY 0L7152AS15TPL	103999	4
105	4002334-4		..LAMP- SUPPLIER CODE: V58960 CONFIG CHG DATA FROM A CMM: REPLACES MS90451-7152 REPLD BY 0L7152AS15TPL	002004 006102	4
105	0L7152AS15TPL		..LAMP- SUPPLIER CODE: V58774 CONFIG CHG DATA FROM A CMM: REPLACES 4002334-4 MISCELLANEOUS DATA: HONEYWELL SPEC NO. 4002334-4	103999	4

MISSING ITEM NUMBERS NOT APPLICABLE

- ITEM NOT ILLUSTRATED

33-13-51-50

33-13-51
FIG. 50
PAGE 10
JAN 20/09

BRI



757
PARTS CATALOG (MAINTENANCE)

FIG ITEM	PART NUMBER	1 2 3 4 5 6 7	NOMENCLATURE	EFFECT FROM TO	UNITS PER ASSY
50 105	OL7152AS15TPL		. . LAMP- SUPPLIER CODE: V58774 CONFIG CHG DATA FROM A CMM: REPLACES 4002334-4 MISCELLANEOUS DATA: HONEYWELL SPEC NO. 4002334-4	002004 006102	4

MISSING ITEM NUMBERS NOT APPLICABLE

- ITEM NOT ILLUSTRATED

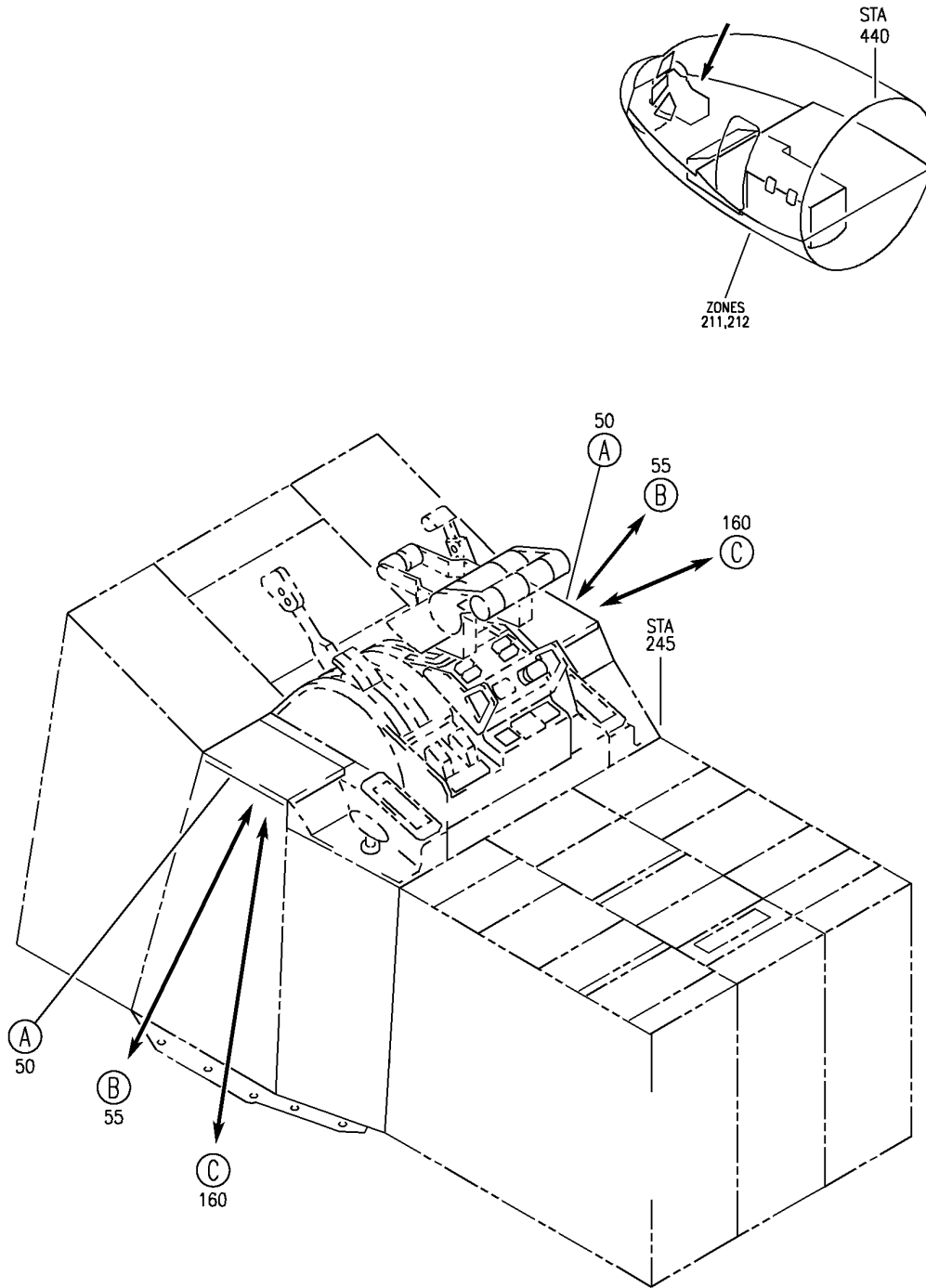
BRI

33-13-51-50

BOEING PROPRIETARY - Copyright © - Unpublished Work - See title page for details.

33-13-51
FIG. 50
PAGE 11
JAN 20/09

BOEING
 757
 PARTS CATALOG (MAINTENANCE)



Y 33135150B SHT 1 REV 287

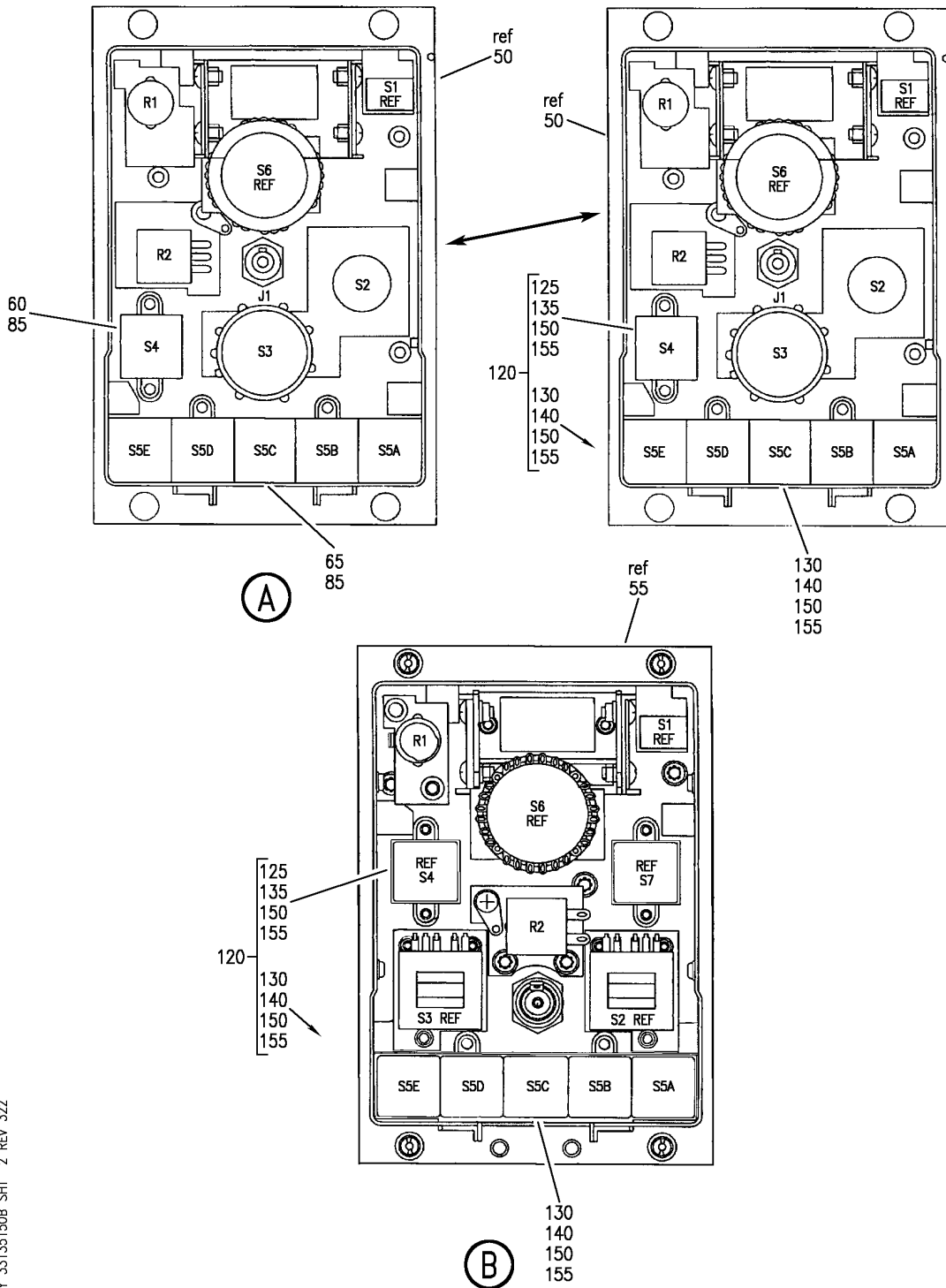
PANEL ASSY-ELECTRONIC FLIGHT INSTRUMENT CONTROL (LIGHTS ONLY)
 FIGURE 50B (SHEET 1)

33-13-51-50B

BRI
 MAY 28/07

33-13-51-50B
 PAGE 0

BOEING
757
PARTS CATALOG (MAINTENANCE)



Y 33135150B SHT 2 REV 322

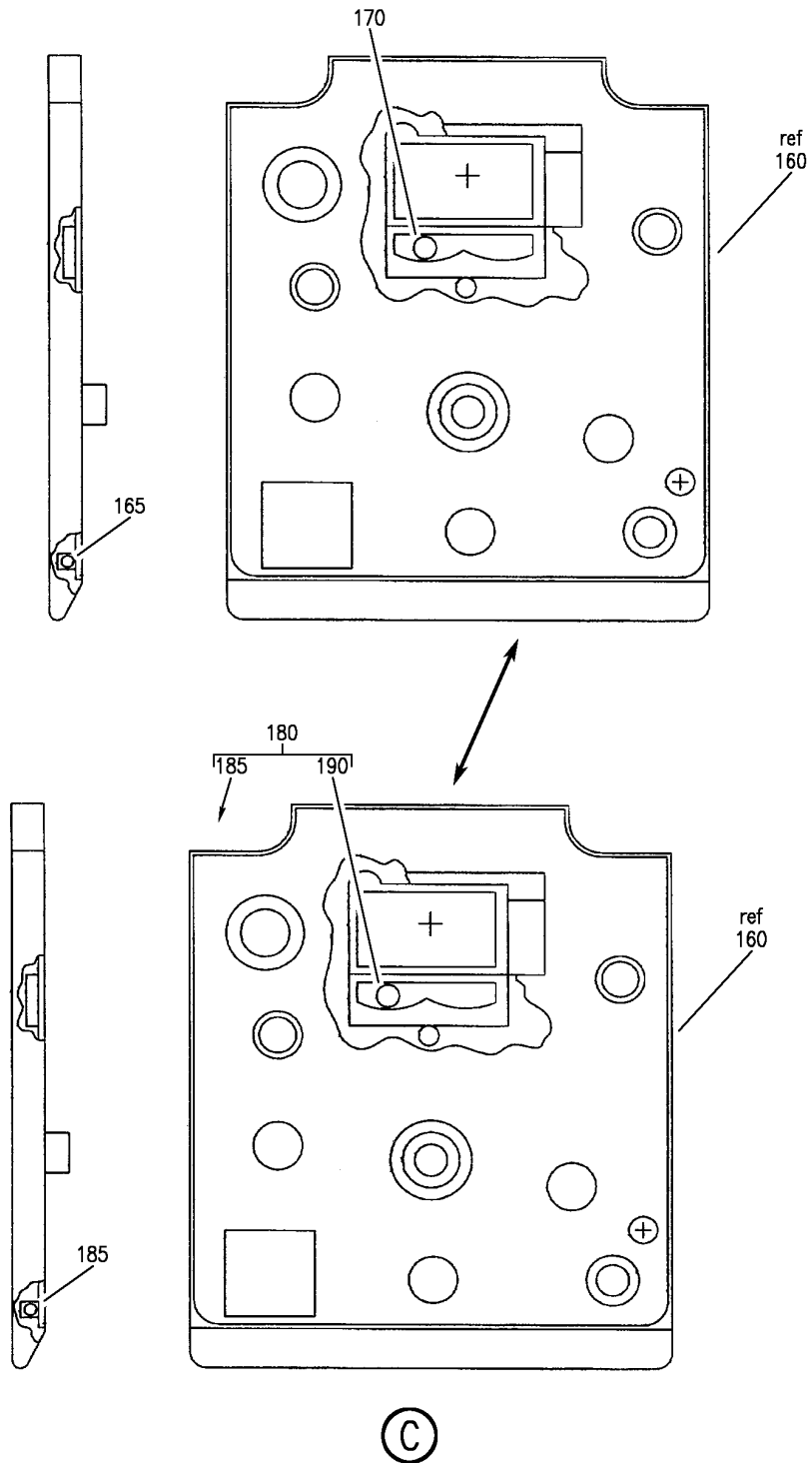
PANEL ASSY-ELECTRONIC FLIGHT INSTRUMENT CONTROL (LIGHTS ONLY)
FIGURE 50B (SHEET 2)

33-13-51-50B

BRI
MAY 20/08

33-13-51-50B
PAGE 0A

BOEING
757
PARTS CATALOG (MAINTENANCE)



Y 33135150B SHT 3 REV 287

PANEL ASSY-ELECTRONIC FLIGHT INSTRUMENT CONTROL (LIGHTS ONLY)
FIGURE 50B (SHEET 3)

33-13-51-50B

BRI
MAY 28/07

33-13-51-50B
PAGE 0B



757

PARTS CATALOG (MAINTENANCE)

FIG ITEM	PART NUMBER	1 2 3 4 5 6 7	NOMENCLATURE	EFFECT FROM TO	UNITS PER ASSY
50B			PANEL ASSY-ELECTRONIC FLIGHT INSTRUMENT CONTROL (LIGHTS ONLY)	002004 006999	
- 1	622-5048-104		PANEL ASSY-EFIS CONT (LIGHTS ONLY) SUPPLIER CODE: V4V792 SPECIFICATION NUMBER: S242T404-304 ELECTRICAL EQUIP NUMBER: M00093 M00094 COMPONENT MAINT MANUAL REF: 34-22-72 QUALIFIED I/W DATA: 622-5048-104 I/W 622-5048-344 UNTIL ACTIVATION OF TCAS AT WHICH TIME 622-5048-344 MUST BE INSTALLED FOR NHA/OTHER SYS DET SEE: 34-22-02-01	107107 904949	RF
- 1	622-5048-341		PANEL ASSY-EFIS CONT (LIGHTS ONLY) SUPPLIER CODE: V4V792 SPECIFICATION NUMBER: S242T404-341 ELECTRICAL EQUIP NUMBER: M00093 M00094 WIRING DIAGRAM REF: 342214 342224 COMPONENT MAINT MANUAL REF: 34-22-72 PRE SERVICE BULLETIN: 34-0200 PRE SERVICE BULLETIN: EFIC-701-34-D V4V792 PRE SERVICE LETTER: 34-200 FOR NHA/OTHER SYS DET SEE: 34-22-02-01 34-22-02-03	002004 006101 103106 952999	RF

MISSING ITEM NUMBERS NOT APPLICABLE

- ITEM NOT ILLUSTRATED

33-13-51-50B

33-13-51
FIG. 50B
PAGE 1
JAN 20/09

BRI



757

PARTS CATALOG (MAINTENANCE)

FIG ITEM	PART NUMBER	1 2 3 4 5 6 7	NOMENCLATURE	EFFECT FROM TO	UNITS PER ASSY
50B - 1	622-5048-344		PANEL ASSY-EFIS CONT (LIGHTS ONLY) SUPPLIER CODE: V4V792 SPECIFICATION NUMBER: S242T404-344 ELECTRICAL EQUIP NUMBER: M00093 M00094 COMPONENT MAINT MANUAL REF: 34-22-72 QUALIFIED I/W DATA: 622-5048-104 I/W 622-5048-344 UNTIL ACTIVATION OF TCAS AT WHICH TIME 622-5048-344 MUST BE INSTALLED 622-5048-344 I/W 622-5048-341 SUBJECT TO CUSTOMER PREFERENCE FOR UAL ONLY. FOR NHA/OTHER SYS DET SEE: 34-22-02-01	107107 121503 904951	RF
- 1	622-5048-381		PANEL ASSY-EFIS CONT (LIGHTS ONLY) SUPPLIER CODE: V4V792 SPECIFICATION NUMBER: S242T404-381 ELECTRICAL EQUIP NUMBER: M00093 M00094 COMPONENT MAINT MANUAL REF: 34-22-72 POST SERVICE BULLETIN: 34-0200 POST SERVICE BULLETIN: EFIC-701-34-D V4V792 POST SERVICE LETTER: 34-122 FOR NHA/OTHER SYS DET SEE: 34-22-02-03	102106 108120 504903 952952	RF

MISSING ITEM NUMBERS NOT APPLICABLE

- ITEM NOT ILLUSTRATED

33-13-51-50B

33-13-51
FIG. 50B
PAGE 2
JAN 20/09

BRI



757

PARTS CATALOG (MAINTENANCE)

FIG ITEM	PART NUMBER	1 2 3 4 5 6 7	NOMENCLATURE	EFFECT FROM TO	UNITS PER ASSY
50B 50	647-5959-015		.PANEL ASSY-FRONT A4 SUPPLIER CODE: V4V792 CONFIG CHG DATA FROM A CMM: SUPSDS 647-5959-003 SUPSD BY 830-2863-015 USED ON: 622-5048-104	107107 904949	RF
50	647-5959-011		.PANEL ASSY-FRONT A4 SUPPLIER CODE: V4V792 CONFIG CHG DATA FROM A CMM: SUPSDS 647-5959-005 SUPSD BY 830-2863-011 USED ON: 622-5048-341	002004 006101 103106 952999	RF
50	647-5959-012		.PANEL ASSY-FRONT A4 SUPPLIER CODE: V4V792 CONFIG CHG DATA FROM A CMM: SUPSDS 647-5959-007 SUPSD BY 830-2863-012 USED ON: 622-5048-344	107107 121503 904951	RF
50	647-5959-003		.PANEL ASSY-FRONT A4 SUPPLIER CODE: V4V792 CONFIG CHG DATA FROM A CMM: SUPSD BY 647-5959-015 USED ON: 622-5048-104	107107 904949	RF
50	830-2863-015		.PANEL ASSY-FRONT A4 SUPPLIER CODE: V4V792 CONFIG CHG DATA FROM A CMM: SUPSDS 647-5959-015 USED ON: 622-5048-104	107107 904949	RF
50	647-5959-005		.PANEL ASSY-FRONT A4 SUPPLIER CODE: V4V792 CONFIG CHG DATA FROM A CMM: SUPSD BY 647-5959-011 USED ON: 622-5048-341	002004 006101 103106 952999	RF

MISSING ITEM NUMBERS NOT APPLICABLE

- ITEM NOT ILLUSTRATED

33-13-51-50B

33-13-51
FIG. 50B
PAGE 3
JAN 20/09

BRI

BOEING PROPRIETARY - Copyright © - Unpublished Work - See title page for details.



757

PARTS CATALOG (MAINTENANCE)

FIG ITEM	PART NUMBER	1 2 3 4 5 6 7	NOMENCLATURE	EFFECT FROM TO	UNITS PER ASSY
50B					
50	830-2863-011		.PANEL ASSY-FRONT A4 SUPPLIER CODE: V4V792 CONFIG CHG DATA FROM A CMM: SUPSDS 647-5959-011 USED ON: 622-5048-341	002004 006101 103106 952999	RF
50	647-5959-007		.PANEL ASSY-FRONT A4 SUPPLIER CODE: V4V792 CONFIG CHG DATA FROM A CMM: SUPSD BY 647-5959-012 USED ON: 622-5048-344	107107 121503 904951	RF
50	830-2863-012		.PANEL ASSY-FRONT A4 SUPPLIER CODE: V4V792 CONFIG CHG DATA FROM A CMM: SUPSDS 647-5959-012 USED ON: 622-5048-344	107107 121503 904951	RF
55	830-2863-016		.PANEL ASSY-FRONT A4 SUPPLIER CODE: V4V792 USED ON: 622-5048-381	102106 108120 504903 952952	RF
60	266-7572-020		..SWITCH-PUSHBUTTON ILLUMINATED SUPPLIER CODE: V4V792 MISCELLANEOUS DATA: 266-7572-020 IS REF NO. FOR V81590 311-711-1537-006 A4S4 USED ON: 647-5959-011 647-5959-012 647-5959-013 647-5959-014 647-5959-015	002004 006101 103107 121503 904999	RF

MISSING ITEM NUMBERS NOT APPLICABLE

- ITEM NOT ILLUSTRATED

33-13-51-50B

33-13-51
FIG. 50B
PAGE 4
JAN 20/09

BRI

BOEING PROPRIETARY - Copyright © - Unpublished Work - See title page for details.



757

PARTS CATALOG (MAINTENANCE)

FIG ITEM	PART NUMBER	1 2 3 4 5 6 7	NOMENCLATURE	EFFECT FROM TO	UNITS PER ASSY
50B 65	266-7572-010	..	SWITCH-PUSHBUTTON ILLUMINATED SUPPLIER CODE: V4V792 MISCELLANEOUS DATA: 266-7572-010 IS REF NO. FOR V81590 311-711-1537-001 A4S5 USED ON: 647-5959-011 647-5959-012 647-5959-013 647-5959-014 647-5959-015	002004 006101 103107 121503 904999	RF
85	MS24515-685AS15	...	LAMP-5V MISCELLANEOUS DATA: ROCKWELL COLLINS SPEC 262-1884-000 V56962 USED ON: 266-7572-010 266-7572-020	002004 006101 103107 121503 904999	AR
120	647-5959-011	..	PANEL ASSY-FRONT A4 SUPPLIER CODE: V4V792 USED ON: 830-2863-011	002004 006101 103106 952999	RF
120	647-5959-012	..	PANEL ASSY-FRONT A4 SUPPLIER CODE: V4V792 USED ON: 830-2863-011	107107 121503 904951	RF
120	647-5959-015	..	PANEL ASSY-FRONT A4 SUPPLIER CODE: V4V792 USED ON: 830-2863-015	107107 904949	RF
120	647-5959-016	..	PANEL ASSY-FRONT A4 SUPPLIER CODE: V4V792 USED ON: 830-2863-016	102106 108120 504903 952952	RF

MISSING ITEM NUMBERS NOT APPLICABLE

- ITEM NOT ILLUSTRATED

33-13-51-50B

33-13-51
FIG. 50B
PAGE 5
JAN 20/09

BRI

BOEING PROPRIETARY - Copyright © - Unpublished Work - See title page for details.



757

PARTS CATALOG (MAINTENANCE)

FIG ITEM	PART NUMBER	1 2 3 4 5 6 7	NOMENCLATURE	EFFECT FROM TO	UNITS PER ASSY
50B 125	266-7572-020		... SWITCH-PUSHBUTTON ILLUMINATED SUPPLIER CODE: V4V792 MISCELLANEOUS DATA: 266-7572-020 IS REF NO. FOR V81590 311-711-1537-006 A4S4 USED ON: 647-5959-011 647-5959-012 647-5959-013 647-5959-014 647-5959-015	002004 006101 103107 121503 904999	RF
130	266-7572-010		... SWITCH-PUSHBUTTON ILLUMINATED SUPPLIER CODE: V4V792 MISCELLANEOUS DATA: 266-7572-010 IS REF NO. FOR V81590 311-711-1537-001 A4S5 USED ON: 647-5959-011 647-5959-012 647-5959-013 647-5959-014 647-5959-015	002004 006101 103107 121503 904999	RF
135	22243-002		... SWITCH-PUSHBUTTON ILLUMINATED SUPPLIER CODE: V81590 MISCELLANEOUS DATA: ROCKWELL COLLINS SPEC 266-7604-010 USED ON: 647-5959-016	102106 108120 504903 952952	RF
140	22243-001		... SWITCH-PUSHBUTTON ILLUMINATED SUPPLIER CODE: V81590 MISCELLANEOUS DATA: ROCKWELL COLLINS SPEC 266-7604-030 USED ON: 647-5959-016	102106 108120 504903 952952	RF

MISSING ITEM NUMBERS NOT APPLICABLE

- ITEM NOT ILLUSTRATED

33-13-51-50B

33-13-51
FIG. 50B
PAGE 6
JAN 20/09

BRI

BOEING PROPRIETARY - Copyright © - Unpublished Work - See title page for details.



757

PARTS CATALOG (MAINTENANCE)

FIG ITEM	PART NUMBER	1 2 3 4 5 6 7	NOMENCLATURE	EFFECT FROM TO	UNITS PER ASSY
50B 150	MS24515-685AS15	LAMP-5V MISCELLANEOUS DATA: ROCKWELL COLLINS SPEC 262-1884-000 V56962 USED ON: 266-7572-010 266-7572-020	002004 006101 103107 121503 904999	AR
155	MS24515-685AS15	LAMP-5V MISCELLANEOUS DATA: ROCKWELL COLLINS SPEC 262-1884-000 V56962 USED ON: 22243-001 22243-002	102106 108120 504903 952952	AR
160	754-0529-002	.PLATE-CONT PNL A5 SUPPLIER CODE: V4V792 CONFIG CHG DATA FROM A CMM: SUPSD BY 754-0529-006 USED ON: 622-5048-101 622-5048-341 622-5048-361		002004 006101 103106 952999	RF
160	754-0529-001	.PLATE-CONT PNL A5 SUPPLIER CODE: V4V792 CONFIG CHG DATA FROM A CMM: SUPSD BY 754-0529-005 USED ON: 622-5048-104 622-5048-344		107107 121503 904951	RF
160	754-0529-006	.PLATE-CONT PNL A5 SUPPLIER CODE: V03038 CONFIG CHG DATA FROM A CMM: SUPERSEDES 754-0529-002 USED ON: 622-5048-101 622-5048-341 622-5048-361		002004 006101 103106 952999	RF
160	754-0529-005	.PLATE-CONT PNL A5 SUPPLIER CODE: V4V792 CONFIG CHG DATA FROM A CMM: SUPERSEDES 754-0529-001 USED ON: 622-5048-104 622-5048-344		107107 121503 904951	RF

MISSING ITEM NUMBERS NOT APPLICABLE

- ITEM NOT ILLUSTRATED

33-13-51-50B

33-13-51
FIG. 50B
PAGE 7
JAN 20/09

BRI

BOEING PROPRIETARY - Copyright © - Unpublished Work - See title page for details.



757

PARTS CATALOG (MAINTENANCE)

FIG ITEM	PART NUMBER	1 2 3 4 5 6 7	NOMENCLATURE	EFFECT FROM TO	UNITS PER ASSY
50B 165	MS90451-6832	..	LAMP-INCAND CONFIG CHG DATA FROM A CMM: SUPSD BY 262-1337-020	002004 006101 103107 121503 904999	16
165	262-1337-020	..	LAMP-INCAND SUPPLIER CODE: V61342 CONFIG CHG DATA FROM A CMM: SUPERSEDES MS90451-6832	002004 006101 103107 121503 904999	16
170	MS90451-7152	..	LAMP-INCAND CONFIG CHG DATA FROM A CMM: SUPSD BY 262-1337-040	002004 006101 103107 121503 904999	2
170	262-1337-040	..	LAMP-INCAND SUPPLIER CODE: V61342 CONFIG CHG DATA FROM A CMM: SUPERSEDES MS90451-7152	002004 006101 103107 121503 904999	2
180	754-0529-006	..	PLATE-CONT PNL A5 SUPPLIER CODE: V03038 USED ON: 830-2863-011 830-2863-013 830-2863-014	002004 006101 103106 952999	RF
180	754-0529-005	..	PLATE-CONT PNL A5 SUPPLIER CODE: V4V792 USED ON: 830-2863-012 830-2863-015	107107 121503 904951	RF
185	MS90451-6832	...	LAMP-INCAND CONFIG CHG DATA FROM A CMM: SUPSD BY 262-1337-020	002004 006101 103107 121503 904999	16
185	262-1337-020	...	LAMP-INCAND SUPPLIER CODE: V61342 CONFIG CHG DATA FROM A CMM: SUPERSEDES MS90451-6832	002004 006101 103107 121503 904999	16
190	MS90451-7152	...	LAMP-INCAND CONFIG CHG DATA FROM A CMM: SUPSD BY 262-1337-040	002004 006101 103107 121503 904999	2

MISSING ITEM NUMBERS NOT APPLICABLE

- ITEM NOT ILLUSTRATED

33-13-51-50B

33-13-51
FIG. 50B
PAGE 8
JAN 20/09

BRI

BOEING PROPRIETARY - Copyright © - Unpublished Work - See title page for details.



**757
PARTS CATALOG (MAINTENANCE)**

FIG ITEM	PART NUMBER	1 2 3 4 5 6 7 NOMENCLATURE	EFFECT FROM TO	UNITS PER ASSY
50B 190	262-1337-040	. . . LAMP-INCAND SUPPLIER CODE: V61342 CONFIG CHG DATA FROM A CMM: SUPERSEDES MS90451-7152	002004 006101 103107 121503 904999	2

MISSING ITEM NUMBERS NOT APPLICABLE

— ITEM NOT ILLUSTRATED

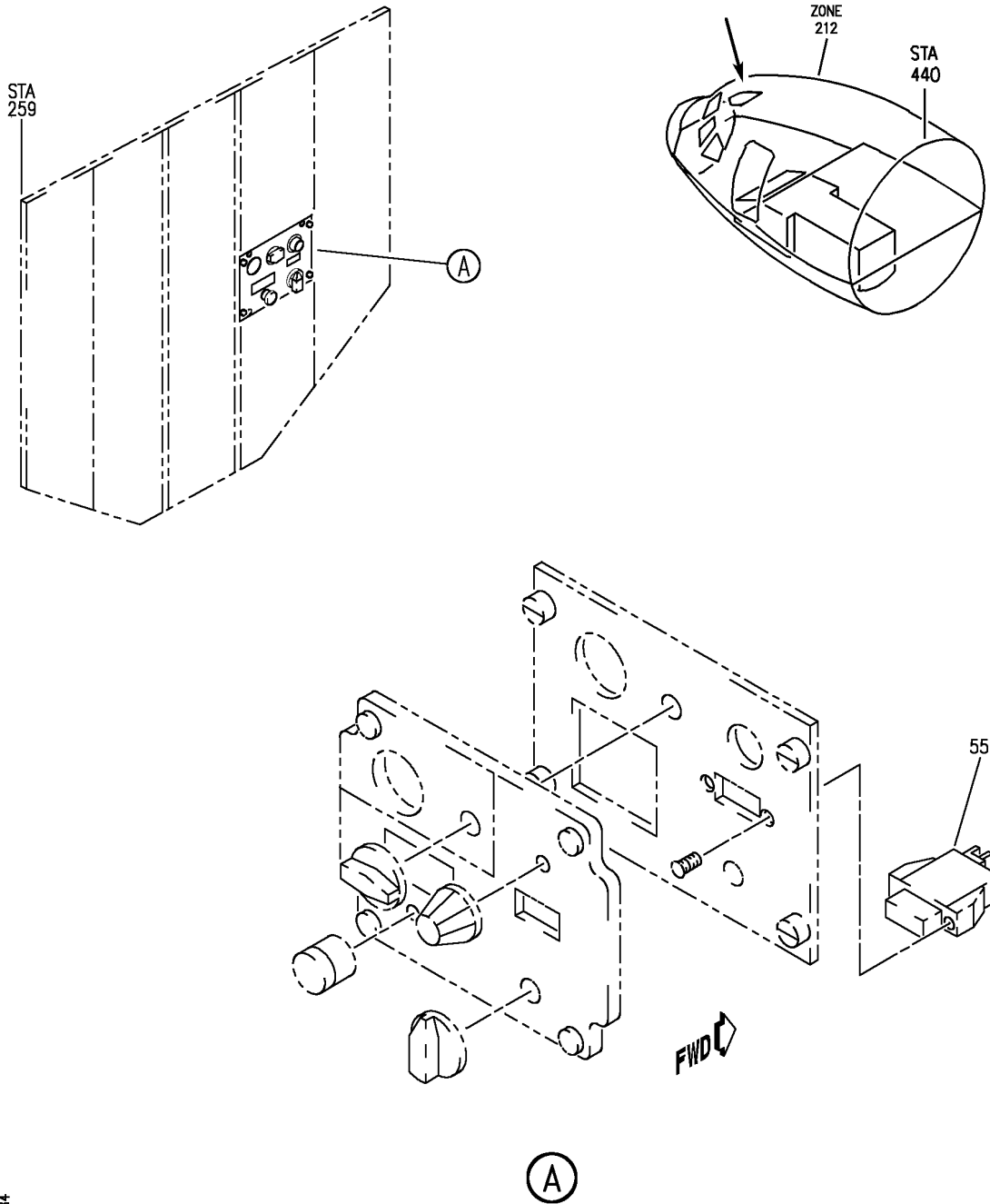
33-13-51-50B

33-13-51
FIG. 50B
PAGE 9
JAN 20/09

BRI

BOEING PROPRIETARY - Copyright © - Unpublished Work - See title page for details.

BOEING
757
PARTS CATALOG (MAINTENANCE)



Y 33135150C REV 284

PANEL ASSY-CAB. PRESSURE SELECTOR (LIGHTS ONLY)
FIGURE 50C

33-13-51-50C

BRI
MAY 28/07

33-13-51-50C
PAGE 0



757

PARTS CATALOG (MAINTENANCE)

FIG ITEM	PART NUMBER	1 2 3 4 5 6 7	NOMENCLATURE	EFFECT FROM TO	UNITS PER ASSY
50C					
- 1	130502-4		PANEL ASSY-CAB. PRESSURE SELECTOR (LIGHTS ONLY)	002004 006999	RF
			PANEL ASSY-CAB. PRESSURE SELECTOR (LIGHTS ONLY)	002004 006999	
			SUPPLIER CODE: V64547		
			SPECIFICATION NUMBER: S210T160-42		
			SB DATA FROM A CMM: POST 21-2376		
			PRE 21-2487		
			ELECTRICAL EQUIP NUMBER: M00013		
			COMPONENT MAINT MANUAL REF: 21-31-50		
			FOR NHA/OTHER SYS DET SEE: 21-31-01-01		
			21-31-01-02		
- 1	130502-5		PANEL ASSY-CAB. PRESSURE SELECTOR SERIES 1-5 (LIGHTS ONLY)	002004 006999	RF
			SUPPLIER CODE: V64547		
			SPECIFICATION NUMBER: S210T160-52		
			SB DATA FROM A CMM: POST 21-2581		
			PRE 21-2433		
			PRE 21-2524		
			ELECTRICAL EQUIP NUMBER: M00013		
			COMPONENT MAINT MANUAL REF: 21-31-50		
			FOR NHA/OTHER SYS DET SEE: 21-31-01-01		
			21-31-01-02		

MISSING ITEM NUMBERS NOT APPLICABLE

- ITEM NOT ILLUSTRATED

33-13-51-50C

33-13-51
FIG. 50C
PAGE 1
SEP 20/08

BRI

BOEING PROPRIETARY - Copyright © - Unpublished Work - See title page for details.



757

PARTS CATALOG (MAINTENANCE)

FIG ITEM	PART NUMBER	1 2 3 4 5 6 7	NOMENCLATURE	EFFECT FROM TO	UNITS PER ASSY
50C - 1	130502-6		PANEL ASSY-CAB. PRESSURE SELECTOR SERIES 1-5 (LIGHTS ONLY) SUPPLIER CODE: V64547 SPECIFICATION NUMBER: S210T160-62 SB DATA FROM A CMM: POST 21-2433 POST 21-2487R0 POST 21-2487R1 PRE 21-2591 ELECTRICAL EQUIP NUMBER: M00013 COMPONENT MAINT MANUAL REF: 21-31-50 FOR NHA/OTHER SYS DET SEE: 21-31-01-01 21-31-01-02	002004 006999	RF
- 1	130502-7		PANEL ASSY-CAB. PRESSURE SELECTOR SERIES 1 AND 2 (LIGHTS ONLY) SUPPLIER CODE: V64547 SPECIFICATION NUMBER: S210T160-72 SB DATA FROM A CMM: POST 21-2591 ELECTRICAL EQUIP NUMBER: M00013 COMPONENT MAINT MANUAL REF: 21-31-50 FOR NHA/OTHER SYS DET SEE: 21-31-01-01 21-31-01-02	002004 006999	RF
- 50	MSC10149		.LAMP ASSY- U/O 130502-5 SERIES 1-4 U/O 130502-6 SERIES 1-2 SUPPLIER CODE: V77221 USED ON: 130502-4 130502-5 130502-6	002004 006999	1

MISSING ITEM NUMBERS NOT APPLICABLE

- ITEM NOT ILLUSTRATED

33-13-51-50C

33-13-51
FIG. 50C
PAGE 2
SEP 20/08

BRI



757

PARTS CATALOG (MAINTENANCE)

FIG ITEM	PART NUMBER	1 2 3 4 5 6 7	NOMENCLATURE	EFFECT FROM TO	UNITS PER ASSY
50C 55	TL21315001-075		.LIGHT ASSY- SUPPLIER CODE: V81590 CONFIG CHG DATA FROM A CMM: REPLD BY 469-001-9002 MISCELLANEOUS DATA: HONEYWELL PART NO. 469-011-9002	002004 006999	1
55	469-001-9002		.LIGHT ASSY- SUPPLIER CODE: V64547 CONFIG CHG DATA FROM A CMM: REPLACES TL21315001-075 ATTACHING PARTS	002004 006999	1
- 60	MS24693S5		..SCREW -----*-----	002004 006999	2

MISSING ITEM NUMBERS NOT APPLICABLE

- ITEM NOT ILLUSTRATED

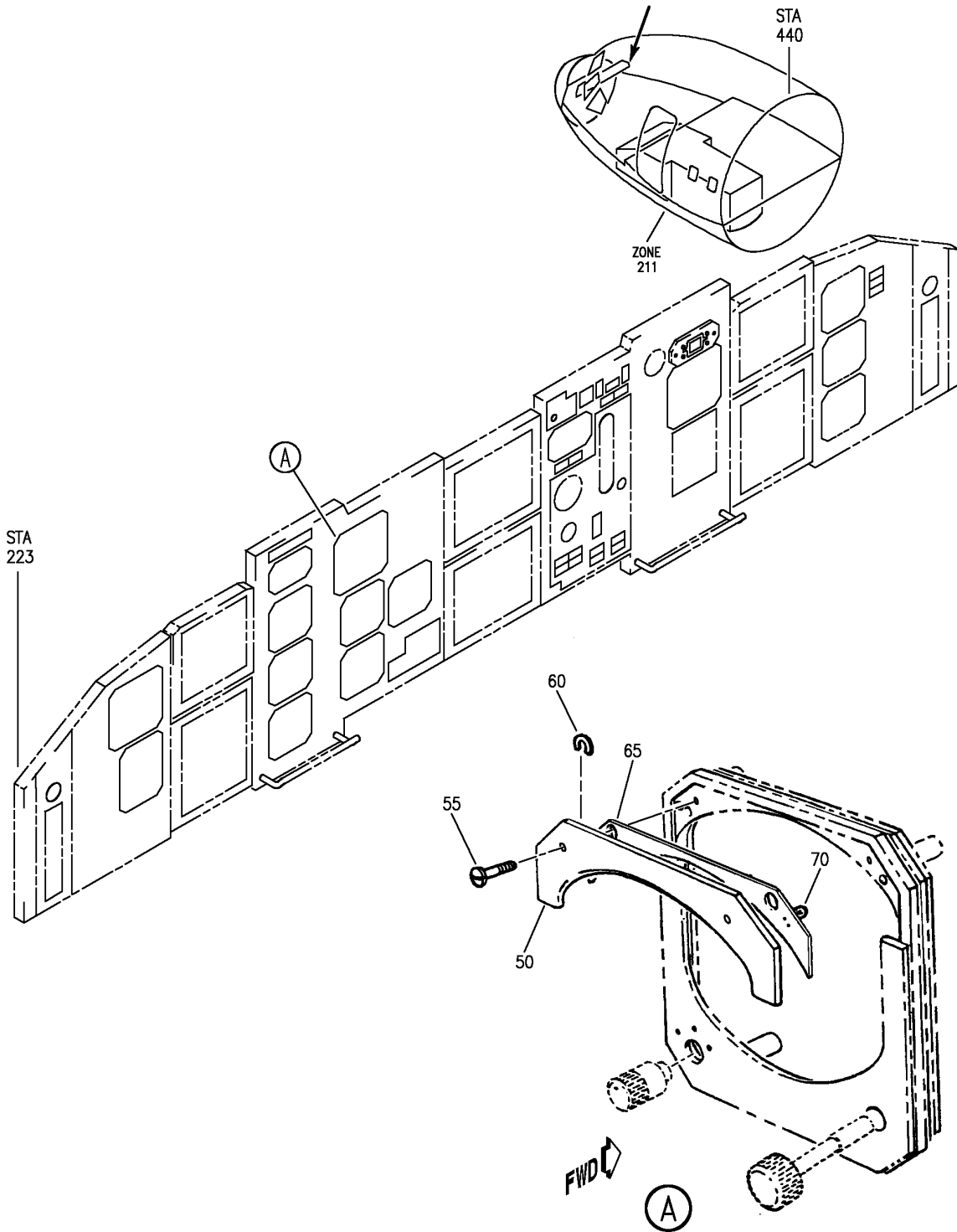
33-13-51-50C

33-13-51
FIG. 50C
PAGE 3
SEP 20/08

BRI

BOEING PROPRIETARY - Copyright © - Unpublished Work - See title page for details.

BOEING
757
PARTS CATALOG (MAINTENANCE)



Y 33135150D REV 284

INDICATOR ASSY-STBY ATTITUDE (LIGHTS ONLY)
FIGURE 50D

33-13-51-50D

BRI
MAY 28/07

33-13-51-50D
PAGE 0



757

PARTS CATALOG (MAINTENANCE)

FIG ITEM	PART NUMBER	1 2 3 4 5 6 7	NOMENCLATURE	EFFECT FROM TO	UNITS PER ASSY
50D			INDICATOR ASSY-STBY ATTITUDE (LIGHTS ONLY)	002004 006102 107999	
- 1	H150AKM		INDICATOR ASSY-STBY ATTITUDE (LIGHTS ONLY) SUPPLIER CODE: VF6306 SPECIFICATION NUMBER: S231T110-5 ELECTRICAL EQUIP NUMBER: N00020 COMPONENT MAINT MANUAL REF: 34-23-80 FOR NHA/OTHER SYS DET SEE: 34-24-01-01 34-24-01-02	002004 006100 107107 121503 904999	RF
- 1	H150AKM1		INDICATOR ASSY-STBY ATTITUDE (LIGHTS ONLY) SUPPLIER CODE: VF6306 SPECIFICATION NUMBER: S231T110-6 ELECTRICAL EQUIP NUMBER: N00020 COMPONENT MAINT MANUAL REF: 34-23-80 FOR NHA/OTHER SYS DET SEE: 34-24-01-01 34-24-01-02 34-24-01-03	002004 006102 107999	RF
50	H150AF92		.MASK- SUPPLIER CODE: VF6306	002004 006102 107999	1
55	S100-77		ATTACHING PARTS .SCREW- SUPPLIER CODE: VF6306	002004 006102 107999	2
60	A1226003		.RING-RETAINING SUPPLIER CODE: VF6306 OPTIONAL PART: A1240268 VF6306	002004 006102 107999	2

MISSING ITEM NUMBERS NOT APPLICABLE

- ITEM NOT ILLUSTRATED

33-13-51-50D

33-13-51
FIG. 50D
PAGE 1
JAN 20/09

BRI

BOEING PROPRIETARY - Copyright © - Unpublished Work - See title page for details.



757

PARTS CATALOG (MAINTENANCE)

FIG ITEM	PART NUMBER	1 2 3 4 5 6 7	NOMENCLATURE	EFFECT FROM TO	UNITS PER ASSY
50D 60	A1240268		.RING-RETAINING SUPPLIER CODE: VF6306 OPTIONAL PART: A1226003 VF6306 -----*-----	002004 006102 107999	2
65	H150AF90		.BLOCK ASSY-LIGHTING SUPPLIER CODE: VF6306	002004 006102 107999	1
70	A1214431		..LAMP- SUPPLIER CODE: VF6306	002004 006102 107999	5

MISSING ITEM NUMBERS NOT APPLICABLE

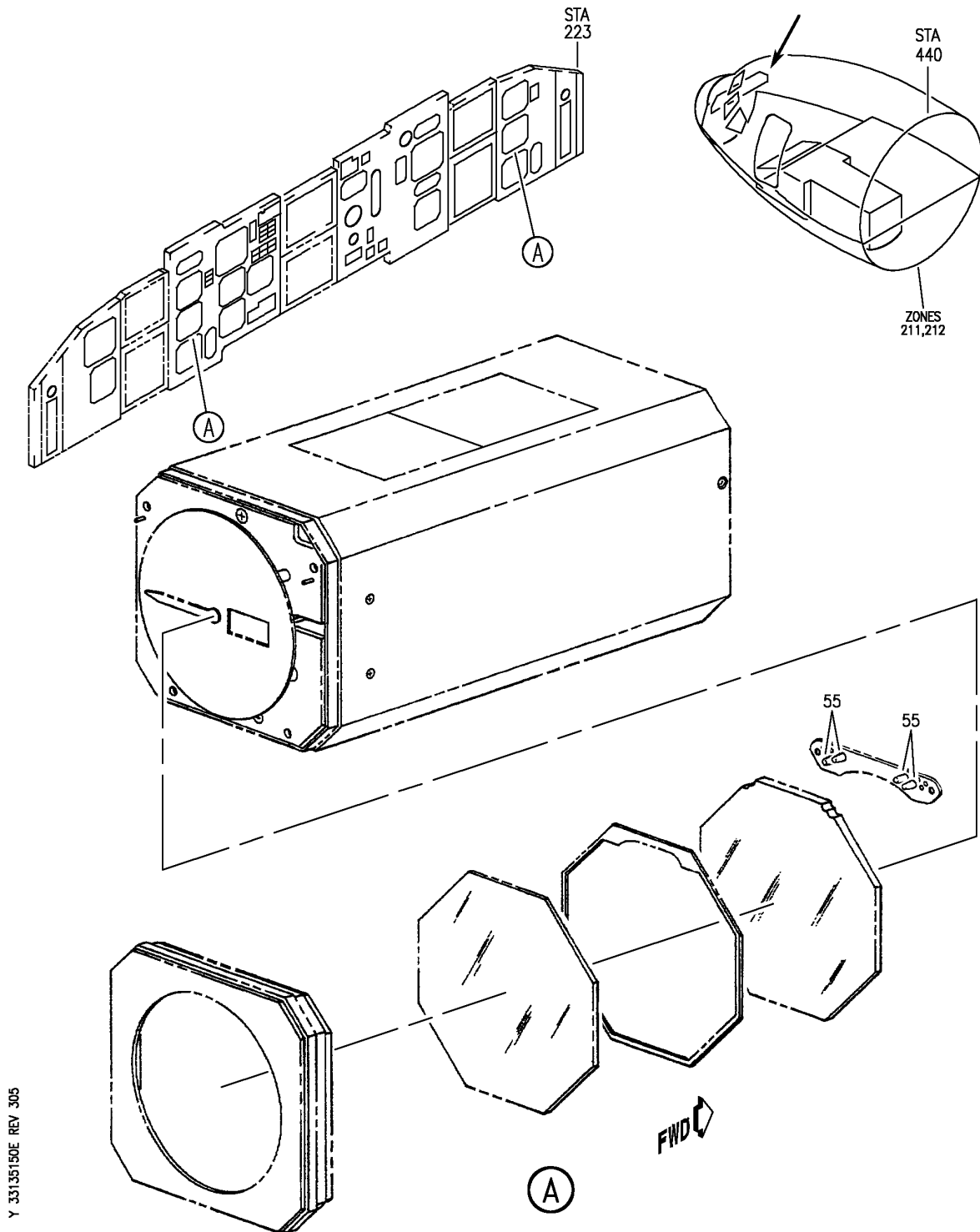
- ITEM NOT ILLUSTRATED

33-13-51-50D

33-13-51
FIG. 50D
PAGE 2
JAN 20/09

BRI

BOEING
757
PARTS CATALOG (MAINTENANCE)



Y 33135150E REV 305

INDICATOR-VERT SPEED (LIGHTS ONLY)
FIGURE 50E

33-13-51-50E

BRI
MAY 28/07

33-13-51-50E
PAGE 0



757

PARTS CATALOG (MAINTENANCE)

FIG ITEM	PART NUMBER	1 2 3 4 5 6 7	NOMENCLATURE	EFFECT FROM TO	UNITS PER ASSY
50E			INDICATOR-VERT SPEED (LIGHTS ONLY)	002004 006949 952999	
R R R R R R R R R R R R	- 1 4039893-902		INDICATOR-VERT SPEED (LIGHTS ONLY) SUPPLIER CODE: V58960 SPECIFICATION NUMBER: S231T102-1 ELECTRICAL EQUIP NUMBER: N00009 N00049 COMPONENT MAINT MANUAL REF: 34-13-07 FOR NHA/OTHER SYS DET SEE: 34-22-06-01 34-22-06-02 34-22-06-03	002004 006949 952999	RF
	- 50 4043175-902		.LIGHT ASSY- SUPPLIER CODE: V58960	002004 006949 952999	1
	55 MS90451-7152		..LAMP- CONFIG CHG DATA FROM A CMM: REPLD BY 4002334-4 MISCELLANEOUS DATA: HONEYWELL SPEC NO. 4002334-4	002004 006949 952999	4
	55 4002334-4		..LAMP- SUPPLIER CODE: V58960 CONFIG CHG DATA FROM A CMM: REPLACES MS90451-7152	002004 006949 952999	4

MISSING ITEM NUMBERS NOT APPLICABLE

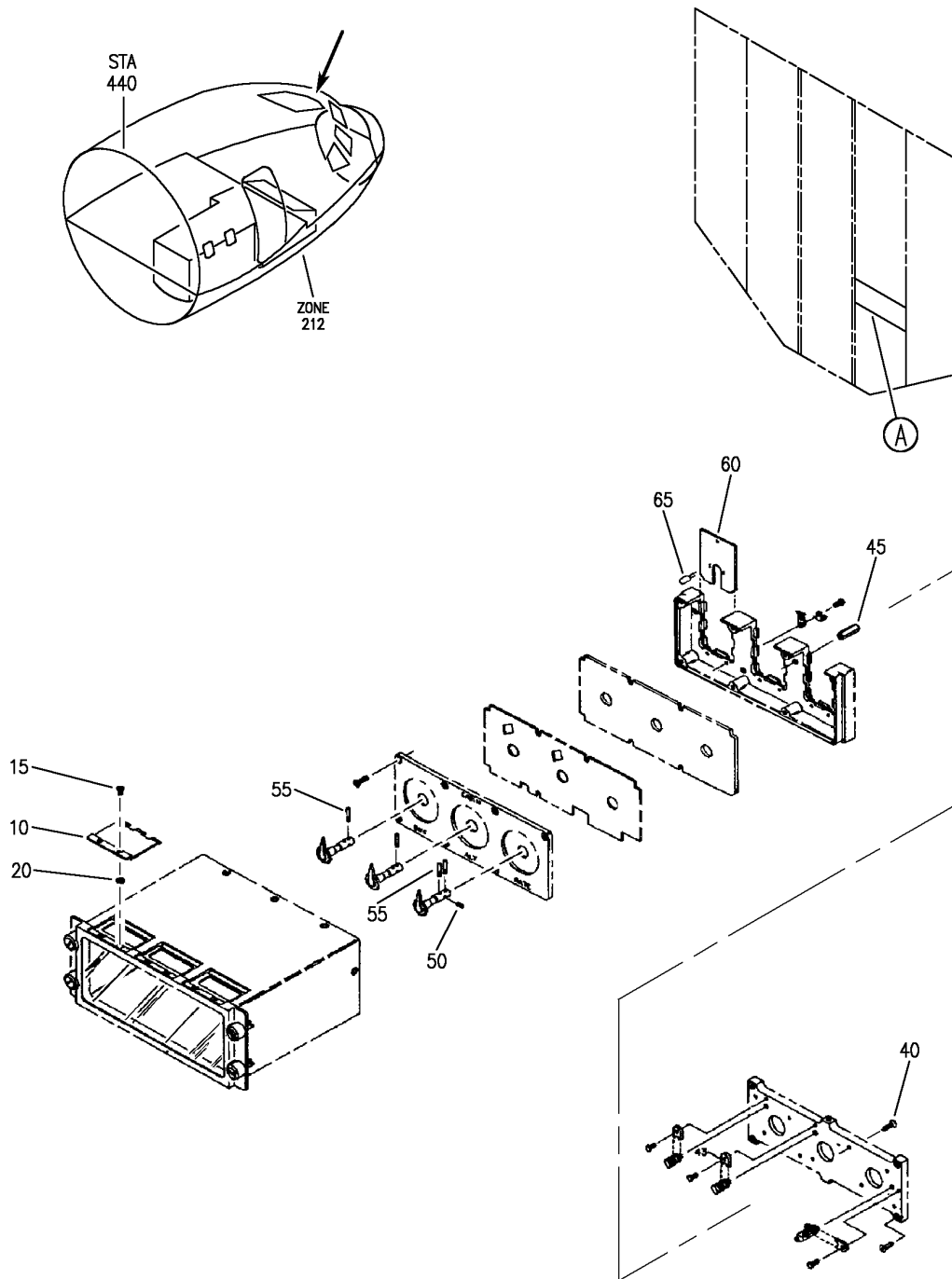
- ITEM NOT ILLUSTRATED

33-13-51-50E

33-13-51
FIG. 50E
PAGE 1
MAY 20/09

BRI

BOEING
757
PARTS CATALOG (MAINTENANCE)



Y 33135150F REV 289

PANEL ASSY-CAB PRESSURE GAGES (LIGHTS ONLY)
FIGURE 50F

33-13-51-50F

BRI
MAY 28/07

33-13-51-50F
PAGE 0



757

PARTS CATALOG (MAINTENANCE)

FIG ITEM	PART NUMBER	1 2 3 4 5 6 7	NOMENCLATURE	EFFECT FROM TO	UNITS PER ASSY
50F					
- 1	SETLOC420L		PANEL ASSY-CAB PRESSURE GAGES (LIGHTS ONLY) PANEL ASSY-CAB. PRESSURE GAGES SUPPLIER CODE: V61349 SPECIFICATION NUMBER: S231N210-15 ELECTRICAL EQUIP NUMBER: M00019 COMPONENT MAINT MANUAL REF: 21-33-07 QUALIFIED I/W DATA: INSTALLED AS A SET, PT033D T/W SETLOC420M OR SETLOC420L, I/W PT033A T/W SETLOC420H FOR NHA/OTHER SYS DET SEE: 21-33-51-01 21-33-51-03	002004 006999 107949	RF
- 1	SETLOC420M		PANEL ASSY-CAB. PRESSURE GAGES SUPPLIER CODE: V61349 SPECIFICATION NUMBER: S231N210-14 ELECTRICAL EQUIP NUMBER: M00019 COMPONENT MAINT MANUAL REF: 21-33-07 QUALIFIED I/W DATA: INSTALLED AS A SET, PT033D T/W SETLOC420M OR SETLOC420L, I/W PT033A T/W SETLOC420H FOR NHA/OTHER SYS DET SEE: 21-33-51-01 21-33-51-02 21-33-51-03	002004 006106 950999	RF
10	CNN3589		.COVER ASSY-LAMP ACCESS SUPPLIER CODE: V61349	002004 006999	3
15	AH1201GW		ATTACHING PARTS .SCREW- SUPPLIER CODE: V61349 -----*-----	002004 006999	6

MISSING ITEM NUMBERS NOT APPLICABLE

- ITEM NOT ILLUSTRATED

33-13-51-50F

33-13-51
FIG. 50F
PAGE 1
JAN 20/09

BRI

BOEING PROPRIETARY - Copyright © - Unpublished Work - See title page for details.



757

PARTS CATALOG (MAINTENANCE)

FIG ITEM	PART NUMBER	1 2 3 4 5 6 7	NOMENCLATURE	EFFECT FROM TO	UNITS PER ASSY
50F					
20	AH1834DP	.RING-E		002004	6
		SUPPLIER CODE:		006999	
		V61349			
35	DNN3552G	.LIGHTING ASSY-		107949	1
		SUPPLIER CODE:			
		V61349			
35	DNN3552R	.LIGHTING ASSY-		002004	1
		SUPPLIER CODE:		006106	
		V61349		950999	
		ATTACHING PARTS			
40	L034256	.SCREW-		002004	4
		SUPPLIER CODE:		006999	
		V61349			
45	AH5336CT	.POST-		002004	4
		SUPPLIER CODE:		006999	
		V61349			
50	AH483BU	.SCREW-		002004	6
		SUPPLIER CODE:		006999	
		V61349			
55	AH483CR	.SCREW-		002004	4
		SUPPLIER CODE:		006999	
		V61349			
		-----*-----			
60	CNN3165Y	..MODULE ASSY-LAMP		002004	3
		SUPPLIER CODE:		006999	
		V61349			
65	D0513J	...LAMP-		002004	2
		SUPPLIER CODE:		006999	
		V61349			

MISSING ITEM NUMBERS NOT APPLICABLE

- ITEM NOT ILLUSTRATED

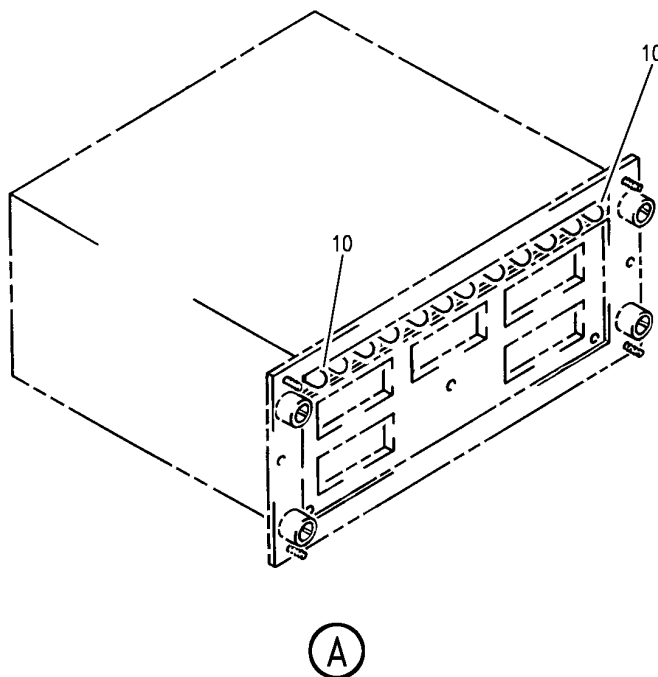
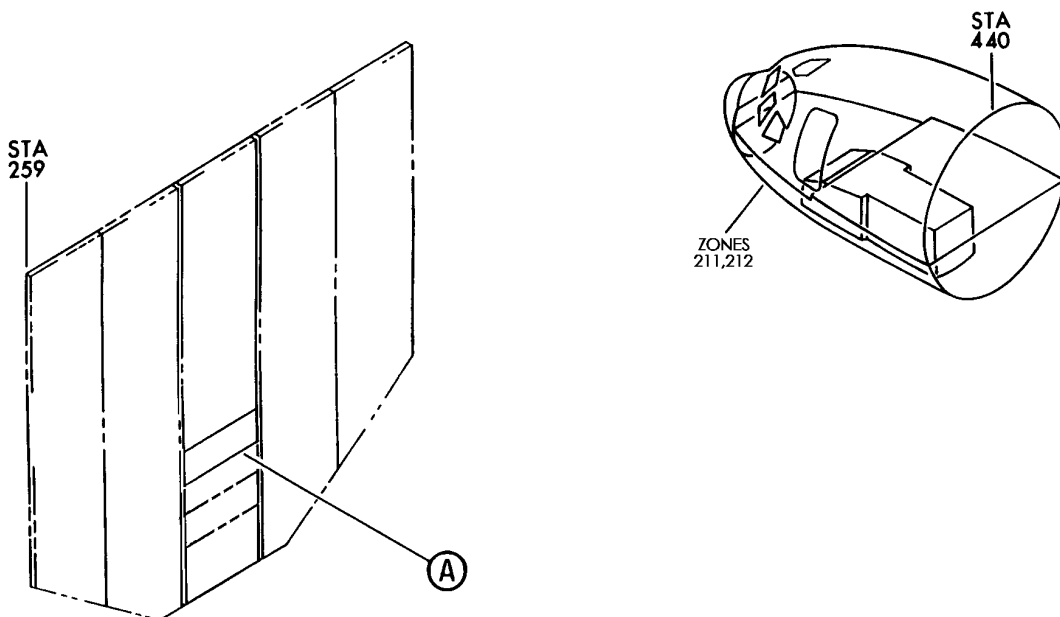
33-13-51-50F

33-13-51
FIG. 50F
PAGE 2
JAN 20/09

BRI

BOEING PROPRIETARY - Copyright © - Unpublished Work - See title page for details.

BOEING
757
PARTS CATALOG (MAINTENANCE)



Y 33135150G REV 289

INDICATOR -INTEGRATED FUEL QTY (LIGHTS ONLY)
FIGURE 50G

33-13-51-50G

BRI
MAY 28/07

33-13-51-50G
PAGE 0



757

PARTS CATALOG (MAINTENANCE)

FIG ITEM	PART NUMBER	1 2 3 4 5 6 7	NOMENCLATURE	EFFECT FROM TO	UNITS PER ASSY
50G					
- 1	20-212-07		INDICATOR -INTEGRATED FUEL QTY (LIGHTS ONLY) INDICATOR-INTEGRATED FUEL QTY (LIGHTS ONLY) SUPPLIER CODE: V35012 SPECIFICATION NUMBER: S345N011-8 ELECTRICAL EQUIP NUMBER: M10054 WIRING DIAGRAM REF: 284111 COMPONENT MAINT MANUAL REF: 28-41-60 POST SERVICE BULLETIN: 31-0173 28-0116 FOR NHA/OTHER SYS DET SEE: 28-41-04-02	107107 904949 107107 904949	RF
- 1	20-212-09		INDICATOR-INTEGRATED FUEL QTY (LIGHTS ONLY) SUPPLIER CODE: V35012 SPECIFICATION NUMBER: S345N011-7 ELECTRICAL EQUIP NUMBER: M10054 WIRING DIAGRAM REF: 284111 COMPONENT MAINT MANUAL REF: 28-41-60 PRE SERVICE BULLETIN: 31-0173 FOR NHA/OTHER SYS DET SEE: 28-41-04-02	107107	RF
10	OL7182BPEAS15		.LAMP-5V SUPPLIER CODE: VS3774 MISCELLANEOUS DATA: SMITHS SCD 102437-001	107107 904949	12

MISSING ITEM NUMBERS NOT APPLICABLE

- ITEM NOT ILLUSTRATED

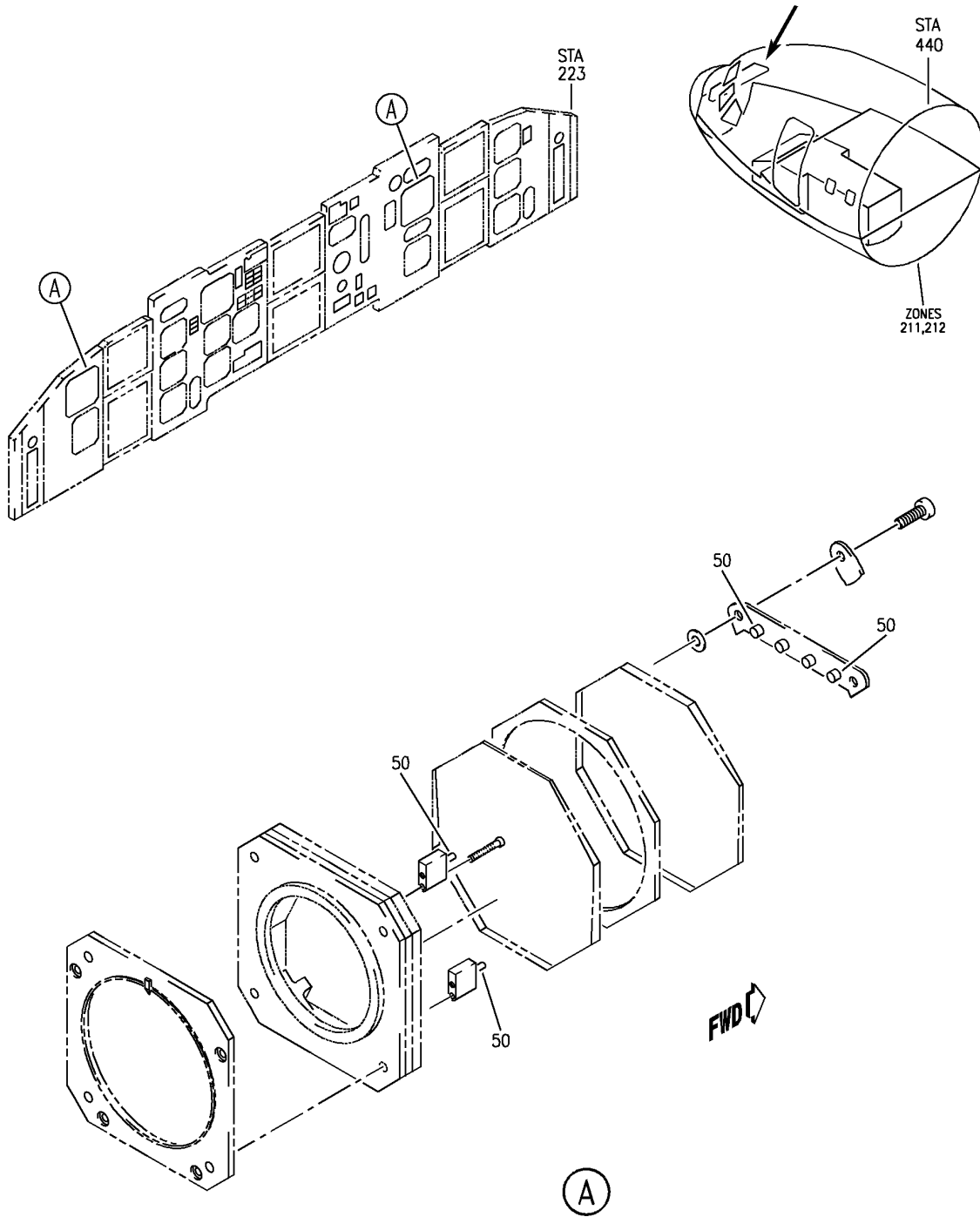
33-13-51-50G

33-13-51
FIG. 50G
PAGE 1
JAN 20/09

BRI

BOEING PROPRIETARY - Copyright © - Unpublished Work - See title page for details.

BOEING
757
PARTS CATALOG (MAINTENANCE)



Y 33135151 REV 284

INDICATOR ASSY-MACH AIRSPEED
FIGURE 51

33-13-51-51

BRI
MAY 28/07

33-13-51-51
PAGE 0



757

PARTS CATALOG (MAINTENANCE)

FIG ITEM	PART NUMBER	1 2 3 4 5 6 7	NOMENCLATURE	EFFECT FROM TO	UNITS PER ASSY
51			INDICATOR ASSY-MACH AIRSPEED	002004 006999	
- 1	4039891-903		INDICATOR-MACH AIRSPEED (LIGHTS ONLY) SUPPLIER CODE: V58960 SPECIFICATION NUMBER: S231T100-1 ELECTRICAL EQUIP NUMBER: N00001 N00041 COMPONENT MAINT MANUAL REF: 34-13-09 QUALIFIED I/W DATA: S231T100-2/4039891-904 DISPLAY HAS MORE GRADUATIONS ON DIAL FACE THAN S231T100-1/ 4039891-903 REPLACE IN SHIP SHIPSETS ONLY FOR NHA/OTHER SYS DET SEE: 34-13-01-01 34-13-02-01	002004 006101 107107 950999	RF
- 1	4039891-904		INDICATOR-MACH AIRSPEED (LIGHTS ONLY) SUPPLIER CODE: V58960 SPECIFICATION NUMBER: S231T100-2 ELECTRICAL EQUIP NUMBER: N00001 N00041 COMPONENT MAINT MANUAL REF: 34-13-09 QUALIFIED I/W DATA: S231T100-2/4039891-904 DISPLAY HAS MORE GRADUATIONS ON DIAL FACE THAN S231T100-1/ 4039891-903 REPLACE IN SHIP SHIPSETS ONLY FOR NHA/OTHER SYS DET SEE: 34-13-01-01	121503 904949	RF

MISSING ITEM NUMBERS NOT APPLICABLE

- ITEM NOT ILLUSTRATED

33-13-51-51

33-13-51
FIG. 51
PAGE 1
JAN 20/09

BRI



757

PARTS CATALOG (MAINTENANCE)

FIG ITEM	PART NUMBER	1 2 3 4 5 6 7	NOMENCLATURE	EFFECT FROM TO	UNITS PER ASSY
51 - 1	4039891-906		INDICATOR-MACH AIRSPEED (LIGHTS ONLY) SUPPLIER CODE: V58960 SPECIFICATION NUMBER: S231T100-4 ELECTRICAL EQUIP NUMBER: N00001 N00041 COMPONENT MAINT MANUAL REF: 34-13-09 FOR NHA/OTHER SYS DET SEE: 34-13-02-01	102106 108120	RF
- 1	4039891-907		INDICATOR-MACH AIRSPEED (LIGHTS ONLY) SUPPLIER CODE: V58960 SPECIFICATION NUMBER: S231T100-5 ELECTRICAL EQUIP NUMBER: N00001 N00041 COMPONENT MAINT MANUAL REF: 34-13-09 FOR NHA/OTHER SYS DET SEE: 34-13-02-01	504903	RF
50	MS90451-7152		.LAMP- CONFIG CHG DATA FROM A CMM: REPLD BY 4002334-4 MISCELLANEOUS DATA: HONEYWELL PART NO. 4002334-4	002004 006101 107107 121503 904999	6
50	4002334-4		.LAMP- SUPPLIER CODE: V58960 CONFIG CHG DATA FROM A CMM: REPLACES MS90451-7152 REPLD BY 0L7152AS15TPL MISCELLANEOUS DATA: HONEYWELL PART NO. 4002334-4	002004 006999	6
50	0L7152AS15TPL		.LAMP- SUPPLIER CODE: V58774 CONFIG CHG DATA FROM A CMM: REPLACES 4002334-4 MISCELLANEOUS DATA: HONEYWELL PART NO. V58960 4002334-4	002004 006999	6

MISSING ITEM NUMBERS NOT APPLICABLE

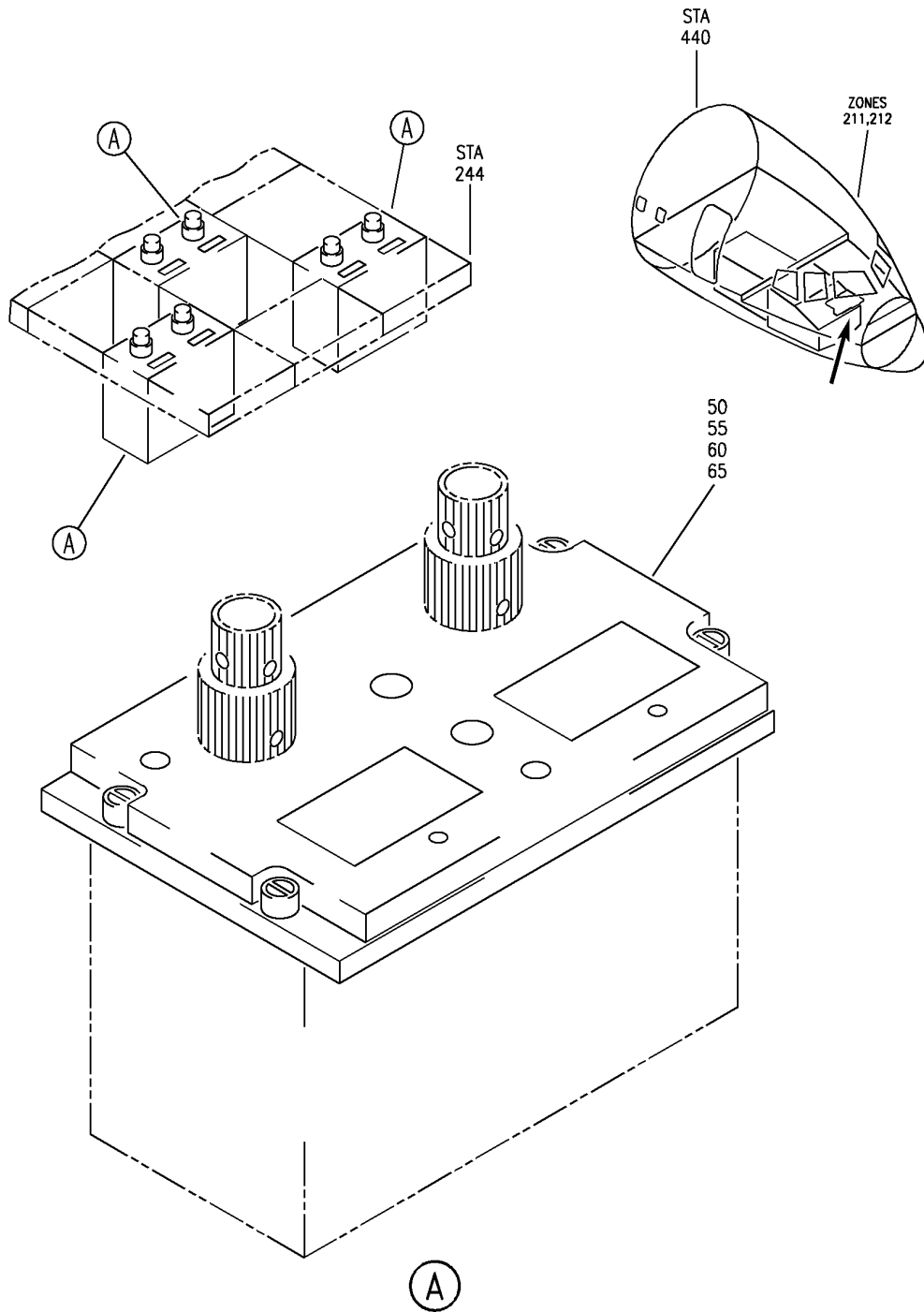
- ITEM NOT ILLUSTRATED

33-13-51-51

33-13-51
FIG. 51
PAGE 2
JAN 20/09

BRI

BOEING
757
PARTS CATALOG (MAINTENANCE)



Y 33135152 REV 297

PANEL ASSY-FREQUENCY VHF COMM VFP-712 (LIGHTS ONLY)
FIGURE 52

33-13-51-52

BRI
MAY 28/07

33-13-51-52
PAGE 0

BOEING PROPRIETARY - Copyright © - Unpublished Work - See title page for details.



757

PARTS CATALOG (MAINTENANCE)

FIG ITEM	PART NUMBER	1 2 3 4 5 6 7	NOMENCLATURE	EFFECT FROM TO	UNITS PER ASSY
52			PANEL ASSY-FREQUENCY VHF COMM VFP-712 (LIGHTS ONLY)	002004 006100 950952	
- 1	622-6831-001		PANEL ASSY-FREQUENCY VHF COMM VFP-712 (LIGHTS ONLY) (CUSTOMER FURNISHED) SUPPLIER CODE: V4V792 ELECTRICAL EQUIP NUMBER: M00078 M00079 COMPONENT MAINT MANUAL REF: 23-12-73 QUALIFIED I/W DATA: 622-5390-001 622-6831-001 AND 622-6831-002 ARE ALL INTERCHANGEABLE EXCEPT SUBJECT TO CUSTOMER PREFERENCE 622-6831-001 IS INTERCHANGEABLE WITH G6317 AS A SET ONLY.	002004 006100	RF
- 1	622-6831-002		PANEL ASSY-FREQUENCY VHF COMM VFP-712 (LIGHTS ONLY) (CUSTOMER FURNISHED) SUPPLIER CODE: V4V792 ELECTRICAL EQUIP NUMBER: M00078 M00079 M00080 COMPONENT MAINT MANUAL REF: 23-12-73 QUALIFIED I/W DATA: 622-5390-001 622-6831-001 622-6831-002 ALL I/W EXCEPT SUBJECT TO CUSTOMER PREFERENCE FOR NHA/OTHER SYS DET SEE: 23-12-02-01	952952	RF

MISSING ITEM NUMBERS NOT APPLICABLE

- ITEM NOT ILLUSTRATED

33-13-51-52

33-13-51
FIG. 52
PAGE 1
JAN 20/09

BRI



757

PARTS CATALOG (MAINTENANCE)

FIG ITEM	PART NUMBER	1 2 3 4 5 6 7	NOMENCLATURE	EFFECT FROM TO	UNITS PER ASSY
52 - 5	622-6831-001		PANEL ASSY-FREQUENCY VHF COMM VFP-712 (LIGHTS ONLY) (CUSTOMER FURNISHED) SUPPLIER CODE: V4V792 ELECTRICAL EQUIP NUMBER: M00078 M00079 M00080 COMPONENT MAINT MANUAL REF: 23-12-73 QUALIFIED I/W DATA: 622-5390-001 622-6831-001 622-6831-002 ALL I/W EXCEPT SUBJECT TO CUSTOMER PREFERENCE 622-6831-001 IS INTERCHANGEABLE WITH G6317 AS A SET ONLY. FOR NHA/OTHER SYS DET SEE: 23-12-02-01	950951	RF
50	754-0560-004		.PANEL ASSY-LT SUPPLIER CODE: V4V792 CONFIG CHG DATA FROM A CMM: SUPSD BY 754-0560-018	002004 006100 950951	RF
50	754-0560-001		.PANEL ASSY-LT SUPPLIER CODE: V4V792 CONFIG CHG DATA FROM A CMM: SUPSD BY 754-0560-015	952952	RF
50	754-0560-018		.PANEL ASSY-LT SUPPLIER CODE: V4V792 CONFIG CHG DATA FROM A CMM: SUPSDS 754-0560-004	002004 006100 950951	RF
50	754-0560-015		.PANEL ASSY-LT SUPPLIER CODE: V4V792 CONFIG CHG DATA FROM A CMM: SUPSDS 754-0560-001	952952	RF

MISSING ITEM NUMBERS NOT APPLICABLE

- ITEM NOT ILLUSTRATED

33-13-51-52

33-13-51
FIG. 52
PAGE 2
JAN 20/09

BRI



757

PARTS CATALOG (MAINTENANCE)

FIG ITEM	PART NUMBER	1 2 3 4 5 6 7	NOMENCLATURE	EFFECT FROM TO	UNITS PER ASSY
52					
- 55	BCREF11531	..	LAMP- SUPPLIER CODE: V05464 OVERLENGTH PART NUMBER: 1EE715ASP15PCTM1 USED ON: 754-0560-004 754-0560-001	950952	4
- 55	BCREF11531	..	LAMP- SUPPLIER CODE: V05464 OVERLENGTH PART NUMBER: 1EE715ASP15PCTM1 USED ON: 754-0560-004 754-0560-001	002004 006100	4
- 55	CM713AS15	..	LAMP-INCANDESCENT SUPPLIER CODE: V71744 USED ON: 754-0560-015 754-0560-018	950952	4
- 55	CM713AS15	..	LAMP-INCANDESCENT SUPPLIER CODE: V71744 USED ON: 754-0560-015 754-0560-018	002004 006100	4
60	MS90451-6832	..	LAMP-INCANDESCENT OPTIONAL PART: BCREF106221	950952	AR
60	MS90451-6832	..	LAMP-INCANDESCENT OPTIONAL PART: BCREF106221	002004 006100	AR
60	BCREF106221	...	LAMP- OVERLENGTH PART NUMBER: MS90451-6832AS15 OPTIONAL PART: MS90451-6832	950952	AR
60	BCREF106221	...	LAMP- OVERLENGTH PART NUMBER: MS90451-6832AS15 OPTIONAL PART: MS90451-6832	002004 006100	AR
65	6838	..	LAMP- SUPPLIER CODE: V05464 CONFIG CHG DATA FROM A CMM: SUPSD BY HLMPM200	950952	2

MISSING ITEM NUMBERS NOT APPLICABLE

- ITEM NOT ILLUSTRATED

33-13-51-52

33-13-51
FIG. 52
PAGE 3
JAN 20/09

BRI

BOEING PROPRIETARY - Copyright © - Unpublished Work - See title page for details.



757

PARTS CATALOG (MAINTENANCE)

FIG ITEM	PART NUMBER	1 2 3 4 5 6 7	NOMENCLATURE	EFFECT FROM TO	UNITS PER ASSY
52					
65	6838		..LAMP- SUPPLIER CODE: V05464 CONFIG CHG DATA FROM A CMM: SUPSD BY HLMPM200	002004 006100	2
65	HLMPM200		..LAMP- SUPPLIER CODE: V50434 CONFIG CHG DATA FROM A CMM: SUPSDS 6838	950952	2
65	HLMPM200		..LAMP- SUPPLIER CODE: V50434 CONFIG CHG DATA FROM A CMM: SUPSDS 6838	002004 006100	2

MISSING ITEM NUMBERS NOT APPLICABLE

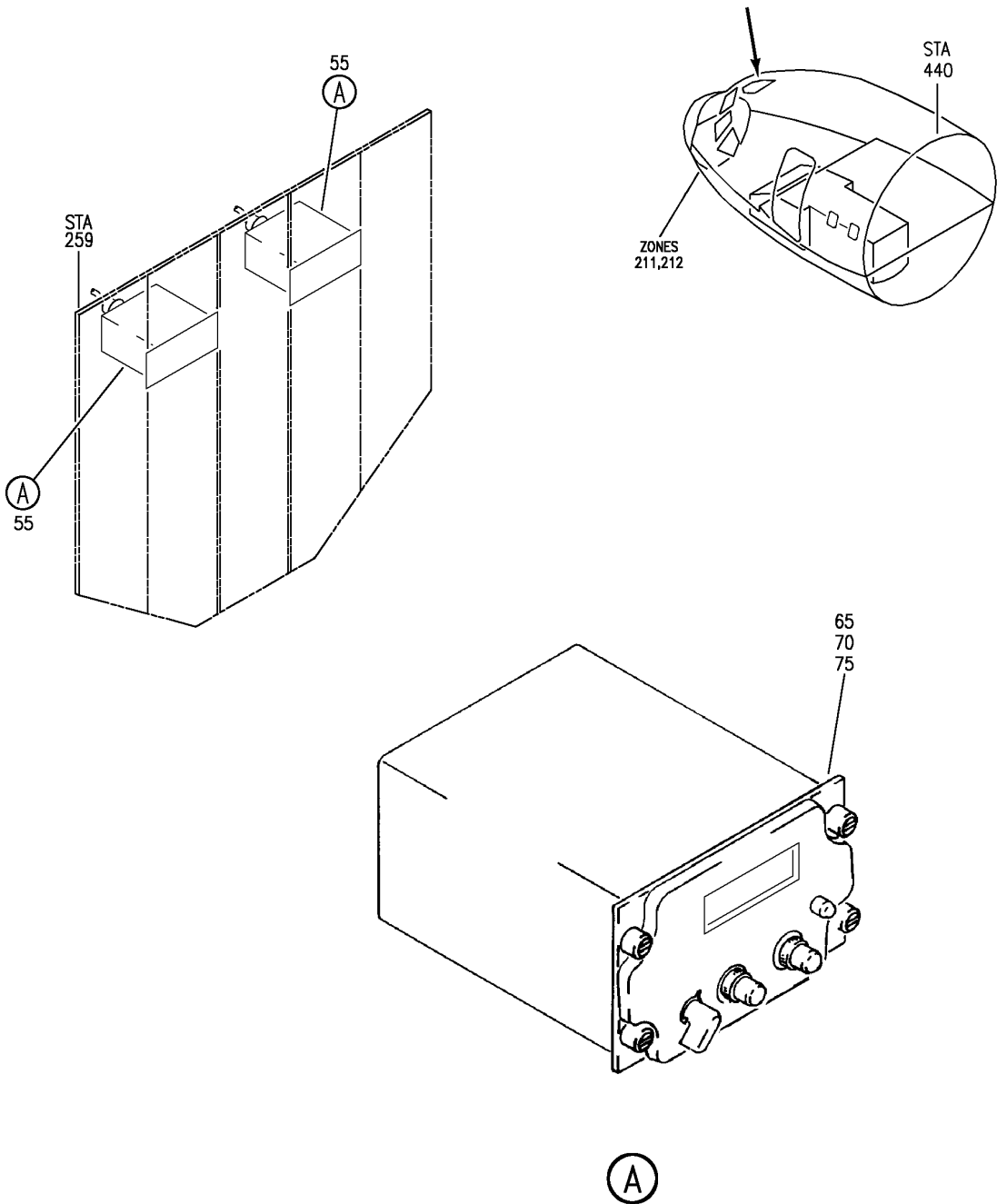
- ITEM NOT ILLUSTRATED

33-13-51-52

33-13-51
FIG. 52
PAGE 4
JAN 20/09

BRI

BOEING
757
PARTS CATALOG (MAINTENANCE)



Y 33135152A REV 257

PANEL ASSY-HF CONT (LIGHTS ONLY)
FIGURE 52A

33-13-51-52A

BRI
MAY 28/07

33-13-51-52A
PAGE 0



757

PARTS CATALOG (MAINTENANCE)

FIG ITEM	PART NUMBER	1 2 3 4 5 6 7	NOMENCLATURE	EFFECT FROM TO	UNITS PER ASSY
52A			PANEL ASSY-HF CONT (LIGHTS ONLY)	002004 006100 107107 121999	
- 1	622-5432-002		PANEL ASSY-HF CONT (LIGHTS ONLY) (CUSTOMER FURNISHED) SUPPLIER CODE: V4V792 ELECTRICAL EQUIP NUMBER: M00082 M00083 COMPONENT MAINT MANUAL REF: 23-10-71 FOR NHA/OTHER SYS DET SEE: 23-11-02-01	002004 006100 121903 950999	RF
- 1	622-5432-002		PANEL ASSY-HF CONT (LIGHTS ONLY) SUPPLIER CODE: V4V792 ELECTRICAL EQUIP NUMBER: M00082 COMPONENT MAINT MANUAL REF: 23-10-71 OPTIONAL PART: 622-6827-002 V4V792 FOR NHA/OTHER SYS DET SEE: 23-11-02-01	121503	RF
- 1	622-5432-002		PANEL ASSY-HF CONT (LIGHTS ONLY) (CUSTOMER FURNISHED) SUPPLIER CODE: V4V792 ELECTRICAL EQUIP NUMBER: M00082 COMPONENT MAINT MANUAL REF: 23-10-71 OPTIONAL PART: 622-6827-002 V4V792 FOR NHA/OTHER SYS DET SEE: 23-11-02-01	107107 904949	RF

MISSING ITEM NUMBERS NOT APPLICABLE

- ITEM NOT ILLUSTRATED

33-13-51-52A

33-13-51
FIG. 52A
PAGE 1
JAN 20/09

BRI



757

PARTS CATALOG (MAINTENANCE)

FIG ITEM	PART NUMBER	1 2 3 4 5 6 7	NOMENCLATURE	EFFECT FROM TO	UNITS PER ASSY
52A - 1	622-6827-002		PANEL ASSY-HF CONT (LIGHTS ONLY) (CUSTOMER FURNISHED) SUPPLIER CODE: V4V792 ELECTRICAL EQUIP NUMBER: M00082 COMPONENT MAINT MANUAL REF: 23-10-73 OPTIONAL PART: 622-5432-002 V4V792 FOR NHA/OTHER SYS DET SEE: 23-11-02-01	107107 904949	RF
- 1	622-6827-002		PANEL ASSY-HF CONT (LIGHTS ONLY) SUPPLIER CODE: V4V792 ELECTRICAL EQUIP NUMBER: M00082 COMPONENT MAINT MANUAL REF: 23-10-73 OPTIONAL PART: 622-5432-002 V4V792 FOR NHA/OTHER SYS DET SEE: 23-11-02-01	121503	RF
- 1	622-6827-002		PANEL ASSY-HF CONT (LIGHTS ONLY) (CUSTOMER FURNISHED) SUPPLIER CODE: V4V792 ELECTRICAL EQUIP NUMBER: M00082 M00083 COMPONENT MAINT MANUAL REF: 23-10-73 POST RAPID REVISION: RR92035-3 FOR NHA/OTHER SYS DET SEE: 23-11-02-01	002004 006100 121903 950999	RF
- 50	754-0168-002		.PANEL-IND LT XMTG SUPPLIER CODE: V4V792 USED ON: 622-5432-002	002004 006100 107107 121999	RF

MISSING ITEM NUMBERS NOT APPLICABLE

- ITEM NOT ILLUSTRATED

33-13-51-52A

33-13-51
FIG. 52A
PAGE 2
JAN 20/09

BRI



757

PARTS CATALOG (MAINTENANCE)

FIG ITEM	PART NUMBER	1 2 3 4 5 6 7	NOMENCLATURE	EFFECT FROM TO	UNITS PER ASSY
52A 55	754-0559-001	.	PANEL- SUPPLIER CODE: V4V792 CONFIG CHG DATA FROM A CMM: SUPSD BY 754-0559-014 USED ON: 622-6827-002	002004 006100 107107 121999	RF
55	754-0559-014	.	PANEL- SUPPLIER CODE: V4V792 CONFIG CHG DATA FROM A CMM: SUPERSEDES 754-0559-001 USED ON: 622-6827-002	002004 006100 107107 121999	RF
- 60	MS90451-6832	..	LAMP-INCANDESCENT USED ON: 754-0168-002	002004 006100 107107 121999	11
65	BCREF7401	..	LAMP-INCANDESCENT SUPPLIER CODE: V05464 OVERLENGTH PART NUMBER: 1EE715ASP15PCTM15PCT CONFIG CHG DATA FROM A CMM: SUPSD BY LT715PORM15PCT USED ON: 754-0559-001 754-0559-005 754-0559-002	107107 121503 904949	2
65	BCREF7401	..	LAMP-INCANDESCENT SUPPLIER CODE: V05464 OVERLENGTH PART NUMBER: 1EE715ASP15PCTM15PCT CONFIG CHG DATA FROM A CMM: SUPSD BY LT715PORM15PCT USED ON: 754-0559-001 754-0559-005 754-0559-002	002004 006100 121903 950999	2
65	LT715PORM15PCT	..	LAMP-INCANDESCENT SUPPLIER CODE: V61342 CONFIG CHG DATA FROM A CMM: SUPERSEDES BCREF7401 USED ON: 754-0559-001 754-0559-005 754-0559-002	107107 121503 904949	2

MISSING ITEM NUMBERS NOT APPLICABLE

- ITEM NOT ILLUSTRATED

33-13-51-52A

33-13-51
FIG. 52A
PAGE 3
JAN 20/09

BRI

BOEING PROPRIETARY - Copyright © - Unpublished Work - See title page for details.



757

PARTS CATALOG (MAINTENANCE)

FIG ITEM	PART NUMBER	1 2 3 4 5 6 7	NOMENCLATURE	EFFECT FROM TO	UNITS PER ASSY
52A 65	LT715PORM15PCT	..	LAMP-INCANDESCENT SUPPLIER CODE: V61342 CONFIG CHG DATA FROM A CMM: SUPERSEDES BCREF7401 USED ON: 754-0559-001 754-0559-005 754-0559-002	002004 006100 121903 950999	2
65	CM713AS15	..	LAMP-INCANDESCENT SUPPLIER CODE: V71744 CONFIG CHG DATA FROM A CMM: SUPSD BY D1SEA210A210B USED ON: 754-0559-014 754-0559-018 754-0559-015	107107 121503 904949	2
65	CM713AS15	..	LAMP-INCANDESCENT SUPPLIER CODE: V71744 CONFIG CHG DATA FROM A CMM: SUPSD BY D1SEA210A210B USED ON: 754-0559-014 754-0559-018 754-0559-015	002004 006100 121903 950999	2
65	D1SEA210A210B	..	LAMP-INCANDESCENT SUPPLIER CODE: V01139 CONFIG CHG DATA FROM A CMM: SUPERSEDES CM713AS15 USED ON: 754-0559-014 754-0559-018 754-0559-015	107107 121503 904949	2
65	D1SEA210A210B	..	LAMP-INCANDESCENT SUPPLIER CODE: V01139 CONFIG CHG DATA FROM A CMM: SUPERSEDES CM713AS15 USED ON: 754-0559-014 754-0559-018 754-0559-015	002004 006100 121903 950999	2

MISSING ITEM NUMBERS NOT APPLICABLE

- ITEM NOT ILLUSTRATED

33-13-51-52A

33-13-51
FIG. 52A
PAGE 4
JAN 20/09

BRI

BOEING PROPRIETARY - Copyright © - Unpublished Work - See title page for details.



757

PARTS CATALOG (MAINTENANCE)

FIG ITEM	PART NUMBER	1 2 3 4 5 6 7	NOMENCLATURE	EFFECT FROM TO	UNITS PER ASSY
52A 70	MS90451-6832		.. LAMP-INCANDESCENT OPTIONAL PART: BCREF106221 USED ON: 754-0559-001 754-0559-005 754-0559-002 754-0559-014 754-0559-018 754-0559-015	107107 121503 904949	AR
70	BCREF106221		.. LAMP-INCANDESCENT OVERLENGTH PART NUMBER: MS90451-6832AS15 OPTIONAL PART: MS90451-6832 USED ON: 754-0559-001 754-0559-005 754-0559-002 754-0559-014 754-0559-018 754-0559-015	107107 121503 904949	AR
75	MS90451-6832		.. LAMP-INCANDESCENT OPTIONAL PART: BCREF106221 USED ON: 754-0559-001 754-0559-005 754-0559-002 754-0559-014 754-0559-018 754-0559-015	002004 006100 121903 950999	AR
75	BCREF106221		.. LAMP-INCANDESCENT OVERLENGTH PART NUMBER: MS90451-6832AS15 OPTIONAL PART: MS90451-6832 USED ON: 754-0559-001 754-0559-005 754-0559-002 754-0559-014 754-0559-018 754-0559-015	002004 006100 121903 950999	AR

MISSING ITEM NUMBERS NOT APPLICABLE

- ITEM NOT ILLUSTRATED

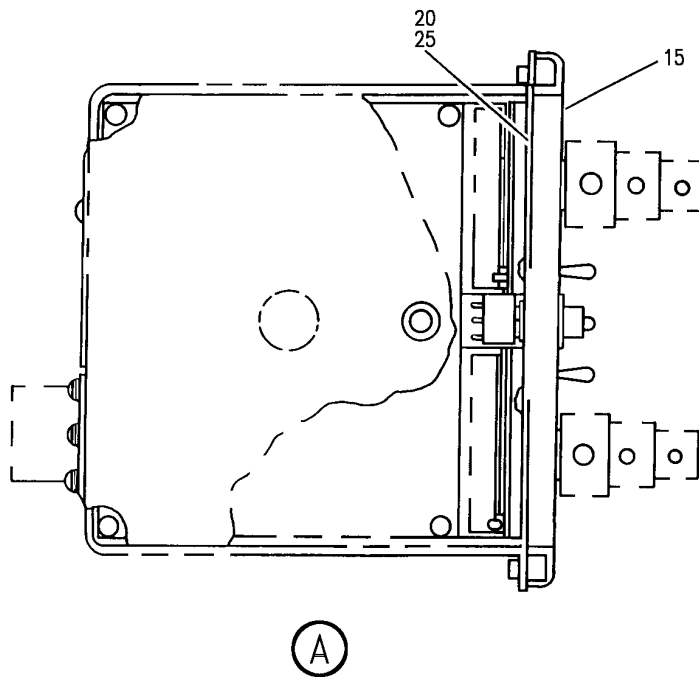
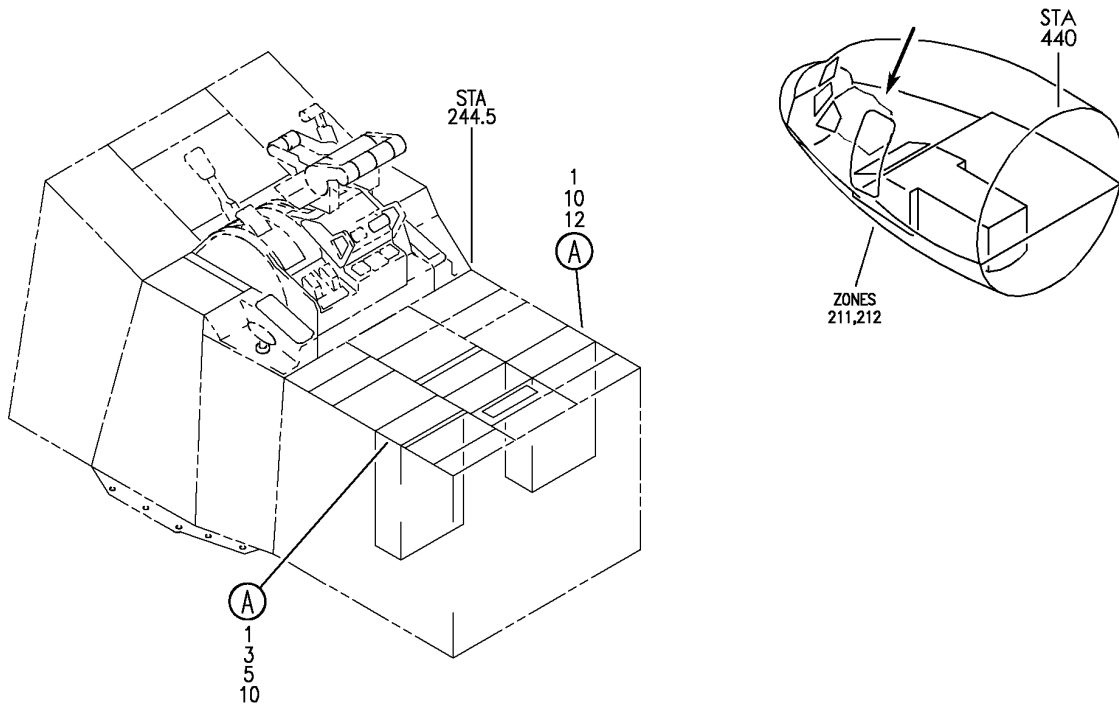
33-13-51-52A

33-13-51
FIG. 52A
PAGE 5
JAN 20/09

BRI

BOEING PROPRIETARY - Copyright © - Unpublished Work - See title page for details.

BOEING
757
PARTS CATALOG (MAINTENANCE)



Y 33135152B REV 261

PANEL ASSY ADF FREQUENCY CONT DFP-713 (LIGHTS ONLY)
FIGURE 52B

33-13-51-52B

BRI
JAN 20/09

33-13-51-52B
PAGE 0



757

PARTS CATALOG (MAINTENANCE)

FIG ITEM	PART NUMBER	1 2 3 4 5 6 7	NOMENCLATURE	EFFECT FROM TO	UNITS PER ASSY
52B			PANEL ASSY ADF FREQUENCY CONT DFP-713 (LIGHTS ONLY)	952952	
1	622-6830-001		PANEL ASSY-ADF FREQUENCY DFP-713 (LIGHTS ONLY) (CUSTOMER FURNISHED) SUPPLIER CODE: V4V792 ELECTRICAL EQUIP NUMBER: M01046 COMPONENT MAINT MANUAL REF: 34-53-76 FOR NHA/OTHER SYS DET SEE: 34-57-02-02	952952	RF
15	754-0558-001		.PANEL-LT-BROWN SUPPLIER CODE: V4V792 CONFIG CHG DATA FROM A CMM: SUPSD BY 754-0558-004	952952	RF
15	754-0558-004		.PANEL-LT-BROWN SUPPLIER CODE: V4V792 CONFIG CHG DATA FROM A CMM: SUPSDS 754-0558-001	952952	RF
20	BCREF11531		..LAMP-INCANDESCENT SUPPLIER CODE: V05464 OVERLENGTH PART NUMBER: 1EE715ASP15PCTM1 CONFIG CHG DATA FROM A CMM: SUPSD BY LA16AS15 USED ON: 754-0558-001	952952	4
20	LA16AS15		..LAMP-INCANDESCENT SUPPLIER CODE: V79692 CONFIG CHG DATA FROM A CMM: SUPSDS BCREF11531 USED ON: 754-0558-001	952952	4
20	CM713AS15		..LAMP-INCANDESCENT SUPPLIER CODE: V71744 SB DATA FROM A CMM: DFP-713-34-02 USED ON: 754-0558-004	952952	4

MISSING ITEM NUMBERS NOT APPLICABLE

- ITEM NOT ILLUSTRATED

33-13-51-52B

33-13-51
FIG. 52B
PAGE 1
JAN 20/09

BRI

BOEING PROPRIETARY - Copyright © - Unpublished Work - See title page for details.



757

PARTS CATALOG (MAINTENANCE)

FIG ITEM	PART NUMBER	1 2 3 4 5 6 7	NOMENCLATURE	EFFECT FROM TO	UNITS PER ASSY
52B 25	MS90451-6832		. . LAMP-INCANDESCENT USED ON: 754-0557-001 754-0557-004 754-0558-001 754-0558-004 754-0557-007	952952	AR

MISSING ITEM NUMBERS NOT APPLICABLE

- ITEM NOT ILLUSTRATED

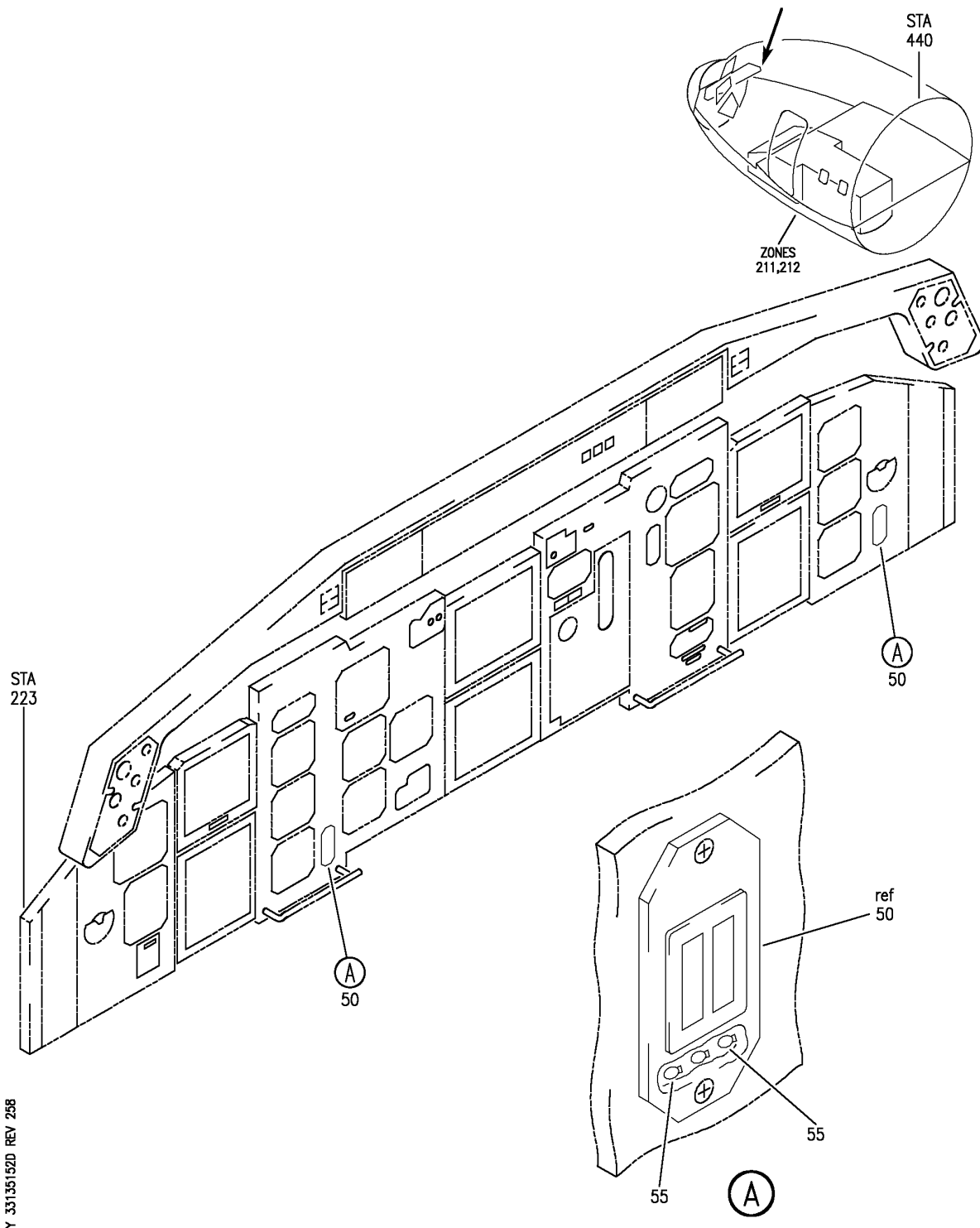
BRI

33-13-51-52B

BOEING PROPRIETARY - Copyright © - Unpublished Work - See title page for details.

33-13-51
FIG. 52B
PAGE 2
JAN 20/09

BOEING
757
PARTS CATALOG (MAINTENANCE)



Y 33135152D REV 258

ANNUNCIATOR ASSY-RADIO MAGNETIC BRG IND (LIGHTS ONLY)
FIGURE 52D

33-13-51-52D

BRI
MAY 28/07

33-13-51-52D
PAGE 0



757

PARTS CATALOG (MAINTENANCE)

FIG ITEM	PART NUMBER	1 2 3 4 5 6 7	NOMENCLATURE	EFFECT FROM TO	UNITS PER ASSY
52D			ANNUNCIATOR ASSY-RADIO MAGNETIC BRG IND (LIGHTS ONLY)	121949	
- 1	622-6006-002		ANNUNCIATOR ASSY-RADIO MAGNETIC BRG IND (LIGHTS ONLY) SUPPLIER CODE: V4V792 SPECIFICATION NUMBER: S242T403-401 ELECTRICAL EQUIP NUMBER: N10025 N10027 COMPONENT MAINT MANUAL REF: 34-22-77 FOR NHA/OTHER SYS DET SEE: 34-22-07-01 34-22-07-03	121949	RF
50	754-0525-001		.PANEL-EDGELIT SUPPLIER CODE: V4V792	121949	1
55	MS90451-7152		..LAMP-INCANDESCENT	121949	3

MISSING ITEM NUMBERS NOT APPLICABLE

- ITEM NOT ILLUSTRATED

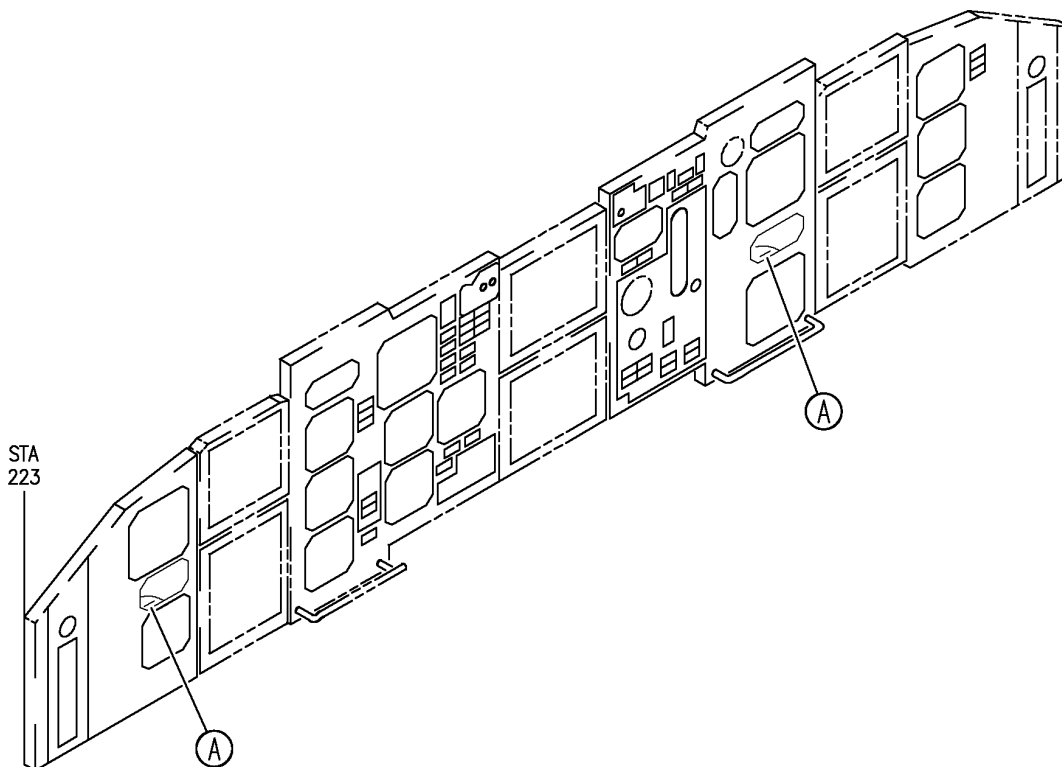
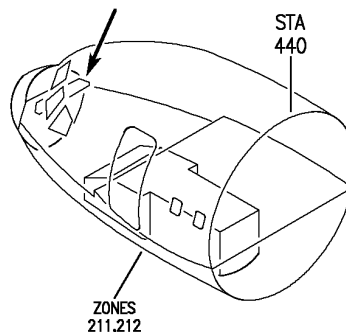
BRI

33-13-51-52D

BOEING PROPRIETARY - Copyright © - Unpublished Work - See title page for details.

33-13-51
FIG. 52D
PAGE 1
JAN 20/09

BOEING
757
PARTS CATALOG (MAINTENANCE)



Y 33135152E SHT 1 REV 258

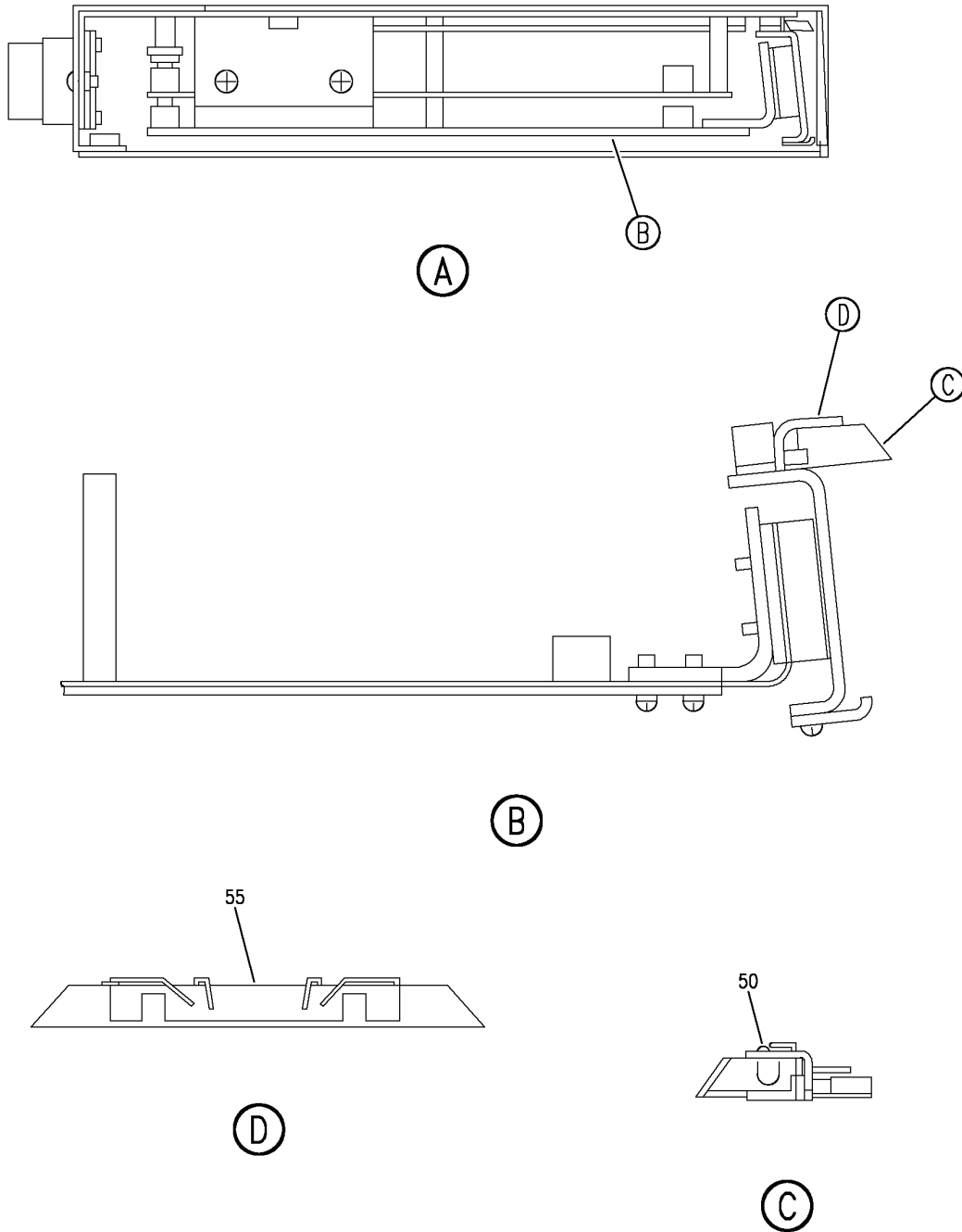
INDICATOR-DUAL DISTANCE DDI-713 (LIGHTS ONLY)
FIGURE 52E (SHEET 1)

33-13-51-52E

BRI
MAY 28/07

33-13-51-52E
PAGE 0

BOEING
757
PARTS CATALOG (MAINTENANCE)



Y 33135152E SHT 2 REV 258

INDICATOR-DUAL DISTANCE DDI-713 (LIGHTS ONLY)
FIGURE 52E (SHEET 2)

33-13-51-52E

BRI
MAY 28/07

33-13-51-52E
PAGE 0A



757

PARTS CATALOG (MAINTENANCE)

FIG ITEM	PART NUMBER	1 2 3 4 5 6 7	NOMENCLATURE	EFFECT FROM TO	UNITS PER ASSY
52E					
1	622-5990-001		INDICATOR-DUAL DISTANCE DDI-713 (LIGHTS ONLY) INDICATOR-DUAL DISTANCE SUPPLIER CODE: V4V792 SPECIFICATION NUMBER: S242T403-301 ELECTRICAL EQUIP NUMBER: N10030 N10031 COMPONENT MAINT MANUAL REF: 34-22-76 FOR NHA/OTHER SYS DET SEE: 34-55-03-02	121949 121503 904949	RF
1	622-5990-302		INDICATOR-DUAL DISTANCE DDI-713 (LIGHTS ONLY) SUPPLIER CODE: V4V792 SPECIFICATION NUMBER: S242T403-302 ELECTRICAL EQUIP NUMBER: N10030 N10031 COMPONENT MAINT MANUAL REF: 34-22-76 FOR NHA/OTHER SYS DET SEE: 34-55-03-01 34-55-03-02	121949	RF
50	262-1285-060		.LAMP- SUPPLIER CODE: V4V792	121949	4
55	646-7538-001		.CARD-LT SUPPLIER CODE: V4V792 OPTIONAL PART: 651-2713-001 V4V792	121949	1
55	651-2713-001		.CARD-LT SUPPLIER CODE: V4V792 OPTIONAL PART: 646-7538-001 V4V792	121949	1

MISSING ITEM NUMBERS NOT APPLICABLE

- ITEM NOT ILLUSTRATED

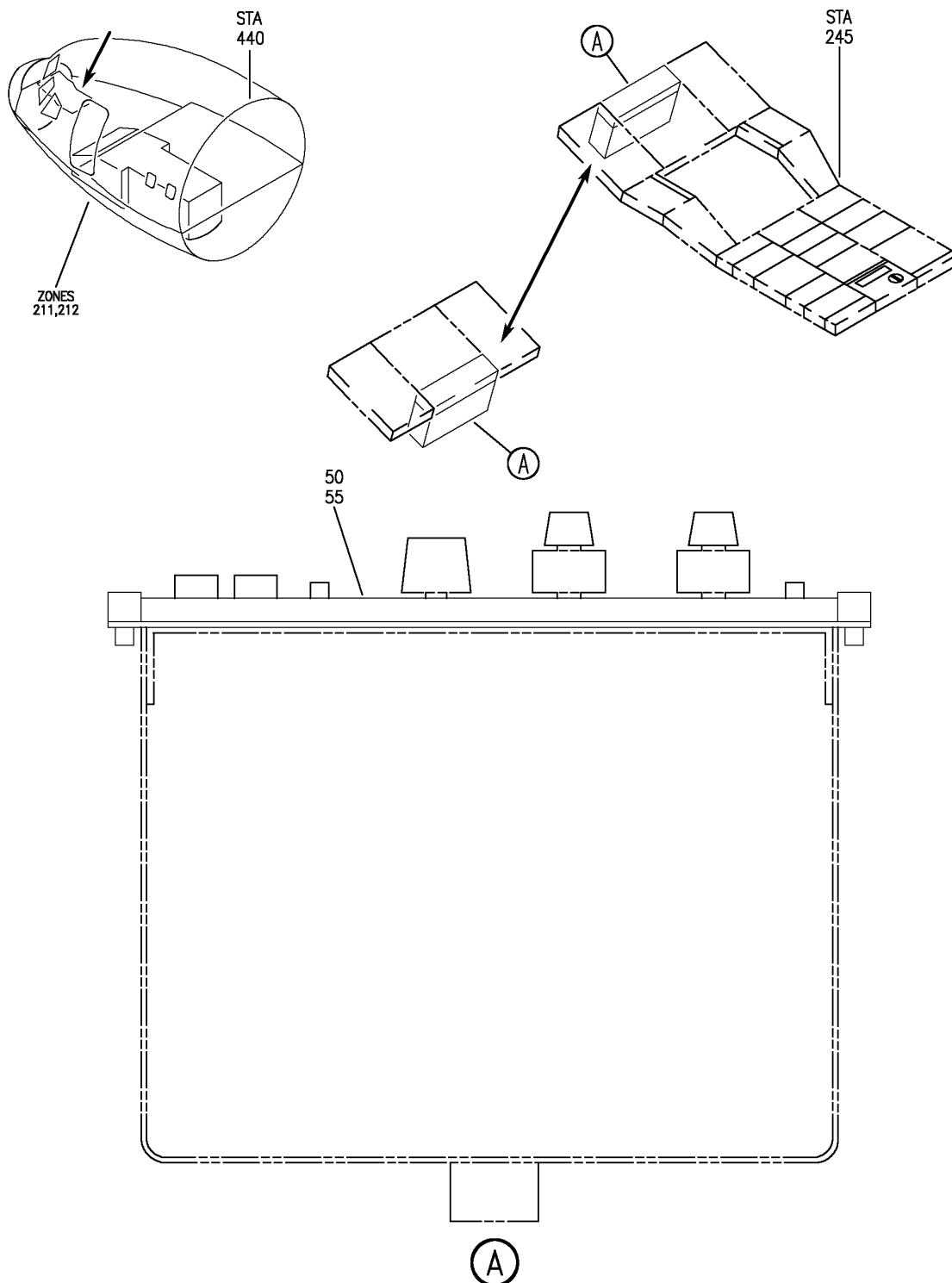
33-13-51-52E

33-13-51
FIG. 52E
PAGE 1
JAN 20/09

BRI

BOEING PROPRIETARY - Copyright © - Unpublished Work - See title page for details.

BOEING
757
PARTS CATALOG (MAINTENANCE)



Y 33135152F REV 258

PANEL ASSY-ENG INDICATING AND CREW ALERTING SYS DISPLAY SELECTOR (LIGHTS ONLY)
FIGURE 52F

33-13-51-52F

BRI
MAY 28/07

33-13-51-52F
PAGE 0



757

PARTS CATALOG (MAINTENANCE)

FIG ITEM	PART NUMBER	1 2 3 4 5 6 7	NOMENCLATURE	EFFECT FROM TO	UNITS PER ASSY
52 F			PANEL ASSY-ENG INDICATING AND CREW ALERTING SYS DISPLAY SELECTOR (LIGHTS ONLY)	002004 006999	
- 1	622-6089-101		PANEL ASSY-ENG INDICATING AND CREW ALERTING SYS DISPLAY SELECTOR (LIGHTS ONLY) SUPPLIER CODE: V4V792 SPECIFICATION NUMBER: S242N701-205 ELECTRICAL EQUIP NUMBER: M10195 COMPONENT MAINT MANUAL REF: 31-41-75 FOR NHA/OTHER SYS DET SEE: 31-41-03-01 31-41-03-02	002004 006999	RF
- 1	622-6089-102		PANEL ASSY-ENG INDICATING AND CREW ALERTING SYS DISPLAY SELECTOR SUPPLIER CODE: V4V792 FUNCTIONAL DESCRIPTION: PROVIDES ANALOG AND DIGITAL MODE/CONTROL SIGNALS TO THE EICAS COMPUTER AND DISPLAY UNITS SPECIFICATION NUMBER: S242N701-206 ELECTRICAL EQUIP NUMBER: M10195 COMPONENT MAINT MANUAL REF: 31-41-75 FOR NHA/OTHER SYS DET SEE: 31-41-03-01 31-41-03-02	002004 006999	RF
50	754-0517-003		.PANEL ASSY-EDGELIGHT A4 SUPPLIER CODE: V4V792 USED ON: 622-6089-102	002004 006999	1
50	754-0517-002		.PANEL ASSY-EDGELIGHT A4 SUPPLIER CODE: V4V792 USED ON: 622-6089-101	002004 006999	1

MISSING ITEM NUMBERS NOT APPLICABLE

- ITEM NOT ILLUSTRATED

33-13-51-52F

33-13-51
FIG. 52F
PAGE 1
SEP 20/08

BRI



757

PARTS CATALOG (MAINTENANCE)

FIG ITEM	PART NUMBER	1 2 3 4 5 6 7	NOMENCLATURE	EFFECT FROM TO	UNITS PER ASSY
52 F 55	MS90451-6832	. .	LAMP	002004 006999	18

MISSING ITEM NUMBERS NOT APPLICABLE

- ITEM NOT ILLUSTRATED

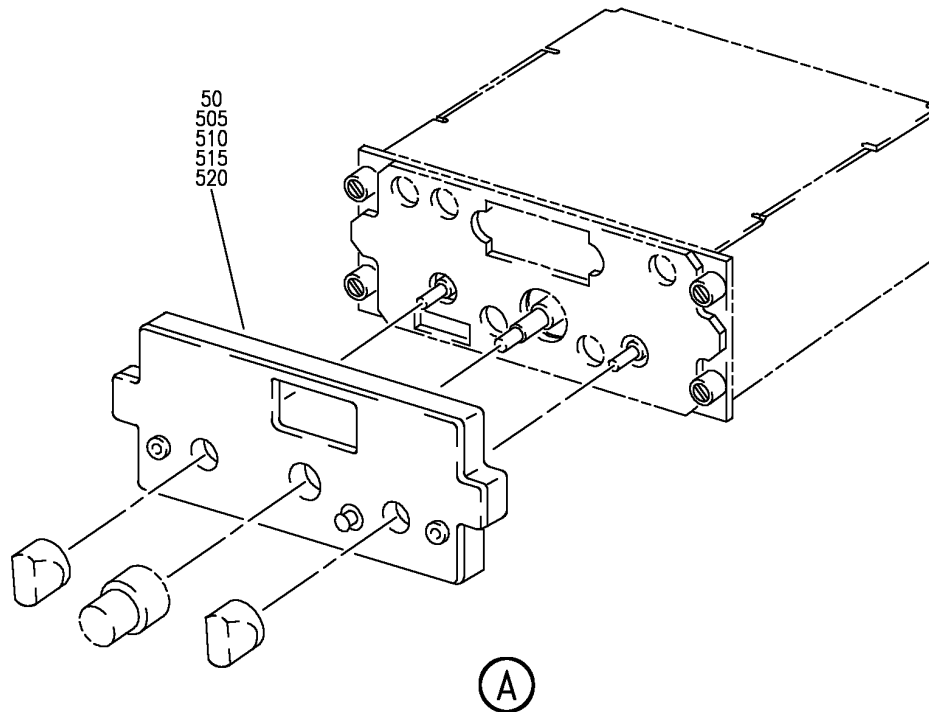
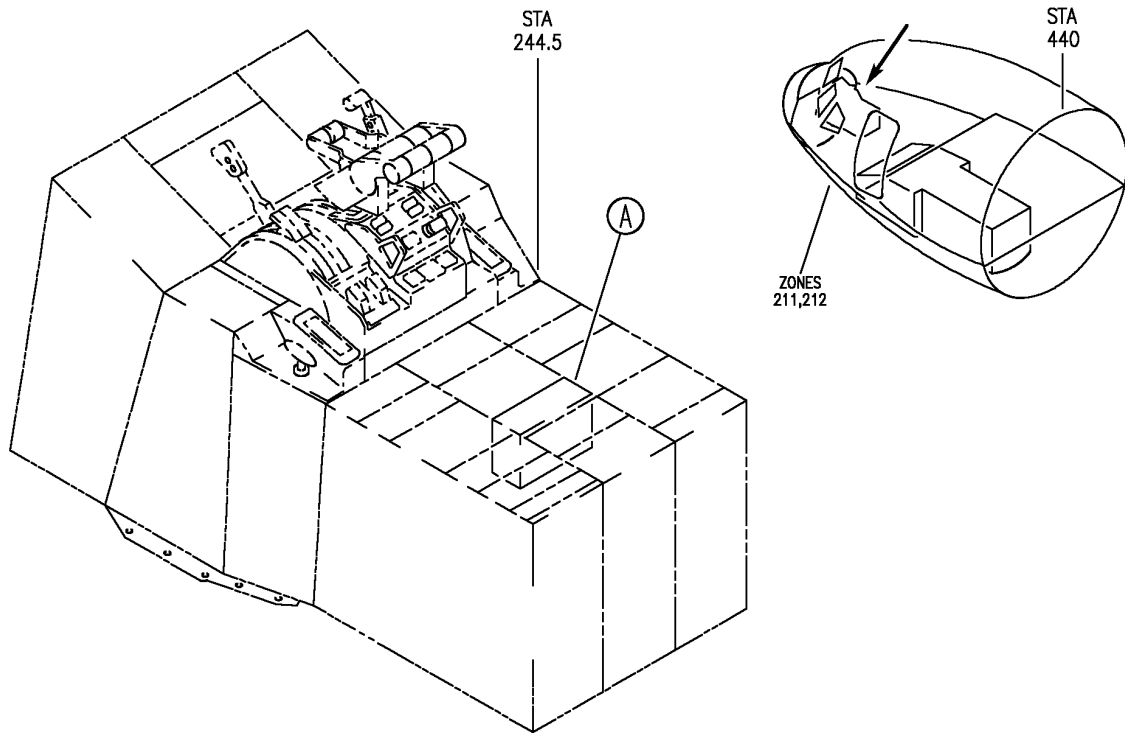
BRI

33-13-51-52F

BOEING PROPRIETARY - Copyright © - Unpublished Work - See title page for details.

33-13-51
FIG. 52F
PAGE 2
SEP 20/08

BOEING
757
PARTS CATALOG (MAINTENANCE)



Y 33135152G REV 277

PANEL ASSY-DUAL AIR TRAFFIC CONT (LIGHTS ONLY) (CUSTOMER FURNISHED)
FIGURE 52G

33-13-51-52G

BRI
JAN 20/09

33-13-51-52G
PAGE 0



757

PARTS CATALOG (MAINTENANCE)

FIG ITEM	PART NUMBER	1 2 3 4 5 6 7	NOMENCLATURE	EFFECT FROM TO	UNITS PER ASSY
52G			PANEL ASSY-DUAL AIR TRAFFIC CONT (LIGHTS ONLY) (CUSTOMER FURNISHED)	953999	
- 1	622-8974-314		PANEL ASSY-DUAL AIR TRAFFIC CONT (LIGHTS ONLY) (CUSTOMER FURNISHED) SUPPLIER CODE: V4V792 ELECTRICAL EQUIP NUMBER: M10140 COMPONENT MAINT MANUAL REF: 34-40-78 FOR NHA/OTHER SYS DET SEE: 34-53-02-01	953999	RF
50	262-1337-020		.LAMP-INCANDESCENT SUPPLIER CODE: V58774 CONFIG CHG DATA FROM A CMM: SUPERSEDES CM713AS15 SUPSD BY LTX715AS15 MISCELLANEOUS DATA: ROCKWELL COLLINS SPEC 262-1337-020 IS REF NO. FOR MS90451-6832AS15	953999	2
50	LTX715AS15		.LAMP-INCANDESCENT SUPPLIER CODE: V61342 SB DATA FROM A CMM: POST TTC-920G-34-7 CONFIG CHG DATA FROM A CMM: SUPERSEDES 262-1337-020 MISCELLANEOUS DATA: ROCKWELL COLLINS SPEC 262-1095-000	953999	2

MISSING ITEM NUMBERS NOT APPLICABLE

- ITEM NOT ILLUSTRATED

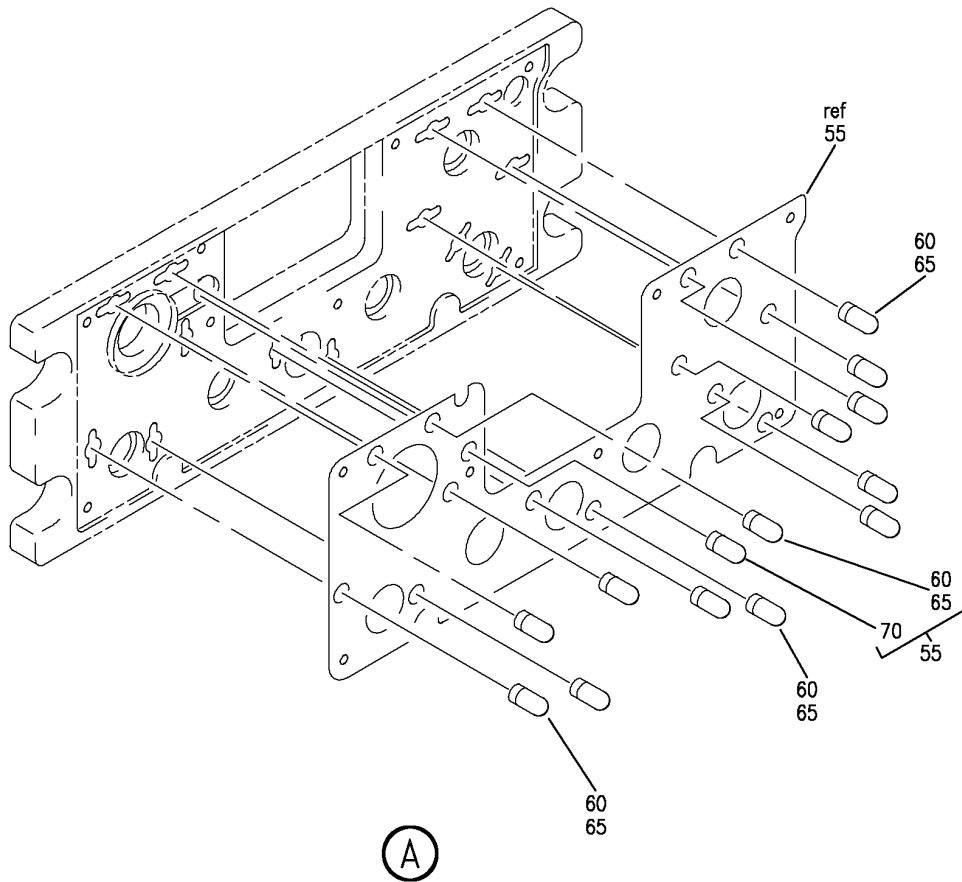
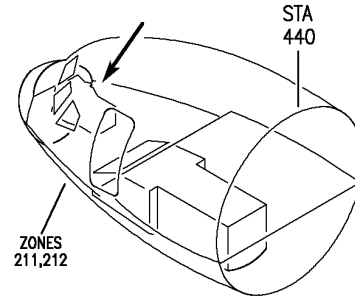
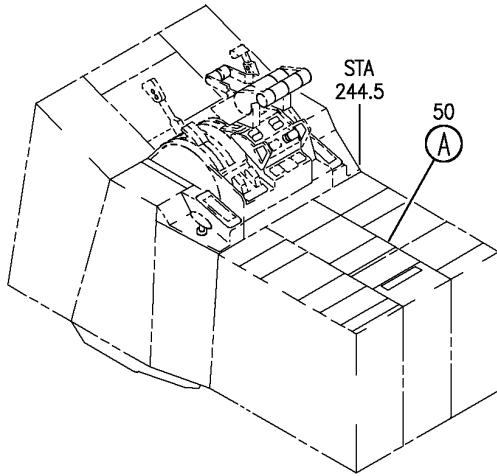
33-13-51-52G

33-13-51
FIG. 52G
PAGE 1
JAN 20/09

BRI

BOEING PROPRIETARY - Copyright © - Unpublished Work - See title page for details.

BOEING
757
PARTS CATALOG (MAINTENANCE)



Y 33135152K REV 258

PANEL ASSY-DUAL AIR TRAFFIC CONT (LIGHTS ONLY)
FIGURE 52K

33-13-51-52K

BRI
JAN 20/09

33-13-51-52K
PAGE 0



757

PARTS CATALOG (MAINTENANCE)

FIG ITEM	PART NUMBER	1 2 3 4 5 6 7	NOMENCLATURE	EFFECT FROM TO	UNITS PER ASSY
52K			PANEL ASSY-DUAL AIR TRAFFIC CONT (LIGHTS ONLY)	950951	
- 5	071-01503-1501		PANEL ASSY-DUAL AIR TRAFFIC CONT (LIGHTS ONLY (CUSTOMER FURNISHED)) SUPPLIER CODE: V97896 FUNCTIONAL DESCRIPTION: ALLOWS FLIGHT CREW TO SELECT ATC TRANSPONDER IDENT CODE TO FACILITATE GROUND TRACKING OF ACFT POSITION. ELECTRICAL EQUIP NUMBER: M10140 COMPONENT MAINT MANUAL REF: 34-45-22 FOR NHA/OTHER SYS DET SEE: 34-53-02-01	950951	RF
50	200-04936-0011		.PANEL ASSY-BROWN 28V ATC LAMP SUPPLIER CODE: V27914	950951	RF
55	200-08179-0004		..BOARD ASSY-LIGHTING SUPPLIER CODE: V27914	950951	1
60	0L6832AS15		...LAMP- SUPPLIER CODE: V27914	950951	10
70	0L8552AS15		...LAMP- SUPPLIER CODE: V27914	950951	1

MISSING ITEM NUMBERS NOT APPLICABLE

- ITEM NOT ILLUSTRATED

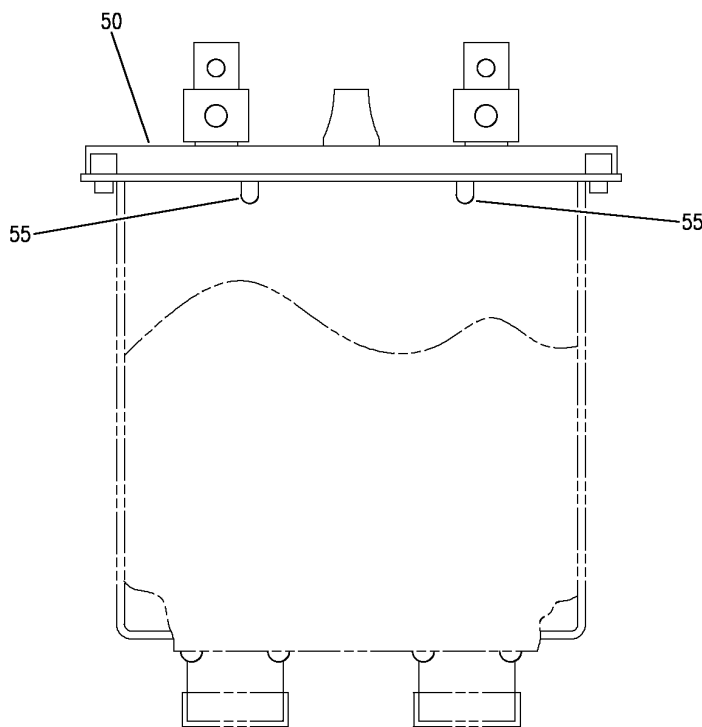
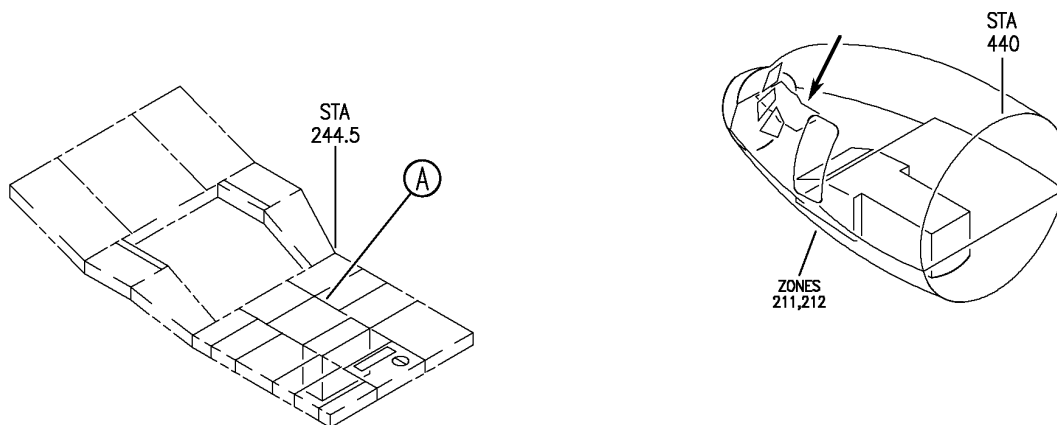
33-13-51-52K

33-13-51
FIG. 52K
PAGE 1
JAN 20/09

BRI

BOEING PROPRIETARY - Copyright © - Unpublished Work - See title page for details.

BOEING
757
PARTS CATALOG (MAINTENANCE)



(A)

Y 33135152L REV 258

PANEL ASSY-DUAL AIR TRAFFIC CONT (LIGHTS ONLY)
FIGURE 52L

33-13-51-52L

BRI
JAN 20/09

33-13-51-52L
PAGE 0



757

PARTS CATALOG (MAINTENANCE)

FIG ITEM	PART NUMBER	1 2 3 4 5 6 7	NOMENCLATURE	EFFECT FROM TO	UNITS PER ASSY
52L			PANEL ASSY-DUAL AIR TRAFFIC CONT (LIGHTS ONLY)	952952	
- 1	622-8594-001		PANEL ASSY-DUAL AIR TRAFFIC CONT (LIGHTS ONLY) (CUSTOMER FURNISHED) SUPPLIER CODE: V4V792 ELECTRICAL EQUIP NUMBER: M10140 COMPONENT MAINT MANUAL REF: 34-50-76 FOR NHA/OTHER SYS DET SEE: 34-53-02-01	952952	RF
50	754-0564-001		.PANEL ASSY-LT BROWN SUPPLIER CODE: V4V792 CONFIG CHG DATA FROM A CMM: SUPSD BY 754-0564-004	952952	1
50	754-0564-004		.PANEL ASSY-LT BROWN SUPPLIER CODE: V4V792 CONFIG CHG DATA FROM A CMM: SUPSD BY 754-0564-001	952952	1
55	LT715PORM15PCT		..LAMP-INCANDESCENT SUPPLIER CODE: V61342 CONFIG CHG DATA FROM A CMM: SUPSD BY 713AS10	952952	2
55	LT715PORM15PCT		..LAMP-INCANDESCENT SUPPLIER CODE: V61342 CONFIG CHG DATA FROM A CMM: SUPSDS LT715PORM15PCT	952952	2

MISSING ITEM NUMBERS NOT APPLICABLE

- ITEM NOT ILLUSTRATED

33-13-51-52L

33-13-51
FIG. 52L
PAGE 1
JAN 20/09

BRI

BOEING PROPRIETARY - Copyright © - Unpublished Work - See title page for details.

 **BOEING**
757
PARTS CATALOG (MAINTENANCE)

NON-ILLUSTRATED FIGURE

THE ITEMS REFLECTED IN THIS FIGURE ARE INTENTIONALLY
NON-ILLUSTRATED. THEY ARE REFERENCED TO EITHER A
NEXT HIGHER OR NEXT LOWER ASSEMBLY/INSTALLATION FIGURE.

Y 33135152M REV 259

PANEL ASSY-DUAL AIR TRAFFIC CONT (LIGHTS ONLY)
FIGURE 52M

33-13-51-52M

BRI
JAN 20/09

33-13-51-52M
PAGE 0



757

PARTS CATALOG (MAINTENANCE)

FIG ITEM	PART NUMBER	1 2 3 4 5 6 7	NOMENCLATURE	EFFECT FROM TO	UNITS PER ASSY
52M					
- 10	G6990-24		PANEL ASSY-DUAL AIR TRAFFIC CONT (LIGHTS ONLY)	504903	
			PANEL ASSY-DUAL AIR TRAFFIC CONT (LIGHTS ONLY)	504903	RF
			SUPPLIER CODE: V99837		
			ELECTRICAL EQUIP NUMBER: M10140		
			COMPONENT MAINT MANUAL REF: 34-50-20		
			FOR NHA/OTHER SYS DET SEE: 34-53-02-02		
- 50	247-0072		LAMP-	504903	RF
			SUPPLIER CODE: V99837		

MISSING ITEM NUMBERS NOT APPLICABLE

- ITEM NOT ILLUSTRATED

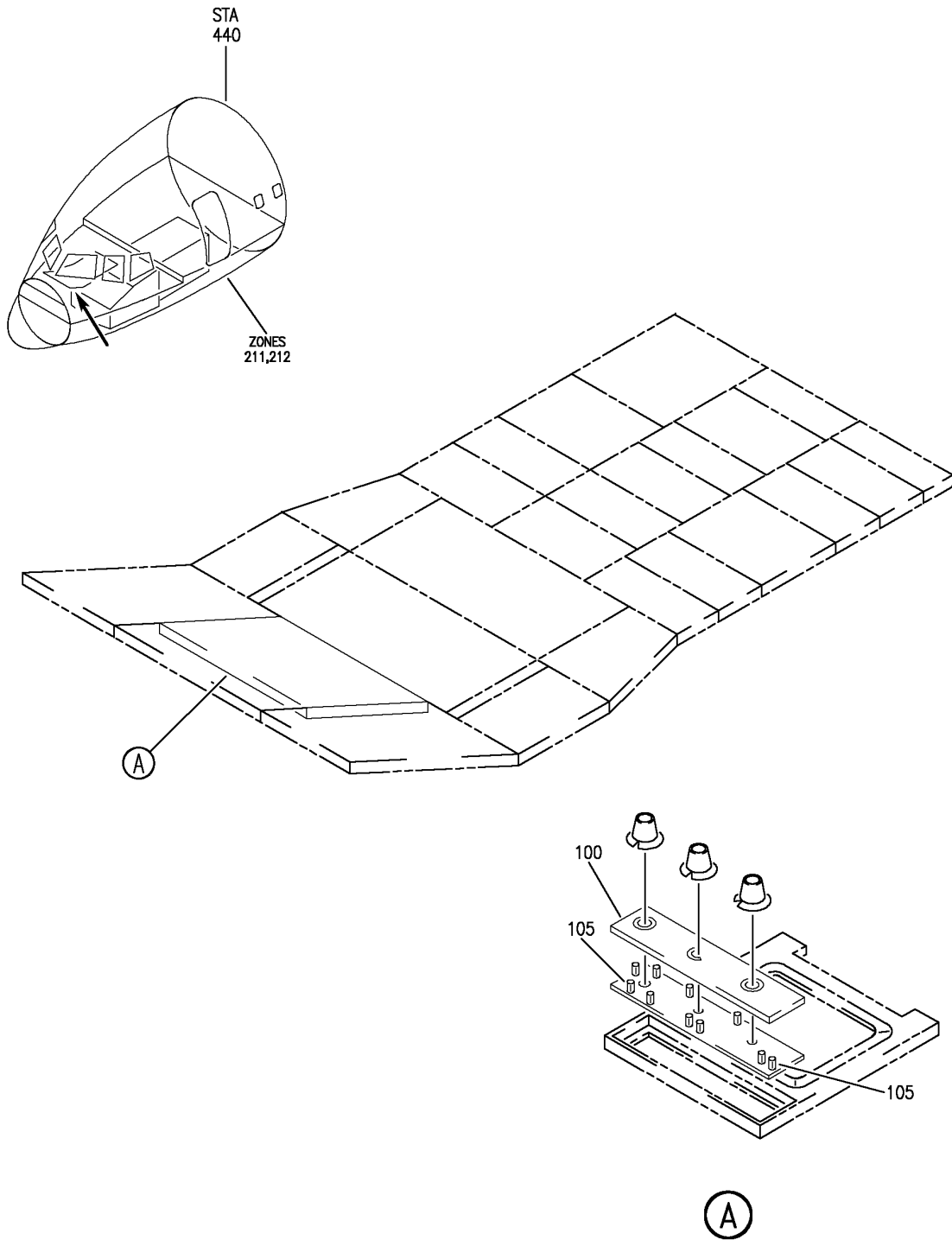
33-13-51-52M

33-13-51
FIG. 52M
PAGE 1
JAN 20/09

BRI

BOEING PROPRIETARY - Copyright © - Unpublished Work - See title page for details.

BOEING
757
PARTS CATALOG (MAINTENANCE)



Y 33135152N REV 259

PANEL-WEATHER RDR IND (LIGHTS ONLY)
FIGURE 52N

33-13-51-52N

BRI
JAN 20/09

33-13-51-52N
PAGE 0



757

PARTS CATALOG (MAINTENANCE)

FIG ITEM	PART NUMBER	1 2 3 4 5 6 7	NOMENCLATURE	EFFECT FROM TO	UNITS PER ASSY
52N			PANEL-WEATHER RDR IND (LIGHTS ONLY)	107107 950951	
- 90	2041222-0403		PANEL-WEATHER RDR IND (CUSTOMER FURNISHED) SUPPLIER CODE: V97896 SPECIFICATION NUMBER: S220T109-301 ELECTRICAL EQUIP NUMBER: N00110 COMPONENT MAINT MANUAL REF: 34-41-22 PRE SERVICE BULLETIN: 34-0394 FOR NHA/OTHER SYS DET SEE: 34-43-02-01	107107	RF
- 90	2041222-2454		PANEL-WEATHER RDR IND (CUSTOMER FURNISHED) SUPPLIER CODE: V27914 ELECTRICAL EQUIP NUMBER: N00110 COMPONENT MAINT MANUAL REF: 34-41-23 FOR NHA/OTHER SYS DET SEE: 34-43-02-01	950951	RF
100	8051917-0015		.PANEL-LIGHT SUPPLIER CODE: V27914	950951	1
105	6832AS15		.LAMP- SUPPLIER CODE: V71744 CONFIG CHG DATA FROM A CMM: 21010-0014 27914	107107 950951	AR

MISSING ITEM NUMBERS NOT APPLICABLE

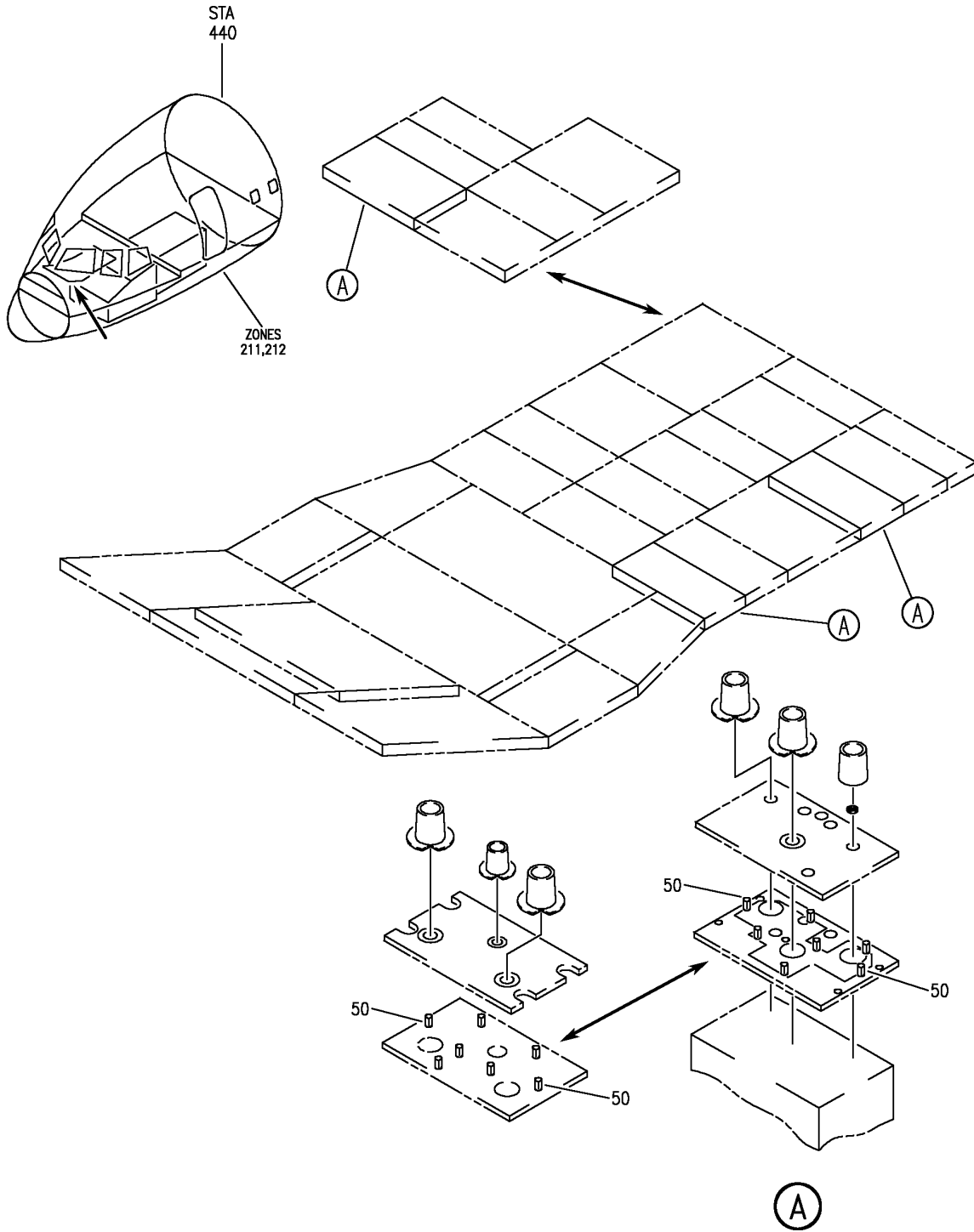
- ITEM NOT ILLUSTRATED

33-13-51-52N

33-13-51
FIG. 52N
PAGE 1
JAN 20/09

BRI

BOEING
757
PARTS CATALOG (MAINTENANCE)



Y 33135152P REV 261

PANEL-WEATHER RDR CONT (LIGHTS ONLY)
FIGURE 52P

33-13-51-52P

BRI
MAY 28/07

33-13-51-52P
PAGE 0



757

PARTS CATALOG (MAINTENANCE)

FIG ITEM	PART NUMBER	1 2 3 4 5 6 7	NOMENCLATURE	EFFECT FROM TO	UNITS PER ASSY
52P			PANEL-WEATHER RDR CONT (LIGHTS ONLY)	002004 006102 107107 121951 504903	
- 1	2041220-0411		PANEL-WEATHER RDR CONT (LIGHTS ONLY (CUSTOMER FURNISHED)) SUPPLIER CODE: V97896 ELECTRICAL EQUIP NUMBER: M00075 COMPONENT MAINT MANUAL REF: 34-41-12 FOR NHA/OTHER SYS DET SEE: 34-43-02-02		RF
- 5	2041220-0412		PANEL-WEATHER RDR CONT (LIGHTS ONLY (CUSTOMER FURNISHED)) SUPPLIER CODE: V97896 FUNCTIONAL DESCRIPTION: ALLOWS FLIGHT CREW TO SELECT OPERATIONAL MODE, GAIN, AND ANTENNA TILT ANGLE FOR THE WEATHER RADAR SYSTEM ELECTRICAL EQUIP NUMBER: M00075 COMPONENT MAINT MANUAL REF: 34-41-12 FOR NHA/OTHER SYS DET SEE: 34-43-02-01	950951	RF
- 5	2041223-0402		PANEL-WEATHER RDR CONT (LIGHTS ONLY) SUPPLIER CODE: V97896 SPECIFICATION NUMBER: S220T109-401 ELECTRICAL EQUIP NUMBER: M00075 COMPONENT MAINT MANUAL REF: 34-41-12 PRE SERVICE BULLETIN: 34-0394 FOR NHA/OTHER SYS DET SEE: 34-43-02-01	107107	RF

MISSING ITEM NUMBERS NOT APPLICABLE

- ITEM NOT ILLUSTRATED

33-13-51-52P

33-13-51
FIG. 52P
PAGE 1
JAN 20/09

BRI



757

PARTS CATALOG (MAINTENANCE)

FIG ITEM	PART NUMBER	1 2 3 4 5 6 7	NOMENCLATURE	EFFECT FROM TO	UNITS PER ASSY
52P - 5	2041223-0402		PANEL-WEATHER RDR CONT (LIGHTS ONLY (CUSTOMER FURNISHED)) SUPPLIER CODE: V97896 SPECIFICATION NUMBER: S220T109-401 ELECTRICAL EQUIP NUMBER: M00075 COMPONENT MAINT MANUAL REF: 34-41-12 PRE SERVICE BULLETIN: 34-0394R1 FOR NHA/OTHER SYS DET SEE: 34-43-02-01 34-43-02-02	002004 006102	RF
- 5	2041223-0418		PANEL-WEATHER RDR CONT (LIGHTS ONLY) SUPPLIER CODE: V97896 FUNCTIONAL DESCRIPTION: ALLOWS FLIGHT CREW TO SELECT OPERATIONAL MODE, GAIN, AND ANTENNA TILT ANGLE FOR THE WEATHER RADAR SYSTEM. COMPONENT MAINT MANUAL REF: 34-41-12 POST SERVICE BULLETIN: 34-0394 34-0394B1 FOR NHA/OTHER SYS DET SEE: 34-43-02-01	009009 107107	RF
- 10	2041223-0402		PANEL-WEATHER RDR CONT (LIGHTS ONLY (CUSTOMER FURNISHED)) SUPPLIER CODE: V97896 SPECIFICATION NUMBER: S220T109-401 ELECTRICAL EQUIP NUMBER: M00075 COMPONENT MAINT MANUAL REF: 34-41-12 FOR NHA/OTHER SYS DET SEE: 34-43-02-01	121503 904949	RF

MISSING ITEM NUMBERS NOT APPLICABLE

- ITEM NOT ILLUSTRATED

33-13-51-52P

33-13-51
FIG. 52P
PAGE 2
JAN 20/09

BRI



757

PARTS CATALOG (MAINTENANCE)

FIG ITEM	PART NUMBER	1 2 3 4 5 6 7	NOMENCLATURE	EFFECT FROM TO	UNITS PER ASSY
52P 50	6832A515		.LAMP- SUPPLIER CODE: V71744 MISCELLANEOUS DATA: HONEYWELL PART NO. 21010-0014	002004 006102 107107 121951	7

MISSING ITEM NUMBERS NOT APPLICABLE

- ITEM NOT ILLUSTRATED

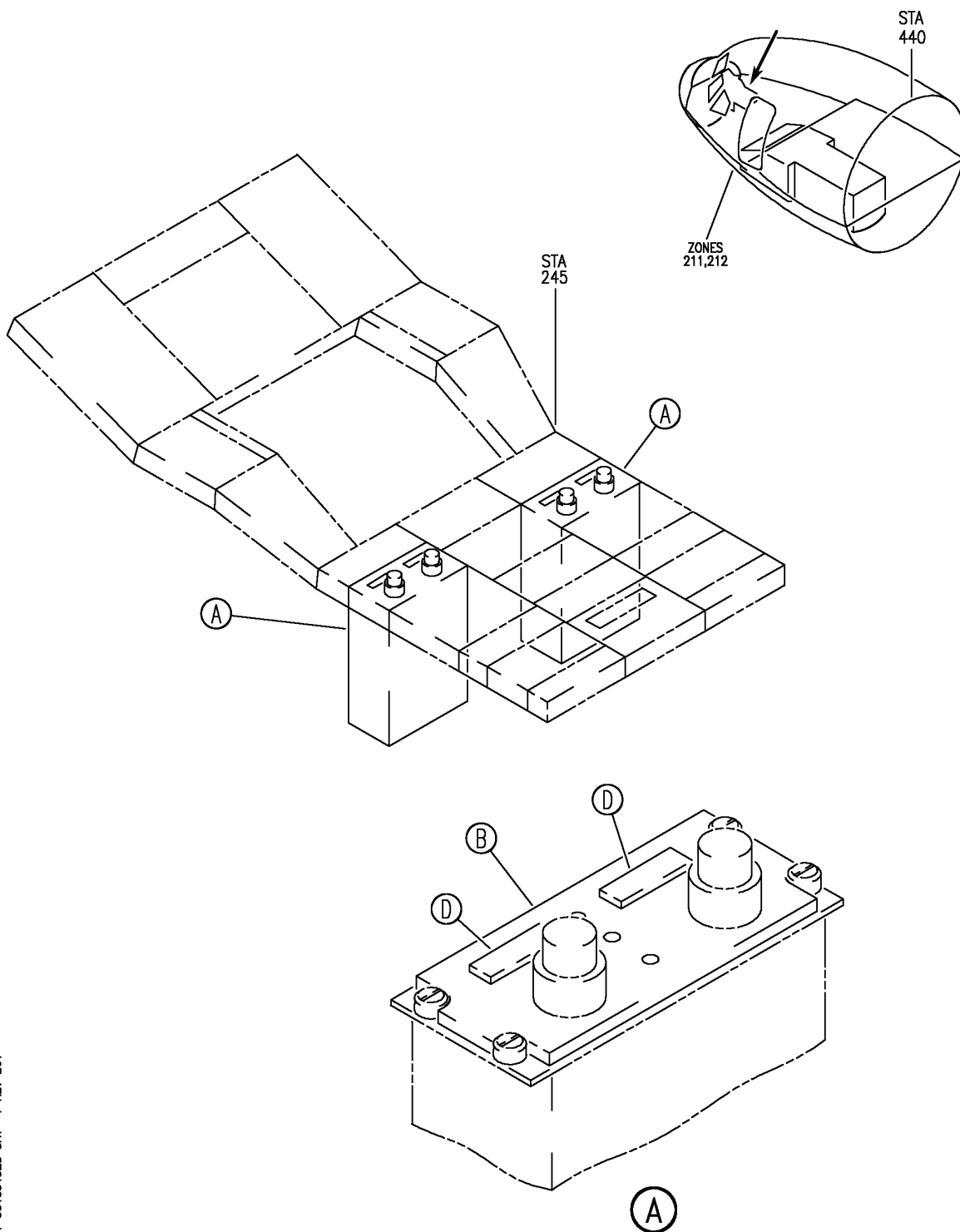
BRI

33-13-51-52P

BOEING PROPRIETARY - Copyright © - Unpublished Work - See title page for details.

33-13-51
FIG. 52P
PAGE 3
JAN 20/09

BOEING
757
PARTS CATALOG (MAINTENANCE)



Y 33135152S SHT 1 REV 261

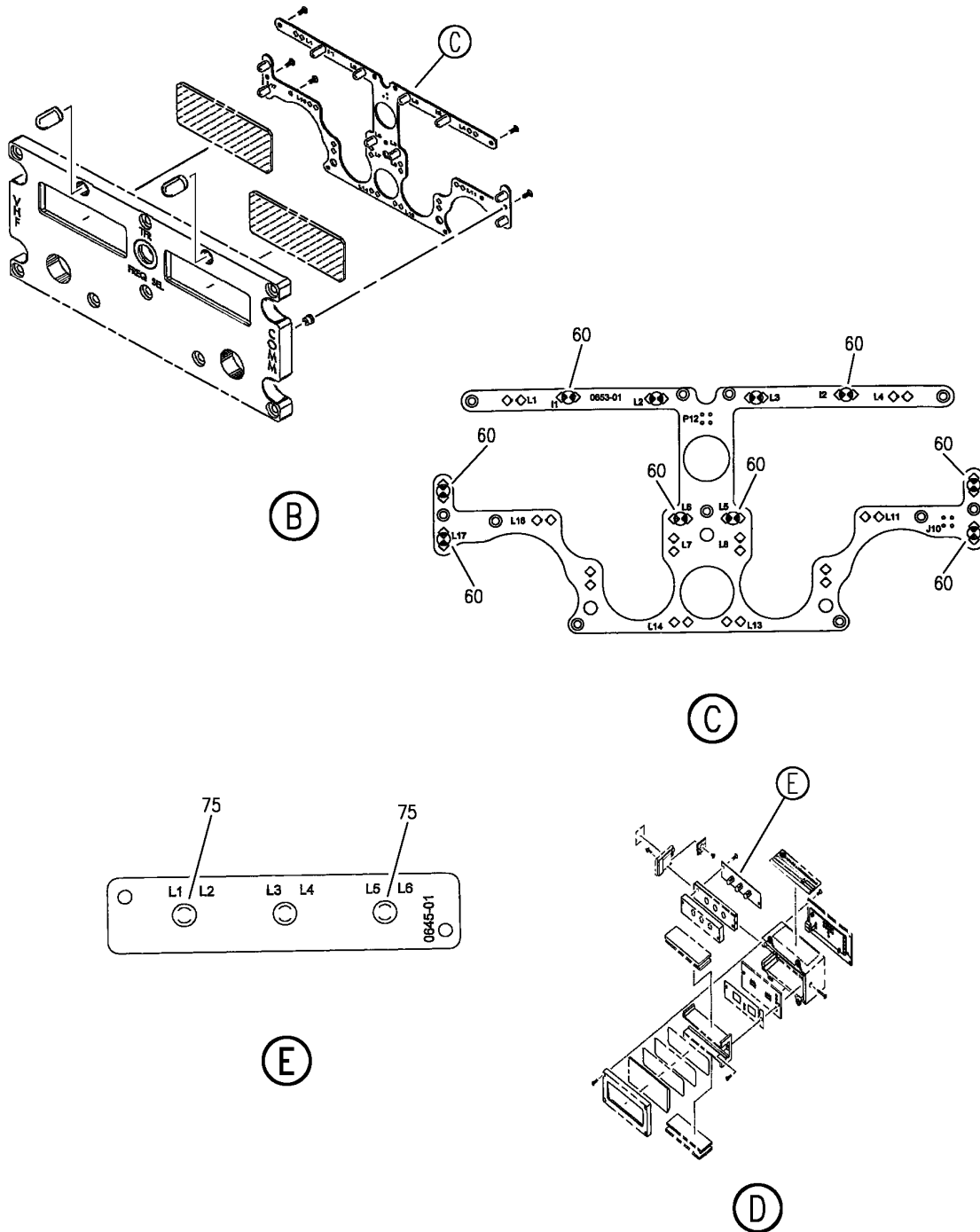
PANEL ASSY-VHF COMM CONT (LIGHTS ONLY (CUSTOMER FURNISHED))
FIGURE 52S (SHEET 1)

33-13-51-52S

BRI
MAY 28/07

33-13-51-52S
PAGE 0

BOEING
757
PARTS CATALOG (MAINTENANCE)



Y 33135152S SHT 2 REV 261

PANEL ASSY-VHF COMM CONT (LIGHTS ONLY (CUSTOMER FURNISHED))
FIGURE 52S (SHEET 2)

33-13-51-52S

BRI
MAY 28/07

33-13-51-52S
PAGE 0A



757

PARTS CATALOG (MAINTENANCE)

FIG ITEM	PART NUMBER	1 2 3 4 5 6 7	NOMENCLATURE	EFFECT FROM TO	UNITS PER ASSY
52S			PANEL ASSY-VHF COMM CONT (LIGHTS ONLY (CUSTOMER FURNISHED))	101102 108120	
- 1	G7400-27		PANEL ASSY-VHF COMM CONT (LIGHTS ONLY (CUSTOMER FURNISHED)) SUPPLIER CODE: V99837 ELECTRICAL EQUIP NUMBER: M00078 COMPONENT MAINT MANUAL REF: 23-10-28 QUALIFIED I/W DATA: G7400-01 I/W G7400-27 BUT -27 HAS EXPANDED CHANNEL (8.33 MHZ) CAPABILITY FOR NHA/OTHER SYS DET SEE: 23-12-02-03	101102 108120	RF
- 5	G7400-27		PANEL ASSY-VHF COMM CONT (LIGHTS ONLY (CUSTOMER FURNISHED)) SUPPLIER CODE: V99837 ELECTRICAL EQUIP NUMBER: M00079 COMPONENT MAINT MANUAL REF: 23-10-28 QUALIFIED I/W DATA: G7400-01 I/W G7400-27 BUT -27 HAS EXPANDED CHANNEL (8.33 MHZ) CAPABILITY FOR NHA/OTHER SYS DET SEE: 23-12-02-03	101102 108120	RF
- 50	700B42155C		.PLASTIC ASSY-FRONT SUPPLIER CODE: V99837	101102 108120	RF
- 55	701-0653-04		..BOARD ASSY-PC SUPPLIER CODE: V99837	101102 108120	RF
60	247-0051		...LAMP- SUPPLIER CODE: V31869	101102 108120	10
- 65	700D41465-001		.LCD ASSY- SUPPLIER CODE: V99837	101102 108120	RF

MISSING ITEM NUMBERS NOT APPLICABLE

- ITEM NOT ILLUSTRATED

33-13-51-52S

33-13-51
FIG. 52S
PAGE 1
JAN 20/09

BRI

BOEING PROPRIETARY - Copyright © - Unpublished Work - See title page for details.



757

PARTS CATALOG (MAINTENANCE)

FIG ITEM	PART NUMBER	1 2 3 4 5 6 7	NOMENCLATURE	EFFECT FROM TO	UNITS PER ASSY
52S - 70	701-0645-01		.. BOARD ASSY-PC SUPPLIER CODE: V99837	101102 108120	RF
75	247-0115		... LAMP- SUPPLIER CODE: V31869	101102 108120	3

MISSING ITEM NUMBERS NOT APPLICABLE

- ITEM NOT ILLUSTRATED

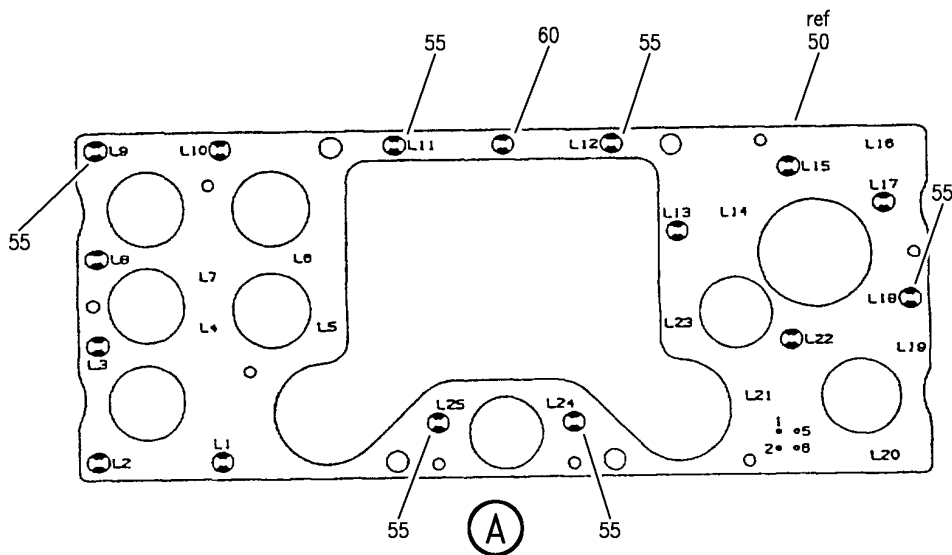
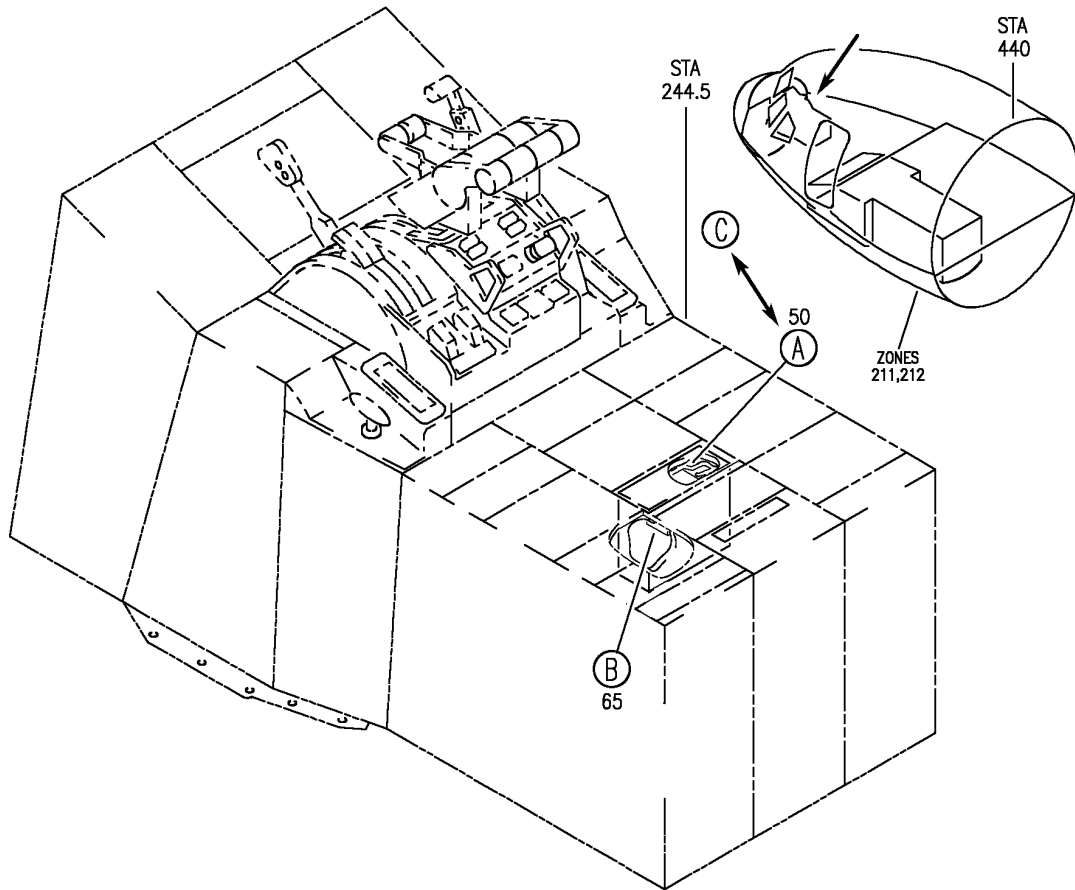
BRI

33-13-51-52S

BOEING PROPRIETARY - Copyright © - Unpublished Work - See title page for details.

33-13-51
FIG. 52S
PAGE 2
JAN 20/09

BOEING
757
PARTS CATALOG (MAINTENANCE)



Y 33135152U SHT 1 REV 307

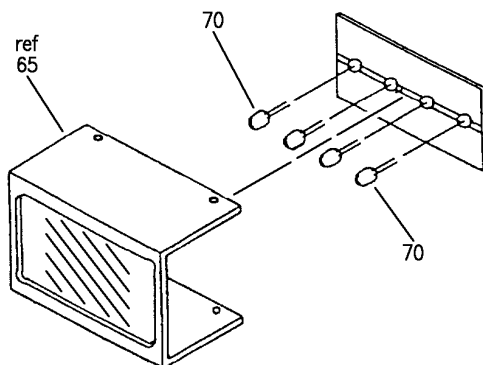
PANEL ASSY-DUAL AIR TRAFFIC CONT (LIGHTS ONLY)
FIGURE 52U (SHEET 1)

33-13-51-52U

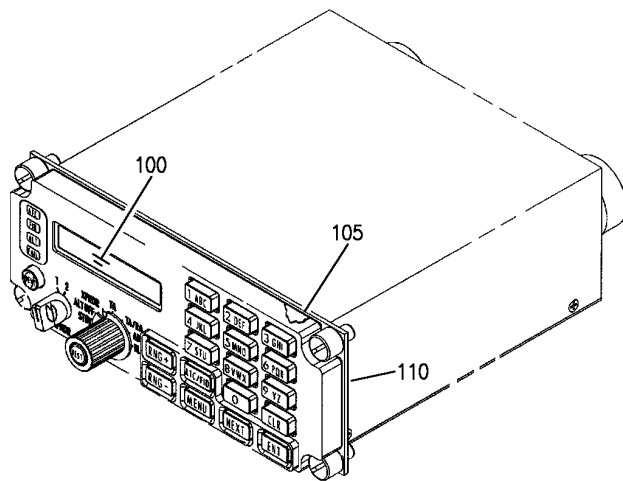
BRI
MAY 28/07

33-13-51-52U
PAGE 0

BOEING
757
PARTS CATALOG (MAINTENANCE)



(B)



(C)

Y 33135152U SHT 2 REV 307

PANEL ASSY-DUAL AIR TRAFFIC CONT (LIGHTS ONLY)
FIGURE 52U (SHEET 2)

33-13-51-52U

BRI
MAY 28/07

33-13-51-52U
PAGE 0A



757

PARTS CATALOG (MAINTENANCE)

FIG ITEM	PART NUMBER	1 2 3 4 5 6 7	NOMENCLATURE	EFFECT FROM TO	UNITS PER ASSY
52U			PANEL ASSY-DUAL AIR TRAFFIC CONT (LIGHTS ONLY)	002004 006106 108120	
- 1	G6992-12		PANEL ASSY-DUAL AIR TRAFFIC CONT (LIGHTS ONLY (CUSTOMER FURNISHED)) SUPPLIER CODE: V99837 FUNCTIONAL DESCRIPTION: PROVIDES SELECTION OF A 4-DIGIT REPLY CODE FOR ONE OR TWO ATC/MODE S TRANSPONDER ENABLES TRANSPONDER AND TCAS TO BE SET TO TEST STANDBY TRANSPONDER ONLY FULL TCAS OR TRAFFIC ADVISORY ONLY MODE OF OPERATION ELECTRICAL EQUIP NUMBER: M10140 COMPONENT MAINT MANUAL REF: 34-50-22 PRE AIRLINE MOD: ST02126CH VILF FOR NHA/OTHER SYS DET SEE: 34-53-02-02	103106 108120	RF

MISSING ITEM NUMBERS NOT APPLICABLE

- ITEM NOT ILLUSTRATED

BRI

33-13-51-52U

BOEING PROPRIETARY - Copyright © - Unpublished Work - See title page for details.

33-13-51
FIG. 52U
PAGE 1
JAN 20/09



**757
PARTS CATALOG (MAINTENANCE)**

FIG ITEM	PART NUMBER	1 2 3 4 5 6 7	NOMENCLATURE	EFFECT FROM TO	UNITS PER ASSY
52U - 10	G6992-12		PANEL ASSY-DUAL AIR TRAFFIC CONT (LIGHTS ONLY (CUSTOMER FURNISHED)) SUPPLIER CODE: V99837 FUNCTIONAL DESCRIPTION: PROVIDES SELECTION OF A 4-DIGIT REPLY CODE FOR ONE OR TWO ATC/MODE S TRANSPONDER ENABLES TRANSPONDER AND TCAS TO BE SET TO TEST STANDBY TRANSPONDER ONLY FULL TCAS OR TRAFFIC ADVISORY ONLY MODE OF OPERATION ELECTRICAL EQUIP NUMBER: M10140 COMPONENT MAINT MANUAL REF: 34-50-22 POST RAPID REVISION: RR92034-1 FOR NHA/OTHER SYS DET SEE: 34-53-02-01 34-53-02-02	002004 006102	RF
50	701-0548-01		.BOARD ASSY- SUPPLIER CODE: V99837 USED ON: G6992-12	002004 006106 108120	RF
55	247-0051		..LAMP- SUPPLIER CODE: V61342	002004 006106 108120	15
60	247-0072		..LAMP- SUPPLIER CODE: V61342	002004 006106 108120	1
65	700C38603-003		.DISPLAY-CRYSTAL LIQUID SUPPLIER CODE: V99837 USED ON: G6992-12	002004 006106 108120	1
70	247-0074		..LAMP- SUPPLIER CODE: V61342	002004 006106 108120	4

MISSING ITEM NUMBERS NOT APPLICABLE

- ITEM NOT ILLUSTRATED

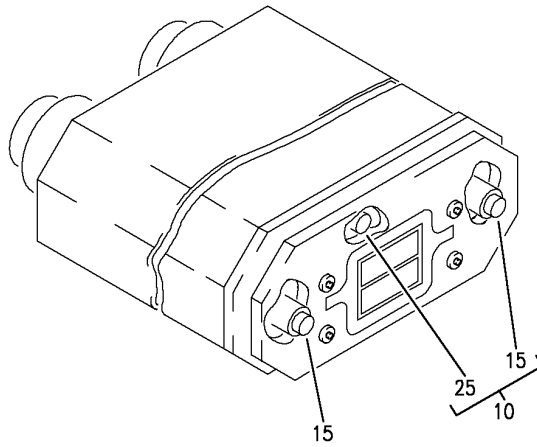
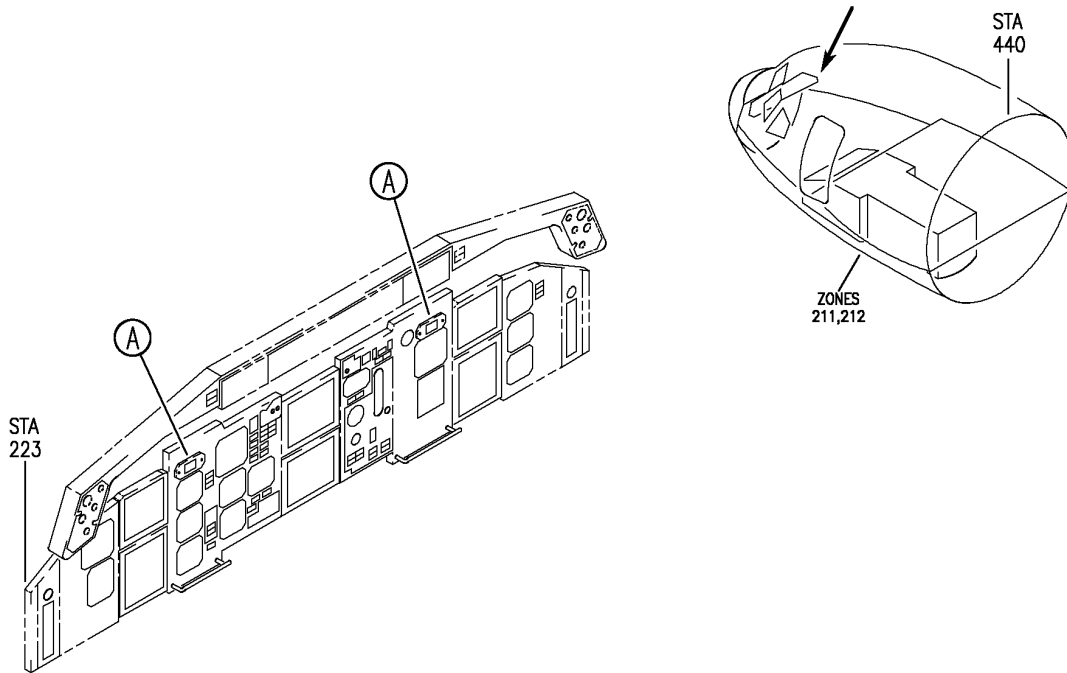
33-13-51-52U

33-13-51
FIG. 52U
PAGE 2
JAN 20/09

BRI

BOEING PROPRIETARY - Copyright © - Unpublished Work - See title page for details.

BOEING
757
PARTS CATALOG (MAINTENANCE)



(A)

Y 33135153 REV 258

INDICATOR ASSY-AUTOLAND STATUS (LIGHTS ONLY)
FIGURE 53

33-13-51-53

BRI
MAY 28/07

33-13-51-53
PAGE 0



757

PARTS CATALOG (MAINTENANCE)

FIG ITEM	PART NUMBER	1 2 3 4 5 6 7	NOMENCLATURE	EFFECT FROM TO	UNITS PER ASSY
53			INDICATOR ASSY-AUTOLAND STATUS (LIGHTS ONLY)	002004 006102 107999	
- 1	622-5374-002		INDICATOR ASSY-AUTOLAND STATUS (LIGHTS ONLY) SUPPLIER CODE: V4V792 SPECIFICATION NUMBER: S241T120-1 ELECTRICAL EQUIP NUMBER: N00070 N00071 COMPONENT MAINT MANUAL REF: 22-14-70 FOR NHA/OTHER SYS DET SEE: 22-14-01-01 22-14-01-02	002004 006100 107107 950999	RF
- 1	622-5374-002		INDICATOR ASSY-AUTOLAND STATUS (LIGHTS ONLY) SUPPLIER CODE: V4V792 SPECIFICATION NUMBER: S241T120-1 ELECTRICAL EQUIP NUMBER: N00070 COMPONENT MAINT MANUAL REF: 22-14-70	101102 108120	RF
- 1	622-5374-003		INDICATOR ASSY-AUTOLAND STATUS (LIGHTS ONLY) SUPPLIER CODE: V4V792 SPECIFICATION NUMBER: S241T120-2 ELECTRICAL EQUIP NUMBER: N00070 N00071 COMPONENT MAINT MANUAL REF: 22-14-70 FOR NHA/OTHER SYS DET SEE: 22-14-01-01 22-14-01-03	121949	RF

MISSING ITEM NUMBERS NOT APPLICABLE

- ITEM NOT ILLUSTRATED

33-13-51-53

33-13-51
FIG. 53
PAGE 1
JAN 20/09

BRI



757

PARTS CATALOG (MAINTENANCE)

FIG ITEM	PART NUMBER	1 2 3 4 5 6 7	NOMENCLATURE	EFFECT FROM TO	UNITS PER ASSY
53					
- 5	622-5374-002		INDICATOR ASSY-AUTOLAND STATUS (LIGHTS ONLY) SUPPLIER CODE: V4V792 SPECIFICATION NUMBER: S241T120-1 ELECTRICAL EQUIP NUMBER: N00071 COMPONENT MAINT MANUAL REF: 22-14-70 FOR NHA/OTHER SYS DET SEE: 22-14-01-03	101102 108120	RF
10	754-0511-001		.PANEL-EDGELIT SUPPLIER CODE: V13499	002004 006100 107107 950999	1
10	754-0511-001		.PANEL-EDGELIT SUPPLIER CODE: V13499	101102 108120	1
10	754-0511-002		.PANEL-EDGELIT SUPPLIER CODE: V13499	121949	1
15	G42-22		..FASTENER-COLLAR SUPPLIER CODE: V06097	002004 006102 107120 950999	2
15	G42-22		..FASTENER-COLLAR SUPPLIER CODE: V06097	121949	2
- 20	G42SCREWBROWN		ATTACHING PARTS ..FASTENER-CPTV SCR SUPPLIER CODE: V06097	002004 006102 107120 950999	2
- 20	G42SCREWBROWN		..FASTENER-CPTV SCR SUPPLIER CODE: V06097	121949	2
25	MS90451-7132		-----*----- ..LAMP	002004 006102 107120 950999	5
25	MS90451-7132		..LAMP	121949	5

MISSING ITEM NUMBERS NOT APPLICABLE

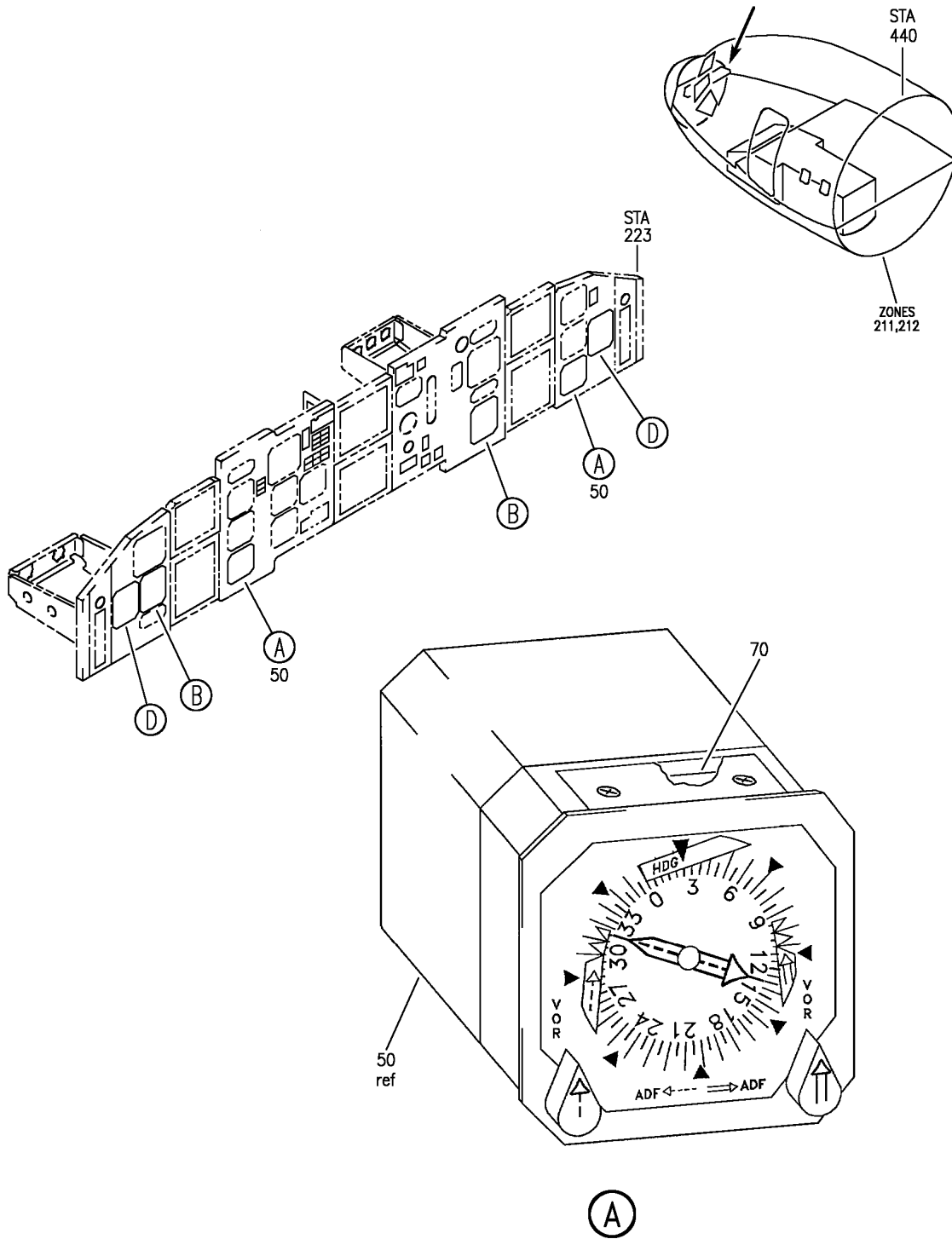
- ITEM NOT ILLUSTRATED

33-13-51-53

33-13-51
FIG. 53
PAGE 2
JAN 20/09

BRI

BOEING
757
PARTS CATALOG (MAINTENANCE)



Y 33135154 SHT 1 REV 285

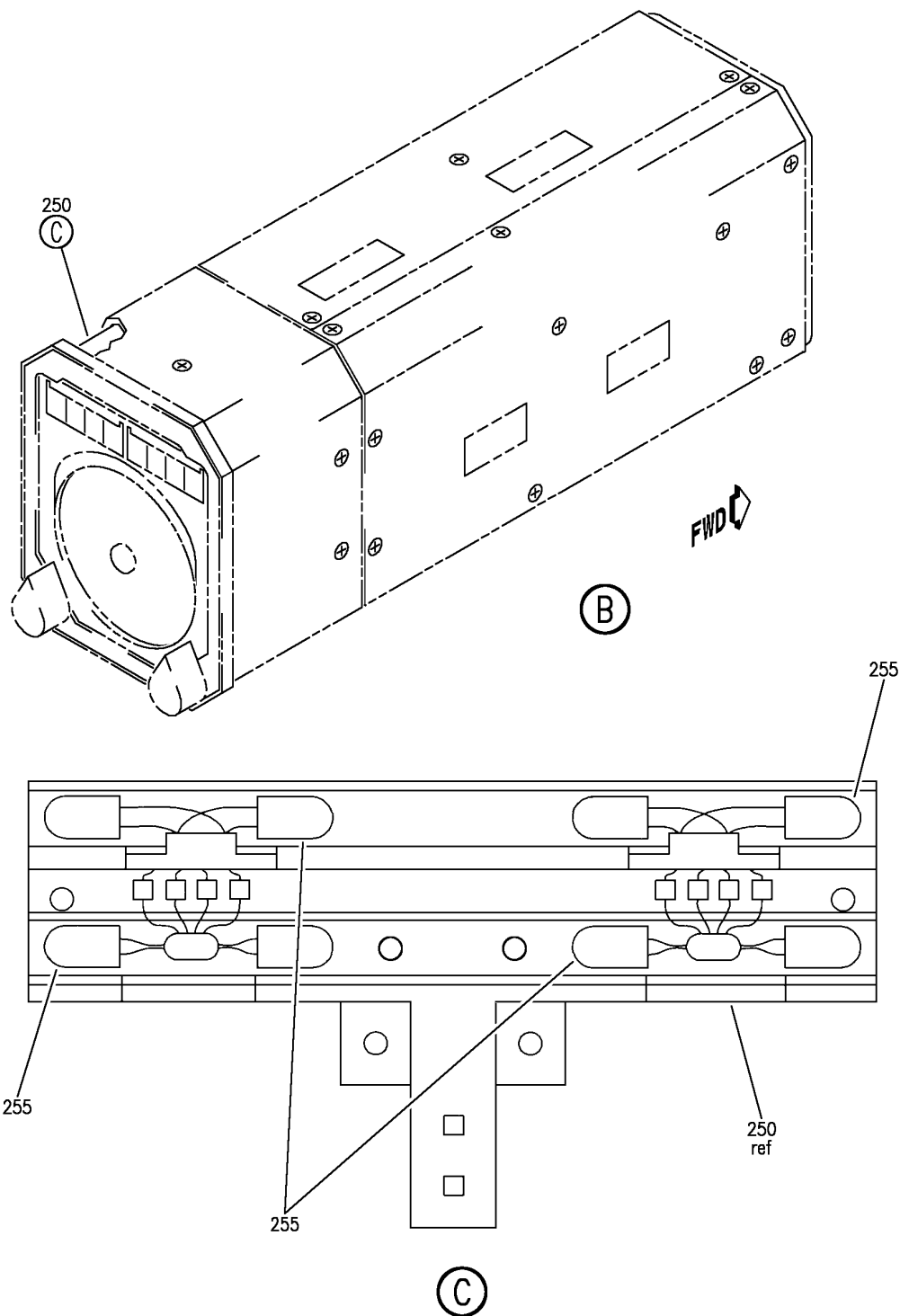
INDICATOR ASSY-DME/RAD (LIGHTS ONLY)
FIGURE 54 (SHEET 1)

33-13-51-54

BRI
MAY 28/07

33-13-51-54
PAGE 0

BOEING
757
PARTS CATALOG (MAINTENANCE)



Y 33135154 SH1 2 REV 285

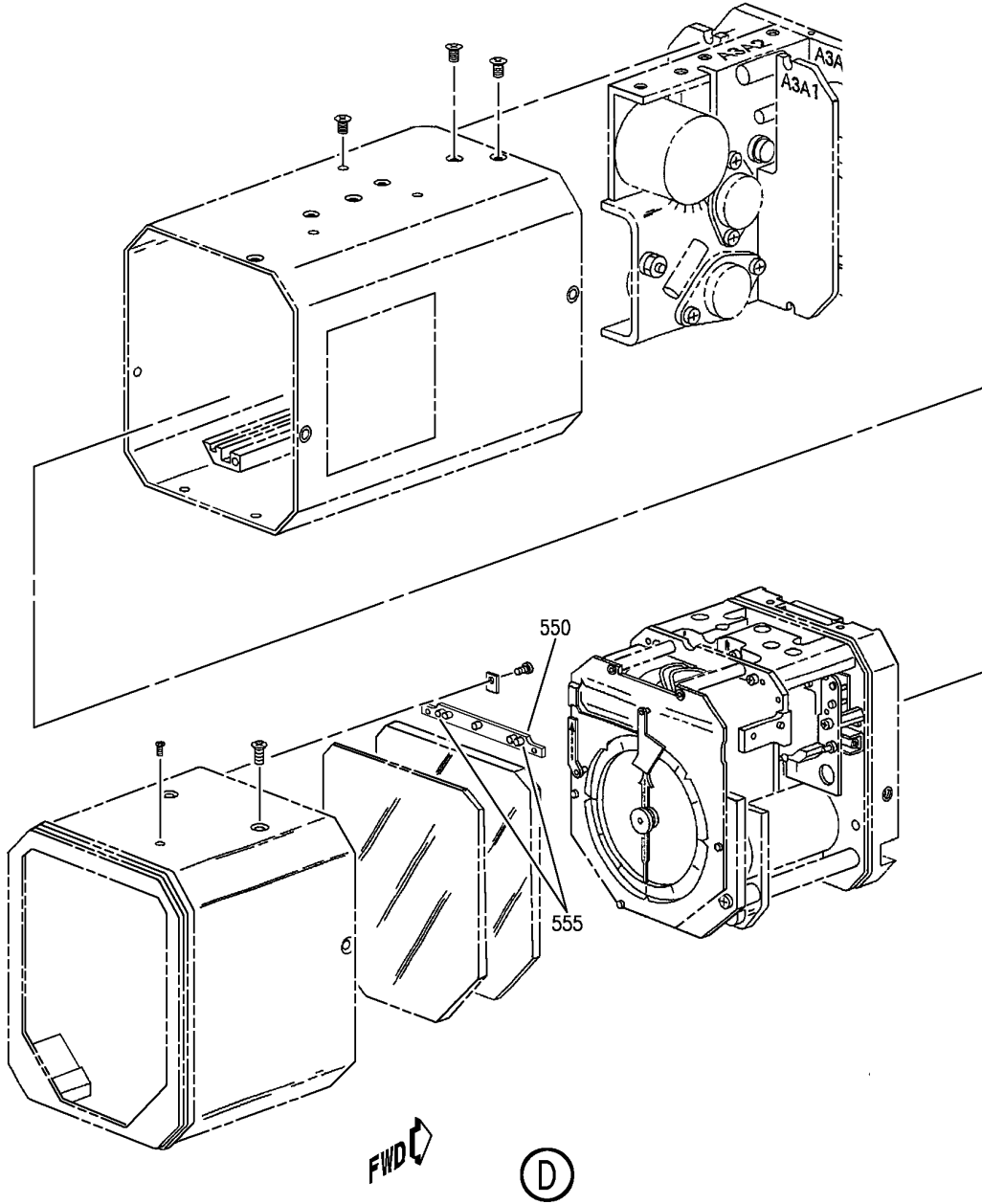
INDICATOR ASSY-DME/RAD (LIGHTS ONLY)
FIGURE 54 (SHEET 2)

33-13-51-54

BRI
MAY 28/07

33-13-51-54
PAGE 0A

BOEING
757
PARTS CATALOG (MAINTENANCE)



Y 33135154 SH1 3 REV 285

INDICATOR ASSY-DME/RAD (LIGHTS ONLY)
FIGURE 54 (SHEET 3)

33-13-51-54

BRI
MAY 28/07

33-13-51-54
PAGE 0B



757

PARTS CATALOG (MAINTENANCE)

FIG ITEM	PART NUMBER	1 2 3 4 5 6 7	NOMENCLATURE	EFFECT FROM TO	UNITS PER ASSY
54			INDICATOR ASSY-DME/RAD (LIGHTS ONLY)	002004 006999	
- 1	622-5002-203		INDICATOR ASSY-DME/RADIO (LIGHTS ONLY) SUPPLIER CODE: V4V792 SPECIFICATION NUMBER: S242T403-204 ELECTRICAL EQUIP NUMBER: N10024 N10026 COMPONENT MAINT MANUAL REF: 34-22-74 FOR NHA/OTHER SYS DET SEE: 34-22-05-01 34-22-05-01B	121949	RF
50	646-5267-001		.MODULE ASSY- SUPPLIER CODE: V13499 CONFIG CHG DATA FROM A CMM: SUPSD BY 646-5267-003	121949	1
50	646-5267-003		.MODULE ASSY- SUPPLIER CODE: V13499 CONFIG CHG DATA FROM A CMM: SUPSDS 646-5267-001	121949	1
- 60	330-1807-010		ATTACHING PARTS ..SCREW- SUPPLIER CODE: V56878 OPTIONAL PART: 646-5164-001 V4V792	121949	2
- 60	646-5164-001		..SCREW- SUPPLIER CODE: V4V792 OPTIONAL PART: 330-1807-010 V56878	121949	2
- 65	0022X022		..WASHER- SUPPLIER CODE: V20859	121949	2
70	LTX7153-0-15		-----*----- ..LAMP-INCAND SUPPLIER CODE: V58451 CONFIG CHG DATA FROM A CMM: SUPSD BY 7153	121949	4

MISSING ITEM NUMBERS NOT APPLICABLE

- ITEM NOT ILLUSTRATED

33-13-51-54

33-13-51
FIG. 54
PAGE 1
JAN 20/09

BRI



757

PARTS CATALOG (MAINTENANCE)

FIG ITEM	PART NUMBER	1 2 3 4 5 6 7	NOMENCLATURE	EFFECT FROM TO	UNITS PER ASSY
54	7153		.. LAMP-INCAND SUPPLIER CODE: V71744 CONFIG CHG DATA FROM A CMM: SUPSDS LTX7153-0-15	121949	4
- 200	622-5001-109		INDICATOR ASSY-DME/RADIO MAGNETIC (LIGHTS ONLY) SUPPLIER CODE: V4V792 SPECIFICATION NUMBER: S242T403-109 ELECTRICAL EQUIP NUMBER: N00003 N00043 COMPONENT MAINT MANUAL REF: 34-22-73 QUALIFIED I/W DATA: S242T403-107 (622-5001-107) RB S242T403-109 (622-5001-109) WITH THE INCORPORATION OF S/B 757-34-0018 AND VENDOR S/B (ROCKWELL COLLINS) RDM1 743-34-10 (R1) FOR NHA/OTHER SYS DET SEE: 34-22-05-01 34-22-05-01A 34-22-05-02	002004 006120 950999	RF
250	646-5218-001		.MODULE ASSY-LIGHTING SUPPLIER CODE: V4V792	002004 006120 950999	1
255	262-1285-060		.. LAMP- SUPPLIER CODE: V4V792 CONFIG CHG DATA FROM A CMM: SUPSD BY 7153	002004 006120 950999	8
255	7153		.. LAMP- SUPPLIER CODE: V71744 CONFIG CHG DATA FROM A CMM: SUPERSEDES 262-1285-060	002004 006120 950999	8

MISSING ITEM NUMBERS NOT APPLICABLE

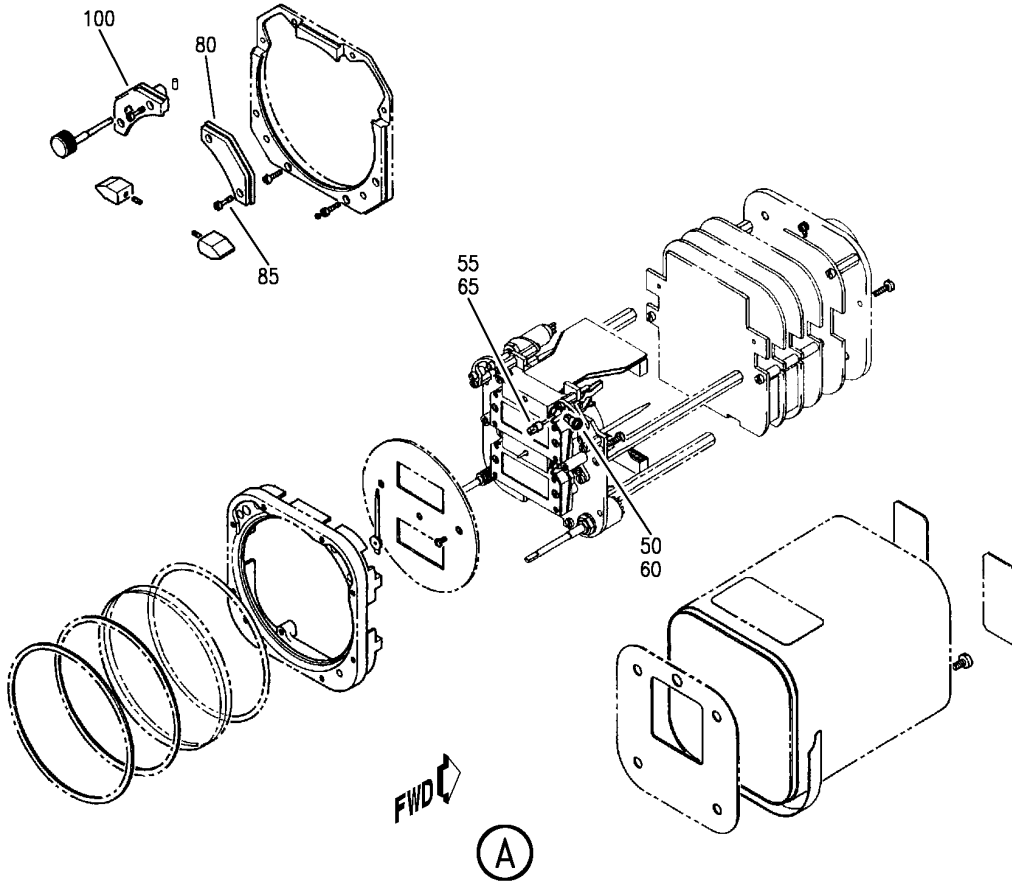
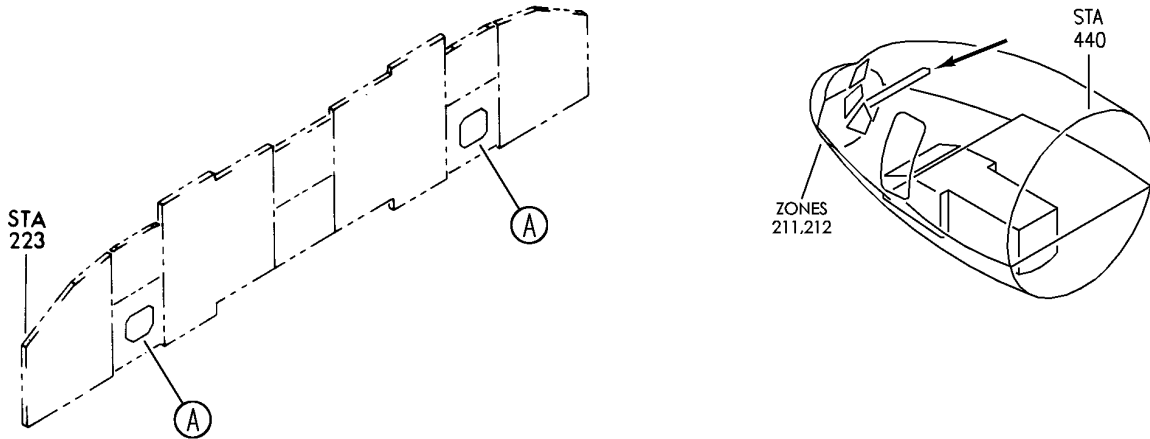
- ITEM NOT ILLUSTRATED

33-13-51-54

33-13-51
FIG. 54
PAGE 2
JAN 20/09

BRI

BOEING
757
PARTS CATALOG (MAINTENANCE)



Y 33135154A REV 259

CLOCK ASSY-GMT ELECTRONIC AND AIDS OUTPUT (LIGHTS ONLY)
FIGURE 54A

33-13-51-54A

BRI
MAY 28/07

33-13-51-54A
PAGE 0



757

PARTS CATALOG (MAINTENANCE)

FIG ITEM	PART NUMBER	1 2 3 4 5 6 7	NOMENCLATURE	EFFECT FROM TO	UNITS PER ASSY
54A			CLOCK ASSY-GMT ELECTRONIC AND AIDS OUTPUT (LIGHTS ONLY)	002004 107107 121503 904949 952952	
- 1	65806-002-1		CLOCK ASSY-GMT ELECTRONIC (LIGHTS ONLY) SUPPLIER CODE: VF0216 SPECIFICATION NUMBER: S231T120-1 COMPONENT MAINT MANUAL REF: 31-25-01 QUALIFIED I/W DATA: 2610-08-1(60B00303-107) I/W 65806-002-1(S231T120-1) IN SHIPSETS, FOR ALL FMC EXCEPT S242T102-451 WITH S/W PS4052970-95X, WHERE X CAN BE ANY VALUE, AND S242T102-455. FOR NHA SEE: 31-25-01-01	002004 107107 121503 904949 952952	RF
50	CM713		.LAMP-5V CLEAR SUPPLIER CODE: V71744	002004 107107 121503 904949 952952	4
55	OL718BPA		.LAMP-5V CLEAR SUPPLIER CODE: VS3774 OPTIONAL PART: CM7-7715 V71744	002004 107107 121503 904949 952952	4
55	CM7-7715		.LAMP-5V CLEAR SUPPLIER CODE: V71744 OPTIONAL PART: OL718BPA VS3774	002004 107107 121503 904949 952952	4
- 75	55806-752-1		ATTACHING PARTS .SCREW-CAPTIVE SUPPLIER CODE: VF0216 -----*-----	002004 107107 121503 904949 952952	2

MISSING ITEM NUMBERS NOT APPLICABLE

- ITEM NOT ILLUSTRATED

33-13-51-54A

33-13-51
FIG. 54A
PAGE 1
JAN 20/09

BRI



757

PARTS CATALOG (MAINTENANCE)

FIG ITEM	PART NUMBER	1 2 3 4 5 6 7	NOMENCLATURE	EFFECT FROM TO	UNITS PER ASSY
54A 80	55806-755-1		.PLATE-LAMP COVER SUPPLIER CODE: VF0216 POSITION DATA: RH ATTACHING PARTS	002004 107107 121503 904949 952952	1
85	55806-752-1		.SCREW-CAPTIVE SUPPLIER CODE: VF0216	002004 107107 121503 904949 952952	2
- 90	55806-765-1		-----*----- .PLATE ASSY-LAMP COVER SUPPLIER CODE: VF0216 POSITION DATA: LH ATTACHING PARTS	002004 107107 121503 904949 952952	1
- 95	55806-752-1		.SCREW-CAPTIVE SUPPLIER CODE: VF0216	002004 107107 121503 904949 952952	2
100	55806-770-1		-----*----- ..PLATE-LAMP COVER SUPPLIER CODE: VF0216	002004 107107 121503 904949 952952	1

MISSING ITEM NUMBERS NOT APPLICABLE

- ITEM NOT ILLUSTRATED

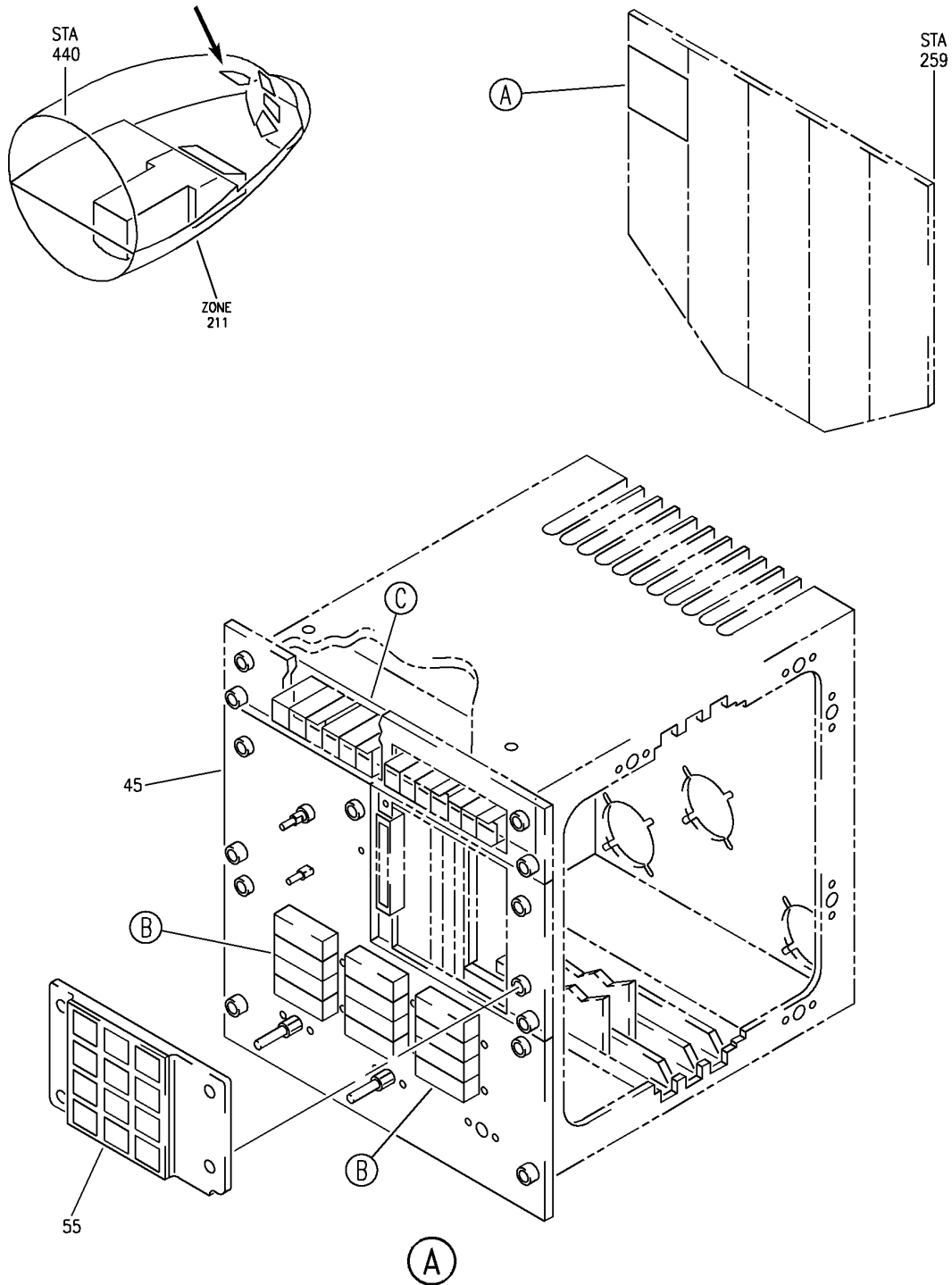
33-13-51-54A

33-13-51
FIG. 54A
PAGE 2
JAN 20/09

BRI

BOEING PROPRIETARY - Copyright © - Unpublished Work - See title page for details.

BOEING
757
PARTS CATALOG (MAINTENANCE)



Y 33135155 SHT 1 REV 297

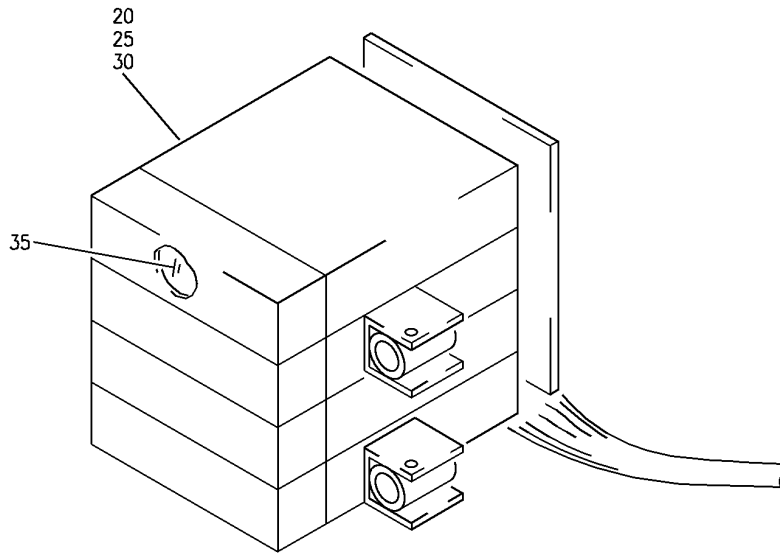
PANEL ASSY-INERTIAL REF (LIGHTS ONLY)
FIGURE 55 (SHEET 1)

33-13-51-55

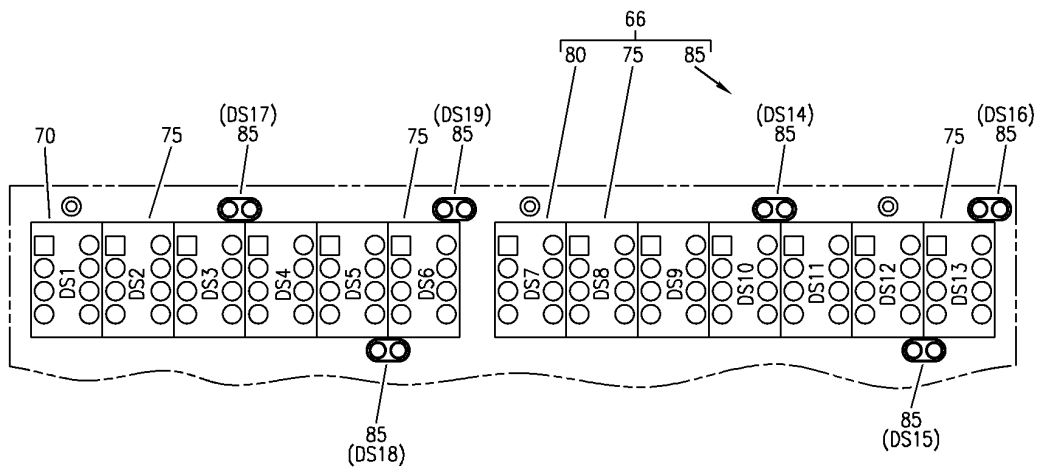
BRI
MAY 28/07

33-13-51-55
PAGE 0

BOEING
757
PARTS CATALOG (MAINTENANCE)



(B)



(C)

Y 33135155 SHT 2 REV 297

PANEL ASSY-INERTIAL REF (LIGHTS ONLY)
FIGURE 55 (SHEET 2)

33-13-51-55

BRI
MAY 28/07

33-13-51-55
PAGE 0A



757

PARTS CATALOG (MAINTENANCE)

FIG ITEM	PART NUMBER	1 2 3 4 5 6 7	NOMENCLATURE	EFFECT FROM TO	UNITS PER ASSY
55					
- 1	CG1093AD01		PANEL ASSY-INERTIAL REF (LIGHTS ONLY) PANEL ASSY-INERTIAL REF SYS (LIGHTS ONLY) SUPPLIER CODE: V94580 SPECIFICATION NUMBER: S242T101-203 ELECTRICAL EQUIP NUMBER: M00059 COMPONENT MAINT MANUAL REF: 34-21-21 QUALIFIED I/W DATA: CG1093AD01 I/W CG1093AC01 EXCEPT CG1093AD01 DISPLAYS IRU MAINTENANCE CODES AND THE TIME REMAINING IN ALIGNMENT CG1093AD01 I/W CG1093AD02 EXCEPT CG1093AD01 DISPLAYS IRU MAINTENANCE CODES AND THE TIME REMAINING IN ALIGNMENT S242T101-206/CG1093AD03 CAN REPLACE AND BE REPLACED BY S242T101-203/CG1093AD01 EXCEPT FOR NL001-NL999, NU701-NU999 FOR 757, AND VQ001-VQ999 FOR 767, WHERE S242T101-206/CG1093AD03 MUST BE USED. OPTIONAL PART: CG1093AC01 V94580 CG1093AD02 V94580 REWORKED BY SB: CG1093AD-34-05 V58960 REWORKED BY SERVICE LETTER: 34-68 FOR NHA/OTHER SYS DET SEE: 34-21-02-01	002004 006999 002004 006102 107999	RF

MISSING ITEM NUMBERS NOT APPLICABLE

- ITEM NOT ILLUSTRATED

33-13-51-55

33-13-51
 FIG. 55
 PAGE 1
 JAN 20/09

BRI



757

PARTS CATALOG (MAINTENANCE)

FIG ITEM	PART NUMBER	1 2 3 4 5 6 7	NOMENCLATURE	EFFECT FROM TO	UNITS PER ASSY
55 - 1	CG1093AD02		PANEL ASSY-INERTIAL REF SYS (LIGHTS ONLY) SUPPLIER CODE: V94580 SPECIFICATION NUMBER: S242T101-204 ELECTRICAL EQUIP NUMBER: M00059 COMPONENT MAINT MANUAL REF: 34-21-21 QUALIFIED I/W DATA: CG1093AD01 I/W CG1093AD02 EXCEPT CG1093AD01 DISPLAYS IRU MAINTENANCE CODES AND THE TIME REMAINING IN ALIGNMENT OPTIONAL PART: CG1093AD01 V94580 FOR NHA/OTHER SYS DET SEE: 34-21-02-01	107107 121503 904949	RF

MISSING ITEM NUMBERS NOT APPLICABLE

- ITEM NOT ILLUSTRATED

BRI

33-13-51-55

BOEING PROPRIETARY - Copyright © - Unpublished Work - See title page for details.

33-13-51
FIG. 55
PAGE 2
JAN 20/09



757

PARTS CATALOG (MAINTENANCE)

FIG ITEM	PART NUMBER	1 2 3 4 5 6 7	NOMENCLATURE	EFFECT FROM TO	UNITS PER ASSY
55 - 1	CG1093AD03		PANEL ASSY-INERTIAL REF SYS (LIGHTS ONLY) SUPPLIER CODE: V65507 FUNCTIONAL DESCRIPTION: PROVIDES MODE CONTROL, SYSTEM STATUS, INITIALIZATION CAPABILITIES AND DATA DISPLAY FOR THREE INERTIAL REFERENCE UNITS SPECIFICATION NUMBER: S242T101-206 ELECTRICAL EQUIP NUMBER: M00059 COMPONENT MAINT MANUAL REF: 34-21-21 QUALIFIED I/W DATA: S242T101-206/CG1093AD03 CAN REPLACE AND BE REPLACED BY S242T101-203/CG1093AD01 EXCEPT FOR NL001-NL999, NU701-NU999 FOR 757, AND VQ001-VQ999 FOR 767, WHERE S242T101-206/CG1093AD03 MUST BE USED. FOR NHA/OTHER SYS DET SEE: 34-21-02-01	103106	RF

MISSING ITEM NUMBERS NOT APPLICABLE

- ITEM NOT ILLUSTRATED

33-13-51-55

33-13-51
FIG. 55
PAGE 3
JAN 20/09

BRI



757

PARTS CATALOG (MAINTENANCE)

FIG ITEM	PART NUMBER	1 2 3 4 5 6 7	NOMENCLATURE	EFFECT FROM TO	UNITS PER ASSY
55 - 1	CG1093AC01		PANEL ASSY-INERTIAL REF SYS SUPPLIER CODE: V94580 SPECIFICATION NUMBER: S242T101-202 ELECTRICAL EQUIP NUMBER: M00059 COMPONENT MAINT MANUAL REF: 34-21-08 QUALIFIED I/W DATA: CG1093AD01 I/W CG1093AC01 EXCEPT CG1093AD01 DISPLAYS IRU MAINTENANCE CODES AND THE TIME REMAINING IN ALIGNMENT OPTIONAL PART: CG1093AD01 V94580 FOR NHA/OTHER SYS DET SEE: 34-21-02-01	107107 121503 904949	RF
20	10089761-103	.	SWITCH ASSY-ANNUNCIATOR AND MODE SUPPLIER CODE: V94580	002004 006102 107999	RF
20	10089761-106	.	SWITCH ASSY-ANNUNCIATOR AND MODE SUPPLIER CODE: V94580	103106	RF
25	10089761-102	.	SWITCH ASSY-ANNUNCIATOR AND MODE SUPPLIER CODE: V94580	002004 006102 107999	RF
25	10089761-105	.	SWITCH ASSY-ANNUNCIATOR AND MODE SUPPLIER CODE: V94580	103106	RF
30	10089761-101	.	SWITCH ASSY-ANNUNCIATOR AND MODE SUPPLIER CODE: V94580	002004 006102 107999	RF
30	10089761-104	.	SWITCH ASSY-ANNUNCIATOR AND MODE SUPPLIER CODE: V94580	103106	RF

MISSING ITEM NUMBERS NOT APPLICABLE

- ITEM NOT ILLUSTRATED

33-13-51-55

33-13-51
FIG. 55
PAGE 4
JAN 20/09

BRI



757

PARTS CATALOG (MAINTENANCE)

FIG ITEM	PART NUMBER	1 2 3 4 5 6 7	NOMENCLATURE	EFFECT FROM TO	UNITS PER ASSY
55					
35	MS904516832AS15	..	LAMP- SUPPLIER CODE: V58774 CONFIG CHG DATA FROM A CMM: SUPSD BY OL387 OPTIONAL PART: MS25237-387 OL387 V58774	002004 006999	AR
35	OL387	..	LAMP- SUPPLIER CODE: V58744 CONFIG CHG DATA FROM A CMM: SUPERSEDES MS904516832AS15 OPTIONAL PART: MS904516832AS15 V58744 MS25237-387	002004 006999	AR
35	MS25237-387	..	LAMP- OPTIONAL PART: MS904516832AS15 V58774 OL387 V58774	002004 006999	AR
45	10074413-101	.	PANEL-LIGHTPLATE SUPPLIER CODE: V94580	002004 006999	1
- 50	OL6832AS15TPL	..	LAMP- SUPPLIER CODE: V58774 MISCELLANEOUS DATA: HONEYWELL PART NO. 26003212-104	002004 006999	AR
55	10075907-101	.	PANEL-KEYBOARD SUPPLIER CODE: V81590 OPTIONAL PART: 26014688-101 V51896	002004 006999	RF
55	26014688-101	.	PANEL-KEYBOARD SUPPLIER CODE: V51896 MISCELLANEOUS DATA: HONEYWELL PART NO. 26014688-101 OPTIONAL PART: 10075907-101 V51896	002004 006999	RF

MISSING ITEM NUMBERS NOT APPLICABLE

- ITEM NOT ILLUSTRATED

BRI

33-13-51-55

BOEING PROPRIETARY - Copyright © - Unpublished Work - See title page for details.

33-13-51
FIG. 55
PAGE 5
JAN 20/09



**757
PARTS CATALOG (MAINTENANCE)**

FIG ITEM	PART NUMBER	1 2 3 4 5 6 7	NOMENCLATURE	EFFECT FROM TO	UNITS PER ASSY
55 - 60	ML2022AS15TPL	..	LAMP- SUPPLIER CODE: V9Y219 MISCELLANEOUS DATA: HONEYWELL PART NO. 26009255-101 OPTIONAL PART: OL6832AS15TPL V58774 2022AS15TPL V55335 USED WITH: 10075907-101	002004 006999	AR
- 60	2022AS15TPL	..	LAMP- SUPPLIER CODE: V55335 OPTIONAL PART: OL6832AS15TPL V58774 ML2022AS15TPL V9Y219	002004 006999	AR
- 60	OL6832AS15TPL	..	LAMP- SUPPLIER CODE: V58774 MISCELLANEOUS DATA: HONEYWELL PART NO. 26003212-104 OPTIONAL PART: ML2022AS15TPL V9Y219 2022AS15TPL V55335 USED WITH: 26014688-101	002004 006999	AR
66	10080629-101	.	CARD ASSY-CKT, PREAMPLIFIER ESDS SUPPLIER CODE: V94580	002004 006999	RF
70	KW104SNS	.	LAMP- DS1 SUPPLIER CODE: V58774 MISCELLANEOUS DATA: HONEYWELL PART NO. 10074510-102	002004 006999	1

MISSING ITEM NUMBERS NOT APPLICABLE

- ITEM NOT ILLUSTRATED

33-13-51-55

33-13-51
FIG. 55
PAGE 6
JAN 20/09

BRI



757

PARTS CATALOG (MAINTENANCE)

FIG ITEM	PART NUMBER	1 2 3 4 5 6 7	NOMENCLATURE	EFFECT FROM TO	UNITS PER ASSY
55 75	KW104S		.. DISPLAY- DS2, DS3, DS4, DS5, DS6, DS8, DS9, DS10, DS11, DS12, DS13 SUPPLIER CODE: VS3774 MISCELLANEOUS DATA: HONEYWELL PART NO. 10076923-101	002004 006999	11
80	KW104SEW		.. LAMP- DS7 SUPPLIER CODE: V58774 MISCELLANEOUS DATA: HONEYWELL PART NO. 10074510-101	002004 006999	1
85	10076885-103		.. LAMP- DS14 THRU DS19 SUPPLIER CODE: V58774 MISCELLANEOUS DATA: HONEYWELL PART NO. 10076885-103 OPTIONAL PART: OL2405BPGPLAS15 V58774	002004 006999	6
85	OL2405BPGPLAS15		.. LAMP- DS14 THRU DS19 SUPPLIER CODE: V58774 MISCELLANEOUS DATA: HONEYWELL PART NO. 10076885-103 OPTIONAL PART: 10076885-103 V58774	002004 006999	6

MISSING ITEM NUMBERS NOT APPLICABLE

- ITEM NOT ILLUSTRATED

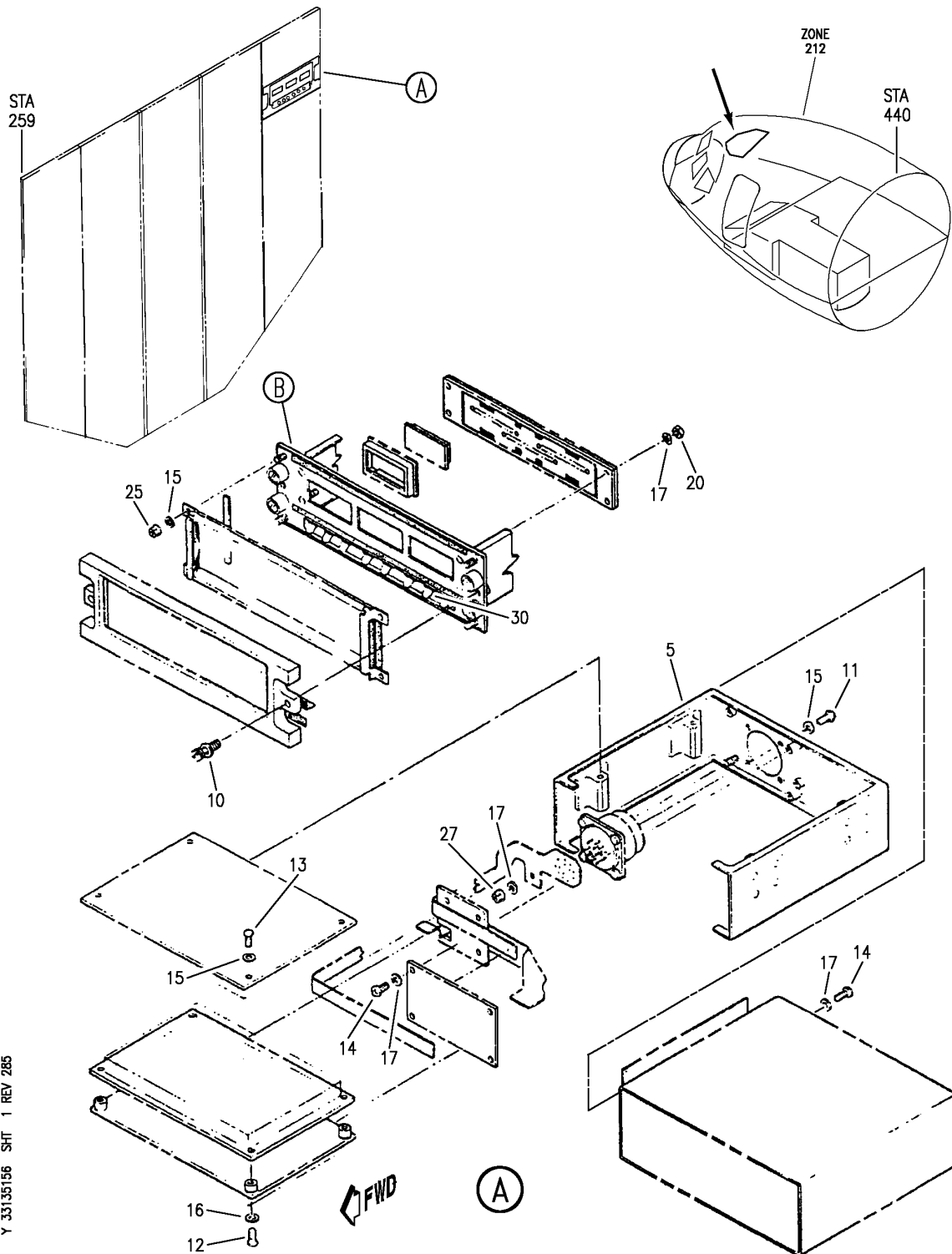
33-13-51-55

33-13-51
FIG. 55
PAGE 7
JAN 20/09

BRI

BOEING PROPRIETARY - Copyright © - Unpublished Work - See title page for details.

BOEING
757
PARTS CATALOG (MAINTENANCE)



Y 33135156 SHT 1 REV 285

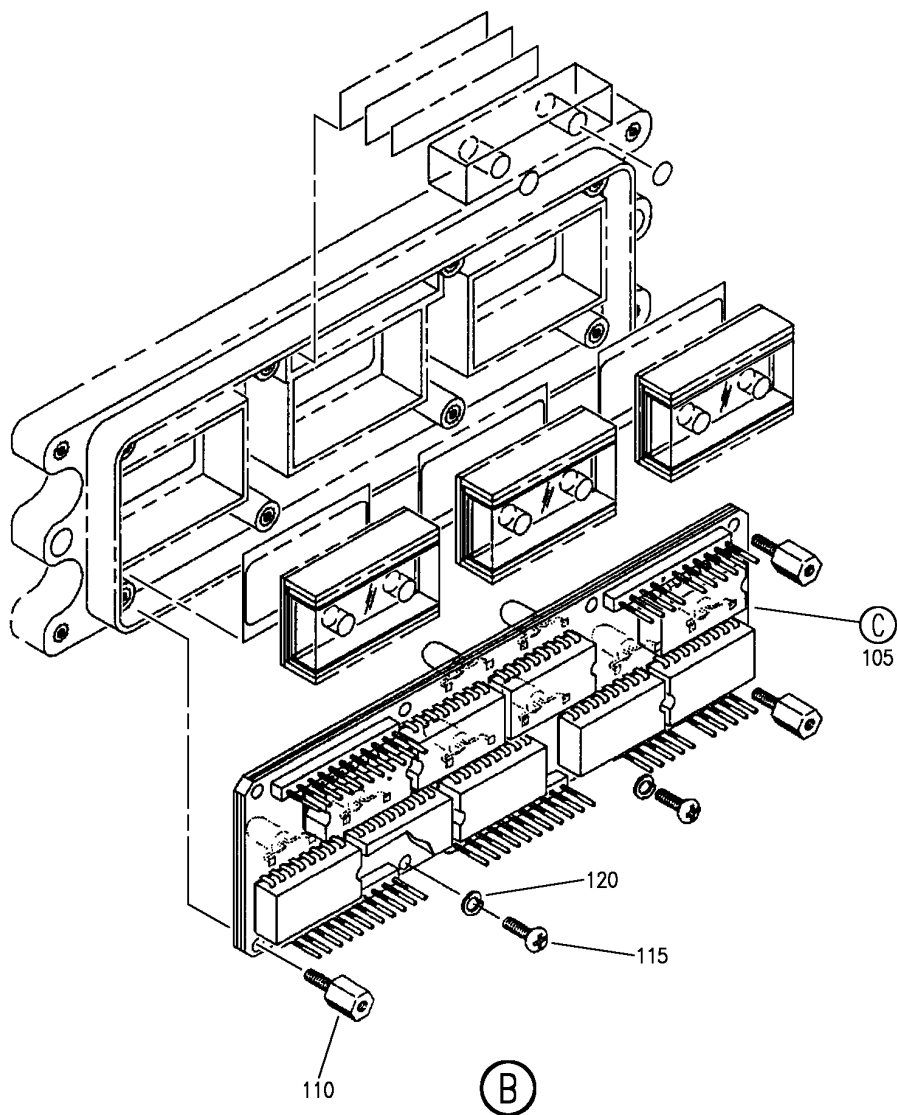
INDICATOR ASSY-COMPT TEMP (LIGHTS ONLY)
FIGURE 56 (SHEET 1)

33-13-51-56

BRI
MAY 28/07

33-13-51-56
PAGE 0

BOEING
757
PARTS CATALOG (MAINTENANCE)



Y 33135156 SH1 2 REV 285

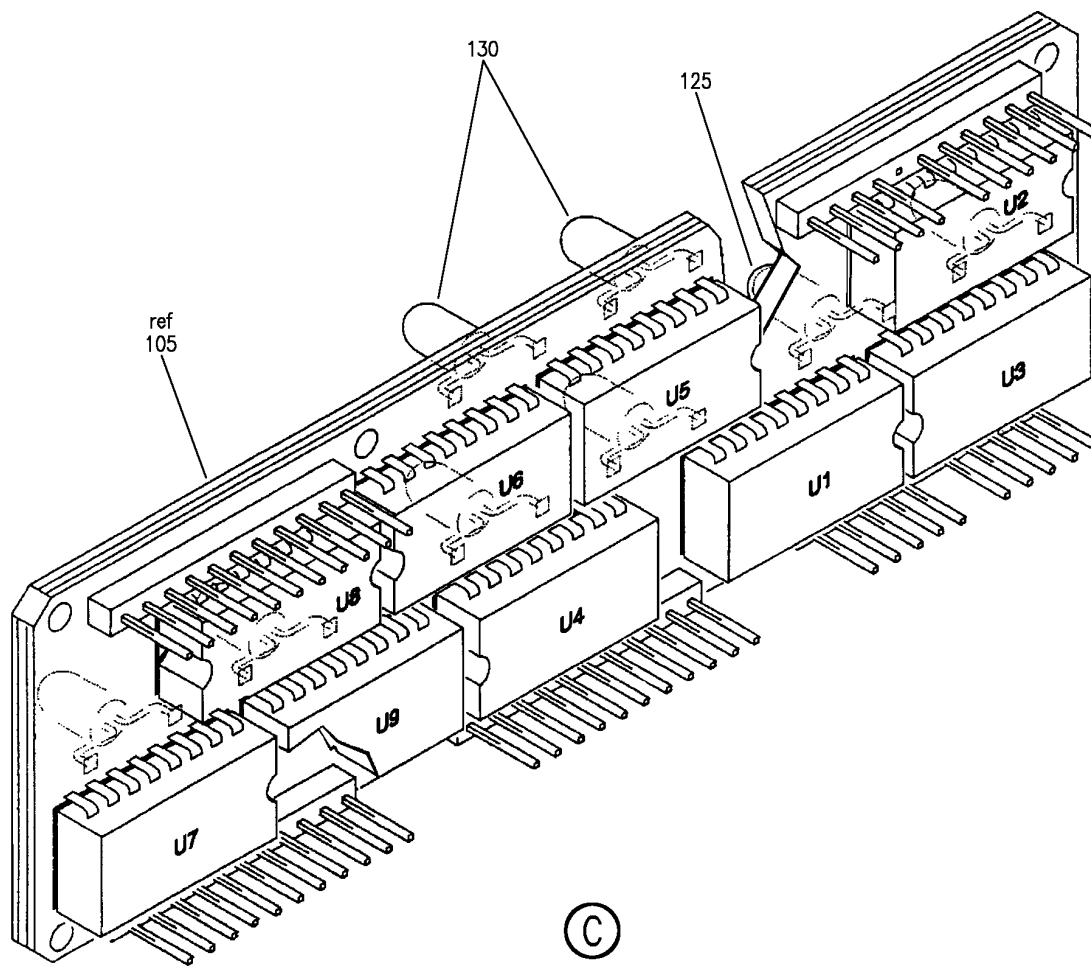
INDICATOR ASSY-COMPT TEMP (LIGHTS ONLY)
FIGURE 56 (SHEET 2)

33-13-51-56

BRI
MAY 28/07

33-13-51-56
PAGE 0A

BOEING
757
PARTS CATALOG (MAINTENANCE)



Y 33135156 SH1 3 REV 285

INDICATOR ASSY-COMPT TEMP (LIGHTS ONLY)
FIGURE 56 (SHEET 3)

33-13-51-56

BRI
MAY 28/07

33-13-51-56
PAGE 08



757

PARTS CATALOG (MAINTENANCE)

FIG ITEM	PART NUMBER	1 2 3 4 5 6 7	NOMENCLATURE	EFFECT FROM TO	UNITS PER ASSY
56			INDICATOR ASSY-COMPT TEMP (LIGHTS ONLY)	002004 006999	
- 1	20-210-01		INDICATOR ASSY-COMPT TEMP (LIGHTS ONLY)	002004 006999	RF
			SUPPLIER CODE: V35012		
			SPECIFICATION NUMBER: S231N211-2		
			ELECTRICAL EQUIP NUMBER: M10078		
			COMPONENT MAINT MANUAL REF: 21-65-01		
			FOR NHA/OTHER SYS DET SEE: 21-65-51-01		
5	102508-001		.CHASSIS ASSY-COMLETE WITH FRT PNL	002004 006999	1
			SUPPLIER CODE: V35012		
			OPTIONAL PART: 102440-001		
5	102440-001		.CHASSIS ASSY-COMLETE CASTING	002004 006999	1
			SUPPLIER CODE: V35012		
			OPTIONAL PART: 102508-001		
			V35012		
			ATTACHING PARTS		
10	PS10-440-40		.SCREW-	002004	2
			SUPPLIER CODE: V46384	006999	
11	MS51957-3		.SCREW	002004	4
				006999	
12	MS51957-8		.SCREW	002004	4
				006999	
13	MS51957-5		.SCREW	002004	4
				006999	
14	MS51957-13		.SCREW	002004	7
				006999	
15	NAS620C2		.WASHER	002004	12
				006999	
16	MS15795-802		.WASHER	002004	4
				006999	
17	NAS620C4L		.WASHER	002004	12
				006999	
20	NAS671C4		.NUT	002004	4
				006999	

MISSING ITEM NUMBERS NOT APPLICABLE

- ITEM NOT ILLUSTRATED

33-13-51-56

33-13-51
FIG. 56
PAGE 1
SEP 20/08

BRI



757

PARTS CATALOG (MAINTENANCE)

FIG ITEM	PART NUMBER	1 2 3 4 5 6 7	NOMENCLATURE	EFFECT FROM TO	UNITS PER ASSY
56					
25	NAS1291C02M	.	NUT	002004 006999	4
27	MS21043-04	.	NUT	002004 006999	1
			-----*-----		
30	OL7182BPEAS15	.	LAMP-5V SUPPLIER CODE: VS3774 MISCELLANEOUS DATA: SMITHS SCD 102437-001	002004 006999	8
- 100	2263-01-1		INDICATOR ASSY-COMPT TEMP (LIGHTS ONLY) SUPPLIER CODE: V52013 FUNCTIONAL DESCRIPTION: INDICATOR SHOWS COMPARTMENT TEMPERATURE FOR EA OF THE THREE CABIN ZONES SPECIFICATION NUMBER: S231N211-3 ELECTRICAL EQUIP NUMBER: M10078 COMPONENT MAINT MANUAL REF: 21-61-02 FOR NHA/OTHER SYS DET SEE: 21-65-51-01	002004 006999	RF
105	100511-01-01	.	BOARD ASSY-DISPLAY PC SUPPLIER CODE: V52013 SB DATA FROM A CMM: PRE 2263-21-5 MOD C CONFIG CHG DATA FROM A CMM: REPLACED BY 100511-01-03	002004 006999	1
105	100511-01-02	.	BOARD ASSY-DISPLAY PC SUPPLIER CODE: V52013 SB DATA FROM A CMM: PRE 2263-21-5 MOD C CONFIG CHG DATA FROM A CMM: REPLACED BY 100511-01-03	002004 006999	1

MISSING ITEM NUMBERS NOT APPLICABLE

- ITEM NOT ILLUSTRATED

33-13-51-56

33-13-51
FIG. 56
PAGE 2
SEP 20/08

BRI



757

PARTS CATALOG (MAINTENANCE)

FIG ITEM	PART NUMBER	1 2 3 4 5 6 7	NOMENCLATURE	EFFECT FROM TO	UNITS PER ASSY
56 105	100511-01-03		.BOARD ASSY-DISPLAY PC SUPPLIER CODE: V52013 SB DATA FROM A CMM: POST 2263-21-5 MOD C CONFIG CHG DATA FROM A CMM: REPLACES 100511-01-01 REPLACES 100511-01-02 ATTACHING PARTS	002004 006999	1
110	501517-001		.STANDOFF- SUPPLIER CODE: V52013	002004 006999	4
115	MS51957-3		.SCREW	002004 006999	4
120	MS35338-134		.WASHER	002004 006999	4
			-----*-----		
125	MS90451-7132		..LAMP	002004 006999	6
130	MS24367-715		..LAMP	002004 006999	2

MISSING ITEM NUMBERS NOT APPLICABLE

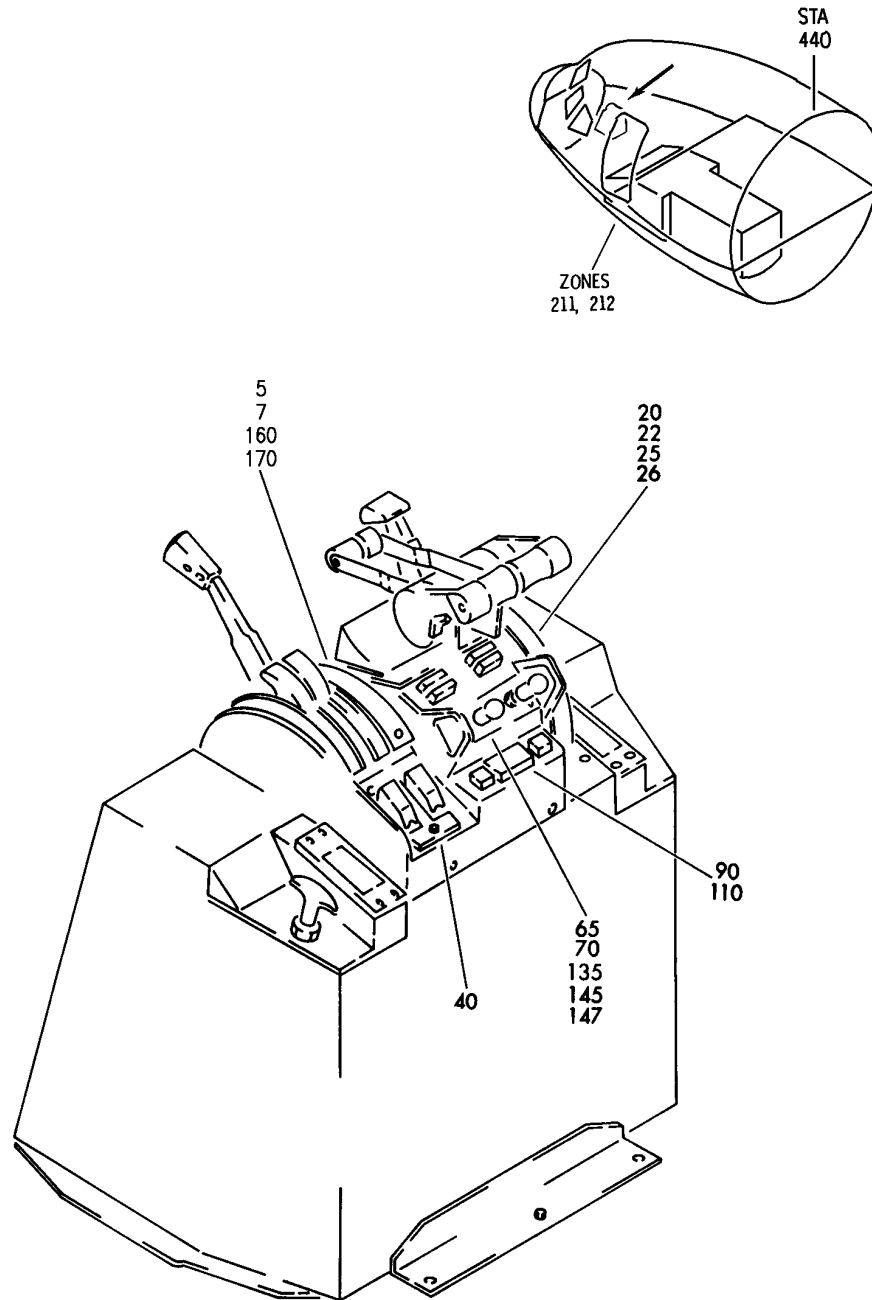
- ITEM NOT ILLUSTRATED

33-13-51-56

33-13-51
FIG. 56
PAGE 3
SEP 20/08

BRI

BOEING
757
PARTS CATALOG (MAINTENANCE)



Y 33135401 REV 305

LIGHTPLATE INSTL-CONT STAND (INTEGRAL PANEL LIGHTS ONLY)
FIGURE 1

33-13-54-01

BRI
MAY 28/07

33-13-54-01
PAGE 0



757

PARTS CATALOG (MAINTENANCE)

FIG ITEM	PART NUMBER	1 2 3 4 5 6 7	NOMENCLATURE	EFFECT FROM TO	UNITS PER ASSY
1			LIGHTPLATE INSTL-CONT STAND (INTEGRAL PANEL LIGHTS ONLY)	002004 006999	
- 1	254N1112-5		LIGHTPLATE INSTL-CONT STAND (INTEGRAL PANEL LIGHTS ONLY) FOR NHA/OTHER SYS DET SEE: 76-11-04-02	107107	RF
- 1	254N1112-8		LIGHTPLATE INSTL-CONT STAND (INTEGRAL PANEL LIGHTS ONLY) FOR NHA/OTHER SYS DET SEE: 76-11-04-02	904949	RF
- 3	254N1112-9		LIGHTPLATE INSTL-CONT STAND (INTEGRAL PANEL LIGHTS ONLY) FOR NHA/OTHER SYS DET SEE: 76-11-04-02	002004 006100 121503 950999	RF
- 3	254N1112-12		LIGHTPLATE INSTL-CONT STAND (INTEGRAL PANEL LIGHTS ONLY) FOR NHA/OTHER SYS DET SEE: 76-11-04-02	101106 108120 504903	RF
5	800-000915-1		.LIGHTPLATE-5V WHITE ILLUMINATED INTEGRALLY LIGHTED SPEED BRAKE SUPPLIER CODE: V05617 SPECIFICATION NUMBER: S233T100-510 OPTIONAL PART: S233T100-510 V51896 800-000915 V05617	002004 006100 107107 121503 904999	1

MISSING ITEM NUMBERS NOT APPLICABLE

- ITEM NOT ILLUSTRATED

33-13-54-01

33-13-54
FIG. 01
PAGE 1
JAN 20/09

BRI



757

PARTS CATALOG (MAINTENANCE)

FIG ITEM	PART NUMBER	1 2 3 4 5 6 7	NOMENCLATURE	EFFECT FROM TO	UNITS PER ASSY
1	5 800-000915		.LIGHTPLATE-5V WHITE ILLUMINATED INTEGRALLY LIGHTED SPEED BRAKE SUPPLIER CODE: V05617 SPECIFICATION NUMBER: S233T100-510 MISCELLANEOUS DATA: FOR VENDOR FSCM 05617 FOR SPARES ORDER THE 800-000915-1. OPTIONAL PART: S233T100-510 V51896 800-000915-1 V05617	002004 006100 107107 121503 904999	1
	7 800-007373		.LIGHTPLATE-5V WHITE ILLUMINATED INTEGRALLY LIGHTED SPEED BRAKE SUPPLIER CODE: V05617 SPECIFICATION NUMBER: S233T100-5513 OPTIONAL PART: S233T100-5513 V51896	101106 108120 504903	1
-	10 SFSW6C5DL12BN		.SCREW- SUPPLIER CODE: V12324	002004 006999	2
-	10 PS6C5DL12BN		.SCREW- SUPPLIER CODE: V12324	002004 006999	2
-	15 MS90451-6832		-----*----- ..LAMP	002004 006999	4
	20 800-003445		.LIGHTPLATE-5V WHITE ILLUMINATED INTEGRALLY LIGHTED FLAP POSITION SUPPLIER CODE: V05617 SPECIFICATION NUMBER: S233T100-509 OPTIONAL PART: S233T100-509 V51896 OPTIONAL PART: 800-000914 V05617	002004 006100 107107 121503 904999	1

MISSING ITEM NUMBERS NOT APPLICABLE

- ITEM NOT ILLUSTRATED

33-13-54-01

33-13-54
FIG. 01
PAGE 2
JAN 20/09

BRI



757

PARTS CATALOG (MAINTENANCE)

FIG ITEM	PART NUMBER	1 2 3 4 5 6 7	NOMENCLATURE	EFFECT FROM TO	UNITS PER ASSY
1 20	800-000914		.LIGHTPLATE-5V WHITE ILLUMINATED INTEGRALLY LIGHTED FLAP POSITION SUPPLIER CODE: V05617 SPECIFICATION NUMBER: S233T100-526 MISCELLANEOUS DATA: FOR VENDOR FSCM 05617 FOR SPARES ORDER THE 800-000914-1 OPTIONAL PART: S233T100-526 V51896 800-000914-1 V05617	002004 006100 107107 121503 904999	1
20	800-000914-1		.LIGHTPLATE-5V WHITE ILLUMINATED INTEGRALLY LIGHTED FLAP POSITION SUPPLIER CODE: V05617 SPECIFICATION NUMBER: S233T100-526 OPTIONAL PART: S233T100-526 V51896 800-000914 V05617	002004 006100 107107 121503 904999	1
22	800-007375		.LIGHTPLATE-5V WHITE ILLUMINATED INTEGRALLY LIGHTED FLAP POSITION SUPPLIER CODE: V05617 SPECIFICATION NUMBER: S233T100-5515 OPTIONAL PART: S233T100-5515 V51896	101106 108120 504903	1
- 30	SFSW6C5DL12BN		ATTACHING PARTS .SCREW- SUPPLIER CODE: V12324	002004 006999	2
- 30	PS6C5DL12BN		.SCREW- SUPPLIER CODE: V12324	002004 006999	2
- 32	FB7900-6A1		-----*----- ..FASTENER-CAPTIVE SUPPLIER CODE: V17419	002004 006999	2

MISSING ITEM NUMBERS NOT APPLICABLE

- ITEM NOT ILLUSTRATED

33-13-54-01

33-13-54
FIG. 01
PAGE 3
JAN 20/09

BRI



757

PARTS CATALOG (MAINTENANCE)

FIG ITEM	PART NUMBER	1 2 3 4 5 6 7	NOMENCLATURE	EFFECT FROM TO	UNITS PER ASSY
1					
- 33	NAS662-2-3	..	SCREW	002004 006999	4
- 35	MS90451-6832	..	LAMP	002004 006999	6
40	800-000917	.L	LIGHTPLATE-STAB TRIM SUPPLIER CODE: V05617 SPECIFICATION NUMBER: S233T100-5504 MISCELLANEOUS DATA: FOR VENDOR FSCM 05617 FOR SPARES ORDER THE 800-000917-1 OPTIONAL PART: S233T100-5504 V51896 800-000917-1 V05617	002004 006999	1
40	800-000917-1	.L	LIGHTPLATE-STAB TRIM SUPPLIER CODE: V05617 SPECIFICATION NUMBER: S233T100-5504 OPTIONAL PART: S233T100-5504 V51896 800-000917 V05617	002004 006999	1
- 45	S0050002	..	CONNECTOR-ELECTRICAL SUPPLIER CODE: V51896	002004 006999	1
- 50	NAS662-2-3	..	SCREW	002004 006999	4
- 60	S0050001	..	FASTENER-CAPTIVE SUPPLIER CODE: V51896	002004 006999	2
65	800-001018-1	.L	LIGHTPLATE-FUEL CONT SUPPLIER CODE: V05617 SPECIFICATION NUMBER: S233T100-508 OPTIONAL PART: S233T100-508 V51896 800-001018 V05617	002004 006999	1

MISSING ITEM NUMBERS NOT APPLICABLE

- ITEM NOT ILLUSTRATED

33-13-54-01

33-13-54
FIG. 01
PAGE 4
JAN 20/09

BRI



757

PARTS CATALOG (MAINTENANCE)

FIG ITEM	PART NUMBER	1 2 3 4 5 6 7	NOMENCLATURE	EFFECT FROM TO	UNITS PER ASSY
1 65	800-001018		.LIGHTPLATE-FUEL CONT SUPPLIER CODE: V05617 SPECIFICATION NUMBER: S233T100-508 MISCELLANEOUS DATA: FOR VENDOR FSCM 05617 FOR SPARES ORDER THE 800-001018-1 OPTIONAL PART: S233T100-508 V51896 800-001018-1 V05617 POST SERVICE BULLETIN: 73-0018	002004 006999	1
- 75	FB7900-6A1		..FASTENER-CAPTIVE SUPPLIER CODE: V17419	002004 006999	2
- 80	NAS662-2-3		..SCREW	002004 006999	AR
- 85	MS90451-6832		..LAMP	002004 006999	4

MISSING ITEM NUMBERS NOT APPLICABLE

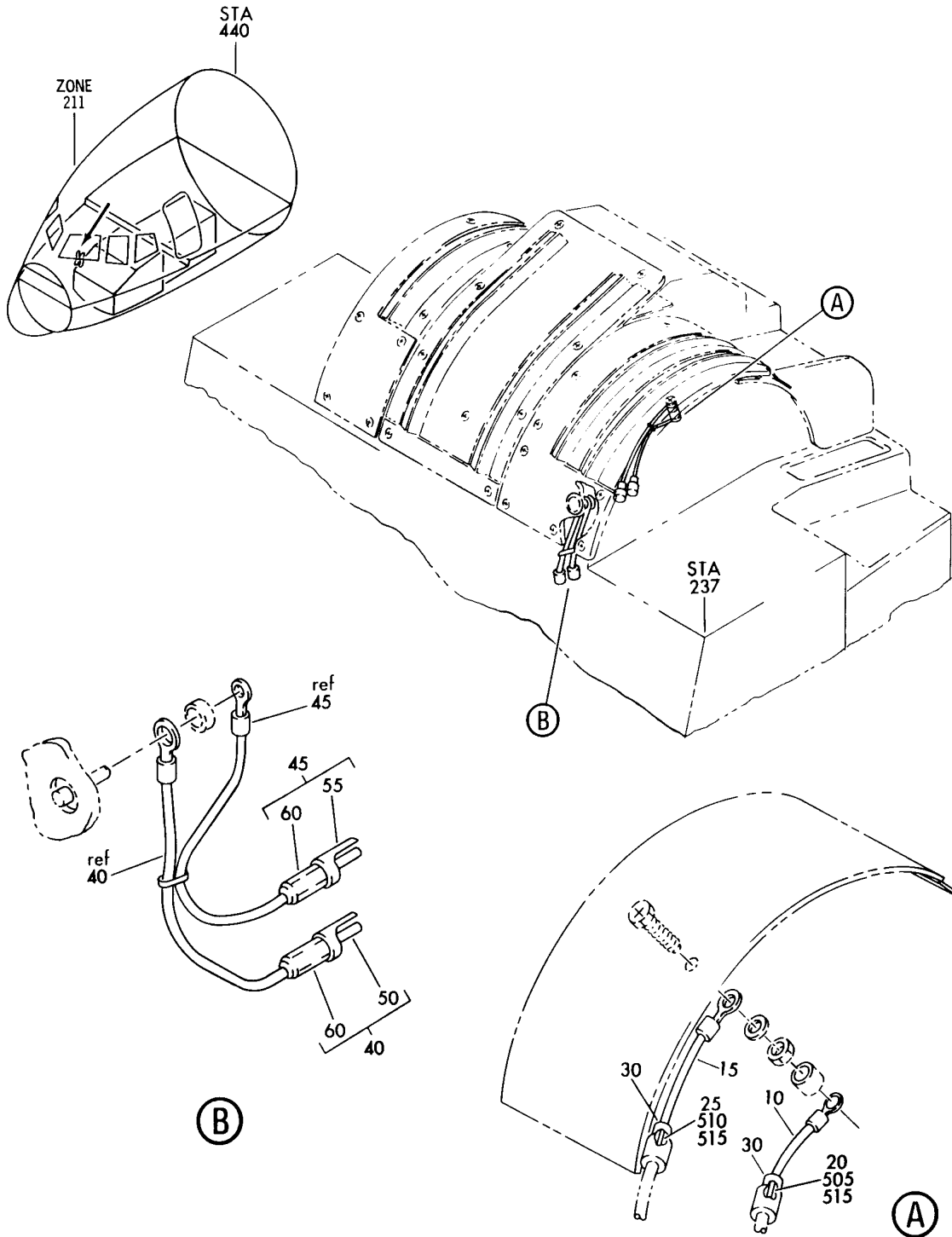
- ITEM NOT ILLUSTRATED

33-13-54-01

33-13-54
FIG. 01
PAGE 5
JAN 20/09

BRI

BOEING
757
PARTS CATALOG (MAINTENANCE)



Y 33135402 REV 162

SEAL INSTL-LEVERS CONT STAND AND WIRE BUNDLE ASSY-CONT STAND (INTEGRAL PANEL LIGHTS ONLY)

FIGURE 2

33-13-54-02

BRI
MAY 28/07

33-13-54-02
PAGE 0



757

PARTS CATALOG (MAINTENANCE)

FIG ITEM	PART NUMBER	1 2 3 4 5 6 7	NOMENCLATURE	EFFECT FROM TO	UNITS PER ASSY
2			SEAL INSTL-LEVERS CONT STAND AND WIRE BUNDLE ASSY-CONT STAND (INTEGRAL PANEL LIGHTS ONLY)	002004 006106 108903 950999	
- 1	253T5523-6		SEAL INSTL-LEVERS CONT STAND (INTEGRAL PANEL LIGHTS ONLY) FOR NHA/OTHER SYS DET SEE: 76-11-04-02	002004 006100 121503 950999	RF
- 1	253T5523-8		SEAL INSTL-LEVERS CONT STAND (INTEGRAL PANEL LIGHTS ONLY) FOR NHA/OTHER SYS DET SEE: 76-11-04-02	101106 108120 504903	RF
- 5	253T5512-7		.SEAL ASSY-	002004 006100 121503 950999	RF
- 5	253T5512-13		.SEAL ASSY-	101106 108120 504903	RF
10	253T5512-8		..CONNECTOR ASSY	002004 006106 108903 950999	1
15	253T5512-9		..CONNECTOR ASSY	002004 006106 108903 950999	1
20	48-1825-02		...PIN- SUPPLIER CODE: V77820 SPECIFICATION NUMBER: BACC47CN2 OPTIONAL PART: ZL4016-36LT V49367 48-1825-02 V02660 417-1616-902 V92069 LRM16M15F74 V09922 USED ON: 253T5512-8	002004 006106 108903 950999	1

MISSING ITEM NUMBERS NOT APPLICABLE

- ITEM NOT ILLUSTRATED

33-13-54-02

33-13-54
FIG. 02
PAGE 1
JAN 20/09

BRI



757

PARTS CATALOG (MAINTENANCE)

FIG ITEM	PART NUMBER	1 2 3 4 5 6 7	NOMENCLATURE	EFFECT FROM TO	UNITS PER ASSY
2					
25	418-1616-902	...	CONTACT- SUPPLIER CODE: V55104 SPECIFICATION NUMBER: BACC47CP2T OPTIONAL PART: ZL4116-36LT V49367 248-136-1600S02 V77820 LRC16M15F74 V09922 USED ON: 253T5512-9	002004 006106 108903 950999	1
30	48-7191	...	CONNECTOR- SUPPLIER CODE: V02660 ELECTRICAL EQUIP NUMBER: D06894 D06896	002004 006106 108903 950999	1
- 35	253T5512-16	.	SEAL ASSY	101106 108120 504903	RF
40	253T5512-14	..	CONNECTOR ASSY	101106 108120 504903	1
45	253T5512-15	..	CONNECTOR ASSY	101106 108120 504903	1
50	418-1616-902	...	CONTACT- SUPPLIER CODE: V55104 SPECIFICATION NUMBER: BACC47CP2T OPTIONAL PART: ZL4116-36LT V49367 248-136-1600S02 V77820 LRC16M15F74 V09922 USED ON: 253T5512-14	101106 108120 504903	1

MISSING ITEM NUMBERS NOT APPLICABLE

- ITEM NOT ILLUSTRATED

33-13-54-02

33-13-54
FIG. 02
PAGE 2
JAN 20/09

BRI



757

PARTS CATALOG (MAINTENANCE)

FIG ITEM	PART NUMBER	1 2 3 4 5 6 7	NOMENCLATURE	EFFECT FROM TO	UNITS PER ASSY
2 55	48-1825-02	...	PIN- SUPPLIER CODE: V77820 SPECIFICATION NUMBER: BACC47CN2 OPTIONAL PART: ZL4016-36LT V49367 48-1825-02 V02660 417-1616-902 V92069 LRM16M15F74 V09922 USED ON: 253T5512-15	101106 108120 504903	1
60	48-7191	...	CONNECTOR- SUPPLIER CODE: V02660 ELECTRICAL EQUIP NUMBER: D08456 D08458	101106 108120 504903	1
- 500	254N1115-7		WIRE BUNDLE ASSY-CONT STAND (INTEGRAL PANEL LIGHTS ONLY) OPTIONAL PART: 254N1115-9 FOR NHA/OTHER SYS DET SEE: 76-11-04-02	002004 006100 121503 950999	RF
- 500	254N1115-9		WIRE BUNDLE ASSY-CONT STAND (INTEGRAL PANEL LIGHTS ONLY) OPTIONAL PART: 254N1115-7 FOR NHA/OTHER SYS DET SEE: 76-11-04-02	006100 950951 953999	RF
- 500	254N1115-11		WIRE BUNDLE ASSY-CONT STAND (INTEGRAL PANEL LIGHTS ONLY) FOR NHA/OTHER SYS DET SEE: 76-11-04-02	101106 108120 504903	RF

MISSING ITEM NUMBERS NOT APPLICABLE

- ITEM NOT ILLUSTRATED

33-13-54-02

33-13-54
FIG. 02
PAGE 3
JAN 20/09

BRI



757

PARTS CATALOG (MAINTENANCE)

FIG ITEM	PART NUMBER	1 2 3 4 5 6 7	NOMENCLATURE	EFFECT FROM TO	UNITS PER ASSY
2 505	48-1825-02	.PIN	SUPPLIER CODE: V77820 SPECIFICATION NUMBER: BACC47CN2 OPTIONAL PART: ZZL4016-36LT V49367 48-1825-02 V02660 417-1616-902 V92069 LRM16M15F74 V09922	002004 006106 108903 950999	1
510	418-1616-902	.CONTACT	SUPPLIER CODE: V55104 SPECIFICATION NUMBER: BACC47CP2T OPTIONAL PART: ZZL4116-36LT V49367 248-136-1600S02 V77820 LRC16M15F74 V09922	002004 006106 108903 950999	1
515	48-7190	.CONNECTOR-	SUPPLIER CODE: V02660 ELECTRICAL EQUIP NUMBER: D06894 D06896	002004 006106 108903 950999	2

MISSING ITEM NUMBERS NOT APPLICABLE

- ITEM NOT ILLUSTRATED

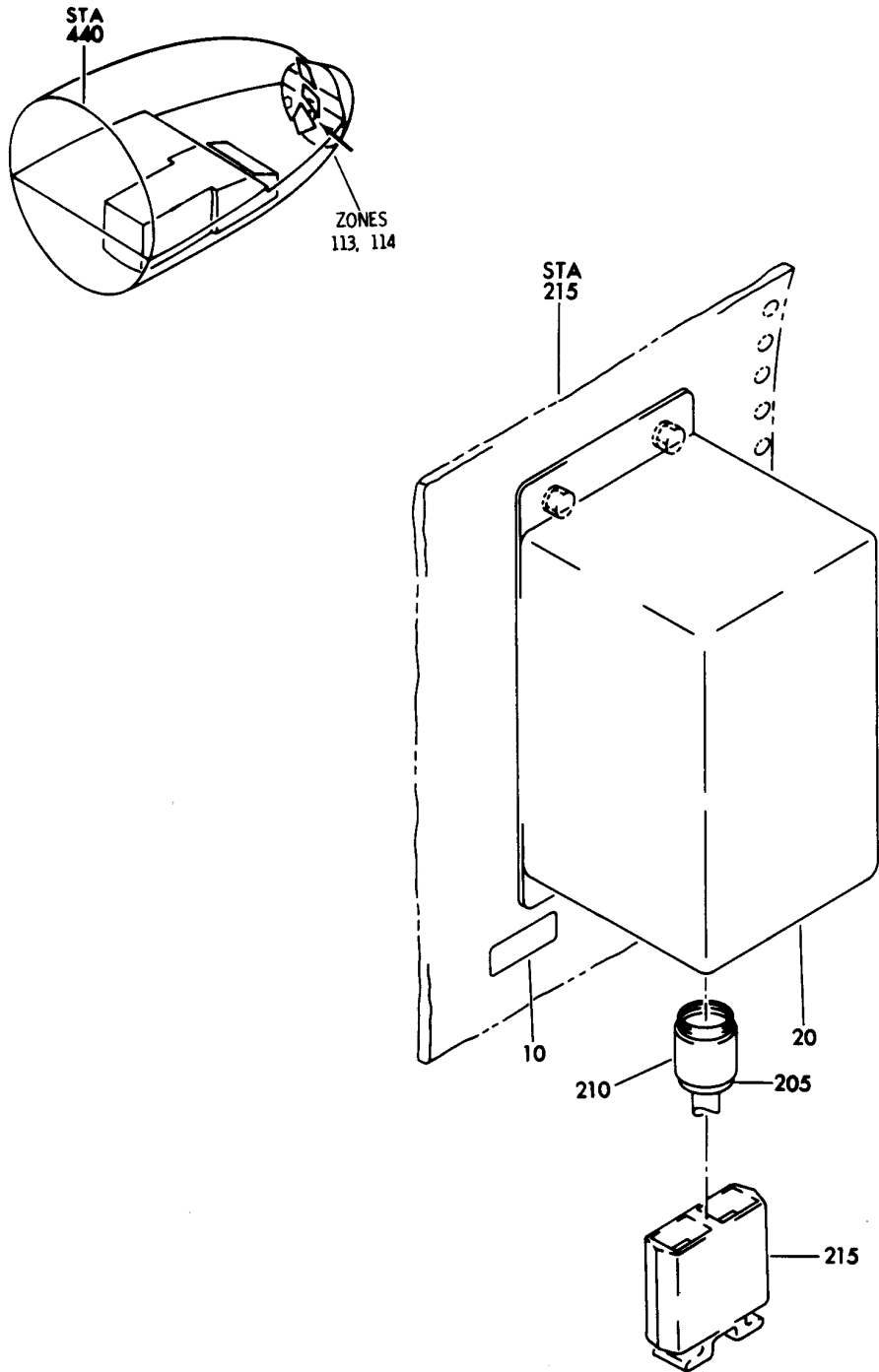
BRI

33-13-54-02

BOEING PROPRIETARY - Copyright © - Unpublished Work - See title page for details.

33-13-54
FIG. 02
PAGE 4
JAN 20/09

BOEING
757
PARTS CATALOG (MAINTENANCE)



Y 33135501 SHT 1 REV 039

DIMMER INSTL-LWR SECT. 41 (M794 AND M795)
FIGURE 1

33-13-55-01

BRI
MAY 28/07

33-13-55-01
PAGE 0



757

PARTS CATALOG (MAINTENANCE)

FIG ITEM	PART NUMBER	1 2 3 4 5 6 7	NOMENCLATURE	EFFECT FROM TO	UNITS PER ASSY
1			DIMMER INSTL-LWR SECT. 41 (M794 AND M795)	002004 006999	
- 1	287N4134-1		DIMMER INSTL- POSITION DATA: LWR SECT. 41 ELECTRICAL EQUIP NUMBER: M00794 FOR NHA SEE: 53-11-61-02 24-00-60-20	002004 006102 107999	RF
- 1	MODREF11304		DIMMER INSTL- MODULE NUMBER: 287N4134-1 REV A POSITION DATA: LWR SECT. 41 ELECTRICAL EQUIP NUMBER: M00794	103103	1
- 1	MODREF27838		DIMMER INSTL- MODULE NUMBER: 287N4134-1 REV B POSITION DATA: LWR SECT. 41 ELECTRICAL EQUIP NUMBER: M00794	104106	1
- 5	287N4134-2		DIMMER INSTL- POSITION DATA: LWR SECT. 41 ELECTRICAL EQUIP NUMBER: M00795 FOR NHA SEE: 53-11-61-02 24-00-60-20	002004 006102 107999	RF
- 5	MODREF11305		DIMMER INSTL- MODULE NUMBER: 287N4134-2 REV A POSITION DATA: LWR SECT. 41 ELECTRICAL EQUIP NUMBER: M00795	103103	1
- 5	MODREF27839		DIMMER INSTL- MODULE NUMBER: 287N4134-2 REV B POSITION DATA: LWR SECT. 41 ELECTRICAL EQUIP NUMBER: M00795	104106	1

MISSING ITEM NUMBERS NOT APPLICABLE

- ITEM NOT ILLUSTRATED

33-13-55-01

33-13-55
FIG. 01
PAGE 1
JAN 20/09

BRI



757

PARTS CATALOG (MAINTENANCE)

FIG ITEM	PART NUMBER	1 2 3 4 5 6 7	NOMENCLATURE	EFFECT FROM TO	UNITS PER ASSY
1	10 BAC27NFDE0012		.DECAL- PLACARD CONTENT: M00794 USED ON: 287N4134-1 MODREF11304 MODREF27838	002004 006999	1
-	15 BAC27NFDE0013		.DECAL- PLACARD CONTENT: M00795 USED ON: 287N4134-2 MODREF11305 MODREF27839	002004 006999	1
	20 708200-2		.CONTROL-DIMMER SUPPLIER CODE: V19623 SPECIFICATION NUMBER: S283T019-2 ELECTRICAL EQUIP NUMBER: M00794 M00795 COMPONENT MAINT MANUAL REF: 33-16-11 OPTIONAL PART: 708200-3 V19623 708200-4 V19623	002004 006999	1
	20 708200-3		.CONTROL-DIMMER SUPPLIER CODE: V19623 SPECIFICATION NUMBER: S283T019-3 ELECTRICAL EQUIP NUMBER: M00794 M00795 COMPONENT MAINT MANUAL REF: 33-16-11 OPTIONAL PART: 708200-2 V19623 708200-4 V19623	002004 006999	1

MISSING ITEM NUMBERS NOT APPLICABLE

- ITEM NOT ILLUSTRATED

33-13-55-01

33-13-55
FIG. 01
PAGE 2
JAN 20/09

BRI



757

PARTS CATALOG (MAINTENANCE)

FIG ITEM	PART NUMBER	1 2 3 4 5 6 7	NOMENCLATURE	EFFECT FROM TO	UNITS PER ASSY
1	20 708200-4		.CONTROL-DIMMER SUPPLIER CODE: V19623 SPECIFICATION NUMBER: S283T019-4 ELECTRICAL EQUIP NUMBER: M00794 M00795 OPTIONAL PART: 708200-2 V19623 708200-3 V19623	002004 006999	1
	20 BDC5		.CONTROL-DIMMER SUPPLIER CODE: V1MXA1 FUNCTIONAL DESCRIPTION: CONTROLS & VARIES THE LIGHT INTENSITY OF INCANDESCENT LIGHT PLATES & INSTRUMENT PANELS ON THE FLIGHT DECK. SPECIFICATION NUMBER: S283T019-4 ELECTRICAL EQUIP NUMBER: M00794 COMPONENT MAINT MANUAL REF: 33-10-01 OPTIONAL PART: 708200-2 V19623 708200-3 V19623 708200-4 V19623	002004 006999	1
-	25 BACB30LE3K2		ATTACHING PARTS .BOLT- OPTIONAL PART: NAS6603P2	002004 006999	4
-	25 NAS6603P2		.BOLT- OPTIONAL PART: BACB30LE3K2	002004 006999	4
-	30 BACW10BP31ACU		.WASHER- OPTIONAL PART: NAS1149D0332J	002004 006999	4

MISSING ITEM NUMBERS NOT APPLICABLE

- ITEM NOT ILLUSTRATED

33-13-55-01

33-13-55
FIG. 01
PAGE 3
JAN 20/09

BRI



757

PARTS CATALOG (MAINTENANCE)

FIG ITEM	PART NUMBER	1 2 3 4 5 6 7	NOMENCLATURE	EFFECT FROM TO	UNITS PER ASSY
1					
- 30	NAS1149D0332J		.WASHER- OPTIONAL PART: BACW10BP31ACU -----*-----	002004 006999	4
- 199	286N2066-010		WIRE BUNDLE ASSY	504903	RF
- 199	286N2066-334		WIRE BUNDLE ASSY	101102	RF
- 200	286N2066-006		WIRE BUNDLE ASSY-	121503 904949	RF
- 200	286N2066-007		WIRE BUNDLE ASSY	107107	RF
- 200	286N2066-008		WIRE BUNDLE ASSY-	002004 006100 950999	RF
- 202	286N2066-346		WIRE BUNDLE ASSY-	108120	RF
210	BACC45FT12A12S		.CONNECTOR- ELECTRICAL EQUIP NUMBER: D02890 D02892 WIRING DIAGRAM REF: 331352	002004 006102 107999	2

MISSING ITEM NUMBERS NOT APPLICABLE

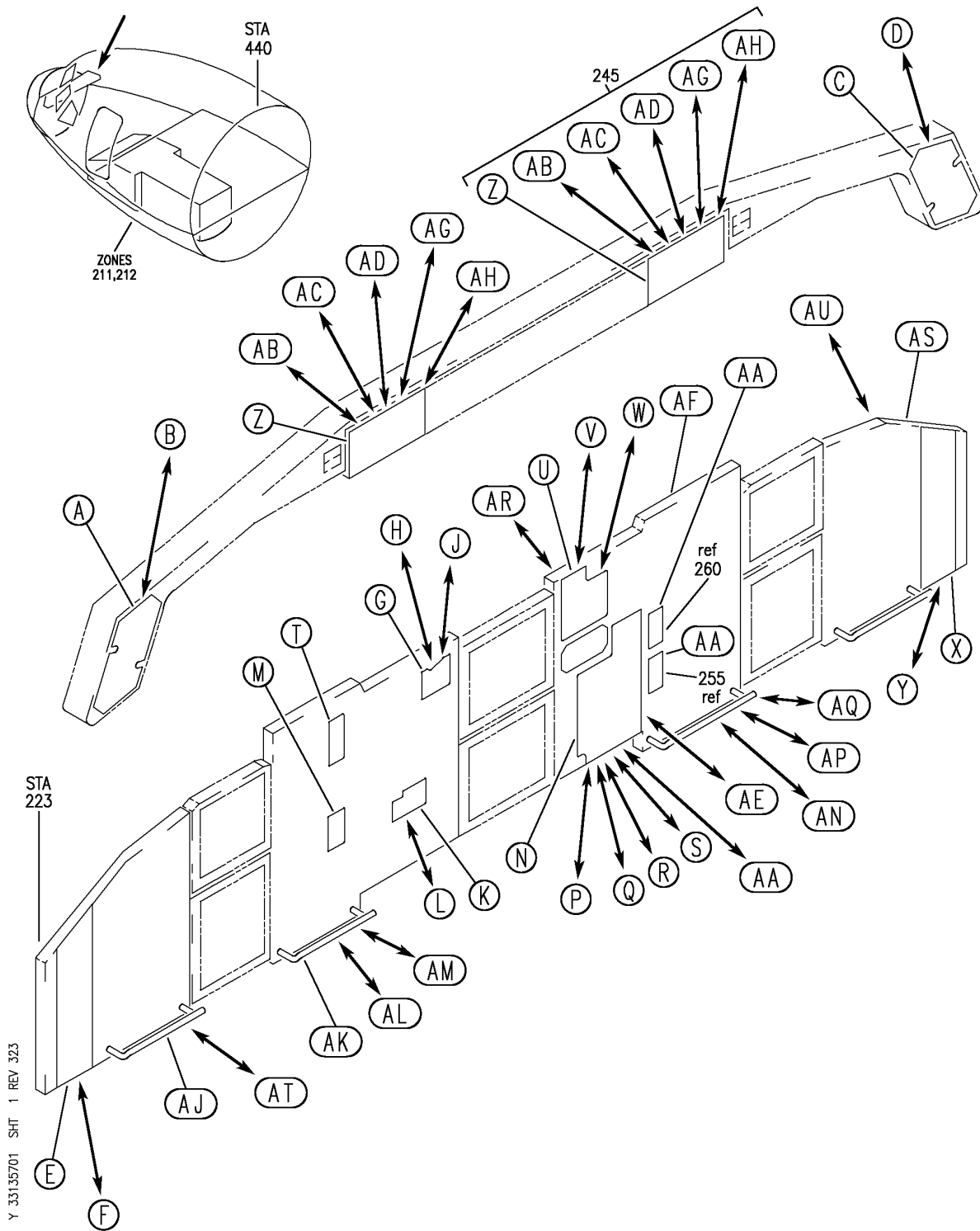
- ITEM NOT ILLUSTRATED

33-13-55-01

33-13-55
FIG. 01
PAGE 4
JAN 20/09

BRI


BOEING
 757
PARTS CATALOG (MAINTENANCE)



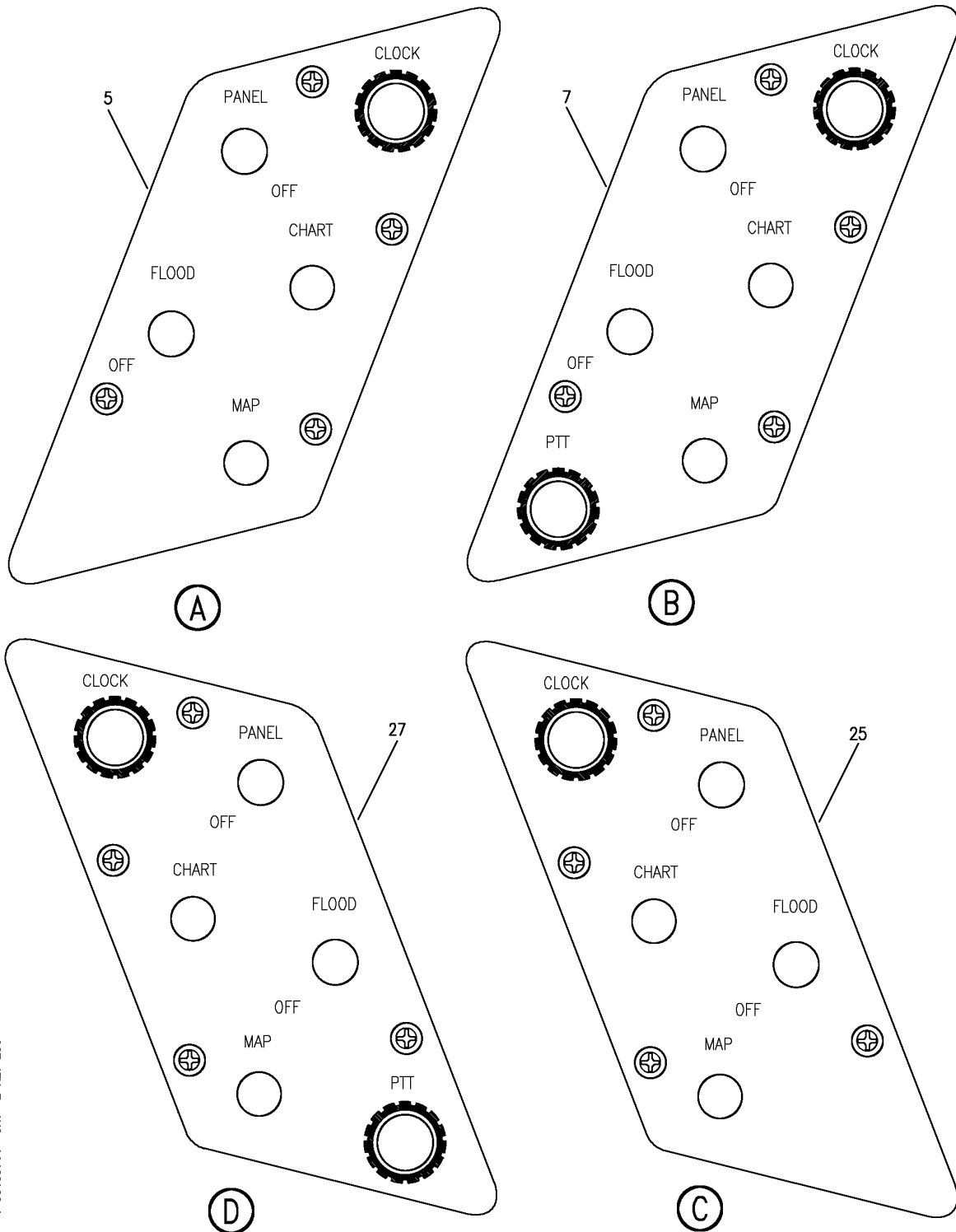
PANEL INSTL-CAPT AND FIRST OFFICER FWD (INTEGRAL PANEL LIGHTS ONLY)
 FIGURE 1 (SHEET 1)

33-13-57-01

BRI
 MAY 20/08

33-13-57-01
 PAGE 0

BOEING
757
PARTS CATALOG (MAINTENANCE)



Y 33135701 SH1 2 REV 256

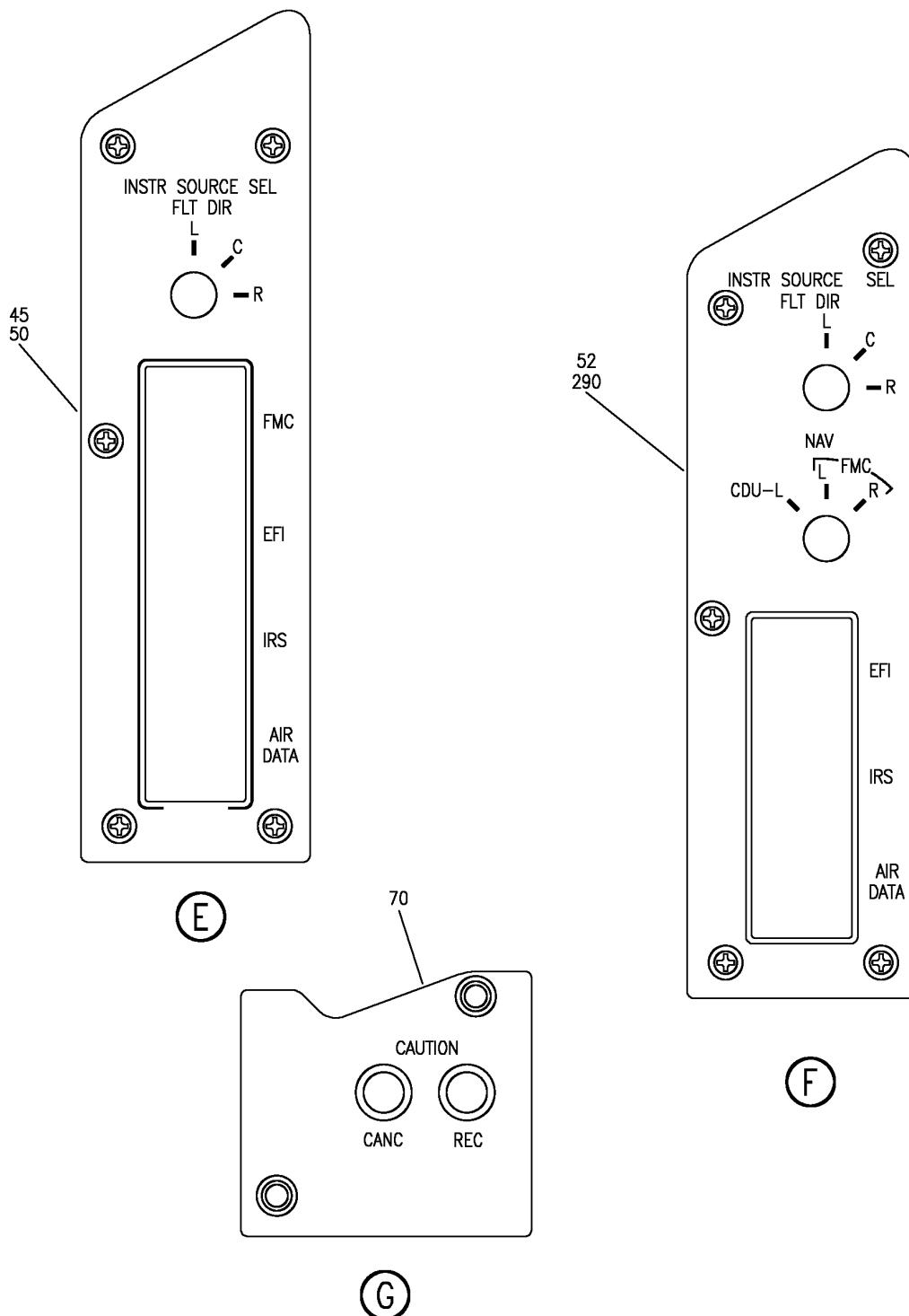
PANEL INSTL-CAPT AND FIRST OFFICER FWD (INTEGRAL PANEL LIGHTS ONLY)
FIGURE 1 (SHEET 2)

33-13-57-01

BRI
MAY 28/07

33-13-57-01
PAGE 0A

BOEING
757
PARTS CATALOG (MAINTENANCE)



Y 33135701 SHT 3 REV 263

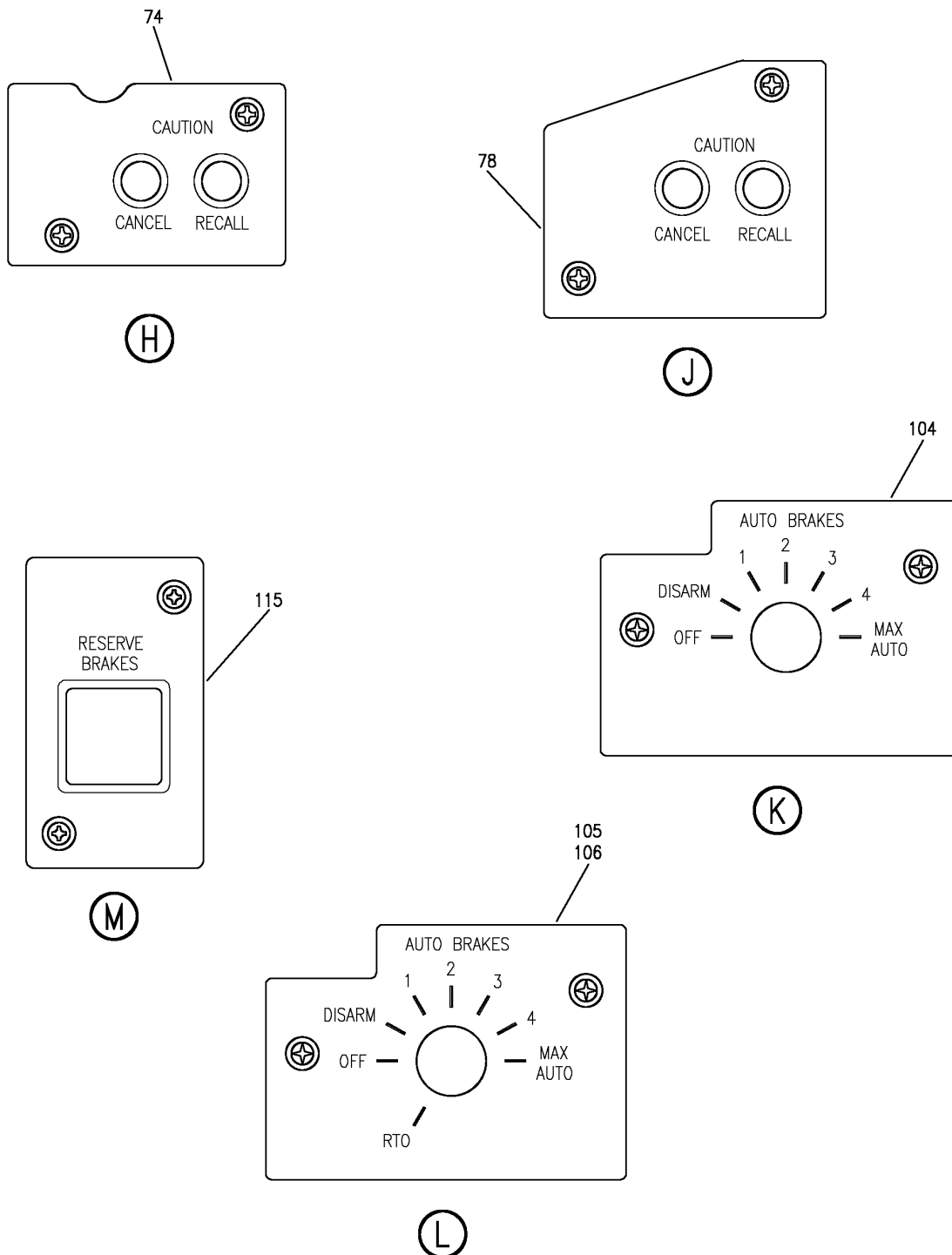
PANEL INSTL-CAPT AND FIRST OFFICER FWD (INTEGRAL PANEL LIGHTS ONLY)
FIGURE 1 (SHEET 3)

33-13-57-01

BRI
MAY 28/07

33-13-57-01
PAGE 0B


BOEING
 757
PARTS CATALOG (MAINTENANCE)



Y 331.35701 SHT 4 REV 256

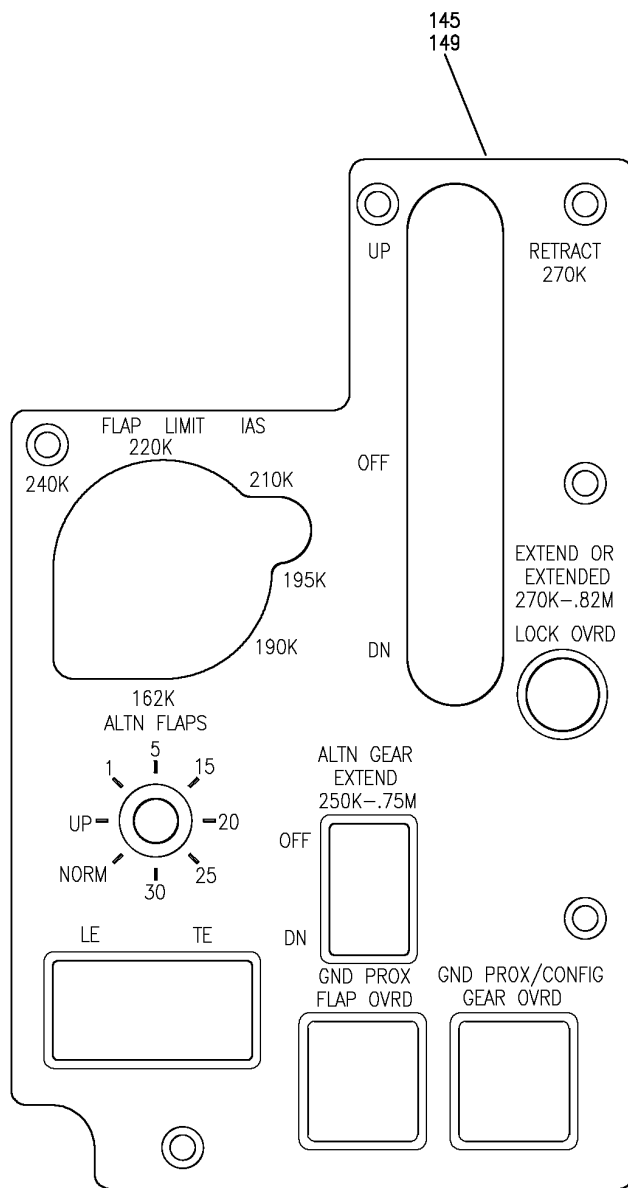
PANEL INSTL-CAPT AND FIRST OFFICER FWD (INTEGRAL PANEL LIGHTS ONLY)
 FIGURE 1 (SHEET 4)

33-13-57-01

BRI
 MAY 28/07

33-13-57-01
 PAGE 0C

BOEING
757
PARTS CATALOG (MAINTENANCE)



(N)

Y 33135701 SHT 5 REV 256

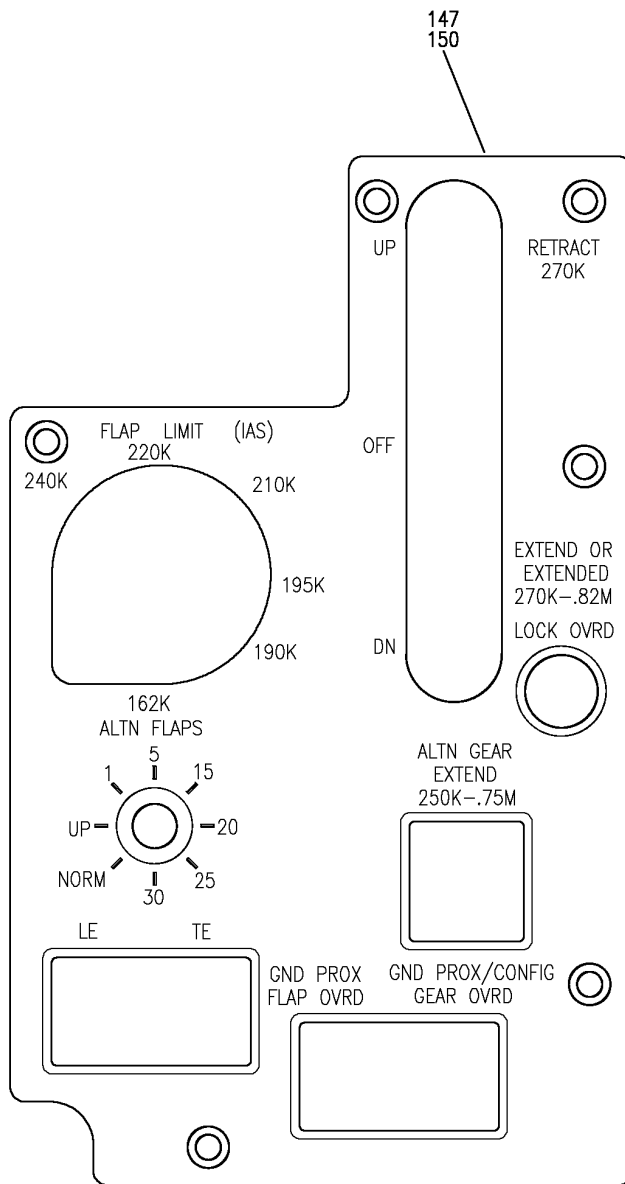
PANEL INSTL-CAPT AND FIRST OFFICER FWD (INTEGRAL PANEL LIGHTS ONLY)
FIGURE 1 (SHEET 5)

33-13-57-01

BRI
MAY 28/07

33-13-57-01
PAGE 00

BOEING
757
PARTS CATALOG (MAINTENANCE)



(P)

Y 33135701 SHT 6 REV 256

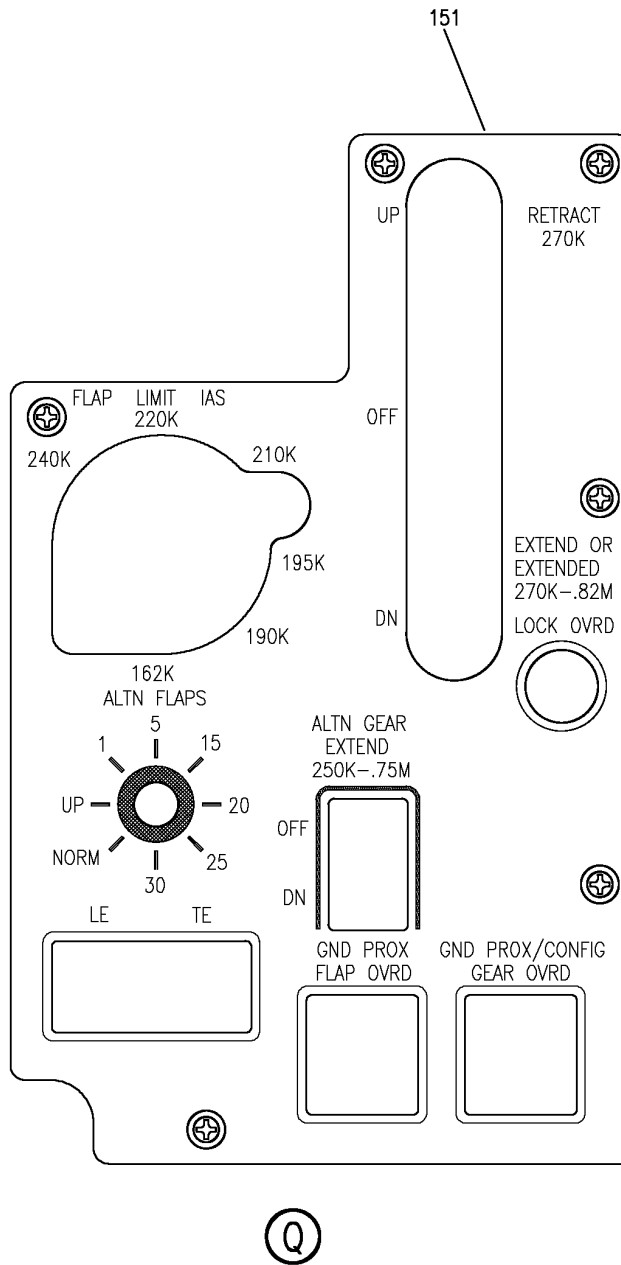
PANEL INSTL-CAPT AND FIRST OFFICER FWD (INTEGRAL PANEL LIGHTS ONLY)
FIGURE 1 (SHEET 6)

33-13-57-01

BRI
MAY 28/07

33-13-57-01
PAGE 0E

BOEING
757
PARTS CATALOG (MAINTENANCE)



Y 33135701 SHT 7 REV 256

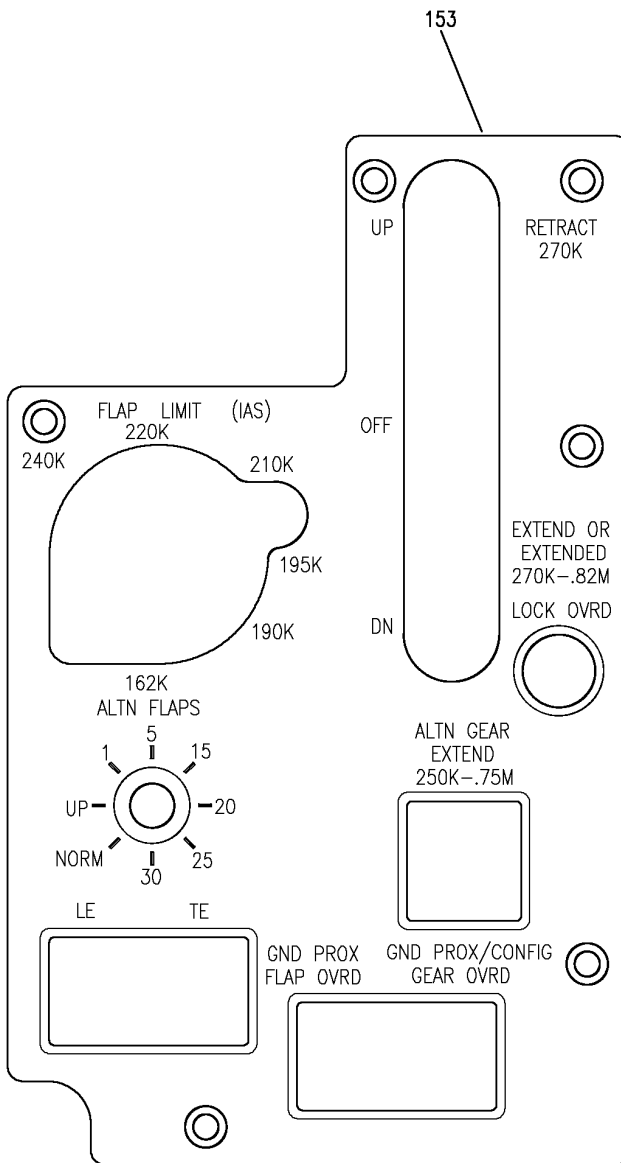
PANEL INSTL-CAPT AND FIRST OFFICER FWD (INTEGRAL PANEL LIGHTS ONLY)
FIGURE 1 (SHEET 7)

33-13-57-01

BRI
MAY 28/07

33-13-57-01
PAGE OF

BOEING
757
PARTS CATALOG (MAINTENANCE)



(R)

Y 33135701 SHT 8 REV 256

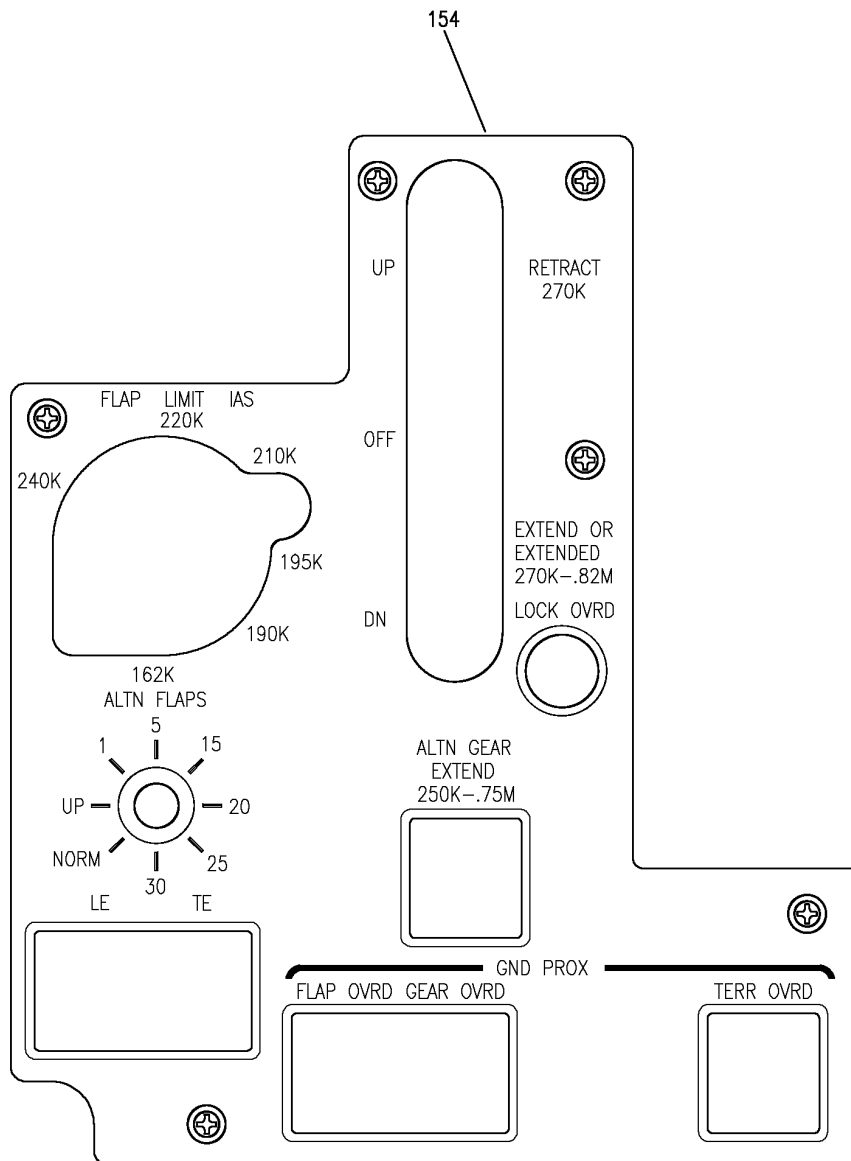
PANEL INSTL-CAPT AND FIRST OFFICER FWD (INTEGRAL PANEL LIGHTS ONLY)
FIGURE 1 (SHEET 8)

33-13-57-01

BRI
MAY 28/07

33-13-57-01
PAGE 06

BOEING
757
PARTS CATALOG (MAINTENANCE)



(S)

Y 33135701 SHT 9 REV 256

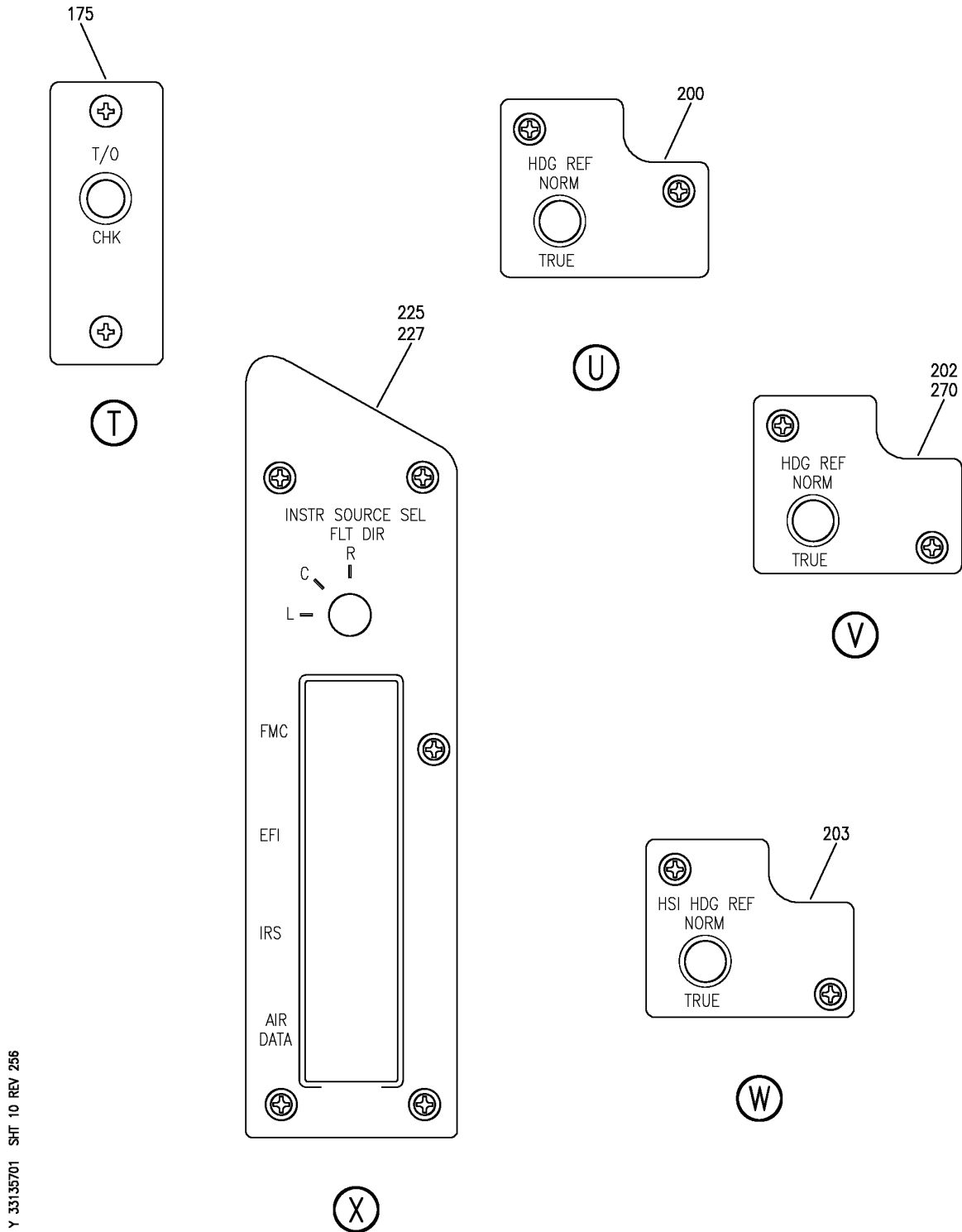
PANEL INSTL-CAPT AND FIRST OFFICER FWD (INTEGRAL PANEL LIGHTS ONLY)
FIGURE 1 (SHEET 9)

33-13-57-01

BRI
MAY 28/07

33-13-57-01
PAGE 0H

BOEING
757
PARTS CATALOG (MAINTENANCE)



Y 33135701 SHT 10 REV 256

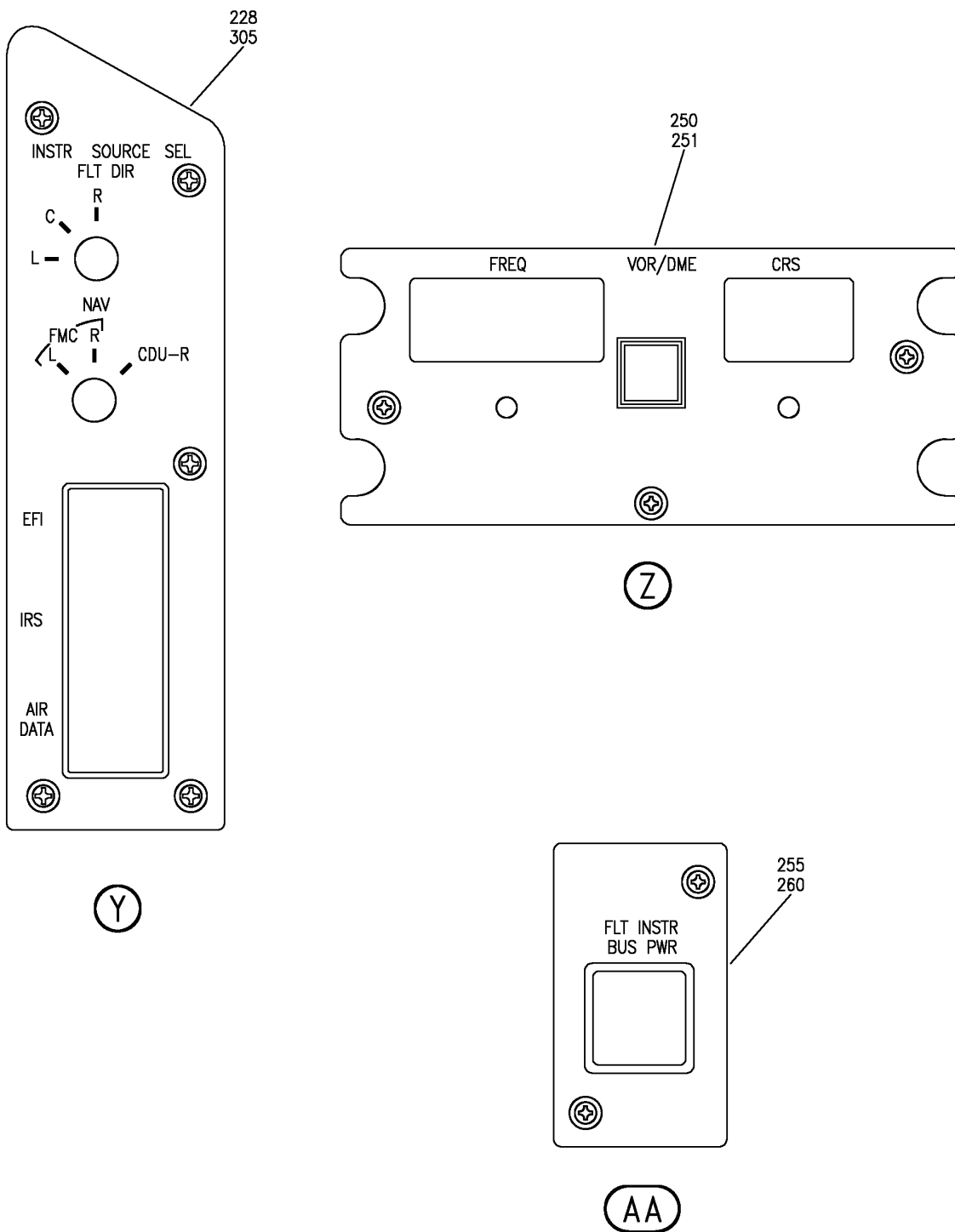
PANEL INSTL-CAPT AND FIRST OFFICER FWD (INTEGRAL PANEL LIGHTS ONLY)
FIGURE 1 (SHEET 10)

33-13-57-01

BRI
MAY 28/07

33-13-57-01
PAGE 01

BOEING
757
PARTS CATALOG (MAINTENANCE)



Y 33135701 SHT 11 REV 263

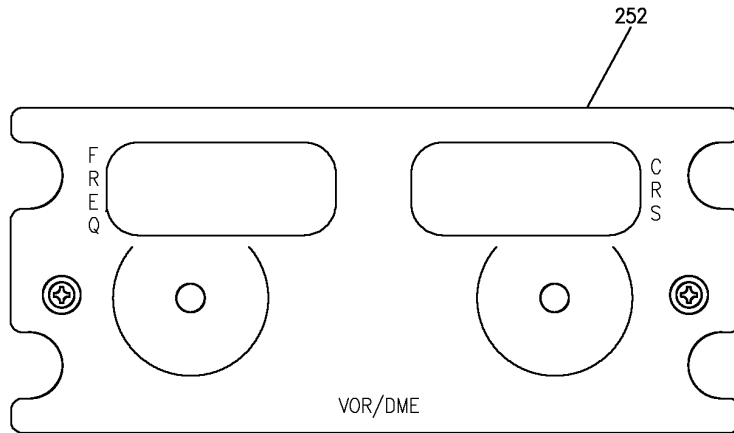
PANEL INSTL-CAPT AND FIRST OFFICER FWD (INTEGRAL PANEL LIGHTS ONLY)
FIGURE 1 (SHEET 11)

33-13-57-01

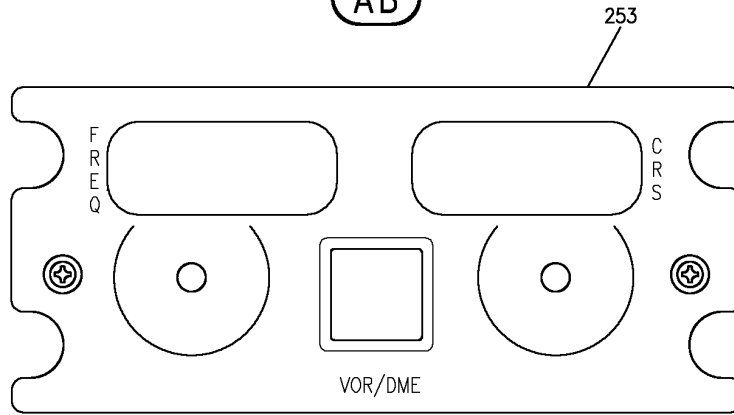
BRI
MAY 28/07

33-13-57-01
PAGE 0J

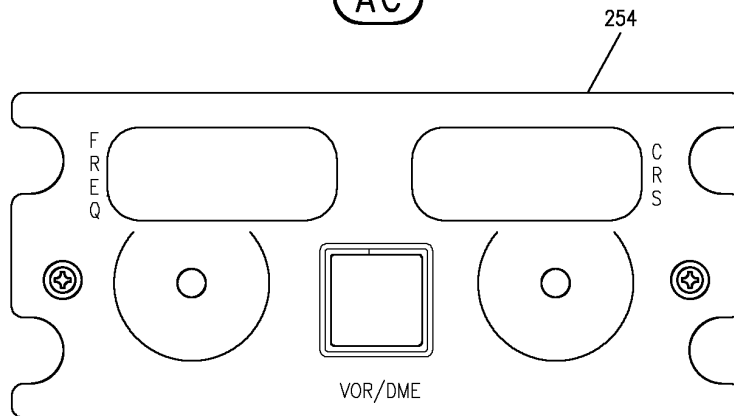
BOEING
757
PARTS CATALOG (MAINTENANCE)



(AB)



(AC)



(AD)

Y 33135701 SHT 12 REV 256

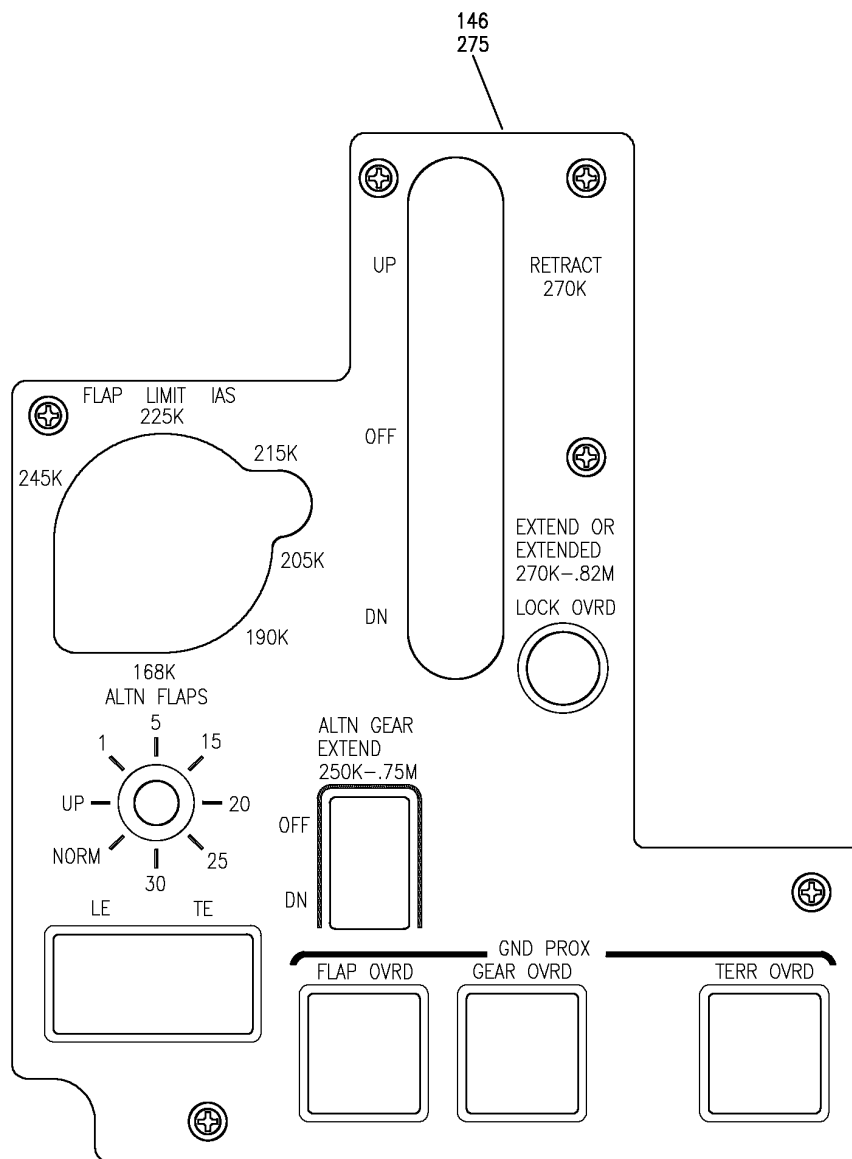
PANEL INSTL-CAPT AND FIRST OFFICER FWD (INTEGRAL PANEL LIGHTS ONLY)
FIGURE 1 (SHEET 12)

33-13-57-01

BRI
MAY 28/07

33-13-57-01
PAGE OK

BOEING
757
PARTS CATALOG (MAINTENANCE)



AE

Y 33135701 SH1 13 REV 322

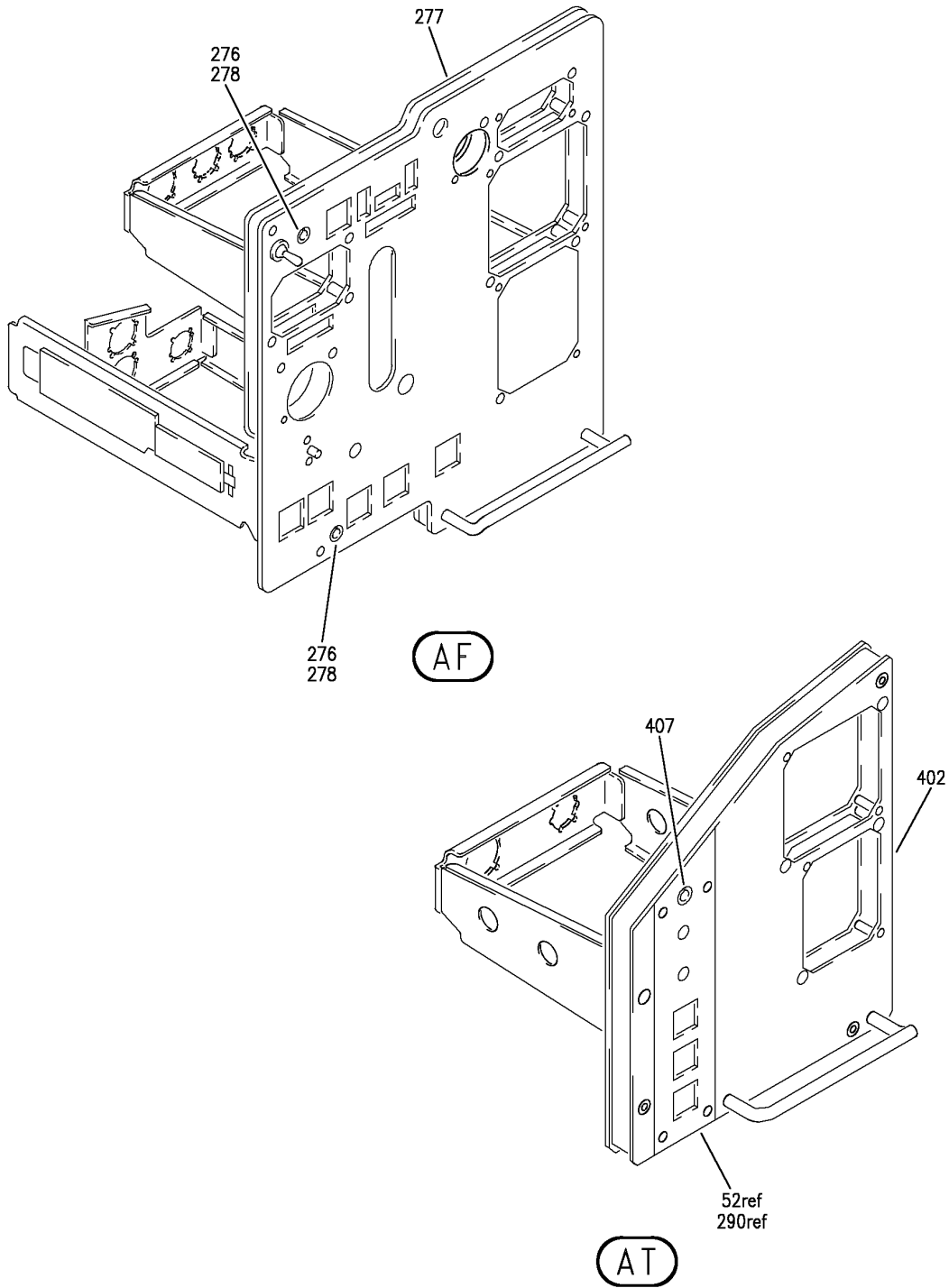
PANEL INSTL-CAPT AND FIRST OFFICER FWD (INTEGRAL PANEL LIGHTS ONLY)
FIGURE 1 (SHEET 13)

33-13-57-01

BRI
MAY 20/08

33-13-57-01
PAGE 01

BOEING
757
PARTS CATALOG (MAINTENANCE)



Y 33135701 SH1 14 REV 323

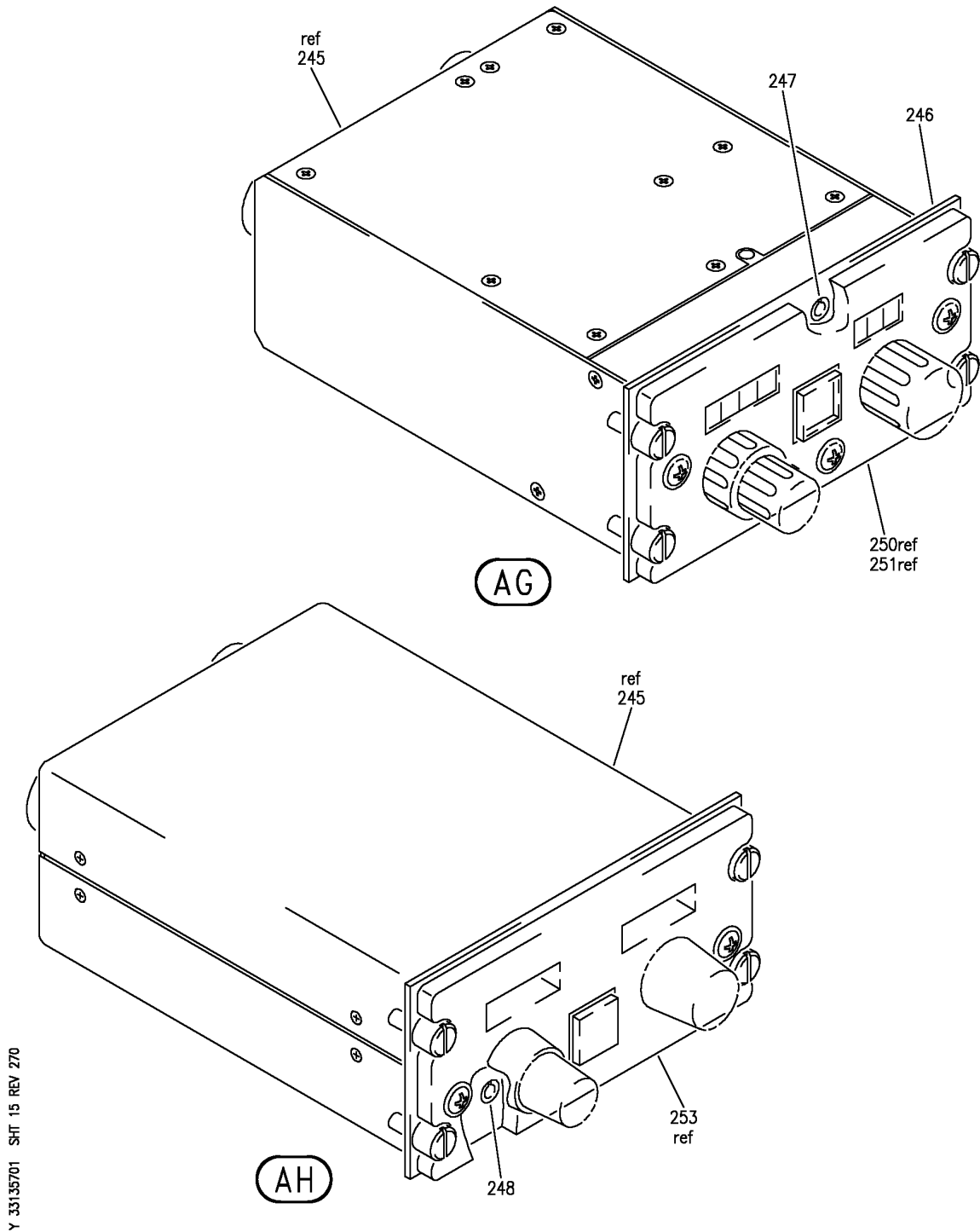
PANEL INSTL-CAPT AND FIRST OFFICER FWD (INTEGRAL PANEL LIGHTS ONLY)
FIGURE 1 (SHEET 14)

33-13-57-01

BRI
MAY 20/08

33-13-57-01
PAGE 0M

BOEING
757
PARTS CATALOG (MAINTENANCE)



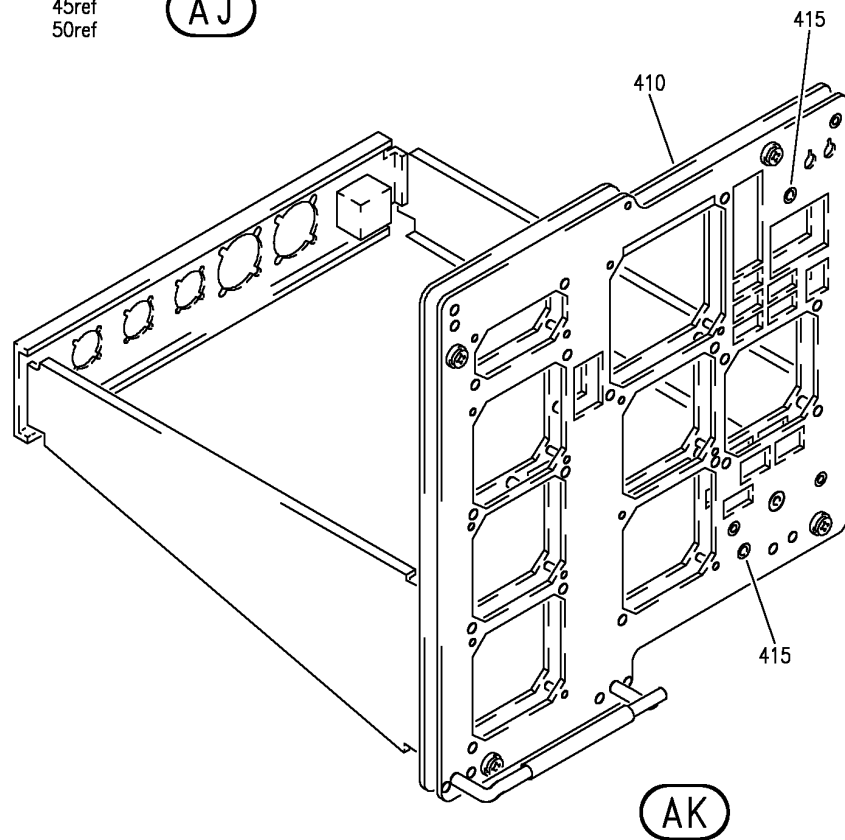
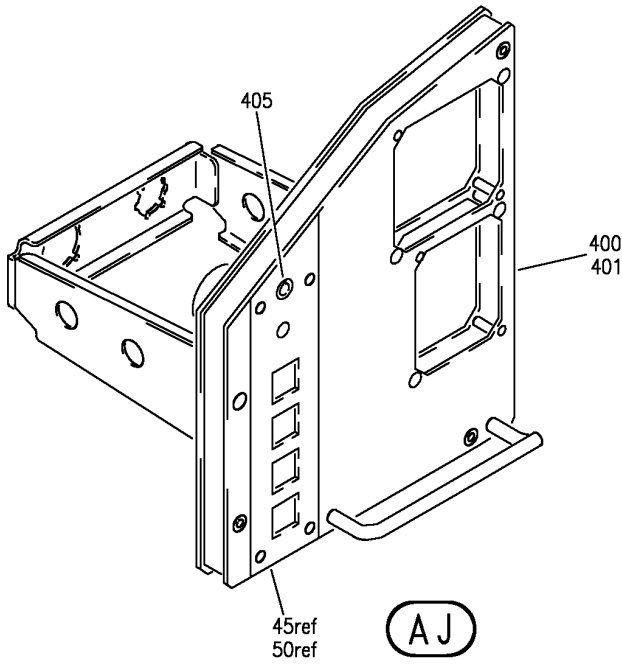
PANEL INSTL-CAPT AND FIRST OFFICER FWD (INTEGRAL PANEL LIGHTS ONLY)
FIGURE 1 (SHEET 15)

33-13-57-01

BRI
MAY 28/07

33-13-57-01
PAGE ON

BOEING
757
PARTS CATALOG (MAINTENANCE)



Y 33135701 SHT 16 REV 270

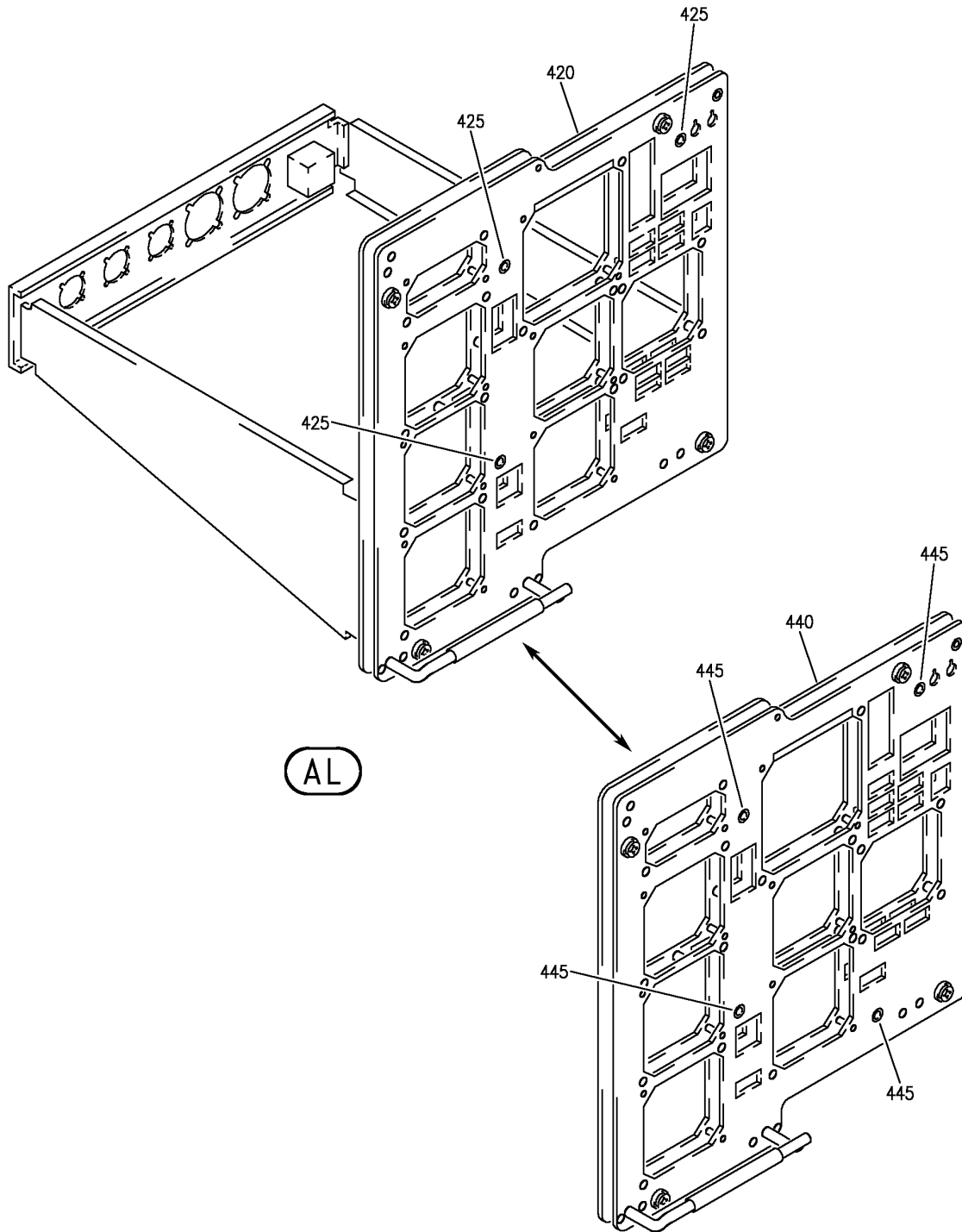
PANEL INSTL-CAPT AND FIRST OFFICER FWD (INTEGRAL PANEL LIGHTS ONLY)
FIGURE 1 (SHEET 16)

33-13-57-01

BRI
MAY 28/07

33-13-57-01
PAGE 00

BOEING
757
PARTS CATALOG (MAINTENANCE)



Y 33135701 SH1 17 REV 270

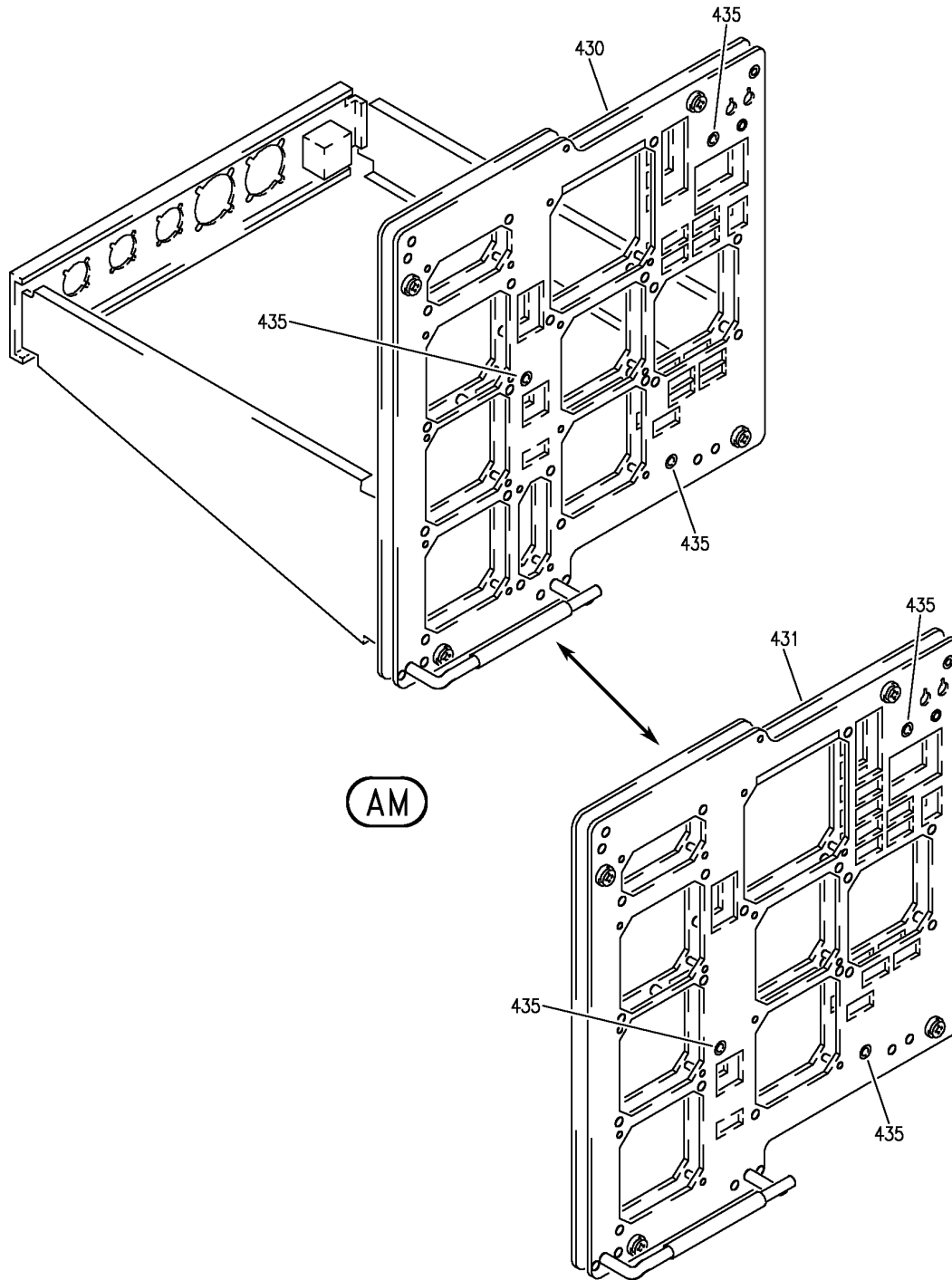
PANEL INSTL-CAPT AND FIRST OFFICER FWD (INTEGRAL PANEL LIGHTS ONLY)
FIGURE 1 (SHEET 17)

33-13-57-01

BRI
MAY 28/07

33-13-57-01
PAGE 0P

BOEING
757
PARTS CATALOG (MAINTENANCE)



Y 33135701 SH1 18 REV 270

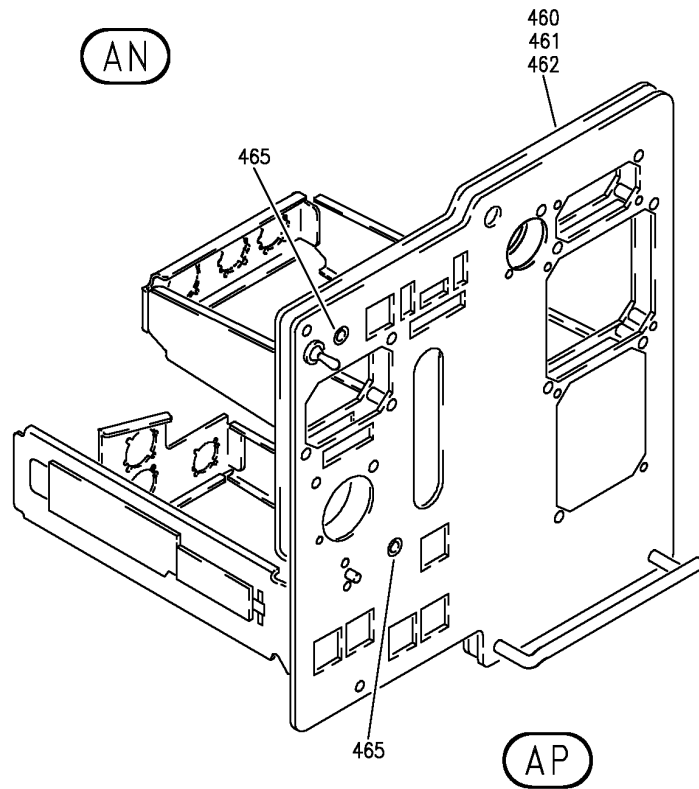
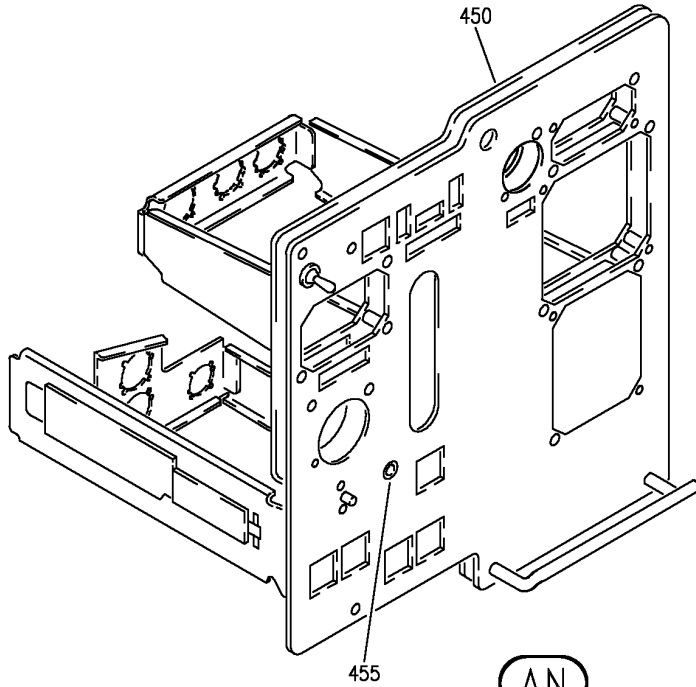
PANEL INSTL-CAPT AND FIRST OFFICER FWD (INTEGRAL PANEL LIGHTS ONLY)
FIGURE 1 (SHEET 18)

33-13-57-01

BRI
MAY 28/07

33-13-57-01
PAGE 00

BOEING
757
PARTS CATALOG (MAINTENANCE)



Y 33135701 SH1 19 REV 277

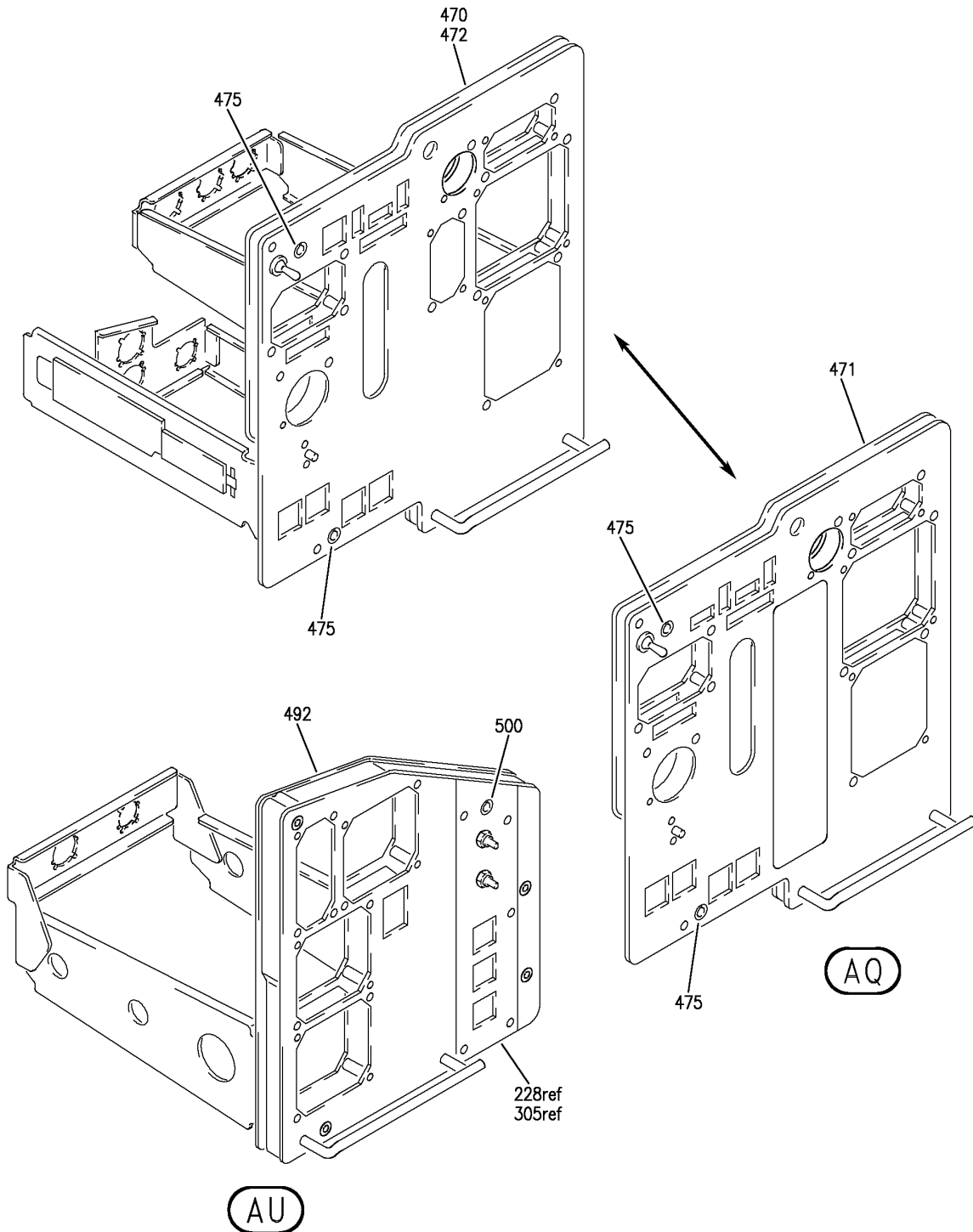
PANEL INSTL-CAPT AND FIRST OFFICER FWD (INTEGRAL PANEL LIGHTS ONLY)
FIGURE 1 (SHEET 19)

33-13-57-01

BRI
MAY 28/07

33-13-57-01
PAGE OR

BOEING
757
PARTS CATALOG (MAINTENANCE)



Y 33135701 SHT 20 REV 323

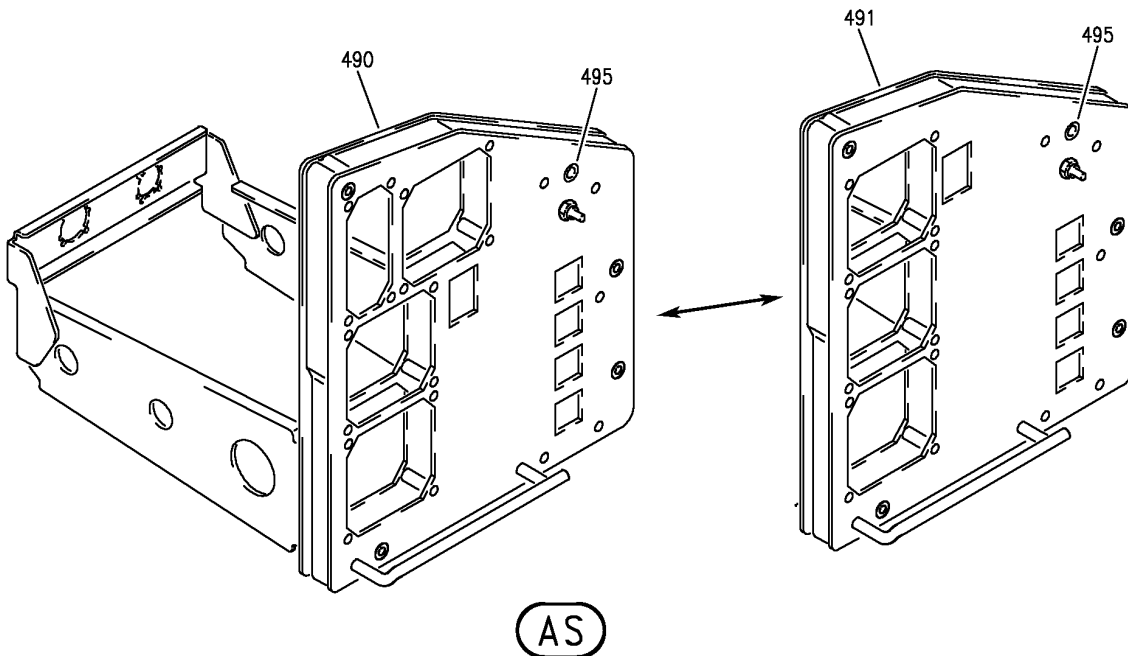
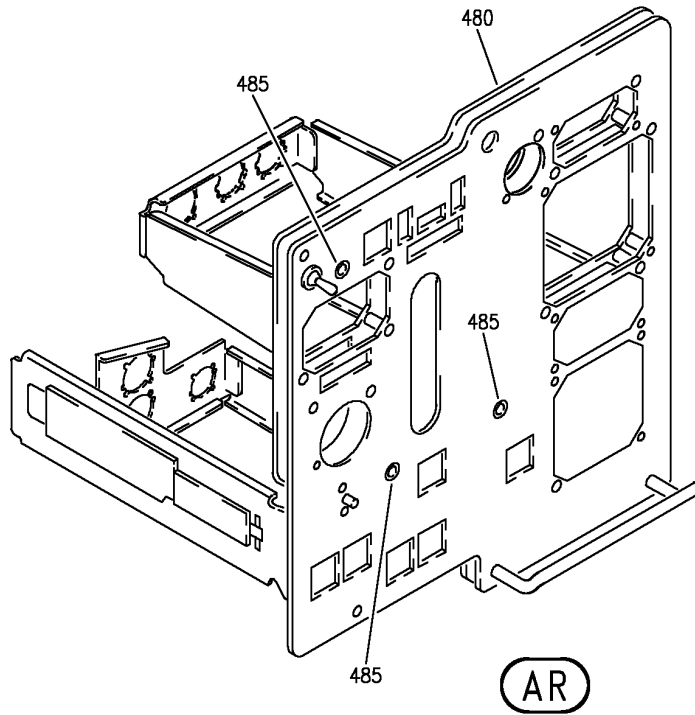
PANEL INSTL-CAPT AND FIRST OFFICER FWD (INTEGRAL PANEL LIGHTS ONLY)
FIGURE 1 (SHEET 20)

33-13-57-01

BRI
MAY 20/08

33-13-57-01
PAGE 05

BOEING
757
PARTS CATALOG (MAINTENANCE)



Y 33135701 SHT 21 REV 270

PANEL INSTL-CAPT AND FIRST OFFICER FWD (INTEGRAL PANEL LIGHTS ONLY)
FIGURE 1 (SHEET 21)

33-13-57-01

BRI
MAY 28/07

33-13-57-01
PAGE 07



757

PARTS CATALOG (MAINTENANCE)

FIG ITEM	PART NUMBER	1 2 3 4 5 6 7	NOMENCLATURE	EFFECT FROM TO	UNITS PER ASSY
1			PANEL INSTL-CAPT AND FIRST OFFICER FWD (INTEGRAL PANEL LIGHTS ONLY)	002004 006010 107107 121503 904999	
- 1	233N2101-1		PANEL INSTL-CAPT AND FIRST OFFICER (INTEGRAL PANEL LIGHTS ONLY) POSITION DATA: FWD VARIABLE DRAWING REF: 233N2101-5003 233N2101-5004 233N2101-5037 233N2101-5039 233N2101-5041 FOR NHA/OTHER SYS DET SEE: 25-10-00-05A	002004 006010 107107 121503 904999	RF
5	800-002544		.LIGHTPLATE- SUPPLIER CODE: V05617 POSITION DATA: L SPECIFICATION NUMBER: S233T100-013 OPTIONAL PART: S233T100-013 V51896 PRE SERVICE BULLETIN: 23-0101 23-0101R1 PRE AIRLINE MOD: E02393R334 VALP	002004 006010 107107 121503 904999	1

MISSING ITEM NUMBERS NOT APPLICABLE

- ITEM NOT ILLUSTRATED

BRI

33-13-57-01

BOEING PROPRIETARY - Copyright © - Unpublished Work - See title page for details.

33-13-57
FIG. 01
PAGE 1
JAN 20/09



757

PARTS CATALOG (MAINTENANCE)

FIG ITEM	PART NUMBER	1 2 3 4 5 6 7	NOMENCLATURE	EFFECT FROM TO	UNITS PER ASSY
1	7 800-001268		.LIGHTPLATE-5V WHITE ILLUMINATED INTEGRALLY LIGHTED GLARESHIELD LIGHTING SUPPLIER CODE: V05617 POSITION DATA: L SPECIFICATION NUMBER: S233T100-006 OPTIONAL PART: S233T100-006 V51896 POST SERVICE BULLETIN: 23-0101 23-0101R1 POST AIRLINE MOD: E02393R334 VALP	009009 107107 950951	1
- 10	FB7900-6A1		..FASTENER-CAPTIVE SUPPLIER CODE: V17419	002004 006010 107107 121503 904999	4
- 15	NAS662-2-3		..SCREW	002004 006010 107107 121503 904999	AR
- 20	MS90451-6832		..LAMP	002004 006010 107107 121503 904999	9

MISSING ITEM NUMBERS NOT APPLICABLE

- ITEM NOT ILLUSTRATED

33-13-57-01

33-13-57
FIG. 01
PAGE 2
JAN 20/09

BRI

BOEING PROPRIETARY - Copyright © - Unpublished Work - See title page for details.



757

PARTS CATALOG (MAINTENANCE)

FIG ITEM	PART NUMBER	1 2 3 4 5 6 7	NOMENCLATURE	EFFECT FROM TO	UNITS PER ASSY
1 25	800-002476	. LIGHTPLATE-	SUPPLIER CODE: V05617 POSITION DATA: R SPECIFICATION NUMBER: S233T100-014 OPTIONAL PART: S233T100-014 V51896 PRE SERVICE BULLETIN: 23-0101 23-0101R1 PRE AIRLINE MOD: E02393R334 VALP	002004 006010 107107 121503 904999	1
27	800-001282	. LIGHTPLATE-	SUPPLIER CODE: V05617 POSITION DATA: R SPECIFICATION NUMBER: S233T100-007 OPTIONAL PART: S233T100-007 V51896 POST SERVICE BULLETIN: 23-0101 23-0101R1 POST AIRLINE MOD: E02393R334 VALP	009009 107107 950951	1
- 30	FB7900-6A1	.. FASTENER-CAPTIVE	SUPPLIER CODE: V17419	002004 006010 107107 121503 904999	4
- 35	NAS662-2-3	.. SCREW		002004 006010 107107 121503 904999	AR
- 40	MS90451-6832	.. LAMP		002004 006010 107107 121503 904999	8

MISSING ITEM NUMBERS NOT APPLICABLE

- ITEM NOT ILLUSTRATED

33-13-57-01

33-13-57
FIG. 01
PAGE 3
JAN 20/09

BRI



757

PARTS CATALOG (MAINTENANCE)

FIG ITEM	PART NUMBER	1 2 3 4 5 6 7	NOMENCLATURE	EFFECT FROM TO	UNITS PER ASSY
1 50	800-003438		.LIGHTPLATE-5V WHITE ILLUMINATED INTEGRALLY LIGHTED INSTR SOURCE SELECTOR SUPPLIER CODE: V05617 POSITION DATA: L SPECIFICATION NUMBER: S233T100-5008 PRE SERVICE BULLETIN: 34-0414	002004 006010 107107 121503 904999	1
70	S233T100-5012		.LIGHTPLATE-5V WHITE ILLUMINATED INTEGRALLY LIGHTED CAUTION/WARNING SUPPLIER CODE: V51896 SPECIFICATION NUMBER: S233T100-5012 OPTIONAL PART: 800-000440 V05617	002004 006010 107107 121503 904999	1
70	800-000440		.LIGHTPLATE-5V WHITE ILLUMINATED INTEGRALLY LIGHTED CAUTION/WARNING SUPPLIER CODE: V05617 SPECIFICATION NUMBER: S233T100-5012 MISCELLANEOUS DATA: FOR VENDOR FSCM 05617 FOR SPARES ORDER THE 800-000440-1 OPTIONAL PART: S233T100-5012 V51896 800-000440-1 V05617	002004 006010 107107 121503 904999	1

MISSING ITEM NUMBERS NOT APPLICABLE

- ITEM NOT ILLUSTRATED

33-13-57-01

33-13-57
FIG. 01
PAGE 4
JAN 20/09

BRI



757

PARTS CATALOG (MAINTENANCE)

FIG ITEM	PART NUMBER	1 2 3 4 5 6 7	NOMENCLATURE	EFFECT FROM TO	UNITS PER ASSY
1	70 800-000440-1	.	LIGHTPLATE-5V WHITE ILLUMINATED INTEGRALLY LIGHTED CAUTION/WARNING SUPPLIER CODE: V05617 SPECIFICATION NUMBER: S233T100-5012 OPTIONAL PART: S233T100-5012 V51896 800-000440 V05617	002004 006010 107107 121503 904999	1
-	83 FB7900-6A1	..	FASTENER-CAPTIVE SUPPLIER CODE: V17419 OPTIONAL PART: CPS6C5D V12324 CA1187-1-1 V29372 P2-001000300 V51896	002004 006010 107107 121503 904999	2
-	83 CPS6C5D	..	FASTENER-CAPTIVE SUPPLIER CODE: V12324 OPTIONAL PART: FB7900-6A1 V08524 CA1187-1-1 V29372 P2-001000300 V51896	002004 006010 107107 121503 904999	2
-	83 CA1187-1-1	..	FASTENER-CAPTIVE SUPPLIER CODE: V29372 OPTIONAL PART: FB7900-6A1 V08524 CPS6C5D V12324 P2-001000300 V51896	002004 006010 107107 121503 904999	2

MISSING ITEM NUMBERS NOT APPLICABLE

- ITEM NOT ILLUSTRATED

33-13-57-01

33-13-57
FIG. 01
PAGE 5
JAN 20/09

BRI



757

PARTS CATALOG (MAINTENANCE)

FIG ITEM	PART NUMBER	1 2 3 4 5 6 7	NOMENCLATURE	EFFECT FROM TO	UNITS PER ASSY
1					
- 83	P2-001000300		.. FASTENER-CAPTIVE SUPPLIER CODE: V51896 OPTIONAL PART: FB7900-6A1 V08524 CPS6C5D V12324 CA1187-1-1 V29372	002004 006010 107107 121503 904999	2
- 90	NAS662-2-3		.. SCREW	002004 006010 107107 121503 904999	AR
- 93	NAS662-2-3		.. SCREW-	002004 006010 107107 121503 904999	AR
- 103	MS90451-6832		.. LAMP-	002004 006010 107107 121503 904999	3
104	800-000441		. LIGHTPLATE-5V WHITE ILLUMINATED INTEGRALLY LIGHTED AUTO BRAKE SUPPLIER CODE: V05617 SPECIFICATION NUMBER: S233T100-5013 OPTIONAL PART: S233T100-5013 V51896	002004 006010 107107 121503 904999	1
106	800-002557		. LIGHTPLATE-5V WHITE ILLUMINATED INTEGRALLY LIGHTED AUTO BRAKE SUPPLIER CODE: V51896 SPECIFICATION NUMBER: S233T100-5014	002004 006010 121503 904999	1
- 107	S0050002		.. CONNECTOR-ELECTRICAL SUPPLIER CODE: V51896	107107	1
- 109	NAS662-2-3		.. SCREW	107107	3
- 111	S0056832		.. LAMP ASSY- SUPPLIER CODE: V51896	107107	3

MISSING ITEM NUMBERS NOT APPLICABLE

- ITEM NOT ILLUSTRATED

33-13-57-01

33-13-57
FIG. 01
PAGE 6
JAN 20/09

BRI



757

PARTS CATALOG (MAINTENANCE)

FIG ITEM	PART NUMBER	1 2 3 4 5 6 7	NOMENCLATURE	EFFECT FROM TO	UNITS PER ASSY
1					
- 113	S0050001		.. FASTENER-CAPTIVE SUPPLIER CODE: V51896	107107	2
115	800-000442		. LIGHTPLATE-5V WHITE ILLUMINATED INTEGRALLY LIGHTED RESERVE BRAKE SUPPLIER CODE: V05617 SPECIFICATION NUMBER: S233T100-5018 MISCELLANEOUS DATA: FOR VENDOR FSCM 05617 FOR SPARES ORDER THE 800-000442-1 OPTIONAL PART: S233T100-5018 V51896 800-00442-1 V05617	002004 006010 107107 950999	1
115	800-000442-1		. LIGHTPLATE-5V WHITE ILLUMINATED INTEGRALLY LIGHTED RESERVE BRAKE SUPPLIER CODE: V05617 SPECIFICATION NUMBER: S233T100-5018 OPTIONAL PART: S233T100-5018 V51896 800-00442 V05617	002004 006010 107107 950999	1
- 125	S0050002		.. CONNECTOR-ELECTRICAL SUPPLIER CODE: V51896	002004 006010 107107 121503 904999	1
- 130	NAS662-2-3		.. SCREW	002004 006010 107107 121503 904999	AR
- 135	S0056832		.. LAMP ASSY- SUPPLIER CODE: V51896	002004 006010 107107 121503 904999	1

MISSING ITEM NUMBERS NOT APPLICABLE

- ITEM NOT ILLUSTRATED

33-13-57-01

33-13-57
FIG. 01
PAGE 7
JAN 20/09

BRI



757

PARTS CATALOG (MAINTENANCE)

FIG ITEM	PART NUMBER	1 2 3 4 5 6 7	NOMENCLATURE	EFFECT FROM TO	UNITS PER ASSY
1					
- 140	S0050001		.. FASTENER-CAPTIVE SUPPLIER CODE: V51896	002004 006010 107107 121503 904999	2
145	800-003610		. LIGHTPLATE- SUPPLIER CODE: V05617 SPECIFICATION NUMBER: S233T100-5038 OPTIONAL PART: S233T100-5038 V51896 PRE SERVICE BULLETIN: 34-0200	002004 006010 950999	1
150	S233T100-5032		. LIGHTPLATE-5V WHITE ILLUMINATED INTEGRALLY LIGHTED LANDING GEAR SUPPLIER CODE: V51896 SPECIFICATION NUMBER: S233T100-5032	107107 121503 904949	1
153	800-003899		. LIGHTPLATE-5V WHITE ILLUMINATED INTEGRALLY LIGHTED LANDING GEAR SUPPLIER CODE: V05617 SPECIFICATION NUMBER: S233T100-5037 OPTIONAL PART: S233T100-5037 V51896	121503 904949	1
- 155	S0050002		.. CONNECTOR-ELECTRICAL SUPPLIER CODE: V51896	002004 006010 107107 121503 904999	1
- 160	NAS662-2-3		.. SCREW	107107 121503 904949	8
- 165	S0056832		.. LAMP ASSY- SUPPLIER CODE: V51896	107107 121503 904949	19
- 170	S0050001		.. FASTENER-CAPTIVE SUPPLIER CODE: V51896	002004 006010 107107 121503 904999	6

MISSING ITEM NUMBERS NOT APPLICABLE

- ITEM NOT ILLUSTRATED

33-13-57-01

33-13-57
FIG. 01
PAGE 8
JAN 20/09

BRI



757

PARTS CATALOG (MAINTENANCE)

FIG ITEM	PART NUMBER	1 2 3 4 5 6 7	NOMENCLATURE	EFFECT FROM TO	UNITS PER ASSY
1 200	800-002018		.LIGHTPLATE-5V WHITE ILLUMINATED INTEGRALLY LIGHTED MAGNETIC/TRUE HEADING SUPPLIER CODE: V05617 SPECIFICATION NUMBER: S233T100-5029 MISCELLANEOUS DATA: FOR VENDOR FSCM 05617 FOR SPARES ORDER THE 800-002018-1 OPTIONAL PART: S233T100-5029 V51896 800-002018-1 V05617	107107 121503 904949	1
200	800-002018-1		.LIGHTPLATE-5V WHITE ILLUMINATED INTEGRALLY LIGHTED MAGNETIC/TRUE HEADING SUPPLIER CODE: V05617 SPECIFICATION NUMBER: S233T100-5029 OPTIONAL PART: S233T100-5029 V51896 800-002018 V05617	107107 121503 904949	1
202	800-000449		.LIGHTPLATE-5V WHITE ILLUMINATED INTEGRALLY LIGHTED MAGNETIC/TRUE HEADING SUPPLIER CODE: V05617 SPECIFICATION NUMBER: S233T100-033 OPTIONAL PART: S233T100-033 V51896 PRE SERVICE BULLETIN: 34-0200	002004 006010 950999	1
- 205	S0050001		..FASTENER-CAPTIVE SUPPLIER CODE: V51896	107107 121503 904949	2
- 210	NAS662-2-3		..SCREW	107107 121503 904949	3

MISSING ITEM NUMBERS NOT APPLICABLE

- ITEM NOT ILLUSTRATED

33-13-57-01

33-13-57
FIG. 01
PAGE 9
JAN 20/09

BRI

BOEING
757
PARTS CATALOG (MAINTENANCE)

FIG ITEM	PART NUMBER	1 2 3 4 5 6 7	NOMENCLATURE	EFFECT FROM TO	UNITS PER ASSY
1					
- 215	S0056832		..LAMP ASSY- SUPPLIER CODE: V51896	107107 121503 904949	3
- 220	S0050002		..CONNECTOR-ELECTRICAL SUPPLIER CODE: V51896	107107 121503 904949	1
227	800-003439		.LIGHTPLATE-5V WHITE ILLUMINATED INTEGRALLY LIGHTED INSTR SOURCE SELECTOR SUPPLIER CODE: V05617 POSITION DATA: R SPECIFICATION NUMBER: S233T100-5009 OPTIONAL PART: S233T100-5009 V51896 PRE SERVICE BULLETIN: 34-0416	002004 006010 107107 121503 904999	1
245	285T0021-16		.PANEL ASSY-CONT SUPPLIER CODE: V89954 COMPONENT MAINT MANUAL REF: 34-51-51	002004 006010 107107 121503 904999	RF
245	285T0554-3		.PANEL ASSY-CONT SUPPLIER CODE: V89954 COMPONENT MAINT MANUAL REF: 34-51-61 OPTIONAL PART: 285T0554-5 V89954	002004 006010 107107 121503 904999	RF
245	285T0554-5		.PANEL ASSY-CONT SUPPLIER CODE: V89954 COMPONENT MAINT MANUAL REF: 34-51-61 OPTIONAL PART: 285T0554-3 V89954	002004 006010 107107 121503 904999	RF
245	285T0021-19		.PANEL ASSY-CONT SUPPLIER CODE: V89954 COMPONENT MAINT MANUAL REF: 34-51-51	002004 006010 107107 121503 904999	RF

MISSING ITEM NUMBERS NOT APPLICABLE

- ITEM NOT ILLUSTRATED

BRI

33-13-57-01

BOEING PROPRIETARY - Copyright © - Unpublished Work - See title page for details.

33-13-57
FIG. 01
PAGE 10
MAY 20/09



757

PARTS CATALOG (MAINTENANCE)

FIG ITEM	PART NUMBER	1 2 3 4 5 6 7	NOMENCLATURE	EFFECT FROM TO	UNITS PER ASSY
1 246	285T0116-19		..MODULE ASSY- SUPPLIER CODE: V89954 OPTIONAL PART: 285T0116-23 V89954 USED ON: 285T0021-16 285T0021-19	002004 006010 107107 121503 904999	1
246	285T0116-23		..MODULE ASSY- SUPPLIER CODE: V89954 OPTIONAL PART: 285T0116-19 V89954 USED ON: 285T0021-16 285T0021-19	002004 006010 107107 121503 904999	1
247	800-000121-1		...CONNECTOR-PWR SUPPLIER CODE: V05617	002004 006010 107107 121503 904999	1
248	800-000121-1		..CONNECTOR- SUPPLIER CODE: V05617 USED ON: 285T0554-3	002004 006010 107107 121503 904999	1
248	800-000121-1		..CONNECTOR- SUPPLIER CODE: V05617 OPTIONAL PART: 90-42303-1 V51074 USED ON: 285T0554-5	002004 006010 107107 121503 904999	1
248	90-42303-1		..CONNECTOR- SUPPLIER CODE: V51074 OPTIONAL PART: 800-000121-1 V05617 USED ON: 285T0554-5	002004 006010 107107 121503 904999	1

MISSING ITEM NUMBERS NOT APPLICABLE

- ITEM NOT ILLUSTRATED

BRI

33-13-57-01

33-13-57
FIG. 01
PAGE 11
JAN 20/09



757

PARTS CATALOG (MAINTENANCE)

FIG ITEM	PART NUMBER	1 2 3 4 5 6 7	NOMENCLATURE	EFFECT FROM TO	UNITS PER ASSY
1 250	S233T100-020		..LIGHTPLATE- SUPPLIER CODE: V51896 SPECIFICATION NUMBER: S233T100-020 OPTIONAL PART: S233T100-038 V51896 USED ON: 285T0021-16 285T0021-19	002004 006010 107107 121503 904999	1
251	S233T100-038		..LIGHTPLATE-5V WHITE SUPPLIER CODE: V51896 SPECIFICATION NUMBER: S233T100-038 OPTIONAL PART: 800-008002 V05617 OPTIONAL PART: S233T100-020 V51896 USED ON: 285T0021-16 285T0021-19	002004 006010 107107 121503 904999	1
251	800-008002		..LIGHTPLATE-5V WHITE SUPPLIER CODE: V05617 SPECIFICATION NUMBER: S233T100-038 OPTIONAL PART: S233T100-038 V51896 USED ON: 285T0021-16 285T0021-19	002004 006010 107107 121503 904999	1

MISSING ITEM NUMBERS NOT APPLICABLE

- ITEM NOT ILLUSTRATED

BRI

33-13-57-01

BOEING PROPRIETARY - Copyright © - Unpublished Work - See title page for details.

33-13-57
FIG. 01
PAGE 12
JAN 20/09



757

PARTS CATALOG (MAINTENANCE)

FIG ITEM	PART NUMBER	1 2 3 4 5 6 7	NOMENCLATURE	EFFECT FROM TO	UNITS PER ASSY
1 253	S233T100-043		..LIGHTPLATE- ILLUMINATED INTEGRALLY LIGHTED FLT INSTR BUS PWR SUPPLIER CODE: V51896 QUALIFIED OPTIONAL DATA: S233T100-043 OPTIONAL TO 285T1201-1 WHEN USED WITH ASSOCIATED ITEMS OPTIONAL PART: 800-002453 V05617 USED ON: 285T0554-5	002004 006010 107107 121503 904999	1
253	800-002453		..LIGHTPLATE- ILLUMINATED INTEGRALLY LIGHTED FLT INSTR BUS PWR SUPPLIER CODE: V05617 SPECIFICATION NUMBER: S233T100-043 QUALIFIED OPTIONAL DATA: 800-002453 OPTIONAL TO 285T1201-1 WHEN USED WITH ASSOCIATED ITEMS OPTIONAL PART: S233T100-043 V51896 USED ON: 285T0554-5	002004 006010 107107 121503 904999	1
253	S233T100-043		..LIGHTPLATE- ILLUMINATED INTEGRALLY LIGHTED FLT INSTR BUS PWR SUPPLIER CODE: V51896 OPTIONAL PART: 800-002453 V05617 USED ON: 285T0554-3	002004 006010 107107 121503 904999	1

MISSING ITEM NUMBERS NOT APPLICABLE

- ITEM NOT ILLUSTRATED

BRI

33-13-57-01

BOEING PROPRIETARY - Copyright © - Unpublished Work - See title page for details.

33-13-57
FIG. 01
PAGE 13
JAN 20/09



757

PARTS CATALOG (MAINTENANCE)

FIG ITEM	PART NUMBER	1 2 3 4 5 6 7	NOMENCLATURE	EFFECT FROM TO	UNITS PER ASSY
1 253	800-002453		..LIGHTPLATE- ILLUMINATED INTEGRALLY LIGHTED FLT INSTR BUS PWR SUPPLIER CODE: V05617 SPECIFICATION NUMBER: S233T100-043 OPTIONAL PART: S233T100-043 V51896 USED ON: 285T0554-3	002004 006010 107107 121503 904999	1
254	285T1201-1		..LIGHTPLATE- SUPPLIER CODE: V89954 QUALIFIED OPTIONAL DATA: S233T100-043 AND 800-002453 OPTIONAL TO 285T1201-1 WHEN USED WITH ASSOCIATED ITEMS USED ON: 285T0554-5	002004 006010 107107 121503 904999	1
- 265	233N2222-329		.MODULE ASSY- COMPONENT MAINT MANUAL REF: 31-11-49 POST SERVICE BULLETIN: 34-0200 PRE ALERT SB: 33A0044	952952	RF
- 265	233N2222-1329		.MODULE ASSY- COMPONENT MAINT MANUAL REF: 31-11-49 POST ALERT SB: 33A0044	952952	RF
270	800-000449		..LIGHTPLATE-5V WHITE ILLUMINATED INTEGRALLY LIGHTED MAGNETIC/TRUE HEADING SUPPLIER CODE: V05617 SPECIFICATION NUMBER: S233T100-033 OPTIONAL PART: S233T100-033 V51896	952952	1

MISSING ITEM NUMBERS NOT APPLICABLE

- ITEM NOT ILLUSTRATED

33-13-57-01

33-13-57
FIG. 01
PAGE 14
JAN 20/09

BRI



757

PARTS CATALOG (MAINTENANCE)

FIG ITEM	PART NUMBER	1 2 3 4 5 6 7	NOMENCLATURE	EFFECT FROM TO	UNITS PER ASSY
R R R R R R R R R	1 275	800-009200	..LIGHTPLATE-5V WHITE ILLUMINATED INTEGRALLY LIGHTED LG AND FLAPS SUPPLIER CODE: V05617 SPECIFICATION NUMBER: S233T100-5046 OPTIONAL PART: S233T100-5046 V51896 800-009200-1 V05617	952952	1
	277	233N2222-111	..MODULE ASSY- PRE ALERT SB: 33A0044	952952	RF
	277	233N2222-1111	..MODULE ASSY- POST ALERT SB: 33A0044	952952	RF
	278	800000121-1	...CONNECTOR-PWR SUPPLIER CODE: V05617	952952	2
	- 280	823N0001-3	.MODULE ASSY-P1-1 POST SERVICE BULLETIN: 34-0414 34-0416	009009 107107	RF
	285	823N0001-203	..PANEL ASSY- POST SERVICE BULLETIN: 34-0414 34-0416	009009 107107	RF
	- 286	800000121-1	...CONNECTOR-PWR SUPPLIER CODE: V05617	009009 107107	1

MISSING ITEM NUMBERS NOT APPLICABLE

- ITEM NOT ILLUSTRATED

33-13-57-01

33-13-57
FIG. 01
PAGE 15
MAY 20/09

BRI



757

PARTS CATALOG (MAINTENANCE)

FIG ITEM	PART NUMBER	1 2 3 4 5 6 7	NOMENCLATURE	EFFECT FROM TO	UNITS PER ASSY
1 290	800-007773		..LIGHTPLATE-5V WHITE ILLUMINATED INTEGRALLY LIGHTED INSTR SOURCE SELECTOR SUPPLIER CODE: V05617 POSITION DATA: L SPECIFICATION NUMBER: S233T100-5035 MISCELLANEOUS DATA: FOR VENDOR FSCM 05617 FOR SPARES ORDER THE 800-007773-1 OPTIONAL PART: S233T100-5035 V51896 800-007773-1 V05617 SERVICE BULLETIN OPT DATA: S233T100-5035 V51896	009009 107107	1
290	S233T100-5035		..LIGHTPLATE-5V WHITE ILLUMINATED INTEGRALLY LIGHTED SOURCE SELECTOR SUPPLIER CODE: V51896 POSITION DATA: L SERVICE BULLETIN OPT DATA: 800-007773 V05617	009009 107107	1
290	800-007773-1		..LIGHTPLATE-5V WHITE ILLUMINATED INTEGRALLY LIGHTED INSTR SOURCE SELECTOR SUPPLIER CODE: V05617 POSITION DATA: L SPECIFICATION NUMBER: S233T100-5035 OPTIONAL PART: S233T100-5035 V51896 800-007773 V05617	009009 107107	1

MISSING ITEM NUMBERS NOT APPLICABLE

- ITEM NOT ILLUSTRATED

33-13-57-01

33-13-57
FIG. 01
PAGE 16
JAN 20/09

BRI



757

PARTS CATALOG (MAINTENANCE)

FIG ITEM	PART NUMBER	1 2 3 4 5 6 7	NOMENCLATURE	EFFECT FROM TO	UNITS PER ASSY
1					
- 295	233N2223-334	.	MODULE ASSY- POST SERVICE BULLETIN: 34-0414 34-0416	009009 107107	RF
- 300	233N2223-61	..	MODULE SUB ASSY- POST SERVICE BULLETIN: 34-0414 34-0416	009009 107107	RF
- 302	800000121-1	...	CONNECTOR-PWR SUPPLIER CODE: V05617	009009 107107	1
305	800-007772	..	LIGHTPLATE-5V WHITE ILLUMINATED INTEGRALLY LIGHTED INSTR SOURCE SELECTOR SUPPLIER CODE: V05617 POSITION DATA: R SPECIFICATION NUMBER: S233T100-5036 OPTIONAL PART: S233T100-5036 V51896 SERVICE BULLETIN OPT DATA: S233T100-5036 V51896	009009 107107	1
305	S233T100-5036	..	LIGHTPLATE-5V WHITE ILLUMINATED INTEGRALLY LIGHTED SOURCE SELECTOR SUPPLIER CODE: V51896 POSITION DATA: L SERVICE BULLETIN OPT DATA: 800-007772 V05617	009009 107107	1
400	233N2220-10	.	MODULE ASSY- PRE SERVICE BULLETIN: 34-0416	002004 006010 950999	RF
400	233N2220-13	.	MODULE ASSY-	121503 904949	RF
400	233N2220-7	.	MODULE ASSY- PRE SERVICE BULLETIN: 34-0414	107107	RF

MISSING ITEM NUMBERS NOT APPLICABLE

- ITEM NOT ILLUSTRATED

33-13-57-01

33-13-57
FIG. 01
PAGE 17
JAN 20/09

BRI

BOEING PROPRIETARY - Copyright © - Unpublished Work - See title page for details.



757

PARTS CATALOG (MAINTENANCE)

FIG ITEM	PART NUMBER	1 2 3 4 5 6 7 NOMENCLATURE	EFFECT FROM TO	UNITS PER ASSY
1				
405	800000121-1	.. CONNECTOR-PWR SUPPLIER CODE: V05617	002004 006010 107107 121503 904999	1
431	233N2221-51	.MODULE ASSY-	002004 006010 950999	1
431	233N2221-59	.MODULE ASSY	107107	RF
431	233N2221-62	.MODULE ASSY	121503 904949	RF
435	800000121-1	.. CONNECTOR-PWR SUPPLIER CODE: V05617	107107 121503 904949	3
435	800-000121-1	.. CONNECTOR-PWR SUPPLIER CODE: V05617	002004 006010 950999	3
460	233N2222-53	.MODULE ASSY- PRE ALERT SB: 33A0044	107107	RF
461	233N2222-85	.MODULE ASSY- PRE ALERT SB: 33A0044R1	121503 904949	RF
461	233N2222-1053	.MODULE ASSY- POST ALERT SB: 33A0044	107107	RF
462	233N2222-1085	.MODULE ASSY- POST ALERT SB: 33A0044R1	121503 904949	RF
465	800000121-1	.. CONNECTOR-PWR SUPPLIER CODE: V05617	107107 121503 904949	2
470	233N2222-77	.MODULE ASSY- PRE SERVICE BULLETIN: 34-0200 PRE ALERT SB: 33A0044	002004 006010 950999	RF
471	233N2222-1077	.MODULE ASSY- POST ALERT SB: 33A0044	002004 006010 950951 953999	RF
475	800000121-1	.. CONNECTOR-PWR SUPPLIER CODE: V05617	002004 006010 950999	2
490	233N2223-12	.MODULE ASSY-	002004 006010 950999	RF
490	233N2223-15	.MODULE ASSY-	121503 904949	RF

MISSING ITEM NUMBERS NOT APPLICABLE

- ITEM NOT ILLUSTRATED

33-13-57-01

33-13-57
FIG. 01
PAGE 18
JAN 20/09

BRI



757

PARTS CATALOG (MAINTENANCE)

FIG ITEM	PART NUMBER	1 2 3 4 5 6 7	NOMENCLATURE	EFFECT FROM TO	UNITS PER ASSY
1					
491	233N2223-8		.MODULE ASSY- PRE SERVICE BULLETIN: 34-0414	107107	RF
495	800000121-1		...CONNECTOR-PWR SUPPLIER CODE: V05617 PRE SERVICE BULLETIN: 34-0414	002004 006010 107107 121503 904999	1
500	800-000121-1		...CONNECTOR-PWR SUPPLIER CODE: V05617 POST SERVICE BULLETIN: 34-0414	107107	1

MISSING ITEM NUMBERS NOT APPLICABLE

- ITEM NOT ILLUSTRATED

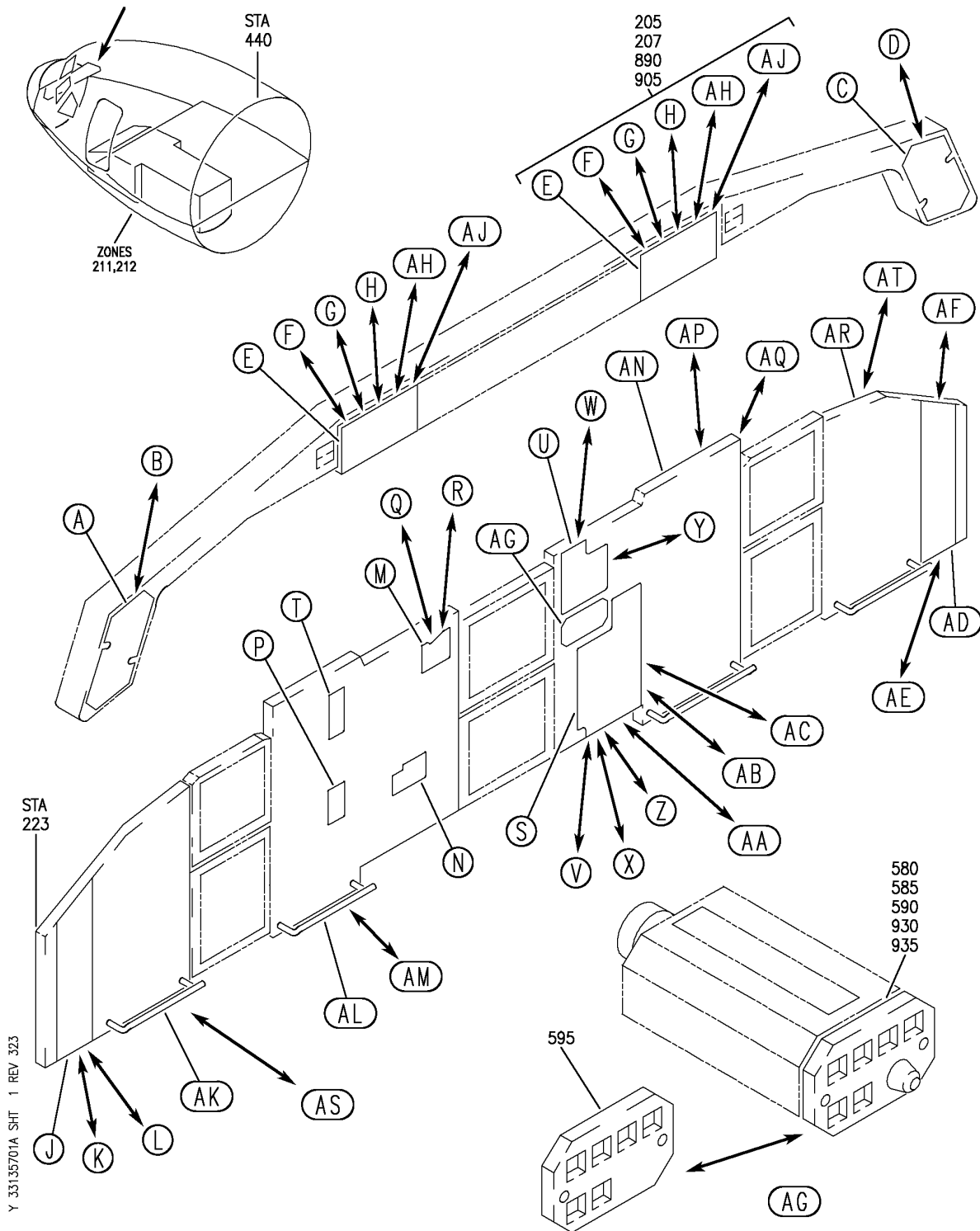
BRI

33-13-57-01

BOEING PROPRIETARY - Copyright © - Unpublished Work - See title page for details.

33-13-57
FIG. 01
PAGE 19
JAN 20/09


BOEING
 757
PARTS CATALOG (MAINTENANCE)



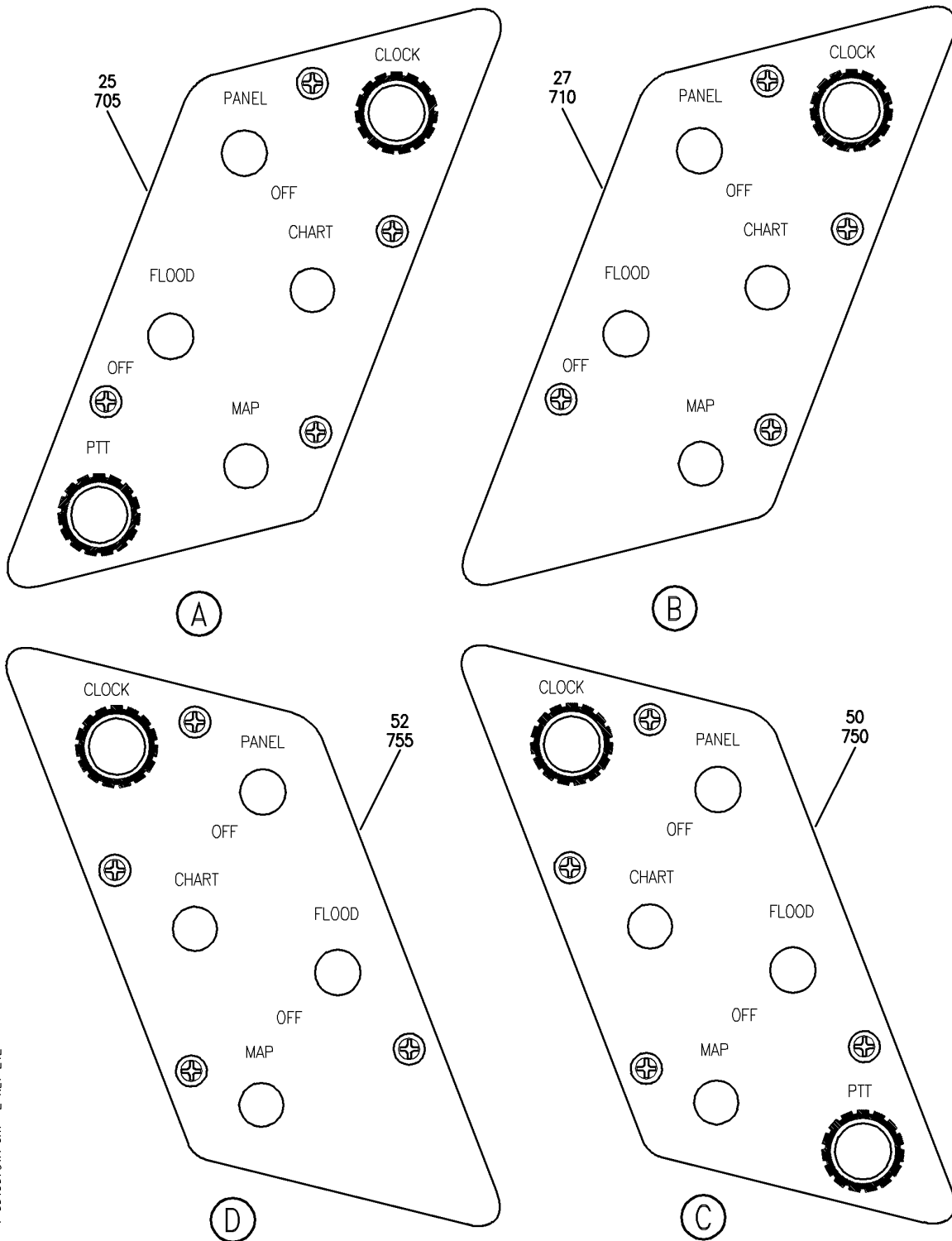
PANEL AND LIGHTPLATE INSTL-PILOTS FWD (INTEGRAL PANEL LIGHTS ONLY)
 FIGURE 1A (SHEET 1)

33-13-57-01A

BRI
MAY 20/08

33-13-57-01A
PAGE 0

BOEING
757
PARTS CATALOG (MAINTENANCE)



Y 33135701A SH1 2 REV 242

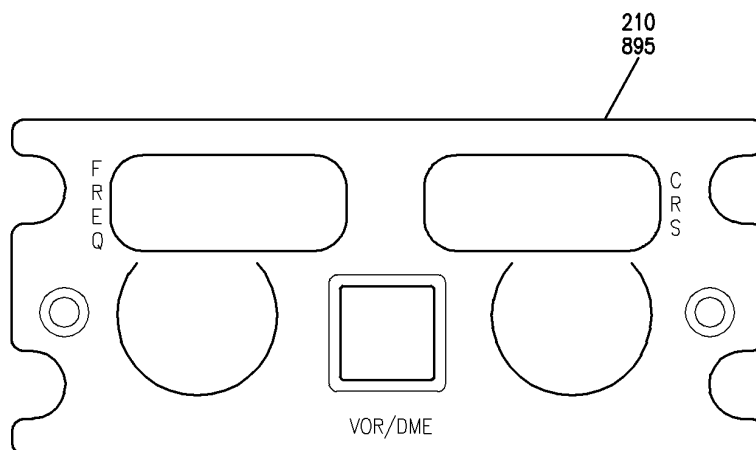
PANEL AND LIGHTPLATE INSTL-PILOTS FWD (INTEGRAL PANEL LIGHTS ONLY)
FIGURE 1A (SHEET 2)

33-13-57-01A

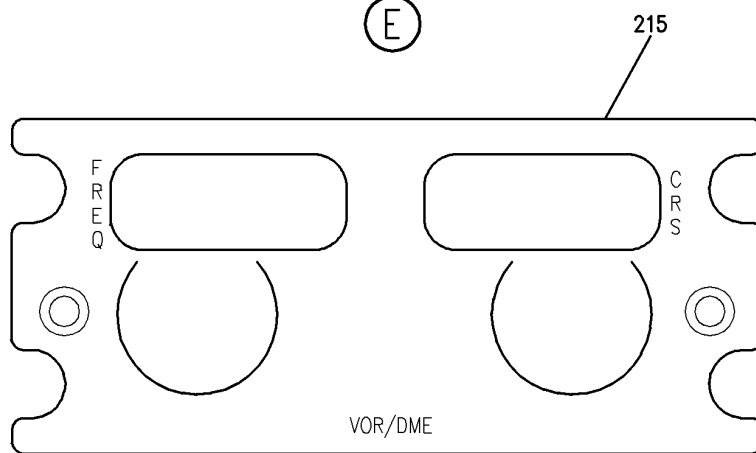
BRI
MAY 28/07

33-13-57-01A
PAGE 0A

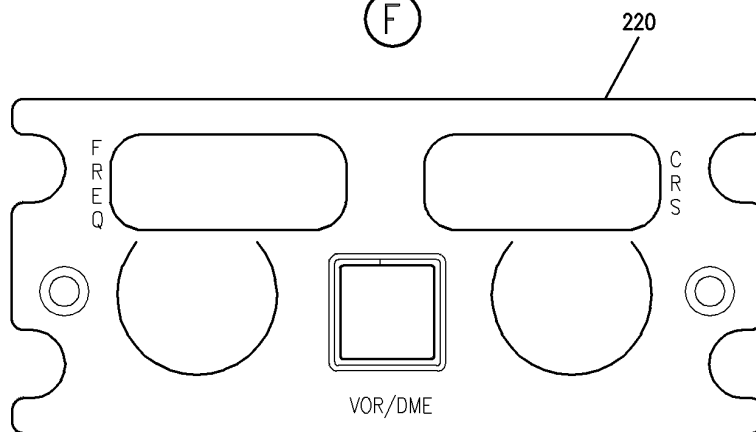
BOEING
757
PARTS CATALOG (MAINTENANCE)



(E)



(F)



(G)

Y 33135701A SHT 3 REV 234

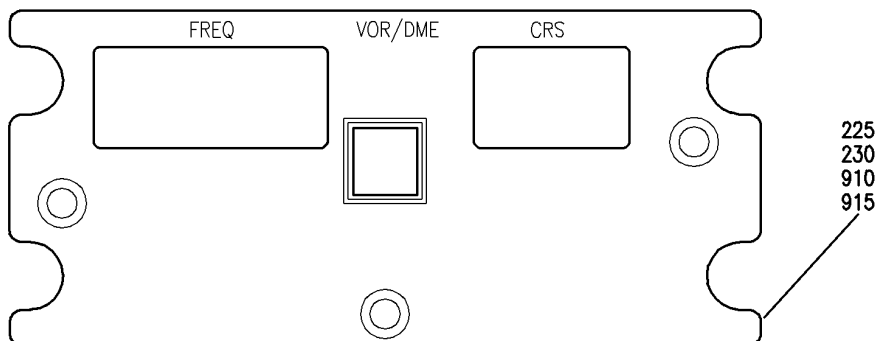
PANEL AND LIGHTPLATE INSTL-PILOTS FWD (INTEGRAL PANEL LIGHTS ONLY)
FIGURE 1A (SHEET 3)

33-13-57-01A

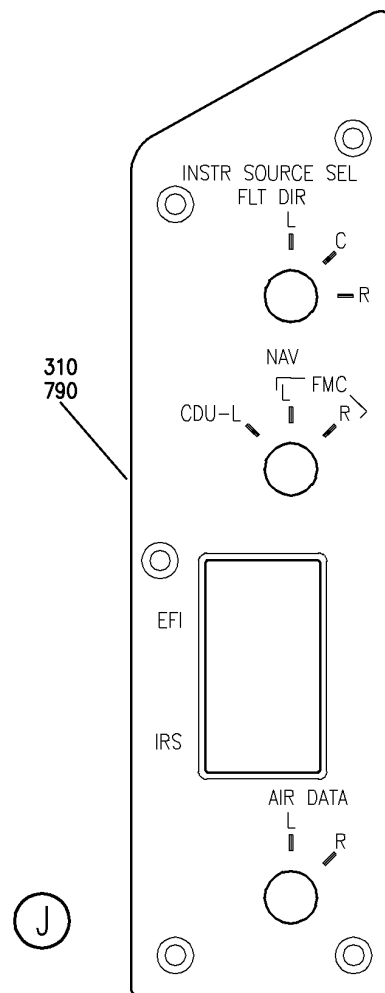
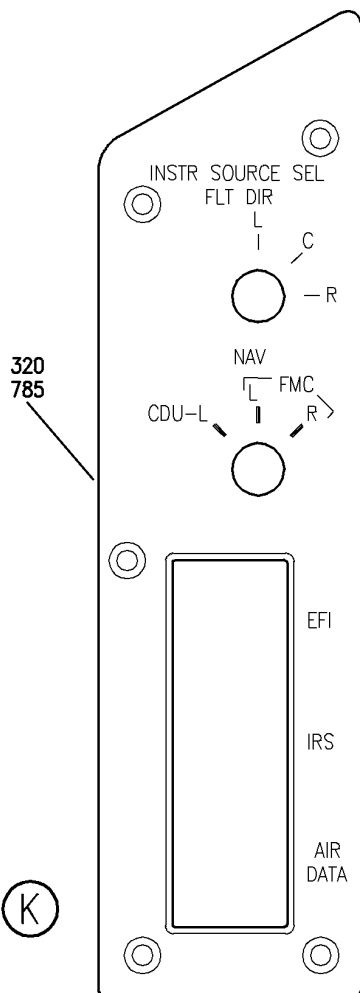
BRI
MAY 28/07

33-13-57-01A
PAGE 0B

BOEING
757
PARTS CATALOG (MAINTENANCE)



(H)



Y 33135701A SHT 4 REV 234

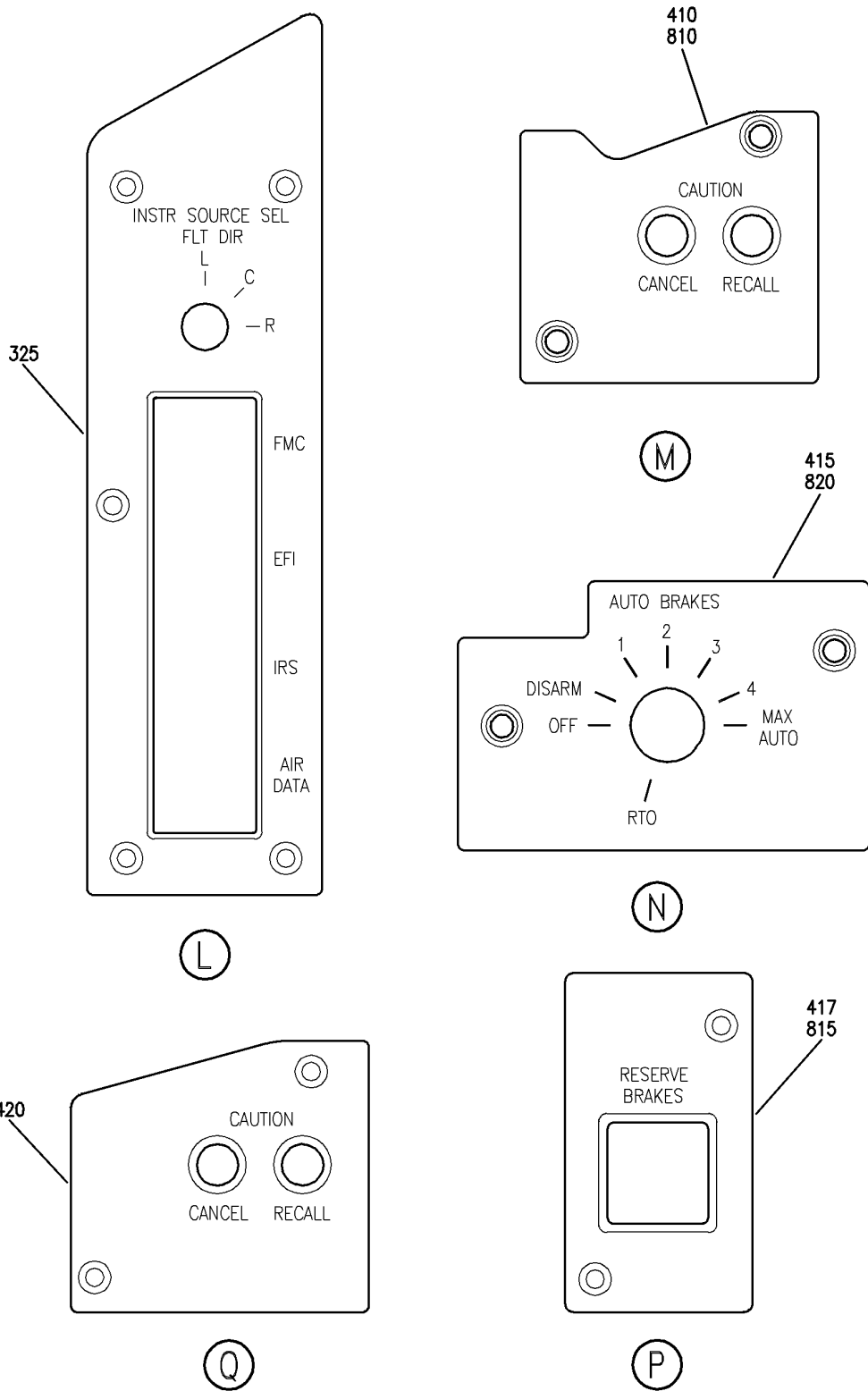
PANEL AND LIGHTPLATE INSTL-PILOTS FWD (INTEGRAL PANEL LIGHTS ONLY)
FIGURE 1A (SHEET 4)

33-13-57-01A

BRI
MAY 28/07

33-13-57-01A
PAGE 0C

BOEING
757
PARTS CATALOG (MAINTENANCE)



Y 33135701A SHT 5 REV 234

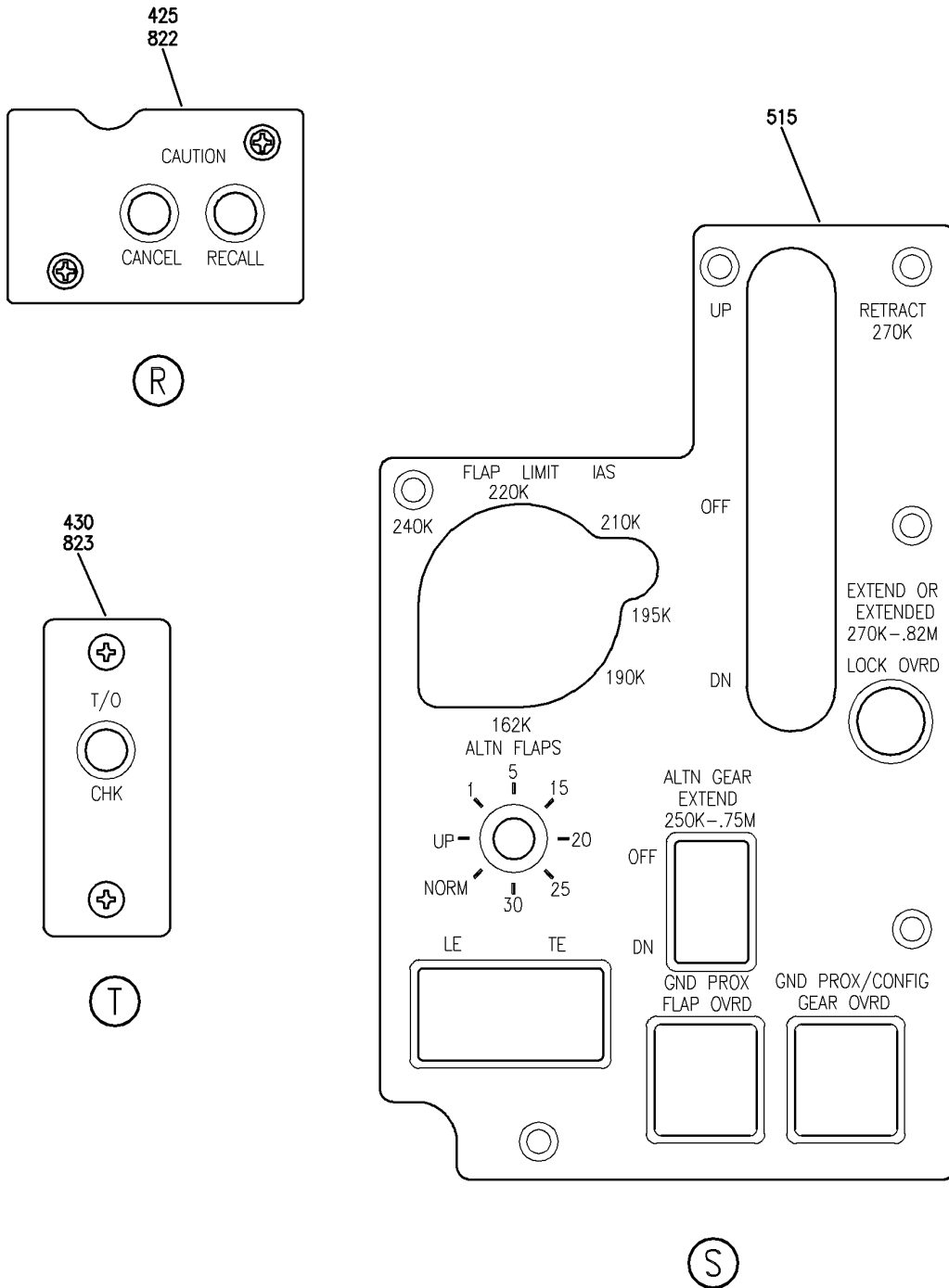
PANEL AND LIGHTPLATE INSTL-PILOTS FWD (INTEGRAL PANEL LIGHTS ONLY)
FIGURE 1A (SHEET 5)

33-13-57-01A

BRI
MAY 28/07

33-13-57-01A
PAGE 0D


BOEING
 757
PARTS CATALOG (MAINTENANCE)



Y 33135701A SH1 6 REV 242

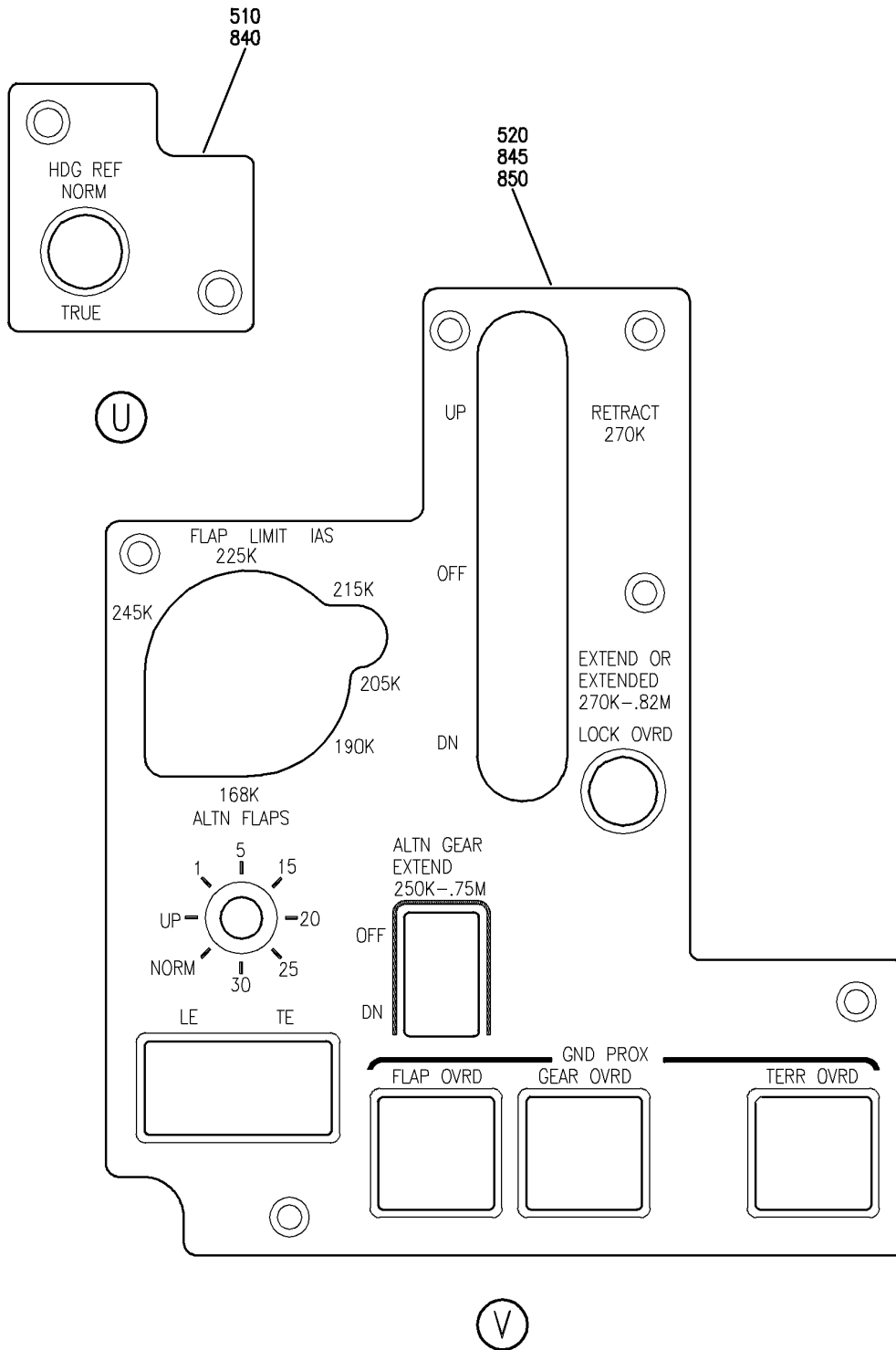
PANEL AND LIGHTPLATE INSTL-PILOTS FWD (INTEGRAL PANEL LIGHTS ONLY)
 FIGURE 1A (SHEET 6)

33-13-57-01A

BRI
MAY 28/07

33-13-57-01A
 PAGE 0E

BOEING
757
PARTS CATALOG (MAINTENANCE)



Y 33135701A SHT 7 REV 234

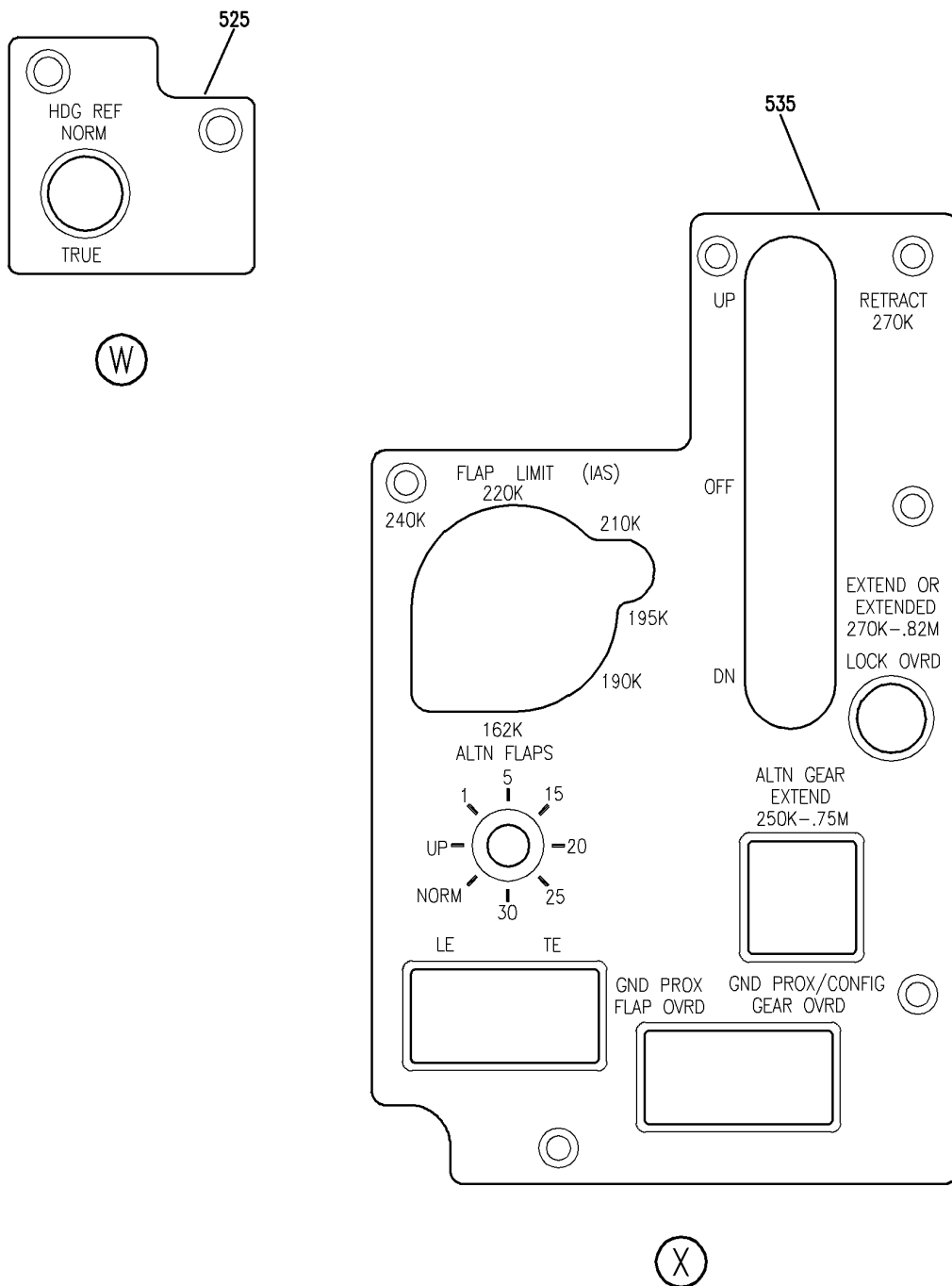
PANEL AND LIGHTPLATE INSTL-PILOTS FWD (INTEGRAL PANEL LIGHTS ONLY)
 FIGURE 1A (SHEET 7)

33-13-57-01A

BRI
 MAY 28/07

33-13-57-01A
 PAGE OF

BOEING
757
PARTS CATALOG (MAINTENANCE)



Y 33135701A SH1 8 REV 232

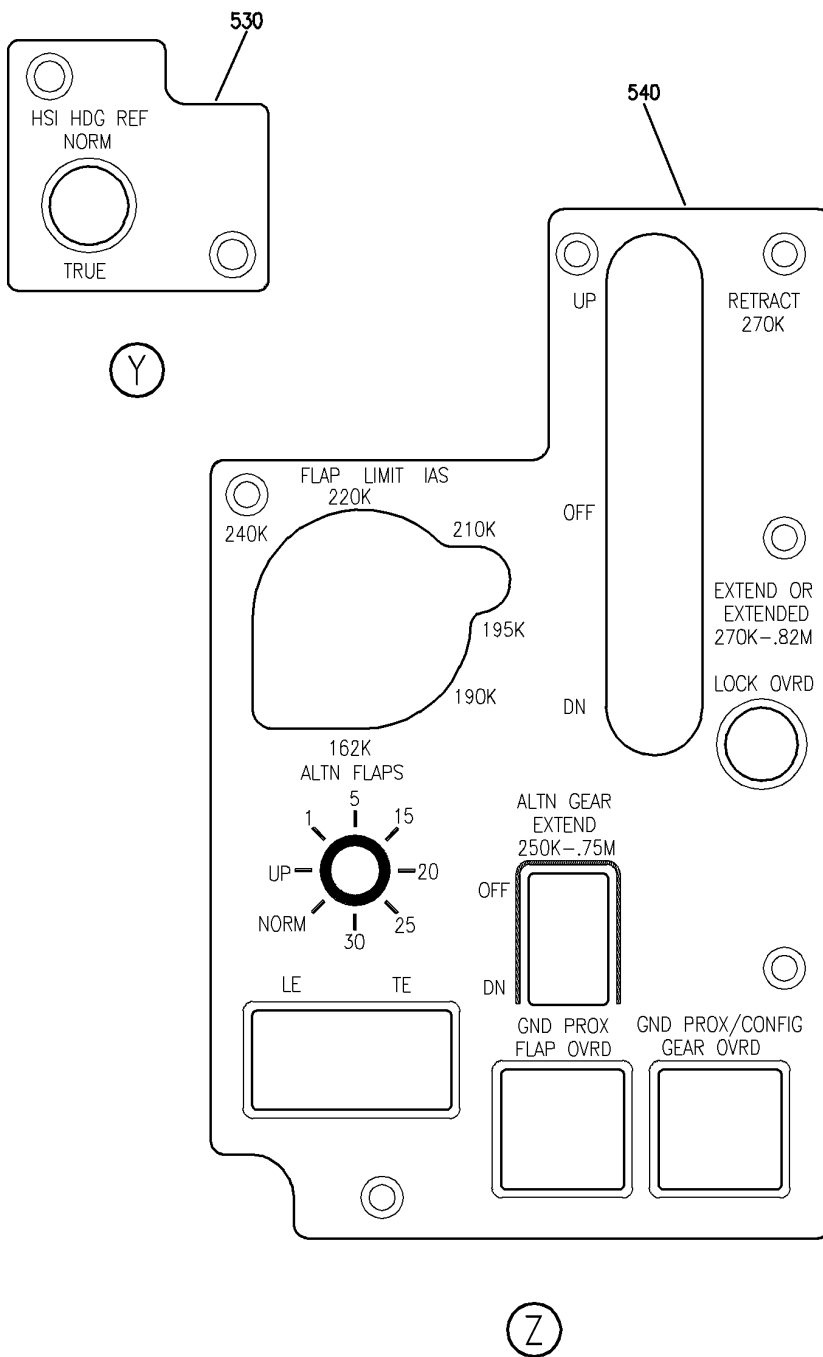
PANEL AND LIGHTPLATE INSTL-PILOTS FWD (INTEGRAL PANEL LIGHTS ONLY)
FIGURE 1A (SHEET 8)

33-13-57-01A

BRI
MAY 28/07

33-13-57-01A
PAGE 0G

BOEING
757
PARTS CATALOG (MAINTENANCE)



Y 33135701A SH1 9 REV 232

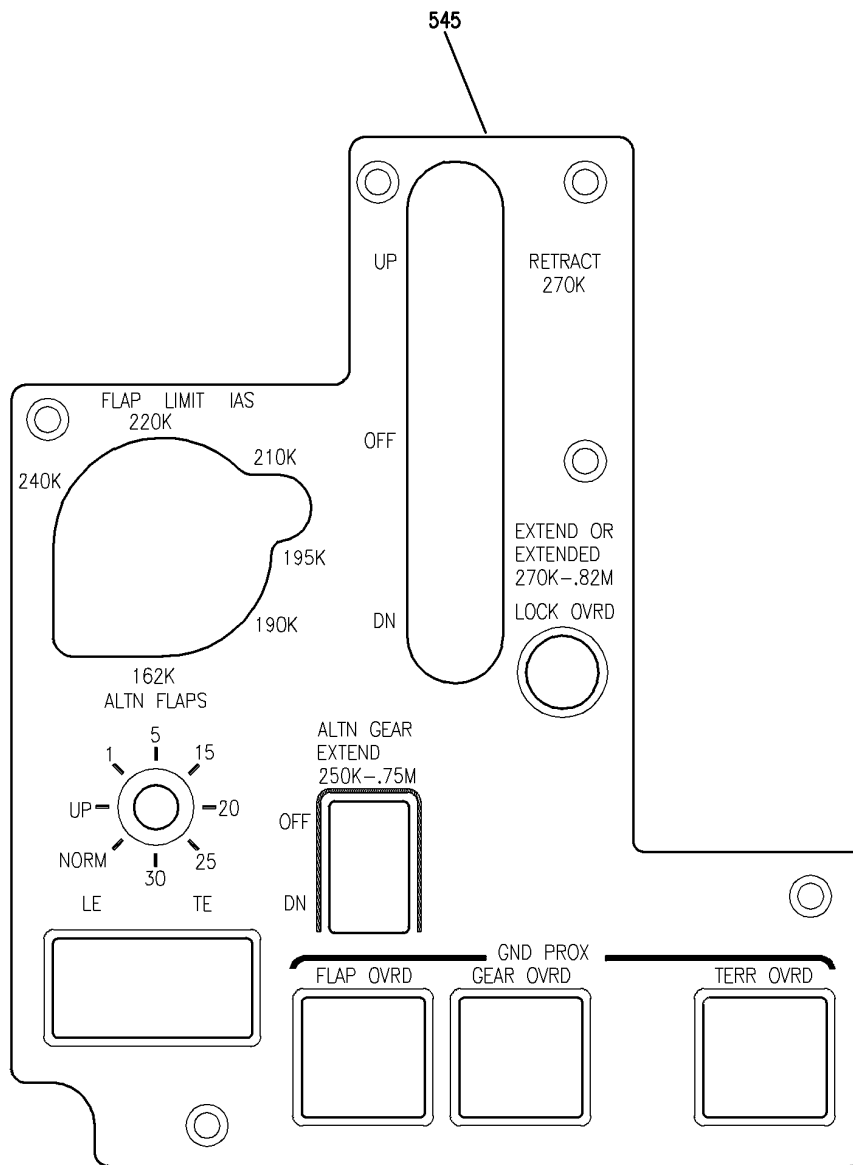
PANEL AND LIGHTPLATE INSTL-PILOTS FWD (INTEGRAL PANEL LIGHTS ONLY)
FIGURE 1A (SHEET 9)

33-13-57-01A

BRI
MAY 28/07

33-13-57-01A
PAGE 0H

BOEING
757
PARTS CATALOG (MAINTENANCE)



AA

Y 33135701A SH1 10 REV 232

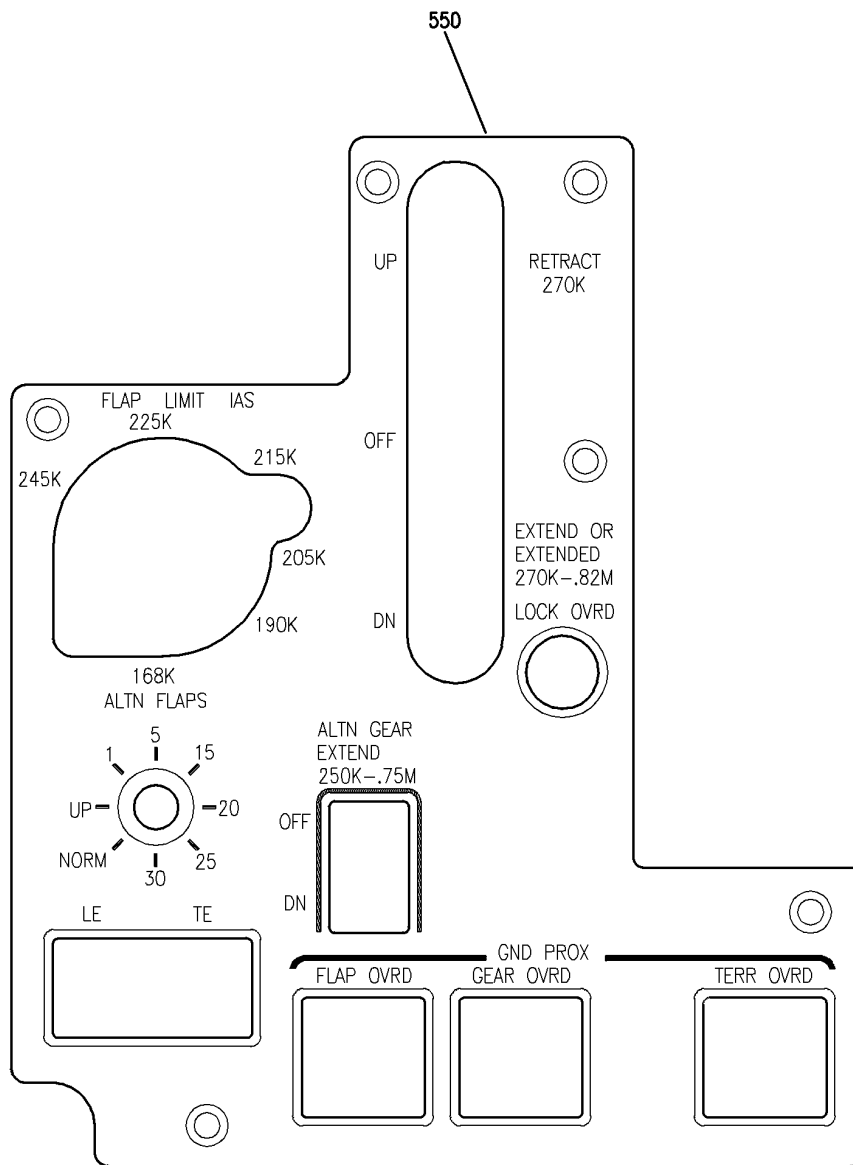
PANEL AND LIGHTPLATE INSTL-PILOTS FWD (INTEGRAL PANEL LIGHTS ONLY)
FIGURE 1A (SHEET 10)

33-13-57-01A

BRI
MAY 28/07

33-13-57-01A
PAGE 01

BOEING
757
PARTS CATALOG (MAINTENANCE)



(AB)

Y 33135701A SHT 11 REV 232

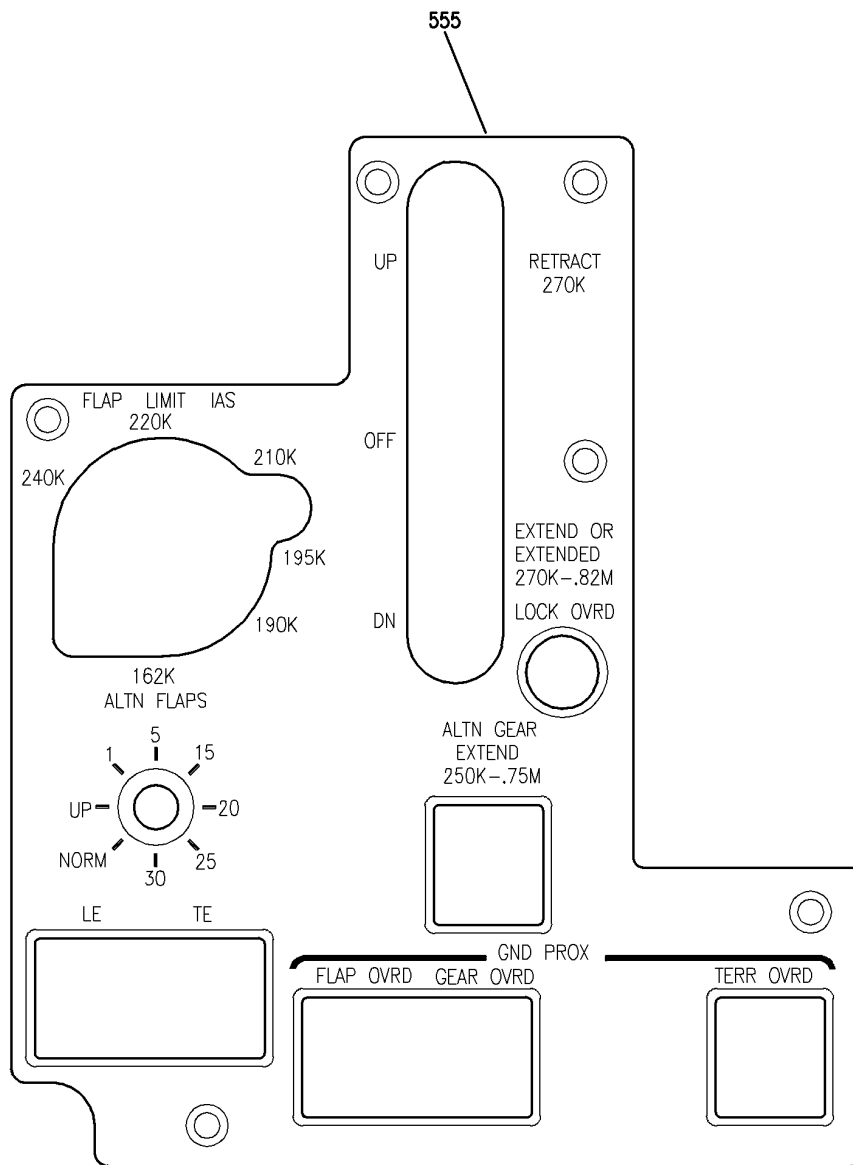
PANEL AND LIGHTPLATE INSTL-PILOTS FWD (INTEGRAL PANEL LIGHTS ONLY)
FIGURE 1A (SHEET 11)

33-13-57-01A

BRI
MAY 28/07

33-13-57-01A
PAGE 0J

BOEING
757
PARTS CATALOG (MAINTENANCE)



AC

Y 33135701A SH1 12 REV 232

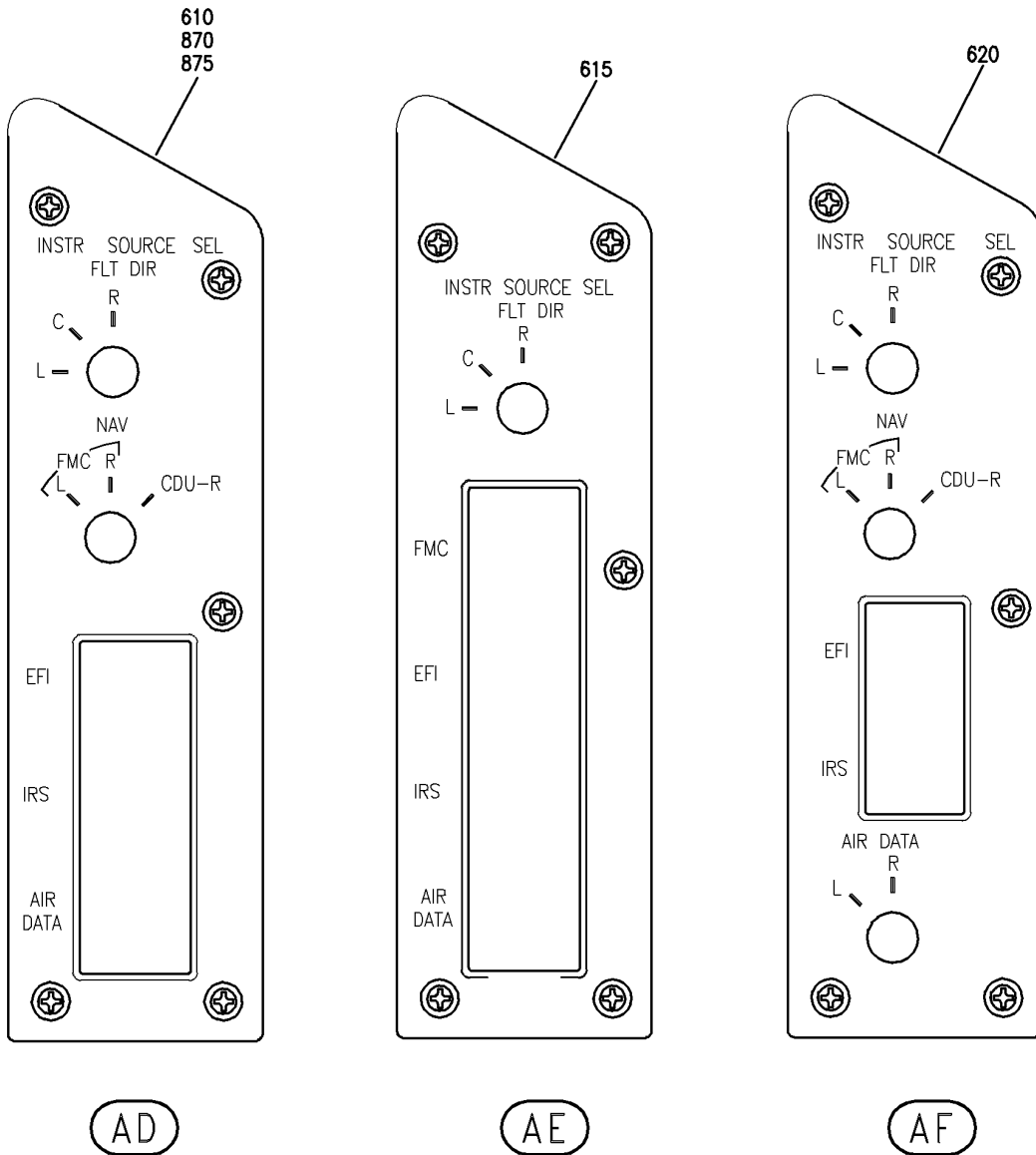
PANEL AND LIGHTPLATE INSTL-PILOTS FWD (INTEGRAL PANEL LIGHTS ONLY)
FIGURE 1A (SHEET 12)

33-13-57-01A

BRI
MAY 28/07

33-13-57-01A
PAGE OK

BOEING
757
PARTS CATALOG (MAINTENANCE)



Y 33135701A SHT 13 REV 242

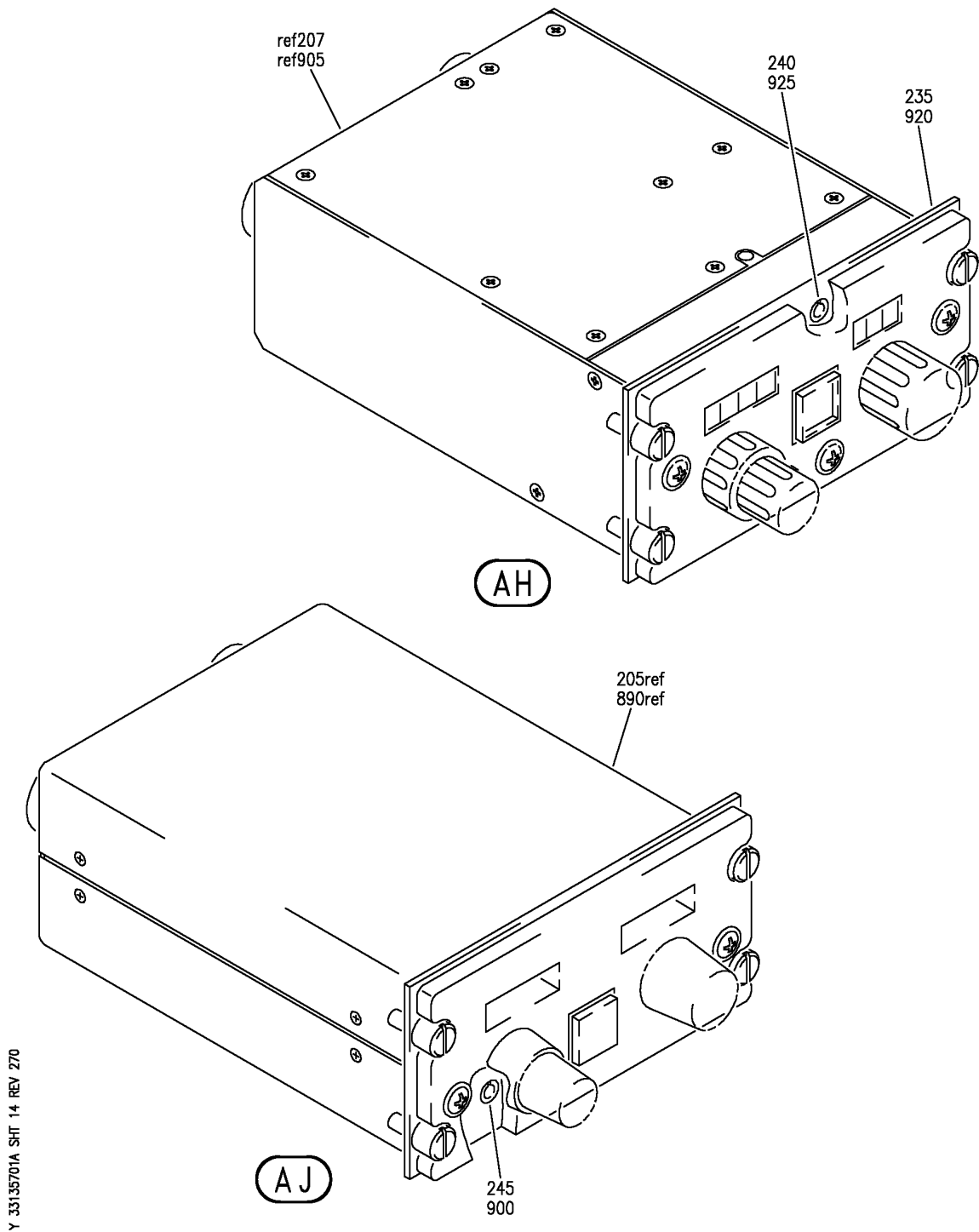
PANEL AND LIGHTPLATE INSTL-PILOTS FWD (INTEGRAL PANEL LIGHTS ONLY)
FIGURE 1A (SHEET 13)

33-13-57-01A

BRI
MAY 28/07

33-13-57-01A
PAGE 0L

BOEING
757
PARTS CATALOG (MAINTENANCE)



Y 33135701A SHT 14 REV 270

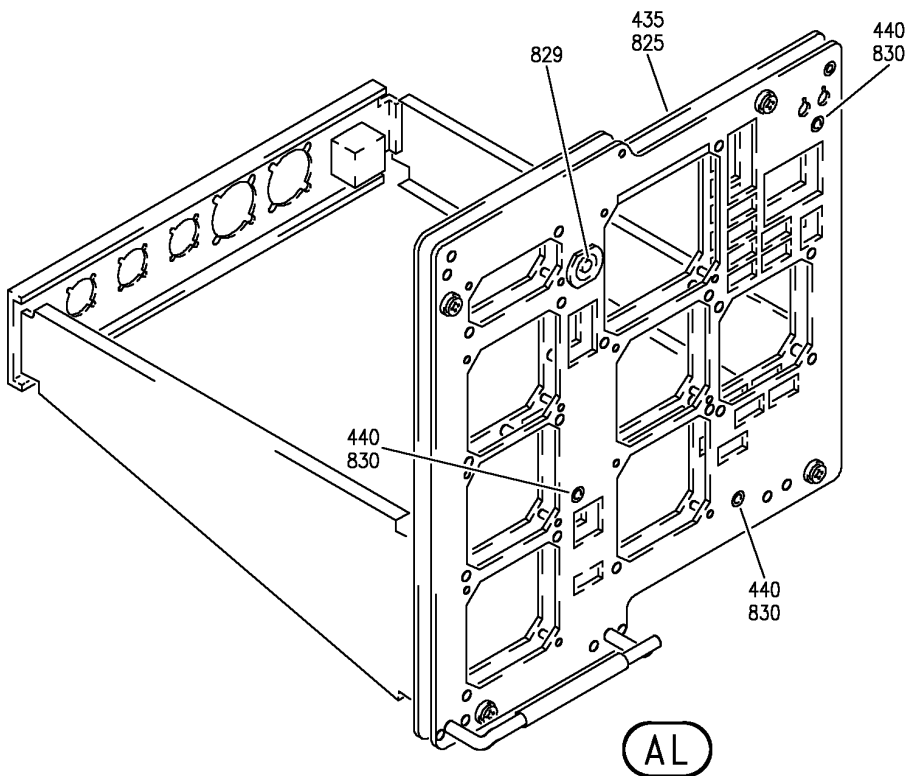
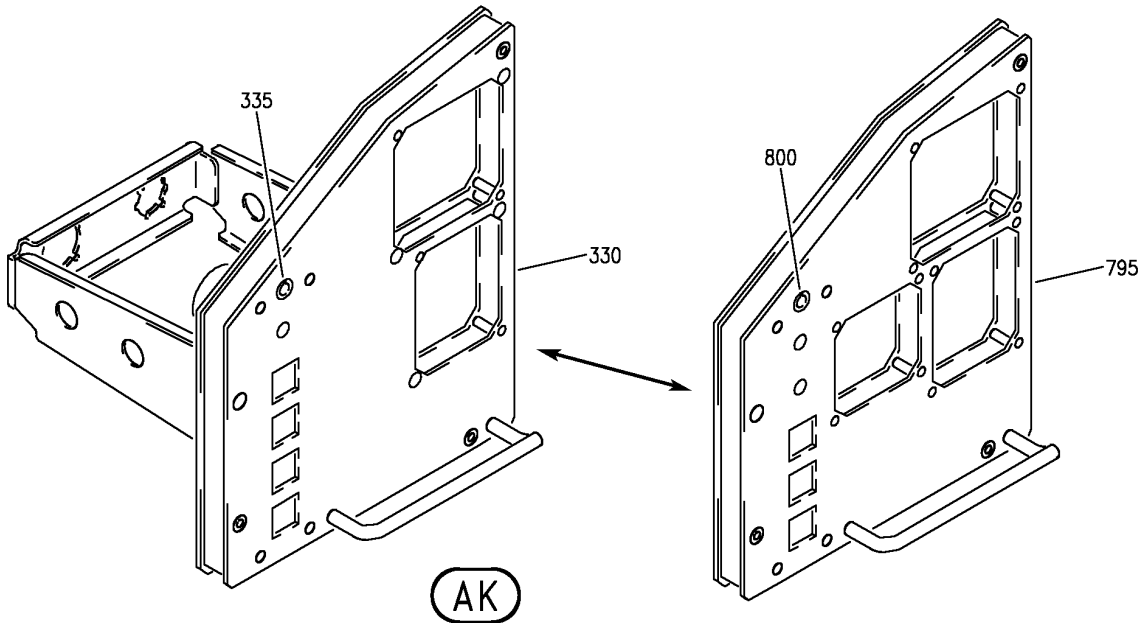
PANEL AND LIGHTPLATE INSTL-PILOTS FWD (INTEGRAL PANEL LIGHTS ONLY)
FIGURE 1A (SHEET 14)

33-13-57-01A

BRI
MAY 28/07

33-13-57-01A
PAGE 0M

BOEING
757
PARTS CATALOG (MAINTENANCE)



Y 33135701A SHT 15 REV 293

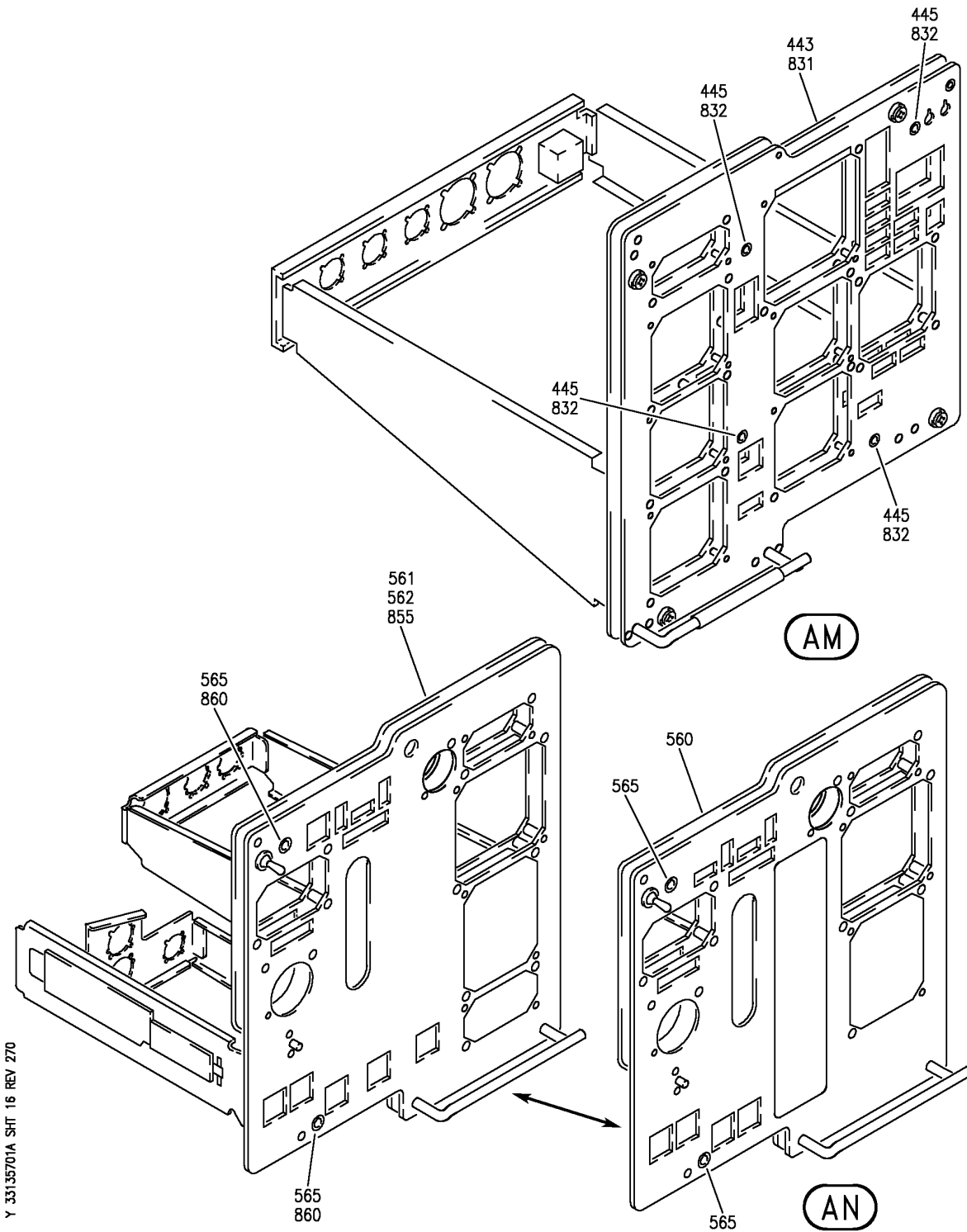
PANEL AND LIGHTPLATE INSTL-PILOTS FWD (INTEGRAL PANEL LIGHTS ONLY)
FIGURE 1A (SHEET 15)

33-13-57-01A

BRI
MAY 28/07

33-13-57-01A
PAGE ON

BOEING
757
PARTS CATALOG (MAINTENANCE)



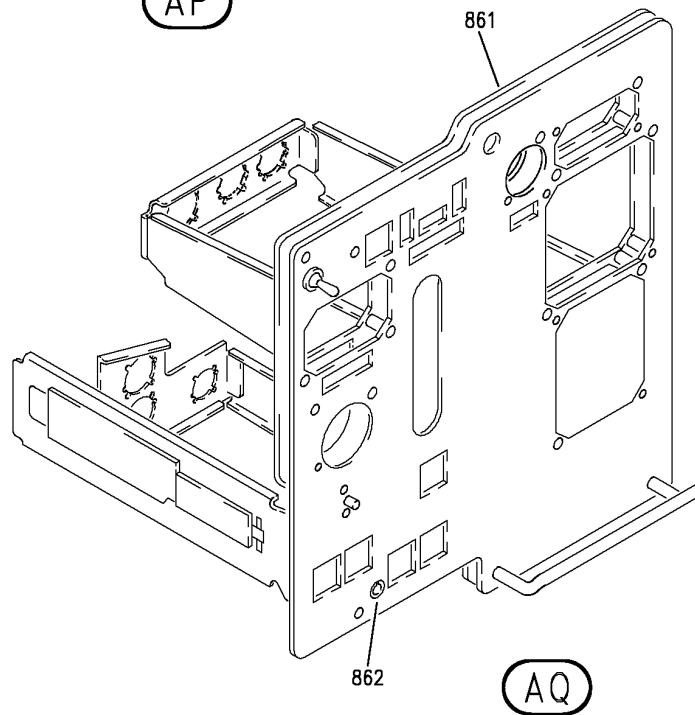
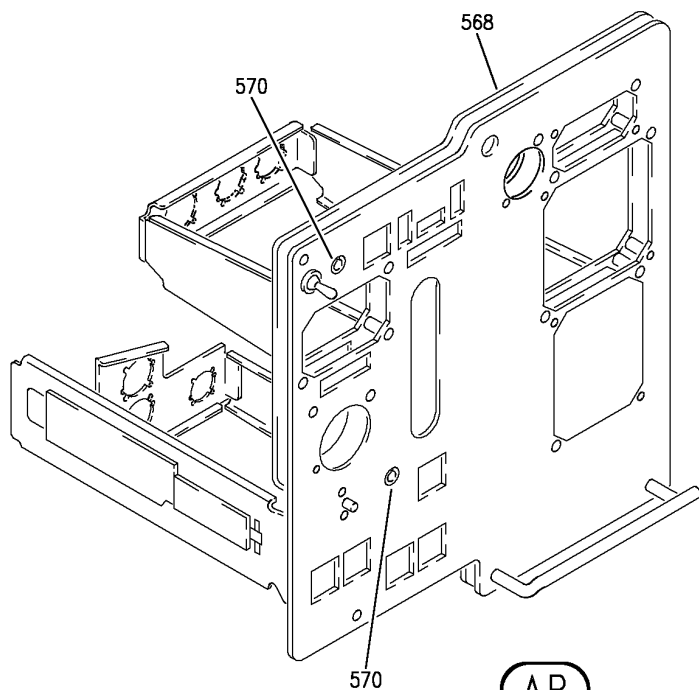
PANEL AND LIGHTPLATE INSTL-PILOTS FWD (INTEGRAL PANEL LIGHTS ONLY)
FIGURE 1A (SHEET 16)

33-13-57-01A

BRI
MAY 28/07

33-13-57-01A
PAGE 00

BOEING
757
PARTS CATALOG (MAINTENANCE)



Y 33135701A SH1 17 REV 331

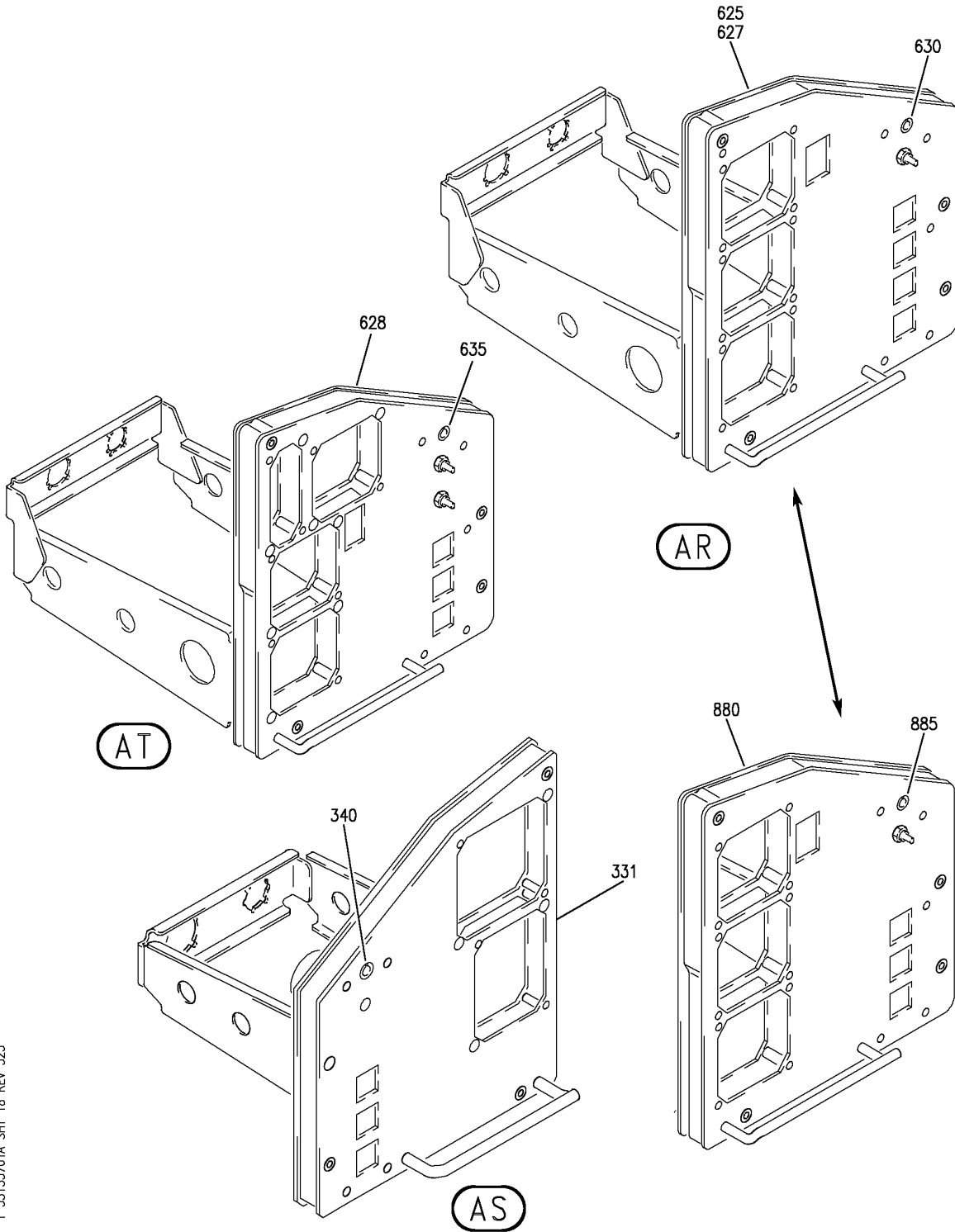
PANEL AND LIGHTPLATE INSTL-PILOTS FWD (INTEGRAL PANEL LIGHTS ONLY)
FIGURE 1A (SHEET 17)

33-13-57-01A

BRI
JAN 20/09

33-13-57-01A
PAGE 0P

BOEING
757
PARTS CATALOG (MAINTENANCE)



Y 33135701A SH1 18 REV 323

PANEL AND LIGHTPLATE INSTL-PILOTS FWD (INTEGRAL PANEL LIGHTS ONLY)
FIGURE 1A (SHEET 18)

33-13-57-01A

BRI
MAY 20/08

33-13-57-01A
PAGE 00



757

PARTS CATALOG (MAINTENANCE)

FIG ITEM	PART NUMBER	1 2 3 4 5 6 7	NOMENCLATURE	EFFECT FROM TO	UNITS PER ASSY
1 A			PANEL AND LIGHTPLATE INSTL-PILOTS FWD (INTEGRAL PANEL LIGHTS ONLY)	101106 108120	
- 20	233N2103-38		LIGHTPLATE INSTL-(INTEGRAL PANEL LIGHTS ONLY)	504903 101102 108120	RF
			FOR NHA SEE: 25-10-00-15B	504903	
	27 800-002544-1		.LIGHTPLATE-5V WHITE ILLUMINATED INTEGRALLY LIGHTED ASSY CAPTAINS LIGHTING CONT PNL	101102 108120 504903	1
			SUPPLIER CODE: V05617		
			POSITION DATA: L		
			SPECIFICATION NUMBER: S233T100-013		
			OPTIONAL PART: S233T100-013		
			V51896		
			800-002544		
			V05617		
	27 800-002544		.LIGHTPLATE-5V WHITE ILLUMINATED INTEGRALLY LIGHTED ASSY CAPTAINS LIGHTING CONT PNL	101102 108120 504903	1
			SUPPLIER CODE: V05617		
			POSITION DATA: L		
			SPECIFICATION NUMBER: S233T100-013		
			MISCELLANEOUS DATA: FOR VENDOR FSCM 05617 FOR SPARES ORDER THE		
			800-002544-1		
			OPTIONAL PART: S233T100-013		
			V51896		
			800-002544-1		
			V05617		

MISSING ITEM NUMBERS NOT APPLICABLE

- ITEM NOT ILLUSTRATED

33-13-57-01A

33-13-57
FIG. 01A
PAGE 1
JAN 20/09

BRI



757

PARTS CATALOG (MAINTENANCE)

FIG ITEM	PART NUMBER	1 2 3 4 5 6 7	NOMENCLATURE	EFFECT FROM TO	UNITS PER ASSY
1 A 52	800-002476-1	.	LIGHTPLATE-5V WHITE ILLUMINATED INTEGRALLY LIGHTED ASSY FIRST OFFICERS LIGHTING CONT PNL SUPPLIER CODE: V05617 SPECIFICATION NUMBER: S233T100-014 OPTIONAL PART: S233T100-014 V51896 800-002476 V05617	101102 108120 504903	1
52	800-002476	.	LIGHTPLATE-5V WHITE ILLUMINATED INTEGRALLY LIGHTED ASSY FIRST OFFICERS LIGHTING CONT PNL SUPPLIER CODE: V05617 SPECIFICATION NUMBER: S233T100-014 MISCELLANEOUS DATA: FOR VENDOR FSCM 05617 FOR SPARES ORDER THE 800-002476-1 OPTIONAL PART: S233T100-014 V51896 800-002476-1 V05617	101102 108120 504903	1
- 200	233N2103-32	PANEL INSTL-CONT (INTEGRAL PANEL LIGHTS ONLY) FOR NHA/OTHER SYS DET SEE: 25-10-00-15B		101102 108120 504903	RF
205	285T0554-3	.PANEL ASSY- SUPPLIER CODE: V89954 ELECTRICAL EQUIP NUMBER: M00091 M00092 COMPONENT MAINT MANUAL REF: 34-51-61 OPTIONAL PART: 285T0554-5 V89954		101102 108120 504903	RF

MISSING ITEM NUMBERS NOT APPLICABLE

- ITEM NOT ILLUSTRATED

33-13-57-01A

33-13-57
FIG. 01A
PAGE 2
JAN 20/09

BRI



757

PARTS CATALOG (MAINTENANCE)

FIG ITEM	PART NUMBER	1 2 3 4 5 6 7	NOMENCLATURE	EFFECT FROM TO	UNITS PER ASSY
1A 205	285T0554-5		.PANEL ASSY- SUPPLIER CODE: V89954 ELECTRICAL EQUIP NUMBER: M00091 M00092 COMPONENT MAINT MANUAL REF: 34-51-61 OPTIONAL PART: 285T0554-3 V89954	101102 108120 504903	RF
R R R R R	205	285T0021-19	.PANEL ASSY-CONT SUPPLIER CODE: V89954 COMPONENT MAINT MANUAL REF: 34-51-51	101102 108120 504903	RF
	207	285T0021-16	.PANEL ASSY- SUPPLIER CODE: V89954 ELECTRICAL EQUIP NUMBER: M00091 M00092 COMPONENT MAINT MANUAL REF: 34-51-51	101102 108120 504903	RF
	210	S233T100-043	..LIGHTPLATE-5V WHITE ILLUMINATED INTEGRALLY LIGHTED VOR-DME LCD SUPPLIER CODE: V51896 SPECIFICATION NUMBER: S233T100-043 QUALIFIED OPTIONAL DATA: S233T100-043 OPTIONAL TO 285T1201-1 WHEN USED WITH ASSOCIATED PARTS OPTIONAL PART: 800-002453 V05617 USED ON: 285T0554-3 285T0554-5	101102 108120 504903	1

MISSING ITEM NUMBERS NOT APPLICABLE

- ITEM NOT ILLUSTRATED

33-13-57-01A

33-13-57
FIG. 01A
PAGE 3
MAY 20/09

BRI

BOEING PROPRIETARY - Copyright © - Unpublished Work - See title page for details.



757

PARTS CATALOG (MAINTENANCE)

FIG ITEM	PART NUMBER	1 2 3 4 5 6 7	NOMENCLATURE	EFFECT FROM TO	UNITS PER ASSY
1A 210	800-002453		..LIGHTPLATE-5V WHITE ILLUMINATED INTEGRALLY LIGHTED VOR-DME LCD SUPPLIER CODE: V05617 SPECIFICATION NUMBER: S233T100-043 MISCELLANEOUS DATA: FOR VENDOR FSCM 05617 FOR SPARES ORDER THE 800-002453-1 QUALIFIED OPTIONAL DATA: S233T100-043 OPTIONAL TO 285T1201-1 WHEN USED WITH ASSOCIATED PARTS OPTIONAL PART: S233T100-043 V51896 800-002453-1 V05617 USED ON: 285T0554-3 285T0554-5	101102 108120 504903	1
210	800-002453-1		..LIGHTPLATE-5V WHITE ILLUMINATED INTEGRALLY LIGHTED VOR-DME LCD SUPPLIER CODE: V05617 SPECIFICATION NUMBER: S233T100-043 OPTIONAL PART: S233T100-043 V51896 800-002453 V05617	101102 108120 504903	1
220	285T1201-1		..LIGHTPLATE- SUPPLIER CODE: V89954 QUALIFIED OPTIONAL DATA: S233T100-043 AND 800-002453 OPTIONAL TO 285T1201-1 WHEN USED WITH ASSOCIATED PARTS USED ON: 285T0554-5	101102 108120 504903	1

MISSING ITEM NUMBERS NOT APPLICABLE

- ITEM NOT ILLUSTRATED

33-13-57-01A

33-13-57
FIG. 01A
PAGE 4
JAN 20/09

BRI

BOEING PROPRIETARY - Copyright © - Unpublished Work - See title page for details.



757

PARTS CATALOG (MAINTENANCE)

FIG ITEM	PART NUMBER	1 2 3 4 5 6 7	NOMENCLATURE	EFFECT FROM TO	UNITS PER ASSY
R R R R R R R R R R	1A 225	S233T100-020	..LIGHTPLATE-5V WHITE ILLUMINATED INTEGRALLY LIGHTED VOR-DME SUPPLIER CODE: V51896 SPECIFICATION NUMBER: S233T100-020 OPTIONAL PART: S233T100-038 V51896 OPTIONAL SUPPLIER CODE: 05617 98140 USED ON: 285T0021-16	101102 108120 504903	1
	230	S233T100-038	..LIGHTPLATE-5V WHITE ILLUMINATED INTEGRALLY LIGHTED VOR-DME SUPPLIER CODE: V51896 SPECIFICATION NUMBER: S233T100-038 OPTIONAL PART: 800-008002 V05617 OPTIONAL PART: S233T100-020 V51896 USED ON: 285T0021-16	101102 108120 504903	1
	230	800-008002	..LIGHTPLATE-5V WHITE ILLUMINATED INTEGRALLY LIGHTED VOR-DME SUPPLIER CODE: V05617 SPECIFICATION NUMBER: S233T100-038 OPTIONAL PART: S233T100-038 V51896 USED ON: 285T0021-16	101102 108120 504903	1
	235	285T0116-19	..MODULE ASSY- SUPPLIER CODE: V89954 OPTIONAL PART: 285T0116-23 V89954 USED ON: 285T0021-16	101102 108120 504903	RF

MISSING ITEM NUMBERS NOT APPLICABLE

- ITEM NOT ILLUSTRATED

33-13-57-01A

33-13-57
FIG. 01A
PAGE 5
MAY 20/09

BRI



757

PARTS CATALOG (MAINTENANCE)

FIG ITEM	PART NUMBER	1 2 3 4 5 6 7	NOMENCLATURE	EFFECT FROM TO	UNITS PER ASSY
1A 235	285T0116-23		..MODULE ASSY- SUPPLIER CODE: V89954 OPTIONAL PART: 285T0116-19 V89954 USED ON: 285T0021-16	101102 108120 504903	RF
240	800-000121-1		...CONNECTOR-PWR SUPPLIER CODE: V05617	101102 108120 504903	1
245	800-000121-1		..CONNECTOR- SUPPLIER CODE: V05617 USED ON: 285T0554-3	101102 108120 504903	1
245	800-000121-1		..CONNECTOR- SUPPLIER CODE: V05617 OPTIONAL PART: 90-42303-1 V51074 USED ON: 285T0554-5	101102 108120 504903	1
245	90-42303-1		..CONNECTOR- SUPPLIER CODE: V51074 OPTIONAL PART: 800-000121-1 V05617 USED ON: 285T0554-5	101102 108120 504903	1
- 300	233N2103-7		PANEL INSTL-P1-1 (INTEGRAL PANEL LIGHTS ONLY) FOR NHA/OTHER SYS DET SEE: 25-10-00-15B	101101	RF
- 300	233N2103-107		PANEL INSTL-P1-1 (INTEGRAL PANEL LIGHTS ONLY) FOR NHA/OTHER SYS DET SEE: 25-10-00-15B	102102 108120	RF
- 301	233N2103-152		PANEL INSTL-P1-1 (INTEGRAL PANEL LIGHTS ONLY) FOR NHA/OTHER SYS DET SEE: 25-10-00-15B	504903	RF

MISSING ITEM NUMBERS NOT APPLICABLE

- ITEM NOT ILLUSTRATED

33-13-57-01A

33-13-57
FIG. 01A
PAGE 6
JAN 20/09

BRI

BOEING PROPRIETARY - Copyright © - Unpublished Work - See title page for details.



757

PARTS CATALOG (MAINTENANCE)

FIG ITEM	PART NUMBER	1 2 3 4 5 6 7	NOMENCLATURE	EFFECT FROM TO	UNITS PER ASSY
1A					
- 305	233N2220-315	.	MODULE ASSY- COMPONENT MAINT MANUAL REF: 31-11-47	504903	RF
- 305	233N2220-309	.	MODULE ASSY- SUPPLIER CODE: V89954 COMPONENT MAINT MANUAL REF: 31-11-47 QUALIFIED I/W DATA: 233N2220-329 CAN REPLACE 233N2220-309 FOR NT383-NT399 AIRCRAFT ONLY	101102 108120	RF
320	800-007773	..	LIGHTPLATE-5V WHITE ILLUMINATED INTEGRALLY LIGHTED SOURCE SELECTOR SUPPLIER CODE: V05617 POSITION DATA: L SPECIFICATION NUMBER: S233T100-5035 MISCELLANEOUS DATA: FOR VENDOR FSCM 05617 FOR SPARES ORDER THE 800-007773-1 OPTIONAL PART: S233T100-5035 V51896 800-007773-1 V05617	101102 108120 504903	1
320	S233T100-5035	..	LIGHTPLATE-5V WHITE ILLUMINATED INTEGRALLY LIGHTED SOURCE SELECTOR SUPPLIER CODE: V51896 POSITION DATA: L SPECIFICATION NUMBER: S233T100-5035 OPTIONAL PART: 800-007773 V05617	101102 108120 504903	1

MISSING ITEM NUMBERS NOT APPLICABLE

- ITEM NOT ILLUSTRATED

33-13-57-01A

33-13-57
FIG. 01A
PAGE 7
JAN 20/09

BRI

BOEING PROPRIETARY - Copyright © - Unpublished Work - See title page for details.



757

PARTS CATALOG (MAINTENANCE)

FIG ITEM	PART NUMBER	1 2 3 4 5 6 7	NOMENCLATURE	EFFECT FROM TO	UNITS PER ASSY
1A 320	800-007773-1		..LIGHTPLATE-5V WHITE ILLUMINATED INTEGRALLY LIGHTED SOURCE SELECTOR SUPPLIER CODE: V05617 POSITION DATA: L SPECIFICATION NUMBER: S233T100-5035 OPTIONAL PART: S233T100-5035 V51896 800-007773 V05617	101102 108120 504903	1
330	233N2220-21		..MODULE ASSY-	101102 108120	RF
330	233N2220-27		..MODULE ASSY	504903	RF
335	800000121-1		...CONNECTOR-PWR SUPPLIER CODE: V05617	504903	1
335	800-000121-1		...CONNECTOR-PWR SUPPLIER CODE: V05617	101102 108120	1
- 400	233N2103-10		PANEL INSTL-P1-3 (INTEGRAL PANEL LIGHTS ONLY) FOR NHA/OTHER SYS DET SEE: 25-10-00-15B	108120	RF
- 400	233N2103-72		PANEL INSTL-P1-3 (INTEGRAL PANEL LIGHTS ONLY) FOR NHA/OTHER SYS DET SEE: 25-10-00-15B	101102	RF
- 400	233N2103-280		PANEL INSTL-P1-3 (INTEGRAL PANEL LIGHTS ONLY) FOR NHA/OTHER SYS DET SEE: 25-10-00-15B	504903	RF
- 405	233N2221-317		.MODULE ASSY- COMPONENT MAINT MANUAL REF: 31-11-48	505505 507903	RF
- 405	233N2221-301		.MODULE ASSY- COMPONENT MAINT MANUAL REF: 31-11-48	101102 108120	RF
- 405	RR92002-134A101		.MODULE ASSY- POST RAPID REVISION: RR92002-134A	504504 506506	RF

MISSING ITEM NUMBERS NOT APPLICABLE

- ITEM NOT ILLUSTRATED

33-13-57-01A

33-13-57
FIG. 01A
PAGE 8
JAN 20/09

BRI

BOEING PROPRIETARY - Copyright © - Unpublished Work - See title page for details.



757

PARTS CATALOG (MAINTENANCE)

FIG ITEM	PART NUMBER	1 2 3 4 5 6 7	NOMENCLATURE	EFFECT FROM TO	UNITS PER ASSY
1 A					
- 405	233N2221-326	.	MODULE ASSY- COMPONENT MAINT MANUAL REF: 31-11-48	101102 108120	RF
- 405	233N2221-320	.	MODULE ASSY- COMPONENT MAINT MANUAL REF: 31-11-48	101102 108120	RF
- 405	233N2221-328	.	MODULE ASSY- COMPONENT MAINT MANUAL REF: 31-11-48	101102 108120	RF
410	S233T100-5012	..	LIGHTPLATE-5V WHITE ILLUMINATED INTEGRALLY LIGHTED CAUTION/WARNING SUPPLIER CODE: V51896 SPECIFICATION NUMBER: S233T100-5012 OPTIONAL PART: 800-000440 V05617	101102 108120 505505 507903	1
410	800-000440	..	LIGHTPLATE-5V WHITE ILLUMINATED INTEGRALLY LIGHTED CAUTION/WARNING SUPPLIER CODE: V05617 SPECIFICATION NUMBER: S233T100-5012 MISCELLANEOUS DATA: FOR VENDOR FSCM 05617 FOR SPARES ORDER THE 800-000440-1 OPTIONAL PART: S233T100-5012 V51896 800-000440-1 V05617	101102 108120 505505 507903	1
410	800-000440-1	..	LIGHTPLATE-5V WHITE ILLUMINATED INTEGRALLY LIGHTED CAUTION/WARNING SUPPLIER CODE: V05617 SPECIFICATION NUMBER: S233T100-5012 OPTIONAL PART: S233T100-5012 V51896 800-000440 V05617	101102 108120 505505 507903	1

MISSING ITEM NUMBERS NOT APPLICABLE

- ITEM NOT ILLUSTRATED

33-13-57-01A

33-13-57
FIG. 01A
PAGE 9
JAN 20/09

BRI

BOEING PROPRIETARY - Copyright © - Unpublished Work - See title page for details.



757

PARTS CATALOG (MAINTENANCE)

FIG ITEM	PART NUMBER	1 2 3 4 5 6 7	NOMENCLATURE	EFFECT FROM TO	UNITS PER ASSY
1 A 415	800-002557		..LIGHTPLATE-5V WHITE ILLUMINATED INTEGRALLY LIGHTED AUTO BRAKE SUPPLIER CODE: V05617 SPECIFICATION NUMBER: S233T100-5014 MISCELLANEOUS DATA: FOR VENDOR FSCM 05617 FOR SPARES ORDER THE 800-002557-1 OPTIONAL PART: S233T100-5014 V51896 800-002557-1 V05617	101102 108120 505505 507903	1
415	S233T100-5014		..LIGHTPLATE-5V WHITE ILLUMINATED INTEGRALLY LIGHTED AUTO BRAKE SUPPLIER CODE: V51896 SPECIFICATION NUMBER: S233T100-5014 OPTIONAL PART: 800-002557 V05617	101102 108120 505505 507903	1
415	800-002557-1		..LIGHTPLATE-5V WHITE ILLUMINATED INTEGRALLY LIGHTED AUTO BRAKE SUPPLIER CODE: V05617 SPECIFICATION NUMBER: S233T100-5014 OPTIONAL PART: S233T100-5014 V51896 800-002557 V05617	101102 108120 505505 507903	1

MISSING ITEM NUMBERS NOT APPLICABLE

- ITEM NOT ILLUSTRATED

33-13-57-01A

33-13-57
FIG. 01A
PAGE 10
JAN 20/09

BRI

BOEING PROPRIETARY - Copyright © - Unpublished Work - See title page for details.



757

PARTS CATALOG (MAINTENANCE)

FIG ITEM	PART NUMBER	1 2 3 4 5 6 7	NOMENCLATURE	EFFECT FROM TO	UNITS PER ASSY
1 A 417	800-000442		..LIGHTPLATE-5V WHITE ILLUMINATED INTEGRALLY LIGHTED RESERVE BRAKES SUPPLIER CODE: V05617 SPECIFICATION NUMBER: S233T100-5018 MISCELLANEOUS DATA: FOR VENDOR FSCM 05617 FOR SPARES ORDER THE 800-000442-1 OPTIONAL PART: S233T100-5018 V51896 800-000442-1 V05617	101102 108120 505505 507903	1
417	800-000442-1		..LIGHTPLATE-5V WHITE ILLUMINATED INTEGRALLY LIGHTED RESERVE BRAKES SUPPLIER CODE: V05617 SPECIFICATION NUMBER: S233T100-5018 OPTIONAL PART: S233T100-5018 V51896 800-000442 V05617	101102 108120 505505 507903	1
435	233N2221-51		..MODULE ASSY- USED ON: 233N2221-301	101102 108120	RF
435	233N2221-74		..MODULE ASSY	504903	RF
435	233N2221-81		..MODULE ASSY- USED ON: 233N2221-320 233N2221-326 233N2221-328	101102 108120	RF
440	800000121-1		...CONNECTOR-PWR SUPPLIER CODE: V05617	504903	3
440	800-000121-1		...CONNECTOR-PWR SUPPLIER CODE: V05617	101102 108120	3
- 500	233N2103-17		PANEL INSTL-P3-1 (INTEGRAL PANEL LIGHTS ONLY) FOR NHA/OTHER SYS DET SEE: 25-10-00-15B	101101	RF

MISSING ITEM NUMBERS NOT APPLICABLE

- ITEM NOT ILLUSTRATED

33-13-57-01A

33-13-57
FIG. 01A
PAGE 11
JAN 20/09

BRI

BOEING PROPRIETARY - Copyright © - Unpublished Work - See title page for details.



757

PARTS CATALOG (MAINTENANCE)

FIG ITEM	PART NUMBER	1 2 3 4 5 6 7	NOMENCLATURE	EFFECT FROM TO	UNITS PER ASSY
1 A					
- 500	233N2103-371		PANEL INSTL-P3-1 (INTEGRAL PANEL LIGHTS ONLY) FOR NHA/OTHER SYS DET SEE: 25-10-00-15B	108120	RF
- 501	233N2103-217		PANEL INSTL-P3-1 (INTEGRAL PANEL LIGHTS ONLY) FOR NHA/OTHER SYS DET SEE: 25-10-00-15B	102102	RF
- 502	233N2103-254		PANEL INSTL-P3-1 (INTEGRAL PANEL LIGHTS ONLY) FOR NHA/OTHER SYS DET SEE: 25-10-00-15B	504903	RF
- 505	233N2222-301		.MODULE ASSY- COMPONENT MAINT MANUAL REF: 31-11-49 PRE ALERT SB: 33A0044	101101	RF
- 505	233N2222-342		.MODULE ASSY- COMPONENT MAINT MANUAL REF: 31-11-49 PRE ALERT SB: 33A0044	102102 108120	RF
- 505	233N2222-321		.MODULE ASSY- COMPONENT MAINT MANUAL REF: 31-11-49 PRE ALERT SB: 33A0044	102102	RF
- 506	233N2222-1342		.MODULE ASSY- COMPONENT MAINT MANUAL REF: 31-11-49 POST ALERT SB: 33A0044	102102 108120	RF
- 506	233N2222-1301		.MODULE ASSY- COMPONENT MAINT MANUAL REF: 31-11-49 POST ALERT SB: 33A0044	101101	RF
- 506	233N2222-1321		.MODULE ASSY- COMPONENT MAINT MANUAL REF: 31-11-49 POST ALERT SB: 33A0044	102102	RF

MISSING ITEM NUMBERS NOT APPLICABLE

- ITEM NOT ILLUSTRATED

33-13-57-01A

33-13-57
FIG. 01A
PAGE 12
JAN 20/09

BRI

BOEING PROPRIETARY - Copyright © - Unpublished Work - See title page for details.



757

PARTS CATALOG (MAINTENANCE)

FIG ITEM	PART NUMBER	1 2 3 4 5 6 7	NOMENCLATURE	EFFECT FROM TO	UNITS PER ASSY
1 A					
- 507	233N2222-347		.MODULE ASSY- COMPONENT MAINT MANUAL REF: 31-11-49 PRE ALERT SB: 33A0044	504903	RF
- 507	233N2222-326		.MODULE ASSY- COMPONENT MAINT MANUAL REF: 31-11-49 PRE ALERT SB: 33A0044	504903	RF
- 507	233N2222-329		.MODULE ASSY- COMPONENT MAINT MANUAL REF: 31-11-49 PRE ALERT SB: 33A0044	102102	RF
- 507	233N2222-334		.MODULE ASSY- COMPONENT MAINT MANUAL REF: 31-11-49 PRE ALERT SB: 33A0044	504903	RF
- 508	233N2222-1329		.MODULE ASSY- COMPONENT MAINT MANUAL REF: 31-11-49 POST ALERT SB: 33A0044	102102	RF
- 508	233N2222-1334		.MODULE ASSY- COMPONENT MAINT MANUAL REF: 31-11-49 POST ALERT SB: 33A0044	504903	RF
- 508	233N2222-1347		.MODULE ASSY- COMPONENT MAINT MANUAL REF: 31-11-49 POST ALERT SB: 33A0044	504903	RF
- 508	233N2222-1326		.MODULE ASSY- COMPONENT MAINT MANUAL REF: 31-11-49 POST ALERT SB: 33A0044	504903	RF

MISSING ITEM NUMBERS NOT APPLICABLE

- ITEM NOT ILLUSTRATED

33-13-57-01A

33-13-57
FIG. 01A
PAGE 13
JAN 20/09

BRI

BOEING PROPRIETARY - Copyright © - Unpublished Work - See title page for details.



757

PARTS CATALOG (MAINTENANCE)

FIG ITEM	PART NUMBER	1 2 3 4 5 6 7	NOMENCLATURE	EFFECT FROM TO	UNITS PER ASSY
1 A 510	800-000449		..LIGHTPLATE-5V WHITE ILLUMINATED INTEGRALLY LIGHTED MAG TRUE HEADING SUPPLIER CODE: V05617 SPECIFICATION NUMBER: S233T100-033 MISCELLANEOUS DATA: FOR VENDOR FSCM 05617 FOR SPARES ORDER THE 800-000449-1 OPTIONAL PART: S233T100-033 V51896 800-000449-1 V05617	102102	1
510	S233T100-033		..LIGHTPLATE-5V WHITE ILLUMINATED INTEGRALLY LIGHTED MAG TRUE HEADING SUPPLIER CODE: V51896 OPTIONAL PART: 800-000449 V05617	101101 108120	1
510	800-000449-1		..LIGHTPLATE-5V WHITE ILLUMINATED INTEGRALLY LIGHTED MAG TRUE HEADING SUPPLIER CODE: V05617 SPECIFICATION NUMBER: S233T100-033 OPTIONAL PART: S233T100-033 V51896 800-000449 V05617	102102	1

MISSING ITEM NUMBERS NOT APPLICABLE

- ITEM NOT ILLUSTRATED

33-13-57-01A

33-13-57
FIG. 01A
PAGE 14
JAN 20/09

BRI

BOEING PROPRIETARY - Copyright © - Unpublished Work - See title page for details.



757

PARTS CATALOG (MAINTENANCE)

FIG ITEM	PART NUMBER	1 2 3 4 5 6 7	NOMENCLATURE	EFFECT FROM TO	UNITS PER ASSY
1 A 510	800-000449		..LIGHTPLATE-5V WHITE ILLUMINATED INTEGRALLY LIGHTED MAG TRUE HEADING SUPPLIER CODE: V05617 SPECIFICATION NUMBER: S233T100-033 MISCELLANEOUS DATA: FOR VENDOR FSCM 05617 FOR SPARES ORDER THE 800-000449-1 OPTIONAL PART: S233T100-033 V51896 800-000449-1 V05617	101101 108120	1
510	800-000449-1		..LIGHTPLATE-5V WHITE ILLUMINATED INTEGRALLY LIGHTED MAG TRUE HEADING SUPPLIER CODE: V05617 SPECIFICATION NUMBER: S233T100-033 OPTIONAL PART: S233T100-033 V51896 800-000449 V05617	101101 108120	1
515	S233T100-5038		..LIGHTPLATE-5V WHITE ILLUMINATED INTEGRALLY LIGHTED LANDING GEAR AND FLAPS SUPPLIER CODE: V51896 SPECIFICATION NUMBER: S233T100-5038 OPTIONAL PART: 800-003610 V05617	101101	1

MISSING ITEM NUMBERS NOT APPLICABLE

- ITEM NOT ILLUSTRATED

33-13-57-01A

33-13-57
FIG. 01A
PAGE 15
JAN 20/09

BRI

BOEING PROPRIETARY - Copyright © - Unpublished Work - See title page for details.



757

PARTS CATALOG (MAINTENANCE)

FIG ITEM	PART NUMBER	1 2 3 4 5 6 7	NOMENCLATURE	EFFECT FROM TO	UNITS PER ASSY
1A 515	800-003610		..LIGHTPLATE-5V WHITE ILLUMINATED INTEGRALLY LIGHTED LG AND FLAPS SUPPLIER CODE: V05617 SPECIFICATION NUMBER: S233T100-5038 OPTIONAL PART: S233T100-5038 V51896 OPTIONAL PART: S233T100-5038 V51896	101101	1
525	800-002018		..LIGHTPLATE-5V WHITE ILLUMINATED INTEGRALLY LIGHTED MAG TRUE HEADING SUPPLIER CODE: V05617 SPECIFICATION NUMBER: S233T100-5029 MISCELLANEOUS DATA: FOR VENDOR FSCM 05617 FOR SPARES ORDER THE 800-002018-1 OPTIONAL PART: S233T100-5029 V51896 800-002018-1 V05617	504903	1
525	800-002018-1		..LIGHTPLATE-5V WHITE ILLUMINATED INTEGRALLY LIGHTED MAG TRUE HEADING SUPPLIER CODE: V05617 SPECIFICATION NUMBER: S233T100-5029 OPTIONAL PART: S233T100-5029 V51896 800-002018 V05617	504903	1

MISSING ITEM NUMBERS NOT APPLICABLE

- ITEM NOT ILLUSTRATED

33-13-57-01A

33-13-57
FIG. 01A
PAGE 16
JAN 20/09

BRI



757

PARTS CATALOG (MAINTENANCE)

FIG ITEM	PART NUMBER	1 2 3 4 5 6 7	NOMENCLATURE	EFFECT FROM TO	UNITS PER ASSY
R R	1A 545	800-009200	..LIGHTPLATE-5V WHITE ILLUMINATED INTEGRALLY LIGHTED LG AND FLAPS SUPPLIER CODE: V05617 SPECIFICATION NUMBER: S233T100-5046 OPTIONAL PART: S233T100-5046 V51896 800-009200-1 V05617	108120	1
	545	800-009200	..LIGHTPLATE-5V WHITE ILLUMINATED INTEGRALLY LIGHTED LG AND FLAPS SUPPLIER CODE: V05617 SPECIFICATION NUMBER: S233T100-5046 OPTIONAL PART: S233T100-5046 V51896 800-009200-1 V05617	102102	1
	555	800-009212	..LIGHTPLATE-LG AND FLAPS SUPPLIER CODE: V05617 SPECIFICATION NUMBER: S233T100-5047 OPTIONAL PART: S233T100-5047 V51896 800-009212-1 V05617	101102 108120 504903	1
	560	233N2222-77	..MODULE ASSY- PRE ALERT SB: 33A0044	101101	RF
	560	233N2222-100	..MODULE ASSY- USED ON: 233N2222-321 PRE ALERT SB: 33A0044	102102	RF
	560	233N2222-111	..MODULE ASSY- USED ON: 233N2222-329 PRE ALERT SB: 33A0044	102102	RF
	MISSING ITEM NUMBERS NOT APPLICABLE				

- ITEM NOT ILLUSTRATED

33-13-57-01A

33-13-57
FIG. 01A
PAGE 17
MAY 20/09

BRI



757

PARTS CATALOG (MAINTENANCE)

FIG ITEM	PART NUMBER	1 2 3 4 5 6 7	NOMENCLATURE	EFFECT FROM TO	UNITS PER ASSY
1 A					
561	233N2222-122		..MODULE ASSY- USED ON: 233N2222-342 PRE ALERT SB: 33A0044	102102 108120	RF
562	233N2222-1077		..MODULE ASSY- POST ALERT SB: 33A0044	101101	RF
562	233N2222-1100		..MODULE ASSY- USED ON: 233N2222-1321 POST ALERT SB: 33A0044	102102	RF
562	233N2222-1111		..MODULE ASSY- USED ON: 233N2222-1329 POST ALERT SB: 33A0044	102102	RF
562	233N2222-1122		..MODULE ASSY- USED ON: 233N2222-1342 POST ALERT SB: 33A0044	102102 108120	RF
565	800000121-1		...CONNECTOR-PWR SUPPLIER CODE: V05617 USED ON: 233N2222-77 233N2222-78 233N2222-89 233N2222-90 233N2222-96 233N2222-97 233N2222-98 233N2222-99 233N2222-100 233N2222-103 233N2222-111 233N2222-113 233N2222-114 233N2222-117 233N2222-118 233N2222-119 233N2222-120	101102	2

MISSING ITEM NUMBERS NOT APPLICABLE

- ITEM NOT ILLUSTRATED

33-13-57-01A

33-13-57
FIG. 01A
PAGE 18
MAY 20/09

BRI

BOEING PROPRIETARY - Copyright © - Unpublished Work - See title page for details.



757

PARTS CATALOG (MAINTENANCE)

FIG ITEM	PART NUMBER	1 2 3 4 5 6 7	NOMENCLATURE	EFFECT FROM TO	UNITS PER ASSY
1 A 565	800-000121-1		...CONNECTOR-PWR SUPPLIER CODE: V05617 USED ON: 233N2222-121 233N2222-122 233N2222-124 233N2222-125 233N2222-128 233N2222-129 233N2222-130 233N2222-131 233N2222-134 233N2222-146 233N2222-150 233N2222-151 233N2222-154 233N2222-1121 233N2222-1130 233N2222-1131	102102 108120	2
568	233N2222-105		..MODULE ASSY- USED ON: 233N2222-326 PRE ALERT SB: 33A0044	504903	RF
568	233N2222-116		..MODULE ASSY- USED ON: 233N2222-334 PRE ALERT SB: 33A0044	504903	RF
568	233N2222-127		..MODULE ASSY- USED ON: 233N2222-347 PRE ALERT SB: 33A0044	504903	RF
568	233N2222-1116		..MODULE ASSY- USED ON: 233N2222-1334 POST ALERT SB: 33A0044	504903	RF
568	233N2222-1127		..MODULE ASSY- USED ON: 233N2222-1347 POST ALERT SB: 33A0044	504903	RF

MISSING ITEM NUMBERS NOT APPLICABLE

- ITEM NOT ILLUSTRATED

33-13-57-01A

33-13-57
FIG. 01A
PAGE 19
JAN 20/09

BRI

BOEING PROPRIETARY - Copyright © - Unpublished Work - See title page for details.



757

PARTS CATALOG (MAINTENANCE)

FIG ITEM	PART NUMBER	1 2 3 4 5 6 7	NOMENCLATURE	EFFECT FROM TO	UNITS PER ASSY
1A 568	233N2222-1105		..MODULE ASSY- USED ON: 233N2222-1326 POST ALERT SB: 33A0044	504903	RF
570	800000121-1		...CONNECTOR-PWR SUPPLIER CODE: V05617 USED ON: 233N2222-82 233N2222-95 233N2222-105 233N2222-116	504903	2
580	143D6354G2		.PANEL ASSY-THRUST MODE SELECT SUPPLIER CODE: V89954 FUNCTIONAL DESCRIPTION: ALLOWS CREW TO SELECT THRUST LIMIT COMPUTATION MODES SPECIFICATION NUMBER: S241T200-154 ELECTRICAL EQUIP NUMBER: M10258 COMPONENT MAINT MANUAL REF: 22-31-24	101102 108120 504903	RF
585	143D6470P1		..LIGHTPLATE- SUPPLIER CODE: V89954	101102 108120 504903	1
- 600	233N2103-55		PANEL INSTL-P3-3 (INTEGRAL PANEL LIGHTS ONLY) FOR NHA/OTHER SYS DET SEE: 25-10-00-15B	504903 504903	RF
- 600	233N2103-28		PANEL INSTL-P3-3 (INTEGRAL PANEL LIGHTS ONLY) FOR NHA/OTHER SYS DET SEE: 25-10-00-15B	108120	RF
- 600	233N2103-73		PANEL INSTL-P3-3 (INTEGRAL PANEL LIGHTS ONLY) FOR NHA/OTHER SYS DET SEE: 25-10-00-15B	101102	RF
- 605	233N2223-313		.MODULE ASSY- COMPONENT MAINT MANUAL REF: 31-11-50	504903	RF

MISSING ITEM NUMBERS NOT APPLICABLE

- ITEM NOT ILLUSTRATED

33-13-57-01A

33-13-57
FIG. 01A
PAGE 20
JAN 20/09

BRI

BOEING PROPRIETARY - Copyright © - Unpublished Work - See title page for details.



757

PARTS CATALOG (MAINTENANCE)

FIG ITEM	PART NUMBER	1 2 3 4 5 6 7	NOMENCLATURE	EFFECT FROM TO	UNITS PER ASSY
1A - 605	233N2223-306		.MODULE ASSY- COMPONENT MAINT MANUAL REF: 31-11-50 QUALIFIED I/W DATA: 233N2223-338 CAN REPLACE 233N2223-306 FOR NT383-NT399 AIRCRAFT ONLY.	108120	RF
610	800-007772		..LIGHTPLATE-5V WHITE ILLUMINATED INTEGRALLY LIGHTED SOURCE SELECTOR SUPPLIER CODE: V05617 POSITION DATA: R SPECIFICATION NUMBER: S233T100-5036 OPTIONAL PART: S233T100-5036 V51896 OPTIONAL PART: S233T100-5036 V51896	101102 108120 504903	1
610	S233T100-5036		..LIGHTPLATE-5V WHITE ILLUMINATED INTEGRALLY LIGHTED SOURCE SELECTOR SUPPLIER CODE: V51896 POSITION DATA: R SPECIFICATION NUMBER: S233T100-5036 OPTIONAL PART: 800-007772 V51896	101102 108120 504903	1
625	233N2223-22		..MODULE ASSY-	108120	RF
625	233N2223-29		..MODULE ASSY	504903	RF
630	800000121-1		...CONNECTOR-PWR SUPPLIER CODE: V05617	504903	1
630	800-000121-1		...CONNECTOR-PWR SUPPLIER CODE: V05617	108120	1

MISSING ITEM NUMBERS NOT APPLICABLE

- ITEM NOT ILLUSTRATED

33-13-57-01A

33-13-57
FIG. 01A
PAGE 21
JAN 20/09

BRI



757

PARTS CATALOG (MAINTENANCE)

FIG ITEM	PART NUMBER	1 2 3 4 5 6 7	NOMENCLATURE	EFFECT FROM TO	UNITS PER ASSY
1 A - 702	MODREF31741		PANEL INSTL-PILOTS FWD (INTEGRAL PANEL LIGHTS ONLY) MODULE NUMBER: 233N2103-425 REV A FOR OTHER SYS DETAILS SEE: 11-31-01-38 22-11-02-03 22-14-01-03 22-31-02-01 22-34-51-02 26-17-51-05 27-51-57-03 27-58-00-02 27-81-00-01 29-21-55-02 31-11-11-19 31-11-16-01 31-11-26-38 31-25-01-03 31-41-52-02 31-51-52-02 32-35-52-03 32-41-52-02 32-42-55-03 32-46-00-01 32-61-51-03 33-16-52-03 34-12-01-03 34-13-01-03 34-13-02-01 34-13-05-01 34-13-06-01 34-16-51-03 34-21-02-02 34-22-02-02 34-22-05-01A 34-22-06-01 34-24-01-03 34-32-00-02 34-46-51-02 34-51-02-02 34-57-00-01 34-61-01-07 34-61-02-02 77-41-01-01 79-33-51-05	103105	1

MISSING ITEM NUMBERS NOT APPLICABLE

- ITEM NOT ILLUSTRATED

33-13-57-01A

33-13-57
FIG. 01A
PAGE 22
JAN 20/09

BRI



757

PARTS CATALOG (MAINTENANCE)

FIG ITEM	PART NUMBER	1 2 3 4 5 6 7 NOMENCLATURE	EFFECT FROM TO	UNITS PER ASSY
1 A - 702	MODREF104335	PANEL INSTL-PILOTS FWD (INTEGRAL PANEL LIGHTS ONLY) MODULE NUMBER: 233N2103-425 REV B FOR OTHER SYS DETAILS SEE: 11-31-01-38 22-11-02-03 22-14-01-03 22-31-02-01 22-34-51-02 26-17-51-05 27-51-57-03 27-58-00-02 27-81-00-01 29-21-55-02 31-11-11-19 31-11-16-01 31-11-26-38 31-25-01-03 31-41-52-02 31-51-52-02 32-35-52-03 32-41-52-02 32-42-55-03 32-46-00-01 32-61-51-03 33-16-52-03 34-12-01-03 34-13-01-03 34-13-02-01 34-13-05-01 34-13-06-01 34-16-51-03 34-21-02-02 34-22-02-02 34-22-05-01A 34-22-06-01 34-24-01-03 34-32-00-02 34-46-51-02 34-51-02-02 34-57-00-01 34-61-01-07 34-61-02-02 77-41-01-01 79-33-51-05	106106	1

MISSING ITEM NUMBERS NOT APPLICABLE

- ITEM NOT ILLUSTRATED

33-13-57-01A

33-13-57
 FIG. 01A
 PAGE 23
 JAN 20/09

BRI



757

PARTS CATALOG (MAINTENANCE)

FIG ITEM	PART NUMBER	1 2 3 4 5 6 7	NOMENCLATURE	EFFECT FROM TO	UNITS PER ASSY
1A 705	800-001268		.LIGHTPLATE-5V WHITE ILLUMINATED INTEGRALLY LIGHTED L GLARE SHIELD LIGHTING SUPPLIER CODE: V05617 SPECIFICATION NUMBER: S233T100-006 MISCELLANEOUS DATA: FOR VENDOR FSCM 05617 FOR SPARES ORDER THE 800-001268-1 OPTIONAL PART: S233T100-006 V51896 800-001268-1 V05617	103106	1
705	800-001268-1		.LIGHTPLATE-5V WHITE ILLUMINATED INTEGRALLY LIGHTED L GLARE SHIELD LIGHTING SUPPLIER CODE: V05617 SPECIFICATION NUMBER: S233T100-006 OPTIONAL PART: S233T100-006 V51896 800-001268 V05617	103106	1
750	800-001282		.LIGHTPLATE-5V WHITE ILLUMINATED INTEGRALLY LIGHTED R GLARE SHIELD LIGHTING SUPPLIER CODE: V05617 SPECIFICATION NUMBER: S233T100-007 MISCELLANEOUS DATA: FOR VENDOR FSCM 05617 FOR SPARES ORDER THE 800-001282-1 OPTIONAL PART: S233T100-007 V51896 800-001282-1 V05617	103106	1

MISSING ITEM NUMBERS NOT APPLICABLE

- ITEM NOT ILLUSTRATED

33-13-57-01A

33-13-57
FIG. 01A
PAGE 24
JAN 20/09

BRI

BOEING PROPRIETARY - Copyright © - Unpublished Work - See title page for details.



757

PARTS CATALOG (MAINTENANCE)

FIG ITEM	PART NUMBER	1 2 3 4 5 6 7	NOMENCLATURE	EFFECT FROM TO	UNITS PER ASSY
1A 750	800-001282-1	.	LIGHTPLATE-5V WHITE ILLUMINATED INTEGRALLY LIGHTED R GLARE SHIELD LIGHTING SUPPLIER CODE: V05617 SPECIFICATION NUMBER: S233T100-007 OPTIONAL PART: S233T100-007 V51896 800-001282 V05617	103106	1
- 780	233N2220-328	.	MODULE ASSY-P1-1 COMPONENT MAINT MANUAL REF: 31-11-47	103106	RF
790	800-009103	..	LIGHTPLATE-5V WHITE ILLUMINATED INTEGRALLY LIGHTED SOURCE SELECTOR SUPPLIER CODE: V05617 SPECIFICATION NUMBER: S233T100-5044 OPTIONAL PART: S233T100-5044 V51896 OPTIONAL PART: S233T100-5044 V51896	103106	1
790	S233T100-5044	..	LIGHTPLATE-5V WHITE ILLUMINATED INTEGRALLY LIGHTED SOURCE SELECTOR SUPPLIER CODE: V51896 SPECIFICATION NUMBER: S233T100-5044 OPTIONAL PART: 800-009103 V05617	103106	1
795	233N2220-42	..	MODULE ASSY- USED ON: 233N2220-325 233N2220-328	103106	RF
800	800-000121-1	...	CONNECTOR-PWR SUPPLIER CODE: V05617 ELECTRICAL EQUIP NUMBER: L00361	103106	1

MISSING ITEM NUMBERS NOT APPLICABLE

- ITEM NOT ILLUSTRATED

33-13-57-01A

33-13-57
FIG. 01A
PAGE 25
JAN 20/09

BRI

BOEING PROPRIETARY - Copyright © - Unpublished Work - See title page for details.



757

PARTS CATALOG (MAINTENANCE)

FIG ITEM	PART NUMBER	1 2 3 4 5 6 7	NOMENCLATURE	EFFECT FROM TO	UNITS PER ASSY
1 A - 805	233N2221-325	.	MODULE ASSY-P1-3 COMPONENT MAINT MANUAL REF: 31-11-48	103106	RF
810	S233T100-5012	..	LIGHTPLATE-5V WHITE ILLUMINATED INTEGRALLY LIGHTED CAUTION/WARNING SUPPLIER CODE: V51896 SPECIFICATION NUMBER: S233T100-5012 OPTIONAL PART: 800-000440 V05617 OPTIONAL PART: 800-000440 V05617	103106	1
810	800-000440	..	LIGHTPLATE-5V WHITE ILLUMINATED INTEGRALLY LIGHTED CAUTION/WARNING SUPPLIER CODE: V05617 SPECIFICATION NUMBER: S233T100-5012 MISCELLANEOUS DATA: FOR VENDOR FSCM 05617 FOR SPARES ORDER THE 800-000440-1 OPTIONAL PART: S233T100-5012 V51896 800-000440-1 V05617	103106	1
810	800-000440-1	..	LIGHTPLATE-5V WHITE ILLUMINATED INTEGRALLY LIGHTED CAUTION/WARNING SUPPLIER CODE: V05617 SPECIFICATION NUMBER: S233T100-5012 OPTIONAL PART: S233T100-5012 V51896 800-000440 V05617	103106	1

MISSING ITEM NUMBERS NOT APPLICABLE

- ITEM NOT ILLUSTRATED

33-13-57-01A

33-13-57
FIG. 01A
PAGE 26
JAN 20/09

BRI



757

PARTS CATALOG (MAINTENANCE)

FIG ITEM	PART NUMBER	1 2 3 4 5 6 7	NOMENCLATURE	EFFECT FROM TO	UNITS PER ASSY
1 A 815	S233T100-5018		..LIGHTPLATE-5V WHITE ILLUMINATED INTEGRALLY LIGHTED RESERVE BRAKES SUPPLIER CODE: V51896 SPECIFICATION NUMBER: S233T100-5018 OPTIONAL PART: 800-000442 V05617	103106	1
815	800-000442		..LIGHTPLATE-5V WHITE ILLUMINATED INTEGRALLY LIGHTED RESERVE BRAKES SUPPLIER CODE: V05617 SPECIFICATION NUMBER: S233T100-5018 MISCELLANEOUS DATA: FOR VENDOR FSCM 05617 FOR SPARES ORDER THE 800-000442-1 OPTIONAL PART: S233T100-5018 V51896 800-000442-1 V05617	103106	1
815	800-000442-1		..LIGHTPLATE-5V WHITE ILLUMINATED INTEGRALLY LIGHTED RESERVE BRAKES SUPPLIER CODE: V05617 SPECIFICATION NUMBER: S233T100-5018 OPTIONAL PART: S233T100-5018 V51896 800-000442 V05617	103106	1

MISSING ITEM NUMBERS NOT APPLICABLE

- ITEM NOT ILLUSTRATED

33-13-57-01A

33-13-57
FIG. 01A
PAGE 27
JAN 20/09

BRI

BOEING PROPRIETARY - Copyright © - Unpublished Work - See title page for details.



757

PARTS CATALOG (MAINTENANCE)

FIG ITEM	PART NUMBER	1 2 3 4 5 6 7	NOMENCLATURE	EFFECT FROM TO	UNITS PER ASSY
1A 820	S233T100-5014	..	LIGHTPLATE-5V WHITE ILLUMINATED INTEGRALLY LIGHTED AUTO BRAKE SUPPLIER CODE: V51896 SPECIFICATION NUMBER: S233T100-5014 OPTIONAL PART: 800-002557 V05617 OPTIONAL PART: 800-002557 V05617	103106	1
820	800-002557	..	LIGHTPLATE-5V WHITE ILLUMINATED INTEGRALLY LIGHTED AUTO BRAKE SUPPLIER CODE: V05617 SPECIFICATION NUMBER: S233T100-5014 MISCELLANEOUS DATA: FOR VENDOR FSCM 05617 FOR SPARES ORDER THE 800-002557-1 OPTIONAL PART: S233T100-5014 V51896 800-002557-1 V05617	103106	1
820	800-002557-1	..	LIGHTPLATE-5V WHITE ILLUMINATED INTEGRALLY LIGHTED AUTO BRAKE SUPPLIER CODE: V05617 SPECIFICATION NUMBER: S233T100-5014 OPTIONAL PART: S233T100-5014 V51896 800-002557 V05617	103106	1
825	233N2221-81	..	MODULE ASSY- USED ON: 233N2221-320 233N2221-326 233N2221-328	103106	RF
830	800-000121-1	...	CONNECTOR-PWR SUPPLIER CODE: V05617	103106	3

MISSING ITEM NUMBERS NOT APPLICABLE

- ITEM NOT ILLUSTRATED

33-13-57-01A

33-13-57
FIG. 01A
PAGE 28
JAN 20/09

BRI

BOEING PROPRIETARY - Copyright © - Unpublished Work - See title page for details.



757

PARTS CATALOG (MAINTENANCE)

FIG ITEM	PART NUMBER	1 2 3 4 5 6 7	NOMENCLATURE	EFFECT FROM TO	UNITS PER ASSY
1 A - 836	233N2222-379		.MODULE ASSY-P3-1 COMPONENT MAINT MANUAL REF: 31-11-49	103106	RF
840	800-000449		..LIGHTPLATE-5V WHITE ILLUMINATED INTEGRALLY LIGHTED MAG TRUE HEADING SUPPLIER CODE: V05617 SPECIFICATION NUMBER: S233T100-033 MISCELLANEOUS DATA: FOR VENDOR FSCM 05617 FOR SPARES ORDER THE 800-000449-1 OPTIONAL PART: S233T100-033 V51896 800-000449-1 V05617	103106	1
840	S233T100-033		..LIGHTPLATE-5V WHITE ILLUMINATED INTEGRALLY LIGHTED MAG TRUE HEADING SUPPLIER CODE: V51896 OPTIONAL PART: 800-000449 V05617	103106	1
840	800-000449-1		..LIGHTPLATE-5V WHITE ILLUMINATED INTEGRALLY LIGHTED MAG TRUE HEADING SUPPLIER CODE: V05617 SPECIFICATION NUMBER: S233T100-033 OPTIONAL PART: S233T100-033 V51896 800-000449 V05617	103106	1

MISSING ITEM NUMBERS NOT APPLICABLE

- ITEM NOT ILLUSTRATED

33-13-57-01A

33-13-57
FIG. 01A
PAGE 29
JAN 20/09

BRI

BOEING PROPRIETARY - Copyright © - Unpublished Work - See title page for details.



757

PARTS CATALOG (MAINTENANCE)

FIG ITEM	PART NUMBER	1 2 3 4 5 6 7	NOMENCLATURE	EFFECT FROM TO	UNITS PER ASSY
1A 850	800-009216		..LIGHTPLATE-LG AND FLAPS SUPPLIER CODE: V05617 SPECIFICATION NUMBER: S233T100-5049 OPTIONAL PART: S233T100-5049 V51896	103106	1
850	S233T100-5049		..LIGHTPLATE-LG AND FLAPS SUPPLIER CODE: V51896 SPECIFICATION NUMBER: S233T100-5049 OPTIONAL PART: 800-009216 V05617	103106	1
855	233N2222-153		..MODULE ASSY	103106	RF
860	800-000121-1		...CONNECTOR-PWR SUPPLIER CODE: V05617	103106	2
- 865	233N2223-337		.MODULE ASSY-P3-3 COMPONENT MAINT MANUAL REF: 31-11-50	103106	RF
875	800-009104		..LIGHTPLATE-5V WHITE ILLUMINATED INTEGRALLY LIGHTED SOURCE SELECTOR SUPPLIER CODE: V05617 SPECIFICATION NUMBER: S233T100-5045 OPTIONAL PART: S233T100-5045 V51896 OPTIONAL PART: S233T100-5045 V51896	103106	1
875	S233T100-5045		..LIGHTPLATE-5V WHITE ILLUMINATED INTEGRALLY LIGHTED SOURCE SELECTOR SUPPLIER CODE: V51896 SPECIFICATION NUMBER: S233T100-5045 OPTIONAL PART: 800-009104 V05617	103106	1

MISSING ITEM NUMBERS NOT APPLICABLE

- ITEM NOT ILLUSTRATED

33-13-57-01A

33-13-57
FIG. 01A
PAGE 30
JAN 20/09

BRI

BOEING PROPRIETARY - Copyright © - Unpublished Work - See title page for details.



757

PARTS CATALOG (MAINTENANCE)

FIG ITEM	PART NUMBER	1 2 3 4 5 6 7	NOMENCLATURE	EFFECT FROM TO	UNITS PER ASSY
1 A 880	233N2223-62		..MODULE ASSY- USED ON: 233N2223-335 233N2223-337	103106	RF
885	800-000121-1		...CONNECTOR-PWR SUPPLIER CODE: V05617	103106	1
890	285T0554-3		.PANEL ASSY-VOR CONT SUPPLIER CODE: V89954 ELECTRICAL EQUIP NUMBER: M00091 M00092 COMPONENT MAINT MANUAL REF: 34-51-61 OPTIONAL PART: 285T0554-5 V89954	103106	RF
890	285T0554-5		.PANEL ASSY-VOR CONT SUPPLIER CODE: V89954 ELECTRICAL EQUIP NUMBER: M00091 M00092 COMPONENT MAINT MANUAL REF: 34-51-61 OPTIONAL PART: 285T0554-3 V89954	103106	RF

MISSING ITEM NUMBERS NOT APPLICABLE

- ITEM NOT ILLUSTRATED

BRI

33-13-57-01A

BOEING PROPRIETARY - Copyright © - Unpublished Work - See title page for details.

33-13-57
FIG. 01A
PAGE 31
JAN 20/09



757

PARTS CATALOG (MAINTENANCE)

FIG ITEM	PART NUMBER	1 2 3 4 5 6 7	NOMENCLATURE	EFFECT FROM TO	UNITS PER ASSY
1 A 895	800-002453		..LIGHTPLATE-5V WHITE ILLUMINATED INTEGRALLY LIGHTED VOR-DME LCD SUPPLIER CODE: V05617 SPECIFICATION NUMBER: S233T100-043 MISCELLANEOUS DATA: FOR VENDOR FSCM 05617 FOR SPARES ORDER THE 800-002453-1 QUALIFIED OPTIONAL DATA: S233T100-043 OPTIONAL TO 285T1201-1 WHEN USED WITH ASSOCIATED PARTS OPTIONAL PART: S233T100-043 V51896 800-002453-1 V05617 USED ON: 285T0554-5 285T0554-3	103106	1
895	S233T100-043		..LIGHTPLATE-5V WHITE ILLUMINATED INTEGRALLY LIGHTED VOR-DME LCD SUPPLIER CODE: V51896 SPECIFICATION NUMBER: S233T100-043 QUALIFIED OPTIONAL DATA: S233T100-043 OPTIONAL TO 285T1201-1 WHEN USED WITH ASSOCIATED PARTS OPTIONAL PART: 800-002453 V05617 USED ON: 285T0554-5 285T0554-3	103106	1
895	285T1201-1		..LIGHTPLATE- SUPPLIER CODE: V89954 QUALIFIED OPTIONAL DATA: S233T100-043 OPTIONAL TO 285T1201-1 WHEN USED WITH ASSOCIATED PARTS	103106	1

MISSING ITEM NUMBERS NOT APPLICABLE

- ITEM NOT ILLUSTRATED

33-13-57-01A

33-13-57
 FIG. 01A
 PAGE 32
 JAN 20/09

BRI

BOEING PROPRIETARY - Copyright © - Unpublished Work - See title page for details.



757

PARTS CATALOG (MAINTENANCE)

FIG ITEM	PART NUMBER	1 2 3 4 5 6 7	NOMENCLATURE	EFFECT FROM TO	UNITS PER ASSY
1 A 895	800-002453-1		.. LIGHTPLATE-5V WHITE ILLUMINATED INTEGRALLY LIGHTED VOR-DME LCD SUPPLIER CODE: V05617 SPECIFICATION NUMBER: S233T100-043 OPTIONAL PART: S233T100-043 V51896 800-002453 V05617	103106	1
900	800-000121-1		.. CONNECTOR-PWR SUPPLIER CODE: V05617 USED ON: 285T0554-3	103106	1
900	800-000121-1		.. CONNECTOR-PWR SUPPLIER CODE: V05617 OPTIONAL PART: 90-42303-1 V51074 USED ON: 285T0554-5	103106	1
900	90-42303-1		.. CONNECTOR-PWR SUPPLIER CODE: V51074 OPTIONAL PART: 800-000121-1 V05617 USED ON: 285T0554-5	103106	1
905	285T0021-16		. PANEL ASSY-VOR CONT SUPPLIER CODE: V89954 ELECTRICAL EQUIP NUMBER: M00091 M00092 COMPONENT MAINT MANUAL REF: 34-51-51	103106	RF

MISSING ITEM NUMBERS NOT APPLICABLE

- ITEM NOT ILLUSTRATED

33-13-57-01A

33-13-57
FIG. 01A
PAGE 33
JAN 20/09

BRI

BOEING PROPRIETARY - Copyright © - Unpublished Work - See title page for details.



757

PARTS CATALOG (MAINTENANCE)

FIG ITEM	PART NUMBER	1 2 3 4 5 6 7	NOMENCLATURE	EFFECT FROM TO	UNITS PER ASSY
R R R R R R R R R	1A 910	S233T100-020	..LIGHTPLATE-5V WHITE ILLUMINATED INTEGRALLY LIGHTED VOR-DME SUPPLIER CODE: V51896 SPECIFICATION NUMBER: S233T100-020 OPTIONAL PART: S233T100-038 V51896 OPTIONAL SUPPLIER CODE: 05617 98140	103106	1
	915	S233T100-038	..LIGHTPLATE-5V WHITE ILLUMINATED INTEGRALLY LIGHTED VOR-DME SUPPLIER CODE: V51896 SPECIFICATION NUMBER: S233T100-038 OPTIONAL PART: 800-008002 V05617 OPTIONAL PART: S233T100-020 V51896	103106	1
	915	800-008002	..LIGHTPLATE-5V WHITE ILLUMINATED INTEGRALLY LIGHTED VOR-DME SUPPLIER CODE: V05617 SPECIFICATION NUMBER: S233T100-038 OPTIONAL PART: S233T100-038 V51896	103106	1
	920	285T0116-19	..MODULE ASSY-FRONT SUPPLIER CODE: V89954 OPTIONAL PART: 285T0116-23 V89954	103106	RF
	920	285T0116-23	..MODULE ASSY-FRONT SUPPLIER CODE: V89954 OPTIONAL PART: 285T0116-19 V89954	103106	RF

MISSING ITEM NUMBERS NOT APPLICABLE

- ITEM NOT ILLUSTRATED

33-13-57-01A

33-13-57
FIG. 01A
PAGE 34
MAY 20/09

BRI



757

PARTS CATALOG (MAINTENANCE)

FIG ITEM	PART NUMBER	1 2 3 4 5 6 7	NOMENCLATURE	EFFECT FROM TO	UNITS PER ASSY
1A 925	800-000121-1		...CONNECTOR- SUPPLIER CODE: V05617	103106	1
930	143D6354G2		.PANEL ASSY-THRUST MODE SELECT SUPPLIER CODE: V89954 FUNCTIONAL DESCRIPTION: ALLOWS CREW TO SELECT THRUST LIMIT COMPUTATION MODES SPECIFICATION NUMBER: S241T200-154 ELECTRICAL EQUIP NUMBER: M10258 COMPONENT MAINT MANUAL REF: 22-31-24	103106	RF
935	143D6470P1		..LIGHTPLATE- SUPPLIER CODE: V89954	103106	1

MISSING ITEM NUMBERS NOT APPLICABLE

- ITEM NOT ILLUSTRATED

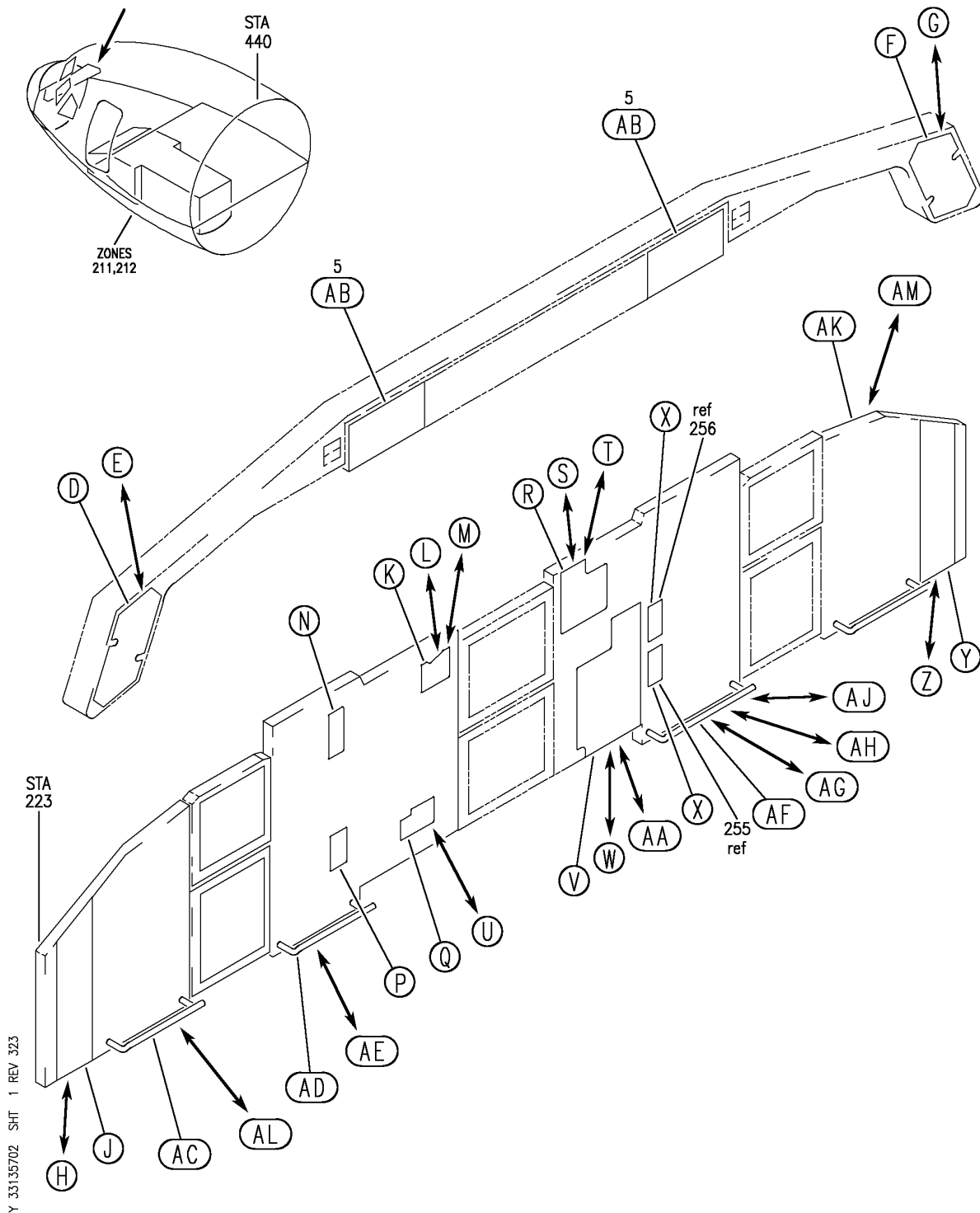
BRI

33-13-57-01A

BOEING PROPRIETARY - Copyright © - Unpublished Work - See title page for details.

33-13-57
FIG. 01A
PAGE 35
JAN 20/09


BOEING
 757
PARTS CATALOG (MAINTENANCE)



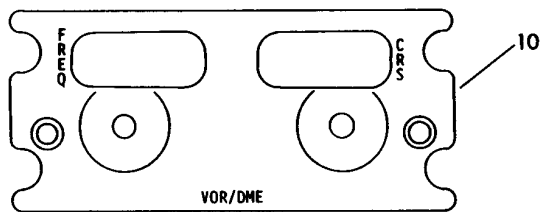
PANEL INSTL-CAPT AND FIRST OFFICER FWD (INTEGRAL PANEL LIGHTS ONLY)
 FIGURE 2 (SHEET 1)

33-13-57-02

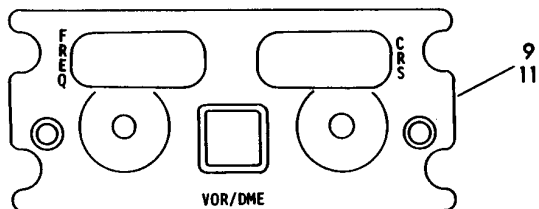
BRI
 MAY 20/08

33-13-57-02
 PAGE 0

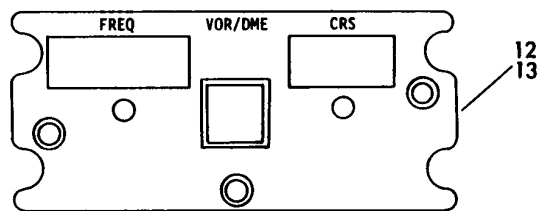
BOEING
757
PARTS CATALOG (MAINTENANCE)



(A)



(B)



(C)

Y 33135702 SHT 2 REV 155

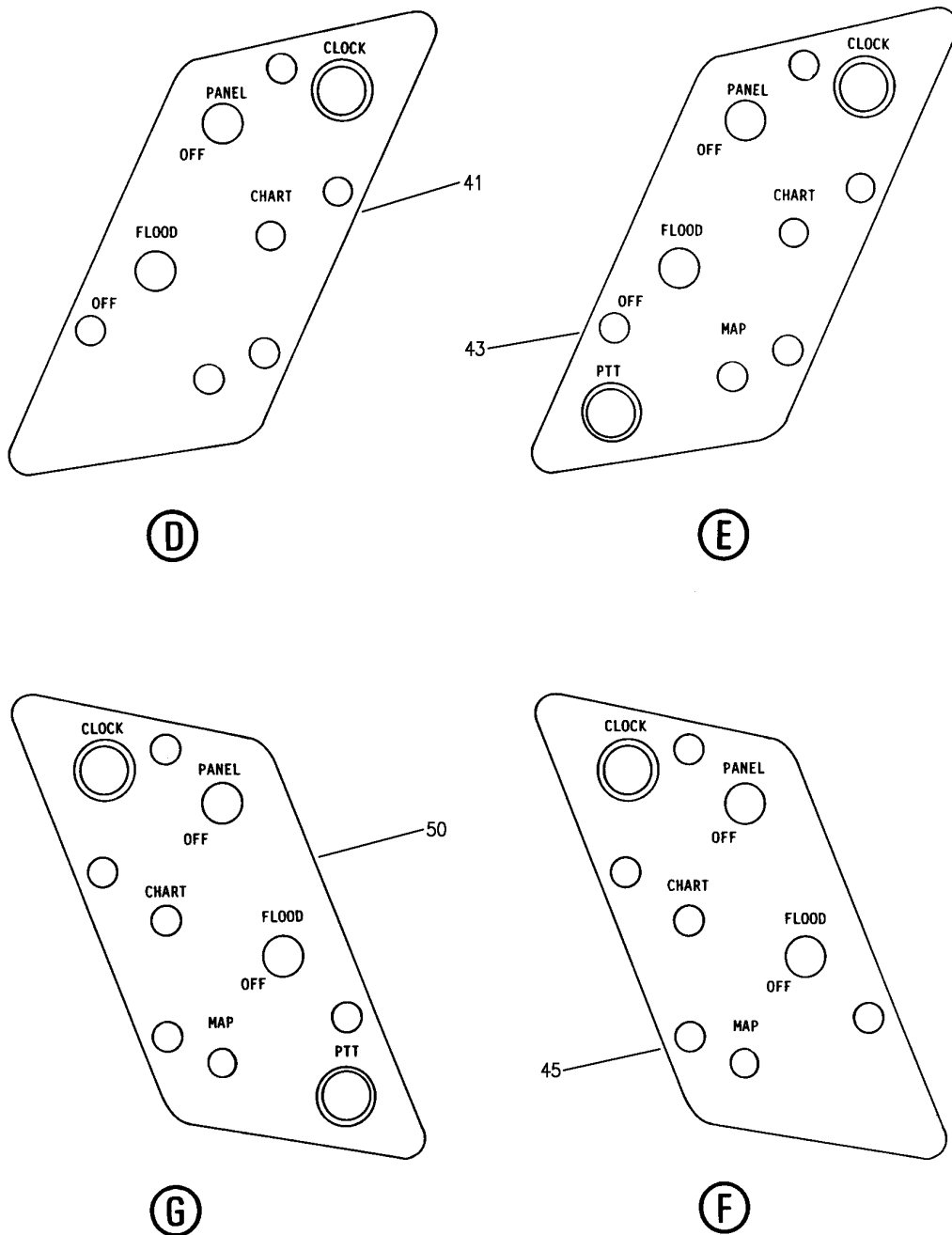
PANEL INSTL-CAPT AND FIRST OFFICER FWD (INTEGRAL PANEL LIGHTS ONLY)
FIGURE 2 (SHEET 2)

33-13-57-02

BRI
MAY 28/07

33-13-57-02
PAGE 0A

BOEING
757
PARTS CATALOG (MAINTENANCE)



Y 33135702 SH1 3 REV 271

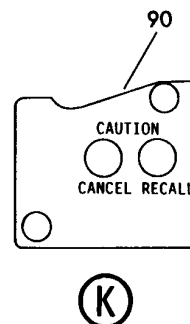
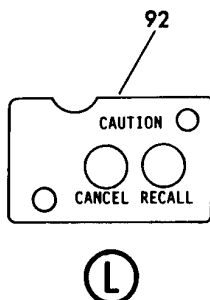
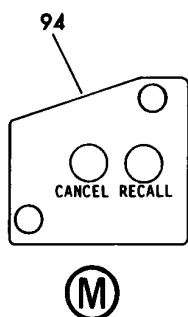
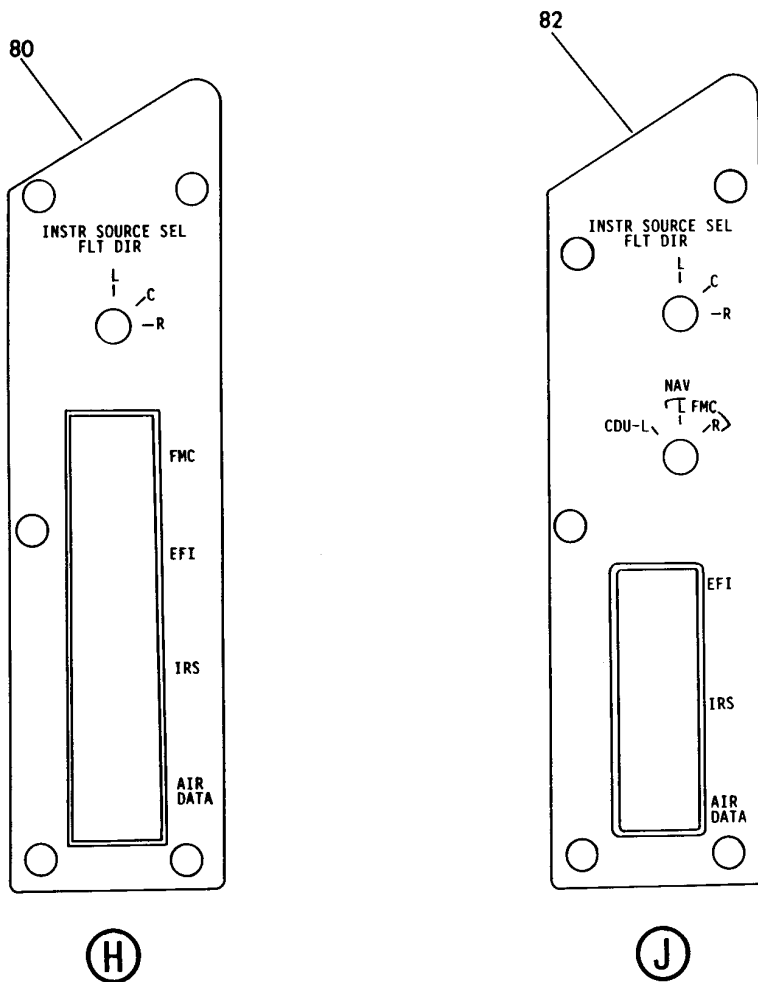
PANEL INSTL-CAPT AND FIRST OFFICER FWD (INTEGRAL PANEL LIGHTS ONLY)
FIGURE 2 (SHEET 3)

33-13-57-02

BRI
MAY 28/07

33-13-57-02
PAGE 08

BOEING
757
PARTS CATALOG (MAINTENANCE)



Y 33135702 SHT 4 REV 155

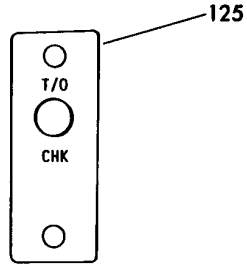
PANEL INSTL-CAPT AND FIRST OFFICER FWD (INTEGRAL PANEL LIGHTS ONLY)
FIGURE 2 (SHEET 4)

33-13-57-02

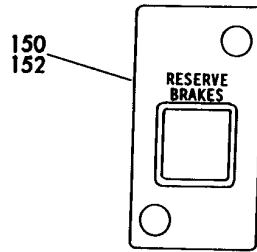
BRI
MAY 28/07

33-13-57-02
PAGE 0C

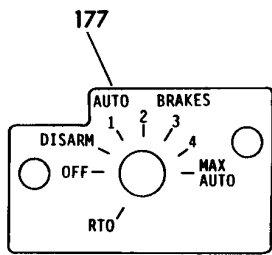

BOEING
 757
PARTS CATALOG (MAINTENANCE)



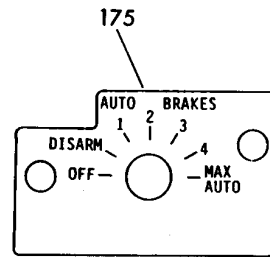
(N)



(P)

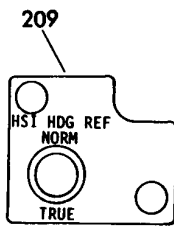


(U)

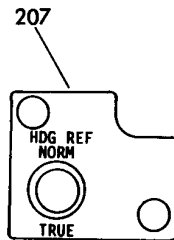


(Q)

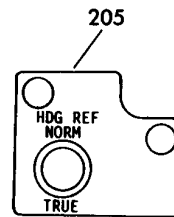
Y 33135702 SHT 5 REV 155



(T)



(S)

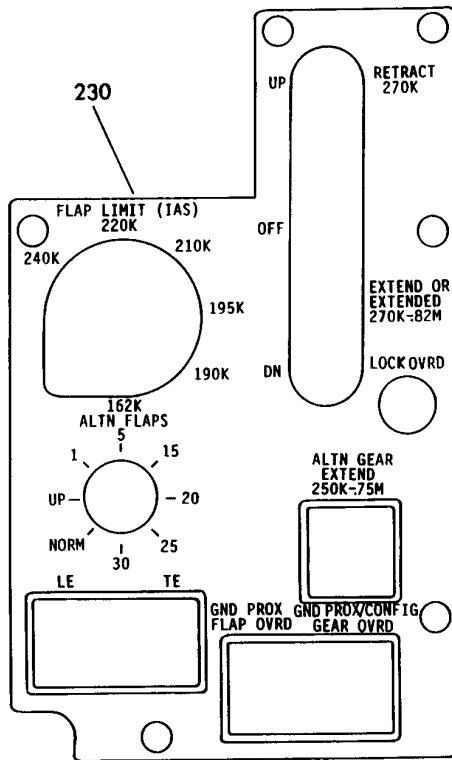


(R)

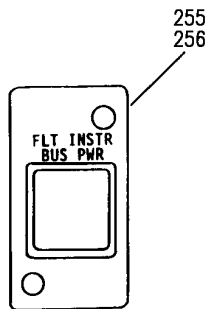
PANEL INSTL-CAPT AND FIRST OFFICER FWD (INTEGRAL PANEL LIGHTS ONLY)
 FIGURE 2 (SHEET 5)

33-13-57-02

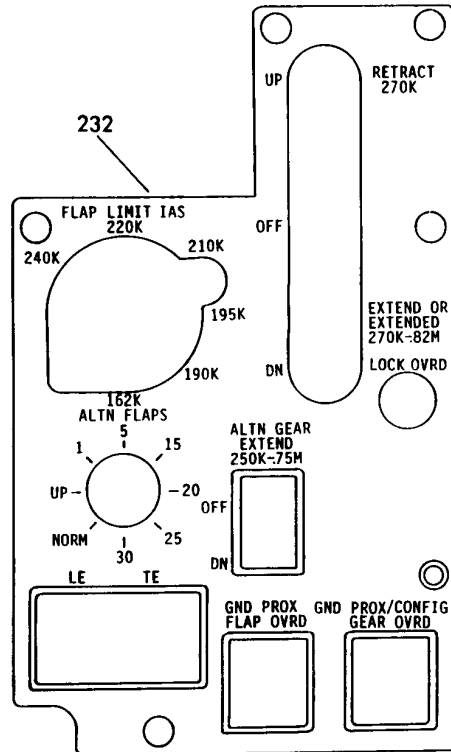
BOEING
757
PARTS CATALOG (MAINTENANCE)



(V)



(X)



(W)

Y 33135702 SH1 6 REV 256

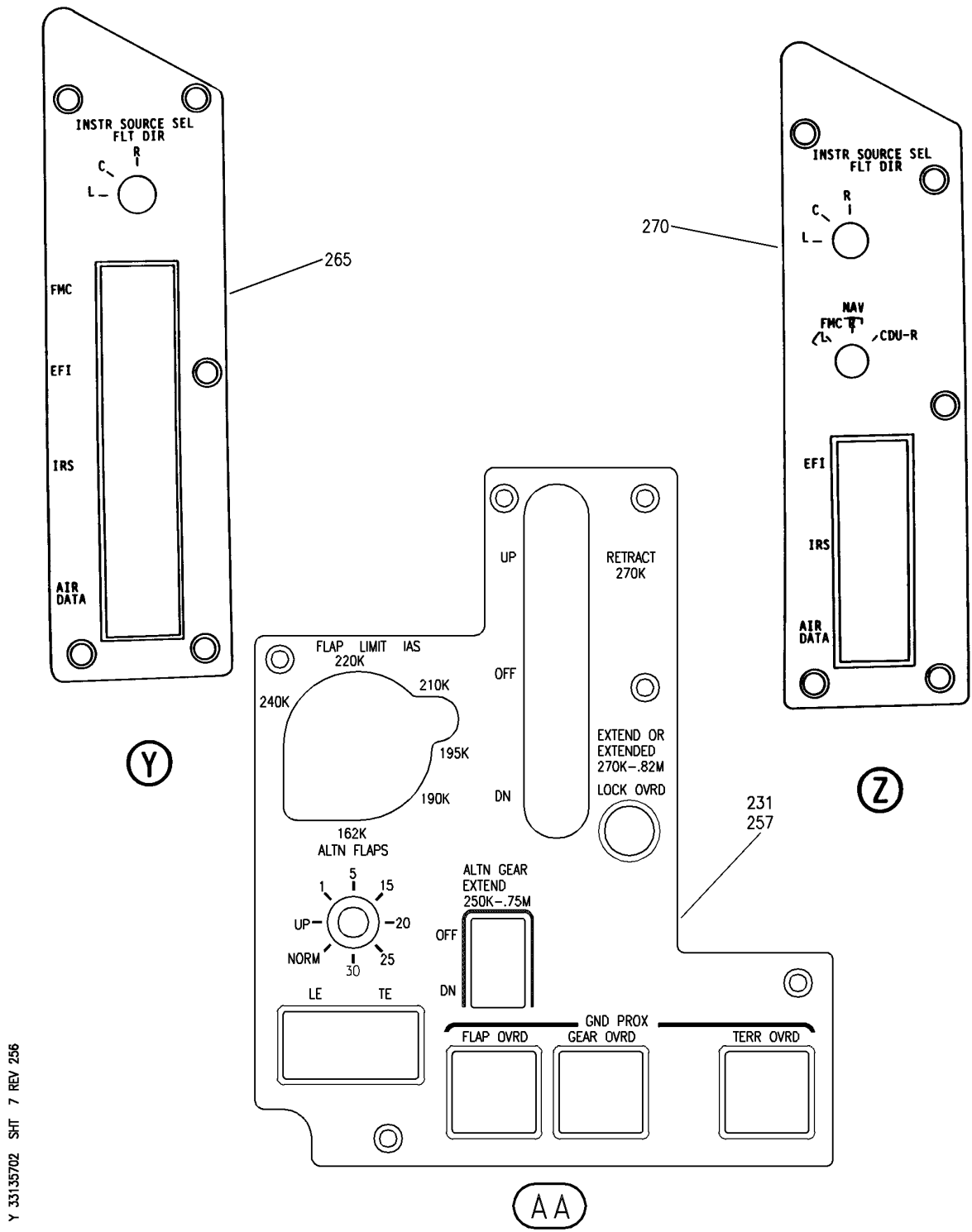
PANEL INSTL-CAPT AND FIRST OFFICER FWD (INTEGRAL PANEL LIGHTS ONLY)
FIGURE 2 (SHEET 6)

33-13-57-02

BRI
MAY 28/07

33-13-57-02
PAGE 0E

BOEING
757
PARTS CATALOG (MAINTENANCE)



Y 33135702 SH1 7 REV 256

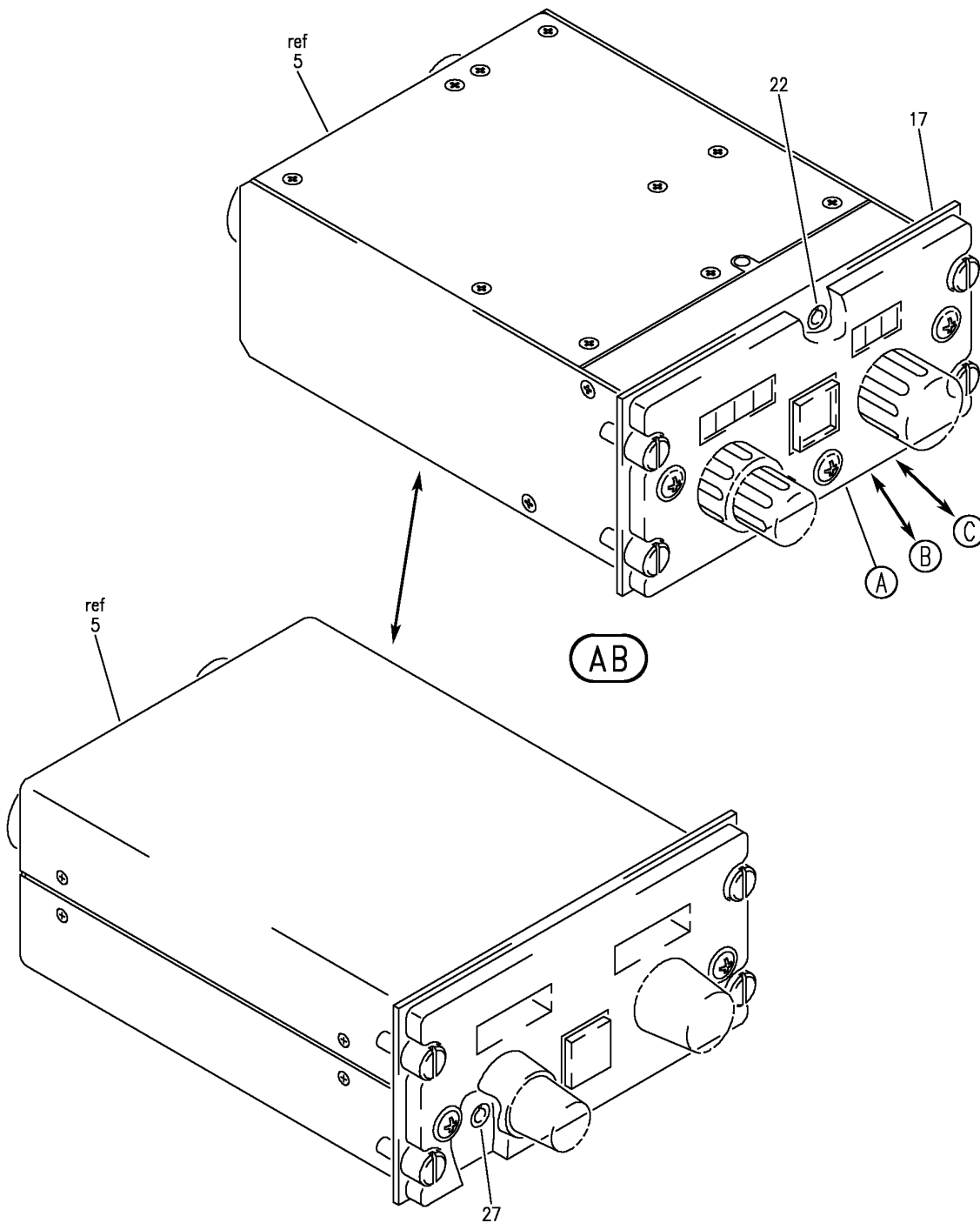
PANEL INSTL-CAPT AND FIRST OFFICER FWD (INTEGRAL PANEL LIGHTS ONLY)
FIGURE 2 (SHEET 7)

33-13-57-02

BRI
MAY 28/07

33-13-57-02
PAGE OF

BOEING
757
PARTS CATALOG (MAINTENANCE)



Y 33135702 SH1 8 REV 271

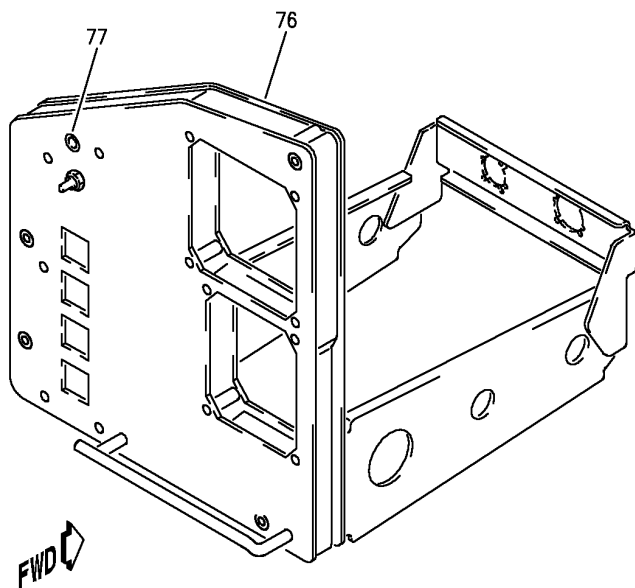
PANEL INSTL-CAPT AND FIRST OFFICER FWD (INTEGRAL PANEL LIGHTS ONLY)
FIGURE 2 (SHEET 8)

33-13-57-02

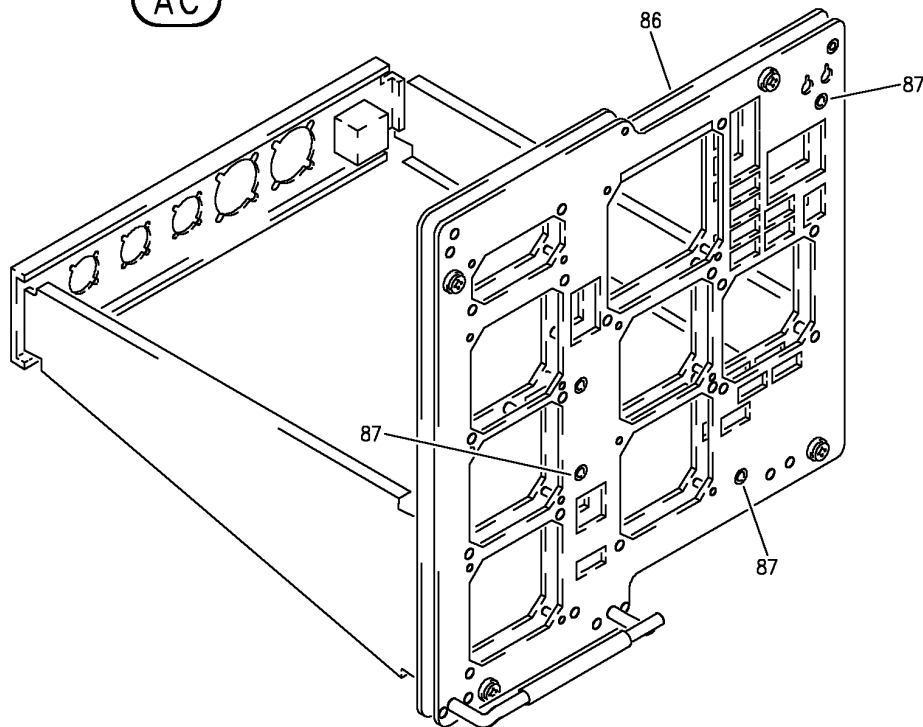
BRI
MAY 28/07

33-13-57-02
PAGE 06

BOEING
757
PARTS CATALOG (MAINTENANCE)



AC



AD

Y 33135702 SH1 9 REV 271

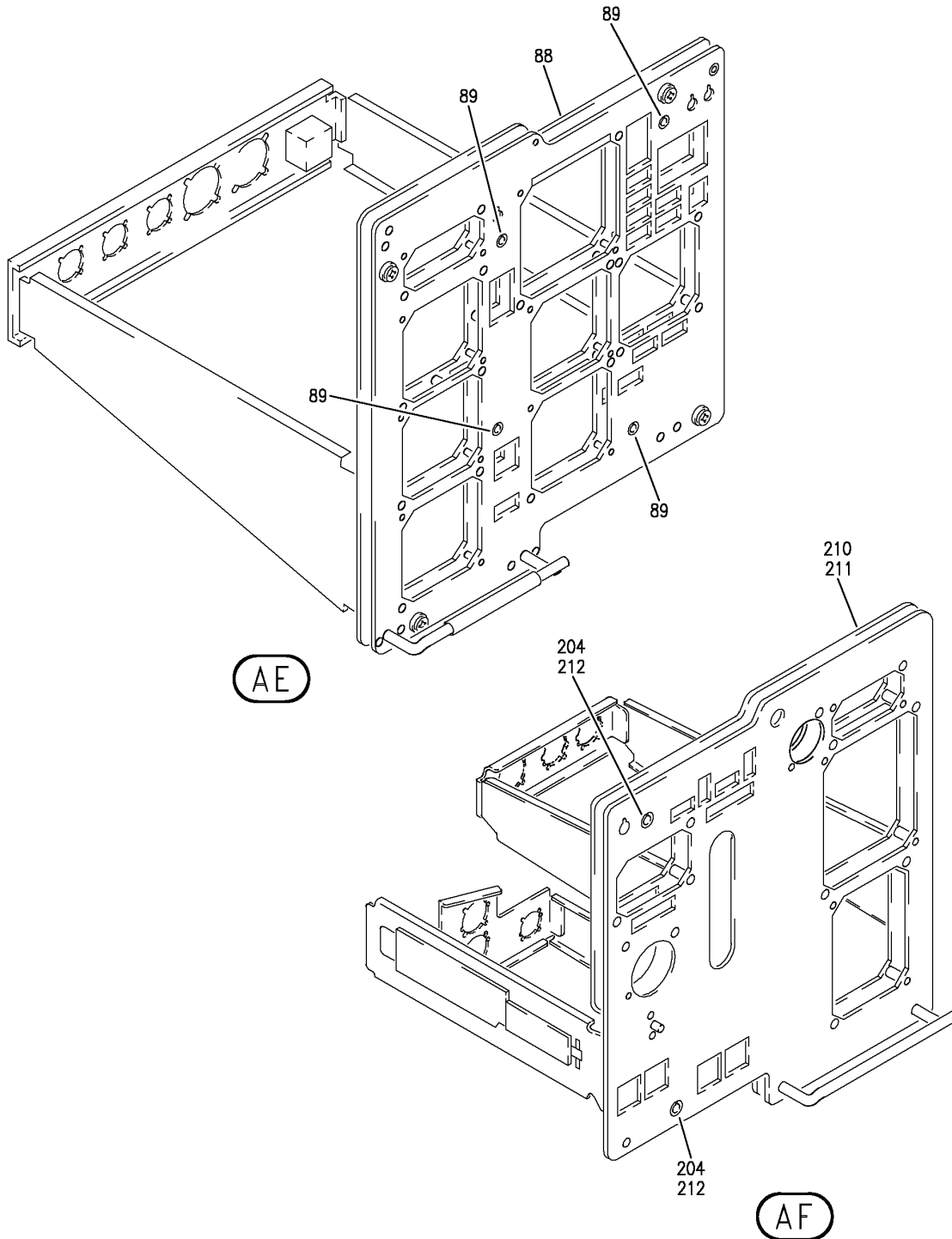
PANEL INSTL-CAPT AND FIRST OFFICER FWD (INTEGRAL PANEL LIGHTS ONLY)
FIGURE 2 (SHEET 9)

33-13-57-02

BRI
MAY 28/07

33-13-57-02
PAGE 0H

BOEING
757
PARTS CATALOG (MAINTENANCE)



Y 33135702 SHT 10 REV 323

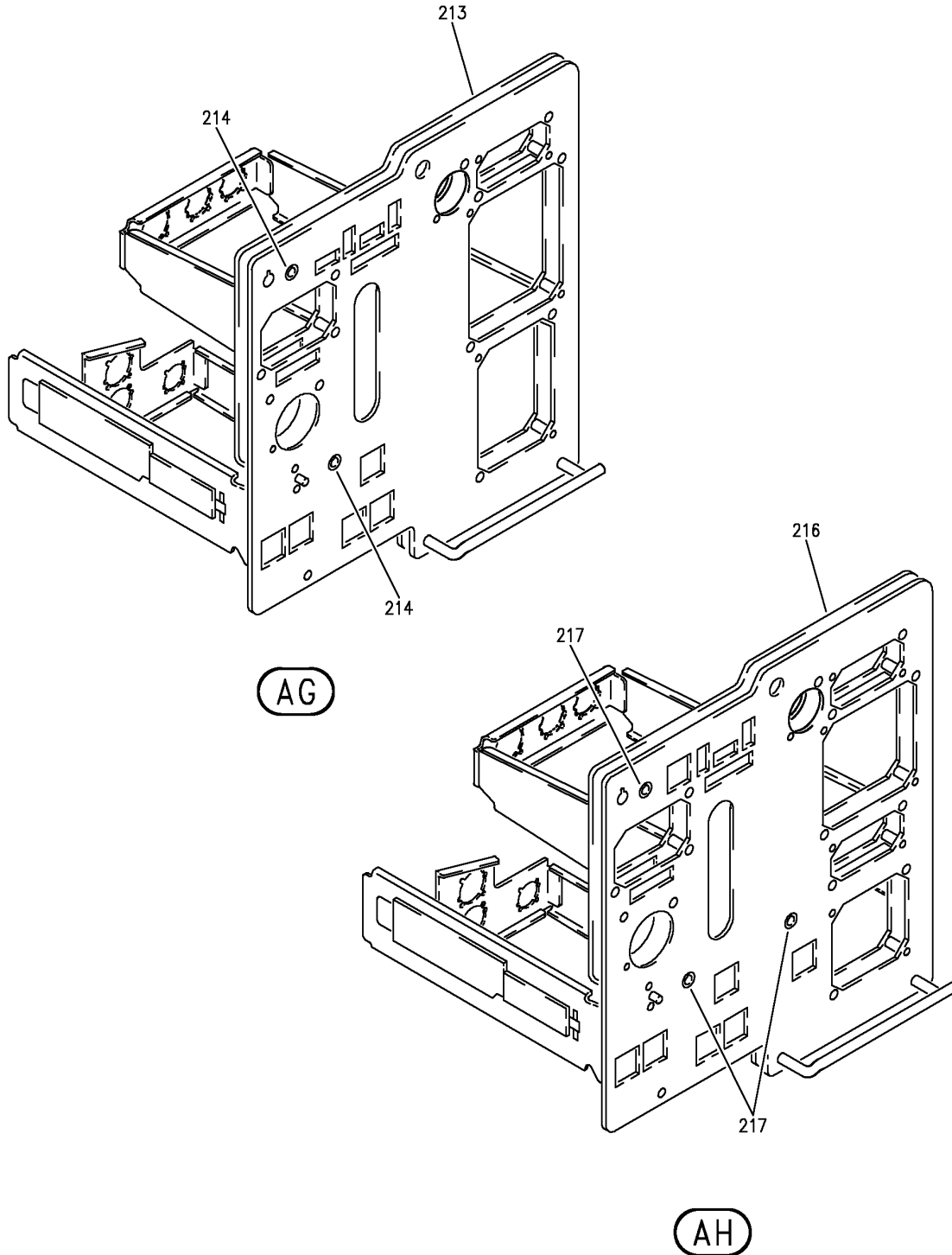
PANEL INSTL-CAPT AND FIRST OFFICER FWD (INTEGRAL PANEL LIGHTS ONLY)
FIGURE 2 (SHEET 10)

33-13-57-02

BRI
MAY 20/08

33-13-57-02
PAGE 01

BOEING
757
PARTS CATALOG (MAINTENANCE)



Y 33135702 SH11 REV 271

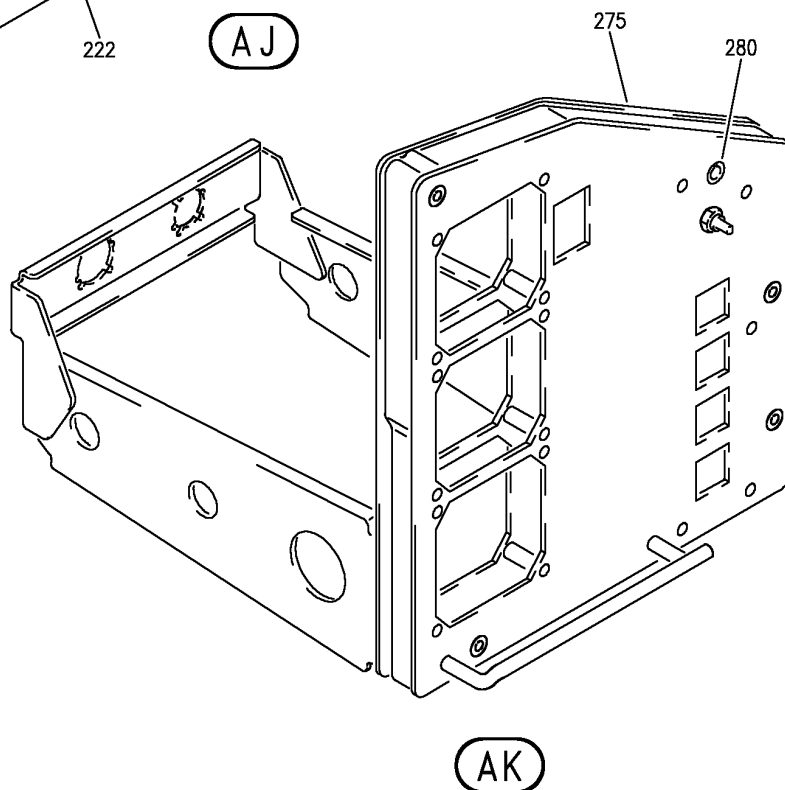
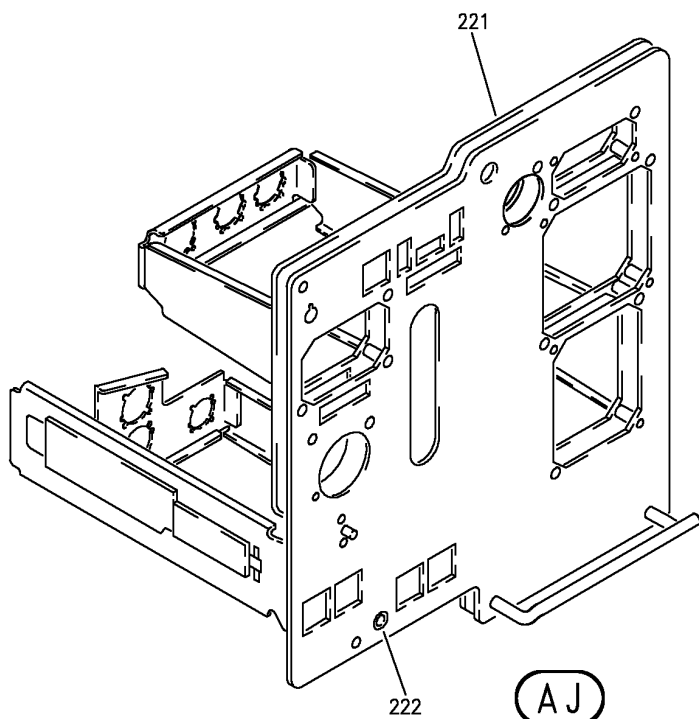
PANEL INSTL-CAPT AND FIRST OFFICER FWD (INTEGRAL PANEL LIGHTS ONLY)
FIGURE 2 (SHEET 11)

33-13-57-02

BRI
MAY 28/07

33-13-57-02
PAGE 0J

BOEING
757
PARTS CATALOG (MAINTENANCE)



Y 33135702 SH1 12 REV 271

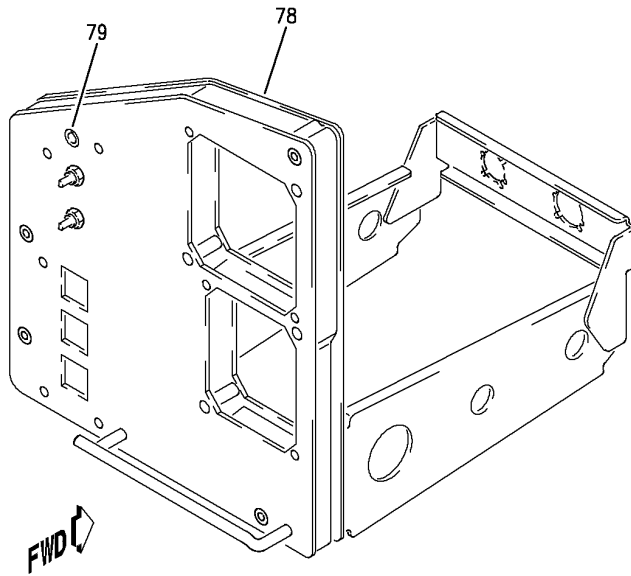
PANEL INSTL-CAPT AND FIRST OFFICER FWD (INTEGRAL PANEL LIGHTS ONLY)
FIGURE 2 (SHEET 12)

33-13-57-02

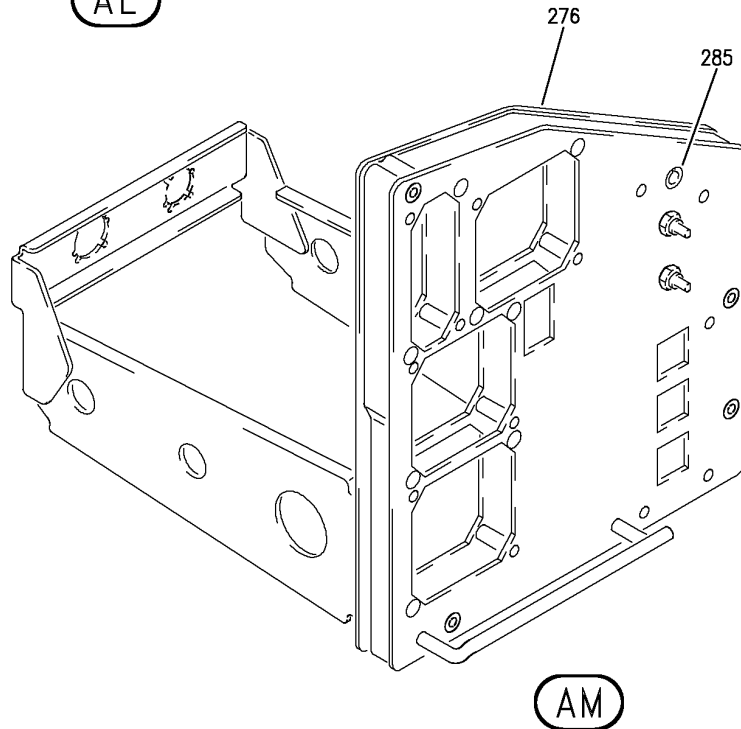
BRI
MAY 28/07

33-13-57-02
PAGE OK

BOEING
757
PARTS CATALOG (MAINTENANCE)



AL



AM

Y 33135702 SH1 13 REV 323

PANEL INSTL-CAPT AND FIRST OFFICER FWD (INTEGRAL PANEL LIGHTS ONLY)
FIGURE 2 (SHEET 13)

33-13-57-02

BRI
MAY 20/08

33-13-57-02
PAGE 01



757

PARTS CATALOG (MAINTENANCE)

FIG ITEM	PART NUMBER	1 2 3 4 5 6 7	NOMENCLATURE	EFFECT FROM TO	UNITS PER ASSY
2			PANEL INSTL-CAPT AND FIRST OFFICER FWD (INTEGRAL PANEL LIGHTS ONLY)	011100	
- 1	233N2101-1		PANEL INSTL-CAPT AND FIRST OFFICER (INTEGRAL PANEL LIGHTS ONLY) POSITION DATA: FWD VARIABLE DRAWING REF: 233N2101-5039 FOR NHA/OTHER SYS DET SEE: 25-10-00-05A	011100	RF
5	285T0554-3		.PANEL ASSY-CONT SUPPLIER CODE: V89954 COMPONENT MAINT MANUAL REF: 34-51-61 OPTIONAL PART: 285T0554-5 V89954	011100	RF
5	285T0554-5		.PANEL ASSY-CONT SUPPLIER CODE: V89954 COMPONENT MAINT MANUAL REF: 34-51-61 OPTIONAL PART: 285T0554-3 V89954	011100	RF
5	285T0021-16		.PANEL ASSY-CONT SUPPLIER CODE: V89954 COMPONENT MAINT MANUAL REF: 34-51-51	011100	RF
5	285T0021-19		.PANEL ASSY-CONT SUPPLIER CODE: V89954 COMPONENT MAINT MANUAL REF: 34-51-51	011100	RF

R
R
R
R
R

MISSING ITEM NUMBERS NOT APPLICABLE

- ITEM NOT ILLUSTRATED

33-13-57-02

33-13-57
FIG. 02
PAGE 1
MAY 20/09

BRI



757

PARTS CATALOG (MAINTENANCE)

FIG ITEM	PART NUMBER	1 2 3 4 5 6 7	NOMENCLATURE	EFFECT FROM TO	UNITS PER ASSY
2	9 S233T100-043		..LIGHTPLATE-5V WHITE ILLUMINATED INTEGRALLY LIGHTED FLT INST BUS PWR SUPPLIER CODE: V51896 SPECIFICATION NUMBER: S233T100-043 QUALIFIED OPTIONAL DATA: S233T100-043 OPTIONAL TO 285T1201-1 WHEN USED WITH ASSOCIATED ITEMS OPTIONAL PART: 800-002453 V05617 USED ON: 285T0554-5	011100	1
	9 800-002453		..LIGHTPLATE-5V WHITE ILLUMINATED INTEGRALLY LIGHTED FLT INST BUS PWR SUPPLIER CODE: V05617 SPECIFICATION NUMBER: S233T100-043 QUALIFIED OPTIONAL DATA: 800-002453 OPTIONAL TO 285T1201-1 WHEN USED WITH ASSOCIATED ITEMS OPTIONAL PART: S233T100-043 V51896 USED ON: 285T0554-5	011100	1
	9 S233T100-043		..LIGHTPLATE-5V WHITE ILLUMINATED INTEGRALLY LIGHTED FLT INST BUS PWR SUPPLIER CODE: V51896 SPECIFICATION NUMBER: S233T100-043 OPTIONAL PART: 800-002453 V05617 USED ON: 285T0554-3	011100	1

MISSING ITEM NUMBERS NOT APPLICABLE

- ITEM NOT ILLUSTRATED

33-13-57-02

33-13-57
FIG. 02
PAGE 2
JAN 20/09

BRI



757

PARTS CATALOG (MAINTENANCE)

FIG ITEM	PART NUMBER	1 2 3 4 5 6 7	NOMENCLATURE	EFFECT FROM TO	UNITS PER ASSY
2 9	800-002453		..LIGHTPLATE-5V WHITE ILLUMINATED INTEGRALLY LIGHTED FLT INST BUS PWR SUPPLIER CODE: V05617 SPECIFICATION NUMBER: S233T100-043 OPTIONAL PART: S233T100-043 V51896 USED ON: 285T0554-3	011100	1
11	285T1201-1		..LIGHTPLATE- SUPPLIER CODE: V89954 QUALIFIED OPTIONAL DATA: S233T100-043 AND 800-002453 OPTIONAL TO 285T1201-1 WHEN USED WITH ASSOCIATED ITEMS USED ON: 285T0554-5	011100	1
12	S233T100-020		..LIGHTPLATE- SUPPLIER CODE: V51896 SPECIFICATION NUMBER: S233T100-020 OPTIONAL PART: S233T100-038 V51896 OPTIONAL SUPPLIER CODE: 05617 98140 USED ON: 285T0021-16	011100	1

R
R
R
R
R
R
R
R
R
R

MISSING ITEM NUMBERS NOT APPLICABLE

- ITEM NOT ILLUSTRATED

33-13-57-02

33-13-57
FIG. 02
PAGE 3
MAY 20/09

BRI



757

PARTS CATALOG (MAINTENANCE)

FIG ITEM	PART NUMBER	1 2 3 4 5 6 7	NOMENCLATURE	EFFECT FROM TO	UNITS PER ASSY
2					
13	S233T100-038	..	LIGHTPLATE-5V WHITE ILLUMINATED INTEGRALLY LIGHTED VOR-DME SUPPLIER CODE: V51896 SPECIFICATION NUMBER: S233T100-038 OPTIONAL PART: 800-008002 V05617 OPTIONAL PART: S233T100-020 V51896 USED ON: 285T0021-16	011100	1
13	800-008002	..	LIGHTPLATE-5V WHITE ILLUMINATED INTEGRALLY LIGHTED VOR-DME SUPPLIER CODE: V05617 SPECIFICATION NUMBER: S233T100-038 OPTIONAL PART: S233T100-038 V51896 USED ON: 285T0021-16	011100	1
17	285T0116-19	..	MODULE ASSY- SUPPLIER CODE: V89954 OPTIONAL PART: 285T0116-23 V89954 USED ON: 285T0021-16	011100	RF
17	285T0116-23	..	MODULE ASSY- SUPPLIER CODE: V89954 OPTIONAL PART: 285T0116-19 V89954 USED ON: 285T0021-16	011100	RF
22	800-000121-1	...	CONNECTOR-PWR SUPPLIER CODE: V05617	011100	1

MISSING ITEM NUMBERS NOT APPLICABLE

- ITEM NOT ILLUSTRATED

33-13-57-02

33-13-57
FIG. 02
PAGE 4
JAN 20/09

BRI



757

PARTS CATALOG (MAINTENANCE)

FIG ITEM	PART NUMBER	1 2 3 4 5 6 7	NOMENCLATURE	EFFECT FROM TO	UNITS PER ASSY
2					
27	800-000121-1	..	CONNECTOR- SUPPLIER CODE: V05617 USED ON: 285T0554-3	011100	1
27	800-000121-1	..	CONNECTOR- SUPPLIER CODE: V05617 OPTIONAL PART: 90-42303-1 V51074 USED ON: 285T0554-5	011100	1
27	90-42303-1	..	CONNECTOR- SUPPLIER CODE: V51074 OPTIONAL PART: 800-000121-1 V05617 USED ON: 285T0554-5	011100	1
41	800-002544	.L	LIGHTPLATE- SUPPLIER CODE: V05617 POSITION DATA: L SPECIFICATION NUMBER: S233T100-013 OPTIONAL PART: S233T100-013 V51896	011100	1
45	800-002476	.L	LIGHTPLATE- SUPPLIER CODE: V05617 POSITION DATA: R SPECIFICATION NUMBER: S233T100-014 OPTIONAL PART: S233T100-014 V51896	011100	1
- 75	233N2220-301	.M	MODULE ASSY-P1-1 COMPONENT MAINT MANUAL REF: 31-11-47	011100	RF
76	233N2220-10	..	MODULE ASSY-	011100	RF
77	800000121-1	...	CONNECTOR-PWR SUPPLIER CODE: V05617	011100	1

MISSING ITEM NUMBERS NOT APPLICABLE

- ITEM NOT ILLUSTRATED

33-13-57-02

33-13-57
FIG. 02
PAGE 5
JAN 20/09

BRI

BOEING PROPRIETARY - Copyright © - Unpublished Work - See title page for details.



757

PARTS CATALOG (MAINTENANCE)

FIG ITEM	PART NUMBER	1 2 3 4 5 6 7	NOMENCLATURE	EFFECT FROM TO	UNITS PER ASSY
2 80	800-003438		..LIGHTPLATE-5V WHITE ILLUMINATED INTEGRALLY- LIGHTED INSTR SOURCE SELECTOR SUPPLIER CODE: V05617 POSITION DATA: L SPECIFICATION NUMBER: S233T100-5008 OPTIONAL SUPPLIER CODE: 05617 98140	011100	1
- 85	233N2221-301		.MODULE ASSY-P1-3 COMPONENT MAINT MANUAL REF: 31-11-48	011100	RF
86	233N2221-51		..MODULE ASSY	011100	RF
87	800-000121-1		...CONNECTOR-PWR SUPPLIER CODE: V05617	011100	3
90	800-000440		..LIGHTPLATE-5V WHITE ILLUMINATED INTEGRALLY- LIGHTED CAUTION/WARNING SUPPLIER CODE: V05617 SPECIFICATION NUMBER: S233T100-5012 MISCELLANEOUS DATA: FOR VENDOR FSCM 05617 FOR SPARES ORDER THE 800-000440-1 OPTIONAL PART: S233T100-5012 V51896 800-000440-1 V05617	011100	1
90	S233T100-5012		..LIGHTPLATE-5V WHITE ILLUMINATED INTEGRALLY- LIGHTED CAUTION/WARNING SUPPLIER CODE: V51896 SPECIFICATION NUMBER: S233T100-5012 OPTIONAL PART: 800-000440 V05617	011100	1

MISSING ITEM NUMBERS NOT APPLICABLE

- ITEM NOT ILLUSTRATED

BRI

33-13-57-02

BOEING PROPRIETARY - Copyright © - Unpublished Work - See title page for details.

33-13-57
FIG. 02
PAGE 6
JAN 20/09



757

PARTS CATALOG (MAINTENANCE)

FIG ITEM	PART NUMBER	1 2 3 4 5 6 7	NOMENCLATURE	EFFECT FROM TO	UNITS PER ASSY
2 90	800-000440-1		..LIGHTPLATE-5V WHITE ILLUMINATED INTEGRALLY- LIGHTED CAUTION/WARNING SUPPLIER CODE: V05617 SPECIFICATION NUMBER: S233T100-5012 OPTIONAL PART: S233T100-5012 V51896 800-000440 V05617	011100	1
150	800-000442		..LIGHTPLATE-5V WHITE ILLUMINATED INTEGRALLY LIGHTED RESERVE BRAKE SUPPLIER CODE: V05617 SPECIFICATION NUMBER: S233T100-5018 MISCELLANEOUS DATA: FOR VENDOR FSCM 05617 FOR SPARES ORDER THE 800-000442-1 OPTIONAL PART: S233T100-5018 V51896 800-000442-1 V05617	011100	1
150	800-000442-1		..LIGHTPLATE-5V WHITE ILLUMINATED INTEGRALLY LIGHTED RESERVE BRAKE SUPPLIER CODE: V05617 SPECIFICATION NUMBER: S233T100-5018 OPTIONAL PART: S233T100-5018 V51896 800-000442 V05617	011100	1

MISSING ITEM NUMBERS NOT APPLICABLE

- ITEM NOT ILLUSTRATED

33-13-57-02

33-13-57
FIG. 02
PAGE 7
JAN 20/09

BRI



757

PARTS CATALOG (MAINTENANCE)

FIG ITEM	PART NUMBER	1 2 3 4 5 6 7	NOMENCLATURE	EFFECT FROM TO	UNITS PER ASSY
2 150	S233T100-5018		..LIGHTPLATE-5V WHITE ILLUMINATED INTEGRALLY LIGHTED RESERVE BRAKE SUPPLIER CODE: V51896 SPECIFICATION NUMBER: S233T100-5018 OPTIONAL PART: 800-000442-1 V05617 800-000442 V05617	011100	1
177	800-002557		..LIGHTPLATE-5V WHITE ILLUMINATED INTEGRALLY- LIGHTED AUTO BRAKE SUPPLIER CODE: V05617 SPECIFICATION NUMBER: S233T100-5014 MISCELLANEOUS DATA: FOR VENDOR FSCM 05617 FOR SPARES ORDER THE 800-002557-1 OPTIONAL PART: S233T100-5014 V51896 800-002557-1 V05617	011100	1
177	S233T100-5014		..LIGHTPLATE-5V WHITE ILLUMINATED INTEGRALLY- LIGHTED AUTO BRAKE SUPPLIER CODE: V51896 SPECIFICATION NUMBER: S233T100-5014 OPTIONAL PART: 800-002557 V05617 800-002557-1 V05617	011100	1

MISSING ITEM NUMBERS NOT APPLICABLE

- ITEM NOT ILLUSTRATED

33-13-57-02

33-13-57
FIG. 02
PAGE 8
JAN 20/09

BRI



757

PARTS CATALOG (MAINTENANCE)

FIG ITEM	PART NUMBER	1 2 3 4 5 6 7	NOMENCLATURE	EFFECT FROM TO	UNITS PER ASSY
2 177	800-002557-1		..LIGHTPLATE-5V WHITE ILLUMINATED INTEGRALLY- LIGHTED AUTO BRAKE SUPPLIER CODE: V05617 SPECIFICATION NUMBER: S233T100-5014 OPTIONAL PART: S233T100-5014 V51896 800-002557 V05617	011100	1
- 200	233N2222-301		.MODULE ASSY-P3-1 COMPONENT MAINT MANUAL REF: 31-11-49 PRE ALERT SB: 33A0044	011100	RF
- 201	233N2222-1301		.MODULE ASSY-P3-1 COMPONENT MAINT MANUAL REF: 31-11-49 POST ALERT SB: 33A0044	011100	RF
207	800-000449		..LIGHTPLATE-5V WHITE ILLUMINATED INTEGRALLY- LIGHTED MAGNETIC/TRUE HEADING SUPPLIER CODE: V05617 SPECIFICATION NUMBER: S233T100-033 OPTIONAL PART: S233T100-033 V51896	011100	1
211	233N2222-77		..MODULE ASSY- PRE ALERT SB: 33A0044	011100	RF
211	233N2222-1077		..MODULE ASSY- POST ALERT SB: 33A0044	011100	RF

MISSING ITEM NUMBERS NOT APPLICABLE

- ITEM NOT ILLUSTRATED

33-13-57-02

33-13-57
FIG. 02
PAGE 9
JAN 20/09

BRI



757

PARTS CATALOG (MAINTENANCE)

FIG ITEM	PART NUMBER	1 2 3 4 5 6 7	NOMENCLATURE	EFFECT FROM TO	UNITS PER ASSY
2 212	800000121-1		...CONNECTOR-PWR SUPPLIER CODE: V05617 USED ON: 233N2222-77 233N2222-78 233N2222-89 233N2222-90 233N2222-91 233N2222-94 233N2222-153 233N2222-1077 233N2222-1078 233N2222-1089 233N2222-1090 233N2222-1091 233N2222-1094	011100	2
232	800-003610		..LIGHTPLATE-LG AND FLAPS SUPPLIER CODE: V05617 SPECIFICATION NUMBER: S233T100-5038 OPTIONAL PART: S233T100-5038 V51896	011100	1
- 260	233N2223-301		.MODULE ASSY-P3-3 COMPONENT MAINT MANUAL REF: 31-11-50	011100	RF
265	800-003439		..LIGHTPLATE-5V WHITE ILLUMINATED INTEGRALLY- LIGHTED INSTR SOURCE SELECTOR SUPPLIER CODE: V05617 POSITION DATA: R SPECIFICATION NUMBER: S233T100-5009 OPTIONAL PART: S233T100-5009 V51896	011100	1
275 280	233N2223-12 800000121-1		..MODULE ASSY- ...CONNECTOR-PWR SUPPLIER CODE: V05617	011100 011100	RF 1

MISSING ITEM NUMBERS NOT APPLICABLE

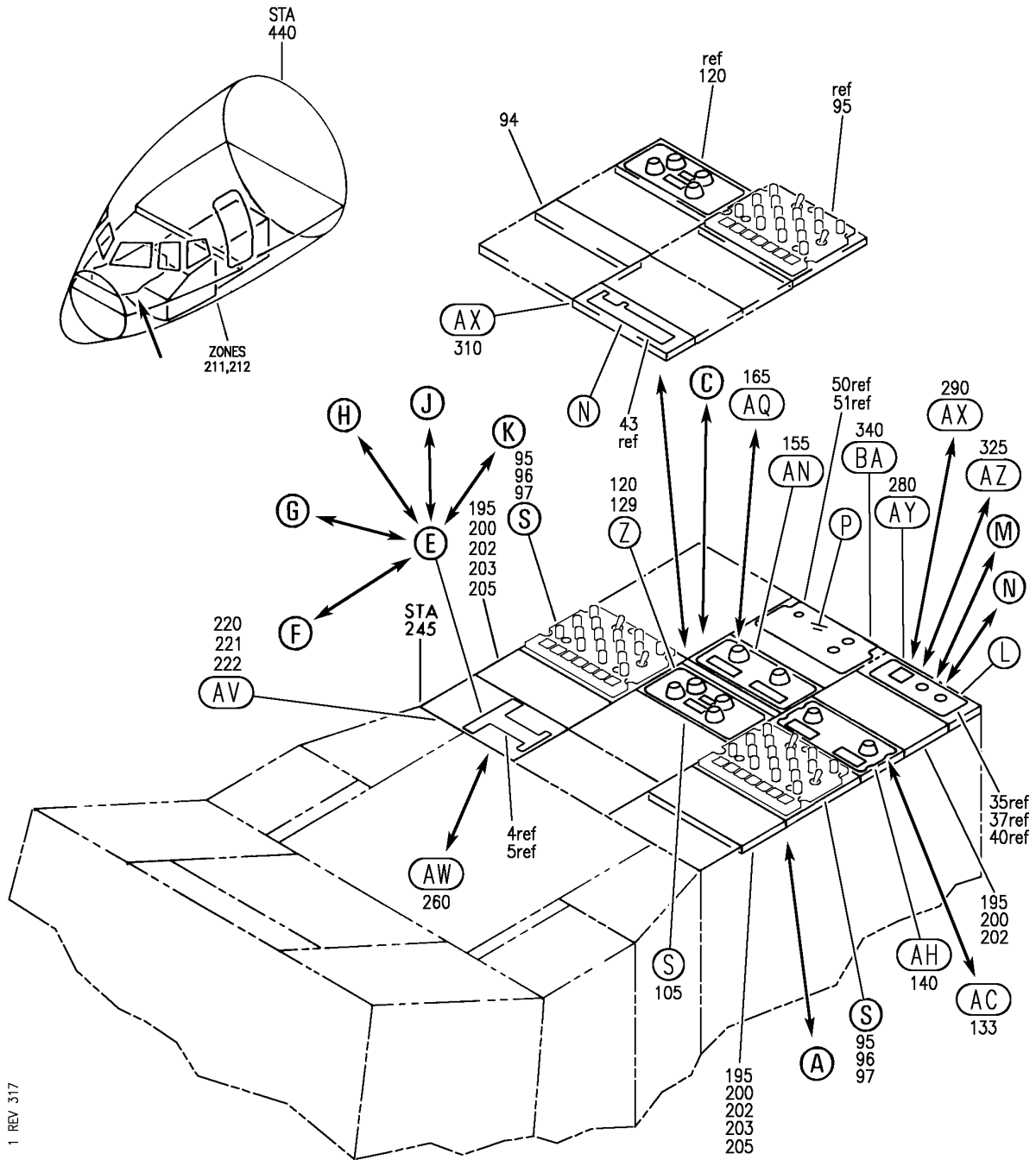
- ITEM NOT ILLUSTRATED

33-13-57-02

33-13-57
FIG. 02
PAGE 10
JAN 20/09

BRI

BOEING
757
PARTS CATALOG (MAINTENANCE)



Y 33135801 SHT 1 REV 317

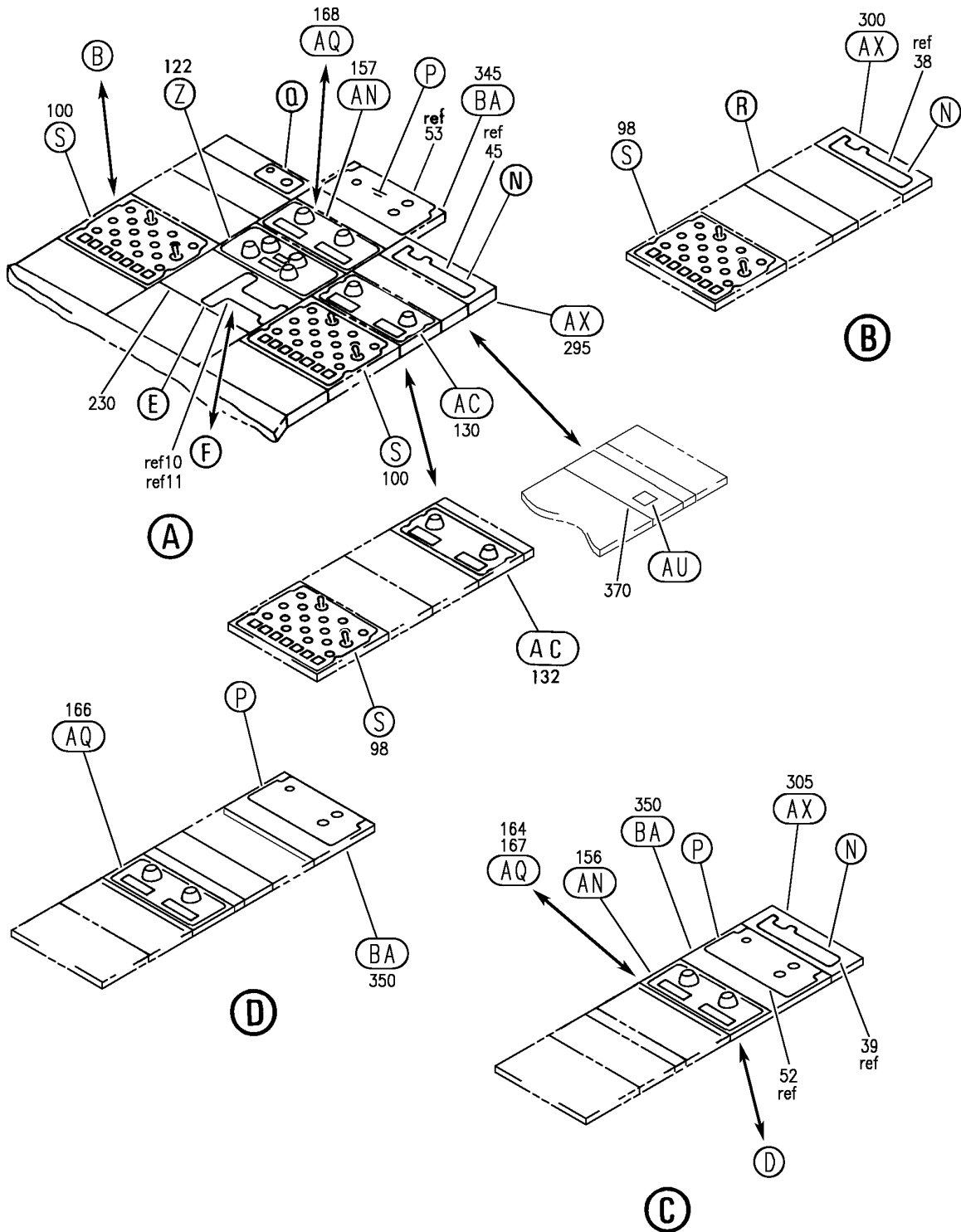
PANEL INSTL-P8 ELECTRONIC (INTEGRAL PANEL LIGHTS ONLY)
FIGURE 1 (SHEET 1)

33-13-58-01

BRI
SEP 20/08

33-13-58-01
PAGE 0

BOEING
757
PARTS CATALOG (MAINTENANCE)



Y 33135801 SH1 2 REV 331

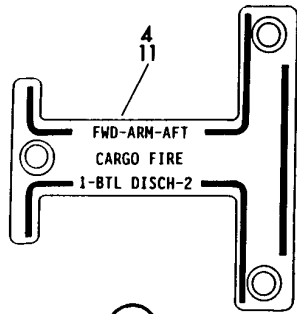
PANEL INSTL-P8 ELECTRONIC (INTEGRAL PANEL LIGHTS ONLY)
FIGURE 1 (SHEET 2)

33-13-58-01

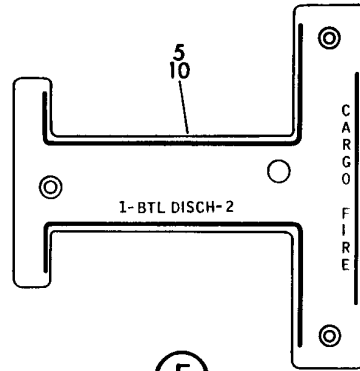
BRI
JAN 20/09

33-13-58-01
PAGE 0A

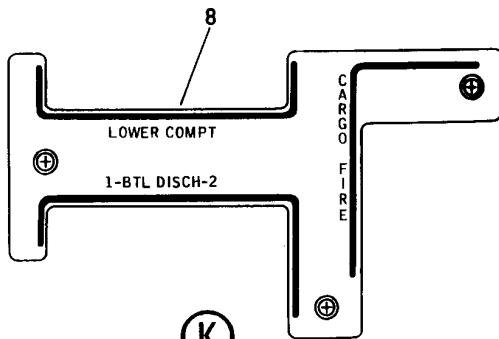
BOEING
757
PARTS CATALOG (MAINTENANCE)



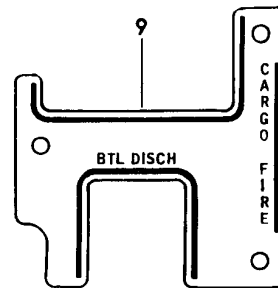
(E)



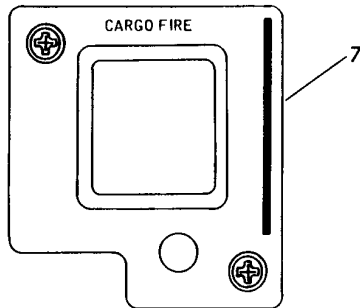
(F)



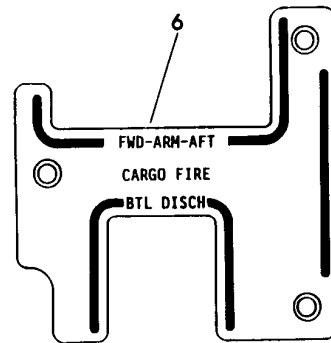
(K)



(G)



(J)



(H)

Y 33135801 SHT 3 REV 158

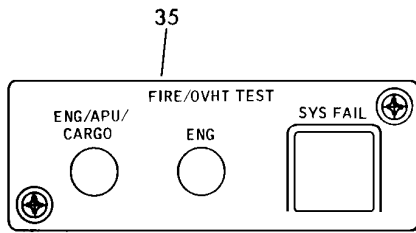
PANEL INSTL-P8 ELECTRONIC (INTEGRAL PANEL LIGHTS ONLY)
FIGURE 1 (SHEET 3)

33-13-58-01

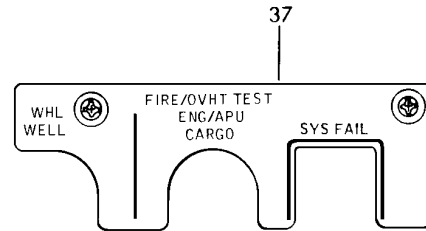
BRI
MAY 28/07

33-13-58-01
PAGE 0B

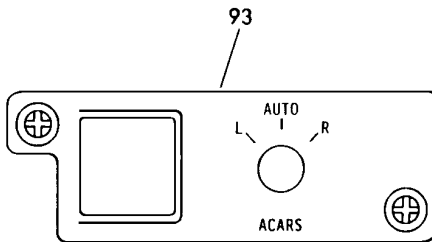
BOEING
757
PARTS CATALOG (MAINTENANCE)



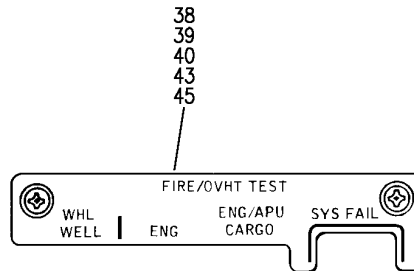
(L)



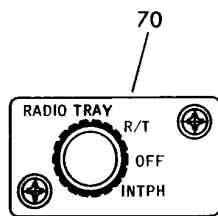
(M)



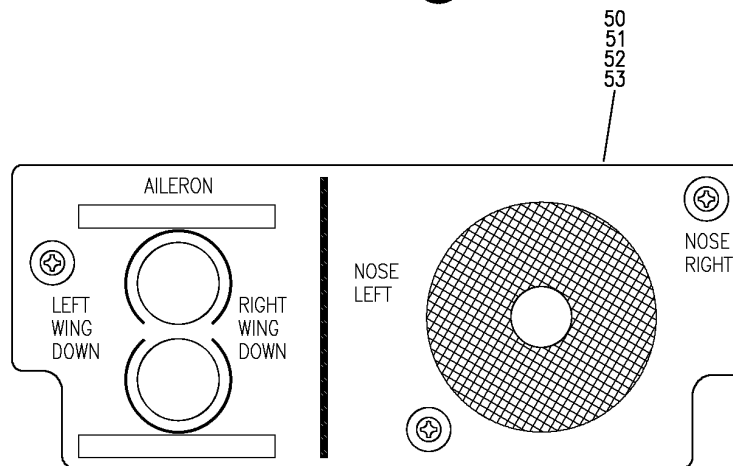
(R)



(N)



(Q)



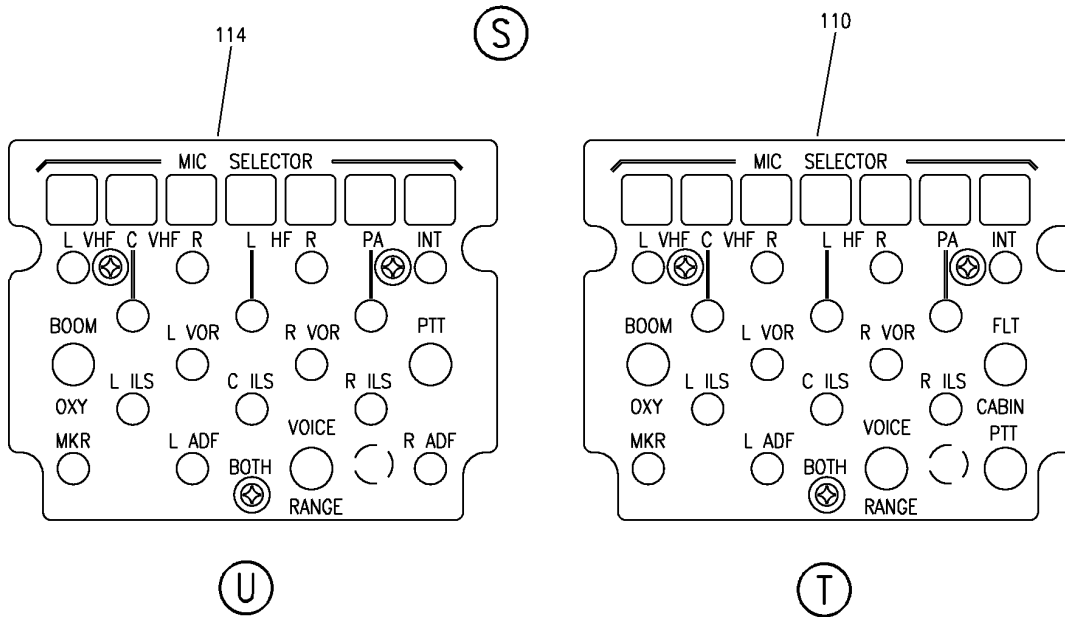
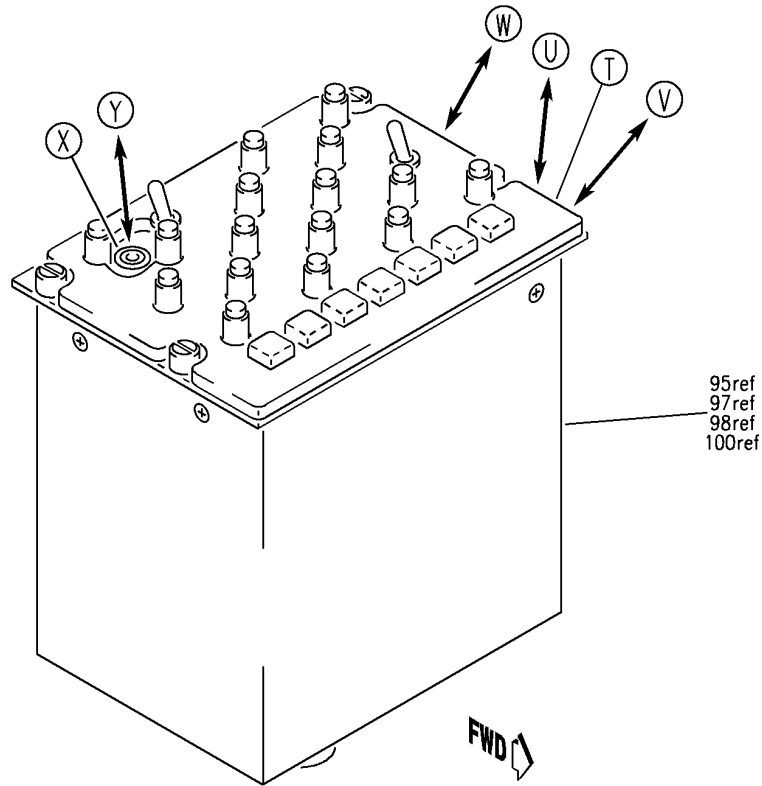
(P)

Y 33135801 SH1 4 REV 259

PANEL INSTL-P8 ELECTRONIC (INTEGRAL PANEL LIGHTS ONLY)
FIGURE 1 (SHEET 4)

33-13-58-01

BOEING
757
PARTS CATALOG (MAINTENANCE)



Y 33135801 SHT 5 REV 298

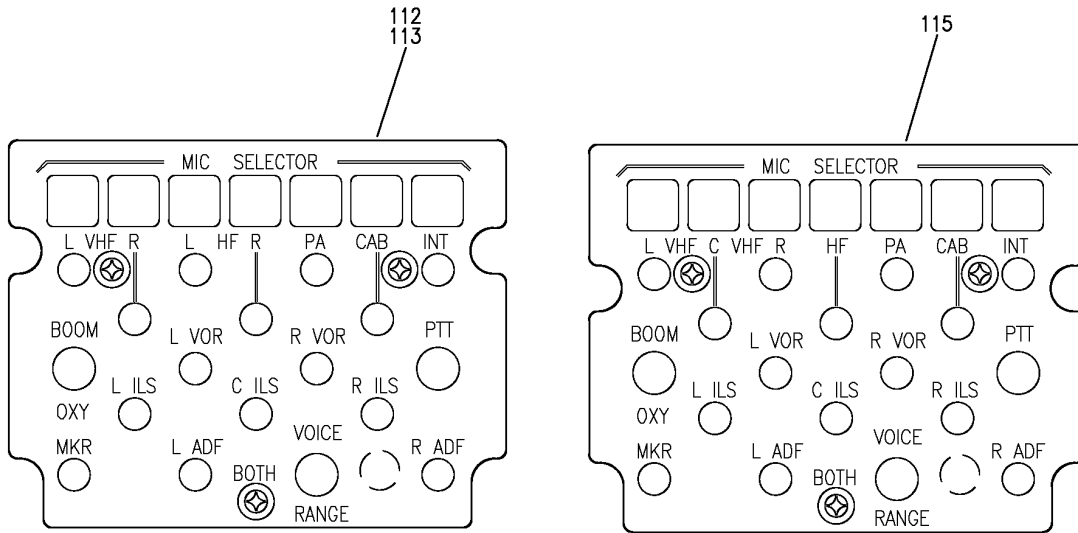
PANEL INSTL-P8 ELECTRONIC (INTEGRAL PANEL LIGHTS ONLY)
FIGURE 1 (SHEET 5)

33-13-58-01

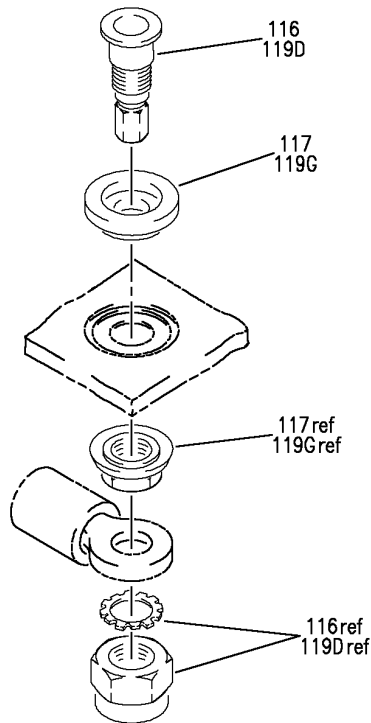
BRI
MAY 28/07

33-13-58-01
PAGE 0D

BOEING
757
PARTS CATALOG (MAINTENANCE)

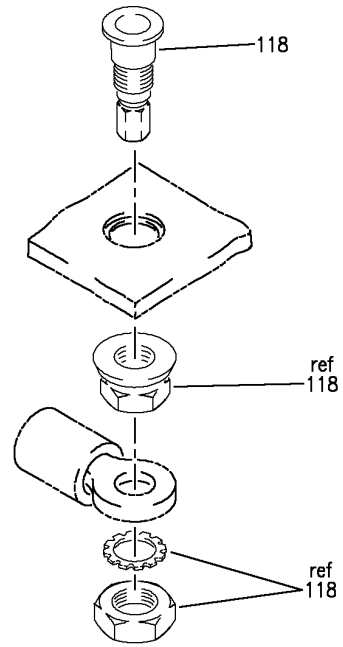


(V)



(Y)

(W)



(X)

Y 33135801 SH1 6 REV 259

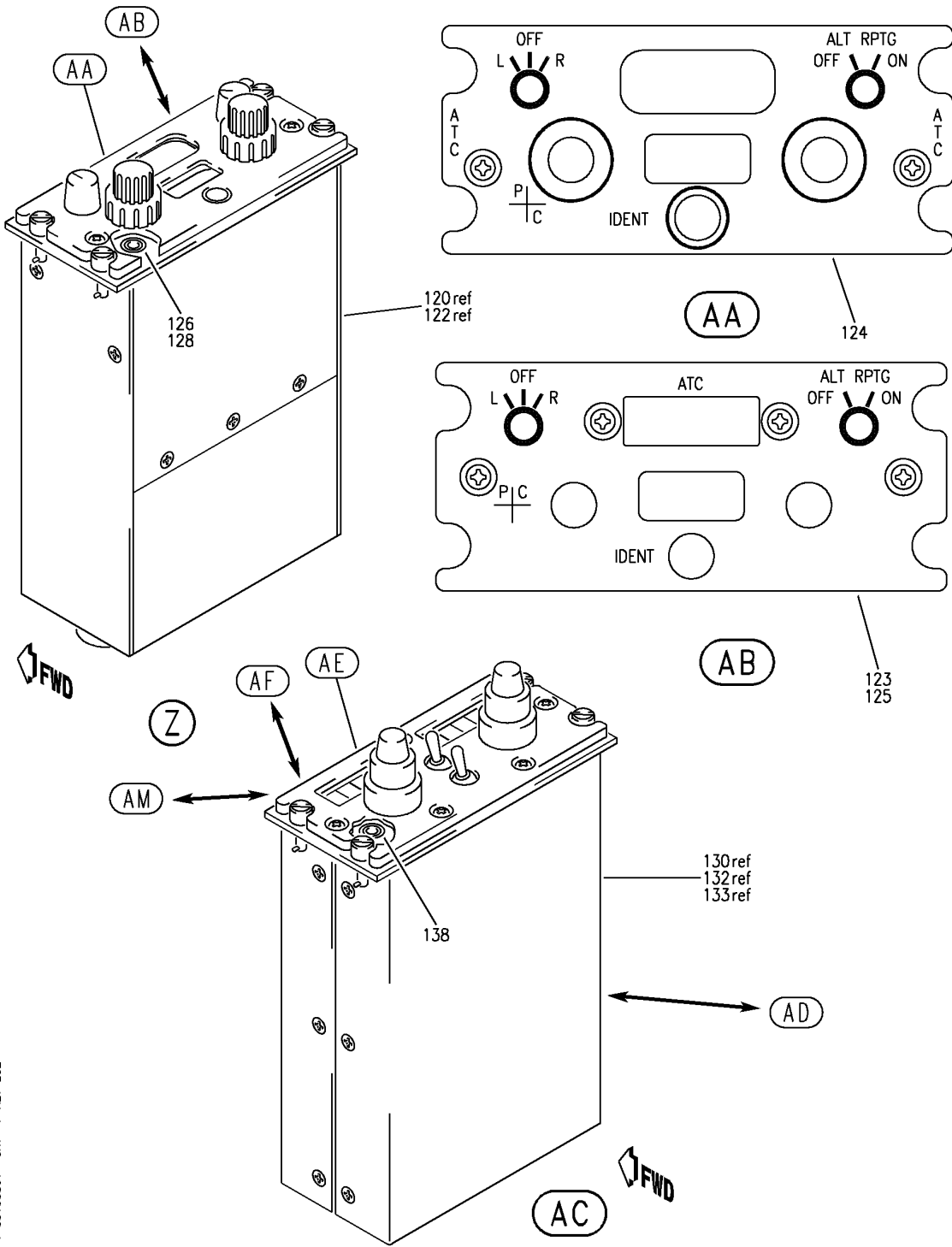
PANEL INSTL-P8 ELECTRONIC (INTEGRAL PANEL LIGHTS ONLY)
FIGURE 1 (SHEET 6)

33-13-58-01

BRI
MAY 28/07

33-13-58-01
PAGE 0E

BOEING
757
PARTS CATALOG (MAINTENANCE)



Y 33135801 SH7 7 REV 292

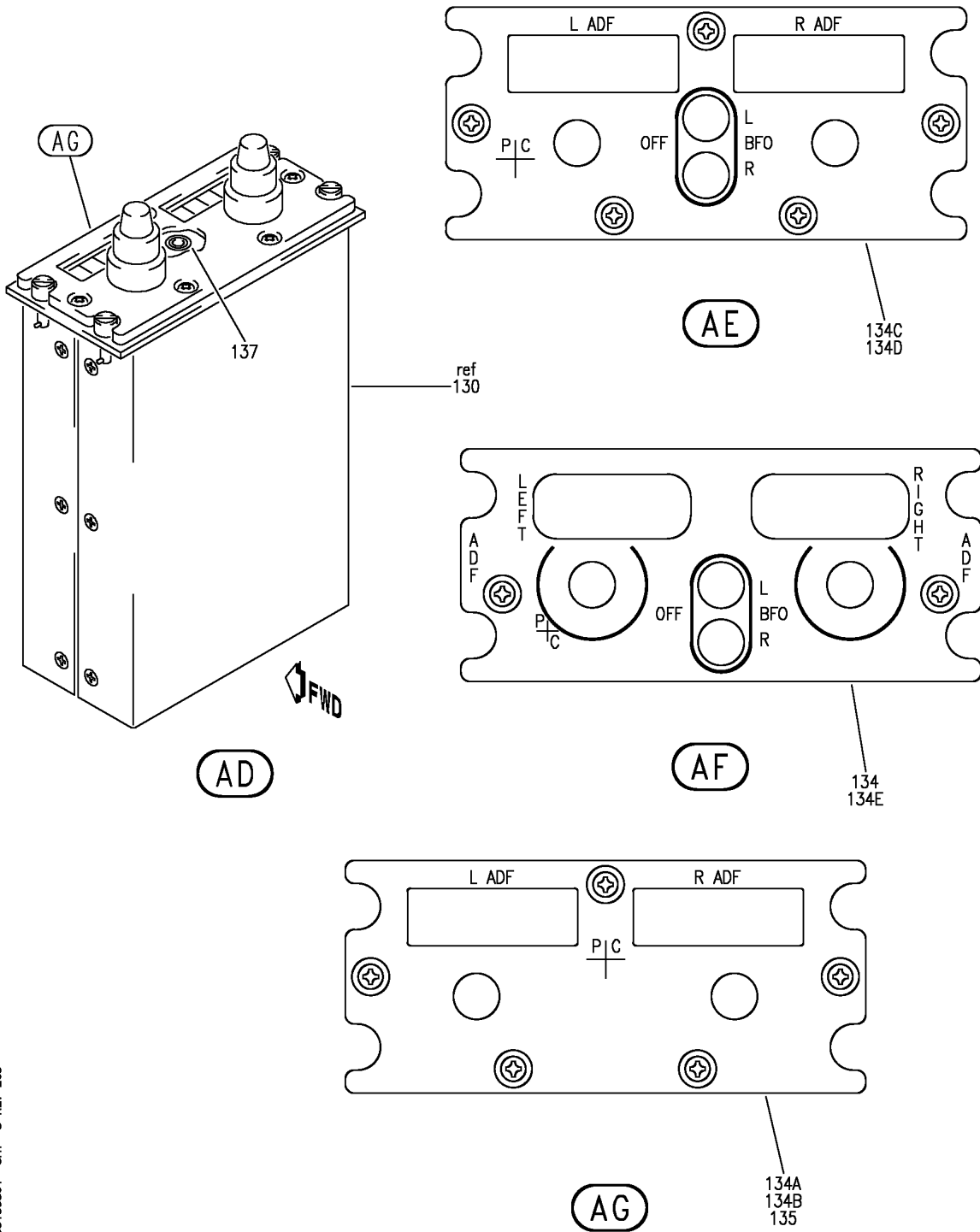
PANEL INSTL-P8 ELECTRONIC (INTEGRAL PANEL LIGHTS ONLY)
FIGURE 1 (SHEET 7)

33-13-58-01

BRI
MAY 28/07

33-13-58-01
PAGE OF

BOEING
757
PARTS CATALOG (MAINTENANCE)



Y 33135801 SH1 8 REV 263

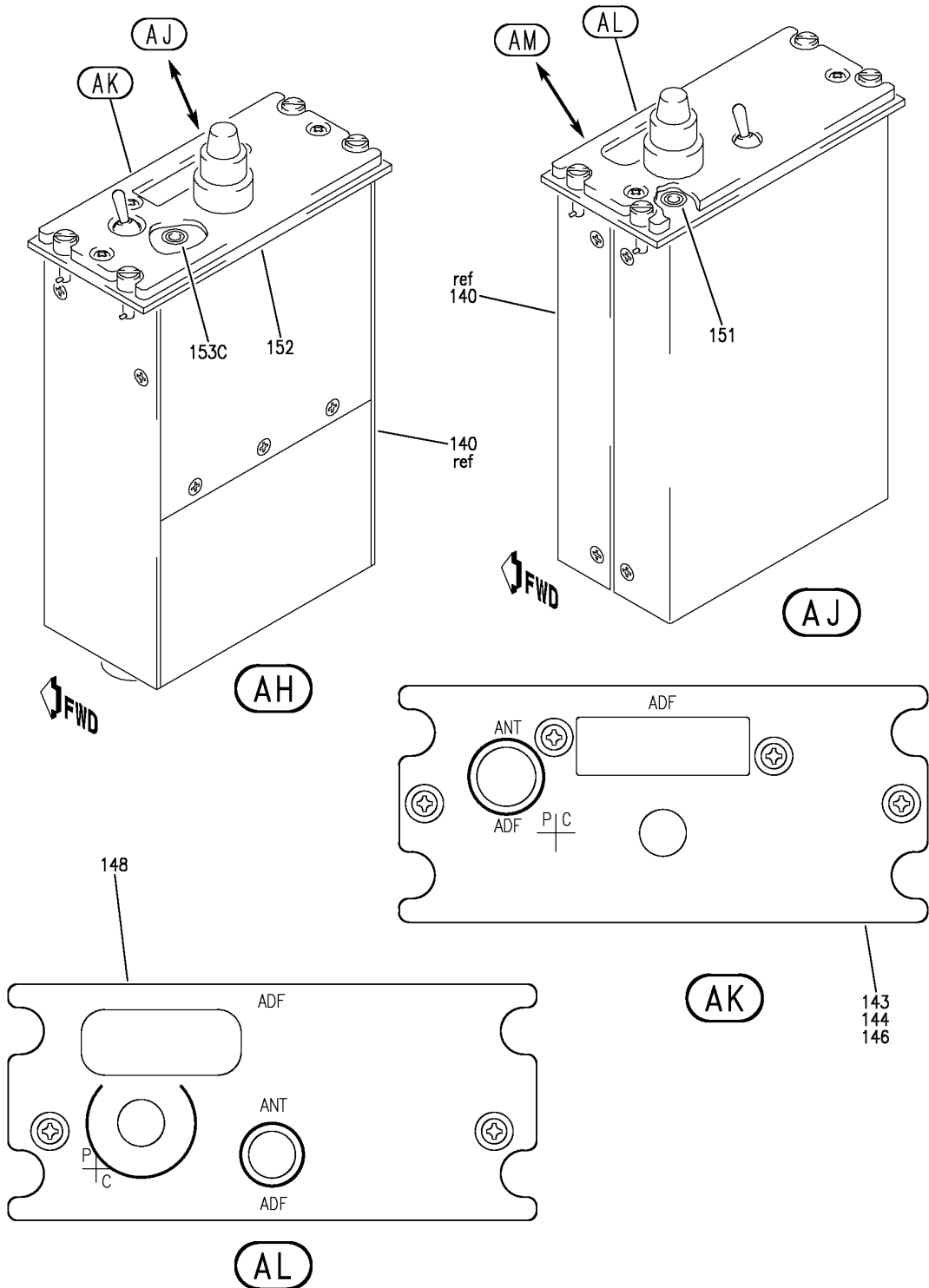
PANEL INSTL-P8 ELECTRONIC (INTEGRAL PANEL LIGHTS ONLY)
FIGURE 1 (SHEET 8)

33-13-58-01

BRI
MAY 28/07

33-13-58-01
PAGE 0G


BOEING
 757
PARTS CATALOG (MAINTENANCE)



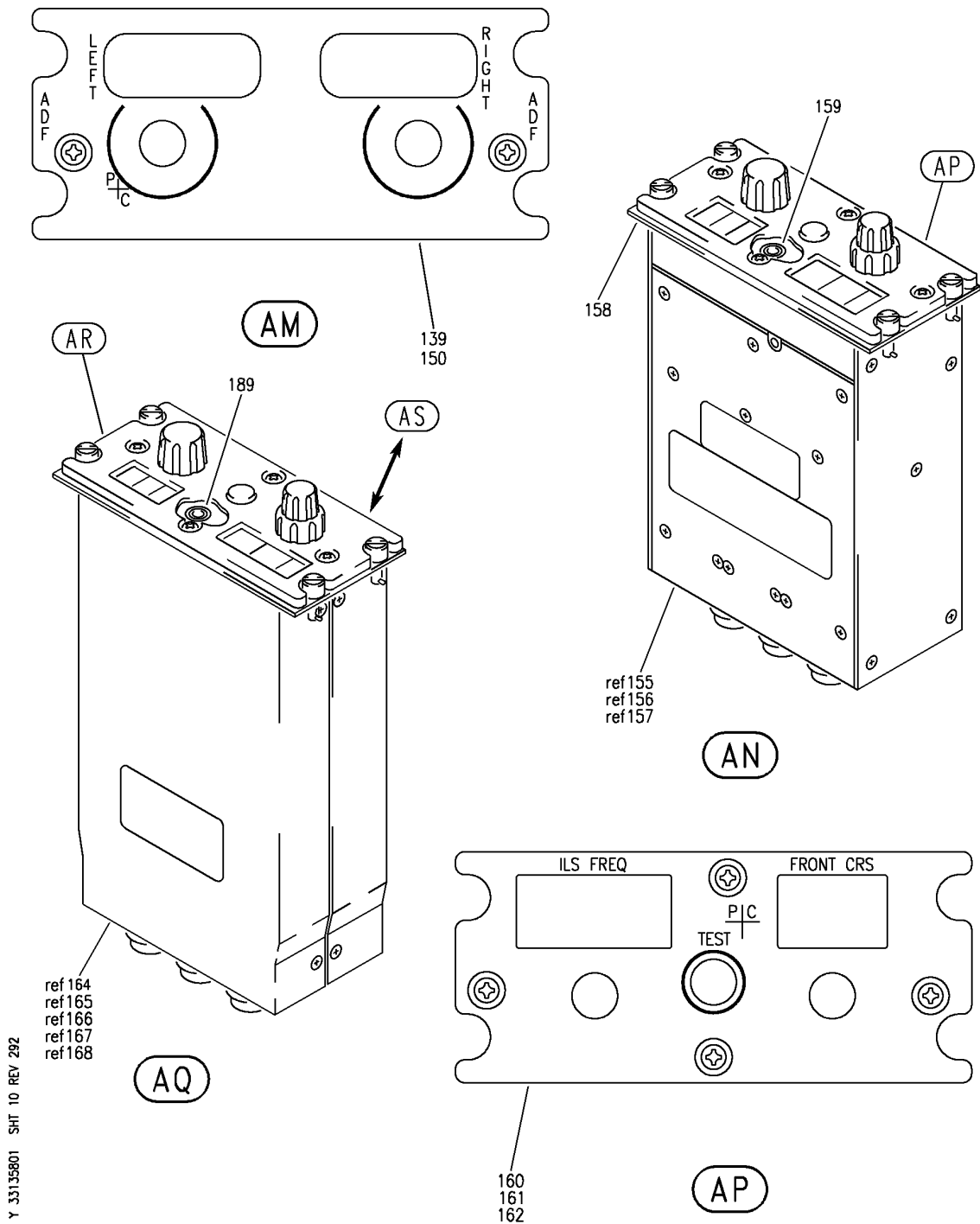
PANEL INSTL-P8 ELECTRONIC (INTEGRAL PANEL LIGHTS ONLY)
 FIGURE 1 (SHEET 9)

33-13-58-01

BRI
 MAY 28/07

33-13-58-01
 PAGE 0H

BOEING
757
PARTS CATALOG (MAINTENANCE)



Y 33135801 SHT 10 REV 292

ref 164
ref 165
ref 166
ref 167
ref 168

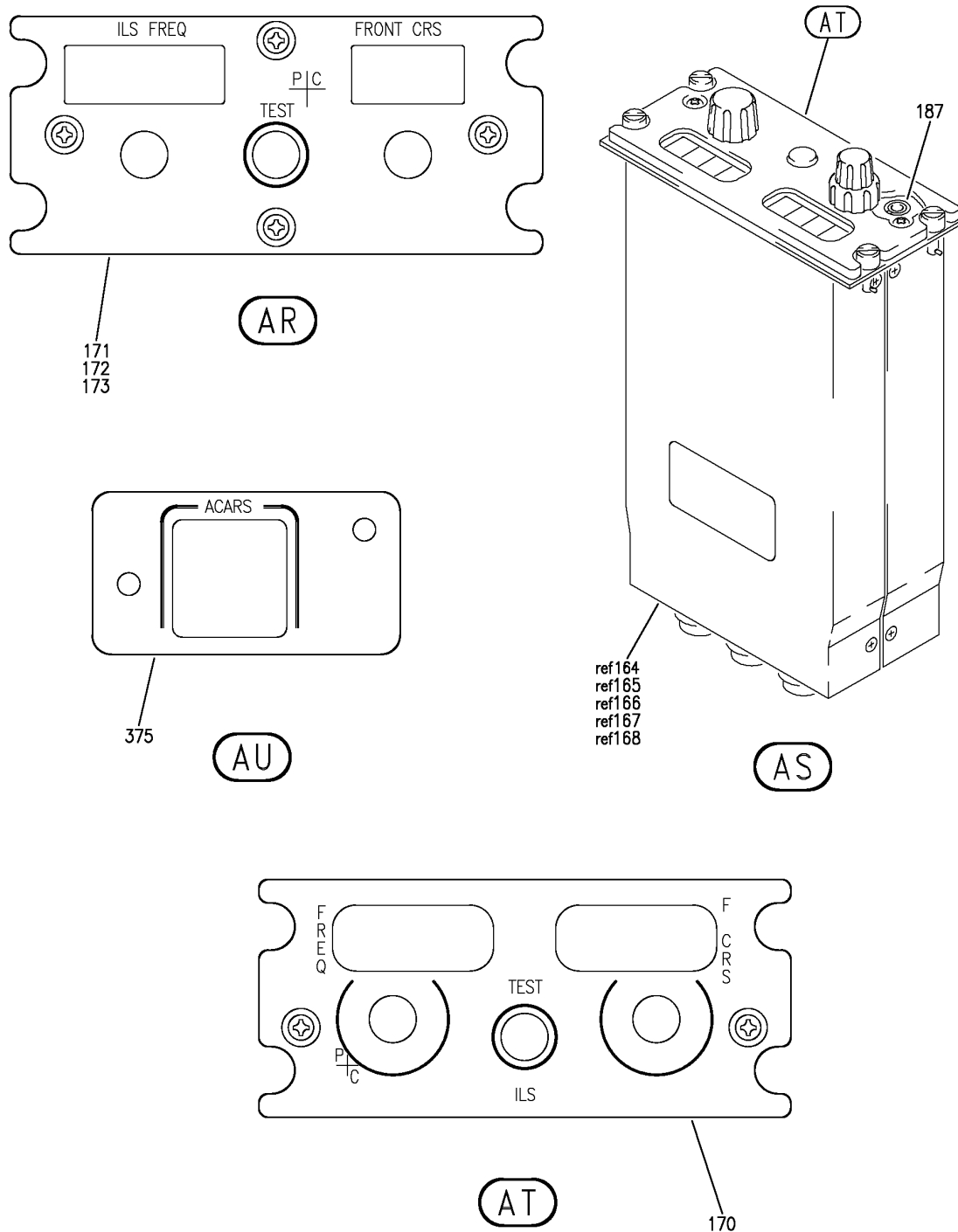
PANEL INSTL-P8 ELECTRONIC (INTEGRAL PANEL LIGHTS ONLY)
FIGURE 1 (SHEET 10)

33-13-58-01

BRI
MAY 28/07

33-13-58-01
PAGE 01

BOEING
757
PARTS CATALOG (MAINTENANCE)



Y 33135801 SH1 11 REV 331

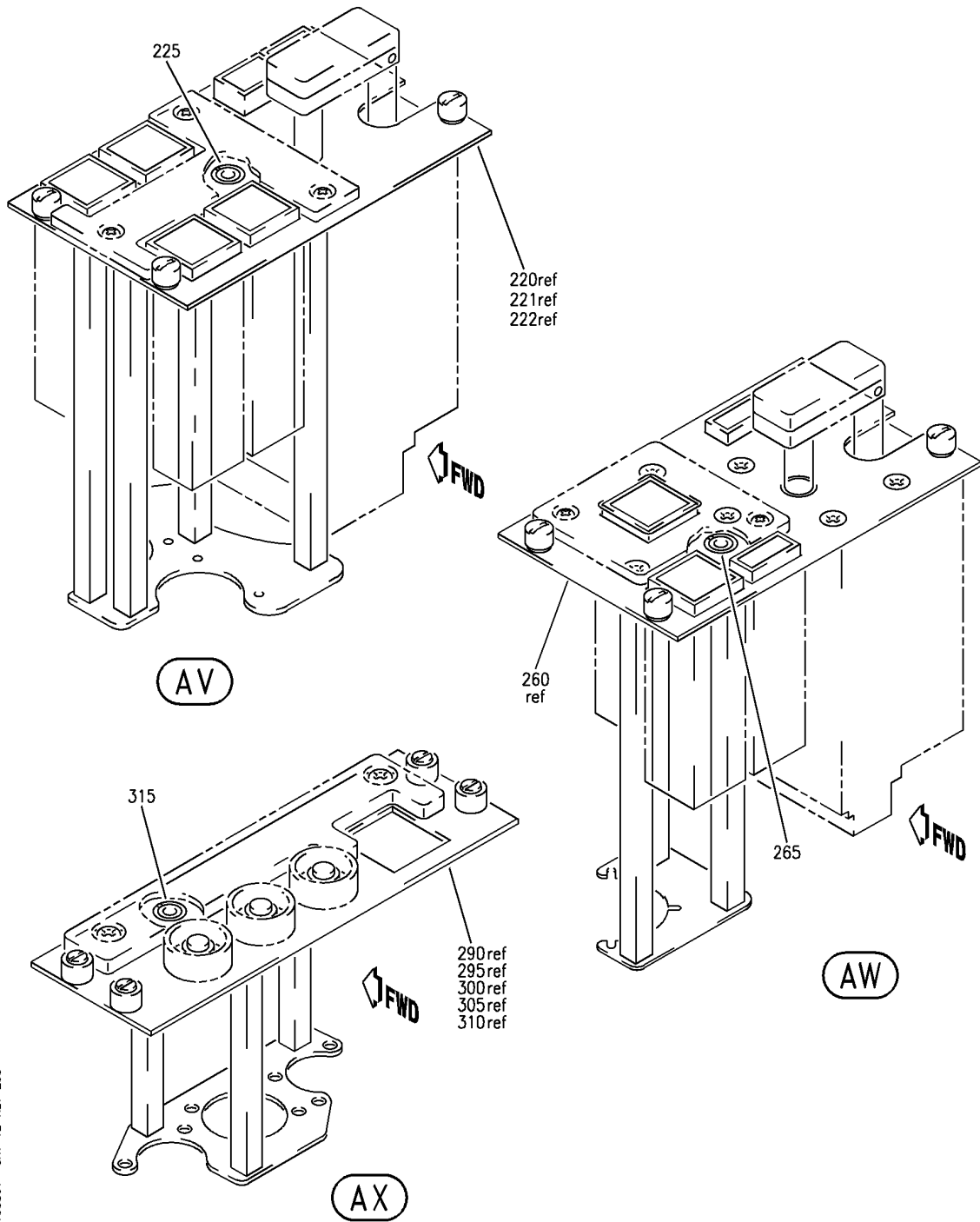
PANEL INSTL-P8 ELECTRONIC (INTEGRAL PANEL LIGHTS ONLY)
FIGURE 1 (SHEET 11)

33-13-58-01

BRI
JAN 20/09

33-13-58-01
PAGE 0J

BOEING
757
PARTS CATALOG (MAINTENANCE)



Y 33135801 SHT 12 REV 295

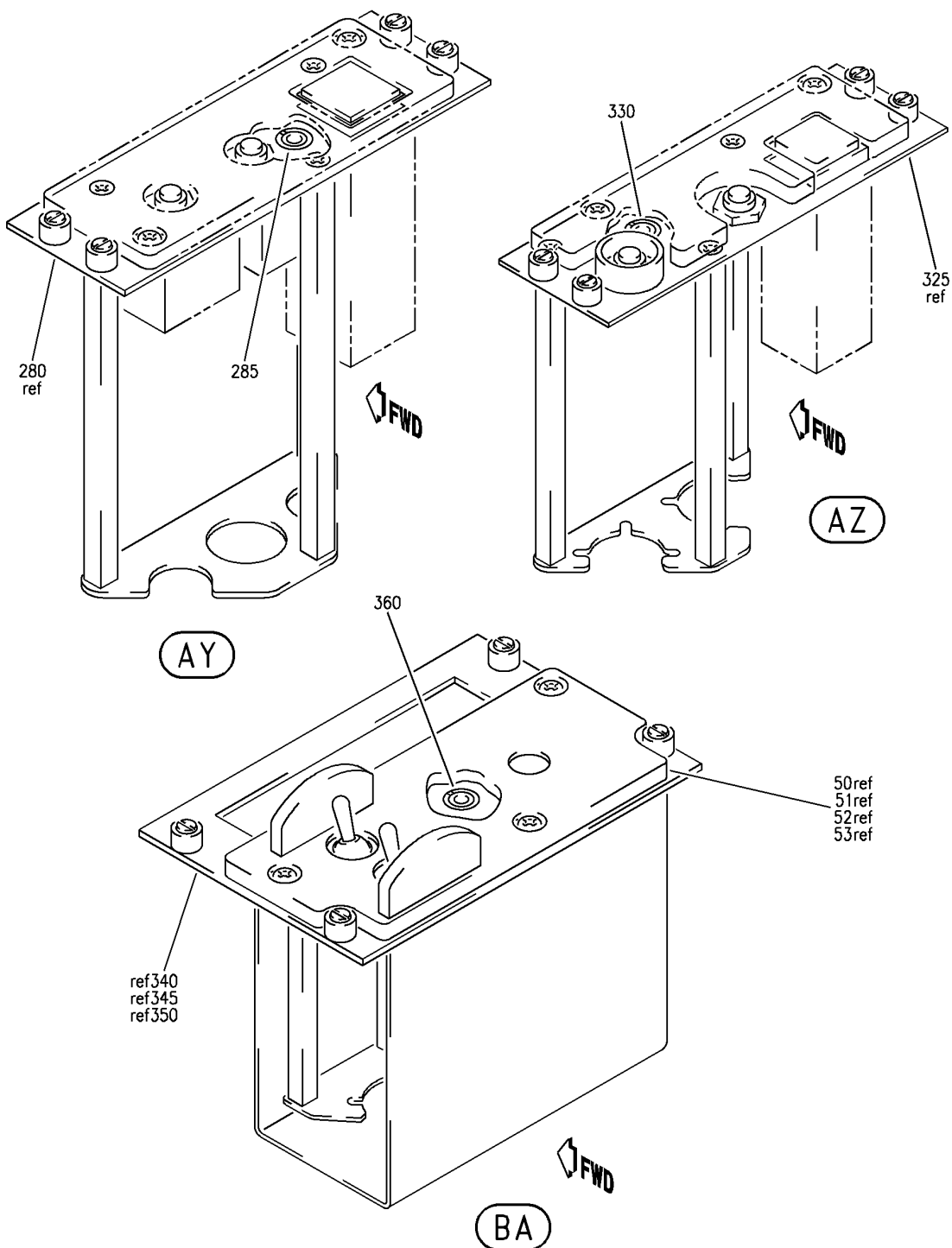
PANEL INSTL-P8 ELECTRONIC (INTEGRAL PANEL LIGHTS ONLY)
FIGURE 1 (SHEET 12)

33-13-58-01

BRI
MAY 28/07

33-13-58-01
PAGE OK

BOEING
757
PARTS CATALOG (MAINTENANCE)



Y 33135801 SHT 13 REV 295

PANEL INSTL-P8 ELECTRONIC (INTEGRAL PANEL LIGHTS ONLY)
FIGURE 1 (SHEET 13)

33-13-58-01

BRI
MAY 28/07

33-13-58-01
PAGE 01



757

PARTS CATALOG (MAINTENANCE)

FIG ITEM	PART NUMBER	1 2 3 4 5 6 7	NOMENCLATURE	EFFECT FROM TO	UNITS PER ASSY
1			PANEL INSTL-P8 ELECTRONIC (INTEGRAL PANEL LIGHTS ONLY)	002004 006010 107107 121503 904999	
- 1	233N6101-1		PANEL INSTL-P8 ELECTRONIC (INTEGRAL PANEL LIGHTS ONLY) VARIABLE DRAWING REF: 233N6101-5004 233N6101-5028 233N6101-5041 233N6101-5042 233N6101-5046 FOR NHA/OTHER SYS DET SEE: 25-10-00-05A	002004 006010 107107 121503 904999	RF
4	800-007123		.LIGHTPLATE-5V WHITE ILLUMINATED INTEGRALLY APU AND MAIN CARGO FIRE CONT SUPPLIER CODE: V05617 SPECIFICATION NUMBER: S233T100-573 OPTIONAL PART: S233T100-573 V51896 OPTIONAL PART: S233T100-5501 V51896 OPTIONAL SUPPLIER CODE: 05617 98140	002004 006010 107107 950999	1
5	S233T100-5501		.LIGHTPLATE-5V WHITE ILLUMINATED INTEGRALLY APU AND MAIN CARGO FIRE CONT SUPPLIER CODE: V51896 SPECIFICATION NUMBER: S233T100-5501 OPTIONAL PART: 800-007123 V05617 OPTIONAL SUPPLIER CODE: 05617 98140	107107	1

MISSING ITEM NUMBERS NOT APPLICABLE

- ITEM NOT ILLUSTRATED

33-13-58-01

33-13-58
FIG. 01
PAGE 1
JAN 20/09

BRI



757

PARTS CATALOG (MAINTENANCE)

FIG ITEM	PART NUMBER	1 2 3 4 5 6 7	NOMENCLATURE	EFFECT FROM TO	UNITS PER ASSY
1 10	S233T100-5501		.LIGHTPLATE-5V WHITE ILLUMINATED INTEGRALLY LIGHTED APU AND CARGO CONT SUPPLIER CODE: V51896 SPECIFICATION NUMBER: S233T100-5501 OPTIONAL PART: 800-007123 V05617 OPTIONAL SUPPLIER CODE: 05617 98140	121503 904949	1
11	800-007123		.LIGHTPLATE-5V WHITE ILLUMINATED INTEGRALLY LIGHTED APU AND CARGO CONT SUPPLIER CODE: V05617 SPECIFICATION NUMBER: S233T100-573 OPTIONAL PART: S233T100-573 V51896 OPTIONAL PART: S233T100-5501 V51896 OPTIONAL SUPPLIER CODE: 05617 98140	121503 904949	1
40	800-000444		.LIGHTPLATE-5V WHITE ILLUMINATED INTEGRALLY LIGHTED FIRE/OVHT TEST SUPPLIER CODE: V05617 SPECIFICATION NUMBER: S233T100-5508 MISCELLANEOUS DATA: FOR VENDOR FSCM 05617 FOR SPARES ORDER THE 800-000444-1 OPTIONAL PART: S233T100-5508 V51896 800-000444-1 V05617	002004 006010 107107 950999	1

MISSING ITEM NUMBERS NOT APPLICABLE

- ITEM NOT ILLUSTRATED

33-13-58-01

33-13-58
FIG. 01
PAGE 2
JAN 20/09

BRI



757

PARTS CATALOG (MAINTENANCE)

FIG ITEM	PART NUMBER	1 2 3 4 5 6 7	NOMENCLATURE	EFFECT FROM TO	UNITS PER ASSY
1 40	800-000444-1		.LIGHTPLATE-5V WHITE ILLUMINATED INTEGRALLY LIGHTED FIRE/OVHT TEST SUPPLIER CODE: V05617 SPECIFICATION NUMBER: S233T100-5508 OPTIONAL PART: S233T100-5508 V51896 800-000444 V05617	002004 006010 107107 950999	1
45	800-000444		.LIGHTPLATE-5V WHITE ILLUMINATED INTEGRALLY LIGHTED FIRE/OVHT TEST SUPPLIER CODE: V05617 SPECIFICATION NUMBER: S233T100-5508 MISCELLANEOUS DATA: FOR VENDOR FSCM 05617 FOR SPARES ORDER THE 800-000444-1 OPTIONAL PART: S233T100-5508 V51896 800-000444-1 V05617	121503 904949	1
45	800-000444-1		.LIGHTPLATE-5V WHITE ILLUMINATED INTEGRALLY LIGHTED FIRE/OVHT TEST SUPPLIER CODE: V05617 SPECIFICATION NUMBER: S233T100-5508 OPTIONAL PART: S233T100-5508 V51896 800-000444 V05617	121503 904949	1

MISSING ITEM NUMBERS NOT APPLICABLE

- ITEM NOT ILLUSTRATED

BRI

33-13-58-01

BOEING PROPRIETARY - Copyright © - Unpublished Work - See title page for details.

33-13-58
FIG. 01
PAGE 3
JAN 20/09



757

PARTS CATALOG (MAINTENANCE)

FIG ITEM	PART NUMBER	1 2 3 4 5 6 7	NOMENCLATURE	EFFECT FROM TO	UNITS PER ASSY
1 50	800-000448		.LIGHTPLATE-5V WHITE ILLUMINATED INTEGRALLY LIGHTED AIL AND RUD TRIM SUPPLIER CODE: V05617 SPECIFICATION NUMBER: S233T100-528 MISCELLANEOUS DATA: FOR VENDOR FSCM 05617 FOR SPARES ORDER THE 800-000448-1 OPTIONAL PART: S233T100-528 V51896 800-000448-1 V05617	002004 006010 107107 950999	1
53	800-000448		.LIGHTPLATE-5V WHITE ILLUMINATED INTEGRALLY LIGHTED AIL AND RUD TRIM SUPPLIER CODE: V05617 SPECIFICATION NUMBER: S233T100-528 MISCELLANEOUS DATA: FOR VENDOR FSCM 05617 FOR SPARES ORDER THE 800-000448-1 OPTIONAL PART: S233T100-528 V51896 800-000448-1 V05617	121503 904949	1
53	800-000448-1		.LIGHTPLATE-5V WHITE ILLUMINATED INTEGRALLY LIGHTED AIL AND RUD TRIM SUPPLIER CODE: V05617 SPECIFICATION NUMBER: S233T100-528 OPTIONAL PART: S233T100-528 V51896 800-000448 V05617	121503 904949	1

MISSING ITEM NUMBERS NOT APPLICABLE

- ITEM NOT ILLUSTRATED

33-13-58-01

33-13-58
FIG. 01
PAGE 4
JAN 20/09

BRI



757

PARTS CATALOG (MAINTENANCE)

FIG ITEM	PART NUMBER	1 2 3 4 5 6 7	NOMENCLATURE	EFFECT FROM TO	UNITS PER ASSY
1	70 S233T100-5506		.LIGHTPLATE-5V WHITE ILLUMINATED INTEGRALLY LIGHTED RADIO TRANSMIT SUPPLIER CODE: V51896 SPECIFICATION NUMBER: S233T100-5506 OPTIONAL SUPPLIER CODE: 05617 98140	121503 904949	1
	95 285T0022-27		.PANEL ASSY-AUDIO SELECTOR SUPPLIER CODE: V89954 ELECTRICAL EQUIP NUMBER: M00070 M00071 COMPONENT MAINT MANUAL REF: 23-51-51	950952	RF
	95 285T0022-44		.PANEL ASSY-AUDIO SELECTOR SUPPLIER CODE: V89954 ELECTRICAL EQUIP NUMBER: M00070 M00071 COMPONENT MAINT MANUAL REF: 23-51-54	002004 006010 107107 121503 904949	RF
	95 285T0022-22		.PANEL ASSY-AUDIO SELECTOR SUPPLIER CODE: V89954 ELECTRICAL EQUIP NUMBER: M00070 M00071 COMPONENT MAINT MANUAL REF: 23-51-51	002004 006010 107107 121503 904949	RF
	95 285T0022-28		.PANEL ASSY-AUDIO SELECTOR SUPPLIER CODE: V89954 ELECTRICAL EQUIP NUMBER: M00070 M00071 COMPONENT MAINT MANUAL REF: 23-51-51	002004 006010 107107 121503 904949	RF
	95 285T0022-31		.PANEL ASSY-AUDIO SELECTOR SUPPLIER CODE: V89954 ELECTRICAL EQUIP NUMBER: M00070 M00071 COMPONENT MAINT MANUAL REF: 23-51-54	953999	RF

MISSING ITEM NUMBERS NOT APPLICABLE

- ITEM NOT ILLUSTRATED

33-13-58-01

33-13-58
FIG. 01
PAGE 5
JAN 20/09

BRI



757

PARTS CATALOG (MAINTENANCE)

FIG ITEM	PART NUMBER	1 2 3 4 5 6 7	NOMENCLATURE	EFFECT FROM TO	UNITS PER ASSY
1					
95	285T0022-37		.PANEL ASSY-AUDIO SELECTOR SUPPLIER CODE: V89954 ELECTRICAL EQUIP NUMBER: M00070 M00071 COMPONENT MAINT MANUAL REF: 23-51-54 PRE COMPONENT SB: 285T0022-23-05	950952	RF
95	285T0022-38		.PANEL ASSY-AUDIO SELECTOR SUPPLIER CODE: V89954 ELECTRICAL EQUIP NUMBER: M00070 M00071 COMPONENT MAINT MANUAL REF: 23-51-54	002004 006010 107107 121503 904949	RF
95	285T0022-41		.PANEL ASSY-AUDIO SELECTOR SUPPLIER CODE: V89954 ELECTRICAL EQUIP NUMBER: M00070 M00071 COMPONENT MAINT MANUAL REF: 23-51-54	953999	RF
95	285T0022-43		.PANEL ASSY-AUDIO SELECTOR SUPPLIER CODE: V89954 ELECTRICAL EQUIP NUMBER: M00070 M00071 COMPONENT MAINT MANUAL REF: 23-51-54 POST COMPONENT SB: 285T0022-23-05	950952	RF

MISSING ITEM NUMBERS NOT APPLICABLE

- ITEM NOT ILLUSTRATED

33-13-58-01

33-13-58
FIG. 01
PAGE 6
JAN 20/09

BRI



757

PARTS CATALOG (MAINTENANCE)

FIG ITEM	PART NUMBER	1 2 3 4 5 6 7	NOMENCLATURE	EFFECT FROM TO	UNITS PER ASSY
1 113	800-001357		..LIGHTPLATE-5V WHITE ILLUMINATED INTEGRALLY- LIGHTED SELECTOR MIC SUPPLIER CODE: V05617 SPECIFICATION NUMBER: S233T100-531 MISCELLANEOUS DATA: FOR VENDOR FSCM 05617 FOR SPARES ORDER THE 800-001357-1 OPTIONAL PART: S233T100-531 V51896 800-001357-1 V05617 USED ON: 285T0022-20 285T0022-22 285T0022-26 285T0022-28 285T0022-30 285T0022-37 285T0022-40 285T0022-44	002004 006010 107107 121503 904952	1
113	800-001357-1		..LIGHTPLATE-5V WHITE ILLUMINATED INTEGRALLY- LIGHTED SELECTOR MIC SUPPLIER CODE: V05617 SPECIFICATION NUMBER: S233T100-531 OPTIONAL PART: S233T100-531 V51896 800-001357 V05617	002004 006010 107107 121503 904952	1

MISSING ITEM NUMBERS NOT APPLICABLE

- ITEM NOT ILLUSTRATED

BRI

33-13-58-01

BOEING PROPRIETARY - Copyright © - Unpublished Work - See title page for details.

33-13-58
 FIG. 01
 PAGE 7
 JAN 20/09



757

PARTS CATALOG (MAINTENANCE)

FIG ITEM	PART NUMBER	1 2 3 4 5 6 7	NOMENCLATURE	EFFECT FROM TO	UNITS PER ASSY
1 114	800-000738		..LIGHTPLATE-5V WHITE ILLUMINATED INTEGRALLY LIGHTED AUDIO SELECTOR SUPPLIER CODE: V05617 SPECIFICATION NUMBER: S233T100-530 MISCELLANEOUS DATA: FOR VENDOR FSCM 05617 FOR SPARES ORDER THE 800-000738-1 OPTIONAL PART: S233T100-530 V51896 800-000738-1 V05617 USED ON: 285T0022-27 285T0022-31 285T0022-37 285T0022-41 285T0022-43	950999	1
114	800-000738-1		..LIGHTPLATE-5V WHITE ILLUMINATED INTEGRALLY LIGHTED AUDIO SELECTOR SUPPLIER CODE: V05617 SPECIFICATION NUMBER: S233T100-530 OPTIONAL PART: S233T100-530 V51896 800-000738 V05617	950999	1

MISSING ITEM NUMBERS NOT APPLICABLE

- ITEM NOT ILLUSTRATED

BRI

33-13-58-01

BOEING PROPRIETARY - Copyright © - Unpublished Work - See title page for details.

33-13-58
 FIG. 01
 PAGE 8
 JAN 20/09



757

PARTS CATALOG (MAINTENANCE)

FIG ITEM	PART NUMBER	1 2 3 4 5 6 7	NOMENCLATURE	EFFECT FROM TO	UNITS PER ASSY
1 116	800000121-1		..CONNECTOR-PWR SUPPLIER CODE: V05617 QUALIFIED I/W DATA: THE 800000121-1 T/W 285T0022-23 IS I/W 90-42301-1 USED ON: 285T0022-20 285T0022-22 285T0022-25 285T0022-26 285T0022-27 285T0022-28 285T0022-29 285T0022-30 285T0022-31	002004 006010 107107 121503 904999	1
116	800000121-1		..CONNECTOR-PWR SUPPLIER CODE: V05617 QUALIFIED I/W DATA: THE 800000121-1 T/W 285T0022-23 IS I/W 90-42301-1 QUALIFIED OPTIONAL DATA: 285T0022-23 USED WITH 800000121-1 OPTIONAL TO 90-42301-1 USED ON: 285T0022-35 285T0022-36 285T0022-37 285T0022-38 285T0022-39 285T0022-41	002004 006010 107107 121503 904952	1

MISSING ITEM NUMBERS NOT APPLICABLE

- ITEM NOT ILLUSTRATED

BRI

33-13-58-01

BOEING PROPRIETARY - Copyright © - Unpublished Work - See title page for details.

33-13-58
 FIG. 01
 PAGE 9
 JAN 20/09



757

PARTS CATALOG (MAINTENANCE)

FIG ITEM	PART NUMBER	1 2 3 4 5 6 7	NOMENCLATURE	EFFECT FROM TO	UNITS PER ASSY
1 117	285T0022-23		.. INSULATOR-FLOATING SUPPLIER CODE: V89954 QUALIFIED I/W DATA: 90-42301-1 CONNECTOR CAN REPLACE BUT NOT BE REPLACED BY 285T0022-23 INSULATOR TOGETHER WITH 800000121-1 CONNECTOR. OPTIONAL PART: WCS235-1 V51074 USED ON: 285T0022-20 285T0022-22	002004 006010 107107 121503 904949	1
117	WCS235-1		.. INSULATOR-FLOATING SUPPLIER CODE: V51074 OPTIONAL PART: 285T0022-23 V89954 USED ON: 285T0022-20 285T0022-22	002004 006010 107107 121503 904949	1
117	285T0022-23		.. INSULATOR-FLOATING SUPPLIER CODE: V89954 QUALIFIED I/W DATA: 90-42301-1 CONNECTOR CAN REPLACE BUT NOT BE REPLACED BY 285T0022-23 INSULATOR TOGETHER WITH 800000121-1 CONNECTOR. USED ON: 285T0022-25 285T0022-26 285T0022-27 285T0022-28 285T0022-29 285T0022-30 285T0022-31	002004 006010 107107 121503 904999	1

MISSING ITEM NUMBERS NOT APPLICABLE

- ITEM NOT ILLUSTRATED

33-13-58-01

33-13-58
FIG. 01
PAGE 10
JAN 20/09

BRI



757

PARTS CATALOG (MAINTENANCE)

FIG ITEM	PART NUMBER	1 2 3 4 5 6 7	NOMENCLATURE	EFFECT FROM TO	UNITS PER ASSY
1 117	285T0022-23		.. INSULATOR-FLOATING SUPPLIER CODE: V89954 QUALIFIED I/W DATA: 90-42301-1 CONNECTOR CAN REPLACE BUT NOT BE REPLACED BY 285T0022-23 INSULATOR TOGETHER WITH 800000121-1 CONNECTOR. QUALIFIED OPTIONAL DATA: 285T0022-23 USED WITH 800000121-1 OPTIONAL TO 90-42301-1 USED ON: 285T0022-35 285T0022-36 285T0022-37 285T0022-38 285T0022-39 285T0022-41	002004 006010 107107 121503 904952	1
118	90-42301-1		.. CONNECTOR-PWR SUPPLIER CODE: V51074 QUALIFIED I/W DATA: 90-42301-1 CONNECTOR CAN REPLACE BUT NOT BE REPLACED BY 285T0022-23 INSULATOR TOGETHER WITH 800000121-1 CONNECTOR. QUALIFIED OPTIONAL DATA: 285T0022-23 USED WITH 800000121-1 OPTIONAL TO 90-42301-1 USED ON: 285T0022-35 285T0022-36 285T0022-37 285T0022-38 285T0022-39 285T0022-41	002004 006010 107107 121503 904952	1

MISSING ITEM NUMBERS NOT APPLICABLE

- ITEM NOT ILLUSTRATED

33-13-58-01

33-13-58
FIG. 01
PAGE 11
JAN 20/09

BRI



757

PARTS CATALOG (MAINTENANCE)

FIG ITEM	PART NUMBER	1 2 3 4 5 6 7	NOMENCLATURE	EFFECT FROM TO	UNITS PER ASSY
1 118	90-42301-1		.. CONNECTOR-PWR SUPPLIER CODE: V51074 QUALIFIED I/W DATA: 90-42301-1 CONNECTOR CAN REPLACE BUT NOT BE REPLACED BY 285T0022-23 INSULATOR TOGETHER WITH 800000121-1 CONNECTOR. OPTIONAL PART: 285T0022-52 V89954 USED ON: 285T0022-40 285T0022-42 285T0022-43 285T0022-44 285T0022-45	002004 006010 107107 121503 904952	1
-119A	285T0022-52		.. SUB KIT ASSY- SUPPLIER CODE: V89954 OPTIONAL PART: 90-42301-1 V51074 USED ON: 285T0022-40 285T0022-42 285T0022-43 285T0022-44 285T0022-45	002004 006010 107107 121503 904952	1
119D	800000121-1		...CONNECTOR-PWR SUPPLIER CODE: V05617	002004 006010 107107 121503 904952	1
119G	285T0022-23		...INSULATOR-FLOATING SUPPLIER CODE: V89954 QUALIFIED I/W DATA: 90-42301-1 CONNECTOR CAN REPLACE BUT NOT BE REPLACED BY 285T0022-23 INSULATOR TOGETHER WITH 800000121-1 CONNECTOR.	002004 006010 107107 121503 904952	1

MISSING ITEM NUMBERS NOT APPLICABLE

- ITEM NOT ILLUSTRATED

33-13-58-01

33-13-58
FIG. 01
PAGE 12
JAN 20/09

BRI



757

PARTS CATALOG (MAINTENANCE)

FIG ITEM	PART NUMBER	1 2 3 4 5 6 7	NOMENCLATURE	EFFECT FROM TO	UNITS PER ASSY
1					
120	285T0026-10		.PANEL ASSY-ATC CONT SUPPLIER CODE: V89954 ELECTRICAL EQUIP NUMBER: M10140 COMPONENT MAINT MANUAL REF: 34-53-51	107107	RF
120	285T0555-1		.PANEL ASSY-ATC CONT SUPPLIER CODE: V89954 ELECTRICAL EQUIP NUMBER: M10140 COMPONENT MAINT MANUAL REF: 34-53-61	107107	RF
120	285T0555-3		.PANEL ASSY-ATC CONT SUPPLIER CODE: V89954 ELECTRICAL EQUIP NUMBER: M10140 COMPONENT MAINT MANUAL REF: 34-53-61	107107	RF
123	S233T100-556		..LIGHTPLATE- SUPPLIER CODE: V51896 SPECIFICATION NUMBER: S233T100-556 OPTIONAL PART: S233T100-548 V51896 OPTIONAL SUPPLIER CODE: 05617 98140 USED ON: 285T0026-10	107107	1
124	S233T100-560		..LIGHTPLATE- SUPPLIER CODE: V51896 SPECIFICATION NUMBER: S233T100-560 OPTIONAL SUPPLIER CODE: 05617 98140 USED ON: 285T0555-1 285T0555-3	107107	1

R
R
R
R
R
R
R
R
R
R
R
R
R
R
R
R
R
R
R
R
R

MISSING ITEM NUMBERS NOT APPLICABLE

- ITEM NOT ILLUSTRATED

33-13-58-01

33-13-58
FIG. 01
PAGE 13
MAY 20/09

BRI



757

PARTS CATALOG (MAINTENANCE)

FIG ITEM	PART NUMBER	1 2 3 4 5 6 7	NOMENCLATURE	EFFECT FROM TO	UNITS PER ASSY
R R R R R R R R R	125	S233T100-548	..LIGHTPLATE- SUPPLIER CODE: V51896 SPECIFICATION NUMBER: S233T100-548 OPTIONAL PART: S233T100-556 V51896 OPTIONAL SUPPLIER CODE: 05617 98140 USED ON: 285T0026-10	107107	1
	126	800-000121-1	..CONNECTOR-PWR SUPPLIER CODE: V05617 USED ON: 285T0555-1 285T0555-3	107107	1
	- 127	285T0229-13	..MODULE ASSY-FRONT SUPPLIER CODE: V89954 OPTIONAL PART: 285T0229-18 V89954 USED ON: 285T0026-10	107107	RF
	- 127	285T0229-18	..MODULE ASSY-FRONT SUPPLIER CODE: V89954 OPTIONAL PART: 285T0229-13 V89954 USED ON: 285T0026-10	107107	RF
	128	800-000121-1	...CONNECTOR-PWR SUPPLIER CODE: V05617	107107	1
	133	285T0537-1	.PANEL ASSY-DUAL ADF CONT SUPPLIER CODE: V89954 ELECTRICAL EQUIP NUMBER: M01046 COMPONENT MAINT MANUAL REF: 34-57-53	002004 006010 107107 953999	RF

MISSING ITEM NUMBERS NOT APPLICABLE

- ITEM NOT ILLUSTRATED

33-13-58-01

33-13-58
FIG. 01
PAGE 14
MAY 20/09

BRI



757

PARTS CATALOG (MAINTENANCE)

FIG ITEM	PART NUMBER	1 2 3 4 5 6 7	NOMENCLATURE	EFFECT FROM TO	UNITS PER ASSY
1 133	285T0557-1		.PANEL ASSY-ADF CONT SUPPLIER CODE: V89954 ELECTRICAL EQUIP NUMBER: M01046 COMPONENT MAINT MANUAL REF: 34-57-62	002004 006010 107107 953999	RF
134	S233T100-563		..LIGHTPLATE-5V WHITE ILLUMINATED INTEGRALLY LIGHTED ADF DUAL W/BFO SUPPLIER CODE: V51896 SPECIFICATION NUMBER: S233T100-563 OPTIONAL PART: 800-007856 V05617	002004 006010 107107 953999	1
R R	134C	S233T100-551	..LIGHTPLATE- SUPPLIER CODE: V51896 SPECIFICATION NUMBER: S233T100-551 OPTIONAL PART: S233T100-558 V51896 OPTIONAL SUPPLIER CODE: 05617 98140 USED ON: 285T0537-1	002004 006010 107107 953999	1
	134D	S233T100-558	..LIGHTPLATE- SUPPLIER CODE: V51896 SPECIFICATION NUMBER: S233T100-558 OPTIONAL PART: S233T100-551 V51896 OPTIONAL SUPPLIER CODE: 05617 98140 USED ON: 285T0537-1	002004 006010 107107 953999	1

MISSING ITEM NUMBERS NOT APPLICABLE

- ITEM NOT ILLUSTRATED

33-13-58-01

33-13-58
FIG. 01
PAGE 15
MAY 20/09

BRI



757

PARTS CATALOG (MAINTENANCE)

FIG ITEM	PART NUMBER	1 2 3 4 5 6 7	NOMENCLATURE	EFFECT FROM TO	UNITS PER ASSY
1 134E	800-007856		..LIGHTPLATE-5V WHITE ILLUMINATED INTEGRALLY LIGHTED ADF DUAL W/BFO SUPPLIER CODE: V05617 SPECIFICATION NUMBER: S233T100-563 OPTIONAL PART: S233T100-563 V51896	002004 006010 107107 953999	1
138	800-000121-1		..CONNECTOR-PWR SUPPLIER CODE: V05617 QUALIFIED OPTIONAL DATA: 800-000121-1 OPT TO 90-42303-1 WHEN USED WITH ASSOCIATED PARTS USED ON: 285T0557-1 285T0557-2	002004 006010 107107 953999	1
138	90-42301-1		..CONNECTOR-PWR SUPPLIER CODE: V51074 QUALIFIED I/W DATA: 90-42301-1 CONNECTOR CAN REPLACE BUT NOT BE REPLACED BY 285T0022-23 INSULATOR TOGETHER WITH 800000121-1 CONNECTOR. QUALIFIED OPTIONAL DATA: 800-000121-1 OPT TO 90-42303-1 WHEN USED WITH ASSOCIATED PARTS USED ON: 285T0557-1 285T0557-2	002004 006010 107107 953999	1
138	800-000121-1		..CONNECTOR-PWR SUPPLIER CODE: V05617 USED ON: 285T0537-1	002004 006010 107107 953999	1
140	285T0556-1		.PANEL ASSY-ADF CONT SUPPLIER CODE: V89954 ELECTRICAL EQUIP NUMBER: M00085 COMPONENT MAINT MANUAL REF: 34-57-61	950951	RF

MISSING ITEM NUMBERS NOT APPLICABLE

- ITEM NOT ILLUSTRATED

33-13-58-01

33-13-58
FIG. 01
PAGE 16
JAN 20/09

BRI

BOEING PROPRIETARY - Copyright © - Unpublished Work - See title page for details.



757

PARTS CATALOG (MAINTENANCE)

FIG ITEM	PART NUMBER	1 2 3 4 5 6 7	NOMENCLATURE	EFFECT FROM TO	UNITS PER ASSY
1 148	800-007797		.. LIGHTPLATE- SUPPLIER CODE: V05617 SPECIFICATION NUMBER: S233T100-561 OPTIONAL PART: S233T100-561 V51896 USED ON: 285T0556-1	950951	1
151	800-000121-1		.. CONNECTOR-PWR SUPPLIER CODE: V05617 QUALIFIED OPTIONAL DATA: 800-000121-1 OPT TO 90-42303-1 WHEN USED WITH ASSOCIATED PARTS USED ON: 285T0556-1 285T0557-2	950951	1
151	90-42301-1		.. CONNECTOR-PWR SUPPLIER CODE: V51074 QUALIFIED I/W DATA: 90-42301-1 CONNECTOR CAN REPLACE BUT NOT BE REPLACED BY 285T0022-23 INSULATOR TOGETHER WITH 800000121-1 CONNECTOR. QUALIFIED OPTIONAL DATA: 800-000121-1 OPT TO 90-42303-1 WHEN USED WITH ASSOCIATED PARTS USED ON: 285T0556-1 285T0557-2	950951	1
152	285T0231-10		.. MODULE ASSY-FRONT SUPPLIER CODE: V89954 OPTIONAL PART: 285T0231-8 V89954 USED ON: 285T0027-14	950951	RF

MISSING ITEM NUMBERS NOT APPLICABLE

- ITEM NOT ILLUSTRATED

33-13-58-01

33-13-58
FIG. 01
PAGE 17
JAN 20/09

BRI



757

PARTS CATALOG (MAINTENANCE)

FIG ITEM	PART NUMBER	1 2 3 4 5 6 7	NOMENCLATURE	EFFECT FROM TO	UNITS PER ASSY
1 152	285T0231-8		..MODULE ASSY-FRONT SUPPLIER CODE: V89954 OPTIONAL PART: 285T0231-10 V89954 USED ON: 285T0027-14	950951	RF
153C	800-000121-1		...CONNECTOR-PWR SUPPLIER CODE: V05617	950951	1
155	285T0020-8		.PANEL ASSY-ILS CONT SUPPLIER CODE: V89954 ELECTRICAL EQUIP NUMBER: M00087 COMPONENT MAINT MANUAL REF: 34-31-51	107107 950999	RF
157	285T0020-8		.PANEL ASSY-ILS CONT SUPPLIER CODE: V89954 ELECTRICAL EQUIP NUMBER: M00087 COMPONENT MAINT MANUAL REF: 34-31-51	121503 904949	RF
158	285T0082-10		..MODULE ASSY-FRONT SUPPLIER CODE: V89954 OPTIONAL PART: 285T0082-14 V89954	002004 006010 107107 121503 904999	RF
158	285T0082-14		..MODULE ASSY-FRONT SUPPLIER CODE: V89954 OPTIONAL PART: 285T0082-10 V89954	002004 006010 107107 121503 904999	RF
159	800-000121-1		...CONNECTOR-PWR SUPPLIER CODE: V05617	002004 006010 107107 121503 904999	1

MISSING ITEM NUMBERS NOT APPLICABLE

- ITEM NOT ILLUSTRATED

33-13-58-01

33-13-58
FIG. 01
PAGE 18
JAN 20/09

BRI



757

PARTS CATALOG (MAINTENANCE)

FIG ITEM	PART NUMBER	1 2 3 4 5 6 7	NOMENCLATURE	EFFECT FROM TO	UNITS PER ASSY
1 160	800-007826		..LIGHTPLATE-5V WHITE ILLUMINATED INTEGRALLY LIGHTED ILS SUPPLIER CODE: V05617 SPECIFICATION NUMBER: S233T100-554 OPTIONAL PART: S233T100-554 V51896 OPTIONAL PART: S233T100-543 V51896 S233T100-544 V51896 800-008004 V05617	002004 006010 107107 121503 904999	1
160	S233T100-554		..LIGHTPLATE-5V WHITE ILLUMINATED INTEGRALLY LIGHTED ILS SUPPLIER CODE: V51896 SPECIFICATION NUMBER: S233T100-554 OPTIONAL PART: 800-007826 V05617 OPTIONAL PART: S233T100-543 V51896 S233T100-544 V51896 800-008004 V05617	002004 006010 107107 121503 904999	1

MISSING ITEM NUMBERS NOT APPLICABLE

- ITEM NOT ILLUSTRATED

BRI

33-13-58-01

BOEING PROPRIETARY - Copyright © - Unpublished Work - See title page for details.

33-13-58
FIG. 01
PAGE 19
JAN 20/09



757

PARTS CATALOG (MAINTENANCE)

FIG ITEM	PART NUMBER	1 2 3 4 5 6 7	NOMENCLATURE	EFFECT FROM TO	UNITS PER ASSY
1 161	S233T100-543		..LIGHTPLATE-5V WHITE ILLUMINATED INTEGRALLY LIGHTED ILS SUPPLIER CODE: V51896 SPECIFICATION NUMBER: S233T100-543 OPTIONAL PART: 800-008004 V05617 OPTIONAL PART: S233T100-544 V51896 S233T100-554 V51896 800-007826 V05617	002004 006010 107107 121503 904999	1
161	800-008004		..LIGHTPLATE-5V WHITE ILLUMINATED INTEGRALLY LIGHTED ILS SUPPLIER CODE: V05617 SPECIFICATION NUMBER: S233T100-543 OPTIONAL PART: S233T100-543 V51896 OPTIONAL PART: S233T100-544 V51896 S233T100-554 V51896 800-007826 V05617	002004 006010 107107 121503 904999	1

MISSING ITEM NUMBERS NOT APPLICABLE

- ITEM NOT ILLUSTRATED

33-13-58-01

33-13-58
 FIG. 01
 PAGE 20
 JAN 20/09

BRI

BOEING
757
PARTS CATALOG (MAINTENANCE)

FIG ITEM	PART NUMBER	1 2 3 4 5 6 7	NOMENCLATURE	EFFECT FROM TO	UNITS PER ASSY
R R R R R R R R R R R R	1 162	S233T100-544	..LIGHTPLATE-5V WHITE ILLUMINATED INTEGRALLY LIGHTED ILS SUPPLIER CODE: V51896 SPECIFICATION NUMBER: S233T100-544 OPTIONAL PART: S233T100-543 V51896 S233T100-554 V51896 800-008004 V05617 800-007826 V05617 OPTIONAL SUPPLIER CODE: 05617 98140	002004 006010 107107 121503 904999	1
	165	285T0524-6	.PANEL ASSY-ILS CONT SUPPLIER CODE: V89954 POSITION DATA: M00087 MISCELLANEOUS DATA: THE USE OF THIS PART NEGATES THE INTENT OF SB 34-0040 COMPONENT MAINT MANUAL REF: 34-31-52	107107 950999	RF
	165	285T0553-1	.PANEL ASSY-ILS CONT SUPPLIER CODE: V89954 ELECTRICAL EQUIP NUMBER: M00087 COMPONENT MAINT MANUAL REF: 34-31-61	107107 950999	RF
	165	285T0553-2	.PANEL ASSY-ILS CONT SUPPLIER CODE: V89954 ELECTRICAL EQUIP NUMBER: M00087 COMPONENT MAINT MANUAL REF: 34-31-61	107107 950999	RF

MISSING ITEM NUMBERS NOT APPLICABLE

— ITEM NOT ILLUSTRATED

BRI

33-13-58-01

BOEING PROPRIETARY - Copyright © - Unpublished Work - See title page for details.

33-13-58
FIG. 01
PAGE 21
MAY 20/09



757

PARTS CATALOG (MAINTENANCE)

FIG ITEM	PART NUMBER	1 2 3 4 5 6 7	NOMENCLATURE	EFFECT FROM TO	UNITS PER ASSY
1 165	285T0553-4		.PANEL ASSY-ILS CONT SUPPLIER CODE: V89954 ELECTRICAL EQUIP NUMBER: M00087 COMPONENT MAINT MANUAL REF: 34-31-61	107107 950999	RF
165	285T0553-3		.PANEL ASSY-ILS CONT SUPPLIER CODE: V89954 ELECTRICAL EQUIP NUMBER: M00087	107107 950999	RF
166	285T0524-6		.PANEL ASSY-ILS CONT SUPPLIER CODE: V89954 ELECTRICAL EQUIP NUMBER: M00087 COMPONENT MAINT MANUAL REF: 34-31-52 POST RAPID REVISION: RR92034-1	002004 006010	RF
166	285T0553-1		.PANEL ASSY-ILS CONT SUPPLIER CODE: V89954 ELECTRICAL EQUIP NUMBER: M00087 COMPONENT MAINT MANUAL REF: 34-31-61 POST RAPID REVISION: RR92034-1	002004 006010	RF
166	285T0553-2		.PANEL ASSY-ILS CONT SUPPLIER CODE: V89954 ELECTRICAL EQUIP NUMBER: M00087 COMPONENT MAINT MANUAL REF: 34-31-61 POST RAPID REVISION: RR92034-1	002004 006010	RF
166	285T0553-4		.PANEL ASSY-ILS CONT SUPPLIER CODE: V89954 ELECTRICAL EQUIP NUMBER: M00087 COMPONENT MAINT MANUAL REF: 34-31-61 POST RAPID REVISION: RR92034-1	002004 006010	RF

MISSING ITEM NUMBERS NOT APPLICABLE

- ITEM NOT ILLUSTRATED

33-13-58-01

33-13-58
FIG. 01
PAGE 22
JAN 20/09

BRI



757

PARTS CATALOG (MAINTENANCE)

FIG ITEM	PART NUMBER	1 2 3 4 5 6 7	NOMENCLATURE	EFFECT FROM TO	UNITS PER ASSY
1 166	285T0553-3		.PANEL ASSY-ILS CONT SUPPLIER CODE: V89954 ELECTRICAL EQUIP NUMBER: M00087	002004 006010	RF
168	285T0524-6		.PANEL ASSY-ILS CONT SUPPLIER CODE: V89954 ELECTRICAL EQUIP NUMBER: M00087 COMPONENT MAINT MANUAL REF: 34-31-52	121503 904949	RF
168	285T0553-1		.PANEL ASSY-ILS CONT SUPPLIER CODE: V89954 ELECTRICAL EQUIP NUMBER: M00087 COMPONENT MAINT MANUAL REF: 34-31-61	121503 904949	RF
168	285T0553-2		.PANEL ASSY-ILS CONT SUPPLIER CODE: V89954 ELECTRICAL EQUIP NUMBER: M00087 COMPONENT MAINT MANUAL REF: 34-31-61	121503 904949	RF
168	285T0553-4		.PANEL ASSY-ILS CONT SUPPLIER CODE: V89954 ELECTRICAL EQUIP NUMBER: M00087 COMPONENT MAINT MANUAL REF: 34-31-61	121503 904949	RF
168	285T0553-3		.PANEL ASSY-ILS CONT SUPPLIER CODE: V89954 ELECTRICAL EQUIP NUMBER: M00087	121503 904949	RF

MISSING ITEM NUMBERS NOT APPLICABLE

- ITEM NOT ILLUSTRATED

33-13-58-01

33-13-58
FIG. 01
PAGE 23
JAN 20/09

BRI



757

PARTS CATALOG (MAINTENANCE)

FIG ITEM	PART NUMBER	1 2 3 4 5 6 7	NOMENCLATURE	EFFECT FROM TO	UNITS PER ASSY
1 170	S233T100-559		..LIGHTPLATE-5V WHITE ILLUMINATED INTEGRALLY LIGHTED ILS LCD SUPPLIER CODE: V51896 SPECIFICATION NUMBER: S233T100-559 OPTIONAL PART: 800-007677 V05617 USED ON: 285T0553-1 285T0553-2 285T0553-4 285T0553-3	002004 006010 107107 121503 904999	1
170	800-007677		..LIGHTPLATE-5V WHITE ILLUMINATED INTEGRALLY LIGHTED ILS LCD SUPPLIER CODE: V05617 SPECIFICATION NUMBER: S233T100-559 OPTIONAL PART: S233T100-559 V51896 USED ON: 285T0553-1 285T0553-2 285T0553-4 285T0553-3	002004 006010 107107 121503 904999	1
171	S233T100-546		..LIGHTPLATE- SUPPLIER CODE: V51896 SPECIFICATION NUMBER: S233T100-546 OPTIONAL PART: S233T100-545 V51896 S233T100-555 V51896 OPTIONAL SUPPLIER CODE: 05617 98140 USED ON: 285T0524-6	002004 006010 107107 121503 904999	1

R
R
R
R
R
R
R
R
R
R
R

MISSING ITEM NUMBERS NOT APPLICABLE

- ITEM NOT ILLUSTRATED

33-13-58-01

33-13-58
FIG. 01
PAGE 24
MAY 20/09

BRI



757

PARTS CATALOG (MAINTENANCE)

FIG ITEM	PART NUMBER	1 2 3 4 5 6 7	NOMENCLATURE	EFFECT FROM TO	UNITS PER ASSY
R R	1 172	S233T100-545	..LIGHTPLATE- SUPPLIER CODE: V51896 SPECIFICATION NUMBER: S233T100-545 OPTIONAL PART: S233T100-546 V51896 S233T100-555 V51896 OPTIONAL SUPPLIER CODE: 05617 98140 USED ON: 285T0524-6	002004 006010 107107 121503 904999	1
	173	S233T100-555	..LIGHTPLATE- SUPPLIER CODE: V51896 SPECIFICATION NUMBER: S233T100-555 OPTIONAL PART: S233T100-545 V51896 S233T100-546 V51896 OPTIONAL SUPPLIER CODE: 05617 98140 USED ON: 285T0524-6	002004 006010 107107 121503 904999	1
	187	800-000121-1	..CONNECTOR- SUPPLIER CODE: V05617 QUALIFIED OPTIONAL DATA: 800-000121-1 OPTIONAL TO 90-42303-1 WHEN USED WITH ASSOCIATED PARTS USED ON: 285T0553-4	002004 006010 107107 121503 904999	1
	187	90-42303-1	..CONNECTOR- SUPPLIER CODE: V51074 QUALIFIED OPTIONAL DATA: 800-000121-1 OPTIONAL TO 90-42303-1 WHEN USED WITH ASSOCIATED PARTS USED ON: 285T0553-4	002004 006010 107107 121503 904999	1

MISSING ITEM NUMBERS NOT APPLICABLE

- ITEM NOT ILLUSTRATED

33-13-58-01

33-13-58
FIG. 01
PAGE 25
MAY 20/09

BRI



757

PARTS CATALOG (MAINTENANCE)

FIG ITEM	PART NUMBER	1 2 3 4 5 6 7	NOMENCLATURE	EFFECT FROM TO	UNITS PER ASSY
1 187	800-000121-1		..CONNECTOR- SUPPLIER CODE: V05617 USED ON: 285T0553-1 285T0553-2 285T0553-3	002004 006010 107107 121503 904999	1
- 188	285T0524-2		..WIRE BUNDLE ASSY- SUPPLIER CODE: V89954 USED ON: 285T0524-6 285T0524-7 285T0524-8	002004 006010 107107 121503 904999	RF
189	800-000121-1		...CONNECTOR- SUPPLIER CODE: V05617	002004 006010 107107 121503 904999	1
220	233N6203-45		.PANEL ASSY-APU AND CARGO FIRE CONT SUPPLIER CODE: V89954 ELECTRICAL EQUIP NUMBER: M10444 COMPONENT MAINT MANUAL REF: 26-15-51 QUALIFIED I/W DATA: 233N6203-9 -23 -45 -103 -104 -105 ARE ALL I/W EXCEPT SUBJECT TO CUSTOMER PREFERENCE 233N6203-9/-23/-45/-104/ -105/-161 ARE ALL INTERCHANGEABLE EXCEPT SUBJECT TO CUSTOMER PREFERENCE PRE ALERT SB: 33A0044	107107	RF

MISSING ITEM NUMBERS NOT APPLICABLE

- ITEM NOT ILLUSTRATED

33-13-58-01

33-13-58
FIG. 01
PAGE 26
JAN 20/09

BRI



757

PARTS CATALOG (MAINTENANCE)

FIG ITEM	PART NUMBER	1 2 3 4 5 6 7	NOMENCLATURE	EFFECT FROM TO	UNITS PER ASSY
1 220	233N6203-103		.PANEL ASSY-APU AND CARGO FIRE CONT SUPPLIER CODE: V89954 ELECTRICAL EQUIP NUMBER: M10444 COMPONENT MAINT MANUAL REF: 26-15-51 QUALIFIED I/W DATA: 233N6203-9 -23 -45 -103 -104 -105 ARE ALL I/W EXCEPT SUBJECT TO CUSTOMER PREFERENCE PRE ALERT SB: 33A0044	002004 006010 950999	RF
220	233N6203-1103		.PANEL ASSY-APU AND CARGO FIRE CONT SUPPLIER CODE: V89954 ELECTRICAL EQUIP NUMBER: M10444 COMPONENT MAINT MANUAL REF: 26-15-51 POST ALERT SB: 33A0044	002004 006010 950999	RF
221	233N6203-161		.PANEL ASSY-APU AND CARGO FIRE CONT SUPPLIER CODE: V89954 ELECTRICAL EQUIP NUMBER: M10444 COMPONENT MAINT MANUAL REF: 26-15-51 QUALIFIED I/W DATA: THE 233N6203-301 PANEL ASSY IS I/W THE 233N6203-161 PANEL ASSY T/W THE S233T100-573 LIGHTPLATE. 233N6203-9/-23/-45/-104/ -105/-161 ARE ALL INTERCHANGEABLE EXCEPT SUBJECT TO CUSTOMER PREFERENCE PRE ALERT SB: 33A0044	002004 006010 950999	RF

MISSING ITEM NUMBERS NOT APPLICABLE

- ITEM NOT ILLUSTRATED

BRI

33-13-58-01

BOEING PROPRIETARY - Copyright © - Unpublished Work - See title page for details.

33-13-58
FIG. 01
PAGE 27
JAN 20/09



757

PARTS CATALOG (MAINTENANCE)

FIG ITEM	PART NUMBER	1 2 3 4 5 6 7	NOMENCLATURE	EFFECT FROM TO	UNITS PER ASSY
1 221	233N6203-1161		.PANEL ASSY-APU AND CARGO FIRE CONT SUPPLIER CODE: V89954 ELECTRICAL EQUIP NUMBER: M10444 COMPONENT MAINT MANUAL REF: 26-15-51 POST ALERT SB: 33A0044	002004 006010 950999	RF
222	233N6203-1045		.PANEL ASSY-APU AND CARGO FIRE CONT SUPPLIER CODE: V89954 ELECTRICAL EQUIP NUMBER: M10444 COMPONENT MAINT MANUAL REF: 26-15-51 POST ALERT SB: 33A0044	107107	RF
225	800-000121-1		..CONNECTOR-PWR SUPPLIER CODE: V05617 USED ON: 233N6203-9 233N6203-12 233N6203-23 233N6203-45 233N6203-46 233N6203-77 233N6203-138 233N6203-166 233N6203-170 233N6203-1138 233N6203-1166	107107	1

MISSING ITEM NUMBERS NOT APPLICABLE

- ITEM NOT ILLUSTRATED

33-13-58-01

33-13-58
FIG. 01
PAGE 28
JAN 20/09

BRI



757

PARTS CATALOG (MAINTENANCE)

FIG ITEM	PART NUMBER	1 2 3 4 5 6 7	NOMENCLATURE	EFFECT FROM TO	UNITS PER ASSY
1 225	800000121-1		.. CONNECTOR-PWR SUPPLIER CODE: V05617 USED ON: 233N6203-103 233N6203-104 233N6203-105 233N6203-109 233N6203-110 233N6203-111 233N6203-150 233N6203-153 233N6203-161 233N6203-162 233N6203-163 233N6203-164 233N6203-165 233N6203-171 233N6203-1110 233N6203-1103 233N6203-1161 233N6203-1164	002004 006010 107107 121503 904999	1
230	233N6203-105		. PANEL ASSY-APU AND CARGO FIRE CONT SUPPLIER CODE: V89954 ELECTRICAL EQUIP NUMBER: M10444 COMPONENT MAINT MANUAL REF: 26-15-51 QUALIFIED I/W DATA: 233N6203-9/-23/-45/-104/ -105/-161 ARE ALL INTERCHANGEABLE EXCEPT SUBJECT TO CUSTOMER PREFERENCE PRE ALERT SB: 33A0044R1	121503 904949	RF
230	233N6203-1105		. PANEL ASSY-APU AND CARGO FIRE CONT ELECTRICAL EQUIP NUMBER: M10444 COMPONENT MAINT MANUAL REF: 26-15-51 POST ALERT SB: 33A0044	121503 904949	RF

MISSING ITEM NUMBERS NOT APPLICABLE

- ITEM NOT ILLUSTRATED

33-13-58-01

33-13-58
FIG. 01
PAGE 29
JAN 20/09

BRI



757

PARTS CATALOG (MAINTENANCE)

FIG ITEM	PART NUMBER	1 2 3 4 5 6 7	NOMENCLATURE	EFFECT FROM TO	UNITS PER ASSY
1 290	233N6204-14		.PANEL ASSY-FIRE/OVERHEAT TEST SUPPLIER CODE: V89954 ELECTRICAL EQUIP NUMBER: M10445 COMPONENT MAINT MANUAL REF: 26-11-52 QUALIFIED I/W DATA: 233N6204-13, -14, -15, -17 ARE ALL INTERCHANGEABLE EXCEPT SUBJECT TO CUSTOMER PREFERENCE 233N6204-13, -14, -15, -16, -17 ARE ALL INTERCHANGEABLE EXCEPT SUBJECT TO CUSTOMER PREFERENCE	107107	RF
290	233N6204-15		.PANEL ASSY-FIRE/OVERHEAT TEST SUPPLIER CODE: V89954 ELECTRICAL EQUIP NUMBER: M10445 COMPONENT MAINT MANUAL REF: 26-11-52 QUALIFIED I/W DATA: 233N6204-12, -14, -15, -17 ARE ALL INTERCHANGEABLE EXCEPT SUBJECT TO CUSTOMER PREFERENCE THE 233N6204-301 PANEL ASSY IS I/W 233N6204-15 PANEL ASSY T/W THE S233T100-5508 LIGHTPLATE	002004 006010 950999	RF

MISSING ITEM NUMBERS NOT APPLICABLE

- ITEM NOT ILLUSTRATED

33-13-58-01

33-13-58
FIG. 01
PAGE 30
JAN 20/09

BRI

 **BOEING**
757
PARTS CATALOG (MAINTENANCE)

FIG ITEM	PART NUMBER	1 2 3 4 5 6 7	NOMENCLATURE	EFFECT FROM TO	UNITS PER ASSY
1 295	233N6204-17		.PANEL ASSY-FIRE/OVERHEAT TEST SUPPLIER CODE: V89954 ELECTRICAL EQUIP NUMBER: M10445 COMPONENT MAINT MANUAL REF: 26-11-52 QUALIFIED I/W DATA: 233N6204-13, -14, -15, -17 ARE ALL INTERCHANGEABLE EXCEPT SUBJECT TO CUSTOMER PREFERENCE	121503 904949	RF
315	800-000121-1		..CONNECTOR-PWR SUPPLIER CODE: V05617	002004 006010 107107 121503 904999	1
340	233T6201-21		.PANEL ASSY-AIL. RUD TRIM CONT SUPPLIER CODE: V89954 ELECTRICAL EQUIP NUMBER: M00074 COMPONENT MAINT MANUAL REF: 27-21-63 QUALIFIED I/W DATA: 233T6201-19 I/W 233T6201-21 EXCEPT FOR ETOPS WHERE 233T6201-21 MUST BE INSTALLED.	002004 006010 107107 950999	RF
340	233T6201-22		.PANEL ASSY-AIL. RUD TRIM CONT SUPPLIER CODE: V89954 ELECTRICAL EQUIP NUMBER: M00074 COMPONENT MAINT MANUAL REF: 27-21-63	002004 006010 107107 950999	RF

MISSING ITEM NUMBERS NOT APPLICABLE

— ITEM NOT ILLUSTRATED

BRI

33-13-58-01

BOEING PROPRIETARY - Copyright © - Unpublished Work - See title page for details.

33-13-58
FIG. 01
PAGE 31
JAN 20/09



757

PARTS CATALOG (MAINTENANCE)

FIG ITEM	PART NUMBER	1 2 3 4 5 6 7	NOMENCLATURE	EFFECT FROM TO	UNITS PER ASSY
1 345	233T6201-21		.PANEL ASSY-AIL. RUD TRIM CONT SUPPLIER CODE: V89954 ELECTRICAL EQUIP NUMBER: M00074 COMPONENT MAINT MANUAL REF: 27-21-63 QUALIFIED I/W DATA: 233T6201-19 I/W 233T6201-21 EXCEPT FOR ETOPS WHERE 233T6201-21 MUST BE INSTALLED.	121503 904949	RF
345	233T6201-22		.PANEL ASSY-AIL. RUD TRIM CONT SUPPLIER CODE: V89954 ELECTRICAL EQUIP NUMBER: M00074	121503 904949	RF
360	800000121-1		..CONNECTOR-PWR SUPPLIER CODE: V05617	002004 006010 107107 121503 904999	1

MISSING ITEM NUMBERS NOT APPLICABLE

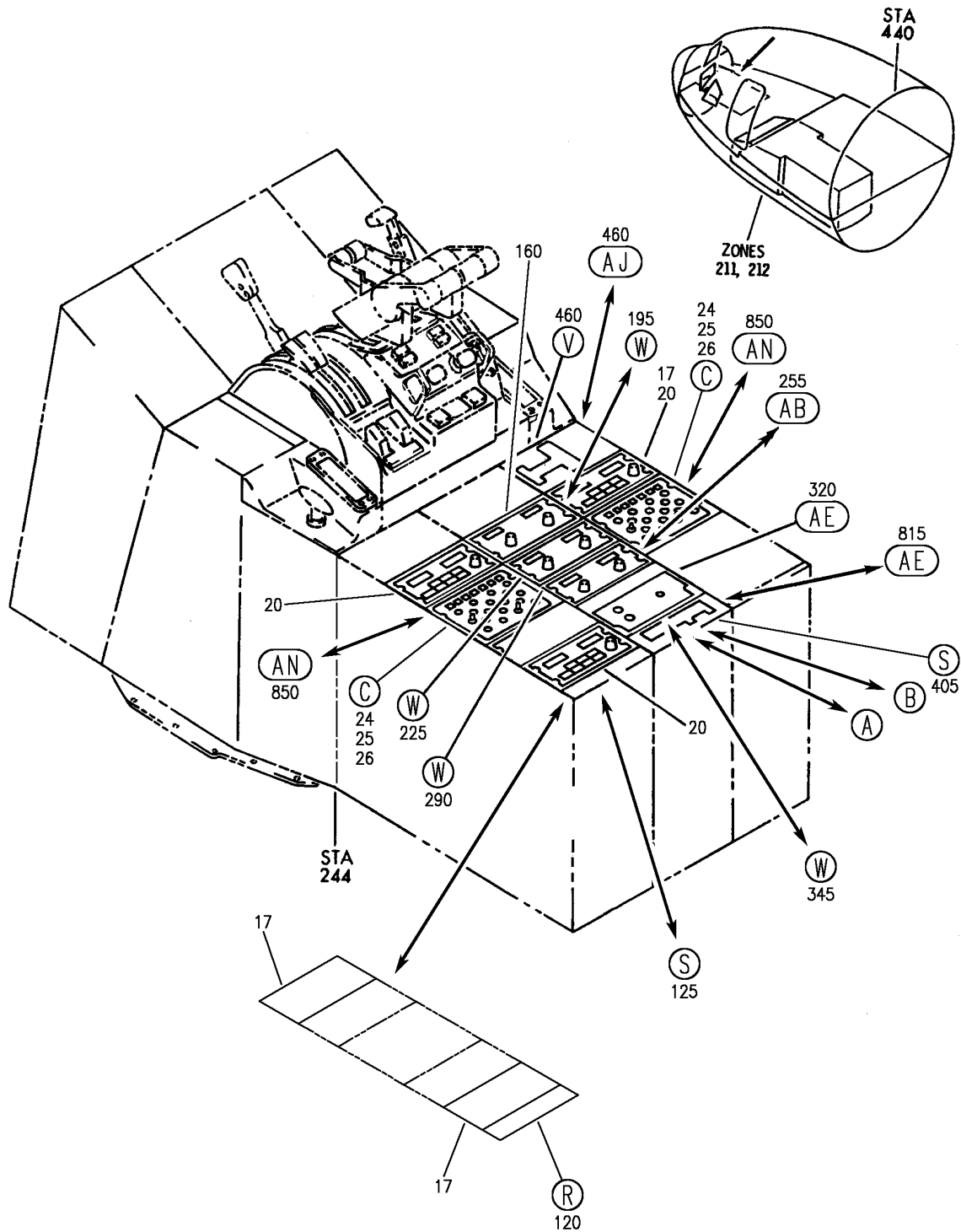
- ITEM NOT ILLUSTRATED

33-13-58-01

33-13-58
FIG. 01
PAGE 32
JAN 20/09

BRI

BOEING
757
PARTS CATALOG (MAINTENANCE)



Y 33135802 SH1 1 REV 275

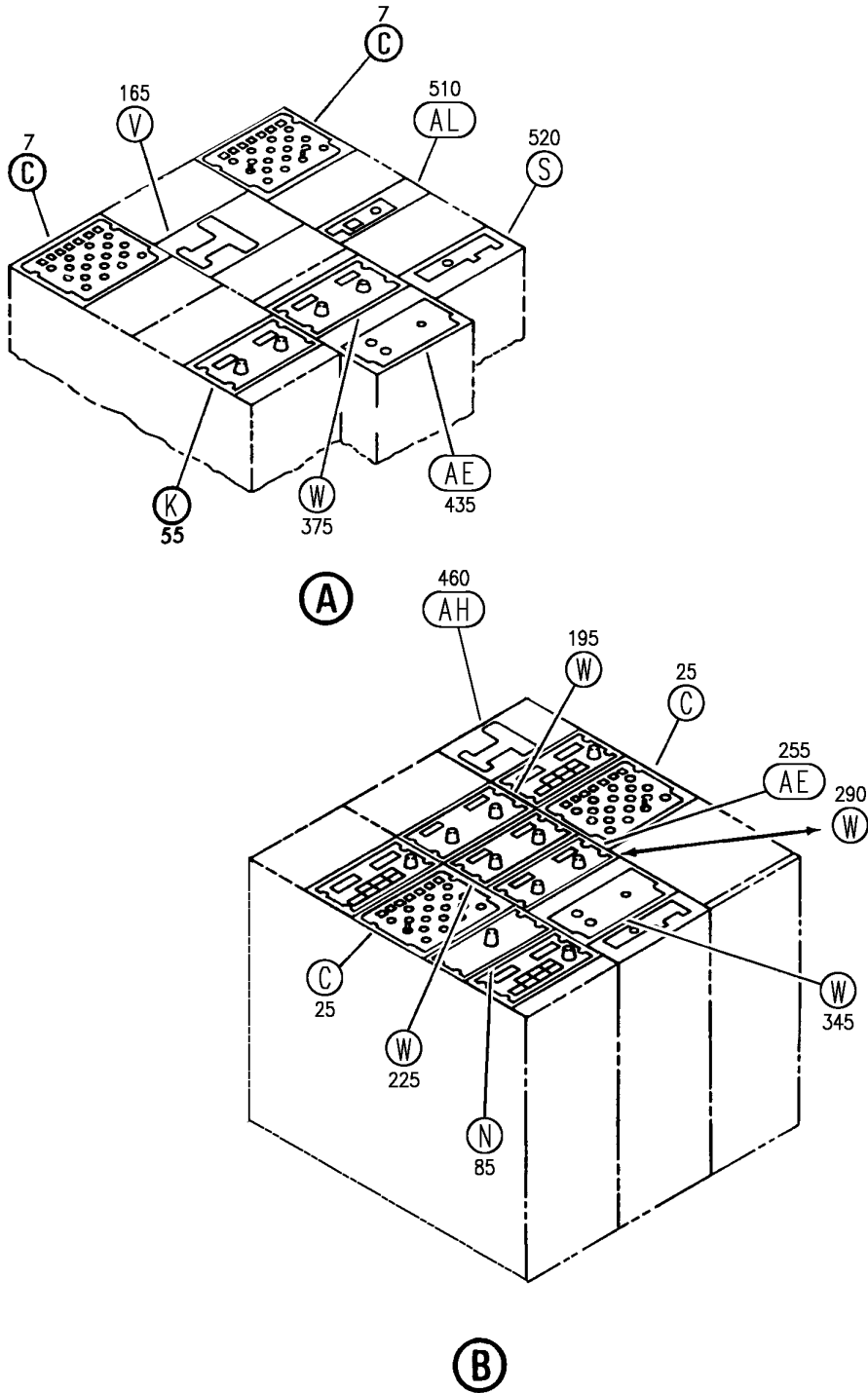
PANEL INSTL-P8, P9, P10 ELECTRONIC (INTEGRAL PANEL LIGHTS ONLY)
FIGURE 2 (SHEET 1)

33-13-58-02

BRI
MAY 28/07

33-13-58-02
PAGE 0

BOEING
757
PARTS CATALOG (MAINTENANCE)



Y 33135802 SH1 2 REV 259

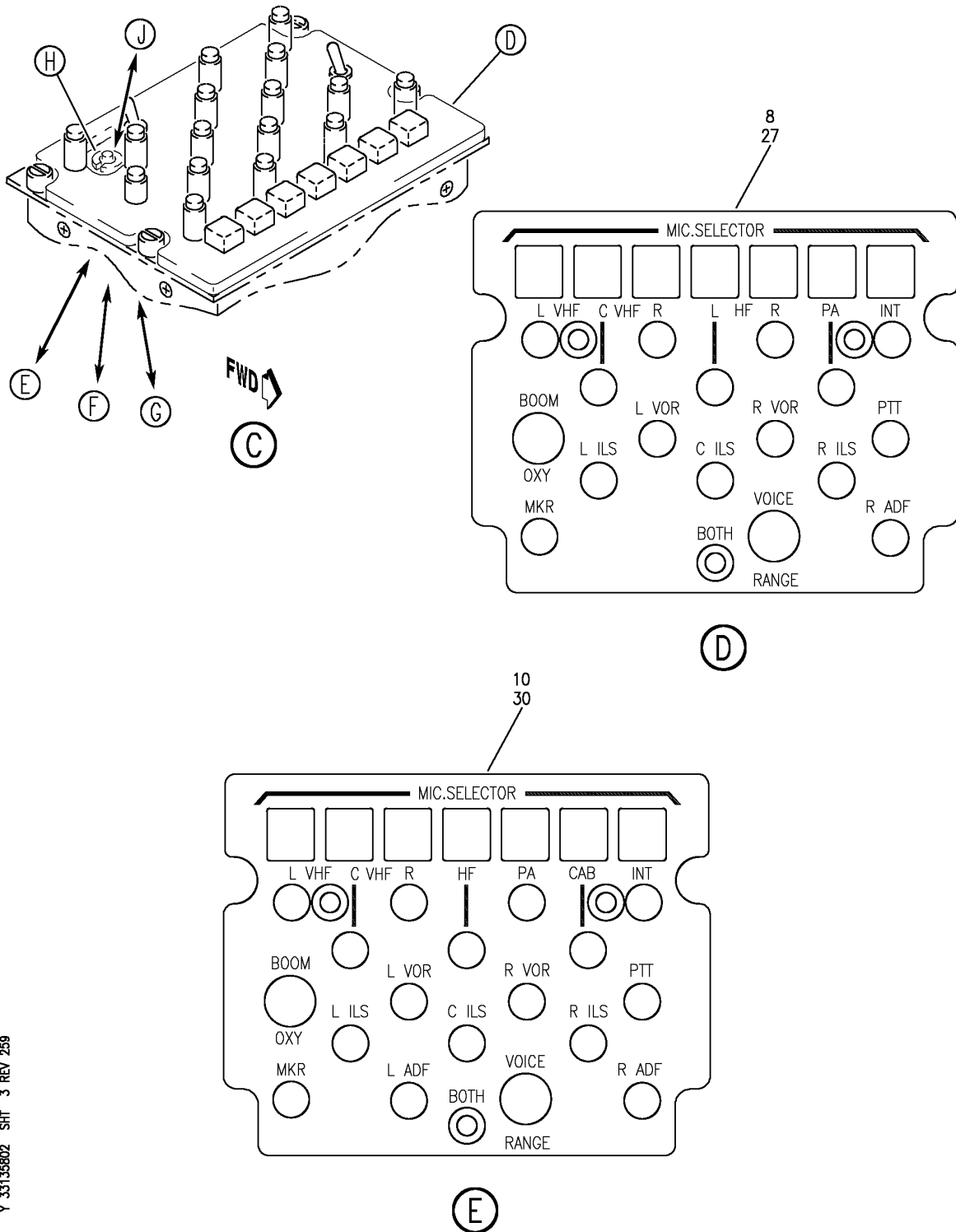
PANEL INSTL-P8, P9, P10 ELECTRONIC (INTEGRAL PANEL LIGHTS ONLY)
FIGURE 2 (SHEET 2)

33-13-58-02

BRI
MAY 28/07

33-13-58-02
PAGE 0A

BOEING
757
PARTS CATALOG (MAINTENANCE)



Y 33135802 SHIT 3 REV 259

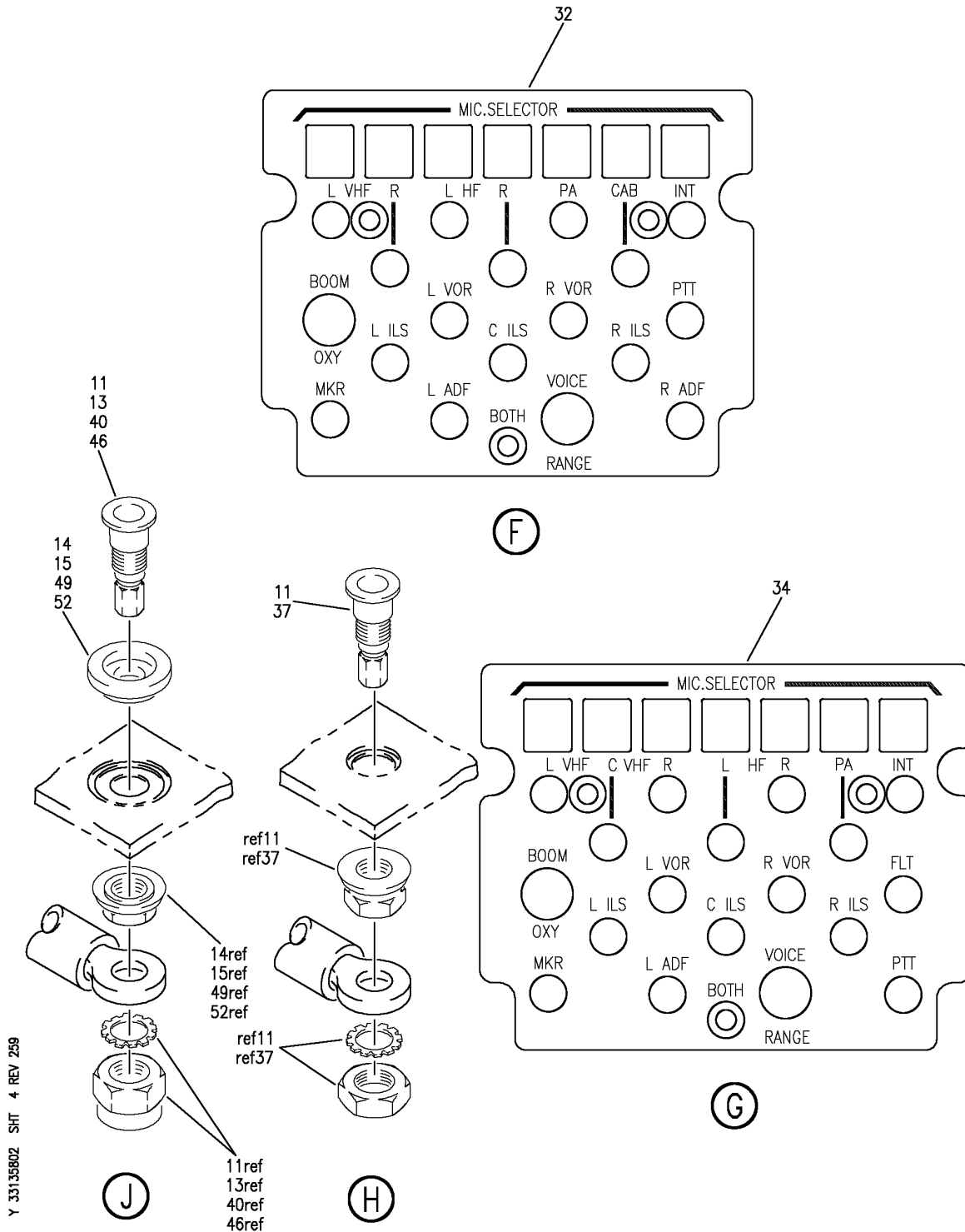
PANEL INSTL-P8, P9, P10 ELECTRONIC (INTEGRAL PANEL LIGHTS ONLY)
FIGURE 2 (SHEET 3)

33-13-58-02

BRI
MAY 28/07

33-13-58-02
PAGE 0B

BOEING
757
PARTS CATALOG (MAINTENANCE)



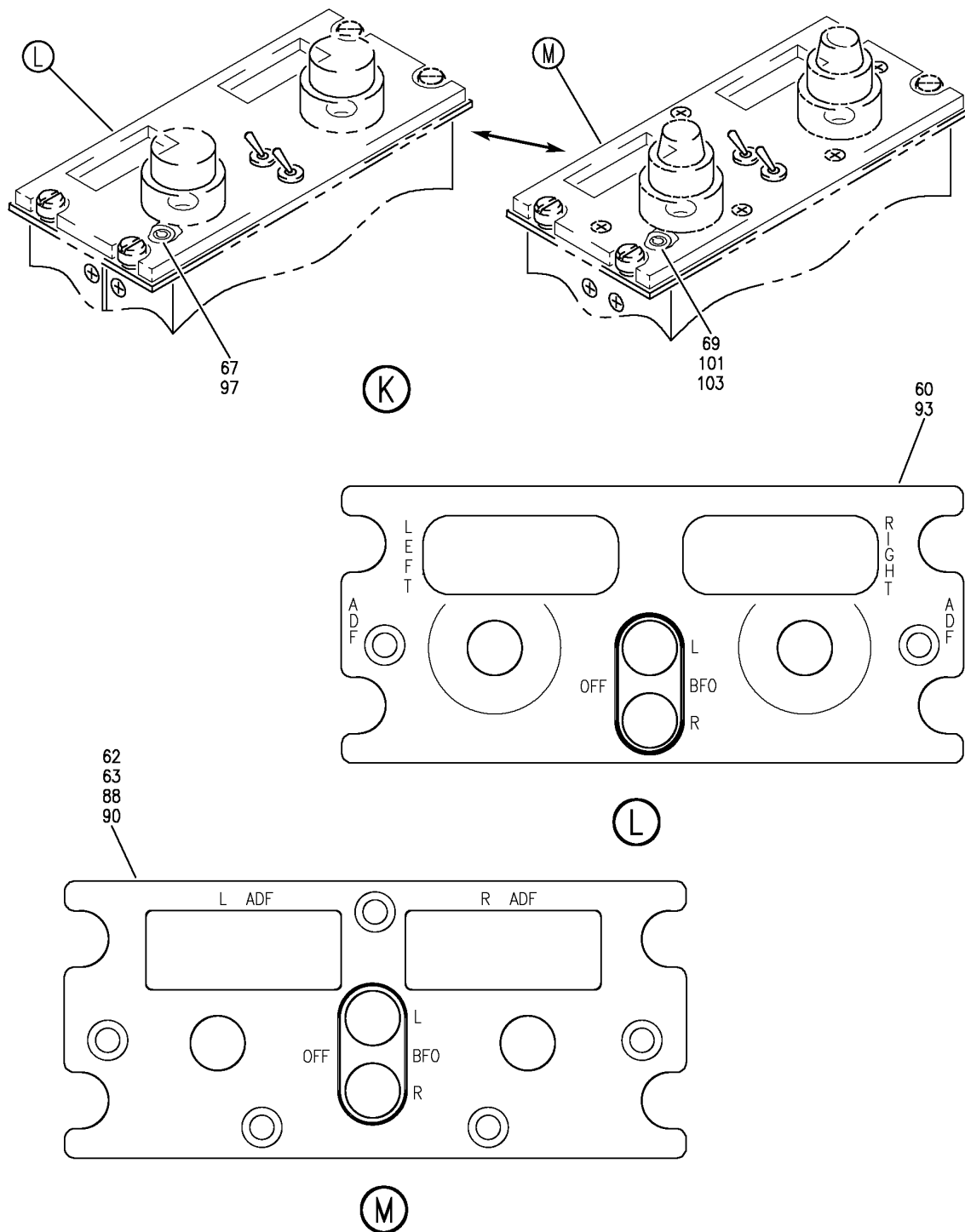
PANEL INSTL-P8, P9, P10 ELECTRONIC (INTEGRAL PANEL LIGHTS ONLY)
FIGURE 2 (SHEET 4)

33-13-58-02

BRI
MAY 28/07

33-13-58-02
PAGE 0C

BOEING
757
PARTS CATALOG (MAINTENANCE)



Y 33135802 SH1 5 REV 259

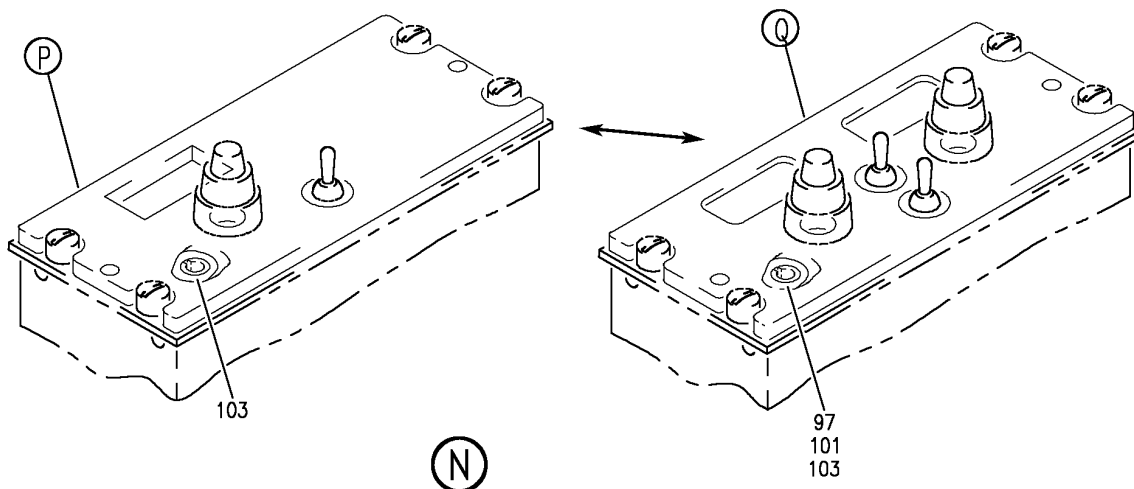
PANEL INSTL-P8, P9, P10 ELECTRONIC (INTEGRAL PANEL LIGHTS ONLY)
FIGURE 2 (SHEET 5)

33-13-58-02

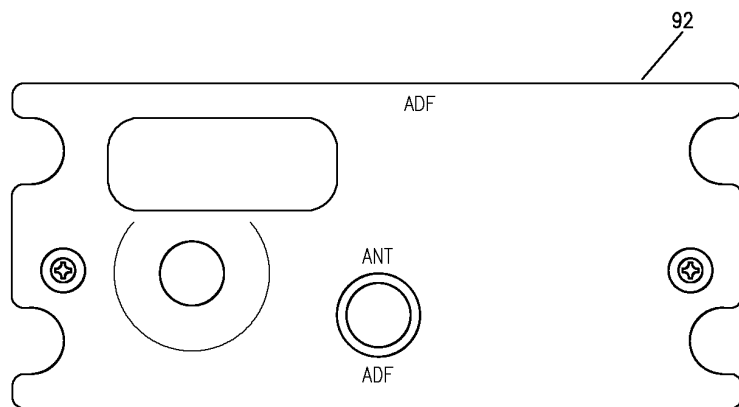
BRI
MAY 28/07

33-13-58-02
PAGE 0D

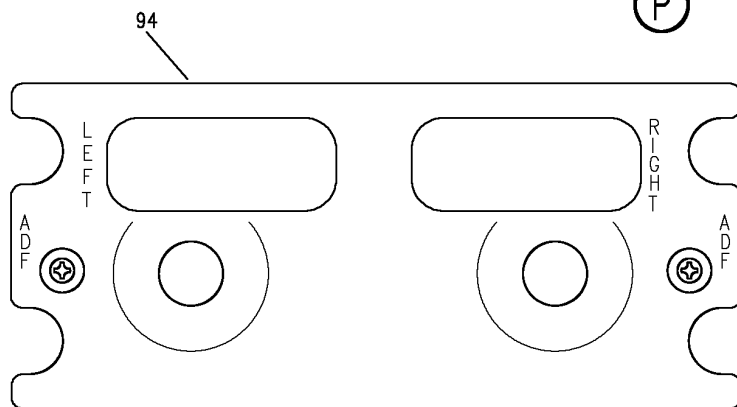
BOEING
757
PARTS CATALOG (MAINTENANCE)



(N)



(P)



(Q)

Y 33135802 SH1 6 REV 259

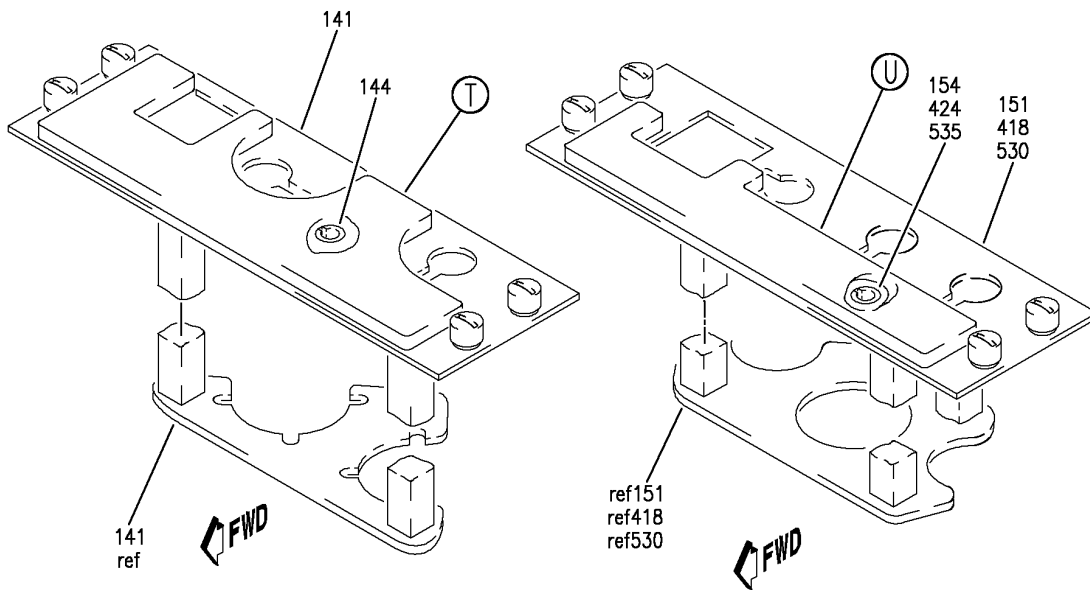
PANEL INSTL-P8, P9, P10 ELECTRONIC (INTEGRAL PANEL LIGHTS ONLY)
FIGURE 2 (SHEET 6)

33-13-58-02

BRI
MAY 28/07

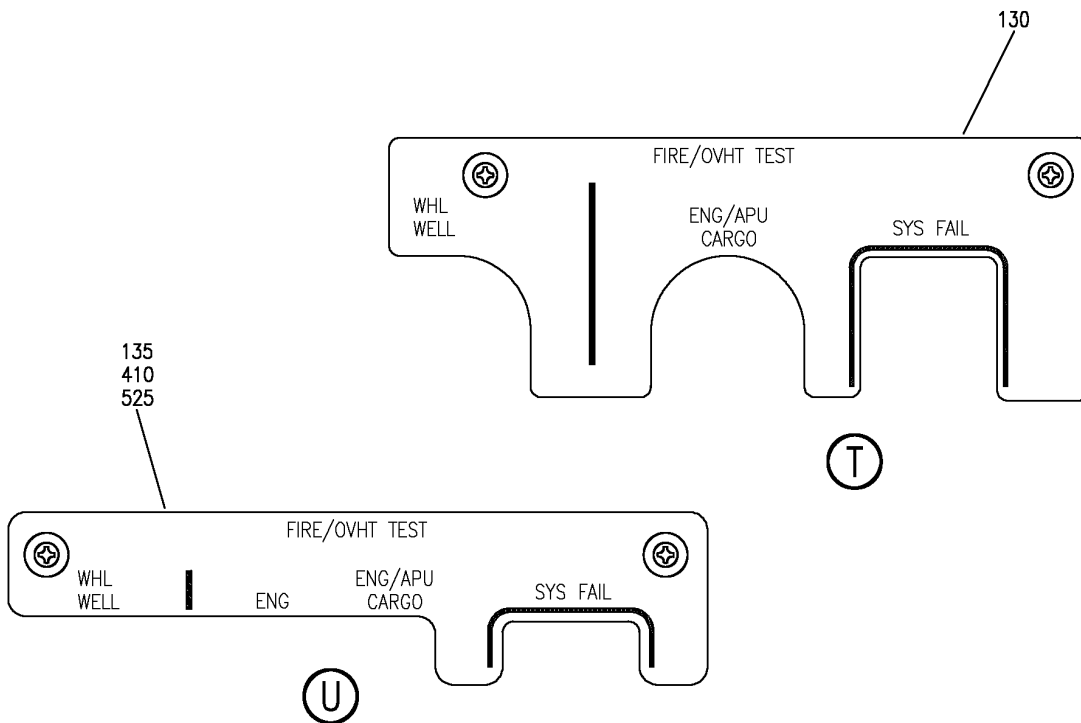
33-13-58-02
PAGE 0E

BOEING
757
PARTS CATALOG (MAINTENANCE)



(R)

(S)



(T)

(U)

Y 33135602 SHT 7 REV 259

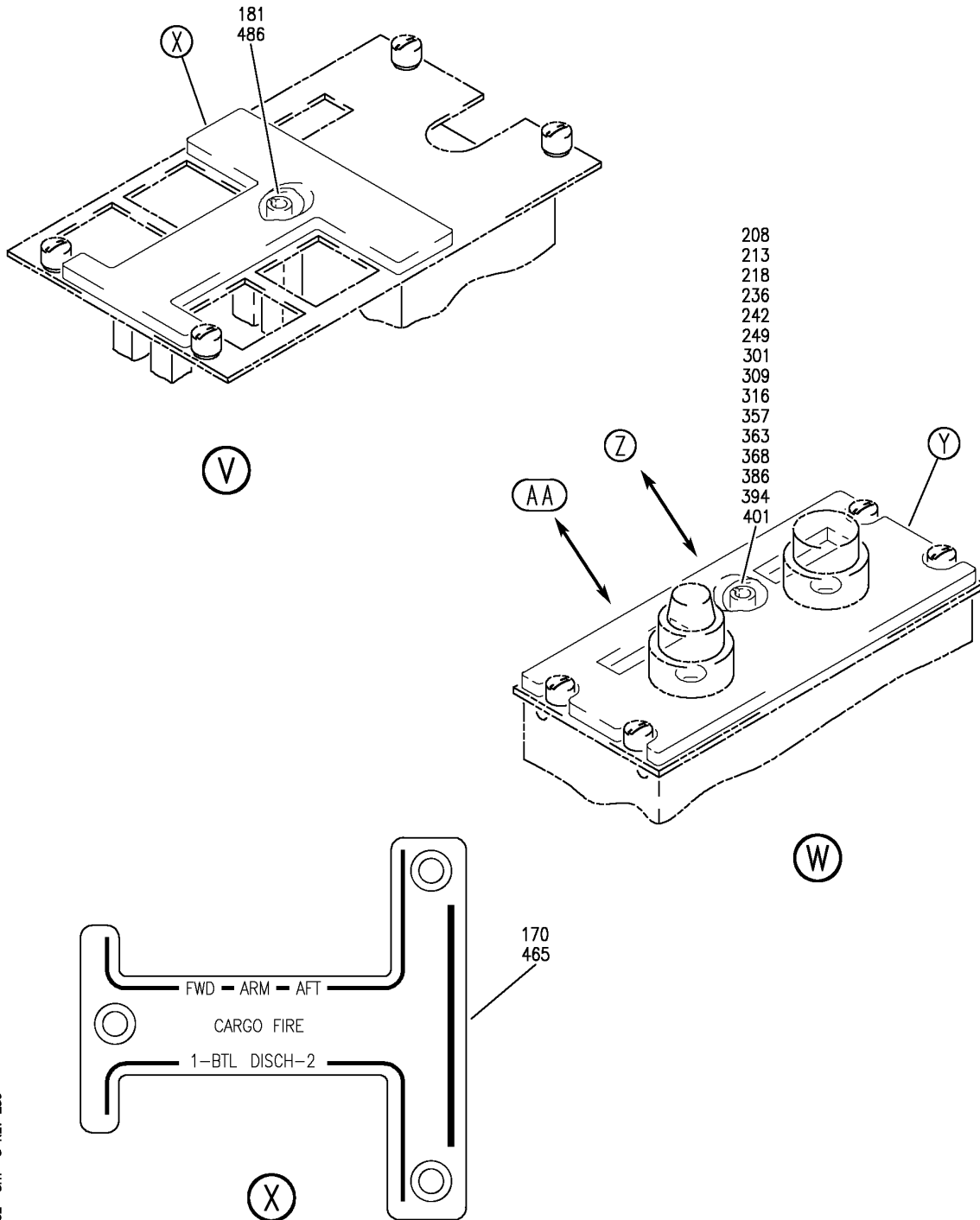
PANEL INSTL-P8, P9, P10 ELECTRONIC (INTEGRAL PANEL LIGHTS ONLY)
FIGURE 2 (SHEET 7)

33-13-58-02

BRI
MAY 28/07

33-13-58-02
PAGE OF

BOEING
757
PARTS CATALOG (MAINTENANCE)



Y 33135802 SH1 8 REV 259

PANEL INSTL-P8, P9, P10 ELECTRONIC (INTEGRAL PANEL LIGHTS ONLY)
FIGURE 2 (SHEET 8)

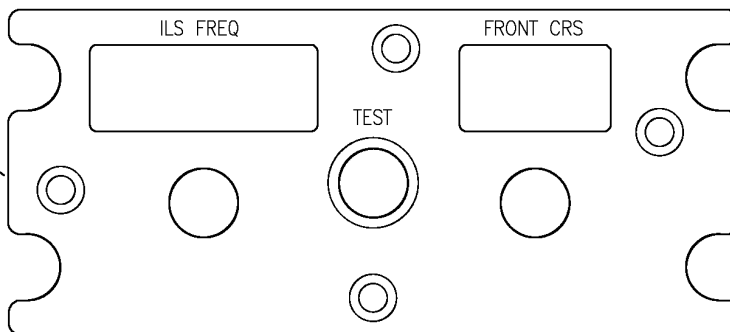
33-13-58-02

BRI
MAY 28/07

33-13-58-02
PAGE 06

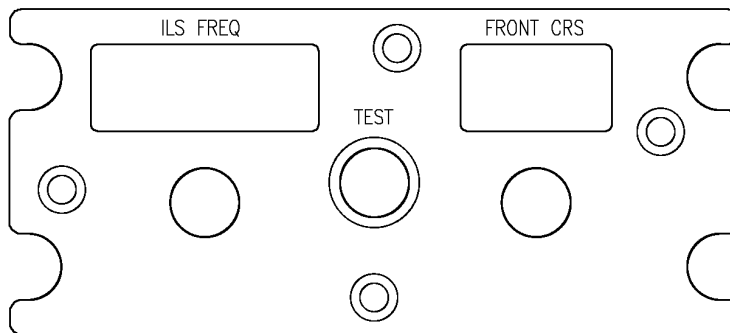
BOEING
757
PARTS CATALOG (MAINTENANCE)

197
198
199
228
229
231
292
293
294
348
349
351
378
379
381



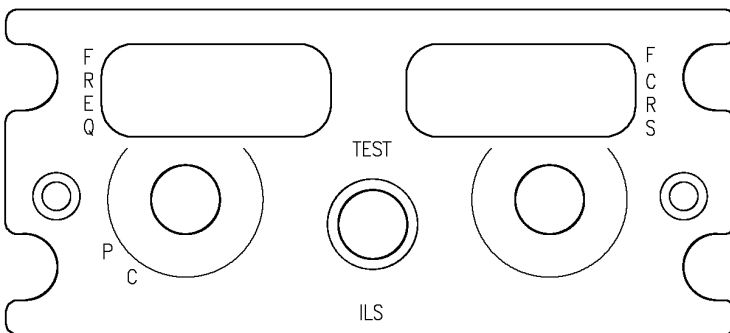
Y

201
202
203
232
233
234
296
297
298
352
353
354
382
383
384



Z

200
230
295
350
380



AA

Y 33135802 SH1 9 REV 259

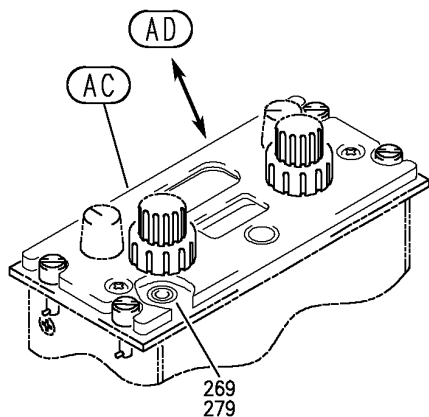
PANEL INSTL-P8, P9, P10 ELECTRONIC (INTEGRAL PANEL LIGHTS ONLY)
FIGURE 2 (SHEET 9)

33-13-58-02

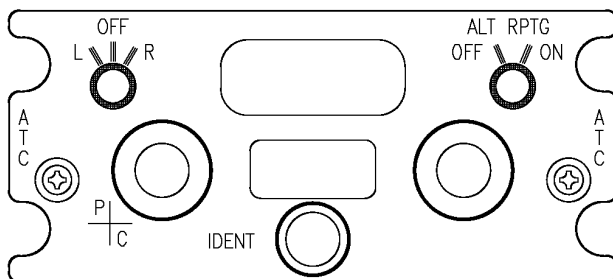
BRI
MAY 28/07

33-13-58-02
PAGE 0H

BOEING
757
PARTS CATALOG (MAINTENANCE)

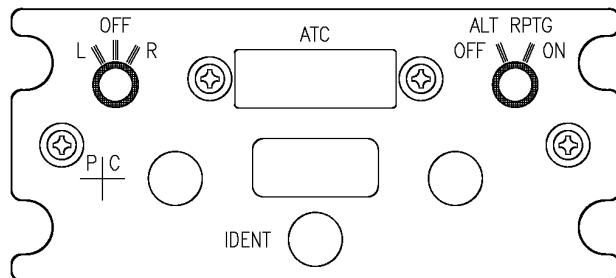


AB



AC

260



AD

262
264

Y 33135802 SH1 10 REV 259

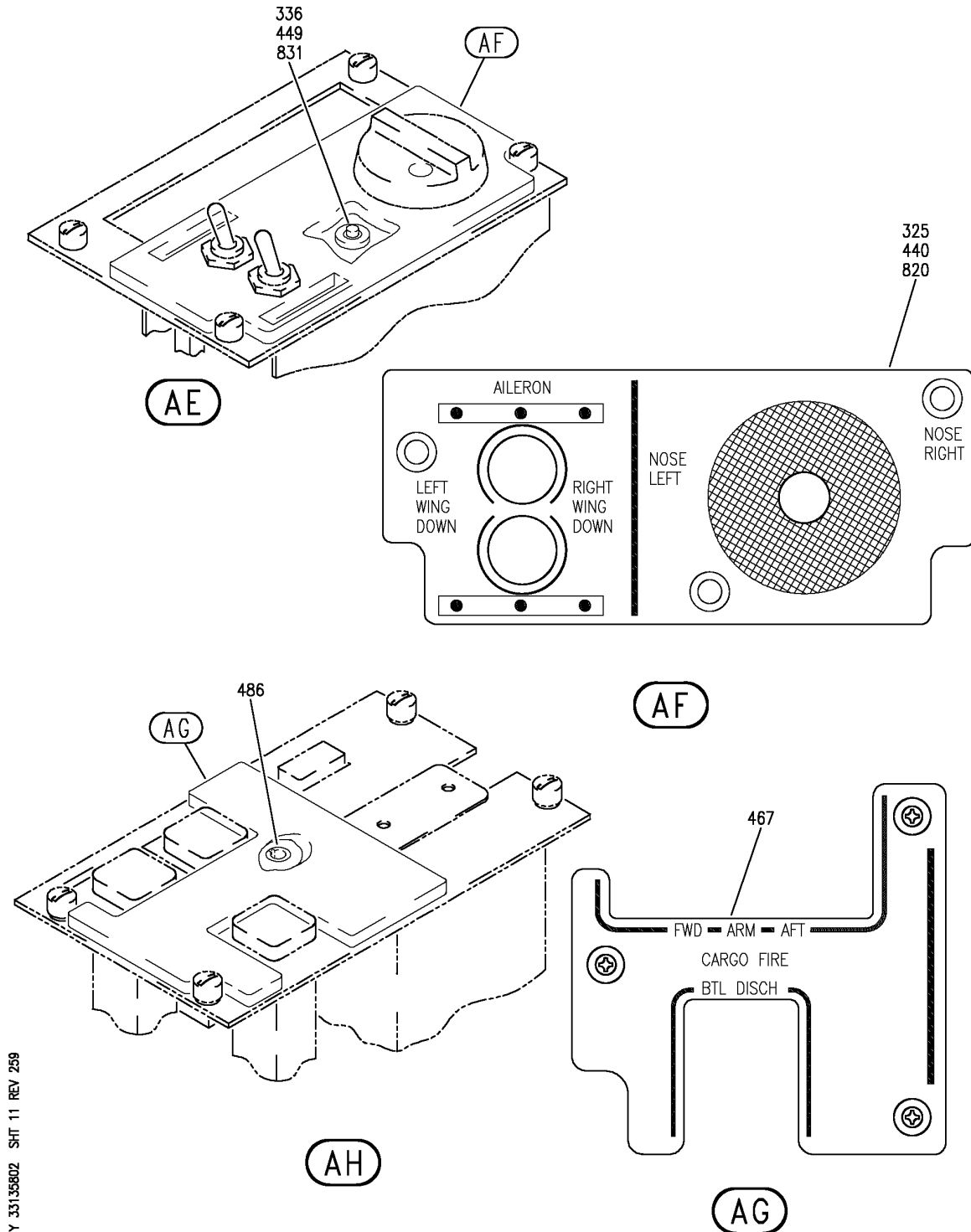
PANEL INSTL-P8, P9, P10 ELECTRONIC (INTEGRAL PANEL LIGHTS ONLY)
FIGURE 2 (SHEET 10)

33-13-58-02

BRI
MAY 28/07

33-13-58-02
PAGE 01

BOEING
757
PARTS CATALOG (MAINTENANCE)



Y 33135602 SHT 11 REV 259

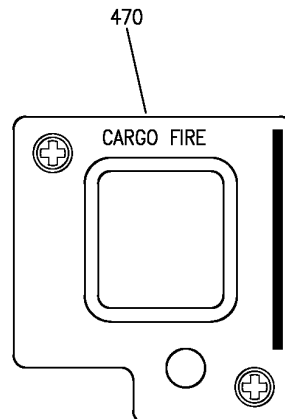
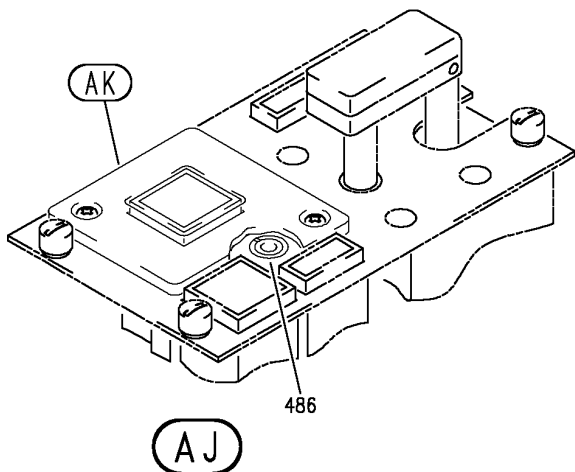
PANEL INSTL-P8, P9, P10 ELECTRONIC (INTEGRAL PANEL LIGHTS ONLY)
FIGURE 2 (SHEET 11)

33-13-58-02

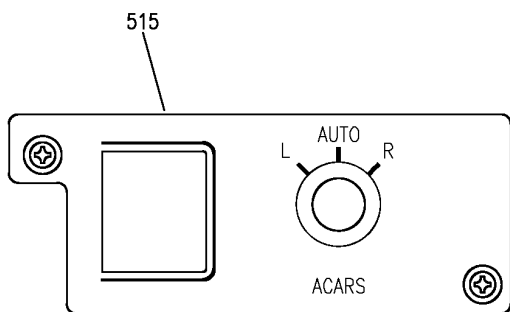
BRI
MAY 28/07

33-13-58-02
PAGE 0J

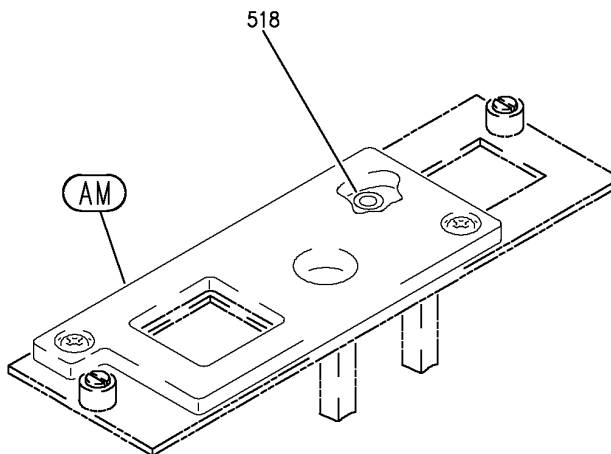
BOEING
757
PARTS CATALOG (MAINTENANCE)



AK



AM



AL

Y 33135802 SH1 12 REV 259

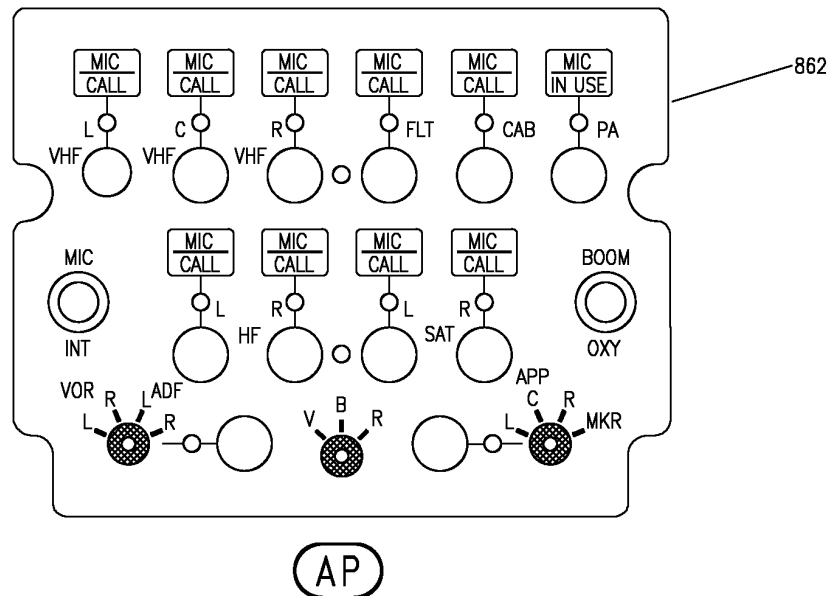
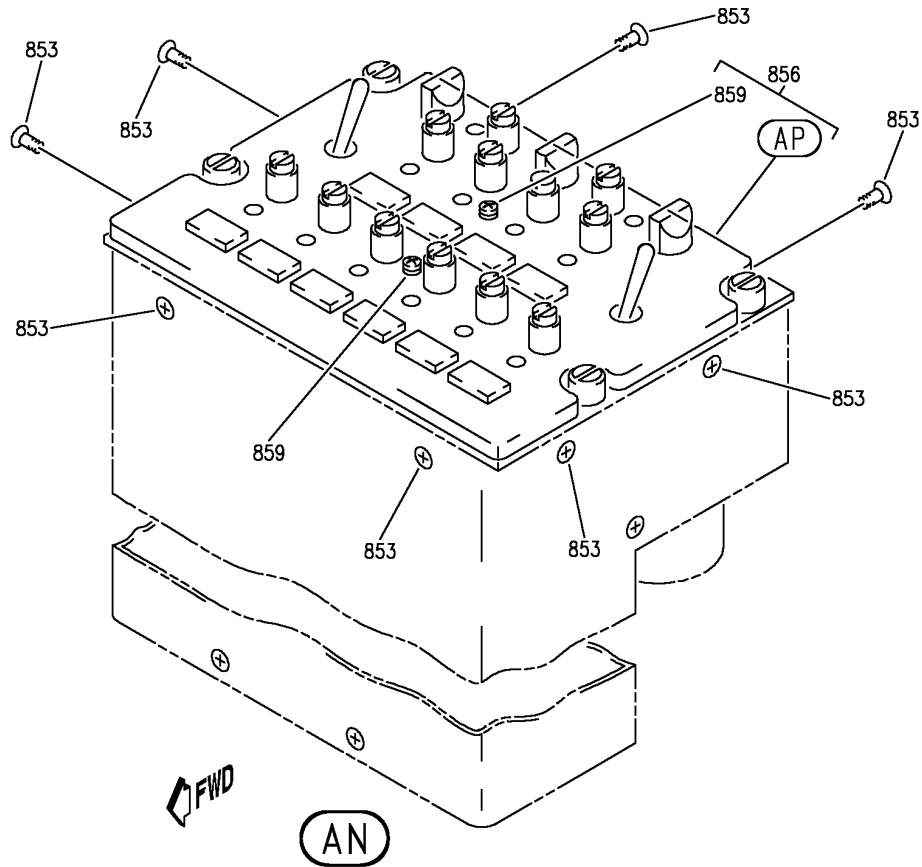
PANEL INSTL-P8, P9, P10 ELECTRONIC (INTEGRAL PANEL LIGHTS ONLY)
FIGURE 2 (SHEET 12)

33-13-58-02

BRI
MAY 28/07

33-13-58-02
PAGE OK

BOEING
757
PARTS CATALOG (MAINTENANCE)



Y 33135802 SH1 13 REV 275

PANEL INSTL-P8, P9, P10 ELECTRONIC (INTEGRAL PANEL LIGHTS ONLY)
FIGURE 2 (SHEET 13)

33-13-58-02

BRI
MAY 28/07

33-13-58-02
PAGE 01



757

PARTS CATALOG (MAINTENANCE)

FIG ITEM	PART NUMBER	1 2 3 4 5 6 7	NOMENCLATURE	EFFECT FROM TO	UNITS PER ASSY
2			PANEL INSTL-P8, P9, P10 ELECTRONIC (INTEGRAL PANEL LIGHTS ONLY)	011100	
- 1	233N6101-1		PANEL INSTL-P8 ELECTRONIC (INTEGRAL PANEL LIGHTS ONLY) VARIABLE DRAWING REF: 233N6101-5042 FOR NHA/OTHER SYS DET SEE: 25-10-00-05A	011100	RF
25	285T0022-44		.PANEL ASSY-AUDIO SELECTOR SUPPLIER CODE: V89954 ELECTRICAL EQUIP NUMBER: M00070 M00071 COMPONENT MAINT MANUAL REF: 23-51-54	011100	RF
25	285T0022-28		.PANEL ASSY-AUDIO SELECTOR SUPPLIER CODE: V89954 ELECTRICAL EQUIP NUMBER: M00070 M00071 COMPONENT MAINT MANUAL REF: 23-51-51	011100	RF
25	285T0022-38		.PANEL ASSY-AUDIO SELECTOR SUPPLIER CODE: V89954 ELECTRICAL EQUIP NUMBER: M00070 M00071 COMPONENT MAINT MANUAL REF: 23-51-54	011100	RF

MISSING ITEM NUMBERS NOT APPLICABLE

- ITEM NOT ILLUSTRATED

BRI

33-13-58-02

BOEING PROPRIETARY - Copyright © - Unpublished Work - See title page for details.

33-13-58
FIG. 02
PAGE 1
JAN 20/09



757

PARTS CATALOG (MAINTENANCE)

FIG ITEM	PART NUMBER	1 2 3 4 5 6 7	NOMENCLATURE	EFFECT FROM TO	UNITS PER ASSY
2 27	800-000738		..LIGHTPLATE-5V WHITE ILLUMINATED INTEGRALLY LIGHTED AUDIO SELECTOR SUPPLIER CODE: V05617 SPECIFICATION NUMBER: S233T100-530 MISCELLANEOUS DATA: FOR VENDOR FSCM 05617 FOR SPARES ORDER THE 800-000738-1 OPTIONAL PART: S233T100-530 V51896 800-000738-1 V05617 USED ON: 285T0022-27 285T0022-31 285T0022-37 285T0022-41 285T0022-43	011100	1
27	800-000738-1		..LIGHTPLATE-5V WHITE ILLUMINATED INTEGRALLY LIGHTED AUDIO SELECTOR SUPPLIER CODE: V05617 SPECIFICATION NUMBER: S233T100-530 OPTIONAL PART: S233T100-530 V51896 800-000738 V05617	011100	1

MISSING ITEM NUMBERS NOT APPLICABLE

- ITEM NOT ILLUSTRATED

BRI

33-13-58-02

BOEING PROPRIETARY - Copyright © - Unpublished Work - See title page for details.

33-13-58
 FIG. 02
 PAGE 2
 JAN 20/09



757

PARTS CATALOG (MAINTENANCE)

FIG ITEM	PART NUMBER	1 2 3 4 5 6 7	NOMENCLATURE	EFFECT FROM TO	UNITS PER ASSY
2 30	800-001357		..LIGHTPLATE-5V WHITE ILLUMINATED INTEGRALLY- LIGHTED SELECTOR MIC SUPPLIER CODE: V05617 SPECIFICATION NUMBER: S233T100-531 MISCELLANEOUS DATA: FOR VENDOR FSCM 05617 FOR SPARES ORDER THE 800-001357-1 OPTIONAL PART: S233T100-531 V51896 800-001357-1 V05617 USED ON: 285T0022-20 285T0022-22 285T0022-26 285T0022-28 285T0022-30 285T0022-36 285T0022-38 285T0022-40 285T0022-44	011100	1
30	800-001357-1		..LIGHTPLATE-5V WHITE ILLUMINATED INTEGRALLY- LIGHTED SELECTOR MIC SUPPLIER CODE: V05617 SPECIFICATION NUMBER: S233T100-531 OPTIONAL PART: S233T100-531 V51896 800-001357 V05617	011100	1

MISSING ITEM NUMBERS NOT APPLICABLE

- ITEM NOT ILLUSTRATED

BRI

33-13-58-02

BOEING PROPRIETARY - Copyright © - Unpublished Work - See title page for details.

33-13-58
 FIG. 02
 PAGE 3
 JAN 20/09



757

PARTS CATALOG (MAINTENANCE)

FIG ITEM	PART NUMBER	1 2 3 4 5 6 7	NOMENCLATURE	EFFECT FROM TO	UNITS PER ASSY
2 37	90-42301-1		.. CONNECTOR-PWR SUPPLIER CODE: V51074 QUALIFIED I/W DATA: 90-42301-1 CONNECTOR CAN REPLACE BUT NOT BE REPLACED BY 285T0022-23 INSULATOR TOGETHER WITH 800000121-1 CONNECTOR. OPTIONAL PART: 285T0022-52 V89954 USED ON: 285T0022-45 285T0022-44 285T0022-43 285T0022-42 285T0022-40	011100	1
37	90-42301-1		.. CONNECTOR-PWR SUPPLIER CODE: V51074 QUALIFIED I/W DATA: 90-42301-1 CONNECTOR CAN REPLACE BUT NOT BE REPLACED BY 285T0022-23 INSULATOR TOGETHER WITH 800000121-1 CONNECTOR. QUALIFIED OPTIONAL DATA: 285T0022-23 USED WITH 800000121-1 OPTIONAL TO 90-42301-1 USED ON: 285T0022-41 285T0022-39 285T0022-38 285T0022-37 285T0022-36 285T0022-35	011100	1

MISSING ITEM NUMBERS NOT APPLICABLE

- ITEM NOT ILLUSTRATED

33-13-58-02

33-13-58
 FIG. 02
 PAGE 4
 JAN 20/09

BRI



757

PARTS CATALOG (MAINTENANCE)

FIG ITEM	PART NUMBER	1 2 3 4 5 6 7	NOMENCLATURE	EFFECT FROM TO	UNITS PER ASSY
2	40 800000121-1		.. CONNECTOR-PWR SUPPLIER CODE: V05617 QUALIFIED I/W DATA: THE 800000121-1 T/W 285T0022-23 IS I/W 90-42301-1 USED ON: 285T0022-20 285T0022-22 285T0022-25 285T0022-26 285T0022-27 285T0022-28 285T0022-29 285T0022-30 285T0022-31	011100	1
	40 800000121-1		.. CONNECTOR-PWR SUPPLIER CODE: V05617 QUALIFIED I/W DATA: THE 800000121-1 T/W 285T0022-23 IS I/W 90-42301-1 QUALIFIED OPTIONAL DATA: 285T0022-23 USED WITH 800000121-1 OPTIONAL TO 90-42301-1 USED ON: 285T0022-41 285T0022-39 285T0022-38 285T0022-37 285T0022-36 285T0022-35	011100	1
-	43 285T0022-52		.. SUB KIT ASSY- SUPPLIER CODE: V89954 OPTIONAL PART: 90-42301-1 V51074 USED ON: 285T0022-45 285T0022-44 285T0022-43 285T0022-42 285T0022-40	011100	1

MISSING ITEM NUMBERS NOT APPLICABLE

- ITEM NOT ILLUSTRATED

33-13-58-02

33-13-58
FIG. 02
PAGE 5
JAN 20/09

BRI



757

PARTS CATALOG (MAINTENANCE)

FIG ITEM	PART NUMBER	1 2 3 4 5 6 7	NOMENCLATURE	EFFECT FROM TO	UNITS PER ASSY
2					
46	800000121-1		...CONNECTOR-PWR SUPPLIER CODE: V05617 QUALIFIED I/W DATA: THE 800000121-1 T/W 285T0022-23 IS I/W 90-42301-1	011100	1
49	285T0022-23		...INSULATOR-FLOATING SUPPLIER CODE: V89954 QUALIFIED I/W DATA: 90-42301-1 CONNECTOR CAN REPLACE BUT NOT BE REPLACED BY 285T0022-23 INSULATOR TOGETHER WITH 800000121-1 CONNECTOR.	011100	1
52	285T0022-23		..INSULATOR-FLOATING SUPPLIER CODE: V89954 QUALIFIED I/W DATA: 90-42301-1 CONNECTOR CAN REPLACE BUT NOT BE REPLACED BY 285T0022-23 INSULATOR TOGETHER WITH 800000121-1 CONNECTOR. USED ON: 285T0022-20 285T0022-22 285T0022-25 285T0022-26 285T0022-27 285T0022-28 285T0022-29 285T0022-30 285T0022-31	011100	1

MISSING ITEM NUMBERS NOT APPLICABLE

- ITEM NOT ILLUSTRATED

BRI

33-13-58-02

BOEING PROPRIETARY - Copyright © - Unpublished Work - See title page for details.

33-13-58
FIG. 02
PAGE 6
JAN 20/09

BOEING
757
PARTS CATALOG (MAINTENANCE)

FIG ITEM	PART NUMBER	1 2 3 4 5 6 7	NOMENCLATURE	EFFECT FROM TO	UNITS PER ASSY
2 52	285T0022-23		.. INSULATOR-FLOATING SUPPLIER CODE: V89954 QUALIFIED I/W DATA: 90-42301-1 CONNECTOR CAN REPLACE BUT NOT BE REPLACED BY 285T0022-23 INSULATOR TOGETHER WITH 800000121-1 CONNECTOR. QUALIFIED OPTIONAL DATA: 285T0022-23 USED WITH 800000121-1 OPTIONAL TO 90-42301-1 USED ON: 285T0022-41 285T0022-39 285T0022-38 285T0022-37 285T0022-36 285T0022-35	011100	1
85	285T0537-1		.PANEL ASSY-ADF CONT SUPPLIER CODE: V89954 ELECTRICAL EQUIP NUMBER: M01046 COMPONENT MAINT MANUAL REF: 34-57-53	011100	RF
85	285T0557-1		.PANEL ASSY-ADF CONT SUPPLIER CODE: V89954 ELECTRICAL EQUIP NUMBER: M01046 COMPONENT MAINT MANUAL REF: 34-57-62	011100	RF
88	S233T100-551		.. LIGHTPLATE- SUPPLIER CODE: V51896 SPECIFICATION NUMBER: S233T100-551 OPTIONAL PART: S233T100-558 V51896 OPTIONAL SUPPLIER CODE: 05617 98140 USED ON: 285T0537-1	011100	1

R
R
R
R
R
R
R
R
R
R

MISSING ITEM NUMBERS NOT APPLICABLE

- ITEM NOT ILLUSTRATED

33-13-58-02

33-13-58
FIG. 02
PAGE 7
MAY 20/09

BRI



757

PARTS CATALOG (MAINTENANCE)

FIG ITEM	PART NUMBER	1 2 3 4 5 6 7	NOMENCLATURE	EFFECT FROM TO	UNITS PER ASSY
R R R R R R R R R	2 90	S233T100-558	..LIGHTPLATE- SUPPLIER CODE: V51896 SPECIFICATION NUMBER: S233T100-558 OPTIONAL PART: S233T100-551 V51896 OPTIONAL SUPPLIER CODE: 05617 98140 USED ON: 285T0537-1	011100	1
	93	S233T100-563	..LIGHTPLATE-5V WHITE ILLUMINATED INTEGRALLY LIGHTED ADF DUAL W/BFO SUPPLIER CODE: V51896 SPECIFICATION NUMBER: S233T100-563 OPTIONAL PART: 800-007856 V05617 USED ON: 285T0557-1	011100	1
	93	800-007856	..LIGHTPLATE-5V WHITE ILLUMINATED INTEGRALLY LIGHTED ADF DUAL W/BFO SUPPLIER CODE: V05617 SPECIFICATION NUMBER: S233T100-563 OPTIONAL PART: S233T100-563 V51896 USED ON: 285T0557-1	011100	1
	97	800-000121-1	..CONNECTOR-PWR SUPPLIER CODE: V05617 QUALIFIED OPTIONAL DATA: 800-000121-1 OPT TO 90-42303-1 WHEN USED WITH ASSOCIATED ITEMS USED ON: 285T0557-1 285T0557-2	011100	1

MISSING ITEM NUMBERS NOT APPLICABLE

- ITEM NOT ILLUSTRATED

33-13-58-02

33-13-58
FIG. 02
PAGE 8
MAY 20/09

BRI



757

PARTS CATALOG (MAINTENANCE)

FIG ITEM	PART NUMBER	1 2 3 4 5 6 7	NOMENCLATURE	EFFECT FROM TO	UNITS PER ASSY
2 97	90-42303-1		.. CONNECTOR-PWR SUPPLIER CODE: V51074 QUALIFIED OPTIONAL DATA: 800-000121-1 OPT TO 90-42303-1 WHEN USED WITH ASSOCIATED ITEMS USED ON: 285T0557-1 285T0557-2	011100	1
101	800-000121-1		.. CONNECTOR-PWR SUPPLIER CODE: V05617 USED ON: 285T0537-1	011100	1
125	233N6204-301		. PANEL ASSY-FIRE/OVERHEAT TEST SUPPLIER CODE: V89954 COMPONENT MAINT MANUAL REF: 26-11-52 QUALIFIED I/W DATA: THE 233N6204-301 PANEL ASSY IS I/W THE 233N6204-15 PANEL ASSY T/W THE S233T100-5508 LIGHTPLATE.	011100	RF
135	800-000444		.. LIGHTPLATE-5V WHITE ILLUMINATED INTEGRALLY- LIGHTED FIRE/OVHT TEST SUPPLIER CODE: V05617 SPECIFICATION NUMBER: S233T100-5508 MISCELLANEOUS DATA: FOR VENDOR FSCM 05617 FOR SPARES ORDER THE 800-000444-1 OPTIONAL PART: S233T100-5508 V51896 800-000444-1 V05617	011100	1

MISSING ITEM NUMBERS NOT APPLICABLE

- ITEM NOT ILLUSTRATED

33-13-58-02

33-13-58
FIG. 02
PAGE 9
JAN 20/09

BRI



757

PARTS CATALOG (MAINTENANCE)

FIG ITEM	PART NUMBER	1 2 3 4 5 6 7	NOMENCLATURE	EFFECT FROM TO	UNITS PER ASSY
2 135	800-000444-1		..LIGHTPLATE-5V WHITE ILLUMINATED INTEGRALLY- LIGHTED FIRE/OVHT TEST SUPPLIER CODE: V05617 SPECIFICATION NUMBER: S233T100-5508 OPTIONAL PART: S233T100-5508 V51896 800-000444 V05617	011100	1
151	233N6204-15		..PANEL ASSY- SUPPLIER CODE: V89954 COMPONENT MAINT MANUAL REF: 26-11-52 QUALIFIED I/W DATA: THE 233N6204-301 PANEL ASSY IS I/W THE 233N6204-15 PANEL ASSY T/W THE S233T100-5508 LIGHTPLATE.	011100	RF
154	800-000121-1		...CONNECTOR- SUPPLIER CODE: V05617 USED ON: 233N6204-15	011100	1
195	285T0553-4		.PANEL ASSY-ILS CONT SUPPLIER CODE: V89954 ELECTRICAL EQUIP NUMBER: M00087 COMPONENT MAINT MANUAL REF: 34-31-61	011100	RF
195	285T0553-1		.PANEL ASSY-ILS CONT SUPPLIER CODE: V89954 ELECTRICAL EQUIP NUMBER: M00087 COMPONENT MAINT MANUAL REF: 34-31-61	011100	RF
195	285T0553-2		.PANEL ASSY-ILS CONT SUPPLIER CODE: V89954 ELECTRICAL EQUIP NUMBER: M00087 COMPONENT MAINT MANUAL REF: 34-31-61	011100	RF

MISSING ITEM NUMBERS NOT APPLICABLE

- ITEM NOT ILLUSTRATED

33-13-58-02

33-13-58
FIG. 02
PAGE 10
JAN 20/09

BRI



757

PARTS CATALOG (MAINTENANCE)

FIG ITEM	PART NUMBER	1 2 3 4 5 6 7	NOMENCLATURE	EFFECT FROM TO	UNITS PER ASSY
2 195	285T0524-6		.PANEL ASSY-ILS CONT SUPPLIER CODE: V89954 ELECTRICAL EQUIP NUMBER: M00087 COMPONENT MAINT MANUAL REF: 34-31-52	011100	RF
195	285T0020-8		.PANEL ASSY-ILS CONT SUPPLIER CODE: V89954 ELECTRICAL EQUIP NUMBER: M00087 COMPONENT MAINT MANUAL REF: 34-31-51	011100	RF
195	285T0553-3		.PANEL ASSY-ILS CONT SUPPLIER CODE: V89954 ELECTRICAL EQUIP NUMBER: M00087	011100	RF
197	S233T100-543		..LIGHTPLATE-5V WHITE ILLUMINATED INTEGRALLY LIGHTED ILS SUPPLIER CODE: V51896 SPECIFICATION NUMBER: S233T100-543 OPTIONAL PART: 800-008004 V05617 OPTIONAL PART: S233T100-544 V51896 S233T100-554 V51896 800-007826 V05617 USED ON: 285T0020-8	011100	1

MISSING ITEM NUMBERS NOT APPLICABLE

- ITEM NOT ILLUSTRATED

33-13-58-02

33-13-58
FIG. 02
PAGE 11
JAN 20/09

BRI



757

PARTS CATALOG (MAINTENANCE)

FIG ITEM	PART NUMBER	1 2 3 4 5 6 7	NOMENCLATURE	EFFECT FROM TO	UNITS PER ASSY
2 197	800-008004		..LIGHTPLATE-5V WHITE ILLUMINATED INTEGRALLY LIGHTED ILS SUPPLIER CODE: V05617 SPECIFICATION NUMBER: S233T100-543 OPTIONAL PART: S233T100-543 V51896 OPTIONAL PART: S233T100-544 V51896 S233T100-554 V51896 800-007826 V05617 USED ON: 285T0020-8	011100	1
R R	198	S233T100-544	..LIGHTPLATE-5V WHITE ILLUMINATED INTEGRALLY LIGHTED ILS SUPPLIER CODE: V51896 SPECIFICATION NUMBER: S233T100-544 OPTIONAL PART: S233T100-543 V51896 S233T100-554 V51896 800-008004 V05617 800-007826 V05617 OPTIONAL SUPPLIER CODE: 05617 98140 USED ON: 285T0020-8	011100	1

MISSING ITEM NUMBERS NOT APPLICABLE

- ITEM NOT ILLUSTRATED

33-13-58-02

33-13-58
 FIG. 02
 PAGE 12
 MAY 20/09

BRI



757

PARTS CATALOG (MAINTENANCE)

FIG ITEM	PART NUMBER	1 2 3 4 5 6 7	NOMENCLATURE	EFFECT FROM TO	UNITS PER ASSY
2 199	S233T100-554		..LIGHTPLATE-5V WHITE ILLUMINATED INTEGRALLY LIGHTED ILS SUPPLIER CODE: V51896 SPECIFICATION NUMBER: S233T100-554 OPTIONAL PART: 800-007826 V05617 OPTIONAL PART: S233T100-543 V51896 S233T100-544 V51896 800-007826 V05617 USED ON: 285T0020-8	011100	1
199	800-007826		..LIGHTPLATE-5V WHITE ILLUMINATED INTEGRALLY LIGHTED ILS SUPPLIER CODE: V05617 SPECIFICATION NUMBER: S233T100-554 OPTIONAL PART: S233T100-554 V51896 OPTIONAL PART: S233T100-543 V51896 S233T100-544 V51896 800-008004 V05617 USED ON: 285T0020-8	011100	1

MISSING ITEM NUMBERS NOT APPLICABLE

- ITEM NOT ILLUSTRATED

33-13-58-02

33-13-58
 FIG. 02
 PAGE 13
 JAN 20/09

BRI



757

PARTS CATALOG (MAINTENANCE)

FIG ITEM	PART NUMBER	1 2 3 4 5 6 7	NOMENCLATURE	EFFECT FROM TO	UNITS PER ASSY
2 200	S233T100-559		..LIGHTPLATE-5V WHITE ILLUMINATED INTEGRALLY LIGHTED ILS LCD SUPPLIER CODE: V51896 SPECIFICATION NUMBER: S233T100-559 OPTIONAL PART: 800-007677 V05617 USED ON: 285T0553-1 285T0553-2 285T0553-4 285T0553-3	011100	1
200	800-007677		..LIGHTPLATE-5V WHITE ILLUMINATED INTEGRALLY LIGHTED ILS LCD SUPPLIER CODE: V05617 SPECIFICATION NUMBER: S233T100-559 OPTIONAL PART: S233T100-559 V51896 USED ON: 285T0553-1 285T0553-2 285T0553-4 285T0553-3	011100	1
R R R R R R R R R R R R R	201	S233T100-545	..LIGHTPLATE-5V WHITE ILLUMINATED INTEGRALLY LIGHTED ILS SUPPLIER CODE: V51896 SPECIFICATION NUMBER: S233T100-545 OPTIONAL PART: S233T100-546 V51896 S233T100-555 V51896 OPTIONAL SUPPLIER CODE: 05617 98140 USED ON: 285T0524-6	011100	1

MISSING ITEM NUMBERS NOT APPLICABLE

- ITEM NOT ILLUSTRATED

33-13-58-02

33-13-58
FIG. 02
PAGE 14
MAY 20/09

BRI



757

PARTS CATALOG (MAINTENANCE)

FIG ITEM	PART NUMBER	1 2 3 4 5 6 7	NOMENCLATURE	EFFECT FROM TO	UNITS PER ASSY
R R	2 202	S233T100-546	..LIGHTPLATE-5V WHITE ILLUMINATED INTEGRALLY LIGHTED ILS SUPPLIER CODE: V51896 SPECIFICATION NUMBER: S233T100-546 OPTIONAL PART: S233T100-545 V51896 S233T100-555 V51896 OPTIONAL SUPPLIER CODE: 05617 98140 USED ON: 285T0524-6	011100	1
	203	S233T100-555	..LIGHTPLATE-5V WHITE ILLUMINATED INTEGRALLY LIGHTED ILS SUPPLIER CODE: V51896 SPECIFICATION NUMBER: S233T100-555 OPTIONAL PART: S233T100-545 V51896 S233T100-546 V51896 OPTIONAL SUPPLIER CODE: 05617 98140 USED ON: 285T0524-6	011100	1
	208	800-000121-1	..CONNECTOR- SUPPLIER CODE: V05617 QUALIFIED OPTIONAL DATA: 800-000121-1 OPTIONAL TO 90-42303-1 WHEN USED WITH ASSOCIATED PARTS USED ON: 285T0553-4	011100	1

MISSING ITEM NUMBERS NOT APPLICABLE

- ITEM NOT ILLUSTRATED

33-13-58-02

33-13-58
FIG. 02
PAGE 15
MAY 20/09

BRI



757

PARTS CATALOG (MAINTENANCE)

FIG ITEM	PART NUMBER	1 2 3 4 5 6 7	NOMENCLATURE	EFFECT FROM TO	UNITS PER ASSY
2 208	90-42303-1		..CONNECTOR- SUPPLIER CODE: V51074 QUALIFIED OPTIONAL DATA: 800-000121-1 OPTIONAL TO 90-42303-1 WHEN USED WITH ASSOCIATED PARTS USED ON: 285T0553-4	011100	1
208	800-000121-1		..CONNECTOR- SUPPLIER CODE: V05617 USED ON: 285T0553-1 285T0553-2 285T0553-3	011100	1
- 211	285T0524-2		..WIRE BUNDLE ASSY- SUPPLIER CODE: V89954 USED ON: 285T0524-6	011100	RF
213	800-000121-1		...CONNECTOR- SUPPLIER CODE: V05617	011100	1
- 216	285T0082-10		..MODULE ASSY-FRONT SUPPLIER CODE: V89954 OPTIONAL PART: 285T0082-14 V89954 USED ON: 285T0020-8	011100	RF
- 216	285T0082-14		..MODULE ASSY-FRONT SUPPLIER CODE: V89954 OPTIONAL PART: 285T0082-10 V89954 USED ON: 285T0020-8	011100	RF
218	800-000121-1		...CONNECTOR- SUPPLIER CODE: V05617	011100	1

MISSING ITEM NUMBERS NOT APPLICABLE

- ITEM NOT ILLUSTRATED

33-13-58-02

33-13-58
FIG. 02
PAGE 16
JAN 20/09

BRI



757

PARTS CATALOG (MAINTENANCE)

FIG ITEM	PART NUMBER	1 2 3 4 5 6 7	NOMENCLATURE	EFFECT FROM TO	UNITS PER ASSY
2 440	800-000448-1		..LIGHTPLATE-5V WHITE ILLUMINATED INTEGRALLY- LIGHTED AIL AND RUD TRI SUPPLIER CODE: V05617 SPECIFICATION NUMBER: S233T100-528 OPTIONAL PART: S233T100-528 V51896 800-000448 V05617	011100	1
- 444	233T6201-21		..PANEL ASSY- SUPPLIER CODE: V89954 ELECTRICAL EQUIP NUMBER: M00074 COMPONENT MAINT MANUAL REF: 27-21-63 QUALIFIED I/W DATA: THE 233T6201-324 PANEL ASSY IS I/W THE 233T6201-21 PANEL ASSY T/W THE S233T100-528 LIGHTPLATE AND SA808-101 KNOB	011100	RF
- 444	233T6201-22		..PANEL ASSY- SUPPLIER CODE: V89954 ELECTRICAL EQUIP NUMBER: M00074	011100	RF
449	800000121-1		...CONNECTOR- SUPPLIER CODE: V05617	011100	1
460	233N6203-301		.PANEL ASSY-APU/CARGO FIRE CONT SUPPLIER CODE: V89954 COMPONENT MAINT MANUAL REF: 26-15-51 QUALIFIED I/W DATA: THE 233N6203-301 PANEL ASSY IS I/W THE 233N6203-161 PANEL ASSY T/W THE S233T100-573 LIGHTPLATE. PRE ALERT SB: 33A0044	011100	RF

MISSING ITEM NUMBERS NOT APPLICABLE

- ITEM NOT ILLUSTRATED

33-13-58-02

33-13-58
FIG. 02
PAGE 18
JAN 20/09

BRI



757

PARTS CATALOG (MAINTENANCE)

FIG ITEM	PART NUMBER	1 2 3 4 5 6 7	NOMENCLATURE	EFFECT FROM TO	UNITS PER ASSY
2 460	233N6203-1301	.	PANEL ASSY-APU/CARGO FIRE CONT SUPPLIER CODE: V89954 ELECTRICAL EQUIP NUMBER: M10444 COMPONENT MAINT MANUAL REF: 26-15-51 POST ALERT SB: 33A0044	011100	RF
460	233N6203-355	.	PANEL ASSY-APU/CARGO FIRE CONT SUPPLIER CODE: V89954 ELECTRICAL EQUIP NUMBER: M10444	011100	RF
465	800-007123	..	LIGHTPLATE-5V WHITE ILLUMINATED INTEGRALLY- APU AND MAIN CARGO FIRE CONT SUPPLIER CODE: V05617 SPECIFICATION NUMBER: S233T100-573 OPTIONAL SUPPLIER CODE: 05617 98140	011100	1
- 476	233N6203-161	..	PANEL ASSY- SUPPLIER CODE: V89954 ELECTRICAL EQUIP NUMBER: M10444 COMPONENT MAINT MANUAL REF: 26-15-51 QUALIFIED I/W DATA: THE 233N6203-301 PANEL ASSY IS I/W THE 233N6203-161 PANEL ASSY T/W THE S233T100-573 LIGHTPLATE. 233N6203-9/-23/-45/-104/ -105/-161 ARE ALL INTERCHANGEABLE EXCEPT SUBJECT TO CUSTOMER PREFERENCE USED ON: 233N6203-301 PRE ALERT SB: 33A0044	011100	RF

MISSING ITEM NUMBERS NOT APPLICABLE

- ITEM NOT ILLUSTRATED

33-13-58-02

33-13-58
FIG. 02
PAGE 19
JAN 20/09

BRI



757

PARTS CATALOG (MAINTENANCE)

FIG ITEM	PART NUMBER	1 2 3 4 5 6 7	NOMENCLATURE	EFFECT FROM TO	UNITS PER ASSY
2					
- 477	233N6203-1161	..	PANEL ASSY- SUPPLIER CODE: V89954 ELECTRICAL EQUIP NUMBER: M10444 COMPONENT MAINT MANUAL REF: 26-15-51 POST ALERT SB: 33A0044	011100	RF
- 477	233N6203-252	..	PANEL ASSY- SUPPLIER CODE: V89954 ELECTRICAL EQUIP NUMBER: M10444 COMPONENT MAINT MANUAL REF: 26-15-51 USED ON: 233N6203-355	011100	RF
486	800000121-1	...	CONNECTOR-PWR SUPPLIER CODE: V05617 USED ON: 233N6203-104 233N6203-106 233N6203-107 233N6203-109 233N6203-111 233N6203-150 233N6203-153 233N6203-161 233N6203-162 233N6203-163 233N6203-164 233N6203-165 233N6203-1304 233N6203-1301 233N6203-1164	011100	1
486	800-000121-1	...	CONNECTOR-PWR SUPPLIER CODE: V05617 USED ON: 233N6203-12 233N6203-77 233N6203-138 233N6203-166 233N6203-249 233N6203-252 233N6203-253 233N6203-1306	011100	1

MISSING ITEM NUMBERS NOT APPLICABLE

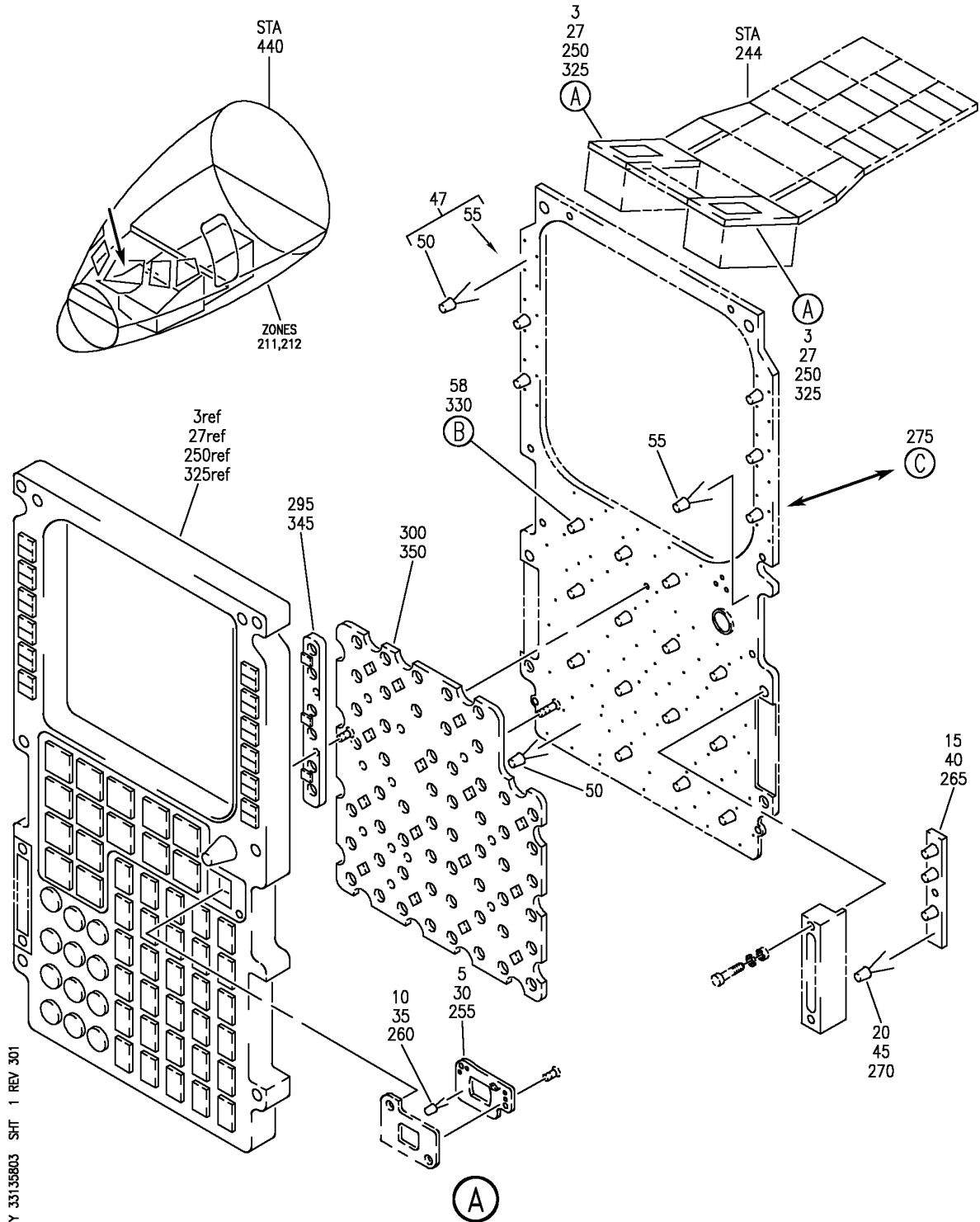
- ITEM NOT ILLUSTRATED

33-13-58-02

33-13-58
FIG. 02
PAGE 20
JAN 20/09

BRI

BOEING
757
PARTS CATALOG (MAINTENANCE)



Y 33135803 SHT 1 REV 301

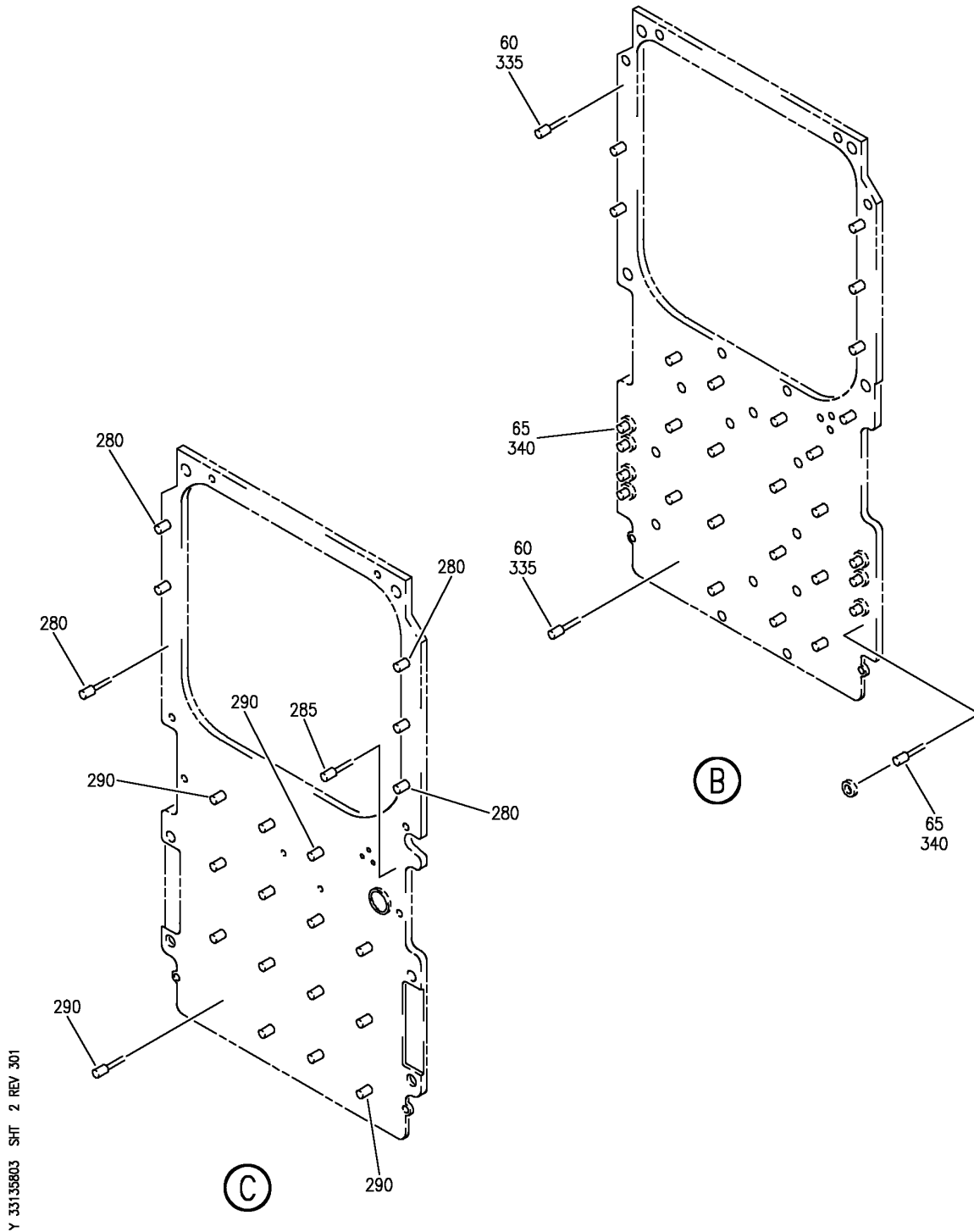
PANEL ASSY-FLIGHT MANAGEMENT COMPUTER CONT (LIGHTS ONLY)
FIGURE 3 (SHEET 1)

33-13-58-03

BRI
MAY 28/07

33-13-58-03
PAGE 0

BOEING
757
PARTS CATALOG (MAINTENANCE)



PANEL ASSY-FLIGHT MANAGEMENT COMPUTER CONT (LIGHTS ONLY)
FIGURE 3 (SHEET 2)

33-13-58-03

BRI
MAY 28/07

33-13-58-03
PAGE 0A



757

PARTS CATALOG (MAINTENANCE)

FIG ITEM	PART NUMBER	1 2 3 4 5 6 7	NOMENCLATURE	EFFECT FROM TO	UNITS PER ASSY
3			PANEL ASSY-FLIGHT MANAGEMENT COMPUTER CONT (LIGHTS ONLY)	002004 006999	
- 1	4038170-904		PANEL ASSY-FLIGHT MANAGEMENT COMPUTER CONT (LIGHTS ONLY) SUPPLIER CODE: V58960 SPECIFICATION NUMBER: S242T102-102 ELECTRICAL EQUIP NUMBER: M00076 M00077 COMPONENT MAINT MANUAL REF: 34-61-20 PRE SERVICE BULLETIN: 34-0414 34-0416 FOR NHA/OTHER SYS DET SEE: 34-61-02-01	002004 006100 107503 904999	RF
- 1	4038170-905		PANEL ASSY-FLIGHT MANAGEMENT COMPUTER CONT (LIGHTS ONLY) SUPPLIER CODE: V58960 SPECIFICATION NUMBER: S242T102-103 ELECTRICAL EQUIP NUMBER: M00076 M00077 COMPONENT MAINT MANUAL REF: 34-61-20 PRE SERVICE BULLETIN: 34-0414 34-0416 FOR NHA/OTHER SYS DET SEE: 34-61-02-01 34-61-02-03	002004 006100 107503 904999	RF
3	4040317-902		.KEYBOARD ASSY- SUPPLIER CODE: V58960 CONFIG CHG DATA FROM A CMM: REPLD BY 865-000002-2 COMPONENT MAINT MANUAL REF: 24-09-06	002004 006100 107503 904999	RF

MISSING ITEM NUMBERS NOT APPLICABLE

- ITEM NOT ILLUSTRATED

33-13-58-03

33-13-58
FIG. 03
PAGE 1
JAN 20/09

BRI



757

PARTS CATALOG (MAINTENANCE)

FIG ITEM	PART NUMBER	1 2 3 4 5 6 7	NOMENCLATURE	EFFECT FROM TO	UNITS PER ASSY
3	3 865-000002-2		.KEYBOARD ASSY- SUPPLIER CODE: V58960 CONFIG CHG DATA FROM A CMM: REPLACES 4040317-902 MISCELLANEOUS DATA: HONEYWELL PART NO. 4040317-902 COMPONENT MAINT MANUAL REF: 24-09-06	002004 006100 107503 904999	RF
	5 565-000042-1		..BOARD ASSY-PRINTED WIRING SUPPLIER CODE: V58960 CONFIG CHG DATA FROM A CMM: REPLD BY 565-000227-1	002004 006100 107503 904999	RF
	5 565-000227-1		..BOARD ASSY-PRINTED WIRING SUPPLIER CODE: V58960 CONFIG CHG DATA FROM A CMM: REPLS 565-000042-1	002004 006100 107503 904999	RF
	10 100-150067-1		...LAMP- SUPPLIER CODE: V58960	002004 006100 107503 904999	2
	15 565-000043-1		..BOARD ASSY-PRINTED WIRING SUPPLIER CODE: V58960 CONFIG CHG DATA FROM A CMM: REPLD BY 565-000228-1	002004 006100 107503 904999	RF
	15 565-000228-1		..BOARD ASSY-PRINTED WIRING SUPPLIER CODE: V58960 CONFIG CHG DATA FROM A CMM: REPLS 565-000043-1	002004 006100 107503 904999	RF
	20 MS90451-7152		...LAMP	002004 006100 107503 904999	8

MISSING ITEM NUMBERS NOT APPLICABLE

- ITEM NOT ILLUSTRATED

33-13-58-03

33-13-58
FIG. 03
PAGE 2
JAN 20/09

BRI

BOEING PROPRIETARY - Copyright © - Unpublished Work - See title page for details.



757

PARTS CATALOG (MAINTENANCE)

FIG ITEM	PART NUMBER	1 2 3 4 5 6 7	NOMENCLATURE	EFFECT FROM TO	UNITS PER ASSY
3 - 25	4058650-950		PANEL ASSY-FLIGHT MANAGEMENT CDU (LIGHTS ONLY) SUPPLIER CODE: V58960 FUNCTIONAL DESCRIPTION: OPERATE CONTROL PANEL FOR SUBSYSTEMS AND PROVIDE BACKUP FUNCTIONS FOR NAVIGATION, FLIGHT PLANNING, RADIO TUNING AND EFIS/EICAS PANEL CONTROL SPECIFICATION NUMBER: S242T102-153 ELECTRICAL EQUIP NUMBER: M00076 M00077 COMPONENT MAINT MANUAL REF: 34-61-37 FOR NHA/OTHER SYS DET SEE: 34-61-02-03	101106 108120 504903	RF
- 25	4077880-902		PANEL ASSY-FLIGHT MANAGEMENT CDU (LIGHTS ONLY) SUPPLIER CODE: V58960 FUNCTIONAL DESCRIPTION: OPERATE CONTROL PANEL FOR SUBSYSTEMS AND PROVIDE BACKUP FUNCTIONS FOR NAVIGATION, FLIGHT PLANNING, RADIO TUNING AND EFIS/EICAS PANEL CONTROL SPECIFICATION NUMBER: S242T102-155 ELECTRICAL EQUIP NUMBER: M00076 M00077 COMPONENT MAINT MANUAL REF: 34-61-57 FOR NHA/OTHER SYS DET SEE: 34-61-02-03	101101	RF

MISSING ITEM NUMBERS NOT APPLICABLE

- ITEM NOT ILLUSTRATED

33-13-58-03

33-13-58
FIG. 03
PAGE 3
JAN 20/09

BRI



757

PARTS CATALOG (MAINTENANCE)

FIG ITEM	PART NUMBER	1 2 3 4 5 6 7	NOMENCLATURE	EFFECT FROM TO	UNITS PER ASSY
3					
- 25	4077880-903		PANEL ASSY-FLIGHT MANAGEMENT CDU (LIGHTS ONLY) SUPPLIER CODE: V58960 FUNCTIONAL DESCRIPTION: OPERATE CONTROL PANEL FOR SUBSYSTEMS AND PROVIDE BACKUP FUNCTIONS FOR NAVIGATION, FLIGHT PLANNING, RADIO TUNING AND EFIS/EICAS PANEL CONTROL SPECIFICATION NUMBER: S242T102-156 ELECTRICAL EQUIP NUMBER: M00076 M00077 COMPONENT MAINT MANUAL REF: 34-61-57 FOR NHA/OTHER SYS DET SEE: 34-61-02-03	101106 108120 504903	RF
- 25	4077880-908		PANEL ASSY-FLIGHT MANAGEMENT CDU (LIGHTS ONLY) SUPPLIER CODE: V58960 FUNCTIONAL DESCRIPTION: OPERATE CONTROL PANEL FOR SUBSYSTEMS AND PROVIDE BACKUP FUNCTIONS FOR NAVIGATION, FLIGHT PLANNING, RADIO TUNING AND EFIS/EICAS PANEL CONTROL SPECIFICATION NUMBER: S242T102-161 ELECTRICAL EQUIP NUMBER: M00076 M00077 COMPONENT MAINT MANUAL REF: 34-61-57 FOR NHA/OTHER SYS DET SEE: 34-61-02-03	101106 108120 504903	RF

MISSING ITEM NUMBERS NOT APPLICABLE

- ITEM NOT ILLUSTRATED

33-13-58-03

33-13-58
FIG. 03
PAGE 4
JAN 20/09

BRI



757

PARTS CATALOG (MAINTENANCE)

FIG ITEM	PART NUMBER	1 2 3 4 5 6 7	NOMENCLATURE	EFFECT FROM TO	UNITS PER ASSY
3 - 25	4077880-908		PANEL ASSY-FLIGHT MANAGEMENT CDU (CUSTOMER FURNISHED) (LIGHTS ONLY) SUPPLIER CODE: V58960 FUNCTIONAL DESCRIPTION: OPERATE CONTROL PANEL FOR SUBSYSTEMS AND PROVIDE BACKUP FUNCTIONS FOR NAVIGATION, FLIGHT PLANNING, RADIO TUNING AND EFIS/EICAS PANEL CONTROL SPECIFICATION NUMBER: S242T102-161 ELECTRICAL EQUIP NUMBER: M00076 M00077 COMPONENT MAINT MANUAL REF: 34-61-57 POST SERVICE BULLETIN: 34-0414 34-0416 FOR NHA/OTHER SYS DET SEE: 34-61-02-01	009009 107107	RF
27	4058655-1		.KEYBOARD ASSY- SUPPLIER CODE: V58960 COMPONENT MAINT MANUAL REF: 24-09-25 USED ON: 4058650-950	101106 108120 504903	1
27	4058655-2		.KEYBOARD ASSY- SUPPLIER CODE: V58960 COMPONENT MAINT MANUAL REF: 24-09-25 USED ON: 4077880-902 4077880-903 4077880-908	009009 101120 504903	1
30	565-000227-2		..BOARD ASSY-PRINTED WIRING SUPPLIER CODE: V58960 USED ON: 4058655-1	101106 108120 504903	1

MISSING ITEM NUMBERS NOT APPLICABLE

- ITEM NOT ILLUSTRATED

33-13-58-03

33-13-58
FIG. 03
PAGE 5
JAN 20/09

BRI



757

PARTS CATALOG (MAINTENANCE)

FIG ITEM	PART NUMBER	1 2 3 4 5 6 7	NOMENCLATURE	EFFECT FROM TO	UNITS PER ASSY
3					
58	565-000524-3	..	COMPONENTS ASSY-ELECT. SUPPLIER CODE: V05617 USED ON: 4058655-2	009009 101120 504903	1
60	MS90451-7132	...	LAMP	009009 101120 504903	23
65	MS90451-7152	...	LAMP	009009 101120 504903	8

MISSING ITEM NUMBERS NOT APPLICABLE

- ITEM NOT ILLUSTRATED

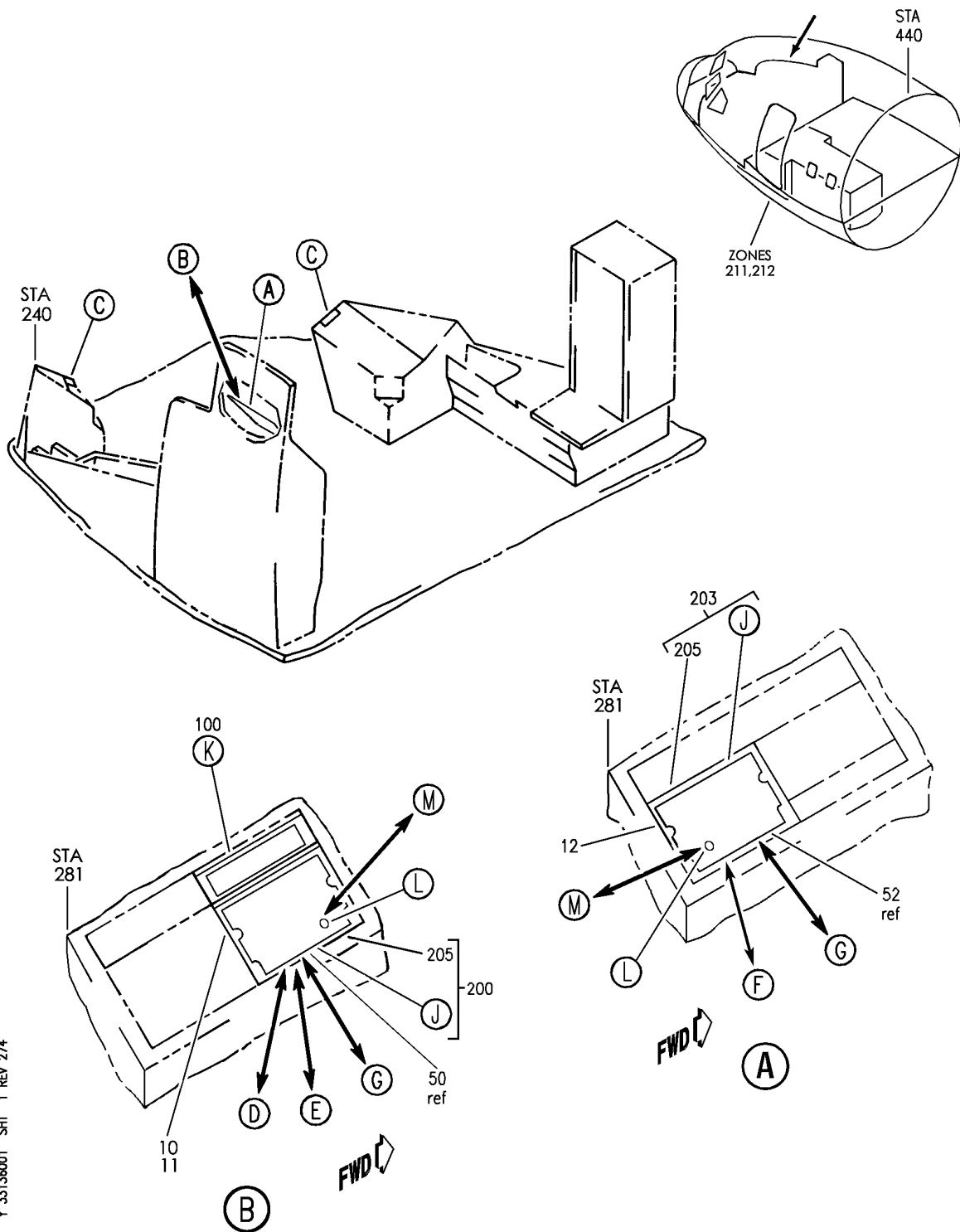
BRI

33-13-58-03

BOEING PROPRIETARY - Copyright © - Unpublished Work - See title page for details.

33-13-58
FIG. 03
PAGE 6
JAN 20/09

BOEING
757
PARTS CATALOG (MAINTENANCE)



Y 33136001 SH1 1 REV 274

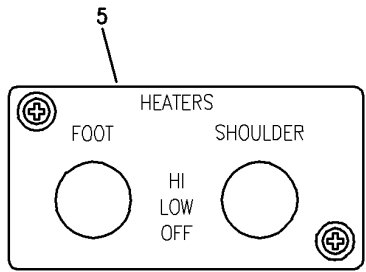
PANEL INSTL-AUX, P13, P14, P17, AUDIO SELECT PRE-MODULE, PTT (INTEGRAL PANEL LIGHTS ONLY)
FIGURE 1 (SHEET 1)

BRI
MAY 28/07

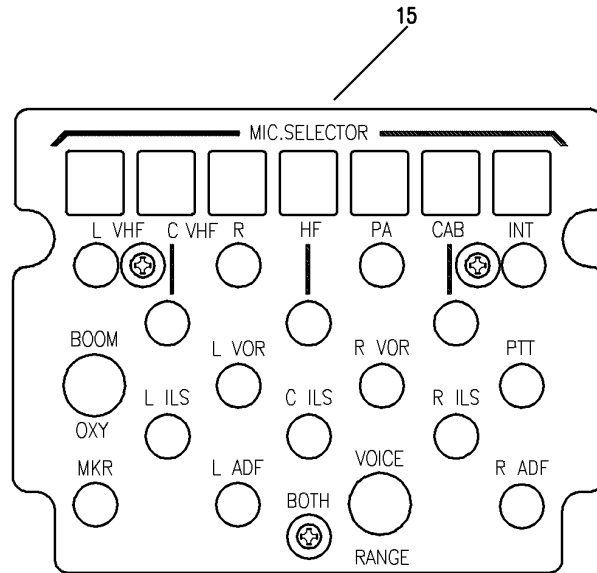
33-13-60-01

33-13-60-01
PAGE 0

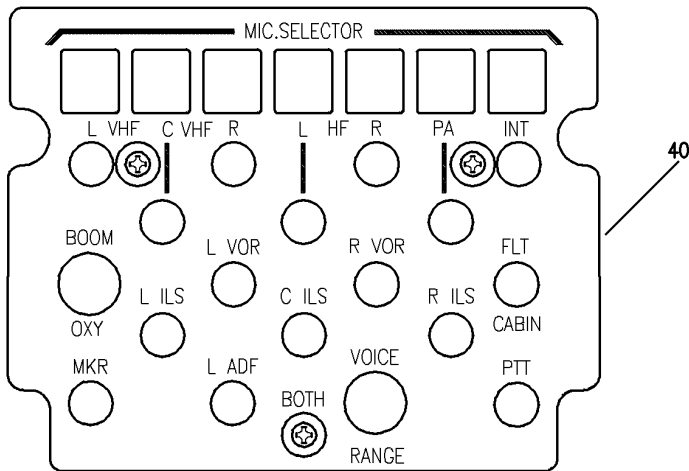
BOEING
757
PARTS CATALOG (MAINTENANCE)



(C)



(D)



(E)

Y 33136001 SH1 2 REV 237

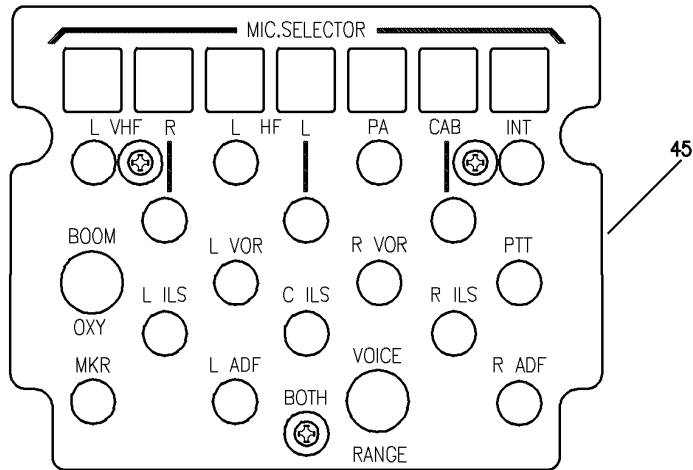
PANEL INSTL-AUX, P13, P14, P17, AUDIO SELECT PRE-MODULE, PTT (INTEGRAL PANEL LIGHTS ONLY)
FIGURE 1 (SHEET 2)

BRI
MAY 28/07

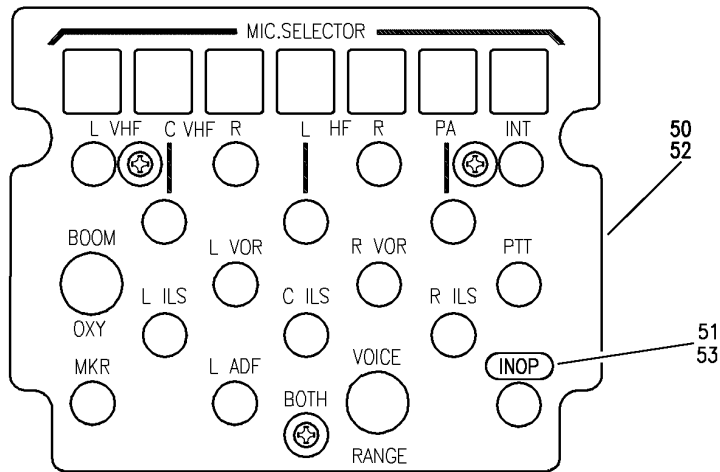
33-13-60-01

33-13-60-01
PAGE 0A

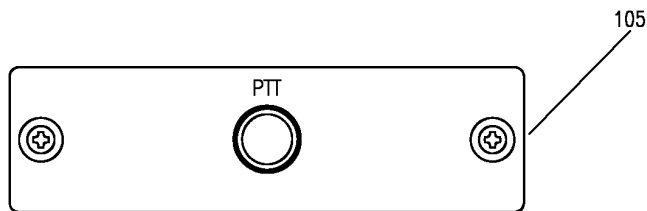
BOEING
757
PARTS CATALOG (MAINTENANCE)



(F)



(G)



(H)

Y 33136001 SH-T 3 REV 295

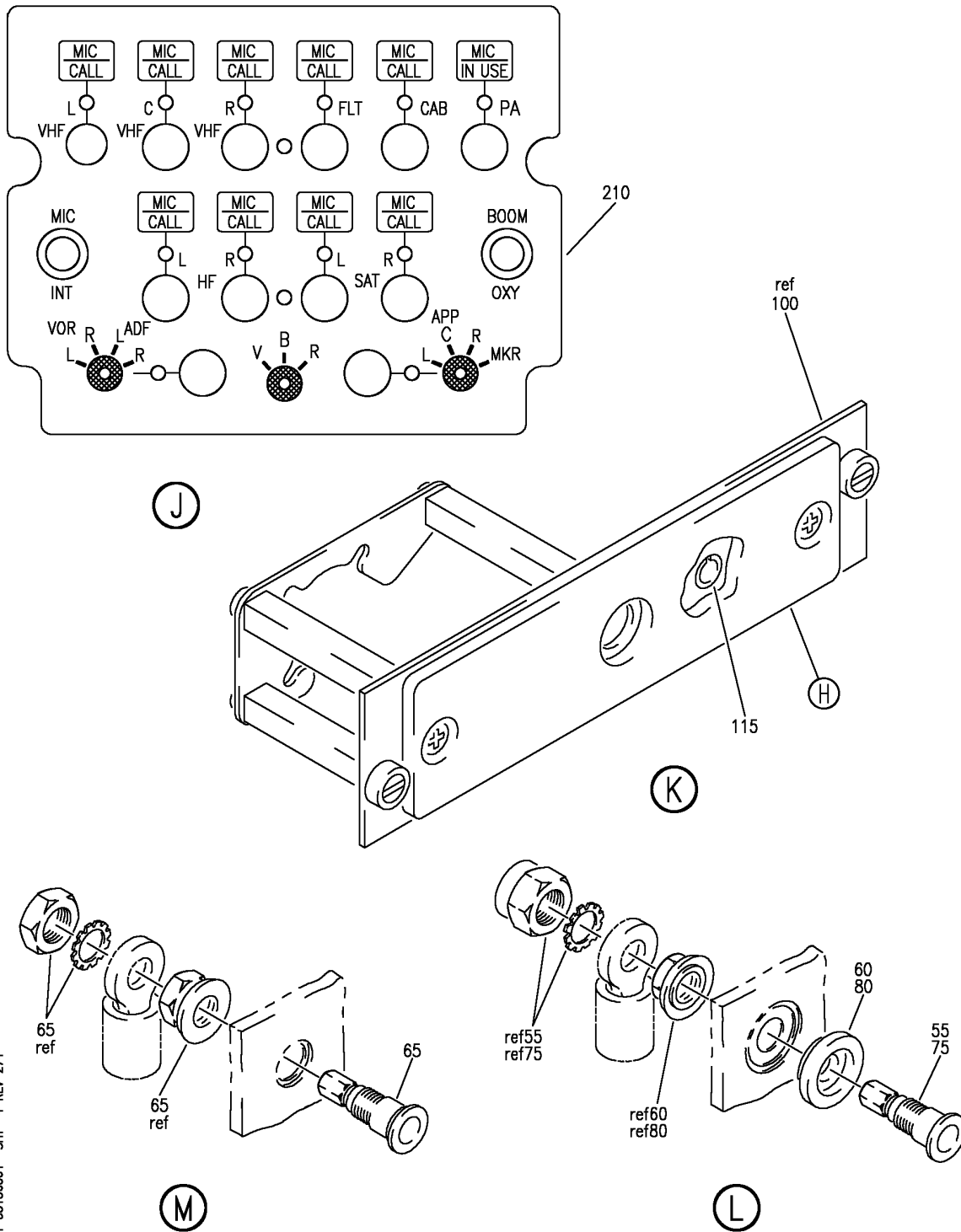
PANEL INSTL-AUX, P13, P14, P17, AUDIO SELECT PRE-MODULE, PTT (INTEGRAL PANEL LIGHTS ONLY)
FIGURE 1 (SHEET 3)

BRI
MAY 28/07

33-13-60-01

33-13-60-01
PAGE 0B


BOEING
 757
PARTS CATALOG (MAINTENANCE)



Y 33136001 SHIT 4 REV 274

PANEL INSTL-AUX, P13, P14, P17, AUDIO SELECT PRE-MODULE, PTT (INTEGRAL PANEL LIGHTS ONLY)
 FIGURE 1 (SHEET 4)

33-13-60-01

BRI
MAY 28/07

33-13-60-01
 PAGE 0C



757

PARTS CATALOG (MAINTENANCE)

FIG ITEM	PART NUMBER	1 2 3 4 5 6 7	NOMENCLATURE	EFFECT FROM TO	UNITS PER ASSY
1			PANEL INSTL-AUX, P13, P14, P17, AUDIO SELECT PRE-MODULE, PTT (INTEGRAL PANEL LIGHTS ONLY)	002004 006010 101503 904999	
- 1	233N7101-1		PANEL INSTL-AUX, P13, P14, P17 (INTEGRAL PANEL LIGHTS ONLY) VARIABLE DRAWING REF: 233N7101-5002 233N7101-5003 233N7101-5026 233N7101-5027 233N7101-5030 FOR NHA/OTHER SYS DET SEE: 25-10-00-05A	002004 006010 107107 121503 904999	RF
- 2	233N7103-39		PANEL INSTL-AUDIO SELECT (INTEGRAL PANEL LIGHTS ONLY) FOR NHA/OTHER SYS DET SEE: 25-10-00-15B	108120	RF
- 2	233N7103-18		PANEL INSTL-AUDIO SELECT PRE-MODULE (INTEGRAL PANEL LIGHTS ONLY) FOR NHA/OTHER SYS DET SEE: 25-10-00-15B	101102	RF
- 4	MODREF22325		PANEL INSTL- (INTEGRAL PANEL LIGHTS ONLY) MODULE NUMBER: 233N7103-17 REV B FOR OTHER SYS DETAILS SEE: 11-33-01-03 23-51-01-06 31-13-16-03	103106	1

MISSING ITEM NUMBERS NOT APPLICABLE

- ITEM NOT ILLUSTRATED

33-13-60-01

33-13-60
FIG. 01
PAGE 1
JAN 20/09

BRI



757

PARTS CATALOG (MAINTENANCE)

FIG ITEM	PART NUMBER	1 2 3 4 5 6 7	NOMENCLATURE	EFFECT FROM TO	UNITS PER ASSY
1	5 800-000904		.LIGHTPLATE-5V WHITE ILLUMINATED INTEGRALLY LIGHTED FT AND SHOULDER HEAT SUPPLIER CODE: V05617 SPECIFICATION NUMBER: S233T100-4006 MISCELLANEOUS DATA: FOR VENDOR FSCM 05617 FOR SPARES ORDER THE 800-000904-1 OPTIONAL PART: S233T100-4006 V51896 800-000904-1 V05617	002004 006010 107107 121503 904999	2
	5 800-000904-1		.LIGHTPLATE-5V WHITE ILLUMINATED INTEGRALLY LIGHTED FT AND SHOULDER HEAT SUPPLIER CODE: V05617 SPECIFICATION NUMBER: S233T100-4006 OPTIONAL PART: S233T100-4006 V51896 800-000904 V05617	002004 006010 107107 121503 904999	2
	10 285T0022-27		.PANEL ASSY-AUDIO SELECTOR SUPPLIER CODE: V89954 COMPONENT MAINT MANUAL REF: 23-51-51	950952	RF
	10 285T0022-22		.PANEL ASSY-AUDIO SELECTOR SUPPLIER CODE: V89954 COMPONENT MAINT MANUAL REF: 23-51-51	002004 006010 107107	RF
	10 285T0022-28		.PANEL ASSY-AUDIO SELECTOR SUPPLIER CODE: V89954 COMPONENT MAINT MANUAL REF: 23-51-51	002004 006010 107107	RF

MISSING ITEM NUMBERS NOT APPLICABLE

- ITEM NOT ILLUSTRATED

33-13-60-01

33-13-60
FIG. 01
PAGE 2
JAN 20/09

BRI



757

PARTS CATALOG (MAINTENANCE)

FIG ITEM	PART NUMBER	1 2 3 4 5 6 7	NOMENCLATURE	EFFECT FROM TO	UNITS PER ASSY
1					
10	285T0022-31		.PANEL ASSY-AUDIO SELECTOR SUPPLIER CODE: V89954 COMPONENT MAINT MANUAL REF: 23-51-54	953999	RF
10	285T0022-37		.PANEL ASSY-AUDIO SELECTOR SUPPLIER CODE: V89954 COMPONENT MAINT MANUAL REF: 23-51-54 PRE COMPONENT SB: 285T0022-23-05	950952	RF
10	285T0022-38		.PANEL ASSY-AUDIO SELECTOR SUPPLIER CODE: V89954 COMPONENT MAINT MANUAL REF: 23-51-54	002004 006010 107107	RF
10	285T0022-41		.PANEL ASSY-AUDIO SELECTOR SUPPLIER CODE: V89954 COMPONENT MAINT MANUAL REF: 23-51-54	953999	RF
11	285T0022-43		.PANEL ASSY-AUDIO SELECTOR SUPPLIER CODE: V89954 ELECTRICAL EQUIP NUMBER: M00098 COMPONENT MAINT MANUAL REF: 23-51-54 POST COMPONENT SB: 285T0022-23-05	950952	RF
11	285T0022-44		.PANEL ASSY-AUDIO SELECTOR SUPPLIER CODE: V89954 ELECTRICAL EQUIP NUMBER: M00098 COMPONENT MAINT MANUAL REF: 23-51-54	002004 006010 107107	RF
11	285T0022-44		.PANEL ASSY-AUDIO SELECTOR (CUSTOMER FURNISHED) SUPPLIER CODE: V89954 ELECTRICAL EQUIP NUMBER: M00098 COMPONENT MAINT MANUAL REF: 23-51-54	121503 904949	RF

MISSING ITEM NUMBERS NOT APPLICABLE

- ITEM NOT ILLUSTRATED

33-13-60-01

33-13-60
FIG. 01
PAGE 3
JAN 20/09

BRI



757

PARTS CATALOG (MAINTENANCE)

FIG ITEM	PART NUMBER	1 2 3 4 5 6 7	NOMENCLATURE	EFFECT FROM TO	UNITS PER ASSY
1					
11	285T0022-38		.PANEL ASSY-AUDIO SELECTOR (CUSTOMER FURNISHED) SUPPLIER CODE: V89954 ELECTRICAL EQUIP NUMBER: M00098 COMPONENT MAINT MANUAL REF: 23-51-54	121503 904949	RF
11	285T0022-44		.PANEL ASSY-AUDIO SELECTOR SUPPLIER CODE: V89954 ELECTRICAL EQUIP NUMBER: M00098 COMPONENT MAINT MANUAL REF: 23-51-54	101102	RF
11	285T0022-38		.PANEL ASSY-AUDIO SELECTOR SUPPLIER CODE: V89954 ELECTRICAL EQUIP NUMBER: M00098 COMPONENT MAINT MANUAL REF: 23-51-54	101102	RF
11	285T0022-28		.PANEL ASSY-AUDIO SELECTOR SUPPLIER CODE: V89954 COMPONENT MAINT MANUAL REF: 23-51-51	121503 904949	RF
11	285T0022-28		.PANEL ASSY-AUDIO SELECTOR SUPPLIER CODE: V89954 COMPONENT MAINT MANUAL REF: 23-51-51	101102	RF
12	285T0022-44		.PANEL ASSY-AUDIO SELECTOR SUPPLIER CODE: V89954 ELECTRICAL EQUIP NUMBER: M00098 COMPONENT MAINT MANUAL REF: 23-51-54	108120	RF
12	285T0022-38		.PANEL ASSY-AUDIO SELECTOR SUPPLIER CODE: V89954 ELECTRICAL EQUIP NUMBER: M00098 COMPONENT MAINT MANUAL REF: 23-51-54	108120	RF

MISSING ITEM NUMBERS NOT APPLICABLE

- ITEM NOT ILLUSTRATED

33-13-60-01

33-13-60
FIG. 01
PAGE 4
JAN 20/09

BRI



757

PARTS CATALOG (MAINTENANCE)

FIG ITEM	PART NUMBER	1 2 3 4 5 6 7	NOMENCLATURE	EFFECT FROM TO	UNITS PER ASSY
1	12 285T0022-28		.PANEL ASSY-AUDIO SELECTOR SUPPLIER CODE: V89954 COMPONENT MAINT MANUAL REF: 23-51-51	108120	RF
	45 800-001357		..LIGHTPLATE-5V WHITE ILLUMINATED INTEGRALLY LIGHTED AUDIO SELECTOR SUPPLIER CODE: V05617 SPECIFICATION NUMBER: S233T100-531 MISCELLANEOUS DATA: FOR VENDOR FSCM 05617 FOR SPARES ORDER THE 800-001357-1 OPTIONAL PART: S233T100-531 V51896 800-001357-1 V05617	002004 006010 101102 107120	1
	45 800-001357-1		..LIGHTPLATE-5V WHITE ILLUMINATED INTEGRALLY LIGHTED AUDIO SELECTOR SUPPLIER CODE: V05617 SPECIFICATION NUMBER: S233T100-531 OPTIONAL PART: S233T100-531 V51896 800-001357 V05617	002004 006010 101102 107120	1
	50 800-000738		..LIGHTPLATE-5V WHITE ILLUMINATED INTEGRALLY LIGHTED AUDIO SELECTOR SUPPLIER CODE: V05617 SPECIFICATION NUMBER: S233T100-530 MISCELLANEOUS DATA: FOR VENDOR FSCM 05617 FOR SPARES ORDER THE 800-000738-1 OPTIONAL PART: S233T100-530 V51896 800-000738-1 V05617	950999	1

MISSING ITEM NUMBERS NOT APPLICABLE

- ITEM NOT ILLUSTRATED

33-13-60-01

33-13-60
FIG. 01
PAGE 5
JAN 20/09

BRI



757

PARTS CATALOG (MAINTENANCE)

FIG ITEM	PART NUMBER	1 2 3 4 5 6 7	NOMENCLATURE	EFFECT FROM TO	UNITS PER ASSY
1	50 800-000738-1		..LIGHTPLATE-5V WHITE ILLUMINATED INTEGRALLY LIGHTED AUDIO SELECTOR SUPPLIER CODE: V05617 SPECIFICATION NUMBER: S233T100-530 OPTIONAL PART: S233T100-530 V51896 800-000738 V05617	950999	1
	55 800000121-1		..CONNECTOR-PWR SUPPLIER CODE: V05617 QUALIFIED I/W DATA: THE 800000121-1 T/W 285T0022-23 IS I/W 90-42301-1 USED ON: 285T0022-20 285T0022-22 285T0022-25 285T0022-26 285T0022-27 285T0022-28 285T0022-29 285T0022-30 285T0022-31	002004 006010 107107 950999	1
	55 800000121-1		..CONNECTOR-PWR SUPPLIER CODE: V05617 QUALIFIED I/W DATA: THE 800000121-1 T/W 285T0022-23 IS I/W 90-42301-1 QUALIFIED OPTIONAL DATA: 285T0022-23 USED WITH 800000121-1 OPTIONAL TO 90-42301-1 USED ON: 285T0022-35 285T0022-36 285T0022-37 285T0022-38 285T0022-39 285T0022-41	002004 006010 101102 107503 904999	1

MISSING ITEM NUMBERS NOT APPLICABLE

- ITEM NOT ILLUSTRATED

33-13-60-01

33-13-60
FIG. 01
PAGE 6
JAN 20/09

BRI



757

PARTS CATALOG (MAINTENANCE)

FIG ITEM	PART NUMBER	1 2 3 4 5 6 7	NOMENCLATURE	EFFECT FROM TO	UNITS PER ASSY
1 60	285T0022-23		.. INSULATOR-FLOATING SUPPLIER CODE: V89954 QUALIFIED I/W DATA: 90-42301-1 CONNECTOR CAN REPLACE BUT NOT BE REPLACED BY 285T0022-23 INSULATOR TOGETHER WITH 800000121-1 CONNECTOR. USED ON: 285T0022-20 285T0022-22 285T0022-25 285T0022-26 285T0022-27 285T0022-28 285T0022-29 285T0022-30 285T0022-31	002004 006010 107107 950999	1
60	285T0022-23		.. INSULATOR-FLOATING SUPPLIER CODE: V89954 QUALIFIED I/W DATA: 90-42301-1 CONNECTOR CAN REPLACE BUT NOT BE REPLACED BY 285T0022-23 INSULATOR TOGETHER WITH 800000121-1 CONNECTOR. QUALIFIED OPTIONAL DATA: (285T0022-23 USED WITH 800000121-1 OPTIONAL TO 90-42301-1) USED ON: 285T0022-35 285T0022-36 285T0022-37 285T0022-38 285T0022-39 285T0022-41	002004 006010 101102 107503 904999	1

MISSING ITEM NUMBERS NOT APPLICABLE

- ITEM NOT ILLUSTRATED

33-13-60-01

33-13-60
FIG. 01
PAGE 7
JAN 20/09

BRI



757

PARTS CATALOG (MAINTENANCE)

FIG ITEM	PART NUMBER	1 2 3 4 5 6 7	NOMENCLATURE	EFFECT FROM TO	UNITS PER ASSY
1 65	90-42301-1		.. CONNECTOR-PWR SUPPLIER CODE: V51074 QUALIFIED I/W DATA: 90-42301-1 CONNECTOR CAN REPLACE BUT NOT BE REPLACED BY 285T0022-23 INSULATOR TOGETHER WITH 800000121-1 CONNECTOR. QUALIFIED OPTIONAL DATA: (285T0022-23 USED WITH 800000121-1 OPTIONAL TO 90-42301-1) USED ON: 285T0022-35 285T0022-36 285T0022-37 285T0022-38 285T0022-39 285T0022-41	002004 006010 101102 107503 904999	1
65	90-42301-1		.. CONNECTOR-PWR SUPPLIER CODE: V51074 QUALIFIED I/W DATA: 90-42301-1 CONNECTOR CAN REPLACE BUT NOT BE REPLACED BY 285T0022-23 INSULATOR TOGETHER WITH 800000121-1 CONNECTOR. OPTIONAL PART: 285T0022-52 V89954 USED ON: 285T0022-40 285T0022-42 285T0022-43 285T0022-44 285T0022-45	002004 006010 101102 107503 904952	1

MISSING ITEM NUMBERS NOT APPLICABLE

- ITEM NOT ILLUSTRATED

33-13-60-01

33-13-60
 FIG. 01
 PAGE 8
 JAN 20/09

BRI



757

PARTS CATALOG (MAINTENANCE)

FIG ITEM	PART NUMBER	1 2 3 4 5 6 7	NOMENCLATURE	EFFECT FROM TO	UNITS PER ASSY
1 - 70	285T0022-52		..SUB KIT ASSY- SUPPLIER CODE: V89954 OPTIONAL PART: 90-42301-1 V51074 USED ON: 285T0022-40 285T0022-42 285T0022-43 285T0022-44 285T0022-45	002004 006010 101102 107503 904952	1
75	800000121-1		...CONNECTOR- SUPPLIER CODE: V05617 QUALIFIED I/W DATA: THE 800000121-1 T/W 285T0022-23 IS I/W 90-42301-1	002004 006010 101102 107503 904952	1
80	285T0022-23		...INSULATOR-FLOATING SUPPLIER CODE: V89954 QUALIFIED I/W DATA: 90-42301-1 CONNECTOR CAN REPLACE BUT NOT BE REPLACED BY 285T0022-23 INSULATOR TOGETHER WITH 800000121-1 CONNECTOR.	002004 006010 101102 107503 904952	1
200	285T0022-51		.PANEL ASSY-AUDIO SELECTOR SUPPLIER CODE: V89954 ELECTRICAL EQUIP NUMBER: M00098 COMPONENT MAINT MANUAL REF: 23-51-05	103106	RF
205	285T0148-1		..PANEL ASSY-FRONT SUPPLIER CODE: V89954 QUALIFIED OPTIONAL DATA: 285T0148-1 OPTIONAL TO 285T0148-2 AND 285T0022-3 USED WITH ASSOCIATED PARTS	103106	RF

MISSING ITEM NUMBERS NOT APPLICABLE

- ITEM NOT ILLUSTRATED

33-13-60-01

33-13-60
FIG. 01
PAGE 9
JAN 20/09

BRI



757

PARTS CATALOG (MAINTENANCE)

FIG ITEM	PART NUMBER	1 2 3 4 5 6 7	NOMENCLATURE	EFFECT FROM TO	UNITS PER ASSY
1 205	285T0148-2		..PANEL ASSY-FRONT SUPPLIER CODE: V89954 QUALIFIED OPTIONAL DATA: 285T0148-1 OPTIONAL TO 285T0148-2 AND 285T0148-3 USED WITH ASSOCIATED PARTS	103106	RF
205	285T0148-3		..PANEL ASSY-FRONT SUPPLIER CODE: V89954 QUALIFIED OPTIONAL DATA: 285T0148-1 OPTIONAL TO 285T0148-2 AND 285T0148-3 USED WITH ASSOCIATED PARTS	103106	RF
210	0277-0304		...LIGHTPLATE ASSY- SUPPLIER CODE: V33583 SPECIFICATION NUMBER: S906-60161-2 USED ON: 285T0148-1	103106	1
210	0277-0308		...LIGHTPLATE ASSY- SUPPLIER CODE: V33583 SPECIFICATION NUMBER: S906-60161-3 USED ON: 285T0148-2 285T0148-3	103106	1

MISSING ITEM NUMBERS NOT APPLICABLE

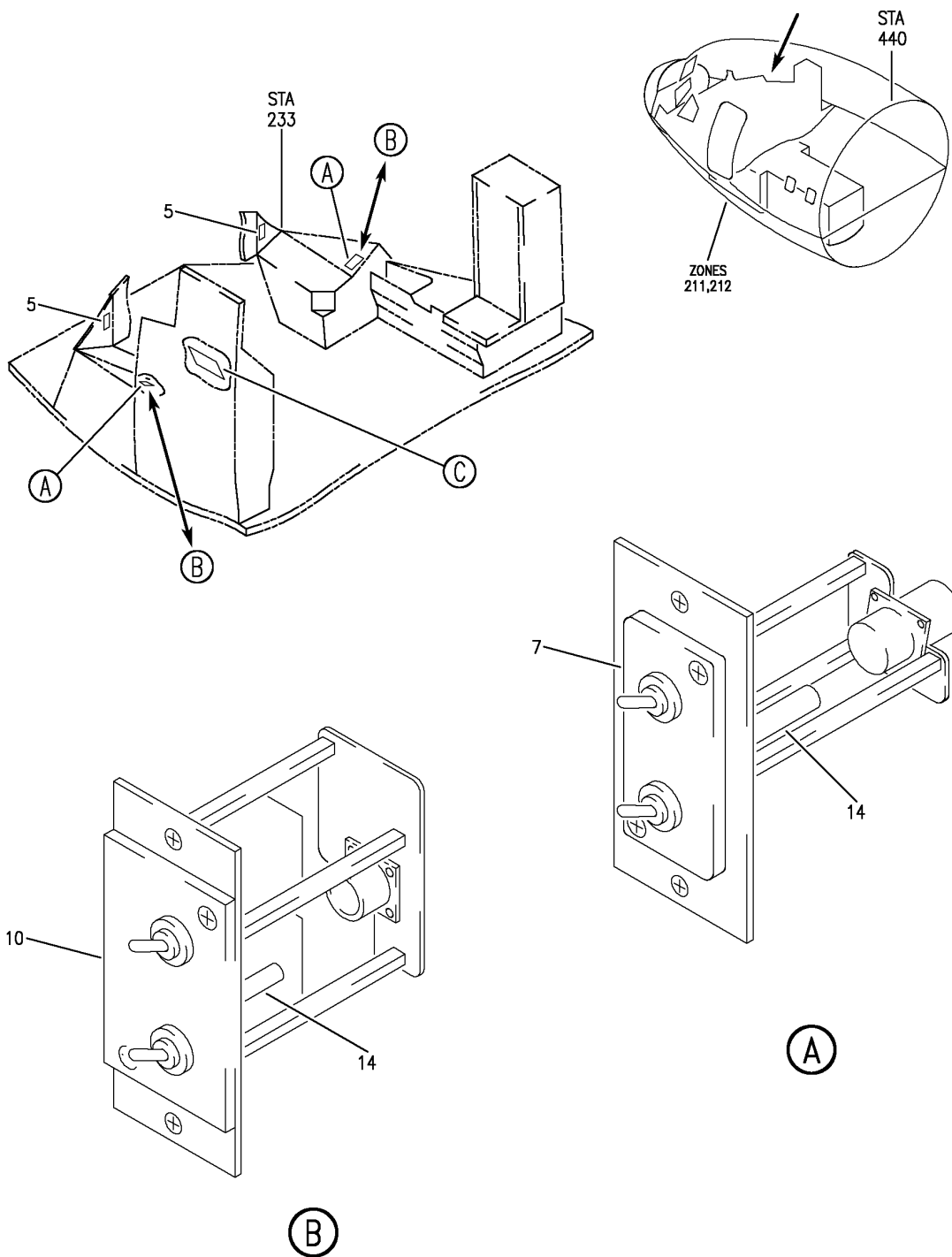
- ITEM NOT ILLUSTRATED

33-13-60-01

33-13-60
FIG. 01
PAGE 10
JAN 20/09

BRI

BOEING
757
PARTS CATALOG (MAINTENANCE)



Y 33136002 SHT 1 REV 260

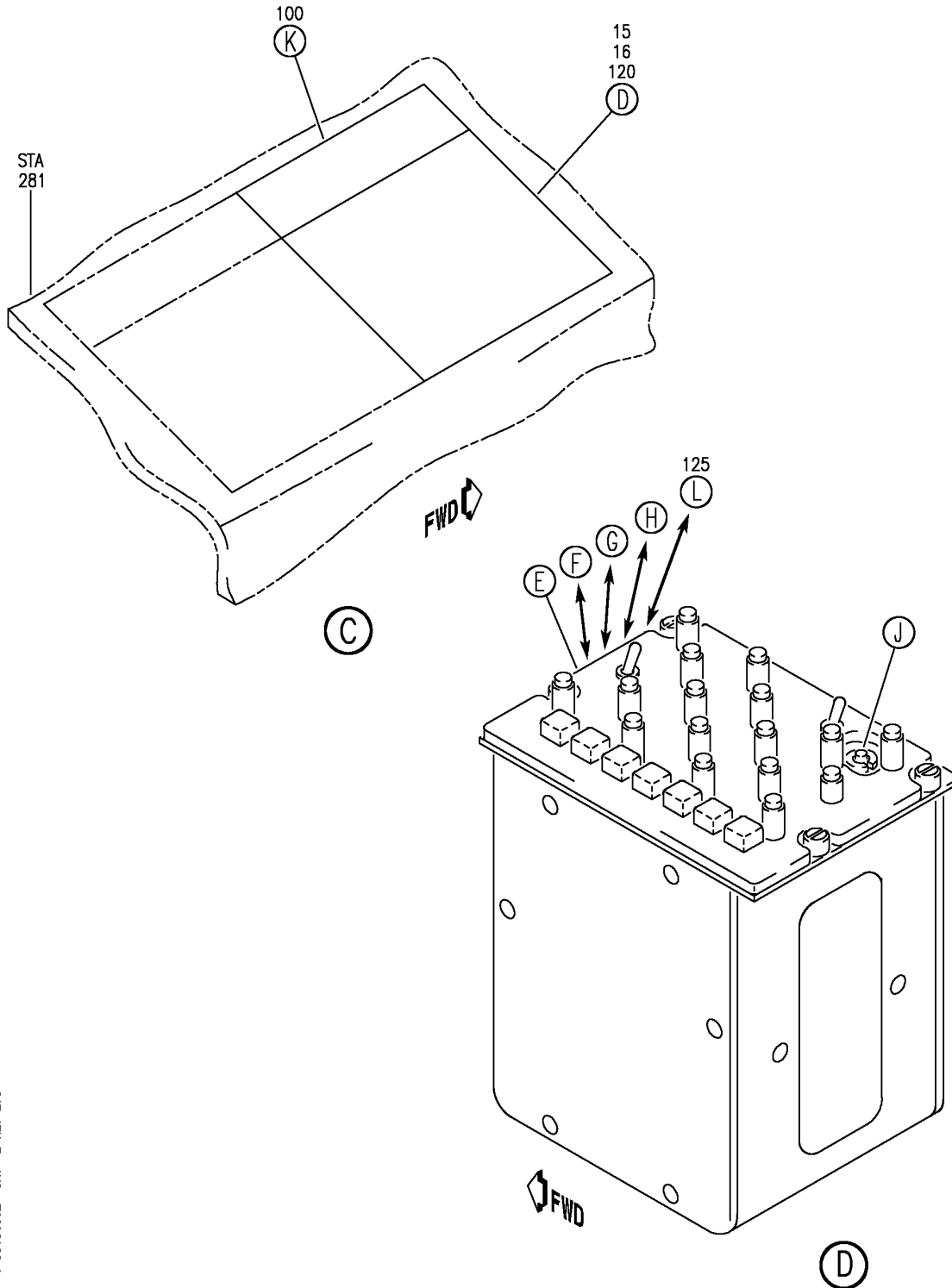
PANEL INSTL-P13, P14, P17, AUX AND AUX HEATER CONT (INTEGRAL PANEL LIGHTS ONLY)
FIGURE 2 (SHEET 1)

33-13-60-02

BRI
MAY 28/07

33-13-60-02
PAGE 0

BOEING
757
PARTS CATALOG (MAINTENANCE)



Y 33136002 SH1 2 REV 275

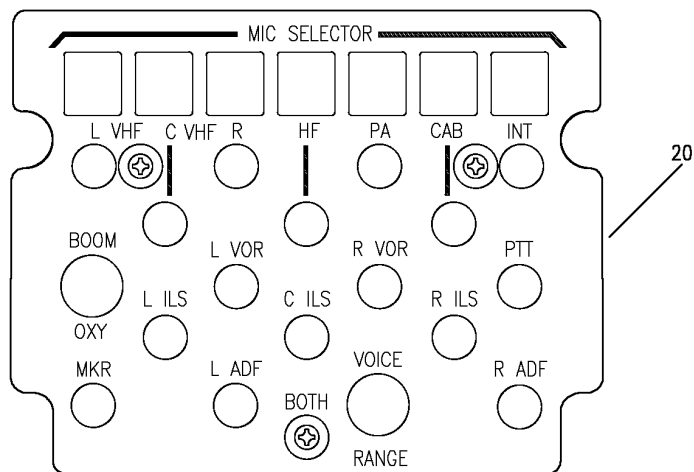
PANEL INSTL-P13, P14, P17, AUX AND AUX HEATER CONT (INTEGRAL PANEL LIGHTS ONLY)
FIGURE 2 (SHEET 2)

BRI
MAY 28/07

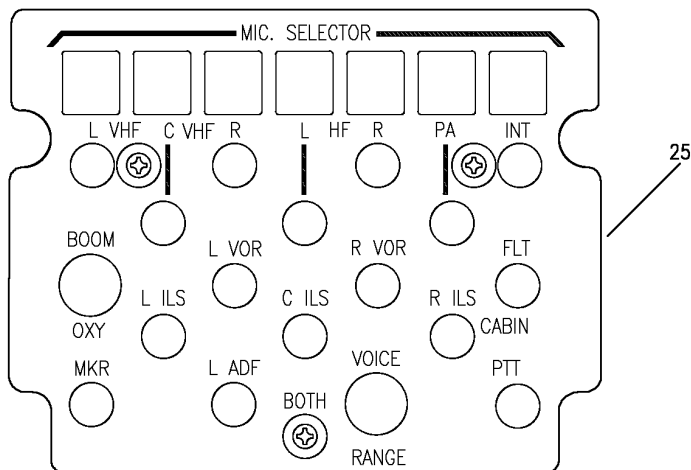
33-13-60-02

33-13-60-02
PAGE 0A

BOEING
757
PARTS CATALOG (MAINTENANCE)



(E)



(F)

Y 33136002 SH1 3 REV 260

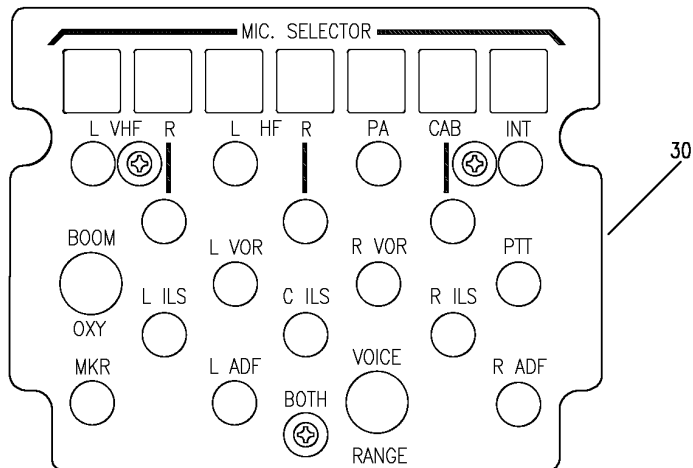
PANEL INSTL-P13, P14, P17, AUX AND AUX HEATER CONT (INTEGRAL PANEL LIGHTS ONLY)
FIGURE 2 (SHEET 3)

33-13-60-02

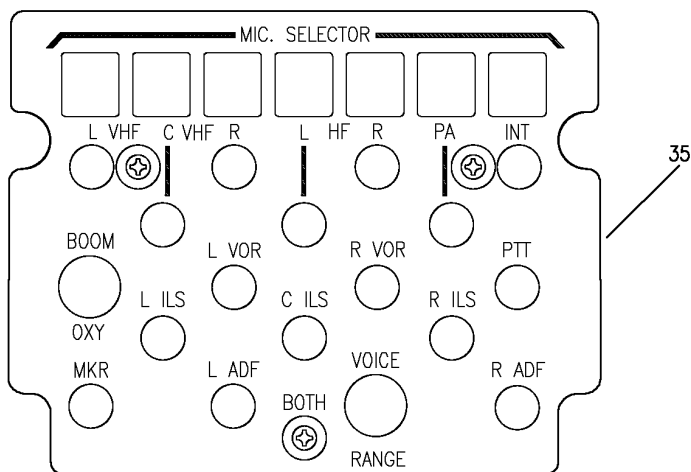
BRI
MAY 28/07

33-13-60-02
PAGE 0B


BOEING
 757
PARTS CATALOG (MAINTENANCE)



G



H

Y 33136002 SH1 4 REV 260

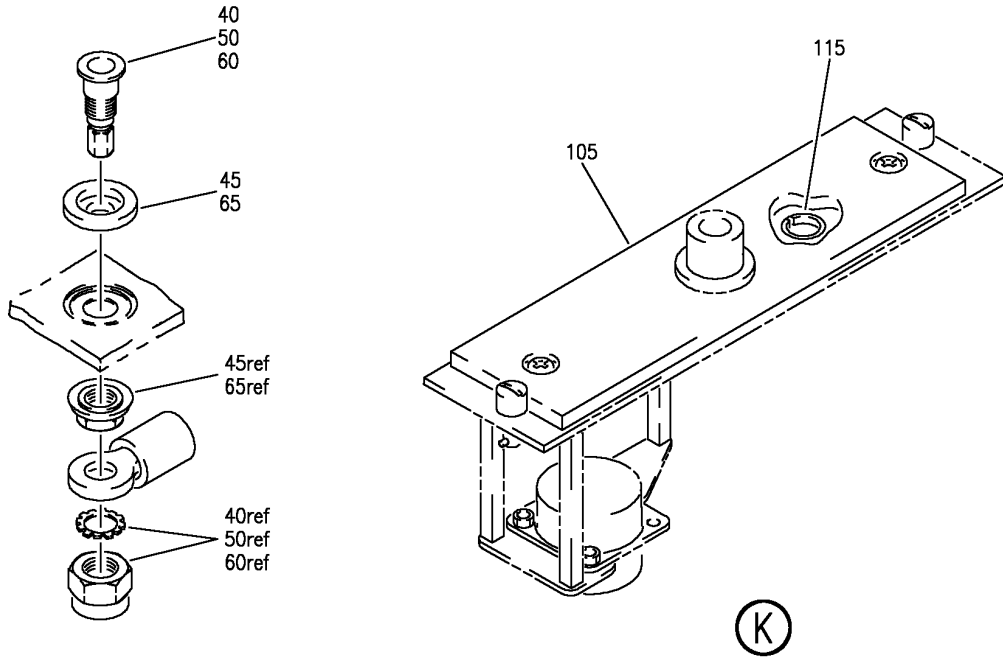
PANEL INSTL-P13, P14, P17, AUX AND AUX HEATER CONT (INTEGRAL PANEL LIGHTS ONLY)
 FIGURE 2 (SHEET 4)

33-13-60-02

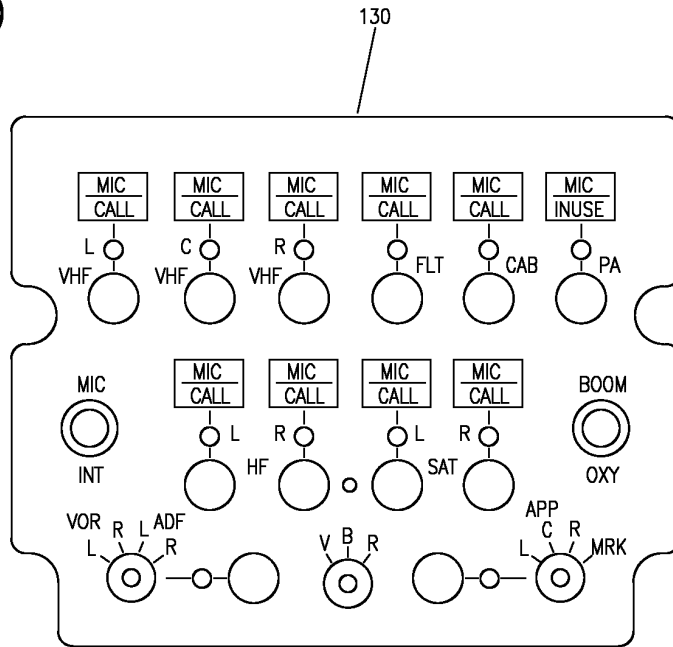
BRI
 MAY 28/07

33-13-60-02
 PAGE 0C

BOEING
757
PARTS CATALOG (MAINTENANCE)



(J)



Y 33136002 SH1 5 REV 275

PANEL INSTL-P13, P14, P17, AUX AND AUX HEATER CONT (INTEGRAL PANEL LIGHTS ONLY)
FIGURE 2 (SHEET 5)

33-13-60-02

BRI
MAY 28/07

33-13-60-02
PAGE 0D



757

PARTS CATALOG (MAINTENANCE)

FIG ITEM	PART NUMBER	1 2 3 4 5 6 7	NOMENCLATURE	EFFECT FROM TO	UNITS PER ASSY
2			PANEL INSTL-P13, P14, P17, AUX AND AUX HEATER CONT (INTEGRAL PANEL LIGHTS ONLY)	011106 108120 504903	
- 1	233N7101-1		PANEL INSTL-P13, P14, P17, AUX (INTEGRAL PANEL LIGHTS ONLY) VARIABLE DRAWING REF: 233N7101-5027 FOR NHA/OTHER SYS DET SEE: 25-10-00-05A	011100	RF
- 2	233N7103-2		PANEL INSTL-AUX HEATER CONT (INTEGRAL PANEL LIGHTS ONLY) FOR NHA/OTHER SYS DET SEE: 25-10-00-15	101102 108120 504903	RF
- 2	MODREF8634		PANEL INSTL-AUX HEATER CONT (INTEGRAL PANEL LIGHTS ONLY) MODULE NUMBER: 233N7103-2 REV A FOR OTHER SYS DETAILS SEE: 21-45-01-02 21-45-02-03 31-13-16-03	103106	1
5	233T7210-301		.PANEL ASSY-AUX HEATER CONT SUPPLIER CODE: V89954 COMPONENT MAINT MANUAL REF: 21-45-01	011106 108120 504903	RF
10	S233T100-5039		..LIGHTPLATE-5V WHITE ILLUMINATED INTEGRALLY LIGHTED FT AND SHOULDER HEAT SUPPLIER CODE: V51896 SPECIFICATION NUMBER: S233T100-5039 OPTIONAL PART: 800-007212 V05617	011106 108120 504903	1

MISSING ITEM NUMBERS NOT APPLICABLE

- ITEM NOT ILLUSTRATED

33-13-60-02

33-13-60
FIG. 02
PAGE 1
JAN 20/09

BRI



757

PARTS CATALOG (MAINTENANCE)

FIG ITEM	PART NUMBER	1 2 3 4 5 6 7	NOMENCLATURE	EFFECT FROM TO	UNITS PER ASSY
2	10 800-007212		..LIGHTPLATE-5V WHITE ILLUMINATED INTEGRALLY LIGHTED FT AND SHOULDER HEAT SUPPLIER CODE: V05617 SPECIFICATION NUMBER: S233T100-5039 OPTIONAL PART: S233T100-5039 V51896	011106 108120 504903	1
- 12	233T7210-9		..PANEL ASSY- SUPPLIER CODE: V89954	011106 108120 504903	RF
14	800000121-1		...CONNECTOR-PWR SUPPLIER CODE: V05617	011106 108120 504903	1
15	285T0022-28		.PANEL ASSY-AUDIO SELECTOR SUPPLIER CODE: V89954 COMPONENT MAINT MANUAL REF: 23-51-51	011100	RF
15	285T0022-38		.PANEL ASSY-AUDIO SELECTOR SUPPLIER CODE: V89954 COMPONENT MAINT MANUAL REF: 23-51-54	011100	RF
16	285T0022-44		.PANEL ASSY-AUDIO SELECTOR SUPPLIER CODE: V89954 COMPONENT MAINT MANUAL REF: 23-51-54	011100	RF
40	800000121-1		..CONNECTOR-PWR SUPPLIER CODE: V05617 QUALIFIED I/W DATA: THE 800000121-1 T/W 285T0022-23 IS I/W 90-42301-1 USED ON: 285T0022-22 285T0022-25 285T0022-26 285T0022-27 285T0022-28 285T0022-29 285T0022-30 285T0022-31	011100	1

MISSING ITEM NUMBERS NOT APPLICABLE

- ITEM NOT ILLUSTRATED

33-13-60-02

33-13-60
FIG. 02
PAGE 2
JAN 20/09

BRI



757

PARTS CATALOG (MAINTENANCE)

FIG ITEM	PART NUMBER	1 2 3 4 5 6 7	NOMENCLATURE	EFFECT FROM TO	UNITS PER ASSY
2 40	800000121-1		.. CONNECTOR-PWR SUPPLIER CODE: V05617 QUALIFIED I/W DATA: THE 800000121-1 T/W 285T0022-23 IS I/W 90-42301-1 QUALIFIED OPTIONAL DATA: 285T0022-23 USED WITH 800000121-1 OPTIONAL TO 90-42301-1 USED ON: 285T0022-35 285T0022-36 285T0022-37 285T0022-38 285T0022-39 285T0022-41	011100	1
45	285T0022-23		.. INSULATOR-FLOATING SUPPLIER CODE: V89954 QUALIFIED I/W DATA: 90-42301-1 CONNECTOR CAN REPLACE BUT NOT BE REPLACED BY 285T0022-23 INSULATOR TOGETHER WITH 800000121-1 CONNECTOR. USED ON: 285T0022-22 285T0022-25 285T0022-26 285T0022-27 285T0022-28 285T0022-29 285T0022-30 285T0022-31	011100	1

MISSING ITEM NUMBERS NOT APPLICABLE

- ITEM NOT ILLUSTRATED

33-13-60-02

33-13-60
 FIG. 02
 PAGE 3
 JAN 20/09

BRI



757

PARTS CATALOG (MAINTENANCE)

FIG ITEM	PART NUMBER	1 2 3 4 5 6 7	NOMENCLATURE	EFFECT FROM TO	UNITS PER ASSY
2 45	285T0022-23		.. INSULATOR-FLOATING SUPPLIER CODE: V89954 QUALIFIED I/W DATA: 90-42301-1 CONNECTOR CAN REPLACE BUT NOT BE REPLACED BY 285T0022-23 INSULATOR TOGETHER WITH 800000121-1 CONNECTOR. QUALIFIED OPTIONAL DATA: 285T0022-23 USED WITH 800000121-1 OPTIONAL TO 90-42301-1 USED ON: 285T0022-35 285T0022-36 285T0022-37 285T0022-38 285T0022-39 285T0022-41	011100	1
50	90-42301-1		.. CONNECTOR-PWR SUPPLIER CODE: V51074 QUALIFIED I/W DATA: 90-42301-1 CONNECTOR CAN REPLACE BUT NOT BE REPLACED BY 285T0022-23 INSULATOR TOGETHER WITH 800000121-1 CONNECTOR. QUALIFIED OPTIONAL DATA: 285T0022-23 USED WITH 800000121-1 OPTIONAL TO 90-42301-1 USED ON: 285T0022-35 285T0022-36 285T0022-37 285T0022-38 285T0022-39 285T0022-41	011100	1

MISSING ITEM NUMBERS NOT APPLICABLE

- ITEM NOT ILLUSTRATED

33-13-60-02

33-13-60
FIG. 02
PAGE 4
JAN 20/09

BRI



757

PARTS CATALOG (MAINTENANCE)

FIG ITEM	PART NUMBER	1 2 3 4 5 6 7	NOMENCLATURE	EFFECT FROM TO	UNITS PER ASSY
2	50 90-42301-1		.. CONNECTOR-PWR SUPPLIER CODE: V51074 QUALIFIED I/W DATA: 90-42301-1 CONNECTOR CAN REPLACED BUT NOT BE REPLACED BY 285T0022-23 INSULATOR TOGETHER WITH 800000121-1 CONNECTOR. OPTIONAL PART: 285T0022-52 V89954 USED ON: 285T0022-40 285T0022-42 285T0022-43 285T0022-44 285T0022-45	011100	1
-	55 285T0022-52		.. SUB KIT ASSY- SUPPLIER CODE: V89954 OPTIONAL PART: 90-42301-1 V51074 USED ON: 285T0022-40 285T0022-42 285T0022-43 285T0022-44 285T0022-45	011100	1
	60 800000121-1		... CONNECTOR- SUPPLIER CODE: V05617 QUALIFIED I/W DATA: THE 800000121-1 T/W 285T0022-23 IS I/W 90-42301-1	011100	1
	65 285T0022-23		... INSULATOR-FLOATING SUPPLIER CODE: V89954 QUALIFIED I/W DATA: 90-42301-1 CONNECTOR CAN REPLACE BUT NOT BE REPLACED BY 285T0022-23 INSULATOR TOGETHER WITH 800000121-1 CONNECTOR.	011100	1

MISSING ITEM NUMBERS NOT APPLICABLE

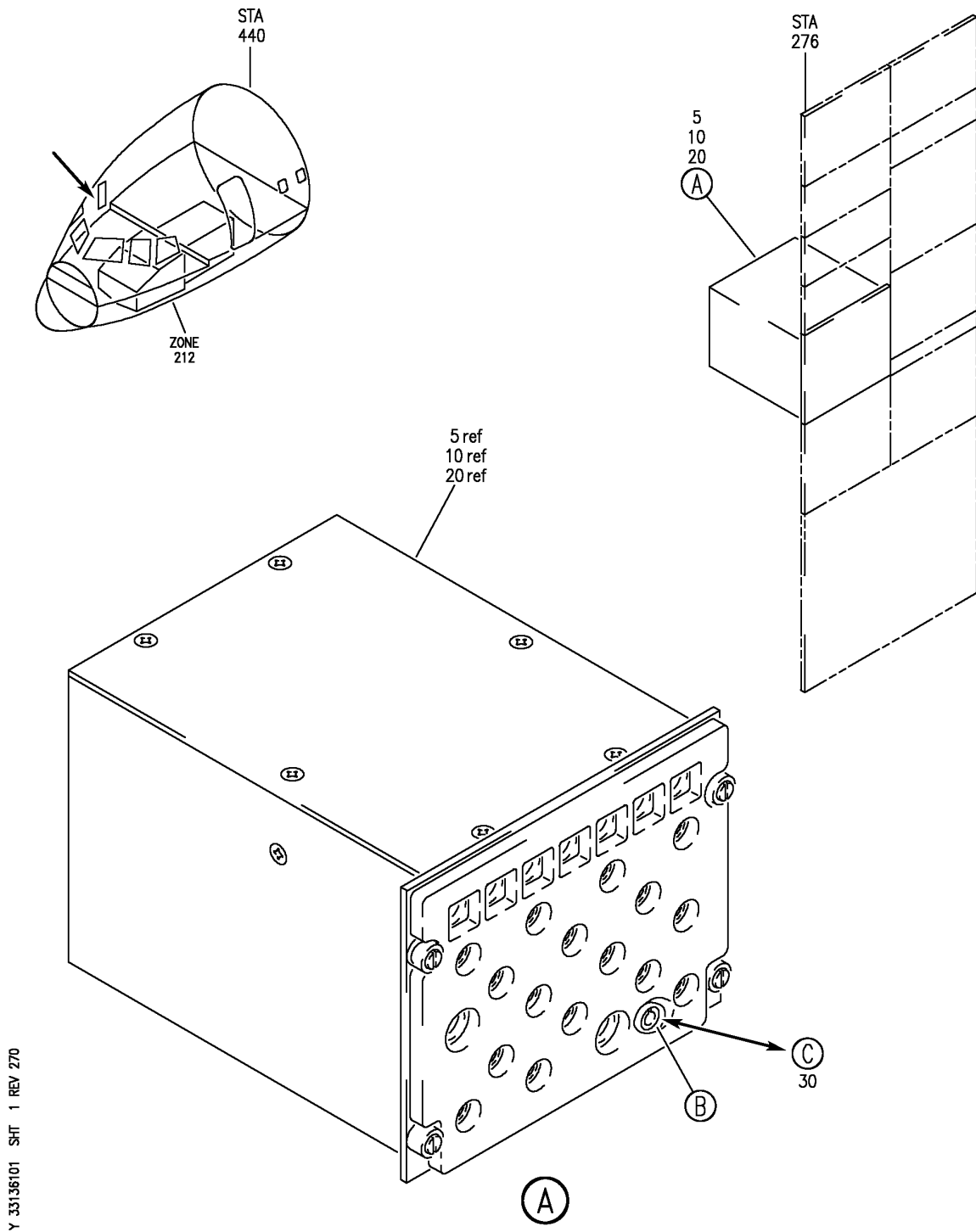
- ITEM NOT ILLUSTRATED

33-13-60-02

33-13-60
 FIG. 02
 PAGE 5
 JAN 20/09

BRI

BOEING
757
PARTS CATALOG (MAINTENANCE)



Y 33136101 SHT 1 REV 270

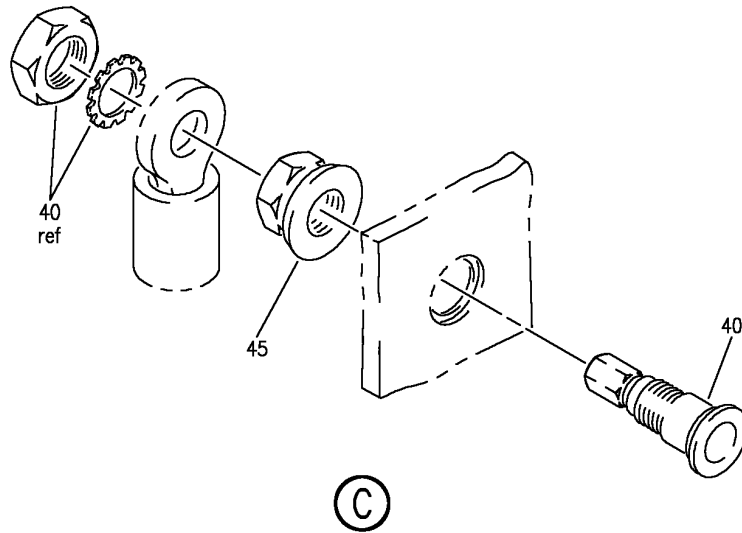
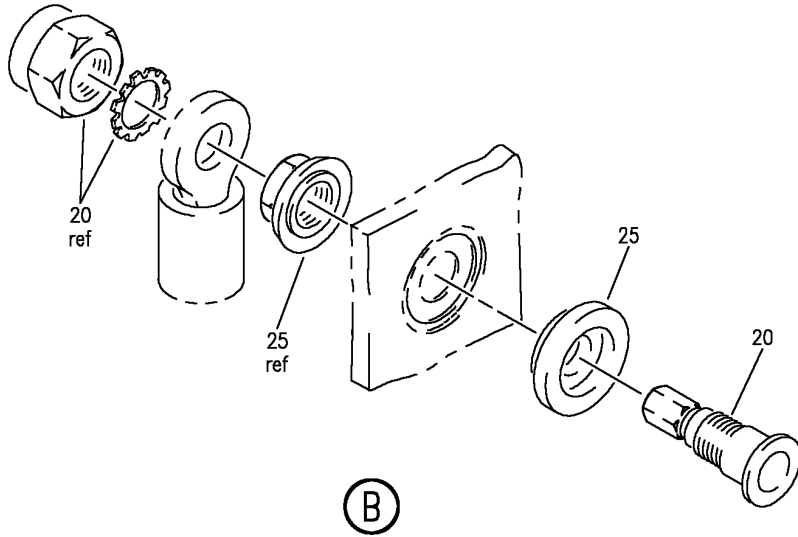
PANEL INSTL-P61 R SIDEWALL (INTEGRAL PANEL LIGHTS ONLY)
FIGURE 1 (SHEET 1)

33-13-61-01

BRI
MAY 28/07

33-13-61-01
PAGE 0

BOEING
757
PARTS CATALOG (MAINTENANCE)



Y 33136101 SH1 2 REV 270

PANEL INSTL-P61 R SIDEWALL (INTEGRAL PANEL LIGHTS ONLY)
FIGURE 1 (SHEET 2)

33-13-61-01

BRI
MAY 28/07

33-13-61-01
PAGE 0A



757

PARTS CATALOG (MAINTENANCE)

FIG ITEM	PART NUMBER	1 2 3 4 5 6 7	NOMENCLATURE	EFFECT FROM TO	UNITS PER ASSY
1			PANEL INSTL-P61 R SIDEWALL (INTEGRAL PANEL LIGHTS ONLY)	002004 006100	
- 1	233N7401-1		PANEL INSTL-P61 SIDEWALL (INTEGRAL PANEL LIGHTS ONLY) POSITION DATA: R VARIABLE DRAWING REF: 233N7401-5038 FOR NHA/OTHER SYS DET SEE: 25-10-00-05A	002004 006100	RF
5	285T0022-44		.PANEL ASSY-AUDIO SELECTOR SUPPLIER CODE: V89954 COMPONENT MAINT MANUAL REF: 23-51-54	002004 006100	RF
12	800-001357		..LIGHTPLATE-5V WHITE ILLUMINATED INTEGRALLY LIGHTED SELECTOR MIC SUPPLIER CODE: V05617 SPECIFICATION NUMBER: S233T100-531 MISCELLANEOUS DATA: FOR VENDOR FSCM 05617 FOR SPARES ORDER THE 800-001357-1 OPTIONAL PART: S233T100-531 V51896 800-001357-1 V05617	002004 006100	1
12	800-001357-1		..LIGHTPLATE-5V WHITE ILLUMINATED INTEGRALLY LIGHTED SELECTOR MIC SUPPLIER CODE: V05617 SPECIFICATION NUMBER: S233T100-531 OPTIONAL PART: S233T100-531 V51896 800-001357 V05617	002004 006100	1

MISSING ITEM NUMBERS NOT APPLICABLE

- ITEM NOT ILLUSTRATED

33-13-61-01

33-13-61
FIG. 01
PAGE 1
JAN 20/09

BRI



757

PARTS CATALOG (MAINTENANCE)

FIG ITEM	PART NUMBER	1 2 3 4 5 6 7	NOMENCLATURE	EFFECT FROM TO	UNITS PER ASSY
1 30	90-42301-1	..	CONNECTOR-PWR SUPPLIER CODE: V51074 QUALIFIED I/W DATA: 90-42301-1 CONNECTOR CAN REPLACE BUT NOT BE REPLACED BY 285T0022-23 INSULATOR TOGETHER WITH 800000121-1 CONNECTOR. OPTIONAL PART: 285T0022-52 V89954 USED ON: 285T0022-40 285T0022-44	002004 006100	1
- 35	285T0022-52	..	SUB KIT ASSY- SUPPLIER CODE: V89954 OPTIONAL PART: 90-42301-1 V51074 USED ON: 285T0022-44	002004 006100	1
40	800000121-1	...	CONNECTOR- SUPPLIER CODE: V05617 QUALIFIED I/W DATA: THE 800000121-1 T/W 285T0022-23 IS I/W 90-42301-1	002004 006100	1
45	285T0022-23	...	INSULATOR-FLOATING SUPPLIER CODE: V89954 QUALIFIED I/W DATA: 90-42301-1 CONNECTOR CAN REPLACE BUT NOT BE REPLACED BY 285T0022-23 INSULATOR TOGETHER WITH 800000121-1 CONNECTOR.	002004 006100	1

MISSING ITEM NUMBERS NOT APPLICABLE

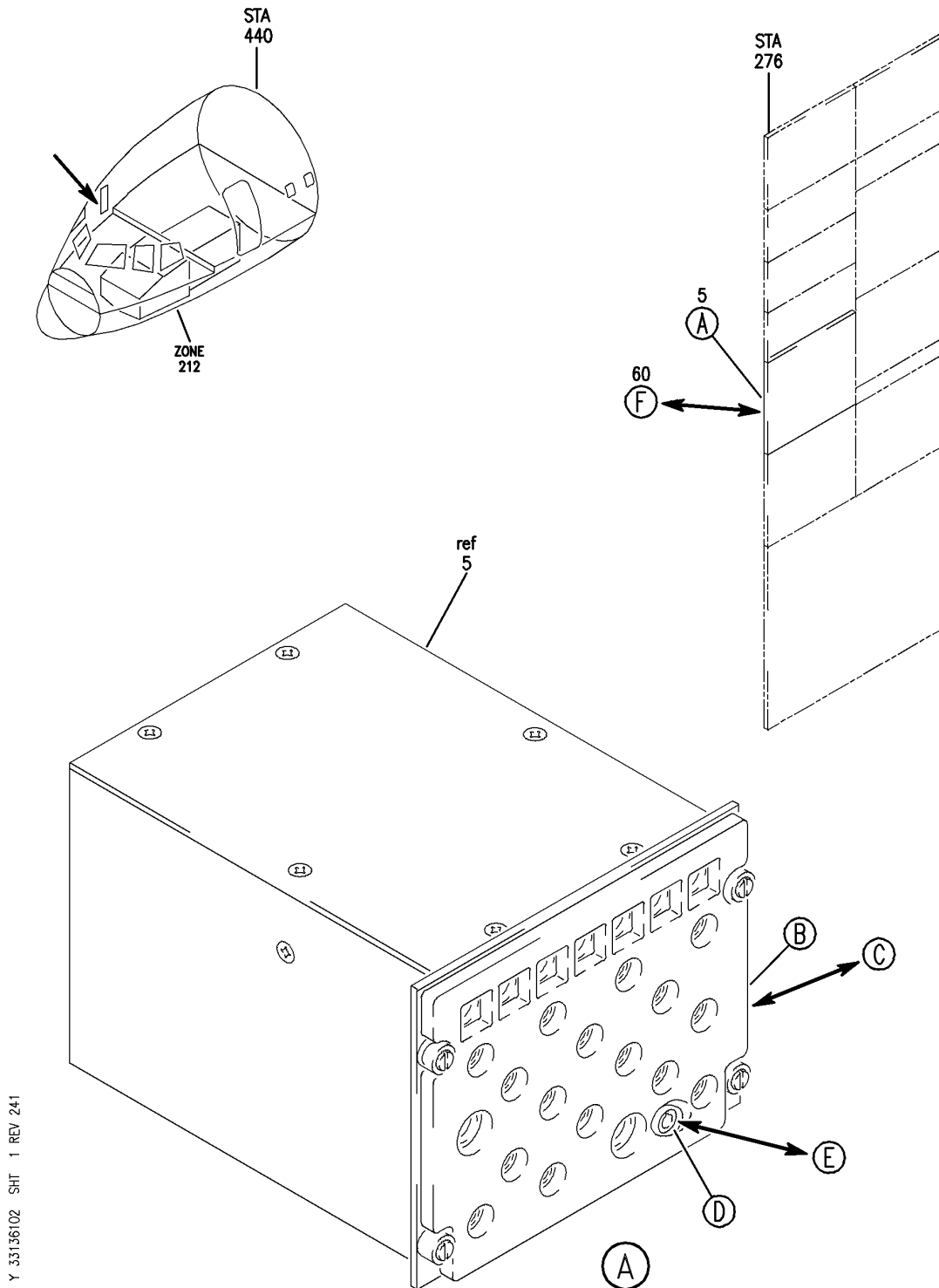
- ITEM NOT ILLUSTRATED

33-13-61-01

33-13-61
FIG. 01
PAGE 2
JAN 20/09

BRI

BOEING
757
PARTS CATALOG (MAINTENANCE)



Y 33136102 SHT 1 REV 241

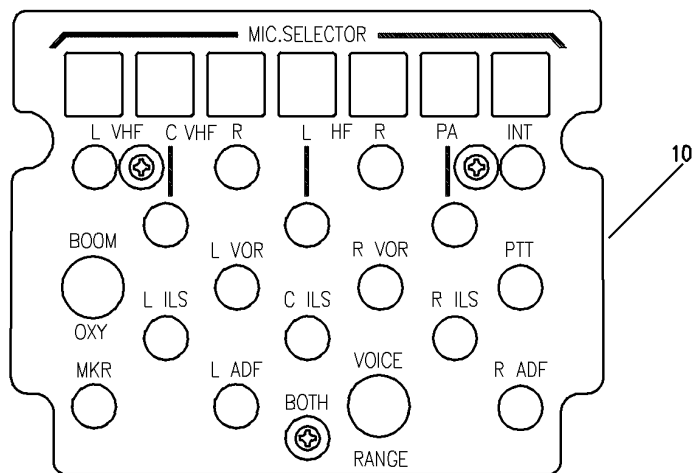
PANEL INSTL-P61 R SIDEWALL (INTEGRAL PANEL LIGHTS ONLY)
FIGURE 2 (SHEET 1)

33-13-61-02

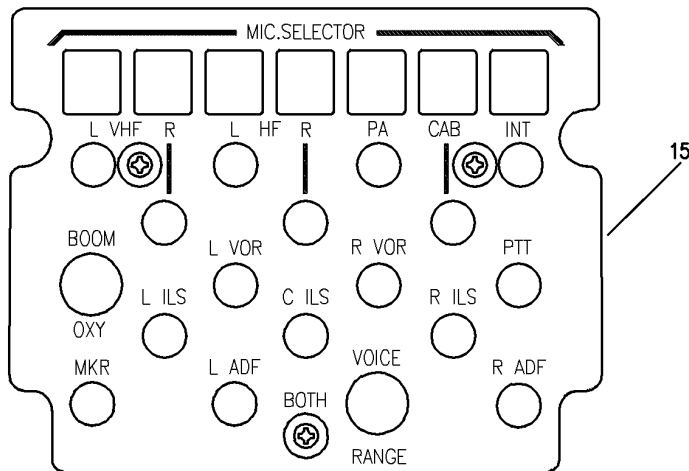
BRI
MAY 28/07

33-13-61-02
PAGE 0

BOEING
757
PARTS CATALOG (MAINTENANCE)



(B)



(C)

Y 33136102 SH1 2 REV 241

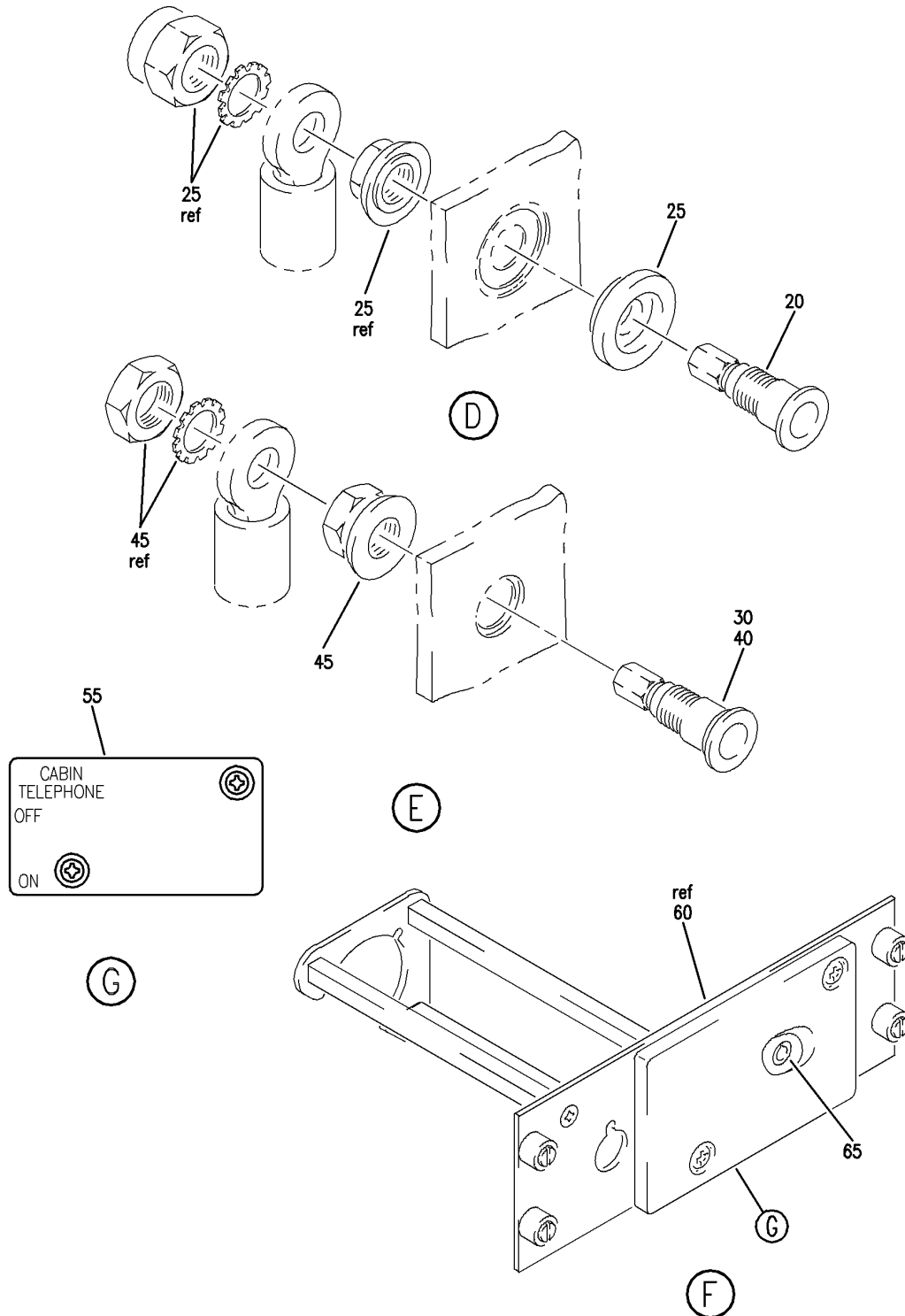
PANEL INSTL-P61 R SIDEWALL (INTEGRAL PANEL LIGHTS ONLY)
FIGURE 2 (SHEET 2)

33-13-61-02

BRI
MAY 28/07

33-13-61-02
PAGE 0A

BOEING
757
PARTS CATALOG (MAINTENANCE)



Y 33136102 SH1 3 REV 241

PANEL INSTL-P61 R SIDEWALL (INTEGRAL PANEL LIGHTS ONLY)
FIGURE 2 (SHEET 3)

33-13-61-02

BRI
MAY 28/07

33-13-61-02
PAGE 0B



757

PARTS CATALOG (MAINTENANCE)

FIG ITEM	PART NUMBER	1 2 3 4 5 6 7	NOMENCLATURE	EFFECT FROM TO	UNITS PER ASSY
2			PANEL INSTL-P61 R SIDEWALL (INTEGRAL PANEL LIGHTS ONLY)	101102	
- 1	233N7403-28		PANEL INSTL-P61 SIDEWALL (INTEGRAL PANEL LIGHTS ONLY) POSITION DATA: R FOR NHA/OTHER SYS DET SEE: 25-10-00-15B	101101	RF
- 1	233N7403-128		PANEL INSTL-P61 SIDEWALL (INTEGRAL PANEL LIGHTS ONLY) POSITION DATA: R FOR NHA/OTHER SYS DET SEE: 25-10-00-15B	102102	RF
5	285T0022-44		.PANEL ASSY-AUDIO SELECTOR SUPPLIER CODE: V89954 ELECTRICAL EQUIP NUMBER: M10216 COMPONENT MAINT MANUAL REF: 23-51-54	101102	RF
5	285T0022-38		.PANEL ASSY-AUDIO SELECTOR SUPPLIER CODE: V89954 ELECTRICAL EQUIP NUMBER: M10216 COMPONENT MAINT MANUAL REF: 23-51-54	101102	RF
5	285T0022-28		.PANEL ASSY-AUDIO SELECTOR SUPPLIER CODE: V89954 ELECTRICAL EQUIP NUMBER: M10216 COMPONENT MAINT MANUAL REF: 23-51-51	101102	RF

MISSING ITEM NUMBERS NOT APPLICABLE

- ITEM NOT ILLUSTRATED

33-13-61-02

33-13-61
FIG. 02
PAGE 1
JAN 20/09

BRI



757

PARTS CATALOG (MAINTENANCE)

FIG ITEM	PART NUMBER	1 2 3 4 5 6 7	NOMENCLATURE	EFFECT FROM TO	UNITS PER ASSY
2 15	800-001357		..LIGHTPLATE-5V WHITE ILLUMINATED INTEGRALLY LIGHTED AUDIO SELECT SUPPLIER CODE: V05617 SPECIFICATION NUMBER: S233T100-531 MISCELLANEOUS DATA: FOR VENDOR FSCM 05617 FOR SPARES ORDER THE 800-001357-1 OPTIONAL PART: S233T100-531 V51896 800-001357-1 V05617	101102	1
15	800-001357-1		..LIGHTPLATE-5V WHITE ILLUMINATED INTEGRALLY LIGHTED AUDIO SELECT SUPPLIER CODE: V05617 SPECIFICATION NUMBER: S233T100-531 OPTIONAL PART: S233T100-531 V51896 800-001357 V05617	101102	1
20	800000121-1		..CONNECTOR-PWR SUPPLIER CODE: V05617 QUALIFIED I/W DATA: THE 800000121-1 T/W 285T0022-23 IS I/W 90-42301-1 QUALIFIED OPTIONAL DATA: 285T0022-23 USED WITH 800000121-1 OPTIONAL TO 90-42301-1 USED ON: 285T0022-38 285T0022-41	101102	1

MISSING ITEM NUMBERS NOT APPLICABLE

- ITEM NOT ILLUSTRATED

33-13-61-02

33-13-61
FIG. 02
PAGE 2
JAN 20/09

BRI



757

PARTS CATALOG (MAINTENANCE)

FIG ITEM	PART NUMBER	1 2 3 4 5 6 7	NOMENCLATURE	EFFECT FROM TO	UNITS PER ASSY
2 20	800000121-1		.. CONNECTOR-PWR SUPPLIER CODE: V05617 QUALIFIED I/W DATA: THE 800000121-1 T/W 285T0022-23 IS I/W 90-42301-1 USED ON: 285T0022-28 285T0022-31	101102	1
25	285T0022-23		.. INSULATOR-FLOATING SUPPLIER CODE: V89954 QUALIFIED I/W DATA: 90-42301-1 CONNECTOR CAN REPLACE BUT NOT BE REPLACED BY 285T0022-23 INSULATOR TOGETHER WITH 800000121-1 CONNECTOR. QUALIFIED OPTIONAL DATA: 285T0022-23 USED WITH 800000121-1 OPTIONAL TO 90-42301-1 USED ON: 285T0022-38 285T0022-41	101102	1
25	285T0022-23		.. INSULATOR-FLOATING SUPPLIER CODE: V89954 QUALIFIED I/W DATA: 90-42301-1 CONNECTOR CAN REPLACE BUT NOT BE REPLACED BY 285T0022-23 INSULATOR TOGETHER WITH 800000121-1 CONNECTOR. USED ON: 285T0022-28 285T0022-31	101102	1

MISSING ITEM NUMBERS NOT APPLICABLE

- ITEM NOT ILLUSTRATED

33-13-61-02

33-13-61
FIG. 02
PAGE 3
JAN 20/09

BRI



757

PARTS CATALOG (MAINTENANCE)

FIG ITEM	PART NUMBER	1 2 3 4 5 6 7	NOMENCLATURE	EFFECT FROM TO	UNITS PER ASSY
2 30	90-42301-1		.. CONNECTOR-PWR SUPPLIER CODE: V51074 QUALIFIED I/W DATA: 90-42301-1 CONNECTOR CAN REPLACE BUT NOT BE REPLACED BY 285T0022-23 INSULATOR TOGETHER WITH 800000121-1 CONNECTOR. QUALIFIED OPTIONAL DATA: 285T0022-23 USED WITH 800000121-1 OPTIONAL TO 90-42301-1 USED ON: 285T0022-38 285T0022-41	101102	1
30	90-42301-1		.. CONNECTOR-PWR SUPPLIER CODE: V51074 QUALIFIED I/W DATA: 90-42301-1 CONNECTOR CAN REPLACE BUT NOT BE REPLACED BY 285T0022-23 INSULATOR TOGETHER WITH 800000121-1 CONNECTOR. OPTIONAL PART: 285T0022-52 V89954 USED ON: 285T0022-44	101102	1
- 35	285T0022-52		.. SUB KIT ASSY- SUPPLIER CODE: V89954 OPTIONAL PART: 90-42301-1 V51074 USED ON: 285T0022-44	101102	1
40	800000121-1		... CONNECTOR- SUPPLIER CODE: V05617 QUALIFIED I/W DATA: THE 800000121-1 T/W 285T0022-23 IS I/W 90-42301-1	101102	1

MISSING ITEM NUMBERS NOT APPLICABLE

- ITEM NOT ILLUSTRATED

33-13-61-02

33-13-61
FIG. 02
PAGE 4
JAN 20/09

BRI



757

PARTS CATALOG (MAINTENANCE)

FIG ITEM	PART NUMBER	1 2 3 4 5 6 7	NOMENCLATURE	EFFECT FROM TO	UNITS PER ASSY
2 45	285T0022-23		...INSULATOR-FLOATING SUPPLIER CODE: V89954 QUALIFIED I/W DATA: 90-42301-1 CONNECTOR CAN REPLACE BUT NOT BE REPLACED BY 285T0022-23 INSULATOR TOGETHER WITH 800000121-1 CONNECTOR.	101102	1

MISSING ITEM NUMBERS NOT APPLICABLE

- ITEM NOT ILLUSTRATED

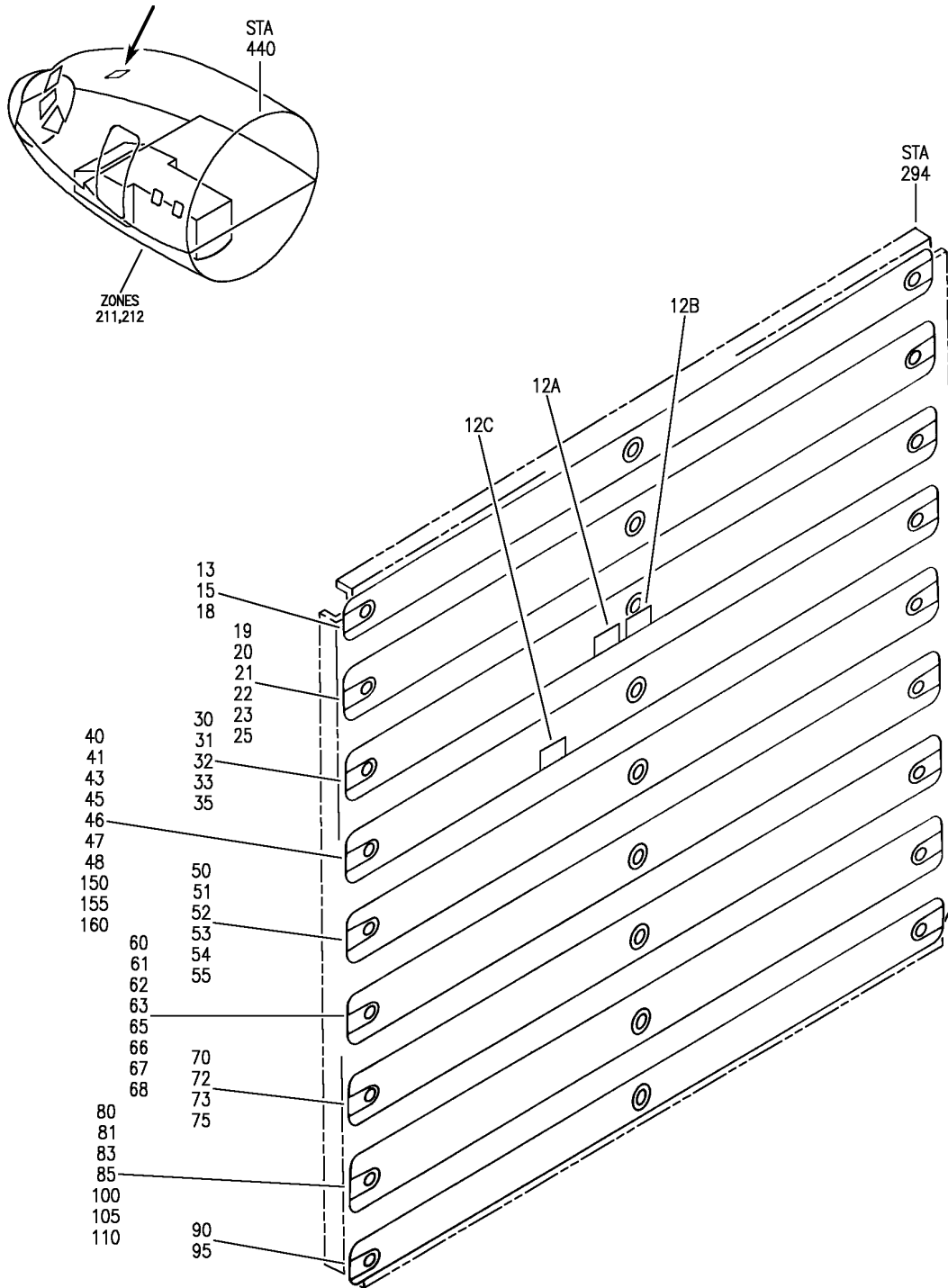
BRI

33-13-61-02

BOEING PROPRIETARY - Copyright © - Unpublished Work - See title page for details.

33-13-61
FIG. 02
PAGE 5
JAN 20/09

BOEING
757
PARTS CATALOG (MAINTENANCE)



Y 33136501 REV 324

PANEL ASSY-P11-1 CB (INTEGRAL PANEL LIGHTS ONLY)
FIGURE 1

33-13-65-01

BRI
SEP 20/08

33-13-65-01
PAGE 0



757

PARTS CATALOG (MAINTENANCE)

FIG ITEM	PART NUMBER	1 2 3 4 5 6 7	NOMENCLATURE	EFFECT FROM TO	UNITS PER ASSY
1			PANEL ASSY-P11-1 CB (INTEGRAL PANEL LIGHTS ONLY)	002004 006100 107107 121503 904999	
- 3	233N5003-2		PANEL ASSY-P11-1 CB (INTEGRAL PANEL LIGHTS ONLY) REWORK DRAWING REF: 823N0016-12 POST SERVICE BULLETIN: 24-0048 REWORKED BY SB: 34-0400 34-0414 FOR NHA/OTHER SYS DET SEE: 24-00-51-01	107107	RF
- 3	233N5205-37		PANEL ASSY-P11-1 CB (INTEGRAL PANEL LIGHTS ONLY) FOR NHA/OTHER SYS DET SEE: 24-00-51-01	904949	RF
- 4	233N5205-53		PANEL ASSY-P11-1 CB (INTEGRAL PANEL LIGHTS ONLY) FOR NHA/OTHER SYS DET SEE: 24-00-51-01	121503	RF
- 5	233N5211-69		PANEL ASSY-P11-1 CB (INTEGRAL PANEL LIGHTS ONLY) FOR NHA/OTHER SYS DET SEE: 24-00-51-01	002004	RF
- 5	233N5211-70		PANEL ASSY-P11-1 CB (INTEGRAL PANEL LIGHTS ONLY) REWORKED BY SB: 34-0416 FOR NHA/OTHER SYS DET SEE: 24-00-51-01	006100	RF
- 6	233N5211-57		PANEL ASSY-P11-1 CB (INTEGRAL PANEL LIGHTS ONLY) REWORKED BY SB: 34-0020 FOR NHA/OTHER SYS DET SEE: 24-00-51-01	952952	RF

MISSING ITEM NUMBERS NOT APPLICABLE

- ITEM NOT ILLUSTRATED

33-13-65-01

33-13-65
FIG. 01
PAGE 1
JAN 20/09

BRI



757

PARTS CATALOG (MAINTENANCE)

FIG ITEM	PART NUMBER	1 2 3 4 5 6 7	NOMENCLATURE	EFFECT FROM TO	UNITS PER ASSY
1					
- 9	233N5211-101		PANEL ASSY-P11-1 CB (INTEGRAL PANEL LIGHTS ONLY) FOR NHA/OTHER SYS DET SEE: 24-00-51-01	950951	RF
- 10	233N5211-108		PANEL ASSY-P11-1 CB (INTEGRAL PANEL LIGHTS ONLY) FOR NHA/OTHER SYS DET SEE: 24-00-51-01	953999	RF
12B	233T5110-1		.PATCH-COVER POST SERVICE BULLETIN: 34-0200	952952	1
13	233N5200-5383		.LIGHTPLATE ASSY- POST SERVICE BULLETIN: 27-0104	121503	1
13	233N5200-5381		.LIGHTPLATE ASSY- POST SERVICE BULLETIN: 27-0104	107107	1
13	233N5200-5205		.LIGHTPLATE ASSY-	904949	1
13	233N5220-1095		.LIGHTPLATE ASSY-	002004	1
				952952	
13	233N5220-1253		.LIGHTPLATE ASSY-	950951	1
13	233N5220-1255		.LIGHTPLATE ASSY-	006100	1
				953999	
18	800-000522-1		..LIGHTPLATE- SUPPLIER CODE: V05617 SPECIFICATION NUMBER: S233T100-8006 OPTIONAL PART: S233T100-8006 V51896 800-000522 V05617 FOR DETAILS SEE: 33-13-70-01	002004 006100 107107 121503 904999	1

MISSING ITEM NUMBERS NOT APPLICABLE

- ITEM NOT ILLUSTRATED

33-13-65-01

33-13-65
FIG. 01
PAGE 2
JAN 20/09

BRI



757

PARTS CATALOG (MAINTENANCE)

FIG ITEM	PART NUMBER	1 2 3 4 5 6 7	NOMENCLATURE	EFFECT FROM TO	UNITS PER ASSY
1					
18	800-000522		.. LIGHTPLATE- SUPPLIER CODE: V05617 SPECIFICATION NUMBER: S233T100-8006 MISCELLANEOUS DATA: FOR VENDOR FSCM 05617 FOR SPARES ORDER THE 800-000522-1 OPTIONAL PART: S233T100-8006 V51896 800-000522-1 V05617 FOR DETAILS SEE: 33-13-70-01	002004 006100 107107 121503 904999	1
19	233N5200-5373		. LIGHTPLATE ASSY- POST SERVICE BULLETIN: 27-0104	121503	1
20	233N5200-5046		. LIGHTPLATE ASSY-	904949	1
21	233N5220-1097		. LIGHTPLATE ASSY-	952952	1
22	233N5220-1181		. LIGHTPLATE ASSY-	002004	1
22	233N5220-1207		. LIGHTPLATE ASSY-	006100	1
22	233N5220-1205		. LIGHTPLATE ASSY-	950951 953999	1
23	233N5200-5377		. LIGHTPLATE ASSY- POST SERVICE BULLETIN: 27-0104	107107	1
25	800-000524		.. LIGHTPLATE- SUPPLIER CODE: V05617 SPECIFICATION NUMBER: S233T100-8004 MISCELLANEOUS DATA: FOR VENDOR FSCM 05617 FOR SPARES ORDER THE 800-000524-1 OPTIONAL PART: S233T100-8004 V51896 800-000524-1 V05617 FOR DETAILS SEE: 33-13-70-01	002004 006100 107107 121503 904999	1

MISSING ITEM NUMBERS NOT APPLICABLE

- ITEM NOT ILLUSTRATED

33-13-65-01

33-13-65
FIG. 01
PAGE 3
JAN 20/09

BRI



757

PARTS CATALOG (MAINTENANCE)

FIG ITEM	PART NUMBER	1 2 3 4 5 6 7	NOMENCLATURE	EFFECT FROM TO	UNITS PER ASSY
1					
25	800-000524-1		.. LIGHTPLATE- SUPPLIER CODE: V05617 SPECIFICATION NUMBER: S233T100-8004 OPTIONAL PART: S233T100-8004 V51896 800-000524 V05617 FOR DETAILS SEE: 33-13-70-01	002004 006100 107107 121503 904999	1
30	233N5200-5245		.LIGHTPLATE ASSY-	904949	1
30	233N5200-5235		.LIGHTPLATE ASSY- POST SERVICE BULLETIN: 24-0048	107107	1
31	233N5200-5297		.LIGHTPLATE ASSY-	121503	1
32	233N5220-1145		.LIGHTPLATE ASSY-	952999	1
32	233N5220-1143		.LIGHTPLATE ASSY-	002004 006100	1
33	233N5220-1237		.LIGHTPLATE ASSY-	950951	1
35	800-000524		.. LIGHTPLATE- SUPPLIER CODE: V05617 SPECIFICATION NUMBER: S233T100-8004 MISCELLANEOUS DATA: FOR VENDOR FSCM 05617 FOR SPARES ORDER THE 800-000524-1 OPTIONAL PART: S233T100-8004 V51896 800-000524-1 V05617 FOR DETAILS SEE: 33-13-70-01	002004 006100 107107 121503 904999	1
35	800-000524-1		.. LIGHTPLATE- SUPPLIER CODE: V05617 SPECIFICATION NUMBER: S233T100-8004 OPTIONAL PART: S233T100-8004 V51896 800-000524 V05617 FOR DETAILS SEE: 33-13-70-01	002004 006100 107107 121503 904999	1

MISSING ITEM NUMBERS NOT APPLICABLE

- ITEM NOT ILLUSTRATED

33-13-65-01

33-13-65
FIG. 01
PAGE 4
JAN 20/09

BRI

BOEING
757
PARTS CATALOG (MAINTENANCE)

FIG ITEM	PART NUMBER	1 2 3 4 5 6 7	NOMENCLATURE	EFFECT FROM TO	UNITS PER ASSY
1					
40	233N5200-5179		.LIGHTPLATE ASSY-	904949	1
40	233N5220-1051		.LIGHTPLATE ASSY- PRE SERVICE BULLETIN: 34-0020 34-0416	002004 006100 950999	1
40	233N5200-5349		.LIGHTPLATE ASSY-	950951	1
40	233N5200-5251		.LIGHTPLATE ASSY- POST SERVICE BULLETIN: 24-0048 PRE SERVICE BULLETIN: 34-0400	107107	1
41	233N5200-5209		.LIGHTPLATE ASSY-	121503	1
41	233N5220-1169		.LIGHTPLATE ASSY- POST SERVICE BULLETIN: 34-0416	009009	1
41	823N0002-1		.LIGHTPLATE ASSY-ROW E POST SERVICE BULLETIN: 34-0200	952952	1
45	800-000524		..LIGHTPLATE- SUPPLIER CODE: V05617 SPECIFICATION NUMBER: S233T100-8004 MISCELLANEOUS DATA: FOR VENDOR FSCM 05617 FOR SPARES ORDER THE 800-000524-1 OPTIONAL PART: S233T100-8004 V51896 800-000524-1 V05617 FOR DETAILS SEE: 33-13-70-01	002004 006100 107107 121503 904999	1
45	800-000524-1		..LIGHTPLATE- SUPPLIER CODE: V05617 SPECIFICATION NUMBER: S233T100-8004 OPTIONAL PART: S233T100-8004 V51896 800-000524 V05617 FOR DETAILS SEE: 33-13-70-01	002004 006100 107107 121503 904999	1
50	233N5200-5201		.LIGHTPLATE ASSY-	904949	1

MISSING ITEM NUMBERS NOT APPLICABLE

— ITEM NOT ILLUSTRATED

BRI

33-13-65-01

BOEING PROPRIETARY - Copyright © - Unpublished Work - See title page for details.

33-13-65
FIG. 01
PAGE 5
JAN 20/09



757

PARTS CATALOG (MAINTENANCE)

FIG ITEM	PART NUMBER	1 2 3 4 5 6 7	NOMENCLATURE	EFFECT FROM TO	UNITS PER ASSY
1					
50	233N5200-5323		.LIGHTPLATE ASSY- POST SERVICE BULLETIN: 27-0104	121503	1
50	233N5220-1049		.LIGHTPLATE ASSY- REWORKED BY SB: 34-0200	002004 952952	1
51	233N5220-1185		.LIGHTPLATE ASSY-	006100 953999	1
51	233N5220-1233		.LIGHTPLATE ASSY-	950951	1
52	233N5200-5395		.LIGHTPLATE ASSY- POST SERVICE BULLETIN: 27-0104	107107	1
55	800-000524		..LIGHTPLATE- SUPPLIER CODE: V05617 SPECIFICATION NUMBER: S233T100-8004 MISCELLANEOUS DATA: FOR VENDOR FSCM 05617 FOR SPARES ORDER THE 800-000524-1 OPTIONAL PART: S233T100-8004 V51896 800-000524-1 V05617 FOR DETAILS SEE: 33-13-70-01	002004 006100 107107 121503 904999	1
55	800-000524-1		..LIGHTPLATE- SUPPLIER CODE: V05617 SPECIFICATION NUMBER: S233T100-8004 OPTIONAL PART: S233T100-8004 V51896 800-000524 V05617 FOR DETAILS SEE: 33-13-70-01	002004 006100 107107 121503 904999	1
60	233N5200-5221		.LIGHTPLATE ASSY-	904949	1
60	233N5220-1103		.LIGHTPLATE ASSY-	002004 952952	1
61	233N5220-1247		.LIGHTPLATE ASSY-	006100 953999	1
61	233N5200-5367		.LIGHTPLATE ASSY- POST SERVICE BULLETIN: 27-0104	107107	1
61	233N5220-1243		.LIGHTPLATE ASSY-	950951	1

MISSING ITEM NUMBERS NOT APPLICABLE

- ITEM NOT ILLUSTRATED

33-13-65-01

33-13-65
FIG. 01
PAGE 6
JAN 20/09

BRI



757

PARTS CATALOG (MAINTENANCE)

FIG ITEM	PART NUMBER	1 2 3 4 5 6 7	NOMENCLATURE	EFFECT FROM TO	UNITS PER ASSY
1					
62	233N5200-5387		.LIGHTPLATE ASSY- POST SERVICE BULLETIN: 27-0104	121503	1
65	800-000524		..LIGHTPLATE- SUPPLIER CODE: V05617 SPECIFICATION NUMBER: S233T100-8004 MISCELLANEOUS DATA: FOR VENDOR FSCM 05617 FOR SPARES ORDER THE 800-000524-1 OPTIONAL PART: S233T100-8004 V51896 800-000524-1 V05617 FOR DETAILS SEE: 33-13-70-01	002004 006100 107107 121503 904999	1
65	800-000524-1		..LIGHTPLATE- SUPPLIER CODE: V05617 SPECIFICATION NUMBER: S233T100-8004 OPTIONAL PART: S233T100-8004 V51896 800-000524 V05617 FOR DETAILS SEE: 33-13-70-01	002004 006100 107107 121503 904999	1
70	233N5220-1045		.LIGHTPLATE ASSY- PRE ALERT SB: 34A0222	002004 006100	1
70	233N5200-5365		.LIGHTPLATE ASSY- POST SERVICE BULLETIN: 27-0104 PRE ALERT SB: 34A0222	107107	1
72	233N5200-5385		.LIGHTPLATE ASSY- POST SERVICE BULLETIN: 27-0104 PRE ALERT SB: 34A0222	121503	1
73	233N5412-9		.LIGHTPLATE ASSY-ROW B POST ALERT SB: 34A0222	107107	1

MISSING ITEM NUMBERS NOT APPLICABLE

- ITEM NOT ILLUSTRATED

33-13-65-01

33-13-65
FIG. 01
PAGE 7
JAN 20/09

BRI



757

PARTS CATALOG (MAINTENANCE)

FIG ITEM	PART NUMBER	1 2 3 4 5 6 7	NOMENCLATURE	EFFECT FROM TO	UNITS PER ASSY
1					
73	233N5412-1		.LIGHTPLATE ASSY-ROW B POST ALERT SB: 34A0222	002004 006100 952999	1
73	233N5412-3		.LIGHTPLATE ASSY-ROW B POST ALERT SB: 34A0222	950951	1
73	233N5412-13		.LIGHTPLATE ASSY-ROW B POST ALERT SB: 34A0222 34A0222R2	121503 904949	1
75	800-000524		..LIGHTPLATE- SUPPLIER CODE: V05617 SPECIFICATION NUMBER: S233T100-8004 MISCELLANEOUS DATA: FOR VENDOR FSCM 05617 FOR SPARES ORDER THE 800-000524-1 OPTIONAL PART: S233T100-8004 V51896 800-000524-1 V05617 FOR DETAILS SEE: 33-13-70-01	002004 006100 107107 121503 904999	1
75	800-000524-1		..LIGHTPLATE- SUPPLIER CODE: V05617 SPECIFICATION NUMBER: S233T100-8004 OPTIONAL PART: S233T100-8004 V51896 800-000524 V05617 FOR DETAILS SEE: 33-13-70-01	002004 006100 107107 121503 904999	1
80	233N5200-5243		.LIGHTPLATE ASSY-	121503 904949	1
80	233N5220-1063		.LIGHTPLATE ASSY-	950951	1
80	233N5200-5195		.LIGHTPLATE ASSY- POST SERVICE BULLETIN: 24-0048 PRE SERVICE BULLETIN: 34-0400	107107	1
80	233N5220-1107		.LIGHTPLATE ASSY-	002004 006100 952999	1

MISSING ITEM NUMBERS NOT APPLICABLE

- ITEM NOT ILLUSTRATED

33-13-65-01

33-13-65
FIG. 01
PAGE 8
JAN 20/09

BRI



757

PARTS CATALOG (MAINTENANCE)

FIG ITEM	PART NUMBER	1 2 3 4 5 6 7	NOMENCLATURE	EFFECT FROM TO	UNITS PER ASSY
1 85	800-000524		..LIGHTPLATE- SUPPLIER CODE: V05617 SPECIFICATION NUMBER: S233T100-8004 MISCELLANEOUS DATA: FOR VENDOR FSCM 05617 FOR SPARES ORDER THE 800-000524-1 OPTIONAL PART: S233T100-8004 V51896 800-000524-1 V05617 FOR DETAILS SEE: 33-13-70-01	002004 006100 107107 121503 904999	1
85	800-000524-1		..LIGHTPLATE- SUPPLIER CODE: V05617 SPECIFICATION NUMBER: S233T100-8004 OPTIONAL PART: S233T100-8004 V51896 800-000524 V05617 FOR DETAILS SEE: 33-13-70-01	002004 006100 107107 121503 904999	1
90	233N5220-1041		.LIGHTPLATE ASSY-	002004 006100 950999	1
90	233N5200-5241		.LIGHTPLATE ASSY-	121503 904949	1
90	233N5200-5223		.LIGHTPLATE ASSY- POST SERVICE BULLETIN: 24-0048	107107	1

MISSING ITEM NUMBERS NOT APPLICABLE

- ITEM NOT ILLUSTRATED

33-13-65-01

33-13-65
FIG. 01
PAGE 9
JAN 20/09

BRI



757

PARTS CATALOG (MAINTENANCE)

FIG ITEM	PART NUMBER	1 2 3 4 5 6 7	NOMENCLATURE	EFFECT FROM TO	UNITS PER ASSY
1 95	800-001170		..LIGHTPLATE- SUPPLIER CODE: V05617 SPECIFICATION NUMBER: S233T100-8001 MISCELLANEOUS DATA: FOR VENDOR FSCM 05617 FOR SPARES ORDER THE 800-001170-1 OPTIONAL PART: S233T100-8001 V51896 800-001170-1 V05617 FOR DETAILS SEE: 33-13-70-01	002004 006100 107107 121503 904999	1
95	800-001170-1		..LIGHTPLATE- SUPPLIER CODE: V05617 SPECIFICATION NUMBER: S233T100-8001 OPTIONAL PART: S233T100-8001 V51896 800-001170 V05617 FOR DETAILS SEE: 33-13-70-01	002004 006100 107107 121503 904999	1
100	823N0016-15		.LIGHTPLATE ASSY- POST SERVICE BULLETIN: 34-0400	107107	1
105	233N5200-5185		..LIGHTPLATE ASSY	107107	1
110	800-000524		...LIGHTPLATE- SUPPLIER CODE: V05617 SPECIFICATION NUMBER: S233T100-8004 OPTIONAL PART: S233T100-8004 V51896 FOR DETAILS SEE: 33-13-70-01	107107	1
150	823N0016-13		.LIGHTPLATE ASSY- POST SERVICE BULLETIN: 34-0400	107107	1
155	233N5200-5129		..LIGHTPLATE ASSY	107107	1

MISSING ITEM NUMBERS NOT APPLICABLE

- ITEM NOT ILLUSTRATED

33-13-65-01

33-13-65
FIG. 01
PAGE 10
JAN 20/09

BRI



757
PARTS CATALOG (MAINTENANCE)

FIG ITEM	PART NUMBER	1 2 3 4 5 6 7	NOMENCLATURE	EFFECT FROM TO	UNITS PER ASSY
1 160	800-000524		...LIGHTPLATE- SUPPLIER CODE: V05617 SPECIFICATION NUMBER: S233T100-8004 OPTIONAL PART: S233T100-8004 V51896 FOR DETAILS SEE: 33-13-70-01	107107	1

MISSING ITEM NUMBERS NOT APPLICABLE

- ITEM NOT ILLUSTRATED

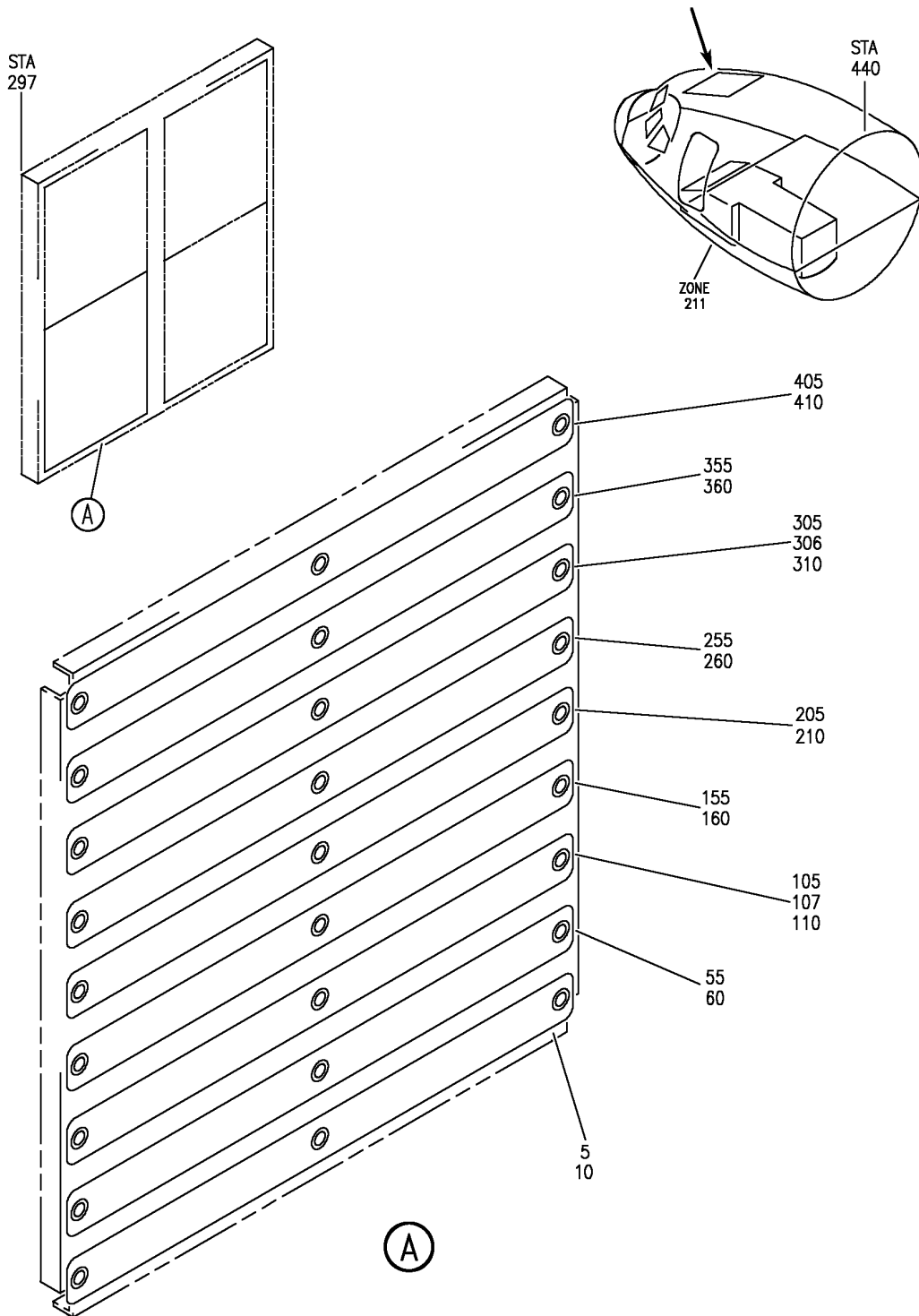
BRI

33-13-65-01

BOEING PROPRIETARY - Copyright © - Unpublished Work - See title page for details.

33-13-65
FIG. 01
PAGE 11
JAN 20/09

BOEING
757
PARTS CATALOG (MAINTENANCE)



Y 33136504 REV 277

LIGHTPLATE INSTL P11-1 (LIGHTS ONLY)
FIGURE 4

33-13-65-04

BRI
MAY 28/07

33-13-65-04
PAGE 0



757

PARTS CATALOG (MAINTENANCE)

FIG ITEM	PART NUMBER	1 2 3 4 5 6 7	NOMENCLATURE	EFFECT FROM TO	UNITS PER ASSY
4			LIGHTPLATE INSTL P11-1 (LIGHTS ONLY)	102106 108120 504903	
- 1	233N5103-2		LIGHTPLATE INSTL-P11-1 (LIGHTS ONLY) FOR NHA/OTHER SYS DET SEE: 25-10-00-15D	102102 108120 504903	RF
- 1	MODREF7611		LIGHTPLATE INSTL-P11-1 (LIGHTS ONLY) MODULE NUMBER: 233N5103-2 REV A FOR OTHER SYS DETAILS SEE: 11-34-03-05D	103106	1
5	233N5220-1041		.LIGHTPLATE ASSY	102106 108120 504903	1
10	800-001170		..LIGHTPLATE- SUPPLIER CODE: V05617 SPECIFICATION NUMBER: S233T100-8001 MISCELLANEOUS DATA: FOR VENDOR FSCM 05617 FOR SPARES ORDER THE 800-001170-1 OPTIONAL PART: S233T100-8001 V51896 800-001170-1 V05617 FOR DETAILS SEE: 33-13-70-01	102106 108120 504903	1
10	800-001170-1		..LIGHTPLATE- SUPPLIER CODE: V05617 SPECIFICATION NUMBER: S233T100-8001 OPTIONAL PART: S233T100-8001 V51896 800-001170 V05617 FOR DETAILS SEE: 33-13-70-01	102106 108120 504903	1
- 50	233N5103-9		LIGHTPLATE INSTL-P11-1 (LIGHTS ONLY) FOR NHA/OTHER SYS DET SEE: 25-10-00-15D	102102 108120	RF

MISSING ITEM NUMBERS NOT APPLICABLE

- ITEM NOT ILLUSTRATED

33-13-65-04

33-13-65
FIG. 04
PAGE 1
JAN 20/09

BRI



**757
PARTS CATALOG (MAINTENANCE)**

FIG ITEM	PART NUMBER	1 2 3 4 5 6 7	NOMENCLATURE	EFFECT FROM TO	UNITS PER ASSY
4					
- 50	233N5103-10		LIGHTPLATE INSTL-P11-1 (LIGHTS ONLY) FOR NHA/OTHER SYS DET SEE: 25-10-00-15D	504903	RF
- 51	MODREF19350		LIGHTPLATE INSTL-P11-1 (LIGHTS ONLY) MODULE NUMBER: 233N5103-423 REV A FOR OTHER SYS DETAILS SEE: 11-34-03-05D	103106	1
55	233N5411-1		.LIGHTPLATE ASSY	102102 108120	1
55	233N5411-5		.LIGHTPLATE ASSY	504903	1
55	233N5411-27		.LIGHTPLATE ASSY-	103106	1
60	800-000524		..LIGHTPLATE- SUPPLIER CODE: V05617 SPECIFICATION NUMBER: S233T100-8004 MISCELLANEOUS DATA: FOR VENDOR FSCM 05617 FOR SPARES ORDER THE 800-000524-1 OPTIONAL PART: S233T100-8004 V51896 800-000524-1 V05617 FOR DETAILS SEE: 33-13-70-01	102106 108120 504903	1
60	800-000524-1		..LIGHTPLATE- SUPPLIER CODE: V05617 SPECIFICATION NUMBER: S233T100-8004 OPTIONAL PART: S233T100-8004 V51896 800-000524 V05617 FOR DETAILS SEE: 33-13-70-01	102106 108120 504903	1
- 100	233N5103-14		LIGHTPLATE INSTL-P11-1 (LIGHTS ONLY) FOR NHA/OTHER SYS DET SEE: 25-10-00-15D	102102 108120	RF

MISSING ITEM NUMBERS NOT APPLICABLE

- ITEM NOT ILLUSTRATED

BRI

33-13-65-04

BOEING PROPRIETARY - Copyright © - Unpublished Work - See title page for details.

33-13-65
FIG. 04
PAGE 2
JAN 20/09



757

PARTS CATALOG (MAINTENANCE)

FIG ITEM	PART NUMBER	1 2 3 4 5 6 7	NOMENCLATURE	EFFECT FROM TO	UNITS PER ASSY
4					
- 100	233N5103-15		LIGHTPLATE INSTL-P11-1 (LIGHTS ONLY) FOR NHA/OTHER SYS DET SEE: 25-10-00-15D	504903	RF
- 100	MODREF7398		LIGHTPLATE INSTL-P11-1 (LIGHTS ONLY) MODULE NUMBER: 233N5103-14 REV A FOR OTHER SYS DETAILS SEE: 11-34-03-05D	103106	1
105	233N5220-1045		.LIGHTPLATE ASSY- PRE ALERT SB: 34A0222	102106 108108	1
107	233N5412-1		.LIGHTPLATE ASSY-ROW B POST ALERT SB: 34A0222	102102 108120	1
107	233N5412-3		.LIGHTPLATE ASSY-ROW B POST ALERT SB: 34A0222	504903	1
110	800-000524		..LIGHTPLATE- SUPPLIER CODE: V05617 SPECIFICATION NUMBER: S233T100-8004 MISCELLANEOUS DATA: FOR VENDOR FSCM 05617 FOR SPARES ORDER THE 800-000524-1 OPTIONAL PART: S233T100-8004 V51896 800-000524-1 V05617 FOR DETAILS SEE: 33-13-70-01	102106 108120 504903	1
110	800-000524-1		..LIGHTPLATE- SUPPLIER CODE: V05617 SPECIFICATION NUMBER: S233T100-8004 OPTIONAL PART: S233T100-8004 V51896 800-000524 V05617 FOR DETAILS SEE: 33-13-70-01	102106 108120 504903	1

MISSING ITEM NUMBERS NOT APPLICABLE

- ITEM NOT ILLUSTRATED

BRI

33-13-65-04

BOEING PROPRIETARY - Copyright © - Unpublished Work - See title page for details.

33-13-65
FIG. 04
PAGE 3
JAN 20/09



757

PARTS CATALOG (MAINTENANCE)

FIG ITEM	PART NUMBER	1 2 3 4 5 6 7	NOMENCLATURE	EFFECT FROM TO	UNITS PER ASSY
4					
- 150	233N5103-23		LIGHTPLATE INSTL-P11-1 (LIGHTS ONLY) FOR NHA/OTHER SYS DET SEE: 25-10-00-15D	102102 108120	RF
- 150	233N5103-314		LIGHTPLATE INSTL-P11-1 (LIGHTS ONLY) FOR NHA/OTHER SYS DET SEE: 25-10-00-15D	504903	RF
- 151	MODREF7713		LIGHTPLATE INSTL-P11-1 (LIGHTS ONLY) MODULE NUMBER: 233N5103-23 REV A FOR OTHER SYS DETAILS SEE: 11-34-03-05D	103106	1
155	233N5220-1277		.LIGHTPLATE ASSY	102106 108120	1
155	233N5413-5		.LIGHTPLATE ASSY	504903	1
160	800-000524		..LIGHTPLATE- SUPPLIER CODE: V05617 SPECIFICATION NUMBER: S233T100-8004 MISCELLANEOUS DATA: FOR VENDOR FSCM 05617 FOR SPARES ORDER THE 800-000524-1 OPTIONAL PART: S233T100-8004 V51896 800-000524-1 V05617 FOR DETAILS SEE: 33-13-70-01	102106 108120 504903	1
160	800-000524-1		..LIGHTPLATE- SUPPLIER CODE: V05617 SPECIFICATION NUMBER: S233T100-8004 OPTIONAL PART: S233T100-8004 V51896 800-000524 V05617 FOR DETAILS SEE: 33-13-70-01	102106 108120 504903	1
- 200	233N5103-26		LIGHTPLATE INSTL-P11-1 (LIGHTS ONLY) FOR NHA/OTHER SYS DET SEE: 25-10-00-15D	102102 108120	RF

MISSING ITEM NUMBERS NOT APPLICABLE

- ITEM NOT ILLUSTRATED

33-13-65-04

33-13-65
FIG. 04
PAGE 4
JAN 20/09

BRI

 **BOEING**
757
PARTS CATALOG (MAINTENANCE)

FIG ITEM	PART NUMBER	1 2 3 4 5 6 7	NOMENCLATURE	EFFECT FROM TO	UNITS PER ASSY
4					
- 200	233N5103-29		LIGHTPLATE INSTL-P11-1 (LIGHTS ONLY) FOR NHA/OTHER SYS DET SEE: 25-10-00-15D	504903	RF
- 200	MODREF8235		LIGHTPLATE INSTL-P11-1 (LIGHTS ONLY) MODULE NUMBER: 233N5103-413 REV A FOR OTHER SYS DETAILS SEE: 11-34-03-05D	103106	1
205	233N5220-1185		.LIGHTPLATE ASSY-	102102 108120	1
205	233N5220-1233		.LIGHTPLATE ASSY-	504903	1
205	233N5220-1291		.LIGHTPLATE ASSY	103106	1
210	800-000524		..LIGHTPLATE- SUPPLIER CODE: V05617 SPECIFICATION NUMBER: S233T100-8004 MISCELLANEOUS DATA: FOR VENDOR FSCM 05617 FOR SPARES ORDER THE 800-000524-1 OPTIONAL PART: S233T100-8004 V51896 800-000524-1 V05617 FOR DETAILS SEE: 33-13-70-01	102106 108120 504903	1
210	800-000524-1		..LIGHTPLATE- SUPPLIER CODE: V05617 SPECIFICATION NUMBER: S233T100-8004 OPTIONAL PART: S233T100-8004 V51896 800-000524 V05617 FOR DETAILS SEE: 33-13-70-01	102106 108120 504903	1
- 250	233N5103-34		LIGHTPLATE INSTL-P11-1 (LIGHTS ONLY) FOR NHA/OTHER SYS DET SEE: 25-10-00-15D	102102 108120 504903	RF

MISSING ITEM NUMBERS NOT APPLICABLE

- ITEM NOT ILLUSTRATED

BRI

33-13-65-04

BOEING PROPRIETARY - Copyright © - Unpublished Work - See title page for details.

33-13-65
FIG. 04
PAGE 5
JAN 20/09



**757
PARTS CATALOG (MAINTENANCE)**

FIG ITEM	PART NUMBER	1 2 3 4 5 6 7	NOMENCLATURE	EFFECT FROM TO	UNITS PER ASSY
4 - 250	MODREF8229		LIGHTPLATE INSTL-P11-1 (LIGHTS ONLY) MODULE NUMBER: 233N5103-407 REV A FOR OTHER SYS DETAILS SEE: 11-34-03-05D	103106	1
	255 233N5415-5		.LIGHTPLATE ASSY-	102102 108120 504903	1
	255 233N5415-23		.LIGHTPLATE ASSY	103106	1
	260 800-000524		..LIGHTPLATE- SUPPLIER CODE: V05617 SPECIFICATION NUMBER: S233T100-8004 MISCELLANEOUS DATA: FOR VENDOR FSCM 05617 FOR SPARES ORDER THE 800-000524-1 OPTIONAL PART: S233T100-8004 V51896 800-000524-1 V05617 FOR DETAILS SEE: 33-13-70-01	102106 108120 504903	1
	260 800-000524-1		..LIGHTPLATE- SUPPLIER CODE: V05617 SPECIFICATION NUMBER: S233T100-8004 OPTIONAL PART: S233T100-8004 V51896 800-000524 V05617 FOR DETAILS SEE: 33-13-70-01	102106 108120 504903	1
- 300	233N5103-44		LIGHTPLATE INSTL-P11-1 (LIGHTS ONLY) FOR NHA/OTHER SYS DET SEE: 25-10-00-15D	102102	RF
- 300	233N5103-369		LIGHTPLATE INSTL-P11-1 (LIGHTS ONLY) FOR NHA/OTHER SYS DET SEE: 25-10-00-15D	108120	RF

MISSING ITEM NUMBERS NOT APPLICABLE

- ITEM NOT ILLUSTRATED

33-13-65-04

33-13-65
FIG. 04
PAGE 6
JAN 20/09

BRI



757

PARTS CATALOG (MAINTENANCE)

FIG ITEM	PART NUMBER	1 2 3 4 5 6 7	NOMENCLATURE	EFFECT FROM TO	UNITS PER ASSY
4					
- 301	233N5103-313		LIGHTPLATE INSTL-P11-1 (LIGHTS ONLY) FOR NHA/OTHER SYS DET SEE: 25-10-00-15D	504903	RF
- 301	MODREF8042		LIGHTPLATE INSTL-P11-1 (LIGHTS ONLY) MODULE NUMBER: 233N5103-376 REV A FOR OTHER SYS DETAILS SEE: 11-34-03-05D	103106	1
305	233N5416-29		.LIGHTPLATE ASSY	103106	1
305	233N5416-27		.LIGHTPLATE ASSY	108120	1
305	233N5220-1179		.LIGHTPLATE ASSY	102102	1
306	233N5416-15		.LIGHTPLATE ASSY	504903	1
310	800-000524		..LIGHTPLATE- SUPPLIER CODE: V05617 SPECIFICATION NUMBER: S233T100-8004 MISCELLANEOUS DATA: FOR VENDOR FSCM 05617 FOR SPARES ORDER THE 800-000524-1 OPTIONAL PART: S233T100-8004 V51896 800-000524-1 V05617 FOR DETAILS SEE: 33-13-70-01	102106 108120 504903	1
310	800-000524-1		..LIGHTPLATE- SUPPLIER CODE: V05617 SPECIFICATION NUMBER: S233T100-8004 OPTIONAL PART: S233T100-8004 V51896 800-000524 V05617 FOR DETAILS SEE: 33-13-70-01	102106 108120 504903	1
- 350	233N5103-55		LIGHTPLATE INSTL-P11-1 (LIGHTS ONLY) FOR NHA/OTHER SYS DET SEE: 25-10-00-15D	102102	RF

MISSING ITEM NUMBERS NOT APPLICABLE

- ITEM NOT ILLUSTRATED

BRI

33-13-65-04

33-13-65
FIG. 04
PAGE 7
JAN 20/09



757

PARTS CATALOG (MAINTENANCE)

FIG ITEM	PART NUMBER	1 2 3 4 5 6 7	NOMENCLATURE	EFFECT FROM TO	UNITS PER ASSY
4					
- 350	233N5103-61		LIGHTPLATE INSTL-P11-1 (LIGHTS ONLY) FOR NHA/OTHER SYS DET SEE: 25-10-00-15D	504903	RF
- 350	233N5103-361		LIGHTPLATE INSTL-P11-1 (LIGHTS ONLY) FOR NHA/OTHER SYS DET SEE: 25-10-00-15D	108120	RF
- 351	MODREF8137		LIGHTPLATE INSTL-P11-1 (LIGHTS ONLY) MODULE NUMBER: 233N5103-392 REV A FOR OTHER SYS DETAILS SEE: 11-34-03-05D	103106	1
355	233N5220-1191		.LIGHTPLATE ASSY	102102	1
355	233N5220-1183		.LIGHTPLATE ASSY	108120	1
355	233N5220-1297		.LIGHTPLATE ASSY	504903	1
355	233N5220-1285		.LIGHTPLATE ASSY	103106	1
360	800-000524		..LIGHTPLATE- SUPPLIER CODE: V05617 SPECIFICATION NUMBER: S233T100-8004 MISCELLANEOUS DATA: FOR VENDOR FSCM 05617 FOR SPARES ORDER THE 800-000524-1 OPTIONAL PART: S233T100-8004 V51896 800-000524-1 V05617 FOR DETAILS SEE: 33-13-70-01	102106 108120 504903	1
360	800-000524-1		..LIGHTPLATE- SUPPLIER CODE: V05617 SPECIFICATION NUMBER: S233T100-8004 OPTIONAL PART: S233T100-8004 V51896 800-000524 V05617 FOR DETAILS SEE: 33-13-70-01	102106 108120 504903	1

MISSING ITEM NUMBERS NOT APPLICABLE

- ITEM NOT ILLUSTRATED

33-13-65-04

33-13-65
FIG. 04
PAGE 8
JAN 20/09

BRI



757

PARTS CATALOG (MAINTENANCE)

FIG ITEM	PART NUMBER	1 2 3 4 5 6 7	NOMENCLATURE	EFFECT FROM TO	UNITS PER ASSY
4					
- 400	233N5103-67		LIGHTPLATE INSTL-P11-1 (LIGHTS ONLY) FOR NHA/OTHER SYS DET SEE: 25-10-00-15D	504903	RF
- 400	233N5103-68		LIGHTPLATE INSTL-P11-1 (LIGHTS ONLY) FOR NHA/OTHER SYS DET SEE: 25-10-00-15D	108120	RF
- 400	233N5103-300		LIGHTPLATE INSTL-P11-1 (LIGHTS ONLY) FOR NHA/OTHER SYS DET SEE: 25-10-00-15D	102102	RF
- 402	MODREF8312		LIGHTPLATE INSTL-P11-1 (LIGHTS ONLY) MODULE NUMBER: 233N5103-74 REV A FOR OTHER SYS DETAILS SEE: 11-34-03-05D	103106	1
405	233N5220-1253		.LIGHTPLATE ASSY	504903	1
405	233N5220-1255		.LIGHTPLATE ASSY	108120	1
405	233N5418-19		.LIGHTPLATE ASSY-	102102	1
405	233N5418-21		.LIGHTPLATE ASSY	103106	1
410	S233T100-8006		..LIGHTPLATE ASSY- SUPPLIER CODE: V51896	102106 108120 504903	1
410	800-000522		..LIGHTPLATE- SUPPLIER CODE: V05617 SPECIFICATION NUMBER: S233T100-8006 MISCELLANEOUS DATA: FOR VENDOR FSCM 05617 FOR SPARES ORDER THE 800-000522-1 OPTIONAL PART: S233T100-8006 V51896 800-000522-1 V05617 OPTIONAL PART: S233T100-8006 V51896 FOR DETAILS SEE: 33-13-70-01	102106 108120 504903	1

MISSING ITEM NUMBERS NOT APPLICABLE

- ITEM NOT ILLUSTRATED

BRI

33-13-65-04

BOEING PROPRIETARY - Copyright © - Unpublished Work - See title page for details.

33-13-65
FIG. 04
PAGE 9
JAN 20/09



757

PARTS CATALOG (MAINTENANCE)

FIG ITEM	PART NUMBER	1 2 3 4 5 6 7	NOMENCLATURE	EFFECT FROM TO	UNITS PER ASSY
4 410	800-000522-1		. . LIGHTPLATE- SUPPLIER CODE: V05617 SPECIFICATION NUMBER: S233T100-8006 OPTIONAL PART: S233T100-8006 V51896 800-000522 V05617 FOR DETAILS SEE: 33-13-70-01	102106 108120 504903	1

MISSING ITEM NUMBERS NOT APPLICABLE

- ITEM NOT ILLUSTRATED

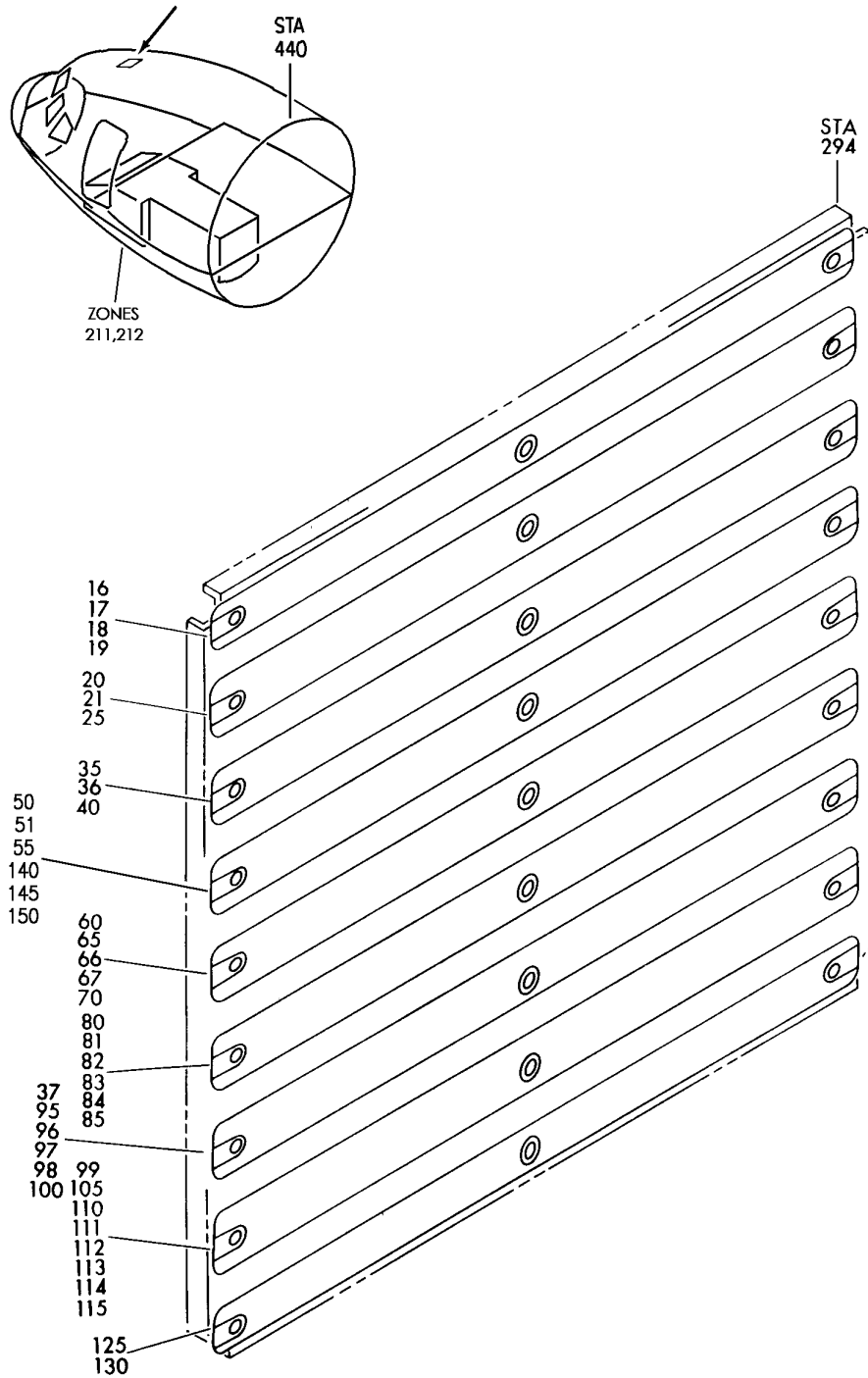
BRI

33-13-65-04

BOEING PROPRIETARY - Copyright © - Unpublished Work - See title page for details.

33-13-65
FIG. 04
PAGE 10
JAN 20/09

BOEING
757
PARTS CATALOG (MAINTENANCE)



Y 33136601 REV 324

PANEL ASSY-P11-2 CB (INTEGRAL PANEL LIGHTS ONLY)
FIGURE 1

33-13-66-01

BRI
SEP 20/08

33-13-66-01
PAGE 0



757

PARTS CATALOG (MAINTENANCE)

FIG ITEM	PART NUMBER	1 2 3 4 5 6 7	NOMENCLATURE	EFFECT FROM TO	UNITS PER ASSY
1			PANEL ASSY-P11-2 CB (INTEGRAL PANEL LIGHTS ONLY)	107107 121503 904949	
- 4	233N5003-7		PANEL ASSY-P11-2 CB (INTEGRAL PANEL LIGHTS ONLY) REWORK DRAWING REF: 823N0016-12 POST SERVICE BULLETIN: 24-0048 REWORKED BY SB: 34-0400 34-0414 FOR NHA/OTHER SYS DET SEE: 24-00-51-02	107107	RF
- 7	233N5206-68		PANEL ASSY-P11-2 CB (INTEGRAL PANEL LIGHTS ONLY) FOR NHA/OTHER SYS DET SEE: 24-00-51-02	904949	RF
- 7	233N5206-69		PANEL ASSY-P11-2 CB (INTEGRAL PANEL LIGHTS ONLY) PRE SERVICE BULLETIN: 78-0032 FOR NHA/OTHER SYS DET SEE: 24-00-51-02	121503	RF
- 14	233N5012-162		PANEL ASSY-P11-2 CB (INTEGRAL PANEL LIGHTS ONLY) POST SERVICE BULLETIN: 78-0032 FOR NHA/OTHER SYS DET SEE: 24-00-51-02	121503	RF
16	233N5200-6075		.LIGHTPLATE ASSY-	107107	1
16	233N5200-6293		.LIGHTPLATE ASSY-	121503 904949	1

MISSING ITEM NUMBERS NOT APPLICABLE

- ITEM NOT ILLUSTRATED

33-13-66-01

33-13-66
FIG. 01
PAGE 1
JAN 20/09

BRI



757

PARTS CATALOG (MAINTENANCE)

FIG ITEM	PART NUMBER	1 2 3 4 5 6 7	NOMENCLATURE	EFFECT FROM TO	UNITS PER ASSY
1 19	800-000522		..LIGHTPLATE- SUPPLIER CODE: V05617 SPECIFICATION NUMBER: S233T100-8006 MISCELLANEOUS DATA: FOR VENDOR FSCM 05617 FOR SPARES ORDER THE 800-000522-1 OPTIONAL PART: S233T100-8006 V51896 800-000522-1 V05617 FOR DETAILS SEE: 33-13-70-01	107107 121503 904949	1
19	800-000522-1		..LIGHTPLATE- SUPPLIER CODE: V05617 SPECIFICATION NUMBER: S233T100-8006 OPTIONAL PART: S233T100-8006 V51896 800-000522 V05617 FOR DETAILS SEE: 33-13-70-01	107107 121503 904949	1
20	233N5200-6169		.LIGHTPLATE ASSY-	107107	1
20	233N5200-6281		.LIGHTPLATE ASSY-	121503 904949	1
25	800-000523		..LIGHTPLATE ASSY- SUPPLIER CODE: V05617 SPECIFICATION NUMBER: S233T100-8005 MISCELLANEOUS DATA: FOR VENDOR FSCM 05617 FOR SPARES ORDER THE 800-000523-1 OPTIONAL PART: S233T100-8005 V51896 800-000523-1 V05617 FOR DETAILS SEE: 33-13-70-01	107107 121503 904949	1

MISSING ITEM NUMBERS NOT APPLICABLE

- ITEM NOT ILLUSTRATED

33-13-66-01

33-13-66
FIG. 01
PAGE 2
JAN 20/09

BRI



757

PARTS CATALOG (MAINTENANCE)

FIG ITEM	PART NUMBER	1 2 3 4 5 6 7	NOMENCLATURE	EFFECT FROM TO	UNITS PER ASSY
1	25 800-000523-1		..LIGHTPLATE ASSY- SUPPLIER CODE: V05617 SPECIFICATION NUMBER: S233T100-8005 OPTIONAL PART: S233T100-8005 V51896 800-000523 V05617 FOR DETAILS SEE: 33-13-70-01	107107 121503 904949	1
	35 233N5200-6295		.LIGHTPLATE ASSY- POST SERVICE BULLETIN: 24-0048	107107	1
	35 233N5200-6291		.LIGHTPLATE ASSY-	121503 904949	1
	40 800-000523		..LIGHTPLATE ASSY- SUPPLIER CODE: V05617 SPECIFICATION NUMBER: S233T100-8005 MISCELLANEOUS DATA: FOR VENDOR FSCM 05617 FOR SPARES ORDER THE 800-000523-1 OPTIONAL PART: S233T100-8005 V51896 800-000523-1 V05617 FOR DETAILS SEE: 33-13-70-01	107107 121503 904949	1
	40 800-000523-1		..LIGHTPLATE ASSY- SUPPLIER CODE: V05617 SPECIFICATION NUMBER: S233T100-8005 OPTIONAL PART: S233T100-8005 V51896 800-000523 V05617 FOR DETAILS SEE: 33-13-70-01	107107 121503 904949	1

MISSING ITEM NUMBERS NOT APPLICABLE

- ITEM NOT ILLUSTRATED

33-13-66-01

33-13-66
FIG. 01
PAGE 3
JAN 20/09

BRI



757

PARTS CATALOG (MAINTENANCE)

FIG ITEM	PART NUMBER	1 2 3 4 5 6 7	NOMENCLATURE	EFFECT FROM TO	UNITS PER ASSY
1					
50	233N5200-6297		.LIGHTPLATE ASSY- POST SERVICE BULLETIN: 24-0048 PRE SERVICE BULLETIN: 34-0400	107107	1
51	233N5200-6341		.LIGHTPLATE ASSY-	121503 904949	1
55	800-000523		..LIGHTPLATE ASSY- SUPPLIER CODE: V05617 SPECIFICATION NUMBER: S233T100-8005 MISCELLANEOUS DATA: FOR VENDOR FSCM 05617 FOR SPARES ORDER THE 800-000523-1 OPTIONAL PART: S233T100-8005 V51896 800-000523-1 V05617 FOR DETAILS SEE: 33-13-70-01	107107 121503 904949	1
55	800-000523-1		..LIGHTPLATE ASSY- SUPPLIER CODE: V05617 SPECIFICATION NUMBER: S233T100-8005 OPTIONAL PART: S233T100-8005 V51896 800-000523 V05617 FOR DETAILS SEE: 33-13-70-01	107107 121503 904949	1
65	233N5200-6307		.LIGHTPLATE ASSY-	121503 904949	1

MISSING ITEM NUMBERS NOT APPLICABLE

- ITEM NOT ILLUSTRATED

33-13-66-01

33-13-66
FIG. 01
PAGE 4
JAN 20/09

BRI



757

PARTS CATALOG (MAINTENANCE)

FIG ITEM	PART NUMBER	1 2 3 4 5 6 7	NOMENCLATURE	EFFECT FROM TO	UNITS PER ASSY
1	70 800-000523		..LIGHTPLATE ASSY- SUPPLIER CODE: V05617 SPECIFICATION NUMBER: S233T100-8005 MISCELLANEOUS DATA: FOR VENDOR FSCM 05617 FOR SPARES ORDER THE 800-000523-1 OPTIONAL PART: S233T100-8005 V51896 800-000523-1 V05617 FOR DETAILS SEE: 33-13-70-01	107107 121503 904949	1
	70 800-000523-1		..LIGHTPLATE ASSY- SUPPLIER CODE: V05617 SPECIFICATION NUMBER: S233T100-8005 OPTIONAL PART: S233T100-8005 V51896 800-000523 V05617 FOR DETAILS SEE: 33-13-70-01	107107 121503 904949	1
	80 233N5200-6305		.LIGHTPLATE ASSY-	904949	1
	80 233N5200-6563		.LIGHTPLATE ASSY- POST SERVICE BULLETIN: 78-0032	107107	1
	83 233N5200-6555		.LIGHTPLATE ASSY- POST SERVICE BULLETIN: 78-0032	121503	1
	83 233N5200-6561		.LIGHTPLATE ASSY- POST SERVICE BULLETIN: 78-0032 78-0032R4	107107 121503	1

MISSING ITEM NUMBERS NOT APPLICABLE

- ITEM NOT ILLUSTRATED

33-13-66-01

33-13-66
FIG. 01
PAGE 5
JAN 20/09

BRI



757

PARTS CATALOG (MAINTENANCE)

FIG ITEM	PART NUMBER	1 2 3 4 5 6 7	NOMENCLATURE	EFFECT FROM TO	UNITS PER ASSY
1 85	800-000523		..LIGHTPLATE ASSY- SUPPLIER CODE: V05617 SPECIFICATION NUMBER: S233T100-8005 MISCELLANEOUS DATA: FOR VENDOR FSCM 05617 FOR SPARES ORDER THE 800-000523-1 OPTIONAL PART: S233T100-8005 V51896 800-000523-1 V05617 FOR DETAILS SEE: 33-13-70-01	107107 121503 904949	1
85	800-000523-1		..LIGHTPLATE ASSY- SUPPLIER CODE: V05617 SPECIFICATION NUMBER: S233T100-8005 OPTIONAL PART: S233T100-8005 V51896 800-000523 V05617 FOR DETAILS SEE: 33-13-70-01	107107 121503 904949	1
96	233N5200-6275		.LIGHTPLATE ASSY-	904949	1
96	233N5200-6299		.LIGHTPLATE ASSY- POST SERVICE BULLETIN: 24-0048	107107	1
98	233N5200-6415		.LIGHTPLATE ASSY- POST SERVICE BULLETIN: 78-0032	107107 121503	1
98	233N5200-6423		.LIGHTPLATE ASSY- POST SERVICE BULLETIN: 78-0032	121503 904949	1

MISSING ITEM NUMBERS NOT APPLICABLE

- ITEM NOT ILLUSTRATED

33-13-66-01

33-13-66
FIG. 01
PAGE 6
JAN 20/09

BRI



757

PARTS CATALOG (MAINTENANCE)

FIG ITEM	PART NUMBER	1 2 3 4 5 6 7	NOMENCLATURE	EFFECT FROM TO	UNITS PER ASSY
1 100	800-000523		..LIGHTPLATE ASSY- SUPPLIER CODE: V05617 SPECIFICATION NUMBER: S233T100-8005 MISCELLANEOUS DATA: FOR VENDOR FSCM 05617 FOR SPARES ORDER THE 800-000523-1 OPTIONAL PART: S233T100-8005 V51896 800-000523-1 V05617 FOR DETAILS SEE: 33-13-70-01	107107 121503 904949	1
100	800-000523-1		..LIGHTPLATE ASSY- SUPPLIER CODE: V05617 SPECIFICATION NUMBER: S233T100-8005 OPTIONAL PART: S233T100-8005 V51896 800-000523 V05617 FOR DETAILS SEE: 33-13-70-01	107107 121503 904949	1
110	233N5200-6301		.LIGHTPLATE ASSY-	904949	1
111	233N5200-6309		.LIGHTPLATE ASSY- POST SERVICE BULLETIN: 24-0048	107107	1
113	233N5200-6417		.LIGHTPLATE ASSY- POST SERVICE BULLETIN: 78-0032	121503	1

MISSING ITEM NUMBERS NOT APPLICABLE

- ITEM NOT ILLUSTRATED

33-13-66-01

33-13-66
FIG. 01
PAGE 7
JAN 20/09

BRI



757

PARTS CATALOG (MAINTENANCE)

FIG ITEM	PART NUMBER	1 2 3 4 5 6 7	NOMENCLATURE	EFFECT FROM TO	UNITS PER ASSY
1 115	800-000523		..LIGHTPLATE ASSY- SUPPLIER CODE: V05617 SPECIFICATION NUMBER: S233T100-8005 MISCELLANEOUS DATA: FOR VENDOR FSCM 05617 FOR SPARES ORDER THE 800-000523-1 OPTIONAL PART: S233T100-8005 V51896 800-000523-1 V05617 FOR DETAILS SEE: 33-13-70-01	107107 121503 904949	1
115	800-000523-1		..LIGHTPLATE ASSY- SUPPLIER CODE: V05617 SPECIFICATION NUMBER: S233T100-8005 OPTIONAL PART: S233T100-8005 V51896 800-000523 V05617 FOR DETAILS SEE: 33-13-70-01	107107 121503 904949	1
125	233N5200-6271		.LIGHTPLATE ASSY- POST SERVICE BULLETIN: 24-0048	107107 121503 904949	1
130	800-002611		..LIGHTPLATE- SUPPLIER CODE: V05617 SPECIFICATION NUMBER: S233T100-8003 MISCELLANEOUS DATA: FOR VENDOR FSCM 05617 FOR SPARES ORDER THE 800-002611-1 OPTIONAL PART: S233T100-8003 V51896 800-002611-1 V05617 FOR DETAILS SEE: 33-13-70-01	107107 121503 904949	1

MISSING ITEM NUMBERS NOT APPLICABLE

- ITEM NOT ILLUSTRATED

33-13-66-01

33-13-66
FIG. 01
PAGE 8
JAN 20/09

BRI



757

PARTS CATALOG (MAINTENANCE)

FIG ITEM	PART NUMBER	1 2 3 4 5 6 7	NOMENCLATURE	EFFECT FROM TO	UNITS PER ASSY
1 130	800-002611-1		..LIGHTPLATE- SUPPLIER CODE: V05617 SPECIFICATION NUMBER: S233T100-8003 OPTIONAL PART: S233T100-8003 V51896 800-002611 V05617 FOR DETAILS SEE: 33-13-70-01	107107 121503 904949	1
140	823N0016-14		.LIGHTPLATE ASSY- POST SERVICE BULLETIN: 34-0400	107107	1
145	233N5200-6147		..LIGHTPLATE ASSY	107107	1
150	800-000523		...LIGHTPLATE ASSY- SUPPLIER CODE: V05617 SPECIFICATION NUMBER: S233T100-8005 MISCELLANEOUS DATA: FOR VENDOR FSCM 05617 FOR SPARES ORDER THE 800-000523-1 OPTIONAL PART: S233T100-8005 V51896 800-000523-1 V05617 FOR DETAILS SEE: 33-13-70-01	107107	1
150	800-000523-1		...LIGHTPLATE ASSY- SUPPLIER CODE: V05617 SPECIFICATION NUMBER: S233T100-8005 OPTIONAL PART: S233T100-8005 V51896 800-000523 V05617 FOR DETAILS SEE: 33-13-70-01	107107	1

MISSING ITEM NUMBERS NOT APPLICABLE

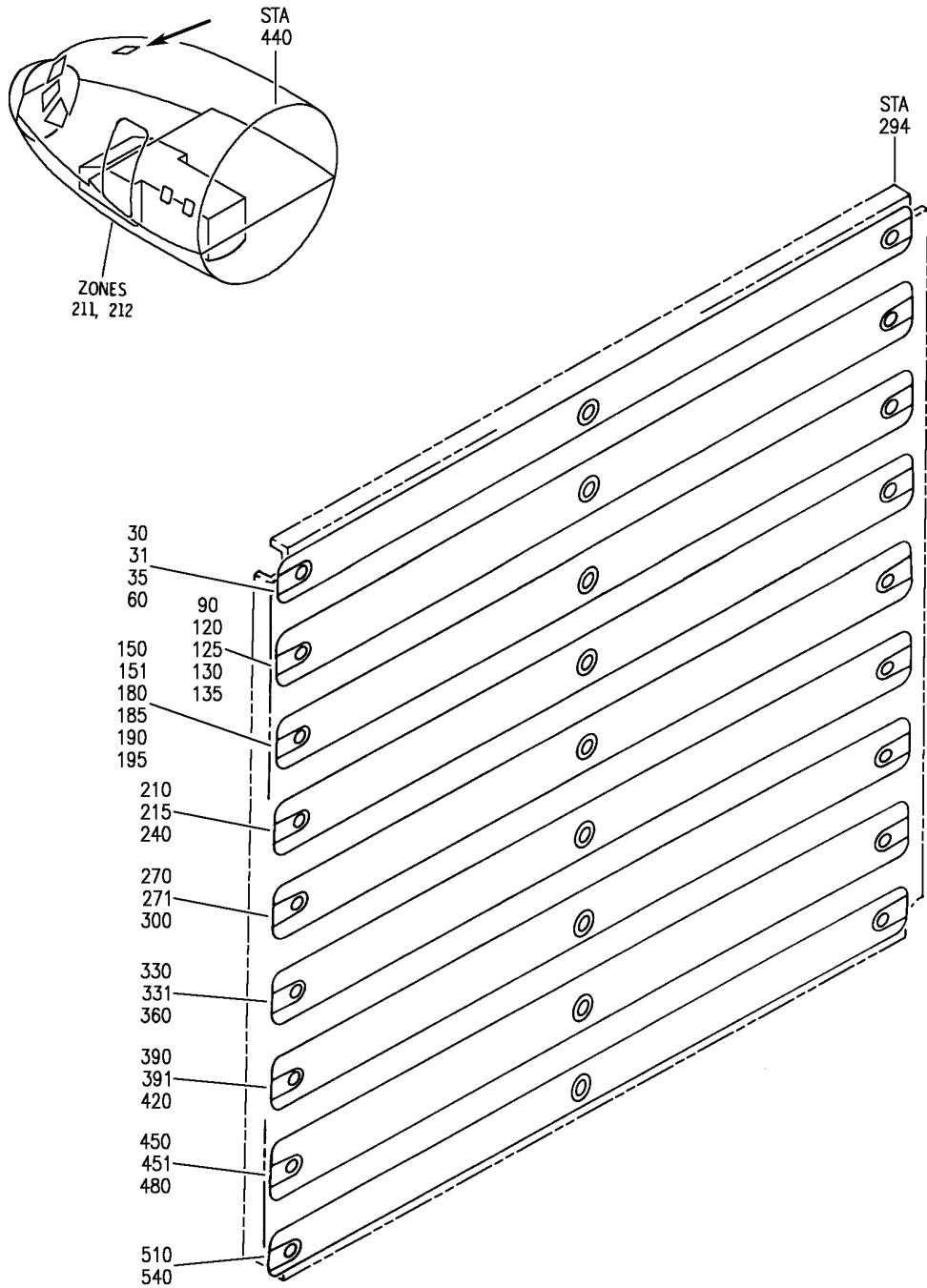
- ITEM NOT ILLUSTRATED

33-13-66-01

33-13-66
FIG. 01
PAGE 9
JAN 20/09

BRI

BOEING
757
PARTS CATALOG (MAINTENANCE)



Y 33136602 REV 325

PANEL ASSY-P11-2 CB (INTEGRAL PANEL LIGHTS ONLY)
FIGURE 2

33-13-66-02

BRI
SEP 20/08

33-13-66-02
PAGE 0



757

PARTS CATALOG (MAINTENANCE)

FIG ITEM	PART NUMBER	1 2 3 4 5 6 7	NOMENCLATURE	EFFECT FROM TO	UNITS PER ASSY
2			PANEL ASSY-P11-2 CB (INTEGRAL PANEL LIGHTS ONLY)	002004 006100 950999	
- 2	233N5212-119		PANEL ASSY-P11-2 CB (INTEGRAL PANEL LIGHTS ONLY) FOR NHA/OTHER SYS DET SEE: 24-00-51-02	006007	RF
- 2	233N5212-120		PANEL ASSY-P11-2 CB (INTEGRAL PANEL LIGHTS ONLY) FOR NHA/OTHER SYS DET SEE: 24-00-51-02	953999	RF
- 2	233N5212-123		PANEL ASSY-P11-2 CB (INTEGRAL PANEL LIGHTS ONLY) REWORKED BY SB: 34-0416 FOR NHA/OTHER SYS DET SEE: 24-00-51-02	008100	RF
- 2	233N5212-127		PANEL ASSY-P11-2 CB (INTEGRAL PANEL LIGHTS ONLY) FOR NHA/OTHER SYS DET SEE: 24-00-51-02	950951	RF
- 8	233N5212-86		PANEL ASSY-P11-2 CB (INTEGRAL PANEL LIGHTS ONLY) FOR NHA/OTHER SYS DET SEE: 24-00-51-02	952952	RF
- 9	233N5212-89		PANEL ASSY-P11-2 CB (INTEGRAL PANEL LIGHTS ONLY) FOR NHA/OTHER SYS DET SEE: 24-00-51-02	002004	RF
30	233N5220-2095		.LIGHTPLATE ASSY-	002004 006100 952999	1
30	233N5220-2093		.LIGHTPLATE ASSY-	950951	1

MISSING ITEM NUMBERS NOT APPLICABLE

- ITEM NOT ILLUSTRATED

33-13-66-02

33-13-66
FIG. 02
PAGE 1
JAN 20/09

BRI



757

PARTS CATALOG (MAINTENANCE)

FIG ITEM	PART NUMBER	1 2 3 4 5 6 7	NOMENCLATURE	EFFECT FROM TO	UNITS PER ASSY
2 60	800-000522		..LIGHTPLATE- SUPPLIER CODE: V05617 SPECIFICATION NUMBER: S233T100-8006 MISCELLANEOUS DATA: FOR VENDOR FSCM 05617 FOR SPARES ORDER THE 800-000522-1 OPTIONAL PART: S233T100-8006 V51896 800-000522-1 V05617 FOR DETAILS SEE: 33-13-70-01	002004 006100 950999	1
60	800-000522-1		..LIGHTPLATE- SUPPLIER CODE: V05617 SPECIFICATION NUMBER: S233T100-8006 OPTIONAL PART: S233T100-8006 V51896 800-000522 V05617 FOR DETAILS SEE: 33-13-70-01	002004 006100 950999	1
90	233N5220-2089		.LIGHTPLATE ASSY-	002004 006100 950999	1
120	800-000523		..LIGHTPLATE ASSY- SUPPLIER CODE: V05617 SPECIFICATION NUMBER: S233T100-8005 MISCELLANEOUS DATA: FOR VENDOR FSCM 05617 FOR SPARES ORDER THE 800-000523-1 OPTIONAL PART: S233T100-8005 V51896 800-000523-1 V05617 FOR DETAILS SEE: 33-13-70-01	002004 006100 950999	1

MISSING ITEM NUMBERS NOT APPLICABLE

- ITEM NOT ILLUSTRATED

33-13-66-02

33-13-66
FIG. 02
PAGE 2
JAN 20/09

BRI



757

PARTS CATALOG (MAINTENANCE)

FIG ITEM	PART NUMBER	1 2 3 4 5 6 7	NOMENCLATURE	EFFECT FROM TO	UNITS PER ASSY
2 120	800-000523-1		..LIGHTPLATE ASSY- SUPPLIER CODE: V05617 SPECIFICATION NUMBER: S233T100-8005 OPTIONAL PART: S233T100-8005 V51896 800-000523 V05617 FOR DETAILS SEE: 33-13-70-01	002004 006100 950999	1
150	233N5220-2057		.LIGHTPLATE ASSY-	002004 006007 952952	1
150	233N5220-2197		.LIGHTPLATE ASSY- PRE SERVICE BULLETIN: 34-0416	008100 953999	1
150	233N5220-2195		.LIGHTPLATE ASSY-	950951	1
151	233N5220-2191		.LIGHTPLATE ASSY- POST SERVICE BULLETIN: 34-0416	009009	1
180	800-000523		..LIGHTPLATE ASSY- SUPPLIER CODE: V05617 SPECIFICATION NUMBER: S233T100-8005 MISCELLANEOUS DATA: FOR VENDOR FSCM 05617 FOR SPARES ORDER THE 800-000523-1 OPTIONAL PART: S233T100-8005 V51896 800-000523-1 V05617 FOR DETAILS SEE: 33-13-70-01	002004 006100 950999	1

MISSING ITEM NUMBERS NOT APPLICABLE

- ITEM NOT ILLUSTRATED

33-13-66-02

33-13-66
FIG. 02
PAGE 3
JAN 20/09

BRI



757

PARTS CATALOG (MAINTENANCE)

FIG ITEM	PART NUMBER	1 2 3 4 5 6 7	NOMENCLATURE	EFFECT FROM TO	UNITS PER ASSY
2 180	800-000523-1		..LIGHTPLATE ASSY- SUPPLIER CODE: V05617 SPECIFICATION NUMBER: S233T100-8005 OPTIONAL PART: S233T100-8005 V51896 800-000523 V05617 FOR DETAILS SEE: 33-13-70-01	002004 006100 950999	1
210	233N5220-2129		.LIGHTPLATE ASSY-	002004 006100 950999	1
240	800-000523		..LIGHTPLATE ASSY- SUPPLIER CODE: V05617 SPECIFICATION NUMBER: S233T100-8005 MISCELLANEOUS DATA: FOR VENDOR FSCM 05617 FOR SPARES ORDER THE 800-000523-1 OPTIONAL PART: S233T100-8005 V51896 800-000523-1 V05617 FOR DETAILS SEE: 33-13-70-01	002004 006100 950999	1
240	800-000523-1		..LIGHTPLATE ASSY- SUPPLIER CODE: V05617 SPECIFICATION NUMBER: S233T100-8005 OPTIONAL PART: S233T100-8005 V51896 800-000523 V05617 FOR DETAILS SEE: 33-13-70-01	002004 006100 950999	1
270	233N5220-2111		.LIGHTPLATE ASSY-	002004 952952	1
270	233N5220-2173		.LIGHTPLATE ASSY-	006100 953999	1
271	233N5220-2209		.LIGHTPLATE ASSY-	950951	1

MISSING ITEM NUMBERS NOT APPLICABLE

- ITEM NOT ILLUSTRATED

33-13-66-02

33-13-66
FIG. 02
PAGE 4
JAN 20/09

BRI



757

PARTS CATALOG (MAINTENANCE)

FIG ITEM	PART NUMBER	1 2 3 4 5 6 7	NOMENCLATURE	EFFECT FROM TO	UNITS PER ASSY
2 300	800-000523		..LIGHTPLATE ASSY- SUPPLIER CODE: V05617 SPECIFICATION NUMBER: S233T100-8005 MISCELLANEOUS DATA: FOR VENDOR FSCM 05617 FOR SPARES ORDER THE 800-000523-1 OPTIONAL PART: S233T100-8005 V51896 800-000523-1 V05617 FOR DETAILS SEE: 33-13-70-01	002004 006100 952999	1
300	800-000523		..LIGHTPLATE ASSY- SUPPLIER CODE: V05617 SPECIFICATION NUMBER: S233T100-8005 MISCELLANEOUS DATA: FOR VENDOR FSCM 05617 FOR SPARES ORDER THE 800-000523-1 OPTIONAL PART: S233T100-8005 V51896 800-000523-1 V05617 OPTIONAL PART: S233T100-8005 V51896 FOR DETAILS SEE: 33-13-70-01	950951	1
300	S233T100-8005		..LIGHTPLATE- SUPPLIER CODE: V51896 SPECIFICATION NUMBER: S233T100-8005 OPTIONAL PART: 800-000523 V05617	950951	1

MISSING ITEM NUMBERS NOT APPLICABLE

- ITEM NOT ILLUSTRATED

33-13-66-02

33-13-66
FIG. 02
PAGE 5
JAN 20/09

BRI



757

PARTS CATALOG (MAINTENANCE)

FIG ITEM	PART NUMBER	1 2 3 4 5 6 7	NOMENCLATURE	EFFECT FROM TO	UNITS PER ASSY
2 300	800-000523-1		..LIGHTPLATE ASSY- SUPPLIER CODE: V05617 SPECIFICATION NUMBER: S233T100-8005 OPTIONAL PART: S233T100-8005 V51896 800-000523 V05617 FOR DETAILS SEE: 33-13-70-01	002004 006100 952999	1
300	800-000523-1		..LIGHTPLATE ASSY- SUPPLIER CODE: V05617 SPECIFICATION NUMBER: S233T100-8005 OPTIONAL PART: S233T100-8005 V51896 800-000523 V05617 FOR DETAILS SEE: 33-13-70-01	950951	1
330	233N5220-2099		.LIGHTPLATE ASSY-	002004 952952	1
330	233N5220-2161		.LIGHTPLATE ASSY-	006100 953999	1
330	233N5220-2159		.LIGHTPLATE ASSY-	950951	1
360	800-000523		..LIGHTPLATE ASSY- SUPPLIER CODE: V05617 SPECIFICATION NUMBER: S233T100-8005 MISCELLANEOUS DATA: FOR VENDOR FSCM 05617 FOR SPARES ORDER THE 800-000523-1 OPTIONAL PART: S233T100-8005 V51896 800-000523-1 V05617 FOR DETAILS SEE: 33-13-70-01	002004 006100 950999	1

MISSING ITEM NUMBERS NOT APPLICABLE

- ITEM NOT ILLUSTRATED

33-13-66-02

33-13-66
FIG. 02
PAGE 6
JAN 20/09

BRI



757

PARTS CATALOG (MAINTENANCE)

FIG ITEM	PART NUMBER	1 2 3 4 5 6 7	NOMENCLATURE	EFFECT FROM TO	UNITS PER ASSY
2 360	800-000523-1		..LIGHTPLATE ASSY- SUPPLIER CODE: V05617 SPECIFICATION NUMBER: S233T100-8005 OPTIONAL PART: S233T100-8005 V51896 800-000523 V05617 FOR DETAILS SEE: 33-13-70-01	002004 006100 950999	1
391	233N5220-2141		.LIGHTPLATE ASSY-	002004 952952	1
391	233N5220-2171		.LIGHTPLATE ASSY-	006100 950951 953999	1
420	800-000523		..LIGHTPLATE ASSY- SUPPLIER CODE: V05617 SPECIFICATION NUMBER: S233T100-8005 MISCELLANEOUS DATA: FOR VENDOR FSCM 05617 FOR SPARES ORDER THE 800-000523-1 OPTIONAL PART: S233T100-8005 V51896 800-000523-1 V05617 FOR DETAILS SEE: 33-13-70-01	006100 950951 953999	1

MISSING ITEM NUMBERS NOT APPLICABLE

- ITEM NOT ILLUSTRATED

33-13-66-02

33-13-66
FIG. 02
PAGE 7
JAN 20/09

BRI



757

PARTS CATALOG (MAINTENANCE)

FIG ITEM	PART NUMBER	1 2 3 4 5 6 7	NOMENCLATURE	EFFECT FROM TO	UNITS PER ASSY
2 420	800-000523		..LIGHTPLATE ASSY- SUPPLIER CODE: V05617 SPECIFICATION NUMBER: S233T100-8005 MISCELLANEOUS DATA: FOR VENDOR FSCM 05617 FOR SPARES ORDER THE 800-000523-1 OPTIONAL PART: S233T100-8005 V51896 800-000523-1 V05617 OPTIONAL PART: S233T100-8005 V51896 FOR DETAILS SEE: 33-13-70-01	002004 952952	1
420	S233T100-8005		..LIGHTPLATE- SUPPLIER CODE: V51896 SPECIFICATION NUMBER: S233T100-8005 OPTIONAL PART: 800-000523 V05617	006100 950951 953999	1
420	800-000523-1		..LIGHTPLATE ASSY- SUPPLIER CODE: V05617 SPECIFICATION NUMBER: S233T100-8005 OPTIONAL PART: S233T100-8005 V51896 800-000523 V05617 FOR DETAILS SEE: 33-13-70-01	006100 950951 953999	1

MISSING ITEM NUMBERS NOT APPLICABLE

- ITEM NOT ILLUSTRATED

33-13-66-02

33-13-66
FIG. 02
PAGE 8
JAN 20/09

BRI



757

PARTS CATALOG (MAINTENANCE)

FIG ITEM	PART NUMBER	1 2 3 4 5 6 7	NOMENCLATURE	EFFECT FROM TO	UNITS PER ASSY
2 420	800-000523-1		..LIGHTPLATE ASSY- SUPPLIER CODE: V05617 SPECIFICATION NUMBER: S233T100-8005 OPTIONAL PART: S233T100-8005 V51896 800-000523 V05617 FOR DETAILS SEE: 33-13-70-01	002004 952952	1
450	233N5220-2117		.LIGHTPLATE ASSY	002004 006100 952999	1
450	233N5220-2179		.LIGHTPLATE ASSY-	950951	1
480	800-000523		..LIGHTPLATE ASSY- SUPPLIER CODE: V05617 SPECIFICATION NUMBER: S233T100-8005 MISCELLANEOUS DATA: FOR VENDOR FSCM 05617 FOR SPARES ORDER THE 800-000523-1 OPTIONAL PART: S233T100-8005 V51896 800-000523-1 V05617 FOR DETAILS SEE: 33-13-70-01	002004 006100 950999	1
480	800-000523-1		..LIGHTPLATE ASSY- SUPPLIER CODE: V05617 SPECIFICATION NUMBER: S233T100-8005 OPTIONAL PART: S233T100-8005 V51896 800-000523 V05617 FOR DETAILS SEE: 33-13-70-01	002004 006100 950999	1
510	233N5220-2045		.LIGHTPLATE ASSY	002004 006100 950999	1

MISSING ITEM NUMBERS NOT APPLICABLE

- ITEM NOT ILLUSTRATED

33-13-66-02

33-13-66
FIG. 02
PAGE 9
JAN 20/09

BRI



757

PARTS CATALOG (MAINTENANCE)

FIG ITEM	PART NUMBER	1 2 3 4 5 6 7	NOMENCLATURE	EFFECT FROM TO	UNITS PER ASSY
2 540	800-002611		..LIGHTPLATE- SUPPLIER CODE: V05617 SPECIFICATION NUMBER: S233T100-8003 MISCELLANEOUS DATA: FOR VENDOR FSCM 05617 FOR SPARES ORDER THE 800-002611-1 OPTIONAL PART: S233T100-8003 V51896 800-002611-1 V05617 FOR DETAILS SEE: 33-13-70-01	002004 006100 950999	1
540	800-002611-1		..LIGHTPLATE- SUPPLIER CODE: V05617 SPECIFICATION NUMBER: S233T100-8003 OPTIONAL PART: S233T100-8003 V51896 800-002611 V05617 FOR DETAILS SEE: 33-13-70-01	002004 006100 950999	1

MISSING ITEM NUMBERS NOT APPLICABLE

- ITEM NOT ILLUSTRATED

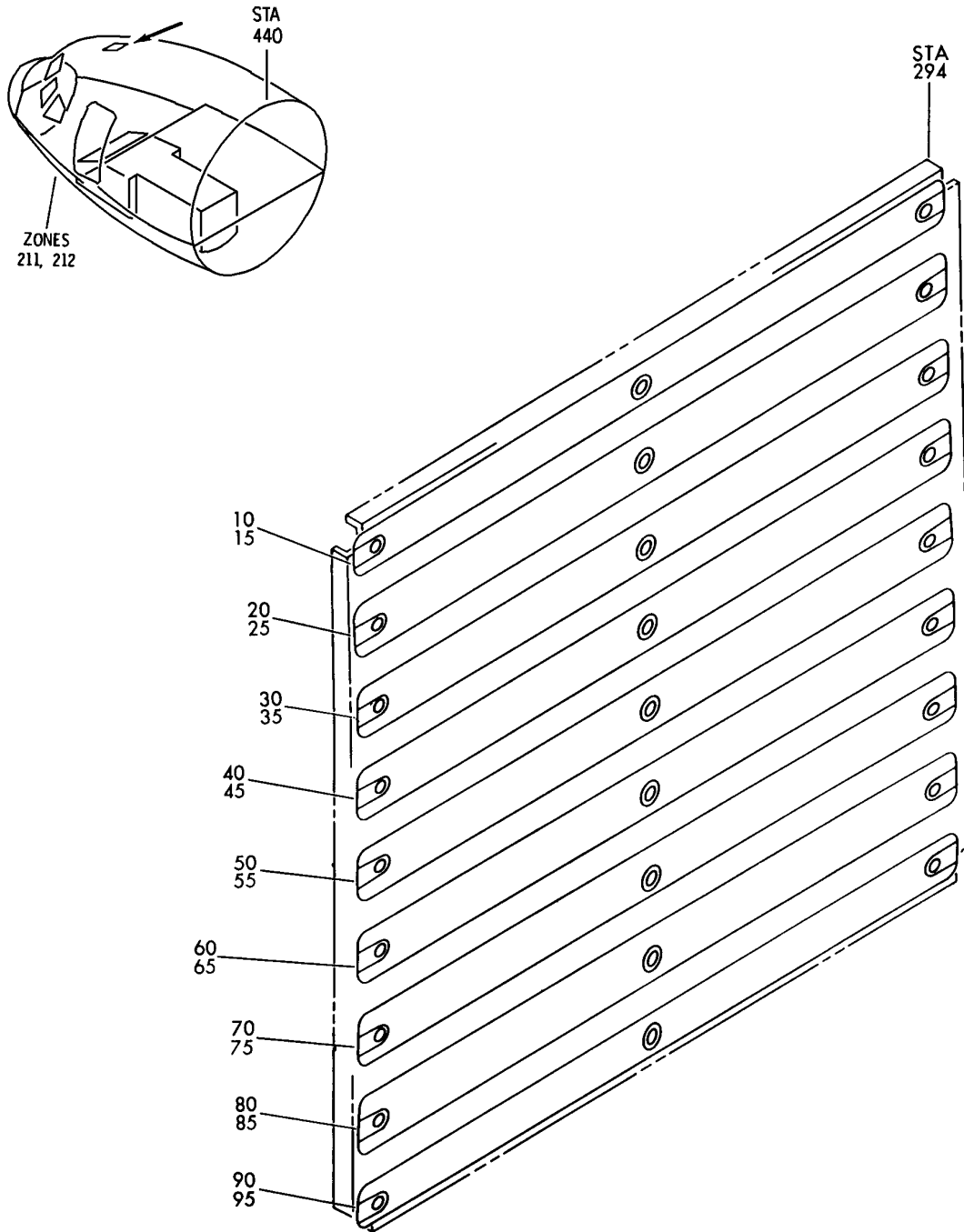
BRI

33-13-66-02

BOEING PROPRIETARY - Copyright © - Unpublished Work - See title page for details.

33-13-66
FIG. 02
PAGE 10
JAN 20/09

BOEING
757
PARTS CATALOG (MAINTENANCE)



Y 33136603 REV 229

PANEL INSTL-P11-2 (INTEGRAL PANEL LIGHTS ONLY)
FIGURE 3

33-13-66-03

BRI
MAY 28/07

33-13-66-03
PAGE 0



757

PARTS CATALOG (MAINTENANCE)

FIG ITEM	PART NUMBER	1 2 3 4 5 6 7	NOMENCLATURE	EFFECT FROM TO	UNITS PER ASSY
3			PANEL INSTL-P11-2 (INTEGRAL PANEL LIGHTS ONLY)	101101	
- 2	233N5212-186		PANEL ASSY-P11-2 CB (INTEGRAL PANEL LIGHTS ONLY) FOR NHA/OTHER SYS DET SEE: 24-00-51-02	101101	RF
10	233N5428-11		.LIGHTPLATE ASSY	101101	1
15	800-000522		..LIGHTPLATE- SUPPLIER CODE: V05617 SPECIFICATION NUMBER: S233T100-8006 MISCELLANEOUS DATA: FOR VENDOR FSCM 05617 FOR SPARES ORDER THE 800-000522-1 OPTIONAL PART: S233T100-8006 V51896 800-000522-1 V05617 FOR DETAILS SEE: 33-13-70-01	101101	1
15	800-000522-1		..LIGHTPLATE- SUPPLIER CODE: V05617 SPECIFICATION NUMBER: S233T100-8006 OPTIONAL PART: S233T100-8006 V51896 800-000522 V05617 FOR DETAILS SEE: 33-13-70-01	101101	1
20	233N5220-2089		.LIGHTPLATE ASSY	101101	1

MISSING ITEM NUMBERS NOT APPLICABLE

- ITEM NOT ILLUSTRATED

33-13-66-03

33-13-66
FIG. 03
PAGE 1
SEP 20/08

BRI



757

PARTS CATALOG (MAINTENANCE)

FIG ITEM	PART NUMBER	1 2 3 4 5 6 7	NOMENCLATURE	EFFECT FROM TO	UNITS PER ASSY
3 25	800-000523		..LIGHTPLATE ASSY- SUPPLIER CODE: V05617 SPECIFICATION NUMBER: S233T100-8005 MISCELLANEOUS DATA: FOR VENDOR FSCM 05617 FOR SPARES ORDER THE 800-000523-1 OPTIONAL PART: S233T100-8005 V51896 800-000523-1 V05617 FOR DETAILS SEE: 33-13-70-01	101101	1
25	800-000523-1		..LIGHTPLATE ASSY- SUPPLIER CODE: V05617 SPECIFICATION NUMBER: S233T100-8005 OPTIONAL PART: S233T100-8005 V51896 800-000523 V05617 FOR DETAILS SEE: 33-13-70-01	101101	1
30	233N5220-2155		.LIGHTPLATE ASSY	101101	1
35	800-000523		..LIGHTPLATE ASSY- SUPPLIER CODE: V05617 SPECIFICATION NUMBER: S233T100-8005 MISCELLANEOUS DATA: FOR VENDOR FSCM 05617 FOR SPARES ORDER THE 800-000523-1 OPTIONAL PART: S233T100-8005 V51896 800-000523-1 V05617 FOR DETAILS SEE: 33-13-70-01	101101	1

MISSING ITEM NUMBERS NOT APPLICABLE

- ITEM NOT ILLUSTRATED

33-13-66-03

33-13-66
FIG. 03
PAGE 2
SEP 20/08

BRI



757

PARTS CATALOG (MAINTENANCE)

FIG ITEM	PART NUMBER	1 2 3 4 5 6 7	NOMENCLATURE	EFFECT FROM TO	UNITS PER ASSY
3					
35	800-000523-1		..LIGHTPLATE ASSY- SUPPLIER CODE: V05617 SPECIFICATION NUMBER: S233T100-8005 OPTIONAL PART: S233T100-8005 V51896 800-000523 V05617 FOR DETAILS SEE: 33-13-70-01	101101	1
40	233N5425-1		.LIGHTPLATE ASSY-	101101	1
45	800-000523		..LIGHTPLATE ASSY- SUPPLIER CODE: V05617 SPECIFICATION NUMBER: S233T100-8005 MISCELLANEOUS DATA: FOR VENDOR FSCM 05617 FOR SPARES ORDER THE 800-000523-1 OPTIONAL PART: S233T100-8005 V51896 800-000523-1 V05617 FOR DETAILS SEE: 33-13-70-01	101101	1
45	800-000523-1		..LIGHTPLATE ASSY- SUPPLIER CODE: V05617 SPECIFICATION NUMBER: S233T100-8005 OPTIONAL PART: S233T100-8005 V51896 800-000523 V05617 FOR DETAILS SEE: 33-13-70-01	101101	1
50	233N5424-5		.LIGHTPLATE ASSY	101101	1

MISSING ITEM NUMBERS NOT APPLICABLE

- ITEM NOT ILLUSTRATED

33-13-66-03

33-13-66
FIG. 03
PAGE 3
JAN 20/09

BRI

BOEING PROPRIETARY - Copyright © - Unpublished Work - See title page for details.



757

PARTS CATALOG (MAINTENANCE)

FIG ITEM	PART NUMBER	1 2 3 4 5 6 7	NOMENCLATURE	EFFECT FROM TO	UNITS PER ASSY
3 55	800-000523		..LIGHTPLATE ASSY- SUPPLIER CODE: V05617 SPECIFICATION NUMBER: S233T100-8005 MISCELLANEOUS DATA: FOR VENDOR FSCM 05617 FOR SPARES ORDER THE 800-000523-1 OPTIONAL PART: S233T100-8005 V51896 800-000523-1 V05617 FOR DETAILS SEE: 33-13-70-01	101101	1
55	800-000523-1		..LIGHTPLATE ASSY- SUPPLIER CODE: V05617 SPECIFICATION NUMBER: S233T100-8005 OPTIONAL PART: S233T100-8005 V51896 800-000523 V05617 FOR DETAILS SEE: 33-13-70-01	101101	1
60	233N5220-2161		.LIGHTPLATE ASSY	101101	1
65	800-000523		..LIGHTPLATE ASSY- SUPPLIER CODE: V05617 SPECIFICATION NUMBER: S233T100-8005 MISCELLANEOUS DATA: FOR VENDOR FSCM 05617 FOR SPARES ORDER THE 800-000523-1 OPTIONAL PART: S233T100-8005 V51896 800-000523-1 V05617 FOR DETAILS SEE: 33-13-70-01	101101	1

MISSING ITEM NUMBERS NOT APPLICABLE

- ITEM NOT ILLUSTRATED

33-13-66-03

33-13-66
FIG. 03
PAGE 4
SEP 20/08

BRI



757

PARTS CATALOG (MAINTENANCE)

FIG ITEM	PART NUMBER	1 2 3 4 5 6 7	NOMENCLATURE	EFFECT FROM TO	UNITS PER ASSY
3 65	800-000523-1		..LIGHTPLATE ASSY- SUPPLIER CODE: V05617 SPECIFICATION NUMBER: S233T100-8005 OPTIONAL PART: S233T100-8005 V51896 800-000523 V05617 FOR DETAILS SEE: 33-13-70-01	101101	1
70	233N5220-2171		.LIGHTPLATE ASSY	101101	1
75	800-000523		..LIGHTPLATE ASSY- SUPPLIER CODE: V05617 SPECIFICATION NUMBER: S233T100-8005 MISCELLANEOUS DATA: FOR VENDOR FSCM 05617 FOR SPARES ORDER THE 800-000523-1 OPTIONAL PART: S233T100-8005 V51896 800-000523-1 V05617 FOR DETAILS SEE: 33-13-70-01	101101	1
75	S233T100-8005		..LIGHTPLATE- SUPPLIER CODE: V51896 SPECIFICATION NUMBER: S233T100-8005 OPTIONAL PART: 800-000523 V05617	101101	1
75	800-000523-1		..LIGHTPLATE ASSY- SUPPLIER CODE: V05617 SPECIFICATION NUMBER: S233T100-8005 OPTIONAL PART: S233T100-8005 V51896 800-000523 V05617 FOR DETAILS SEE: 33-13-70-01	101101	1

MISSING ITEM NUMBERS NOT APPLICABLE

- ITEM NOT ILLUSTRATED

33-13-66-03

33-13-66
FIG. 03
PAGE 5
SEP 20/08

BRI



757

PARTS CATALOG (MAINTENANCE)

FIG ITEM	PART NUMBER	1 2 3 4 5 6 7	NOMENCLATURE	EFFECT FROM TO	UNITS PER ASSY
3					
80	233N5220-2257		.LIGHTPLATE ASSY	101101	1
85	800-000523		..LIGHTPLATE ASSY- SUPPLIER CODE: V05617 SPECIFICATION NUMBER: S233T100-8005 MISCELLANEOUS DATA: FOR VENDOR FSCM 05617 FOR SPARES ORDER THE 800-000523-1 OPTIONAL PART: S233T100-8005 V51896 800-000523-1 V05617 FOR DETAILS SEE: 33-13-70-01	101101	1
85	S233T100-8005		..LIGHTPLATE- SUPPLIER CODE: V51896 SPECIFICATION NUMBER: S233T100-8005 OPTIONAL PART: 800-000523 V05617	101101	1
85	800-000523-1		..LIGHTPLATE ASSY- SUPPLIER CODE: V05617 SPECIFICATION NUMBER: S233T100-8005 OPTIONAL PART: S233T100-8005 V51896 800-000523 V05617 FOR DETAILS SEE: 33-13-70-01	101101	1
90	233N5220-2045		.LIGHTPLATE ASSY	101101	1

MISSING ITEM NUMBERS NOT APPLICABLE

- ITEM NOT ILLUSTRATED

33-13-66-03

33-13-66
FIG. 03
PAGE 6
SEP 20/08

BRI

BOEING PROPRIETARY - Copyright © - Unpublished Work - See title page for details.



757

PARTS CATALOG (MAINTENANCE)

FIG ITEM	PART NUMBER	1 2 3 4 5 6 7	NOMENCLATURE	EFFECT FROM TO	UNITS PER ASSY
3 95	800-002611		..LIGHTPLATE- SUPPLIER CODE: V05617 SPECIFICATION NUMBER: S233T100-8003 MISCELLANEOUS DATA: FOR VENDOR FSCM 05617 FOR SPARES ORDER THE 800-002611-1 OPTIONAL PART: S233T100-8003 V51896 800-002611-1 V05617 FOR DETAILS SEE: 33-13-70-01	101101	1
95	800-002611-1		..LIGHTPLATE- SUPPLIER CODE: V05617 SPECIFICATION NUMBER: S233T100-8003 OPTIONAL PART: S233T100-8003 V51896 800-002611 V05617 FOR DETAILS SEE: 33-13-70-01	101101	1

MISSING ITEM NUMBERS NOT APPLICABLE

- ITEM NOT ILLUSTRATED

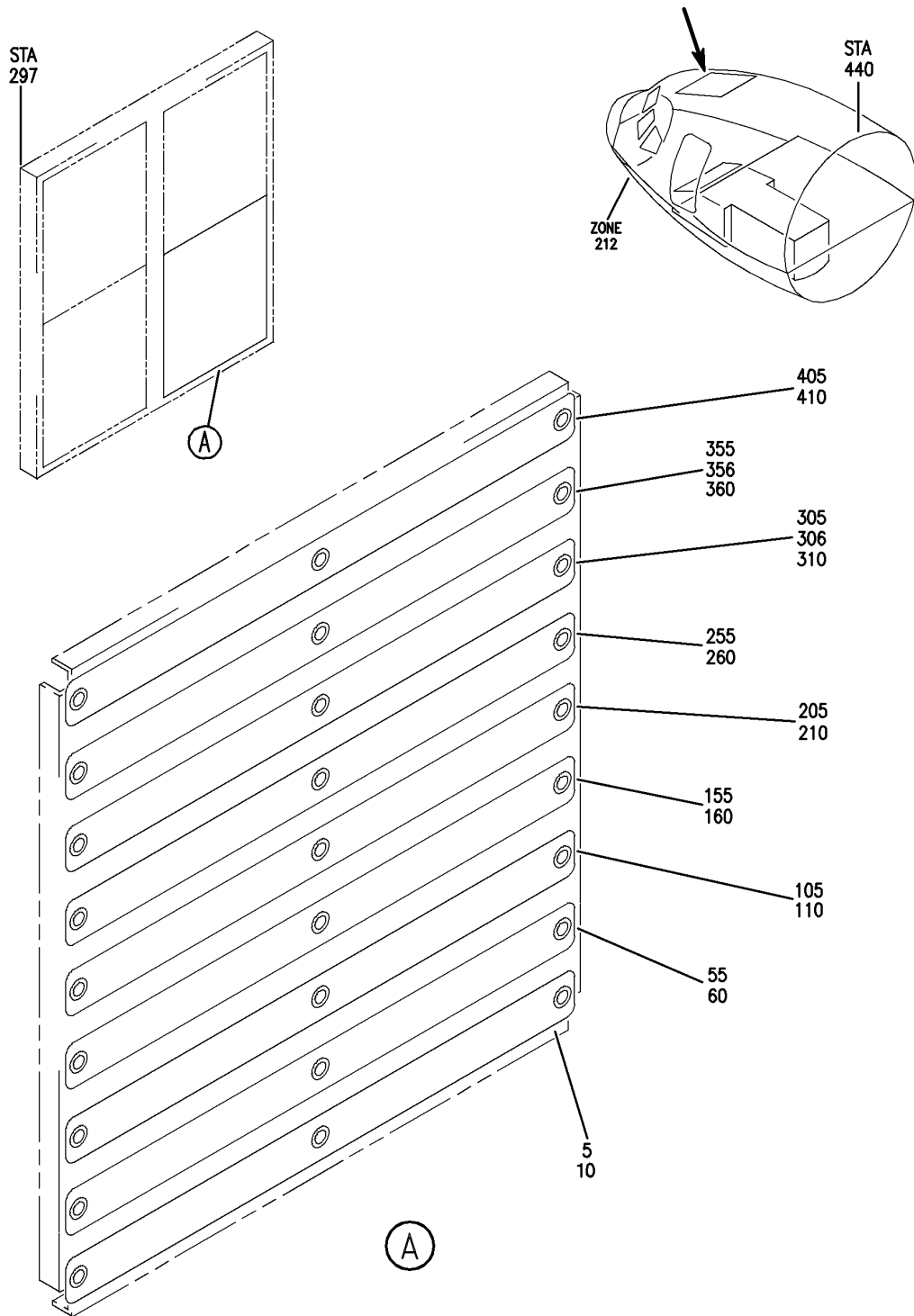
BRI

33-13-66-03

BOEING PROPRIETARY - Copyright © - Unpublished Work - See title page for details.

33-13-66
 FIG. 03
 PAGE 7
 SEP 20/08

BOEING
757
PARTS CATALOG (MAINTENANCE)



Y 33136604 REV 240

LIGHTPLATE INSTL P11-2 (LIGHTS ONLY)
FIGURE 4

33-13-66-04

BRI
MAY 28/07

33-13-66-04
PAGE 0



757

PARTS CATALOG (MAINTENANCE)

FIG ITEM	PART NUMBER	1 2 3 4 5 6 7	NOMENCLATURE	EFFECT FROM TO	UNITS PER ASSY
4			LIGHTPLATE INSTL P11-2 (LIGHTS ONLY)	102106 108120 504903	
- 1	233N5103-76		LIGHTPLATE INSTL-P11-2 (LIGHTS ONLY) FOR NHA/OTHER SYS DET SEE: 25-10-00-15D	102102 108120 504903	RF
- 1	MODREF8314		LIGHTPLATE INSTL-P11-2 (LIGHTS ONLY) MODULE NUMBER: 233N5103-76 REV A FOR OTHER SYS DETAILS SEE: 11-34-03-05E	103106	1
5	233N5220-2045		.LIGHTPLATE ASSY	102106 108120 504903	1
10	800-002611		..LIGHTPLATE- SUPPLIER CODE: V05617 SPECIFICATION NUMBER: S233T100-8003 MISCELLANEOUS DATA: FOR VENDOR FSCM 05617 FOR SPARES ORDER THE 800-002611-1 OPTIONAL PART: S233T100-8003 V51896 800-002611-1 V05617 FOR DETAILS SEE: 33-13-70-01	102106 108120 504903	1
10	800-002611-1		..LIGHTPLATE- SUPPLIER CODE: V05617 SPECIFICATION NUMBER: S233T100-8003 OPTIONAL PART: S233T100-8003 V51896 800-002611 V05617 FOR DETAILS SEE: 33-13-70-01	102106 108120 504903	1
- 50	233N5103-82		LIGHTPLATE INSTL-P11-2 (LIGHTS ONLY) FOR NHA/OTHER SYS DET SEE: 25-10-00-15D	102102 108120	RF

MISSING ITEM NUMBERS NOT APPLICABLE

- ITEM NOT ILLUSTRATED

33-13-66-04

33-13-66
FIG. 04
PAGE 1
JAN 20/09

BRI



757

PARTS CATALOG (MAINTENANCE)

FIG ITEM	PART NUMBER	1 2 3 4 5 6 7	NOMENCLATURE	EFFECT FROM TO	UNITS PER ASSY
4					
- 50	233N5103-83		LIGHTPLATE INSTL-P11-2 (LIGHTS ONLY) FOR NHA/OTHER SYS DET SEE: 25-10-00-15D	504903	RF
- 50	MODREF8319		LIGHTPLATE INSTL-P11-2 (LIGHTS ONLY) MODULE NUMBER: 233N5103-82 REV A FOR OTHER SYS DETAILS SEE: 11-34-03-05E	103106	1
55	233N5220-2257		.LIGHTPLATE ASSY-	102106 108120	1
55	233N5220-2283		.LIGHTPLATE ASSY-	504903	1
60	S233T100-8005		..LIGHTPLATE- SUPPLIER CODE: V51896 OPTIONAL PART: 800-000523 V05617	102106 108120	1
60	800-000523		..LIGHTPLATE ASSY- SUPPLIER CODE: V05617 SPECIFICATION NUMBER: S233T100-8005 MISCELLANEOUS DATA: FOR VENDOR FSCM 05617 FOR SPARES ORDER THE 800-000523-1 OPTIONAL PART: S233T100-8005 V51896 800-000523-1 V05617 FOR DETAILS SEE: 33-13-70-01	102106 108120	1

MISSING ITEM NUMBERS NOT APPLICABLE

- ITEM NOT ILLUSTRATED

33-13-66-04

33-13-66
FIG. 04
PAGE 2
JAN 20/09

BRI



757

PARTS CATALOG (MAINTENANCE)

FIG ITEM	PART NUMBER	1 2 3 4 5 6 7	NOMENCLATURE	EFFECT FROM TO	UNITS PER ASSY
4 60	800-000523		..LIGHTPLATE ASSY- SUPPLIER CODE: V05617 SPECIFICATION NUMBER: S233T100-8005 MISCELLANEOUS DATA: FOR VENDOR FSCM 05617 FOR SPARES ORDER THE 800-000523-1 OPTIONAL PART: S233T100-8005 V51896 800-000523-1 V05617 FOR DETAILS SEE: 33-13-70-01	504903	1
60	800-000523-1		..LIGHTPLATE ASSY- SUPPLIER CODE: V05617 SPECIFICATION NUMBER: S233T100-8005 OPTIONAL PART: S233T100-8005 V51896 800-000523 V05617 FOR DETAILS SEE: 33-13-70-01	102106 108120	1
60	800-000523-1		..LIGHTPLATE ASSY- SUPPLIER CODE: V05617 SPECIFICATION NUMBER: S233T100-8005 OPTIONAL PART: S233T100-8005 V51896 800-000523 V05617 FOR DETAILS SEE: 33-13-70-01	504903	1
- 100	233N5103-88		LIGHTPLATE INSTL-P11-2 (LIGHTS ONLY) FOR NHA/OTHER SYS DET SEE: 25-10-00-15D	102102	RF
- 100	233N5103-90		LIGHTPLATE INSTL-P11-2 (LIGHTS ONLY) FOR NHA/OTHER SYS DET SEE: 25-10-00-15D	504903	RF

MISSING ITEM NUMBERS NOT APPLICABLE

- ITEM NOT ILLUSTRATED

33-13-66-04

33-13-66
FIG. 04
PAGE 3
JAN 20/09

BRI



757

PARTS CATALOG (MAINTENANCE)

FIG ITEM	PART NUMBER	1 2 3 4 5 6 7	NOMENCLATURE	EFFECT FROM TO	UNITS PER ASSY
4					
- 100	233N5103-92		LIGHTPLATE INSTL-P11-2 (LIGHTS ONLY) FOR NHA/OTHER SYS DET SEE: 25-10-00-15D	108120	RF
- 100	MODREF8326		LIGHTPLATE INSTL-P11-2 (LIGHTS ONLY) MODULE NUMBER: 233N5103-89 REV A FOR OTHER SYS DETAILS SEE: 11-34-03-05E	103106	1
105	233N5220-2171		.LIGHTPLATE ASSY	102102	1
105	233N5220-2243		.LIGHTPLATE ASSY	103106	1
105	233N5422-5		.LIGHTPLATE ASSY	108120	1
105	233N5220-2285		.LIGHTPLATE ASSY	504903	1
110	S233T100-8005		..LIGHTPLATE- SUPPLIER CODE: V51896 OPTIONAL PART: 800-000523 V05617	102102	1
110	800-000523		..LIGHTPLATE ASSY- SUPPLIER CODE: V05617 SPECIFICATION NUMBER: S233T100-8005 MISCELLANEOUS DATA: FOR VENDOR FSCM 05617 FOR SPARES ORDER THE 800-000523-1 OPTIONAL PART: S233T100-8005 V51896 800-000523-1 V05617 FOR DETAILS SEE: 33-13-70-01	102102	1

MISSING ITEM NUMBERS NOT APPLICABLE

- ITEM NOT ILLUSTRATED

33-13-66-04

33-13-66
FIG. 04
PAGE 4
JAN 20/09

BRI



757

PARTS CATALOG (MAINTENANCE)

FIG ITEM	PART NUMBER	1 2 3 4 5 6 7	NOMENCLATURE	EFFECT FROM TO	UNITS PER ASSY
4 110	800-000523		..LIGHTPLATE ASSY- SUPPLIER CODE: V05617 SPECIFICATION NUMBER: S233T100-8005 MISCELLANEOUS DATA: FOR VENDOR FSCM 05617 FOR SPARES ORDER THE 800-000523-1 OPTIONAL PART: S233T100-8005 V51896 800-000523-1 V05617 FOR DETAILS SEE: 33-13-70-01	103106 108120 504903	1
110	800-000523-1		..LIGHTPLATE ASSY- SUPPLIER CODE: V05617 SPECIFICATION NUMBER: S233T100-8005 OPTIONAL PART: S233T100-8005 V51896 800-000523 V05617 FOR DETAILS SEE: 33-13-70-01	102102	1
110	800-000523-1		..LIGHTPLATE ASSY- SUPPLIER CODE: V05617 SPECIFICATION NUMBER: S233T100-8005 OPTIONAL PART: S233T100-8005 V51896 800-000523 V05617 FOR DETAILS SEE: 33-13-70-01	103106 108120 504903	1
- 150	233N5103-96		LIGHTPLATE INSTL-P11-2 (LIGHTS ONLY) FOR NHA/OTHER SYS DET SEE: 25-10-00-15D	102102 108120	RF
- 150	233N5103-98		LIGHTPLATE INSTL-P11-2 (LIGHTS ONLY) FOR NHA/OTHER SYS DET SEE: 25-10-00-15D	504903	RF

MISSING ITEM NUMBERS NOT APPLICABLE

- ITEM NOT ILLUSTRATED

33-13-66-04

33-13-66
FIG. 04
PAGE 5
JAN 20/09

BRI



757

PARTS CATALOG (MAINTENANCE)

FIG ITEM	PART NUMBER	1 2 3 4 5 6 7	NOMENCLATURE	EFFECT FROM TO	UNITS PER ASSY
4 - 150	MODREF8411		LIGHTPLATE INSTL-P11-2 (LIGHTS ONLY) MODULE NUMBER: 233N5103-96 REV A FOR OTHER SYS DETAILS SEE: 11-34-03-05E	103106	1
155	233N5220-2161		.LIGHTPLATE ASSY	102106 108120	1
155	233N5423-7		.LIGHTPLATE ASSY	504903	1
160	800-000523		..LIGHTPLATE ASSY- SUPPLIER CODE: V05617 SPECIFICATION NUMBER: S233T100-8005 MISCELLANEOUS DATA: FOR VENDOR FSCM 05617 FOR SPARES ORDER THE 800-000523-1 OPTIONAL PART: S233T100-8005 V51896 800-000523-1 V05617 FOR DETAILS SEE: 33-13-70-01	102106 108120 504903	1
160	800-000523-1		..LIGHTPLATE ASSY- SUPPLIER CODE: V05617 SPECIFICATION NUMBER: S233T100-8005 OPTIONAL PART: S233T100-8005 V51896 800-000523 V05617 FOR DETAILS SEE: 33-13-70-01	102106 108120 504903	1
- 200	233N5103-110		LIGHTPLATE INSTL-P11-2 (LIGHTS ONLY) FOR NHA/OTHER SYS DET SEE: 25-10-00-15D	504903	RF
- 200	233N5103-112		LIGHTPLATE INSTL-P11-2 (LIGHTS ONLY) FOR NHA/OTHER SYS DET SEE: 25-10-00-15D	102106 108120	RF

MISSING ITEM NUMBERS NOT APPLICABLE

- ITEM NOT ILLUSTRATED

33-13-66-04

33-13-66
FIG. 04
PAGE 6
JAN 20/09

BRI



**757
PARTS CATALOG (MAINTENANCE)**

FIG ITEM	PART NUMBER	1 2 3 4 5 6 7	NOMENCLATURE	EFFECT FROM TO	UNITS PER ASSY
4 - 200	MODREF7302		LIGHTPLATE INSTL-P11-2 (LIGHTS ONLY) MODULE NUMBER: 233N5103-107 REV A FOR OTHER SYS DETAILS SEE: 11-34-03-05E	103106	1
205	233N5220-2205		.LIGHTPLATE ASSY	103106	1
205	233N5424-1		.LIGHTPLATE ASSY	504903	1
205	233N5424-5		.LIGHTPLATE ASSY	102102	1
210	800-000523		..LIGHTPLATE ASSY- SUPPLIER CODE: V05617 SPECIFICATION NUMBER: S233T100-8005 MISCELLANEOUS DATA: FOR VENDOR FSCM 05617 FOR SPARES ORDER THE 800-000523-1 OPTIONAL PART: S233T100-8005 V51896 800-000523-1 V05617 FOR DETAILS SEE: 33-13-70-01	108120 102106 108120 504903	1
210	800-000523-1		..LIGHTPLATE ASSY- SUPPLIER CODE: V05617 SPECIFICATION NUMBER: S233T100-8005 OPTIONAL PART: S233T100-8005 V51896 800-000523 V05617 FOR DETAILS SEE: 33-13-70-01	102106 108120 504903	1
- 250	233N5103-116		LIGHTPLATE INSTL-P11-2 (LIGHTS ONLY) FOR NHA/OTHER SYS DET SEE: 25-10-00-15D	102102 108120	RF
- 250	233N5103-118		LIGHTPLATE INSTL-P11-2 (LIGHTS ONLY) FOR NHA/OTHER SYS DET SEE: 25-10-00-15D	504903	RF

MISSING ITEM NUMBERS NOT APPLICABLE

- ITEM NOT ILLUSTRATED

33-13-66-04

33-13-66
FIG. 04
PAGE 7
JAN 20/09

BRI



757

PARTS CATALOG (MAINTENANCE)

FIG ITEM	PART NUMBER	1 2 3 4 5 6 7	NOMENCLATURE	EFFECT FROM TO	UNITS PER ASSY
4 - 250	MODREF8230		LIGHTPLATE INSTL-P11-2 (LIGHTS ONLY) MODULE NUMBER: 233N5103-408 REV A FOR OTHER SYS DETAILS SEE: 11-34-03-05E	103106	1
255	233N5425-1		.LIGHTPLATE ASSY	102102 108120	1
255	233N5425-5		.LIGHTPLATE ASSY	504903	1
255	233N5425-9		.LIGHTPLATE ASSY	103106	1
260	S233T100-8005		..LIGHTPLATE- SUPPLIER CODE: V51896 OPTIONAL PART: 800-000523 V05617	103106	1
260	800-000523		..LIGHTPLATE ASSY- SUPPLIER CODE: V05617 SPECIFICATION NUMBER: S233T100-8005 MISCELLANEOUS DATA: FOR VENDOR FSCM 05617 FOR SPARES ORDER THE 800-000523-1 OPTIONAL PART: S233T100-8005 V51896 800-000523-1 V05617 FOR DETAILS SEE: 33-13-70-01	103106	1
260	800-000523		..LIGHTPLATE ASSY- SUPPLIER CODE: V05617 SPECIFICATION NUMBER: S233T100-8005 MISCELLANEOUS DATA: FOR VENDOR FSCM 05617 FOR SPARES ORDER THE 800-000523-1 OPTIONAL PART: S233T100-8005 V51896 800-000523-1 V05617 FOR DETAILS SEE: 33-13-70-01	102102 108120 504903	1

MISSING ITEM NUMBERS NOT APPLICABLE

- ITEM NOT ILLUSTRATED

33-13-66-04

33-13-66
FIG. 04
PAGE 8
JAN 20/09

BRI



757

PARTS CATALOG (MAINTENANCE)

FIG ITEM	PART NUMBER	1 2 3 4 5 6 7	NOMENCLATURE	EFFECT FROM TO	UNITS PER ASSY
4 260	800-000523-1		..LIGHTPLATE ASSY- SUPPLIER CODE: V05617 SPECIFICATION NUMBER: S233T100-8005 OPTIONAL PART: S233T100-8005 V51896 800-000523 V05617 FOR DETAILS SEE: 33-13-70-01	103106	1
260	800-000523-1		..LIGHTPLATE ASSY- SUPPLIER CODE: V05617 SPECIFICATION NUMBER: S233T100-8005 OPTIONAL PART: S233T100-8005 V51896 800-000523 V05617 FOR DETAILS SEE: 33-13-70-01	102102 108120 504903	1
- 300	233N5103-121		LIGHTPLATE INSTL-P11-2 (LIGHTS ONLY) FOR NHA/OTHER SYS DET SEE: 25-10-00-15D	102102 108120	RF
- 300	233N5103-323		LIGHTPLATE INSTL-P11-2 (LIGHTS ONLY) FOR NHA/OTHER SYS DET SEE: 25-10-00-15D	504903	RF
- 301	MODREF8231		LIGHTPLATE INSTL-P11-2 (LIGHTS ONLY) MODULE NUMBER: 233N5103-409 REV A FOR OTHER SYS DETAILS SEE: 11-34-03-05E	103106	1
305	233N5220-2153		.LIGHTPLATE ASSY-	102102 108120	1
305	233N5426-29		.LIGHTPLATE ASSY	504903	1
306	233N5426-41		.LIGHTPLATE ASSY	103106	1
310	S233T100-8005		..LIGHTPLATE- SUPPLIER CODE: V51896 OPTIONAL PART: 800-000523 V05617	102106 108120	1

MISSING ITEM NUMBERS NOT APPLICABLE

- ITEM NOT ILLUSTRATED

33-13-66-04

33-13-66
FIG. 04
PAGE 9
JAN 20/09

BRI



757

PARTS CATALOG (MAINTENANCE)

FIG ITEM	PART NUMBER	1 2 3 4 5 6 7	NOMENCLATURE	EFFECT FROM TO	UNITS PER ASSY
4 310	800-000523		..LIGHTPLATE ASSY- SUPPLIER CODE: V05617 SPECIFICATION NUMBER: S233T100-8005 MISCELLANEOUS DATA: FOR VENDOR FSCM 05617 FOR SPARES ORDER THE 800-000523-1 OPTIONAL PART: S233T100-8005 V51896 800-000523-1 V05617 FOR DETAILS SEE: 33-13-70-01	102106 108120	1
310	800-000523		..LIGHTPLATE ASSY- SUPPLIER CODE: V05617 SPECIFICATION NUMBER: S233T100-8005 MISCELLANEOUS DATA: FOR VENDOR FSCM 05617 FOR SPARES ORDER THE 800-000523-1 OPTIONAL PART: S233T100-8005 V51896 800-000523-1 V05617 FOR DETAILS SEE: 33-13-70-01	504903	1
310	800-000523-1		..LIGHTPLATE ASSY- SUPPLIER CODE: V05617 SPECIFICATION NUMBER: S233T100-8005 OPTIONAL PART: S233T100-8005 V51896 800-000523 V05617 FOR DETAILS SEE: 33-13-70-01	102106 108120	1

MISSING ITEM NUMBERS NOT APPLICABLE

- ITEM NOT ILLUSTRATED

33-13-66-04

33-13-66
FIG. 04
PAGE 10
JAN 20/09

BRI



757

PARTS CATALOG (MAINTENANCE)

FIG ITEM	PART NUMBER	1 2 3 4 5 6 7	NOMENCLATURE	EFFECT FROM TO	UNITS PER ASSY
4 310	800-000523-1		..LIGHTPLATE ASSY- SUPPLIER CODE: V05617 SPECIFICATION NUMBER: S233T100-8005 OPTIONAL PART: S233T100-8005 V51896 800-000523 V05617 FOR DETAILS SEE: 33-13-70-01	504903	1
- 350	233N5103-132		LIGHTPLATE INSTL-P11-2 (LIGHTS ONLY) FOR NHA/OTHER SYS DET SEE: 25-10-00-15D	102102 108120	RF
- 350	233N5103-134		LIGHTPLATE INSTL-P11-2 (LIGHTS ONLY) FOR NHA/OTHER SYS DET SEE: 25-10-00-15D	504903	RF
- 351	MODREF8138		LIGHTPLATE INSTL-P11-2 (LIGHTS ONLY) MODULE NUMBER: 233N5103-393 REV A FOR OTHER SYS DETAILS SEE: 11-34-03-05E	103106	1
355	233N5220-2089		.LIGHTPLATE ASSY	102102 108120	1
355	233N5220-2293		.LIGHTPLATE ASSY	504903	1
355	233N5427-13		.LIGHTPLATE ASSY	103106	1
360	S233T100-8005		..LIGHTPLATE- SUPPLIER CODE: V51896 OPTIONAL PART: 800-000523 V05617	103106	1

MISSING ITEM NUMBERS NOT APPLICABLE

- ITEM NOT ILLUSTRATED

33-13-66-04

33-13-66
FIG. 04
PAGE 11
JAN 20/09

BRI



757

PARTS CATALOG (MAINTENANCE)

FIG ITEM	PART NUMBER	1 2 3 4 5 6 7	NOMENCLATURE	EFFECT FROM TO	UNITS PER ASSY
4 360	800-000523		..LIGHTPLATE ASSY- SUPPLIER CODE: V05617 SPECIFICATION NUMBER: S233T100-8005 MISCELLANEOUS DATA: FOR VENDOR FSCM 05617 FOR SPARES ORDER THE 800-000523-1 OPTIONAL PART: S233T100-8005 V51896 800-000523-1 V05617 FOR DETAILS SEE: 33-13-70-01	103106	1
360	800-000523		..LIGHTPLATE ASSY- SUPPLIER CODE: V05617 SPECIFICATION NUMBER: S233T100-8005 MISCELLANEOUS DATA: FOR VENDOR FSCM 05617 FOR SPARES ORDER THE 800-000523-1 OPTIONAL PART: S233T100-8005 V51896 800-000523-1 V05617 FOR DETAILS SEE: 33-13-70-01	102102 108120 504903	1
360	800-000523-1		..LIGHTPLATE ASSY- SUPPLIER CODE: V05617 SPECIFICATION NUMBER: S233T100-8005 OPTIONAL PART: S233T100-8005 V51896 800-000523 V05617 FOR DETAILS SEE: 33-13-70-01	103106	1

MISSING ITEM NUMBERS NOT APPLICABLE

- ITEM NOT ILLUSTRATED

33-13-66-04

33-13-66
FIG. 04
PAGE 12
JAN 20/09

BRI



757

PARTS CATALOG (MAINTENANCE)

FIG ITEM	PART NUMBER	1 2 3 4 5 6 7	NOMENCLATURE	EFFECT FROM TO	UNITS PER ASSY
4 360	800-000523-1		..LIGHTPLATE ASSY- SUPPLIER CODE: V05617 SPECIFICATION NUMBER: S233T100-8005 OPTIONAL PART: S233T100-8005 V51896 800-000523 V05617 FOR DETAILS SEE: 33-13-70-01	102102 108120 504903	1
- 400	233N5103-141		LIGHTPLATE INSTL-P11-2 (LIGHTS ONLY) FOR NHA/OTHER SYS DET SEE: 25-10-00-15D	108120	RF
- 400	233N5103-302		LIGHTPLATE INSTL-P11-2 (LIGHTS ONLY) FOR NHA/OTHER SYS DET SEE: 25-10-00-15D	102102 504903	RF
- 401	MODREF8045		LIGHTPLATE INSTL-P11-2 (LIGHTS ONLY) MODULE NUMBER: 233N5103-379 REV A FOR OTHER SYS DETAILS SEE: 11-34-03-05E	103106	1
405	233N5220-2095		.LIGHTPLATE ASSY-	108120	1
405	233N5428-17		.LIGHTPLATE ASSY	103106	1
405	233N5428-11		.LIGHTPLATE ASSY	102102 504903	1
410	S233T100-8006		..LIGHTPLATE ASSY- SUPPLIER CODE: V51896 OPTIONAL PART: 800-000522 V05617	103106	1
410	800-000522-1		..LIGHTPLATE- SUPPLIER CODE: V05617 SPECIFICATION NUMBER: S233T100-8006 OPTIONAL PART: S233T100-8006 V51896 800-000522 V05617 FOR DETAILS SEE: 33-13-70-01	103106	1

MISSING ITEM NUMBERS NOT APPLICABLE

- ITEM NOT ILLUSTRATED

33-13-66-04

33-13-66
FIG. 04
PAGE 13
JAN 20/09

BRI



757

PARTS CATALOG (MAINTENANCE)

FIG ITEM	PART NUMBER	1 2 3 4 5 6 7	NOMENCLATURE	EFFECT FROM TO	UNITS PER ASSY
4 410	800-000522		.. LIGHTPLATE- SUPPLIER CODE: V05617 SPECIFICATION NUMBER: S233T100-8006 MISCELLANEOUS DATA: FOR VENDOR FSCM 05617 FOR SPARES ORDER THE 800-000522-1 OPTIONAL PART: S233T100-8006 V51896 800-000522-1 V05617 FOR DETAILS SEE: 33-13-70-01	103106	1
410	800-000522		.. LIGHTPLATE- SUPPLIER CODE: V05617 SPECIFICATION NUMBER: S233T100-8006 MISCELLANEOUS DATA: FOR VENDOR FSCM 05617 FOR SPARES ORDER THE 800-000522-1 OPTIONAL PART: S233T100-8006 V51896 800-000522-1 V05617 FOR DETAILS SEE: 33-13-70-01	102102 108120 504903	1
410	800-000522-1		.. LIGHTPLATE- SUPPLIER CODE: V05617 SPECIFICATION NUMBER: S233T100-8006 OPTIONAL PART: S233T100-8006 V51896 800-000522 V05617 FOR DETAILS SEE: 33-13-70-01	102102 108120 504903	1

MISSING ITEM NUMBERS NOT APPLICABLE

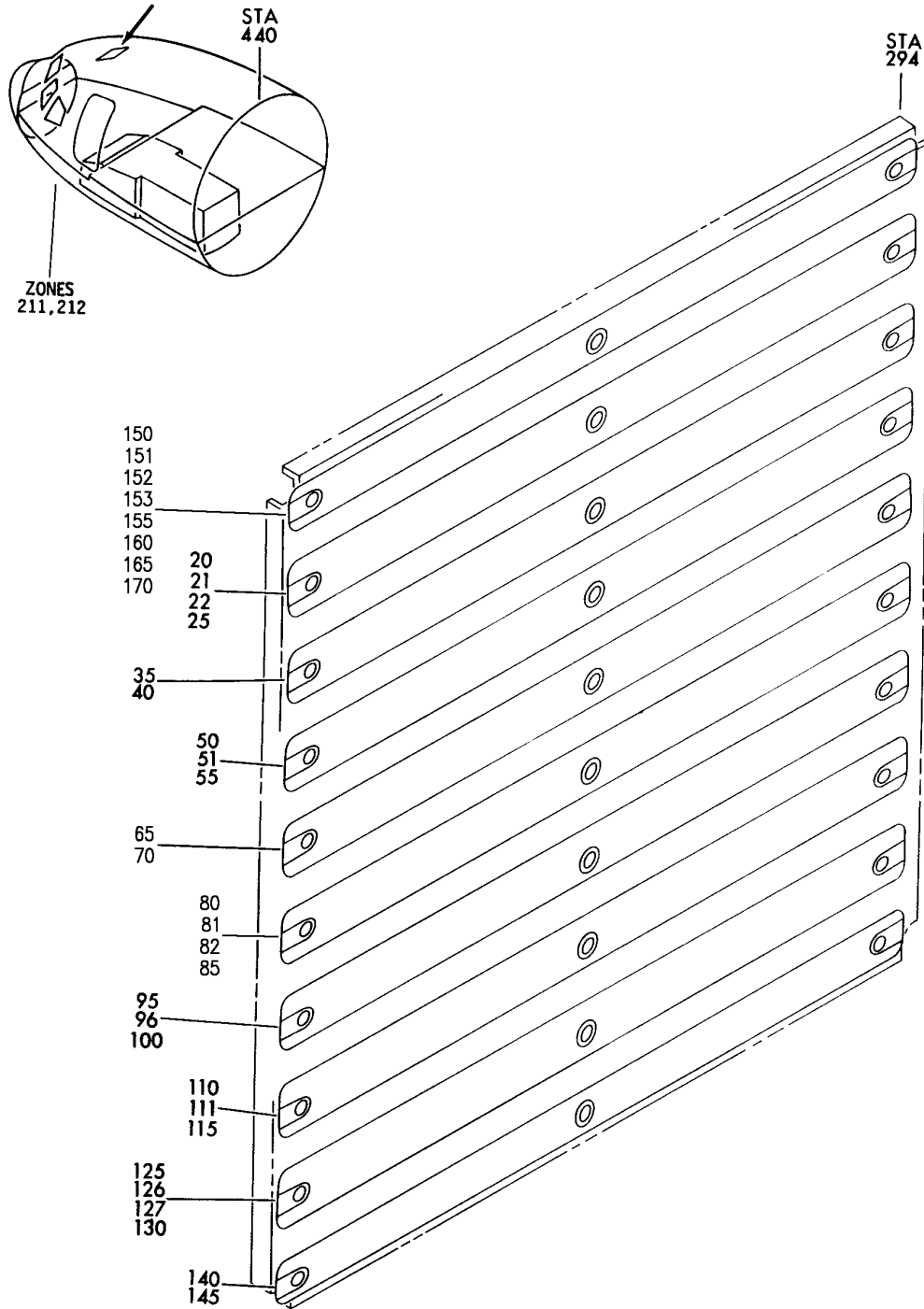
- ITEM NOT ILLUSTRATED

33-13-66-04

33-13-66
FIG. 04
PAGE 14
JAN 20/09

BRI

BOEING
757
PARTS CATALOG (MAINTENANCE)



Y 33136701 REV 329

PANEL ASSY-P11-3 CB (INTEGRAL PANEL LIGHTS ONLY)
FIGURE 1

33-13-67-01

BRI
JAN 20/09

33-13-67-01
PAGE 0



757

PARTS CATALOG (MAINTENANCE)

FIG ITEM	PART NUMBER	1 2 3 4 5 6 7	NOMENCLATURE	EFFECT FROM TO	UNITS PER ASSY
1			PANEL ASSY-P11-3 CB (INTEGRAL PANEL LIGHTS ONLY)	002004 006100 107107 121503 904999 904949	
- 5	233N5207-48		PANEL ASSY-P11-3 CB (INTEGRAL PANEL LIGHTS ONLY) FOR NHA/OTHER SYS DET SEE: 24-00-51-03		RF
- 6	233N5003-8		PANEL ASSY-P11-3 CB (INTEGRAL PANEL LIGHTS ONLY) POST SERVICE BULLETIN: 24-0048 FOR NHA/OTHER SYS DET SEE: 24-00-51-03	107107	RF
- 6	233N5037-34		PANEL ASSY-P11-3 CB (INTEGRAL PANEL LIGHTS ONLY) POST SERVICE BULLETIN: 21-0066 FOR NHA/OTHER SYS DET SEE: 24-00-51-03	002004 006100	RF
- 9	233N5213-70		PANEL ASSY-P11-3 CB (INTEGRAL PANEL LIGHTS ONLY) FOR NHA/OTHER SYS DET SEE: 24-00-51-03	952952	RF
- 10	233N5207-67		PANEL ASSY-P11-3 CB (INTEGRAL PANEL LIGHTS ONLY) REWORKED BY SB: 30-0016 FOR NHA/OTHER SYS DET SEE: 24-00-51-03	121503	RF
- 10	233N5213-85		PANEL ASSY-P11-3 CB (INTEGRAL PANEL LIGHTS ONLY) PRE SERVICE BULLETIN: 21-0060 21-0066 FOR NHA/OTHER SYS DET SEE: 24-00-51-03	002004 006017	RF
- 10	233N5213-92		PANEL ASSY-P11-3 CB (INTEGRAL PANEL LIGHTS ONLY) FOR NHA/OTHER SYS DET SEE: 24-00-51-03	950951	RF

MISSING ITEM NUMBERS NOT APPLICABLE

- ITEM NOT ILLUSTRATED

33-13-67-01

33-13-67
FIG. 01
PAGE 1
JAN 20/09

BRI



757

PARTS CATALOG (MAINTENANCE)

FIG ITEM	PART NUMBER	1 2 3 4 5 6 7	NOMENCLATURE	EFFECT FROM TO	UNITS PER ASSY
1					
- 11	233N5213-96		PANEL ASSY-P11-3 CB (INTEGRAL PANEL LIGHTS ONLY) FOR NHA/OTHER SYS DET SEE: 24-00-51-03	953999	RF
- 13	233N5034-2		PANEL ASSY-P11-3 CB (INTEGRAL PANEL LIGHTS ONLY) POST SERVICE BULLETIN: 21-0060 PRE SERVICE BULLETIN: 21-0066 FOR NHA/OTHER SYS DET SEE: 24-00-51-03	009009	RF
- 14	233N5213-136		PANEL ASSY-P11-3 CB (INTEGRAL PANEL LIGHTS ONLY) PRE SERVICE BULLETIN: 21-0066 FOR NHA/OTHER SYS DET SEE: 24-00-51-03	018100	RF
20	233N5200-7285		.LIGHTPLATE ASSY- POST SERVICE BULLETIN: 24-0048	904949	1
20	233N5220-3077		.LIGHTPLATE ASSY-	950951	1
20	233N5200-7391		.LIGHTPLATE ASSY- POST SERVICE BULLETIN: 30-0016 QUALIFIED SB I/W DATA: PERMANENT DEACTIVATION	107107 121503	1
21	233N5220-3183		.LIGHTPLATE ASSY-	952952	1
21	233N5220-3207		.LIGHTPLATE ASSY- PRE SERVICE BULLETIN: 21-0060	002004 006100	1
22	233N5220-3243		.LIGHTPLATE ASSY- POST SERVICE BULLETIN: 21-0060	009009	1
22	233N5220-3311		.LIGHTPLATE ASSY- POST SERVICE BULLETIN: 30-0016	107107 953999	1
22	233N5200-7395		.LIGHTPLATE ASSY- POST SERVICE BULLETIN: 30-0016	953999	1

MISSING ITEM NUMBERS NOT APPLICABLE

- ITEM NOT ILLUSTRATED

33-13-67-01

33-13-67
FIG. 01
PAGE 2
JAN 20/09

BRI



757

PARTS CATALOG (MAINTENANCE)

FIG ITEM	PART NUMBER	1 2 3 4 5 6 7	NOMENCLATURE	EFFECT FROM TO	UNITS PER ASSY
1 25	800-000524		..LIGHTPLATE- SUPPLIER CODE: V05617 SPECIFICATION NUMBER: S233T100-8004 MISCELLANEOUS DATA: FOR VENDOR FSCM 05617 FOR SPARES ORDER THE 800-000524-1 OPTIONAL PART: S233T100-8004 V51896 800-000524-1 V05617 FOR DETAILS SEE: 33-13-70-01	002004 006100 107107 121503 904999	1
25	800-000524-1		..LIGHTPLATE- SUPPLIER CODE: V05617 SPECIFICATION NUMBER: S233T100-8004 OPTIONAL PART: S233T100-8004 V51896 800-000524 V05617 FOR DETAILS SEE: 33-13-70-01	002004 006100 107107 121503 904999	1
25	800-000522		..LIGHTPLATE- SUPPLIER CODE: V05617 SPECIFICATION NUMBER: S233T100-8006 MISCELLANEOUS DATA: FOR VENDOR FSCM 05617 FOR SPARES ORDER THE 800-000522-1 OPTIONAL PART: S233T100-8006 V51896 800-000522-1 V05617 POST SERVICE BULLETIN: 21-0060 FOR DETAILS SEE: 33-13-70-01	009009	1

MISSING ITEM NUMBERS NOT APPLICABLE

- ITEM NOT ILLUSTRATED

33-13-67-01

33-13-67
FIG. 01
PAGE 3
JAN 20/09

BRI



757

PARTS CATALOG (MAINTENANCE)

FIG ITEM	PART NUMBER	1 2 3 4 5 6 7	NOMENCLATURE	EFFECT FROM TO	UNITS PER ASSY
1	25 800-000522-1		..LIGHTPLATE- SUPPLIER CODE: V05617 SPECIFICATION NUMBER: S233T100-8006 OPTIONAL PART: S233T100-8006 V51896 800-000522 V05617 POST SERVICE BULLETIN: 21-0060	009009	1
	35 233N5200-7277		.LIGHTPLATE ASSY-	904949	1
	35 233N5220-3059		.LIGHTPLATE ASSY-	002004	1
				006100	
				950951	
	35 233N5200-7401		.LIGHTPLATE ASSY- POST SERVICE BULLETIN: 30-0016	953999	1
	35 233N5220-3193		.LIGHTPLATE ASSY-	952952	1
	35 233N5200-7403		.LIGHTPLATE ASSY- POST SERVICE BULLETIN: 30-0016	107107	1
				121503	
	40 800-000524		..LIGHTPLATE- SUPPLIER CODE: V05617 SPECIFICATION NUMBER: S233T100-8004 MISCELLANEOUS DATA: FOR VENDOR FSCM 05617 FOR SPARES ORDER THE 800-000524-1 OPTIONAL PART: S233T100-8004 V51896 800-000524-1 V05617 FOR DETAILS SEE: 33-13-70-01	002004	1
				006100	
				107107	
				121503	
				904999	

MISSING ITEM NUMBERS NOT APPLICABLE

- ITEM NOT ILLUSTRATED

BRI

33-13-67-01

BOEING PROPRIETARY - Copyright © - Unpublished Work - See title page for details.

33-13-67
FIG. 01
PAGE 4
JAN 20/09



757

PARTS CATALOG (MAINTENANCE)

FIG ITEM	PART NUMBER	1 2 3 4 5 6 7	NOMENCLATURE	EFFECT FROM TO	UNITS PER ASSY
1					
40	800-000524-1		.. LIGHTPLATE- SUPPLIER CODE: V05617 SPECIFICATION NUMBER: S233T100-8004 OPTIONAL PART: S233T100-8004 V51896 800-000524 V05617 FOR DETAILS SEE: 33-13-70-01	002004 006100 107107 121503 904999	1
50	233N5220-3109		.LIGHTPLATE ASSY-	950999	1
50	233N5200-7231		.LIGHTPLATE ASSY-	121503 904949	1
50	233N5200-7237		.LIGHTPLATE ASSY-	107107	1
51	233N5220-3135		.LIGHTPLATE ASSY-	002004 006100	1
55	800-000524		.. LIGHTPLATE- SUPPLIER CODE: V05617 SPECIFICATION NUMBER: S233T100-8004 MISCELLANEOUS DATA: FOR VENDOR FSCM 05617 FOR SPARES ORDER THE 800-000524-1 OPTIONAL PART: S233T100-8004 V51896 800-000524-1 V05617 FOR DETAILS SEE: 33-13-70-01	002004 006100 107107 121503 904999	1
55	800-000524-1		.. LIGHTPLATE- SUPPLIER CODE: V05617 SPECIFICATION NUMBER: S233T100-8004 OPTIONAL PART: S233T100-8004 V51896 800-000524 V05617 FOR DETAILS SEE: 33-13-70-01	002004 006100 107107 121503 904999	1
65	233N5220-3111		.LIGHTPLATE ASSY-	002004 006100 950999	1

MISSING ITEM NUMBERS NOT APPLICABLE

- ITEM NOT ILLUSTRATED

33-13-67-01

33-13-67
FIG. 01
PAGE 5
JAN 20/09

BRI



757

PARTS CATALOG (MAINTENANCE)

FIG ITEM	PART NUMBER	1 2 3 4 5 6 7	NOMENCLATURE	EFFECT FROM TO	UNITS PER ASSY
1					
65	233N5200-7245	.	LIGHTPLATE ASSY-	107107 121503 904949	1
80	233N5220-3065	.	LIGHTPLATE ASSY-	952999	1
80	233N5200-7283	.	LIGHTPLATE ASSY-	121503 904949	1
81	233N5200-7287	.	LIGHTPLATE ASSY- POST SERVICE BULLETIN: 24-0048	107107	1
81	233N5220-3053	.	LIGHTPLATE ASSY- PRE SERVICE BULLETIN: 21-0066	002004 006100	1
81	233N5220-3231	.	LIGHTPLATE ASSY-	950951	1
81	233N5220-3261	.	LIGHTPLATE ASSY- POST SERVICE BULLETIN: 21-0066	002004 006100	1
85	800-000524	..	LIGHTPLATE- SUPPLIER CODE: V05617 SPECIFICATION NUMBER: S233T100-8004 MISCELLANEOUS DATA: FOR VENDOR FSCM 05617 FOR SPARES ORDER THE 800-000524-1 OPTIONAL PART: S233T100-8004 V51896 800-000524-1 V05617 FOR DETAILS SEE: 33-13-70-01	002004 006100 107107 121503 904999	1
85	800-000524-1	..	LIGHTPLATE- SUPPLIER CODE: V05617 SPECIFICATION NUMBER: S233T100-8004 OPTIONAL PART: S233T100-8004 V51896 800-000524 V05617 FOR DETAILS SEE: 33-13-70-01	002004 006100 107107 121503 904999	1
95	233N5200-7251	.	LIGHTPLATE ASSY- POST SERVICE BULLETIN: 24-0048 PRE ALERT SB: 28A0081	107107 904949	1

MISSING ITEM NUMBERS NOT APPLICABLE

- ITEM NOT ILLUSTRATED

33-13-67-01

33-13-67
FIG. 01
PAGE 6
JAN 20/09

BRI



757

PARTS CATALOG (MAINTENANCE)

FIG ITEM	PART NUMBER	1 2 3 4 5 6 7	NOMENCLATURE	EFFECT FROM TO	UNITS PER ASSY
1					
95	233N5200-7317	.	LIGHTPLATE ASSY- PRE ALERT SB: 28A0081	121503	1
95	233N5200-7413	.	LIGHTPLATE ASSY- POST ALERT SB: 28A0081	121503	1
95	233N5200-7411	.	LIGHTPLATE ASSY- POST ALERT SB: 28A0081	107107 904949	1
96	233N5433-11	.	LIGHTPLATE ASSY- POST ALERT SB: 28A0081	002004 006100 950999	1
96	233N5220-3197	.	LIGHTPLATE ASSY- PRE ALERT SB: 28A0081	002004 006100 950999	1
100	800-000524	..	LIGHTPLATE- SUPPLIER CODE: V05617 SPECIFICATION NUMBER: S233T100-8004 MISCELLANEOUS DATA: FOR VENDOR FSCM 05617 FOR SPARES ORDER THE 800-000524-1 OPTIONAL PART: S233T100-8004 V51896 800-000524-1 V05617 FOR DETAILS SEE: 33-13-70-01	002004 006100 107107 121503 904999	1
100	800-000524-1	..	LIGHTPLATE- SUPPLIER CODE: V05617 SPECIFICATION NUMBER: S233T100-8004 OPTIONAL PART: S233T100-8004 V51896 800-000524 V05617 FOR DETAILS SEE: 33-13-70-01	002004 006100 107107 121503 904999	1
110	233N5200-7267	.	LIGHTPLATE ASSY- POST SERVICE BULLETIN: 24-0048	107107 121503 904949	1
110	233N5220-3223	.	LIGHTPLATE ASSY-	002004 006100	1
111	233N5200-7313	.	LIGHTPLATE ASSY-	121503	1

MISSING ITEM NUMBERS NOT APPLICABLE

- ITEM NOT ILLUSTRATED

33-13-67-01

33-13-67
FIG. 01
PAGE 7
JAN 20/09

BRI



757

PARTS CATALOG (MAINTENANCE)

FIG ITEM	PART NUMBER	1 2 3 4 5 6 7	NOMENCLATURE	EFFECT FROM TO	UNITS PER ASSY
1					
111	233N5220-3195		.LIGHTPLATE ASSY-	950999	1
115	800-000524		..LIGHTPLATE- SUPPLIER CODE: V05617 SPECIFICATION NUMBER: S233T100-8004 MISCELLANEOUS DATA: FOR VENDOR FSCM 05617 FOR SPARES ORDER THE 800-000524-1 OPTIONAL PART: S233T100-8004 V51896 800-000524-1 V05617 FOR DETAILS SEE: 33-13-70-01	002004 006100 107107 121503 904999	1
115	800-000524-1		..LIGHTPLATE- SUPPLIER CODE: V05617 SPECIFICATION NUMBER: S233T100-8004 OPTIONAL PART: S233T100-8004 V51896 800-000524 V05617 FOR DETAILS SEE: 33-13-70-01	002004 006100 107107 121503 904999	1
125	233N5220-3047		.LIGHTPLATE ASSY-	002004 006100 952999	1
125	233N5220-3071		.LIGHTPLATE ASSY-	950951	1
125	233N5200-7289		.LIGHTPLATE ASSY- POST SERVICE BULLETIN: 24-0048	107107	1
127	233N5200-7271		.LIGHTPLATE ASSY-	121503 904949	1

MISSING ITEM NUMBERS NOT APPLICABLE

- ITEM NOT ILLUSTRATED

33-13-67-01

33-13-67
FIG. 01
PAGE 8
JAN 20/09

BRI

BOEING PROPRIETARY - Copyright © - Unpublished Work - See title page for details.



757

PARTS CATALOG (MAINTENANCE)

FIG ITEM	PART NUMBER	1 2 3 4 5 6 7	NOMENCLATURE	EFFECT FROM TO	UNITS PER ASSY
1 130	800-000524		..LIGHTPLATE- SUPPLIER CODE: V05617 SPECIFICATION NUMBER: S233T100-8004 MISCELLANEOUS DATA: FOR VENDOR FSCM 05617 FOR SPARES ORDER THE 800-000524-1 OPTIONAL PART: S233T100-8004 V51896 800-000524-1 V05617 FOR DETAILS SEE: 33-13-70-01	002004 006100 107107 121503 904999	1
130	800-000524-1		..LIGHTPLATE- SUPPLIER CODE: V05617 SPECIFICATION NUMBER: S233T100-8004 OPTIONAL PART: S233T100-8004 V51896 800-000524 V05617 FOR DETAILS SEE: 33-13-70-01	002004 006100 107107 121503 904999	1
140	233N5220-3045		.LIGHTPLATE ASSY-	002004 006100 950999	1
140	233N5200-7269		.LIGHTPLATE ASSY- POST SERVICE BULLETIN: 24-0048	107107 121503 904949	1

MISSING ITEM NUMBERS NOT APPLICABLE

- ITEM NOT ILLUSTRATED

33-13-67-01

33-13-67
FIG. 01
PAGE 9
JAN 20/09

BRI



757

PARTS CATALOG (MAINTENANCE)

FIG ITEM	PART NUMBER	1 2 3 4 5 6 7	NOMENCLATURE	EFFECT FROM TO	UNITS PER ASSY
1 145	800-001170		..LIGHTPLATE- SUPPLIER CODE: V05617 SPECIFICATION NUMBER: S233T100-8001 MISCELLANEOUS DATA: FOR VENDOR FSCM 05617 FOR SPARES ORDER THE 800-001170-1 OPTIONAL PART: S233T100-8001 V51896 800-001170-1 V05617 FOR DETAILS SEE: 33-13-70-01	002004 006100 107107 121503 904999	1
145	800-001170-1		..LIGHTPLATE- SUPPLIER CODE: V05617 SPECIFICATION NUMBER: S233T100-8001 OPTIONAL PART: S233T100-8001 V51896 800-001170 V05617 FOR DETAILS SEE: 33-13-70-01	002004 006100 107107 121503 904999	1
150	233N5200-7157		.LIGHTPLATE ASSY-	107107	1
150	233N5200-7281		.LIGHTPLATE ASSY-	121503 904949	1
152	233N5220-3203		.LIGHTPLATE ASSY-	952999	1
152	233N5220-3173		.LIGHTPLATE ASSY-	950951	1
152	233N5220-3209		.LIGHTPLATE ASSY-	002004 006100	1
155	800-000522-1		..LIGHTPLATE- SUPPLIER CODE: V05617 SPECIFICATION NUMBER: S233T100-8006 OPTIONAL PART: S233T100-8006 V51896 800-000522 V05617 FOR DETAILS SEE: 33-13-70-01	002004 006100 107107 121503 904999	1

MISSING ITEM NUMBERS NOT APPLICABLE

- ITEM NOT ILLUSTRATED

33-13-67-01

33-13-67
FIG. 01
PAGE 10
JAN 20/09

BRI



757

PARTS CATALOG (MAINTENANCE)

FIG ITEM	PART NUMBER	1 2 3 4 5 6 7	NOMENCLATURE	EFFECT FROM TO	UNITS PER ASSY
1 155	800-000522		.. LIGHTPLATE- SUPPLIER CODE: V05617 SPECIFICATION NUMBER: S233T100-8006 MISCELLANEOUS DATA: FOR VENDOR FSCM 05617 FOR SPARES ORDER THE 800-000522-1 OPTIONAL PART: S233T100-8006 V51896 800-000522-1 V05617 FOR DETAILS SEE: 33-13-70-01	002004 006100 107107 121503 904999	1

MISSING ITEM NUMBERS NOT APPLICABLE

- ITEM NOT ILLUSTRATED

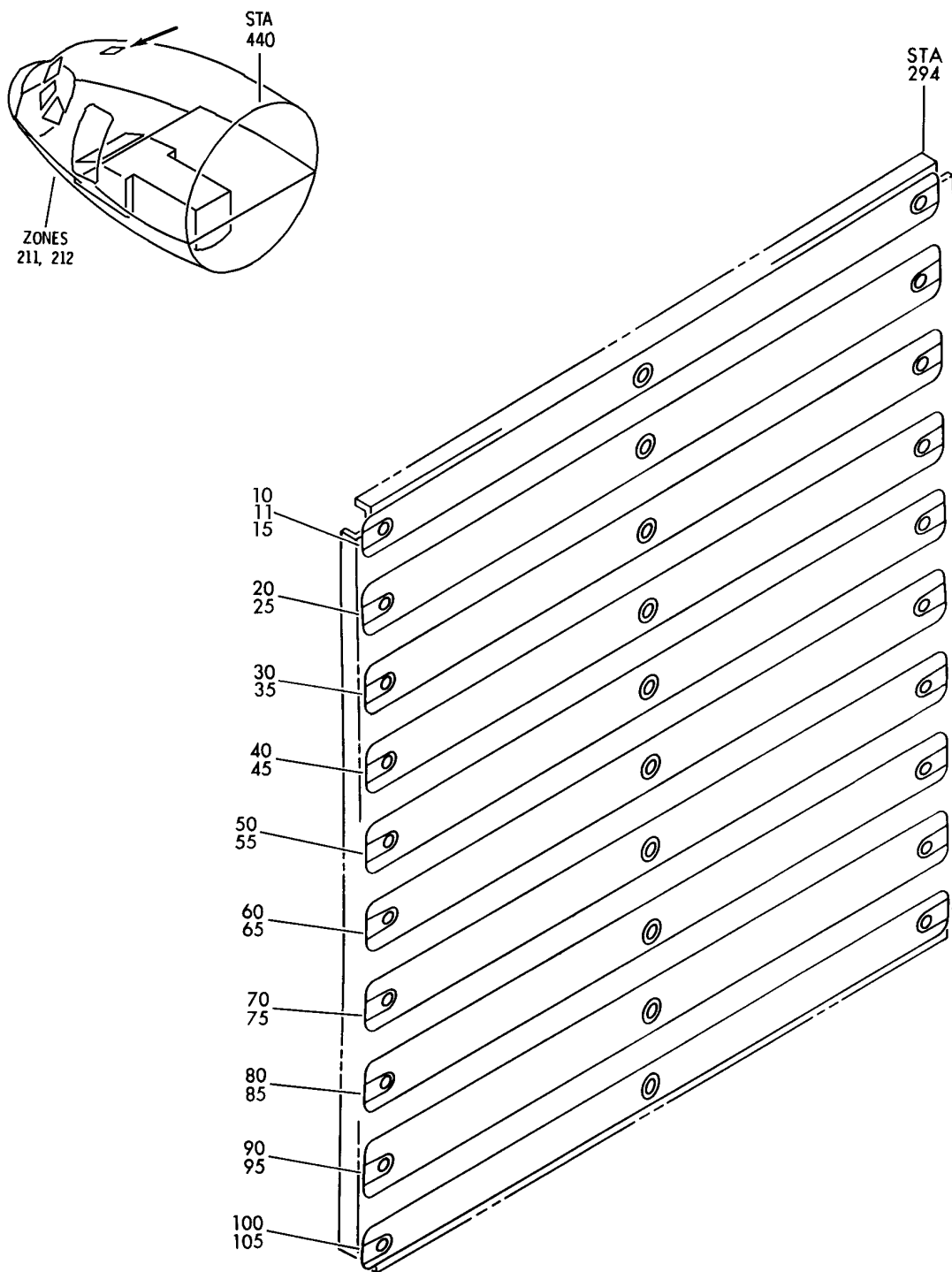
BRI

33-13-67-01

BOEING PROPRIETARY - Copyright © - Unpublished Work - See title page for details.

33-13-67
FIG. 01
PAGE 11
JAN 20/09

BOEING
757
PARTS CATALOG (MAINTENANCE)



Y 33136703 REV 229

PANEL INSTL-P11-3 (INTEGRAL PANEL LIGHTS ONLY)
FIGURE 3

33-13-67-03

BRI
MAY 28/07

33-13-67-03
PAGE 0



757

PARTS CATALOG (MAINTENANCE)

FIG ITEM	PART NUMBER	1 2 3 4 5 6 7	NOMENCLATURE	EFFECT FROM TO	UNITS PER ASSY
3			PANEL INSTL-P11-3 (INTEGRAL PANEL LIGHTS ONLY)	101101	
- 2	233N5213-189		PANEL ASSY-P11-3 CB (INTEGRAL PANEL LIGHTS ONLY) FOR NHA/OTHER SYS DET SEE: 24-00-51-03	101101	RF
10	233N5220-3209		.LIGHTPLATE ASSY-	101101	1
15	800-000522		..LIGHTPLATE- SUPPLIER CODE: V05617 SPECIFICATION NUMBER: S233T100-8006 MISCELLANEOUS DATA: FOR VENDOR FSCM 05617 FOR SPARES ORDER THE 800-000522-1 OPTIONAL PART: S233T100-8006 V51896 800-000522-1 V05617 FOR DETAILS SEE: 33-13-70-01	101101	1
15	800-000522-1		..LIGHTPLATE- SUPPLIER CODE: V05617 SPECIFICATION NUMBER: S233T100-8006 OPTIONAL PART: S233T100-8006 V51896 800-000522 V05617 FOR DETAILS SEE: 33-13-70-01	101101	1
20	233N5438-15		.LIGHTPLATE ASSY-	101101	1

MISSING ITEM NUMBERS NOT APPLICABLE

- ITEM NOT ILLUSTRATED

BRI

33-13-67-03

BOEING PROPRIETARY - Copyright © - Unpublished Work - See title page for details.

33-13-67
FIG. 03
PAGE 1
SEP 20/08



757

PARTS CATALOG (MAINTENANCE)

FIG ITEM	PART NUMBER	1 2 3 4 5 6 7	NOMENCLATURE	EFFECT FROM TO	UNITS PER ASSY
3 25	800-000524		..LIGHTPLATE- SUPPLIER CODE: V05617 SPECIFICATION NUMBER: S233T100-8004 MISCELLANEOUS DATA: FOR VENDOR FSCM 05617 FOR SPARES ORDER THE 800-000524-1 OPTIONAL PART: S233T100-8004 V51896 800-000524-1 V05617 FOR DETAILS SEE: 33-13-70-01	101101	1
25	800-000524-1		..LIGHTPLATE- SUPPLIER CODE: V05617 SPECIFICATION NUMBER: S233T100-8004 OPTIONAL PART: S233T100-8004 V51896 800-000524 V05617 FOR DETAILS SEE: 33-13-70-01	101101	1
30	233N5220-3059		.LIGHTPLATE ASSY	101101	1
35	800-000524		..LIGHTPLATE- SUPPLIER CODE: V05617 SPECIFICATION NUMBER: S233T100-8004 MISCELLANEOUS DATA: FOR VENDOR FSCM 05617 FOR SPARES ORDER THE 800-000524-1 OPTIONAL PART: S233T100-8004 V51896 800-00524-1 V05617 FOR DETAILS SEE: 33-13-70-01	101101	1

MISSING ITEM NUMBERS NOT APPLICABLE

- ITEM NOT ILLUSTRATED

33-13-67-03

33-13-67
FIG. 03
PAGE 2
SEP 20/08

BRI



757

PARTS CATALOG (MAINTENANCE)

FIG ITEM	PART NUMBER	1 2 3 4 5 6 7	NOMENCLATURE	EFFECT FROM TO	UNITS PER ASSY
3					
35	800-000524-1		..LIGHTPLATE- SUPPLIER CODE: V05617 SPECIFICATION NUMBER: S233T100-8004 OPTIONAL PART: S233T100-8004 V51896 800-00524 V05617 FOR DETAILS SEE: 33-13-70-01	101101	1
40	233N5220-3135		.LIGHTPLATE ASSY	101101	1
45	800-000524		..LIGHTPLATE- SUPPLIER CODE: V05617 SPECIFICATION NUMBER: S233T100-8004 MISCELLANEOUS DATA: FOR VENDOR FSCM 05617 FOR SPARES ORDER THE 800-000524-1 OPTIONAL PART: S233T100-8004 V51896 800-000524-1 V05617 FOR DETAILS SEE: 33-13-70-01	101101	1
45	800-000524-1		..LIGHTPLATE- SUPPLIER CODE: V05617 SPECIFICATION NUMBER: S233T100-8004 OPTIONAL PART: S233T100-8004 V51896 800-000524 V05617 FOR DETAILS SEE: 33-13-70-01	101101	1
50	233N5220-3111		.LIGHTPLATE ASSY	101101	1

MISSING ITEM NUMBERS NOT APPLICABLE

- ITEM NOT ILLUSTRATED

33-13-67-03

33-13-67
FIG. 03
PAGE 3
SEP 20/08

BRI



757

PARTS CATALOG (MAINTENANCE)

FIG ITEM	PART NUMBER	1 2 3 4 5 6 7	NOMENCLATURE	EFFECT FROM TO	UNITS PER ASSY
3 55	800-000524		..LIGHTPLATE- SUPPLIER CODE: V05617 SPECIFICATION NUMBER: S233T100-8004 MISCELLANEOUS DATA: FOR VENDOR FSCM 05617 FOR SPARES ORDER THE 800-000524-1 OPTIONAL PART: S233T100-8004 V51896 800-000524-1 V05617 FOR DETAILS SEE: 33-13-70-01	101101	1
55	800-000524-1		..LIGHTPLATE- SUPPLIER CODE: V05617 SPECIFICATION NUMBER: S233T100-8004 OPTIONAL PART: S233T100-8004 V51896 800-000524 V05617 FOR DETAILS SEE: 33-13-70-01	101101	1
60	233N5220-3261		.LIGHTPLATE ASSY	101101	1
65	800-000524		..LIGHTPLATE- SUPPLIER CODE: V05617 SPECIFICATION NUMBER: S233T100-8004 MISCELLANEOUS DATA: FOR VENDOR FSCM 05617 FOR SPARES ORDER THE 800-000524-1 OPTIONAL PART: S233T100-8004 V51896 800-000524-1 V05617 FOR DETAILS SEE: 33-13-70-01	101101	1

MISSING ITEM NUMBERS NOT APPLICABLE

- ITEM NOT ILLUSTRATED

33-13-67-03

33-13-67
FIG. 03
PAGE 4
SEP 20/08

BRI



757

PARTS CATALOG (MAINTENANCE)

FIG ITEM	PART NUMBER	1 2 3 4 5 6 7	NOMENCLATURE	EFFECT FROM TO	UNITS PER ASSY
3					
65	800-000524-1	..	LIGHTPLATE- SUPPLIER CODE: V05617 SPECIFICATION NUMBER: S233T100-8004 OPTIONAL PART: S233T100-8004 V51896 800-000524 V05617 FOR DETAILS SEE: 33-13-70-01	101101	1
70	233N5220-3197	.L	LIGHTPLATE ASSY- PRE ALERT SB: 28A0081	101101	1
70	233N5433-11	.L	LIGHTPLATE ASSY- POST ALERT SB: 28A0081	101101	1
75	800-000524	..	LIGHTPLATE- SUPPLIER CODE: V05617 SPECIFICATION NUMBER: S233T100-8004 MISCELLANEOUS DATA: FOR VENDOR FSCM 05617 FOR SPARES ORDER THE 800-000524-1 OPTIONAL PART: S233T100-8004 V51896 800-000524-1 V05617 FOR DETAILS SEE: 33-13-70-01	101101	1
75	800-000524-1	..	LIGHTPLATE- SUPPLIER CODE: V05617 SPECIFICATION NUMBER: S233T100-8004 OPTIONAL PART: S233T100-8004 V51896 800-000524 V05617 FOR DETAILS SEE: 33-13-70-01	101101	1
80	233N5220-3223	.L	LIGHTPLATE ASSY	101101	1

MISSING ITEM NUMBERS NOT APPLICABLE

- ITEM NOT ILLUSTRATED

33-13-67-03

33-13-67
FIG. 03
PAGE 5
SEP 20/08

BRI



757

PARTS CATALOG (MAINTENANCE)

FIG ITEM	PART NUMBER	1 2 3 4 5 6 7	NOMENCLATURE	EFFECT FROM TO	UNITS PER ASSY
3 85	800-000524		..LIGHTPLATE- SUPPLIER CODE: V05617 SPECIFICATION NUMBER: S233T100-8004 MISCELLANEOUS DATA: FOR VENDOR FSCM 05617 FOR SPARES ORDER THE 800-000524-1 OPTIONAL PART: S233T100-8004 V51896 800-000524-1 V05617 FOR DETAILS SEE: 33-13-70-01	101101	1
85	800-000524-1		..LIGHTPLATE- SUPPLIER CODE: V05617 SPECIFICATION NUMBER: S233T100-8004 OPTIONAL PART: S233T100-8004 V51896 800-000524 V05617 FOR DETAILS SEE: 33-13-70-01	101101	1
90	233N5220-3047		.LIGHTPLATE ASSY-	101101	1
95	800-000524		..LIGHTPLATE- SUPPLIER CODE: V05617 SPECIFICATION NUMBER: S233T100-8004 MISCELLANEOUS DATA: FOR VENDOR FSCM 05617 FOR SPARES ORDER THE 800-000524-1 OPTIONAL PART: S233T100-8004 V51896 800-000524-1 V05617 FOR DETAILS SEE: 33-13-70-01	101101	1

MISSING ITEM NUMBERS NOT APPLICABLE

- ITEM NOT ILLUSTRATED

33-13-67-03

33-13-67
FIG. 03
PAGE 6
SEP 20/08

BRI



757

PARTS CATALOG (MAINTENANCE)

FIG ITEM	PART NUMBER	1 2 3 4 5 6 7	NOMENCLATURE	EFFECT FROM TO	UNITS PER ASSY
3 95	800-000524-1		..LIGHTPLATE- SUPPLIER CODE: V05617 SPECIFICATION NUMBER: S233T100-8004 OPTIONAL PART: S233T100-8004 V51896 800-000524 V05617 FOR DETAILS SEE: 33-13-70-01	101101	1
100	233N5220-3045		.LIGHTPLATE ASSY-	101101	1
105	800-001170		..LIGHTPLATE- SUPPLIER CODE: V05617 SPECIFICATION NUMBER: S233T100-8001 MISCELLANEOUS DATA: FOR VENDOR FSCM 05617 FOR SPARES ORDER THE 800-001170-1 OPTIONAL PART: S233T100-8001 V51896 800-001170-1 V05617 FOR DETAILS SEE: 33-13-70-01	101101	1
105	800-001170-1		..LIGHTPLATE- SUPPLIER CODE: V05617 SPECIFICATION NUMBER: S233T100-8001 OPTIONAL PART: S233T100-8001 V51896 800-001170 V05617 FOR DETAILS SEE: 33-13-70-01	101101	1

MISSING ITEM NUMBERS NOT APPLICABLE

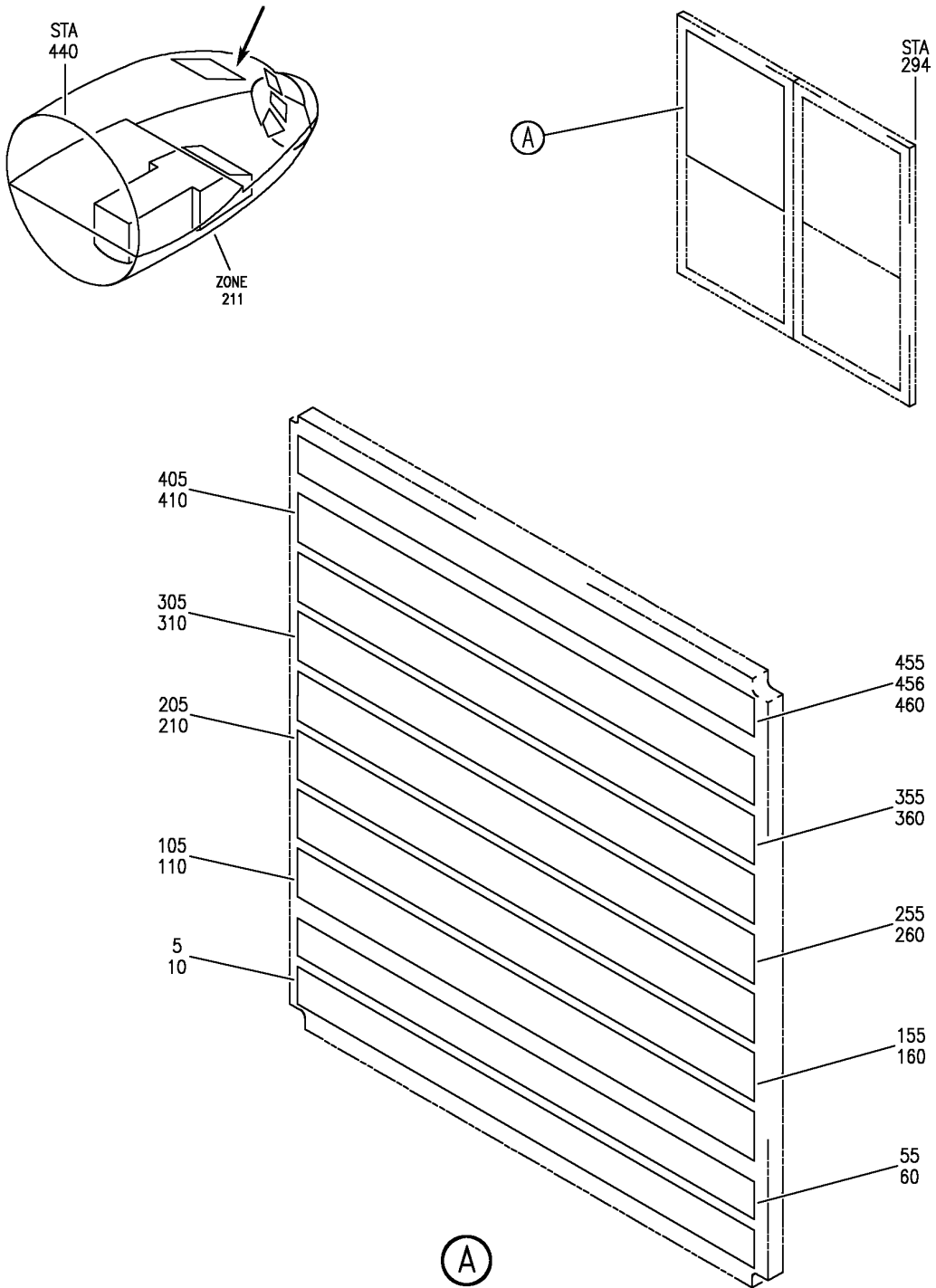
- ITEM NOT ILLUSTRATED

33-13-67-03

33-13-67
FIG. 03
PAGE 7
SEP 20/08

BRI

BOEING
757
PARTS CATALOG (MAINTENANCE)



Y 33136704 REV 279

LIGHTPLATE INSTL-P11-3 (LIGHTS ONLY)
FIGURE 4

33-13-67-04

BRI
MAY 28/07

33-13-67-04
PAGE 0



757

PARTS CATALOG (MAINTENANCE)

FIG ITEM	PART NUMBER	1 2 3 4 5 6 7	NOMENCLATURE	EFFECT FROM TO	UNITS PER ASSY
4			LIGHTPLATE INSTL-P11-3 (LIGHTS ONLY)	102106 108120 504903	
- 1	233N5103-147		LIGHTPLATE INSTL-P11-3 (LIGHTS ONLY) FOR NHA/OTHER SYS DET SEE: 25-10-00-15D	102102 108120 504903	RF
- 1	MODREF7404		LIGHTPLATE INSTL-P11-3 (LIGHTS ONLY) MODULE NUMBER: 233N5103-147 REV A FOR OTHER SYS DETAILS SEE: 11-34-03-05F	103106	1
5	233N5220-3045		.LIGHTPLATE ASSY-	102106 108120 504903	1
10	S233T100-8001		..LIGHTPLATE ASSY- SUPPLIER CODE: V51896 OPTIONAL PART: 800-001170 V05617	102106 108120 504903	1
10	800-001170		..LIGHTPLATE- SUPPLIER CODE: V05617 SPECIFICATION NUMBER: S233T100-8001 MISCELLANEOUS DATA: FOR VENDOR FSCM 05617 FOR SPARES ORDER THE 800-001170-1 OPTIONAL PART: S233T100-8001 V51896 800-001170-1 V05617 FOR DETAILS SEE: 33-13-70-01	102106 108120 504903	1

MISSING ITEM NUMBERS NOT APPLICABLE

- ITEM NOT ILLUSTRATED

33-13-67-04

33-13-67
FIG. 04
PAGE 1
JAN 20/09

BRI



757

PARTS CATALOG (MAINTENANCE)

FIG ITEM	PART NUMBER	1 2 3 4 5 6 7	NOMENCLATURE	EFFECT FROM TO	UNITS PER ASSY
4 10	800-001170-1		..LIGHTPLATE- SUPPLIER CODE: V05617 SPECIFICATION NUMBER: S233T100-8001 OPTIONAL PART: S233T100-8001 V51896 800-001170 V05617 FOR DETAILS SEE: 33-13-70-01	102106 108120 504903	1
- 50	233N5103-149		LIGHTPLATE INSTL-P11-3 (LIGHTS ONLY) FOR NHA/OTHER SYS DET SEE: 25-10-00-15D	102102 108120	RF
- 50	233N5103-150		LIGHTPLATE INSTL-P11-3 (LIGHTS ONLY) FOR NHA/OTHER SYS DET SEE: 25-10-00-15D	504903	RF
- 50	MODREF7406		LIGHTPLATE INSTL-P11-3 (LIGHTS ONLY) MODULE NUMBER: 233N5103-149 REV A FOR OTHER SYS DETAILS SEE: 11-34-03-05F	103106	1
55	233N5220-3047		.LIGHTPLATE ASSY	102106 108120	1
55	233N5220-3071		.LIGHTPLATE ASSY-	504903	1
60	S233T100-8004		..LIGHTPLATE ASSY- SUPPLIER CODE: V51896 OPTIONAL PART: 800-000524 V05617	102106 108120 504903	1

MISSING ITEM NUMBERS NOT APPLICABLE

- ITEM NOT ILLUSTRATED

33-13-67-04

33-13-67
FIG. 04
PAGE 2
JAN 20/09

BRI



757

PARTS CATALOG (MAINTENANCE)

FIG ITEM	PART NUMBER	1 2 3 4 5 6 7	NOMENCLATURE	EFFECT FROM TO	UNITS PER ASSY
4 60	800-000524		..LIGHTPLATE- SUPPLIER CODE: V05617 SPECIFICATION NUMBER: S233T100-8004 MISCELLANEOUS DATA: FOR VENDOR FSCM 05617 FOR SPARES ORDER THE 800-000524-1 OPTIONAL PART: S233T100-8004 V51896 800-000524-1 V05617 FOR DETAILS SEE: 33-13-70-01	102106 108120 504903	1
60	800-000524-1		..LIGHTPLATE- SUPPLIER CODE: V05617 SPECIFICATION NUMBER: S233T100-8004 OPTIONAL PART: S233T100-8004 V51896 800-000524 V05617 FOR DETAILS SEE: 33-13-70-01	102106 108120 504903	1
- 100	233N5103-153		LIGHTPLATE INSTL-P11-3 (LIGHTS ONLY) FOR NHA/OTHER SYS DET SEE: 25-10-00-15D	108120	RF
- 100	233N5103-156		LIGHTPLATE INSTL-P11-3 (LIGHTS ONLY) FOR NHA/OTHER SYS DET SEE: 25-10-00-15D	504903	RF
- 100	233N5103-157		LIGHTPLATE INSTL-P11-3 (LIGHTS ONLY) FOR NHA/OTHER SYS DET SEE: 25-10-00-15D	102102	RF
- 101	MODREF7410		LIGHTPLATE INSTL-P11-3 (LIGHTS ONLY) MODULE NUMBER: 233N5103-153 REV A FOR OTHER SYS DETAILS SEE: 11-34-03-05F	103106	1
105	233N5220-3049		.LIGHTPLATE ASSY	103106 108120	1
105	233N5220-3195		.LIGHTPLATE ASSY	504903	1

MISSING ITEM NUMBERS NOT APPLICABLE

- ITEM NOT ILLUSTRATED

33-13-67-04

33-13-67
FIG. 04
PAGE 3
JAN 20/09

BRI



757

PARTS CATALOG (MAINTENANCE)

FIG ITEM	PART NUMBER	1 2 3 4 5 6 7	NOMENCLATURE	EFFECT FROM TO	UNITS PER ASSY
4					
105	233N5220-3223		.LIGHTPLATE ASSY	102102	1
110	S233T100-8004		..LIGHTPLATE ASSY- SUPPLIER CODE: V51896 OPTIONAL PART: 800-000524 V05617	102106 108120 504903	1
110	800-000524		..LIGHTPLATE- SUPPLIER CODE: V05617 SPECIFICATION NUMBER: S233T100-8004 MISCELLANEOUS DATA: FOR VENDOR FSCM 05617 FOR SPARES ORDER THE 800-000524-1 OPTIONAL PART: S233T100-8004 V51896 800-000524-1 V05617 FOR DETAILS SEE: 33-13-70-01	102106 108120 504903	1
110	800-000524-1		..LIGHTPLATE- SUPPLIER CODE: V05617 SPECIFICATION NUMBER: S233T100-8004 OPTIONAL PART: S233T100-8004 V51896 800-000524 V05617 FOR DETAILS SEE: 33-13-70-01	102106 108120 504903	1
- 150	233N5103-161		LIGHTPLATE INSTL-P11-3 (LIGHTS ONLY) FOR NHA/OTHER SYS DET SEE: 25-10-00-15D	102102 108120 504903	RF
- 150	MODREF7499		LIGHTPLATE INSTL-P11-3 (LIGHTS ONLY) MODULE NUMBER: 233N5103-161 REV A FOR OTHER SYS DETAILS SEE: 11-34-03-05F	103106	1
155	233N5220-3197		.LIGHTPLATE ASSY- PRE ALERT SB: 28A0081	102106 108120	1

MISSING ITEM NUMBERS NOT APPLICABLE

- ITEM NOT ILLUSTRATED

33-13-67-04

33-13-67
FIG. 04
PAGE 4
JAN 20/09

BRI



757

PARTS CATALOG (MAINTENANCE)

FIG ITEM	PART NUMBER	1 2 3 4 5 6 7	NOMENCLATURE	EFFECT FROM TO	UNITS PER ASSY
4					
155	233N5433-11		.LIGHTPLATE ASSY- POST ALERT SB: 28A0081	102106 108120 504903	1
160	800-000524		..LIGHTPLATE- SUPPLIER CODE: V05617 SPECIFICATION NUMBER: S233T100-8004 MISCELLANEOUS DATA: FOR VENDOR FSCM 05617 FOR SPARES ORDER THE 800-000524-1 OPTIONAL PART: S233T100-8004 V51896 800-000524-1 V05617 FOR DETAILS SEE: 33-13-70-01	102106 108120 504903	1
160	800-000524-1		..LIGHTPLATE- SUPPLIER CODE: V05617 SPECIFICATION NUMBER: S233T100-8004 OPTIONAL PART: S233T100-8004 V51896 800-000524 V05617 FOR DETAILS SEE: 33-13-70-01	102106 108120 504903	1
- 200	233N5103-165		LIGHTPLATE INSTL-P11-3 (LIGHTS ONLY) FOR NHA/OTHER SYS DET SEE: 25-10-00-15D	102102	RF
- 200	233N5103-171		LIGHTPLATE INSTL-P11-3 (LIGHTS ONLY) FOR NHA/OTHER SYS DET SEE: 25-10-00-15D	108120	RF
- 200	233N5103-172		LIGHTPLATE INSTL-P11-3 (LIGHTS ONLY) FOR NHA/OTHER SYS DET SEE: 25-10-00-15D	504903	RF
- 203	MODREF8038		LIGHTPLATE INSTL-P11-3 (LIGHTS ONLY) MODULE NUMBER: 233N5103-372 REV A FOR OTHER SYS DETAILS SEE: 11-34-03-05F	103106	1

MISSING ITEM NUMBERS NOT APPLICABLE

- ITEM NOT ILLUSTRATED

33-13-67-04

33-13-67
FIG. 04
PAGE 5
JAN 20/09

BRI



757

PARTS CATALOG (MAINTENANCE)

FIG ITEM	PART NUMBER	1 2 3 4 5 6 7	NOMENCLATURE	EFFECT FROM TO	UNITS PER ASSY
4					
205	233N5220-3261	.	LIGHTPLATE ASSY	102102	1
205	233N5220-3287	.	LIGHTPLATE ASSY	103106	1
205	233N5434-1	.	LIGHTPLATE ASSY	108120	1
205	233N5434-3	.	LIGHTPLATE ASSY	504903	1
210	S233T100-8004	..	LIGHTPLATE ASSY- SUPPLIER CODE: V51896 OPTIONAL PART: 800-000524 V05617	102106 108120 504903	1
210	800-000524	..	LIGHTPLATE- SUPPLIER CODE: V05617 SPECIFICATION NUMBER: S233T100-8004 MISCELLANEOUS DATA: FOR VENDOR FSCM 05617 FOR SPARES ORDER THE 800-000524-1 OPTIONAL PART: S233T100-8004 V51896 800-000524-1 V05617	102106 108120 504903	1
210	800-000524-1	..	LIGHTPLATE- SUPPLIER CODE: V05617 SPECIFICATION NUMBER: S233T100-8004 OPTIONAL PART: S233T100-8004 V51896 800-000524-1 V05617 FOR DETAILS SEE: 33-13-70-01	102106 108120 504903	1
- 250	233N5103-174		LIGHTPLATE INSTL-P11-3 (LIGHTS ONLY) FOR NHA/OTHER SYS DET SEE: 25-10-00-15D	102102 108120	RF
- 250	233N5103-178		LIGHTPLATE INSTL-P11-3 (LIGHTS ONLY) FOR NHA/OTHER SYS DET SEE: 25-10-00-15D	504903	RF

MISSING ITEM NUMBERS NOT APPLICABLE

- ITEM NOT ILLUSTRATED

33-13-67-04

33-13-67
FIG. 04
PAGE 6
JAN 20/09

BRI



757

PARTS CATALOG (MAINTENANCE)

FIG ITEM	PART NUMBER	1 2 3 4 5 6 7	NOMENCLATURE	EFFECT FROM TO	UNITS PER ASSY
4 - 250	MODREF7511		LIGHTPLATE INSTL-P11-3 (LIGHTS ONLY) MODULE NUMBER: 233N5103-174 REV A FOR OTHER SYS DETAILS SEE: 11-34-03-05F	103106	1
255	233N5220-3111		.LIGHTPLATE ASSY	102106 108120	1
255	233N5220-3293		.LIGHTPLATE ASSY	504903	1
260	S233T100-8004		..LIGHTPLATE ASSY- SUPPLIER CODE: V51896 OPTIONAL PART: 800-000524 V05617	102106 108120 504903	1
260	800-000524		..LIGHTPLATE- SUPPLIER CODE: V05617 SPECIFICATION NUMBER: S233T100-8004 MISCELLANEOUS DATA: FOR VENDOR FSCM 05617 FOR SPARES ORDER THE 800-000524-1 OPTIONAL PART: S233T100-8004 V51896 800-000524-1 V05617 FOR DETAILS SEE: 33-13-70-01	102106 108120 504903	1
260	800-000524-1		..LIGHTPLATE- SUPPLIER CODE: V05617 SPECIFICATION NUMBER: S233T100-8004 OPTIONAL PART: S233T100-8004 V51896 800-000524 V05617 FOR DETAILS SEE: 33-13-70-01	102106 108120 504903	1
- 300	233N5103-183		LIGHTPLATE INSTL-P11-3 (LIGHTS ONLY) FOR NHA/OTHER SYS DET SEE: 25-10-00-15D	108120	RF

MISSING ITEM NUMBERS NOT APPLICABLE

- ITEM NOT ILLUSTRATED

33-13-67-04

33-13-67
FIG. 04
PAGE 7
JAN 20/09

BRI



757

PARTS CATALOG (MAINTENANCE)

FIG ITEM	PART NUMBER	1 2 3 4 5 6 7	NOMENCLATURE	EFFECT FROM TO	UNITS PER ASSY
4					
- 300	233N5103-185		LIGHTPLATE INSTL-P11-3 (LIGHTS ONLY) FOR NHA/OTHER SYS DET SEE: 25-10-00-15D	504903	RF
- 300	233N5103-303		LIGHTPLATE INSTL-P11-3 (LIGHTS ONLY) FOR NHA/OTHER SYS DET SEE: 25-10-00-15D	102102	RF
- 300	MODREF7601		LIGHTPLATE INSTL-P11-3 (LIGHTS ONLY) MODULE NUMBER: 233N5103-183 REV A FOR OTHER SYS DETAILS SEE: 11-34-03-05F	103106	1
305	233N5220-3109		.LIGHTPLATE ASSY	103106 108120	1
305	233N5220-3295		.LIGHTPLATE ASSY	504903	1
305	233N5220-3135		.LIGHTPLATE ASSY	102102	1
310	S233T100-8004		..LIGHTPLATE ASSY- SUPPLIER CODE: V51896 OPTIONAL PART: 800-000524 V05617	102106 108120 504903	1
310	800-000524		..LIGHTPLATE- SUPPLIER CODE: V05617 SPECIFICATION NUMBER: S233T100-8004 MISCELLANEOUS DATA: FOR VENDOR FSCM 05617 FOR SPARES ORDER THE 800-000524-1 OPTIONAL PART: S233T100-8004 V51896 800-000524-1 V05617 FOR DETAILS SEE: 33-13-70-01	102106 108120 504903	1

MISSING ITEM NUMBERS NOT APPLICABLE

- ITEM NOT ILLUSTRATED

33-13-67-04

33-13-67
FIG. 04
PAGE 8
JAN 20/09

BRI



757

PARTS CATALOG (MAINTENANCE)

FIG ITEM	PART NUMBER	1 2 3 4 5 6 7	NOMENCLATURE	EFFECT FROM TO	UNITS PER ASSY
4 310	800-000524-1		..LIGHTPLATE- SUPPLIER CODE: V05617 SPECIFICATION NUMBER: S233T100-8004 OPTIONAL PART: S233T100-8004 V51896 800-000524 V05617 FOR DETAILS SEE: 33-13-70-01	102106 108120 504903	1
- 350	233N5103-188		LIGHTPLATE INSTL-P11-3 (LIGHTS ONLY) FOR NHA/OTHER SYS DET SEE: 25-10-00-15D	102102 108120 504903	RF
- 350	MODREF7605		LIGHTPLATE INSTL-P11-3 (LIGHTS ONLY) MODULE NUMBER: 233N5103-189 REV A FOR OTHER SYS DETAILS SEE: 11-34-03-05F	103106	1
355	233N5220-3059		.LIGHTPLATE ASSY	102102 108120 504903	1
355	233N5220-3193		.LIGHTPLATE ASSY	103106	1
360	S233T100-8004		..LIGHTPLATE ASSY- SUPPLIER CODE: V51896 OPTIONAL PART: 800-000524 V05617	102106 108120 504903	1
360	800-000524		..LIGHTPLATE- SUPPLIER CODE: V05617 SPECIFICATION NUMBER: S233T100-8004 MISCELLANEOUS DATA: FOR VENDOR FSCM 05617 FOR SPARES ORDER THE 800-000524-1 OPTIONAL PART: S233T100-8004 V51896 800-000524-1 V05617 FOR DETAILS SEE: 33-13-70-01	102106 108120 504903	1

MISSING ITEM NUMBERS NOT APPLICABLE

- ITEM NOT ILLUSTRATED

33-13-67-04

33-13-67
FIG. 04
PAGE 9
JAN 20/09

BRI



757

PARTS CATALOG (MAINTENANCE)

FIG ITEM	PART NUMBER	1 2 3 4 5 6 7	NOMENCLATURE	EFFECT FROM TO	UNITS PER ASSY
4 360	800-000524-1		..LIGHTPLATE- SUPPLIER CODE: V05617 SPECIFICATION NUMBER: S233T100-8004 OPTIONAL PART: S233T100-8004 V51896 800-000524 V05617 FOR DETAILS SEE: 33-13-70-01	102106 108120 504903	1
- 400	233N5103-196		LIGHTPLATE INSTL-P11-3 (LIGHTS ONLY) FOR NHA/OTHER SYS DET SEE: 25-10-00-15D	504903	RF
- 400	233N5103-201		LIGHTPLATE INSTL-P11-3 (LIGHTS ONLY) FOR NHA/OTHER SYS DET SEE: 25-10-00-15D	102102 108120	RF
- 403	MODREF8028		LIGHTPLATE INSTL-P11-3 (LIGHTS ONLY) MODULE NUMBER: 233N5103-349 REV A FOR OTHER SYS DETAILS SEE: 11-34-03-05F	103106	1
405	233N5220-3299		.LIGHTPLATE ASSY	504903	1
405	233N5438-15		.LIGHTPLATE ASSY	102102 108120	1
405	233N5438-17		.LIGHTPLATE ASSY	103106	1
410	S233T100-8004		..LIGHTPLATE ASSY- SUPPLIER CODE: V51896 OPTIONAL PART: 800-000524 V05617	102106 108120 504903	1

MISSING ITEM NUMBERS NOT APPLICABLE

- ITEM NOT ILLUSTRATED

33-13-67-04

33-13-67
FIG. 04
PAGE 10
JAN 20/09

BRI



757

PARTS CATALOG (MAINTENANCE)

FIG ITEM	PART NUMBER	1 2 3 4 5 6 7	NOMENCLATURE	EFFECT FROM TO	UNITS PER ASSY
4 410	800-000524		..LIGHTPLATE- SUPPLIER CODE: V05617 SPECIFICATION NUMBER: S233T100-8004 MISCELLANEOUS DATA: FOR VENDOR FSCM 05617 FOR SPARES ORDER THE 800-000524-1 OPTIONAL PART: S233T100-8004 V51896 800-000524-1 V05617 FOR DETAILS SEE: 33-13-70-01	102106 108120 504903	1
410	800-000524-1		..LIGHTPLATE- SUPPLIER CODE: V05617 SPECIFICATION NUMBER: S233T100-8004 OPTIONAL PART: S233T100-8004 V51896 800-000524 V05617 FOR DETAILS SEE: 33-13-70-01	102106 108120 504903	1
- 450	233N5103-210		LIGHTPLATE INSTL-P11-3 (LIGHTS ONLY) FOR NHA/OTHER SYS DET SEE: 25-10-00-15D	102102	RF
- 450	233N5103-215		LIGHTPLATE INSTL-P11-3 (LIGHTS ONLY) FOR NHA/OTHER SYS DET SEE: 25-10-00-15D	504903	RF
- 451	233N5103-371		LIGHTPLATE INSTL-P11-3 (LIGHTS ONLY) FOR NHA/OTHER SYS DET SEE: 25-10-00-15D	108120	RF
- 453	MODREF7622		LIGHTPLATE INSTL-P11-3 (LIGHTS ONLY) MODULE NUMBER: 233N5103-217 REV A FOR OTHER SYS DETAILS SEE: 11-34-03-05F	103106	1
455	233N5220-3209		.LIGHTPLATE ASSY	102102	1
455	233N5220-3297		.LIGHTPLATE ASSY	504903	1
455	233N5439-5		.LIGHTPLATE ASSY	103106	1

MISSING ITEM NUMBERS NOT APPLICABLE

- ITEM NOT ILLUSTRATED

33-13-67-04

33-13-67
FIG. 04
PAGE 11
JAN 20/09

BRI



757

PARTS CATALOG (MAINTENANCE)

FIG ITEM	PART NUMBER	1 2 3 4 5 6 7	NOMENCLATURE	EFFECT FROM TO	UNITS PER ASSY
4					
456	233N5439-17		.LIGHTPLATE ASSY	108120	1
460	S233T100-8006		..LIGHTPLATE ASSY- SUPPLIER CODE: V51896 OPTIONAL PART: 800-000522 V05617	108120	1
460	800-000522		..LIGHTPLATE- SUPPLIER CODE: V05617 SPECIFICATION NUMBER: S233T100-8006 MISCELLANEOUS DATA: FOR VENDOR FSCM 05617 FOR SPARES ORDER THE 800-000522-1 OPTIONAL PART: S233T100-8006 V51896 800-000522-1 V05617 FOR DETAILS SEE: 33-13-70-01	108120	1
460	800-000522		..LIGHTPLATE- SUPPLIER CODE: V05617 SPECIFICATION NUMBER: S233T100-8006 MISCELLANEOUS DATA: FOR VENDOR FSCM 05617 FOR SPARES ORDER THE 800-000522-1 OPTIONAL PART: S233T100-8006 V51896 800-000522-1 V05617 FOR DETAILS SEE: 33-13-70-01	102106 504903	1

MISSING ITEM NUMBERS NOT APPLICABLE

- ITEM NOT ILLUSTRATED

BRI

33-13-67-04

BOEING PROPRIETARY - Copyright © - Unpublished Work - See title page for details.

33-13-67
FIG. 04
PAGE 12
JAN 20/09



757

PARTS CATALOG (MAINTENANCE)

FIG ITEM	PART NUMBER	1 2 3 4 5 6 7	NOMENCLATURE	EFFECT FROM TO	UNITS PER ASSY
4 460	800-000522-1		.. LIGHTPLATE- SUPPLIER CODE: V05617 SPECIFICATION NUMBER: S233T100-8006 OPTIONAL PART: S233T100-8006 V51896 800-000522 V05617 FOR DETAILS SEE: 33-13-70-01	108120	1
460	800-000522-1		.. LIGHTPLATE- SUPPLIER CODE: V05617 SPECIFICATION NUMBER: S233T100-8006 OPTIONAL PART: S233T100-8006 V51896 800-000522 V05617 FOR DETAILS SEE: 33-13-70-01	102106 504903	1

MISSING ITEM NUMBERS NOT APPLICABLE

- ITEM NOT ILLUSTRATED

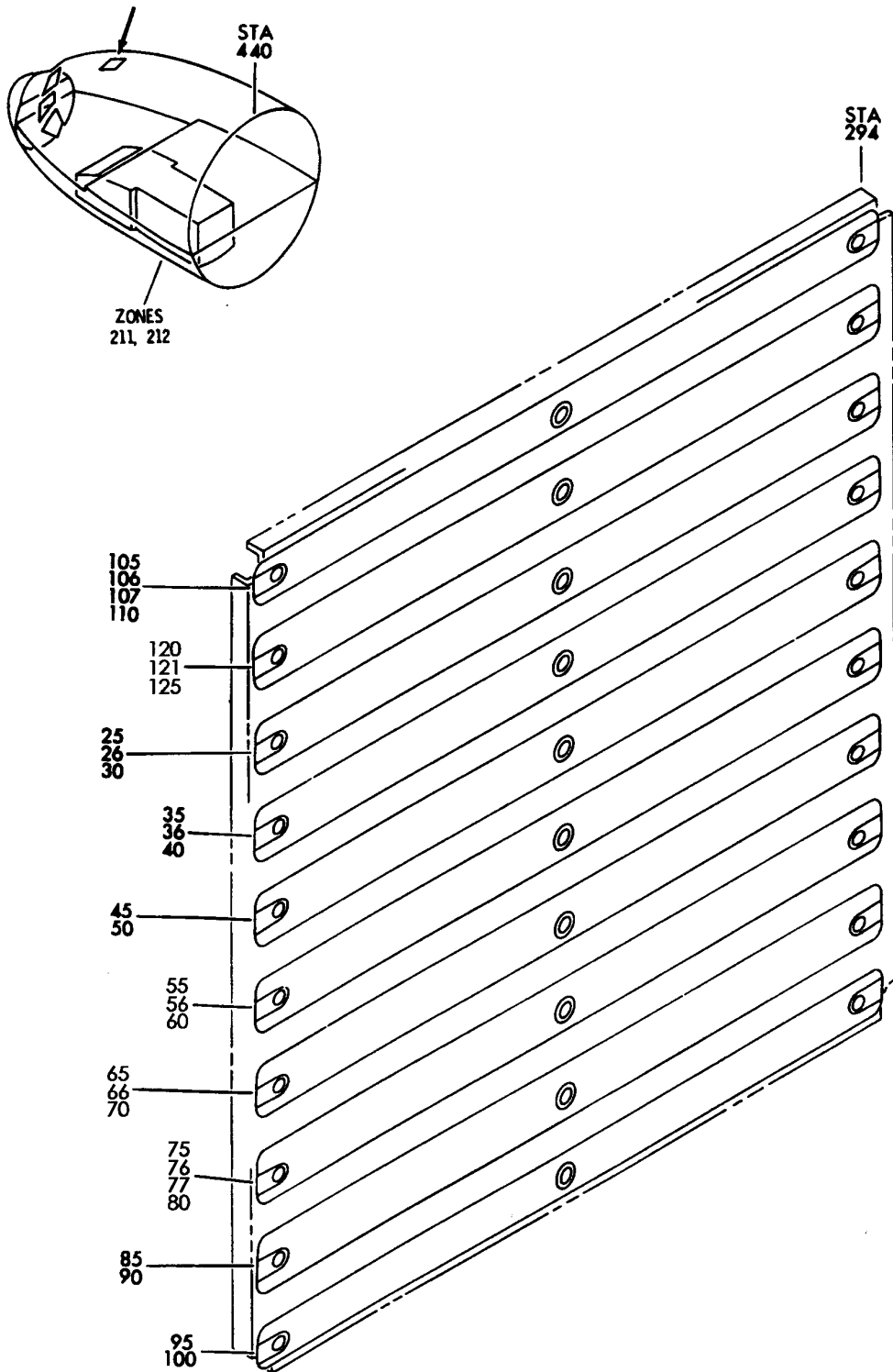
BRI

33-13-67-04

BOEING PROPRIETARY - Copyright © - Unpublished Work - See title page for details.

33-13-67
FIG. 04
PAGE 13
JAN 20/09

BOEING
757
PARTS CATALOG (MAINTENANCE)



Y 33136801 REV 206

PANEL ASSY-P11-4 CB (INTEGRAL PANEL LIGHTS ONLY)
FIGURE 1

33-13-68-01

BRI
MAY 28/07

33-13-68-01
PAGE 0



757

PARTS CATALOG (MAINTENANCE)

FIG ITEM	PART NUMBER	1 2 3 4 5 6 7	NOMENCLATURE	EFFECT FROM TO	UNITS PER ASSY
1			PANEL ASSY-P11-4 CB (INTEGRAL PANEL LIGHTS ONLY)	002004 006100 107107 121503 904999	
- 5	233N5003-5		PANEL ASSY-P11-4 CB (INTEGRAL PANEL LIGHTS ONLY) POST SERVICE BULLETIN: 24-0048 FOR NHA/OTHER SYS DET SEE: 24-00-51-04	107107	RF
- 6	233N5208-49		PANEL ASSY-P11-4 CB (INTEGRAL PANEL LIGHTS ONLY) FOR NHA/OTHER SYS DET SEE: 24-00-51-04	904949	RF
- 6	233N5208-55		PANEL ASSY-P11-4 CB (INTEGRAL PANEL LIGHTS ONLY) PRE SERVICE BULLETIN: 78-0032 REWORKED BY SB: 30-0016 FOR NHA/OTHER SYS DET SEE: 24-00-51-04	121503	RF
- 9	233N5214-73		PANEL ASSY-P11-4 CB (INTEGRAL PANEL LIGHTS ONLY) FOR NHA/OTHER SYS DET SEE: 24-00-51-04	002004	RF
- 10	233N5214-87		PANEL ASSY-P11-4 CB (INTEGRAL PANEL LIGHTS ONLY) FOR NHA/OTHER SYS DET SEE: 24-00-51-04	952952	RF
- 11	233N5012-149		PANEL ASSY-P11-4 CB (INTEGRAL PANEL LIGHTS ONLY) POST SERVICE BULLETIN: 78-0032 REWORKED BY SB: 30-0016 FOR NHA/OTHER SYS DET SEE: 24-00-51-04	121503	RF

MISSING ITEM NUMBERS NOT APPLICABLE

- ITEM NOT ILLUSTRATED

33-13-68-01

33-13-68
FIG. 01
PAGE 1
JAN 20/09

BRI



757

PARTS CATALOG (MAINTENANCE)

FIG ITEM	PART NUMBER	1 2 3 4 5 6 7	NOMENCLATURE	EFFECT FROM TO	UNITS PER ASSY
1					
- 12	233N5214-95		PANEL ASSY-P11-4 CB (INTEGRAL PANEL LIGHTS ONLY) FOR NHA/OTHER SYS DET SEE: 24-00-51-04	953999	RF
- 12	233N5214-98		PANEL ASSY-P11-4 CB (INTEGRAL PANEL LIGHTS ONLY) FOR NHA/OTHER SYS DET SEE: 24-00-51-04	006017	RF
- 12	233N5214-100		PANEL ASSY-P11-4 CB (INTEGRAL PANEL LIGHTS ONLY) FOR NHA/OTHER SYS DET SEE: 24-00-51-04	950951	RF
- 13	233N5214-128		PANEL ASSY-P11-4 CB (INTEGRAL PANEL LIGHTS ONLY) FOR NHA/OTHER SYS DET SEE: 24-00-51-04	018100	RF
25	233N5220-4063		.LIGHTPLATE ASSY-	950951	1
26	233N5200-8301		.LIGHTPLATE ASSY-	904949	1
26	233N5220-4185		.LIGHTPLATE ASSY-	002004	1
				006100	
				952952	
26	233N5200-8381		.LIGHTPLATE ASSY- POST SERVICE BULLETIN: 30-0016	953999	1
26	233N5200-8377		.LIGHTPLATE ASSY- POST SERVICE BULLETIN: 30-0016	107107	1
26	233N5200-8367		.LIGHTPLATE ASSY- POST SERVICE BULLETIN: 30-0016	121503	1

MISSING ITEM NUMBERS NOT APPLICABLE

- ITEM NOT ILLUSTRATED

33-13-68-01

33-13-68
FIG. 01
PAGE 2
JAN 20/09

BRI



757

PARTS CATALOG (MAINTENANCE)

FIG ITEM	PART NUMBER	1 2 3 4 5 6 7	NOMENCLATURE	EFFECT FROM TO	UNITS PER ASSY
1					
30	800-000523		..LIGHTPLATE ASSY- SUPPLIER CODE: V05617 SPECIFICATION NUMBER: S233T100-8005 MISCELLANEOUS DATA: FOR VENDOR FSCM 05617 FOR SPARES ORDER THE 800-000523-1 OPTIONAL PART: S233T100-8005 V51896 800-000523-1 V05617 FOR DETAILS SEE: 33-13-70-01	002004 006100 107107 121503 904999	1
30	800-000523-1		..LIGHTPLATE ASSY- SUPPLIER CODE: V05617 SPECIFICATION NUMBER: S233T100-8005 OPTIONAL PART: S233T100-8005 V51896 800-000523 V05617 FOR DETAILS SEE: 33-13-70-01	002004 006100 107107 121503 904999	1
36	233N5200-8227		.LIGHTPLATE ASSY-	107107	1
36	233N5200-8237		.LIGHTPLATE ASSY-	121503 904949	1
36	233N5220-4107		.LIGHTPLATE ASSY-	002004 006100 950999	1

MISSING ITEM NUMBERS NOT APPLICABLE

- ITEM NOT ILLUSTRATED

33-13-68-01

33-13-68
FIG. 01
PAGE 3
JAN 20/09

BRI

BOEING PROPRIETARY - Copyright © - Unpublished Work - See title page for details.



757

PARTS CATALOG (MAINTENANCE)

FIG ITEM	PART NUMBER	1 2 3 4 5 6 7	NOMENCLATURE	EFFECT FROM TO	UNITS PER ASSY
1 40	800-000523		..LIGHTPLATE ASSY- SUPPLIER CODE: V05617 SPECIFICATION NUMBER: S233T100-8005 MISCELLANEOUS DATA: FOR VENDOR FSCM 05617 FOR SPARES ORDER THE 800-000523-1 OPTIONAL PART: S233T100-8005 V51896 800-000523-1 V05617 FOR DETAILS SEE: 33-13-70-01	002004 006100 107107 121503 904999	1
40	800-000523-1		..LIGHTPLATE ASSY- SUPPLIER CODE: V05617 SPECIFICATION NUMBER: S233T100-8005 OPTIONAL PART: S233T100-8005 V51896 800-000523 V05617 FOR DETAILS SEE: 33-13-70-01	002004 006100 107107 121503 904999	1
45	233N5200-8235		.LIGHTPLATE ASSY-	121503 904949	1
45	233N5200-8229		.LIGHTPLATE ASSY-	107107	1
45	233N5220-4101		.LIGHTPLATE ASSY-	002004 006100 950999	1

MISSING ITEM NUMBERS NOT APPLICABLE

- ITEM NOT ILLUSTRATED

33-13-68-01

33-13-68
FIG. 01
PAGE 4
JAN 20/09

BRI



757

PARTS CATALOG (MAINTENANCE)

FIG ITEM	PART NUMBER	1 2 3 4 5 6 7	NOMENCLATURE	EFFECT FROM TO	UNITS PER ASSY
1					
50	800-000523		..LIGHTPLATE ASSY- SUPPLIER CODE: V05617 SPECIFICATION NUMBER: S233T100-8005 MISCELLANEOUS DATA: FOR VENDOR FSCM 05617 FOR SPARES ORDER THE 800-000523-1 OPTIONAL PART: S233T100-8005 V51896 800-000523-1 V05617 FOR DETAILS SEE: 33-13-70-01	002004 006100 107107 121503 904999	1
50	800-000523-1		..LIGHTPLATE ASSY- SUPPLIER CODE: V05617 SPECIFICATION NUMBER: S233T100-8005 OPTIONAL PART: S233T100-8005 V51896 800-000523 V05617 FOR DETAILS SEE: 33-13-70-01	002004 006100 107107 121503 904999	1
55	233N5220-4073		.LIGHTPLATE ASSY-	950951	1
55	233N5200-8257		.LIGHTPLATE ASSY-	121503 904949	1
55	233N5200-8279		.LIGHTPLATE ASSY- POST SERVICE BULLETIN: 24-0048	107107	1
56	233N5220-4187		.LIGHTPLATE ASSY-	002004 006100 952999	1

MISSING ITEM NUMBERS NOT APPLICABLE

- ITEM NOT ILLUSTRATED

33-13-68-01

33-13-68
FIG. 01
PAGE 5
JAN 20/09

BRI



757

PARTS CATALOG (MAINTENANCE)

FIG ITEM	PART NUMBER	1 2 3 4 5 6 7	NOMENCLATURE	EFFECT FROM TO	UNITS PER ASSY
1 60	800-000523		..LIGHTPLATE ASSY- SUPPLIER CODE: V05617 SPECIFICATION NUMBER: S233T100-8005 MISCELLANEOUS DATA: FOR VENDOR FSCM 05617 FOR SPARES ORDER THE 800-000523-1 OPTIONAL PART: S233T100-8005 V51896 800-000523-1 V05617 FOR DETAILS SEE: 33-13-70-01	002004 006100 107107 121503 904999	1
60	800-000523-1		..LIGHTPLATE ASSY- SUPPLIER CODE: V05617 SPECIFICATION NUMBER: S233T100-8005 OPTIONAL PART: S233T100-8005 V51896 800-000523 V05617 FOR DETAILS SEE: 33-13-70-01	002004 006100 107107 121503 904999	1
65	233N5200-8255		.LIGHTPLATE ASSY- POST SERVICE BULLETIN: 24-0048 PRE ALERT SB: 28A0081	107107 121503 904949	1
65	233N5200-8389		.LIGHTPLATE ASSY- POST ALERT SB: 28A0081	107107 121503 904949	1
65	233N5443-7		.LIGHTPLATE ASSY- POST ALERT SB: 28A0081	006100 950999	1
65	233N5220-4055		.LIGHTPLATE ASSY- PRE ALERT SB: 28A0081	002004 006100 950999	1

MISSING ITEM NUMBERS NOT APPLICABLE

- ITEM NOT ILLUSTRATED

33-13-68-01

33-13-68
FIG. 01
PAGE 6
JAN 20/09

BRI



757

PARTS CATALOG (MAINTENANCE)

FIG ITEM	PART NUMBER	1 2 3 4 5 6 7	NOMENCLATURE	EFFECT FROM TO	UNITS PER ASSY
1					
70	800-000523		..LIGHTPLATE ASSY- SUPPLIER CODE: V05617 SPECIFICATION NUMBER: S233T100-8005 MISCELLANEOUS DATA: FOR VENDOR FSCM 05617 FOR SPARES ORDER THE 800-000523-1 OPTIONAL PART: S233T100-8005 V51896 800-000523-1 V05617 FOR DETAILS SEE: 33-13-70-01	002004 006100 107107 121503 904999	1
70	800-000523-1		..LIGHTPLATE ASSY- SUPPLIER CODE: V05617 SPECIFICATION NUMBER: S233T100-8005 OPTIONAL PART: S233T100-8005 V51896 800-000523 V05617 FOR DETAILS SEE: 33-13-70-01	002004 006100 107107 121503 904999	1
75	233N5200-8267		.LIGHTPLATE ASSY-	904949	1
76	233N5220-4189		.LIGHTPLATE ASSY-	002004 952952	1
76	233N5220-4199		.LIGHTPLATE ASSY-	006100 950951 953999	1
77	233N5200-8317		.LIGHTPLATE ASSY- POST SERVICE BULLETIN: 78-0032	107107 121503	1

MISSING ITEM NUMBERS NOT APPLICABLE

- ITEM NOT ILLUSTRATED

33-13-68-01

33-13-68
FIG. 01
PAGE 7
JAN 20/09

BRI



757

PARTS CATALOG (MAINTENANCE)

FIG ITEM	PART NUMBER	1 2 3 4 5 6 7	NOMENCLATURE	EFFECT FROM TO	UNITS PER ASSY
1 80	800-000523		..LIGHTPLATE ASSY- SUPPLIER CODE: V05617 SPECIFICATION NUMBER: S233T100-8005 MISCELLANEOUS DATA: FOR VENDOR FSCM 05617 FOR SPARES ORDER THE 800-000523-1 OPTIONAL PART: S233T100-8005 V51896 800-000523-1 V05617 FOR DETAILS SEE: 33-13-70-01	002004 006100 107107 121503 904999	1
80	800-000523-1		..LIGHTPLATE ASSY- SUPPLIER CODE: V05617 SPECIFICATION NUMBER: S233T100-8005 OPTIONAL PART: S233T100-8005 V51896 800-000523 V05617 FOR DETAILS SEE: 33-13-70-01	002004 006100 107107 121503 904999	1
85	233N5200-8109		.LIGHTPLATE ASSY-	904949	1
85	233N5200-8195		.LIGHTPLATE ASSY-	107107	1
85	233N5220-4051		.LIGHTPLATE ASSY-	950951	1
85	233N5220-4179		.LIGHTPLATE ASSY-	002004 006100 952999	1
85	233N5200-8313		.LIGHTPLATE ASSY-	121503	1

MISSING ITEM NUMBERS NOT APPLICABLE

- ITEM NOT ILLUSTRATED

33-13-68-01

33-13-68
FIG. 01
PAGE 8
JAN 20/09

BRI



757

PARTS CATALOG (MAINTENANCE)

FIG ITEM	PART NUMBER	1 2 3 4 5 6 7	NOMENCLATURE	EFFECT FROM TO	UNITS PER ASSY
1 90	800-000523		..LIGHTPLATE ASSY- SUPPLIER CODE: V05617 SPECIFICATION NUMBER: S233T100-8005 MISCELLANEOUS DATA: FOR VENDOR FSCM 05617 FOR SPARES ORDER THE 800-000523-1 OPTIONAL PART: S233T100-8005 V51896 800-000523-1 V05617 FOR DETAILS SEE: 33-13-70-01	002004 006100 107107 121503 904999	1
90	800-000523-1		..LIGHTPLATE ASSY- SUPPLIER CODE: V05617 SPECIFICATION NUMBER: S233T100-8005 OPTIONAL PART: S233T100-8005 V51896 800-000523 V05617 FOR DETAILS SEE: 33-13-70-01	002004 006100 107107 121503 904999	1
95	233N5200-8107		.LIGHTPLATE ASSY-	107107 121503 904949	1
95	233N5220-4039		.LIGHTPLATE ASSY-	002004 006100 950999	1

MISSING ITEM NUMBERS NOT APPLICABLE

- ITEM NOT ILLUSTRATED

33-13-68-01

33-13-68
FIG. 01
PAGE 9
JAN 20/09

BRI



757

PARTS CATALOG (MAINTENANCE)

FIG ITEM	PART NUMBER	1 2 3 4 5 6 7	NOMENCLATURE	EFFECT FROM TO	UNITS PER ASSY
1 100	800-002611		..LIGHTPLATE- SUPPLIER CODE: V05617 SPECIFICATION NUMBER: S233T100-8003 MISCELLANEOUS DATA: FOR VENDOR FSCM 05617 FOR SPARES ORDER THE 800-002611-1 OPTIONAL PART: S233T100-8003 V51896 800-002611-1 V05617 FOR DETAILS SEE: 33-13-70-01	002004 006100 107107 121503 904999	1
100	800-002611-1		..LIGHTPLATE- SUPPLIER CODE: V05617 SPECIFICATION NUMBER: S233T100-8003 OPTIONAL PART: S233T100-8003 V51896 800-002611 V05617 FOR DETAILS SEE: 33-13-70-01	002004 006100 107107 121503 904999	1
105	233N5200-8137		.LIGHTPLATE ASSY-	107107	1
105	233N5220-4111		.LIGHTPLATE ASSY-	002004 006100 952999	1
106	233N5200-8299		.LIGHTPLATE ASSY-	121503 904949	1
107	233N5220-4191		.LIGHTPLATE ASSY-	950951	1
110	800-000522-1		..LIGHTPLATE- SUPPLIER CODE: V05617 SPECIFICATION NUMBER: S233T100-8006 OPTIONAL PART: S233T100-8006 V51896 800-000522 V05617 FOR DETAILS SEE: 33-13-70-01	002004 006100 107107 121503 904999	1

MISSING ITEM NUMBERS NOT APPLICABLE

- ITEM NOT ILLUSTRATED

33-13-68-01

33-13-68
FIG. 01
PAGE 10
JAN 20/09

BRI



757

PARTS CATALOG (MAINTENANCE)

FIG ITEM	PART NUMBER	1 2 3 4 5 6 7	NOMENCLATURE	EFFECT FROM TO	UNITS PER ASSY
1 110	800-000522		..LIGHTPLATE- SUPPLIER CODE: V05617 SPECIFICATION NUMBER: S233T100-8006 MISCELLANEOUS DATA: FOR VENDOR FSCM 05617 FOR SPARES ORDER THE 800-000522-1 OPTIONAL PART: S233T100-8006 V51896 800-000522-1 V05617 FOR DETAILS SEE: 33-13-70-01	002004 006100 107107 121503 904999	1
120	233N5200-8285		.LIGHTPLATE ASSY- POST SERVICE BULLETIN: 24-0048	107107	1
120	233N5220-4075		.LIGHTPLATE ASSY-	950951	1
120	233N5220-4085		.LIGHTPLATE ASSY-	002004 006100 952952	1
121	233N5200-8275		.LIGHTPLATE ASSY-	904949	1
121	233N5200-8335		.LIGHTPLATE ASSY- POST SERVICE BULLETIN: 30-0016 QUALIFIED SB I/W DATA: PERMANENT DEACTIVATION	121503	1
121	233N5200-8341		.LIGHTPLATE ASSY- POST SERVICE BULLETIN: 30-0016	107107 953999	1
125	233N5220-4265		.LIGHTPLATE ASSY- POST SERVICE BULLETIN: 30-0016	107107 953999	1

MISSING ITEM NUMBERS NOT APPLICABLE

- ITEM NOT ILLUSTRATED

33-13-68-01

33-13-68
FIG. 01
PAGE 11
JAN 20/09

BRI



757

PARTS CATALOG (MAINTENANCE)

FIG ITEM	PART NUMBER	1 2 3 4 5 6 7	NOMENCLATURE	EFFECT FROM TO	UNITS PER ASSY
1 125	800-000523		..LIGHTPLATE ASSY- SUPPLIER CODE: V05617 SPECIFICATION NUMBER: S233T100-8005 MISCELLANEOUS DATA: FOR VENDOR FSCM 05617 FOR SPARES ORDER THE 800-000523-1 OPTIONAL PART: S233T100-8005 V51896 800-000523-1 V05617 FOR DETAILS SEE: 33-13-70-01	002004 006100 107107 121503 904999	1
125	800-000523-1		..LIGHTPLATE ASSY- SUPPLIER CODE: V05617 SPECIFICATION NUMBER: S233T100-8005 OPTIONAL PART: S233T100-8005 V51896 800-000523 V05617 FOR DETAILS SEE: 33-13-70-01	002004 006100 107107 121503 904999	1

MISSING ITEM NUMBERS NOT APPLICABLE

- ITEM NOT ILLUSTRATED

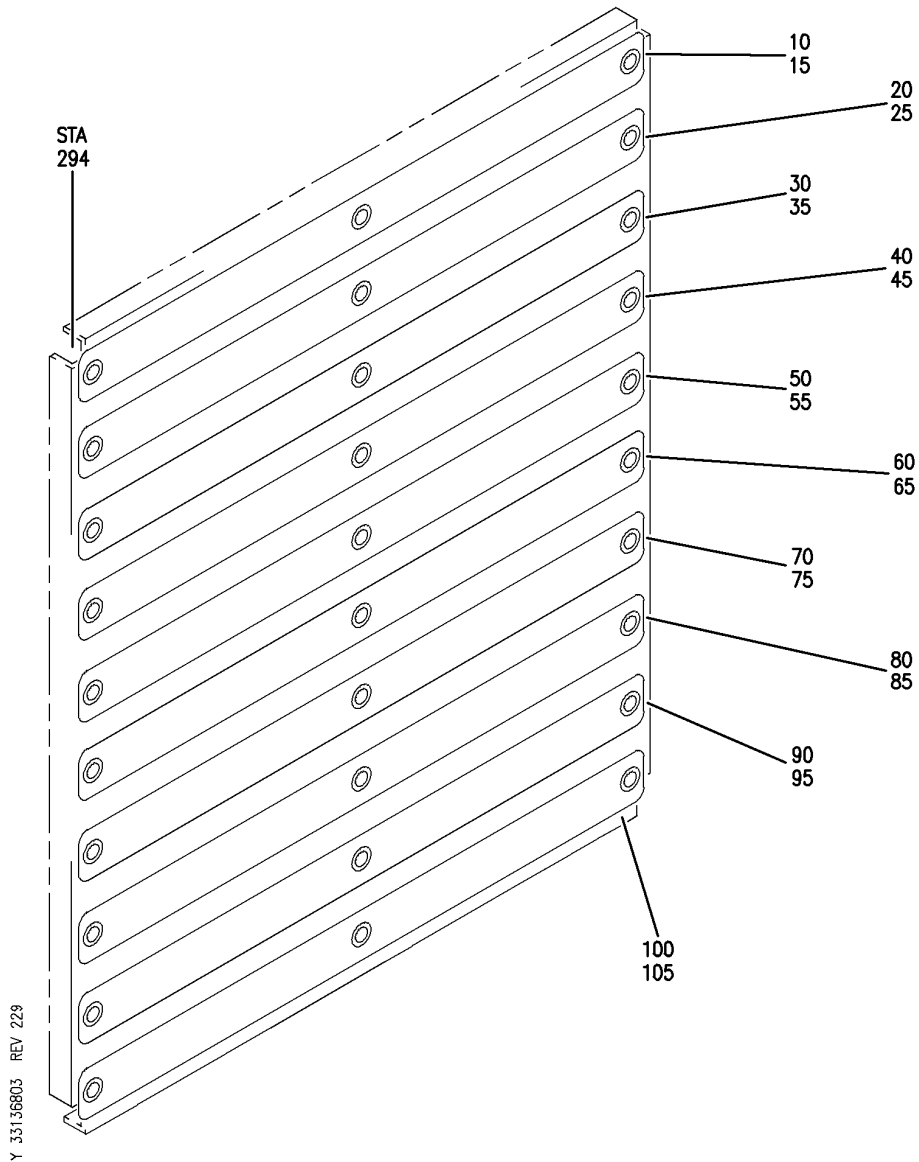
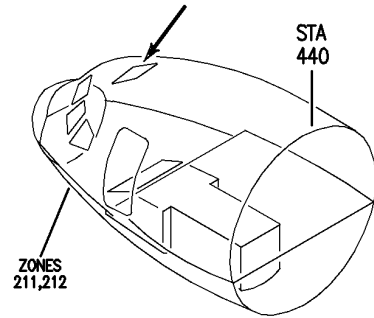
BRI

33-13-68-01

BOEING PROPRIETARY - Copyright © - Unpublished Work - See title page for details.

33-13-68
 FIG. 01
 PAGE 12
 JAN 20/09

BOEING
 757
 PARTS CATALOG (MAINTENANCE)



PANEL INSTL-P11-4 (INTEGRAL PANEL LIGHTS ONLY)
 FIGURE 3

33-13-68-03

BRI
 MAY 28/07

33-13-68-03
 PAGE 0



757

PARTS CATALOG (MAINTENANCE)

FIG ITEM	PART NUMBER	1 2 3 4 5 6 7	NOMENCLATURE	EFFECT FROM TO	UNITS PER ASSY
3			PANEL INSTL-P11-4 (INTEGRAL PANEL LIGHTS ONLY)	101101	
- 2	233N5214-201		PANEL ASSY-P11-4 CB (INTEGRAL PANEL LIGHTS ONLY) FOR NHA/OTHER SYS DET SEE: 24-00-51-04	101101	RF
10	233N5220-4165		.LIGHTPLATE ASSY-	101101	1
15	800-000522		..LIGHTPLATE- SUPPLIER CODE: V05617 SPECIFICATION NUMBER: S233T100-8006 OPTIONAL PART: S233T100-8006 V51896 800-000522-1 V05617 OPTIONAL PART: S233T100-8006 V51896 FOR DETAILS SEE: 33-13-70-01	101101	1
15	S233T100-8006		..LIGHTPLATE ASSY- SUPPLIER CODE: V51896 OPTIONAL PART: 800-000522 V05617	101101	1
15	800-000522-1		..LIGHTPLATE- SUPPLIER CODE: V05617 SPECIFICATION NUMBER: S233T100-8006 OPTIONAL PART: S233T100-8006 V51896 800-000522 V05617 FOR DETAILS SEE: 33-13-70-01	101101	1
20	233N5220-4265		.LIGHTPLATE ASSY-	101101	1

MISSING ITEM NUMBERS NOT APPLICABLE

- ITEM NOT ILLUSTRATED

33-13-68-03

33-13-68
FIG. 03
PAGE 1
JAN 20/09

BRI



757

PARTS CATALOG (MAINTENANCE)

FIG ITEM	PART NUMBER	1 2 3 4 5 6 7	NOMENCLATURE	EFFECT FROM TO	UNITS PER ASSY
3 25	800-000523		..LIGHTPLATE ASSY- SUPPLIER CODE: V05617 SPECIFICATION NUMBER: S233T100-8005 OPTIONAL PART: S233T100-8005 V51896 800-000523-1 V05617 FOR DETAILS SEE: 33-13-70-01	101101	1
25	800-000523-1		..LIGHTPLATE ASSY- SUPPLIER CODE: V05617 SPECIFICATION NUMBER: S233T100-8005 OPTIONAL PART: S233T100-8005 V51896 800-000523 V05617 FOR DETAILS SEE: 33-13-70-01	101101	1
30	233N5220-4185		.LIGHTPLATE ASSY	101101	1
35	800-000523		..LIGHTPLATE ASSY- SUPPLIER CODE: V05617 SPECIFICATION NUMBER: S233T100-8005 OPTIONAL PART: S233T100-8005 V51896 800-000523-1 V05617 FOR DETAILS SEE: 33-13-70-01	101101	1
35	800-000523-1		..LIGHTPLATE ASSY- SUPPLIER CODE: V05617 SPECIFICATION NUMBER: S233T100-8005 OPTIONAL PART: S233T100-8005 V51896 800-000523 V05617 FOR DETAILS SEE: 33-13-70-01	101101	1

MISSING ITEM NUMBERS NOT APPLICABLE

- ITEM NOT ILLUSTRATED

33-13-68-03

33-13-68
FIG. 03
PAGE 2
SEP 20/08

BRI



757

PARTS CATALOG (MAINTENANCE)

FIG ITEM	PART NUMBER	1 2 3 4 5 6 7	NOMENCLATURE	EFFECT FROM TO	UNITS PER ASSY
3					
40	233N5220-4107		.LIGHTPLATE ASSY	101101	1
45	800-000523		..LIGHTPLATE ASSY- SUPPLIER CODE: V05617 SPECIFICATION NUMBER: S233T100-8005 OPTIONAL PART: S233T100-8005 V51896 800-000523-1 V05617 FOR DETAILS SEE: 33-13-70-01	101101	1
45	800-000523-1		..LIGHTPLATE ASSY- SUPPLIER CODE: V05617 SPECIFICATION NUMBER: S233T100-8005 OPTIONAL PART: S233T100-8005 V51896 800-000523 V05617 FOR DETAILS SEE: 33-13-70-01	101101	1
50	233N5220-4101		.LIGHTPLATE ASSY	101101	1
55	800-000523		..LIGHTPLATE ASSY- SUPPLIER CODE: V05617 SPECIFICATION NUMBER: S233T100-8005 OPTIONAL PART: S233T100-8005 V51896 800-000523-1 V05617 FOR DETAILS SEE: 33-13-70-01	101101	1

MISSING ITEM NUMBERS NOT APPLICABLE

- ITEM NOT ILLUSTRATED

33-13-68-03

33-13-68
FIG. 03
PAGE 3
SEP 20/08

BRI



757

PARTS CATALOG (MAINTENANCE)

FIG ITEM	PART NUMBER	1 2 3 4 5 6 7	NOMENCLATURE	EFFECT FROM TO	UNITS PER ASSY
3 55	800-000523-1		..LIGHTPLATE ASSY- SUPPLIER CODE: V05617 SPECIFICATION NUMBER: S233T100-8005 OPTIONAL PART: S233T100-8005 V51896 800-000523 V05617 FOR DETAILS SEE: 33-13-70-01	101101	1
60	233N5220-4187		.LIGHTPLATE ASSY	101101	1
65	800-000523		..LIGHTPLATE ASSY- SUPPLIER CODE: V05617 SPECIFICATION NUMBER: S233T100-8005 OPTIONAL PART: S233T100-8005 V51896 800-000523-1 V05617 FOR DETAILS SEE: 33-13-70-01	101101	1
65	800-000523-1		..LIGHTPLATE ASSY- SUPPLIER CODE: V05617 SPECIFICATION NUMBER: S233T100-8005 OPTIONAL PART: S233T100-8005 V51896 800-000523 V05617 FOR DETAILS SEE: 33-13-70-01	101101	1
70	233N5220-4055		.LIGHTPLATE ASSY- PRE ALERT SB: 28A0081	101101	1
70	233N5443-7		.LIGHTPLATE ASSY- POST ALERT SB: 28A0081	101101	1

MISSING ITEM NUMBERS NOT APPLICABLE

- ITEM NOT ILLUSTRATED

33-13-68-03

33-13-68
FIG. 03
PAGE 4
SEP 20/08

BRI

BOEING PROPRIETARY - Copyright © - Unpublished Work - See title page for details.



757

PARTS CATALOG (MAINTENANCE)

FIG ITEM	PART NUMBER	1 2 3 4 5 6 7	NOMENCLATURE	EFFECT FROM TO	UNITS PER ASSY
3					
75	800-000523		..LIGHTPLATE ASSY- SUPPLIER CODE: V05617 SPECIFICATION NUMBER: S233T100-8005 OPTIONAL PART: S233T100-8005 V51896 800-000523-1 V05617 FOR DETAILS SEE: 33-13-70-01	101101	1
75	800-000523-1		..LIGHTPLATE ASSY- SUPPLIER CODE: V05617 SPECIFICATION NUMBER: S233T100-8005 OPTIONAL PART: S233T100-8005 V51896 800-000523 V05617 FOR DETAILS SEE: 33-13-70-01	101101	1
80	233N5220-4199		.LIGHTPLATE ASSY	101101	1
85	800-000523		..LIGHTPLATE ASSY- SUPPLIER CODE: V05617 SPECIFICATION NUMBER: S233T100-8005 OPTIONAL PART: S233T100-8005 V51896 800-000523-1 V05617 FOR DETAILS SEE: 33-13-70-01	101101	1
85	800-000523-1		..LIGHTPLATE ASSY- SUPPLIER CODE: V05617 SPECIFICATION NUMBER: S233T100-8005 OPTIONAL PART: S233T100-8005 V51896 800-000523 V05617 FOR DETAILS SEE: 33-13-70-01	101101	1

MISSING ITEM NUMBERS NOT APPLICABLE

- ITEM NOT ILLUSTRATED

33-13-68-03

33-13-68
FIG. 03
PAGE 5
SEP 20/08

BRI



757

PARTS CATALOG (MAINTENANCE)

FIG ITEM	PART NUMBER	1 2 3 4 5 6 7	NOMENCLATURE	EFFECT FROM TO	UNITS PER ASSY
3					
90	233N5220-4051		.LIGHTPLATE ASSY-	101101	1
95	800-000523		..LIGHTPLATE ASSY- SUPPLIER CODE: V05617 SPECIFICATION NUMBER: S233T100-8005 OPTIONAL PART: S233T100-8005 V51896 800-000523-1 V05617 FOR DETAILS SEE: 33-13-70-01	101101	1
95	800-000523-1		..LIGHTPLATE ASSY- SUPPLIER CODE: V05617 SPECIFICATION NUMBER: S233T100-8005 OPTIONAL PART: S233T100-8005 V51896 800-000523 V05617 FOR DETAILS SEE: 33-13-70-01	101101	1
100	233N5220-4039		.LIGHTPLATE ASSY-	101101	1
105	800-002611		..LIGHTPLATE- SUPPLIER CODE: V05617 SPECIFICATION NUMBER: S233T100-8003 OPTIONAL PART: S233T100-8003 V51896 800-002611-1 V05617 FOR DETAILS SEE: 33-13-70-01	101101	1

MISSING ITEM NUMBERS NOT APPLICABLE

- ITEM NOT ILLUSTRATED

33-13-68-03

33-13-68
FIG. 03
PAGE 6
SEP 20/08

BRI



757

PARTS CATALOG (MAINTENANCE)

FIG ITEM	PART NUMBER	1 2 3 4 5 6 7	NOMENCLATURE	EFFECT FROM TO	UNITS PER ASSY
3 105	800-002611-1		.. LIGHTPLATE- SUPPLIER CODE: V05617 SPECIFICATION NUMBER: S233T100-8003 OPTIONAL PART: S233T100-8003 V51896 800-002611 V05617 FOR DETAILS SEE: 33-13-70-01	101101	1

MISSING ITEM NUMBERS NOT APPLICABLE

- ITEM NOT ILLUSTRATED

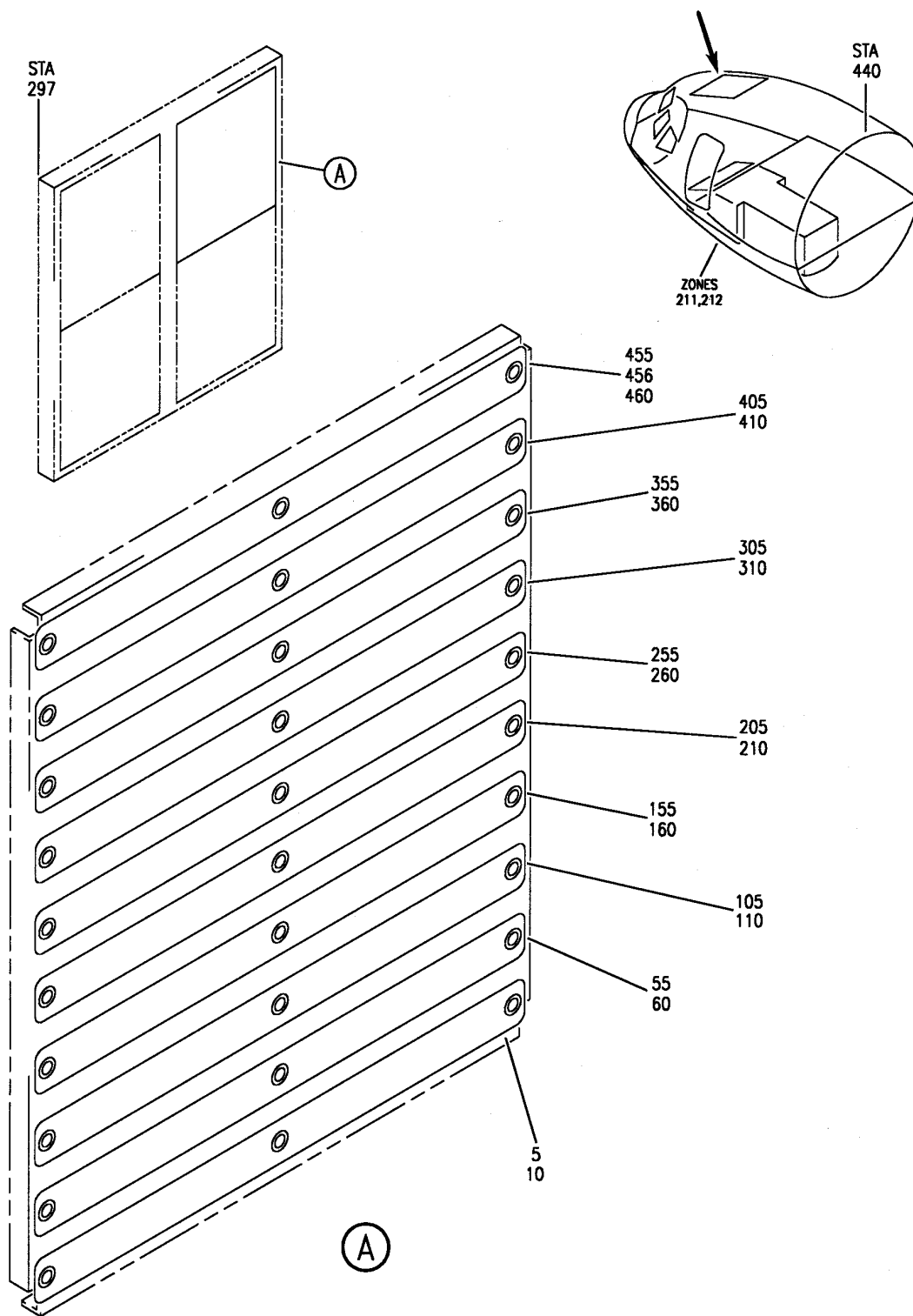
BRI

33-13-68-03

BOEING PROPRIETARY - Copyright © - Unpublished Work - See title page for details.

33-13-68
FIG. 03
PAGE 7
SEP 20/08

BOEING
757
PARTS CATALOG (MAINTENANCE)



Y 33136804 REV 212

LIGHTPLATE INSTL-P11-4 (LIGHTS ONLY)
FIGURE 4

33-13-68-04

BRI
MAY 28/07

33-13-68-04
PAGE 0



757

PARTS CATALOG (MAINTENANCE)

FIG ITEM	PART NUMBER	1 2 3 4 5 6 7	NOMENCLATURE	EFFECT FROM TO	UNITS PER ASSY
4			LIGHTPLATE INSTL-P11-4 (LIGHTS ONLY)	102106 108120 504903	
- 1	233N5103-220		LIGHTPLATE INSTL-P11-4 (LIGHTS ONLY) FOR NHA/OTHER SYS DET SEE: 25-10-00-15D	102102 108120 504903	RF
- 1	MODREF7626		LIGHTPLATE INSTL-P11-4 (LIGHTS ONLY) MODULE NUMBER: 233N5103-220 REV A FOR OTHER SYS DETAILS SEE: 11-34-03-05G	103106	1
5	233N5220-4039		.LIGHTPLATE ASSY	102106 108120 504903	1
10	800-002611		..LIGHTPLATE- SUPPLIER CODE: V05617 SPECIFICATION NUMBER: S233T100-8003 MISCELLANEOUS DATA: FOR VENDOR FSCM 05617 FOR SPARES ORDER THE 800-002611-1 OPTIONAL PART: S233T100-8003 V51896 800-002611-1 V05617 FOR DETAILS SEE: 33-13-70-01	102106 108120 504903	1
10	800-002611-1		..LIGHTPLATE- SUPPLIER CODE: V05617 SPECIFICATION NUMBER: S233T100-8003 OPTIONAL PART: S233T100-8003 V51896 800-002611 V05617 FOR DETAILS SEE: 33-13-70-01	102106 108120 504903	1
- 50	233N5103-222		LIGHTPLATE INSTL-P11-4 (LIGHTS ONLY) FOR NHA/OTHER SYS DET SEE: 25-10-00-15D	102102 108120	RF

MISSING ITEM NUMBERS NOT APPLICABLE

- ITEM NOT ILLUSTRATED

33-13-68-04

33-13-68
FIG. 04
PAGE 1
JAN 20/09

BRI



757

PARTS CATALOG (MAINTENANCE)

FIG ITEM	PART NUMBER	1 2 3 4 5 6 7	NOMENCLATURE	EFFECT FROM TO	UNITS PER ASSY
4					
- 50	233N5103-225		LIGHTPLATE INSTL-P11-4 (LIGHTS ONLY) FOR NHA/OTHER SYS DET SEE: 25-10-00-15D	504903	RF
- 50	MODREF33265		LIGHTPLATE INSTL-P11-4 (LIGHTS ONLY) MODULE NUMBER: 233N5103-426 REV A FOR OTHER SYS DETAILS SEE: 11-34-03-05G	103106	1
55	233N5220-4051		.LIGHTPLATE ASSY	102102 108120	1
55	233N5220-4247		.LIGHTPLATE ASSY	504903	1
55	233N5441-1		.LIGHTPLATE ASSY	103106	1
60	S233T100-8005		..LIGHTPLATE- SUPPLIER CODE: V51896 OPTIONAL PART: 800-000523 V05617	103106	1
60	800-000523		..LIGHTPLATE ASSY- SUPPLIER CODE: V05617 SPECIFICATION NUMBER: S233T100-8005 MISCELLANEOUS DATA: FOR VENDOR FSCM 05617 FOR SPARES ORDER THE 800-000523-1 OPTIONAL PART: S233T100-8005 V51896 800-000523-1 V05617 FOR DETAILS SEE: 33-13-70-01	103106	1

MISSING ITEM NUMBERS NOT APPLICABLE

- ITEM NOT ILLUSTRATED

33-13-68-04

33-13-68
FIG. 04
PAGE 2
JAN 20/09

BRI



757

PARTS CATALOG (MAINTENANCE)

FIG ITEM	PART NUMBER	1 2 3 4 5 6 7	NOMENCLATURE	EFFECT FROM TO	UNITS PER ASSY
4 60	800-000523		..LIGHTPLATE ASSY- SUPPLIER CODE: V05617 SPECIFICATION NUMBER: S233T100-8005 MISCELLANEOUS DATA: FOR VENDOR FSCM 05617 FOR SPARES ORDER THE 800-000523-1 OPTIONAL PART: S233T100-8005 V51896 800-000523-1 V05617 FOR DETAILS SEE: 33-13-70-01	102102 108120 504903	1
60	800-000523-1		..LIGHTPLATE ASSY- SUPPLIER CODE: V05617 SPECIFICATION NUMBER: S233T100-8005 OPTIONAL PART: S233T100-8005 V51896 800-000523 V05617 FOR DETAILS SEE: 33-13-70-01	103106	1
60	800-000523-1		..LIGHTPLATE ASSY- SUPPLIER CODE: V05617 SPECIFICATION NUMBER: S233T100-8005 OPTIONAL PART: S233T100-8005 V51896 800-000523 V05617 FOR DETAILS SEE: 33-13-70-01	102102 108120 504903	1
- 100	233N5103-229		LIGHTPLATE INSTL-P11-4 (LIGHTS ONLY) FOR NHA/OTHER SYS DET SEE: 25-10-00-15D	108120 504903	RF
- 100	233N5103-230		LIGHTPLATE INSTL-P11-4 (LIGHTS ONLY) FOR NHA/OTHER SYS DET SEE: 25-10-00-15D	102102	RF

MISSING ITEM NUMBERS NOT APPLICABLE

- ITEM NOT ILLUSTRATED

33-13-68-04

33-13-68
FIG. 04
PAGE 3
JAN 20/09

BRI



757

PARTS CATALOG (MAINTENANCE)

FIG ITEM	PART NUMBER	1 2 3 4 5 6 7	NOMENCLATURE	EFFECT FROM TO	UNITS PER ASSY
4 - 100	MODREF7712		LIGHTPLATE INSTL-P11-4 (LIGHTS ONLY) MODULE NUMBER: 233N5103-229 REV A FOR OTHER SYS DETAILS SEE: 11-34-03-05G	103106	1
105	233N5220-4197		.LIGHTPLATE ASSY	103106 108120 504903	1
105	233N5220-4199		.LIGHTPLATE ASSY	102102	1
110	800-000523		..LIGHTPLATE ASSY- SUPPLIER CODE: V05617 SPECIFICATION NUMBER: S233T100-8005 MISCELLANEOUS DATA: FOR VENDOR FSCM 05617 FOR SPARES ORDER THE 800-000523-1 OPTIONAL PART: S233T100-8005 V51896 800-000523-1 V05617 FOR DETAILS SEE: 33-13-70-01	102106 108120 504903	1
110	800-000523-1		..LIGHTPLATE ASSY- SUPPLIER CODE: V05617 SPECIFICATION NUMBER: S233T100-8005 OPTIONAL PART: S233T100-8005 V51896 800-000523 V05617 FOR DETAILS SEE: 33-13-70-01	102106 108120 504903	1
- 150	233N5103-234		LIGHTPLATE INSTL-P11-4 (LIGHTS ONLY) FOR NHA/OTHER SYS DET SEE: 25-10-00-15D	102102 108120 504903	RF
- 150	MODREF7717		LIGHTPLATE INSTL-P11-4 (LIGHTS ONLY) MODULE NUMBER: 233N5103-233 REV A FOR OTHER SYS DETAILS SEE: 11-34-03-05G	103106	1

MISSING ITEM NUMBERS NOT APPLICABLE

- ITEM NOT ILLUSTRATED

33-13-68-04

33-13-68
FIG. 04
PAGE 4
JAN 20/09

BRI



757

PARTS CATALOG (MAINTENANCE)

FIG ITEM	PART NUMBER	1 2 3 4 5 6 7	NOMENCLATURE	EFFECT FROM TO	UNITS PER ASSY
4 155	233N5220-4025		.LIGHTPLATE ASSY- PRE ALERT SB: 28A0081	103106	1
155	233N5220-4055		.LIGHTPLATE ASSY- PRE ALERT SB: 28A0081	102102 108120	1
155	233N5443-7		.LIGHTPLATE ASSY- POST ALERT SB: 28A0081	102106 108120	1
160	800-000523		..LIGHTPLATE ASSY- SUPPLIER CODE: V05617 SPECIFICATION NUMBER: S233T100-8005 MISCELLANEOUS DATA: FOR VENDOR FSCM 05617 FOR SPARES ORDER THE 800-000523-1 OPTIONAL PART: S233T100-8005 V51896 800-000523-1 V05617 FOR DETAILS SEE: 33-13-70-01	504903 102106 108120 504903	1
160	800-000523-1		..LIGHTPLATE ASSY- SUPPLIER CODE: V05617 SPECIFICATION NUMBER: S233T100-8005 OPTIONAL PART: S233T100-8005 V51896 800-000523 V05617 FOR DETAILS SEE: 33-13-70-01	102106 108120 504903	1
- 200	233N5103-241		LIGHTPLATE INSTL-P11-4 (LIGHTS ONLY) FOR NHA/OTHER SYS DET SEE: 25-10-00-15D	102102	RF
- 200	233N5103-242		LIGHTPLATE INSTL-P11-4 (LIGHTS ONLY) FOR NHA/OTHER SYS DET SEE: 25-10-00-15D	504903	RF
- 200	233N5103-370		LIGHTPLATE INSTL-P11-4 (LIGHTS ONLY) FOR NHA/OTHER SYS DET SEE: 25-10-00-15D	108120	RF

MISSING ITEM NUMBERS NOT APPLICABLE

- ITEM NOT ILLUSTRATED

33-13-68-04

33-13-68
FIG. 04
PAGE 5
JAN 20/09

BRI



757

PARTS CATALOG (MAINTENANCE)

FIG ITEM	PART NUMBER	1 2 3 4 5 6 7	NOMENCLATURE	EFFECT FROM TO	UNITS PER ASSY
4 - 200	MODREF7722		LIGHTPLATE INSTL-P11-4 (LIGHTS ONLY) MODULE NUMBER: 233N5103-238 REV A FOR OTHER SYS DETAILS SEE: 11-34-03-05G	103106	1
205	233N5220-4057		.LIGHTPLATE ASSY	103106	1
205	233N5220-4187		.LIGHTPLATE ASSY-	102102	1
205	233N5220-4249		.LIGHTPLATE ASSY	504903	1
205	233N5444-5		.LIGHTPLATE ASSY	108120	1
210	S233T100-8005		..LIGHTPLATE- SUPPLIER CODE: V51896 OPTIONAL PART: 800-000523 V05617	108120	1
210	800-000523		..LIGHTPLATE ASSY- SUPPLIER CODE: V05617 SPECIFICATION NUMBER: S233T100-8005 MISCELLANEOUS DATA: FOR VENDOR FSCM 05617 FOR SPARES ORDER THE 800-000523-1 OPTIONAL PART: S233T100-8005 V51896 800-000523-1 V05617 FOR DETAILS SEE: 33-13-70-01	108120	1
210	800-000523		..LIGHTPLATE ASSY- SUPPLIER CODE: V05617 SPECIFICATION NUMBER: S233T100-8005 MISCELLANEOUS DATA: FOR VENDOR FSCM 05617 FOR SPARES ORDER THE 800-000523-1 OPTIONAL PART: S233T100-8005 V51896 800-000523-1 V05617 FOR DETAILS SEE: 33-13-70-01	102106 504903	1

MISSING ITEM NUMBERS NOT APPLICABLE

- ITEM NOT ILLUSTRATED

33-13-68-04

33-13-68
FIG. 04
PAGE 6
JAN 20/09

BRI



**757
PARTS CATALOG (MAINTENANCE)**

FIG ITEM	PART NUMBER	1 2 3 4 5 6 7	NOMENCLATURE	EFFECT FROM TO	UNITS PER ASSY
4 210	800-000523-1		..LIGHTPLATE ASSY- SUPPLIER CODE: V05617 SPECIFICATION NUMBER: S233T100-8005 OPTIONAL PART: S233T100-8005 V51896 800-000523 V05617 FOR DETAILS SEE: 33-13-70-01	108120	1
210	800-000523-1		..LIGHTPLATE ASSY- SUPPLIER CODE: V05617 SPECIFICATION NUMBER: S233T100-8005 OPTIONAL PART: S233T100-8005 V51896 800-000523 V05617 FOR DETAILS SEE: 33-13-70-01	102106 504903	1
- 250	233N5103-245		LIGHTPLATE INSTL-P11-4 (LIGHTS ONLY) FOR NHA/OTHER SYS DET SEE: 25-10-00-15D	102102	RF
- 250	233N5103-247		LIGHTPLATE INSTL-P11-4 (LIGHTS ONLY) FOR NHA/OTHER SYS DET SEE: 25-10-00-15D	504903	RF
- 250	233N5103-249		LIGHTPLATE INSTL-P11-4 (LIGHTS ONLY) FOR NHA/OTHER SYS DET SEE: 25-10-00-15D	108120	RF
- 250	MODREF7729		LIGHTPLATE INSTL-P11-4 (LIGHTS ONLY) MODULE NUMBER: 233N5103-245 REV A FOR OTHER SYS DETAILS SEE: 11-34-03-05G	103106	1
255	233N5220-4101		.LIGHTPLATE ASSY	102106	1
255	233N5220-4251		.LIGHTPLATE ASSY	504903	1
255	233N5445-3		.LIGHTPLATE ASSY	108120	1

MISSING ITEM NUMBERS NOT APPLICABLE

- ITEM NOT ILLUSTRATED

33-13-68-04

33-13-68
FIG. 04
PAGE 7
JAN 20/09

BRI

BOEING PROPRIETARY - Copyright © - Unpublished Work - See title page for details.



757

PARTS CATALOG (MAINTENANCE)

FIG ITEM	PART NUMBER	1 2 3 4 5 6 7	NOMENCLATURE	EFFECT FROM TO	UNITS PER ASSY
4 260	800-000523		..LIGHTPLATE ASSY- SUPPLIER CODE: V05617 SPECIFICATION NUMBER: S233T100-8005 MISCELLANEOUS DATA: FOR VENDOR FSCM 05617 FOR SPARES ORDER THE 800-000523-1 OPTIONAL PART: S233T100-8005 V51896 800-000523-1 V05617 FOR DETAILS SEE: 33-13-70-01	102106 108120 504903	1
260	800-000523-1		..LIGHTPLATE ASSY- SUPPLIER CODE: V05617 SPECIFICATION NUMBER: S233T100-8005 OPTIONAL PART: S233T100-8005 V51896 800-000523 V05617 FOR DETAILS SEE: 33-13-70-01	102106 108120 504903	1
- 300	233N5103-251		LIGHTPLATE INSTL-P11-4 (LIGHTS ONLY) FOR NHA/OTHER SYS DET SEE: 25-10-00-15D	108120	RF
- 300	233N5103-252		LIGHTPLATE INSTL-P11-4 (LIGHTS ONLY) FOR NHA/OTHER SYS DET SEE: 25-10-00-15D	102102	RF
- 300	233N5103-254		LIGHTPLATE INSTL-P11-4 (LIGHTS ONLY) FOR NHA/OTHER SYS DET SEE: 25-10-00-15D	504903	RF
- 300	MODREF7816		LIGHTPLATE INSTL-P11-4 (LIGHTS ONLY) MODULE NUMBER: 233N5103-252 REV A FOR OTHER SYS DETAILS SEE: 11-34-03-05G	103106	1
305	233N5220-4061		.LIGHTPLATE ASSY	108120	1
305	233N5220-4107		.LIGHTPLATE ASSY	102106	1
305	233N5220-4253		.LIGHTPLATE ASSY	504903	1

MISSING ITEM NUMBERS NOT APPLICABLE

- ITEM NOT ILLUSTRATED

33-13-68-04

33-13-68
FIG. 04
PAGE 8
JAN 20/09

BRI



757

PARTS CATALOG (MAINTENANCE)

FIG ITEM	PART NUMBER	1 2 3 4 5 6 7	NOMENCLATURE	EFFECT FROM TO	UNITS PER ASSY
4 310	800-000523		..LIGHTPLATE ASSY- SUPPLIER CODE: V05617 SPECIFICATION NUMBER: S233T100-8005 MISCELLANEOUS DATA: FOR VENDOR FSCM 05617 FOR SPARES ORDER THE 800-000523-1 OPTIONAL PART: S233T100-8005 V51896 800-000523-1 V05617 FOR DETAILS SEE: 33-13-70-01	102106 108120 504903	1
310	800-000523-1		..LIGHTPLATE ASSY- SUPPLIER CODE: V05617 SPECIFICATION NUMBER: S233T100-8005 OPTIONAL PART: S233T100-8005 V51896 800-000523 V05617 FOR DETAILS SEE: 33-13-70-01	102106 108120 504903	1
- 350	233N5103-257		LIGHTPLATE INSTL-P11-4 (LIGHTS ONLY) FOR NHA/OTHER SYS DET SEE: 25-10-00-15D	102102 108120	RF
- 350	233N5103-259		LIGHTPLATE INSTL-P11-4 (LIGHTS ONLY) FOR NHA/OTHER SYS DET SEE: 25-10-00-15D	504903	RF
- 350	MODREF7821		LIGHTPLATE INSTL-P11-4 (LIGHTS ONLY) MODULE NUMBER: 233N5103-258 REV A FOR OTHER SYS DETAILS SEE: 11-34-03-05G	103106	1
355	233N5220-4063		.LIGHTPLATE ASSY	102102 108120	1
355	233N5220-4185		.LIGHTPLATE ASSY	103106	1
355	233N5220-4255		.LIGHTPLATE ASSY	504903	1

MISSING ITEM NUMBERS NOT APPLICABLE

- ITEM NOT ILLUSTRATED

33-13-68-04

33-13-68
FIG. 04
PAGE 9
JAN 20/09

BRI



757

PARTS CATALOG (MAINTENANCE)

FIG ITEM	PART NUMBER	1 2 3 4 5 6 7	NOMENCLATURE	EFFECT FROM TO	UNITS PER ASSY
4 360	800-000523		..LIGHTPLATE ASSY- SUPPLIER CODE: V05617 SPECIFICATION NUMBER: S233T100-8005 MISCELLANEOUS DATA: FOR VENDOR FSCM 05617 FOR SPARES ORDER THE 800-000523-1 OPTIONAL PART: S233T100-8005 V51896 800-000523-1 V05617 FOR DETAILS SEE: 33-13-70-01	102106 108120 504903	1
360	800-000523-1		..LIGHTPLATE ASSY- SUPPLIER CODE: V05617 SPECIFICATION NUMBER: S233T100-8005 OPTIONAL PART: S233T100-8005 V51896 800-000523 V05617 FOR DETAILS SEE: 33-13-70-01	102106 108120 504903	1
- 400	233N5103-265		LIGHTPLATE INSTL-P11-4 (LIGHTS ONLY) FOR NHA/OTHER SYS DET SEE: 25-10-00-15D	108120	RF
- 400	233N5103-266		LIGHTPLATE INSTL-P11-4 (LIGHTS ONLY) FOR NHA/OTHER SYS DET SEE: 25-10-00-15D	504903	RF
- 400	233N5103-268		LIGHTPLATE INSTL-P11-4 (LIGHTS ONLY) FOR NHA/OTHER SYS DET SEE: 25-10-00-15D	102102	RF
- 401	MODREF8233		LIGHTPLATE INSTL-P11-4 (LIGHTS ONLY) MODULE NUMBER: 233N5103-410 REV A FOR OTHER SYS DETAILS SEE: 11-34-03-05G	103106	1
405	233N5220-4239		.LIGHTPLATE ASSY-	108120	1
405	233N5220-4259		.LIGHTPLATE ASSY	504903	1
405	233N5220-4265		.LIGHTPLATE ASSY-	102102	1

MISSING ITEM NUMBERS NOT APPLICABLE

- ITEM NOT ILLUSTRATED

33-13-68-04

33-13-68
FIG. 04
PAGE 10
JAN 20/09

BRI



757

PARTS CATALOG (MAINTENANCE)

FIG ITEM	PART NUMBER	1 2 3 4 5 6 7	NOMENCLATURE	EFFECT FROM TO	UNITS PER ASSY
4					
405	233N5448-15		.LIGHTPLATE ASSY	103106	1
410	S233T100-8005		..LIGHTPLATE- SUPPLIER CODE: V51896 OPTIONAL PART: 800-000523 V05617	103106	1
410	800-000523		..LIGHTPLATE ASSY- SUPPLIER CODE: V05617 SPECIFICATION NUMBER: S233T100-8005 MISCELLANEOUS DATA: FOR VENDOR FSCM 05617 FOR SPARES ORDER THE 800-000523-1 OPTIONAL PART: S233T100-8005 V51896 800-000523-1 V05617 FOR DETAILS SEE: 33-13-70-01	103106	1
410	800-000523		..LIGHTPLATE ASSY- SUPPLIER CODE: V05617 SPECIFICATION NUMBER: S233T100-8005 MISCELLANEOUS DATA: FOR VENDOR FSCM 05617 FOR SPARES ORDER THE 800-000523-1 OPTIONAL PART: S233T100-8005 V51896 800-000523-1 V05617 FOR DETAILS SEE: 33-13-70-01	102102 108120 504903	1

MISSING ITEM NUMBERS NOT APPLICABLE

- ITEM NOT ILLUSTRATED

BRI

33-13-68-04

BOEING PROPRIETARY - Copyright © - Unpublished Work - See title page for details.

33-13-68
FIG. 04
PAGE 11
JAN 20/09



757

PARTS CATALOG (MAINTENANCE)

FIG ITEM	PART NUMBER	1 2 3 4 5 6 7	NOMENCLATURE	EFFECT FROM TO	UNITS PER ASSY
4 410	800-000523-1		..LIGHTPLATE ASSY- SUPPLIER CODE: V05617 SPECIFICATION NUMBER: S233T100-8005 OPTIONAL PART: S233T100-8005 V51896 800-000523 V05617 FOR DETAILS SEE: 33-13-70-01	103106	1
410	800-000523-1		..LIGHTPLATE ASSY- SUPPLIER CODE: V05617 SPECIFICATION NUMBER: S233T100-8005 OPTIONAL PART: S233T100-8005 V51896 800-000523 V05617 FOR DETAILS SEE: 33-13-70-01	102102 108120 504903	1
- 450	233N5103-271		LIGHTPLATE INSTL-P11-4 (LIGHTS ONLY) FOR NHA/OTHER SYS DET SEE: 25-10-00-15D	108120	RF
- 450	233N5103-274		LIGHTPLATE INSTL-P11-4 (LIGHTS ONLY) FOR NHA/OTHER SYS DET SEE: 25-10-00-15D	102102	RF
- 450	233N5103-281		LIGHTPLATE INSTL-P11-4 (LIGHTS ONLY) FOR NHA/OTHER SYS DET SEE: 25-10-00-15D	504903	RF
- 452	MODREF8128		LIGHTPLATE INSTL-P11-4 (LIGHTS ONLY) MODULE NUMBER: 233N5103-383 REV A FOR OTHER SYS DETAILS SEE: 11-34-03-05G	103106	1
455	233N5220-4067		.LIGHTPLATE ASSY	108120	1
455	233N5220-4165		.LIGHTPLATE ASSY	102102	1
455	233N5220-4257		.LIGHTPLATE ASSY	504903	1
456	233N5449-31		.LIGHTPLATE ASSY	103106	1

MISSING ITEM NUMBERS NOT APPLICABLE

- ITEM NOT ILLUSTRATED

33-13-68-04

33-13-68
FIG. 04
PAGE 12
JAN 20/09

BRI



757

PARTS CATALOG (MAINTENANCE)

FIG ITEM	PART NUMBER	1 2 3 4 5 6 7	NOMENCLATURE	EFFECT FROM TO	UNITS PER ASSY
4 460	S233T100-8006		..LIGHTPLATE ASSY- SUPPLIER CODE: V51896 OPTIONAL PART: 800-000522 V05617	102106	1
460	800-000522		..LIGHTPLATE- SUPPLIER CODE: V05617 SPECIFICATION NUMBER: S233T100-8006 MISCELLANEOUS DATA: FOR VENDOR FSCM 05617 FOR SPARES ORDER THE 800-000522-1 OPTIONAL PART: S233T100-8006 V51896 800-000522-1 V05617 FOR DETAILS SEE: 33-13-70-01	102106	1
460	800-000522		..LIGHTPLATE- SUPPLIER CODE: V05617 SPECIFICATION NUMBER: S233T100-8006 MISCELLANEOUS DATA: FOR VENDOR FSCM 05617 FOR SPARES ORDER THE 800-000522-1 OPTIONAL PART: S233T100-8006 V51896 800-000522-1 V05617 FOR DETAILS SEE: 33-13-70-01	108120 504903	1

MISSING ITEM NUMBERS NOT APPLICABLE

- ITEM NOT ILLUSTRATED

33-13-68-04

33-13-68
FIG. 04
PAGE 13
JAN 20/09

BRI



757

PARTS CATALOG (MAINTENANCE)

FIG ITEM	PART NUMBER	1 2 3 4 5 6 7	NOMENCLATURE	EFFECT FROM TO	UNITS PER ASSY
4 460	800-000522-1		.. LIGHTPLATE- SUPPLIER CODE: V05617 SPECIFICATION NUMBER: S233T100-8006 OPTIONAL PART: S233T100-8006 V51896 800-000522 V05617 FOR DETAILS SEE: 33-13-70-01	102106	1
460	800-000522-1		.. LIGHTPLATE- SUPPLIER CODE: V05617 SPECIFICATION NUMBER: S233T100-8006 OPTIONAL PART: S233T100-8006 V51896 800-000522 V05617 FOR DETAILS SEE: 33-13-70-01	108120 504903	1

MISSING ITEM NUMBERS NOT APPLICABLE

- ITEM NOT ILLUSTRATED

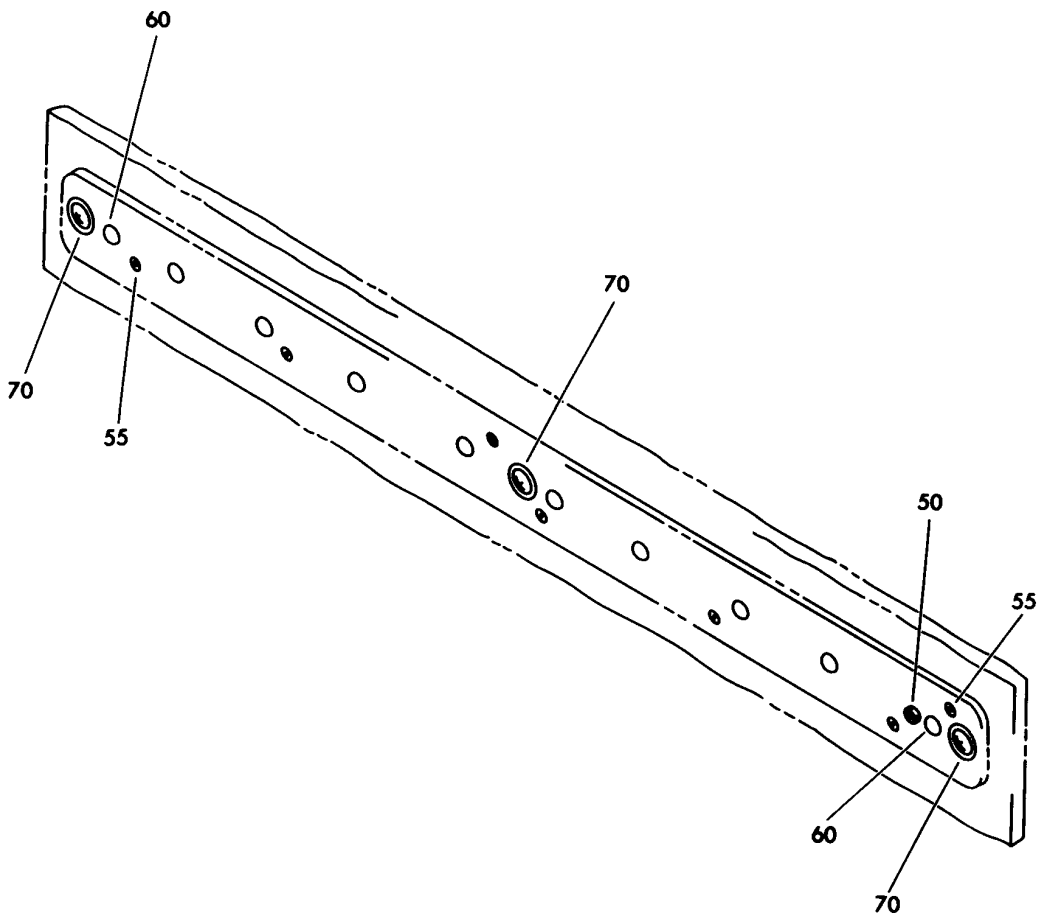
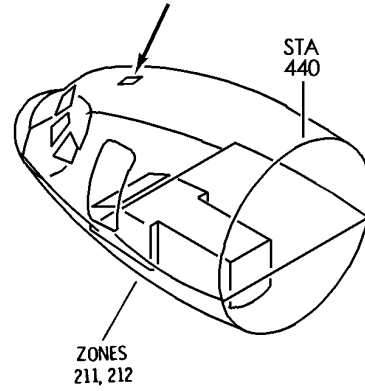
BRI

33-13-68-04

BOEING PROPRIETARY - Copyright © - Unpublished Work - See title page for details.

33-13-68
FIG. 04
PAGE 14
JAN 20/09

BOEING
757
PARTS CATALOG (MAINTENANCE)



Y 33137001 REV 219

LIGHTPLATE
FIGURE 1

33-13-70-01

BRI
MAY 28/07

33-13-70-01
PAGE 0



757

PARTS CATALOG (MAINTENANCE)

FIG ITEM	PART NUMBER	1 2 3 4 5 6 7	NOMENCLATURE	EFFECT FROM TO	UNITS PER ASSY
1			LIGHTPLATE	002004 006999	
- 10	800-001170		LIGHTPLATE- SUPPLIER CODE: V05617 SPECIFICATION NUMBER: S233T100-8001 OPTIONAL PART: S233T100-8001 V51896 FOR NHA SEE: 33-13-01-63 33-13-65-01 33-13-65-04 33-13-67-01 33-13-67-03 33-13-67-04	002004 006999	RF
- 15	800-000524		LIGHTPLATE- SUPPLIER CODE: V05617 SPECIFICATION NUMBER: S233T100-8004 MISCELLANEOUS DATA: FOR VENDOR FSCM 05617 FOR SPARES ORDER THE 800-000524-1 OPTIONAL PART: S233T100-8004 V51896 800-000524-1 V05617 FOR NHA SEE: 33-13-01-63 33-13-65-01 33-13-65-04 33-13-67-01 33-13-67-03 33-13-67-04	002004 006999	RF

MISSING ITEM NUMBERS NOT APPLICABLE

- ITEM NOT ILLUSTRATED

BRI

33-13-70-01

BOEING PROPRIETARY - Copyright © - Unpublished Work - See title page for details.

33-13-70
FIG. 01
PAGE 1
SEP 20/08



757

PARTS CATALOG (MAINTENANCE)

FIG ITEM	PART NUMBER	1 2 3 4 5 6 7	NOMENCLATURE	EFFECT FROM TO	UNITS PER ASSY
1 - 15	800-000524-1		LIGHTPLATE- SUPPLIER CODE: V05617 SPECIFICATION NUMBER: S233T100-8004 OPTIONAL PART: S233T100-8004 V51896 800-000524 V05617 FOR NHA SEE: 33-13-01-63 33-13-65-01 33-13-65-04 33-13-67-01 33-13-67-03 33-13-67-04	002004 006999	RF
- 20	800-000523-1		LIGHTPLATE ASSY- SUPPLIER CODE: V05617 SPECIFICATION NUMBER: S233T100-8005 OPTIONAL PART: S233T100-8005 V51896 800-000523 V05617 FOR NHA SEE: 33-13-66-01 33-13-66-02 33-13-66-03 33-13-66-04 33-13-68-01 33-13-68-03 33-13-68-04	002004 006999	RF

MISSING ITEM NUMBERS NOT APPLICABLE

- ITEM NOT ILLUSTRATED

BRI

33-13-70-01

BOEING PROPRIETARY - Copyright © - Unpublished Work - See title page for details.

33-13-70
FIG. 01
PAGE 2
JAN 20/09



757

PARTS CATALOG (MAINTENANCE)

FIG ITEM	PART NUMBER	1 2 3 4 5 6 7	NOMENCLATURE	EFFECT FROM TO	UNITS PER ASSY
1 - 20	800-000523-1		LIGHTPLATE ASSY- SUPPLIER CODE: V05617 SPECIFICATION NUMBER: S233T100-8005 OPTIONAL PART: S233T100-8005 V51896 800-000523-1 V05617 FOR NHA SEE: 33-13-66-02 33-13-66-03 33-13-66-04 33-13-68-04	002004 101106 108120 950952	RF
- 20	800-000523		LIGHTPLATE ASSY- SUPPLIER CODE: V05617 SPECIFICATION NUMBER: S233T100-8005 MISCELLANEOUS DATA: FOR VENDOR FSCM 05617 FOR SPARES ORDER THE 800-000523-1 OPTIONAL PART: S233T100-8005 V51896 800-000523-1 V05617 FOR NHA SEE: 33-13-66-01 33-13-66-02 33-13-66-03 33-13-66-04 33-13-68-01 33-13-68-03 33-13-68-04	002004 006999	RF

MISSING ITEM NUMBERS NOT APPLICABLE

- ITEM NOT ILLUSTRATED

BRI

33-13-70-01

BOEING PROPRIETARY - Copyright © - Unpublished Work - See title page for details.

33-13-70
FIG. 01
PAGE 3
JAN 20/09



757

PARTS CATALOG (MAINTENANCE)

FIG ITEM	PART NUMBER	1 2 3 4 5 6 7	NOMENCLATURE	EFFECT FROM TO	UNITS PER ASSY
1 - 20	800-000523		LIGHTPLATE ASSY- SUPPLIER CODE: V05617 SPECIFICATION NUMBER: S233T100-8005 MISCELLANEOUS DATA: FOR VENDOR FSCM 05617 FOR SPARES ORDER THE 800-000523-1 OPTIONAL PART: S233T100-8005 V51896 800-000523-1 V05617 FOR NHA SEE: 33-13-66-02 33-13-66-03 33-13-66-04 33-13-68-04	002004 101106 108120 950952	RF
- 25	800-000522-1		LIGHTPLATE- SUPPLIER CODE: V05617 SPECIFICATION NUMBER: S233T100-8006 OPTIONAL PART: S233T100-8006 V51896 800-000522 V05617 FOR NHA SEE: 33-13-01-63 33-13-65-01 33-13-66-02 33-13-66-03 33-13-66-04 33-13-67-01 33-13-67-03 33-13-67-04 33-13-68-01 33-13-68-04	002004 006999	RF

MISSING ITEM NUMBERS NOT APPLICABLE

- ITEM NOT ILLUSTRATED

BRI

33-13-70-01

BOEING PROPRIETARY - Copyright © - Unpublished Work - See title page for details.

33-13-70
FIG. 01
PAGE 4
JAN 20/09



757

PARTS CATALOG (MAINTENANCE)

FIG ITEM	PART NUMBER	1 2 3 4 5 6 7	NOMENCLATURE	EFFECT FROM TO	UNITS PER ASSY
1 - 25	800-000522		LIGHTPLATE- SUPPLIER CODE: V05617 SPECIFICATION NUMBER: S233T100-8006 MISCELLANEOUS DATA: FOR VENDOR FSCM 05617 FOR SPARES ORDER THE 800-000522-1 OPTIONAL PART: S233T100-8006 V51896 800-000522-1 V05617 FOR NHA SEE: 33-13-01-63 33-13-65-01 33-13-66-02 33-13-66-03 33-13-66-04 33-13-67-01 33-13-67-03 33-13-67-04 33-13-68-01 33-13-68-04	002004 006999	RF
- 25	800-000522		LIGHTPLATE- SUPPLIER CODE: V05617 SPECIFICATION NUMBER: S233T100-8006 OPTIONAL PART: S233T100-8006 V51896 POST SERVICE BULLETIN: 21-0060 FOR NHA SEE: 33-13-66-01 33-13-67-01	009009 107107 121503 904949	RF

MISSING ITEM NUMBERS NOT APPLICABLE

- ITEM NOT ILLUSTRATED

BRI

33-13-70-01

BOEING PROPRIETARY - Copyright © - Unpublished Work - See title page for details.

33-13-70
FIG. 01
PAGE 5
JAN 20/09



757

PARTS CATALOG (MAINTENANCE)

FIG ITEM	PART NUMBER	1 2 3 4 5 6 7	NOMENCLATURE	EFFECT FROM TO	UNITS PER ASSY
1 - 25	800-000522		LIGHTPLATE- SUPPLIER CODE: V05617 SPECIFICATION NUMBER: S233T100-8006 MISCELLANEOUS DATA: FOR VENDOR FSCM 05617 FOR SPARES ORDER THE 800-000522-1 OPTIONAL PART: S233T100-8006 V51896 800-000522-1 V05617 FOR NHA SEE: 33-13-65-04 33-13-66-04 33-13-67-04 33-13-68-03 33-13-68-04	101106 108120 504903	RF
- 25	800-000522-1		LIGHTPLATE- SUPPLIER CODE: V05617 SPECIFICATION NUMBER: S233T100-8006 OPTIONAL PART: S233T100-8006 V51896 800-000522 V05617 FOR NHA SEE: 33-13-65-04 33-13-66-04 33-13-67-04 33-13-68-03 33-13-68-04	101106 108120 504903	RF

MISSING ITEM NUMBERS NOT APPLICABLE

- ITEM NOT ILLUSTRATED

BRI

33-13-70-01

BOEING PROPRIETARY - Copyright © - Unpublished Work - See title page for details.

33-13-70
FIG. 01
PAGE 6
JAN 20/09



757

PARTS CATALOG (MAINTENANCE)

FIG ITEM	PART NUMBER	1 2 3 4 5 6 7	NOMENCLATURE	EFFECT FROM TO	UNITS PER ASSY
1 - 35	800-002611-1		LIGHTPLATE- SUPPLIER CODE: V05617 SPECIFICATION NUMBER: S233T100-8003 OPTIONAL PART: S233T100-8003 V51896 800-002611 V05617 FOR NHA SEE: 33-13-66-02 33-13-66-03 33-13-66-04 33-13-68-01 33-13-68-03 33-13-68-04	002004 006999	RF
- 35	800-002611		LIGHTPLATE- SUPPLIER CODE: V05617 SPECIFICATION NUMBER: S233T100-8003 MISCELLANEOUS DATA: FOR VENDOR FSCM 05617 FOR SPARES ORDER THE 800-002611-1 OPTIONAL PART: S233T100-8003 V51896 800-002611-1 V05617 FOR NHA SEE: 33-13-66-02 33-13-66-03 33-13-66-04 33-13-68-01 33-13-68-03 33-13-68-04	002004 006999	RF
- 35	800-002611		LIGHTPLATE- SUPPLIER CODE: V05617 SPECIFICATION NUMBER: S233T100-8003 OPTIONAL PART: S233T100-8003 V51896 FOR NHA SEE: 33-13-66-01	107107 121503 904949	RF

MISSING ITEM NUMBERS NOT APPLICABLE

- ITEM NOT ILLUSTRATED

BRI

33-13-70-01

BOEING PROPRIETARY - Copyright © - Unpublished Work - See title page for details.

33-13-70
FIG. 01
PAGE 7
JAN 20/09



757

PARTS CATALOG (MAINTENANCE)

FIG ITEM	PART NUMBER	1 2 3 4 5 6 7	NOMENCLATURE	EFFECT FROM TO	UNITS PER ASSY
1					
50	S0050002		.CONNECTOR-ELECTRICAL SUPPLIER CODE: V51896	107503 904949	1
50	S0050002		.CONNECTOR-ELECTRICAL SUPPLIER CODE: V51896	002004 006106 504903 950999	1
55	NAS662-2-3		.SCREW	107503 904949	7
55	NAS662-2-3		.SCREW	002004 006106 504903 950999	7
60	S0056832		.LAMP ASSY- SUPPLIER CODE: V51896	107503 904949	10
60	S0056832		.LAMP ASSY- SUPPLIER CODE: V51896	002004 006106 504903 950999	10
70	S0050001		.FASTENER-CAPTIVE SUPPLIER CODE: V51896	107503 904949	3

MISSING ITEM NUMBERS NOT APPLICABLE

- ITEM NOT ILLUSTRATED

BRI

33-13-70-01

BOEING PROPRIETARY - Copyright © - Unpublished Work - See title page for details.

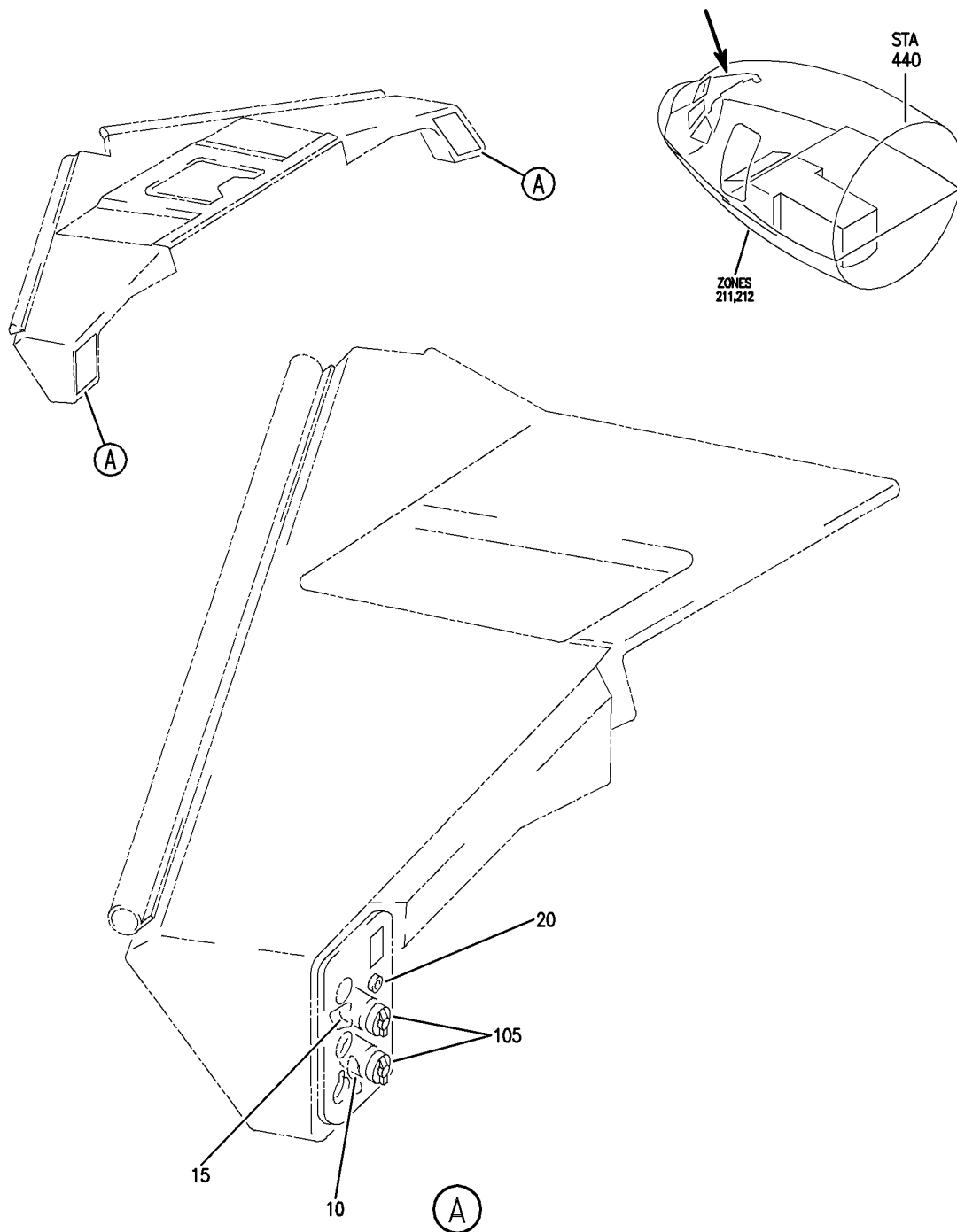
33-13-70
FIG. 01
PAGE 8
JAN 20/09

FLIGHT COMPARTMENT MISCELLANEOUS LIGHTS

BRI
MAY 28/07

33-14-00
SECTION TITLE
PAGE 1

BOEING
757
PARTS CATALOG (MAINTENANCE)



Y 33145101 REV 256

GLARESHIELD ASSY AND PANEL INSTL-FWD (FLIGHT COMPARTMENT MISCELLANEOUS LIGHTS ONLY)

FIGURE 1

33-14-51-01

BRI
MAY 28/07

33-14-51-01
PAGE 0



757

PARTS CATALOG (MAINTENANCE)

FIG ITEM	PART NUMBER	1 2 3 4 5 6 7	NOMENCLATURE	EFFECT FROM TO	UNITS PER ASSY
1			GLARESHIELD ASSY AND PANEL INSTL-FWD (FLIGHT COMPARTMENT MISCELLANEOUS LIGHTS ONLY)	002004 006999	
- 1	233N8200-29		GLARESHIELD ASSY-PILOTS ELECTRICAL (FLIGHT COMPARTMENT MISCELLANEOUS LIGHTS ONLY) POSITION DATA: LH FOR NHA/OTHER SYS DET SEE: 25-13-52-60	107107	RF
- 1	233N8200-31		GLARESHIELD ASSY-PILOTS ELECTRICAL (FLIGHT COMPARTMENT MISCELLANEOUS LIGHTS ONLY) POSITION DATA: LH FOR NHA/OTHER SYS DET SEE: 25-13-52-60	107107	RF
- 1	233N8200-25		GLARESHIELD ASSY-PILOTS ELECTRICAL (FLIGHT COMPARTMENT MISCELLANEOUS LIGHTS ONLY) POSITION DATA: LH FOR NHA/OTHER SYS DET SEE: 25-13-52-60	904949	RF
- 1	233N8200-27		GLARESHIELD ASSY-PILOTS ELECTRICAL (FLIGHT COMPARTMENT MISCELLANEOUS LIGHTS ONLY) POSITION DATA: LH FOR NHA/OTHER SYS DET SEE: 25-13-52-60	107107	RF
- 1	233N8200-33		GLARESHIELD ASSY-PILOTS ELECTRICAL (FLIGHT COMPARTMENT MISCELLANEOUS LIGHTS ONLY) POSITION DATA: LH FOR NHA/OTHER SYS DET SEE: 25-13-52-60	904949	RF

MISSING ITEM NUMBERS NOT APPLICABLE

- ITEM NOT ILLUSTRATED

33-14-51-01

33-14-51
FIG. 01
PAGE 1
JAN 20/09

BRI



757

PARTS CATALOG (MAINTENANCE)

FIG ITEM	PART NUMBER	1 2 3 4 5 6 7	NOMENCLATURE	EFFECT FROM TO	UNITS PER ASSY
1					
- 1	233N8200-37		GLARESHIELD ASSY-PILOTS ELECTRICAL (FLIGHT COMPARTMENT MISCELLANEOUS LIGHTS ONLY) POSITION DATA: LH FOR NHA/OTHER SYS DET SEE: 25-13-52-60	002004 006010 950999	RF
- 1	233N8200-41		GLARESHIELD ASSY-PILOTS ELECTRICAL (FLIGHT COMPARTMENT MISCELLANEOUS LIGHTS ONLY) POSITION DATA: LH FOR NHA/OTHER SYS DET SEE: 25-13-52-60	121503	RF
- 2	233N8200-49		GLARESHIELD ASSY-PILOTS ELECTRICAL (FLIGHT COMPARTMENT MISCELLANEOUS LIGHTS ONLY) POSITION DATA: LH FOR NHA/OTHER SYS DET SEE: 25-13-52-60	011100	RF
- 2	233N8200-61		GLARESHIELD ASSY-PILOTS ELECTRICAL (FLIGHT COMPARTMENT MISCELLANEOUS LIGHTS ONLY) POSITION DATA: LH FOR NHA/OTHER SYS DET SEE: 25-13-52-60	101101	RF
- 2	233N8200-301		GLARESHIELD ASSY-PILOTS ELECTRICAL (FLIGHT COMPARTMENT MISCELLANEOUS LIGHTS ONLY) POSITION DATA: LH FOR NHA/OTHER SYS DET SEE: 25-10-00-15B	102102 108120 504903	RF

MISSING ITEM NUMBERS NOT APPLICABLE

- ITEM NOT ILLUSTRATED

BRI

33-14-51-01

BOEING PROPRIETARY - Copyright © - Unpublished Work - See title page for details.

33-14-51
FIG. 01
PAGE 2
JAN 20/09



757

PARTS CATALOG (MAINTENANCE)

FIG ITEM	PART NUMBER	1 2 3 4 5 6 7	NOMENCLATURE	EFFECT FROM TO	UNITS PER ASSY
1					
- 3	MODREF27489		GLARESHIELD ASSY-PILOTS ELECTRICAL (FLIGHT COMPARTMENT MISCELLANEOUS LIGHTS ONLY) MODULE NUMBER: 233N8200-309 REV C POSITION DATA: LH FOR OTHER SYS DETAILS SEE: 25-13-03-02 31-25-01-05 31-25-51-01 34-22-51-01	104106	1
- 3	MODREF22332		GLARESHIELD ASSY-PILOTS ELECTRICAL (FLIGHT COMPARTMENT MISCELLANEOUS LIGHTS ONLY) MODULE NUMBER: 233N8200-309 REV B POSITION DATA: LH FOR OTHER SYS DETAILS SEE: 25-13-03-02 31-25-01-05 31-25-51-01 34-22-51-01	103103	1
- 5	233N8200-30		GLARESHIELD ASSY-PILOTS ELECTRICAL (FLIGHT COMPARTMENT MISCELLANEOUS LIGHTS ONLY) POSITION DATA: RH FOR NHA/OTHER SYS DET SEE: 25-13-52-60	107107	RF
- 5	233N8200-32		GLARESHIELD ASSY-PILOTS ELECTRICAL (FLIGHT COMPARTMENT MISCELLANEOUS LIGHTS ONLY) POSITION DATA: RH FOR NHA/OTHER SYS DET SEE: 25-13-52-60	107107	RF

MISSING ITEM NUMBERS NOT APPLICABLE

- ITEM NOT ILLUSTRATED

33-14-51-01

33-14-51
FIG. 01
PAGE 3
JAN 20/09

BRI



757

PARTS CATALOG (MAINTENANCE)

FIG ITEM	PART NUMBER	1 2 3 4 5 6 7	NOMENCLATURE	EFFECT FROM TO	UNITS PER ASSY
1					
- 5	233N8200-26		GLARESHIELD ASSY-PILOTS ELECTRICAL (FLIGHT COMPARTMENT MISCELLANEOUS LIGHTS ONLY) POSITION DATA: RH FOR NHA/OTHER SYS DET SEE: 25-13-52-60	904949	RF
- 5	233N8200-28		GLARESHIELD ASSY-PILOTS ELECTRICAL (FLIGHT COMPARTMENT MISCELLANEOUS LIGHTS ONLY) POSITION DATA: RH FOR NHA/OTHER SYS DET SEE: 25-13-52-60	107107	RF
- 5	233N8200-34		GLARESHIELD ASSY-PILOTS ELECTRICAL (FLIGHT COMPARTMENT MISCELLANEOUS LIGHTS ONLY) POSITION DATA: RH FOR NHA/OTHER SYS DET SEE: 25-13-52-60	904949	RF
- 5	233N8200-38		GLARESHIELD ASSY-PILOTS ELECTRICAL (FLIGHT COMPARTMENT MISCELLANEOUS LIGHTS ONLY) POSITION DATA: RH FOR NHA/OTHER SYS DET SEE: 25-13-52-60	002004 006010 950999	RF
- 5	233N8200-42		GLARESHIELD ASSY-PILOTS ELECTRICAL (FLIGHT COMPARTMENT MISCELLANEOUS LIGHTS ONLY) POSITION DATA: RH FOR NHA/OTHER SYS DET SEE: 25-13-52-60	121503	RF
- 6	233N8200-50		GLARESHIELD ASSY-PILOTS ELECTRICAL (FLIGHT COMPARTMENT MISCELLANEOUS LIGHTS ONLY) POSITION DATA: RH FOR NHA/OTHER SYS DET SEE: 25-13-52-60	011100	RF

MISSING ITEM NUMBERS NOT APPLICABLE

- ITEM NOT ILLUSTRATED

BRI

33-14-51-01

BOEING PROPRIETARY - Copyright © - Unpublished Work - See title page for details.

33-14-51
FIG. 01
PAGE 4
JAN 20/09



757

PARTS CATALOG (MAINTENANCE)

FIG ITEM	PART NUMBER	1 2 3 4 5 6 7	NOMENCLATURE	EFFECT FROM TO	UNITS PER ASSY
1					
- 6	233N8200-62		GLARESHIELD ASSY-PILOTS ELECTRICAL (FLIGHT COMPARTMENT MISCELLANEOUS LIGHTS ONLY) POSITION DATA: RH FOR NHA/OTHER SYS DET SEE: 25-13-03-01	101101	RF
- 6	233N8200-302		GLARESHIELD ASSY-PILOTS ELECTRICAL (FLIGHT COMPARTMENT MISCELLANEOUS LIGHTS ONLY) POSITION DATA: RH FOR NHA/OTHER SYS DET SEE: 25-10-00-15B	102102 108120 504903	RF
- 7	MODREF27490		GLARESHIELD ASSY-PILOTS ELECTRICAL (FLIGHT COMPARTMENT MISCELLANEOUS LIGHTS ONLY) MODULE NUMBER: 233N8200-310 REV C POSITION DATA: RH FOR OTHER SYS DETAILS SEE: 25-13-03-02 31-25-01-05 31-25-51-01 34-22-51-01	104106	1
- 7	MODREF22333		GLARESHIELD ASSY-PILOTS ELECTRICAL (FLIGHT COMPARTMENT MISCELLANEOUS LIGHTS ONLY) MODULE NUMBER: 233N8200-310 REV B POSITION DATA: RH FOR OTHER SYS DETAILS SEE: 25-13-03-02 31-25-01-05 31-25-51-01 34-22-51-01	103103	1
10	26405		.RHE0STAT- SUPPLIER CODE: V95266	002004 006999	1
15	26416		.RHE0STAT- SUPPLIER CODE: V95266	002004 006999	1

MISSING ITEM NUMBERS NOT APPLICABLE

- ITEM NOT ILLUSTRATED

33-14-51-01

33-14-51
FIG. 01
PAGE 5
JAN 20/09

BRI



757

PARTS CATALOG (MAINTENANCE)

FIG ITEM	PART NUMBER	1 2 3 4 5 6 7	NOMENCLATURE	EFFECT FROM TO	UNITS PER ASSY
1	20 800000121-1		.CONNECTOR-PWR SUPPLIER CODE: V05617	002004 006999	1
- 100	233N2101-1		PANEL INSTL-CAPT AND FIRST OFFICER (FLIGHT COMPARTMENT MISCELLANEOUS LIGHTS ONLY) POSITION DATA: FWD VARIABLE DRAWING REF: 233N2101-5003 233N2101-5004 233N2101-5037 233N2101-5039 233N2101-5041 FOR NHA/OTHER SYS DET SEE: 25-10-00-05A	002004 006100 107107 121503 904999	RF
- 102	233N2103-1		PANEL INSTL-CAPT AND FIRST OFFICER (FLIGHT COMPARTMENT MISCELLANEOUS LIGHTS ONLY) POSITION DATA: FWD FOR NHA/OTHER SYS DET SEE: 25-10-00-15	101102 108120 504903	RF
- 102	MODREF33340		PANEL INSTL-CAPT AND FIRST OFFICER (FLIGHT COMPARTMENT MISCELLANEOUS LIGHTS ONLY) MODULE NUMBER: 233N2103-100 REV A POSITION DATA: FWD FOR OTHER SYS DETAILS SEE: 27-58-00-02 31-11-11-01 31-11-26-01 31-41-01-01 32-41-52-02 33-11-51-13 33-13-51-01 34-13-05-01 34-22-03-01 34-22-04-01	103106	1
105	GP425-102		.KN0B- SUPPLIER CODE: V81590	002004 006999	4

MISSING ITEM NUMBERS NOT APPLICABLE

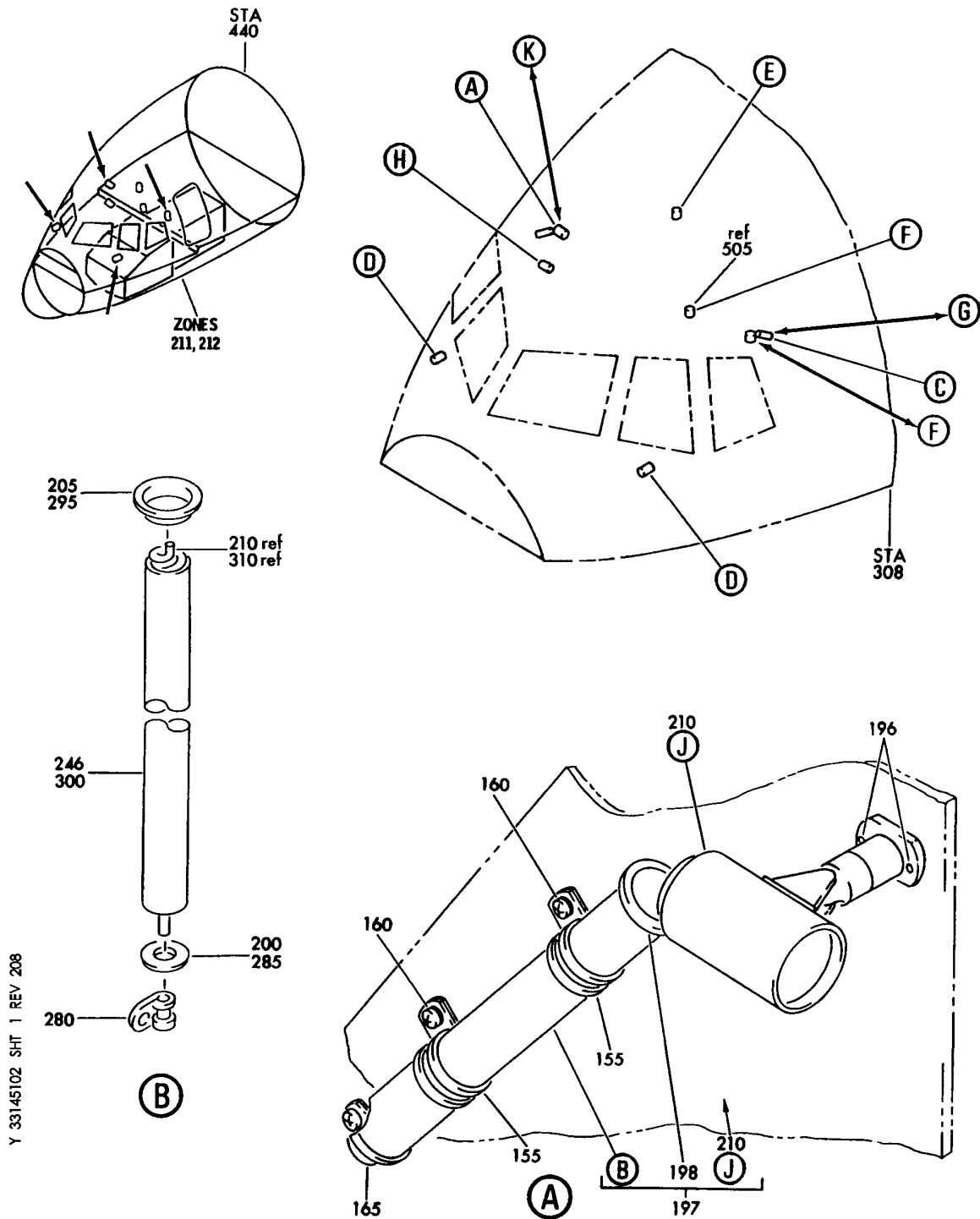
- ITEM NOT ILLUSTRATED

33-14-51-01

33-14-51
FIG. 01
PAGE 6
JAN 20/09

BRI

BOEING
757
PARTS CATALOG (MAINTENANCE)

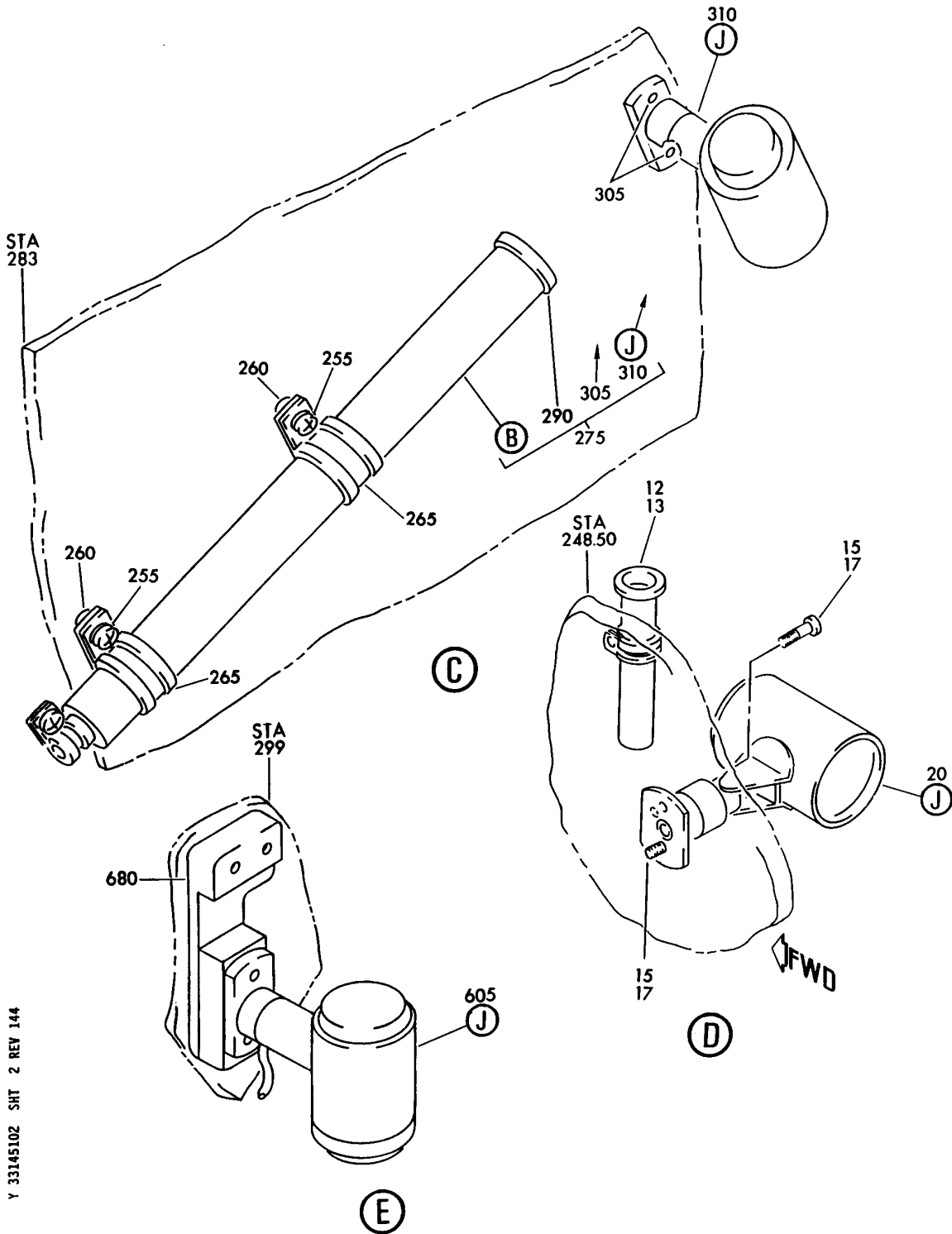


Y 33145102 SHT 1 REV 208

LIGHT INSTL-UTILITY
FIGURE 2 (SHEET 1)

33-14-51-02

BOEING
757
PARTS CATALOG (MAINTENANCE)



Y 33145102 SHT 2 REV 144

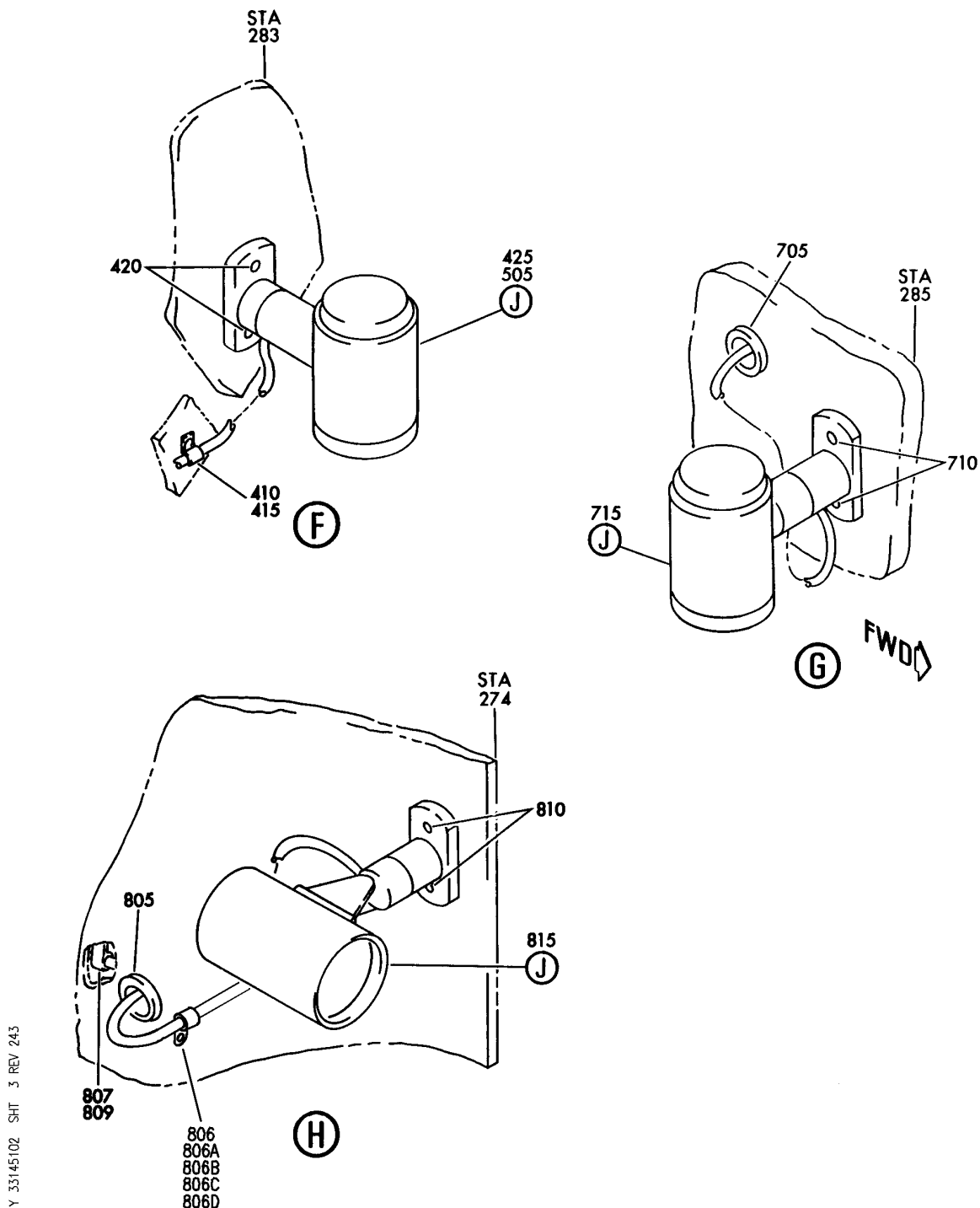
LIGHT INSTL-UTILITY
FIGURE 2 (SHEET 2)

33-14-51-02

BRI
MAY 28/07

33-14-51-02
PAGE 0A

BOEING
757
PARTS CATALOG (MAINTENANCE)



Y 33145102 SHT 3 REV 243

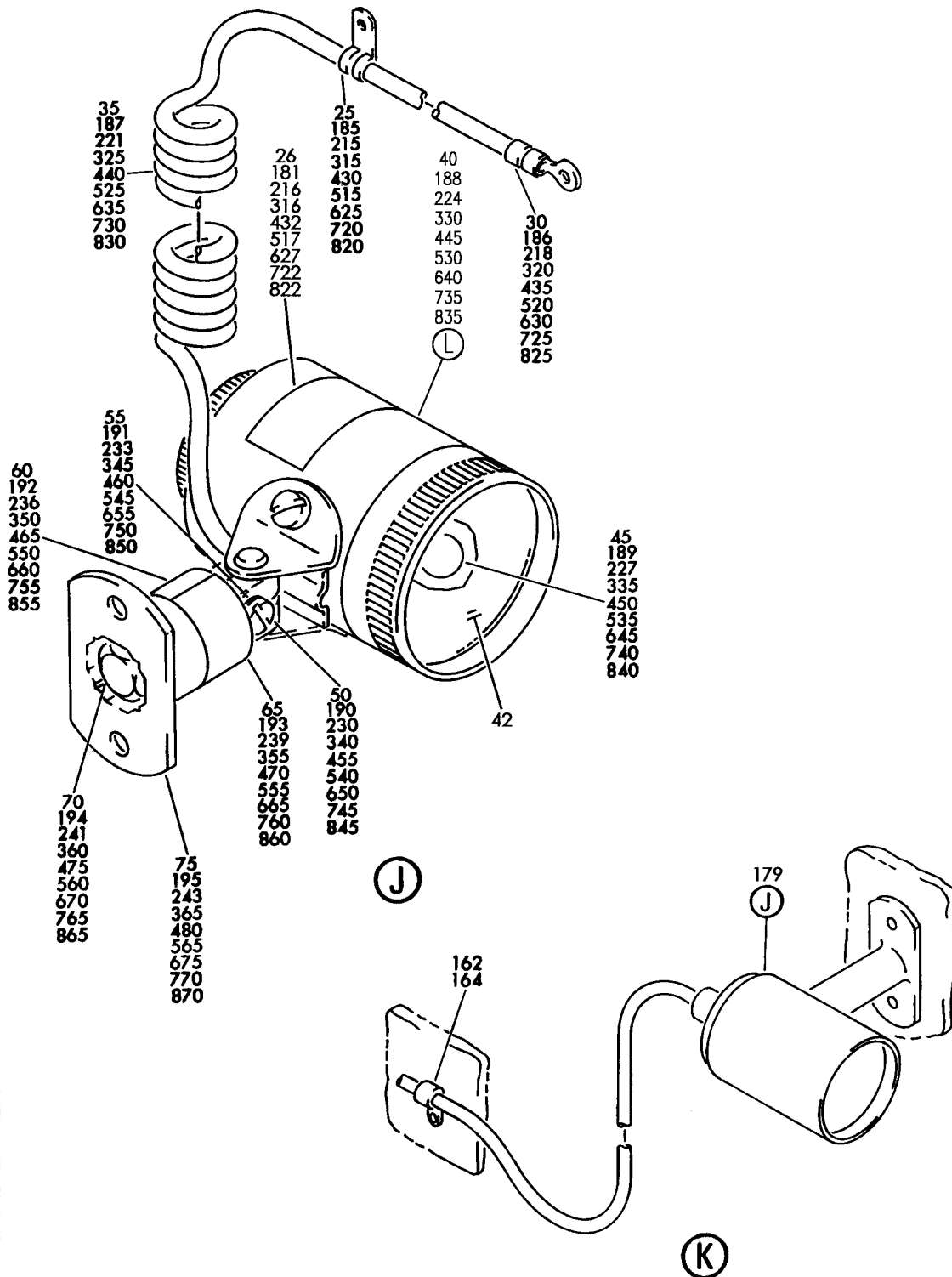
LIGHT INSTL-UTILITY
FIGURE 2 (SHEET 3)

33-14-51-02

BRI
MAY 28/07

33-14-51-02
PAGE 0B


BOEING
 757
PARTS CATALOG (MAINTENANCE)



Y 33145102 SH- 4 REV 311

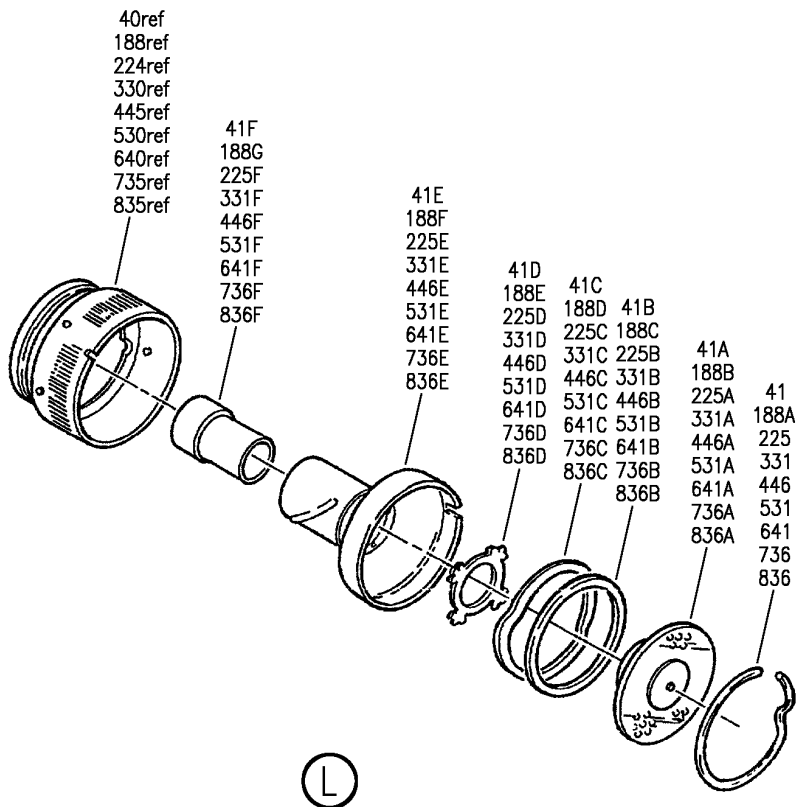
LIGHT INSTL-UTILITY
FIGURE 2 (SHEET 4)

33-14-51-02

BRI
MAY 28/07

33-14-51-02
PAGE 0C

BOEING
757
PARTS CATALOG (MAINTENANCE)



Y 33145102 SH 5 REV 311

LIGHT INSTL-UTILITY
FIGURE 2 (SHEET 5)

33-14-51-02

BRI
MAY 28/07

33-14-51-02
PAGE 0D



757

PARTS CATALOG (MAINTENANCE)

FIG ITEM	PART NUMBER	1 2 3 4 5 6 7	NOMENCLATURE	EFFECT FROM TO	UNITS PER ASSY
2			LIGHT INSTL-UTILITY	002004 006999	
- 1	232N5003-19		LIGHT INSTL-UTILITY CAPT FOR NHA SEE: 25-10-00-05	002004 006010 107107 121503 904999	RF
- 2	232N5003-31		LIGHT INSTL-UTILITY CAPT FOR NHA SEE: 25-10-00-05 25-10-00-10	011102 108120 504903	RF
- 2	MODREF7062		LIGHT INSTL-UTILITY CAPT MODULE NUMBER: 232N5003-31 REV A	103103	1
- 2	MODREF27436		LIGHT INSTL-UTILITY CAPT MODULE NUMBER: 232N5003-31 REV B	104106	1
- 4	232N5003-32		LIGHT INSTL-UTILITY FIRST OFFICER FOR NHA SEE: 25-10-00-05 25-10-00-10	011102 108120 504903	RF
- 4	MODREF7063		LIGHT INSTL-UTILITY FIRST OFFICER MODULE NUMBER: 232N5003-32 REV A	103103	1
- 4	MODREF27437		LIGHT INSTL-UTILITY FIRST OFFICER MODULE NUMBER: 232N5003-32 REV B	104106	1
- 5	232N5003-20		LIGHT INSTL-UTILITY FIRST OFFICER FOR NHA SEE: 25-10-00-05	002004 006010 107107 121503 904999	RF
12	85-062		.GROMMET- SUPPLIER CODE: V77969 SPECIFICATION NUMBER: BACG20C8 OPTIONAL PART: 483 V91265	002004 006010 107107 121503 904999	1

MISSING ITEM NUMBERS NOT APPLICABLE

- ITEM NOT ILLUSTRATED

BRI

33-14-51-02

33-14-51
FIG. 02
PAGE 1
JAN 20/09



757

PARTS CATALOG (MAINTENANCE)

FIG ITEM	PART NUMBER	1 2 3 4 5 6 7	NOMENCLATURE	EFFECT FROM TO	UNITS PER ASSY
2	13 RR2002-4B1		.GROMMET- SUPPLIER CODE: V57268 SPECIFICATION NUMBER: BACG20AF4B1 OPTIONAL PART: SZ6924-4B1 V95272 701-4B1 V07096 E4B1 V60980 H4B1 V60980 G6940-4B1 V75345 BACG20AF4B1J	011106 108120 504903	1
	13 RR2002-4B1J		.GROMMET- SUPPLIER CODE: V57268 SPECIFICATION NUMBER: BACG20AF4B1J OPTIONAL PART: SZ6924-4B1J V95272 701-4B1J V07096 E4B1J V60980 H4B1J V60980 G6940-4B1J V75345 BACG20AF4B1	011106 108120 504903	1
	15 SFS10F8DL01BK		.SCREW- SUPPLIER CODE: V12324	002004 006010 107107 121503 904999	2
	17 NAS8203A10		.SCREW-	011106 108120 504903	2
	20 34265-8		.FLOODLIGHT ASSY- SUPPLIER CODE: V72914 ELECTRICAL EQUIP NUMBER: L00375 L00376	002004 006999	1

MISSING ITEM NUMBERS NOT APPLICABLE

- ITEM NOT ILLUSTRATED

33-14-51-02

33-14-51
FIG. 02
PAGE 2
JAN 20/09

BRI



757

PARTS CATALOG (MAINTENANCE)

FIG ITEM	PART NUMBER	1 2 3 4 5 6 7	NOMENCLATURE	EFFECT FROM TO	UNITS PER ASSY
2					
25	13196		..RELIEF-STRAIN SUPPLIER CODE: V72914	002004 006999	1
26	16-0091-1		..PLATE-IDENT SUPPLIER CODE: V72914	002004 006999	1
- 28	60-0737-1		ATTACHING PARTS ..SCREW	002004 006999	2
			-----*-----		
30	MS25036-103		..TERMINAL	002004 006999	1
35	TU305		..TUBING- SUPPLIER CODE: V72914	002004 006999	1
40	16-0050-1		..LIGHT ASSY- SUPPLIER CODE: V72914	002004 006999	1
41	A7098A0-1		...SPRING- SUPPLIER CODE: V72914	002004 006999	1
41A	16-0095-1		...LENS- SUPPLIER CODE: V72914	002004 006999	1
41B	MS29513-126		...PACKING	002004 006999	1
41C	16-2548-1		...WASHER- SUPPLIER CODE: V72914	002004 006999	1
41D	16-0046-1		...REFLECTOR- SUPPLIER CODE: V72914	002004 006999	1
41E	16-0012		...GUIDE- SUPPLIER CODE: V72914	002004 006999	1
41F	16-0048-1		...LENS- SUPPLIER CODE: V72914	002004 006999	1
45	1864		..BULB- SUPPLIER CODE: V71744	002004 006999	1
50	SC292		..SCREW- SUPPLIER CODE: V72914	002004 006999	1
55	MS35333-37		..WASHER	002004 006999	1
60	20237-1		..CLAMP- SUPPLIER CODE: V72914	002004 006999	1

MISSING ITEM NUMBERS NOT APPLICABLE

- ITEM NOT ILLUSTRATED

33-14-51-02

33-14-51
FIG. 02
PAGE 3
JAN 20/09

BRI

BOEING
757
PARTS CATALOG (MAINTENANCE)

FIG ITEM	PART NUMBER	1 2 3 4 5 6 7	NOMENCLATURE	EFFECT FROM TO	UNITS PER ASSY
2					
65	20237-2		..CLAMP- SUPPLIER CODE: V72914	002004 006999	1
70	A6690		..POST- SUPPLIER CODE: V72914	002004 006999	1
75	15982-1		..BASE- SUPPLIER CODE: V72914	002004 006999	1
- 150	232N5003-25		LIGHT INSTL-UTILITY SECOND OFFICER FOR NHA SEE: 25-10-00-05	002004 006010 107107 121503 904949 952999	RF
162	232N5003-24		.CLAMP	002004 006010 107107 121503 904949 952999	1
- 163	SFSW10F8DL11BG		ATTACHING PARTS .SCREW- SUPPLIER CODE: V12324	002004 006010 107107 121503 904949 952999	1
164	N2088		-----*----- .PLUG SUPPLIER CODE: V75345 SPECIFICATION NUMBER: BACP20BA1 OPTIONAL PART: SZ7105 V95272 4841 V84914	002004 006010 107107 121503 904949 952999	1
179	34265-8		.FLOODLIGHT ASSY- SUPPLIER CODE: V72914 ELECTRICAL EQUIP NUMBER: L00377	002004 006010 107107 121503 904949 952999	1

MISSING ITEM NUMBERS NOT APPLICABLE

- ITEM NOT ILLUSTRATED

BRI

33-14-51-02

BOEING PROPRIETARY - Copyright © - Unpublished Work - See title page for details.

33-14-51
FIG. 02
PAGE 4
JAN 20/09



757

PARTS CATALOG (MAINTENANCE)

FIG ITEM	PART NUMBER	1 2 3 4 5 6 7	NOMENCLATURE	EFFECT FROM TO	UNITS PER ASSY
2 181	16-0091-1		.. PLATE-IDENT SUPPLIER CODE: V72914	002004 006010 107107 121503 904949 952999	1
- 183	60-0737-1		ATTACHING PARTS .. SCREW	002004 006010 107107 121503 904949 952999	2
- 184	NAS603-6P		. SCREW	002004 006010 107107 121503 904949 952999	2
185	13196		-----*----- .. RELIEF-STRAIN SUPPLIER CODE: V72914	002004 006010 107107 121503 904949 952999	1
186	MS25036-103		.. TERMINAL	002004 006010 107107 121503 904949 952999	1
187	TU305		.. TUBING- SUPPLIER CODE: V72914	002004 006010 107107 121503 904949 952999	1
188	16-0050-1		.. LIGHT ASSY- SUPPLIER CODE: V72914	002004 006010 107107 121503 904949 952999	1

MISSING ITEM NUMBERS NOT APPLICABLE

- ITEM NOT ILLUSTRATED

33-14-51-02

33-14-51
FIG. 02
PAGE 5
JAN 20/09

BRI



757

PARTS CATALOG (MAINTENANCE)

FIG ITEM	PART NUMBER	1 2 3 4 5 6 7	NOMENCLATURE	EFFECT FROM TO	UNITS PER ASSY
2 188A	A7098A0-1	...	SPRING- SUPPLIER CODE: V72914	002004 006010 107107 121503 904949 952999	1
188B	16-0095-1	...	LENS- SUPPLIER CODE: V72914	002004 006010 107107 121503 904949 952999	1
188C	MS29513-126	...	PACKING	002004 006010 107107 121503 904949 952999	1
188D	16-2548-1	...	WASHER- SUPPLIER CODE: V72914	002004 006010 107107 121503 904949 952999	1
188E	16-0046-1	...	REFLECTOR- SUPPLIER CODE: V72914	002004 006010 107107 121503 904949 952999	1
188F	16-0012	...	GUIDE- SUPPLIER CODE: V72914	002004 006010 107107 121503 904949 952999	1
188G	16-0048-1	...	LENS- SUPPLIER CODE: V72914	002004 006010 107107 121503 904949 952999	1
189	1864	..	BULB- SUPPLIER CODE: V71744	002004 006010 107107 121503 904949 952999	1

MISSING ITEM NUMBERS NOT APPLICABLE

- ITEM NOT ILLUSTRATED

33-14-51-02

33-14-51
FIG. 02
PAGE 6
JAN 20/09

BRI

BOEING PROPRIETARY - Copyright © - Unpublished Work - See title page for details.



757

PARTS CATALOG (MAINTENANCE)

FIG ITEM	PART NUMBER	1 2 3 4 5 6 7	NOMENCLATURE	EFFECT FROM TO	UNITS PER ASSY
2					
190	SC292		.. SCREW- SUPPLIER CODE: V72914	002004 006010 107107 121503 904949 952999	1
191	MS35333-37		.. WASHER	002004 006010 107107 121503 904949 952999	1
192	20237-1		.. CLAMP- SUPPLIER CODE: V72914	002004 006010 107107 121503 904949 952999	1
193	20237-2		.. CLAMP- SUPPLIER CODE: V72914	002004 006010 107107 121503 904949 952999	1
194	A6690		.. POST- SUPPLIER CODE: V72914	002004 006010 107107 121503 904949 952999	1
195	15982-1		.. BASE- SUPPLIER CODE: V72914	002004 006010 107107 121503 904949 952999	1
- 400	232N5003-22		LIGHT INSTL-UTILITY FIRST OBSERVER FOR NHA SEE: 25-10-00-05	002004 006010 107107 950999	RF
- 400	232N5003-29		LIGHT INSTL-UTILITY FIRST OBSERVER FOR NHA SEE: 25-10-00-05	121503 904949	RF
410	232N5003-24		. CLAMP	002004 006010 107107 121503 904999	1

MISSING ITEM NUMBERS NOT APPLICABLE

- ITEM NOT ILLUSTRATED

33-14-51-02

33-14-51
FIG. 02
PAGE 7
JAN 20/09

BRI



757

PARTS CATALOG (MAINTENANCE)

FIG ITEM	PART NUMBER	1 2 3 4 5 6 7	NOMENCLATURE	EFFECT FROM TO	UNITS PER ASSY
2 415	N2088	.	PLUG SUPPLIER CODE: V75345 SPECIFICATION NUMBER: BACP20BA1 OPTIONAL PART: SZ7105 V95272 4841 V84914	002004 006010 107107 121503 904999	1
420	NAS603-6P	.	SCREW	002004 006010 107107 121503 904999	2
425	34265-8	.	FLOODLIGHT ASSY- SUPPLIER CODE: V72914 ELECTRICAL EQUIP NUMBER: L00575	002004 006010 107107 121503 904999	1
430	13196	..	RELIEF-STRAIN SUPPLIER CODE: V72914	002004 006010 107107 121503 904999	1
432	16-0091-1	..	PLATE-IDENT SUPPLIER CODE: V72914	002004 006010 107107 121503 904999	1
- 434	60-0737-1	..	ATTACHING PARTS SCREW	002004 006010 107107 121503 904999	2
435	MS25036-103	..	-----*----- TERMINAL	002004 006010 107107 121503 904999	1
440	TU305	..	TUBING- SUPPLIER CODE: V72914	002004 006010 107107 121503 904999	1

MISSING ITEM NUMBERS NOT APPLICABLE

- ITEM NOT ILLUSTRATED

33-14-51-02

33-14-51
FIG. 02
PAGE 8
JAN 20/09

BRI

BOEING PROPRIETARY - Copyright © - Unpublished Work - See title page for details.



757

PARTS CATALOG (MAINTENANCE)

FIG ITEM	PART NUMBER	1 2 3 4 5 6 7	NOMENCLATURE	EFFECT FROM TO	UNITS PER ASSY
2					
445	16-0050-1		.. LIGHT ASSY- SUPPLIER CODE: V72914	002004 006010 107107 121503 904999	1
446	A7098A0-1		... SPRING- SUPPLIER CODE: V72914	002004 006010 107107 121503 904999	1
446A	16-0095-1		... LENS- SUPPLIER CODE: V72914	002004 006010 107107 121503 904999	1
446B	MS29513-126		... PACKING	002004 006010 107107 121503 904999	1
446C	MS29513-126		... PACKING	002004 006010 107107 121503 904999	1
446D	16-0046-1		... REFLECTOR- SUPPLIER CODE: V72914	002004 006010 107107 121503 904999	1
446E	16-0012		... GUIDE- SUPPLIER CODE: V72914	002004 006010 107107 121503 904999	1
446F	16-0048-1		... LENS- SUPPLIER CODE: V72914	002004 006010 107107 121503 904999	1
450	1864		.. BULB- SUPPLIER CODE: V71744	002004 006010 107107 121503 904999	1

MISSING ITEM NUMBERS NOT APPLICABLE

- ITEM NOT ILLUSTRATED

33-14-51-02

33-14-51
FIG. 02
PAGE 9
JAN 20/09

BRI



757

PARTS CATALOG (MAINTENANCE)

FIG ITEM	PART NUMBER	1 2 3 4 5 6 7	NOMENCLATURE	EFFECT FROM TO	UNITS PER ASSY
2 455	SC292		.. SCREW- SUPPLIER CODE: V72914	002004 006010 107107 121503 904999	1
460	MS35333-37		.. WASHER	002004 006010 107107 121503 904999	1
465	20237-1		.. CLAMP- SUPPLIER CODE: V72914	002004 006010 107107 121503 904999	1
470	20237-2		.. CLAMP- SUPPLIER CODE: V72914	002004 006010 107107 121503 904999	1
475	A6690		.. POST- SUPPLIER CODE: V72914	002004 006010 107107 121503 904999	1
480	15982-1		.. BASE- SUPPLIER CODE: V72914	002004 006010 107107 121503 904999	1
- 700	232N5003-30		LIGHT INSTL-UTILITY FIRST OBSERVER FOR NHA SEE: 25-10-00-05 25-10-00-10	011102 108120 504903	RF
- 700	MODREF7061		LIGHT INSTL-UTILITY FIRST OBSERVER MODULE NUMBER: 232N5003-30 REV A	103106	1

MISSING ITEM NUMBERS NOT APPLICABLE

- ITEM NOT ILLUSTRATED

33-14-51-02

33-14-51
FIG. 02
PAGE 10
JAN 20/09

BRI



757

PARTS CATALOG (MAINTENANCE)

FIG ITEM	PART NUMBER	1 2 3 4 5 6 7	NOMENCLATURE	EFFECT FROM TO	UNITS PER ASSY
2 705	RR2002-4B1J		.GROMMET- SUPPLIER CODE: V57268 SPECIFICATION NUMBER: BACG20AF4B1J OPTIONAL PART: SZ6924-4B1J V95272 701-4B1J V07096 E4B1J V60980 H4B1J V60980 G6940-4B1J V75345	011106 108120 504903	1
710	NAS8203A8		.SCREW-	011106 108120 504903	2
715	34265-8		.FLOODLIGHT ASSY- SUPPLIER CODE: V72914 ELECTRICAL EQUIP NUMBER: L00575	011106 108120 504903	1
720	13196		..RELIEF-STRAIN SUPPLIER CODE: V72914	011106 108120 504903	1
722	16-0091-1		..PLATE-IDENT SUPPLIER CODE: V72914	011106 108120 504903	1
- 724	60-0737-1		ATTACHING PARTS ..SCREW	011106 108120 504903	2
725	MS25036-103		-----*----- ..TERMINAL	011106 108120 504903	1
730	TU305		..TUBING- SUPPLIER CODE: V72914	011106 108120 504903	1
735	16-0050-1		..LIGHT ASSY- SUPPLIER CODE: V72914	011106 108120 504903	1
736	A7098A0-1		...SPRING- SUPPLIER CODE: V72914	011106 108120 504903	1

MISSING ITEM NUMBERS NOT APPLICABLE

- ITEM NOT ILLUSTRATED

33-14-51-02

33-14-51
FIG. 02
PAGE 11
JAN 20/09

BRI

 **BOEING**
757
PARTS CATALOG (MAINTENANCE)

FIG ITEM	PART NUMBER	1 2 3 4 5 6 7	NOMENCLATURE	EFFECT FROM TO	UNITS PER ASSY
2					
736A	16-0095-1	...	LENS- SUPPLIER CODE: V72914	011106 108120 504903	1
736B	MS29513-126	...	PACKING	011106 108120 504903	1
736C	16-2548-1	...	WASHER- SUPPLIER CODE: V72914	011106 108120 504903	1
736D	16-0046-1	...	REFLECTOR- SUPPLIER CODE: V72914	011106 108120 504903	1
736E	16-0012	...	GUIDE- SUPPLIER CODE: V72914	011106 108120 504903	1
736F	16-0048-1	...	LENS- SUPPLIER CODE: V72914	011106 108120 504903	1
740	1864	..	BULB- SUPPLIER CODE: V71744	011106 108120 504903	1
745	SC292	..	SCREW- SUPPLIER CODE: V72914	011106 108120 504903	1
750	MS35333-37	..	WASHER	011106 108120 504903	1
755	20237-1	..	CLAMP- SUPPLIER CODE: V72914	011106 108120 504903	1
760	20237-2	..	CLAMP- SUPPLIER CODE: V72914	011106 108120 504903	1
765	A6690	..	POST- SUPPLIER CODE: V72914	011106 108120 504903	1
770	15982-1	..	BASE- SUPPLIER CODE: V72914	011106 108120 504903	1
- 800	232N5003-33		LIGHT INSTL-UTILITY SECOND OBSERVER FOR NHA SEE: 25-10-00-05 25-10-00-10B	011102 108120 504903	RF
- 800	MODREF7064		LIGHT INSTL-UTILITY SECOND OBSERVER MODULE NUMBER: 232N5003-33 REV A	103106	1

MISSING ITEM NUMBERS NOT APPLICABLE

- ITEM NOT ILLUSTRATED

BRI

33-14-51-02

BOEING PROPRIETARY - Copyright © - Unpublished Work - See title page for details.

33-14-51
FIG. 02
PAGE 12
JAN 20/09



757

PARTS CATALOG (MAINTENANCE)

FIG ITEM	PART NUMBER	1 2 3 4 5 6 7	NOMENCLATURE	EFFECT FROM TO	UNITS PER ASSY
2 805	RR2002-12B1J	.GROMMET- SUPPLIER CODE: V57568 SPECIFICATION NUMBER: BACG20AF12B1J OPTIONAL PART: SZ6924-12B1J V95272 701-12B1J V07096 E12B1J V60980 H12B1J V60980 G6940-12B1J V75345 BACG20AF6B3J		011106 108120 504903	1
805	RR2002-6B3J	.GROMMET- SUPPLIER CODE: V57268 SPECIFICATION NUMBER: BACG20AF6B3J OPTIONAL PART: SZ6924-6B3J V95272 701-6B3J V07096 E6B3J V60980 H6B3J V60980 G6940-6B3J V75345 BACG20AF12B1J		011106 108120 504903	1
807	BACS12FA3K6	.SCREW		011106 108120 504903	1
809	BACC10DK3	.CLAMP		011106 108120 504903	1
810	NAS8203A7	.SCREW-		011106 108120 504903	2
815	34265-8	.FLOODLIGHT ASSY- SUPPLIER CODE: V72914 ELECTRICAL EQUIP NUMBER: L00377		011106 108120 504903	1

MISSING ITEM NUMBERS NOT APPLICABLE

- ITEM NOT ILLUSTRATED

33-14-51-02

33-14-51
FIG. 02
PAGE 13
JAN 20/09

BRI



757

PARTS CATALOG (MAINTENANCE)

FIG ITEM	PART NUMBER	1 2 3 4 5 6 7	NOMENCLATURE	EFFECT FROM TO	UNITS PER ASSY
2					
820	13196		..RELIEF-STRAIN SUPPLIER CODE: V72914	011106 108120 504903	1
822	16-0091-1		..PLATE-IDENT SUPPLIER CODE: V72914	011106 108120 504903	1
- 824	60-0737-1		ATTACHING PARTS ..SCREW	011106 108120 504903	2
			-----*-----		
825	MS25036-103		..TERMINAL	011106 108120 504903	1
830	TU305		..TUBING- SUPPLIER CODE: V72914	011106 108120 504903	1
835	16-0050-1		..LIGHT ASSY- SUPPLIER CODE: V72914	011106 108120 504903	1
836	A7098A0-1		...SPRING- SUPPLIER CODE: V72914	011106 108120 504903	1
836A	16-0095-1		...LENS- SUPPLIER CODE: V72914	011106 108120 504903	1
836B	MS29513-126		...PACKING	011106 108120 504903	1
836C	16-2548-1		...WASHER- SUPPLIER CODE: V72914	011106 108120 504903	1
836D	16-0046-1		...REFLECTOR- SUPPLIER CODE: V72914	011106 108120 504903	1
836E	16-0012		...GUIDE- SUPPLIER CODE: V72914	011106 108120 504903	1
836F	16-0048-1		...LENS- SUPPLIER CODE: V72914	011106 108120 504903	1
840	1864		..BULB- SUPPLIER CODE: V71744	011106 108120 504903	1
845	SC292		..SCREW- SUPPLIER CODE: V72914	011106 108120 504903	1

MISSING ITEM NUMBERS NOT APPLICABLE

- ITEM NOT ILLUSTRATED

33-14-51-02

33-14-51
FIG. 02
PAGE 14
JAN 20/09

BRI



757

PARTS CATALOG (MAINTENANCE)

FIG ITEM	PART NUMBER	1 2 3 4 5 6 7	NOMENCLATURE	EFFECT FROM TO	UNITS PER ASSY
2					
850	MS35333-37		.. WASHER	011106 108120 504903	1
855	20237-1		.. CLAMP- SUPPLIER CODE: V72914	011106 108120 504903	1
860	20237-2		.. CLAMP- SUPPLIER CODE: V72914	011106 108120 504903	1
865	A6690		.. POST- SUPPLIER CODE: V72914	011106 108120 504903	1
870	15982-1		.. BASE- SUPPLIER CODE: V72914	011106 108120 504903	1

MISSING ITEM NUMBERS NOT APPLICABLE

- ITEM NOT ILLUSTRATED

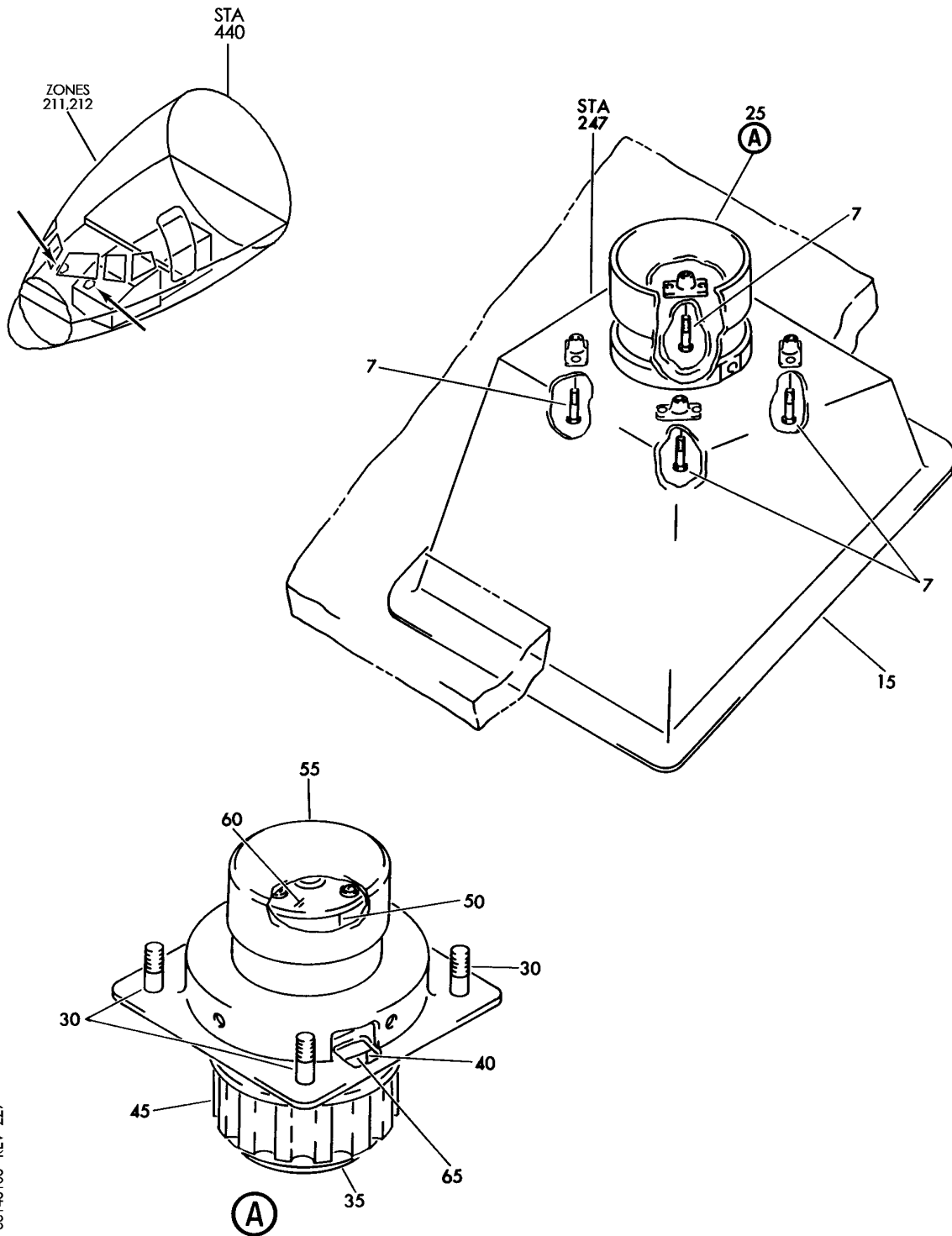
BRI

33-14-51-02

BOEING PROPRIETARY - Copyright © - Unpublished Work - See title page for details.

33-14-51
FIG. 02
PAGE 15
JAN 20/09

BOEING
757
PARTS CATALOG (MAINTENANCE)



Y 33145105 REV 229

LIGHT INSTL-MAP (STA 247)
FIGURE 5

33-14-51-05

BRI
MAY 28/07

33-14-51-05
PAGE 0



757

PARTS CATALOG (MAINTENANCE)

FIG ITEM	PART NUMBER	1 2 3 4 5 6 7	NOMENCLATURE	EFFECT FROM TO	UNITS PER ASSY
5			LIGHT INSTL-MAP (STA 247)	107107 904949	
- 1	232N5002-1		LIGHT INSTL-MAP POSITION DATA: STA 247 LH FOR NHA SEE: 25-10-00-01	107107 904949	RF
- 5	232N5002-2		LIGHT INSTL-MAP POSITION DATA: STA 247 RH FOR NHA SEE: 25-10-00-01	107107 904949	RF
7	SFSW10F6DL11BG		.SCREW- SUPPLIER CODE: V12324 OPTIONAL PART: PS10F6DL11BG V12324	107107 904949	4
7	PS10F6DL11BG		.SCREW- SUPPLIER CODE: V12324 OPTIONAL PART: SFSW10F6DL11BG V12324	107107 904949	4
15	232N5006-1		.HOUSING ASSY- POSITION DATA: LH SIDE	107107 904949	1
- 20	232N5006-2		.HOUSING ASSY- POSITION DATA: RH SIDE	107107 904949	1
25	81000-13701		.LIGHT ASSY-MAP SUPPLIER CODE: VS5006 SPECIFICATION NUMBER: S232T500-1 ELECTRICAL EQUIP NUMBER: L277 L278	107107 904949	1
30	89911-00094		..SCREW-CAPTIVE SUPPLIER CODE: VS5006	107107 904949	4
35	81002-13701		..BEZEL ASSY- SUPPLIER CODE: VS5006	107107 904949	1
40	81125-13701		..SLIDER- SUPPLIER CODE: VS5006	107107 904949	1

MISSING ITEM NUMBERS NOT APPLICABLE

- ITEM NOT ILLUSTRATED

33-14-51-05

33-14-51
FIG. 05
PAGE 1
JAN 20/09

BRI



757

PARTS CATALOG (MAINTENANCE)

FIG ITEM	PART NUMBER	1 2 3 4 5 6 7	NOMENCLATURE	EFFECT FROM TO	UNITS PER ASSY
5 R R R R R	45 81118-13701	..	SLIDER- SUPPLIER CODE: VS5006	107107 904949	1
	50 1308	..	BULB- SUPPLIER CODE: V08806 OPTIONAL SUPPLIER CODE: S5006 92966	107107 904949	1
	55 81119-13701	..	CAP- SUPPLIER CODE: VS5006	107107 904949	1
	60 81003-13701	..	SOCKET ASSY- SUPPLIER CODE: VS5006	107107 904949	1
	65 81001-13701	..	HOUSING ASSY- SUPPLIER CODE: VS5006	107107 904949	1
	MISSING ITEM NUMBERS NOT APPLICABLE				

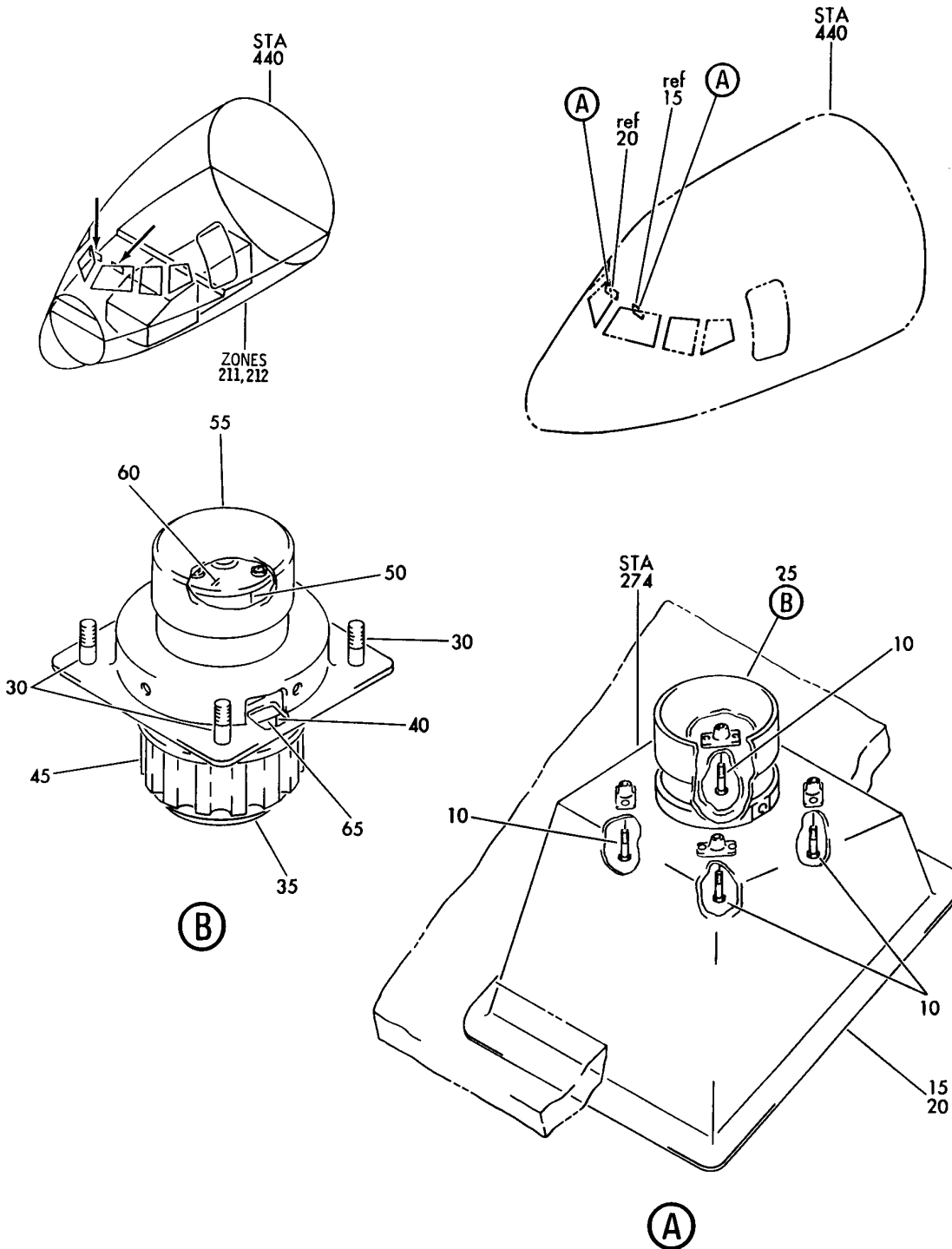
- ITEM NOT ILLUSTRATED

33-14-51-05

33-14-51
FIG. 05
PAGE 2
MAY 20/09

BRI

BOEING
757
PARTS CATALOG (MAINTENANCE)



Y 33145107 REV 331

PANEL ASSY-MAP LIGHT (LIGHTS ONLY)
FIGURE 7

33-14-51-07

BRI
JAN 20/09

33-14-51-07
PAGE 0



757

PARTS CATALOG (MAINTENANCE)

FIG ITEM	PART NUMBER	1 2 3 4 5 6 7	NOMENCLATURE	EFFECT FROM TO	UNITS PER ASSY
7			PANEL ASSY-MAP LIGHT (LIGHTS ONLY)	002004 006010 121503 950999	
- 1	232N1610-203		PANEL ASSY-MAP LIGHT (LIGHTS ONLY) POSITION DATA: LH FOR NHA/OTHER SYS DET SEE: 25-14-01-01	006010 950951 953999	RF
- 1	232N1610-170		PANEL ASSY-MAP LIGHT (LIGHTS ONLY) POSITION DATA: LH FOR NHA/OTHER SYS DET SEE: 25-14-01-01	952952	RF
- 1	232N1610-172		PANEL ASSY-MAP LIGHT (LIGHTS ONLY) POSITION DATA: LH FOR NHA/OTHER SYS DET SEE: 25-14-01-01	121503	RF
- 1	232N1610-173		PANEL ASSY-MAP LIGHT (LIGHTS ONLY) POSITION DATA: LH FOR NHA/OTHER SYS DET SEE: 25-14-01-01	002004	RF
- 5	232N1610-200		PANEL ASSY-MAP LIGHT (LIGHTS ONLY) POSITION DATA: RH FOR NHA/OTHER SYS DET SEE: 25-14-01-01	006010 950951 953999	RF
- 5	232N1610-167		PANEL ASSY-MAP LIGHT (LIGHTS ONLY) POSITION DATA: RH FOR NHA/OTHER SYS DET SEE: 25-14-01-01	952952	RF
- 5	232N1610-169		PANEL ASSY-MAP LIGHT (LIGHTS ONLY) POSITION DATA: RH FOR NHA/OTHER SYS DET SEE: 25-14-01-01	002004 121503	RF

MISSING ITEM NUMBERS NOT APPLICABLE

- ITEM NOT ILLUSTRATED

33-14-51-07

33-14-51
FIG. 07
PAGE 1
JAN 20/09

BRI



757

PARTS CATALOG (MAINTENANCE)

FIG ITEM	PART NUMBER	1 2 3 4 5 6 7	NOMENCLATURE	EFFECT FROM TO	UNITS PER ASSY
7					
10	PS10F6DL11BG	.	SCREW- SUPPLIER CODE: V12324	002004 006010 121503 950999	4
15	232N1629-9	.	HOUSING ASSY- POSITION DATA: LH SIDE	002004 006010 121503 950999	1
20	232N1629-10	.	HOUSING ASSY- POSITION DATA: RH SIDE	002004 006010 121503 950999	1
25	81000-13701	.	LIGHT ASSY- SUPPLIER CODE: VS5006 SPECIFICATION NUMBER: S232T500-1 ELECTRICAL EQUIP NUMBER: L00277 L00278	002004 006010 121503 950999	1
30	89911-00094	..	SCREW-CAPTIVE SUPPLIER CODE: VS5006	002004 006010 121503 950999	4
35	81002-13701	..	BEZEL ASSY- SUPPLIER CODE: VS5006	002004 006010 121503 950999	1
40	81125-13701	..	SLIDER- SUPPLIER CODE: VS5006	002004 006010 121503 950999	1
45	81118-13701	..	SLIDER- SUPPLIER CODE: VS5006	002004 006010 121503 950999	1
50	1308	..	BULB- SUPPLIER CODE: V08806 OPTIONAL SUPPLIER CODE: S5006 92966	002004 006010 121503 950999	1
55	81119-13701	..	CAP- SUPPLIER CODE: VS5006	002004 006010 121503 950999	1
60	81003-13701	..	SOCKET ASSY- SUPPLIER CODE: VS5006	002004 006010 121503 950999	1

R
R
R
R
R

MISSING ITEM NUMBERS NOT APPLICABLE

- ITEM NOT ILLUSTRATED

33-14-51-07

33-14-51
FIG. 07
PAGE 2
MAY 20/09

BRI



757

PARTS CATALOG (MAINTENANCE)

FIG ITEM	PART NUMBER	1 2 3 4 5 6 7	NOMENCLATURE	EFFECT FROM TO	UNITS PER ASSY
7 65	81001-13701		..HOUSING ASSY- SUPPLIER CODE: VS5006	002004 006010 121503 950999	1

MISSING ITEM NUMBERS NOT APPLICABLE

- ITEM NOT ILLUSTRATED

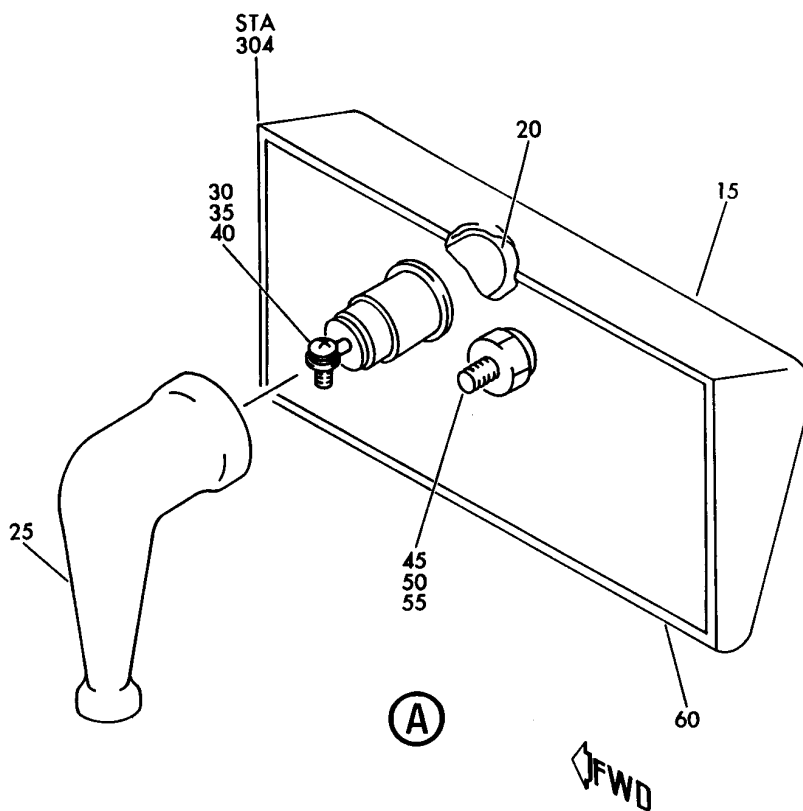
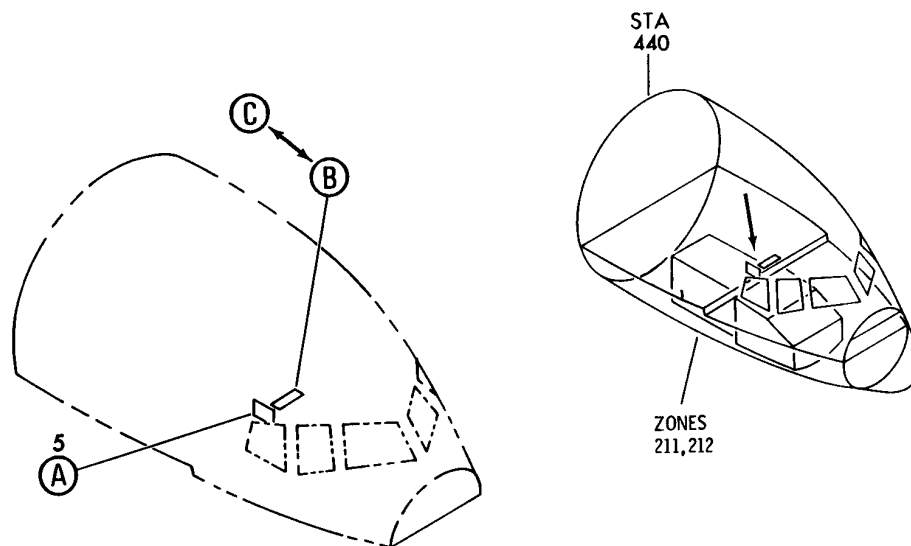
BRI

33-14-51-07

BOEING PROPRIETARY - Copyright © - Unpublished Work - See title page for details.

33-14-51
FIG. 07
PAGE 3
JAN 20/09

BOEING
757
PARTS CATALOG (MAINTENANCE)



Y 33145110 SHT 1 REV 143

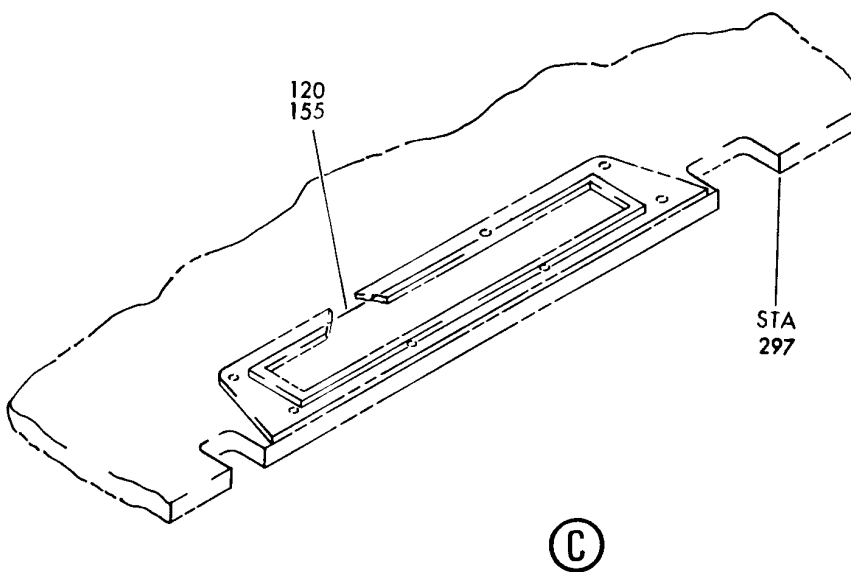
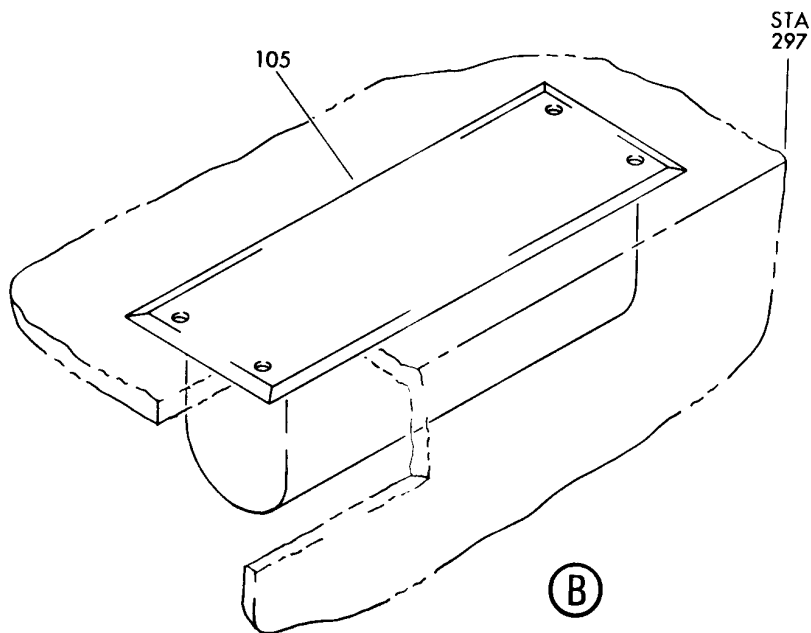
LIGHT INSTL-THRESHOLD
FIGURE 10 (SHEET 1)

33-14-51-10

BRI
MAY 28/07

33-14-51-10
PAGE 0

BOEING
757
PARTS CATALOG (MAINTENANCE)



Y 33145110 SHT 2 REV 183

LIGHT INSTL-THRESHOLD
FIGURE 10 (SHEET 2)

33-14-51-10

BRI
MAY 28/07

33-14-51-10
PAGE 0A



757

PARTS CATALOG (MAINTENANCE)

FIG ITEM	PART NUMBER	1 2 3 4 5 6 7	NOMENCLATURE	EFFECT FROM TO	UNITS PER ASSY
10			LIGHT INSTL-THRESHOLD	002004 006999	
- 1	232N5004-2		LIGHT INSTL-THRESHOLD FOR NHA SEE: 25-10-00-01 25-10-00-10	002004 006102 107999	RF
- 1	MODREF7065		LIGHT INSTL-THRESHOLD MODULE NUMBER: 232N5004-2 REV A	103106	1
5	15-0491-1		.LIGHT ASSY- SUPPLIER CODE: V72914 ELECTRICAL EQUIP NUMBER: L00236 OPTIONAL PART: 15-0491-3 V72914	002004 006999	1
5	15-0491-3		.LIGHT ASSY- SUPPLIER CODE: V72914 ELECTRICAL EQUIP NUMBER: L00236 OPTIONAL PART: 15-0491-1 V72914	002004 006999	1
- 10	NAS601-3P		ATTACHING PARTS .SCREW-	002004 006999	4
15	16-1668-1		-----*----- ..COVER- SUPPLIER CODE: V72914	002004 006999	1
20	GE1864		..LAMP- SUPPLIER CODE: V08806	002004 006999	1
25	BT170		..BOOT- SUPPLIER CODE: V72914 USED ON: 15-0491-3	002004 006999	1
30	MS35206-226		..SCREW	002004 006999	1
35	MS27183-5		..WASHER	002004 006999	1
40	MS35338-41		..WASHER-LOCK	002004 006999	1
45	AN960-10L		..WASHER	002004 006999	1

MISSING ITEM NUMBERS NOT APPLICABLE

- ITEM NOT ILLUSTRATED

33-14-51-10

33-14-51
FIG. 10
PAGE 1
JAN 20/09

BRI



757

PARTS CATALOG (MAINTENANCE)

FIG ITEM	PART NUMBER	1 2 3 4 5 6 7	NOMENCLATURE	EFFECT FROM TO	UNITS PER ASSY
10					
50	MS35338-43		.. WASHER-LOCK	002004 006999	1
55	MS35650-302		.. NUT	002004 006999	1
60	16-1666-1		.. FIXTURE SUBASSY- SUPPLIER CODE: V72914	002004 006999	1

MISSING ITEM NUMBERS NOT APPLICABLE

- ITEM NOT ILLUSTRATED

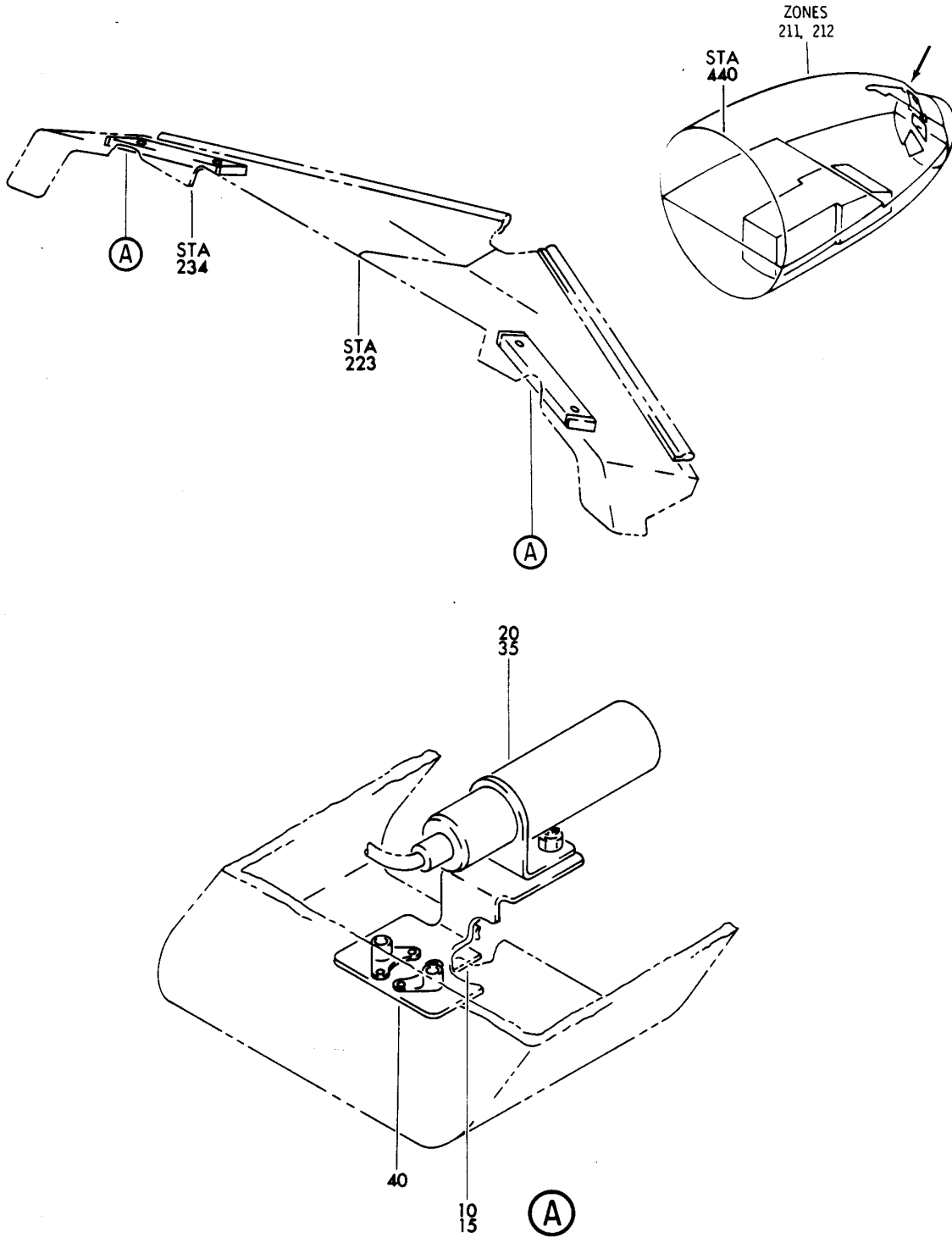
BRI

33-14-51-10

BOEING PROPRIETARY - Copyright © - Unpublished Work - See title page for details.

33-14-51
FIG. 10
PAGE 2
JAN 20/09

BOEING
757
PARTS CATALOG (MAINTENANCE)



Y 33145115 SHT 1 REV 010

LIGHT INSTL-CHART
FIGURE 15

33-14-51-15

BRI
MAY 28/07

33-14-51-15
PAGE 0



757

PARTS CATALOG (MAINTENANCE)

FIG ITEM	PART NUMBER	1 2 3 4 5 6 7	NOMENCLATURE	EFFECT FROM TO	UNITS PER ASSY
15			LIGHT INSTL-CHART	002004 006999	
- 1	232N5010-3		LIGHT INSTL-CHART CAPT FOR NHA SEE: 25-10-00-05	002004 006100 107107 121503 904999	RF
- 1	232N5010-5		LIGHT INSTL-CHART CAPT FOR NHA SEE: 25-10-00-10	101102 108120 504903	RF
- 1	MODREF7067		LIGHT INSTL-CHART CAPT MODULE NUMBER: 232N5010-5 REV A	103103	1
- 1	MODREF27438		LIGHT INSTL-CHART CAPT MODULE NUMBER: 232N5010-5 REV B	104106	1
- 5	232N5010-4		LIGHT INSTL-CHART FIRST OFFICER FOR NHA SEE: 25-10-00-05	002004 006100 107107 121503 904999	RF
- 5	232N5010-6		LIGHT INSTL-CHART FIRST OFFICER FOR NHA SEE: 25-10-00-10	101102 108120 504903	RF
- 5	MODREF7068		LIGHT INSTL-CHART FIRST OFFICER MODULE NUMBER: 232N5010-6 REV A	103103	1
- 5	MODREF27439		LIGHT INSTL-CHART FIRST OFFICER MODULE NUMBER: 232N5010-6 REV B	104106	1
10	BAC27NFDE0053		.DECAL-L279 USED ON: 232N5010-1 232N5010-3 232N5010-5 MODREF7067 MODREF27438	002004 006999	1
15	BAC27NFDE0054		.DECAL-L280 USED ON: 232N5010-2 232N5010-4 232N5010-6 MODREF7068 MODREF27439	002004 006999	1

MISSING ITEM NUMBERS NOT APPLICABLE

- ITEM NOT ILLUSTRATED

33-14-51-15

33-14-51
FIG. 15
PAGE 1
JAN 20/09

BRI



**757
PARTS CATALOG (MAINTENANCE)**

FIG ITEM	PART NUMBER	1 2 3 4 5 6 7	NOMENCLATURE	EFFECT FROM TO	UNITS PER ASSY
15					
20	69B41965-1		.LIGHT ASSY- ELECTRICAL EQUIP NUMBER: L00279 L00280 ATTACHING PARTS	002004 006999	1
- 25	NAS601-6P		.SCREW	002004 006999	2
- 30	BRH10A06		.NUT SUPPLIER CODE: V52828 SPECIFICATION NUMBER: BACN10JCO6 OPTIONAL PART: H10-06BAC V15653 RMLH9075-62W V72962 VN303A62 V92215 96-62 V80539 NS202101-62 V80539 T6S632J V11815	002004 006100 107107 121503 904999	2
- 30	BRH10C06D		.NUT SUPPLIER CODE: V52828 SPECIFICATION NUMBER: BACN10JCO6CD OPTIONAL PART: T6C632JCD V11815 NS202486-62 V80539 102LH9075-62W V72962 H51650-06BAC V15653 -----*-----	101106 108120 504903	2
35	A4135C1864		..LIGHT- SUPPLIER CODE: V72914	002004 006999	1
40	232N5013-1		.BRACKET ASSY-	002004 006999	1

MISSING ITEM NUMBERS NOT APPLICABLE

- ITEM NOT ILLUSTRATED

33-14-51-15

33-14-51
FIG. 15
PAGE 2
JAN 20/09

BRI



757

PARTS CATALOG (MAINTENANCE)

FIG ITEM	PART NUMBER	1 2 3 4 5 6 7	NOMENCLATURE	EFFECT FROM TO	UNITS PER ASSY
15 - 45	SFSW10F7DL12BN		ATTACHING PARTS . SCREW- SUPPLIER CODE: V12324 -----*-----	002004 006999	2

MISSING ITEM NUMBERS NOT APPLICABLE

- ITEM NOT ILLUSTRATED

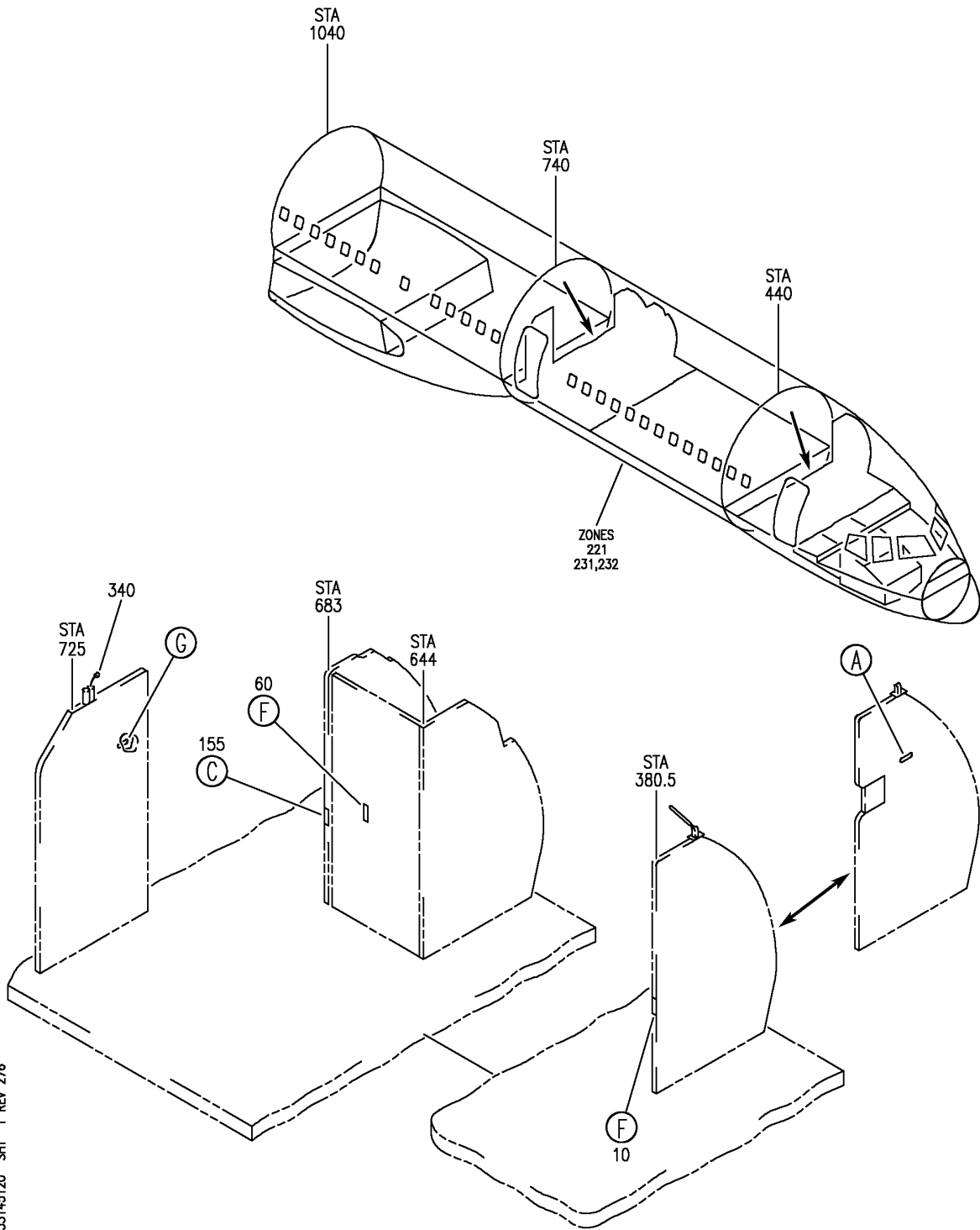
BRI

33-14-51-15

BOEING PROPRIETARY - Copyright © - Unpublished Work - See title page for details.

33-14-51
FIG. 15
PAGE 3
JAN 20/09

BOEING
757
PARTS CATALOG (MAINTENANCE)



Y 33145120 SH1 1 REV 276

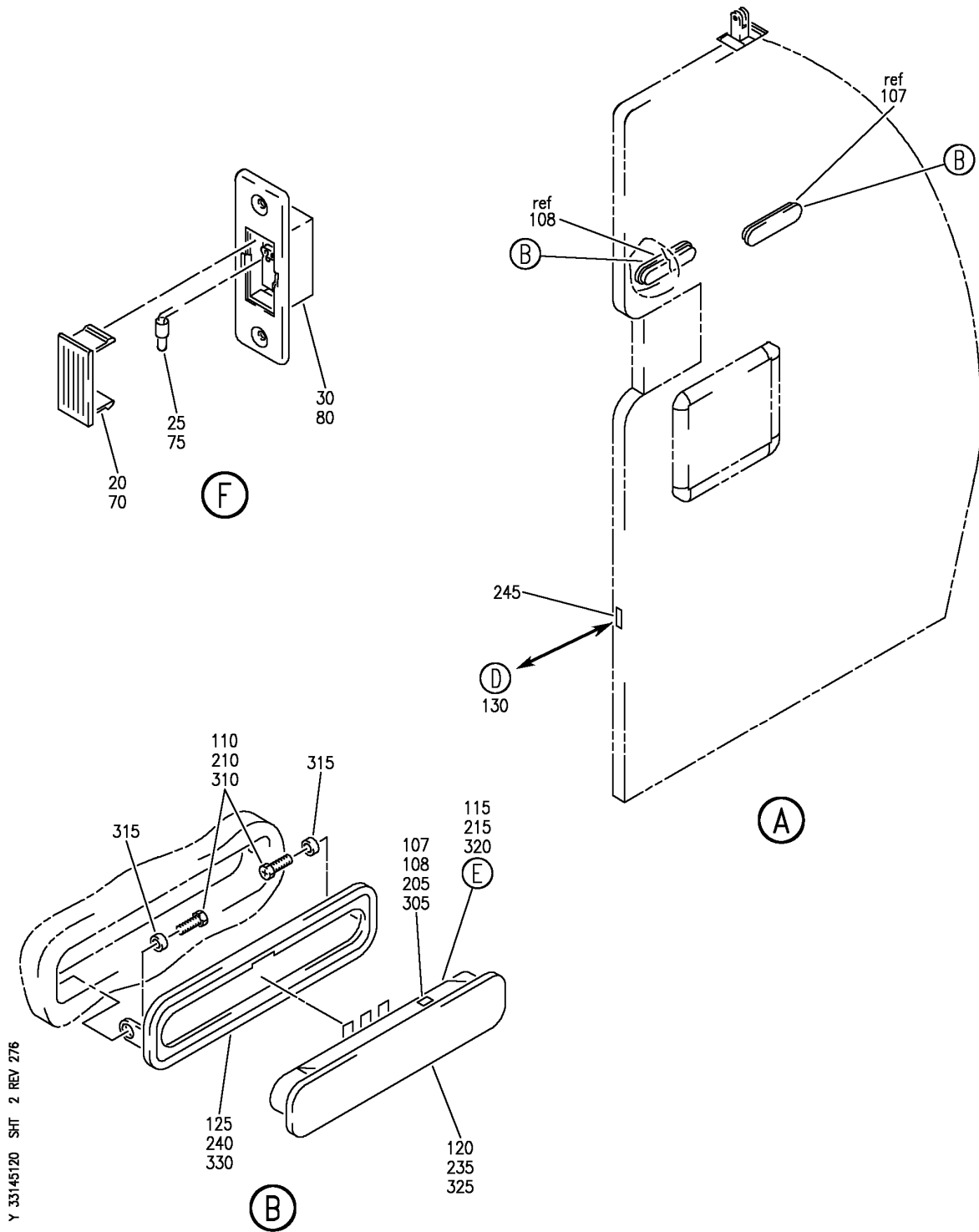
WINDSCREEN ASSY-L FWD (LIGHTS ONLY)
FIGURE 20 (SHEET 1)

33-14-51-20

BRI
JAN 20/09

33-14-51-20
PAGE 0

BOEING
757
PARTS CATALOG (MAINTENANCE)



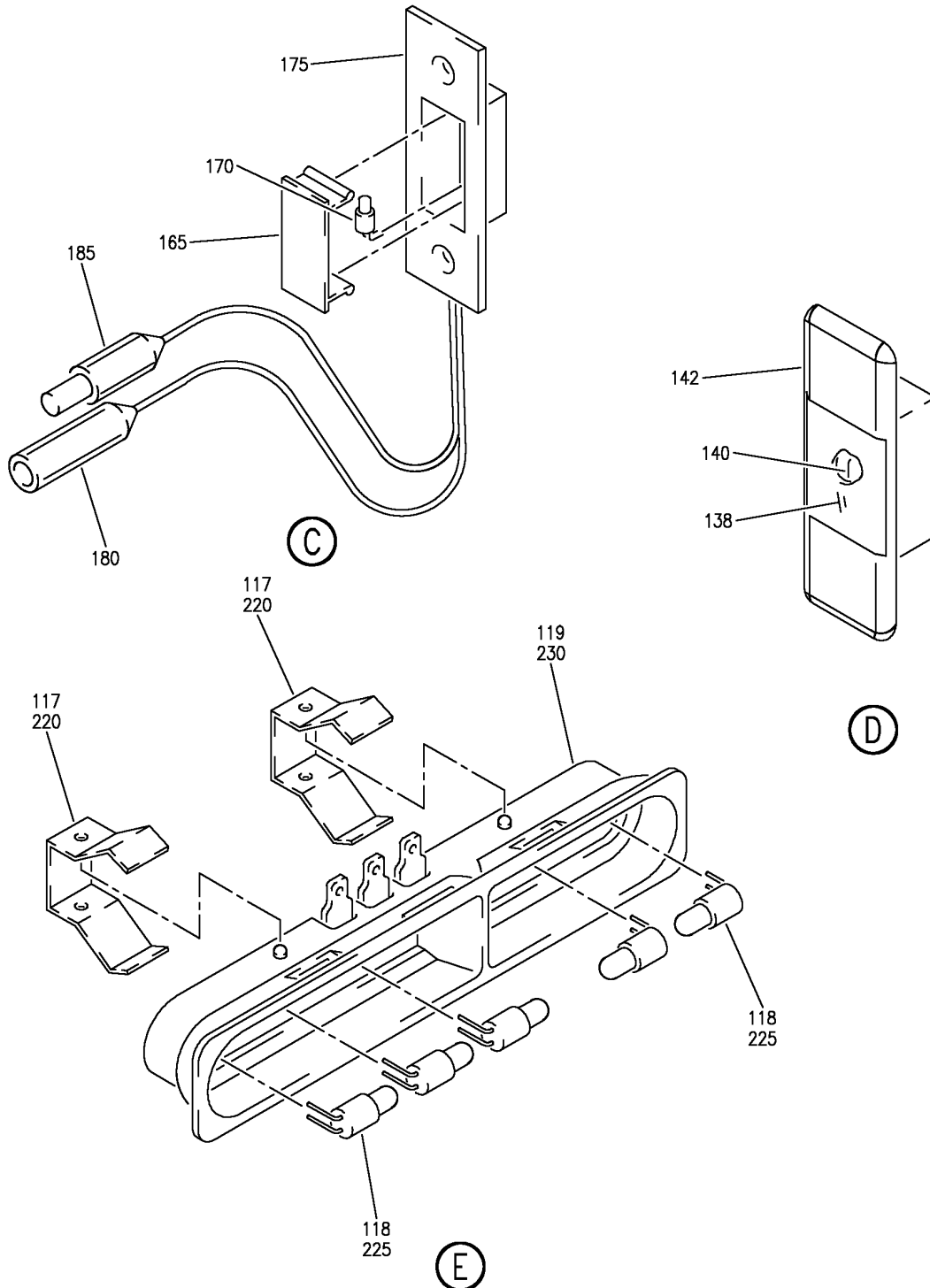
WINDSCREEN ASSY-L FWD (LIGHTS ONLY)
FIGURE 20 (SHEET 2)

33-14-51-20

BRI
JAN 20/09

33-14-51-20
PAGE 0A

BOEING
757
PARTS CATALOG (MAINTENANCE)



Y 33145120 SHT 3 REV 257

WINDSCREEN ASSY-L FWD (LIGHTS ONLY)
FIGURE 20 (SHEET 3)

33-14-51-20

BRI
JAN 20/09

33-14-51-20
PAGE 0B



757

PARTS CATALOG (MAINTENANCE)

FIG ITEM	PART NUMBER	1 2 3 4 5 6 7	NOMENCLATURE	EFFECT FROM TO	UNITS PER ASSY
20			WINDSCREEN ASSY-L FWD (LIGHTS ONLY)	103106	
- 200	413N3105-144B		WINDSCREEN ASSY- (LIGHTS ONLY) FOR NHA/OTHER SYS DET SEE: 25-24-01-42	103106	RF
205	BAC27NPA1407		.MARKER- L832 NS/FSB SIGN POSITION DATA: FWD LH	103106	1
210	BACS12CK06-3		.SCREW	103106	2
215	82000-35701		.HOUSING ASSY-NO SMOKING/FASTEN SEAT BELT SIGN SUPPLIER CODE: VS5006 SPECIFICATION NUMBER: S479W410-1 COMPONENT MAINT MANUAL REF: 33-24-01	103106	1
220	82104-35701		..SPRING-MTG SUPPLIER CODE: VS5006	103106	1
225	0L6034BPGPL		..LAMP- SUPPLIER CODE: VS3774 OPTIONAL PART: 6034BPGPL VS5006	103106	5
225	6034BPGPL		..LAMP- SUPPLIER CODE: VS5006 OPTIONAL PART: 0L6034BPGPL V31869	103106	5
230	82002-35701		..HOUSING- SUPPLIER CODE: VS5006	103106	1
235	82000-35801		.LENS-NO SMOKING/FASTEN SEAT BELT SIGN SUPPLIER CODE: VS5006 SPECIFICATION NUMBER: S479W410-1001 COMPONENT MAINT MANUAL REF: 33-24-01	103106	1
240	479W4102-4A		.BEZEL	103106	1

MISSING ITEM NUMBERS NOT APPLICABLE

- ITEM NOT ILLUSTRATED

33-14-51-20

33-14-51
FIG. 20
PAGE 1
JAN 20/09

BRI



757

PARTS CATALOG (MAINTENANCE)

FIG ITEM	PART NUMBER	1 2 3 4 5 6 7	NOMENCLATURE	EFFECT FROM TO	UNITS PER ASSY
20 245	81000-33807		.LIGHT-PROXIMITY SUPPLIER CODE: VS5006 ATTACHING PARTS	103106	1
- 250	MS24693C26		.SCREW -----*-----	103106	2

MISSING ITEM NUMBERS NOT APPLICABLE

- ITEM NOT ILLUSTRATED

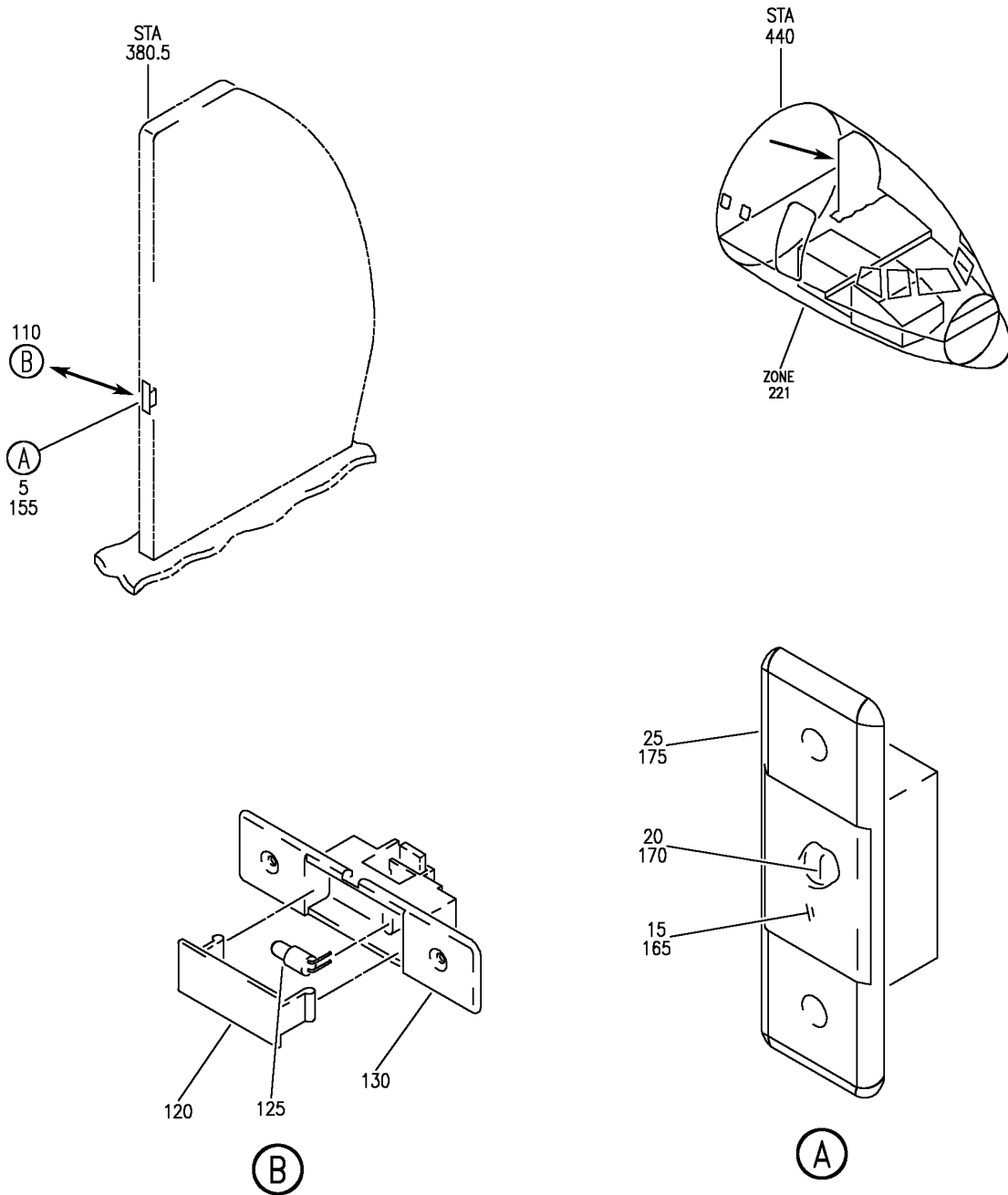
BRI

33-14-51-20

BOEING PROPRIETARY - Copyright © - Unpublished Work - See title page for details.

33-14-51
FIG. 20
PAGE 2
JAN 20/09

BOEING
757
PARTS CATALOG (MAINTENANCE)



Y 33145124 REV 274

WINDSCREEN ASSY-L AFT (LIGHTS ONLY)
FIGURE 24

33-14-51-24

BRI
JAN 20/09

33-14-51-24
PAGE 0

BOEING
757
PARTS CATALOG (MAINTENANCE)

FIG ITEM	PART NUMBER	1 2 3 4 5 6 7	NOMENCLATURE	EFFECT FROM TO	UNITS PER ASSY
24			WINDSCREEN ASSY-L AFT (LIGHTS ONLY)	103105 108120	
- 1	413N3107-223B		WINDSCREEN ASSY- FOR NHA/OTHER SYS DET SEE: 25-24-01-25	108120	RF
	5 81000-33802		.LIGHT-PROXIMITY SUPPLIER CODE: VS5006 SPECIFICATION NUMBER: S479W230-6 COMPONENT MAINT MANUAL REF: 33-51-02 OPTIONAL PART: 0202366-003 VOVDA9	108120	1
R	5 0202366-003		.LIGHT-PROXIMITY SUPPLIER CODE: VOVDA9 SPECIFICATION NUMBER: S479W230-6 ELECTRICAL EQUIP NUMBER: L01055 OPTIONAL PART: 81000-33802 VS5006	108120	1
R			ATTACHING PARTS		
R	- 10 MS24693C26		.SCREW -----*-----	108120	2
R	15 81101-33801		..LENS- SUPPLIER CODE: VS5006	108120	1
R	15 0203173-001		..LENS CLEAR- SUPPLIER CODE: VOVDA9 USED ON: 0202366-003	108120	1
R	20 3071BPEGPL		..LAMP- SUPPLIER CODE: VS5006	108120	1
R	20 0L3071BPE		..LAMP-T-1, 6V SUPPLIER CODE: VS3774 MISCELLANEOUS DATA: SPECIFICATION LP7265002 SUPPLIER CODE VOVDA9 USED ON: 0202366-003	108120	1

MISSING ITEM NUMBERS NOT APPLICABLE

- ITEM NOT ILLUSTRATED

BRI

33-14-51-24

BOEING PROPRIETARY - Copyright © - Unpublished Work - See title page for details.

33-14-51
FIG. 24
PAGE 1
MAY 20/09



757

PARTS CATALOG (MAINTENANCE)

FIG ITEM	PART NUMBER	1 2 3 4 5 6 7	NOMENCLATURE	EFFECT FROM TO	UNITS PER ASSY
24					
- 25	81001-33802	..	HOUSING- SUPPLIER CODE: VS5006	108120	1
- 25	0202513-003	..	HOUSING- SUPPLIER CODE: VOVDA9 USED ON: 0202366-003	108120	1
- 30	SL2334-06A3	.I	INSERT- SUPPLIER CODE: V97393	108120	2
- 100	413N3107-230B		WINDSCREEN ASSY- FOR NHA/OTHER SYS DET SEE: 25-24-01-41	103105	RF
- 105	SL2334-06A3	.I	INSERT- SUPPLIER CODE: V97393	103105	2
110	81000-33807	.L	LIGHT-PROXIMITY SUPPLIER CODE: VS5006	103105	1
- 115	MS24693C26	.S	ATTACHING PARTS SCREW -----*-----	103105	2
120	81101-33802	..	LENS- SUPPLIER CODE: VS5006	103105	1
125	3071BPEGPL	..	LAMP- SUPPLIER CODE: VS5006 OPTIONAL PART: 89903-00088 VS5006	103105	1
125	89903-00088	..	LAMP- SUPPLIER CODE: VS5006 OPTIONAL PART: 3071BPEGPL VS5006	103105	1
130	81001-33807	..	HOUSING- SUPPLIER CODE: VS5006	103105	1

MISSING ITEM NUMBERS NOT APPLICABLE

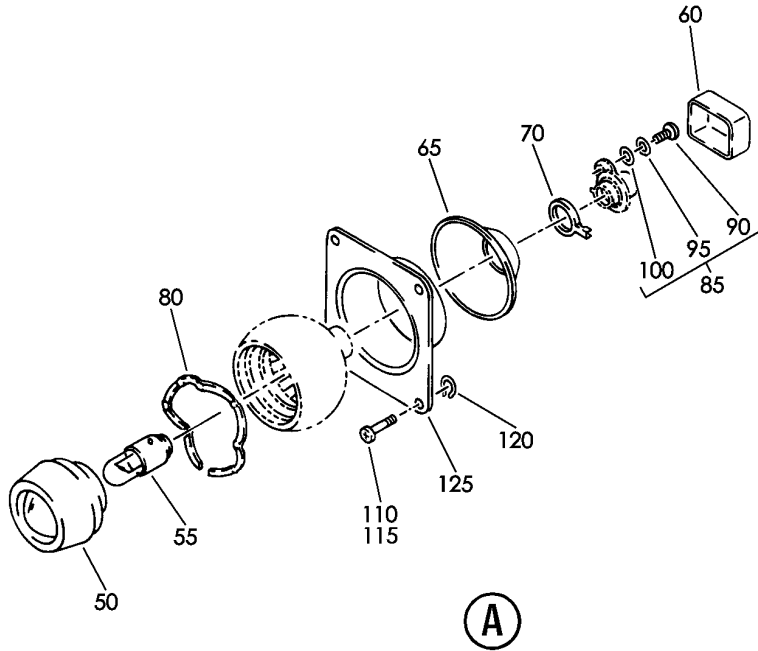
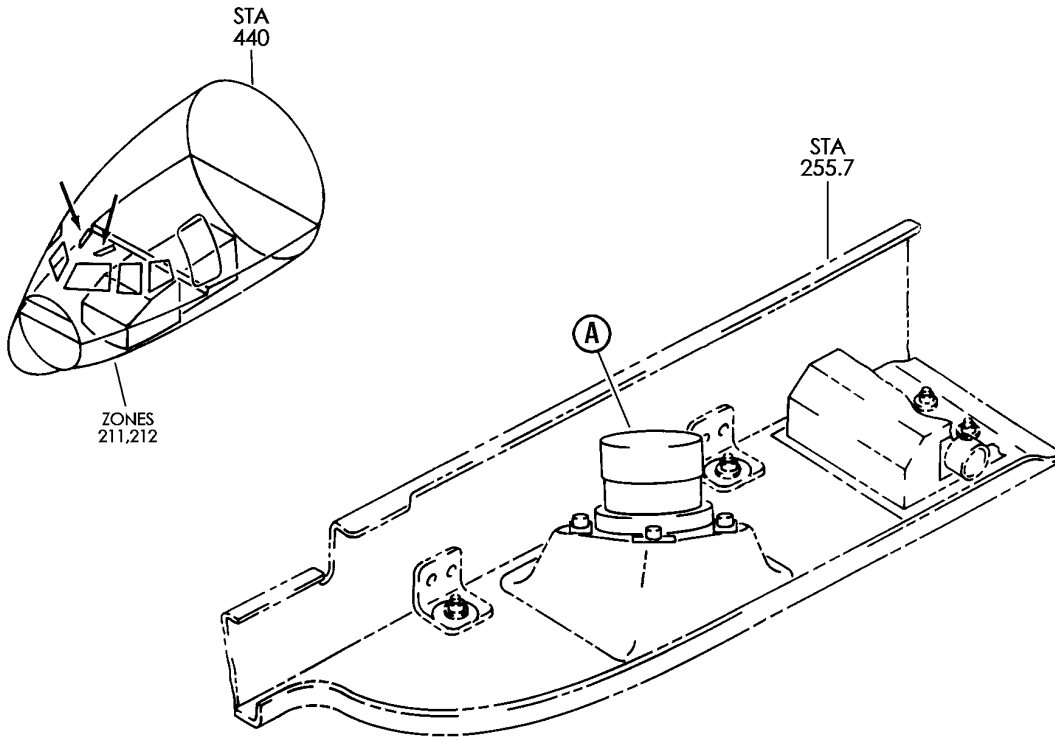
- ITEM NOT ILLUSTRATED

33-14-51-24

33-14-51
FIG. 24
PAGE 2
MAY 20/09

BRI

BOEING
757
PARTS CATALOG (MAINTENANCE)



Y 33145150 REV 243

LIGHT ASSY MAP
FIGURE 50

33-14-51-50

BRI
MAY 28/07

33-14-51-50
PAGE 0



757

PARTS CATALOG (MAINTENANCE)

FIG ITEM	PART NUMBER	1 2 3 4 5 6 7	NOMENCLATURE	EFFECT FROM TO	UNITS PER ASSY
50			LIGHT ASSY MAP	011106 108120 504903	
- 1	15-0714-4		LIGHT ASSY-MAP SUPPLIER CODE: V72914 SPECIFICATION NUMBER: S232W500-4 ELECTRICAL EQUIP NUMBER: L277 L278 COMPONENT MAINT MANUAL REF: 33-30-14 OPTIONAL PART: 81000-13701 VS5006 FOR NHA SEE: 31-51-11-05	011106 108120 504903	RF
- 1	15-0714-1		LIGHT ASSY-MAP SUPPLIER CODE: V72914 SPECIFICATION NUMBER: S232W500-1 ELECTRICAL EQUIP NUMBER: L277 L278 COMPONENT MAINT MANUAL REF: 33-30-14 OPTIONAL PART: 81000-13701 VS5006 FOR NHA SEE: 31-51-11-05	011106 108120 504903	RF
- 1	81000-13701		LIGHT ASSY-MAP SUPPLIER CODE: VS5006 SPECIFICATION NUMBER: S232T500-1 ELECTRICAL EQUIP NUMBER: L277 L278 OPTIONAL PART: 15-0714-1 V72914 15-0714-4 V72914 FOR NHA SEE: 31-51-11-05	011106 108120 504903	RF

MISSING ITEM NUMBERS NOT APPLICABLE

- ITEM NOT ILLUSTRATED

33-14-51-50

33-14-51
FIG. 50
PAGE 1
JAN 20/09

BRI



757

PARTS CATALOG (MAINTENANCE)

FIG ITEM	PART NUMBER	1 2 3 4 5 6 7	NOMENCLATURE	EFFECT FROM TO	UNITS PER ASSY
50					
50	16-2492-1		.BEZEL-MAP READING SUPPLIER CODE: V72914 USED ON: 15-0714-1 15-0714-4	011106 108120 504903	1
55	9204		.BULB-INCANDESCENT 28V 12W SUPPLIER CODE: V68045 USED ON: 15-0714-1 15-0714-4	011106 108120 504903	1
60	16-2465-1		.NIPPLE-CABLE SUPPLIER CODE: V72914 USED ON: 15-0714-1 15-0714-4	011106 108120 504903	1
65	11-6335-1		.RETAINER-MAP READING SUPPLIER CODE: V72914 CONFIG CHG DATA FROM A CMM: REPLD BY 11-6335-3 USED ON: 15-0714-1 15-0714-4	011106 108120 504903	1
65	11-6335-3		.RETAINER-MAP READING SUPPLIER CODE: V72914 CONFIG CHG DATA FROM A CMM: REPLS 11-6335-1 USED ON: 15-0714-1 15-0714-4	011106 108120 504903	1
70	60-4745-1		.WASHER- SUPPLIER CODE: V72914 USED ON: 15-0714-1 15-0714-4	011106 108120 504903	1
- 75	16-2491-1		.HOUSING ASSY- SUPPLIER CODE: V72914 USED ON: 15-0714-1 15-0714-4	011106 108120 504903	1

MISSING ITEM NUMBERS NOT APPLICABLE

- ITEM NOT ILLUSTRATED

33-14-51-50

33-14-51
FIG. 50
PAGE 2
JAN 20/09

BRI



757

PARTS CATALOG (MAINTENANCE)

FIG ITEM	PART NUMBER	1 2 3 4 5 6 7	NOMENCLATURE	EFFECT FROM TO	UNITS PER ASSY
50					
80	60-4778-1	..	WASHER- SUPPLIER CODE: V72914 CONFIG CHG DATA FROM A CMM: REPLD BY 60-4778-5	011106 108120 504903	1
80	60-4778-5	..	WASHER- SUPPLIER CODE: V72914 CONFIG CHG DATA FROM A CMM: REPLS 60-4778-1	011106 108120 504903	1
85	16-2493-1	..	LAMPHOLDER ASSY- SUPPLIER CODE: V72914 USED ON: 15-0714-1 15-0714-4	011106 108120 504903	1
90	MS35206-227	...	SCREW	011106 108120 504903	2
95	MS35338-41	...	WASHER	011106 108120 504903	2
100	MS27183-5	...	WASHER	011106 108120 504903	2
- 105	16-2494-1	..	BASE ASSY- SUPPLIER CODE: V72914 CONFIG CHG DATA FROM A CMM: REPLD BY 16-2494-3 USED ON: 15-0714-1 15-0714-4	011106 108120 504903	1
- 105	16-2494-3	..	BASE ASSY- SUPPLIER CODE: V72914 CONFIG CHG DATA FROM A CMM: REPLS 16-2494-1 USED ON: 15-0714-1 15-0714-4	011106 108120 504903	1
110	60-1362-1	...	SCREW- SUPPLIER CODE: V72914	102102 504903	RF
115	60-1362-1	...	SCREW- SUPPLIER CODE: V72914	011101 103106	4

MISSING ITEM NUMBERS NOT APPLICABLE

- ITEM NOT ILLUSTRATED

33-14-51-50

33-14-51
FIG. 50
PAGE 3
JAN 20/09

BRI



757

PARTS CATALOG (MAINTENANCE)

FIG ITEM	PART NUMBER	1 2 3 4 5 6 7	NOMENCLATURE	EFFECT FROM TO	UNITS PER ASSY
50					
120	5555-18MD		...RING-RETAINING SUPPLIER CODE: V79136	011106 108120 504903	4
125	16-2420-1		...BASE- SUPPLIER CODE: V79136 CONFIG CHG DATA FROM A CMM: REPLD BY 16-2420-3	011106 108120 504903	1
125	16-2420-3		...BASE- SUPPLIER CODE: V79136 CONFIG CHG DATA FROM A CMM: REPLS 16-2420-1	011106 108120 504903	1

MISSING ITEM NUMBERS NOT APPLICABLE

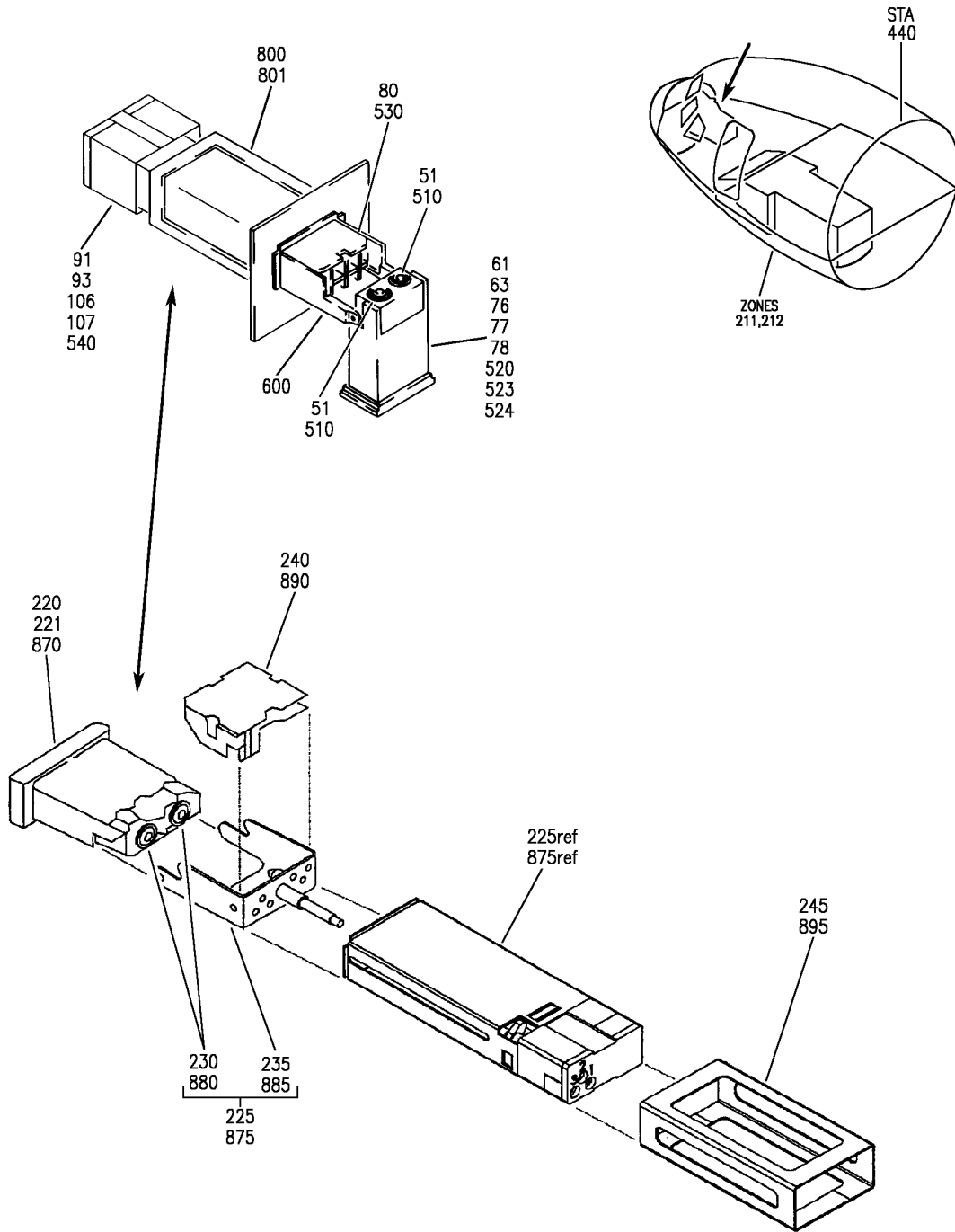
- ITEM NOT ILLUSTRATED

33-14-51-50

33-14-51
FIG. 50
PAGE 4
JAN 20/09

BRI

BOEING
757
PARTS CATALOG (MAINTENANCE)



Y 33147001 REV 276

LIGHT ASSY-IND
FIGURE 1

33-14-70-01

BRI
JAN 20/08

33-14-70-01
PAGE 0



**757
PARTS CATALOG (MAINTENANCE)**

FIG ITEM	PART NUMBER	1 2 3 4 5 6 7	NOMENCLATURE	EFFECT FROM TO	UNITS PER ASSY
1			LIGHT ASSY-IND	002004 006999	
76	674-1005-1294		.CAP ASSY-LENS SUPPLIER CODE: V81590 USED ON: BCREF6413	002004 006100 107999	1
91	434-1005-1056		.BASE ASSY- SUPPLIER CODE: V81590 USED ON: BCREF6142	002004 006100 107107 121503 904999	1
- 200	BCREF6139		LIGHT ASSY-APU BTL DISCH IND SUPPLIER CODE: V81590 OVERLENGTH PART NUMBER: 434-674-1005-1015 SPECIFICATION NUMBER: S231T300-1015 OPTIONAL PART: BCREF8528 V81590 FOR NHA SEE: 26-22-03-01 26-22-03-03	011106 108120 504903	RF
- 200	BCREF6139		LIGHT ASSY-APU BTL DISCH IND SUPPLIER CODE: V81590 OVERLENGTH PART NUMBER: 434-674-1005-1015 SPECIFICATION NUMBER: S231T300-1015 OPTIONAL PART: BCREF8528 V81590 FOR NHA SEE: 26-22-03-02	002004 006010 107107 121503 904999	RF
- 200	BCREF6140		LIGHT ASSY-ENG BTL 1 DISCH IND SUPPLIER CODE: V81590 OVERLENGTH PART NUMBER: 434-674-1005-1016 SPECIFICATION NUMBER: S231T300-1016 FOR NHA SEE: 26-21-01-01	002004 006100 121503 904999	RF

MISSING ITEM NUMBERS NOT APPLICABLE

- ITEM NOT ILLUSTRATED

33-14-70-01

33-14-70
FIG. 01
PAGE 1
JAN 20/09

BRI



757

PARTS CATALOG (MAINTENANCE)

FIG ITEM	PART NUMBER	1 2 3 4 5 6 7	NOMENCLATURE	EFFECT FROM TO	UNITS PER ASSY
1 - 200	BCREF6140		LIGHT ASSY-ENG BTL 1 DISCH IND SUPPLIER CODE: V81590 OVERLENGTH PART NUMBER: 434-674-1005-1016 SPECIFICATION NUMBER: S231T300-1016 QUALIFIED OPTIONAL DATA: S231T300-1016 WITH WHITE DOT IDENTIFIER ON CAP ASSEMBLY IS OPTIONAL TO S231T300-2016. FOR NHA SEE: 26-21-01-01	002004 006100 121503 904999	RF
- 200	BCREF6141		LIGHT ASSY-ENG BTL 2 DISCH IND SUPPLIER CODE: V81590 OVERLENGTH PART NUMBER: 434-674-1005-1017 SPECIFICATION NUMBER: S231T300-1017 FOR NHA SEE: 26-21-01-01	002004 006100 121503 904999	RF
- 200	BCREF6141		LIGHT ASSY-ENG BTL 2 DISCH IND SUPPLIER CODE: V81590 OVERLENGTH PART NUMBER: 434-674-1005-1017 SPECIFICATION NUMBER: S231T300-1017 QUALIFIED OPTIONAL DATA: S231T300-1017 WITH WHITE DOT IDENTIFIER ON CAP ASSEMBLY IS OPTIONAL TO S231T300-2017. FOR NHA SEE: 26-21-01-01	002004 006100 121503 904999	RF

MISSING ITEM NUMBERS NOT APPLICABLE

- ITEM NOT ILLUSTRATED

BRI

33-14-70-01

33-14-70
FIG. 01
PAGE 2
JAN 20/09



757

PARTS CATALOG (MAINTENANCE)

FIG ITEM	PART NUMBER	1 2 3 4 5 6 7	NOMENCLATURE	EFFECT FROM TO	UNITS PER ASSY
1					
- 200	BCREF6142		LIGHT ASSY-ENG OVHT IND SUPPLIER CODE: V81590 POSITION DATA: L OVERLENGTH PART NUMBER: 434-674-1005-1056 SPECIFICATION NUMBER: S231T300-1056 FOR NHA SEE: 26-11-54-01	904949	RF
- 200	BCREF6142		LIGHT ASSY-ENG OVHT IND SUPPLIER CODE: V81590 POSITION DATA: L OVERLENGTH PART NUMBER: 434-674-1005-1056 SPECIFICATION NUMBER: S231T300-1056 QUALIFIED OPTIONAL DATA: S231T300-1056 WITH WHITE DOT IDENTIFIER ON CAP ASSEMBLY IS OPTIONAL TO S231T300-2056. FOR NHA SEE: 26-11-54-01	904949	RF
- 200	BCREF6144		LIGHT ASSY-ENG OVHT IND SUPPLIER CODE: V81590 POSITION DATA: R OVERLENGTH PART NUMBER: 434-647-1005-1097 SPECIFICATION NUMBER: S231T300-1097 FOR NHA SEE: 26-11-54-01	904949	RF

MISSING ITEM NUMBERS NOT APPLICABLE

- ITEM NOT ILLUSTRATED

BRI

33-14-70-01

BOEING PROPRIETARY - Copyright © - Unpublished Work - See title page for details.

33-14-70
FIG. 01
PAGE 3
JAN 20/09



757

PARTS CATALOG (MAINTENANCE)

FIG ITEM	PART NUMBER	1 2 3 4 5 6 7	NOMENCLATURE	EFFECT FROM TO	UNITS PER ASSY
1 - 200	BCREF6144		LIGHT ASSY-ENG OVHT IND SUPPLIER CODE: V81590 POSITION DATA: R OVERLENGTH PART NUMBER: 434-647-1005-1097 SPECIFICATION NUMBER: S231T300-1097 QUALIFIED OPTIONAL DATA: S231T300-1097 WITH WHITE DOT IDENTIFIER ON CAP ASSEMBLY IS OPTIONAL TO S231T300-2097. FOR NHA SEE: 26-11-54-01	904949	RF
- 201	BCREF6164		LIGHT ASSY-ENG VALVE IND SUPPLIER CODE: V81590 OVERLENGTH PART NUMBER: 434-674-1005-1034 SPECIFICATION NUMBER: S231T300-1034 OPTIONAL PART: BCREF8402 V81590 FOR NHA SEE: 76-11-51-01	002004 006102 108999	RF
- 201	BCREF6166		LIGHT ASSY-SPAR VALVE IND SUPPLIER CODE: V81590 OVERLENGTH PART NUMBER: 434-674-1005-1109 SPECIFICATION NUMBER: S231T300-1109 OPTIONAL PART: BCREF8404 V81590 FOR NHA SEE: 76-11-51-01	002004 006102 108999	RF

MISSING ITEM NUMBERS NOT APPLICABLE

- ITEM NOT ILLUSTRATED

BRI

33-14-70-01

BOEING PROPRIETARY - Copyright © - Unpublished Work - See title page for details.

33-14-70
FIG. 01
PAGE 4
JAN 20/09



757

PARTS CATALOG (MAINTENANCE)

FIG ITEM	PART NUMBER	1 2 3 4 5 6 7	NOMENCLATURE	EFFECT FROM TO	UNITS PER ASSY
1					
- 201	BCREF6165		LIGHT ASSY-REV ISLN IND SUPPLIER CODE: V81590 OVERLENGTH PART NUMBER: 434-674-1005-1101 SPECIFICATION NUMBER: S231T300-1101 OPTIONAL PART: BCREF8403 V81590 FOR NHA SEE: 76-11-51-01	002004 904949 952952	RF
- 201	BCREF6390		LIGHT ASSY-PARK BRAKE IND SUPPLIER CODE: V81590 OVERLENGTH PART NUMBER: 434-674-1005-1234 SPECIFICATION NUMBER: S231T300-1234 OPTIONAL PART: BCREF8405 V81590 FOR NHA SEE: 32-44-51-01	002004 006999	RF
220	674-1005-1015		.CAP ASSY-LENS APU BTL DISCH SUPPLIER CODE: V81590 USED ON: BCREF6139	002004 006102 107999	1
220	674-1005-1016		.CAP ASSY-LENS ENG BTL 1 DISCH SUPPLIER CODE: V81590 USED ON: BCREF6140	002004 006100 121503 904999	1
220	674-1005-1017		.CAP ASSY-LENS ENG BTL 2 DISCH SUPPLIER CODE: V81590 USED ON: BCREF6141	002004 006100 121503 904999	1
220	674-1005-1056		.CAP ASSY-LENS ENG OVHT SUPPLIER CODE: V81590 POSITION DATA: L USED ON: BCREF6142	002004 006100 121503 904999	1

MISSING ITEM NUMBERS NOT APPLICABLE

- ITEM NOT ILLUSTRATED

33-14-70-01

33-14-70
FIG. 01
PAGE 5
JAN 20/09

BRI



757

PARTS CATALOG (MAINTENANCE)

FIG ITEM	PART NUMBER	1 2 3 4 5 6 7	NOMENCLATURE	EFFECT FROM TO	UNITS PER ASSY
1					
220	674-1005-1034		.CAP ASSY-LENS ENG VALVE SUPPLIER CODE: V81590 USED ON: BCREF6164	002004 006102 108999	1
220	674-1005-1109		.CAP ASSY-LENS SPAR VALVE SUPPLIER CODE: V81590 USED ON: BCREF6166	002004 006102 108999	1
221	674-1005-1101		.CAP ASSY-LENS REV ISLN SUPPLIER CODE: V81590 USED ON: BCREF6165	002004 904949 952952	1
221	674-1005-1234		.CAP ASSY-LENS PARK BRAKE SUPPLIER CODE: V81590 USED ON: BCREF6390	002004 006999	1
225	434-1005-1015		.BASE ASSY- SUPPLIER CODE: V81590 USED ON: BCREF6139	002004 006102 107999	1
225	434-1005-1016		.BASE ASSY- SUPPLIER CODE: V81590 USED ON: BCREF6140	002004 006100 121503 904999	1
225	434-1005-1017		.BASE ASSY- SUPPLIER CODE: V81590 USED ON: BCREF6141	002004 006100 121503 904999	1
225	434-1005-1097		.BASE ASSY- SUPPLIER CODE: V81590 USED ON: BCREF6144	904949	1
225	434-1005-1034		.BASE ASSY- SUPPLIER CODE: V81590 USED ON: BCREF6164	002004 006102 108999	1

MISSING ITEM NUMBERS NOT APPLICABLE

- ITEM NOT ILLUSTRATED

33-14-70-01

33-14-70
FIG. 01
PAGE 6
JAN 20/09

BRI



757

PARTS CATALOG (MAINTENANCE)

FIG ITEM	PART NUMBER	1 2 3 4 5 6 7	NOMENCLATURE	EFFECT FROM TO	UNITS PER ASSY
1					
225	434-1005-1109		.BASE ASSY- SUPPLIER CODE: V81590 USED ON: BCREF6166	002004 006102 108999	1
225	434-1005-1101		.BASE ASSY- SUPPLIER CODE: V81590 USED ON: BCREF6165	002004 904949 952952	1
225	434-1005-1234		.BASE ASSY- SUPPLIER CODE: V81590 USED ON: BCREF6390	002004 006999	1
230	MS25237-387AS15		..LAMP	103106	2
230	MS25237-387AS15		..LAMP	107107	2
230	MS25237-387AS15		..LAMP	101102	2
				108120	
				504903	
230	MS25237-387AS15		..LAMP	006100	2
				950951	
				953999	
230	MS25237-387AS15		..LAMP	002004	2
				121503	
				952952	
230	MS25237-387AS15		..LAMP	904949	2
235	434-092-009		..DRAWER ASSY- SUPPLIER CODE: V81590	103106	1
235	434-092-009		..DRAWER ASSY- SUPPLIER CODE: V81590	107107	1
235	434-092-009		..DRAWER ASSY- SUPPLIER CODE: V81590	101102	1
				108120	
				504903	
235	434-092-009		..DRAWER ASSY- SUPPLIER CODE: V81590	006100	1
				950951	
				953999	
235	434-092-009		..DRAWER ASSY- SUPPLIER CODE: V81590	002004	1
				121503	
				952952	
235	434-092-009		..DRAWER ASSY- SUPPLIER CODE: V81590	904949	1
240	434-092-001		.MODULE-CKT SUPPLIER CODE: V81590	103106	1

MISSING ITEM NUMBERS NOT APPLICABLE

- ITEM NOT ILLUSTRATED

33-14-70-01

33-14-70
FIG. 01
PAGE 7
JAN 20/09

BRI



757

PARTS CATALOG (MAINTENANCE)

FIG ITEM	PART NUMBER	1 2 3 4 5 6 7	NOMENCLATURE	EFFECT FROM TO	UNITS PER ASSY
1					
240	434-092-001	.	MODULE-CKT SUPPLIER CODE: V81590	107107	1
240	434-092-001	.	MODULE-CKT SUPPLIER CODE: V81590	101102 108120 504903	1
240	434-092-001	.	MODULE-CKT SUPPLIER CODE: V81590	006100 950951 953999	1
240	434-092-001	.	MODULE-CKT SUPPLIER CODE: V81590	002004 121503 952952	1
240	434-092-001	.	MODULE-CKT SUPPLIER CODE: V81590	904949	1
245	434-072-001	..	SLEEVE-LONG MOUNTING SUPPLIER CODE: V81590	103106	1
245	434-072-001	..	SLEEVE-LONG MOUNTING SUPPLIER CODE: V81590	107107	1
245	434-072-001	..	SLEEVE-LONG MOUNTING SUPPLIER CODE: V81590	101102 108120 504903	1
245	434-072-001	..	SLEEVE-LONG MOUNTING SUPPLIER CODE: V81590	006100 950951 953999	1
245	434-072-001	..	SLEEVE-LONG MOUNTING SUPPLIER CODE: V81590	002004 121503 952952	1
245	434-072-001	..	SLEEVE-LONG MOUNTING SUPPLIER CODE: V81590	904949	1
- 850	BCREF8528		LIGHT ASSY-APU BTL DISCH IND SUPPLIER CODE: V81590 OVERLENGTH PART NUMBER: 434-674-1031-2015 SPECIFICATION NUMBER: S231T300-2015 OPTIONAL PART: BCREF6139 V81590 FOR NHA SEE: 26-22-03-01 26-22-03-03	011106 108120 504903	RF

MISSING ITEM NUMBERS NOT APPLICABLE

- ITEM NOT ILLUSTRATED

BRI

33-14-70-01

33-14-70
FIG. 01
PAGE 8
JAN 20/09



757

PARTS CATALOG (MAINTENANCE)

FIG ITEM	PART NUMBER	1 2 3 4 5 6 7	NOMENCLATURE	EFFECT FROM TO	UNITS PER ASSY
1					
- 850	BCREF8528		LIGHT ASSY-APU BTL DISCH IND SUPPLIER CODE: V81590 OVERLENGTH PART NUMBER: 434-674-1031-2015 SPECIFICATION NUMBER: S231T300-2015 OPTIONAL PART: BCREF6139 V81590 FOR NHA SEE: 26-22-03-02	002004 006010 107107 121503 904999	RF
- 850	BCREF8529		LIGHT ASSY-ENG BTL 1 DISCH IND SUPPLIER CODE: V81590 OVERLENGTH PART NUMBER: 434-674-1031-2016 SPECIFICATION NUMBER: S231T300-2016 FOR NHA SEE: 26-22-03-02	002004 006100 121503 950999	RF
- 850	BCREF8529		LIGHT ASSY-ENG BTL 1 DISCH IND SUPPLIER CODE: V81590 OVERLENGTH PART NUMBER: 434-674-1031-2016 SPECIFICATION NUMBER: S231T300-2016 QUALIFIED OPTIONAL DATA: S231T300-1016 WITH WHITE DOT IDENTIFIER ON CAP ASSEMBLY IS OPTIONAL TO S231T300-2016. FOR NHA SEE: 26-21-01-01	002004 006100 121503 904999	RF

MISSING ITEM NUMBERS NOT APPLICABLE

- ITEM NOT ILLUSTRATED

BRI

33-14-70-01

BOEING PROPRIETARY - Copyright © - Unpublished Work - See title page for details.

33-14-70
FIG. 01
PAGE 9
JAN 20/09



757

PARTS CATALOG (MAINTENANCE)

FIG ITEM	PART NUMBER	1 2 3 4 5 6 7	NOMENCLATURE	EFFECT FROM TO	UNITS PER ASSY
1 - 850	BCREF8529		LIGHT ASSY-ENG BTL 1 DISCH IND SUPPLIER CODE: V81590 OVERLENGTH PART NUMBER: 434-674-1031-2016 SPECIFICATION NUMBER: S231T300-2016 POST SERVICE BULLETIN: 26-0023 FOR NHA SEE: 26-21-01-01 26-21-01-02	101120 504903	RF
- 850	BCREF8530		LIGHT ASSY-ENG BTL 2 DISCH IND SUPPLIER CODE: V81590 OVERLENGTH PART NUMBER: 434-674-1031-2017 SPECIFICATION NUMBER: S231T300-2017 FOR NHA SEE: 26-21-01-01	002004 006100 121503 950999	RF
- 850	BCREF8530		LIGHT ASSY-ENG BTL 2 DISCH IND SUPPLIER CODE: V81590 OVERLENGTH PART NUMBER: 434-674-1031-2017 SPECIFICATION NUMBER: S231T300-2017 QUALIFIED OPTIONAL DATA: S231T300-1016 WITH WHITE DOT IDENTIFIER ON CAP ASSEMBLY IS OPTIONAL TO S231T300-2016. FOR NHA SEE: 26-21-01-01	002004 006100 121503 904999	RF

MISSING ITEM NUMBERS NOT APPLICABLE

- ITEM NOT ILLUSTRATED

33-14-70-01

33-14-70
FIG. 01
PAGE 10
JAN 20/09

BRI



757

PARTS CATALOG (MAINTENANCE)

FIG ITEM	PART NUMBER	1 2 3 4 5 6 7	NOMENCLATURE	EFFECT FROM TO	UNITS PER ASSY
1 - 850	BCREF8530		LIGHT ASSY-ENG BTL 2 DISCH IND SUPPLIER CODE: V81590 OVERLENGTH PART NUMBER: 434-674-1031-2017 SPECIFICATION NUMBER: S231T300-2017 POST SERVICE BULLETIN: 26-0023 FOR NHA SEE: 26-21-01-01 26-21-01-02	101120 504903	RF
- 850	BCREF8536		LIGHT ASSY-ENG OVHT IND SUPPLIER CODE: V81590 POSITION DATA: L OVERLENGTH PART NUMBER: 434-674-1031-2056 SPECIFICATION NUMBER: S231T300-2056 FOR NHA SEE: 26-11-54-01 26-11-54-02 26-11-54-02A	002004 006106 108903 950999	RF
- 850	BCREF8536		LIGHT ASSY-ENG OVHT IND SUPPLIER CODE: V81590 POSITION DATA: L OVERLENGTH PART NUMBER: 434-674-1031-2056 SPECIFICATION NUMBER: S231T300-2056 POST SERVICE BULLETIN: 26-0023 FOR NHA SEE: 26-11-54-01	107107	RF

MISSING ITEM NUMBERS NOT APPLICABLE

- ITEM NOT ILLUSTRATED

33-14-70-01

33-14-70
FIG. 01
PAGE 11
JAN 20/09

BRI



757

PARTS CATALOG (MAINTENANCE)

FIG ITEM	PART NUMBER	1 2 3 4 5 6 7	NOMENCLATURE	EFFECT FROM TO	UNITS PER ASSY
1 - 850	BCREF8536		LIGHT ASSY-ENG OVHT IND SUPPLIER CODE: V81590 POSITION DATA: L OVERLENGTH PART NUMBER: 434-674-1031-2056 SPECIFICATION NUMBER: S231T300-2056 QUALIFIED OPTIONAL DATA: S231T300-1056 WITH WHITE DOT IDENTIFIER ON CAP ASSEMBLY IS OPTIONAL TO S231T300-2056. FOR NHA SEE: 26-11-54-01	904949	RF
- 850	BCREF8544		LIGHT ASSY-ENG OVHT IND SUPPLIER CODE: V81590 POSITION DATA: R OVERLENGTH PART NUMBER: 434-674-1031-2097 SPECIFICATION NUMBER: S231T300-2097 FOR NHA SEE: 26-11-54-01 26-11-54-02 26-11-54-02A	002004 006106 108903 950999	RF
- 850	BCREF8544		LIGHT ASSY-ENG OVHT IND SUPPLIER CODE: V81590 POSITION DATA: R OVERLENGTH PART NUMBER: 434-674-1031-2097 SPECIFICATION NUMBER: S231T300-2097 POST SERVICE BULLETIN: 26-0023 FOR NHA SEE: 26-11-54-01	107107	RF

MISSING ITEM NUMBERS NOT APPLICABLE

- ITEM NOT ILLUSTRATED

33-14-70-01

33-14-70
FIG. 01
PAGE 12
JAN 20/09

BRI



757

PARTS CATALOG (MAINTENANCE)

FIG ITEM	PART NUMBER	1 2 3 4 5 6 7	NOMENCLATURE	EFFECT FROM TO	UNITS PER ASSY
1 - 850	BCREF8544		LIGHT ASSY-ENG OVHT IND SUPPLIER CODE: V81590 POSITION DATA: R OVERLENGTH PART NUMBER: 434-674-1031-2097 SPECIFICATION NUMBER: S231T300-2097 QUALIFIED OPTIONAL DATA: S231T300-1097 WITH WHITE DOT IDENTIFIER ON CAP ASSEMBLY IS OPTIONAL TO S231T300-2097. FOR NHA SEE: 26-11-54-01	904949	RF
- 851	BCREF8402		LIGHT ASSY-ENG VALVE IND SUPPLIER CODE: V81590 OVERLENGTH PART NUMBER: 434-674-1031-2034 SPECIFICATION NUMBER: S231T300-2034 OPTIONAL PART: BCREF6164 V81590 FOR NHA SEE: 76-11-51-01	002004 006102 107999	RF
- 851	BCREF8404		LIGHT ASSY-SPAR VALVE IND SUPPLIER CODE: V81590 OVERLENGTH PART NUMBER: 434-674-1031-2109 SPECIFICATION NUMBER: S231T300-2109 OPTIONAL PART: BCREF6166 V81590 FOR NHA SEE: 76-11-51-01	002004 006102 107999	RF

MISSING ITEM NUMBERS NOT APPLICABLE

- ITEM NOT ILLUSTRATED

BRI

33-14-70-01

BOEING PROPRIETARY - Copyright © - Unpublished Work - See title page for details.

33-14-70
FIG. 01
PAGE 13
JAN 20/09



757

PARTS CATALOG (MAINTENANCE)

FIG ITEM	PART NUMBER	1 2 3 4 5 6 7	NOMENCLATURE	EFFECT FROM TO	UNITS PER ASSY
1					
- 851	BCREF8403		LIGHT ASSY-REV ISLN IND SUPPLIER CODE: V81590 OVERLENGTH PART NUMBER: 434-674-1031-2101 SPECIFICATION NUMBER: S231T300-2101 OPTIONAL PART: BCREF6165 V51890 FOR NHA SEE: 76-11-51-01	002004 904949 952952	RF
- 851	BCREF8405		LIGHT ASSY-PARK BRAKE IND SUPPLIER CODE: V81590 OVERLENGTH PART NUMBER: 434-674-1031-2234 SPECIFICATION NUMBER: S231T300-2234 OPTIONAL PART: BCREF6390 V81590 FOR NHA SEE: 32-44-51-01	002004 006999	RF
870	674-1031-2015		.CAP ASSY-LENS APU BTL DISCH SUPPLIER CODE: V81590 USED ON: BCREF8528	002004 006999	1
870	674-1031-2016		.CAP ASSY-LENS ENG BTL 1 DISCH SUPPLIER CODE: V81590 USED ON: BCREF8529	002004 006999	1
870	674-1031-2017		.CAP ASSY-LENS ENG BTL 2 DISCH SUPPLIER CODE: V81590 USED ON: BCREF8530	002004 006999	1
870	674-1031-2056		.CAP ASSY-LENS L ENG OVHT SUPPLIER CODE: V81590 USED ON: BCREF8536	002004 006999	1

MISSING ITEM NUMBERS NOT APPLICABLE

- ITEM NOT ILLUSTRATED

33-14-70-01

33-14-70
FIG. 01
PAGE 14
JAN 20/09

BRI



757

PARTS CATALOG (MAINTENANCE)

FIG ITEM	PART NUMBER	1 2 3 4 5 6 7	NOMENCLATURE	EFFECT FROM TO	UNITS PER ASSY
1					
870	674-1031-2097		.CAP ASSY-LENS R ENG OVHT SUPPLIER CODE: V81590 USED ON: BCREF8544	002004 006999	1
870	674-1031-2034		.CAP ASSY-LENS ENG VALVE SUPPLIER CODE: V81590 USED ON: BCREF8402	002004 006102 107999	1
870	674-1031-2109		.CAP ASSY-LENS SPAR VALVE SUPPLIER CODE: V81590 USED ON: BCREF8404	002004 006102 107999	1
870	674-1031-2101		.CAP ASSY-LENS REV ISLN SUPPLIER CODE: V81590 USED ON: BCREF8403	002004 904949 952952	1
870	674-1031-2234		.CAP ASSY-LENS PARK BRAKE SUPPLIER CODE: V81590 USED ON: BCREF8405	002004 006999	1
875	434-1031-2001		.BASE ASSY- SUPPLIER CODE: V81590	103106	1
875	434-1031-2001		.BASE ASSY- SUPPLIER CODE: V81590	103106	1
875	434-1031-2001		.BASE ASSY- SUPPLIER CODE: V81590	006102 107120 504903 950951 953999	1
875	434-1031-2001		.BASE ASSY- SUPPLIER CODE: V81590	002004 121503 904949 952952	1
880	MS25237-387AS15		..LAMP	103106	2
880	MS25237-387AS15		..LAMP	006102 107120 504903 950951 953999	2

MISSING ITEM NUMBERS NOT APPLICABLE

- ITEM NOT ILLUSTRATED

33-14-70-01

33-14-70
FIG. 01
PAGE 15
JAN 20/09

BRI

BOEING PROPRIETARY - Copyright © - Unpublished Work - See title page for details.



757

PARTS CATALOG (MAINTENANCE)

FIG ITEM	PART NUMBER	1 2 3 4 5 6 7	NOMENCLATURE	EFFECT FROM TO	UNITS PER ASSY
1					
880	MS25237-387AS15	. .	LAMP	002004 121503 904949 952952	2
885	434-092-009	. .	DRAWER ASSY- SUPPLIER CODE: V81590	103106	1
885	434-092-009	. .	DRAWER ASSY- SUPPLIER CODE: V81590	006102 107120 504903 950951 953999	1
885	434-092-009	. .	DRAWER ASSY- SUPPLIER CODE: V81590	002004 121503 904949 952952	1
890	434-093-001	. .	MODULE-CKT SUPPLIER CODE: V81590	103106	1
890	434-093-001	. .	MODULE-CKT SUPPLIER CODE: V81590	006102 107120 504903 950951 953999	1
890	434-093-001	. .	MODULE-CKT SUPPLIER CODE: V81590	002004 121503 904949 952952	1
895	434-072-001	. .	SLEEVE-LONG MOUNTING SUPPLIER CODE: V81590	103106	1
895	434-072-001	. .	SLEEVE-LONG MOUNTING SUPPLIER CODE: V81590	006102 107120 504903 950951 953999	1
895	434-072-001	. .	SLEEVE-LONG MOUNTING SUPPLIER CODE: V81590	002004 121503 904949 952952	1

MISSING ITEM NUMBERS NOT APPLICABLE

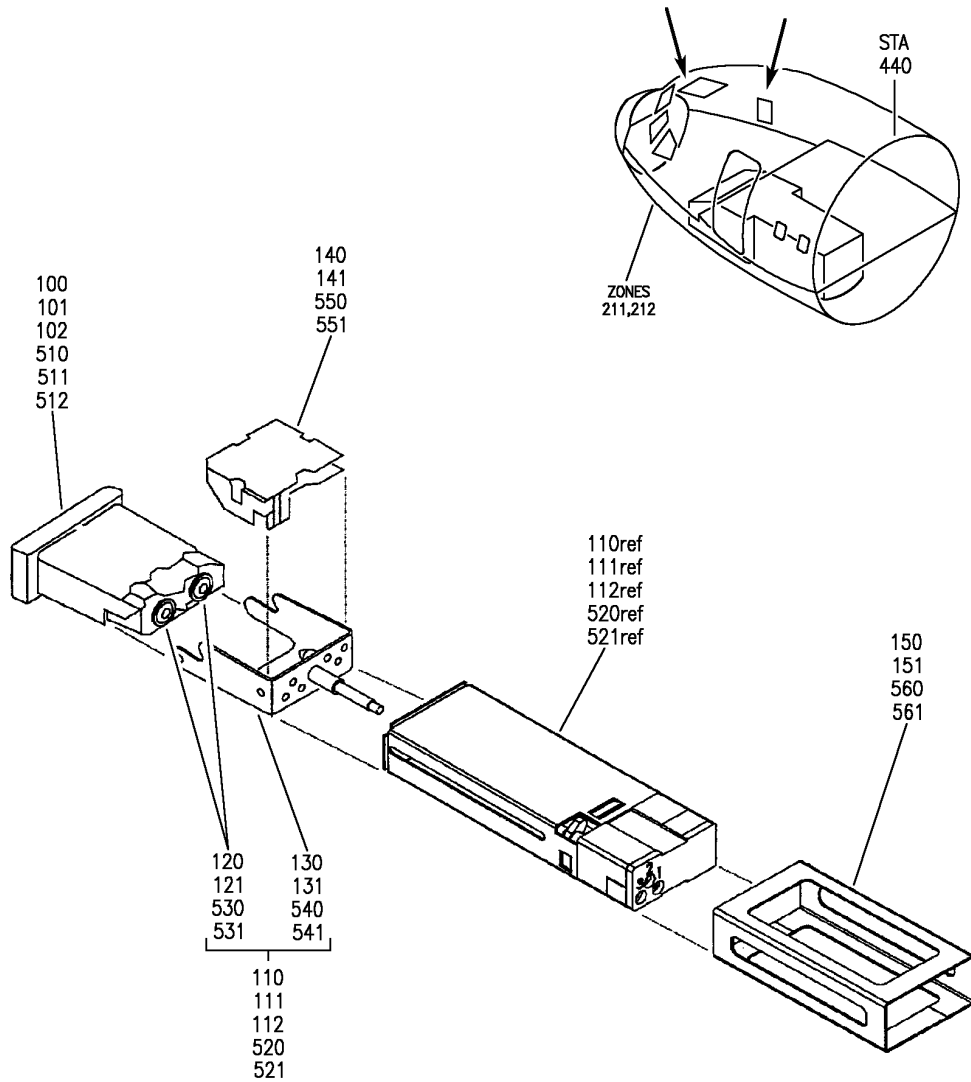
- ITEM NOT ILLUSTRATED

33-14-70-01

33-14-70
FIG. 01
PAGE 16
JAN 20/09

BRI

BOEING
757
PARTS CATALOG (MAINTENANCE)



Y 33147002 REV 274

LIGHT ASSY-IND
FIGURE 2

33-14-70-02

BRI
MAY 28/07

33-14-70-02
PAGE 0



757

PARTS CATALOG (MAINTENANCE)

FIG ITEM	PART NUMBER	1 2 3 4 5 6 7	NOMENCLATURE	EFFECT FROM TO	UNITS PER ASSY
2			LIGHT ASSY-IND	002004 006999	
- 10	BCREF6205		LIGHT ASSY-CAB. ALTITUDE IND SUPPLIER CODE: V81590 OVERLENGTH PART NUMBER: 434-674-1005-1274 SPECIFICATION NUMBER: S231T300-1274 OPTIONAL PART: BCREF8590 V81590 FOR NHA SEE: 21-33-51-01 21-33-51-02 21-33-51-03	002004 006999	RF
- 10	BCREF6115		LIGHT ASSY-SMOKE IND SUPPLIER CODE: V81590 OVERLENGTH PART NUMBER: 434-674-1005-1108 SPECIFICATION NUMBER: S231T300-1108 OPTIONAL PART: BCREF8546 V81590 FOR NHA SEE: 21-58-19-10 21-58-19-11 21-58-19-12	002004 006999	RF
- 10	BCREF6113		LIGHT ASSY-OVHT IND SUPPLIER CODE: V81590 OVERLENGTH PART NUMBER: 434-674-1005-1086 SPECIFICATION NUMBER: S231T300-1086 OPTIONAL PART: BCREF8540 V81590 FOR NHA SEE: 29-32-51-01 29-32-51-02 29-32-51-03	002004 006999	RF

MISSING ITEM NUMBERS NOT APPLICABLE

- ITEM NOT ILLUSTRATED

33-14-70-02

33-14-70
FIG. 02
PAGE 1
SEP 20/08

BRI



757

PARTS CATALOG (MAINTENANCE)

FIG ITEM	PART NUMBER	1 2 3 4 5 6 7	NOMENCLATURE	EFFECT FROM TO	UNITS PER ASSY
R R R R R R R R R R R	2 - 10	BCREF6430	LIGHT ASSY-DISCH OFF IND SUPPLIER CODE: V81590 OVERLENGTH PART NUMBER: 434-674-1005-1291 SPECIFICATION NUMBER: S231T300-1291 PRE SERVICE BULLETIN: 24-0125R2 24-0130 FOR NHA SEE: 24-31-01-10 24-31-01-11 24-31-01-12	002004 006949 952999	RF
	- 10	BCREF6431	LIGHT ASSY-DISCH OFF IND SUPPLIER CODE: V81590 OVERLENGTH PART NUMBER: 434-674-1005-1292 SPECIFICATION NUMBER: S231T300-1292 OPTIONAL PART: BCREF8594 V81590 FOR NHA SEE: 24-31-01-12 24-31-03-11	011100	RF
	- 10	BCREF6431	LIGHT ASSY-DISCH OFF IND SUPPLIER CODE: V81590 OVERLENGTH PART NUMBER: 434-674-1005-1292 SPECIFICATION NUMBER: S231T300-1292 OPTIONAL PART: BCREF8594 V81590 FOR NHA SEE: 24-31-03-09 24-31-03-10	002004 006010 101949 952999	RF

MISSING ITEM NUMBERS NOT APPLICABLE

- ITEM NOT ILLUSTRATED

33-14-70-02

33-14-70
FIG. 02
PAGE 3
MAY 20/09

BRI



757

PARTS CATALOG (MAINTENANCE)

FIG ITEM	PART NUMBER	1 2 3 4 5 6 7	NOMENCLATURE	EFFECT FROM TO	UNITS PER ASSY
2 - 10	BCREF6117		LIGHT ASSY-OFF IND SUPPLIER CODE: V81590 OVERLENGTH PART NUMBER: 434-674-1005-1194 SPECIFICATION NUMBER: S231T300-1194 OPTIONAL PART: BCREF8558 V81590 FOR NHA SEE: 24-33-04-01 24-33-04-02 24-33-04-03	002004 006999	RF
- 11	BCREF6249		LIGHT ASSY-BUSS OFF. IND SUPPLIER CODE: V81590 OVERLENGTH PART NUMBER: 434-674-1005-1021 SPECIFICATION NUMBER: S231T300-1021 OPTIONAL PART: BCREF8531 V81590 FOR NHA SEE: 24-41-51-01 24-41-51-03 24-41-51-04	002004 006999	RF
- 11	BCREF6203		LIGHT ASSY-DUCT LEAK IND SUPPLIER CODE: V81590 OVERLENGTH PART NUMBER: 434-674-1005-1272 SPECIFICATION NUMBER: S231T300-1272 OPTIONAL PART: BCREF8588 V81590 FOR NHA SEE: 26-18-51-02 26-18-51-03 26-18-51-04	002004 006999	RF

MISSING ITEM NUMBERS NOT APPLICABLE

- ITEM NOT ILLUSTRATED

BRI

33-14-70-02

BOEING PROPRIETARY - Copyright © - Unpublished Work - See title page for details.

33-14-70
FIG. 02
PAGE 4
JAN 20/09



757

PARTS CATALOG (MAINTENANCE)

FIG ITEM	PART NUMBER	1 2 3 4 5 6 7	NOMENCLATURE	EFFECT FROM TO	UNITS PER ASSY
2 - 11	BCREF6145		LIGHT ASSY-RUDDER RATIO IND SUPPLIER CODE: V81590 OVERLENGTH PART NUMBER: 434-674-1005-1105 SPECIFICATION NUMBER: S231T300-1105 OPTIONAL PART: BCREF8545 V81590 FOR NHA SEE: 27-21-53-01 27-21-53-02	002004 006999	RF
- 11	BCREF6129		LIGHT ASSY-UNSCHEM STAB TRIM IND SUPPLIER CODE: V81590 OVERLENGTH PART NUMBER: 434-674-1005-1267 SPECIFICATION NUMBER: S231T300-1267 OPTIONAL PART: BCREF8585 V81590 FOR NHA SEE: 27-41-55-01	504903 950951	RF
- 11	BCREF6129		LIGHT ASSY-UNSCHEM STAB TRIM IND SUPPLIER CODE: V81590 OVERLENGTH PART NUMBER: 434-674-1005-1267 SPECIFICATION NUMBER: S231T300-1267 OPTIONAL PART: BCREF8585 V81590 FOR NHA SEE: 27-41-55-01	101105 107999	RF

MISSING ITEM NUMBERS NOT APPLICABLE

- ITEM NOT ILLUSTRATED

BRI

33-14-70-02

BOEING PROPRIETARY - Copyright © - Unpublished Work - See title page for details.

33-14-70
FIG. 02
PAGE 5
JAN 20/09



757

PARTS CATALOG (MAINTENANCE)

FIG ITEM	PART NUMBER	1 2 3 4 5 6 7	NOMENCLATURE	EFFECT FROM TO	UNITS PER ASSY
2 - 11	BCREF6147		LIGHT ASSY-STAB TRIM IND SUPPLIER CODE: V81590 OVERLENGTH PART NUMBER: 434-674-1005-1111 SPECIFICATION NUMBER: S231T300-1111 OPTIONAL PART: BCREF8548 V81590 FOR NHA SEE: 27-41-55-01	002004 006999	RF
- 11	BCREF6146		LIGHT ASSY-SPOILERS IND SUPPLIER CODE: V81590 OVERLENGTH PART NUMBER: 434-674-1005-1110 SPECIFICATION NUMBER: S231T300-1110 OPTIONAL PART: BCREF8547 V81590 FOR NHA SEE: 27-61-51-01 27-61-51-03	002004 006503 904999	RF
- 11	BCREF6138		LIGHT ASSY-AUTO SPDBRK IND SUPPLIER CODE: V81590 OVERLENGTH PART NUMBER: 434-674-1005-1012 SPECIFICATION NUMBER: S231T300-1012 OPTIONAL PART: BCREF8527 V81590 FOR NHA SEE: 27-62-52-01 27-62-52-02	002004 006999	RF

MISSING ITEM NUMBERS NOT APPLICABLE

- ITEM NOT ILLUSTRATED

BRI

33-14-70-02

33-14-70
FIG. 02
PAGE 6
JAN 20/09



757

PARTS CATALOG (MAINTENANCE)

FIG ITEM	PART NUMBER	1 2 3 4 5 6 7	NOMENCLATURE	EFFECT FROM TO	UNITS PER ASSY
2 - 11	BCREF6367		LIGHT ASSY-FUEL CONFIG SUPPLIER CODE: V81590 OVERLENGTH PART NUMBER: 434-674-1005-1293 SPECIFICATION NUMBER: S231T300-1293 OPTIONAL PART: BCREF8595 V81590 FOR NHA SEE: 28-41-51-01 28-41-51-02 28-41-51-03	002004 006999	RF
- 11	BCREF6875		LIGHT ASSY-RSVR IND SUPPLIER CODE: V81590 OVERLENGTH PART NUMBER: 434-674-1005-1298 SPECIFICATION NUMBER: S231T300-1298 OPTIONAL PART: BCREF8996 V81590 FOR NHA SEE: 29-33-52-01	002004 006010 107107 121503 904999	RF
- 11	BCREF6875		LIGHT ASSY-RSVR IND SUPPLIER CODE: V81590 OVERLENGTH PART NUMBER: 434-674-1005-1298 SPECIFICATION NUMBER: S231T300-1298 OPTIONAL PART: BCREF8996 V81590 FOR NHA SEE: 29-33-52-01 29-33-52-02 29-33-52-03	002004 006106 108999	RF

MISSING ITEM NUMBERS NOT APPLICABLE

- ITEM NOT ILLUSTRATED

BRI

33-14-70-02

BOEING PROPRIETARY - Copyright © - Unpublished Work - See title page for details.

33-14-70
FIG. 02
PAGE 7
JAN 20/09



757

PARTS CATALOG (MAINTENANCE)

FIG ITEM	PART NUMBER	1 2 3 4 5 6 7	NOMENCLATURE	EFFECT FROM TO	UNITS PER ASSY
2 - 11	BCREF6116		LIGHT ASSY-SYS PRESS IND SUPPLIER CODE: V81590 OVERLENGTH PART NUMBER: 434-674-1005-1188 SPECIFICATION NUMBER: S231T300-1188 OPTIONAL PART: BCREF8556 V81590 FOR NHA SEE: 29-31-00-01 29-31-00-02 29-31-00-03	002004 006999	RF
- 11	BCREF6125		LIGHT ASSY-CAPT PITOT IND SUPPLIER CODE: V81590 OVERLENGTH PART NUMBER: 434-674-1005-1259 SPECIFICATION NUMBER: S231T300-1259 OPTIONAL PART: BCREF8579 V81590 FOR NHA SEE: 30-31-51-01 30-31-51-02	002004 006999	RF
- 11	BCREF6126		LIGHT ASSY-F/O PITOT IND SUPPLIER CODE: V81590 OVERLENGTH PART NUMBER: 434-674-1005-1260 SPECIFICATION NUMBER: S231T300-1260 OPTIONAL PART: BCREF8580 V81590 FOR NHA SEE: 30-31-51-01 30-31-51-02	504903 950951	RF

MISSING ITEM NUMBERS NOT APPLICABLE

- ITEM NOT ILLUSTRATED

BRI

33-14-70-02

BOEING PROPRIETARY - Copyright © - Unpublished Work - See title page for details.

33-14-70
FIG. 02
PAGE 8
JAN 20/09



757

PARTS CATALOG (MAINTENANCE)

FIG ITEM	PART NUMBER	1 2 3 4 5 6 7	NOMENCLATURE	EFFECT FROM TO	UNITS PER ASSY
2 - 11	BCREF6126		LIGHT ASSY-F/O PITOT IND SUPPLIER CODE: V81590 OVERLENGTH PART NUMBER: 434-674-1005-1260 SPECIFICATION NUMBER: S231T300-1260 OPTIONAL PART: BCREF8580 V81590 FOR NHA SEE: 30-31-51-01 30-31-51-02	002004 006105 107503 904949 952999	RF
- 12	BCREF6127		LIGHT ASSY-AUX PITOT IND SUPPLIER CODE: V81590 POSITION DATA: L OVERLENGTH PART NUMBER: 434-674-1005-1261 SPECIFICATION NUMBER: S231T300-1261 OPTIONAL PART: BCREF8581 V81590 FOR NHA SEE: 30-31-51-01 30-31-51-02	504903 950951	RF
- 12	BCREF6127		LIGHT ASSY-AUX PITOT IND SUPPLIER CODE: V81590 POSITION DATA: L OVERLENGTH PART NUMBER: 434-674-1005-1261 SPECIFICATION NUMBER: S231T300-1261 OPTIONAL PART: BCREF8581 V81590 FOR NHA SEE: 30-31-51-01 30-31-51-02	002004 006105 107503 904949 952999	RF

MISSING ITEM NUMBERS NOT APPLICABLE

- ITEM NOT ILLUSTRATED

33-14-70-02

33-14-70
FIG. 02
PAGE 9
JAN 20/09

BRI



757

PARTS CATALOG (MAINTENANCE)

FIG ITEM	PART NUMBER	1 2 3 4 5 6 7	NOMENCLATURE	EFFECT FROM TO	UNITS PER ASSY
2 - 12	BCREF6128		LIGHT ASSY-AUX PITOT IND SUPPLIER CODE: V81590 POSITION DATA: R OVERLENGTH PART NUMBER: 434-674-1005-1262 SPECIFICATION NUMBER: S231T300-1262 OPTIONAL PART: BCREF8582 V81590 FOR NHA SEE: 30-31-51-01 30-31-51-02	504903 950951	RF
- 12	BCREF6128		LIGHT ASSY-AUX PITOT IND SUPPLIER CODE: V81590 POSITION DATA: R OVERLENGTH PART NUMBER: 434-674-1005-1262 SPECIFICATION NUMBER: S231T300-1262 OPTIONAL PART: BCREF8582 V81590 FOR NHA SEE: 30-31-51-01 30-31-51-02	002004 006105 107503 904949 952999	RF
- 12	BCREF6119		LIGHT ASSY-AOA IND SUPPLIER CODE: V81590 POSITION DATA: L OVERLENGTH PART NUMBER: 434-674-1005-1202 SPECIFICATION NUMBER: S231T300-1202 OPTIONAL PART: BCREF8560 V81590 FOR NHA SEE: 30-32-51-01	002004 006999	RF

MISSING ITEM NUMBERS NOT APPLICABLE

- ITEM NOT ILLUSTRATED

BRI

33-14-70-02

BOEING PROPRIETARY - Copyright © - Unpublished Work - See title page for details.

33-14-70
FIG. 02
PAGE 10
JAN 20/09



757

PARTS CATALOG (MAINTENANCE)

FIG ITEM	PART NUMBER	1 2 3 4 5 6 7	NOMENCLATURE	EFFECT FROM TO	UNITS PER ASSY
2 - 12	BCREF6120		LIGHT ASSY-AOA IND SUPPLIER CODE: V81590 POSITION DATA: R OVERLENGTH PART NUMBER: 434-674-1005-1203 SPECIFICATION NUMBER: S231T300-1203 OPTIONAL PART: BCREF8561 V81590 FOR NHA SEE: 30-32-51-01	002004 006999	RF
- 12	BCREF6149		LIGHT ASSY-TAT IND SUPPLIER CODE: V81590 OVERLENGTH PART NUMBER: 434-674-1005-1112 SPECIFICATION NUMBER: S231T300-1112 OPTIONAL PART: BCREF8549 V81590 FOR NHA SEE: 30-33-51-01 30-33-51-02	002004 006105 107999	RF
- 12	BCREF6324		LIGHT ASSY-ANTISKID IND SUPPLIER CODE: V81590 OVERLENGTH PART NUMBER: 434-674-1005-1212 SPECIFICATION NUMBER: S231T300-1212 OPTIONAL PART: BCREF8562 V81590 FOR NHA SEE: 32-42-52-01 32-42-52-03	504903 950951	RF

MISSING ITEM NUMBERS NOT APPLICABLE

- ITEM NOT ILLUSTRATED

BRI

33-14-70-02

BOEING PROPRIETARY - Copyright © - Unpublished Work - See title page for details.

33-14-70
FIG. 02
PAGE 11
JAN 20/09



757

PARTS CATALOG (MAINTENANCE)

FIG ITEM	PART NUMBER	1 2 3 4 5 6 7	NOMENCLATURE	EFFECT FROM TO	UNITS PER ASSY
2 - 12	BCREF6324		LIGHT ASSY-ANTISKID IND SUPPLIER CODE: V81590 OVERLENGTH PART NUMBER: 434-674-1005-1212 SPECIFICATION NUMBER: S231T300-1212 OPTIONAL PART: BCREF8562 V81590 FOR NHA SEE: 32-42-52-01 32-42-52-03	101105 107503 904949 952999	RF
- 13	BCREF6199		LIGHT ASSY-UNARMED IND SUPPLIER CODE: V81590 OVERLENGTH PART NUMBER: 434-674-1005-1113 SPECIFICATION NUMBER: S231T300-1113 OPTIONAL PART: BCREF8550 V81590 FOR NHA SEE: 33-51-08-01 33-51-08-03 33-51-08-05	002004 006102 108999	RF
- 13	BCREF6199		LIGHT ASSY-UNARMED IND SUPPLIER CODE: V81590 OVERLENGTH PART NUMBER: 434-674-1005-1113 SPECIFICATION NUMBER: S231T300-1113 QUALIFIED OPTIONAL DATA: S231T300-1113 WITH WHITE DOT IDENTIFIER ON CAP ASSY IS OPTIONAL TO S231T300-2113 FOR NHA SEE: 33-51-08-01	107107	RF

MISSING ITEM NUMBERS NOT APPLICABLE

- ITEM NOT ILLUSTRATED

BRI

33-14-70-02

BOEING PROPRIETARY - Copyright © - Unpublished Work - See title page for details.

33-14-70
FIG. 02
PAGE 12
JAN 20/09



757

PARTS CATALOG (MAINTENANCE)

FIG ITEM	PART NUMBER	1 2 3 4 5 6 7	NOMENCLATURE	EFFECT FROM TO	UNITS PER ASSY
2 - 13	BCREF6197		LIGHT ASSY-H1 STAGE IND SUPPLIER CODE: V81590 OVERLENGTH PART NUMBER: 434-674-1005-1051 SPECIFICATION NUMBER: S231T300-1051 OPTIONAL PART: BCREF8534 V81590 FOR NHA SEE: 36-21-00-01 36-21-00-02 36-21-00-03	002004 006999	RF
- 13	BCREF6204		LIGHT ASSY-BLEED IND SUPPLIER CODE: V81590 OVERLENGTH PART NUMBER: 434-674-1005-1273 SPECIFICATION NUMBER: S231T300-1273 OPTIONAL PART: BCREF8589 V81590 FOR NHA SEE: 36-22-51-01 36-22-51-02 36-22-51-03	002004 006999	RF
- 13	BCREF6201		LIGHT ASSY-RUN IND SUPPLIER CODE: V81590 OVERLENGTH PART NUMBER: 434-674-1005-1122 SPECIFICATION NUMBER: S231T300-1122 OPTIONAL PART: BCREF8552 V81590 FOR NHA SEE: 49-70-00-01 49-70-00-02 49-70-00-03	002004 006102 504903 950999	RF

MISSING ITEM NUMBERS NOT APPLICABLE

- ITEM NOT ILLUSTRATED

33-14-70-02

33-14-70
FIG. 02
PAGE 13
JAN 20/09

BRI



757

PARTS CATALOG (MAINTENANCE)

FIG ITEM	PART NUMBER	1 2 3 4 5 6 7	NOMENCLATURE	EFFECT FROM TO	UNITS PER ASSY
2 - 13	BCREF6201		LIGHT ASSY-RUN IND SUPPLIER CODE: V81590 OVERLENGTH PART NUMBER: 434-674-1005-1122 SPECIFICATION NUMBER: S231T300-1122 OPTIONAL PART: BCREF8552 V81590 FOR NHA SEE: 49-70-00-01 49-70-00-02	107503 904949	RF
- 13	BCREF6196		LIGHT ASSY-FAULT IND SUPPLIER CODE: V81590 OVERLENGTH PART NUMBER: 434-674-1005-1036 SPECIFICATION NUMBER: S231T300-1036 OPTIONAL PART: BCREF8532 V81590 FOR NHA SEE: 49-70-00-01 49-70-00-02 49-70-00-03	002004 006102 504903 950999	RF
- 13	BCREF6196		LIGHT ASSY-FAULT IND SUPPLIER CODE: V81590 OVERLENGTH PART NUMBER: 434-674-1005-1036 SPECIFICATION NUMBER: S231T300-1036 OPTIONAL PART: BCREF8532 V81590 FOR NHA SEE: 49-70-00-01 49-70-00-02	107503 904949	RF

MISSING ITEM NUMBERS NOT APPLICABLE

- ITEM NOT ILLUSTRATED

BRI

33-14-70-02

BOEING PROPRIETARY - Copyright © - Unpublished Work - See title page for details.

33-14-70
FIG. 02
PAGE 14
JAN 20/09



757

PARTS CATALOG (MAINTENANCE)

FIG ITEM	PART NUMBER	1 2 3 4 5 6 7	NOMENCLATURE	EFFECT FROM TO	UNITS PER ASSY
2 - 13	BCREF6121		LIGHT ASSY-ENTRY DOORS IND SUPPLIER CODE: V81590 OVERLENGTH PART NUMBER: 434-674-1005-1244 SPECIFICATION NUMBER: S231T300-1244 OPTIONAL PART: BCREF8572 V81590 FOR NHA SEE: 52-71-51-01 52-71-51-02	002004 006999	RF
- 13	BCREF6122		LIGHT ASSY-EMER DOORS IND SUPPLIER CODE: V81590 OVERLENGTH PART NUMBER: 434-674-1005-1245 SPECIFICATION NUMBER: S231T300-1245 OPTIONAL PART: BCREF8573 V81590 FOR NHA SEE: 52-71-51-01 52-71-51-02	002004 006999	RF
- 13	BCREF6123		LIGHT ASSY-CARGO DOORS IND SUPPLIER CODE: V81590 OVERLENGTH PART NUMBER: 434-674-1005-1246 SPECIFICATION NUMBER: S231T300-1246 OPTIONAL PART: BCREF8574 V81590 FOR NHA SEE: 52-71-51-01 52-71-51-02	002004 006999	RF

MISSING ITEM NUMBERS NOT APPLICABLE

- ITEM NOT ILLUSTRATED

33-14-70-02

33-14-70
FIG. 02
PAGE 15
JAN 20/09

BRI



757

PARTS CATALOG (MAINTENANCE)

FIG ITEM	PART NUMBER	1 2 3 4 5 6 7	NOMENCLATURE	EFFECT FROM TO	UNITS PER ASSY
2					
- 13	BCREF6124		LIGHT ASSY-ACCESS DOORS IND SUPPLIER CODE: V81590 OVERLENGTH PART NUMBER: 434-674-1005-1247 SPECIFICATION NUMBER: S231T300-1247 OPTIONAL PART: BCREF8575 V81590 FOR NHA SEE: 52-71-51-01 52-71-51-02	002004 006999	RF
- 13	BCREF6200		LIGHT ASSY-VALVE IND SUPPLIER CODE: V81590 OVERLENGTH PART NUMBER: 434-674-1005-1115 SPECIFICATION NUMBER: S231T300-1115 FOR NHA SEE: 30-11-51-02 30-11-51-03	011106 108120 504903	RF
- 13	BCREF6200		LIGHT ASSY-VALVE IND SUPPLIER CODE: V81590 OVERLENGTH PART NUMBER: 434-674-1005-1115 SPECIFICATION NUMBER: S231T300-1115	002004 006010 107107 121503 904999	RF
- 13	BCREF6200		LIGHT ASSY-VALVE IND SUPPLIER CODE: V81590 OVERLENGTH PART NUMBER: 434-674-1005-1115 SPECIFICATION NUMBER: S231T300-1115 OPTIONAL PART: BCREF8486 V81590 FOR NHA SEE: 80-11-09-02 80-11-09-03	002004 006999	RF

MISSING ITEM NUMBERS NOT APPLICABLE

- ITEM NOT ILLUSTRATED

33-14-70-02

33-14-70
FIG. 02
PAGE 16
JAN 20/09

BRI



757

PARTS CATALOG (MAINTENANCE)

FIG ITEM	PART NUMBER	1 2 3 4 5 6 7	NOMENCLATURE	EFFECT FROM TO	UNITS PER ASSY
2					
- 14	BCREF6130		LIGHT ASSY-OFF IND SUPPLIER CODE: V81590 OVERLENGTH PART NUMBER: 434-674-1005-1269 SPECIFICATION NUMBER: S231T300-1269 FOR NHA SEE: 31-31-04-01	002004 006106 108903 950999	RF
- 14	BCREF6130		LIGHT ASSY-OFF IND SUPPLIER CODE: V81590 OVERLENGTH PART NUMBER: 434-674-1005-1269 SPECIFICATION NUMBER: S231T300-1269 OPTIONAL PART: BCREF8587 V81590 FOR NHA SEE: 31-31-04-01	002004 006106 108903 950999	RF
100	674-1005-1274		.CAP ASSY-LENS CABIN ALTITUDE RED SUPPLIER CODE: V81590 USED ON: BCREF6205	002004 006999	1
100	674-1005-1108		.CAP ASSY-LENS SMOKE AMBER SUPPLIER CODE: V81590 USED ON: BCREF6115	002004 006999	1
100	674-1005-1086		.CAP ASSY-LENS OVHT AMBER SUPPLIER CODE: V81590 USED ON: BCREF6113	002004 006999	1
100	674-1005-1238		.CAP ASSY-LENS INOP AMBER SUPPLIER CODE: V81590 USED ON: BCREF6202	002004 006999	1

MISSING ITEM NUMBERS NOT APPLICABLE

- ITEM NOT ILLUSTRATED

33-14-70-02

33-14-70
FIG. 02
PAGE 17
JAN 20/09

BRI



757

PARTS CATALOG (MAINTENANCE)

FIG ITEM	PART NUMBER	1 2 3 4 5 6 7	NOMENCLATURE	EFFECT FROM TO	UNITS PER ASSY
2					
100	674-1005-1067		.CAP ASSY-LENS MACH SPD TRIM AMBER SUPPLIER CODE: V81590 USED ON: BCREF6143	002004 006999	1
100	674-1005-1195		.CAP ASSY-LENS DISCH VERTICAL AMBER SUPPLIER CODE: V81590 USED ON: BCREF6118	009009 015015 950951	1
100	674-1005-1291		.CAP ASSY-LENS MAIN BAT DISCH SUPPLIER CODE: V81590 USED ON: BCREF6430	002004 006949 952999	1
100	674-1005-1292		.CAP ASSY-LENS APU BAT DISCH SUPPLIER CODE: V81590 USED ON: BCREF6431	002004 006010 101949 952999	1
100	674-1005-1292		.CAP ASSY-LENS APU BAT DISCH SUPPLIER CODE: V81590 USED ON: BCREF6431	011100	1
100	674-1005-1194		.CAP ASSY-LENS OFF VERTICAL AMBER SUPPLIER CODE: V81590 USED ON: BCREF6117	002004 006999	1
100	674-1005-1021		.CAP ASSY-LENS BUS OFF AMBER SUPPLIER CODE: V81590 USED ON: BCREF6249	002004 006999	1
100	674-1005-1272		.CAP ASSY-LENS DUCT LEAK AMBER SUPPLIER CODE: V81590 USED ON: BCREF6203	002004 006999	1

MISSING ITEM NUMBERS NOT APPLICABLE

- ITEM NOT ILLUSTRATED

33-14-70-02

33-14-70
FIG. 02
PAGE 18
MAY 20/09

BRI



757

PARTS CATALOG (MAINTENANCE)

FIG ITEM	PART NUMBER	1 2 3 4 5 6 7	NOMENCLATURE	EFFECT FROM TO	UNITS PER ASSY
2					
100	674-1005-1105		.CAP ASSY-LENS RUDDER RATIO AMBER SUPPLIER CODE: V81590 USED ON: BCREF6145	002004 006999	1
100	674-1005-1267		.CAP ASSY-LENS UNSCHED STAB TRIM SUPPLIER CODE: V81590 USED ON: BCREF6129	101105 107503 904949 952999	1
100	674-1005-1267		.CAP ASSY-LENS UNSCHED STAB TRIM AMBER SUPPLIER CODE: V81590 USED ON: BCREF6129	504903 950951	1
101	674-1005-1111		.CAP ASSY-LENS STAB TRIM AMBER SUPPLIER CODE: V81590 USED ON: BCREF6147	002004 006999	1
101	674-1005-1110		.CAP ASSY-LENS SPOILERS AMBER SUPPLIER CODE: V81590 USED ON: BCREF6146	002004 006503 904999	1
101	674-1005-1012		.CAP ASSY-LENS AUTO SPDBRK AMBER SUPPLIER CODE: V81590 USED ON: BCREF6138	002004 006999	1
101	674-1005-1293		.CAP ASSY-LENS FUEL CONFIG AMBER SUPPLIER CODE: V81590 USED ON: BCREF6367	002004 006999	1
101	674-1005-1298		.CAP ASSY-LENS RSVR AMBER SUPPLIER CODE: V81590 USED ON: BCREF6875	002004 006999	1

MISSING ITEM NUMBERS NOT APPLICABLE

- ITEM NOT ILLUSTRATED

33-14-70-02

33-14-70
FIG. 02
PAGE 19
JAN 20/09

BRI



757

PARTS CATALOG (MAINTENANCE)

FIG ITEM	PART NUMBER	1 2 3 4 5 6 7	NOMENCLATURE	EFFECT FROM TO	UNITS PER ASSY
2					
101	674-1005-1188		.CAP ASSY-LENS SYS PRESS AMBER SUPPLIER CODE: V81590 USED ON: BCREF6116	002004 006999	1
101	674-1005-1259		.CAP ASSY-LENS CAPT PITOT AMBER SUPPLIER CODE: V81590 USED ON: BCREF6125	002004 006999	1
101	674-1005-1260		.CAP ASSY-LENS F O PITOT AMBER SUPPLIER CODE: V81590 USED ON: BCREF6126	002004 006105 107999	1
101	674-1005-1261		.CAP ASSY-LENS L AUX PITOT AMBER SUPPLIER CODE: V81590 USED ON: BCREF6127	002004 006105 107999	1
101	674-1005-1262		.CAP ASSY-LENS R AUX PITOT AMBER SUPPLIER CODE: V81590 USED ON: BCREF6128	002004 006105 107999	1
101	674-1005-1202		.CAP ASSY-LENS L AOA AMBER SUPPLIER CODE: V81590 USED ON: BCREF6119	002004 006999	1
101	674-1005-1203		.CAP ASSY-LENS R AOA AMBER SUPPLIER CODE: V81590 USED ON: BCREF6120	002004 006999	1
101	674-1005-1112		.CAP ASSY-LENS TAT AMBER SUPPLIER CODE: V81590 USED ON: BCREF6149	002004 006105 107999	1

MISSING ITEM NUMBERS NOT APPLICABLE

- ITEM NOT ILLUSTRATED

33-14-70-02

33-14-70
FIG. 02
PAGE 20
JAN 20/09

BRI



757

PARTS CATALOG (MAINTENANCE)

FIG ITEM	PART NUMBER	1 2 3 4 5 6 7	NOMENCLATURE	EFFECT FROM TO	UNITS PER ASSY
2					
101	674-1005-1212		.CAP ASSY-LENS ANTISKID AMBER SUPPLIER CODE: V81590 USED ON: BCREF6324	101105 108951	1
101	674-1005-1113		.CAP ASSY-LENS UNARMED AMBER SUPPLIER CODE: V81590 USED ON: BCREF6199	002004 006102 107999	1
102	674-1005-1051		.CAP ASSY-LENS HI STAGE AMBER SUPPLIER CODE: V81590 USED ON: BCREF6197	002004 006999	1
102	674-1005-1273		.CAP ASSY-LENS BLEED AMBER SUPPLIER CODE: V81590 USED ON: BCREF6204	002004 006999	1
102	674-1005-1122		.CAP ASSY-LENS RUN WHITE SUPPLIER CODE: V81590 USED ON: BCREF6201	002004 006102 107999	1
102	674-1005-1036		.CAP ASSY-LENS FAULT AMBER SUPPLIER CODE: V81590 USED ON: BCREF6196	002004 006102 107999	1
102	674-1005-1244		.CAP ASSY-LENS ENTRY DOORS AMBER SUPPLIER CODE: V81590 USED ON: BCREF6121	002004 006999	1
102	674-1005-1245		.CAP ASSY-LENS EMERG DOORS AMBER SUPPLIER CODE: V81590 USED ON: BCREF6122	002004 006999	1

MISSING ITEM NUMBERS NOT APPLICABLE

- ITEM NOT ILLUSTRATED

BRI

33-14-70-02

33-14-70
FIG. 02
PAGE 21
JAN 20/09

BOEING PROPRIETARY - Copyright © - Unpublished Work - See title page for details.



757

PARTS CATALOG (MAINTENANCE)

FIG ITEM	PART NUMBER	1 2 3 4 5 6 7	NOMENCLATURE	EFFECT FROM TO	UNITS PER ASSY
2					
102	674-1005-1246		.CAP ASSY-LENS CARGO DOORS AMBER SUPPLIER CODE: V81590 USED ON: BCREF6123	002004 006999	1
102	674-1005-1247		.CAP ASSY-LENS ACCESS DOORS AMBER SUPPLIER CODE: V81590 USED ON: BCREF6124	002004 006999	1
102	674-1005-1115		.CAP ASSY-LENS VALVE AMBER SUPPLIER CODE: V81590 USED ON: BCREF6200	002004 006999	1
102	674-1005-1269		.CAP ASSY-LENS OFF WHITE SUPPLIER CODE: V81590 USED ON: BCREF6130	002004 006106 108903 950999	1
110	434-1005-1274		.BASE ASSY- SUPPLIER CODE: V81590 USED ON: BCREF6205	002004 006999	1
110	434-1005-1108		.BASE ASSY- SUPPLIER CODE: V81590 USED ON: BCREF6115	002004 006999	1
110	434-1005-1086		.BASE ASSY- SUPPLIER CODE: V81590 USED ON: BCREF6113	002004 006999	1
110	434-1005-1238		.BASE ASSY- SUPPLIER CODE: V81590 USED ON: BCREF6202	002004 006999	1
110	434-1005-1067		.BASE ASSY- SUPPLIER CODE: V81590 USED ON: BCREF6143	002004 006999	1

MISSING ITEM NUMBERS NOT APPLICABLE

- ITEM NOT ILLUSTRATED

33-14-70-02

33-14-70
FIG. 02
PAGE 22
JAN 20/09

BRI



757

PARTS CATALOG (MAINTENANCE)

FIG ITEM	PART NUMBER	1 2 3 4 5 6 7	NOMENCLATURE	EFFECT FROM TO	UNITS PER ASSY
R R R R R	2				
	110	434-1005-1195	.BASE ASSY- SUPPLIER CODE: V81590 USED ON: BCREF6118	009009 015015 950951	1
	110	434-1005-1291	.BASE ASSY- SUPPLIER CODE: V81590 USED ON: BCREF6430	002004 006949 952999	1
	110	434-1005-1292	.BASE ASSY- SUPPLIER CODE: V81590 USED ON: BCREF6431	002004 006010 101949 952999	1
	110	434-1005-1292	.BASE ASSY- SUPPLIER CODE: V81590 USED ON: BCREF6431	011100	1
	110	434-1005-1194	.BASE ASSY- SUPPLIER CODE: V81590 USED ON: BCREF6117	002004 006999	1
	110	434-1005-1021	.BASE ASSY- SUPPLIER CODE: V81590 USED ON: BCREF6249	002004 006999	1
	110	434-1005-1272	.BASE ASSY- SUPPLIER CODE: V81590 USED ON: BCREF6203	002004 006999	1
	110	434-1005-1105	.BASE ASSY- SUPPLIER CODE: V81590 USED ON: BCREF6145	002004 006999	1
110	434-1005-1267	.BASE ASSY- SUPPLIER CODE: V81590 USED ON: BCREF6129	101105 107503 904949 952999	1	

MISSING ITEM NUMBERS NOT APPLICABLE

- ITEM NOT ILLUSTRATED

33-14-70-02

33-14-70
FIG. 02
PAGE 23
MAY 20/09

BRI



757

PARTS CATALOG (MAINTENANCE)

FIG ITEM	PART NUMBER	1 2 3 4 5 6 7	NOMENCLATURE	EFFECT FROM TO	UNITS PER ASSY
2					
110	434-1005-1267		.BASE ASSY- SUPPLIER CODE: V81590 USED ON: BCREF6129	504903 950951	1
111	434-1005-1111		.BASE ASSY- SUPPLIER CODE: V81590 USED ON: BCREF6147	002004 006999	1
111	434-1005-1110		.BASE ASSY- SUPPLIER CODE: V81590 USED ON: BCREF6146	002004 006503 904999	1
111	434-1005-1012		.BASE ASSY- SUPPLIER CODE: V81590 USED ON: BCREF6138	002004 006999	1
111	434-1005-1293		.BASE ASSY- SUPPLIER CODE: V81590 USED ON: BCREF6367	002004 006999	1
111	434-1005-1298		.BASE ASSY- SUPPLIER CODE: V81590 USED ON: BCREF6875	002004 006999	1
111	434-1005-1188		.BASE ASSY- SUPPLIER CODE: V81590 USED ON: BCREF6116	002004 006999	1
111	434-1005-1259		.BASE ASSY- SUPPLIER CODE: V81590 USED ON: BCREF6125	002004 006999	1
111	434-1005-1260		.BASE ASSY- SUPPLIER CODE: V81590 USED ON: BCREF6126	002004 006105 107999	1

MISSING ITEM NUMBERS NOT APPLICABLE

- ITEM NOT ILLUSTRATED

33-14-70-02

33-14-70
FIG. 02
PAGE 24
JAN 20/09

BRI



757

PARTS CATALOG (MAINTENANCE)

FIG ITEM	PART NUMBER	1 2 3 4 5 6 7	NOMENCLATURE	EFFECT FROM TO	UNITS PER ASSY
2					
111	434-1005-1261		.BASE ASSY- SUPPLIER CODE: V81590 USED ON: BCREF6127	002004 006105 107999	1
111	434-1005-1262		.BASE ASSY- SUPPLIER CODE: V81590 USED ON: BCREF6128	002004 006105 107999	1
111	434-1005-1202		.BASE ASSY- SUPPLIER CODE: V81590 USED ON: BCREF6119	002004 006999	1
111	434-1005-1203		.BASE ASSY- SUPPLIER CODE: V81590 USED ON: BCREF6120	002004 006999	1
111	434-1005-1112		.BASE ASSY- SUPPLIER CODE: V81590 USED ON: BCREF6149	002004 006105 107999	1
111	434-1005-1212		.BASE ASSY- SUPPLIER CODE: V81590 USED ON: BCREF6324	101105 108951	1
111	434-1005-1113		.BASE ASSY- SUPPLIER CODE: V81590 USED ON: BCREF6199	002004 006102 107999	1
112	434-1005-1051		.BASE ASSY- SUPPLIER CODE: V81590 USED ON: BCREF6197	002004 006999	1
112	434-1005-1273		.BASE ASSY- SUPPLIER CODE: V81590 USED ON: BCREF6204	002004 006999	1

MISSING ITEM NUMBERS NOT APPLICABLE

- ITEM NOT ILLUSTRATED

33-14-70-02

33-14-70
FIG. 02
PAGE 25
JAN 20/09

BRI



757

PARTS CATALOG (MAINTENANCE)

FIG ITEM	PART NUMBER	1 2 3 4 5 6 7	NOMENCLATURE	EFFECT FROM TO	UNITS PER ASSY
2					
112	434-1005-1122		.BASE ASSY- SUPPLIER CODE: V81590 USED ON: BCREF6201	002004 006102 107999	1
112	434-1005-1036		.BASE ASSY- SUPPLIER CODE: V81590 USED ON: BCREF6196	002004 006102 107999	1
112	434-1005-1244		.BASE ASSY- SUPPLIER CODE: V81590 USED ON: BCREF6121	002004 006999	1
112	434-1005-1245		.BASE ASSY- SUPPLIER CODE: V81590 USED ON: BCREF6122	002004 006999	1
112	434-1005-1246		.BASE ASSY- SUPPLIER CODE: V81590 USED ON: BCREF6123	002004 006999	1
112	434-1005-1247		.BASE ASSY- SUPPLIER CODE: V81590 USED ON: BCREF6124	002004 006999	1
112	434-1005-1115		.BASE ASSY- SUPPLIER CODE: V81590 USED ON: BCREF6200	002004 006999	1
112	434-1005-1269		.BASE ASSY- SUPPLIER CODE: V81590 USED ON: BCREF6130	002004 006106 108903 950999	1
121	MS25237-387AS15		.. LAMP	106106	2
121	MS25237-387AS15		.. LAMP	103105	2
121	MS25237-387AS15		.. LAMP	002004 006010 107107	2
121	MS25237-387AS15		.. LAMP	011100 504504 904949 952999	2

MISSING ITEM NUMBERS NOT APPLICABLE

- ITEM NOT ILLUSTRATED

33-14-70-02

33-14-70
FIG. 02
PAGE 26
JAN 20/09

BRI



757

PARTS CATALOG (MAINTENANCE)

FIG ITEM	PART NUMBER	1 2 3 4 5 6 7	NOMENCLATURE	EFFECT FROM TO	UNITS PER ASSY
2					
121	MS25237-387AS15	..	LAMP	101102 108503 505903 950951	2
131	434-092-009	..	DRAWER ASSY- SUPPLIER CODE: V81590	106106	1
131	434-092-009	..	DRAWER ASSY- SUPPLIER CODE: V81590	103105	1
131	434-092-009	..	DRAWER ASSY- SUPPLIER CODE: V81590	002004 006010 107107	1
131	434-092-009	..	DRAWER ASSY- SUPPLIER CODE: V81590	011100 504504 904949 952999	1
131	434-092-009	..	DRAWER ASSY- SUPPLIER CODE: V81590	101102 108503 505903 950951	1
141	434-092-001	.MODULE-CKT SUPPLIER CODE: V81590		106106	1
141	434-092-001	.MODULE-CKT SUPPLIER CODE: V81590		103105	1
141	434-092-001	.MODULE-CKT SUPPLIER CODE: V81590		002004 006010 107107	1
141	434-092-001	.MODULE-CKT SUPPLIER CODE: V81590		011100 504504 904949 952999	1
141	434-092-001	.MODULE-CKT SUPPLIER CODE: V81590		101102 108503 505903 950951	1
151	434-072-001	..SLEEVE-LONG MOUNTING SUPPLIER CODE: V81590		106106	1
151	434-072-001	..SLEEVE-LONG MOUNTING SUPPLIER CODE: V81590		103105	1
151	434-072-001	..SLEEVE-LONG MOUNTING SUPPLIER CODE: V81590		002004 006010 107107	1

MISSING ITEM NUMBERS NOT APPLICABLE

- ITEM NOT ILLUSTRATED

33-14-70-02

33-14-70
FIG. 02
PAGE 27
JAN 20/09

BRI



757

PARTS CATALOG (MAINTENANCE)

FIG ITEM	PART NUMBER	1 2 3 4 5 6 7	NOMENCLATURE	EFFECT FROM TO	UNITS PER ASSY
2 151	434-072-001		.. SLEEVE-LONG MOUNTING SUPPLIER CODE: V81590	011100 504504 904949 952999	1
151	434-072-001		.. SLEEVE-LONG MOUNTING SUPPLIER CODE: V81590	101102 108503 505903 950951	1
- 500	BCREF8590		LIGHT ASSY-CABIN ALTITUDE IND SUPPLIER CODE: V81590 OVERLENGTH PART NUMBER: 434-674-1031-2274 SPECIFICATION NUMBER: S231T300-2274 OPTIONAL PART: BCREF6205 V81590 FOR NHA SEE: 21-33-51-01 21-33-51-02 21-33-51-03	002004 006999	RF
- 500	BCREF8546		LIGHT ASSY-SMOKE IND SUPPLIER CODE: V81590 OVERLENGTH PART NUMBER: 434-674-1031-2108 SPECIFICATION NUMBER: S231T300-2108 OPTIONAL PART: BCREF6115 V81590 FOR NHA SEE: 21-58-19-10 21-58-19-11 21-58-19-12	002004 006999	RF

MISSING ITEM NUMBERS NOT APPLICABLE

- ITEM NOT ILLUSTRATED

BRI

33-14-70-02

BOEING PROPRIETARY - Copyright © - Unpublished Work - See title page for details.

33-14-70
FIG. 02
PAGE 28
JAN 20/09



757

PARTS CATALOG (MAINTENANCE)

FIG ITEM	PART NUMBER	1 2 3 4 5 6 7	NOMENCLATURE	EFFECT FROM TO	UNITS PER ASSY
2 - 500	BCREF8540		LIGHT ASSY-OVERHEAT IND SUPPLIER CODE: V81590 OVERLENGTH PART NUMBER: 434-674-1031-2086 SPECIFICATION NUMBER: S231T300-2086 OPTIONAL PART: BCREF6113 V81590 FOR NHA SEE: 29-32-51-01 29-32-51-02 29-32-51-03	002004 006999	RF
- 500	BCREF8571		LIGHT ASSY-INOP IND SUPPLIER CODE: V81590 OVERLENGTH PART NUMBER: 434-674-1031-2238 SPECIFICATION NUMBER: S231T300-2238 OPTIONAL PART: BCREF6202 V81590 FOR NHA SEE: 21-61-04-01 21-61-04-02 21-61-04-03	002004 006999	RF
- 500	BCREF8917		LIGHT ASSY-MACH SPEED TRIM IND SUPPLIER CODE: V81590 OVERLENGTH PART NUMBER: 434-674-1031-2067 SPECIFICATION NUMBER: S231T300-2067 OPTIONAL PART: BCREF6143 V81590 FOR NHA SEE: 22-24-51-01 22-24-51-02	002004 006999	RF

MISSING ITEM NUMBERS NOT APPLICABLE

- ITEM NOT ILLUSTRATED

BRI

33-14-70-02

BOEING PROPRIETARY - Copyright © - Unpublished Work - See title page for details.

33-14-70
FIG. 02
PAGE 29
JAN 20/09



757

PARTS CATALOG (MAINTENANCE)

FIG ITEM	PART NUMBER	1 2 3 4 5 6 7	NOMENCLATURE	EFFECT FROM TO	UNITS PER ASSY
2 - 500	BCREF8594		LIGHT ASSY-DISCH OFF SUPPLIER CODE: V81590 OVERLENGTH PART NUMBER: 434-674-1031-2292 SPECIFICATION NUMBER: S231T300-2292 OPTIONAL PART: BCREF6431 V81590 FOR NHA SEE: 24-31-03-09 24-31-03-10	002004 006010 101949 952999	RF
- 500	BCREF8558		LIGHT ASSY-OFF IND SUPPLIER CODE: V81590 OVERLENGTH PART NUMBER: 434-674-1031-2194 SPECIFICATION NUMBER: S231T300-2194 OPTIONAL PART: BCREF6117 V81590 FOR NHA SEE: 24-33-04-01 24-33-04-02 24-33-04-03	002004 006999	RF
- 501	BCREF8531		LIGHT ASSY-BUS OFF IND SUPPLIER CODE: V81590 OVERLENGTH PART NUMBER: 434-674-1031-2021 SPECIFICATION NUMBER: S231T300-2021 OPTIONAL PART: BCREF6249 V81590 FOR NHA SEE: 24-41-51-01 24-41-51-03 24-41-51-04	002004 006999	RF

MISSING ITEM NUMBERS NOT APPLICABLE

- ITEM NOT ILLUSTRATED

33-14-70-02

33-14-70
FIG. 02
PAGE 31
JAN 20/09

BRI



757

PARTS CATALOG (MAINTENANCE)

FIG ITEM	PART NUMBER	1 2 3 4 5 6 7	NOMENCLATURE	EFFECT FROM TO	UNITS PER ASSY
2 - 501	BCREF8588		LIGHT ASSY-DUCT LEAK IND SUPPLIER CODE: V81590 OVERLENGTH PART NUMBER: 434-674-1031-2272 SPECIFICATION NUMBER: S231T300-2272 OPTIONAL PART: BCREF6203 V81590 FOR NHA SEE: 26-18-51-02 26-18-51-03 26-18-51-04	002004 006999	RF
- 501	BCREF8545		LIGHT ASSY-RUD RATIO IND SUPPLIER CODE: V81590 OVERLENGTH PART NUMBER: 434-674-1031-2105 SPECIFICATION NUMBER: S231T300-2105 OPTIONAL PART: BCREF6145 V81590 FOR NHA SEE: 27-21-53-01 27-21-53-02	002004 006999	RF
- 501	BCREF8585		LIGHT ASSY-UNSCHEM STAB TRIM IND SUPPLIER CODE: V81590 OVERLENGTH PART NUMBER: 434-674-1031-2267 SPECIFICATION NUMBER: S231T300-2267 OPTIONAL PART: BCREF6129 V81590 FOR NHA SEE: 27-41-55-01	504903 950951	RF

MISSING ITEM NUMBERS NOT APPLICABLE

- ITEM NOT ILLUSTRATED

BRI

33-14-70-02

BOEING PROPRIETARY - Copyright © - Unpublished Work - See title page for details.

33-14-70
FIG. 02
PAGE 32
JAN 20/09



757

PARTS CATALOG (MAINTENANCE)

FIG ITEM	PART NUMBER	1 2 3 4 5 6 7	NOMENCLATURE	EFFECT FROM TO	UNITS PER ASSY
2 - 501	BCREF8585		LIGHT ASSY-UNSCHEM STAB TRIM IND SUPPLIER CODE: V81590 OVERLENGTH PART NUMBER: 434-674-1031-2267 SPECIFICATION NUMBER: S231T300-2267 OPTIONAL PART: BCREF6129 V81590 FOR NHA SEE: 27-41-55-01	002004 006503 904949 952999	RF
- 501	BCREF8548		LIGHT ASSY-STAB TRIM IND SUPPLIER CODE: V81590 OVERLENGTH PART NUMBER: 434-674-1031-2111 SPECIFICATION NUMBER: S231T300-2111 OPTIONAL PART: BCREF6147 V81590 FOR NHA SEE: 27-41-55-01	002004 006999	RF
- 501	BCREF8547		LIGHT ASSY-SPOILERS IND SUPPLIER CODE: V81590 OVERLENGTH PART NUMBER: 434-674-1031-2110 SPECIFICATION NUMBER: S231T300-2110 OPTIONAL PART: BCREF6146 V81590 FOR NHA SEE: 27-61-51-01 27-61-51-03	002004 006503 904999	RF

MISSING ITEM NUMBERS NOT APPLICABLE

- ITEM NOT ILLUSTRATED

BRI

33-14-70-02

BOEING PROPRIETARY - Copyright © - Unpublished Work - See title page for details.

33-14-70
FIG. 02
PAGE 33
JAN 20/09



757

PARTS CATALOG (MAINTENANCE)

FIG ITEM	PART NUMBER	1 2 3 4 5 6 7	NOMENCLATURE	EFFECT FROM TO	UNITS PER ASSY
2 - 501	BCREF8527		LIGHT ASSY-AUTO SPEEDBRAKE IND SUPPLIER CODE: V81590 OVERLENGTH PART NUMBER: 434-674-1031-2012 SPECIFICATION NUMBER: S231T300-2012 OPTIONAL PART: BCREF6138 V81590 FOR NHA SEE: 27-62-52-01 27-62-52-02	002004 006999	RF
- 501	BCREF8595		LIGHT ASSY-FUEL CONFIG SUPPLIER CODE: V81590 OVERLENGTH PART NUMBER: 434-674-1031-2293 SPECIFICATION NUMBER: S231T300-2293 OPTIONAL PART: BCREF6367 V81590 FOR NHA SEE: 28-41-51-01 28-41-51-02 28-41-51-03	002004 006999	RF
- 501	BCREF8996		LIGHT ASSY-RSVR IND SUPPLIER CODE: V81590 OVERLENGTH PART NUMBER: 434-674-1031-2298 SPECIFICATION NUMBER: S231T300-2298 OPTIONAL PART: BCREF6875 V81590 FOR NHA SEE: 29-33-52-01	002004 006010 107107 121503 904999	RF

MISSING ITEM NUMBERS NOT APPLICABLE

- ITEM NOT ILLUSTRATED

BRI

33-14-70-02

BOEING PROPRIETARY - Copyright © - Unpublished Work - See title page for details.

33-14-70
FIG. 02
PAGE 34
JAN 20/09



757

PARTS CATALOG (MAINTENANCE)

FIG ITEM	PART NUMBER	1 2 3 4 5 6 7	NOMENCLATURE	EFFECT FROM TO	UNITS PER ASSY
2 - 501	BCREF8996		LIGHT ASSY-RSVR IND SUPPLIER CODE: V81590 OVERLENGTH PART NUMBER: 434-674-1031-2298 SPECIFICATION NUMBER: S231T300-2298 OPTIONAL PART: BCREF6875 V81590 FOR NHA SEE: 29-33-52-01 29-33-52-02 29-33-52-03	002004 006106 108999	RF
- 501	BCREF8556		LIGHT ASSY-SYS PRESS IND SUPPLIER CODE: V81590 OVERLENGTH PART NUMBER: 434-674-1031-2188 SPECIFICATION NUMBER: S231T300-2188 OPTIONAL PART: BCREF6116 V81590 FOR NHA SEE: 29-31-00-01 29-31-00-02 29-31-00-03	002004 006999	RF
- 501	BCREF8579		LIGHT ASSY-CAPT PITOT IND SUPPLIER CODE: V81590 OVERLENGTH PART NUMBER: 434-674-1031-2259 SPECIFICATION NUMBER: S231T300-2259 OPTIONAL PART: BCREF6125 V81590 FOR NHA SEE: 30-31-51-01 30-31-51-02	002004 006999	RF

MISSING ITEM NUMBERS NOT APPLICABLE

- ITEM NOT ILLUSTRATED

33-14-70-02

33-14-70
FIG. 02
PAGE 35
JAN 20/09

BRI



757

PARTS CATALOG (MAINTENANCE)

FIG ITEM	PART NUMBER	1 2 3 4 5 6 7	NOMENCLATURE	EFFECT FROM TO	UNITS PER ASSY
2 - 501	BCREF8580		LIGHT ASSY-F/O PITOT IND SUPPLIER CODE: V81590 OVERLENGTH PART NUMBER: 434-674-1031-2260 SPECIFICATION NUMBER: S231T300-2260 OPTIONAL PART: BCREF6126 V81590 FOR NHA SEE: 30-31-51-01 30-31-51-02	504903 950951	RF
- 501	BCREF8580		LIGHT ASSY-F/O PITOT IND SUPPLIER CODE: V81590 OVERLENGTH PART NUMBER: 434-674-1031-2260 SPECIFICATION NUMBER: S231T300-2260 OPTIONAL PART: BCREF6126 V81590 FOR NHA SEE: 30-31-51-01 30-31-51-02	002004 006503 904949 952999	RF
- 502	BCREF8580		LIGHT ASSY-F/O PITOT IND SUPPLIER CODE: V81590 OVERLENGTH PART NUMBER: 434-674-1031-2260 SPECIFICATION NUMBER: S231T300-2260 FOR NHA SEE: 30-31-51-01	002004 006100	RF

MISSING ITEM NUMBERS NOT APPLICABLE

- ITEM NOT ILLUSTRATED

BRI

33-14-70-02

BOEING PROPRIETARY - Copyright © - Unpublished Work - See title page for details.

33-14-70
FIG. 02
PAGE 36
JAN 20/09



757

PARTS CATALOG (MAINTENANCE)

FIG ITEM	PART NUMBER	1 2 3 4 5 6 7	NOMENCLATURE	EFFECT FROM TO	UNITS PER ASSY
2 - 502	BCREF8581		LIGHT ASSY-AUX PITOT IND SUPPLIER CODE: V81590 POSITION DATA: L OVERLENGTH PART NUMBER: 434-674-1031-2261 SPECIFICATION NUMBER: S231T300-2261 OPTIONAL PART: BCREF6127 V81590 FOR NHA SEE: 30-31-51-01 30-31-51-02	504903 950951	RF
- 502	BCREF8581		LIGHT ASSY-AUX PITOT IND SUPPLIER CODE: V81590 POSITION DATA: L OVERLENGTH PART NUMBER: 434-674-1031-2261 SPECIFICATION NUMBER: S231T300-2261 OPTIONAL PART: BCREF6127 V81590 FOR NHA SEE: 30-31-51-01 30-31-51-02	002004 006105 107503 904949 952999	RF
- 502	BCREF8581		LIGHT ASSY-AUX PITOT IND SUPPLIER CODE: V81590 POSITION DATA: L OVERLENGTH PART NUMBER: 434-674-1031-2261 SPECIFICATION NUMBER: S231T300-2261 FOR NHA SEE: 30-31-51-01	002004 006100	RF

MISSING ITEM NUMBERS NOT APPLICABLE

- ITEM NOT ILLUSTRATED

33-14-70-02

33-14-70
FIG. 02
PAGE 37
JAN 20/09

BRI



757

PARTS CATALOG (MAINTENANCE)

FIG ITEM	PART NUMBER	1 2 3 4 5 6 7	NOMENCLATURE	EFFECT FROM TO	UNITS PER ASSY
2 - 502	BCREF8582		LIGHT ASSY-AUX PITOT IND SUPPLIER CODE: V81590 POSITION DATA: R OVERLENGTH PART NUMBER: 434-674-1031-2262 SPECIFICATION NUMBER: S231T300-2262 OPTIONAL PART: BCREF6128 V81590 FOR NHA SEE: 30-31-51-01 30-31-51-02	504903 950951	RF
- 502	BCREF8582		LIGHT ASSY-AUX PITOT IND SUPPLIER CODE: V81590 POSITION DATA: R OVERLENGTH PART NUMBER: 434-674-1031-2262 SPECIFICATION NUMBER: S231T300-2262 OPTIONAL PART: BCREF6128 V81590 FOR NHA SEE: 30-31-51-01 30-31-51-02	002004 006105 107503 904949 952999	RF
- 502	BCREF8582		LIGHT ASSY-AUX PITOT IND SUPPLIER CODE: V81590 POSITION DATA: R OVERLENGTH PART NUMBER: 434-674-1031-2262 SPECIFICATION NUMBER: S231T300-2262 FOR NHA SEE: 30-31-51-01	002004 006100	RF

MISSING ITEM NUMBERS NOT APPLICABLE

- ITEM NOT ILLUSTRATED

33-14-70-02

33-14-70
FIG. 02
PAGE 38
JAN 20/09

BRI



757

PARTS CATALOG (MAINTENANCE)

FIG ITEM	PART NUMBER	1 2 3 4 5 6 7	NOMENCLATURE	EFFECT FROM TO	UNITS PER ASSY
2 - 502	BCREF15660		LIGHT ASSY-AUX PITOT IND SUPPLIER CODE: V81590 POSITION DATA: L OVERLENGTH PART NUMBER: 434-674-1031-2368 SPECIFICATION NUMBER: S231T300-2368 FOR NHA SEE: 30-31-51-02	106106	RF
- 502	BCREF15661		LIGHT ASSY-AUX PITOT IND SUPPLIER CODE: V81590 POSITION DATA: R OVERLENGTH PART NUMBER: 434-674-1031-2369 SPECIFICATION NUMBER: S231T300-2369 FOR NHA SEE: 30-31-51-02	106106	RF
- 502	BCREF8560		LIGHT ASSY-AOA IND SUPPLIER CODE: V81590 POSITION DATA: L OVERLENGTH PART NUMBER: 434-674-1031-2202 SPECIFICATION NUMBER: S231T300-2202 OPTIONAL PART: BCREF6119 V81590 FOR NHA SEE: 30-32-51-01	002004 006999	RF

MISSING ITEM NUMBERS NOT APPLICABLE

- ITEM NOT ILLUSTRATED

33-14-70-02

33-14-70
FIG. 02
PAGE 39
JAN 20/09

BRI



757

PARTS CATALOG (MAINTENANCE)

FIG ITEM	PART NUMBER	1 2 3 4 5 6 7	NOMENCLATURE	EFFECT FROM TO	UNITS PER ASSY
2 - 502	BCREF8561		LIGHT ASSY-AOA IND SUPPLIER CODE: V81590 POSITION DATA: R OVERLENGTH PART NUMBER: 434-674-1031-2203 SPECIFICATION NUMBER: S231T300-2203 OPTIONAL PART: BCREF6120 V81590 FOR NHA SEE: 30-32-51-01	002004 006999	RF
- 502	BCREF8549		LIGHT ASSY-TOTAL AIR TEMP IND SUPPLIER CODE: V81590 OVERLENGTH PART NUMBER: 434-674-1031-2112 SPECIFICATION NUMBER: S231T300-2112 OPTIONAL PART: BCREF6149 V81590 FOR NHA SEE: 30-33-51-01 30-33-51-02	002004 006105 107999	RF
- 502	BCREF8539		LIGHT ASSY-L TAT SUPPLIER CODE: V81590 OVERLENGTH PART NUMBER: 434-674-1031-2083 SPECIFICATION NUMBER: S231T300-2083 FOR NHA SEE: 30-33-51-02	106106	RF
- 502	BCREF8542		LIGHT ASSY-R TAT SUPPLIER CODE: V81590 OVERLENGTH PART NUMBER: 434-674-1031-2092 SPECIFICATION NUMBER: S231T300-2092 FOR NHA SEE: 30-33-51-02	106106	RF

MISSING ITEM NUMBERS NOT APPLICABLE

- ITEM NOT ILLUSTRATED

33-14-70-02

33-14-70
FIG. 02
PAGE 40
JAN 20/09

BRI



757

PARTS CATALOG (MAINTENANCE)

FIG ITEM	PART NUMBER	1 2 3 4 5 6 7	NOMENCLATURE	EFFECT FROM TO	UNITS PER ASSY
2 - 502	BCREF8562		LIGHT ASSY-ANTISKID IND SUPPLIER CODE: V81590 OVERLENGTH PART NUMBER: 434-674-1031-2212 SPECIFICATION NUMBER: S231T300-2212 OPTIONAL PART: BCREF6324 V81590 FOR NHA SEE: 32-42-52-01 32-42-52-03	504903 950951	RF
- 502	BCREF8562		LIGHT ASSY-ANTISKID IND SUPPLIER CODE: V81590 OVERLENGTH PART NUMBER: 434-674-1031-2212 SPECIFICATION NUMBER: S231T300-2212 OPTIONAL PART: BCREF6324 V81590 FOR NHA SEE: 32-42-52-01 32-42-52-03	101503 904949 952999	RF
- 503	BCREF8562		LIGHT ASSY-ANTISKID IND SUPPLIER CODE: V81590 OVERLENGTH PART NUMBER: 434-674-1031-2212 SPECIFICATION NUMBER: S231T300-2212 FOR NHA SEE: 32-42-52-01 32-42-52-02	002004 006100	RF

MISSING ITEM NUMBERS NOT APPLICABLE

- ITEM NOT ILLUSTRATED

BRI

33-14-70-02

BOEING PROPRIETARY - Copyright © - Unpublished Work - See title page for details.

33-14-70
FIG. 02
PAGE 41
JAN 20/09



757

PARTS CATALOG (MAINTENANCE)

FIG ITEM	PART NUMBER	1 2 3 4 5 6 7	NOMENCLATURE	EFFECT FROM TO	UNITS PER ASSY
2 - 503	BCREF8550		LIGHT ASSY-UNARMED IND SUPPLIER CODE: V81590 OVERLENGTH PART NUMBER: 434-674-1031-2113 SPECIFICATION NUMBER: S231T300-2113 OPTIONAL PART: BCREF6199 V81590 FOR NHA SEE: 33-51-08-01 33-51-08-03 33-51-08-05	002004 006106 108999	RF
- 503	BCREF8550		LIGHT ASSY-UNARMED IND SUPPLIER CODE: V81590 OVERLENGTH PART NUMBER: 434-674-1031-2113 SPECIFICATION NUMBER: S231T300-2113 QUALIFIED OPTIONAL DATA: S231T300-1113 WITH WHITE DOT IDENTIFIER ON CAP ASSY IS OPTIONAL TO S231T300-2113 FOR NHA SEE: 33-51-08-01	107107	RF
- 503	BCREF8534		LIGHT ASSY-H1 STAGE IND SUPPLIER CODE: V81590 OVERLENGTH PART NUMBER: 434-674-1031-2051 SPECIFICATION NUMBER: S231T300-2051 OPTIONAL PART: BCREF6197 V81590 FOR NHA SEE: 36-21-00-01 36-21-00-02 36-21-00-03	002004 006999	RF

MISSING ITEM NUMBERS NOT APPLICABLE

- ITEM NOT ILLUSTRATED

BRI

33-14-70-02

BOEING PROPRIETARY - Copyright © - Unpublished Work - See title page for details.

33-14-70
FIG. 02
PAGE 42
JAN 20/09



757

PARTS CATALOG (MAINTENANCE)

FIG ITEM	PART NUMBER	1 2 3 4 5 6 7	NOMENCLATURE	EFFECT FROM TO	UNITS PER ASSY
2 - 503	BCREF8589		LIGHT ASSY-BLEED IND SUPPLIER CODE: V81590 OVERLENGTH PART NUMBER: 434-674-1031-2273 SPECIFICATION NUMBER: S231T300-2273 OPTIONAL PART: BCREF6204 V81590 FOR NHA SEE: 36-22-51-01 36-22-51-02 36-22-51-03	002004 006999	RF
- 503	BCREF8552		LIGHT ASSY-RUN IND SUPPLIER CODE: V81590 OVERLENGTH PART NUMBER: 434-674-1031-2122 SPECIFICATION NUMBER: S231T300-2122 OPTIONAL PART: BCREF6201 V81590 FOR NHA SEE: 49-70-00-01 49-70-00-02	002004 006010 101106 504903 950999	RF
- 503	BCREF8552		LIGHT ASSY-RUN IND SUPPLIER CODE: V81590 OVERLENGTH PART NUMBER: 434-674-1031-2122 SPECIFICATION NUMBER: S231T300-2122 OPTIONAL PART: BCREF6201 V81590 FOR NHA SEE: 49-70-00-01 49-70-00-02	107503 904949	RF

MISSING ITEM NUMBERS NOT APPLICABLE

- ITEM NOT ILLUSTRATED

BRI

33-14-70-02

BOEING PROPRIETARY - Copyright © - Unpublished Work - See title page for details.

33-14-70
FIG. 02
PAGE 43
JAN 20/09



757

PARTS CATALOG (MAINTENANCE)

FIG ITEM	PART NUMBER	1 2 3 4 5 6 7	NOMENCLATURE	EFFECT FROM TO	UNITS PER ASSY
2 - 503	BCREF8532		LIGHT ASSY-FAULT IND SUPPLIER CODE: V81590 OVERLENGTH PART NUMBER: 434-674-1031-2036 SPECIFICATION NUMBER: S231T300-2036 OPTIONAL PART: BCREF6196 V81590 FOR NHA SEE: 49-70-00-01 49-70-00-02	002004 006010 101106 504903 950999	RF
- 503	BCREF8532		LIGHT ASSY-FAULT IND SUPPLIER CODE: V81590 OVERLENGTH PART NUMBER: 434-674-1031-2036 SPECIFICATION NUMBER: S231T300-2036 OPTIONAL PART: BCREF6196 V81590 FOR NHA SEE: 49-70-00-01 49-70-00-02	107503 904949	RF
- 503	BCREF8572		LIGHT ASSY-ENTRY DOORS IND SUPPLIER CODE: V81590 OVERLENGTH PART NUMBER: 434-674-1031-2244 SPECIFICATION NUMBER: S231T300-2244 OPTIONAL PART: BCREF6121 V81590 FOR NHA SEE: 52-71-51-01 52-71-51-02	002004 006999	RF

MISSING ITEM NUMBERS NOT APPLICABLE

- ITEM NOT ILLUSTRATED

33-14-70-02

33-14-70
FIG. 02
PAGE 44
JAN 20/09

BRI



757

PARTS CATALOG (MAINTENANCE)

FIG ITEM	PART NUMBER	1 2 3 4 5 6 7	NOMENCLATURE	EFFECT FROM TO	UNITS PER ASSY
2 - 503	BCREF8573		LIGHT ASSY-EMER DOORS IND SUPPLIER CODE: V81590 OVERLENGTH PART NUMBER: 434-674-1031-2245 SPECIFICATION NUMBER: S231T300-2245 OPTIONAL PART: BCREF6122 V81590 FOR NHA SEE: 52-71-51-01 52-71-51-02	002004 006999	RF
- 503	BCREF8574		LIGHT ASSY-CARGO DOORS SUPPLIER CODE: V81590 OVERLENGTH PART NUMBER: 434-674-1031-2246 SPECIFICATION NUMBER: S231T300-2246 OPTIONAL PART: BCREF6123 V81590 FOR NHA SEE: 52-71-51-01 52-71-51-02	002004 006999	RF
- 503	BCREF8575		LIGHT ASSY-ACCESS DOORS SUPPLIER CODE: V81590 OVERLENGTH PART NUMBER: 434-674-1031-2247 SPECIFICATION NUMBER: S231T300-2247 OPTIONAL PART: BCREF6124 V81590 FOR NHA SEE: 52-71-51-01 52-71-51-02	002004 006999	RF
- 503	BCREF8486		LIGHT ASSY-VALVE IND SUPPLIER CODE: V81590 OVERLENGTH PART NUMBER: 434-674-1031-2115 SPECIFICATION NUMBER: S231T300-2115 FOR NHA SEE: 30-11-51-02 30-11-51-03	011106 108120 504903	RF

MISSING ITEM NUMBERS NOT APPLICABLE

- ITEM NOT ILLUSTRATED

BRI

33-14-70-02

BOEING PROPRIETARY - Copyright © - Unpublished Work - See title page for details.

33-14-70
FIG. 02
PAGE 45
JAN 20/09



757

PARTS CATALOG (MAINTENANCE)

FIG ITEM	PART NUMBER	1 2 3 4 5 6 7	NOMENCLATURE	EFFECT FROM TO	UNITS PER ASSY
2 - 503	BCREF8486		LIGHT ASSY-VALVE IND SUPPLIER CODE: V81590 OVERLENGTH PART NUMBER: 434-674-1031-2115 SPECIFICATION NUMBER: S231T300-2115 FOR NHA SEE: 30-11-51-01	002004 006010 107107 121503 904999	RF
- 503	BCREF8486		LIGHT ASSY-VALVE IND SUPPLIER CODE: V81590 OVERLENGTH PART NUMBER: 434-674-1031-2115 SPECIFICATION NUMBER: S231T300-2115 OPTIONAL PART: BCREF6200 V81590 FOR NHA SEE: 80-11-09-02 80-11-09-03	002004 006999	RF
- 504	BCREF8587		LIGHT ASSY-OFF IND SUPPLIER CODE: V81590 OVERLENGTH PART NUMBER: 434-674-1031-2269 SPECIFICATION NUMBER: S231T300-2269 FOR NHA SEE: 31-31-04-01	002004 006106 108903 950999	RF
- 504	BCREF8587		LIGHT ASSY-OFF IND SUPPLIER CODE: V81590 OVERLENGTH PART NUMBER: 434-674-1031-2269 SPECIFICATION NUMBER: S231T300-2269 OPTIONAL PART: BCREF6130 V81590 FOR NHA SEE: 31-31-04-01	002004 006106 108903 950999	RF
510	674-1031-2274		.CAP ASSY-LENS CABIN ALTITUDE SUPPLIER CODE: V81590 USED ON: BCREF8590	002004 006999	1

MISSING ITEM NUMBERS NOT APPLICABLE

- ITEM NOT ILLUSTRATED

33-14-70-02

33-14-70
FIG. 02
PAGE 46
JAN 20/09

BRI



757

PARTS CATALOG (MAINTENANCE)

FIG ITEM	PART NUMBER	1 2 3 4 5 6 7	NOMENCLATURE	EFFECT FROM TO	UNITS PER ASSY
2					
510	674-1031-2108		.CAP ASSY-LENS SMOKE SUPPLIER CODE: V81590 USED ON: BCREF8546	002004 006999	1
510	674-1031-2086		.CAP ASSY-LENS OVHT SUPPLIER CODE: V81590 USED ON: BCREF8540	002004 006999	1
510	674-1031-2238		.CAP ASSY-LENS INOP SUPPLIER CODE: V81590 USED ON: BCREF8571	002004 006999	1
510	674-1031-2067		.CAP ASSY-LENS MACH SPD TRIM SUPPLIER CODE: V81590 USED ON: BCREF8917	002004 006999	1
510	674-1031-2195		.CAP ASSY-LENS DISCH SUPPLIER CODE: V81590 USED ON: BCREF8559	009009 015015 950951	1
510	674-1031-2291		.CAP ASSY-LENS MAIN BAT DISCH SUPPLIER CODE: V81590 USED ON: BCREF8593	002004 006949 952999	1
510	674-1031-2292		.CAP ASSY-LENS APU BAT DISCH SUPPLIER CODE: V81590 USED ON: BCREF8594	011100	1
510	674-1031-2292		.CAP ASSY-LENS APU BAT DISCH SUPPLIER CODE: V81590 USED ON: BCREF8594	002004 006010 101949 952999	1
510	674-1031-2194		.CAP ASSY-LENS OFF SUPPLIER CODE: V81590 USED ON: BCREF8558	002004 006999	1

R
R
R
R
R

MISSING ITEM NUMBERS NOT APPLICABLE

- ITEM NOT ILLUSTRATED

33-14-70-02

33-14-70
FIG. 02
PAGE 47
MAY 20/09

BRI



757

PARTS CATALOG (MAINTENANCE)

FIG ITEM	PART NUMBER	1 2 3 4 5 6 7	NOMENCLATURE	EFFECT FROM TO	UNITS PER ASSY
2					
510	674-1031-2021		.CAP ASSY-LENS BUS OFF SUPPLIER CODE: V81590 USED ON: BCREF8531	002004 006999	1
510	674-1031-2272		.CAP ASSY-LENS DUCT LEAK SUPPLIER CODE: V81590 USED ON: BCREF8588	002004 006999	1
510	674-1031-2105		.CAP ASSY-LENS RUDDER RATIO SUPPLIER CODE: V81590 USED ON: BCREF8545	002004 006999	1
511	674-1031-2267		.CAP ASSY-LENS UNSCHED STAB TRIM SUPPLIER CODE: V81590 USED ON: BCREF8585	002004 006999	1
511	674-1031-2111		.CAP ASSY-LENS STAB TRIM SUPPLIER CODE: V81590 USED ON: BCREF8548	002004 006999	1
511	674-1031-2110		.CAP ASSY-LENS SPOILERS SUPPLIER CODE: V81590 USED ON: BCREF8547	002004 006503 904999	1
511	674-1031-2012		.CAP ASSY-LENS AUTO SPDBRK SUPPLIER CODE: V81590 USED ON: BCREF8527	002004 006999	1
511	674-1031-2293		.CAP ASSY-LENS FUEL CONFIG SUPPLIER CODE: V81590 USED ON: BCREF8595	002004 006999	1
511	674-1031-2298		.CAP ASSY-LENS RSVR SUPPLIER CODE: V81590 USED ON: BCREF8996	002004 006999	1

MISSING ITEM NUMBERS NOT APPLICABLE

- ITEM NOT ILLUSTRATED

BRI

33-14-70-02

33-14-70
FIG. 02
PAGE 48
JAN 20/09



757

PARTS CATALOG (MAINTENANCE)

FIG ITEM	PART NUMBER	1 2 3 4 5 6 7	NOMENCLATURE	EFFECT FROM TO	UNITS PER ASSY
2					
511	674-1031-2188		.CAP ASSY-LENS SYS PRESS SUPPLIER CODE: V81590 USED ON: BCREF8556	002004 006999	1
511	674-1031-2259		.CAP ASSY-LENS CAPT PITOT SUPPLIER CODE: V81590 USED ON: BCREF8579	002004 006999	1
511	674-1031-2260		.CAP ASSY-LENS F O PITOT SUPPLIER CODE: V81590 USED ON: BCREF8580	002004 006999	1
511	674-1031-2261		.CAP ASSY-LENS L AUX PITOT SUPPLIER CODE: V81590 USED ON: BCREF8581	002004 006105 107999	1
511	674-1031-2262		.CAP ASSY-LENS R AUX PITOT SUPPLIER CODE: V81590 USED ON: BCREF8582	002004 006105 107999	1
511	674-1031-2368		.CAP ASSY-LENS C ADIRU, PITOT SUPPLIER CODE: V81590 USED ON: BCREF15660	106106	1
511	674-1031-2369		.CAP ASSY-LENS STBY INST, PITOT SUPPLIER CODE: V81590 USED ON: BCREF15661	106106	1
511	674-1031-2202		.CAP ASSY-LENS L AOA SUPPLIER CODE: V81590 USED ON: BCREF8560	002004 006999	1
511	674-1031-2203		.CAP ASSY-LENS R AOA SUPPLIER CODE: V81590 USED ON: BCREF8561	002004 006999	1

MISSING ITEM NUMBERS NOT APPLICABLE

- ITEM NOT ILLUSTRATED

33-14-70-02

33-14-70
FIG. 02
PAGE 49
JAN 20/09

BRI

BOEING PROPRIETARY - Copyright © - Unpublished Work - See title page for details.



757

PARTS CATALOG (MAINTENANCE)

FIG ITEM	PART NUMBER	1 2 3 4 5 6 7	NOMENCLATURE	EFFECT FROM TO	UNITS PER ASSY
2					
511	674-1031-2112		.CAP ASSY-LENS TAT SUPPLIER CODE: V81590 USED ON: BCREF8549	002004 006105 107999	1
512	674-1031-2083		.CAP ASSY-LENS L TAT SUPPLIER CODE: V81590 USED ON: BCREF8539	106106	1
512	674-1031-2092		.CAP ASSY-LENS R TAT SUPPLIER CODE: V81590 USED ON: BCREF8542	106106	1
512	674-1031-2212		.CAP ASSY-LENS ANTISKID SUPPLIER CODE: V81590 USED ON: BCREF8562	002004 006999	1
512	674-1031-2113		.CAP ASSY-LENS UNARMED SUPPLIER CODE: V81590 USED ON: BCREF8550	002004 006999	1
512	674-1031-2051		.CAP ASSY-LENS HI STAGE SUPPLIER CODE: V81590 USED ON: BCREF8534	002004 006999	1
512	674-1031-2273		.CAP ASSY-LENS BLEED SUPPLIER CODE: V81590 USED ON: BCREF8589	002004 006999	1
512	674-1031-2122		.CAP ASSY-LENS RUN SUPPLIER CODE: V81590 USED ON: BCREF8552	002004 006010 101999	1
512	674-1031-2036		.CAP ASSY-LENS FAULT SUPPLIER CODE: V81590 USED ON: BCREF8532	002004 006010 101999	1

MISSING ITEM NUMBERS NOT APPLICABLE

- ITEM NOT ILLUSTRATED

33-14-70-02

33-14-70
FIG. 02
PAGE 50
JAN 20/09

BRI

BOEING PROPRIETARY - Copyright © - Unpublished Work - See title page for details.



757

PARTS CATALOG (MAINTENANCE)

FIG ITEM	PART NUMBER	1 2 3 4 5 6 7	NOMENCLATURE	EFFECT FROM TO	UNITS PER ASSY
2					
512	674-1031-2244		.CAP ASSY-LENS ENTRY DOORS SUPPLIER CODE: V81590 USED ON: BCREF8572	002004 006999	1
512	674-1031-2245		.CAP ASSY-LENS EMER DOORS SUPPLIER CODE: V81590 USED ON: BCREF8573	002004 006999	1
512	674-1031-2246		.CAP ASSY-LENS CARGO DOORS SUPPLIER CODE: V81590 USED ON: BCREF8574	002004 006999	1
512	674-1031-2247		.CAP ASSY-LENS ACCESS DOORS SUPPLIER CODE: V81590 USED ON: BCREF8575	002004 006999	1
512	674-1031-2115		.CAP ASSY-LENS VALVE SUPPLIER CODE: V81590 USED ON: BCREF8486	002004 006999	1
512	674-1031-2269		.CAP ASSY-LENS OFF SUPPLIER CODE: V81590 USED ON: BCREF8587	002004 006106 108903 950999	1
521	434-1031-2001		.BASE ASSY- SUPPLIER CODE: V81590	002004 006100 107107 504951	1
521	434-1031-2001		.BASE ASSY- SUPPLIER CODE: V81590	103106 121503 952999	1
521	434-1031-2001		.BASE ASSY- SUPPLIER CODE: V81590	101102 108120	1
531	MS25237-387AS15		.. LAMP	002004 006100 107107 504951	2
531	MS25237-387AS15		.. LAMP	103106 121503 952999	2
531	MS25237-387AS15		.. LAMP	101102 108120	2

MISSING ITEM NUMBERS NOT APPLICABLE

- ITEM NOT ILLUSTRATED

33-14-70-02

33-14-70
FIG. 02
PAGE 51
JAN 20/09

BRI

BOEING PROPRIETARY - Copyright © - Unpublished Work - See title page for details.



757

PARTS CATALOG (MAINTENANCE)

FIG ITEM	PART NUMBER	1 2 3 4 5 6 7	NOMENCLATURE	EFFECT FROM TO	UNITS PER ASSY
2					
541	434-092-009		..DRAWER ASSY- SUPPLIER CODE: V81590	002004 006100 107107 504951	1
541	434-092-009		..DRAWER ASSY- SUPPLIER CODE: V81590	103106 121503 952999	1
541	434-092-009		..DRAWER ASSY- SUPPLIER CODE: V81590	101102 108120	1
551	434-093-001		.MODULE-CKT SUPPLIER CODE: V81590	002004 006100 107107 504951	1
551	434-093-001		.MODULE-CKT SUPPLIER CODE: V81590	103106 121503 952999	1
551	434-093-001		.MODULE-CKT SUPPLIER CODE: V81590	101102 108120	1
561	434-072-001		..SLEEVE-LONG MOUNTING SUPPLIER CODE: V81590	002004 006100 107107 504951	1
561	434-072-001		..SLEEVE-LONG MOUNTING SUPPLIER CODE: V81590	103106 121503 952999	1
561	434-072-001		..SLEEVE-LONG MOUNTING SUPPLIER CODE: V81590	101102 108120	1

MISSING ITEM NUMBERS NOT APPLICABLE

- ITEM NOT ILLUSTRATED

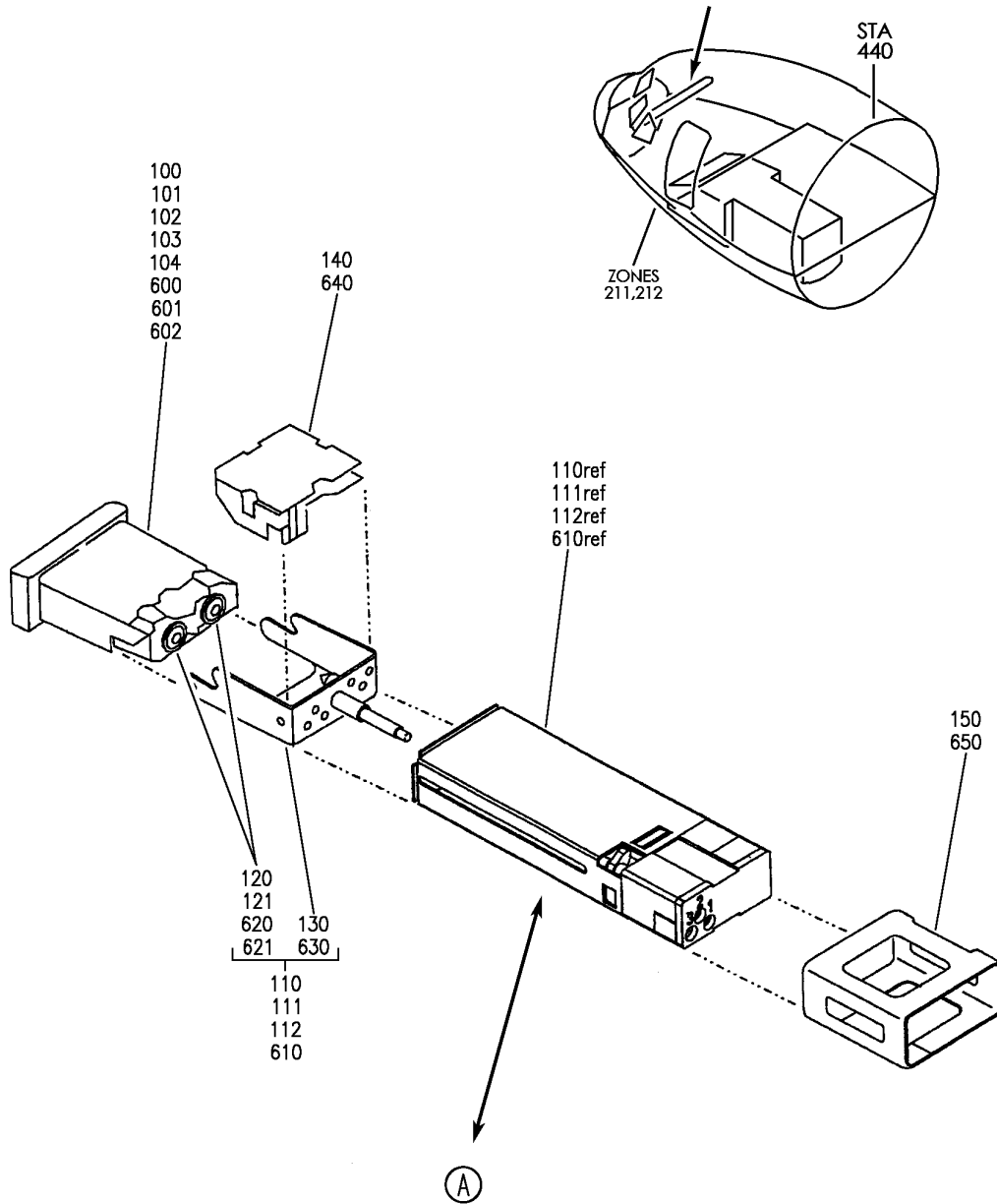
33-14-70-02

33-14-70
FIG. 02
PAGE 52
JAN 20/09

BRI

BOEING PROPRIETARY - Copyright © - Unpublished Work - See title page for details.

BOEING
757
PARTS CATALOG (MAINTENANCE)



Y 33147003 SH1 1 REV 310

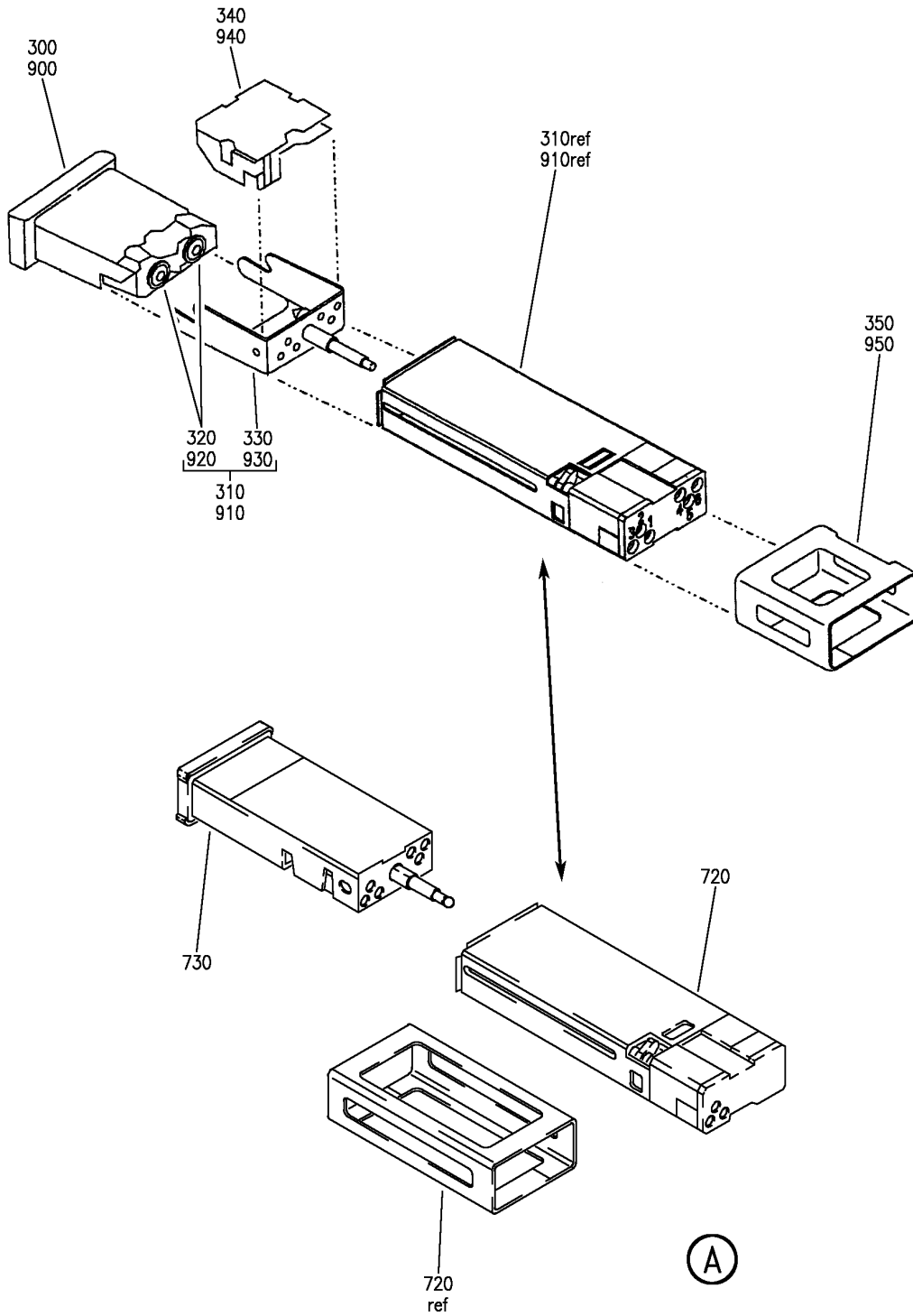
LIGHT ASSY-IND
FIGURE 3 (SHEET 1)

33-14-70-03

BRI
MAY 28/07

33-14-70-03
PAGE 0

BOEING
757
PARTS CATALOG (MAINTENANCE)



Y 33147003 SH1 2 REV 277

LIGHT ASSY-IND
FIGURE 3 (SHEET 2)

33-14-70-03

BRI
MAY 28/07

33-14-70-03
PAGE 0A



757

PARTS CATALOG (MAINTENANCE)

FIG ITEM	PART NUMBER	1 2 3 4 5 6 7	NOMENCLATURE	EFFECT FROM TO	UNITS PER ASSY
3			LIGHT ASSY-IND	002004 006999	
- 10	BCREF6229		LIGHT ASSY-AUTO PILOT IND SUPPLIER CODE: V81590 OVERLENGTH PART NUMBER: 434-674-1005-1226 SPECIFICATION NUMBER: S231T300-1226 ELECTRICAL EQUIP NUMBER: L00269 OPTIONAL PART: BCREF8565 V81590 FOR NHA SEE: 22-14-01-01	002004 006010 107107 121503 904999	RF
- 10	BCREF6229		LIGHT ASSY-AUTO PILOT IND SUPPLIER CODE: V81590 OVERLENGTH PART NUMBER: 434-674-1005-1226 SPECIFICATION NUMBER: S231T300-1226 ELECTRICAL EQUIP NUMBER: L00269 OPTIONAL PART: BCREF8565 V81590 FOR NHA SEE: 22-14-01-02 22-14-01-03	011106 108120 504903	RF
- 10	BCREF6228		LIGHT ASSY-A/T DISC IND SUPPLIER CODE: V81590 OVERLENGTH PART NUMBER: 434-674-1005-1225 SPECIFICATION NUMBER: S231T300-1225 ELECTRICAL EQUIP NUMBER: L00486 OPTIONAL PART: BCREF8564 V81590 FOR NHA SEE: 22-34-51-01	002004 006010 107107 121503 904999	RF

MISSING ITEM NUMBERS NOT APPLICABLE

- ITEM NOT ILLUSTRATED

33-14-70-03

33-14-70
FIG. 03
PAGE 1
JAN 20/09

BRI



757

PARTS CATALOG (MAINTENANCE)

FIG ITEM	PART NUMBER	1 2 3 4 5 6 7	NOMENCLATURE	EFFECT FROM TO	UNITS PER ASSY
3					
- 10	BCREF6228		LIGHT ASSY-A/T DISC IND SUPPLIER CODE: V81590 OVERLENGTH PART NUMBER: 434-674-1005-1225 SPECIFICATION NUMBER: S231T300-1225 ELECTRICAL EQUIP NUMBER: L00486 OPTIONAL PART: BCREF8564 V81590 FOR NHA SEE: 22-34-51-02	011106 108120 504903	RF
- 10	BCREF6413		LIGHT ASSY-WHL WELL FIRE IND SUPPLIER CODE: V81590 OVERLENGTH PART NUMBER: 434-674-1005-1294 SPECIFICATION NUMBER: S231T300-1294 ELECTRICAL EQUIP NUMBER: L00445 OPTIONAL PART: BCREF8596 V81590 PRE SERVICE BULLETIN: 34-0200 FOR NHA SEE: 26-17-51-01	002004 006010 107107 121503 904999	RF
- 10	BCREF6413		LIGHT ASSY-WHL WELL FIRE IND SUPPLIER CODE: V81590 OVERLENGTH PART NUMBER: 434-674-1005-1294 SPECIFICATION NUMBER: S231T300-1294 ELECTRICAL EQUIP NUMBER: L00445 OPTIONAL PART: BCREF8596 V81590 FOR NHA SEE: 26-17-51-01 26-17-51-02 26-17-51-05	011106 108120 504903 952952	RF

MISSING ITEM NUMBERS NOT APPLICABLE

- ITEM NOT ILLUSTRATED

33-14-70-03

33-14-70
FIG. 03
PAGE 2
JAN 20/09

BRI



757

PARTS CATALOG (MAINTENANCE)

FIG ITEM	PART NUMBER	1 2 3 4 5 6 7	NOMENCLATURE	EFFECT FROM TO	UNITS PER ASSY
3					
- 10	BCREF7112		LIGHT ASSY-SPEED BRAKES IND SUPPLIER CODE: V81590 OVERLENGTH PART NUMBER: 434-674-1005-1300 SPECIFICATION NUMBER: S231T300-1300 ELECTRICAL EQUIP NUMBER: L00716 OPTIONAL PART: BCREF8600 V81590 FOR NHA SEE: 31-51-52-01	002004 006010 107107 121503 904999	RF
- 10	BCREF7112		LIGHT ASSY-SPEED BRAKES IND SUPPLIER CODE: V81590 OVERLENGTH PART NUMBER: 434-674-1005-1300 SPECIFICATION NUMBER: S231T300-1300 ELECTRICAL EQUIP NUMBER: L00716 OPTIONAL PART: BCREF8600 V81590 FOR NHA SEE: 31-51-52-01	011106 108120 504903	RF
- 11	BCREF6232		LIGHT ASSY-BRAKE SOURCE IND SUPPLIER CODE: V81590 OVERLENGTH PART NUMBER: 434-674-1005-1257 SPECIFICATION NUMBER: S231T300-1257 OPTIONAL PART: BCREF8578 V81590 FOR NHA SEE: 32-41-52-01	002004 006010 107107 121503 904999	RF

MISSING ITEM NUMBERS NOT APPLICABLE

- ITEM NOT ILLUSTRATED

33-14-70-03

33-14-70
FIG. 03
PAGE 3
JAN 20/09

BRI



757

PARTS CATALOG (MAINTENANCE)

FIG ITEM	PART NUMBER	1 2 3 4 5 6 7	NOMENCLATURE	EFFECT FROM TO	UNITS PER ASSY
3					
- 11	BCREF6232		LIGHT ASSY-BRAKE SOURCE IND SUPPLIER CODE: V81590 OVERLENGTH PART NUMBER: 434-674-1005-1257 SPECIFICATION NUMBER: S231T300-1257 OPTIONAL PART: BCREF8578 V81590 FOR NHA SEE: 32-41-52-02	011106 108120 504903	RF
- 11	BCREF6263		LIGHT ASSY-ENG OIL PRESS IND SUPPLIER CODE: V81590 POSITION DATA: L OVERLENGTH PART NUMBER: 434-674-1005-1264 SPECIFICATION NUMBER: S231T300-1264 ELECTRICAL EQUIP NUMBER: L00474 OPTIONAL PART: BCREF8583 V81590 FOR NHA SEE: 79-33-51-02	002004 006010 107107 121503 904999	RF
- 11	BCREF6263		LIGHT ASSY-ENG OIL PRESS IND SUPPLIER CODE: V81590 POSITION DATA: L OVERLENGTH PART NUMBER: 434-674-1005-1264 SPECIFICATION NUMBER: S231T300-1264 ELECTRICAL EQUIP NUMBER: L00474 OPTIONAL PART: BCREF8583 V81590 FOR NHA SEE: 79-33-51-03 79-33-51-05	011106 108120 504903	RF

MISSING ITEM NUMBERS NOT APPLICABLE

- ITEM NOT ILLUSTRATED

33-14-70-03

33-14-70
FIG. 03
PAGE 4
JAN 20/09

BRI



757

PARTS CATALOG (MAINTENANCE)

FIG ITEM	PART NUMBER	1 2 3 4 5 6 7	NOMENCLATURE	EFFECT FROM TO	UNITS PER ASSY
3 - 11	BCREF6264		LIGHT ASSY-ENG OIL PRESS IND SUPPLIER CODE: V81590 POSITION DATA: R OVERLENGTH PART NUMBER: 434-674-1005-1265 SPECIFICATION NUMBER: S231T300-1265 ELECTRICAL EQUIP NUMBER: L00474 OPTIONAL PART: BCREF8584 V81590 FOR NHA SEE: 79-33-51-02	002004 006010 107107 121503 904999	RF
- 11	BCREF6264		LIGHT ASSY-ENG OIL PRESS IND SUPPLIER CODE: V81590 POSITION DATA: R OVERLENGTH PART NUMBER: 434-674-1005-1265 SPECIFICATION NUMBER: S231T300-1265 ELECTRICAL EQUIP NUMBER: L00474 OPTIONAL PART: BCREF8584 V81590 FOR NHA SEE: 79-33-51-03 79-33-51-05	011106 108120 504903	RF

MISSING ITEM NUMBERS NOT APPLICABLE

- ITEM NOT ILLUSTRATED

BRI

33-14-70-03

BOEING PROPRIETARY - Copyright © - Unpublished Work - See title page for details.

33-14-70
FIG. 03
PAGE 5
JAN 20/09



757

PARTS CATALOG (MAINTENANCE)

FIG ITEM	PART NUMBER	1 2 3 4 5 6 7	NOMENCLATURE	EFFECT FROM TO	UNITS PER ASSY
3 - 11	BCREF6256		LIGHT ASSY-TE IND SUPPLIER CODE: V81590 OVERLENGTH PART NUMBER: 434-674-1005-1237 SPECIFICATION NUMBER: S231T300-1237 ELECTRICAL EQUIP NUMBER: L00434 OPTIONAL PART: BCREF8570 V81590 PRE SERVICE BULLETIN: 34-0200 FOR NHA SEE: 27-51-57-01	002004 006010 107107 121503 904999	RF
- 11	BCREF6256		LIGHT ASSY-TE IND SUPPLIER CODE: V81590 OVERLENGTH PART NUMBER: 434-674-1005-1237 SPECIFICATION NUMBER: S231T300-1237 ELECTRICAL EQUIP NUMBER: L00434 OPTIONAL PART: BCREF8570 V81590 FOR NHA SEE: 27-51-57-01	011106 108120 504903 952952	RF
- 12	BCREF6227		LIGHT ASSY-ALT ALERT IND SUPPLIER CODE: V81590 OVERLENGTH PART NUMBER: 434-674-1005-1224 SPECIFICATION NUMBER: S231T300-1224 OPTIONAL PART: BCREF8563 V81590 FOR NHA SEE: 34-16-51-01	002004 006010 107107 121503 904999	RF

MISSING ITEM NUMBERS NOT APPLICABLE

- ITEM NOT ILLUSTRATED

33-14-70-03

33-14-70
FIG. 03
PAGE 6
JAN 20/09

BRI



757

PARTS CATALOG (MAINTENANCE)

FIG ITEM	PART NUMBER	1 2 3 4 5 6 7	NOMENCLATURE	EFFECT FROM TO	UNITS PER ASSY
3					
- 12	BCREF6227		LIGHT ASSY-ALT ALERT IND SUPPLIER CODE: V81590 OVERLENGTH PART NUMBER: 434-674-1005-1224 SPECIFICATION NUMBER: S231T300-1224 OPTIONAL PART: BCREF8563 V81590 FOR NHA SEE: 34-16-51-02 34-16-51-03	011106 108120 504903	RF
- 12	BCREF6266		LIGHT ASSY-BRAKE TEMP IND SUPPLIER CODE: V81590 OVERLENGTH PART NUMBER: 434-674-1005-1290 SPECIFICATION NUMBER: S231T300-1290 ELECTRICAL EQUIP NUMBER: L00530 FOR NHA SEE: 32-46-00-01	504903	RF
- 12	BCREF6266		LIGHT ASSY-BRAKE TEMP IND SUPPLIER CODE: V81590 OVERLENGTH PART NUMBER: 434-674-1005-1290 SPECIFICATION NUMBER: S231T300-1290 ELECTRICAL EQUIP NUMBER: L00530 OPTIONAL PART: BCREF8592 V81590 POST SERVICE BULLETIN: 31-0174 FOR NHA SEE: 32-46-00-02	107107 121503 904949	RF

MISSING ITEM NUMBERS NOT APPLICABLE

- ITEM NOT ILLUSTRATED

33-14-70-03

33-14-70
FIG. 03
PAGE 7
JAN 20/09

BRI



757

PARTS CATALOG (MAINTENANCE)

FIG ITEM	PART NUMBER	1 2 3 4 5 6 7	NOMENCLATURE	EFFECT FROM TO	UNITS PER ASSY
3					
- 13	BCREF6230		LIGHT ASSY-FMC IND SUPPLIER CODE: V81590 OVERLENGTH PART NUMBER: 434-674-1005-1227 SPECIFICATION NUMBER: S231T300-1227 OPTIONAL PART: BCREF8566 V81590 FOR NHA SEE: 34-61-01-07 34-61-01-10	011106 108120 504903	RF
- 13	BCREF6230		LIGHT ASSY-FMC IND SUPPLIER CODE: V81590 OVERLENGTH PART NUMBER: 434-674-1005-1227 SPECIFICATION NUMBER: S231T300-1227 OPTIONAL PART: BCREF8566 V81590 FOR NHA SEE: 34-61-01-09	002004 006010 107107 121503 904999	RF
- 13	BCREF6217		LIGHT ASSY-AIRWAY IND SUPPLIER CODE: V81590 POSITION DATA: INNER OVERLENGTH PART NUMBER: 434-674-1005-1054 SPECIFICATION NUMBER: S231T300-1054 OPTIONAL PART: BCREF8535 V81590 FOR NHA SEE: 34-32-00-01	002004 006010 107107 121503 904999	RF

MISSING ITEM NUMBERS NOT APPLICABLE

- ITEM NOT ILLUSTRATED

33-14-70-03

33-14-70
FIG. 03
PAGE 8
JAN 20/09

BRI



757

PARTS CATALOG (MAINTENANCE)

FIG ITEM	PART NUMBER	1 2 3 4 5 6 7	NOMENCLATURE	EFFECT FROM TO	UNITS PER ASSY
3					
- 13	BCREF6217		LIGHT ASSY-AIRWAY IND SUPPLIER CODE: V81590 POSITION DATA: INNER OVERLENGTH PART NUMBER: 434-674-1005-1054 SPECIFICATION NUMBER: S231T300-1054 OPTIONAL PART: BCREF8535 V81590 FOR NHA SEE: 34-32-00-01	002004 006010 107107 121503 904999	RF
- 13	BCREF6217		LIGHT ASSY-AIRWAY IND SUPPLIER CODE: V81590 POSITION DATA: INNER OVERLENGTH PART NUMBER: 434-674-1005-1054 SPECIFICATION NUMBER: S231T300-1054 OPTIONAL PART: BCREF8535 V81590 FOR NHA SEE: 34-32-00-01	011106 108120 504903	RF
- 13	BCREF6217		LIGHT ASSY-AIRWAY IND SUPPLIER CODE: V81590 POSITION DATA: INNER OVERLENGTH PART NUMBER: 434-674-1005-1054 SPECIFICATION NUMBER: S231T300-1054 OPTIONAL PART: BCREF8535 V81590 FOR NHA SEE: 34-32-00-02	011100 103106 108120 504903	RF

MISSING ITEM NUMBERS NOT APPLICABLE

- ITEM NOT ILLUSTRATED

33-14-70-03

33-14-70
FIG. 03
PAGE 9
JAN 20/09

BRI



757

PARTS CATALOG (MAINTENANCE)

FIG ITEM	PART NUMBER	1 2 3 4 5 6 7	NOMENCLATURE	EFFECT FROM TO	UNITS PER ASSY
3					
- 13	BCREF6218		LIGHT ASSY-IND SUPPLIER CODE: V81590 POSITION DATA: MIDDLE OVERLENGTH PART NUMBER: 434-674-1005-1070 SPECIFICATION NUMBER: S231T300-1070 OPTIONAL PART: BCREF8537 V81590 FOR NHA SEE: 34-32-00-01	002004 006010 107107 121503 904999	RF
- 13	BCREF6218		LIGHT ASSY-IND SUPPLIER CODE: V81590 POSITION DATA: MIDDLE OVERLENGTH PART NUMBER: 434-674-1005-1070 SPECIFICATION NUMBER: S231T300-1070 OPTIONAL PART: BCREF8537 V81590 FOR NHA SEE: 34-32-00-01	002004 006010 107107 121503 904999	RF
- 13	BCREF6218		LIGHT ASSY-IND SUPPLIER CODE: V81590 POSITION DATA: MIDDLE OVERLENGTH PART NUMBER: 434-674-1005-1070 SPECIFICATION NUMBER: S231T300-1070 OPTIONAL PART: BCREF8537 V81590 FOR NHA SEE: 34-32-00-02	011106 108120 504903	RF

MISSING ITEM NUMBERS NOT APPLICABLE

- ITEM NOT ILLUSTRATED

33-14-70-03

33-14-70
FIG. 03
PAGE 10
JAN 20/09

BRI



757

PARTS CATALOG (MAINTENANCE)

FIG ITEM	PART NUMBER	1 2 3 4 5 6 7	NOMENCLATURE	EFFECT FROM TO	UNITS PER ASSY
3					
- 14	BCREF6218		LIGHT ASSY-IND SUPPLIER CODE: V81590 POSITION DATA: MIDDLE OVERLENGTH PART NUMBER: 434-674-1005-1070 SPECIFICATION NUMBER: S231T300-1070 OPTIONAL PART: BCREF8537 V81590 FOR NHA SEE: 34-32-00-02	011100 103106 108120 504903	RF
- 14	BCREF6219		LIGHT ASSY-IND SUPPLIER CODE: V81590 POSITION DATA: OUTER OVERLENGTH PART NUMBER: 434-674-1005-1082 SPECIFICATION NUMBER: S231T300-1082 OPTIONAL PART: BCREF8538 V81590 FOR NHA SEE: 34-32-00-01	002004 006010 107107 121503 904999	RF
- 14	BCREF6219		LIGHT ASSY-IND SUPPLIER CODE: V81590 POSITION DATA: OUTER OVERLENGTH PART NUMBER: 434-674-1005-1082 SPECIFICATION NUMBER: S231T300-1082 OPTIONAL PART: BCREF8538 V81590 FOR NHA SEE: 34-32-00-01	002004 006010 107107 121503 904999	RF

MISSING ITEM NUMBERS NOT APPLICABLE

- ITEM NOT ILLUSTRATED

33-14-70-03

33-14-70
FIG. 03
PAGE 11
JAN 20/09

BRI



757

PARTS CATALOG (MAINTENANCE)

FIG ITEM	PART NUMBER	1 2 3 4 5 6 7	NOMENCLATURE	EFFECT FROM TO	UNITS PER ASSY
3					
- 14	BCREF6219		LIGHT ASSY-IND SUPPLIER CODE: V81590 POSITION DATA: OUTER OVERLENGTH PART NUMBER: 434-674-1005-1082 SPECIFICATION NUMBER: S231T300-1082 OPTIONAL PART: BCREF8538 V81590 FOR NHA SEE: 34-32-00-02	011106 108120 504903	RF
- 14	BCREF6219		LIGHT ASSY-IND SUPPLIER CODE: V81590 POSITION DATA: OUTER OVERLENGTH PART NUMBER: 434-674-1005-1082 SPECIFICATION NUMBER: S231T300-1082 OPTIONAL PART: BCREF8538 V81590 FOR NHA SEE: 34-32-00-02	011100 103106 108120 504903	RF
- 17	BCREF6255		LIGHT ASSY-LE IND SUPPLIER CODE: V81590 OVERLENGTH PART NUMBER: 434-674-1005-1236 SPECIFICATION NUMBER: S231T300-1236 ELECTRICAL EQUIP NUMBER: L00433 OPTIONAL PART: BCREF8569 V81590 FOR NHA SEE: 27-81-00-01 27-81-00-02 27-81-00-03	011106 108120 504903 952952	RF

MISSING ITEM NUMBERS NOT APPLICABLE

- ITEM NOT ILLUSTRATED

33-14-70-03

33-14-70
FIG. 03
PAGE 12
JAN 20/09

BRI



757

PARTS CATALOG (MAINTENANCE)

FIG ITEM	PART NUMBER	1 2 3 4 5 6 7	NOMENCLATURE	EFFECT FROM TO	UNITS PER ASSY
3 - 17	BCREF6255		LIGHT ASSY-LE IND SUPPLIER CODE: V81590 OVERLENGTH PART NUMBER: 434-674-1005-1236 SPECIFICATION NUMBER: S231T300-1236 ELECTRICAL EQUIP NUMBER: L00433 OPTIONAL PART: BCREF8569 V81590 PRE SERVICE BULLETIN: 34-0200 FOR NHA SEE: 27-81-00-02	002004 006010 107107 121503 904999	RF
- 17	BCREF6209		LIGHT ASSY-AUTO BRAKES IND SUPPLIER CODE: V81590 OVERLENGTH PART NUMBER: 434-674-1005-1010 SPECIFICATION NUMBER: S231T300-1010 ELECTRICAL EQUIP NUMBER: L00024 OPTIONAL PART: BCREF8526 V81590 FOR NHA SEE: 32-42-55-01	002004 006010 107107 121503 904999	RF
- 17	BCREF6209		LIGHT ASSY-AUTO BRAKES IND SUPPLIER CODE: V81590 OVERLENGTH PART NUMBER: 434-674-1005-1010 SPECIFICATION NUMBER: S231T300-1010 ELECTRICAL EQUIP NUMBER: L00024 OPTIONAL PART: BCREF8526 V81590 FOR NHA SEE: 32-42-55-02 32-42-55-03	011106 108120 504903	RF

MISSING ITEM NUMBERS NOT APPLICABLE

- ITEM NOT ILLUSTRATED

33-14-70-03

33-14-70
FIG. 03
PAGE 13
JAN 20/09

BRI



757

PARTS CATALOG (MAINTENANCE)

FIG ITEM	PART NUMBER	1 2 3 4 5 6 7	NOMENCLATURE	EFFECT FROM TO	UNITS PER ASSY
3					
100	674-1005-1226		.CAP ASSY-LENS AUTO PILOT SUPPLIER CODE: V81590 USED ON: BCREF6229	002004 006010 107107 121503 904999	1
100	674-1005-1226		.CAP ASSY-LENS AUTO PILOT SUPPLIER CODE: V81590 USED ON: BCREF6229	011106 108120 504903	1
100	674-1005-1225		.CAP ASSY-LENS A/T DISC SUPPLIER CODE: V81590 USED ON: BCREF6228	002004 006010 107107 121503 904999	1
100	674-1005-1225		.CAP ASSY-LENS A/T DISC SUPPLIER CODE: V81590 USED ON: BCREF6228	011106 108120 504903	1
100	674-1005-1294		.CAP ASSY-LENS WHL WELL FIRE SUPPLIER CODE: V81590 USED ON: BCREF6413	002004 006010 107107 121503 904999	1
100	674-1005-1294		.CAP ASSY-LENS WHL WELL FIRE SUPPLIER CODE: V81590 USED ON: BCREF6413	011106 108120 504903 952952	1
100	674-1005-1300		.CAP ASSY-LENS SPEED BRAKES SUPPLIER CODE: V81590 USED ON: BCREF7112	002004 006010 107107 121503 904999	1
100	674-1005-1300		.CAP ASSY-LENS SPEED BRAKES SUPPLIER CODE: V81590 USED ON: BCREF7112	011106 108120 504903	1
100	674-1005-1257		.CAP ASSY-LENS BRAKE SOURCE SUPPLIER CODE: V81590 USED ON: BCREF6232	002004 006010 107107 121503 904999	1

MISSING ITEM NUMBERS NOT APPLICABLE

- ITEM NOT ILLUSTRATED

33-14-70-03

33-14-70
FIG. 03
PAGE 14
JAN 20/09

BRI

BOEING PROPRIETARY - Copyright © - Unpublished Work - See title page for details.



757

PARTS CATALOG (MAINTENANCE)

FIG ITEM	PART NUMBER	1 2 3 4 5 6 7	NOMENCLATURE	EFFECT FROM TO	UNITS PER ASSY
3					
100	674-1005-1257		.CAP ASSY-LENS BRAKE SOURCE SUPPLIER CODE: V81590 USED ON: BCREF6232	011106 108120 504903	1
101	674-1005-1264		.CAP ASSY-LENS L ENG OIL PRESS SUPPLIER CODE: V81590 USED ON: BCREF6263	002004 006010 107107 121503 904999	1
101	674-1005-1264		.CAP ASSY-LENS L ENG OIL PRESS SUPPLIER CODE: V81590 USED ON: BCREF6263	011106 108120 504903	1
101	674-1005-1265		.CAP ASSY-LENS R ENG OIL PRESS SUPPLIER CODE: V81590 USED ON: BCREF6264	002004 006010 107107 121503 904999	1
101	674-1005-1265		.CAP ASSY-LENS R ENG OIL PRESS SUPPLIER CODE: V81590 USED ON: BCREF6264	011106 108120 504903	1
101	674-1005-1237		.CAP ASSY-LENS TRAILING EDGE SUPPLIER CODE: V81590 USED ON: BCREF6256	002004 006010 107107 121503 904999	1
101	674-1005-1237		.CAP ASSY-LENS TRAILING EDGE SUPPLIER CODE: V81590 USED ON: BCREF6256	011106 108120 504903 952952	1
101	674-1005-1224		.CAP ASSY-LENS ALT ALERT SUPPLIER CODE: V81590 USED ON: BCREF6227	002004 006010 107107 121503 904999	1

MISSING ITEM NUMBERS NOT APPLICABLE

- ITEM NOT ILLUSTRATED

33-14-70-03

33-14-70
FIG. 03
PAGE 15
JAN 20/09

BRI



757

PARTS CATALOG (MAINTENANCE)

FIG ITEM	PART NUMBER	1 2 3 4 5 6 7	NOMENCLATURE	EFFECT FROM TO	UNITS PER ASSY
3					
101	674-1005-1224		.CAP ASSY-LENS ALT ALERT SUPPLIER CODE: V81590 USED ON: BCREF6227	011106 108120 504903	1
101	674-1005-1290		.CAP ASSY-LENS BRAKE TEMP SUPPLIER CODE: V81590 USED ON: BCREF6266	504903	1
101	674-1005-1290		.CAP ASSY-LENS BRAKE TEMP SUPPLIER CODE: V81590 USED ON: BCREF6266 POST SERVICE BULLETIN: 31-0174	107107 121503 904949	1
101	674-1005-1227		.CAP ASSY-LENS FMC SUPPLIER CODE: V81590 USED ON: BCREF6230	011106 108120 504903	1
102	674-1005-1227		.CAP ASSY-LENS FMC SUPPLIER CODE: V81590 USED ON: BCREF6230	002004 006010 107107 121503 904999	1
102	674-1005-1054		.CAP ASSY-LENS INNER/ AIRWAYS SUPPLIER CODE: V81590 USED ON: BCREF6217	002004 006010 107107 121503 904999	1
102	674-1005-1054		.CAP ASSY-LENS INNER/ AIRWAYS SUPPLIER CODE: V81590 USED ON: BCREF6217	101102	1
102	674-1005-1054		.CAP ASSY-LENS INNER/ AIRWAYS SUPPLIER CODE: V81590 USED ON: BCREF6217	011100 103106 108120 504903	1

MISSING ITEM NUMBERS NOT APPLICABLE

- ITEM NOT ILLUSTRATED

33-14-70-03

33-14-70
FIG. 03
PAGE 16
JAN 20/09

BRI



757

PARTS CATALOG (MAINTENANCE)

FIG ITEM	PART NUMBER	1 2 3 4 5 6 7	NOMENCLATURE	EFFECT FROM TO	UNITS PER ASSY
3					
102	674-1005-1070	.	CAP ASSY-LENS MIDDLE SUPPLIER CODE: V81590 USED ON: BCREF6218	002004 006010 107107 121503 904999	1
102	674-1005-1070	.	CAP ASSY-LENS MIDDLE SUPPLIER CODE: V81590 USED ON: BCREF6218	101102	1
102	674-1005-1070	.	CAP ASSY-LENS MIDDLE SUPPLIER CODE: V81590 USED ON: BCREF6218	011100 103106 108120 504903	1
102	674-1005-1082	.	CAP ASSY-LENS OUTER SUPPLIER CODE: V81590 USED ON: BCREF6219	002004 006010 107107 121503 904999	1
102	674-1005-1082	.	CAP ASSY-LENS OUTER SUPPLIER CODE: V81590 USED ON: BCREF6219	101102	1
102	674-1005-1082	.	CAP ASSY-LENS OUTER SUPPLIER CODE: V81590 USED ON: BCREF6219	011100 103106 108120 504903	1
103	674-1005-1236	.	CAP ASSY-LENS LEADING EDGE SUPPLIER CODE: V81590 USED ON: BCREF6255	002004 006010 107107 121503 904999	1
103	674-1005-1236	.	CAP ASSY-LENS LEADING EDGE SUPPLIER CODE: V81590 USED ON: BCREF6255	011106 108120 504903 952952	1
104	674-1005-1010	.	CAP ASSY-LENS AUTO BRAKES SUPPLIER CODE: V81590 USED ON: BCREF6209	002004 006010 107107 121503 904999	1

MISSING ITEM NUMBERS NOT APPLICABLE

- ITEM NOT ILLUSTRATED

33-14-70-03

33-14-70
FIG. 03
PAGE 17
JAN 20/09

BRI

BOEING PROPRIETARY - Copyright © - Unpublished Work - See title page for details.



757

PARTS CATALOG (MAINTENANCE)

FIG ITEM	PART NUMBER	1 2 3 4 5 6 7	NOMENCLATURE	EFFECT FROM TO	UNITS PER ASSY
3					
104	674-1005-1010		.CAP ASSY-LENS AUTO BRAKES SUPPLIER CODE: V81590 USED ON: BCREF6209	011106 108120 504903	1
110	434-1005-1226		.BASE ASSY- SUPPLIER CODE: V81590 USED ON: BCREF6229	002004 006010 107107 121503 904999	1
110	434-1005-1226		.BASE ASSY- SUPPLIER CODE: V81590 USED ON: BCREF6229	011106 108120 504903	1
110	434-1005-1225		.BASE ASSY- SUPPLIER CODE: V81590 USED ON: BCREF6228	002004 006010 107107 121503 904999	1
110	434-1005-1225		.BASE ASSY- SUPPLIER CODE: V81590 USED ON: BCREF6228	011106 108120 504903	1
110	434-1005-1294		.BASE ASSY- SUPPLIER CODE: V81590 USED ON: BCREF6413	002004 006010 107107 121503 904999	1
110	434-1005-1294		.BASE ASSY- SUPPLIER CODE: V81590 USED ON: BCREF6413	011106 108120 504903 952952	1
110	434-1005-1300		.BASE ASSY- SUPPLIER CODE: V81590 USED ON: BCREF7112	002004 006010 107107 121503 904999	1
110	434-1005-1300		.BASE ASSY- SUPPLIER CODE: V81590 USED ON: BCREF7112	011106 108120 504903	1

MISSING ITEM NUMBERS NOT APPLICABLE

- ITEM NOT ILLUSTRATED

33-14-70-03

33-14-70
FIG. 03
PAGE 18
JAN 20/09

BRI



757

PARTS CATALOG (MAINTENANCE)

FIG ITEM	PART NUMBER	1 2 3 4 5 6 7	NOMENCLATURE	EFFECT FROM TO	UNITS PER ASSY
3					
110	434-1005-1257		.BASE ASSY- SUPPLIER CODE: V81590 USED ON: BCREF6232	002004 006010 107107 121503 904999	1
110	434-1005-1257		.BASE ASSY- SUPPLIER CODE: V81590 USED ON: BCREF6232	011106 108120 504903	1
110	434-1005-1264		.BASE ASSY- SUPPLIER CODE: V81590 USED ON: BCREF6263	002004 006010 107107 121503 904999	1
110	434-1005-1264		.BASE ASSY- SUPPLIER CODE: V81590 USED ON: BCREF6263	011106 108120 504903	1
110	434-1005-1265		.BASE ASSY- SUPPLIER CODE: V81590 USED ON: BCREF6264	002004 006010 107107 121503 904999	1
110	434-1005-1265		.BASE ASSY- SUPPLIER CODE: V81590 USED ON: BCREF6264	011106 108120 504903	1
110	434-1005-1237		.BASE ASSY- SUPPLIER CODE: V81590 USED ON: BCREF6256	002004 006010 107107 121503 904999	1
110	434-1005-1237		.BASE ASSY- SUPPLIER CODE: V81590 USED ON: BCREF6256	011106 108120 504903 952952	1
111	434-1005-1224		.BASE ASSY- SUPPLIER CODE: V81590 USED ON: BCREF6227	002004 006010 107107 121503 904999	1

MISSING ITEM NUMBERS NOT APPLICABLE

- ITEM NOT ILLUSTRATED

33-14-70-03

33-14-70
FIG. 03
PAGE 19
JAN 20/09

BRI



757

PARTS CATALOG (MAINTENANCE)

FIG ITEM	PART NUMBER	1 2 3 4 5 6 7	NOMENCLATURE	EFFECT FROM TO	UNITS PER ASSY
3					
111	434-1005-1224		.BASE ASSY- SUPPLIER CODE: V81590 USED ON: BCREF6227	011106 108120 504903	1
111	434-1005-1290		.BASE ASSY- SUPPLIER CODE: V81590 USED ON: BCREF6266	504903	1
111	434-1005-1290		.BASE ASSY- SUPPLIER CODE: V81590 USED ON: BCREF6266 POST SERVICE BULLETIN: 31-0174	107107 121503 904949	1
111	434-1005-1227		.BASE ASSY- SUPPLIER CODE: V81590 USED ON: BCREF6230	011106 108120 504903	1
111	434-1005-1227		.BASE ASSY- SUPPLIER CODE: V81590 USED ON: BCREF6230	002004 006010 107107 121503 904999	1
111	434-1005-1054		.BASE ASSY- SUPPLIER CODE: V81590 USED ON: BCREF6230	002004 006010 107107 121503 904999	1
111	434-1005-1054		.BASE ASSY- SUPPLIER CODE: V81590 USED ON: BCREF6217	011100 103106 108120 504903	1
111	434-1005-1054		.BASE ASSY- SUPPLIER CODE: V81590 USED ON: BCREF6217	101102	1
111	434-1005-1070		.BASE ASSY- SUPPLIER CODE: V81590 USED ON: BCREF6218	002004 006010 107107 121503 904999	1

MISSING ITEM NUMBERS NOT APPLICABLE

- ITEM NOT ILLUSTRATED

33-14-70-03

33-14-70
FIG. 03
PAGE 20
JAN 20/09

BRI



757

PARTS CATALOG (MAINTENANCE)

FIG ITEM	PART NUMBER	1 2 3 4 5 6 7	NOMENCLATURE	EFFECT FROM TO	UNITS PER ASSY
3					
111	434-1005-1070		.BASE ASSY- SUPPLIER CODE: V81590 USED ON: BCREF6218	011100 103106 108120 504903	1
111	434-1005-1070		.BASE ASSY- SUPPLIER CODE: V81590 USED ON: BCREF6218	101102	1
111	434-1005-1082		.BASE ASSY- SUPPLIER CODE: V81590 USED ON: BCREF6219	002004 006010 107107 121503 904999	1
112	434-1005-1082		.BASE ASSY- SUPPLIER CODE: V81590 USED ON: BCREF6219	011100 103106 108120 504903	1
112	434-1005-1082		.BASE ASSY- SUPPLIER CODE: V81590 USED ON: BCREF6219	101102	1
112	434-1005-1236		.BASE ASSY- SUPPLIER CODE: V81590 USED ON: BCREF6255	002004 006010 107107 121503 904999	1
112	434-1005-1236		.BASE ASSY- SUPPLIER CODE: V81590 USED ON: BCREF6255	011106 108120 504903 952952	1
112	434-1005-1010		.BASE ASSY- SUPPLIER CODE: V81590 USED ON: BCREF6209	002004 006010 107107 121503 904999	1
112	434-1005-1010		.BASE ASSY- SUPPLIER CODE: V81590 USED ON: BCREF6209	011106 108120 504903	1
120	MS25237-387AS15		.. LAMP	101102	2

MISSING ITEM NUMBERS NOT APPLICABLE

- ITEM NOT ILLUSTRATED

33-14-70-03

33-14-70
FIG. 03
PAGE 21
JAN 20/09

BRI

 **BOEING**
757
PARTS CATALOG (MAINTENANCE)

FIG ITEM	PART NUMBER	1 2 3 4 5 6 7	NOMENCLATURE	EFFECT FROM TO	UNITS PER ASSY
3					
120	MS25237-387AS15	..	LAMP	002004 006100 103120 953999	2
120	MS25237-387AS15	..	LAMP	121949	2
120	MS25237-387AS15	..	LAMP	950952	2
130	434-092-009	..	DRAWER ASSY- SUPPLIER CODE: V81590	101102	1
130	434-092-009	..	DRAWER ASSY- SUPPLIER CODE: V81590	002004 006100 103120 953999	1
130	434-092-009	..	DRAWER ASSY- SUPPLIER CODE: V81590	121949	1
130	434-092-009	..	DRAWER ASSY- SUPPLIER CODE: V81590	950952	1
140	434-092-001	.M	MODULE-CKT SUPPLIER CODE: V81590	101102	1
140	434-092-001	.M	MODULE-CKT SUPPLIER CODE: V81590	002004 006100 103120 953999	1
140	434-092-001	.M	MODULE-CKT SUPPLIER CODE: V81590	121949	1
140	434-092-001	.M	MODULE-CKT SUPPLIER CODE: V81590	950952	1
150	434-072-002	..	SLEEVE-SHORT MOUNTING SUPPLIER CODE: V81590	101102	1
150	434-072-002	..	SLEEVE-SHORT MOUNTING SUPPLIER CODE: V81590	002004 006100 103120 953999	1
150	434-072-002	..	SLEEVE-SHORT MOUNTING SUPPLIER CODE: V81590	121949	1
150	434-072-002	..	SLEEVE-SHORT MOUNTING SUPPLIER CODE: V81590	950952	1

MISSING ITEM NUMBERS NOT APPLICABLE

— ITEM NOT ILLUSTRATED

BRI

33-14-70-03

33-14-70
FIG. 03
PAGE 22
JAN 20/09

BOEING PROPRIETARY - Copyright © - Unpublished Work - See title page for details.



757

PARTS CATALOG (MAINTENANCE)

FIG ITEM	PART NUMBER	1 2 3 4 5 6 7	NOMENCLATURE	EFFECT FROM TO	UNITS PER ASSY
3 - 200	BCREF7814		LIGHT ASSY-DOORS IND SUPPLIER CODE: V81590 OVERLENGTH PART NUMBER: 434-674-1009-1203 SPECIFICATION NUMBER: S231T301-1203 ELECTRICAL EQUIP NUMBER: L00396 OPTIONAL PART: BCREF8603 V33586 PRE SERVICE BULLETIN: 34-0200 FOR NHA SEE: 32-61-51-01	002004 006010 107107 121503 904999	RF
- 200	BCREF7814		LIGHT ASSY-DOORS IND SUPPLIER CODE: V81590 OVERLENGTH PART NUMBER: 434-674-1009-1203 SPECIFICATION NUMBER: S231T301-1203 ELECTRICAL EQUIP NUMBER: L00396 OPTIONAL PART: BCREF8603 V81590 FOR NHA SEE: 32-61-51-01 32-61-51-02 32-61-51-03	011106 108120 504903 952952	RF
- 200	BCREF7816		LIGHT ASSY-NOSE IND SUPPLIER CODE: V81590 OVERLENGTH PART NUMBER: 434-674-1009-1205 SPECIFICATION NUMBER: S231T301-1205 ELECTRICAL EQUIP NUMBER: L00398 OPTIONAL PART: BCREF8605 V81590 PRE SERVICE BULLETIN: 34-0200 FOR NHA SEE: 32-61-51-01	002004 006010 107107 121503 904999	RF

MISSING ITEM NUMBERS NOT APPLICABLE

- ITEM NOT ILLUSTRATED

33-14-70-03

33-14-70
FIG. 03
PAGE 23
JAN 20/09

BRI



757

PARTS CATALOG (MAINTENANCE)

FIG ITEM	PART NUMBER	1 2 3 4 5 6 7	NOMENCLATURE	EFFECT FROM TO	UNITS PER ASSY
3 - 200	BCREF7816		LIGHT ASSY-NOSE IND SUPPLIER CODE: V81590 OVERLENGTH PART NUMBER: 434-674-1009-1205 SPECIFICATION NUMBER: S231T301-1205 ELECTRICAL EQUIP NUMBER: L00398 OPTIONAL PART: BCREF8605 V81590 FOR NHA SEE: 32-61-51-01 32-61-51-02 32-61-51-03	011106 108120 504903 952952	RF
- 200	BCREF7815		LIGHT ASSY-GEAR IND SUPPLIER CODE: V81590 OVERLENGTH PART NUMBER: 434-674-1009-1204 SPECIFICATION NUMBER: S231T301-1204 ELECTRICAL EQUIP NUMBER: L00397 OPTIONAL PART: BCREF8604 V81590 PRE SERVICE BULLETIN: 34-0200 FOR NHA SEE: 32-61-51-01	002004 006010 107107 121503 904999	RF
- 200	BCREF7815		LIGHT ASSY-GEAR IND SUPPLIER CODE: V81590 OVERLENGTH PART NUMBER: 434-674-1009-1204 SPECIFICATION NUMBER: S231T301-1204 ELECTRICAL EQUIP NUMBER: L00397 OPTIONAL PART: BCREF8604 V81590 FOR NHA SEE: 32-61-51-01 32-61-51-02 32-61-51-03	011106 108120 504903 952952	RF

MISSING ITEM NUMBERS NOT APPLICABLE

- ITEM NOT ILLUSTRATED

33-14-70-03

33-14-70
FIG. 03
PAGE 24
JAN 20/09

BRI



757

PARTS CATALOG (MAINTENANCE)

FIG ITEM	PART NUMBER	1 2 3 4 5 6 7	NOMENCLATURE	EFFECT FROM TO	UNITS PER ASSY
3 - 201	BCREF7817		LIGHT ASSY-LEFT IND SUPPLIER CODE: V81590 POSITION DATA: LEFT OVERLENGTH PART NUMBER: 434-674-1009-1206 SPECIFICATION NUMBER: S231T301-1206 ELECTRICAL EQUIP NUMBER: L00400 OPTIONAL PART: BCREF8606 V81590 PRE SERVICE BULLETIN: 34-0200 FOR NHA SEE: 32-61-51-01	002004 006010 107107 121503 904999	RF
- 201	BCREF7817		LIGHT ASSY-LEFT IND SUPPLIER CODE: V81590 POSITION DATA: LEFT OVERLENGTH PART NUMBER: 434-674-1009-1206 SPECIFICATION NUMBER: S231T301-1206 ELECTRICAL EQUIP NUMBER: L00400 OPTIONAL PART: BCREF8606 V81590 FOR NHA SEE: 32-61-51-01 32-61-51-02 32-61-51-03	011106 108120 504903 952952	RF

MISSING ITEM NUMBERS NOT APPLICABLE

- ITEM NOT ILLUSTRATED

BRI

33-14-70-03

BOEING PROPRIETARY - Copyright © - Unpublished Work - See title page for details.

33-14-70
FIG. 03
PAGE 25
JAN 20/09



757

PARTS CATALOG (MAINTENANCE)

FIG ITEM	PART NUMBER	1 2 3 4 5 6 7	NOMENCLATURE	EFFECT FROM TO	UNITS PER ASSY
3 - 201	BCREF7818		LIGHT ASSY-RIGHT IND SUPPLIER CODE: V81590 POSITION DATA: RIGHT OVERLENGTH PART NUMBER: 434-674-1009-1207 SPECIFICATION NUMBER: S231T301-1207 ELECTRICAL EQUIP NUMBER: L00399 OPTIONAL PART: BCREF8607 V81590 PRE SERVICE BULLETIN: 34-0200 FOR NHA SEE: 32-61-51-01	002004 006010 107107 121503 904999	RF
- 201	BCREF7818		LIGHT ASSY-RIGHT IND SUPPLIER CODE: V81590 POSITION DATA: RIGHT OVERLENGTH PART NUMBER: 434-674-1009-1207 SPECIFICATION NUMBER: S231T301-1207 ELECTRICAL EQUIP NUMBER: L00399 OPTIONAL PART: BCREF8607 V81590 FOR NHA SEE: 32-61-51-01 32-61-51-02 32-61-51-03	011106 108120 504903 952952	RF
300	674-1009-1203		.CAP ASSY-LENS DOORS SUPPLIER CODE: V81590 USED ON: BCREF7814	002004 006010 107107 121503 904999	1
300	674-1009-1203		.CAP ASSY-LENS DOORS SUPPLIER CODE: V81590 USED ON: BCREF7814	011106 108120 504903 952952	1

MISSING ITEM NUMBERS NOT APPLICABLE

- ITEM NOT ILLUSTRATED

33-14-70-03

33-14-70
FIG. 03
PAGE 26
JAN 20/09

BRI



757

PARTS CATALOG (MAINTENANCE)

FIG ITEM	PART NUMBER	1 2 3 4 5 6 7	NOMENCLATURE	EFFECT FROM TO	UNITS PER ASSY
3					
300	674-1009-1205		.CAP ASSY-LENS NOSE SUPPLIER CODE: V81590 USED ON: BCREF7816 ATTACHING PARTS	002004 006010 107107 121503 904999	1
300	674-1009-1205		.CAP ASSY-LENS NOSE SUPPLIER CODE: V81590 USED ON: BCREF7816	011106 108120 504903 952952	1
			-----*-----		
300	674-1009-1204		.CAP ASSY-LENS GEAR SUPPLIER CODE: V81590 USED ON: BCREF7815 ATTACHING PARTS	002004 006010 107107 121503 904999	1
300	674-1009-1204		.CAP ASSY-LENS GEAR SUPPLIER CODE: V81590 USED ON: BCREF7815	011106 108120 504903 952952	1
			-----*-----		
300	674-1009-1206		.CAP ASSY-LENS LEFT SUPPLIER CODE: V81590 USED ON: BCREF7817	002004 006010 107107 121503 904999	1
300	674-1009-1206		.CAP ASSY-LENS LEFT SUPPLIER CODE: V81590 USED ON: BCREF7817	011106 108120 504903 952952	1
300	674-1009-1207		.CAP ASSY-LENS RIGHT SUPPLIER CODE: V81590 USED ON: BCREF7818	002004 006010 107107 121503 904999	1
300	674-1009-1207		.CAP ASSY-LENS RIGHT SUPPLIER CODE: V81590 USED ON: BCREF7818	011106 108120 504903 952952	1
310	434-1009-1203		.HOUSING ASSY- SUPPLIER CODE: V81590 USED ON: BCREF7814	002004 006010 107107 121503 904999	1

MISSING ITEM NUMBERS NOT APPLICABLE

- ITEM NOT ILLUSTRATED

33-14-70-03

33-14-70
FIG. 03
PAGE 27
JAN 20/09

BRI

BOEING PROPRIETARY - Copyright © - Unpublished Work - See title page for details.



757

PARTS CATALOG (MAINTENANCE)

FIG ITEM	PART NUMBER	1 2 3 4 5 6 7	NOMENCLATURE	EFFECT FROM TO	UNITS PER ASSY
3					
310	434-1009-1203		.HOUSING ASSY- SUPPLIER CODE: V81590 USED ON: BCREF7814	011106 108120 504903 952952	1
310	434-1009-1205		.HOUSING ASSY- SUPPLIER CODE: V81590 USED ON: BCREF7816	002004 006010 107107 121503 904999	1
310	434-1009-1205		.HOUSING ASSY- SUPPLIER CODE: V81590 USED ON: BCREF7816	011106 108120 504903 952952	1
310	434-1009-1204		.HOUSING ASSY- SUPPLIER CODE: V81590 USED ON: BCREF7815	002004 006010 107107 121503 904999	1
310	434-1009-1204		.HOUSING ASSY- SUPPLIER CODE: V81590 USED ON: BCREF7815	011106 108120 504903 952952	1
310	434-1009-1206		.HOUSING ASSY- SUPPLIER CODE: V81590 USED ON: BCREF7817	002004 006010 107107 121503 904999	1
310	434-1009-1206		.HOUSING ASSY- SUPPLIER CODE: V81590 USED ON: BCREF7817	011106 108120 504903 952952	1
310	434-1009-1207		.HOUSING ASSY- SUPPLIER CODE: V81590 USED ON: BCREF7818	002004 006010 107107 121503 904999	1
310	434-1009-1207		.HOUSING ASSY- SUPPLIER CODE: V81590 USED ON: BCREF7818	011106 108120 504903 952952	1
320	MS25237-387AS15		.. LAMP	002004 006999	2

MISSING ITEM NUMBERS NOT APPLICABLE

- ITEM NOT ILLUSTRATED

33-14-70-03

33-14-70
FIG. 03
PAGE 28
JAN 20/09

BRI



757

PARTS CATALOG (MAINTENANCE)

FIG ITEM	PART NUMBER	1 2 3 4 5 6 7	NOMENCLATURE	EFFECT FROM TO	UNITS PER ASSY
3					
330	434-092-008		..DRAWER ASSY- SUPPLIER CODE: V81590	002004 006999	1
340	434-093-003		.MODULE-CKT SUPPLIER CODE: V81590	002004 006999	1
350	434-072-002		..SLEEVE-SHORT MOUNTING SUPPLIER CODE: V81590	002004 006999	1
- 500	BCREF8565		LIGHT ASSY-AUTO PILOT IND SUPPLIER CODE: V81590 OVERLENGTH PART NUMBER: 434-674-1031-2226 SPECIFICATION NUMBER: S231T300-2226 OPTIONAL PART: BCREF6229 V81590 FOR NHA SEE: 22-14-01-01	002004 006010 107107 121503 904999	RF
- 500	BCREF8565		LIGHT ASSY-AUTO PILOT IND SUPPLIER CODE: V81590 OVERLENGTH PART NUMBER: 434-674-1031-2226 SPECIFICATION NUMBER: S231T300-2226 OPTIONAL PART: BCREF6229 V81590 FOR NHA SEE: 22-14-01-02 22-14-01-03	011106 108120 504903	RF
- 500	BCREF8564		LIGHT ASSY-A/T DISC IND SUPPLIER CODE: V81590 OVERLENGTH PART NUMBER: 434-674-1031-2225 SPECIFICATION NUMBER: S231T300-2225 OPTIONAL PART: BCREF6228 V81590 FOR NHA SEE: 22-34-51-01	002004 006010 107107 121503 904999	RF

MISSING ITEM NUMBERS NOT APPLICABLE

- ITEM NOT ILLUSTRATED

33-14-70-03

33-14-70
FIG. 03
PAGE 29
JAN 20/09

BRI



757

PARTS CATALOG (MAINTENANCE)

FIG ITEM	PART NUMBER	1 2 3 4 5 6 7	NOMENCLATURE	EFFECT FROM TO	UNITS PER ASSY
3 - 500	BCREF8564		LIGHT ASSY-A/T DISC IND SUPPLIER CODE: V81590 OVERLENGTH PART NUMBER: 434-674-1031-2225 SPECIFICATION NUMBER: S231T300-2225 OPTIONAL PART: BCREF6228 V81590 FOR NHA SEE: 22-34-51-02	011106 108120 504903	RF
- 500	BCREF8596		LIGHT ASSY-WHL WELL FIRE IND SUPPLIER CODE: V81590 OVERLENGTH PART NUMBER: 434-674-1031-2294 SPECIFICATION NUMBER: S231T300-2294 ELECTRICAL EQUIP NUMBER: L00445 OPTIONAL PART: BCREF6413 V81590 PRE SERVICE BULLETIN: 34-0200 FOR NHA SEE: 26-17-51-01	002004 006010 107107 121503 904999	RF
- 500	BCREF8596		LIGHT ASSY-WHL WELL FIRE IND SUPPLIER CODE: V81590 OVERLENGTH PART NUMBER: 434-674-1031-2294 SPECIFICATION NUMBER: S231T300-2294 ELECTRICAL EQUIP NUMBER: L00445 OPTIONAL PART: BCREF6413 V81590 POST SERVICE BULLETIN: 34-0200 FOR NHA SEE: 26-17-51-01 26-17-51-02 26-17-51-05	011106 108120 504903 952952	RF

MISSING ITEM NUMBERS NOT APPLICABLE

- ITEM NOT ILLUSTRATED

33-14-70-03

33-14-70
FIG. 03
PAGE 30
JAN 20/09

BRI



757

PARTS CATALOG (MAINTENANCE)

FIG ITEM	PART NUMBER	1 2 3 4 5 6 7	NOMENCLATURE	EFFECT FROM TO	UNITS PER ASSY
3					
- 500	BCREF8600		LIGHT ASSY-SPEED BRAKES IND SUPPLIER CODE: V81590 OVERLENGTH PART NUMBER: 434-674-1031-2300 SPECIFICATION NUMBER: S231T300-2300 OPTIONAL PART: BCREF7112 V81590 FOR NHA SEE: 31-51-52-01	002004 006010 107107 121503 904999	RF
- 500	BCREF8600		LIGHT ASSY-SPEED BRAKES IND SUPPLIER CODE: V81590 OVERLENGTH PART NUMBER: 434-674-1031-2300 SPECIFICATION NUMBER: S231T300-2300 OPTIONAL PART: BCREF7112 V81590 FOR NHA SEE: 31-51-52-01	011106 108120 504903	RF
- 501	BCREF8578		LIGHT ASSY-BRAKE SOURCE IND SUPPLIER CODE: V81590 OVERLENGTH PART NUMBER: 434-674-1031-2257 SPECIFICATION NUMBER: S231T300-2257 OPTIONAL PART: BCREF6232 V81590 FOR NHA SEE: 32-41-52-01	002004 006010 107107 121503 904999	RF
- 501	BCREF8578		LIGHT ASSY-BRAKE SOURCE IND SUPPLIER CODE: V81590 OVERLENGTH PART NUMBER: 434-674-1031-2257 SPECIFICATION NUMBER: S231T300-2257 OPTIONAL PART: BCREF6232 V81590 FOR NHA SEE: 32-41-52-01	011106 108120 504903	RF

MISSING ITEM NUMBERS NOT APPLICABLE

- ITEM NOT ILLUSTRATED

33-14-70-03

33-14-70
FIG. 03
PAGE 31
JAN 20/09

BRI



757

PARTS CATALOG (MAINTENANCE)

FIG ITEM	PART NUMBER	1 2 3 4 5 6 7	NOMENCLATURE	EFFECT FROM TO	UNITS PER ASSY
3 - 501	BCREF8583		LIGHT ASSY-ENG OIL PRESS IND SUPPLIER CODE: V81590 POSITION DATA: L OVERLENGTH PART NUMBER: 434-674-1031-2264 SPECIFICATION NUMBER: S231T300-2264 OPTIONAL PART: BCREF6263 V81590 FOR NHA SEE: 79-33-51-02	002004 006010 107107 121503 904999	RF
- 501	BCREF8583		LIGHT ASSY-ENG OIL PRESS IND SUPPLIER CODE: V81590 POSITION DATA: L OVERLENGTH PART NUMBER: 434-674-1031-2264 SPECIFICATION NUMBER: S231T300-2264 OPTIONAL PART: BCREF6263 V81590 FOR NHA SEE: 79-33-51-03 79-33-51-05	011106 108120 504903	RF
- 501	BCREF8584		LIGHT ASSY-ENG OIL PRESS IND SUPPLIER CODE: V81590 POSITION DATA: R OVERLENGTH PART NUMBER: 434-674-1031-2265 SPECIFICATION NUMBER: S231T300-2265 OPTIONAL PART: BCREF6264 V81590 FOR NHA SEE: 79-33-51-02	002004 006010 107107 121503 904999	RF

MISSING ITEM NUMBERS NOT APPLICABLE

- ITEM NOT ILLUSTRATED

33-14-70-03

33-14-70
FIG. 03
PAGE 32
JAN 20/09

BRI



757

PARTS CATALOG (MAINTENANCE)

FIG ITEM	PART NUMBER	1 2 3 4 5 6 7	NOMENCLATURE	EFFECT FROM TO	UNITS PER ASSY
3 - 501	BCREF8584		LIGHT ASSY-ENG OIL PRESS IND SUPPLIER CODE: V81590 POSITION DATA: R OVERLENGTH PART NUMBER: 434-674-1031-2265 SPECIFICATION NUMBER: S231T300-2265 OPTIONAL PART: BCREF6264 V81590 FOR NHA SEE: 79-33-51-03 79-33-51-05	011106 108120 504903	RF
- 501	BCREF8570		LIGHT ASSY-TE IND SUPPLIER CODE: V81590 OVERLENGTH PART NUMBER: 434-674-1031-2237 SPECIFICATION NUMBER: S231T300-2237 ELECTRICAL EQUIP NUMBER: L00434 OPTIONAL PART: BCREF6256 V81590 PRE SERVICE BULLETIN: 34-0200 FOR NHA SEE: 27-51-57-01	002004 006010 107107 121503 904999	RF

MISSING ITEM NUMBERS NOT APPLICABLE

- ITEM NOT ILLUSTRATED

33-14-70-03

33-14-70
FIG. 03
PAGE 33
JAN 20/09

BRI



757

PARTS CATALOG (MAINTENANCE)

FIG ITEM	PART NUMBER	1 2 3 4 5 6 7	NOMENCLATURE	EFFECT FROM TO	UNITS PER ASSY
3 - 501	BCREF8570		LIGHT ASSY-TE IND SUPPLIER CODE: V81590 OVERLENGTH PART NUMBER: 434-674-1031-2237 SPECIFICATION NUMBER: S231T300-2237 ELECTRICAL EQUIP NUMBER: L00434 OPTIONAL PART: BCREF6256 V81590 POST SERVICE BULLETIN: 34-0200 FOR NHA SEE: 27-51-57-01 27-51-57-02 27-51-57-03	011106 108120 504903 952952	RF
- 502	BCREF8555		LIGHT ASSY-IND BLANK CAP SUPPLIER CODE: V81590 OVERLENGTH PART NUMBER: 434-674-1031-2153 SPECIFICATION NUMBER: S231T300-2153 ELECTRICAL EQUIP NUMBER: L00530 FOR NHA SEE: 32-46-00-01	103106	RF
- 502	BCREF8563		LIGHT ASSY-ALT ALERT IND SUPPLIER CODE: V81590 OVERLENGTH PART NUMBER: 434-674-1031-2224 SPECIFICATION NUMBER: S231T300-2224 OPTIONAL PART: BCREF6227 V81590 FOR NHA SEE: 34-16-51-01	002004 006010 107107 121503 904999	RF

MISSING ITEM NUMBERS NOT APPLICABLE

- ITEM NOT ILLUSTRATED

33-14-70-03

33-14-70
FIG. 03
PAGE 34
JAN 20/09

BRI



757

PARTS CATALOG (MAINTENANCE)

FIG ITEM	PART NUMBER	1 2 3 4 5 6 7	NOMENCLATURE	EFFECT FROM TO	UNITS PER ASSY
3 - 502	BCREF8563		LIGHT ASSY-ALT ALERT IND SUPPLIER CODE: V81590 OVERLENGTH PART NUMBER: 434-674-1031-2224 SPECIFICATION NUMBER: S231T300-2224 OPTIONAL PART: BCREF6227 V81590 FOR NHA SEE: 34-16-51-02 34-16-51-03	011106 108120 504903	RF
- 502	BCREF8592		LIGHT ASSY-BRAKE TEMP IND SUPPLIER CODE: V81590 OVERLENGTH PART NUMBER: 434-674-1031-2290 SPECIFICATION NUMBER: S231T300-2290 ELECTRICAL EQUIP NUMBER: L00530 FOR NHA SEE: 32-46-00-01	504903	RF
- 502	BCREF8592		LIGHT ASSY-BRAKE TEMP IND SUPPLIER CODE: V81590 OVERLENGTH PART NUMBER: 434-674-1031-2290 SPECIFICATION NUMBER: S231T300-2290 ELECTRICAL EQUIP NUMBER: L00530 OPTIONAL PART: BCREF6266 V81590 POST SERVICE BULLETIN: 31-0174 FOR NHA SEE: 32-46-00-02	107107 121503 904949	RF

MISSING ITEM NUMBERS NOT APPLICABLE

- ITEM NOT ILLUSTRATED

33-14-70-03

33-14-70
FIG. 03
PAGE 35
JAN 20/09

BRI



757

PARTS CATALOG (MAINTENANCE)

FIG ITEM	PART NUMBER	1 2 3 4 5 6 7	NOMENCLATURE	EFFECT FROM TO	UNITS PER ASSY
3 - 503	BCREF8566		LIGHT ASSY-FMC IND SUPPLIER CODE: V81590 OVERLENGTH PART NUMBER: 434-674-1031-2227 SPECIFICATION NUMBER: S231T300-2227 ELECTRICAL EQUIP NUMBER: L00471 OPTIONAL PART: BCREF6230 V81590 FOR NHA SEE: 34-61-01-07 34-61-01-10	011106 108120 504903	RF
- 503	BCREF8566		LIGHT ASSY-FMC IND SUPPLIER CODE: V81590 OVERLENGTH PART NUMBER: 434-674-1031-2227 SPECIFICATION NUMBER: S231T300-2227 ELECTRICAL EQUIP NUMBER: L00471 OPTIONAL PART: BCREF6230 V81590 FOR NHA SEE: 34-61-01-09	002004 006010 107107 121503 904999	RF
- 503	BCREF8535		LIGHT ASSY-AIRWAY IND SUPPLIER CODE: V81590 POSITION DATA: INNER OVERLENGTH PART NUMBER: 434-674-1031-2054 SPECIFICATION NUMBER: S231T300-2054 OPTIONAL PART: BCREF6217 V81590 FOR NHA SEE: 34-32-00-01	002004 006010 107107 121503 904999	RF

MISSING ITEM NUMBERS NOT APPLICABLE

- ITEM NOT ILLUSTRATED

33-14-70-03

33-14-70
FIG. 03
PAGE 36
JAN 20/09

BRI



757

PARTS CATALOG (MAINTENANCE)

FIG ITEM	PART NUMBER	1 2 3 4 5 6 7	NOMENCLATURE	EFFECT FROM TO	UNITS PER ASSY
3					
- 503	BCREF8535		LIGHT ASSY-AIRWAY IND SUPPLIER CODE: V81590 POSITION DATA: INNER OVERLENGTH PART NUMBER: 434-674-1031-2054 SPECIFICATION NUMBER: S231T300-2054 OPTIONAL PART: BCREF6217 V81590 FOR NHA SEE: 34-32-00-01	002004 006010 107107 121503 904999	RF
- 503	BCREF8535		LIGHT ASSY-AIRWAY IND SUPPLIER CODE: V81590 POSITION DATA: INNER OVERLENGTH PART NUMBER: 434-674-1031-2054 SPECIFICATION NUMBER: S231T300-2054 OPTIONAL PART: BCREF6217 V81590 FOR NHA SEE: 34-32-00-01	011106 108120 504903	RF
- 503	BCREF8535		LIGHT ASSY-AIRWAY IND SUPPLIER CODE: V81590 POSITION DATA: INNER OVERLENGTH PART NUMBER: 434-674-1031-2054 SPECIFICATION NUMBER: S231T300-2054 OPTIONAL PART: BCREF6217 V81590 FOR NHA SEE: 34-32-00-02	011100 103106 108120 504903	RF

MISSING ITEM NUMBERS NOT APPLICABLE

- ITEM NOT ILLUSTRATED

33-14-70-03

33-14-70
FIG. 03
PAGE 37
JAN 20/09

BRI



757

PARTS CATALOG (MAINTENANCE)

FIG ITEM	PART NUMBER	1 2 3 4 5 6 7	NOMENCLATURE	EFFECT FROM TO	UNITS PER ASSY
3 - 503	BCREF8537		LIGHT ASSY-IND SUPPLIER CODE: V81590 POSITION DATA: MIDDLE OVERLENGTH PART NUMBER: 434-674-1031-2070 SPECIFICATION NUMBER: S231T300-2070 OPTIONAL PART: BCREF6218 V81590 FOR NHA SEE: 34-32-00-01	002004 006010 107107 121503 904999	RF
- 503	BCREF8537		LIGHT ASSY-IND SUPPLIER CODE: V81590 POSITION DATA: MIDDLE OVERLENGTH PART NUMBER: 434-674-1031-2070 SPECIFICATION NUMBER: S231T300-2070 OPTIONAL PART: BCREF6218 V81590 FOR NHA SEE: 34-32-00-01	002004 006010 107107 121503 904999	RF
- 503	BCREF8537		LIGHT ASSY-IND SUPPLIER CODE: V81590 POSITION DATA: MIDDLE OVERLENGTH PART NUMBER: 434-674-1031-2070 SPECIFICATION NUMBER: S231T300-2070 OPTIONAL PART: BCREF6218 V81590 FOR NHA SEE: 34-32-00-02	011106 108120 504903	RF

MISSING ITEM NUMBERS NOT APPLICABLE

- ITEM NOT ILLUSTRATED

33-14-70-03

33-14-70
FIG. 03
PAGE 38
JAN 20/09

BRI



757

PARTS CATALOG (MAINTENANCE)

FIG ITEM	PART NUMBER	1 2 3 4 5 6 7	NOMENCLATURE	EFFECT FROM TO	UNITS PER ASSY
3 - 504	BCREF8537		LIGHT ASSY-IND SUPPLIER CODE: V81590 POSITION DATA: MIDDLE OVERLENGTH PART NUMBER: 434-674-1031-2070 SPECIFICATION NUMBER: S231T300-2070 OPTIONAL PART: BCREF6218 V81590 FOR NHA SEE: 34-32-00-02	011100 103106 108120 504903	RF
- 504	BCREF8538		LIGHT ASSY-IND SUPPLIER CODE: V81590 POSITION DATA: OUTER OVERLENGTH PART NUMBER: 434-674-1031-2082 SPECIFICATION NUMBER: S231T300-2082 OPTIONAL PART: BCREF6219 V81590 FOR NHA SEE: 34-32-00-01	002004 006010 107107 121503 904999	RF
- 504	BCREF8538		LIGHT ASSY-IND SUPPLIER CODE: V81590 POSITION DATA: OUTER OVERLENGTH PART NUMBER: 434-674-1031-2082 SPECIFICATION NUMBER: S231T300-2082 OPTIONAL PART: BCREF6219 V81590 FOR NHA SEE: 34-32-00-01	002004 006010 107107 121503 904999	RF

MISSING ITEM NUMBERS NOT APPLICABLE

- ITEM NOT ILLUSTRATED

33-14-70-03

33-14-70
FIG. 03
PAGE 39
JAN 20/09

BRI



757

PARTS CATALOG (MAINTENANCE)

FIG ITEM	PART NUMBER	1 2 3 4 5 6 7	NOMENCLATURE	EFFECT FROM TO	UNITS PER ASSY
3 - 504	BCREF8538		LIGHT ASSY-IND SUPPLIER CODE: V81590 POSITION DATA: OUTER OVERLENGTH PART NUMBER: 434-674-1031-2082 SPECIFICATION NUMBER: S231T300-2082 OPTIONAL PART: BCREF6219 V81590 FOR NHA SEE: 34-32-00-02	011106 108120 504903	RF
- 504	BCREF8538		LIGHT ASSY-IND SUPPLIER CODE: V81590 POSITION DATA: OUTER OVERLENGTH PART NUMBER: 434-674-1031-2082 SPECIFICATION NUMBER: S231T300-2082 OPTIONAL PART: BCREF6219 V81590 FOR NHA SEE: 34-32-00-02	011100 103106 108120 504903	RF
- 507	BCREF8569		LIGHT ASSY-LE IND SUPPLIER CODE: V81590 OVERLENGTH PART NUMBER: 434-674-1031-2236 SPECIFICATION NUMBER: S231T300-2236 ELECTRICAL EQUIP NUMBER: L00433 OPTIONAL PART: BCREF6255 V81590 POST SERVICE BULLETIN: 34-0200 FOR NHA SEE: 27-81-00-01 27-81-00-02 27-81-00-03	011106 108120 504903 952952	RF

MISSING ITEM NUMBERS NOT APPLICABLE

- ITEM NOT ILLUSTRATED

33-14-70-03

33-14-70
FIG. 03
PAGE 40
JAN 20/09

BRI



757

PARTS CATALOG (MAINTENANCE)

FIG ITEM	PART NUMBER	1 2 3 4 5 6 7	NOMENCLATURE	EFFECT FROM TO	UNITS PER ASSY
3 - 507	BCREF8569		LIGHT ASSY-LE IND SUPPLIER CODE: V81590 OVERLENGTH PART NUMBER: 434-674-1031-2236 SPECIFICATION NUMBER: S231T300-2236 ELECTRICAL EQUIP NUMBER: L00433 OPTIONAL PART: BCREF6255 V81590 PRE SERVICE BULLETIN: 34-0200 FOR NHA SEE: 27-81-00-02	002004 006010 107107 121503 904999	RF
- 507	BCREF8526		LIGHT ASSY-AUTO BRAKES IND SUPPLIER CODE: V81590 OVERLENGTH PART NUMBER: 434-674-1031-2010 SPECIFICATION NUMBER: S231T300-2010 ELECTRICAL EQUIP NUMBER: L00024 OPTIONAL PART: BCREF6209 V81590 FOR NHA SEE: 32-42-55-01	002004 006010 107107 121503 904999	RF
- 507	BCREF8526		LIGHT ASSY-AUTO BRAKES IND SUPPLIER CODE: V81590 OVERLENGTH PART NUMBER: 434-674-1031-2010 SPECIFICATION NUMBER: S231T300-2010 ELECTRICAL EQUIP NUMBER: L00024 OPTIONAL PART: BCREF6209 V81590 FOR NHA SEE: 32-42-55-02 32-42-55-03	011106 108120 504903	RF

MISSING ITEM NUMBERS NOT APPLICABLE

- ITEM NOT ILLUSTRATED

33-14-70-03

33-14-70
FIG. 03
PAGE 41
JAN 20/09

BRI



757

PARTS CATALOG (MAINTENANCE)

FIG ITEM	PART NUMBER	1 2 3 4 5 6 7	NOMENCLATURE	EFFECT FROM TO	UNITS PER ASSY
3					
600	674-1031-2226		.CAP ASSY-LENS AUTO PILOT SUPPLIER CODE: V81590 USED ON: BCREF8565	002004 006010 107107 121503 904999	1
600	674-1031-2226		.CAP ASSY-LENS AUTO PILOT SUPPLIER CODE: V81590 USED ON: BCREF8565	011106 108120 504903	1
600	674-1031-2225		.CAP ASSY-LENS A/T DISC SUPPLIER CODE: V81590 USED ON: BCREF8564	002004 006010 107107 121503 904999	1
600	674-1031-2225		.CAP ASSY-LENS A/T DISC SUPPLIER CODE: V81590 USED ON: BCREF8564	011106 108120 504903	1
600	674-1031-2294		.CAP ASSY-LENS WHL WELL FIRE SUPPLIER CODE: V81590 USED ON: BCREF8596	002004 006010 107107 121503 904999	1
600	674-1031-2294		.CAP ASSY-LENS WHL WELL FIRE SUPPLIER CODE: V81590 USED ON: BCREF8596	011106 108120 504903 952952	1
600	674-1031-2300		.CAP ASSY-LENS SPEED BRAKES SUPPLIER CODE: V81590 USED ON: BCREF8600	002004 006010 107107 121503 904999	1
600	674-1031-2300		.CAP ASSY-LENS SPEED BRAKES SUPPLIER CODE: V81590 USED ON: BCREF8600	011106 108120 504903	1
600	674-1031-2257		.CAP ASSY-LENS BRAKE SOURCE SUPPLIER CODE: V81590 USED ON: BCREF8578	002004 006010 107107 121503 904999	1

MISSING ITEM NUMBERS NOT APPLICABLE

- ITEM NOT ILLUSTRATED

BRI

33-14-70-03

33-14-70
FIG. 03
PAGE 42
JAN 20/09

BOEING PROPRIETARY - Copyright © - Unpublished Work - See title page for details.



757

PARTS CATALOG (MAINTENANCE)

FIG ITEM	PART NUMBER	1 2 3 4 5 6 7	NOMENCLATURE	EFFECT FROM TO	UNITS PER ASSY
3					
600	674-1031-2257		.CAP ASSY-LENS BRAKE SOURCE SUPPLIER CODE: V81590 USED ON: BCREF8578	011106 108120 504903	1
600	674-1031-2264		.CAP ASSY-LENS L ENG OIL PRESS SUPPLIER CODE: V81590 USED ON: BCREF8583	002004 006010 107107 121503 904999	1
600	674-1031-2264		.CAP ASSY-LENS L ENG OIL PRESS SUPPLIER CODE: V81590 USED ON: BCREF8583	011106 108120 504903	1
600	674-1031-2265		.CAP ASSY-LENS R ENG OIL PRESS SUPPLIER CODE: V81590 USED ON: BCREF8584	002004 006010 107107 121503 904999	1
600	674-1031-2265		.CAP ASSY-LENS R ENG OIL PRESS SUPPLIER CODE: V81590 USED ON: BCREF8584	011106 108120 504903	1
600	674-1031-2237		.CAP ASSY-LENS TRAILING EDGE SUPPLIER CODE: V81590 USED ON: BCREF8570	002004 006010 107107 121503 904999	1
600	674-1031-2237		.CAP ASSY-LENS TRAILING EDGE SUPPLIER CODE: V81590 USED ON: BCREF8570	011106 108120 504903 952952	1
600	674-1031-2153		.CAP ASSY-LENS SUPPLIER CODE: V81590 USED ON: BCREF8555	103106	1

MISSING ITEM NUMBERS NOT APPLICABLE

- ITEM NOT ILLUSTRATED

33-14-70-03

33-14-70
FIG. 03
PAGE 43
JAN 20/09

BRI



757

PARTS CATALOG (MAINTENANCE)

FIG ITEM	PART NUMBER	1 2 3 4 5 6 7	NOMENCLATURE	EFFECT FROM TO	UNITS PER ASSY
3					
601	674-1031-2224		.CAP ASSY-LENS ALT ALERT SUPPLIER CODE: V81590 USED ON: BCREF8563	002004 006010 107107 121503 904999	1
601	674-1031-2224		.CAP ASSY-LENS ALT ALERT SUPPLIER CODE: V81590 USED ON: BCREF8563	011106 108120 504903	1
601	674-1031-2290		.CAP ASSY-LENS BRAKE TEMP SUPPLIER CODE: V81590 USED ON: BCREF8592	504903	1
601	674-1031-2290		.CAP ASSY-LENS BRAKE TEMP SUPPLIER CODE: V81590 USED ON: BCREF8592 POST SERVICE BULLETIN: 31-0174	107107 121503 904949	1
601	674-1031-2227		.CAP ASSY-LENS FMC SUPPLIER CODE: V81590 USED ON: BCREF8566	011106 108120 504903	1
601	674-1031-2227		.CAP ASSY-LENS FMC SUPPLIER CODE: V81590 USED ON: BCREF8566	002004 006010 107107 121503 904999	1
601	674-1031-2054		.CAP ASSY-LENS INNER/ AIRWAYS SUPPLIER CODE: V81590 USED ON: BCREF8535	002004 006010 107107 121503 904999	1
601	674-1031-2054		.CAP ASSY-LENS INNER/ AIRWAYS SUPPLIER CODE: V81590 USED ON: BCREF8535	101102	1

MISSING ITEM NUMBERS NOT APPLICABLE

- ITEM NOT ILLUSTRATED

33-14-70-03

33-14-70
FIG. 03
PAGE 44
JAN 20/09

BRI

BOEING PROPRIETARY - Copyright © - Unpublished Work - See title page for details.



757

PARTS CATALOG (MAINTENANCE)

FIG ITEM	PART NUMBER	1 2 3 4 5 6 7	NOMENCLATURE	EFFECT FROM TO	UNITS PER ASSY
3					
601	674-1031-2054	.	CAP ASSY-LENS INNER/ AIRWAYS SUPPLIER CODE: V81590 USED ON: BCREF8535	011100 103106 108120 504903	1
601	674-1031-2070	.	CAP ASSY-LENS MIDDLE SUPPLIER CODE: V81590 USED ON: BCREF8537	002004 006010 107107 121503 904999	1
601	674-1031-2070	.	CAP ASSY-LENS MIDDLE SUPPLIER CODE: V81590 USED ON: BCREF8537	101102	1
601	674-1031-2070	.	CAP ASSY-LENS MIDDLE SUPPLIER CODE: V81590 USED ON: BCREF8537	011100 103106 108120 504903	1
602	674-1031-2082	.	CAP ASSY-LENS OUTER SUPPLIER CODE: V81590 USED ON: BCREF8538	002004 006010 107107 121503 904999	1
602	674-1031-2082	.	CAP ASSY-LENS OUTER SUPPLIER CODE: V81590 USED ON: BCREF8538	101102	1
602	674-1031-2082	.	CAP ASSY-LENS OUTER SUPPLIER CODE: V81590 USED ON: BCREF8538	011100 103106 108120 504903	1
602	674-1031-2236	.	CAP ASSY-LENS LEADING EDGE SUPPLIER CODE: V81590 USED ON: BCREF8569	011106 108120 504903 952952	1
602	674-1031-2236	.	CAP ASSY-LENS LEADING EDGE SUPPLIER CODE: V81590 USED ON: BCREF8569	002004 006010 107107 121503 904999	1

MISSING ITEM NUMBERS NOT APPLICABLE

- ITEM NOT ILLUSTRATED

BRI

33-14-70-03

33-14-70
FIG. 03
PAGE 45
JAN 20/09



757

PARTS CATALOG (MAINTENANCE)

FIG ITEM	PART NUMBER	1 2 3 4 5 6 7	NOMENCLATURE	EFFECT FROM TO	UNITS PER ASSY
3					
602	674-1031-2010		.CAP ASSY-LENS AUTO BRAKES SUPPLIER CODE: V81590 USED ON: BCREF8526	002004 006010 107107 121503 904999	1
602	674-1031-2010		.CAP ASSY-LENS AUTO BRAKES SUPPLIER CODE: V81590 USED ON: BCREF8526	011106 108120 504903	1
610	434-1031-2001		.BASE ASSY- SUPPLIER CODE: V81590	101102	1
610	434-1031-2001		.BASE ASSY- SUPPLIER CODE: V81590	002004 006100 107120 950951 953999	1
610	434-1031-2001		.BASE ASSY- SUPPLIER CODE: V81590	103106 121949	1
610	434-1031-2001		.BASE ASSY- SUPPLIER CODE: V81590	952952	1
620	MS25237-387AS15		..LAMP	101102	2
620	MS25237-387AS15		..LAMP	103106 121949	2
620	MS25237-387AS15		..LAMP	952952	2
630	434-092-009		..DRAWER ASSY- SUPPLIER CODE: V81590	101102	1
630	434-092-009		..DRAWER ASSY- SUPPLIER CODE: V81590	002004 006100 107120 950951 953999	1
630	434-092-009		..DRAWER ASSY- SUPPLIER CODE: V81590	103106 121949	1
630	434-092-009		..DRAWER ASSY- SUPPLIER CODE: V81590	952952	1
640	434-093-001		.MODULE-CKT SUPPLIER CODE: V81590	101102	1

MISSING ITEM NUMBERS NOT APPLICABLE

- ITEM NOT ILLUSTRATED

33-14-70-03

33-14-70
FIG. 03
PAGE 46
JAN 20/09

BRI



757

PARTS CATALOG (MAINTENANCE)

FIG ITEM	PART NUMBER	1 2 3 4 5 6 7	NOMENCLATURE	EFFECT FROM TO	UNITS PER ASSY
3					
640	434-093-001	.	MODULE-CKT SUPPLIER CODE: V81590	002004 006100 107120 950951 953999	1
640	434-093-001	.	MODULE-CKT SUPPLIER CODE: V81590	103106 121949	1
640	434-093-001	.	MODULE-CKT SUPPLIER CODE: V81590	952952	1
650	434-072-002	..	SLEEVE-SHORT MOUNTING SUPPLIER CODE: V81590	101102	1
650	434-072-002	..	SLEEVE-SHORT MOUNTING SUPPLIER CODE: V81590	002004 006100 107120 950951 953999	1
650	434-072-002	..	SLEEVE-SHORT MOUNTING SUPPLIER CODE: V81590	103106 121949	1
650	434-072-002	..	SLEEVE-SHORT MOUNTING SUPPLIER CODE: V81590	952952	1
- 800	BCREF8603		LIGHT ASSY-DOORS IND SUPPLIER CODE: V81590 OVERLENGTH PART NUMBER: 434-674-1033-2203 SPECIFICATION NUMBER: S231T301-2203 ELECTRICAL EQUIP NUMBER: L00396 OPTIONAL PART: BCREF7814 V81590 FOR NHA SEE: 32-61-51-01	002004 006010 107107 121503 904999	RF

MISSING ITEM NUMBERS NOT APPLICABLE

- ITEM NOT ILLUSTRATED

33-14-70-03

33-14-70
FIG. 03
PAGE 47
JAN 20/09

BRI



757

PARTS CATALOG (MAINTENANCE)

FIG ITEM	PART NUMBER	1 2 3 4 5 6 7	NOMENCLATURE	EFFECT FROM TO	UNITS PER ASSY
3 - 800	BCREF8603		LIGHT ASSY-DOORS IND SUPPLIER CODE: V81590 OVERLENGTH PART NUMBER: 434-674-1033-2203 SPECIFICATION NUMBER: S231T301-2203 ELECTRICAL EQUIP NUMBER: L00396 OPTIONAL PART: BCREF7814 V81590 POST SERVICE BULLETIN: 32-0024 FOR NHA SEE: 32-61-51-01 32-61-51-02 32-61-51-03	011106 108120 504903 952952	RF
- 800	BCREF8605		LIGHT ASSY-NOSE IND SUPPLIER CODE: V81590 OVERLENGTH PART NUMBER: 434-674-1033-2205 SPECIFICATION NUMBER: S231T301-2205 ELECTRICAL EQUIP NUMBER: L00398 OPTIONAL PART: BCREF7816 V81590 PRE SERVICE BULLETIN: 34-0200 FOR NHA SEE: 32-61-51-01	002004 006010 107107 121503 904999	RF

MISSING ITEM NUMBERS NOT APPLICABLE

- ITEM NOT ILLUSTRATED

BRI

33-14-70-03

BOEING PROPRIETARY - Copyright © - Unpublished Work - See title page for details.

33-14-70
FIG. 03
PAGE 48
JAN 20/09



757

PARTS CATALOG (MAINTENANCE)

FIG ITEM	PART NUMBER	1 2 3 4 5 6 7	NOMENCLATURE	EFFECT FROM TO	UNITS PER ASSY
3 - 800	BCREF8605		LIGHT ASSY-NOSE IND SUPPLIER CODE: V81590 OVERLENGTH PART NUMBER: 434-674-1033-2205 SPECIFICATION NUMBER: S231T301-2205 ELECTRICAL EQUIP NUMBER: L00398 OPTIONAL PART: BCREF7816 V81590 POST SERVICE BULLETIN: 34-0200 FOR NHA SEE: 32-61-51-01 32-61-51-02 32-61-51-03	011106 108120 504903 952952	RF
- 800	BCREF8604		LIGHT ASSY-GEAR IND SUPPLIER CODE: V81590 OVERLENGTH PART NUMBER: 434-674-1033-2204 SPECIFICATION NUMBER: S231T301-2204 ELECTRICAL EQUIP NUMBER: L00397 OPTIONAL PART: BCREF7815 V81590 PRE SERVICE BULLETIN: 34-0200 FOR NHA SEE: 32-61-51-01	002004 006010 107107 121503 904999	RF

MISSING ITEM NUMBERS NOT APPLICABLE

- ITEM NOT ILLUSTRATED

33-14-70-03

33-14-70
FIG. 03
PAGE 49
JAN 20/09

BRI



757

PARTS CATALOG (MAINTENANCE)

FIG ITEM	PART NUMBER	1 2 3 4 5 6 7	NOMENCLATURE	EFFECT FROM TO	UNITS PER ASSY
3 - 800	BCREF8604		LIGHT ASSY-GEAR IND SUPPLIER CODE: V81590 OVERLENGTH PART NUMBER: 434-674-1033-2204 SPECIFICATION NUMBER: S231T301-2204 ELECTRICAL EQUIP NUMBER: L00397 OPTIONAL PART: BCREF7815 V81590 POST SERVICE BULLETIN: 34-0200 FOR NHA SEE: 32-61-51-01 32-61-51-02 32-61-51-03	011106 108120 504903 952952	RF
- 801	BCREF8606		LIGHT ASSY-LEFT IND SUPPLIER CODE: V81590 OVERLENGTH PART NUMBER: 434-674-1033-2206 SPECIFICATION NUMBER: S231T301-2206 ELECTRICAL EQUIP NUMBER: L00400 OPTIONAL PART: BCREF7817 V81590 PRE SERVICE BULLETIN: 34-0200 FOR NHA SEE: 32-61-51-01	002004 006010 107107 121503 904999	RF

MISSING ITEM NUMBERS NOT APPLICABLE

- ITEM NOT ILLUSTRATED

33-14-70-03

33-14-70
FIG. 03
PAGE 50
JAN 20/09

BRI



757

PARTS CATALOG (MAINTENANCE)

FIG ITEM	PART NUMBER	1 2 3 4 5 6 7	NOMENCLATURE	EFFECT FROM TO	UNITS PER ASSY
3 - 801	BCREF8606		LIGHT ASSY-LEFT IND SUPPLIER CODE: V81590 OVERLENGTH PART NUMBER: 434-674-1033-2206 SPECIFICATION NUMBER: S231T301-2206 ELECTRICAL EQUIP NUMBER: L00400 OPTIONAL PART: BCREF7817 V81590 POST SERVICE BULLETIN: 32-0200 FOR NHA SEE: 32-61-51-01 32-61-51-02 32-61-51-03	011106 108120 504903 952952	RF
- 801	BCREF8607		LIGHT ASSY-RIGHT IND SUPPLIER CODE: V81590 OVERLENGTH PART NUMBER: 434-674-1033-2207 SPECIFICATION NUMBER: S231T301-2207 ELECTRICAL EQUIP NUMBER: L00399 OPTIONAL PART: BCREF7818 V81590 PRE SERVICE BULLETIN: 34-0200 FOR NHA SEE: 32-61-51-01	002004 006010 107107 121503 904999	RF

MISSING ITEM NUMBERS NOT APPLICABLE

- ITEM NOT ILLUSTRATED

33-14-70-03

33-14-70
FIG. 03
PAGE 51
JAN 20/09

BRI



757

PARTS CATALOG (MAINTENANCE)

FIG ITEM	PART NUMBER	1 2 3 4 5 6 7	NOMENCLATURE	EFFECT FROM TO	UNITS PER ASSY
3 - 801	BCREF8607		LIGHT ASSY-RIGHT IND SUPPLIER CODE: V81590 OVERLENGTH PART NUMBER: 434-674-1033-2207 SPECIFICATION NUMBER: S231T301-2207 ELECTRICAL EQUIP NUMBER: L00399 OPTIONAL PART: BCREF7818 V81590 POST SERVICE BULLETIN: 34-0200 FOR NHA SEE: 32-61-51-01 32-61-51-02 32-61-51-03	011106 108120 504903 952952	RF
900	674-1033-2203		.CAP ASSY-LENS DOORS SUPPLIER CODE: V81590 USED ON: BCREF8603	002004 006010 107107 121503 904999	1
900	674-1033-2203		.CAP ASSY-LENS DOORS SUPPLIER CODE: V81590 USED ON: BCREF8603	011106 108120 504903 952952	1
900	674-1033-2205		.CAP ASSY-LENS NOSE SUPPLIER CODE: V81590 USED ON: BCREF8605	002004 006010 107107 121503 904999	1
900	674-1033-2205		.CAP ASSY-LENS NOSE SUPPLIER CODE: V81590 USED ON: BCREF8605	011106 108120 504903 952952	1
900	674-1033-2204		.CAP ASSY-LENS GEAR SUPPLIER CODE: V81590 USED ON: BCREF8604	002004 006010 107107 121503 904999	1
900	674-1033-2204		.CAP ASSY-LENS GEAR SUPPLIER CODE: V81590 USED ON: BCREF8604	011106 108120 504903 952952	1

MISSING ITEM NUMBERS NOT APPLICABLE

- ITEM NOT ILLUSTRATED

33-14-70-03

33-14-70
FIG. 03
PAGE 52
JAN 20/09

BRI



757

PARTS CATALOG (MAINTENANCE)

FIG ITEM	PART NUMBER	1 2 3 4 5 6 7	NOMENCLATURE	EFFECT FROM TO	UNITS PER ASSY
3					
900	674-1033-2206	.	CAP ASSY-LENS LEFT SUPPLIER CODE: V81590 USED ON: BCREF8606	002004 006010 107107 121503 904999	1
900	674-1033-2206	.	CAP ASSY-LENS LEFT SUPPLIER CODE: V81590 USED ON: BCREF8606	011106 108120 504903 952952	1
900	674-1033-2207	.	CAP ASSY-LENS RIGHT SUPPLIER CODE: V81590 USED ON: BCREF8607	002004 006010 107107 121503 904999	1
900	674-1033-2207	.	CAP ASSY-LENS RIGHT SUPPLIER CODE: V81590 USED ON: BCREF8607	011106 108120 504903 952952	1
910	434-1033-2203	.	BASE ASSY- SUPPLIER CODE: V81590	002004 006999	1
920	MS25237-387AS15	..	LAMP	002004 006999	2
930	434-092-008	..	DRAWER ASSY- SUPPLIER CODE: V81590	002004 006999	1
940	434-093-003	.	MODULE-CKT SUPPLIER CODE: V81590	002004 006999	1
950	434-072-002	..	SLEEVE-SHORT MOUNTING SUPPLIER CODE: V81590	002004 006999	1

MISSING ITEM NUMBERS NOT APPLICABLE

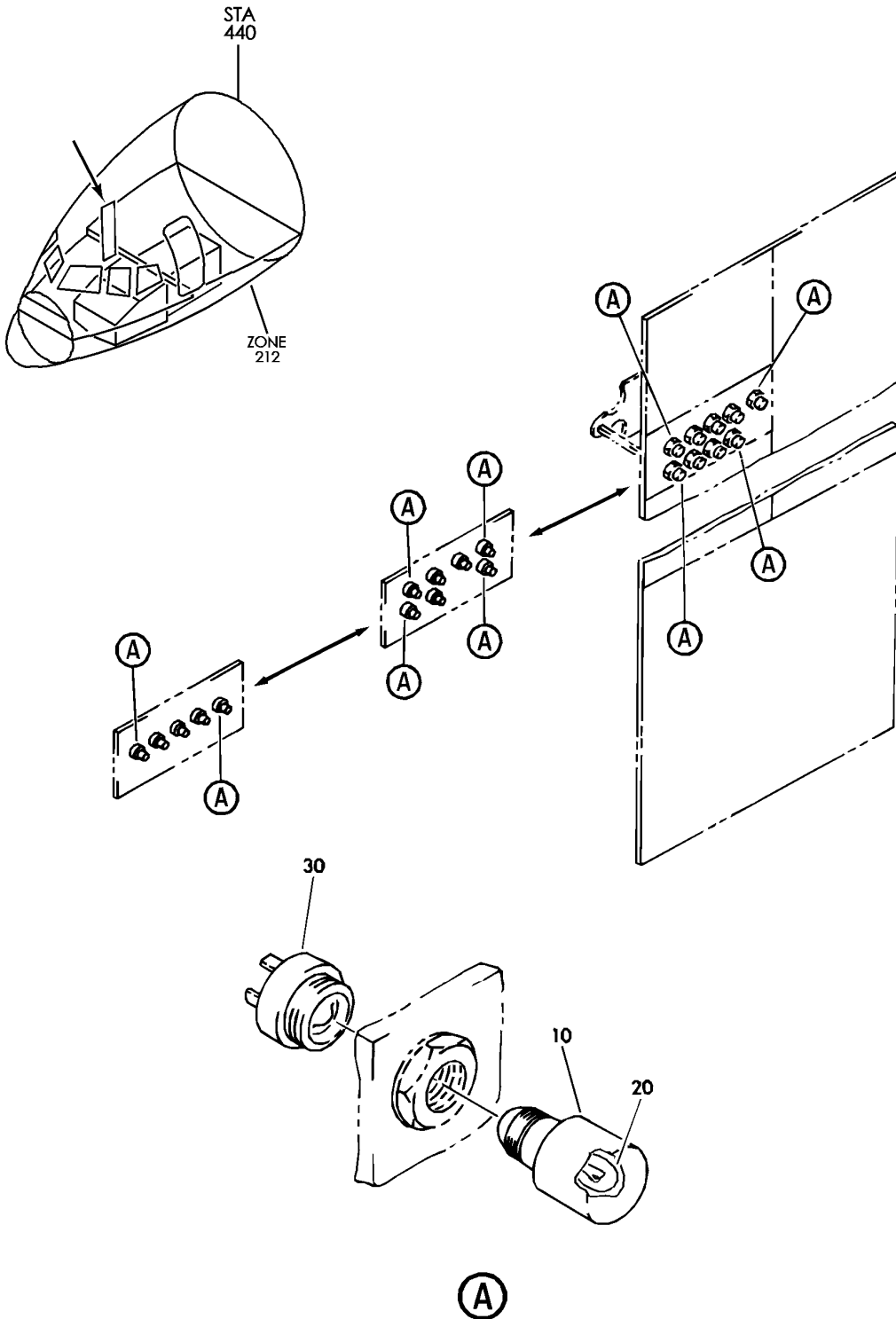
- ITEM NOT ILLUSTRATED

33-14-70-03

33-14-70
FIG. 03
PAGE 53
JAN 20/09

BRI

BOEING
757
PARTS CATALOG (MAINTENANCE)



Y 33147005 REV 229

LIGHT ASSY-P61 R SIDEWALL IND
FIGURE 5

33-14-70-05

BRI
MAY 28/07

33-14-70-05
PAGE 0



757

PARTS CATALOG (MAINTENANCE)

FIG ITEM	PART NUMBER	1 2 3 4 5 6 7	NOMENCLATURE	EFFECT FROM TO	UNITS PER ASSY
5			LIGHT ASSY-P61 R SIDEWALL IND	002004 006999	
- 1	BCREF4858		LIGHT ASSY-P61 SIDEWALL IND SUPPLIER CODE: V81590 POSITION DATA: R OVERLENGTH PART NUMBER: 116-565-1042-001 FOR NHA SEE: 26-21-52-02 26-22-52-02 26-21-52-01 26-22-52-01	002004 006999	RF
- 1	BCREF4858		LIGHT ASSY-P61 SIDEWALL IND SUPPLIER CODE: V81590 POSITION DATA: R OVERLENGTH PART NUMBER: 116-565-1042-001 FOR NHA SEE: 26-23-52-03	101120 504903	RF
10	565-1042-001		.CAP ASSY- SUPPLIER CODE: V81590	101120 504903	1
10	565-1042-001		.CAP ASSY- SUPPLIER CODE: V81590	002004 006100 121503 904999	1
20	387		..BULB- SUPPLIER CODE: V08806	101120 504903	1
20	387		..BULB- SUPPLIER CODE: V08806	002004 006100 121503 904999	1
30	116-1042-001		.BASE ASSY- SUPPLIER CODE: V81590	101120 504903	1
30	116-1042-001		.BASE ASSY- SUPPLIER CODE: V81590	002004 006100 121503 904999	1

MISSING ITEM NUMBERS NOT APPLICABLE

- ITEM NOT ILLUSTRATED

33-14-70-05

33-14-70
FIG. 05
PAGE 1
JAN 20/09

BRI

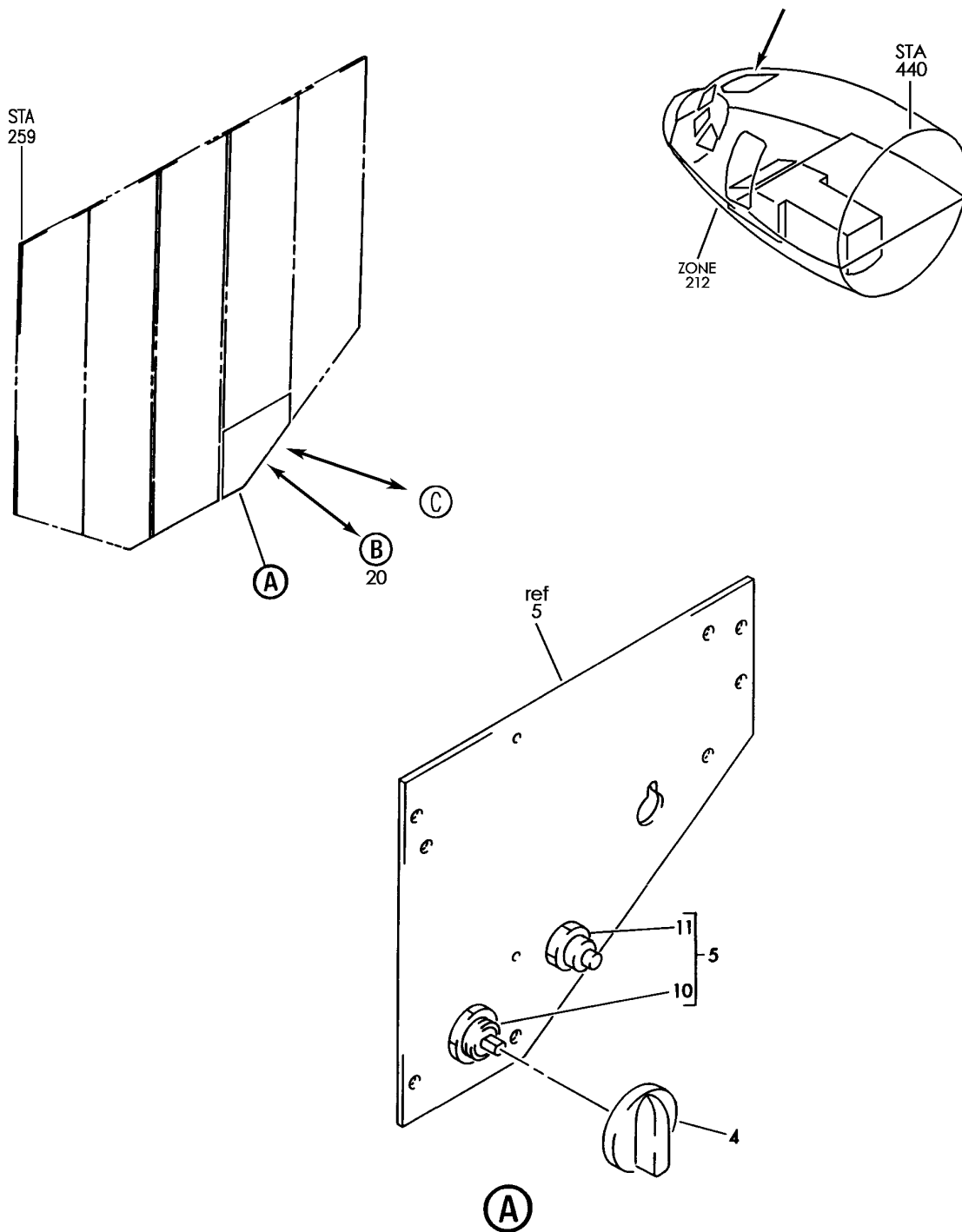
BOEING PROPRIETARY - Copyright © - Unpublished Work - See title page for details.

MASTER DIM AND TEST

BRI
MAY 28/07

33-16-00
SECTION TITLE
PAGE 1

BOEING
757
PARTS CATALOG (MAINTENANCE)



Y 33165101 SH1 1 REV 261

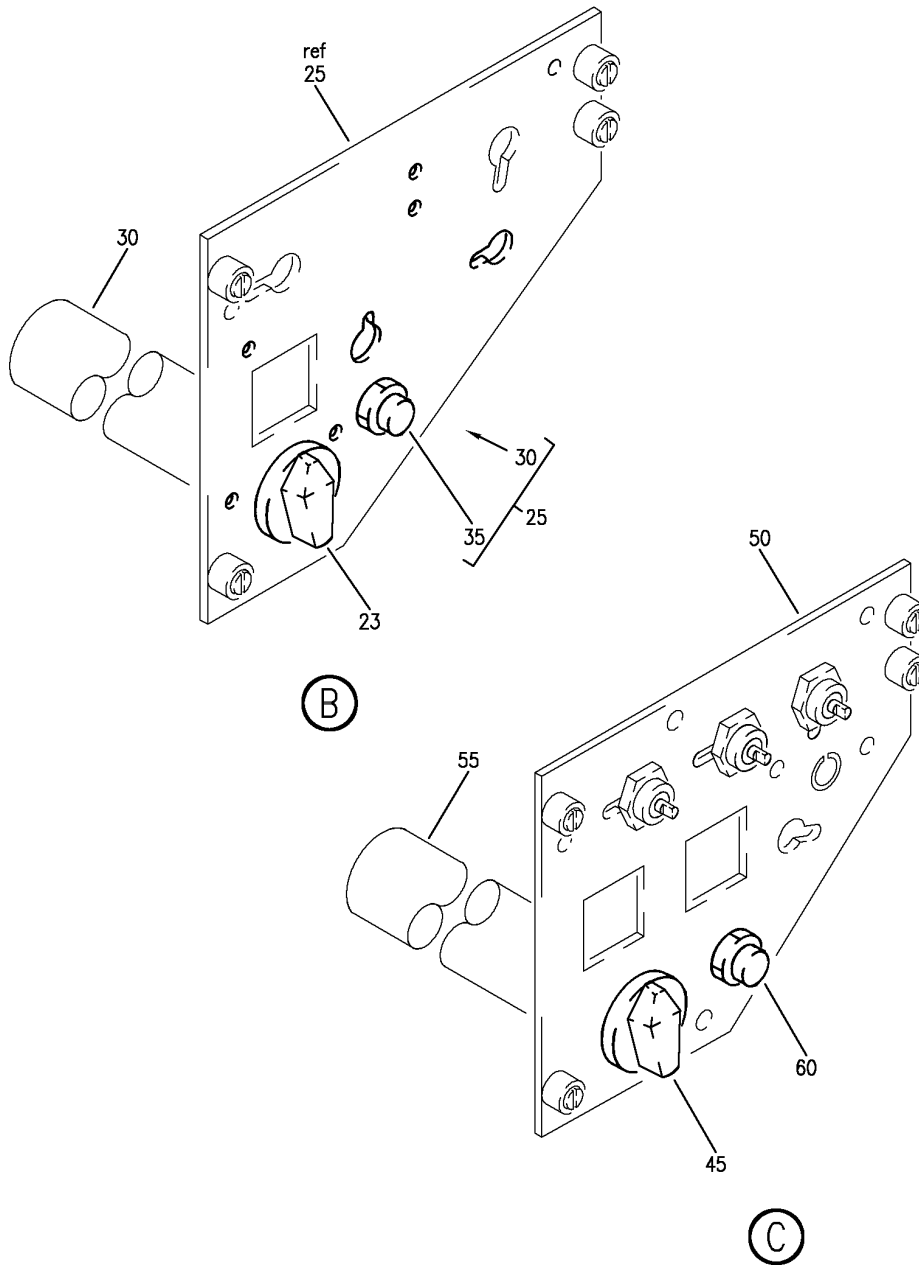
PANEL INSTL-P5 OVHD (MASTER DIM AND TEST ONLY)
FIGURE 1 (SHEET 1)

33-16-51-01

BRI
MAY 28/07

33-16-51-01
PAGE 0

BOEING
757
PARTS CATALOG (MAINTENANCE)



Y 33165101 SH1 2 REV 261

PANEL INSTL-P5 OVHD (MASTER DIM AND TEST ONLY)
FIGURE 1 (SHEET 2)

33-16-51-01

BRI
MAY 28/07

33-16-51-01
PAGE 0A



757

PARTS CATALOG (MAINTENANCE)

FIG ITEM	PART NUMBER	1 2 3 4 5 6 7	NOMENCLATURE	EFFECT FROM TO	UNITS PER ASSY
1			PANEL INSTL-P5 OVHD (MASTER DIM AND TEST ONLY)	002004 006010 107107 121503 904999	RF
- 1	233N3101-1		PANEL INSTL-P5 OVHD (MASTER DIM AND TEST ONLY) VARIABLE DRAWING REF: 233N3101-5005 233N3101-5025 233N3101-5041 233N3101-5042 233N3101-5045 FOR NHA/OTHER SYS DET SEE: 25-10-00-05A	002004 006010 107107 121503 904999	RF
4	BP248-110		.KNOB- SUPPLIER CODE: V81590 SPECIFICATION NUMBER: 452-016-9001	002004 006010 107107 121503 904999	1
4	BP248-127		.KNOB- SUPPLIER CODE: V81590	002004 006010 107107 121503 904999	1
5	233N3221-61		.PANEL ASSY-LIGHTING CONT SUPPLIER CODE: V89954 POSITION DATA: R ELECTRICAL EQUIP NUMBER: M10057 COMPONENT MAINT MANUAL REF: 33-11-72 QUALIFIED I/W DATA: 233N3221-302 PANEL ASSY IS I/W 233N3221-61 PANEL ASSY T/W S233T100-6039 LIGHTPLATE AND (3) RD241-119 KNOBS AND (1) BP248-127 KNOB	002004 006010 950999	RF

MISSING ITEM NUMBERS NOT APPLICABLE

- ITEM NOT ILLUSTRATED

33-16-51-01

33-16-51
FIG. 01
PAGE 1
JAN 20/09

BRI



757

PARTS CATALOG (MAINTENANCE)

FIG ITEM	PART NUMBER	1 2 3 4 5 6 7	NOMENCLATURE	EFFECT FROM TO	UNITS PER ASSY
1	5 233N3221-60		.PANEL ASSY-LIGHTING CONT SUPPLIER CODE: V89954 POSITION DATA: R ELECTRICAL EQUIP NUMBER: M10057 COMPONENT MAINT MANUAL REF: 33-11-72	121503 904949	RF
	5 233N3221-83		.PANEL ASSY-LIGHTING CONT SUPPLIER CODE: V89954 POSITION DATA: R ELECTRICAL EQUIP NUMBER: M10057 COMPONENT MAINT MANUAL REF: 33-11-72	107107	RF
	10 AC90-0002-2		..SWITCH-ROTARY SUPPLIER CODE: V91812 OPTIONAL PART: AC90-0002-1 V91812	002004 006010 107107 121503 904999	1
	10 AC90-0002-1		..SWITCH-ROTARY SUPPLIER CODE: V91812 OPTIONAL PART: AC90-0002-2 V91812	002004 006010 121503 904999	1

MISSING ITEM NUMBERS NOT APPLICABLE

- ITEM NOT ILLUSTRATED

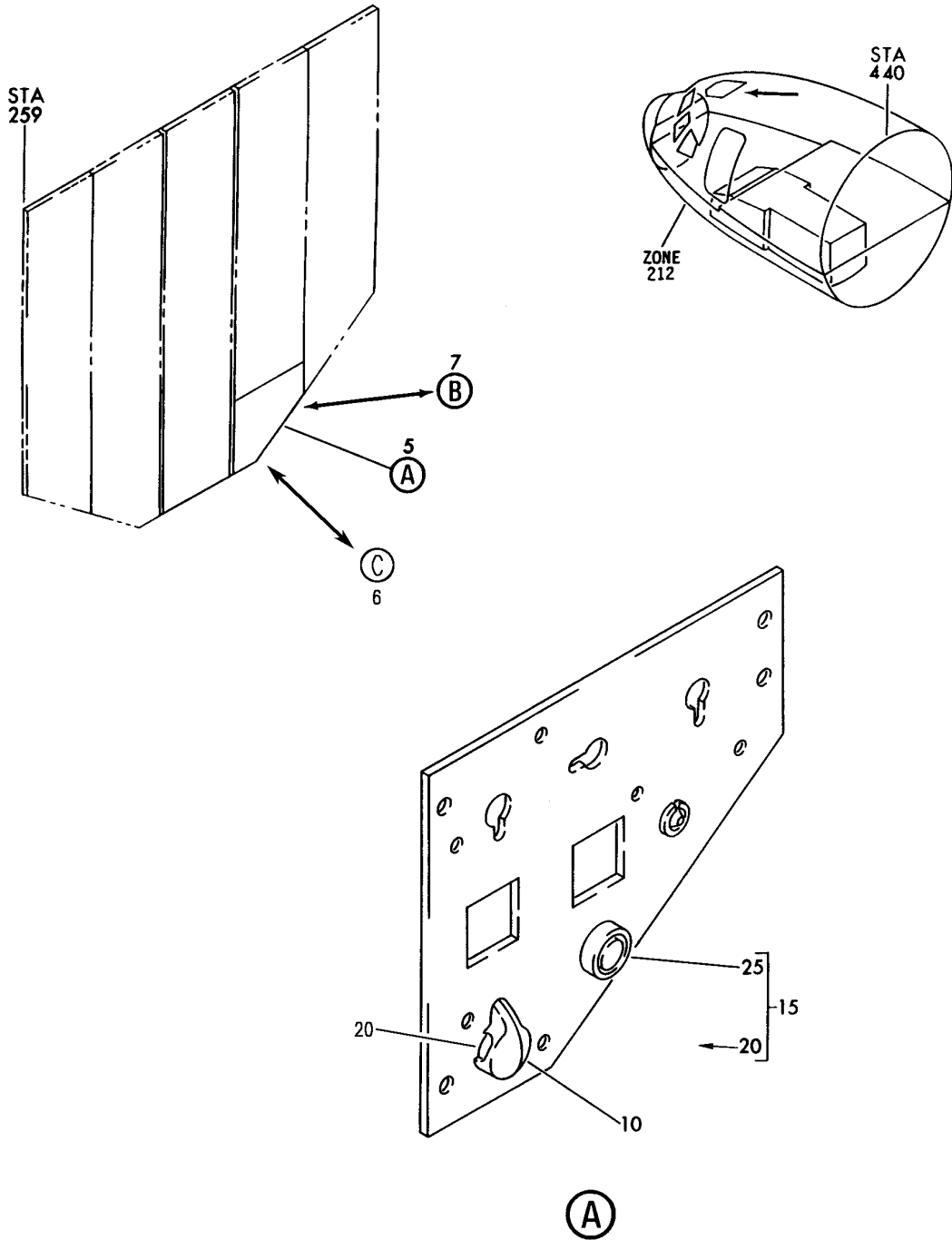
BRI

33-16-51-01

BOEING PROPRIETARY - Copyright © - Unpublished Work - See title page for details.

33-16-51
FIG. 01
PAGE 2
JAN 20/09

BOEING
757
PARTS CATALOG (MAINTENANCE)



Y 33165102 SH1 1 REV 261

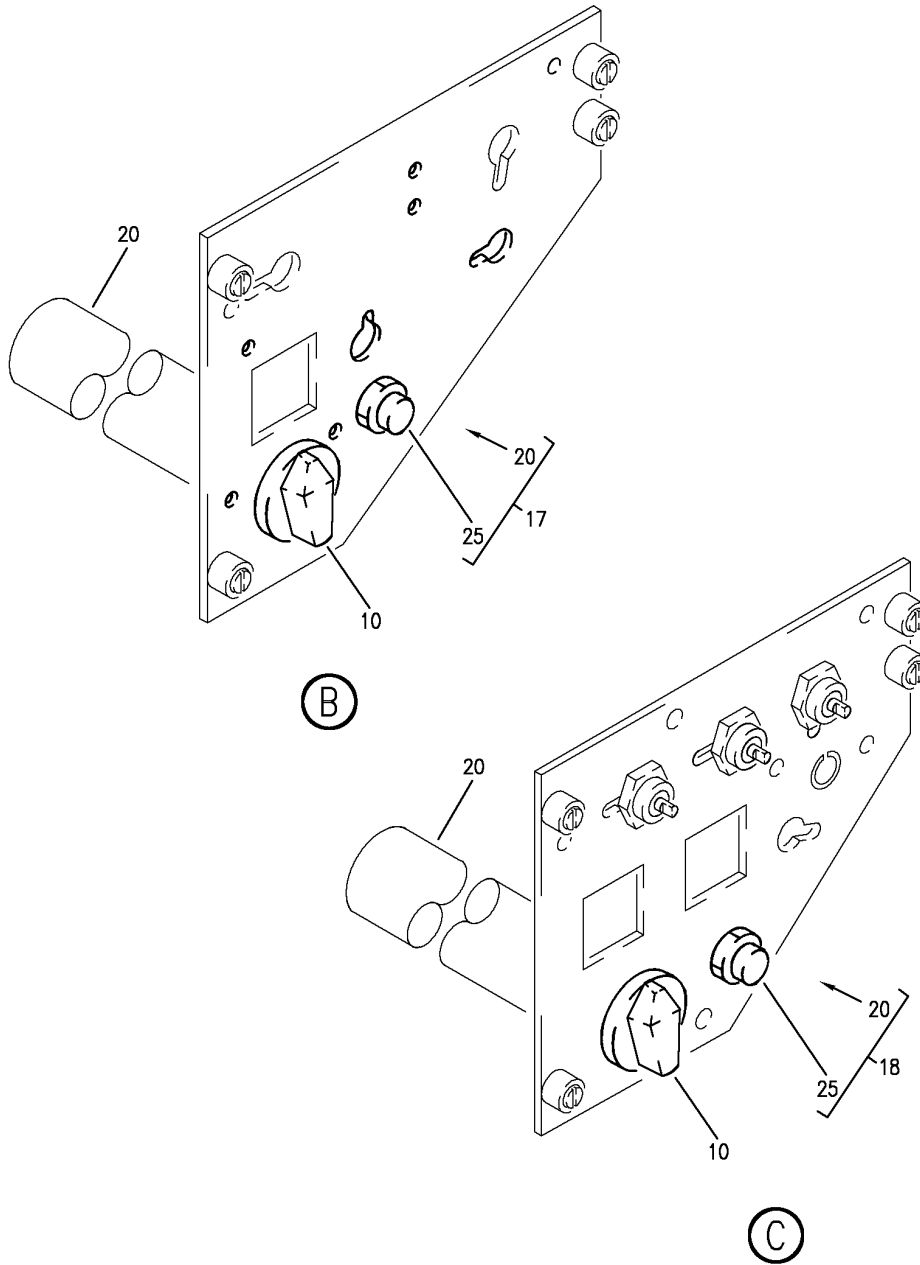
PANEL INSTL-P5 OVHD (MASTER DIM AND TEST ONLY)
FIGURE 2 (SHEET 1)

33-16-51-02

BRI
MAY 28/07

33-16-51-02
PAGE 0

BOEING
757
PARTS CATALOG (MAINTENANCE)



Y 33165102 SH1 2 REV 261

PANEL INSTL-P5 OVHD (MASTER DIM AND TEST ONLY)
FIGURE 2 (SHEET 2)

33-16-51-02

BRI
MAY 28/07

33-16-51-02
PAGE 0A



757

PARTS CATALOG (MAINTENANCE)

FIG ITEM	PART NUMBER	1 2 3 4 5 6 7	NOMENCLATURE	EFFECT FROM TO	UNITS PER ASSY
2			PANEL INSTL-P5 OVHD (MASTER DIM AND TEST ONLY)	011100	
- 1	233N3101-1		PANEL INSTL-P5 OVHD (MASTER DIM AND TEST ONLY) VARIABLE DRAWING REF: 233N3101-5142 FOR NHA/OTHER SYS DET SEE: 25-10-00-05A	011100	RF
5	233N3221-302		.PANEL ASSY-LIGHTING CONT SUPPLIER CODE: V89954 POSITION DATA: R COMPONENT MAINT MANUAL REF: 33-11-72 QUALIFIED I/W DATA: 233N3221-302 PANEL ASSY IS I/W 233N3221-61 PANEL ASSY T/W S233T100-6039 LIGHTPLATE AND (3) RD241-119 KNOBS AND (1) BP248-127 KNOB	011100	RF
10	BP248-127		..KNOB- SUPPLIER CODE: V81590	011100	1
15	233N3221-61		..PANEL ASSY- SUPPLIER CODE: V89954 ELECTRICAL EQUIP NUMBER: M10057 COMPONENT MAINT MANUAL REF: 33-11-72 QUALIFIED I/W DATA: 233N3221-302 PANEL ASSY IS I/W 233N3221-61 PANEL ASSY T/W S233T100-6039 LIGHTPLATE AND (3) RD241-119 KNOBS AND (1) BP248-127 KNOB	011100	RF
20	AC90-0002-2		...SWITCH-ROTARY SUPPLIER CODE: V91812 OPTIONAL PART: AC90-0002-1 V91812	011100	1

MISSING ITEM NUMBERS NOT APPLICABLE

- ITEM NOT ILLUSTRATED

33-16-51-02

33-16-51
FIG. 02
PAGE 1
JAN 20/09

BRI



757

PARTS CATALOG (MAINTENANCE)

FIG ITEM	PART NUMBER	1 2 3 4 5 6 7	NOMENCLATURE	EFFECT FROM TO	UNITS PER ASSY
2 20	AC90-0002-1		... SWITCH-ROTARY SUPPLIER CODE: V91812 OPTIONAL PART: AC90-0002-2 V91812	011100	1
25	82PB19T2		... SWITCH-PUSH BUTTON SUPPLIER CODE: V91929	011100	1

MISSING ITEM NUMBERS NOT APPLICABLE

- ITEM NOT ILLUSTRATED

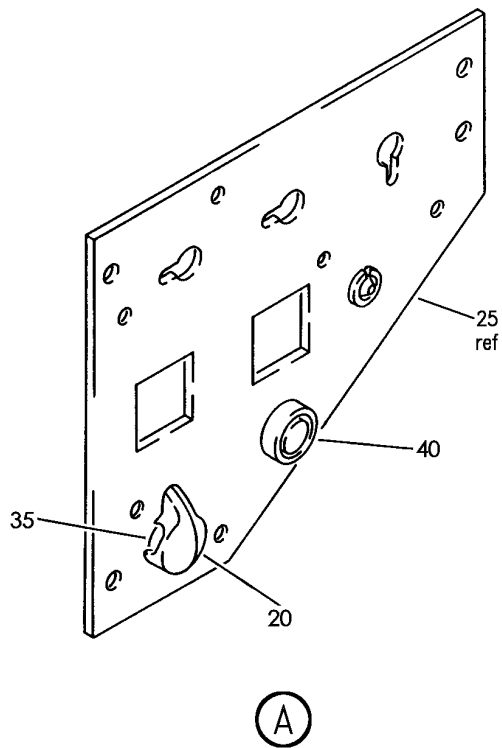
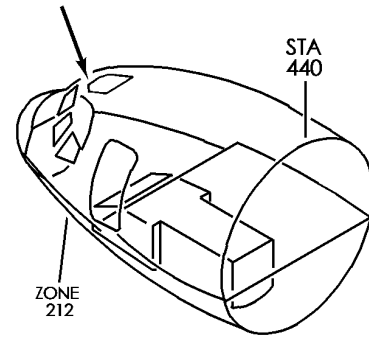
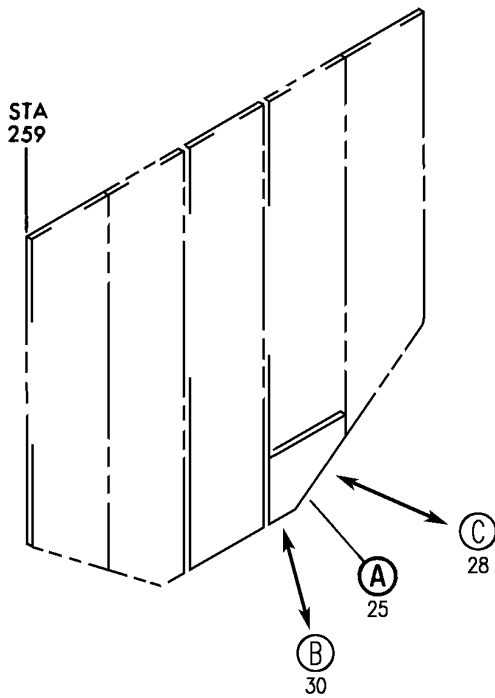
BRI

33-16-51-02

BOEING PROPRIETARY - Copyright © - Unpublished Work - See title page for details.

33-16-51
FIG. 02
PAGE 2
JAN 20/09

BOEING
757
PARTS CATALOG (MAINTENANCE)



Y 33165103 SH1 1 REV 261

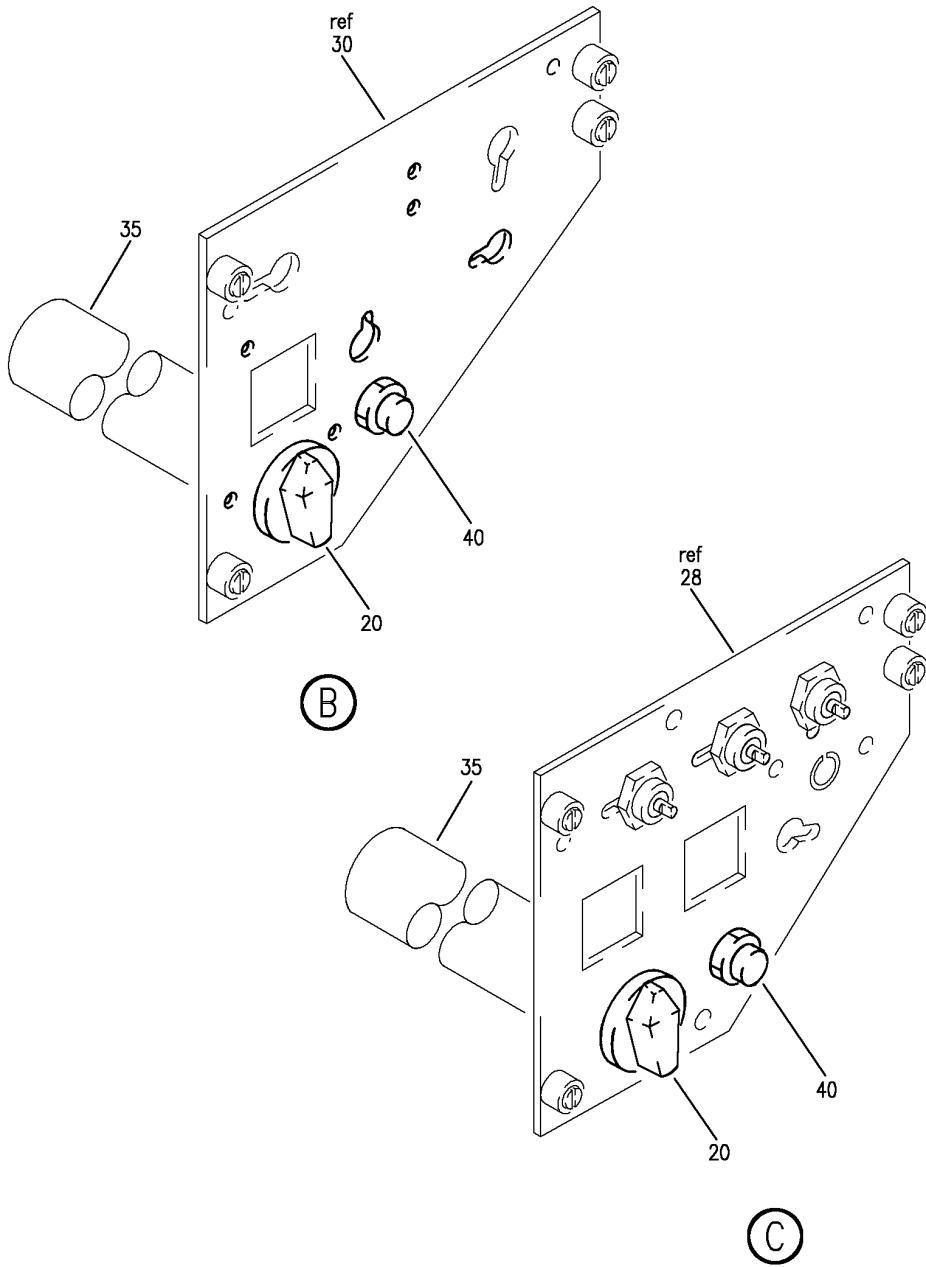
PANEL INSTL-P5 OVHD (MASTER DIM AND TEST ONLY)
FIGURE 3 (SHEET 1)

33-16-51-03

BRI
MAY 28/07

33-16-51-03
PAGE 0

BOEING
757
PARTS CATALOG (MAINTENANCE)



Y 33165103 SH1 2 REV 261

PANEL INSTL-P5 OVHD (MASTER DIM AND TEST ONLY)
FIGURE 3 (SHEET 2)

33-16-51-03

BRI
MAY 28/07

33-16-51-03
PAGE 0A



757

PARTS CATALOG (MAINTENANCE)

FIG ITEM	PART NUMBER	1 2 3 4 5 6 7	NOMENCLATURE	EFFECT FROM TO	UNITS PER ASSY
3			PANEL INSTL-P5 OVHD (MASTER DIM AND TEST ONLY)	101106 108120 504903	
- 3	233N3103-132		PANEL INSTL-P5 OVHD (MASTER DIM AND TEST ONLY) FOR NHA/OTHER SYS DET SEE: 25-10-00-15E	101102	RF
- 3	233N3103-136		PANEL INSTL-P5 OVHD (MASTER DIM AND TEST ONLY) FOR NHA/OTHER SYS DET SEE: 25-10-00-15E	504903	RF
- 6	233N3103-59		PANEL INSTL-P5 OVHD (MASTER DIM AND TEST ONLY) FOR NHA/OTHER SYS DET SEE: 25-10-00-15E	108120	RF
- 7	MODREF33760		PANEL INSTL-P5 OVHD (MASTER DIM AND TEST ONLY) MODULE NUMBER: 233N3103-351 REV C FOR OTHER SYS DETAILS SEE: 11-31-10-12 21-25-55-03 21-31-01-02 21-33-51-03 21-51-54-03 21-58-19-10 21-58-51-03 21-61-04-03 21-65-51-01 22-21-01-04 22-24-51-02 23-24-01-01 23-32-00-11 23-42-02-02 23-71-05-02 24-11-52-05 24-22-01-03 24-31-01-10 24-31-03-09 24-33-04-01 24-41-51-04 24-51-62-01 26-18-51-04 27-21-53-02 27-41-55-01 27-61-51-03 27-62-52-02 28-22-51-02 28-41-04-01	103103	1

MISSING ITEM NUMBERS NOT APPLICABLE

- ITEM NOT ILLUSTRATED

33-16-51-03

33-16-51
FIG. 03
PAGE 1
JAN 20/09

BRI



**757
PARTS CATALOG (MAINTENANCE)**

FIG ITEM	PART NUMBER	1 2 3 4 5 6 7	NOMENCLATURE	EFFECT FROM TO	UNITS PER ASSY
3			28-41-51-03 29-11-02-03 29-11-05-04 29-11-52-07 29-21-54-03 29-31-00-01 29-32-51-03 29-33-52-03 30-11-51-03 30-21-51-03 30-31-51-02 30-32-51-01 30-33-51-02 30-41-51-03 30-42-51-03 31-12-11-91 31-12-11-91 A 32-42-52-03 33-11-03-03 33-11-51-17 33-13-01-65 33-13-02-03 33-24-51-02 33-41-52-04 33-42-01-04 33-42-02-04 33-42-52-04 33-43-51-04 33-44-51-05 33-45-53-03 33-51-08-05 34-21-02-01 35-21-51-04 36-11-04-01 36-21-00-01 36-21-02-05 36-22-51-03 49-41-00-02 49-52-00-01 49-70-00-01 52-51-51-03 52-71-51-02 73-21-52-02 74-31-51-05 75-32-00-01 80-11-09-02		
- 7	MODREF34038		PANEL INSTL-P5 OVHD (MASTER DIM AND TEST ONLY) MODULE NUMBER: MISSING ITEM NUMBERS NOT APPLICABLE	104105	1

- ITEM NOT ILLUSTRATED

33-16-51-03

33-16-51
FIG. 03
PAGE 2
JAN 20/09

BRI



757
PARTS CATALOG (MAINTENANCE)

FIG ITEM	PART NUMBER	1 2 3 4 5 6 7	NOMENCLATURE	EFFECT FROM TO	UNITS PER ASSY
3			233N3103-351 REV D FOR OTHER SYS DETAILS SEE: 11-31-10-12 21-25-55-03 21-31-01-02 21-33-51-03 21-51-54-03 21-58-19-10 21-58-51-03 21-61-04-03 21-65-51-01 22-21-01-04 22-24-51-02 23-24-01-01 23-32-00-11 23-42-02-02 23-71-05-02 24-11-52-05 24-22-01-03 24-31-01-10 24-31-03-09 24-33-04-01 24-41-51-04 24-51-62-01 26-18-51-04 27-21-53-02 27-41-55-01 27-61-51-03 27-62-52-02 28-22-51-02 28-41-04-01 28-41-51-03 29-11-02-03 29-11-05-04 29-11-52-07 29-21-54-03 29-31-00-01 29-32-51-03 29-33-52-03 30-11-51-03 30-21-51-03 30-31-51-02 30-32-51-01 30-33-51-02 30-41-51-03 30-42-51-03 31-12-11-91 31-12-11-91A 32-42-52-03		
MISSING ITEM NUMBERS NOT APPLICABLE					

- ITEM NOT ILLUSTRATED

BRI

33-16-51-03

BOEING PROPRIETARY - Copyright © - Unpublished Work - See title page for details.

33-16-51
FIG. 03
PAGE 3
JAN 20/09



757

PARTS CATALOG (MAINTENANCE)

FIG ITEM	PART NUMBER	1 2 3 4 5 6 7	NOMENCLATURE	EFFECT FROM TO	UNITS PER ASSY
3			33-11-03-03 33-11-51-17 33-13-01-65 33-13-02-03 33-24-51-02 33-41-52-04 33-42-01-04 33-42-02-04 33-42-52-04 33-43-51-04 33-44-51-05 33-45-53-03 33-51-08-05 34-21-02-01 35-21-51-04 36-11-04-01 36-21-00-01 36-21-02-05 36-22-51-03 49-41-00-02 49-52-00-01 49-70-00-01 52-51-51-03 52-71-51-02 73-21-52-02 74-31-51-05 75-32-00-01 80-11-09-02		
- 8	MODREF170180		PANEL INSTL-P5 OVHD (MASTER DIM AND TEST ONLY) MODULE NUMBER: 233N3103-353 REV B FOR OTHER SYS DETAILS SEE: 11-31-10-12 21-25-55-03 21-31-01-02 21-33-51-03 21-51-54-03 21-58-19-10 21-58-51-03 21-61-04-03 21-65-51-01 22-21-01-04 22-24-51-02 23-24-01-01 23-32-00-11 23-42-02-02 23-71-05-02 24-11-52-05	106106	1
MISSING ITEM NUMBERS NOT APPLICABLE					

- ITEM NOT ILLUSTRATED

33-16-51-03

33-16-51
 FIG. 03
 PAGE 4
 JAN 20/09

BRI



757

PARTS CATALOG (MAINTENANCE)

FIG ITEM	PART NUMBER	1 2 3 4 5 6 7	NOMENCLATURE	EFFECT FROM TO	UNITS PER ASSY
3			24-22-01-03 24-31-01-10 24-31-03-09 24-33-04-01 24-41-51-04 24-51-62-01 26-18-51-04 27-21-53-02 27-41-55-01 27-61-51-03 27-62-52-02 28-22-51-02 28-41-04-01 28-41-51-03 29-11-02-03 29-11-05-04 29-11-52-07 29-21-54-03 29-31-00-01 29-32-51-03 29-33-52-03 30-11-51-03 30-21-51-03 30-31-51-02 30-32-51-01 30-33-51-02 30-41-51-03 30-42-51-03 31-12-11-84 31-12-11-84 A 32-42-52-03 33-11-03-03 33-11-51-17 33-13-01-65 33-13-02-03 33-24-51-02 33-41-52-04 33-42-01-04 33-42-02-04 33-42-52-04 33-43-51-04 33-44-51-05 33-45-53-03 33-51-08-05 34-21-02-01 35-21-51-04 36-11-04-01 36-21-00-01 36-21-02-05		

MISSING ITEM NUMBERS NOT APPLICABLE

- ITEM NOT ILLUSTRATED

33-16-51-03

33-16-51
FIG. 03
PAGE 5
JAN 20/09

BRI



**757
PARTS CATALOG (MAINTENANCE)**

FIG ITEM	PART NUMBER	1 2 3 4 5 6 7	NOMENCLATURE	EFFECT FROM TO	UNITS PER ASSY
3			36-22-51-03 49-41-00-02 49-52-00-01 49-70-00-01 52-51-51-03 52-71-51-02 73-21-52-02 74-31-51-05 75-32-00-01 80-11-09-02		
- 16	233N3221-302		.PANEL ASSY-LIGHTING CONT SUPPLIER CODE: V89954 POSITION DATA: R ELECTRICAL EQUIP NUMBER: M10057 COMPONENT MAINT MANUAL REF: 33-11-72 QUALIFIED I/W DATA: 233N3221-302 PANEL ASSY IS I/W 233N3221-61 PANEL ASSY T/W S233T100-6039 LIGHTPLATE AND (3) RD241-119 KNOBS AND (1) BP248-127 KNOB	101102 108120 504903	RF
- 16	233N3221-326		.PANEL ASSY-LIGHTING CONT SUPPLIER CODE: V89954 POSITION DATA: R ELECTRICAL EQUIP NUMBER: M10057 COMPONENT MAINT MANUAL REF: 33-11-72	101106 108120 504903	RF
20	BP248-127		..KNOB- SUPPLIER CODE: V81590	101106 108120 504903	1

MISSING ITEM NUMBERS NOT APPLICABLE

- ITEM NOT ILLUSTRATED

33-16-51-03

33-16-51
FIG. 03
PAGE 6
JAN 20/09

BRI



757

PARTS CATALOG (MAINTENANCE)

FIG ITEM	PART NUMBER	1 2 3 4 5 6 7	NOMENCLATURE	EFFECT FROM TO	UNITS PER ASSY
3					
25	233N3221-61	..	PANEL ASSY- SUPPLIER CODE: V89954 COMPONENT MAINT MANUAL REF: 33-11-72 QUALIFIED I/W DATA: 233N3221-302 PANEL ASSY IS I/W 233N3221-61 PANEL ASSY T/W S233T100-6039 LIGHTPLATE AND (3) RD241-119 KNOBS AND (1) BP248-127 KNOB USED ON: 233N3221-302	101102 108120 504903	RF
25	233N3221-110	..	PANEL ASSY- SUPPLIER CODE: V89954 COMPONENT MAINT MANUAL REF: 33-11-72 USED ON: 233N3221-326	101106 108120 504903	RF
35	AC90-0002-2	...	SWITCH-ROTARY SUPPLIER CODE: V91812 OPTIONAL PART: AC90-0002-1 V91812	101106 108120 504903	1
35	AC90-0002-1	...	SWITCH-ROTARY SUPPLIER CODE: V91812 OPTIONAL PART: AC90-0002-2 V91812	101106 108120 504903	1
40	82PB19T2	...	SWITCH-PUSH BUTTON SUPPLIER CODE: V91929 USED ON: 233N3221-61	101102 108120 504903	1
40	82PB19H58	...	SWITCH-PUSH BUTTON SUPPLIER CODE: V91929 USED ON: 233N3221-110	101106 108120 504903	1

MISSING ITEM NUMBERS NOT APPLICABLE

- ITEM NOT ILLUSTRATED

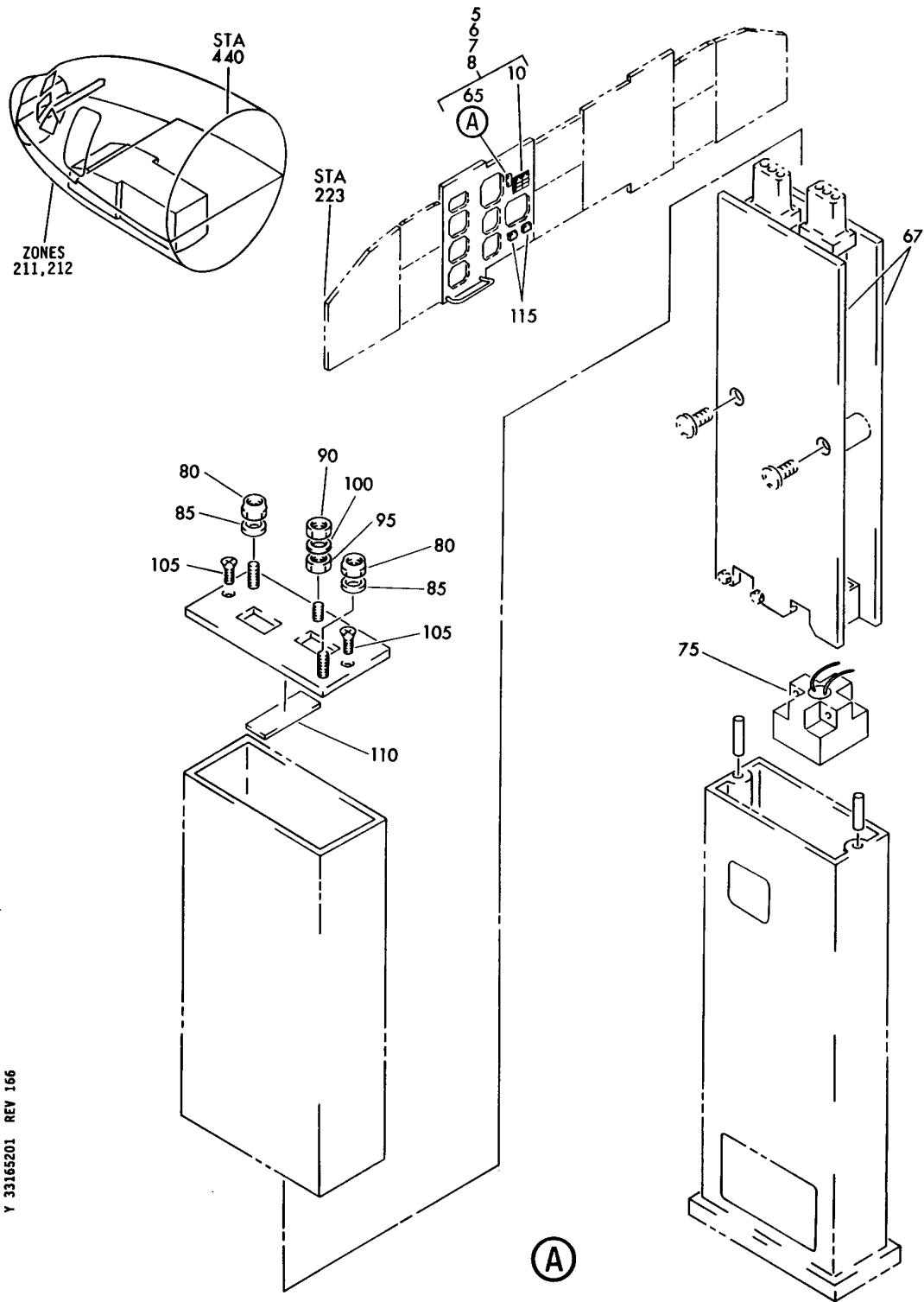
33-16-51-03

33-16-51
FIG. 03
PAGE 7
JAN 20/09

BRI

BOEING PROPRIETARY - Copyright © - Unpublished Work - See title page for details.

BOEING
757
PARTS CATALOG (MAINTENANCE)



Y 33165201 REV 166

PANEL INSTL-CAPT AND FIRST OFFICER FWD (MASTER DIM AND TEST ONLY)
FIGURE 1

33-16-52-01

BRI
MAY 28/07

33-16-52-01
PAGE 0



757

PARTS CATALOG (MAINTENANCE)

FIG ITEM	PART NUMBER	1 2 3 4 5 6 7	NOMENCLATURE	EFFECT FROM TO	UNITS PER ASSY
1			PANEL INSTL-CAPT AND FIRST OFFICER FWD (MASTER DIM AND TEST ONLY)	002004 006010 107107 121503 904999	
- 1	233N2101-1		PANEL INSTL-CAPT AND FIRST OFFICER (MASTER DIM AND TEST ONLY) POSITION DATA: FWD VARIABLE DRAWING REF: 233N2101-5003 233N2101-5004 233N2101-5037 233N2101-5039 233N2101-5041 FOR NHA/OTHER SYS DET SEE: 25-10-00-05A	002004 006010 107107 121503 904999	RF
6	233N2221-51		.MODULE ASSY-P1-3	002004 006010 950999	RF
7	233N2221-59		.MODULE ASSY-P1-3	107107	RF
7	233N2221-62		.MODULE ASSY-P1-3	121503 904949	RF
10	BCREF9079		..LIGHT ASSY-DISCRETE WARNING DISPLAY IND SUPPLIER CODE: V81590 OVERLENGTH PART NUMBER: 434-674-1032-2019 SPECIFICATION NUMBER: S231T301-2104 ELECTRICAL EQUIP NUMBER: M00779 OPTIONAL PART: BCREF6668 V81590 USED ON: 233N2221-15 233N2221-16 233N2221-17 233N2221-23 233N2221-24 233N2221-25 233N2221-26 233N2221-27 233N2221-28 233N2221-29 233N2221-30	002004 006010 107107 121503 904999	1

MISSING ITEM NUMBERS NOT APPLICABLE

- ITEM NOT ILLUSTRATED

33-16-52-01

33-16-52
FIG. 01
PAGE 1
JAN 20/09

BRI



757

PARTS CATALOG (MAINTENANCE)

FIG ITEM	PART NUMBER	1 2 3 4 5 6 7 NOMENCLATURE	EFFECT FROM TO	UNITS PER ASSY
1		233N2221-31 233N2221-32 233N2221-33 233N2221-34 233N2221-35 233N2221-36 233N2221-39 233N2221-40 233N2221-41 233N2221-43 233N2221-44 233N2221-45 233N2221-46 233N2221-48 233N2221-49 233N2221-51 233N2221-52 233N2221-54 233N2221-55 233N2221-56 233N2221-58 233N2221-59 233N2221-61 233N2221-62 233N2221-63 233N2221-64 233N2221-65 233N2221-66 FOR DETAILS SEE: 33-16-71-50 ..LIGHT ASSY-DISCRETE WARNING DISPLAY IND SUPPLIER CODE: V81590 OVERLENGTH PART NUMBER: 434-674-1007-1019 SPECIFICATION NUMBER: S231T301-1104 ELECTRICAL EQUIP NUMBER: M00779 OPTIONAL PART: BCREFP9079 V81590 USED ON: 233N2221-15 233N2221-16 233N2221-17 233N2221-23 233N2221-24 MISSING ITEM NUMBERS NOT APPLICABLE	002004 006010 107107 121503 904999	1
10	BCREFP6668			

- ITEM NOT ILLUSTRATED

33-16-52-01

33-16-52
 FIG. 01
 PAGE 2
 JAN 20/09

BRI

 **BOEING**
757
PARTS CATALOG (MAINTENANCE)

FIG ITEM	PART NUMBER	1 2 3 4 5 6 7	NOMENCLATURE	EFFECT FROM TO	UNITS PER ASSY
1			233N2221-25 233N2221-26 233N2221-27 233N2221-28 233N2221-29 233N2221-30 233N2221-31 233N2221-32 233N2221-33 233N2221-34 233N2221-35 233N2221-36 233N2221-37 233N2221-39 233N2221-40 233N2221-41 233N2221-43 233N2221-44 233N2221-45 233N2221-46 233N2221-48 233N2221-49 233N2221-51 233N2221-52 233N2221-54 233N2221-55 233N2221-56 233N2221-58 233N2221-59 233N2221-61 233N2221-62 233N2221-63 233N2221-64 233N2221-65 233N2221-66 FOR DETAILS SEE: 33-16-71-50 .. SENSOR ASSY-AUTOBRIGHT SUPPLIER CODE: V89954 ELECTRICAL EQUIP NUMBER: TS0281 COMPONENT MAINT MANUAL REF: 33-16-51 OPTIONAL PART: 285T0112-6 V89954		
65	285T0112-4		.. SENSOR ASSY-AUTOBRIGHT SUPPLIER CODE: V89954 ELECTRICAL EQUIP NUMBER: TS0281 COMPONENT MAINT MANUAL REF: 33-16-51 OPTIONAL PART: 285T0112-6 V89954	002004 006010 107107 121503 904999	1

MISSING ITEM NUMBERS NOT APPLICABLE

— ITEM NOT ILLUSTRATED

BRI

33-16-52-01

BOEING PROPRIETARY - Copyright © - Unpublished Work - See title page for details.

33-16-52
FIG. 01
PAGE 3
JAN 20/09



757

PARTS CATALOG (MAINTENANCE)

FIG ITEM	PART NUMBER	1 2 3 4 5 6 7	NOMENCLATURE	EFFECT FROM TO	UNITS PER ASSY
1	65 285T0112-6		.. SENSOR ASSY-AUTOBRIGHT SUPPLIER CODE: V89954 ELECTRICAL EQUIP NUMBER: TS0281 COMPONENT MAINT MANUAL REF: 33-16-51 OPTIONAL PART: 285T0112-4 V89954	002004 006010 107107 121503 904999	1
	67 285T0192-12		...PRINTED WIRING ASSY- SUPPLIER CODE: V89954 USED ON: 285T0112-4	002004 006010 107107 121503 904999	2
	67 285T0192-19		...PRINTED WIRING ASSY- SUPPLIER CODE: V89954 OPTIONAL PART: 285T0192-22 V89954 USED ON: 285T0112-6	002004 006010 107107 121503 904999	2
	67 285T0192-22		...PRINTED WIRING ASSY- SUPPLIER CODE: V89954 OPTIONAL PART: 285T0192-19 V89954 USED ON: 285T0112-6	002004 006010 107107 121503 904999	2
	75 285T0194-16	SENSOR ASSY- SUPPLIER CODE: V89954 USED ON: 285T0192-12	002004 006010 107107 121503 904999	1
	75 285T0194-21	SENSOR ASSY- SUPPLIER CODE: V89954 USED ON: 285T0192-19 285T0192-22	002004 006010 107107 121503 904999	1
	80 MS21044N06		...NUT	002004 006010 107107 121503 904999	2

MISSING ITEM NUMBERS NOT APPLICABLE

- ITEM NOT ILLUSTRATED

33-16-52-01

33-16-52
FIG. 01
PAGE 4
JAN 20/09

BRI

BOEING PROPRIETARY - Copyright © - Unpublished Work - See title page for details.



757

PARTS CATALOG (MAINTENANCE)

FIG ITEM	PART NUMBER	1 2 3 4 5 6 7	NOMENCLATURE	EFFECT FROM TO	UNITS PER ASSY
1	85	AN960D6L	... WASHER	002004 006010 107107 121503 904999	2
	90	MS21044N04	... NUT	002004 006010 107107 121503 904999	1
	95	MS35649-244	... NUT	002004 006010 107107 121503 904999	1
	100	AN960D4L	... WASHER	002004 006010 107107 121503 904999	3
	105	NAS514P440-6	... SCREW	002004 006010 107107 121503 904999	2
	110	285T0199-5	... PAD- SUPPLIER CODE: V89954	002004 006010 107107 121503 904999	1

MISSING ITEM NUMBERS NOT APPLICABLE

- ITEM NOT ILLUSTRATED

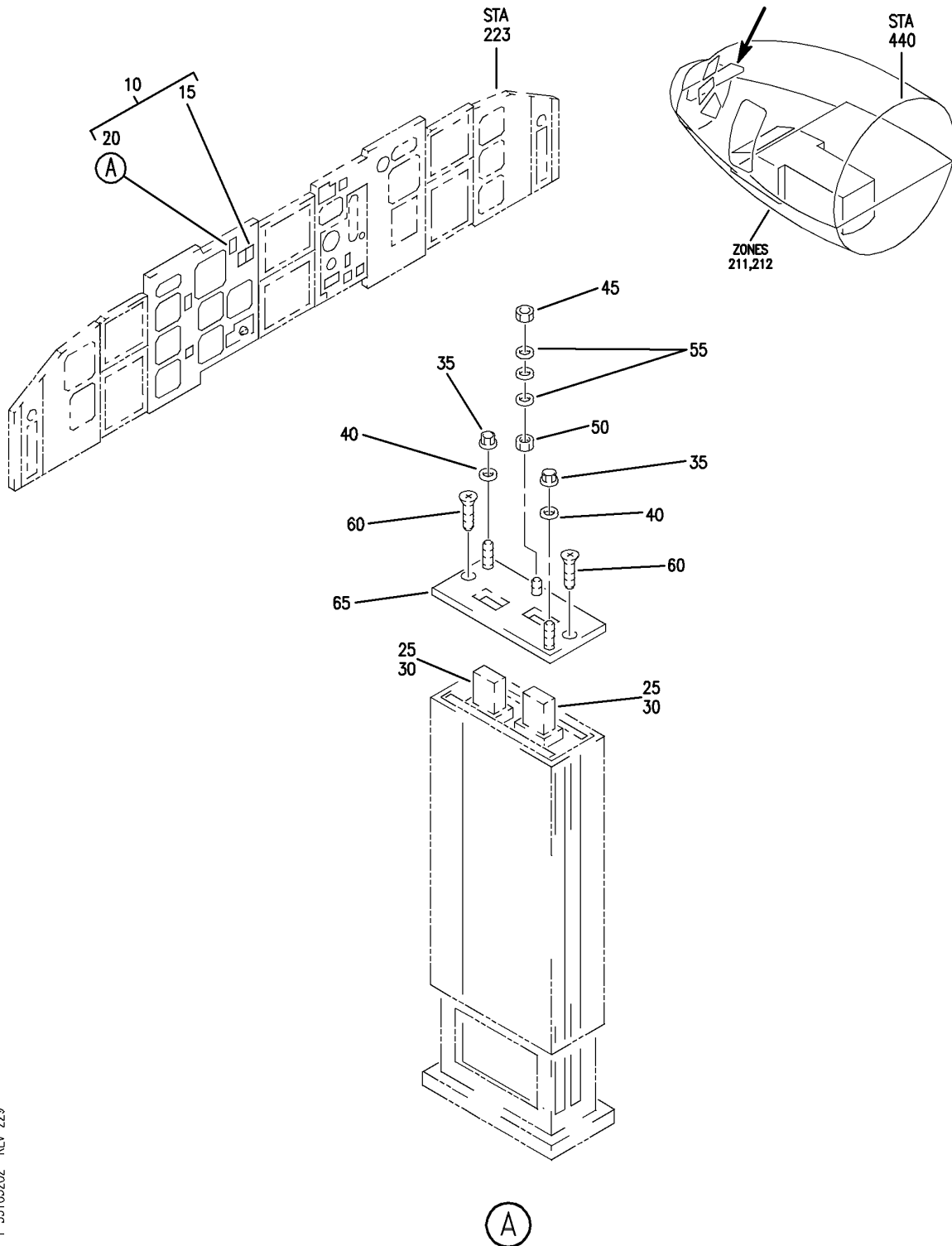
BRI

33-16-52-01

BOEING PROPRIETARY - Copyright © - Unpublished Work - See title page for details.

33-16-52
FIG. 01
PAGE 5
JAN 20/09

BOEING
757
PARTS CATALOG (MAINTENANCE)



Y 33165202 REV 229

PANEL INSTL-CAPT AND FIRST OFFICER FWD (MASTER DIM AND TEST ONLY)
FIGURE 2

33-16-52-02

BRI
MAY 28/07

33-16-52-02
PAGE 0



757

PARTS CATALOG (MAINTENANCE)

FIG ITEM	PART NUMBER	1 2 3 4 5 6 7	NOMENCLATURE	EFFECT FROM TO	UNITS PER ASSY
2			PANEL INSTL-CAPT AND FIRST OFFICER FWD (MASTER DIM AND TEST ONLY)	011100	
- 1	233N2101-1		PANEL INSTL-CAPT AND FIRST OFFICER (MASTER DIM AND TEST ONLY) POSITION DATA: FWD VARIABLE DRAWING REF: 233N2101-5039 FOR NHA/OTHER SYS DET SEE: 25-10-00-05A	011100	RF
- 5	233N2221-301		.MODULE ASSY-P1-3 COMPONENT MAINT MANUAL REF: 31-11-48	011100	RF
10	233N2221-51		..MODULE ASSY-	011100	RF
15	BCREF9079		...LIGHT ASSY-DISCRETE WARNING DISPLAY IND SUPPLIER CODE: V81590 OVERLENGTH PART NUMBER: 434-674-1032-2019 SPECIFICATION NUMBER: S231T301-2104 ELECTRICAL EQUIP NUMBER: M00779 OPTIONAL PART: BCREF6668 V81590 FOR DETAILS SEE: 33-16-71-50	011100	1
15	BCREF6668		...LIGHT ASSY-DISCRETE WARNING DISPLAY IND SUPPLIER CODE: V81590 OVERLENGTH PART NUMBER: 434-674-1007-1019 SPECIFICATION NUMBER: S231T301-1104 ELECTRICAL EQUIP NUMBER: M00779 OPTIONAL PART: BCREF9079 V81590 BCREF9079 V81590 FOR DETAILS SEE: 33-16-71-50	011100	1

MISSING ITEM NUMBERS NOT APPLICABLE

- ITEM NOT ILLUSTRATED

33-16-52-02

33-16-52
FIG. 02
PAGE 1
JAN 20/09

BRI



757

PARTS CATALOG (MAINTENANCE)

FIG ITEM	PART NUMBER	1 2 3 4 5 6 7	NOMENCLATURE	EFFECT FROM TO	UNITS PER ASSY
2	20 285T0112-4		...SENSOR ASSY-AUTOBRIGHT SUPPLIER CODE: V89954 ELECTRICAL EQUIP NUMBER: TS0281 COMPONENT MAINT MANUAL REF: 33-16-51 OPTIONAL PART: 285T0112-6 V89954	011100	1
	20 285T0112-6		...SENSOR ASSY-AUTOBRIGHT SUPPLIER CODE: V89954 ELECTRICAL EQUIP NUMBER: TS0281 COMPONENT MAINT MANUAL REF: 33-16-51 OPTIONAL PART: 285T0112-4 V89954	011100	1
	25 285T0192-12	PRINTED WIRING ASSY- SUPPLIER CODE: V89954 USED ON: 285T0112-4	011100	2
	25 285T0192-19	PRINTED WIRING ASSY- SUPPLIER CODE: V89954 USED ON: 285T0112-6	011100	2
	30 285T0194-16	SENSOR ASSY- SUPPLIER CODE: V89954 OPTIONAL PART: 285T0194-21 V89954 USED ON: 285T0192-12 USED ON: 285T0192-21	011100	1
	30 285T0194-21	SENSOR ASSY- SUPPLIER CODE: V89954 OPTIONAL PART: 285T0194-16 V89954 USED ON: 285T0192-19	011100	1
	35 MS21044N06	NUT	011100	2

MISSING ITEM NUMBERS NOT APPLICABLE

- ITEM NOT ILLUSTRATED

33-16-52-02

33-16-52
FIG. 02
PAGE 2
JAN 20/09

BRI

BOEING PROPRIETARY - Copyright © - Unpublished Work - See title page for details.



757

PARTS CATALOG (MAINTENANCE)

FIG ITEM	PART NUMBER	1 2 3 4 5 6 7	NOMENCLATURE	EFFECT FROM TO	UNITS PER ASSY
2					
40	AN960D6L	WASHER	011100	2
45	MS21044N04	NUT	011100	1
50	MS35649-244	NUT	011100	1
55	AN960D4L	WASHER	011100	3
60	NAS514P440-6	SCREW	011100	2
65	285T0199-5	PAD-	011100	1
			SUPPLIER CODE: V89954		

MISSING ITEM NUMBERS NOT APPLICABLE

- ITEM NOT ILLUSTRATED

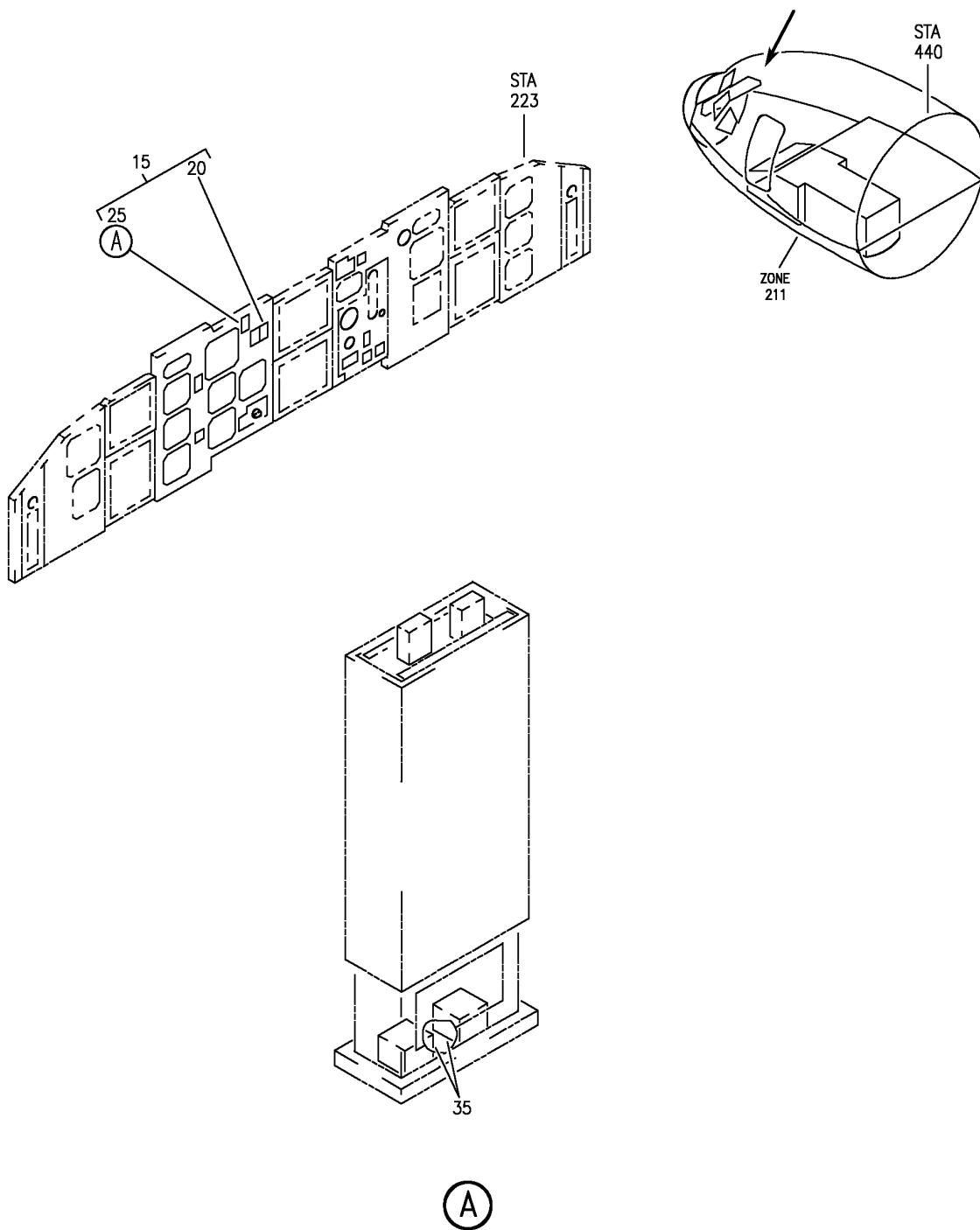
BRI

33-16-52-02

BOEING PROPRIETARY - Copyright © - Unpublished Work - See title page for details.

33-16-52
FIG. 02
PAGE 3
JAN 20/09

BOEING
757
PARTS CATALOG (MAINTENANCE)



Y 33165203 REV 254

PANEL INSTL-P1-3 (MASTER DIM AND TEST ONLY)
FIGURE 3

33-16-52-03

BRI
MAY 28/07

33-16-52-03
PAGE 0



757

PARTS CATALOG (MAINTENANCE)

FIG ITEM	PART NUMBER	1 2 3 4 5 6 7	NOMENCLATURE	EFFECT FROM TO	UNITS PER ASSY
3			PANEL INSTL-P1-3 (MASTER DIM AND TEST ONLY)	101106 108120 504903	
- 1	233N2103-10		PANEL INSTL-P1-3 (MASTER DIM AND TEST ONLY) FOR NHA/OTHER SYS DET SEE: 25-10-00-15B	108120	RF
- 1	233N2103-72		PANEL INSTL-P1-3 (MASTER DIM AND TEST ONLY) FOR NHA/OTHER SYS DET SEE: 25-10-00-15B	101102	RF
- 1	233N2103-280		PANEL INSTL-P1-3 (MASTER DIM AND TEST ONLY) FOR NHA/OTHER SYS DET SEE: 25-10-00-15B	504903	RF

MISSING ITEM NUMBERS NOT APPLICABLE

- ITEM NOT ILLUSTRATED

33-16-52-03

33-16-52
FIG. 03
PAGE 1
JAN 20/09

BRI



757

PARTS CATALOG (MAINTENANCE)

FIG ITEM	PART NUMBER	1 2 3 4 5 6 7	NOMENCLATURE	EFFECT FROM TO	UNITS PER ASSY
3 - 5	MODREF31741		PANEL INSTL-P1-3 (MASTER DIM AND TEST ONLY) MODULE NUMBER: 233N2103-425 REV A FOR OTHER SYS DETAILS SEE: 11-31-01-38 22-11-02-03 22-14-01-03 22-31-02-01 22-34-51-02 26-17-51-05 27-51-57-03 27-58-00-02 27-81-00-01 29-21-55-02 31-11-11-19 31-11-16-01 31-11-26-38 31-25-01-03 31-41-52-02 31-51-52-02 32-35-52-03 32-41-52-02 32-42-55-03 32-46-00-01 32-61-51-03 33-13-57-01A 34-12-01-03 34-13-01-03 34-13-02-01 34-13-05-01 34-13-06-01 34-16-51-03 34-21-02-02 34-22-02-02 34-22-05-01A 34-22-06-01 34-24-01-03 34-32-00-02 34-46-51-02 34-51-02-02 34-57-00-01 34-61-01-07 34-61-02-02 77-41-01-01 79-33-51-05	103105	1

MISSING ITEM NUMBERS NOT APPLICABLE

- ITEM NOT ILLUSTRATED

33-16-52-03

33-16-52
FIG. 03
PAGE 2
JAN 20/09

BRI



757

PARTS CATALOG (MAINTENANCE)

FIG ITEM	PART NUMBER	1 2 3 4 5 6 7	NOMENCLATURE	EFFECT FROM TO	UNITS PER ASSY
3 - 5	MODREF104335		PANEL INSTL-P1-3 (MASTER DIM AND TEST ONLY) MODULE NUMBER: 233N2103-425 REV B FOR OTHER SYS DETAILS SEE: 11-31-01-38 22-11-02-03 22-14-01-03 22-31-02-01 22-34-51-02 26-17-51-05 27-51-57-03 27-58-00-02 27-81-00-01 29-21-55-02 31-11-11-19 31-11-16-01 31-11-26-38 31-25-01-03 31-41-52-02 31-51-52-02 32-35-52-03 32-41-52-02 32-42-55-03 32-46-00-01 32-61-51-03 33-13-57-01A 34-12-01-03 34-13-01-03 34-13-02-01 34-13-05-01 34-13-06-01 34-16-51-03 34-21-02-02 34-22-02-02 34-22-05-01A 34-22-06-01 34-24-01-03 34-32-00-02 34-46-51-02 34-51-02-02 34-57-00-01 34-61-01-07 34-61-02-02 77-41-01-01 79-33-51-05	106106	1

MISSING ITEM NUMBERS NOT APPLICABLE

- ITEM NOT ILLUSTRATED

33-16-52-03

33-16-52
FIG. 03
PAGE 3
JAN 20/09

BRI



757

PARTS CATALOG (MAINTENANCE)

FIG ITEM	PART NUMBER	1 2 3 4 5 6 7	NOMENCLATURE	EFFECT FROM TO	UNITS PER ASSY
3					
- 10	233N2221-301		.MODULE ASSY- COMPONENT MAINT MANUAL REF: 31-11-48	101102 108120	RF
- 11	233N2221-317		.MODULE ASSY- COMPONENT MAINT MANUAL REF: 31-11-48	505505 507903	RF
- 11	RR92002-134A101		.MODULE ASSY- POST RAPID REVISION: RR92002-134A	504504 506506	RF
- 11	233N2221-320		.MODULE ASSY- COMPONENT MAINT MANUAL REF: 31-11-48	101102 108120	RF
- 11	233N2221-325		.MODULE ASSY- COMPONENT MAINT MANUAL REF: 31-11-48	103106	RF
- 11	233N2221-326		.MODULE ASSY- COMPONENT MAINT MANUAL REF: 31-11-48	101102 108120	RF
- 11	233N2221-328		.MODULE ASSY- COMPONENT MAINT MANUAL REF: 31-11-48	101102 108120	RF
15	233N2221-51		..MODULE ASSY- USED ON: 233N2221-301	101102 108120	RF
15	233N2221-74		..MODULE ASSY	504903	RF
15	233N2221-81		..MODULE ASSY- USED ON: 233N2221-320 233N2221-326 233N2221-328	101106 108120	RF

MISSING ITEM NUMBERS NOT APPLICABLE

- ITEM NOT ILLUSTRATED

33-16-52-03

33-16-52
FIG. 03
PAGE 4
JAN 20/09

BRI



757

PARTS CATALOG (MAINTENANCE)

FIG ITEM	PART NUMBER	1 2 3 4 5 6 7 NOMENCLATURE	EFFECT FROM TO	UNITS PER ASSY
3 20	BCREF9079	...LIGHT ASSY-DISCRETE WARNING DISPLAY IND SUPPLIER CODE: V81590 OVERLENGTH PART NUMBER: 434-674-1032-2019 SPECIFICATION NUMBER: S231T301-2104 ELECTRICAL EQUIP NUMBER: M00779 OPTIONAL PART: BCREf6668 V81590 USED ON: 233N2221-49 233N2221-51 233N2221-54 233N2221-70 233N2221-71 233N2221-72 233N2221-73 233N2221-74 233N2221-75 233N2221-80 233N2221-81 233N2221-83 FOR DETAILS SEE: 33-16-71-50	101106 108120 504903	1

MISSING ITEM NUMBERS NOT APPLICABLE

- ITEM NOT ILLUSTRATED

BRI

33-16-52-03

BOEING PROPRIETARY - Copyright © - Unpublished Work - See title page for details.

33-16-52
FIG. 03
PAGE 5
JAN 20/09



757

PARTS CATALOG (MAINTENANCE)

FIG ITEM	PART NUMBER	1 2 3 4 5 6 7	NOMENCLATURE	EFFECT FROM TO	UNITS PER ASSY
3 20	BCREF6668		...LIGHT ASSY-DISCRETE WARNING DISPLAY IND SUPPLIER CODE: V81590 OVERLENGTH PART NUMBER: 434-674-1007-1019 SPECIFICATION NUMBER: S231T301-1104 ELECTRICAL EQUIP NUMBER: M00779 OPTIONAL PART: BCREFP9079 V81590 USED ON: 233N2221-49 233N2221-51 233N2221-54 233N2221-70 233N2221-71 233N2221-72 233N2221-74 233N2221-75 233N2221-80 233N2221-81 FOR DETAILS SEE: 33-16-71-50	101106 108120 504903	1
25	285T0112-4		...SENSOR ASSY-AUTOBRIGHT SUPPLIER CODE: V89954 ELECTRICAL EQUIP NUMBER: TS0281 COMPONENT MAINT MANUAL REF: 33-16-51 OPTIONAL PART: 285T0112-6 V89954	101106 108120 504903	1
25	285T0112-6		...SENSOR ASSY-AUTOBRIGHT SUPPLIER CODE: V89954 ELECTRICAL EQUIP NUMBER: TS0281 COMPONENT MAINT MANUAL REF: 33-16-51 OPTIONAL PART: 285T0112-4 V89954	101106 108120 504903	1

MISSING ITEM NUMBERS NOT APPLICABLE

- ITEM NOT ILLUSTRATED

33-16-52-03

33-16-52
FIG. 03
PAGE 6
JAN 20/09

BRI



757

PARTS CATALOG (MAINTENANCE)

FIG ITEM	PART NUMBER	1 2 3 4 5 6 7	NOMENCLATURE	EFFECT FROM TO	UNITS PER ASSY
3					
35	285T0194-16	SENSOR ASSY- SUPPLIER CODE: V89954 USED ON: 285T0192-12	101106 108120 504903	1
35	285T0194-21	SENSOR ASSY- SUPPLIER CODE: V89954 USED ON: 285T0192-19 285T0192-22	101106 108120 504903	1

MISSING ITEM NUMBERS NOT APPLICABLE

- ITEM NOT ILLUSTRATED

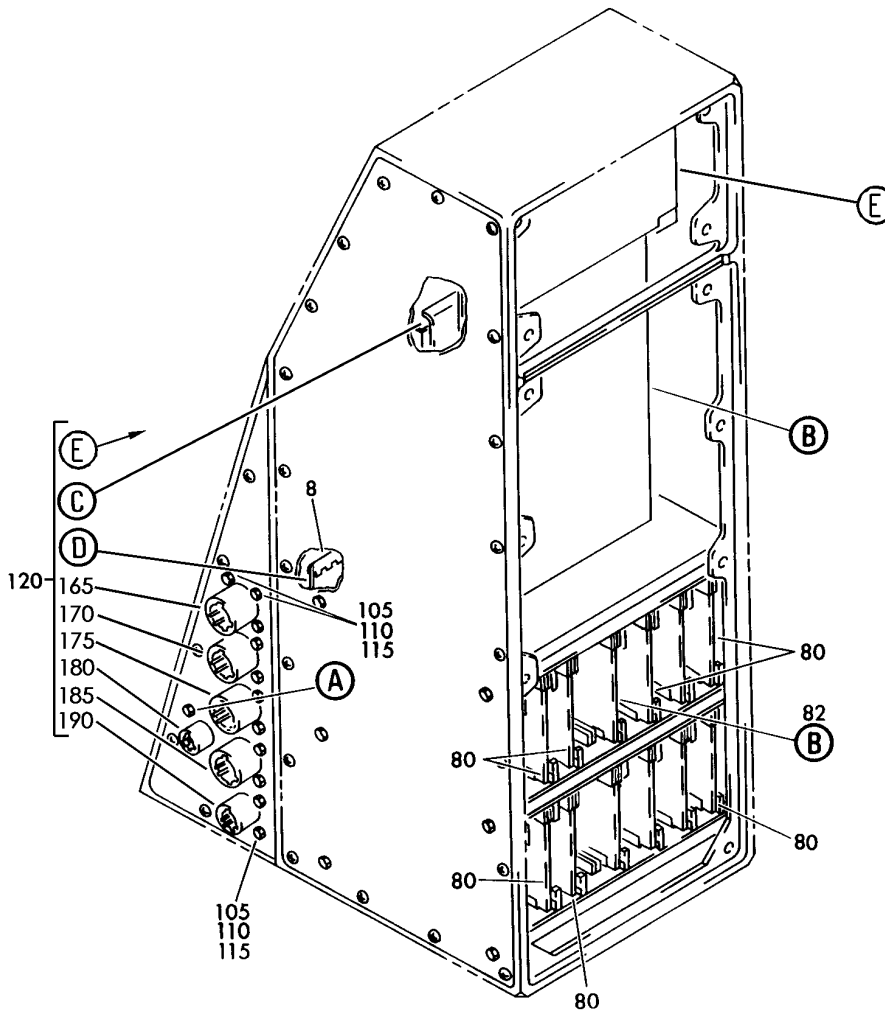
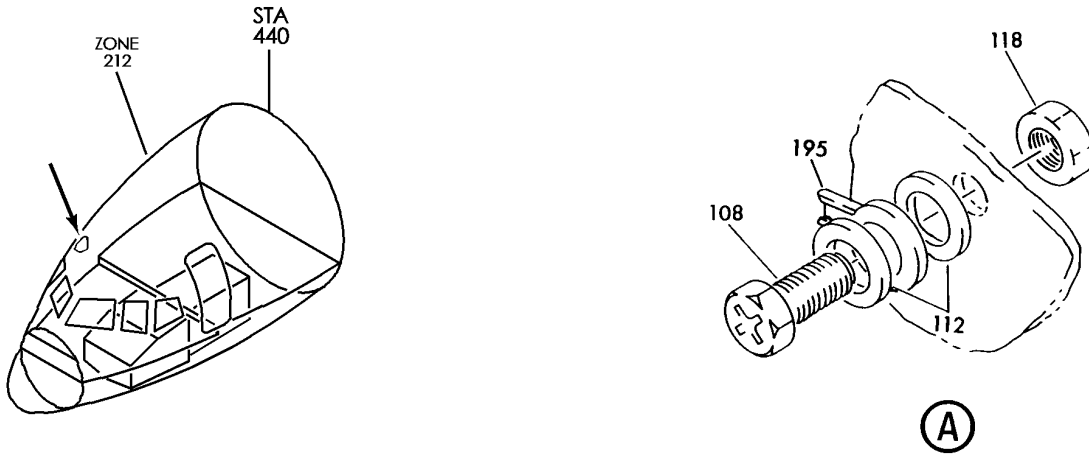
BRI

33-16-52-03

BOEING PROPRIETARY - Copyright © - Unpublished Work - See title page for details.

33-16-52
FIG. 03
PAGE 7
JAN 20/09

BOEING
757
PARTS CATALOG (MAINTENANCE)



Y 33167101 SHT 1 REV 229

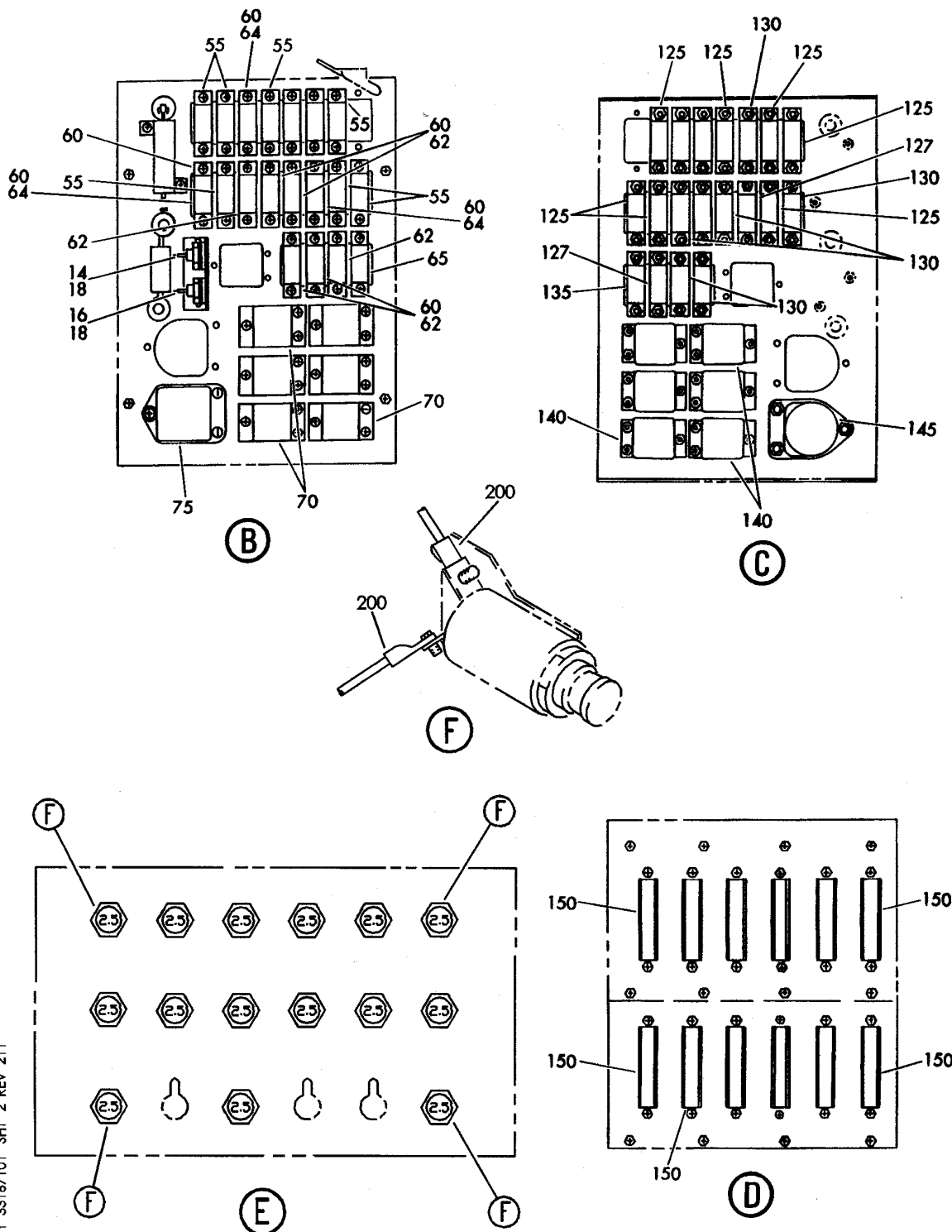
PANEL ASSY-P26 LIGHTING EQPT (LIGHTS ONLY)
FIGURE 1 (SHEET 1)

BRI
MAY 28/07

33-16-71-01

33-16-71-01
PAGE 0

BOEING
757
PARTS CATALOG (MAINTENANCE)



Y 33167101 SHT 2 REV 211

PANEL ASSY-P26 LIGHTING EQPT (LIGHTS ONLY)
FIGURE 1 (SHEET 2)

33-16-71-01

BRI
MAY 28/07

33-16-71-01
PAGE 0A



757

PARTS CATALOG (MAINTENANCE)

FIG ITEM	PART NUMBER	1 2 3 4 5 6 7	NOMENCLATURE	EFFECT FROM TO	UNITS PER ASSY
1			PANEL ASSY-P26 LIGHTING EQPT (LIGHTS ONLY)	002004 006999	
- 1	285N0001-31		PANEL ASSY-P26 LIGHTING EQPT (LIGHTS ONLY) SUPPLIER CODE: V89954 FOR NHA/OTHER SYS DET SEE: 24-51-51-01	121949	RF
- 1	285N0001-32		PANEL ASSY-P26 LIGHTING EQPT (LIGHTS ONLY) SUPPLIER CODE: V89954 FOR NHA/OTHER SYS DET SEE: 24-51-51-01	002004 006120 950999	RF
- 1	285N0001-30		PANEL ASSY-P26 LIGHTING EQPT (LIGHTS ONLY) SUPPLIER CODE: V89954 FOR NHA/OTHER SYS DET SEE: 24-51-51-01	107107	RF
14	JANTX1N3315B		.DIODE- ELECTRICAL EQUIP NUMBER: R10139	002004 006999	1
16	JANTX1N3312B		.DIODE- ELECTRICAL EQUIP NUMBER: R10178	002004 006999	1
18	BACK18F1		.KIT	002004 006999	2
55	JD9B013		.RELAY- SUPPLIER CODE: V35344 ELECTRICAL EQUIP NUMBER: K10144 K10145 K10146 K10147 K10148 K10149 K10150 K10151 K10152	002004 006999	9

MISSING ITEM NUMBERS NOT APPLICABLE

- ITEM NOT ILLUSTRATED

33-16-71-01

33-16-71
FIG. 01
PAGE 1
JAN 20/09

BRI

BOEING PROPRIETARY - Copyright © - Unpublished Work - See title page for details.



757

PARTS CATALOG (MAINTENANCE)

FIG ITEM	PART NUMBER	1 2 3 4 5 6 7	NOMENCLATURE	EFFECT FROM TO	UNITS PER ASSY
1 62	E210-1631		.RELAY- SUPPLIER CODE: V99699 SPECIFICATION NUMBER: BACR13CF2A OPTIONAL PART: BR246S0112 V56623 FCA210-70 V78290 E215-1050 V99699 JD4A017 V35344 BR64S104 V56623 61GB19-1A320 V98927 ELECTRICAL EQUIP NUMBER: K10140 K10153 K10272 K10274 K10451 K10452	002004 006999	6
64	ES210-1632		.RELAY- SUPPLIER CODE: V99699 SPECIFICATION NUMBER: BACR13CF2AB OPTIONAL PART: JD4L018 V35344 JD4L031 V35344 BR246S0111 V56623 BR64S105 V56623 FCA210-71 V78290 61GB2319-1A320 V98927 ELECTRICAL EQUIP NUMBER: K10141 K10142 K10143	002004 006999	3

MISSING ITEM NUMBERS NOT APPLICABLE

- ITEM NOT ILLUSTRATED

BRI

33-16-71-01

BOEING PROPRIETARY - Copyright © - Unpublished Work - See title page for details.

33-16-71
FIG. 01
PAGE 2
SEP 20/08



757

PARTS CATALOG (MAINTENANCE)

FIG ITEM	PART NUMBER	1 2 3 4 5 6 7	NOMENCLATURE	EFFECT FROM TO	UNITS PER ASSY
1	65 JAD9F007		.RELAY- SUPPLIER CODE: V58657 SPECIFICATION NUMBER: BACR13CJ2 ELECTRICAL EQUIP NUMBER: K10271	002004 006999	1
	70 E410-1537		.RELAY- SUPPLIER CODE: V99699 SPECIFICATION NUMBER: BACR13CG2A OPTIONAL PART: E415-1078 V99699 BR230S0116 V56623 KD4A017 V58687 FCA410-62 V78290 ELECTRICAL EQUIP NUMBER: K10137 K10138 K10139 K10156	002004 006999	4
	75 9524-6508		.RELAY-DOME LT SUPPLIER CODE: V58657 SPECIFICATION NUMBER: 10-60450-3 ELECTRICAL EQUIP NUMBER: K10155 OPTIONAL PART: A410-159673-03 V73949 G59673-3 V73949 G59673-3A V73949 FCC400-7 V00213	002004 006999	1

MISSING ITEM NUMBERS NOT APPLICABLE

- ITEM NOT ILLUSTRATED

BRI

33-16-71-01

BOEING PROPRIETARY - Copyright © - Unpublished Work - See title page for details.

33-16-71
FIG. 01
PAGE 3
SEP 20/08



757

PARTS CATALOG (MAINTENANCE)

FIG ITEM	PART NUMBER	1 2 3 4 5 6 7	NOMENCLATURE	EFFECT FROM TO	UNITS PER ASSY
1 80	285T0097-6		.PRINTED CIRCUIT ASSY-GND MASTER DIM SUPPLIER CODE: V89954 ELECTRICAL EQUIP NUMBER: M10261 M10262 M10263 M10264 M10265 M10266 M10267 M10268 M10269 M10270 M10438 COMPONENT MAINT MANUAL REF: 33-16-04 OPTIONAL PART: 285T0097-9 V89954 FUNCTIONAL REFERENCE: PLACARDS AND MARKINGS FOR DETAILS SEE 11-34-10-01	002004 006999	11

MISSING ITEM NUMBERS NOT APPLICABLE

- ITEM NOT ILLUSTRATED

BRI

33-16-71-01

BOEING PROPRIETARY - Copyright © - Unpublished Work - See title page for details.

33-16-71
FIG. 01
PAGE 4
SEP 20/08



757

PARTS CATALOG (MAINTENANCE)

FIG ITEM	PART NUMBER	1 2 3 4 5 6 7	NOMENCLATURE	EFFECT FROM TO	UNITS PER ASSY
1 80	285T0097-9		.PRINTED CIRCUIT ASSY-GND MASTER DIM SUPPLIER CODE: V89954 ELECTRICAL EQUIP NUMBER: M10261 M10262 M10263 M10264 M10265 M10266 M10267 M10268 M10269 M10270 M10438 COMPONENT MAINT MANUAL REF: 33-16-04 OPTIONAL PART: 285T0097-6 V89954 FUNCTIONAL REFERENCE: PLACARDS AND MARKINGS FOR DETAILS SEE 11-34-10-01	002004 006999	11
82	285T0464-1		.PRINTED CIRCUIT ASSY- DIODE CARD SUPPLIER CODE: V89954 ELECTRICAL EQUIP NUMBER: M10480 COMPONENT MAINT MANUAL REF: 33-16-05 OPTIONAL PART: 285T0464-4 V89954	002004 006999	1
82	285T0464-4		.PRINTED CIRCUIT ASSY- DIODE CARD SUPPLIER CODE: V89954 ELECTRICAL EQUIP NUMBER: M10480 COMPONENT MAINT MANUAL REF: 33-16-05 OPTIONAL PART: 285T0464-1 V89954	002004 006999	1
105	NAS1801-04-5		.SCREW	002004 006999	24

MISSING ITEM NUMBERS NOT APPLICABLE

- ITEM NOT ILLUSTRATED

33-16-71-01

33-16-71
FIG. 01
PAGE 5
SEP 20/08

BRI



757

PARTS CATALOG (MAINTENANCE)

FIG ITEM	PART NUMBER	1 2 3 4 5 6 7	NOMENCLATURE	EFFECT FROM TO	UNITS PER ASSY
1					
108	NAS1801-3-12	.	SCREW	002004 006999	1
110	AN960PD4	.	WASHER	002004 006999	24
112	AN960D10	.	WASHER	002004 006999	2
115	BRH10A04	.	NUT SUPPLIER CODE: V52828 SPECIFICATION NUMBER: BACN10JC04 OPTIONAL PART: NS202101-40 V80539 RMLH9075-40W V72962 VN303A40 V92215 96-40 V80539 T6S440J V11815 H10-04BAC V15653	002004 006999	24
118	BRH10A3	.	NUT SUPPLIER CODE: V52828 SPECIFICATION NUMBER: BACN10JC3 OPTIONAL PART: H10-3BAC V15653 NS202101-02 V80539 RMLH9075-3W V72962 VN303A02 V92215 96-02 V80539 T6S1032J V11815	002004 006999	1
120	285N0001-25	.	WIRE BUNDLE ASSY- SUPPLIER CODE: V89954	002004 006120 504903 950999	1
120	285N0001-29	.	WIRE BUNDLE ASSY- SUPPLIER CODE: V89954	121503 904949	1

MISSING ITEM NUMBERS NOT APPLICABLE

- ITEM NOT ILLUSTRATED

33-16-71-01

33-16-71
FIG. 01
PAGE 6
JAN 20/09

BRI



757

PARTS CATALOG (MAINTENANCE)

FIG ITEM	PART NUMBER	1 2 3 4 5 6 7	NOMENCLATURE	EFFECT FROM TO	UNITS PER ASSY
1 125	BACS16X2	..	SOCKET- ELECTRICAL EQUIP NUMBER: XK10144 XK10145 XK10146 XK10147 XK10148 XK10149 XK10150 XK10151 XK10152	002004 006999	9
127	BACS16X1	..	SOCKET- ELECTRICAL EQUIP NUMBER: XK10451 XK10452	002004 006999	2
130	BACS16X1	..	SOCKET- ELECTRICAL EQUIP NUMBER: XK10140 XK10141 XK10142 XK10143 XK10153 XK101272 XK101274	002004 006999	7
135	BACS16X3	..	SOCKET- ELECTRICAL EQUIP NUMBER: XK10271	002004 006999	1
140	BACS16W1	..	SOCKET- ELECTRICAL EQUIP NUMBER: XK10137 XK10138 XK10139 XK10156	002004 006999	4
145	000300-0445	..	SOCKET-DOME LT SUPPLIER CODE: V05574 SPECIFICATION NUMBER: 10-60450-5 ELECTRICAL EQUIP NUMBER: XK10155 OPTIONAL PART: 105-100-02 V26742 82164-1F V12054	002004 006999	1

MISSING ITEM NUMBERS NOT APPLICABLE

- ITEM NOT ILLUSTRATED

33-16-71-01

33-16-71
FIG. 01
PAGE 7
SEP 20/08

BRI



757

PARTS CATALOG (MAINTENANCE)

FIG ITEM	PART NUMBER	1 2 3 4 5 6 7	NOMENCLATURE	EFFECT FROM TO	UNITS PER ASSY
1 150	300055-001		.. CONNECTOR- SUPPLIER CODE: V0D9V3 SPECIFICATION NUMBER: BACC65L41 OPTIONAL PART: 300055-001 V03877 192-341-0005 V26742 S1022-00833 V03877 ELECTRICAL EQUIP NUMBER: XM10261 XM10262 XM10263 XM10264 XM10265 XM10266 XM10267 XM10268 XM10269 XM10270 XM10438 XM10480	002004 006999	12
- 155	NAS1801-04-5		ATTACHING PARTS .. SCREW	002004 006999	24
- 160	MS35338-40		.. WASHER	002004 006999	24
			-----*-----		
165	BACC45FN16-24P		.. CONNECTOR- ELECTRICAL EQUIP NUMBER: D41004	002004 006999	1
170	BACC45FN16-24P6		.. CONNECTOR- ELECTRICAL EQUIP NUMBER: D41006	002004 006999	1
175	BACC45FN16-24P7		.. CONNECTOR- ELECTRICAL EQUIP NUMBER: D41000	002004 006999	1
180	BACC45FN14-12P		.. CONNECTOR- ELECTRICAL EQUIP NUMBER: D06454	002004 006999	1
185	BACC45FN16-24P8		.. CONNECTOR- ELECTRICAL EQUIP NUMBER: D41010	002004 006999	1
190	BACC45FN16-24P9		.. CONNECTOR- ELECTRICAL EQUIP NUMBER: D41008	002004 006999	1

MISSING ITEM NUMBERS NOT APPLICABLE

- ITEM NOT ILLUSTRATED

33-16-71-01

33-16-71
FIG. 01
PAGE 8
SEP 20/08

BRI



757

PARTS CATALOG (MAINTENANCE)

FIG ITEM	PART NUMBER	1 2 3 4 5 6 7	NOMENCLATURE	EFFECT FROM TO	UNITS PER ASSY
1 195	BB839-10		.. TERMINAL-E1 GND SUPPLIER CODE: V98410 SPECIFICATION NUMBER: BACT12AC8 OPTIONAL PART: R1903SN V14726 36160 V00779 51864-2 V00779 BACT12AK163	002004 006999	1
195	BACT12AK163		.. TERMINAL-E1 GND OPTIONAL PART: BACT12AC8	002004 006999	1
200	AA821-08		.. TERMINAL- SUPPLIER CODE: V98410 SPECIFICATION NUMBER: BACT12AC49 OPTIONAL PART: R1890SN V14726 320551 V00779 BACT12AR203 BACT12AR223	002004 006999	AR
200	1-320551-3		.. TERMINAL- SUPPLIER CODE: V00779 SPECIFICATION NUMBER: BACT12AR203 OPTIONAL PART: BACT12AC49 BACT12AR223	002004 006999	AR
200	1-320551-2		.. TERMINAL- SUPPLIER CODE: V00779 SPECIFICATION NUMBER: BACT12AR223 OPTIONAL PART: BACT12AC49 BACT12AR203	002004 006999	AR

MISSING ITEM NUMBERS NOT APPLICABLE

- ITEM NOT ILLUSTRATED

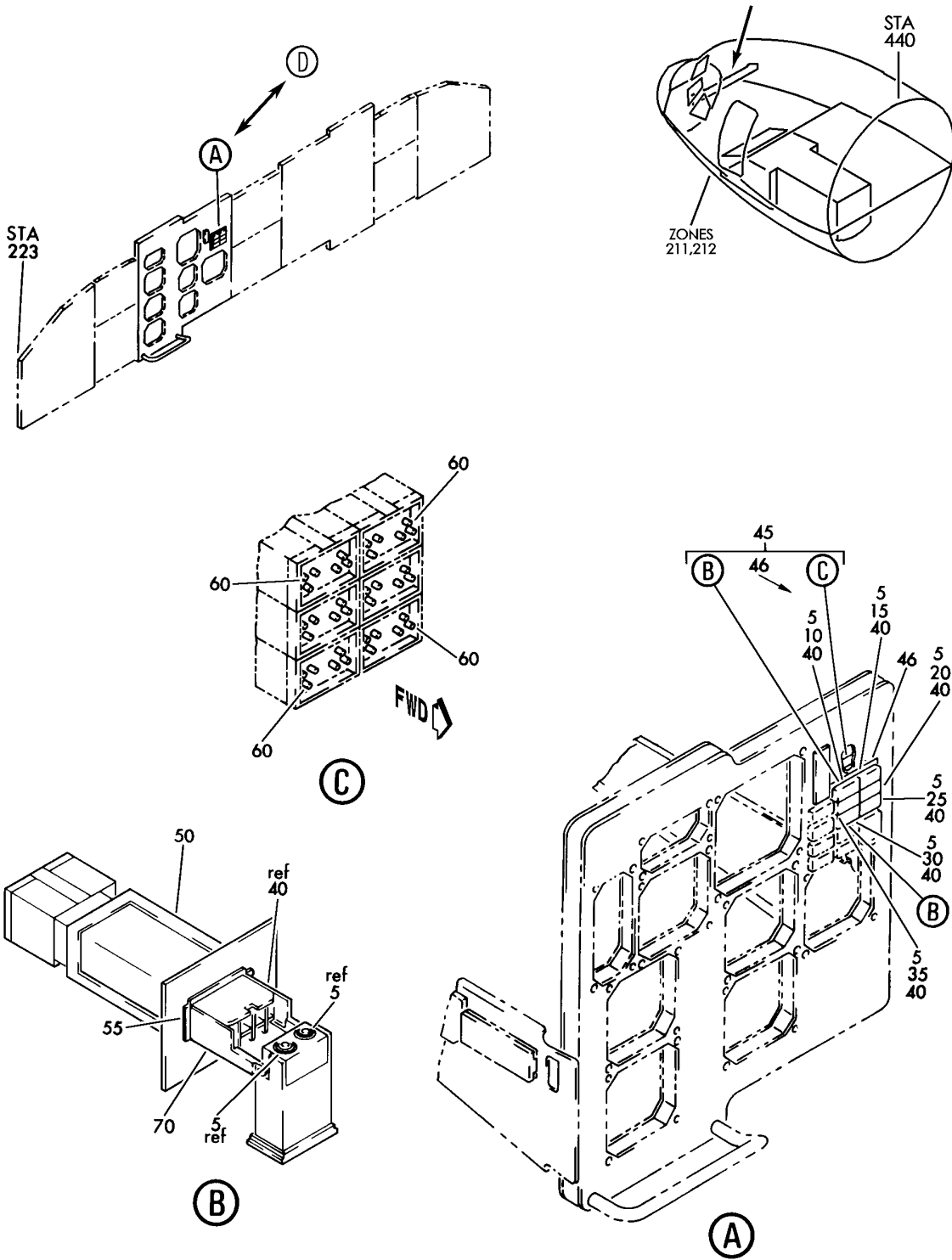
BRI

33-16-71-01

BOEING PROPRIETARY - Copyright © - Unpublished Work - See title page for details.

33-16-71
FIG. 01
PAGE 9
SEP 20/08

BOEING
757
PARTS CATALOG (MAINTENANCE)



Y 33167150 SHT 1 REV 277

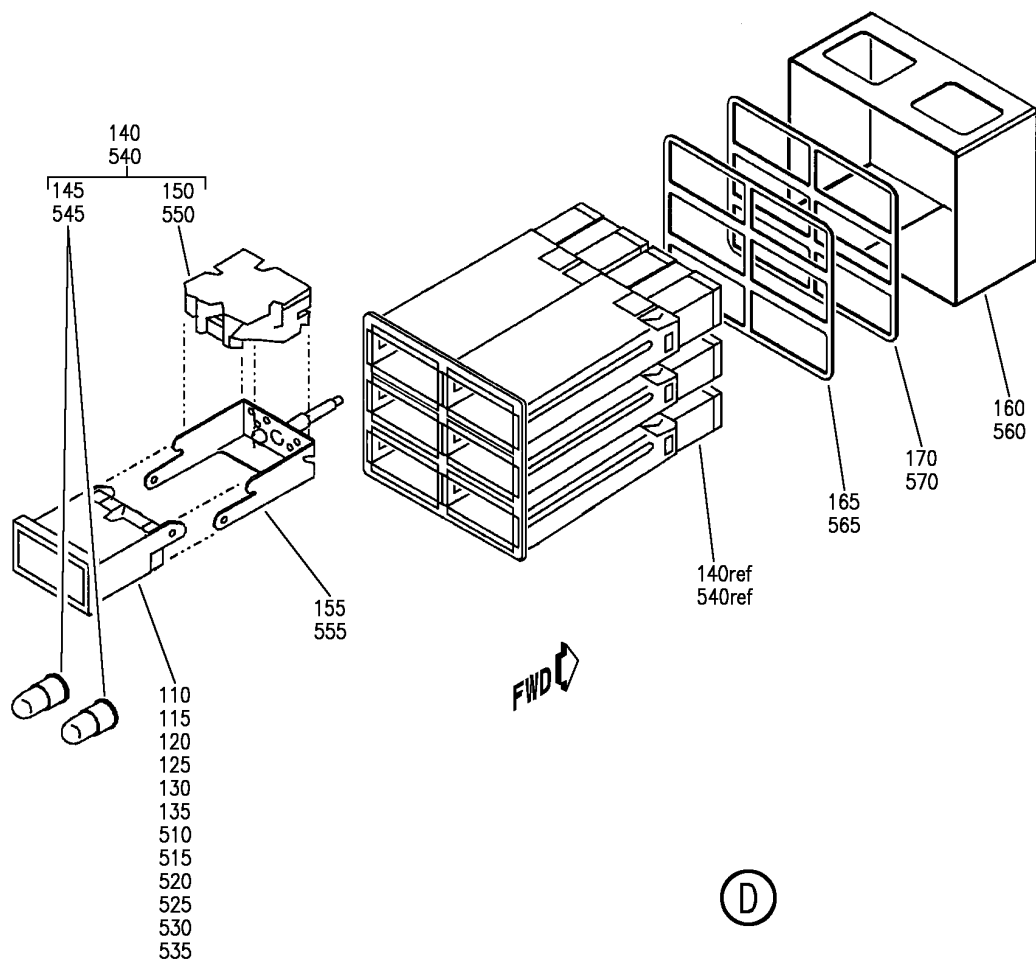
LIGHT ASSY-IND
FIGURE 50 (SHEET 1)

33-16-71-50

BRI
MAY 28/07

33-16-71-50
PAGE 0

BOEING
757
PARTS CATALOG (MAINTENANCE)



Y 33167150 SH1 2 REV 277

LIGHT ASSY-IND
FIGURE 50 (SHEET 2)

33-16-71-50

BRI
MAY 28/07

33-16-71-50
PAGE 0A



757

PARTS CATALOG (MAINTENANCE)

FIG ITEM	PART NUMBER	1 2 3 4 5 6 7	NOMENCLATURE	EFFECT FROM TO	UNITS PER ASSY
50			LIGHT ASSY-IND	002004 006999	
- 100	BCREF6668		LIGHT ASSY-DISCRETE WARNING DISPLAY IND SUPPLIER CODE: V81590 OVERLENGTH PART NUMBER: 434-674-1007-1019 SPECIFICATION NUMBER: S231T301-1104 OPTIONAL PART: BCREF9079 V81590 FOR NHA SEE: 33-16-52-01	002004 006010 107107 121503 904999	RF
- 100	BCREF6668		LIGHT ASSY-DISCRETE WARNING DISPLAY IND SUPPLIER CODE: V81590 OVERLENGTH PART NUMBER: 434-674-1007-1019 SPECIFICATION NUMBER: S231T301-1104 OPTIONAL PART: BCREF9079 V81590 FOR NHA SEE: 33-16-52-02 33-16-52-03	011106 108120 504903	RF
110	674-1007-1009		.CAP ASSY-LENS FIRE SUPPLIER CODE: V81590	002004 006999	1
115	674-1007-1010		.CAP ASSY-LENS CONFIG SUPPLIER CODE: V81590	002004 006999	1
120	674-1007-1011		.CAP ASSY-LENS PULL UP SUPPLIER CODE: V81590	002004 006999	1
125	674-1007-1012		.CAP ASSY-LENS A/P DISC SUPPLIER CODE: V81590	002004 006999	1
130	674-1007-1013		.CAP ASSY-LENS CABIN ALT SUPPLIER CODE: V81590	002004 006999	1
135	674-1007-1014		.CAP ASSY-LENS OVSPD SUPPLIER CODE: V81590	002004 006999	1

MISSING ITEM NUMBERS NOT APPLICABLE

- ITEM NOT ILLUSTRATED

33-16-71-50

33-16-71
FIG. 50
PAGE 1
JAN 20/09

BRI



757

PARTS CATALOG (MAINTENANCE)

FIG ITEM	PART NUMBER	1 2 3 4 5 6 7	NOMENCLATURE	EFFECT FROM TO	UNITS PER ASSY
50					
140	434-1007-1019		.BASE ASSY- SUPPLIER CODE: V81590	002004 006999	1
145	MS25237-387AS15		..LAMP	002004 006999	12
150	434-093-003		..MODULE-CKT SUPPLIER CODE: V81590	002004 006999	6
155	434-092-008		.DRAWER ASSY- SUPPLIER CODE: V81590	002004 006999	6
160	434-056-000		.SLEEVE-MTG SUPPLIER CODE: V81590	002004 006999	1
165	000-100-378		.GASKET- SUPPLIER CODE: V81590	002004 006999	1
170	000-130-528		.PLATE-MTG SUPPLIER CODE: V81590	002004 006999	1
- 500	BCREF9079		LIGHT ASSY-DISCRETE WARNING DISPLAY IND SUPPLIER CODE: V81590 OVERLENGTH PART NUMBER: 434-674-1032-2019 SPECIFICATION NUMBER: S231T301-2104 OPTIONAL PART: BCREF6668 V81590 FOR NHA SEE: 33-16-52-01	002004 006010 107107 121503 904999	RF
- 500	BCREF9079		LIGHT ASSY-DISCRETE WARNING DISPLAY IND SUPPLIER CODE: V81590 OVERLENGTH PART NUMBER: 434-674-1032-2019 SPECIFICATION NUMBER: S231T301-2104 OPTIONAL PART: BCREF6668 V81590 FOR NHA SEE: 33-16-52-02 33-16-52-03	011106 108120 504903	RF

MISSING ITEM NUMBERS NOT APPLICABLE

- ITEM NOT ILLUSTRATED

33-16-71-50

33-16-71
FIG. 50
PAGE 2
JAN 20/09

BRI



757

PARTS CATALOG (MAINTENANCE)

FIG ITEM	PART NUMBER	1 2 3 4 5 6 7	NOMENCLATURE	EFFECT FROM TO	UNITS PER ASSY
50					
510	674-1032-2009	.	CAP ASSY-LENS FIRE SUPPLIER CODE: V81590	002004 006999	1
515	674-1032-2010	.	CAP ASSY-LENS CONFIG SUPPLIER CODE: V81590	002004 006999	1
520	674-1032-2011	.	CAP ASSY-LENS PULL UP SUPPLIER CODE: V81590	002004 006999	1
525	674-1032-2012	.	CAP ASSY-LENS A/P DISC SUPPLIER CODE: V81590	002004 006999	1
530	674-1032-2013	.	CAP ASSY-LENS CABIN ALT SUPPLIER CODE: V81590	002004 006999	1
535	674-1032-2014	.	CAP ASSY-LENS OVSPD SUPPLIER CODE: V81590	002004 006999	1
540	434-1032-2019	.	BASE ASSY- SUPPLIER CODE: V81590	002004 006999	1
545	MS25237-387AS15	..	LAMP	002004 006999	12
550	434-093-003	..	MODULE-CKT SUPPLIER CODE: V81590	002004 006999	6
555	434-092-008	.	DRAWER ASSY- SUPPLIER CODE: V81590	002004 006999	6
560	434-056-000	.	SLEEVE-MTG SUPPLIER CODE: V81590	002004 006999	1
565	000-100-378	.	GASKET- SUPPLIER CODE: V81590	002004 006999	1
570	000-130-528	.	PLATE-MTG SUPPLIER CODE: V81590	002004 006999	1

MISSING ITEM NUMBERS NOT APPLICABLE

- ITEM NOT ILLUSTRATED

33-16-71-50

33-16-71
FIG. 50
PAGE 3
SEP 20/08

BRI

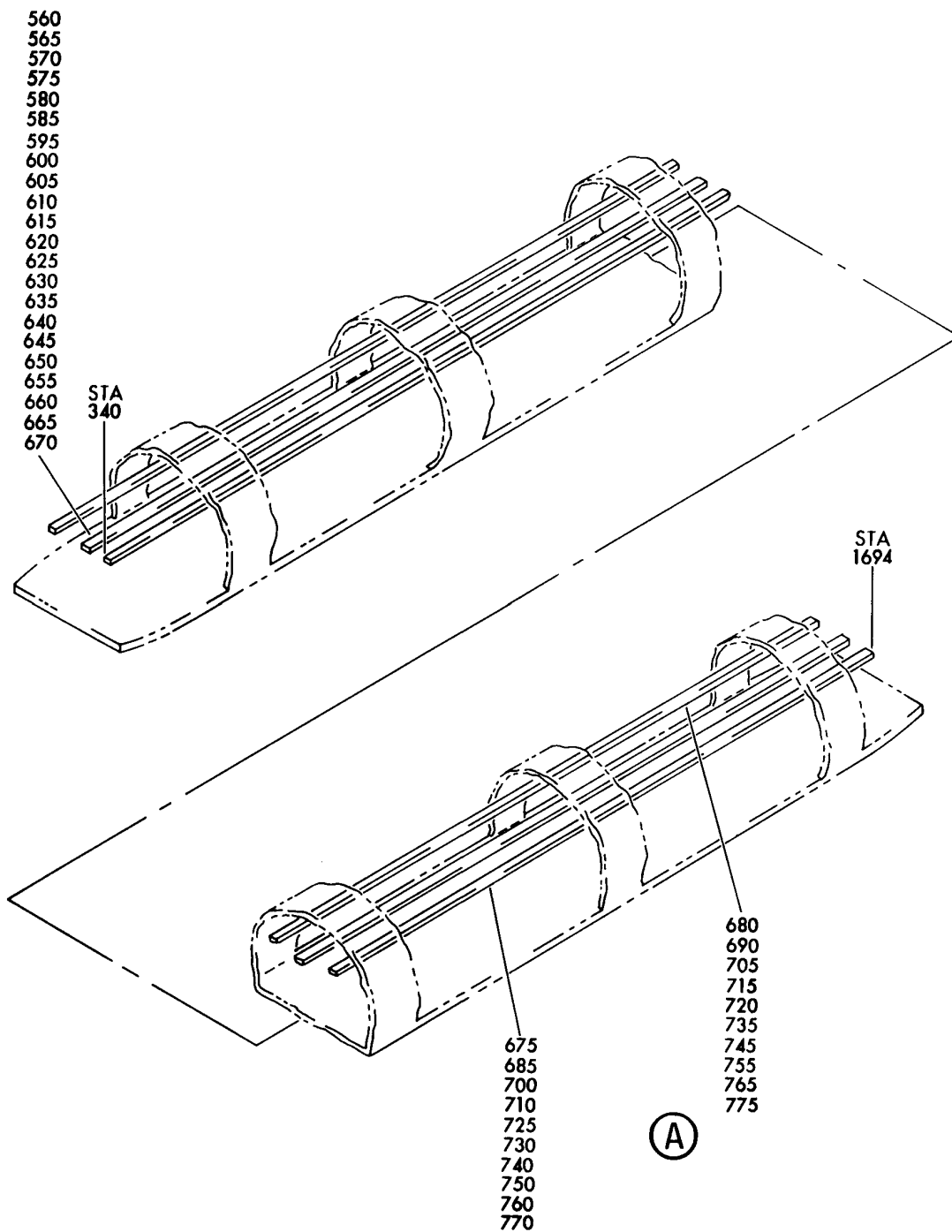
BOEING PROPRIETARY - Copyright © - Unpublished Work - See title page for details.

PASSENGER COMPARTMENT LIGHTS

BRI
MAY 28/07

33-20-00
SECTION TITLE
PAGE 1

BOEING
757
PARTS CATALOG (MAINTENANCE)



Y 33205101 SH1 2 REV 331

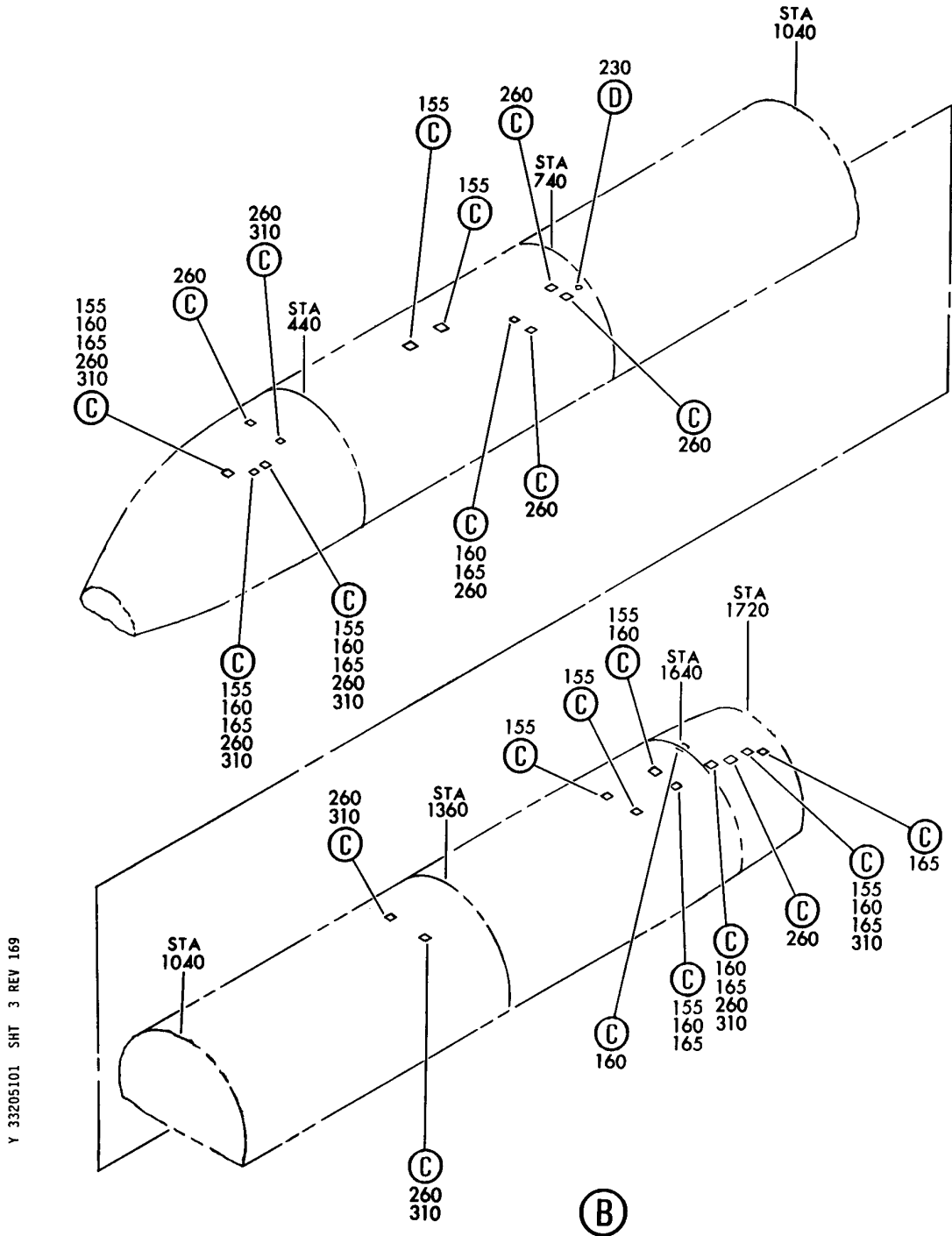
LIGHT INSTL-MISC
FIGURE 1 (SHEET 2)

33-20-51-01

BRI
JAN 20/09

33-20-51-01
PAGE 0A

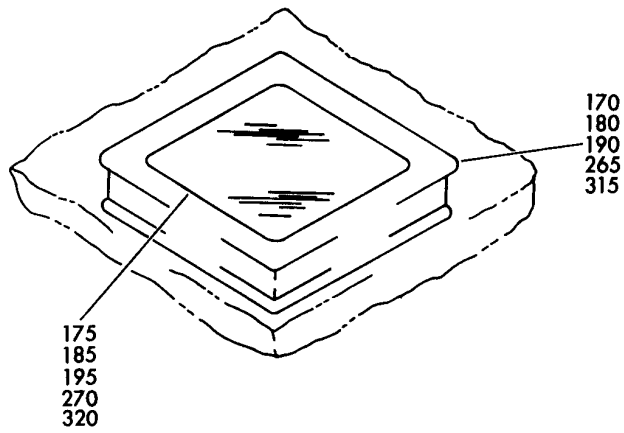
BOEING
757
PARTS CATALOG (MAINTENANCE)



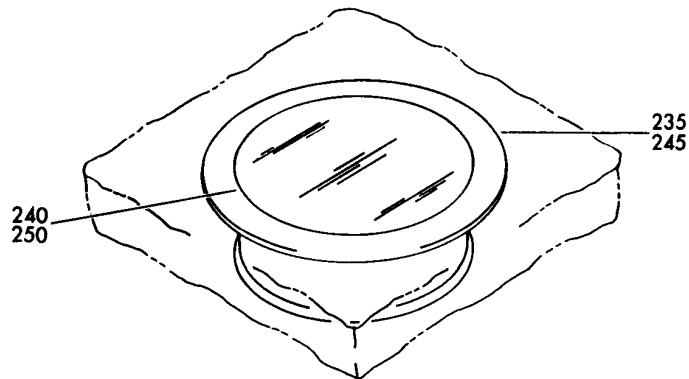
LIGHT INSTL-MISC
FIGURE 1 (SHEET 3)

33-20-51-01

BOEING
757
PARTS CATALOG (MAINTENANCE)



Ⓒ



Ⓓ

Y 33205101 SH1 4 REV 331

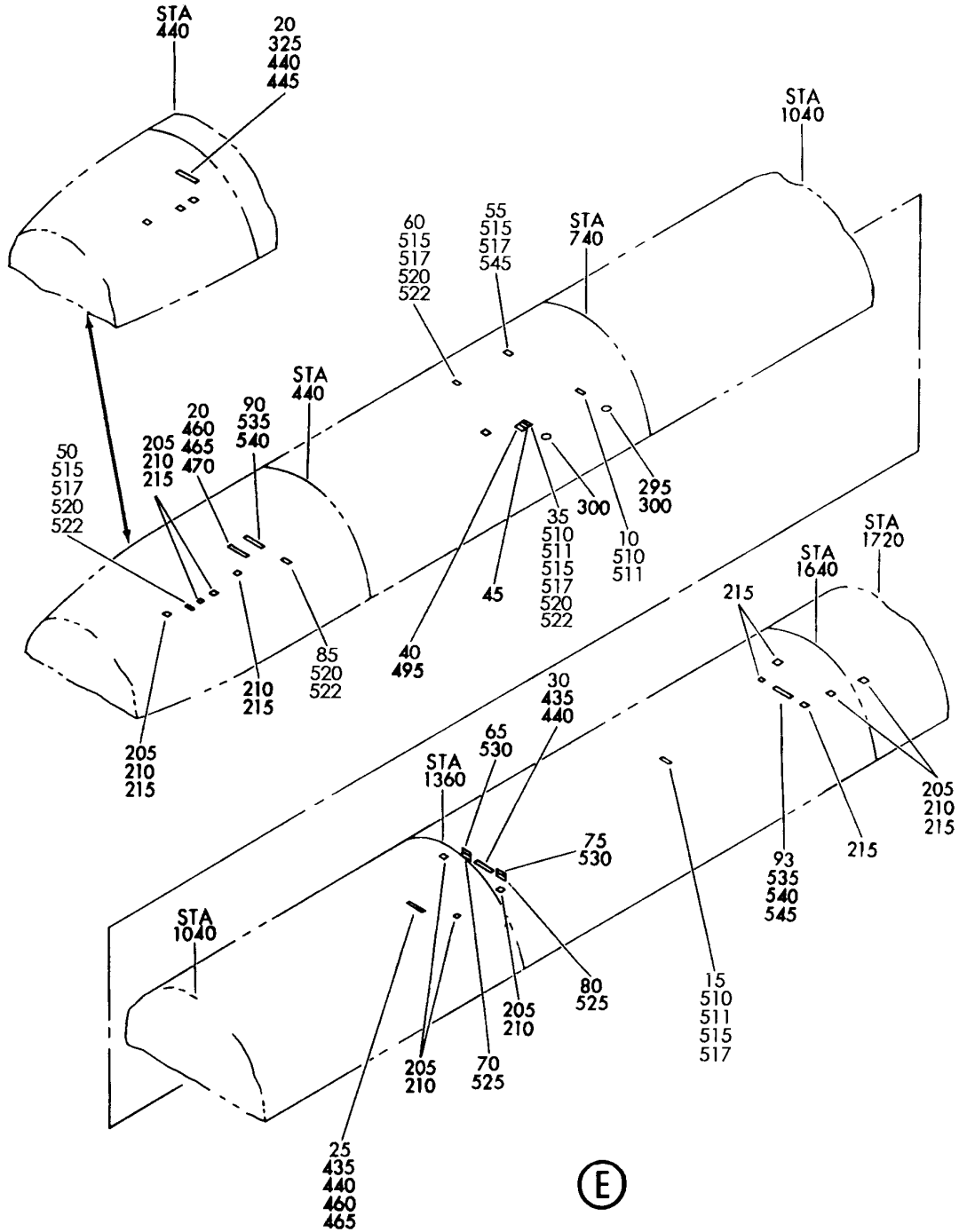
LIGHT INSTL-MISC
FIGURE 1 (SHEET 4)

33-20-51-01

BRI
JAN 20/09

33-20-51-01
PAGE 0C

BOEING
757
PARTS CATALOG (MAINTENANCE)



Y 33205101 SH- 5 REV 331

LIGHT INSTL-MISC
FIGURE 1 (SHEET 5)

33-20-51-01

BRI
JAN 20/09

33-20-51-01
PAGE 0D



757

PARTS CATALOG (MAINTENANCE)

FIG ITEM	PART NUMBER	1 2 3 4 5 6 7	NOMENCLATURE	EFFECT FROM TO	UNITS PER ASSY
1			LIGHT INSTL-MISC	107107 121503 904951	
- 1	417N5100-4		LIGHTS INSTL-MISC FOR NHA SEE: 25-20-00-01E	107107	RF
- 2	417N5100-22		LIGHTS INSTL-MISC FOR NHA SEE: 25-20-00-01E	121503 904949	RF
- 2	417N5100-51		LIGHTS INSTL-MISC FOR NHA SEE: 25-20-00-01A	950951	RF
10	BAC27NPA0275		.MARKER-ALUMINUM FOIL PLACARD CONTENT: L409 NSFSB SIGN	950951	1
15	BAC27NPA0276		.MARKER-ALUMINUM FOIL PLACARD CONTENT: L412 NSFSB SIGN	950951	1
20	BAC27NPA0283		.MARKER-ALUMINUM FOIL PLACARD CONTENT: L00418 LAVATORY OCCUPIED SIGN	950951	1
25	BAC27NPA0284		.MARKER-ALUMINUM FOIL PLACARD CONTENT: L00419 LAVATORY OCCUPIED SIGN	950951	1
30	BAC27NPA0285		.MARKER-ALUMINUM FOIL PLACARD CONTENT: L00420 LAVATORY OCCUPIED SIGN	950951	1
35	BAC27NPA0944		.MARKER-ALUMINUM FOIL PLACARD CONTENT: L536 NSFSB SIGN	950951	1
40	BAC29PPS10987		.DECAL- PLACARD CONTENT: L627 TOILET SIGN	950951	1
45	BAC29PPS10988		.DECAL- PLACARD CONTENT: L628 OCCUPIED SIGN	950951	1
105	11-4269-1C		.BEZEL ASSY- SUPPLIER CODE: V72914 SPECIFICATION NUMBER: S417N502-9C	107107	9
205	11-4269-1E		.BEZEL ASSY- SUPPLIER CODE: V72914 SPECIFICATION NUMBER: S417N502-9E	950951	8

MISSING ITEM NUMBERS NOT APPLICABLE

- ITEM NOT ILLUSTRATED

33-20-51-01

33-20-51
FIG. 01
PAGE 1
JAN 20/09

BRI

BOEING PROPRIETARY - Copyright © - Unpublished Work - See title page for details.



757

PARTS CATALOG (MAINTENANCE)

FIG ITEM	PART NUMBER	1 2 3 4 5 6 7	NOMENCLATURE	EFFECT FROM TO	UNITS PER ASSY
1					
225	11-4281-1C		.BEZEL ASSY- SUPPLIER CODE: V72914 SPECIFICATION NUMBER: S417N502-6C	107107 121503 904949	2
280	BR9293-936		.LENS ASSY- SUPPLIER CODE: V17023 SPECIFICATION NUMBER: S417N506-36	904949	1
280	BR9293-968		.LENS ASSY- SUPPLIER CODE: V17023 SPECIFICATION NUMBER: S417N506-68	121503	1
290	11-4281-1E		.BEZEL ASSY- SUPPLIER CODE: V72914 SPECIFICATION NUMBER: S417N502-6E	950951	1
325	BR9293-1000		.LENS- SUPPLIER CODE: V17023 SPECIFICATION NUMBER: S417N506-100	950951	1
345	BR9293-936		.LENS ASSY- SUPPLIER CODE: V17023 SPECIFICATION NUMBER: S417N506-36	904949	1
345	BR9293-968		.LENS ASSY- SUPPLIER CODE: V17023 SPECIFICATION NUMBER: S417N506-68	121503	1
345	BR9293-947		.LENS ASSY- SUPPLIER CODE: V17023 SPECIFICATION NUMBER: S417N506-47 POST RAPID REVISION: RR92003-43	904949	1
400	BR9293-904		.LENS- SUPPLIER CODE: V17023 SPECIFICATION NUMBER: S417N506-4	107107	1

MISSING ITEM NUMBERS NOT APPLICABLE

- ITEM NOT ILLUSTRATED

33-20-51-01

33-20-51
FIG. 01
PAGE 2
JAN 20/09

BRI

BOEING PROPRIETARY - Copyright © - Unpublished Work - See title page for details.



757

PARTS CATALOG (MAINTENANCE)

FIG ITEM	PART NUMBER	1 2 3 4 5 6 7	NOMENCLATURE	EFFECT FROM TO	UNITS PER ASSY
1 400	BR9293-1023		.LENS-LAV OCCUPIED SUPPLIER CODE: V17023 SPECIFICATION NUMBER: S417N506-123 QUALIFIED I/W DATA: SUBJECT TO CUSTOMER PREFERENCE	107107	1
400	S417N506-122		.LENS-	107107	1
400	BR9293-1019		.LENS- SUPPLIER CODE: V17023 SPECIFICATION NUMBER: S417N506-119 QUALIFIED I/W DATA: SUBJECT TO CUSTOMER PREFERENCE.	107107	1
405	BR9293-904		.LENS- SUPPLIER CODE: V17023 SPECIFICATION NUMBER: S417N506-4	107107	1
405	BR9293-1023		.LENS-LAV OCCUPIED SUPPLIER CODE: V17023 SPECIFICATION NUMBER: S417N506-123 QUALIFIED I/W DATA: SUBJECT TO CUSTOMER PREFERENCE	107107	1
405	S417N506-122		.LENS-	107107	1
405	BR9293-1019		.LENS- SUPPLIER CODE: V17023 SPECIFICATION NUMBER: S417N506-119 QUALIFIED I/W DATA: SUBJECT TO CUSTOMER PREFERENCE.	107107	1
415	BR9293-904		.LENS- SUPPLIER CODE: V17023 SPECIFICATION NUMBER: S417N506-4	107107	1

MISSING ITEM NUMBERS NOT APPLICABLE

- ITEM NOT ILLUSTRATED

BRI

33-20-51-01

BOEING PROPRIETARY - Copyright © - Unpublished Work - See title page for details.

33-20-51
FIG. 01
PAGE 3
JAN 20/09



757

PARTS CATALOG (MAINTENANCE)

FIG ITEM	PART NUMBER	1 2 3 4 5 6 7	NOMENCLATURE	EFFECT FROM TO	UNITS PER ASSY
1 415	BR9293-1023		.LENS-LAV OCCUPIED SUPPLIER CODE: V17023 SPECIFICATION NUMBER: S417N506-123 QUALIFIED I/W DATA: SUBJECT TO CUSTOMER PREFERENCE	107107	1
415	S417N506-122		.LENS-	107107	1
415	BR9293-1019		.LENS- SUPPLIER CODE: V17023 SPECIFICATION NUMBER: S417N506-119 QUALIFIED I/W DATA: SUBJECT TO CUSTOMER PREFERENCE	107107	1
435	BR9293-1001		.LENS- SUPPLIER CODE: V17023 SPECIFICATION NUMBER: S417N506-101 QUALIFIED I/W DATA: SUBJECT TO CUSTOMER PREFERENCE	950951	2
440	BR9292-901		.HOUSING ASSY-SIGN SUPPLIER CODE: V17023 SPECIFICATION NUMBER: S417N506-1	950951	3
445	417N5160-1SP		.HOUSING ASSY- ATTACHING PARTS	950951	1
- 450	BACS12FA08K9		.SCREW	950951	6
- 455	AN960JD8L		.WASHER	950951	AR
			-----*-----		
485	11-4269-1C		.BEZEL ASSY- SUPPLIER CODE: V72914 SPECIFICATION NUMBER: S417N502-9C	121503 904949	9
495	BR9446-745		.SIGN ASSY-LAVATORY SUPPLIER CODE: V17023 SPECIFICATION NUMBER: S417N506-2044	950951	1

MISSING ITEM NUMBERS NOT APPLICABLE

- ITEM NOT ILLUSTRATED

33-20-51-01

33-20-51
FIG. 01
PAGE 4
JAN 20/09

BRI



757

PARTS CATALOG (MAINTENANCE)

FIG ITEM	PART NUMBER	1 2 3 4 5 6 7	NOMENCLATURE	EFFECT FROM TO	UNITS PER ASSY
1 500	BR9446-746		.SIGN ASSY-LAVATORY SUPPLIER CODE: V17023 SPECIFICATION NUMBER: S417N506-2045	950951	1
510	BR9442-913		.SIGN-NSFSB SUPPLIER CODE: V17023 SPECIFICATION NUMBER: S417N503-13	950951	3
511	06152-14		..LENS-NS/FSB SUPPLIER CODE: V17023	950951	1
- 513	387		..BULB- SUPPLIER CODE: V08806	950951	5
585	417N5159-3		.SIGN INSTL-LIGHTED FOR DETAILS SEE: 33-26-51-01	107107	1
665	417N5159-23		.SIGN INSTL-LIGHTED FOR DETAILS SEE: 33-26-51-01	121503 904949	1
730	417N5106-11		.LIGHT INSTL-SIDEWALL POSITION DATA: LH FOR DETAILS SEE: 33-21-00-05A	121503 904949	1
735	417N5106-12		.LIGHT INSTL-SIDEWALL POSITION DATA: RH POST RAPID REVISION: RR92003-19 FOR DETAILS SEE: 33-21-00-05C	121503 904949	1
760	417N5008-17		.LIGHT INSTL-SIDEWALL POSITION DATA: LH FOR DETAILS SEE: 33-21-00-17	950951	1
765	417N5008-12		.LIGHT INSTL-SIDEWALL POSITION DATA: RH FOR DETAILS SEE: 33-21-00-16	950951	1

MISSING ITEM NUMBERS NOT APPLICABLE

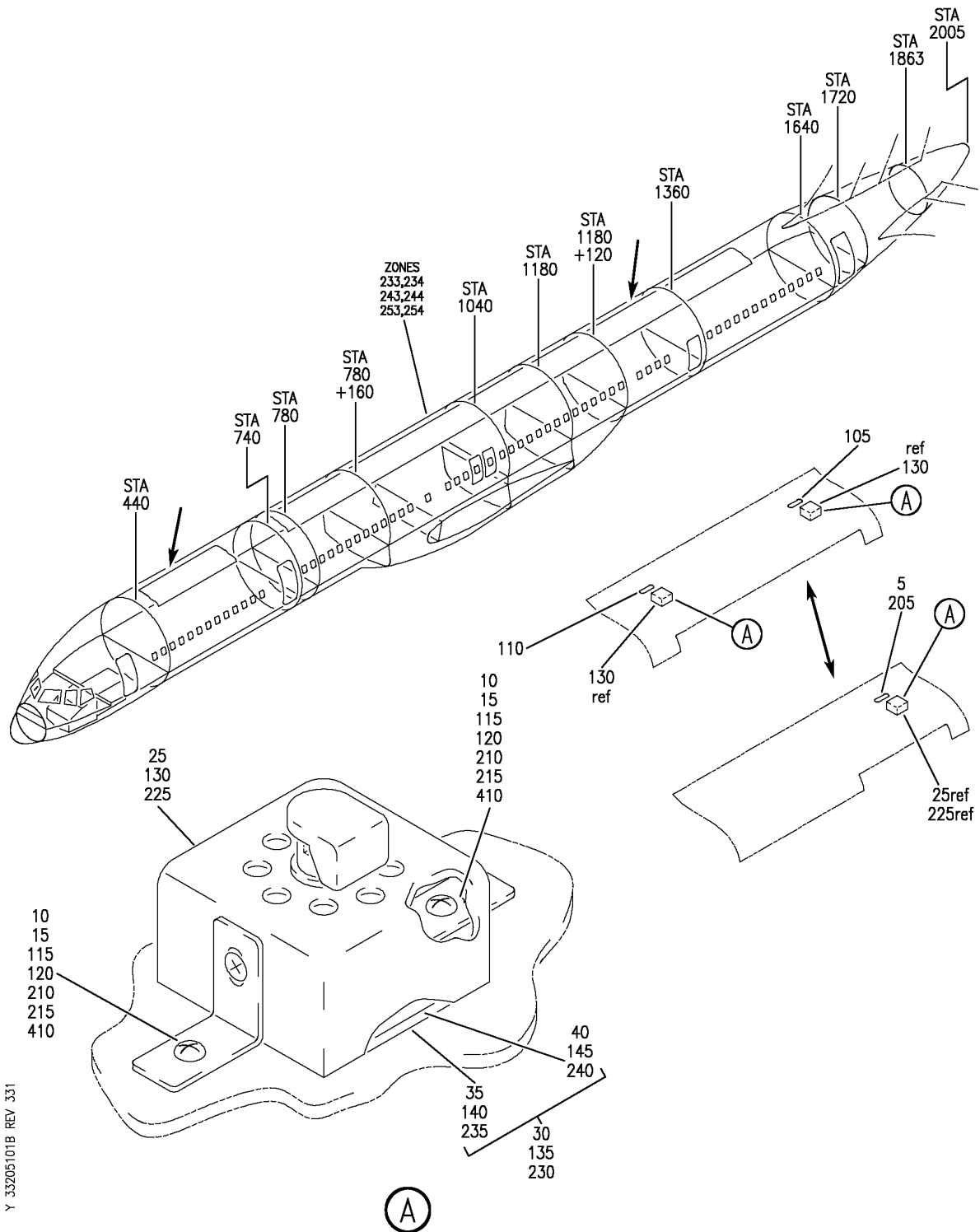
- ITEM NOT ILLUSTRATED

BRI

33-20-51-01

33-20-51
FIG. 01
PAGE 5
JAN 20/09

BOEING
757
PARTS CATALOG (MAINTENANCE)



Y 33205101B REV 331

PANEL ASSY (LIGHTS ONLY)
FIGURE 1B

33-20-51-01B

BRI
JAN 20/09

33-20-51-01B
PAGE 0



757

PARTS CATALOG (MAINTENANCE)

FIG ITEM	PART NUMBER	1 2 3 4 5 6 7	NOMENCLATURE	EFFECT FROM TO	UNITS PER ASSY
1B			PANEL ASSY (LIGHTS ONLY)	103106	
- 100	411A3380-451B		PANEL ASSY- FOR NHA/OTHER SYS DET SEE: 25-22-53-01Q	103106	RF
105	BAC27NPS306		.MARKER-ALUMINUM FOIL PLACARD CONTENT: LAMP	103106	1
110	BAC27NPS310		.MARKER-ALUMINUM FOIL PLACARD CONTENT: LAMP	103106	1
- 115	BACS12HJ3K4		ATTACHING PARTS .SCREW- -----*-----	103106	4
120	NAS1149D0316J		.WASHER	103106	4
- 125	SL6224-3A		.INSERT- SUPPLIER CODE: V97393	103106	4
130	10-1038-1		.HOUSING ASSY-LIGHT SUPPLIER CODE: V72914 SPECIFICATION NUMBER: S417N502-3	103106	2
135	11-4269-1E		.BEZEL ASSY- SUPPLIER CODE: V72914 SPECIFICATION NUMBER: S417N502-9E	103106	2
140	11-4227-1		..BEZEL- SUPPLIER CODE: V72914	103106	1
145	25-1115-1		..LENS- SUPPLIER CODE: V72914	103106	1
- 200	411A3380-430B		PANEL ASSY- FOR NHA/OTHER SYS DET SEE: 25-22-53-01P	103106	RF
205	BAC27NPS309		.MARKER-ALUMINUM FOIL PLACARD CONTENT: LAMP	103106	1
210	BACS12HJ3K4		.SCREW-	103106	2
215	NAS1149D0316J		.WASHER	103106	2
- 220	SL6224-3A		.INSERT- SUPPLIER CODE: V97393	103106	2

MISSING ITEM NUMBERS NOT APPLICABLE

- ITEM NOT ILLUSTRATED

33-20-51-01B

33-20-51
FIG. 01B
PAGE 1
JAN 20/09

BRI

BOEING PROPRIETARY - Copyright © - Unpublished Work - See title page for details.



757

PARTS CATALOG (MAINTENANCE)

FIG ITEM	PART NUMBER	1 2 3 4 5 6 7	NOMENCLATURE	EFFECT FROM TO	UNITS PER ASSY
1B 225	10-1038-1		.HOUSING ASSY-LIGHT SUPPLIER CODE: V72914 SPECIFICATION NUMBER: S417N502-3	103106	1
230	11-4269-1E		.BEZEL ASSY- SUPPLIER CODE: V72914 SPECIFICATION NUMBER: S417N502-9E	103106	1
235	11-4227-1		..BEZEL- SUPPLIER CODE: V72914	103106	1
240	25-1115-1		..LENS- SUPPLIER CODE: V72914	103106	1

MISSING ITEM NUMBERS NOT APPLICABLE

- ITEM NOT ILLUSTRATED

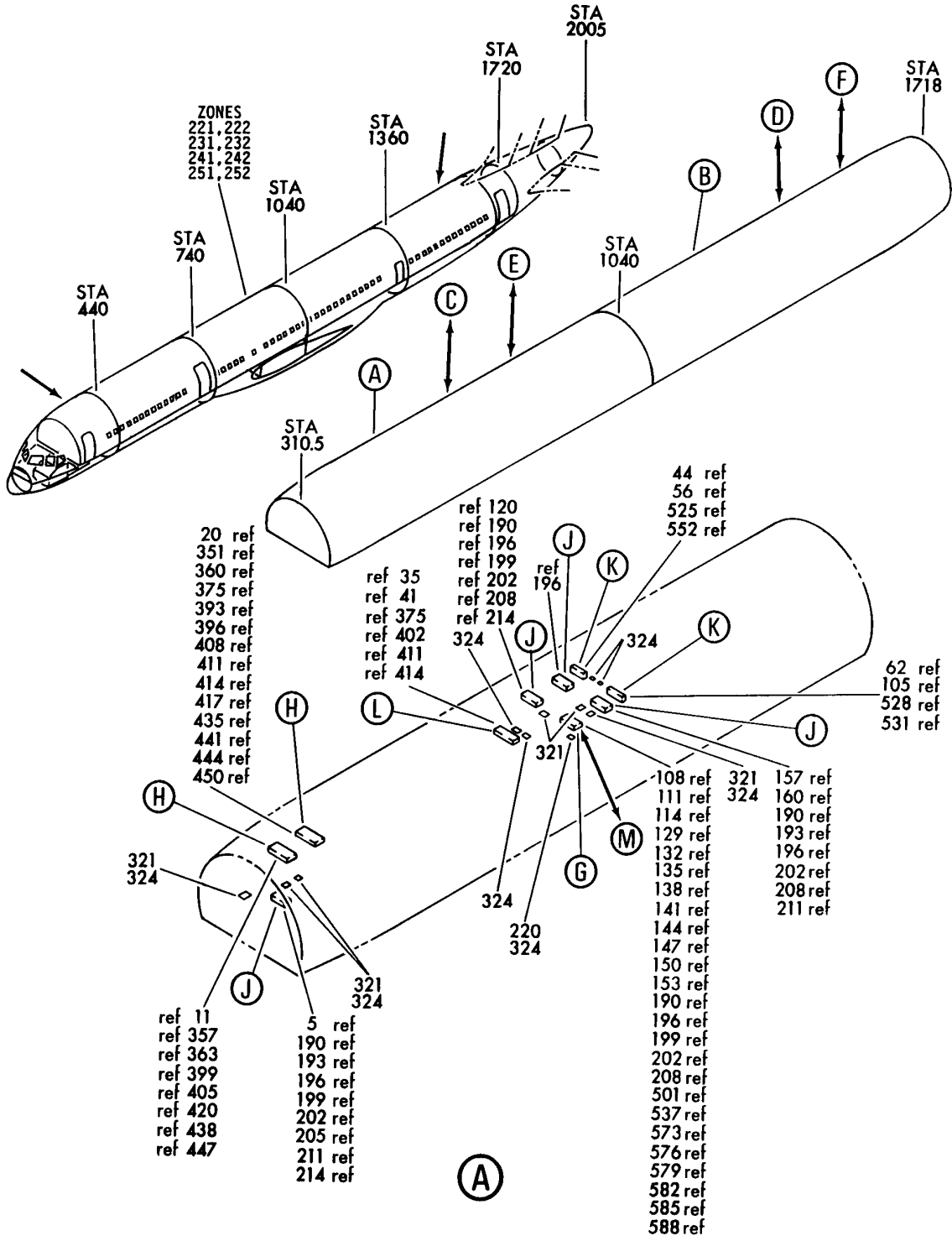
BRI

33-20-51-01B

BOEING PROPRIETARY - Copyright © - Unpublished Work - See title page for details.

33-20-51
FIG. 01B
PAGE 2
JAN 20/09

BOEING
757
PARTS CATALOG (MAINTENANCE)



Y 33205102 SH1 1 REV 331

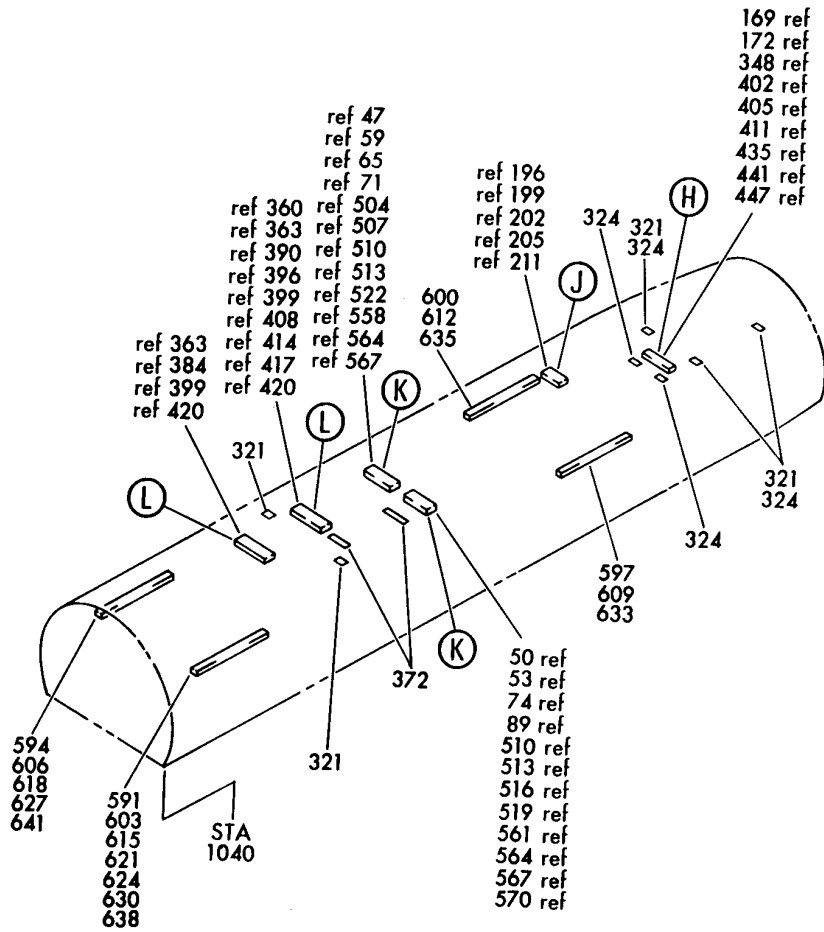
LIGHT INSTL-MISC
FIGURE 2 (SHEET 1)

33-20-51-02

BRI
JAN 20/09

33-20-51-02
PAGE 0

BOEING
757
PARTS CATALOG (MAINTENANCE)



(B)

Y 33205102 SHT 2 REV 169

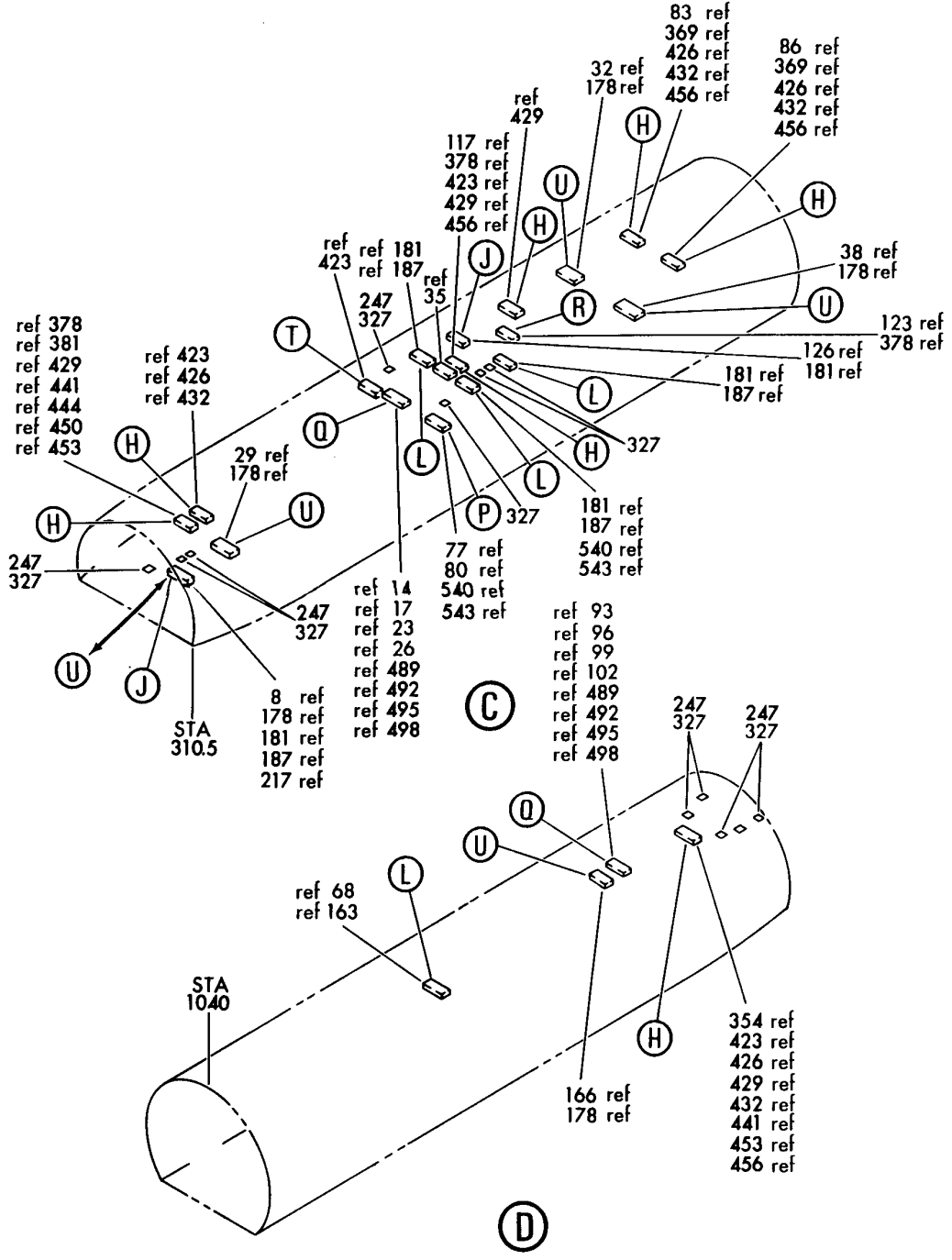
LIGHT INSTL-MISC
FIGURE 2 (SHEET 2)

33-20-51-02

BRI
MAY 28/07

33-20-51-02
PAGE 0A

BOEING
757
PARTS CATALOG (MAINTENANCE)



Y 33205102 SHT 3 REV 169

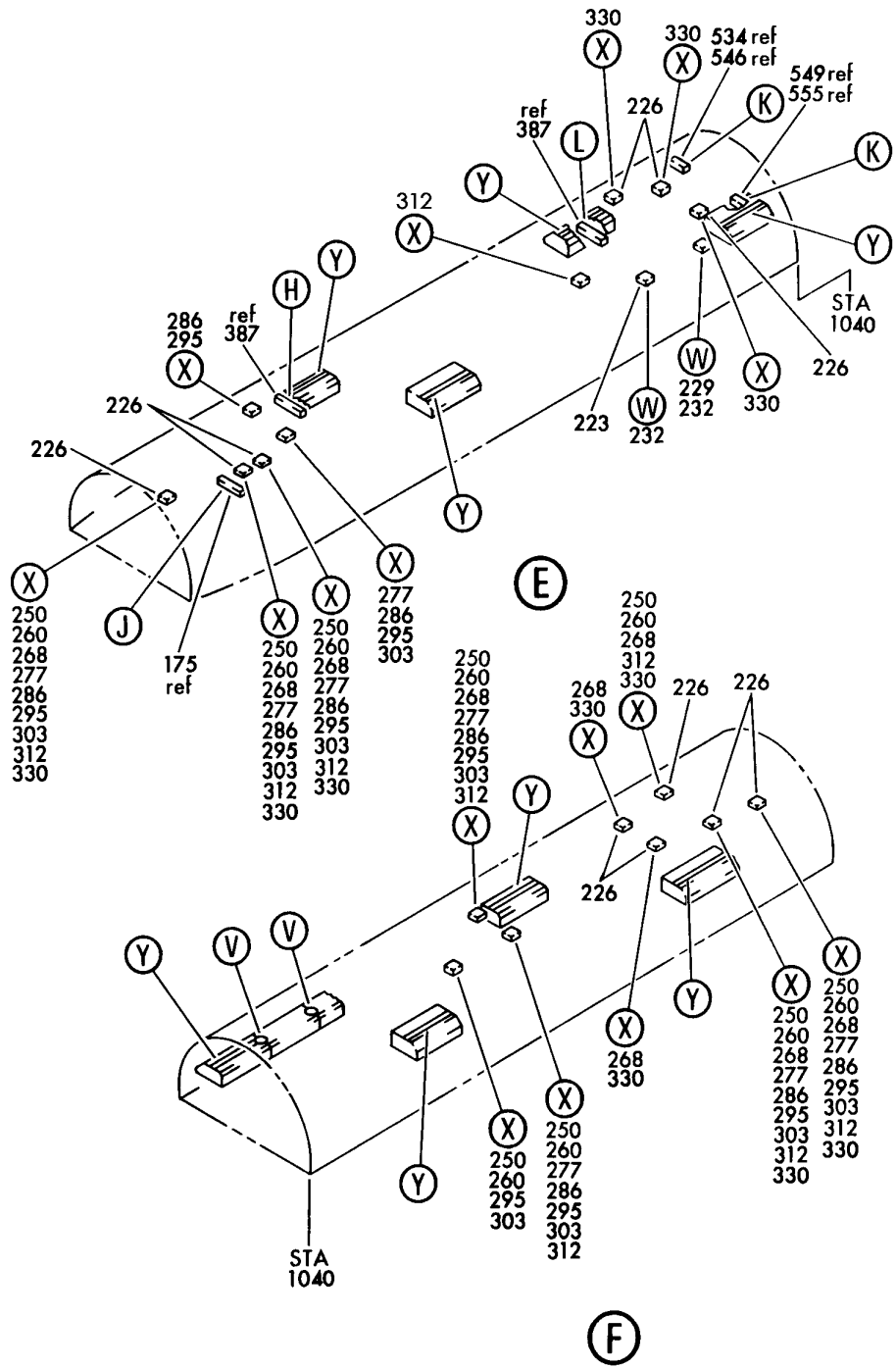
LIGHT INSTL-MISC
FIGURE 2 (SHEET 3)

33-20-51-02

BRI
MAY 28/07

33-20-51-02
PAGE 0B

BOEING
757
PARTS CATALOG (MAINTENANCE)



Y 33205102 SHT 4 REV 228

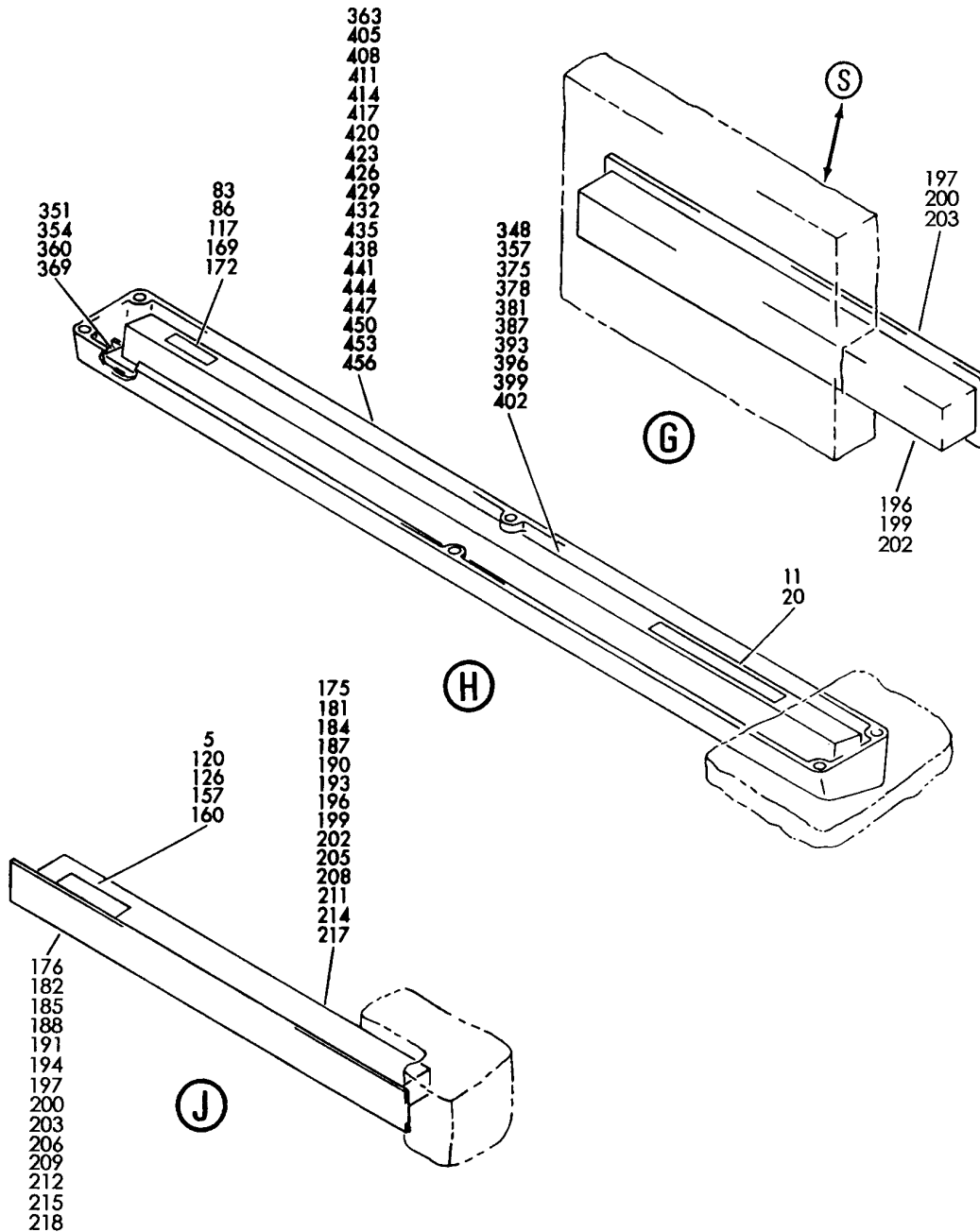
LIGHT INSTL-MISC
FIGURE 2 (SHEET 4)

33-20-51-02

BRI
MAY 28/07

33-20-51-02
PAGE 0C

BOEING
757
PARTS CATALOG (MAINTENANCE)



Y 33205102 SHT 5 REV 201

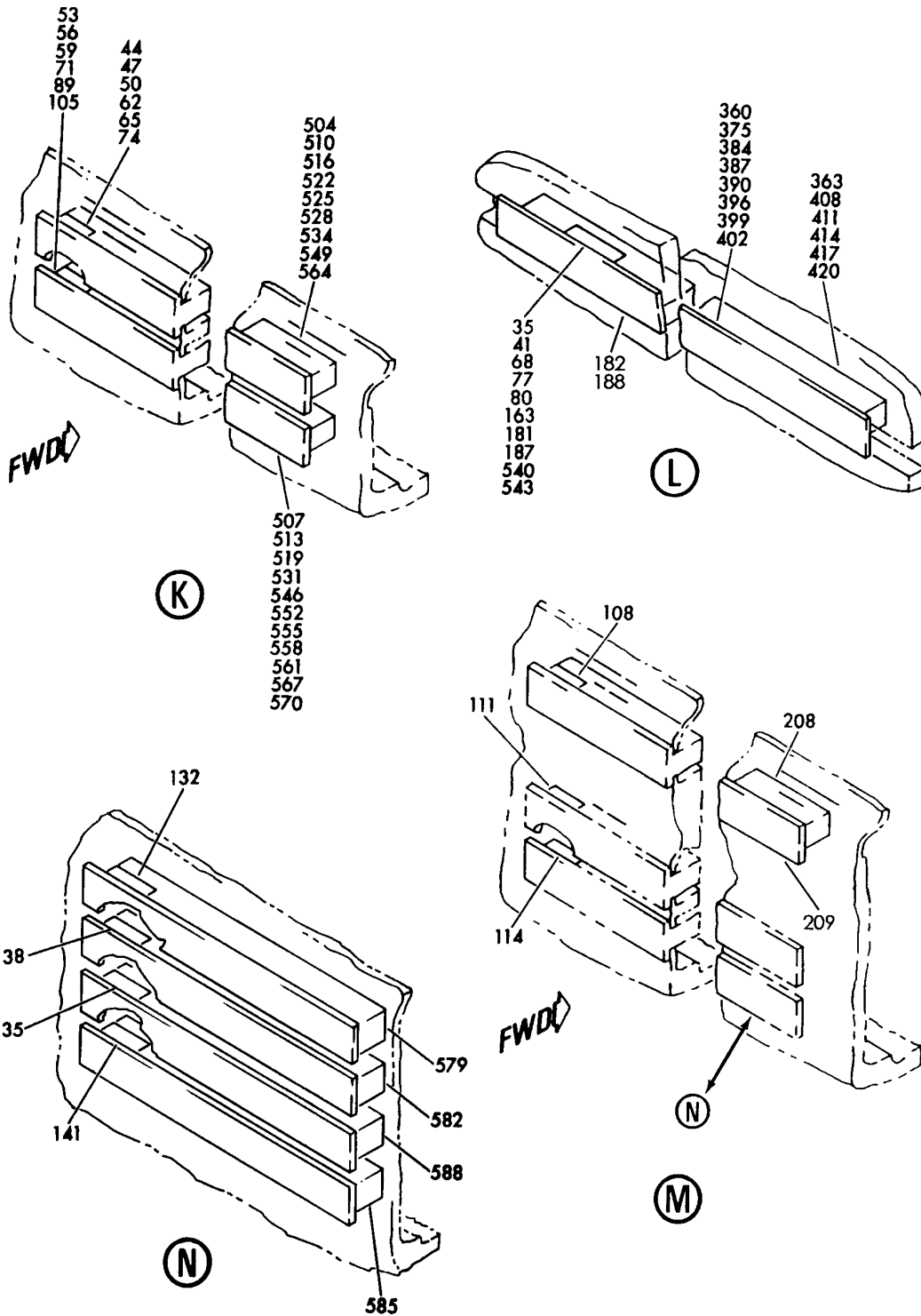
LIGHT INSTL-MISC
FIGURE 2 (SHEET 5)

33-20-51-02

BRI
MAY 28/07

33-20-51-02
PAGE 0D

BOEING
757
PARTS CATALOG (MAINTENANCE)



Y 33205102 SHT 6 REV 201

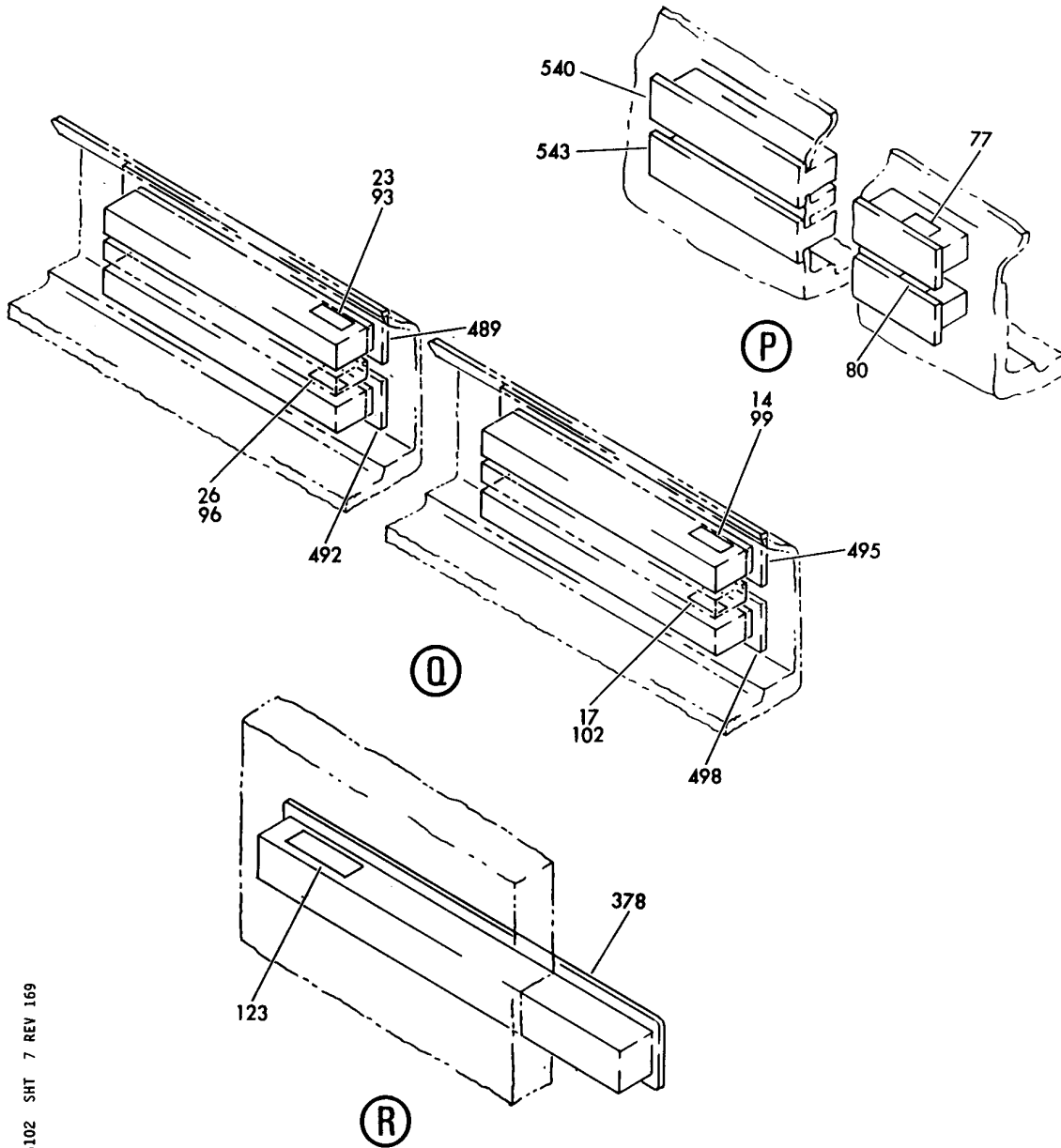
LIGHT INSTL-MISC
FIGURE 2 (SHEET 6)

33-20-51-02

BRI
MAY 28/07

33-20-51-02
PAGE 0E

BOEING
757
PARTS CATALOG (MAINTENANCE)



Y 33205102 SHT 7 REV 169

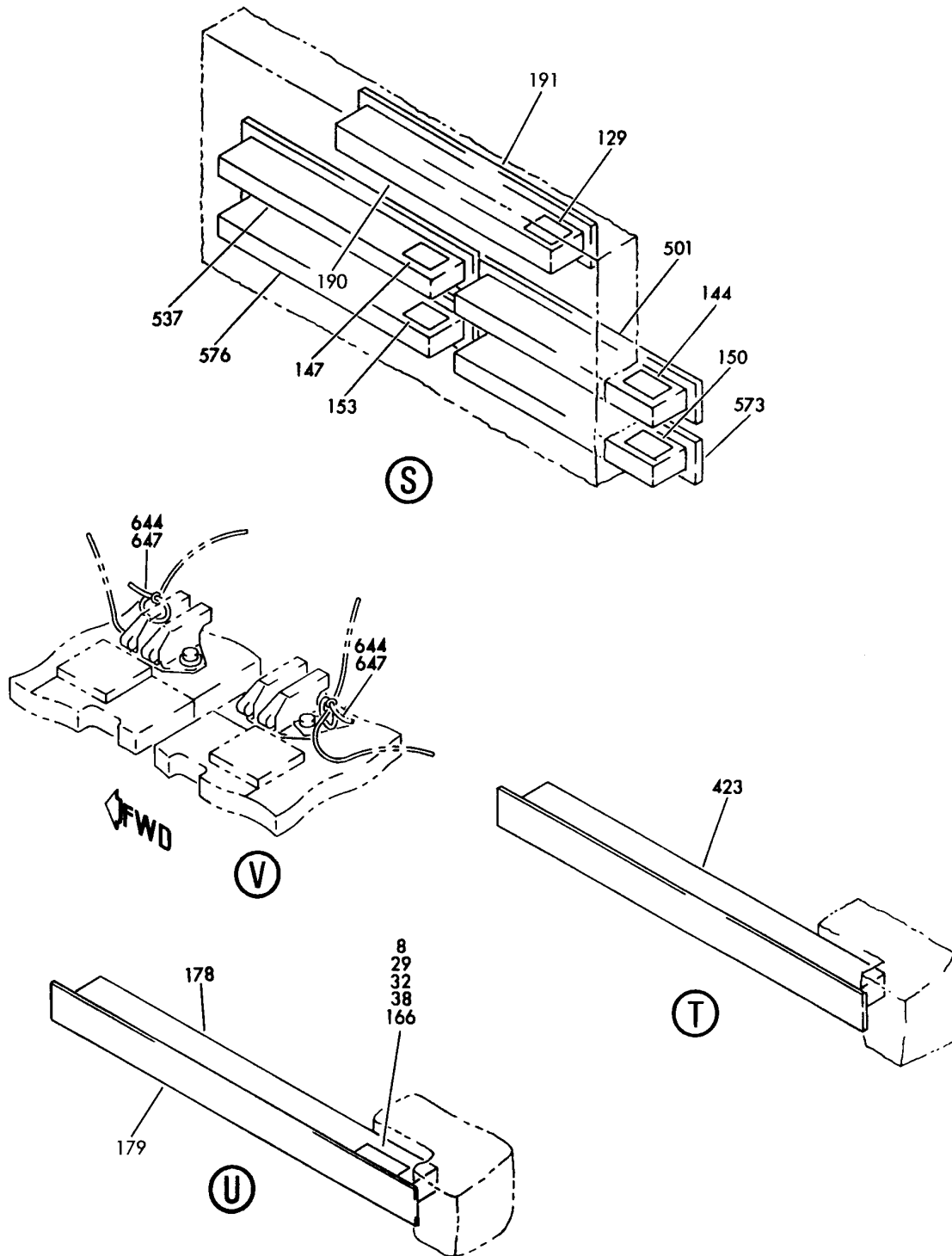
LIGHT INSTL-MISC
FIGURE 2 (SHEET 7)

33-20-51-02

BRI
MAY 28/07

33-20-51-02
PAGE OF

BOEING
757
PARTS CATALOG (MAINTENANCE)



Y 33205102 SHT 8 REV 201

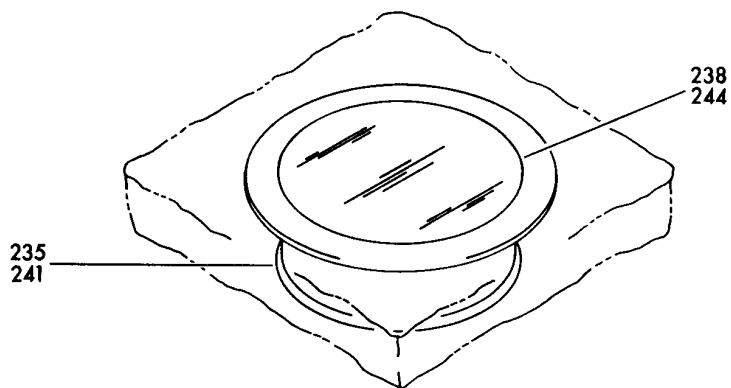
LIGHT INSTL-MISC
FIGURE 2 (SHEET 8)

33-20-51-02

BRI
MAY 28/07

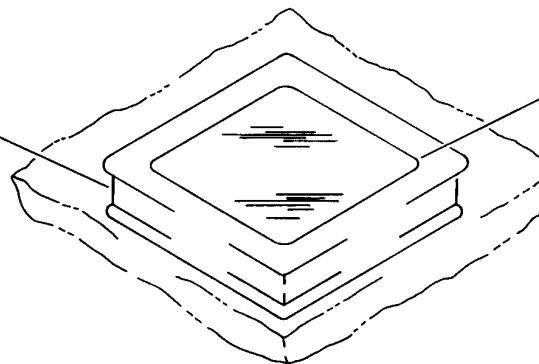
33-20-51-02
PAGE 06

BOEING
757
PARTS CATALOG (MAINTENANCE)



(W)

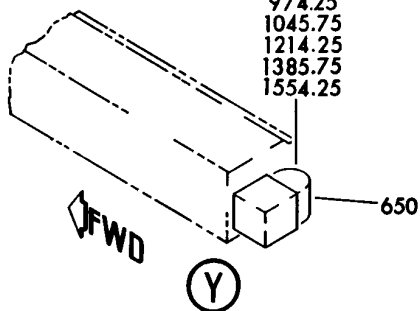
253
263
271
280
289
298
306
315
333



257
265
274
283
292
301
309
318
336

(X)

STA
445.75
614.25
805.75
974.25
1045.75
1214.25
1385.75
1554.25



Y 33205102 SHT 9 REV 228

LIGHT INSTL-MISC
FIGURE 2 (SHEET 9)

33-20-51-02

BRI
MAY 28/07

33-20-51-02
PAGE 0H



757

PARTS CATALOG (MAINTENANCE)

FIG ITEM	PART NUMBER	1 2 3 4 5 6 7	NOMENCLATURE	EFFECT FROM TO	UNITS PER ASSY
2			LIGHT INSTL-MISC	002004 006017 950999	
- 1	417N5100-41		LIGHTS INSTL-MISC FOR NHA SEE: 25-20-00-01A	952999	RF
- 1	417N5100-48		LIGHTS INSTL-MISC FOR NHA SEE: 25-20-00-01A	002004 006010	RF
5	BAC27NPA0274		.MARKER-ALUMINUM FOIL PLACARD CONTENT: L410 NS/FSB SIGN	952999	1
8	BAC27NPA0274		.MARKER-ALUMINUM FOIL PLACARD CONTENT: L410 NS/FSB SIGN	002004 006010	1
11	BAC27NPA0283		.MARKER-ALUMINUM FOIL PLACARD CONTENT: L00418 LAVATORY OCCUPIED SIGN	002004 006010 952999	1
29	BAC29PPS18383		.MARKER-ALUMINUM FOIL	002004 006010	1
32	BAC27NPA0943		.MARKER-ALUMINUM FOIL PLACARD CONTENT: L532 NS/FSB SIGN	002004 006010	1
38	BAC27NPA0275		.MARKER-ALUMINUM FOIL PLACARD CONTENT: L409 NS/FSB SIGN	002004 006010	1
47	BAC29PPS4193		.MARKER-ALUMINUM FOIL PLACARD CONTENT: L616 TOILETS	002004 006010	1
59	BAC29PPS4194		.MARKER-ALUMINUM FOIL PLACARD CONTENT: L617 OCCUPIED	002004 006010	1
68	BAC27NPA0285		.MARKER-ALUMINUM FOIL PLACARD CONTENT: L00420 LAVATORY OCCUPIED SIGN	952999	1
74	BAC29PPS5210		.MARKER-ALUMINUM FOIL PLACARD CONTENT: L641 LAVATORIES SIGN	002004 006010	1
89	BAC29PPS5211		.MARKER-ALUMINUM FOIL PLACARD CONTENT: L642 OCCUPIED SIGN	002004 006010	1
132	BAC29PPS17149		.MARKER-ALUMINUM FOIL PLACARD CONTENT: L827 LAV OCC SIGN	952999	1
135	BAC29PPS17150		.MARKER-ALUMINUM FOIL PLACARD CONTENT: L828 LAV OCC SIGN	952999	1

MISSING ITEM NUMBERS NOT APPLICABLE

- ITEM NOT ILLUSTRATED

33-20-51-02

33-20-51
FIG. 02
PAGE 1
JAN 20/09

BRI



757

PARTS CATALOG (MAINTENANCE)

FIG ITEM	PART NUMBER	1 2 3 4 5 6 7	NOMENCLATURE	EFFECT FROM TO	UNITS PER ASSY
2					
138	BAC29PPS17151	.	MARKER-ALUMINUM FOIL PLACARD CONTENT: L829 LAV OCC SIGN	952999	1
141	BAC29PPS17152	.	MARKER-ALUMINUM FOIL PLACARD CONTENT: L830 LAV OCC SIGN	952999	1
160	BAC27NPA0275	.	MARKER-ALUMINUM FOIL PLACARD CONTENT: L409 NS/FSB SIGN	952999	1
163	BAC27NPA0284	.	MARKER-ALUMINUM FOIL PLACARD CONTENT: L00419 LAVATORY OCCUPIED SIGN	952999	1
166	BAC27NPA0276	.	MARKER-ALUMINUM FOIL PLACARD CONTENT: L412 NS/FSB SIGN	002004 006010 952999	1
178	BR9442-913	.	SIGN- SUPPLIER CODE: V17023 SPECIFICATION NUMBER: S417N503-13	002004 006010	5
179	06152-14	..	LENS-NS/FSB SUPPLIER CODE: V17023	002004 006010	1
- 180	387	..	BULB- SUPPLIER CODE: V08806	002004 006010	5
211	BR9442-910	.	SIGN ASSY- SUPPLIER CODE: V17023 PLACARD CONTENT: ATTENDANT INFORMATION SPECIFICATION NUMBER: S417N503-10 OPTIONAL PART: BR9242-910 V17023	952999	3
212	06152-4	..	LENS-NS/FSB SUPPLIER CODE: V17023	952999	1
- 213	387	..	BULB- SUPPLIER CODE: V08806	952999	5
229	11-4281-1E	.	BEZEL ASSY- SUPPLIER CODE: V72914 SPECIFICATION NUMBER: S417N502-6E	952999	1

MISSING ITEM NUMBERS NOT APPLICABLE

- ITEM NOT ILLUSTRATED

33-20-51-02

33-20-51
FIG. 02
PAGE 2
JAN 20/09

BRI



757

PARTS CATALOG (MAINTENANCE)

FIG ITEM	PART NUMBER	1 2 3 4 5 6 7	NOMENCLATURE	EFFECT FROM TO	UNITS PER ASSY
2					
232	11-4281-1E		.BEZEL ASSY- SUPPLIER CODE: V72914 SPECIFICATION NUMBER: S417N502-6E	002004 006010	2
235	11-4388-1		..BEZEL- SUPPLIER CODE: V72914	952999	1
238	25-1116-1		..LENS- SUPPLIER CODE: V72914	952999	1
241	11-4388-1		..BEZEL- SUPPLIER CODE: V72914	002004 006010	1
244	25-1116-1		..LENS- SUPPLIER CODE: V72914	002004 006010	1
250	11-4269-1E		.BEZEL ASSY- SUPPLIER CODE: V72914 SPECIFICATION NUMBER: S417N502-9E	002004 006010	9
253	11-4227-1		..BEZEL- SUPPLIER CODE: V72914	002004 006010	1
257	25-1115-1		..LENS- SUPPLIER CODE: V72914	002004 006010	1
312	11-4269-1E		.BEZEL ASSY- SUPPLIER CODE: V72914 SPECIFICATION NUMBER: S417N502-9E	952999	9
315	11-4227-1		..BEZEL- SUPPLIER CODE: V72914	952999	1
318	25-1115-1		..LENS- SUPPLIER CODE: V72914	952999	1
357	BR9293-954		.LENS- SUPPLIER CODE: V17023 SPECIFICATION NUMBER: S417N506-54	952999	1
372	BR9293-955		.LENS- SUPPLIER CODE: V17023 SPECIFICATION NUMBER: S417N506-55	952999	2

MISSING ITEM NUMBERS NOT APPLICABLE

- ITEM NOT ILLUSTRATED

33-20-51-02

33-20-51
FIG. 02
PAGE 3
JAN 20/09

BRI

BOEING PROPRIETARY - Copyright © - Unpublished Work - See title page for details.



757

PARTS CATALOG (MAINTENANCE)

FIG ITEM	PART NUMBER	1 2 3 4 5 6 7	NOMENCLATURE	EFFECT FROM TO	UNITS PER ASSY
2 381	BR9293-990		.LENS- SUPPLIER CODE: V17023 PLACARD CONTENT: TOILETS OCCUPIED SPECIFICATION NUMBER: S417N506-90	002004 006010	1
384	BR9293-991		.LENS- SUPPLIER CODE: V17023 PLACARD CONTENT: TOILETS OCCUPIED SPECIFICATION NUMBER: S417N506-91	002004 006010	1
408	BR9292-901		.HOUSING ASSY-SIGN SUPPLIER CODE: V17023 SPECIFICATION NUMBER: S417N506-1 OPTIONAL PART: BR9292-902 V17023	002004 006010	2
408	BR9292-902		.HOUSING ASSY-SIGN SUPPLIER CODE: V17023 SPECIFICATION NUMBER: S417N506-2 OPTIONAL PART: BR9292-901 V17023	002004 006010	2
420	BR9292-902		.HOUSING ASSY-SIGN SUPPLIER CODE: V17023 SPECIFICATION NUMBER: S417N506-2	952999	3
438	417N5160-1SP		.HOUSING ASSY-	952999	1
450	417N5160-1SP		.HOUSING ASSY-	002004 006010	1
- 462	BACS12FA08K9		ATTACHING PARTS .SCREW	002004 006010	6
- 468	BACS12FA08K9		.SCREW	952999	6
- 483	AN960JD8L		.WASHER- -----*-----	952999	6

MISSING ITEM NUMBERS NOT APPLICABLE

- ITEM NOT ILLUSTRATED

33-20-51-02

33-20-51
FIG. 02
PAGE 4
JAN 20/09

BRI



757

PARTS CATALOG (MAINTENANCE)

FIG ITEM	PART NUMBER	1 2 3 4 5 6 7	NOMENCLATURE	EFFECT FROM TO	UNITS PER ASSY
2 564	BR9446-740		.SIGN ASSY- SUPPLIER CODE: V17023 PLACARD CONTENT: TOILETS SPECIFICATION NUMBER: S417N506-2039	002004 006010	2
567	BR9446-739		.SIGN ASSY- SUPPLIER CODE: V17023 PLACARD CONTENT: OCCUPIED SPECIFICATION NUMBER: S417N506-2038	002004 006010	2
579	BR9446-702		.SIGN ASSY-LAV OCCUPIED SUPPLIER CODE: V17023 SPECIFICATION NUMBER: S417N506-2001 OPTIONAL PART: BR9256-901 V17023 BR9446-901 V17023	952999	1
582	BR9446-703		.SIGN ASSY-LAV OCCUPIED SUPPLIER CODE: V17023 SPECIFICATION NUMBER: S417N506-2002 OPTIONAL PART: BR9256-902 V17023 BR9446-902 V17023	952999	1
585	BR9446-737		.SIGN ASSY-(SPANISH) SUPPLIER CODE: V17023 PLACARD CONTENT: OCCUPIED SPECIFICATION NUMBER: S417N506-2036	952999	1
588	BR9446-738		.SIGN ASSY-(SPANISH) SUPPLIER CODE: V17023 PLACARD CONTENT: LAVATORY SPECIFICATION NUMBER: S417N506-2037	952999	1

MISSING ITEM NUMBERS NOT APPLICABLE

- ITEM NOT ILLUSTRATED

33-20-51-02

33-20-51
FIG. 02
PAGE 5
JAN 20/09

BRI



757

PARTS CATALOG (MAINTENANCE)

FIG ITEM	PART NUMBER	1 2 3 4 5 6 7	NOMENCLATURE	EFFECT FROM TO	UNITS PER ASSY
2 597	417N5106-33		.LIGHT INSTL-SIDEWALL PLACARD CONTENT: LH FOR DETAILS SEE: 33-21-00-09D	952952	1
600	417N5106-32		.LIGHT INSTL-SIDEWALL POSITION DATA: RH FOR DETAILS SEE: 33-21-00-09B	952952	1
638	417N5008-5		.LIGHT INSTL-SIDEWALL POSITION DATA: LH FOR DETAILS SEE: 33-21-00-13B	953999	1
638	417N5008-11		.LIGHT INSTL-SIDEWALL POSITION DATA: LH FOR DETAILS SEE: 33-21-00-15B	002004 006017 950951	1
641	417N5008-6		.LIGHT INSTL-SIDEWALL POSITION DATA: RH FOR DETAILS SEE: 33-21-00-14B	953999	1
641	417N5008-12		.LIGHT INSTL-SIDEWALL POSITION DATA: RH FOR DETAILS SEE: 33-21-00-16	002004 006017 950951	1

MISSING ITEM NUMBERS NOT APPLICABLE

- ITEM NOT ILLUSTRATED

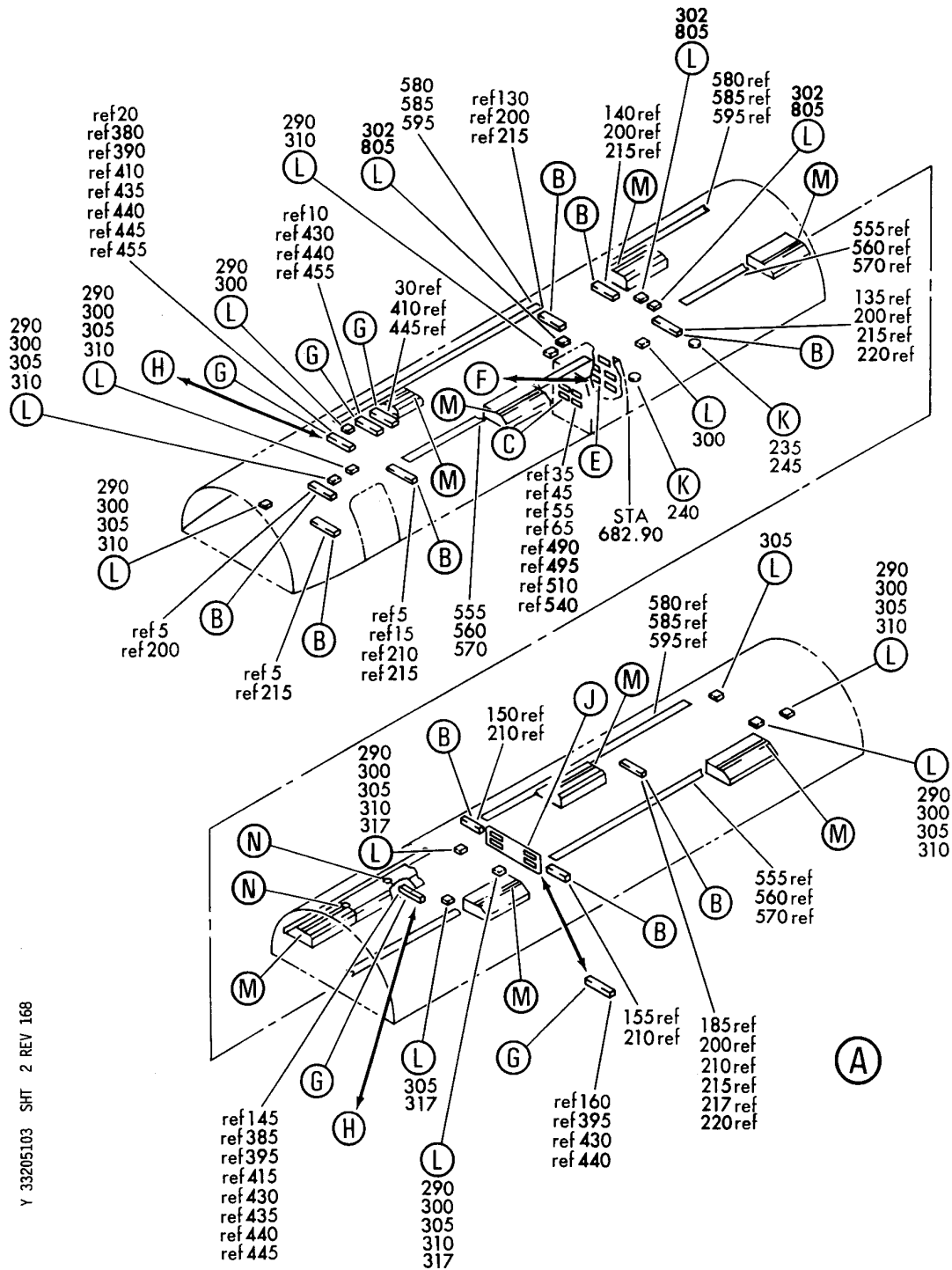
BRI

33-20-51-02

BOEING PROPRIETARY - Copyright © - Unpublished Work - See title page for details.

33-20-51
FIG. 02
PAGE 6
JAN 20/09

BOEING
757
PARTS CATALOG (MAINTENANCE)



Y 33205103 SHT 2 REV 168

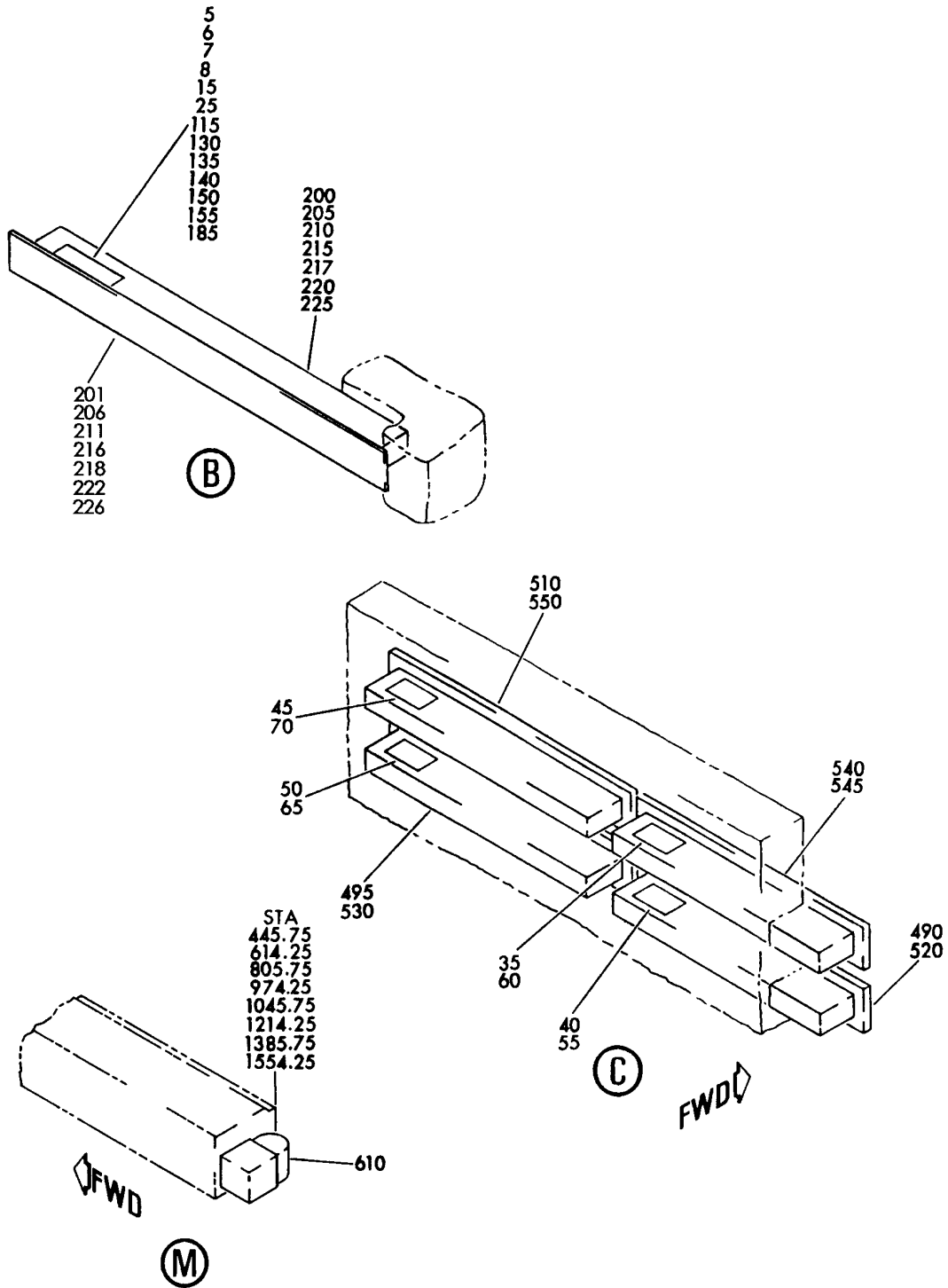
LIGHT INSTL-MISC (AND FLYAWAY)
FIGURE 3 (SHEET 2)

33-20-51-03

BRI
MAY 28/07

33-20-51-03
PAGE 0A

BOEING
757
PARTS CATALOG (MAINTENANCE)



Y 33205103 SHT 3 REV 201

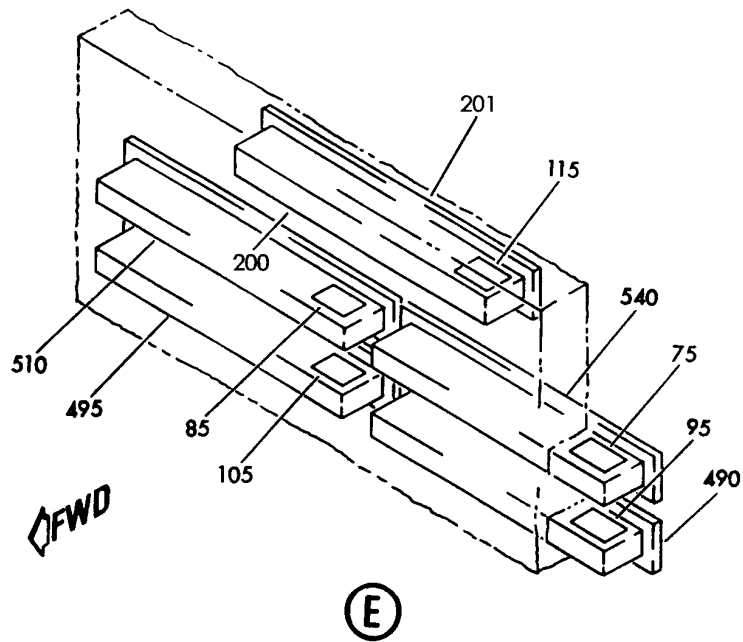
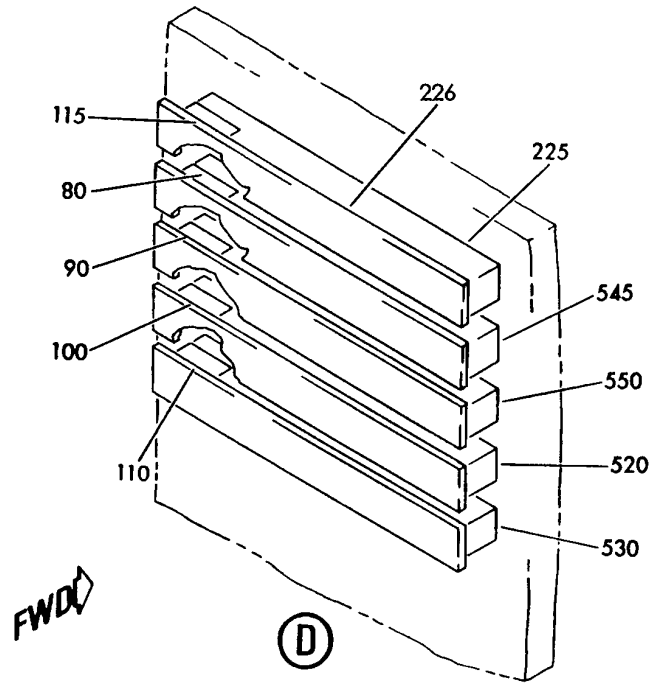
LIGHT INSTL-MISC (AND FLYAWAY)
FIGURE 3 (SHEET 3)

33-20-51-03

BRI
MAY 28/07

33-20-51-03
PAGE 0B

BOEING
757
PARTS CATALOG (MAINTENANCE)



Y 33205103 SHT 4 REV 201

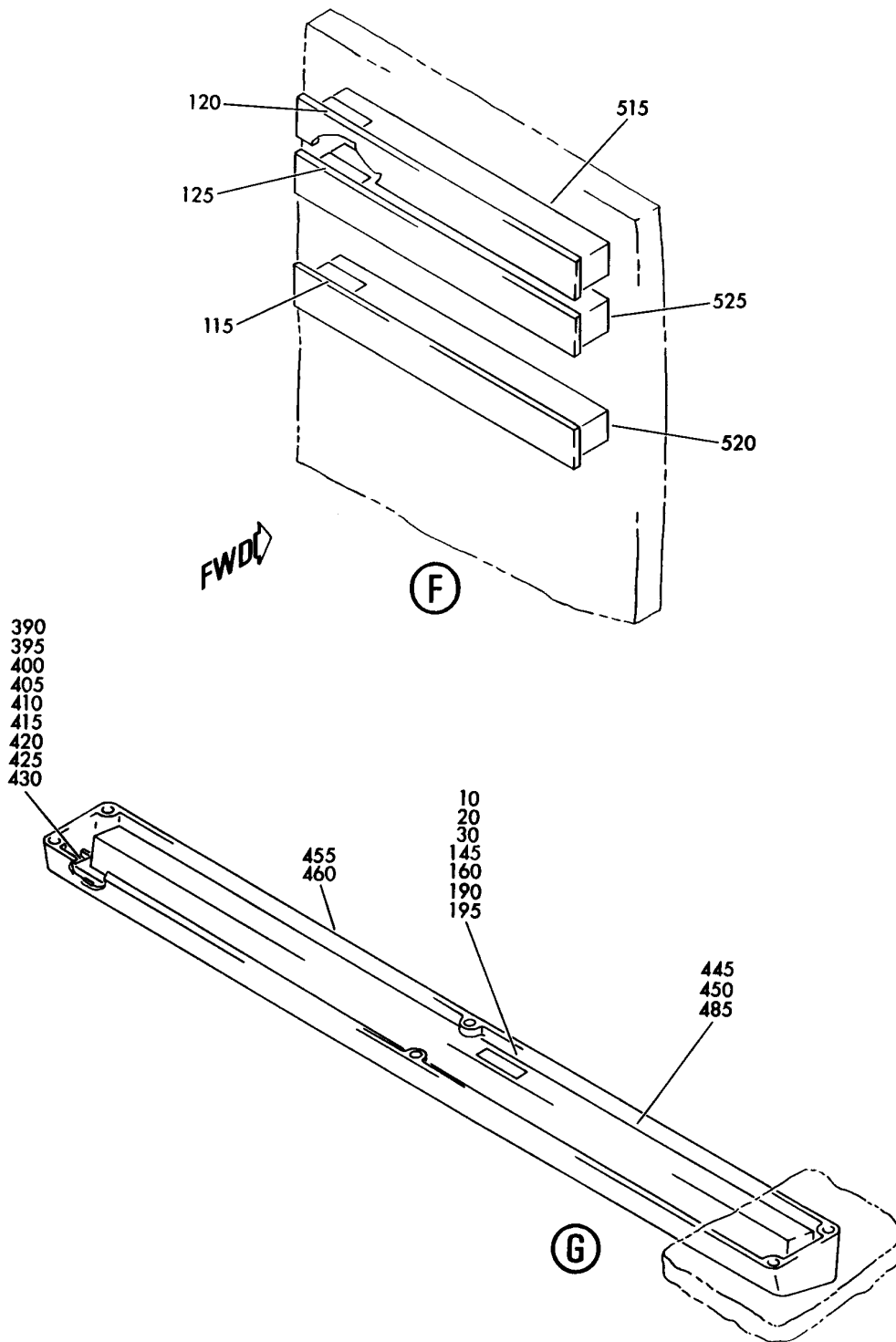
LIGHT INSTL-MISC (AND FLYAWAY)
FIGURE 3 (SHEET 4)

33-20-51-03

BRI
MAY 28/07

33-20-51-03
PAGE 0C

BOEING
757
PARTS CATALOG (MAINTENANCE)



Y 33205103 SHT 5 REV 155

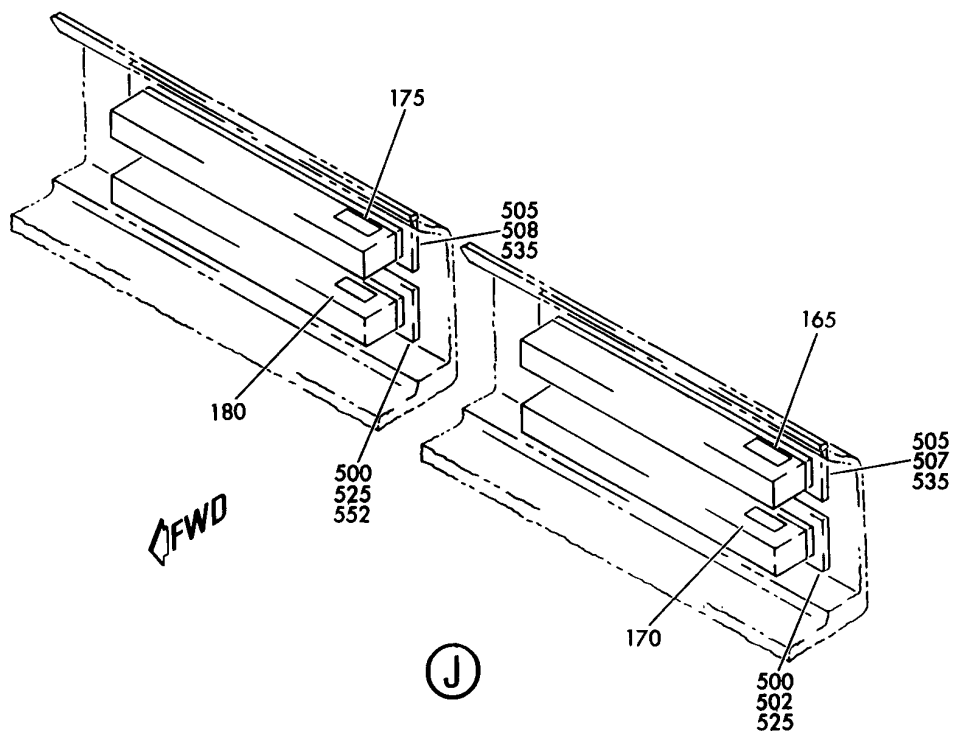
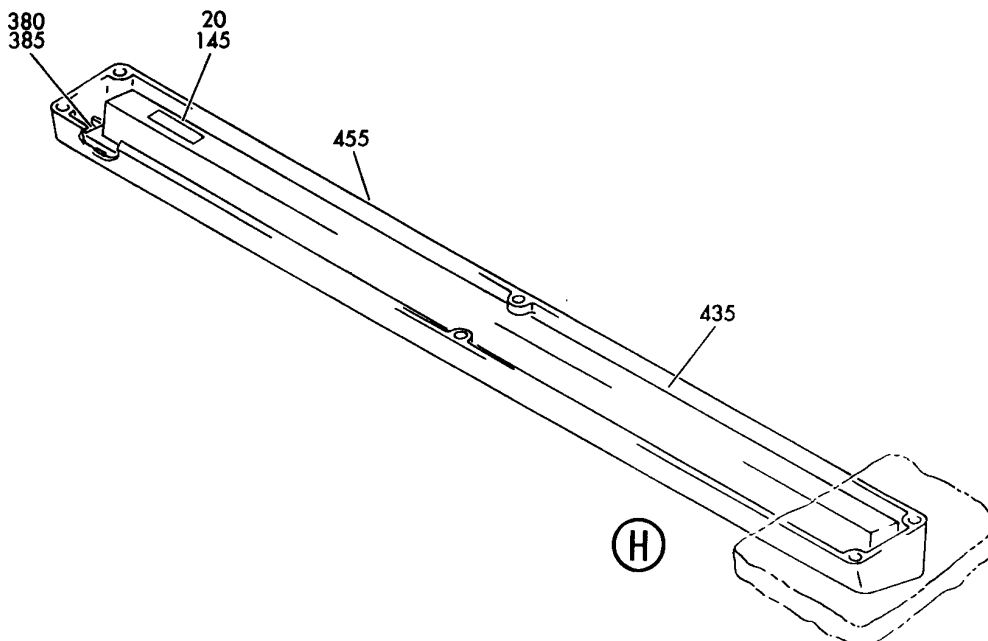
LIGHT INSTL-MISC (AND FLYAWAY)
FIGURE 3 (SHEET 5)

33-20-51-03

BRI
MAY 28/07

33-20-51-03
PAGE 0D

BOEING
757
PARTS CATALOG (MAINTENANCE)



Y 33205103 SHT 6 REV 164

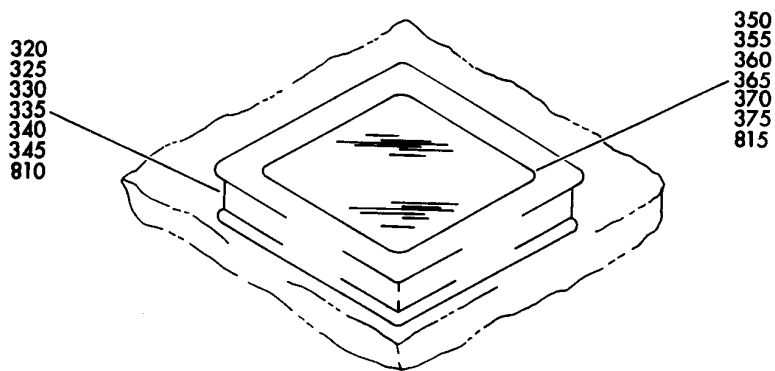
LIGHT INSTL-MISC (AND FLYAWAY)
FIGURE 3 (SHEET 6)

33-20-51-03

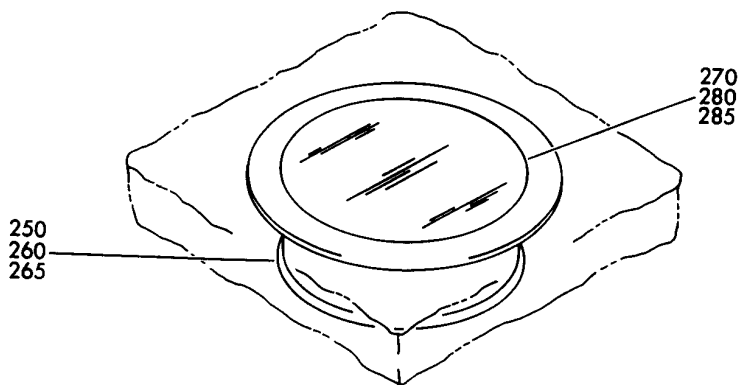
BRI
MAY 28/07

33-20-51-03
PAGE 0E

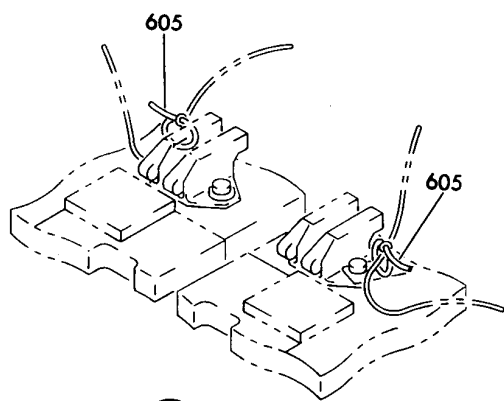
BOEING
757
PARTS CATALOG (MAINTENANCE)



(L)



(K)



(N)

Y 33205103 SHT 7 REV 168

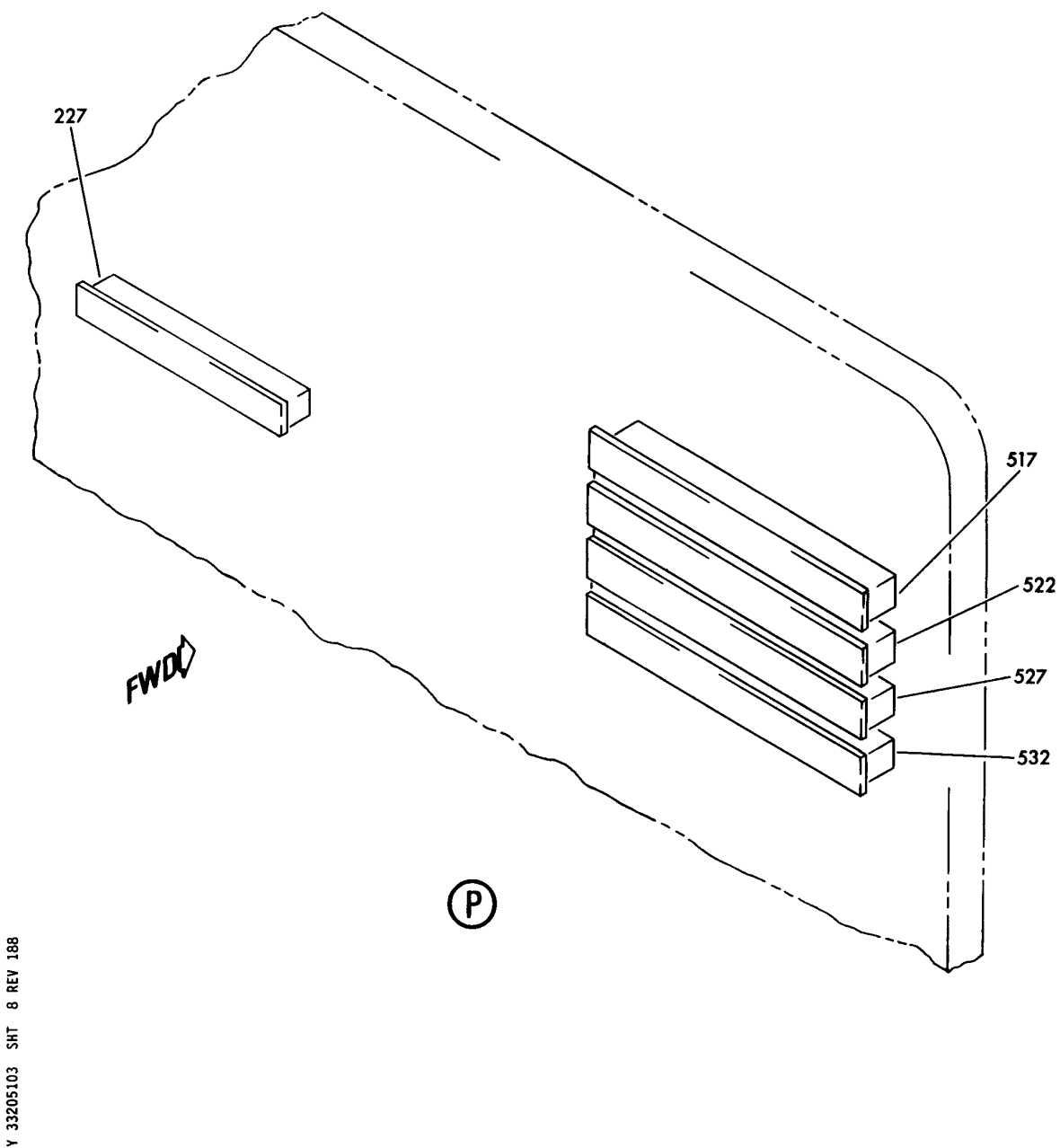
LIGHT INSTL-MISC (AND FLYAWAY)
FIGURE 3 (SHEET 7)

33-20-51-03

BRI
MAY 28/07

33-20-51-03
PAGE OF

BOEING
757
PARTS CATALOG (MAINTENANCE)



LIGHT INSTL-MISC (AND FLYAWAY)
FIGURE 3 (SHEET 8)

33-20-51-03

BRI
MAY 28/07

33-20-51-03
PAGE 06



757

PARTS CATALOG (MAINTENANCE)

FIG ITEM	PART NUMBER	1 2 3 4 5 6 7	NOMENCLATURE	EFFECT FROM TO	UNITS PER ASSY
3			LIGHT INSTL-MISC (AND FLYAWAY)	011100	
- 1	417N5100-60		LIGHTS INSTL-MISC FOR NHA SEE: 25-20-00-01A	011017	RF
- 1	417N5100-79		LIGHTS INSTL-MISC FOR NHA SEE: 25-20-00-01A	018100	RF
5	BAC27NPA0274		.MARKER-ALUMINUM FOIL PLACARD CONTENT: L410 NS/FSB SIGN	011100	1
15	BAC29PPS18383		.MARKER-ALUMINUM FOIL PLACARD CONTENT: L831 NS/FSB SIGN	011100	1
20	BAC27NPA0283		.MARKER-ALUMINUM FOIL PLACARD CONTENT: L00418 LAVATORY OCCUPIED SIGN	011100	1
130	BAC27NPA1278		.MARKER-ALUMINUM FOIL PLACARD CONTENT: L546 NS/FSB SIGN	011100	1
135	BAC27NPA0275		.MARKER-ALUMINUM FOIL PLACARD CONTENT: L409 NS/FSB SIGN	011100	1
140	BAC27NPA0943		.MARKER-ALUMINUM FOIL PLACARD CONTENT: L532 NS/FSB SIGN	011100	1
145	BAC27NPA0284		.MARKER-ALUMINUM FOIL PLACARD CONTENT: L00419 LAVATORY OCCUPIED SIGN	011100	1
165	BAC29PPS4193		.MARKER-ALUMINUM FOIL PLACARD CONTENT: L616 TOILETS	011100	1
170	BAC29PPS4194		.MARKER-ALUMINUM FOIL PLACARD CONTENT: L617 OCCUPIED	011100	1
175	BAC29PPS5210		.MARKER-ALUMINUM FOIL PLACARD CONTENT: L641 LAVATORIES SIGN	011100	1
180	BAC29PPS5211		.MARKER-ALUMINUM FOIL PLACARD CONTENT: L642 OCCUPIED SIGN	011100	1
185	BAC27NPA0276		.MARKER-ALUMINUM FOIL PLACARD CONTENT: L412 NS/FSB SIGN	011100	1

MISSING ITEM NUMBERS NOT APPLICABLE

- ITEM NOT ILLUSTRATED

33-20-51-03

33-20-51
FIG. 03
PAGE 1
JAN 20/09

BRI



757

PARTS CATALOG (MAINTENANCE)

FIG ITEM	PART NUMBER	1 2 3 4 5 6 7	NOMENCLATURE	EFFECT FROM TO	UNITS PER ASSY
3					
215	BR9442-913	.	SIGN-ATTENDANT INFORMATION SUPPLIER CODE: V17023 SPECIFICATION NUMBER: S417N503-13	011100	6
216	06152-14	..	LENS-NS/FSB SUPPLIER CODE: V17023	011100	1
-216A	387	..	BULB- SUPPLIER CODE: V08806	011100	5
240	11-4281-1E	.	BEZEL ASSY- SUPPLIER CODE: V72914 SPECIFICATION NUMBER: S417N502-6E	011100	1
260	11-4388-1	..	BEZEL- SUPPLIER CODE: V72914	011100	1
280	25-1116-1	..	LENS- SUPPLIER CODE: V72914	011100	1
305	11-4269-1E	.	BEZEL ASSY- SUPPLIER CODE: V72914 SPECIFICATION NUMBER: S417N502-9E	011100	9
335	11-4227-1	..	BEZEL- SUPPLIER CODE: V72914	011100	1
365	25-1115-1	..	LENS- SUPPLIER CODE: V72914	011100	1
380	BR9293-903	.	LENS-LAV OCCUPIED ENGLISH SUPPLIER CODE: V17023 SPECIFICATION NUMBER: S417N506-3	011017	1
380	BR9293-1023	.	LENS-LAV OCCUPIED SUPPLIER CODE: V17023 SPECIFICATION NUMBER: S417N506-123 QUALIFIED I/W DATA: SUBJECT TO CUSTOMER PREFERENCE	018100	1

MISSING ITEM NUMBERS NOT APPLICABLE

- ITEM NOT ILLUSTRATED

33-20-51-03

33-20-51
FIG. 03
PAGE 2
JAN 20/09

BRI

BOEING PROPRIETARY - Copyright © - Unpublished Work - See title page for details.



757

PARTS CATALOG (MAINTENANCE)

FIG ITEM	PART NUMBER	1 2 3 4 5 6 7	NOMENCLATURE	EFFECT FROM TO	UNITS PER ASSY
3					
380	BR9293-904		.LENS- SUPPLIER CODE: V17023 SPECIFICATION NUMBER: S417N506-4	018100	1
380	S417N506-122		.LENS-LAV OCCUPIED	018100	1
380	BR9293-1019		.LENS-LAV OCCUPIED SUPPLIER CODE: V17023 SPECIFICATION NUMBER: S417N506-119 QUALIFIED I/W DATA: SUBJECT TO CUSTOMER PREFERENCE	018100	1
385	BR9293-904		.LENS- SUPPLIER CODE: V17023 SPECIFICATION NUMBER: S417N506-4	011100	1
385	BR9293-1023		.LENS-LAV OCCUPIED SUPPLIER CODE: V17023 SPECIFICATION NUMBER: S417N506-123 QUALIFIED I/W DATA: SUBJECT TO CUSTOMER PREFERENCE	011100	1
385	S417N506-122		.LENS-LAV OCCUPIED	011100	1
385	BR9293-1019		.LENS-LAV OCCUPIED SUPPLIER CODE: V17023 SPECIFICATION NUMBER: S417N506-119 QUALIFIED I/W DATA: SUBJECT TO CUSTOMER PREFERENCE	011100	1
435	BR9292-901		.HOUSING ASSY-SIGN SUPPLIER CODE: V17023 SPECIFICATION NUMBER: S417N506-1 OPTIONAL PART: BR9292-902 V17023	011017	2

MISSING ITEM NUMBERS NOT APPLICABLE

- ITEM NOT ILLUSTRATED

33-20-51-03

33-20-51
FIG. 03
PAGE 3
JAN 20/09

BRI

BOEING PROPRIETARY - Copyright © - Unpublished Work - See title page for details.



757

PARTS CATALOG (MAINTENANCE)

FIG ITEM	PART NUMBER	1 2 3 4 5 6 7	NOMENCLATURE	EFFECT FROM TO	UNITS PER ASSY
3					
435	BR9292-902		.HOUSING ASSY-SIGN SUPPLIER CODE: V17023 SPECIFICATION NUMBER: S417N506-2 OPTIONAL PART: BR9292-901 V17023	011100	2
455	417N5160-1SP		.HOUSING ASSY ATTACHING PARTS	011100	1
- 465	BACS12FA08K9		.SCREW	011100	6
- 475	NAS1149DN816J		.WASHER	011100	6
			-----*-----		
500	BR9446-703		.SIGN ASSY-LAV OCCUPIED SUPPLIER CODE: V17023 SPECIFICATION NUMBER: S417N506-2002 OPTIONAL PART: BR9256-902 V17023 BR9446-902 V17023	011100	2
505	BR9446-705		.SIGN ASSY-LAV OCCUPIED SUPPLIER CODE: V17023 SPECIFICATION NUMBER: S417N506-2004	011100	2
505	BR9446-754		.SIGN ASSY-LAV OCCUPIED SUPPLIER CODE: V17023 SPECIFICATION NUMBER: S417N506-2053	011100	2
555	417N5008-11		.LIGHT INSTL-SIDEWALL POSITION DATA: LH FOR DETAILS SEE: 33-21-00-15B	011017	1
555	417N5008-41		.LIGHT INSTL-SIDEWALL POSITION DATA: LH FOR DETAILS SEE: 33-21-00-15B	018100	1
595	417N5008-34		.LIGHT INSTL-SIDEWALL POSITION DATA: RH FOR DETAILS SEE: 33-21-00-20A	011017	1

MISSING ITEM NUMBERS NOT APPLICABLE

- ITEM NOT ILLUSTRATED

33-20-51-03

33-20-51
FIG. 03
PAGE 4
JAN 20/09

BRI



757

PARTS CATALOG (MAINTENANCE)

FIG ITEM	PART NUMBER	1 2 3 4 5 6 7	NOMENCLATURE	EFFECT FROM TO	UNITS PER ASSY
3 595	417N5008-42		.LIGHT INSTL-SIDEWALL POSITION DATA: RH FOR DETAILS SEE: 33-21-00-20A	018100	1

MISSING ITEM NUMBERS NOT APPLICABLE

- ITEM NOT ILLUSTRATED

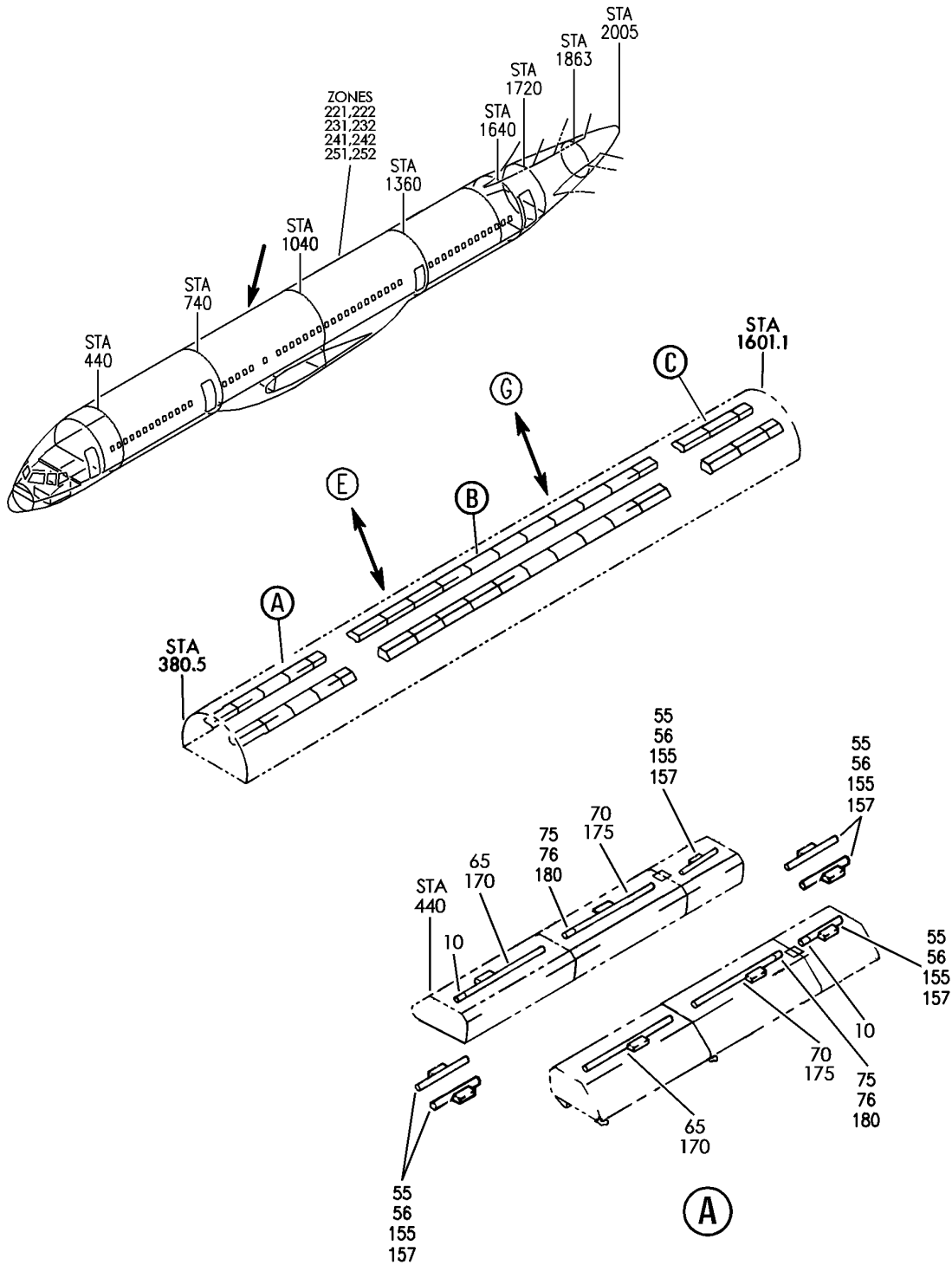
BRI

33-20-51-03

BOEING PROPRIETARY - Copyright © - Unpublished Work - See title page for details.

33-20-51
FIG. 03
PAGE 5
JAN 20/09

BOEING
757
PARTS CATALOG (MAINTENANCE)



Y 33205110 SHT 1 REV 243

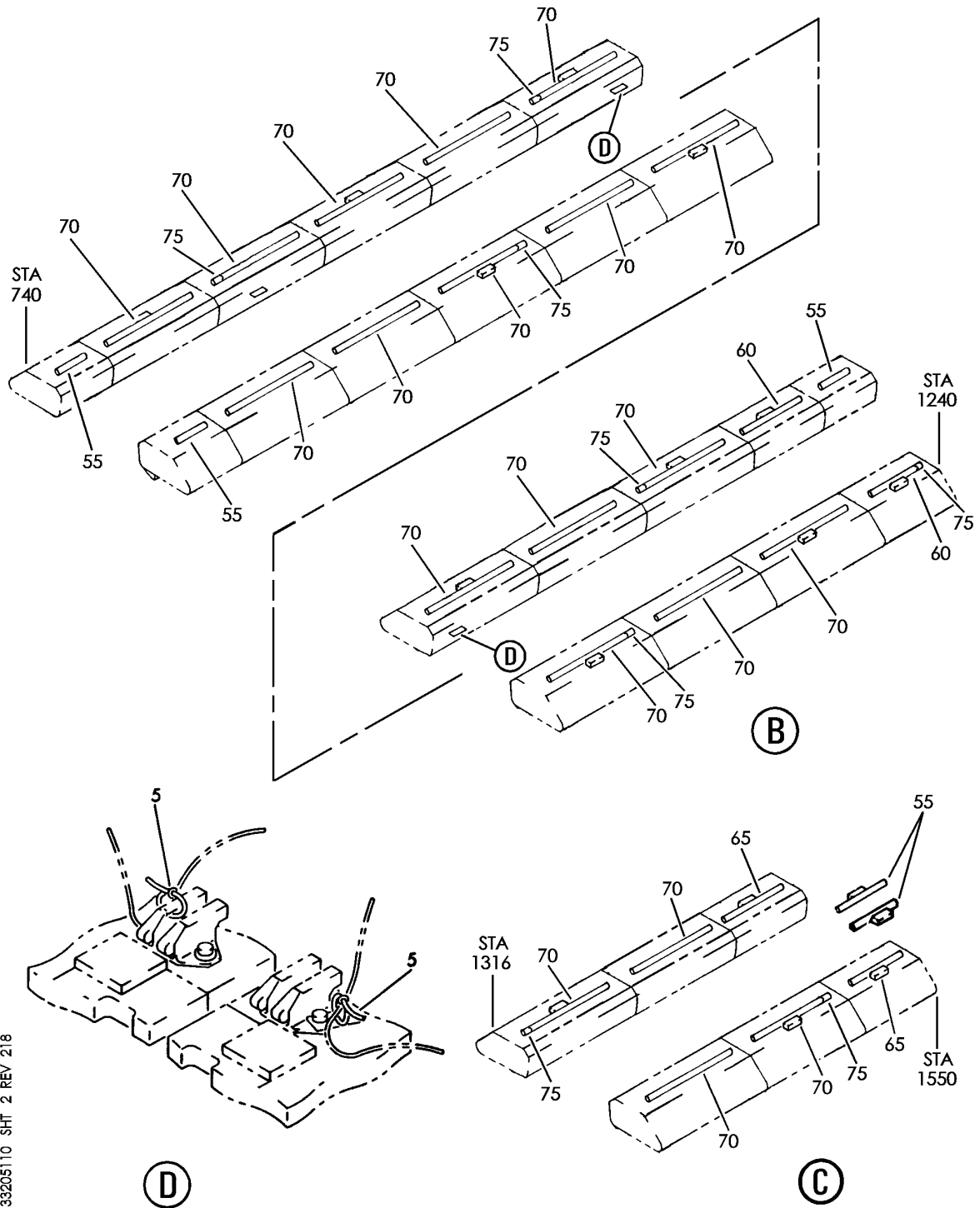
LIGHT INSTL-MISC
FIGURE 10 (SHEET 1)

33-20-51-10

BRI
JAN 20/09

33-20-51-10
PAGE 0

BOEING
757
PARTS CATALOG (MAINTENANCE)



Y 33205110 SHT 2 REV 218

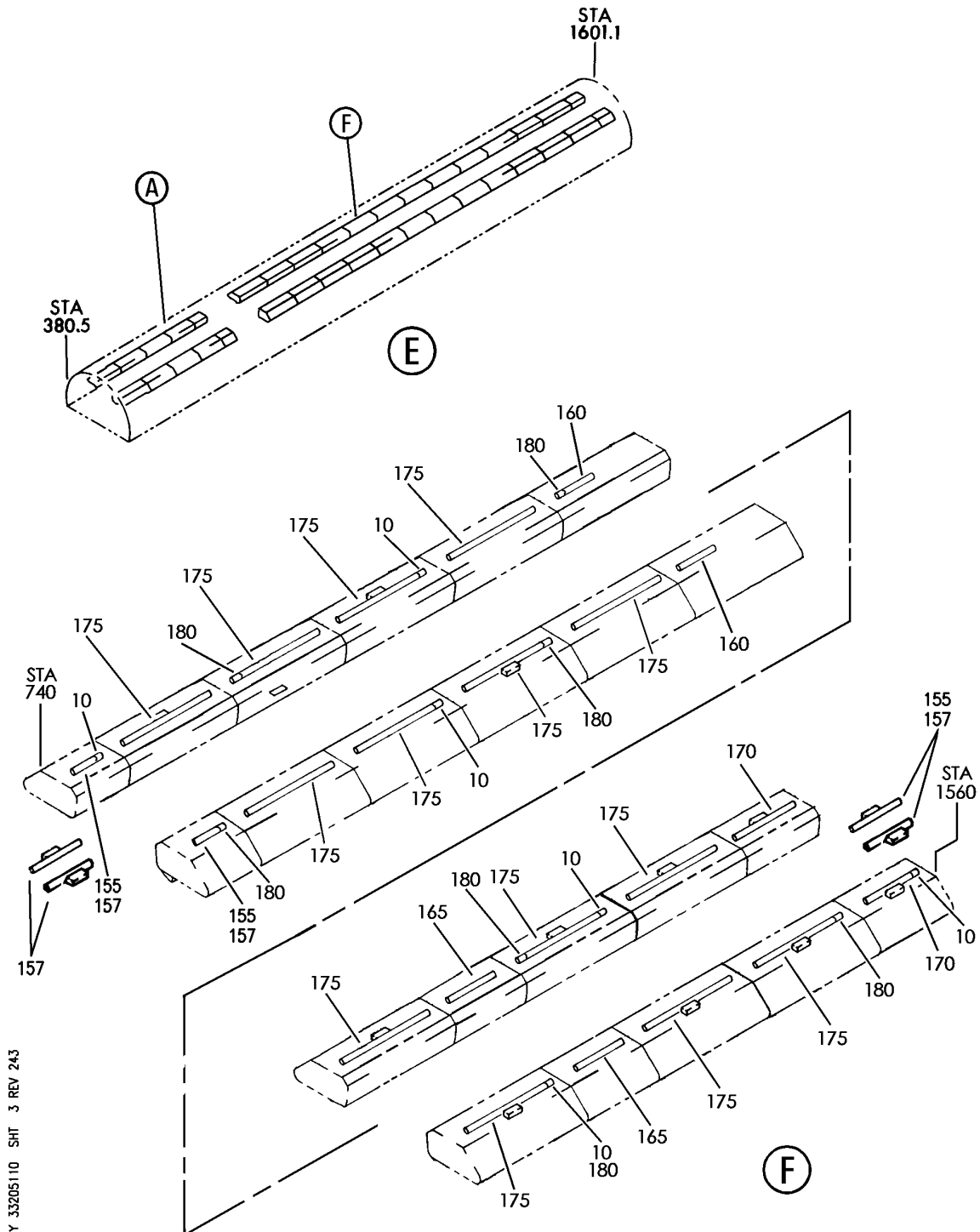
LIGHT INSTL-MISC
FIGURE 10 (SHEET 2)

33-20-51-10

BRI
JAN 20/09

33-20-51-10
PAGE 0A

BOEING
757
PARTS CATALOG (MAINTENANCE)



Y 33205110 SHT 3 REV 243

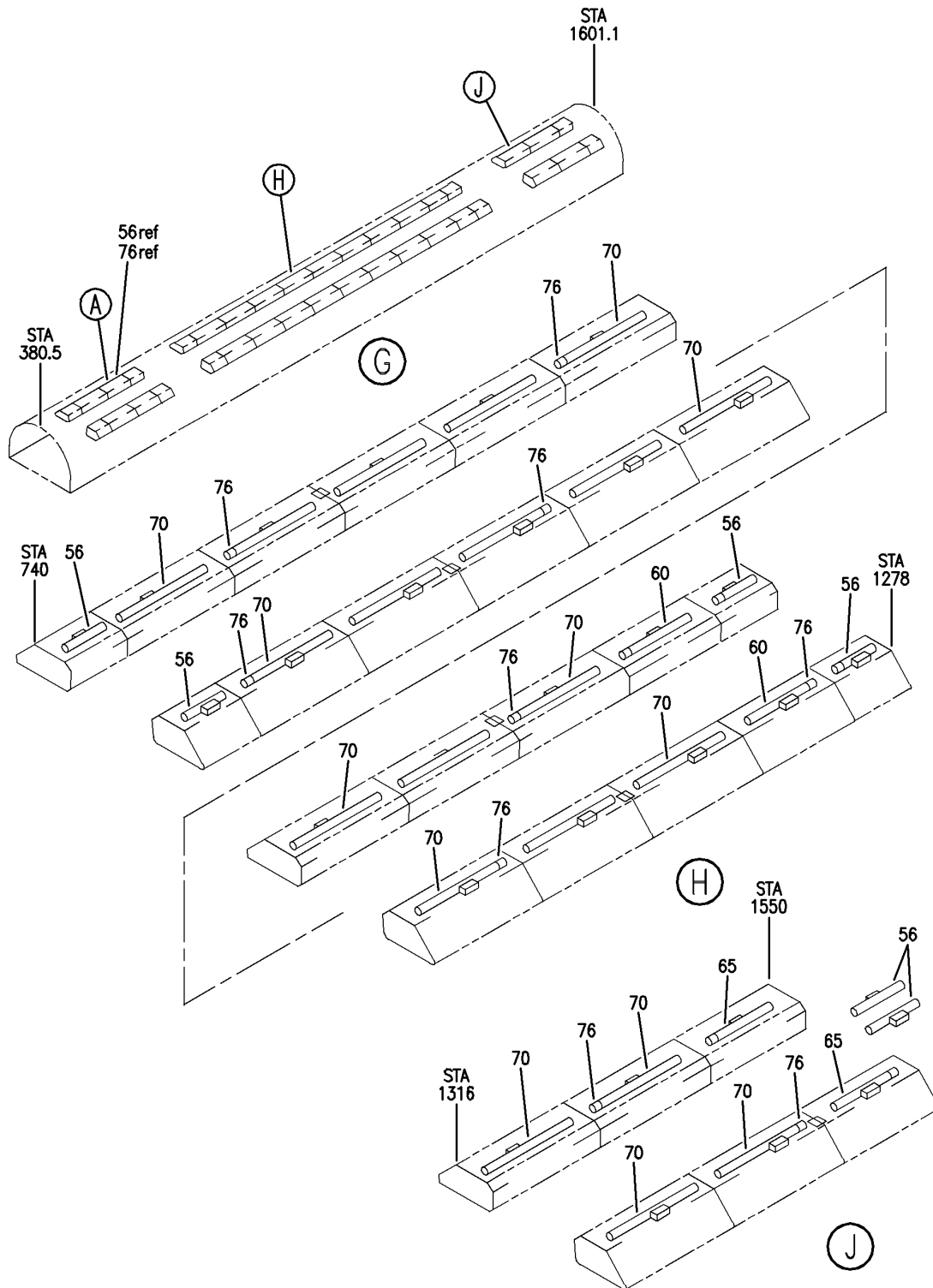
LIGHT INSTL-MISC
FIGURE 10 (SHEET 3)

33-20-51-10

BRI
JAN 20/09

33-20-51-10
PAGE 0B

BOEING
757
PARTS CATALOG (MAINTENANCE)



Y. 33205110 SHT 4 REV 232

LIGHT INSTL-MISC
FIGURE 10 (SHEET 4)

33-20-51-10

BRI
JAN 20/09

33-20-51-10
PAGE 0C



757

PARTS CATALOG (MAINTENANCE)

FIG ITEM	PART NUMBER	1 2 3 4 5 6 7	NOMENCLATURE	EFFECT FROM TO	UNITS PER ASSY
10			LIGHT INSTL-MISC	108120 504903	
- 1	417N0520-1		LIGHT INSTL-NIGHT FOR NHA SEE: 25-20-00-07D	108120 504903	RF
5	PLT1MM		.STRAP SUPPLIER CODE: V06383 SPECIFICATION NUMBER: BACS38K4 OPTIONAL PART: TOR180 V53421	108120 504903	4
10	C709-05-001		.LIGHT ASSY-NIGHT SUPPLIER CODE: VK0673 SPECIFICATION NUMBER: S417N514-5	108120 504903	8

MISSING ITEM NUMBERS NOT APPLICABLE

- ITEM NOT ILLUSTRATED

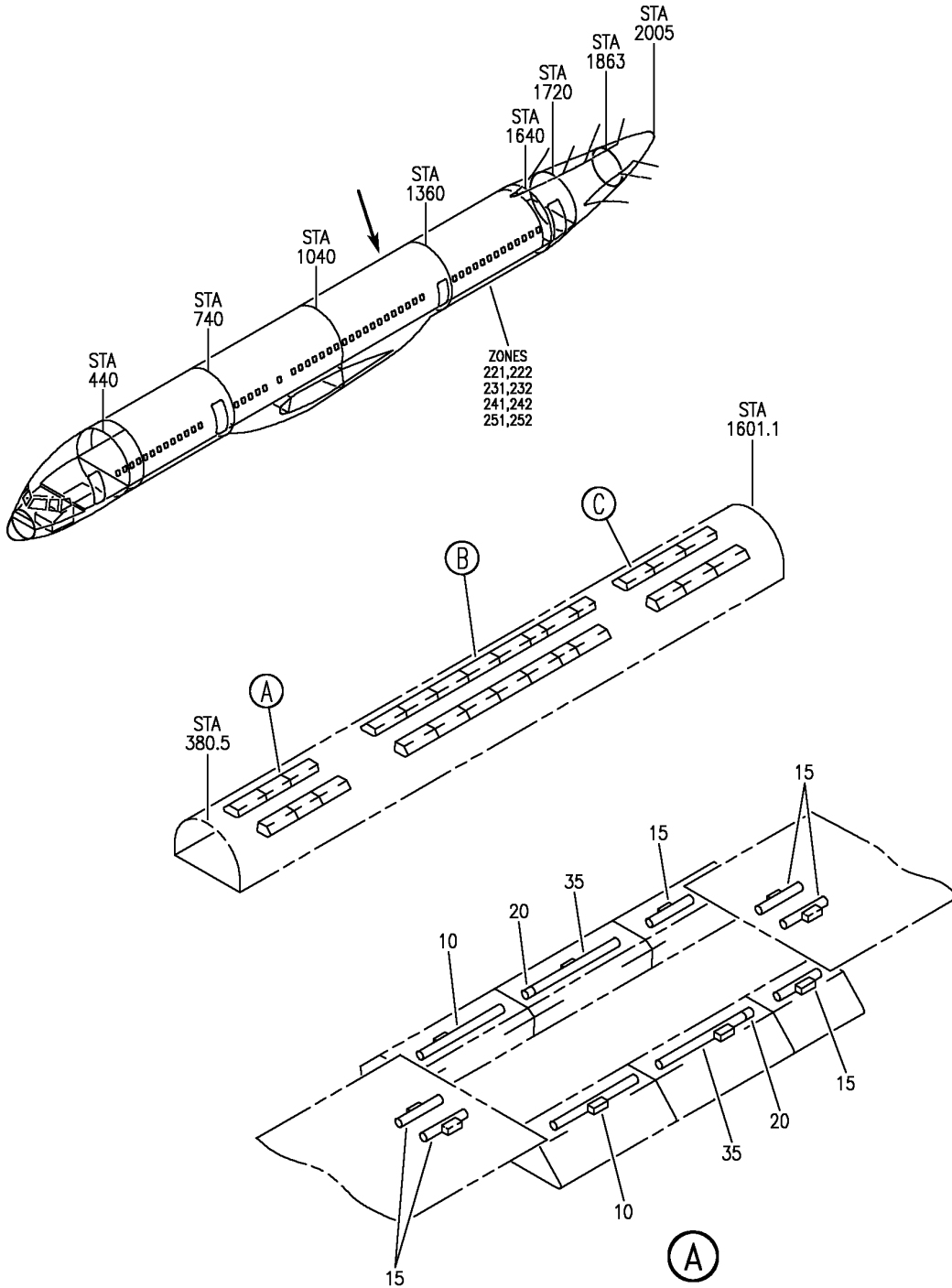
BRI

33-20-51-10

BOEING PROPRIETARY - Copyright © - Unpublished Work - See title page for details.

33-20-51
FIG. 10
PAGE 1
JAN 20/09

BOEING
757
PARTS CATALOG (MAINTENANCE)



Y 33205110B SHT 1 REV 258

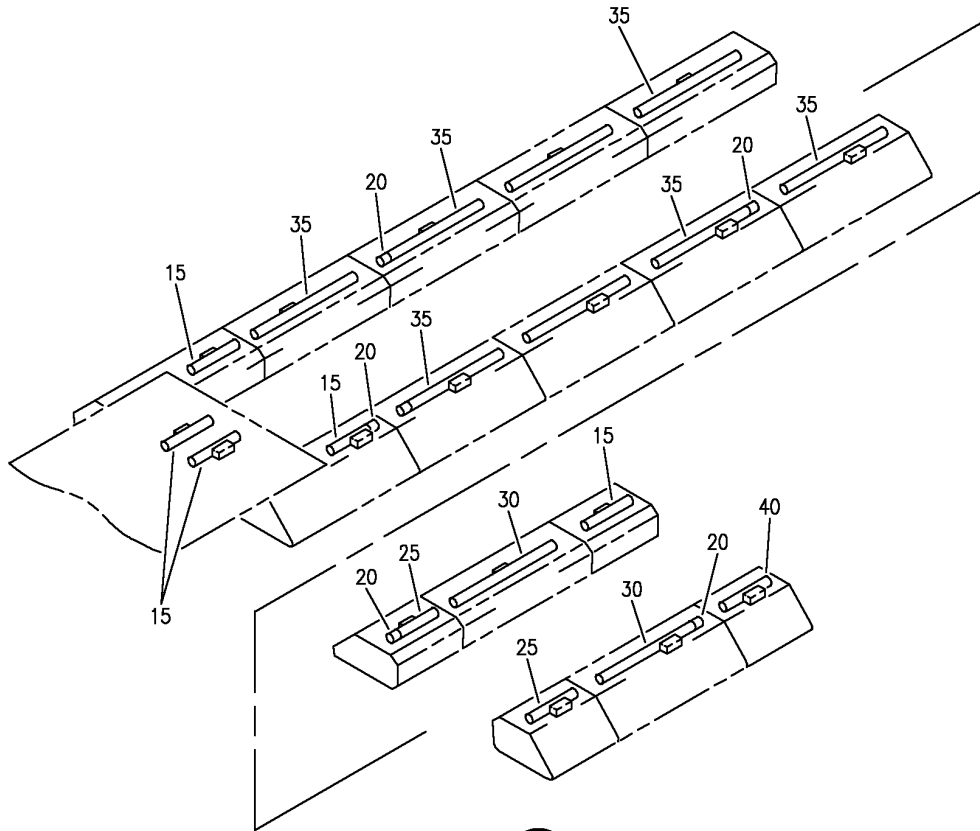
LIGHT INSTL-NIGHT
FIGURE 10B (SHEET 1)

33-20-51-10B

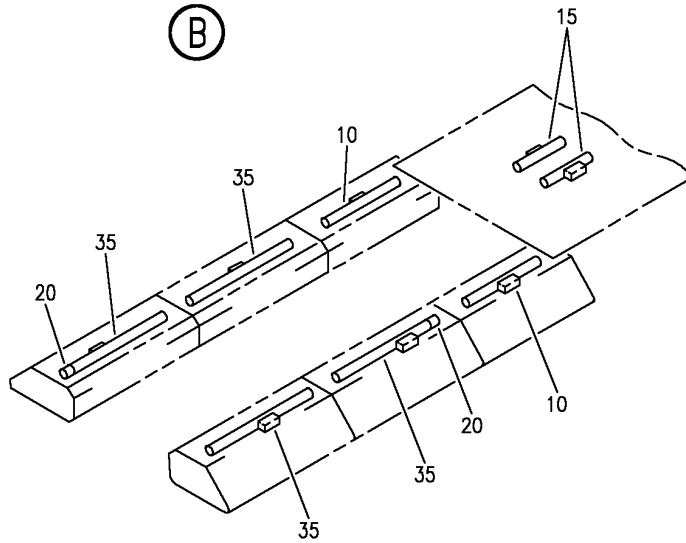
BRI
JAN 20/09

33-20-51-10B
PAGE 0

BOEING
757
PARTS CATALOG (MAINTENANCE)



(B)



(C)

Y 33205110B SHT 2 REV 272

LIGHT INSTL-NIGHT
FIGURE 10B (SHEET 2)

33-20-51-10B

BRI
JAN 20/09

33-20-51-10B
PAGE 0A



757

PARTS CATALOG (MAINTENANCE)

FIG ITEM	PART NUMBER	1 2 3 4 5 6 7	NOMENCLATURE	EFFECT FROM TO	UNITS PER ASSY
10B			LIGHT INSTL-NIGHT	103106	
- 1	MODREF31865		LIGHT INSTL-NIGHT MODULE NUMBER: 417N0520-204 REV A	103106	1
10	F039WWBCAC		.LAMP- SUPPLIER CODE: V52343	103106	4
15	F017WWBCAC		.LAMP- SUPPLIER CODE: V52343	103106	13
20	1873F		.LIGHT- SUPPLIER CODE: V52343	103106	9
25	F019WWBCAC		.LAMP- SUPPLIER CODE: V52343	103106	2
30	F032WWBCAC		.LAMP- SUPPLIER CODE: V52343	103106	2
35	F045WWBCAC		.LAMP- SUPPLIER CODE: V52343	103106	14

MISSING ITEM NUMBERS NOT APPLICABLE

- ITEM NOT ILLUSTRATED

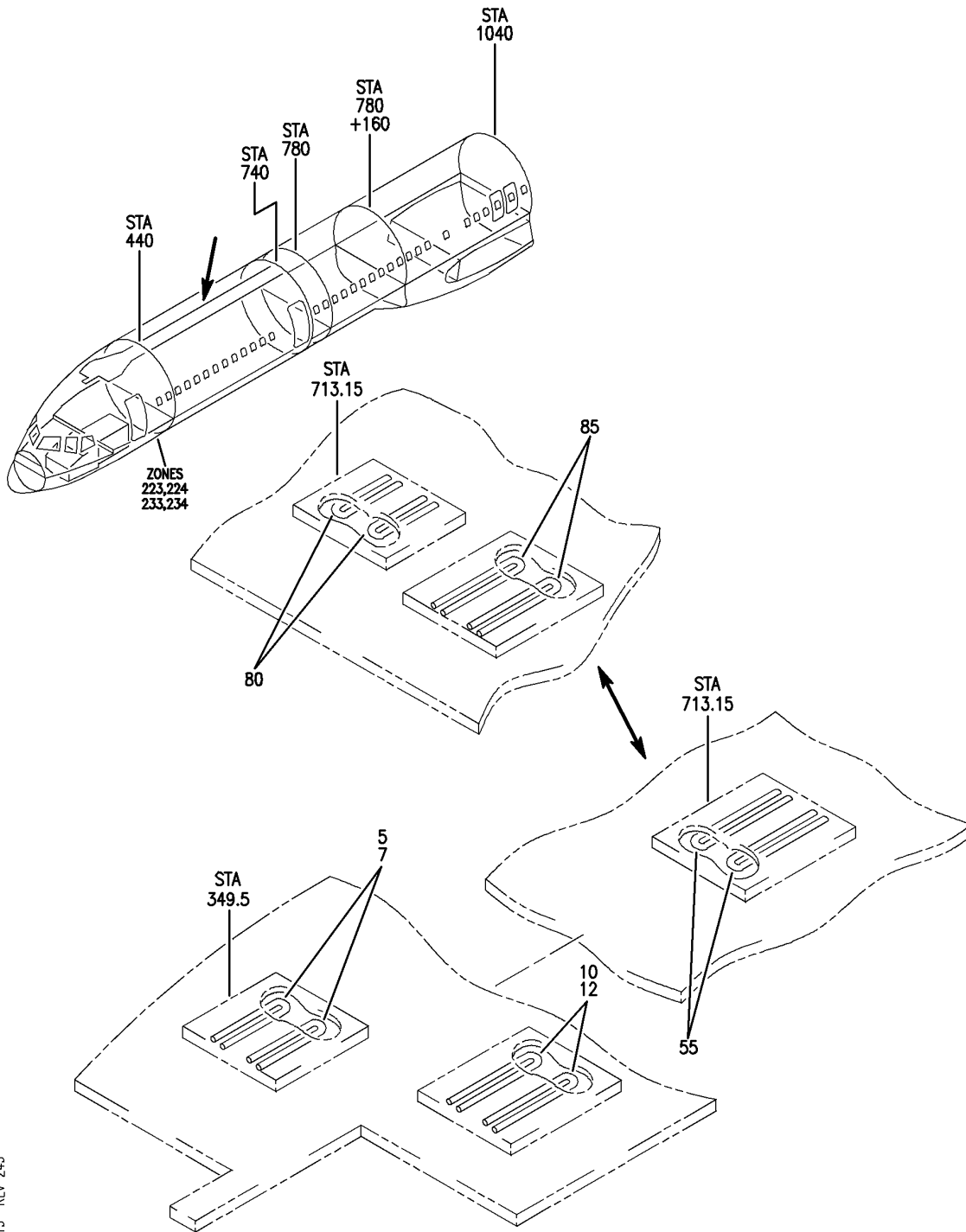
33-20-51-10B

33-20-51
FIG. 10B
PAGE 1
JAN 20/09

BRI

BOEING PROPRIETARY - Copyright © - Unpublished Work - See title page for details.

BOEING
757
PARTS CATALOG (MAINTENANCE)



Y. 33205115 REV 245

LIGHTING INSTL
FIGURE 15

33-20-51-15

BRI
JAN 20/09

33-20-51-15
PAGE 0



757

PARTS CATALOG (MAINTENANCE)

FIG ITEM	PART NUMBER	1 2 3 4 5 6 7	NOMENCLATURE	EFFECT FROM TO	UNITS PER ASSY
15			LIGHTING INSTL	103106	
- 1	MODREF33019		LIGHTING INSTL- MODULE NUMBER: 417N5115-1 REV B POSITION DATA: FWD	103106	1
5	FB024830		.LAMP- SUPPLIER CODE: V017J3	103106	2
10	FB016830		.LAMP- SUPPLIER CODE: V017J3	103106	2
- 50	MODREF33020		LIGHT INSTL-DOOR NO. 2 MODULE NUMBER: 417N5115-2 REV B	103106	1
55	FB024830		.LAMP- SUPPLIER CODE: V017J3	103106	2

MISSING ITEM NUMBERS NOT APPLICABLE

- ITEM NOT ILLUSTRATED

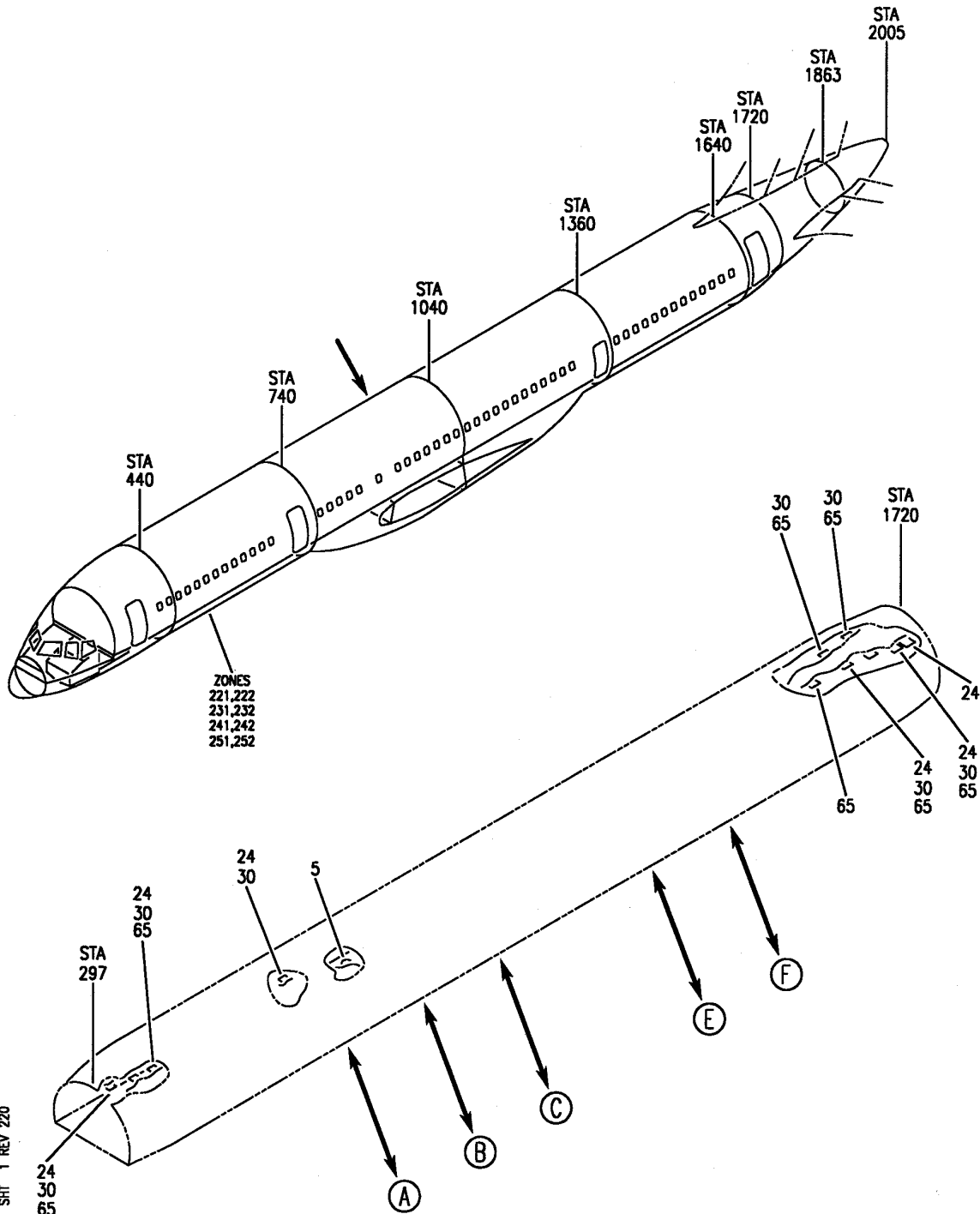
BRI

33-20-51-15

BOEING PROPRIETARY - Copyright © - Unpublished Work - See title page for details.

33-20-51
FIG. 15
PAGE 1
JAN 20/09

BOEING
757
PARTS CATALOG (MAINTENANCE)



Y 33205116 SH1 1 REV 220

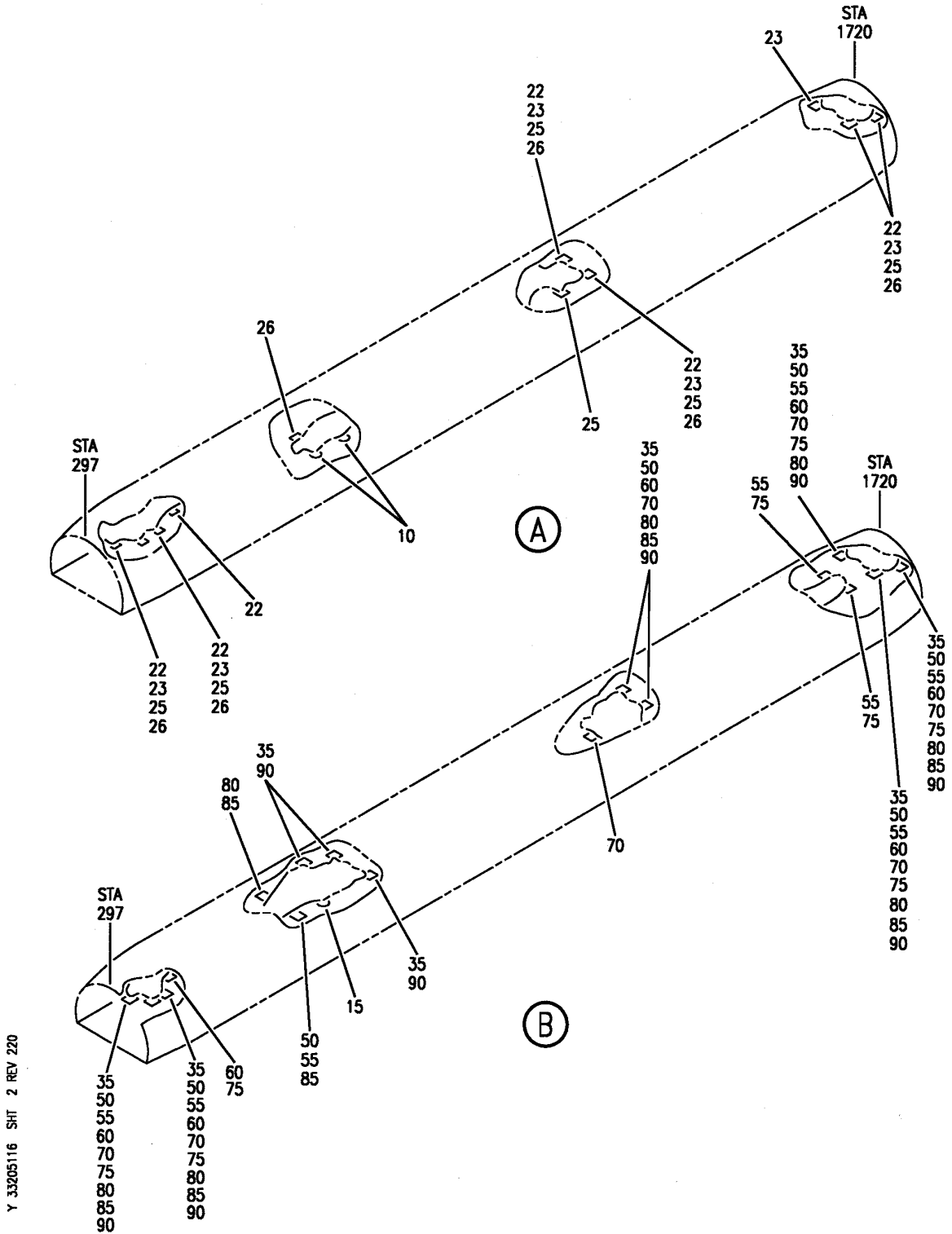
LIGHT INSTL-MISC
FIGURE 16 (SHEET 1)

33-20-51-16

BRI
MAY 28/07

33-20-51-16
PAGE 0

BOEING
757
PARTS CATALOG (MAINTENANCE)



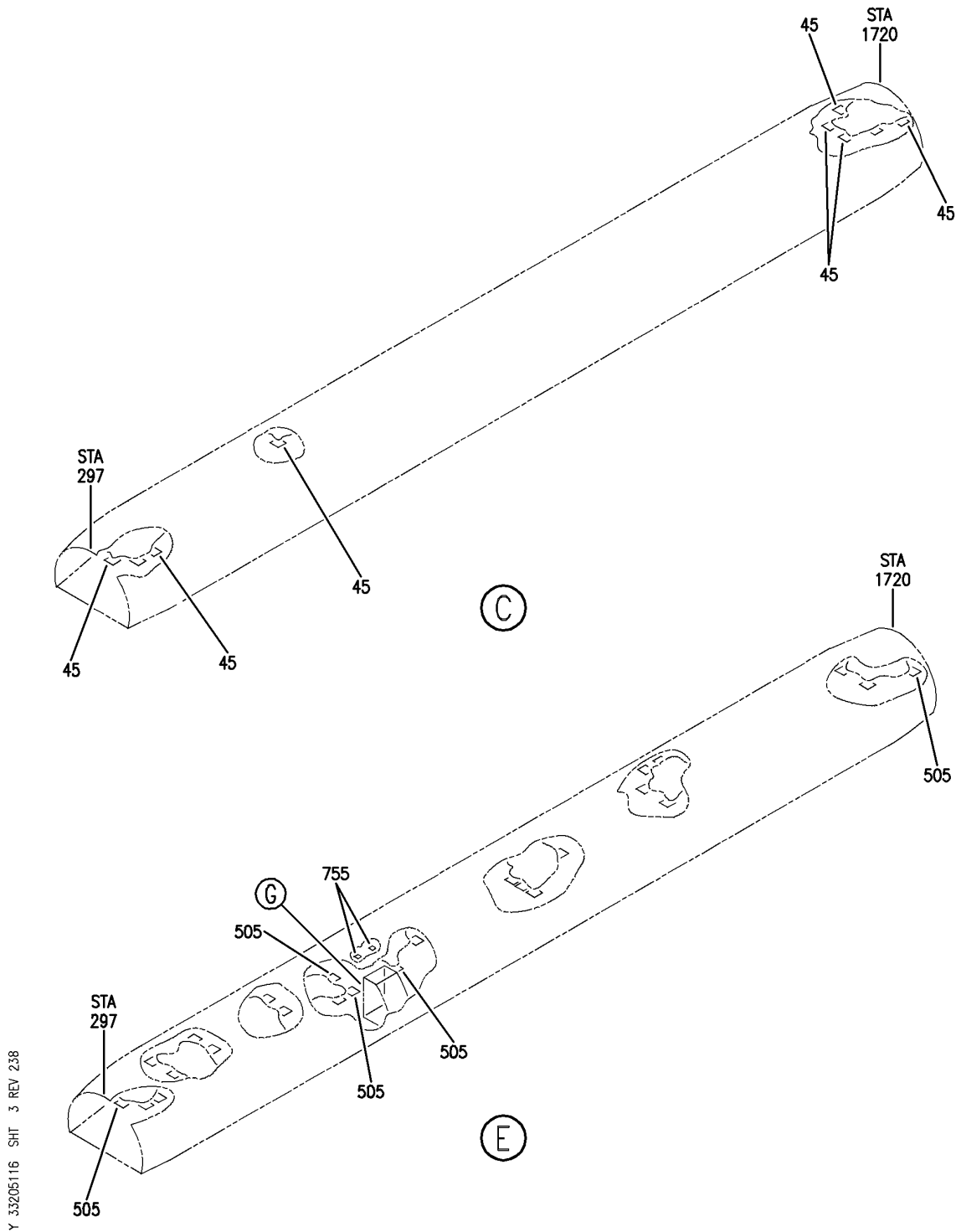
LIGHT INSTL-MISC
FIGURE 16 (SHEET 2)

33-20-51-16

BRI
MAY 28/07

33-20-51-16
PAGE 0A

BOEING
757
PARTS CATALOG (MAINTENANCE)



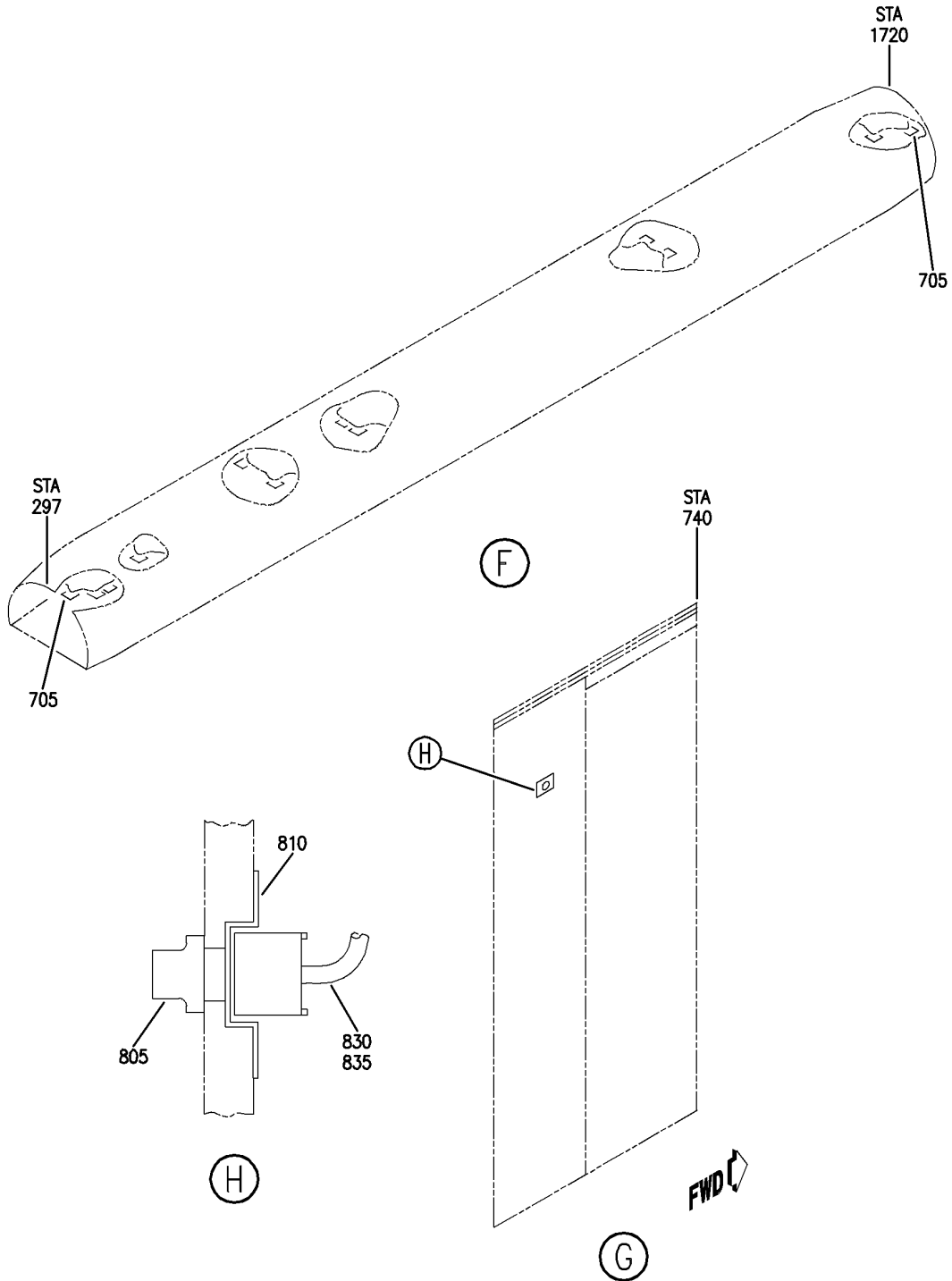
LIGHT INSTL-MISC
FIGURE 16 (SHEET 3)

33-20-51-16

BRI
MAY 28/07

33-20-51-16
PAGE 0B

BOEING
757
PARTS CATALOG (MAINTENANCE)



Y. 33205116 SH1 4 REV 238

LIGHT INSTL-MISC
FIGURE 16 (SHEET 4)

33-20-51-16

BRI
MAY 28/07

33-20-51-16
PAGE 0C



757

PARTS CATALOG (MAINTENANCE)

FIG ITEM	PART NUMBER	1 2 3 4 5 6 7	NOMENCLATURE	EFFECT FROM TO	UNITS PER ASSY
16			LIGHT INSTL-MISC	101102 108120 504903	
- 2	417N5110-30SP		LIGHTS INSTL-MISC FOR NHA SEE: 25-20-00-11	101102	RF
- 2	417N5110-36B		LIGHTS INSTL-MISC FOR NHA SEE: 25-20-00-11	108120	RF
5	11-4281-1E		.BEZEL ASSY-LIGHT SUPPLIER CODE: V72914 SPECIFICATION NUMBER: S417N502-6E	108120	1
10	11-4281-1E		.BEZEL ASSY-LIGHT SUPPLIER CODE: V72914 SPECIFICATION NUMBER: S417N502-6E	101102	2
26	11-4269-1E		.BEZEL ASSY-LIGHT SUPPLIER CODE: V72914 SPECIFICATION NUMBER: S417N502-9E USED ON: 417N5110-28SP 417N5110-36B	108120	8
70	11-4269-1E		.BEZEL ASSY-LIGHT SUPPLIER CODE: V72914 SPECIFICATION NUMBER: S417N502-9E	101102	9
- 700	417N5110-15SP		LIGHTS INSTL-MISC FOR NHA SEE: 25-20-00-11	504903	RF
705	11-4269-1E		.BEZEL ASSY-LIGHT SUPPLIER CODE: V72914 SPECIFICATION NUMBER: S417N502-9E	504903	12

MISSING ITEM NUMBERS NOT APPLICABLE

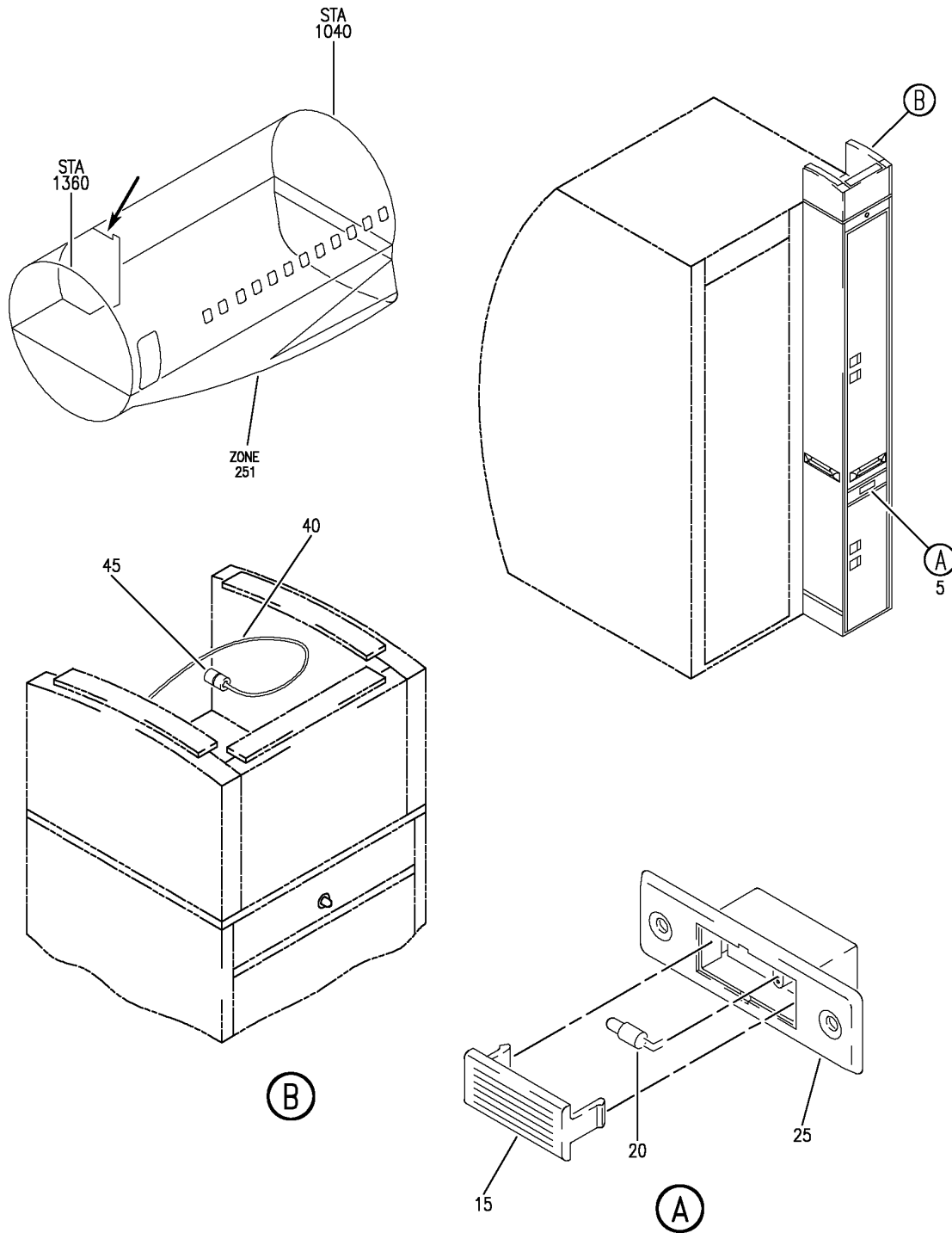
- ITEM NOT ILLUSTRATED

33-20-51-16

33-20-51
FIG. 16
PAGE 1
JAN 20/09

BRI

BOEING
757
PARTS CATALOG (MAINTENANCE)



Y 33205216 REV 259

STORAGE UNIT ASSY (LIGHTS ONLY)
FIGURE 16

33-20-52-16

BRI
JAN 20/09

33-20-52-16
PAGE 0



757

PARTS CATALOG (MAINTENANCE)

FIG ITEM	PART NUMBER	1 2 3 4 5 6 7	NOMENCLATURE	EFFECT FROM TO	UNITS PER ASSY
16			STOWAGE UNIT ASSY (LIGHTS ONLY)	103105	
- 1	416N1017-239B		STOWAGE UNIT ASSY- (LIGHTS ONLY) FOR NHA/OTHER SYS DET SEE: 25-64-00-16E	103105	RF
5	81000-33902		.LIGHT-PROXIMITY SUPPLIER CODE: VS5006 SPECIFICATION NUMBER: S479W230-7 COMPONENT MAINT MANUAL REF: 33-51-02	103105	1
- 10	BACS12ER06K5		ATTACHING PARTS .SCREW -----*-----	103105	2
15	81101-33701		..LENS- SUPPLIER CODE: VS5006	103105	1
20	3071BPEGPL		..LAMP- SUPPLIER CODE: VS5006	103105	1
25	81001-33902		..HOUSING- SUPPLIER CODE: VS5006	103105	1
40	286N0796-601		.WIRE BUNDLE ASSY	103105	1
45	AMC02RA03W		..RECEPTACLE- SUPPLIER CODE: V05574 ELECTRICAL EQUIP NUMBER: D11680 WIRING DIAGRAM REF: 335122	103105	1

MISSING ITEM NUMBERS NOT APPLICABLE

- ITEM NOT ILLUSTRATED

33-20-52-16

33-20-52
FIG. 16
PAGE 1
JAN 20/09

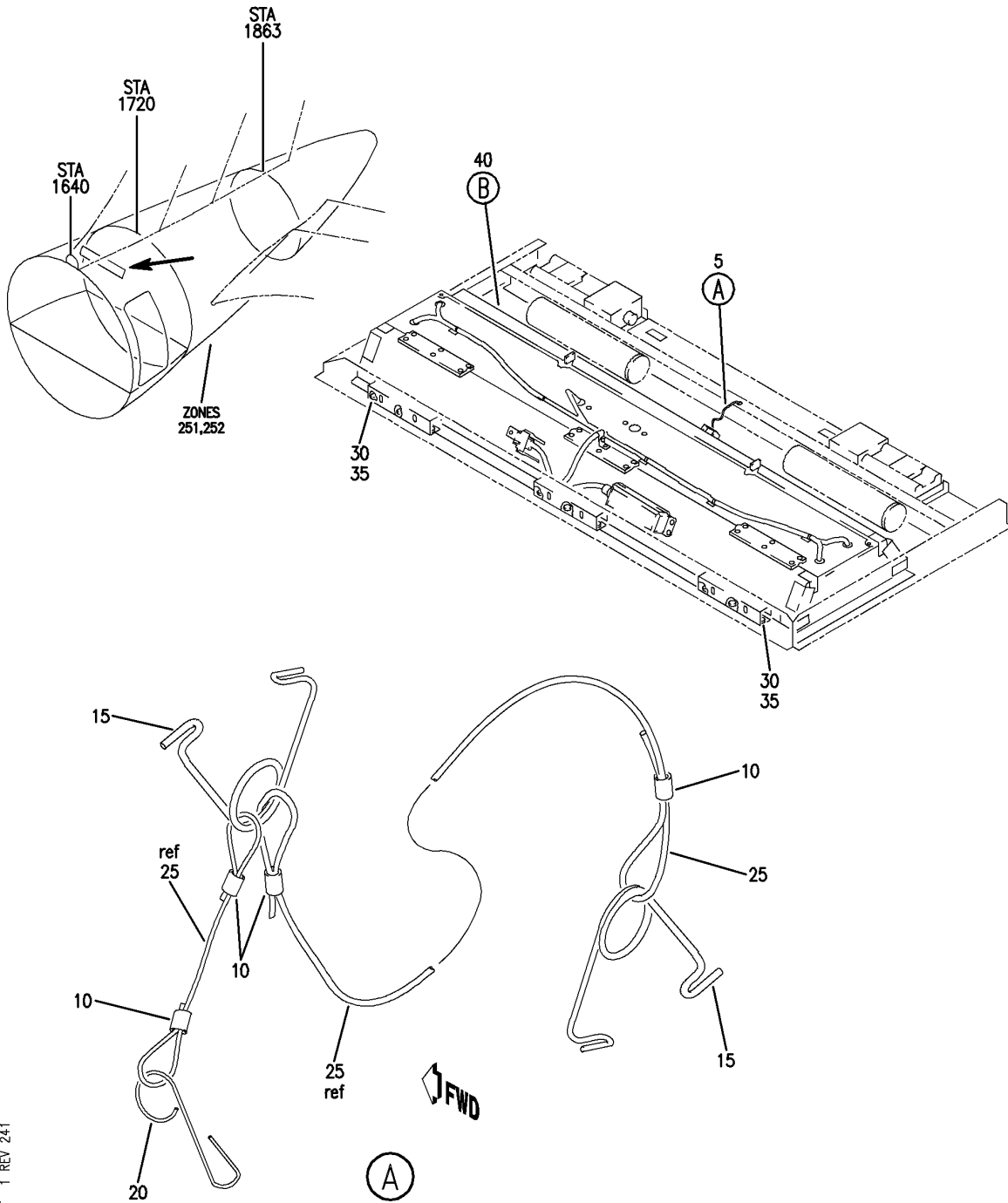
BRI

PASSENGER COMPARTMENT ILLUMINATION

BRI
MAY 28/07

33-21-00
SECTION TITLE
PAGE 1

BOEING
757
PARTS CATALOG (MAINTENANCE)



Y. 33210001F SH1 1 REV 241

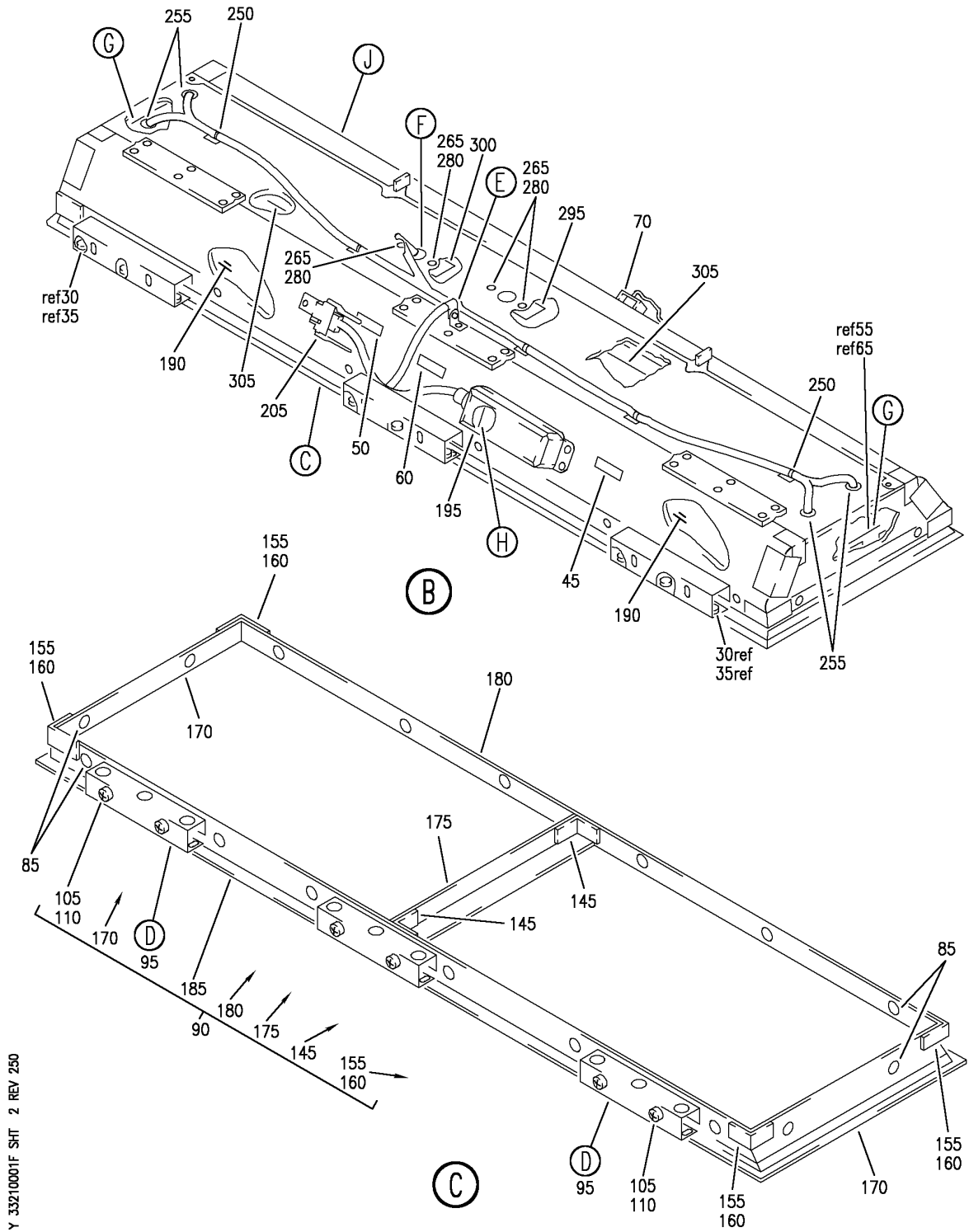
LIGHTING INSTL-AFT
FIGURE 1F (SHEET 1)

33-21-00-01F

BRI
JAN 20/09

33-21-00-01F
PAGE 0


BOEING
 757
PARTS CATALOG (MAINTENANCE)



Y 33210001F SHT 2 REV 250

LIGHTING INSTL-AFT
 FIGURE 1F (SHEET 2)

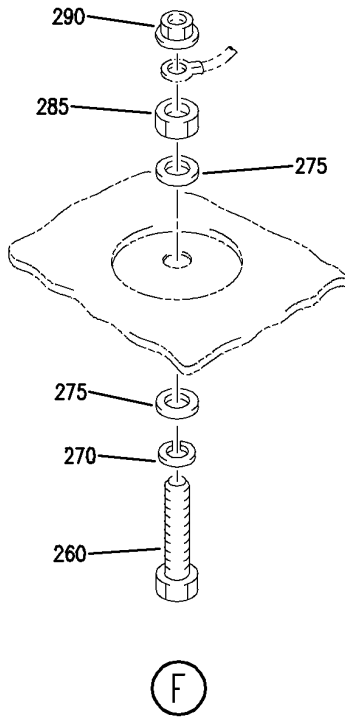
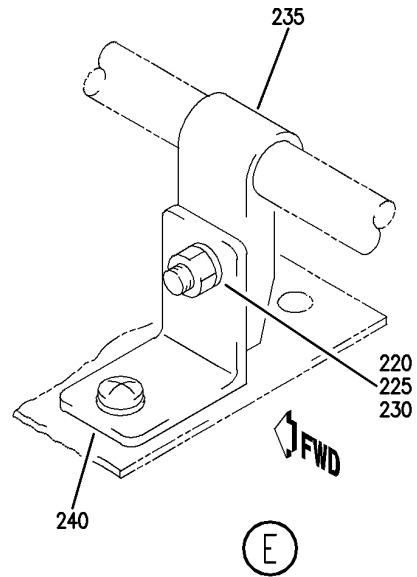
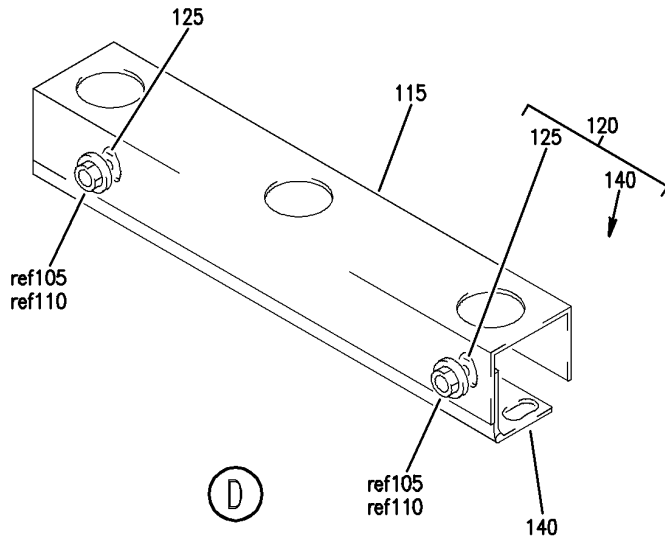
33-21-00-01F

BRI
 JAN 20/09

33-21-00-01F
 PAGE 0A

BOEING PROPRIETARY - Copyright © - Unpublished Work - See title page for details.


BOEING
 757
PARTS CATALOG (MAINTENANCE)



Y. 33210001F SH1 3 REV 241

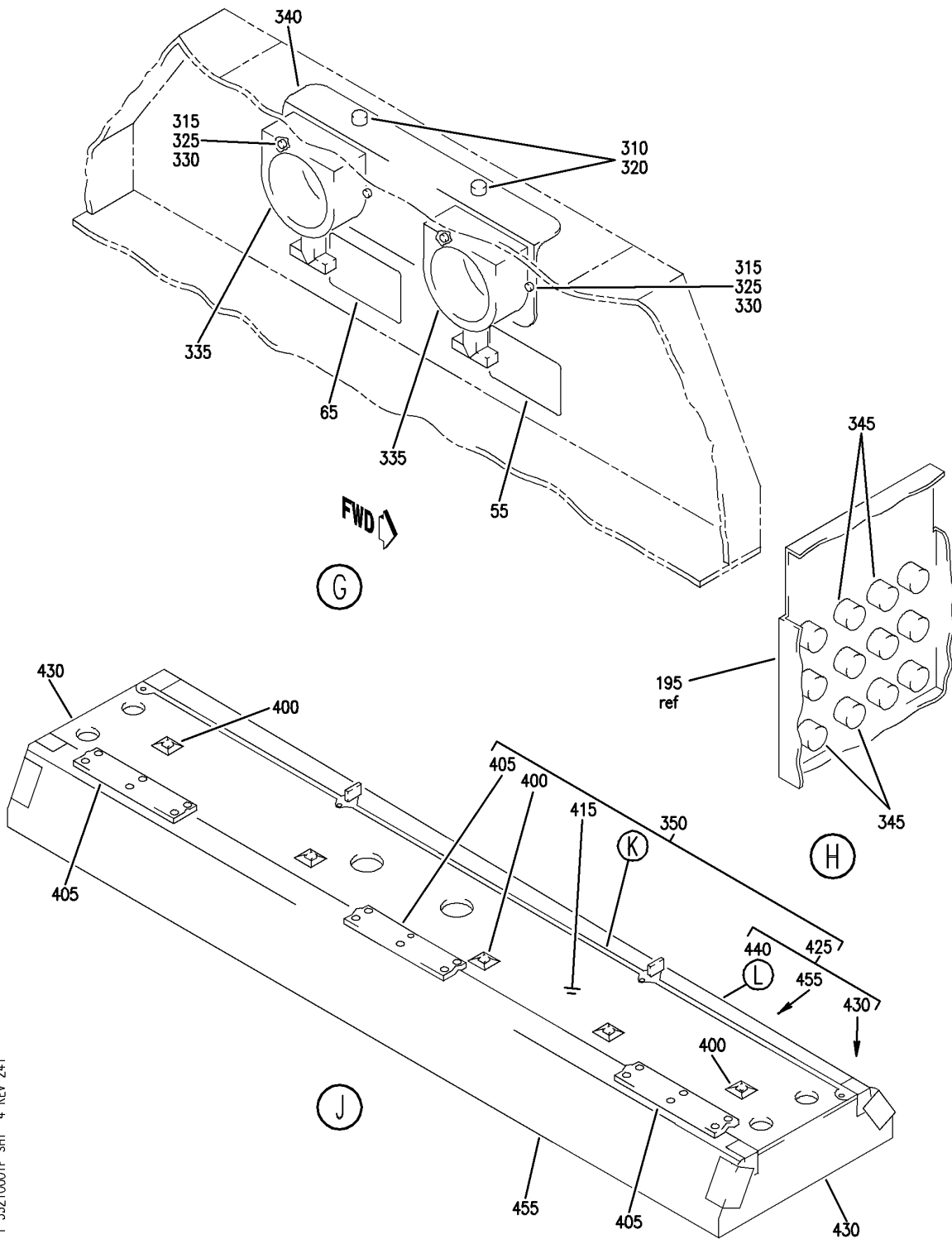
LIGHTING INSTL-AFT
 FIGURE 1F (SHEET 3)

33-21-00-01F

BRI
 JAN 20/09

33-21-00-01F
 PAGE 0B

BOEING
757
PARTS CATALOG (MAINTENANCE)



Y 33210001F SH1 4 REV 241

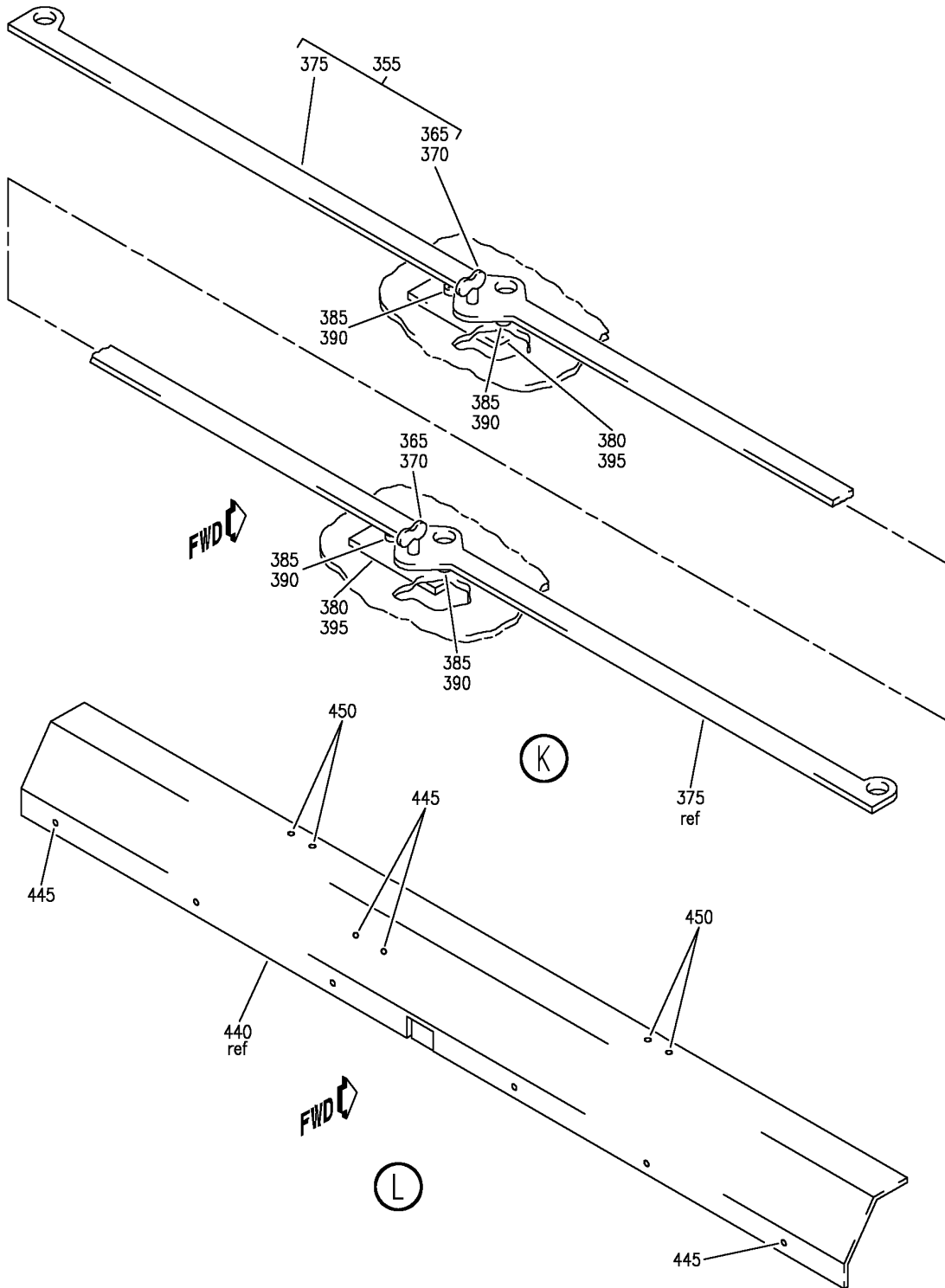
LIGHTING INSTL-AFT
FIGURE 1F (SHEET 4)

33-21-00-01F

BRI
JAN 20/09

33-21-00-01F
PAGE 0C

BOEING
757
PARTS CATALOG (MAINTENANCE)



Y 33210001F SH1 5 REV 278

LIGHTING INSTL-AFT
FIGURE 1F (SHEET 5)

33-21-00-01F

BRI
JAN 20/09

33-21-00-01F
PAGE 0D



757

PARTS CATALOG (MAINTENANCE)

FIG ITEM	PART NUMBER	1 2 3 4 5 6 7	NOMENCLATURE	EFFECT FROM TO	UNITS PER ASSY
1 F			LIGHTING INSTL-AFT	103106	
- 1	MODREF23789		LIGHTING INSTL- MODULE NUMBER: 417N5115-11B REV A POSITION DATA: AFT	103106	1
5	417N5152-5		.LANYARD ASSY	103106	1
10	GSC205		..SLEEVE- SUPPLIER CODE: V59730 SPECIFICATION NUMBER: BACS13S205C OPTIONAL PART: YOC130 V12357 BACS13S232B	103106	4
10	GSB232		..SLEEVE- SUPPLIER CODE: V56501 SPECIFICATION NUMBER: BACS13S232B OPTIONAL PART: BACS13S205C	103106	4
15	65C16899-6		..SPRING	103106	2
20	10-61790-1		..HOOK- SUPPLIER CODE: V08205 SPECIFICATION NUMBER: 10-61790-1	103106	1
25	417N5152-4		..CORD-NYLON	103106	1
30	BACS12GU3K5		.SCREW	103106	9
35	NAS1149D0316J		.WASHER	103106	9
40	417A5475-12B		.LIGHT ASSY-	103106	1
45	BAC27NEL1210		..MARKER-ALUMINUM FOIL PLACARD CONTENT: M11429 BALLAST	103106	1
50	BAC27NEL1212		..MARKER-ALUMINUM FOIL PLACARD CONTENT: D10962 CONNECTOR	103106	1
55	BAC27NEL1213		..MARKER-ALUMINUM FOIL PLACARD CONTENT: L1086 LAMP	103106	1
60	BAC27NEL1215		..MARKER-ALUMINUM FOIL PLACARD CONTENT: D10964 CONNECTOR	103106	1
65	BAC27NEL1214		..MARKER-ALUMINUM FOIL PLACARD CONTENT: L1087 LAMP	103106	1
70	417N5155-10		..BRACKET-LANYARD	103106	1

MISSING ITEM NUMBERS NOT APPLICABLE

- ITEM NOT ILLUSTRATED

33-21-00-01F

33-21-00
FIG. 01F
PAGE 1
JAN 20/09

BRI

BOEING PROPRIETARY - Copyright © - Unpublished Work - See title page for details.



757

PARTS CATALOG (MAINTENANCE)

FIG ITEM	PART NUMBER	1 2 3 4 5 6 7	NOMENCLATURE	EFFECT FROM TO	UNITS PER ASSY
1 F			ATTACHING PARTS		
- 75	BACS12GU3K4	..	SCREW	103106	2
- 80	NAS1149D0332J	..	WASHER	103106	2
			-----*-----		
85	BACS12FA3K4	..	SCREW	103106	16
90	417N5151-43B	..	FRAME ASSY	103106	1
95	417N5154-7	...	HINGE ASSY-	103106	3
			SUPPLIER CODE: V89954		
			ATTACHING PARTS		
- 100	BACR15BA5DC	...	RIVET-	103106	13
			SIZE DETERMINED ON INSTL. -----*-----		
105	NAS1801-3-6	SCREW	103106	2
110	NAS1149D0332J	WASHER	103106	2
115	417N5157-11	CHANNEL	103106	1
120	417N5156-7	HINGE ASSY	103106	1
125	T8076S1032	NUTPLATE-	103106	2
			SUPPLIER CODE: V11815		
			SPECIFICATION NUMBER: BACN10JP3A		
			OPTIONAL PART: MK1000-3BAC		
			V15653		
			NS103197-02		
			V80539		
			RMA9201M3		
			V72962		
			VN202A1-02		
			V92215		
			BRM200A3		
			V52828		
			BACN10JP3C		

MISSING ITEM NUMBERS NOT APPLICABLE

- ITEM NOT ILLUSTRATED

33-21-00-01F

33-21-00
FIG. 01F
PAGE 2
JAN 20/09

BRI

BOEING PROPRIETARY - Copyright © - Unpublished Work - See title page for details.

 **BOEING**
757
PARTS CATALOG (MAINTENANCE)

FIG ITEM	PART NUMBER	1 2 3 4 5 6 7	NOMENCLATURE	EFFECT FROM TO	UNITS PER ASSY
1 F 125	T8078S1032	NUTPLATE- SUPPLIER CODE: V11815 SPECIFICATION NUMBER: BACN10JP3C OPTIONAL PART: MK3000-3BAC V15653 NS103199-02 V80539 RMA9205M3 V72962 VN203A1-02 V92215 BRM300A3 V52828 BACN10JP3A ATTACHING PARTS	103106	2
- 135	BACR15CE3D	RIVET -----*-----	103106	4
140	417N5156-10	HINGE	103106	1
145	417N5157-10SP	...	BRACKET ATTACHING PARTS	103106	2
- 150	BACR15BA5DC	...	RIVET- SIZE DETERMINED ON INSTL. -----*-----	103106	8
155	417N5157-9	...	CLIP-CORNER	103106	4
160	417N5157-4	...	BRACKET-CORNER ATTACHING PARTS	103106	4
- 165	BACE15BA4DC	...	RIVET- SIZE DETERMINED ON INSTL. -----*-----	103106	16
170	417N5151-39	...	FRAME	103106	2
175	417N5151-40	...	FRAME	103106	1
180	417N5151-37	...	FRAME	103106	1
185	417N5151-38	...	FRAME	103106	1
190	417A5463-3	..	LENS-AFT AREA LIGHT	103106	2

MISSING ITEM NUMBERS NOT APPLICABLE

- ITEM NOT ILLUSTRATED

33-21-00-01F

33-21-00
FIG. 01F
PAGE 3
JAN 20/09

BRI

BOEING PROPRIETARY - Copyright © - Unpublished Work - See title page for details.



757

PARTS CATALOG (MAINTENANCE)

FIG ITEM	PART NUMBER	1 2 3 4 5 6 7	NOMENCLATURE	EFFECT FROM TO	UNITS PER ASSY
1 F 195	8184-1		..BALLAST- SUPPLIER CODE: V30242 FUNCTIONAL DESCRIPTION: STARTS & OPERATES ONE FLUORESCENT LAMP. SPECIFICATION NUMBER: S283U008-16 COMPONENT MAINT MANUAL REF: 33-20-08 OPTIONAL PART: 8171-1 V30242	103106	1
195	8171-1		..BALLAST- SUPPLIER CODE: V30242 SPECIFICATION NUMBER: S283U008-16 COMPONENT MAINT MANUAL REF: 33-20-01 OPTIONAL PART: 8184-1 V30242 ATTACHING PARTS	103106	1
- 200	BACS12FA3K4		..SCREW -----*-----	103106	2
205	BACT44E1S		..CONNECTOR ATTACHING PARTS	103106	1
- 210	BACS12GU3K5		..SCREW	103106	2
- 215	NAS620A10L		..WASHER -----*-----	103106	2
220	BACS12FA08K8		..SCREW	103106	1
225	NAS1149DN832J		..WASHER	103106	1
230	BRH10C08D		..NUT SUPPLIER CODE: V52828 SPECIFICATION NUMBER: BACN10JC08CD OPTIONAL PART: H51650-08BAC V15653 102LH9075-82W V72962 NS202486-82 V80539 T6C832JCD V11815	103106	1
235	BACC10DK4		..CLAMP	103106	1
240	AN743-12		..BRACKET	103106	1

MISSING ITEM NUMBERS NOT APPLICABLE

- ITEM NOT ILLUSTRATED

33-21-00-01F

33-21-00
FIG. 01F
PAGE 4
JAN 20/09

BRI

BOEING PROPRIETARY - Copyright © - Unpublished Work - See title page for details.



757

PARTS CATALOG (MAINTENANCE)

FIG ITEM	PART NUMBER	1 2 3 4 5 6 7	NOMENCLATURE	EFFECT FROM TO	UNITS PER ASSY
1 F			ATTACHING PARTS		
- 245	BACS12FA3K5	..	SCREW	103106	1
		-----*			
250	PLT1MM	..	STRAP	103106	AR
			SUPPLIER CODE: V06383		
			SPECIFICATION NUMBER: BACS38K4		
			OPTIONAL PART: TOR180		
			V53421		
255	RR2002-4H1J	..	GROMMET	103106	4
			SUPPLIER CODE: V57268		
			SPECIFICATION NUMBER: BACG20AF4H1J		
			OPTIONAL PART: SZ6924-4H1J		
			V95272		
			701-4H1J		
			V07096		
			E4H1J		
			V60980		
			H4H1J		
			V60980		
			G6940-4H1J		
			V75345		
260	BACS12GU3K10	..	SCREW	103106	1
265	BACS12GU3K4	..	SCREW	103106	4
270	BACW10EC3S	..	WASHER	103106	1
275	NAS1149D0316H	..	WASHER	103106	2
280	NAS1149D0332J	..	WASHER	103106	4
285	MS35650-305T	..	NUT	103106	1

MISSING ITEM NUMBERS NOT APPLICABLE

- ITEM NOT ILLUSTRATED

33-21-00-01F

33-21-00
FIG. 01F
PAGE 5
JAN 20/09

BRI

BOEING PROPRIETARY - Copyright © - Unpublished Work - See title page for details.



757

PARTS CATALOG (MAINTENANCE)

FIG ITEM	PART NUMBER	1 2 3 4 5 6 7	NOMENCLATURE	EFFECT FROM TO	UNITS PER ASSY
1 F 290	BRH10C3	..	NUT SUPPLIER CODE: V52828 SPECIFICATION NUMBER: BACN10JC3C OPTIONAL PART: T6C1032J V11815 97-02 V80539 101LH9075-3W V72962 VN303B02 V92215 NS202101S02 V80539 H31-3BAC V15653	103106	1
295	479W1306-15	..	PLATE	103106	1
300	417A5464-14	..	PLATE-	103106	1
305	F032WWBCAC	..	LAMP- SUPPLIER CODE: V52343	103106	2
310	BACS12GU3K4	..	SCREW	103106	4
315	NAS1801-04-8	..	SCREW	103106	8
320	NAS1149D332J	..	WASHER	103106	4
325	BACW10EC04S	..	WASHER	103106	8
330	NAS1149DN416H	..	WASHER	103106	8
335	BV03112N03-40	..	FITTING- SUPPLIER CODE: V17023	103106	4
340	417A5464-16	..	BRACKET-	103106	2
345	BACC47CPIS	..	CONTACT	103106	AR
350	417N5132-11	..	HOOD ASSY	103106	1
355	417N5158-1	...	BRACKET ASSY-LATCH ATTACHING PARTS	103106	1
- 360	BACS12FA3K4	...	SCREW -----*-----	103106	4
365	BACR12AGC	RING	103106	2
370	82-99-374-38	STUD SUPPLIER CODE: V94222 SPECIFICATION NUMBER: BACS21AP380W	103106	2
375	417N5158-2	BRACKET	103106	1
380	417N5158-7	...	BRACKET ASSY-LATCH ATTACHING PARTS	103106	2
385	BACS12GU08K4	...	SCREW	103106	4

MISSING ITEM NUMBERS NOT APPLICABLE

- ITEM NOT ILLUSTRATED

33-21-00-01F

33-21-00
FIG. 01F
PAGE 6
JAN 20/09

BRI

BOEING PROPRIETARY - Copyright © - Unpublished Work - See title page for details.



757

PARTS CATALOG (MAINTENANCE)

FIG ITEM	PART NUMBER	1 2 3 4 5 6 7	NOMENCLATURE	EFFECT FROM TO	UNITS PER ASSY
1 F					
390	NAS620-8L	...	WASHER -----*-----	103106	4
395	417N5158-8	PLATE	103106	1
400	MB3	...	BASE-MTG SUPPLIER CODE: V09922	103106	AR
405	417N5156-3	...	BRACKET-HINGE ATTACHING PARTS	103106	3
- 410	BACS12FA3K4	...	SCREW -----*-----	103106	17
415	417N5142-24	...	DOOR ASSY	103106	1
- 420	SL6224-3A	INSERT- SUPPLIER CODE: V97393 OPTIONAL PART: SL618-3A V97393	103106	AR
- 420	SL618-3A	INSERT- SUPPLIER CODE: V97393 OPTIONAL PART: SL6224-3A V97393	103106	AR
425	417N5142-25	...	HOOD ASSY-BASIC	103106	1
430	417N5142-21	PANEL ASSY-END	103106	2
- 435	SL618-3A	INSERT- SUPPLIER CODE: V97393	103106	2
440	417N5142-22	PANEL ASSY-SIDE POSITION DATA: AFT	103106	1
445	SL618-3A	INSERT- SUPPLIER CODE: V97393 OPTIONAL PART: SL6224-3A V97393	103106	AR
445	SL6224-3A	INSERT- SUPPLIER CODE: V97393 OPTIONAL PART: SL618-3A V97393	103106	AR
450	SL618-08A	INSERT- SUPPLIER CODE: V97393 OPTIONAL PART: SL6224-08A V97393	103106	AR

MISSING ITEM NUMBERS NOT APPLICABLE

- ITEM NOT ILLUSTRATED

33-21-00-01F

33-21-00
FIG. 01F
PAGE 7
JAN 20/09

BRI

BOEING PROPRIETARY - Copyright © - Unpublished Work - See title page for details.



757

PARTS CATALOG (MAINTENANCE)

FIG ITEM	PART NUMBER	1 2 3 4 5 6 7	NOMENCLATURE	EFFECT FROM TO	UNITS PER ASSY
1 F 450	SL6224-08A	INSERT- SUPPLIER CODE: V97393 OPTIONAL PART: SL618-08A V97393	103106	AR
455	417N5142-23	PANEL ASSY-SIDE POSITION DATA: FWD	103106	1
- 460	SL6224-3A	INSERT- SUPPLIER CODE: V97393 OPTIONAL PART: SL618-3A V97393	103106	AR
- 460	SL618-3A	INSERT- SUPPLIER CODE: V97393 OPTIONAL PART: SL6224-3A V97393	103106	AR

MISSING ITEM NUMBERS NOT APPLICABLE

- ITEM NOT ILLUSTRATED

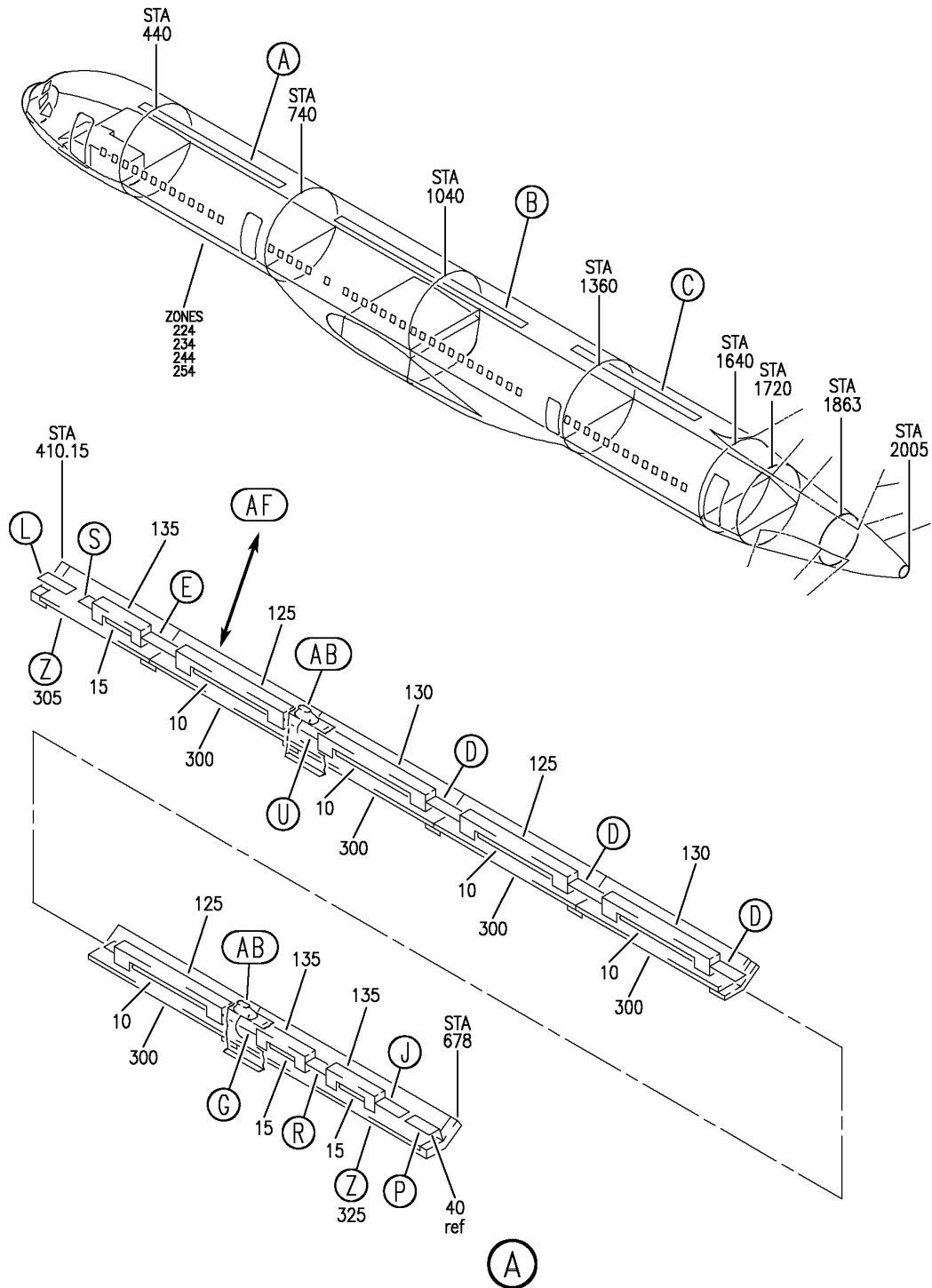
BRI

33-21-00-01F

BOEING PROPRIETARY - Copyright © - Unpublished Work - See title page for details.

33-21-00
FIG. 01F
PAGE 8
JAN 20/09

BOEING
757
PARTS CATALOG (MAINTENANCE)



Y 33210005 SHT 1 REV 253

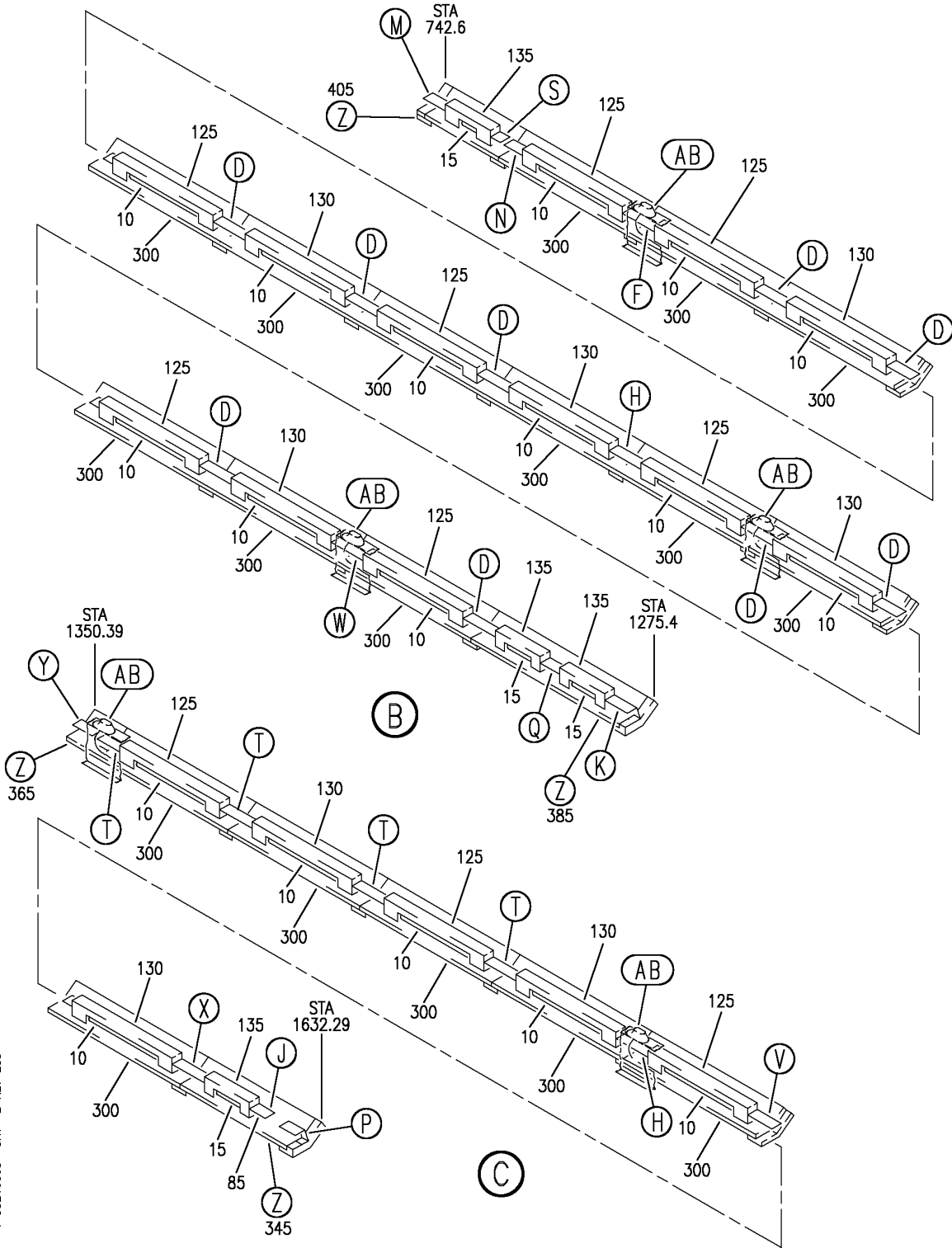
LIGHT INSTL-SIDEWALL RH
FIGURE 5 (SHEET 1)

33-21-00-05

BRI
JAN 20/08

33-21-00-05
PAGE 0

BOEING
757
PARTS CATALOG (MAINTENANCE)



Y 33210005 SHT 2 REV 253

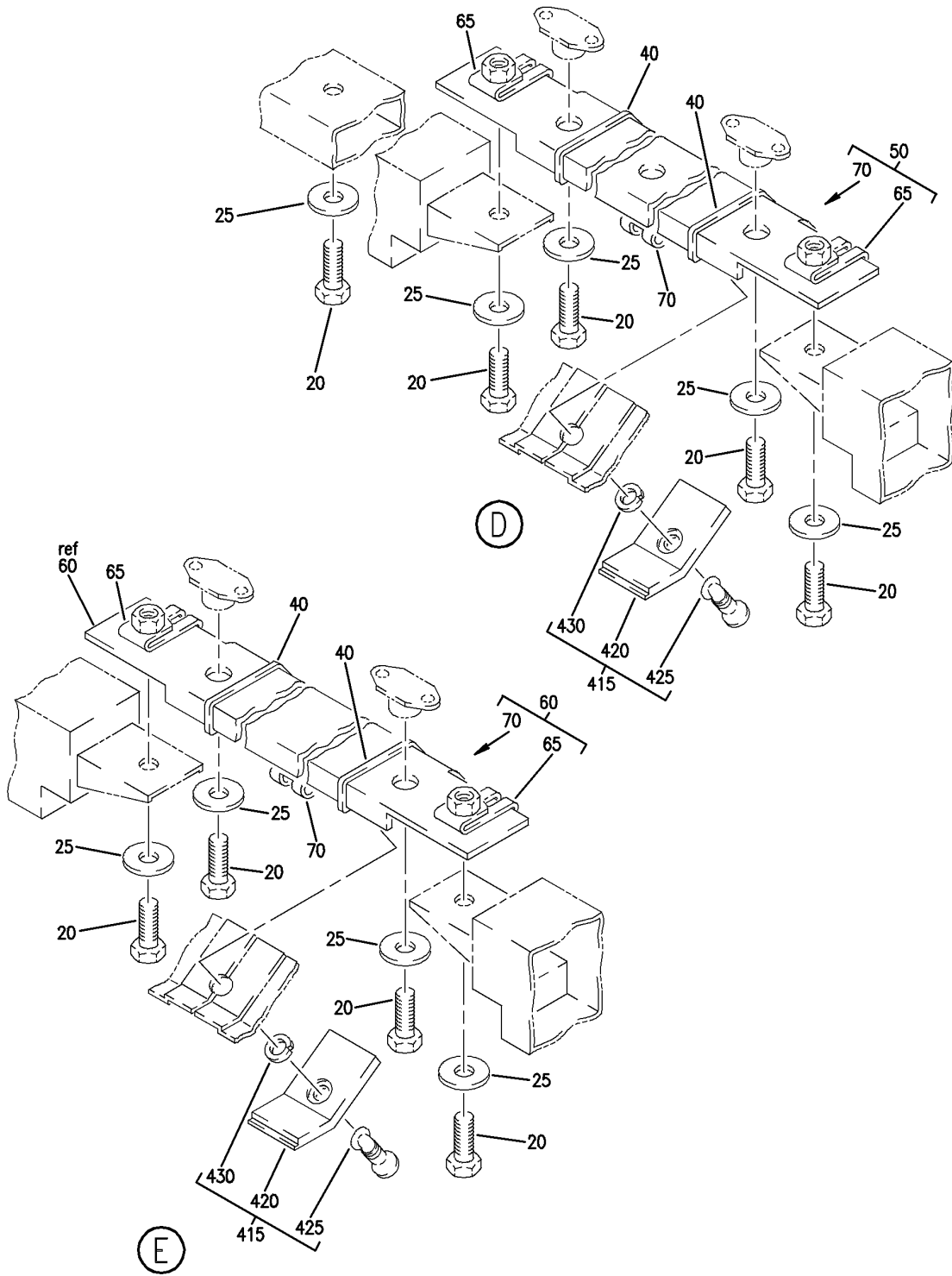
LIGHT INSTL-SIDEWALL RH
FIGURE 5 (SHEET 2)

33-21-00-05

BRI
JAN 20/08

33-21-00-05
PAGE 0A

BOEING
757
PARTS CATALOG (MAINTENANCE)



Y 33210005 SH1 3 REV 236

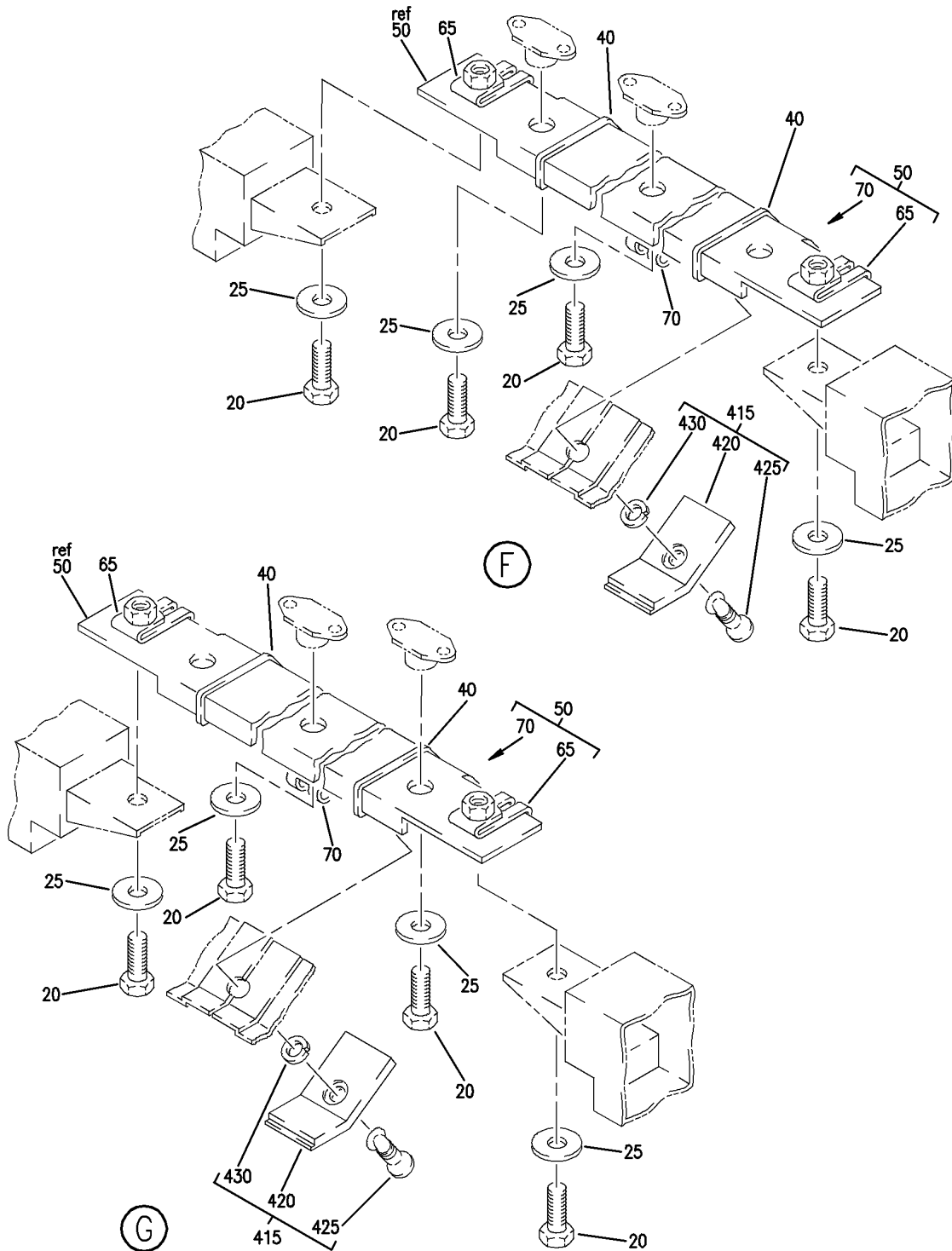
LIGHT INSTL-SIDEWALL RH
FIGURE 5 (SHEET 3)

33-21-00-05

BRI
JAN 20/08

33-21-00-05
PAGE 0B

BOEING
757
PARTS CATALOG (MAINTENANCE)



Y 33210005 SH1 4 REV 236

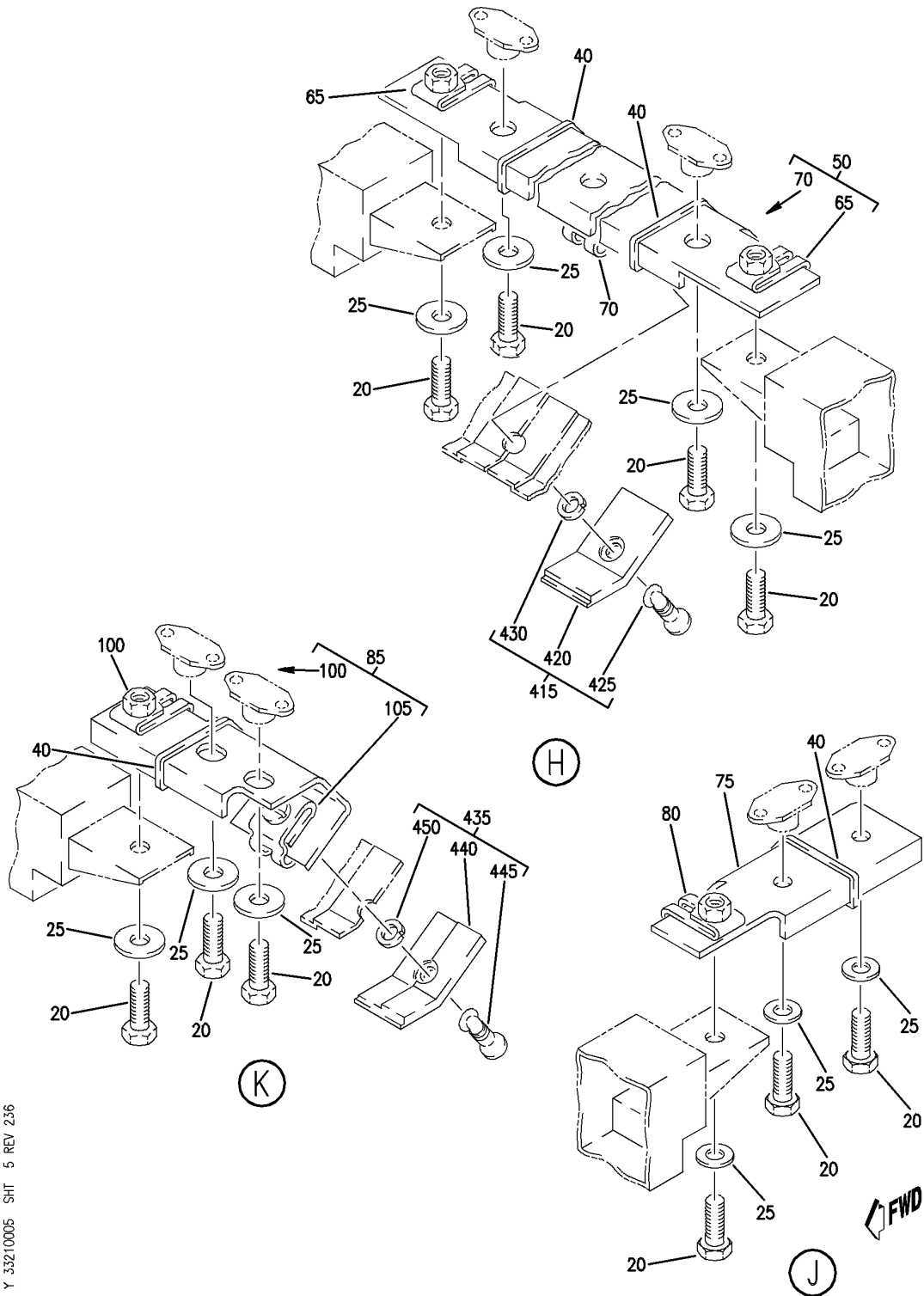
LIGHT INSTL-SIDEWALL RH
FIGURE 5 (SHEET 4)

33-21-00-05

BRI
JAN 20/08

33-21-00-05
PAGE 0C

BOEING
757
PARTS CATALOG (MAINTENANCE)



Y 33210005 SH1 5 REV 236

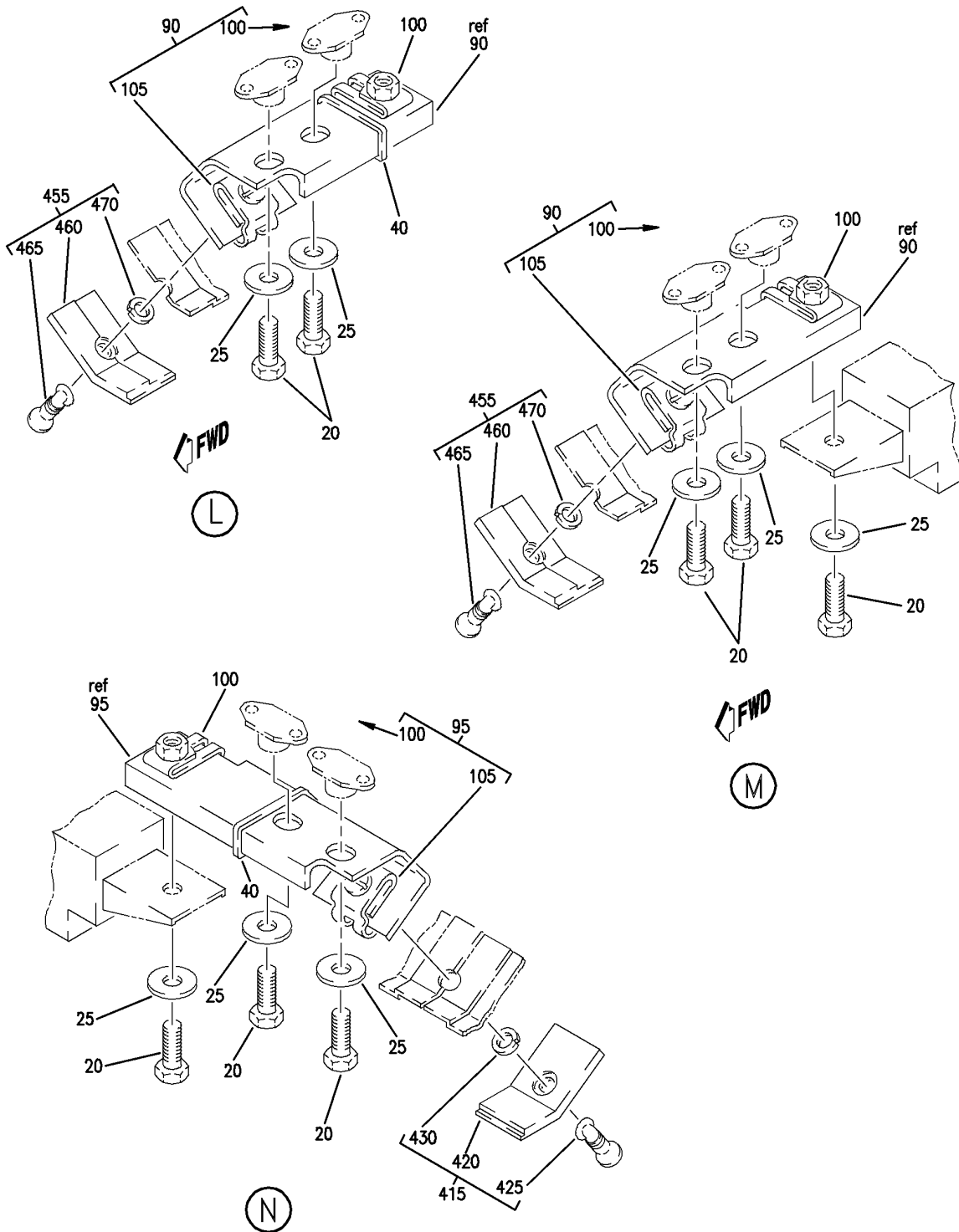
LIGHT INSTL-SIDEWALL RH
FIGURE 5 (SHEET 5)

33-21-00-05

BRI
JAN 20/08

33-21-00-05
PAGE 0D

BOEING
757
PARTS CATALOG (MAINTENANCE)



Y 33210005 SH1 6 REV 236

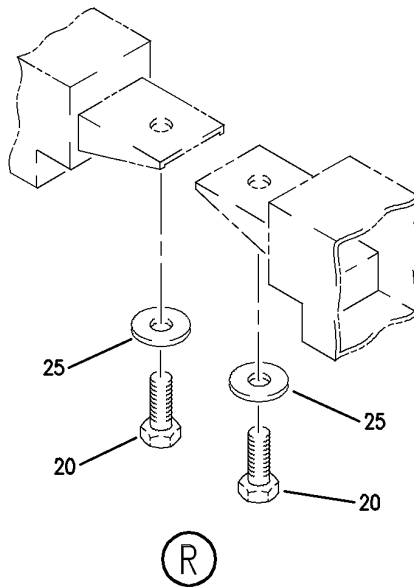
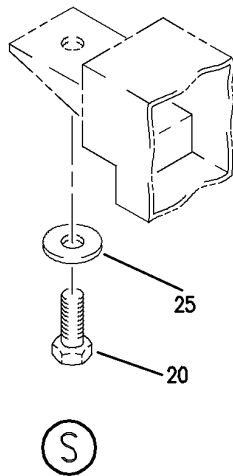
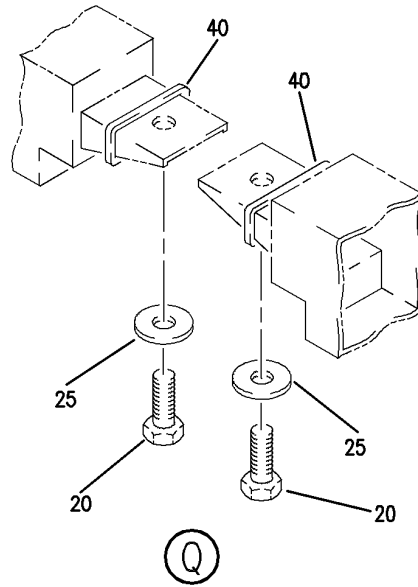
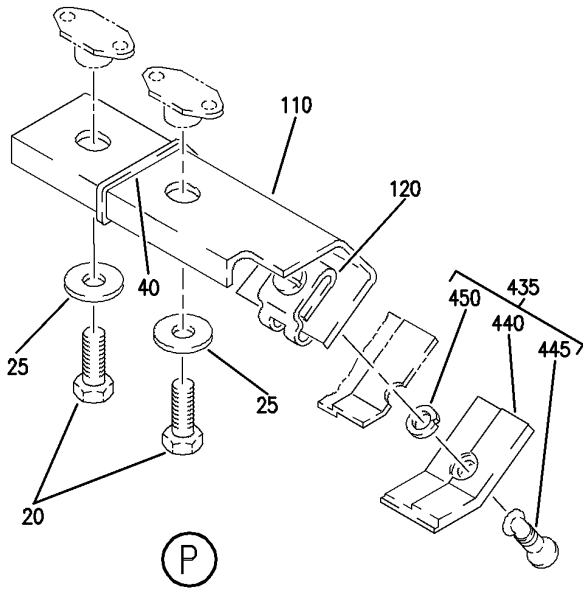
LIGHT INSTL-SIDEWALL RH
FIGURE 5 (SHEET 6)

33-21-00-05

BRI
JAN 20/08

33-21-00-05
PAGE 0E

BOEING
757
PARTS CATALOG (MAINTENANCE)



Y 33210005 SH7 7 REV 236

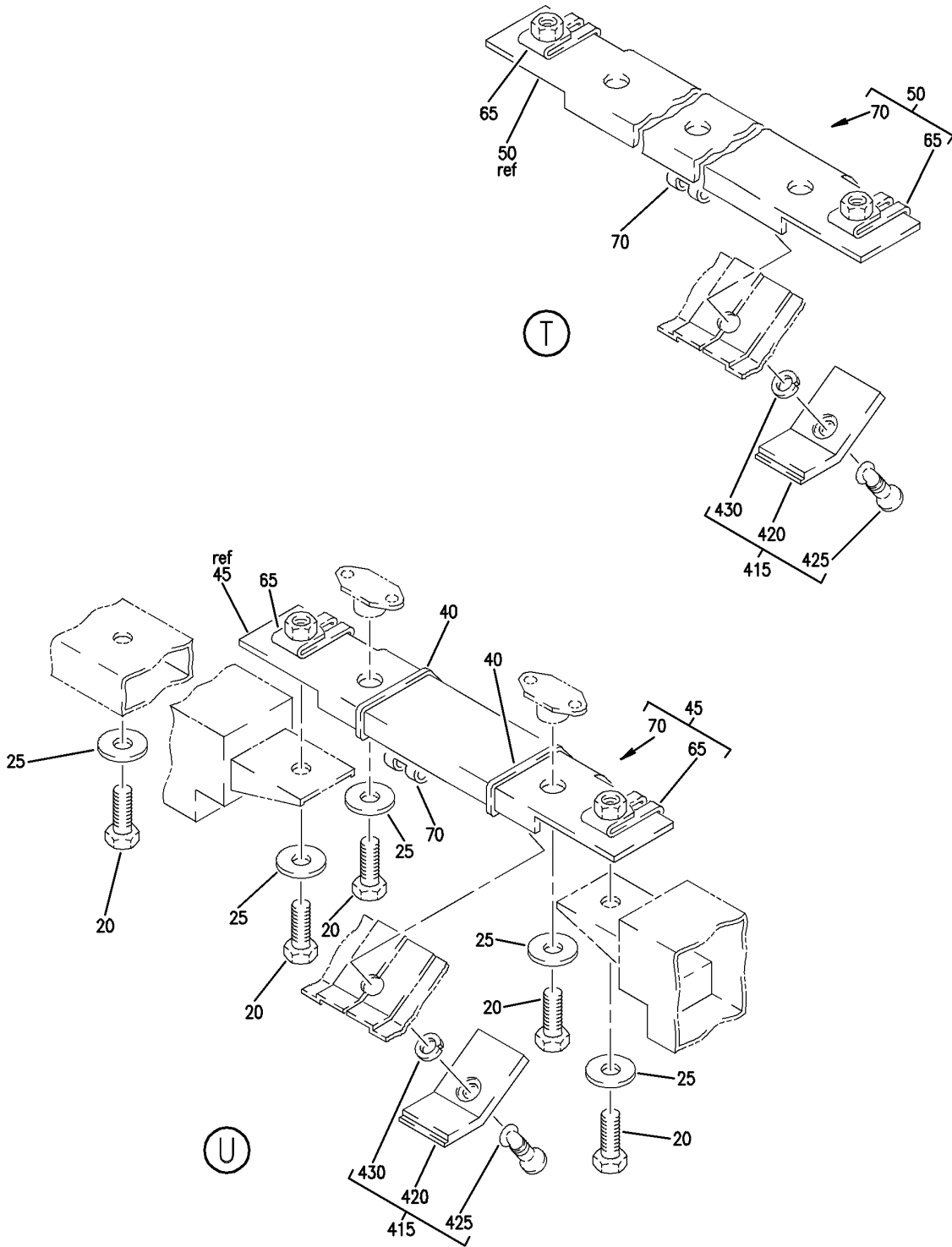
LIGHT INSTL-SIDEWALL RH
FIGURE 5 (SHEET 7)

33-21-00-05

BRI
JAN 20/08

33-21-00-05
PAGE OF

BOEING
757
PARTS CATALOG (MAINTENANCE)



Y 33210005 SHT 8 REV 236

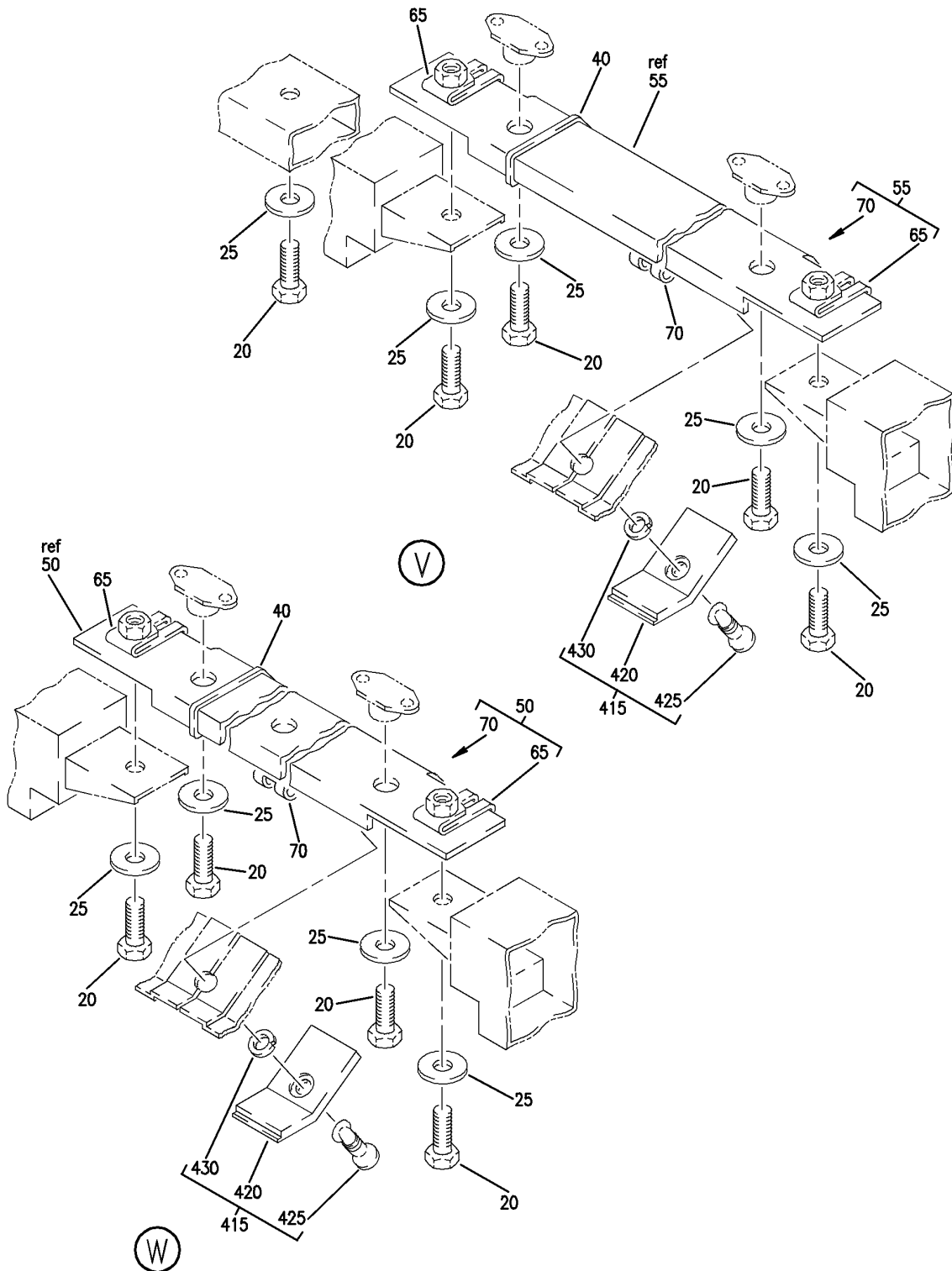
LIGHT INSTL-SIDEWALL RH
FIGURE 5 (SHEET 8)

33-21-00-05

BRI
JAN 20/08

33-21-00-05
PAGE 06

BOEING
757
PARTS CATALOG (MAINTENANCE)



Y 33210005 SH1 9 REV 236

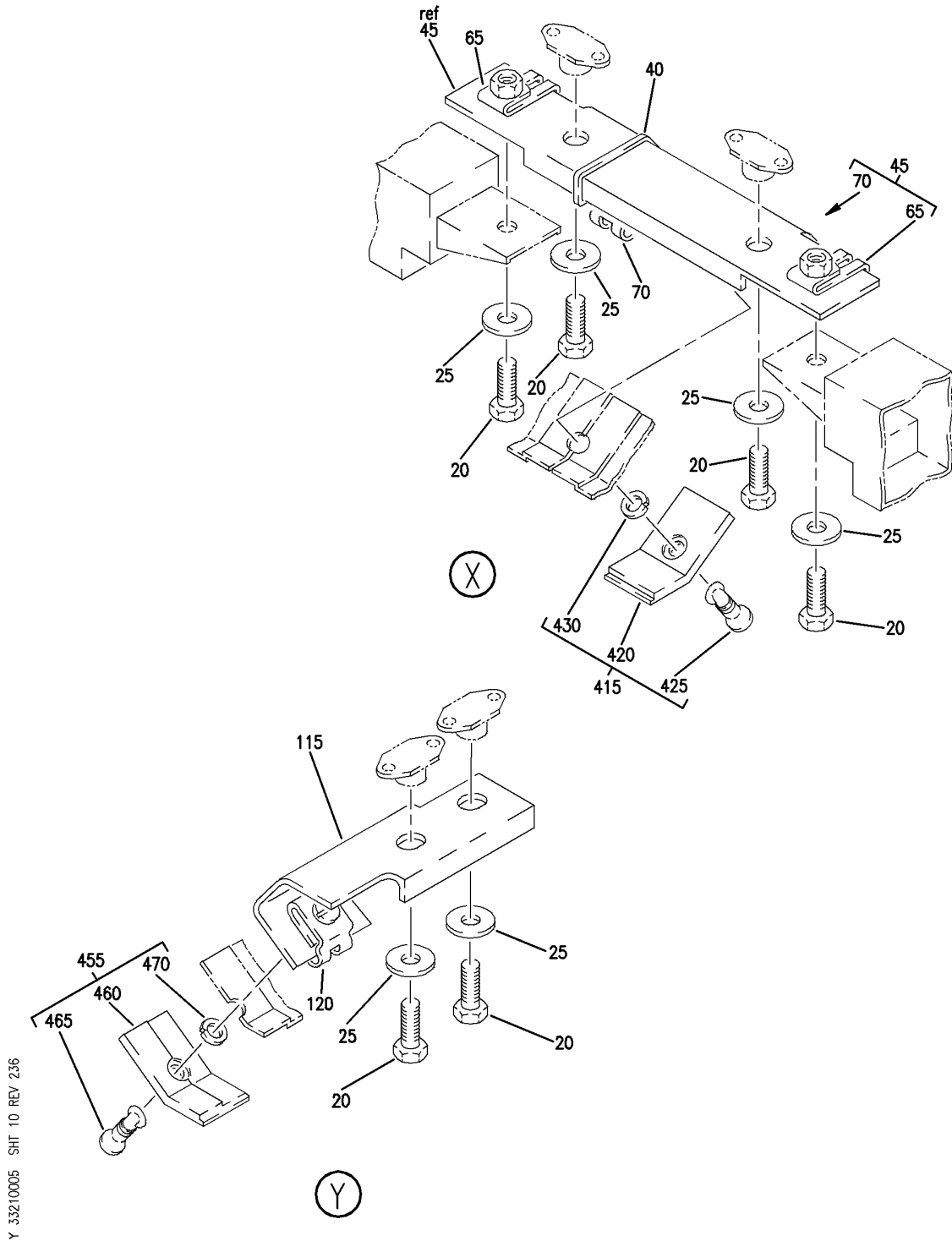
LIGHT INSTL-SIDEWALL RH
FIGURE 5 (SHEET 9)

33-21-00-05

BRI
JAN 20/08

33-21-00-05
PAGE 0H

BOEING
757
PARTS CATALOG (MAINTENANCE)



Y 33210005 SHT 10 REV 236

LIGHT INSTL-SIDEWALL RH
FIGURE 5 (SHEET 10)

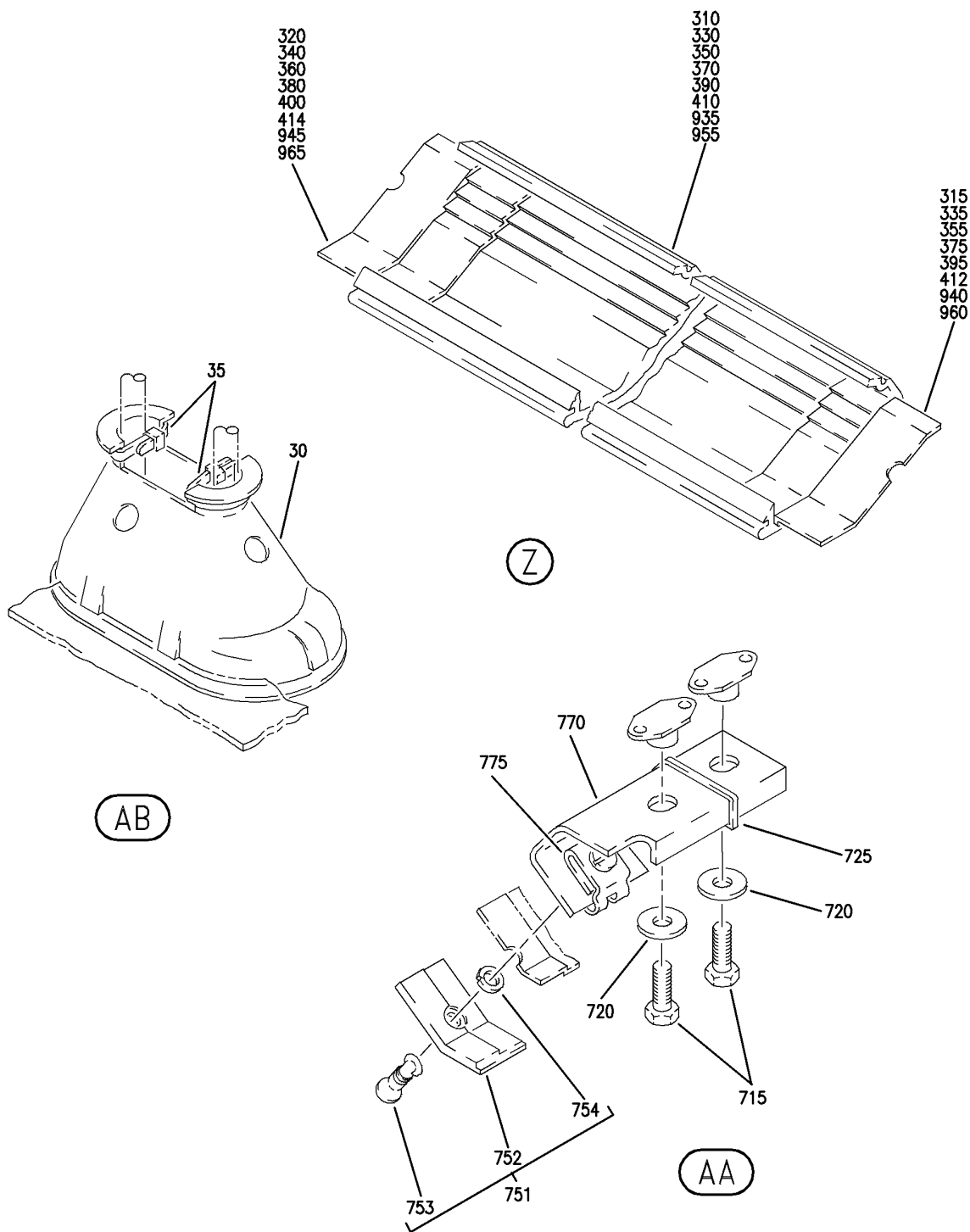
33-21-00-05

BRI
JAN 20/08

33-21-00-05
PAGE 01



757
PARTS CATALOG (MAINTENANCE)



Y 33210005 SHT 11 REV 236

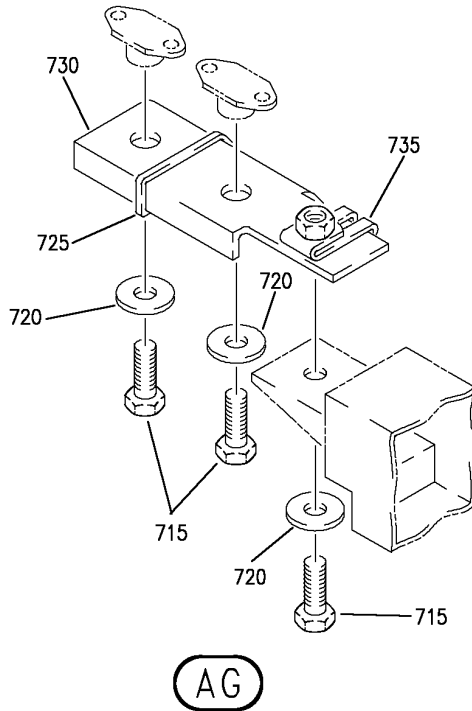
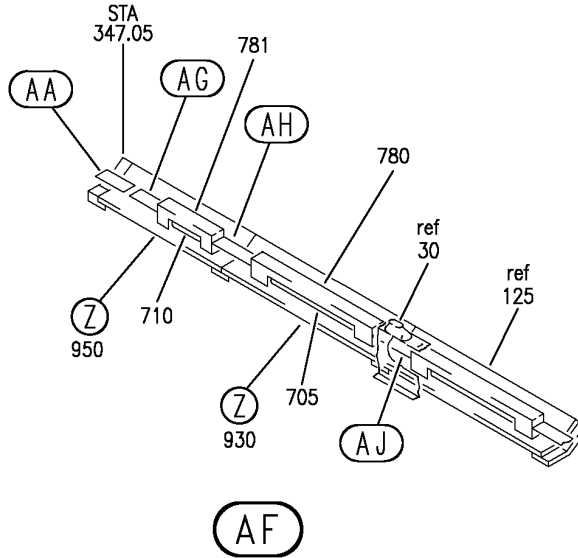
LIGHT INSTL-SIDEWALL RH
FIGURE 5 (SHEET 11)

33-21-00-05

BRI
JAN 20/08

33-21-00-05
PAGE 0J

BOEING
757
PARTS CATALOG (MAINTENANCE)



Y 33210005 SHT 12 REV 253

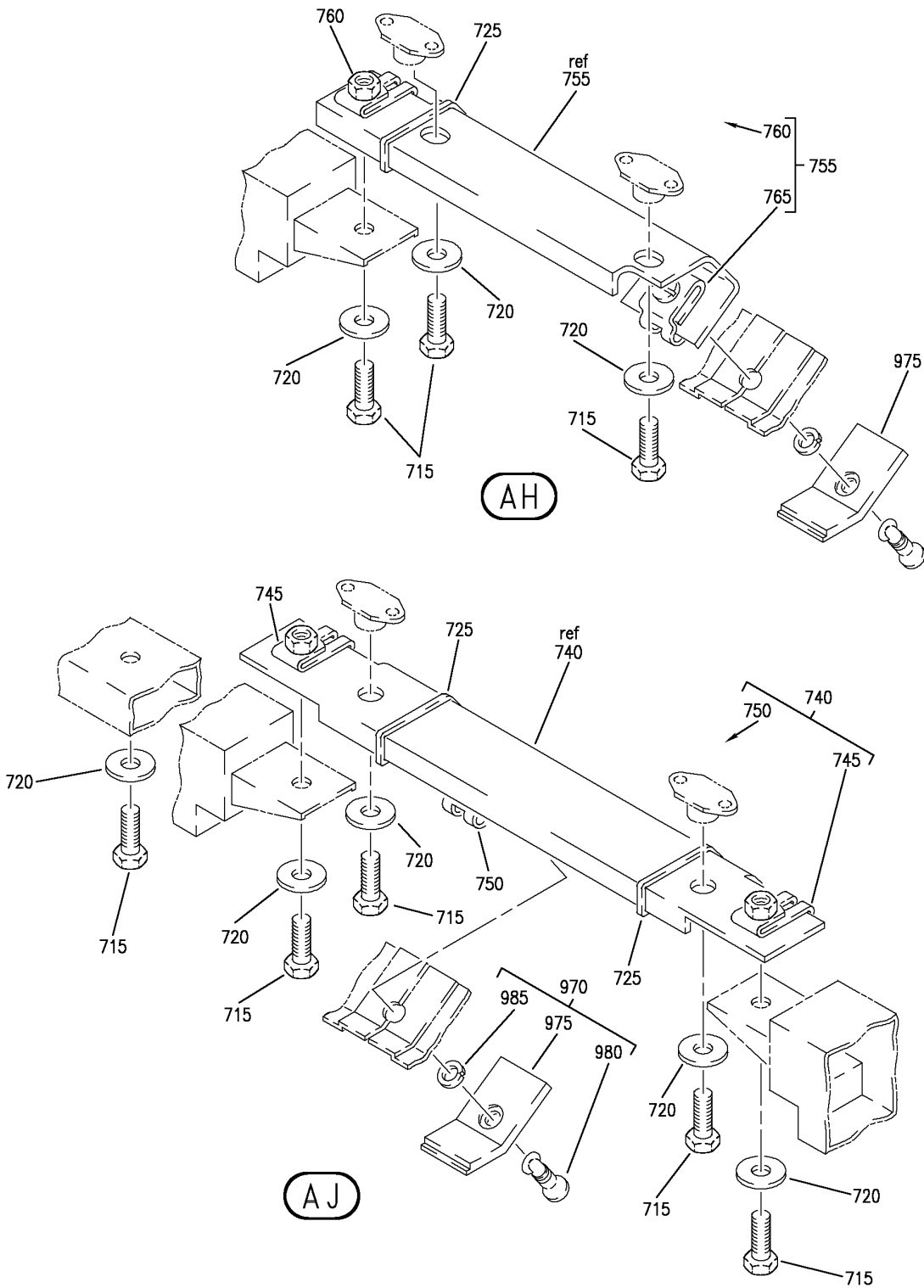
LIGHT INSTL-SIDEWALL RH
FIGURE 5 (SHEET 12)

33-21-00-05

BRI
JAN 20/08

33-21-00-05
PAGE OK

BOEING
757
PARTS CATALOG (MAINTENANCE)



Y 33210005 SHT 13 REV 253

LIGHT INSTL-SIDEWALL RH
FIGURE 5 (SHEET 13)

33-21-00-05

BRI
JAN 20/08

33-21-00-05
PAGE 0L



757

PARTS CATALOG (MAINTENANCE)

FIG ITEM	PART NUMBER	1 2 3 4 5 6 7	NOMENCLATURE	EFFECT FROM TO	UNITS PER ASSY
5			LIGHT INSTL-SIDEWALL RH	904949	
10	F18T5WWS		.LAMP-FLUOR SUPPLIER CODE: V52343	904949	23
15	5106WW		.LAMP-FLUOR SUPPLIER CODE: V08806	904949	7
15	F6T5WW		OPTIONAL PART: F6T5WW V08806 .LAMP-FLUOR SUPPLIER CODE: V08806	904949	7
20	NAS1801-3-6		.SCREW	904949	12
25	AN960JD10L		.WASHER	904949	12
30	417N5107-1		.GROMMET	904949	7
35	T05R0		.STRAP SUPPLIER CODE: V53421	904949	14
			SPECIFICATION NUMBER: BACS38K1		
			OPTIONAL PART: PLT2SM V06383		
40	MS3367-1-9		.STRAP	904949	47
45	65C33259-11		.BRACKET ASSY-MTG	904949	2
50	65C33259-26		.BRACKET ASSY-MTG	904949	21
55	65C33259-56		.BRACKET ASSY-MTG	904949	1
65	130069		..NUT- SUPPLIER CODE: V60119	904949	2
			SPECIFICATION NUMBER: BACN10FX16		
			OPTIONAL PART: A11330-6-3 V72962 A4972-6-02 V72962 A4972-6-02 V72962 BACN10YD1		

MISSING ITEM NUMBERS NOT APPLICABLE

- ITEM NOT ILLUSTRATED

BRI

33-21-00-05

BOEING PROPRIETARY - Copyright © - Unpublished Work - See title page for details.

33-21-00
FIG. 05
PAGE 1
JAN 20/09



757

PARTS CATALOG (MAINTENANCE)

FIG ITEM	PART NUMBER	1 2 3 4 5 6 7	NOMENCLATURE	EFFECT FROM TO	UNITS PER ASSY
5					
65	BRC600-8-3	..NUT-	SUPPLIER CODE: V52828 SPECIFICATION NUMBER: BACN10YD1 OPTIONAL PART: 130120 V60119 BACN10FX16	904949	2
70	82-47-104-15	..RECEPTACLE-1/4 TURN	SUPPLIER CODE: V94222	904949	1
75	65C33259-28	.BRACKET ASSY-MTG		904949	2
80	130069	..NUT-	SUPPLIER CODE: V60119 SPECIFICATION NUMBER: BACN10FX16 OPTIONAL PART: A11330-6-3 V72962 A4972-6-02 V72962 A4972-6-02 V72962 BACN10YD1	904949	1
80	BRC600-8-3	..NUT-	SUPPLIER CODE: V52828 SPECIFICATION NUMBER: BACN10YD1 OPTIONAL PART: 130120 V60119 BACN10FX16	904949	1
85	65C33259-61	.BRACKET ASSY-MTG		904949	1
95	65C33259-70	.BRACKET ASSY-MTG		904949	1

MISSING ITEM NUMBERS NOT APPLICABLE

- ITEM NOT ILLUSTRATED

BRI

33-21-00-05

BOEING PROPRIETARY - Copyright © - Unpublished Work - See title page for details.

33-21-00
FIG. 05
PAGE 2
JAN 20/09



757

PARTS CATALOG (MAINTENANCE)

FIG ITEM	PART NUMBER	1 2 3 4 5 6 7	NOMENCLATURE	EFFECT FROM TO	UNITS PER ASSY
5 100	130069	..	NUT- SUPPLIER CODE: V60119 SPECIFICATION NUMBER: BACN10FX16 OPTIONAL PART: A11330-6-3 V72962 A4972-6-02 V72962 A4972-6-02 V72962 BACN10YD1	904949	1
100	BRC600-8-3	..	NUT- SUPPLIER CODE: V52828 SPECIFICATION NUMBER: BACN10YD1 OPTIONAL PART: 130120 V60119 BACN10FX16	904949	1
105	82-47-104-15	..	RECEPTACLE-1/4 TURN SUPPLIER CODE: V94222	904949	1
110	65C33259-67	.	BRACKET ASSY-MTG	904949	2
115	65C33259-68	.	BRACKET ASSY-MTG	904949	1
120	82-47-104-15	..	RECEPTACLE-1/4 TURN SUPPLIER CODE: V94222	904949	1
125	10-1733-1	.	LIGHT ASSY- SUPPLIER CODE: V72914 SPECIFICATION NUMBER: S417N511-8001 COMPONENT MAINT MANUAL REF: 33-21-39 FOR DETAILS SEE: 33-21-51-90	904949	13
125	10-1327-1	.	LIGHT ASSY- SUPPLIER CODE: V72914 SPECIFICATION NUMBER: S417N511-1 COMPONENT MAINT MANUAL REF: 33-20-51 FOR DETAILS SEE: 33-21-51-90	904949	13

MISSING ITEM NUMBERS NOT APPLICABLE

- ITEM NOT ILLUSTRATED

33-21-00-05

33-21-00
FIG. 05
PAGE 3
JAN 20/09

BRI



757

PARTS CATALOG (MAINTENANCE)

FIG ITEM	PART NUMBER	1 2 3 4 5 6 7	NOMENCLATURE	EFFECT FROM TO	UNITS PER ASSY
5 130	10-1733-2		.LIGHT ASSY- SUPPLIER CODE: V72914 SPECIFICATION NUMBER: S417N511-8002 COMPONENT MAINT MANUAL REF: 33-21-39 FOR DETAILS SEE: 33-21-51-90	904949	10
130	10-1327-2		.LIGHT ASSY- SUPPLIER CODE: V72914 SPECIFICATION NUMBER: S417N511-2 COMPONENT MAINT MANUAL REF: 33-20-51 FOR DETAILS SEE: 33-21-51-90	904949	10
135	10-1733-3		.LIGHT ASSY- SUPPLIER CODE: V72914 SPECIFICATION NUMBER: S417N511-8003 COMPONENT MAINT MANUAL REF: 33-21-39 FOR DETAILS SEE: 33-21-51-90	904949	7
135	10-1327-3		.LIGHT ASSY- SUPPLIER CODE: V72914 SPECIFICATION NUMBER: S417N511-3 COMPONENT MAINT MANUAL REF: 33-20-51 FOR DETAILS SEE: 33-21-51-90	904949	7
300	10-1327-40		.LENS- SUPPLIER CODE: V72914 SPECIFICATION NUMBER: S417N511-40	904949	23
315	11-5848-1		..LENS-END FTG SUPPLIER CODE: V72914	904949	1
320	11-5848-2		..LENS-END FTG SUPPLIER CODE: V72914	904949	1
325	417N5000-55		.LENS ASSY	904949	1

MISSING ITEM NUMBERS NOT APPLICABLE

- ITEM NOT ILLUSTRATED

33-21-00-05

33-21-00
FIG. 05
PAGE 4
JAN 20/09

BRI



757

PARTS CATALOG (MAINTENANCE)

FIG ITEM	PART NUMBER	1 2 3 4 5 6 7	NOMENCLATURE	EFFECT FROM TO	UNITS PER ASSY
5					
330	417N5000-56	..	LENS- ALTERED FROM PART NUMBER: 10-1327-51 V72914 10-1327-46 V72914	904949	1
335	11-5848-1	..	LENS-END FTG SUPPLIER CODE: V72914	904949	1
340	11-5848-2	..	LENS-END FTG SUPPLIER CODE: V72914	904949	1
345	417N5000-59	.	LENS ASSY	904949	1
350	417N5000-60	..	LENS- ALTERED FROM PART NUMBER: 10-1327-51 V72914	904949	1
355	11-5848-1	..	LENS-END FTG SUPPLIER CODE: V72914	904949	1
360	11-5848-2	..	LENS-END FTG SUPPLIER CODE: V72914	904949	1
365	417N5000-61	.	LENS ASSY	904949	1
370	417N5000-62	..	LENS- ALTERED FROM PART NUMBER: 10-1327-51 V72914 10-1327-53 V72914	904949	1
375	11-5848-1	..	LENS-END FTG SUPPLIER CODE: V72914	904949	1
380	11-5848-2	..	LENS-END FTG SUPPLIER CODE: V72914	904949	1
385	417N5000-63	.	LENS ASSY	904949	1
390	417N5000-64	..	LENS- ALTERED FROM PART NUMBER: 10-1327-51 V72914	904949	1
395	11-5848-1	..	LENS-END FTG SUPPLIER CODE: V72914	904949	1
400	11-5848-2	..	LENS-END FTG SUPPLIER CODE: V72914	904949	1
405	417N5000-67	.	LENS ASSY	904949	1

MISSING ITEM NUMBERS NOT APPLICABLE

- ITEM NOT ILLUSTRATED

33-21-00-05

33-21-00
FIG. 05
PAGE 5
JAN 20/09

BRI

BOEING PROPRIETARY - Copyright © - Unpublished Work - See title page for details.



757

PARTS CATALOG (MAINTENANCE)

FIG ITEM	PART NUMBER	1 2 3 4 5 6 7	NOMENCLATURE	EFFECT FROM TO	UNITS PER ASSY
5					
410	417N5000-68	..	LENS- ALTERED FROM PART NUMBER: 10-1327-51 V72914 10-1327-57 V72914	904949	1
412	11-5848-1	..	LENS-END FTG SUPPLIER CODE: V72914	904949	1
414	11-5848-2	..	LENS-END FTG SUPPLIER CODE: V72914	904949	1
415	65C33289-1	.	RETAINER ASSY-LENS	904949	26
420	65C33289-7	..	RETAINER	904949	1
425	82-99-381-34	..	STUD SUPPLIER CODE: V94222 SPECIFICATION NUMBER: BACS21AP340FP	904949	1
430	BACR12AG2C	..	RING	904949	1
435	65C33289-3	.	RETAINER ASSY-LENS	904949	3
440	65C33289-9	..	RETAINER- ALTERED FROM PART NUMBER: 65C33289-15	904949	1
445	82-99-381-34	..	STUD SUPPLIER CODE: V94222 SPECIFICATION NUMBER: BACS21AP340FP	904949	1
450	BACR12AG2C	..	RING	904949	1
455	65C33289-4	.	RETAINER ASSY-LENS	904949	3
460	65C33289-10	..	RETAINER- ALTERED FROM PART NUMBER: 65C33289-16	904949	1
465	82-99-381-34	..	STUD SUPPLIER CODE: V94222 SPECIFICATION NUMBER: BACS21AP340FP	904949	1
470	BACR12AG2C	..	RING	904949	1
- 700	417N5106-1000		LIGHT INSTL-SIDEWALL FLYAWAY INT POSITION DATA: RH POST RAPID REVISION: RR92003-19 FOR NHA SEE: 25-20-00-10	904949	RF

MISSING ITEM NUMBERS NOT APPLICABLE

- ITEM NOT ILLUSTRATED

33-21-00-05

33-21-00
FIG. 05
PAGE 6
JAN 20/09

BRI



757

PARTS CATALOG (MAINTENANCE)

FIG ITEM	PART NUMBER	1 2 3 4 5 6 7	NOMENCLATURE	EFFECT FROM TO	UNITS PER ASSY
5					
705	F18T5WRS	.	LAMP-FLUOR SUPPLIER CODE: V52343	904949	1
710	5106WW	.	LAMP-FLUOR SUPPLIER CODE: V08806	904949	1
715	NAS1801-3-6	.	SCREW	904949	6
720	AN960JD10L	.	WASHER	904949	6
725	MS3367-1-9	.	STRAP	904949	5
730	65C33259-27	.	BRACKET ASSY-MTG	904949	1
735	130069	..	NUT- SUPPLIER CODE: V60119 SPECIFICATION NUMBER: BACN10FX16 OPTIONAL PART: A11330-6-3 V72962 A4972-6-02 V72962 A4972-6-02 V72962 BACN10YD1	904949	1
735	BRC600-8-3	..	NUT- SUPPLIER CODE: V52828 SPECIFICATION NUMBER: BACN10YD1 OPTIONAL PART: 130120 V60119 BACN10FX16	904949	1
740	65C33259-34	.	BRACKET ASSY-MTG	904949	1
745	130069	..	NUT- SUPPLIER CODE: V60119 SPECIFICATION NUMBER: BACN10FX16 OPTIONAL PART: A11330-6-3 V72962 A4972-6-02 V72962 A4972-6-02 V72962 BACN10YD1	904949	2

MISSING ITEM NUMBERS NOT APPLICABLE

- ITEM NOT ILLUSTRATED

33-21-00-05

33-21-00
FIG. 05
PAGE 7
JAN 20/09

BRI



757

PARTS CATALOG (MAINTENANCE)

FIG ITEM	PART NUMBER	1 2 3 4 5 6 7	NOMENCLATURE	EFFECT FROM TO	UNITS PER ASSY
5					
745	BRC600-8-3	..	NUT- SUPPLIER CODE: V52828 SPECIFICATION NUMBER: BACN10YD1 OPTIONAL PART: 130120 V60119 BACN10FX16	904949	2
750	82-47-104-15	..	RECEPTACLE-1/4 TURN SUPPLIER CODE: V94222	904949	1
751	65C33289-4	.	RETAINER ASSY-LENS	904949	1
752	65C33289-10	..	RETAINER- ALTERED FROM PART NUMBER: 65C33289-16	904949	1
753	82-99-381-34	..	STUD SUPPLIER CODE: V94222 SPECIFICATION NUMBER: BACS21AP340FP	904949	1
754	BACR12AG2C	..	RING	904949	1
755	65C33259-36	.	BRACKET ASSY-MTG	904949	1
760	130069	..	NUT- SUPPLIER CODE: V60119 SPECIFICATION NUMBER: BACN10FX16 OPTIONAL PART: A11330-6-3 V72962 A4972-6-02 V72962 A4972-6-02 V72962 BACN10YD1	904949	1
760	BRC600-8-3	..	NUT- SUPPLIER CODE: V52828 SPECIFICATION NUMBER: BACN10YD1 OPTIONAL PART: 130120 V60119 BACN10FX16	904949	1
765	82-47-104-15	..	RECEPTACLE-1/4 TURN SUPPLIER CODE: V94222	904949	1
770	65C33259-68	.	BRACKET ASSY-MTG	904949	1

MISSING ITEM NUMBERS NOT APPLICABLE

- ITEM NOT ILLUSTRATED

33-21-00-05

33-21-00
FIG. 05
PAGE 8
JAN 20/09

BRI



757

PARTS CATALOG (MAINTENANCE)

FIG ITEM	PART NUMBER	1 2 3 4 5 6 7	NOMENCLATURE	EFFECT FROM TO	UNITS PER ASSY
5					
775	82-47-104-15	..	RECEPTACLE-1/4 TURN SUPPLIER CODE: V94222	904949	1
780	10-1327-1	.L	LIGHT ASSY- SUPPLIER CODE: V72914 SPECIFICATION NUMBER: S417N511-1 COMPONENT MAINT MANUAL REF: 33-20-51 FOR DETAILS SEE: 33-21-51-90	904949	1
780	10-1733-1	.L	LIGHT ASSY- SUPPLIER CODE: V72914 SPECIFICATION NUMBER: S417N511-8001 COMPONENT MAINT MANUAL REF: 33-21-39 FOR DETAILS SEE: 33-21-51-90	904949	1
930	417N5000-31	.L	LENS ASSY	904949	1
935	417N5000-32	..	LENS- ALTERED FROM PART NUMBER: 10-1327-51 V72914	904949	1
940	11-5848-1	..	LENS-END FTG SUPPLIER CODE: V72914	904949	1
945	11-5848-2	..	LENS-END FTG SUPPLIER CODE: V72914	904949	1
950	417N5000-57	.L	LENS ASSY	904949	1
955	417N5000-58	..	LENS- ALTERED FROM PART NUMBER: 10-1237-51 V72914 10-1327-46 V72914	904949	1
960	11-5848-1	..	LENS-END FTG SUPPLIER CODE: V72914	904949	1
965	11-5848-2	..	LENS-END FTG SUPPLIER CODE: V72914	904949	1
- 970	65C33289-1	.R	RETAINER ASSY	904949	1
975	65C33289-7	..	RETAINER	904949	1
980	BACS21AP300FF	..	STUD	904949	1
985	BACR12AG2C	..	RING	904949	1

MISSING ITEM NUMBERS NOT APPLICABLE

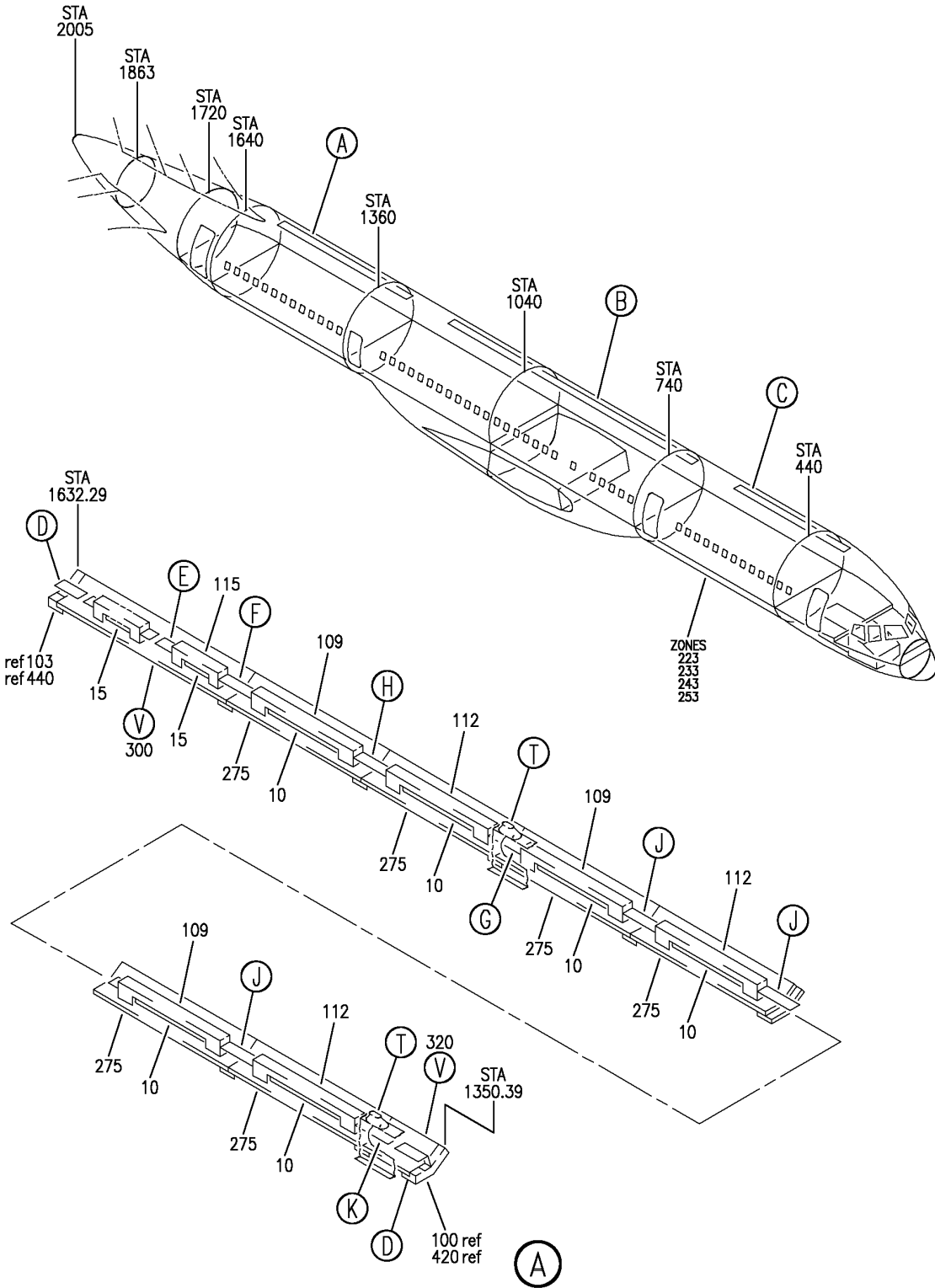
- ITEM NOT ILLUSTRATED

33-21-00-05

33-21-00
FIG. 05
PAGE 9
JAN 20/09

BRI

BOEING
757
PARTS CATALOG (MAINTENANCE)



Y 33210005A SHT 1 REV 253

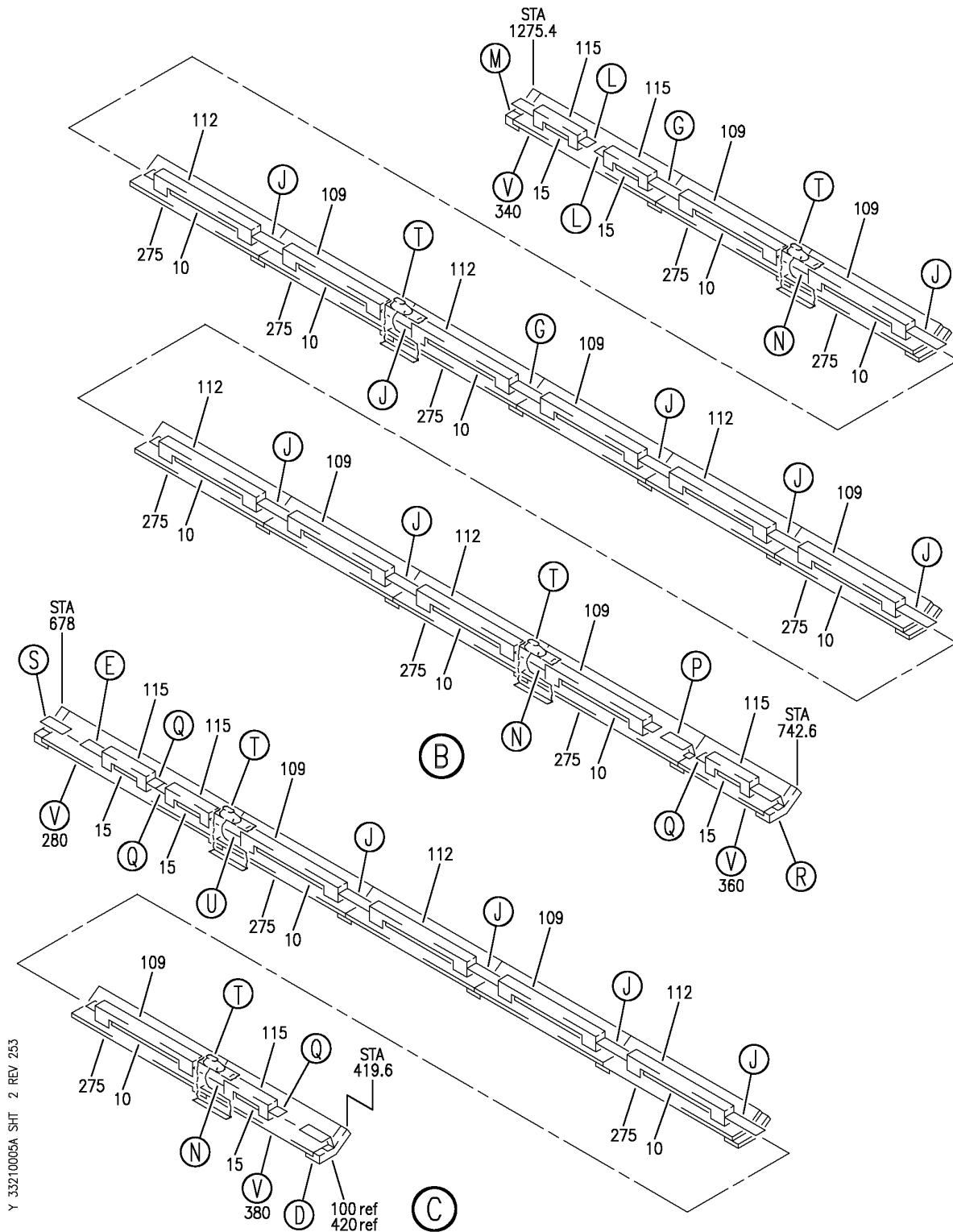
LIGHT INSTL-SIDEWALL LH
FIGURE 5A (SHEET 1)

33-21-00-05A

BRI
MAY 28/07

33-21-00-05A
PAGE 0

BOEING
757
PARTS CATALOG (MAINTENANCE)



Y 33210005A SHT 2 REV 263

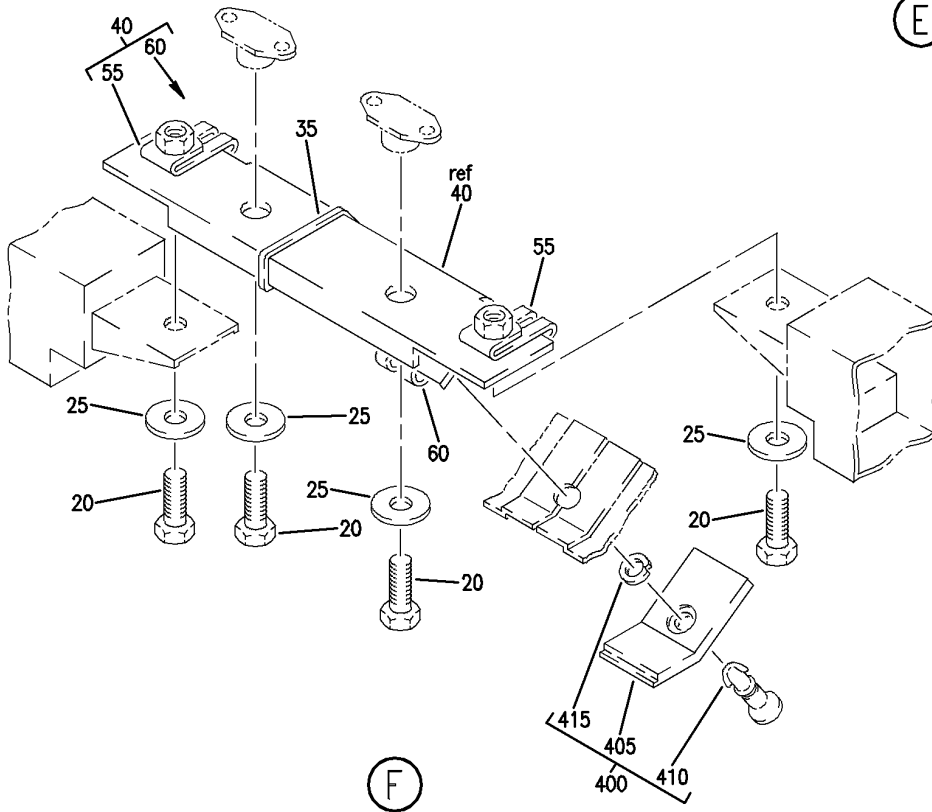
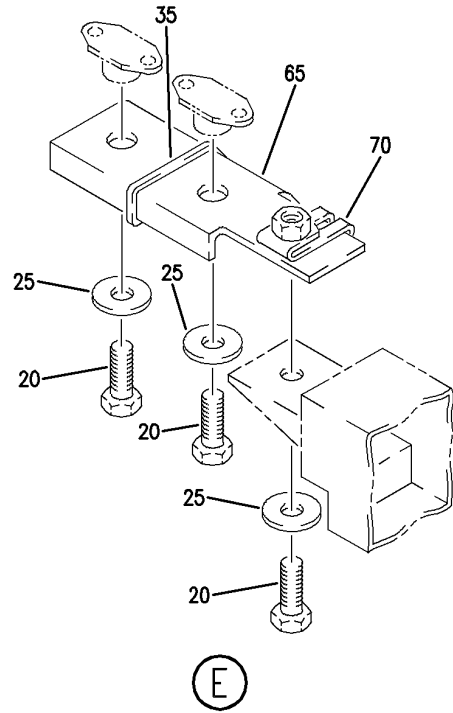
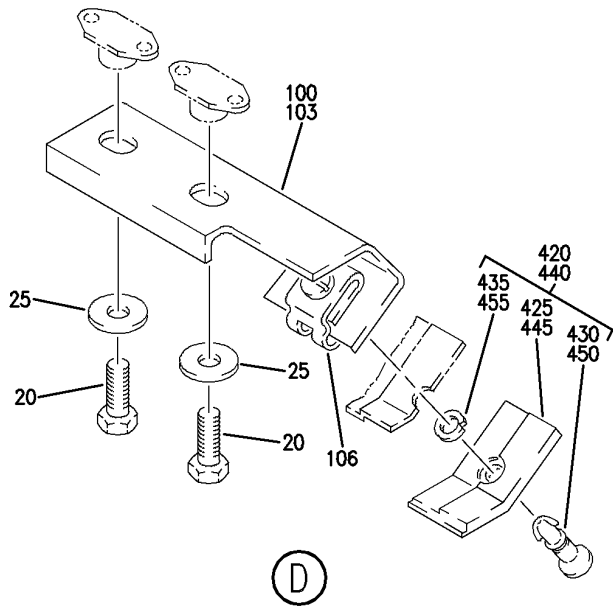
LIGHT INSTL-SIDEWALL LH
FIGURE 5A (SHEET 2)

33-21-00-05A

BRI
MAY 28/07

33-21-00-05A
PAGE 0A

BOEING
757
PARTS CATALOG (MAINTENANCE)



Y 33210005A SH1 3 REV 236

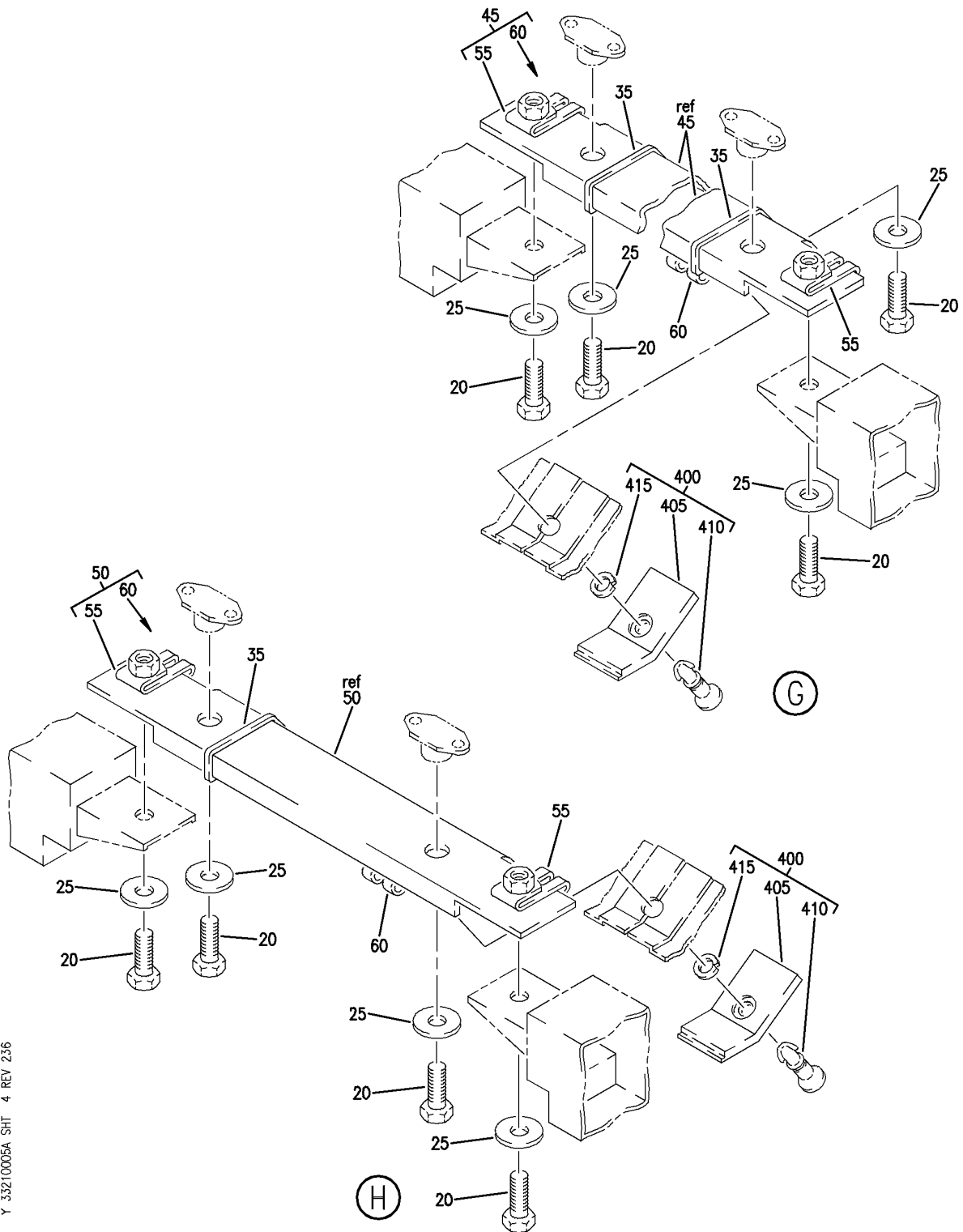
LIGHT INSTL-SIDEWALL LH
FIGURE 5A (SHEET 3)

33-21-00-05A

BRI
MAY 28/07

33-21-00-05A
PAGE 0B

BOEING
757
PARTS CATALOG (MAINTENANCE)



Y 33210005A SH1 4 REV 236

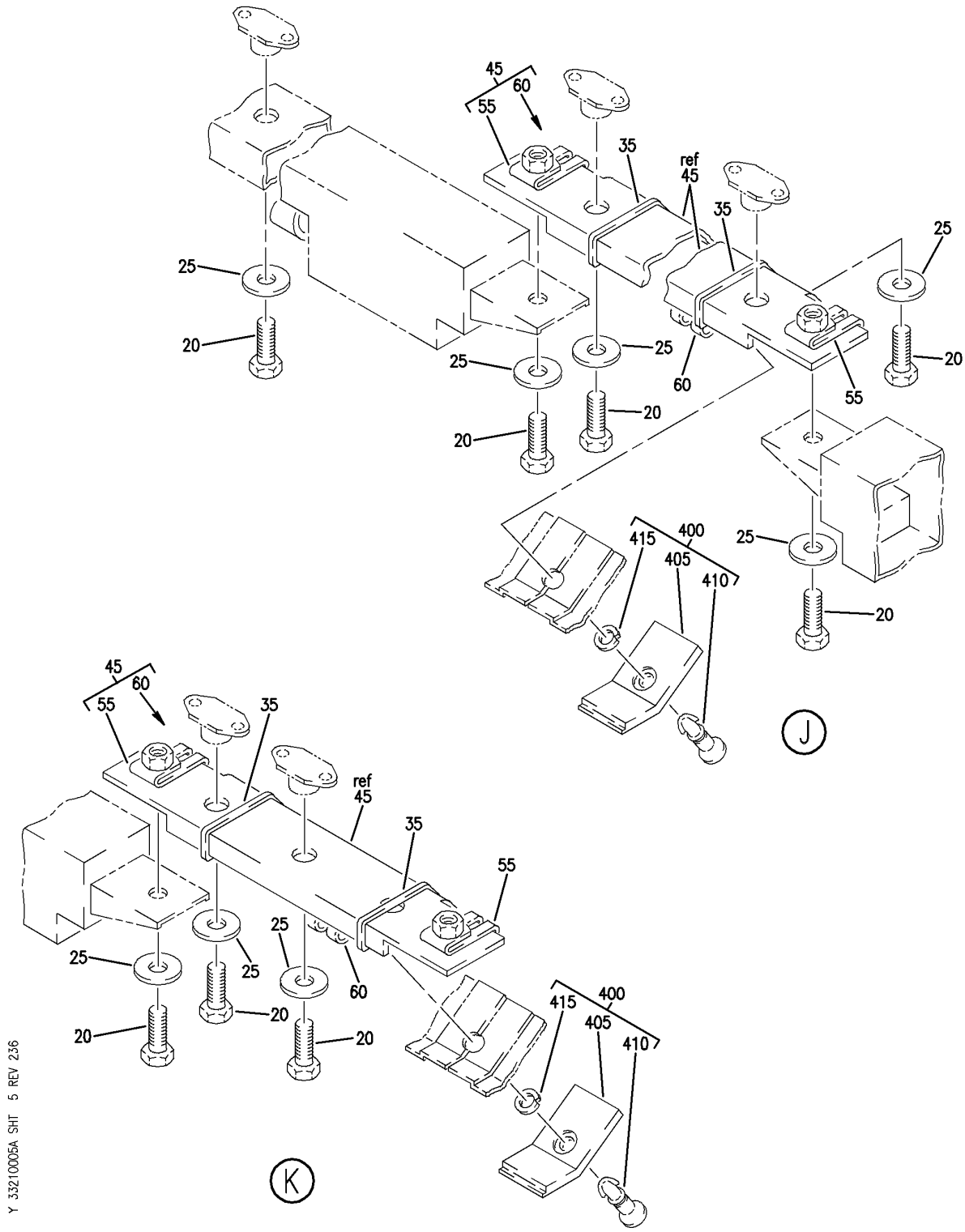
LIGHT INSTL-SIDEWALL LH
FIGURE 5A (SHEET 4)

33-21-00-05A

BRI
MAY 28/07

33-21-00-05A
PAGE 0C

BOEING
757
PARTS CATALOG (MAINTENANCE)



Y 33210005A SH1 5 REV 236

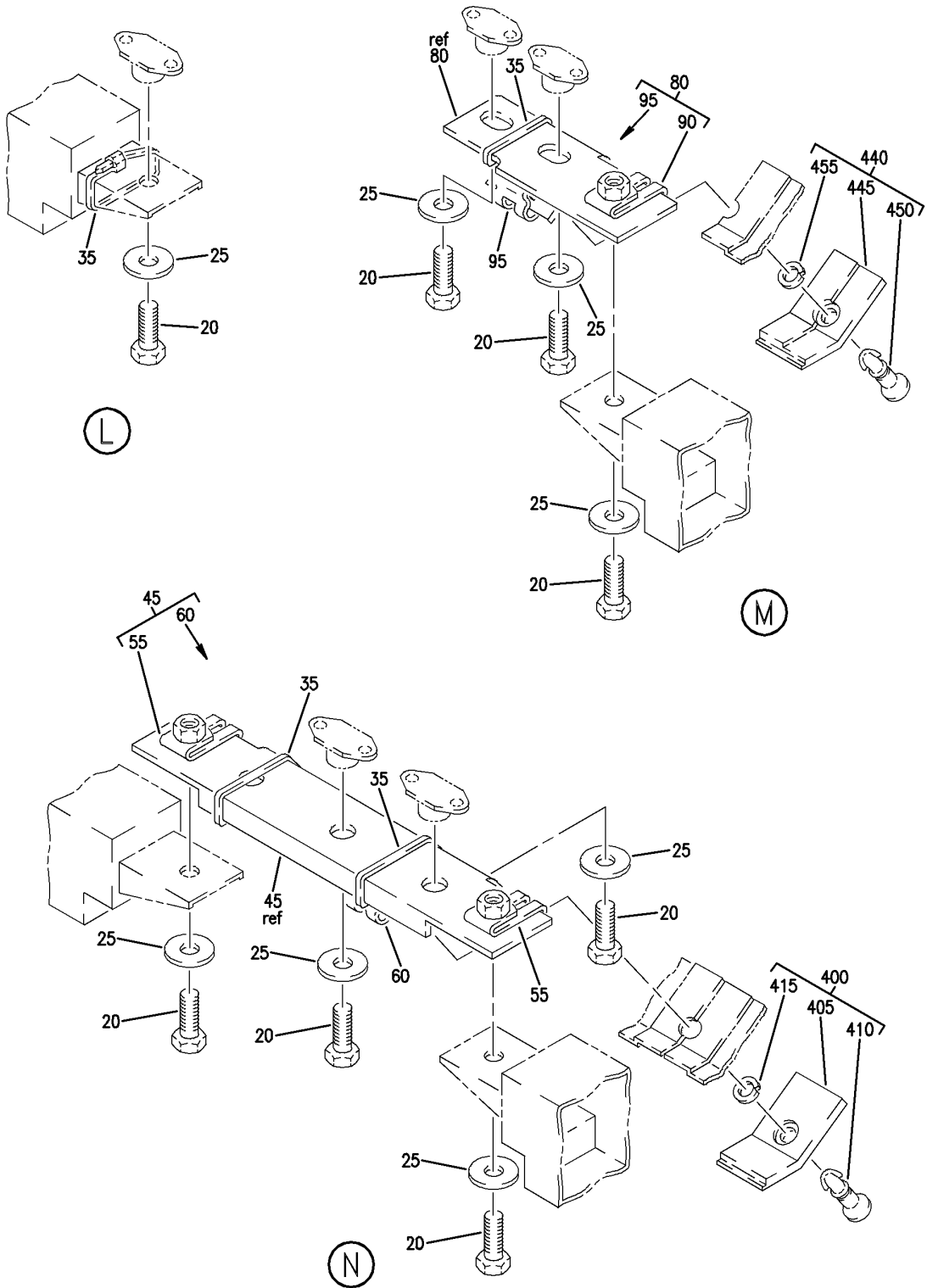
LIGHT INSTL-SIDEWALL LH
FIGURE 5A (SHEET 5)

33-21-00-05A

BRI
MAY 28/07

33-21-00-05A
PAGE 0D

BOEING
757
PARTS CATALOG (MAINTENANCE)



Y 33210005A SH1 6 REV 236

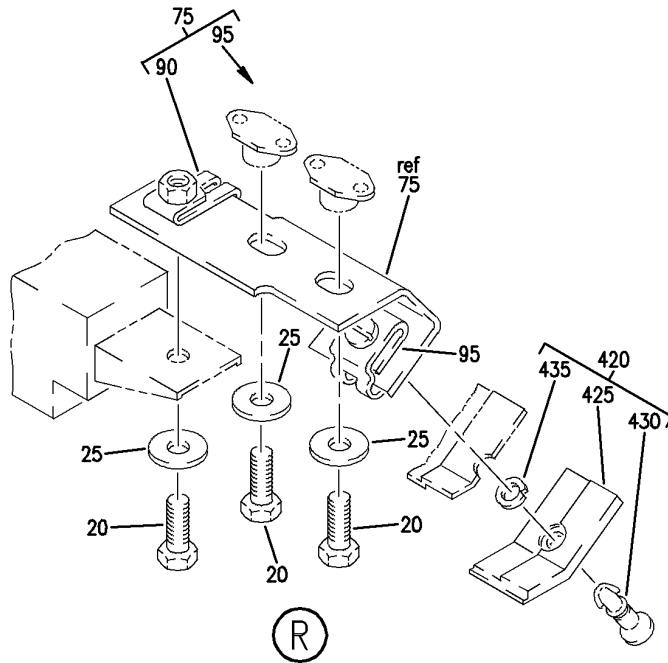
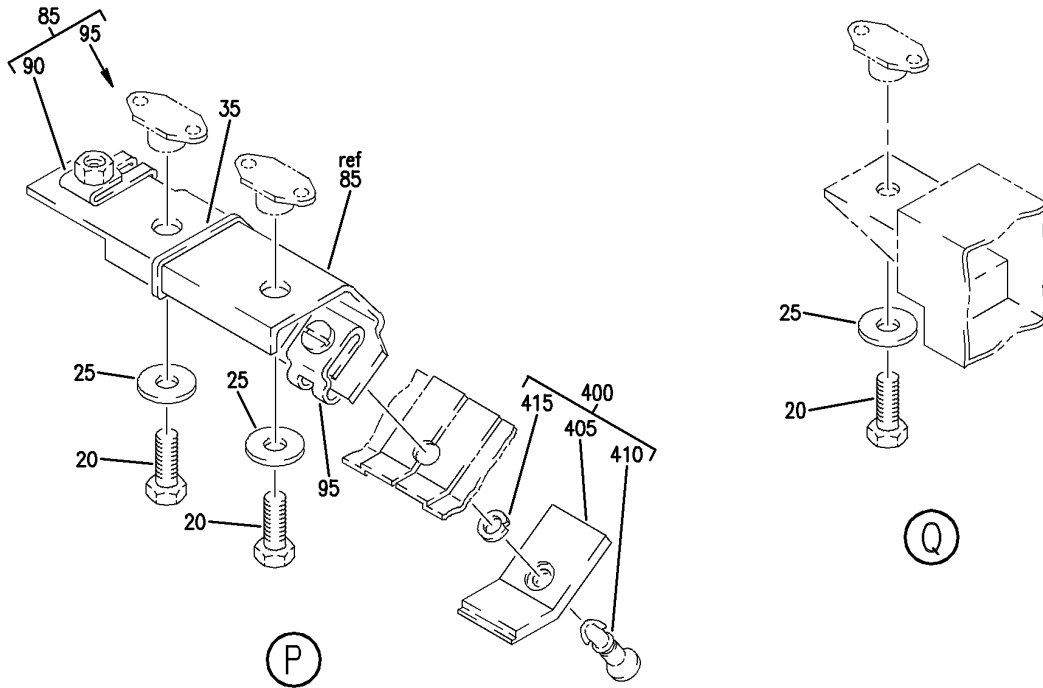
LIGHT INSTL-SIDEWALL LH
FIGURE 5A (SHEET 6)

BRI
MAY 28/07

33-21-00-05A

33-21-00-05A
PAGE 0E

BOEING
757
PARTS CATALOG (MAINTENANCE)



Y 33210005A SH7 7 REV 236

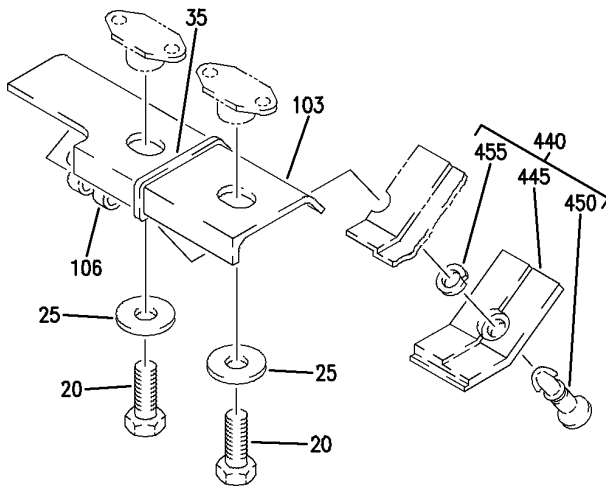
LIGHT INSTL-SIDEWALL LH
FIGURE 5A (SHEET 7)

33-21-00-05A

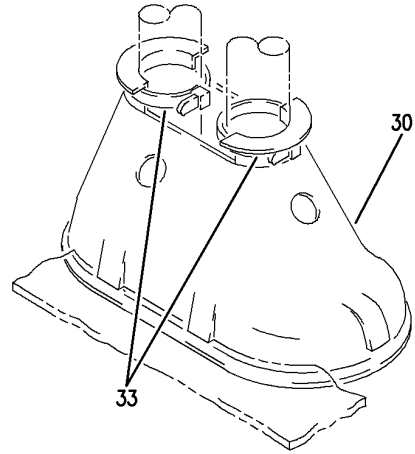
BRI
MAY 28/07

33-21-00-05A
PAGE OF

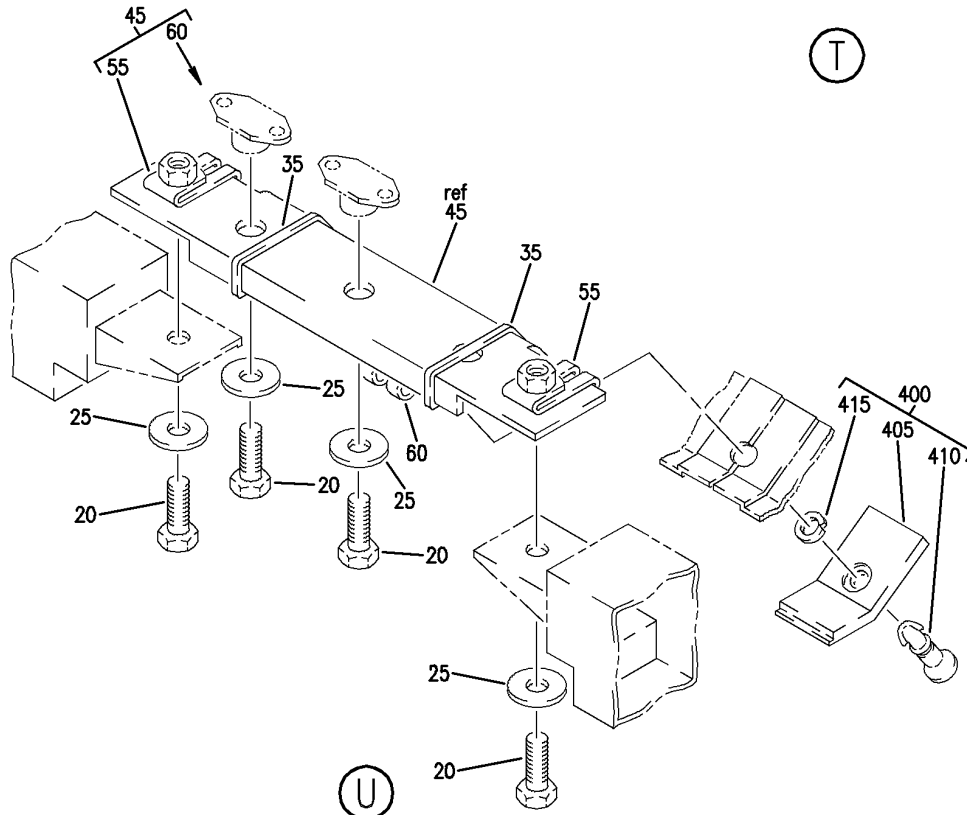
BOEING
757
PARTS CATALOG (MAINTENANCE)



(S)



(T)



(U)

Y 33210005A SH 8 REV 236

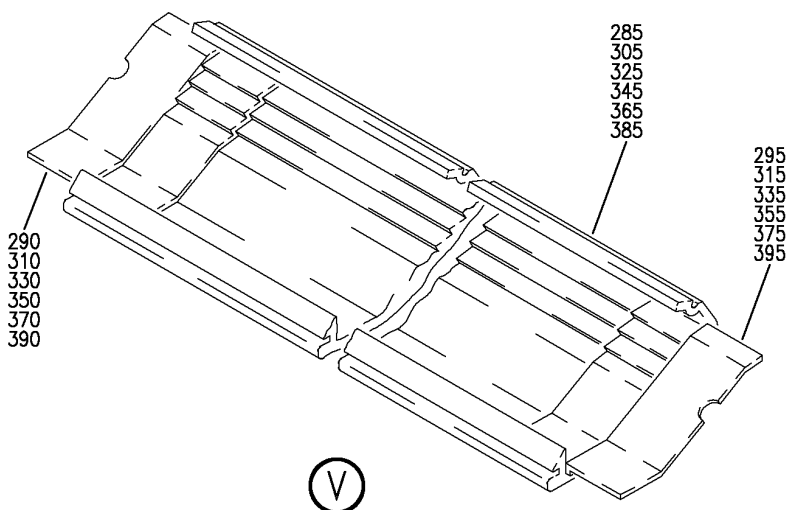
LIGHT INSTL-SIDEWALL LH
FIGURE 5A (SHEET 8)

33-21-00-05A

BRI
MAY 28/07

33-21-00-05A
PAGE 06

BOEING
757
PARTS CATALOG (MAINTENANCE)



Y 33210005A SHT 9 REV 263

LIGHT INSTL-SIDEWALL LH
FIGURE 5A (SHEET 9)

33-21-00-05A

BRI
MAY 28/07

33-21-00-05A
PAGE 0H



757

PARTS CATALOG (MAINTENANCE)

FIG ITEM	PART NUMBER	1 2 3 4 5 6 7	NOMENCLATURE	EFFECT FROM TO	UNITS PER ASSY
5A			LIGHT INSTL-SIDEWALL LH	121503 904949	
- 1	417N5106-11		LIGHT INSTL-SIDEWALL POSITION DATA: LH FOR NHA SEE: 33-20-51-01	121503 904949	RF
10	F18T5WRS		.LAMP-FLUOR SUPPLIER CODE: V52343	121503 904949	23
15	5106WW		.LAMP-FLUOR SUPPLIER CODE: V08806 OPTIONAL PART: F6T5WW V08806	121503 904949	8
15	F6T5WW		.LAMP-FLUOR SUPPLIER CODE: V08806 OPTIONAL PART: 5106WW V08806	121503 904949	8
20	NAS1801-3-6		.SCREW	121503 904949	142
25	AN960JD10L		.WASHER	121503 904949	142
30	417N5107-1		.GROMMET	121503 904949	7
33	T05R0		.STRAP SUPPLIER CODE: V53421 SPECIFICATION NUMBER: BACS38K1 OPTIONAL PART: PLT2SM V06383	121503 904949	14
35	MS3367-1-9		.STRAP	121503 904949	55
40	65C33259-12		.BRACKET ASSY-MTG	121503 904949	1
45	65C33259-26		.BRACKET ASSY-MTG	121503 904949	23
50	65C33259-55		.BRACKET ASSY-MTG	121503 904949	1

MISSING ITEM NUMBERS NOT APPLICABLE

- ITEM NOT ILLUSTRATED

33-21-00-05A

33-21-00
FIG. 05A
PAGE 1
JAN 20/09

BRI



757

PARTS CATALOG (MAINTENANCE)

FIG ITEM	PART NUMBER	1 2 3 4 5 6 7	NOMENCLATURE	EFFECT FROM TO	UNITS PER ASSY
5A 55	130069	..	NUT- SUPPLIER CODE: V60119 SPECIFICATION NUMBER: BACN10FX16 OPTIONAL PART: A11330-6-3 V72962 A4972-6-02 V72962 A4972-6-02 V72962 BACN10YD1	121503 904949	2
55	BRC600-8-3	..	NUT- SUPPLIER CODE: V52828 SPECIFICATION NUMBER: BACN10YD1 OPTIONAL PART: 130120 V60119 BACN10FX16	121503 904949	2
60	82-47-104-15	..	RECEPTACLE-1/4 TURN SUPPLIER CODE: V94222	121503 904949	1
65	65C33259-27	.	BRACKET ASSY-MTG	121503 904949	2
70	130069	..	NUT- SUPPLIER CODE: V60119 SPECIFICATION NUMBER: BACN10FX16 OPTIONAL PART: A11330-6-3 V72962 A4972-6-02 V72962 A4972-6-02 V72962 BACN10YD1	121503 904949	1
70	BRC600-8-3	..	NUT- SUPPLIER CODE: V52828 SPECIFICATION NUMBER: BACN10YD1 OPTIONAL PART: 130120 V60119 BACN10FX16	121503 904949	1

MISSING ITEM NUMBERS NOT APPLICABLE

- ITEM NOT ILLUSTRATED

33-21-00-05A

33-21-00
FIG. 05A
PAGE 2
JAN 20/09

BRI

 **BOEING**
757
PARTS CATALOG (MAINTENANCE)

FIG ITEM	PART NUMBER	1 2 3 4 5 6 7	NOMENCLATURE	EFFECT FROM TO	UNITS PER ASSY
5A					
75	65C33259-61	.	BRACKET ASSY-MTG	121503 904949	1
80	65C33259-62	.	BRACKET ASSY-MTG	121503 904949	1
85	65C33259-69	.	BRACKET ASSY-MTG	121503 904949	1
90	130069	..	NUT- SUPPLIER CODE: V60119 SPECIFICATION NUMBER: BACN10FX16 OPTIONAL PART: A11330-6-3 V72962 A4972-6-02 V72962 A4972-6-02 V72962 BACN10YD1	121503 904949	1
90	BRC600-8-3	..	NUT- SUPPLIER CODE: V52828 SPECIFICATION NUMBER: BACN10YD1 OPTIONAL PART: 130120 V60119 BACN10FX16	121503 904949	1
95	82-47-104-15	..	RECEPTACLE-1/4 TURN SUPPLIER CODE: V94222	121503 904949	1
100	65C33259-67	.	BRACKET ASSY-MTG	121503 904949	2
103	65C33259-68	.	BRACKET ASSY-MTG	121503 904949	2
106	82-47-104-15	..	RECEPTACLE-1/4 TURN SUPPLIER CODE: V94222	121503 904949	1
109	10-1327-1	.	LIGHT ASSY- SUPPLIER CODE: V72914 SPECIFICATION NUMBER: S417N511-1 COMPONENT MAINT MANUAL REF: 33-20-51 FOR DETAILS SEE: 33-21-51-90	121503 904949	13

MISSING ITEM NUMBERS NOT APPLICABLE

— ITEM NOT ILLUSTRATED

BRI

33-21-00-05A

BOEING PROPRIETARY - Copyright © - Unpublished Work - See title page for details.

33-21-00
FIG. 05A
PAGE 3
JAN 20/09



757

PARTS CATALOG (MAINTENANCE)

FIG ITEM	PART NUMBER	1 2 3 4 5 6 7	NOMENCLATURE	EFFECT FROM TO	UNITS PER ASSY
5A 109	10-1733-1		.LIGHT ASSY- SUPPLIER CODE: V72914 SPECIFICATION NUMBER: S417N511-8001 COMPONENT MAINT MANUAL REF: 33-21-39 FOR DETAILS SEE: 33-21-51-90	121503 904949	13
112	10-1327-2		.LIGHT ASSY- SUPPLIER CODE: V72914 SPECIFICATION NUMBER: S417N511-2 COMPONENT MAINT MANUAL REF: 33-20-51 FOR DETAILS SEE: 33-21-51-90	121503 904949	10
112	10-1733-2		.LIGHT ASSY- SUPPLIER CODE: V72914 SPECIFICATION NUMBER: S417N511-8002 COMPONENT MAINT MANUAL REF: 33-21-39 FOR DETAILS SEE: 33-21-51-90	121503 904949	10
115	10-1327-3		.LIGHT ASSY- SUPPLIER CODE: V72914 SPECIFICATION NUMBER: S417N511-3 COMPONENT MAINT MANUAL REF: 33-20-51 FOR DETAILS SEE: 33-21-51-90	121503 904949	7
115	10-1733-3		.LIGHT ASSY- SUPPLIER CODE: V72914 SPECIFICATION NUMBER: S417N511-8003 COMPONENT MAINT MANUAL REF: 33-21-39 FOR DETAILS SEE: 33-21-51-90	121503 904949	7

MISSING ITEM NUMBERS NOT APPLICABLE

- ITEM NOT ILLUSTRATED

33-21-00-05A

33-21-00
FIG. 05A
PAGE 4
JAN 20/09

BRI



757

PARTS CATALOG (MAINTENANCE)

FIG ITEM	PART NUMBER	1 2 3 4 5 6 7	NOMENCLATURE	EFFECT FROM TO	UNITS PER ASSY
5A 275	10-1327-40	. LENS-	SUPPLIER CODE: V72914 SPECIFICATION NUMBER: S417N511-40	121503 904949	23
280	417N5000-55	. LENS ASSY		121503 904949	1
285	417N5000-56	.. LENS-	ALTERED FROM PART NUMBER: 10-1327-51 V72914 10-1327-46 V72914	121503 904949	1
290	11-5848-1	.. LENS-END FTG	SUPPLIER CODE: V72914	121503 904949	1
295	11-5848-2	.. LENS-END FTG	SUPPLIER CODE: V72914	121503 904949	1
300	417N5000-59	. LENS ASSY		121503 904949	1
305	417N5000-60	.. LENS-	ALTERED FROM PART NUMBER: 10-1327-51 V72914	121503 904949	1
310	11-5848-1	.. LENS-END FTG	SUPPLIER CODE: V72914	121503 904949	1
315	11-5848-2	.. LENS-END FTG	SUPPLIER CODE: V72914	121503 904949	1
320	417N5000-61	. LENS ASSY		121503 904949	1
325	417N5000-62	.. LENS-	ALTERED FROM PART NUMBER: 10-1327-51 V72914 10-1327-53 V72914	121503 904949	1
330	11-5848-1	.. LENS-END FTG	SUPPLIER CODE: V72914	121503 904949	1
335	11-5848-2	.. LENS-END FTG	SUPPLIER CODE: V72914	121503 904949	1
340	417N5000-63	. LENS ASSY		121503 904949	1

MISSING ITEM NUMBERS NOT APPLICABLE

- ITEM NOT ILLUSTRATED

33-21-00-05A

33-21-00
FIG. 05A
PAGE 5
JAN 20/09

BRI

BOEING PROPRIETARY - Copyright © - Unpublished Work - See title page for details.

 **BOEING**
757
PARTS CATALOG (MAINTENANCE)

FIG ITEM	PART NUMBER	1 2 3 4 5 6 7	NOMENCLATURE	EFFECT FROM TO	UNITS PER ASSY
5A					
345	417N5000-64	..	LENS- ALTERED FROM PART NUMBER: 10-1327-51 V72914	121503 904949	1
350	11-5848-1	..	LENS-END FTG SUPPLIER CODE: V72914	121503 904949	1
355	11-5848-2	..	LENS-END FTG SUPPLIER CODE: V72914	121503 904949	1
360	417N5000-67	.	LENS ASSY	121503 904949	1
365	417N5000-68	..	LENS- ALTERED FROM PART NUMBER: 10-1327-51 V72914 10-1327-57 V72914	121503 904949	1
370	11-5848-1	..	LENS-END FTG SUPPLIER CODE: V72914	121503 904949	1
375	11-5848-2	..	LENS-END FTG SUPPLIER CODE: V72914	121503 904949	1
380	417N5000-71	.	LENS ASSY	121503 904949	1
385	417N5000-72	..	LENS- ALTERED FROM PART NUMBER: 10-1327-51 V72914 10-1327-57 V72914	121503 904949	1
390	11-5848-1	..	LENS-END FTG SUPPLIER CODE: V72914	121503 904949	1
395	11-5848-2	..	LENS-END FTG SUPPLIER CODE: V72914	121503 904949	1
400	65C33289-1	.	RETAINER ASSY-LENS	121503 904949	26
405	65C33289-7	..	RETAINER	121503 904949	1
410	82-99-381-34	..	STUD SUPPLIER CODE: V94222 SPECIFICATION NUMBER: BACS21AP340FP	121503 904949	1
415	BACR12AG2C	..	RING	121503 904949	1

MISSING ITEM NUMBERS NOT APPLICABLE

— ITEM NOT ILLUSTRATED

33-21-00-05A

33-21-00
FIG. 05A
PAGE 6
JAN 20/09

BRI

BOEING PROPRIETARY - Copyright © - Unpublished Work - See title page for details.



757

PARTS CATALOG (MAINTENANCE)

FIG ITEM	PART NUMBER	1 2 3 4 5 6 7	NOMENCLATURE	EFFECT FROM TO	UNITS PER ASSY
5A					
420	65C33289-3	.	RETAINER ASSY-LENS	121503 904949	3
425	65C33289-9	..	RETAINER- ALTERED FROM PART NUMBER: 65C33289-15	121503 904949	1
430	82-99-381-34	..	STUD SUPPLIER CODE: V94222 SPECIFICATION NUMBER: BACS21AP340FP	121503 904949	1
435	BACR12AG2C	..	RING	121503 904949	1
440	65C33289-4	.	RETAINER ASSY-LENS	121503 904949	3
445	65C33289-10	..	RETAINER- ALTERED FROM PART NUMBER: 65C33289-16	121503 904949	1
450	82-99-381-34	..	STUD SUPPLIER CODE: V94222 SPECIFICATION NUMBER: BACS21AP340FP	121503 904949	1
455	BACR12AG2C	..	RING	121503 904949	1

MISSING ITEM NUMBERS NOT APPLICABLE

- ITEM NOT ILLUSTRATED

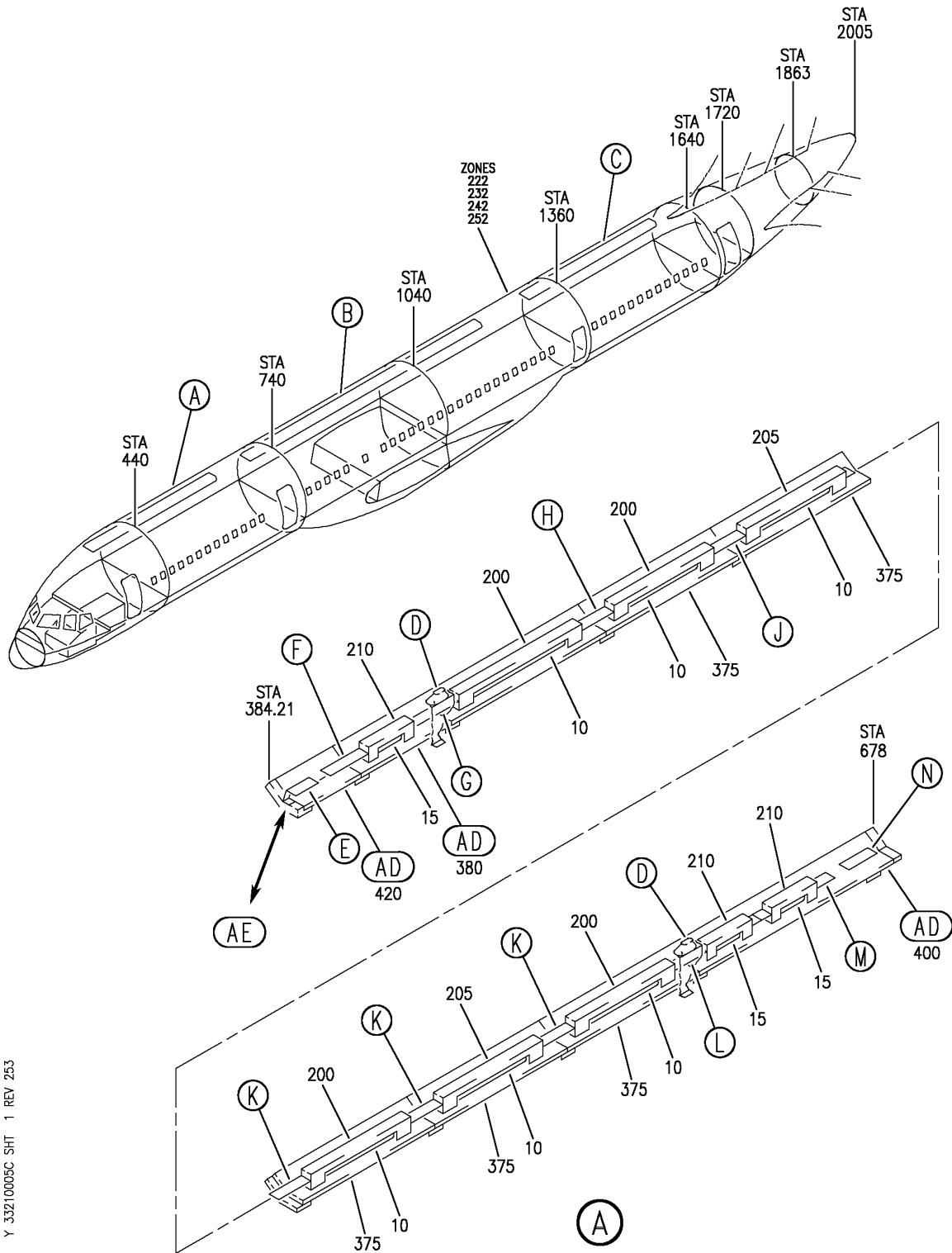
33-21-00-05A

33-21-00
FIG. 05A
PAGE 7
JAN 20/09

BRI

BOEING PROPRIETARY - Copyright © - Unpublished Work - See title page for details.

BOEING
757
PARTS CATALOG (MAINTENANCE)



Y 33210005C SHT 1 REV 253

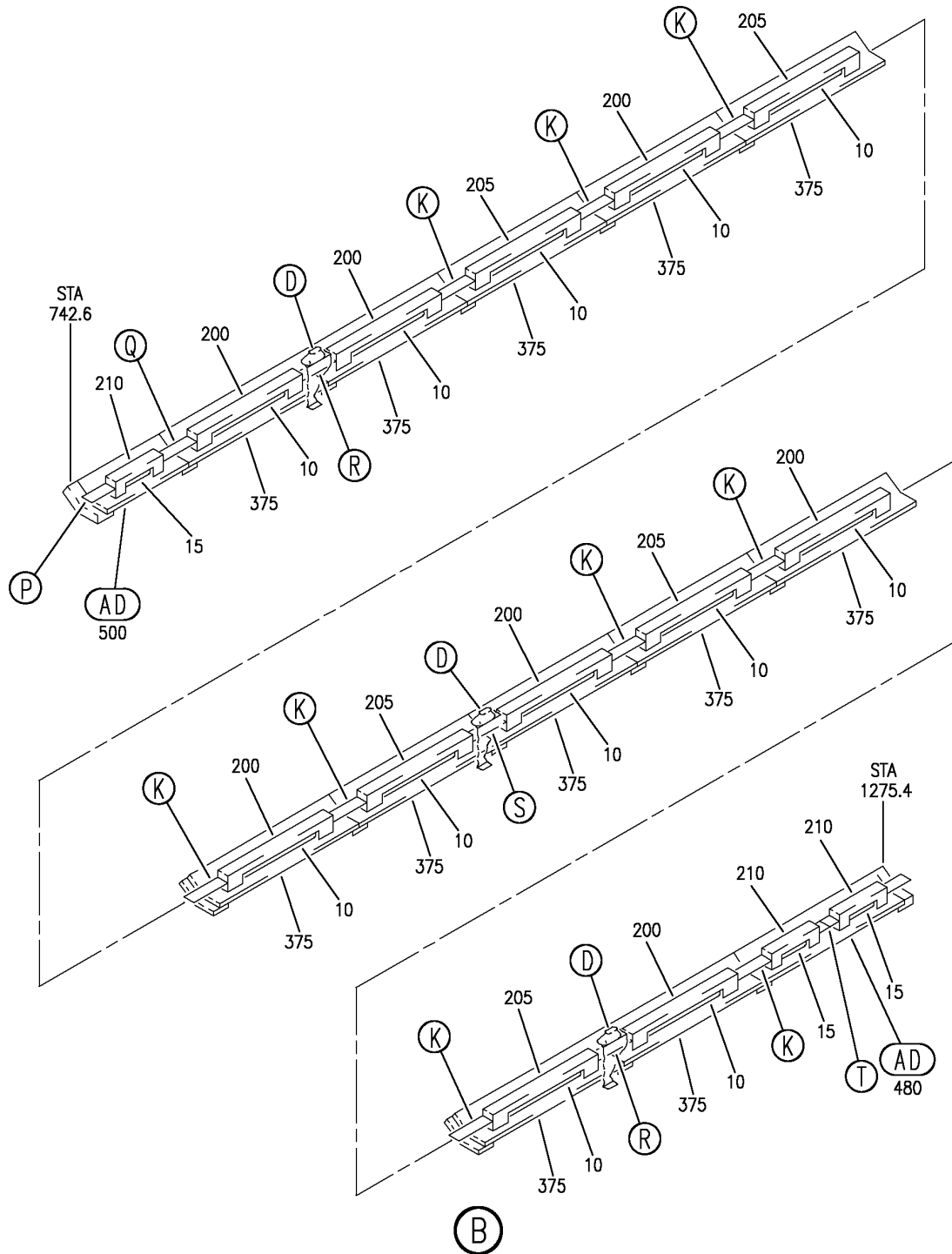
LIGHT INSTL-SIDEWALL RH
FIGURE 5C (SHEET 1)

33-21-00-05C

BRI
JAN 20/09

33-21-00-05C
PAGE 0

BOEING
757
PARTS CATALOG (MAINTENANCE)



Y 33210005C SHT 2 REV 253

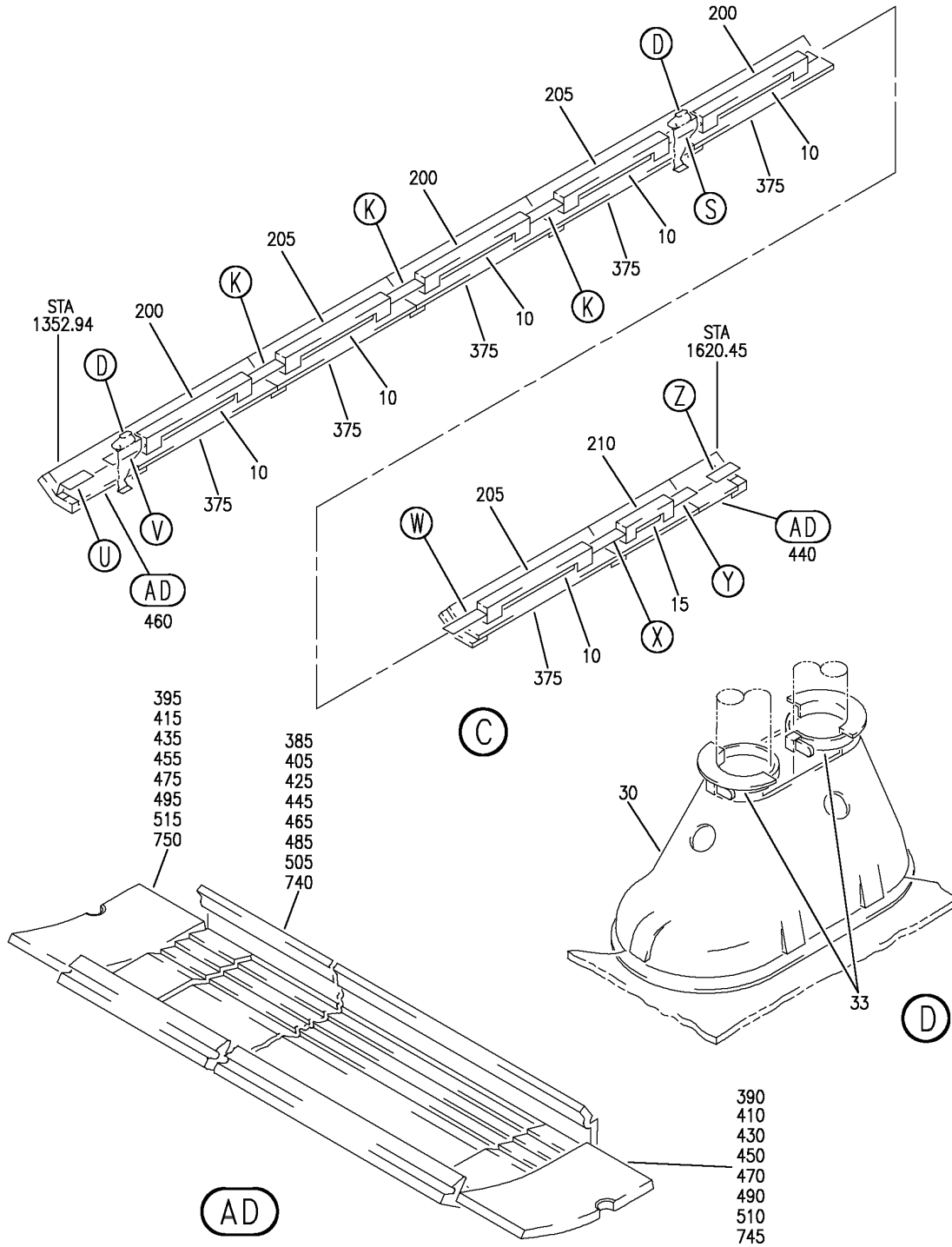
LIGHT INSTL-SIDEWALL RH
FIGURE 5C (SHEET 2)

33-21-00-05C

BRI
JAN 20/09

33-21-00-05C
PAGE 0A

BOEING
757
PARTS CATALOG (MAINTENANCE)



Y 33210005C SHT 3 REV 253

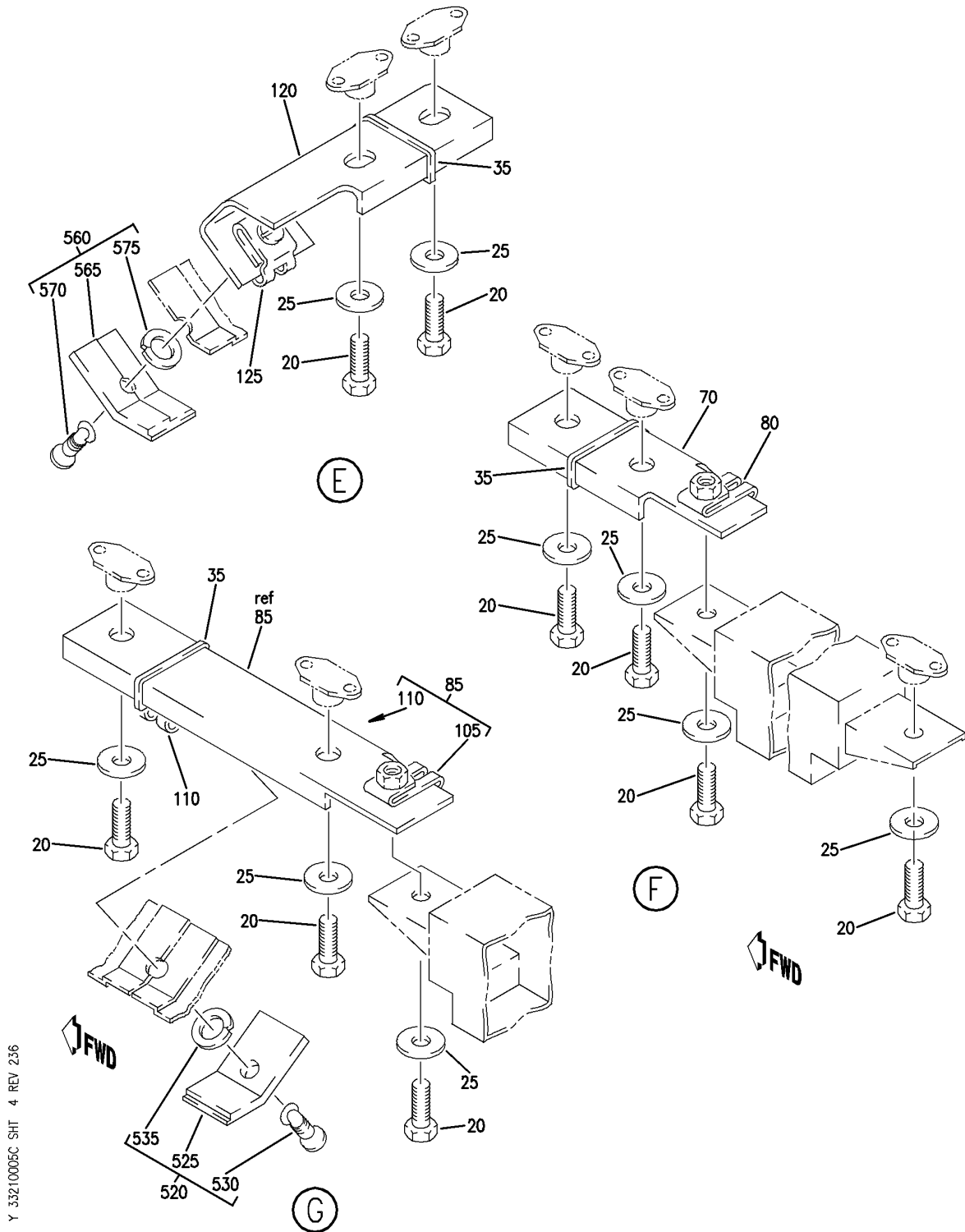
LIGHT INSTL-SIDEWALL RH
FIGURE 5C (SHEET 3)

33-21-00-05C

BRI
JAN 20/09

33-21-00-05C
PAGE 0B

BOEING
757
PARTS CATALOG (MAINTENANCE)



Y 33210005C SH1 4 REV 236

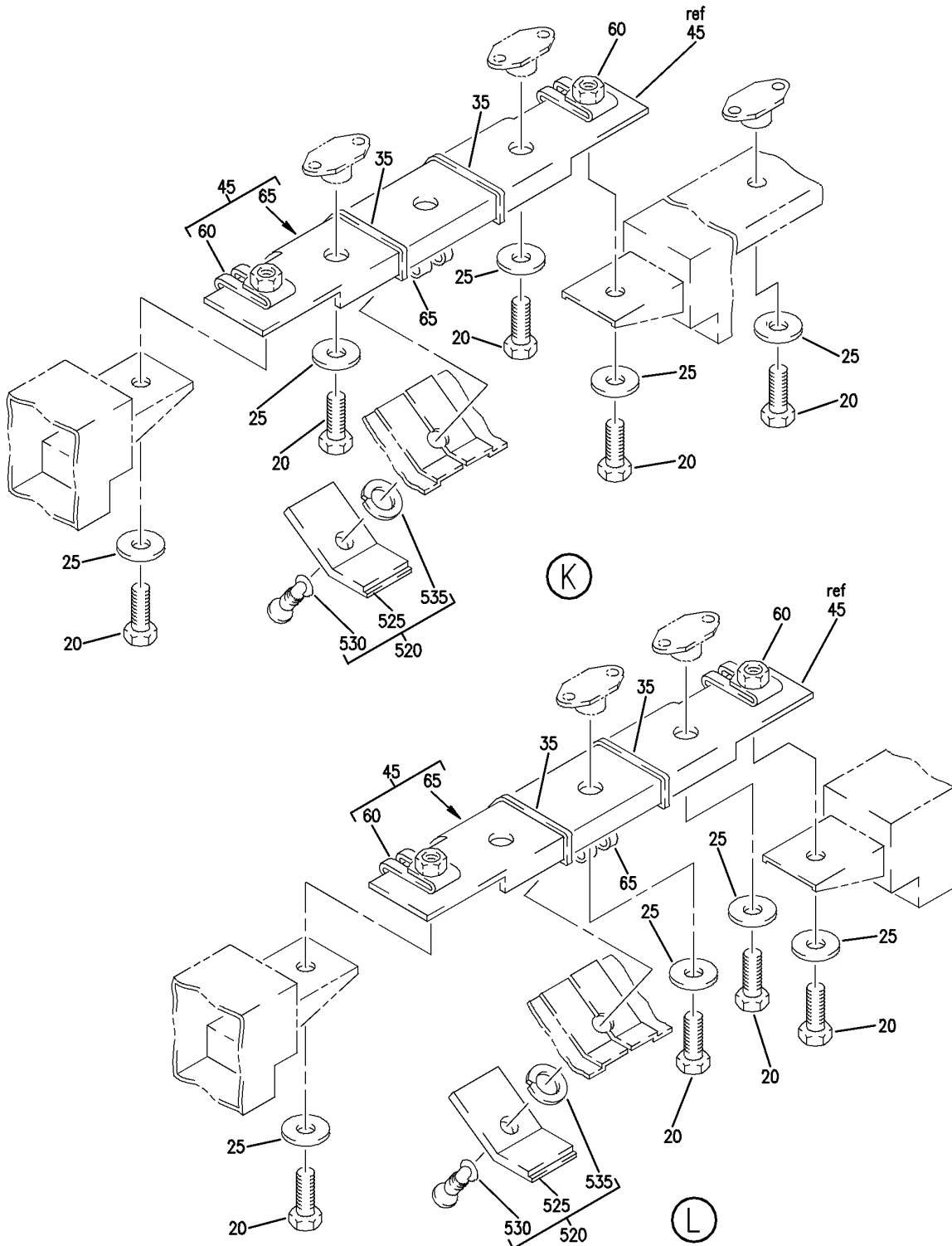
LIGHT INSTL-SIDEWALL RH
FIGURE 5C (SHEET 4)

33-21-00-05C

BRI
JAN 20/09

33-21-00-05C
PAGE 0C

BOEING
757
PARTS CATALOG (MAINTENANCE)



Y 33210005C SH1 6 REV 236

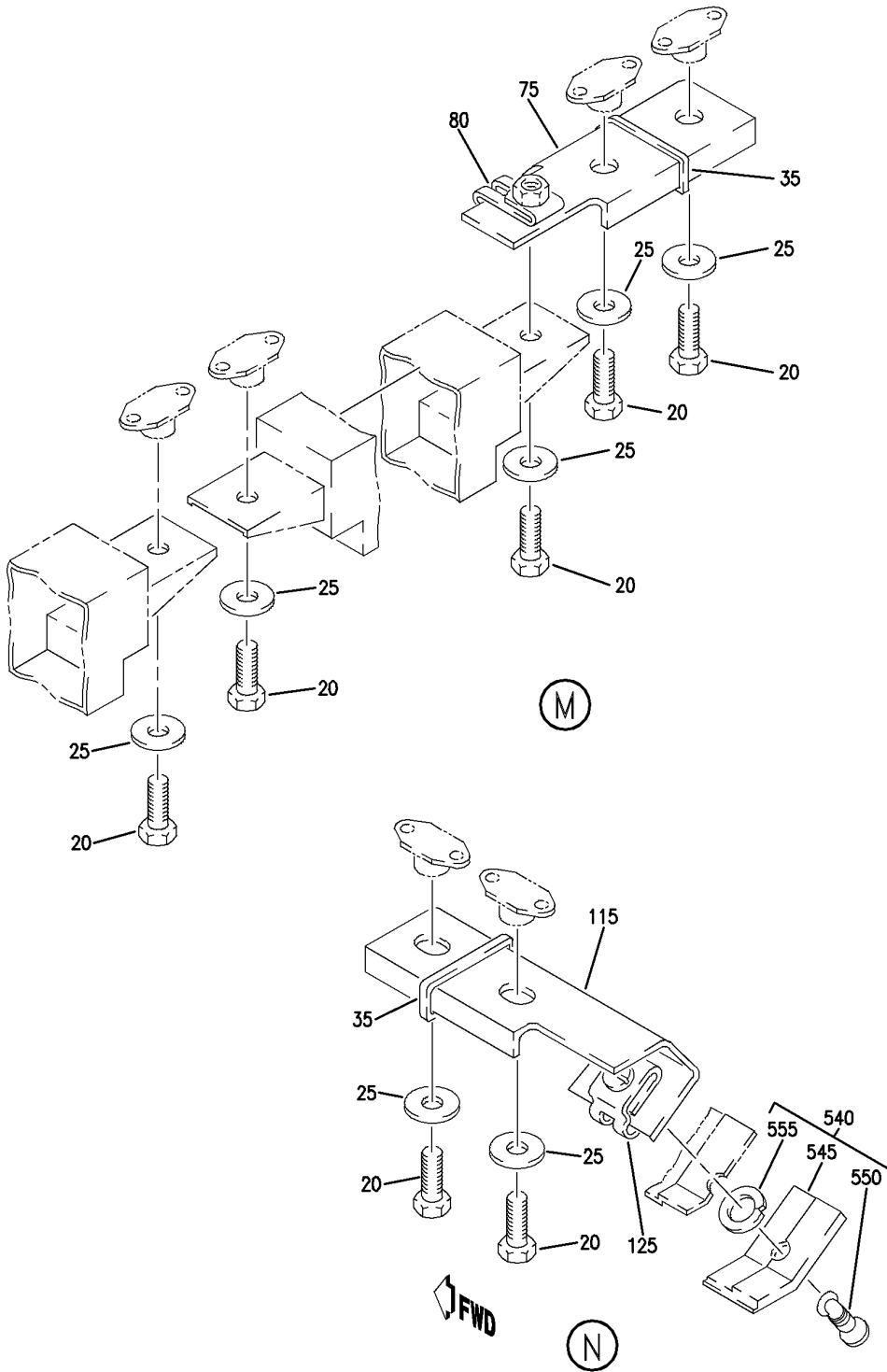
LIGHT INSTL-SIDEWALL RH
FIGURE 5C (SHEET 6)

33-21-00-05C

BRI
JAN 20/09

33-21-00-05C
PAGE 0E

BOEING
757
PARTS CATALOG (MAINTENANCE)



Y. 33210005C SH1 7 REV 236

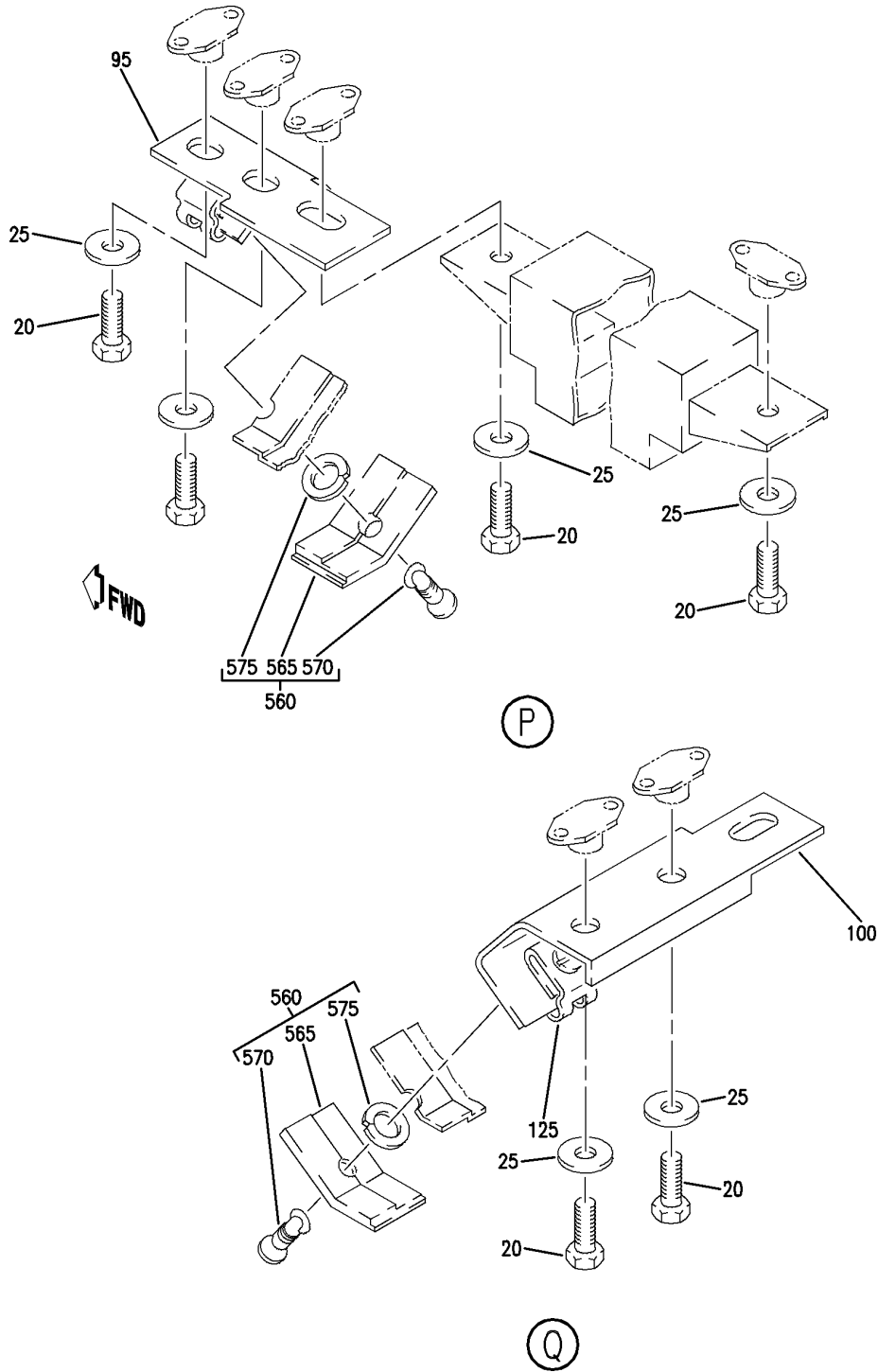
LIGHT INSTL-SIDEWALL RH
FIGURE 5C (SHEET 7)

33-21-00-05C

BRI
JAN 20/09

33-21-00-05C
PAGE OF

BOEING
757
PARTS CATALOG (MAINTENANCE)



Y 33210005C SH1 8 REV 236

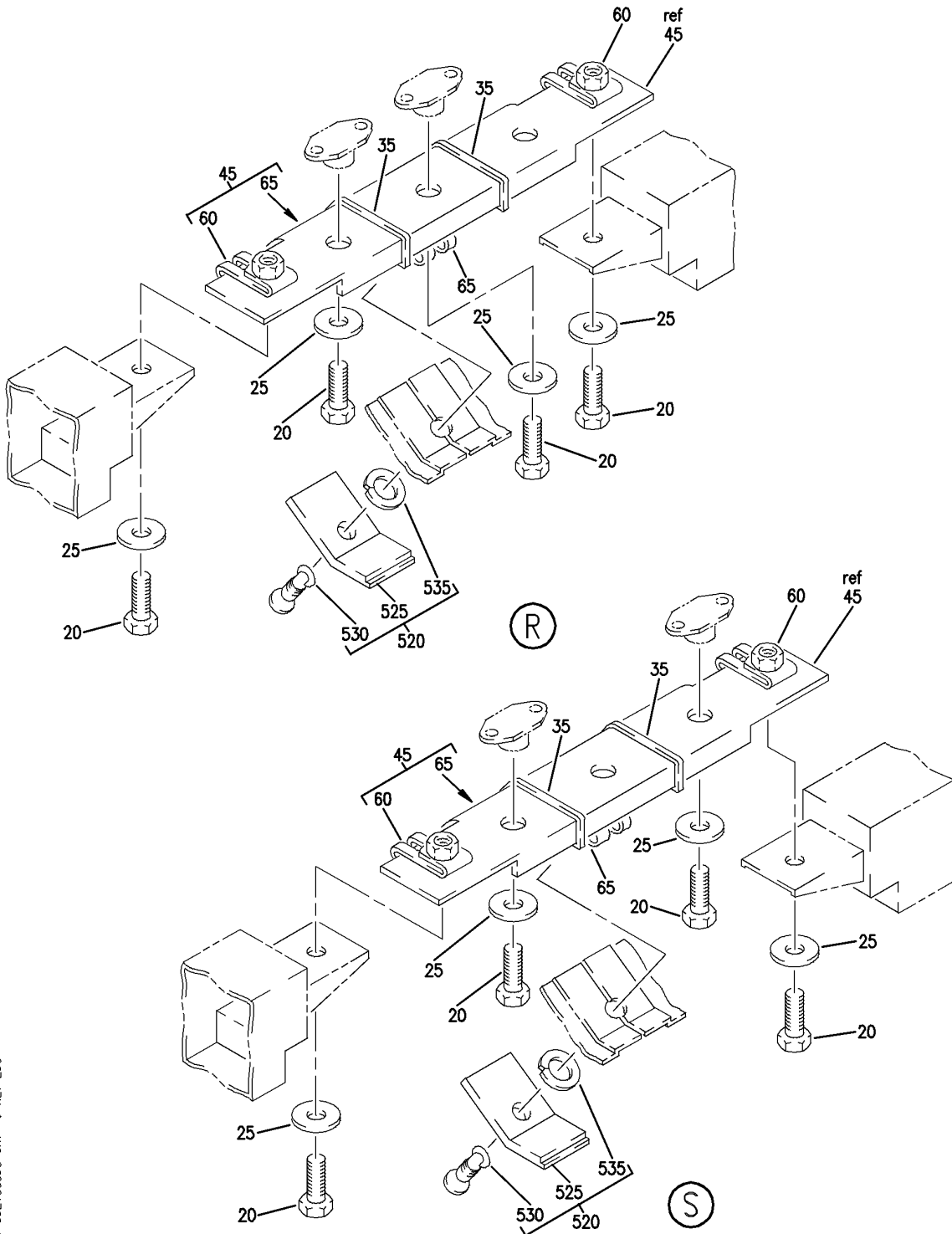
LIGHT INSTL-SIDEWALL RH
FIGURE 5C (SHEET 8)

33-21-00-05C

BRI
JAN 20/09

33-21-00-05C
PAGE 0G

BOEING
757
PARTS CATALOG (MAINTENANCE)



Y 33210005C SH1 9 REV 236

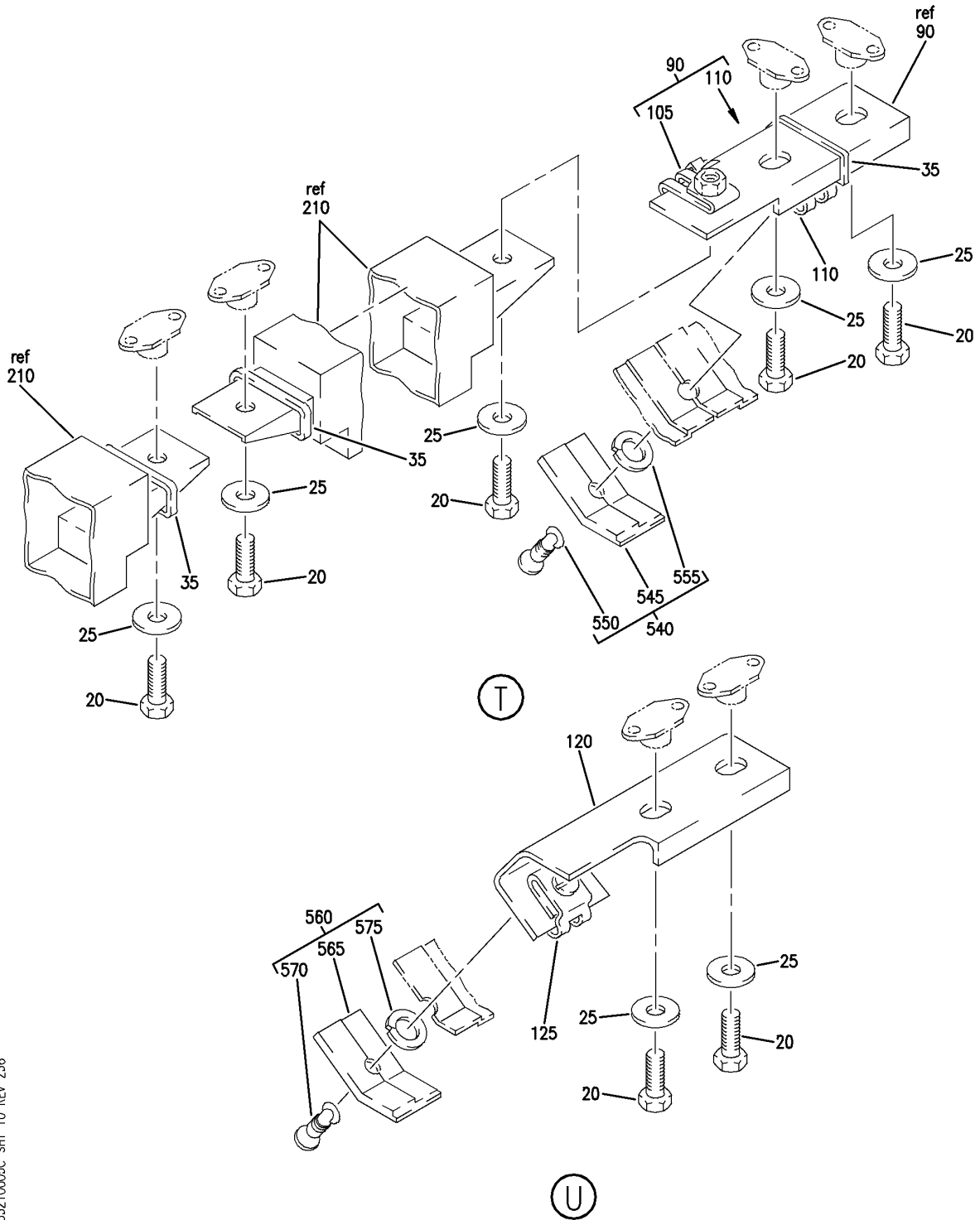
LIGHT INSTL-SIDEWALL RH
FIGURE 5C (SHEET 9)

33-21-00-05C

BRI
JAN 20/09

33-21-00-05C
PAGE 0H

BOEING
757
PARTS CATALOG (MAINTENANCE)



Y 33210005C SHT 10 REV 236

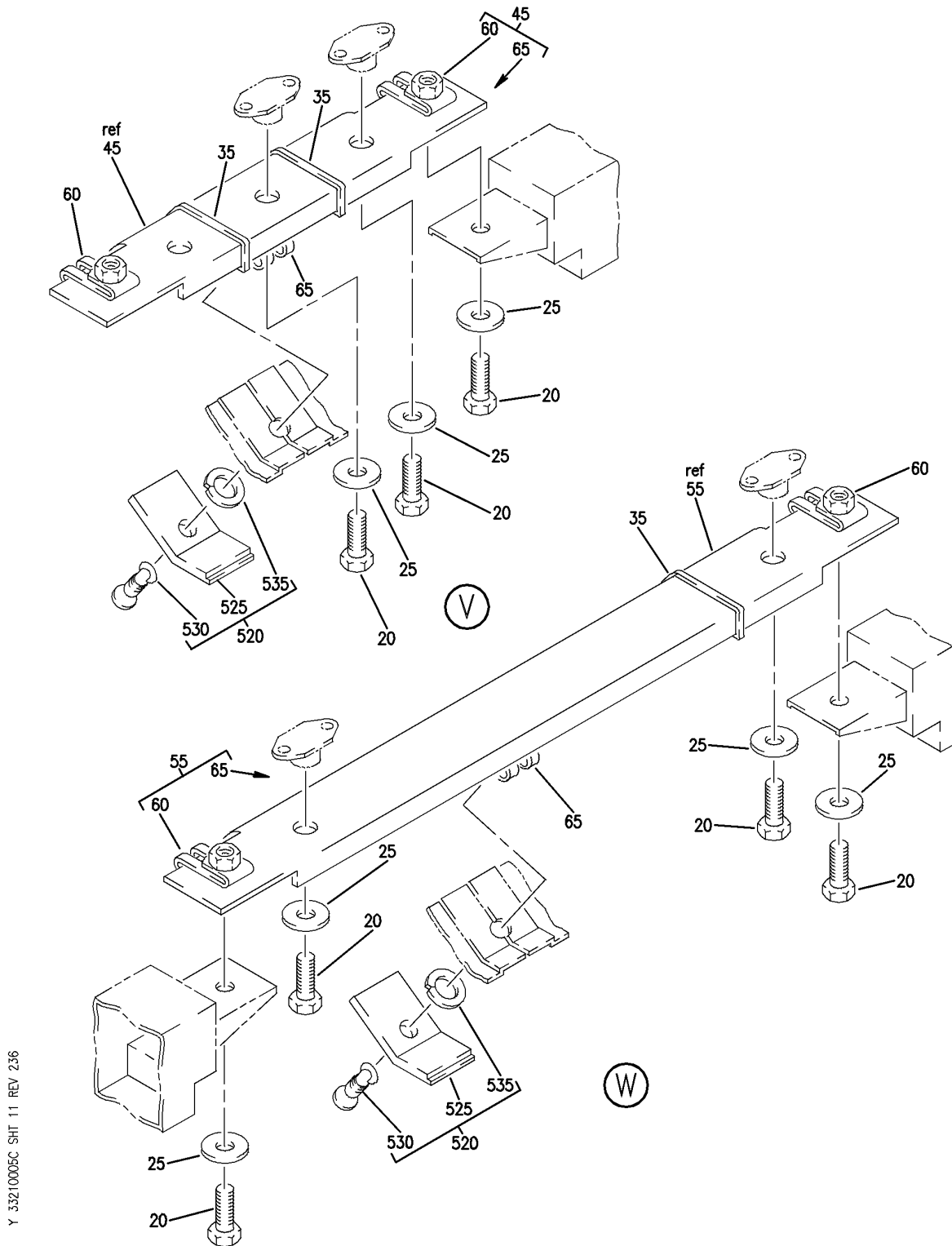
LIGHT INSTL-SIDEWALL RH
FIGURE 5C (SHEET 10)

33-21-00-05C

BRI
JAN 20/09

33-21-00-05C
PAGE 01

BOEING
757
PARTS CATALOG (MAINTENANCE)



Y 33210005C SHT 11 REV 236

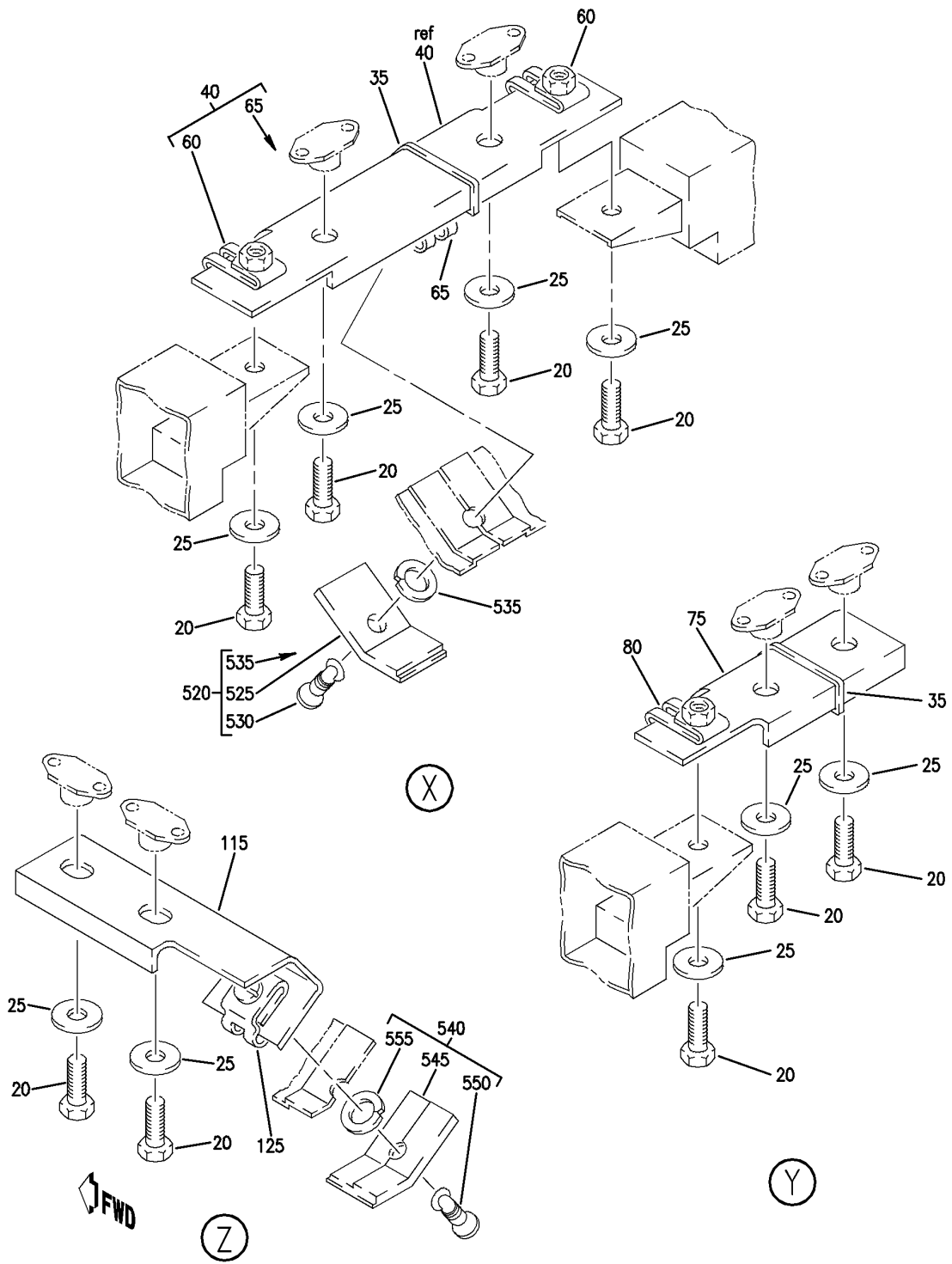
LIGHT INSTL-SIDEWALL RH
FIGURE 5C (SHEET 11)

33-21-00-05C

BRI
JAN 20/09

33-21-00-05C
PAGE 0J

BOEING
757
PARTS CATALOG (MAINTENANCE)



Y 33210005C SH1 12 REV 236

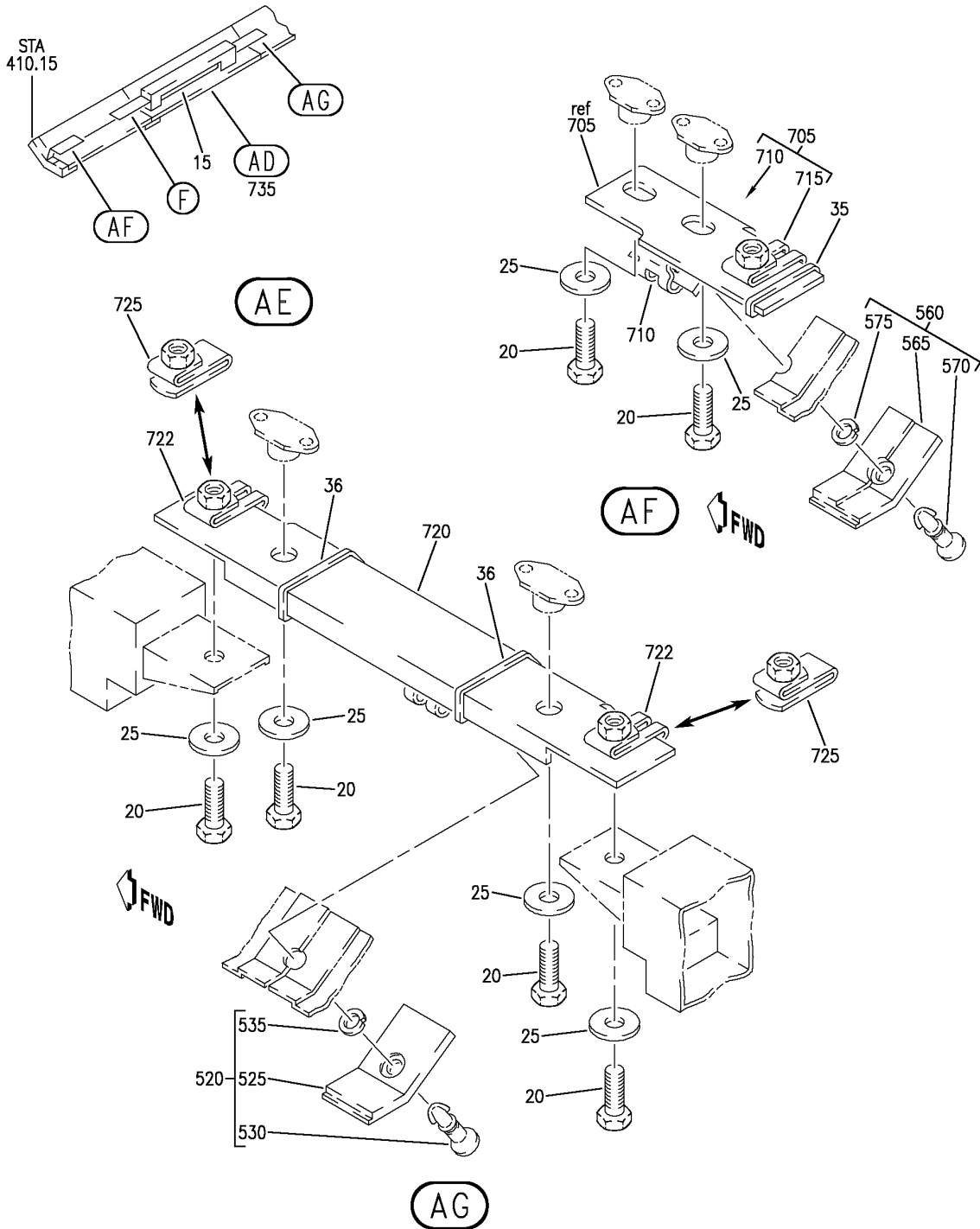
LIGHT INSTL-SIDEWALL RH
FIGURE 5C (SHEET 12)

33-21-00-05C

BRI
JAN 20/09

33-21-00-05C
PAGE OK

BOEING
757
PARTS CATALOG (MAINTENANCE)



Y 33210005C SHT 13 REV 253

LIGHT INSTL-SIDEWALL RH
FIGURE 5C (SHEET 13)

33-21-00-05C

BRI
JAN 20/09

33-21-00-05C
PAGE 01



757

PARTS CATALOG (MAINTENANCE)

FIG ITEM	PART NUMBER	1 2 3 4 5 6 7	NOMENCLATURE	EFFECT FROM TO	UNITS PER ASSY
5C			LIGHT INSTL-SIDEWALL RH	121503 904949	
- 1	417N5106-12		LIGHT INSTL-SIDEWALL POSITION DATA: RH	121503 904949	RF
10	F18T5WWS		.LAMP-FLUOR SUPPLIER CODE: V52343	121503	24
15	5106WW		.LAMP-FLUOR SUPPLIER CODE: V08806	121503	7
15	F6T5WW		OPTIONAL PART: F6T5WW V08806		
			.LAMP-FLUOR SUPPLIER CODE: V08806	121503	7
20	NAS1801-3-6		.SCREW	121503	150
25	AN960JD10L		.WASHER	121503	150
30	417N5107-1		.GROMMET	121503	7
33	T05R0		.STRAP SUPPLIER CODE: V53421	121503	14
			SPECIFICATION NUMBER: BACS38K1		
			OPTIONAL PART: PLT2SM V06383		
35	MS3367-1-9		.STRAP	121503	57
40	65C33259-11		.BRACKET ASSY-MTG	121503	2
45	65C33259-26		.BRACKET ASSY-MTG	121503	21
50	65C33259-34		.BRACKET ASSY-MTG	121503	1
55	65C33259-56		.BRACKET ASSY-MTG	121503	1

MISSING ITEM NUMBERS NOT APPLICABLE

- ITEM NOT ILLUSTRATED

33-21-00-05C

33-21-00
FIG. 05C
PAGE 1
JAN 20/09

BRI



757

PARTS CATALOG (MAINTENANCE)

FIG ITEM	PART NUMBER	1 2 3 4 5 6 7	NOMENCLATURE	EFFECT FROM TO	UNITS PER ASSY
5C 60	130069	..	NUT- SUPPLIER CODE: V60119 SPECIFICATION NUMBER: BACN10FX16 OPTIONAL PART: A11330-6-3 V72962 A4972-6-02 V72962 A4972-6-02 V72962 BACN10YD1	121503	2
60	BRC600-8-3	..	NUT- SUPPLIER CODE: V52828 SPECIFICATION NUMBER: BACN10YD1 OPTIONAL PART: 130120 V60119 BACN10FX16	121503	2
65	82-47-104-15	..	RECEPTACLE-1/4 TURN SUPPLIER CODE: V94222	121503	1
70	65C33259-27	.	BRACKET ASSY-MTG	121503	1
75	65C33259-28	.	BRACKET ASSY-MTG	121503	2
80	130069	..	NUT- SUPPLIER CODE: V60119 SPECIFICATION NUMBER: BACN10FX16 OPTIONAL PART: A11330-6-3 V72962 A4972-6-02 V72962 A4972-6-02 V72962 BACN10YD1	121503	1
80	BRC600-8-3	..	NUT- SUPPLIER CODE: V52828 SPECIFICATION NUMBER: BACN10YD1 OPTIONAL PART: 130120 V60119 BACN10FX16	121503	1

MISSING ITEM NUMBERS NOT APPLICABLE

- ITEM NOT ILLUSTRATED

33-21-00-05C

33-21-00
FIG. 05C
PAGE 2
JAN 20/09

BRI

BOEING PROPRIETARY - Copyright © - Unpublished Work - See title page for details.



757

PARTS CATALOG (MAINTENANCE)

FIG ITEM	PART NUMBER	1 2 3 4 5 6 7	NOMENCLATURE	EFFECT FROM TO	UNITS PER ASSY
5C					
85	65C33259-36	.BRACKET	ASSY-MTG	121503	1
90	65C33259-61	.BRACKET	ASSY-MTG	121503	1
95	65C33259-62	.BRACKET	ASSY-MTG	121503	1
100	65C33259-70	.BRACKET	ASSY-MTG	121503	1
105	130069	..NUT-		121503	1
		SUPPLIER CODE:	V60119		
		SPECIFICATION NUMBER:	BACN10FX16		
		OPTIONAL PART:	A11330-6-3		
			V72962		
			A4972-6-02		
			V72962		
			A4972-6-02		
			V72962		
			BACN10YD1		
105	BRC600-8-3	..NUT-		121503	1
		SUPPLIER CODE:	V52828		
		SPECIFICATION NUMBER:	BACN10YD1		
		OPTIONAL PART:	130120		
			V60119		
			BACN10FX16		
110	82-47-104-15	..RECEPTACLE-1/4	TURN	121503	1
		SUPPLIER CODE:	V94222		
115	65C33259-67	.BRACKET	ASSY-MTG	121503	2
120	65C33259-68	.BRACKET	ASSY-MTG	121503	2
125	82-47-104-15	..RECEPTACLE-1/4	TURN	121503	1
		SUPPLIER CODE:	V94222		
200	10-1327-1	.LIGHT ASSY-		121503	14
		SUPPLIER CODE:	V72914		
		SPECIFICATION NUMBER:	S417N511-1		
		COMPONENT MAINT MANUAL REF:	33-20-51		
		FOR DETAILS SEE:	33-21-51-90		

MISSING ITEM NUMBERS NOT APPLICABLE

- ITEM NOT ILLUSTRATED

33-21-00-05C

33-21-00
FIG. 05C
PAGE 3
JAN 20/09

BRI

BOEING PROPRIETARY - Copyright © - Unpublished Work - See title page for details.



757

PARTS CATALOG (MAINTENANCE)

FIG ITEM	PART NUMBER	1 2 3 4 5 6 7	NOMENCLATURE	EFFECT FROM TO	UNITS PER ASSY
5C 200	10-1733-1		.LIGHT ASSY- SUPPLIER CODE: V72914 SPECIFICATION NUMBER: S417N511-8001 COMPONENT MAINT MANUAL REF: 33-21-39 FOR DETAILS SEE: 33-21-51-90	121503	14
205	10-1327-2		.LIGHT ASSY- SUPPLIER CODE: V72914 SPECIFICATION NUMBER: S417N511-2 COMPONENT MAINT MANUAL REF: 33-20-51 FOR DETAILS SEE: 33-21-51-90	121503	10
205	10-1733-2		.LIGHT ASSY- SUPPLIER CODE: V72914 SPECIFICATION NUMBER: S417N511-8002 COMPONENT MAINT MANUAL REF: 33-21-39 FOR DETAILS SEE: 33-21-51-90	121503	10
210	10-1327-3		.LIGHT ASSY- SUPPLIER CODE: V72914 SPECIFICATION NUMBER: S417N511-3 COMPONENT MAINT MANUAL REF: 33-20-51 FOR DETAILS SEE: 33-21-51-90	121503	7
210	10-1733-3		.LIGHT ASSY- SUPPLIER CODE: V72914 SPECIFICATION NUMBER: S417N511-8003 COMPONENT MAINT MANUAL REF: 33-21-39 FOR DETAILS SEE: 33-21-51-90	121503	7

MISSING ITEM NUMBERS NOT APPLICABLE

- ITEM NOT ILLUSTRATED

33-21-00-05C

33-21-00
FIG. 05C
PAGE 4
JAN 20/09

BRI



757

PARTS CATALOG (MAINTENANCE)

FIG ITEM	PART NUMBER	1 2 3 4 5 6 7	NOMENCLATURE	EFFECT FROM TO	UNITS PER ASSY
5C					
375	10-1327-40		.LENS- SUPPLIER CODE: V72914 SPECIFICATION NUMBER: S417N511-40	121503	23
380	417N5000-31		.LENS ASSY	121503	1
385	417N5000-32		..LENS- ALTERED FROM PART NUMBER: 10-1327-51 V72914	121503	1
390	11-5848-1		..LENS-END FTG SUPPLIER CODE: V72914	121503	1
395	11-5848-2		..LENS-END FTG SUPPLIER CODE: V72914	121503	1
400	417N5000-55		.LENS ASSY	121503	1
405	417N5000-56		..LENS- ALTERED FROM PART NUMBER: 10-1327-51 V72914 10-1327-46 V72914	121503	1
410	11-5848-1		..LENS-END FTG SUPPLIER CODE: V72914	121503	1
415	11-5848-2		..LENS-END FTG SUPPLIER CODE: V72914	121503	1
420	417N5000-57		.LENS ASSY	121503	1
425	417N5000-58		..LENS- ALTERED FROM PART NUMBER: 10-1327-51 V72914 10-1327-52 V72914	121503	1
430	11-5848-1		..LENS-END FTG SUPPLIER CODE: V72914	121503	1
435	11-5848-2		..LENS-END FTG SUPPLIER CODE: V72914	121503	1
440	417N5000-59		.LENS ASSY	121503	1
445	417N5000-60		..LENS- ALTERED FROM PART NUMBER: 10-1327-51 V72914	121503	1

MISSING ITEM NUMBERS NOT APPLICABLE

- ITEM NOT ILLUSTRATED

33-21-00-05C

33-21-00
FIG. 05C
PAGE 5
JAN 20/09

BRI

BOEING PROPRIETARY - Copyright © - Unpublished Work - See title page for details.



757

PARTS CATALOG (MAINTENANCE)

FIG ITEM	PART NUMBER	1 2 3 4 5 6 7	NOMENCLATURE	EFFECT FROM TO	UNITS PER ASSY
5C					
450	11-5848-1	..	LENS-END FTG SUPPLIER CODE: V72914	121503	1
455	11-5848-2	..	LENS-END FTG SUPPLIER CODE: V72914	121503	1
460	417N5000-61	.	LENS ASSY	121503	1
465	417N5000-62	..	LENS- ALTERED FROM PART NUMBER: 10-1327-51 V72914 10-1327-53 V72914	121503	1
470	11-5848-1	..	LENS-END FTG SUPPLIER CODE: V72914	121503	1
475	11-5848-2	..	LENS-END FTG SUPPLIER CODE: V72914	121503	1
480	417N5000-63	.	LENS ASSY	121503	1
485	417N5000-64	..	LENS- ALTERED FROM PART NUMBER: 10-1327-51 V72914	121503	1
490	11-5848-1	..	LENS-END FTG SUPPLIER CODE: V72914	121503	1
495	11-5848-2	..	LENS-END FTG SUPPLIER CODE: V72914	121503	1
500	417N5000-67	.	LENS ASSY	121503	1
505	417N5000-68	..	LENS- ALTERED FROM PART NUMBER: 10-1327-51 V72914 10-1327-57 V72914	121503	1
510	11-5848-1	..	LENS-END FTG SUPPLIER CODE: V72914	121503	1
515	11-5848-2	..	LENS-END FTG SUPPLIER CODE: V72914	121503	1
520	65C33289-1	.	RETAINER ASSY-LENS	121503	27
525	65C33289-7	..	RETAINER	121503	1

MISSING ITEM NUMBERS NOT APPLICABLE

- ITEM NOT ILLUSTRATED

33-21-00-05C

33-21-00
FIG. 05C
PAGE 6
JAN 20/09

BRI

BOEING PROPRIETARY - Copyright © - Unpublished Work - See title page for details.



757

PARTS CATALOG (MAINTENANCE)

FIG ITEM	PART NUMBER	1 2 3 4 5 6 7	NOMENCLATURE	EFFECT FROM TO	UNITS PER ASSY
5C					
530	82-99-381-34	..	STUD SUPPLIER CODE: V94222 SPECIFICATION NUMBER: BACS21AP340FP	121503	1
535	BACR12AG2C	..	RING	121503	1
540	65C33289-3	.	RETAINER ASSY-LENS	121503	3
545	65C33289-9	..	RETAINER- ALTERED FROM PART NUMBER: 65C33289-15	121503	1
550	82-99-381-34	..	STUD SUPPLIER CODE: V94222 SPECIFICATION NUMBER: BACS21AP340FP	121503	1
555	BACR12AG2C	..	RING	121503	1
560	65C33289-4	.	RETAINER ASSY-LENS	121503	3
565	65C33289-10	..	RETAINER- ALTERED FROM PART NUMBER: 65C33289-16	121503	1
570	82-99-381-34	..	STUD SUPPLIER CODE: V94222 SPECIFICATION NUMBER: BACS21AP340FP	121503	1
575	BACR12AG2C	..	RING	121503	1
- 700	417N5106-1002		LIGHT INSTL-SIDEWALL FLYAWAY INT POSITION DATA: RH FOR NHA SEE: 25-20-00-10	121503	RF
705	65C33259-62	.	BRACKET ASSY-MTG	121503	1
710	130069	..	NUT- SUPPLIER CODE: V60119 SPECIFICATION NUMBER: BACN10FX16 OPTIONAL PART: A11330-6-3 V72962 A4972-6-02 V72962 A4972-6-02 V72962 BACN10YD1	121503	1

MISSING ITEM NUMBERS NOT APPLICABLE

- ITEM NOT ILLUSTRATED

33-21-00-05C

33-21-00
FIG. 05C
PAGE 7
JAN 20/09

BRI

BOEING PROPRIETARY - Copyright © - Unpublished Work - See title page for details.



757

PARTS CATALOG (MAINTENANCE)

FIG ITEM	PART NUMBER	1 2 3 4 5 6 7	NOMENCLATURE	EFFECT FROM TO	UNITS PER ASSY
5C 710	BRC600-8-3	..	NUT- SUPPLIER CODE: V52828 SPECIFICATION NUMBER: BACN10YD1 OPTIONAL PART: 130120 V60119 BACN10FX16	121503	1
715	82-47-104-15	..	RECEPTACLE-1/4 TURN SUPPLIER CODE: V94222	121503	1
720	65C33259-82	.	BRACKET ASSY-MTG	121503	1
722	BRC600-8-3	..	NUT- SUPPLIER CODE: V52828 SPECIFICATION NUMBER: BACN10YD1 OPTIONAL PART: 130120 V60119 BACN10FX16	121503	2
725	130069	..	NUT- SUPPLIER CODE: V60119 SPECIFICATION NUMBER: BACN10FX16 OPTIONAL PART: A11330-6-3 V72962 A4972-6-02 V72962 A4972-6-02 V72962 BACN10YD1	121503	2
735	417N5000-169	.	LENS ASSY	121503	1
740	417N5000-170	..	LENS- ALTERED FROM PART NUMBER: 10-1327-57 V72914	121503	1
745	11-5848-1	..	LENS-END FTG SUPPLIER CODE: V72914	121503	1
750	11-5848-2	..	LENS-END FTG SUPPLIER CODE: V72914	121503	1

MISSING ITEM NUMBERS NOT APPLICABLE

- ITEM NOT ILLUSTRATED

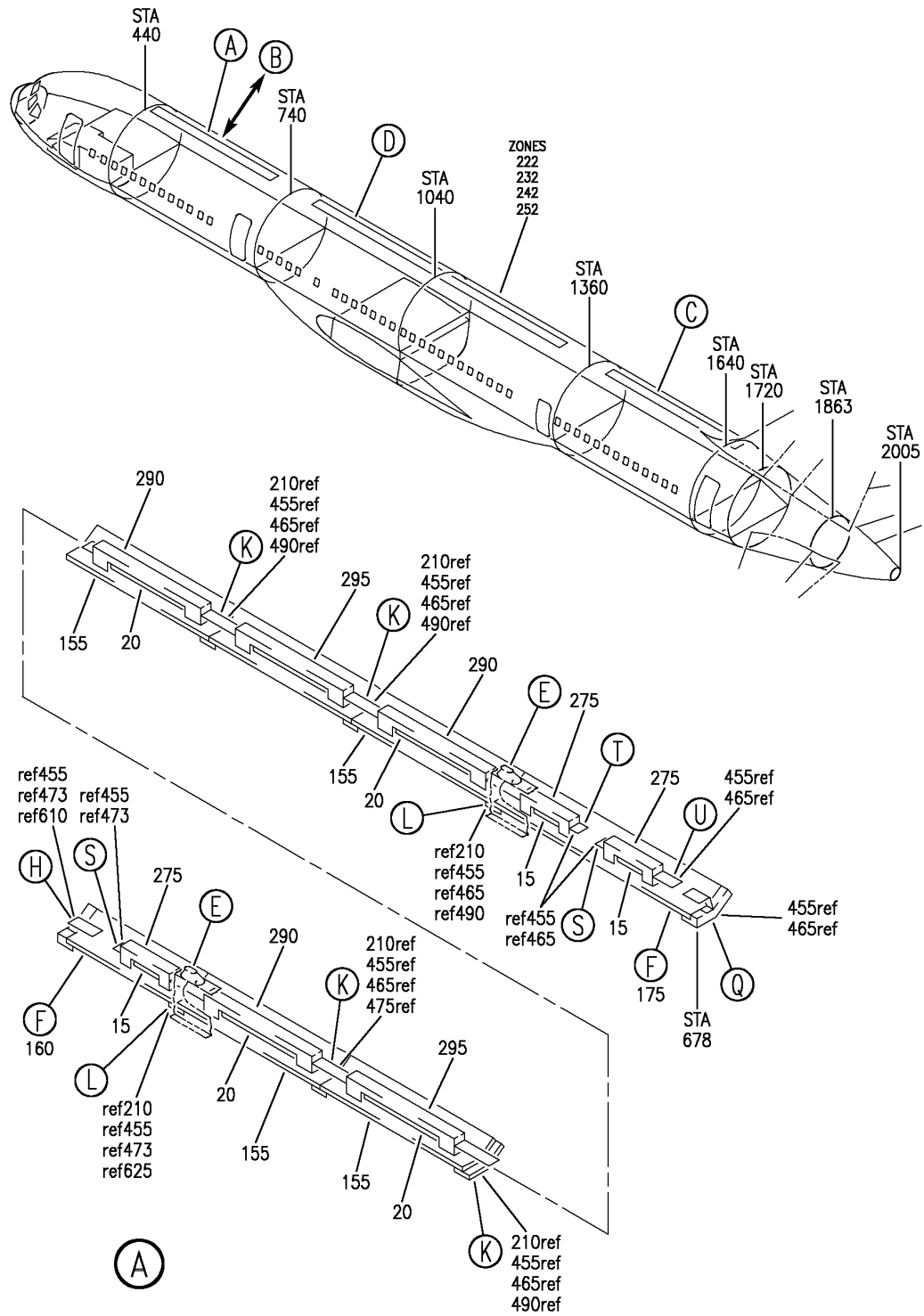
33-21-00-05C

33-21-00
FIG. 05C
PAGE 8
JAN 20/09

BRI

BOEING PROPRIETARY - Copyright © - Unpublished Work - See title page for details.

BOEING
757
PARTS CATALOG (MAINTENANCE)



Y 33210009B SHT 1 REV 253

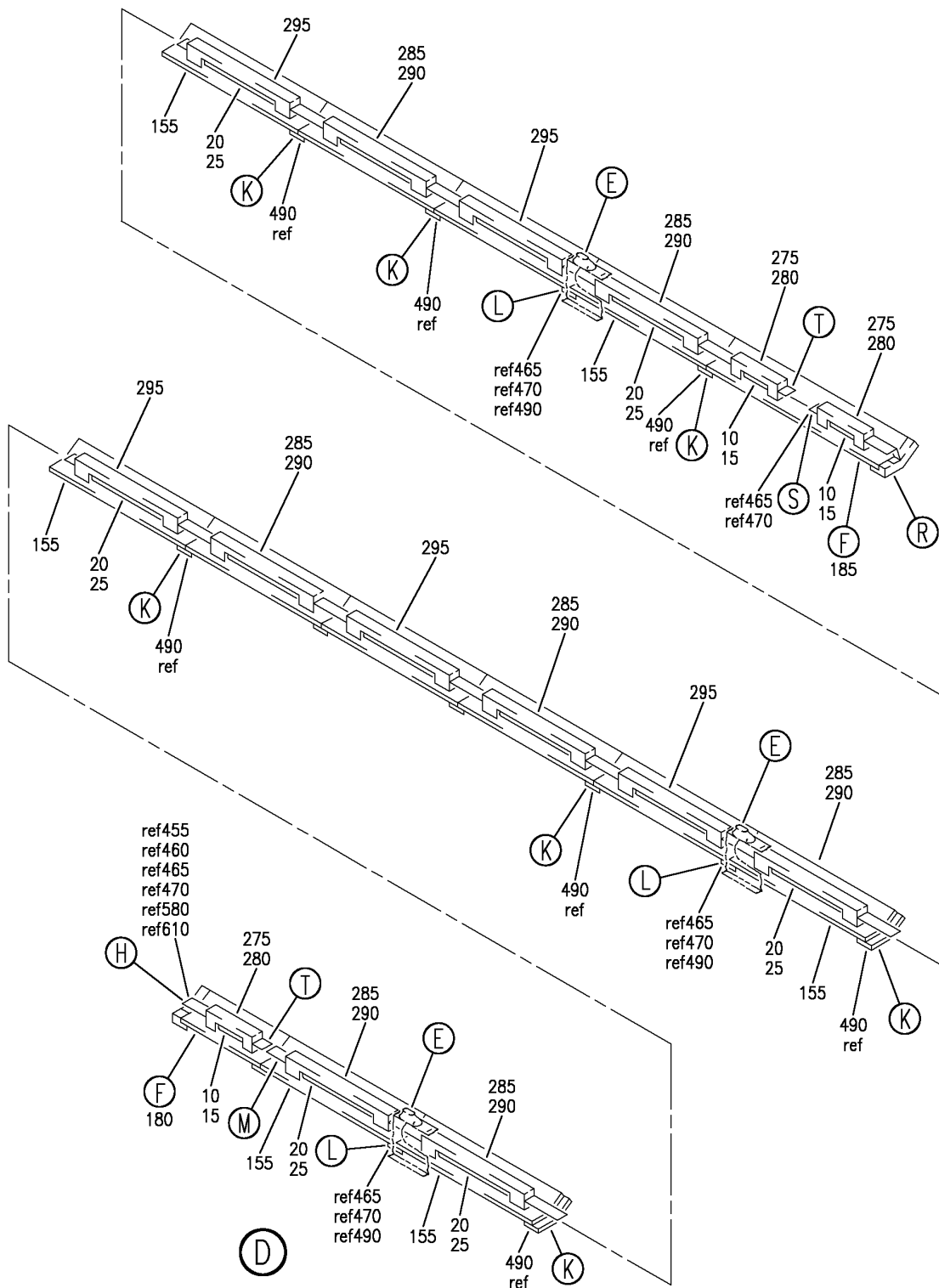
LIGHT INSTL-SIDEWALL RH
FIGURE 9B (SHEET 1)

33-21-00-09B

BRI
JAN 20/09

33-21-00-09B
PAGE 0


BOEING
 757
PARTS CATALOG (MAINTENANCE)



Y 33210009B SHT 3 REV 253

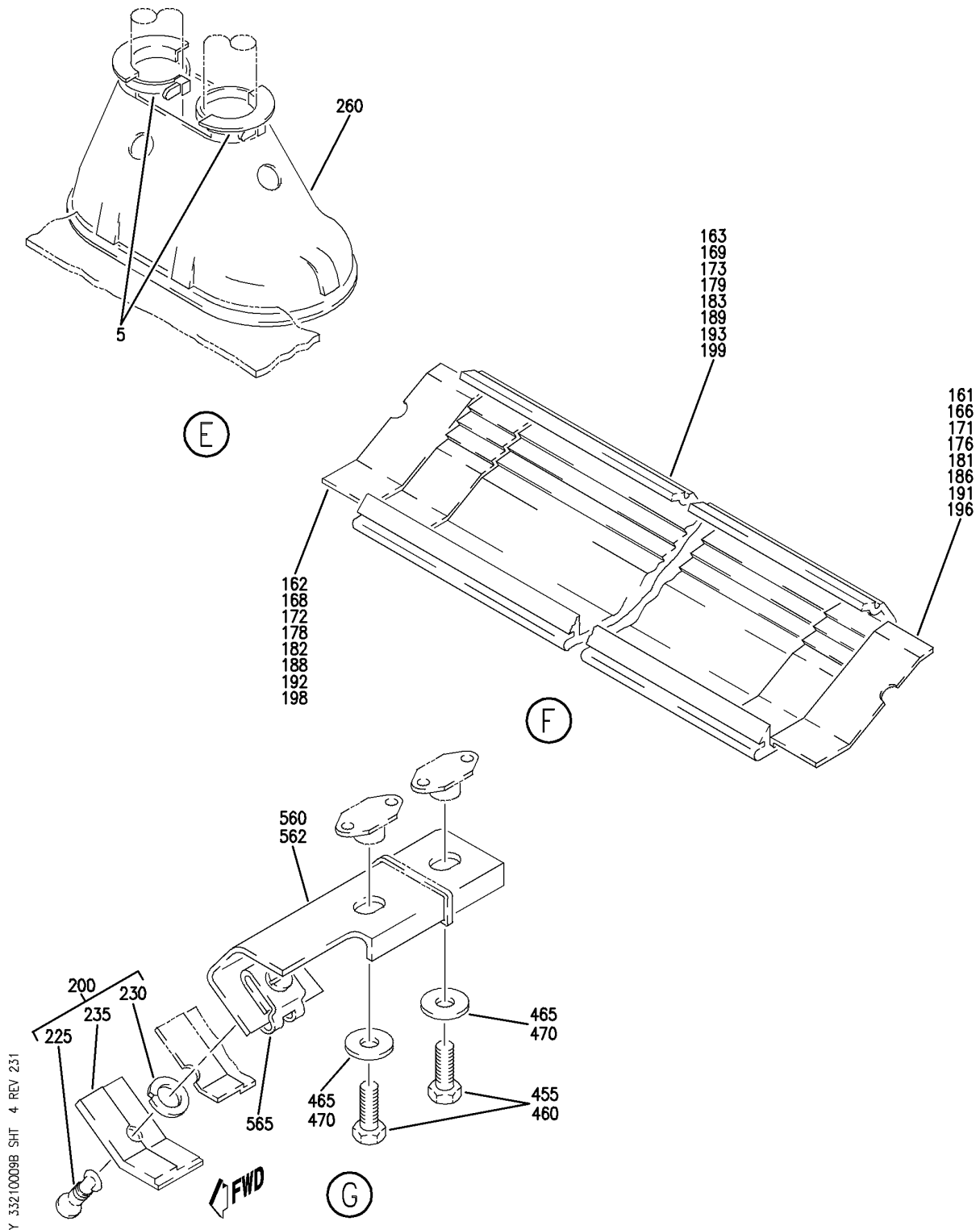
LIGHT INSTL-SIDEWALL RH
 FIGURE 9B (SHEET 3)

33-21-00-09B

BRI
JAN 20/09

33-21-00-09B
 PAGE 0B

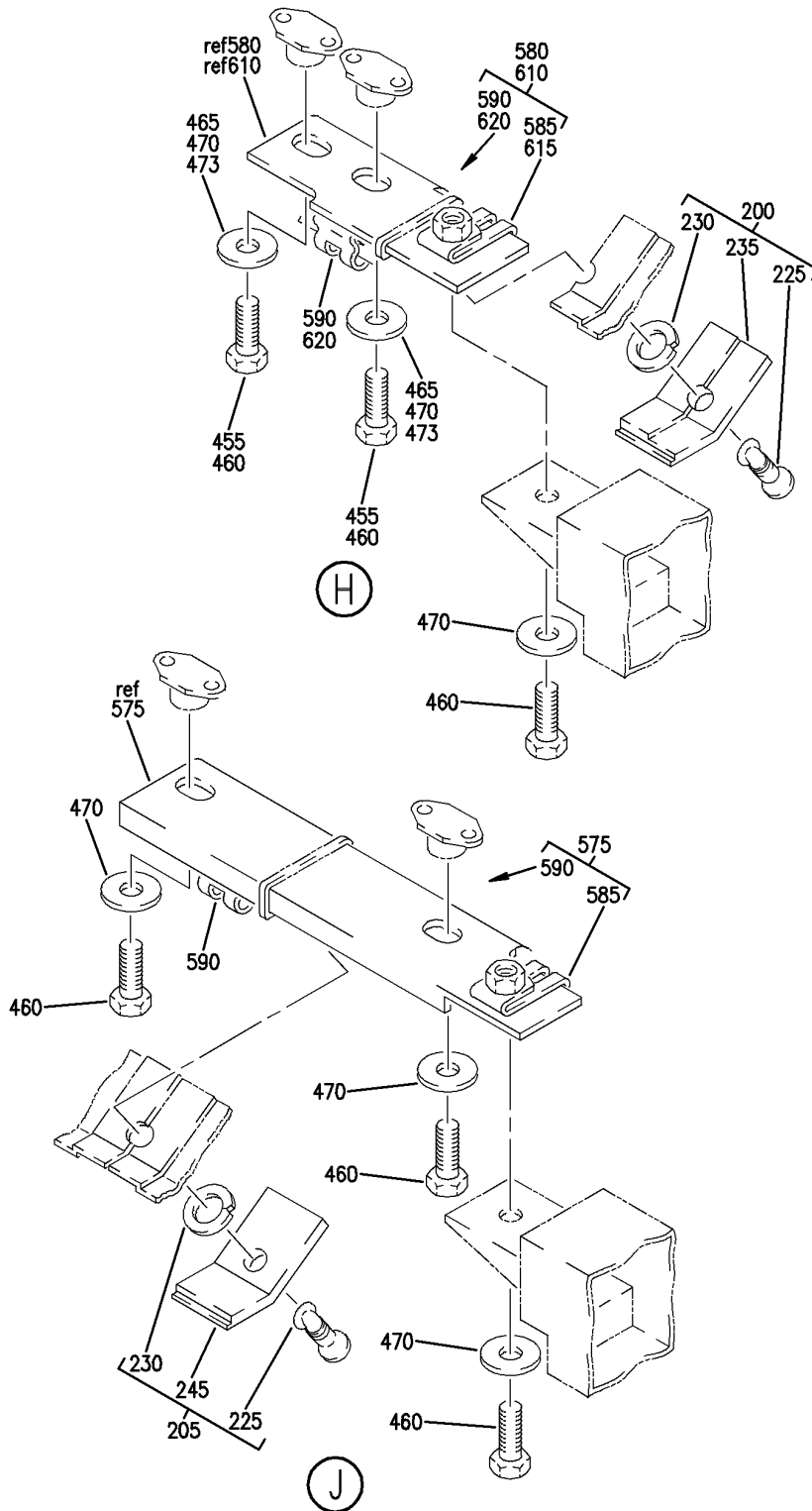
BOEING
757
PARTS CATALOG (MAINTENANCE)



LIGHT INSTL-SIDEWALL RH
FIGURE 9B (SHEET 4)

33-21-00-09B

BOEING
757
PARTS CATALOG (MAINTENANCE)



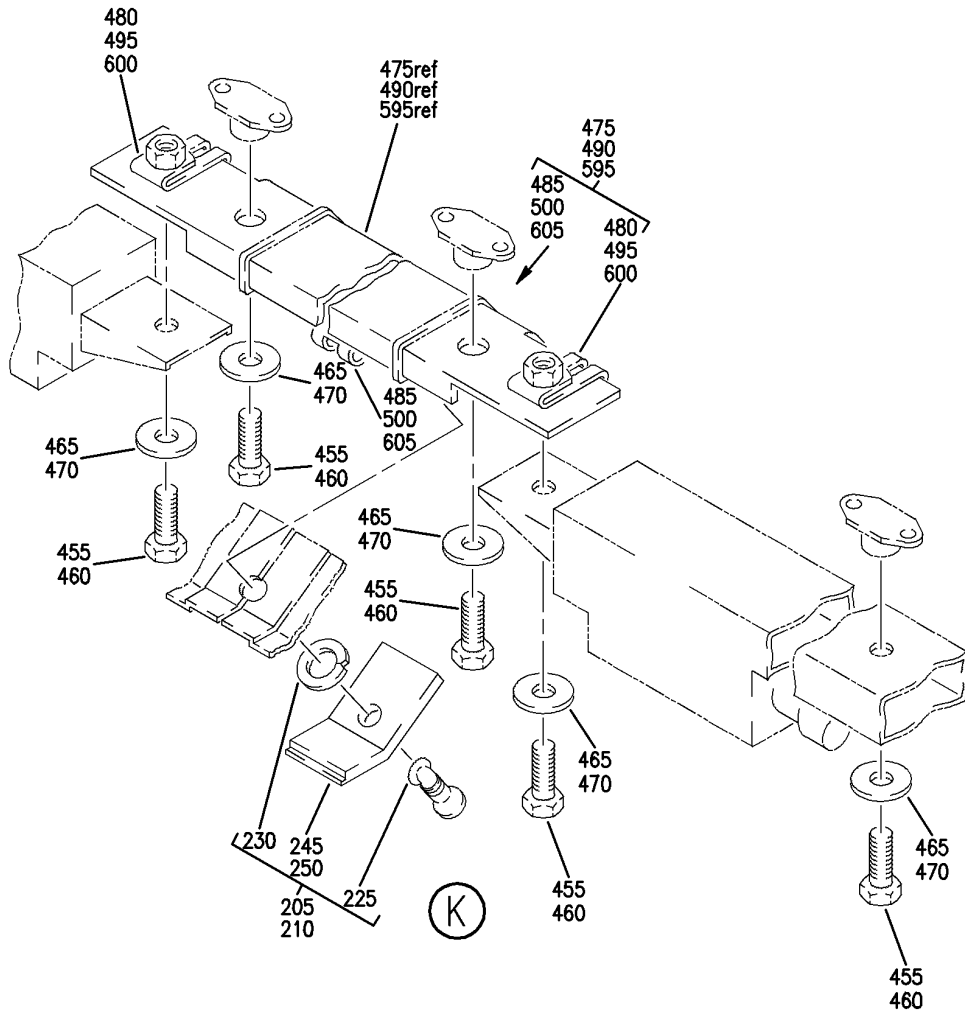
LIGHT INSTL-SIDEWALL RH
FIGURE 9B (SHEET 5)

33-21-00-09B

BRI
JAN 20/09

33-21-00-09B
PAGE 0D

BOEING
757
PARTS CATALOG (MAINTENANCE)



Y 33210009B SHT 6 REV 231

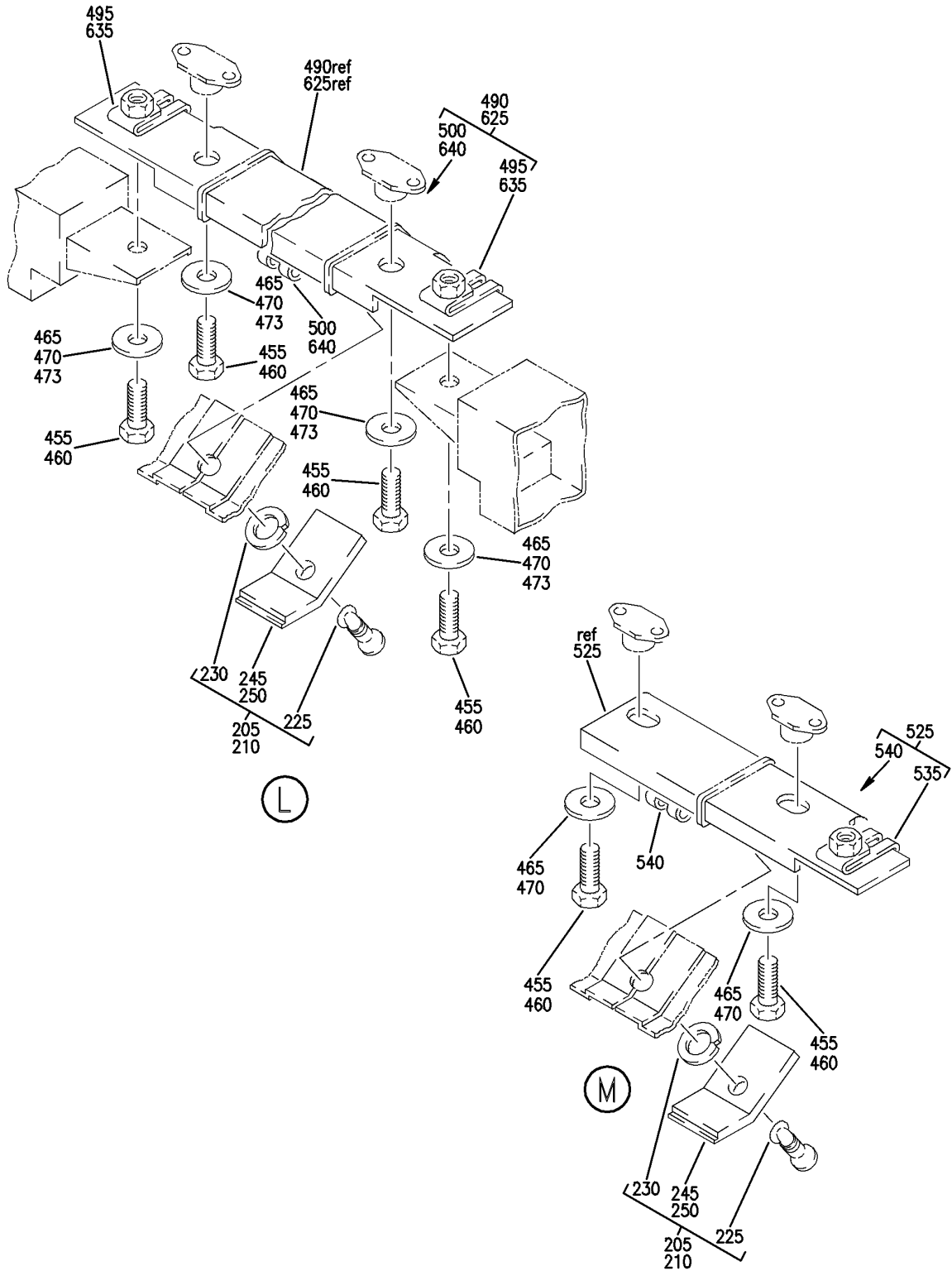
LIGHT INSTL-SIDEWALL RH
FIGURE 9B (SHEET 6)

33-21-00-09B

BRI
JAN 20/09

33-21-00-09B
PAGE 0E

BOEING
757
PARTS CATALOG (MAINTENANCE)



Y 33210009B SHT 7 REV 231

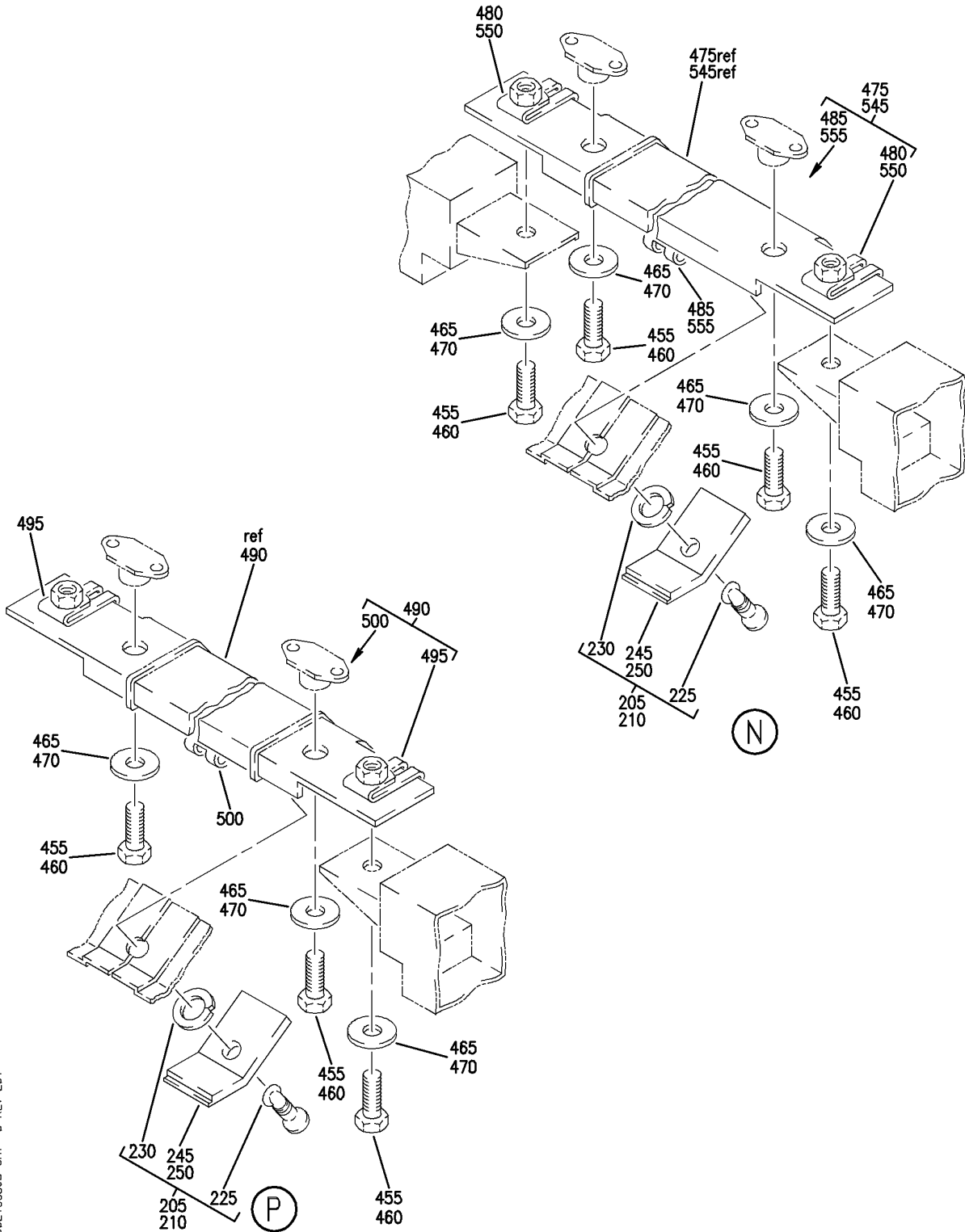
LIGHT INSTL-SIDEWALL RH
FIGURE 9B (SHEET 7)

33-21-00-09B

BRI
JAN 20/09

33-21-00-09B
PAGE OF

BOEING
757
PARTS CATALOG (MAINTENANCE)



Y 33210009B SHT 8 REV 231

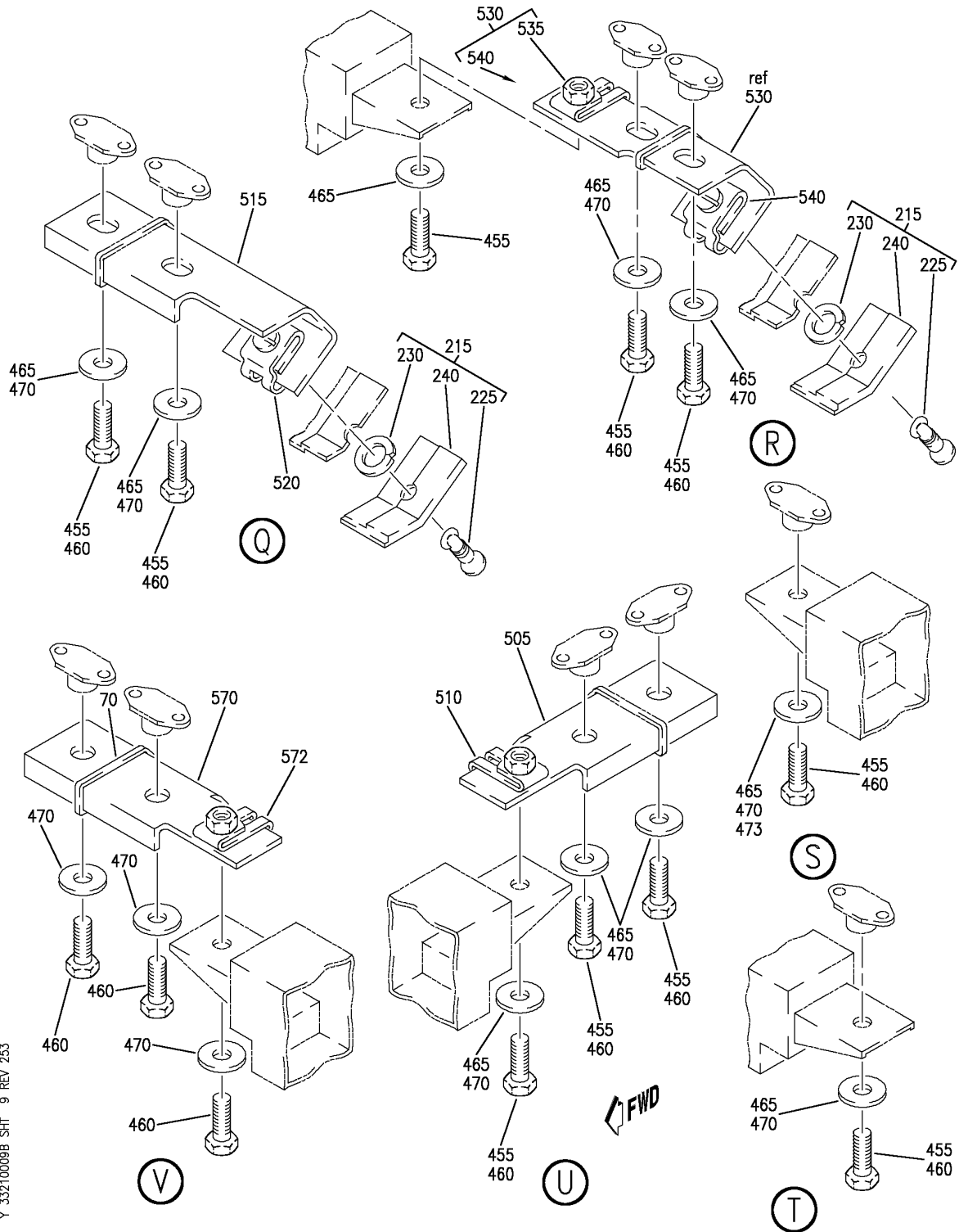
LIGHT INSTL-SIDEWALL RH
FIGURE 9B (SHEET 8)

33-21-00-09B

BRI
JAN 20/09

33-21-00-09B
PAGE 0G

BOEING
757
PARTS CATALOG (MAINTENANCE)



LIGHT INSTL-SIDEWALL RH
FIGURE 9B (SHEET 9)

33-21-00-09B

BRI
JAN 20/09

33-21-00-09B
PAGE 0H



757

PARTS CATALOG (MAINTENANCE)

FIG ITEM	PART NUMBER	1 2 3 4 5 6 7	NOMENCLATURE	EFFECT FROM TO	UNITS PER ASSY
9B					
- 1	417N5106-32		LIGHT INSTL-SIDEWALL RH LIGHT INSTL-SIDEWALL FOR NHA SEE: 33-20-51-02	952952 952952	RF
10	5106WW		.LAMP-FLUOR SUPPLIER CODE: V08806	952952	7
25	F18T5WRS		.LAMP-FLUOR SUPPLIER CODE: V52343	952952	24
155	10-1327-40		.LENS- SUPPLIER CODE: V72914 SPECIFICATION NUMBER: S417N511-40	952952	23
165	417N5000-65		.LENS ASSY	952952	1
166	11-5848-1		..LENS-END,FTG SUPPLIER CODE: V72914	952952	1
168	11-5848-2		..LENS-END,FTG SUPPLIER CODE: V72914	952952	1
169	417N5000-66		..LENS- ALTERED FROM PART NUMBER: 10-1327-51 V72914 10-1327-57 V72914	952952	1
170	417N5000-31		.LENS ASSY	952952	1
171	11-5848-1		..LENS-END,FTG SUPPLIER CODE: V72914	952952	1
172	11-5848-2		..LENS-END,FTG SUPPLIER CODE: V72914	952952	1
173	417N5000-32		..LENS- ALTERED FROM PART NUMBER: 10-1327-51 V72914	952952	1
175	417N5000-55		.LENS ASSY	952952	1
176	11-5848-1		..LENS-END,FTG SUPPLIER CODE: V72914	952952	1
178	11-5848-2		..LENS-END,FTG SUPPLIER CODE: V72914	952952	1

MISSING ITEM NUMBERS NOT APPLICABLE

- ITEM NOT ILLUSTRATED

33-21-00-09B

33-21-00
FIG. 09B
PAGE 1
JAN 20/09

BRI



757

PARTS CATALOG (MAINTENANCE)

FIG ITEM	PART NUMBER	1 2 3 4 5 6 7	NOMENCLATURE	EFFECT FROM TO	UNITS PER ASSY
9B 179	417N5000-56	..	LENS- ALTERED FROM PART NUMBER: 10-1327-51 V72914	952952	1
180	417N5000-67	.	LENS ASSY	952952	1
181	11-5848-1	..	LENS-END,FTG SUPPLIER CODE: V72914	952952	1
182	11-5848-2	..	LENS-END,FTG SUPPLIER CODE: V72914	952952	1
183	417N5000-68	..	LENS- ALTERED FROM PART NUMBER: 10-1327-51 V72914 10-1327-57 V72914	952952	1
185	417N5000-63	.	LENS ASSY	952952	1
186	11-5848-1	..	LENS-END,FTG SUPPLIER CODE: V72914	952952	1
188	11-5848-2	..	LENS-END,FTG SUPPLIER CODE: V72914	952952	1
189	417N5000-64	..	LENS- ALTERED FROM PART NUMBER: 10-1327-51 V72914	952952	1
190	417N5000-61	.	LENS ASSY	952952	1
191	11-5848-1	..	LENS-END,FTG SUPPLIER CODE: V72914	952952	1
192	11-5848-2	..	LENS-END,FTG SUPPLIER CODE: V72914	952952	1
193	417N5000-62	..	LENS- ALTERED FROM PART NUMBER: 10-1327-51 V72914 10-1327-59 V72914	952952	1
195	417N5000-59	.	LENS ASSY	952952	1
196	11-5848-1	..	LENS-END,FTG SUPPLIER CODE: V72914	952952	1
198	11-5848-2	..	LENS-END,FTG SUPPLIER CODE: V72914	952952	1

MISSING ITEM NUMBERS NOT APPLICABLE

- ITEM NOT ILLUSTRATED

33-21-00-09B

33-21-00
FIG. 09B
PAGE 2
JAN 20/09

BRI

BOEING PROPRIETARY - Copyright © - Unpublished Work - See title page for details.

BOEING
757
PARTS CATALOG (MAINTENANCE)

FIG ITEM	PART NUMBER	1 2 3 4 5 6 7	NOMENCLATURE	EFFECT FROM TO	UNITS PER ASSY
9B 199	417N5000-60		.. LENS- ALTERED FROM PART NUMBER: 10-1327-51 V72914	952952	1
200	65C33289-4		.RETAINER ASSY-LENS	952952	3
205	65C33289-1		.RETAINER ASSY-LENS	952952	27
215	65C33289-3		.RETAINER ASSY-LENS	952952	3
225	82-99-381-34		.. STUD SUPPLIER CODE: V94222 SPECIFICATION NUMBER: BACS21AP340FP	952952	1
225	82-99-381-34		.. STUD SUPPLIER CODE: V94222 SPECIFICATION NUMBER: BACS21AP340FP	952952	1
230	BACR12AG2C		.. RING	952952	1
235	65C33289-10		.. RETAINER- ALTERED FROM PART NUMBER: 65C33289-16	952952	1
240	65C33289-9		.. RETAINER- ALTERED FROM PART NUMBER: 65C33289-15	952952	1
245	65C33289-7		.. RETAINER	952952	1
260	417N5107-1		.GROMMET	952952	7
280	10-1327-3		.LIGHT ASSY- SUPPLIER CODE: V72914 SPECIFICATION NUMBER: S417N511-3 COMPONENT MAINT MANUAL REF: 33-20-51 FOR DETAILS SEE: 33-21-51-90	952952	6
280	10-1733-3		.LIGHT ASSY- SUPPLIER CODE: V72914 SPECIFICATION NUMBER: S417N511-8003 COMPONENT MAINT MANUAL REF: 33-21-39	952952	6

MISSING ITEM NUMBERS NOT APPLICABLE

— ITEM NOT ILLUSTRATED

BRI

33-21-00-09B

BOEING PROPRIETARY - Copyright © - Unpublished Work - See title page for details.

33-21-00
FIG. 09B
PAGE 3
JAN 20/09

 **BOEING**
757
PARTS CATALOG (MAINTENANCE)

FIG ITEM	PART NUMBER	1 2 3 4 5 6 7	NOMENCLATURE	EFFECT FROM TO	UNITS PER ASSY
9B 285	10-1327-1		.LIGHT ASSY- SUPPLIER CODE: V72914 SPECIFICATION NUMBER: S417N511-1 COMPONENT MAINT MANUAL REF: 33-20-51 FOR DETAILS SEE: 33-21-51-90	952952	14
285	10-1733-1		.LIGHT ASSY- SUPPLIER CODE: V72914 SPECIFICATION NUMBER: S417N511-8001 COMPONENT MAINT MANUAL REF: 33-21-39 FOR DETAILS SEE: 33-21-51-90	952952	14
295	10-1327-2		.LIGHT ASSY- SUPPLIER CODE: V72914 SPECIFICATION NUMBER: S417N511-2 COMPONENT MAINT MANUAL REF: 33-20-51 FOR DETAILS SEE: 33-21-51-90	952952	10
295	10-1733-2		.LIGHT ASSY- SUPPLIER CODE: V72914 SPECIFICATION NUMBER: S417N511-8002 COMPONENT MAINT MANUAL REF: 33-21-39 FOR DETAILS SEE: 33-21-51-90	952952	10
460	NAS1801-3-6		.SCREW	952952	150
470	AN960JD10L		.WASHER	952952	150
475	65C33259-11		.BRACKET ASSY-MTG	952952	2

MISSING ITEM NUMBERS NOT APPLICABLE

— ITEM NOT ILLUSTRATED

BRI

33-21-00-09B

BOEING PROPRIETARY - Copyright © - Unpublished Work - See title page for details.

33-21-00
FIG. 09B
PAGE 4
JAN 20/09



757

PARTS CATALOG (MAINTENANCE)

FIG ITEM	PART NUMBER	1 2 3 4 5 6 7	NOMENCLATURE	EFFECT FROM TO	UNITS PER ASSY
9B 480	130069	..	NUT- SUPPLIER CODE: V60119 SPECIFICATION NUMBER: BACN10FX16 OPTIONAL PART: A11330-6-3 V72962 A4972-6-02 V72962 A4972-6-02 V72962 BACN10YD1	952952	2
480	BRC600-8-3	..	NUT- SUPPLIER CODE: V52828 SPECIFICATION NUMBER: BACN10YD1 OPTIONAL PART: 130120 V60119 BACN10FX16	952952	2
485	82-47-104-15	..	RECEPTACLE- SUPPLIER CODE: V94222	952952	1
490	65C33259-26	.	BRACKET ASSY-MTG	952952	21
495	130069	..	NUT- SUPPLIER CODE: V60119 SPECIFICATION NUMBER: BACN10FX16 OPTIONAL PART: A11330-6-3 V72962 A4972-6-02 V72962 A4972-6-02 V72962 BACN10YD1	952952	2
495	BRC600-8-3	..	NUT- SUPPLIER CODE: V52828 SPECIFICATION NUMBER: BACN10YD1 OPTIONAL PART: 130120 V60119 BACN10FX16	952952	2

MISSING ITEM NUMBERS NOT APPLICABLE

- ITEM NOT ILLUSTRATED

33-21-00-09B

33-21-00
FIG. 09B
PAGE 5
JAN 20/09

BRI



757

PARTS CATALOG (MAINTENANCE)

FIG ITEM	PART NUMBER	1 2 3 4 5 6 7	NOMENCLATURE	EFFECT FROM TO	UNITS PER ASSY
9B 500	82-47-104-15		.. RECEPTACLE- SUPPLIER CODE: V94222	952952	1
505	65C33259-28		. BRACKET ASSY-MTG	952952	2
510	130069		.. NUT- SUPPLIER CODE: V60119 SPECIFICATION NUMBER: BACN10FX16 OPTIONAL PART: A11330-6-3 V72962 A4972-6-02 V72962 A4972-6-02 V72962 BACN10YD1	952952	1
510	BRC600-8-3		.. NUT- SUPPLIER CODE: V52828 SPECIFICATION NUMBER: BACN10YD1 OPTIONAL PART: 130120 V60119 BACN10FX16	952952	1
515	65C33259-67		. BRACKET ASSY-MTG	952952	2
520	82-47-104-15		.. RECEPTACLE- SUPPLIER CODE: V94222	952952	1
525	65C33259-70		. BRACKET ASSY-MTG	952952	1
530	65C33259-61		. BRACKET ASSY-MTG	952952	1
535	130069		.. NUT- SUPPLIER CODE: V60119 SPECIFICATION NUMBER: BACN10FX16 OPTIONAL PART: A11330-6-3 V72962 A4972-6-02 V72962 A4972-6-02 V72962 BACN10YD1	952952	1

MISSING ITEM NUMBERS NOT APPLICABLE

- ITEM NOT ILLUSTRATED

33-21-00-09B

33-21-00
FIG. 09B
PAGE 6
JAN 20/09

BRI



757

PARTS CATALOG (MAINTENANCE)

FIG ITEM	PART NUMBER	1 2 3 4 5 6 7	NOMENCLATURE	EFFECT FROM TO	UNITS PER ASSY
9B 535	BRC600-8-3	..	NUT- SUPPLIER CODE: V52828 SPECIFICATION NUMBER: BACN10YD1 OPTIONAL PART: 130120 V60119 BACN10FX16	952952	1
540	82-47-104-15	..	RECEPTACLE- SUPPLIER CODE: V94222	952952	1
545	65C33259-56	.	BRACKET ASSY-MTG	952952	1
550	130069	..	NUT- SUPPLIER CODE: V60119 SPECIFICATION NUMBER: BACN10FX16 OPTIONAL PART: A11330-6-3 V72962 A4972-6-02 V72962 A4972-6-02 V72962 BACN10YD1	952952	2
550	BRC600-8-3	..	NUT- SUPPLIER CODE: V52828 SPECIFICATION NUMBER: BACN10YD1 OPTIONAL PART: 130120 V60119 BACN10FX16	952952	2
555	82-47-104-15	..	RECEPTACLE- SUPPLIER CODE: V94222	952952	1
560	65C33259-68	.	BRACKET ASSY-MTG	952952	2
565	82-47-104-15	..	RECEPTACLE- SUPPLIER CODE: V94222	952952	1
570	65C33259-27	.	BRACKET ASSY-MTG	952952	1

MISSING ITEM NUMBERS NOT APPLICABLE

- ITEM NOT ILLUSTRATED

33-21-00-09B

33-21-00
FIG. 09B
PAGE 7
JAN 20/09

BRI

BOEING PROPRIETARY - Copyright © - Unpublished Work - See title page for details.



757

PARTS CATALOG (MAINTENANCE)

FIG ITEM	PART NUMBER	1 2 3 4 5 6 7	NOMENCLATURE	EFFECT FROM TO	UNITS PER ASSY
9B 572	130069	..	NUT- SUPPLIER CODE: V60119 SPECIFICATION NUMBER: BACN10FX16 OPTIONAL PART: A11330-6-3 V72962 A4972-6-02 V72962 A4972-6-02 V72962 BACN10YD1	952952	1
572	BRC600-8-3	..	NUT- SUPPLIER CODE: V52828 SPECIFICATION NUMBER: BACN10YD1 OPTIONAL PART: 130120 V60119 BACN10FX16	952952	1
575	65C33259-36	.	BRACKET ASSY-MTG	952952	1
580	65C33259-62	.	BRACKET ASSY-MTG	952952	1
585	130069	..	NUT- SUPPLIER CODE: V60119 SPECIFICATION NUMBER: BACN10FX16 OPTIONAL PART: A11330-6-3 V72962 A4972-6-02 V72962 A4972-6-02 V72962 BACN10YD1	952952	1
585	BRC600-8-3	..	NUT- SUPPLIER CODE: V52828 SPECIFICATION NUMBER: BACN10YD1 OPTIONAL PART: 130120 V60119 BACN10FX16	952952	1

MISSING ITEM NUMBERS NOT APPLICABLE

- ITEM NOT ILLUSTRATED

33-21-00-09B

33-21-00
FIG. 09B
PAGE 8
JAN 20/09

BRI



757

PARTS CATALOG (MAINTENANCE)

FIG ITEM	PART NUMBER	1 2 3 4 5 6 7	NOMENCLATURE	EFFECT FROM TO	UNITS PER ASSY
9B 590	82-47-104-15		..RECEPTACLE- SUPPLIER CODE: V94222 USED ON: 65C33259-36 65C33259-62	952952	1
595 600	65C33259-34 130069		.BRACKET ASSY-MTG ..NUT- SUPPLIER CODE: V60119 SPECIFICATION NUMBER: BACN10FX16 OPTIONAL PART: A11330-6-3 V72962 A4972-6-02 V72962 A4972-6-02 V72962 BACN10YD1	952952 952952	1 2
600	BRC600-8-3		..NUT- SUPPLIER CODE: V52828 SPECIFICATION NUMBER: BACN10YD1 OPTIONAL PART: 130120 V60119 BACN10FX16	952952	2
605	82-47-104-15		..RECEPTACLE- SUPPLIER CODE: V94222	952952	1

MISSING ITEM NUMBERS NOT APPLICABLE

- ITEM NOT ILLUSTRATED

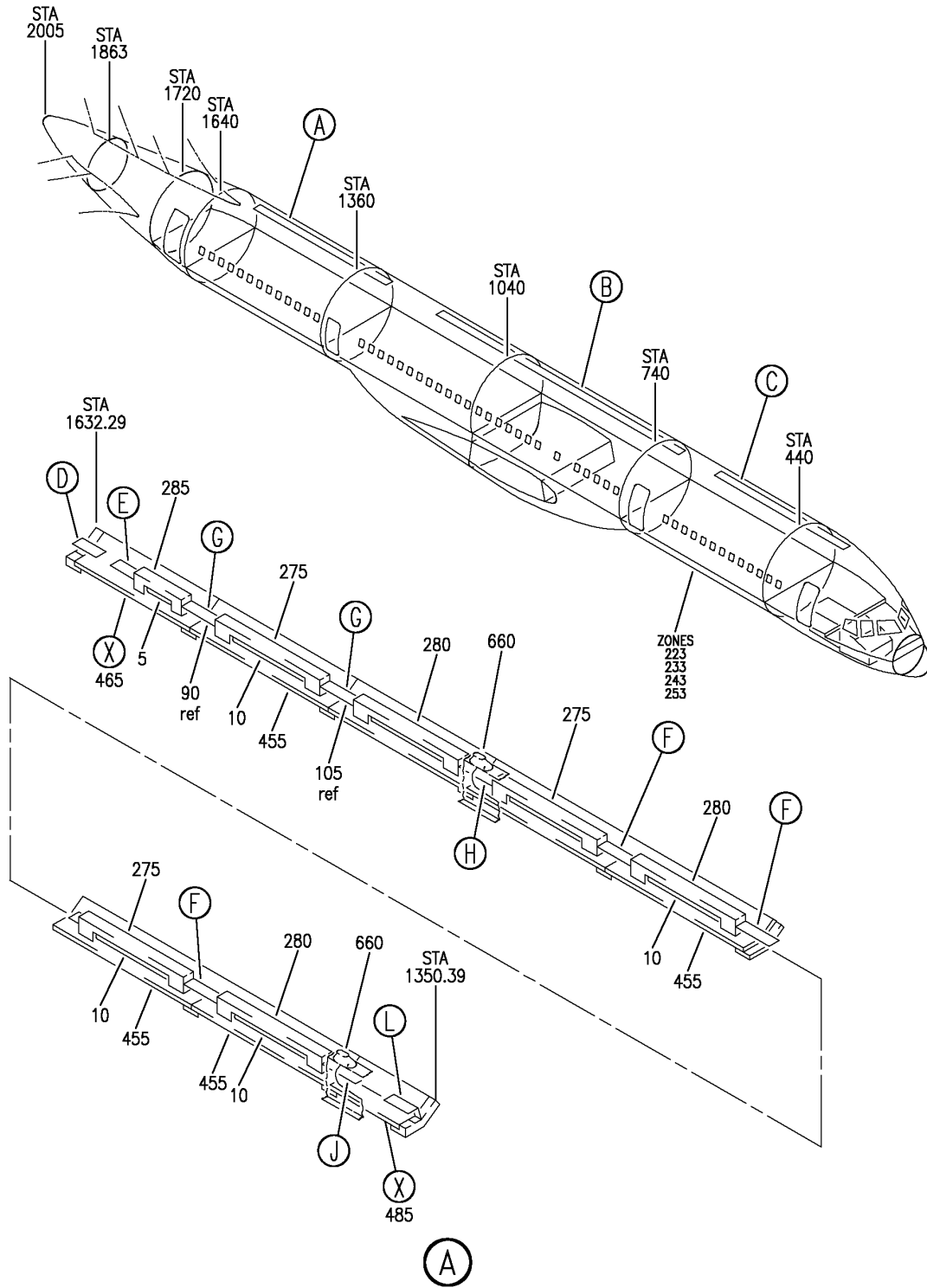
33-21-00-09B

33-21-00
FIG. 09B
PAGE 9
JAN 20/09

BRI

BOEING PROPRIETARY - Copyright © - Unpublished Work - See title page for details.

BOEING
757
PARTS CATALOG (MAINTENANCE)



Y 33210009D SHT 1 REV 253

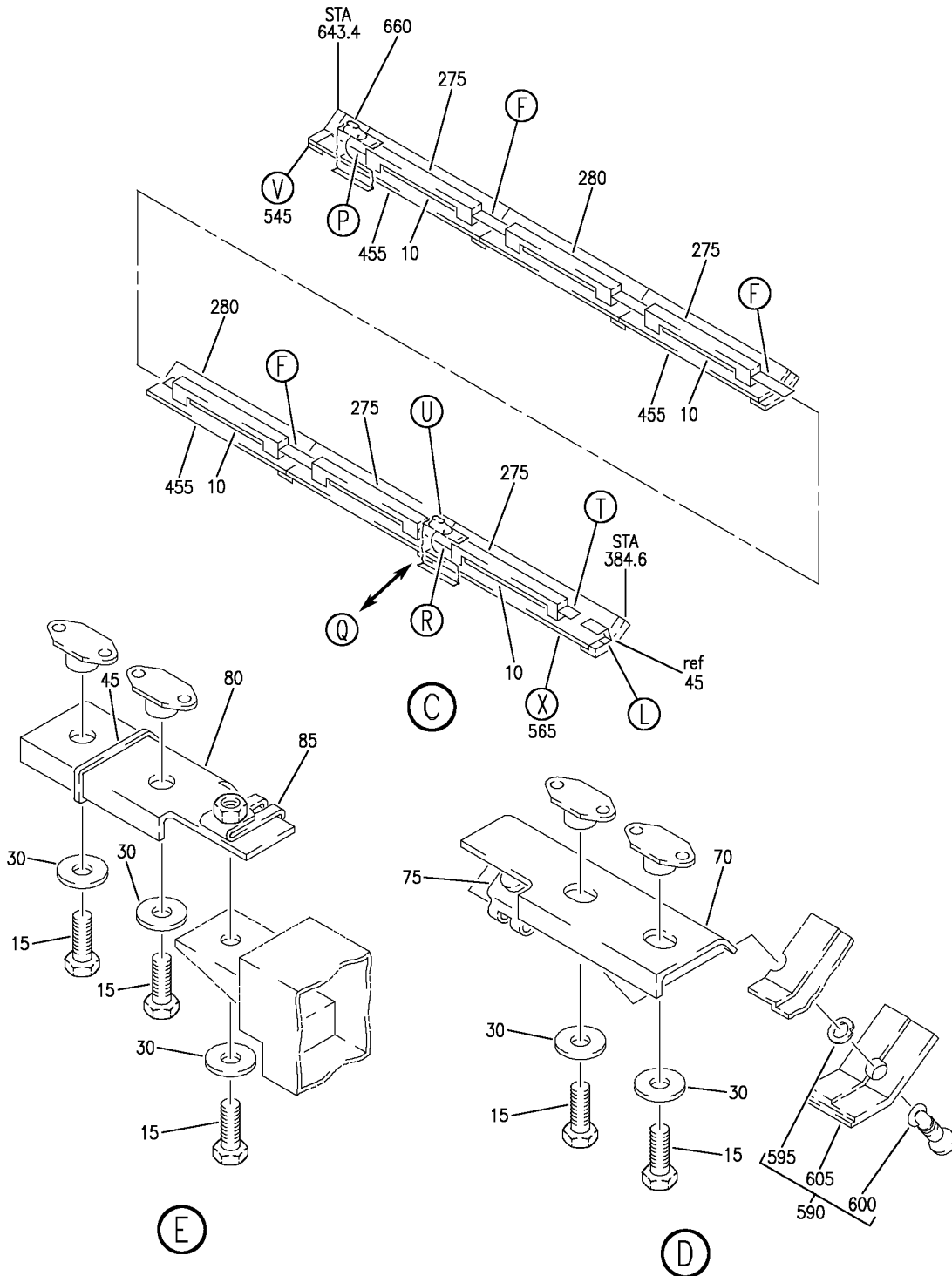
LIGHT INSTL-SIDEWALL LH FIG SPLIT MOVED FROM 33-21-00-09
FIGURE 9D (SHEET 1)

33-21-00-09D

BRI
JAN 20/09

33-21-00-09D
PAGE 0

BOEING
757
PARTS CATALOG (MAINTENANCE)



Y 33210009D SHT 3 REV 253

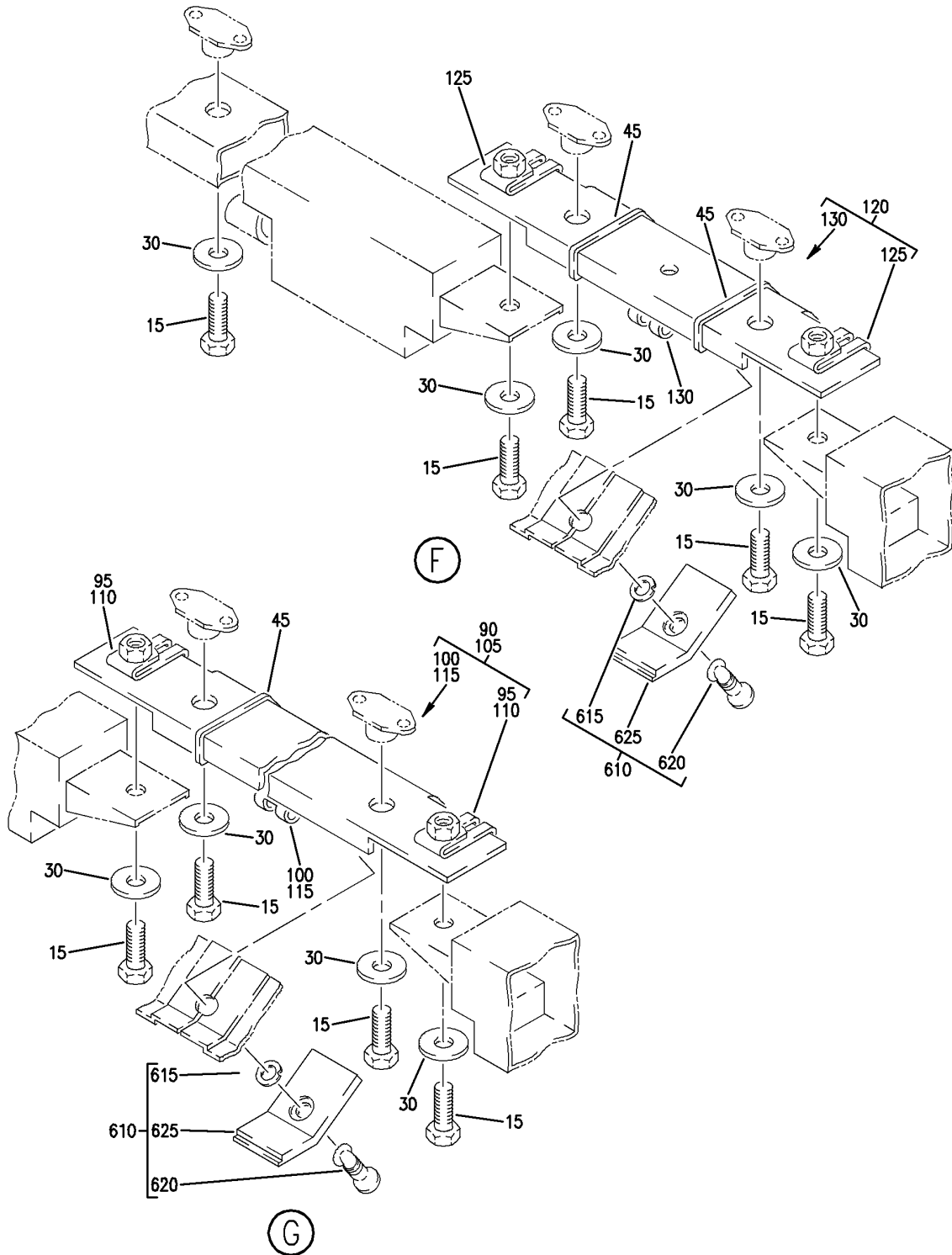
LIGHT INSTL-SIDEWALL LH FIG SPLIT MOVED FROM 33-21-00-09
FIGURE 9D (SHEET 3)

BRI
JAN 20/09

33-21-00-09D

33-21-00-09D
PAGE 0B

BOEING
757
PARTS CATALOG (MAINTENANCE)



Y 33210009D SHT 4 REV 232

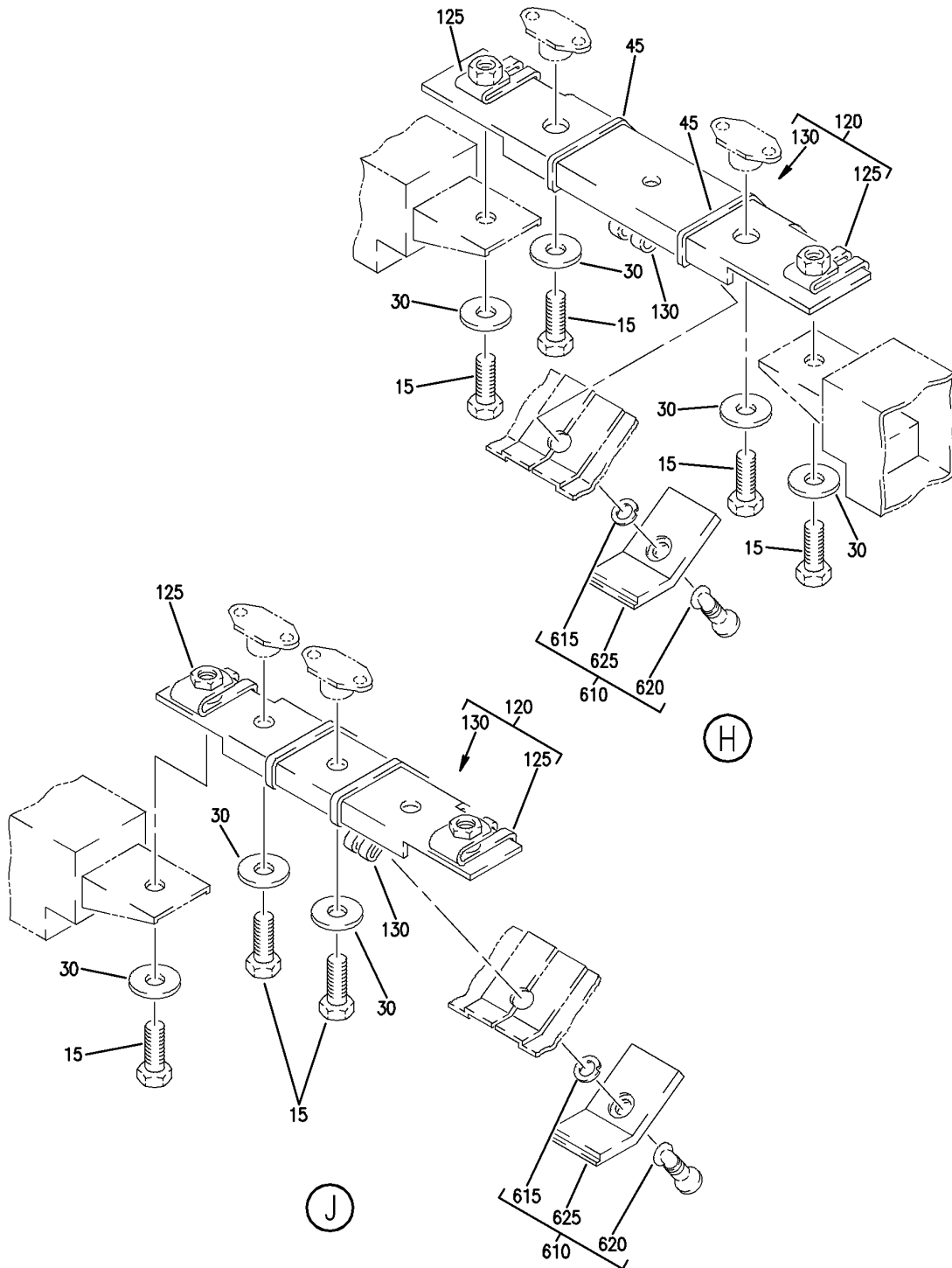
LIGHT INSTL-SIDEWALL LH FIG SPLIT MOVED FROM 33-21-00-09
FIGURE 9D (SHEET 4)

33-21-00-09D

BRI
JAN 20/09

33-21-00-09D
PAGE 0C

BOEING
757
PARTS CATALOG (MAINTENANCE)



Y 33210009D SHT 5 REV 232

LIGHT INSTL-SIDEWALL LH FIG SPLIT MOVED FROM 33-21-00-09
FIGURE 9D (SHEET 5)

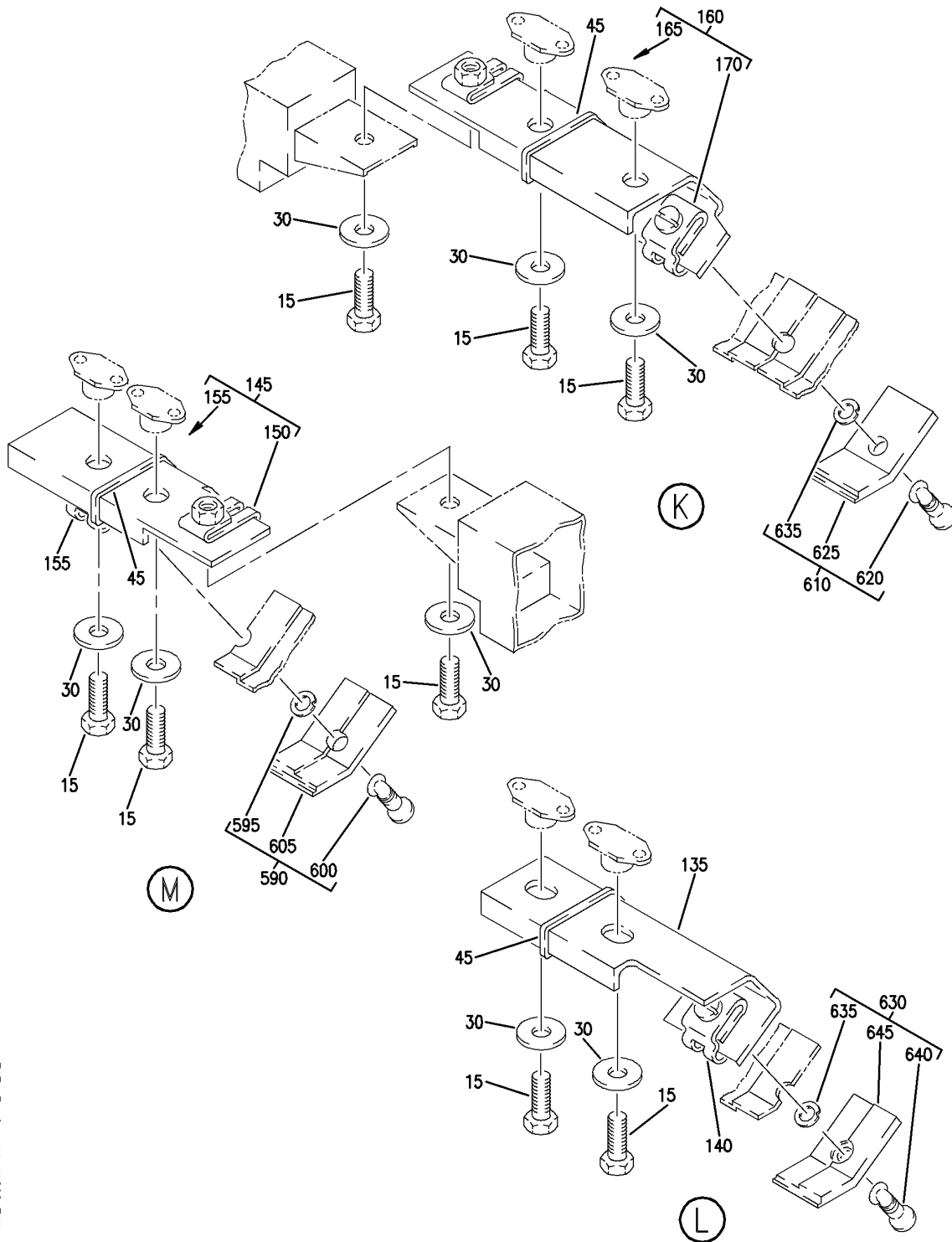
33-21-00-09D

BRI
JAN 20/09

33-21-00-09D
PAGE 0D

BOEING PROPRIETARY - Copyright © - Unpublished Work - See title page for details.

BOEING
757
PARTS CATALOG (MAINTENANCE)



Y 33210009D SHT 6 REV 23Z

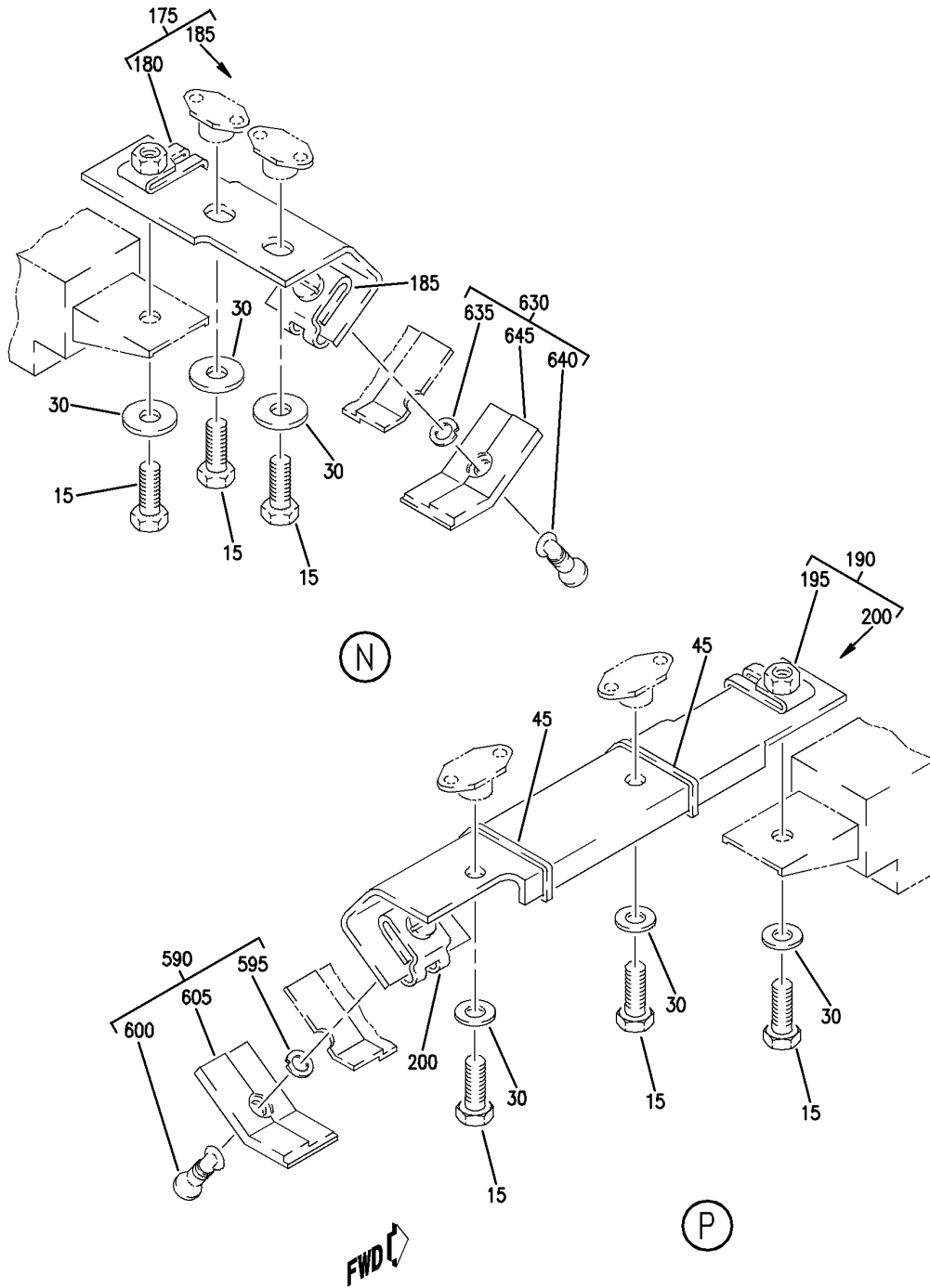
LIGHT INSTL-SIDEWALL LH FIG SPLIT MOVED FROM 33-21-00-09
FIGURE 9D (SHEET 6)

33-21-00-09D

BRI
JAN 20/09

33-21-00-09D
PAGE 0E

BOEING
757
PARTS CATALOG (MAINTENANCE)



Y 33210009D SH7 7 REV 232

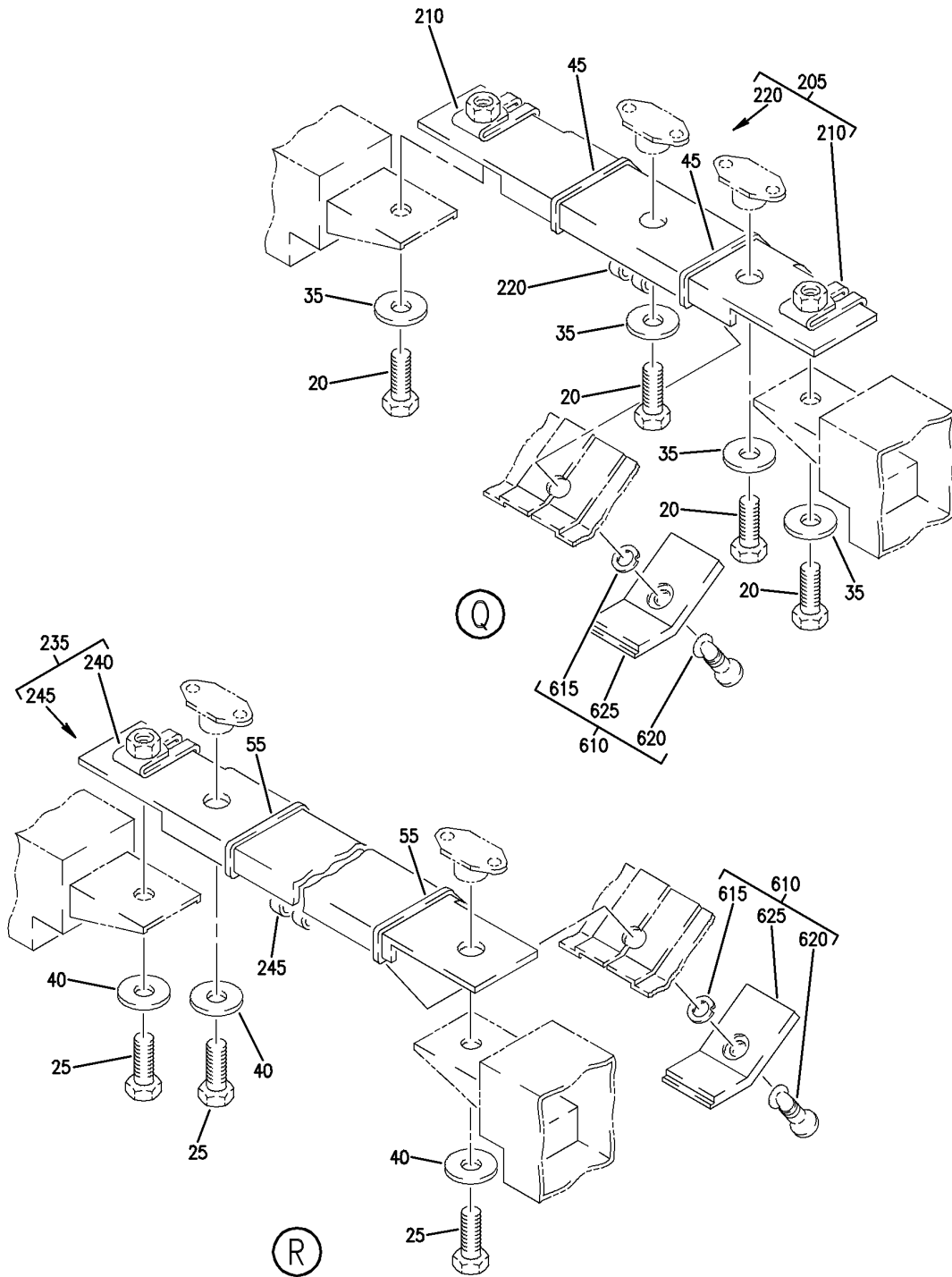
LIGHT INSTL-SIDEWALL LH FIG SPLIT MOVED FROM 33-21-00-09
FIGURE 9D (SHEET 7)

33-21-00-09D

BRI
JAN 20/09

33-21-00-09D
PAGE OF

BOEING
757
PARTS CATALOG (MAINTENANCE)



Y 33210009D SHT 8 REV 232

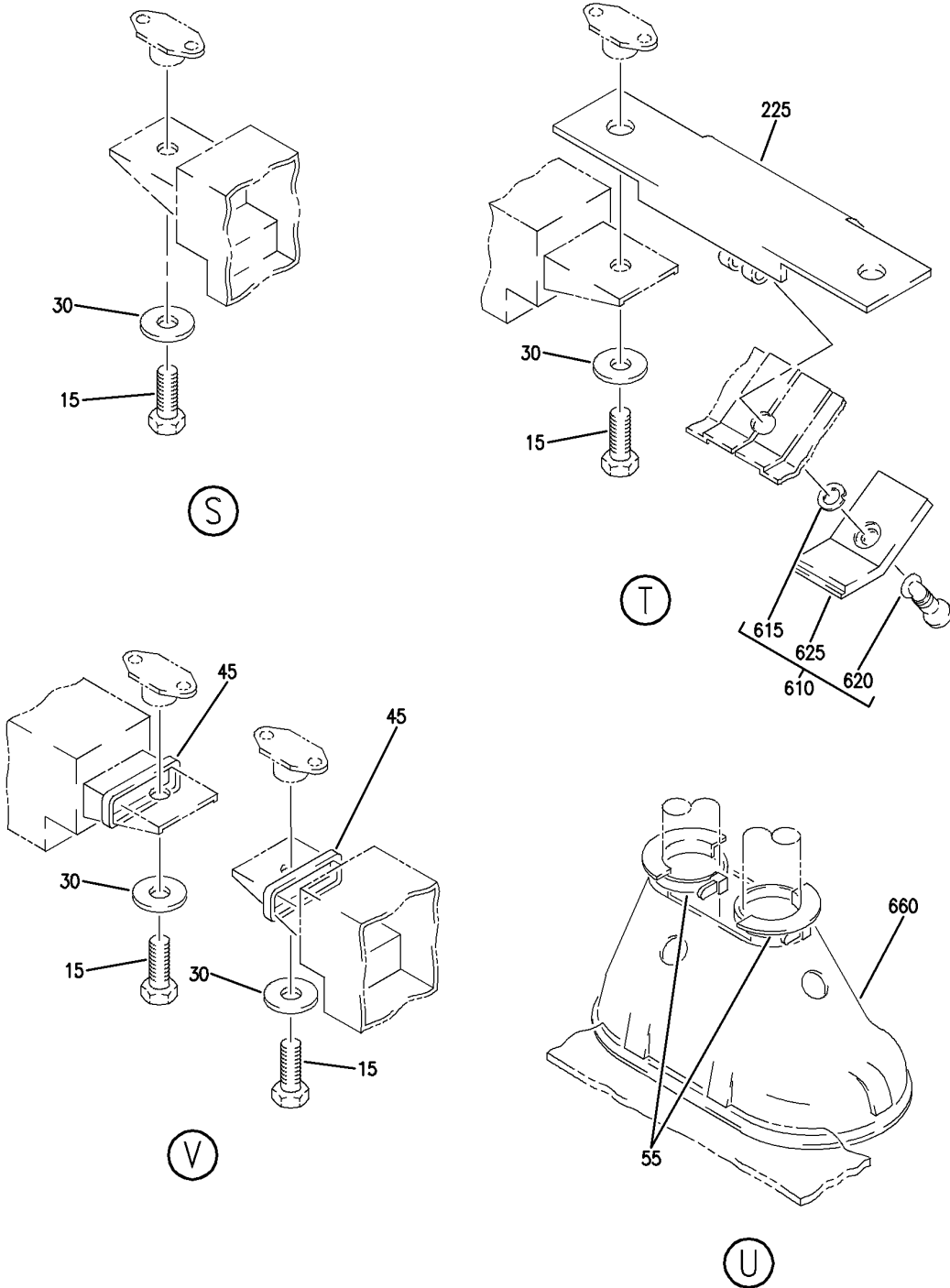
LIGHT INSTL-SIDEWALL LH FIG SPLIT MOVED FROM 33-21-00-09
FIGURE 9D (SHEET 8)

33-21-00-09D

BRI
JAN 20/09

33-21-00-09D
PAGE 08

BOEING
757
PARTS CATALOG (MAINTENANCE)



Y 33210009D SHT 9 REV 23Z

LIGHT INSTL-SIDEWALL LH FIG SPLIT MOVED FROM 33-21-00-09
FIGURE 9D (SHEET 9)

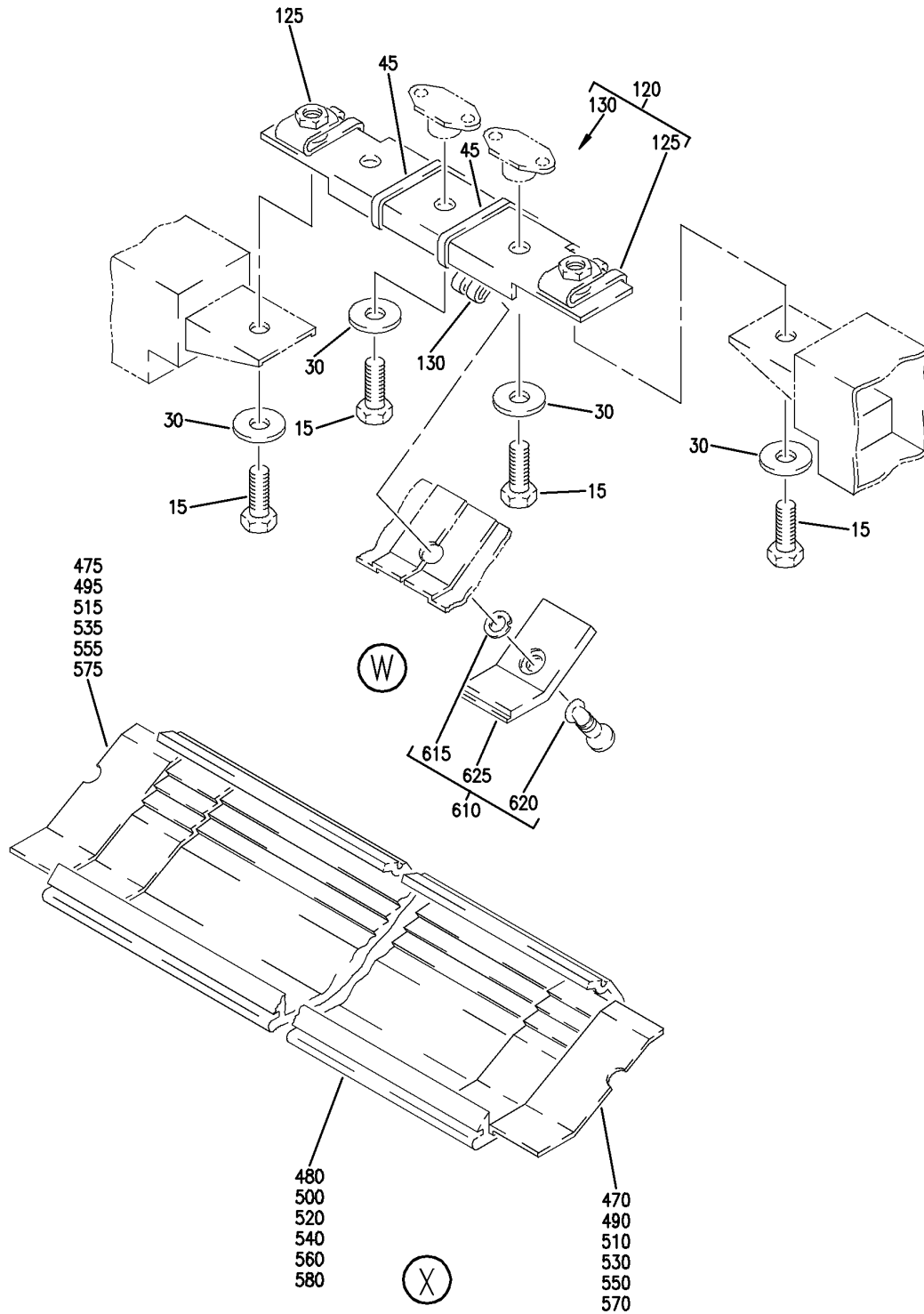
33-21-00-09D

BRI
JAN 20/09

33-21-00-09D
PAGE 0H

BOEING PROPRIETARY - Copyright © - Unpublished Work - See title page for details.

BOEING
757
PARTS CATALOG (MAINTENANCE)



Y 33210009D SHT 10 REV 232

LIGHT INSTL-SIDEWALL LH FIG SPLIT MOVED FROM 33-21-00-09
FIGURE 9D (SHEET 10)

33-21-00-09D

BRI
JAN 20/09

33-21-00-09D
PAGE 01



757

PARTS CATALOG (MAINTENANCE)

FIG ITEM	PART NUMBER	1 2 3 4 5 6 7	NOMENCLATURE	EFFECT FROM TO	UNITS PER ASSY
9D			LIGHT INSTL-SIDEWALL LH	952952	
- 1	417N5106-33		FIG SPLIT MOVED FROM 33-21-00-09		
			LIGHT INSTL-SIDEWALL	952952	RF
			POSITION DATA:		
			LH		
			FOR NHA SEE:		
			33-20-51-02		
5	F6T5WW		.LAMP-FLUOR	952952	5
			SUPPLIER CODE:		
			V08806		
			OPTIONAL PART:		
			5106WW		
			V08806		
5	5106WW		.LAMP-FLUOR	952952	5
			SUPPLIER CODE:		
			V08806		
			OPTIONAL PART:		
			F6T5WW		
			V08806		
10	F18T5WWS		.LAMP-FLUOR	952952	24
			SUPPLIER CODE:		
			V52343		
15	NAS1801-3-6		.SCREW	952952	133
20	NAS1801-3-6		.SCREW	952952	4
30	AN960JD10L		.WASHER	952952	133
35	AN960JD10L		.WASHER	952952	4
45	MS3367-1-9		.STRAP	952952	55
50	MS3367-1-9		.STRAP	952952	2
70	65C33259-68		.BRACKET ASSY-MTG	952952	1
75	82-47-104-15		..RECEPTACLE-	952952	1
			SUPPLIER CODE:		
			V94222		
80	65C33259-27		.BRACKET ASSY-MTG	952952	1
85	130069		..NUT-	952952	1
			SUPPLIER CODE:		
			V60119		
			SPECIFICATION NUMBER:		
			BACN10FX16		
			OPTIONAL PART:		
			A11330-6-3		
			V72962		
			A4972-6-02		
			V72962		
			A4972-6-02		
			V72962		
			BACN10YD1		

MISSING ITEM NUMBERS NOT APPLICABLE

- ITEM NOT ILLUSTRATED

33-21-00-09D

33-21-00
FIG. 09D
PAGE 1
JAN 20/09

BRI



757

PARTS CATALOG (MAINTENANCE)

FIG ITEM	PART NUMBER	1 2 3 4 5 6 7	NOMENCLATURE	EFFECT FROM TO	UNITS PER ASSY
9D 85	BRC600-8-3	..NUT-	SUPPLIER CODE: V52828 SPECIFICATION NUMBER: BACN10YD1 OPTIONAL PART: 130120 V60119 BACN10FX16	952952	1
90	65C33259-12	.BRACKET ASSY-MTG		952952	2
95	130069	..NUT-	SUPPLIER CODE: V60119 SPECIFICATION NUMBER: BACN10FX16 OPTIONAL PART: A11330-6-3 V72962 A4972-6-02 V72962 A4972-6-02 V72962 BACN10YD1	952952	2
95	BRC600-8-3	..NUT-	SUPPLIER CODE: V52828 SPECIFICATION NUMBER: BACN10YD1 OPTIONAL PART: 130120 V60119 BACN10FX16	952952	2
100	82-47-104-15	..RECEPTACLE-	SUPPLIER CODE: V94222	952952	1
105	65C33259-55	.BRACKET ASSY-MTG		952952	1
110	130069	..NUT-	SUPPLIER CODE: V60119 SPECIFICATION NUMBER: BACN10FX16 OPTIONAL PART: A11330-6-3 V72962 A4972-6-02 V72962 A4972-6-02 V72962 BACN10YD1	952952	2

MISSING ITEM NUMBERS NOT APPLICABLE

- ITEM NOT ILLUSTRATED

33-21-00-09D

33-21-00
FIG. 09D
PAGE 2
JAN 20/09

BRI

BOEING PROPRIETARY - Copyright © - Unpublished Work - See title page for details.



757

PARTS CATALOG (MAINTENANCE)

FIG ITEM	PART NUMBER	1 2 3 4 5 6 7	NOMENCLATURE	EFFECT FROM TO	UNITS PER ASSY
9D 110	BRC600-8-3	..	NUT- SUPPLIER CODE: V52828 SPECIFICATION NUMBER: BACN10YD1 OPTIONAL PART: 130120 V60119 BACN10FX16	952952	2
115	82-47-104-15	..	RECEPTACLE- SUPPLIER CODE: V94222	952952	1
120	65C33259-26	.	BRACKET ASSY-MTG	952952	20
125	130069	..	NUT- SUPPLIER CODE: V60119 SPECIFICATION NUMBER: BACN10FX16 OPTIONAL PART: A11330-6-3 V72962 A4972-6-02 V72962 A4972-6-02 V72962 BACN10YD1	952952	2
125	BRC600-8-3	..	NUT- SUPPLIER CODE: V52828 SPECIFICATION NUMBER: BACN10YD1 OPTIONAL PART: 130120 V60119 BACN10FX16	952952	2
130	82-47-104-15	..	RECEPTACLE- SUPPLIER CODE: V94222	952952	1
135	65C33259-67	.	BRACKET ASSY-MTG	952952	2
140	82-47-104-15	..	RECEPTACLE- SUPPLIER CODE: V94222	952952	1
145	65C33259-62	.	BRACKET ASSY-MTG	952952	1

MISSING ITEM NUMBERS NOT APPLICABLE

- ITEM NOT ILLUSTRATED

33-21-00-09D

33-21-00
FIG. 09D
PAGE 3
JAN 20/09

BRI

BOEING PROPRIETARY - Copyright © - Unpublished Work - See title page for details.



757

PARTS CATALOG (MAINTENANCE)

FIG ITEM	PART NUMBER	1 2 3 4 5 6 7	NOMENCLATURE	EFFECT FROM TO	UNITS PER ASSY
9D 150	130069	..	NUT- SUPPLIER CODE: V60119 SPECIFICATION NUMBER: BACN10FX16 OPTIONAL PART: A11330-6-3 V72962 A4972-6-02 V72962 A4972-6-02 V72962 BACN10YD1	952952	1
150	BRC600-8-3	..	NUT- SUPPLIER CODE: V52828 SPECIFICATION NUMBER: BACN10YD1 OPTIONAL PART: 130120 V60119 BACN10FX16	952952	1
155	82-47-104-15	..	RECEPTACLE- SUPPLIER CODE: V94222	952952	1
160	65C33259-69	.	BRACKET ASSY-MTG	952952	1
165	130069	..	NUT- SUPPLIER CODE: V60119 SPECIFICATION NUMBER: BACN10FX16 OPTIONAL PART: A11330-6-3 V72962 A4972-6-02 V72962 A4972-6-02 V72962 BACN10YD1	952952	1
165	BRC600-8-3	..	NUT- SUPPLIER CODE: V52828 SPECIFICATION NUMBER: BACN10YD1 OPTIONAL PART: 130120 V60119 BACN10FX16	952952	1

MISSING ITEM NUMBERS NOT APPLICABLE

- ITEM NOT ILLUSTRATED

33-21-00-09D

33-21-00
FIG. 09D
PAGE 4
JAN 20/09

BRI

BOEING PROPRIETARY - Copyright © - Unpublished Work - See title page for details.



757

PARTS CATALOG (MAINTENANCE)

FIG ITEM	PART NUMBER	1 2 3 4 5 6 7	NOMENCLATURE	EFFECT FROM TO	UNITS PER ASSY
9D					
170	82-47-104-15	..	RECEPTACLE- SUPPLIER CODE: V94222	952952	1
175	65C33259-61	.BRACKET	ASSY-MTG	952952	1
180	130069	..NUT-	SUPPLIER CODE: V60119 SPECIFICATION NUMBER: BACN10FX16 OPTIONAL PART: A11330-6-3 V72962 A4972-6-02 V72962 A4972-6-02 V72962 BACN10YD1	952952	1
180	BRC600-8-3	..NUT-	SUPPLIER CODE: V52828 SPECIFICATION NUMBER: BACN10YD1 OPTIONAL PART: 130120 V60119 BACN10FX16	952952	1
185	82-47-104-15	..	RECEPTACLE- SUPPLIER CODE: V94222	952952	1
195	130069	..NUT-	SUPPLIER CODE: V60119 SPECIFICATION NUMBER: BACN10FX16 OPTIONAL PART: A11330-6-3 V72962 A4972-6-02 V72962 A4972-6-02 V72962 BACN10YD1	952952	1

MISSING ITEM NUMBERS NOT APPLICABLE

- ITEM NOT ILLUSTRATED

BRI

33-21-00-09D

BOEING PROPRIETARY - Copyright © - Unpublished Work - See title page for details.

33-21-00
FIG. 09D
PAGE 5
JAN 20/09



757

PARTS CATALOG (MAINTENANCE)

FIG ITEM	PART NUMBER	1 2 3 4 5 6 7	NOMENCLATURE	EFFECT FROM TO	UNITS PER ASSY
9D 195	BRC600-8-3	..	NUT- SUPPLIER CODE: V52828 SPECIFICATION NUMBER: BACN10YD1 OPTIONAL PART: 130120 V60119 BACN10FX16	952952	1
200	82-47-104-15	..	RECEPTACLE- SUPPLIER CODE: V94222	952952	1
205	65C33259-33	.	BRACKET ASSY-MTG	952952	1
210	130069	..	NUT- SUPPLIER CODE: V60119 SPECIFICATION NUMBER: BACN10FX16 OPTIONAL PART: A11330-6-3 V72962 A4972-6-02 V72962 A4972-6-02 V72962 BACN10YD1	952952	2
210	BRC600-8-3	..	NUT- SUPPLIER CODE: V52828 SPECIFICATION NUMBER: BACN10YD1 OPTIONAL PART: 130120 V60119 BACN10FX16	952952	2
220	82-47-104-15	..	RECEPTACLE- SUPPLIER CODE: V94222	952952	1
225	65C33259-13	.	BRACKET ASSY-MTG	952952	1
230	82-47-104-15	..	RECEPTACLE- SUPPLIER CODE: V94222	952952	1

MISSING ITEM NUMBERS NOT APPLICABLE

- ITEM NOT ILLUSTRATED

33-21-00-09D

33-21-00
FIG. 09D
PAGE 6
JAN 20/09

BRI

BOEING PROPRIETARY - Copyright © - Unpublished Work - See title page for details.



757

PARTS CATALOG (MAINTENANCE)

FIG ITEM	PART NUMBER	1 2 3 4 5 6 7	NOMENCLATURE	EFFECT FROM TO	UNITS PER ASSY
9D 275	10-1327-1		.LIGHT ASSY- SUPPLIER CODE: V72914 SPECIFICATION NUMBER: S417N511-1 COMPONENT MAINT MANUAL REF: 33-20-51 FOR DETAILS SEE: 33-21-51-90	952952	14
275	10-1733-1		.LIGHT ASSY- SUPPLIER CODE: V72914 SPECIFICATION NUMBER: S417N511-8001 COMPONENT MAINT MANUAL REF: 33-21-39 FOR DETAILS SEE: 33-21-51-90	952952	14
280	10-1327-2		.LIGHT ASSY- SUPPLIER CODE: V72914 SPECIFICATION NUMBER: S417N511-2 COMPONENT MAINT MANUAL REF: 33-20-51 FOR DETAILS SEE: 33-21-51-90	952952	10
280	10-1733-2		.LIGHT ASSY- SUPPLIER CODE: V72914 SPECIFICATION NUMBER: S417N511-8002 COMPONENT MAINT MANUAL REF: 33-21-39 FOR DETAILS SEE: 33-21-51-90	952952	10
285	10-1327-3		.LIGHT ASSY- SUPPLIER CODE: V72914 SPECIFICATION NUMBER: S417N511-3 COMPONENT MAINT MANUAL REF: 33-20-51 FOR DETAILS SEE: 33-21-51-90	952952	4

MISSING ITEM NUMBERS NOT APPLICABLE

- ITEM NOT ILLUSTRATED

33-21-00-09D

33-21-00
FIG. 09D
PAGE 7
JAN 20/09

BRI



757

PARTS CATALOG (MAINTENANCE)

FIG ITEM	PART NUMBER	1 2 3 4 5 6 7	NOMENCLATURE	EFFECT FROM TO	UNITS PER ASSY
9D 285	10-1733-3		.LIGHT ASSY- SUPPLIER CODE: V72914 SPECIFICATION NUMBER: S417N511-8003 COMPONENT MAINT MANUAL REF: 33-21-39 FOR DETAILS SEE: 33-21-51-90	952952	4
455	10-1327-40		.LENS- SUPPLIER CODE: V72914 SPECIFICATION NUMBER: S417N511-40	952952	23
465	417N5000-59		.LENS ASSY	952952	1
470	11-5848-1		..LENS-END FTG SUPPLIER CODE: V72914	952952	1
475	11-5848-2		..LENS-END FTG SUPPLIER CODE: V72914	952952	1
480	417N5000-60		..LENS- ALTERED FROM PART NUMBER: S417N511-51	952952	1
485	417N5000-61		.LENS ASSY	952952	1
490	11-5848-1		..LENS-END FTG SUPPLIER CODE: V72914	952952	1
495	11-5848-2		..LENS-END FTG SUPPLIER CODE: V72914	952952	1
500	417N5000-62		..LENS- ALTERED FROM PART NUMBER: 10-1327-51 V72914 10-1327-59 V72914	952952	1
505	417N5000-63		.LENS ASSY	952952	1
510	11-5848-1		..LENS-END FTG SUPPLIER CODE: V72914	952952	1
515	11-5848-2		..LENS-END FTG SUPPLIER CODE: V72914	952952	1
520	417N5000-64		..LENS- ALTERED FROM PART NUMBER: 10-1327-51 V72914	952952	1
525	417N5000-67		.LENS ASSY	952952	1

MISSING ITEM NUMBERS NOT APPLICABLE

- ITEM NOT ILLUSTRATED

33-21-00-09D

33-21-00
FIG. 09D
PAGE 8
JAN 20/09

BRI

BOEING PROPRIETARY - Copyright © - Unpublished Work - See title page for details.



757

PARTS CATALOG (MAINTENANCE)

FIG ITEM	PART NUMBER	1 2 3 4 5 6 7	NOMENCLATURE	EFFECT FROM TO	UNITS PER ASSY
9D					
530	11-5848-1	..	LENS-END FTG SUPPLIER CODE: V72914	952952	1
535	11-5848-2	..	LENS-END FTG SUPPLIER CODE: V72914	952952	1
540	417N5000-68	..	LENS- ALTERED FROM PART NUMBER: 10-1327-57 V72914 10-1327-51 V72914	952952	1
545	417N5000-33	.	LENS ASSY	952952	1
550	11-5848-1	..	LENS-END FTG SUPPLIER CODE: V72914	952952	1
555	11-5848-2	..	LENS-END FTG SUPPLIER CODE: V72914	952952	1
560	417N5000-34	..	LENS- ALTERED FROM PART NUMBER: 10-1327-51 V72914	952952	1
565	417N5000-243	.	LENS ASSY	952952	1
570	11-5848-1	..	LENS-END FTG SUPPLIER CODE: V72914	952952	1
575	11-5848-2	..	LENS-END FTG SUPPLIER CODE: V72914	952952	1
580	417N5000-244	..	LENS- ALTERED FROM PART NUMBER: 10-1327-59 V72914 10-1327-57 V72914	952952	1
590	65C33289-4	.	RETAINER ASSY-LENS	952952	3
595	BACR12AG2C	..	RING	952952	1
600	82-99-381-34	..	STUD SUPPLIER CODE: V94222 SPECIFICATION NUMBER: BACS21AP340FP	952952	1
605	65C33289-10	..	RETAINER- ALTERED FROM PART NUMBER: 65C33289-16	952952	1
610	65C33289-1	.	RETAINER ASSY-LENS	952952	26
615	BACR12AG2C	..	RING	952952	1

MISSING ITEM NUMBERS NOT APPLICABLE

- ITEM NOT ILLUSTRATED

33-21-00-09D

33-21-00
FIG. 09D
PAGE 9
JAN 20/09

BRI

BOEING PROPRIETARY - Copyright © - Unpublished Work - See title page for details.



757

PARTS CATALOG (MAINTENANCE)

FIG ITEM	PART NUMBER	1 2 3 4 5 6 7	NOMENCLATURE	EFFECT FROM TO	UNITS PER ASSY
9D 620	82-99-381-34	..	STUD SUPPLIER CODE: V94222 SPECIFICATION NUMBER: BACS21AP340FP	952952	1
625	65C33289-7	..	RETAINER	952952	1
630	65C33289-3	.	RETAINER ASSY-LENS	952952	3
635	BACR12AG2C	..	RING	952952	1
640	82-99-381-34	..	STUD SUPPLIER CODE: V94222 SPECIFICATION NUMBER: BACS21AP340FP	952952	1
645	65C33289-9	..	RETAINER- ALTERED FROM PART NUMBER: 65C33289-15	952952	1
660	417N5107-1	.	GROMMET	952952	7

MISSING ITEM NUMBERS NOT APPLICABLE

- ITEM NOT ILLUSTRATED

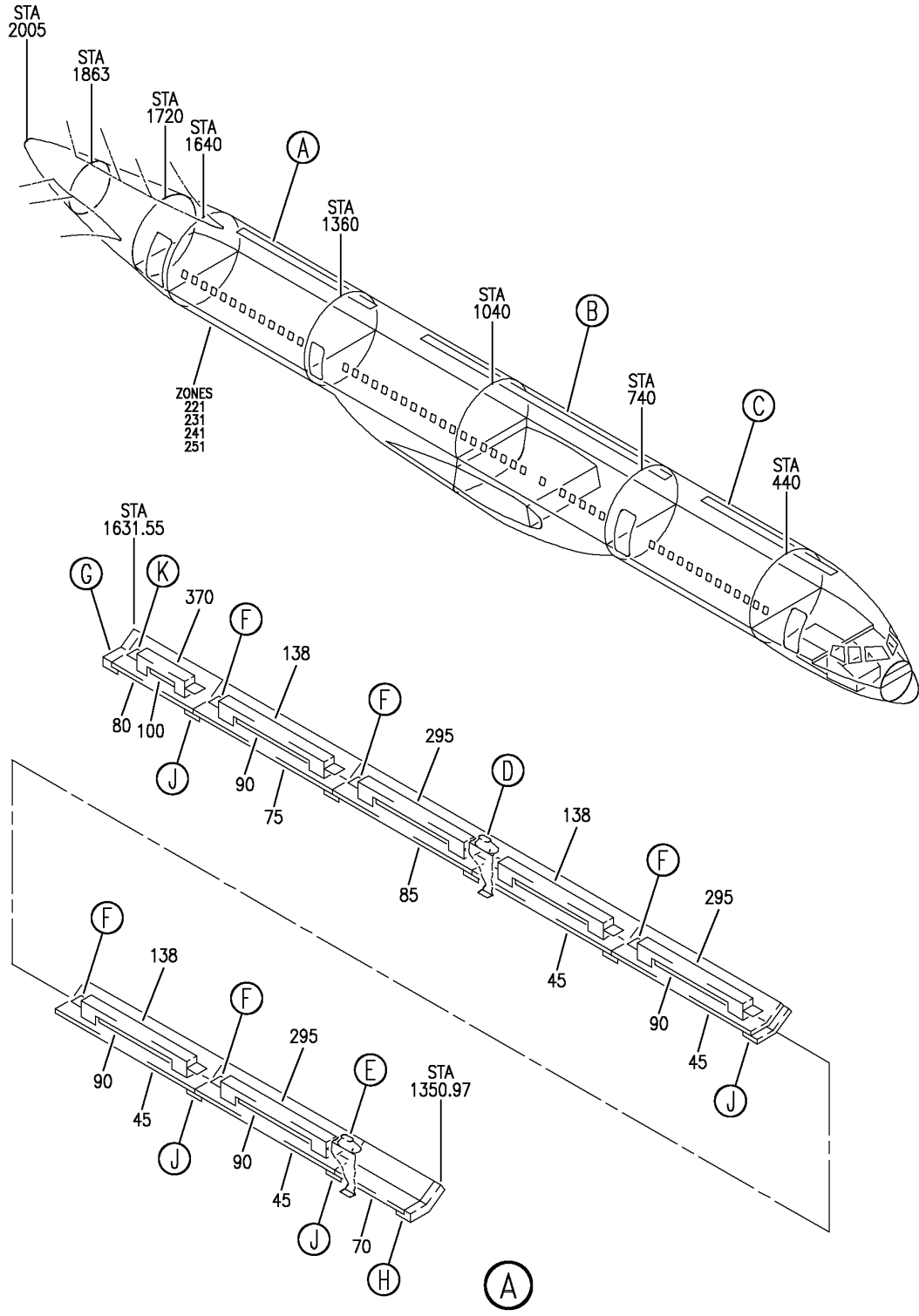
BRI

33-21-00-09D

BOEING PROPRIETARY - Copyright © - Unpublished Work - See title page for details.

33-21-00
FIG. 09D
PAGE 10
JAN 20/09

BOEING
757
PARTS CATALOG (MAINTENANCE)



Y 33210013B SHT 1 REV 253

LIGHT INSTL-LH SIDEWALL
FIGURE 13B (SHEET 1)

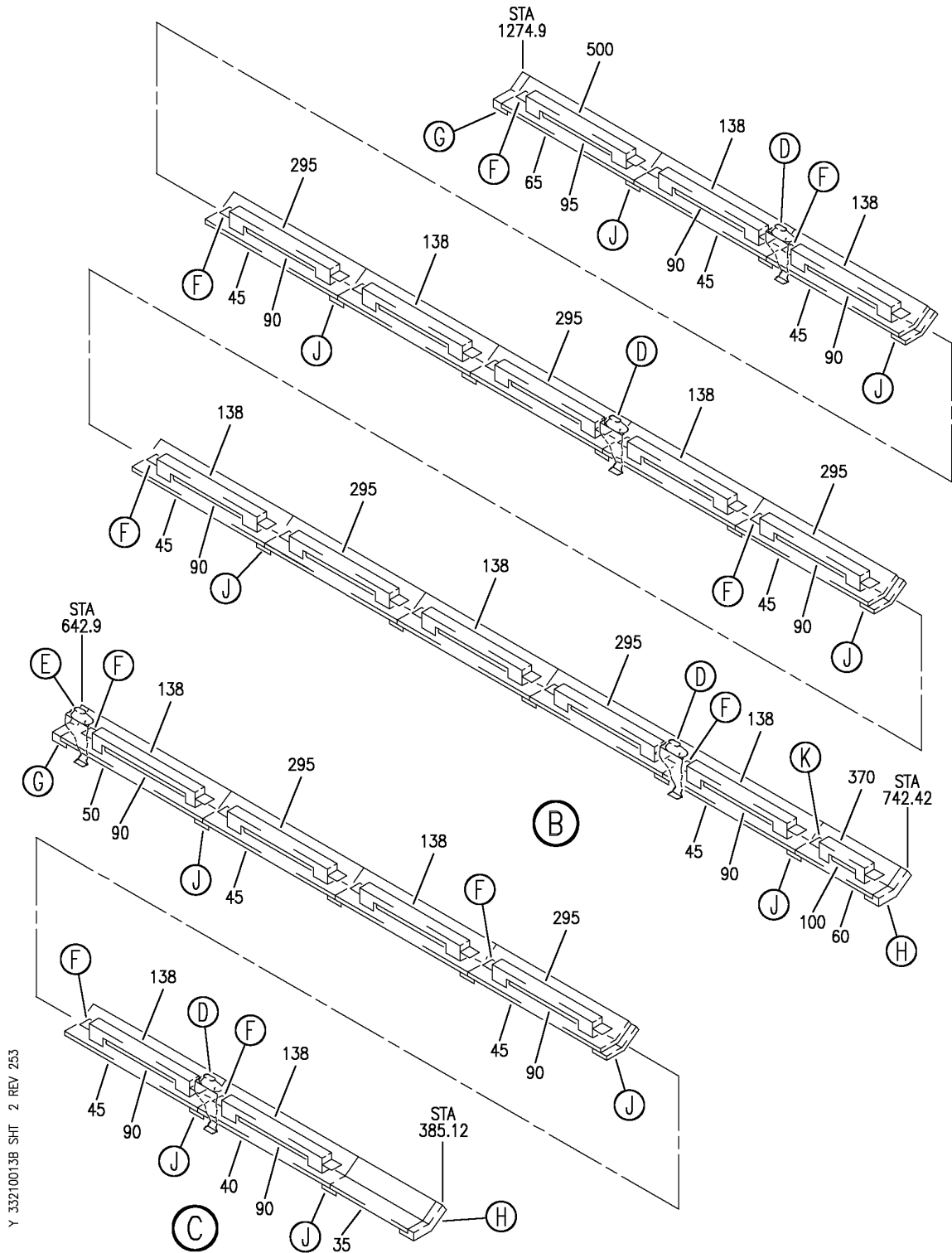
33-21-00-13B

BRI
JAN 20/09

33-21-00-13B
PAGE 0

BOEING PROPRIETARY - Copyright © - Unpublished Work - See title page for details.

BOEING
757
PARTS CATALOG (MAINTENANCE)



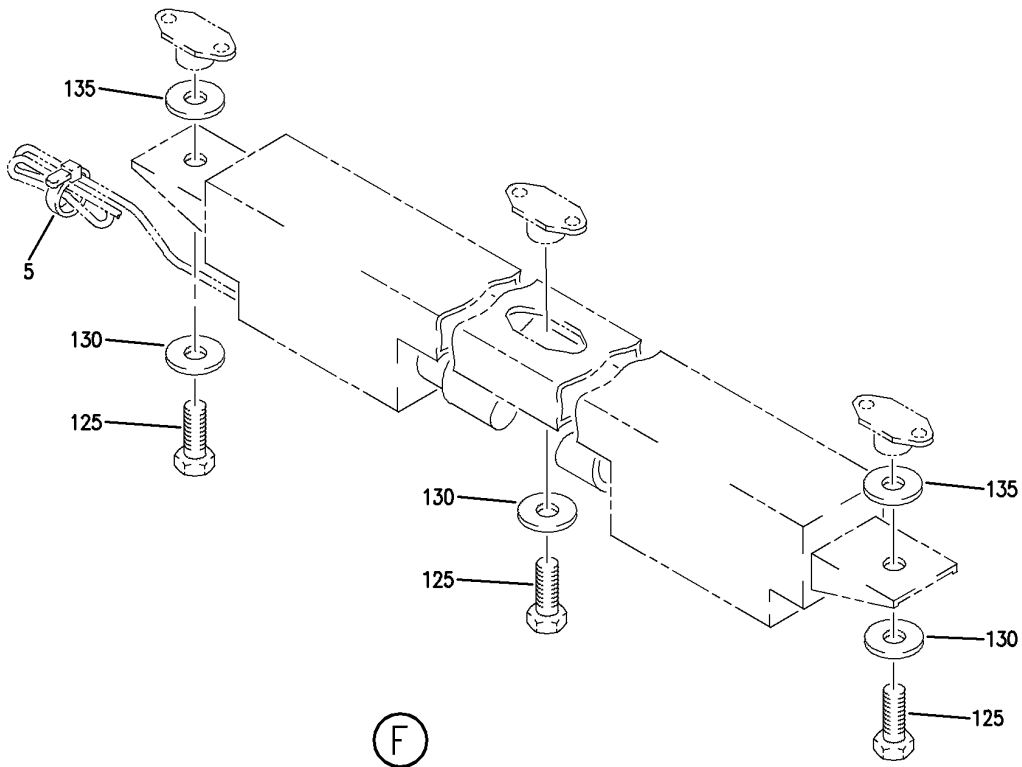
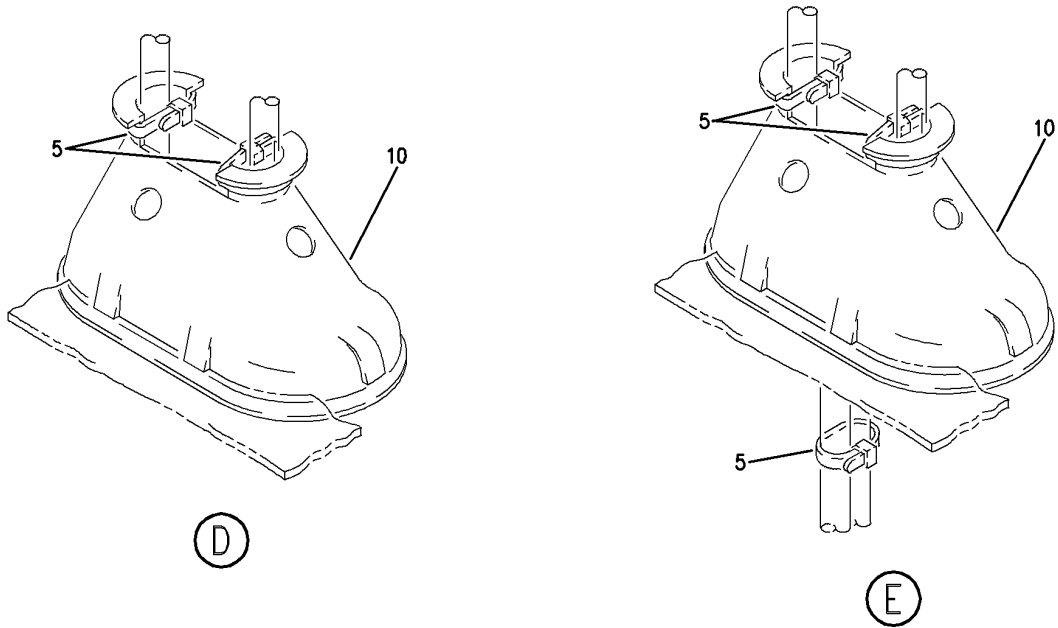
LIGHT INSTL-LH SIDEWALL
FIGURE 13B (SHEET 2)

33-21-00-13B

BRI
JAN 20/09

33-21-00-13B
PAGE 0A

BOEING
757
PARTS CATALOG (MAINTENANCE)



Y 33210013B SHT. 3 REV 231

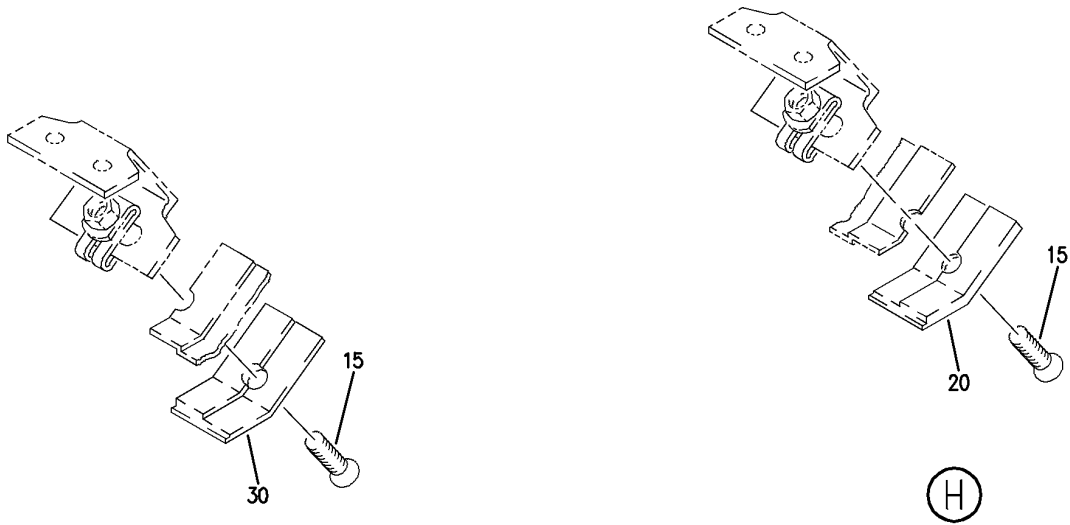
LIGHT INSTL-LH SIDEWALL
FIGURE 13B (SHEET 3)

BRI
JAN 20/09

33-21-00-13B

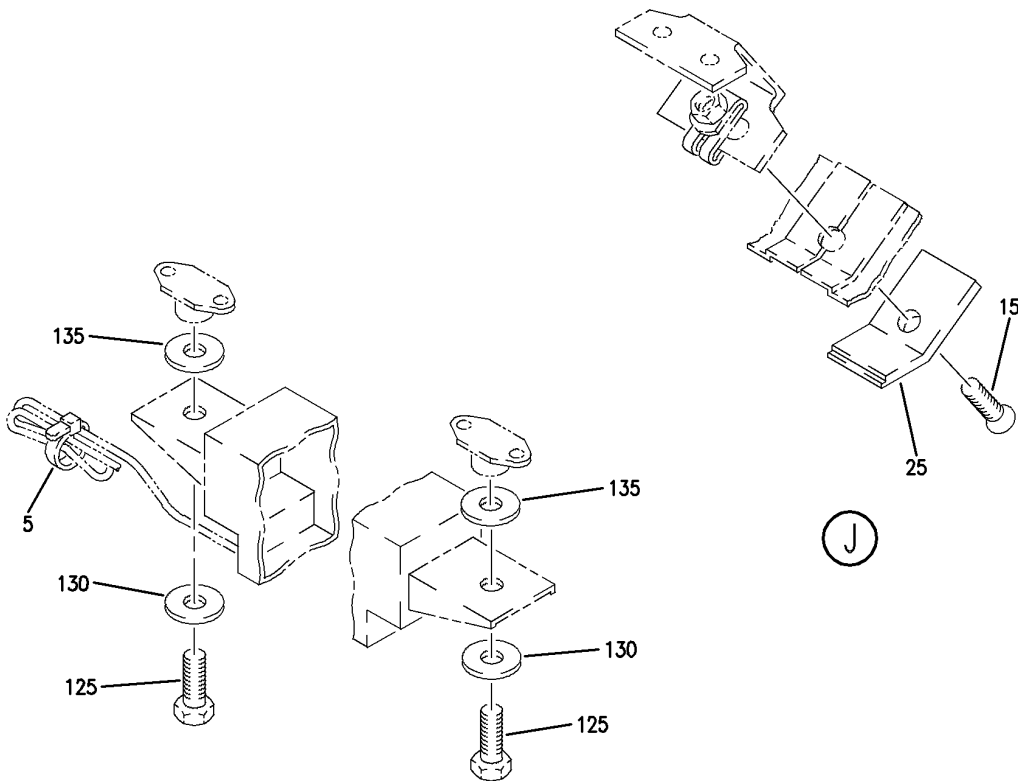
33-21-00-13B
PAGE 0B

BOEING
757
PARTS CATALOG (MAINTENANCE)



(G)

(H)



(J)

(K)

Y 33210013B SHT 4 REV 231

LIGHT INSTL-LH SIDEWALL
FIGURE 13B (SHEET 4)

33-21-00-13B

BRI
JAN 20/09

33-21-00-13B
PAGE 0C



757

PARTS CATALOG (MAINTENANCE)

FIG ITEM	PART NUMBER	1 2 3 4 5 6 7	NOMENCLATURE	EFFECT FROM TO	UNITS PER ASSY
13B					
- 1	417N5008-5		LIGHT INSTL-LH SIDEWALL LIGHT INSTL-SIDEWALL POSITION DATA: LH FOR NHA SEE: 33-20-51-02	953999 953999	RF
5	T05R0		.STRAP-TIE SUPPLIER CODE: V53421 SPECIFICATION NUMBER: BACS38K1 OPTIONAL PART: PLT2SM V06383	953999	AR
10	417N5107-1		.GROMMET	953999	7
15	BACS12ER3K10		.SCREW	953999	AR
20	65C33289-9		.RETAINER-LENS ALTERED FROM PART NUMBER: 65C33289-15	953999	3
25	65C33289-7		.RETAINER-LENS	953999	26
30	65C33289-10		.RETAINER-LENS ALTERED FROM PART NUMBER: 65C33289-16	953999	3
35	10-1327-263		.LENS- SUPPLIER CODE: V72914 SPECIFICATION NUMBER: S417N511-133	953999	1
40	10-1327-251		.LENS- SUPPLIER CODE: V72914 SPECIFICATION NUMBER: S417N511-127	953999	1
45	10-1327-40		.LENS- SUPPLIER CODE: V72914 SPECIFICATION NUMBER: S417N511-40	953999	20
50	10-1327-109		.LENS- SUPPLIER CODE: V72914 SPECIFICATION NUMBER: S417N511-93	953999	1
60	S417N511-128		.LENS	953999	1
65	10-1327-255		.LENS ASSY- SUPPLIER CODE: V72914 SPECIFICATION NUMBER: S417N511-129	953999	1

MISSING ITEM NUMBERS NOT APPLICABLE

- ITEM NOT ILLUSTRATED

33-21-00-13B

33-21-00
FIG. 13B
PAGE 1
JAN 20/09

BRI

BOEING PROPRIETARY - Copyright © - Unpublished Work - See title page for details.



757

PARTS CATALOG (MAINTENANCE)

FIG ITEM	PART NUMBER	1 2 3 4 5 6 7	NOMENCLATURE	EFFECT FROM TO	UNITS PER ASSY
13B 70	10-1327-257	. LENS-	SUPPLIER CODE: V72914 SPECIFICATION NUMBER: S417N511-130	953999	1
75	10-1327-259	. LENS-	SUPPLIER CODE: V72914 SPECIFICATION NUMBER: S417N511-131	953999	1
80	10-1327-261	. LENS-	SUPPLIER CODE: V72914 SPECIFICATION NUMBER: S417N511-132	953999	1
85	10-1327-113	. LENS-	SUPPLIER CODE: V72914 SPECIFICATION NUMBER: S417N511-97	953999	1
90	F18T5WWS	. LAMP-FLUOR	SUPPLIER CODE: V52343	953999	24
95	5113WW	. LAMP-FLUOR	SUPPLIER CODE: V08806 OPTIONAL PART: F13T5WW V13545	953999	1
95	F13T5WW	. LAMP-FLUOR	SUPPLIER CODE: V13545 OPTIONAL PART: 5113WW V08806	953999	1
100	F6T5WW	. LAMP-FLUOR	SUPPLIER CODE: V08806 OPTIONAL PART: 5106WW V08806	953999	2
100	5106WW	. LAMP-FLUOR	SUPPLIER CODE: V08806 OPTIONAL PART: F6T5WW V08806	953999	2
125	BACB30NM3K1	. BOLT		953999	AR
130	NAS1149D0316J	. WASHER		953999	AR

MISSING ITEM NUMBERS NOT APPLICABLE

- ITEM NOT ILLUSTRATED

33-21-00-13B

33-21-00
FIG. 13B
PAGE 2
JAN 20/09

BRI

BOEING PROPRIETARY - Copyright © - Unpublished Work - See title page for details.



757

PARTS CATALOG (MAINTENANCE)

FIG ITEM	PART NUMBER	1 2 3 4 5 6 7	NOMENCLATURE	EFFECT FROM TO	UNITS PER ASSY
13B 135	NAS1149D0363J		.WASHER- POSITION DATA: FS	953999	AR
138	10-1327-1		.LIGHT ASSY- SUPPLIER CODE: V72914 SPECIFICATION NUMBER: S417N511-1 COMPONENT MAINT MANUAL REF: 33-20-51 FOR DETAILS SEE: 33-21-51-90	953999	14
138	10-1733-1		.LIGHT ASSY- SUPPLIER CODE: V72914 SPECIFICATION NUMBER: S417N511-8001 COMPONENT MAINT MANUAL REF: 33-21-39 FOR DETAILS SEE: 33-21-51-90	953999	14
295	10-1327-2		.LIGHT ASSY- SUPPLIER CODE: V72914 SPECIFICATION NUMBER: S417N511-2 COMPONENT MAINT MANUAL REF: 33-20-51 FOR DETAILS SEE: 33-21-51-90	953999	10
295	10-1733-2		.LIGHT ASSY- SUPPLIER CODE: V72914 SPECIFICATION NUMBER: S417N511-8002 COMPONENT MAINT MANUAL REF: 33-21-39 FOR DETAILS SEE: 33-21-51-90	953999	10
370	10-1327-3		.LIGHT ASSY- SUPPLIER CODE: V72914 SPECIFICATION NUMBER: S417N511-3 COMPONENT MAINT MANUAL REF: 33-20-51 FOR DETAILS SEE: 33-21-51-90	953999	2

MISSING ITEM NUMBERS NOT APPLICABLE

- ITEM NOT ILLUSTRATED

33-21-00-13B

33-21-00
FIG. 13B
PAGE 3
JAN 20/09

BRI



757

PARTS CATALOG (MAINTENANCE)

FIG ITEM	PART NUMBER	1 2 3 4 5 6 7	NOMENCLATURE	EFFECT FROM TO	UNITS PER ASSY
13B 370	10-1733-3		.LIGHT ASSY- SUPPLIER CODE: V72914 SPECIFICATION NUMBER: S417N511-8003 COMPONENT MAINT MANUAL REF: 33-21-39 FOR DETAILS SEE: 33-21-51-90	953999	2
500	10-1327-4		.LIGHT ASSY- SUPPLIER CODE: V72914 SPECIFICATION NUMBER: S417N511-4 COMPONENT MAINT MANUAL REF: 33-20-51 FOR DETAILS SEE: 33-21-51-90	953999	1
500	10-1733-4		.LIGHT ASSY- SUPPLIER CODE: V72914 SPECIFICATION NUMBER: S417N511-8004 COMPONENT MAINT MANUAL REF: 33-21-39 FOR DETAILS SEE: 33-21-51-90	953999	1
640	11-5717-5		..HOUSING-WINDOW LT SUPPLIER CODE: V72914	953999	1

MISSING ITEM NUMBERS NOT APPLICABLE

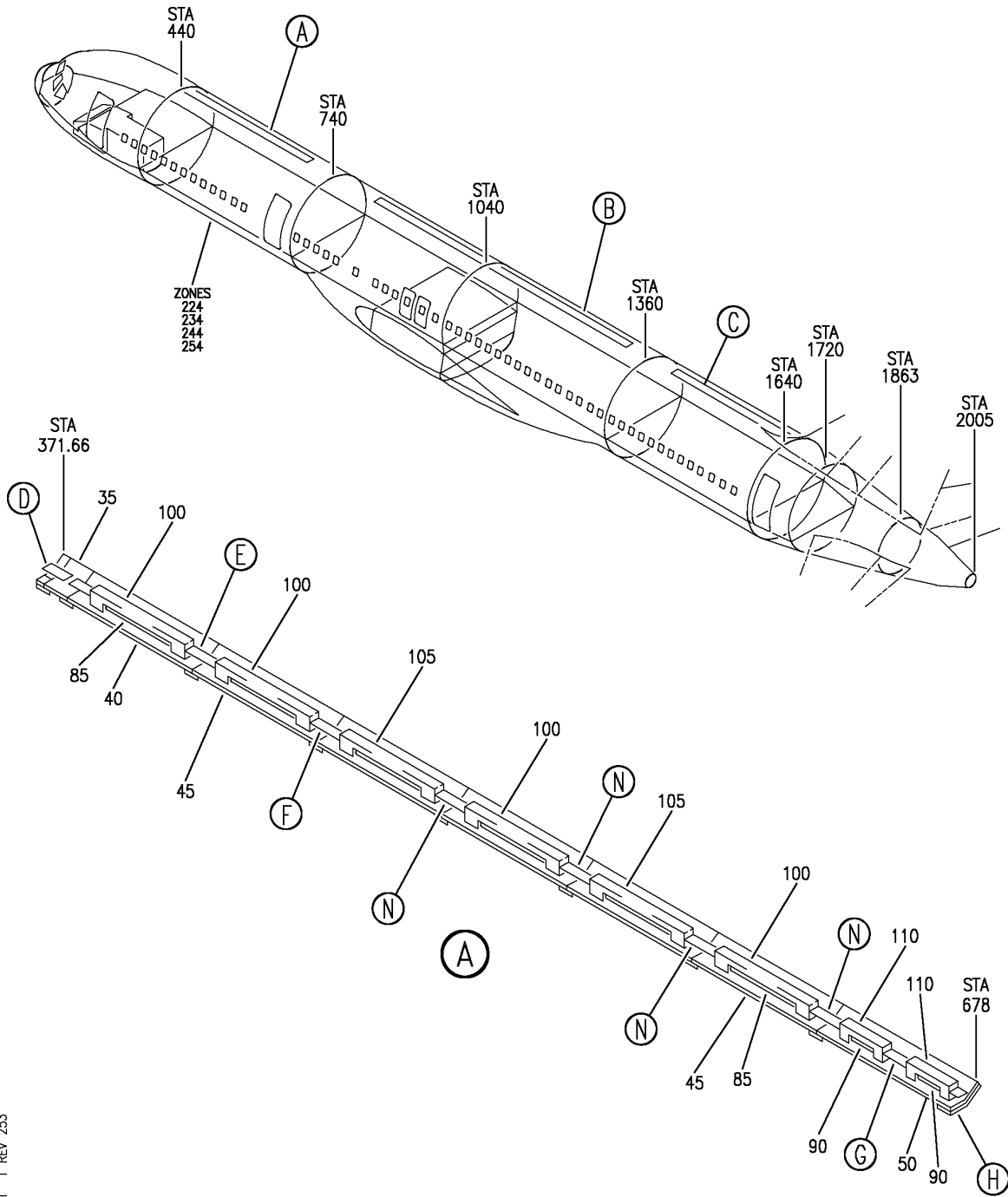
- ITEM NOT ILLUSTRATED

33-21-00-13B

33-21-00
FIG. 13B
PAGE 4
JAN 20/09

BRI

BOEING
757
PARTS CATALOG (MAINTENANCE)



Y 33210014B SHT 1 REV 253

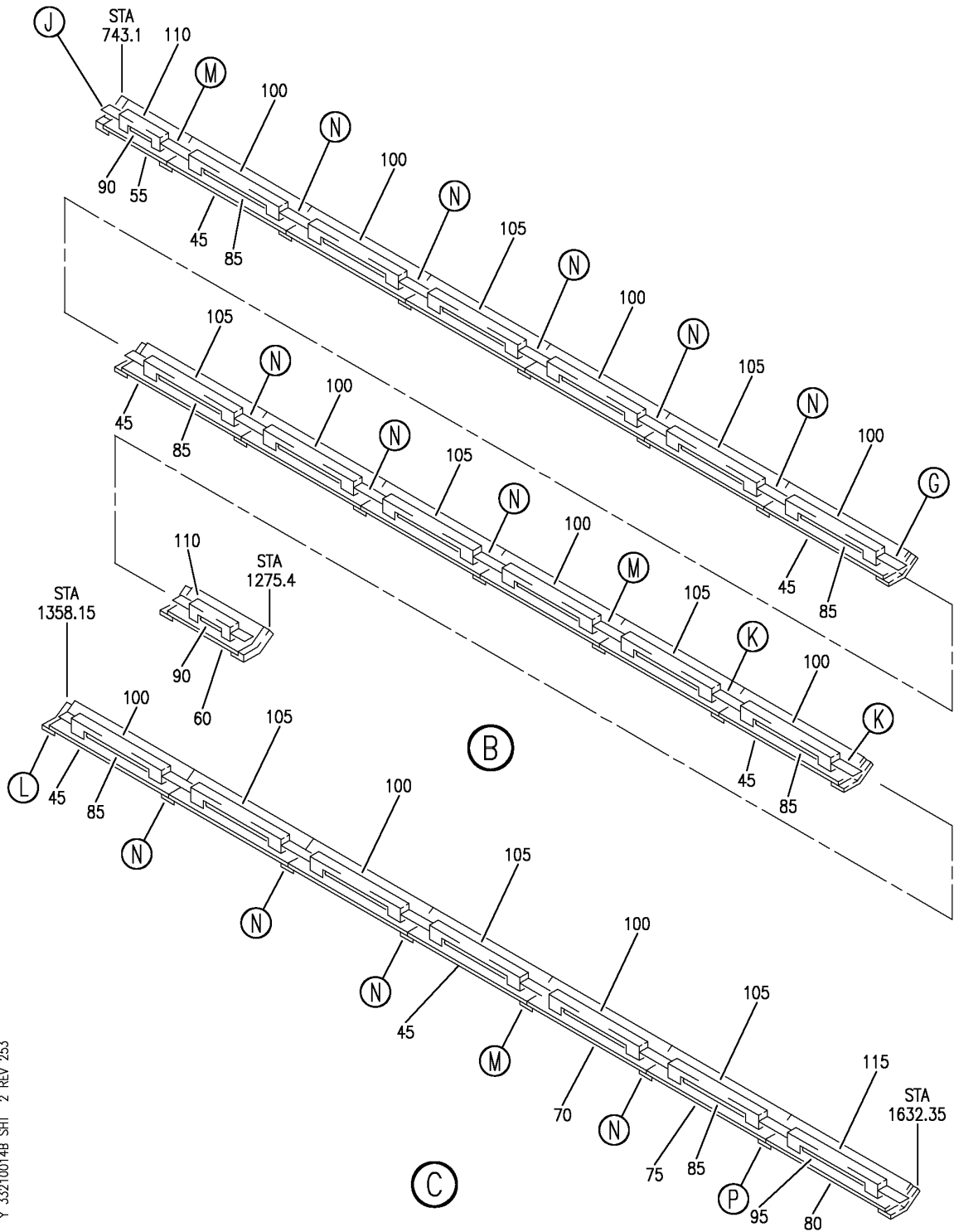
LIGHT INSTL-RH SIDEWALL
FIGURE 14B (SHEET 1)

33-21-00-14B

BRI
JAN 20/09

33-21-00-14B
PAGE 0


BOEING
 757
PARTS CATALOG (MAINTENANCE)



Y 33210014B SHT 2 REV 253

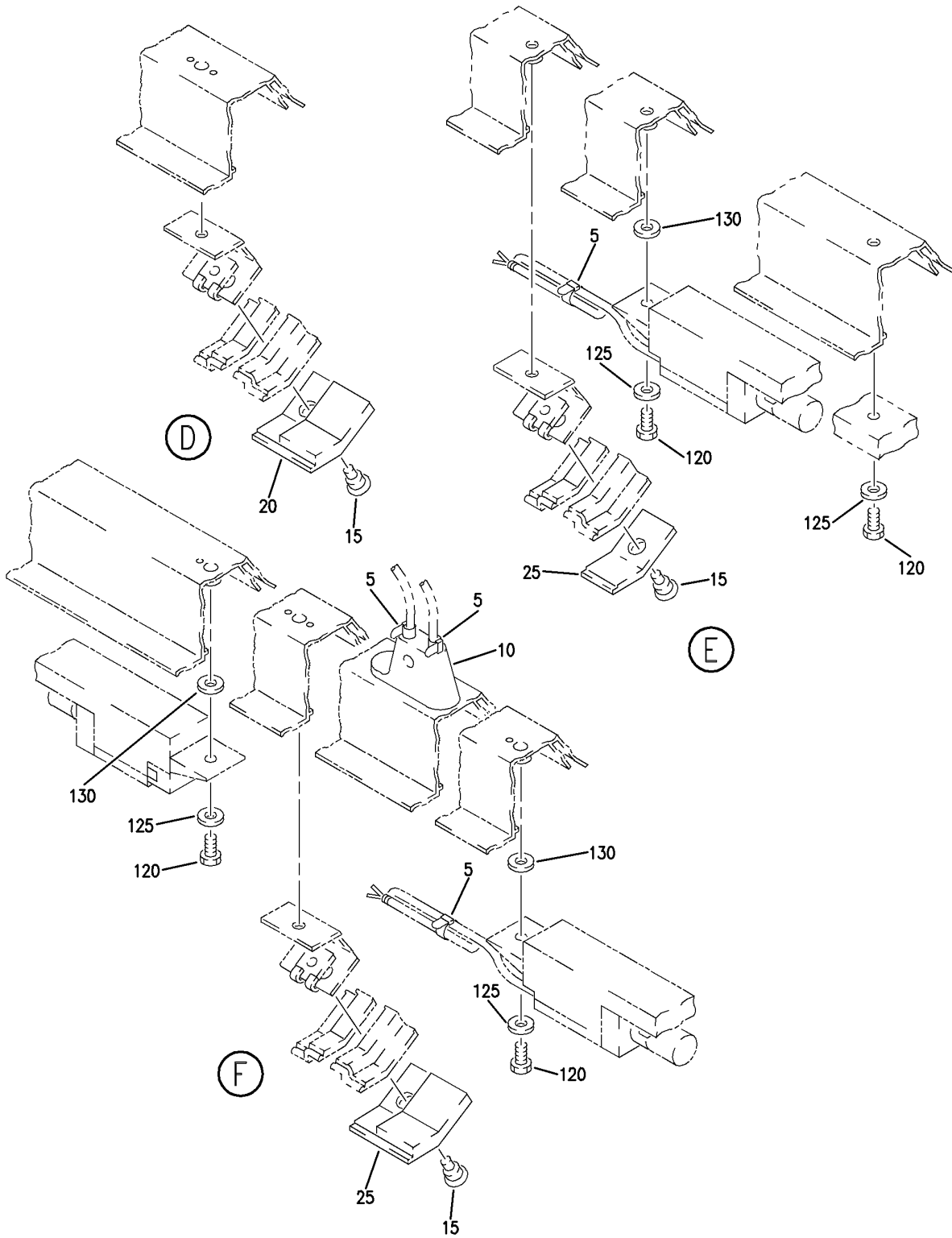
LIGHT INSTL-RH SIDEWALL
 FIGURE 14B (SHEET 2)

33-21-00-14B

BRI
 JAN 20/09

33-21-00-14B
 PAGE 0A

BOEING
757
PARTS CATALOG (MAINTENANCE)



Y 33210014B SHT 3 REV 231

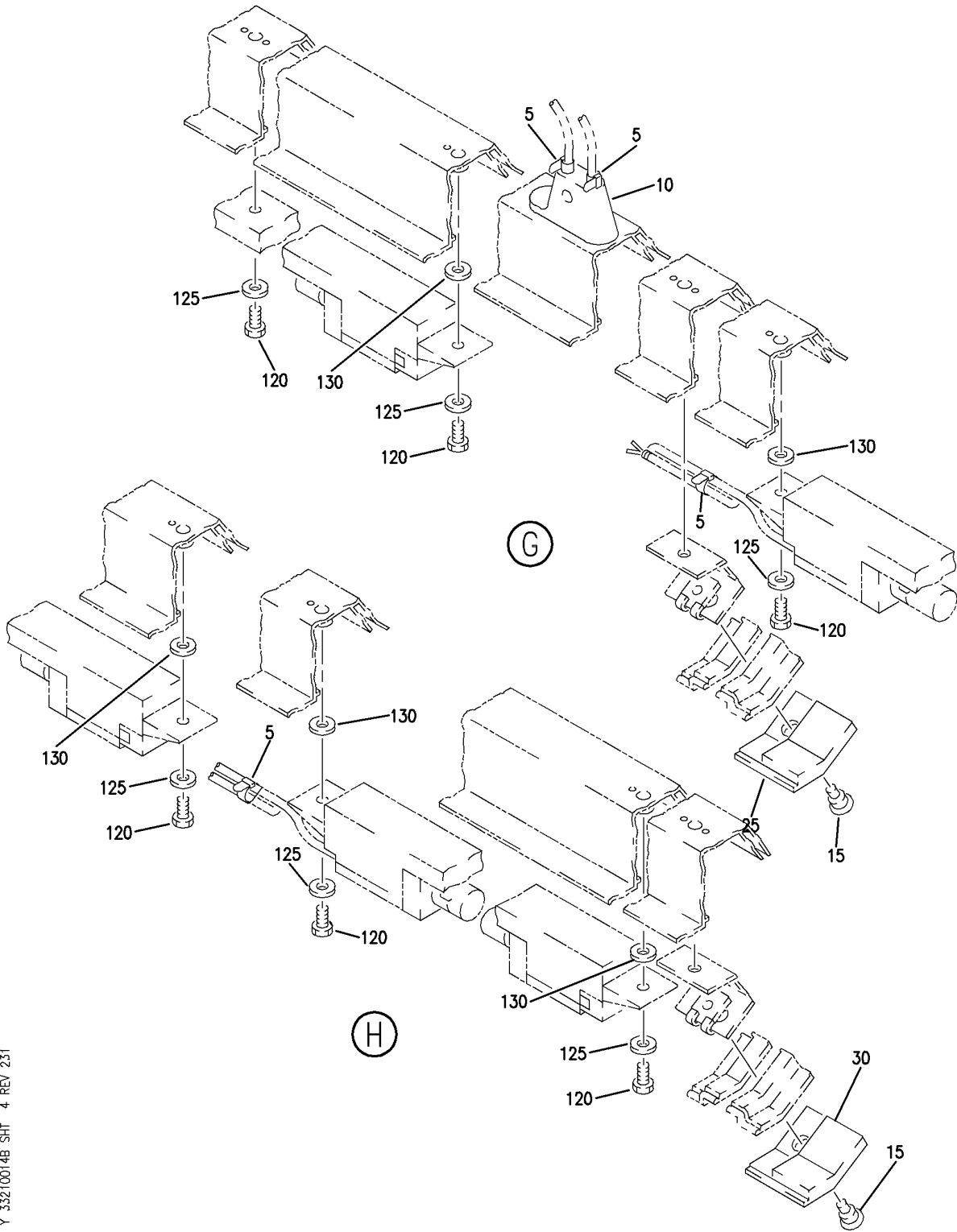
LIGHT INSTL-RH SIDEWALL
FIGURE 14B (SHEET 3)

33-21-00-14B

BRI
JAN 20/09

33-21-00-14B
PAGE 0B

BOEING
757
PARTS CATALOG (MAINTENANCE)



Y 33210014B SHT 4 REV 231

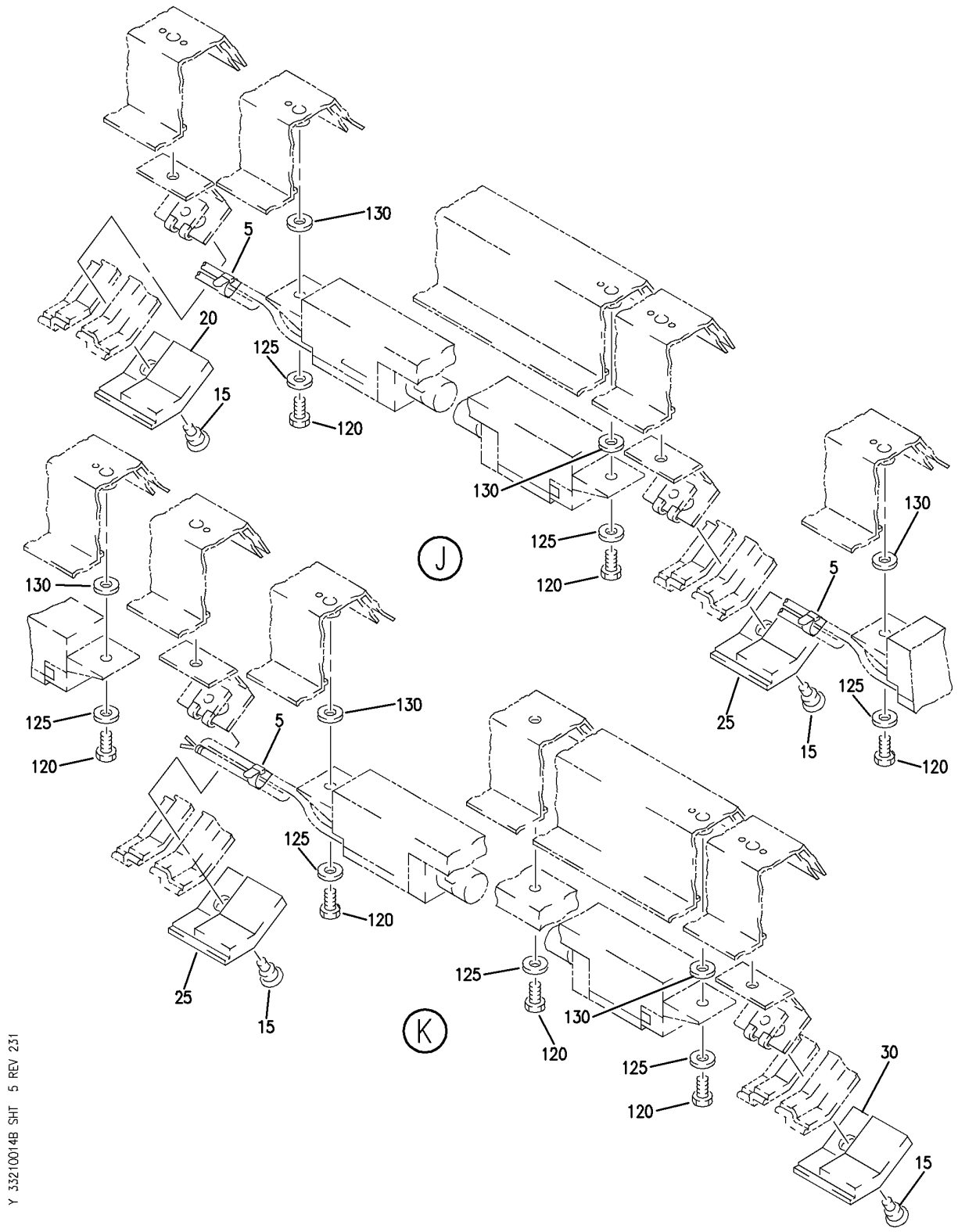
LIGHT INSTL-RH SIDEWALL
FIGURE 14B (SHEET 4)

33-21-00-14B

BRI
JAN 20/09

33-21-00-14B
PAGE 0C

BOEING
757
PARTS CATALOG (MAINTENANCE)



Y 33210014B SHT 5 REV 231

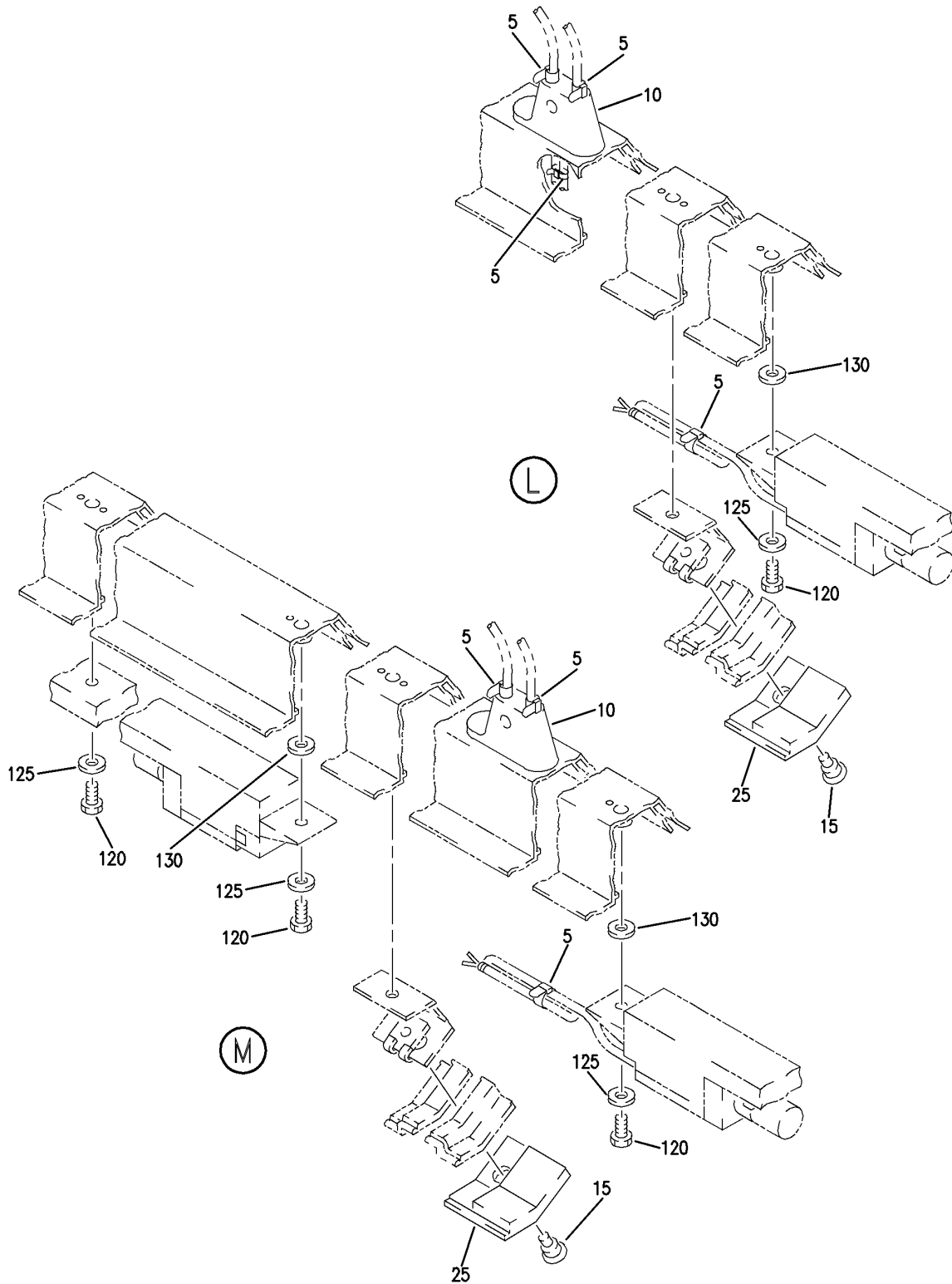
LIGHT INSTL-RH SIDEWALL
FIGURE 14B (SHEET 5)

33-21-00-14B

BRI
JAN 20/09

33-21-00-14B
PAGE 0D

BOEING
757
PARTS CATALOG (MAINTENANCE)



Y 33210014B SHT 6 REV 231

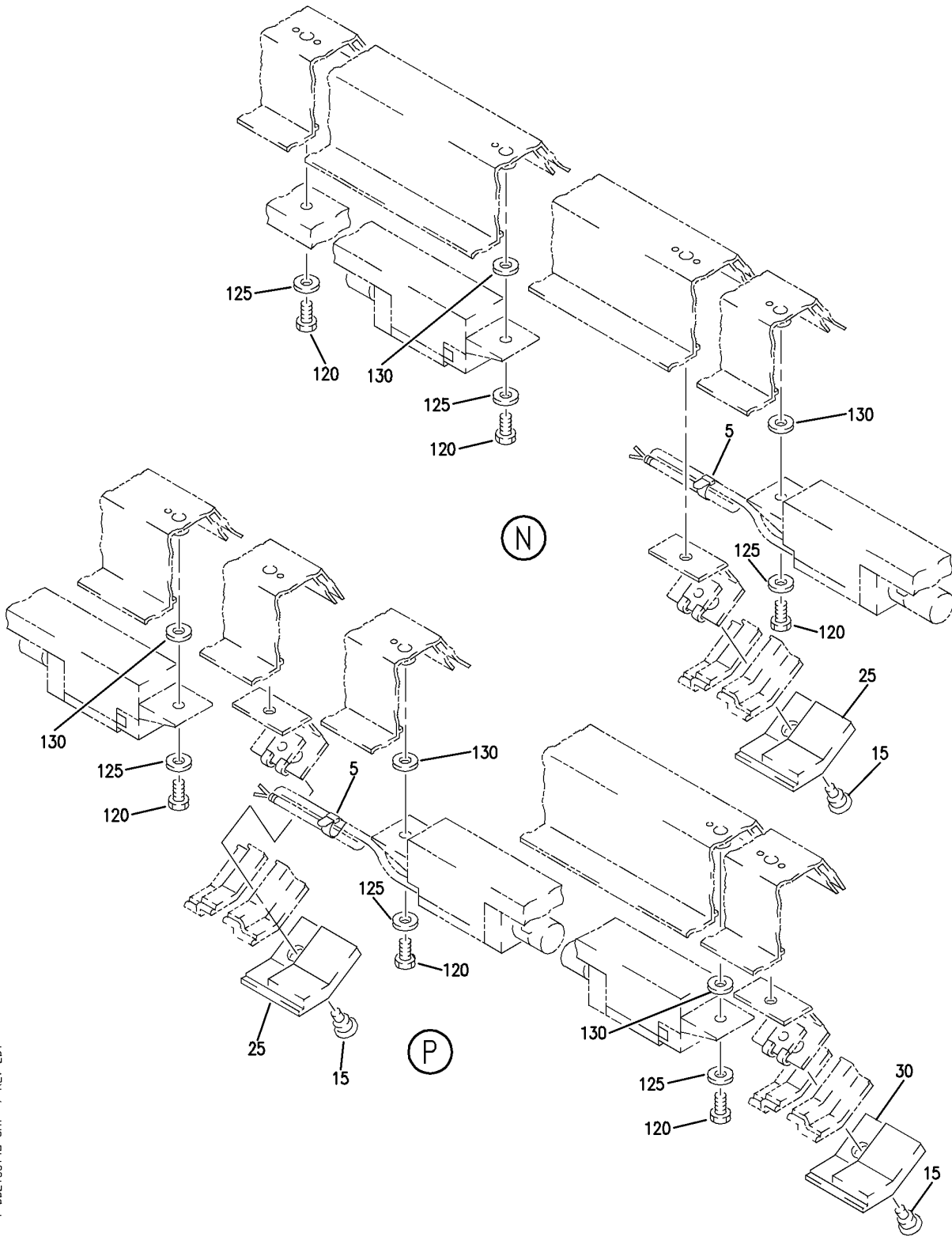
LIGHT INSTL-RH SIDEWALL
FIGURE 14B (SHEET 6)

33-21-00-14B

BRI
JAN 20/09

33-21-00-14B
PAGE 0E

BOEING
757
PARTS CATALOG (MAINTENANCE)



Y 33210014B SHT 7 REV 231

LIGHT INSTL-RH SIDEWALL
FIGURE 14B (SHEET 7)

33-21-00-14B

BRI
JAN 20/09

33-21-00-14B
PAGE OF



757

PARTS CATALOG (MAINTENANCE)

FIG ITEM	PART NUMBER	1 2 3 4 5 6 7	NOMENCLATURE	EFFECT FROM TO	UNITS PER ASSY
14B					
- 1	417N5008-6		LIGHT INSTL-RH SIDEWALL LIGHT INSTL-SIDEWALL POSITION DATA: RH FOR NHA SEE: 33-20-51-02	953999 953999	RF
5	T05R0		.STRAP-TIE SUPPLIER CODE: V53421 SPECIFICATION NUMBER: BACS38K1 OPTIONAL PART: PLT2SM V06383	953999	AR
10	417N5107-1		.GROMMET	953999	7
15	BACS12ER3K10		.SCREW	953999	AR
20	65C33289-10		.RETAINER-LENS ALTERED FROM PART NUMBER: 65C33289-16	953999	3
25	65C33289-7		.RETAINER-LENS	953999	27
30	65C33289-9		.RETAINER-LENS ALTERED FROM PART NUMBER: 65C33289-15	953999	3
35	10-1327-249		.LENS- SUPPLIER CODE: V72914 SPECIFICATION NUMBER: S417N511-126	953999	1
40	10-1327-251		.LENS- SUPPLIER CODE: V72914 SPECIFICATION NUMBER: S417N511-127	953999	1
45	10-1327-40		.LENS- SUPPLIER CODE: V72914 SPECIFICATION NUMBER: S417N511-40	953999	21
50	10-1327-247		.LENS- SUPPLIER CODE: V72914 SPECIFICATION NUMBER: S417N511-125	953999	1
55	S417N511-128		.LENS	953999	1
60	10-1327-255		.LENS ASSY- SUPPLIER CODE: V72914 SPECIFICATION NUMBER: S417N511-129	953999	1

MISSING ITEM NUMBERS NOT APPLICABLE

- ITEM NOT ILLUSTRATED

33-21-00-14B

33-21-00
FIG. 14B
PAGE 1
JAN 20/09

BRI

BOEING PROPRIETARY - Copyright © - Unpublished Work - See title page for details.



757

PARTS CATALOG (MAINTENANCE)

FIG ITEM	PART NUMBER	1 2 3 4 5 6 7	NOMENCLATURE	EFFECT FROM TO	UNITS PER ASSY
14B 65	10-1327-257		.LENS- SUPPLIER CODE: V72914 SPECIFICATION NUMBER: S417N511-130	953999	1
70	10-1327-113		.LENS- SUPPLIER CODE: V72914 SPECIFICATION NUMBER: S417N511-97	953999	1
75	10-1327-259		.LENS- SUPPLIER CODE: V72914 SPECIFICATION NUMBER: S417N511-131	953999	1
80	10-1327-261		.LENS- SUPPLIER CODE: V72914 SPECIFICATION NUMBER: S417N511-132	953999	1
85	F18T5WWS		.LAMP-FLUOR SUPPLIER CODE: V52343	953999	24
90	F6T5WW		.LAMP-FLUOR SUPPLIER CODE: V08806 OPTIONAL PART: 5106WW V08806	953999	4
90	5106WW		.LAMP-FLUOR SUPPLIER CODE: V08806 OPTIONAL PART: F6T5WW V08806	953999	4
95	F13T5WW		.LAMP-FLUOR SUPPLIER CODE: V13545 OPTIONAL PART: 5113WW V08806	953999	1
95	5113WW		.LAMP-FLUOR SUPPLIER CODE: V08806 OPTIONAL PART: F13T5WW V13545	953999	1

MISSING ITEM NUMBERS NOT APPLICABLE

- ITEM NOT ILLUSTRATED

33-21-00-14B

33-21-00
FIG. 14B
PAGE 2
JAN 20/09

BRI

BOEING PROPRIETARY - Copyright © - Unpublished Work - See title page for details.



757

PARTS CATALOG (MAINTENANCE)

FIG ITEM	PART NUMBER	1 2 3 4 5 6 7	NOMENCLATURE	EFFECT FROM TO	UNITS PER ASSY
14B 100	10-1327-1		.LIGHT ASSY- SUPPLIER CODE: V72914 SPECIFICATION NUMBER: S417N511-1 COMPONENT MAINT MANUAL REF: 33-20-51 FOR DETAILS SEE: 33-21-51-90	953999	14
100	10-1733-1		.LIGHT ASSY- SUPPLIER CODE: V72914 SPECIFICATION NUMBER: S417N511-8001 COMPONENT MAINT MANUAL REF: 33-21-39 FOR DETAILS SEE: 33-21-51-90	953999	14
105	10-1327-2		.LIGHT ASSY- SUPPLIER CODE: V72914 SPECIFICATION NUMBER: S417N511-2 COMPONENT MAINT MANUAL REF: 33-20-51 FOR DETAILS SEE: 33-21-51-90	953999	10
105	10-1733-2		.LIGHT ASSY- SUPPLIER CODE: V72914 SPECIFICATION NUMBER: S417N511-8002 COMPONENT MAINT MANUAL REF: 33-21-39 FOR DETAILS SEE: 33-21-51-90	953999	10
110	10-1327-3		.LIGHT ASSY- SUPPLIER CODE: V72914 SPECIFICATION NUMBER: S417N511-3 COMPONENT MAINT MANUAL REF: 33-20-51 FOR DETAILS SEE: 33-21-51-90	953999	4

MISSING ITEM NUMBERS NOT APPLICABLE

- ITEM NOT ILLUSTRATED

33-21-00-14B

33-21-00
FIG. 14B
PAGE 3
JAN 20/09

BRI



757

PARTS CATALOG (MAINTENANCE)

FIG ITEM	PART NUMBER	1 2 3 4 5 6 7	NOMENCLATURE	EFFECT FROM TO	UNITS PER ASSY
14B 110	10-1733-3		.LIGHT ASSY- SUPPLIER CODE: V72914 SPECIFICATION NUMBER: S417N511-8003 COMPONENT MAINT MANUAL REF: 33-21-39 FOR DETAILS SEE: 33-21-51-90	953999	4
115	10-1327-4		.LIGHT ASSY- SUPPLIER CODE: V72914 SPECIFICATION NUMBER: S417N511-4 COMPONENT MAINT MANUAL REF: 33-20-51 FOR DETAILS SEE: 33-21-51-90	953999	1
115	10-1733-4		.LIGHT ASSY- SUPPLIER CODE: V72914 SPECIFICATION NUMBER: S417N511-8004 COMPONENT MAINT MANUAL REF: 33-21-39 FOR DETAILS SEE: 33-21-51-90	953999	1
120	BACB30NM3K1		.BOLT ATTACHING PARTS	953999	84
125	NAS1149D0316J		.WASHER	953999	AR
130	NAS1149D0363J		.WASHER- POSITION DATA: FS -----*-----	953999	AR

MISSING ITEM NUMBERS NOT APPLICABLE

- ITEM NOT ILLUSTRATED

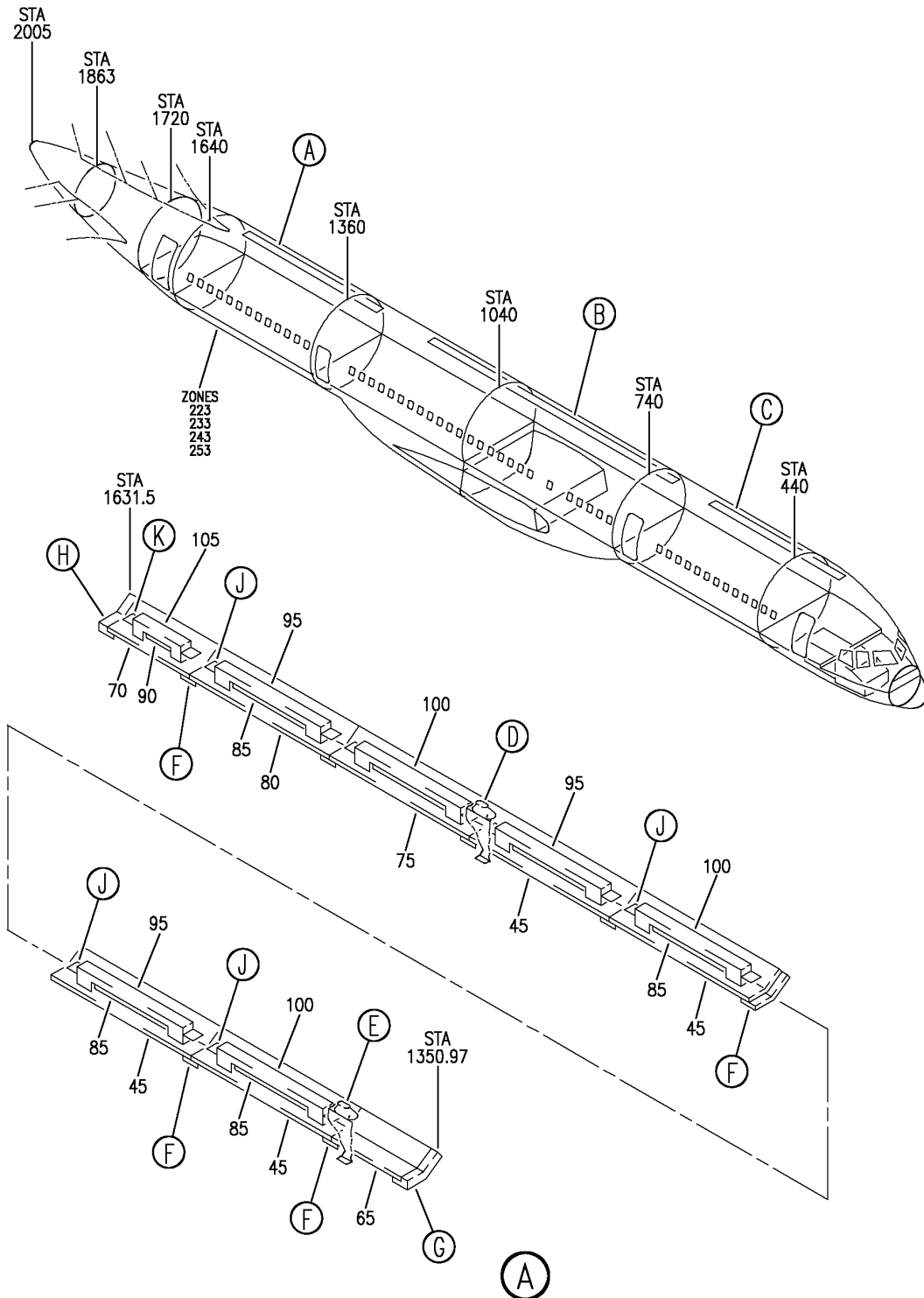
33-21-00-14B

33-21-00
FIG. 14B
PAGE 4
JAN 20/09

BRI

BOEING PROPRIETARY - Copyright © - Unpublished Work - See title page for details.

BOEING
757
PARTS CATALOG (MAINTENANCE)



Y 33210015B SHT 1 REV 253

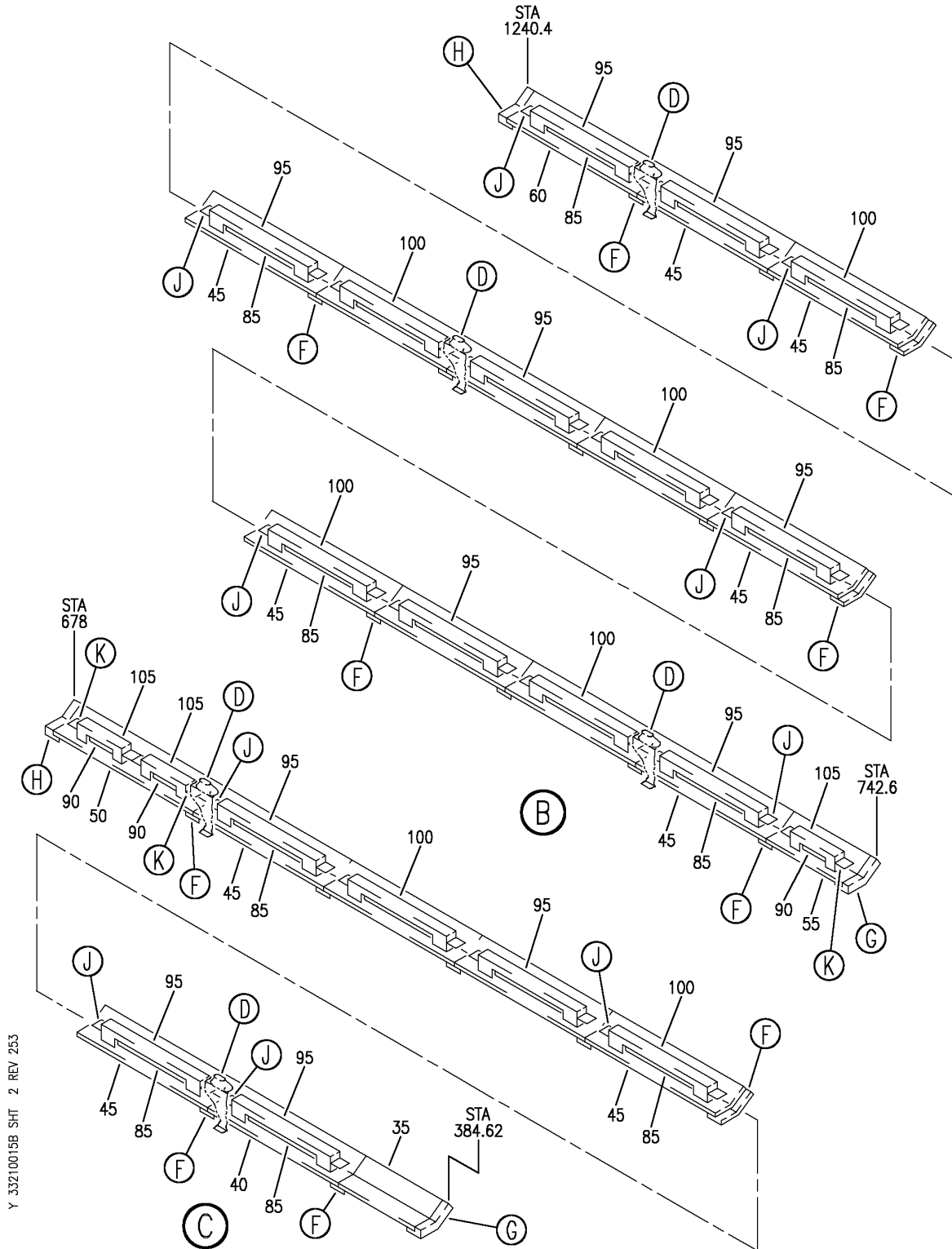
LIGHT INSTL-LH SIDEWALL
FIGURE 15B (SHEET 1)

33-21-00-15B

BRI
MAY 28/07

33-21-00-15B
PAGE 0

BOEING
757
PARTS CATALOG (MAINTENANCE)



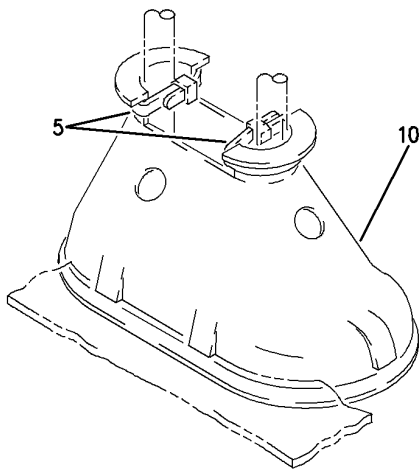
LIGHT INSTL-LH SIDEWALL
FIGURE 15B (SHEET 2)

33-21-00-15B

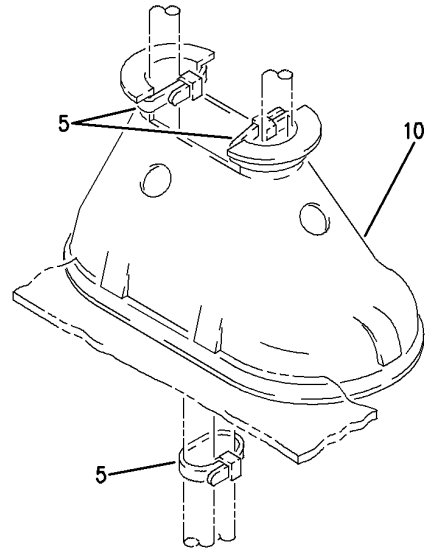
BRI
MAY 28/07

33-21-00-15B
PAGE 0A

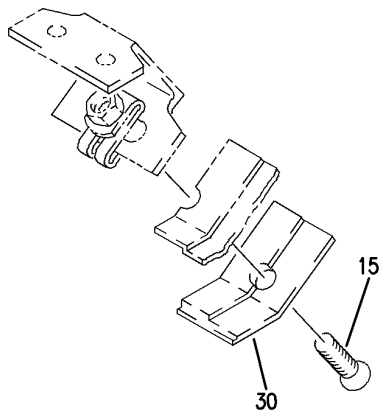
BOEING
757
PARTS CATALOG (MAINTENANCE)



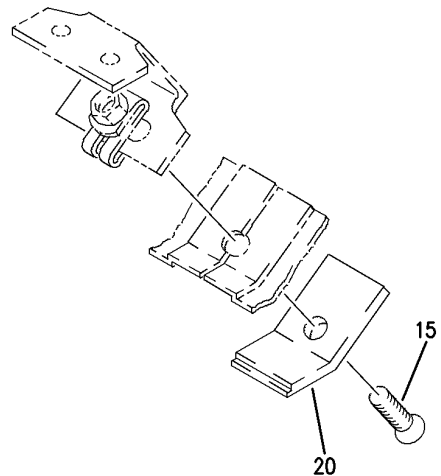
(D)



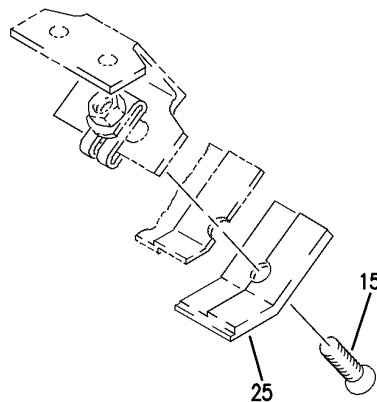
(E)



(H)



(F)



(G)

Y 33210015B SHT 3 REV 232

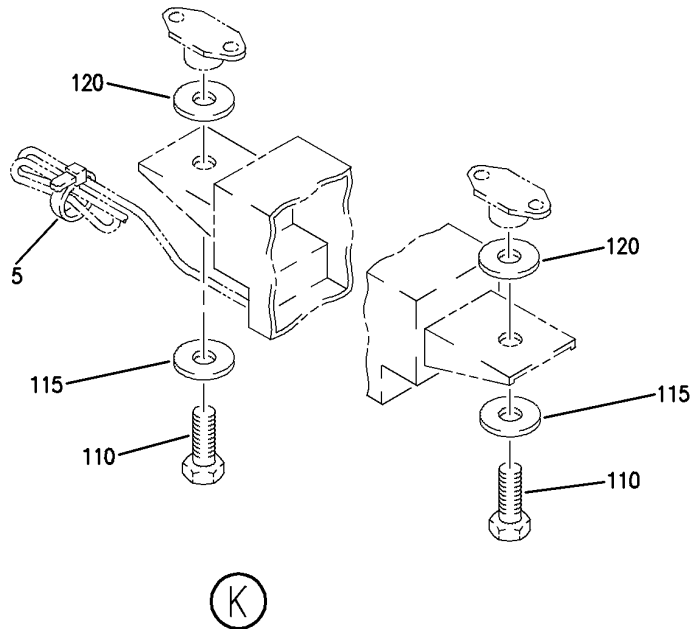
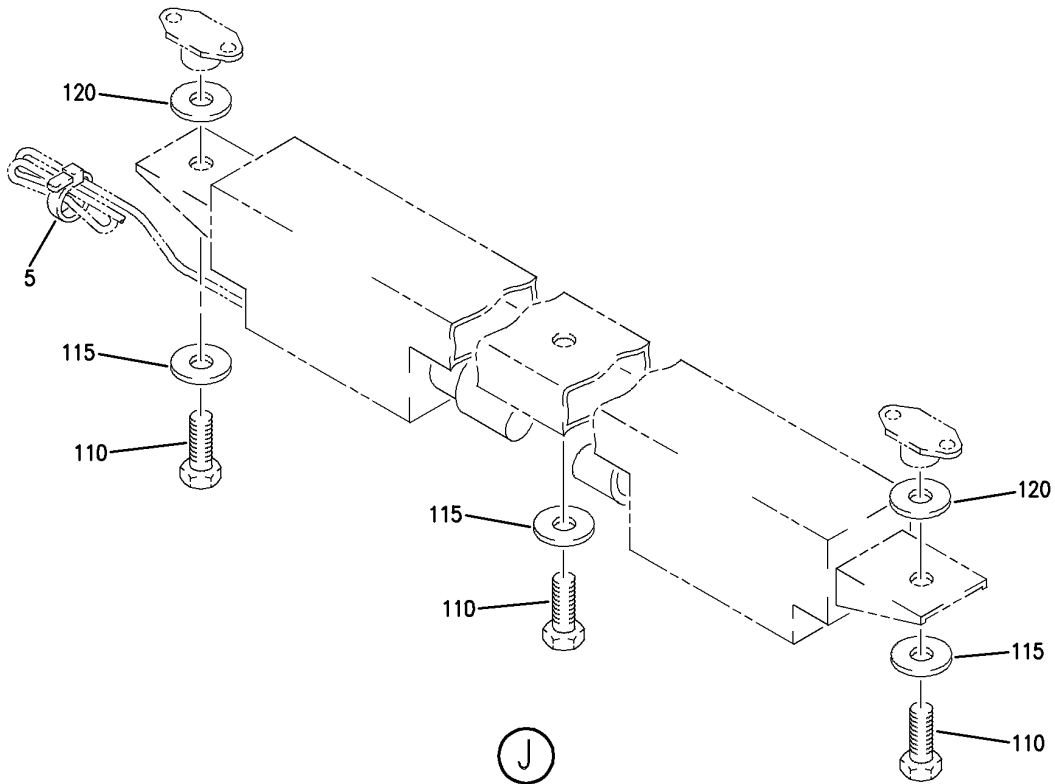
LIGHT INSTL-LH SIDEWALL
FIGURE 15B (SHEET 3)

33-21-00-15B

BRI
MAY 28/07

33-21-00-15B
PAGE 0B

BOEING
757
PARTS CATALOG (MAINTENANCE)



Y 33210015B SHT 4 REV 232

LIGHT INSTL-LH SIDEWALL
FIGURE 15B (SHEET 4)

BRI
MAY 28/07

33-21-00-15B

33-21-00-15B
PAGE 0C

 **BOEING**
757
PARTS CATALOG (MAINTENANCE)

FIG ITEM	PART NUMBER	1 2 3 4 5 6 7	NOMENCLATURE	EFFECT FROM TO	UNITS PER ASSY
15B			LIGHT INSTL-LH SIDEWALL	002004 006100	
- 1	417N5008-11		LIGHT INSTL-SIDEWALL POSITION DATA: LH FOR NHA SEE: 33-20-51-02 33-20-51-03	002004 006017	RF
- 1	417N5008-41		LIGHT INSTL-SIDEWALL POSITION DATA: LH FOR NHA SEE: 33-20-51-03	018100	RF
5	T05R0		.STRAP-TIE SUPPLIER CODE: V53421 SPECIFICATION NUMBER: BACS38K1 OPTIONAL PART: PLT2SM V06383	002004 006100	AR
10	417N5107-1		.GROMMET	002004 006100	7
15	BACS12ER3K10		.SCREW	002004 006100	AR
20	65C33289-107		.RETAINER-LENS	002004 006100	26
25	65C33289-109		.RETAINER-LENS	002004 006100	3
30	65C33289-110		.RETAINER-LENS	002004 006100	3
35	10-1327-309		.LENS- SUPPLIER CODE: V72914 SPECIFICATION NUMBER: S417N511-179	002004 006100	1
40	10-1327-311		.LENS ASSY- SUPPLIER CODE: V72914 SPECIFICATION NUMBER: S417N511-180	002004 006100	1
45	10-1327-167		.LENS ASSY- SUPPLIER CODE: V72914 SPECIFICATION NUMBER: S417N511-140	002004 006100	20

MISSING ITEM NUMBERS NOT APPLICABLE

- ITEM NOT ILLUSTRATED

BRI

33-21-00-15B

BOEING PROPRIETARY - Copyright © - Unpublished Work - See title page for details.

33-21-00
FIG. 15B
PAGE 1
JAN 20/09

 **BOEING**
757
PARTS CATALOG (MAINTENANCE)

FIG ITEM	PART NUMBER	1 2 3 4 5 6 7	NOMENCLATURE	EFFECT FROM TO	UNITS PER ASSY
15B 50	10-1327-313	. LENS-	SUPPLIER CODE: V72914 SPECIFICATION NUMBER: S417N511-181	002004 006100	1
55	10-1327-315	. LENS-	SUPPLIER CODE: V72914 SPECIFICATION NUMBER: S417N511-182	002004 006100	1
60	10-1327-317	. LENS-	SUPPLIER CODE: V72914 SPECIFICATION NUMBER: S417N511-183	002004 006100	1
65	10-1327-319	. LENS-	SUPPLIER CODE: V72914 SPECIFICATION NUMBER: S417N511-184	002004 006100	1
70	10-1327-485	. LENS-	SUPPLIER CODE: V72914 SPECIFICATION NUMBER: S417N511-267	018100	1
70	10-1327-321	. LENS-	SUPPLIER CODE: V72914 SPECIFICATION NUMBER: S417N511-185	002004 006017	1
75	10-1327-327	. LENS-	SUPPLIER CODE: V72914 SPECIFICATION NUMBER: S417N511-190	002004 006100	1
80	10-1327-329	. LENS-	SUPPLIER CODE: V72914 SPECIFICATION NUMBER: S417N511-191	002004 006100	1
85	F18T5WWS	. LAMP-FLUOR	SUPPLIER CODE: V52343	002004 006100	24
90	5106WW	. LAMP-FLUOR	SUPPLIER CODE: V08806	002004 006100	4

MISSING ITEM NUMBERS NOT APPLICABLE

— ITEM NOT ILLUSTRATED

33-21-00-15B

33-21-00
FIG. 15B
PAGE 2
JAN 20/09

BRI

BOEING PROPRIETARY - Copyright © - Unpublished Work - See title page for details.



757

PARTS CATALOG (MAINTENANCE)

FIG ITEM	PART NUMBER	1 2 3 4 5 6 7	NOMENCLATURE	EFFECT FROM TO	UNITS PER ASSY
15B 95	10-1327-1		.LIGHT ASSY- SUPPLIER CODE: V72914 SPECIFICATION NUMBER: S417N511-1 COMPONENT MAINT MANUAL REF: 33-20-51 FOR DETAILS SEE: 33-21-51-90	002004 006100	14
95	10-1733-1		.LIGHT ASSY- SUPPLIER CODE: V72914 SPECIFICATION NUMBER: S417N511-8001 COMPONENT MAINT MANUAL REF: 33-21-39 FOR DETAILS SEE: 33-21-51-90	002004 006100	14
100	10-1327-2		.LIGHT ASSY- SUPPLIER CODE: V72914 SPECIFICATION NUMBER: S417N511-2 COMPONENT MAINT MANUAL REF: 33-20-51 FOR DETAILS SEE: 33-21-51-90	002004 006100	10
100	10-1733-2		.LIGHT ASSY- SUPPLIER CODE: V72914 SPECIFICATION NUMBER: S417N511-8002 COMPONENT MAINT MANUAL REF: 33-21-39 FOR DETAILS SEE: 33-21-51-90	002004 006100	10
105	10-1327-3		.LIGHT ASSY- SUPPLIER CODE: V72914 SPECIFICATION NUMBER: S417N511-3 COMPONENT MAINT MANUAL REF: 33-20-51 FOR DETAILS SEE: 33-21-51-90	002004 006100	4

MISSING ITEM NUMBERS NOT APPLICABLE

- ITEM NOT ILLUSTRATED

33-21-00-15B

33-21-00
FIG. 15B
PAGE 3
JAN 20/09

BRI



757

PARTS CATALOG (MAINTENANCE)

FIG ITEM	PART NUMBER	1 2 3 4 5 6 7	NOMENCLATURE	EFFECT FROM TO	UNITS PER ASSY
15B 105	10-1733-3		.LIGHT ASSY- SUPPLIER CODE: V72914 SPECIFICATION NUMBER: S417N511-8003 COMPONENT MAINT MANUAL REF: 33-21-39 FOR DETAILS SEE: 33-21-51-90 ATTACHING PARTS	002004 006100	4
110	BACB30NM3K1		.BOLT	002004 006017	80
110	BACS12GU3K6		.SCREW	018100	80
115	NAS1149D0316J		.WASHER	002004 006100	80
120	NAS1149D0363J		.WASHER	002004 006100	56
			-----*-----		

MISSING ITEM NUMBERS NOT APPLICABLE

- ITEM NOT ILLUSTRATED

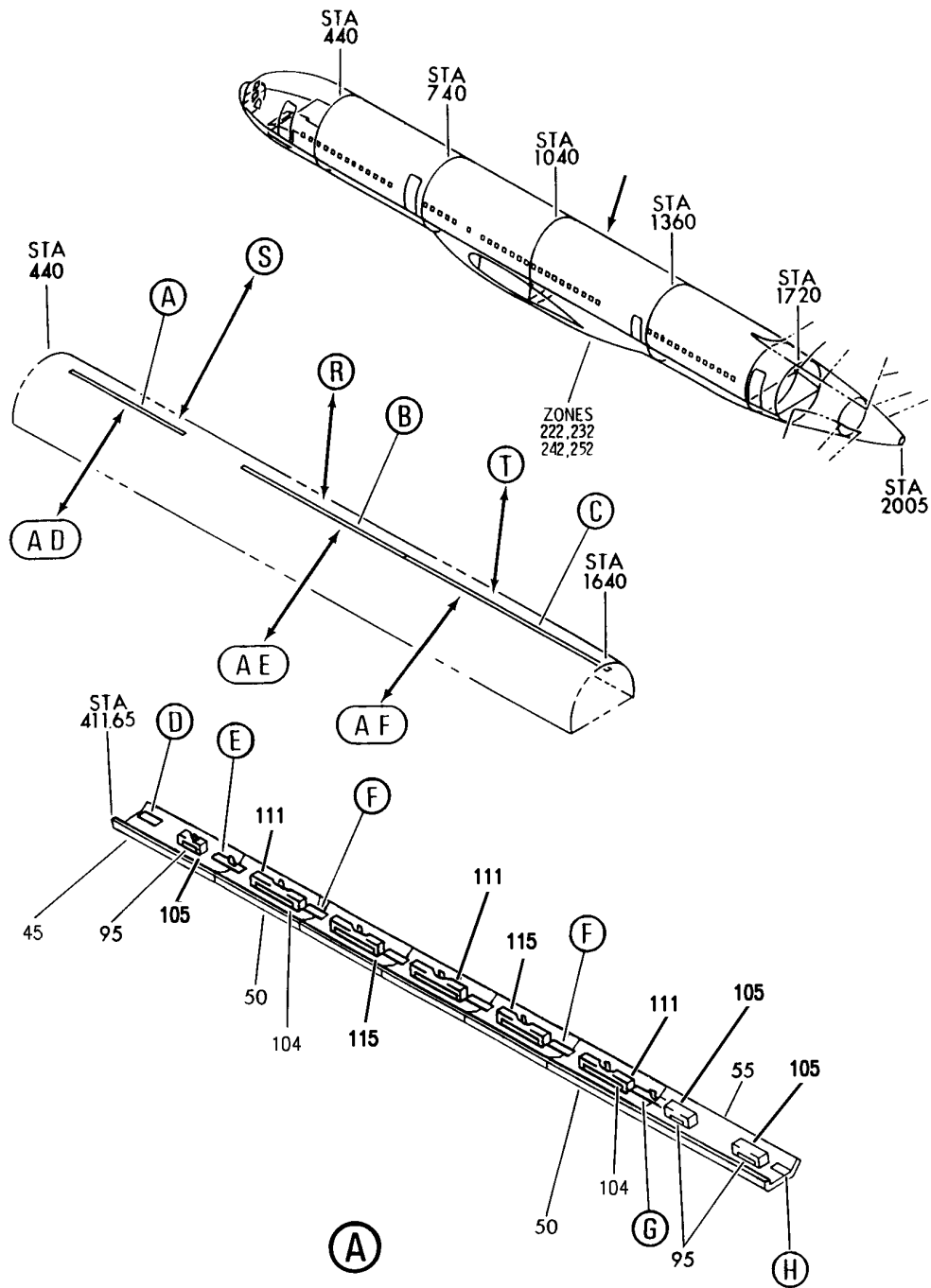
33-21-00-15B

33-21-00
FIG. 15B
PAGE 4
JAN 20/09

BRI

BOEING PROPRIETARY - Copyright © - Unpublished Work - See title page for details.

BOEING
757
PARTS CATALOG (MAINTENANCE)



Y 33210016 SH- 1 REV 253

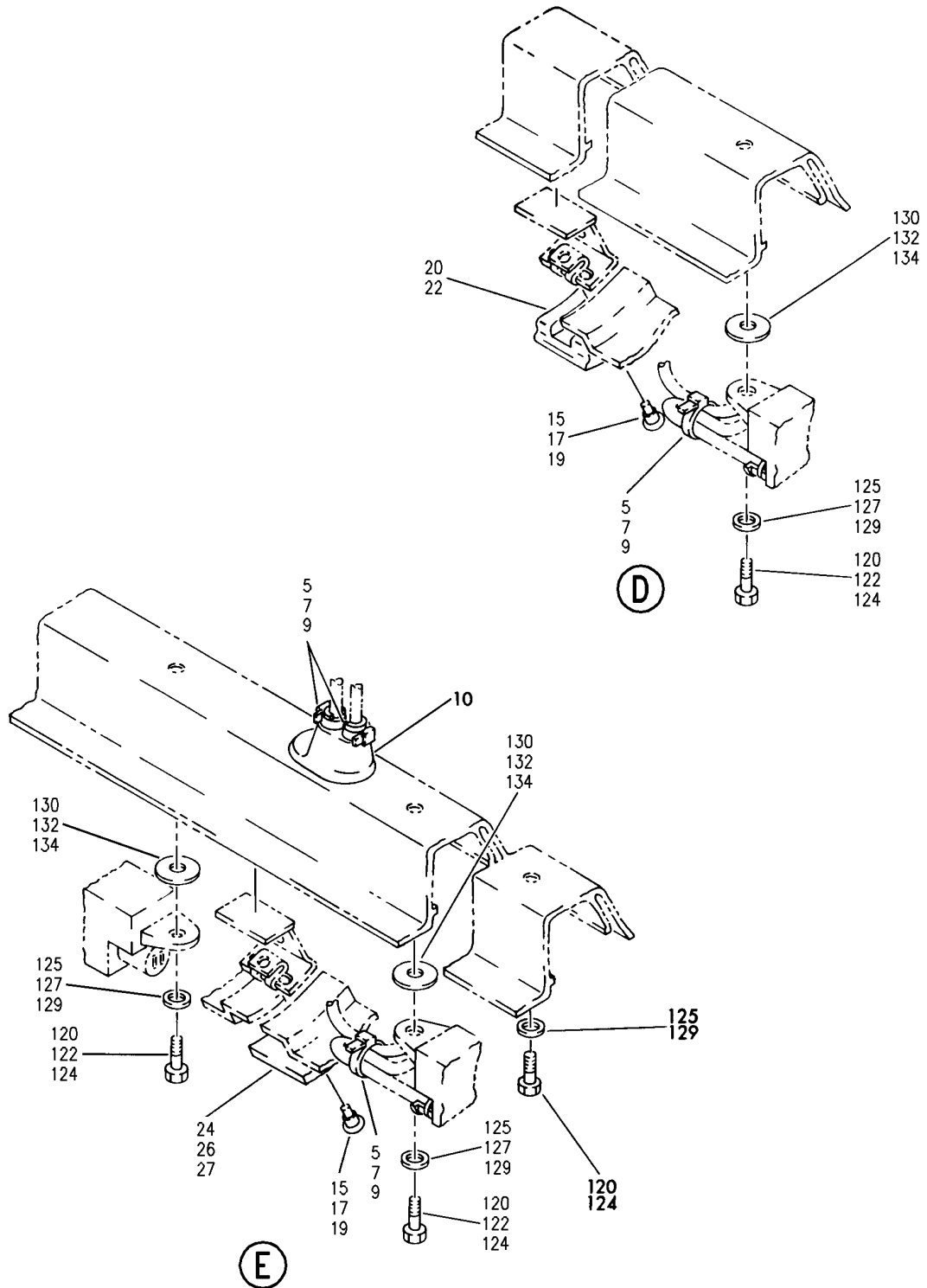
LIGHT INSTL-SIDEWALL (RH)
FIGURE 16 (SHEET 1)

33-21-00-16

BRI
MAY 28/07

33-21-00-16
PAGE 0

BOEING
757
PARTS CATALOG (MAINTENANCE)



Y 33210016 SHT 3 REV 234

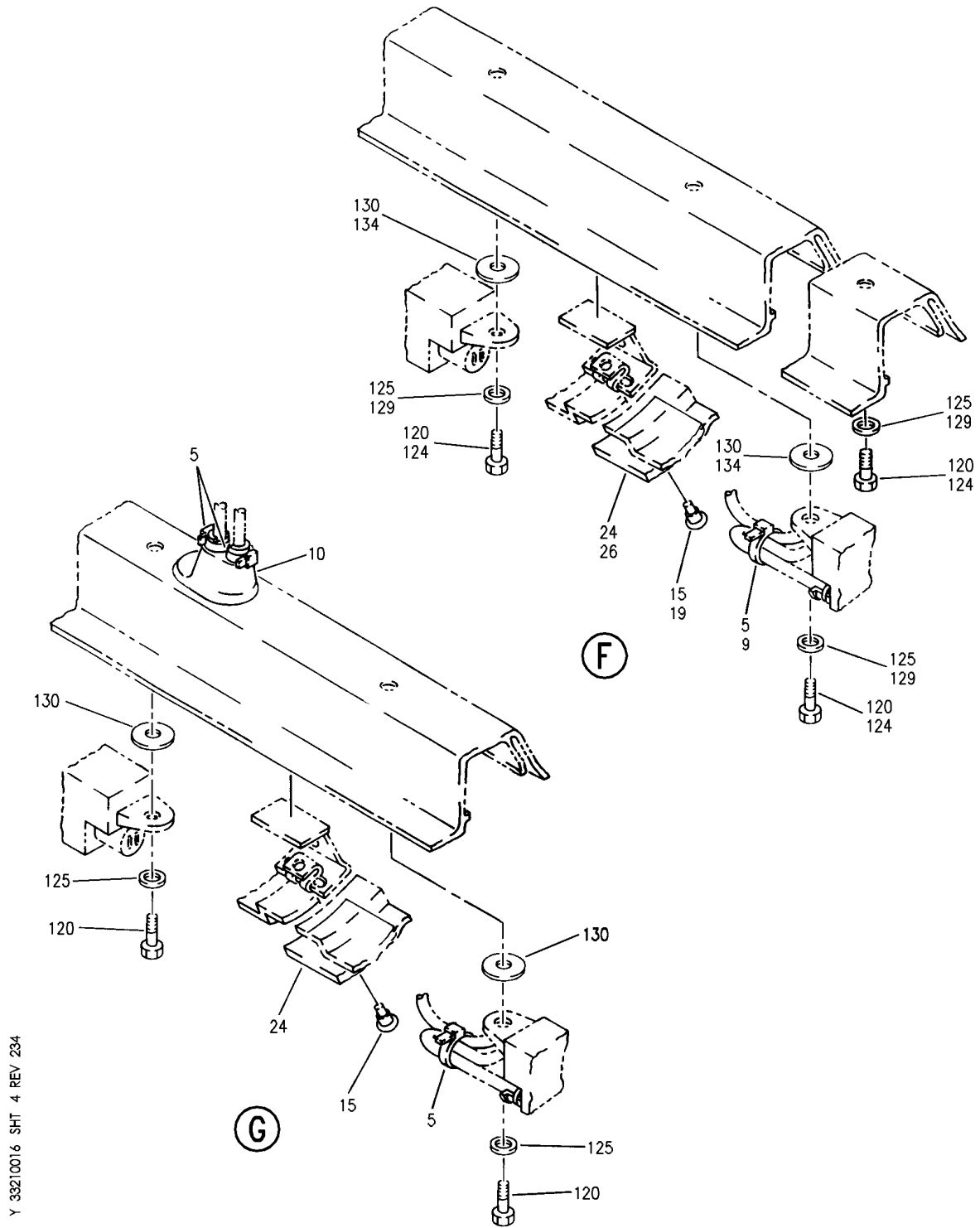
LIGHT INSTL-SIDEWALL (RH)
FIGURE 16 (SHEET 3)

33-21-00-16

BRI
MAY 28/07

33-21-00-16
PAGE 0B

BOEING
757
PARTS CATALOG (MAINTENANCE)



Y 33210016 SHT 4 REV 234

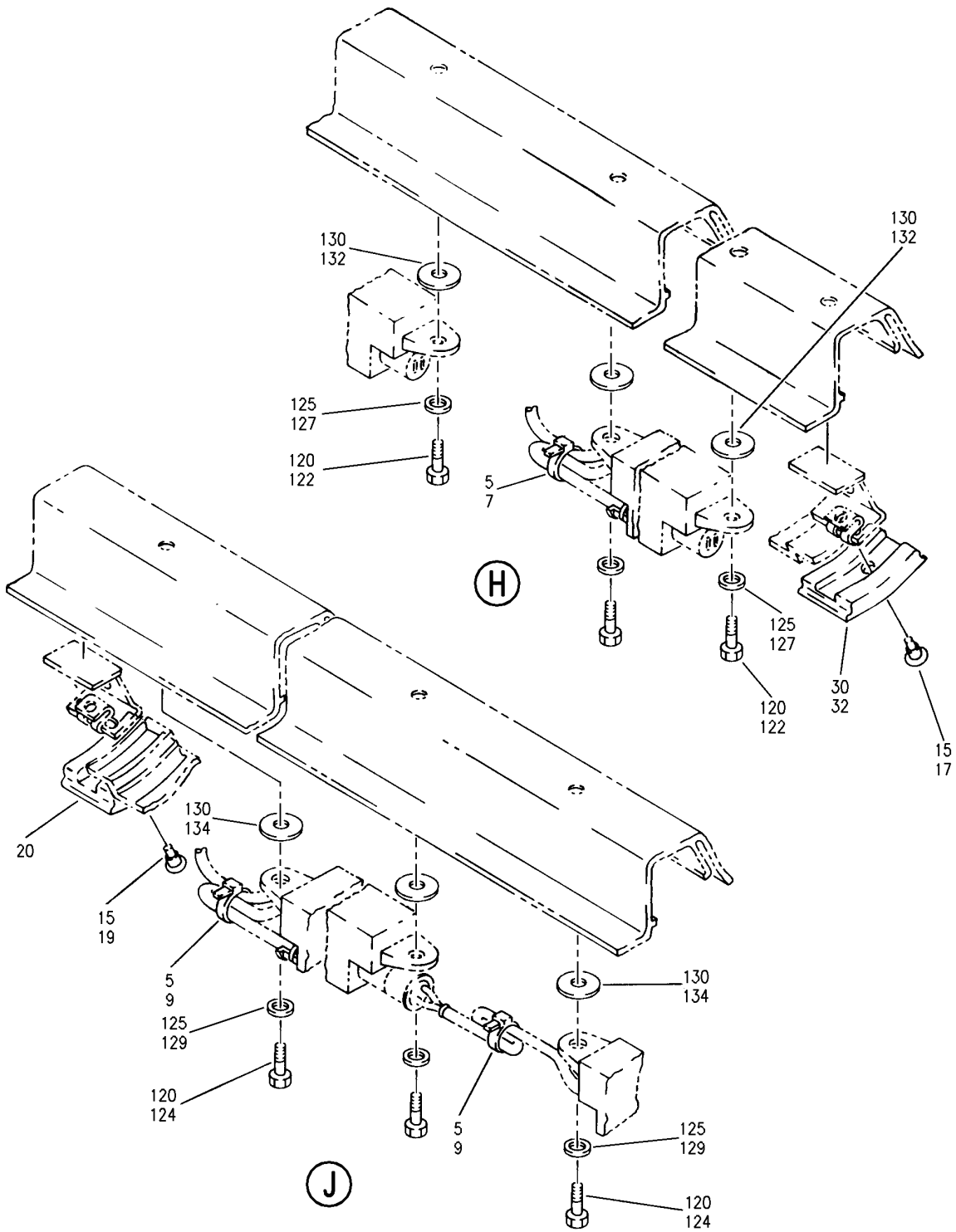
LIGHT INSTL-SIDEWALL (RH)
FIGURE 16 (SHEET 4)

33-21-00-16

BRI
MAY 28/07

33-21-00-16
PAGE 0C

BOEING
757
PARTS CATALOG (MAINTENANCE)



Y 33210016 SHT 5 REV 234

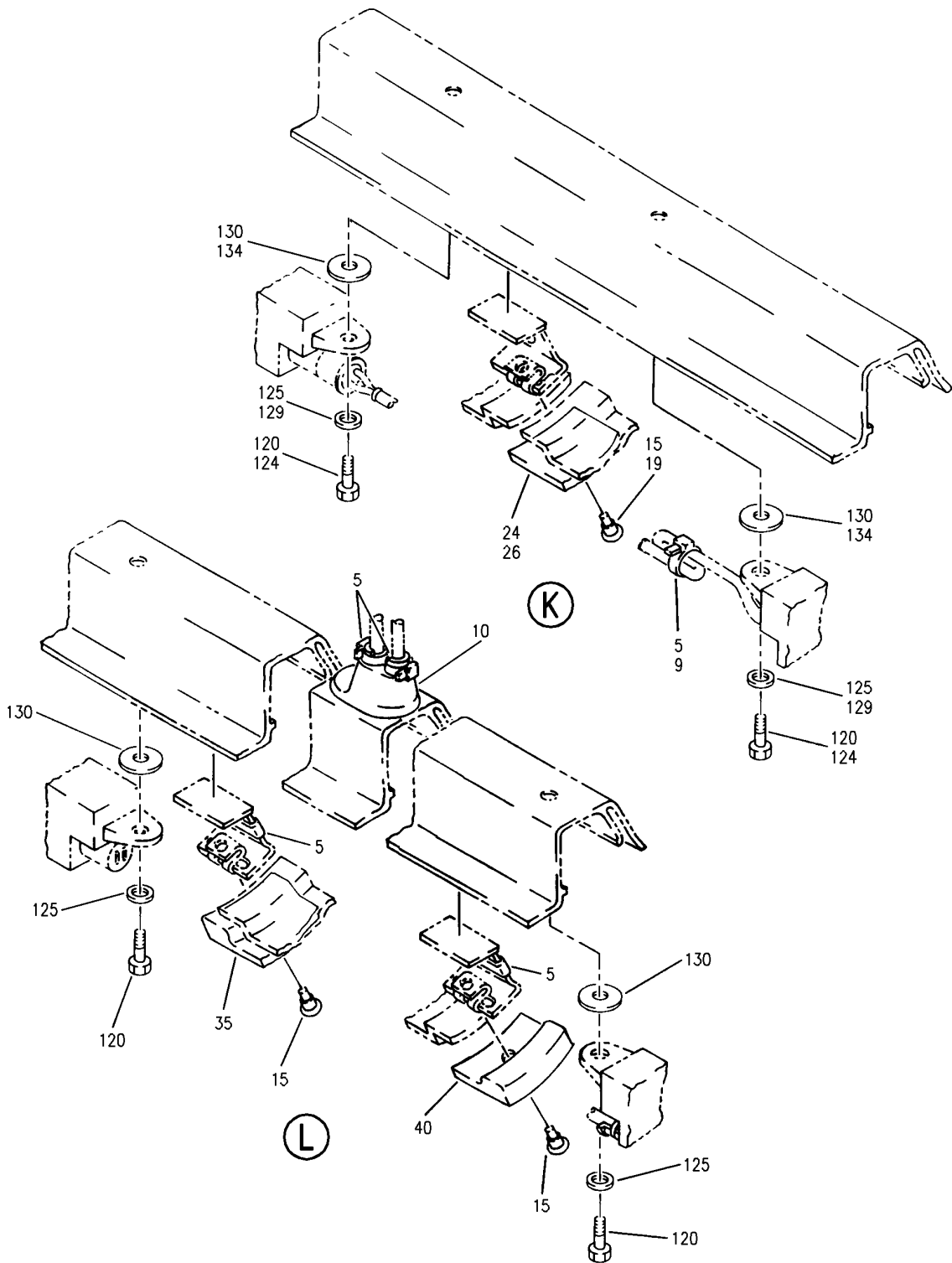
LIGHT INSTL-SIDEWALL (RH)
FIGURE 16 (SHEET 5)

33-21-00-16

BRI
MAY 28/07

33-21-00-16
PAGE 0D

BOEING
757
PARTS CATALOG (MAINTENANCE)



Y 33210016 SHT 6 REV 234

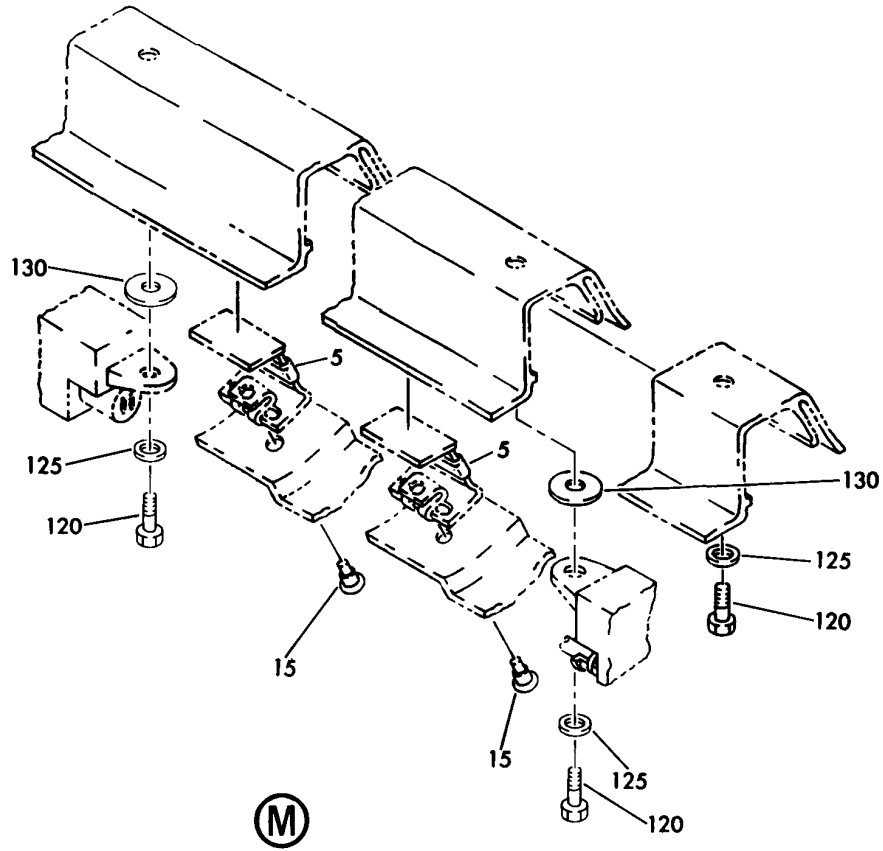
LIGHT INSTL-SIDEWALL (RH)
FIGURE 16 (SHEET 6)

33-21-00-16

BRI
MAY 28/07

33-21-00-16
PAGE 0E

BOEING
757
PARTS CATALOG (MAINTENANCE)



Y 33210016 SHT 7 REV 234

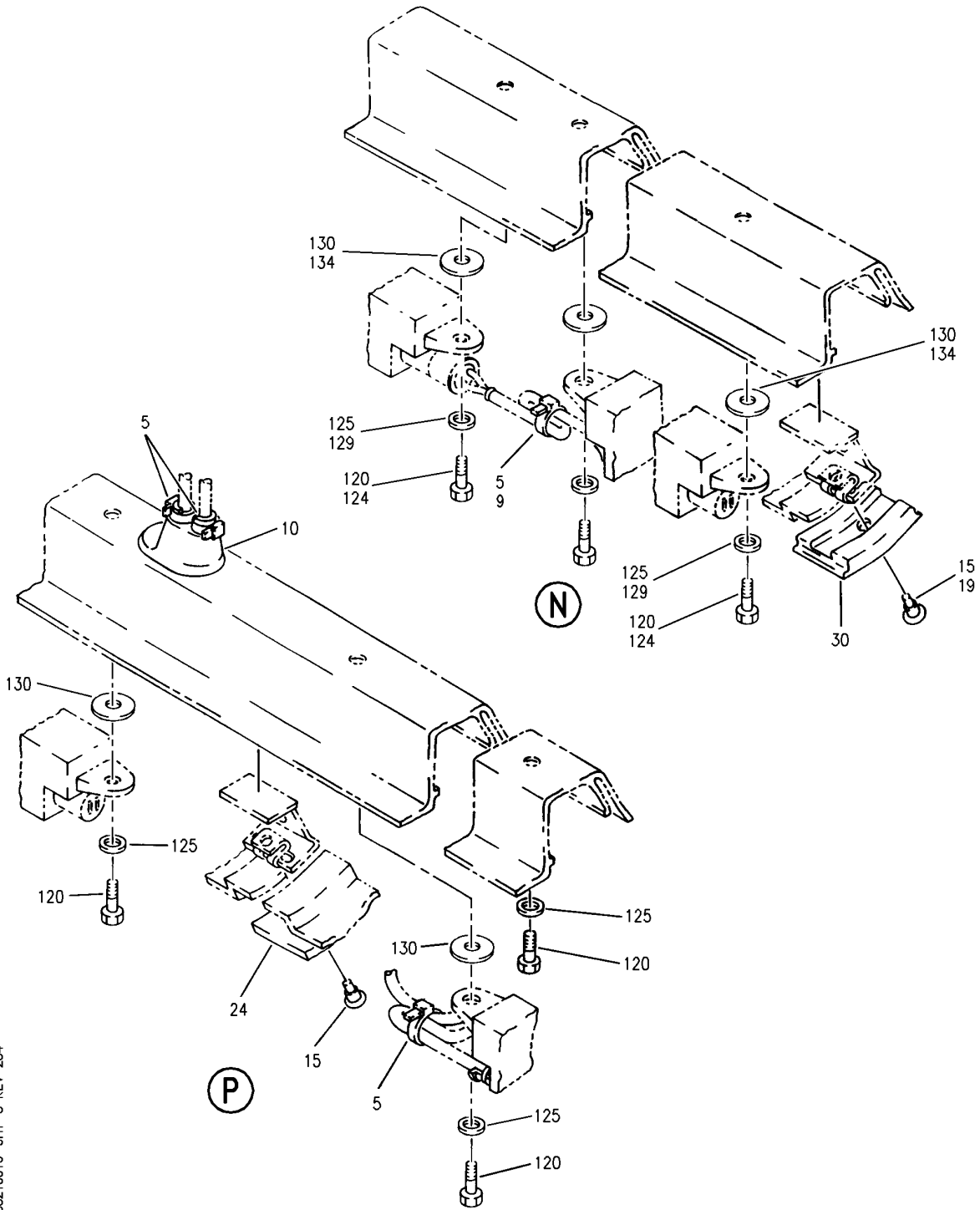
LIGHT INSTL-SIDEWALL (RH)
FIGURE 16 (SHEET 7)

33-21-00-16

BRI
MAY 28/07

33-21-00-16
PAGE OF

BOEING
757
PARTS CATALOG (MAINTENANCE)



Y 33210016 SHT 8 REV 234

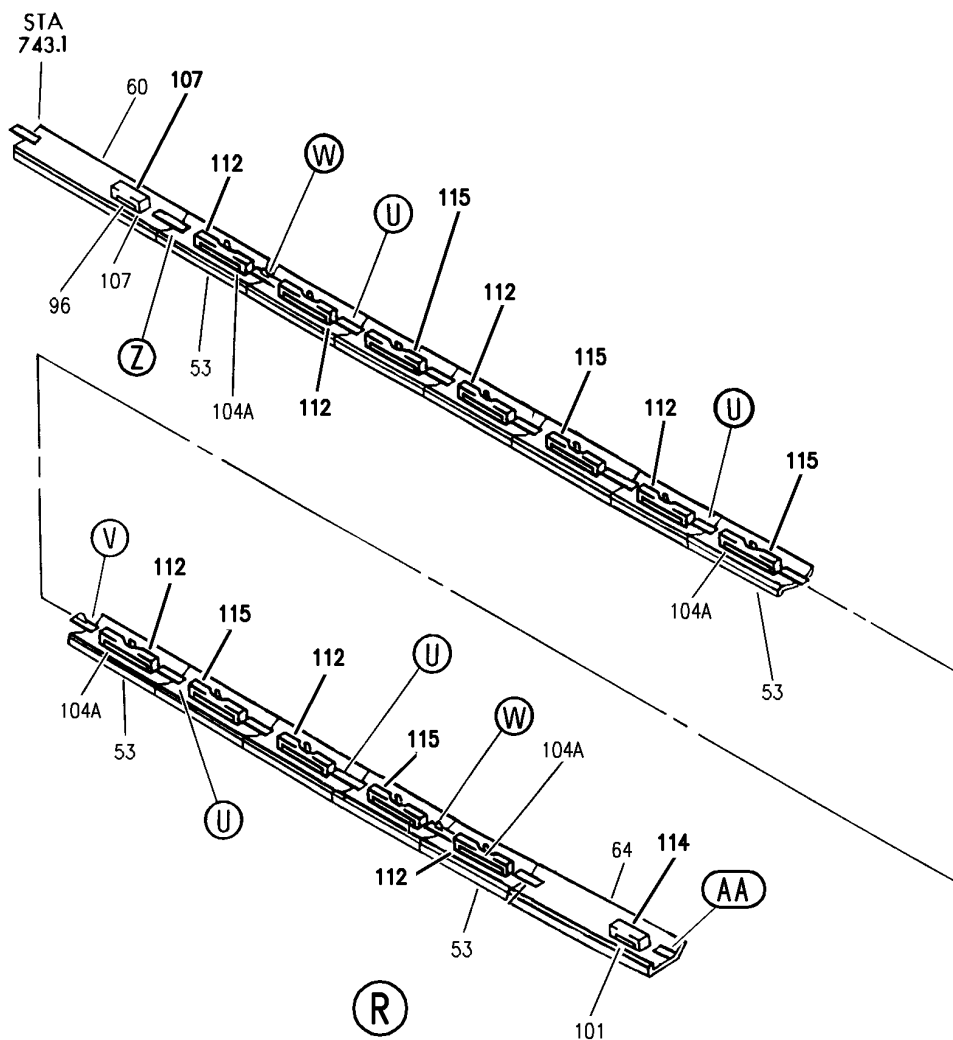
LIGHT INSTL-SIDEWALL (RH)
FIGURE 16 (SHEET 8)

33-21-00-16

BRI
MAY 28/07

33-21-00-16
PAGE 06

BOEING
757
PARTS CATALOG (MAINTENANCE)



Y 33210016 SH 9 REV 253

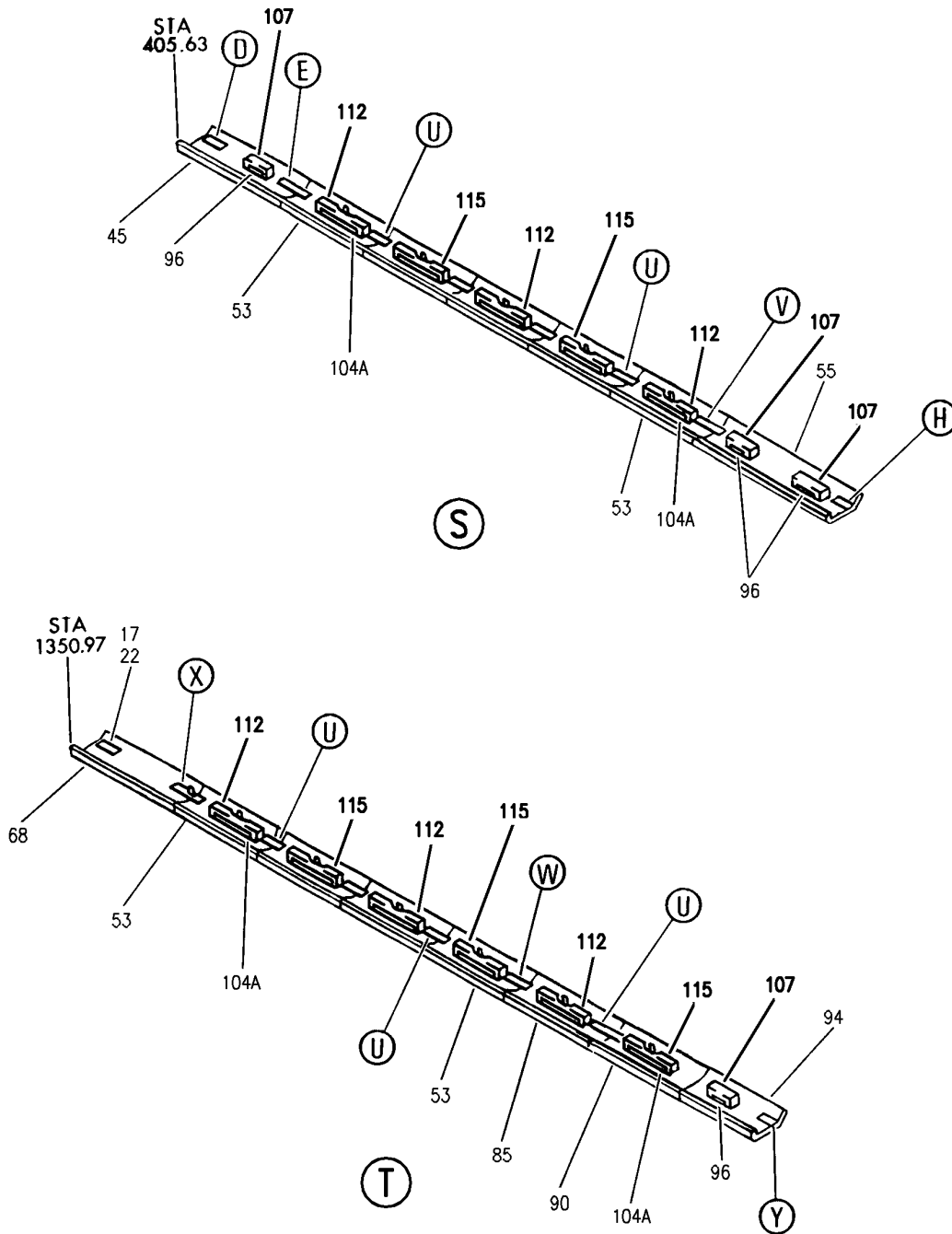
LIGHT INSTL-SIDEWALL (RH)
FIGURE 16 (SHEET 9)

33-21-00-16

BRI
MAY 28/07

33-21-00-16
PAGE 0H

BOEING
757
PARTS CATALOG (MAINTENANCE)



Y 33210016 SH1 10 REV 253

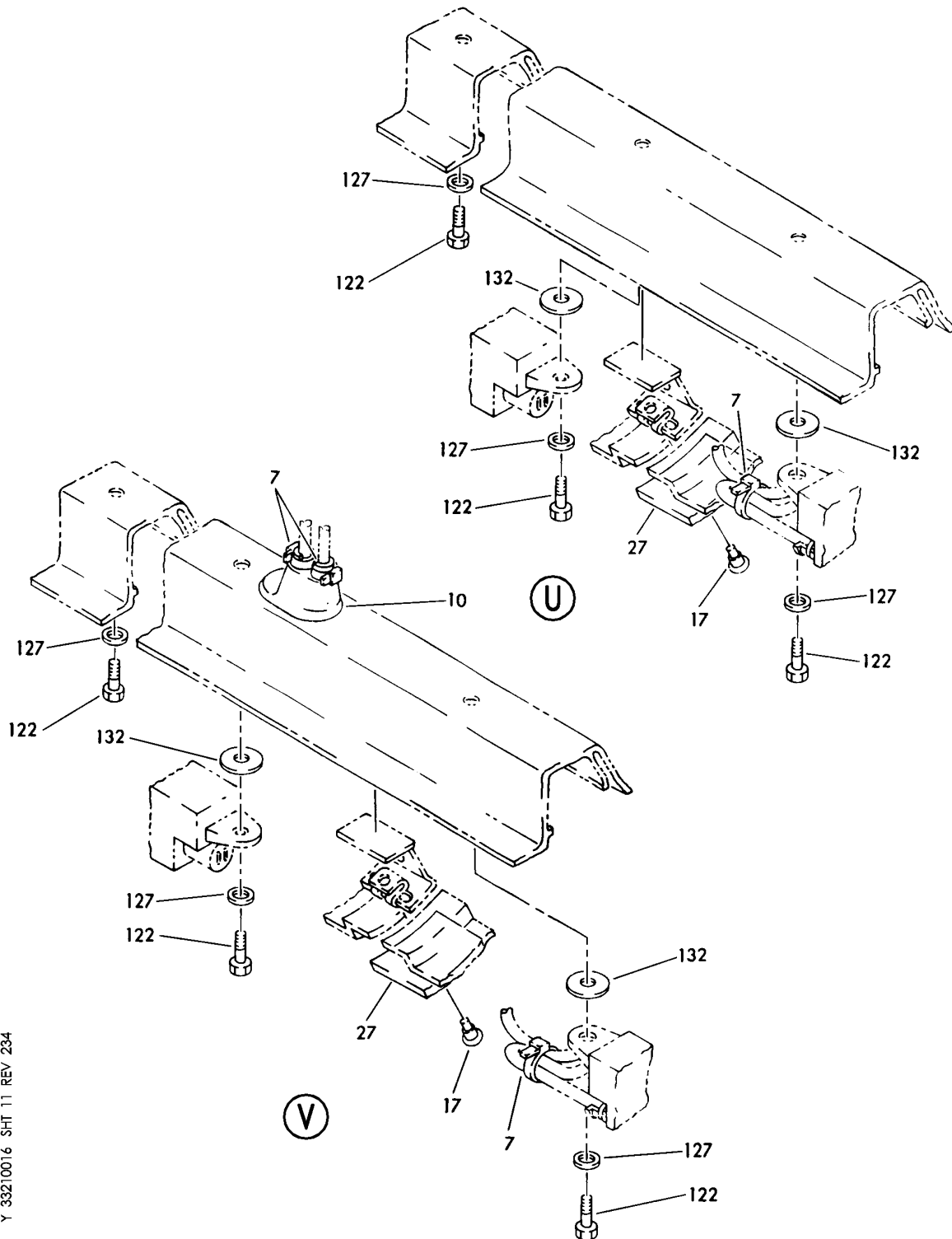
LIGHT INSTL-SIDEWALL (RH)
FIGURE 16 (SHEET 10)

33-21-00-16

BRI
MAY 28/07

33-21-00-16
PAGE 01

BOEING
757
PARTS CATALOG (MAINTENANCE)



Y 33210016 SHT 11 REV 234

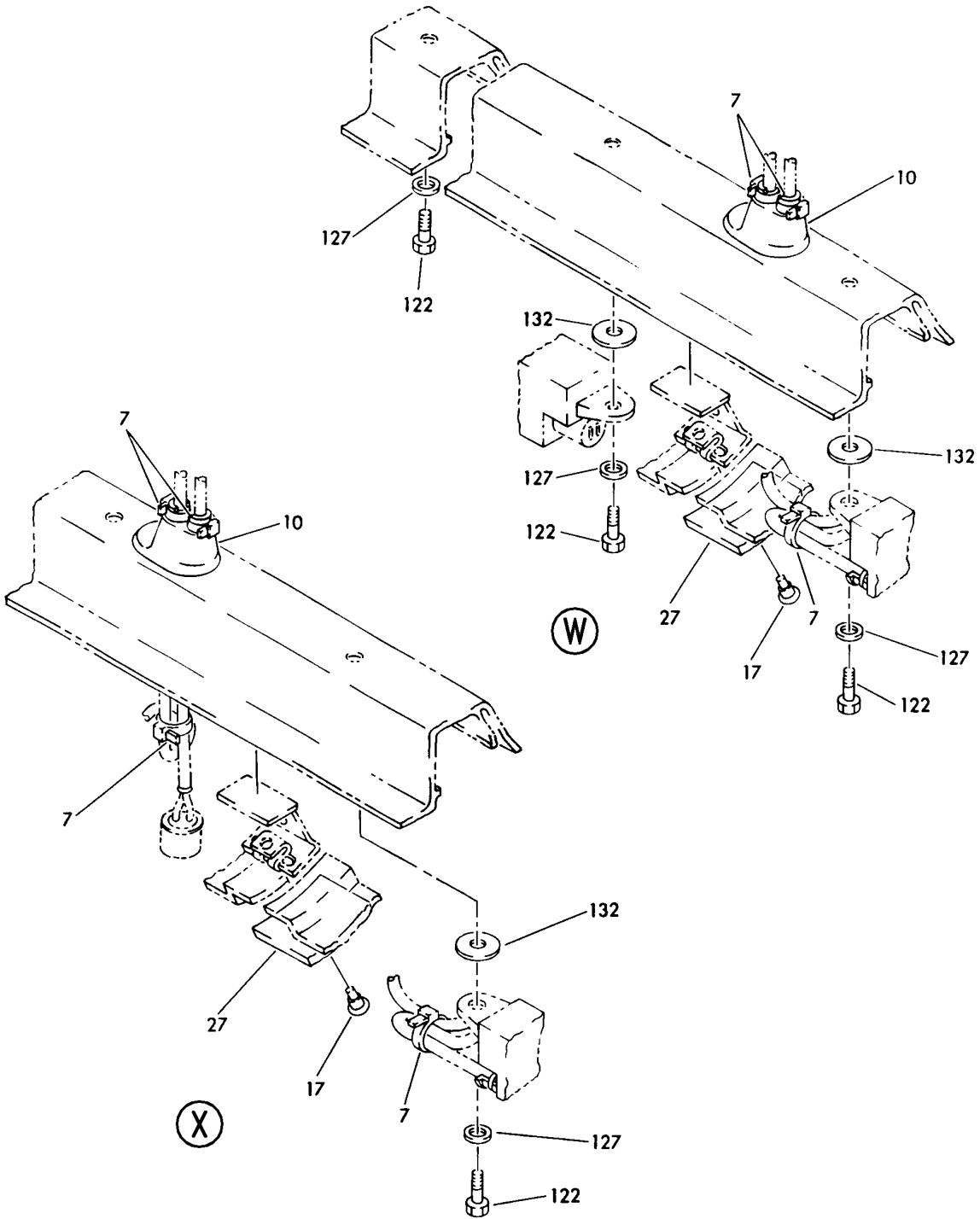
LIGHT INSTL-SIDEWALL (RH)
FIGURE 16 (SHEET 11)

33-21-00-16

BRI
MAY 28/07

33-21-00-16
PAGE 0J

BOEING
757
PARTS CATALOG (MAINTENANCE)



Y 33210016 SHT 12 REV 234

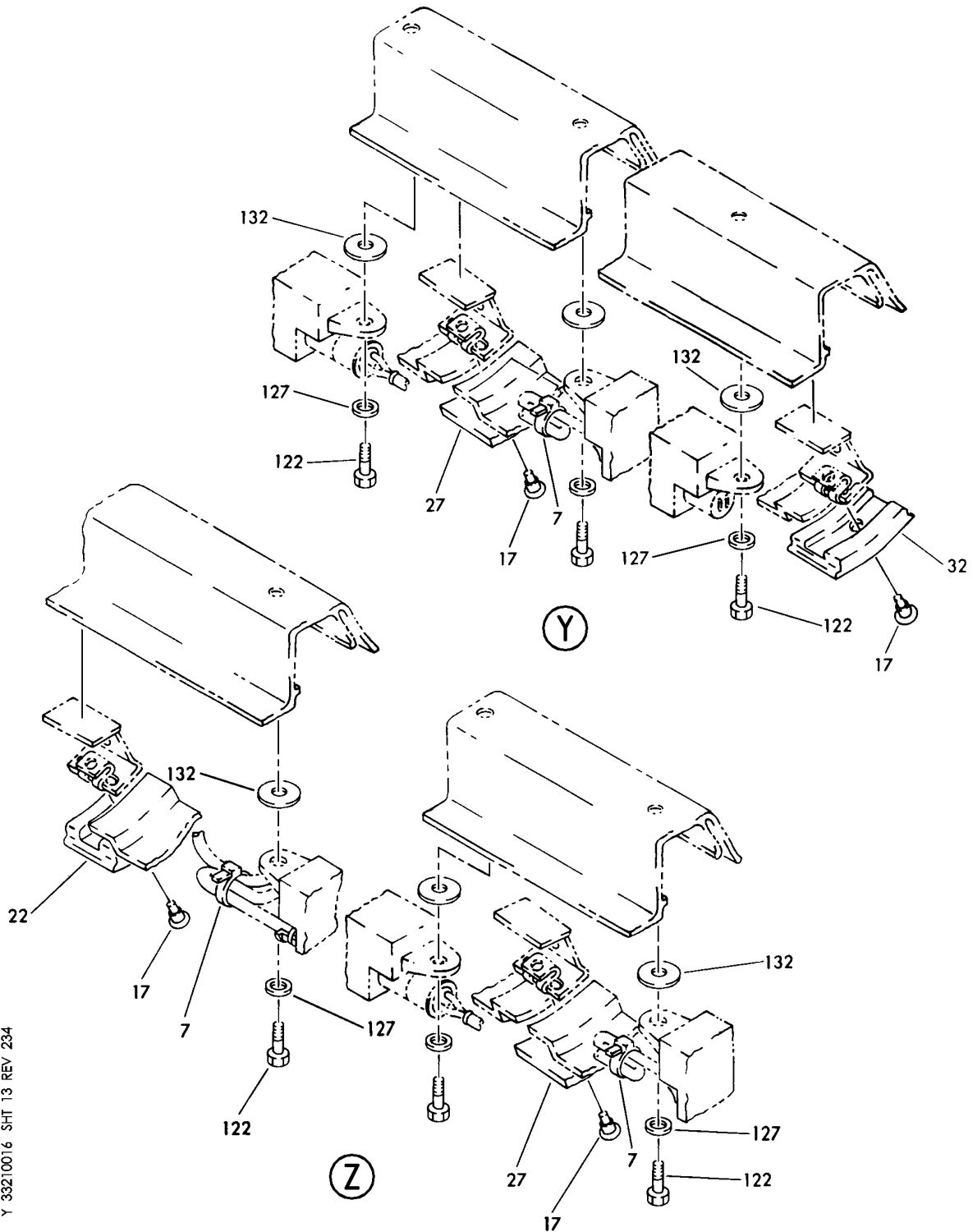
LIGHT INSTL-SIDEWALL (RH)
FIGURE 16 (SHEET 12)

33-21-00-16

BRI
MAY 28/07

33-21-00-16
PAGE OK

BOEING
757
PARTS CATALOG (MAINTENANCE)



Y 33210016 SHT 13 REV 234

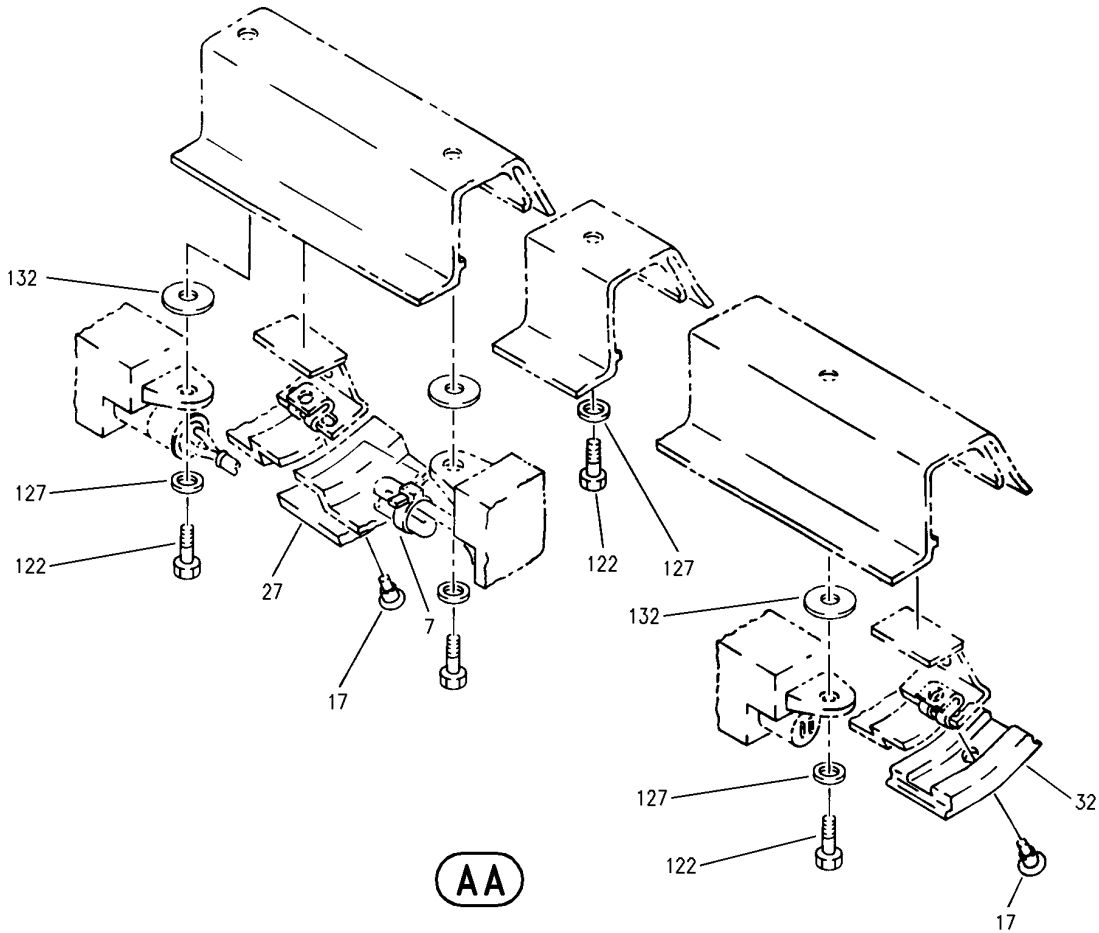
LIGHT INSTL-SIDEWALL (RH)
FIGURE 16 (SHEET 13)

33-21-00-16

BRI
MAY 28/07

33-21-00-16
PAGE 01

BOEING
757
PARTS CATALOG (MAINTENANCE)



Y 33210016 SH1 14 REV 234

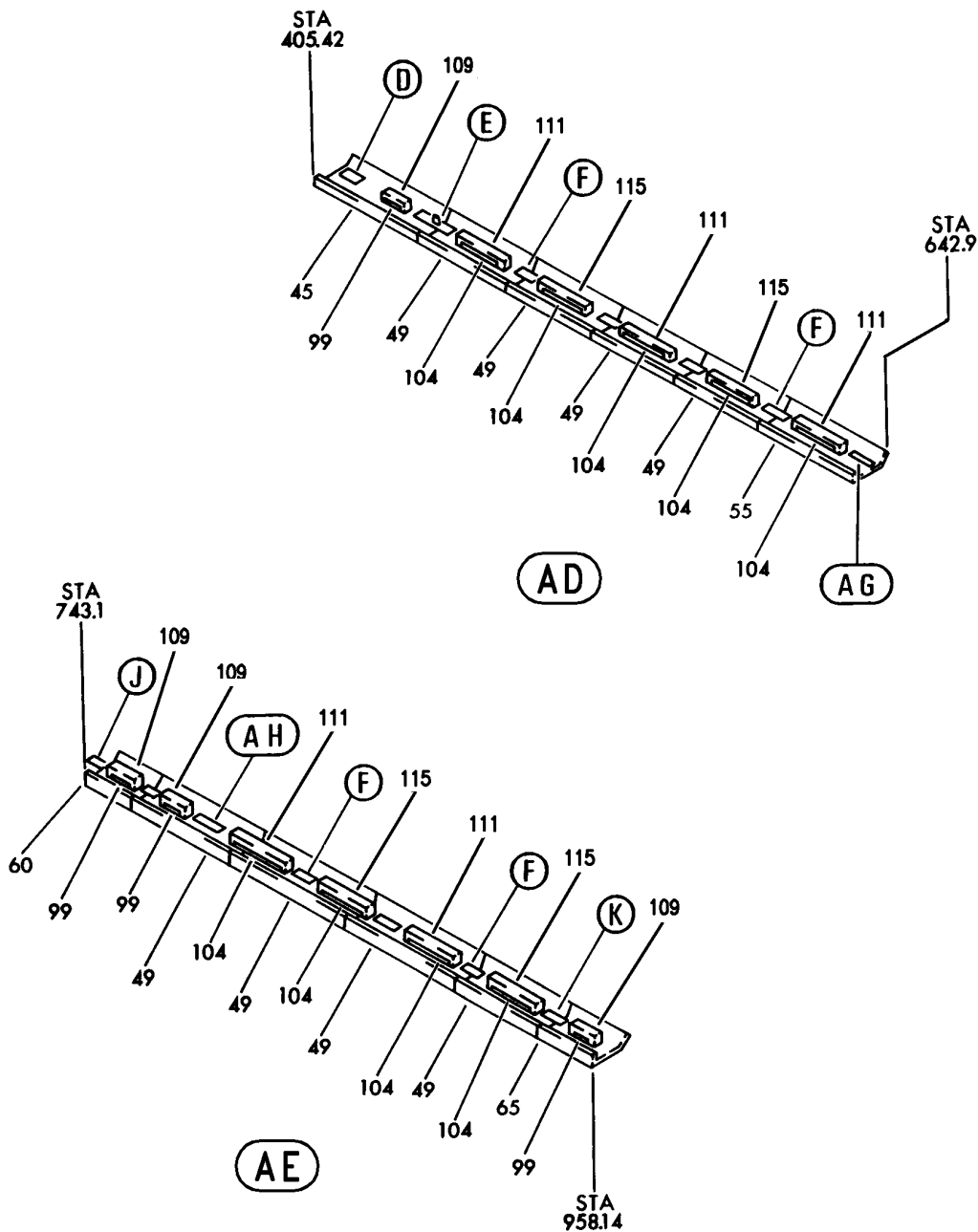
LIGHT INSTL-SIDEWALL (RH)
FIGURE 16 (SHEET 14)

33-21-00-16

BRI
MAY 28/07

33-21-00-16
PAGE 0M

BOEING
757
PARTS CATALOG (MAINTENANCE)



Y 33210016 SH-15 REV 253

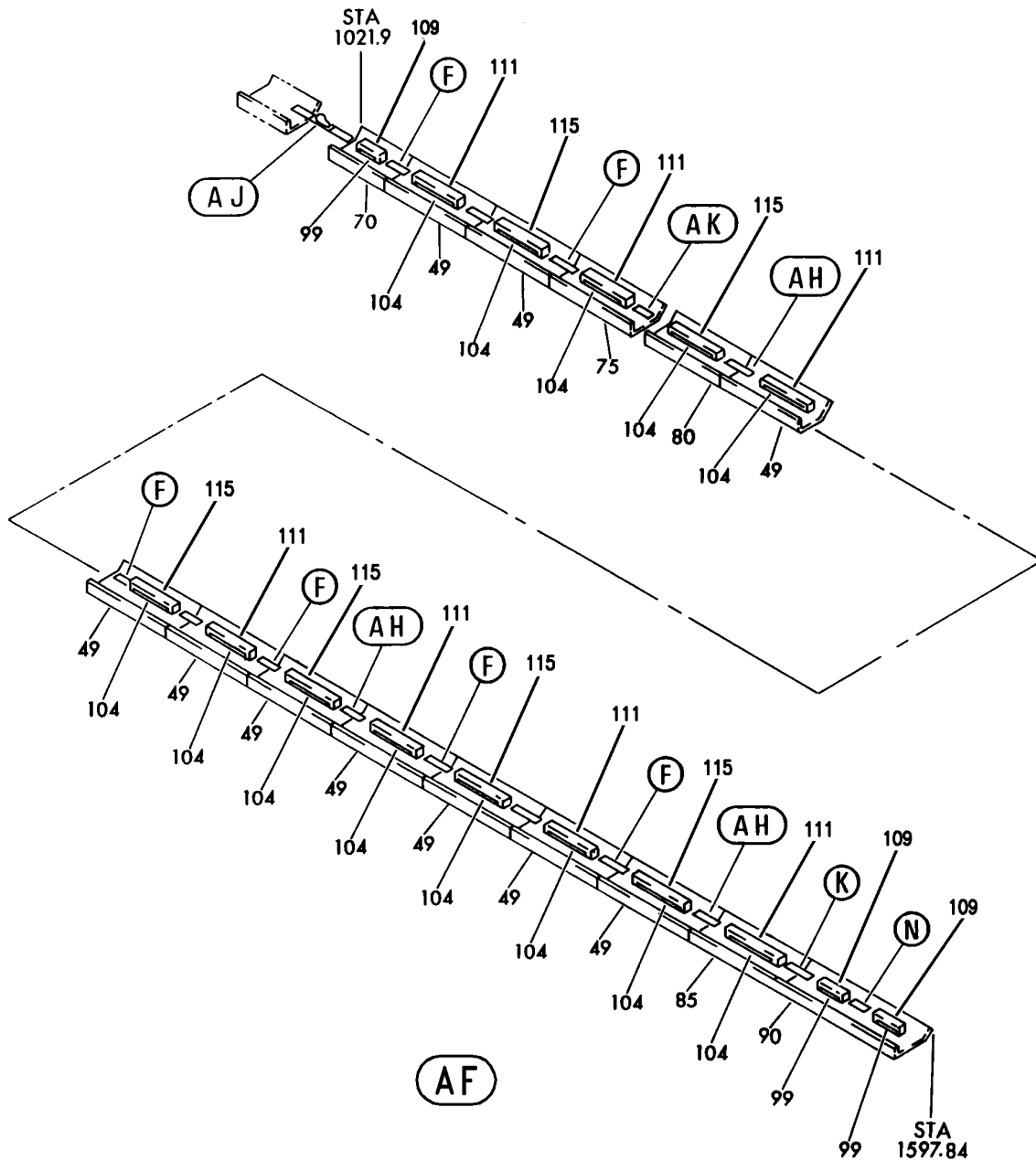
LIGHT INSTL-SIDEWALL (RH)
FIGURE 16 (SHEET 15)

33-21-00-16

BRI
MAY 28/07

33-21-00-16
PAGE ON

BOEING
757
PARTS CATALOG (MAINTENANCE)



Y 33210016 SH1 16 REV 253

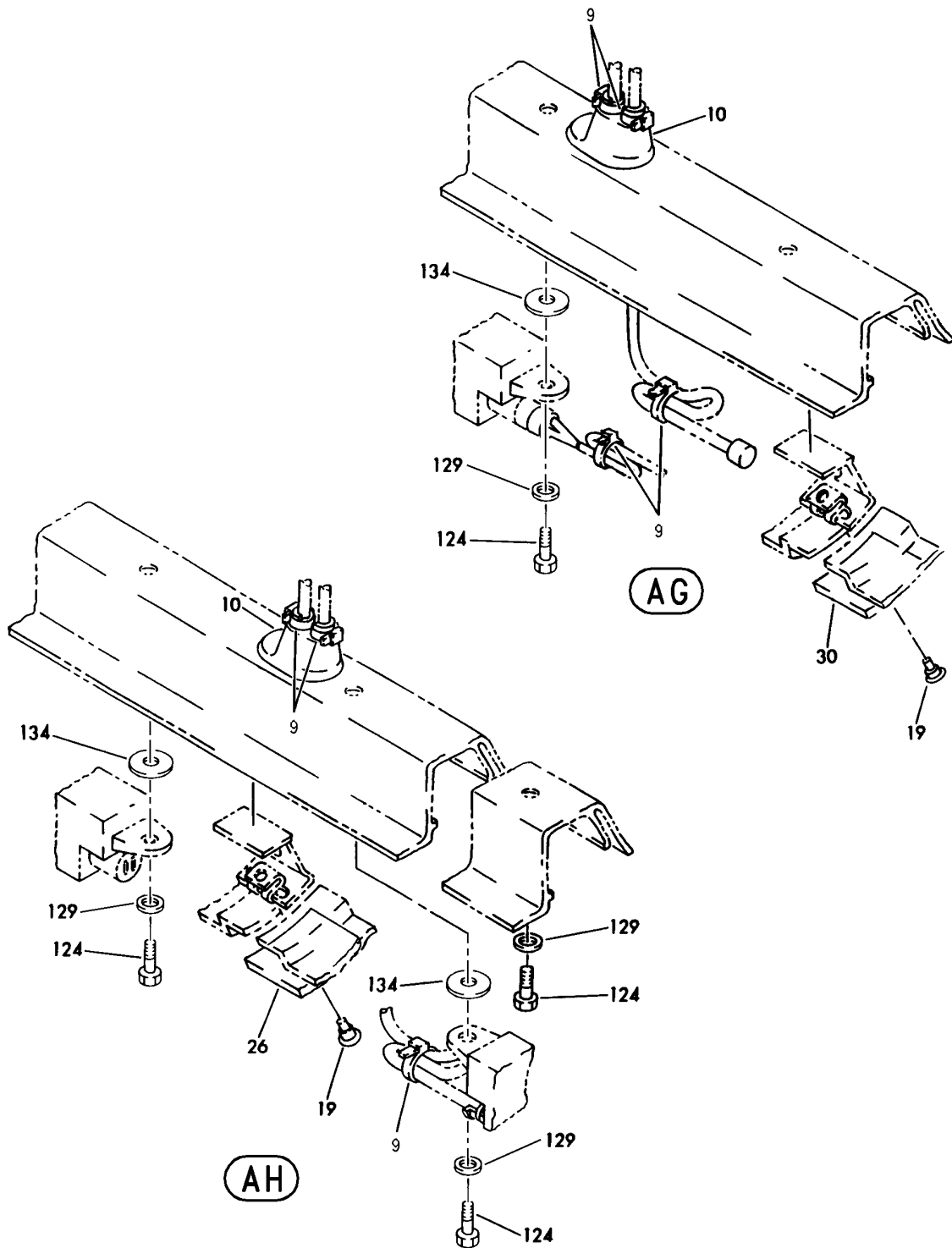
LIGHT INSTL-SIDEWALL (RH)
FIGURE 16 (SHEET 16)

33-21-00-16

BRI
MAY 28/07

33-21-00-16
PAGE 00

BOEING
757
PARTS CATALOG (MAINTENANCE)



Y 33210016 SHT 17 REV 234

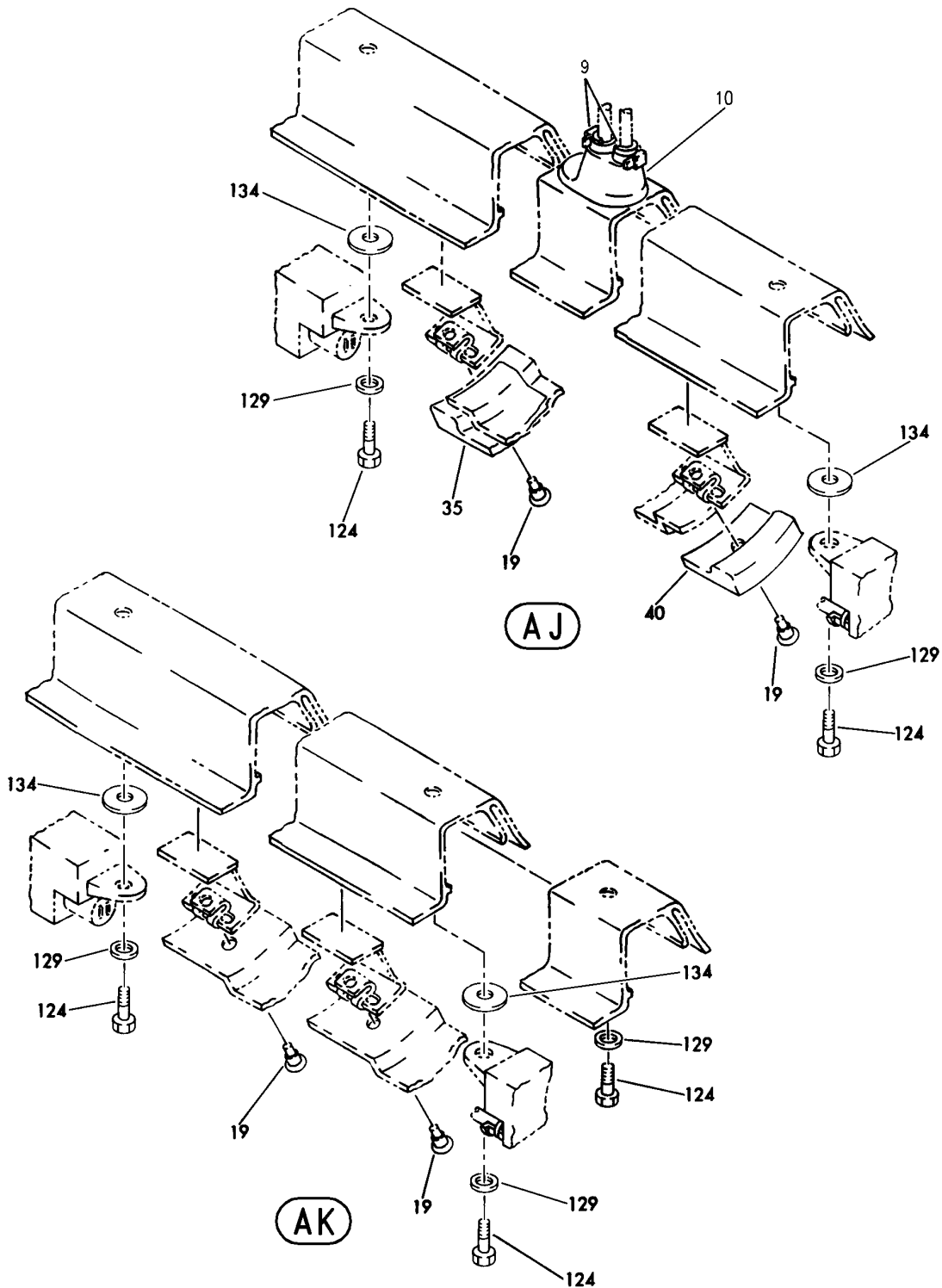
LIGHT INSTL-SIDEWALL (RH)
FIGURE 16 (SHEET 17)

33-21-00-16

BRI
MAY 28/07

33-21-00-16
PAGE 0P

BOEING
757
PARTS CATALOG (MAINTENANCE)



Y 33210016 SHT 18 REV 234

LIGHT INSTL-SIDEWALL (RH)
FIGURE 16 (SHEET 18)

33-21-00-16

BRI
MAY 28/07

33-21-00-16
PAGE 00



757

PARTS CATALOG (MAINTENANCE)

FIG ITEM	PART NUMBER	1 2 3 4 5 6 7	NOMENCLATURE	EFFECT FROM TO	UNITS PER ASSY
16			LIGHT INSTL-SIDEWALL (RH)	002004 006010 950951	
- 1	417N5008-12		LIGHT INSTL-SIDEWALL POSITION DATA: RH FOR NHA SEE: 33-20-51-01 33-20-51-02	002004 006010 950951	RF
7	T05R0		.STRAP-TIE SUPPLIER CODE: V53421 SPECIFICATION NUMBER: BACS38K1 OPTIONAL PART: PLT2SM V06383	002004 006010 950951	AR
10	417N5107-1		.GROMMET	002004 006010 950951	7
17	BACS12ER3K10		.SCREW	002004 006010 950951	AR
22	65C33289-110		.RETAINER-LENS	002004 006010 950951	3
27	65C33289-107		.RETAINER-LENS	002004 006010 950951	26
32	65C33289-109		.RETAINER-LENS	002004 006010 950951	3
45	10-1327-395		.LENS ASSY- SUPPLIER CODE: V72914 SPECIFICATION NUMBER: S417N511-187	002004 006010 950951	1
53	10-1327-167		.LENS ASSY- SUPPLIER CODE: V72914 SPECIFICATION NUMBER: S417N511-140	002004 006010 950951	21
55	10-1327-313		.LENS- SUPPLIER CODE: V72914 SPECIFICATION NUMBER: S417N511-181	002004 006010 950951	1

MISSING ITEM NUMBERS NOT APPLICABLE

- ITEM NOT ILLUSTRATED

BRI

33-21-00-16

33-21-00
FIG. 16
PAGE 1
JAN 20/09



757

PARTS CATALOG (MAINTENANCE)

FIG ITEM	PART NUMBER	1 2 3 4 5 6 7	NOMENCLATURE	EFFECT FROM TO	UNITS PER ASSY
16					
60	10-1327-315	. LENS-	SUPPLIER CODE: V72914	002004 006010 950951	1
			SPECIFICATION NUMBER: S417N511-182		
64	10-1327-323	. LENS-	SUPPLIER CODE: V72914	002004 006010 950951	1
			SPECIFICATION NUMBER: S417N511-186		
68	10-1327-319	. LENS-	SUPPLIER CODE: V72914	002004 006010 950951	1
			SPECIFICATION NUMBER: S417N511-184		
85	10-1327-327	. LENS-	SUPPLIER CODE: V72914	002004 006010 950951	1
			SPECIFICATION NUMBER: S417N511-190		
90	10-1327-329	. LENS-	SUPPLIER CODE: V72914	002004 006010 950951	1
			SPECIFICATION NUMBER: S417N511-191		
94	10-1327-321	. LENS-	SUPPLIER CODE: V72914	002004 006010 950951	1
			SPECIFICATION NUMBER: S417N511-185		
96	5106WW	. LAMP-FLUOR	SUPPLIER CODE: V08806	002004 006010 950951	5
96	F6T5WW	. LAMP-FLUOR	SUPPLIER CODE: V08806	002004 006010 950951	5
101	F13T5WW	. LAMP-FLUOR	SUPPLIER CODE: V13545	002004 006010 950951	1
101	5113WW	. LAMP-FLUOR	SUPPLIER CODE: V08806	002004 006010 950951	1
104A	F18T5WWRS	. LAMP-FLUOR	SUPPLIER CODE: V52343	002004 006010 950951	23

MISSING ITEM NUMBERS NOT APPLICABLE

- ITEM NOT ILLUSTRATED

33-21-00-16

33-21-00
FIG. 16
PAGE 2
JAN 20/09

BRI

BOEING PROPRIETARY - Copyright © - Unpublished Work - See title page for details.



757

PARTS CATALOG (MAINTENANCE)

FIG ITEM	PART NUMBER	1 2 3 4 5 6 7	NOMENCLATURE	EFFECT FROM TO	UNITS PER ASSY
16 107	10-1327-3		.LIGHT ASSY- SUPPLIER CODE: V72914 SPECIFICATION NUMBER: S417N511-3 COMPONENT MAINT MANUAL REF: 33-20-51 FOR DETAILS SEE: 33-21-51-90	002004 006010 950951	5
107	10-1733-3		.LIGHT ASSY- SUPPLIER CODE: V72914 SPECIFICATION NUMBER: S417N511-8003 COMPONENT MAINT MANUAL REF: 33-21-39 FOR DETAILS SEE: 33-21-51-90	002004 006010 950951	5
112	10-1327-1		.LIGHT ASSY- SUPPLIER CODE: V72914 SPECIFICATION NUMBER: S417N511-1 COMPONENT MAINT MANUAL REF: 33-20-51 FOR DETAILS SEE: 33-21-51-90	002004 006010 950951	13
112	10-1733-1		.LIGHT ASSY- SUPPLIER CODE: V72914 SPECIFICATION NUMBER: S417N511-8001 COMPONENT MAINT MANUAL REF: 33-21-39 FOR DETAILS SEE: 33-21-51-90	002004 006010 950951	13
114	10-1327-4		.LIGHT ASSY- SUPPLIER CODE: V72914 SPECIFICATION NUMBER: S417N511-4 COMPONENT MAINT MANUAL REF: 33-20-51 FOR DETAILS SEE: 33-21-51-90	002004 006010 950951	1

MISSING ITEM NUMBERS NOT APPLICABLE

- ITEM NOT ILLUSTRATED

33-21-00-16

33-21-00
FIG. 16
PAGE 3
JAN 20/09

BRI



757

PARTS CATALOG (MAINTENANCE)

FIG ITEM	PART NUMBER	1 2 3 4 5 6 7	NOMENCLATURE	EFFECT FROM TO	UNITS PER ASSY
16 114	10-1733-4		.LIGHT ASSY- SUPPLIER CODE: V72914 SPECIFICATION NUMBER: S417N511-8004 COMPONENT MAINT MANUAL REF: 33-21-39 FOR DETAILS SEE: 33-21-51-90	002004 006010 950951	1
115	10-1327-2		.LIGHT ASSY- SUPPLIER CODE: V72914 SPECIFICATION NUMBER: S417N511-2 COMPONENT MAINT MANUAL REF: 33-20-51 FOR DETAILS SEE: 33-21-51-90	002004 006010 950951	10
115	10-1733-2		.LIGHT ASSY- SUPPLIER CODE: V72914 SPECIFICATION NUMBER: S417N511-8002 COMPONENT MAINT MANUAL REF: 33-21-39 FOR DETAILS SEE: 33-21-51-90	002004 006010 950951	10
122	BACB30NM3K1		ATTACHING PARTS .BOLT-	002004 006010 950951	80
127	NAS1149D0316J		.WASHER-	002004 006010 950951	80
132	NAS1149D0363J		.WASHER-	002004 006010 950951	58
			-----*-----		

MISSING ITEM NUMBERS NOT APPLICABLE

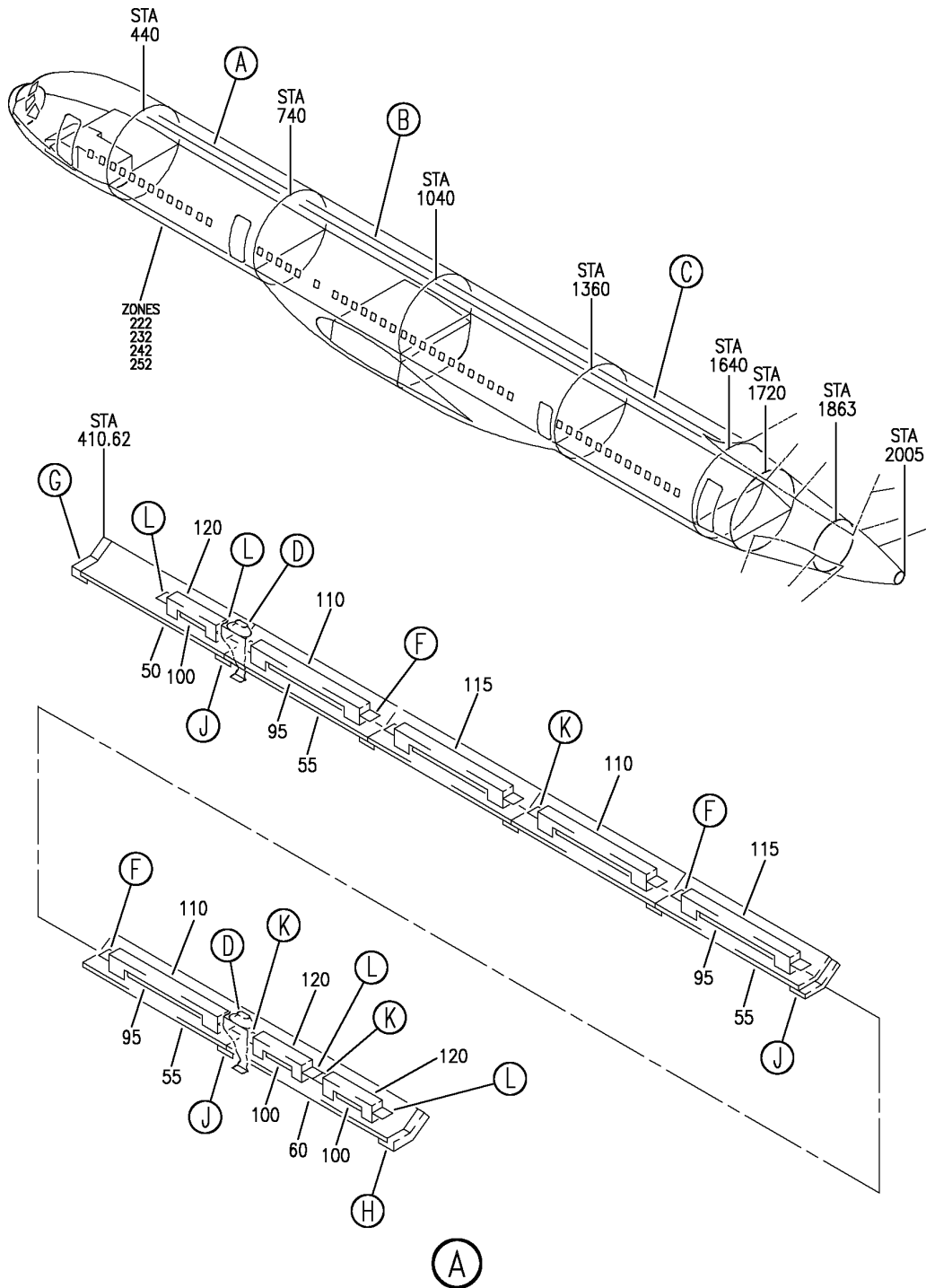
- ITEM NOT ILLUSTRATED

33-21-00-16

33-21-00
FIG. 16
PAGE 4
JAN 20/09

BRI

BOEING
757
PARTS CATALOG (MAINTENANCE)



Y 33210016A SHT 1 REV 253

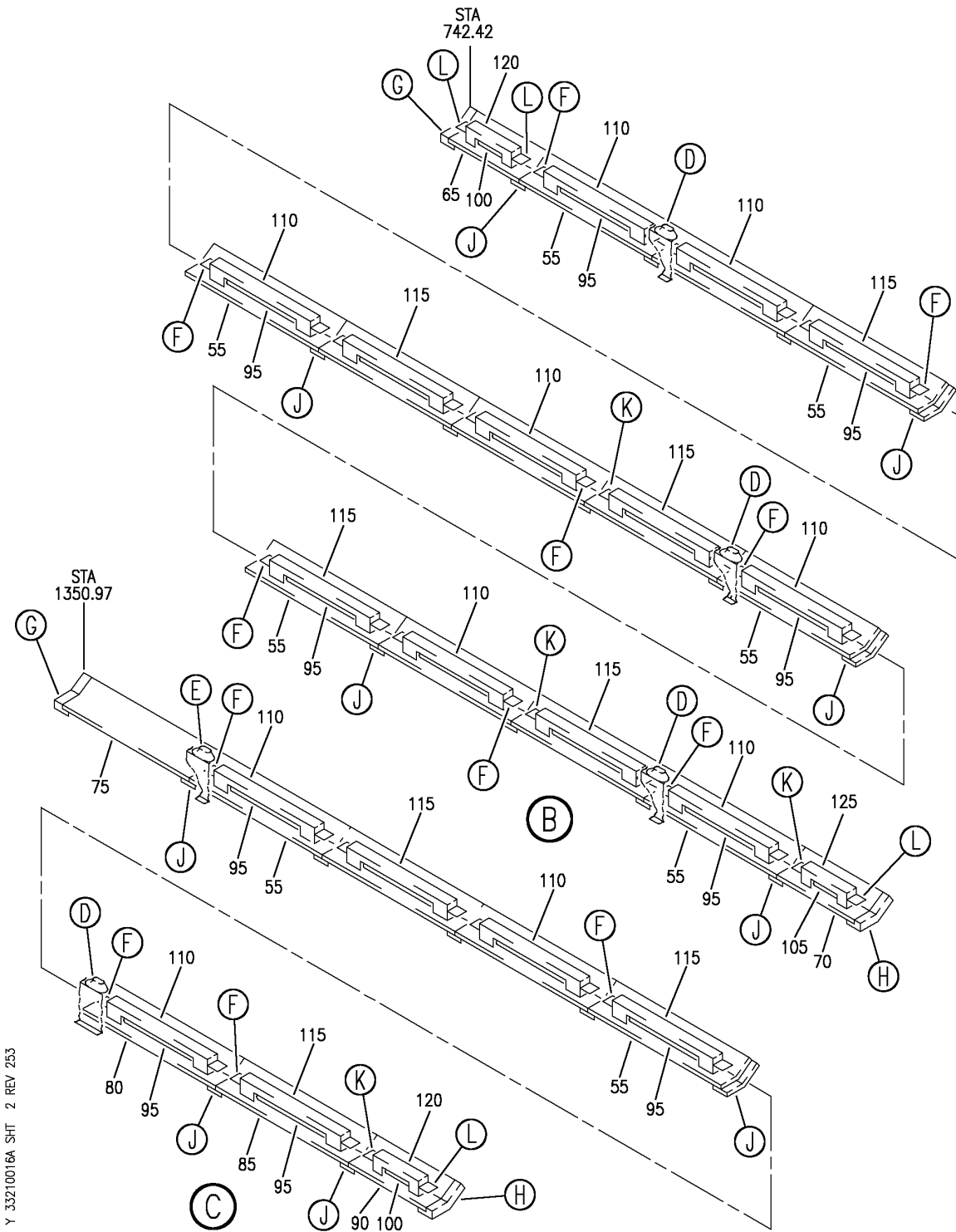
LIGHT INSTL-SIDEWALL
FIGURE 16A (SHEET 1)

33-21-00-16A

BRI
JAN 20/09

33-21-00-16A
PAGE 0

BOEING
757
PARTS CATALOG (MAINTENANCE)



Y 33210016A SHT 2 REV 253

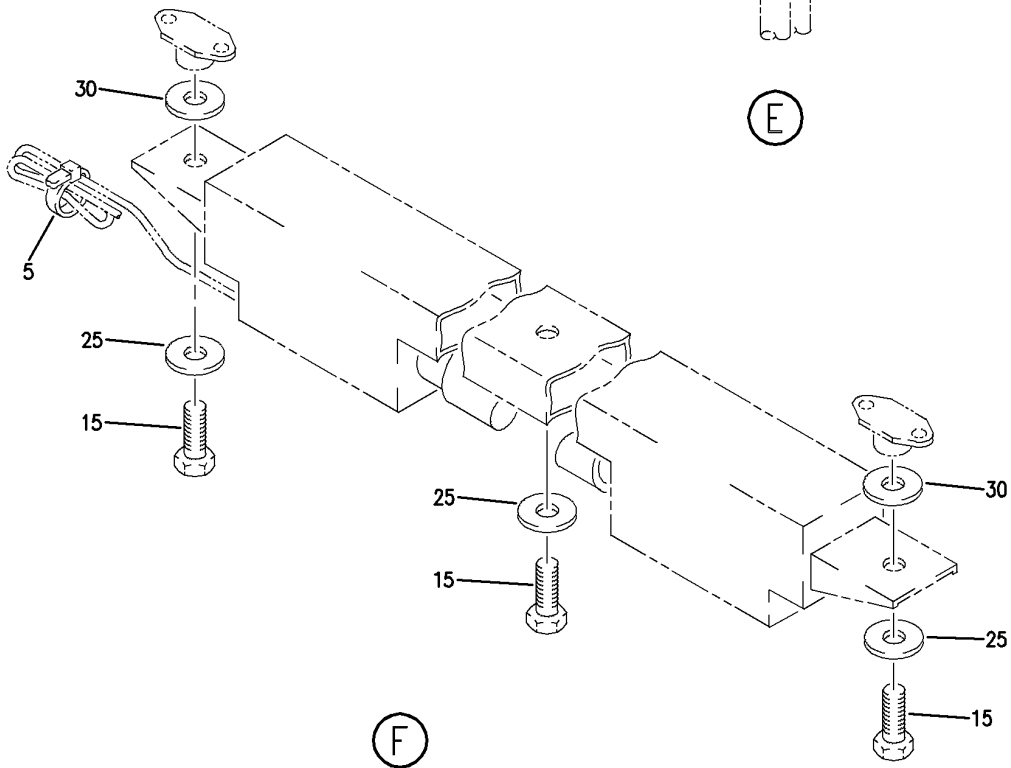
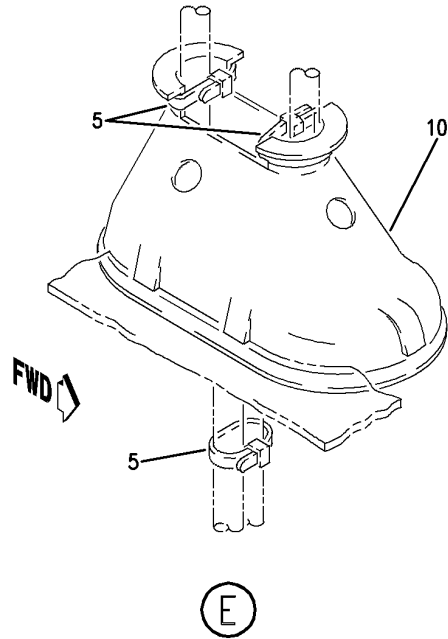
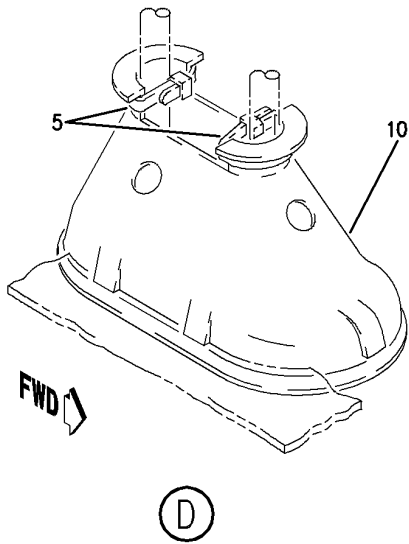
LIGHT INSTL-SIDEWALL
FIGURE 16A (SHEET 2)

33-21-00-16A

BRI
JAN 20/09

33-21-00-16A
PAGE 0A

BOEING
757
PARTS CATALOG (MAINTENANCE)



Y 33210016A SH1 3 REV 231

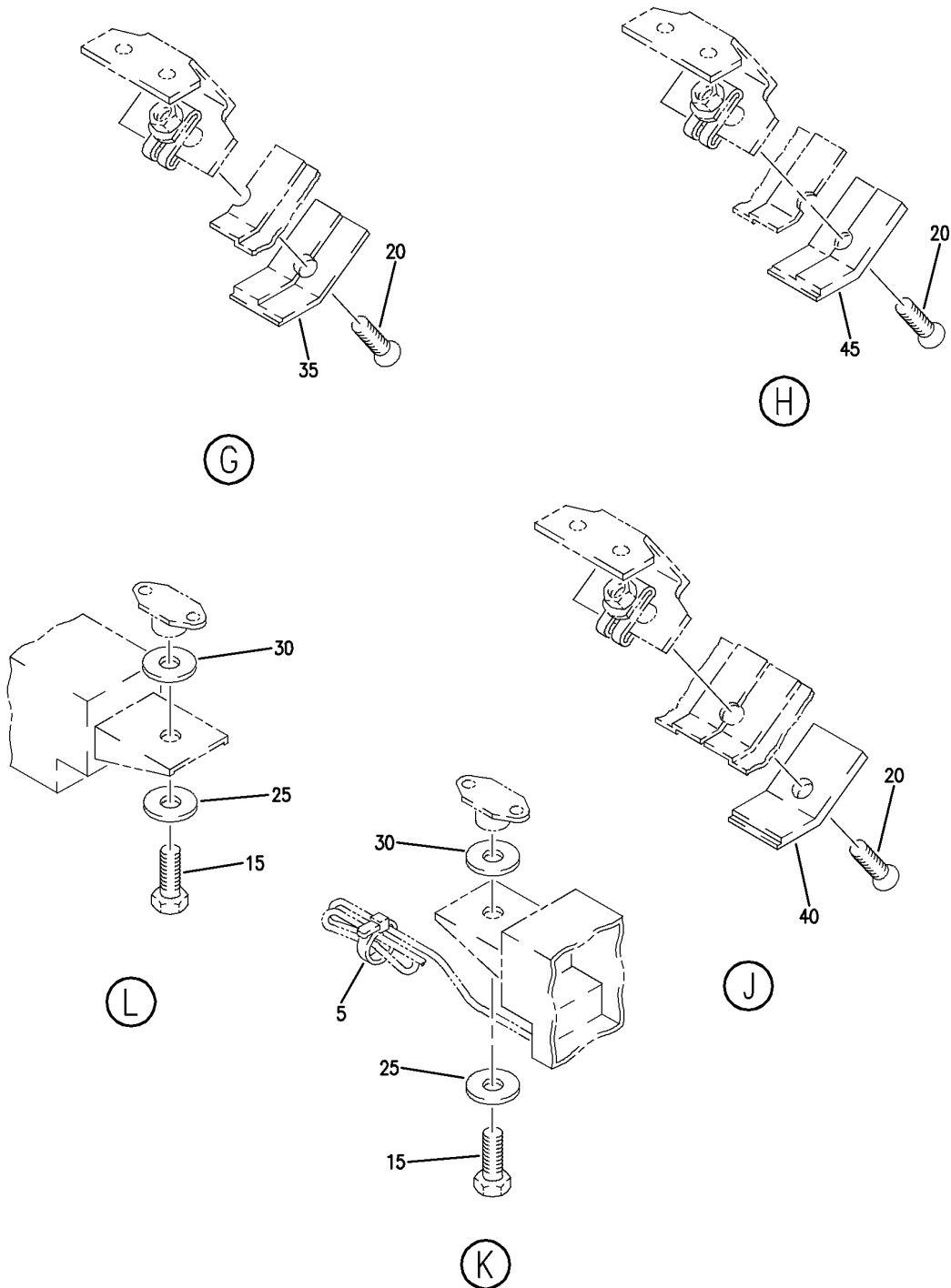
LIGHT INSTL-SIDEWALL
FIGURE 16A (SHEET 3)

33-21-00-16A

BRI
JAN 20/09

33-21-00-16A
PAGE 0B

BOEING
757
PARTS CATALOG (MAINTENANCE)



Y 33210016A SH1 4 REV 231

LIGHT INSTL-SIDEWALL
FIGURE 16A (SHEET 4)

33-21-00-16A

BRI
JAN 20/09

33-21-00-16A
PAGE 0C



757

PARTS CATALOG (MAINTENANCE)

FIG ITEM	PART NUMBER	1 2 3 4 5 6 7	NOMENCLATURE	EFFECT FROM TO	UNITS PER ASSY
16A			LIGHT INSTL-SIDEWALL	108120	
- 1	417N5008-74		LIGHT INSTL-SIDEWALL POSITION DATA: RH FOR NHA SEE: 25-20-00-11	108120	RF
5	T05R0		.STRAP-TIE SUPPLIER CODE: V53421 SPECIFICATION NUMBER: BACS38K1 OPTIONAL PART: PLT2SM V06383	108120	AR
10	417N5107-1		.GROMMET	108120	7
15	BACS12GU3K6		.SCREW	108120	AR
20	BACS12ER3K10		.SCREW	108120	AR
25	NAS1149D0316J		.WASHER	108120	AR
30	NAS1149D0316J		.WASHER	108120	AR
35	65C33289-10		.RETAINER-LENS ALTERED FROM PART NUMBER: 65C33289-16	108120	3
40	65C33289-7		.RETAINER-LENS	108120	26
45	65C33289-9		.RETAINER-LENS ALTERED FROM PART NUMBER: 65C33289-15	108120	3
50	10-1327-391		.LENS- SUPPLIER CODE: V72914 SPECIFICATION NUMBER: S417N511-48	108120	1
55	10-1327-40		.LENS- SUPPLIER CODE: V72914 SPECIFICATION NUMBER: S417N511-40	108120	21
60	10-1327-247		.LENS- SUPPLIER CODE: V72914 SPECIFICATION NUMBER: S417N511-125	108120	1
65	10-1327-529		.LENS- SUPPLIER CODE: V72914 SPECIFICATION NUMBER: S417N511-286A	108120	1

MISSING ITEM NUMBERS NOT APPLICABLE

- ITEM NOT ILLUSTRATED

33-21-00-16A

33-21-00
FIG. 16A
PAGE 1
JAN 20/09

BRI

BOEING PROPRIETARY - Copyright © - Unpublished Work - See title page for details.



757

PARTS CATALOG (MAINTENANCE)

FIG ITEM	PART NUMBER	1 2 3 4 5 6 7	NOMENCLATURE	EFFECT FROM TO	UNITS PER ASSY
16A 70	10-1327-255		.LENS ASSY- SUPPLIER CODE: V72914 SPECIFICATION NUMBER: S417N511-129	108120	1
75	10-1327-257		.LENS- SUPPLIER CODE: V72914 SPECIFICATION NUMBER: S417N511-130	108120	1
80	10-1327-113		.LENS- SUPPLIER CODE: V72914 SPECIFICATION NUMBER: S417N511-97	108120	1
85	10-1327-259		.LENS- SUPPLIER CODE: V72914 SPECIFICATION NUMBER: S417N511-131	108120	1
90	10-1327-261		.LENS- SUPPLIER CODE: V72914 SPECIFICATION NUMBER: S417N511-132	108120	1
95	F18T5WWS		.LAMP-FLUOR SUPPLIER CODE: V52343	108120	23
100	5106WW		.LAMP-FLUOR SUPPLIER CODE: V08806	108120	5
105	5113WW		.LAMP-FLUOR SUPPLIER CODE: V08806	108120	1
110	10-1327-1		.LIGHT ASSY- SUPPLIER CODE: V72914 SPECIFICATION NUMBER: S417N511-1 COMPONENT MAINT MANUAL REF: 33-20-51 FOR DETAILS SEE: 33-21-51-90	108120	13

MISSING ITEM NUMBERS NOT APPLICABLE

- ITEM NOT ILLUSTRATED

33-21-00-16A

33-21-00
FIG. 16A
PAGE 2
JAN 20/09

BRI



757

PARTS CATALOG (MAINTENANCE)

FIG ITEM	PART NUMBER	1 2 3 4 5 6 7	NOMENCLATURE	EFFECT FROM TO	UNITS PER ASSY
16A 110	10-1733-1		.LIGHT ASSY- SUPPLIER CODE: V72914 SPECIFICATION NUMBER: S417N511-8001 COMPONENT MAINT MANUAL REF: 33-21-39 FOR DETAILS SEE: 33-21-51-90	108120	13
115	10-1327-2		.LIGHT ASSY- SUPPLIER CODE: V72914 SPECIFICATION NUMBER: S417N511-2 COMPONENT MAINT MANUAL REF: 33-20-51 FOR DETAILS SEE: 33-21-51-90	108120	10
115	10-1733-2		.LIGHT ASSY- SUPPLIER CODE: V72914 SPECIFICATION NUMBER: S417N511-8002 COMPONENT MAINT MANUAL REF: 33-21-39 FOR DETAILS SEE: 33-21-51-90	108120	10
120	10-1327-3		.LIGHT ASSY- SUPPLIER CODE: V72914 SPECIFICATION NUMBER: S417N511-3 COMPONENT MAINT MANUAL REF: 33-20-51 FOR DETAILS SEE: 33-21-51-90	108120	5
120	10-1733-3		.LIGHT ASSY- SUPPLIER CODE: V72914 SPECIFICATION NUMBER: S417N511-8003 COMPONENT MAINT MANUAL REF: 33-21-39 FOR DETAILS SEE: 33-21-51-90	108120	5

MISSING ITEM NUMBERS NOT APPLICABLE

- ITEM NOT ILLUSTRATED

33-21-00-16A

33-21-00
FIG. 16A
PAGE 3
JAN 20/09

BRI



757

PARTS CATALOG (MAINTENANCE)

FIG ITEM	PART NUMBER	1 2 3 4 5 6 7	NOMENCLATURE	EFFECT FROM TO	UNITS PER ASSY
16A 125	10-1327-4		.LIGHT ASSY- SUPPLIER CODE: V72914 SPECIFICATION NUMBER: S417N511-4 COMPONENT MAINT MANUAL REF: 33-20-51 FOR DETAILS SEE: 33-21-51-90	108120	1
125	10-1733-4		.LIGHT ASSY- SUPPLIER CODE: V72914 SPECIFICATION NUMBER: S417N511-8004 COMPONENT MAINT MANUAL REF: 33-21-39 FOR DETAILS SEE: 33-21-51-90	108120	1

MISSING ITEM NUMBERS NOT APPLICABLE

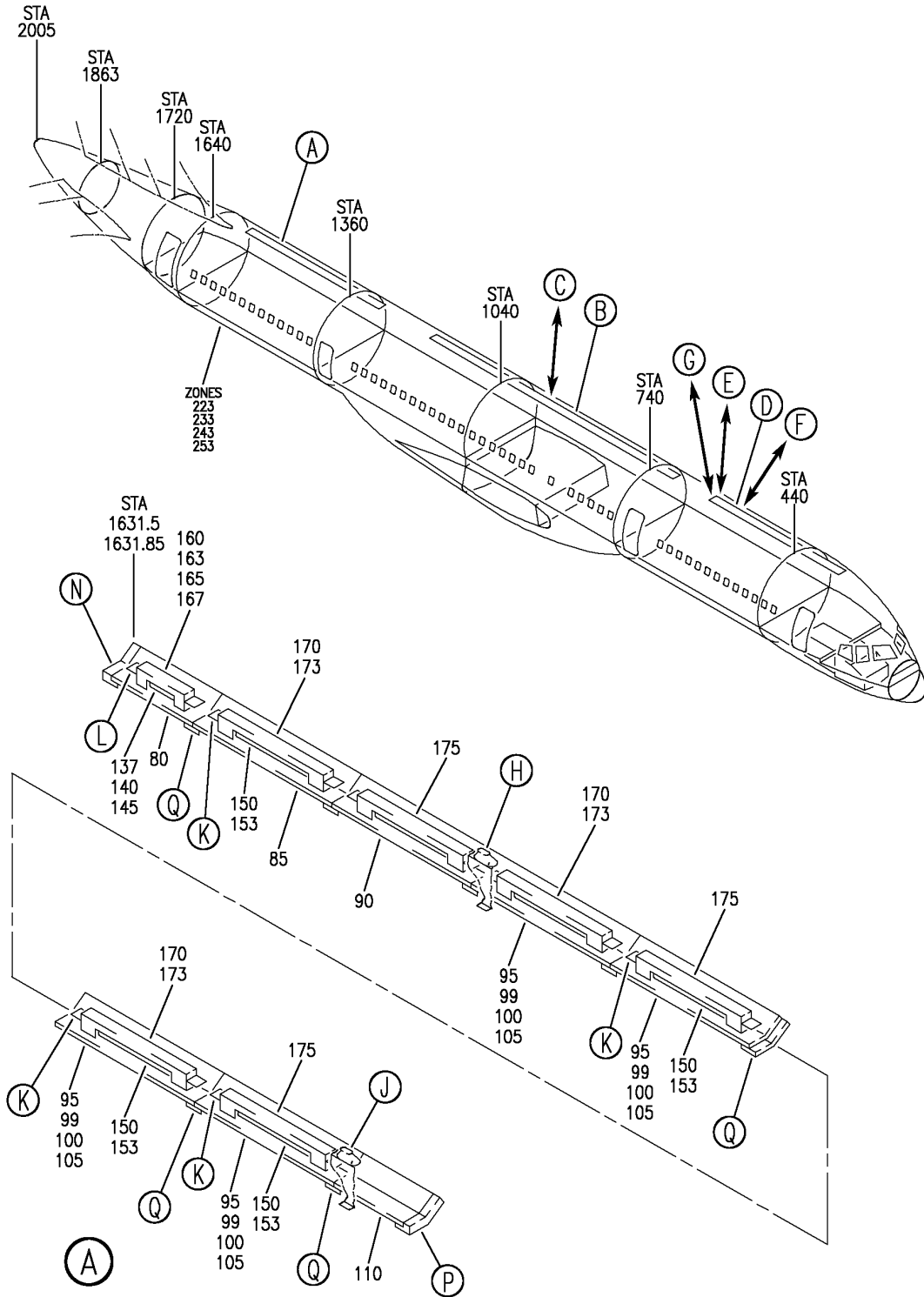
- ITEM NOT ILLUSTRATED

33-21-00-16A

33-21-00
FIG. 16A
PAGE 4
JAN 20/09

BRI

BOEING
757
PARTS CATALOG (MAINTENANCE)



Y 33210017 SHT 1 REV 253

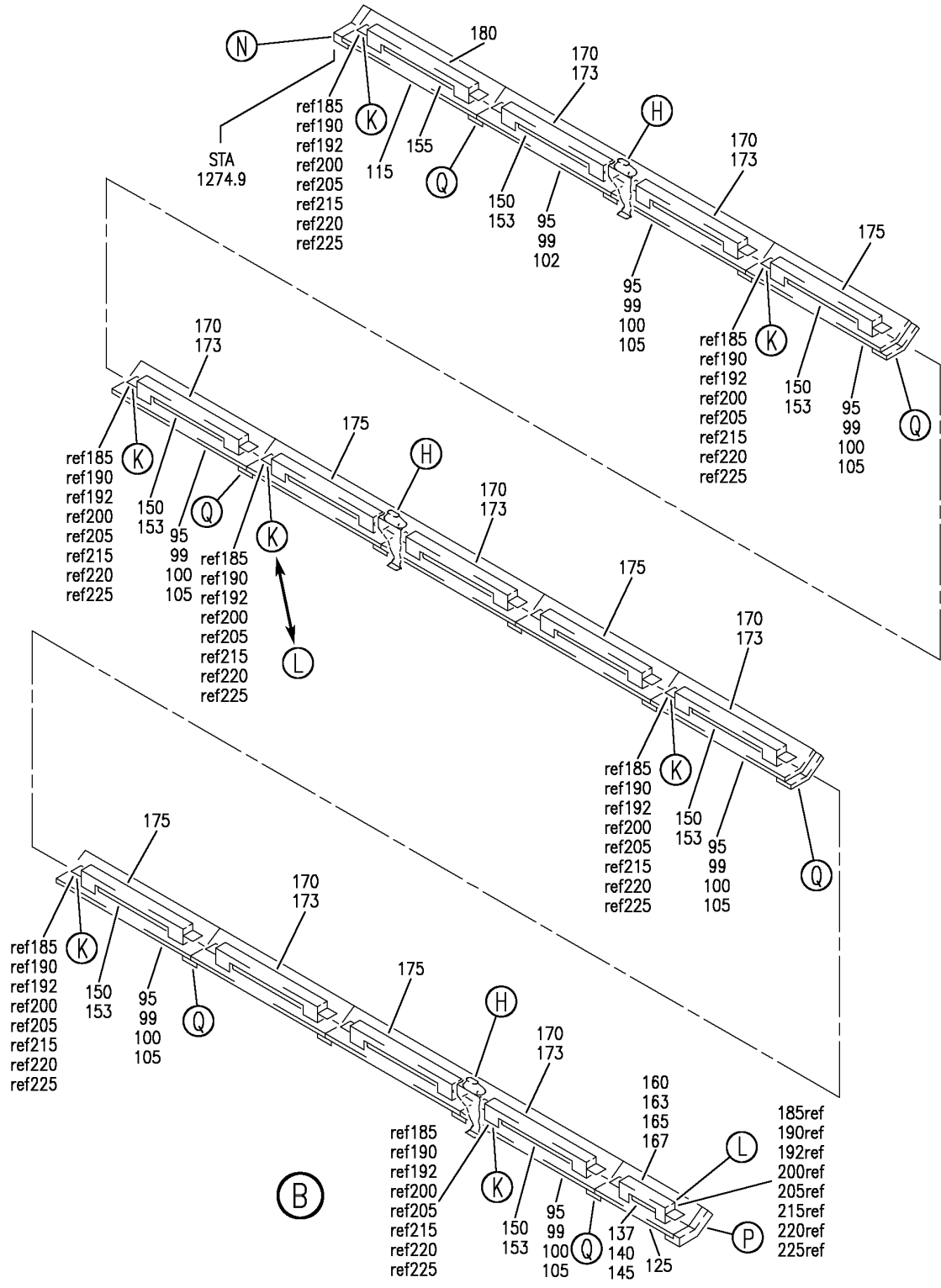
LIGHT INSTL-SIDEWALL
FIGURE 17 (SHEET 1)

33-21-00-17

BRI
JAN 20/09

33-21-00-17
PAGE 0

BOEING
757
PARTS CATALOG (MAINTENANCE)



Y 33210017 SHT 2 REV 253

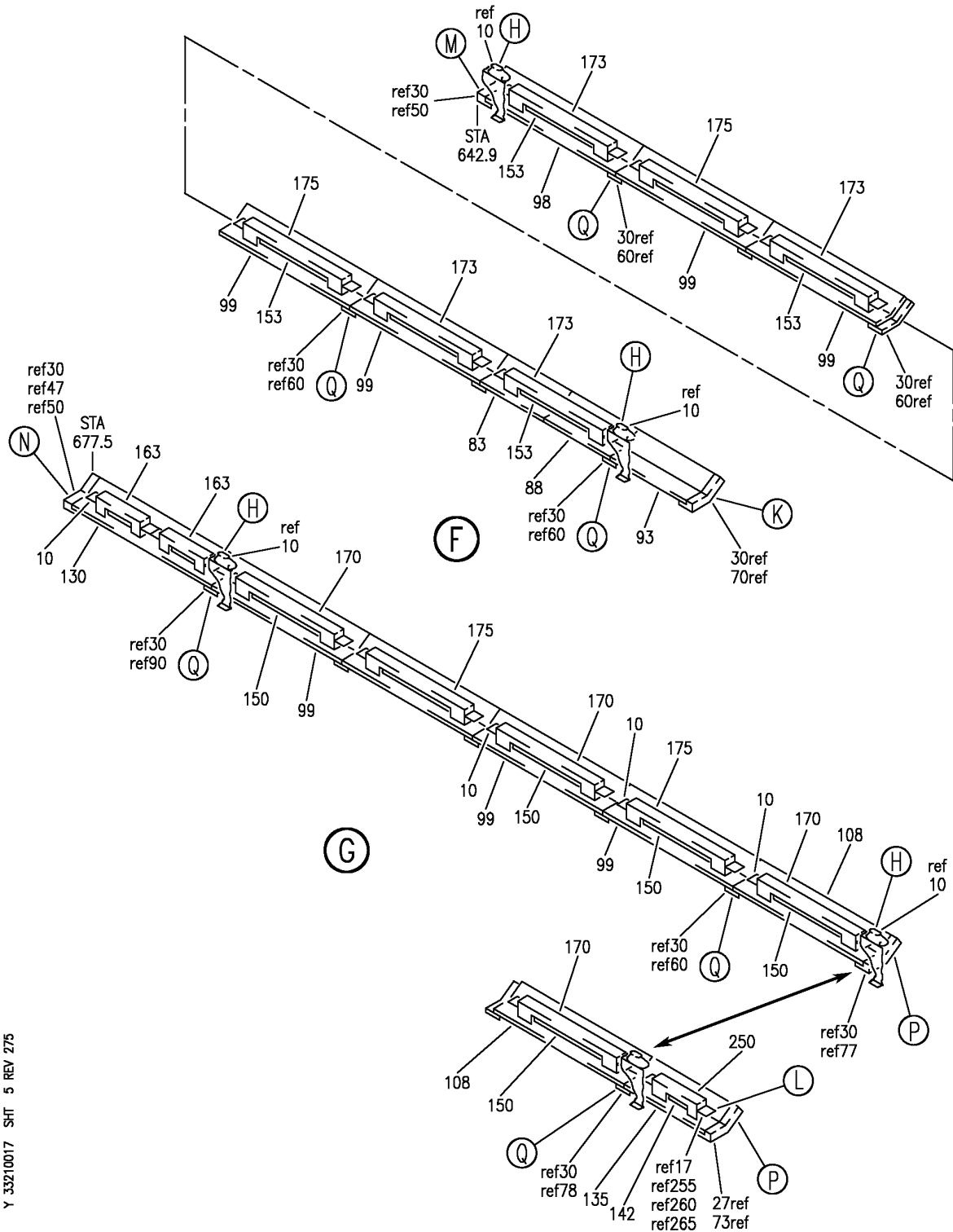
LIGHT INSTL-SIDEWALL
FIGURE 17 (SHEET 2)

33-21-00-17

BRI
JAN 20/09

33-21-00-17
PAGE 0A

BOEING
757
PARTS CATALOG (MAINTENANCE)



Y 33210017 SH- 5 REV 275

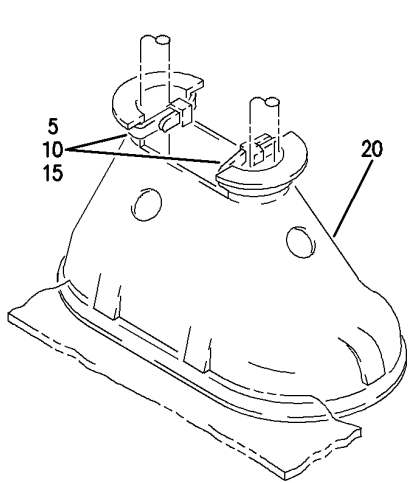
LIGHT INSTL-SIDEWALL
FIGURE 17 (SHEET 5)

33-21-00-17

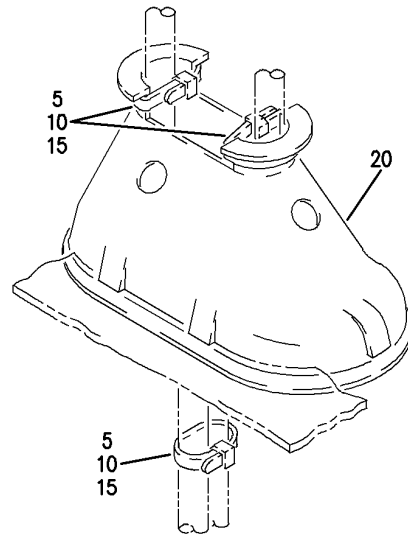
BRI
JAN 20/09

33-21-00-17
PAGE 0D

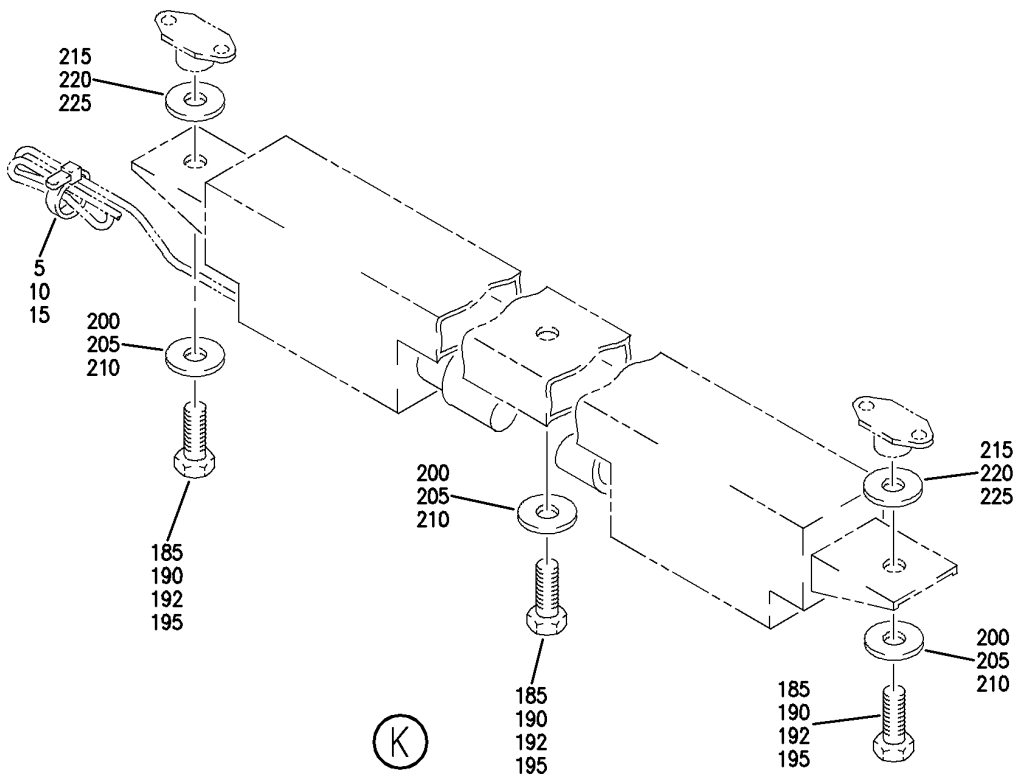
BOEING
757
PARTS CATALOG (MAINTENANCE)



(H)



(J)



(K)

Y 33210017 SHT 6 REV 231

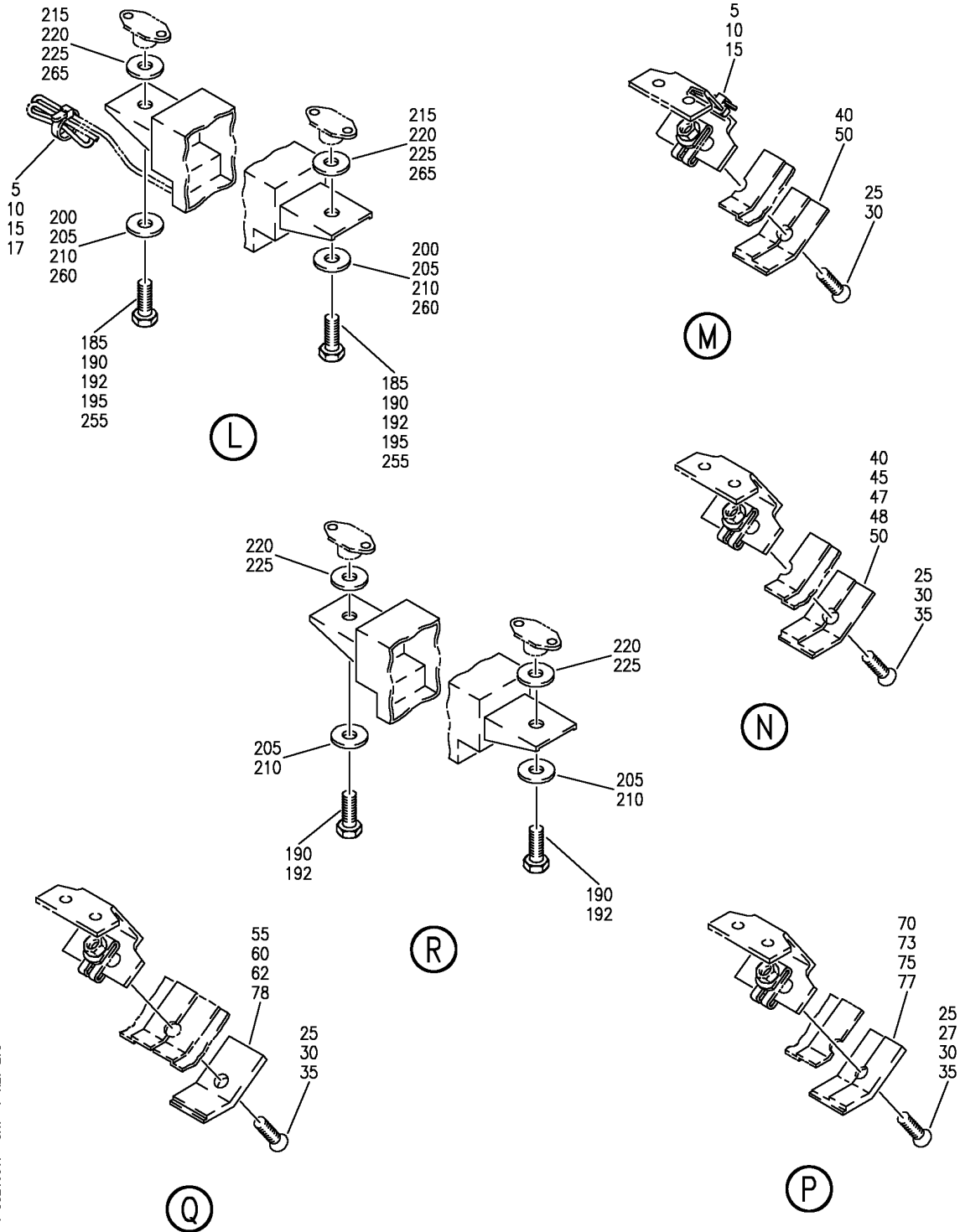
LIGHT INSTL-SIDEWALL
FIGURE 17 (SHEET 6)

33-21-00-17

BRI
JAN 20/09

33-21-00-17
PAGE 0E


BOEING
 757
PARTS CATALOG (MAINTENANCE)



Y 33210017 SH-7 REV 275

LIGHT INSTL-SIDEWALL
 FIGURE 17 (SHEET 7)

33-21-00-17

BRI
 JAN 20/09

33-21-00-17
 PAGE OF

 **BOEING**
757
PARTS CATALOG (MAINTENANCE)

FIG ITEM	PART NUMBER	1 2 3 4 5 6 7	NOMENCLATURE	EFFECT FROM TO	UNITS PER ASSY
17			LIGHT INSTL-SIDEWALL	108120	
- 1	417N5008-17		LIGHT INSTL-SIDEWALL POSITION DATA: LH FOR NHA SEE: 33-20-51-01	950951 950951	RF
- 1	417N5008-75		LIGHT INSTL-SIDEWALL POSITION DATA: LH FOR NHA SEE: 25-20-00-11	108120	RF
5	T05RO		.STRAP-TIE SUPPLIER CODE: V53421 SPECIFICATION NUMBER: BACS38K1 OPTIONAL PART: PLT2SM V06383	950951	AR
10	T05RO		.STRAP-TIE SUPPLIER CODE: V53421 SPECIFICATION NUMBER: BACS38K1 OPTIONAL PART: PLT2SM V06383	108120	AR
20	417N5107-1		.GROMMET	108120 950951	7
25	BACS12ER3K10		.SCREW	950951	AR
30	BACS12ER3K10		.SCREW	108120	AR
40	65C33289-110		.RETAINER-LENS	950951	3
45	65C33289-10		.RETAINER-LENS ALTERED FROM PART NUMBER: 65C33289-16	108120	2
47	65C33289-10		.RETAINER-LENS ALTERED FROM PART NUMBER: 65C33289-16	108120	1
50	65C33289-10		.RETAINER-LENS ALTERED FROM PART NUMBER: 65C33289-16	108120	3
55	65C33289-107		.RETAINER-LENS	950951	25
60	65C33289-7		.RETAINER-LENS	108120	25
62	65C33289-7		.RETAINER-LENS	108120	1
70	65C33289-109		.RETAINER-LENS	950951	3
75	65C33289-9		.RETAINER-LENS ALTERED FROM PART NUMBER: 65C33289-15	108120	2

MISSING ITEM NUMBERS NOT APPLICABLE

- ITEM NOT ILLUSTRATED

BRI

33-21-00-17

BOEING PROPRIETARY - Copyright © - Unpublished Work - See title page for details.

33-21-00
FIG. 17
PAGE 1
JAN 20/09



757

PARTS CATALOG (MAINTENANCE)

FIG ITEM	PART NUMBER	1 2 3 4 5 6 7	NOMENCLATURE	EFFECT FROM TO	UNITS PER ASSY
17					
77	65C33289-9		.RETAINER-LENS ALTERED FROM PART NUMBER: 65C33289-15	108120	1
80	10-1327-321		.LENS- SUPPLIER CODE: V72914 SPECIFICATION NUMBER: S417N511-185	950951	1
80	10-1327-487		.LENS- SUPPLIER CODE: V72914 SPECIFICATION NUMBER: S417N511-268	108120	1
83	10-1327-97		.LENS- SUPPLIER CODE: V72914 SPECIFICATION NUMBER: S417N511-72	108120	1
85	10-1327-329		.LENS- SUPPLIER CODE: V72914 SPECIFICATION NUMBER: S417N511-191	950951	1
85	10-1327-259		.LENS- SUPPLIER CODE: V72914 SPECIFICATION NUMBER: S417N511-131	108120	1
88	10-1327-99		.LENS- SUPPLIER CODE: V72914 SPECIFICATION NUMBER: S417N511-80	108120	1
90	10-1327-327		.LENS- SUPPLIER CODE: V72914 SPECIFICATION NUMBER: S417N511-190	950951	1
90	10-1327-113		.LENS- SUPPLIER CODE: V72914 SPECIFICATION NUMBER: S417N511-97	108120	1
93	10-1327-201		.LENS- SUPPLIER CODE: V72914 SPECIFICATION NUMBER: S417N511-88	108120	1

MISSING ITEM NUMBERS NOT APPLICABLE

- ITEM NOT ILLUSTRATED

33-21-00-17

33-21-00
FIG. 17
PAGE 2
JAN 20/09

BRI

BOEING PROPRIETARY - Copyright © - Unpublished Work - See title page for details.



757

PARTS CATALOG (MAINTENANCE)

FIG ITEM	PART NUMBER	1 2 3 4 5 6 7	NOMENCLATURE	EFFECT FROM TO	UNITS PER ASSY
17					
95	10-1327-167		.LENS ASSY- SUPPLIER CODE: V72914 SPECIFICATION NUMBER: S417N511-140	950951	20
98	10-1327-109		.LENS- SUPPLIER CODE: V72914 SPECIFICATION NUMBER: S417N511-93	108120	1
99	10-1327-40		.LENS- SUPPLIER CODE: V72914 SPECIFICATION NUMBER: S417N511-40	108120	20
110	10-1327-257		.LENS- SUPPLIER CODE: V72914 SPECIFICATION NUMBER: S417N511-130	108120	1
110	10-1327-319		.LENS- SUPPLIER CODE: V72914 SPECIFICATION NUMBER: S417N511-184	950951	1
115	10-1327-255		.LENS ASSY- SUPPLIER CODE: V72914 SPECIFICATION NUMBER: S417N511-129	108120	1
115	10-1327-323		.LENS- SUPPLIER CODE: V72914 SPECIFICATION NUMBER: S417N511-186	950951	1
125	10-1327-529		.LENS- SUPPLIER CODE: V72914 SPECIFICATION NUMBER: S417N511-286A	108120	1
125	10-1327-315		.LENS- SUPPLIER CODE: V72914 SPECIFICATION NUMBER: S417N511-182	950951	1

MISSING ITEM NUMBERS NOT APPLICABLE

- ITEM NOT ILLUSTRATED

33-21-00-17

33-21-00
FIG. 17
PAGE 3
JAN 20/09

BRI

BOEING PROPRIETARY - Copyright © - Unpublished Work - See title page for details.



757

PARTS CATALOG (MAINTENANCE)

FIG ITEM	PART NUMBER	1 2 3 4 5 6 7	NOMENCLATURE	EFFECT FROM TO	UNITS PER ASSY
17 130	10-1327-363		.LENS- SUPPLIER CODE: V72914 SPECIFICATION NUMBER: S417N511-168	950951	1
135	10-1327-395		.LENS ASSY- SUPPLIER CODE: V72914 SPECIFICATION NUMBER: S417N511-187	950951	1
137	5106WW		.LAMP-FLUOR SUPPLIER CODE: V08806	108120	2
140	F6T5WW		.LAMP-FLUOR SUPPLIER CODE: V08806 OPTIONAL PART: 5106WW V08806	950951	3
140	5106WW		.LAMP-FLUOR SUPPLIER CODE: V08806 OPTIONAL PART: F6T5WW V08806	950951	3
150	F18T5WQRS		.LAMP-FLUOR SUPPLIER CODE: V52343	950951	23
153	F18T5WQRS		.LAMP-FLUOR SUPPLIER CODE: V52343	108120	24
155	F13T5WW		.LAMP-FLUOR SUPPLIER CODE: V13545 OPTIONAL PART: 5113WW V08806	950951	1
155	5113WW		.LAMP-FLUOR SUPPLIER CODE: V08806 OPTIONAL PART: F13T5WW V13545	950951	1

MISSING ITEM NUMBERS NOT APPLICABLE

- ITEM NOT ILLUSTRATED

33-21-00-17

33-21-00
FIG. 17
PAGE 4
JAN 20/09

BRI



757

PARTS CATALOG (MAINTENANCE)

FIG ITEM	PART NUMBER	1 2 3 4 5 6 7	NOMENCLATURE	EFFECT FROM TO	UNITS PER ASSY
17 160	10-1327-3		.LIGHT ASSY- SUPPLIER CODE: V72914 SPECIFICATION NUMBER: S417N511-3 COMPONENT MAINT MANUAL REF: 33-20-51 FOR DETAILS SEE: 33-21-51-90	950951	3
160	10-1733-3		.LIGHT ASSY- SUPPLIER CODE: V72914 SPECIFICATION NUMBER: S417N511-8003 COMPONENT MAINT MANUAL REF: 33-21-39 FOR DETAILS SEE: 33-21-51-90	950951	3
167	10-1327-3		.LIGHT ASSY- SUPPLIER CODE: V72914 SPECIFICATION NUMBER: S417N511-3 COMPONENT MAINT MANUAL REF: 33-20-51 FOR DETAILS SEE: 33-21-51-90	108120	2
167	10-1733-3		.LIGHT ASSY- SUPPLIER CODE: V72914 SPECIFICATION NUMBER: S417N511-8003 COMPONENT MAINT MANUAL REF: 33-21-39 FOR DETAILS SEE: 33-21-51-90	108120	2
170	10-1327-1		.LIGHT ASSY- SUPPLIER CODE: V72914 SPECIFICATION NUMBER: S417N511-1 COMPONENT MAINT MANUAL REF: 33-20-51 FOR DETAILS SEE: 33-21-51-90	950951	13

MISSING ITEM NUMBERS NOT APPLICABLE

- ITEM NOT ILLUSTRATED

33-21-00-17

33-21-00
FIG. 17
PAGE 5
JAN 20/09

BRI



757

PARTS CATALOG (MAINTENANCE)

FIG ITEM	PART NUMBER	1 2 3 4 5 6 7	NOMENCLATURE	EFFECT FROM TO	UNITS PER ASSY
17 170	10-1733-1		.LIGHT ASSY- SUPPLIER CODE: V72914 SPECIFICATION NUMBER: S417N511-8001 COMPONENT MAINT MANUAL REF: 33-21-39 FOR DETAILS SEE: 33-21-51-90	950951	13
173	10-1327-1		.LIGHT ASSY- SUPPLIER CODE: V72914 SPECIFICATION NUMBER: S417N511-1 COMPONENT MAINT MANUAL REF: 33-20-51 FOR DETAILS SEE: 33-21-51-90	108120	14
173	10-1733-1		.LIGHT ASSY- SUPPLIER CODE: V72914 SPECIFICATION NUMBER: S417N511-8001 COMPONENT MAINT MANUAL REF: 33-21-39 FOR DETAILS SEE: 33-21-51-90	108120	14
175	10-1327-2		.LIGHT ASSY- SUPPLIER CODE: V72914 SPECIFICATION NUMBER: S417N511-2 COMPONENT MAINT MANUAL REF: 33-20-51 FOR DETAILS SEE: 33-21-51-90	108120 950951	10
175	10-1733-2		.LIGHT ASSY- SUPPLIER CODE: V72914 SPECIFICATION NUMBER: S417N511-8002 COMPONENT MAINT MANUAL REF: 33-21-39 FOR DETAILS SEE: 33-21-51-90	108120 950951	10

MISSING ITEM NUMBERS NOT APPLICABLE

- ITEM NOT ILLUSTRATED

33-21-00-17

33-21-00
FIG. 17
PAGE 6
JAN 20/09

BRI



757

PARTS CATALOG (MAINTENANCE)

FIG ITEM	PART NUMBER	1 2 3 4 5 6 7	NOMENCLATURE	EFFECT FROM TO	UNITS PER ASSY
17 180	10-1327-4		.LIGHT ASSY- SUPPLIER CODE: V72914 SPECIFICATION NUMBER: S417N511-4 COMPONENT MAINT MANUAL REF: 33-21-39 FOR DETAILS SEE: 33-21-51-90	108120 950951	1
180	10-1733-4		.LIGHT ASSY- SUPPLIER CODE: V72914 SPECIFICATION NUMBER: S417N511-8004 COMPONENT MAINT MANUAL REF: 33-21-39 FOR DETAILS SEE: 33-21-51-90	108120 950951	1
185	BACB30NM3K1		.BOLT	950951	78
192	BACS12GU3K6		.SCREW	108120	82
200	NAS1149D0316J		.WASHER	950951	78
205	NAS1149D0316J		.WASHER-	108120	83
215	NAS1149D0363J		.WASHER	950951	54
220	NAS1149D0363J		.WASHER	108120	58
			ATTACHING PARTS		
			-----*		

MISSING ITEM NUMBERS NOT APPLICABLE

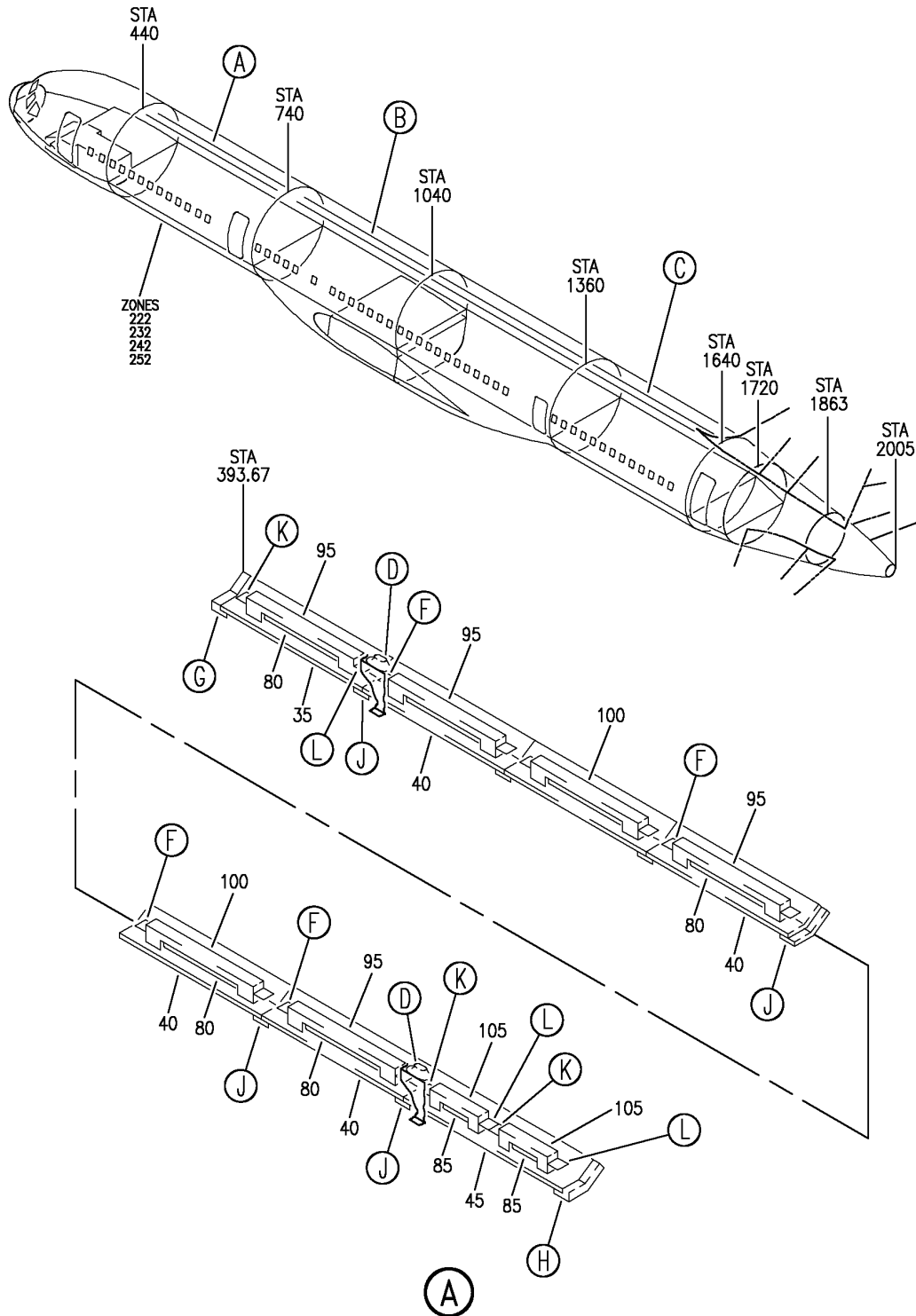
- ITEM NOT ILLUSTRATED

33-21-00-17

33-21-00
FIG. 17
PAGE 7
JAN 20/09

BRI

BOEING
757
PARTS CATALOG (MAINTENANCE)



Y 33210020A SHT 1 REV 253

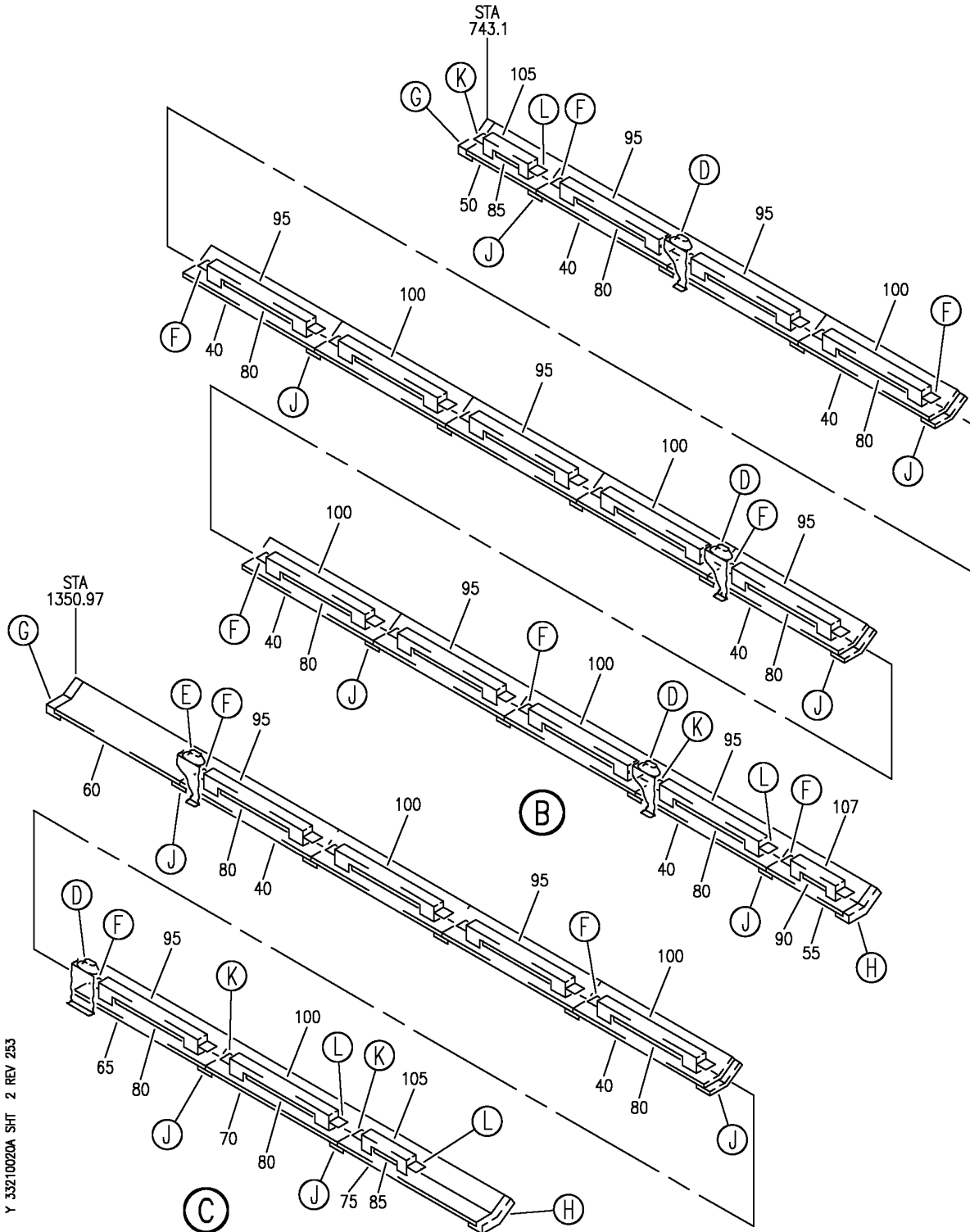
LIGHT INSTL-RH SIDEWALL
FIGURE 20A (SHEET 1)

33-21-00-20A

BRI
MAY 28/07

33-21-00-20A
PAGE 0

BOEING
757
PARTS CATALOG (MAINTENANCE)



Y 33210020A SHT 2 REV 253

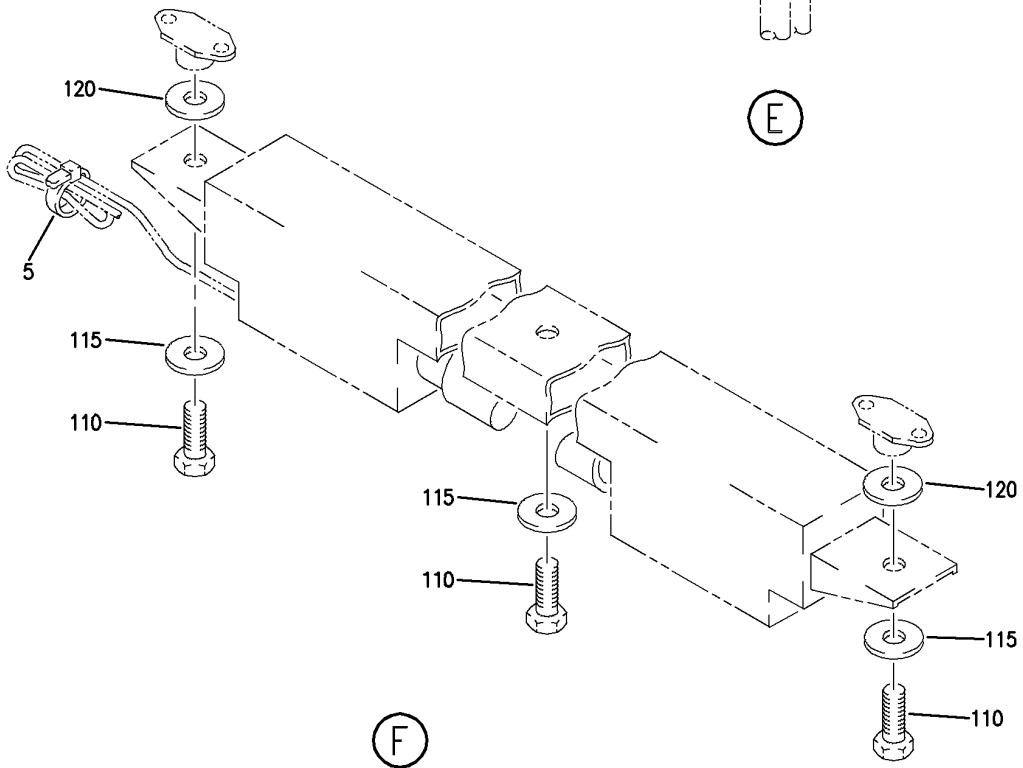
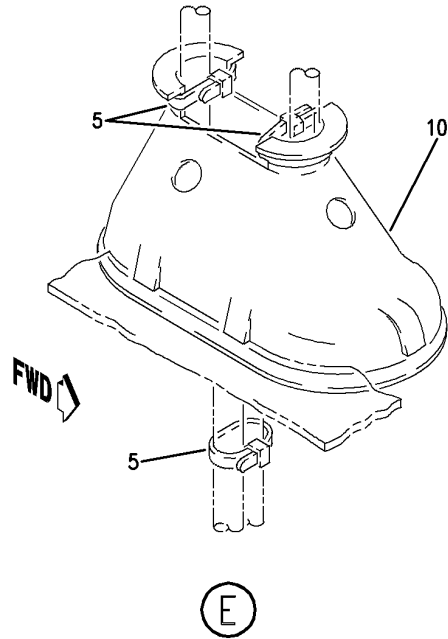
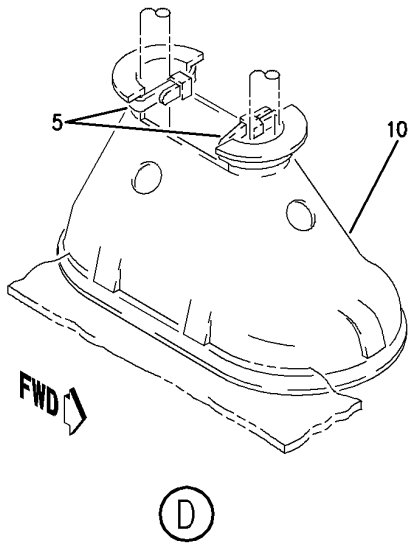
LIGHT INSTL-RH SIDEWALL
 FIGURE 20A (SHEET 2)

33-21-00-20A

BRI
 MAY 28/07

33-21-00-20A
 PAGE 0A

BOEING
757
PARTS CATALOG (MAINTENANCE)



Y. 33210020A SH1 3 REV 239

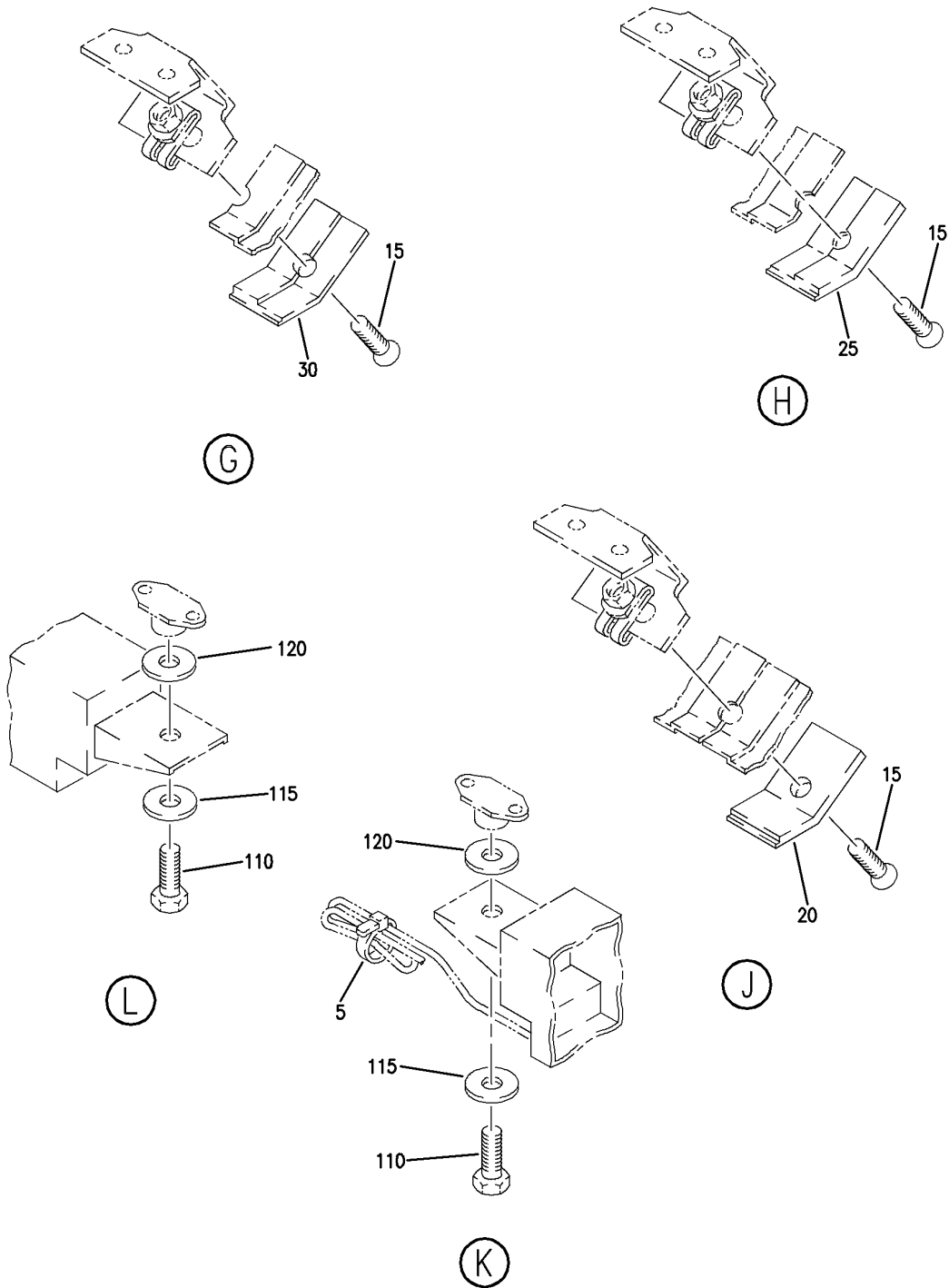
LIGHT INSTL-RH SIDEWALL
FIGURE 20A (SHEET 3)

33-21-00-20A

BRI
MAY 28/07

33-21-00-20A
PAGE 0B

BOEING
757
PARTS CATALOG (MAINTENANCE)



Y 33210020A SH1 4 REV 239

LIGHT INSTL-RH SIDEWALL
FIGURE 20A (SHEET 4)

33-21-00-20A

BRI
MAY 28/07

33-21-00-20A
PAGE 0C



757

PARTS CATALOG (MAINTENANCE)

FIG ITEM	PART NUMBER	1 2 3 4 5 6 7	NOMENCLATURE	EFFECT FROM TO	UNITS PER ASSY
20A					
- 1	417N5008-34		LIGHT INSTL-RH SIDEWALL LIGHT INSTL-SIDEWALL FOR NHA SEE: 33-20-51-03	011100 011017	RF
- 1	417N5008-42		LIGHT INSTL-SIDEWALL FOR NHA SEE: 33-20-51-03	018100	RF
5	T05R0		.STRAP-TIE SUPPLIER CODE: V53421 SPECIFICATION NUMBER: BACS38K1 OPTIONAL PART: PLT2SM V06383	011100	AR
10	417N5107-1		.GROMMET	011100	7
15	BACS12ER3K10		.SCREW	011100	AR
20	65C33289-107		.RETAINER-LENS	011100	26
25	65C33289-109		.RETAINER-LENS	011100	3
30	65C33289-110		.RETAINER-LENS	011100	3
35	10-1327-455		.LENS- SUPPLIER CODE: V72914 SPECIFICATION NUMBER: S417N511-246	011100	1
40	10-1327-167		.LENS ASSY- SUPPLIER CODE: V72914 SPECIFICATION NUMBER: S417N511-140	011100	21
45	10-1327-313		.LENS- SUPPLIER CODE: V72914 SPECIFICATION NUMBER: S417N511-181	011100	1
50	10-1327-315		.LENS- SUPPLIER CODE: V72914 SPECIFICATION NUMBER: S417N511-182	011100	1
55	10-1327-323		.LENS- SUPPLIER CODE: V72914 SPECIFICATION NUMBER: S417N511-186	011100	1

MISSING ITEM NUMBERS NOT APPLICABLE

- ITEM NOT ILLUSTRATED

33-21-00-20A

33-21-00
FIG. 20A
PAGE 1
JAN 20/09

BRI

BOEING PROPRIETARY - Copyright © - Unpublished Work - See title page for details.



757

PARTS CATALOG (MAINTENANCE)

FIG ITEM	PART NUMBER	1 2 3 4 5 6 7	NOMENCLATURE	EFFECT FROM TO	UNITS PER ASSY
20A 60	10-1327-319	. LENS-	SUPPLIER CODE: V72914 SPECIFICATION NUMBER: S417N511-184	011100	1
65	10-1327-327	. LENS-	SUPPLIER CODE: V72914 SPECIFICATION NUMBER: S417N511-190	011100	1
70	10-1327-329	. LENS-	SUPPLIER CODE: V72914 SPECIFICATION NUMBER: S417N511-191	011100	1
75	10-1327-321	. LENS-	SUPPLIER CODE: V72914 SPECIFICATION NUMBER: S417N511-185	011017	1
75	10-1327-485	. LENS-	SUPPLIER CODE: V72914 SPECIFICATION NUMBER: S417N511-267	018100	1
80	F18T5WWS	. LAMP-FLOUR.	SUPPLIER CODE: V52343	011100	24
85	F6T5WW	. LAMP-FLOUR.	SUPPLIER CODE: V08806 OPTIONAL PART: 5106WW V08806	011017	4
85	5106WW	. LAMP-FLOUR.	SUPPLIER CODE: V08806 OPTIONAL PART: F6T5WW V08806	011100	4
90	F13T5WW	. LAMP-FLOUR.	SUPPLIER CODE: V13545 OPTIONAL PART: 5113WW V08806	011017	1

MISSING ITEM NUMBERS NOT APPLICABLE

- ITEM NOT ILLUSTRATED

33-21-00-20A

33-21-00
FIG. 20A
PAGE 2
JAN 20/09

BRI



757

PARTS CATALOG (MAINTENANCE)

FIG ITEM	PART NUMBER	1 2 3 4 5 6 7	NOMENCLATURE	EFFECT FROM TO	UNITS PER ASSY
20A 90	5113WW		.LAMP-FLOUR. SUPPLIER CODE: V08806 OPTIONAL PART: F13T5WW V13545	011100	1
95	10-1327-1		.LIGHT ASSY- SUPPLIER CODE: V72914 SPECIFICATION NUMBER: S417N511-1 COMPONENT MAINT MANUAL REF: 33-20-51 FOR DETAILS SEE: 33-21-51-90	011100	14
95	10-1733-1		.LIGHT ASSY- SUPPLIER CODE: V72914 SPECIFICATION NUMBER: S417N511-8001 COMPONENT MAINT MANUAL REF: 33-21-39 FOR DETAILS SEE: 33-21-51-90	011100	14
100	10-1327-2		.LIGHT ASSY- SUPPLIER CODE: V72914 SPECIFICATION NUMBER: S417N511-2 COMPONENT MAINT MANUAL REF: 33-20-51 FOR DETAILS SEE: 33-21-51-90	011100	10
100	10-1733-2		.LIGHT ASSY- SUPPLIER CODE: V72914 SPECIFICATION NUMBER: S417N511-8002 COMPONENT MAINT MANUAL REF: 33-21-39 FOR DETAILS SEE: 33-21-51-90	011100	10

MISSING ITEM NUMBERS NOT APPLICABLE

- ITEM NOT ILLUSTRATED

33-21-00-20A

33-21-00
FIG. 20A
PAGE 3
JAN 20/09

BRI

BOEING
757
PARTS CATALOG (MAINTENANCE)

FIG ITEM	PART NUMBER	1 2 3 4 5 6 7	NOMENCLATURE	EFFECT FROM TO	UNITS PER ASSY
20A 105	10-1327-3		.LIGHT ASSY- SUPPLIER CODE: V72914 SPECIFICATION NUMBER: S417N511-3 COMPONENT MAINT MANUAL REF: 33-20-51 FOR DETAILS SEE: 33-21-51-90	011100	4
105	10-1733-3		.LIGHT ASSY- SUPPLIER CODE: V72914 SPECIFICATION NUMBER: S417N511-8003 COMPONENT MAINT MANUAL REF: 33-21-39 FOR DETAILS SEE: 33-21-51-90	011100	4
107	10-1327-4		.LIGHT ASSY- SUPPLIER CODE: V72914 SPECIFICATION NUMBER: S417N511-4 FOR DETAILS SEE: 33-21-51-90	011100	1
107	10-1733-4		.LIGHT ASSY- SUPPLIER CODE: V72914 SPECIFICATION NUMBER: S417N511-8004 COMPONENT MAINT MANUAL REF: 33-21-39 FOR DETAILS SEE: 33-21-51-90 ATTACHING PARTS	011100	1
110	BACB30NM3K1		.BOLT	011017	AR
110	BACS12GU3K6		.SCREW	018100	AR
115	NAS1149D0316J		.WASHER	011100	AR
120	NAS1149D0363J		.WASHER	011100	AR
			-----*-----		

MISSING ITEM NUMBERS NOT APPLICABLE

— ITEM NOT ILLUSTRATED

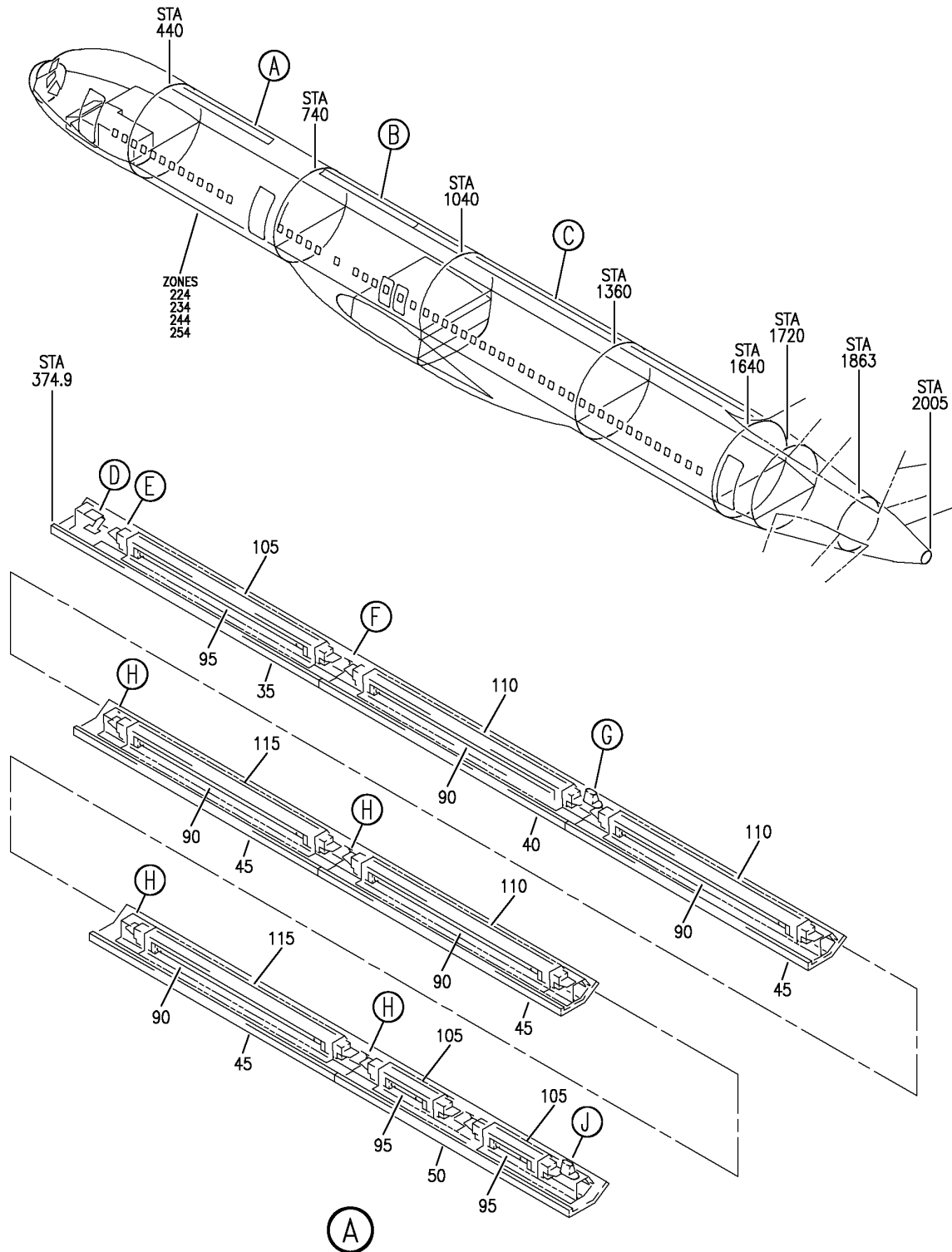
33-21-00-20A

33-21-00
FIG. 20A
PAGE 4
JAN 20/09

BRI

BOEING PROPRIETARY - Copyright © - Unpublished Work - See title page for details.

BOEING
757
PARTS CATALOG (MAINTENANCE)



Y 33210040 SHT 1 REV 253

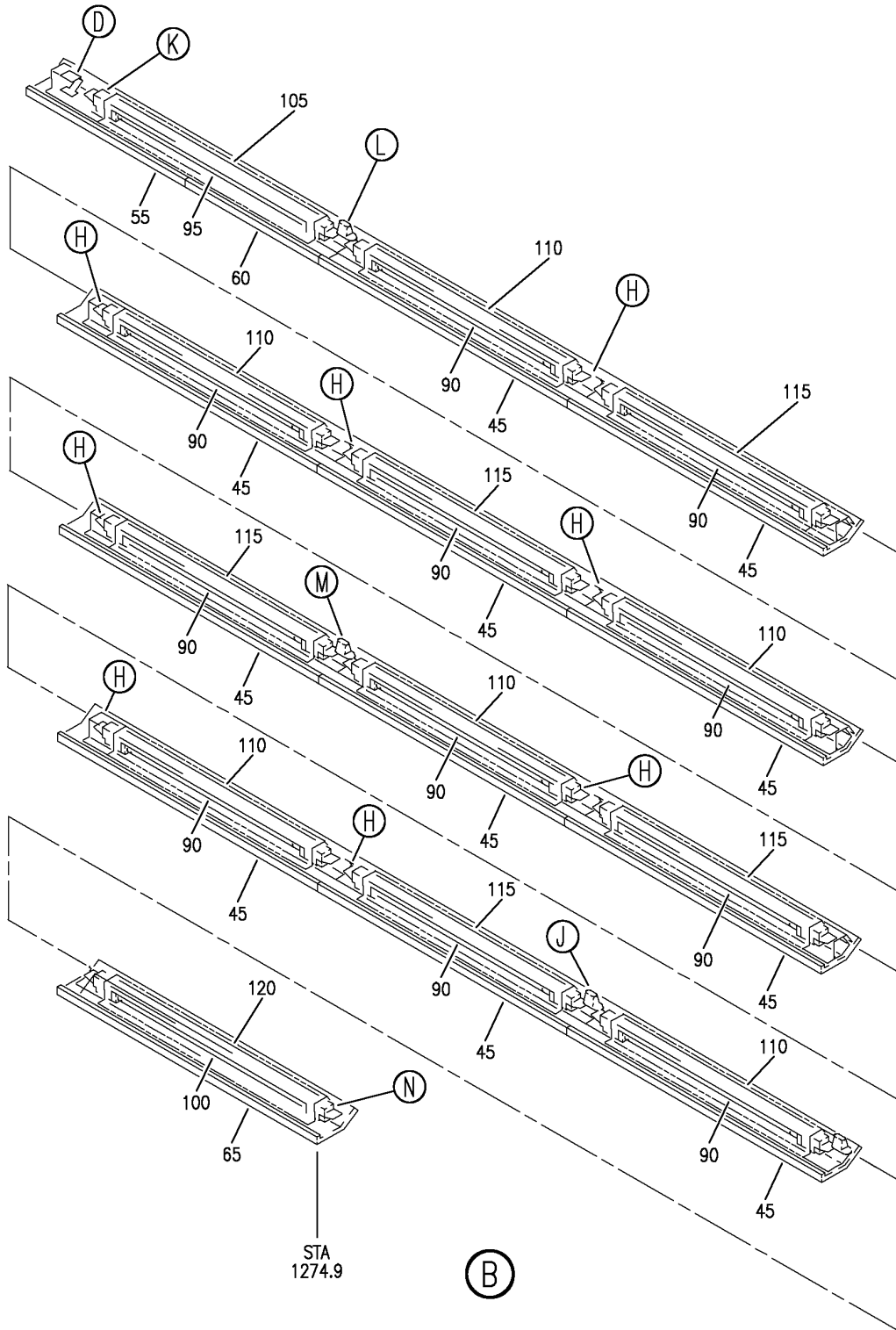
LIGHT INSTL-SIDEWALL RH
FIGURE 40 (SHEET 1)

33-21-00-40

BRI
JAN 20/09

33-21-00-40
PAGE 0

BOEING
757
PARTS CATALOG (MAINTENANCE)



Y 33210040 SHT 2 REV 253

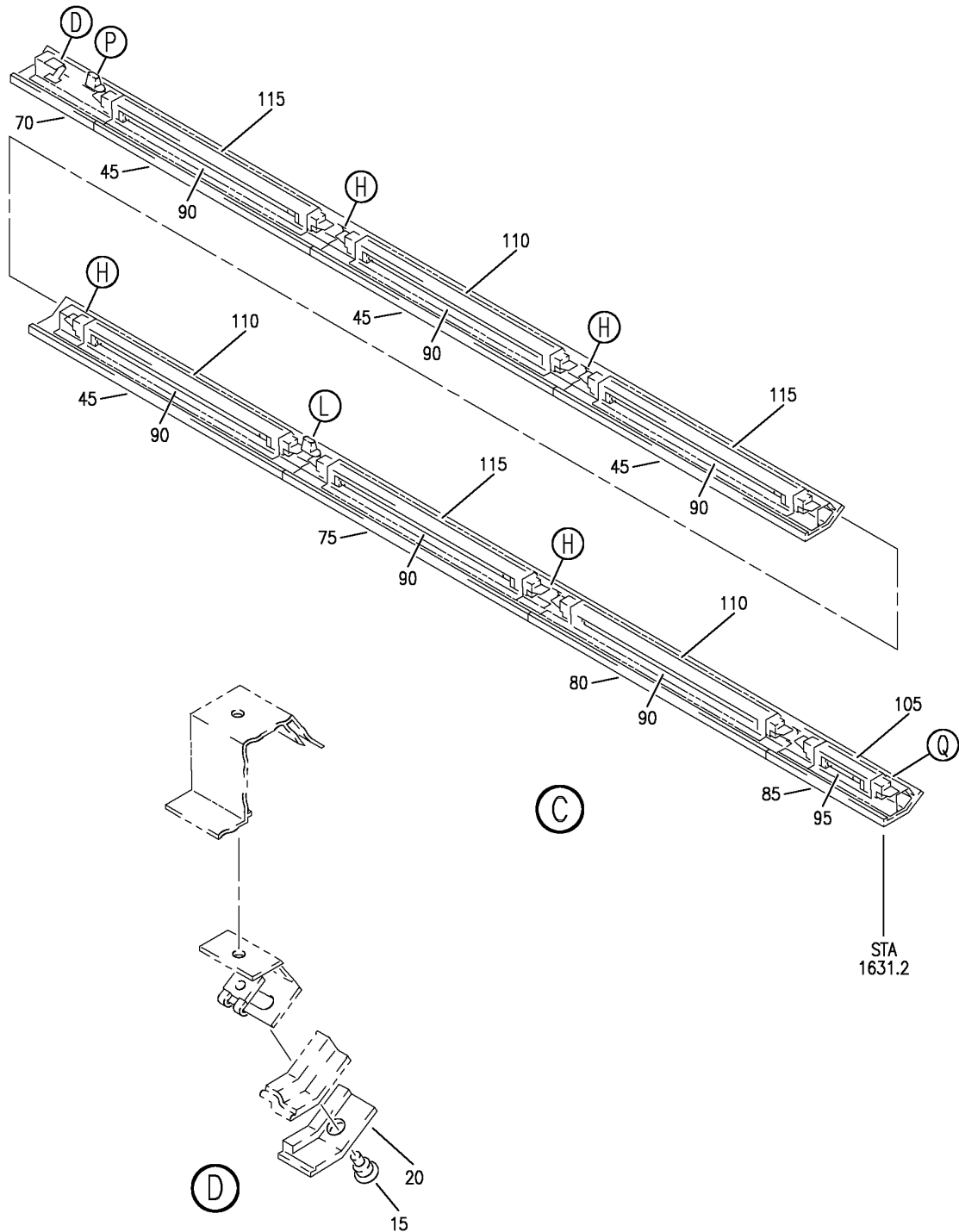
LIGHT INSTL-SIDEWALL RH
FIGURE 40 (SHEET 2)

33-21-00-40

BRI
JAN 20/09

33-21-00-40
PAGE 0A

BOEING
757
PARTS CATALOG (MAINTENANCE)



Y 33210040 SHT 3 REV 253

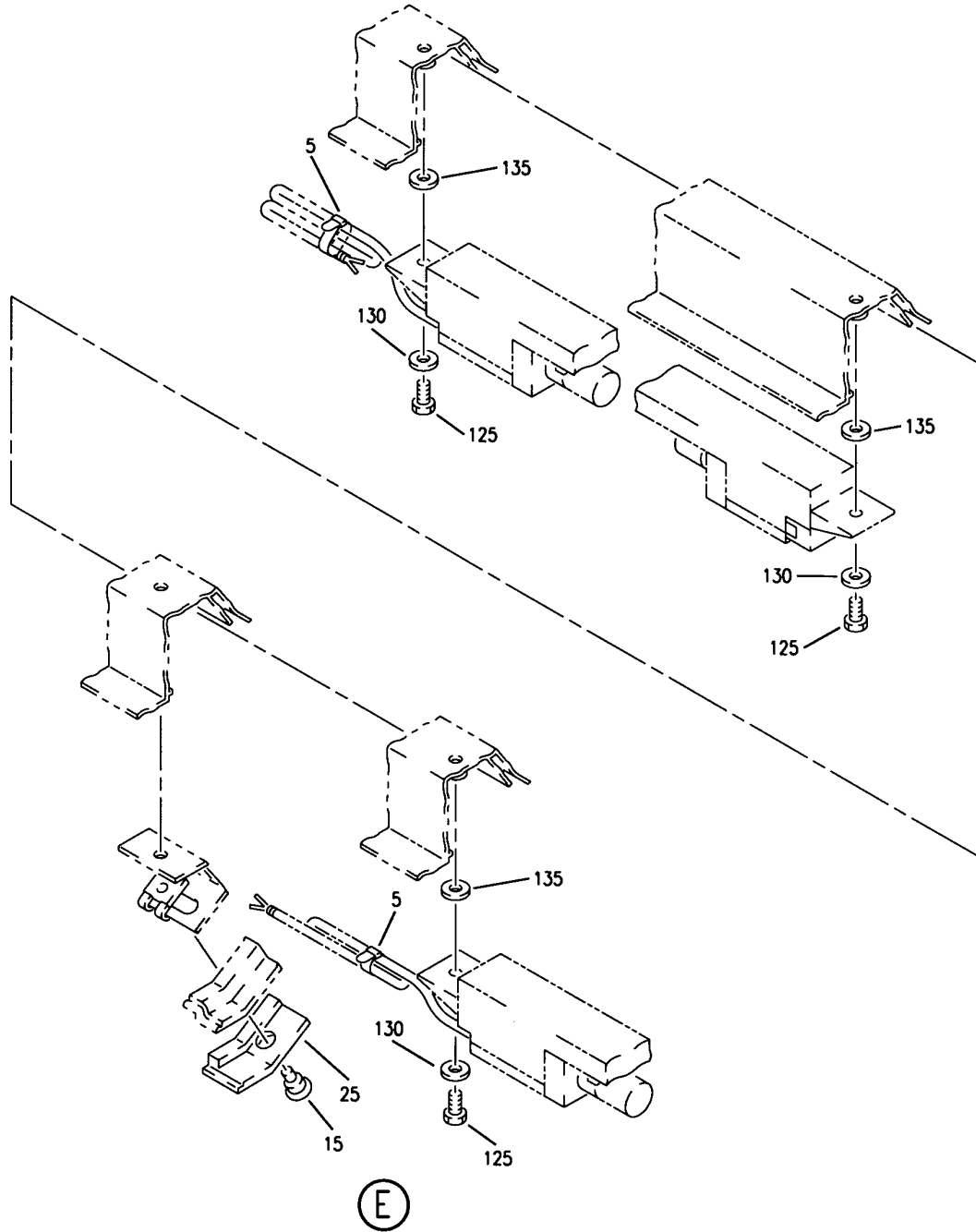
LIGHT INSTL-SIDEWALL RH
FIGURE 40 (SHEET 3)

33-21-00-40

BRI
JAN 20/09

33-21-00-40
PAGE 0B

BOEING
757
PARTS CATALOG (MAINTENANCE)



Y 33210040 SH 4 REV 200

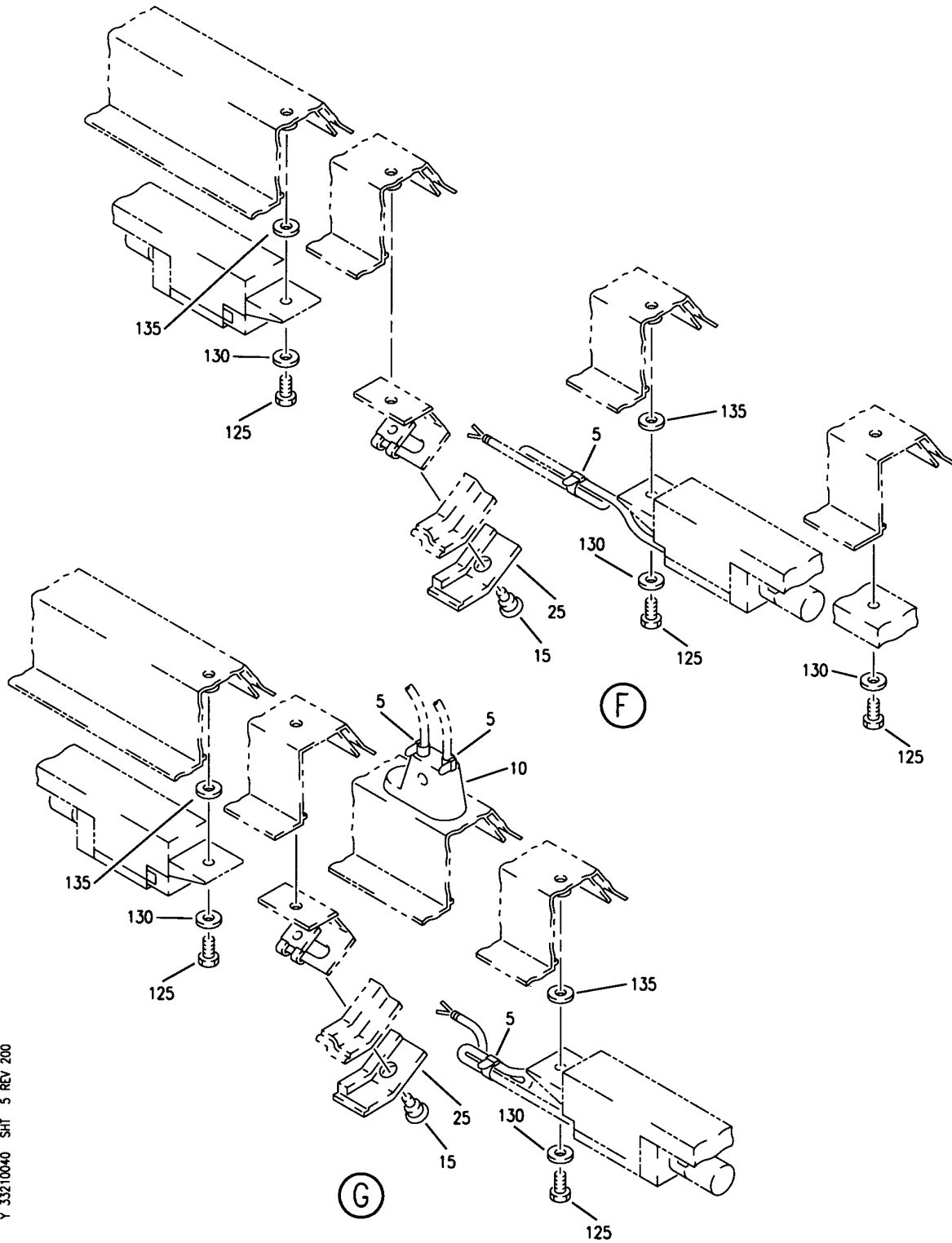
LIGHT INSTL-SIDEWALL RH
FIGURE 40 (SHEET 4)

33-21-00-40

BRI
JAN 20/09

33-21-00-40
PAGE 0C

BOEING
757
PARTS CATALOG (MAINTENANCE)



Y 33210040 SHT 5 REV 200

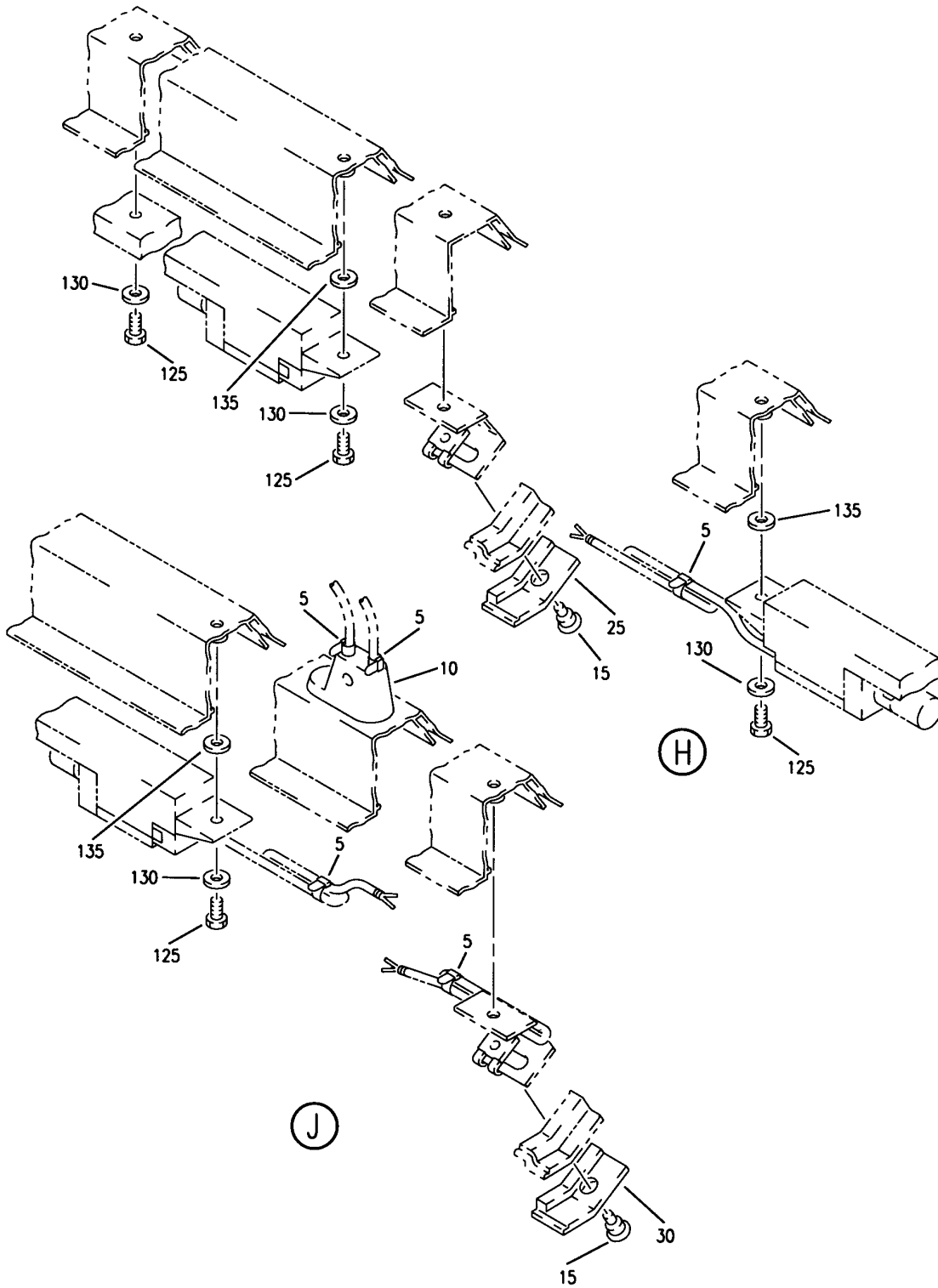
LIGHT INSTL-SIDEWALL RH
FIGURE 40 (SHEET 5)

33-21-00-40

BRI
JAN 20/09

33-21-00-40
PAGE 0D

BOEING
757
PARTS CATALOG (MAINTENANCE)



Y 33210040 SHT 6 REV 200

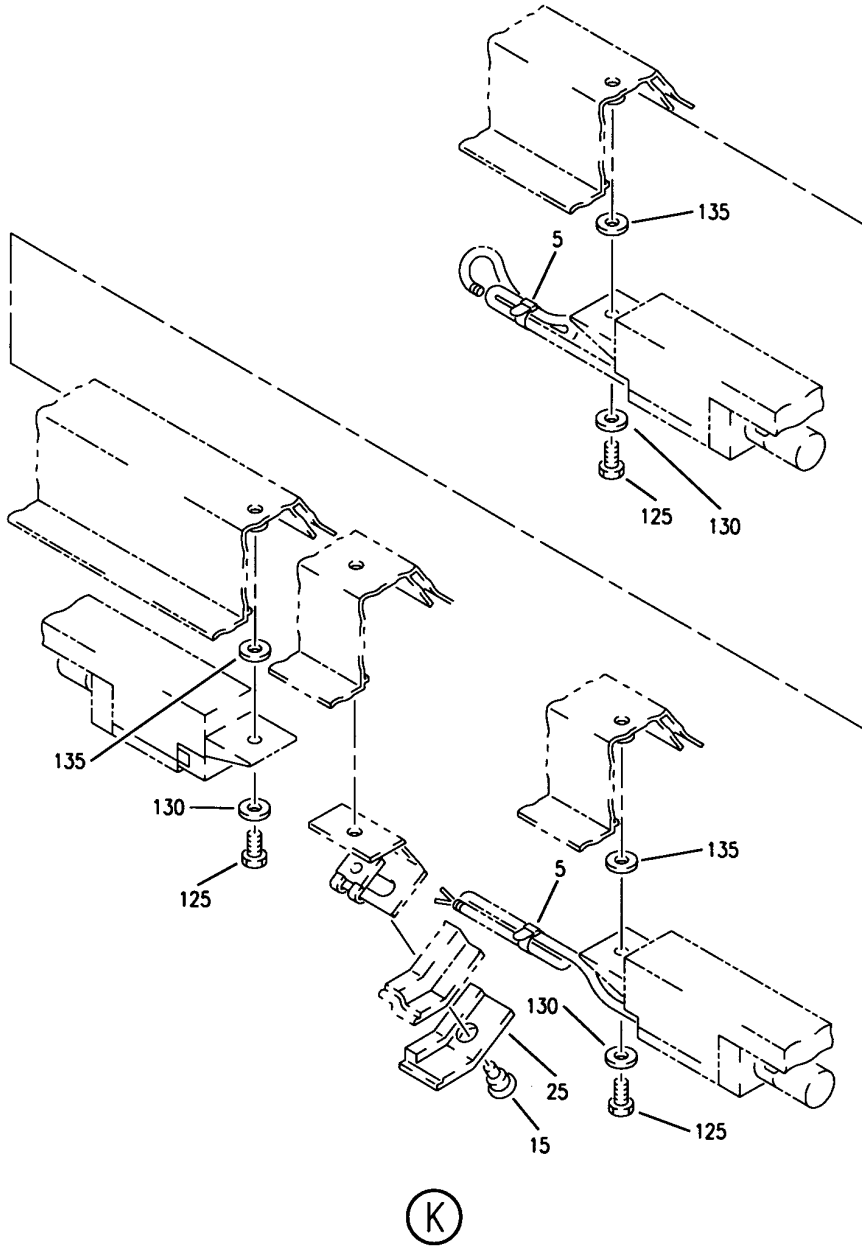
LIGHT INSTL-SIDEWALL RH
FIGURE 40 (SHEET 6)

33-21-00-40

BRI
JAN 20/09

33-21-00-40
PAGE 0E

BOEING
757
PARTS CATALOG (MAINTENANCE)



Y 33210040 SH1 7 REV 200

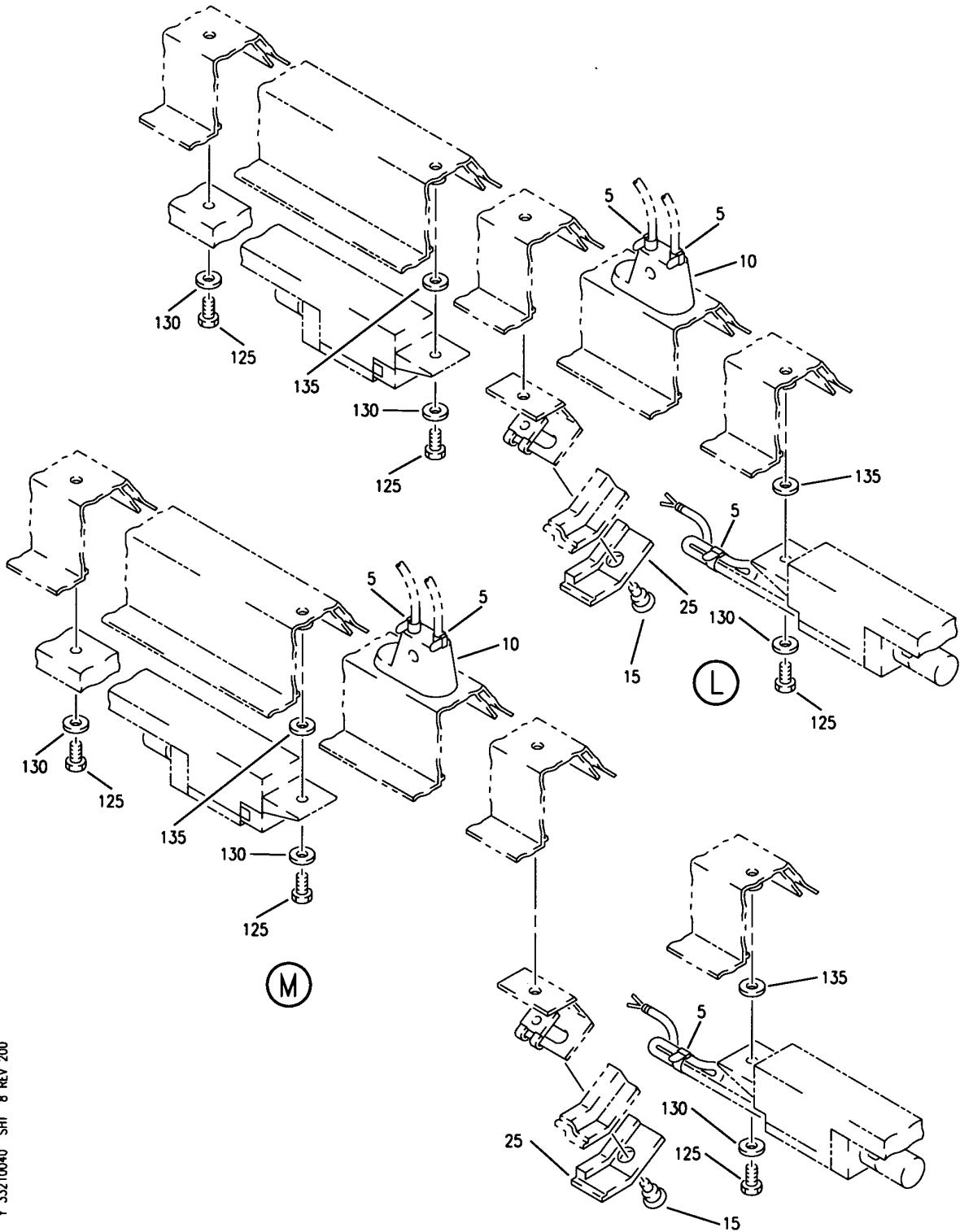
LIGHT INSTL-SIDEWALL RH
FIGURE 40 (SHEET 7)

33-21-00-40

BRI
JAN 20/09

33-21-00-40
PAGE OF

BOEING
757
PARTS CATALOG (MAINTENANCE)



Y 33210040 SHT 8 REV 200

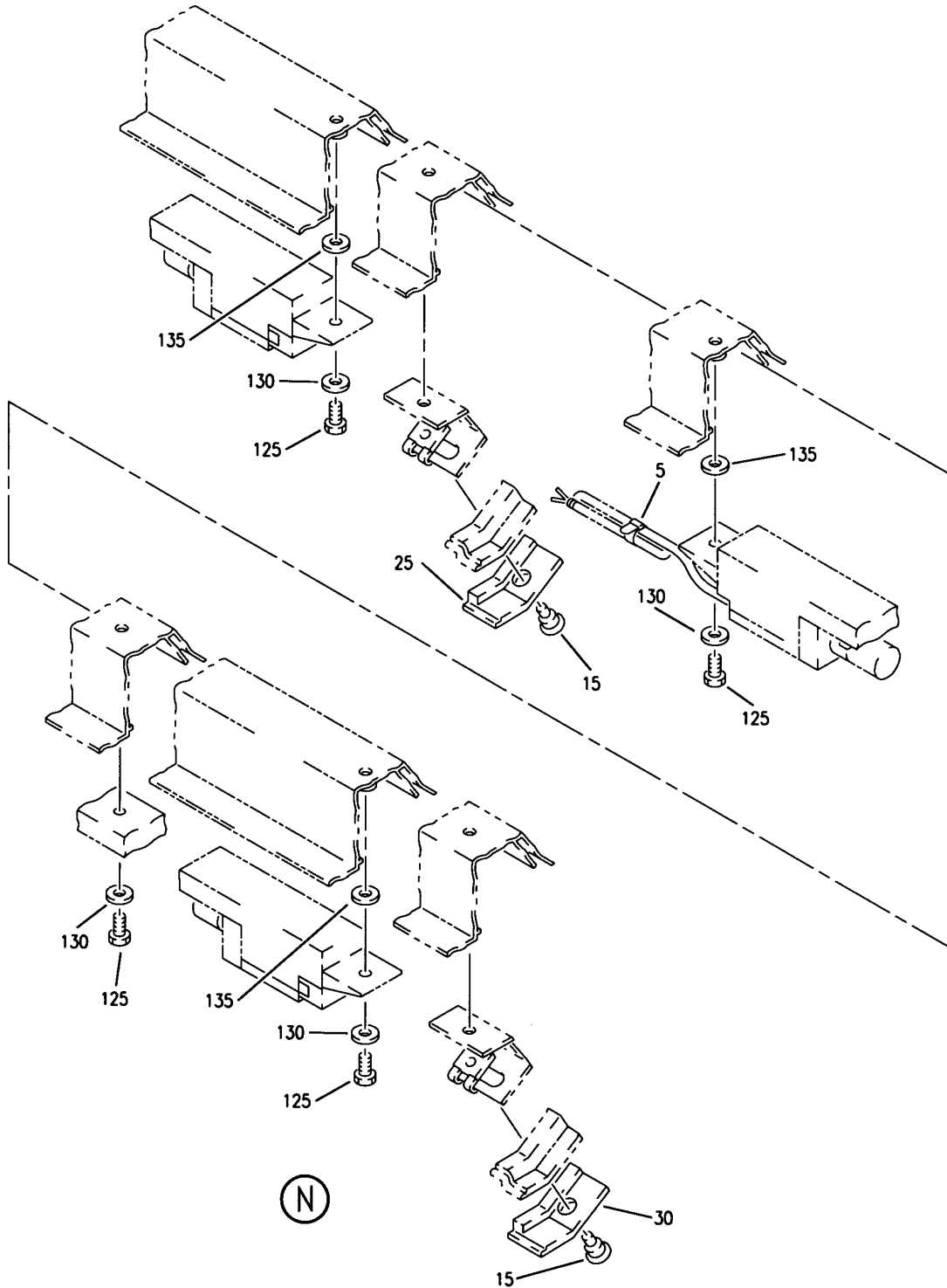
LIGHT INSTL-SIDEWALL RH
FIGURE 40 (SHEET 8)

33-21-00-40

BRI
JAN 20/09

33-21-00-40
PAGE 0G

BOEING
757
PARTS CATALOG (MAINTENANCE)



Y 33210040 SHT 9 REV 200

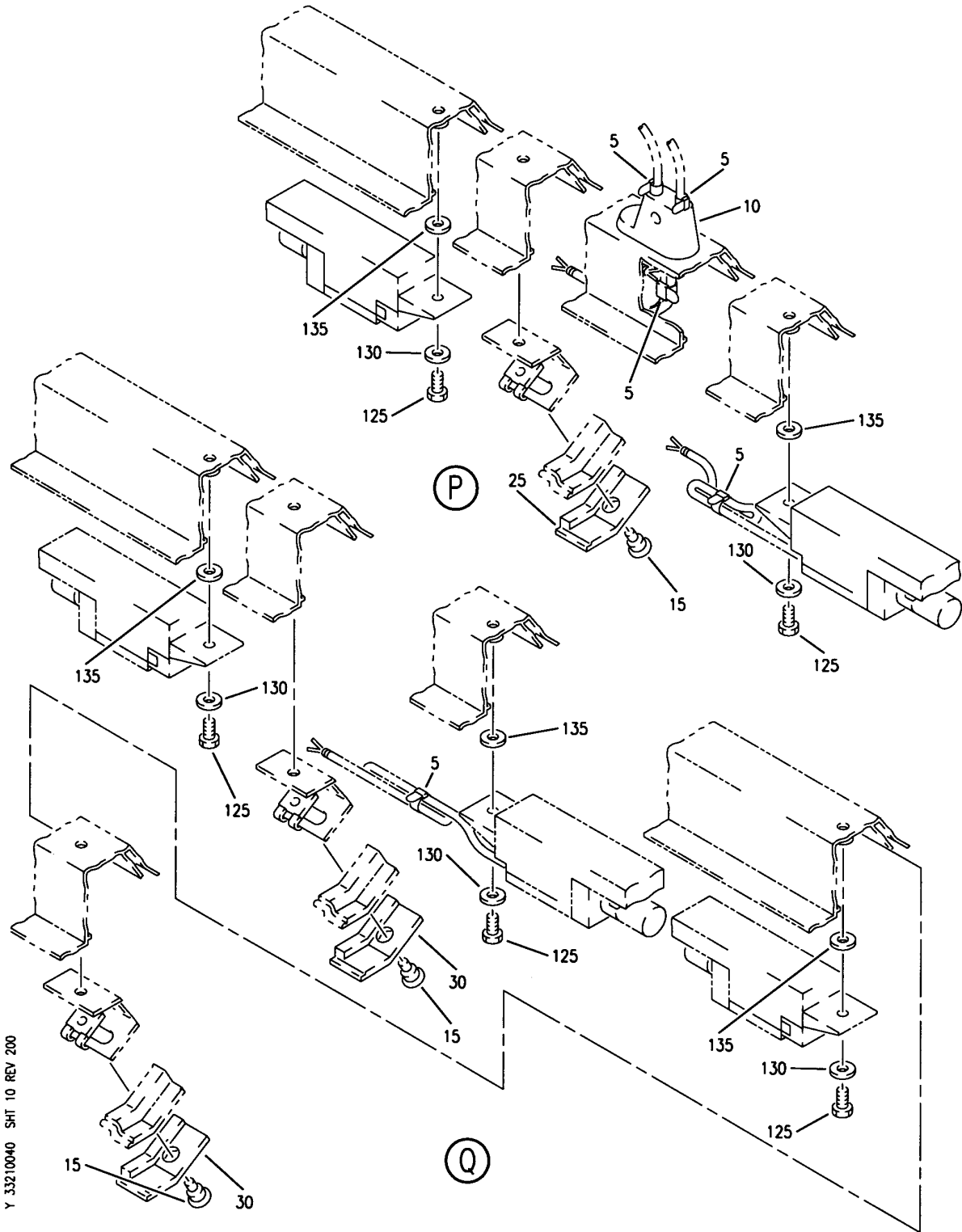
LIGHT INSTL-SIDEWALL RH
FIGURE 40 (SHEET 9)

33-21-00-40

BRI
JAN 20/09

33-21-00-40
PAGE 0H

BOEING
757
PARTS CATALOG (MAINTENANCE)



LIGHT INSTL-SIDEWALL RH
FIGURE 40 (SHEET 10)

33-21-00-40

BRI
JAN 20/09

33-21-00-40
PAGE 01



757

PARTS CATALOG (MAINTENANCE)

FIG ITEM	PART NUMBER	1 2 3 4 5 6 7	NOMENCLATURE	EFFECT FROM TO	UNITS PER ASSY
40			LIGHT INSTL-SIDEWALL RH	504903	
- 1	417N5008-95SP		LIGHT INSTL-SIDEWALL POSITION DATA: RH FOR NHA SEE: 25-20-00-11	504903	RF
5	T05R0		.STRAP-TIE SUPPLIER CODE: V53421 SPECIFICATION NUMBER: BACS38K1 OPTIONAL PART: PLT2SM V06383	504903	AR
10	417N5107-1		.GROMMET	504903	7
15	BACS12ER3K10		.SCREW	504903	AR
20	65C33289-110		.RETAINER-LENS	504903	3
25	65C33289-107		.RETAINER-LENS	504903	25
30	65C33289-109		.RETAINER-LENS	504903	3
35	10-1327-645		.LENS- SUPPLIER CODE: V72914 SPECIFICATION NUMBER: S417N511-319A	504903	1
40	10-1327-311		.LENS ASSY- SUPPLIER CODE: V72914 SPECIFICATION NUMBER: S417N511-180	504903	1
45	10-1327-793		.LENS ASSY- SUPPLIER CODE: V72914 SPECIFICATION NUMBER: S417N511-140B	504903	19
50	10-1327-821		.LENS- SUPPLIER CODE: V72914 SPECIFICATION NUMBER: S417N511-320B	504903	1
55	10-1327-787		.LENS- SUPPLIER CODE: V72914 SPECIFICATION NUMBER: S417N511-259B	504903	1
60	S417N511-393SP		.LENS-	504903	1

MISSING ITEM NUMBERS NOT APPLICABLE

- ITEM NOT ILLUSTRATED

33-21-00-40

33-21-00
FIG. 40
PAGE 1
JAN 20/09

BRI



757

PARTS CATALOG (MAINTENANCE)

FIG ITEM	PART NUMBER	1 2 3 4 5 6 7	NOMENCLATURE	EFFECT FROM TO	UNITS PER ASSY
40					
65	10-1327-323	. LENS-	SUPPLIER CODE: V72914 SPECIFICATION NUMBER: S417N511-186	504903	1
70	10-1327-319	. LENS-	SUPPLIER CODE: V72914 SPECIFICATION NUMBER: S417N511-184	504903	1
75	10-1327-327	. LENS-	SUPPLIER CODE: V72914 SPECIFICATION NUMBER: S417N511-190	504903	1
80	10-1327-329	. LENS-	SUPPLIER CODE: V72914 SPECIFICATION NUMBER: S417N511-191	504903	1
85	10-1327-321	. LENS-	SUPPLIER CODE: V72914 SPECIFICATION NUMBER: S417N511-185	504903	1
90	F18T5WWS	. LAMP-FLUOR	SUPPLIER CODE: V52343	504903	22
95	5106WW	. LAMP-FLUOR	SUPPLIER CODE: V08806	504903	5
100	5113WW	. LAMP-FLUOR	SUPPLIER CODE: V08806	504903	1
105	10-1327-3	. LIGHT ASSY-	SUPPLIER CODE: V72914 SPECIFICATION NUMBER: S417N511-3 COMPONENT MAINT MANUAL REF: 33-20-51 FOR DETAILS SEE: 33-21-51-90	504903	5

MISSING ITEM NUMBERS NOT APPLICABLE

- ITEM NOT ILLUSTRATED

BRI

33-21-00-40

BOEING PROPRIETARY - Copyright © - Unpublished Work - See title page for details.

33-21-00
FIG. 40
PAGE 2
JAN 20/09



757

PARTS CATALOG (MAINTENANCE)

FIG ITEM	PART NUMBER	1 2 3 4 5 6 7	NOMENCLATURE	EFFECT FROM TO	UNITS PER ASSY
40 105	10-1733-3		.LIGHT ASSY- SUPPLIER CODE: V72914 SPECIFICATION NUMBER: S417N511-8003 COMPONENT MAINT MANUAL REF: 33-21-39 FOR DETAILS SEE: 33-21-51-90	504903	5
110	10-1327-1		.LIGHT ASSY- SUPPLIER CODE: V72914 SPECIFICATION NUMBER: S417N511-1 COMPONENT MAINT MANUAL REF: 33-20-51 FOR DETAILS SEE: 33-21-51-90	504903	12
110	10-1733-1		.LIGHT ASSY- SUPPLIER CODE: V72914 SPECIFICATION NUMBER: S417N511-8001 COMPONENT MAINT MANUAL REF: 33-21-39 FOR DETAILS SEE: 33-21-51-90	504903	12
115	10-1327-2		.LIGHT ASSY- SUPPLIER CODE: V72914 SPECIFICATION NUMBER: S417N511-2 COMPONENT MAINT MANUAL REF: 33-20-51 FOR DETAILS SEE: 33-21-51-90	504903	10
115	10-1733-2		.LIGHT ASSY- SUPPLIER CODE: V72914 SPECIFICATION NUMBER: S417N511-8002 COMPONENT MAINT MANUAL REF: 33-21-39 FOR DETAILS SEE: 33-21-51-90	504903	10

MISSING ITEM NUMBERS NOT APPLICABLE

- ITEM NOT ILLUSTRATED

33-21-00-40

33-21-00
FIG. 40
PAGE 3
JAN 20/09

BRI



757

PARTS CATALOG (MAINTENANCE)

FIG ITEM	PART NUMBER	1 2 3 4 5 6 7	NOMENCLATURE	EFFECT FROM TO	UNITS PER ASSY
40 120	10-1327-4		.LIGHT ASSY- SUPPLIER CODE: V72914 SPECIFICATION NUMBER: S417N511-4 COMPONENT MAINT MANUAL REF: 33-20-51 FOR DETAILS SEE: 33-21-51-90	504903	1
120	10-1733-4		.LIGHT ASSY- SUPPLIER CODE: V72914 SPECIFICATION NUMBER: S417N511-8004 COMPONENT MAINT MANUAL REF: 33-21-39 FOR DETAILS SEE: 33-21-51-90	504903	1
125	BACS12GU3K6		ATTACHING PARTS .SCREW	504903	AR
130	NAS1149D0316J		.WASHER	504903	AR
135	NAS1149D0363J		.WASHER- POSITION DATA: FS -----*-----	504903	AR

MISSING ITEM NUMBERS NOT APPLICABLE

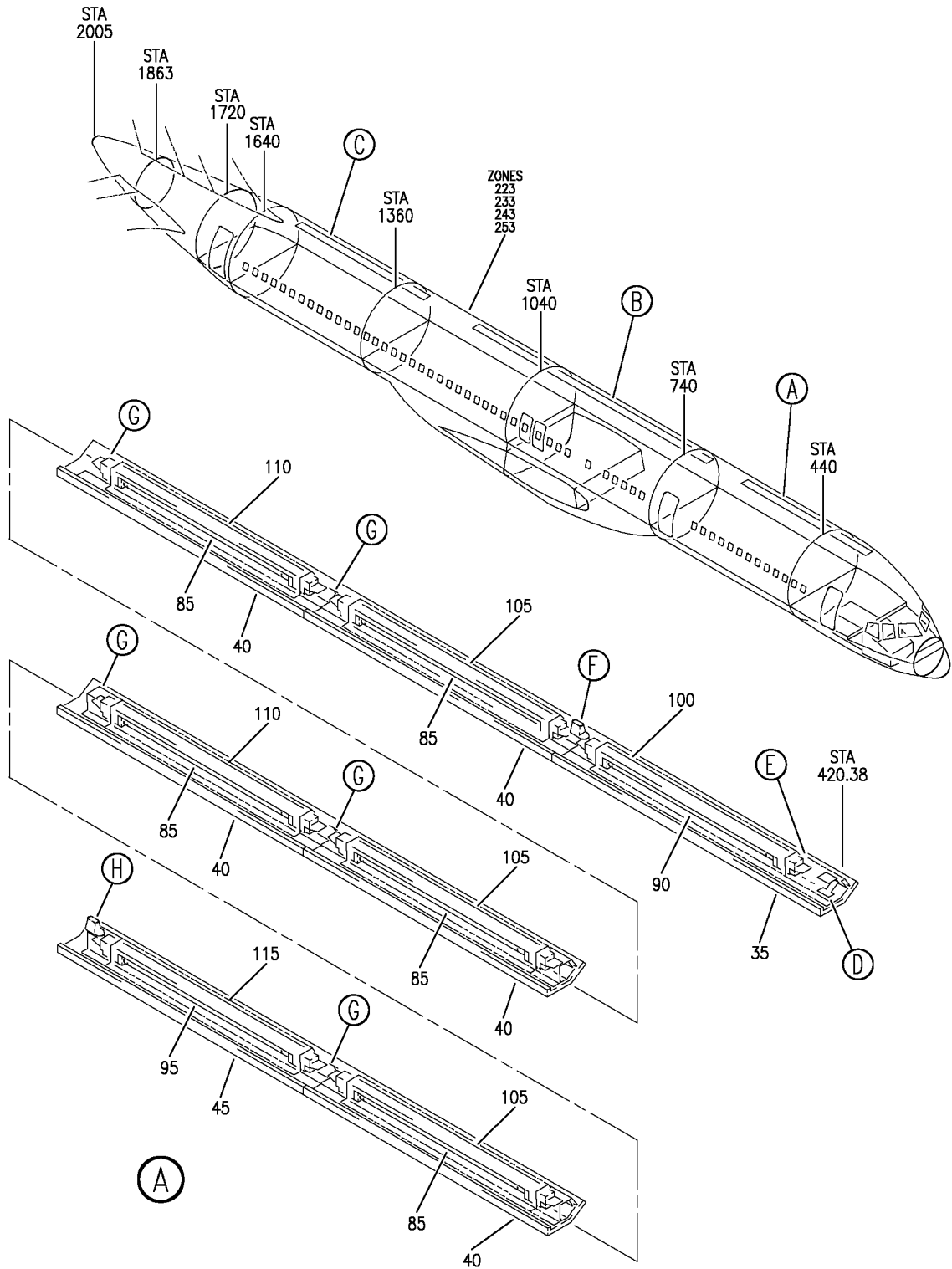
- ITEM NOT ILLUSTRATED

33-21-00-40

33-21-00
FIG. 40
PAGE 4
JAN 20/09

BRI

BOEING
757
PARTS CATALOG (MAINTENANCE)



Y 33210041 SHT 1 REV 253

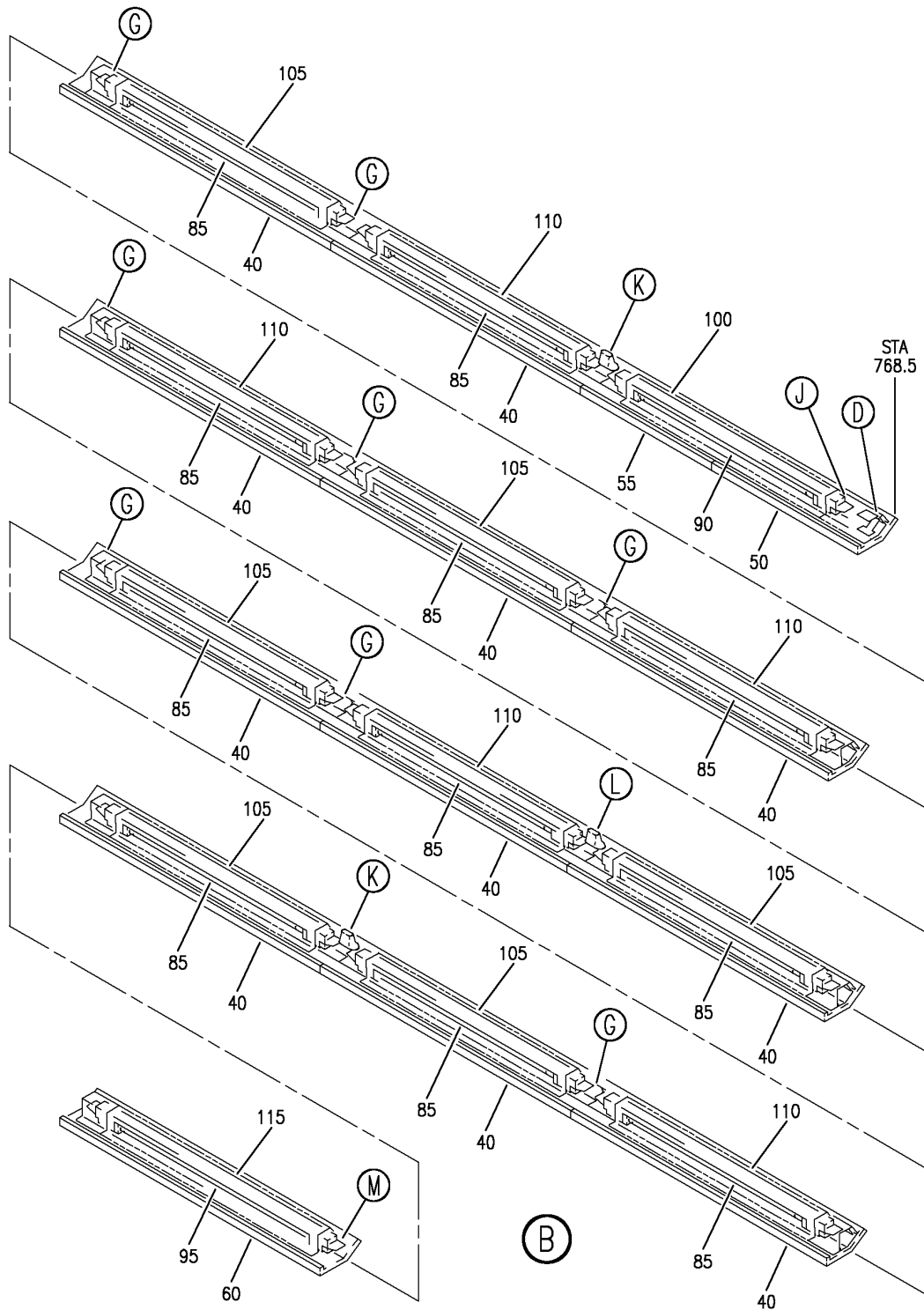
LIGHT INSTL-SIDEWALL LH
FIGURE 41 (SHEET 1)

33-21-00-41

BRI
JAN 20/09

33-21-00-41
PAGE 0

BOEING
757
PARTS CATALOG (MAINTENANCE)



Y 33210041 SHT 2 REV 253

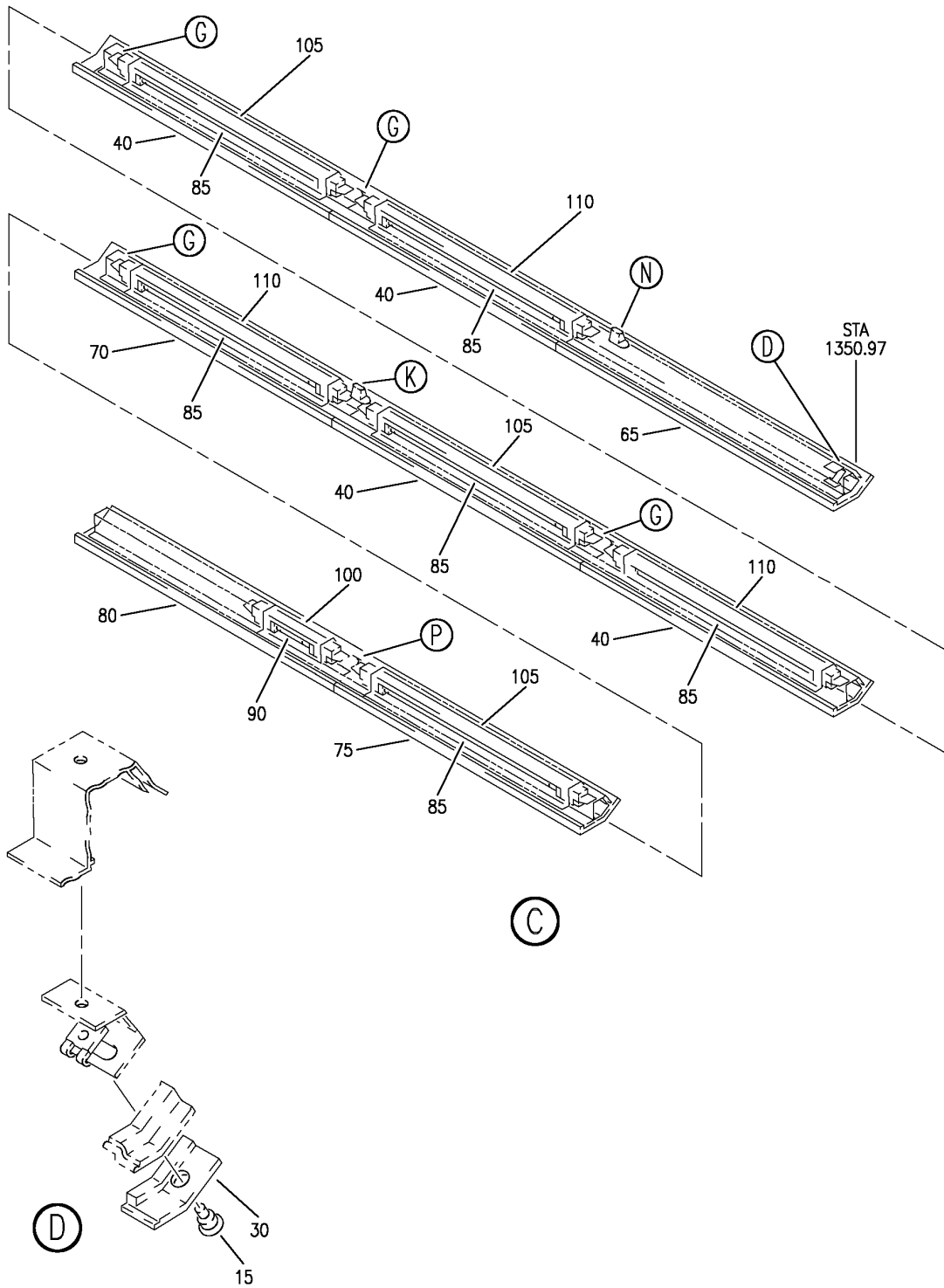
LIGHT INSTL-SIDEWALL LH
FIGURE 41 (SHEET 2)

33-21-00-41

BRI
JAN 20/09

33-21-00-41
PAGE 0A

BOEING
757
PARTS CATALOG (MAINTENANCE)



Y 33210041 SHT 3 REV 253

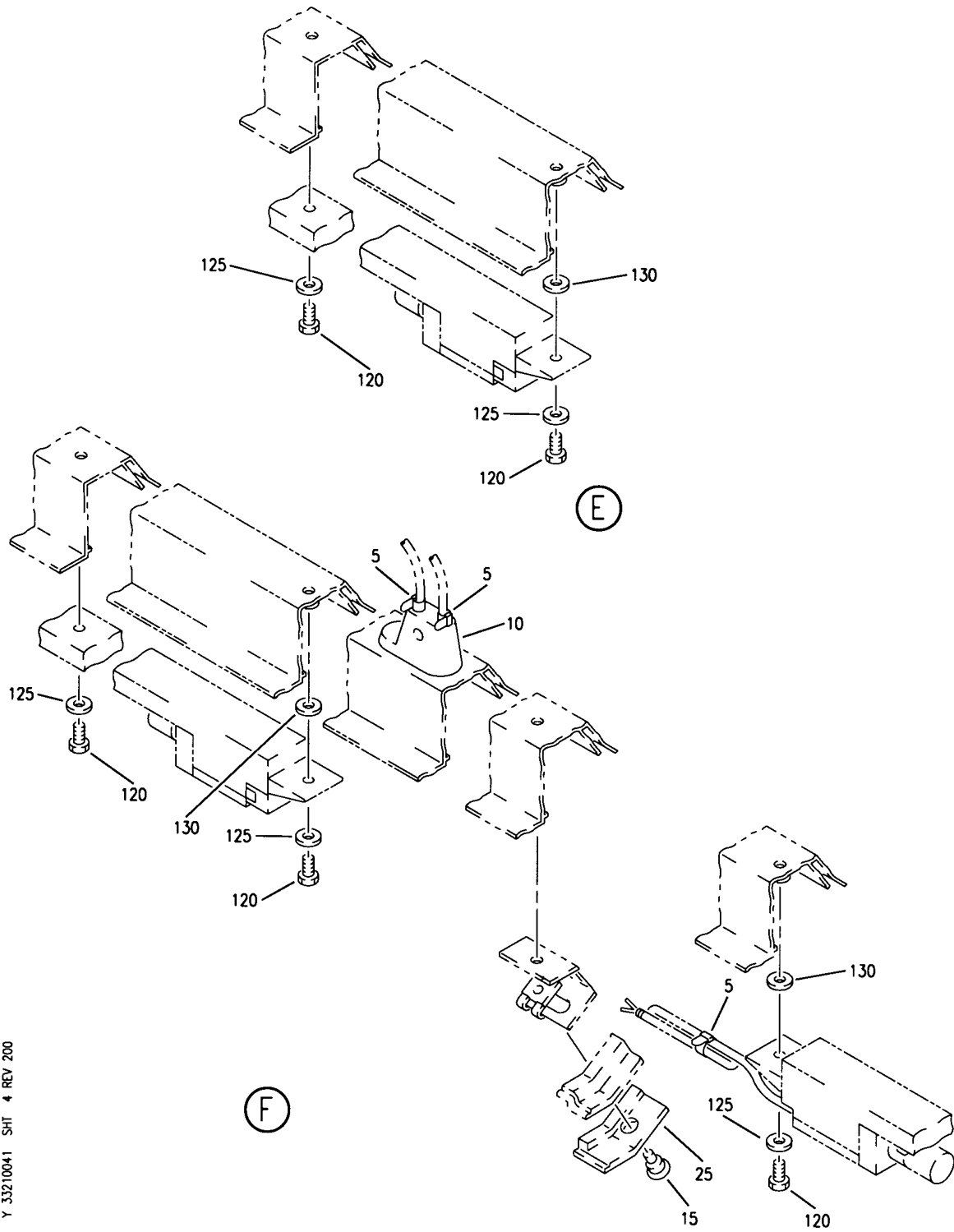
LIGHT INSTL-SIDEWALL LH
FIGURE 41 (SHEET 3)

33-21-00-41

BRI
JAN 20/09

33-21-00-41
PAGE 0B

BOEING
757
PARTS CATALOG (MAINTENANCE)



Y 33210041 SHT 4 REV 200

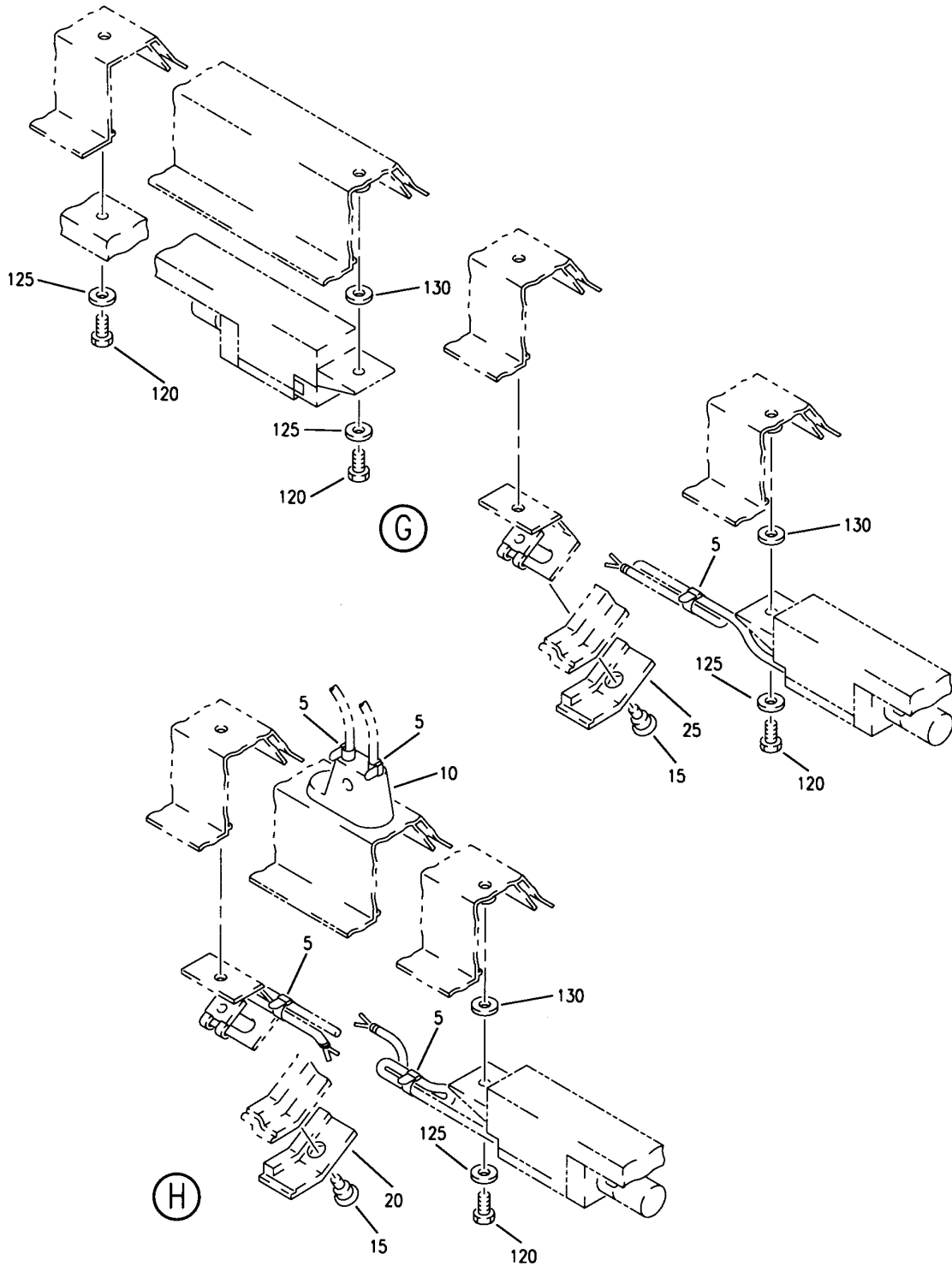
LIGHT INSTL-SIDEWALL LH
FIGURE 41 (SHEET 4)

33-21-00-41

BRI
JAN 20/09

33-21-00-41
PAGE 0C

BOEING
757
PARTS CATALOG (MAINTENANCE)



Y 33210041 SHT 5 REV 200

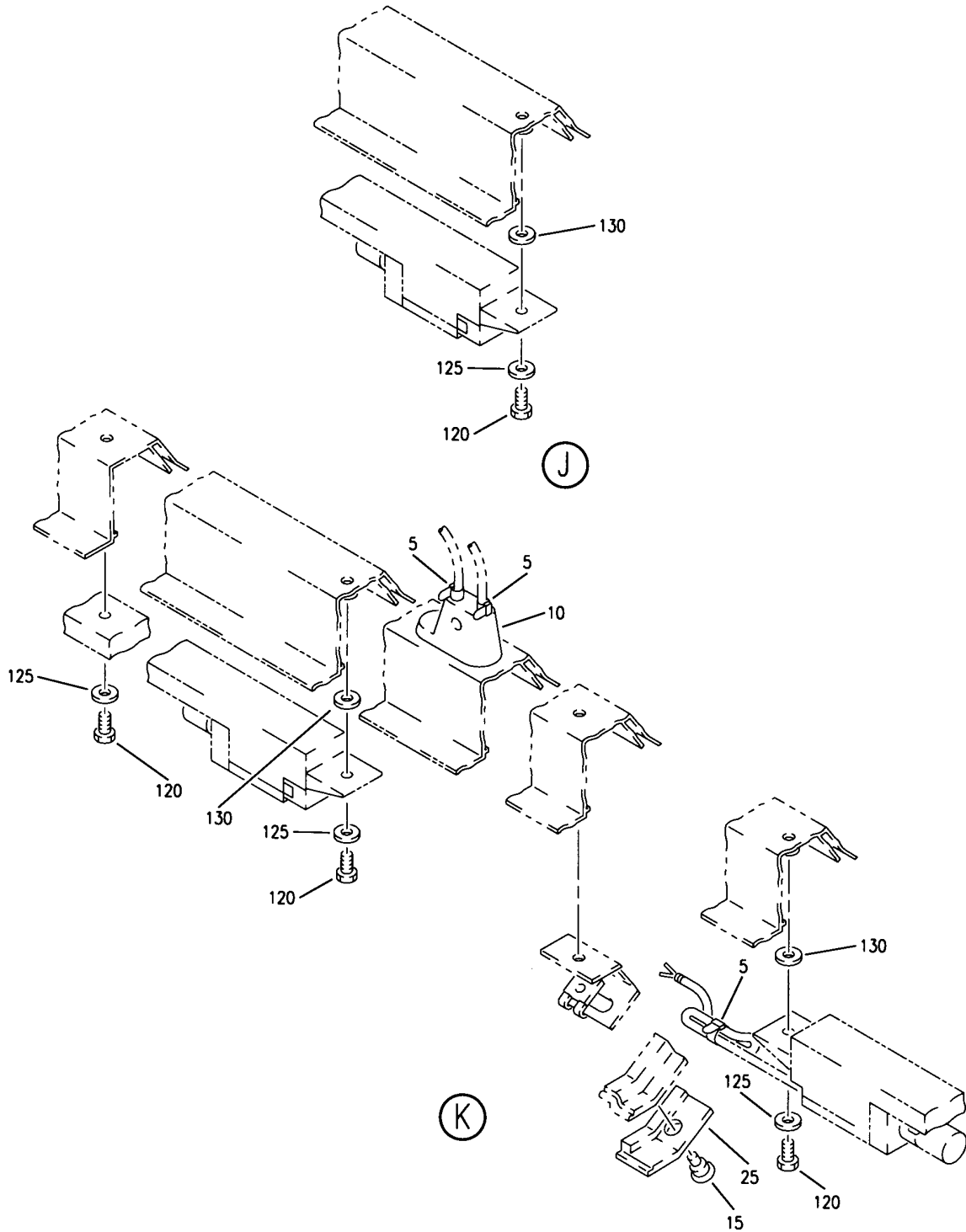
LIGHT INSTL-SIDEWALL LH
FIGURE 41 (SHEET 5)

33-21-00-41

BRI
JAN 20/09

33-21-00-41
PAGE 0D

BOEING
757
PARTS CATALOG (MAINTENANCE)



Y 33210041 SHT 6 REV 200

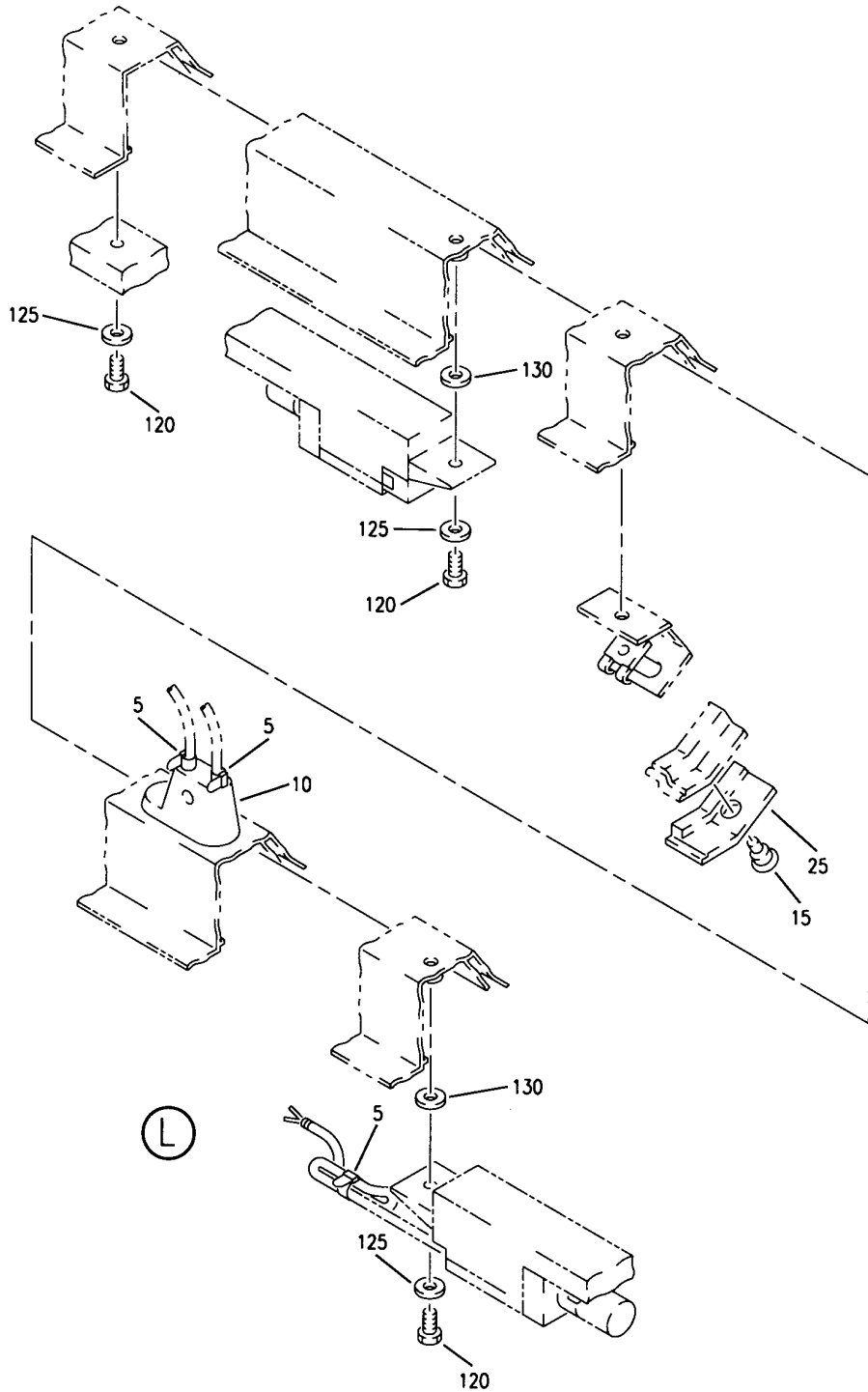
LIGHT INSTL-SIDEWALL LH
FIGURE 41 (SHEET 6)

33-21-00-41

BRI
JAN 20/09

33-21-00-41
PAGE 0E

BOEING
757
PARTS CATALOG (MAINTENANCE)



Y 33210041 SHT 7 REV 200

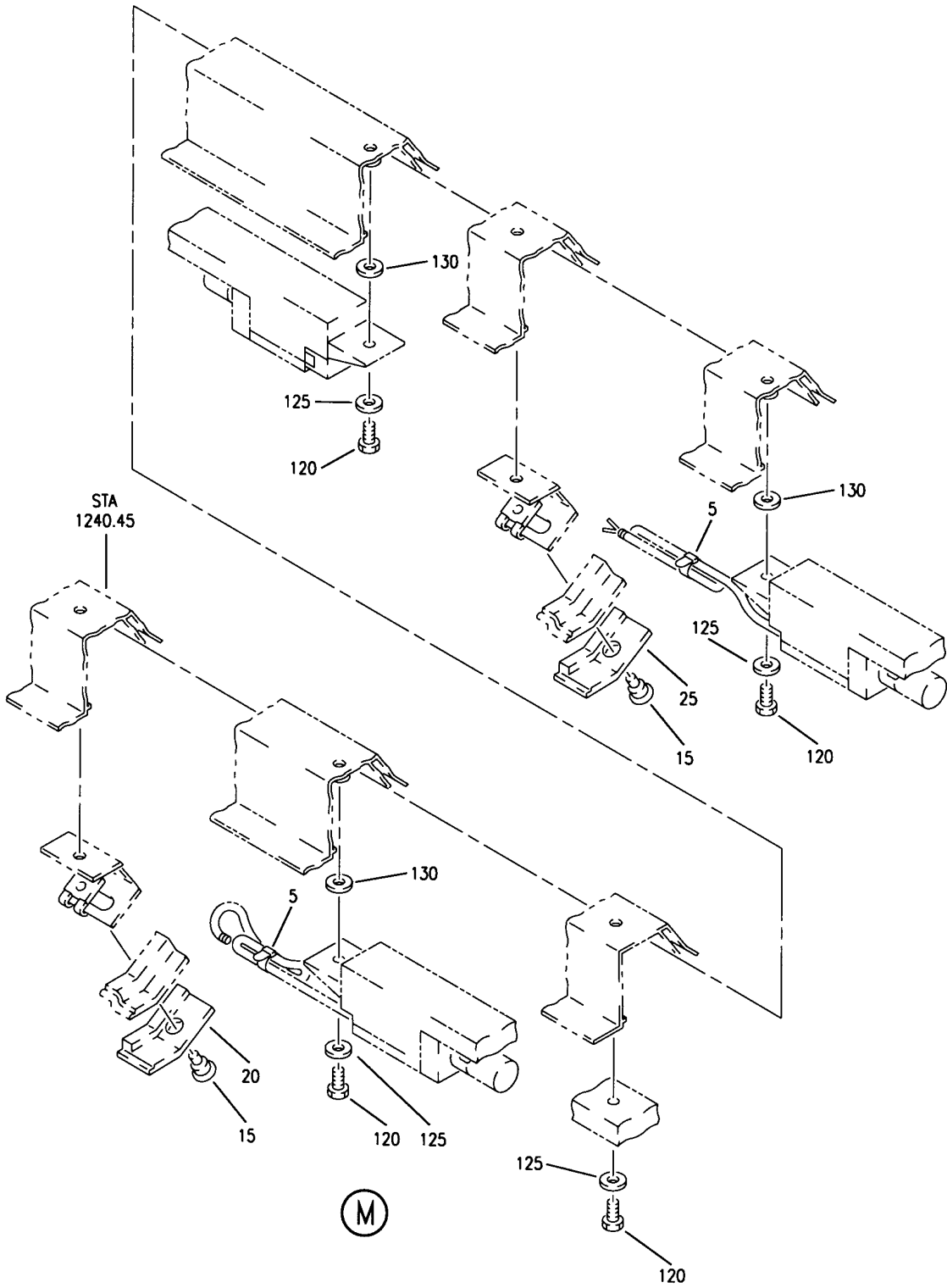
LIGHT INSTL-SIDEWALL LH
FIGURE 41 (SHEET 7)

33-21-00-41

BRI
JAN 20/09

33-21-00-41
PAGE OF

BOEING
757
PARTS CATALOG (MAINTENANCE)



Y 33210041 SHT 8 REV 200

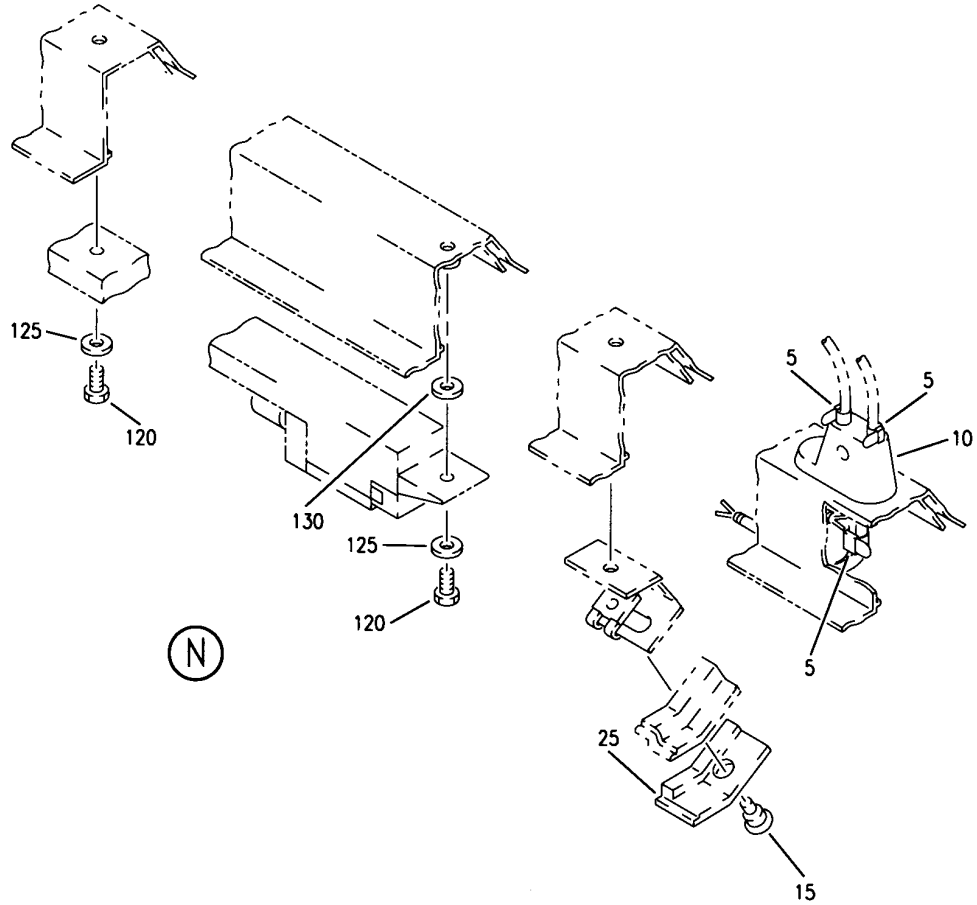
LIGHT INSTL-SIDEWALL LH
FIGURE 41 (SHEET 8)

33-21-00-41

BRI
JAN 20/09

33-21-00-41
PAGE 08

BOEING
757
PARTS CATALOG (MAINTENANCE)



Y 33210041 SH1 9 REV 200

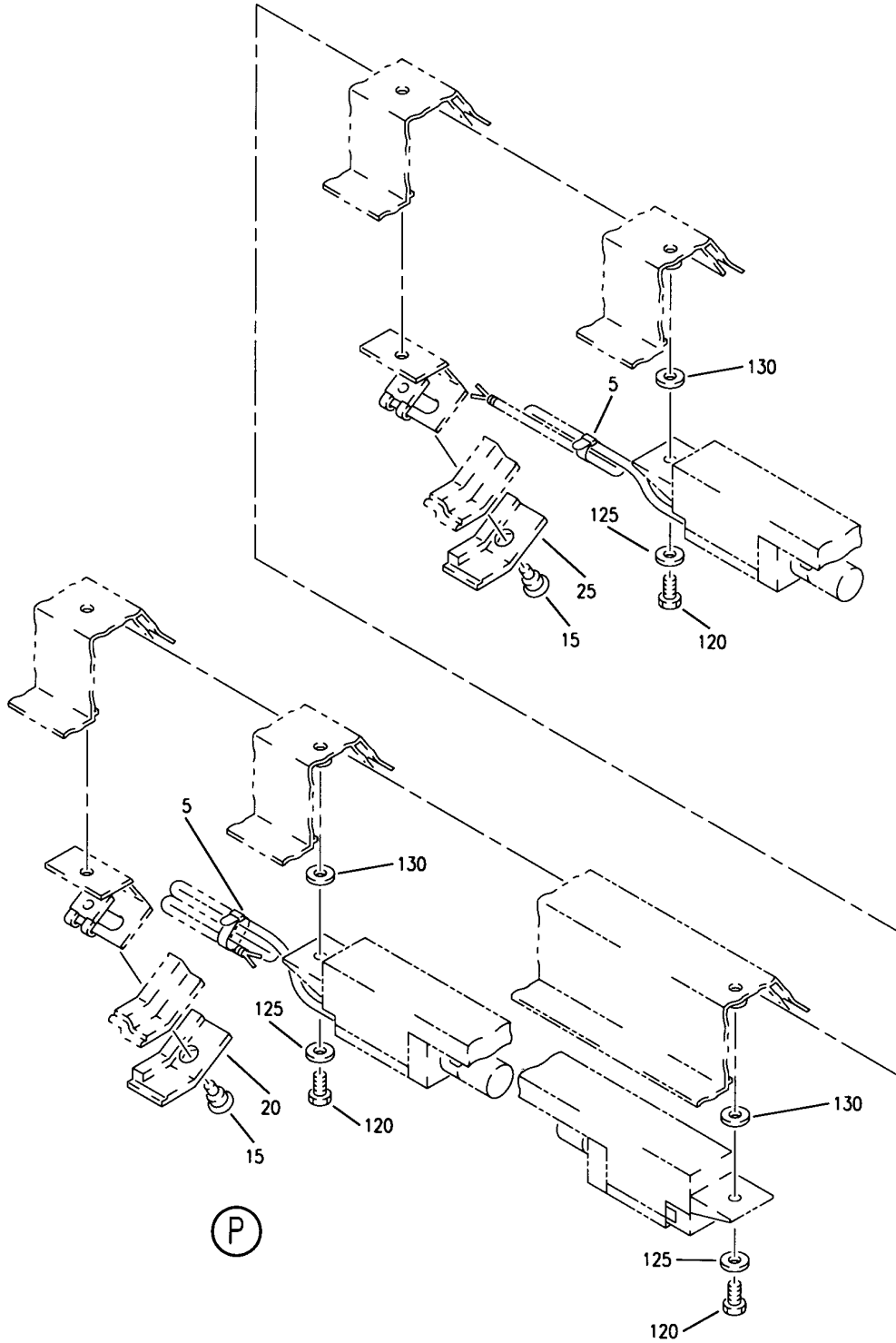
LIGHT INSTL-SIDEWALL LH
FIGURE 41 (SHEET 9)

33-21-00-41

BRI
JAN 20/09

33-21-00-41
PAGE 0H

BOEING
757
PARTS CATALOG (MAINTENANCE)



Y 33210041 SH1 10 REV 200

LIGHT INSTL-SIDEWALL LH
FIGURE 41 (SHEET 10)

33-21-00-41

BRI
JAN 20/09

33-21-00-41
PAGE 01



757

PARTS CATALOG (MAINTENANCE)

FIG ITEM	PART NUMBER	1 2 3 4 5 6 7	NOMENCLATURE	EFFECT FROM TO	UNITS PER ASSY
41					
- 1	417N5008-94SP		LIGHT INSTL-SIDEWALL LH LIGHT INSTL-SIDEWALL POSITION DATA: LH FOR NHA SEE: 25-20-00-11	504903 504903	RF
5	T05R0		.STRAP-TIE SUPPLIER CODE: V53421 SPECIFICATION NUMBER: BACS38K1 OPTIONAL PART: PLT2SM V06383	504903	AR
10	417N5107-1		.GROMMET	504903	7
15	BACS12ER3K10		.SCREW	504903	AR
20	65C33289-110		.RETAINER-LENS	504903	3
25	65C33289-107		.RETAINER-LENS	504903	25
30	65C33289-109		.RETAINER-LENS	504903	3
35	10-1327-385		.LENS- SUPPLIER CODE: V72914 SPECIFICATION NUMBER: S417N511-192	504903	1
40	10-1327-793		.LENS ASSY- SUPPLIER CODE: V72914 SPECIFICATION NUMBER: S417N511-140B	504903	20
45	10-1327-635		.LENS- SUPPLIER CODE: V72914 SPECIFICATION NUMBER: S417N511-321A	504903	1
50	10-1327-479		.LENS- SUPPLIER CODE: V72914 SPECIFICATION NUMBER: S417N511-260	504903	1
55	10-1327-785		.LENS- SUPPLIER CODE: V72914 SPECIFICATION NUMBER: S417N511-377B	504903	1
60	10-1327-323		.LENS- SUPPLIER CODE: V72914 SPECIFICATION NUMBER: S417N511-186	504903	1

MISSING ITEM NUMBERS NOT APPLICABLE

- ITEM NOT ILLUSTRATED

33-21-00-41

33-21-00
FIG. 41
PAGE 1
JAN 20/09

BRI



757

PARTS CATALOG (MAINTENANCE)

FIG ITEM	PART NUMBER	1 2 3 4 5 6 7	NOMENCLATURE	EFFECT FROM TO	UNITS PER ASSY
41					
65	10-1327-319		.LENS- SUPPLIER CODE: V72914 SPECIFICATION NUMBER: S417N511-184	504903	1
70	10-1327-327		.LENS- SUPPLIER CODE: V72914 SPECIFICATION NUMBER: S417N511-190	504903	1
75	10-1327-329		.LENS- SUPPLIER CODE: V72914 SPECIFICATION NUMBER: S417N511-191	504903	1
80	10-1327-321		.LENS- SUPPLIER CODE: V72914 SPECIFICATION NUMBER: S417N511-185	504903	1
85	F18T5WWS		.LAMP-FLUOR SUPPLIER CODE: V52343	504903	22
90	5106WW		.LAMP-FLUOR SUPPLIER CODE: V08806	504903	3
95	5113WW		.LAMP-FLUOR SUPPLIER CODE: V08806	504903	2
100	10-1327-3		.LIGHT ASSY- SUPPLIER CODE: V72914 SPECIFICATION NUMBER: S417N511-3 COMPONENT MAINT MANUAL REF: 33-20-51 FOR DETAILS SEE: 33-21-51-90	504903	3
100	10-1733-3		.LIGHT ASSY- SUPPLIER CODE: V72914 SPECIFICATION NUMBER: S417N511-8003 COMPONENT MAINT MANUAL REF: 33-21-39 FOR DETAILS SEE: 33-21-51-90	504903	3

MISSING ITEM NUMBERS NOT APPLICABLE

- ITEM NOT ILLUSTRATED

33-21-00-41

33-21-00
FIG. 41
PAGE 2
JAN 20/09

BRI



757

PARTS CATALOG (MAINTENANCE)

FIG ITEM	PART NUMBER	1 2 3 4 5 6 7	NOMENCLATURE	EFFECT FROM TO	UNITS PER ASSY
41 105	10-1327-1		.LIGHT ASSY- SUPPLIER CODE: V72914 SPECIFICATION NUMBER: S417N511-1 COMPONENT MAINT MANUAL REF: 33-20-51 FOR DETAILS SEE: 33-21-51-90	504903	12
105	10-1733-1		.LIGHT ASSY- SUPPLIER CODE: V72914 SPECIFICATION NUMBER: S417N511-8001 COMPONENT MAINT MANUAL REF: 33-21-39 FOR DETAILS SEE: 33-21-51-90	504903	12
110	10-1327-2		.LIGHT ASSY- SUPPLIER CODE: V72914 SPECIFICATION NUMBER: S417N511-2 COMPONENT MAINT MANUAL REF: 33-20-51 FOR DETAILS SEE: 33-21-51-90	504903	10
110	10-1733-2		.LIGHT ASSY- SUPPLIER CODE: V72914 SPECIFICATION NUMBER: S417N511-8002 COMPONENT MAINT MANUAL REF: 33-21-39 FOR DETAILS SEE: 33-21-51-90	504903	10
115	10-1327-4		.LIGHT ASSY- SUPPLIER CODE: V72914 SPECIFICATION NUMBER: S417N511-4 COMPONENT MAINT MANUAL REF: 33-20-51 FOR DETAILS SEE: 33-21-51-90	504903	2

MISSING ITEM NUMBERS NOT APPLICABLE

- ITEM NOT ILLUSTRATED

BRI

33-21-00-41

BOEING PROPRIETARY - Copyright © - Unpublished Work - See title page for details.

33-21-00
FIG. 41
PAGE 3
JAN 20/09



757

PARTS CATALOG (MAINTENANCE)

FIG ITEM	PART NUMBER	1 2 3 4 5 6 7	NOMENCLATURE	EFFECT FROM TO	UNITS PER ASSY
41 115	10-1733-4		.LIGHT ASSY- SUPPLIER CODE: V72914 SPECIFICATION NUMBER: S417N511-8004 COMPONENT MAINT MANUAL REF: 33-21-39 FOR DETAILS SEE: 33-21-51-90 ATTACHING PARTS	504903	2
120	BACS12GU3K6		.SCREW	504903	AR
125	NAS1149D0316J		.WASHER	504903	AR
130	NAS1149D0363J		.WASHER- POSITION DATA: FS -----*-----	504903	AR

MISSING ITEM NUMBERS NOT APPLICABLE

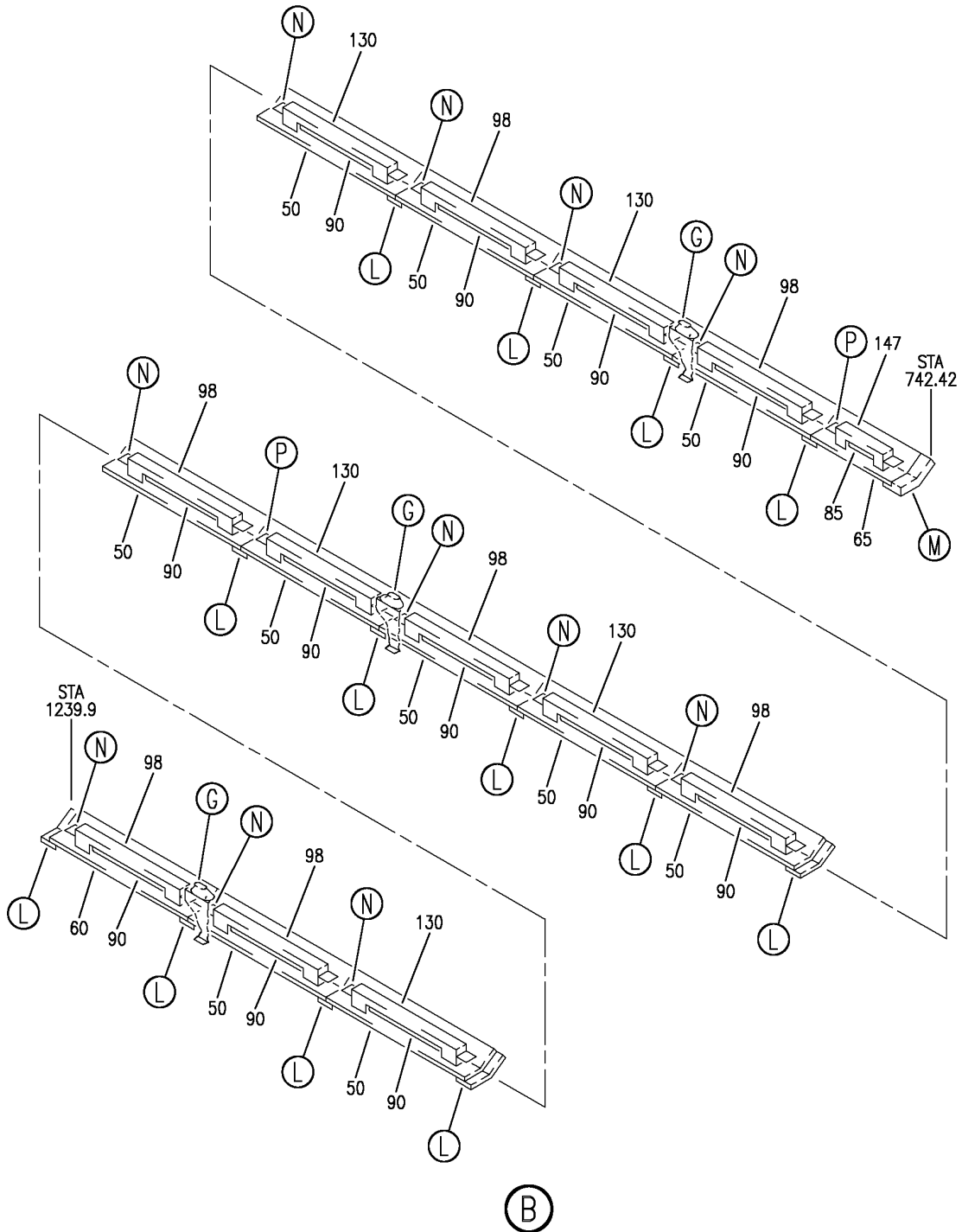
- ITEM NOT ILLUSTRATED

33-21-00-41

33-21-00
FIG. 41
PAGE 4
JAN 20/09

BRI

BOEING
757
PARTS CATALOG (MAINTENANCE)



Y 33210050A SHT 2 REV 253

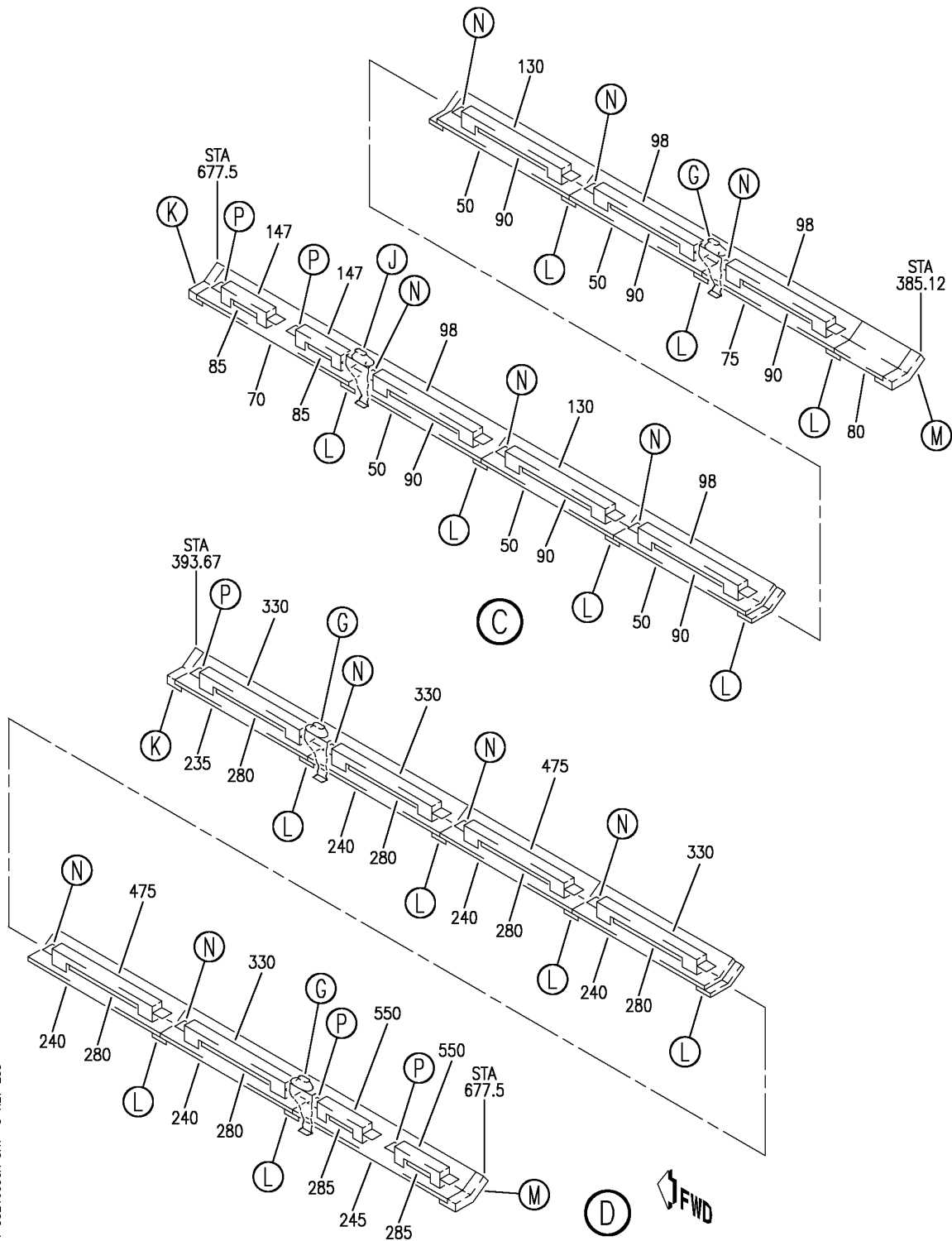
LIGHT INSTL-SIDEWALL
FIGURE 50A (SHEET 2)

33-21-00-50A

BRI
MAY 28/07

33-21-00-50A
PAGE 0A


BOEING
 757
PARTS CATALOG (MAINTENANCE)



Y 33210050A SHT 3 REV 263

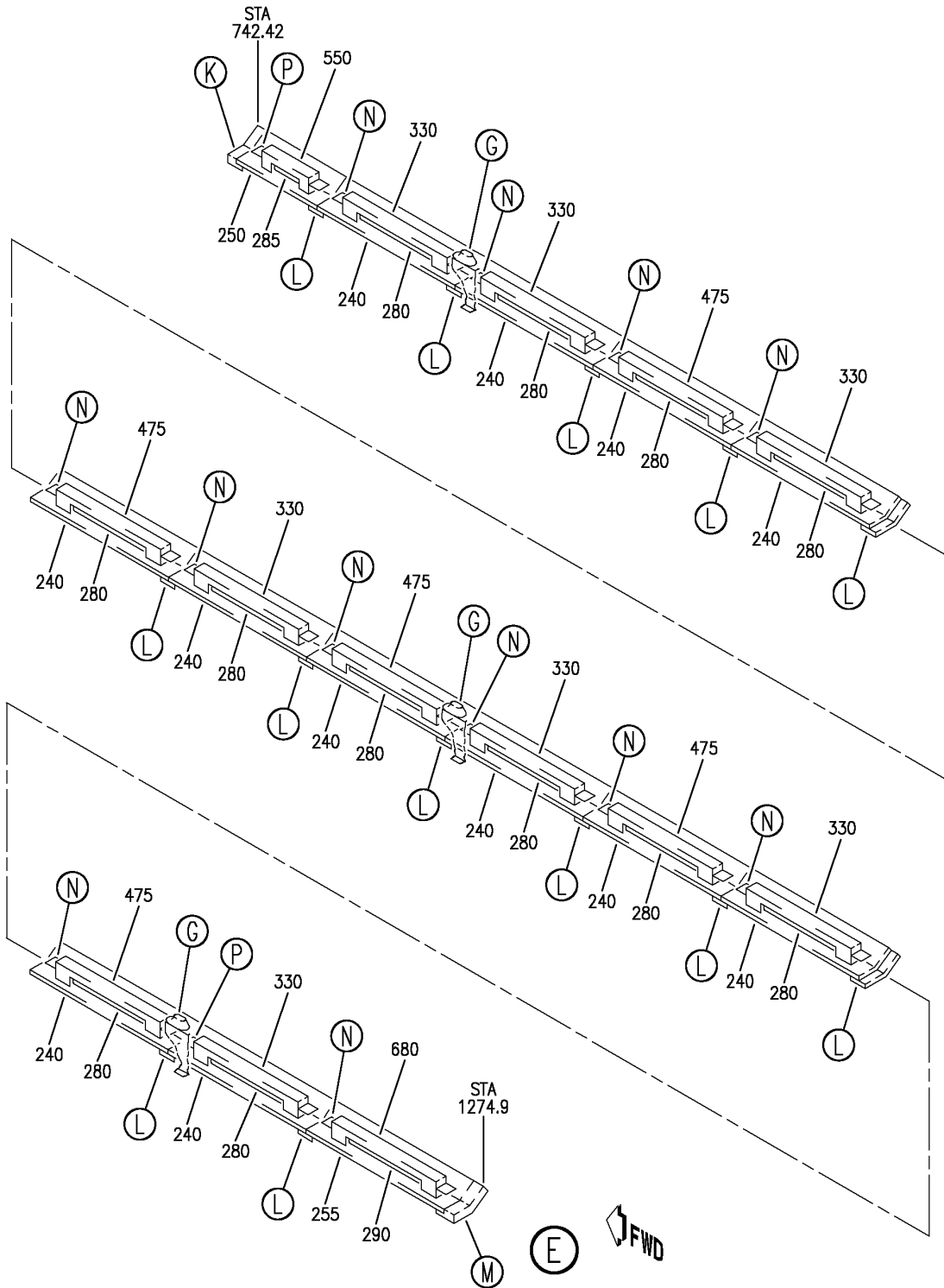
LIGHT INSTL-SIDEWALL
 FIGURE 50A (SHEET 3)

33-21-00-50A

BRI
 MAY 28/07

33-21-00-50A
 PAGE 0B


BOEING
 757
PARTS CATALOG (MAINTENANCE)



Y 33210050A SHT 4 REV 253

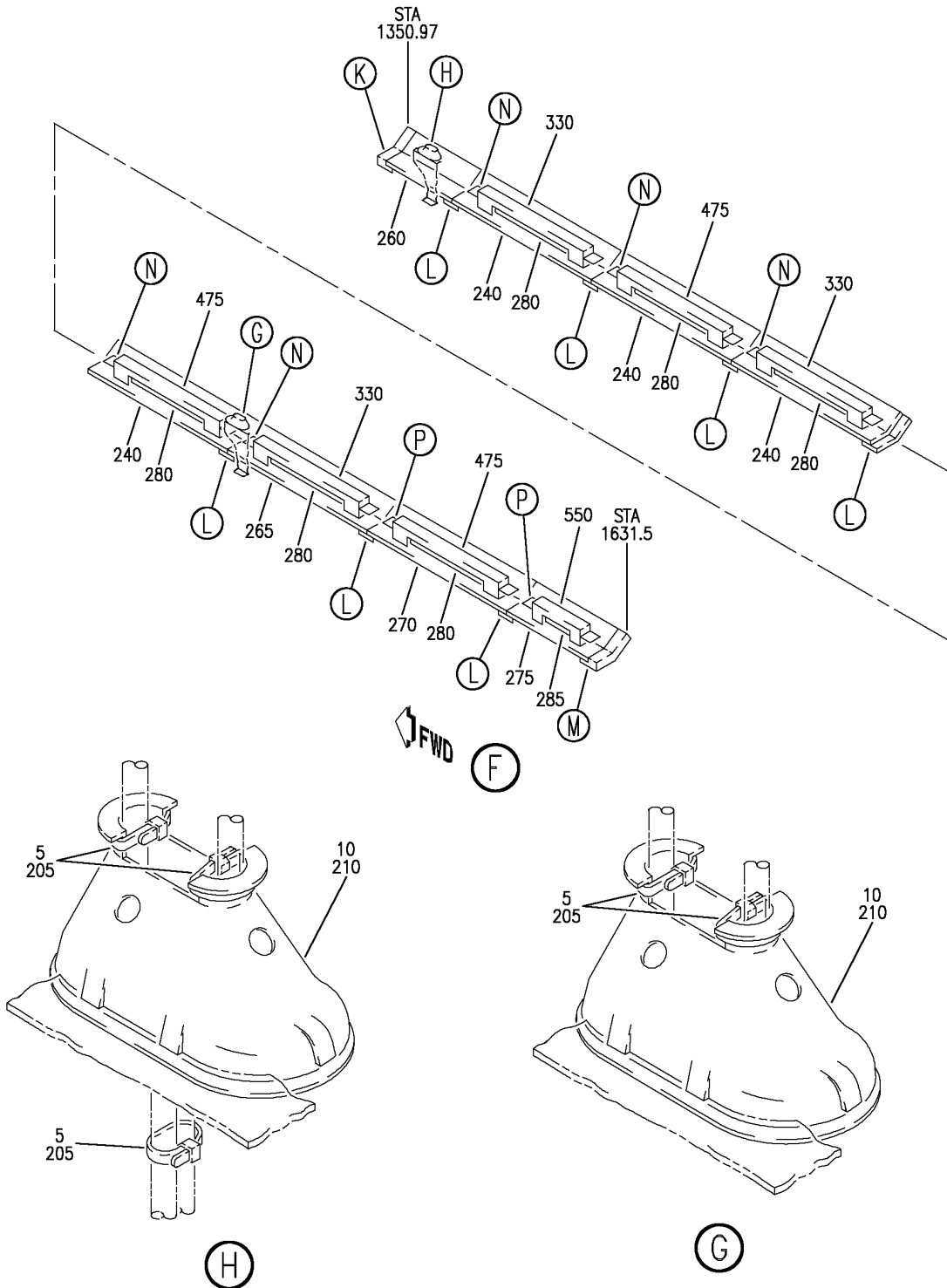
LIGHT INSTL-SIDEWALL
 FIGURE 50A (SHEET 4)

33-21-00-50A

BRI
 MAY 28/07

33-21-00-50A
 PAGE 0C

BOEING
757
PARTS CATALOG (MAINTENANCE)



Y 33210050A SHT 5 REV 263

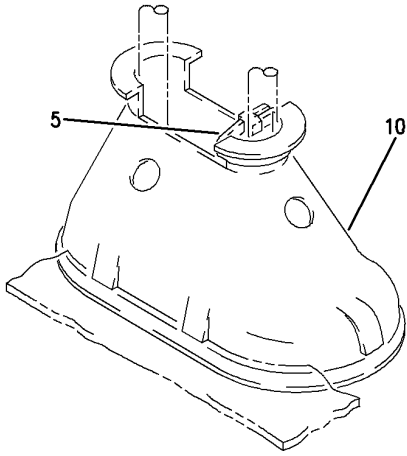
LIGHT INSTL-SIDEWALL
FIGURE 50A (SHEET 5)

33-21-00-50A

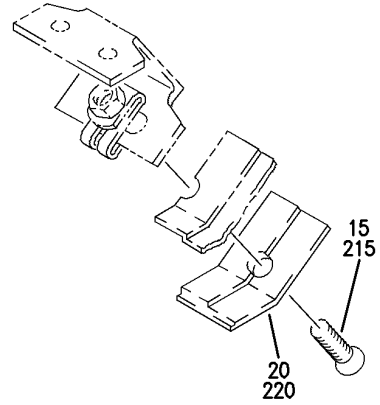
BRI
MAY 28/07

33-21-00-50A
PAGE 0D

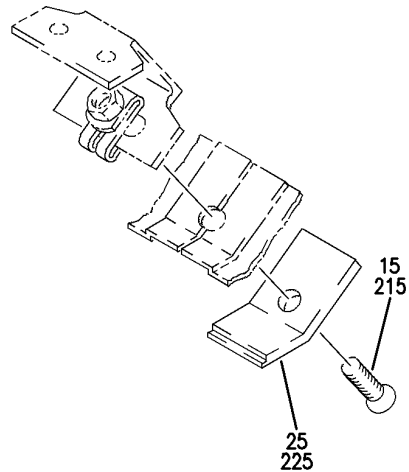
BOEING
757
PARTS CATALOG (MAINTENANCE)



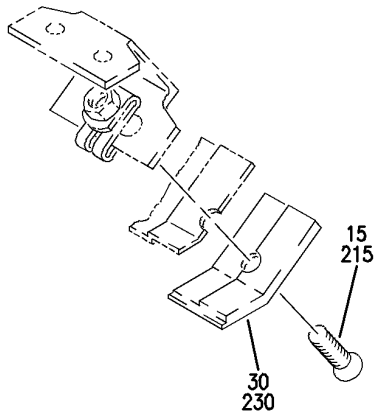
(J)



(K)



(L)



(M)

Y 33210050A SH1 6 REV 241

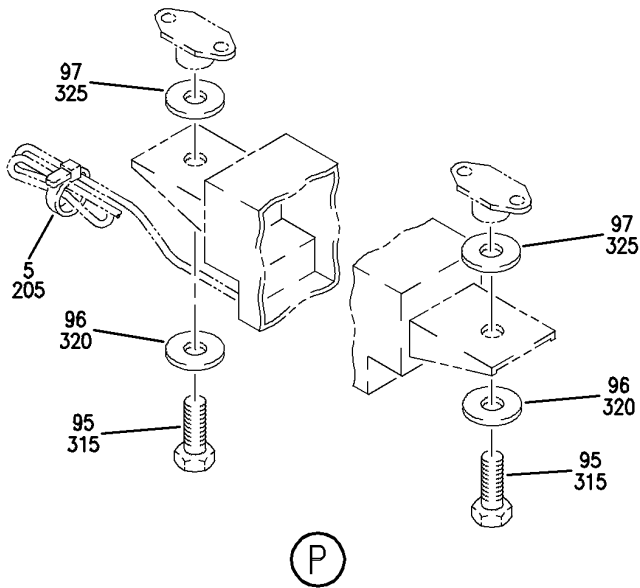
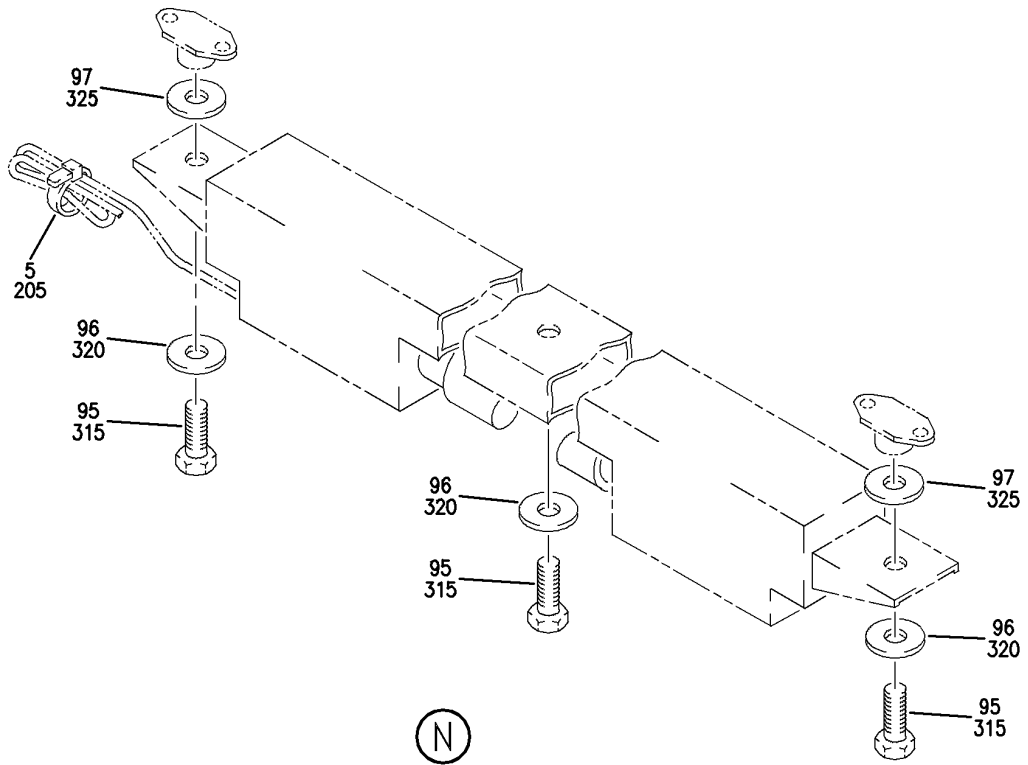
LIGHT INSTL-SIDEWALL
FIGURE 50A (SHEET 6)

33-21-00-50A

BRI
MAY 28/07

33-21-00-50A
PAGE 0E

BOEING
757
PARTS CATALOG (MAINTENANCE)



Y 33210050A SH7 7 REV 241

LIGHT INSTL-SIDEWALL
FIGURE 50A (SHEET 7)

33-21-00-50A

BRI
MAY 28/07

33-21-00-50A
PAGE OF



757

PARTS CATALOG (MAINTENANCE)

FIG ITEM	PART NUMBER	1 2 3 4 5 6 7	NOMENCLATURE	EFFECT FROM TO	UNITS PER ASSY
50A					
- 1	417N5008-109SP		LIGHT INSTL-SIDEWALL LIGHT INSTL-SIDEWALL POSITION DATA: LH FOR NHA SEE: 25-20-00-11	101102 101102	RF
5	T05R0		.STRAP-TIE SUPPLIER CODE: V53421 SPECIFICATION NUMBER: BACS38K1 OPTIONAL PART: PLT2SM V06383	101102	AR
10	417N5107-1		.GROMMET-WIRE PROTECTION	101102	7
15	BACS12ER3K10		.SCREW	101102	AR
20	65C33289-110		.RETAINER-LENS	101102	2
25	65C33289-107		.RETAINER-LENS	101102	27
30	65C33289-109		.RETAINER-LENS	101102	3
35	10-1327-267		.LENS- SUPPLIER CODE: V72914 SPECIFICATION NUMBER: S417N511-211	101102	1
40	10-1327-329		.LENS- SUPPLIER CODE: V72914 SPECIFICATION NUMBER: S417N511-191	101102	1
45	10-1327-327		.LENS- SUPPLIER CODE: V72914 SPECIFICATION NUMBER: S417N511-190	101102	1
50	10-1327-793		.LENS ASSY- SUPPLIER CODE: V72914 SPECIFICATION NUMBER: S417N511-140B	101102	20
55	10-1327-319		.LENS- SUPPLIER CODE: V72914 SPECIFICATION NUMBER: S417N511-184	101102	1
60	10-1327-317		.LENS- SUPPLIER CODE: V72914 SPECIFICATION NUMBER: S417N511-183	101102	1

MISSING ITEM NUMBERS NOT APPLICABLE

- ITEM NOT ILLUSTRATED

33-21-00-50A

33-21-00
FIG. 50A
PAGE 1
JAN 20/09

BRI



757

PARTS CATALOG (MAINTENANCE)

FIG ITEM	PART NUMBER	1 2 3 4 5 6 7	NOMENCLATURE	EFFECT FROM TO	UNITS PER ASSY
50A 65	10-1327-533		.LENS ASSY- SUPPLIER CODE: V72914 SPECIFICATION NUMBER: S417N511-288	101102	1
70	10-1327-313		.LENS- SUPPLIER CODE: V72914 SPECIFICATION NUMBER: S417N511-181	101102	1
75	10-1327-311		.LENS ASSY- SUPPLIER CODE: V72914 SPECIFICATION NUMBER: S417N511-180	101102	1
80	10-1327-309		.LENS- SUPPLIER CODE: V72914 SPECIFICATION NUMBER: S417N511-179	101102	1
85	5106WW		.LAMP- SUPPLIER CODE: V08806	101102	4
90	F18T5WWS		.LAMP-FLUOR SUPPLIER CODE: V52343	101102	24
95	BACS12GU3K6		.SCREW	101102	AR
96	NAS1149D0316J		.WASHER	101102	AR
97	NAS1149D0363J		.WASHER- POSITION DATA: FS	101102	AR
98	10-1327-1		.LIGHT ASSY- SUPPLIER CODE: V72914 SPECIFICATION NUMBER: S417N511-1 ELECTRICAL EQUIP NUMBER: M10720 COMPONENT MAINT MANUAL REF: 33-20-51 FOR DETAILS SEE: 33-21-51-90	101102	14

MISSING ITEM NUMBERS NOT APPLICABLE

- ITEM NOT ILLUSTRATED

33-21-00-50A

33-21-00
FIG. 50A
PAGE 2
JAN 20/09

BRI

BOEING PROPRIETARY - Copyright © - Unpublished Work - See title page for details.



757

PARTS CATALOG (MAINTENANCE)

FIG ITEM	PART NUMBER	1 2 3 4 5 6 7	NOMENCLATURE	EFFECT FROM TO	UNITS PER ASSY
50A 98	10-1733-1		.LIGHT ASSY- SUPPLIER CODE: V72914 SPECIFICATION NUMBER: S417N511-8001 ELECTRICAL EQUIP NUMBER: M10720 COMPONENT MAINT MANUAL REF: 33-21-39 FOR DETAILS SEE: 33-21-51-90	101102	14
130	10-1327-2		.LIGHT ASSY- SUPPLIER CODE: V72914 SPECIFICATION NUMBER: S417N511-2 ELECTRICAL EQUIP NUMBER: M10721 COMPONENT MAINT MANUAL REF: 33-20-51 FOR DETAILS SEE: 33-21-51-90	101102	10
130	10-1733-2		.LIGHT ASSY- SUPPLIER CODE: V72914 SPECIFICATION NUMBER: S417N511-8002 ELECTRICAL EQUIP NUMBER: M10721 COMPONENT MAINT MANUAL REF: 33-21-39 FOR DETAILS SEE: 33-21-51-90	101102	10
147	10-1327-3		.LIGHT ASSY- SUPPLIER CODE: V72914 SPECIFICATION NUMBER: S417N511-3 ELECTRICAL EQUIP NUMBER: M10722 COMPONENT MAINT MANUAL REF: 33-20-51 FOR DETAILS SEE: 33-21-51-90	101102	4

MISSING ITEM NUMBERS NOT APPLICABLE

- ITEM NOT ILLUSTRATED

33-21-00-50A

33-21-00
FIG. 50A
PAGE 3
JAN 20/09

BRI



757

PARTS CATALOG (MAINTENANCE)

FIG ITEM	PART NUMBER	1 2 3 4 5 6 7	NOMENCLATURE	EFFECT FROM TO	UNITS PER ASSY
50A -147A	10-1733-3		.LIGHT ASSY- SUPPLIER CODE: V72914 SPECIFICATION NUMBER: S417N511-8003 ELECTRICAL EQUIP NUMBER: M10722 COMPONENT MAINT MANUAL REF: 33-21-39 FOR DETAILS SEE: 33-21-51-90	101102	4
- 200	417N5008-108SP		LIGHT INSTL-SIDEWALL POSITION DATA: RH FOR NHA SEE: 25-20-00-11	101102	RF
205	T05R0		.STRAP-TIE SUPPLIER CODE: V53421 SPECIFICATION NUMBER: BACS38K1 OPTIONAL PART: PLT2SM V06383	101102	AR
210	417N5107-1		.GROMMET-WIRE PROTECTION	101102	7
215	BACS12ER3K10		.SCREW	101102	AR
220	65C33289-110		.RETAINER-LENS	101102	3
225	65C33289-107		.RETAINER-LENS	101102	26
230	65C33289-109		.RETAINER-LENS	101102	3
235	S417N511-414B		.LENS- (SIDEWALL)	101102	1
240	10-1327-793		.LENS ASSY- SUPPLIER CODE: V72914 SPECIFICATION NUMBER: S417N511-140B	101102	21
245	10-1327-313		.LENS- SUPPLIER CODE: V72914 SPECIFICATION NUMBER: S417N511-181	101102	1
250	10-1327-533		.LENS ASSY- SUPPLIER CODE: V72914 SPECIFICATION NUMBER: S417N511-288	101102	1

MISSING ITEM NUMBERS NOT APPLICABLE

- ITEM NOT ILLUSTRATED

33-21-00-50A

33-21-00
FIG. 50A
PAGE 4
JAN 20/09

BRI



757

PARTS CATALOG (MAINTENANCE)

FIG ITEM	PART NUMBER	1 2 3 4 5 6 7	NOMENCLATURE	EFFECT FROM TO	UNITS PER ASSY
50A 255	10-1327-232	. LENS-	SUPPLIER CODE: V72914 SPECIFICATION NUMBER: S417N511-186	101102	1
260	10-1327-319	. LENS-	SUPPLIER CODE: V72914 SPECIFICATION NUMBER: S417N511-184	101102	1
265	10-1327-327	. LENS-	SUPPLIER CODE: V72914 SPECIFICATION NUMBER: S417N511-190	101102	1
270	10-1327-329	. LENS-	SUPPLIER CODE: V72914 SPECIFICATION NUMBER: S417N511-191	101102	1
275	10-1327-267	. LENS-	SUPPLIER CODE: V72914 SPECIFICATION NUMBER: S417N511-211	101102	1
280	F18T5WWS	. LAMP-FLUOR	SUPPLIER CODE: V52343	101102	24
285	5106WW	. LAMP-FLUOR	SUPPLIER CODE: V08806	101102	4
290	5113WW	. LAMP-FLUOR	SUPPLIER CODE: V08806	101102	1
315	BACS12GU3K6	. SCREW		101102	AR
320	NAS1149D0316J	. WASHER		101102	AR
325	NAS1149D0363J	. WASHER		101102	AR
330	10-1327-1	. LIGHT ASSY-	SUPPLIER CODE: V72914 SPECIFICATION NUMBER: S417N511-1 ELECTRICAL EQUIP NUMBER: M10720 COMPONENT MAINT MANUAL REF: 33-20-51 FOR DETAILS SEE: 33-21-51-90	101102	14

MISSING ITEM NUMBERS NOT APPLICABLE

- ITEM NOT ILLUSTRATED

33-21-00-50A

33-21-00
FIG. 50A
PAGE 5
JAN 20/09

BRI

BOEING PROPRIETARY - Copyright © - Unpublished Work - See title page for details.



757

PARTS CATALOG (MAINTENANCE)

FIG ITEM	PART NUMBER	1 2 3 4 5 6 7	NOMENCLATURE	EFFECT FROM TO	UNITS PER ASSY
50A 330	10-1733-1		.LIGHT ASSY- SUPPLIER CODE: V72914 SPECIFICATION NUMBER: S417N511-8001 ELECTRICAL EQUIP NUMBER: M10720 COMPONENT MAINT MANUAL REF: 33-21-39 FOR DETAILS SEE: 33-21-51-90	101102	14
475	10-1327-2		.LIGHT ASSY- SUPPLIER CODE: V72914 SPECIFICATION NUMBER: S417N511-2 ELECTRICAL EQUIP NUMBER: M10721 COMPONENT MAINT MANUAL REF: 33-20-51 FOR DETAILS SEE: 33-21-51-90	101102	10
475	10-1733-2		.LIGHT ASSY- SUPPLIER CODE: V72914 SPECIFICATION NUMBER: S417N511-8002 ELECTRICAL EQUIP NUMBER: M10721 COMPONENT MAINT MANUAL REF: 33-21-39 FOR DETAILS SEE: 33-21-51-90	101102	10
550	10-1327-3		.LIGHT ASSY- SUPPLIER CODE: V72914 SPECIFICATION NUMBER: S417N511-3 ELECTRICAL EQUIP NUMBER: M10722 COMPONENT MAINT MANUAL REF: 33-20-51 FOR DETAILS SEE: 33-21-51-90	101102	4

MISSING ITEM NUMBERS NOT APPLICABLE

- ITEM NOT ILLUSTRATED

33-21-00-50A

33-21-00
FIG. 50A
PAGE 6
JAN 20/09

BRI



757

PARTS CATALOG (MAINTENANCE)

FIG ITEM	PART NUMBER	1 2 3 4 5 6 7	NOMENCLATURE	EFFECT FROM TO	UNITS PER ASSY
50A 550	10-1733-3		.LIGHT ASSY- SUPPLIER CODE: V72914 SPECIFICATION NUMBER: S417N511-8003 ELECTRICAL EQUIP NUMBER: M10722 COMPONENT MAINT MANUAL REF: 33-21-39 FOR DETAILS SEE: 33-21-51-90	101102	4
680	10-1327-4		.LIGHT ASSY- SUPPLIER CODE: V72914 SPECIFICATION NUMBER: S417N511-4 ELECTRICAL EQUIP NUMBER: M10766 COMPONENT MAINT MANUAL REF: 33-20-51 FOR DETAILS SEE: 33-21-51-90	101102	1
680	10-1733-4		.LIGHT ASSY- SUPPLIER CODE: V72914 SPECIFICATION NUMBER: S417N511-8004 ELECTRICAL EQUIP NUMBER: M10766 COMPONENT MAINT MANUAL REF: 33-21-39 FOR DETAILS SEE: 33-21-51-90	101102	1

MISSING ITEM NUMBERS NOT APPLICABLE

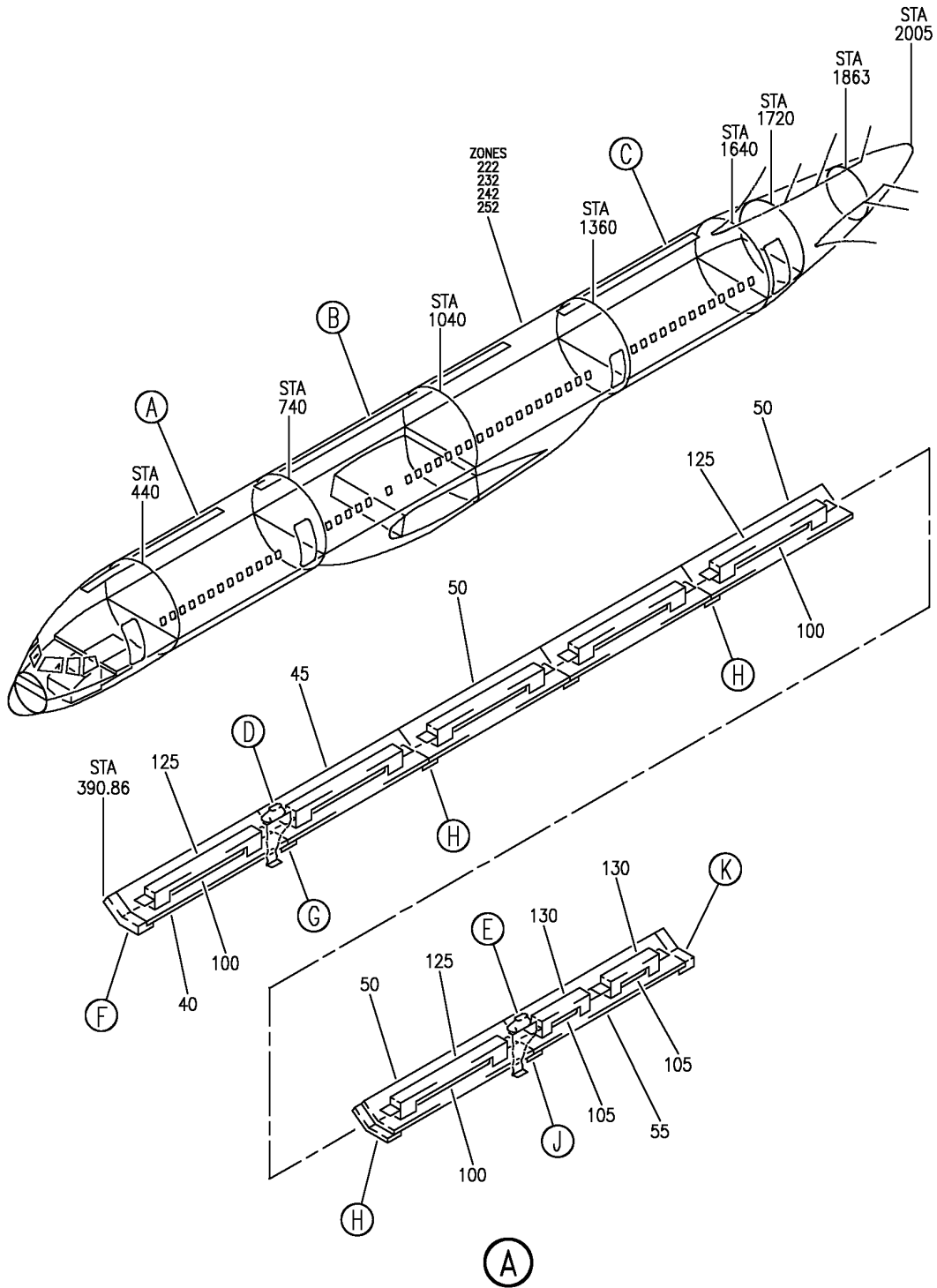
- ITEM NOT ILLUSTRATED

33-21-00-50A

33-21-00
FIG. 50A
PAGE 7
JAN 20/09

BRI

BOEING
757
PARTS CATALOG (MAINTENANCE)



Y 33210050D SHT 1 REV 258

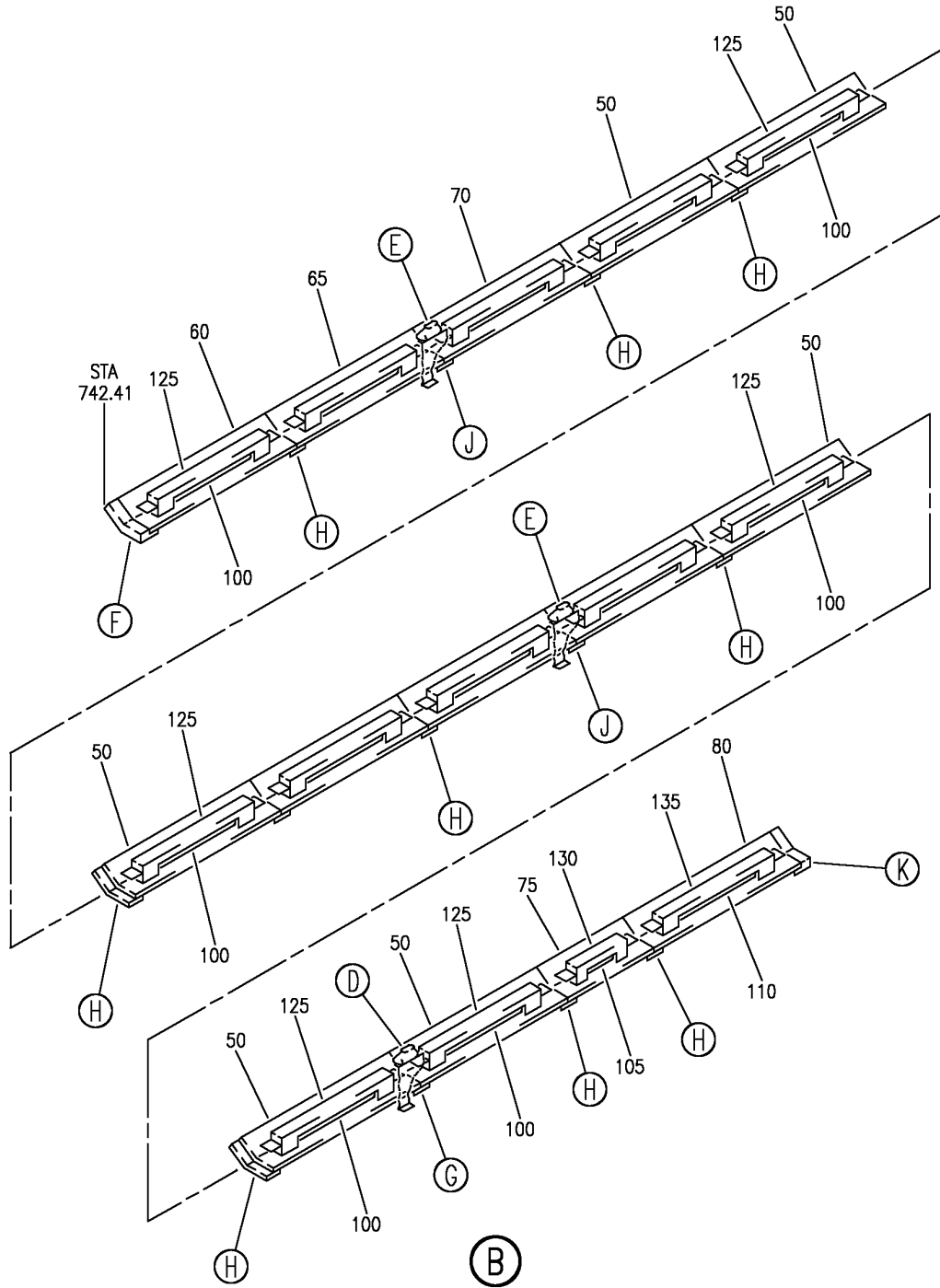
LIGHT INSTL-SIDEWALL R SIDE
FIGURE 50D (SHEET 1)

33-21-00-50D

BRI
JAN 20/09

33-21-00-50D
PAGE 0

BOEING
757
PARTS CATALOG (MAINTENANCE)



Y 33210050D SHT 2 REV 258

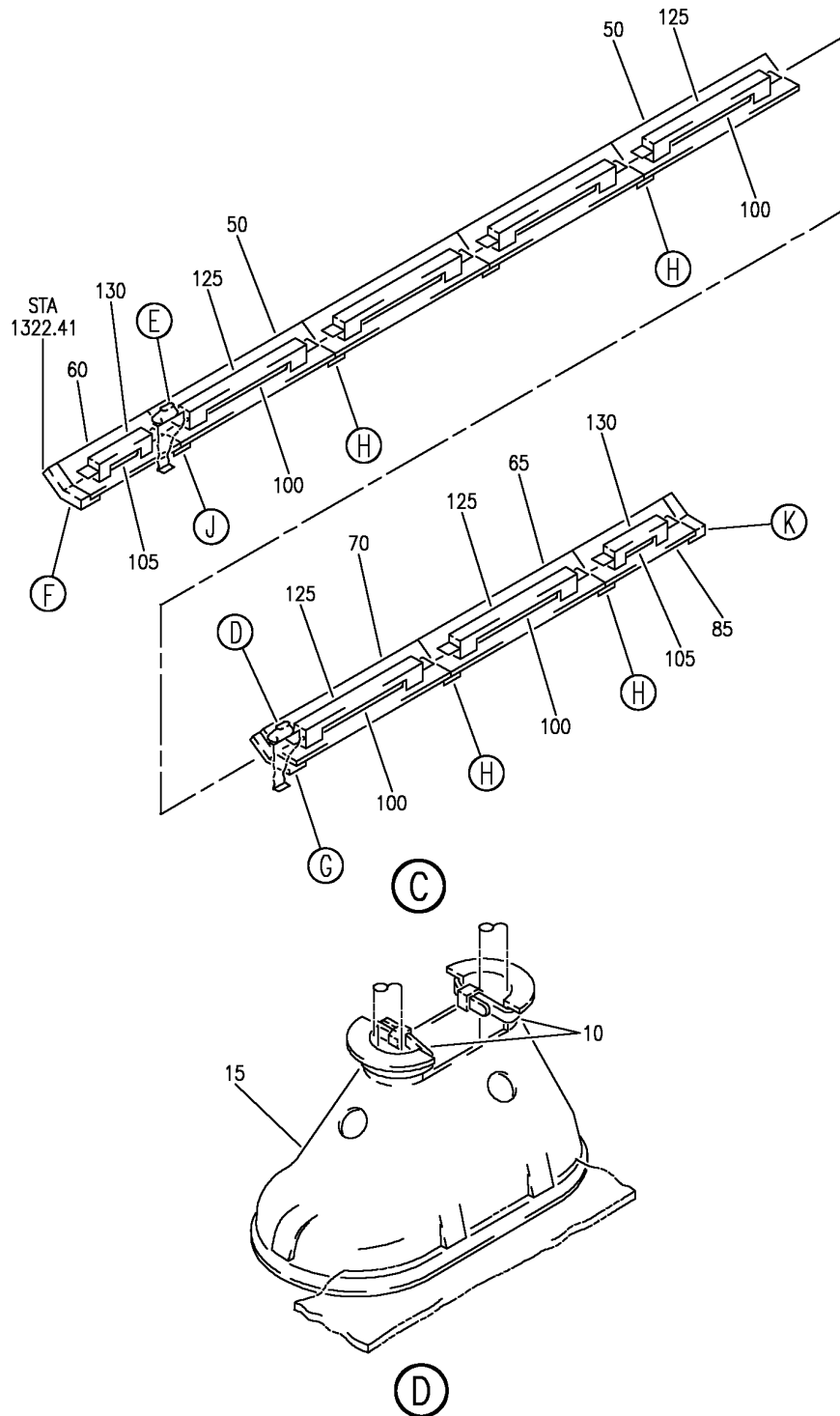
LIGHT INSTL-SIDEWALL R SIDE
FIGURE 50D (SHEET 2)

33-21-00-50D

BRI
JAN 20/09

33-21-00-50D
PAGE 0A

BOEING
757
PARTS CATALOG (MAINTENANCE)



Y 33210050D SHT 3 REV 258

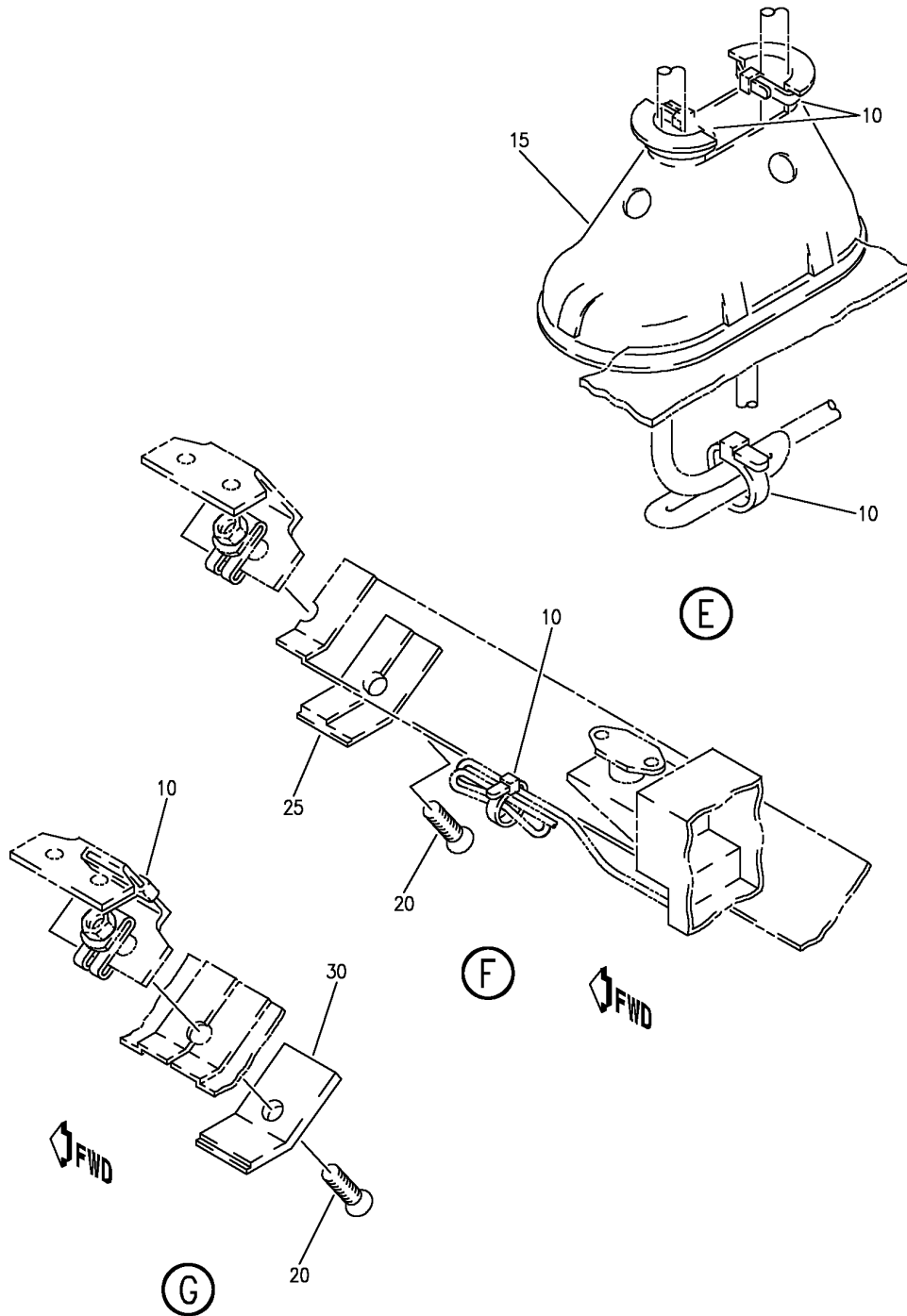
LIGHT INSTL-SIDEWALL R SIDE
FIGURE 50D (SHEET 3)

33-21-00-50D

BRI
JAN 20/09

33-21-00-50D
PAGE 0B

BOEING
757
PARTS CATALOG (MAINTENANCE)



Y 33210050D SHT 4 REV 258

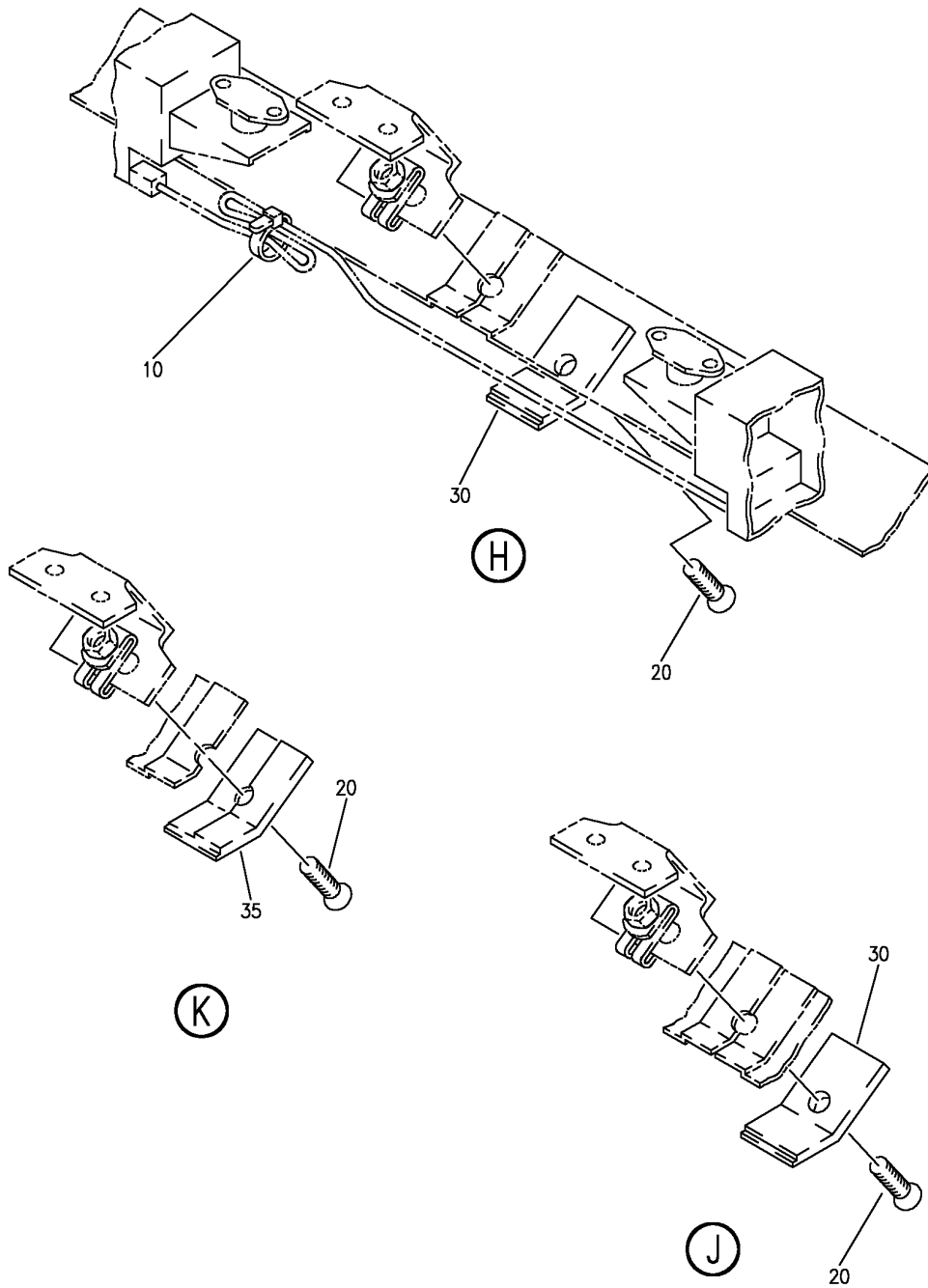
LIGHT INSTL-SIDEWALL R SIDE
FIGURE 50D (SHEET 4)

33-21-00-50D

BRI
JAN 20/09

33-21-00-50D
PAGE 0C

BOEING
757
PARTS CATALOG (MAINTENANCE)



Y 33210050D SHT 5 REV 258

LIGHT INSTL-SIDEWALL R SIDE
FIGURE 50D (SHEET 5)

33-21-00-50D

BRI
JAN 20/09

33-21-00-50D
PAGE 0D

 **BOEING**
757
PARTS CATALOG (MAINTENANCE)

FIG ITEM	PART NUMBER	1 2 3 4 5 6 7	NOMENCLATURE	EFFECT FROM TO	UNITS PER ASSY
50D			LIGHT INSTL-SIDEWALL R SIDE	103106	
- 1	MODREF32541		LIGHT INSTL-SIDEWALL MODULE NUMBER: 417N5008-2004 REV A POSITION DATA: R SIDE	103106	1
10	T05R0		.STRAP SUPPLIER CODE: V53421 SPECIFICATION NUMBER: BACS38K1 OPTIONAL PART: PLT2SM V06383	103106	AR
15	417N5107-1		.GROMMET	103106	7
20	BACS12ER3K10		.SCREW	103106	32
25	65C33289-222		.RETAINER-LENS	103106	3
30	65C33289-217		.RETAINER-LENS	103106	26
35	65C33289-221		.RETAINER-LENS	103106	3
40	10-1327-1287		.LENS ASSY- SUPPLIER CODE: V72914	103106	1
45	10-1327-1143		.LENS ASSY- SUPPLIER CODE: V72914 SPECIFICATION NUMBER: S417N511-506B	103106	1
50	10-1327-1015		.LENS ASSY- SUPPLIER CODE: V72914 SPECIFICATION NUMBER: S417N511-430C	103106	17
55	10-1327-1163		.LENS ASSY- SUPPLIER CODE: V72914 SPECIFICATION NUMBER: S417N511-516B	103106	1
60	10-1327-1043		.LENS ASSY- SUPPLIER CODE: V72914 SPECIFICATION NUMBER: S417N511-445B	103106	2
65	10-1327-1171		.LENS ASSY- SUPPLIER CODE: V72914 SPECIFICATION NUMBER: S417N511-520B	103106	2

MISSING ITEM NUMBERS NOT APPLICABLE

- ITEM NOT ILLUSTRATED

BRI

33-21-00-50D

BOEING PROPRIETARY - Copyright © - Unpublished Work - See title page for details.

33-21-00
FIG. 50D
PAGE 1
JAN 20/09



757

PARTS CATALOG (MAINTENANCE)

FIG ITEM	PART NUMBER	1 2 3 4 5 6 7	NOMENCLATURE	EFFECT FROM TO	UNITS PER ASSY
50D 70	10-1327-1139		.LENS ASSY- SUPPLIER CODE: V72914 SPECIFICATION NUMBER: S417N511-504B	103106	2
75	10-1327-1057		.LENS ASSY- SUPPLIER CODE: V72914 SPECIFICATION NUMBER: S417N511-454B	103106	1
80	10-1327-825		.LENS- SUPPLIER CODE: V72914 SPECIFICATION NUMBER: S417N511-343B	103106	1
85	10-1327-831		.LENS- SUPPLIER CODE: V72914 SPECIFICATION NUMBER: S417N511-347B	103106	1
100	F18T5WWS		.LAMP-FLUOR SUPPLIER CODE: V52343	103106	24
105	5106WW		.LAMP-FLUOR SUPPLIER CODE: V08806	103106	5
110	5113WW		.LAMP-FLUOR SUPPLIER CODE: V08806	103106	1
125	10-1733-1		.LIGHT ASSY- SUPPLIER CODE: V72914 SPECIFICATION NUMBER: S417N511-8001 ELECTRICAL EQUIP NUMBER: M10720 COMPONENT MAINT MANUAL REF: 33-21-39 FOR DETAILS SEE: 33-21-51-90	103106	24

MISSING ITEM NUMBERS NOT APPLICABLE

- ITEM NOT ILLUSTRATED

33-21-00-50D

33-21-00
FIG. 50D
PAGE 2
JAN 20/09

BRI

BOEING PROPRIETARY - Copyright © - Unpublished Work - See title page for details.



757

PARTS CATALOG (MAINTENANCE)

FIG ITEM	PART NUMBER	1 2 3 4 5 6 7	NOMENCLATURE	EFFECT FROM TO	UNITS PER ASSY
50D 130	10-1733-3		.LIGHT ASSY- SUPPLIER CODE: V72914 SPECIFICATION NUMBER: S417N511-8003 ELECTRICAL EQUIP NUMBER: M10722 COMPONENT MAINT MANUAL REF: 33-21-39 FOR DETAILS SEE: 33-21-51-90	103106	5
135	10-1733-4		.LIGHT ASSY- SUPPLIER CODE: V72914 SPECIFICATION NUMBER: S417N511-8004 ELECTRICAL EQUIP NUMBER: M10766 COMPONENT MAINT MANUAL REF: 33-21-39 FOR DETAILS SEE: 33-21-51-90	103106	1

MISSING ITEM NUMBERS NOT APPLICABLE

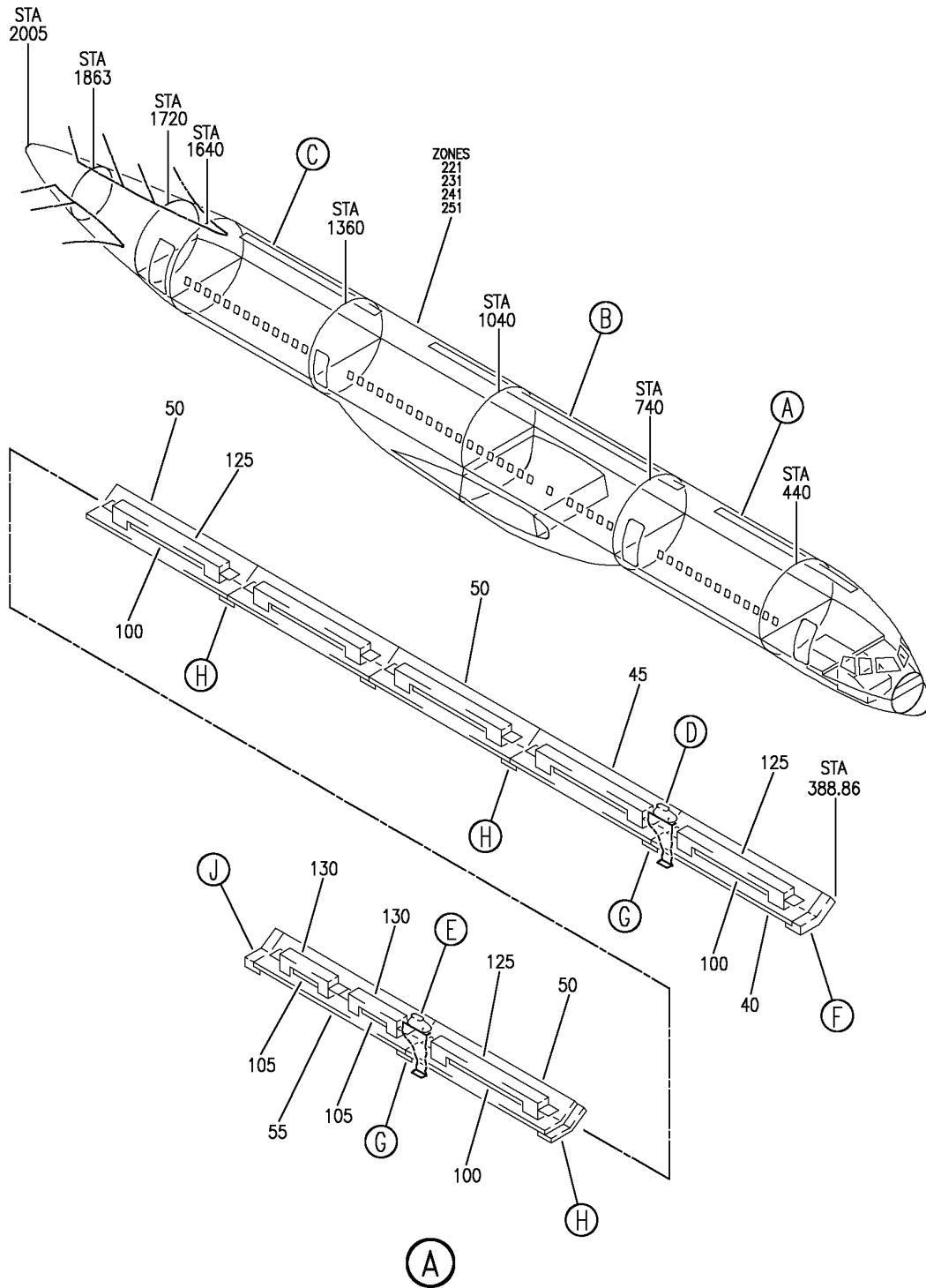
- ITEM NOT ILLUSTRATED

33-21-00-50D

33-21-00
FIG. 50D
PAGE 3
JAN 20/09

BRI

BOEING
757
PARTS CATALOG (MAINTENANCE)



Y 33210055D SHT 1 REV 258

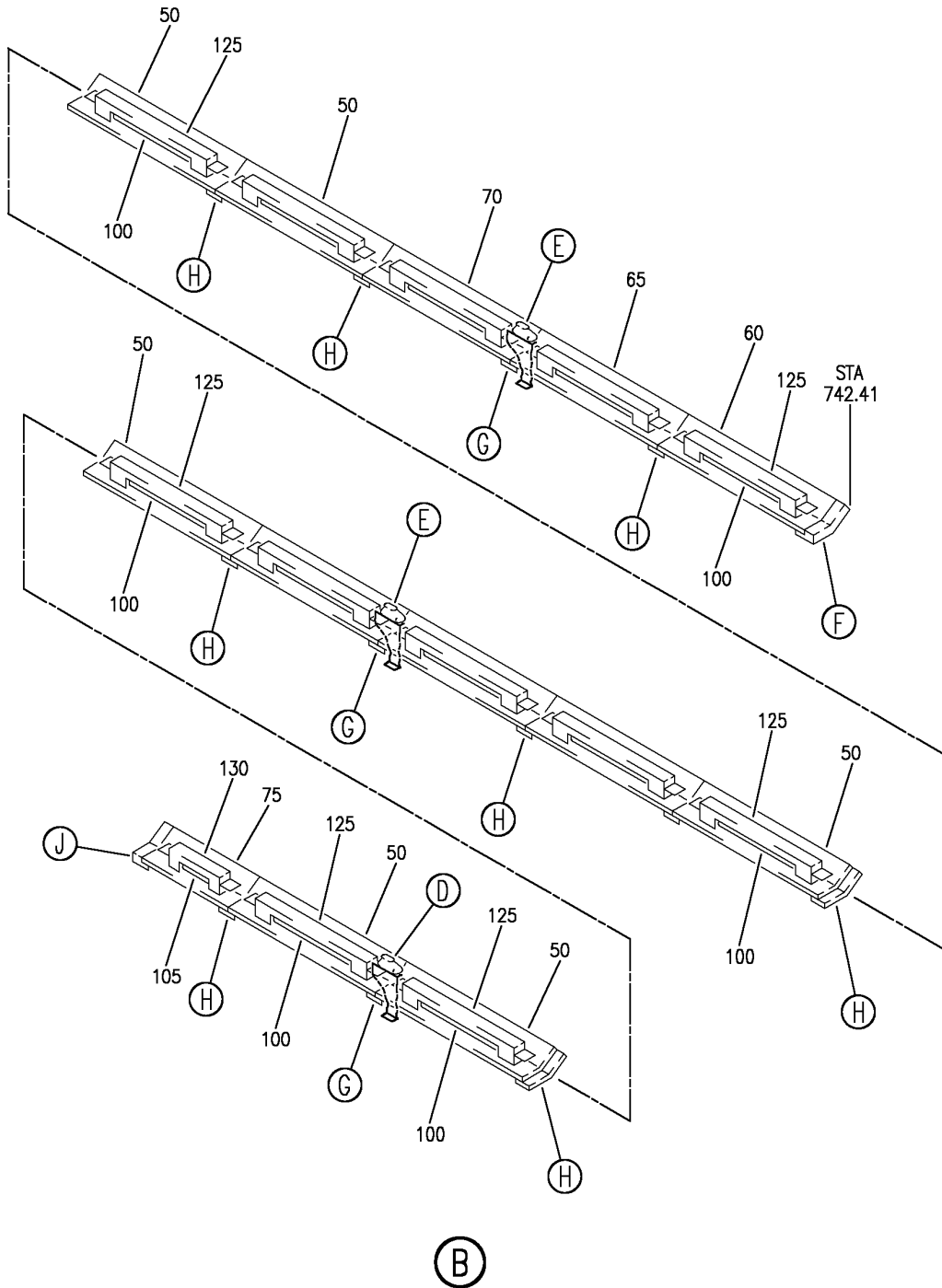
LIGHT INSTL-SIDEWALL L SIDE
FIGURE 55D (SHEET 1)

33-21-00-55D

BRI
JAN 20/09

33-21-00-55D
PAGE 0

BOEING
757
PARTS CATALOG (MAINTENANCE)



Y 33210055D SHT 2 REV 258

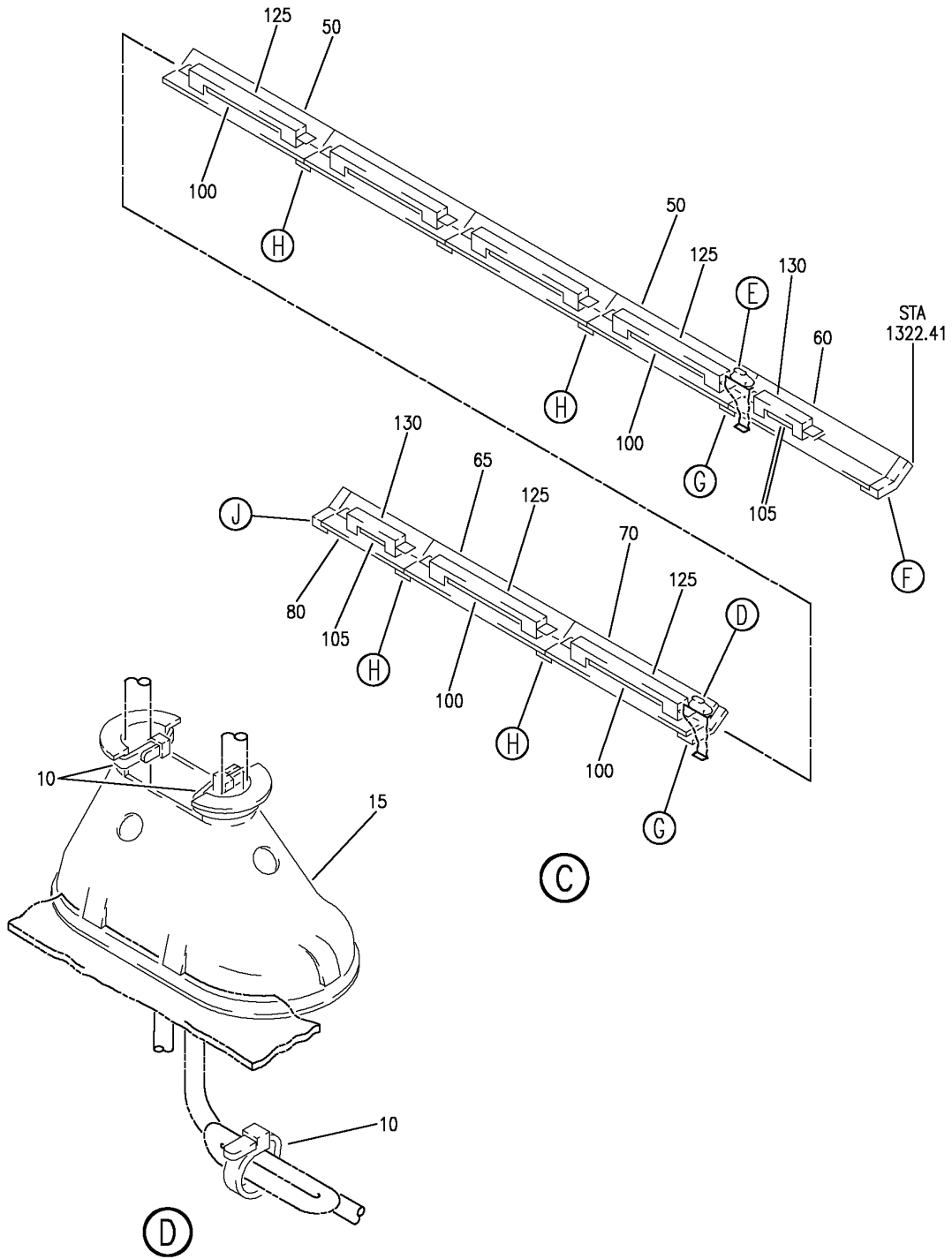
LIGHT INSTL-SIDEWALL L SIDE
FIGURE 55D (SHEET 2)

33-21-00-55D

BRI
JAN 20/09

33-21-00-55D
PAGE 0A

BOEING
757
PARTS CATALOG (MAINTENANCE)



Y 33210055D SHT 3 REV 258

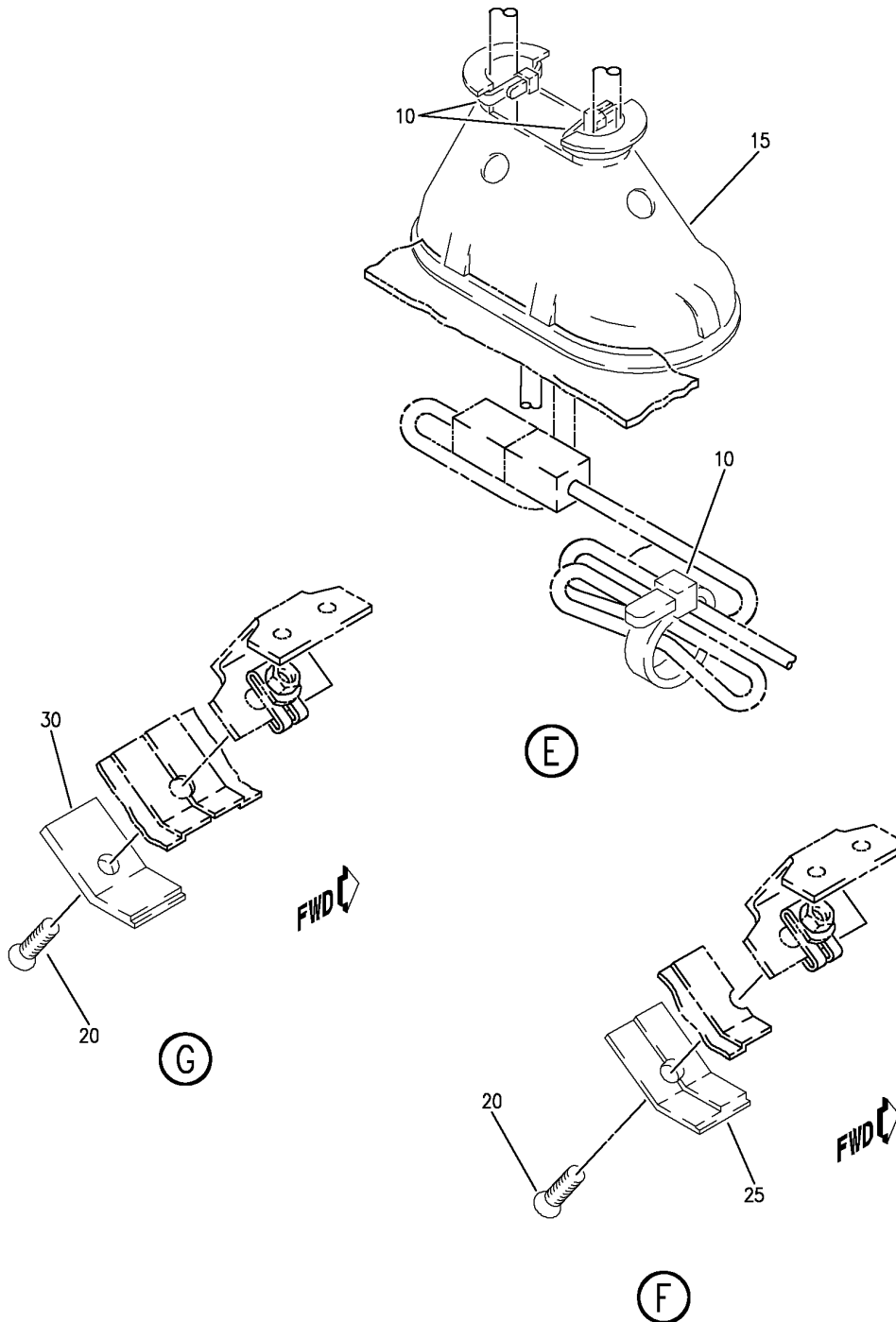
LIGHT INSTL-SIDEWALL L SIDE
FIGURE 55D (SHEET 3)

33-21-00-55D

BRI
JAN 20/09

33-21-00-55D
PAGE 0B

BOEING
757
PARTS CATALOG (MAINTENANCE)



Y 33210055D SHT 4 REV 258

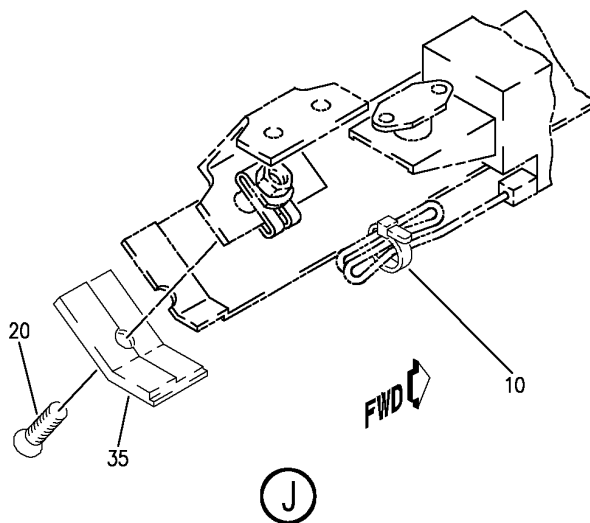
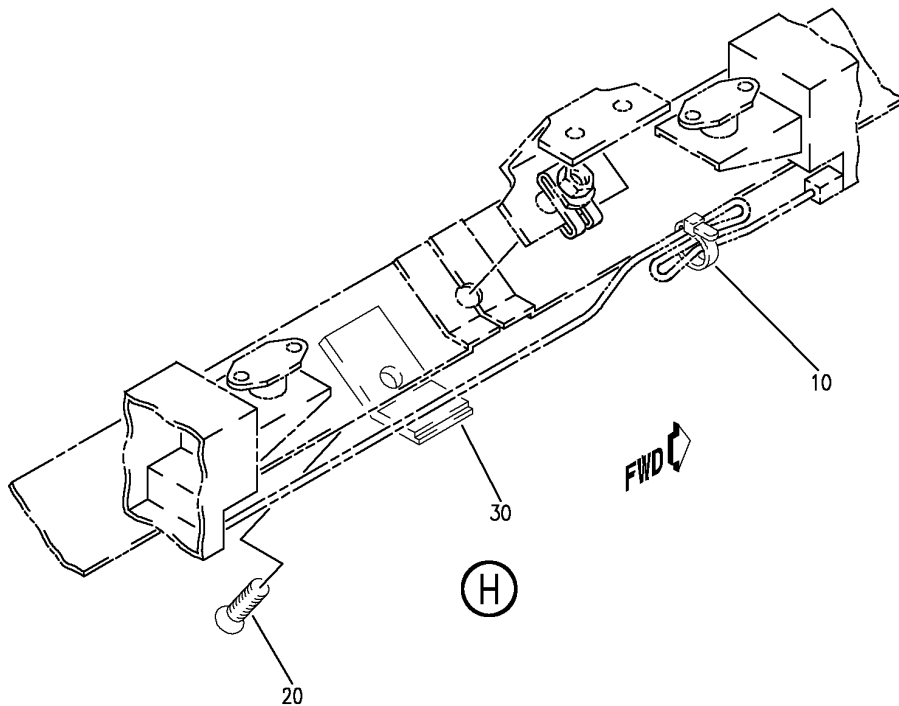
LIGHT INSTL-SIDEWALL L SIDE
FIGURE 55D (SHEET 4)

33-21-00-55D

BRI
JAN 20/09

33-21-00-55D
PAGE 0C

BOEING
757
PARTS CATALOG (MAINTENANCE)



Y 33210055D SH1 5 REV 258

LIGHT INSTL-SIDEWALL L SIDE
FIGURE 55D (SHEET 5)

33-21-00-55D

BRI
JAN 20/09

33-21-00-55D
PAGE 0D



757

PARTS CATALOG (MAINTENANCE)

FIG ITEM	PART NUMBER	1 2 3 4 5 6 7	NOMENCLATURE	EFFECT FROM TO	UNITS PER ASSY
55D			LIGHT INSTL-SIDEWALL L SIDE	103106	
- 1	MODREF32542		LIGHT INSTL-SIDEWALL MODULE NUMBER: 417N5008-2005 REV A POSITION DATA: L SIDE	103106	1
10	T05R0		.STRAP SUPPLIER CODE: V53421 SPECIFICATION NUMBER: BACS38K1 OPTIONAL PART: PLT2SM V06383	103106	AR
15	417N5107-1		.GROMMET	103106	7
20	BACS12ER3K10		.SCREW	103106	31
25	65C33289-221		.RETAINER-LENS	103106	3
30	65C33289-217		.RETAINER-LENS	103106	25
35	65C33289-222		.RETAINER-LENS	103106	3
40	10-1327-1257		.LENS ASSY- SUPPLIER CODE: V72914	103106	1
45	10-1327-1143		.LENS ASSY- SUPPLIER CODE: V72914 SPECIFICATION NUMBER: S417N511-506B	103106	1
50	10-1327-1015		.LENS ASSY- SUPPLIER CODE: V72914 SPECIFICATION NUMBER: S417N511-430C	103106	17
55	10-1327-1163		.LENS ASSY- SUPPLIER CODE: V72914 SPECIFICATION NUMBER: S417N511-516B	103106	1
60	10-1327-1043		.LENS ASSY- SUPPLIER CODE: V72914 SPECIFICATION NUMBER: S417N511-445B	103106	2
65	10-1327-1171		.LENS ASSY- SUPPLIER CODE: V72914 SPECIFICATION NUMBER: S417N511-520B	103106	2

MISSING ITEM NUMBERS NOT APPLICABLE

- ITEM NOT ILLUSTRATED

33-21-00-55D

33-21-00
FIG. 55D
PAGE 1
JAN 20/09

BRI

BOEING PROPRIETARY - Copyright © - Unpublished Work - See title page for details.



757

PARTS CATALOG (MAINTENANCE)

FIG ITEM	PART NUMBER	1 2 3 4 5 6 7	NOMENCLATURE	EFFECT FROM TO	UNITS PER ASSY
55D 70	10-1327-1139		.LENS ASSY- SUPPLIER CODE: V72914 SPECIFICATION NUMBER: S417N511-504B	103106	2
75	10-1327-1367		.LENS ASSY- SUPPLIER CODE: V72914	103106	1
80	10-1327-831		.LENS- SUPPLIER CODE: V72914 SPECIFICATION NUMBER: S417N511-347B	103106	1
100	F18T5WWS		.LAMP-FLUOR SUPPLIER CODE: V52343	103106	24
105	5106WW		.LAMP-FLUOR SUPPLIER CODE: V08806	103106	5
125	10-1733-1		.LIGHT ASSY- SUPPLIER CODE: V72914 SPECIFICATION NUMBER: S417N511-8001 ELECTRICAL EQUIP NUMBER: M10720 COMPONENT MAINT MANUAL REF: 33-21-39 FOR DETAILS SEE: 33-21-51-90	103106	24
130	10-1733-3		.LIGHT ASSY- SUPPLIER CODE: V72914 SPECIFICATION NUMBER: S417N511-8003 ELECTRICAL EQUIP NUMBER: M10722 COMPONENT MAINT MANUAL REF: 33-21-39 FOR DETAILS SEE: 33-21-51-90	103106	5

MISSING ITEM NUMBERS NOT APPLICABLE

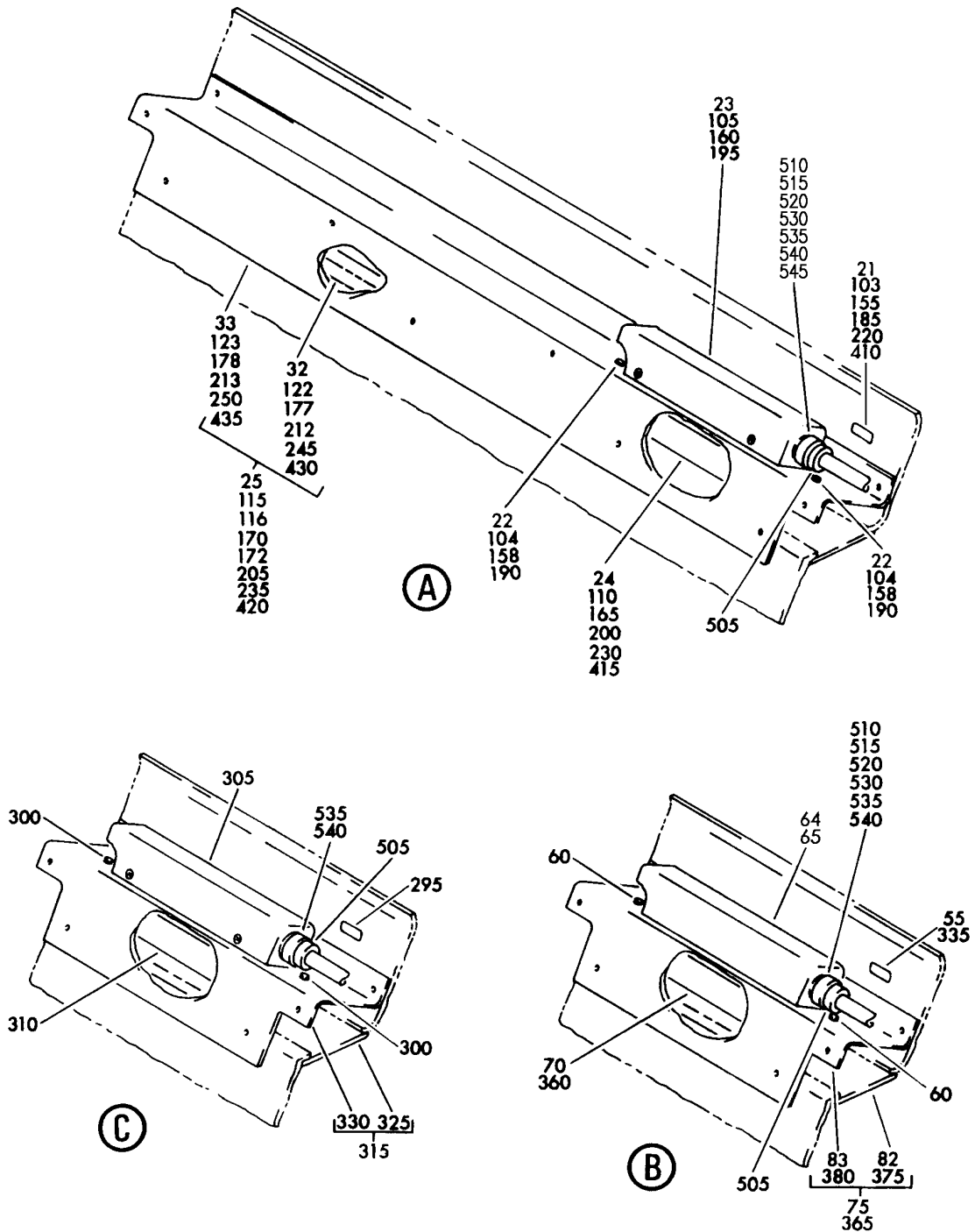
- ITEM NOT ILLUSTRATED

33-21-00-55D

33-21-00
FIG. 55D
PAGE 2
JAN 20/09

BRI

BOEING
757
PARTS CATALOG (MAINTENANCE)



Y 33210101 SHT 2 REV 257

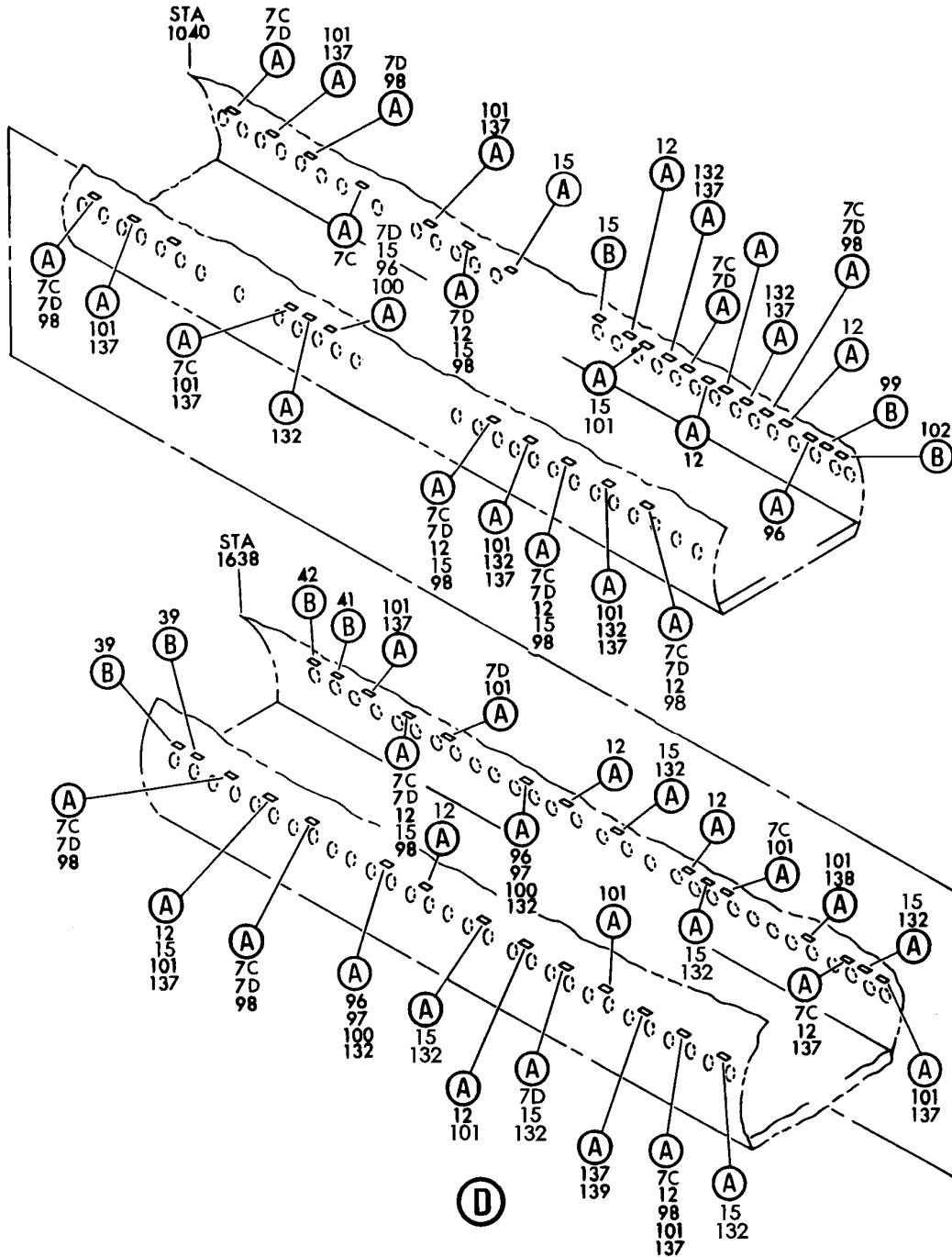
PANEL ASSY-SIDEWALL WINDOW (LIGHTS ONLY)
FIGURE 1 (SHEET 2)

33-21-01-01

BRI
JAN 20/09

33-21-01-01
PAGE 0A


BOEING
 757
PARTS CATALOG (MAINTENANCE)



Y 33210101 SHT 3 REV 331

PANEL ASSY-SIDEWALL WINDOW (LIGHTS ONLY)
 FIGURE 1 (SHEET 3)

33-21-01-01

BRI
JAN 20/09

33-21-01-01
 PAGE 0B



757

PARTS CATALOG (MAINTENANCE)

FIG ITEM	PART NUMBER	1 2 3 4 5 6 7	NOMENCLATURE	EFFECT FROM TO	UNITS PER ASSY
1			PANEL ASSY-SIDEWALL WINDOW (LIGHTS ONLY)	107107	
2	411N1110-389SP		PANEL ASSY-SIDEWALL WINDOW (LIGHTS ONLY) FOR NHA/OTHER SYS DET SEE: 25-21-15-02	107107	RF
3	411N1110-393SP		PANEL ASSY-SIDEWALL WINDOW (LIGHTS ONLY) FOR NHA/OTHER SYS DET SEE: 25-21-10-02	107107	RF
4	411N1110-385SP		PANEL ASSY-SIDEWALL WINDOW (LIGHTS ONLY) FOR NHA/OTHER SYS DET SEE: 25-21-10-02	107107	RF
5	411N1110-391SP		PANEL ASSY-SIDEWALL WINDOW (LIGHTS ONLY) FOR NHA/OTHER SYS DET SEE: 25-21-10-02	107107	RF
6	411N1110-376SP		PANEL ASSY-SIDEWALL WINDOW (LIGHTS ONLY) FOR NHA/OTHER SYS DET SEE: 25-21-10-02	107107	RF
7C	411N1110-379SP		PANEL ASSY-SIDEWALL WINDOW (LIGHTS ONLY) FOR NHA/OTHER SYS DET SEE: 25-21-01-02 25-21-10-02 25-21-15-02	107107	RF
21	BAC27DEL1034		.DECAL- PLACARD CONTENT: M10309	107107	1
22	NAS602-4P		.SCREW	107107	2
23	05934-1		.BALLAST ASSY- SUPPLIER CODE: V17023 SPECIFICATION NUMBER: S283N702-1 COMPONENT MAINT MANUAL REF: 33-21-04 OPTIONAL PART: 1981-1 V30242	107107	1

MISSING ITEM NUMBERS NOT APPLICABLE

- ITEM NOT ILLUSTRATED

33-21-01-01

33-21-01
FIG. 01
PAGE 1
JAN 20/09

BRI



757

PARTS CATALOG (MAINTENANCE)

FIG ITEM	PART NUMBER	1 2 3 4 5 6 7	NOMENCLATURE	EFFECT FROM TO	UNITS PER ASSY
1 23	1981-1		.BALLAST ASSY- SUPPLIER CODE: V30242 SPECIFICATION NUMBER: S283N702-1 COMPONENT MAINT MANUAL REF: 33-20-21 OPTIONAL PART: 05934-1 V17023	107107	1
24	F18T5WWS		.LAMP- SUPPLIER CODE: V52343	107107	1
25	10-1007-29		.LIGHT ASSY- SUPPLIER CODE: V72914 SPECIFICATION NUMBER: S417N501-14 COMPONENT MAINT MANUAL REF: 33-20-85 QUALIFIED I/W DATA: 10-1007-5 OPTIONAL TO S417N501-14 TOGETHER WITH BACW10P193G WASHER AS REQUIRED TO MAINTAIN CONTACT WITH SLOT FLANGES	107107	1
25	10-1007-5		.LIGHT ASSY- SUPPLIER CODE: V72914 SPECIFICATION NUMBER: S417N501-1 ELECTRICAL EQUIP NUMBER: M10309 COMPONENT MAINT MANUAL REF: 33-20-85 QUALIFIED I/W DATA: 10-1007-5 OPTIONAL TO S417N501-14 TOGETHER WITH BACW10P193G WASHER AS REQUIRED TO MAINTAIN CONTACT WITH SLOT FLANGES	107107	1

MISSING ITEM NUMBERS NOT APPLICABLE

- ITEM NOT ILLUSTRATED

33-21-01-01

33-21-01
FIG. 01
PAGE 2
JAN 20/09

BRI



757

PARTS CATALOG (MAINTENANCE)

FIG ITEM	PART NUMBER	1 2 3 4 5 6 7	NOMENCLATURE	EFFECT FROM TO	UNITS PER ASSY
1	25 10-1007-29		.LIGHT ASSY- SUPPLIER CODE: V72914 SPECIFICATION NUMBER: S417N501-14 COMPONENT MAINT MANUAL REF: 33-20-85 QUALIFIED I/W DATA: 10-1007-5 OPTIONAL TO S417N501-14 TOGETHER WITH BACW10P193G WASHER AS REQUIRED TO MAINTAIN CONTACT WITH SLOT FLANGES ATTACHING PARTS	107107	1
-	30 BACN10YJ3F		.NUT- -----*-----	107107	9
	32 11-4441-3		..LENS ASSY- SUPPLIER CODE: V72914	107107	1
	33 11-4284-25		..LIGHT ASSY- SUPPLIER CODE: V72914 USED ON: 10-1007-29	107107	1
	35 411N1110-377SP		PANEL ASSY-SIDEWALL WINDOW (LIGHTS ONLY) FOR NHA/OTHER SYS DET SEE: 25-21-15-02	107107	RF
	43 411N1110-308SP		PANEL ASSY-SIDEWALL WINDOW (LIGHTS ONLY) FOR NHA/OTHER SYS DET SEE: 25-21-15-02	107107	RF
	45 411N1110-310SP		PANEL ASSY-SIDEWALL WINDOW (LIGHTS ONLY) FOR NHA/OTHER SYS DET SEE: 25-21-01-02 25-21-10-02	107107	RF
	53 411N1110-312SP		PANEL ASSY-SIDEWALL WINDOW (LIGHTS ONLY) FOR NHA/OTHER SYS DET SEE: 25-21-01-02	107107	RF
	55 BAC27DEL1033		.DECAL- PLACARD CONTENT: M10308	107107	1
	60 NAS602-4P		.SCREW-	107107	2

MISSING ITEM NUMBERS NOT APPLICABLE

- ITEM NOT ILLUSTRATED

33-21-01-01

33-21-01
FIG. 01
PAGE 3
JAN 20/09

BRI



757

PARTS CATALOG (MAINTENANCE)

FIG ITEM	PART NUMBER	1 2 3 4 5 6 7	NOMENCLATURE	EFFECT FROM TO	UNITS PER ASSY
1					
65	05934-11		.BALLAST ASSY- SUPPLIER CODE: V17023 SPECIFICATION NUMBER: S283N702-11 COMPONENT MAINT MANUAL REF: 33-21-04 OPTIONAL PART: 1991-1 V30242	107107	1
65	1991-1		.BALLAST ASSY- SUPPLIER CODE: V30242 SPECIFICATION NUMBER: S283N702-11 COMPONENT MAINT MANUAL REF: 33-20-31 OPTIONAL PART: 05934-11 V17023	107107	1
70	5106WW		.LAMP- SUPPLIER CODE: V08806	107107	1
75	10-1007-1		.LIGHT ASSY- SUPPLIER CODE: V72914 SPECIFICATION NUMBER: S417N501-5 ELECTRICAL EQUIP NUMBER: M10308 ATTACHING PARTS	107107	1
- 80	BACN10YJ3F		.NUT- -----*-----	107107	5
82	11-4441-1		..LENS ASSY- SUPPLIER CODE: V72914	107107	1
83	11-4284-1		..LIGHT ASSY- SUPPLIER CODE: V72914	107107	1
- 90	411N1110-316SP		PANEL ASSY-SIDEWALL WINDOW (LIGHTS ONLY) FOR NHA/OTHER SYS DET SEE: 25-21-10-02	107107	RF
96	411N1110-381SP		PANEL ASSY-SIDEWALL WINDOW (LIGHTS ONLY) FOR NHA/OTHER SYS DET SEE: 25-21-01-02 25-21-10-02 25-21-15-02	107107	RF

MISSING ITEM NUMBERS NOT APPLICABLE

- ITEM NOT ILLUSTRATED

33-21-01-01

33-21-01
FIG. 01
PAGE 4
JAN 20/09

BRI



757

PARTS CATALOG (MAINTENANCE)

FIG ITEM	PART NUMBER	1 2 3 4 5 6 7	NOMENCLATURE	EFFECT FROM TO	UNITS PER ASSY
1					
98	411N1110-379SP		PANEL ASSY-SIDEWALL WINDOW (LIGHTS ONLY) FOR NHA/OTHER SYS DET SEE: 25-21-10-02	107107	RF
101	411N1110-383SP		PANEL ASSY-SIDEWALL WINDOW (LIGHTS ONLY) FOR NHA/OTHER SYS DET SEE: 25-21-10-02	107107	RF
103	BAC27DEL1032		.DECAL- PLACARD CONTENT: M10307 USED ON: 411N1110-177SP 411N1110-206SP 411N1110-316SP 411N1110-381SP	107107	1
103	BAC27DEL1060		.DECAL- PLACARD CONTENT: M10475 USED ON: 411N1110-179SP 411N1110-383SP	107107	1
103	BAC27DEL1034		.DECAL- PLACARD CONTENT: M10309 USED ON: 411N1110-175SP 411N1110-379SP	107107	1
104	NAS602-4P		.SCREW- USED ON: 411N1110-175SP 411N1110-177SP 411N1110-316SP 411N1110-379SP 411N1110-381SP	107107	2
105	05934-6		.BALLAST ASSY- SUPPLIER CODE: V17023 SPECIFICATION NUMBER: S283N702-6 COMPONENT MAINT MANUAL REF: 33-21-04 USED ON: 411N1110-177SP 411N1110-206SP 411N1110-316SP 411N1110-381SP	107107	1

MISSING ITEM NUMBERS NOT APPLICABLE

- ITEM NOT ILLUSTRATED

33-21-01-01

33-21-01
FIG. 01
PAGE 5
JAN 20/09

BRI



757

PARTS CATALOG (MAINTENANCE)

FIG ITEM	PART NUMBER	1 2 3 4 5 6 7	NOMENCLATURE	EFFECT FROM TO	UNITS PER ASSY
1 105	05934-1		.BALLAST ASSY- SUPPLIER CODE: V17023 SPECIFICATION NUMBER: S283N702-1 COMPONENT MAINT MANUAL REF: 33-21-04 OPTIONAL PART: 1981-1 V30242 USED ON: 411N1110-175SP 411N1110-379SP	107107	1
105	1981-1		.BALLAST ASSY- SUPPLIER CODE: V30242 SPECIFICATION NUMBER: S283N702-1 COMPONENT MAINT MANUAL REF: 33-20-21 OPTIONAL PART: 05934-1 V17023 USED ON: 411N1110-175SP 411N1110-379SP	107107	1
110	F18T5WWS		.LAMP- SUPPLIER CODE: V52343	107107	1
115	10-1007-31		.LIGHT ASSY- SUPPLIER CODE: V72914 SPECIFICATION NUMBER: S417N501-15 ELECTRICAL EQUIP NUMBER: M10475 COMPONENT MAINT MANUAL REF: 33-20-85 USED ON: 411N1110-179SP 411N1110-383SP	107107	1

MISSING ITEM NUMBERS NOT APPLICABLE

- ITEM NOT ILLUSTRATED

33-21-01-01

33-21-01
FIG. 01
PAGE 6
JAN 20/09

BRI



757

PARTS CATALOG (MAINTENANCE)

FIG ITEM	PART NUMBER	1 2 3 4 5 6 7	NOMENCLATURE	EFFECT FROM TO	UNITS PER ASSY
1 116	10-1007-29		.LIGHT ASSY- SUPPLIER CODE: V72914 SPECIFICATION NUMBER: S417N501-14 ELECTRICAL EQUIP NUMBER: M10307 M10309 COMPONENT MAINT MANUAL REF: 33-20-85 QUALIFIED I/W DATA: 10-1007-5 OPTIONAL TO S417N501-14 TOGETHER WITH BACW10P193G WASHER AS REQUIRED TO MAINTAIN CONTACT WITH SLOT FLANGES USED ON: 411N1110-316SP 411N1110-379SP 411N1110-381SP	107107	1
- 120	BACN10YJ3F		.NUT- -----*-----	107107	9
122	11-4441-3		..LENS ASSY- SUPPLIER CODE: V72914	107107	1
123	11-4284-23		..LIGHT ASSY- SUPPLIER CODE: V72914 USED ON: 10-1007-31	107107	1
123	11-4284-25		..LIGHT ASSY- SUPPLIER CODE: V72914 USED ON: 10-1007-29	107107	1
127	411N1110-383SP		PANEL ASSY-SIDEWALL WINDOW (LIGHTS ONLY) FOR NHA/OTHER SYS DET SEE: 25-21-01-02 25-21-10-02 25-21-15-02	107107	RF
130	411N1110-389SP		PANEL ASSY-SIDEWALL WINDOW (LIGHTS ONLY) FOR NHA/OTHER SYS DET SEE: 25-21-10-02	107107	RF

MISSING ITEM NUMBERS NOT APPLICABLE

- ITEM NOT ILLUSTRATED

33-21-01-01

33-21-01
FIG. 01
PAGE 7
JAN 20/09

BRI



757

PARTS CATALOG (MAINTENANCE)

FIG ITEM	PART NUMBER	1 2 3 4 5 6 7	NOMENCLATURE	EFFECT FROM TO	UNITS PER ASSY
1					
135	411N1110-331SP		PANEL ASSY-SIDEWALL WINDOW (LIGHTS ONLY) FOR NHA/OTHER SYS DET SEE: 25-21-15-02	107107	RF
140	411N1110-395SP		PANEL ASSY-SIDEWALL WINDOW (LIGHTS ONLY) FOR NHA/OTHER SYS DET SEE: 25-21-10-02	107107	RF
145	411N1110-397SP		PANEL ASSY-SIDEWALL WINDOW (LIGHTS ONLY) FOR NHA/OTHER SYS DET SEE: 25-21-10-02	107107	RF
150	411N1110-383SP		PANEL ASSY-SIDEWALL WINDOW (LIGHTS ONLY) FOR NHA/OTHER SYS DET SEE: 25-21-10-02 25-21-15-02	107107	RF
152	BAC27DEL1034		.DECAL- PLACARD CONTENT: M10309 USED ON: 411N1110-8SP 411N1110-30SP 411N1110-49SP 411N1110-115SP 411N1110-116SP 411N1110-185SP 411N1110-186SP 411N1110-389SP	107107	1
155	BAC27DEL1060		.DECAL- PLACARD CONTENT: M10475 USED ON: 411N1110-24SP 411N1110-25SP 411N1110-37SP 411N1110-40SP 411N1110-62SP 411N1110-107SP 411N1110-123SP 411N1110-125SP 411N1110-179SP 411N1110-191SP 411N1110-193SP 411N1110-331SP 411N1110-383SP 411N1110-395SP 411N1110-397SP	107107	1

MISSING ITEM NUMBERS NOT APPLICABLE

- ITEM NOT ILLUSTRATED

33-21-01-01

33-21-01
FIG. 01
PAGE 8
JAN 20/09

BRI



757

PARTS CATALOG (MAINTENANCE)

FIG ITEM	PART NUMBER	1 2 3 4 5 6 7	NOMENCLATURE	EFFECT FROM TO	UNITS PER ASSY
1 158	NAS602-4P		.SCREW- USED ON: 411N1110-8SP 411N1110-30SP 411N1110-49SP 411N1110-115SP 411N1110-116SP 411N1110-185SP 411N1110-186SP 411N1110-326SP 411N1110-389SP	107107	2
160	05934-1		.BALLAST ASSY- SUPPLIER CODE: V17023 SPECIFICATION NUMBER: S283N702-1 COMPONENT MAINT MANUAL REF: 33-21-04 OPTIONAL PART: 1981-1 V30242 USED ON: 411N1110-8SP 411N1110-30SP 411N1110-49SP 411N1110-115SP 411N1110-116SP 411N1110-185SP 411N1110-186SP 411N1110-326SP 411N1110-389SP	107107	1

MISSING ITEM NUMBERS NOT APPLICABLE

- ITEM NOT ILLUSTRATED

BRI

33-21-01-01

BOEING PROPRIETARY - Copyright © - Unpublished Work - See title page for details.

33-21-01
FIG. 01
PAGE 9
JAN 20/09



757

PARTS CATALOG (MAINTENANCE)

FIG ITEM	PART NUMBER	1 2 3 4 5 6 7	NOMENCLATURE	EFFECT FROM TO	UNITS PER ASSY
1 160	1981-1		.BALLAST ASSY- SUPPLIER CODE: V30242 SPECIFICATION NUMBER: S283N702-1 COMPONENT MAINT MANUAL REF: 33-20-21 OPTIONAL PART: 05934-1 V17023 USED ON: 411N1110-8SP 411N1110-30SP 411N1110-49SP 411N1110-115SP 411N1110-116SP 411N1110-185SP 411N1110-186SP 411N1110-326SP 411N1110-389SP	107107	1
165	F18T5WWS		.LAMP- SUPPLIER CODE: V52343	107107	1
170	10-1007-31		.LIGHT ASSY- SUPPLIER CODE: V72914 SPECIFICATION NUMBER: S417N501-15 COMPONENT MAINT MANUAL REF: 33-20-85 USED ON: 411N1110-1SP 411N1110-10SP 411N1110-14SP 411N1110-15SP 411N1110-22SP 411N1110-43SP 411N1110-44SP 411N1110-53SP 411N1110-56SP 411N1110-63SP 411N1110-108SP 411N1110-124SP 411N1110-126SP 411N1110-170SP 411N1110-180SP 411N1110-192SP 411N1110-194SP 411N1110-220SP	107107	1

MISSING ITEM NUMBERS NOT APPLICABLE

- ITEM NOT ILLUSTRATED

33-21-01-01

33-21-01
FIG. 01
PAGE 10
JAN 20/09

BRI



757

PARTS CATALOG (MAINTENANCE)

FIG ITEM	PART NUMBER	1 2 3 4 5 6 7	NOMENCLATURE	EFFECT FROM TO	UNITS PER ASSY
1 172	10-1007-29		.LIGHT ASSY- SUPPLIER CODE: V72914 SPECIFICATION NUMBER: S417N501-14 COMPONENT MAINT MANUAL REF: 33-20-85 QUALIFIED I/W DATA: 10-1007-5 OPTIONAL TO S417N501-14 TOGETHER WITH BACW10P193G WASHER AS REQUIRED TO MAINTAIN CONTACT WITH SLOT FLANGES USED ON: 411N1110-185SP 411N1110-186SP 411N1110-389SP 411N1110-8SP 411N1110-30SP 411N1110-49SP 411N1110-115SP 411N1110-116SP	107107	1
- 175	BACN10YJ3F		.NUT- -----*-----	107107	9
177	11-4441-3		..LENS ASSY- SUPPLIER CODE: V72914	107107	1
178	11-4284-23		..LIGHT ASSY- SUPPLIER CODE: V72914 USED ON: 10-1007-31	107107	1
179	11-4284-25		..LIGHT ASSY- SUPPLIER CODE: V72914 USED ON: 10-1007-29	107107	1
215	411N1110-387SP		PANEL ASSY-SIDEWALL WINDOW (LIGHTS ONLY) FOR NHA/OTHER SYS DET SEE: 25-21-01-02	107107	RF
220	BAC27DEL1061		.DECAL- PLACARD CONTENT: M10476	107107	1
230	F18T5WWS		.LAMP- SUPPLIER CODE: V52343	107107	1

MISSING ITEM NUMBERS NOT APPLICABLE

- ITEM NOT ILLUSTRATED

33-21-01-01

33-21-01
FIG. 01
PAGE 11
JAN 20/09

BRI



757

PARTS CATALOG (MAINTENANCE)

FIG ITEM	PART NUMBER	1 2 3 4 5 6 7	NOMENCLATURE	EFFECT FROM TO	UNITS PER ASSY
1 235	10-1007-11		.LIGHT ASSY- SUPPLIER CODE: V72914 SPECIFICATION NUMBER: S417N501-4 ELECTRICAL EQUIP NUMBER: M10476 COMPONENT MAINT MANUAL REF: 33-20-85	107107	1
- 240	BACN10YJ3F		.NUT-	107107	9
			-----*-----		
245	11-4441-5		..LENS ASSY- SUPPLIER CODE: V72914	107107	1
250	11-4284-9		..LIGHT ASSY- SUPPLIER CODE: V72914	107107	1
- 470	286N3524-003		WIRE BUNDLE ASSY- (LIGHTS ONLY)	107107	RF
- 475	286N3526-002		WIRE BUNDLE ASSY- (LIGHTS ONLY)	107107	RF
- 480	286N3528-003		WIRE BUNDLE ASSY- (LIGHTS ONLY)	107107	RF
- 485	286N3624-004		WIRE BUNDLE ASSY- (LIGHTS ONLY)	107107	RF
- 490	286N3626-002		WIRE BUNDLE ASSY- (LIGHTS ONLY)	107107	RF
- 495	286N3628-002		WIRE BUNDLE ASSY- (LIGHTS ONLY)	107107	RF
530	BACC45FT12A12S		.CONNECTOR- ELECTRICAL EQUIP NUMBER: D00702 D00704 D00706 D00708 D00710 D00712 D00718 D00720 D00722 D00724 D00726 D00728 D00730 D00732 D00734 D00736 D00738	107107	59

MISSING ITEM NUMBERS NOT APPLICABLE

- ITEM NOT ILLUSTRATED

33-21-01-01

33-21-01
FIG. 01
PAGE 12
JAN 20/09

BRI



757

PARTS CATALOG (MAINTENANCE)

FIG ITEM	PART NUMBER	1 2 3 4 5 6 7	NOMENCLATURE	EFFECT FROM TO	UNITS PER ASSY
1			D00740 D00742 D00748 D00750 D00752 D00754 D00756 D00758 D00760 D00762 D00802 D00804 D00806 D00808 D00810 D00812 D00814 D00818 D00820 D00822 D00824 D00826 D00828 D00830 D00832 D00834 D00836 D00838 D00840 D00842 D00844 D00848 D00850 D00852 D00854 D00856 D00858 D00860 D00862 D04456 D04500 D04608 WIRING DIAGRAM REF: 332132 332133 332134 332141 332142 332143		

MISSING ITEM NUMBERS NOT APPLICABLE

- ITEM NOT ILLUSTRATED

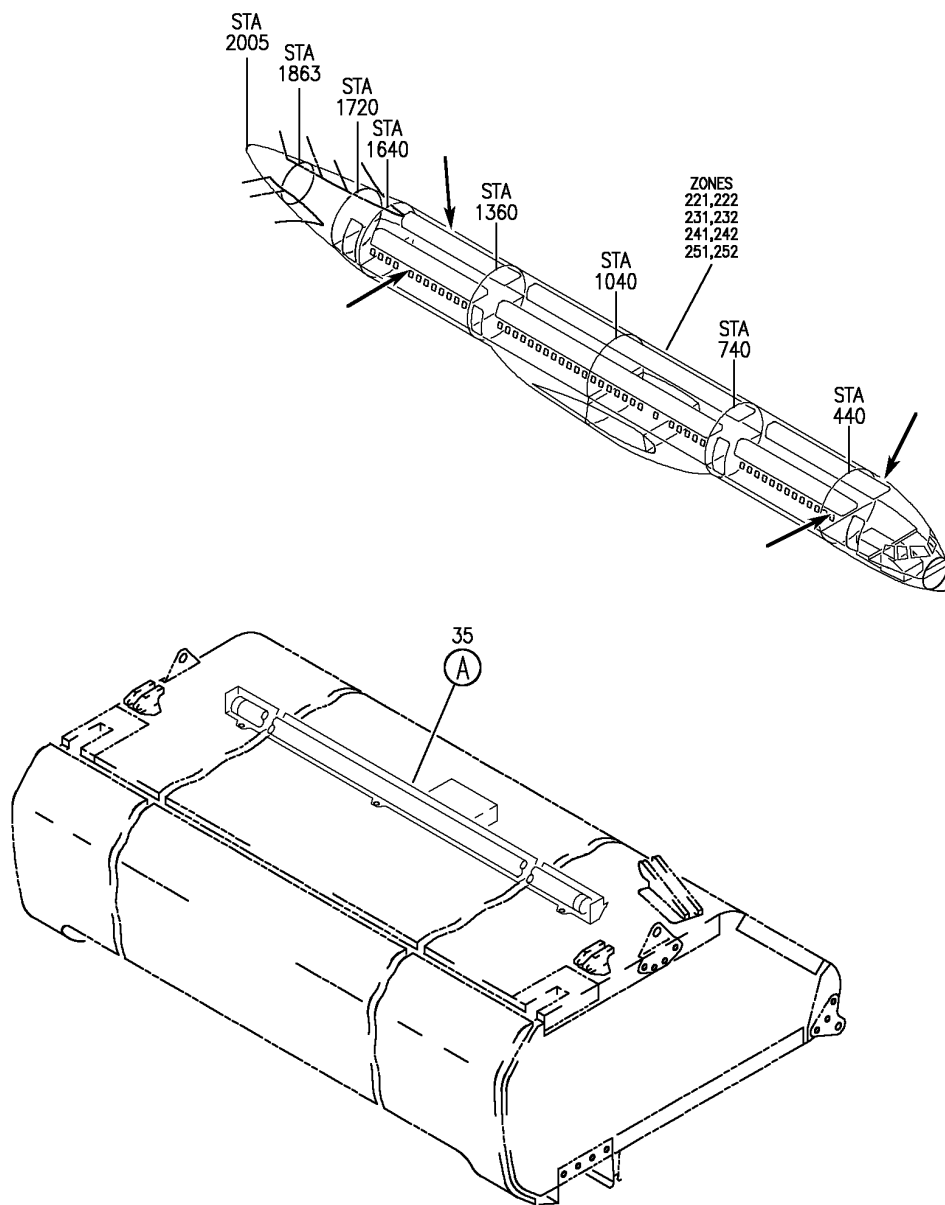
BRI

33-21-01-01

BOEING PROPRIETARY - Copyright © - Unpublished Work - See title page for details.

33-21-01
FIG. 01
PAGE 13
JAN 20/09

BOEING
757
PARTS CATALOG (MAINTENANCE)



Y 33215101 SHT 1 REV 251

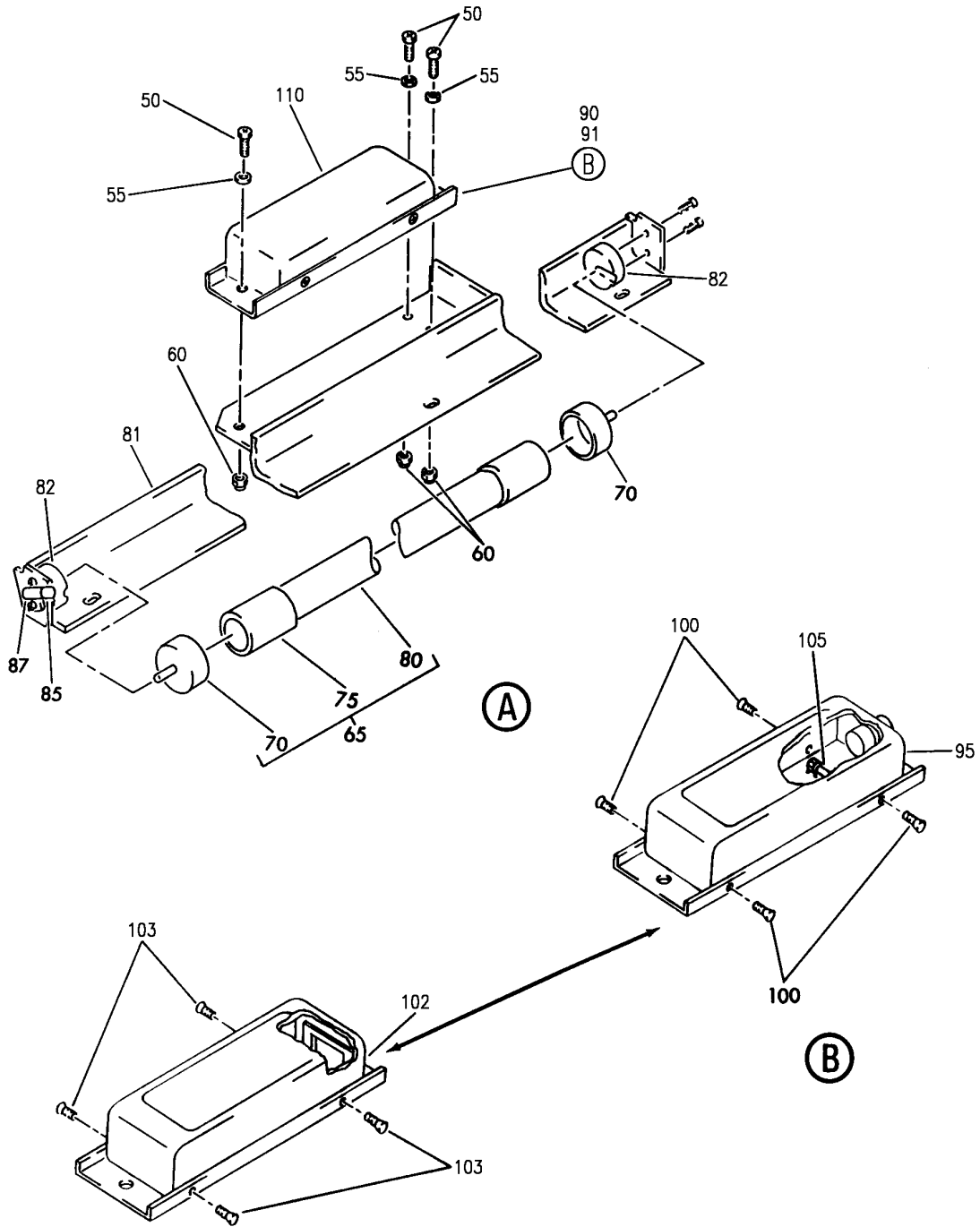
COMPARTMENT ASSY-60 IN. OVHD STOWAGE (LIGHTS ONLY)
FIGURE 1 (SHEET 1)

33-21-51-01

BRI
JAN 20/09

33-21-51-01
PAGE 0

BOEING
757
PARTS CATALOG (MAINTENANCE)



Y 33215101 SHT 2 REV 251

COMPARTMENT ASSY-60 IN. OVHD STOWAGE (LIGHTS ONLY)
FIGURE 1 (SHEET 2)

33-21-51-01

BRI
JAN 20/09

33-21-51-01
PAGE 0A

 **BOEING**
757
PARTS CATALOG (MAINTENANCE)

FIG ITEM	PART NUMBER	1 2 3 4 5 6 7	NOMENCLATURE	EFFECT FROM TO	UNITS PER ASSY
1			COMPARTMENT ASSY-60 IN. OVHD STOWAGE (LIGHTS ONLY)	107107	
- 1	412N1109-101SP		COMPARTMENT ASSY-60 IN. OVHD STOWAGE (LIGHTS ONLY) REWORK DRAWING REF: 412N1012-39 REWORKED BY ALERT SB: 25A0121 FOR NHA/OTHER SYS DET SEE: 25-28-00-04B 25-28-00-07A	107107	RF
- 3	412N1109-102SP		COMPARTMENT ASSY-60 IN. OVHD STOWAGE (LIGHTS ONLY) REWORK DRAWING REF: 412N1012-40 REWORKED BY ALERT SB: 25A0121 FOR NHA/OTHER SYS DET SEE: 25-28-00-04B	107107	RF
- 5	412N1109-108SP		COMPARTMENT ASSY-60 IN. OVHD STOWAGE (LIGHTS ONLY) REWORK DRAWING REF: 412N1012-36 REWORKED BY ALERT SB: 25A0121 FOR NHA/OTHER SYS DET SEE: 25-28-00-07A	107107	RF
- 10	412N1109-112SP		COMPARTMENT ASSY-60 IN. OVHD STOWAGE (LIGHTS ONLY) COMPONENT MAINT MANUAL REF: 25-28-31 REWORK DRAWING REF: 412N1012-36 REWORKED BY ALERT SB: 25A0121 FOR NHA/OTHER SYS DET SEE: 25-28-00-04B	107107	RF
35	417N5120-1		.LIGHT ASSY- USED ON: 412N1109-1SP 412N1109-2SP 412N1109-12SP 412N1109-8SP 412N1109-20SP	107107	1

MISSING ITEM NUMBERS NOT APPLICABLE

- ITEM NOT ILLUSTRATED

BRI

33-21-51-01

BOEING PROPRIETARY - Copyright © - Unpublished Work - See title page for details.

33-21-51
FIG. 01
PAGE 1
JAN 20/09



757

PARTS CATALOG (MAINTENANCE)

FIG ITEM	PART NUMBER	1 2 3 4 5 6 7	NOMENCLATURE	EFFECT FROM TO	UNITS PER ASSY
1					
35	417N5120-14		.LIGHT ASSY-	107107	1
35	417N5120-114		.LIGHT ASSY-	107107	1
-	40		ATTACHING PARTS		
-	40		.SCREW	107107	3
-	45		.WASHER	107107	3
			-----*-----		
	50		..SCREW	107107	3
	55		..WASHER	107107	3
	60		..NUT	107107	3
			SUPPLIER CODE:		
			V72962		
			SPECIFICATION NUMBER:		
			BACN10R10L		
			OPTIONAL PART:		
			22K1-02		
			V72962		
			26CLO2		
			V80539		
65	417N5120-10		..LAMP ASSY	107107	1
70	2055150		...CAP-END	107107	2
			SUPPLIER CODE:		
			V04169		
75	LP1625-48		...TUBE-PROTECTIVE COVER	107107	1
			SUPPLIER CODE:		
			V60116		
			OPTIONAL PART:		
			NI312LGWUV1000		
			V06034		
75	NI312LGWUV1000		...TUBE-COVER	107107	1
			SUPPLIER CODE:		
			V06034		
			OPTIONAL PART:		
			LP1625-48		
			V60116		
80	F40D30ECO		...LAMP-FLUOR.	107107	1
			SUPPLIER CODE:		
			V08805		
81	800000255-1		..HOUSING ASSY-CLG LIGHT	107107	1
			SUPPLIER CODE:		
			V05617		
			SPECIFICATION NUMBER:		
			S417N507-1		
81	800000255-11		..HOUSING ASSY-CLG LIGHT	107107	1
			SUPPLIER CODE:		
			V05617		
			SPECIFICATION NUMBER:		
			S417N507-11		

MISSING ITEM NUMBERS NOT APPLICABLE

- ITEM NOT ILLUSTRATED

BRI

33-21-51-01

33-21-51
FIG. 01
PAGE 2
MAY 20/09



757

PARTS CATALOG (MAINTENANCE)

FIG ITEM	PART NUMBER	1 2 3 4 5 6 7	NOMENCLATURE	EFFECT FROM TO	UNITS PER ASSY
1	82 BV03112-03-33		...HOLDER-BRUCE LAMP SUPPLIER CODE: V17023 USED ON: 80000255-11 ATTACHING PARTS	107107	2
-	83 MS35206-323		...SCREW -----*-----	107107	4
	85 1864		..BULB- SUPPLIER CODE: V71744	107107	1
	90 05939-3		..BALLAST ASSY- SUPPLIER CODE: V17023 SPECIFICATION NUMBER: S283N702-3 COMPONENT MAINT MANUAL REF: 33-21-05 OPTIONAL PART: 1983-1 V30242 OPTIONAL PART: 05939-103 V17023	107107	1
	90 05939-103		..BALLAST ASSY- SUPPLIER CODE: V17023 SPECIFICATION NUMBER: S283N702-103 COMPONENT MAINT MANUAL REF: 33-21-05 OPTIONAL PART: 1983-1 V30242 05939-3 V17023	107107	1

MISSING ITEM NUMBERS NOT APPLICABLE

- ITEM NOT ILLUSTRATED

33-21-51-01

33-21-51
FIG. 01
PAGE 3
MAY 20/09

BRI



757

PARTS CATALOG (MAINTENANCE)

FIG ITEM	PART NUMBER	1 2 3 4 5 6 7	NOMENCLATURE	EFFECT FROM TO	UNITS PER ASSY
1 90	05939-103		..BALLAST ASSY- SUPPLIER CODE: V17023 SPECIFICATION NUMBER: S283N702-103 COMPONENT MAINT MANUAL REF: 33-21-05 OPTIONAL PART: 05939-3 V17023 1983-1 V30242 USED ON: 417N5120-14	107107	1
95	06188		...HOUSING ASSY- SUPPLIER CODE: V17023 USED ON: 05939-3	107107	1
100	MS24693-1	SCREW	107107	4
102	08899-001		...HOUSING ASSY- SUPPLIER CODE: V17023 USED ON: 05939-103	107107	1
103	011-0002-510	SCREW- SUPPLIER CODE: V17023	107107	4
105	GMA1-5		...FUSE-1.5A, 250V SUPPLIER CODE: V71400	107107	1
110	1983-1		..BALLAST ASSY- SUPPLIER CODE: V30242 SPECIFICATION NUMBER: S283N702-3 COMPONENT MAINT MANUAL REF: 33-20-23 OPTIONAL PART: 05939-3 V17023 OPTIONAL PART: 05939-103 V30242	107107	1

MISSING ITEM NUMBERS NOT APPLICABLE

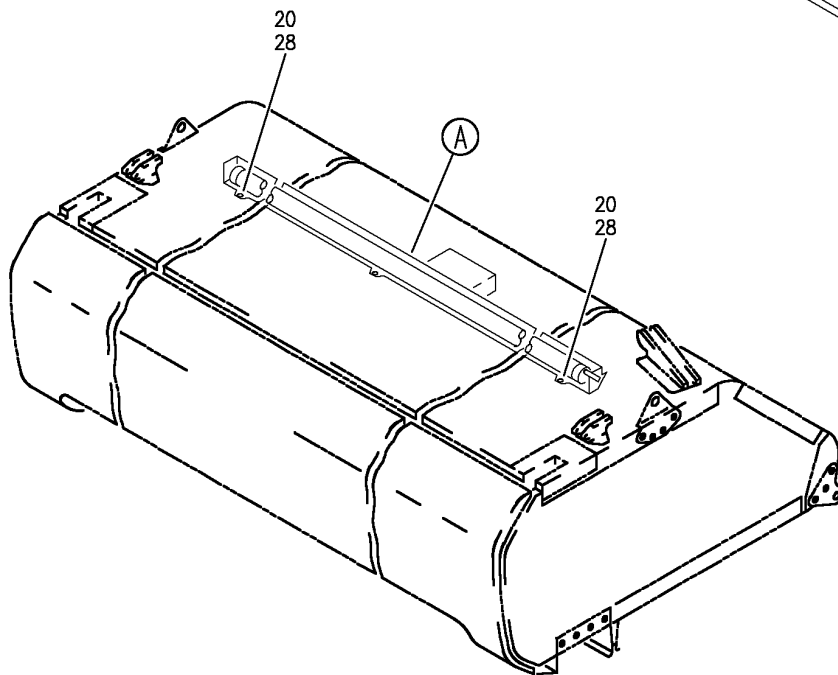
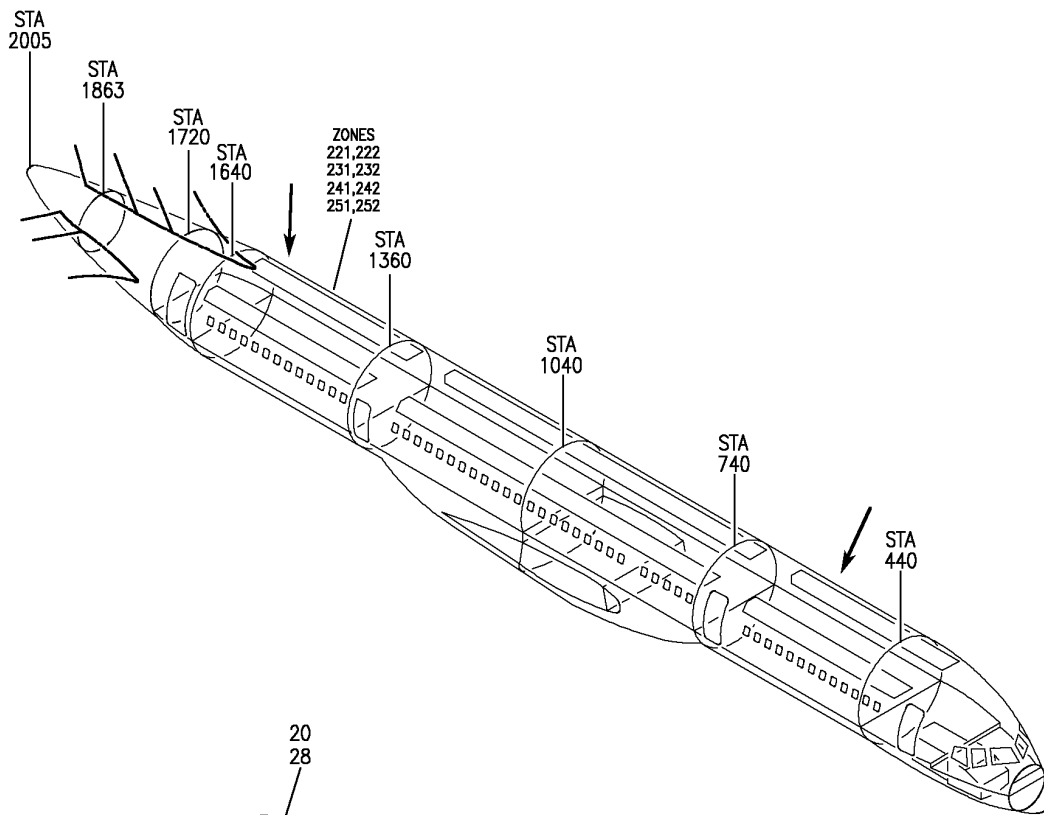
- ITEM NOT ILLUSTRATED

33-21-51-01

33-21-51
FIG. 01
PAGE 4
JAN 20/09

BRI

BOEING
757
PARTS CATALOG (MAINTENANCE)



Y 33215101A SHT 1 REV 251

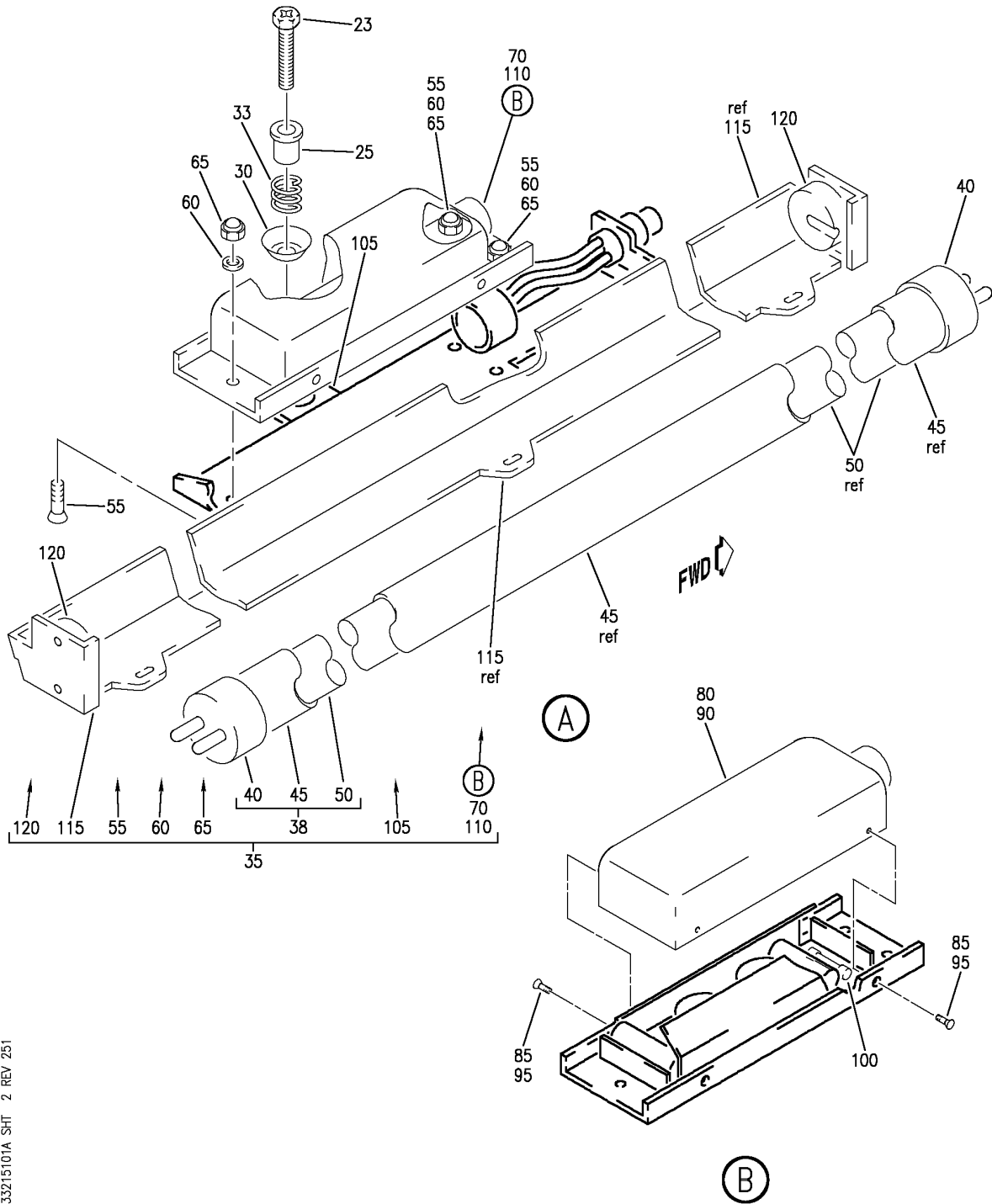
COMPARTMENT ASSY-60 IN. OVHD STOWAGE (LIGHTS ONLY)
FIGURE 1A (SHEET 1)

33-21-51-01A

BRI
JAN 20/09

33-21-51-01A
PAGE 0

BOEING
757
PARTS CATALOG (MAINTENANCE)



Y 33215101A SHT 2 REV 251

COMPARTMENT ASSY-60 IN. OVHD STOWAGE (LIGHTS ONLY)
FIGURE 1A (SHEET 2)

33-21-51-01A

BRI
JAN 20/09

33-21-51-01A
PAGE 0A



757

PARTS CATALOG (MAINTENANCE)

FIG ITEM	PART NUMBER	1 2 3 4 5 6 7	NOMENCLATURE	EFFECT FROM TO	UNITS PER ASSY
1A			COMPARTMENT ASSY-60 IN. OVHD STOWAGE (LIGHTS ONLY)	107107	
- 1	412N1109-116SP		COMPARTMENT ASSY-60 IN. OVHD STOWAGE (LIGHTS ONLY) REWORK DRAWING REF: 412N1012-39 REWORKED BY ALERT SB: 25A0121 FOR NHA/OTHER SYS DET SEE: 25-28-00-04B	107107	RF
- 6	412N1109-117SP		COMPARTMENT ASSY-60 IN. OVHD STOWAGE (LIGHTS ONLY) REWORK DRAWING REF: 412N1012-40 REWORKED BY ALERT SB: 25A0121 FOR NHA/OTHER SYS DET SEE: 25-28-00-04B 25-28-00-07A	107107	RF
- 10	412N1109-121SP		COMPARTMENT ASSY-60 IN. OVHD STOWAGE (LIGHTS ONLY) COMPONENT MAINT MANUAL REF: 25-28-20 REWORK DRAWING REF: 412N1012-35 REWORKED BY ALERT SB: 25A0121 FOR NHA/OTHER SYS DET SEE: 25-28-00-04B	107107	RF
20	NAS1801-3-5	.SCREW		107107	3
23	NAS1801-3-11	.SCREW		107107	1
25	BACS18C8-6	.SPACER		107107	1
28	AN960JD10LL	.WASHER		107107	3
30	411N3142-28	.WASHER		107107	1
33	MS24585-1230	.SPRING		107107	1
35	417N5120-2	.LIGHT ASSY-		107107	1
		OPTIONAL PART: 417N5120-15			
35	417N5120-15	.LIGHT ASSY-		107107	1
		OPTIONAL PART: 417N5120-2			
35	417N5120-115	.LIGHT ASSY-		107107	1
38	417N5120-10	..LAMP ASSY		107107	1

MISSING ITEM NUMBERS NOT APPLICABLE

- ITEM NOT ILLUSTRATED

33-21-51-01A

33-21-51
FIG. 01A
PAGE 1
JAN 20/09

BRI

BOEING PROPRIETARY - Copyright © - Unpublished Work - See title page for details.



757

PARTS CATALOG (MAINTENANCE)

FIG ITEM	PART NUMBER	1 2 3 4 5 6 7	NOMENCLATURE	EFFECT FROM TO	UNITS PER ASSY
1 A					
40	2055150	...	CAP-END SUPPLIER CODE: V04169	107107	2
45	LP1625-48	...	TUBE-PROTECTIVE COVER SUPPLIER CODE: V60116 OPTIONAL PART: NI312LGWUV1000 V06034	107107	1
45	NI312LGWUV1000	...	TUBE-COVER SUPPLIER CODE: V06034 OPTIONAL PART: LP1625-48 V60116	107107	1
50	F40D30ECO	...	LAMP-FLUOR. SUPPLIER CODE: V08805	107107	1
55	BACS12ER3K6	..	SCREW	107107	3
60	BACW10UD10	..	WASHER	107107	3
65	F22K1-02	..	NUT SUPPLIER CODE: V72962 SPECIFICATION NUMBER: BACN10R10L OPTIONAL PART: 22K1-02 V72962 26CL02 V80539	107107	3
70	05939-3	..	BALLAST ASSY- SUPPLIER CODE: V17023 SPECIFICATION NUMBER: S283N702-3 COMPONENT MAINT MANUAL REF: 33-21-05 OPTIONAL PART: 1983-1 V30242 OPTIONAL PART: 05939-103 V17023 USED ON: 417N5120-15 417N5120-2	107107	1

MISSING ITEM NUMBERS NOT APPLICABLE

- ITEM NOT ILLUSTRATED

33-21-51-01A

33-21-51
FIG. 01A
PAGE 2
MAY 20/09

BRI

BOEING PROPRIETARY - Copyright © - Unpublished Work - See title page for details.

BOEING
757
PARTS CATALOG (MAINTENANCE)

FIG ITEM	PART NUMBER	1 2 3 4 5 6 7	NOMENCLATURE	EFFECT FROM TO	UNITS PER ASSY
1A 70	05939-103		..BALLAST ASSY- SUPPLIER CODE: V17023 SPECIFICATION NUMBER: S283N702-103 COMPONENT MAINT MANUAL REF: 33-21-05 OPTIONAL PART: 05939-3 V17023 1983-1 V30242 USED ON: 417N5120-15 417N5120-115	107107	1
	80 06188		...HOUSING ASSY- SUPPLIER CODE: V17023 USED ON: 05939-3	107107	1
R R R	85 MS24693-1		...SCREW- CONFIG CHG DATA FROM A CMM: SUPSD BY MS35206-211 ATTACHING PARTS	107107	4
	85 MS35206-211		...SCREW- CONFIG CHG DATA FROM A CMM: SUPERSEDES MS24693-1 -----*-----	107107	4
	90 08899-001		...HOUSING ASSY- SUPPLIER CODE: V17023 USED ON: 05939-103	107107	1
R R R R R	95 011-0002-510		...SCREW- SUPPLIER CODE: V17023 CONFIG CHG DATA FROM A CMM: SUPSD BY 1712-3510 ATTACHING PARTS	107107	4
	95 1712-3510		...SCREW- SUPPLIER CODE: V17023 CONFIG CHG DATA FROM A CMM: SUPERSEDES 011-0002-510 -----*-----	107107	4
	100 GMA1-5		...FUSE-1.5A, 250V SUPPLIER CODE: V71400	107107	1
	105 65C28117-3		..PAD	107107	1

MISSING ITEM NUMBERS NOT APPLICABLE

— ITEM NOT ILLUSTRATED

33-21-51-01A

33-21-51
FIG. 01A
PAGE 3
MAY 20/09

BRI

BOEING PROPRIETARY - Copyright © - Unpublished Work - See title page for details.



757

PARTS CATALOG (MAINTENANCE)

FIG ITEM	PART NUMBER	1 2 3 4 5 6 7	NOMENCLATURE	EFFECT FROM TO	UNITS PER ASSY
1A 110	1983-1		..BALLAST ASSY- SUPPLIER CODE: V30242 SPECIFICATION NUMBER: S283N702-3 COMPONENT MAINT MANUAL REF: 33-20-23 OPTIONAL PART: 05939-3 V17023 USED ON: 417N5120-115	107107	1
115	800000255-2		..HOUSING ASSY- SUPPLIER CODE: V05617 SPECIFICATION NUMBER: S417N507-2 USED ON: 417N5120-2	107107	1
115	800000255-12		..HOUSING ASSY- SUPPLIER CODE: V05617 SPECIFICATION NUMBER: S417N507-12 USED ON: 417N5120-15 USED ON: 412N5120-15	107107	1
120	BV03112-03-33		...HOLDER-BRUCE LAMP SUPPLIER CODE: V17023 ATTACHING PARTS	107107	2
- 125	MS35206-323		...SCREW -----*-----	107107	4

MISSING ITEM NUMBERS NOT APPLICABLE

- ITEM NOT ILLUSTRATED

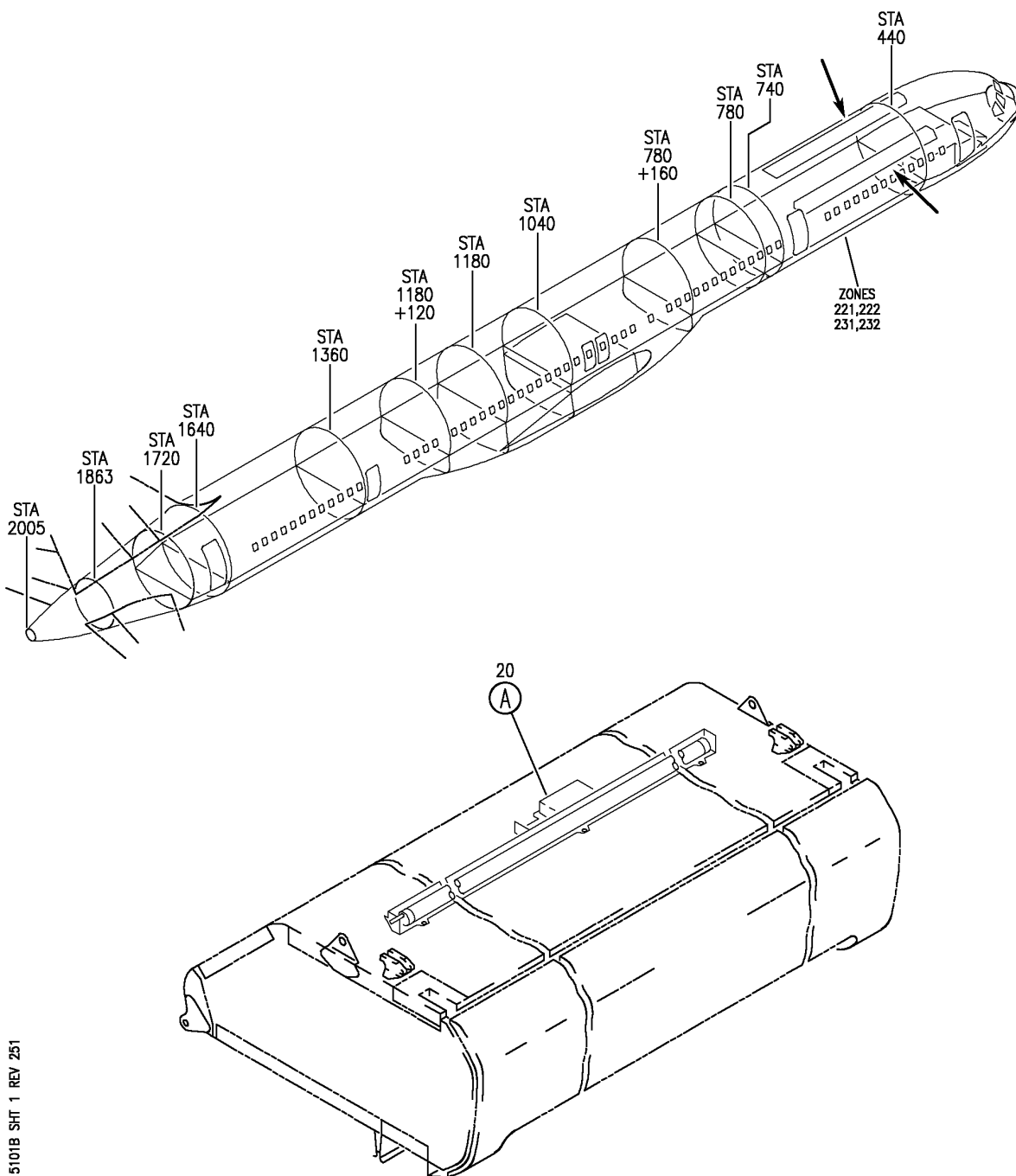
33-21-51-01A

33-21-51
FIG. 01A
PAGE 4
MAY 20/09

BRI

BOEING PROPRIETARY - Copyright © - Unpublished Work - See title page for details.

BOEING
757
PARTS CATALOG (MAINTENANCE)



Y 33215101B SHT 1 REV 251

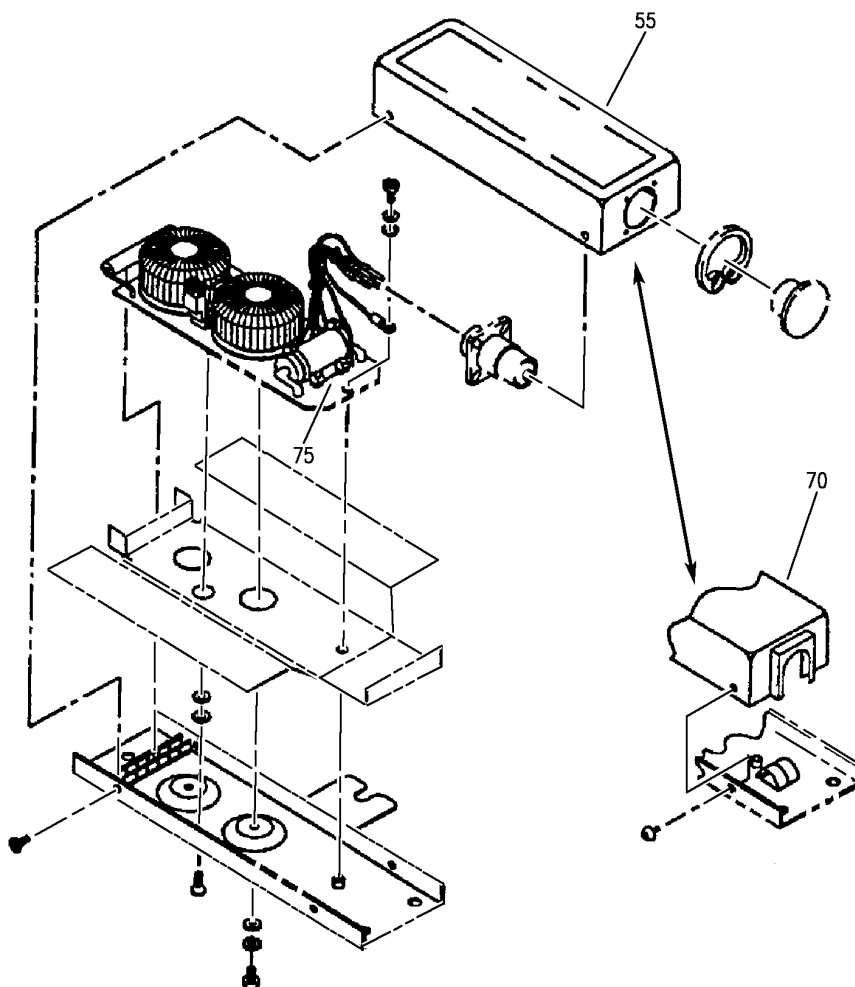
COMPARTMENT ASSY-60 IN. OVHD STORAGE FWD SECT. (LIGHTS ONLY)
FIGURE 1B (SHEET 1)

BRI
JAN 20/09

33-21-51-01B

33-21-51-01B
PAGE 0

BOEING
757
PARTS CATALOG (MAINTENANCE)



(A)

Y 33215101B SHT 2 REV 251

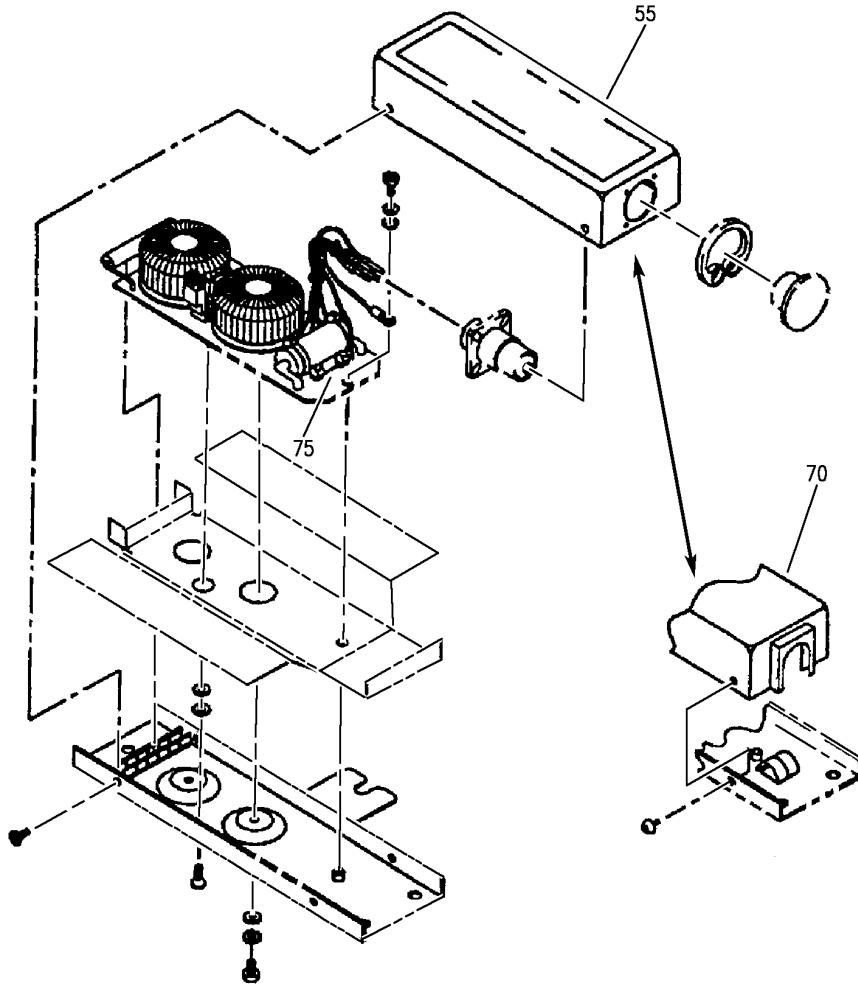
COMPARTMENT ASSY-60 IN. OVHD STOWAGE FWD SECT. (LIGHTS ONLY)
FIGURE 1B (SHEET 2)

33-21-51-01B

BRI
JAN 20/09

33-21-51-01B
PAGE 0A

BOEING
757
PARTS CATALOG (MAINTENANCE)



(B)

Y 33215101B SHT 3 REV 251

COMPARTMENT ASSY-60 IN. OVHD STOWAGE FWD SECT. (LIGHTS ONLY)
FIGURE 1B (SHEET 3)

33-21-51-01B

BRI
JAN 20/09

33-21-51-01B
PAGE 0B



757

PARTS CATALOG (MAINTENANCE)

FIG ITEM	PART NUMBER	1 2 3 4 5 6 7	NOMENCLATURE	EFFECT FROM TO	UNITS PER ASSY
1B			COMPARTMENT ASSY-60 IN. OVHD STOWAGE FWD SECT. (LIGHTS ONLY)	107107	
- 1	412N1109-125SP		COMPARTMENT ASSY-60 IN. OVHD STOWAGE (LIGHTS ONLY) POSITION DATA: FWD SECT. REWORK DRAWING REF: 412N1012-40 REWORKED BY ALERT SB: 25A0121 FOR NHA/OTHER SYS DET SEE: 25-28-00-07A	107107	RF
15	NAS1801-3-11	.	SCREW	107107	1
16	BACS18C8-6	.	SPACER	107107	1
17	MS24585-1230	.	SPRING	107107	1
18	411N3142-28	.	WASHER	107107	1
20	417N5120-16	.	LIGHT ASSY- OPTIONAL PART: 417N5120-3	107107	1
20	417N5120-3	.	LIGHT ASSY- OPTIONAL PART: 417N5120-16	107107	1
20	417N5120-116	.	LIGHT ASSY- ATTACHING PARTS	107107	1
- 25	NAS1801-3-5	.	SCREW	107107	3
- 30	AN960JD10LL	.	WASHER	107107	3
			-----*-----		
35	BACS12ER3K6	..	SCREW	107107	3
40	BACW10UD10	..	WASHER	107107	3
45	F22K1-02	..	NUT	107107	3
			SUPPLIER CODE: V72962 SPECIFICATION NUMBER: BACN10R10L OPTIONAL PART: 22K1-02 V72962 26CLO2 V80539		

MISSING ITEM NUMBERS NOT APPLICABLE

- ITEM NOT ILLUSTRATED

33-21-51-01B

33-21-51
FIG. 01B
PAGE 1
JAN 20/09

BRI

BOEING PROPRIETARY - Copyright © - Unpublished Work - See title page for details.



757

PARTS CATALOG (MAINTENANCE)

FIG ITEM	PART NUMBER	1 2 3 4 5 6 7	NOMENCLATURE	EFFECT FROM TO	UNITS PER ASSY
1B 50	05939-4		..BALLAST ASSY- SUPPLIER CODE: V17023 SPECIFICATION NUMBER: S283N702-4 COMPONENT MAINT MANUAL REF: 33-21-05 OPTIONAL PART: 05939-104 V17023	107107	1
50	05939-104		..BALLAST ASSY- SUPPLIER CODE: V17023 SPECIFICATION NUMBER: S283N702-104 COMPONENT MAINT MANUAL REF: 33-21-05 OPTIONAL PART: 05939-4 V17023	107107	1
55	06188		...HOUSING ASSY- SUPPLIER CODE: V17023 USED ON: 05939-4 ATTACHING PARTS	107107	1
- 60	MS24693-1		...SCREW- CONFIG CHG DATA FROM A CMM: SUPSD BY MS35206-211	107107	4
- 60	MS35206-211		...SCREW- CONFIG CHG DATA FROM A CMM: SUPERSEDES MS24693-1	107107	4
65	08899-001		...HOUSING ASSY- SUPPLIER CODE: V17023 USED ON: 05939-104 ATTACHING PARTS	107107	1
- 70	011-0002-510		...SCREW- SUPPLIER CODE: V17023 CONFIG CHG DATA FROM A CMM: SUPSD BY 1712-3510	107107	4

MISSING ITEM NUMBERS NOT APPLICABLE

- ITEM NOT ILLUSTRATED

33-21-51-01B

33-21-51
FIG. 01B
PAGE 2
JAN 20/09

BRI

BOEING PROPRIETARY - Copyright © - Unpublished Work - See title page for details.

 **BOEING**
757
PARTS CATALOG (MAINTENANCE)

FIG ITEM	PART NUMBER	1 2 3 4 5 6 7	NOMENCLATURE	EFFECT FROM TO	UNITS PER ASSY
1B - 70	1712-3510		...SCREW- SUPPLIER CODE: V17023 CONFIG CHG DATA FROM A CMM: SUPERSEDES 011-0002-510 -----*-----	107107	4
75	GMA1-5		...FUSE-1.5A SUPPLIER CODE: V71400	107107	1
80	65C28117-3		..PAD	107107	1
85	800000255-3		..HOUSING ASSY- SUPPLIER CODE: V05617 SPECIFICATION NUMBER: S417N507-3 USED ON: 417N5120-3	107107	1
85	800000255-13		..HOUSING ASSY- SUPPLIER CODE: V05617 SPECIFICATION NUMBER: S417N507-13 USED ON: 417N5120-16 417N5120-116	107107	1
90	417N5120-10		..LAMP ASSY	107107	1
95	2055150		...CAP-END SUPPLIER CODE: V04169	107107	2
100	NI312LGWUV1000		...TUBE-COVER SUPPLIER CODE: V06034 OPTIONAL PART: LP1625-48 V60116	107107	1
100	LP1625-48		...TUBE-COVER SUPPLIER CODE: V60116 OPTIONAL PART: NI312LGWUV1000 V06034	107107	1
105	F40D30ECO		...LAMP-FLUOR. SUPPLIER CODE: V08805	107107	1

R
R
R

MISSING ITEM NUMBERS NOT APPLICABLE

- ITEM NOT ILLUSTRATED

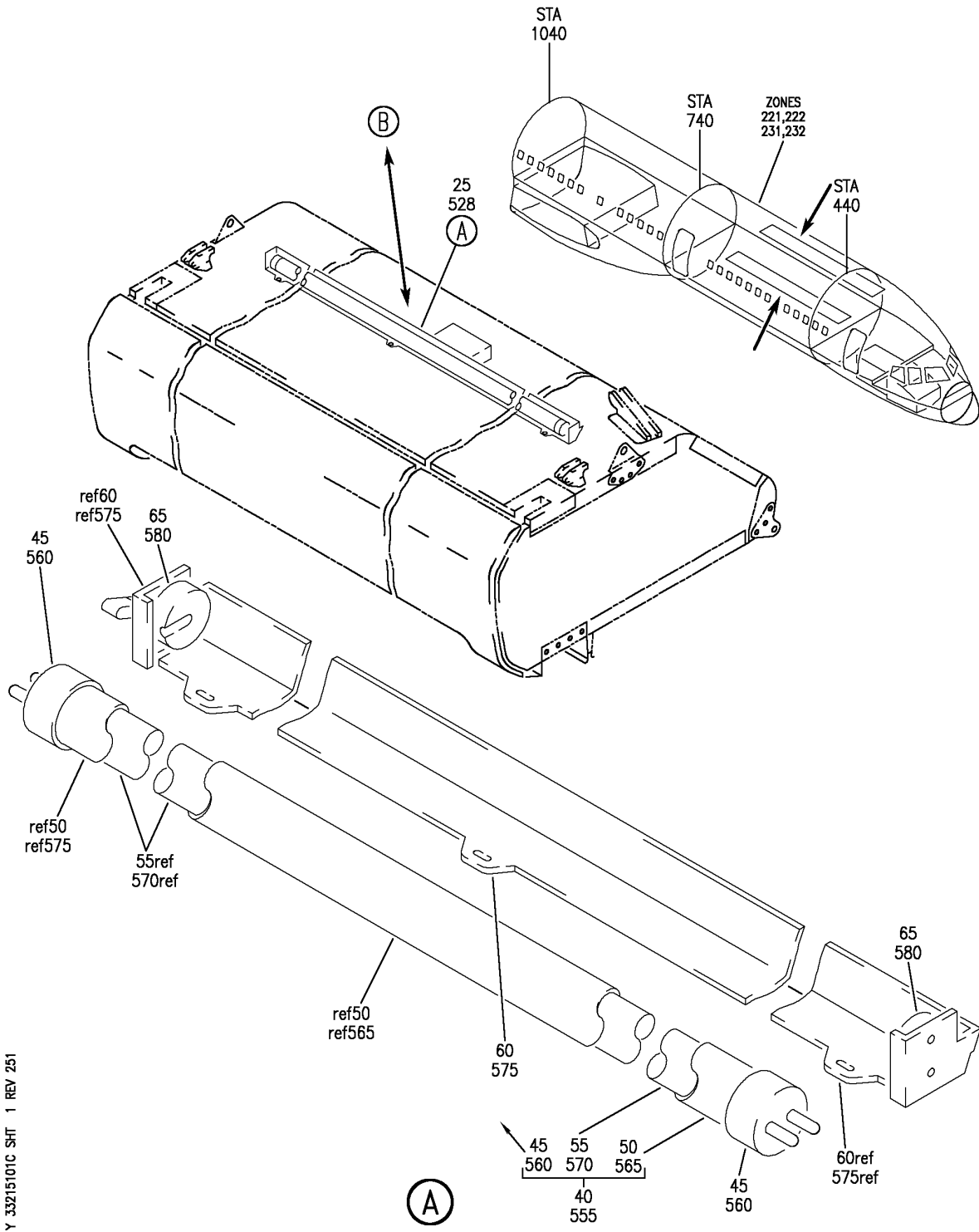
33-21-51-01B

33-21-51
FIG. 01B
PAGE 3
MAY 20/09

BRI

BOEING PROPRIETARY - Copyright © - Unpublished Work - See title page for details.

BOEING
757
PARTS CATALOG (MAINTENANCE)



Y 33215101C SHT 1 REV 251

COMPARTMENT ASSY-60 IN. OVHD STOWAGE FWD. SECT. (LIGHTS ONLY)
FIGURE 1C

33-21-51-01C

BRI
JAN 20/09

33-21-51-01C
PAGE 0



757

PARTS CATALOG (MAINTENANCE)

FIG ITEM	PART NUMBER	1 2 3 4 5 6 7	NOMENCLATURE	EFFECT FROM TO	UNITS PER ASSY
1C			COMPARTMENT ASSY-60 IN. OVHD STOWAGE FWD. SECT. (LIGHTS ONLY)	107107	
- 2	412N1109-114SP		COMPARTMENT ASSY-60 IN. OVHD STOWAGE (LIGHTS ONLY) REWORK DRAWING REF: 412N1012-39 REWORKED BY ALERT SB: 25A0121 FOR NHA/OTHER SYS DET SEE: 25-28-00-07A	107107	RF
- 6	412N1109-122SP		COMPARTMENT ASSY-60 IN. OVHD STOWAGE (LIGHTS ONLY) REWORK DRAWING REF: 412N1012-40 REWORKED BY ALERT SB: 25A0121 FOR NHA/OTHER SYS DET SEE: 25-28-00-07A	107107	RF
25	417N5120-17		.LIGHT ASSY- OPTIONAL PART: 417N5120-4	107107	1
25	417N5120-4		.LIGHT ASSY- OPTIONAL PART: 417N5120-17	107107	1
- 30	NAS1801-3-5		ATTACHING PARTS .SCREW	107107	3
- 35	AN960JD10LL		.WASHER -----*-----	107107	3
40	417N5120-10		..LAMP ASSY	107107	1
45	2055150		...CAP-END SUPPLIER CODE: V04169	107107	3
50	LP1625-48		...TUBE-PROTECTIVE COVER SUPPLIER CODE: V60116 OPTIONAL PART: NI312LGWUV1000 V06034	107107	1
50	NI312LGWUV1000		...TUBE-PROTECTIVE COVER SUPPLIER CODE: V06034 OPTIONAL PART: LP1625-48 V60116	107107	1

MISSING ITEM NUMBERS NOT APPLICABLE

- ITEM NOT ILLUSTRATED

33-21-51-01C

33-21-51
FIG. 01C
PAGE 1
JAN 20/09

BRI

BOEING PROPRIETARY - Copyright © - Unpublished Work - See title page for details.



757

PARTS CATALOG (MAINTENANCE)

FIG ITEM	PART NUMBER	1 2 3 4 5 6 7	NOMENCLATURE	EFFECT FROM TO	UNITS PER ASSY
R R R R R R R R R R	1C 55	F40WW	...LAMP- SUPPLIER CODE: V08805 MISCELLANEOUS DATA: MAY USE ALTERNATE LAMPS: PHILIPS F4030U, GE F40SPX30, AND OSRAM-SYLVANIA F40D830 OR F40D30 ELECTRICAL EQUIP NUMBER: L00469 L00470 WIRING DIAGRAM REF: 332731	107107	1
	55	F40D30	...LAMP-FLUOR. SUPPLIER CODE: V08805 OPTIONAL PART: F40WW V08805	107107	1
	55	F40D30ECO	...LAMP-FLUOR. SUPPLIER CODE: V08805	107107	1
	60	800000255-14	..HOUSING ASSY-CLG LT SUPPLIER CODE: V05617 SPECIFICATION NUMBER: S417N507-14 USED ON: 417N5120-17	107107	1
	60	800000255-4	..HOUSING ASSY-CLG LT SUPPLIER CODE: V05617 SPECIFICATION NUMBER: S417N507-4 USED ON: 417N5120-4	107107	1
65	BV03112	...HOLDER-BRUCE LAMP SUPPLIER CODE: V17023	107107	2	

MISSING ITEM NUMBERS NOT APPLICABLE

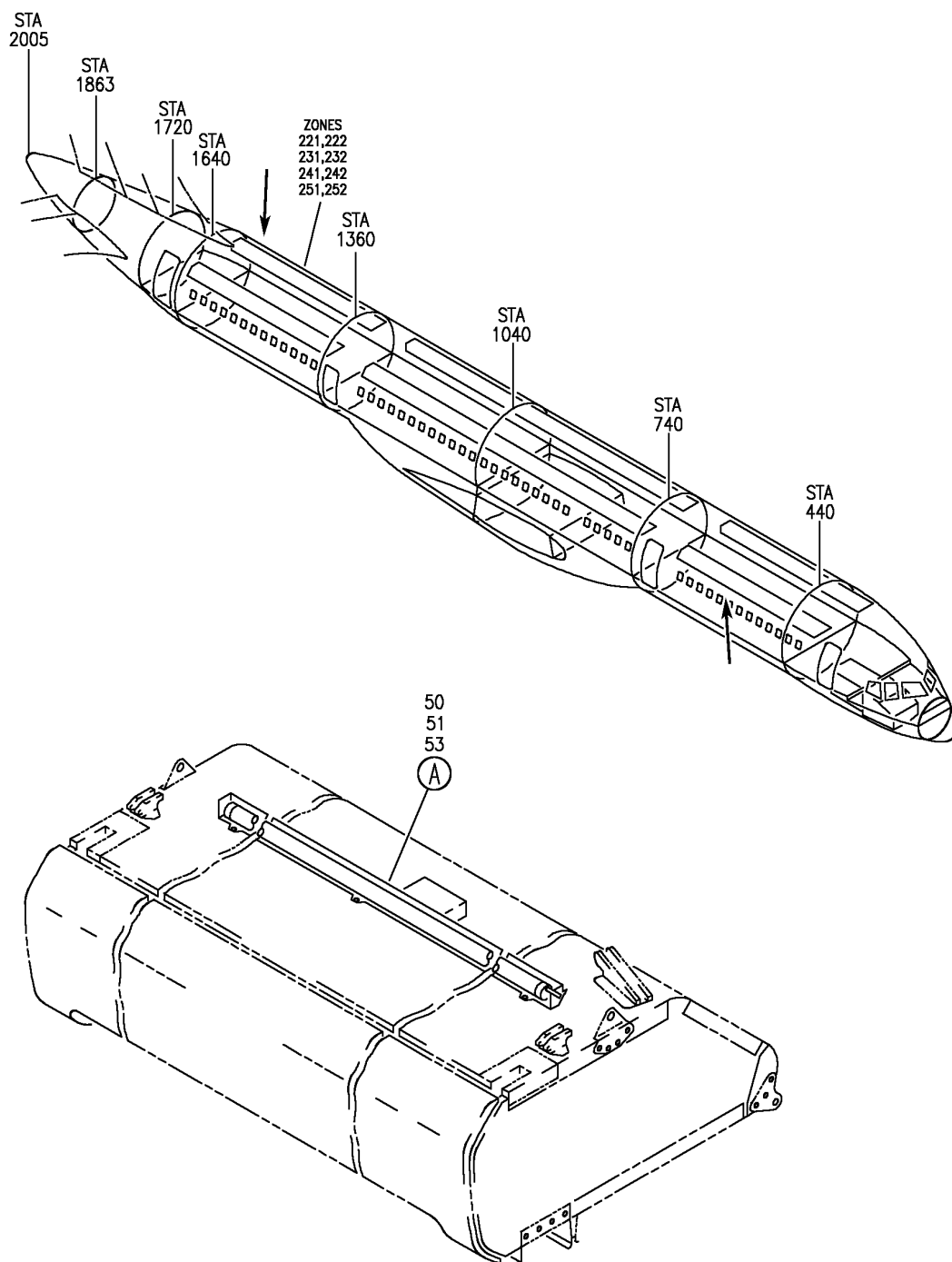
- ITEM NOT ILLUSTRATED

33-21-51-01C

33-21-51
FIG. 01C
PAGE 2
MAY 20/09

BRI

BOEING
757
PARTS CATALOG (MAINTENANCE)



Y 33215102 SHT 1 REV 261

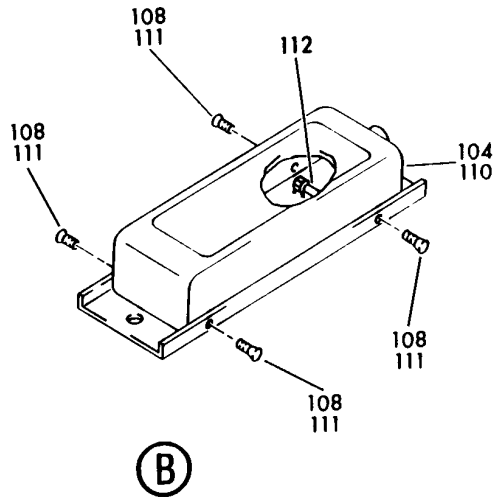
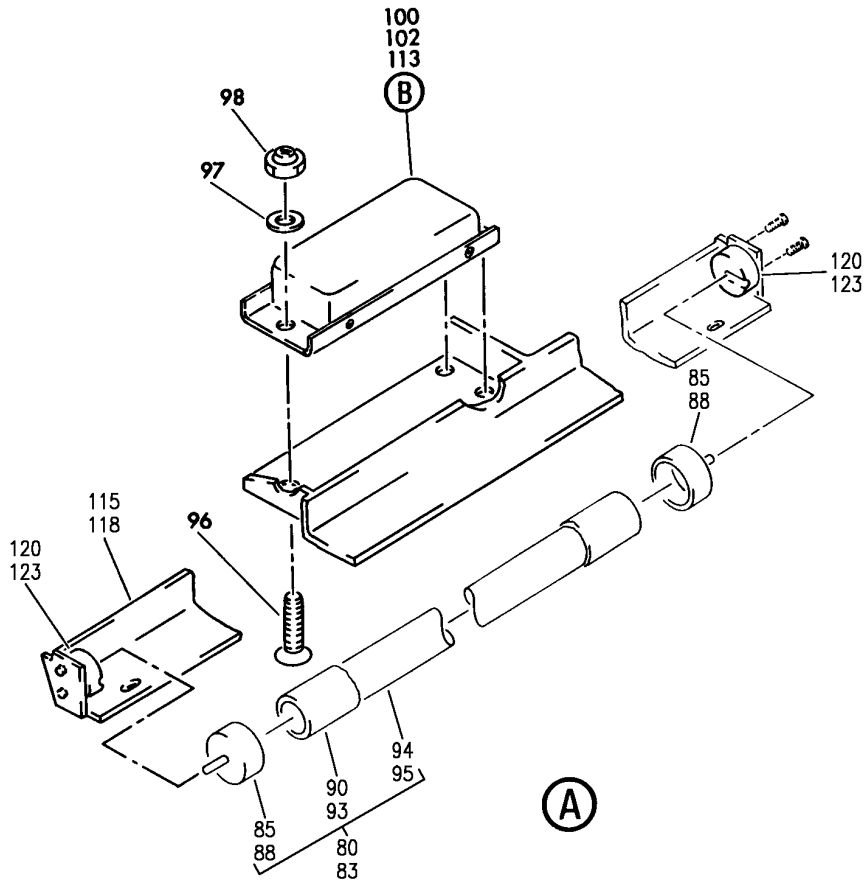
COMPARTMENT ASSY-OVHD STOWAGE (LIGHTS ONLY)
FIGURE 2 (SHEET 1)

33-21-51-02

BRI
JAN 20/09

33-21-51-02
PAGE 0

BOEING
757
PARTS CATALOG (MAINTENANCE)



Y 33215102 SHT 2 REV 261

COMPARTMENT ASSY-OVHD STOWAGE (LIGHTS ONLY)
FIGURE 2 (SHEET 2)

33-21-51-02

BRI
JAN 20/09

33-21-51-02
PAGE 0A



757

PARTS CATALOG (MAINTENANCE)

FIG ITEM	PART NUMBER	1 2 3 4 5 6 7	NOMENCLATURE	EFFECT FROM TO	UNITS PER ASSY
2			COMPARTMENT ASSY-OVHD STOWAGE (LIGHTS ONLY)	107107	
- 25	412N1209-73SP		COMPARTMENT ASSY-OVHD STOWAGE (LIGHTS ONLY) COMPONENT MAINT MANUAL REF: 25-28-27 REWORK DRAWING REF: 412N1012-35 REWORKED BY ALERT SB: 25A0121 FOR NHA/OTHER SYS DET SEE: 25-28-00-07A	107107	RF
- 25	412N1209-109SP		COMPARTMENT ASSY-OVHD STOWAGE (LIGHTS ONLY) COMPONENT MAINT MANUAL REF: 25-28-23 REWORK DRAWING REF: 412N1012-35 REWORKED BY ALERT SB: 25A0121 FOR NHA/OTHER SYS DET SEE: 25-28-00-07A	107107	RF
- 25	412N1209-114SP		COMPARTMENT ASSY-OVHD STOWAGE (LIGHTS ONLY) COMPONENT MAINT MANUAL REF: 25-28-23 FOR NHA/OTHER SYS DET SEE: 25-28-00-07A	107107	RF
- 25	412N1209-213SP		COMPARTMENT ASSY-OVHD STOWAGE (LIGHTS ONLY) COMPONENT MAINT MANUAL REF: 25-28-23 FOR NHA/OTHER SYS DET SEE: 25-28-00-07A	107107	RF
- 40	412N1220-42SP		COMPARTMENT ASSY-OVHD STOWAGE (LIGHTS ONLY) COMPONENT MAINT MANUAL REF: 25-28-28 REWORK DRAWING REF: 412N1012-40 REWORKED BY ALERT SB: 25A0121 FOR NHA/OTHER SYS DET SEE: 25-28-00-05C	107107	RF
- 40	412N1220-70SP		COMPARTMENT ASSY-OVHD STOWAGE (LIGHTS ONLY) COMPONENT MAINT MANUAL REF: 25-28-28	107107	RF

MISSING ITEM NUMBERS NOT APPLICABLE

- ITEM NOT ILLUSTRATED

33-21-51-02

33-21-51
FIG. 02
PAGE 1
JAN 20/09

BRI



757

PARTS CATALOG (MAINTENANCE)

FIG ITEM	PART NUMBER	1 2 3 4 5 6 7	NOMENCLATURE	EFFECT FROM TO	UNITS PER ASSY
2 - 40	412N1220-602SP		COMPARTMENT ASSY-OVHD STOWAGE (LIGHTS ONLY) COMPONENT MAINT MANUAL REF: 25-28-28 FOR NHA/OTHER SYS DET SEE: 25-28-00-05C	107107	RF
50	417N5120-2		.LIGHT ASSY- OPTIONAL PART: 417N5120-15 USED ON: 412N1209-3SP 412N1209-13SP 412N1209-33SP 412N1209-63SP 412N1209-69SP 412N1209-71SP 412N1209-73SP 412N1209-109SP 412N1209-114SP 412N1220-2SP 412N1220-6SP 412N1220-26SP 412N1220-42SP 412N1220-46SP 412N1220-70SP	107107	1
50	417N5120-15		.LIGHT ASSY- OPTIONAL PART: 417N5120-2 USED ON: 412N1209-33SP 412N1209-63SP 412N1209-69SP 412N1209-71SP 412N1209-73SP 412N1209-109SP 412N1209-114SP 412N1220-2SP 412N1220-6SP 412N1220-26SP 412N1220-42SP 412N1220-46SP 412N1220-70SP	107107	1
50	417N5120-115		.LIGHT ASSY-	107107	1
53	417N5120-2		.LIGHT ASSY- LAV B OPTIONAL PART: 417N5120-15	107107	1

MISSING ITEM NUMBERS NOT APPLICABLE

- ITEM NOT ILLUSTRATED

33-21-51-02

33-21-51
FIG. 02
PAGE 2
JAN 20/09

BRI



757

PARTS CATALOG (MAINTENANCE)

FIG ITEM	PART NUMBER	1 2 3 4 5 6 7	NOMENCLATURE	EFFECT FROM TO	UNITS PER ASSY
2					
53	417N5120-15		.LIGHT ASSY- LAV B OPTIONAL PART: 417N5120-2	107107	1
53	417N5120-115		.LIGHT ASSY- LAB B ATTACHING PARTS	107107	1
- 55	NAS1801-3-5		.SCREW	107107	3
- 58	NAS1801-3-5		.SCREW- LAV B	107107	3
- 60	AN960JD10LL		.WASHER-	107107	3
- 63	AN960JD10LL		.WASHER- LAV B	107107	3
			-----*-----		
80	417N5120-10		..LAMP ASSY	107107	1
83	417N5120-10		..LAMP ASSY- LAV B	107107	1
85	2055150		...CAP-END SUPPLIER CODE: V04169	107107	2
88	2055150		...CAP-END LAV B SUPPLIER CODE: V04169	107107	2
90	LP1625-48		...TUBE-PROTECTIVE COVER SUPPLIER CODE: V60116 OPTIONAL PART: NI312LGWUV1000 V06034	107107	1
90	NI312LGWUV1000		...TUBE-COVER SUPPLIER CODE: V06034 OPTIONAL PART: LP1625-48 V60116	107107	1
93	LP1625-48		...TUBE-PROTECTIVE COVER LAV B SUPPLIER CODE: V60116 OPTIONAL PART: NI312LGWUV1000 V06034	107107	1

MISSING ITEM NUMBERS NOT APPLICABLE

- ITEM NOT ILLUSTRATED

33-21-51-02

33-21-51
FIG. 02
PAGE 3
JAN 20/09

BRI

BOEING PROPRIETARY - Copyright © - Unpublished Work - See title page for details.



757

PARTS CATALOG (MAINTENANCE)

FIG ITEM	PART NUMBER	1 2 3 4 5 6 7	NOMENCLATURE	EFFECT FROM TO	UNITS PER ASSY
2					
93	NI312LGWUV1000	...	TUBE-COVER LAV B SUPPLIER CODE: V06034 OPTIONAL PART: LP1625-48 V60116	107107	1
94	F40D30ECO	...	LAMP-FLUOR. SUPPLIER CODE: V08805	107107	1
95	F40D30ECO	...	LAMP-FLUOR. SUPPLIER CODE: V08805	107107	1
96	BACS12ER3K6	..	SCREW	107107	3
96	BACS12ER3K6	..	SCREW- LAV B	107107	3
97	BACW10UD10	..	WASHER	107107	3
97	BACW10UD10	..	WASHER- LAB B	107107	3
98	F22K1-02	..	NUT SUPPLIER CODE: V72962 SPECIFICATION NUMBER: BACN10R10L OPTIONAL PART: 22K1-02 V72962 26CLO2 V80539	107107	3
98	F22K1-02	..	NUT- SUPPLIER CODE: V72962 SPECIFICATION NUMBER: BACN10R10L OPTIONAL PART: 22K1-02 V72962 26CLO2 V80539 LAV B	107107	3

R
R
R
R
R
R

MISSING ITEM NUMBERS NOT APPLICABLE

- ITEM NOT ILLUSTRATED

33-21-51-02

33-21-51
FIG. 02
PAGE 4
MAY 20/09

BRI



757

PARTS CATALOG (MAINTENANCE)

FIG ITEM	PART NUMBER	1 2 3 4 5 6 7	NOMENCLATURE	EFFECT FROM TO	UNITS PER ASSY
2 100	05939-3		..BALLAST ASSY- SUPPLIER CODE: V17023 SPECIFICATION NUMBER: S283N702-3 COMPONENT MAINT MANUAL REF: 33-21-05 OPTIONAL PART: 1983-1 V30242 USED ON: 417N5120-2	107107	1
100	05939-3		..BALLAST ASSY- LAV B SUPPLIER CODE: V17023 SPECIFICATION NUMBER: S283N702-3 COMPONENT MAINT MANUAL REF: 33-21-05 OPTIONAL PART: 1983-1 V30242 USED ON: 417N5120-2	107107	1
100	05939-103		..BALLAST ASSY- SUPPLIER CODE: V17023 SPECIFICATION NUMBER: S283N702-103 COMPONENT MAINT MANUAL REF: 33-21-05 OPTIONAL PART: 05939-3 V17023 1983-1 V30242 USED ON: 417N5120-15 417N5120-115	107107	1

MISSING ITEM NUMBERS NOT APPLICABLE

- ITEM NOT ILLUSTRATED

33-21-51-02

33-21-51
FIG. 02
PAGE 5
MAY 20/09

BRI



757

PARTS CATALOG (MAINTENANCE)

FIG ITEM	PART NUMBER	1 2 3 4 5 6 7	NOMENCLATURE	EFFECT FROM TO	UNITS PER ASSY
2 100	05939-103		..BALLAST ASSY- LAV B SUPPLIER CODE: V17023 SPECIFICATION NUMBER: S283N702-103 COMPONENT MAINT MANUAL REF: 33-21-05 OPTIONAL PART: 05939-3 V17023 1983-1 V30242 USED ON: 417N5120-15 417N5120-115	107107	1
100	05939-3		..BALLAST ASSY- SUPPLIER CODE: V17023 SPECIFICATION NUMBER: S283N702-3 COMPONENT MAINT MANUAL REF: 33-21-05 OPTIONAL PART: 1983-1 V30242 OPTIONAL PART: 05939-103 V30242 USED ON: 417N5120-15 417N5120-115	107107	1
100	05939-3		..BALLAST ASSY- LAV B SUPPLIER CODE: V17023 SPECIFICATION NUMBER: S283N702-3 COMPONENT MAINT MANUAL REF: 33-21-05 OPTIONAL PART: 1983-1 V30242 OPTIONAL PART: 05939-103 V17023 USED ON: 417N5120-15 417N5120-115	107107	1

MISSING ITEM NUMBERS NOT APPLICABLE

- ITEM NOT ILLUSTRATED

33-21-51-02

33-21-51
FIG. 02
PAGE 6
MAY 20/09

BRI



757

PARTS CATALOG (MAINTENANCE)

FIG ITEM	PART NUMBER	1 2 3 4 5 6 7	NOMENCLATURE	EFFECT FROM TO	UNITS PER ASSY
2					
104	06188		...HOUSING ASSY- SUPPLIER CODE: V17023 USED ON: 05939-3	107107	1
104	06188		...HOUSING ASSY- LAV B SUPPLIER CODE: V17023 USED ON: 05939-3	107107	1
108	MS24693-1	SCREW	107107	4
108	MS24693-1	SCREW- LAV B	107107	4
110	08899-001		...HOUSING ASSY- SUPPLIER CODE: V17023 USED ON: 05939-103	107107	1
110	08899-001		...HOUSING ASSY- LAV B SUPPLIER CODE: V17023 USED ON: 05939-103	107107	1
111	011-0002-510	SCREW- SUPPLIER CODE: V17023	107107	4
112	GMA1-5		...FUSE-1.5A, 250V SUPPLIER CODE: V71400 USED ON: 05939-103	107107	1
112	GMA1-5		...FUSE-1.5A, 250V LAV B SUPPLIER CODE: V71400 USED ON: 05939-103	107107	1

MISSING ITEM NUMBERS NOT APPLICABLE

- ITEM NOT ILLUSTRATED

33-21-51-02

33-21-51
FIG. 02
PAGE 7
MAY 20/09

BRI

BOEING PROPRIETARY - Copyright © - Unpublished Work - See title page for details.



757

PARTS CATALOG (MAINTENANCE)

FIG ITEM	PART NUMBER	1 2 3 4 5 6 7	NOMENCLATURE	EFFECT FROM TO	UNITS PER ASSY
2 113	1983-1		..BALLAST ASSY- SUPPLIER CODE: V30242 SPECIFICATION NUMBER: S283N702-3 COMPONENT MAINT MANUAL REF: 33-20-23 OPTIONAL PART: 05939-3 V17023 OPTIONAL PART: 05939-103 V30242 USED ON: 417N5120-2 417N5120-15 417N5120-115	107107	1
113	1983-1		..BALLAST ASSY- LAV B SUPPLIER CODE: V30242 SPECIFICATION NUMBER: S283N702-3 COMPONENT MAINT MANUAL REF: 33-20-23 OPTIONAL PART: 05939-3 V17023 OPTIONAL PART: 05939-103 V30242 USED ON: 417N5120-2 417N5120-15 417N5120-115	107107	1
115	800000255-2		..HOUSING ASSY- SUPPLIER CODE: V05617 SPECIFICATION NUMBER: S417N507-2 USED ON: 417N5120-2	107107	1

MISSING ITEM NUMBERS NOT APPLICABLE

- ITEM NOT ILLUSTRATED

33-21-51-02

33-21-51
FIG. 02
PAGE 8
MAY 20/09

BRI



757

PARTS CATALOG (MAINTENANCE)

FIG ITEM	PART NUMBER	1 2 3 4 5 6 7	NOMENCLATURE	EFFECT FROM TO	UNITS PER ASSY
2 115	800000255-12		..HOUSING ASSY- SUPPLIER CODE: V05617 SPECIFICATION NUMBER: S417N507-12 USED ON: 417N5120-15 417N5120-115 USED ON: 412N5120-15	107107	1
115	800000255-2		..HOUSING ASSY- SUPPLIER CODE: V05617 SPECIFICATION NUMBER: S417N507-2 USED ON: 417N5120-2	107107	1
118	800000255-2		..HOUSING ASSY- LAV B SUPPLIER CODE: V05617 SPECIFICATION NUMBER: S417N507-2 USED ON: 417N5120-2	107107	1
118	800000255-12		..HOUSING ASSY- LAV B SUPPLIER CODE: V05617 SPECIFICATION NUMBER: S417N507-12 USED ON: 417N5120-15 417N5120-115 USED ON: 412N5120-15	107107	1
118	800000255-2		..HOUSING ASSY- LAV B SUPPLIER CODE: V05617 SPECIFICATION NUMBER: S417N507-2 USED ON: 417N5120-2	107107	1
120	BV03112-03-33		...HOLDER-BRUCE LAMP SUPPLIER CODE: V17023 USED ON: 800000255-12	107107	2

MISSING ITEM NUMBERS NOT APPLICABLE

- ITEM NOT ILLUSTRATED

33-21-51-02

33-21-51
FIG. 02
PAGE 9
MAY 20/09

BRI



757

PARTS CATALOG (MAINTENANCE)

FIG ITEM	PART NUMBER	1 2 3 4 5 6 7	NOMENCLATURE	EFFECT FROM TO	UNITS PER ASSY
2 123	BV03112-03-33		...HOLDER-BRUCE LAMP LAV B SUPPLIER CODE: V17023 USED ON: 80000255-12 ATTACHING PARTS	107107	2
- 125	MS35206-323		...SCREW	107107	4
- 125	MS35206-323		...SCREW- LAV B -----*-----	107107	4

MISSING ITEM NUMBERS NOT APPLICABLE

- ITEM NOT ILLUSTRATED

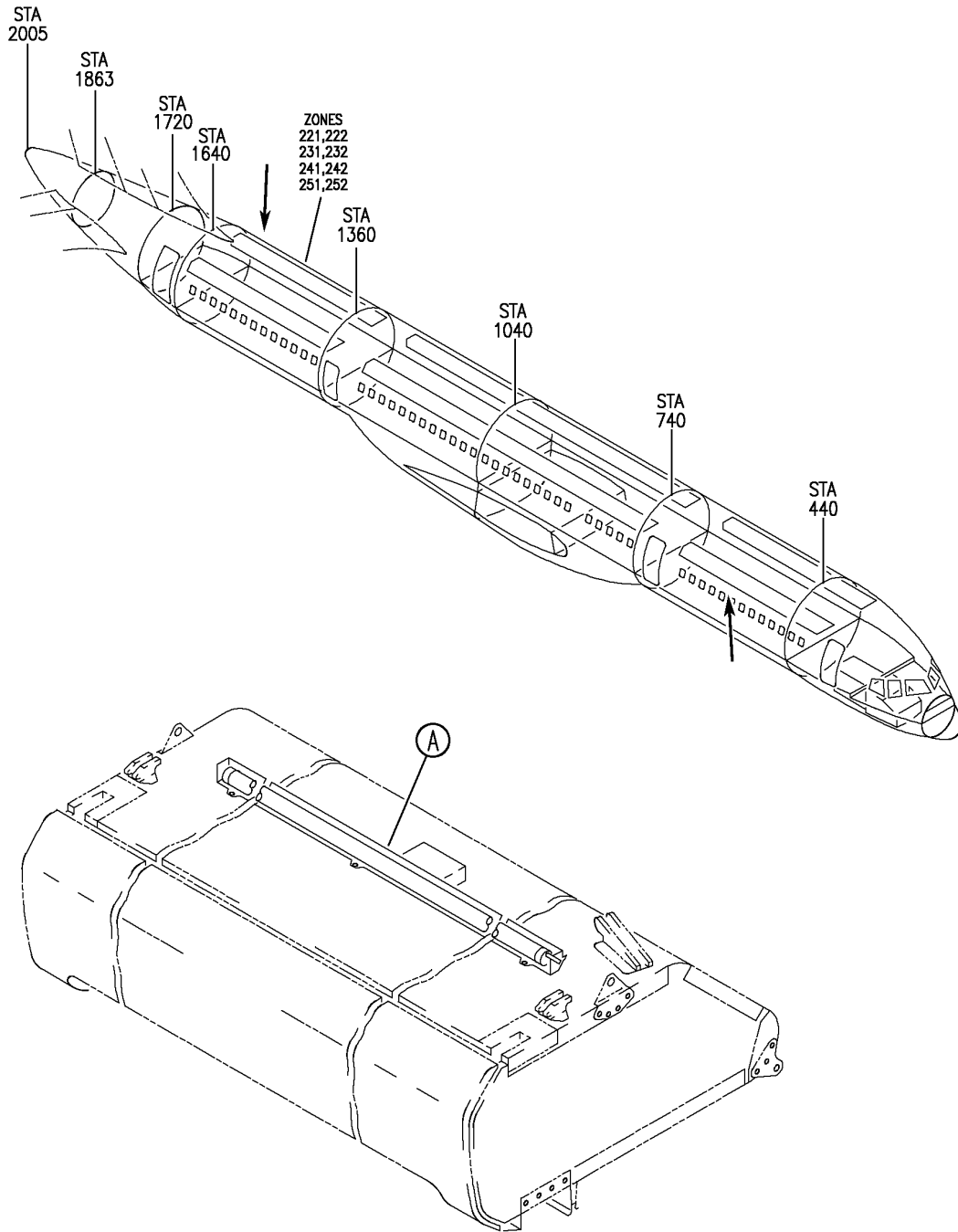
BRI

33-21-51-02

BOEING PROPRIETARY - Copyright © - Unpublished Work - See title page for details.

33-21-51
FIG. 02
PAGE 10
MAY 20/09

BOEING
757
PARTS CATALOG (MAINTENANCE)



Y 33215103 SHT 1 REV 251

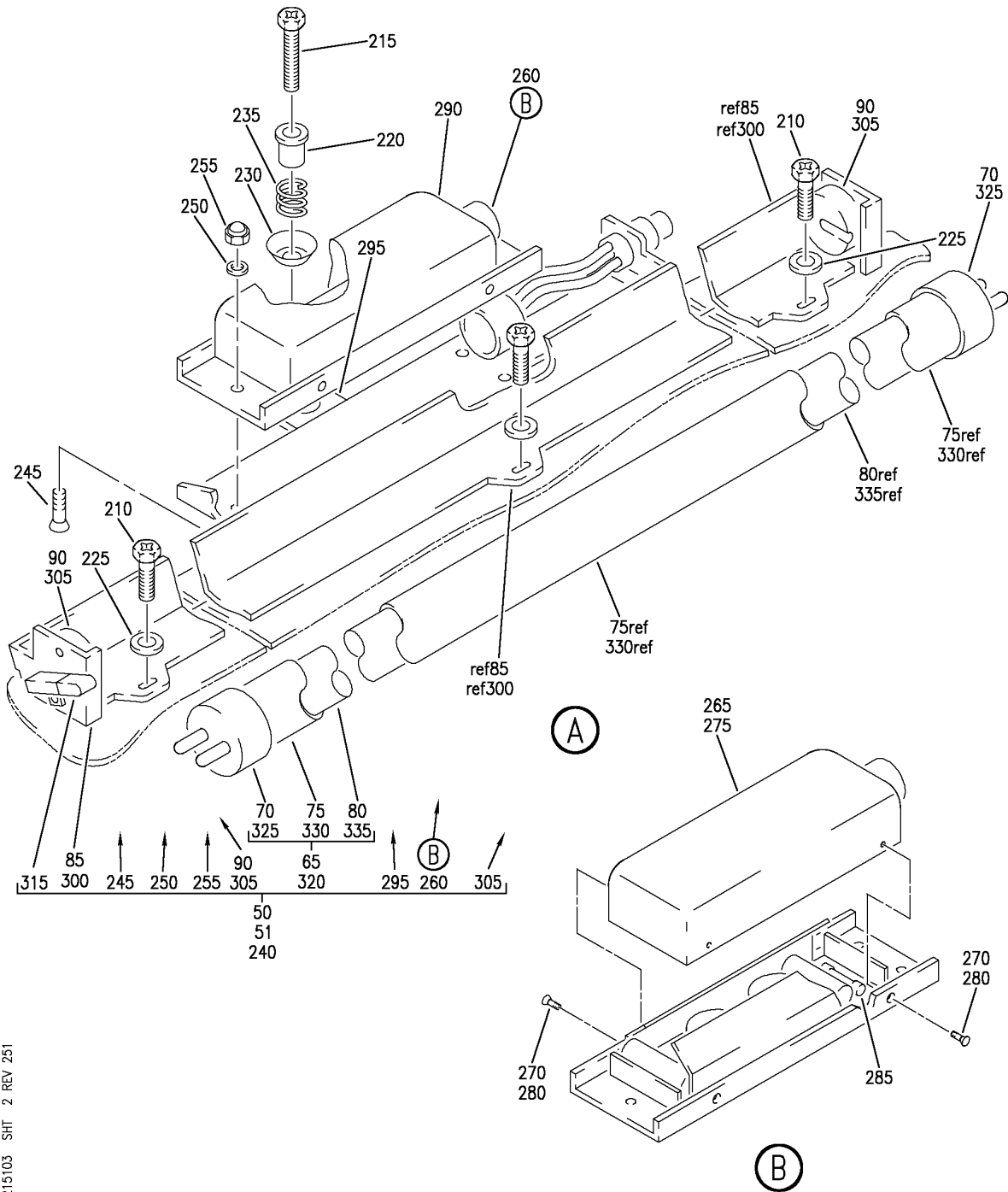
COMPARTMENT ASSY-OVHD STOWAGE (LIGHTS ONLY)
FIGURE 3 (SHEET 1)

33-21-51-03

BRI
JAN 20/09

33-21-51-03
PAGE 0


BOEING
 757
PARTS CATALOG (MAINTENANCE)



Y 33215103 SH1 2 REV 251

COMPARTMENT ASSY-OVHD STOWAGE (LIGHTS ONLY)
 FIGURE 3 (SHEET 2)

33-21-51-03

BRI
JAN 20/09

33-21-51-03
 PAGE 0A



757

PARTS CATALOG (MAINTENANCE)

FIG ITEM	PART NUMBER	1 2 3 4 5 6 7	NOMENCLATURE	EFFECT FROM TO	UNITS PER ASSY
3			COMPARTMENT ASSY-OVHD STOWAGE (LIGHTS ONLY)	107107	
- 35	412N1209-74SP		COMPARTMENT ASSY-OVHD STOWAGE (LIGHTS ONLY) COMPONENT MAINT MANUAL REF: 25-28-26 REWORK DRAWING REF: 412N1012-38 REWORKED BY ALERT SB: 25A0121 FOR NHA/OTHER SYS DET SEE: 25-28-00-07A	107107	RF
- 35	412N1209-115SP		COMPARTMENT ASSY-OVHD STOWAGE (LIGHTS ONLY) COMPONENT MAINT MANUAL REF: 25-28-23 FOR NHA/OTHER SYS DET SEE: 25-28-00-07A	107107	RF
50	417N5120-4		.LIGHT ASSY- USED ON: 412N1209-7SP 412N1209-14SP 412N1209-22SP 412N1209-37SP 412N1209-61SP 412N1209-67SP 412N1209-74SP 412N1209-86SP 412N1209-115SP 412N1209-611SP 412N1220-71SP	107107	1
50	417N5120-17		.LIGHT ASSY- OPTIONAL PART: 417N5120-4 USED ON: 412N1209-37SP 412N1209-61SP 412N1209-67SP 412N1209-74SP 412N1209-86SP 412N1209-115SP 412N1209-611SP 412N1220-71SP	107107	1

MISSING ITEM NUMBERS NOT APPLICABLE

- ITEM NOT ILLUSTRATED

33-21-51-03

33-21-51
FIG. 03
PAGE 1
JAN 20/09

BRI

 **BOEING**
757
PARTS CATALOG (MAINTENANCE)

FIG ITEM	PART NUMBER	1 2 3 4 5 6 7	NOMENCLATURE	EFFECT FROM TO	UNITS PER ASSY
3					
51	417N5120-17		.LIGHT ASSY- USED ON: 412N1209-107SP 412N1209-616SP 412N1209-626SP 412N1209-90SP 412N1209-121SP 412N1209-125SP ATTACHING PARTS	107107	1
- 55	NAS1801-3-5		.SCREW	107107	3
- 60	AN960JD10LL		.WASHER- POST RAPID REVISION: RRN92003-1 -----*-----	107107	3
65	417N5120-10		..LAMP ASSY	107107	1
70	2055150		...CAP-END SUPPLIER CODE: V04169	107107	2
75	LP1625-48		...TUBE-PROTECTIVE COVER SUPPLIER CODE: V60116 OPTIONAL PART: NI312LGWUV1000 V06034	107107	1
75	NI312LGWUV1000		...TUBE-PROTECTIVE COVER SUPPLIER CODE: V06034 OPTIONAL PART: LP1625-48 V60116	107107	1
80	F40D30ECO		...LAMP-FLUOR. SUPPLIER CODE: V08805	107107	1
90	BV03112-03-33		...HOLDER-BRUCE LAMP SUPPLIER CODE: V17023 USED ON: 800000255-14 ATTACHING PARTS	107107	2
- 95	MS35206-323		...SCREW -----*-----	107107	4

R
R
R

MISSING ITEM NUMBERS NOT APPLICABLE

- ITEM NOT ILLUSTRATED

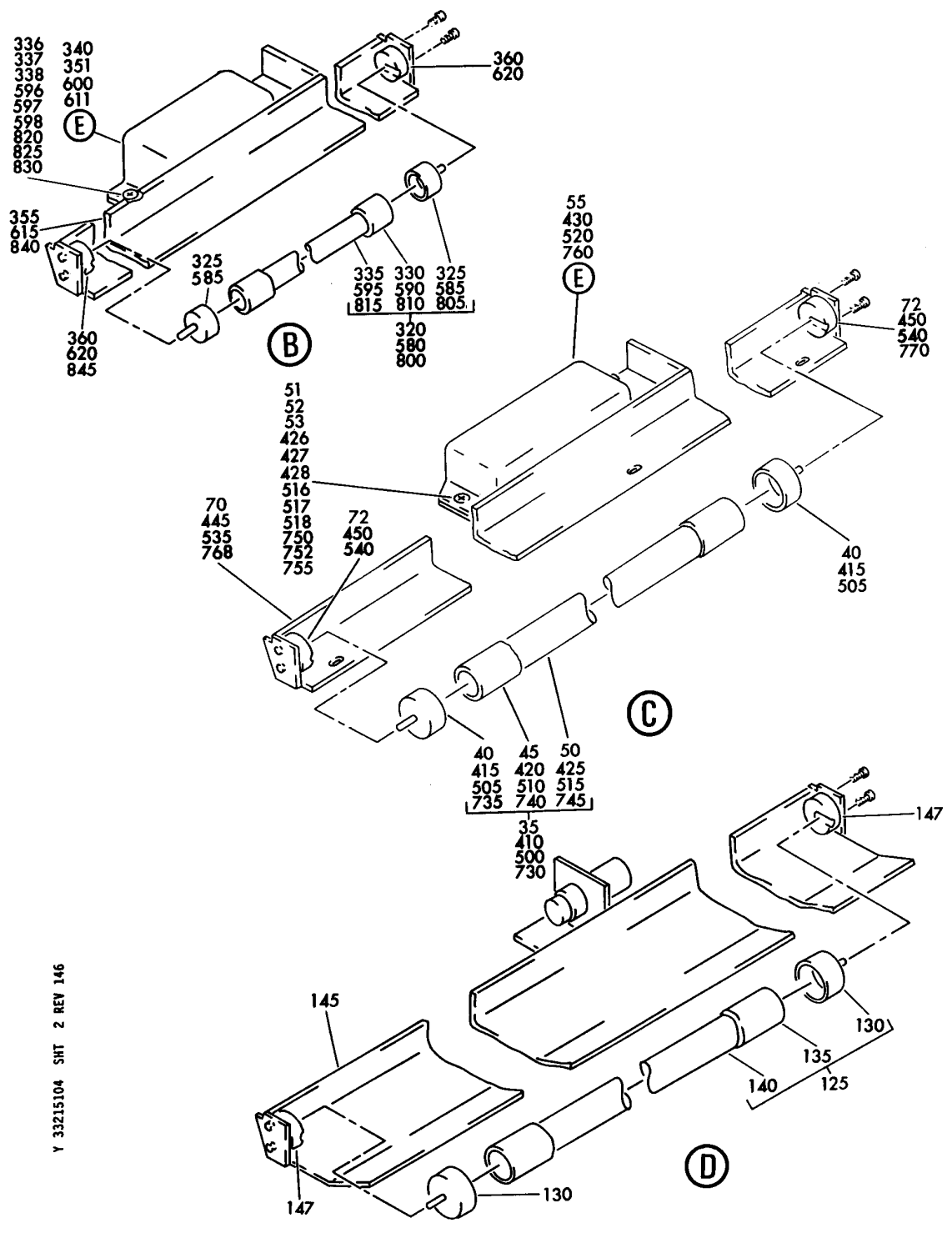
BRI

33-21-51-03

BOEING PROPRIETARY - Copyright © - Unpublished Work - See title page for details.

33-21-51
FIG. 03
PAGE 2
MAY 20/09

BOEING
757
PARTS CATALOG (MAINTENANCE)



Y 33215104 SHT 2 REV 146

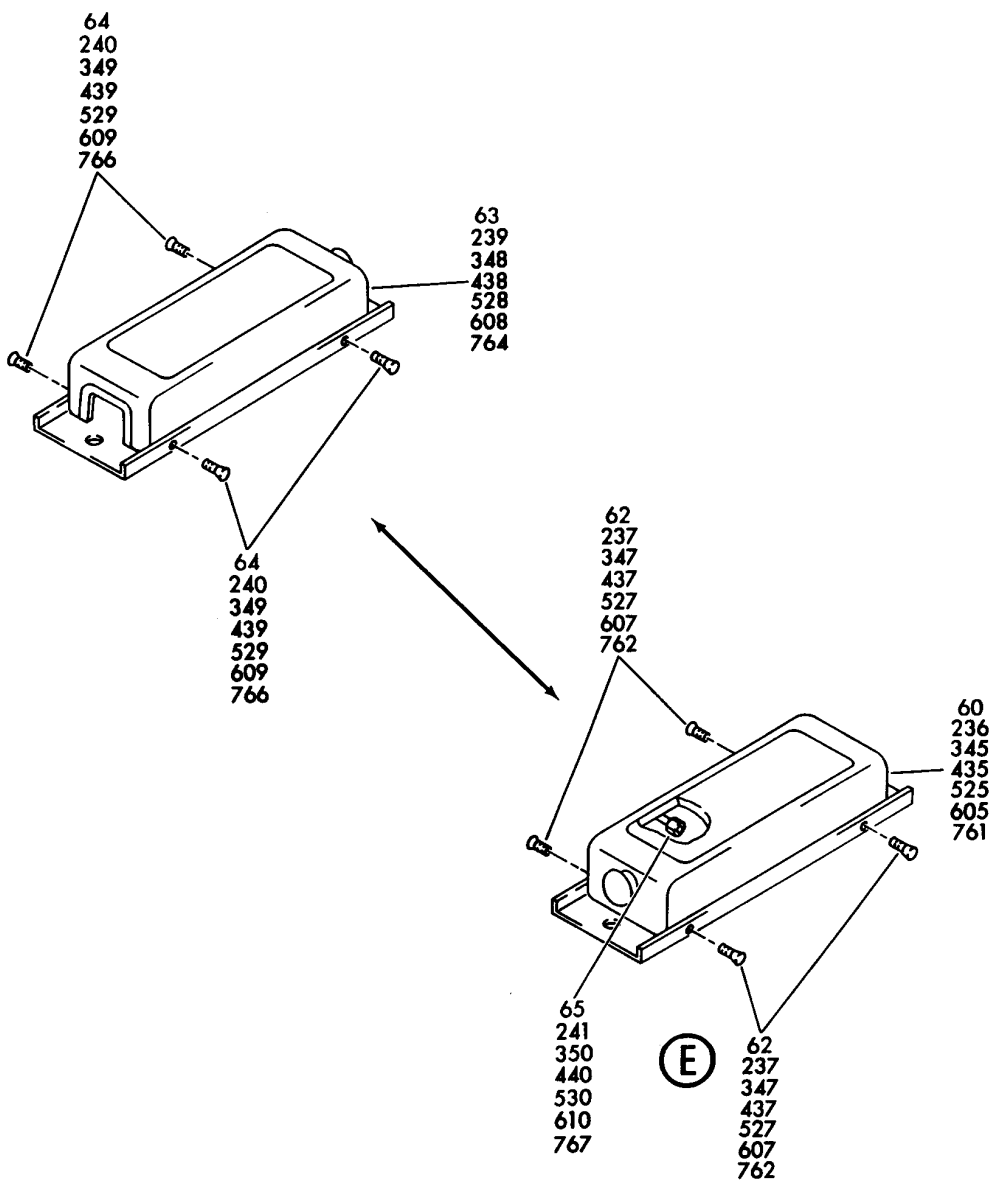
COMPARTMENT ASSY-OVHD STOWAGE (LIGHTS ONLY)
FIGURE 4 (SHEET 2)

33-21-51-04

BRI
JAN 20/09

33-21-51-04
PAGE 0A

BOEING
757
PARTS CATALOG (MAINTENANCE)



Y 33215104 SHT 3 REV 146

COMPARTMENT ASSY-OVHD STOWAGE (LIGHTS ONLY)
FIGURE 4 (SHEET 3)

33-21-51-04

BRI
JAN 20/09

33-21-51-04
PAGE 0B



757

PARTS CATALOG (MAINTENANCE)

FIG ITEM	PART NUMBER	1 2 3 4 5 6 7	NOMENCLATURE	EFFECT FROM TO	UNITS PER ASSY
4			COMPARTMENT ASSY-OVHD STOWAGE (LIGHTS ONLY)	107107	
100	412N1209-72SP		COMPARTMENT ASSY-OVHD STOWAGE (LIGHTS ONLY) COMPONENT MAINT MANUAL REF: 25-28-23 REWORK DRAWING REF: 412N1012-39 REWORKED BY ALERT SB: 25A0121 FOR NHA/OTHER SYS DET SEE: 25-28-00-04B	107107	RF
100	412N1209-113SP		COMPARTMENT ASSY-OVHD STOWAGE (LIGHTS ONLY) COMPONENT MAINT MANUAL REF: 25-28-23 FOR NHA/OTHER SYS DET SEE: 25-28-00-04B	107107	RF
100	412N1209-610SP		COMPARTMENT ASSY-OVHD STOWAGE (LIGHTS ONLY) COMPONENT MAINT MANUAL REF: 25-28-23 FOR NHA/OTHER SYS DET SEE: 25-28-00-04B	107107	RF
105	412N1209-618SP		COMPARTMENT ASSY-OVHD STOWAGE (LIGHTS ONLY) COMPONENT MAINT MANUAL REF: 25-28-23 FOR NHA/OTHER SYS DET SEE: 25-28-00-04B	107107	RF
105	412N1209-75SP		COMPARTMENT ASSY-OVHD STOWAGE (LIGHTS ONLY) COMPONENT MAINT MANUAL REF: 25-28-25 REWORK DRAWING REF: 412N1012-40 REWORKED BY ALERT SB: 25A0121 FOR NHA/OTHER SYS DET SEE: 25-28-00-04B	107107	RF
105	412N1209-116SP		COMPARTMENT ASSY-OVHD STOWAGE (LIGHTS ONLY) COMPONENT MAINT MANUAL REF: 25-28-23 FOR NHA/OTHER SYS DET SEE: 25-28-00-04B	107107	RF
110	417N5120-5		.LIGHT ASSY- OPTIONAL PART: 417N5120-18	107107	1

MISSING ITEM NUMBERS NOT APPLICABLE

- ITEM NOT ILLUSTRATED

33-21-51-04

33-21-51
FIG. 04
PAGE 1
JAN 20/09

BRI

BOEING PROPRIETARY - Copyright © - Unpublished Work - See title page for details.

 **BOEING**
757
PARTS CATALOG (MAINTENANCE)

FIG ITEM	PART NUMBER	1 2 3 4 5 6 7	NOMENCLATURE	EFFECT FROM TO	UNITS PER ASSY
4 110	417N5120-18		.LIGHT ASSY- OPTIONAL PART: 417N5120-5 USED ON: 412N1209-42SP 412N1209-116SP 412N1209-38SP 412N1209-68SP 412N1209-72SP 412N1209-75SP 412N1209-126SP ATTACHING PARTS	107107	1
- 115	NAS1801-3-5		.SCREW	107107	3
- 120	AN960JD10LL		.WASHER-	107107	3
			-----*-----		
125	417N5120-10		..LAMP ASSY	107107	1
130	2055150		...CAP-END SUPPLIER CODE: V04169	107107	2
135	LP1625-48		...TUBE-PROTECTIVE COVER SUPPLIER CODE: V60116 OPTIONAL PART: NI312LGWUV1000 V06034	107107	1
135	NI312LGWUV1000		...TUBE-PROTECTIVE COVER SUPPLIER CODE: V06034 OPTIONAL PART: LP1625-48 V60116	107107	1
140	F40D30ECO		...LAMP-FLUOR. SUPPLIER CODE: V08805	107107	1
145	800000255-5		..HOUSING ASSY-CLG LT SUPPLIER CODE: V05617 SPECIFICATION NUMBER: S417N507-5 USED ON: 417N5120-5	107107	1
145	800000255-15		..HOUSING ASSY-CLG LT SUPPLIER CODE: V05617 SPECIFICATION NUMBER: S417N507-15 USED ON: 417N5120-18	107107	1

MISSING ITEM NUMBERS NOT APPLICABLE

- ITEM NOT ILLUSTRATED

BRI

33-21-51-04

BOEING PROPRIETARY - Copyright © - Unpublished Work - See title page for details.

33-21-51
FIG. 04
PAGE 2
MAY 20/09



757

PARTS CATALOG (MAINTENANCE)

FIG ITEM	PART NUMBER	1 2 3 4 5 6 7	NOMENCLATURE	EFFECT FROM TO	UNITS PER ASSY
4 147	BV03112-03-33		...HOLDER-BRUCE LAMP SUPPLIER CODE: V17023 USED ON: 80000255-15 ATTACHING PARTS	107107	2
- 148	MS35206-323		...SCREW -----*-----	107107	4
285	412N1209-73SP		COMPARTMENT ASSY-OVHD STOWAGE (LIGHTS ONLY) COMPONENT MAINT MANUAL REF: 25-28-27 REWORK DRAWING REF: 412N1012-35 REWORKED BY ALERT SB: 25A0121 FOR NHA/OTHER SYS DET SEE: 25-28-00-07A	107107	RF
285	412N1209-109SP		COMPARTMENT ASSY-OVHD STOWAGE (LIGHTS ONLY) COMPONENT MAINT MANUAL REF: 25-28-23 FOR NHA/OTHER SYS DET SEE: 25-28-00-07A	107107	RF
285	412N1209-114SP		COMPARTMENT ASSY-OVHD STOWAGE (LIGHTS ONLY) COMPONENT MAINT MANUAL REF: 25-28-23 FOR NHA/OTHER SYS DET SEE: 25-28-00-07A	107107	RF
285	412N1209-213SP		COMPARTMENT ASSY-OVHD STOWAGE (LIGHTS ONLY) COMPONENT MAINT MANUAL REF: 25-28-23	107107	RF
290	417N5120-7		.LIGHT ASSY- OPTIONAL PART: 417N5120-20	107107	1

MISSING ITEM NUMBERS NOT APPLICABLE

- ITEM NOT ILLUSTRATED

BRI

33-21-51-04

BOEING PROPRIETARY - Copyright © - Unpublished Work - See title page for details.

33-21-51
FIG. 04
PAGE 3
MAY 20/09



757

PARTS CATALOG (MAINTENANCE)

FIG ITEM	PART NUMBER	1 2 3 4 5 6 7	NOMENCLATURE	EFFECT FROM TO	UNITS PER ASSY
4 290	417N5120-20		.LIGHT ASSY- OPTIONAL PART: 417N5120-7 USED ON: 412N1209-33SP 412N1209-39SP 412N1209-63SP 412N1209-69SP 412N1209-73SP 412N1209-109SP 412N1209-114SP 412N1209-91SP 412N1209-122SP	107107	1
290	417N5120-120		.LIGHT ASSY- ATTACHING PARTS	107107	1
- 295	NAS1801-3-5		.SCREW	107107	2
- 300	AN960JD10LL		.WASHER-	107107	2
			-----*-----		
320	417N5120-12		..LAMP ASSY	107107	1
325	2055132		...CAP-END SUPPLIER CODE: V04169	107107	2
330	NI060LGWUV1000		...TUBE-PROTECTIVE COVER SUPPLIER CODE: V06034 OPTIONAL PART: LP1610-18 V60116	107107	1
330	LP1610-18		...TUBE-PROTECTIVE COVER SUPPLIER CODE: V60116 OPTIONAL PART: NI060LGWUV1000 V06034	107107	1
335	F15T8WW		...LAMP-FLUOR. SUPPLIER CODE: V13545	107107	1
336	BACS12ER3K6		..SCREW	107107	3
337	BACW10UD10		..WASHER	107107	3
338	F22K1-02		..NUT SUPPLIER CODE: V72962 SPECIFICATION NUMBER: BACN10R10L OPTIONAL PART: 22K1-02 V72962 26CLO2 V80539	107107	3

MISSING ITEM NUMBERS NOT APPLICABLE

- ITEM NOT ILLUSTRATED

33-21-51-04

33-21-51
FIG. 04
PAGE 4
JAN 20/09

BRI



757

PARTS CATALOG (MAINTENANCE)

FIG ITEM	PART NUMBER	1 2 3 4 5 6 7	NOMENCLATURE	EFFECT FROM TO	UNITS PER ASSY
4 340	05939-7		..BALLAST ASSY- SUPPLIER CODE: V17023 SPECIFICATION NUMBER: S283N702-7 COMPONENT MAINT MANUAL REF: 33-21-05 OPTIONAL PART: 1987-1 V30242 USED ON: 417N5120-7	107107	1
340	05939-7		..BALLAST ASSY- SUPPLIER CODE: V17023 SPECIFICATION NUMBER: S283N702-7 COMPONENT MAINT MANUAL REF: 33-21-05 OPTIONAL PART: 1987-1 V30242 OPTIONAL PART: 05939-107 V17023 USED ON: 417N5120-20	107107	1
340	05939-107		..BALLAST ASSY- SUPPLIER CODE: V17023 SPECIFICATION NUMBER: S283N702-107 COMPONENT MAINT MANUAL REF: 33-21-05 OPTIONAL PART: 1987-1 V30242 05939-7 V17023 USED ON: 417N5120-20 417N5120-120	107107	1
345	06188		...HOUSING ASSY- SUPPLIER CODE: V17023 USED ON: 05939-7	107107	1
347	MS24693-1	SCREW	107107	4

MISSING ITEM NUMBERS NOT APPLICABLE

- ITEM NOT ILLUSTRATED

33-21-51-04

33-21-51
FIG. 04
PAGE 5
JAN 20/09

BRI



757

PARTS CATALOG (MAINTENANCE)

FIG ITEM	PART NUMBER	1 2 3 4 5 6 7	NOMENCLATURE	EFFECT FROM TO	UNITS PER ASSY
4 348	08899-001		...HOUSING ASSY- SUPPLIER CODE: V17023 USED ON: 05939-107	107107	1
349	011-0002-510	SCREW- SUPPLIER CODE: V17023	107107	4
350	GMA1-5		...FUSE-1.5A, 250V SUPPLIER CODE: V71400	107107	1
351	1987-1		..BALLAST ASSY- SUPPLIER CODE: V30242 SPECIFICATION NUMBER: S283N702-7 COMPONENT MAINT MANUAL REF: 33-20-27 OPTIONAL PART: 05939-7 V17023 USED ON: 417N5120-7	107107	1
351	1987-1		..BALLAST ASSY- SUPPLIER CODE: V30242 SPECIFICATION NUMBER: S283N702-7 OPTIONAL PART: 05939-7 V17023 OPTIONAL PART: 05939-107 V17023 USED ON: 417N5120-20	107107	1
355	800000255-7		..HOUSING ASSY-CLG LT SUPPLIER CODE: V05617 SPECIFICATION NUMBER: S417N507-7 USED ON: 417N5120-7	107107	1

MISSING ITEM NUMBERS NOT APPLICABLE

- ITEM NOT ILLUSTRATED

33-21-51-04

33-21-51
FIG. 04
PAGE 6
JAN 20/09

BRI



757

PARTS CATALOG (MAINTENANCE)

FIG ITEM	PART NUMBER	1 2 3 4 5 6 7	NOMENCLATURE	EFFECT FROM TO	UNITS PER ASSY
4 355	800000255-17		..HOUSING ASSY-CLG LT SUPPLIER CODE: V05617 SPECIFICATION NUMBER: S417N507-17 USED ON: 417N5120-120 USED ON: 417N5120-20	107107	1
360	BV03112-03-33		...HOLDER-BRUCE LAMP SUPPLIER CODE: V17023 USED ON: 800000255-17 ATTACHING PARTS	107107	2
- 365	MS35206-323		...SCREW -----*-----	107107	4
375	412N1209-80SP		COMPARTMENT ASSY-OVHD STOWAGE (LIGHTS ONLY) COMPONENT MAINT MANUAL REF: 25-28-25 REWORK DRAWING REF: 412N1012-44 REWORKED BY ALERT SB: 25A0121 FOR NHA/OTHER SYS DET SEE: 25-28-00-05C	107107	RF
375	412N1209-117SP		COMPARTMENT ASSY-OVHD STOWAGE (LIGHTS ONLY) COMPONENT MAINT MANUAL REF: 25-28-23 FOR NHA/OTHER SYS DET SEE: 25-28-00-05C	107107	RF
380	417N5120-8		.LIGHT ASSY- OPTIONAL PART: 417N5120-21	107107	1
380	417N5120-21		.LIGHT ASSY- OPTIONAL PART: 417N5120-8 USED ON: 412N1209-50SP 412N1209-80SP ATTACHING PARTS	107107	1
- 385	NAS1801-3-5		.SCREW	107107	3
- 390	AN960JD10LL		.WASHER- -----*-----	107107	3
410	417N5120-10		..LAMP ASSY	107107	1

MISSING ITEM NUMBERS NOT APPLICABLE

- ITEM NOT ILLUSTRATED

33-21-51-04

33-21-51
FIG. 04
PAGE 7
JAN 20/09

BRI

BOEING PROPRIETARY - Copyright © - Unpublished Work - See title page for details.



757

PARTS CATALOG (MAINTENANCE)

FIG ITEM	PART NUMBER	1 2 3 4 5 6 7	NOMENCLATURE	EFFECT FROM TO	UNITS PER ASSY	
R R R	415	2055150	...CAP-END SUPPLIER CODE: V04169	107107	1	
	420	LP1625-48	...TUBE-PROTECTIVE COVER SUPPLIER CODE: V60116 OPTIONAL PART: NI312LGWUV1000 V06034	107107	1	
	420	NI312LGWUV1000	...TUBE-PROTECTIVE COVER SUPPLIER CODE: V06034 OPTIONAL PART: LP1625-48 V60116	107107	1	
	425	F40D30ECO	...LAMP-FLUOR. SUPPLIER CODE: V08805	107107	1	
	426	BACS12ER3K6	..SCREW	107107	3	
	427	BACW10UD10	..WASHER	107107	3	
	428	F22K1-02	..NUT SUPPLIER CODE: V72962 SPECIFICATION NUMBER: BACN10R10L OPTIONAL PART: 22K1-02 V72962 26CLO2 V80539	107107	3	
	430	05939-4	..BALLAST ASSY- SUPPLIER CODE: V17023 SPECIFICATION NUMBER: S283N702-4 COMPONENT MAINT MANUAL REF: 33-21-05 USED ON: 417N5120-8	107107	1	
	MISSING ITEM NUMBERS NOT APPLICABLE					

- ITEM NOT ILLUSTRATED

33-21-51-04

33-21-51
FIG. 04
PAGE 8
MAY 20/09

BRI



757

PARTS CATALOG (MAINTENANCE)

FIG ITEM	PART NUMBER	1 2 3 4 5 6 7	NOMENCLATURE	EFFECT FROM TO	UNITS PER ASSY
4 430	05939-4		..BALLAST ASSY- SUPPLIER CODE: V17023 SPECIFICATION NUMBER: S283N702-4 COMPONENT MAINT MANUAL REF: 33-21-05 OPTIONAL PART: 05939-104 V17023 USED ON: 417N5120-21	107107	1
430	05939-104		..BALLAST ASSY- SUPPLIER CODE: V17023 SPECIFICATION NUMBER: S283N702-104 COMPONENT MAINT MANUAL REF: 33-21-05 OPTIONAL PART: 05939-4 V17023 USED ON: 417N5120-21 417N5120-121	107107	1
435	06188		...HOUSING ASSY- SUPPLIER CODE: V17023 USED ON: 05939-4	107107	1
437	MS24693-1	SCREW	107107	4
438	08899-001		...HOUSING ASSY- SUPPLIER CODE: V17023 USED ON: 05939-104	107107	1
439	011-0002-510	SCREW- SUPPLIER CODE: V17023	107107	4
440	GMA1-5		...FUSE-1.5A, 250V SUPPLIER CODE: V71400	107107	1
445	800000255-8		..HOUSING ASSY-CLG LT SUPPLIER CODE: V05617 SPECIFICATION NUMBER: S417N507-8 USED ON: 417N5120-8	107107	1

MISSING ITEM NUMBERS NOT APPLICABLE

- ITEM NOT ILLUSTRATED

33-21-51-04

33-21-51
FIG. 04
PAGE 9
JAN 20/09

BRI



757

PARTS CATALOG (MAINTENANCE)

FIG ITEM	PART NUMBER	1 2 3 4 5 6 7	NOMENCLATURE	EFFECT FROM TO	UNITS PER ASSY
4 445	800000255-18		..HOUSING ASSY-CLG LT SUPPLIER CODE: V05617 SPECIFICATION NUMBER: S417N507-18 USED ON: 417N5120-121 USED ON: 417N5120-21	107107	1
450	BV03112-03-33		...HOLDER-BRUCE LAMP SUPPLIER CODE: V17023 USED ON: 800000255-18 ATTACHING PARTS	107107	2
- 455	MS35206-323		...SCREW -----*-----	107107	4
465	412N1209-81SP		COMPARTMENT ASSY-OVHD STOWAGE (LIGHTS ONLY) COMPONENT MAINT MANUAL REF: 25-28-23 REWORK DRAWING REF: 412N1012-43 REWORKED BY ALERT SB: 25A0121 FOR NHA/OTHER SYS DET SEE: 25-28-00-05C	107107	RF
465	412N1209-110SP		COMPARTMENT ASSY-OVHD STOWAGE (LIGHTS ONLY) COMPONENT MAINT MANUAL REF: 25-28-23 FOR NHA/OTHER SYS DET SEE: 25-28-00-05C	107107	RF
465	412N1209-118SP		COMPARTMENT ASSY-OVHD STOWAGE (LIGHTS ONLY) COMPONENT MAINT MANUAL REF: 25-28-23 FOR NHA/OTHER SYS DET SEE: 25-28-00-05C	107107	RF
470	417N5120-122		.LIGHT ASSY-	107107	1
470	417N5120-9		.LIGHT ASSY- OPTIONAL PART: 417N5120-22	107107	1

MISSING ITEM NUMBERS NOT APPLICABLE

- ITEM NOT ILLUSTRATED

33-21-51-04

33-21-51
FIG. 04
PAGE 10
JAN 20/09

BRI

 **BOEING**
757
PARTS CATALOG (MAINTENANCE)

FIG ITEM	PART NUMBER	1 2 3 4 5 6 7	NOMENCLATURE	EFFECT FROM TO	UNITS PER ASSY
4 470	417N5120-22		.LIGHT ASSY- OPTIONAL PART: 417N5120-9 USED ON: 412N1209-51SP 412N1209-78SP 412N1209-81SP 412N1209-92SP 412N1209-106SP 412N1209-110SP 412N1209-118SP 412N1209-123SP ATTACHING PARTS	107107	1
- 475	NAS1801-3-5		.SCREW	107107	3
- 480	AN960JD10LL		.WASHER-	107107	3
			-----*-----		
500	417N5120-10		..LAMP ASSY	107107	1
505	2055150		...CAP-END SUPPLIER CODE: V04169	107107	2
510	LP1625-48		...TUBE-PROTECTIVE COVER SUPPLIER CODE: V60116 OPTIONAL PART: NI312LGWUV1000 V06034	107107	1
510	NI312LGWUV1000		...TUBE-PROTECTIVE COVER SUPPLIER CODE: V06034 OPTIONAL PART: LP1625-48 V60116	107107	1
515	F40D30ECO		...LAMP-FLUOR. SUPPLIER CODE: V08805	107107	1
516	BACS12ER3K6		..SCREW	107107	3
517	BACW10UD10		..WASHER	107107	3
518	F22K1-02		..NUT SUPPLIER CODE: V72962 SPECIFICATION NUMBER: BACN10R10L OPTIONAL PART: 22K1-02 V72962 26CL02 V80539	107107	3

MISSING ITEM NUMBERS NOT APPLICABLE

- ITEM NOT ILLUSTRATED

BRI

33-21-51-04

BOEING PROPRIETARY - Copyright © - Unpublished Work - See title page for details.

33-21-51
FIG. 04
PAGE 11
MAY 20/09



757

PARTS CATALOG (MAINTENANCE)

FIG ITEM	PART NUMBER	1 2 3 4 5 6 7	NOMENCLATURE	EFFECT FROM TO	UNITS PER ASSY
4 520	05939-4		..BALLAST ASSY- SUPPLIER CODE: V17023 SPECIFICATION NUMBER: S283N702-4 COMPONENT MAINT MANUAL REF: 33-21-05 USED ON: 417N5120-9	107107	1
520	05939-4		..BALLAST ASSY- SUPPLIER CODE: V17023 SPECIFICATION NUMBER: S283N702-4 COMPONENT MAINT MANUAL REF: 33-21-05 OPTIONAL PART: 05939-104 V17023 USED ON: 417N5120-22	107107	1
520	05939-104		..BALLAST ASSY- SUPPLIER CODE: V17023 SPECIFICATION NUMBER: S283N702-104 COMPONENT MAINT MANUAL REF: 33-21-05 OPTIONAL PART: 05939-4 V17023 USED ON: 417N5120-22 417N5120-122	107107	1
525	06188		...HOUSING ASSY- SUPPLIER CODE: V17023 USED ON: 05939-4	107107	1
527	MS24693-1	SCREW	107107	4
528	08899-001		...HOUSING ASSY- SUPPLIER CODE: V17023 USED ON: 05939-104	107107	1
529	011-0002-510	SCREW- SUPPLIER CODE: V17023	107107	4

MISSING ITEM NUMBERS NOT APPLICABLE

- ITEM NOT ILLUSTRATED

33-21-51-04

33-21-51
FIG. 04
PAGE 12
MAY 20/09

BRI



757

PARTS CATALOG (MAINTENANCE)

FIG ITEM	PART NUMBER	1 2 3 4 5 6 7	NOMENCLATURE	EFFECT FROM TO	UNITS PER ASSY
4 530	GMA1-5	...	FUSE-1.5A, 250V SUPPLIER CODE: V71400	107107	1
535	800000255-9	..	HOUSING ASSY-CLG LT SUPPLIER CODE: V05617 SPECIFICATION NUMBER: S417N507-9 USED ON: 417N5120-9	107107	1
535	800000255-19	..	HOUSING ASSY-CLG LT SUPPLIER CODE: V05617 SPECIFICATION NUMBER: S417N507-19 USED ON: 417N5120-122 USED ON: 417N5120-22	107107	1
540	BV03112-03-42	...	HOLDER-BRUCE LAMP SUPPLIER CODE: V17023 USED ON: 800000255-19	107107	2
- 547	MS35206-323	...	SCREW -----*-----	107107	4

MISSING ITEM NUMBERS NOT APPLICABLE

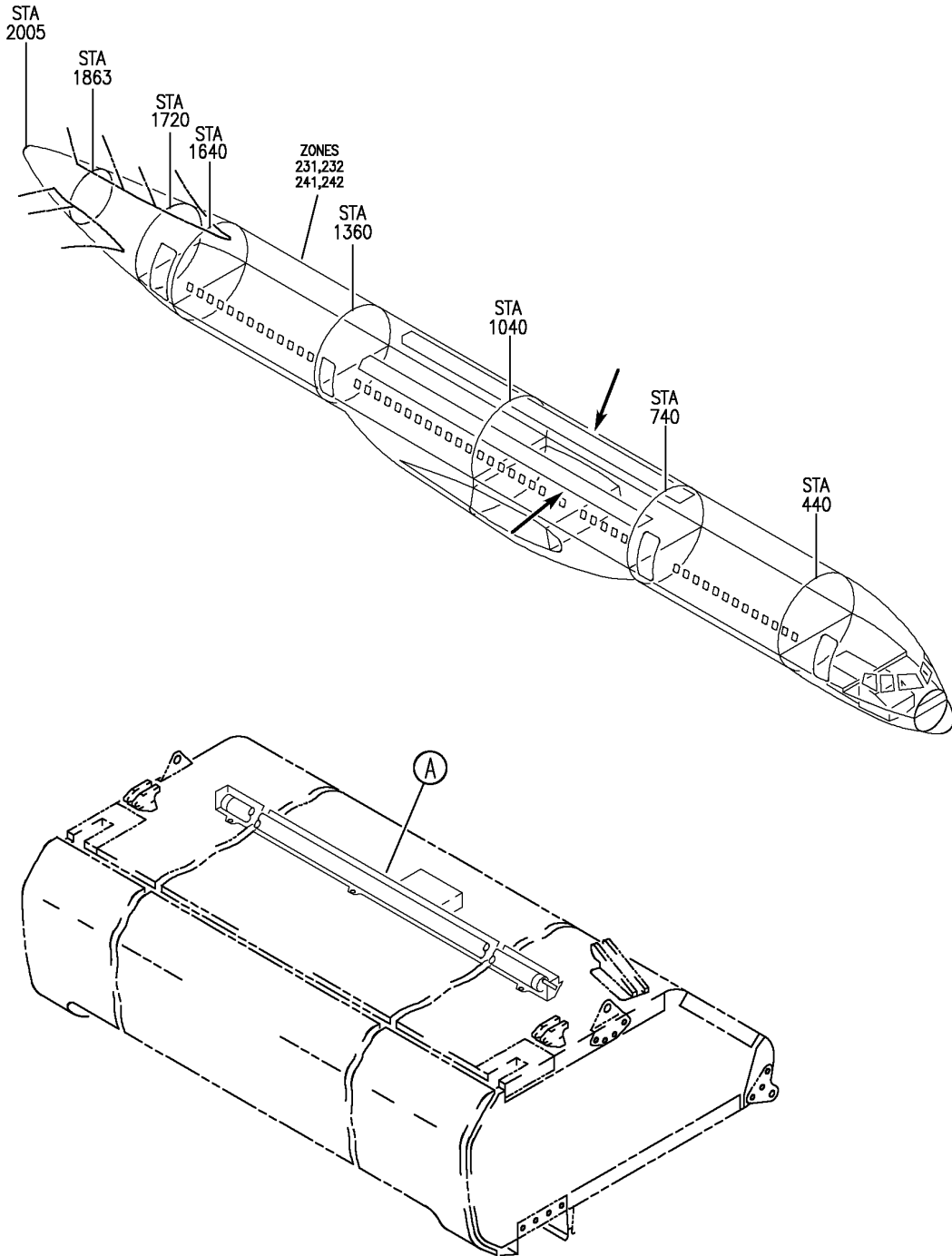
- ITEM NOT ILLUSTRATED

33-21-51-04

33-21-51
FIG. 04
PAGE 13
MAY 20/09

BRI

BOEING
757
PARTS CATALOG (MAINTENANCE)



Y 33215106F SHT 1 REV 251

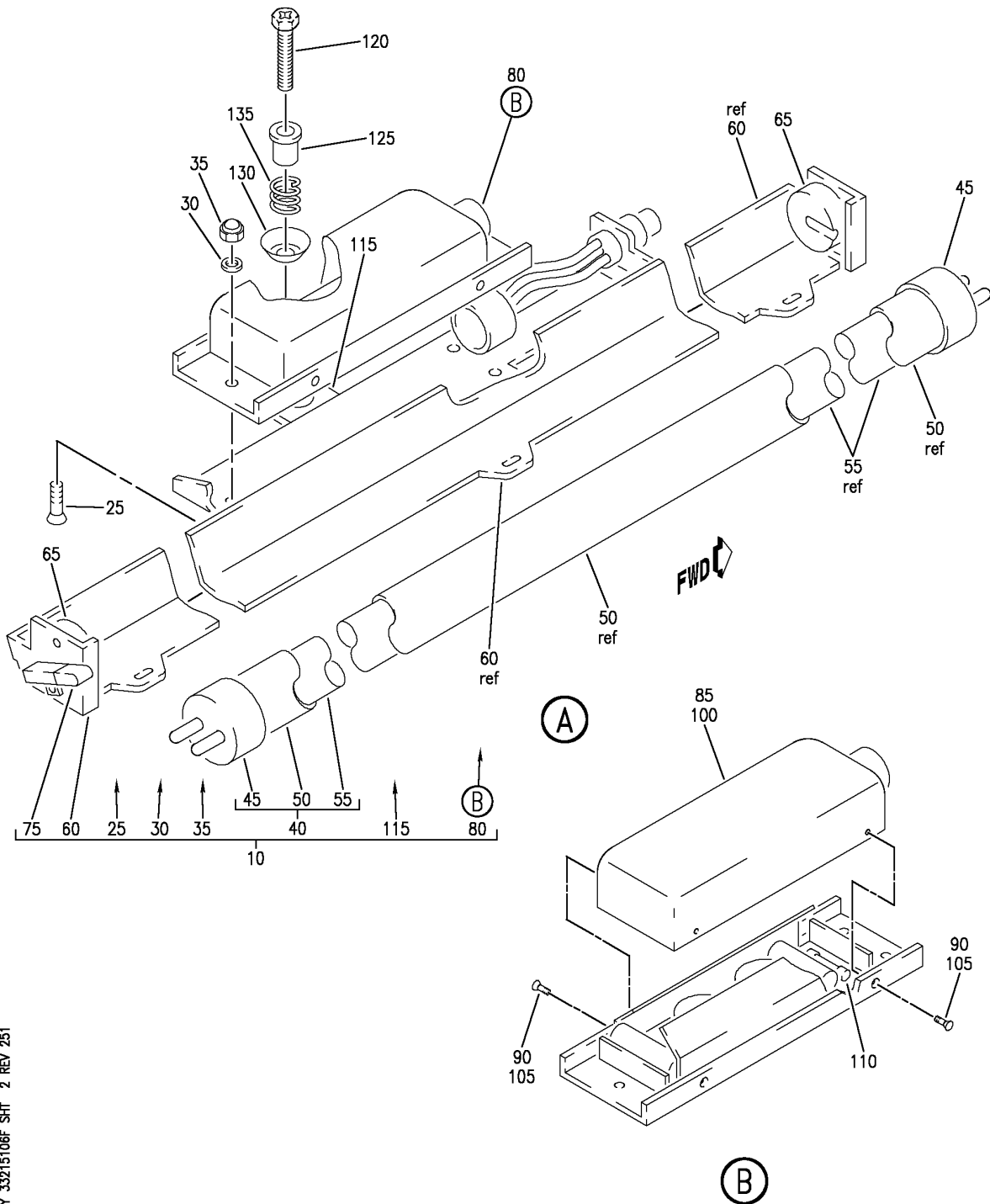
COMPARTMENT ASSY-60 IN OVHD STORAGE (LIGHTS ONLY) AFT SECT.
FIGURE 6F (SHEET 1)

33-21-51-06F

BRI
JAN 20/09

33-21-51-06F
PAGE 0


BOEING
 757
PARTS CATALOG (MAINTENANCE)



Y 33215106F SHT 2 REV 251

COMPARTMENT ASSY-60 IN OVHD STORAGE (LIGHTS ONLY) AFT SECT.
 FIGURE 6F (SHEET 2)

33-21-51-06F

BRI
JAN 20/09

33-21-51-06F
 PAGE 0A



757

PARTS CATALOG (MAINTENANCE)

FIG ITEM	PART NUMBER	1 2 3 4 5 6 7	NOMENCLATURE	EFFECT FROM TO	UNITS PER ASSY
6 F			COMPARTMENT ASSY-60 IN OVHD STOWAGE (LIGHTS ONLY) AFT SECT.	107107	
- 1	412N1109-109SP		COMPARTMENT ASSY-60 IN OVHD STOWAGE (LIGHTS ONLY) POSITION DATA: AFT SECT. REWORK DRAWING REF: 412N1012-39 POST SERVICE BULLETIN: 25-0034 REWORKED BY ALERT SB: 25A0121 FOR NHA/OTHER SYS DET SEE: 25-28-00-05C	107107	RF
- 5	412N1109-115SP		COMPARTMENT ASSY-60 IN OVHD STOWAGE (LIGHTS ONLY) POSITION DATA: AFT SECT. COMPONENT MAINT MANUAL REF: 25-28-31 REWORK DRAWING REF: 412N1012-36 POST SERVICE BULLETIN: 25-0034 REWORKED BY ALERT SB: 25A0121 FOR NHA/OTHER SYS DET SEE: 25-28-00-05C	107107	RF
10	417N5120-14		.LIGHT ASSY-	107107	1
10	417N5120-114		.LIGHT ASSY-	107107	1
- 15	NAS1801-3-5		.SCREW	107107	3
- 20	AN960PD10L		.WASHER	107107	3
			-----*-----		
25	BACS12ER3K6		..SCREW	107107	3
30	BACW10UD10		..WASHER	107107	3

MISSING ITEM NUMBERS NOT APPLICABLE

- ITEM NOT ILLUSTRATED

33-21-51-06F

33-21-51
FIG. 06F
PAGE 1
JAN 20/09

BRI



757

PARTS CATALOG (MAINTENANCE)

FIG ITEM	PART NUMBER	1 2 3 4 5 6 7	NOMENCLATURE	EFFECT FROM TO	UNITS PER ASSY
6F					
35	F22K1-02	..	NUT SUPPLIER CODE: V72962 SPECIFICATION NUMBER: BACN10R10L OPTIONAL PART: 22K1-02 V72962 26CLO2 V80539	107107	3
40	417N5120-10	..	LAMP ASSY	107107	1
45	2055150	...	CAP-END SUPPLIER CODE: V04169	107107	2
50	LP1625-48	...	TUBE-PROTECTIVE COVER SUPPLIER CODE: V60116 OPTIONAL PART: NI312LGWUV1000 V06034	107107	1
50	NI312LGWUV1000	...	TUBE-COVER SUPPLIER CODE: V06034 OPTIONAL PART: LP1625-48 V60116	107107	1
55	F40D30ECO	...	LAMP-FLUOR. SUPPLIER CODE: V08805	107107	1
60	800000255-1	..	HOUSING ASSY-CLG LIGHT SUPPLIER CODE: V05617 SPECIFICATION NUMBER: S417N507-1	107107	1
60	800000255-11	..	HOUSING ASSY-CLG LIGHT SUPPLIER CODE: V05617 SPECIFICATION NUMBER: S417N507-11	107107	1
65	BV03112-03-33	...	HOLDER-BRUCE LAMP SUPPLIER CODE: V17023 USED ON: 800000255-11 ATTACHING PARTS	107107	2
- 70	MS35206-323	...	SCREW -----*-----	107107	4

MISSING ITEM NUMBERS NOT APPLICABLE

- ITEM NOT ILLUSTRATED

33-21-51-06F

33-21-51
FIG. 06F
PAGE 2
MAY 20/09

BRI

BOEING PROPRIETARY - Copyright © - Unpublished Work - See title page for details.



757

PARTS CATALOG (MAINTENANCE)

FIG ITEM	PART NUMBER	1 2 3 4 5 6 7	NOMENCLATURE	EFFECT FROM TO	UNITS PER ASSY
6F					
75	1864	..	BULB- SUPPLIER CODE: V71744	107107	1
80	05939-3	..	BALLAST ASSY- SUPPLIER CODE: V17023 SPECIFICATION NUMBER: S283N702-3 COMPONENT MAINT MANUAL REF: 33-21-05 OPTIONAL PART: 1983-1 V30242 OPTIONAL PART: 05939-103 V17023	107107	1
80	05939-103	..	BALLAST ASSY- SUPPLIER CODE: V17023 SPECIFICATION NUMBER: S283N702-103 COMPONENT MAINT MANUAL REF: 33-21-05 OPTIONAL PART: 05939-3 V17023 1983-1 V30242	107107	1
80	1983-1	..	BALLAST ASSY- SUPPLIER CODE: V30242 SPECIFICATION NUMBER: S283N702-3 COMPONENT MAINT MANUAL REF: 33-20-23 OPTIONAL PART: 05939-3 V17023 OPTIONAL PART: 05939-103 V30242	107107	1
85	06188	...	HOUSING ASSY- SUPPLIER CODE: V17023 USED ON: 05939-3	107107	1
90	MS24693-1	SCREW	107107	4

MISSING ITEM NUMBERS NOT APPLICABLE

- ITEM NOT ILLUSTRATED

33-21-51-06F

33-21-51
FIG. 06F
PAGE 3
MAY 20/09

BRI

BOEING PROPRIETARY - Copyright © - Unpublished Work - See title page for details.



757

PARTS CATALOG (MAINTENANCE)

FIG ITEM	PART NUMBER	1 2 3 4 5 6 7	NOMENCLATURE	EFFECT FROM TO	UNITS PER ASSY
6F 100	08899-001		...HOUSING ASSY- SUPPLIER CODE: V17023 USED ON: 05939-103	107107	1
105	011-0002-510	SCREW- SUPPLIER CODE: V17023	107107	4
110	GMA1-5		...FUSE-1.5A, 250V SUPPLIER CODE: V71400	107107	1
115	65C28117-3		..PAD	107107	1
120	NAS1801-3-11		.SCREW	107107	1
125	BACS18C8-6		.SPACER	107107	1
130	411N3142-28		.WASHER-CUPPED	107107	1
135	MS24585-1230		.SPRING	107107	1

MISSING ITEM NUMBERS NOT APPLICABLE

- ITEM NOT ILLUSTRATED

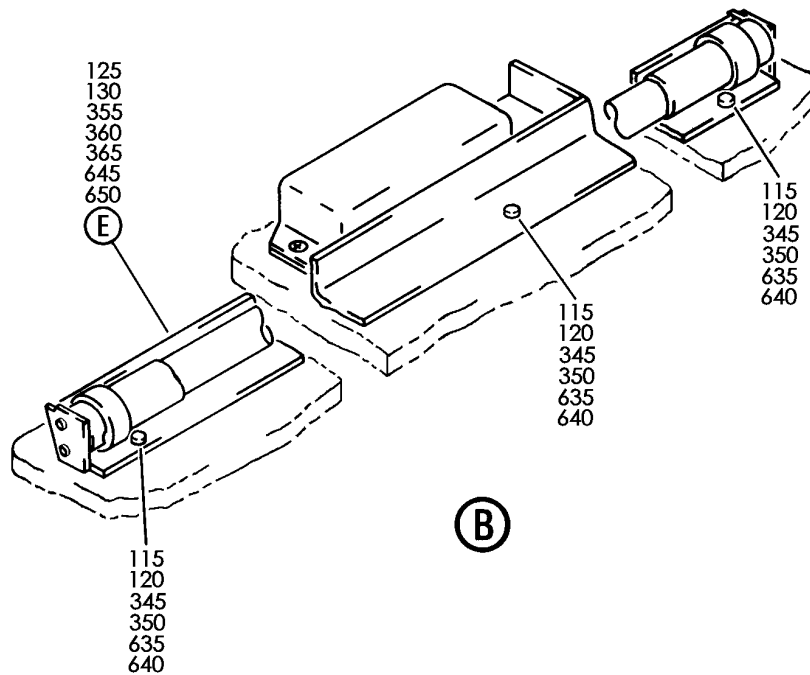
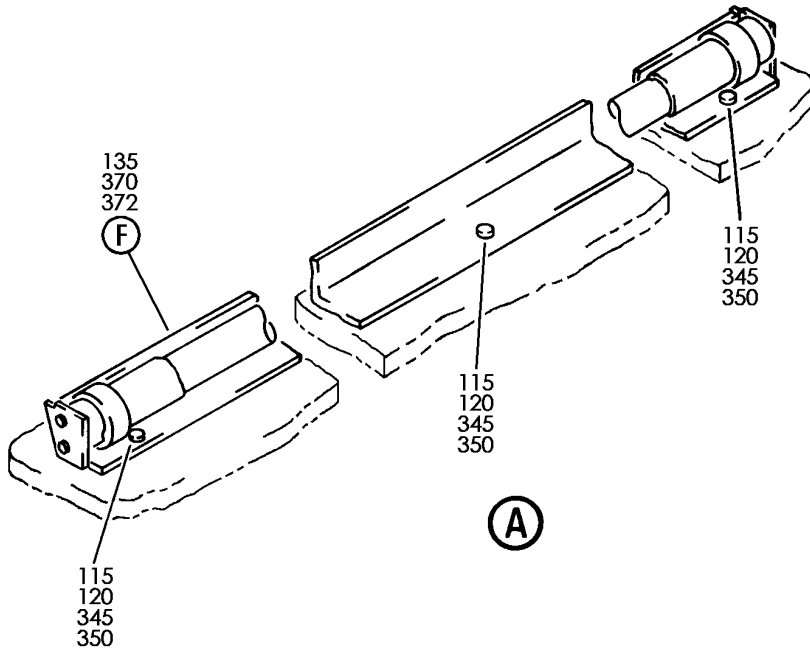
33-21-51-06F

33-21-51
FIG. 06F
PAGE 4
MAY 20/09

BRI

BOEING PROPRIETARY - Copyright © - Unpublished Work - See title page for details.

BOEING
757
PARTS CATALOG (MAINTENANCE)



Y 33215111 SHT 2 REV 213

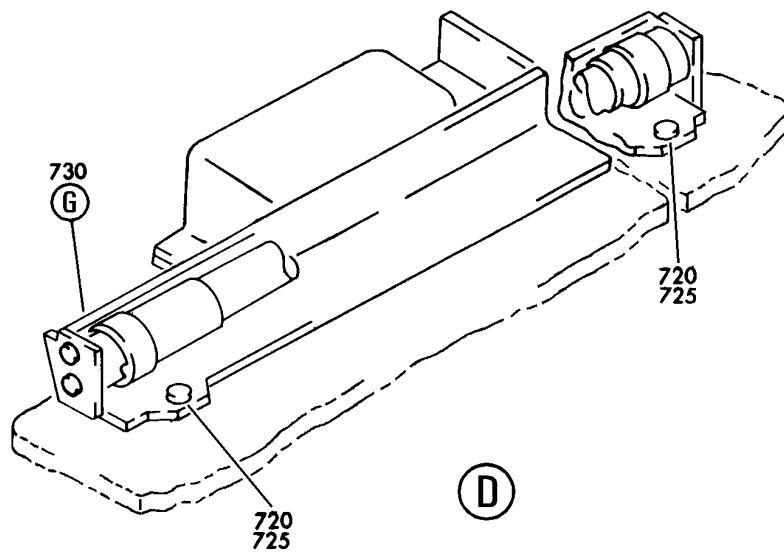
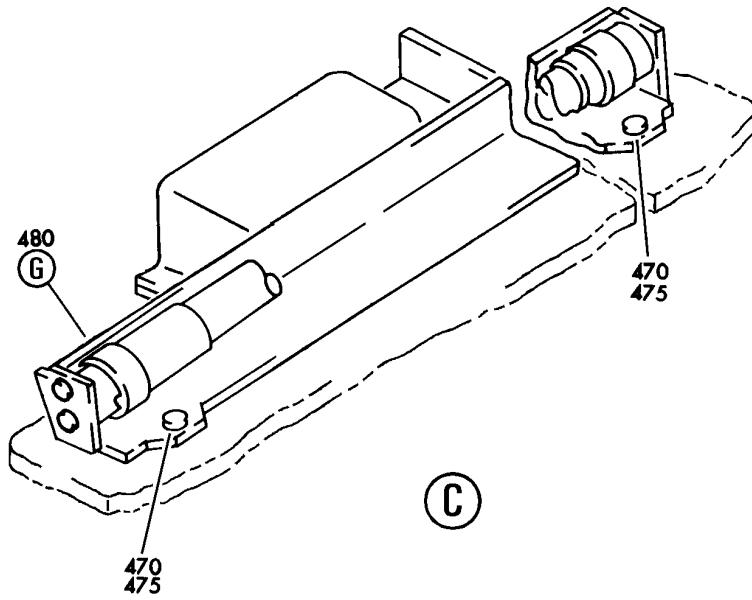
COMPARTMENT ASSY-OVHD STORAGE AND NO. 2 DOORWAY (LIGHTS ONLY)
FIGURE 11 (SHEET 2)

33-21-51-11

BRI
MAY 28/07

33-21-51-11
PAGE 0A

BOEING
757
PARTS CATALOG (MAINTENANCE)



Y 33215111 SHT 3 REV 213

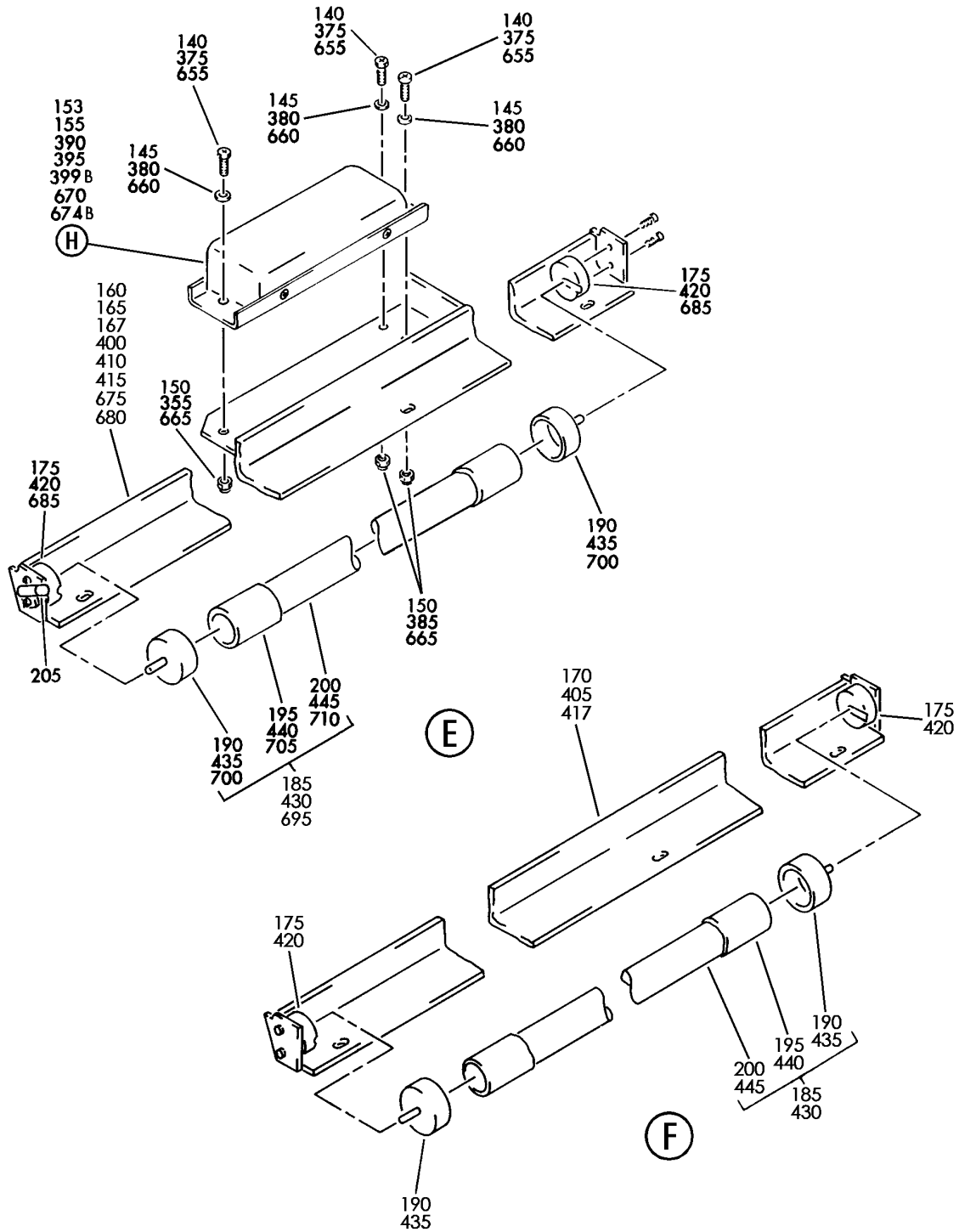
COMPARTMENT ASSY-OVHD STORAGE AND NO. 2 DOORWAY (LIGHTS ONLY)
FIGURE 11 (SHEET 3)

33-21-51-11

BRI
MAY 28/07

33-21-51-11
PAGE 0B


BOEING
 757
PARTS CATALOG (MAINTENANCE)



Y 33215111 SHT 4 REV 245

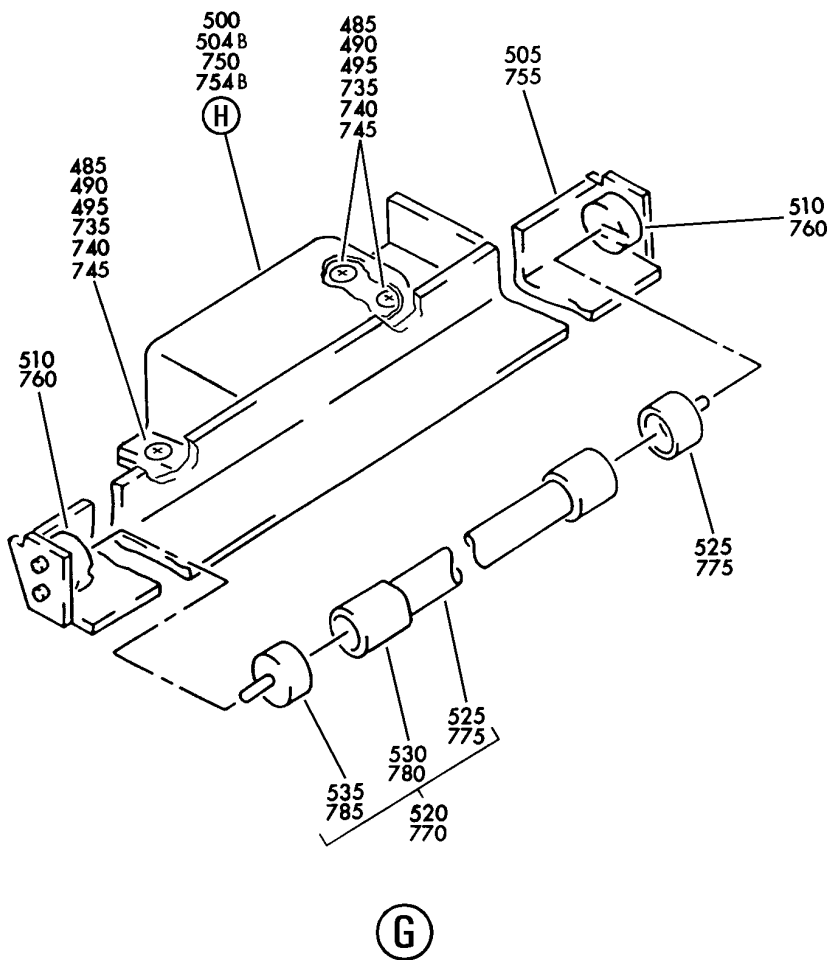
COMPARTMENT ASSY-OVHD STORAGE AND NO. 2 DOORWAY (LIGHTS ONLY)
 FIGURE 11 (SHEET 4)

33-21-51-11

BRI
 MAY 28/07

33-21-51-11
 PAGE 0C

BOEING
757
PARTS CATALOG (MAINTENANCE)



Y 33215111 SHT 5 REV 213

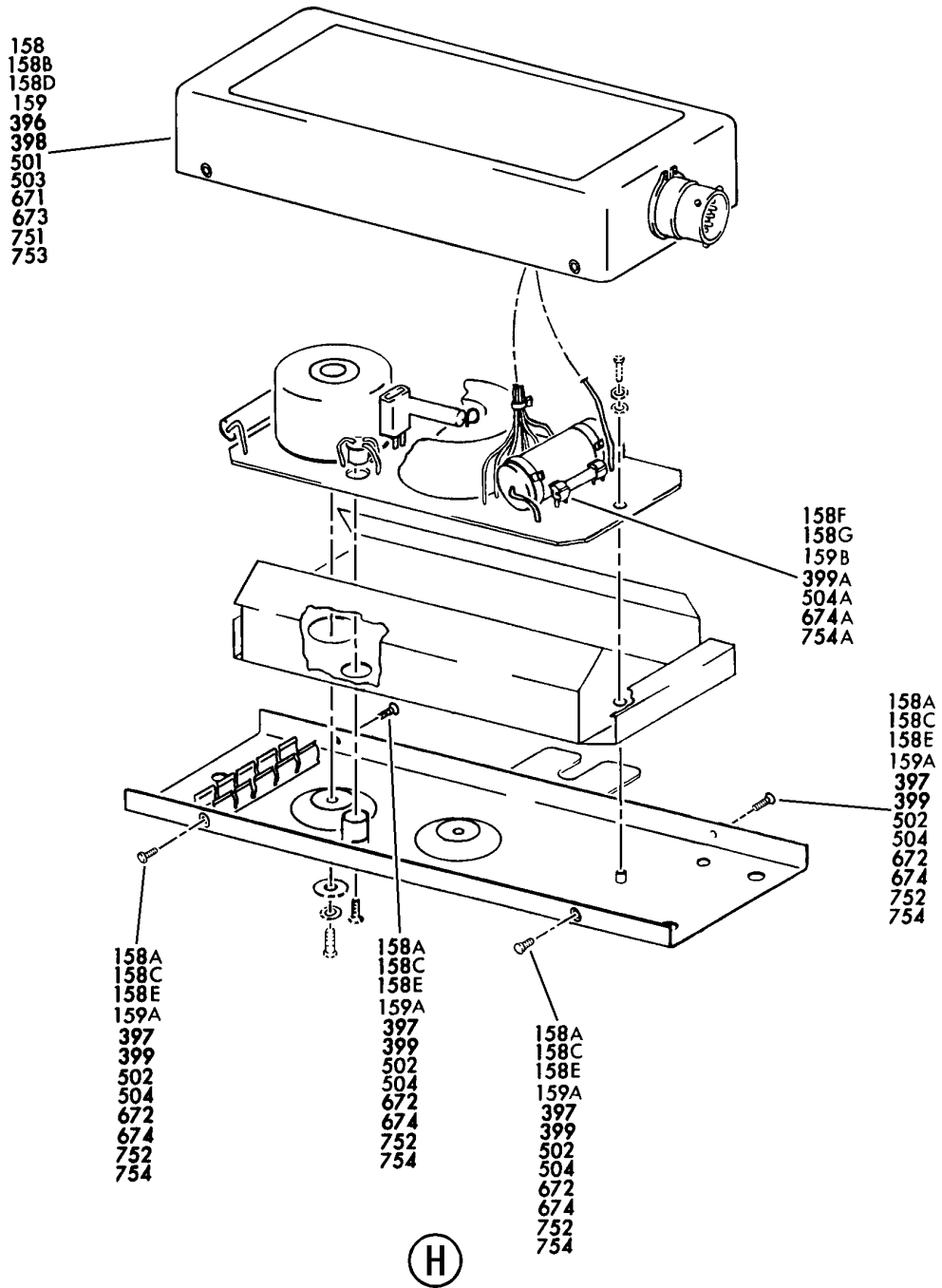
COMPARTMENT ASSY-OVHD STORAGE AND NO. 2 DOORWAY (LIGHTS ONLY)
FIGURE 11 (SHEET 5)

33-21-51-11

BRI
MAY 28/07

33-21-51-11
PAGE 0D

BOEING
757
PARTS CATALOG (MAINTENANCE)



Y 33215111 SHT 6 REV 213

COMPARTMENT ASSY-OVHD STORAGE AND NO. 2 DOORWAY (LIGHTS ONLY)
FIGURE 11 (SHEET 6)

33-21-51-11

BRI
MAY 28/07

33-21-51-11
PAGE 0E



757

PARTS CATALOG (MAINTENANCE)

FIG ITEM	PART NUMBER	1 2 3 4 5 6 7	NOMENCLATURE	EFFECT FROM TO	UNITS PER ASSY
11			COMPARTMENT ASSY-OVHD STOWAGE AND NO. 2 DOORWAY (LIGHTS ONLY)	121503 904949	
1	412N1106-321SP		COMPARTMENT ASSY-OVHD STOWAGE (LIGHTS ONLY) REWORK DRAWING REF: 412N1012-40 REWORKED BY ALERT SB: 25A0121 FOR NHA/OTHER SYS DET SEE: 25-28-00-23B	904949	RF
1	412N1106-621SP		COMPARTMENT ASSY-OVHD STOWAGE (LIGHTS ONLY) FOR NHA/OTHER SYS DET SEE: 25-28-00-23B	121503	RF
5	412N1106-303SP		COMPARTMENT ASSY-OVHD STOWAGE (LIGHTS ONLY) REWORK DRAWING REF: 412N1012-39 REWORKED BY ALERT SB: 25A0121 FOR NHA/OTHER SYS DET SEE: 25-28-00-23B	904949	RF
5	412N1106-603SP		COMPARTMENT ASSY-OVHD STOWAGE (LIGHTS ONLY) FOR NHA/OTHER SYS DET SEE: 25-28-00-23B	121503	RF
10	412N1106-307SP		COMPARTMENT ASSY-OVHD STOWAGE (LIGHTS ONLY) REWORK DRAWING REF: 412N1012-35 REWORKED BY ALERT SB: 25A0121 FOR NHA/OTHER SYS DET SEE: 25-28-00-23B	904949	RF
10	412N1106-607SP		COMPARTMENT ASSY-OVHD STOWAGE (LIGHTS ONLY) FOR NHA/OTHER SYS DET SEE: 25-28-00-23B	121503	RF
15	412N1106-308SP		COMPARTMENT ASSY-OVHD STOWAGE (LIGHTS ONLY) REWORK DRAWING REF: 412N1012-36 REWORKED BY ALERT SB: 25A0121 FOR NHA/OTHER SYS DET SEE: 25-28-00-23B	904949	RF

MISSING ITEM NUMBERS NOT APPLICABLE

- ITEM NOT ILLUSTRATED

33-21-51-11

33-21-51
FIG. 11
PAGE 1
JAN 20/09

BRI



757

PARTS CATALOG (MAINTENANCE)

FIG ITEM	PART NUMBER	1 2 3 4 5 6 7	NOMENCLATURE	EFFECT FROM TO	UNITS PER ASSY
11					
15	412N1106-608SP		COMPARTMENT ASSY-OVHD STOWAGE (LIGHTS ONLY) FOR NHA/OTHER SYS DET SEE: 25-28-00-23B	121503	RF
20	412N1106-309SP		COMPARTMENT ASSY-OVHD STOWAGE (LIGHTS ONLY) REWORK DRAWING REF: 412N1012-39 REWORKED BY ALERT SB: 25A0121 FOR NHA/OTHER SYS DET SEE: 25-28-00-23A 25-28-00-23B	904949	RF
21	412N1106-741SP		COMPARTMENT ASSY-OVHD STOWAGE (LIGHTS ONLY) FOR NHA/OTHER SYS DET SEE: 25-28-00-23A	121503	RF
22	412N1106-609SP		COMPARTMENT ASSY-OVHD STOWAGE (LIGHTS ONLY) FOR NHA/OTHER SYS DET SEE: 25-28-00-23B	121503	RF
25	412N1106-310SP		COMPARTMENT ASSY-OVHD STOWAGE (LIGHTS ONLY) REWORK DRAWING REF: 412N1012-40 REWORKED BY ALERT SB: 25A0121 FOR NHA/OTHER SYS DET SEE: 25-28-00-23A 25-28-00-23B	904949	RF
25	412N1106-610SP		COMPARTMENT ASSY-OVHD STOWAGE (LIGHTS ONLY) FOR NHA/OTHER SYS DET SEE: 25-28-00-23A 25-28-00-23B	121503	RF
30	412N1106-313SP		COMPARTMENT ASSY-OVHD STOWAGE (LIGHTS ONLY) REWORK DRAWING REF: 412N1012-39 REWORKED BY ALERT SB: 25A0121 FOR NHA/OTHER SYS DET SEE: 25-28-00-23C	904949	RF
30	412N1106-613SP		COMPARTMENT ASSY-OVHD STOWAGE (LIGHTS ONLY) FOR NHA/OTHER SYS DET SEE: 25-28-00-23C	121503	RF

MISSING ITEM NUMBERS NOT APPLICABLE

- ITEM NOT ILLUSTRATED

33-21-51-11

33-21-51
FIG. 11
PAGE 2
JAN 20/09

BRI



757

PARTS CATALOG (MAINTENANCE)

FIG ITEM	PART NUMBER	1 2 3 4 5 6 7	NOMENCLATURE	EFFECT FROM TO	UNITS PER ASSY
11					
35	412N1106-315SP		COMPARTMENT ASSY-OVHD STOWAGE (LIGHTS ONLY) REWORK DRAWING REF: 412N1012-36 REWORKED BY ALERT SB: 25A0121 FOR NHA/OTHER SYS DET SEE: 25-28-00-23C	904949	RF
35	412N1106-615SP		COMPARTMENT ASSY-OVHD STOWAGE (LIGHTS ONLY) FOR NHA/OTHER SYS DET SEE: 25-28-00-23C	121503	RF
40	412N1106-305SP		COMPARTMENT ASSY-OVHD STOWAGE (LIGHTS ONLY) REWORK DRAWING REF: 412N1012-35 REWORKED BY ALERT SB: 25A0121 FOR NHA/OTHER SYS DET SEE: 25-28-00-23B 25-28-00-23C	904949	RF
40	412N1106-605SP		COMPARTMENT ASSY-OVHD STOWAGE (LIGHTS ONLY) FOR NHA/OTHER SYS DET SEE: 25-28-00-23B 25-28-00-23C	121503	RF
45	412N1106-306SP		COMPARTMENT ASSY-OVHD STOWAGE (LIGHTS ONLY) REWORK DRAWING REF: 412N1012-36 REWORKED BY ALERT SB: 25A0121 FOR NHA/OTHER SYS DET SEE: 25-28-00-23B	904949	RF
45	412N1106-606SP		COMPARTMENT ASSY-OVHD STOWAGE (LIGHTS ONLY) FOR NHA/OTHER SYS DET SEE: 25-28-00-23B	121503	RF
50	412N1106-385SP		COMPARTMENT ASSY-OVHD STOWAGE (LIGHTS ONLY) REWORK DRAWING REF: 412N1012-36 REWORKED BY ALERT SB: 25A0121 FOR NHA/OTHER SYS DET SEE: 25-28-00-23A	904949	RF

MISSING ITEM NUMBERS NOT APPLICABLE

- ITEM NOT ILLUSTRATED

33-21-51-11

33-21-51
FIG. 11
PAGE 3
JAN 20/09

BRI

BOEING PROPRIETARY - Copyright © - Unpublished Work - See title page for details.



757

PARTS CATALOG (MAINTENANCE)

FIG ITEM	PART NUMBER	1 2 3 4 5 6 7	NOMENCLATURE	EFFECT FROM TO	UNITS PER ASSY
11					
50	412N1106-685SP		COMPARTMENT ASSY-OVHD STOWAGE (LIGHTS ONLY) FOR NHA/OTHER SYS DET SEE: 25-28-00-23A	121503	RF
55	412N1106-301SP		COMPARTMENT ASSY-OVHD STOWAGE (LIGHTS ONLY) REWORK DRAWING REF: 412N1012-39 REWORKED BY ALERT SB: 25A0121 FOR NHA/OTHER SYS DET SEE: 25-28-00-23A 25-28-00-23B 25-28-00-23C	904949	RF
55	412N1106-601SP		COMPARTMENT ASSY-OVHD STOWAGE (LIGHTS ONLY) FOR NHA/OTHER SYS DET SEE: 25-28-00-23A 25-28-00-23B 25-28-00-23C	121503	RF
60	412N1106-302SP		COMPARTMENT ASSY-OVHD STOWAGE (LIGHTS ONLY) REWORK DRAWING REF: 412N1012-40 REWORKED BY ALERT SB: 25A0121 FOR NHA/OTHER SYS DET SEE: 25-28-00-23A	904949	RF
60	412N1106-602SP		COMPARTMENT ASSY-OVHD STOWAGE (LIGHTS ONLY) FOR NHA/OTHER SYS DET SEE: 25-28-00-23A	121503	RF
65	412N1106-383SP		COMPARTMENT ASSY-OVHD STOWAGE (LIGHTS ONLY) REWORK DRAWING REF: 412N1012-39 REWORKED BY ALERT SB: 25A0121 FOR NHA/OTHER SYS DET SEE: 25-28-00-23A	904949	RF
65	412N1106-683SP		COMPARTMENT ASSY-OVHD STOWAGE (LIGHTS ONLY) FOR NHA/OTHER SYS DET SEE: 25-28-00-23A	121503	RF

MISSING ITEM NUMBERS NOT APPLICABLE

- ITEM NOT ILLUSTRATED

33-21-51-11

33-21-51
FIG. 11
PAGE 4
JAN 20/09

BRI



757

PARTS CATALOG (MAINTENANCE)

FIG ITEM	PART NUMBER	1 2 3 4 5 6 7	NOMENCLATURE	EFFECT FROM TO	UNITS PER ASSY
11					
70	412N1106-319SP		COMPARTMENT ASSY-OVHD STOWAGE (LIGHTS ONLY) REWORK DRAWING REF: 412N1012-35 REWORKED BY ALERT SB: 25A0121 FOR NHA/OTHER SYS DET SEE: 25-28-00-23B	904949	RF
70	412N1106-619SP		COMPARTMENT ASSY-OVHD STOWAGE (LIGHTS ONLY) FOR NHA/OTHER SYS DET SEE: 25-28-00-23B	121503	RF
75	412N1106-386SP		COMPARTMENT ASSY-OVHD STOWAGE (LIGHTS ONLY) REWORK DRAWING REF: 412N1012-36 REWORKED BY ALERT SB: 25A0121 FOR NHA/OTHER SYS DET SEE: 25-28-00-23B	904949	RF
75	412N1106-686SP		COMPARTMENT ASSY-OVHD STOWAGE (LIGHTS ONLY) FOR NHA/OTHER SYS DET SEE: 25-28-00-23B	121503	RF
80	412N1106-384SP		COMPARTMENT ASSY-OVHD STOWAGE (LIGHTS ONLY) REWORK DRAWING REF: 412N1012-40 REWORKED BY ALERT SB: 25A0121 FOR NHA/OTHER SYS DET SEE: 25-28-00-23A	904949	RF
80	412N1106-684SP		COMPARTMENT ASSY-OVHD STOWAGE (LIGHTS ONLY) FOR NHA/OTHER SYS DET SEE: 25-28-00-23A	121503	RF
85	412N1106-378SP		COMPARTMENT ASSY-OVHD STOWAGE (LIGHTS ONLY) REWORK DRAWING REF: 412N1012-40 REWORKED BY ALERT SB: 25A0121 FOR NHA/OTHER SYS DET SEE: 25-28-00-23C	904949	RF

MISSING ITEM NUMBERS NOT APPLICABLE

- ITEM NOT ILLUSTRATED

BRI

33-21-51-11

BOEING PROPRIETARY - Copyright © - Unpublished Work - See title page for details.

33-21-51
FIG. 11
PAGE 5
JAN 20/09



757

PARTS CATALOG (MAINTENANCE)

FIG ITEM	PART NUMBER	1 2 3 4 5 6 7	NOMENCLATURE	EFFECT FROM TO	UNITS PER ASSY
11					
85	412N1106-678SP		COMPARTMENT ASSY-OVHD STOWAGE (LIGHTS ONLY) PRE SERVICE BULLETIN: 23-0020 FOR NHA/OTHER SYS DET SEE: 25-28-00-23C	121503	RF
90	412N1106-304SP		COMPARTMENT ASSY-OVHD STOWAGE (LIGHTS ONLY) REWORK DRAWING REF: 412N1012-40 REWORKED BY ALERT SB: 25A0121 FOR NHA/OTHER SYS DET SEE: 25-28-00-23B 25-28-00-23C	904949	RF
90	412N1106-604SP		COMPARTMENT ASSY-OVHD STOWAGE (LIGHTS ONLY) FOR NHA/OTHER SYS DET SEE: 25-28-00-23B 25-28-00-23C	121503	RF
115	NAS1801-3-5		.SCREW	121503 904949	3
120	AN960JD10LL		.WASHER	121503 904949	3
125	417N5120-114		.LIGHT ASSY- USED ON: 412N1106-106SP 412N1106-118SP 412N1106-123SP 412N1106-133SP 412N1106-135SP 412N1106-161SP 412N1106-308SP 412N1106-309SP 412N1106-313SP 412N1106-315SP 412N1106-321SP 412N1106-385SP	904949	1
125	417N5120-114		.LIGHT ASSY- USED ON: 412N1106-608SP 412N1106-609SP 412N1106-613SP 412N1106-615SP 412N1106-621SP 412N1106-685SP 412N1106-741SP	121503	1

MISSING ITEM NUMBERS NOT APPLICABLE

- ITEM NOT ILLUSTRATED

33-21-51-11

33-21-51
FIG. 11
PAGE 6
JAN 20/09

BRI



757

PARTS CATALOG (MAINTENANCE)

FIG ITEM	PART NUMBER	1 2 3 4 5 6 7	NOMENCLATURE	EFFECT FROM TO	UNITS PER ASSY
11 130	417N5120-115		.LIGHT ASSY- USED ON: 412N1106-107SP 412N1106-117SP 412N1106-128SP 412N1106-303SP 412N1106-307SP 412N1106-310SP 412N1106-603SP 412N1106-607SP 412N1106-610SP	121503 904949	1
135	417N5120-17		.LIGHT ASSY- USED ON: 412N1106-3SP 412N1106-4SP 412N1106-8SP 412N1106-15SP 412N1106-16SP 412N1106-36SP 412N1106-47SP 412N1106-49SP 412N1106-50SP 412N1106-52SP 412N1106-58SP 412N1106-301SP 412N1106-302SP 412N1106-304SP 412N1106-305SP 412N1106-306SP 412N1106-319SP 412N1106-378SP 412N1106-383SP 412N1106-384SP 412N1106-386SP 412N1106-601SP 412N1106-602SP 412N1106-604SP 412N1106-605SP 412N1106-606SP 412N1106-619SP 412N1106-678SP 412N1106-683SP 412N1106-684SP 412N1106-686SP 412N1106-34SP	121503 904949	1
140	BACS12ER3K6		.. SCREW- USED ON: 417N5120-114 417N5120-115	904949	3

MISSING ITEM NUMBERS NOT APPLICABLE

- ITEM NOT ILLUSTRATED

33-21-51-11

33-21-51
FIG. 11
PAGE 7
JAN 20/09

BRI



757

PARTS CATALOG (MAINTENANCE)

FIG ITEM	PART NUMBER	1 2 3 4 5 6 7	NOMENCLATURE	EFFECT FROM TO	UNITS PER ASSY
11 140	BACS12ER3K6		.. SCREW- USED ON: 417N5120-114 417N5120-115	121503	3
145	BACW10UD10		.. WASHER- USED ON: 417N5120-114 417N5120-115	904949	3
145	BACW10UD10		.. WASHER- USED ON: 417N5120-114 417N5120-115	121503	3
150	F22K1-02		.. NUT- SUPPLIER CODE: V72962 SPECIFICATION NUMBER: BACN10R10L OPTIONAL PART: 22K1-02 V72962 26CLO2 V80539 USED ON: 417N5120-114 417N5120-115	904949	3
150	F22K1-02		.. NUT- SUPPLIER CODE: V72962 SPECIFICATION NUMBER: BACN10R10L OPTIONAL PART: 22K1-02 V72962 26CLO2 V80539 USED ON: 417N5120-114 417N5120-115	121503	3

MISSING ITEM NUMBERS NOT APPLICABLE

- ITEM NOT ILLUSTRATED

33-21-51-11

33-21-51
FIG. 11
PAGE 8
JAN 20/09

BRI



757

PARTS CATALOG (MAINTENANCE)

FIG ITEM	PART NUMBER	1 2 3 4 5 6 7	NOMENCLATURE	EFFECT FROM TO	UNITS PER ASSY
11 155	05939-103		..BALLAST ASSY- SUPPLIER CODE: V17023 SPECIFICATION NUMBER: S283N702-103 COMPONENT MAINT MANUAL REF: 33-21-05 OPTIONAL PART: 05939-3 V17023 USED ON: 417N5120-114 417N5120-115	904949	1
155	1983-1		..BALLAST ASSY- SUPPLIER CODE: V30242 SPECIFICATION NUMBER: S283N702-3 COMPONENT MAINT MANUAL REF: 33-20-23 OPTIONAL PART: 05939-3 V17023 USED ON: 417N5120-114 417N5120-115 417N5120-14 417N5120-15	121503 904949	1
158D	08899-001		...HOUSING ASSY- SUPPLIER CODE: V17023	121503 904949	1
158E	011-0002-510	SCREW- SUPPLIER CODE: V17023	121503 904949	4
158G	GMA1-5		...FUSE-1.5A, 250V SUPPLIER CODE: V71400	121503 904949	1
160	800000255-11		..HOUSING ASSY- SUPPLIER CODE: V05617 SPECIFICATION NUMBER: S417N507-11 USED ON: 417N5120-114 417N5120-14	121503 904949	1

MISSING ITEM NUMBERS NOT APPLICABLE

- ITEM NOT ILLUSTRATED

33-21-51-11

33-21-51
FIG. 11
PAGE 9
JAN 20/09

BRI



757

PARTS CATALOG (MAINTENANCE)

FIG ITEM	PART NUMBER	1 2 3 4 5 6 7	NOMENCLATURE	EFFECT FROM TO	UNITS PER ASSY
11 165	800000255-12	..	HOUSING ASSY- SUPPLIER CODE: V05617 SPECIFICATION NUMBER: S417N507-12 USED ON: 417N5120-115 417N5120-15	121503 904949	1
165	800000255-2	..	HOUSING ASSY- SUPPLIER CODE: V05617 SPECIFICATION NUMBER: S417N507-2	121503 904949	1
170	800000255-14	..	HOUSING ASSY- SUPPLIER CODE: V05617 SPECIFICATION NUMBER: S417N507-14 USED ON: 417N5120-17	121503 904949	1
170	800000255-4	..	HOUSING ASSY- SUPPLIER CODE: V05617 SPECIFICATION NUMBER: S417N507-4 USED ON: 417N5120-17	121503 904949	1
175	BV03112-03-33	...	HOLDER-BRUCE LAMP SUPPLIER CODE: V17023 ATTACHING PARTS	121503 904949	2
- 180	MS35206-323	...	SCREW -----*-----	121503 904949	4
185	417N5120-10	..	LAMP ASSY	121503 904949	1
190	2055150	...	CAP-END SUPPLIER CODE: V04169	121503 904949	2
195	LP1625-48	...	TUBE-PROTECTIVE COVER SUPPLIER CODE: V60116 OPTIONAL PART: NI312LGWUV1000 V06034	121503 904949	1

MISSING ITEM NUMBERS NOT APPLICABLE

- ITEM NOT ILLUSTRATED

33-21-51-11

33-21-51
FIG. 11
PAGE 10
JAN 20/09

BRI



757

PARTS CATALOG (MAINTENANCE)

FIG ITEM	PART NUMBER	1 2 3 4 5 6 7	NOMENCLATURE	EFFECT FROM TO	UNITS PER ASSY
11 195	NI312LGWUV1000	...	TUBE-COVER SUPPLIER CODE: V06034 OPTIONAL PART: LP1625-48 V60116	121503 904949	1
R R R 200	F40D30ECO	...	LAMP-FLUOR. SUPPLIER CODE: V08805	121503 904949	1
205	1864	..	BULB- SUPPLIER CODE: V71744 USED ON: 417N5120-14 417N5120-114	121503 904949	1
300	412N1201-324SP	COMPARTMENT ASSY-OVHD STOWAGE (LIGHTS ONLY) REWORK DRAWING REF: 412N1012-44 REWORKED BY ALERT SB: 25A0121 FOR NHA/OTHER SYS DET SEE: 25-28-00-23C	121503 904949	RF	
300	412N1201-624SP	COMPARTMENT ASSY-OVHD STOWAGE(LIGHTS ONLY) FOR NHA/OTHER SYS DET SEE: 25-28-00-23C	121503	RF	
305	412N1201-322SP	COMPARTMENT ASSY-OVHD STOWAGE (LIGHTS ONLY) REWORK DRAWING REF: 412N1012-35 REWORKED BY ALERT SB: 25A0121 FOR NHA/OTHER SYS DET SEE: 25-28-00-23A	904949	RF	
305	412N1201-622SP	COMPARTMENT ASSY-OVHD STOWAGE (LIGHTS ONLY) FOR NHA/OTHER SYS DET SEE: 25-28-00-23A	121503	RF	
310	412N1201-302SP	COMPARTMENT ASSY-OVHD STOWAGE (LIGHTS ONLY) REWORK DRAWING REF: 412N1012-39 REWORKED BY ALERT SB: 25A0121 FOR NHA/OTHER SYS DET SEE: 25-28-00-23B	904949	RF	

MISSING ITEM NUMBERS NOT APPLICABLE

- ITEM NOT ILLUSTRATED

33-21-51-11

33-21-51
FIG. 11
PAGE 11
MAY 20/09

BRI



757

PARTS CATALOG (MAINTENANCE)

FIG ITEM	PART NUMBER	1 2 3 4 5 6 7	NOMENCLATURE	EFFECT FROM TO	UNITS PER ASSY
11					
310	412N1201-602SP		COMPARTMENT ASSY-OVHD STOWAGE (LIGHTS ONLY) FOR NHA/OTHER SYS DET SEE: 25-28-00-23B	121503	RF
315	412N1201-303SP		COMPARTMENT ASSY-OVHD STOWAGE (LIGHTS ONLY) REWORK DRAWING REF: 412N1012-40 REWORKED BY ALERT SB: 25A0121 FOR NHA/OTHER SYS DET SEE: 25-28-00-23B	904949	RF
315	412N1201-603SP		COMPARTMENT ASSY-OVHD STOWAGE (LIGHTS ONLY) FOR NHA/OTHER SYS DET SEE: 25-28-00-23B	121503	RF
320	412N1201-323SP		COMPARTMENT ASSY-OVHD STOWAGE (LIGHTS ONLY) REWORK DRAWING REF: 412N1012-43 REWORKED BY ALERT SB: 25A0121 FOR NHA/OTHER SYS DET SEE: 25-28-00-23C	904949	RF
320	412N1201-623SP		COMPARTMENT ASSY-OVHD STOWAGE(LIGHTS ONLY) FOR NHA/OTHER SYS DET SEE: 25-28-00-23C	121503	RF
345	NAS1801-3-5		.SCREW	121503 904949	3
350	AN960JD10LL		.WASHER	121503 904949	3
355	417N5120-122		.LIGHT ASSY- USED ON: 412N1201-96SP 412N1201-323SP 412N1201-623SP	121503 904949	1
360	417N5120-115		.LIGHT ASSY- USED ON: 412N1201-101SP 412N1201-322SP 412N1201-622SP	121503 904949	1
365	417N5120-121		.LIGHT ASSY- USED ON: 412N1201-100SP 412N1201-324SP 412N1201-624SP	121503 904949	1

MISSING ITEM NUMBERS NOT APPLICABLE

- ITEM NOT ILLUSTRATED

33-21-51-11

33-21-51
FIG. 11
PAGE 12
MAY 20/09

BRI



757

PARTS CATALOG (MAINTENANCE)

FIG ITEM	PART NUMBER	1 2 3 4 5 6 7	NOMENCLATURE	EFFECT FROM TO	UNITS PER ASSY
11 370	417N5120-18		.LIGHT ASSY- USED ON: 412N1201-47SP 412N1201-48SP 412N1201-13SP 412N1201-14SP 412N1201-302SP 412N1201-303SP 412N1201-602SP 412N1201-603SP	121503 904949	1
390	05939-103		..BALLAST ASSY- SUPPLIER CODE: V17023 SPECIFICATION NUMBER: S283N702-103 COMPONENT MAINT MANUAL REF: 33-21-05 OPTIONAL PART: 05939-3 V17023 USED ON: 417N5120-115 417N5120-15	121503 904949	1
390	1983-1		..BALLAST ASSY- SUPPLIER CODE: V30242 SPECIFICATION NUMBER: S283N702-3 COMPONENT MAINT MANUAL REF: 33-20-23 OPTIONAL PART: 05939-3 V17023 USED ON: 417N5120-115 417N5120-15	121503 904949	1

MISSING ITEM NUMBERS NOT APPLICABLE

- ITEM NOT ILLUSTRATED

BRI

33-21-51-11

BOEING PROPRIETARY - Copyright © - Unpublished Work - See title page for details.

33-21-51
FIG. 11
PAGE 13
MAY 20/09



757

PARTS CATALOG (MAINTENANCE)

FIG ITEM	PART NUMBER	1 2 3 4 5 6 7	NOMENCLATURE	EFFECT FROM TO	UNITS PER ASSY
11 395	05939-104		..BALLAST ASSY- SUPPLIER CODE: V17023 SPECIFICATION NUMBER: S283N702-104 COMPONENT MAINT MANUAL REF: 33-21-05 OPTIONAL PART: 05939-4 V17023 USED ON: 417N5120-121 417N5120-122 417N5120-21 417N5120-22	121503 904949	1
398	08899-001		...HOUSING ASSY- SUPPLIER CODE: V17023 USED ON: 05939-103 05939-104	121503 904949	1
399	011-0002-510	SCREW- SUPPLIER CODE: V17023	121503 904949	4
399A	GMA1-5		...FUSE-1.5A, 250V SUPPLIER CODE: V71400	121503 904949	1
400	800000255-12		..HOUSING ASSY- SUPPLIER CODE: V05617 SPECIFICATION NUMBER: S417N507-12 USED ON: 417N5120-115 417N5120-15	121503 904949	1
400	800000255-2		..HOUSING ASSY- SUPPLIER CODE: V05617 SPECIFICATION NUMBER: S417N507-2	121503 904949	1
410	800000255-18		..HOUSING ASSY- SUPPLIER CODE: V05617 SPECIFICATION NUMBER: S417N507-18 USED ON: 417N5120-121 417N5120-21	121503 904949	1

MISSING ITEM NUMBERS NOT APPLICABLE

- ITEM NOT ILLUSTRATED

33-21-51-11

33-21-51
FIG. 11
PAGE 14
JAN 20/09

BRI

 **BOEING**
757
PARTS CATALOG (MAINTENANCE)

FIG ITEM	PART NUMBER	1 2 3 4 5 6 7	NOMENCLATURE	EFFECT FROM TO	UNITS PER ASSY
11 415	800000255-19	..	HOUSING ASSY- SUPPLIER CODE: V05617 SPECIFICATION NUMBER: S417N507-19 USED ON: 417N5120-122 417N5120-22	121503 904949	1
415	800000255-9	..	HOUSING ASSY- SUPPLIER CODE: V05617 SPECIFICATION NUMBER: S417N507-9	121503 904949	1
420	BV03112-03-33	...	HOLDER-BRUCE LAMP SUPPLIER CODE: V17023 ATTACHING PARTS	121503 904949	2
- 425	MS35206-323	...	SCREW	121503 904949	4
430	417N5120-10	..	LAMP ASSY	121503 904949	1
435	2055150	...	CAP-END SUPPLIER CODE: V04169	121503 904949	2
440	LP1625-48	...	TUBE-PROTECTIVE COVER SUPPLIER CODE: V60116 OPTIONAL PART: NI312LGWUV1000 V06034	121503 904949	1
440	NI312LGWUV1000	...	TUBE-COVER SUPPLIER CODE: V06034 OPTIONAL PART: LP1625-48 V60116	121503 904949	1
445	F40D30ECO	...	LAMP-FLUOR. SUPPLIER CODE: V08805	121503 904949	1
470	NAS1801-3-5	. SCREW-	USED ON: 412N1201-101SP 412N1201-322SP 412N1201-622SP	121503 904949	2

MISSING ITEM NUMBERS NOT APPLICABLE

- ITEM NOT ILLUSTRATED

BRI

33-21-51-11

BOEING PROPRIETARY - Copyright © - Unpublished Work - See title page for details.

33-21-51
FIG. 11
PAGE 15
MAY 20/09



757

PARTS CATALOG (MAINTENANCE)

FIG ITEM	PART NUMBER	1 2 3 4 5 6 7	NOMENCLATURE	EFFECT FROM TO	UNITS PER ASSY
11 475	AN960JD10LL		.WASHER- USED ON: 412N1201-101SP 412N1201-322SP 412N1201-622SP	121503 904949	2
480	417N5120-120		.LIGHT ASSY- USED ON: 412N1201-101SP 412N1201-322SP 412N1201-622SP	121503 904949	1
485	BACS12ER3K6		..SCREW	121503 904949	3
490	BACW10UD10		..WASHER	121503 904949	3
495	F22K1-02		..NUT SUPPLIER CODE: V72962 SPECIFICATION NUMBER: BACN10R10L OPTIONAL PART: 22K1-02 V72962 26CLO2 V80539	121503 904949	3
500	05939-107		..BALLAST ASSY- SUPPLIER CODE: V17023 SPECIFICATION NUMBER: S283N702-107 COMPONENT MAINT MANUAL REF: 33-21-05	121503 904949	1
500	1987-1		..BALLAST ASSY- SUPPLIER CODE: V30242 SPECIFICATION NUMBER: S283N702-7 COMPONENT MAINT MANUAL REF: 33-20-27 OPTIONAL PART: 05939-7 V17023	121503 904949	1
503	08899-001		...HOUSING ASSY- SUPPLIER CODE: V17023	121503 904949	1
504	011-0002-510	SCREW- SUPPLIER CODE: V17023	121503 904949	4

MISSING ITEM NUMBERS NOT APPLICABLE

- ITEM NOT ILLUSTRATED

33-21-51-11

33-21-51
FIG. 11
PAGE 16
MAY 20/09

BRI

BOEING
757
PARTS CATALOG (MAINTENANCE)

FIG ITEM	PART NUMBER	1 2 3 4 5 6 7	NOMENCLATURE	EFFECT FROM TO	UNITS PER ASSY
11 504A	GMA1-5		... FUSE-1.5A, 250V SUPPLIER CODE: V71400	121503 904949	1
510	BV03112-03-33		... HOLDER-BRUCE LAMP SUPPLIER CODE: V17023 ATTACHING PARTS	121503 904949	2
- 515	MS35206-323		... SCREW -----*-----	121503 904949	4
520	417N5120-12		.. LAMP ASSY	121503 904949	1
525	2055132		... CAP-END SUPPLIER CODE: V04169	121503 904949	2
530	LP1610-18		... TUBE-PROTECTIVE COVER SUPPLIER CODE: V60116 OPTIONAL PART: NI060LGWUV1000 V06034	121503 904949	1
530	NI060LGWUV1000		... TUBE-COVER SUPPLIER CODE: V06034 OPTIONAL PART: LP1610-18 V60116	121503 904949	1
535	F15T8WW		... LAMP-FLUOR. SUPPLIER CODE: V13545	121503 904949	1
600	412N1225-301SP		COMPARTMENT ASSY-OVHD STOWAGE (LIGHTS ONLY) REWORK DRAWING REF: 412N1012-11 REWORKED BY ALERT SB: 25A0121 FOR NHA/OTHER SYS DET SEE: 25-28-00-23C	121503 904949	RF
605	412N1225-307SP		COMPARTMENT ASSY-OVHD STOWAGE (LIGHTS ONLY) REWORK DRAWING REF: 412N1012-12 REWORKED BY ALERT SB: 25A0121 FOR NHA/OTHER SYS DET SEE: 25-28-00-23C	121503 904949	RF

MISSING ITEM NUMBERS NOT APPLICABLE

- ITEM NOT ILLUSTRATED

BRI

33-21-51-11

33-21-51
FIG. 11
PAGE 17
MAY 20/09



757

PARTS CATALOG (MAINTENANCE)

FIG ITEM	PART NUMBER	1 2 3 4 5 6 7	NOMENCLATURE	EFFECT FROM TO	UNITS PER ASSY
11 610	412N1225-306SP		COMPARTMENT ASSY-OVHD STOWAGE (LIGHTS ONLY) REWORKED BY ALERT SB: 25A0121 FOR NHA/OTHER SYS DET SEE: 25-28-00-23A	121503 904949	RF
635	NAS1801-3-5		.SCREW- USED ON: 412N1225-31SP 412N1225-37SP 412N1225-1SP 412N1225-8SP 412N1225-301SP 412N1225-307SP	121503 904949	3
640	AN960JD10LL		.WASHER- USED ON: 412N1225-31SP 412N1225-37SP 412N1225-1SP 412N1225-8SP 412N1225-301SP 412N1225-307SP	121503 904949	3
645	417N5120-114		.LIGHT ASSY- USED ON: 412N1225-31SP 412N1225-301SP	121503 904949	1
650	417N5120-115		.LIGHT ASSY- USED ON: 412N1225-37SP 412N1225-307SP	121503 904949	1
655	BACS12ER3K6		..SCREW	121503 904949	3
660	BACW10UD10		..WASHER	121503 904949	3
665	F22K1-02		..NUT SUPPLIER CODE: V72962 SPECIFICATION NUMBER: BACN10R10L OPTIONAL PART: 22K1-02 V72962 26CLO2 V80539	121503 904949	3

MISSING ITEM NUMBERS NOT APPLICABLE

- ITEM NOT ILLUSTRATED

33-21-51-11

33-21-51
FIG. 11
PAGE 18
JAN 20/09

BRI



757

PARTS CATALOG (MAINTENANCE)

FIG ITEM	PART NUMBER	1 2 3 4 5 6 7	NOMENCLATURE	EFFECT FROM TO	UNITS PER ASSY
11 670	05939-103		..BALLAST ASSY- SUPPLIER CODE: V17023 SPECIFICATION NUMBER: S283N702-103 COMPONENT MAINT MANUAL REF: 33-21-05 OPTIONAL PART: 05939-3 V17023 USED ON: 417N5120-114 417N5120-115 417N5120-14 417N5120-15	121503 904949	1
673	08899-001		...HOUSING ASSY- SUPPLIER CODE: V17023 USED ON: 05939-103	121503 904949	1
674	011-0002-510	SCREW- SUPPLIER CODE: V17023	121503 904949	4
674A	GMA1-5		...FUSE-1.5A, 250V SUPPLIER CODE: V71400	121503 904949	1
675	800000255-11		..HOUSING ASSY- SUPPLIER CODE: V05617 SPECIFICATION NUMBER: S417N507-11 USED ON: 417N5120-114 417N5120-14	121503 904949	1
680	800000255-12		..HOUSING ASSY- SUPPLIER CODE: V05617 SPECIFICATION NUMBER: S417N507-12 USED ON: 417N5120-115 417N5120-15	121503 904949	1
680	800000255-2		..HOUSING ASSY- SUPPLIER CODE: V05617 SPECIFICATION NUMBER: S417N507-2	121503 904949	1

MISSING ITEM NUMBERS NOT APPLICABLE

- ITEM NOT ILLUSTRATED

33-21-51-11

33-21-51
FIG. 11
PAGE 19
JAN 20/09

BRI



757

PARTS CATALOG (MAINTENANCE)

FIG ITEM	PART NUMBER	1 2 3 4 5 6 7	NOMENCLATURE	EFFECT FROM TO	UNITS PER ASSY
11					
685	BV03112-03-33	...	HOLDER-BRUCE LAMP SUPPLIER CODE: V17023	121503 904949	2
690	MS35206-323	...	SCREW	121503 904949	4
695	417N5120-10	..	LAMP ASSY	121503 904949	1
700	2055150	...	CAP-END SUPPLIER CODE: V04169	121503 904949	2
705	LP1625-48	...	TUBE-PROTECTIVE COVER SUPPLIER CODE: V60116 OPTIONAL PART: NI312LGWUV1000 V06034	121503 904949	1
705	NI312LGWUV1000	...	TUBE-COVER SUPPLIER CODE: V06034 OPTIONAL PART: LP1625-48 V60116	121503 904949	1
710	F40D30ECO	...	LAMP-FLUOR. SUPPLIER CODE: V08805	121503 904949	1
715	1864	..	BULB- SUPPLIER CODE: V71744 USED ON: 417N5120-114	121503 904949	1
720	NAS1801-3-5	.SCREW-	USED ON: 412N1225-38SP 412N1225-306SP	121503 904949	2
725	AN960JD10LL	.WASHER-	USED ON: 412N1225-38SP 412N1225-306SP	121503 904949	2
730	417N5120-123	.LIGHT ASSY-	USED ON: 412N1225-38SP 412N1225-306SP	121503 904949	1
735	BACS12ER3K6	..	SCREW	121503 904949	3
740	BACW10UD10	..	WASHER	121503 904949	3

R
R
R

MISSING ITEM NUMBERS NOT APPLICABLE

- ITEM NOT ILLUSTRATED

33-21-51-11

33-21-51
FIG. 11
PAGE 20
MAY 20/09

BRI



757

PARTS CATALOG (MAINTENANCE)

FIG ITEM	PART NUMBER	1 2 3 4 5 6 7	NOMENCLATURE	EFFECT FROM TO	UNITS PER ASSY
11 745	F22K1-02	..	NUT SUPPLIER CODE: V72962 SPECIFICATION NUMBER: BACN10R10L OPTIONAL PART: 22K1-02 V72962 26CLO2 V80539	121503 904949	3
750	05939-105	..	BALLAST ASSY- SUPPLIER CODE: V17023 SPECIFICATION NUMBER: S283N702-105 COMPONENT MAINT MANUAL REF: 33-21-05 OPTIONAL PART: 05939-5 V17023	121503 904949	1
750	05939-5	..	BALLAST ASSY- SUPPLIER CODE: V17023 SPECIFICATION NUMBER: S283N702-5 COMPONENT MAINT MANUAL REF: 33-21-05 OPTIONAL PART: 1985-1 V30242 OPTIONAL PART: 05939-105 V17023	121503 904949	1
751	06188	...	HOUSING ASSY- SUPPLIER CODE: V17023 USED ON: 05939-5	121503 904949	1
752	MS24693-1	SCREW	121503 904949	4
753	08899-001	...	HOUSING ASSY- SUPPLIER CODE: V17023 USED ON: 05939-105	121503 904949	1
754	011-0002-510	SCREW- SUPPLIER CODE: V17023	121503 904949	4

MISSING ITEM NUMBERS NOT APPLICABLE

- ITEM NOT ILLUSTRATED

33-21-51-11

33-21-51
FIG. 11
PAGE 21
MAY 20/09

BRI



757

PARTS CATALOG (MAINTENANCE)

FIG ITEM	PART NUMBER	1 2 3 4 5 6 7	NOMENCLATURE	EFFECT FROM TO	UNITS PER ASSY
11 754A	GMA1-5	...	FUSE-1.5A, 250V SUPPLIER CODE: V71400	121503 904949	1
754B	1985-1	..	BALLAST ASSY- SUPPLIER CODE: V30242 SPECIFICATION NUMBER: S283N702-5 COMPONENT MAINT MANUAL REF: 33-20-25 OPTIONAL PART: 05939-5 V17023 OPTIONAL PART: 05939-105 V17023	121503 904949	1
755	800000255-20	..	HOUSING ASSY- SUPPLIER CODE: V05617 SPECIFICATION NUMBER: S417N507-20	121503 904949	1
755	800000255-10	..	HOUSING ASSY- SUPPLIER CODE: V05617 SPECIFICATION NUMBER: S417N507-10	121503 904949	1
760	BV03112-03-33	...	HOLDER-BRUCE LAMP SUPPLIER CODE: V17023 ATTACHING PARTS	121503 904949	2
- 765	MS35206-323	...	SCREW	121503 904949	4
770	417N5120-11	..	LAMP ASSY	121503 904949	1
775	2055150	...	CAP-END SUPPLIER CODE: V04169	121503 904949	2
780	LP1625-24	...	TUBE-PROTECTIVE COVER SUPPLIER CODE: V60116 OPTIONAL PART: NI152LGWUV1000 V06034	121503 904949	1

MISSING ITEM NUMBERS NOT APPLICABLE

- ITEM NOT ILLUSTRATED

33-21-51-11

33-21-51
FIG. 11
PAGE 22
MAY 20/09

BRI



757

PARTS CATALOG (MAINTENANCE)

FIG ITEM	PART NUMBER	1 2 3 4 5 6 7	NOMENCLATURE	EFFECT FROM TO	UNITS PER ASSY
11 780	NI152LGWUV1000		...TUBE-COVER SUPPLIER CODE: V06034 OPTIONAL PART: LP1625-24 V60116	121503 904949	1
785	F20T12WW		...LAMP-FLUOR. SUPPLIER CODE: V13545	121503 904949	1

MISSING ITEM NUMBERS NOT APPLICABLE

- ITEM NOT ILLUSTRATED

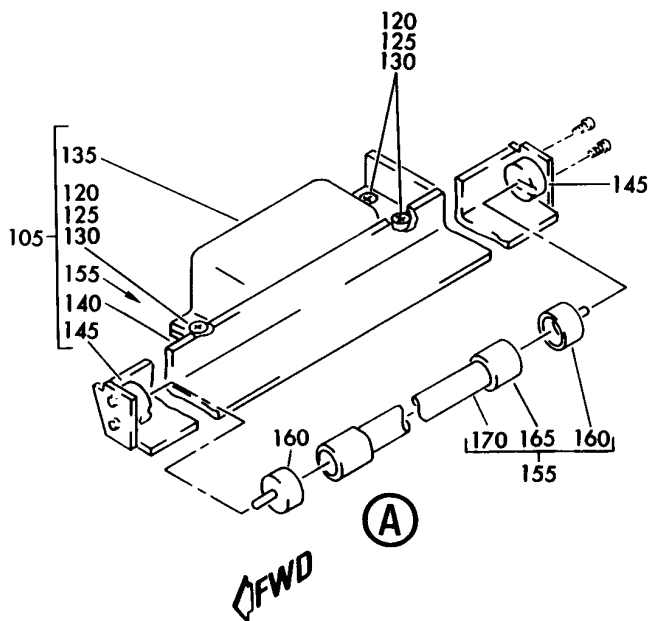
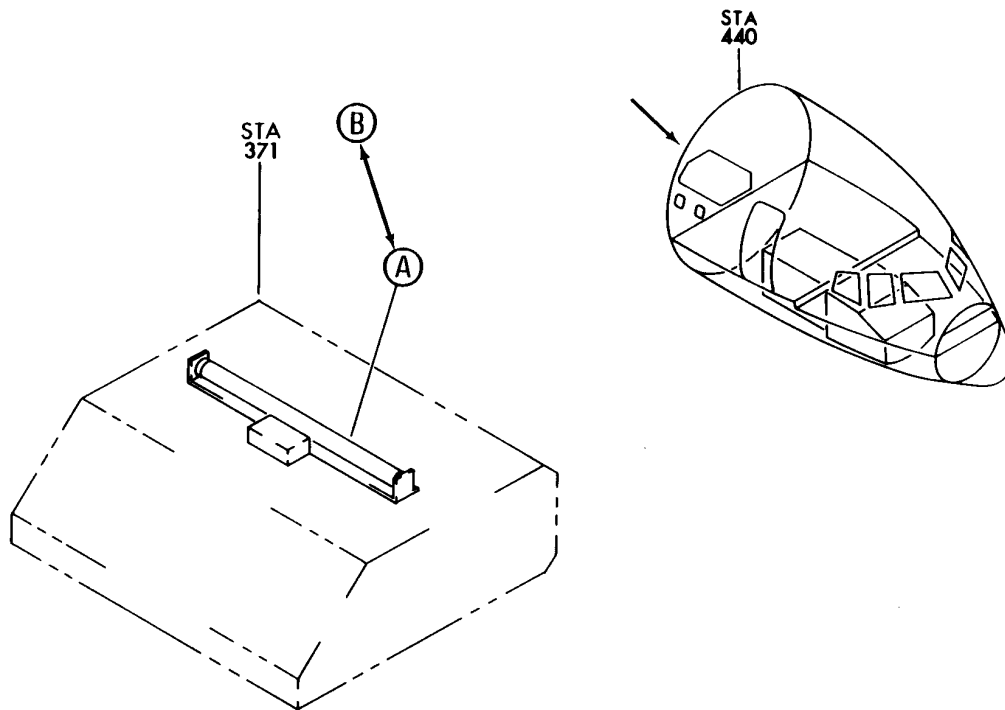
BRI

33-21-51-11

BOEING PROPRIETARY - Copyright © - Unpublished Work - See title page for details.

33-21-51
FIG. 11
PAGE 23
JAN 20/09

BOEING
757
PARTS CATALOG (MAINTENANCE)



Y 33215111A SHT 1 REV 120

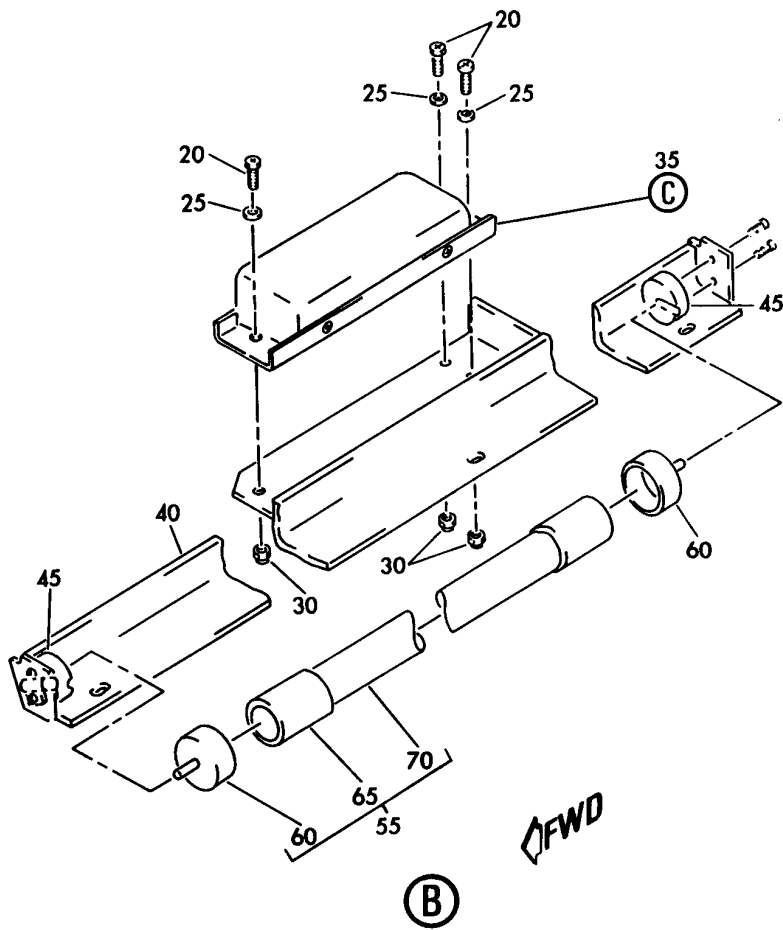
COMPARTMENT ASSY-OVERHEAD STORAGE (FLYAWAY) (LIGHTS ONLY)
FIGURE 11A (SHEET 1)

33-21-51-11A

BRI
MAY 28/07

33-21-51-11A
PAGE 0

BOEING
757
PARTS CATALOG (MAINTENANCE)



Y 33215111A SHT 2 REV 146

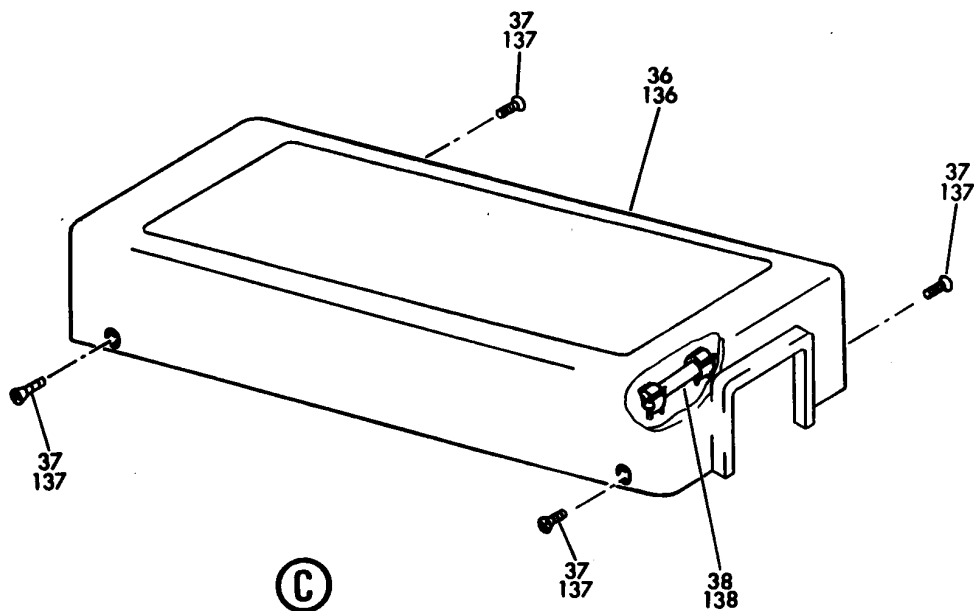
COMPARTMENT ASSY-OVERHEAD STOWAGE (FLYAWAY) (LIGHTS ONLY)
FIGURE 11A (SHEET 2)

33-21-51-11A

BRI
MAY 28/07

33-21-51-11A
PAGE 0A

BOEING
757
PARTS CATALOG (MAINTENANCE)



Y 33215111A SMT 3 REV 146

COMPARTMENT ASSY-OVERHEAD STOWAGE (FLYAWAY) (LIGHTS ONLY)
FIGURE 11A (SHEET 3)

33-21-51-11A

BRI
MAY 28/07

33-21-51-11A
PAGE 0B



757

PARTS CATALOG (MAINTENANCE)

FIG ITEM	PART NUMBER	1 2 3 4 5 6 7	NOMENCLATURE	EFFECT FROM TO	UNITS PER ASSY
11A			COMPARTMENT ASSY-OVERHEAD STOWAGE (FLYAWAY) (LIGHTS ONLY)	121503 904949	
- 1	412N1201-102SP		COMPARTMENT ASSY-OVERHEAD STOWAGE FLYAWAY (LIGHTS ONLY) FOR NHA/OTHER SYS DET SEE: 25-28-00-80	904949	RF
- 1	412N1201-635SP		COMPARTMENT ASSY-OVERHEAD STOWAGE(LIGHTS ONLY) FOR NHA/OTHER SYS DET SEE: 25-28-00-23A	121503	RF
5	417N5120-116		.LIGHT ASSY	121503 904949	1
- 10	NAS1801-3-5		ATTACHING PARTS .SCREW	121503 904949	3
- 15	AN960JD10LL		.WASHER	121503 904949	3
			-----*-----		
20	BACS12ER3K6		..SCREW	121503 904949	3
25	BACW10UD10		..WASHER	121503 904949	3
30	F22K1-02		..NUT SUPPLIER CODE: V72962 SPECIFICATION NUMBER: BACN10R10L OPTIONAL PART: 22K1-02 V72962 26CLO2 V80539	121503 904949	3
35	05939-104		..BALLAST ASSY- SUPPLIER CODE: V17023 SPECIFICATION NUMBER: S283N702-104 COMPONENT MAINT MANUAL REF: 33-21-05	121503 904949	1
36	08899-001		...HOUSING ASSY- SUPPLIER CODE: V17023	121503 904949	1
37	011-0002-510	SCREW- SUPPLIER CODE: V17023	121503 904949	4

MISSING ITEM NUMBERS NOT APPLICABLE

- ITEM NOT ILLUSTRATED

33-21-51-11A

33-21-51
FIG. 11A
PAGE 1
JAN 20/09

BRI



757

PARTS CATALOG (MAINTENANCE)

FIG ITEM	PART NUMBER	1 2 3 4 5 6 7	NOMENCLATURE	EFFECT FROM TO	UNITS PER ASSY
11A 38	GMA1-5	...	FUSE-1.5A, 250V SUPPLIER CODE: V71400	121503 904949	1
40	800000255-13	..	HOUSING ASSY- SUPPLIER CODE: V05617 SPECIFICATION NUMBER: S417N507-13	121503 904949	1
45	BV03112-03-33	...	HOLDER- SUPPLIER CODE: V17023 ATTACHING PARTS	121503 904949	2
- 50	MS35206-323	...	SCREW	121503 904949	4
55	417N5120-10	..	LAMP ASSY	121503 904949	1
60	2055150	...	CAP-END SUPPLIER CODE: V04169	121503 904949	2
65	LP1625-48	...	TUBE-PROTECTIVE COVER SUPPLIER CODE: V60116 OPTIONAL PART: NI312GWUV1000 V06034	121503 904949	1
65	NI312LGWUV1000	...	TUBE-COVER SUPPLIER CODE: V06034 OPTIONAL PART: LP1625-48 V06116	121503 904949	1
R R R 70	F40D30ECO	...	LAMP-FLUOR SUPPLIER CODE: V08805	121503 904949	1
- 100	412N1225-606SP	COMPARTMENT ASSY-OVERHEAD STOWAGE FLYAWAY (LIGHTS ONLY) FOR NHA/OTHER SYS DET SEE: 25-28-00-80		121503	RF
105	417N5120-123	.LIGHT ASSY ATTACHING PARTS		121503	1
- 110	NAS1801-3-5	.SCREW		121503	2
- 115	AN960JD10LL	.WASHER		121503	2
120	BACS12ER3K6	..	SCREW-	121503	3
125	BACW10UD10	..	WASHER	121503	3

MISSING ITEM NUMBERS NOT APPLICABLE

- ITEM NOT ILLUSTRATED

33-21-51-11A

33-21-51
FIG. 11A
PAGE 2
MAY 20/09

BRI

BOEING PROPRIETARY - Copyright © - Unpublished Work - See title page for details.



757

PARTS CATALOG (MAINTENANCE)

FIG ITEM	PART NUMBER	1 2 3 4 5 6 7	NOMENCLATURE	EFFECT FROM TO	UNITS PER ASSY
11A 130	F22K1-02	..	NUT SUPPLIER CODE: V72962 SPECIFICATION NUMBER: BACN10R10L OPTIONAL PART: 22K1-02 V72962 26CLO2 V80539	121503	3
135	05939-105	..	BALLAST ASSY- SUPPLIER CODE: V17023 SPECIFICATION NUMBER: S283N702-105 COMPONENT MAINT MANUAL REF: 33-21-05	121503	1
136	08899-001	...	HOUSING ASSY- SUPPLIER CODE: V17023	121503	1
137	011-0002-510	SCREW- SUPPLIER CODE: V17023	121503	4
138	GMA1-5	...	FUSE-1.5A, 250V SUPPLIER CODE: V71400	121503	1
140	800000225-20	..	HOUSING- SUPPLIER CODE: V05617 SPECIFICATION NUMBER: S417N507-20	121503	1
145	BV03112-03-33	...	HOLDER-BRUCE LAMP SUPPLIER CODE: V17023 ATTACHING PARTS	121503	2
- 150	MS35206-323	...	SCREW -----*-----	121503	4
155	417N5120-11	..	LAMP ASSY	121503	1
160	2055150	...	CAP-END SUPPLIER CODE: V04169	121503	2
165	LP1625-24	...	TUBE-PROTECTIVE COVER SUPPLIER CODE: V60116 OPTIONAL PART: NI152GWUV1000 V06034	121503	1

MISSING ITEM NUMBERS NOT APPLICABLE

- ITEM NOT ILLUSTRATED

33-21-51-11A

33-21-51
FIG. 11A
PAGE 3
MAY 20/09

BRI

BOEING PROPRIETARY - Copyright © - Unpublished Work - See title page for details.



757

PARTS CATALOG (MAINTENANCE)

FIG ITEM	PART NUMBER	1 2 3 4 5 6 7	NOMENCLATURE	EFFECT FROM TO	UNITS PER ASSY
11A 165	NI312LGWUV1000	. . .	TUBE-COVER SUPPLIER CODE: V06034 OPTIONAL PART: LP1625-48 V06116	121503	1
170	F20T12WW	. . .	LAMP-FLUOR. SUPPLIER CODE: V13545	121503	1

MISSING ITEM NUMBERS NOT APPLICABLE

- ITEM NOT ILLUSTRATED

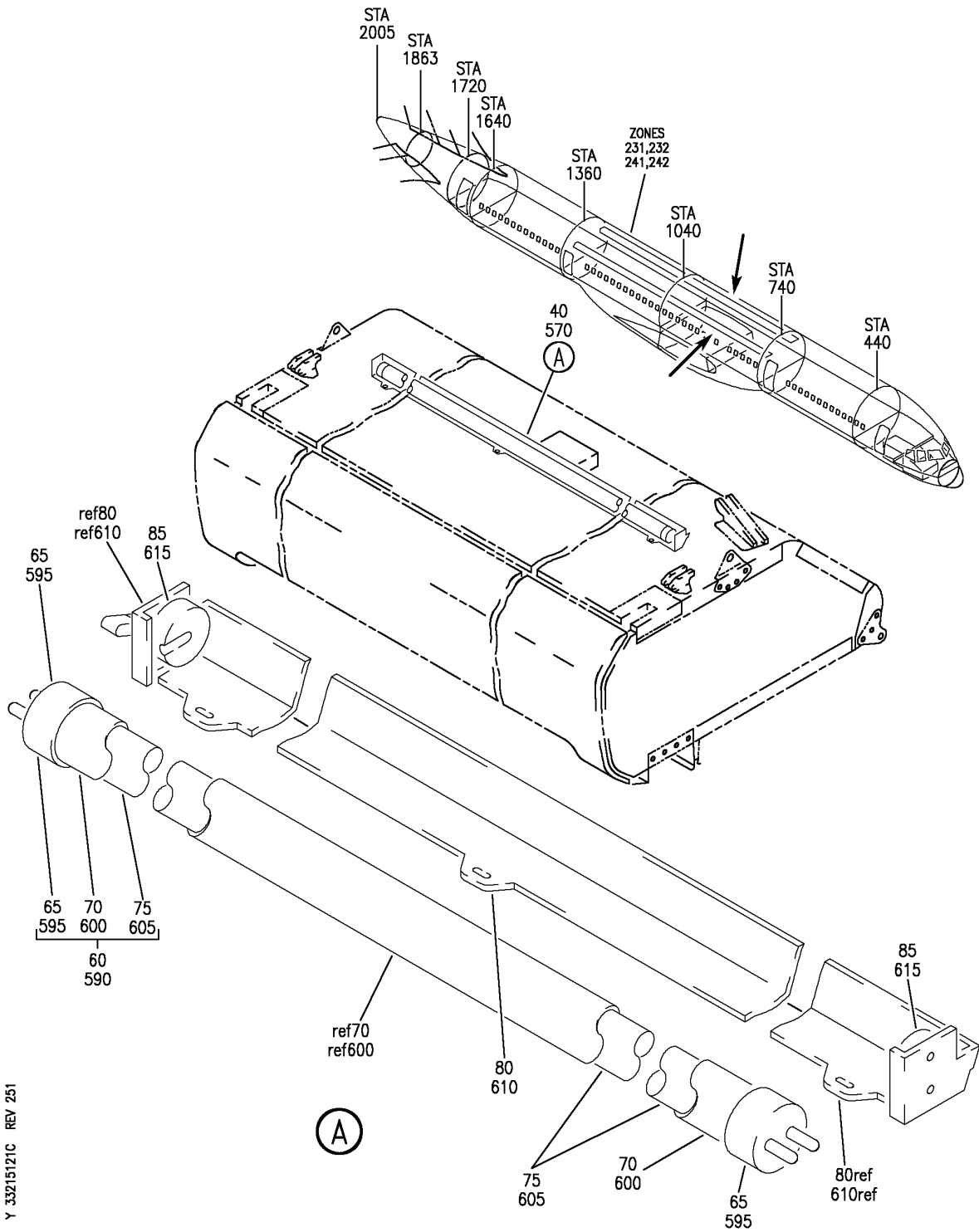
BRI

33-21-51-11A

BOEING PROPRIETARY - Copyright © - Unpublished Work - See title page for details.

33-21-51
FIG. 11A
PAGE 4
MAY 20/09

BOEING
757
PARTS CATALOG (MAINTENANCE)



Y 33215121C REV 251

COMPARTMENT ASSY-60 IN. OVHD STOWAGE (LIGHTS ONLY)
FIGURE 21C

33-21-51-21C

BRI
JAN 20/09

33-21-51-21C
PAGE 0



757

PARTS CATALOG (MAINTENANCE)

FIG ITEM	PART NUMBER	1 2 3 4 5 6 7	NOMENCLATURE	EFFECT FROM TO	UNITS PER ASSY
21C			COMPARTMENT ASSY-60 IN. OVHD STOWAGE (LIGHTS ONLY)	107107	
- 1	412N1109-103SP		COMPARTMENT ASSY-60 IN. OVHD STOWAGE (LIGHTS ONLY) REWORK DRAWING REF: 412N1012-39 REWORKED BY ALERT SB: 25A0121 FOR NHA/OTHER SYS DET SEE: 25-28-00-04B 25-28-00-05C 25-28-00-07A	107107	RF
- 2	412N1109-104SP		COMPARTMENT ASSY-60 IN. OVHD STOWAGE (LIGHTS ONLY) REWORK DRAWING REF: 412N1012-40 REWORKED BY ALERT SB: 25A0121 FOR NHA/OTHER SYS DET SEE: 25-28-00-04B 25-28-00-05C	107107	RF
- 4	412N1109-105SP		COMPARTMENT ASSY-60 IN. OVHD STOWAGE (LIGHTS ONLY) REWORK DRAWING REF: 412N1012-35 REWORKED BY ALERT SB: 25A0121 FOR NHA/OTHER SYS DET SEE: 25-28-00-04B 25-28-00-05C	107107	RF
- 6	412N1109-106SP		COMPARTMENT ASSY-60 IN. OVHD STOWAGE (LIGHTS ONLY) REWORK DRAWING REF: 412N1012-36 REWORKED BY ALERT SB: 25A0121 FOR NHA/OTHER SYS DET SEE: 25-28-00-04B	107107	RF

MISSING ITEM NUMBERS NOT APPLICABLE

- ITEM NOT ILLUSTRATED

33-21-51-21C

33-21-51
FIG. 21C
PAGE 1
JAN 20/09

BRI



757

PARTS CATALOG (MAINTENANCE)

FIG ITEM	PART NUMBER	1 2 3 4 5 6 7	NOMENCLATURE	EFFECT FROM TO	UNITS PER ASSY
21C - 12	412N1109-123SP		COMPARTMENT ASSY-60 IN. OVHD STOWAGE (LIGHTS ONLY) MID SECT. REWORK DRAWING REF: 412N1012-35 REWORKED BY ALERT SB: 25A0121 FOR NHA/OTHER SYS DET SEE: 25-28-00-04B	107107	RF
- 14	412N1109-124SP		COMPARTMENT ASSY-60 IN. OVHD STOWAGE (LIGHTS ONLY) REWORK DRAWING REF: 412N1012-36 REWORKED BY ALERT SB: 25A0121 FOR NHA/OTHER SYS DET SEE: 25-28-00-04B	107107	RF
- 16	412N1109-110SP		COMPARTMENT ASSY-60 IN. OVHD STOWAGE (LIGHTS ONLY) REWORK DRAWING REF: 412N1012-40 REWORKED BY ALERT SB: 25A0121 FOR NHA/OTHER SYS DET SEE: 25-28-00-05C	107107	RF
40	417N5120-4		.LIGHT ASSY- OPTIONAL PART: 417N5120-17	107107	1
40	417N5120-17		.LIGHT ASSY- OPTIONAL PART: 417N5120-4 ATTACHING PARTS	107107	1
- 45	NAS1801-3-5		.SCREW	107107	3
- 50	AN960JD10LL		.WASHER -----*-----	107107	3
60	417N5120-10		..LAMP ASSY	107107	1
65	2055150		...CAP-END SUPPLIER CODE: V04169	107107	2
70	NI312LGWUV1000		...TUBE-COVER SUPPLIER CODE: V06034 OPTIONAL PART: LP1625-48 V60116	107107	1

MISSING ITEM NUMBERS NOT APPLICABLE

- ITEM NOT ILLUSTRATED

33-21-51-21C

33-21-51
FIG. 21C
PAGE 2
JAN 20/09

BRI

BOEING PROPRIETARY - Copyright © - Unpublished Work - See title page for details.



757

PARTS CATALOG (MAINTENANCE)

FIG ITEM	PART NUMBER	1 2 3 4 5 6 7	NOMENCLATURE	EFFECT FROM TO	UNITS PER ASSY
21C 70	LP1625-48	...	TUBE-COVER SUPPLIER CODE: V60116 OPTIONAL PART: NI312LGWUV1000 V06034	107107	1
R R R	75	F40D30ECO	...LAMP-FLUOR SUPPLIER CODE: V08805	107107	1
	80	800000255-4	..HOUSING ASSY- SUPPLIER CODE: V05617 SPECIFICATION NUMBER: S417N507-4	107107	1
	80	800000255-14	..HOUSING ASSY- SUPPLIER CODE: V05617 SPECIFICATION NUMBER: S417N507-14	107107	1
	85	BV03112-03-33	...HOLDER-BRUCE LAMP SUPPLIER CODE: V17023 USED ON: 800000255-14 ATTACHING PARTS	107107	2
	- 90	MS35206-323	...SCREW -----*-----	107107	4

MISSING ITEM NUMBERS NOT APPLICABLE

- ITEM NOT ILLUSTRATED

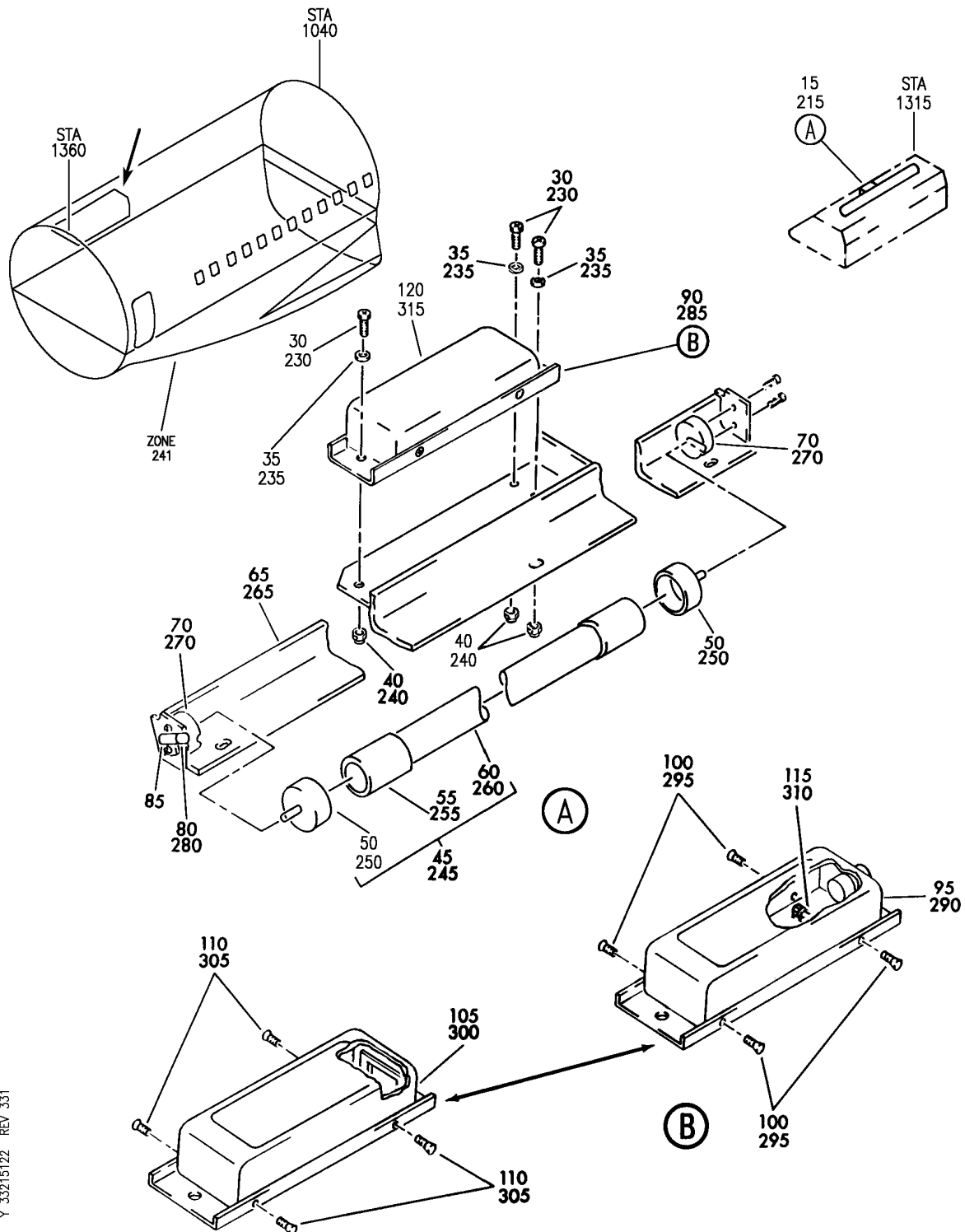
BRI

33-21-51-21C

BOEING PROPRIETARY - Copyright © - Unpublished Work - See title page for details.

33-21-51
FIG. 21C
PAGE 3
MAY 20/09

BOEING
757
PARTS CATALOG (MAINTENANCE)



Y 33215122 REV 331

COMPARTMENT AND PANEL ASSY-OVHD STORAGE (AFT SECT.) (LIGHTS ONLY)
FIGURE 22

33-21-51-22

BRI
JAN 20/09

33-21-51-22
PAGE 0



757

PARTS CATALOG (MAINTENANCE)

FIG ITEM	PART NUMBER	1 2 3 4 5 6 7	NOMENCLATURE	EFFECT FROM TO	UNITS PER ASSY
22			COMPARTMENT AND PANEL ASSY- OVHD STOWAGE (AFT SECT.) (LIGHTS ONLY)	107107	
- 210	412N1220-52SP		COMPARTMENT ASSY-OVHD STOWAGE (LIGHTS ONLY) POSITION DATA: AFT SECT. COMPONENT MAINT MANUAL REF: 25-28-28 REWORK DRAWING REF: 412N1012-39 REWORKED BY ALERT SB: 25A0121 FOR NHA/OTHER SYS DET SEE: 25-28-00-05C	107107	RF
- 210	412N1220-72SP		COMPARTMENT ASSY-OVHD STOWAGE (LIGHTS ONLY) POSITION DATA: AFT SECT. COMPONENT MAINT MANUAL REF: 25-28-28 FOR NHA/OTHER SYS DET SEE: 25-28-00-05C	107107	RF
215	417N5120-14		.LIGHT ASSY- USED ON: 412N1220-21SP 412N1220-41SP 412N1220-52SP 412N1220-61SP 412N1220-72SP	107107	1
215	417N5120-114		.LIGHT ASSY- USED ON: 412N1220-160SP 412N1220-164SP 412N1220-615SP 412N1220-301SP 412N1220-606SP	107107	1
- 220	NAS1801-3-5		ATTACHING PARTS .SCREW	107107	3
- 225	AN960JD10LL		.WASHER	107107	3
			-----*-----		
230	BACS12ER3K6		..SCREW	107107	3
235	BACW10UD10		..WASHER	107107	3

MISSING ITEM NUMBERS NOT APPLICABLE

- ITEM NOT ILLUSTRATED

33-21-51-22

33-21-51
FIG. 22
PAGE 1
JAN 20/09

BRI

BOEING PROPRIETARY - Copyright © - Unpublished Work - See title page for details.



757

PARTS CATALOG (MAINTENANCE)

FIG ITEM	PART NUMBER	1 2 3 4 5 6 7	NOMENCLATURE	EFFECT FROM TO	UNITS PER ASSY
22 240	F22K1-02	..	NUT SUPPLIER CODE: V72962 SPECIFICATION NUMBER: BACN10R10L OPTIONAL PART: 22K1-02 V72962 26CLO2 V80539	107107	3
245	417N5120-10	..	LAMP ASSY	107107	1
250	2055150	...	CAP-END SUPPLIER CODE: V04169	107107	2
255	LP1625-48	...	TUBE-PROTECTIVE COVER SUPPLIER CODE: V60116 OPTIONAL PART: NI312LGWUV1000 V06034	107107	1
255	NI312LGWUV1000	...	TUBE-COVER SUPPLIER CODE: V06034 OPTIONAL PART: LP1625-48 V60116	107107	1
260	F40D30ECO	...	LAMP-FLUOR. SUPPLIER CODE: V08805	107107	1
265	800000255-1	..	HOUSING ASSY-CLG LIGHT SUPPLIER CODE: V05617 SPECIFICATION NUMBER: S417N507-1 USED ON: 417N5120-1	107107	1
265	800000255-11	..	HOUSING ASSY-CLG LIGHT SUPPLIER CODE: V05617 SPECIFICATION NUMBER: S417N507-11 USED ON: 417N5120-114 417N5120-14	107107	1
270	BV03112-03-33	...	HOLDER-BRUCE LAMP SUPPLIER CODE: V17023 USED ON: 800000255-11	107107	2

MISSING ITEM NUMBERS NOT APPLICABLE

- ITEM NOT ILLUSTRATED

33-21-51-22

33-21-51
FIG. 22
PAGE 2
MAY 20/09

BRI



757

PARTS CATALOG (MAINTENANCE)

FIG ITEM	PART NUMBER	1 2 3 4 5 6 7	NOMENCLATURE	EFFECT FROM TO	UNITS PER ASSY
22			ATTACHING PARTS		
- 275	MS35206-323	...	SCREW	107107	4
			-----*-----		
280	1864	..	BULB-	107107	1
			SUPPLIER CODE:		
			V71744		
285	05939-3	..	BALLAST ASSY-	107107	1
			SUPPLIER CODE:		
			V17023		
			SPECIFICATION NUMBER:		
			S283N702-3		
			COMPONENT MAINT MANUAL REF:		
			33-21-05		
			OPTIONAL PART:		
			1983-1		
			V30242		
			OPTIONAL PART:		
			05939-103		
			V30242		
285	05939-103	..	BALLAST ASSY-	107107	1
			SUPPLIER CODE:		
			V17023		
			SPECIFICATION NUMBER:		
			S283N702-103		
			COMPONENT MAINT MANUAL REF:		
			33-21-05		
			OPTIONAL PART:		
			05939-3		
			V17023		
			1983-1		
			V30242		
290	06188	...	HOUSING ASSY-	107107	1
			SUPPLIER CODE:		
			V17023		
			USED ON:		
			05939-3		
295	MS24693-1	SCREW	107107	4
300	08899-001	...	HOUSING ASSY-	107107	1
			SUPPLIER CODE:		
			V17023		
			USED ON:		
			05939-103		
305	011-0002-510	SCREW-	107107	4
			SUPPLIER CODE:		
			V17023		
310	GMA1-5	...	FUSE-1.5A, 250V	107107	1
			SUPPLIER CODE:		
			V71400		

MISSING ITEM NUMBERS NOT APPLICABLE

- ITEM NOT ILLUSTRATED

33-21-51-22

33-21-51
FIG. 22
PAGE 3
MAY 20/09

BRI



757

PARTS CATALOG (MAINTENANCE)

FIG ITEM	PART NUMBER	1 2 3 4 5 6 7	NOMENCLATURE	EFFECT FROM TO	UNITS PER ASSY
22 315	1983-1		..BALLAST ASSY- SUPPLIER CODE: V30242 SPECIFICATION NUMBER: S283N702-3 COMPONENT MAINT MANUAL REF: 33-20-23 OPTIONAL PART: 05939-3 V17023 OPTIONAL PART: 05939-103 V30242	107107	1

MISSING ITEM NUMBERS NOT APPLICABLE

- ITEM NOT ILLUSTRATED

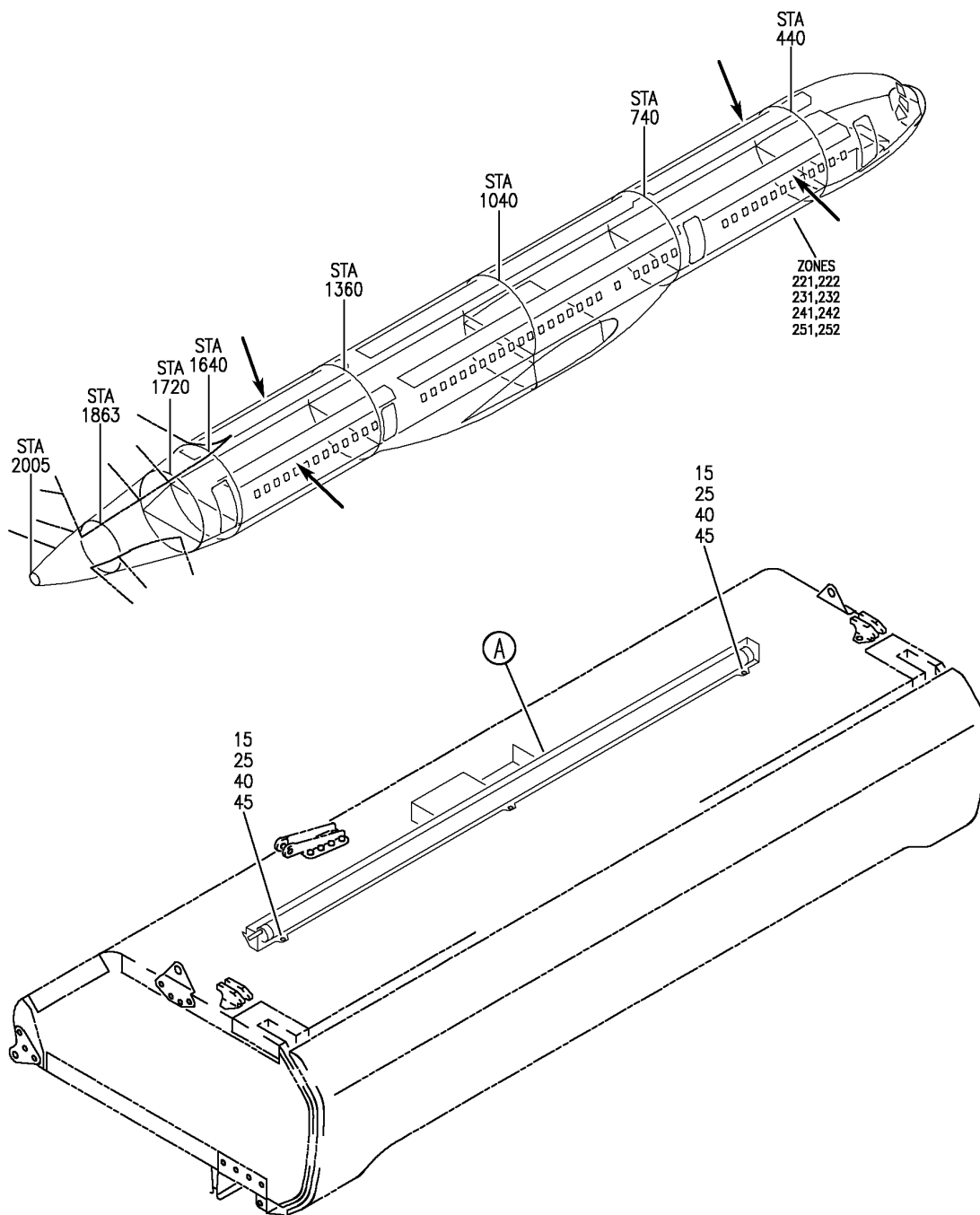
BRI

33-21-51-22

BOEING PROPRIETARY - Copyright © - Unpublished Work - See title page for details.

33-21-51
FIG. 22
PAGE 4
MAY 20/09

BOEING
757
PARTS CATALOG (MAINTENANCE)



Y 33215124A SHT 1 REV 253

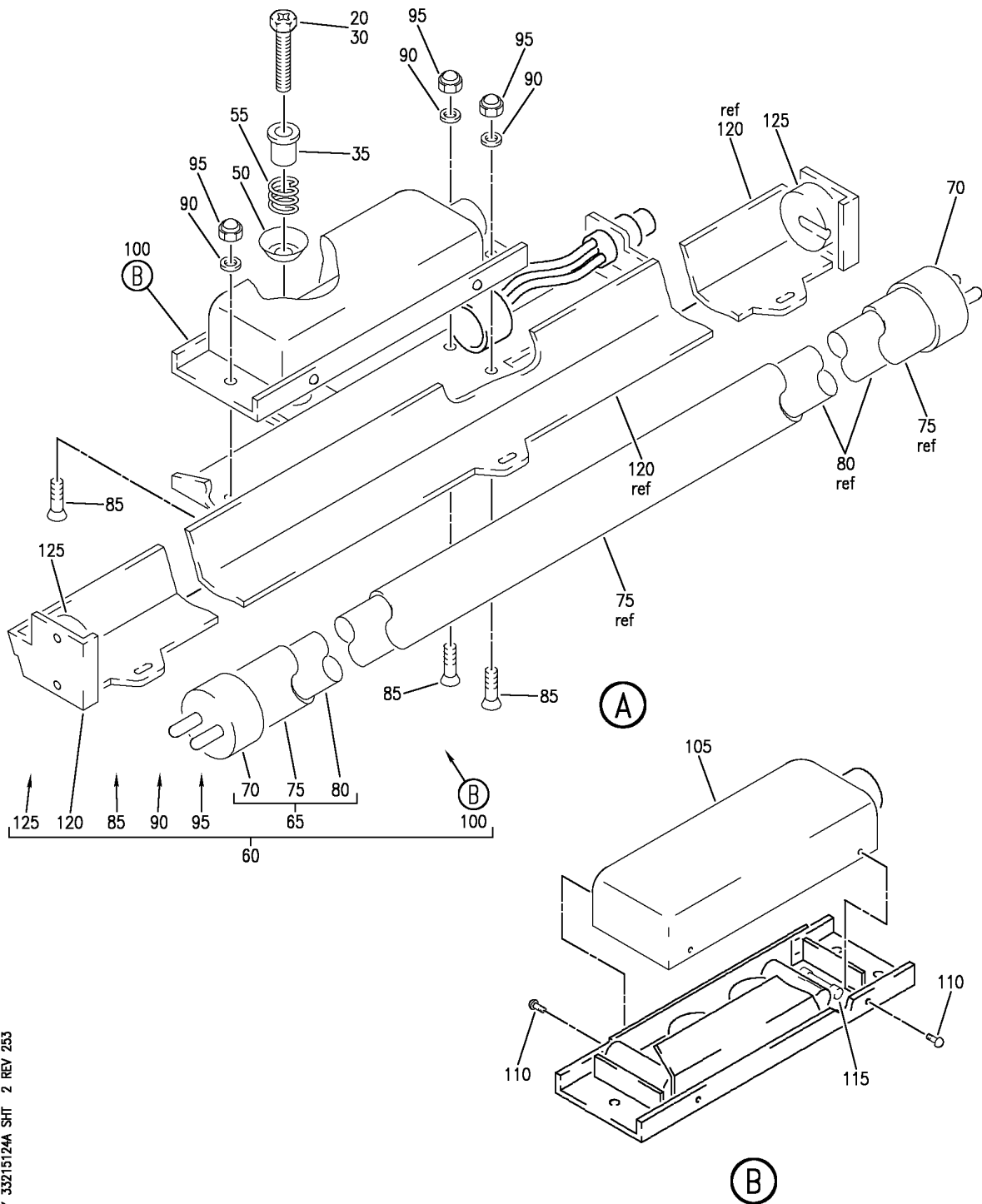
COMPARTMENT ASSY-60 IN. OVHD STOWAGE (LIGHTS ONLY)
FIGURE 24A (SHEET 1)

33-21-51-24A

BRI
JAN 20/09

33-21-51-24A
PAGE 0

BOEING
757
PARTS CATALOG (MAINTENANCE)



Y 33215124A SHT 2 REV 253

COMPARTMENT ASSY-60 IN. OVHD STOWAGE (LIGHTS ONLY)
FIGURE 24A (SHEET 2)

33-21-51-24A

BRI
JAN 20/09

33-21-51-24A
PAGE 0A



757

PARTS CATALOG (MAINTENANCE)

FIG ITEM	PART NUMBER	1 2 3 4 5 6 7	NOMENCLATURE	EFFECT FROM TO	UNITS PER ASSY
24A			COMPARTMENT ASSY-60 IN. OVHD STOWAGE (LIGHTS ONLY)	952999	
- 10	412N1132-609R		COMPARTMENT ASSY-60 IN. OVHD STOWAGE (LIGHTS ONLY) FOR NHA/OTHER SYS DET SEE: 25-28-00-72R	952999	RF
25	NAS1801-3-5		.SCREW- USED ON: 412N1132-609C 412N1132-609R	952999	3
30	NAS1801-3-11		.SCREW- USED ON: 412N1132-609C 412N1132-609R	952999	1
35	BACS18C8-6		.SPACER	952999	1
45	AN960JD10LL		.WASHER- USED ON: 412N1132-609C 412N1132-609R	952999	3
50	411N3142-28		.WASHER-CUFFED	952999	1
55	MS24585-1230		.SPRING	952999	1
60	417N5120-115		.LIGHT ASSY	952999	1
65	417N5120-10		..LAMP ASSY	952999	1
70	2055150		...CAP-END SUPPLIER CODE: V04169	952999	2
75	NI312LGWUV1000		...TUBE-PROTECTIVE COVER SUPPLIER CODE: V06034 OPTIONAL PART: LP1625-48 V60116	952999	1
75	LP1625-48		...TUBE-PROTECTIVE COVER SUPPLIER CODE: V60116 OPTIONAL PART: NI312LGWUV1000 V06034	952999	1
80	F40D30ECO		...LAMP-FLUOR. SUPPLIER CODE: V08805	952999	1
85	BACS12ER3K6		..SCREW	952999	3
90	BACW10UD10		..WASHER	952999	3

MISSING ITEM NUMBERS NOT APPLICABLE

- ITEM NOT ILLUSTRATED

33-21-51-24A

33-21-51
FIG. 24A
PAGE 1
MAY 20/09

BRI

BOEING PROPRIETARY - Copyright © - Unpublished Work - See title page for details.



757

PARTS CATALOG (MAINTENANCE)

FIG ITEM	PART NUMBER	1 2 3 4 5 6 7	NOMENCLATURE	EFFECT FROM TO	UNITS PER ASSY
24A 95	F22K1-02	..	NUT SUPPLIER CODE: V72962 SPECIFICATION NUMBER: BACN10R10L OPTIONAL PART: 22K1-02 V72962 26CLO2 V80539	952999	3
100	05939-103	..	BALLAST ASSY- SUPPLIER CODE: V17023 SPECIFICATION NUMBER: S283N702-103 COMPONENT MAINT MANUAL REF: 33-21-05	952999	1
105	08899-001	...	HOUSING ASSY- SUPPLIER CODE: V17023	952999	1
110	011-0002-510	SCREW- SUPPLIER CODE: V17023	952999	4
115	GMA1-5	...	FUSE-1.5A, 250V SUPPLIER CODE: V71400	952999	1
120	800000255-12	..	HOUSING ASSY- SUPPLIER CODE: V05617 SPECIFICATION NUMBER: S417N507-12	952999	1
120	800000255-2	..	HOUSING ASSY- SUPPLIER CODE: V05617 SPECIFICATION NUMBER: S417N507-2	952999	1
125	BV03112-03-33	...	HOLDER-BRUCE LAMP SUPPLIER CODE: V17023	952999	2
- 130	MS35206-323	...	SCREW -----*-----	952999	4

MISSING ITEM NUMBERS NOT APPLICABLE

- ITEM NOT ILLUSTRATED

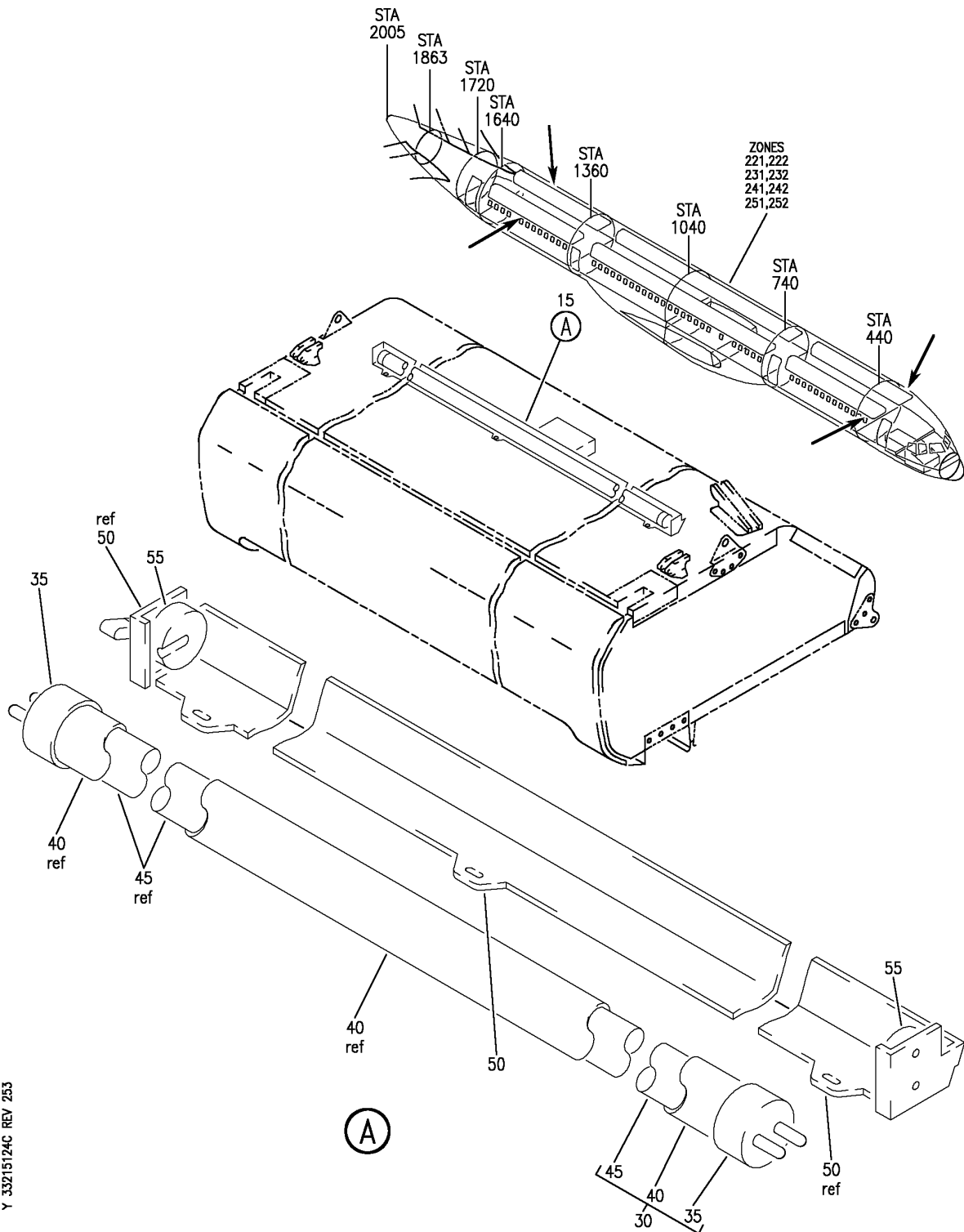
33-21-51-24A

33-21-51
FIG. 24A
PAGE 2
MAY 20/09

BRI

BOEING PROPRIETARY - Copyright © - Unpublished Work - See title page for details.

BOEING
757
PARTS CATALOG (MAINTENANCE)



Y 33215124C REV 253

COMPARTMENT ASSY-RH 60 IN. OVHD STOWAGE (LIGHTS ONLY)
FIGURE 24C

33-21-51-24C

BRI
JAN 20/09

33-21-51-24C
PAGE 0



757

PARTS CATALOG (MAINTENANCE)

FIG ITEM	PART NUMBER	1 2 3 4 5 6 7	NOMENCLATURE	EFFECT FROM TO	UNITS PER ASSY
24C			COMPARTMENT ASSY-RH 60 IN. OVHD STOWAGE (LIGHTS ONLY)	952999	
- 1	412N1132-603R		COMPARTMENT ASSY-60 IN. OVHD STOWAGE (LIGHTS ONLY) POSITION DATA: LH FOR NHA/OTHER SYS DET SEE: 25-28-00-72R 25-28-00-72T 25-28-00-72U	952999	RF
- 5	412N1132-604R		COMPARTMENT ASSY-60 IN. OVHD STOWAGE (LIGHTS ONLY) POSITION DATA: RH FOR NHA/OTHER SYS DET SEE: 25-28-00-72U	952999	RF
- 10	412N1132-606R		COMPARTMENT ASSY-60 IN. OVHD STOWAGE (LIGHTS ONLY) POSITION DATA: RH FOR NHA/OTHER SYS DET SEE: 25-28-00-72R 25-28-00-72T	952999	RF
15	417N5120-17		.LIGHT ASSY ATTACHING PARTS	952999	1
- 20	BACS12GU3K5		.SCREW	952999	3
- 25	NAS1149D0316J		.WASHER -----*-----	952999	3
30	417N5120-10		..LAMP ASSY	952999	1
35	2055150		...CAP-END SUPPLIER CODE: V04169	952999	2
40	NI312LGWUV1000		...TUBE-COVER SUPPLIER CODE: V06034 OPTIONAL PART: LP1625-48 V60116	952999	1
40	LP1625-48		...TUBE-COVER SUPPLIER CODE: V60116 OPTIONAL PART: NI312LGWUV1000 V06034	952999	1

MISSING ITEM NUMBERS NOT APPLICABLE

- ITEM NOT ILLUSTRATED

33-21-51-24C

33-21-51
FIG. 24C
PAGE 1
JAN 20/09

BRI

BOEING PROPRIETARY - Copyright © - Unpublished Work - See title page for details.



757

PARTS CATALOG (MAINTENANCE)

FIG ITEM	PART NUMBER	1 2 3 4 5 6 7	NOMENCLATURE	EFFECT FROM TO	UNITS PER ASSY
R R R	24C 45	F40D30ECO	...LAMP-FLUOR SUPPLIER CODE: V08805	952999	1
	50	800000255-14	..HOUSING ASSY- SUPPLIER CODE: V05617 SPECIFICATION NUMBER: S417N507-14	952999	1
	50	800000255-4	..HOUSING ASSY- SUPPLIER CODE: V05617 SPECIFICATION NUMBER: S417N507-4	952999	1
	55	BV03112-03-33	...HOLDER-BRUCE LAMP SUPPLIER CODE: V17023 USED ON: 800000255-14 ATTACHING PARTS	952999	2
	- 60	MS35206-323	...SCREW -----*-----	952999	4

MISSING ITEM NUMBERS NOT APPLICABLE

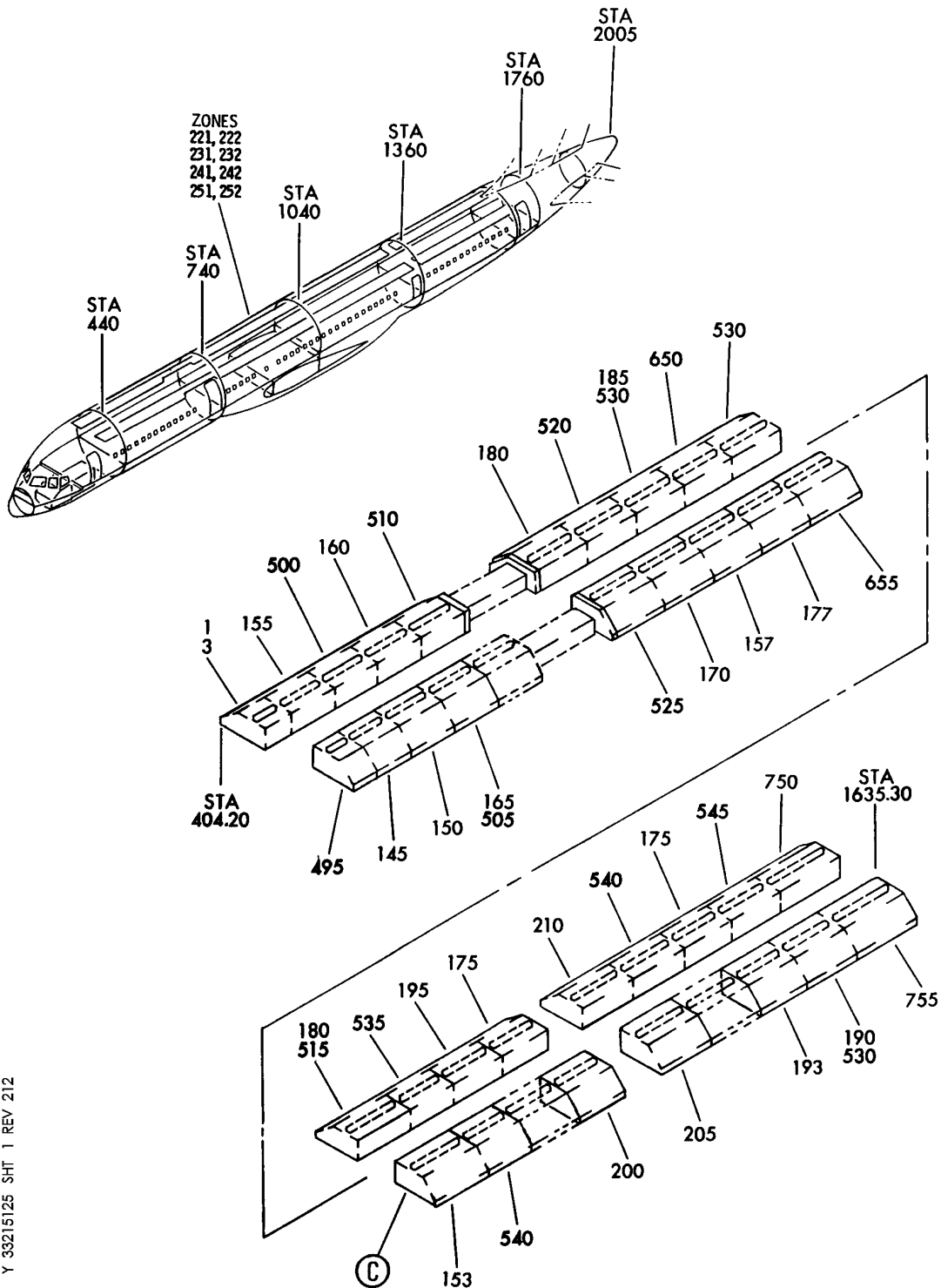
- ITEM NOT ILLUSTRATED

33-21-51-24C

33-21-51
FIG. 24C
PAGE 2
MAY 20/09

BRI

BOEING
757
PARTS CATALOG (MAINTENANCE)



Y 33215125 SHT 1 REV 212

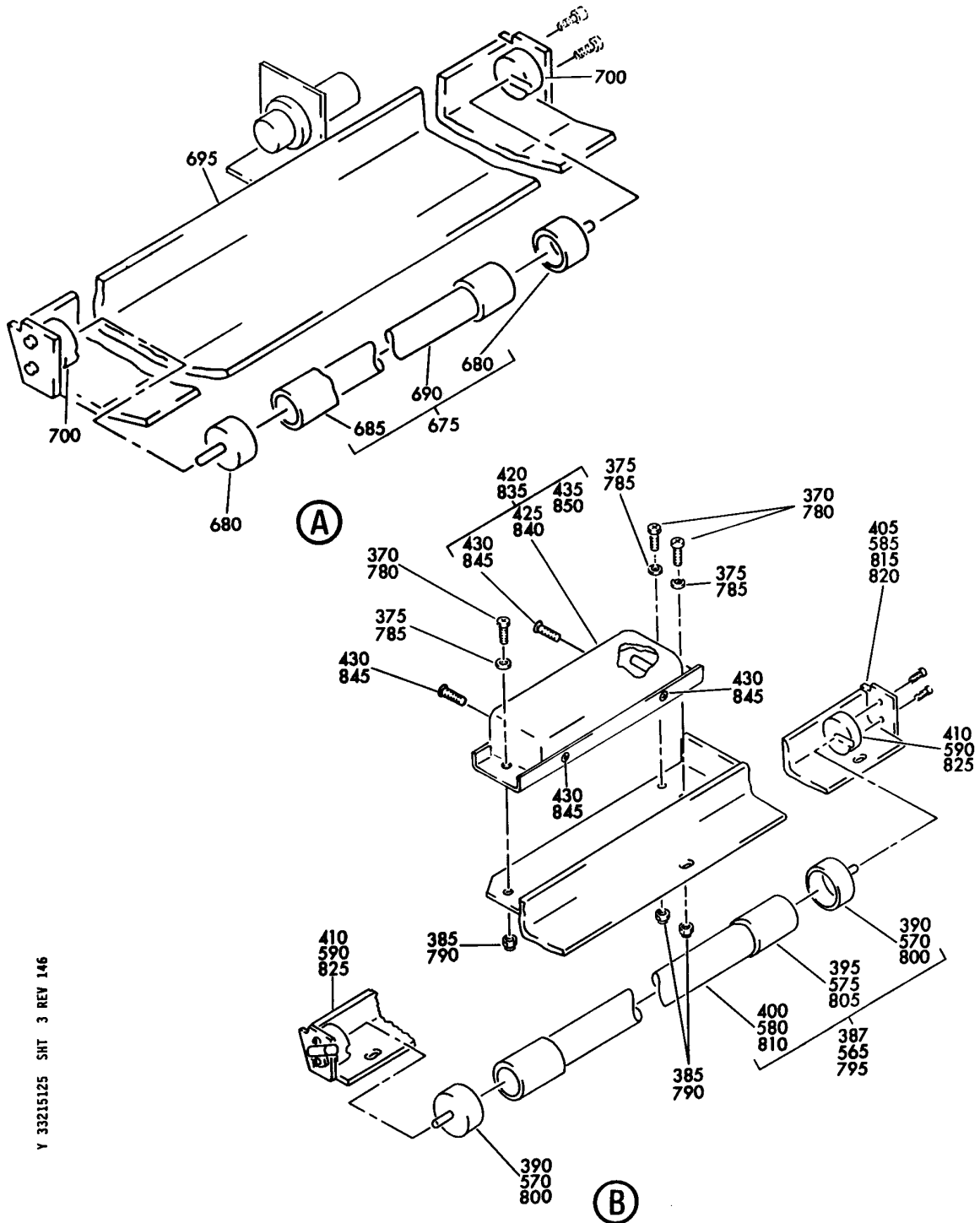
COMPARTMENT ASSY-OVHD STOWAGE (LIGHTS ONLY)
FIGURE 25 (SHEET 1)

33-21-51-25

BRI
JAN 20/09

33-21-51-25
PAGE 0

BOEING
757
PARTS CATALOG (MAINTENANCE)



Y 33215125 SHT 3 REV 146

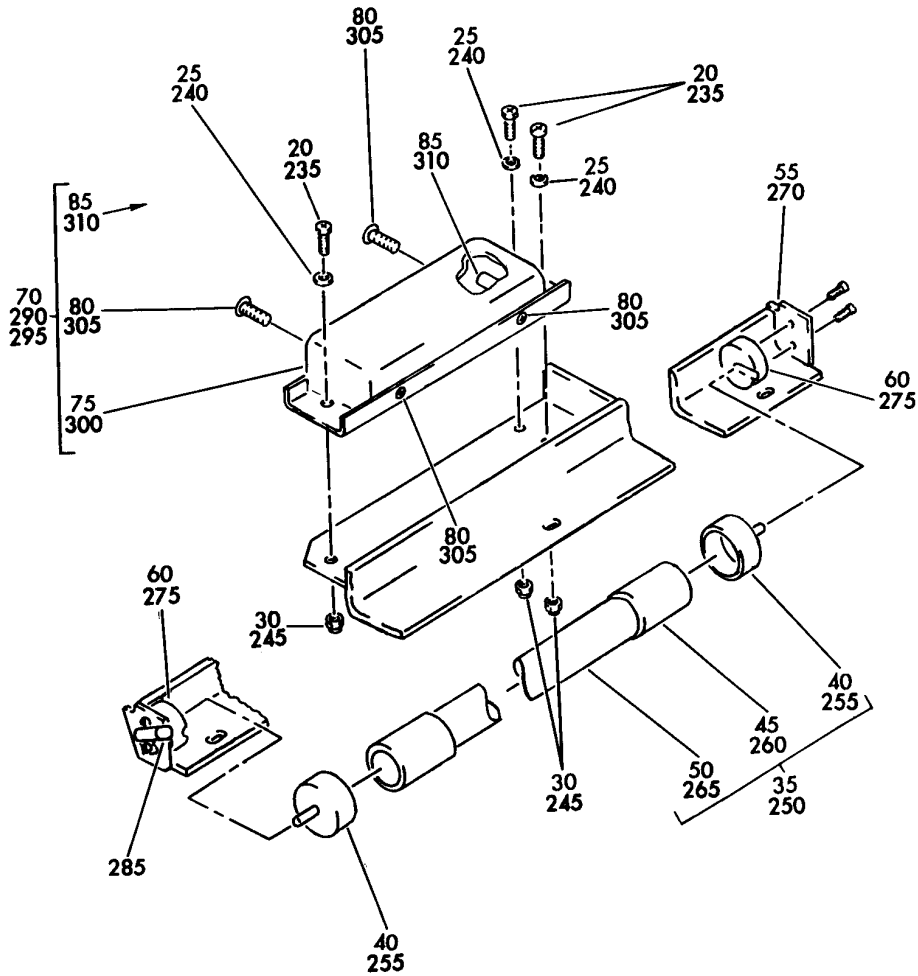
COMPARTMENT ASSY-OVHD STOWAGE (LIGHTS ONLY)
FIGURE 25 (SHEET 3)

33-21-51-25

BRI
JAN 20/09

33-21-51-25
PAGE 0B

BOEING
757
PARTS CATALOG (MAINTENANCE)



Y 33215125 SHT 4 REV 212

COMPARTMENT ASSY-OVHD STOWAGE (LIGHTS ONLY)
FIGURE 25 (SHEET 4)

33-21-51-25

BRI
JAN 20/09

33-21-51-25
PAGE 0C



757

PARTS CATALOG (MAINTENANCE)

FIG ITEM	PART NUMBER	1 2 3 4 5 6 7	NOMENCLATURE	EFFECT FROM TO	UNITS PER ASSY
25			COMPARTMENT ASSY-OVHD STOWAGE (LIGHTS ONLY)	952999	
145	412N1236-632SP		COMPARTMENT ASSY-OVHD STOWAGE (LIGHTS ONLY) FOR NHA/OTHER SYS DET SEE: 25-28-00-72U	952999	RF
145	412N1270-96SP		COMPARTMENT ASSY-OVHD STOWAGE (LIGHTS ONLY) FOR NHA/OTHER SYS DET SEE: 25-28-00-72U	952999	RF
153	412N1132-629SP		COMPARTMENT ASSY-OVHD STOWAGE (LIGHTS ONLY) FOR NHA/OTHER SYS DET SEE: 25-28-00-72U	952999	RF
153	412N1170-135SP		COMPARTMENT ASSY-OVHD STOWAGE (LIGHTS ONLY) FOR NHA/OTHER SYS DET SEE: 25-28-00-72U	952999	RF
155	412N1132-628SP		COMPARTMENT ASSY-OVHD STOWAGE (LIGHTS ONLY) FOR NHA/OTHER SYS DET SEE: 25-28-00-72U	952999	RF
155	412N1170-114SP		COMPARTMENT ASSY-OVHD STOWAGE (LIGHTS ONLY) FOR NHA/OTHER SYS DET SEE: 25-28-00-72U	952999	RF
157	412N1236-647SP		COMPARTMENT ASSY-OVHD STOWAGE (LIGHTS ONLY) FOR NHA/OTHER SYS DET SEE: 25-28-00-72U	952999	RF
157	412N1270-35SP		COMPARTMENT ASSY-OVHD STOWAGE (LIGHTS ONLY) FOR NHA/OTHER SYS DET SEE: 25-28-00-72U	952999	RF
160	412N1132-630SP		COMPARTMENT ASSY-OVHD STOWAGE (LIGHTS ONLY) FOR NHA/OTHER SYS DET SEE: 25-28-00-72R 25-28-00-72U	952999	RF
160	412N1170-6SP		COMPARTMENT ASSY-OVHD STOWAGE (LIGHTS ONLY) FOR NHA/OTHER SYS DET SEE: 25-28-00-72R 25-28-00-72U	952999	RF
170	412N1132-620SP		COMPARTMENT ASSY-OVHD STOWAGE (LIGHTS ONLY) FOR NHA/OTHER SYS DET SEE: 25-28-00-72R	952999	RF

MISSING ITEM NUMBERS NOT APPLICABLE

- ITEM NOT ILLUSTRATED

33-21-51-25

33-21-51
FIG. 25
PAGE 1
JAN 20/09

BRI



757

PARTS CATALOG (MAINTENANCE)

FIG ITEM	PART NUMBER	1 2 3 4 5 6 7	NOMENCLATURE	EFFECT FROM TO	UNITS PER ASSY
25					
170	412N1170-6SP		COMPARTMENT ASSY-OVHD STOWAGE (LIGHTS ONLY) FOR NHA/OTHER SYS DET SEE: 25-28-00-72R	952999	RF
177	412N1132-623SP		COMPARTMENT ASSY-OVHD STOWAGE (LIGHTS ONLY) FOR NHA/OTHER SYS DET SEE: 25-28-00-72R	952999	RF
177	412N1170-3SP		COMPARTMENT ASSY-OVHD STOWAGE (LIGHTS ONLY) FOR NHA/OTHER SYS DET SEE: 25-28-00-72R	952999	RF
180	412N1132-630SP		COMPARTMENT ASSY-OVHD STOWAGE (LIGHTS ONLY) FOR NHA/OTHER SYS DET SEE: 25-28-00-72R	952999	RF
180	412N1170-6SP		COMPARTMENT ASSY-OVHD STOWAGE (LIGHTS ONLY) FOR NHA/OTHER SYS DET SEE: 25-28-00-72R	952999	RF
185	412N1132-616SP		COMPARTMENT ASSY-OVHD STOWAGE (LIGHTS ONLY) FOR NHA/OTHER SYS DET SEE: 25-28-00-72R	952999	RF
185	412N1170-20SP		COMPARTMENT ASSY-OVHD STOWAGE (LIGHTS ONLY) FOR NHA/OTHER SYS DET SEE: 25-28-00-72R	952999	RF
190	412N1132-613SP		COMPARTMENT ASSY-OVHD STOWAGE (LIGHTS ONLY) FOR NHA/OTHER SYS DET SEE: 25-28-00-72R	952999	RF
190	412N1170-15SP		COMPARTMENT ASSY-OVHD STOWAGE (LIGHTS ONLY) FOR NHA/OTHER SYS DET SEE: 25-28-00-72R	952999	RF
195	412N1132-636SP		COMPARTMENT ASSY-OVHD STOWAGE (LIGHTS ONLY) FOR NHA/OTHER SYS DET SEE: 25-28-00-72T	952999	RF
195	412N1170-18SP		COMPARTMENT ASSY-OVHD STOWAGE (LIGHTS ONLY) FOR NHA/OTHER SYS DET SEE: 25-28-00-72T	952999	RF
200	412N1132-619SP		COMPARTMENT ASSY-OVHD STOWAGE (LIGHTS ONLY) FOR NHA/OTHER SYS DET SEE: 25-28-00-72T	952999	RF

MISSING ITEM NUMBERS NOT APPLICABLE

- ITEM NOT ILLUSTRATED

33-21-51-25

33-21-51
FIG. 25
PAGE 2
JAN 20/09

BRI



757

PARTS CATALOG (MAINTENANCE)

FIG ITEM	PART NUMBER	1 2 3 4 5 6 7	NOMENCLATURE	EFFECT FROM TO	UNITS PER ASSY
25 200	412N1170-23SP		COMPARTMENT ASSY-OVHD STOWAGE (LIGHTS ONLY) FOR NHA/OTHER SYS DET SEE: 25-28-00-72T	952999	RF
205	412N1236-637SP		COMPARTMENT ASSY-OVHD STOWAGE (LIGHTS ONLY) FOR NHA/OTHER SYS DET SEE: 25-28-00-72T	952999	RF
205	412N1270-7SP		COMPARTMENT ASSY-OVHD STOWAGE (LIGHTS ONLY) FOR NHA/OTHER SYS DET SEE: 25-28-00-72T	952999	RF
210	412N1236-638SP		COMPARTMENT ASSY-OVHD STOWAGE (LIGHTS ONLY) FOR NHA/OTHER SYS DET SEE: 25-28-00-72T	952999	RF
210	412N1270-8SP		COMPARTMENT ASSY-OVHD STOWAGE (LIGHTS ONLY) FOR NHA/OTHER SYS DET SEE: 25-28-00-72T	952999	RF
212	417N5120-116		.LIGHT ASSY- USED ON: 412N1236-632SP	952999	1
212	S417N514-1		.LIGHT ASSY	952999	1
215	417N5120-115		.LIGHT ASSY- USED ON: 412N1132-613SP 412N1132-629SP 412N1132-630SP 412N1236-612SP 412N1236-621SP 412N1236-638SP	952999	1
215	S417N514-1		.LIGHT ASSY- USED ON: 412N1170-6SP 412N1170-15SP 412N1170-135SP 412N1270-8SP	952999	1

MISSING ITEM NUMBERS NOT APPLICABLE

- ITEM NOT ILLUSTRATED

33-21-51-25

33-21-51
FIG. 25
PAGE 3
JAN 20/09

BRI

BOEING PROPRIETARY - Copyright © - Unpublished Work - See title page for details.



757

PARTS CATALOG (MAINTENANCE)

FIG ITEM	PART NUMBER	1 2 3 4 5 6 7	NOMENCLATURE	EFFECT FROM TO	UNITS PER ASSY
25 220	417N5120-114		.LIGHT ASSY- USED ON: 412N1132-616SP 412N1132-619SP 412N1132-620SP 412N1132-623SP 412N1132-628SP 412N1132-636SP 412N1132-654SP 412N1132-701SP 412N1236-611SP 412N1236-623SP 412N1236-637SP 412N1236-647SP	952999	1
220	S417N514-1		.LIGHT ASSY- USED ON: 412N1170-3SP 412N1170-6SP 412N1170-18SP 412N1170-20SP 412N1270-7SP 412N1270-35SP	952999	1
- 225	NAS1801-3-5		ATTACHING PARTS .SCREW- USED ON: 412N1132-613SP 412N1132-616SP 412N1132-619SP 412N1132-620SP 412N1132-623SP 412N1132-628SP 412N1132-629SP 412N1132-630SP 412N1132-636SP 412N1132-654SP 412N1132-701SP 412N1236-611SP 412N1236-647SP 412N1236-612SP 412N1236-621SP 412N1236-623SP 412N1236-632SP 412N1236-637SP 412N1236-638SP	952999	3

MISSING ITEM NUMBERS NOT APPLICABLE

- ITEM NOT ILLUSTRATED

33-21-51-25

33-21-51
FIG. 25
PAGE 4
JAN 20/09

BRI



757

PARTS CATALOG (MAINTENANCE)

FIG ITEM	PART NUMBER	1 2 3 4 5 6 7	NOMENCLATURE	EFFECT FROM TO	UNITS PER ASSY
25 - 230	AN960JD10LL		.WASHER- USED ON: 412N1132-613SP 412N1132-616SP 412N1132-619SP 412N1132-620SP 412N1132-623SP 412N1132-628SP 412N1132-629SP 412N1132-630SP 412N1132-636SP 412N1132-654SP 412N1132-701SP 412N1236-611SP 412N1236-647SP 412N1236-612SP 412N1236-621SP 412N1236-623SP 412N1236-632SP 412N1236-637SP 412N1236-638SP -----*-----	952999	3
235	BACS12ER3K6		. SCREW	952999	3
240	BACW10UD10		.. WASHER	952999	3
245	F22K1-02		.. NUT SUPPLIER CODE: V72962 SPECIFICATION NUMBER: BACN10R10L OPTIONAL PART: 22K1-02 V72962 26CLO2 V80539	952999	3
250	417N5120-10		.. LAMP ASSY	952999	1
255	2055150		... CAP-END SUPPLIER CODE: V04169	952999	2
260	LP1625-48		... TUBE-PROTECTIVE COVER SUPPLIER CODE: V60116 OPTIONAL PART: NI312LGWUV1000 V06034	952999	1

MISSING ITEM NUMBERS NOT APPLICABLE

- ITEM NOT ILLUSTRATED

33-21-51-25

33-21-51
FIG. 25
PAGE 5
JAN 20/09

BRI



757

PARTS CATALOG (MAINTENANCE)

FIG ITEM	PART NUMBER	1 2 3 4 5 6 7	NOMENCLATURE	EFFECT FROM TO	UNITS PER ASSY
25					
260	NI312LGWUV1000	...	TUBE-PROTECTIVE COVER SUPPLIER CODE: V06034 OPTIONAL PART: LP1625-48 V60116	952999	1
265	F40D30ECO	...	LAMP-FLUOR. SUPPLIER CODE: V08805	952999	1
270	800000255-12	..	HOUSING ASSY-CLG LIGHT SUPPLIER CODE: V05617 SPECIFICATION NUMBER: S417N507-12 USED ON: 417N5120-115	952999	1
270	800000255-11	..	HOUSING ASSY-CLG LIGHT SUPPLIER CODE: V05617 SPECIFICATION NUMBER: S417N507-11 USED ON: 417N5120-114	952999	1
270	800000255-13	..	HOUSING ASSY-CLG LIGHT SUPPLIER CODE: V05617 SPECIFICATION NUMBER: S417N507-13 USED ON: 417N5120-116	952999	1
270	800000255-2	..	HOUSING ASSY-CLG LIGHT SUPPLIER CODE: V05617 SPECIFICATION NUMBER: S417N507-2	952999	1
275	BV03112-03-33	...	HOLDER-BRUCE LAMP SUPPLIER CODE: V17023 ATTACHING PARTS	952999	2
- 280	MS35206-323	...	SCREW -----*-----	952999	4
285	1864	..	BULB- SUPPLIER CODE: V71744 USED ON: 417N5120-114	952999	1

MISSING ITEM NUMBERS NOT APPLICABLE

- ITEM NOT ILLUSTRATED

33-21-51-25

33-21-51
FIG. 25
PAGE 6
MAY 20/09

BRI



757

PARTS CATALOG (MAINTENANCE)

FIG ITEM	PART NUMBER	1 2 3 4 5 6 7	NOMENCLATURE	EFFECT FROM TO	UNITS PER ASSY
25 290	05939-103	..	BALLAST ASSY- SUPPLIER CODE: V17023 SPECIFICATION NUMBER: S283N702-103 COMPONENT MAINT MANUAL REF: 33-21-05 USED ON: 417N5120-114 417N5120-115	952999	1
295	05939-104	..	BALLAST ASSY- SUPPLIER CODE: V17023 SPECIFICATION NUMBER: S283N702-104 COMPONENT MAINT MANUAL REF: 33-21-05 USED ON: 417N5120-116	952999	1
300	08899-001	...	HOUSING ASSY- SUPPLIER CODE: V17023	952999	1
305	011-0002-510	SCREW- SUPPLIER CODE: V17023	952999	4
310	GMA1-5	...	FUSE-1.5A, 250V SUPPLIER CODE: V71400	952999	1
357	417N5120-120	.LIGHT ASSY- USED ON:	412N1236-647SP	952999	1
357	S417N514-4	.LIGHT ASSY- USED ON:	412N1270-35SP	952999	1
- 360	NAS1801-3-5	.SCREW- USED ON:	ATTACHING PARTS 412N1236-607SP 412N1236-621SP 412N1236-647SP	952999	2
- 365	AN960JD10LL	.WASHER- USED ON:	412N1236-607SP 412N1236-621SP 412N1236-647SP	952999	2
370	BACS12ER3K6	..	SCREW	952999	3
375	BACW10UD10	..	WASHER	952999	3

MISSING ITEM NUMBERS NOT APPLICABLE

- ITEM NOT ILLUSTRATED

33-21-51-25

33-21-51
FIG. 25
PAGE 7
MAY 20/09

BRI



757

PARTS CATALOG (MAINTENANCE)

FIG ITEM	PART NUMBER	1 2 3 4 5 6 7	NOMENCLATURE	EFFECT FROM TO	UNITS PER ASSY
25 385	F22K1-02	..	NUT SUPPLIER CODE: V72962 SPECIFICATION NUMBER: BACN10R10L OPTIONAL PART: 22K1-02 V72962 26CLO2 V80539	952999	3
387	417N5120-12	..	LAMP ASSY	952999	1
390	2055132	...	CAP-END SUPPLIER CODE: V04169	952999	2
395	LP1610-18	...	TUBE-PROTECTIVE COVER SUPPLIER CODE: V60116 OPTIONAL PART: NI060LGWUV1000 V06034	952999	1
395	NI060LGWUV1000	...	TUBE-PROTECTIVE COVER SUPPLIER CODE: V06034 OPTIONAL PART: LP1610-18 V60116	952999	1
400	F15T8WW	...	LAMP-FLOUR. SUPPLIER CODE: V13545	952999	1
405	800000255-17	..	HOUSING ASSY-CLG LIGHT SUPPLIER CODE: V05617 SPECIFICATION NUMBER: S417N507-17	952999	1
405	800000255-7	..	HOUSING ASSY-CLG LIGHT SUPPLIER CODE: V05617 SPECIFICATION NUMBER: S417N507-7	952999	1
410	BV03112-03-33	...	HOLDER-BRUCE LAMP SUPPLIER CODE: V17023 USED ON: 800000255-17 ATTACHING PARTS	952999	2
- 415	MS35206-323	...	SCREW -----*-----	952999	4

MISSING ITEM NUMBERS NOT APPLICABLE

- ITEM NOT ILLUSTRATED

33-21-51-25

33-21-51
FIG. 25
PAGE 8
MAY 20/09

BRI



757

PARTS CATALOG (MAINTENANCE)

FIG ITEM	PART NUMBER	1 2 3 4 5 6 7	NOMENCLATURE	EFFECT FROM TO	UNITS PER ASSY
25 420	05939-107		..BALLAST ASSY- SUPPLIER CODE: V17023 SPECIFICATION NUMBER: S283N702-107 COMPONENT MAINT MANUAL REF: 33-21-05	952999	1
425	08899-001		...HOUSING ASSY- SUPPLIER CODE: V17023	952999	1
430	011-0002-510	SCREW- SUPPLIER CODE: V17023	952999	4
435	GMA1-5		...FUSE-1.5A, 250V SUPPLIER CODE: V71400	952999	1
495	412N1236-635SP		COMPARTMENT ASSY-OVHD STOWAGE (LIGHTS ONLY) FOR NHA/OTHER SYS DET SEE: 25-28-00-72U	952999	RF
495	412N1270-101SP		COMPARTMENT ASSY-OVHD STOWAGE (LIGHTS ONLY) FOR NHA/OTHER SYS DET SEE: 25-28-00-72U	952999	RF
505	412N1170-3SP		COMPARTMENT ASSY-OVHD STOWAGE (LIGHTS ONLY) FOR NHA/OTHER SYS DET SEE: 25-28-00-72R	952999	RF
510	412N1132-632SP		COMPARTMENT ASSY-OVHD STOWAGE (LIGHTS ONLY) FOR NHA/OTHER SYS DET SEE: 25-28-00-72U	952999	RF
510	412N1170-8SP		COMPARTMENT ASSY-OVHD STOWAGE (LIGHTS ONLY) FOR NHA/OTHER SYS DET SEE: 25-28-00-72U	952999	RF
520	412N1132-673SP		COMPARTMENT ASSY-OVHD STOWAGE (LIGHTS ONLY) FOR NHA/OTHER SYS DET SEE: 25-28-00-72R	952999	RF
520	412N1170-30SP		COMPARTMENT ASSY-OVHD STOWAGE (LIGHTS ONLY) FOR NHA/OTHER SYS DET SEE: 25-28-00-72R	952999	RF
525	412N1132-627SP		COMPARTMENT ASSY-OVHD STOWAGE (LIGHTS ONLY) FOR NHA/OTHER SYS DET SEE: 25-28-00-72R	952999	RF

MISSING ITEM NUMBERS NOT APPLICABLE

- ITEM NOT ILLUSTRATED

33-21-51-25

33-21-51
FIG. 25
PAGE 9
MAY 20/09

BRI



757

PARTS CATALOG (MAINTENANCE)

FIG ITEM	PART NUMBER	1 2 3 4 5 6 7	NOMENCLATURE	EFFECT FROM TO	UNITS PER ASSY
25					
525	412N1170-27SP		COMPARTMENT ASSY-OVHD STOWAGE (LIGHTS ONLY) FOR NHA/OTHER SYS DET SEE: 25-28-00-72R	952999	RF
535	412N1132-614SP		COMPARTMENT ASSY-OVHD STOWAGE (LIGHTS ONLY) FOR NHA/OTHER SYS DET SEE: 25-28-00-72R	952999	RF
535	412N1170-18SP		COMPARTMENT ASSY-OVHD STOWAGE (LIGHTS ONLY) FOR NHA/OTHER SYS DET SEE: 25-28-00-72R	952999	RF
540	412N1132-611SP		COMPARTMENT ASSY-OVHD STOWAGE (LIGHTS ONLY) FOR NHA/OTHER SYS DET SEE: 25-28-00-72R 25-28-00-72T	952999	RF
540	412N1170-15SP		COMPARTMENT ASSY-OVHD STOWAGE (LIGHTS ONLY) FOR NHA/OTHER SYS DET SEE: 25-28-00-72R 25-28-00-72T	952999	RF
545	412N1132-690SP		COMPARTMENT ASSY-OVHD STOWAGE (LIGHTS ONLY) FOR NHA/OTHER SYS DET SEE: 25-28-00-72T	952999	RF
545	412N1170-6SP		COMPARTMENT ASSY-OVHD STOWAGE (LIGHTS ONLY) FOR NHA/OTHER SYS DET SEE: 25-28-00-72R 25-28-00-72U	952999	RF
550	417N5120-17		.LIGHT ASSY- USED ON: 412N1132-611SP 412N1132-614SP 412N1132-625SP 412N1132-627SP 412N1132-632SP 412N1132-634SP 412N1132-638SP 412N1132-640SP 412N1132-656SP 412N1132-673SP 412N1132-688SP 412N1132-690SP 412N1236-635SP	952999	1

MISSING ITEM NUMBERS NOT APPLICABLE

- ITEM NOT ILLUSTRATED

33-21-51-25

33-21-51
FIG. 25
PAGE 10
MAY 20/09

BRI



757

PARTS CATALOG (MAINTENANCE)

FIG ITEM	PART NUMBER	1 2 3 4 5 6 7	NOMENCLATURE	EFFECT FROM TO	UNITS PER ASSY
25 550	S417N514-1		.LIGHT ASSY- USED ON: 412N1170-6SP 412N1170-8SP 412N1170-15SP 412N1170-18SP 412N1170-27SP 412N1170-30SP 412N1270-101SP	952999	1
- 555	NAS1801-3-5		.ATTACHING PARTS .SCREW- USED ON: 412N1132-611SP 412N1132-614SP 412N1132-625SP 412N1132-627SP 412N1132-632SP 412N1132-634SP 412N1132-638SP 412N1132-640SP 412N1132-656SP 412N1132-673SP 412N1132-688SP 412N1132-690SP 412N1236-635SP	952999	3
- 560	AN960JD10LL		.WASHER- USED ON: 412N1132-611SP 412N1132-614SP 412N1132-625SP 412N1132-627SP 412N1132-632SP 412N1132-634SP 412N1132-638SP 412N1132-640SP 412N1132-656SP 412N1132-673SP 412N1132-688SP 412N1132-690SP 412N1236-635SP	952999	3
565 570	417N5120-10 2055150		-----*----- ..LAMP ASSY ...CAP-END SUPPLIER CODE: V04169	952999 952999	1 2

MISSING ITEM NUMBERS NOT APPLICABLE

- ITEM NOT ILLUSTRATED

33-21-51-25

33-21-51
FIG. 25
PAGE 11
MAY 20/09

BRI



757

PARTS CATALOG (MAINTENANCE)

FIG ITEM	PART NUMBER	1 2 3 4 5 6 7	NOMENCLATURE	EFFECT FROM TO	UNITS PER ASSY
25					
575	LP1625-48	...	TUBE-PROTECTIVE COVER SUPPLIER CODE: V60116 OPTIONAL PART: NI312LGWUV1000 V06034	952999	1
575	NI312LGWUV1000	...	TUBE-PROTECTIVE COVER SUPPLIER CODE: V06034 OPTIONAL PART: LP1625-48 V60116	952999	1
580	F40D30ECO	...	LAMP-FLUOR. SUPPLIER CODE: V08805	952999	1
585	800000255-14	..	HOUSING ASSY-CLG LIGHT SUPPLIER CODE: V05617 SPECIFICATION NUMBER: S417N507-14	952999	1
585	800000255-4	..	HOUSING ASSY-CLG LIGHT SUPPLIER CODE: V05617 SPECIFICATION NUMBER: S417N507-4	952999	1
590	BV03112-03-33	...	HOLDER-BRUCE LAMP SUPPLIER CODE: V17023 ATTACHING PARTS	952999	2
595	MS35206-323	...	SCREW -----*-----	952999	4
650	412N1236-624SP		COMPARTMENT ASSY-OVHD STOWAGE (LIGHTS ONLY) FOR NHA/OTHER SYS DET SEE: 25-28-00-72R	952999	RF
650	412N1270-28SP		COMPARTMENT ASSY-OVHD STOWAGE (LIGHTS ONLY) FOR NHA/OTHER SYS DET SEE: 25-28-00-72R	952999	RF
655	412N1236-609SP		COMPARTMENT ASSY-OVHD STOWAGE (LIGHTS ONLY) FOR NHA/OTHER SYS DET SEE: 25-28-00-72R	952999	RF
655	412N1270-39SP		COMPARTMENT ASSY-OVHD STOWAGE (LIGHTS ONLY) FOR NHA/OTHER SYS DET SEE: 25-28-00-72R	952999	RF

MISSING ITEM NUMBERS NOT APPLICABLE

- ITEM NOT ILLUSTRATED

33-21-51-25

33-21-51
FIG. 25
PAGE 12
MAY 20/09

BRI



757

PARTS CATALOG (MAINTENANCE)

FIG ITEM	PART NUMBER	1 2 3 4 5 6 7	NOMENCLATURE	EFFECT FROM TO	UNITS PER ASSY
25 660	417N5120-18		.LIGHT ASSY- USED ON: 412N1236-609SP 412N1236-610SP 412N1236-624SP	952999	1
660	S417N514-1		.LIGHT ASSY- USED ON: 412N1270-28SP 412N1270-39SP	952999	1
- 665	NAS1801-3-5		ATTACHING PARTS .SCREW- USED ON: 412N1236-609SP 412N1236-610SP 412N1236-624SP	952999	3
- 670	AN960JD10LL		.WASHER- USED ON: 412N1236-609SP 412N1236-610SP 412N1236-624SP	952999	3
675	417N5120-10		-----*----- ..LAMP ASSY	952999	1
680	2055150		...CAP-END SUPPLIER CODE: V04169	952999	2
685	LP1625-48		...TUBE-PROTECTIVE COVER SUPPLIER CODE: V60116 OPTIONAL PART: NI312LGWUV1000 V06034	952999	1
685	NI312LGWUV1000		...TUBE-COVER SUPPLIER CODE: V06034 OPTIONAL PART: LP1625-48 V60116	952999	1
690	F40D30ECO		...LAMP-FLUOR. SUPPLIER CODE: V08805	952999	1
695	800000255-15		..HOUSING ASSY-CLG LIGHT SUPPLIER CODE: V05617 SPECIFICATION NUMBER: S417N507-15	952999	1
700	BV03112-03-33		...HOLDER-BRUCE LAMP SUPPLIER CODE: V17023	952999	2

MISSING ITEM NUMBERS NOT APPLICABLE

- ITEM NOT ILLUSTRATED

33-21-51-25

33-21-51
FIG. 25
PAGE 13
MAY 20/09

BRI



757

PARTS CATALOG (MAINTENANCE)

FIG ITEM	PART NUMBER	1 2 3 4 5 6 7	NOMENCLATURE	EFFECT FROM TO	UNITS PER ASSY
25			ATTACHING PARTS		
- 705	MS35206-323	...	SCREW	952999	4
			-----*-----		
750	412N1236-634SP		COMPARTMENT ASSY-OVHD STOWAGE (LIGHTS ONLY) FOR NHA/OTHER SYS DET SEE: 25-28-00-72T	952999	RF
750	412N1270-38SP		COMPARTMENT ASSY-OVHD STOWAGE (LIGHTS ONLY) FOR NHA/OTHER SYS DET SEE: 25-28-00-72T	952999	RF
755	412N1236-633SP		COMPARTMENT ASSY-OVHD STOWAGE (LIGHTS ONLY) FOR NHA/OTHER SYS DET SEE: 25-28-00-72T	952999	RF
755	412N1270-9SP		COMPARTMENT ASSY-OVHD STOWAGE (LIGHTS ONLY) FOR NHA/OTHER SYS DET SEE: 25-28-00-72T	952999	RF
760	417N5120-121	.LIGHT ASSY-	USED ON: 412N1236-614SP	952999	1
760	S417N514-1	.LIGHT ASSY-	USED ON: 412N1270-38SP	952999	1
765	417N5120-122	.LIGHT ASSY-	USED ON: 412N1236-613SP	952999	1
765	S417N514-1	.LIGHT ASSY-	USED ON: 412N1270-9SP	952999	1
- 770	NAS1801-3-5	ATTACHING PARTS .SCREW-	USED ON: 412N1236-613SP 412N1236-614SP 412N1236-626SP 412N1236-629SP 412N1236-633SP 412N1236-634SP	952999	3
- 775	AN960JD10LL	.WASHER-	USED ON: 412N1236-613SP 412N1236-614SP 412N1236-626SP 412N1236-629SP 412N1236-633SP 412N1236-634SP	952999	3
			-----*-----		

MISSING ITEM NUMBERS NOT APPLICABLE

- ITEM NOT ILLUSTRATED

33-21-51-25

33-21-51
FIG. 25
PAGE 14
MAY 20/09

BRI



757

PARTS CATALOG (MAINTENANCE)

FIG ITEM	PART NUMBER	1 2 3 4 5 6 7	NOMENCLATURE	EFFECT FROM TO	UNITS PER ASSY
25					
780	BACS12ER3K6	..	SCREW	952999	3
785	BACW10UD10	..	WASHER	952999	3
790	F22K1-02	..	NUT	952999	3
			SUPPLIER CODE: V72962		
			SPECIFICATION NUMBER: BACN10R10L		
			OPTIONAL PART: 22K1-02		
			V72962		
			26CLO2		
			V80539		
795	417N5120-10	..	LAMP ASSY	952999	1
800	2055150	...	CAP-END	952999	2
			SUPPLIER CODE: V04169		
805	LP1625-48	...	TUBE-PROTECTIVE COVER	952999	1
			SUPPLIER CODE: V60116		
			OPTIONAL PART: NI312LGWUV1000		
			V06034		
805	NI312LGWUV1000	...	TUBE-COVER	952999	1
			SUPPLIER CODE: V06034		
			OPTIONAL PART: LP1625-48		
			V60116		
810	F40D30ECO	...	LAMP-FLUOR.	952999	1
			SUPPLIER CODE: V08805		
815	800000255-18	..	HOUSING ASSY-CLG LIGHT	952999	1
			SUPPLIER CODE: V05617		
			SPECIFICATION NUMBER: S417N507-18		
			USED ON: 417N5120-121		
815	800000255-8	..	HOUSING ASSY-CLG LIGHT	952999	1
			SUPPLIER CODE: V05617		
			SPECIFICATION NUMBER: S417N507-8		

MISSING ITEM NUMBERS NOT APPLICABLE

- ITEM NOT ILLUSTRATED

33-21-51-25

33-21-51
FIG. 25
PAGE 15
MAY 20/09

BRI



757

PARTS CATALOG (MAINTENANCE)

FIG ITEM	PART NUMBER	1 2 3 4 5 6 7	NOMENCLATURE	EFFECT FROM TO	UNITS PER ASSY
25 820	800000255-19	..	HOUSING ASSY-CLG LIGHT SUPPLIER CODE: V05617 SPECIFICATION NUMBER: S417N507-19 USED ON: 417N5120-122	952999	1
820	800000255-9	..	HOUSING ASSY-CLG LIGHT SUPPLIER CODE: V05617 SPECIFICATION NUMBER: S417N507-9	952999	1
825	BV03112-03-33	...	HOLDER-BRUCE LAMP SUPPLIER CODE: V17023 ATTACHING PARTS	952999	2
- 830	MS35206-323	...	SCREW -----*-----	952999	4
835	05939-104	..	BALLAST ASSY- SUPPLIER CODE: V17023 SPECIFICATION NUMBER: S283N702-104 COMPONENT MAINT MANUAL REF: 33-21-05	952999	1
840	08899-001	...	HOUSING ASSY- SUPPLIER CODE: V17023	952999	1
845	011-0002-510	SCREW- SUPPLIER CODE: V17023	952999	4
850	GMA1-5	...	FUSE-1.5A, 250V SUPPLIER CODE: V71400	952999	1

MISSING ITEM NUMBERS NOT APPLICABLE

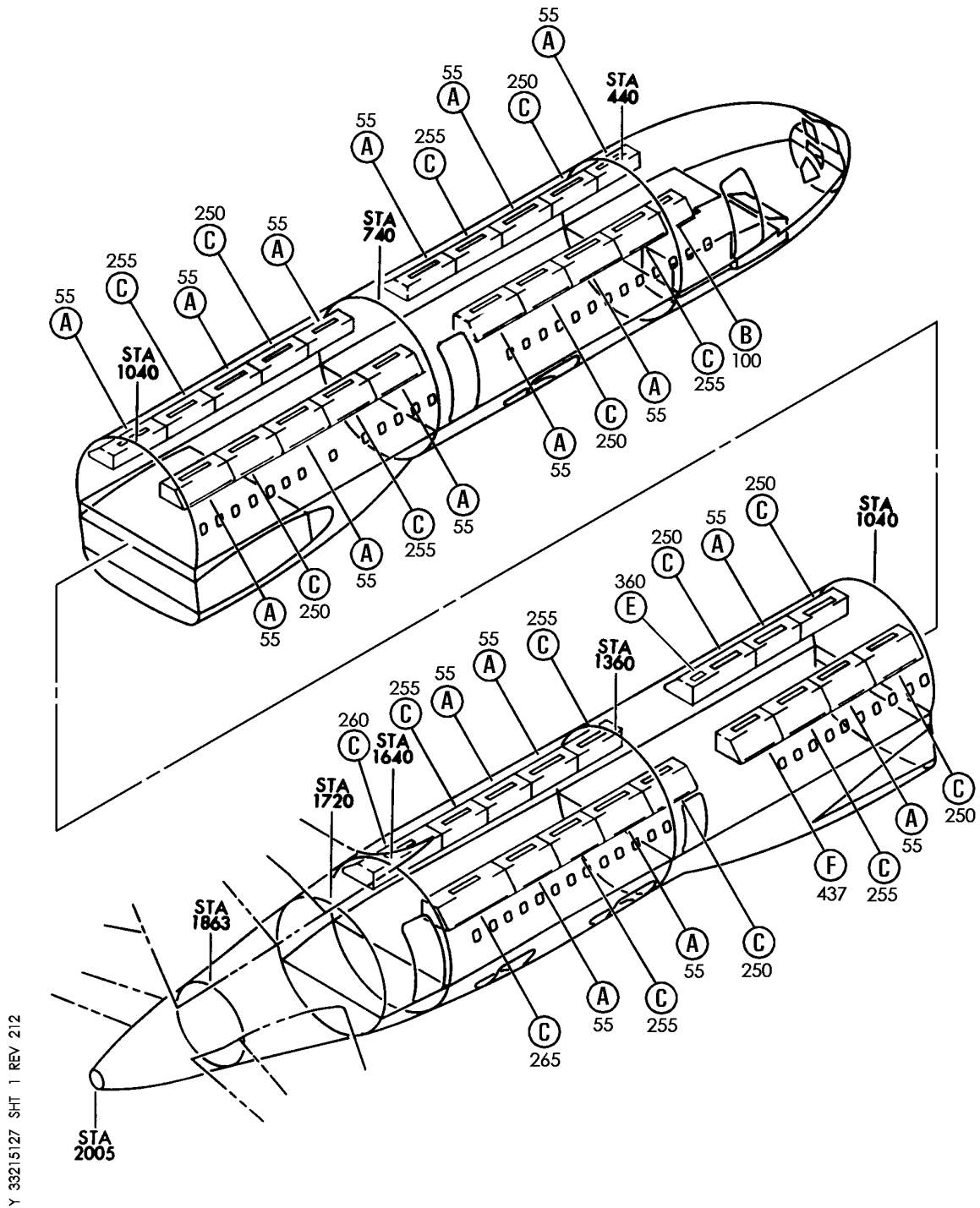
- ITEM NOT ILLUSTRATED

33-21-51-25

33-21-51
FIG. 25
PAGE 16
MAY 20/09

BRI


BOEING
 757
PARTS CATALOG (MAINTENANCE)



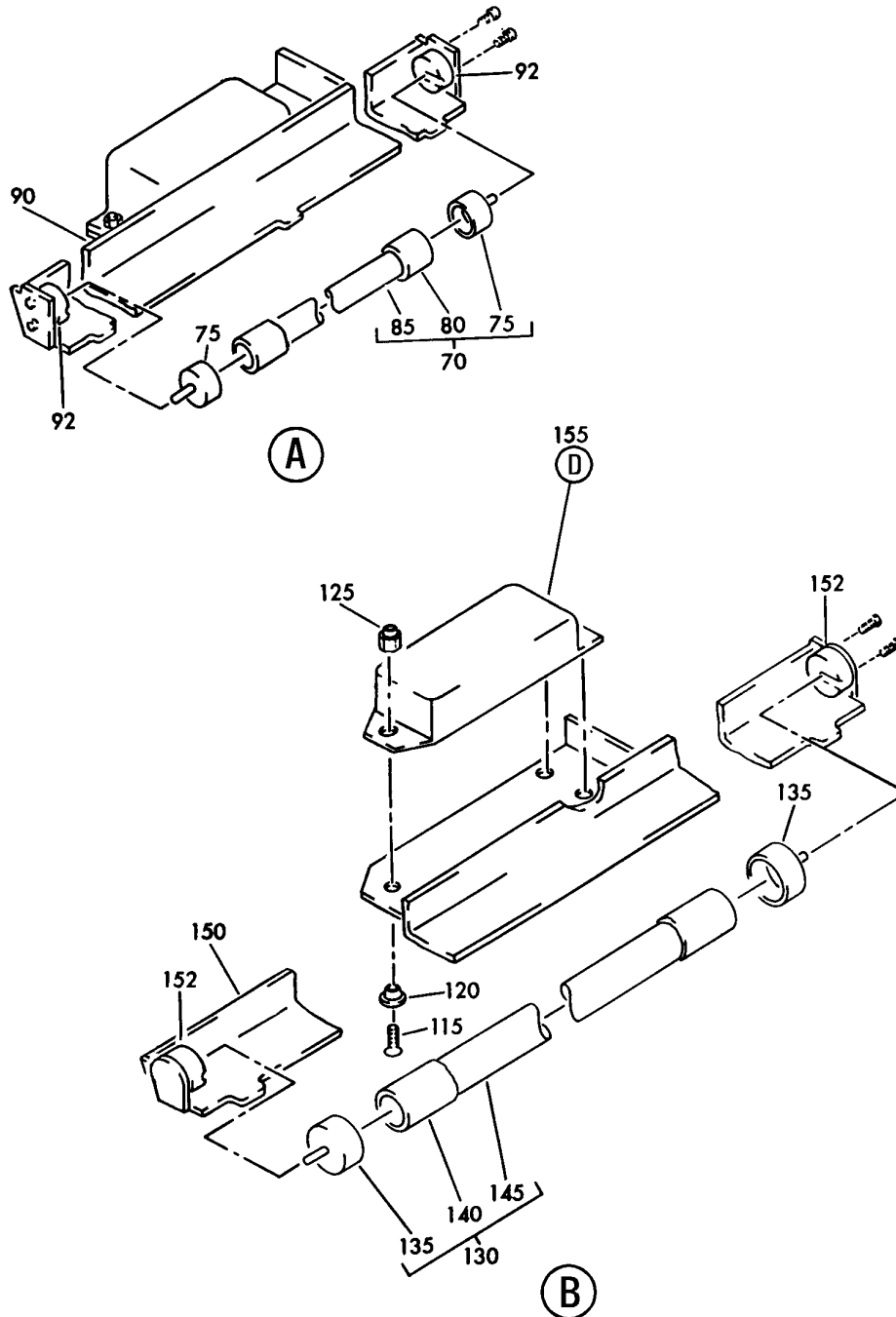
COMPARTMENT ASSY-OVERHEAD STOWAGE (LIGHTS ONLY)
 FIGURE 27 (SHEET 1)

33-21-51-27

BRI
 MAY 28/07

33-21-51-27
 PAGE 0

BOEING
757
PARTS CATALOG (MAINTENANCE)



Y 33215127 SHT 2 REV 212

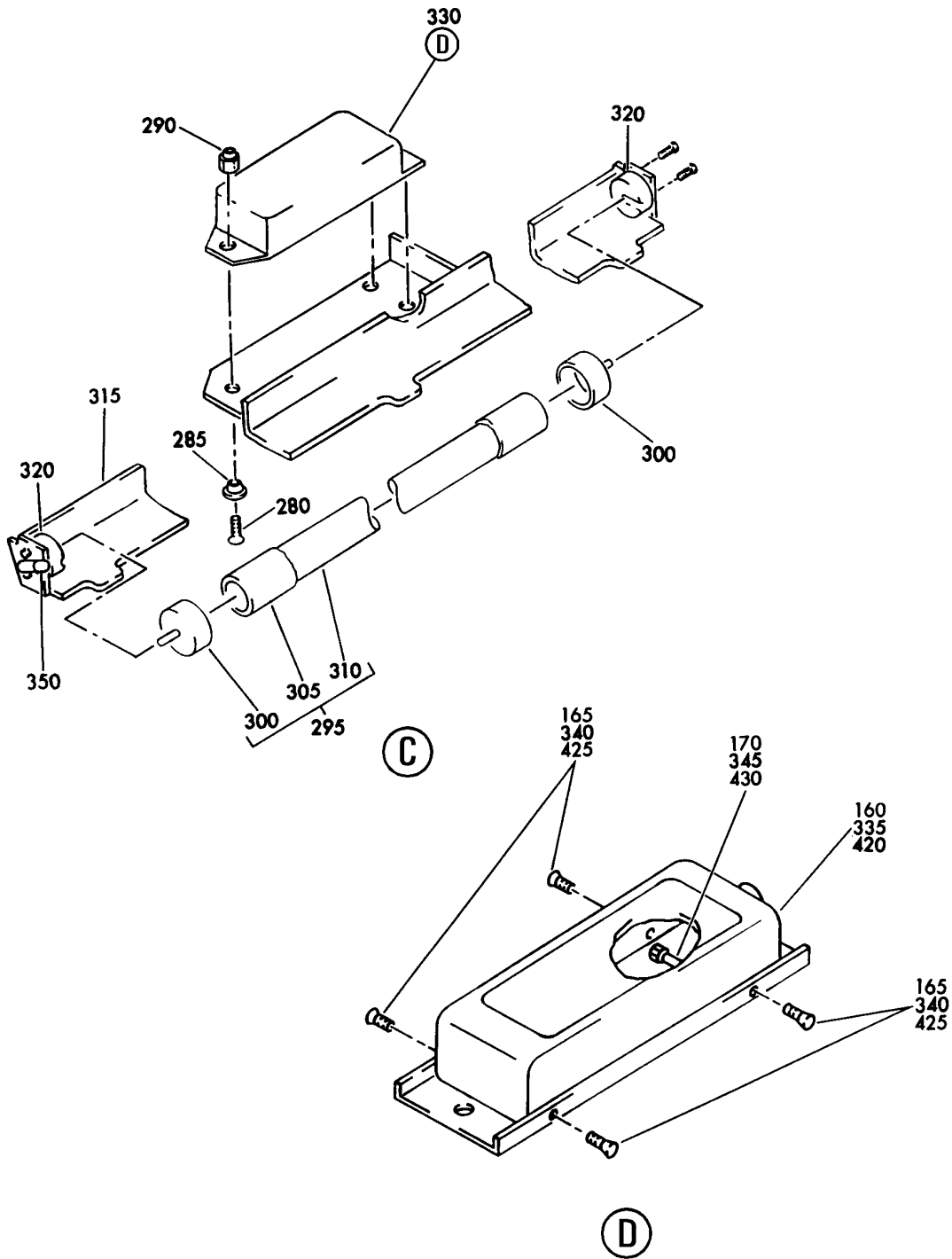
COMPARTMENT ASSY-OVERHEAD STOWAGE (LIGHTS ONLY)
FIGURE 27 (SHEET 2)

33-21-51-27

BRI
MAY 28/07

33-21-51-27
PAGE 0A

BOEING
757
PARTS CATALOG (MAINTENANCE)



Y 33215127 SHT 3 REV 212

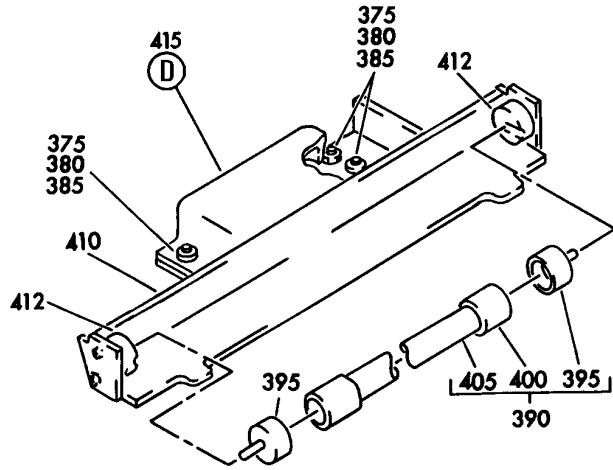
COMPARTMENT ASSY-OVERHEAD STOWAGE (LIGHTS ONLY)
FIGURE 27 (SHEET 3)

33-21-51-27

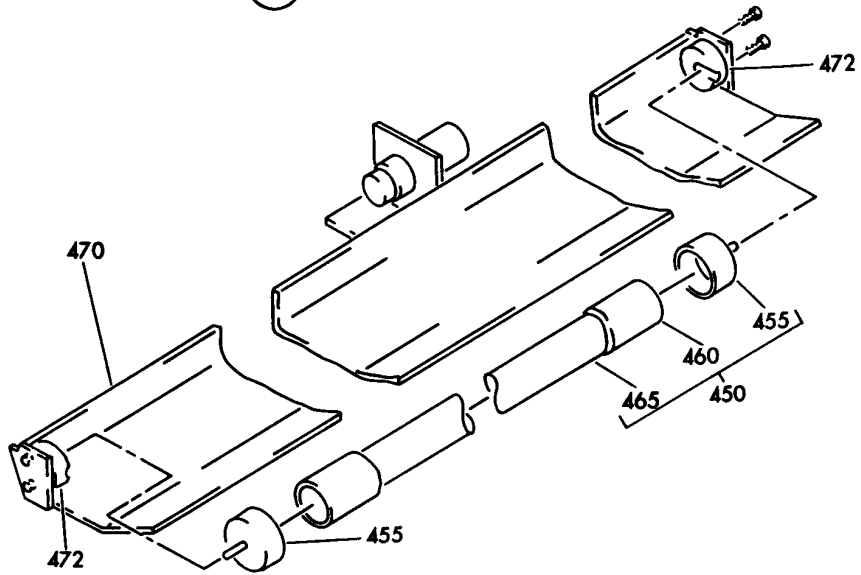
BRI
MAY 28/07

33-21-51-27
PAGE 0B

BOEING
757
PARTS CATALOG (MAINTENANCE)



(D)



(E)

Y 33215127 SHT 4 REV 212

COMPARTMENT ASSY-OVERHEAD STOWAGE (LIGHTS ONLY)
FIGURE 27 (SHEET 4)

33-21-51-27

BRI
MAY 28/07

33-21-51-27
PAGE 0C



757

PARTS CATALOG (MAINTENANCE)

FIG ITEM	PART NUMBER	1 2 3 4 5 6 7	NOMENCLATURE	EFFECT FROM TO	UNITS PER ASSY
27			COMPARTMENT ASSY-OVERHEAD STOWAGE (LIGHTS ONLY)	002004 006017	
- 1	412N1236-639SP		COMPARTMENT ASSY-OVHD STOWAGE (LIGHTS ONLY) FOR NHA/OTHER SYS DET SEE: 25-28-00-72J	002004 006017	RF
- 5	412N1132-655SP		COMPARTMENT ASSY-OVHD STOWAGE (LIGHTS ONLY) FOR NHA/OTHER SYS DET SEE: 25-28-00-72J	002004 006017	RF
- 10	412N1132-662SP		COMPARTMENT ASSY-OVHD STOWAGE (LIGHTS ONLY) FOR NHA/OTHER SYS DET SEE: 25-28-00-72J	002004 006017	RF
- 15	412N1132-677SP		COMPARTMENT ASSY-OVHD STOWAGE (LIGHTS ONLY) FOR NHA/OTHER SYS DET SEE: 25-28-00-72J	002004 006017	RF
- 20	412N1132-694SP		COMPARTMENT ASSY-OVHD STOWAGE (LIGHTS ONLY) FOR NHA/OTHER SYS DET SEE: 25-28-00-72J	002004 006017	RF
- 25	412N1132-679SP		COMPARTMENT ASSY-OVHD STOWAGE (LIGHTS ONLY) FOR NHA/OTHER SYS DET SEE: 25-28-00-72K	002004 006017	RF
- 30	412N1132-696SP		COMPARTMENT ASSY-OVHD STOWAGE (LIGHTS ONLY) FOR NHA/OTHER SYS DET SEE: 25-28-00-72K	002004 006017	RF
- 35	412N1132-668SP		COMPARTMENT ASSY-OVHD STOWAGE (LIGHTS ONLY) FOR NHA/OTHER SYS DET SEE: 25-28-00-72K 25-28-00-72L	002004 006017	RF
- 40	412N1132-661SP		COMPARTMENT ASSY-OVHD STOWAGE (LIGHTS ONLY) FOR NHA/OTHER SYS DET SEE: 25-28-00-72K 25-28-00-72L	002004 006017	RF
- 45	412N1132-676SP		COMPARTMENT ASSY-OVHD STOWAGE (LIGHTS ONLY) FOR NHA/OTHER SYS DET SEE: 25-28-00-72K	002004 006017	RF

MISSING ITEM NUMBERS NOT APPLICABLE

- ITEM NOT ILLUSTRATED

33-21-51-27

33-21-51
FIG. 27
PAGE 1
SEP 20/08

BRI



757

PARTS CATALOG (MAINTENANCE)

FIG ITEM	PART NUMBER	1 2 3 4 5 6 7	NOMENCLATURE	EFFECT FROM TO	UNITS PER ASSY
27					
- 50	412N1132-700SP		COMPARTMENT ASSY-OVHD STOWAGE (LIGHTS ONLY) FOR NHA/OTHER SYS DET SEE: 25-28-00-72L	002004 006017	RF
55	417N5120-17		.LIGHT ASSY	002004 006017	1
- 60	BACS12GU3K5		ATTACHING PARTS .SCREW-	002004 006017	3
			USED ON: 412N1236-639SP 412N1132-677SP 412N1132-679SP 412N1132-694SP 412N1132-696SP 412N1132-700SP		
- 60	NAS1801-3-5		.SCREW-	002004 006017	3
			USED ON: 412N1132-655SP 412N1132-661SP 412N1132-662SP 412N1132-668SP 412N1132-676SP		
- 65	AN960JD10LL		.WASHER	002004 006017	3
70	417N5120-10		-----*----- ..LAMP ASSY	002004 006017	1
75	2055150		...CAP-END SUPPLIER CODE: V04169	002004 006017	2
80	LP1625-48		...TUBE-PROTECTIVE COVER SUPPLIER CODE: V60116 OPTIONAL PART: NI312LGWUV1000 V06034	002004 006017	1
80	NI312LGWUV1000		...TUBE-PROTECTIVE COVER SUPPLIER CODE: V06034 OPTIONAL PART: LP1625-48 V60116	002004 006017	1
85	F40D30ECO		...LAMP-FLUOR. SUPPLIER CODE: V08805	002004 006017	1

R
R
R

MISSING ITEM NUMBERS NOT APPLICABLE

- ITEM NOT ILLUSTRATED

33-21-51-27

33-21-51
FIG. 27
PAGE 2
MAY 20/09

BRI

BOEING PROPRIETARY - Copyright © - Unpublished Work - See title page for details.



757

PARTS CATALOG (MAINTENANCE)

FIG ITEM	PART NUMBER	1 2 3 4 5 6 7	NOMENCLATURE	EFFECT FROM TO	UNITS PER ASSY
27					
90	800000255-14	..	HOUSING ASSY- SUPPLIER CODE: V05617 SPECIFICATION NUMBER: S417N507-14	002004 006017	1
90	800000255-4	..	HOUSING ASSY- SUPPLIER CODE: V05617 SPECIFICATION NUMBER: S417N507-4	002004 006017	1
92	BV03112-03-33	...	HOLDER-BRUCE LAMP SUPPLIER CODE: V17023 ATTACHING PARTS	002004 006017	2
- 94	MS35206-323	...	SCREW	002004 006017	4
- 95	412N1236-640SP		-----*----- COMPARTMENT ASSY-OVHD STOWAGE (LIGHTS ONLY) REWORKED BY RAPID REVISION: RR92034-8 RR92014-41 FOR NHA/OTHER SYS DET SEE: 25-28-00-72J	002004 006010	RF
- 95	412N1236-698SP		COMPARTMENT ASSY-OVHD STOWAGE (LIGHTS ONLY) FOR NHA/OTHER SYS DET SEE: 25-28-00-72J	011017	RF
100	417N5120-123	.	LIGHT ASSY ATTACHING PARTS	002004 006017	1
- 105	BACSS12GU3K5	.	SCREW	002004 006017	2
- 110	AN960JD10LL	.	WASHER	002004 006017	2
115	BACS12ER3K6	..	SCREW	002004 006017	3
120	BACW10UD10	..	WASHER	002004 006017	3

MISSING ITEM NUMBERS NOT APPLICABLE

- ITEM NOT ILLUSTRATED

33-21-51-27

33-21-51
FIG. 27
PAGE 3
MAY 20/09

BRI



757

PARTS CATALOG (MAINTENANCE)

FIG ITEM	PART NUMBER	1 2 3 4 5 6 7	NOMENCLATURE	EFFECT FROM TO	UNITS PER ASSY
27 125	F22K1-02	..	NUT SUPPLIER CODE: V72962 SPECIFICATION NUMBER: BACN10R10L OPTIONAL PART: 22K1-02 V72962 26CLO2 V80539	002004 006017	3
130	417N5120-11	..	LAMP ASSY	002004 006017	1
135	2055150	...	CAP-END SUPPLIER CODE: V04169	002004 006017	2
140	LP1625-24	...	TUBE-PROTECTIVE COVER SUPPLIER CODE: V60116 OPTIONAL PART: NI152LGWUV1000 V06034	002004 006017	1
140	NI152LGWUV1000	...	TUBE-PROTECTIVE COVER SUPPLIER CODE: V06034 OPTIONAL PART: LP1625-24 V60116	002004 006017	1
145	F20T12WW	...	LAMP-FLOUR. SUPPLIER CODE: V13545	002004 006017	1
150	800000255-20	..	HOUSING ASSY- SUPPLIER CODE: V05617 SPECIFICATION NUMBER: S417N507-20	002004 006017	1
150	800000255-10	..	HOUSING ASSY- SUPPLIER CODE: V05617 SPECIFICATION NUMBER: S417N507-10	002004 006017	1
152	BV03112-03-33	...	HOLDER-BRUCE LAMP SUPPLIER CODE: V17023 ATTACHING PARTS	002004 006017	2
- 153	MS35206-323	...	SCREW -----*-----	002004 006017	4

MISSING ITEM NUMBERS NOT APPLICABLE

- ITEM NOT ILLUSTRATED

33-21-51-27

33-21-51
FIG. 27
PAGE 4
SEP 20/08

BRI

BOEING PROPRIETARY - Copyright © - Unpublished Work - See title page for details.



757

PARTS CATALOG (MAINTENANCE)

FIG ITEM	PART NUMBER	1 2 3 4 5 6 7	NOMENCLATURE	EFFECT FROM TO	UNITS PER ASSY
27 155	05939-105		..BALLAST ASSY- SUPPLIER CODE: V17023 SPECIFICATION NUMBER: S283N702-105 COMPONENT MAINT MANUAL REF: 33-21-05	002004 006017	1
160	08899-001		...HOUSING ASSY- SUPPLIER CODE: V17023	002004 006017	1
165	011-0002-510	SCREW- SUPPLIER CODE: V17023	002004 006017	4
170	GMA1-5		...FUSE-1.5A, 250V SUPPLIER CODE: V71400	002004 006017	1
- 175	412N1132-675SP		COMPARTMENT ASSY-OVHD STOWAGE (LIGHTS ONLY) FOR NHA/OTHER SYS DET SEE: 25-28-00-72J	002004 006017	RF
- 180	412N1132-692SP		COMPARTMENT ASSY-OVHD STOWAGE (LIGHTS ONLY) FOR NHA/OTHER SYS DET SEE: 25-28-00-72J	002004 006017	RF
- 185	412N1132-713SP		COMPARTMENT ASSY-OVHD STOWAGE (LIGHTS ONLY) FOR NHA/OTHER SYS DET SEE: 25-28-00-72J	002004 006017	RF
- 190	412N1132-674SP		COMPARTMENT ASSY-OVHD STOWAGE (LIGHTS ONLY) FOR NHA/OTHER SYS DET SEE: 25-28-00-72J 25-28-00-72K	002004 006017	RF
- 190	412N1132-742SP		COMPARTMENT ASSY-OVHD STOWAGE (LIGHTS ONLY) FOR NHA/OTHER SYS DET SEE: 25-28-00-72J 25-28-00-72K	002004 006017	RF
- 195	412N1132-653SP		COMPARTMENT ASSY-OVHD STOWAGE (LIGHTS ONLY) FOR NHA/OTHER SYS DET SEE: 25-28-00-72K	002004 006017	RF
- 200	412N1132-666SP		COMPARTMENT ASSY-OVHD STOWAGE (LIGHTS ONLY) FOR NHA/OTHER SYS DET SEE: 25-28-00-72K	002004 006017	RF

MISSING ITEM NUMBERS NOT APPLICABLE

- ITEM NOT ILLUSTRATED

33-21-51-27

33-21-51
FIG. 27
PAGE 5
SEP 20/08

BRI



757

PARTS CATALOG (MAINTENANCE)

FIG ITEM	PART NUMBER	1 2 3 4 5 6 7	NOMENCLATURE	EFFECT FROM TO	UNITS PER ASSY
27					
- 205	412N1132-647SP		COMPARTMENT ASSY-OVHD STOWAGE (LIGHTS ONLY) FOR NHA/OTHER SYS DET SEE: 25-28-00-72K	002004 006017	RF
- 210	412N1132-678SP		COMPARTMENT ASSY-OVHD STOWAGE (LIGHTS ONLY) FOR NHA/OTHER SYS DET SEE: 25-28-00-72K	002004 006017	RF
- 215	412N1132-681SP		COMPARTMENT ASSY-OVHD STOWAGE (LIGHTS ONLY) FOR NHA/OTHER SYS DET SEE: 25-28-00-72L	002004 006017	RF
- 220	412N1132-698SP		COMPARTMENT ASSY-OVHD STOWAGE (LIGHTS ONLY) FOR NHA/OTHER SYS DET SEE: 25-28-00-72L	002004 006017	RF
- 225	412N1236-643SP		COMPARTMENT ASSY-OVHD STOWAGE (LIGHTS ONLY) FOR NHA/OTHER SYS DET SEE: 25-28-00-72L	002004 006017	RF
- 230	412N1236-644SP		COMPARTMENT ASSY-OVHD STOWAGE (LIGHTS ONLY) FOR NHA/OTHER SYS DET SEE: 25-28-00-72L	002004 006017	RF
- 235	412N1236-645SP		COMPARTMENT ASSY-OVHD STOWAGE (LIGHTS ONLY) FOR NHA/OTHER SYS DET SEE: 25-28-00-72L	002004 006017	RF
- 240	412N1236-646SP		COMPARTMENT ASSY-OVHD STOWAGE (LIGHTS ONLY) FOR NHA/OTHER SYS DET SEE: 25-28-00-72L	002004 006017	RF
- 245	412N1236-641SP		COMPARTMENT ASSY-OVHD STOWAGE (LIGHTS ONLY) FOR NHA/OTHER SYS DET SEE: 25-28-00-72K	002004 006017	RF
250	417N5120-115		.LIGHT ASSY- USED ON: 412N1132-653SP 412N1132-674SP 412N1132-742SP 412N1236-641SP 412N1236-643SP 412N1236-644SP	002004 006017	1

MISSING ITEM NUMBERS NOT APPLICABLE

- ITEM NOT ILLUSTRATED

33-21-51-27

33-21-51
FIG. 27
PAGE 6
SEP 20/08

BRI

BOEING PROPRIETARY - Copyright © - Unpublished Work - See title page for details.



757

PARTS CATALOG (MAINTENANCE)

FIG ITEM	PART NUMBER	1 2 3 4 5 6 7	NOMENCLATURE	EFFECT FROM TO	UNITS PER ASSY
27 255	417N5120-114		.LIGHT ASSY- USED ON: 412N1132-647SP 412N1132-666SP 412N1132-678SP 412N1132-681SP 412N1132-698SP 412N1132-713SP	002004 006017	1
260	417N5120-122		.LIGHT ASSY- USED ON: 412N1236-645SP	002004 006017	1
265	417N5120-121		.LIGHT ASSY- USED ON: 412N1236-646SP	002004 006017	1
- 270	BAC12GU3K5		ATTACHING PARTS .SCREW- USED ON: 412N1236-641SP 412N1236-643SP 412N1236-644SP 412N1236-645SP 412N1236-646SP 412N1132-681SP 412N1132-692SP 412N1132-698SP	002004 006017	3
- 270	NAS1801-3-5		.SCREW- USED ON: 412N1132-647SP 412N1132-653SP 412N1132-666SP 412N1132-674SP 412N1132-675SP 412N1132-678SP 412N1132-713SP 412N1132-742SP	002004 006017	3
- 275	AN960JD10LL		.WASHER	002004 006017	3
280	BACS12ER3K6		-----*----- . . SCREW	002004 006017	3
285	BACW10UD10		. . WASHER	002004 006017	3

MISSING ITEM NUMBERS NOT APPLICABLE

- ITEM NOT ILLUSTRATED

33-21-51-27

33-21-51
FIG. 27
PAGE 7
SEP 20/08

BRI



757

PARTS CATALOG (MAINTENANCE)

FIG ITEM	PART NUMBER	1 2 3 4 5 6 7	NOMENCLATURE	EFFECT FROM TO	UNITS PER ASSY
27 290	F22K1-02	..	NUT SUPPLIER CODE: V72962 SPECIFICATION NUMBER: BACN10R10L OPTIONAL PART: 22K1-02 V72962 26CLO2 V80539	002004 006017	3
295	417N5120-10	..	LAMP ASSY	002004 006017	1
300	2055150	...	CAP-END SUPPLIER CODE: V04169	002004 006017	2
305	LP1625-48	...	TUBE-PROTECTIVE COVER SUPPLIER CODE: V60116 OPTIONAL PART: NI312LGWUV1000 V06034	002004 006017	1
305	NI312LGWUV1000	...	TUBE-PROTECTIVE COVER SUPPLIER CODE: V06034 OPTIONAL PART: LP1625-48 V60116	002004 006017	1
310	F40D30ECO	...	LAMP-FLUOR. SUPPLIER CODE: V08805	002004 006017	1
315	800000255-11	..	HOUSING ASSY- SUPPLIER CODE: V05617 SPECIFICATION NUMBER: S417N507-11 USED ON: 417N5120-114	002004 006017	1
315	800000255-12	..	HOUSING ASSY- SUPPLIER CODE: V05617 SPECIFICATION NUMBER: S417N507-12 USED ON: 417N5120-115	002004 006017	1

R
R
R

MISSING ITEM NUMBERS NOT APPLICABLE

- ITEM NOT ILLUSTRATED

33-21-51-27

33-21-51
FIG. 27
PAGE 8
MAY 20/09

BRI



757

PARTS CATALOG (MAINTENANCE)

FIG ITEM	PART NUMBER	1 2 3 4 5 6 7	NOMENCLATURE	EFFECT FROM TO	UNITS PER ASSY
27 315	800000255-18	..	HOUSING ASSY- SUPPLIER CODE: V05617 SPECIFICATION NUMBER: S417N507-18 USED ON: 417N5120-121	002004 006017	1
315	800000255-19	..	HOUSING ASSY- SUPPLIER CODE: V05617 SPECIFICATION NUMBER: S417N507-19 USED ON: 417N5120-122	002004 006017	1
315	800000255-2	..	HOUSING ASSY- SUPPLIER CODE: V05617 SPECIFICATION NUMBER: S417N507-2	002004 006017	1
315	800000255-8	..	HOUSING ASSY- SUPPLIER CODE: V05617 SPECIFICATION NUMBER: S417N507-8	002004 006017	1
315	800000255-9	..	HOUSING ASSY- SUPPLIER CODE: V05617 SPECIFICATION NUMBER: S417N507-9	002004 006017	1
320	BV03112-03-33	...	HOLDER-BRUCE LAMP SUPPLIER CODE: V17023 USED ON: 800000255-11 800000255-12 800000255-18	002004 006017	2
320	BV03112-03-42	...	HOLDER-BRUCE LAMP SUPPLIER CODE: V17023 USED ON: 800000255-19	002004 006017	2
- 325	MS35206-323	...	SCREW -----*-----	002004 006017	4

MISSING ITEM NUMBERS NOT APPLICABLE

- ITEM NOT ILLUSTRATED

33-21-51-27

33-21-51
FIG. 27
PAGE 9
SEP 20/08

BRI

BOEING PROPRIETARY - Copyright © - Unpublished Work - See title page for details.



757

PARTS CATALOG (MAINTENANCE)

FIG ITEM	PART NUMBER	1 2 3 4 5 6 7	NOMENCLATURE	EFFECT FROM TO	UNITS PER ASSY
27 330	05939-103		..BALLAST ASSY- SUPPLIER CODE: V17023 SPECIFICATION NUMBER: S283N702-103 COMPONENT MAINT MANUAL REF: 33-21-05 USED ON: 417N5120-114 417N5120-115	002004 006017	1
330	05939-104		..BALLAST ASSY- SUPPLIER CODE: V17023 SPECIFICATION NUMBER: S283N702-104 COMPONENT MAINT MANUAL REF: 33-21-05 USED ON: 417N5120-121 417N5120-122	002004 006017	1
335	08899-001		...HOUSING ASSY- SUPPLIER CODE: V17023	002004 006017	1
340	011-0002-510	SCREW- SUPPLIER CODE: V17023	002004 006017	4
345	GMA1-5		...FUSE-1.5A, 250V SUPPLIER CODE: V71400	002004 006017	1
350	1864		..BULB- SUPPLIER CODE: V71744 USED ON: 417N5120-114	002004 006017	1
360	417N5120-120		.LIGHT ASSY- USED ON: 412N1236-641SP ATTACHING PARTS	002004 006017	1
- 365	BAC12GU3K5		.SCREW	002004 006017	3
- 370	AN960JD10LL		.WASHER	002004 006017	3
			-----*-----		
375	BACS12ER3K6		..SCREW	002004 006017	3
380	BACW10UD10		..WASHER	002004 006017	3

MISSING ITEM NUMBERS NOT APPLICABLE

- ITEM NOT ILLUSTRATED

33-21-51-27

33-21-51
FIG. 27
PAGE 10
SEP 20/08

BRI



757

PARTS CATALOG (MAINTENANCE)

FIG ITEM	PART NUMBER	1 2 3 4 5 6 7	NOMENCLATURE	EFFECT FROM TO	UNITS PER ASSY
27 385	F22K1-02	..	NUT SUPPLIER CODE: V72962 SPECIFICATION NUMBER: BACN10R10L OPTIONAL PART: 22K1-02 V72962 26CLO2 V80539	002004 006017	3
390	417N5120-12	..	LAMP ASSY	002004 006017	1
395	2055132	...	CAP-END SUPPLIER CODE: V04169	002004 006017	2
400	LP1610-18	...	TUBE-PROTECTIVE COVER SUPPLIER CODE: V60116 OPTIONAL PART: NI060LGWUV1000 V06034	002004 006017	1
400	NI060LGWUV1000	...	TUBE-PROTECTIVE COVER SUPPLIER CODE: V06034 OPTIONAL PART: LP1610-18 V60116	002004 006017	1
405	F15T8WW	...	LAMP-FLOUR. SUPPLIER CODE: V13545	002004 006017	1
410	800000255-17	..	HOUSING ASSY- SUPPLIER CODE: V05617 SPECIFICATION NUMBER: S417N507-17	002004 006017	1
410	800000255-7	..	HOUSING ASSY- SUPPLIER CODE: V05617 SPECIFICATION NUMBER: S417N507-7	002004 006017	1
412	BV03112-03-33	...	HOLDER-BRUCE LAMP SUPPLIER CODE: V17023 ATTACHING PARTS	002004 006017	2
- 414	MS35206-323	...	SCREW -----*-----	002004 006017	4

MISSING ITEM NUMBERS NOT APPLICABLE

- ITEM NOT ILLUSTRATED

33-21-51-27

33-21-51
FIG. 27
PAGE 11
SEP 20/08

BRI



757

PARTS CATALOG (MAINTENANCE)

FIG ITEM	PART NUMBER	1 2 3 4 5 6 7	NOMENCLATURE	EFFECT FROM TO	UNITS PER ASSY
27 415	05939-107		..BALLAST ASSY- SUPPLIER CODE: V17023 SPECIFICATION NUMBER: S283N702-107 COMPONENT MAINT MANUAL REF: 33-21-05	002004 006017	1
420	08899-001		...HOUSING ASSY- SUPPLIER CODE: V17023	002004 006017	1
425	011-0002-510	SCREW- SUPPLIER CODE: V17023	002004 006017	4
430	GMA1-5		...FUSE-1.5A, 250V SUPPLIER CODE: V71400	002004 006017	1
- 435	412N1236-642SP		COMPARTMENT ASSY-OVHD STOWAGE (LIGHTS ONLY) FOR NHA/OTHER SYS DET SEE: 25-28-00-72K	002004 006017	RF
437	417N5120-18		.LIGHT ASSY	002004 006017	1
- 440	BACS12GU3K5		ATTACHING PARTS .SCREW	002004 006017	3
- 445	AN960JD10LL		.WASHER	002004 006017	3
450	417N5120-10		-----*----- ..LAMP ASSY	002004 006017	1
455	2055150		...CAP-END SUPPLIER CODE: V04169	002004 006017	2
460	LP1625-48		...TUBE-PROTECTIVE COVER SUPPLIER CODE: V60116 OPTIONAL PART: NI312LGWUV1000 V06034	002004 006017	1
460	NI312LGWUV1000		...TUBE-PROTECTIVE COVER SUPPLIER CODE: V06034 OPTIONAL PART: LP1625-48 V60116	002004 006017	1
465	F40D30ECO		...LAMP-FLUOR. SUPPLIER CODE: V08805	002004 006017	1

MISSING ITEM NUMBERS NOT APPLICABLE

- ITEM NOT ILLUSTRATED

33-21-51-27

33-21-51
FIG. 27
PAGE 12
MAY 20/09

BRI



757

PARTS CATALOG (MAINTENANCE)

FIG ITEM	PART NUMBER	1 2 3 4 5 6 7	NOMENCLATURE	EFFECT FROM TO	UNITS PER ASSY
27 470	800000255-15		..HOUSING ASSY- SUPPLIER CODE: V05617 SPECIFICATION NUMBER: S417N507-15	002004 006017	1
472	BV03112-03-33		...HOLDER-BRUCE LAMP SUPPLIER CODE: V17023 ATTACHING PARTS	002004 006017	2
- 474	MS35206-323		...SCREW -----*-----	002004 006017	4

MISSING ITEM NUMBERS NOT APPLICABLE

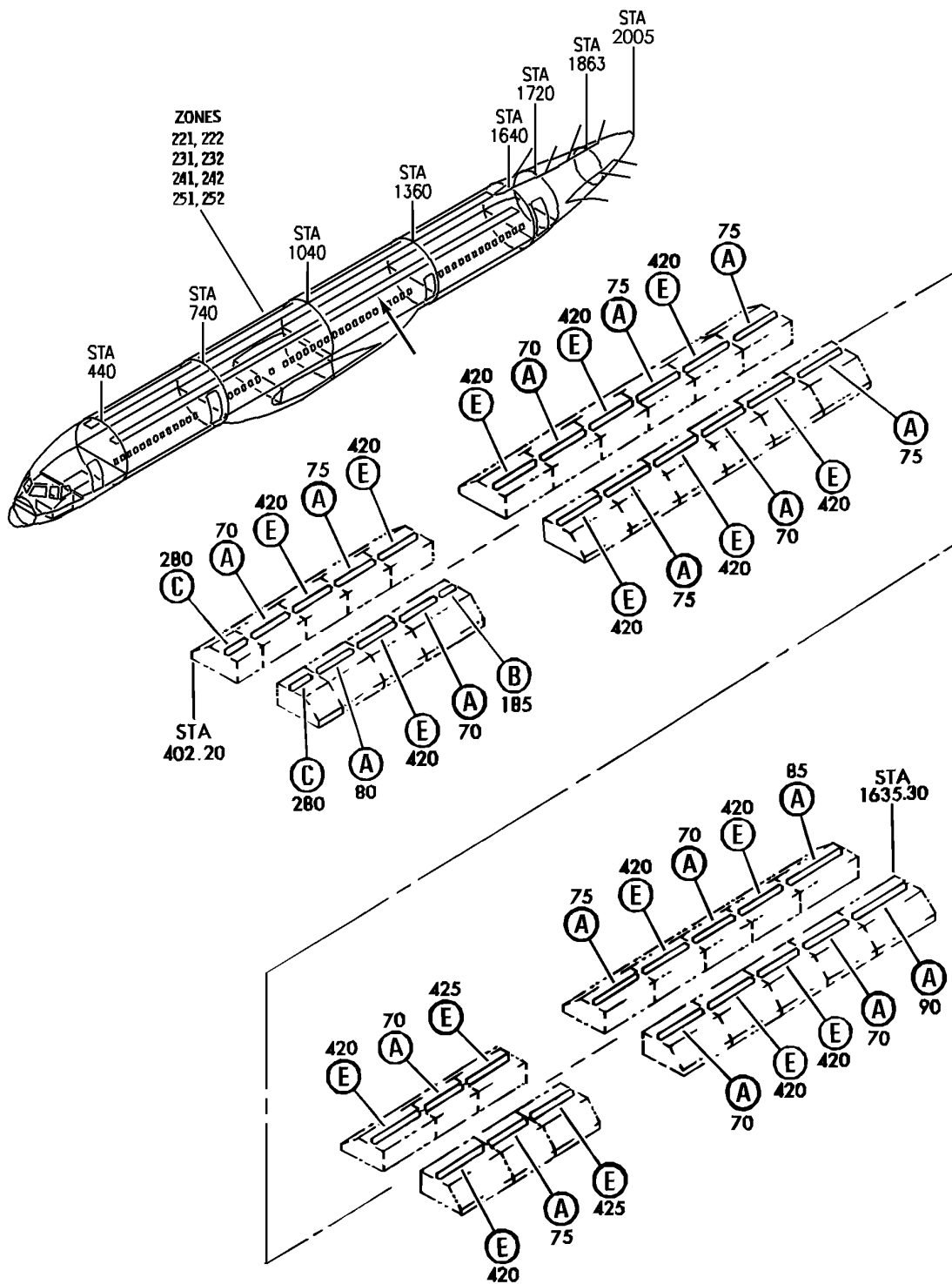
- ITEM NOT ILLUSTRATED

33-21-51-27

33-21-51
FIG. 27
PAGE 13
MAY 20/09

BRI

BOEING
757
PARTS CATALOG (MAINTENANCE)



Y 33215130 SHT 1 REV 212

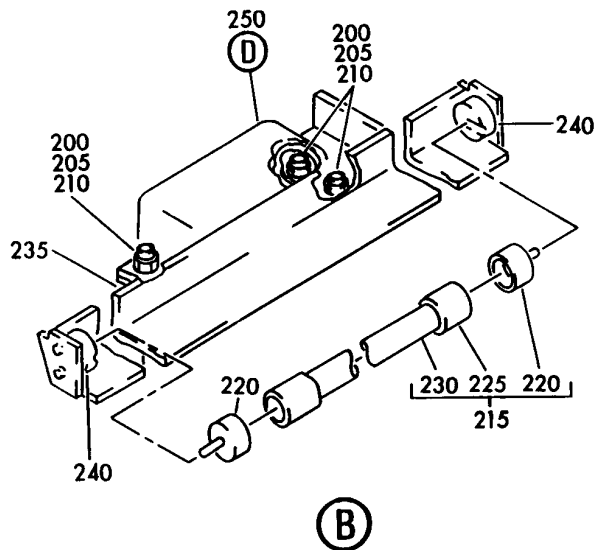
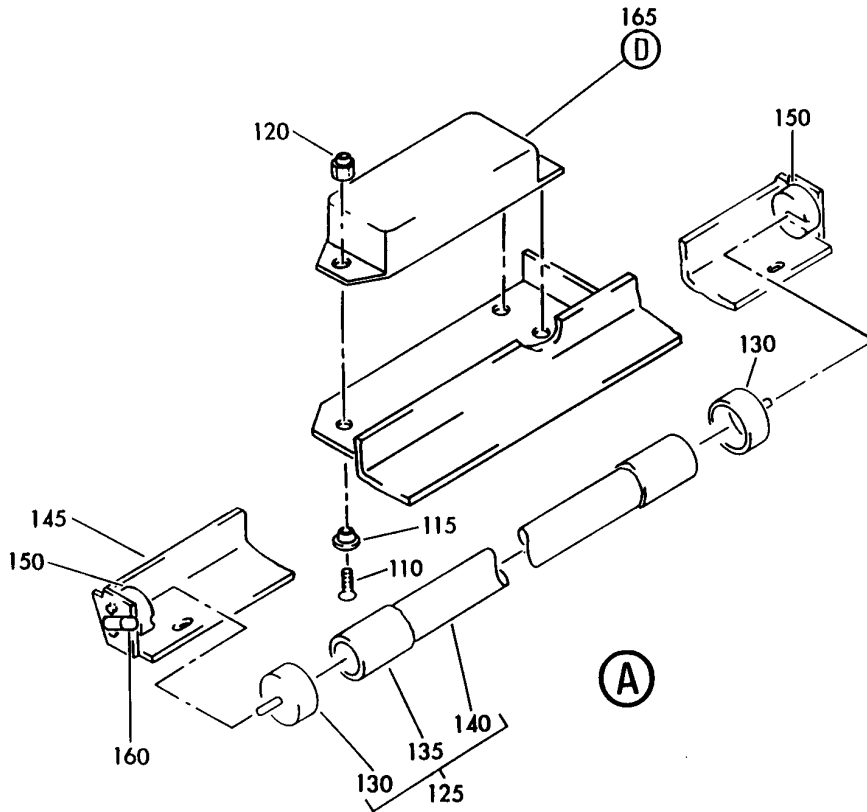
COMPARTMENT ASSY-OVERHEAD STOWAGE (LIGHTS ONLY)
FIGURE 30 (SHEET 1)

33-21-51-30

BRI
JAN 20/09

33-21-51-30
PAGE 0

BOEING
757
PARTS CATALOG (MAINTENANCE)



Y 33215130 SHT 2 REV 138

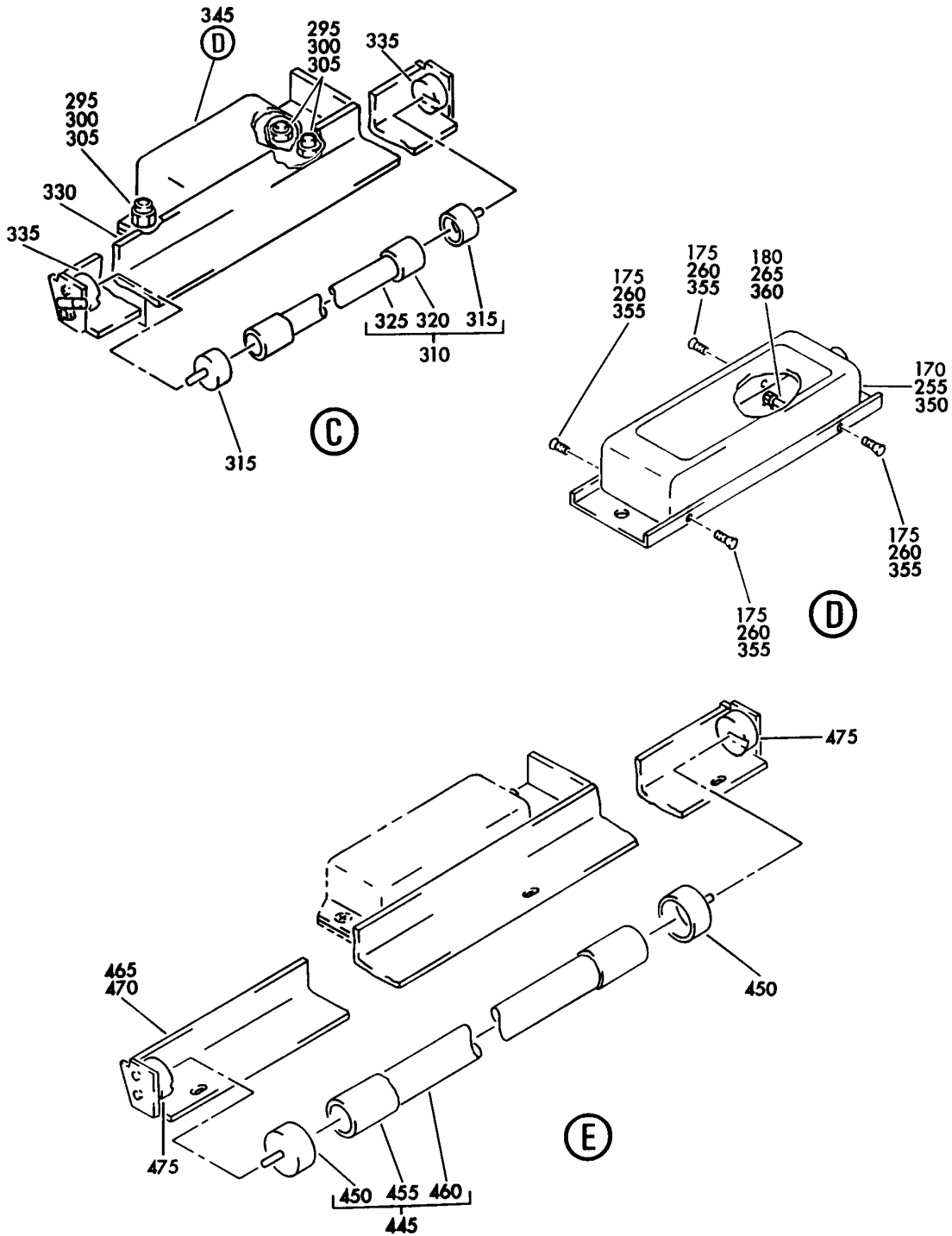
COMPARTMENT ASSY-OVERHEAD STOWAGE (LIGHTS ONLY)
FIGURE 30 (SHEET 2)

33-21-51-30

BRI
JAN 20/09

33-21-51-30
PAGE 0A

BOEING
757
PARTS CATALOG (MAINTENANCE)



Y 33215130 SHT 3 REV 212

COMPARTMENT ASSY-OVERHEAD STOWAGE (LIGHTS ONLY)
FIGURE 30 (SHEET 3)

33-21-51-30

BRI
JAN 20/09

33-21-51-30
PAGE 0B



757

PARTS CATALOG (MAINTENANCE)

FIG ITEM	PART NUMBER	1 2 3 4 5 6 7	NOMENCLATURE	EFFECT FROM TO	UNITS PER ASSY
30			COMPARTMENT ASSY-OVERHEAD STOWAGE (LIGHTS ONLY)	950951	
- 1	412N1132-743SP		COMPARTMENT ASSY-OVHD STOWAGE (LIGHTS ONLY) FOR NHA/OTHER SYS DET SEE: 25-28-00-72Y	950951	RF
- 5	412N1132-660SP		COMPARTMENT ASSY-OVHD STOWAGE (LIGHTS ONLY) FOR NHA/OTHER SYS DET SEE: 25-28-00-72Y	950951	RF
- 10	412N1132-674SP		COMPARTMENT ASSY-OVHD STOWAGE (LIGHTS ONLY) FOR NHA/OTHER SYS DET SEE: 25-28-00-72Y 25-28-00-72Z	950951	RF
- 10	412N1132-742SP		COMPARTMENT ASSY-OVHD STOWAGE (LIGHTS ONLY) FOR NHA/OTHER SYS DET SEE: 25-28-00-72Y 25-28-00-72Z	950951	RF
- 15	412N1236-671SP		COMPARTMENT ASSY-OVHD STOWAGE (LIGHTS ONLY) FOR NHA/OTHER SYS DET SEE: 25-28-00-72Y	950951	RF
- 20	412N1132-653SP		COMPARTMENT ASSY-OVHD STOWAGE (LIGHTS ONLY) FOR NHA/OTHER SYS DET SEE: 25-28-00-72Z	950951	RF
- 22	412N1132-647SP		COMPARTMENT ASSY-OVHD STOWAGE (LIGHTS ONLY) FOR NHA/OTHER SYS DET SEE: 25-28-00-72Z	950951	RF
- 25	412N1132-663SP		COMPARTMENT ASSY-OVHD STOWAGE (LIGHTS ONLY) FOR NHA/OTHER SYS DET SEE: 25-28-00-72Z	950951	RF
- 30	412N1132-666SP		COMPARTMENT ASSY-OVHD STOWAGE (LIGHTS ONLY) FOR NHA/OTHER SYS DET SEE: 25-28-00-72Z	950951	RF
- 35	412N1132-678SP		COMPARTMENT ASSY-OVHD STOWAGE (LIGHTS ONLY) FOR NHA/OTHER SYS DET SEE: 25-28-00-72Z	950951	RF
- 40	412N1132-669SP		COMPARTMENT ASSY-OVHD STOWAGE (LIGHTS ONLY) FOR NHA/OTHER SYS DET SEE: 25-28-00-73	950951	RF

MISSING ITEM NUMBERS NOT APPLICABLE

- ITEM NOT ILLUSTRATED

33-21-51-30

33-21-51
FIG. 30
PAGE 1
JAN 20/09

BRI



757

PARTS CATALOG (MAINTENANCE)

FIG ITEM	PART NUMBER	1 2 3 4 5 6 7	NOMENCLATURE	EFFECT FROM TO	UNITS PER ASSY
30					
- 40	412N1132-701SP		COMPARTMENT ASSY-OVHD STOWAGE (LIGHTS ONLY) FOR NHA/OTHER SYS DET SEE: 25-28-00-73	950951	RF
- 45	412N1132-698SP		COMPARTMENT ASSY-OVHD STOWAGE (LIGHTS ONLY) FOR NHA/OTHER SYS DET SEE: 25-28-00-73	950951	RF
- 50	412N1236-703SP		COMPARTMENT ASSY-OVHD STOWAGE (LIGHTS ONLY) FOR NHA/OTHER SYS DET SEE: 25-28-00-73	950951	RF
- 55	412N1236-704SP		COMPARTMENT ASSY-OVHD STOWAGE (LIGHTS ONLY) FOR NHA/OTHER SYS DET SEE: 25-28-00-73	950951	RF
- 60	412N1236-706SP		COMPARTMENT ASSY-OVHD STOWAGE (LIGHTS ONLY) FOR NHA/OTHER SYS DET SEE: 25-28-00-73	950951	RF
- 65	412N1236-705SP		COMPARTMENT ASSY-OVHD STOWAGE (LIGHTS ONLY) FOR NHA/OTHER SYS DET SEE: 25-28-00-73	950951	RF
70	417N5120-114		.LIGHT ASSY- USED ON: 412N1132-647SP 412N1132-660SP 412N1132-666SP 412N1132-669SP 412N1132-678SP 412N1132-698SP 412N1236-643SP 412N1236-671SP	950951	1
75	417N5120-115		.LIGHT ASSY- USED ON: 412N1132-653SP 412N1132-663SP 412N1132-674SP 412N1132-742SP 412N1236-644SP	950951	1
80	417N5120-116		.LIGHT ASSY- USED ON: 412N1132-743SP 412N1132-855SP	950951	1
85	417N5120-121		.LIGHT ASSY- USED ON: 412N1236-646SP	950951	1

MISSING ITEM NUMBERS NOT APPLICABLE

- ITEM NOT ILLUSTRATED

33-21-51-30

33-21-51
FIG. 30
PAGE 2
JAN 20/09

BRI



**757
PARTS CATALOG (MAINTENANCE)**

FIG ITEM	PART NUMBER	1 2 3 4 5 6 7	NOMENCLATURE	EFFECT FROM TO	UNITS PER ASSY
30					
90	417N5120-122		.LIGHT ASSY- USED ON: 412N1236-675SP	950951	1
- 95	BACS12GU3K5		ATTACHING PARTS .SCREW- USED ON: 412N1132-698SP 412N1132-743SP 412N1236-643SP 412N1236-644SP 412N1236-646SP 412N1236-671SP 412N1236-675SP	950951	3
- 100	NAS1801-3-5		.SCREW- USED ON: 412N1132-647SP 412N1132-653SP 412N1132-660SP 412N1132-663SP 412N1132-666SP 412N1132-669SP 412N1132-674SP 412N1132-678SP 412N1132-742SP	950951	3
- 105	AN960JD10LL		.WASHER -----*-----	950951	3
110	BACS12ER3K6		..SCREW	950951	3
115	BACW10UD10		..WASHER	950951	3
120	F22K1-02		..NUT SUPPLIER CODE: V72962 SPECIFICATION NUMBER: BACN10R10L OPTIONAL PART: 22K1-02 V72962 26CLO2 V80539	950951	3
125	417N5120-10		..LAMP ASSY	950951	1
130	2055150		...CAP-END SUPPLIER CODE: V04169	950951	2
135	LP1625-48		...TUBE-PROTECTIVE COVER SUPPLIER CODE: V60116 OPTIONAL PART: NI312LGWUV1000 V06034	950951	1

MISSING ITEM NUMBERS NOT APPLICABLE

- ITEM NOT ILLUSTRATED

33-21-51-30

33-21-51
FIG. 30
PAGE 3
JAN 20/09

BRI



757

PARTS CATALOG (MAINTENANCE)

FIG ITEM	PART NUMBER	1 2 3 4 5 6 7	NOMENCLATURE	EFFECT FROM TO	UNITS PER ASSY
30					
135	NI312LGWUV1000	...	TUBE-PROTECTIVE COVER SUPPLIER CODE: V06034 OPTIONAL PART: LP1625-48 V60116	950951	1
140	F40D30ECO	...	LAMP-FLOUR. SUPPLIER CODE: V08805	950951	1
145	800000255-12	..	HOUSING ASSY-CLG LIGHT SUPPLIER CODE: V05617 SPECIFICATION NUMBER: S417N507-12 USED ON: 417N5120-115	950951	1
145	800000255-13	..	HOUSING ASSY-CLG LIGHT SUPPLIER CODE: V05617 SPECIFICATION NUMBER: S417N507-13 USED ON: 417N5120-116	950951	1
145	800000255-11	..	HOUSING ASSY-CLG LIGHT SUPPLIER CODE: V05617 SPECIFICATION NUMBER: S417N507-11 USED ON: 417N5120-114	950951	1
145	800000255-18	..	HOUSING ASSY-CLG LIGHT SUPPLIER CODE: V05617 SPECIFICATION NUMBER: S417N507-18 USED ON: 417N5120-121	950951	1
145	800000255-19	..	HOUSING ASSY-CLG LIGHT SUPPLIER CODE: V05617 SPECIFICATION NUMBER: S417N507-19 USED ON: 417N5120-122	950951	1
145	800000255-2	..	HOUSING ASSY-CLG LIGHT SUPPLIER CODE: V05617 SPECIFICATION NUMBER: S417N507-2	950951	1

R
R
R

MISSING ITEM NUMBERS NOT APPLICABLE

- ITEM NOT ILLUSTRATED

33-21-51-30

33-21-51
FIG. 30
PAGE 4
MAY 20/09

BRI

 **BOEING**
757
PARTS CATALOG (MAINTENANCE)

FIG ITEM	PART NUMBER	1 2 3 4 5 6 7	NOMENCLATURE	EFFECT FROM TO	UNITS PER ASSY
30					
145	800000255-2	..	HOUSING ASSY-CLG LIGHT SUPPLIER CODE: V05617 SPECIFICATION NUMBER: S417N507-2	950951	1
145	800000255-8	..	HOUSING ASSY-CLG LIGHT SUPPLIER CODE: V05617 SPECIFICATION NUMBER: S417N507-8	950951	1
145	800000255-9	..	HOUSING ASSY-CLG LIGHT SUPPLIER CODE: V05617 SPECIFICATION NUMBER: S417N507-9	950951	1
150	BV03112-03-33	...	HOLDER-BRUCE LAMP SUPPLIER CODE: V17023 ATTACHING PARTS	950951	2
- 155	MS35206-323	...	SCREW -----*-----	950951	4
160	1864	..	BULB- SUPPLIER CODE: V71744 USED ON: 417N5120-114	950951	1
165	05939-103	..	BALLAST ASSY- SUPPLIER CODE: V17023 SPECIFICATION NUMBER: S283N702-103 COMPONENT MAINT MANUAL REF: 33-21-05 USED ON: 417N5120-114 417N5120-115	950951	1
165	05939-104	..	BALLAST ASSY- SUPPLIER CODE: V17023 SPECIFICATION NUMBER: S283N702-104 COMPONENT MAINT MANUAL REF: 33-21-05 USED ON: 417N5120-116 417N5120-121 417N5120-122	950951	1

MISSING ITEM NUMBERS NOT APPLICABLE

- ITEM NOT ILLUSTRATED

BRI

33-21-51-30

BOEING PROPRIETARY - Copyright © - Unpublished Work - See title page for details.

33-21-51
FIG. 30
PAGE 5
MAY 20/09



757

PARTS CATALOG (MAINTENANCE)

FIG ITEM	PART NUMBER	1 2 3 4 5 6 7	NOMENCLATURE	EFFECT FROM TO	UNITS PER ASSY
30					
170	08899-001	...	HOUSING ASSY- SUPPLIER CODE: V17023	950951	1
175	011-0002-510	SCREW- SUPPLIER CODE: V17023	950951	4
180	GMA1-5	...	FUSE-1.5A, 250V SUPPLIER CODE: V71400	950951	1
185	417N5120-120	.LIGHT	ASSY- USED ON: 412N1236-671SP ATTACHING PARTS	950951	1
- 190	BACS12GU3K5	.SCREW		950951	2
- 195	AN960JD10LL	.WASHER		950951	2
		-----*			
200	BACS12ER3K6	..	SCREW	950951	3
205	BACW10UD10	..	WASHER	950951	3
210	F22K1-02	..	NUT SUPPLIER CODE: V72962 SPECIFICATION NUMBER: BACN10R10L OPTIONAL PART: 22K1-02 V72962 26CLO2 V80539	950951	3
215	417N5120-12	..	LAMP ASSY	950951	1
220	2055132	...	CAP-END SUPPLIER CODE: V04169	950951	2
225	LP1610-18	...	TUBE-PROTECTIVE COVER SUPPLIER CODE: V60116 OPTIONAL PART: NI060LGWUV1000 V06034	950951	1
225	NI060LGWUV1000	...	TUBE-PROTECTIVE COVER SUPPLIER CODE: V06034 OPTIONAL PART: LP1610-18 V60116	950951	1
230	F15T8WW	...	LAMP-FLOUR. SUPPLIER CODE: V13545	950951	1

MISSING ITEM NUMBERS NOT APPLICABLE

- ITEM NOT ILLUSTRATED

33-21-51-30

33-21-51
FIG. 30
PAGE 6
MAY 20/09

BRI



757

PARTS CATALOG (MAINTENANCE)

FIG ITEM	PART NUMBER	1 2 3 4 5 6 7	NOMENCLATURE	EFFECT FROM TO	UNITS PER ASSY
30					
235	800000255-17	..	HOUSING ASSY-CLG LIGHT SUPPLIER CODE: V05617 SPECIFICATION NUMBER: S417N507-17	950951	1
235	800000255-7	..	HOUSING ASSY-CLG LIGHT SUPPLIER CODE: V05617 SPECIFICATION NUMBER: S417N507-7	950951	1
240	BV03112-03-33	...	HOLDER-BRUCE LAMP SUPPLIER CODE: V17023 USED ON: 800000255-17 ATTACHING PARTS	950951	2
- 245	MS35206-323	...	SCREW -----*-----	950951	4
250	05939-107	..	BALLAST ASSY- SUPPLIER CODE: V17023 SPECIFICATION NUMBER: S283N702-107 COMPONENT MAINT MANUAL REF: 33-21-05	950951	1
255	08899-001	...	HOUSING ASSY- SUPPLIER CODE: V17023	950951	1
260	011-0002-510	SCREW- SUPPLIER CODE: V17023	950951	4
265	GMA1-5	...	FUSE-1.5A, 250V SUPPLIER CODE: V71400	950951	1
- 270	412N1236-701SP		COMPARTMENT ASSY-OVHD STOWAGE (LIGHTS ONLY) FOR NHA/OTHER SYS DET SEE: 25-28-00-72Y	950951	RF
- 275	412N1236-702SP		COMPARTMENT ASSY-OVHD STOWAGE (LIGHTS ONLY) FOR NHA/OTHER SYS DET SEE: 25-28-00-72Y	950951	RF
280	417N5120-123	.	LIGHT ASSY ATTACHING PARTS	950951	1
- 285	NAS1801-3-5	.	SCREW	950951	2
- 290	NAS1149D0316J	.	WASHER -----*-----	950951	2
295	BACS12ER3K6	..	SCREW	950951	3
300	BACW10UD10	..	WASHER	950951	3

MISSING ITEM NUMBERS NOT APPLICABLE

- ITEM NOT ILLUSTRATED

33-21-51-30

33-21-51
FIG. 30
PAGE 7
MAY 20/09

BRI



757

PARTS CATALOG (MAINTENANCE)

FIG ITEM	PART NUMBER	1 2 3 4 5 6 7	NOMENCLATURE	EFFECT FROM TO	UNITS PER ASSY
30					
305	F22K1-02	..	NUT SUPPLIER CODE: V72962 SPECIFICATION NUMBER: BACN10R10L OPTIONAL PART: 22K1-02 V72962 26CLO2 V80539	950951	3
310	417N5120-11	..	LAMP ASSY	950951	1
315	2055150	...	CAP-END SUPPLIER CODE: V04169	950951	2
320	LP1625-24	...	TUBE-PROTECTIVE COVER SUPPLIER CODE: V60116 OPTIONAL PART: NI152LGWUV1000 V06034	950951	1
320	NI152LGWUV1000	...	TUBE-PROTECTIVE COVER SUPPLIER CODE: V06034 OPTIONAL PART: LP1625-24 V60116	950951	1
325	F20T12WW	...	LAMP-FLOUR. SUPPLIER CODE: V13545	950951	1
330	800000255-20	..	HOUSING ASSY- SUPPLIER CODE: V05617 SPECIFICATION NUMBER: S417N507-20	950951	1
330	800000255-10	..	HOUSING ASSY- SUPPLIER CODE: V05617 SPECIFICATION NUMBER: S417N507-10	950951	1
335	BV03112-03-33	...	HOLDER-BRUCE LAMP SUPPLIER CODE: V17023 ATTACHING PARTS	950951	2
- 340	MS35206-323	...	SCREW -----*-----	950951	4

MISSING ITEM NUMBERS NOT APPLICABLE

- ITEM NOT ILLUSTRATED

BRI

33-21-51-30

BOEING PROPRIETARY - Copyright © - Unpublished Work - See title page for details.

33-21-51
FIG. 30
PAGE 8
MAY 20/09



757

PARTS CATALOG (MAINTENANCE)

FIG ITEM	PART NUMBER	1 2 3 4 5 6 7	NOMENCLATURE	EFFECT FROM TO	UNITS PER ASSY
30					
345	05939-105		..BALLAST ASSY- SUPPLIER CODE: V17023 SPECIFICATION NUMBER: S283N702-105 COMPONENT MAINT MANUAL REF: 33-21-05	950951	1
350	08899-001		...HOUSING ASSY- SUPPLIER CODE: V17023	950951	1
355	011-0002-510	SCREW- SUPPLIER CODE: V17023	950951	4
360	GMA1-5		...FUSE-1.5A, 250V SUPPLIER CODE: V71400	950951	1
- 365	412N1132-655SP		COMPARTMENT ASSY-OVHD STOWAGE (LIGHTS ONLY) FOR NHA/OTHER SYS DET SEE: 25-28-00-72Y 25-28-00-72Z 25-28-00-73	950951	RF
- 370	412N1132-662SP		COMPARTMENT ASSY-OVHD STOWAGE (LIGHTS ONLY) FOR NHA/OTHER SYS DET SEE: 25-28-00-72Y	950951	RF
- 375	412N1132-744SP		COMPARTMENT ASSY-OVHD STOWAGE (LIGHTS ONLY) FOR NHA/OTHER SYS DET SEE: 25-28-00-72Y	950951	RF
- 380	412N1132-728SP		COMPARTMENT ASSY-OVHD STOWAGE (LIGHTS ONLY) FOR NHA/OTHER SYS DET SEE: 25-28-00-72Z	950951	RF
- 385	412N1132-668SP		COMPARTMENT ASSY-OVHD STOWAGE (LIGHTS ONLY) FOR NHA/OTHER SYS DET SEE: 25-28-00-72Z 25-28-00-73	950951	RF
- 390	412N1132-676SP		COMPARTMENT ASSY-OVHD STOWAGE (LIGHTS ONLY) FOR NHA/OTHER SYS DET SEE: 25-28-00-72Z	950951	RF
- 395	412N1132-729SP		COMPARTMENT ASSY-OVHD STOWAGE (LIGHTS ONLY) FOR NHA/OTHER SYS DET SEE: 25-28-00-72Z	950951	RF

MISSING ITEM NUMBERS NOT APPLICABLE

- ITEM NOT ILLUSTRATED

33-21-51-30

33-21-51
FIG. 30
PAGE 9
MAY 20/09

BRI



757

PARTS CATALOG (MAINTENANCE)

FIG ITEM	PART NUMBER	1 2 3 4 5 6 7	NOMENCLATURE	EFFECT FROM TO	UNITS PER ASSY
30					
- 395	412N1132-791SP		COMPARTMENT ASSY-OVHD STOWAGE (LIGHTS ONLY) FOR NHA/OTHER SYS DET SEE: 25-28-00-72Z	950951	RF
- 400	412N1132-661SP		COMPARTMENT ASSY-OVHD STOWAGE (LIGHTS ONLY) FOR NHA/OTHER SYS DET SEE: 25-28-00-72Z 25-28-00-73	950951	RF
- 405	412N1236-673SP		COMPARTMENT ASSY-OVHD STOWAGE (LIGHTS ONLY) FOR NHA/OTHER SYS DET SEE: 25-28-00-72Z	950951	RF
- 410	412N1236-642SP		COMPARTMENT ASSY-OVHD STOWAGE (LIGHTS ONLY) FOR NHA/OTHER SYS DET SEE: 25-28-00-72Z	950951	RF
- 415	412N1132-730SP		COMPARTMENT ASSY-OVHD STOWAGE (LIGHTS ONLY) FOR NHA/OTHER SYS DET SEE: 25-28-00-73	950951	RF
420	417N5120-17		.LIGHT ASSY- USED ON: 412N1132-655SP 412N1132-661SP 412N1132-662SP 412N1132-668SP 412N1132-676SP 412N1132-728SP 412N1132-729SP 412N1132-730SP 412N1132-744SP	950951	1
425	417N5120-18		.LIGHT ASSY- USED ON: 412N1236-642SP 412N1236-673SP	950951	1
- 430	NAS1801-3-5		ATTACHING PARTS .SCREW- USED ON: 412N1132-655SP 412N1132-661SP 412N1132-662SP 412N1132-668SP 412N1132-676SP	950951	3

MISSING ITEM NUMBERS NOT APPLICABLE

- ITEM NOT ILLUSTRATED

33-21-51-30

33-21-51
FIG. 30
PAGE 10
MAY 20/09

BRI



757

PARTS CATALOG (MAINTENANCE)

FIG ITEM	PART NUMBER	1 2 3 4 5 6 7	NOMENCLATURE	EFFECT FROM TO	UNITS PER ASSY
30					
- 435	BACS12GU3K5	.	SCREW- USED ON: 412N1132-728SP 412N1132-729SP 412N1132-730SP 412N1132-744SP 412N1236-642SP 412N1236-673SP	950951	3
- 440	AN960JD10LL	.	WASHER -----*-----	950951	3
445	417N5120-10	..	LAMP ASSY	950951	1
450	2055150	...	CAP-END SUPPLIER CODE: V04169	950951	2
455	LP1625-48	...	TUBE-PROTECTIVE COVER SUPPLIER CODE: V60116 OPTIONAL PART: NI312LGWUV1000 V06034	950951	1
455	NI312LGWUV1000	...	TUBE-PROTECTIVE COVER SUPPLIER CODE: V06034 OPTIONAL PART: LP1625-48 V60116	950951	1
460	F40D30ECO	...	LAMP-FLOUR. SUPPLIER CODE: V08805	950951	1
465	800000255-14	..	HOUSING ASSY-CLG LIGHT SUPPLIER CODE: V05617 SPECIFICATION NUMBER: S417N507-14	950951	1
465	800000255-4	..	HOUSING ASSY-CLG LIGHT SUPPLIER CODE: V05617 SPECIFICATION NUMBER: S417N507-4	950951	1
470	800000255-15	..	HOUSING ASSY-CLG LIGHT SUPPLIER CODE: V05617 SPECIFICATION NUMBER: S417N507-15 USED ON: 417N5120-18	950951	1
475	BV03112-03-33	...	HOLDER-BRUCE LAMP SUPPLIER CODE: V17023	950951	2

MISSING ITEM NUMBERS NOT APPLICABLE

- ITEM NOT ILLUSTRATED

33-21-51-30

33-21-51
FIG. 30
PAGE 11
MAY 20/09

BRI



757

PARTS CATALOG (MAINTENANCE)

FIG ITEM	PART NUMBER	1 2 3 4 5 6 7	NOMENCLATURE	EFFECT FROM TO	UNITS PER ASSY
30 - 480	MS35206-323		ATTACHING PARTS ... SCREW -----*-----	950951	4

MISSING ITEM NUMBERS NOT APPLICABLE

- ITEM NOT ILLUSTRATED

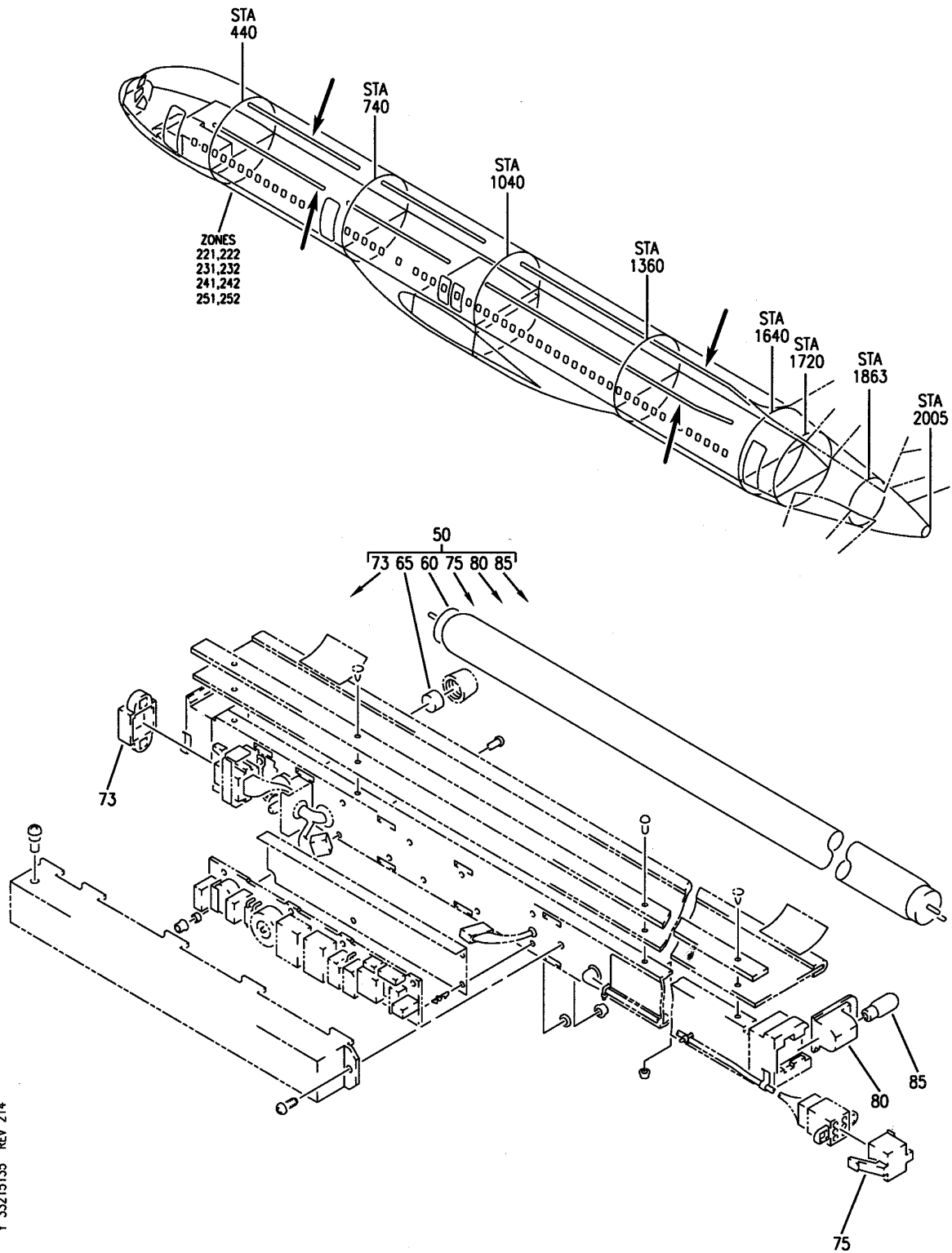
BRI

33-21-51-30

BOEING PROPRIETARY - Copyright © - Unpublished Work - See title page for details.

33-21-51
FIG. 30
PAGE 12
MAY 20/09

BOEING
757
PARTS CATALOG (MAINTENANCE)



Y 33215135 REV 214

COMPARTMENT ASSY-OVHD STOWAGE (LIGHTS ONLY)
FIGURE 35

33-21-51-35

BRI
JAN 20/09

33-21-51-35
PAGE 0



757

PARTS CATALOG (MAINTENANCE)

FIG ITEM	PART NUMBER	1 2 3 4 5 6 7	NOMENCLATURE	EFFECT FROM TO	UNITS PER ASSY
35			COMPARTMENT ASSY-OVHD STOWAGE (LIGHTS ONLY)	103106	
- 1	412N1270-1SP		COMPARTMENT ASSY-OVHD STOWAGE (LIGHTS ONLY)	103106	RF
- 5	412N1270-2SP		COMPARTMENT ASSY-OVHD STOWAGE (LIGHTS ONLY)	103106	RF
- 10	412N1270-3SP		COMPARTMENT ASSY-OVHD STOWAGE (LIGHTS ONLY)	103106	RF
- 15	412N1270-4SP		COMPARTMENT ASSY-OVHD STOWAGE (LIGHTS ONLY)	103106	RF
50	E709-01-001		.LIGHT ASSY-48 IN. CLG UNIT SUPPLIER CODE: VK0673 SPECIFICATION NUMBER: S417N514-1 COMPONENT MAINT MANUAL REF: 33-21-02	103106	1
- 55	E709-01-100		..LIGHT-48 IN. CLG WITHOUT TUBE SUPPLIER CODE: VK0673	103106	1
60	F032WWBCAC		..LAMP-48 IN. FLUOR. T8 SUPPLIER CODE: V52343 MISCELLANEOUS DATA: (SUPPLIED BY; OSRAM SILVANIA INC., SILVANIA LIGHTING CENTER, DANVERS, MASSACHUSETTS, 01923)	103106	1
65	19370K16A		..FUSE- SUPPLIER CODE: VKOF74	103106	1
- 70	D709-01-057		..PLATE-BLANKING MOULDING SUPPLIER CODE: VK0673 MISCELLANEOUS DATA: PROTECTIVE PLATE INSTALLED WHEN OPTIONAL NIGHT LIGHT C709-05-001 IS NOT FITTED	103106	1
75	C709-01-094		..CONNECTOR-CAP 2 MOULDING FOR S2 SUPPLIER CODE: VK0673 MISCELLANEOUS DATA: PROTECTIVE CAP FOR CTR S2 REMOVED UPON INSTALLATION	103106	1

MISSING ITEM NUMBERS NOT APPLICABLE

- ITEM NOT ILLUSTRATED

33-21-51-35

33-21-51
FIG. 35
PAGE 1
JAN 20/09

BRI



757

PARTS CATALOG (MAINTENANCE)

FIG ITEM	PART NUMBER	1 2 3 4 5 6 7	NOMENCLATURE	EFFECT FROM TO	UNITS PER ASSY
35 80	C709-05-001		..LIGHT ASSY-NIGHT OPTIONAL SUPPLIER CODE: VK0673 SPECIFICATION NUMBER: S417N514-5	103106	1
85	GE1864		..LAMP-FILAMENT 28V SUPPLIER CODE: V08806	103106	1

MISSING ITEM NUMBERS NOT APPLICABLE

- ITEM NOT ILLUSTRATED

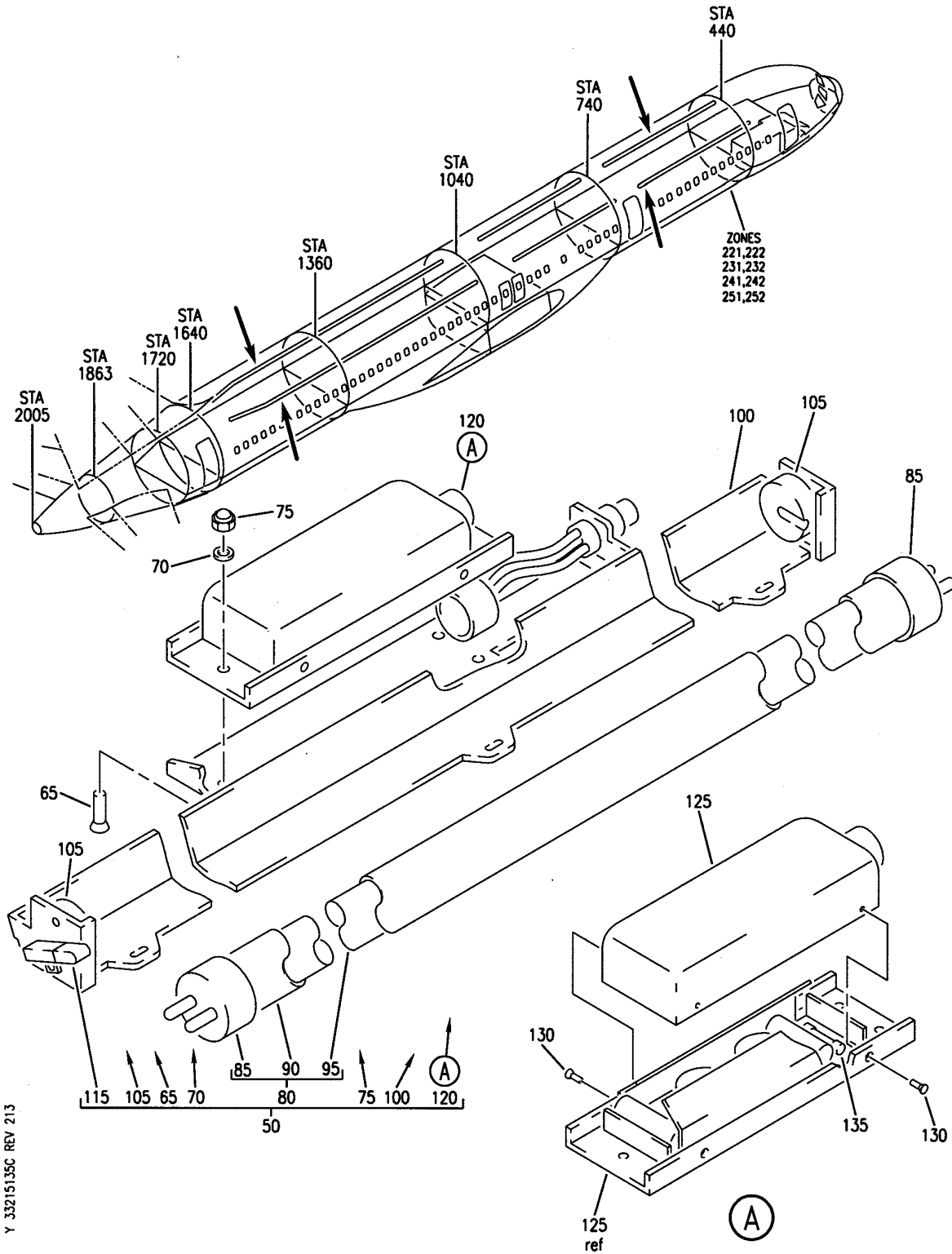
BRI

33-21-51-35

BOEING PROPRIETARY - Copyright © - Unpublished Work - See title page for details.

33-21-51
FIG. 35
PAGE 2
JAN 20/09

BOEING
757
PARTS CATALOG (MAINTENANCE)



Y 33215135C REV 213

COMPARTMENT ASSY-OVERHEAD STOWAGE (4-DOOR) (LIGHTS ONLY)
FIGURE 35C

33-21-51-35C

BRI
MAY 28/07

33-21-51-35C
PAGE 0



757

PARTS CATALOG (MAINTENANCE)

FIG ITEM	PART NUMBER	1 2 3 4 5 6 7	NOMENCLATURE	EFFECT FROM TO	UNITS PER ASSY
35C			COMPARTMENT ASSY-OVERHEAD STOWAGE (4-DOOR) (LIGHTS ONLY)	018102	
- 1	412N1270-19SP		COMPARTMENT ASSY-OVERHEAD STOWAGE (4-DOOR) (LIGHTS ONLY) FOR NHA/OTHER SYS DET SEE: 25-28-00-33	018100	RF
- 1	412N1270-1019SP		COMPARTMENT ASSY-OVERHEAD STOWAGE (4-DOOR) (LIGHTS ONLY) FOR NHA/OTHER SYS DET SEE: 25-28-00-59	101102	RF
- 5	412N1270-17SP		COMPARTMENT ASSY-OVERHEAD STOWAGE (4-DOOR) (LIGHTS ONLY) FOR NHA/OTHER SYS DET SEE: 25-28-00-33	018100	RF
- 5	412N1270-18SP		COMPARTMENT ASSY-OVERHEAD STOWAGE (4-DOOR) (LIGHTS ONLY) FOR NHA/OTHER SYS DET SEE: 25-28-00-33	018100	RF
- 5	412N1270-1017SP		COMPARTMENT ASSY-OVERHEAD STOWAGE (4-DOOR) (LIGHTS ONLY) FOR NHA/OTHER SYS DET SEE: 25-28-00-59	101102	RF
- 5	412N1270-1018SP		COMPARTMENT ASSY-OVERHEAD STOWAGE (4-DOOR) (LIGHTS ONLY) FOR NHA/OTHER SYS DET SEE: 25-28-00-59	101102	RF
50	417N5120-114		.LIGHT ASSY- USED ON: 412N1270-19SP 412N1270-71SP 412N1270-1019SP	018102	1
50	417N5120-115		.LIGHT ASSY- USED ON: 412N1270-17SP 412N1270-18SP 412N1270-63SP 412N1270-1017SP 412N1270-1018SP	018102	1
- 55	BACS12GU3K5		ATTACHING PARTS .SCREW	018102	3
- 60	NAS1146D0316J		.WASHER -----*-----	018102	3

MISSING ITEM NUMBERS NOT APPLICABLE

- ITEM NOT ILLUSTRATED

33-21-51-35C

33-21-51
FIG. 35C
PAGE 1
JAN 20/09

BRI



757

PARTS CATALOG (MAINTENANCE)

FIG ITEM	PART NUMBER	1 2 3 4 5 6 7	NOMENCLATURE	EFFECT FROM TO	UNITS PER ASSY
35C					
65	BACS12ER3K6	..	SCREW	018102	3
70	BACW10UD10	..	WASHER	018102	3
75	F22K1-02	..	NUT	018102	3
			SUPPLIER CODE: V72962		
			SPECIFICATION NUMBER: BACN10R10L		
			OPTIONAL PART: 22K1-02		
			V72962		
			26CLO2		
			V80539		
80	417N5120-10	..	LAMP ASSY	018102	1
85	2055150	...	CAP-END	018102	2
			SUPPLIER CODE: V04169		
90	LP1625-48	...	TUBE-PROTECTIVE COVER	018102	1
			SUPPLIER CODE: V60116		
			OPTIONAL PART: NI312LGWUV1000		
			V06034		
90	NI312LGWUV1000	...	TUBE-PROTECTIVE COVER	018102	1
			SUPPLIER CODE: V06034		
			OPTIONAL PART: LP1625-48		
			V60116		
95	F40D30ECO	...	LAMP-FLUOR.	018102	1
			SUPPLIER CODE: V08805		
100	800000255-11	..	HOUSING ASSY-CLG LIGHT	018102	1
			SUPPLIER CODE: V05617		
			SPECIFICATION NUMBER: S417N507-11		
			USED ON: 417N5120-114		
100	800000255-12	..	HOUSING ASSY-CLG LIGHT	018102	1
			SUPPLIER CODE: V05617		
			SPECIFICATION NUMBER: S417N507-12		
			USED ON: 417N5120-115		

MISSING ITEM NUMBERS NOT APPLICABLE

- ITEM NOT ILLUSTRATED

33-21-51-35C

33-21-51
FIG. 35C
PAGE 2
MAY 20/09

BRI



757

PARTS CATALOG (MAINTENANCE)

FIG ITEM	PART NUMBER	1 2 3 4 5 6 7	NOMENCLATURE	EFFECT FROM TO	UNITS PER ASSY
35C 100	800000255-2		..HOUSING ASSY-CLG LIGHT SUPPLIER CODE: V05617 SPECIFICATION NUMBER: S417N507-2	018102	1
105	BV03112-03-33		...HOLDER-BRUCE LAMP SUPPLIER CODE: V17023 ATTACHING PARTS	018102	2
- 110	MS35206-323		...SCREW -----*-----	018102	4
115	1864		..BULB- SUPPLIER CODE: V71744 USED ON: 417N5120-114	018102	1
120	05939-103		..BALLAST ASSY- SUPPLIER CODE: V17023 SPECIFICATION NUMBER: S283N702-103 COMPONENT MAINT MANUAL REF: 33-21-05 USED ON: 417N5120-114 417N5120-115	018102	1
125	011-0002-510		...SCREW- SUPPLIER CODE: V17023	018102	4
130	GMA1-5		...FUSE-1.5A, 250V SUPPLIER CODE: V71400	018102	1

MISSING ITEM NUMBERS NOT APPLICABLE

- ITEM NOT ILLUSTRATED

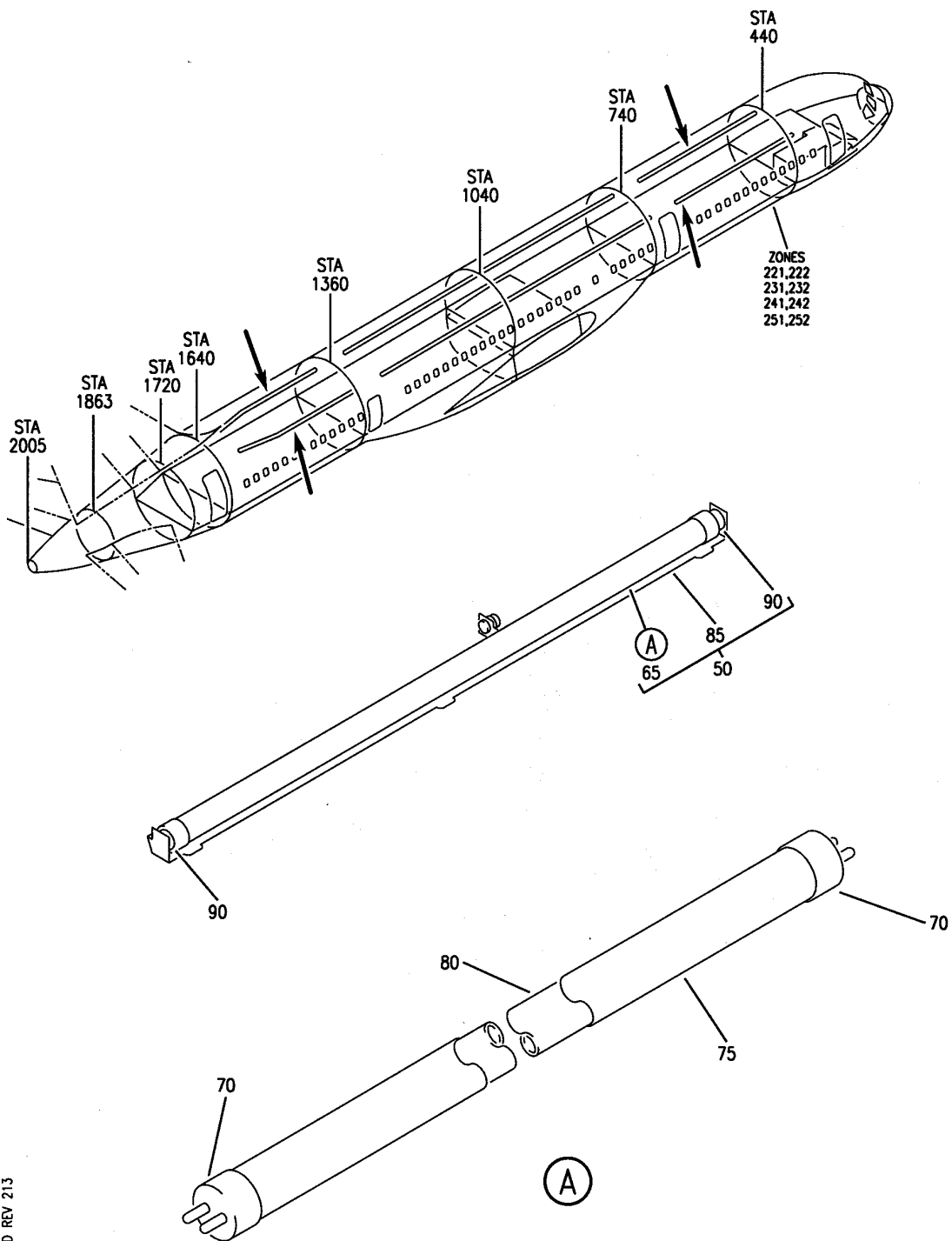
33-21-51-35C

33-21-51
FIG. 35C
PAGE 3
MAY 20/09

BRI

BOEING PROPRIETARY - Copyright © - Unpublished Work - See title page for details.

BOEING
757
PARTS CATALOG (MAINTENANCE)



Y 33215135D REV 213

COMPARTMENT ASSY-OVERHEAD STOWAGE (4-DOOR) (LIGHTS ONLY)
FIGURE 35D

33-21-51-35D

BRI
MAY 28/07

33-21-51-35D
PAGE 0



757

PARTS CATALOG (MAINTENANCE)

FIG ITEM	PART NUMBER	1 2 3 4 5 6 7	NOMENCLATURE	EFFECT FROM TO	UNITS PER ASSY
35D			COMPARTMENT ASSY-OVERHEAD STOWAGE (4-DOOR) (LIGHTS ONLY)	018102	
- 1	412N1270-15SP		COMPARTMENT ASSY-OVHD STOWAGE (4-DOOR) (LIGHTS ONLY) FOR NHA/OTHER SYS DET SEE: 25-28-00-33 25-28-00-59	018102	RF
50	417N5120-17		.LIGHT ASSY ATTACHING PARTS	018102	1
- 55	BACS12GU3K5		.SCREW	018102	3
- 60	NAS1149D0316J		.WASHER	018102	3
			-----*-----		
65	417N5120-10		..LAMP ASSY	018102	1
70	2055150		...CAP-END SUPPLIER CODE: V04169	018102	2
75	LP1625-48		...TUBE-PROTECTIVE COVER SUPPLIER CODE: V60116 OPTIONAL PART: NI312LGWUV1000 V06034	018102	1
75	NI312LGWUV1000		...TUBE-PROTECTIVE COVER SUPPLIER CODE: V06034 OPTIONAL PART: LP1625-48 V60116	018102	1
80	F40D30ECO		...LAMP-FLUOR. SUPPLIER CODE: V08805	018102	1
85	800000255-14		..HOUSING ASSY-CLG LIGHT SUPPLIER CODE: V05617 SPECIFICATION NUMBER: S417N507-14	018102	1
85	800000255-4		..HOUSING ASSY-CLG LIGHT SUPPLIER CODE: V05617 SPECIFICATION NUMBER: S417N507-4	018102	1
90	BV03112-03-33		...HOLDER-BRUCE LAMP SUPPLIER CODE: V17023 ATTACHING PARTS	018102	2
- 95	MS35206-323		...SCREW -----*-----	018102	4

MISSING ITEM NUMBERS NOT APPLICABLE

- ITEM NOT ILLUSTRATED

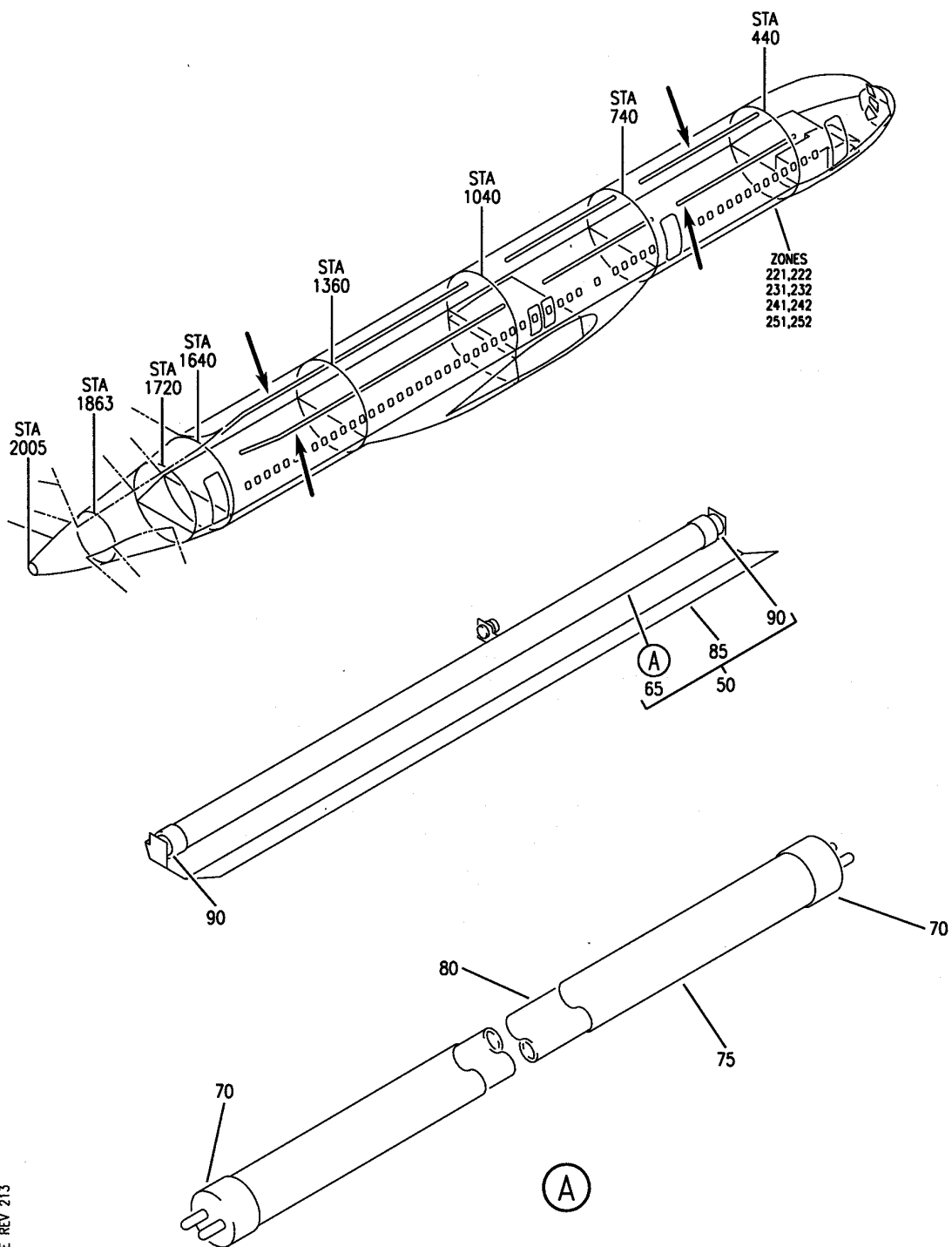
33-21-51-35D

33-21-51
FIG. 35D
PAGE 1
MAY 20/09

BRI

BOEING PROPRIETARY - Copyright © - Unpublished Work - See title page for details.

BOEING
757
PARTS CATALOG (MAINTENANCE)



Y 33215135E REV 213

COMPARTMENT ASSY-OVERHEAD STOWAGE (4-DOOR) (LIGHTS ONLY)
FIGURE 35E

33-21-51-35E

BRI
MAY 28/07

33-21-51-35E
PAGE 0

BOEING
757
PARTS CATALOG (MAINTENANCE)

FIG ITEM	PART NUMBER	1 2 3 4 5 6 7	NOMENCLATURE	EFFECT FROM TO	UNITS PER ASSY
35E			COMPARTMENT ASSY-OVERHEAD STOWAGE (4-DOOR) (LIGHTS ONLY)	018102	
- 1	412N1270-16SP		COMPARTMENT ASSY-OVERHEAD STOWAGE (4-DOOR) (LIGHTS ONLY) FOR NHA/OTHER SYS DET SEE: 25-28-00-33	018100	RF
- 1	412N1270-1016SP		COMPARTMENT ASSY-OVERHEAD STOWAGE (4-DOOR) (LIGHTS ONLY) FOR NHA/OTHER SYS DET SEE: 25-28-00-59	101102	RF
50	417N5120-18		.LIGHT ASSY ATTACHING PARTS	018102	1
- 55	BACS12GU3K5		.SCREW	018102	3
- 60	NAS1146D0316J		.WASHER -----*-----	018102	3
65	417N5120-10		..LAMP ASSY	018102	1
70	2055150		...CAP-END SUPPLIER CODE: V04169	018102	2
75	LP1625-48		...TUBE-PROTECTIVE COVER SUPPLIER CODE: V60116 OPTIONAL PART: NI312LGWUV1000 V06034	018102	1
75	NI312LGWUV1000		...TUBE-PROTECTIVE COVER SUPPLIER CODE: V06034 OPTIONAL PART: LP1625-48 V60116	018102	1
80	F40D30ECO		...LAMP-FLUOR. SUPPLIER CODE: V08805	018102	1
85	800000255-15		..HOUSING ASSY- SUPPLIER CODE: V05617 SPECIFICATION NUMBER: S417N507-15	018102	1
90	BV03112-03-33		...HOLDER-RUCE LAMP SUPPLIER CODE: V17023 ATTACHING PARTS	018102	2
- 95	MS35206-323		...SCREW -----*-----	018102	4

MISSING ITEM NUMBERS NOT APPLICABLE

- ITEM NOT ILLUSTRATED

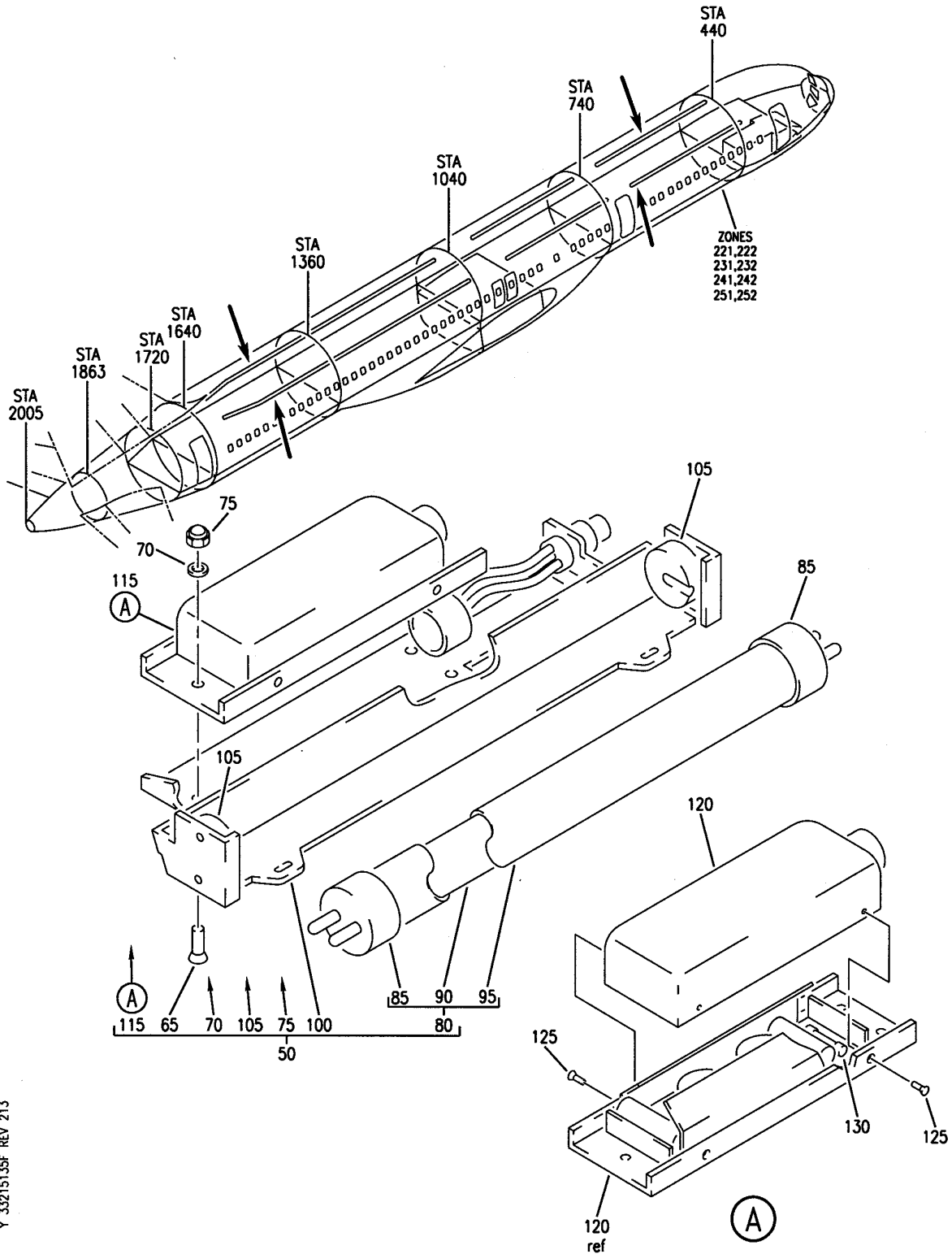
33-21-51-35E

33-21-51
FIG. 35E
PAGE 1
MAY 20/09

BRI

BOEING PROPRIETARY - Copyright © - Unpublished Work - See title page for details.

BOEING
757
PARTS CATALOG (MAINTENANCE)



Y 33215135F REV 213

COMPARTMENT ASSY-OVERHEAD STOWAGE (4-DOOR) (LIGHTS ONLY)
FIGURE 35F

33-21-51-35F

BRI
MAY 28/07

33-21-51-35F
PAGE 0



757

PARTS CATALOG (MAINTENANCE)

FIG ITEM	PART NUMBER	1 2 3 4 5 6 7	NOMENCLATURE	EFFECT FROM TO	UNITS PER ASSY
35 F			COMPARTMENT ASSY-OVERHEAD STOWAGE (4-DOOR) (LIGHTS ONLY)	018102	
- 1	412N1270-17SP		COMPARTMENT ASSY-OVERHEAD STOWAGE (4-DOOR) (LIGHTS ONLY) FOR NHA/OTHER SYS DET SEE: 25-28-00-33	018100	RF
- 1	412N1270-1017SP		COMPARTMENT ASSY-OVERHEAD STOWAGE (4-DOOR) (LIGHTS ONLY) FOR NHA/OTHER SYS DET SEE: 25-28-00-59	101102	RF
50	417N5120-120		.LIGHT ASSY- USED ON: 412N1270-17SP 412N1270-1017SP ATTACHING PARTS	018102	1
- 55	BACS12GU3K5		.SCREW	018102	2
- 60	NAS1146D0316J		.WASHER -----*-----	018102	2
65	BACS12ER3K6		..SCREW	018102	3
70	BACW10UD10		..WASHER	018102	3
75	F22K1-02		..NUT SUPPLIER CODE: V72962 SPECIFICATION NUMBER: BACN10R10L OPTIONAL PART: 22K1-02 V72962 26CLO2 V80539	018102	3
80	417N5120-12		..LAMP ASSY	018102	1
85	2055132		...CAP-END SUPPLIER CODE: V04169	018102	2
90	LP1610-18		...TUBE-PROTECTIVE COVER SUPPLIER CODE: V60116 OPTIONAL PART: NI060LGWUV1000 V06034	018102	1
90	NI060LGWUV1000		...TUBE-PROTECTIVE COVER SUPPLIER CODE: V06034 OPTIONAL PART: LP1610-18 V60116	018102	1

MISSING ITEM NUMBERS NOT APPLICABLE

- ITEM NOT ILLUSTRATED

33-21-51-35F

33-21-51
FIG. 35F
PAGE 1
JAN 20/09

BRI

BOEING PROPRIETARY - Copyright © - Unpublished Work - See title page for details.



757

PARTS CATALOG (MAINTENANCE)

FIG ITEM	PART NUMBER	1 2 3 4 5 6 7	NOMENCLATURE	EFFECT FROM TO	UNITS PER ASSY
35 F 95	F15T8WW		...LAMP-FLUOR. SUPPLIER CODE: V13545	018102	1
100	800000255-17		..HOUSING ASSY-CLG LT SUPPLIER CODE: V05617 SPECIFICATION NUMBER: S417N507-17	018102	1
100	800000255-7		..HOUSING ASSY-CLG LT SUPPLIER CODE: V05617 SPECIFICATION NUMBER: S417N507-7	018102	1
105	BV03112-03-33		...HOLDER-BRUCE LAMP SUPPLIER CODE: V17023 USED ON: 800000255-17 ATTACHING PARTS	018102	2
- 110	MS35206-323		...SCREW -----*-----	018102	4
115	05939-107		..BALLAST ASSY- SUPPLIER CODE: V17023 SPECIFICATION NUMBER: S283N702-107 COMPONENT MAINT MANUAL REF: 33-21-05	018102	1
120	08899-001		...HOUSING ASSY- SUPPLIER CODE: V17023 ATTACHING PARTS	018102	1
- 125	011-0002-510	SCREW- SUPPLIER CODE: V17023 -----*-----	018102	4
130	GMA1-5		...FUSE-1.5A, 250V SUPPLIER CODE: V71400	018102	1

MISSING ITEM NUMBERS NOT APPLICABLE

- ITEM NOT ILLUSTRATED

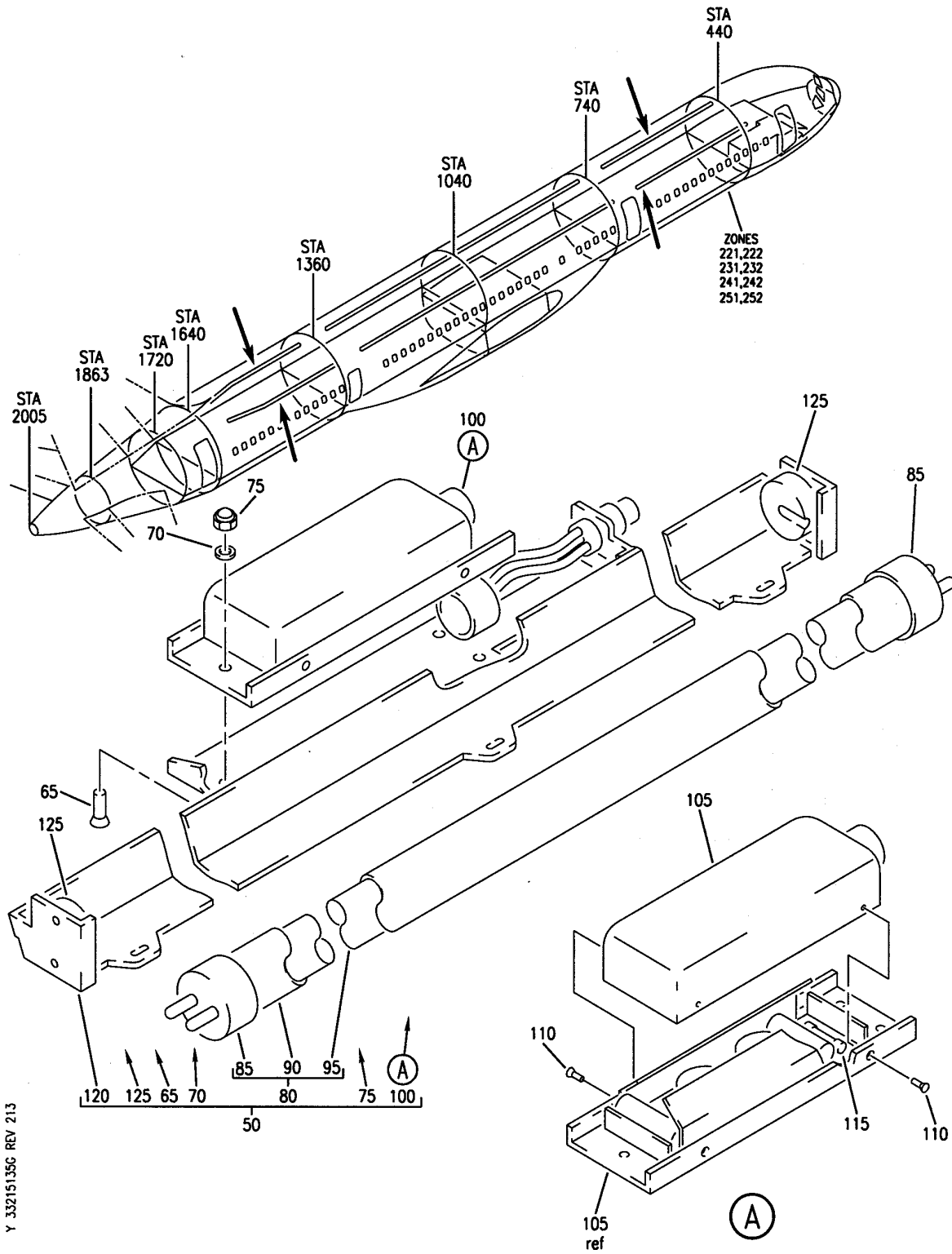
33-21-51-35F

33-21-51
FIG. 35F
PAGE 2
JAN 20/09

BRI

BOEING PROPRIETARY - Copyright © - Unpublished Work - See title page for details.

BOEING
757
PARTS CATALOG (MAINTENANCE)



Y 33215135G REV 213

COMPARTMENT ASSY-OVERHEAD STOWAGE (4-DOOR) (LIGHTS ONLY)
FIGURE 35G

33-21-51-35G

BRI
MAY 28/07

33-21-51-35G
PAGE 0



757

PARTS CATALOG (MAINTENANCE)

FIG ITEM	PART NUMBER	1 2 3 4 5 6 7	NOMENCLATURE	EFFECT FROM TO	UNITS PER ASSY
35G			COMPARTMENT ASSY-OVERHEAD STOWAGE (4-DOOR) (LIGHTS ONLY)	018102	
- 1	412N1270-20SP		COMPARTMENT ASSY-OVERHEAD STOWAGE (4-DOOR) (LIGHTS ONLY) FOR NHA/OTHER SYS DET SEE: 25-28-00-33	018100	RF
- 1	412N1270-1020SP		COMPARTMENT ASSY-OVERHEAD STOWAGE (4-DOOR) (LIGHTS ONLY) FOR NHA/OTHER SYS DET SEE: 25-28-00-59	101102	RF
- 5	412N1270-21SP		COMPARTMENT ASSY-OVERHEAD STOWAGE (4-DOOR) (LIGHTS ONLY) FOR NHA/OTHER SYS DET SEE: 25-28-00-33	018100	RF
- 5	412N1270-1021SP		COMPARTMENT ASSY-OVERHEAD STOWAGE (4-DOOR) (LIGHTS ONLY) FOR NHA/OTHER SYS DET SEE: 25-28-00-59	101102	RF
50	417N5120-121		.LIGHT ASSY- USED ON: 412N1270-20SP 412N1270-64SP 412N1270-1020SP	018102	1
50	417N5120-122		.LIGHT ASSY- USED ON: 412N1270-21SP 412N1270-65SP 412N1270-1021SP	018102	1
- 55	BACS12GU3K5		ATTACHING PARTS .SCREW	018102	3
- 60	NAS1149D0316J		.WASHER -----*-----	018102	3
65	BACS12ER3K6		..SCREW	018102	3
70	BACW10UD10		..WASHER	018102	3
75	F22K1-02		..NUT	018102	3
			SUPPLIER CODE: V72962 SPECIFICATION NUMBER: BACN10R10L OPTIONAL PART: 22K1-02 V72962 26CLO2 V80539		
MISSING ITEM NUMBERS NOT APPLICABLE					

- ITEM NOT ILLUSTRATED

33-21-51-35G

33-21-51
FIG. 35G
PAGE 1
JAN 20/09

BRI



757

PARTS CATALOG (MAINTENANCE)

FIG ITEM	PART NUMBER	1 2 3 4 5 6 7	NOMENCLATURE	EFFECT FROM TO	UNITS PER ASSY
35G					
80	417N5120-10	..	LAMP ASSY	018102	1
85	2055150	...	CAP-END SUPPLIER CODE: V04169	018102	2
90	LP1625-48	...	TUBE-PROTECTIVE COVER SUPPLIER CODE: V60116 OPTIONAL PART: NI312LGWUV1000 V06034	018102	1
90	NI312LGWUV1000	...	TUBE-COVER SUPPLIER CODE: V06034 OPTIONAL PART: LP1625-48 V06116	018102	1
95	F40D30ECO	...	LAMP-FLUOR SUPPLIER CODE: V08805	018102	1
100	05939-104	..	BALLAST ASSY- SUPPLIER CODE: V17023 SPECIFICATION NUMBER: S283N702-104 COMPONENT MAINT MANUAL REF: 33-21-05	018102	1
105	08899-001	...	HOUSING ASSY- SUPPLIER CODE: V17023	018102	1
- 110	011-0002-510	SCREW- SUPPLIER CODE: V17023 -----*-----	018102	4
115	GMA1-5	...	FUSE-1.5A, 250V SUPPLIER CODE: V71400	018102	1
120	800000255-18	..	HOUSING ASSY- SUPPLIER CODE: V05617 SPECIFICATION NUMBER: S417N507-18 USED ON: 417N5120-121	018102	1

MISSING ITEM NUMBERS NOT APPLICABLE

- ITEM NOT ILLUSTRATED

33-21-51-35G

33-21-51
FIG. 35G
PAGE 2
MAY 20/09

BRI

BOEING PROPRIETARY - Copyright © - Unpublished Work - See title page for details.



757

PARTS CATALOG (MAINTENANCE)

FIG ITEM	PART NUMBER	1 2 3 4 5 6 7	NOMENCLATURE	EFFECT FROM TO	UNITS PER ASSY
35G 120	800000255-19		..HOUSING ASSY- SUPPLIER CODE: V05617 SPECIFICATION NUMBER: S417N507-19 USED ON: 417N5120-122	018102	1
120	800000255-8		..HOUSING ASSY- SUPPLIER CODE: V05617 SPECIFICATION NUMBER: S417N507-8	018102	1
120	800000255-9		..HOUSING ASSY- SUPPLIER CODE: V05617 SPECIFICATION NUMBER: S417N507-9	018102	1
125	BV03112-03-33		...HOLDER- SUPPLIER CODE: V17023 ATTACHING PARTS	018102	2
- 130	MS35206-323		...SCREW -----*-----	018102	4

MISSING ITEM NUMBERS NOT APPLICABLE

- ITEM NOT ILLUSTRATED

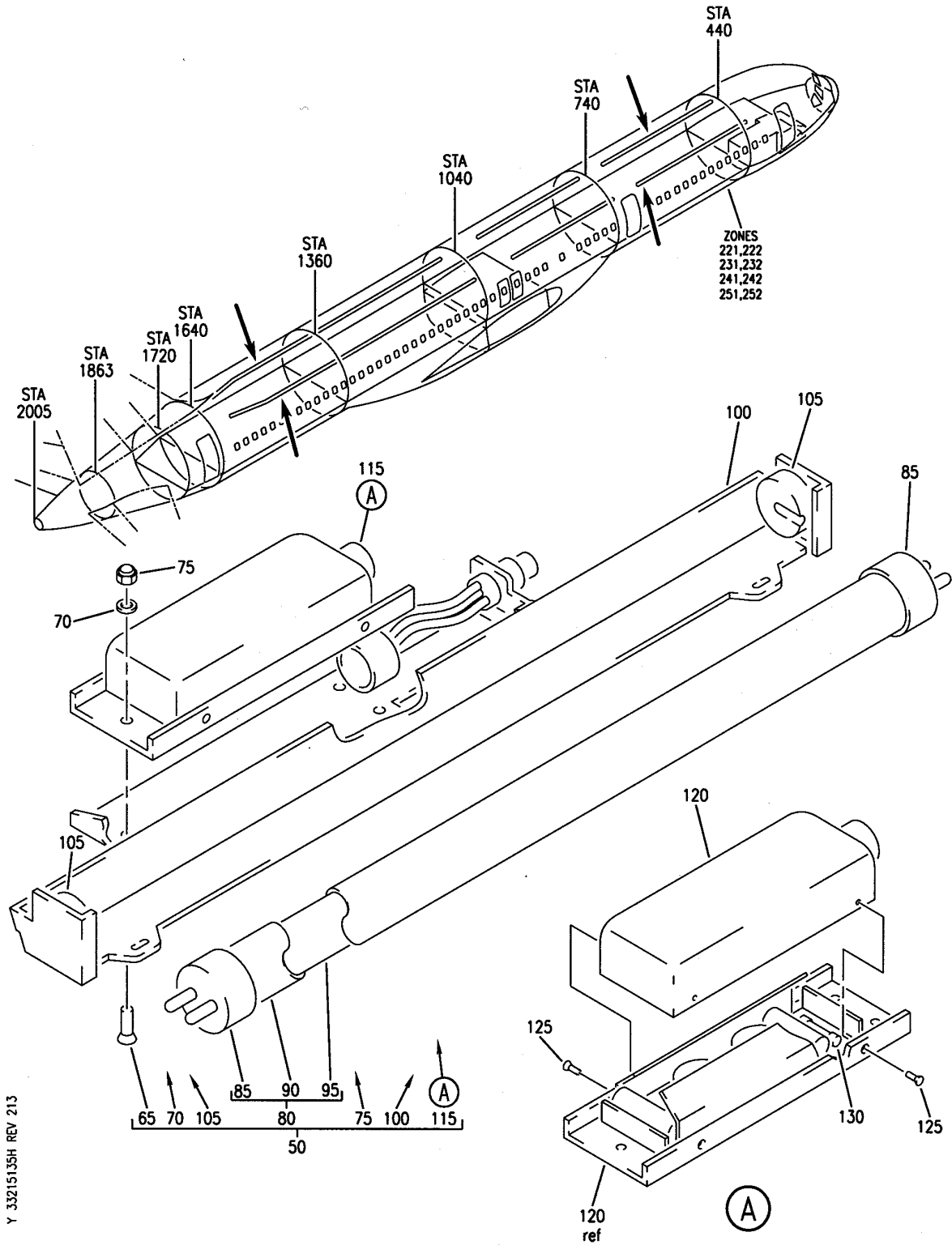
33-21-51-35G

33-21-51
FIG. 35G
PAGE 3
MAY 20/09

BRI

BOEING PROPRIETARY - Copyright © - Unpublished Work - See title page for details.

BOEING
757
PARTS CATALOG (MAINTENANCE)



Y 33215135H REV 213

COMPARTMENT ASSY-OVERHEAD STOWAGE (4-DOOR) (LIGHTS ONLY)
FIGURE 35H

33-21-51-35H

BRI
MAY 28/07

33-21-51-35H
PAGE 0



757

PARTS CATALOG (MAINTENANCE)

FIG ITEM	PART NUMBER	1 2 3 4 5 6 7	NOMENCLATURE	EFFECT FROM TO	UNITS PER ASSY
35H			COMPARTMENT ASSY-OVERHEAD STOWAGE (4-DOOR) (LIGHTS ONLY)	018102	
- 1	412N1270-14SP		COMPARTMENT ASSY-OVERHEAD STOWAGE (4-DOOR) (LIGHTS ONLY) FOR NHA/OTHER SYS DET SEE: 25-28-00-33	018100	RF
- 1	412N1270-1014SP		COMPARTMENT ASSY-OVERHEAD STOWAGE (4-DOOR) (LIGHTS ONLY) FOR NHA/OTHER SYS DET SEE: 25-28-00-59	101102	RF
50	417N5120-123		.LIGHT ASSY ATTACHING PARTS	018102	1
- 55	BACS12GU3K5		.SCREW	018102	2
- 60	NAS1149D0316J		.WASHER -----*-----	018102	2
65	BACS12ER3K6		..SCREW	018102	3
70	BACW10UD10		..WASHER	018102	3
75	F22K1-02		..NUT SUPPLIER CODE: V72962 SPECIFICATION NUMBER: BACN10R10L OPTIONAL PART: 22K1-02 V72962 26CLO2 V80539	018102	3
80	417N5120-11		..LAMP ASSY	018102	1
85	2055150		...CAP-END SUPPLIER CODE: V04169	018102	2
90	LP1625-24		...TUBE-PROTECTIVE COVER SUPPLIER CODE: V60116 OPTIONAL PART: NI152LGWUV1000 V06034	018102	1
90	NI152LGWUV1000		...TUBE-PROTECTIVE COVER SUPPLIER CODE: V06034 OPTIONAL PART: LP1625-24 V60116	018102	1
95	F20T12WW		...LAMP-FLOUR. SUPPLIER CODE: V13545	018102	1

MISSING ITEM NUMBERS NOT APPLICABLE

- ITEM NOT ILLUSTRATED

33-21-51-35H

33-21-51
FIG. 35H
PAGE 1
JAN 20/09

BRI

BOEING PROPRIETARY - Copyright © - Unpublished Work - See title page for details.



757

PARTS CATALOG (MAINTENANCE)

FIG ITEM	PART NUMBER	1 2 3 4 5 6 7	NOMENCLATURE	EFFECT FROM TO	UNITS PER ASSY
35H 100	800000255-20		..HOUSING ASSY-CLG LIGHT SUPPLIER CODE: V05617 SPECIFICATION NUMBER: S417N507-20	018102	1
100	800000255-10		..HOUSING ASSY-CLG LIGHT SUPPLIER CODE: V05617 SPECIFICATION NUMBER: S417N507-10	018102	1
105	BV03112-03-33		...HOLDER-BRUCE LAMP SUPPLIER CODE: V17023 ATTACHING PARTS	018102	2
- 110	MS35206-323		...SCREW -----*-----	018102	4
115	05939-105		..BALLAST ASSY- SUPPLIER CODE: V17023 SPECIFICATION NUMBER: S283N702-105 COMPONENT MAINT MANUAL REF: 33-21-05	018102	1
120	08899-001		...HOUSING ASSY- SUPPLIER CODE: V17023	018102	1
125	011-0002-510	SCREW- SUPPLIER CODE: V17023	018102	4
130	GMA1-5		...FUSE-1.5A, 250V SUPPLIER CODE: V71400	018102	1

MISSING ITEM NUMBERS NOT APPLICABLE

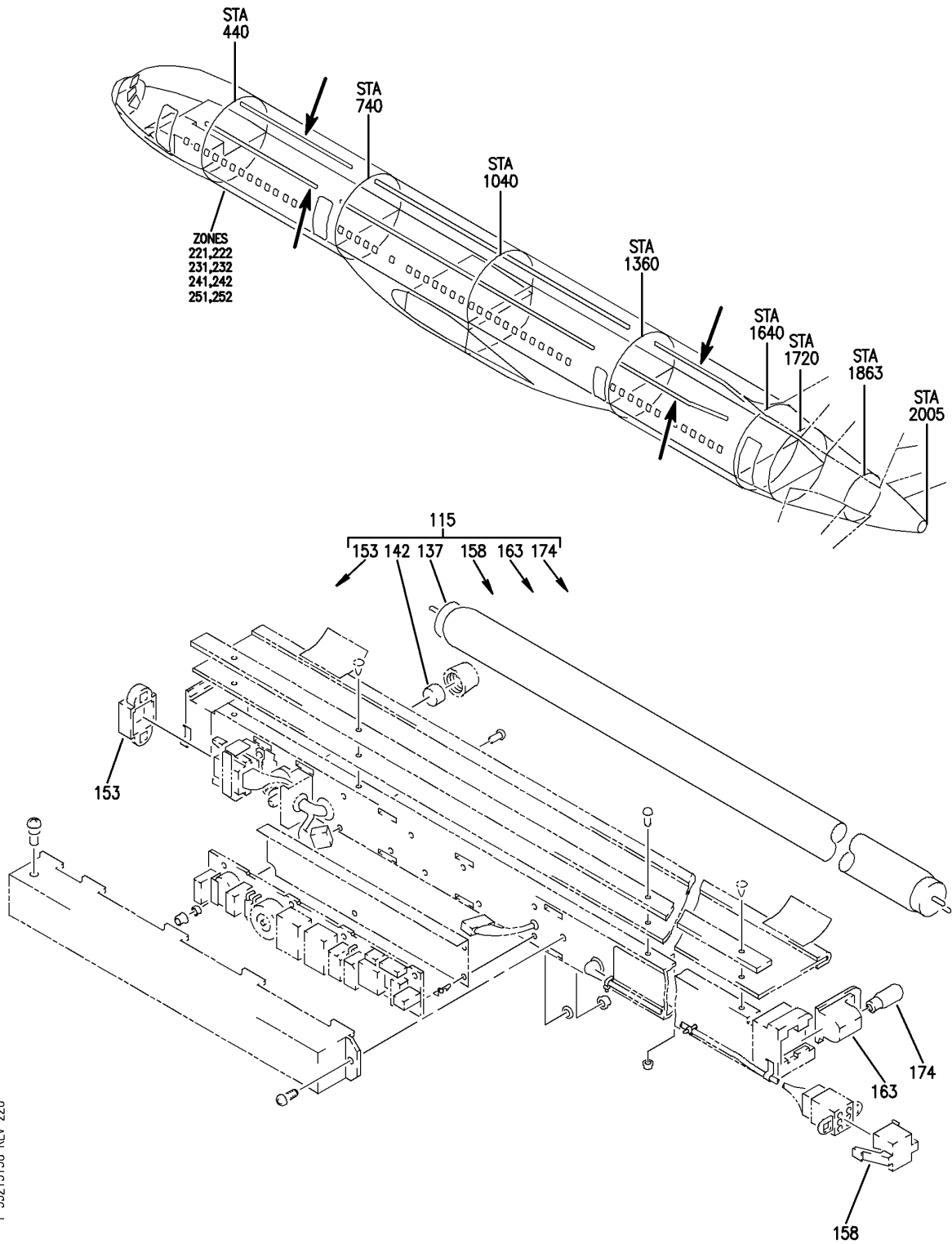
- ITEM NOT ILLUSTRATED

33-21-51-35H

33-21-51
FIG. 35H
PAGE 2
JAN 20/09

BRI

BOEING
757
PARTS CATALOG (MAINTENANCE)



Y 33215136 REV 226

COMPARTMENT ASSY-OVHD STOWAGE (4 DOOR ONLY) (LIGHTS ONLY)
FIGURE 36

33-21-51-36

BRI
JAN 20/08

33-21-51-36
PAGE 0



757

PARTS CATALOG (MAINTENANCE)

FIG ITEM	PART NUMBER	1 2 3 4 5 6 7	NOMENCLATURE	EFFECT FROM TO	UNITS PER ASSY
36			COMPARTMENT ASSY-OVHD STOWAGE (4 DOOR ONLY) (LIGHTS ONLY)	101102 108120 504903	
- 5	412N1270-1134SP		COMPARTMENT ASSY-OVHD STOWAGE (LIGHTS ONLY) FOR NHA/OTHER SYS DET SEE: 25-28-00-57	504903	RF
- 8	412N1270-2017BN		COMPARTMENT ASSY-OVHD STOWAGE (LIGHTS ONLY) FOR NHA/OTHER SYS DET SEE: 25-28-00-50B	108120	RF
- 12	412N1270-1047SP		COMPARTMENT ASSY-OVHD STOWAGE (LIGHTS ONLY) FOR NHA/OTHER SYS DET SEE: 25-28-00-50A 25-28-00-57	108120 504903	RF
- 12	412N1270-1035BN		COMPARTMENT ASSY-OVHD STOWAGE (LIGHTS ONLY) FOR NHA/OTHER SYS DET SEE: 25-28-00-50	108120	RF
- 12	412N1270-1079BN		COMPARTMENT ASSY-OVHD STOWAGE (LIGHTS ONLY) FOR NHA/OTHER SYS DET SEE: 25-28-00-50	108120	RF
- 15	412N1270-1006SP		COMPARTMENT ASSY-OVHD STOWAGE (LIGHTS ONLY) 40 IN. FOR NHA/OTHER SYS DET SEE: 25-28-00-57	504903	RF
- 18	412N1270-1136SP		COMPARTMENT ASSY-OVHD STOWAGE (LIGHTS ONLY) FOR NHA/OTHER SYS DET SEE: 25-28-00-57	504903	RF
- 20	412N1270-1007SP		COMPARTMENT ASSY-OVHD STOWAGE (LIGHTS ONLY) 60 IN. FOR NHA/OTHER SYS DET SEE: 25-28-00-57 25-28-00-50B	108120 504903	RF
- 25	412N1270-1008SP		COMPARTMENT ASSY-OVHD STOWAGE (LIGHTS ONLY) FOR NHA/OTHER SYS DET SEE: 25-28-00-50B 25-28-00-57	108120 504903	RF
- 27	412N1270-1140SP		COMPARTMENT ASSY-OVHD STOWAGE (LIGHTS ONLY) FOR NHA/OTHER SYS DET SEE: 25-28-00-57	504903	RF

MISSING ITEM NUMBERS NOT APPLICABLE

- ITEM NOT ILLUSTRATED

33-21-51-36

33-21-51
FIG. 36
PAGE 1
JAN 20/09

BRI



757

PARTS CATALOG (MAINTENANCE)

FIG ITEM	PART NUMBER	1 2 3 4 5 6 7	NOMENCLATURE	EFFECT FROM TO	UNITS PER ASSY
36					
- 27	412N1270-1050BN		COMPARTMENT ASSY-OVHD STOWAGE (LIGHTS ONLY) FOR NHA/OTHER SYS DET SEE: 25-28-00-50B	108120	RF
- 30	412N1270-1139SP		COMPARTMENT ASSY-OVHD STOWAGE (LIGHTS ONLY) FOR NHA/OTHER SYS DET SEE: 25-28-00-57	504903	RF
- 30	412N1270-1009SP		COMPARTMENT ASSY-OVHD STOWAGE (LIGHTS ONLY)	108120	RF
- 32	412N1270-1053SP		COMPARTMENT ASSY-OVHD STOWAGE (LIGHTS ONLY) FOR NHA/OTHER SYS DET SEE: 25-28-00-57	504903	RF
115	E709-01-001		.LIGHT ASSY-48 IN. CLG UNIT SUPPLIER CODE: VK0673 SPECIFICATION NUMBER: S417N514-1 COMPONENT MAINT MANUAL REF: 33-21-02	108120	1
115	E709-01-001		.LIGHT ASSY-48 IN. CLG UNIT SUPPLIER CODE: VK0673 SPECIFICATION NUMBER: S417N514-1 COMPONENT MAINT MANUAL REF: 33-21-02	101102 504903	1
- 129	E709-01-100		..LIGHT-48 IN. CLG WITHOUT TUBE SUPPLIER CODE: VK0673 USED ON: E709-01-001	108120	1
- 129	E709-01-100		..LIGHT-48 IN. CLG WITHOUT TUBE SUPPLIER CODE: VK0673 USED ON: E709-01-001	101102 504903	1

MISSING ITEM NUMBERS NOT APPLICABLE

- ITEM NOT ILLUSTRATED

33-21-51-36

33-21-51
FIG. 36
PAGE 2
JAN 20/09

BRI



757

PARTS CATALOG (MAINTENANCE)

FIG ITEM	PART NUMBER	1 2 3 4 5 6 7	NOMENCLATURE	EFFECT FROM TO	UNITS PER ASSY
36 137	F032WWBCAC	..	LAMP-48 IN. FLUOR T8 SUPPLIER CODE: V52343 MISCELLANEOUS DATA: (SUPPLIED BY; OSRAM SILVANIA INC., SILVANIA LIGHTING CENTER, DANVERS, MASSACHUSETTS, 01923) USED ON: E709-01-001	108120	1
137	F032WWBCAC	..	LAMP-48 IN. FLUOR T8 SUPPLIER CODE: V52343 MISCELLANEOUS DATA: (SUPPLIED BY; OSRAM SILVANIA INC., SILVANIA LIGHTING CENTER, DANVERS, MASSACHUSETTS, 01923) USED ON: E709-01-001	101102 504903	1
142	19370K16A	..	FUSE- SUPPLIER CODE: VKOF74	108120	1
142	19370K16A	..	FUSE- SUPPLIER CODE: VKOF74	101102 504903	1
- 148	D709-01-057	..	PLATE-BLANKING MOULDING SUPPLIER CODE: VK0673 MISCELLANEOUS DATA: PROTECTIVE PLATE INSTALLED WHEN OPTIONAL NIGHT LITE C709-05-001 IS NOT FITTED	108120	1
- 148	D709-01-057	..	PLATE-BLANKING MOULDING SUPPLIER CODE: VK0673 MISCELLANEOUS DATA: PROTECTIVE PLATE INSTALLED WHEN OPTIONAL NIGHT LITE C709-05-001 IS NOT FITTED USED ON: E709-01-001	101102 504903	1

MISSING ITEM NUMBERS NOT APPLICABLE

- ITEM NOT ILLUSTRATED

33-21-51-36

33-21-51
FIG. 36
PAGE 3
JAN 20/09

BRI



757

PARTS CATALOG (MAINTENANCE)

FIG ITEM	PART NUMBER	1 2 3 4 5 6 7	NOMENCLATURE	EFFECT FROM TO	UNITS PER ASSY
36					
153	C709-01-093	..	CONNECTOR-CAP 1 MOULDING FOR J1 SUPPLIER CODE: VK0673	108120	1
153	C709-01-093	..	CONNECTOR-CAP 1 MOULDING FOR J1 SUPPLIER CODE: VK0673	101102 504903	1
158	C709-01-094	..	CONNECTOR-CAP 2 MOULDING FOR S2 SUPPLIER CODE: VK0673 MISCELLANEOUS DATA: PROTECTIVE CAP FOR CTR S2 REMOVED UPON INSTALLATION	108120	1
158	C709-01-094	..	CONNECTOR-CAP 2 MOULDING FOR S2 SUPPLIER CODE: VK0673 MISCELLANEOUS DATA: PROTECTIVE CAP FOR CTR S2 REMOVED UPON INSTALLATION	101102 504903	1
163	C709-05-001	..	LIGHT ASSY-NIGHT OPTIONAL SUPPLIER CODE: VK0673 SPECIFICATION NUMBER: S417N514-5	108120	1
163	C709-05-001	..	LIGHT ASSY-NIGHT OPTIONAL SUPPLIER CODE: VK0673 SPECIFICATION NUMBER: S417N514-5 USED ON: E709-01-001	101102 504903	1
174	GE1864	..	LAMP-FILAMENT 28V SUPPLIER CODE: V08806	108120	1
174	GE1864	..	LAMP-FILAMENT 28V SUPPLIER CODE: V08806 USED ON: E709-01-001	101102 504903	1

MISSING ITEM NUMBERS NOT APPLICABLE

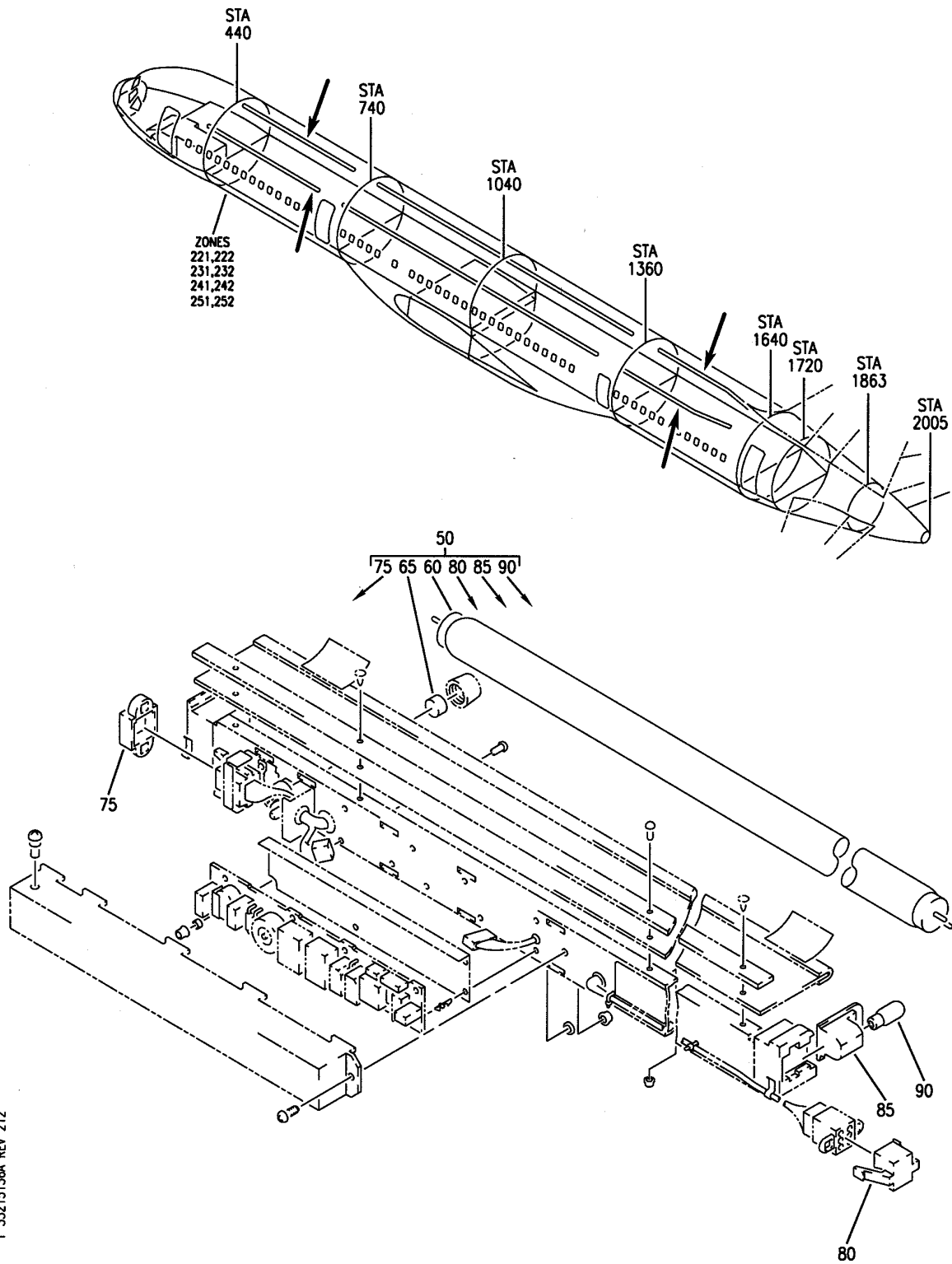
- ITEM NOT ILLUSTRATED

33-21-51-36

33-21-51
FIG. 36
PAGE 4
JAN 20/09

BRI

BOEING
757
PARTS CATALOG (MAINTENANCE)



Y 33215136A REV 212

COMPARTMENT ASSY-OVHD STOWAGE (4-DOOR) (LIGHTS ONLY)
FIGURE 36A

33-21-51-36A

BRI
JAN 20/09

33-21-51-36A
PAGE 0



757

PARTS CATALOG (MAINTENANCE)

FIG ITEM	PART NUMBER	1 2 3 4 5 6 7	NOMENCLATURE	EFFECT FROM TO	UNITS PER ASSY
36A			COMPARTMENT ASSY-OVHD STOWAGE (4-DOOR) (LIGHTS ONLY)	108120 504903	
- 5	412N1270-1135SP		COMPARTMENT ASSY-OVHD STOWAGE (4-DOOR) (LIGHTS ONLY) FOR NHA/OTHER SYS DET SEE: 25-28-00-57	504903	RF
- 5	412N1270-1137SP		COMPARTMENT ASSY-OVHD STOWAGE (4-DOOR) (LIGHTS ONLY) FOR NHA/OTHER SYS DET SEE: 25-28-00-57	504903	RF
- 5	412N1270-1138SP		COMPARTMENT ASSY-OVHD STOWAGE (4-DOOR) (LIGHTS ONLY) FOR NHA/OTHER SYS DET SEE: 25-28-00-57	504903	RF
- 10	412N1270-78BN		COMPARTMENT ASSY-OVHD STOWAGE (4-DOOR) (LIGHTS ONLY) FOR NHA/OTHER SYS DET SEE: 25-28-00-50	108120	RF
50	E709-03-001		.LIGHT ASSY-24 IN. CLG UNIT SUPPLIER CODE: VK0673 SPECIFICATION NUMBER: S417N514-3 COMPONENT MAINT MANUAL REF: 33-21-02	108120	1
50	E709-03-001		.LIGHT ASSY-24 IN. CLG UNIT SUPPLIER CODE: VK0673 SPECIFICATION NUMBER: S417N514-3 COMPONENT MAINT MANUAL REF: 33-21-02	504903	1
- 55	E709-03-100		..LIGHT-24 IN. CLG WITHOUT TUBE SUPPLIER CODE: VK0673 COMPONENT MAINT MANUAL REF: 33-21-02	108120	1
- 55	E709-03-100		..LIGHT-24 IN. CLG WITHOUT TUBE SUPPLIER CODE: VK0673 COMPONENT MAINT MANUAL REF: 33-21-02	504903	1

MISSING ITEM NUMBERS NOT APPLICABLE

- ITEM NOT ILLUSTRATED

33-21-51-36A

33-21-51
FIG. 36A
PAGE 1
JAN 20/09

BRI



757

PARTS CATALOG (MAINTENANCE)

FIG ITEM	PART NUMBER	1 2 3 4 5 6 7	NOMENCLATURE	EFFECT FROM TO	UNITS PER ASSY
36A					
60	F017WWBCAC	..	LAMP-24 IN. FLUOR T8 SUPPLIER CODE: V52343	108120	1
60	F017WWBCAC	..	LAMP-24 IN. FLUOR T8 SUPPLIER CODE: V52343	504903	1
65	19370K16A	..	FUSE- SUPPLIER CODE: VKOF74	108120	1
65	19370K16A	..	FUSE- SUPPLIER CODE: VKOF74	504903	1
- 70	D709-01-057	..	PLATE-BLANKING MOULDING SUPPLIER CODE: VK0673 MISCELLANEOUS DATA: PROTECTIVE PLATE INSTALLED WHEN OPTIONAL NIGHT LITE C709-05-001 IS NOT FITTED	108120	1
- 70	D709-01-057	..	PLATE-BLANKING MOULDING SUPPLIER CODE: VK0673 MISCELLANEOUS DATA: PROTECTIVE PLATE INSTALLED WHEN OPTIONAL NIGHT LITE C709-05-001 IS NOT FITTED	504903	1
75	C709-01-093	..	CONNECTOR-CAP 1 MOULDING FOR J1 SUPPLIER CODE: VK0673 MISCELLANEOUS DATA: PROTECTIVE CAP FOR CTR J1 REMOVED UPON INSTALLATION	108120	1
75	C709-01-093	..	CONNECTOR-CAP 1 MOULDING FOR J1 SUPPLIER CODE: VK0673 MISCELLANEOUS DATA: PROTECTIVE CAP FOR CTR J1 REMOVED UPON INSTALLATION	504903	1

MISSING ITEM NUMBERS NOT APPLICABLE

- ITEM NOT ILLUSTRATED

33-21-51-36A

33-21-51
FIG. 36A
PAGE 2
JAN 20/09

BRI

BOEING PROPRIETARY - Copyright © - Unpublished Work - See title page for details.



757

PARTS CATALOG (MAINTENANCE)

FIG ITEM	PART NUMBER	1 2 3 4 5 6 7	NOMENCLATURE	EFFECT FROM TO	UNITS PER ASSY
36A 80	C709-01-094		..CONNECTOR-CAP 2 MOULDING FOR S2 SUPPLIER CODE: VK0673 MISCELLANEOUS DATA: PROTECTIVE CAP FOR CTR S2 REMOVED UPON INSTALLATION	108120	1
80	C709-01-094		..CONNECTOR-CAP 2 MOULDING FOR S2 SUPPLIER CODE: VK0673 MISCELLANEOUS DATA: PROTECTIVE CAP FOR CTR S2 REMOVED UPON INSTALLATION	504903	1
85	C709-05-001		..LIGHT ASSY-NIGHT OPTIONAL SUPPLIER CODE: VK0673 SPECIFICATION NUMBER: S417N514-5	108120	1
85	C709-05-001		..LIGHT ASSY-NIGHT OPTIONAL SUPPLIER CODE: VK0673 SPECIFICATION NUMBER: S417N514-5	504903	1
90	GE1864		..LAMP-FILAMENT 28V SUPPLIER CODE: V08806	108120	1
90	GE1864		..LAMP-FILAMENT 28V SUPPLIER CODE: V08806	504903	1

MISSING ITEM NUMBERS NOT APPLICABLE

- ITEM NOT ILLUSTRATED

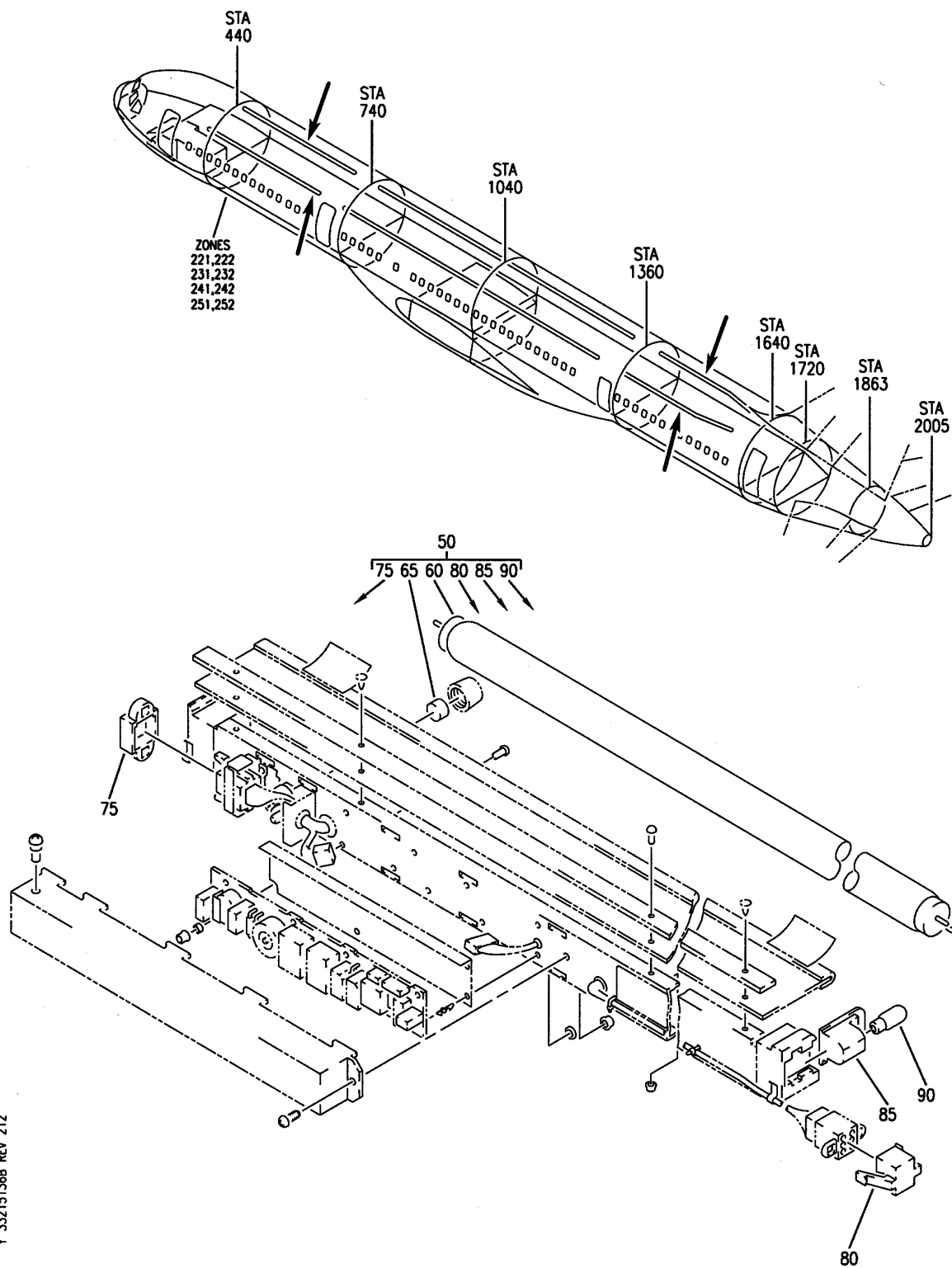
33-21-51-36A

33-21-51
FIG. 36A
PAGE 3
JAN 20/09

BRI

BOEING PROPRIETARY - Copyright © - Unpublished Work - See title page for details.

BOEING
757
PARTS CATALOG (MAINTENANCE)



Y 332151368 REV 212

COMPARTMENT ASSY-OVHD STOWAGE (4-DOOR) (LIGHTS ONLY)
FIGURE 36B

33-21-51-36B

BRI
JAN 20/09

33-21-51-36B
PAGE 0



757

PARTS CATALOG (MAINTENANCE)

FIG ITEM	PART NUMBER	1 2 3 4 5 6 7	NOMENCLATURE	EFFECT FROM TO	UNITS PER ASSY
36B			COMPARTMENT ASSY-OVHD STOWAGE (4-DOOR) (LIGHTS ONLY)	108120 504903	
- 5	412N1270-1053SP		COMPARTMENT ASSY-OVHD STOWAGE (4-DOOR) (LIGHTS ONLY) FOR NHA/OTHER SYS DET SEE: 25-28-00-57	504903	RF
- 5	412N1270-1035BN		COMPARTMENT ASSY-OVHD STOWAGE (4-DOOR) (LIGHTS ONLY) FOR NHA/OTHER SYS DET SEE: 25-28-00-50	108120	RF
50	E709-04-001		.LIGHT ASSY-18 IN. CLG UNIT SUPPLIER CODE: VK0673 SPECIFICATION NUMBER: S417N514-4 COMPONENT MAINT MANUAL REF: 33-21-02	108120 504903	1
- 55	E709-04-100		..LIGHT-18 IN. CLG WITHOUT TUBE SUPPLIER CODE: VK0673	108120 504903	1
60	F013WWBCAC		..TUBE-18 IN. FLUOR T8 SUPPLIER CODE: V52343 MISCELLANEOUS DATA: (SUPPLIED BY; OSRAM SILVANIA INC., SILVANIA LIGHTING CENTER, DANVERS, MASSACHUSETTS, 01923)	108120 504903	1
65	19370K16A		..FUSE- SUPPLIER CODE: VK0F74	108120 504903	1
- 70	D709-01-057		..PLATE-BLANKING MOULDING SUPPLIER CODE: VK0673 MISCELLANEOUS DATA: PROTECTIVE PLATE INSTALLED WHEN OPTIONAL NIGHT LITE C709-05-001 IS NOT FITTED	108120 504903	1

MISSING ITEM NUMBERS NOT APPLICABLE

- ITEM NOT ILLUSTRATED

33-21-51-36B

33-21-51
FIG. 36B
PAGE 1
JAN 20/09

BRI

BOEING PROPRIETARY - Copyright © - Unpublished Work - See title page for details.



757

PARTS CATALOG (MAINTENANCE)

FIG ITEM	PART NUMBER	1 2 3 4 5 6 7	NOMENCLATURE	EFFECT FROM TO	UNITS PER ASSY
36B 75	C709-01-093		..CONNECTOR-CAP 1 MOULDING FOR J1 SUPPLIER CODE: VK0673 MISCELLANEOUS DATA: PROTECTIVE CAP FOR CTR J1 REMOVED UPON INSTALLATION	108120 504903	1
80	C709-01-094		..CONNECTOR-CAP 2 MOULDING FOR S2 SUPPLIER CODE: VK0673 MISCELLANEOUS DATA: PROTECTIVE CAP FOR CTR S2 REMOVED UPON INSTALLATION	108120 504903	1
85	C709-05-001		..LIGHT ASSY-NIGHT OPTIONAL SUPPLIER CODE: VK0673 SPECIFICATION NUMBER: S417N514-5	108120 504903	1
90	GE1864		..LAMP-FILAMENT 28V SUPPLIER CODE: V08806	108120 504903	1

MISSING ITEM NUMBERS NOT APPLICABLE

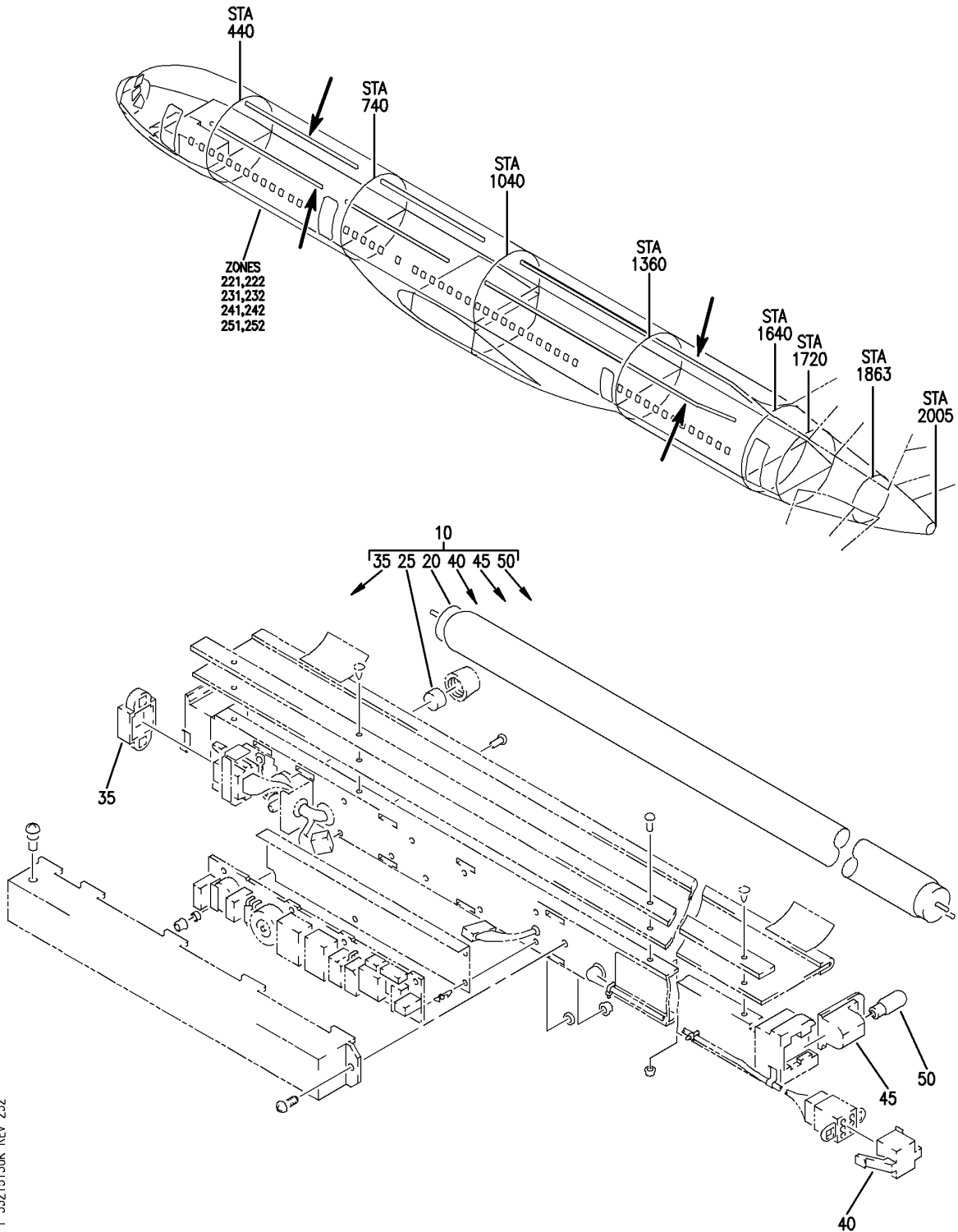
- ITEM NOT ILLUSTRATED

33-21-51-36B

33-21-51
FIG. 36B
PAGE 2
JAN 20/09

BRI

BOEING
757
PARTS CATALOG (MAINTENANCE)



Y 33215136K REV 232

COMPARTMENT ASSY-60 IN. OVHD STOWAGE (LIGHTS ONLY)
FIGURE 36K

33-21-51-36K

BRI
JAN 20/09

33-21-51-36K
PAGE 0



757

PARTS CATALOG (MAINTENANCE)

FIG ITEM	PART NUMBER	1 2 3 4 5 6 7	NOMENCLATURE	EFFECT FROM TO	UNITS PER ASSY
36K			COMPARTMENT ASSY-60 IN. OVHD STOWAGE (LIGHTS ONLY)	108120	
- 1	412N1270-1028BN		COMPARTMENT ASSY-60 IN. OVHD STOWAGE (LIGHTS ONLY) FOR NHA/OTHER SYS DET SEE: 25-28-00-50A	108120	RF
10	E709-01-001		.LIGHT ASSY-48 IN. CLG UNIT SUPPLIER CODE: VK0673 SPECIFICATION NUMBER: S417N514-1 COMPONENT MAINT MANUAL REF: 33-21-02	108120	1
- 15	E709-01-100		..LIGHT-48 IN. CLG WITHOUT TUBE SUPPLIER CODE: VK0673	108120	1
20	F032WWBCAC		..LAMP-48 IN. FLUOR T8 SUPPLIER CODE: V52343	108120	1
25	19370K16A		..FUSE- SUPPLIER CODE: VK0F74	108120	1
- 30	D709-01-057		..PLATE-BLANKING MOULDING SUPPLIER CODE: VK0673	108120	1
35	C709-01-093		..CONNECTOR-CAP 1 MOULDING FOR J1 SUPPLIER CODE: VK0673	108120	1
40	C709-01-094		..CONNECTOR-CAP 2 MOULDING FOR S2 SUPPLIER CODE: VK0673	108120	1
45	C709-05-001		..LIGHT ASSY-NIGHT OPTIONAL SUPPLIER CODE: VK0673 SPECIFICATION NUMBER: S417N514-5	108120	1
50	GE1864		..LAMP-FILAMENT 28V SUPPLIER CODE: V08806	108120	1

MISSING ITEM NUMBERS NOT APPLICABLE

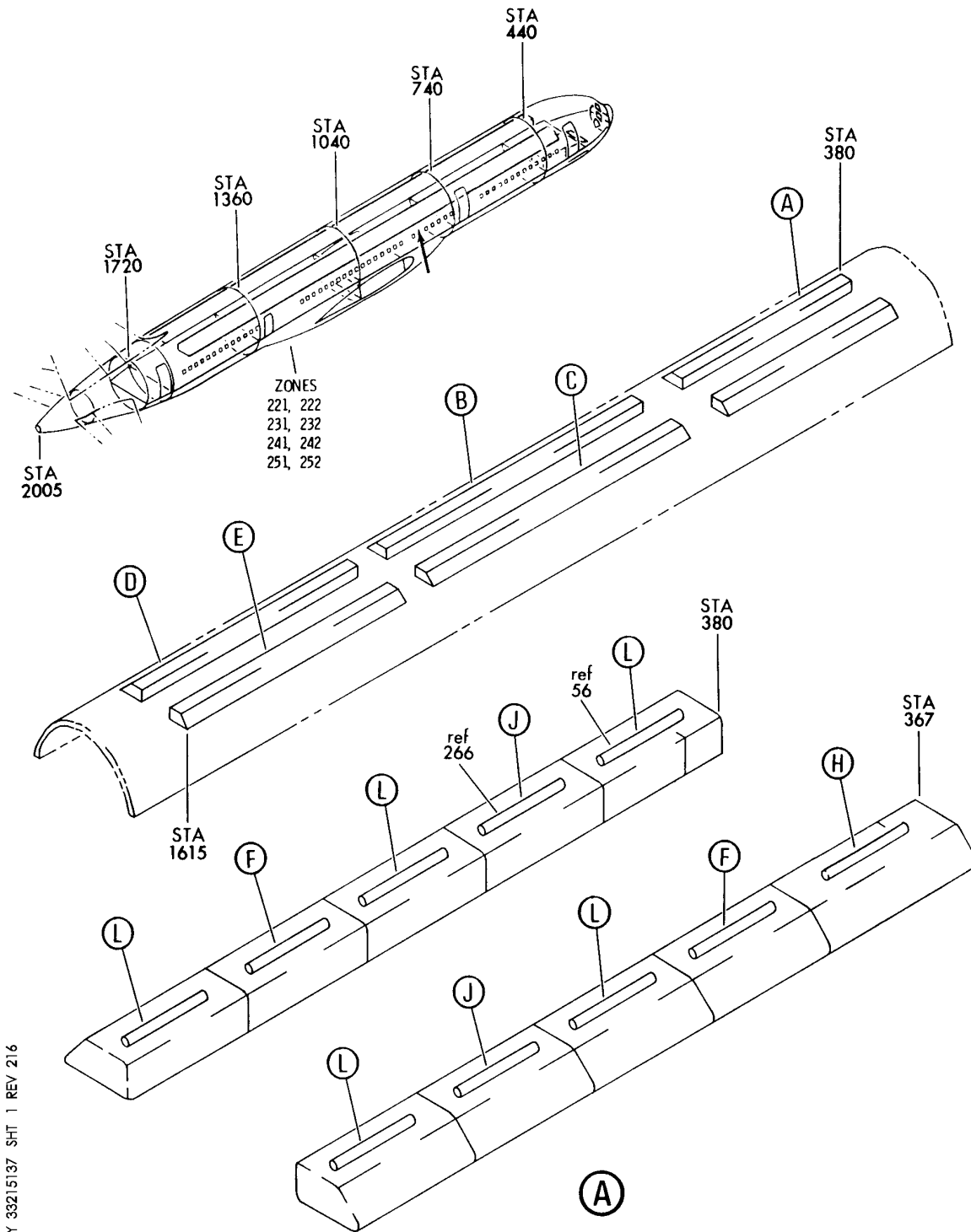
- ITEM NOT ILLUSTRATED

33-21-51-36K

33-21-51
FIG. 36K
PAGE 1
JAN 20/09

BRI

BOEING
757
PARTS CATALOG (MAINTENANCE)



Y 33215137 SHT 1 REV 216

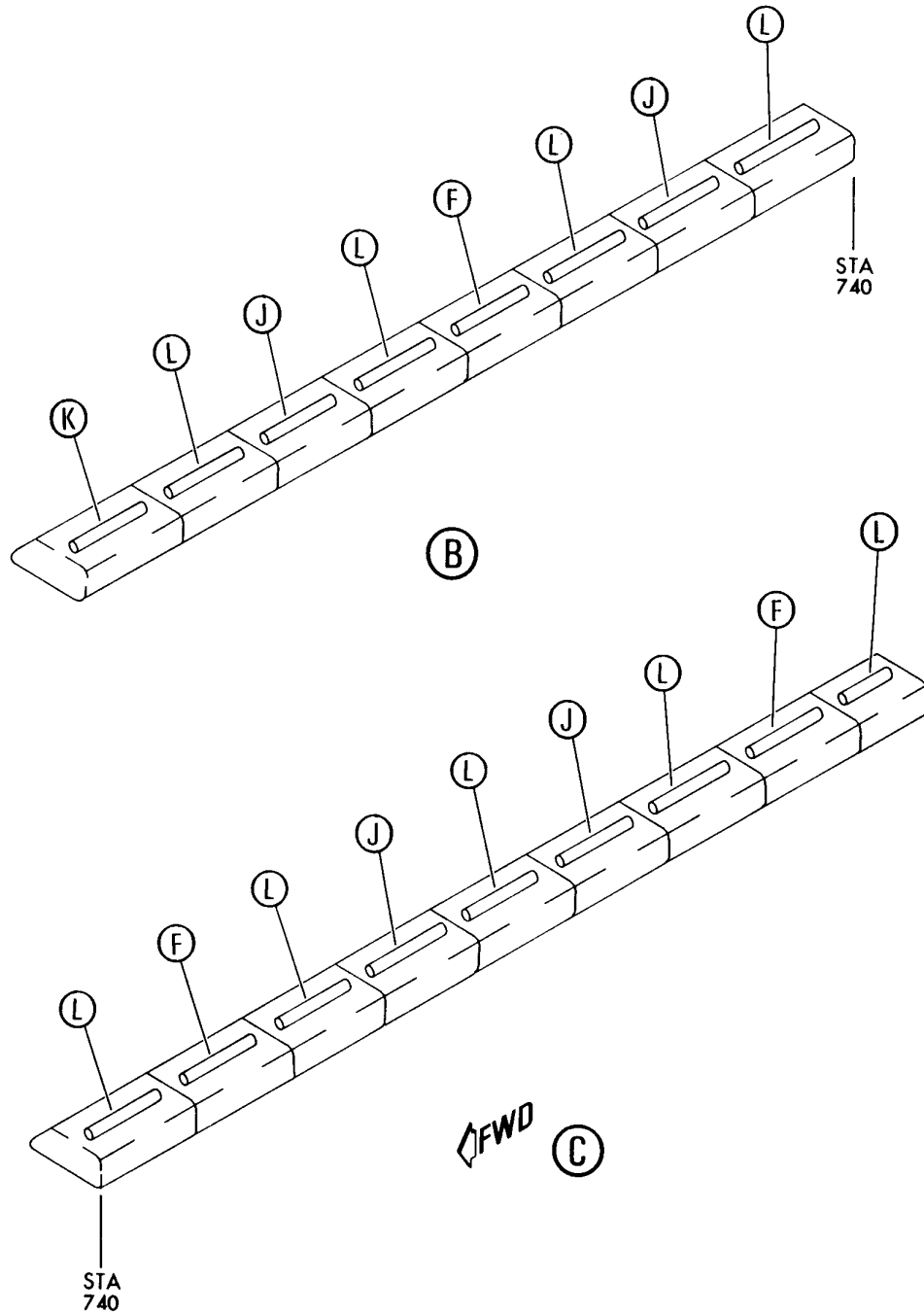
COMPARTMENT ASSY-OVHD STOWAGE (LIGHTS ONLY)
FIGURE 37 (SHEET 1)

33-21-51-37

BRI
JAN 20/09

33-21-51-37
PAGE 0

BOEING
757
PARTS CATALOG (MAINTENANCE)



Y 33215137 SHT 2 REV 216

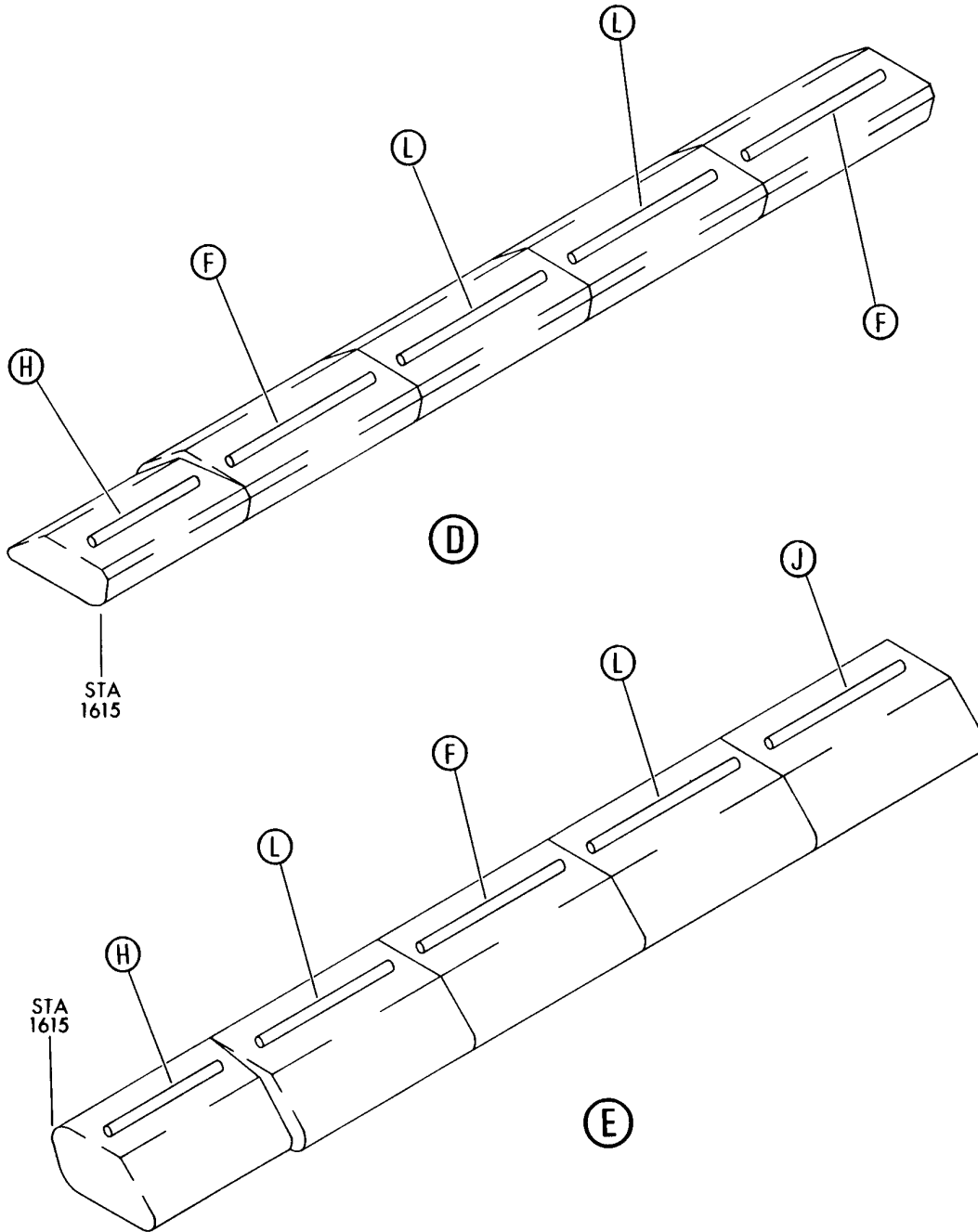
COMPARTMENT ASSY-OVHD STOWAGE (LIGHTS ONLY)
FIGURE 37 (SHEET 2)

33-21-51-37

BRI
JAN 20/09

33-21-51-37
PAGE 0A

BOEING
757
PARTS CATALOG (MAINTENANCE)



Y 33215137 SHT 3 REV 216

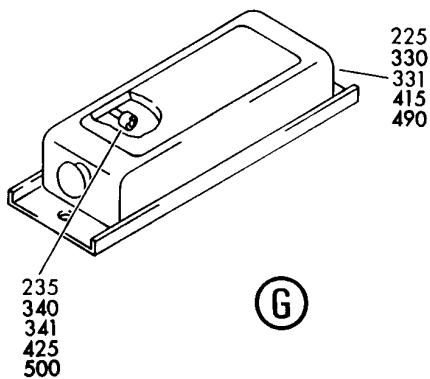
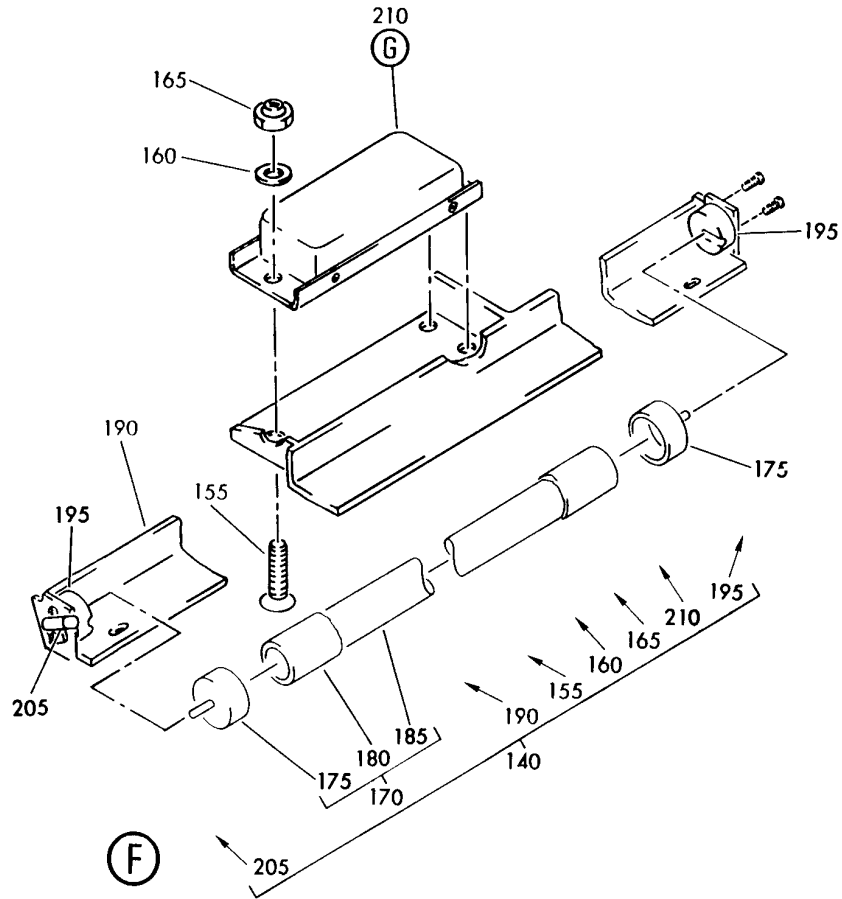
COMPARTMENT ASSY-OVHD STOWAGE (LIGHTS ONLY)
FIGURE 37 (SHEET 3)

33-21-51-37

BRI
JAN 20/09

33-21-51-37
PAGE 0B

BOEING
757
PARTS CATALOG (MAINTENANCE)



Y 33215137 SHT 4 REV 166

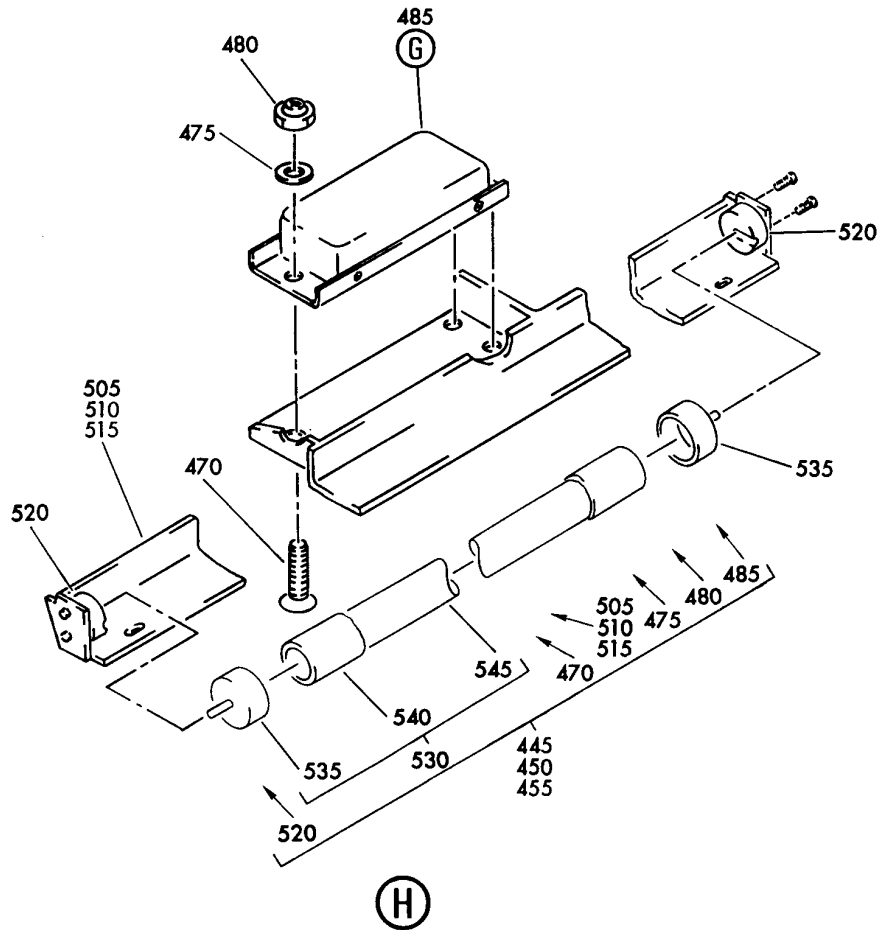
COMPARTMENT ASSY-OVHD STOWAGE (LIGHTS ONLY)
FIGURE 37 (SHEET 4)

33-21-51-37

BRI
JAN 20/09

33-21-51-37
PAGE 0C

BOEING
757
PARTS CATALOG (MAINTENANCE)



Y 33215137 SHT 5 REV 157

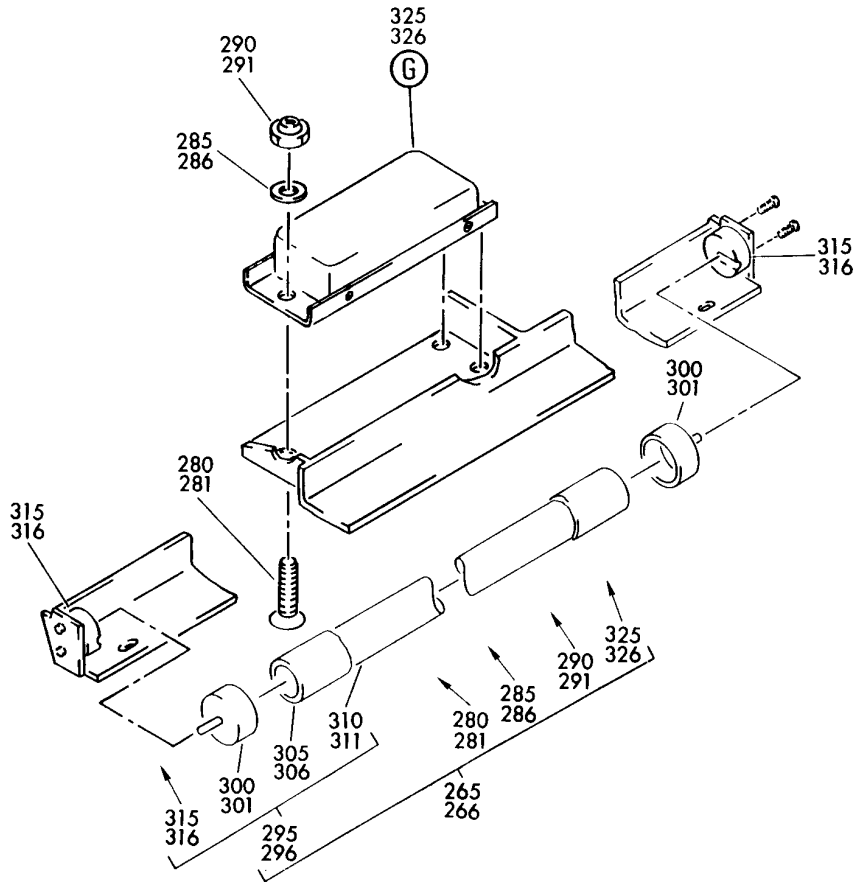
COMPARTMENT ASSY-OVHD STOWAGE (LIGHTS ONLY)
FIGURE 37 (SHEET 5)

33-21-51-37

BRI
JAN 20/09

33-21-51-37
PAGE 0D

BOEING
757
PARTS CATALOG (MAINTENANCE)



Y 33215137 SHT 6 REV 166

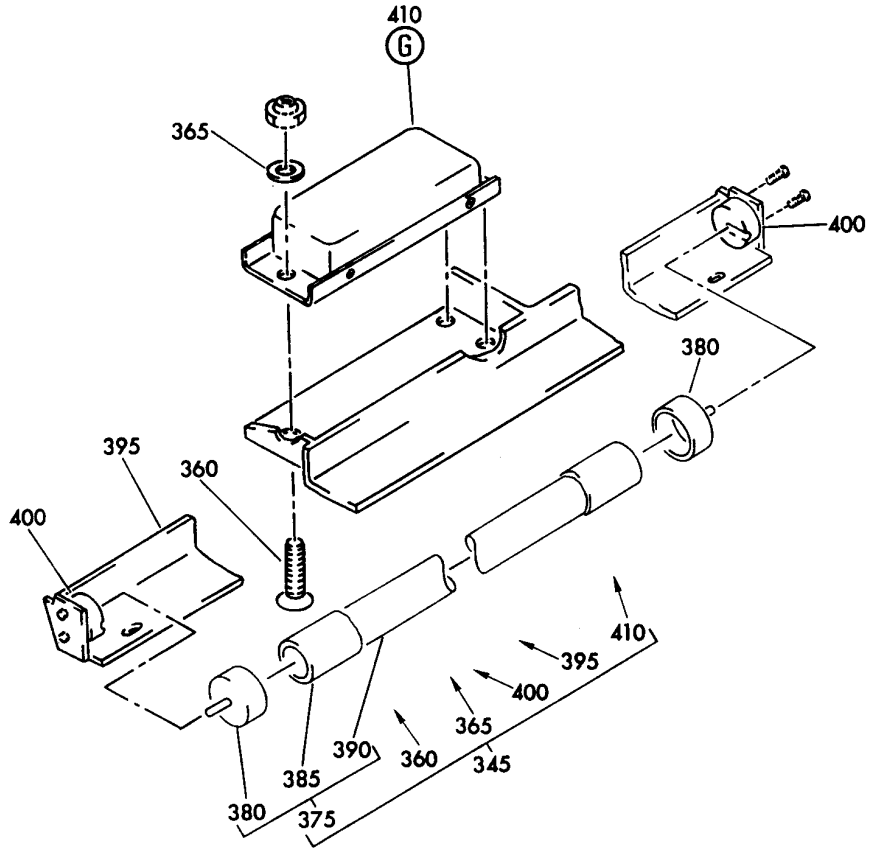
COMPARTMENT ASSY-OVHD STOWAGE (LIGHTS ONLY)
FIGURE 37 (SHEET 6)

33-21-51-37

BRI
JAN 20/09

33-21-51-37
PAGE 0E

BOEING
757
PARTS CATALOG (MAINTENANCE)



(K)

Y 33215137 SHT 7 REV 157

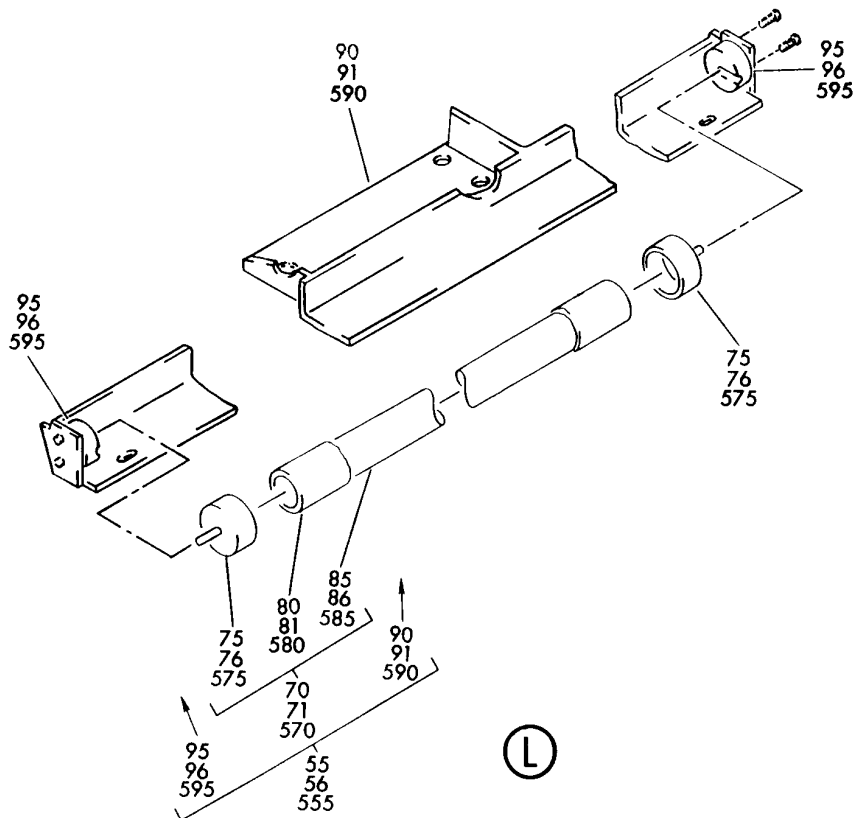
COMPARTMENT ASSY-OVHD STOWAGE (LIGHTS ONLY)
FIGURE 37 (SHEET 7)

33-21-51-37

BRI
JAN 20/09

33-21-51-37
PAGE OF

BOEING
757
PARTS CATALOG (MAINTENANCE)



Y 33215137 SHT 8 REV 166

COMPARTMENT ASSY-OVHD STOWAGE (LIGHTS ONLY)
FIGURE 37 (SHEET 8)

33-21-51-37

BRI
JAN 20/09

33-21-51-37
PAGE 08



757

PARTS CATALOG (MAINTENANCE)

FIG ITEM	PART NUMBER	1 2 3 4 5 6 7	NOMENCLATURE	EFFECT FROM TO	UNITS PER ASSY
37			COMPARTMENT ASSY-OVHD STOWAGE (LIGHTS ONLY)	121503	
- 260	412N1225-607SP		COMPARTMENT ASSY-OVHD STOWAGE (LIGHTS ONLY) FOR NHA/OTHER SYS DET SEE: 25-28-00-23C	121503	RF
265	417N5120-115		.LIGHT ASSY ATTACHING PARTS	121503	1
- 270	NAS1801-3-5		.SCREW	121503	3
- 275	AN960JD10LL		.WASHER	121503	3
			-----*-----		
280	BACS12ER3K6		..SCREW	121503	3
285	BACW10UD10		..WASHER	121503	3
290	F22K1-02		..NUT	121503	3
			SUPPLIER CODE: V72962 SPECIFICATION NUMBER: BACN10R10L OPTIONAL PART: 22K1-02 V72962 26CLO2 V80539		
295	417N5120-10		..LAMP ASSY	121503	1
300	2055150		...CAP-END SUPPLIER CODE: V04169	121503	2
305	LP1625-48		...TUBE-PROTECTIVE COVER SUPPLIER CODE: V60116 OPTIONAL PART: NI312LGWUV1000 V06034	121503	1
305	NI312LGWUV1000		...TUBE-PROTECTIVE COVER SUPPLIER CODE: V06034 OPTIONAL PART: LP1625-48 V60116	121503	1
310	F40D30ECO		...LAMP-FLOUR. SUPPLIER CODE: V08805	121503	1
315	BV03112-03-33		...HOLDER-BRUCE LAMP SUPPLIER CODE: V17023 ATTACHING PARTS	121503	2
- 320	MS35206-323		...SCREW -----*-----	121503	4

MISSING ITEM NUMBERS NOT APPLICABLE

- ITEM NOT ILLUSTRATED

33-21-51-37

33-21-51
FIG. 37
PAGE 1
MAY 20/09

BRI



757

PARTS CATALOG (MAINTENANCE)

FIG ITEM	PART NUMBER	1 2 3 4 5 6 7	NOMENCLATURE	EFFECT FROM TO	UNITS PER ASSY
37 325	05939-103		..BALLAST ASSY- SUPPLIER CODE: V17023 SPECIFICATION NUMBER: S283N702-103 COMPONENT MAINT MANUAL REF: 33-21-05	121503	1
330	08899-001		...HOUSING ASSY- SUPPLIER CODE: V17023 ATTACHING PARTS	121503	1
- 335	011-0002-510		...SCREW- SUPPLIER CODE: V17023 -----*-----	121503	4
340	GMA1-5		...FUSE-1.5A, 250V SUPPLIER CODE: V71400	121503	1

MISSING ITEM NUMBERS NOT APPLICABLE

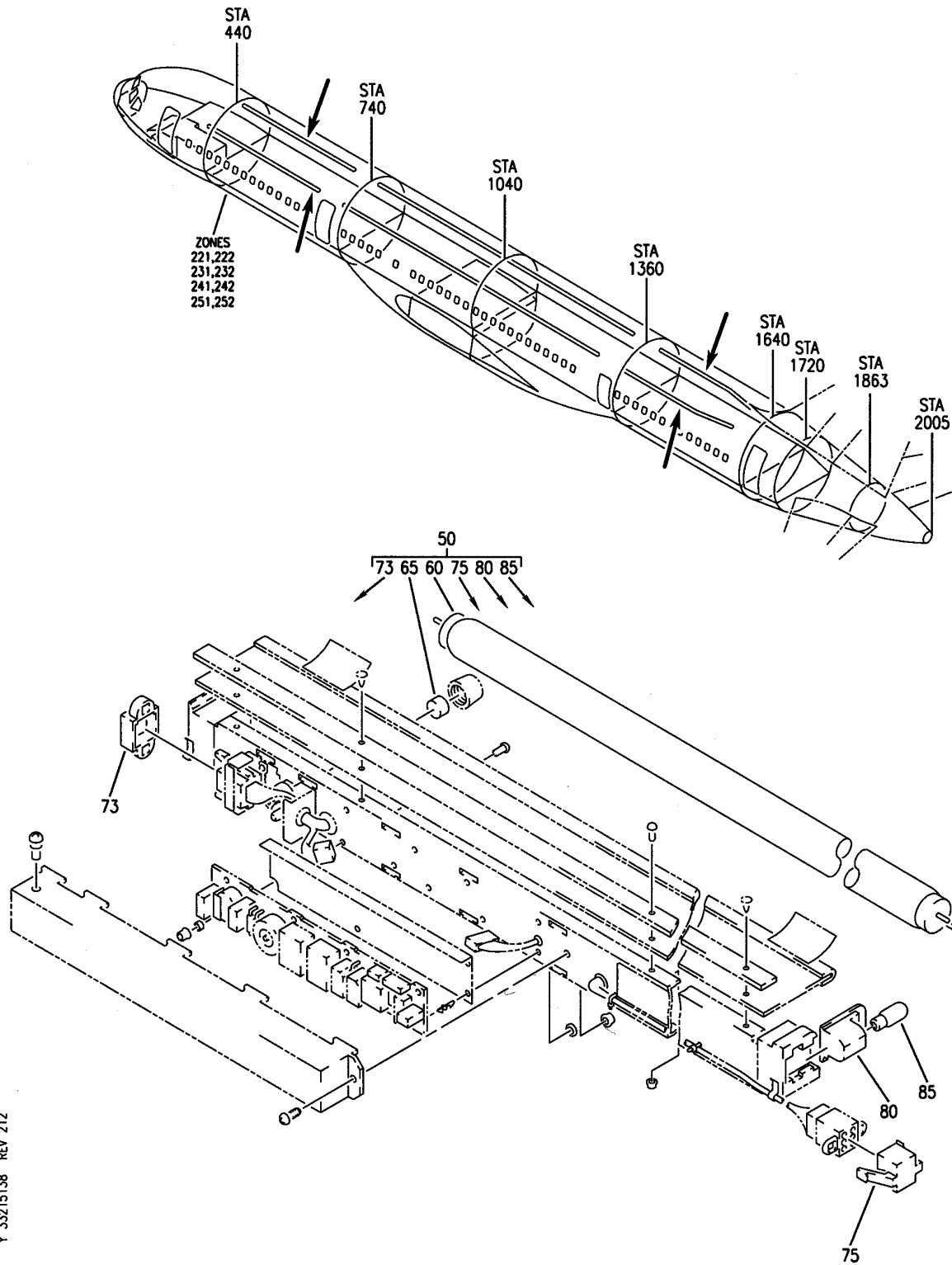
- ITEM NOT ILLUSTRATED

33-21-51-37

33-21-51
FIG. 37
PAGE 2
MAY 20/09

BRI

BOEING
757
PARTS CATALOG (MAINTENANCE)



Y 33215138 REV 212

COMPARTMENT ASSY-OVHD STOWAGE (4-DOOR ONLY) (LIGHTS ONLY)
FIGURE 38

33-21-51-38

BRI
JAN 20/09

33-21-51-38
PAGE 0



757

PARTS CATALOG (MAINTENANCE)

FIG ITEM	PART NUMBER	1 2 3 4 5 6 7	NOMENCLATURE	EFFECT FROM TO	UNITS PER ASSY
38			COMPARTMENT ASSY-OVHD STOWAGE (4-DOOR ONLY) (LIGHTS ONLY)	108120 504903	
- 11	412N1170-225BN		COMPARTMENT ASSY-OVHD STOWAGE (LIGHTS ONLY) FOR NHA/OTHER SYS DET SEE: 25-28-00-50B	108120	RF
- 15	412N1170-1003SP		COMPARTMENT ASSY-OVHD STOWAGE (LIGHTS ONLY) FOR NHA/OTHER SYS DET SEE: 25-28-00-50 25-28-00-50A 25-28-00-50B 25-28-00-57	108120 504903	RF
- 15	412N1170-1004SP		COMPARTMENT ASSY-OVHD STOWAGE (LIGHTS ONLY) FOR NHA/OTHER SYS DET SEE: 25-28-00-50 25-28-00-57	108120 504903	RF
- 15	412N1170-1006SP		COMPARTMENT ASSY-OVHD STOWAGE (LIGHTS ONLY) FOR NHA/OTHER SYS DET SEE: 25-28-00-50 25-28-00-50A 25-28-00-50B 25-28-00-57	108120 504903	RF
- 15	412N1170-1008SP		COMPARTMENT ASSY-OVHD STOWAGE (LIGHTS ONLY) FOR NHA/OTHER SYS DET SEE: 25-28-00-50	108120	RF
- 15	412N1170-1010SP		COMPARTMENT ASSY-OVHD STOWAGE (LIGHTS ONLY) FOR NHA/OTHER SYS DET SEE: 25-28-00-50A	108120	RF
- 15	412N1170-1015SP		COMPARTMENT ASSY-OVHD STOWAGE (LIGHTS ONLY) FOR NHA/OTHER SYS DET SEE: 25-28-00-50A 25-28-00-50B 25-28-00-57	108120 504903	RF
- 15	412N1170-1018SP		COMPARTMENT ASSY-OVHD STOWAGE (LIGHTS ONLY) FOR NHA/OTHER SYS DET SEE: 25-28-00-50A 25-28-00-50B 25-28-00-57	108120 504903	RF

MISSING ITEM NUMBERS NOT APPLICABLE

- ITEM NOT ILLUSTRATED

33-21-51-38

33-21-51
FIG. 38
PAGE 1
JAN 20/09

BRI



757

PARTS CATALOG (MAINTENANCE)

FIG ITEM	PART NUMBER	1 2 3 4 5 6 7	NOMENCLATURE	EFFECT FROM TO	UNITS PER ASSY
38					
- 20	412N1170-1020SP		COMPARTMENT ASSY-OVHD STOWAGE (LIGHTS ONLY) FOR NHA/OTHER SYS DET SEE: 25-28-00-50A 25-28-00-57	108120 504903	RF
- 20	412N1170-1021SP		COMPARTMENT ASSY-OVHD STOWAGE (LIGHTS ONLY) FOR NHA/OTHER SYS DET SEE: 25-28-00-57	504903	RF
- 20	412N1170-1023SP		COMPARTMENT ASSY-OVHD STOWAGE (LIGHTS ONLY) FOR NHA/OTHER SYS DET SEE: 25-28-00-50B 25-28-00-57	108120 504903	RF
- 20	412N1170-1027SP		COMPARTMENT ASSY-OVHD STOWAGE (LIGHTS ONLY) FOR NHA/OTHER SYS DET SEE: 25-28-00-50A	108120	RF
- 20	412N1170-1028SP		COMPARTMENT ASSY-OVHD STOWAGE (LIGHTS ONLY) FOR NHA/OTHER SYS DET SEE: 25-28-00-57	504903	RF
- 20	412N1170-1114SP		COMPARTMENT ASSY-OVHD STOWAGE (LIGHTS ONLY) FOR NHA/OTHER SYS DET SEE: 25-28-00-50 25-28-00-57	108120 504903	RF
- 21	412N1170-1135BN		COMPARTMENT ASSY-60 IN. OVHD STOWAGE FOR NHA/OTHER SYS DET SEE: 25-28-00-50	108120	RF
50	E709-01-001		.LIGHT ASSY-48 IN. CLG UNIT SUPPLIER CODE: VK0673 SPECIFICATION NUMBER: S417N514-1 COMPONENT MAINT MANUAL REF: 33-21-02	504903	1
50	E709-01-001		.LIGHT ASSY-48 IN. CLG UNIT SUPPLIER CODE: VK0673 SPECIFICATION NUMBER: S417N514-1 COMPONENT MAINT MANUAL REF: 33-21-02	108120	1
- 55	E709-01-100		..LIGHT-48 IN. CLG WITHOUT TUBE SUPPLIER CODE: VK0673	504903	1

MISSING ITEM NUMBERS NOT APPLICABLE

- ITEM NOT ILLUSTRATED

33-21-51-38

33-21-51
FIG. 38
PAGE 2
JAN 20/09

BRI



757

PARTS CATALOG (MAINTENANCE)

FIG ITEM	PART NUMBER	1 2 3 4 5 6 7	NOMENCLATURE	EFFECT FROM TO	UNITS PER ASSY
38					
- 55	E709-01-100	..	LIGHT-48 IN. CLG WITHOUT TUBE SUPPLIER CODE: VK0673	108120	1
60	F032WWBCAC	..	LAMP-48 IN. FLUOR T8 SUPPLIER CODE: V52343 MISCELLANEOUS DATA: (SUPPLIED BY; OSRAM SILVANIA INC., SILVANIA LIGHTING CENTER, DANVERS, MASSACHUSETTS, 01923) USED ON: E709-01-001	504903	1
60	F032WWBCAC	..	LAMP-48 IN. FLUOR T8 SUPPLIER CODE: V52343 MISCELLANEOUS DATA: (SUPPLIED BY; OSRAM SILVANIA INC., SILVANIA LIGHTING CENTER, DANVERS, MASSACHUSETTS, 01923) USED ON: E709-01-001	108120	1
65	19370K16A	..	FUSE- SUPPLIER CODE: VK0F74	504903	1
65	19370K16A	..	FUSE- SUPPLIER CODE: VK0F74	108120	1
- 70	D709-01-057	..	PLATE-BLANKING MOULDING SUPPLIER CODE: VK0673 MISCELLANEOUS DATA: PROTECTIVE PLATE INSTALLED WHEN OPTIONAL NIGHT LIGHT C709-05-001 IS NOT FITTED	504903	1
- 70	D709-01-057	..	PLATE-BLANKING MOULDING SUPPLIER CODE: VK0673 MISCELLANEOUS DATA: PROTECTIVE PLATE INSTALLED WHEN OPTIONAL NIGHT LIGHT C709-05-001 IS NOT FITTED	108120	1

MISSING ITEM NUMBERS NOT APPLICABLE

- ITEM NOT ILLUSTRATED

33-21-51-38

33-21-51
FIG. 38
PAGE 3
JAN 20/09

BRI



757

PARTS CATALOG (MAINTENANCE)

FIG ITEM	PART NUMBER	1 2 3 4 5 6 7	NOMENCLATURE	EFFECT FROM TO	UNITS PER ASSY
38					
73	C709-01-093	..	CONNECTOR-CAP 1 MOULDING FOR J1 SUPPLIER CODE: VK0673	504903	1
73	C709-01-093	..	CONNECTOR-CAP 1 MOULDING FOR J1 SUPPLIER CODE: VK0673	108120	1
75	C709-01-094	..	CONNECTOR-CAP 2 MOULDING FOR S2 SUPPLIER CODE: VK0673 MISCELLANEOUS DATA: PROTECTIVE CAP FOR CTR S2 REMOVED UPON INSTALLATION	504903	1
75	C709-01-094	..	CONNECTOR-27P 2 MOULDING FOR S2 SUPPLIER CODE: VK0673 MISCELLANEOUS DATA: PROTECTIVE CAP FOR CTR S2 REMOVED UPON INSTALLATION	108120	1
80	C709-05-001	..	LIGHT ASSY-NIGHT OPTIONAL SUPPLIER CODE: VK0673 SPECIFICATION NUMBER: S417N514-5	504903	1
80	C709-05-001	..	LIGHT ASSY-NIGHT OPTIONAL SUPPLIER CODE: VK0673 SPECIFICATION NUMBER: S417N514-5	108120	1
85	GE1864	..	LAMP-FILAMENT 28V SUPPLIER CODE: V08806	504903	1
85	GE1864	..	LAMP-FILAMENT 28V SUPPLIER CODE: V08806	108120	1

MISSING ITEM NUMBERS NOT APPLICABLE

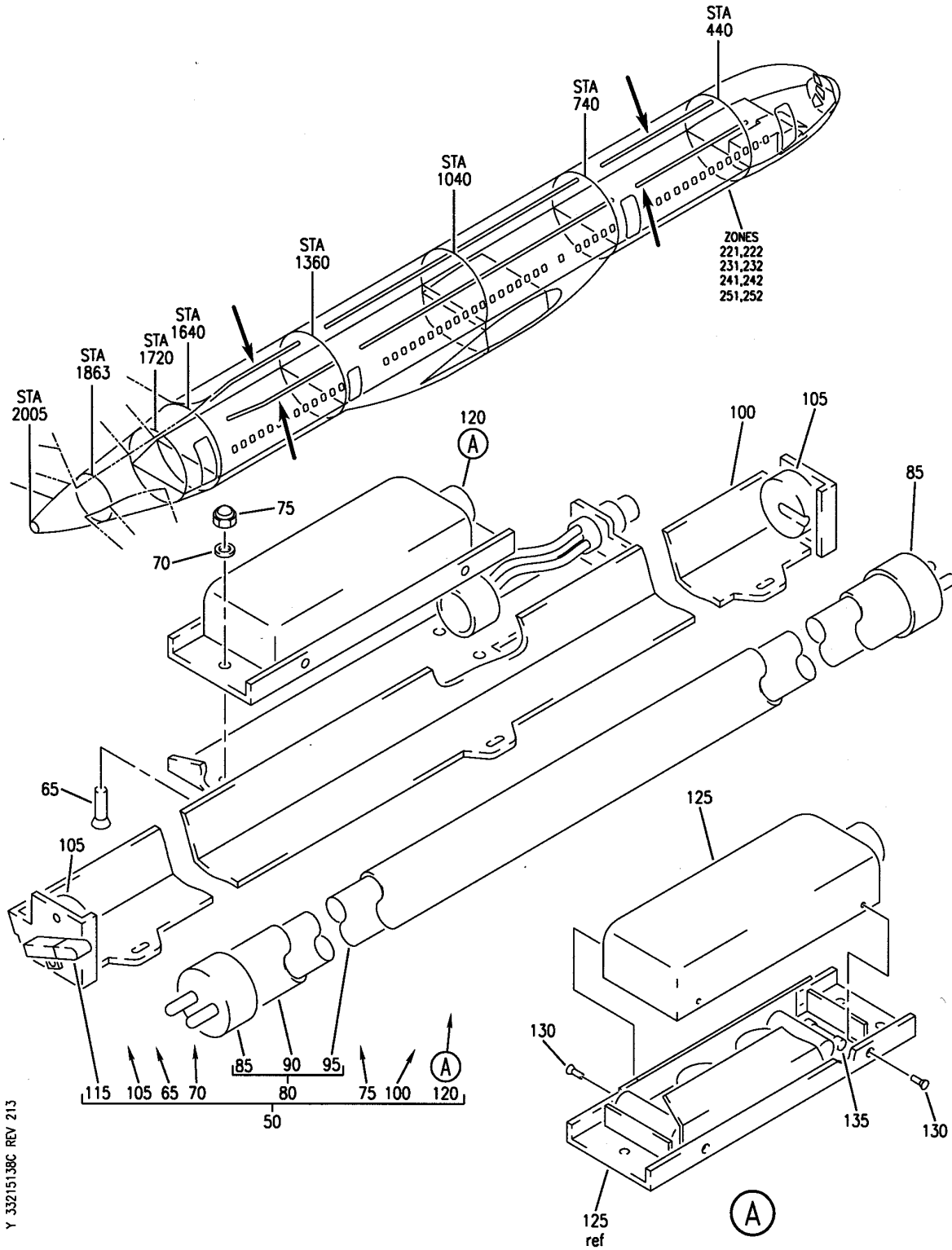
- ITEM NOT ILLUSTRATED

33-21-51-38

33-21-51
FIG. 38
PAGE 4
JAN 20/09

BRI

BOEING
757
PARTS CATALOG (MAINTENANCE)



Y 33215138C REV 213

COMPARTMENT ASSY-OVERHEAD STOWAGE (4-DOOR) (LIGHTS ONLY)
FIGURE 38C

33-21-51-38C

BRI
MAY 28/07

33-21-51-38C
PAGE 0



757

PARTS CATALOG (MAINTENANCE)

FIG ITEM	PART NUMBER	1 2 3 4 5 6 7	NOMENCLATURE	EFFECT FROM TO	UNITS PER ASSY
38C			COMPARTMENT ASSY-OVERHEAD STOWAGE (4-DOOR) (LIGHTS ONLY)	018102	
- 1	412N1170-34SP		COMPARTMENT ASSY-OVERHEAD STOWAGE (4-DOOR) (LIGHTS ONLY) FOR NHA/OTHER SYS DET SEE: 25-28-00-33 25-28-00-59	018102	RF
- 1	412N1170-37SP		COMPARTMENT ASSY-OVERHEAD STOWAGE (4-DOOR) (LIGHTS ONLY) FOR NHA/OTHER SYS DET SEE: 25-28-00-33	018100	RF
- 1	412N1170-44SP		COMPARTMENT ASSY-OVERHEAD STOWAGE (4-DOOR) (LIGHTS ONLY) FOR NHA/OTHER SYS DET SEE: 25-28-00-33	018100	RF
- 1	412N1170-47SP		COMPARTMENT ASSY-OVERHEAD STOWAGE (4-DOOR) (LIGHTS ONLY) FOR NHA/OTHER SYS DET SEE: 25-28-00-33	018100	RF
- 1	412N1170-48SP		COMPARTMENT ASSY-OVERHEAD STOWAGE (4-DOOR) (LIGHTS ONLY) FOR NHA/OTHER SYS DET SEE: 25-28-00-33	018100	RF
- 1	412N1170-49SP		COMPARTMENT ASSY-OVERHEAD STOWAGE (4-DOOR) (LIGHTS ONLY) FOR NHA/OTHER SYS DET SEE: 25-28-00-33 25-28-00-59	018102	RF
- 1	412N1170-52SP		COMPARTMENT ASSY-OVERHEAD STOWAGE (4-DOOR) (LIGHTS ONLY) FOR NHA/OTHER SYS DET SEE: 25-28-00-33	018100	RF
- 1	412N1170-1037SP		COMPARTMENT ASSY-OVERHEAD STOWAGE (4-DOOR) (LIGHTS ONLY) FOR NHA/OTHER SYS DET SEE: 25-28-00-59	101102	RF

MISSING ITEM NUMBERS NOT APPLICABLE

- ITEM NOT ILLUSTRATED

33-21-51-38C

33-21-51
FIG. 38C
PAGE 1
JAN 20/09

BRI



757

PARTS CATALOG (MAINTENANCE)

FIG ITEM	PART NUMBER	1 2 3 4 5 6 7	NOMENCLATURE	EFFECT FROM TO	UNITS PER ASSY
38C					
- 1	412N1170-1044SP		COMPARTMENT ASSY-OVERHEAD STOWAGE (4-DOOR) (LIGHTS ONLY) FOR NHA/OTHER SYS DET SEE: 25-28-00-59	101102	RF
- 1	412N1170-1047SP		COMPARTMENT ASSY-OVERHEAD STOWAGE (4-DOOR) (LIGHTS ONLY) FOR NHA/OTHER SYS DET SEE: 25-28-00-59	101102	RF
- 1	412N1170-1048SP		COMPARTMENT ASSY-OVERHEAD STOWAGE (4-DOOR) (LIGHTS ONLY) FOR NHA/OTHER SYS DET SEE: 25-28-00-59	101102	RF
- 1	412N1170-1052SP		COMPARTMENT ASSY-OVERHEAD STOWAGE (4-DOOR) (LIGHTS ONLY) FOR NHA/OTHER SYS DET SEE: 25-28-00-59	101102	RF
- 5	412N1170-38SP		COMPARTMENT ASSY-OVERHEAD STOWAGE (4-DOOR) (LIGHTS ONLY) FOR NHA/OTHER SYS DET SEE: 25-28-00-33	018100	RF
- 5	412N1170-43SP		COMPARTMENT ASSY-OVERHEAD STOWAGE (4-DOOR) (LIGHTS ONLY) FOR NHA/OTHER SYS DET SEE: 25-28-00-33	018100	RF
- 5	412N1170-55SP		COMPARTMENT ASSY-OVERHEAD STOWAGE (4-DOOR) (LIGHTS ONLY) FOR NHA/OTHER SYS DET SEE: 25-28-00-33	018100	RF
- 5	412N1170-1038SP		COMPARTMENT ASSY-OVERHEAD STOWAGE (4-DOOR) (LIGHTS ONLY) FOR NHA/OTHER SYS DET SEE: 25-28-00-59	101102	RF
- 5	412N1170-1043SP		COMPARTMENT ASSY-OVERHEAD STOWAGE (4-DOOR) (LIGHTS ONLY) FOR NHA/OTHER SYS DET SEE: 25-28-00-59	101102	RF

MISSING ITEM NUMBERS NOT APPLICABLE

- ITEM NOT ILLUSTRATED

33-21-51-38C

33-21-51
FIG. 38C
PAGE 2
JAN 20/09

BRI

BOEING PROPRIETARY - Copyright © - Unpublished Work - See title page for details.



757

PARTS CATALOG (MAINTENANCE)

FIG ITEM	PART NUMBER	1 2 3 4 5 6 7	NOMENCLATURE	EFFECT FROM TO	UNITS PER ASSY
38C					
- 5	412N1170-1055SP		COMPARTMENT ASSY-OVERHEAD STOWAGE (4-DOOR ONLY) (LIGHTS ONLY) FOR NHA/OTHER SYS DET SEE: 25-28-00-59	101102	RF
50	RR92034-10-1114		.LIGHT ASSY- USED ON: 412N1170-34SP 412N1170-37SP 412N1170-44SP 412N1170-47SP 412N1170-48SP 412N1170-49SP POST RAPID REVISION: RR92034-10	018100	1
50	417N5120-114		.LIGHT ASSY- USED ON: 412N1170-34SP 412N1170-49SP 412N1170-1037SP 412N1170-1044SP 412N1170-1047SP 412N1170-1048SP 412N1170-1052SP	101102	1
50	417N5120-115		.LIGHT ASSY- USED ON: 412N1170-38SP 412N1170-43SP 412N1170-1038SP 412N1170-1043SP 412N1170-1055SP	101102	1
50	RR92034-10-1115		.LIGHT ASSY- USED ON: 412N1170-38SP 412N1170-43SP 412N1170-1038SP 412N1170-1043SP 412N1170-1055SP POST RAPID REVISION: RR92034-10	018100	1
50	RR92034-10-1115		.LIGHT ASSY- USED ON: 412N1170-55SP POST RAPID REVISION: RR92034-10	018100	1
- 55	BACS12GU3K5		ATTACHING PARTS .SCREW	018102	3
- 60	NAS1146D0316J		.WASHER -----*-----	018102	3

MISSING ITEM NUMBERS NOT APPLICABLE

- ITEM NOT ILLUSTRATED

33-21-51-38C

33-21-51
FIG. 38C
PAGE 3
JAN 20/09

BRI



757

PARTS CATALOG (MAINTENANCE)

FIG ITEM	PART NUMBER	1 2 3 4 5 6 7	NOMENCLATURE	EFFECT FROM TO	UNITS PER ASSY
38C					
65	BACS12ER3K6	..	SCREW	018102	3
70	BACW10UD10	..	WASHER	018102	3
75	F22K1-02	..	NUT	018102	3
			SUPPLIER CODE: V72962		
			SPECIFICATION NUMBER: BACN10R10L		
			OPTIONAL PART: 22K1-02		
			V72962		
			26CL02		
			V80539		
80	417N5120-10	..	LAMP ASSY	018102	1
85	2055150	...	CAP-END	018102	2
			SUPPLIER CODE: V04169		
90	LP1625-48	...	TUBE-PROTECTIVE COVER	018102	1
			SUPPLIER CODE: V60116		
			OPTIONAL PART: NI312LGWUV1000		
			V06034		
90	NI312LGWUV1000	...	TUBE-PROTECTIVE COVER	018102	1
			SUPPLIER CODE: V06034		
			OPTIONAL PART: LP1625-48		
			V60116		
95	F40D30ECO	...	LAMP-FLUOR.	018102	1
			SUPPLIER CODE: V08805		
100	800000255-11	..	HOUSING ASSY-CLG LIGHT	018100	1
			SUPPLIER CODE: V05617		
			SPECIFICATION NUMBER: S417N507-11		
			USED ON: 417N5120-114		
			RR92034-10-1114		
100	800000255-11	..	HOUSING ASSY-CLG LIGHT	101102	1
			SUPPLIER CODE: V05617		
			SPECIFICATION NUMBER: S417N507-11		
			USED ON: 417N5120-114		

MISSING ITEM NUMBERS NOT APPLICABLE

- ITEM NOT ILLUSTRATED

33-21-51-38C

33-21-51
FIG. 38C
PAGE 4
MAY 20/09

BRI

BOEING PROPRIETARY - Copyright © - Unpublished Work - See title page for details.



757

PARTS CATALOG (MAINTENANCE)

FIG ITEM	PART NUMBER	1 2 3 4 5 6 7	NOMENCLATURE	EFFECT FROM TO	UNITS PER ASSY
38C 100	800000255-12		..HOUSING ASSY-CLG LIGHT SUPPLIER CODE: V05617 SPECIFICATION NUMBER: S417N507-12 USED ON: 417N5120-115	101102	1
100	800000255-12		..HOUSING ASSY-CLG LIGHT SUPPLIER CODE: V05617 SPECIFICATION NUMBER: S417N507-12 USED ON: 417N5120-115	018100	1
100	800000255-2		..HOUSING ASSY-CLG LIGHT SUPPLIER CODE: V05617 SPECIFICATION NUMBER: S417N507-12 USED ON: RR92034-10-1115	101102	1
100	800000255-2		..HOUSING ASSY-CLG LIGHT SUPPLIER CODE: V05617 SPECIFICATION NUMBER: S417N507-2	018100	1
105	BV03112-03-33		...HOLDER-BRUCE LAMP SUPPLIER CODE: V17023 ATTACHING PARTS	018102	2
- 110	MS35206-323		...SCREW -----*-----	018102	4
115	1864		..BULB- SUPPLIER CODE: V71744 USED ON: 417N5120-114 RR92034-10-1114	018100	1
115	1864		..BULB- SUPPLIER CODE: V71744 USED ON: 417N5120-114	101102	1
120	05939-103		..BALLAST ASSY- SUPPLIER CODE: V17023 SPECIFICATION NUMBER: S283N702-103 COMPONENT MAINT MANUAL REF: 33-21-05	018102	1

MISSING ITEM NUMBERS NOT APPLICABLE

- ITEM NOT ILLUSTRATED

33-21-51-38C

33-21-51
FIG. 38C
PAGE 5
MAY 20/09

BRI

BOEING PROPRIETARY - Copyright © - Unpublished Work - See title page for details.



757

PARTS CATALOG (MAINTENANCE)

FIG ITEM	PART NUMBER	1 2 3 4 5 6 7	NOMENCLATURE	EFFECT FROM TO	UNITS PER ASSY
38C 125	08899-001		...HOUSING ASSY- SUPPLIER CODE: V17023	018102	1
130	011-0002-510	SCREW- SUPPLIER CODE: V17023	018102	4
135	GMA1-5		... FUSE-1.5A, 250V SUPPLIER CODE: V71400	018102	1

MISSING ITEM NUMBERS NOT APPLICABLE

- ITEM NOT ILLUSTRATED

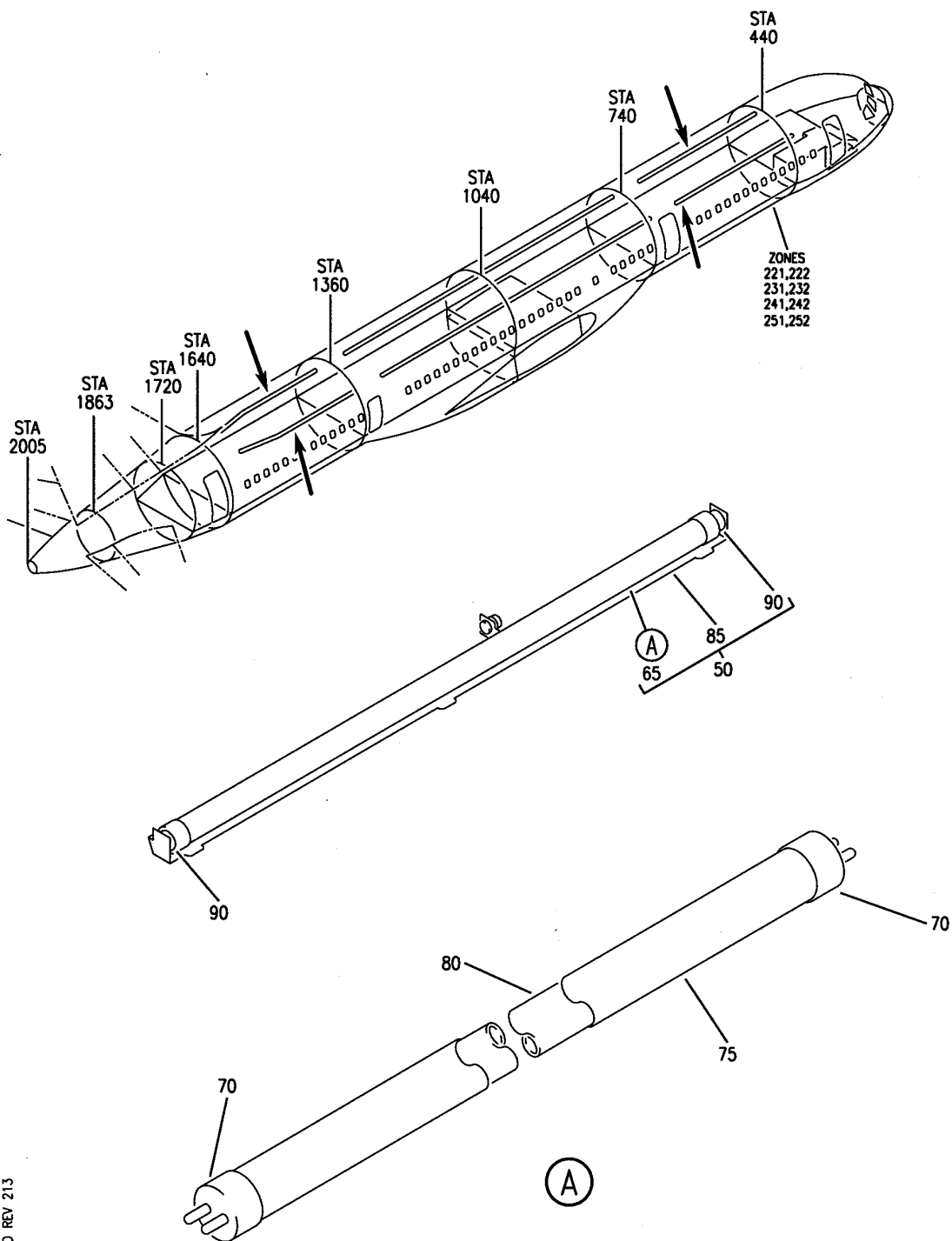
BRI

33-21-51-38C

BOEING PROPRIETARY - Copyright © - Unpublished Work - See title page for details.

33-21-51
FIG. 38C
PAGE 6
MAY 20/09

BOEING
757
PARTS CATALOG (MAINTENANCE)



Y 33215138D REV 213

COMPARTMENT ASSY-OVERHEAD STOWAGE (4-DOOR) (LIGHTS ONLY)
FIGURE 38D

33-21-51-38D

BRI
MAY 28/07

33-21-51-38D
PAGE 0



757

PARTS CATALOG (MAINTENANCE)

FIG ITEM	PART NUMBER	1 2 3 4 5 6 7	NOMENCLATURE	EFFECT FROM TO	UNITS PER ASSY
38D			COMPARTMENT ASSY-OVERHEAD STOWAGE (4-DOOR) (LIGHTS ONLY)	018102	
- 1	412N1170-35SP		COMPARTMENT ASSY-OVHD STOWAGE (4-DOOR) (LIGHTS ONLY) FOR NHA/OTHER SYS DET SEE: 25-28-00-33	018100	RF
- 1	412N1170-36SP		COMPARTMENT ASSY-OVHD STOWAGE (4-DOOR) (LIGHTS ONLY) FOR NHA/OTHER SYS DET SEE: 25-28-00-33	018100	RF
- 1	412N1170-40SP		COMPARTMENT ASSY-OVHD STOWAGE (4-DOOR) (LIGHTS ONLY) FOR NHA/OTHER SYS DET SEE: 25-28-00-33	018100	RF
- 1	412N1170-41SP		COMPARTMENT ASSY-OVHD STOWAGE (4-DOOR) (LIGHTS ONLY) FOR NHA/OTHER SYS DET SEE: 25-28-00-33	018100	RF
- 1	412N1170-42SP		COMPARTMENT ASSY-OVHD STOWAGE (4-DOOR) (LIGHTS ONLY) FOR NHA/OTHER SYS DET SEE: 25-28-00-33	018100	RF
- 1	412N1170-46SP		COMPARTMENT ASSY-OVHD STOWAGE (4-DOOR) (LIGHTS ONLY) FOR NHA/OTHER SYS DET SEE: 25-28-00-33	018100	RF
- 1	412N1170-53SP		COMPARTMENT ASSY-OVHD STOWAGE (4-DOOR) (LIGHTS ONLY) FOR NHA/OTHER SYS DET SEE: 25-28-00-33	018100	RF
- 1	412N1170-54SP		COMPARTMENT ASSY-OVHD STOWAGE (4-DOOR) (LIGHTS ONLY) FOR NHA/OTHER SYS DET SEE: 25-28-00-33	018100	RF
- 1	412N1170-56SP		COMPARTMENT ASSY-OVHD STOWAGE (4-DOOR) (LIGHTS ONLY) FOR NHA/OTHER SYS DET SEE: 25-28-00-33 25-28-00-59	018102	RF

MISSING ITEM NUMBERS NOT APPLICABLE

- ITEM NOT ILLUSTRATED

33-21-51-38D

33-21-51
FIG. 38D
PAGE 1
JAN 20/09

BRI



757

PARTS CATALOG (MAINTENANCE)

FIG ITEM	PART NUMBER	1 2 3 4 5 6 7	NOMENCLATURE	EFFECT FROM TO	UNITS PER ASSY
38D					
- 5	412N1170-1035SP		COMPARTMENT ASSY-OVHD STOWAGE (4-DOOR) (LIGHTS ONLY) FOR NHA/OTHER SYS DET SEE: 25-28-00-59	101102	RF
- 5	412N1170-1036SP		COMPARTMENT ASSY-OVHD STOWAGE (4-DOOR) (LIGHTS ONLY) FOR NHA/OTHER SYS DET SEE: 25-28-00-59	101102	RF
- 5	412N1170-1041SP		COMPARTMENT ASSY-OVHD STOWAGE (4-DOOR) (LIGHTS ONLY) FOR NHA/OTHER SYS DET SEE: 25-28-00-59	101102	RF
- 5	412N1170-1042SP		COMPARTMENT ASSY-OVHD STOWAGE (4-DOOR) (LIGHTS ONLY) FOR NHA/OTHER SYS DET SEE: 25-28-00-59	101102	RF
- 5	412N1170-1046SP		COMPARTMENT ASSY-OVHD STOWAGE (4-DOOR) (LIGHTS ONLY) FOR NHA/OTHER SYS DET SEE: 25-28-00-59	101102	RF
- 5	412N1170-1053SP		COMPARTMENT ASSY-OVHD STOWAGE (4-DOOR) (LIGHTS ONLY) FOR NHA/OTHER SYS DET SEE: 25-28-00-59	101102	RF
- 5	412N1170-1054SP		COMPARTMENT ASSY-OVHD STOWAGE (4-DOOR) (LIGHTS ONLY) FOR NHA/OTHER SYS DET SEE: 25-28-00-59	101102	RF
- 5	412N1170-1039SP		COMPARTMENT ASSY-OVHD STOWAGE (4-DOOR) (LIGHTS ONLY) FOR NHA/OTHER SYS DET SEE: 25-28-00-59	101102	RF
- 5	412N1170-2008SP		COMPARTMENT ASSY-OVHD STOWAGE (4-DOOR) (LIGHTS ONLY) FOR NHA/OTHER SYS DET SEE: 25-28-00-59	101102	RF
50	RR92034-10-117		.LIGHT ASSY- POST RAPID REVISION: RR92034-10	018100	1
50	417N5120-17		.LIGHT ASSY	101102	1

MISSING ITEM NUMBERS NOT APPLICABLE

- ITEM NOT ILLUSTRATED

33-21-51-38D

33-21-51
FIG. 38D
PAGE 2
JAN 20/09

BRI

BOEING PROPRIETARY - Copyright © - Unpublished Work - See title page for details.



757

PARTS CATALOG (MAINTENANCE)

FIG ITEM	PART NUMBER	1 2 3 4 5 6 7	NOMENCLATURE	EFFECT FROM TO	UNITS PER ASSY
38D			ATTACHING PARTS		
- 55	BACS12GU3K5	.	SCREW	018100	3
- 55	BACS12GU3K5	.	SCREW	101102	3
- 60	NAS1149D0316J	.	WASHER	018100	3
- 60	NAS1149D0316J	.	WASHER	101102	3
			-----*-----		
65	417N5120-10	..	LAMP ASSY	018100	1
65	417N5120-10	..	LAMP ASSY	101102	1
70	2055150	...	CAP-END	018100	2
			SUPPLIER CODE: V04169		
70	2055150	...	CAP-END	101102	2
			SUPPLIER CODE: V04169		
75	LP1625-48	...	TUBE-PROTECTIVE COVER	018100	1
			SUPPLIER CODE: V60116		
			OPTIONAL PART: NI312LGWUV1000 V06034		
75	NI312LGWUV1000	...	TUBE-PROTECTIVE COVER	018100	1
			SUPPLIER CODE: V06034		
			OPTIONAL PART: LP1625-48 V60116		
75	LP1625-48	...	TUBE-PROTECTIVE COVER	101102	1
			SUPPLIER CODE: V60116		
			OPTIONAL PART: NI312LGWUV1000 V06034		
75	NI312LGWUV1000	...	TUBE-PROTECTIVE COVER	101102	1
			SUPPLIER CODE: V06034		
			OPTIONAL PART: LP1625-48 V60116		
80	F40D30ECO	...	LAMP-FLUOR.	018102	1
			SUPPLIER CODE: V08805		
85	800000255-4	..	HOUSING ASSY-CLG LIGHT	018100	1
			SUPPLIER CODE: V05617		
			SPECIFICATION NUMBER: S417N507-4		

MISSING ITEM NUMBERS NOT APPLICABLE

- ITEM NOT ILLUSTRATED

33-21-51-38D

33-21-51
FIG. 38D
PAGE 3
MAY 20/09

BRI

BOEING PROPRIETARY - Copyright © - Unpublished Work - See title page for details.



757

PARTS CATALOG (MAINTENANCE)

FIG ITEM	PART NUMBER	1 2 3 4 5 6 7	NOMENCLATURE	EFFECT FROM TO	UNITS PER ASSY
38D					
85	800000255-14	..	HOUSING ASSY-CLG LIGHT SUPPLIER CODE: V05617 SPECIFICATION NUMBER: S417N507-14	018100	1
85	800000255-14	..	HOUSING ASSY-CLG LIGHT SUPPLIER CODE: V05617 SPECIFICATION NUMBER: S417N507-14	101102	1
85	800000255-4	..	HOUSING ASSY-CLG LIGHT SUPPLIER CODE: V05617 SPECIFICATION NUMBER: S417N507-4	101102	1
90	BV03112-03-33	...	HOLDER-BRUCE LAMP SUPPLIER CODE: V17023	018100	2
90	BV03112-03-33	...	HOLDER-BRUCE LAMP SUPPLIER CODE: V17023	101102	2
- 95	MS35206-323	...	SCREW	018100	4
- 95	MS35206-323	...	SCREW	101102	4
			ATTACHING PARTS		
			-----*-----		

MISSING ITEM NUMBERS NOT APPLICABLE

- ITEM NOT ILLUSTRATED

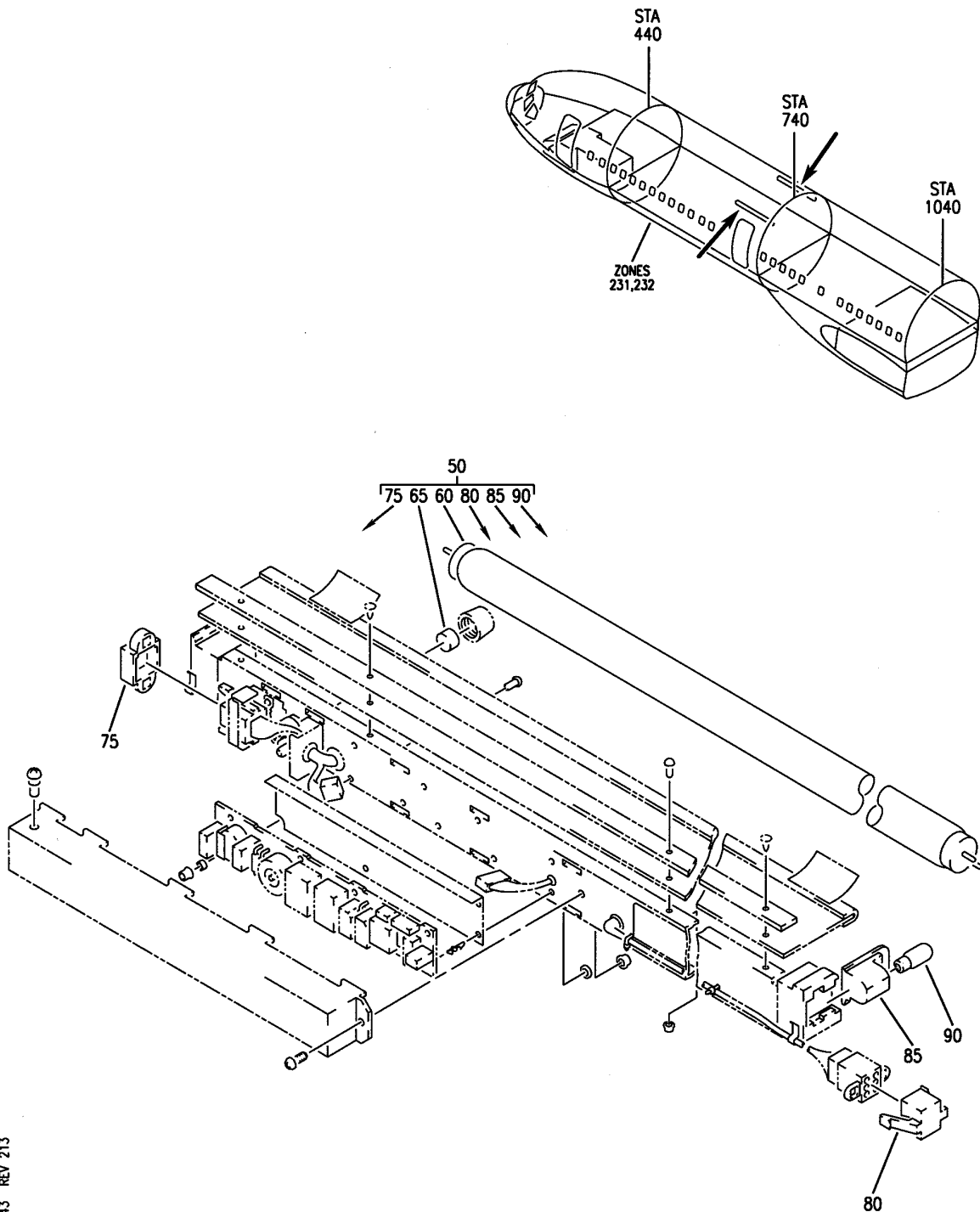
33-21-51-38D

33-21-51
FIG. 38D
PAGE 4
MAY 20/09

BRI

BOEING PROPRIETARY - Copyright © - Unpublished Work - See title page for details.

BOEING
757
PARTS CATALOG (MAINTENANCE)



Y 33215143 REV 213

PANEL ASSY-NO. 2 DOORWAY (LIGHTS ONLY)
FIGURE 43

33-21-51-43

BRI
JAN 20/09

33-21-51-43
PAGE 0



757

PARTS CATALOG (MAINTENANCE)

FIG ITEM	PART NUMBER	1 2 3 4 5 6 7	NOMENCLATURE	EFFECT FROM TO	UNITS PER ASSY
43			PANEL ASSY-NO. 2 DOORWAY (LIGHTS ONLY)	108120	
- 1	412N1250-52SP		PANEL ASSY-NO. 2 DOORWAY (LIGHTS ONLY) FOR NHA/OTHER SYS DET SEE: 25-28-00-50	108120	RF
- 1	412N1250-56SP		PANEL ASSY-NO. 2 DOORWAY (LIGHTS ONLY) FOR NHA/OTHER SYS DET SEE: 25-28-00-50	108120	RF
50	E709-01-001		.LIGHT ASSY-48 IN. CLG UNIT SUPPLIER CODE: VK0673 SPECIFICATION NUMBER: S417N514-1 COMPONENT MAINT MANUAL REF: 33-21-02	108120	1
55	E709-01-100		..LIGHT-48 IN. CLG WITHOUT TUBE SUPPLIER CODE: VK0673	108120	1
60	F032WWBCAC		..LAMP-48 IN. FLUOR T8 SUPPLIER CODE: V52343 MISCELLANEOUS DATA: (SUPPLIED BY; OSRAM SILVANIA INC., SILVANIA LIGHTING CENTER, DANVERS, MASSACHUSETTS, 01923)	108120	1
65	19370K16A		..FUSE- SUPPLIER CODE: VKOF74	108120	1
70	D709-01-057		..PLATE-BLANKING MOULDING SUPPLIER CODE: VK0673 MISCELLANEOUS DATA: PROTECTIVE PLATE INSTALLED WHEN OPTIONAL NIGHT LIGHT C709-05-001 IS NOT FITTED	108120	1
75	C709-01-093		..CONNECTOR-CAP 1 MOULDING FOR J1 SUPPLIER CODE: VK0673 MISCELLANEOUS DATA: PROTECTIVE CAP FOR CTR J1 REMOVED UPON INSTALLATION	108120	1

MISSING ITEM NUMBERS NOT APPLICABLE

- ITEM NOT ILLUSTRATED

33-21-51-43

33-21-51
FIG. 43
PAGE 1
JAN 20/09

BRI



757

PARTS CATALOG (MAINTENANCE)

FIG ITEM	PART NUMBER	1 2 3 4 5 6 7	NOMENCLATURE	EFFECT FROM TO	UNITS PER ASSY
43 80	C709-01-094		..CONNECTOR-CAP 2 MOULDING FOR S2 SUPPLIER CODE: VK0673 MISCELLANEOUS DATA: PROTECTIVE CAP FOR CTR S2 REMOVED UPON INSTALLATION	108120	1
85	C709-05-001		..LIGHT ASSY-NIGHT OPTIONAL SUPPLIER CODE: VK0673 SPECIFICATION NUMBER: S417N514-5	108120	1
90	GE1864		..LAMP-FILAMENT 28V SUPPLIER CODE: V08806	108120	1

MISSING ITEM NUMBERS NOT APPLICABLE

- ITEM NOT ILLUSTRATED

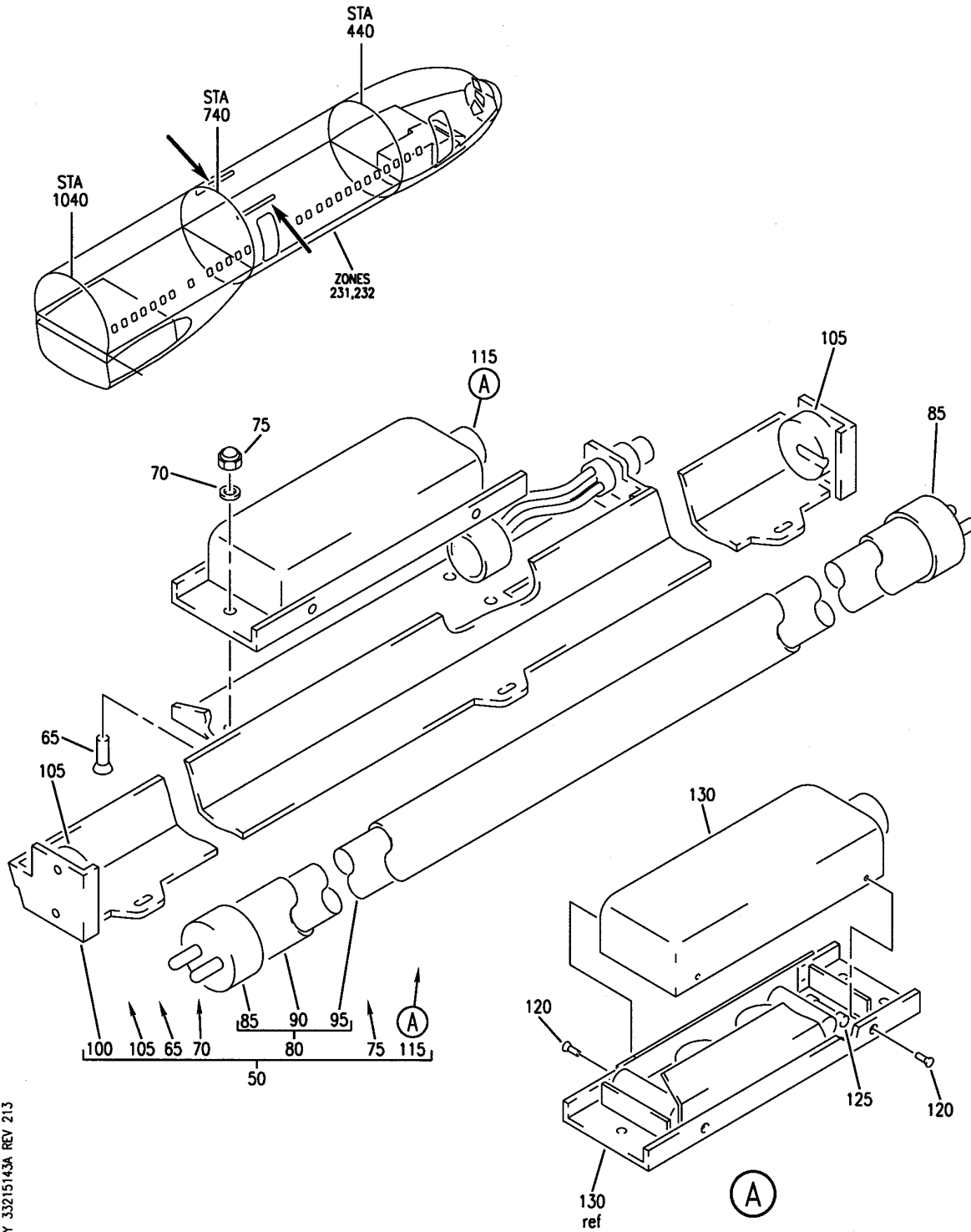
BRI

33-21-51-43

BOEING PROPRIETARY - Copyright © - Unpublished Work - See title page for details.

33-21-51
FIG. 43
PAGE 2
JAN 20/09

BOEING
757
PARTS CATALOG (MAINTENANCE)



Y 33215143A REV 213

PANEL ASSY-NO. 2 DOORWAY (LIGHTS ONLY)
FIGURE 43A

33-21-51-43A

BRI
MAY 28/07

33-21-51-43A
PAGE 0



757

PARTS CATALOG (MAINTENANCE)

FIG ITEM	PART NUMBER	1 2 3 4 5 6 7	NOMENCLATURE	EFFECT FROM TO	UNITS PER ASSY
43A			PANEL ASSY-NO. 2 DOORWAY (LIGHTS ONLY)	002004 006102 121503 904999	
- 1	412N1250-30SP		PANEL ASSY-NO. 2 DOORWAY (LIGHTS ONLY) FOR NHA/OTHER SYS DET SEE: 25-28-00-72Y 25-28-00-72U	950999	RF
- 1	412N1250-36SP		PANEL ASSY-NO. 2 DOORWAY (LIGHTS ONLY) FOR NHA/OTHER SYS DET SEE: 25-28-00-33 25-28-00-23 25-28-00-72Y 25-28-00-72U 25-28-00-72J	002004 006100 121503 950999	RF
- 1	412N1250-57SP		PANEL ASSY-NO. 2 DOORWAY (LIGHTS ONLY) FOR NHA/OTHER SYS DET SEE: 25-28-00-59	101102	RF
- 1	412N1250-336SP		PANEL ASSY-NO. 2 DOORWAY (LIGHTS ONLY) FOR NHA/OTHER SYS DET SEE: 25-28-00-23	904949	RF
50	417N5120-115		.LIGHT ASSY	002004 006102 121503 904999	1
- 55	BACS12GU3K5		ATTACHING PARTS .SCREW	002004 006102 121503 904999	3
- 60	NAS1146D0316J		.WASHER	002004 006102 121503 904999	3
65	BACS12ER3K6		-----*----- . . SCREW	002004 006102 121503 904999	3
70	BACW10UD10		. . WASHER	002004 006102 121503 904999	3

MISSING ITEM NUMBERS NOT APPLICABLE

- ITEM NOT ILLUSTRATED

33-21-51-43A

33-21-51
FIG. 43A
PAGE 1
JAN 20/09

BRI

BOEING PROPRIETARY - Copyright © - Unpublished Work - See title page for details.



757

PARTS CATALOG (MAINTENANCE)

FIG ITEM	PART NUMBER	1 2 3 4 5 6 7	NOMENCLATURE	EFFECT FROM TO	UNITS PER ASSY
43A 75	F22K1-02	..	NUT SUPPLIER CODE: V72962 SPECIFICATION NUMBER: BACN10R10L OPTIONAL PART: 22K1-02 V72962 26CLO2 V80539	002004 006102 121503 904999	3
80	417N5120-10	..	LAMP ASSY	002004 006102 121503 904999	1
85	2055150	...	CAP-END SUPPLIER CODE: V04169	002004 006102 121503 904999	2
90	LP1625-48	...	TUBE-PROTECTIVE COVER SUPPLIER CODE: V60116 OPTIONAL PART: NI312LGWUV1000 V06034	002004 006102 121503 904999	1
90	NI312LGWUV1000	...	TUBE-PROTECTIVE COVER SUPPLIER CODE: V06034 OPTIONAL PART: LP1625-48 V60116	002004 006102 121503 904999	1
95	F40D30ECO	...	LAMP-FLUOR. SUPPLIER CODE: V08805	002004 006102 121503 904999	1
100	800000255-12	..	HOUSING ASSY-CLG LIGHT SUPPLIER CODE: V05617 SPECIFICATION NUMBER: S417N507-12 USED ON: 417N5120-115	002004 006102 121503 904999	1
105	BV03112-03-33	...	HOLDER-BRUCE LAMP SUPPLIER CODE: V17023	002004 006102 121503 904999	2

R
R
R
R

MISSING ITEM NUMBERS NOT APPLICABLE

- ITEM NOT ILLUSTRATED

33-21-51-43A

33-21-51
FIG. 43A
PAGE 2
MAY 20/09

BRI

BOEING PROPRIETARY - Copyright © - Unpublished Work - See title page for details.



757

PARTS CATALOG (MAINTENANCE)

FIG ITEM	PART NUMBER	1 2 3 4 5 6 7	NOMENCLATURE	EFFECT FROM TO	UNITS PER ASSY
43A			ATTACHING PARTS		
- 110	MS35206-323		...SCREW	002004 006102 121503 904999	4
115	05939-103		-----*----- ..BALLAST ASSY- SUPPLIER CODE: V17023 SPECIFICATION NUMBER: S283N702-103 COMPONENT MAINT MANUAL REF: 33-21-05	002004 006102 121503 904999	1
120	011-0002-510		...SCREW- SUPPLIER CODE: V17023	002004 006102 121503 904999	4
125	GMA1-5		...FUSE-1.5A, 250V SUPPLIER CODE: V71400	002004 006102 121503 904999	1

MISSING ITEM NUMBERS NOT APPLICABLE

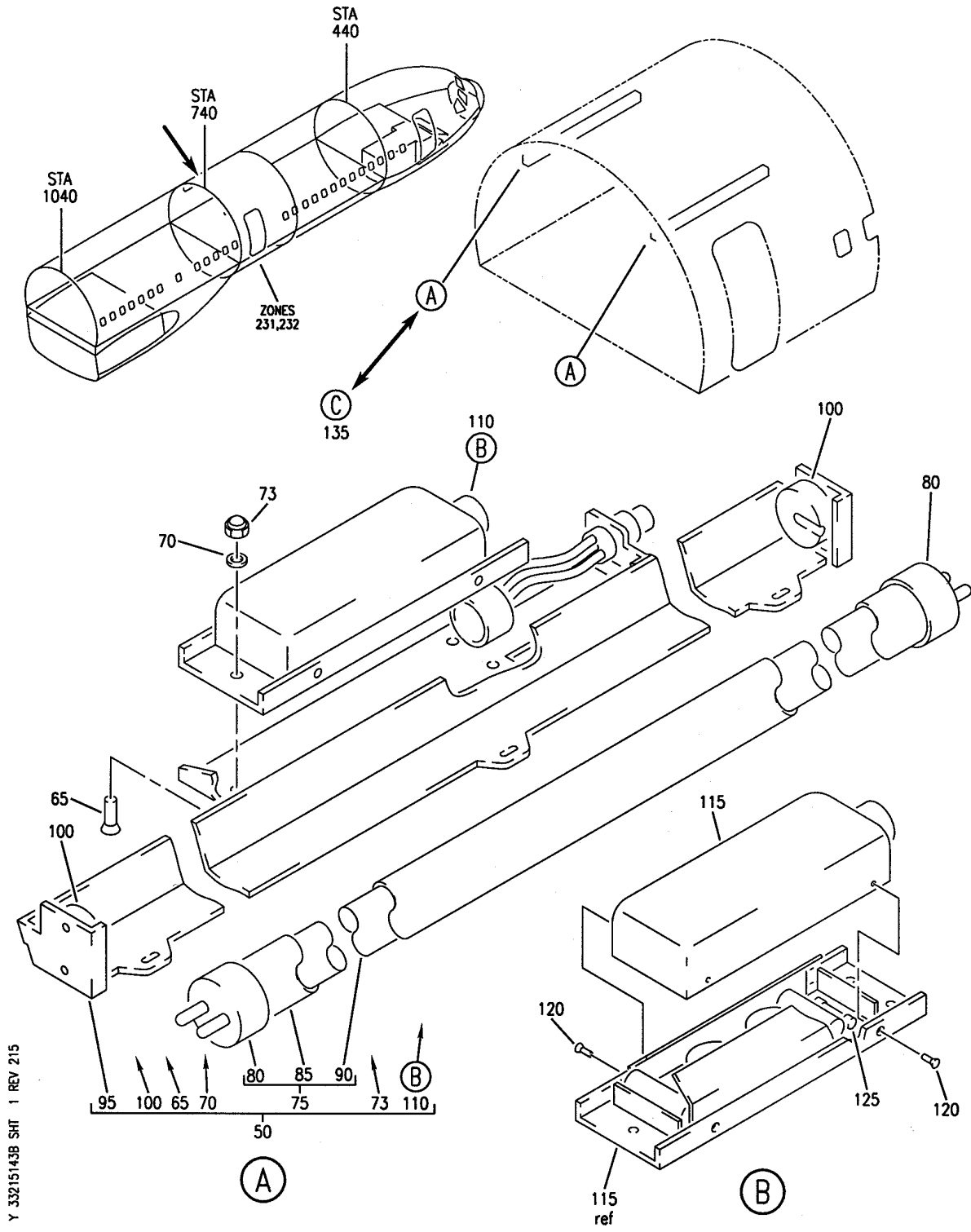
- ITEM NOT ILLUSTRATED

33-21-51-43A

33-21-51
FIG. 43A
PAGE 3
MAY 20/09

BRI

BOEING
757
PARTS CATALOG (MAINTENANCE)



PANEL ASSY-NO. 2 DOORWAY (LIGHTS ONLY)
FIGURE 43B (SHEET 1)

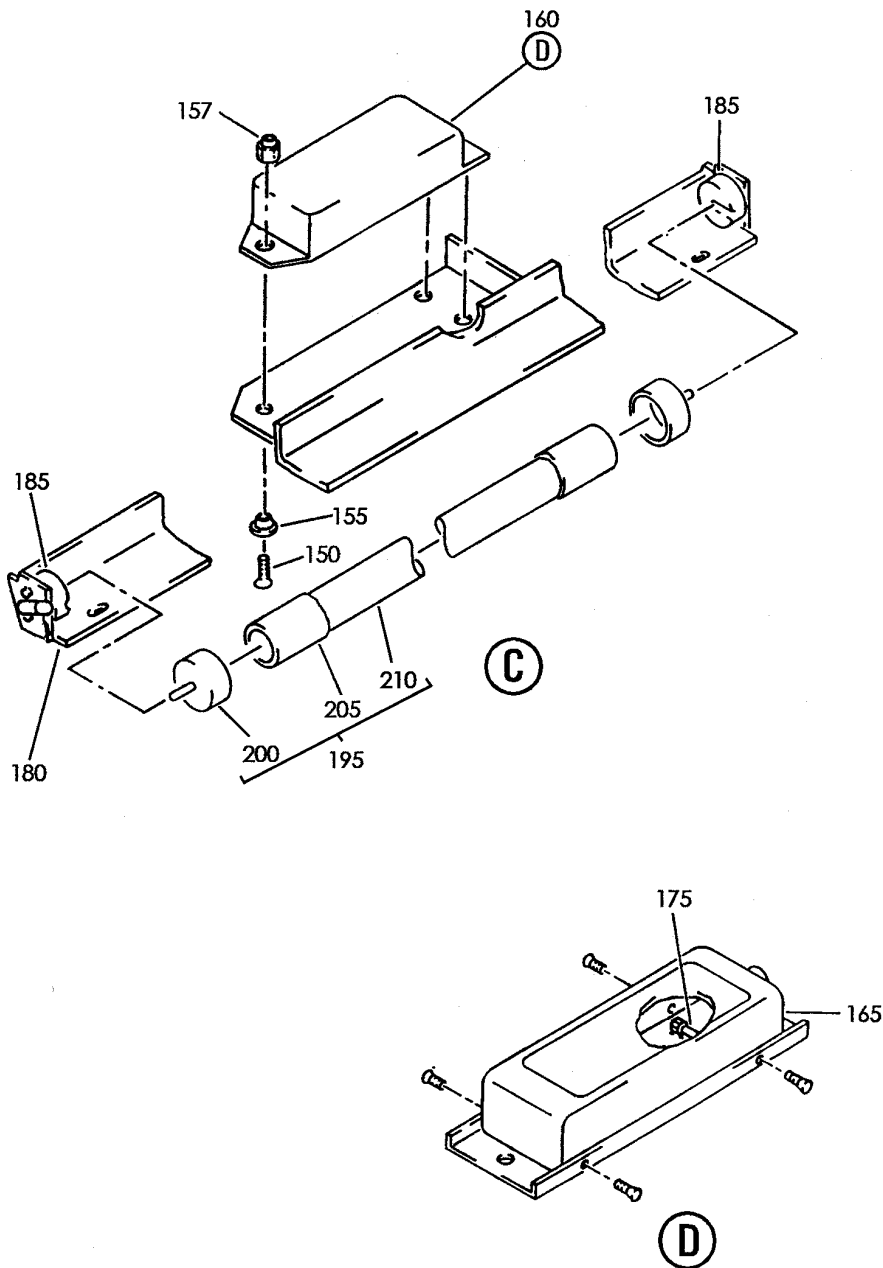
33-21-51-43B

BRI
JAN 20/09

33-21-51-43B
PAGE 0

BOEING PROPRIETARY - Copyright © - Unpublished Work - See title page for details.

BOEING
757
PARTS CATALOG (MAINTENANCE)



Y 33215143B SHT 2 REV 215

PANEL ASSY-NO. 2 DOORWAY (LIGHTS ONLY)
FIGURE 43B (SHEET 2)

33-21-51-43B

BRI
JAN 20/09

33-21-51-43B
PAGE 0A



757

PARTS CATALOG (MAINTENANCE)

FIG ITEM	PART NUMBER	1 2 3 4 5 6 7	NOMENCLATURE	EFFECT FROM TO	UNITS PER ASSY
43B			PANEL ASSY-NO. 2 DOORWAY (LIGHTS ONLY)	107107	
- 1	412N1250-2SP		PANEL ASSY-NO. 2 DOORWAY (LIGHTS ONLY) FOR NHA/OTHER SYS DET SEE: 25-28-00-05	107107	RF
50	417N5120-15		.LIGHT ASSY ATTACHING PARTS	107107	1
- 55	NAS1801-3-5		.SCREW	107107	3
- 60	AN960JD10LL		.WASHER	107107	3
			-----*-----		
65	BACS12ER3K6		..SCREW	107107	3
70	BACW10UD10		..WASHER	107107	3
75	417N5120-10		..LAMP ASSY	107107	1
80	2055150		...CAP-END	107107	2
			SUPPLIER CODE: V04169		
85	LP1625-48		...TUBE-PROTECTIVE COVER SUPPLIER CODE: V60116 OPTIONAL PART: NI312LGWUV1000 V06034	107107	1
85	NI312LGWUV1000		...TUBE-PROTECTIVE COVER SUPPLIER CODE: V06034 OPTIONAL PART: LP1625-48 V60116	107107	1
90	F40D30ECO		...LAMP-FLUOR SUPPLIER CODE: V08805	107107	1
95	800000255-2		..HOUSING ASSY-CLG LIGHT SUPPLIER CODE: V05617 SPECIFICATION NUMBER: S417N507-2	107107	1
95	800000255-12		..HOUSING ASSY-CLG LIGHT SUPPLIER CODE: V05617 SPECIFICATION NUMBER: S417N507-12	107107	1
100	BV03112-03-33		...HOLDER-BRUCE LAMP SUPPLIER CODE: V17023 ATTACHING PARTS	107107	2
- 105	MS35206-323		...SCREW	107107	4
			-----*-----		

MISSING ITEM NUMBERS NOT APPLICABLE

- ITEM NOT ILLUSTRATED

33-21-51-43B

33-21-51
FIG. 43B
PAGE 1
MAY 20/09

BRI

BOEING PROPRIETARY - Copyright © - Unpublished Work - See title page for details.



757

PARTS CATALOG (MAINTENANCE)

FIG ITEM	PART NUMBER	1 2 3 4 5 6 7	NOMENCLATURE	EFFECT FROM TO	UNITS PER ASSY
43B 110	05939-3		..BALLAST ASSY- SUPPLIER CODE: V17023 SPECIFICATION NUMBER: S283N702-3 COMPONENT MAINT MANUAL REF: 33-21-05 OPTIONAL PART: 1983-1 V30242 OPTIONAL PART: 05939-103 V17023	107107	1
110	1983-1		..BALLAST ASSY- SUPPLIER CODE: V30242 SPECIFICATION NUMBER: S283N702-3 COMPONENT MAINT MANUAL REF: 33-20-23 OPTIONAL PART: 05939-3 V17023 OPTIONAL PART: 05939-103 V17023	107107	1
110	05939-103		..BALLAST ASSY- SUPPLIER CODE: V17023 SPECIFICATION NUMBER: S283N702-103 COMPONENT MAINT MANUAL REF: 33-21-05 OPTIONAL PART: 05939-3 V17023 1983-1 V30242	107107	1
115	06188		...HOUSING ASSY- SUPPLIER CODE: V17023 USED ON: 05939-3	107107	1
115	08899-001		...HOUSING ASSY- SUPPLIER CODE: V17023 USED ON: 05939-103	107107	1
120	MS24693-1	SCREW	107107	4

MISSING ITEM NUMBERS NOT APPLICABLE

- ITEM NOT ILLUSTRATED

33-21-51-43B

33-21-51
FIG. 43B
PAGE 2
MAY 20/09

BRI

BOEING PROPRIETARY - Copyright © - Unpublished Work - See title page for details.



757

PARTS CATALOG (MAINTENANCE)

FIG ITEM	PART NUMBER	1 2 3 4 5 6 7	NOMENCLATURE	EFFECT FROM TO	UNITS PER ASSY
43B 120	011-0002-510	SCREW- SUPPLIER CODE: V17023	107107	4
125	GMA1-5	...	FUSE-1.5A, 250V SUPPLIER CODE: V71400	107107	1

MISSING ITEM NUMBERS NOT APPLICABLE

- ITEM NOT ILLUSTRATED

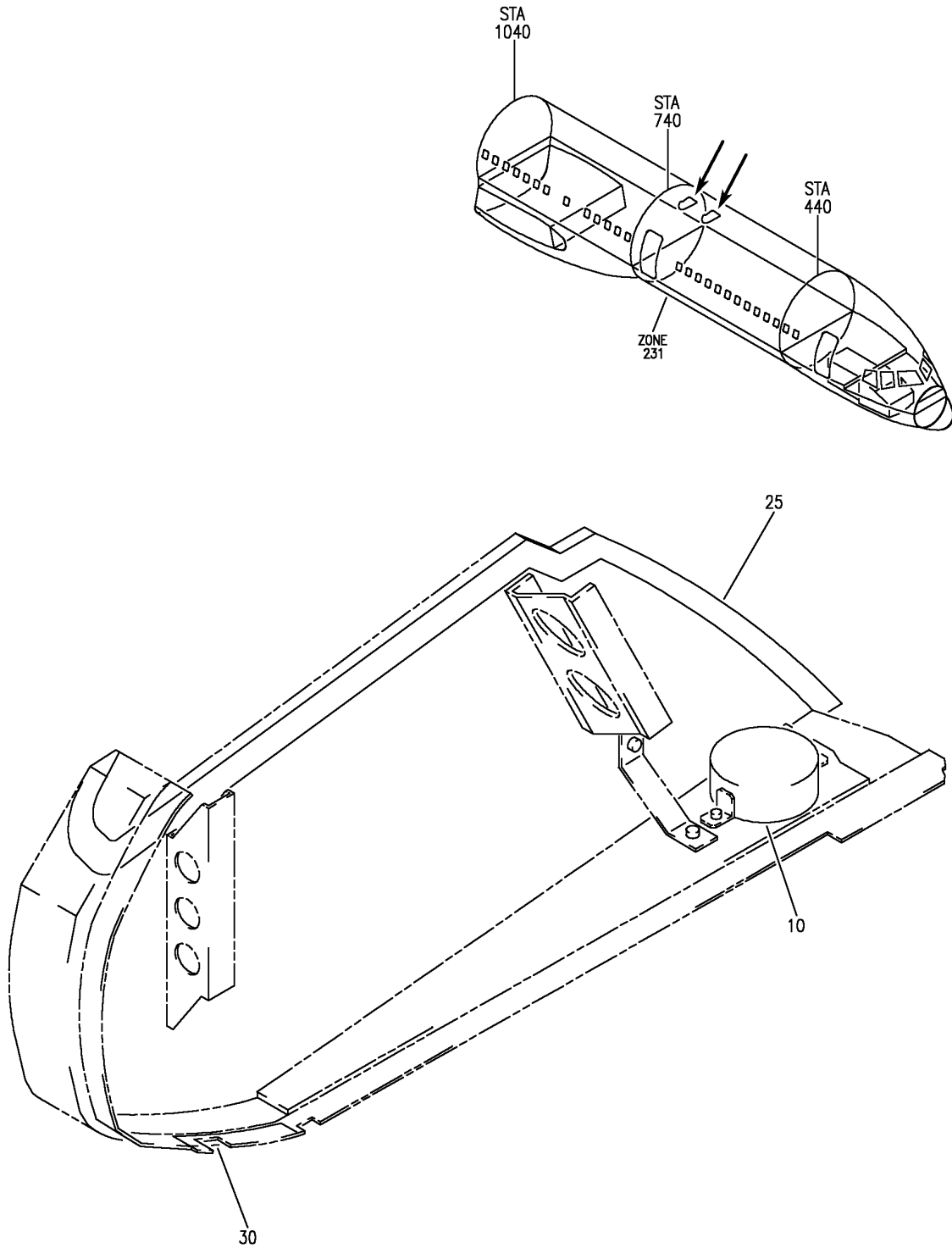
BRI

33-21-51-43B

BOEING PROPRIETARY - Copyright © - Unpublished Work - See title page for details.

33-21-51
FIG. 43B
PAGE 3
MAY 20/09

BOEING
757
PARTS CATALOG (MAINTENANCE)



Y 33215145 REV 274

CAP ASSY-END NO. 2 DOORWAY (LIGHTS ONLY)
FIGURE 45

33-21-51-45

BRI
MAY 28/07

33-21-51-45
PAGE 0



757

PARTS CATALOG (MAINTENANCE)

FIG ITEM	PART NUMBER	1 2 3 4 5 6 7	NOMENCLATURE	EFFECT FROM TO	UNITS PER ASSY
45			CAP ASSY-END NO. 2 DOORWAY (LIGHTS ONLY)	018102 108120	
- 1	412N1247-3SP		CAP ASSY-END NO. 2 DOORWAY (LIGHTS ONLY) FOR NHA/OTHER SYS DET SEE: 25-28-00-33	018100	RF
- 1	412N1247-37SP		CAP ASSY-END NO. 2 DOORWAY (LIGHTS ONLY) FOR NHA/OTHER SYS DET SEE: 25-28-00-59	101102	RF
- 5	412N1247-8SP		CAP ASSY-END NO. 2 DOORWAY (LIGHTS ONLY) FOR NHA/OTHER SYS DET SEE: 25-28-00-33	018100	RF
- 5	412N1247-38SP		CAP ASSY-END NO. 2 DOORWAY (LIGHTS ONLY) FOR NHA/OTHER SYS DET SEE: 25-28-00-50A 25-28-00-59	101102 108120	RF
10	S417N502-1		.LIGHT ASSY	108120	1
10	S417N502-1		.LIGHT ASSY ATTACHING PARTS	018102	1
- 15	BACS12GU3K4		.SCREW	108120	2
- 15	BACS12GU3K4		.SCREW	018102	2
- 20	NAS1149D0332J		.WASHER	108120	2
- 20	NAS1149D0332J		.WASHER	018102	2
			-----*-----		

MISSING ITEM NUMBERS NOT APPLICABLE

- ITEM NOT ILLUSTRATED

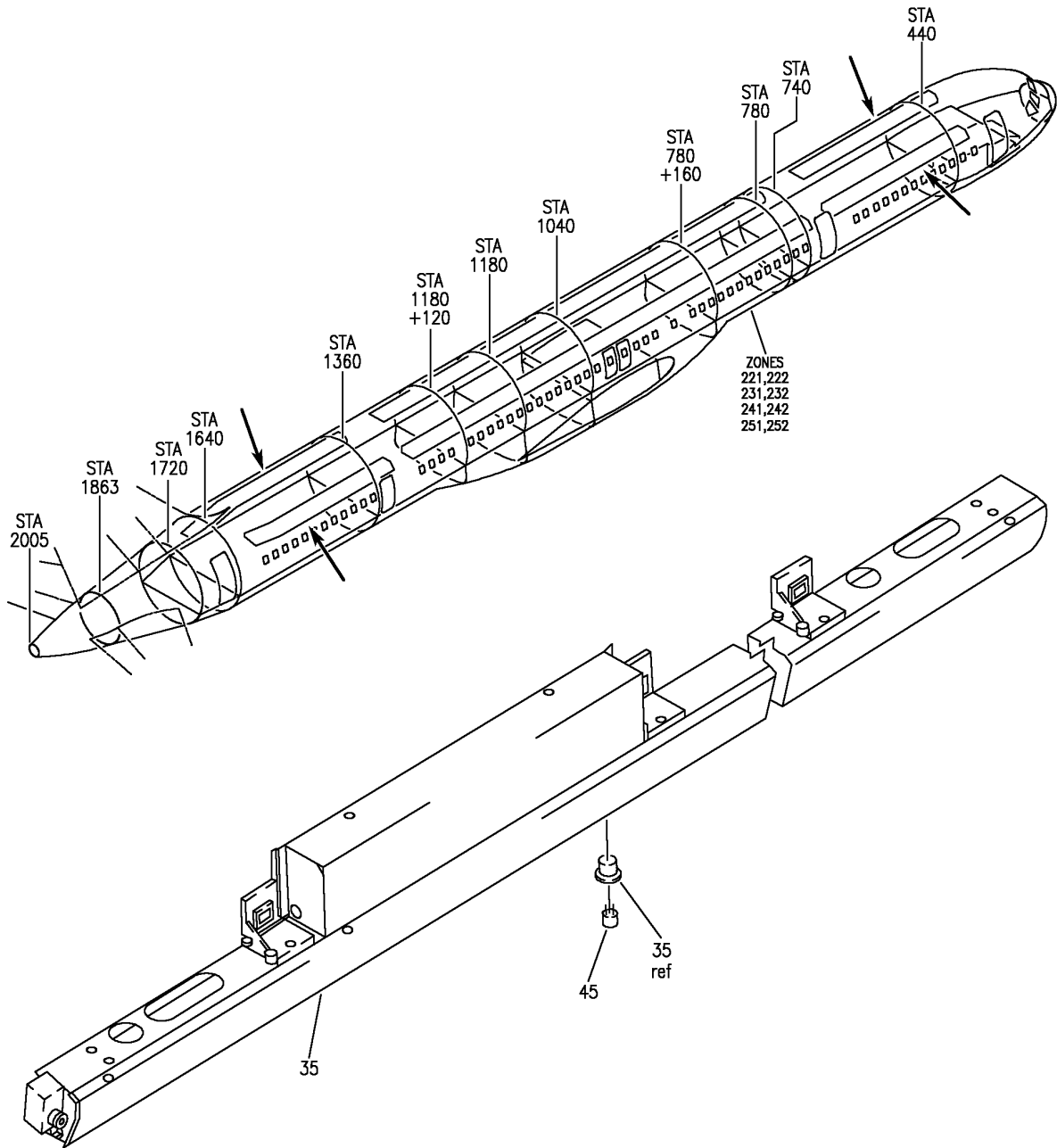
33-21-51-45

33-21-51
FIG. 45
PAGE 1
JAN 20/09

BRI

BOEING PROPRIETARY - Copyright © - Unpublished Work - See title page for details.

BOEING
757
PARTS CATALOG (MAINTENANCE)



Y 33215160 REV 270

BIN ASSY-BIG 80 IN. (LIGHTS ONLY)
FIGURE 60

33-21-51-60

BRI
JAN 20/09

33-21-51-60
PAGE 0



757

PARTS CATALOG (MAINTENANCE)

FIG ITEM	PART NUMBER	1 2 3 4 5 6 7	NOMENCLATURE	EFFECT FROM TO	UNITS PER ASSY
60			BIN ASSY-BIG 80 IN. (LIGHTS ONLY)	103106	
- 1	412A1057-1B		BIN ASSY-BIG 80 IN. PASS PROV ONLY BULLNOSE (LIGHTS ONLY) POSITION DATA: LH FOR NHA/OTHER SYS DET SEE: 25-28-00-75 25-28-00-76A	103106	RF
- 3	412A1057-15C		BIN ASSY-BIG 80 IN. STD XSEC EE LR DIV AISLE LT CLG LATCH LT MCD DR BULLNOSE (LIGHTS ONLY) POSITION DATA: LH FOR NHA/OTHER SYS DET SEE: 25-28-00-76A	103106	RF
- 5	412A1057-3B		BIN ASSY-BIG 80 IN. EE LR BULLNOSE (LIGHTS ONLY) POSITION DATA: LH FOR NHA/OTHER SYS DET SEE: 25-28-00-76A	103106	RF
- 10	412A1057-7B		BIN ASSY-BIG 80 IN. LR BULLNOSE (LIGHTS ONLY) POSITION DATA: LH FOR NHA/OTHER SYS DET SEE: 25-28-00-76A	103106	RF
- 12	412A1057-16C		BIN ASSY-BIG 80 IN. STD XSEC EE LR DIV AISLE LT CLG LATCH LT MCD DR BULLNOSE (LIGHTS ONLY) POSITION DATA: RH FOR NHA/OTHER SYS DET SEE: 25-28-00-76A	103106	RF
- 15	412A1057-2B		BIN ASSY-BIG 80 IN. PASS PROV ONLY BN (LIGHTS ONLY) POSITION DATA: RH FOR NHA/OTHER SYS DET SEE: 25-28-00-75 25-28-00-76A	103106	RF

MISSING ITEM NUMBERS NOT APPLICABLE

- ITEM NOT ILLUSTRATED

33-21-51-60

33-21-51
FIG. 60
PAGE 1
JAN 20/09

BRI



757

PARTS CATALOG (MAINTENANCE)

FIG ITEM	PART NUMBER	1 2 3 4 5 6 7	NOMENCLATURE	EFFECT FROM TO	UNITS PER ASSY
60					
- 20	412A1057-4B		BIN ASSY-BIG 80 IN. EE LR BULLNOSE (LIGHTS ONLY) POSITION DATA: RH FOR NHA/OTHER SYS DET SEE: 25-28-00-76A	103106	RF
- 25	412A1057-8B		BIN ASSY-BIG 80 IN. LR BULLNOSE (LIGHTS ONLY) POSITION DATA: RH FOR NHA/OTHER SYS DET SEE: 25-28-00-77	103106	RF
35	4041-70		.LIGHT ASSY- SUPPLIER CODE: VD1347 SPECIFICATION NUMBER: S417N514-70 ELECTRICAL EQUIP NUMBER: M01842 WIRING DIAGRAM REF: 332110 COMPONENT MAINT MANUAL REF: 33-21-14	103106	1
- 40	CA3105-1032-14		ATTACHING PARTS .SCREW SUPPLIER CODE: V73439 SPECIFICATION NUMBER: BACS12N10-14 OPTIONAL PART: CA3105-1032-14 V78189	103106	6
45	774-115-91		-----*----- .. FUSE- SUPPLIER CODE: VD1347	103106	1

MISSING ITEM NUMBERS NOT APPLICABLE

- ITEM NOT ILLUSTRATED

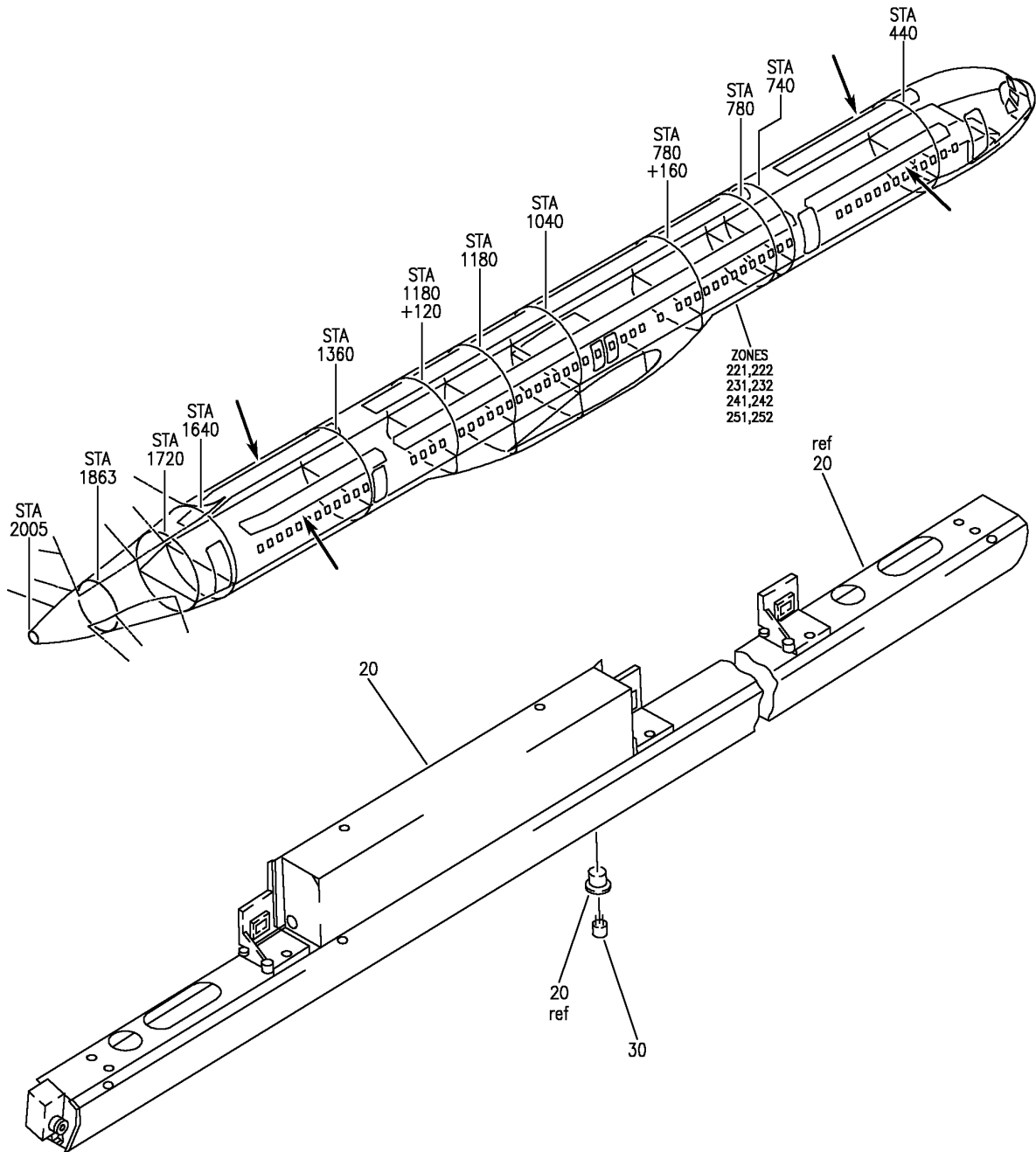
BRI

33-21-51-60

BOEING PROPRIETARY - Copyright © - Unpublished Work - See title page for details.

33-21-51
FIG. 60
PAGE 2
JAN 20/09

BOEING
757
PARTS CATALOG (MAINTENANCE)



Y 33215160A REV 270

BIN ASSY-BIG 80 IN. (LIGHTS ONLY)
FIGURE 60A

33-21-51-60A

BRI
JAN 20/09

33-21-51-60A
PAGE 0



757

PARTS CATALOG (MAINTENANCE)

FIG ITEM	PART NUMBER	1 2 3 4 5 6 7	NOMENCLATURE	EFFECT FROM TO	UNITS PER ASSY
60A			BIN ASSY-BIG 80 IN. (LIGHTS ONLY)	103106	
- 3	412A1057-21B		BIN ASSY-BIG 80 IN. STD XSEC CLG EE MCD DR NO AISLE LIGHT BN (LIGHTS ONLY) POSITION DATA: LH FWD LWR FOR NHA/OTHER SYS DET SEE: 25-28-00-75	103106	RF
- 5	412A1057-9B		BIN ASSY-BIG 80 IN. CLG EE BULLNOSE (LIGHTS ONLY) POSITION DATA: LH AFT LWR FOR NHA/OTHER SYS DET SEE: 25-28-00-77	103106	RF
- 12	412A1057-22B		BIN ASSY-BIG 80 IN. STD XSEC CLG EE DIV MCD DR LOCK DR 757 TEMP SENS BN (LIGHTS ONLY) POSITION DATA: RH FWD LWR FOR NHA/OTHER SYS DET SEE: 25-28-00-75	103106	RF
- 17	412A1057-28B		BIN ASSY-BIG 80 IN. STD XSEC CLG EE NO TEMP SENSOR BN (LIGHTS ONLY) POSITION DATA: RH AFT LWR FOR NHA/OTHER SYS DET SEE: 25-28-00-77	103106	RF
20	4041-58		.LIGHT ASSY- SUPPLIER CODE: VD1347 SPECIFICATION NUMBER: S417N514-58 ELECTRICAL EQUIP NUMBER: M01923 WIRING DIAGRAM REF: 332110 COMPONENT MAINT MANUAL REF: 33-21-14	103106	1

MISSING ITEM NUMBERS NOT APPLICABLE

- ITEM NOT ILLUSTRATED

33-21-51-60A

33-21-51
FIG. 60A
PAGE 1
JAN 20/09

BRI

BOEING PROPRIETARY - Copyright © - Unpublished Work - See title page for details.

BOEING
757
PARTS CATALOG (MAINTENANCE)

FIG ITEM	PART NUMBER	1 2 3 4 5 6 7	NOMENCLATURE	EFFECT FROM TO	UNITS PER ASSY
60A			ATTACHING PARTS		
- 25	CA3105-1032-14	.	SCREW SUPPLIER CODE: V73439 SPECIFICATION NUMBER: BACS12N10-14 OPTIONAL PART: CA3105-1032-14 V78189	103106	6
30	774-115-91	..	FUSE- SUPPLIER CODE: VD1347	103106	1

MISSING ITEM NUMBERS NOT APPLICABLE

- ITEM NOT ILLUSTRATED

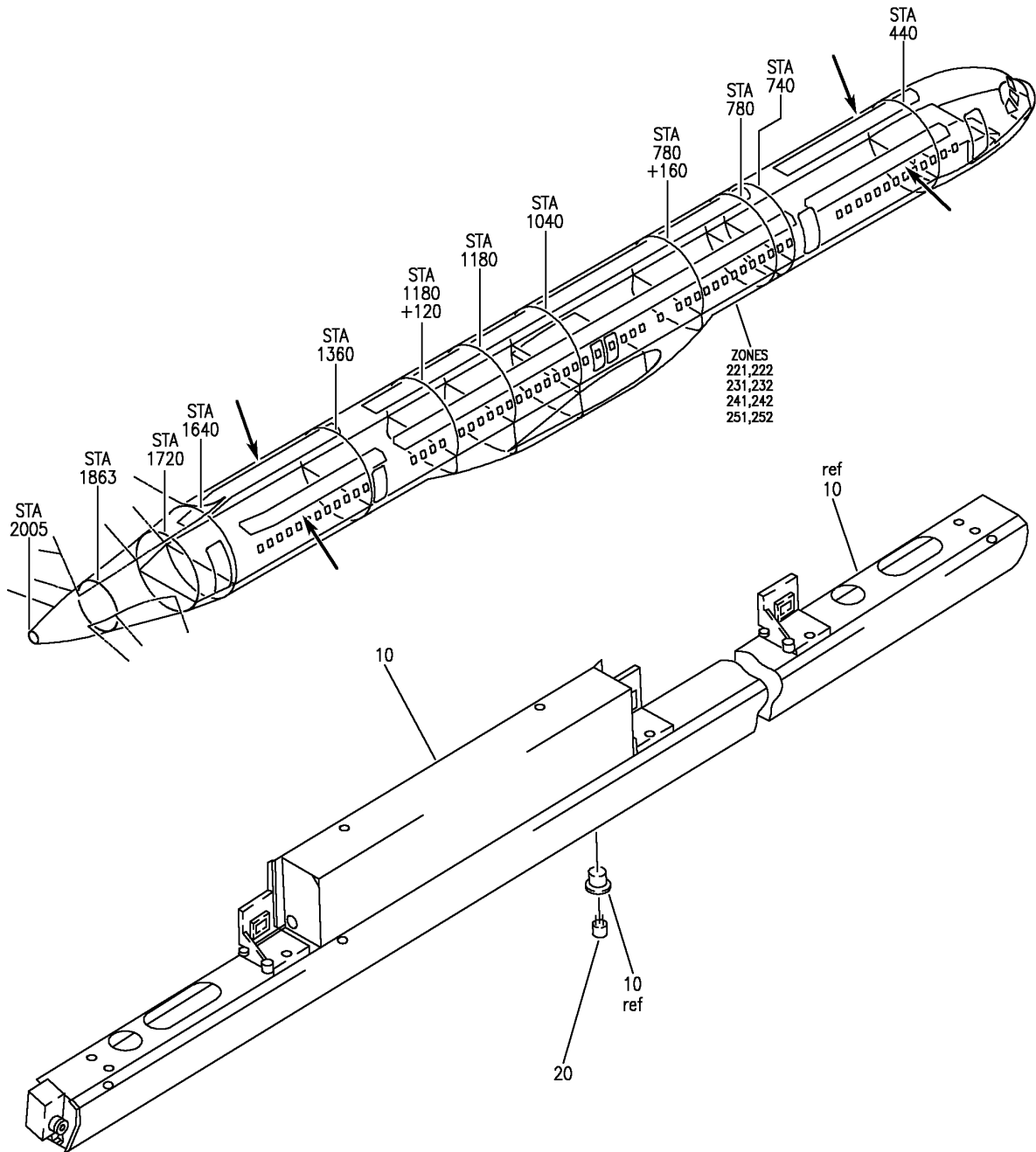
BRI

33-21-51-60A

BOEING PROPRIETARY - Copyright © - Unpublished Work - See title page for details.

33-21-51
FIG. 60A
PAGE 2
JAN 20/09

BOEING
757
PARTS CATALOG (MAINTENANCE)



Y 33215161 REV 270

BIN ASSY-BIG 60 IN. (LIGHTS ONLY)
FIGURE 61

33-21-51-61

BRI
JAN 20/09

33-21-51-61
PAGE 0



757

PARTS CATALOG (MAINTENANCE)

FIG ITEM	PART NUMBER	1 2 3 4 5 6 7	NOMENCLATURE	EFFECT FROM TO	UNITS PER ASSY
61			BIN ASSY-BIG 60 IN. (LIGHTS ONLY)	103106	
- 3	412A1057-26B		BIN ASSY-BIG 60 IN. STD XSEC PASS ONLY TEMP SENSOR NO AISLE LIGHT BN (LIGHTS ONLY) POSITION DATA: RH FOR NHA/OTHER SYS DET SEE: 25-28-00-86A	103106	RF
10	4041-48		. LIGHT ASSY- SUPPLIER CODE: VD1347 SPECIFICATION NUMBER: S417N514-48 ELECTRICAL EQUIP NUMBER: M01841 WIRING DIAGRAM REF: 332110 COMPONENT MAINT MANUAL REF: 33-21-14	103106	1
- 15	CA3105-1032-14		ATTACHING PARTS . SCREW SUPPLIER CODE: V73439 SPECIFICATION NUMBER: BACS12N10-14 OPTIONAL PART: CA3105-1032-14 V78189	103106	5
20	774-115-91		-----*----- .. FUSE- SUPPLIER CODE: VD1347	103106	1

MISSING ITEM NUMBERS NOT APPLICABLE

- ITEM NOT ILLUSTRATED

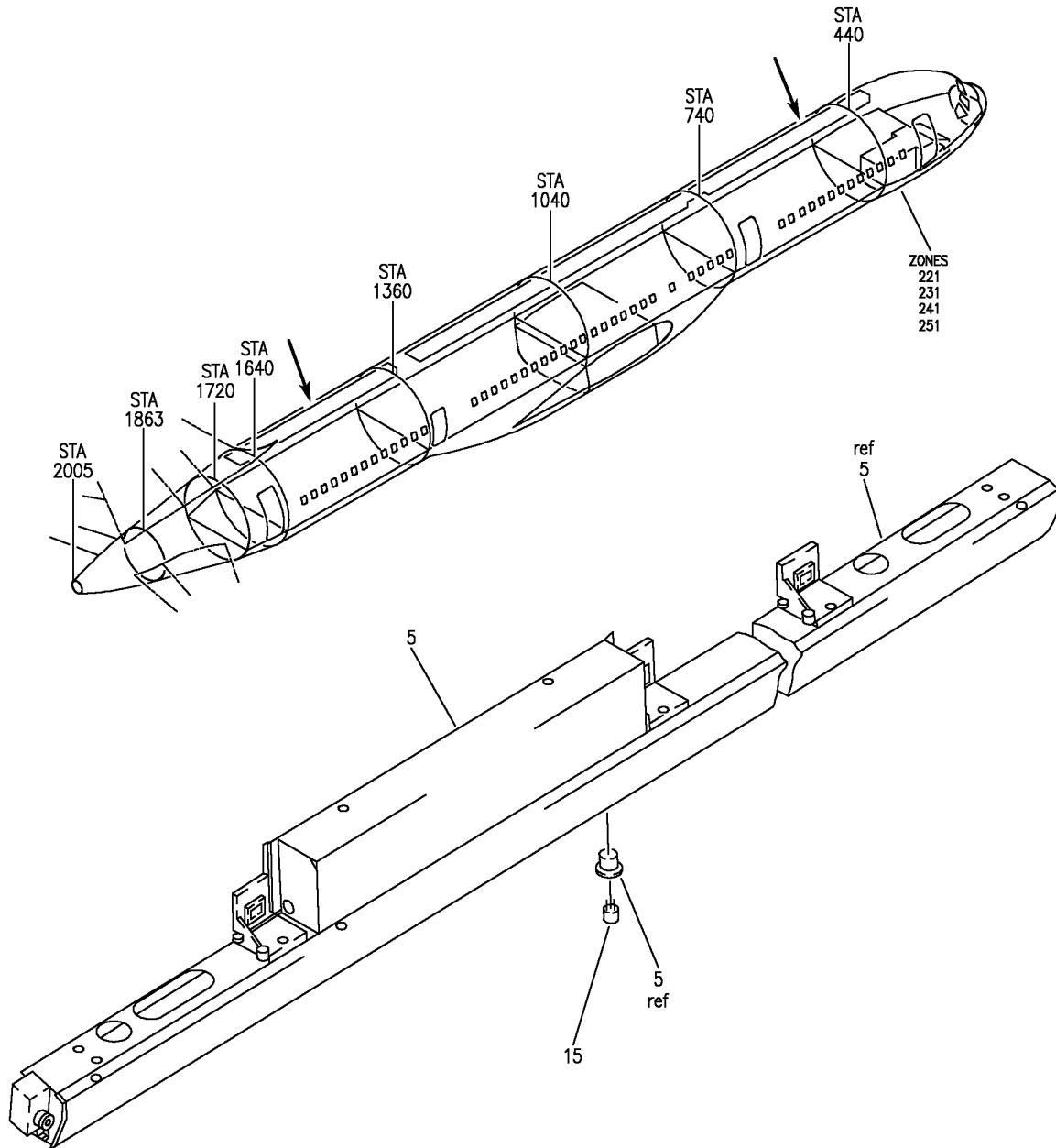
BRI

33-21-51-61

BOEING PROPRIETARY - Copyright © - Unpublished Work - See title page for details.

33-21-51
FIG. 61
PAGE 1
JAN 20/09

BOEING
757
PARTS CATALOG (MAINTENANCE)



Y 33215161A REV 270

BIN ASSY-BIG 60 IN. (LIGHTS ONLY)
FIGURE 61A

33-21-51-61A

BRI
JAN 20/09

33-21-51-61A
PAGE 0



757

PARTS CATALOG (MAINTENANCE)

FIG ITEM	PART NUMBER	1 2 3 4 5 6 7	NOMENCLATURE	EFFECT FROM TO	UNITS PER ASSY
61A			BIN ASSY-BIG 60 IN. (LIGHTS ONLY)	103106	
- 1	412A1052-25B		BIN ASSY-BIG 60 IN. STD XSEC MAG RACK PROV 2P5 P P EC BN (LIGHTS ONLY) POSITION DATA: LH FWD OF DR3 FOR NHA/OTHER SYS DET SEE: 25-28-00-85A	103106	RF
5	4041-48		. LIGHT ASSY- SUPPLIER CODE: VD1347 SPECIFICATION NUMBER: S417N514-48 ELECTRICAL EQUIP NUMBER: M01841 WIRING DIAGRAM REF: 332110 COMPONENT MAINT MANUAL REF: 33-21-14	103106	1
- 10	CA3105-1032-14		ATTACHING PARTS . SCREW SUPPLIER CODE: V73439 SPECIFICATION NUMBER: BACS12N10-14 OPTIONAL PART: CA3105-1032-14 V78189	103106	4
15	774-115-91		-----*----- .. FUSE- SUPPLIER CODE: VD1347	103106	1

MISSING ITEM NUMBERS NOT APPLICABLE

- ITEM NOT ILLUSTRATED

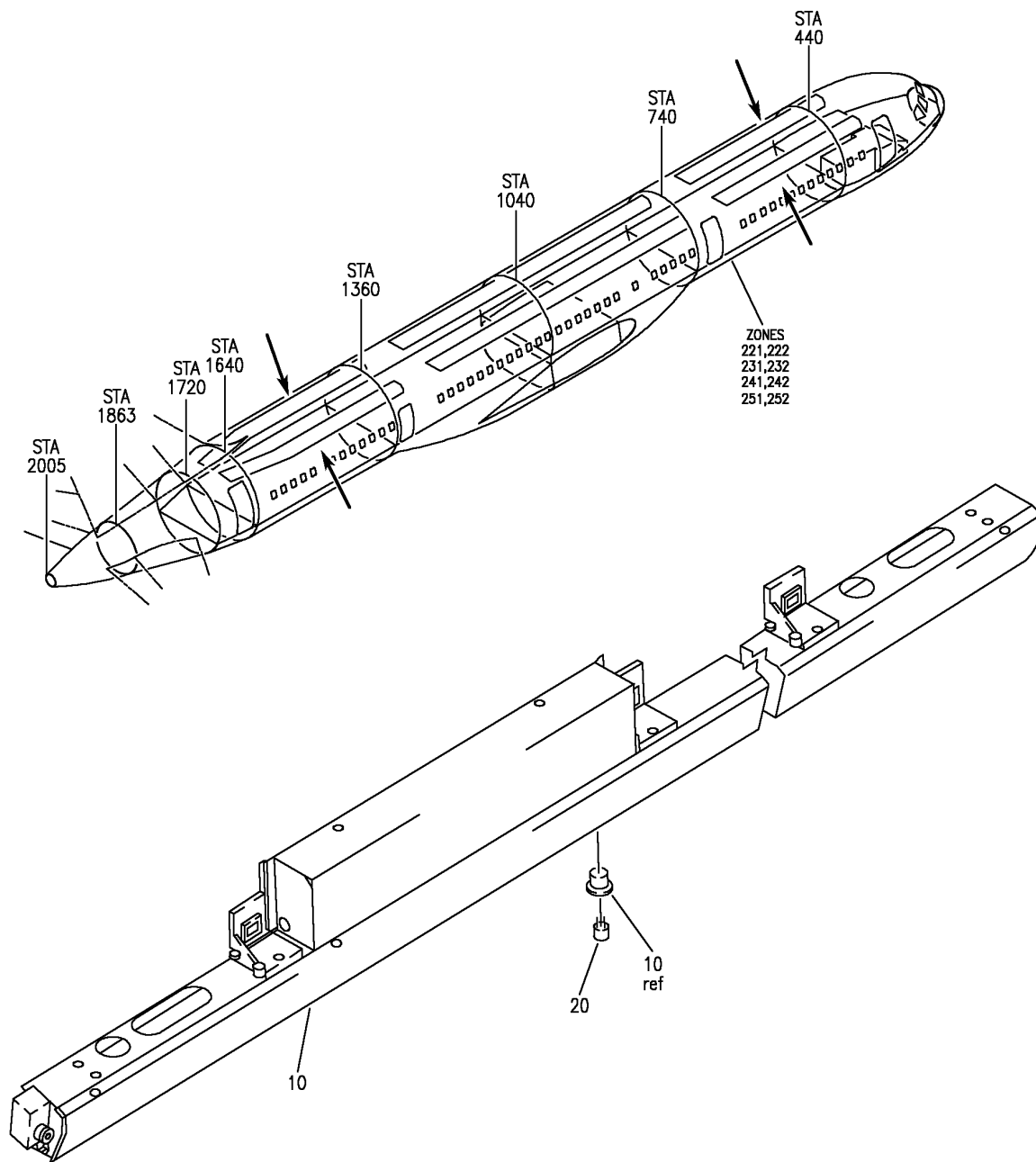
33-21-51-61A

33-21-51
FIG. 61A
PAGE 1
JAN 20/09

BRI

BOEING PROPRIETARY - Copyright © - Unpublished Work - See title page for details.

BOEING
757
PARTS CATALOG (MAINTENANCE)



Y 33215162A REV 270

BIN ASSY-BIG 40 IN. STD XSEC PASS ONLY AND AISLE LT BN (LIGHTS ONLY)
FIGURE 62A

BRI
JAN 20/09

33-21-51-62A

33-21-51-62A
PAGE 0

BOEING
757
PARTS CATALOG (MAINTENANCE)

FIG ITEM	PART NUMBER	1 2 3 4 5 6 7	NOMENCLATURE	EFFECT FROM TO	UNITS PER ASSY
62A			BIN ASSY-BIG 40 IN. STD XSEC PASS ONLY AND AISLE LT BN (LIGHTS ONLY)	103106	
- 1	412A1057-23B		BIN ASSY-BIG 40 IN. STD XSEC PASS ONLY BN (LIGHTS ONLY) POSITION DATA: LH FOR NHA/OTHER SYS DET SEE: 25-28-00-76A	103106	RF
- 3	412A1057-24B		BIN ASSY-BIG 40 IN. STD XSEC PASS ONLY BN (LIGHTS ONLY) POSITION DATA: RH FOR NHA/OTHER SYS DET SEE: 25-28-00-76A	103106	RF
10	4041-28		.LIGHT- SUPPLIER CODE: VD1347 SPECIFICATION NUMBER: S417N514-28 COMPONENT MAINT MANUAL REF: 33-21-14	103106	1
- 15	CA3105-1032-14		ATTACHING PARTS .SCREW SUPPLIER CODE: V73439 SPECIFICATION NUMBER: BACS12N10-14 OPTIONAL PART: CA3105-1032-14 V78189	103106	4
20	774-115-91		-----*----- .. FUSE- SUPPLIER CODE: VD1347	103106	1

MISSING ITEM NUMBERS NOT APPLICABLE

- ITEM NOT ILLUSTRATED

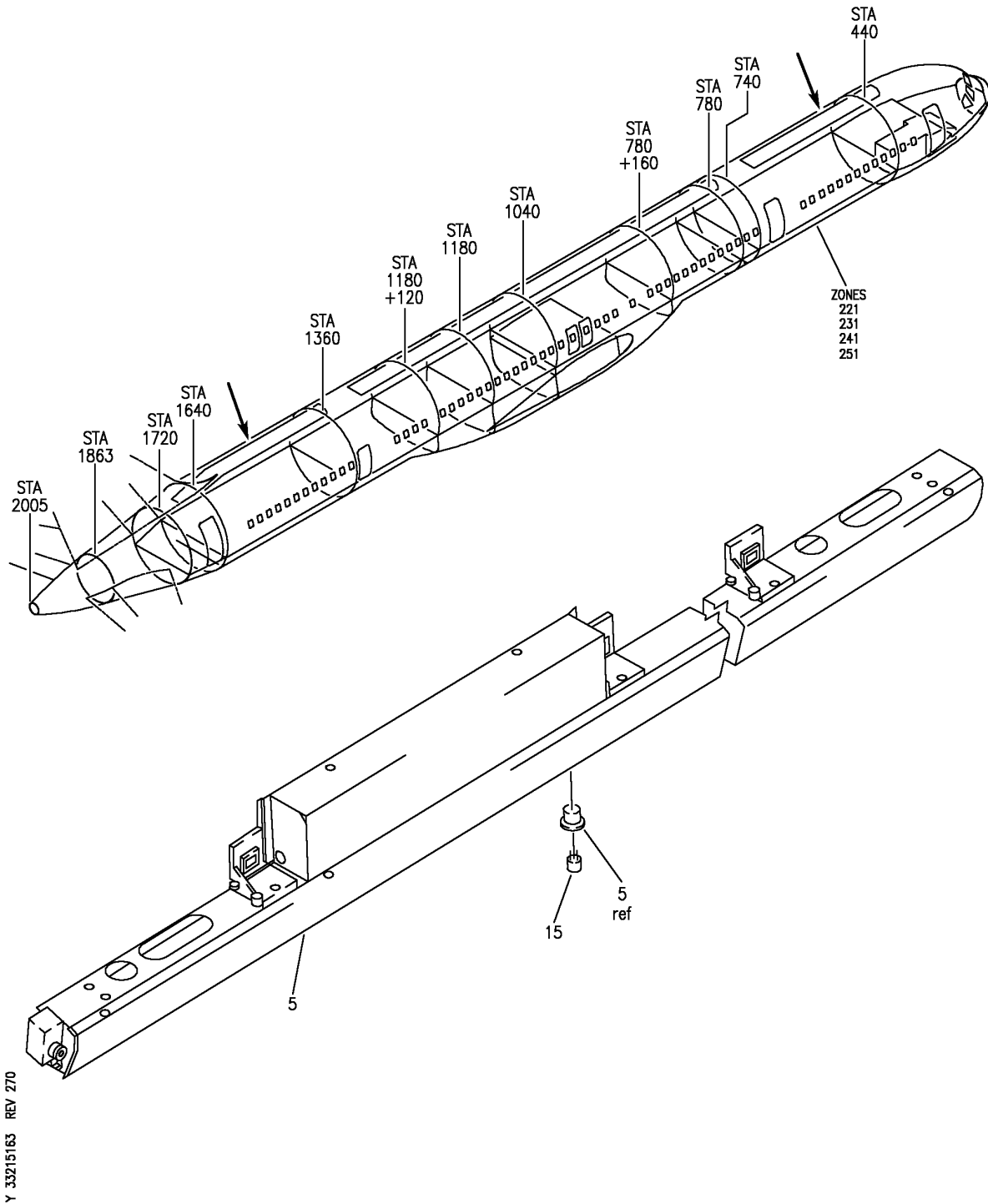
BRI

33-21-51-62A

BOEING PROPRIETARY - Copyright © - Unpublished Work - See title page for details.

33-21-51
FIG. 62A
PAGE 1
JAN 20/09

BOEING
757
PARTS CATALOG (MAINTENANCE)



Y 33215163 REV 270

BIN ASSY-BIG 80 IN. (LIGHTS ONLY)
FIGURE 63

33-21-51-63

BRI
JAN 20/09

33-21-51-63
PAGE 0



757

PARTS CATALOG (MAINTENANCE)

FIG ITEM	PART NUMBER	1 2 3 4 5 6 7	NOMENCLATURE	EFFECT FROM TO	UNITS PER ASSY
63			BIN ASSY-BIG 80 IN. (LIGHTS ONLY)	103106	
- 1	412A1052-5B		BIN ASSY-BIG 80 IN. LH EE 5P6 INVERTED EC BULLNOSE (LIGHTS ONLY) POSITION DATA: LH AFT OF DOOR 2 FOR NHA/OTHER SYS DET SEE: 25-28-00-83A	103106	RF
- 2	412A1052-23B		BIN ASSY-BIG 80 IN. STD XSEC EE MAG RACK PROV 5P6 INVERTED EC BN (LIGHTS ONLY) POSITION DATA: LH FWD OF DR2 FOR NHA/OTHER SYS DET SEE: 25-28-00-81A	103106	RF
- 3	412A1052-24B		BIN ASSY-BIG 80 IN. STD XSEC EE MAG RACK PROV 5P6 INVERTED EC BN (LIGHTS ONLY) POSITION DATA: RH FWD OF DR2 FOR NHA/OTHER SYS DET SEE: 25-28-00-82A	103106	RF
- 4	412A1052-26B		BIN ASSY-BIG 80 IN. STD XSEC EE MAG RACK PROV 5P6 INVERTED EC BN (LIGHTS ONLY) POSITION DATA: RH AFT OF DOOR 2 FOR NHA/OTHER SYS DET SEE: 25-28-00-84A	103106	RF
5	4041-24		.LIGHT ASSY- SUPPLIER CODE: VD1347 SPECIFICATION NUMBER: S417N514-24 ELECTRICAL EQUIP NUMBER: M11385 WIRING DIAGRAM REF: 332110 COMPONENT MAINT MANUAL REF: 33-21-14	103106	1

MISSING ITEM NUMBERS NOT APPLICABLE

- ITEM NOT ILLUSTRATED

33-21-51-63

33-21-51
FIG. 63
PAGE 1
JAN 20/09

BRI

BOEING
757
PARTS CATALOG (MAINTENANCE)

FIG ITEM	PART NUMBER	1 2 3 4 5 6 7	NOMENCLATURE	EFFECT FROM TO	UNITS PER ASSY
63			ATTACHING PARTS		
- 10	CA3105-1032-14	.	SCREW SUPPLIER CODE: V73439 SPECIFICATION NUMBER: BACS12N10-14 OPTIONAL PART: CA3105-1032-14 V78189	103106	4
15	774-115-91	..	FUSE- SUPPLIER CODE: VD1347	103106	1

MISSING ITEM NUMBERS NOT APPLICABLE

- ITEM NOT ILLUSTRATED

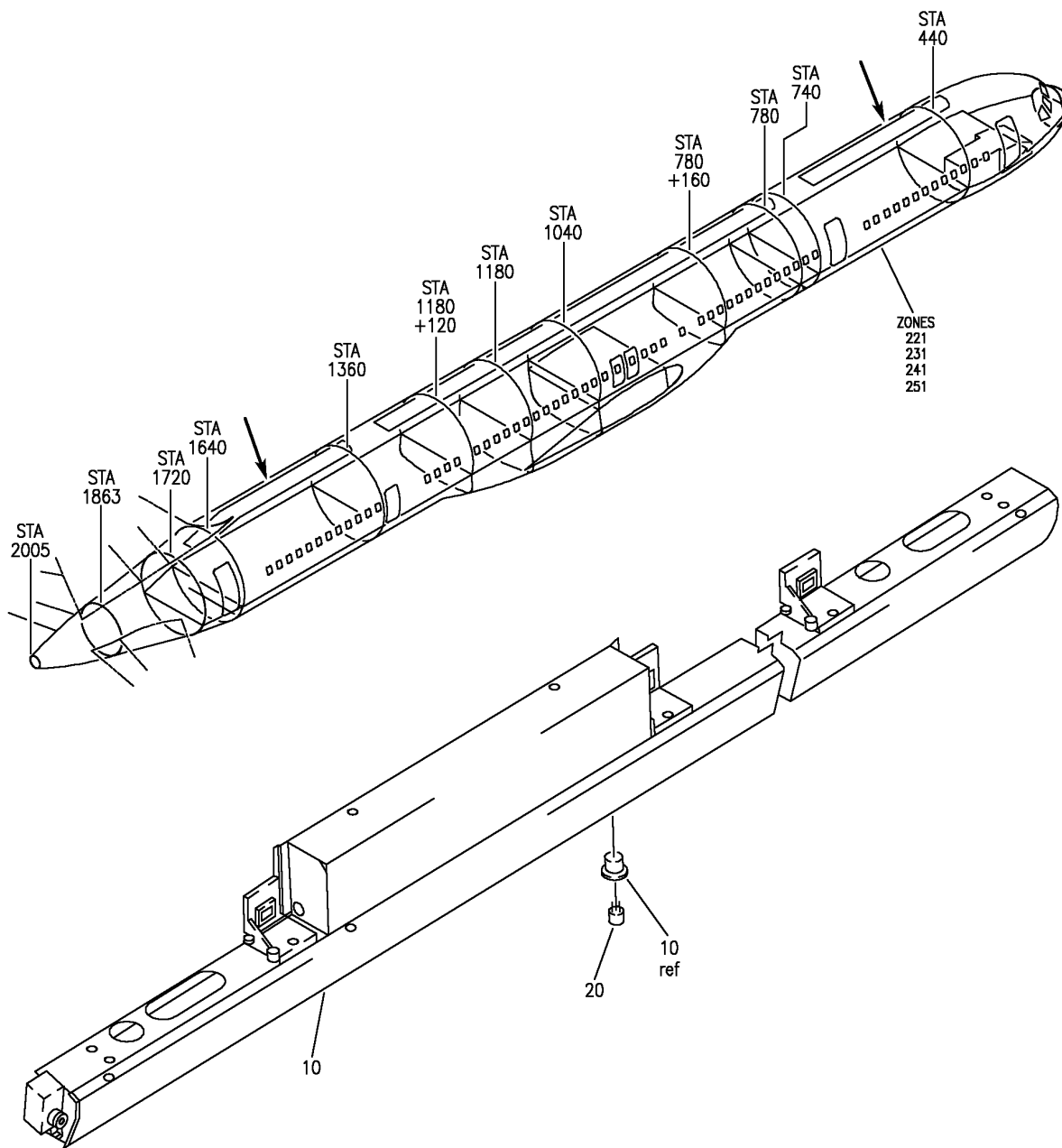
BRI

33-21-51-63

BOEING PROPRIETARY - Copyright © - Unpublished Work - See title page for details.

33-21-51
FIG. 63
PAGE 2
JAN 20/09

BOEING
757
PARTS CATALOG (MAINTENANCE)



Y 33215163A REV 270

BIN ASSY-BIG 80 IN. (LIGHTS ONLY)
FIGURE 63A

33-21-51-63A

BRI
JAN 20/09

33-21-51-63A
PAGE 0



757

PARTS CATALOG (MAINTENANCE)

FIG ITEM	PART NUMBER	1 2 3 4 5 6 7	NOMENCLATURE	EFFECT FROM TO	UNITS PER ASSY
63A			BIN ASSY-BIG 80 IN. (LIGHTS ONLY)	103106	
- 1	412A1052-27B		BIN ASSY-BIG 80 IN. STD XSEC EE MAG RACK PROV LR MCD DR 4PO P EC BN (LIGHTS ONLY) POSITION DATA: LH AFT OF DR3 FOR NHA/OTHER SYS DET SEE: 25-28-00-85A	103106	RF
- 5	412A1052-28B		BIN ASSY-BIG 80 IN. STD XSEC EE LR MAG RACK MCD DR 4PO P EC BN (LIGHTS ONLY) POSITION DATA: RH AFT OF DR3 FOR NHA/OTHER SYS DET SEE: 25-28-00-86A	103106	RF
10	4041-70		.LIGHT ASSY- SUPPLIER CODE: VD1347 SPECIFICATION NUMBER: S417N514-70 ELECTRICAL EQUIP NUMBER: M01842 WIRING DIAGRAM REF: 332110 COMPONENT MAINT MANUAL REF: 33-21-14	103106	1
- 15	CA3105-1032-14		ATTACHING PARTS .SCREW SUPPLIER CODE: V73439 SPECIFICATION NUMBER: BACS12N10-14 OPTIONAL PART: CA3105-1032-14 V78189	103106	6
20	774-115-91		-----*----- .. FUSE- SUPPLIER CODE: VD1347	103106	1

MISSING ITEM NUMBERS NOT APPLICABLE

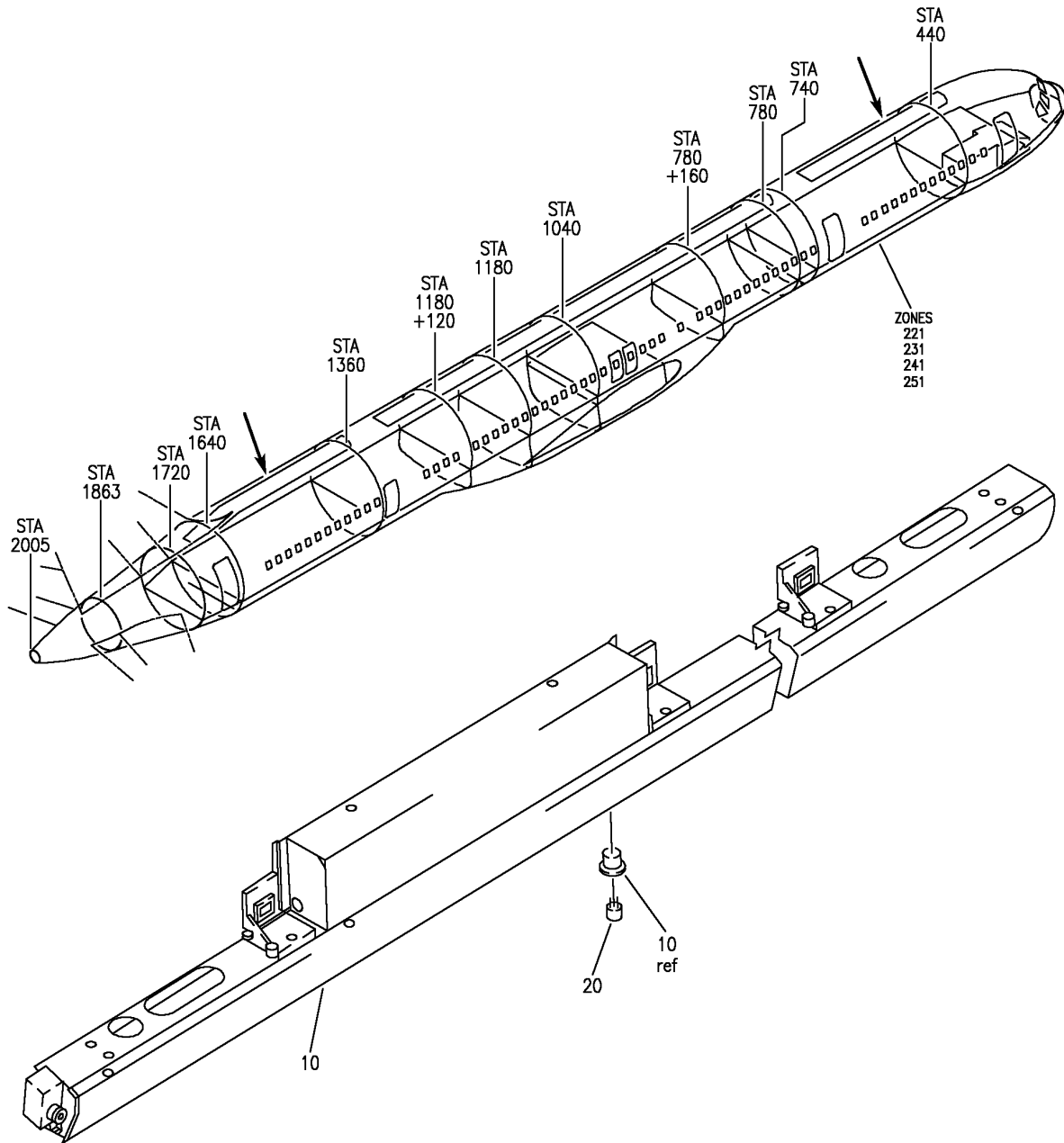
- ITEM NOT ILLUSTRATED

33-21-51-63A

33-21-51
FIG. 63A
PAGE 1
JAN 20/09

BRI

BOEING
757
PARTS CATALOG (MAINTENANCE)



Y 33215165 REV 270

BIN ASSY-BIG 35 IN. (LIGHTS ONLY)
FIGURE 65

33-21-51-65

BRI
JAN 20/09

33-21-51-65
PAGE 0



757

PARTS CATALOG (MAINTENANCE)

FIG ITEM	PART NUMBER	1 2 3 4 5 6 7	NOMENCLATURE	EFFECT FROM TO	UNITS PER ASSY
65			BIN ASSY-BIG 35 IN. (LIGHTS ONLY)	103106	
- 5	412A1052-8B		BIN ASSY-BIG 35 IN. ONE CLG LATCH EE 3PO P EC BULLNOSE (LIGHTS ONLY)	103106	RF
10	4041-24		POSITION DATA: RH FWD OF DOOR 3 FOR NHA/OTHER SYS DET SEE: 25-28-00-86A		
			.LIGHT ASSY- SUPPLIER CODE: VD1347 SPECIFICATION NUMBER: S417N514-24 ELECTRICAL EQUIP NUMBER: M11385 WIRING DIAGRAM REF: 332110 COMPONENT MAINT MANUAL REF: 33-21-14	103106	1
- 15	CA3105-1032-14		ATTACHING PARTS .SCREW SUPPLIER CODE: V73439 SPECIFICATION NUMBER: BACS12N10-14 OPTIONAL PART: CA3105-1032-14 V78189	103106	4
20	774-115-91		-----*----- .. FUSE- SUPPLIER CODE: VD1347	103106	1

MISSING ITEM NUMBERS NOT APPLICABLE

- ITEM NOT ILLUSTRATED

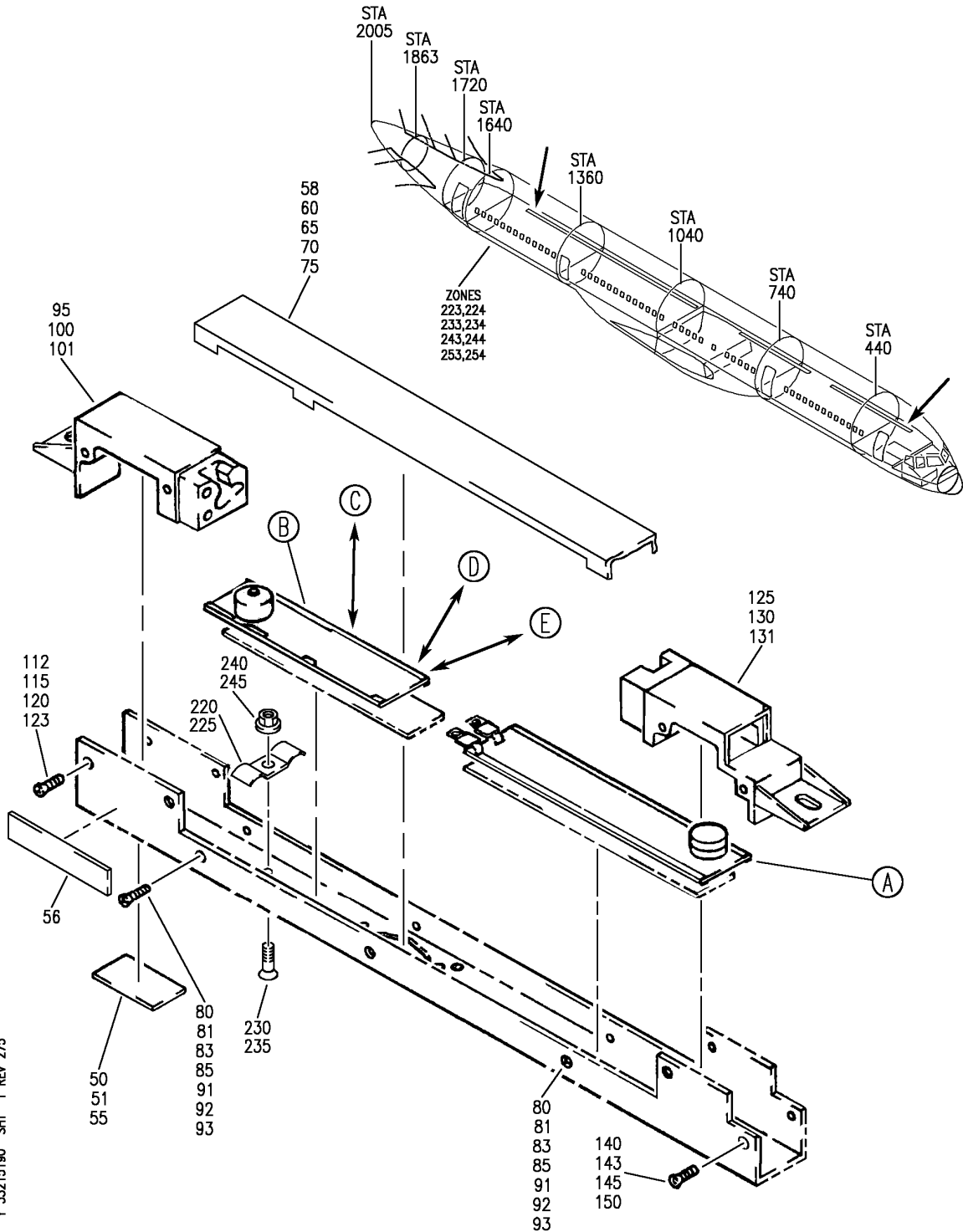
BRI

33-21-51-65

BOEING PROPRIETARY - Copyright © - Unpublished Work - See title page for details.

33-21-51
FIG. 65
PAGE 1
JAN 20/09

BOEING
757
PARTS CATALOG (MAINTENANCE)



Y 33215190 SHT 1 REV 275

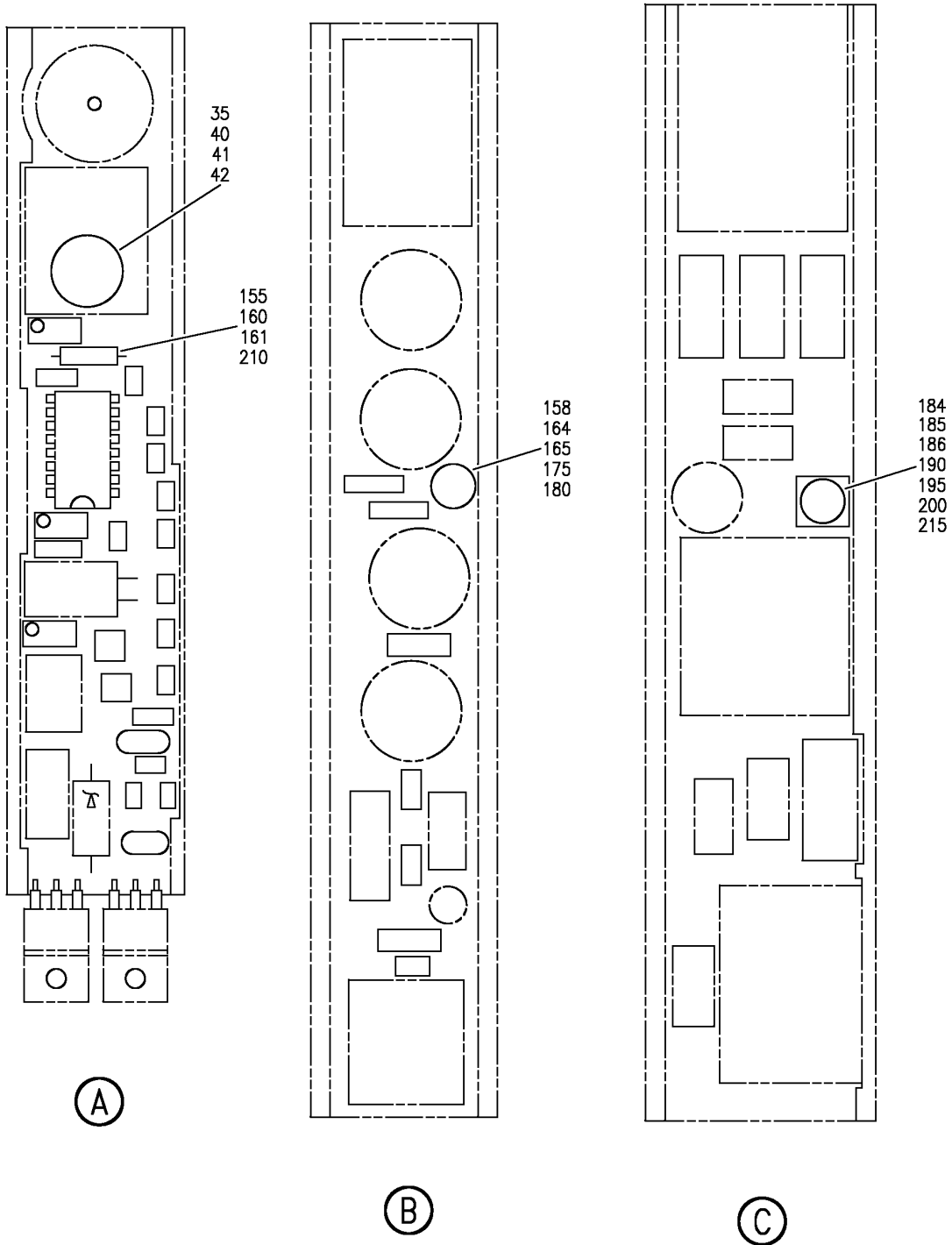
LIGHT ASSY-FLOUR. WINDOW
FIGURE 90 (SHEET 1)

33-21-51-90

BRI
MAY 28/07

33-21-51-90
PAGE 0

BOEING
757
PARTS CATALOG (MAINTENANCE)



Y 33215190 SH1 2 REV 275

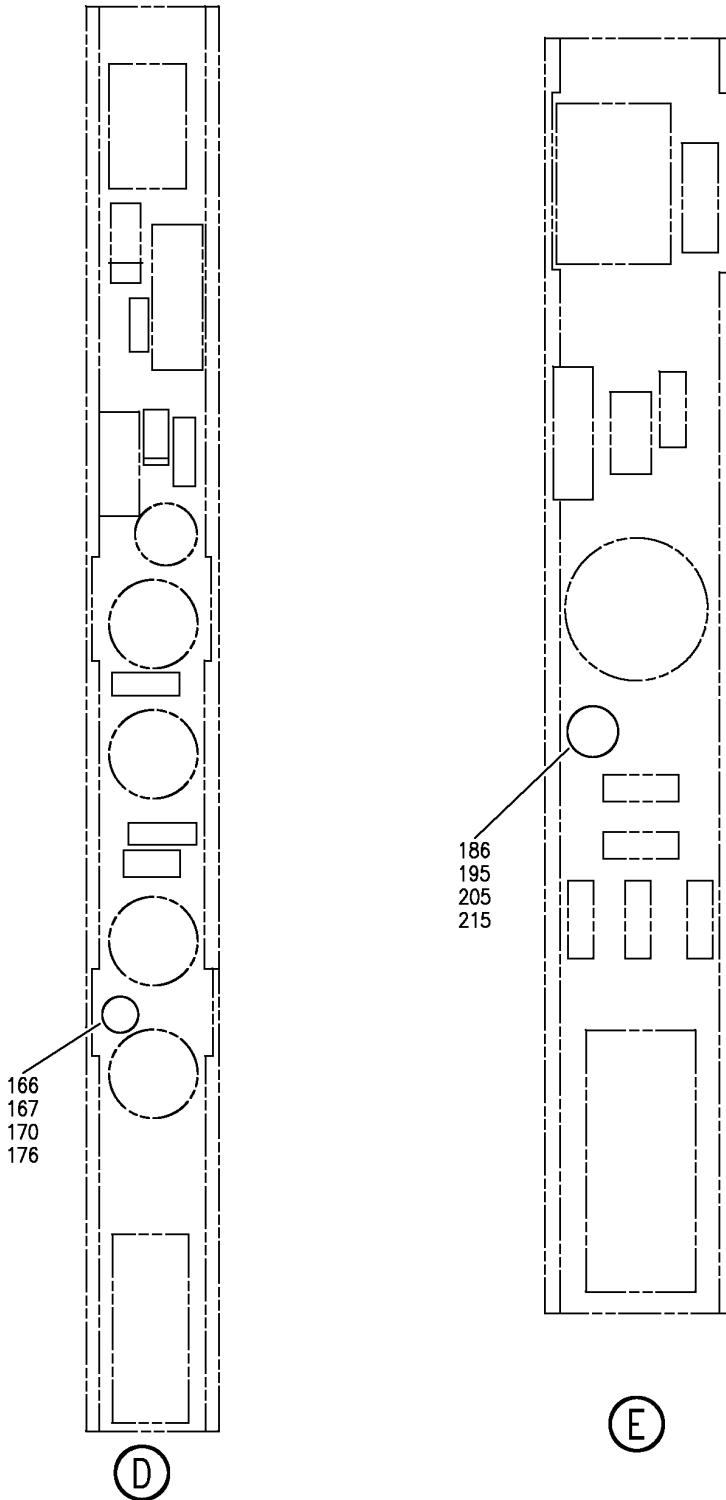
LIGHT ASSY-FLOUR. WINDOW
FIGURE 90 (SHEET 2)

BRI
MAY 28/07

33-21-51-90

33-21-51-90
PAGE 0A

BOEING
757
PARTS CATALOG (MAINTENANCE)



Y 33215190 SH1 3 REV 275

LIGHT ASSY-FLOUR. WINDOW
FIGURE 90 (SHEET 3)

33-21-51-90

BRI
MAY 28/07

33-21-51-90
PAGE 0B



757

PARTS CATALOG (MAINTENANCE)

FIG ITEM	PART NUMBER	1 2 3 4 5 6 7	NOMENCLATURE	EFFECT FROM TO	UNITS PER ASSY
90			LIGHT ASSY-FLOUR. WINDOW	002004	
- 1	10-1327-1		LIGHT ASSY-FLOUR. WINDOW SUPPLIER CODE: V72914 SPECIFICATION NUMBER: S417N511-1 SB DATA FROM A CMM: PRE 10-1327-33-SB01 CONFIG CHG DATA FROM A CMM: SUPSD BY 10-1733-1 COMPONENT MAINT MANUAL REF: 33-20-51 FOR NHA SEE: 33-21-00-05 33-21-00-05A 33-21-00-05C 33-21-00-09B 33-21-00-09D 33-21-00-13B 33-21-00-14B 33-21-00-15B 33-21-00-16 33-21-00-16A 33-21-00-17 33-21-00-20A 33-21-00-40 33-21-00-41 33-21-00-50A	006106 108999 002004 006102 108999	RF

MISSING ITEM NUMBERS NOT APPLICABLE

- ITEM NOT ILLUSTRATED

33-21-51-90

33-21-51
 FIG. 90
 PAGE 1
 JAN 20/09

BRI



757

PARTS CATALOG (MAINTENANCE)

FIG ITEM	PART NUMBER	1 2 3 4 5 6 7	NOMENCLATURE	EFFECT FROM TO	UNITS PER ASSY
90 - 1	10-1733-1		LIGHT ASSY-FLOUR. WINDOW SUPPLIER CODE: V72914 SPECIFICATION NUMBER: S417N511-8001 CONFIG CHG DATA FROM A CMM: SUPERSEDES 10-1327-1 SUPERSEDES 10-1327-7 COMPONENT MAINT MANUAL REF: 33-21-39 FOR NHA SEE: 33-21-00-05 33-21-00-05A 33-21-00-05C 33-21-00-09B 33-21-00-09D 33-21-00-13B 33-21-00-14B 33-21-00-15B 33-21-00-16 33-21-00-16A 33-21-00-17 33-21-00-20A 33-21-00-40 33-21-00-41 33-21-00-50A 33-21-00-50D 33-21-00-55D	002004 006106 108999	RF

MISSING ITEM NUMBERS NOT APPLICABLE

- ITEM NOT ILLUSTRATED

33-21-51-90

33-21-51
FIG. 90
PAGE 2
JAN 20/09

BRI



757

PARTS CATALOG (MAINTENANCE)

FIG ITEM	PART NUMBER	1 2 3 4 5 6 7	NOMENCLATURE	EFFECT FROM TO	UNITS PER ASSY
90 - 5	10-1327-2		LIGHT ASSY-FLOUR. WINDOW SUPPLIER CODE: V72914 SPECIFICATION NUMBER: S417N511-2 SB DATA FROM A CMM: PRE 10-1327-33-SB01 CONFIG CHG DATA FROM A CMM: SUPSD BY 10-1733-2 COMPONENT MAINT MANUAL REF: 33-20-51 FOR NHA SEE: 33-21-00-05 33-21-00-05A 33-21-00-05C 33-21-00-09B 33-21-00-09D 33-21-00-13B 33-21-00-14B 33-21-00-15B 33-21-00-16 33-21-00-16A 33-21-00-17 33-21-00-20A 33-21-00-40 33-21-00-41 33-21-00-50A	002004 006102 108999	RF

MISSING ITEM NUMBERS NOT APPLICABLE

- ITEM NOT ILLUSTRATED

33-21-51-90

33-21-51
FIG. 90
PAGE 3
JAN 20/09

BRI



757

PARTS CATALOG (MAINTENANCE)

FIG ITEM	PART NUMBER	1 2 3 4 5 6 7	NOMENCLATURE	EFFECT FROM TO	UNITS PER ASSY
90 - 5	10-1733-2		LIGHT ASSY-FLOUR. WINDOW SUPPLIER CODE: V72914 SPECIFICATION NUMBER: S417N511-8002 CONFIG CHG DATA FROM A CMM: SUPERSEDES 10-1327-2 SUPERSEDES 10-1327-8 COMPONENT MAINT MANUAL REF: 33-21-39 FOR NHA SEE: 33-21-00-05 33-21-00-05A 33-21-00-05C 33-21-00-09B 33-21-00-09D 33-21-00-13B 33-21-00-14B 33-21-00-15B 33-21-00-16 33-21-00-16A 33-21-00-17 33-21-00-20A 33-21-00-40 33-21-00-41 33-21-00-50A	002004 006102 108999	RF

MISSING ITEM NUMBERS NOT APPLICABLE

- ITEM NOT ILLUSTRATED

33-21-51-90

33-21-51
FIG. 90
PAGE 4
JAN 20/09

BRI



757

PARTS CATALOG (MAINTENANCE)

FIG ITEM	PART NUMBER	1 2 3 4 5 6 7	NOMENCLATURE	EFFECT FROM TO	UNITS PER ASSY
90 - 10	10-1327-3		LIGHT ASSY-FLOUR. WINDOW SUPPLIER CODE: V72914 SPECIFICATION NUMBER: S417N511-3 SB DATA FROM A CMM: PRE 10-1327-33-SB01 CONFIG CHG DATA FROM A CMM: SUPSD BY 10-1733-3 COMPONENT MAINT MANUAL REF: 33-20-51 FOR NHA SEE: 33-21-00-05 33-21-00-05A 33-21-00-05C 33-21-00-09B 33-21-00-09D 33-21-00-13B 33-21-00-14B 33-21-00-15B 33-21-00-16 33-21-00-16A 33-21-00-17 33-21-00-20A 33-21-00-40 33-21-00-41 33-21-00-50A	002004 006102 108999	RF

MISSING ITEM NUMBERS NOT APPLICABLE

- ITEM NOT ILLUSTRATED

33-21-51-90

33-21-51
FIG. 90
PAGE 5
JAN 20/09

BRI



**757
PARTS CATALOG (MAINTENANCE)**

FIG ITEM	PART NUMBER	1 2 3 4 5 6 7	NOMENCLATURE	EFFECT FROM TO	UNITS PER ASSY
90 - 10	10-1733-3		LIGHT ASSY-FLOUR. WINDOW SUPPLIER CODE: V72914 SPECIFICATION NUMBER: S417N511-8003 CONFIG CHG DATA FROM A CMM: SUPERSEDES 10-1327-3 SUPERSEDES 10-1327-9 COMPONENT MAINT MANUAL REF: 33-21-39 FOR NHA SEE: 33-21-00-05 33-21-00-05A 33-21-00-05C 33-21-00-09B 33-21-00-09D 33-21-00-13B 33-21-00-14B 33-21-00-15B 33-21-00-16 33-21-00-16A 33-21-00-17 33-21-00-20A 33-21-00-40 33-21-00-41 33-21-00-50A 33-21-00-50D 33-21-00-55D	002004 006106 108999	RF
- 15	10-1327-4		LIGHT ASSY-FLOUR. WINDOW SUPPLIER CODE: V72914 SPECIFICATION NUMBER: S417N511-4 SB DATA FROM A CMM: PRE 10-1327-33-SB01 CONFIG CHG DATA FROM A CMM: SUPSD BY 10-1733-4 COMPONENT MAINT MANUAL REF: 33-20-51 FOR NHA SEE: 33-21-00-13B 33-21-00-14B 33-21-00-16 33-21-00-16A 33-21-00-17 33-21-00-20A 33-21-00-40 33-21-00-41 33-21-00-50A	002004 006102 108120 504903 950951 953999	RF

MISSING ITEM NUMBERS NOT APPLICABLE

- ITEM NOT ILLUSTRATED

33-21-51-90

33-21-51
FIG. 90
PAGE 6
JAN 20/09

BRI



757

PARTS CATALOG (MAINTENANCE)

FIG ITEM	PART NUMBER	1 2 3 4 5 6 7	NOMENCLATURE	EFFECT FROM TO	UNITS PER ASSY
90 - 15	10-1733-4		LIGHT ASSY-FLOUR. WINDOW SUPPLIER CODE: V72914 SPECIFICATION NUMBER: S417N511-8004 CONFIG CHG DATA FROM A CMM: SUPERSEDES 10-1327-4 COMPONENT MAINT MANUAL REF: 33-21-39 FOR NHA SEE: 33-21-00-13B 33-21-00-14B 33-21-00-16 33-21-00-16A 33-21-00-17 33-21-00-20A 33-21-00-40 33-21-00-41 33-21-00-50A 33-21-00-50D	002004 006106 108120 504903 950951 953999	RF
35	60-3927-1		.LABEL-INSTRUCTION SUPPLIER CODE: V75915 USED ON: 10-1733-3	953999	1
35	60-3927-1		.LABEL-INSTRUCTION SUPPLIER CODE: V75915 USED ON: 10-1733-3	108120	1
35	60-3927-1		.LABEL-INSTRUCTION SUPPLIER CODE: V75915 USED ON: 10-1733-3	011102 504903 950951	1
35	60-3927-1		.LABEL-INSTRUCTION SUPPLIER CODE: V75915 USED ON: 10-1733-3 10-1327-3	002004 006010	1
35	60-3927-1		.LABEL-INSTRUCTION SUPPLIER CODE: V75915 USED ON: 10-1733-3	952952	1

MISSING ITEM NUMBERS NOT APPLICABLE

- ITEM NOT ILLUSTRATED

33-21-51-90

33-21-51
FIG. 90
PAGE 7
JAN 20/09

BRI



757

PARTS CATALOG (MAINTENANCE)

FIG ITEM	PART NUMBER	1 2 3 4 5 6 7	NOMENCLATURE	EFFECT FROM TO	UNITS PER ASSY
90					
35	60-3927-1		. LABEL-INSTRUCTION SUPPLIER CODE: V75915 USED ON: 10-1733-3	121503 904949	1
40	60-3927-1		. LABEL-INSTRUCTION SUPPLIER CODE: V75915 USED ON: 10-1327-1 10-1733-1	121503 904949	1
40	60-3927-1		. LABEL-INSTRUCTION SUPPLIER CODE: V75915 USED ON: 10-1327-1 10-1733-1	952952	1
40	60-3927-1		. LABEL-INSTRUCTION SUPPLIER CODE: V75915 USED ON: 10-1327-1 10-1733-1 10-1733-4	953999	1
40	60-3927-1		. LABEL-INSTRUCTION SUPPLIER CODE: V75915 USED ON: 10-1733-1 10-1733-3 10-1733-4	103106	1
40	60-3927-1		. LABEL-INSTRUCTION SUPPLIER CODE: V75915 USED ON: 10-1327-1 10-1327-4 10-1733-1 10-1733-4	504903	1
41	60-3927-1		. LABEL-INSTRUCTION SUPPLIER CODE: V75915 USED ON: 10-1327-1 10-1327-4 10-1733-1 10-1733-4	002004 006010 950951	1

MISSING ITEM NUMBERS NOT APPLICABLE

- ITEM NOT ILLUSTRATED

33-21-51-90

33-21-51
FIG. 90
PAGE 8
JAN 20/09

BRI



757

PARTS CATALOG (MAINTENANCE)

FIG ITEM	PART NUMBER	1 2 3 4 5 6 7	NOMENCLATURE	EFFECT FROM TO	UNITS PER ASSY
90					
41	60-3927-1		. LABEL-INSTRUCTION SUPPLIER CODE: V75915 USED ON: 10-1327-1 10-1327-4 10-1733-1 10-1733-4	011102 108120	1
50	61-2838-1		. LABEL-INSTRUCTION SUPPLIER CODE: V72914 USED ON: 10-1327-4 10-1733-4	002004 006102	1
50	61-2838-1		. LABEL-INSTRUCTION SUPPLIER CODE: V72914 USED ON: 10-1327-4 10-1733-4	108120 950951 953999	1
50	61-2838-1		. LABEL-INSTRUCTION SUPPLIER CODE: V72914 USED ON: 10-1327-4 10-1733-4	504903	1
50	61-2838-1		. LABEL-INSTRUCTION SUPPLIER CODE: V72914 USED ON: 10-1327-3 10-1327-4 10-1733-3 10-1733-4	953999	1
50	61-2838-1		. LABEL-INSTRUCTION SUPPLIER CODE: V72914 USED ON: 10-1327-3 10-1733-3	108120	1
50	61-2838-1		. LABEL-INSTRUCTION SUPPLIER CODE: V72914 USED ON: 10-1327-3 10-1327-4 10-1733-3 10-1733-4	011102 504903 950951	1

MISSING ITEM NUMBERS NOT APPLICABLE

- ITEM NOT ILLUSTRATED

33-21-51-90

33-21-51
FIG. 90
PAGE 9
JAN 20/09

BRI



757

PARTS CATALOG (MAINTENANCE)

FIG ITEM	PART NUMBER	1 2 3 4 5 6 7	NOMENCLATURE	EFFECT FROM TO	UNITS PER ASSY
90					
50	61-2838-1		. LABEL-INSTRUCTION SUPPLIER CODE: V72914 USED ON: 10-1327-3 10-1327-4 10-1733-3 10-1733-4	002004 006010	1
50	61-2838-1		. LABEL-INSTRUCTION SUPPLIER CODE: V72914 USED ON: 10-1327-3 10-1733-3	952952	1
50	61-2838-1		. LABEL-INSTRUCTION SUPPLIER CODE: V72914 USED ON: 10-1327-1 10-1327-3 10-1733-1 10-1733-3	121503 904949	1
55	61-2838-1		. LABEL-INSTRUCTION SUPPLIER CODE: V72914 USED ON: 10-1327-1 10-1733-1	504903	1
55	61-2838-1		. LABEL-INSTRUCTION SUPPLIER CODE: V72914 USED ON: 10-1327-1 10-1733-1	950951	1
55	61-2838-1		. LABEL-INSTRUCTION SUPPLIER CODE: V72914 USED ON: 10-1327-1 10-1733-1	002004 006010 108503 904949	1
55	61-2838-1		. LABEL-INSTRUCTION SUPPLIER CODE: V72914 USED ON: 10-1327-1 10-1733-1	011102 952999	1
56	61-2838-1		. LABEL-INSTRUCTION SUPPLIER CODE: V72914	103106	1

MISSING ITEM NUMBERS NOT APPLICABLE

- ITEM NOT ILLUSTRATED

33-21-51-90

33-21-51
FIG. 90
PAGE 10
JAN 20/09

BRI

BOEING PROPRIETARY - Copyright © - Unpublished Work - See title page for details.



757

PARTS CATALOG (MAINTENANCE)

FIG ITEM	PART NUMBER	1 2 3 4 5 6 7	NOMENCLATURE	EFFECT FROM TO	UNITS PER ASSY
90					
60	11-5718-13		.COVER- SUPPLIER CODE: V72914 USED ON: 10-1327-1 10-1327-2 10-1327-8 10-1733-1 10-1733-2	002004 006102 108999	1
60	11-5718-13		.COVER- SUPPLIER CODE: V72914 USED ON: 10-1327-1 10-1733-1	504903	1
60	11-5718-13		.COVER- SUPPLIER CODE: V72914 USED ON: 10-1327-1 10-1733-1	950951	1
60	11-5718-13		.COVER- SUPPLIER CODE: V72914 USED ON: 10-1327-1 10-1733-1	002004 006010 108503 904949	1
60	11-5718-13		.COVER- SUPPLIER CODE: V72914 USED ON: 10-1327-1 10-1733-1	011102 952999	1
65	11-5718-13		.COVER- SUPPLIER CODE: V72914 USED ON: 10-1327-1 10-1733-1 10-1733-2	103106	1
70	11-5718-15		.COVER- SUPPLIER CODE: V72914 USED ON: 10-1327-3 10-1733-3	953999	1

MISSING ITEM NUMBERS NOT APPLICABLE

- ITEM NOT ILLUSTRATED

33-21-51-90

33-21-51
FIG. 90
PAGE 11
JAN 20/09

BRI

BOEING PROPRIETARY - Copyright © - Unpublished Work - See title page for details.



**757
PARTS CATALOG (MAINTENANCE)**

FIG ITEM	PART NUMBER	1 2 3 4 5 6 7	NOMENCLATURE	EFFECT FROM TO	UNITS PER ASSY
90					
70	11-5718-15		.COVER- SUPPLIER CODE: V72914 USED ON: 10-1327-3 10-1733-3	108120	1
70	11-5718-15		.COVER- SUPPLIER CODE: V72914 USED ON: 10-1327-3 10-1733-3	011102 504903 950951	1
70	11-5718-15		.COVER- SUPPLIER CODE: V72914 USED ON: 10-1327-3 10-1733-3	002004 006010	1
70	11-5718-15		.COVER- SUPPLIER CODE: V72914 USED ON: 10-1327-3 10-1733-3	103106 952952	1
70	11-5718-15		.COVER- SUPPLIER CODE: V72914 USED ON: 10-1327-3 10-1733-3	121503 904949	1
75	11-5718-17		.COVER- SUPPLIER CODE: V72914 USED ON: 10-1327-4 10-1733-4	002004 006106	1
75	11-5718-17		.COVER- SUPPLIER CODE: V72914 USED ON: 10-1327-4 10-1733-4	108120 950951 953999	1
75	11-5718-17		.COVER- SUPPLIER CODE: V72914 USED ON: 10-1327-4 10-1733-4	504903	1

MISSING ITEM NUMBERS NOT APPLICABLE

— ITEM NOT ILLUSTRATED

33-21-51-90

33-21-51
FIG. 90
PAGE 12
JAN 20/09

BRI



757

PARTS CATALOG (MAINTENANCE)

FIG ITEM	PART NUMBER	1 2 3 4 5 6 7	NOMENCLATURE	EFFECT FROM TO	UNITS PER ASSY
90			ATTACHING PARTS		
80	MS24693C1		.SCREW- CONFIG CHG DATA FROM A CMM: SUPSD BY MS24693S1 USED ON: 10-1327-4 10-1733-4	002004 006102	6
80	MS24693C1		.SCREW- CONFIG CHG DATA FROM A CMM: SUPSD BY MS24693S1 USED ON: 10-1327-4 10-1733-4	108120 950951 953999	6
80	MS24693C1		.SCREW- CONFIG CHG DATA FROM A CMM: SUPSD BY MS24693S1 USED ON: 10-1327-4 10-1733-4	504903	6
80	MS24693C1		.SCREW- CONFIG CHG DATA FROM A CMM: SUPSD BY MS24693S1 USED ON: 10-1327-1 10-1327-2 10-1327-8 10-1733-1 10-1733-2	002004 006102 108999	6
85	MS24693C1		.SCREW- CONFIG CHG DATA FROM A CMM: SUPSD BY MS24693S1 USED ON: 10-1327-1 10-1733-1	504903	6
85	MS24693C1		.SCREW- CONFIG CHG DATA FROM A CMM: SUPSD BY MS24693S1 USED ON: 10-1327-1 10-1733-1	950951	6
85	MS24693C1		.SCREW- CONFIG CHG DATA FROM A CMM: SUPSD BY MS24693S1 USED ON: 10-1327-1 10-1733-1	002004 006010 108503 904949	6

MISSING ITEM NUMBERS NOT APPLICABLE

- ITEM NOT ILLUSTRATED

33-21-51-90

33-21-51
FIG. 90
PAGE 13
JAN 20/09

BRI



757

PARTS CATALOG (MAINTENANCE)

FIG ITEM	PART NUMBER	1 2 3 4 5 6 7	NOMENCLATURE	EFFECT FROM TO	UNITS PER ASSY
90					
85	MS24693C1		.SCREW- CONFIG CHG DATA FROM A CMM: SUPSD BY MS24693S1 USED ON: 10-1327-1 10-1733-1	011102 952999	6
85	MS24693C1		.SCREW- CONFIG CHG DATA FROM A CMM: SUPSD BY MS24693S1 USED ON: 10-1327-1 10-1733-1 10-1733-2 10-1733-4	103106	6
- 90	MS24693C1		.SCREW- CONFIG CHG DATA FROM A CMM: SUPSD BY MS24693S1 USED ON: 10-1327-3 10-1733-3	953999	4
- 90	MS24693C1		.SCREW- CONFIG CHG DATA FROM A CMM: SUPSD BY MS24693S1 USED ON: 10-1327-3 10-1733-3	108120	4
- 90	MS24693C1		.SCREW- CONFIG CHG DATA FROM A CMM: SUPSD BY MS24693S1 USED ON: 10-1327-3 10-1733-3	011102 504903 950951	4
- 90	MS24693C1		.SCREW- CONFIG CHG DATA FROM A CMM: SUPSD BY MS24693S1 USED ON: 10-1327-3 10-1733-3	002004 006010	4
- 90	MS24693C1		.SCREW- CONFIG CHG DATA FROM A CMM: SUPSD BY MS24693S1 USED ON: 10-1327-3 10-1733-3	103106 952952	4

MISSING ITEM NUMBERS NOT APPLICABLE

- ITEM NOT ILLUSTRATED

33-21-51-90

33-21-51
FIG. 90
PAGE 14
JAN 20/09

BRI



757

PARTS CATALOG (MAINTENANCE)

FIG ITEM	PART NUMBER	1 2 3 4 5 6 7	NOMENCLATURE	EFFECT FROM TO	UNITS PER ASSY
90					
- 90	MS24693C1		.SCREW- CONFIG CHG DATA FROM A CMM: SUPSD BY MS24693S1 USED ON: 10-1327-3 10-1733-3	121503 904949	4
91	MS24693S1		.SCREW- CONFIG CHG DATA FROM A CMM: SUPERSEDES MS24693C1 USED ON: 10-1327-4 10-1733-4	002004 006102	6
91	MS24693S1		.SCREW- CONFIG CHG DATA FROM A CMM: SUPERSEDES MS24693C1 USED ON: 10-1327-4 10-1733-4	108120 950951 953999	6
91	MS24693S1		.SCREW- CONFIG CHG DATA FROM A CMM: SUPERSEDES MS24693C1 USED ON: 10-1327-4 10-1733-4	504903	6
91	MS24693S1		.SCREW- CONFIG CHG DATA FROM A CMM: SUPERSEDES MS24693C1 USED ON: 10-1327-1 10-1327-2 10-1327-8 10-1733-1 10-1733-2	002004 006102 108999	6
93	MS24693S1		.SCREW- CONFIG CHG DATA FROM A CMM: SUPERSEDES MS24693C1 USED ON: 10-1327-1 10-1733-1	504903	6
93	MS24693S1		.SCREW- CONFIG CHG DATA FROM A CMM: SUPERSEDES MS24693C1 USED ON: 10-1327-1 10-1733-1	950951	6

MISSING ITEM NUMBERS NOT APPLICABLE

- ITEM NOT ILLUSTRATED

33-21-51-90

33-21-51
FIG. 90
PAGE 15
JAN 20/09

BRI



757

PARTS CATALOG (MAINTENANCE)

FIG ITEM	PART NUMBER	1 2 3 4 5 6 7	NOMENCLATURE	EFFECT FROM TO	UNITS PER ASSY
90					
93	MS24693S1		.SCREW- CONFIG CHG DATA FROM A CMM: SUPERSEDES MS24693C1 USED ON: 10-1327-1 10-1733-1	002004 006010 108503 904949	6
93	MS24693S1		.SCREW- CONFIG CHG DATA FROM A CMM: SUPERSEDES MS24693C1 USED ON: 10-1327-1 10-1733-1	011102 952999	6
93	MS24693S1		.SCREW- CONFIG CHG DATA FROM A CMM: SUPERSEDES MS24693C1 USED ON: 10-1327-1 10-1733-1 10-1733-2 10-1733-4	103106	6
- 94	MS24693S1		.SCREW- CONFIG CHG DATA FROM A CMM: SUPERSEDES MS24693C1 USED ON: 10-1327-3 10-1733-3	953999	4
- 94	MS24693S1		.SCREW- CONFIG CHG DATA FROM A CMM: SUPERSEDES MS24693C1 USED ON: 10-1327-3 10-1733-3	108120	4
- 94	MS24693S1		.SCREW- CONFIG CHG DATA FROM A CMM: SUPERSEDES MS24693C1 USED ON: 10-1327-3 10-1733-3	011102 504903 950951	4
- 94	MS24693S1		.SCREW- CONFIG CHG DATA FROM A CMM: SUPERSEDES MS24693C1 USED ON: 10-1327-3 10-1733-3	002004 006010	4

MISSING ITEM NUMBERS NOT APPLICABLE

- ITEM NOT ILLUSTRATED

33-21-51-90

33-21-51
FIG. 90
PAGE 16
JAN 20/09

BRI



757

PARTS CATALOG (MAINTENANCE)

FIG ITEM	PART NUMBER	1 2 3 4 5 6 7	NOMENCLATURE	EFFECT FROM TO	UNITS PER ASSY
90					
- 94	MS24693S1		.SCREW- CONFIG CHG DATA FROM A CMM: SUPERSEDES MS24693C1 USED ON: 10-1327-3 10-1733-3	103106 952952	4
- 94	MS24693S1		.SCREW- CONFIG CHG DATA FROM A CMM: SUPERSEDES MS24693C1 USED ON: 10-1327-3 10-1733-3	121503 904949	4
			-----*-----		
95	11-5838-1		.CAP-END SUPPLIER CODE: V72914 USED ON: 10-1327-4 10-1733-4	002004 006102	1
95	11-5838-1		.CAP-END SUPPLIER CODE: V72914 USED ON: 10-1327-4 10-1733-4	108120 950951 953999	1
95	11-5838-1		.CAP-END SUPPLIER CODE: V72914 USED ON: 10-1327-4 10-1733-4	504903	1
95	11-5838-1		.CAP-END SUPPLIER CODE: V72914 USED ON: 10-1327-3 10-1327-4 10-1733-3 10-1733-4	953999	1
95	11-5838-1		.CAP-END SUPPLIER CODE: V72914 USED ON: 10-1327-3 10-1733-3	108120	1

MISSING ITEM NUMBERS NOT APPLICABLE

- ITEM NOT ILLUSTRATED

33-21-51-90

33-21-51
FIG. 90
PAGE 17
JAN 20/09

BRI



757

PARTS CATALOG (MAINTENANCE)

FIG ITEM	PART NUMBER	1 2 3 4 5 6 7	NOMENCLATURE	EFFECT FROM TO	UNITS PER ASSY
90					
95	11-5838-1		.CAP-END SUPPLIER CODE: V72914 USED ON: 10-1327-3 10-1327-4 10-1733-3 10-1733-4	011102 504903 950951	1
95	11-5838-1		.CAP-END SUPPLIER CODE: V72914 USED ON: 10-1327-3 10-1327-4 10-1733-3 10-1733-4	002004 006010	1
95	11-5838-1		.CAP-END SUPPLIER CODE: V72914 USED ON: 10-1327-3 10-1733-3	952952	1
95	11-5838-1		.CAP-END SUPPLIER CODE: V72914 USED ON: 10-1327-1 10-1327-3 10-1733-1 10-1733-3	121503 904949	1
100	11-5838-1		.CAP-END SUPPLIER CODE: V72914 USED ON: 10-1327-1 10-1733-1	504903	1
100	11-5838-1		.CAP-END SUPPLIER CODE: V72914 USED ON: 10-1327-1 10-1733-1	950951	1
100	11-5838-1		.CAP-END SUPPLIER CODE: V72914 USED ON: 10-1327-1 10-1733-1	002004 006010 108503 904949	1

MISSING ITEM NUMBERS NOT APPLICABLE

- ITEM NOT ILLUSTRATED

33-21-51-90

33-21-51
FIG. 90
PAGE 18
JAN 20/09

BRI



757

PARTS CATALOG (MAINTENANCE)

FIG ITEM	PART NUMBER	1 2 3 4 5 6 7	NOMENCLATURE	EFFECT FROM TO	UNITS PER ASSY
90					
100	11-5838-1		.CAP-END SUPPLIER CODE: V72914 USED ON: 10-1327-1 10-1733-1	011102 952999	1
101	11-5838-1		.CAP-END SUPPLIER CODE: V72914 USED ON: 10-1733-1 10-1733-3 10-1733-4	103106	1
- 105	11-5838-3		.CAP-END SUPPLIER CODE: V72914 USED ON: 10-1327-2 10-1327-8 10-1733-2	002004 006102 108999	1
110	MS24693S1		ATTACHING PARTS .SCREW- USED ON: 10-1327-4 10-1733-4	002004 006102	4
110	MS24693S1		.SCREW- USED ON: 10-1327-4 10-1733-4	108120 950951 953999	4
110	MS24693S1		.SCREW- USED ON: 10-1327-4 10-1733-4	504903	4
110	MS24693S1		.SCREW- USED ON: 10-1327-3 10-1327-4 10-1733-3 10-1733-4	953999	4
110	MS24693S1		.SCREW- USED ON: 10-1327-3 10-1733-3	108120	4
110	MS24693S1		.SCREW- USED ON: 10-1327-3 10-1327-4 10-1733-3 10-1733-4	011102 504903 950951	4

MISSING ITEM NUMBERS NOT APPLICABLE

- ITEM NOT ILLUSTRATED

33-21-51-90

33-21-51
FIG. 90
PAGE 19
JAN 20/09

BRI



757

PARTS CATALOG (MAINTENANCE)

FIG ITEM	PART NUMBER	1 2 3 4 5 6 7	NOMENCLATURE	EFFECT FROM TO	UNITS PER ASSY
90					
110	MS24693S1		. SCREW- USED ON: 10-1327-3 10-1327-4 10-1733-3 10-1733-4	002004 006010	4
110	MS24693S1		. SCREW- USED ON: 10-1327-2 10-1327-3 10-1733-2 10-1733-3	952952	4
110	MS24693S1		. SCREW- USED ON: 10-1327-1 10-1327-2 10-1327-3 10-1733-1 10-1733-2 10-1733-3	121503 904949	4
115	MS24693S1		. SCREW- USED ON: 10-1327-1 10-1327-2 10-1327-8 10-1733-1 10-1733-2	002004 006102 108999	4
115	MS24693S1		. SCREW- USED ON: 10-1327-1 10-1733-1	504903	4
115	MS24693S1		. SCREW- USED ON: 10-1327-1 10-1733-1	950951	4
115	MS24693S1		. SCREW- USED ON: 10-1327-1 10-1733-1	002004 006010 108503 904949	4
115	MS24693S1		. SCREW- USED ON: 10-1327-1 10-1733-1	011102 952999	4

MISSING ITEM NUMBERS NOT APPLICABLE

- ITEM NOT ILLUSTRATED

33-21-51-90

33-21-51
FIG. 90
PAGE 20
JAN 20/09

BRI

BOEING PROPRIETARY - Copyright © - Unpublished Work - See title page for details.



757

PARTS CATALOG (MAINTENANCE)

FIG ITEM	PART NUMBER	1 2 3 4 5 6 7	NOMENCLATURE	EFFECT FROM TO	UNITS PER ASSY
90 120	MS24693S1		.SCREW- USED ON: 10-1733-1 10-1733-2 10-1733-3 10-1733-4	103106	4
125	11-5839-1		-----*----- .CAP-END SUPPLIER CODE: V72914 USED ON: 10-1327-4 10-1733-4	002004 006102	1
125	11-5839-1		.CAP-END SUPPLIER CODE: V72914 USED ON: 10-1327-4 10-1733-4	108120 950951 953999	1
125	11-5839-1		.CAP-END SUPPLIER CODE: V72914 USED ON: 10-1327-4 10-1733-4	504903	1
125	11-5839-1		.CAP-END SUPPLIER CODE: V72914 USED ON: 10-1327-3 10-1327-4 10-1733-3 10-1733-4	953999	1
125	11-5839-1		.CAP-END SUPPLIER CODE: V72914 USED ON: 10-1327-3 10-1733-3	108120	1
125	11-5839-1		.CAP-END SUPPLIER CODE: V72914 USED ON: 10-1327-3 10-1327-4 10-1733-3 10-1733-4	011102 504903 950951	1

MISSING ITEM NUMBERS NOT APPLICABLE

- ITEM NOT ILLUSTRATED

33-21-51-90

33-21-51
FIG. 90
PAGE 21
JAN 20/09

BRI



757

PARTS CATALOG (MAINTENANCE)

FIG ITEM	PART NUMBER	1 2 3 4 5 6 7	NOMENCLATURE	EFFECT FROM TO	UNITS PER ASSY
90 125	11-5839-1		.CAP-END SUPPLIER CODE: V72914 USED ON: 10-1327-3 10-1327-4 10-1733-3 10-1733-4	002004 006010	1
125	11-5839-1		.CAP-END SUPPLIER CODE: V72914 USED ON: 10-1327-3 10-1733-3	952952	1
125	11-5839-1		.CAP-END SUPPLIER CODE: V72914 USED ON: 10-1327-1 10-1327-3 10-1733-1 10-1733-3	121503 904949	1
130	11-5839-1		.CAP-END SUPPLIER CODE: V72914 USED ON: 10-1327-1 10-1733-1	504903	1
130	11-5839-1		.CAP-END SUPPLIER CODE: V72914 USED ON: 10-1327-1 10-1733-1	950951	1
130	11-5839-1		.CAP-END SUPPLIER CODE: V72914 USED ON: 10-1327-1 10-1733-1	002004 006010 108503 904949	1
130	11-5839-1		.CAP-END SUPPLIER CODE: V72914 USED ON: 10-1327-1 10-1733-1	011102 952999	1

MISSING ITEM NUMBERS NOT APPLICABLE

- ITEM NOT ILLUSTRATED

33-21-51-90

33-21-51
FIG. 90
PAGE 22
JAN 20/09

BRI

BOEING PROPRIETARY - Copyright © - Unpublished Work - See title page for details.



757

PARTS CATALOG (MAINTENANCE)

FIG ITEM	PART NUMBER	1 2 3 4 5 6 7	NOMENCLATURE	EFFECT FROM TO	UNITS PER ASSY
90 131	11-5839-1		.CAP-END SUPPLIER CODE: V72914 USED ON: 10-1733-1 10-1733-3 10-1733-4	103106	1
- 135	11-5839-3		.CAP-END SUPPLIER CODE: V72914 USED ON: 10-1327-2 10-1327-8 10-1733-2 ATTACHING PARTS	002004 006102 108999	1
140	MS24693S1		.SCREW- USED ON: 10-1327-4 10-1733-4	002004 006102	4
140	MS24693S1		.SCREW- USED ON: 10-1327-4 10-1733-4	108120 950951 953999	4
140	MS24693S1		.SCREW- USED ON: 10-1327-4 10-1733-4	504903	4
140	MS24693S1		.SCREW- USED ON: 10-1327-3 10-1327-4 10-1733-3 10-1733-4	953999	4
140	MS24693S1		.SCREW- USED ON: 10-1327-3 10-1733-3	108120	4
140	MS24693S1		.SCREW- USED ON: 10-1327-3 10-1327-4 10-1733-3 10-1733-4	011102 504903 950951	4
140	MS24693S1		.SCREW- USED ON: 10-1327-3 10-1327-4 10-1733-3 10-1733-4	002004 006010	4

MISSING ITEM NUMBERS NOT APPLICABLE

- ITEM NOT ILLUSTRATED

33-21-51-90

33-21-51
FIG. 90
PAGE 23
JAN 20/09

BRI



757

PARTS CATALOG (MAINTENANCE)

FIG ITEM	PART NUMBER	1 2 3 4 5 6 7	NOMENCLATURE	EFFECT FROM TO	UNITS PER ASSY
90					
140	MS24693S1		. SCREW- USED ON: 10-1327-2 10-1327-3 10-1733-2 10-1733-3	952952	4
140	MS24693S1		. SCREW- USED ON: 10-1327-1 10-1327-2 10-1327-3 10-1733-1 10-1733-2 10-1733-3	121503 904949	4
145	MS24693S1		. SCREW- USED ON: 10-1327-1 10-1327-2 10-1327-8 10-1733-1 10-1733-2	002004 006102 108999	4
145	MS24693S1		. SCREW- USED ON: 10-1327-1 10-1733-1	504903	4
145	MS24693S1		. SCREW- USED ON: 10-1327-1 10-1733-1	950951	4
145	MS24693S1		. SCREW- USED ON: 10-1327-1 10-1733-1	002004 006010 108503 904949	4
145	MS24693S1		. SCREW- USED ON: 10-1327-1 10-1733-1	011102 952999	4
150	MS24693S1		. SCREW- USED ON: 10-1733-1 10-1733-2 10-1733-3 10-1733-4 -----*-----	103106	4

MISSING ITEM NUMBERS NOT APPLICABLE

- ITEM NOT ILLUSTRATED

33-21-51-90

33-21-51
FIG. 90
PAGE 24
JAN 20/09

BRI

BOEING PROPRIETARY - Copyright © - Unpublished Work - See title page for details.



757

PARTS CATALOG (MAINTENANCE)

FIG ITEM	PART NUMBER	1 2 3 4 5 6 7	NOMENCLATURE	EFFECT FROM TO	UNITS PER ASSY
90 155	275002		. FUSE-2 AMP, F2 SUPPLIER CODE: V75915 MISCELLANEOUS DATA: GRIMES PART NO. FU154 USED ON: 10-1327-3 10-1733-3	953999	1
155	275002		. FUSE-2 AMP, F2 SUPPLIER CODE: V75915 MISCELLANEOUS DATA: GRIMES PART NO. FU154 USED ON: 10-1327-3 10-1733-3	108120	1
155	275002		. FUSE-2 AMP, F2 SUPPLIER CODE: V75915 MISCELLANEOUS DATA: GRIMES PART NO. FU154 USED ON: 10-1327-3 10-1733-3	011102 504903 950951	1
155	275002		. FUSE-2 AMP, F2 SUPPLIER CODE: V75915 MISCELLANEOUS DATA: GRIMES PART NO. FU154 USED ON: 10-1327-3 10-1733-3	002004 006010	1
155	275002		. FUSE-2 AMP, F2 SUPPLIER CODE: V75915 MISCELLANEOUS DATA: GRIMES PART NO. FU154 USED ON: 10-1327-3 10-1733-3	103106 952952	1

MISSING ITEM NUMBERS NOT APPLICABLE

- ITEM NOT ILLUSTRATED

33-21-51-90

33-21-51
FIG. 90
PAGE 25
JAN 20/09

BRI



757

PARTS CATALOG (MAINTENANCE)

FIG ITEM	PART NUMBER	1 2 3 4 5 6 7	NOMENCLATURE	EFFECT FROM TO	UNITS PER ASSY
90 155	275002		. FUSE-2 AMP, F2 SUPPLIER CODE: V75915 MISCELLANEOUS DATA: GRIMES PART NO. FU154 USED ON: 10-1327-3 10-1733-3	121503 904949	1
160	275002		. FUSE-2 AMP, F2 SUPPLIER CODE: V75915 MISCELLANEOUS DATA: GRIMES PART NO. FU154 USED ON: 10-1327-1 10-1733-1	504903	1
160	275002		. FUSE-2 AMP, F2 SUPPLIER CODE: V75915 MISCELLANEOUS DATA: GRIMES PART NO. FU154 USED ON: 10-1327-1 10-1733-1	950951	1
160	275002		. FUSE-2 AMP, F2 SUPPLIER CODE: V75915 MISCELLANEOUS DATA: GRIMES PART NO. FU154 USED ON: 10-1327-1 10-1733-1	002004 006010 108503 904949	1
160	275002		. FUSE-2 AMP, F2 SUPPLIER CODE: V75915 MISCELLANEOUS DATA: GRIMES PART NO. FU154 USED ON: 10-1327-1 10-1733-1	011102 952999	1

MISSING ITEM NUMBERS NOT APPLICABLE

- ITEM NOT ILLUSTRATED

33-21-51-90

33-21-51
FIG. 90
PAGE 26
JAN 20/09

BRI



757

PARTS CATALOG (MAINTENANCE)

FIG ITEM	PART NUMBER	1 2 3 4 5 6 7	NOMENCLATURE	EFFECT FROM TO	UNITS PER ASSY
90 160	275002		. FUSE-2 AMP, F2 SUPPLIER CODE: V75915 MISCELLANEOUS DATA: GRIMES PART NO. FU154 USED ON: 10-1327-1 10-1733-1	103106	1
164	272002		. FUSE-2 AMP, 125 VOLT F1 SUPPLIER CODE: V75915 SB DATA FROM A CMM: POST 10-1327-33-SB02 MISCELLANEOUS DATA: GRIMES PART NO. FU1546 USED ON: 10-1327-1	504903	1
164	272002		. FUSE-2 AMP, 125 VOLT F1 SUPPLIER CODE: V75915 SB DATA FROM A CMM: POST 10-1327-33-SB02 MISCELLANEOUS DATA: GRIMES PART NO. FU1546 USED ON: 10-1327-1	950951	1
164	272002		. FUSE-2 AMP, 125 VOLT F1 SUPPLIER CODE: V75915 SB DATA FROM A CMM: POST 10-1327-33-SB02 MISCELLANEOUS DATA: GRIMES PART NO. FU1546 USED ON: 10-1327-1	002004 006010 108503 904949	1
164	272002		. FUSE-2 AMP, 125 VOLT F1 SUPPLIER CODE: V75915 SB DATA FROM A CMM: POST 10-1327-33-SB02 MISCELLANEOUS DATA: GRIMES PART NO. FU1546 USED ON: 10-1327-1	011102 952999	1

MISSING ITEM NUMBERS NOT APPLICABLE

- ITEM NOT ILLUSTRATED

33-21-51-90

33-21-51
FIG. 90
PAGE 27
JAN 20/09

BRI



757

PARTS CATALOG (MAINTENANCE)

FIG ITEM	PART NUMBER	1 2 3 4 5 6 7	NOMENCLATURE	EFFECT FROM TO	UNITS PER ASSY
90 165	27201-5		. FUSE-1.5 AMP F1 SUPPLIER CODE: V75915 SB DATA FROM A CMM: PRE 10-1327-33-SB02 MISCELLANEOUS DATA: GRIMES PART NO. FU1426 USED ON: 10-1327-1	504903	1
165	27201-5		. FUSE-1.5 AMP F1 SUPPLIER CODE: V75915 SB DATA FROM A CMM: PRE 10-1327-33-SB02 MISCELLANEOUS DATA: GRIMES PART NO. FU1426 USED ON: 10-1327-1	950951	1
165	27201-5		. FUSE-1.5 AMP F1 SUPPLIER CODE: V75915 SB DATA FROM A CMM: PRE 10-1327-33-SB02 MISCELLANEOUS DATA: GRIMES PART NO. FU1426 USED ON: 10-1327-1	002004 006010 108503 904949	1
165	27201-5		. FUSE-1.5 AMP F1 SUPPLIER CODE: V75915 SB DATA FROM A CMM: PRE 10-1327-33-SB02 MISCELLANEOUS DATA: GRIMES PART NO. FU1426 USED ON: 10-1327-1	011102 952999	1
166	272015		. FUSE- SUPPLIER CODE: V75915 USED ON: 10-1733-1	504903	1

MISSING ITEM NUMBERS NOT APPLICABLE

- ITEM NOT ILLUSTRATED

33-21-51-90

33-21-51
FIG. 90
PAGE 28
JAN 20/09

BRI



757

PARTS CATALOG (MAINTENANCE)

FIG ITEM	PART NUMBER	1 2 3 4 5 6 7	NOMENCLATURE	EFFECT FROM TO	UNITS PER ASSY
90 166	272015		. FUSE- SUPPLIER CODE: V75915 USED ON: 10-1733-1	950951	1
166	272015		. FUSE- SUPPLIER CODE: V75915 USED ON: 10-1733-1	002004 006010 108503 904949	1
166	272015		. FUSE- SUPPLIER CODE: V75915 USED ON: 10-1733-1	011102 952999	1
166	272015		. FUSE- SUPPLIER CODE: V75915 USED ON: 10-1733-1	103106	1
175	281005		. FUSEHOLDER- SUPPLIER CODE: V75915 MISCELLANEOUS DATA: GRIMES PART NO. FU421 USED ON: 10-1327-1 10-1733-1	504903	1
175	281005		. FUSEHOLDER- SUPPLIER CODE: V75915 MISCELLANEOUS DATA: GRIMES PART NO. FU421 USED ON: 10-1327-1 10-1733-1	950951	1
175	281005		. FUSEHOLDER- SUPPLIER CODE: V75915 MISCELLANEOUS DATA: GRIMES PART NO. FU421 USED ON: 10-1327-1 10-1733-1	002004 006010 108503 904949	1

MISSING ITEM NUMBERS NOT APPLICABLE

- ITEM NOT ILLUSTRATED

33-21-51-90

33-21-51
FIG. 90
PAGE 29
JAN 20/09

BRI



757

PARTS CATALOG (MAINTENANCE)

FIG ITEM	PART NUMBER	1 2 3 4 5 6 7	NOMENCLATURE	EFFECT FROM TO	UNITS PER ASSY
90 175	281005		. FUSEHOLDER- SUPPLIER CODE: V75915 MISCELLANEOUS DATA: GRIMES PART NO. FU421 USED ON: 10-1327-1 10-1733-1	011102 952999	1
175	281005		. FUSEHOLDER- SUPPLIER CODE: V75915 MISCELLANEOUS DATA: GRIMES PART NO. FU421 USED ON: 10-1327-1 10-1733-1	103106	1
184	272002		. FUSE-2 AMP, 125 VOLT F1 SUPPLIER CODE: V75915 SB DATA FROM A CMM: POST 10-1327-33-SB02 MISCELLANEOUS DATA: GRIMES PART NO. FU1546 USED ON: 10-1327-3	953999	1
184	272002		. FUSE-2 AMP, 125 VOLT F1 SUPPLIER CODE: V75915 SB DATA FROM A CMM: POST 10-1327-33-SB02 MISCELLANEOUS DATA: GRIMES PART NO. FU1546 USED ON: 10-1327-3	108120	1
184	272002		. FUSE-2 AMP, 125 VOLT F1 SUPPLIER CODE: V75915 SB DATA FROM A CMM: POST 10-1327-33-SB02 MISCELLANEOUS DATA: GRIMES PART NO. FU1546 USED ON: 10-1327-3	011102 504903 950951	1

MISSING ITEM NUMBERS NOT APPLICABLE

- ITEM NOT ILLUSTRATED

33-21-51-90

33-21-51
FIG. 90
PAGE 30
JAN 20/09

BRI



757

PARTS CATALOG (MAINTENANCE)

FIG ITEM	PART NUMBER	1 2 3 4 5 6 7	NOMENCLATURE	EFFECT FROM TO	UNITS PER ASSY
90 184	272002		. FUSE-2 AMP, 125 VOLT F1 SUPPLIER CODE: V75915 SB DATA FROM A CMM: POST 10-1327-33-SB02 MISCELLANEOUS DATA: GRIMES PART NO. FU1546 USED ON: 10-1327-3	002004 006010	1
184	272002		. FUSE-2 AMP, 125 VOLT F1 SUPPLIER CODE: V75915 SB DATA FROM A CMM: POST 10-1327-33-SB02 MISCELLANEOUS DATA: GRIMES PART NO. FU1546 USED ON: 10-1327-3	952952	1
184	272002		. FUSE-2 AMP, 125 VOLT F1 SUPPLIER CODE: V75915 SB DATA FROM A CMM: POST 10-1327-33-SB02 MISCELLANEOUS DATA: GRIMES PART NO. FU1546 USED ON: 10-1327-3	121503 904949	1
185	27201-5		. FUSE-1.5 AMP F1 SUPPLIER CODE: V75915 SB DATA FROM A CMM: PRE 10-1327-33-SB02 MISCELLANEOUS DATA: GRIMES PART NO. FU1426 USED ON: 10-1327-3	953999	1

MISSING ITEM NUMBERS NOT APPLICABLE

- ITEM NOT ILLUSTRATED

33-21-51-90

33-21-51
FIG. 90
PAGE 31
JAN 20/09

BRI



757

PARTS CATALOG (MAINTENANCE)

FIG ITEM	PART NUMBER	1 2 3 4 5 6 7	NOMENCLATURE	EFFECT FROM TO	UNITS PER ASSY
90 185	27201-5		. FUSE-1.5 AMP F1 SUPPLIER CODE: V75915 SB DATA FROM A CMM: PRE 10-1327-33-SB02 MISCELLANEOUS DATA: GRIMES PART NO. FU1426 USED ON: 10-1327-3	108120	1
185	27201-5		. FUSE-1.5 AMP F1 SUPPLIER CODE: V75915 SB DATA FROM A CMM: PRE 10-1327-33-SB02 MISCELLANEOUS DATA: GRIMES PART NO. FU1426 USED ON: 10-1327-3	011102 504903 950951	1
185	27201-5		. FUSE-1.5 AMP F1 SUPPLIER CODE: V75915 SB DATA FROM A CMM: PRE 10-1327-33-SB02 MISCELLANEOUS DATA: GRIMES PART NO. FU1426 USED ON: 10-1327-3	002004 006010	1
185	27201-5		. FUSE-1.5 AMP F1 SUPPLIER CODE: V75915 SB DATA FROM A CMM: PRE 10-1327-33-SB02 MISCELLANEOUS DATA: GRIMES PART NO. FU1426 USED ON: 10-1327-3	952952	1

MISSING ITEM NUMBERS NOT APPLICABLE

- ITEM NOT ILLUSTRATED

BRI

33-21-51-90

BOEING PROPRIETARY - Copyright © - Unpublished Work - See title page for details.

33-21-51
FIG. 90
PAGE 32
JAN 20/09



757

PARTS CATALOG (MAINTENANCE)

FIG ITEM	PART NUMBER	1 2 3 4 5 6 7	NOMENCLATURE	EFFECT FROM TO	UNITS PER ASSY
90 185	27201-5		. FUSE-1.5 AMP F1 SUPPLIER CODE: V75915 SB DATA FROM A CMM: PRE 10-1327-33-SB02 MISCELLANEOUS DATA: GRIMES PART NO. FU1426 USED ON: 10-1327-3	121503 904949	1
186	272015		. FUSE- SUPPLIER CODE: V75915 USED ON: 10-1733-3	953999	1
186	272015		. FUSE- SUPPLIER CODE: V75915 USED ON: 10-1733-3	108120	1
186	272015		. FUSE- SUPPLIER CODE: V75915 USED ON: 10-1733-3	011102 504903 950951	1
186	272015		. FUSE- SUPPLIER CODE: V75915 USED ON: 10-1733-3	002004 006010	1
186	272015		. FUSE- SUPPLIER CODE: V75915 USED ON: 10-1733-3	103106 952952	1
186	272015		. FUSE- SUPPLIER CODE: V75915 USED ON: 10-1733-3	121503 904949	1
190	281005		. FUSEHOLDER- SUPPLIER CODE: V75915 MISCELLANEOUS DATA: GRIMES PART NO. FU421 USED ON: 10-1327-3 10-1733-3	953999	1

MISSING ITEM NUMBERS NOT APPLICABLE

- ITEM NOT ILLUSTRATED

33-21-51-90

33-21-51
FIG. 90
PAGE 33
JAN 20/09

BRI



757

PARTS CATALOG (MAINTENANCE)

FIG ITEM	PART NUMBER	1 2 3 4 5 6 7	NOMENCLATURE	EFFECT FROM TO	UNITS PER ASSY
90 190	281005		. FUSEHOLDER- SUPPLIER CODE: V75915 MISCELLANEOUS DATA: GRIMES PART NO. FU421 USED ON: 10-1327-3 10-1733-3	108120	1
190	281005		. FUSEHOLDER- SUPPLIER CODE: V75915 MISCELLANEOUS DATA: GRIMES PART NO. FU421 USED ON: 10-1327-3 10-1733-3	011102 504903 950951	1
190	281005		. FUSEHOLDER- SUPPLIER CODE: V75915 MISCELLANEOUS DATA: GRIMES PART NO. FU421 USED ON: 10-1327-3 10-1733-3	002004 006010	1
190	281005		. FUSEHOLDER- SUPPLIER CODE: V75915 MISCELLANEOUS DATA: GRIMES PART NO. FU421 USED ON: 10-1327-3 10-1733-3	103106 952952	1
190	281005		. FUSEHOLDER- SUPPLIER CODE: V75915 MISCELLANEOUS DATA: GRIMES PART NO. FU421 USED ON: 10-1327-3 10-1733-3	121503 904949	1

MISSING ITEM NUMBERS NOT APPLICABLE

- ITEM NOT ILLUSTRATED

33-21-51-90

33-21-51
FIG. 90
PAGE 34
JAN 20/09

BRI



757

PARTS CATALOG (MAINTENANCE)

FIG ITEM	PART NUMBER	1 2 3 4 5 6 7	NOMENCLATURE	EFFECT FROM TO	UNITS PER ASSY
90 195	281005		. FUSEHOLDER- SUPPLIER CODE: V75915 MISCELLANEOUS DATA: GRIMES PART NO. FU421 USED ON: 10-1327-4 10-1733-4 10-1327-3 10-1733-3	002004 006106	1
195	281005		. FUSEHOLDER- SUPPLIER CODE: V75915 MISCELLANEOUS DATA: GRIMES PART NO. FU421 USED ON: 10-1327-4 10-1733-4	108120 950951 953999	1
195	281005		. FUSEHOLDER- SUPPLIER CODE: V75915 MISCELLANEOUS DATA: GRIMES PART NO. FU421 USED ON: 10-1327-4 10-1733-4	504903	1
200	27201-5		. FUSE-1.5 AMP F1 SUPPLIER CODE: V75915 SB DATA FROM A CMM: PRE 10-1327-33-SB02 MISCELLANEOUS DATA: GRIMES PART NO. FU1426 USED ON: 10-1327-4 10-1327-3	002004 006102	1

MISSING ITEM NUMBERS NOT APPLICABLE

- ITEM NOT ILLUSTRATED

33-21-51-90

33-21-51
FIG. 90
PAGE 35
JAN 20/09

BRI



757

PARTS CATALOG (MAINTENANCE)

FIG ITEM	PART NUMBER	1 2 3 4 5 6 7	NOMENCLATURE	EFFECT FROM TO	UNITS PER ASSY
90 200	27201-5		. FUSE-1.5 AMP F1 SUPPLIER CODE: V75915 SB DATA FROM A CMM: PRE 10-1327-33-SB02 MISCELLANEOUS DATA: GRIMES PART NO. FU1426 USED ON: 10-1327-4	108120 950951 953999	1
200	27201-5		. FUSE-1.5 AMP F1 SUPPLIER CODE: V75915 SB DATA FROM A CMM: PRE 10-1327-33-SB02 MISCELLANEOUS DATA: GRIMES PART NO. FU1426 USED ON: 10-1327-4	504903	1
200	272002		. FUSE-2 AMP, 125 VOLT F1 SUPPLIER CODE: V75915 SB DATA FROM A CMM: POST 10-1327-33-SB02 MISCELLANEOUS DATA: GRIMES PART NO. FU1546 USED ON: 10-1327-4	002004 006102	1
200	272002		. FUSE-2 AMP, 125 VOLT F1 SUPPLIER CODE: V75915 SB DATA FROM A CMM: POST 10-1327-33-SB02 MISCELLANEOUS DATA: GRIMES PART NO. FU1546 USED ON: 10-1327-4	108120 950951 953999	1

MISSING ITEM NUMBERS NOT APPLICABLE

- ITEM NOT ILLUSTRATED

BRI

33-21-51-90

BOEING PROPRIETARY - Copyright © - Unpublished Work - See title page for details.

33-21-51
FIG. 90
PAGE 36
JAN 20/09



757

PARTS CATALOG (MAINTENANCE)

FIG ITEM	PART NUMBER	1 2 3 4 5 6 7	NOMENCLATURE	EFFECT FROM TO	UNITS PER ASSY
90 200	272002		. FUSE-2 AMP, 125 VOLT F1 SUPPLIER CODE: V75915 SB DATA FROM A CMM: POST 10-1327-33-SB02 MISCELLANEOUS DATA: GRIMES PART NO. FU1546 USED ON: 10-1327-4	504903	1
210	275002		. FUSE- SUPPLIER CODE: V75915 USED ON: 10-1733-4	002004 006106	1
210	275002		. FUSE- SUPPLIER CODE: V75915 USED ON: 10-1733-4 10-1733-1 10-1733-3	108120 950951 953999	1
210	275002		. FUSE- SUPPLIER CODE: V75915 USED ON: 10-1733-4	504903	1
215	272015		. FUSE- SUPPLIER CODE: V75915 USED ON: 10-1733-4	002004 006106	1
215	272015		. FUSE- SUPPLIER CODE: V75915 USED ON: 10-1733-4	108120 950951 953999	1
215	272015		. FUSE- SUPPLIER CODE: V75915 USED ON: 10-1733-4	504903	1
220	60-4275-1		. CLIP-WIRE SUPPLIER CODE: V72914 USED ON: 10-1327-1 10-1327-2	121503 904949	3

MISSING ITEM NUMBERS NOT APPLICABLE

- ITEM NOT ILLUSTRATED

33-21-51-90

33-21-51
FIG. 90
PAGE 37
JAN 20/09

BRI



757

PARTS CATALOG (MAINTENANCE)

FIG ITEM	PART NUMBER	1 2 3 4 5 6 7	NOMENCLATURE	EFFECT FROM TO	UNITS PER ASSY
90 220	60-4275-1		.CLIP-WIRE SUPPLIER CODE: V72914 USED ON: 10-1327-1 10-1327-2 10-1327-4	504903	3
225	60-4275-1		.CLIP-WIRE SUPPLIER CODE: V72914 USED ON: 10-1327-1 10-1327-2	952952	3
225	60-4275-1		.CLIP-WIRE SUPPLIER CODE: V72914 USED ON: 10-1327-1 10-1327-2 10-1327-4	002004 006010 950951	3
225	60-4275-1		.CLIP-WIRE SUPPLIER CODE: V72914 USED ON: 10-1327-1 10-1327-2 10-1327-4	011102 108120	3
225	60-4275-1		.CLIP-WIRE SUPPLIER CODE: V72914 USED ON: 10-1327-1 10-1327-2 10-1327-4	953999	3
230	MS24693C1		ATTACHING PARTS .SCREW- USED ON: 10-1327-1 10-1327-2	121503 904949	3
230	MS24693C1		.SCREW- USED ON: 10-1327-1 10-1327-2 10-1327-4	504903	3
235	MS24693C1		.SCREW- USED ON: 10-1327-1 10-1327-2	952952	3

MISSING ITEM NUMBERS NOT APPLICABLE

- ITEM NOT ILLUSTRATED

33-21-51-90

33-21-51
FIG. 90
PAGE 38
JAN 20/09

BRI



757

PARTS CATALOG (MAINTENANCE)

FIG ITEM	PART NUMBER	1 2 3 4 5 6 7	NOMENCLATURE	EFFECT FROM TO	UNITS PER ASSY
90					
235	MS24693C1		. SCREW- USED ON: 10-1327-1 10-1327-2 10-1327-4	002004 006010 950951	3
235	MS24693C1		. SCREW- USED ON: 10-1327-1 10-1327-2 10-1327-4	011102 108120	3
235	MS24693C1		. SCREW- USED ON: 10-1327-1 10-1327-2 10-1327-4	953999	3
240	MS21042L04		. NUT- USED ON: 10-1327-1 10-1327-2	121503 904949	3
240	MS21042L04		. NUT- USED ON: 10-1327-1 10-1327-2 10-1327-4	504903	3
245	MS21042L04		. NUT- USED ON: 10-1327-1 10-1327-2	952952	3
245	MS21042L04		. NUT- USED ON: 10-1327-1 10-1327-2 10-1327-4	002004 006010 950951	3
245	MS21042L04		. NUT- USED ON: 10-1327-1 10-1327-2 10-1327-4	011102 108120	3
245	MS21042L04		. NUT- USED ON: 10-1327-1 10-1327-2 10-1327-4	953999	3
-----*-----					

MISSING ITEM NUMBERS NOT APPLICABLE

- ITEM NOT ILLUSTRATED

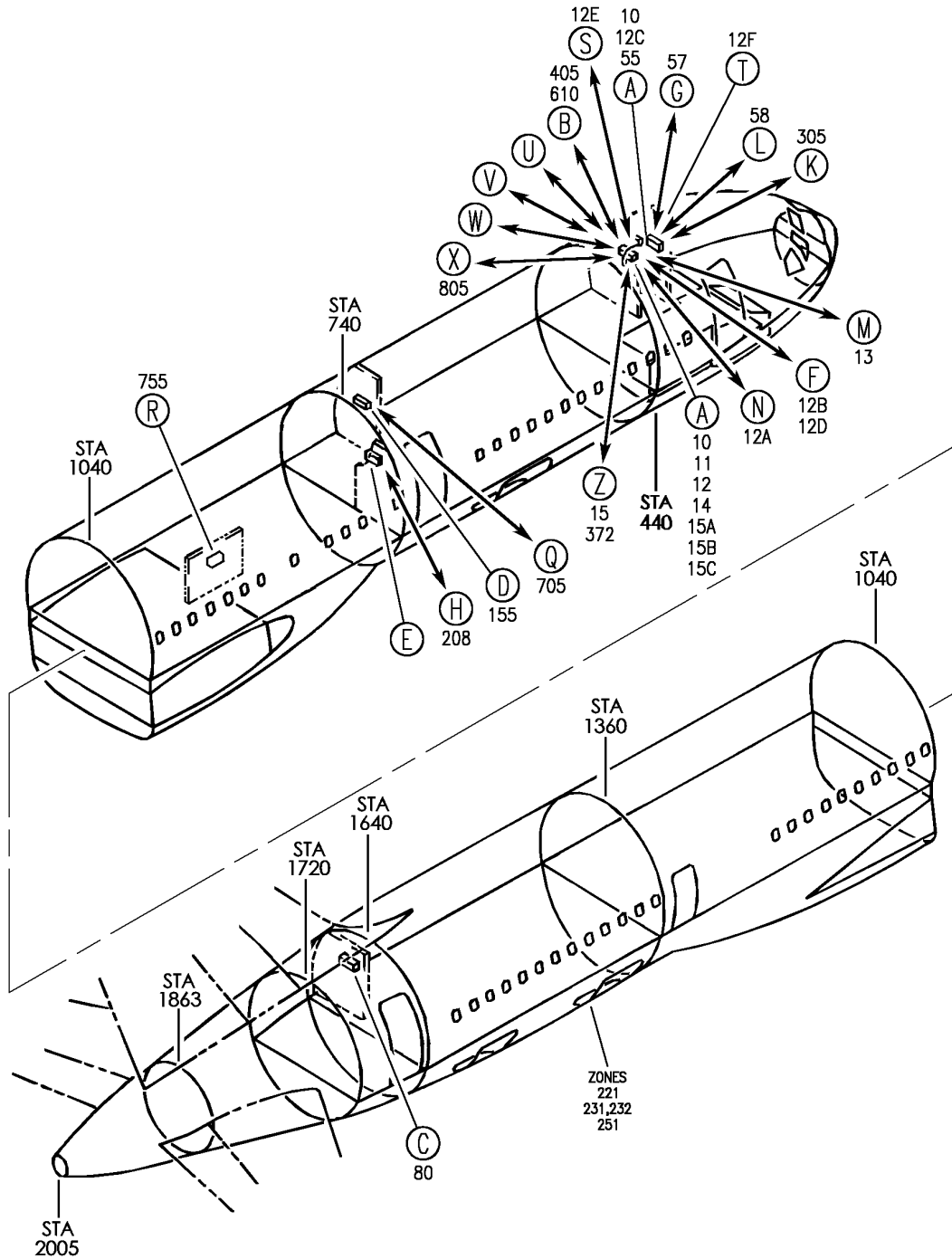
BRI

33-21-51-90

BOEING PROPRIETARY - Copyright © - Unpublished Work - See title page for details.

33-21-51
FIG. 90
PAGE 39
JAN 20/09

BOEING
757
PARTS CATALOG (MAINTENANCE)



Y 33215201 SH1 1 REV 329

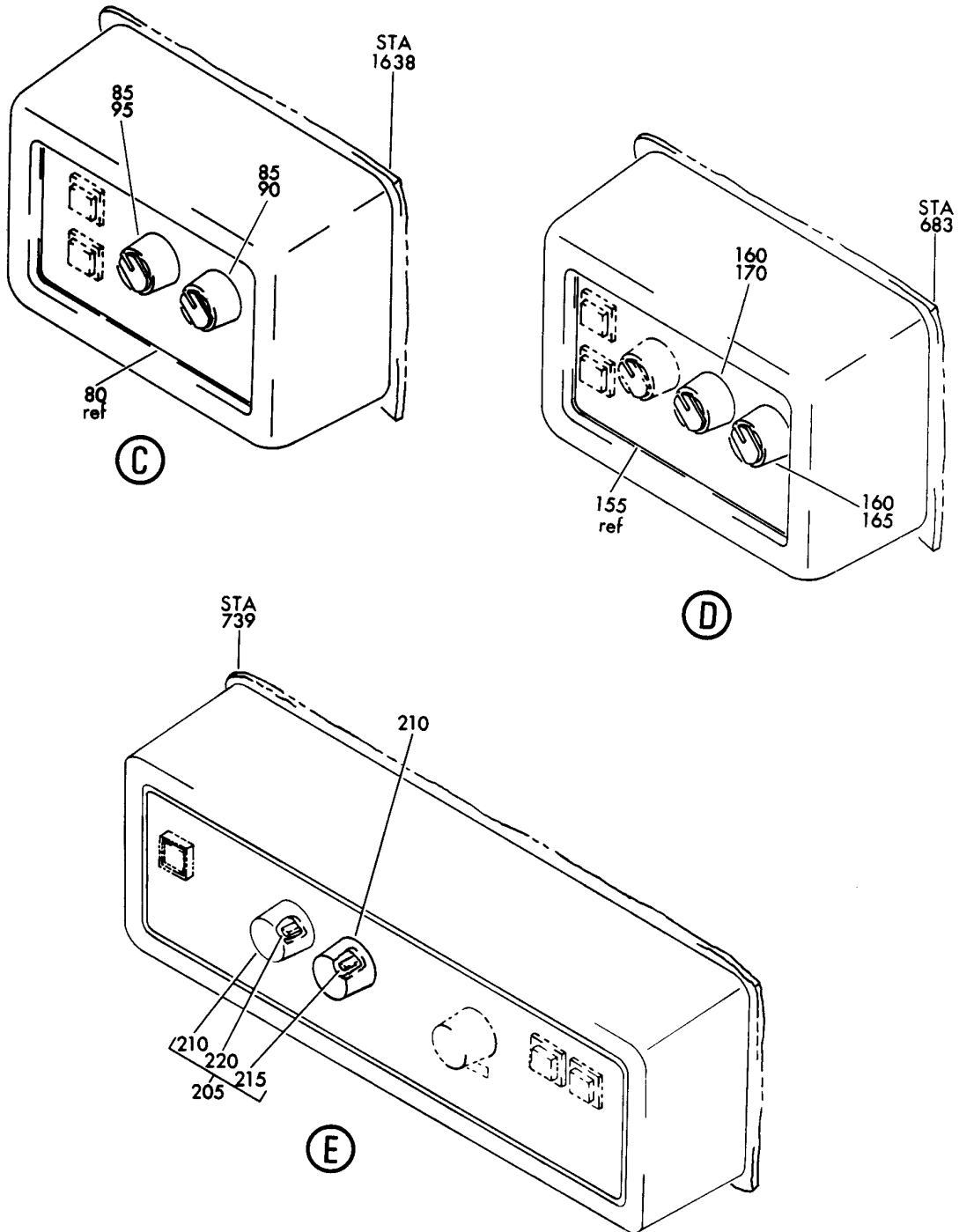
PANEL INSTL-ATTENDANT (PASSENGER COMPARTMENT LIGHTS ONLY)
 FIGURE 1 (SHEET 1)

33-21-52-01

BRI
 JAN 20/09

33-21-52-01
 PAGE 0

BOEING
757
PARTS CATALOG (MAINTENANCE)



Y 33218201 SHT 2 REV 072

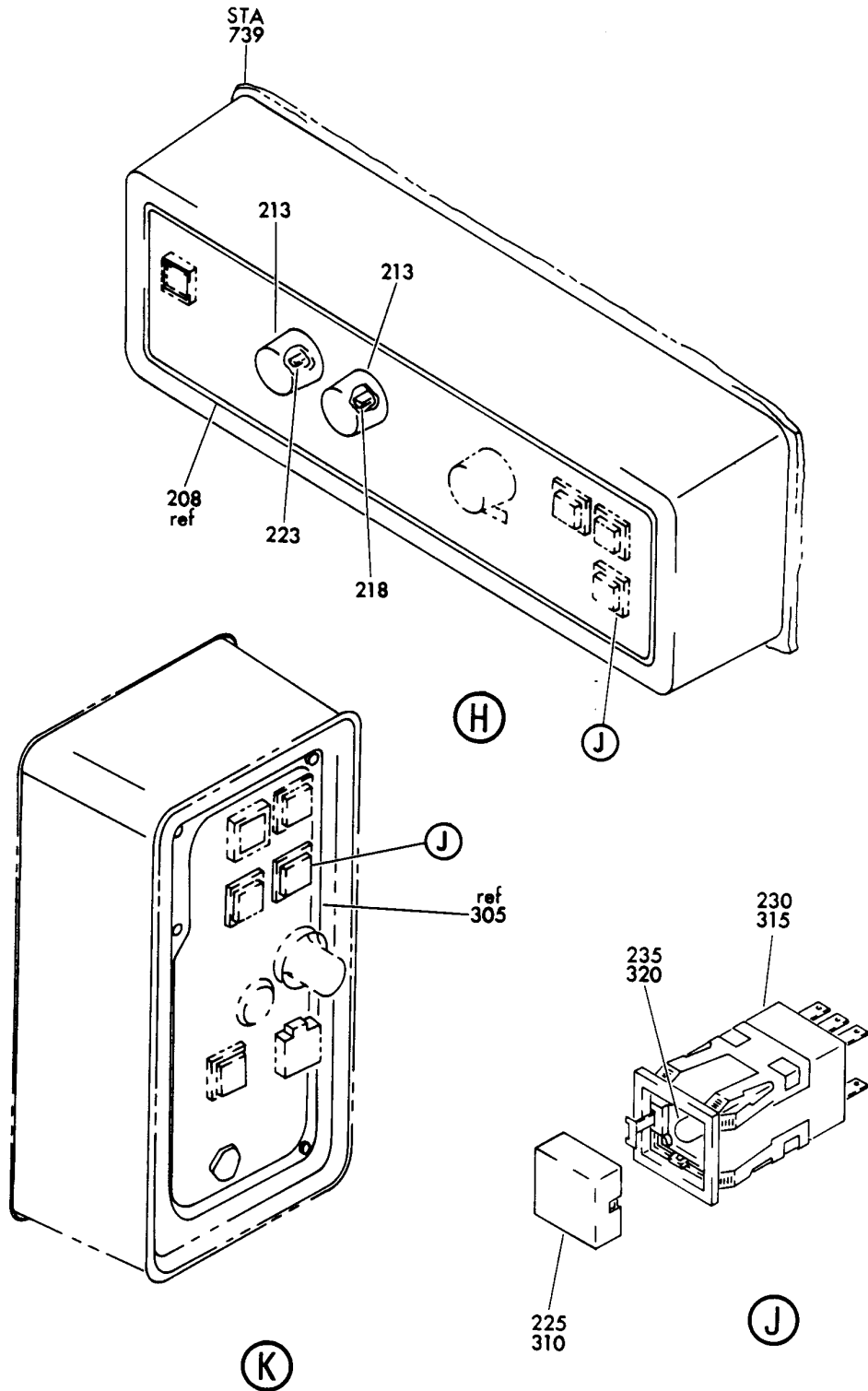
PANEL INSTL-ATTENDANT (PASSENGER COMPARTMENT LIGHTS ONLY)
FIGURE 1 (SHEET 2)

33-21-52-01

BRI
MAY 28/07

33-21-52-01
PAGE 0A

BOEING
757
PARTS CATALOG (MAINTENANCE)



Y 33215201 SHT 4 REV 087

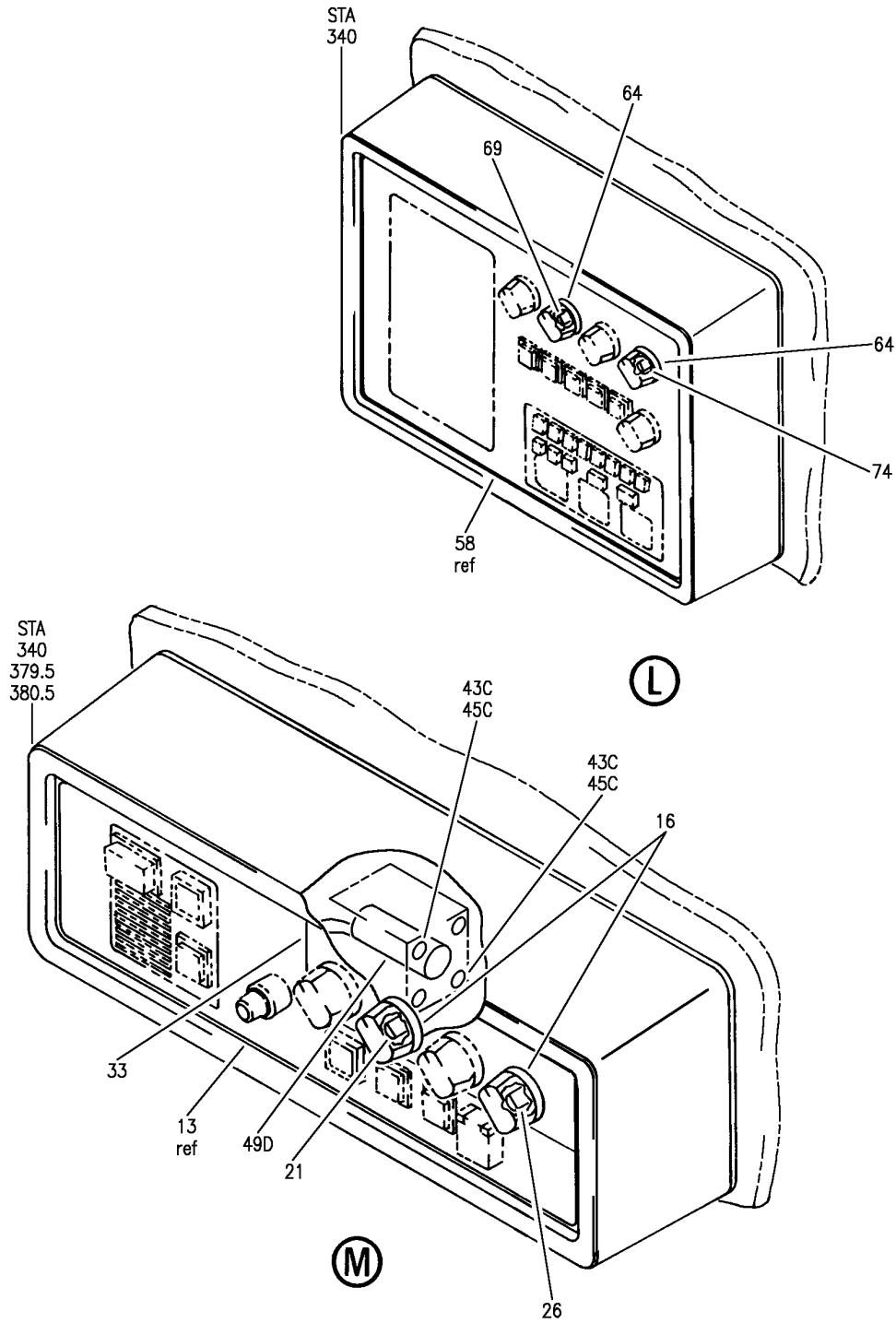
PANEL INSTL-ATTENDANT (PASSENGER COMPARTMENT LIGHTS ONLY)
FIGURE 1 (SHEET 4)

33-21-52-01

BRI
MAY 28/07

33-21-52-01
PAGE 0C

BOEING
757
PARTS CATALOG (MAINTENANCE)



Y 33215201 SH1 5 REV 329

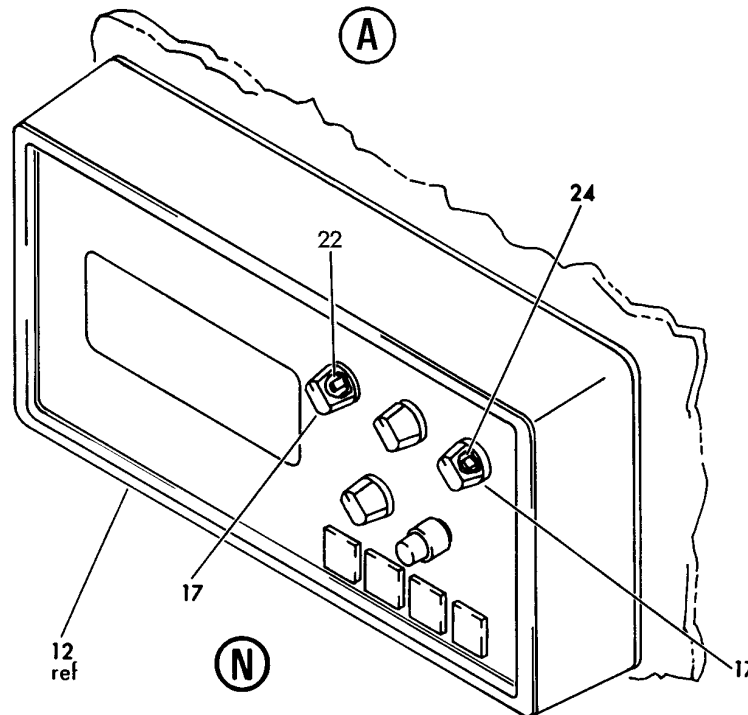
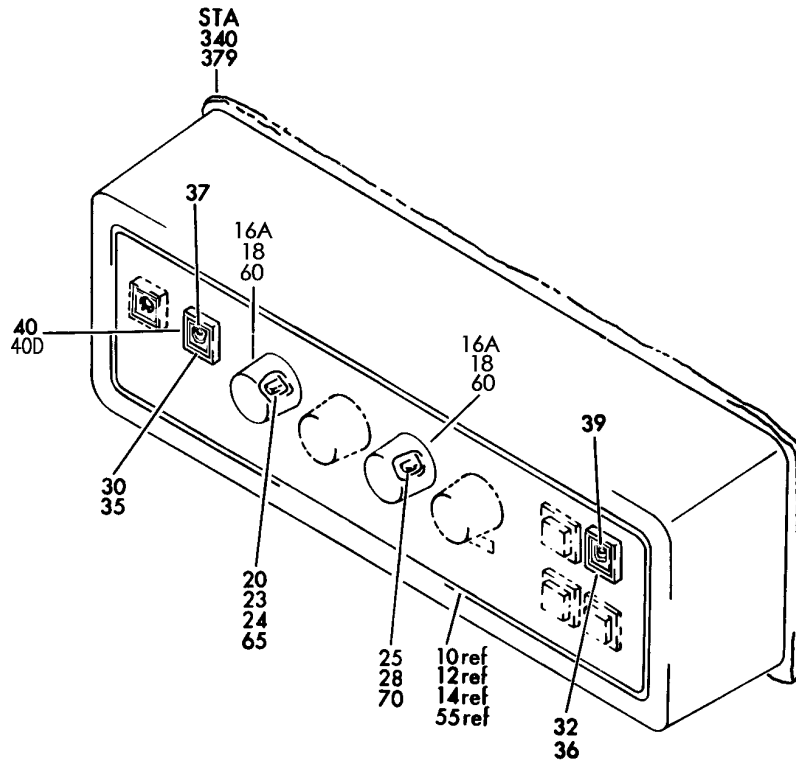
PANEL INSTL-ATTENDANT (PASSENGER COMPARTMENT LIGHTS ONLY)
FIGURE 1 (SHEET 5)

33-21-52-01

BRI
JAN 20/09

33-21-52-01
PAGE 00

BOEING
757
PARTS CATALOG (MAINTENANCE)



Y 33215201 SHT 6 REV 291

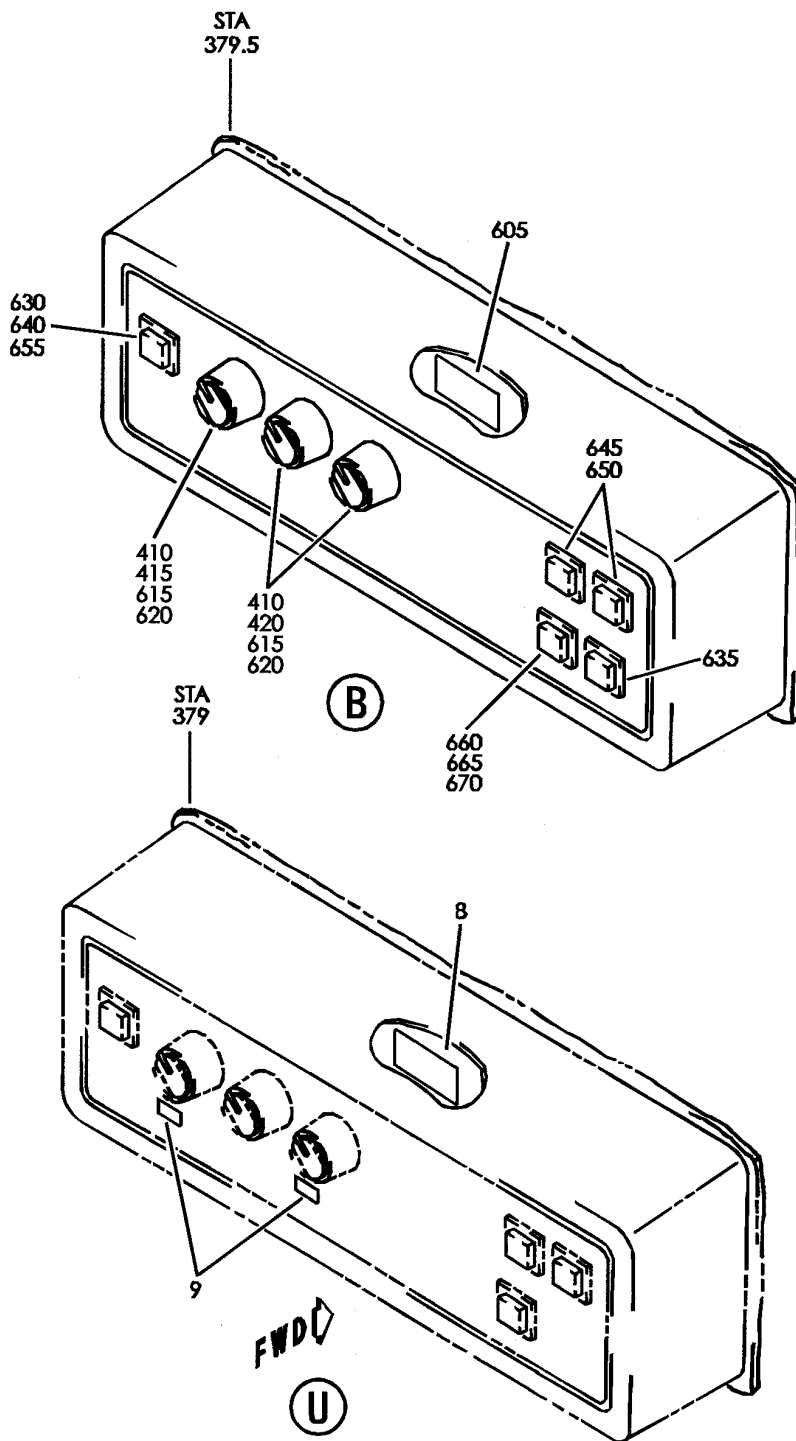
PANEL INSTL-ATTENDANT (PASSENGER COMPARTMENT LIGHTS ONLY)
FIGURE 1 (SHEET 6)

33-21-52-01

BRI
MAY 28/07

33-21-52-01
PAGE 0E

BOEING
757
PARTS CATALOG (MAINTENANCE)



Y 33215201 SHT 7 REV 213

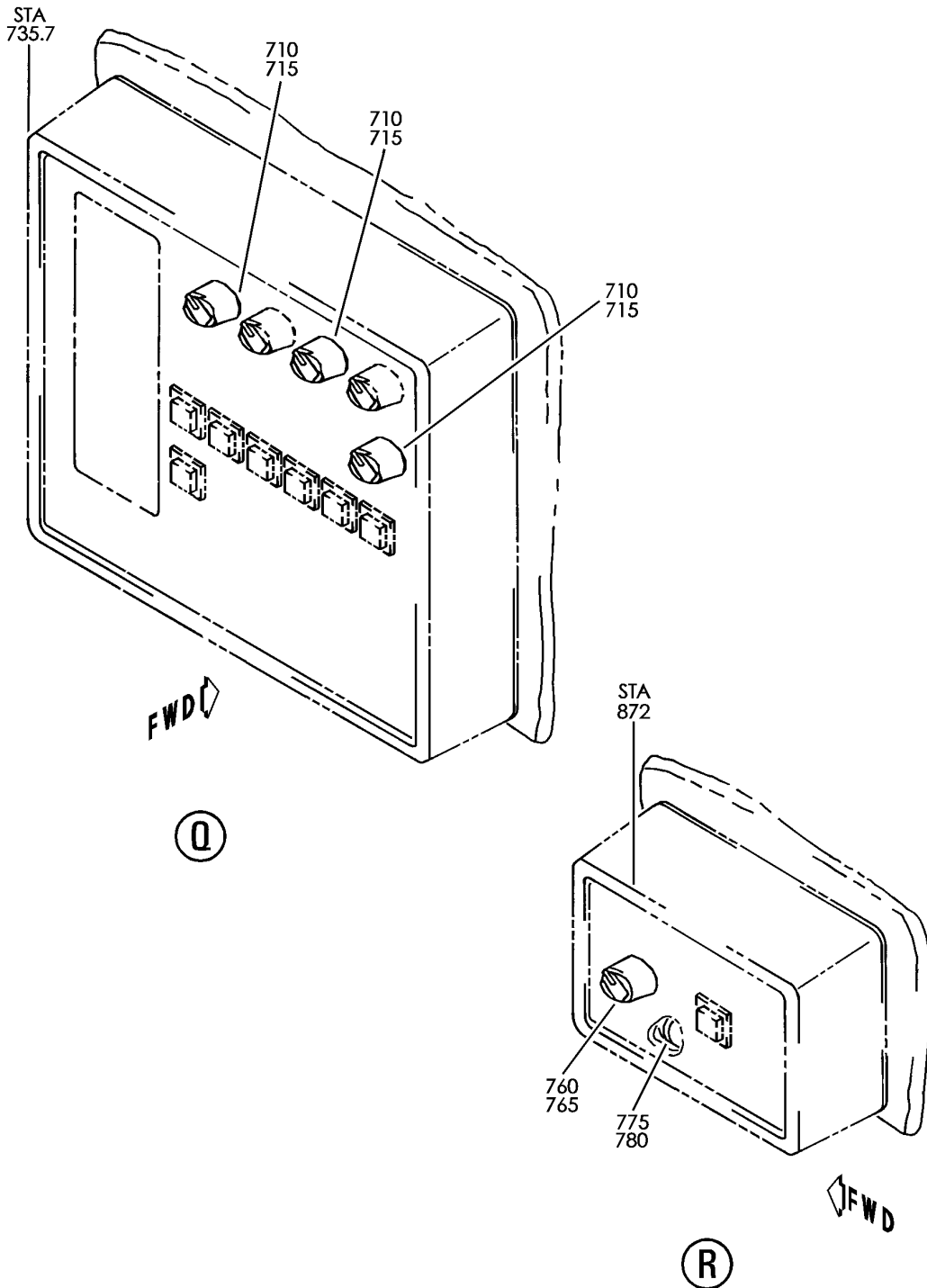
PANEL INSTL-ATTENDANT (PASSENGER COMPARTMENT LIGHTS ONLY)
FIGURE 1 (SHEET 7)

33-21-52-01

BRI
MAY 28/07

33-21-52-01
PAGE OF

BOEING
757
PARTS CATALOG (MAINTENANCE)



Y 33215201 SHT 8 REV 241

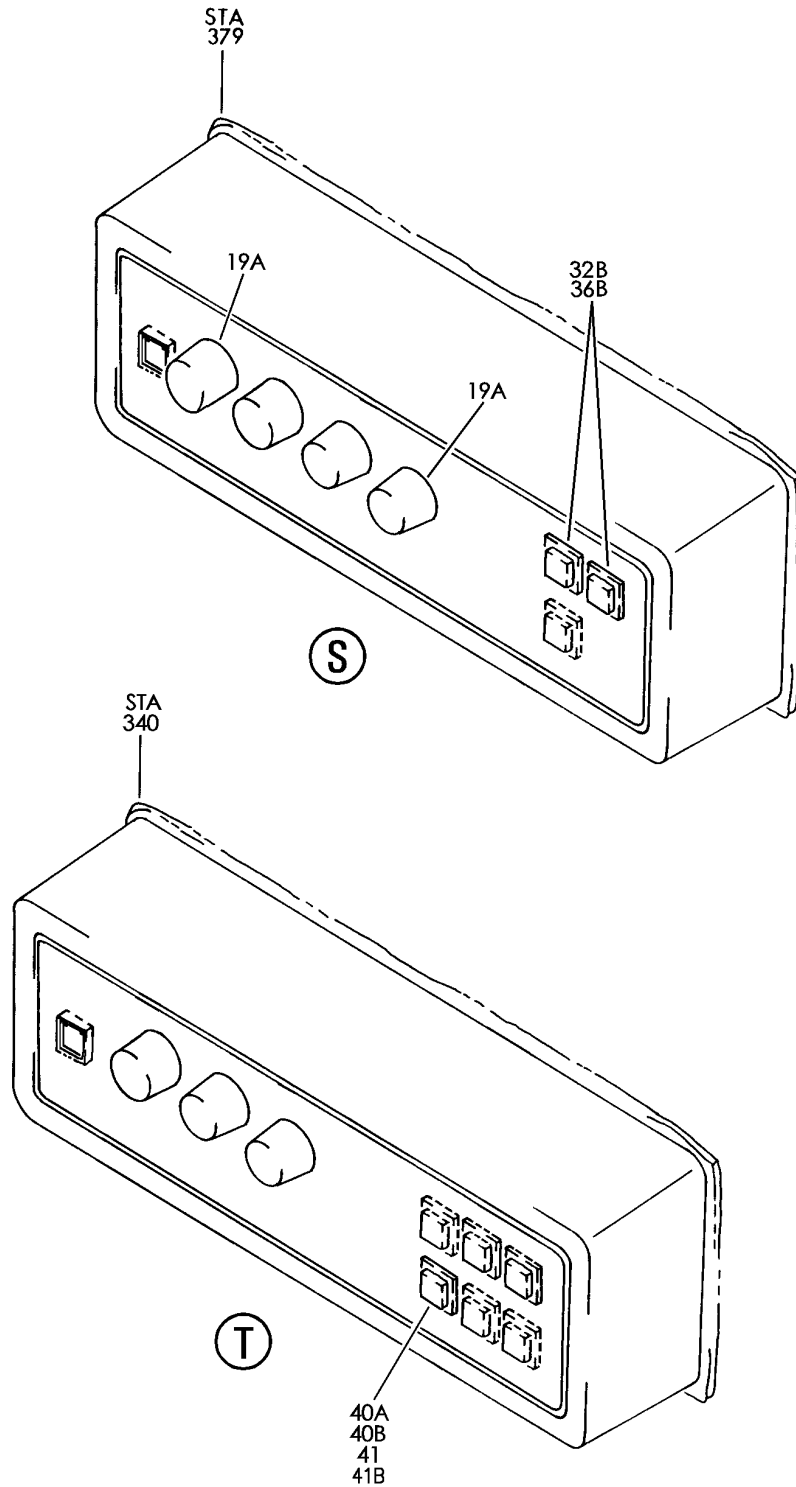
PANEL INSTL-ATTENDANT (PASSENGER COMPARTMENT LIGHTS ONLY)
FIGURE 1 (SHEET 8)

33-21-52-01

BRI
MAY 28/07

33-21-52-01
PAGE 0G

BOEING
757
PARTS CATALOG (MAINTENANCE)



Y 33215201 SH 9 REV 291

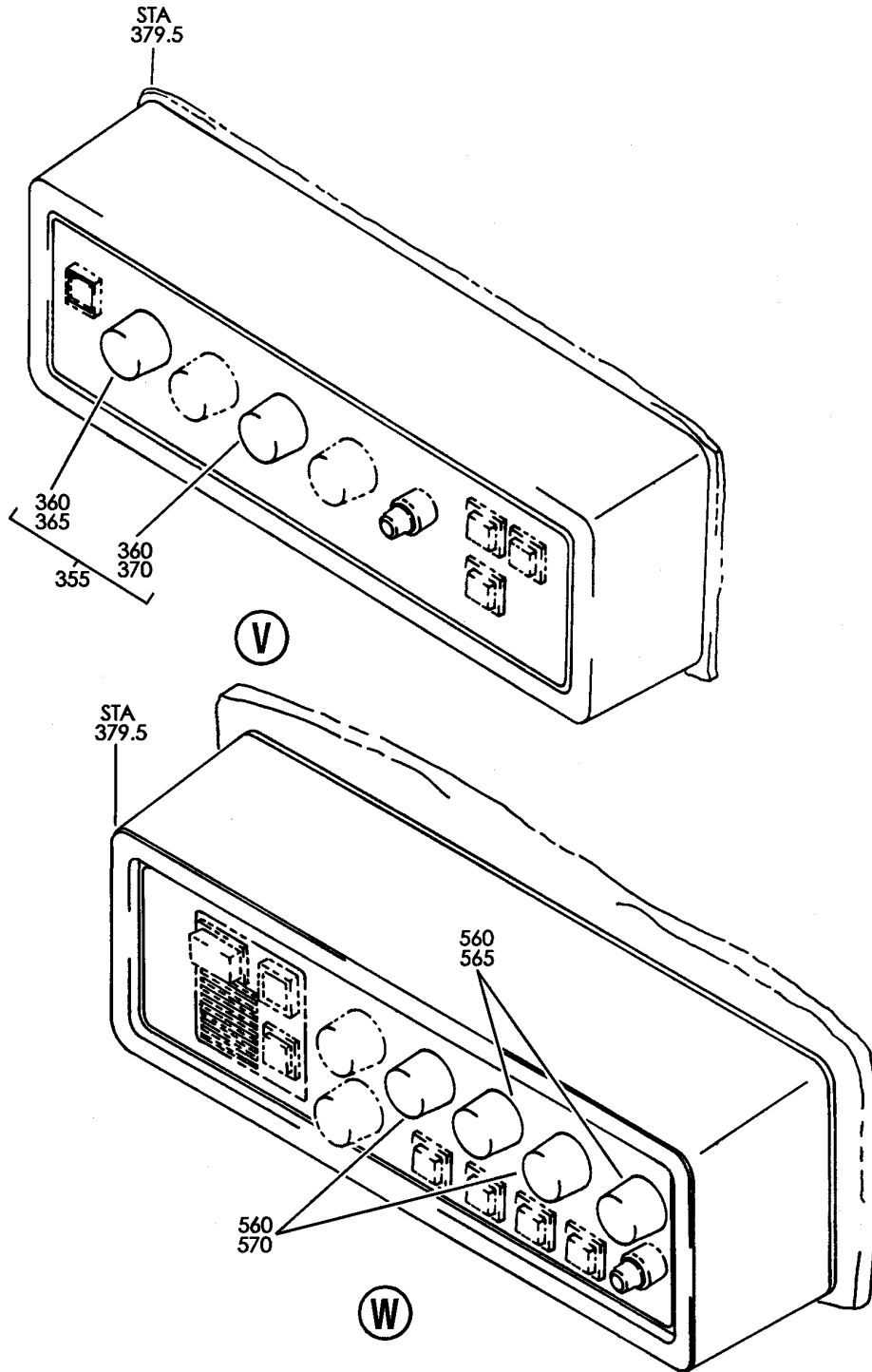
PANEL INSTL-ATTENDANT (PASSENGER COMPARTMENT LIGHTS ONLY)
FIGURE 1 (SHEET 9)

33-21-52-01

BRI
MAY 28/07

33-21-52-01
PAGE 0H

BOEING
757
PARTS CATALOG (MAINTENANCE)



Y 33215201 SHT 10 REV 213

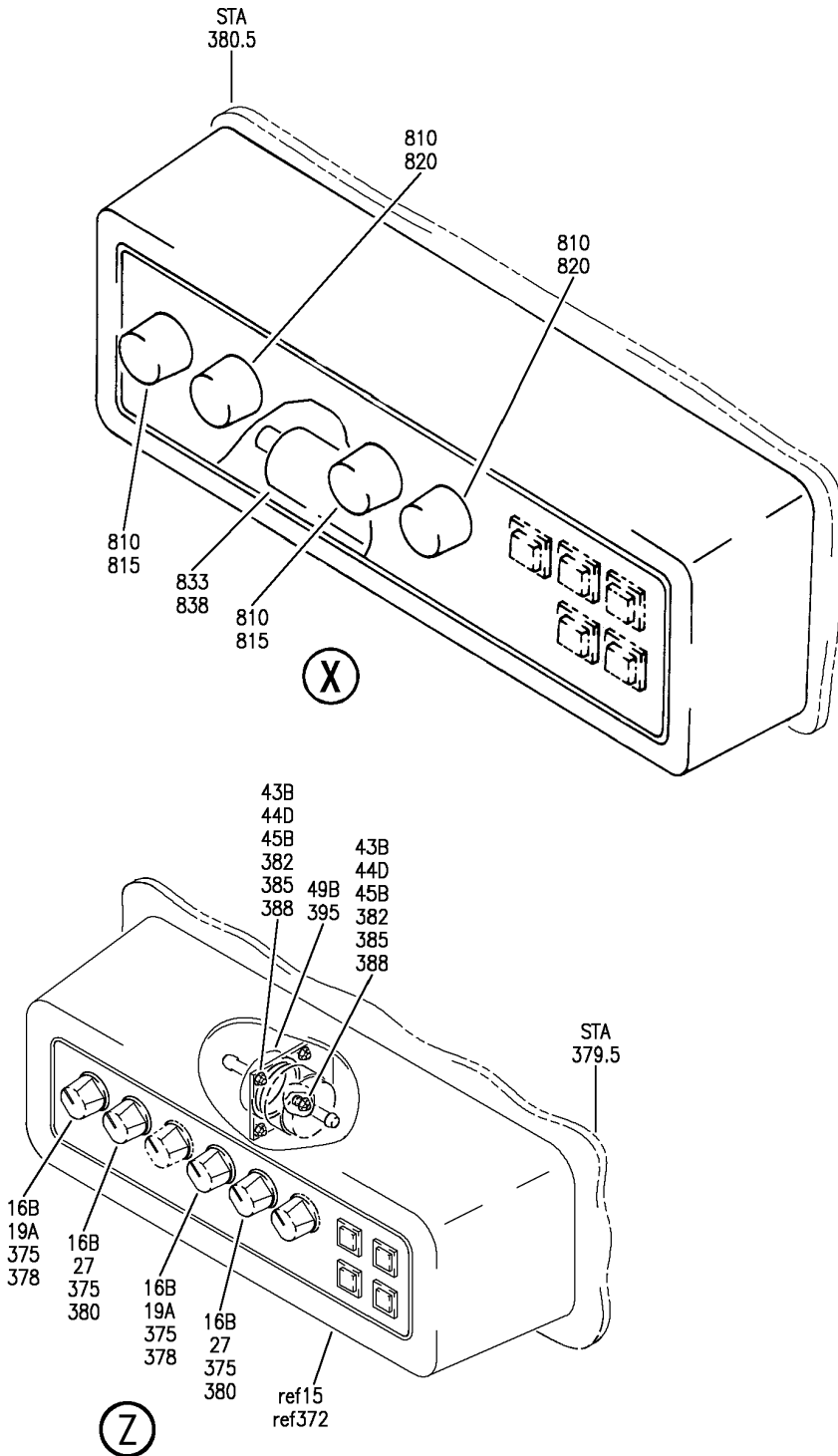
PANEL INSTL-ATTENDANT (PASSENGER COMPARTMENT LIGHTS ONLY)
FIGURE 1 (SHEET 10)

33-21-52-01

BRI
MAY 28/07

33-21-52-01
PAGE 01

BOEING
757
PARTS CATALOG (MAINTENANCE)



Y 33215201 SHT 11 REV 329

PANEL INSTL-ATTENDANT (PASSENGER COMPARTMENT LIGHTS ONLY)
FIGURE 1 (SHEET 11)

33-21-52-01

BRI
JAN 20/09

33-21-52-01
PAGE 0J



757

PARTS CATALOG (MAINTENANCE)

FIG ITEM	PART NUMBER	1 2 3 4 5 6 7	NOMENCLATURE	EFFECT FROM TO	UNITS PER ASSY
1			PANEL INSTL-ATTENDANT (PASSENGER COMPARTMENT LIGHTS ONLY)	002004 006102 107949 952999	
- 1	417N6001-62		PANEL INSTL-ATTENDANT DOOR NO. 1 (PASSENGER COMPARTMENT LIGHTS ONLY) POSITION DATA: LH STA 340 FOR NHA/OTHER SYS DET SEE: 25-20-00-01A	002004 006100	RF
- 1	417N6001-242SP		PANEL INSTL-ATTENDANT DOOR NO. 1 (PASSENGER COMPARTMENT LIGHTS ONLY) POSITION DATA: STA 340 LH FOR NHA/OTHER SYS DET SEE: 25-20-00-07E	101101	RF
- 2	417N6001-246SP		PANEL INSTL-ATTENDANT DOOR NO. 1 (PASSENGER COMPARTMENT LIGHTS ONLY) POSITION DATA: STA 340 LH FOR NHA/OTHER SYS DET SEE: 25-20-00-07E	102102	RF
- 5	417N6001-4		PANEL INSTL-ATTENDANT (PASSENGER COMPARTMENT LIGHTS ONLY) POSITION DATA: STA 379.20 FOR NHA/OTHER SYS DET SEE: 25-20-00-01E	107107	RF
- 5	417N6001-56		PANEL INSTL-ATTENDANT (PASSENGER COMPARTMENT LIGHTS ONLY) POSITION DATA: STA 379.50 FOR NHA/OTHER SYS DET SEE: 25-20-00-01A	952999	RF
8	BAC27NPA0471		.MARKER-ALUMINUM FOIL PLACARD CONTENT: P21 ATTENDANT PANEL	504903 952999	1
10	417N6002-4SP		.PANEL ASSY- SUPPLIER CODE: V89954 COMPONENT MAINT MANUAL REF: 33-22-51	107107	RF

MISSING ITEM NUMBERS NOT APPLICABLE

- ITEM NOT ILLUSTRATED

33-21-52-01

33-21-52
FIG. 01
PAGE 1
JAN 20/09

BRI



757

PARTS CATALOG (MAINTENANCE)

FIG ITEM	PART NUMBER	1 2 3 4 5 6 7	NOMENCLATURE	EFFECT FROM TO	UNITS PER ASSY
1					
10	417N6002-51SP		.PANEL ASSY- SUPPLIER CODE: V89954 COMPONENT MAINT MANUAL REF: 33-22-51	504903 952999	RF
11	417N6002-125SP		.PANEL ASSY- SUPPLIER CODE: V89954 COMPONENT MAINT MANUAL REF: 33-22-51 OPTIONAL PART: 417N6002-54SP V89954	101101	RF
11	417N6002-54SP		.PANEL ASSY- SUPPLIER CODE: V89954 COMPONENT MAINT MANUAL REF: 33-22-51 OPTIONAL PART: 417N6002-125SP V89954	101101	RF
11	417N6002-135SP		.PANEL ASSY- SUPPLIER CODE: V89954 COMPONENT MAINT MANUAL REF: 33-22-51	102102	RF
12A	417N6002-54SP		.PANEL ASSY- SUPPLIER CODE: V89954 COMPONENT MAINT MANUAL REF: 33-22-51	002004 006102	RF
16A	RD409-101		..KNOB- SUPPLIER CODE: V81590	107107 504903	2
17	RD409-101		..KNOB- SUPPLIER CODE: V81590	002004 006102	2
19	RD409-101		..KNOB- SUPPLIER CODE: V81590	504903	3
20	44MY232404		..SWITCH- SUPPLIER CODE: V81073 ELECTRICAL EQUIP NUMBER: S10298	107107	1

MISSING ITEM NUMBERS NOT APPLICABLE

- ITEM NOT ILLUSTRATED

33-21-52-01

33-21-52
FIG. 01
PAGE 2
JAN 20/09

BRI



757

PARTS CATALOG (MAINTENANCE)

FIG ITEM	PART NUMBER	1 2 3 4 5 6 7	NOMENCLATURE	EFFECT FROM TO	UNITS PER ASSY
1					
20	44MY232404	..	SWITCH- SUPPLIER CODE: V81073 ELECTRICAL EQUIP NUMBER: S10467	504903	1
22	44MY232404	..	SWITCH- SUPPLIER CODE: V81073 ELECTRICAL EQUIP NUMBER: S10298	002004 006102	1
24	44YY26087	..	SWITCH-ROTARY SUPPLIER CODE: V81073 ELECTRICAL EQUIP NUMBER: S10299	002004 006102	1
25	44YY26087	..	SWITCH-ROTARY SUPPLIER CODE: V81073 ELECTRICAL EQUIP NUMBER: S10299	107107	1
25	44YY26087	..	SWITCH-ROTARY SUPPLIER CODE: V81073 ELECTRICAL EQUIP NUMBER: S10469	504903	1
29	44MY232944	..	SWITCH-ROTARY SUPPLIER CODE: V81073 ELECTRICAL EQUIP NUMBER: S10298	504903	1
29A	44YY26087	..	SWITCH-ROTARY SUPPLIER CODE: V81073 ELECTRICAL EQUIP NUMBER: S10299 S10302	504903	2
32	2100-100	..	LENS-SWITCH SUPPLIER CODE: V91929	504903	1
36	2100-8	..	SWITCH ASSY-LIGHTED PUSH SUPPLIER CODE: V91929 ELECTRICAL EQUIP NUMBER: S10300	504903	1
39	85	...	BULB- SUPPLIER CODE: V08805	504903	1

MISSING ITEM NUMBERS NOT APPLICABLE

- ITEM NOT ILLUSTRATED

33-21-52-01

33-21-52
FIG. 01
PAGE 3
JAN 20/09

BRI

BOEING PROPRIETARY - Copyright © - Unpublished Work - See title page for details.



757

PARTS CATALOG (MAINTENANCE)

FIG ITEM	PART NUMBER	1 2 3 4 5 6 7	NOMENCLATURE	EFFECT FROM TO	UNITS PER ASSY
1					
41A	2100-102		.. LENS-SWITCH SUPPLIER CODE: V91929	504903	1
42A	2100-6		.. SWITCH ASSY-LIGHTED PUSH BUTTON SUPPLIER CODE: V91929 ELECTRICAL EQUIP NUMBER: S10296	504903	1
42B	85		... BULB- SUPPLIER CODE: V08805	504903	1
- 50	417N6001-30		PANEL INSTL-ATTENDANT (PASSENGER COMPARTMENT LIGHTS ONLY) POSITION DATA: STA 340 FOR NHA/OTHER SYS DET SEE: 25-20-00-01E	121503 904949	RF
- 50	417N6001-209SP		PANEL INSTL-ATTENDANT (PASSENGER COMPARTMENT LIGHTS ONLY) POSITION DATA: STA 340 FOR NHA/OTHER SYS DET SEE: 25-20-00-07E	504903	RF
57	417N6002-31SP		. PANEL ASSY- SUPPLIER CODE: V89954 COMPONENT MAINT MANUAL REF: 33-22-51	121503 904949	RF
58	417N6002-74SP		. PANEL ASSY- SUPPLIER CODE: V89954 COMPONENT MAINT MANUAL REF: 33-22-51	504903	RF
63	RD409-101		.. KNOB- SUPPLIER CODE: V81590	121503 904949	2
64	RD409-101		.. KNOB- SUPPLIER CODE: V81590	504903	2
68	44MY232404		.. SWITCH- SUPPLIER CODE: V81073 ELECTRICAL EQUIP NUMBER: S10298	121503 904949	1

MISSING ITEM NUMBERS NOT APPLICABLE

- ITEM NOT ILLUSTRATED

33-21-52-01

33-21-52
FIG. 01
PAGE 4
JAN 20/09

BRI



757

PARTS CATALOG (MAINTENANCE)

FIG ITEM	PART NUMBER	1 2 3 4 5 6 7	NOMENCLATURE	EFFECT FROM TO	UNITS PER ASSY
1					
69	44MY232404	..	SWITCH- SUPPLIER CODE: V81073 ELECTRICAL EQUIP NUMBER: S10298	504903	1
73	44YY26087	..	SWITCH-ROTARY SUPPLIER CODE: V81073 ELECTRICAL EQUIP NUMBER: S10299	121503 904949	1
74	44YY26087	..	SWITCH-ROTARY SUPPLIER CODE: V81073 ELECTRICAL EQUIP NUMBER: S10299	504903	1
- 800	417N6001-143B		PANEL INSTL-ATTENDANT DOOR NO. 1 (PASSENGER COMPARTMENT LIGHTS ONLY) POSITION DATA: STA 380.50 LH FOR NHA/OTHER SYS DET SEE: 25-20-00-07E	108120	RF
805	417N6002-95SP	.	PANEL ASSY- SUPPLIER CODE: V89954 ELECTRICAL EQUIP NUMBER: P00021 COMPONENT MAINT MANUAL REF: 33-22-51	108120	RF
810	RD409-101	..	KNOB- SUPPLIER CODE: V81590	108120	4
815	44MY232404	..	SWITCH- SUPPLIER CODE: V81073 ELECTRICAL EQUIP NUMBER: S10556 S10557	108120	2
820	44YY26087	..	SWITCH- SUPPLIER CODE: V81073 ELECTRICAL EQUIP NUMBER: S10558 S10559	108120	2
- 823	288N0175-704	..	WIRE BUNDLE INSTL- USED ON: 417N6002-95SP ATTACHING PARTS	108120	1
- 826	NAS600-6P	..	SCREW	108120	4

MISSING ITEM NUMBERS NOT APPLICABLE

- ITEM NOT ILLUSTRATED

33-21-52-01

33-21-52
FIG. 01
PAGE 5
JAN 20/09

BRI



757

PARTS CATALOG (MAINTENANCE)

FIG ITEM	PART NUMBER	1 2 3 4 5 6 7	NOMENCLATURE	EFFECT FROM TO	UNITS PER ASSY
1					
- 829	NAS1149DN416J	..	WASHER	108120	4
- 832	MS21042L04	..	NUT	108120	4
		-----*			
- 835	286N0504-322	...	WIRE BUNDLE INSTL	108120	1
838	BACC45FN22A55P	CONNECTOR	108120	1

MISSING ITEM NUMBERS NOT APPLICABLE

- ITEM NOT ILLUSTRATED

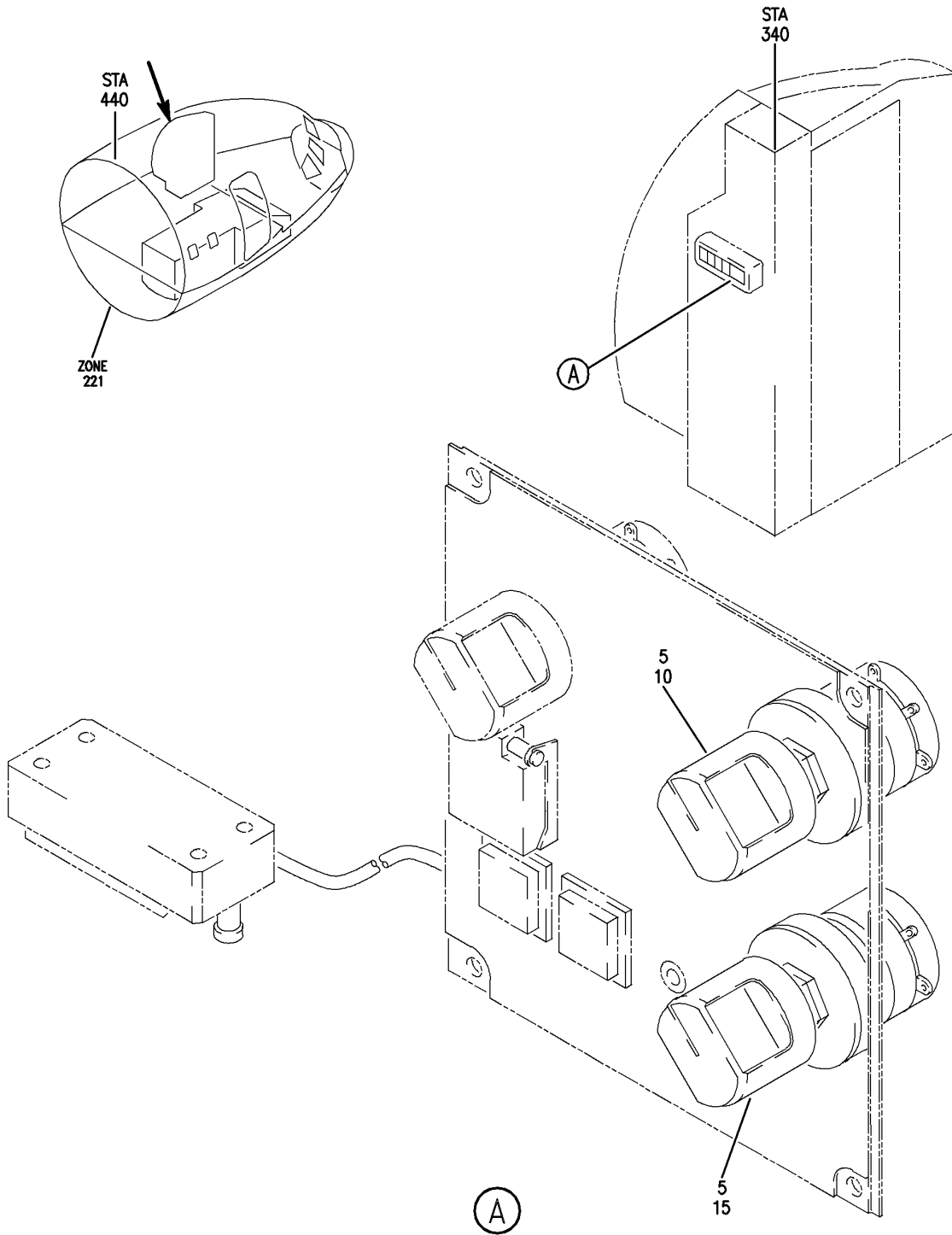
BRI

33-21-52-01

BOEING PROPRIETARY - Copyright © - Unpublished Work - See title page for details.

33-21-52
FIG. 01
PAGE 6
JAN 20/09

BOEING
757
PARTS CATALOG (MAINTENANCE)



Y 33215210 REV 258

MODULE ASSY-FWD LIGHTING WITH EMER EXIT LT, ATTENDANT PNL (PASSENGER COMPARTMENT ILLUMINATION ONLY)
FIGURE 10

BRI
JAN 20/09

33-21-52-10

33-21-52-10
PAGE 0



757

PARTS CATALOG (MAINTENANCE)

FIG ITEM	PART NUMBER	1 2 3 4 5 6 7	NOMENCLATURE	EFFECT FROM TO	UNITS PER ASSY
10			MODULE ASSY-FWD LIGHTING WITH EMER EXIT LT, ATTENDANT PNL (PASSENGER COMPARTMENT ILLUMINATION ONLY)	103106	
1	285A1710-17		MODULE ASSY-FWD LIGHTING WITH EMER EXIT LT, ATTENDANT PNL (PASSENGER COMPARTMENT ILLUMINATION ONLY) SUPPLIER CODE: V89954 COMPONENT MAINT MANUAL REF: 33-11-05 FOR NHA/OTHER SYS DET SEE: 31-17-11-05	103106	RF
5	RD409-101		.KNOB-SWITCH SUPPLIER CODE: V81590	103106	2
10	44MY233385		.SWITCH-ROTARY WITH 2 DECK, 2 POLE 5 POS SUPPLIER CODE: V81073 ELECTRICAL EQUIP NUMBER: S00001	103106	1
15	44MY241307		.SWITCH-ROTARY WITH 2 DECK, 2 POLE 3 POS SUPPLIER CODE: V81073 ELECTRICAL EQUIP NUMBER: S00003	103106	1

MISSING ITEM NUMBERS NOT APPLICABLE

- ITEM NOT ILLUSTRATED

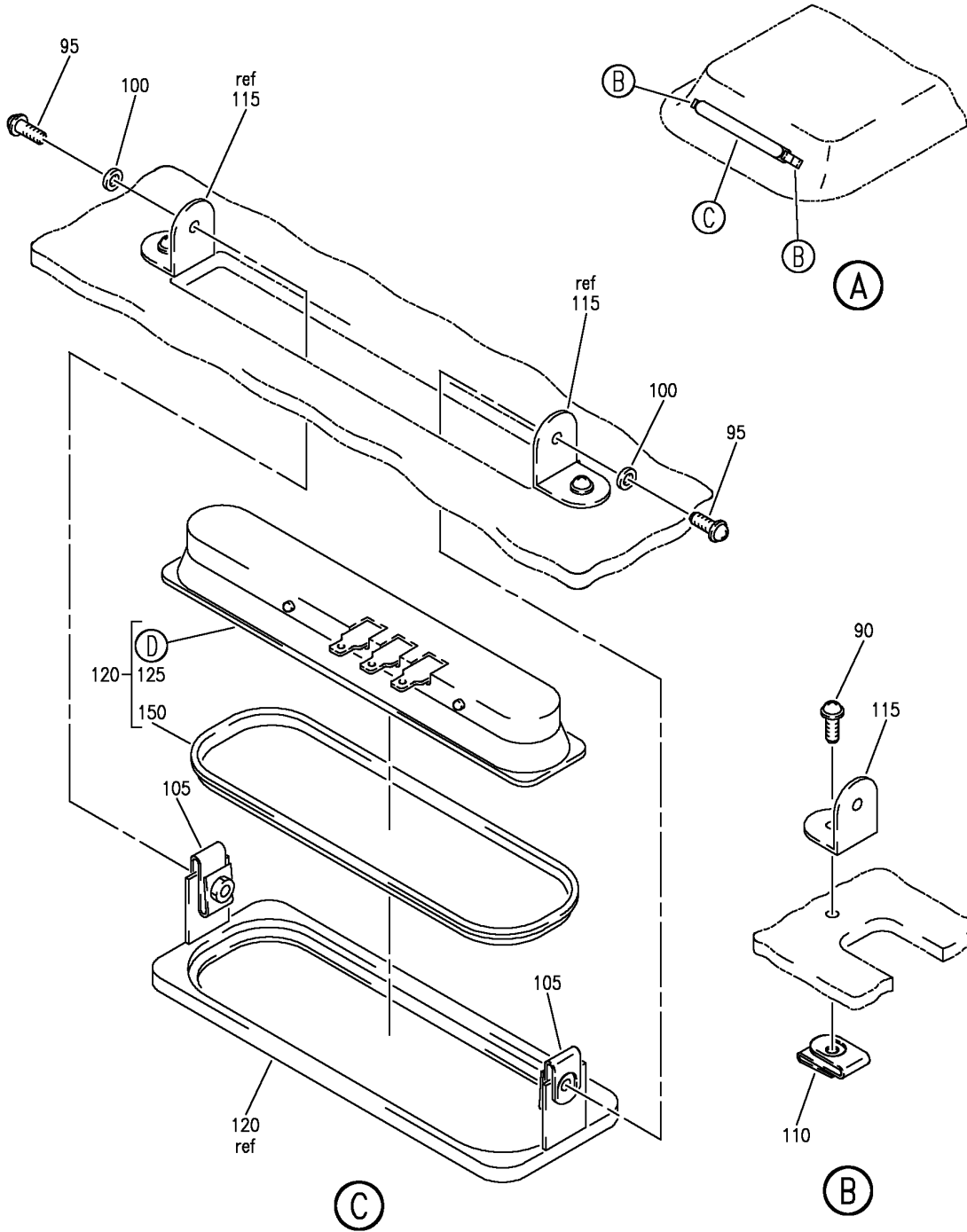
BRI

33-21-52-10

BOEING PROPRIETARY - Copyright © - Unpublished Work - See title page for details.

33-21-52
FIG. 10
PAGE 1
JAN 20/09

BOEING
757
PARTS CATALOG (MAINTENANCE)



Y 33215551 SH1 2 REV 268

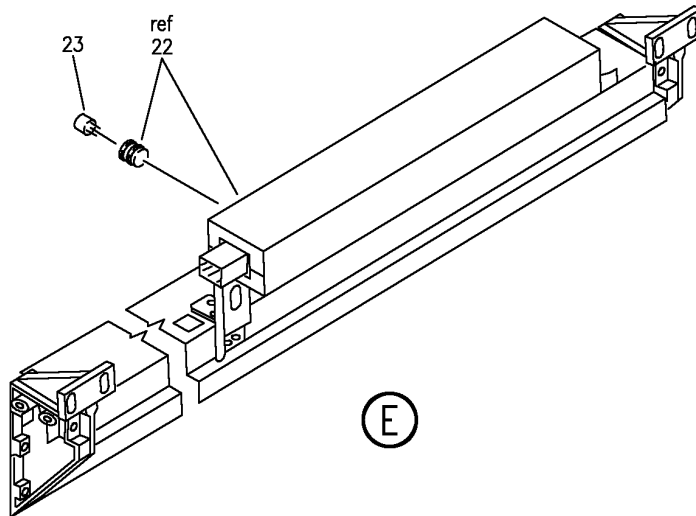
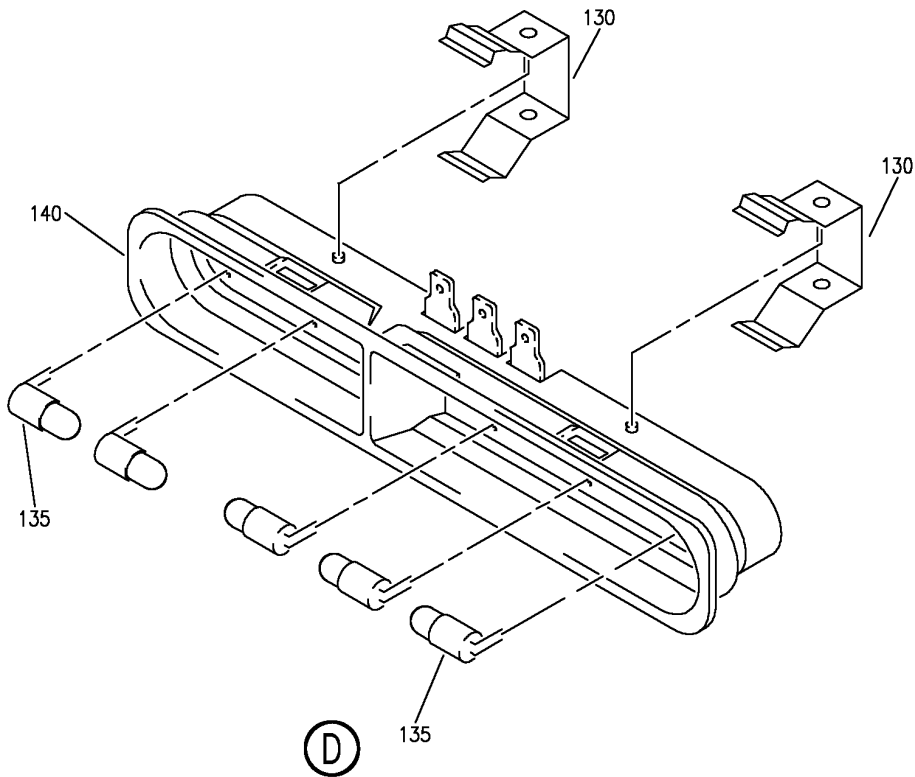
CEILING ASSY-FWD HORSESHOE DOOR 4 LOWERED (PASSENGER COMPARTMENT ILLUMINATION ONLY)
FIGURE 51 (SHEET 2)

BRI
JAN 20/09

33-21-55-51

33-21-55-51
PAGE 0A

BOEING
757
PARTS CATALOG (MAINTENANCE)



Y 33215551 SH-3 REV 270

CEILING ASSY-FWD HORSESHOE DOOR 4 LOWERED (PASSENGER COMPARTMENT ILLUMINATION ONLY)
FIGURE 51 (SHEET 3)

BRI
JAN 20/09

33-21-55-51

33-21-55-51
PAGE 0B



757

PARTS CATALOG (MAINTENANCE)

FIG ITEM	PART NUMBER	1 2 3 4 5 6 7	NOMENCLATURE	EFFECT FROM TO	UNITS PER ASSY
51			CEILING ASSY-FWD HORSESHOE DOOR 4 LOWERED (PASSENGER COMPARTMENT ILLUMINATION ONLY)	103106	
- 1	411N3930-18B		CEILING ASSY-HORSESHOE DOOR 4 LOWERED (PASSENGER COMPARTMENT ILLUMINATION ONLY) POSITION DATA: FWD FOR NHA/OTHER SYS DET SEE: 25-22-02-71A	103106	RF
5	BAC27DEL1285		.MARKER- PLACARD CONTENT: M1840 RECESSED CEILING LIGHT	103106	2
7	BAC27NPA1494		.MARKER- PLACARD CONTENT: L1084 NS/FSB SIGN	103106	1
10	BACS12FA3K7		.SCREW-	103106	3
15	BACS12FA3K5		.SCREW-	103106	2
20	417A5430-1		.LENS	103106	2
22	4042-10		.LIGHT ASSY-RECESS SUPPLIER CODE: VD1347 SPECIFICATION NUMBER: S417N514-301 ELECTRICAL EQUIP NUMBER: M01840 COMPONENT MAINT MANUAL REF: 33-21-14	103106	2
23	774-115-91		.. FUSE- SUPPLIER CODE: VD1347	103106	1
30	BACS12FA3K8		.SCREW	103106	11
40	BRC600-10-3		.NUT- SUPPLIER CODE: V52828 SPECIFICATION NUMBER: BACN10YD2 OPTIONAL PART: 130121 V60119 POSITION DATA: FAR SIDE	103106	11
44	287T0011-1		.CLAMP-OLYMPIC	103106	11
49	MB3		.BASE- SUPPLIER CODE: V09922	103106	1

MISSING ITEM NUMBERS NOT APPLICABLE

- ITEM NOT ILLUSTRATED

33-21-55-51

33-21-55
FIG. 51
PAGE 1
JAN 20/09

BRI



757

PARTS CATALOG (MAINTENANCE)

FIG ITEM	PART NUMBER	1 2 3 4 5 6 7	NOMENCLATURE	EFFECT FROM TO	UNITS PER ASSY
51					
50	PLT1-5IM	.	STRAP SUPPLIER CODE: V06383 SPECIFICATION NUMBER: BACS38K5 OPTIONAL PART: T03R0 V53421	103106	12
53	PLT1-5IM	.	STRAP SUPPLIER CODE: V06383 SPECIFICATION NUMBER: BACS38K5 OPTIONAL PART: T03R0 V53421	103106	2
55	BACT44E1S	.	CONNECTOR-ELECTRICAL CONNECTION ATTACHING PARTS	103106	1
- 60	BACS12GU3K8	.	SCREW	103106	2
- 65	BRC600-10-3	.	NUT- SUPPLIER CODE: V52828 SPECIFICATION NUMBER: BACN10YD2 OPTIONAL PART: 130121 V60119 POSITION DATA: FAR SIDE -----*-----	103106	2
70	286N0686-701	.	WIRE BUNDLE ASSY	103106	1
75	S280W557-801	..	PLUG- ELECTRICAL EQUIP NUMBER: D08736 D08738	103106	2
80	S280W557-251	..	RECEPTACLE- ELECTRICAL EQUIP NUMBER: D42594J	103106	1
90	BACS12FA3K5	.	SCREW	103106	2
95	BACS12HN06-6	.	SCREW	103106	2
100	NAS1149DN616H	.	WASHER	103106	2

MISSING ITEM NUMBERS NOT APPLICABLE

- ITEM NOT ILLUSTRATED

33-21-55-51

33-21-55
FIG. 51
PAGE 2
JAN 20/09

BRI



757

PARTS CATALOG (MAINTENANCE)

FIG ITEM	PART NUMBER	1 2 3 4 5 6 7	NOMENCLATURE	EFFECT FROM TO	UNITS PER ASSY
51 105	130069	.NUT	SUPPLIER CODE: V60119 SPECIFICATION NUMBER: BACN10FX16 OPTIONAL PART: A11330-6-3 V72962 A4972-6-02 V72962 A4972-6-02 V72962	103106	2
110	294667	.NUT	SUPPLIER CODE: V60119 SPECIFICATION NUMBER: BACN10FX61 OPTIONAL PART: F29589-06 V15653 RM52LHA4972-5-6 V72962 A11330-5-62 V72962 A4972-5-62 V72962	103106	2
115	411A3081-149	..BRACKET		103106	2
120	479W4102-3A	.BEZEL-NO SMOKING FASTEN SEAT BELT SIGN		103106	1
125	82000-35701	..HOUSING ASSY-NO SMOKING/FASTEN SEAT BELT SIGN	SUPPLIER CODE: VS5006 SPECIFICATION NUMBER: S479W410-1 COMPONENT MAINT MANUAL REF: 33-24-01	103106	1
130	82104-35701	...SPRING-MTG	SUPPLIER CODE: VS5006	103106	2
135	0L6034BPGPL	...LAMP-	SUPPLIER CODE: VS3774 OPTIONAL PART: 6034BPGPL VS5006	103106	5

MISSING ITEM NUMBERS NOT APPLICABLE

- ITEM NOT ILLUSTRATED

33-21-55-51

33-21-55
FIG. 51
PAGE 3
JAN 20/09

BRI



757

PARTS CATALOG (MAINTENANCE)

FIG ITEM	PART NUMBER	1 2 3 4 5 6 7	NOMENCLATURE	EFFECT FROM TO	UNITS PER ASSY
51 135	6034BPGPL		...LAMP- SUPPLIER CODE: VS5006 OPTIONAL PART: OL6034BPGPL V31869	103106	5
140	82002-35701		...HOUSING- SUPPLIER CODE: VS5006	103106	1
150	82000-35801		..LENS-NO SMOKING/FASTEN SEAT BELT SUPPLIER CODE: VS5006 SPECIFICATION NUMBER: S479W410-1001 COMPONENT MAINT MANUAL REF: 33-24-01	103106	1

MISSING ITEM NUMBERS NOT APPLICABLE

- ITEM NOT ILLUSTRATED

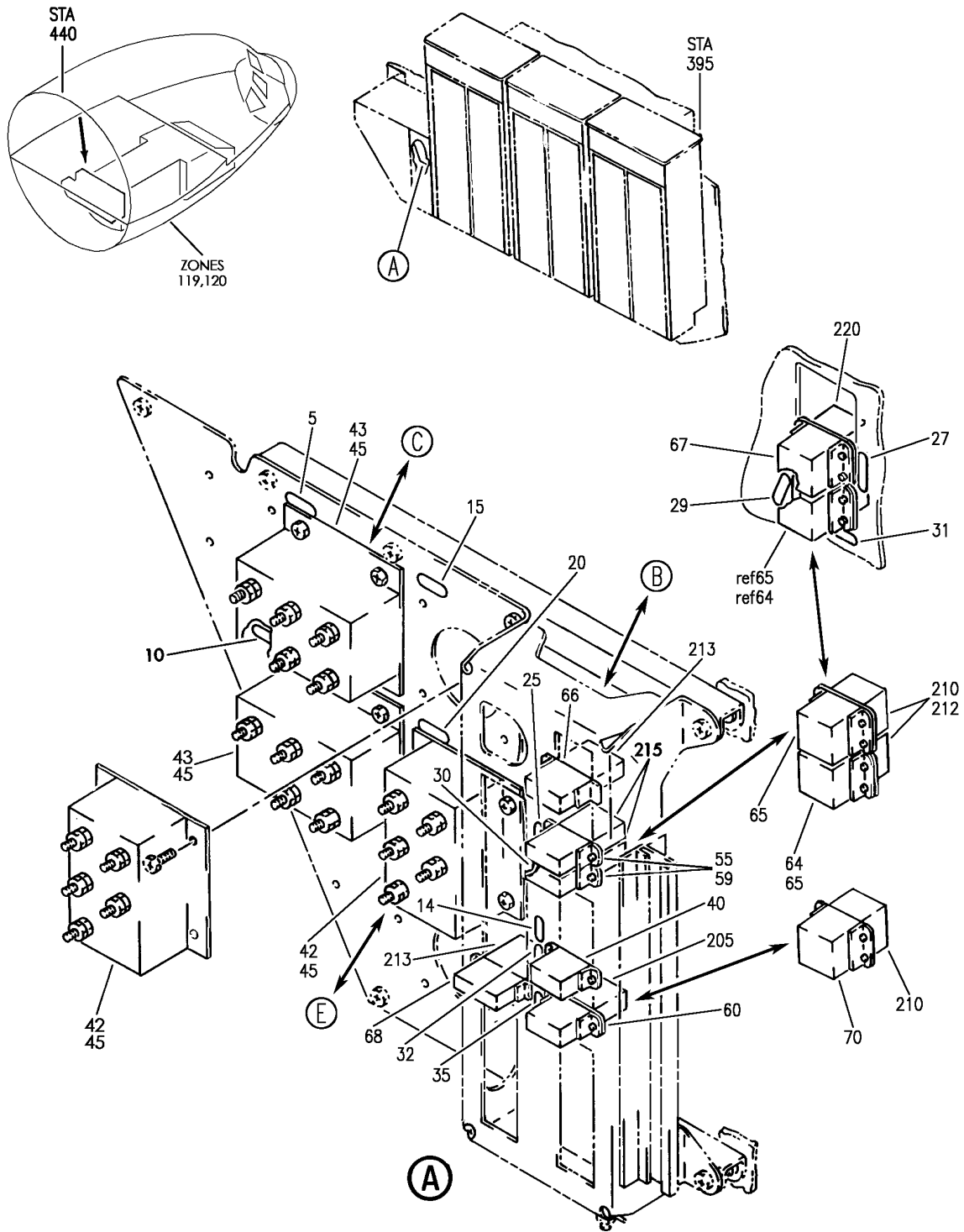
BRI

33-21-55-51

BOEING PROPRIETARY - Copyright © - Unpublished Work - See title page for details.

33-21-55
FIG. 51
PAGE 4
JAN 20/09

BOEING
757
PARTS CATALOG (MAINTENANCE)



Y 33217101 SHT 1 REV 301

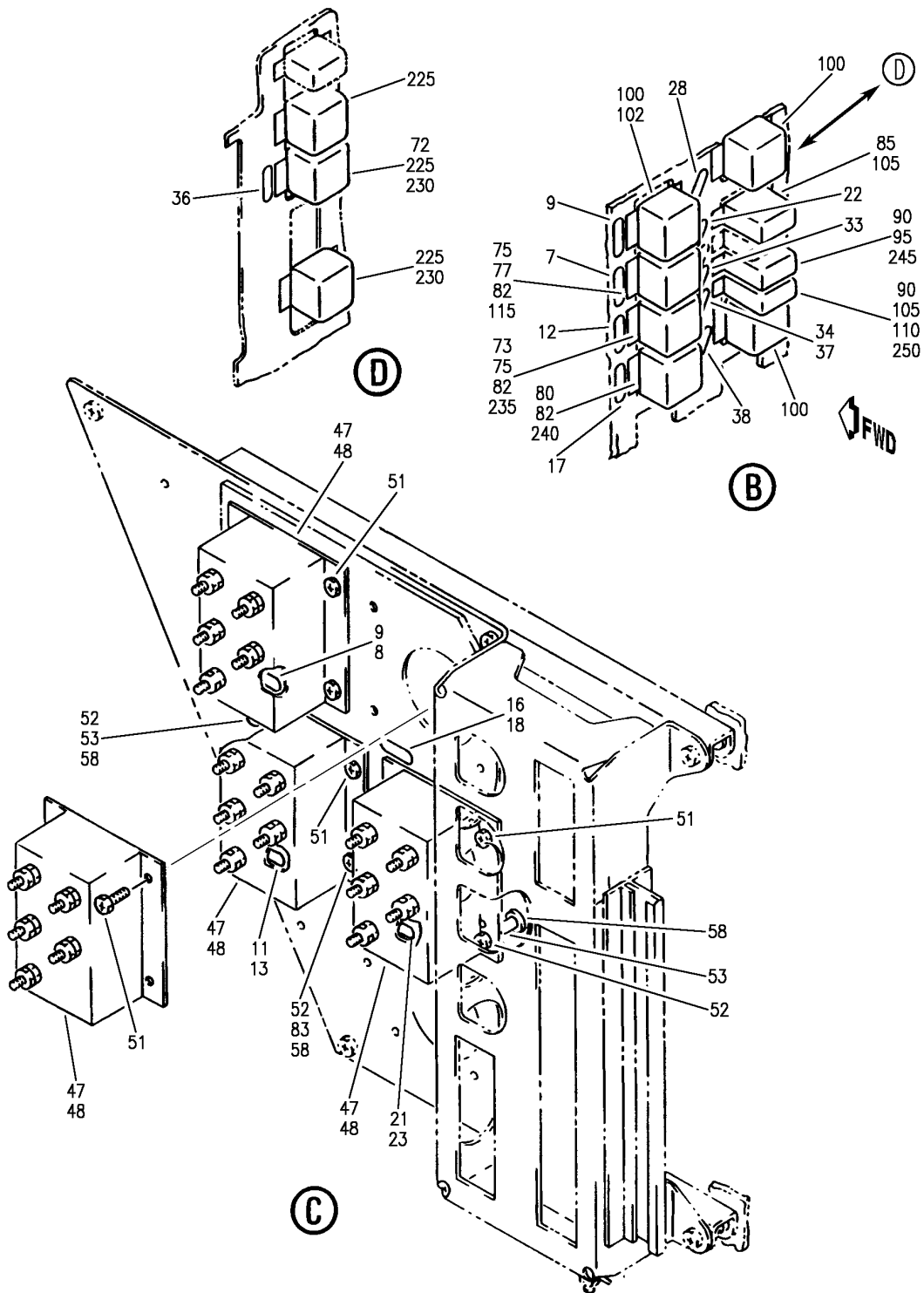
PANEL ASSY-P34 APU/EXT PWR (PASSENGER COMPARTMENT ILLUMINATION LIGHTS ONLY)
FIGURE 1 (SHEET 1)

BRI
MAY 28/07

33-21-71-01

33-21-71-01
PAGE 0

BOEING
757
PARTS CATALOG (MAINTENANCE)



Y 33217101 SH1 2 REV 331

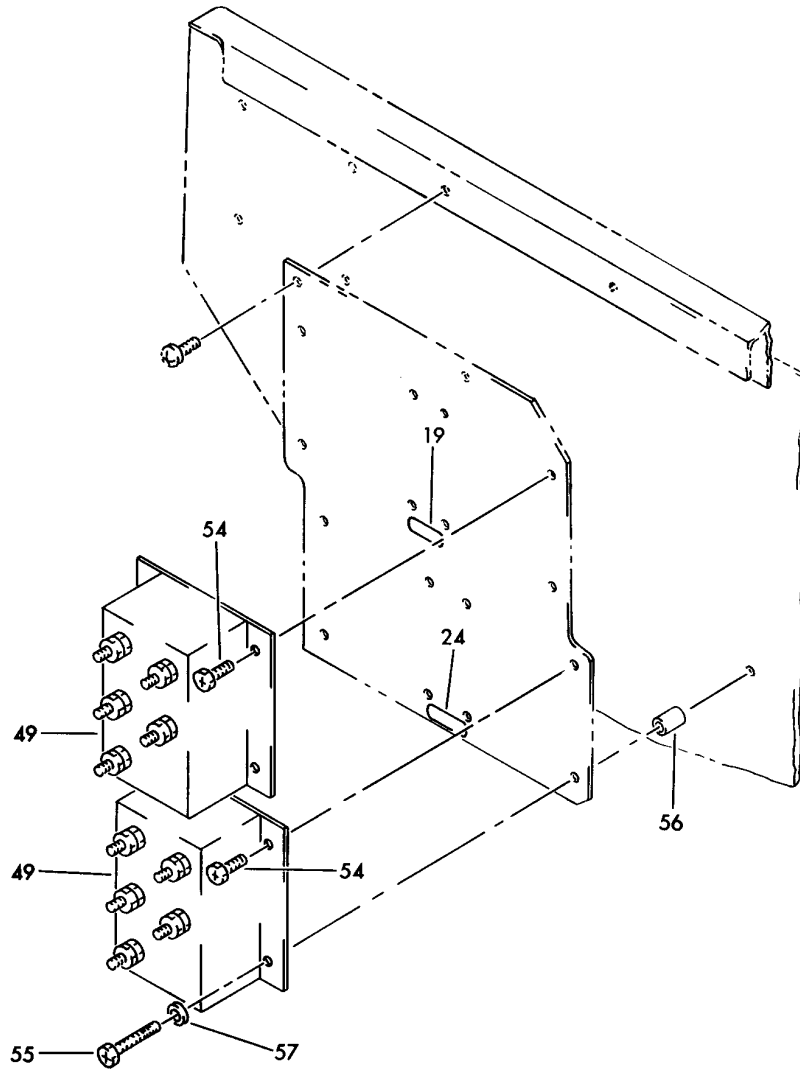
PANEL ASSY-P34 APU/EXT PWR (PASSENGER COMPARTMENT ILLUMINATION LIGHTS ONLY)
 FIGURE 1 (SHEET 2)

33-21-71-01

BRI
 JAN 20/09

33-21-71-01
 PAGE 0A

BOEING
757
PARTS CATALOG (MAINTENANCE)



(E)

Y 33217101 SHT 3 REV 154

PANEL ASSY-P34 APU/EXT PWR (PASSENGER COMPARTMENT ILLUMINATION LIGHTS ONLY)
FIGURE 1 (SHEET 3)

33-21-71-01

BRI
MAY 28/07

33-21-71-01
PAGE 0B



757

PARTS CATALOG (MAINTENANCE)

FIG ITEM	PART NUMBER	1 2 3 4 5 6 7	NOMENCLATURE	EFFECT FROM TO	UNITS PER ASSY
1			PANEL ASSY-P34 APU/EXT PWR (PASSENGER COMPARTMENT ILLUMINATION LIGHTS ONLY)	002004 006102 107107 121503 904999	
- 1	284N1316-1		PANEL ASSY-P34 APU/EXT PWR (PASSENGER COMPARTMENT ILLUMINATION LIGHTS ONLY) VARIABLE DRAWING REF: 284N1316-5023 284N1316-5047 284N1316-5063 284N1316-5064 284N1316-5067 FOR NHA/OTHER SYS DET SEE: 31-01-34-02	002004 006100 107107 121503 904999	RF
8	BAC27NEX0350		.DECAL- PLACARD CONTENT: T10006	107107	1
13	BAC27NEX0349		.DECAL- PLACARD CONTENT: T10005	107107	1
18	BAC27NEX0348		.DECAL- PLACARD CONTENT: T10004	107107	1
19	BAC27NEX0348		.DECAL- PLACARD CONTENT: T10004	002004 006100 121503 904999	1
23	BAC27NEX0347		.DECAL- PLACARD CONTENT: T10003	107107	1
24	BAC27NEX0347		.DECAL- PLACARD CONTENT: T10003	002004 006100 121503 904999	1
27	BAC27NEX0355		.DECAL- PLACARD CONTENT: K10064	002004 006102 107107 121503 904999	1
29	BAC27NEX0357		.DECAL- PLACARD CONTENT: K10075	002004 006100 950999	1
30	BAC27NEX0357		.DECAL- PLACARD CONTENT: K10075	101102 121503 904949	1

MISSING ITEM NUMBERS NOT APPLICABLE

- ITEM NOT ILLUSTRATED

33-21-71-01

33-21-71
FIG. 01
PAGE 1
JAN 20/09

BRI



757

PARTS CATALOG (MAINTENANCE)

FIG ITEM	PART NUMBER	1 2 3 4 5 6 7	NOMENCLATURE	EFFECT FROM TO	UNITS PER ASSY
1					
31	BAC27NEX0357	.DECAL-	PLACARD CONTENT: K10075	107107	1
32	BAC27NEX1625	.DECAL-	PLACARD CONTENT: K10421	121503 904949	1
35	BAC27NEX0356	.DECAL-	PLACARD CONTENT: K10073	002004 006102 107107 121503 904999	1
40	JAD9F007	.RELAY-	SUPPLIER CODE: V58657 SPECIFICATION NUMBER: BACR13CJ2 ELECTRICAL EQUIP NUMBER: K10421	121503 904949	1
48	FT1003	.TRANSFORMER-AUTO	SUPPLIER CODE: V14752 SPECIFICATION NUMBER: 60B40026-15 ELECTRICAL EQUIP NUMBER: T10003 T10004 T10005 T10006	107107	4
49	FT1003	.TRANSFORMER-AUTO	SUPPLIER CODE: V14752 SPECIFICATION NUMBER: 60B40026-15 ELECTRICAL EQUIP NUMBER: T10003 T10004	002004 006100 121503 904999	2
51	NAS1801-3-8	.SCREW-	ATTACHING PARTS	107107	13
52	NAS1801-3-20	.SCREW-		107107	3
53	NAS43DD3-48FC	.SPACER-		107107	3
54	NAS1801-3-8	.SCREW		002004 006100 121503 904999	7
55	NAS1801-3-18	.SCREW-		002004 006017 121503 904999	1
55	NAS1801-3-20	.SCREW-		018100	1

MISSING ITEM NUMBERS NOT APPLICABLE

- ITEM NOT ILLUSTRATED

33-21-71-01

33-21-71
FIG. 01
PAGE 2
JAN 20/09

BRI



757

PARTS CATALOG (MAINTENANCE)

FIG ITEM	PART NUMBER	1 2 3 4 5 6 7	NOMENCLATURE	EFFECT FROM TO	UNITS PER ASSY
1					
56	NAS43DD3-48	.	SPACER-	002004 006017 121503 904999	1
56	NAS43DD3-48FC	.	SPACER-	018100	1
57	AN970-3	.	WASHER	002004 006100 121503 904999	1
58	AN970-3	.	WASHER-	107107	3
		-----*			
65	KCAE4F	.	RELAY-	002004	2
			SUPPLIER CODE:	006102	
			V58657	107107	
			ELECTRICAL EQUIP NUMBER:	121503	
			K10064	904999	
			K10075		
70	KCAE4E	.	RELAY-	002004	1
			SUPPLIER CODE:	006102	
			V58657	107107	
			ELECTRICAL EQUIP NUMBER:	121503	
			K10073	904999	
- 200	286N1240-002		WIRE BUNDLE ASSY-(PASSENGER COMPARTMENT ILLUMINATION LIGHTS ONLY)	121503 904949	RF
- 200	286N1240-003		WIRE BUNDLE ASSY-(PASSENGER COMPARTMENT ILLUMINATION LIGHTS ONLY)	107107	RF
- 200	286N1240-006		WIRE BUNDLE ASSY-(PASSENGER COMPARTMENT ILLUMINATION LIGHTS ONLY)	002004 006100 950999	RF
210	SO-1062-8917	.	SOCKET-RELAY	107107	3
			SUPPLIER CODE:	121503	
			V35344	904949	
			ELECTRICAL EQUIP NUMBER:		
			D02828		
			D02898		
			D02940		
			WIRING DIAGRAM REF:		
			332111		
			332131		

MISSING ITEM NUMBERS NOT APPLICABLE

- ITEM NOT ILLUSTRATED

33-21-71-01

33-21-71
FIG. 01
PAGE 3
JAN 20/09

BRI



757

PARTS CATALOG (MAINTENANCE)

FIG ITEM	PART NUMBER	1 2 3 4 5 6 7	NOMENCLATURE	EFFECT FROM TO	UNITS PER ASSY
1 212	S0-1062-8917	.	SOCKET-RELAY SUPPLIER CODE: V35344 ELECTRICAL EQUIP NUMBER: D02898 D02940 WIRING DIAGRAM REF: 332111 332131	002004 006100 950999	2

MISSING ITEM NUMBERS NOT APPLICABLE

- ITEM NOT ILLUSTRATED

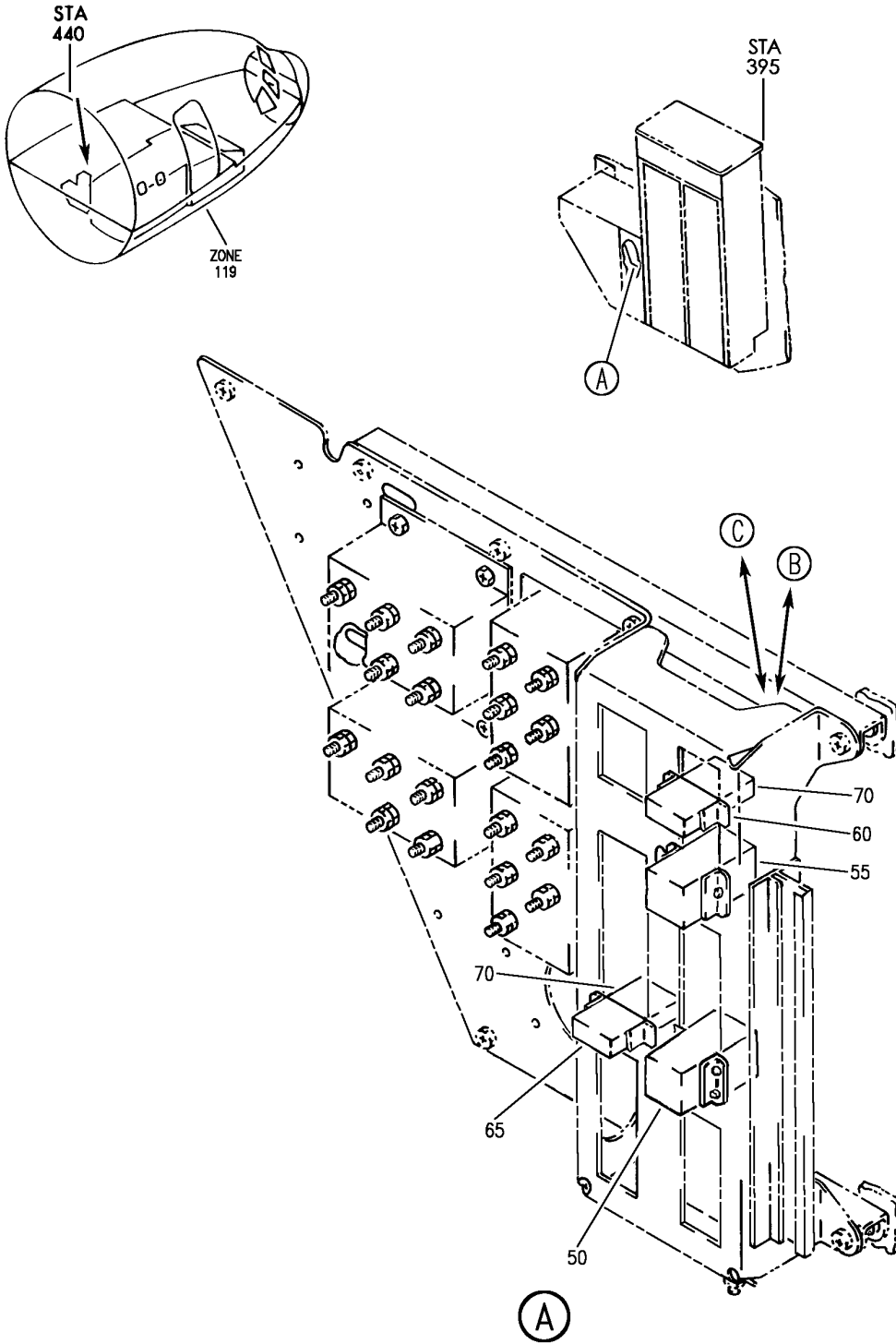
BRI

33-21-71-01

BOEING PROPRIETARY - Copyright © - Unpublished Work - See title page for details.

33-21-71
FIG. 01
PAGE 4
JAN 20/09

BOEING
757
PARTS CATALOG (MAINTENANCE)



Y 33217101A SHT 1 REV 301

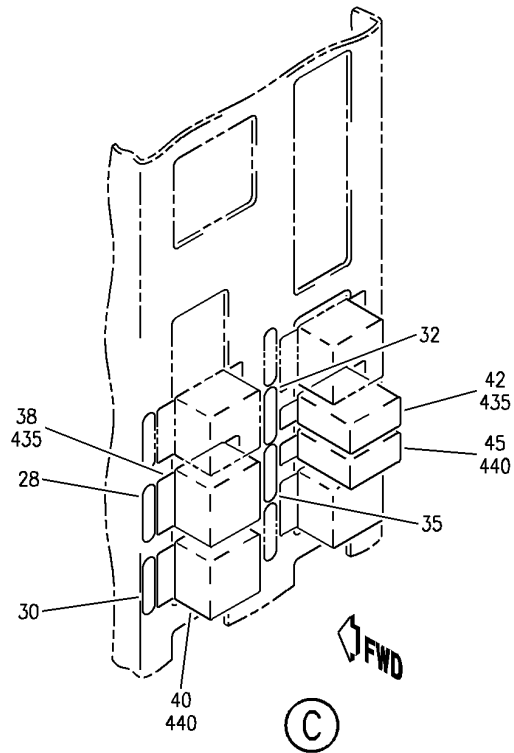
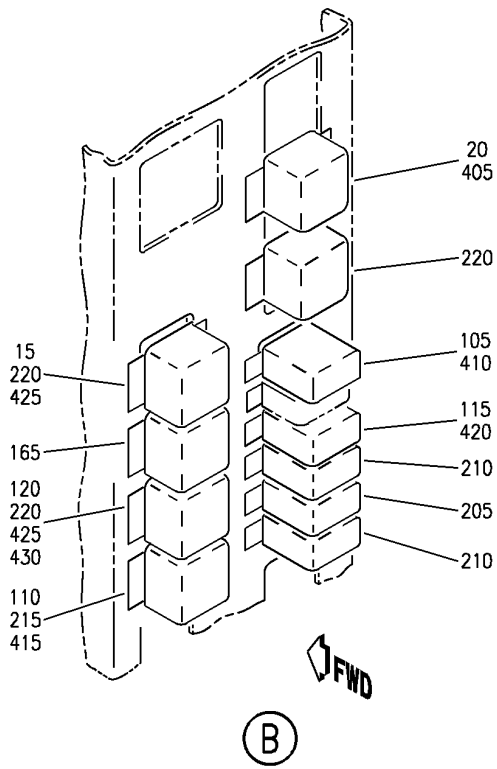
PACKAGE ASSY-OPTION P34 APU/EXT PWR (PASSENGER COMPARTMENT ILLUMINATION LIGHTS ONLY)
FIGURE 1A (SHEET 1)

BRI
MAY 28/07

33-21-71-01A

33-21-71-01A
PAGE 0

BOEING
757
PARTS CATALOG (MAINTENANCE)



Y 33217101A SHT 2 REV 301

PACKAGE ASSY-OPTION P34 APU/EXT PWR (PASSENGER COMPARTMENT ILLUMINATION LIGHTS ONLY)
FIGURE 1A (SHEET 2)

BRI
MAY 28/07

33-21-71-01A

33-21-71-01A
PAGE 0A



757

PARTS CATALOG (MAINTENANCE)

FIG ITEM	PART NUMBER	1 2 3 4 5 6 7	NOMENCLATURE	EFFECT FROM TO	UNITS PER ASSY
1 A			PACKAGE ASSY-OPTION P34 APU/EXT PWR (PASSENGER COMPARTMENT ILLUMINATION LIGHTS ONLY)	101102 504903	
- 1	284N1316-1001		PACKAGE ASSY-OPTION P34 APU/EXT PWR (PASSENGER COMPARTMENT ILLUMINATION LIGHTS ONLY) FOR NHA/OTHER SYS DET SEE: 31-01-34-01	101102 504903	RF
20	KCAE4F		.RELAY- SUPPLIER CODE: V58657 ELECTRICAL EQUIP NUMBER: K10064	101102 504903	1
- 25	284N1316-1005		PACKAGE ASSY-OPTION P34 APU/EXT PWR (PASSENGER COMPARTMENT ILLUMINATION LIGHTS ONLY) FOR NHA SEE: 31-01-34-01	101102 504903	RF
50	KCAE4E		.RELAY- SUPPLIER CODE: V58657 ELECTRICAL EQUIP NUMBER: K10073	101102 504903	1
55	KCAE4F		.RELAY- SUPPLIER CODE: V58657 ELECTRICAL EQUIP NUMBER: K10075	101102 504903	1
- 400	286N1240-321		WIRE BUNDLE ASSY	504903	RF
- 400	286N1240-322		WIRE BUNDLE ASSY	101102	RF
405	S01062-8917		.RELAY- SUPPLIER CODE: V35344 ELECTRICAL EQUIP NUMBER: D02898 WIRING DIAGRAM REF: 332131	101102 504903	1

MISSING ITEM NUMBERS NOT APPLICABLE

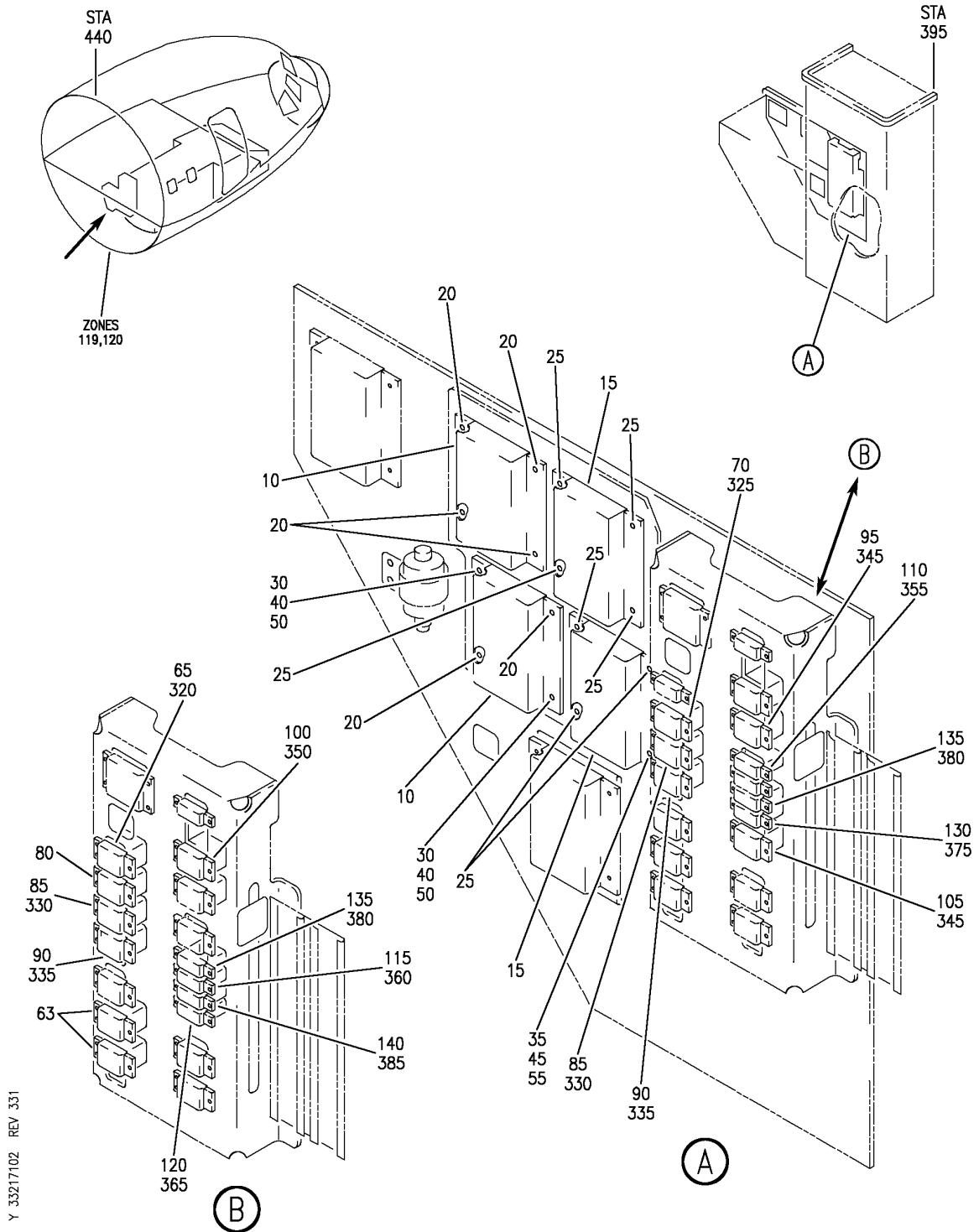
- ITEM NOT ILLUSTRATED

33-21-71-01A

33-21-71
FIG. 01A
PAGE 1
JAN 20/09

BRI

BOEING
757
PARTS CATALOG (MAINTENANCE)



PANEL ASSY-P34 APU/EXT PWR (PASSENGER COMPARTMENT ILLUMINATION ONLY)
FIGURE 2

33-21-71-02

BRI
JAN 20/09

33-21-71-02
PAGE 0



757

PARTS CATALOG (MAINTENANCE)

FIG ITEM	PART NUMBER	1 2 3 4 5 6 7	NOMENCLATURE	EFFECT FROM TO	UNITS PER ASSY
2			PANEL ASSY-P34 APU/EXT PWR (PASSENGER COMPARTMENT ILLUMINATION ONLY)	103106 108120	
- 2	284N1316-147		PANEL ASSY-P34 APU/EXT PWR (PASSENGER COMPARTMENT ILLUMINATION ONLY) FOR NHA/OTHER SYS DET SEE: 24-00-58-05C	108120	RF
- 5	MODREF31492		PANEL ASSY-P34 APU/EXT PWR (PASSENGER COMPARTMENT ILLUMINATION ONLY) MODULE NUMBER: 284N1316-207 REV A FOR OTHER SYS DETAILS SEE: 11-36-09-08 24-22-03-04 24-23-01-03 24-41-01-02 24-51-01-03 24-51-03-02 24-51-04-03 24-51-54-04 24-53-73-02 24-54-01-02 31-01-34-03 33-22-71-02 33-24-71-02 33-42-71-03 38-14-71-02	103105	1

MISSING ITEM NUMBERS NOT APPLICABLE

- ITEM NOT ILLUSTRATED

BRI

33-21-71-02

BOEING PROPRIETARY - Copyright © - Unpublished Work - See title page for details.

33-21-71
FIG. 02
PAGE 1
JAN 20/09



757

PARTS CATALOG (MAINTENANCE)

FIG ITEM	PART NUMBER	1 2 3 4 5 6 7	NOMENCLATURE	EFFECT FROM TO	UNITS PER ASSY
2 -	5 MODREF34794		PANEL ASSY-P34 APU/EXT PWR (PASSENGER COMPARTMENT ILLUMINATION ONLY) MODULE NUMBER: 284N1316-207 REV B FOR OTHER SYS DETAILS SEE: 11-36-09-08 24-22-03-04 24-23-01-03 24-41-01-02 24-51-01-03 24-51-03-02 24-51-04-03 24-51-54-04 24-53-73-02 24-54-01-02 31-01-34-03 33-22-71-02 33-24-71-02 33-42-71-03 38-14-71-02	106106	1
	85 KAX9E004		.RELAY- SUPPLIER CODE: V58657 ELECTRICAL EQUIP NUMBER: K10495	103106 108120	1
	90 KAD9F005		.RELAY- SUPPLIER CODE: V58657 ELECTRICAL EQUIP NUMBER: K10491	103106 108120	1
	100 KCAE4F		.RELAY- SUPPLIER CODE: V58657 ELECTRICAL EQUIP NUMBER: K10064	103106 108120	1
	115 JAD9F007		.RELAY- SUPPLIER CODE: V58657 SPECIFICATION NUMBER: BACR13CJ2 ELECTRICAL EQUIP NUMBER: K10490	103106	1

MISSING ITEM NUMBERS NOT APPLICABLE

- ITEM NOT ILLUSTRATED

BRI

33-21-71-02

BOEING PROPRIETARY - Copyright © - Unpublished Work - See title page for details.

33-21-71
FIG. 02
PAGE 2
JAN 20/09



757

PARTS CATALOG (MAINTENANCE)

FIG ITEM	PART NUMBER	1 2 3 4 5 6 7	NOMENCLATURE	EFFECT FROM TO	UNITS PER ASSY
2 120	JAD9F007		.RELAY- SUPPLIER CODE: V58657 SPECIFICATION NUMBER: BACR13CJ2 ELECTRICAL EQUIP NUMBER: K10490	108120	1
135	JAD9E006		.RELAY- SUPPLIER CODE: V58657 SPECIFICATION NUMBER: BACR13CJ1 ELECTRICAL EQUIP NUMBER: K10492	103106	1
140	JAD9E006		.RELAY- SUPPLIER CODE: V58657 SPECIFICATION NUMBER: BACR13CJ1 ELECTRICAL EQUIP NUMBER: K10492	108120	1
- 301	286N1240-323		WIRE BUNDLE ASSY	108120	RF
- 302	286N1240-602		WIRE BUNDLE ASSY	103106	RF
330	RSF116404		.SOCKET- SUPPLIER CODE: V58982 SPECIFICATION NUMBER: BACS16W2A OPTIONAL PART: 102-011-1 V09922 000300-1542 V05574 ELECTRICAL EQUIP NUMBER: D05578 WIRING DIAGRAM REF: 332111	103106 108120	1

MISSING ITEM NUMBERS NOT APPLICABLE

- ITEM NOT ILLUSTRATED

33-21-71-02

33-21-71
FIG. 02
PAGE 3
JAN 20/09

BRI



757

PARTS CATALOG (MAINTENANCE)

FIG ITEM	PART NUMBER	1 2 3 4 5 6 7	NOMENCLATURE	EFFECT FROM TO	UNITS PER ASSY
2 335	RSF116408		.SOCKET- SUPPLIER CODE: V58982 SPECIFICATION NUMBER: BACS16W3A OPTIONAL PART: 102-012-1 V09922 000300-1543 V05574 ELECTRICAL EQUIP NUMBER: D05478 WIRING DIAGRAM REF: 332131	103106 108120	1
350	SO-1062-8917		.SOCKET- SUPPLIER CODE: V35344 ELECTRICAL EQUIP NUMBER: D02898 WIRING DIAGRAM REF: 332131	103106 108120	1
360	RSF116208		.SOCKET- SUPPLIER CODE: V58982 SPECIFICATION NUMBER: BACS16X3A OPTIONAL PART: 102-005-1 V09922 000300-1541 V05574 ELECTRICAL EQUIP NUMBER: D05476 WIRING DIAGRAM REF: 332131	103106	1
365	RSF116208		.SOCKET- SUPPLIER CODE: V58982 SPECIFICATION NUMBER: BACS16X3A OPTIONAL PART: 102-005-1 V09922 000300-1541 V05574 ELECTRICAL EQUIP NUMBER: D05476 WIRING DIAGRAM REF: 332131	108120	1

MISSING ITEM NUMBERS NOT APPLICABLE

- ITEM NOT ILLUSTRATED

33-21-71-02

33-21-71
FIG. 02
PAGE 4
JAN 20/09

BRI



757

PARTS CATALOG (MAINTENANCE)

FIG ITEM	PART NUMBER	1 2 3 4 5 6 7	NOMENCLATURE	EFFECT FROM TO	UNITS PER ASSY
2 380	RSF116204		.SOCKET- SUPPLIER CODE: V58982 SPECIFICATION NUMBER: BACS16X2A OPTIONAL PART: 102-007-1 V09922 000300-1540 V05574 ELECTRICAL EQUIP NUMBER: D05480 WIRING DIAGRAM REF: 332111	103106	1
385	RSF116204		.SOCKET- SUPPLIER CODE: V58982 SPECIFICATION NUMBER: BACS16X2A OPTIONAL PART: 102-007-1 V09922 000300-1540 V05574 ELECTRICAL EQUIP NUMBER: D05480 WIRING DIAGRAM REF: 332111	108120	1

MISSING ITEM NUMBERS NOT APPLICABLE

- ITEM NOT ILLUSTRATED

BRI

33-21-71-02

BOEING PROPRIETARY - Copyright © - Unpublished Work - See title page for details.

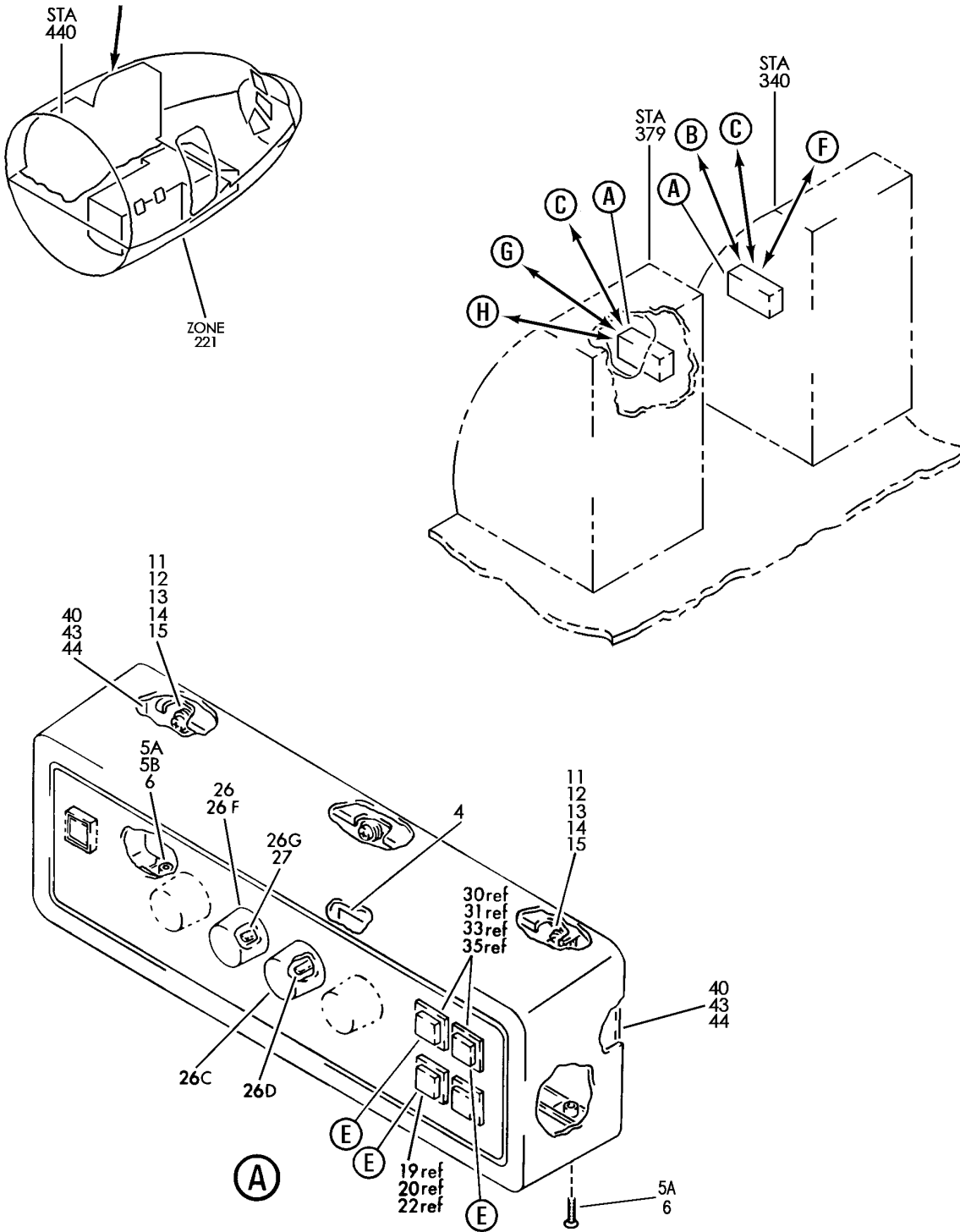
33-21-71
FIG. 02
PAGE 5
JAN 20/09

PASSENGER LOADING LIGHTS

BRI
MAY 28/07

33-22-00
SECTION TITLE
PAGE 1


BOEING
 757
PARTS CATALOG (MAINTENANCE)



Y 333220501 SH1 1 REV 331

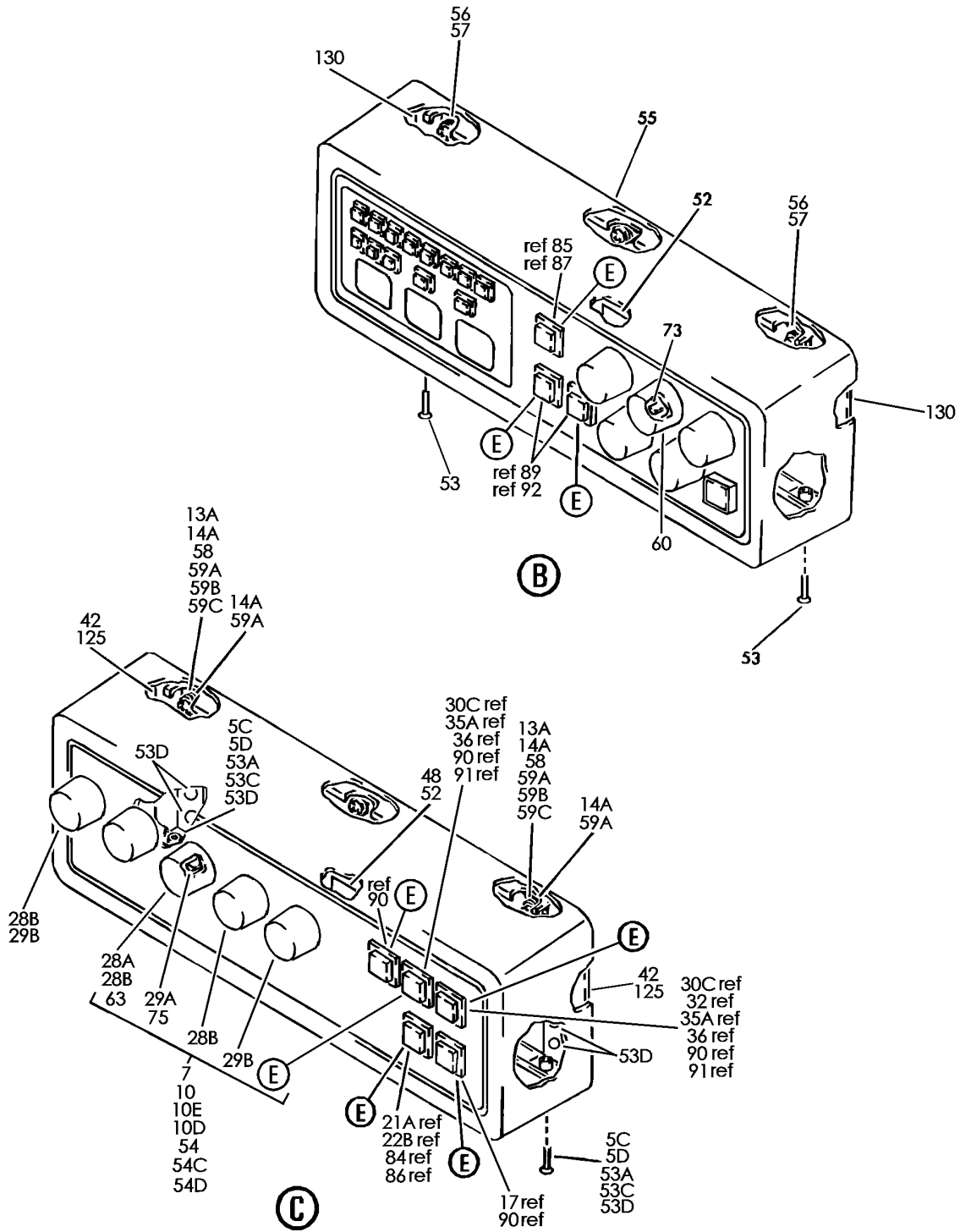
PANEL INSTL-ATTENDANT (FORWARD ATTENDANT'S PANEL ONLY)
 FIGURE 1 (SHEET 1)

33-22-05-01

BRI
 JAN 20/09

33-22-05-01
 PAGE 0

BOEING
757
PARTS CATALOG (MAINTENANCE)



Y 33220501 SH1 2 REV 214

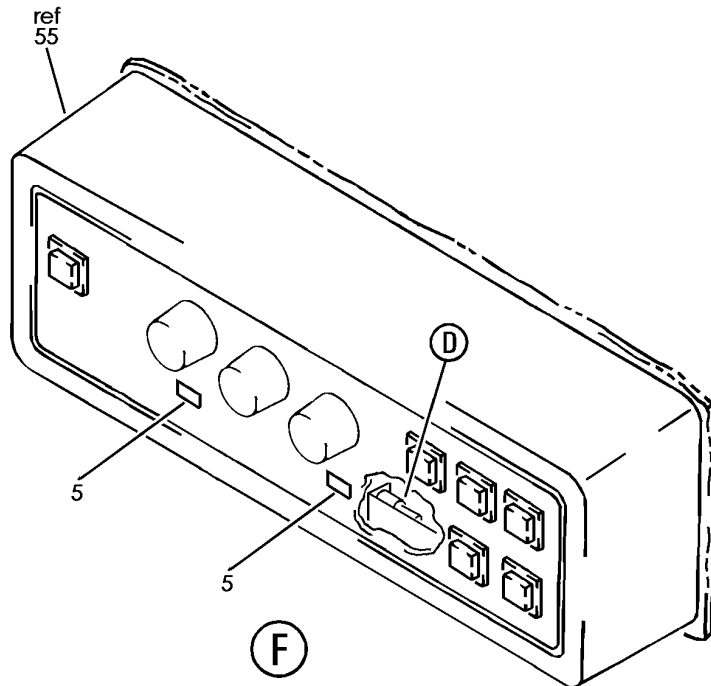
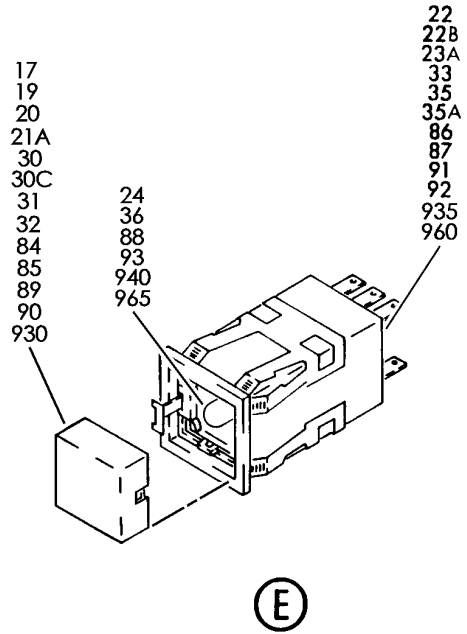
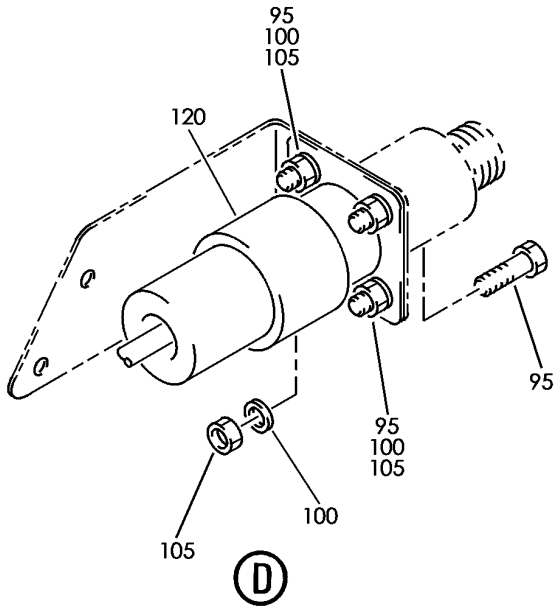
PANEL INSTL-ATTENDANT (FORWARD ATTENDANT'S PANEL ONLY)
FIGURE 1 (SHEET 2)

33-22-05-01

BRI
MAY 28/07

33-22-05-01
PAGE 0A

BOEING
757
PARTS CATALOG (MAINTENANCE)



Y 33220501 SHT 3 REV 214

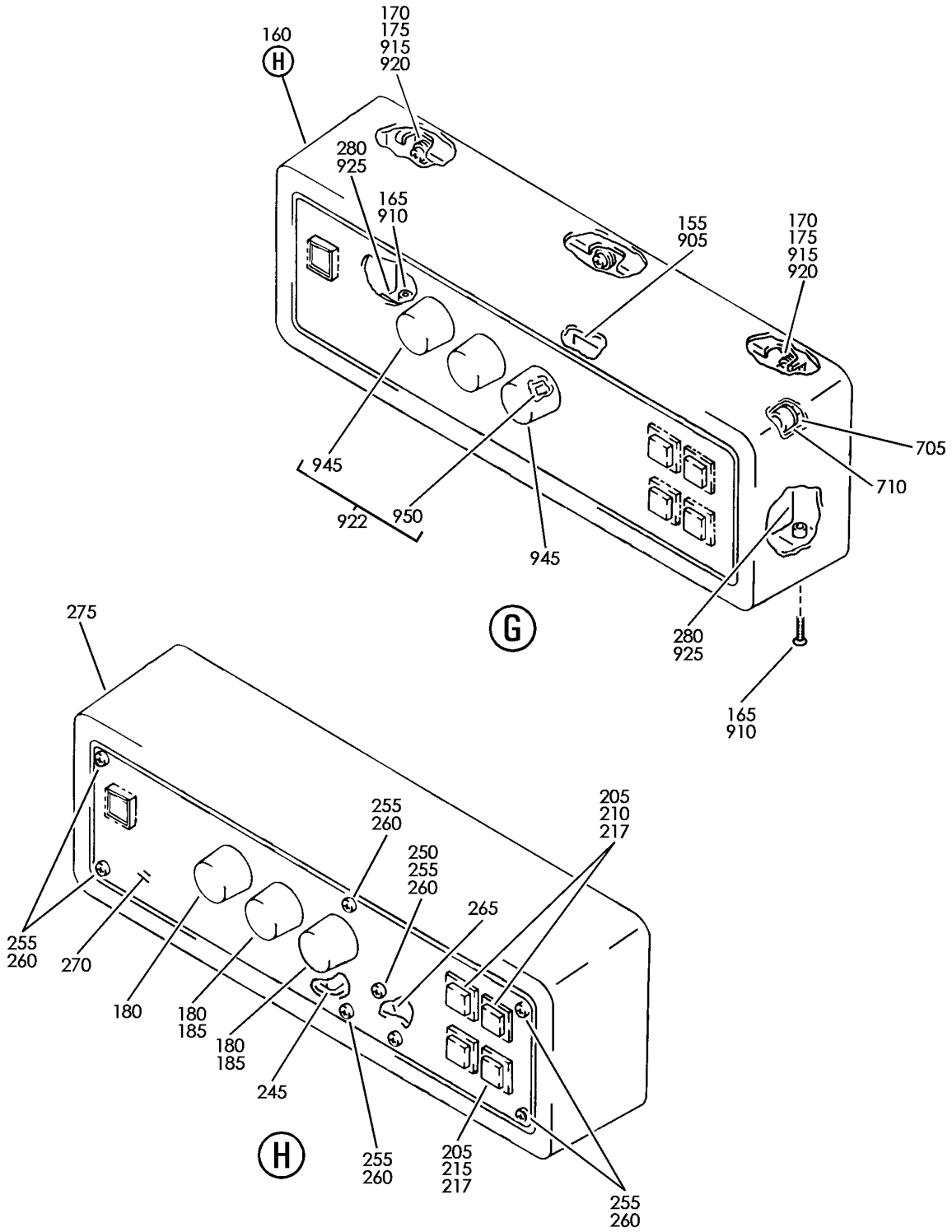
PANEL INSTL-ATTENDANT (FORWARD ATTENDANT'S PANEL ONLY)
FIGURE 1 (SHEET 3)

33-22-05-01

BRI
MAY 28/07

33-22-05-01
PAGE 0B

BOEING
757
PARTS CATALOG (MAINTENANCE)



Y 33220501 SH- 4 REV 331

PANEL INSTL-ATTENDANT (FORWARD ATTENDANT'S PANEL ONLY)
FIGURE 1 (SHEET 4)

33-22-05-01

BRI
JAN 20/09

33-22-05-01
PAGE 0C



757

PARTS CATALOG (MAINTENANCE)

FIG ITEM	PART NUMBER	1 2 3 4 5 6 7	NOMENCLATURE	EFFECT FROM TO	UNITS PER ASSY
1			PANEL INSTL-ATTENDANT (FORWARD ATTENDANT'S PANEL ONLY)	107107 121503 904999	
- 1	417N6001-67		PANEL INSTL-ATTENDANT DOOR NO.1 (FORWARD ATTENDANT'S PANEL ONLY) POSITION DATA: LH STA 340.00 FOR NHA/OTHER SYS DET SEE: 25-20-00-01A	950951	RF
- 2	417N6001-4		PANEL INSTL-ATTENDANT (FORWARD ATTENDANT'S PANEL ONLY) POSITION DATA: STA 379.20 FOR NHA/OTHER SYS DET SEE: 25-20-00-01E	107107	RF
- 2	417N6001-56		PANEL INSTL-ATTENDANT (FORWARD ATTENDANT'S PANEL ONLY) POSITION DATA: STA 379.50 FOR NHA/OTHER SYS DET SEE: 25-20-00-01A	952999	RF
4	BAC27NPA0471		.MARKER-ALUMINUM FOIL PLACARD CONTENT: P21 ATTENDANT PANEL	107107 950951	1
5A	NAS514P1032-8		.SCREW	950999	2
6	NAS514P1032-8		.SCREW	107107	2
7	417N6002-4SP		.PANEL ASSY- SUPPLIER CODE: V89954 COMPONENT MAINT MANUAL REF: 33-22-51	107107	1
7	417N6002-57SP		.PANEL ASSY- SUPPLIER CODE: V89954 COMPONENT MAINT MANUAL REF: 33-22-51	950951	1
7	417N6002-51SP		.PANEL ASSY- SUPPLIER CODE: V89954 COMPONENT MAINT MANUAL REF: 33-22-51	952999	1
11	417N6008-1		ATTACHING PARTS .SCREW-SHOULDER	950999	3
12	417N6008-1		.SCREW-SHOULDER	107107	3
14	AN960JD10LL		.WASHER	950999	3

MISSING ITEM NUMBERS NOT APPLICABLE

- ITEM NOT ILLUSTRATED

33-22-05-01

33-22-05
FIG. 01
PAGE 1
JAN 20/09

BRI



757

PARTS CATALOG (MAINTENANCE)

FIG ITEM	PART NUMBER	1 2 3 4 5 6 7	NOMENCLATURE	EFFECT FROM TO	UNITS PER ASSY
1					
15	AN960PD10L	.	WASHER -----*-----	107107	6
19	2100-102	..	LENS-SWITCH SUPPLIER CODE: V91929	950999	1
20	2100-102	..	LENS-SWITCH SUPPLIER CODE: V91929	107107	1
22	2100-6	..	SWITCH ASSY-LIGHTED PUSH BUTTON SUPPLIER CODE: V91929 ELECTRICAL EQUIP NUMBER: S10296	107107	1
23A	2100-6	..	SWITCH ASSY-LIGHTED PUSH BUTTON SUPPLIER CODE: V91929 ELECTRICAL EQUIP NUMBER: S10296	950999	1
24	85	...	BULB- SUPPLIER CODE: V08805	107107	1
24	85	...	BULB- SUPPLIER CODE: V08805	950999	1
26	RD409-101	..	KNOB- SUPPLIER CODE: V81590	107107	1
26F	RD409-101	..	KNOB- SUPPLIER CODE: V81590	950999	1
26G	44YY26087	..	SWITCH-ROTARY SUPPLIER CODE: V81073 ELECTRICAL EQUIP NUMBER: S10302	950999	1
27	44YY26087	..	SWITCH-ROTARY SUPPLIER CODE: V81073 ELECTRICAL EQUIP NUMBER: S10302	107107	1
30	2100-100	..	LENS-SWITCH SUPPLIER CODE: V91929	107107	2
31	2100-100	..	LENS-SWITCH SUPPLIER CODE: V91929	950999	2

MISSING ITEM NUMBERS NOT APPLICABLE

- ITEM NOT ILLUSTRATED

33-22-05-01

33-22-05
FIG. 01
PAGE 2
JAN 20/09

BRI

BOEING PROPRIETARY - Copyright © - Unpublished Work - See title page for details.



757

PARTS CATALOG (MAINTENANCE)

FIG ITEM	PART NUMBER	1 2 3 4 5 6 7	NOMENCLATURE	EFFECT FROM TO	UNITS PER ASSY
1					
33	2100-8		..SWITCH ASSY-LIGHTED PUSH BUTTON SUPPLIER CODE: V91929 ELECTRICAL EQUIP NUMBER: S10300 S10301	950999	2
35	2100-8		..SWITCH ASSY-LIGHTED PUSH BUTTON SUPPLIER CODE: V91929 ELECTRICAL EQUIP NUMBER: S10300 S10301	107107	2
36	85		...BULB- SUPPLIER CODE: V08805	107107	1
36	85		...BULB- SUPPLIER CODE: V08805	950999	1
- 37	286N0504-001		..WIRE BUNDLE-	107107	RF
- 38	286N0504-036		..WIRE BUNDLE-	950951	RF
- 38	286N0504-031		..WIRE BUNDLE-	952999	RF
40	417N6009-15		.BRACKET-	107107	2
44	417N6009-15		.BRACKET ATTACHING PARTS	950999	2
- 45	NAS514P1032-8		.SCREW	107107	4
- 46	BACS12ER3K8		.SCREW	950999	4
			-----*-----		
- 51	417N6001-30		PANEL INSTL-ATTENDANT (FORWARD ATTENDANT'S PANEL ONLY) POSITION DATA: STA 340	121503 904949	RF
52	BAC27NPA0471		.MARKER-ALUMINUM FOIL PLACARD CONTENT: P21 ATTENDANT PANEL	121503 904949	1
53A	NAS514P1032-8		.SCREW	121503 904949	2
54	417N6002-31SP		.PANEL ASSY- SUPPLIER CODE: V89954 COMPONENT MAINT MANUAL REF: 33-22-51 ATTACHING PARTS	121503 904949	1
58	417N6008-1		.SCREW-SHOULDER	121503 904949	3

MISSING ITEM NUMBERS NOT APPLICABLE

- ITEM NOT ILLUSTRATED

33-22-05-01

33-22-05
FIG. 01
PAGE 3
JAN 20/09

BRI



757

PARTS CATALOG (MAINTENANCE)

FIG ITEM	PART NUMBER	1 2 3 4 5 6 7	NOMENCLATURE	EFFECT FROM TO	UNITS PER ASSY
1					
59A	AN960JD10LL	.	WASHER-	121503 904949	6
			-----*-----		
63	RD409-101	..	KNOB- SUPPLIER CODE: V81590	121503 904949	1
75	44YY26087	..	SWITCH-ROTARY SUPPLIER CODE: V81073 ELECTRICAL EQUIP NUMBER: S10302	121503 904949	1
84	2100-102	..	LENS-SWITCH SUPPLIER CODE: V91929	121503 904949	1
86	2100-6	..	SWITCH ASSY-LIGHTED PUSH BUTTON SUPPLIER CODE: V91929 ELECTRICAL EQUIP NUMBER: S10296	121503 904949	1
88	85	...	BULB- SUPPLIER CODE: V08805	121503 904949	1
90	2100-100	..	LENS-SWITCH SUPPLIER CODE: V91929	121503 904949	2
91	2100-8	..	SWITCH ASSY-LIGHTED PUSH BUTTON SUPPLIER CODE: V91929 ELECTRICAL EQUIP NUMBER: S10300 S10301	121503 904949	2
93	85	...	BULB- SUPPLIER CODE: V08805	121503 904949	1
125	417N6009-15	.	BRACKET	121503 904949	2
			ATTACHING PARTS		
- 140	NAS514P1032-8	.	SCREW	121503 904949	4
			-----*-----		
- 700	286N2150-002		WIRE BUNDLE ASSY-(PASSENGER LOADING LIGHTS ONLY)	121503 904949	RF
- 700	286N2150-003		WIRE BUNDLE ASSY-(PASSENGER LOADING LIGHTS ONLY)	107107	RF
- 700	286N2150-004		WIRE BUNDLE ASSY-(PASSENGER LOADING LIGHTS ONLY)	950951	RF

MISSING ITEM NUMBERS NOT APPLICABLE

- ITEM NOT ILLUSTRATED

33-22-05-01

33-22-05
FIG. 01
PAGE 4
JAN 20/09

BRI

BOEING PROPRIETARY - Copyright © - Unpublished Work - See title page for details.



757

PARTS CATALOG (MAINTENANCE)

FIG ITEM	PART NUMBER	1 2 3 4 5 6 7	NOMENCLATURE	EFFECT FROM TO	UNITS PER ASSY
1 705	GS3417-14C		.CLAMP- SUPPLIER CODE: V06324 SPECIFICATION NUMBER: BACC10HF14 OPTIONAL PART: S2125-14-8 V07418 ELECTRICAL EQUIP NUMBER: D04360T WIRING DIAGRAM REF: 323511	107107 121503 904949	1
710	R071014R7S6L		.CONNECTOR- SUPPLIER CODE: V41118 SPECIFICATION NUMBER: BACC63BP14R7S6L ELECTRICAL EQUIP NUMBER: D04360 WIRING DIAGRAM REF: 323511	107107 121503 904949	1
935	2100-6		..SWITCH ASSY-LIGHTED PUSH BUTTON SUPPLIER CODE: V91929 ELECTRICAL EQUIP NUMBER: S10296	950999	1
950	44YY26087		..SWITCH-ROTARY SUPPLIER CODE: V81073 ELECTRICAL EQUIP NUMBER: S10302	950999	2

MISSING ITEM NUMBERS NOT APPLICABLE

- ITEM NOT ILLUSTRATED

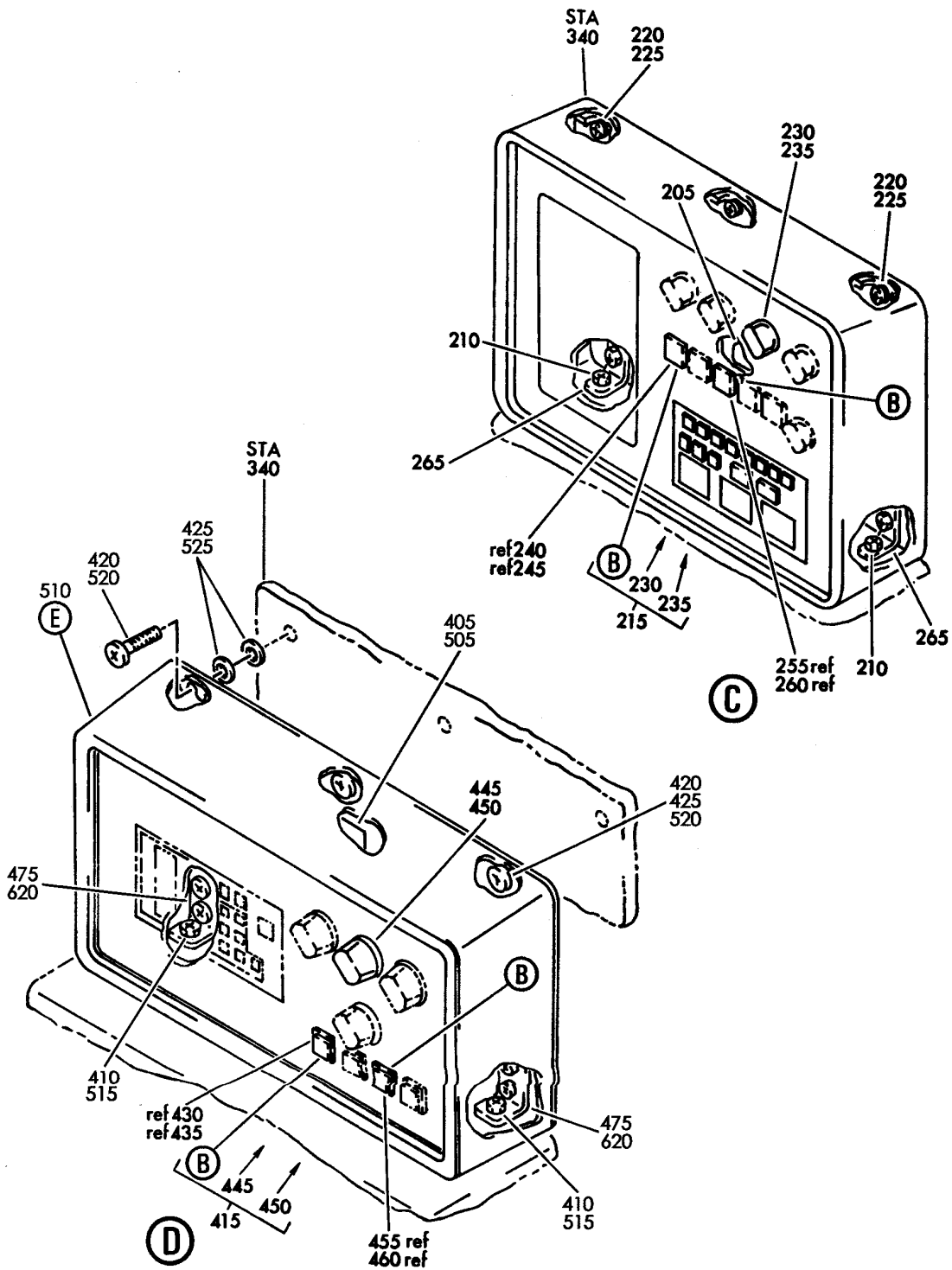
BRI

33-22-05-01

BOEING PROPRIETARY - Copyright © - Unpublished Work - See title page for details.

33-22-05
FIG. 01
PAGE 5
JAN 20/09

BOEING
757
PARTS CATALOG (MAINTENANCE)



Y 33220501A SHT 2 REV 212

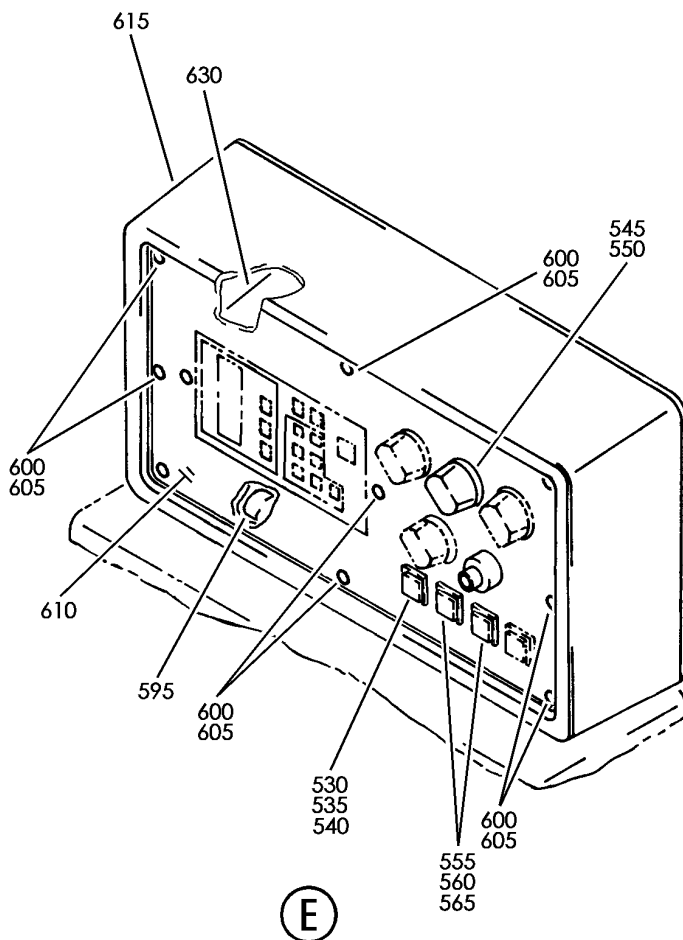
PANEL INSTL-ATTENDANT (PASSENGER LOADING LIGHTS ONLY)
FIGURE 1A (SHEET 2)

33-22-05-01A

BRI
MAY 28/07

33-22-05-01A
PAGE 0A

BOEING
757
PARTS CATALOG (MAINTENANCE)



Y 33220501A SHT 3 REV 214

PANEL INSTL-ATTENDANT (PASSENGER LOADING LIGHTS ONLY)
FIGURE 1A (SHEET 3)

33-22-05-01A

BRI
MAY 28/07

33-22-05-01A
PAGE 0B



757

PARTS CATALOG (MAINTENANCE)

FIG ITEM	PART NUMBER	1 2 3 4 5 6 7	NOMENCLATURE	EFFECT FROM TO	UNITS PER ASSY
1A			PANEL INSTL-ATTENDANT (PASSENGER LOADING LIGHTS ONLY)	002004 006102 504903	
200	417N6001-209SP		PANEL INSTL-ATTENDANT (PASSENGER LOADING LIGHTS ONLY) POSITION DATA: STA 340 FOR NHA/OTHER SYS DET SEE: 25-20-00-07E	504903	RF
205	BAC27NPA0471		.MARKER-ALUMINUM FOIL PLACARD CONTENT: P21 ATTENDANT PANEL	504903	1
215	417N6002-74SP		.PANEL ASSY- SUPPLIER CODE: V89954 COMPONENT MAINT MANUAL REF: 33-22-51	504903	1
220	417N6008-1		ATTACHING PARTS .SCREW-SHOULDER -----*-----	504903	3
230	RD409-101		..KNOB- SUPPLIER CODE: V81590	504903	1
235	44YY26087		..SWITCH-ROTARY SUPPLIER CODE: V81073 ELECTRICAL EQUIP NUMBER: S10302	504903	1
240	2100-102		..LENS-SWITCH SUPPLIER CODE: V91929	504903	1
245	2100-6		..SWITCH ASSY-LIGHTED PUSH BUTTON SUPPLIER CODE: V91929 ELECTRICAL EQUIP NUMBER: S10296	504903	1
255	2100-100		..LENS-SWITCH SUPPLIER CODE: V91929	504903	2
260	2100-8		..SWITCH ASSY-LIGHTED PUSH BUTTON SUPPLIER CODE: V91929 ELECTRICAL EQUIP NUMBER: S10300 S10301	504903	2

MISSING ITEM NUMBERS NOT APPLICABLE

- ITEM NOT ILLUSTRATED

33-22-05-01A

33-22-05
FIG. 01A
PAGE 1
JAN 20/09

BRI

BOEING PROPRIETARY - Copyright © - Unpublished Work - See title page for details.



757

PARTS CATALOG (MAINTENANCE)

FIG ITEM	PART NUMBER	1 2 3 4 5 6 7	NOMENCLATURE	EFFECT FROM TO	UNITS PER ASSY
1 A					
- 263	85		...BULB- SUPPLIER CODE: V08805	504903	1
	265		.BRACKET ATTACHING PARTS	504903	2
- 270	NAS514P1032-8		.SCREW	504903	4
			-----*-----		
400	417N6001-62		PANEL INSTL-ATTENDANT DOOR NO. 1 (PASSENGER LOADING LIGHTS ONLY) POSITION DATA: LH STA 340 FOR NHA/OTHER SYS DET SEE: 25-20-00-01A	002004 006100	RF
	405	BAC27NPA0471	.MARKER-ALUMINUM FOIL- PLACARD CONTENT: P21 ATTENDANT PANEL	002004 006100	1
	410	NAS514P1032-8	.SCREW	002004 006100	2
	415	417N6002-54SP	.PANEL ASSY- SUPPLIER CODE: V89954 COMPONENT MAINT MANUAL REF: 32-22-51 ATTACHING PARTS	002004 006100	1
	420	417N6008-1	.SCREW-SHOULDER	002004 006100	3
	425	AN960JD10LL	.WASHER	002004 006100	6
			-----*-----		
	430	2100-102	..LENS-SWITCH SUPPLIER CODE: V91929	002004 006100	1
	435	2100-6	..SWITCH ASSY-LIGHTED PUSH BUTTON SUPPLIER CODE: V91929 ELECTRICAL EQUIP NUMBER: S10296	002004 006100	1
	440	85	...BULB- SUPPLIER CODE: V08805	002004 006100	1
	445	RD409-101	..KNOB- SUPPLIER CODE: V81590	002004 006100	1

MISSING ITEM NUMBERS NOT APPLICABLE

- ITEM NOT ILLUSTRATED

33-22-05-01A

33-22-05
FIG. 01A
PAGE 2
JAN 20/09

BRI

BOEING PROPRIETARY - Copyright © - Unpublished Work - See title page for details.

 **BOEING**
757
PARTS CATALOG (MAINTENANCE)

FIG ITEM	PART NUMBER	1 2 3 4 5 6 7	NOMENCLATURE	EFFECT FROM TO	UNITS PER ASSY
1A 450	44YY26087		..SWITCH-ROTARY SUPPLIER CODE: V81073 ELECTRICAL EQUIP NUMBER: S10302	002004 006100	1
455	2100-100		..LENS-SWITCH SUPPLIER CODE: V91929	002004 006100	1
460	2100-8		..SWITCH ASSY-LIGHTED PUSH BUTTON SUPPLIER CODE: V91929 ELECTRICAL EQUIP NUMBER: S10301	002004 006100	1
465	85		...BULB- SUPPLIER CODE: V08805	002004 006100	1
- 470	286N0504-033		..WIRE BUNDLE	002004 006100	RF
475	417N6009-15		.BRACKET	002004 006100	2
- 480	NAS514P1032-8		ATTACHING PARTS .SCREW	002004 006100	4
- 500	417N6001-242SP		-----*----- PANEL INSTL-ATTENDANT DOOR NO. 1 (PASSENGER LOADING LIGHTS ONLY) POSITION DATA: STA 340 LH FOR NHA/OTHER SYS DET SEE: 25-20-00-07E	101101	RF
- 500	417N6001-246SP		PANEL INSTL-ATTENDANT DOOR NO. 1 (PASSENGER LOADING LIGHTS ONLY) POSITION DATA: STA 340 LH FOR NHA/OTHER SYS DET SEE: 25-20-00-07E	102102	RF
505	BAC27NPA0471		.MARKER-ALUMINUM FOIL PLACARD CONTENT: P21 ATTENDANT PANEL	101102	1

MISSING ITEM NUMBERS NOT APPLICABLE

- ITEM NOT ILLUSTRATED

BRI

33-22-05-01A

BOEING PROPRIETARY - Copyright © - Unpublished Work - See title page for details.

33-22-05
FIG. 01A
PAGE 3
JAN 20/09

 **BOEING**
757
PARTS CATALOG (MAINTENANCE)

FIG ITEM	PART NUMBER	1 2 3 4 5 6 7	NOMENCLATURE	EFFECT FROM TO	UNITS PER ASSY
1A 510	417N6002-125SP	.	PANEL ASSY- SUPPLIER CODE: V89954 COMPONENT MAINT MANUAL REF: 33-22-51 OPTIONAL PART: 417N6002-54SP V89954	101102	1
510	417N6002-54SP	.	PANEL ASSY- SUPPLIER CODE: V89954 COMPONENT MAINT MANUAL REF: 33-22-51 OPTIONAL PART: 417N6002-125SP V89954	101101	1
510	417N6002-135SP	.	PANEL ASSY- SUPPLIER CODE: V89954 COMPONENT MAINT MANUAL REF: 33-22-51	102102	1
510	417N6002-125SP	.	PANEL ASSY- SUPPLIER CODE: V89954 COMPONENT MAINT MANUAL REF: 33-22-51 OPTIONAL PART: 417N6002-54SP V89954	101101	1
515	NAS514P1032-8	.	ATTACHING PARTS SCREW	101102	2
520	417N6008-1	.	SCREW-SHOULDER	101102	3
525	NAS1149D0316J	.	WASHER	101102	AR
			-----*-----		
530	2100-102	..	LENS-SWITCH SUPPLIER CODE: V91929	101102	1
535	2100-6	..	SWITCH ASSY-LIGHTED PUSH BUTTON SUPPLIER CODE: V91929 ELECTRICAL EQUIP NUMBER: S10296	101102	1
540	85	...	BULB- SUPPLIER CODE: V08805	101102	1
545	RD409-101	..	KNOB- SUPPLIER CODE: V81590	101102	1

MISSING ITEM NUMBERS NOT APPLICABLE

— ITEM NOT ILLUSTRATED

BRI

33-22-05-01A

BOEING PROPRIETARY - Copyright © - Unpublished Work - See title page for details.

33-22-05
FIG. 01A
PAGE 4
JAN 20/09



757

PARTS CATALOG (MAINTENANCE)

FIG ITEM	PART NUMBER	1 2 3 4 5 6 7	NOMENCLATURE	EFFECT FROM TO	UNITS PER ASSY
1A 550	44YY26087		.. SWITCH-ROTARY SUPPLIER CODE: V81073 ELECTRICAL EQUIP NUMBER: S10302	101102	1
555	2100-100		.. LENS-SWITCH SUPPLIER CODE: V91929	101102	2
560	2100-8		.. SWITCH ASSY-LIGHTED PUSH BUTTON SUPPLIER CODE: V91929 ELECTRICAL EQUIP NUMBER: S10301 S10300	101102	2
565	85		... BULB- SUPPLIER CODE: V08805	101102	2
- 570	288N0175-707		.. WIRE BUNDLE INSTL ATTACHING PARTS	101102	1
- 575	NAS600-6P		.. SCREW	101102	4
- 580	AN960JD4L		.. WASHER	101101	4
- 580	NAS1149DN416J		.. WASHER	102102	4
- 585	MS21042L04		.. NUT	101102	4
			-----*-----		
- 590	286N0504-323		... WIRE BUNDLE	101102	1
595	BACC45FN20A41P		... CONNECTOR- ELECTRICAL EQUIP NUMBER: D02458	101102	1
600	BACN10MG10		.. NUT	101102	6
605	MS35333-73		.. WASHER	101102	6
610	417N6004-154SP		.. FACEPLATE ASSY	101102	1
615	417N6003-19SP		.. PANEL ASSY	101102	1
620	417N6009-15		. BRACKET ATTACHING PARTS	101102	2
- 625	NAS514P1032-8		. SCREW	101102	4
			-----*-----		
630	RDAX7112		. PANEL-CONTROL UNIT (CUSTOMER FURNISHED) SUPPLIER CODE: V54473	102102	1

MISSING ITEM NUMBERS NOT APPLICABLE

- ITEM NOT ILLUSTRATED

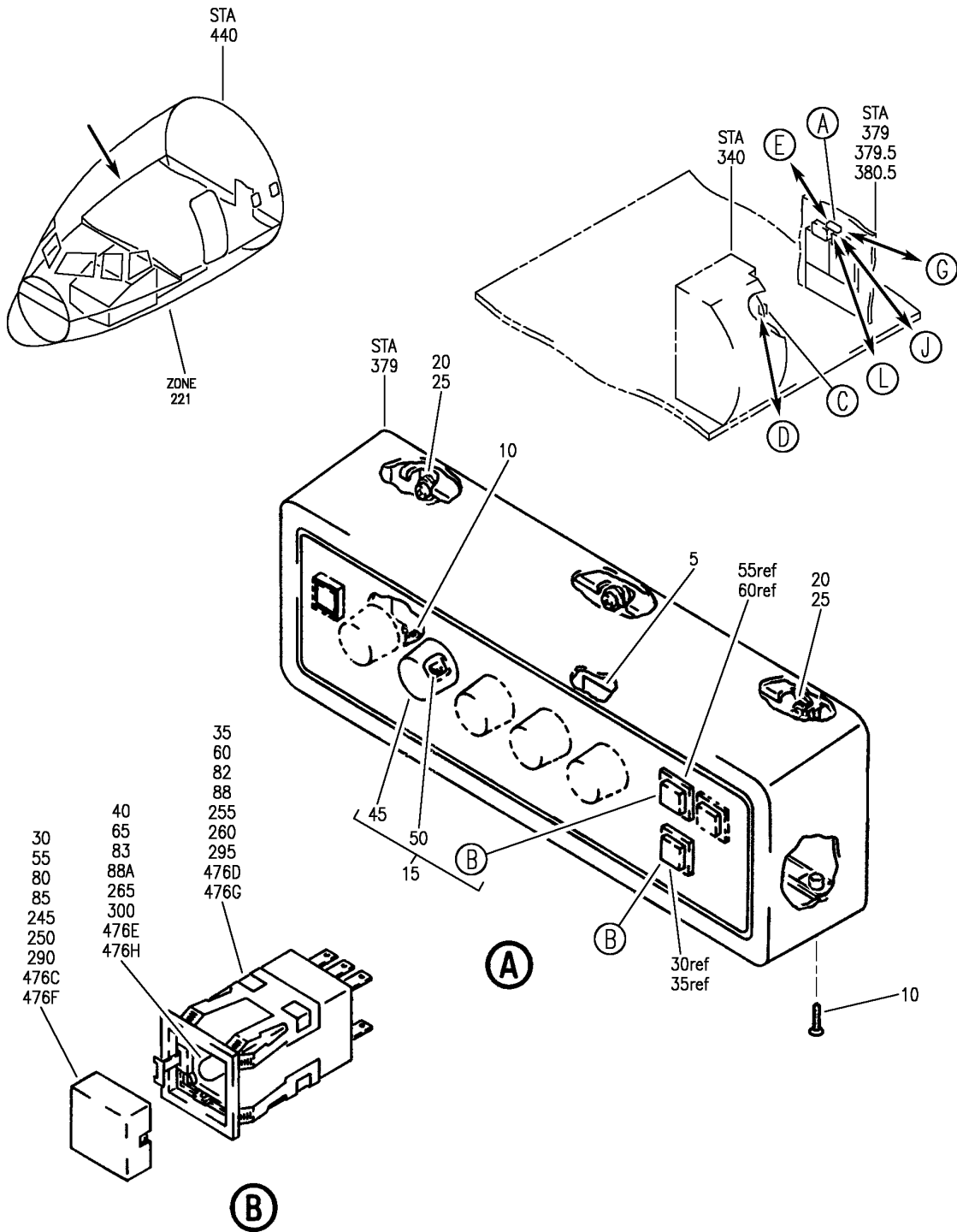
33-22-05-01A

33-22-05
FIG. 01A
PAGE 5
JAN 20/09

BRI

BOEING PROPRIETARY - Copyright © - Unpublished Work - See title page for details.

BOEING
757
PARTS CATALOG (MAINTENANCE)



Y 33220501B SHT 1 REV 301

PANEL INSTL-ATTENDANT (PASSENGER LOADING LIGHTS ONLY)
FIGURE 1B (SHEET 1)

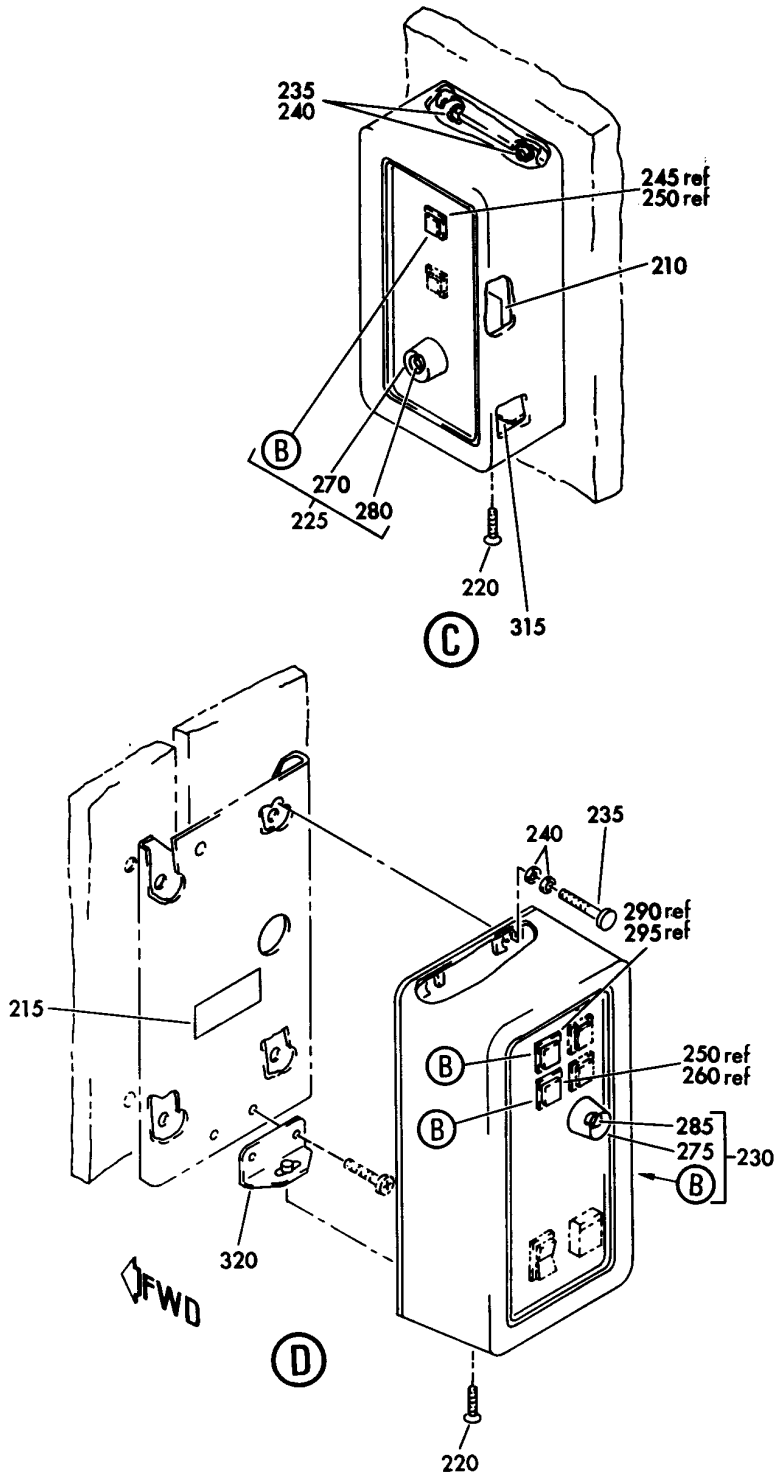
33-22-05-01B

BRI
JAN 20/09

33-22-05-01B
PAGE 0

BOEING
757
PARTS CATALOG (MAINTENANCE)

Y 33220501B SHT 2 REV 172



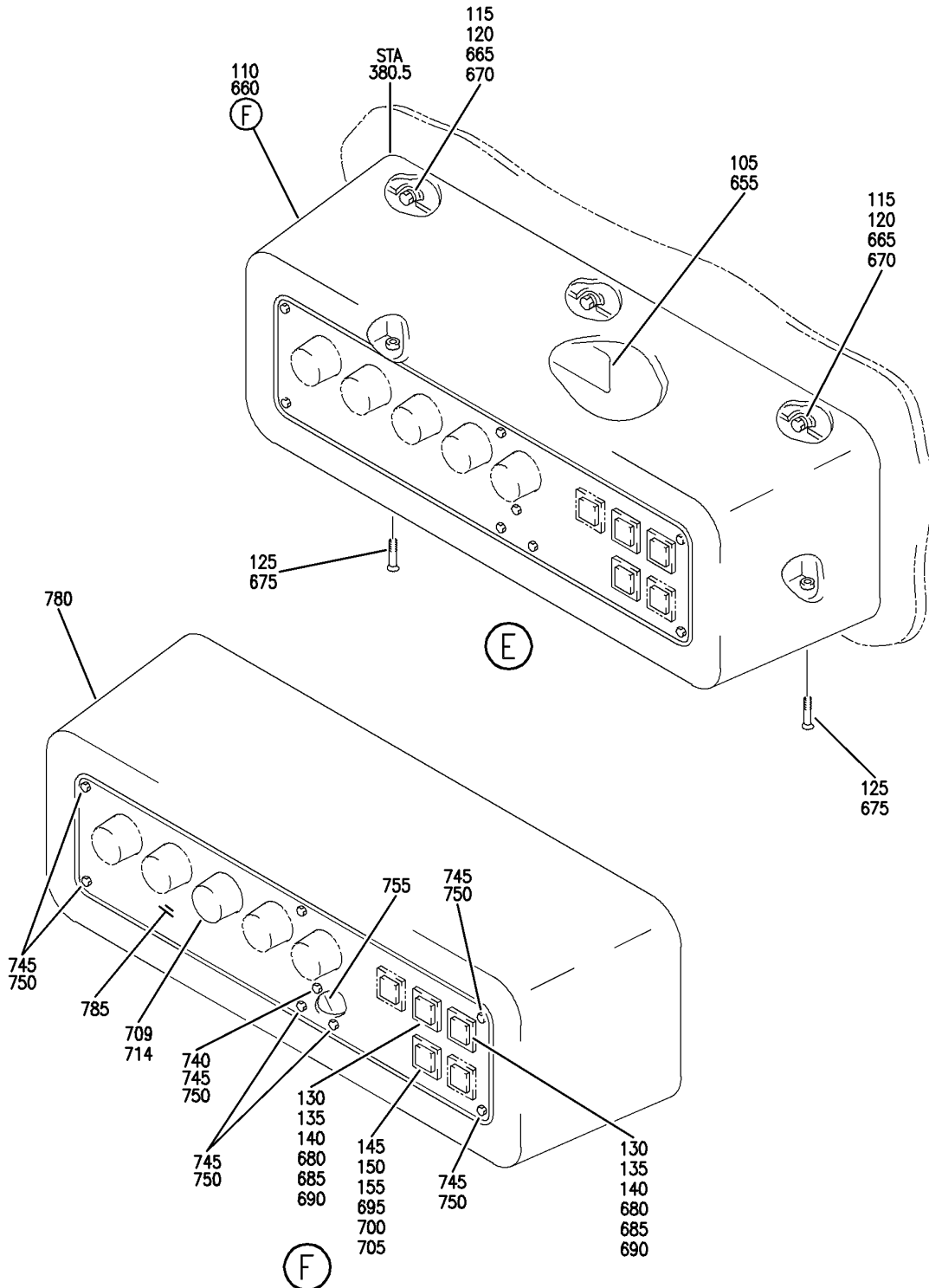
PANEL INSTL-ATTENDANT (PASSENGER LOADING LIGHTS ONLY)
FIGURE 1B (SHEET 2)

33-22-05-01B

BRI
JAN 20/09

33-22-05-01B
PAGE 0A

BOEING
757
PARTS CATALOG (MAINTENANCE)



Y 33220501B SHT 3 REV 230

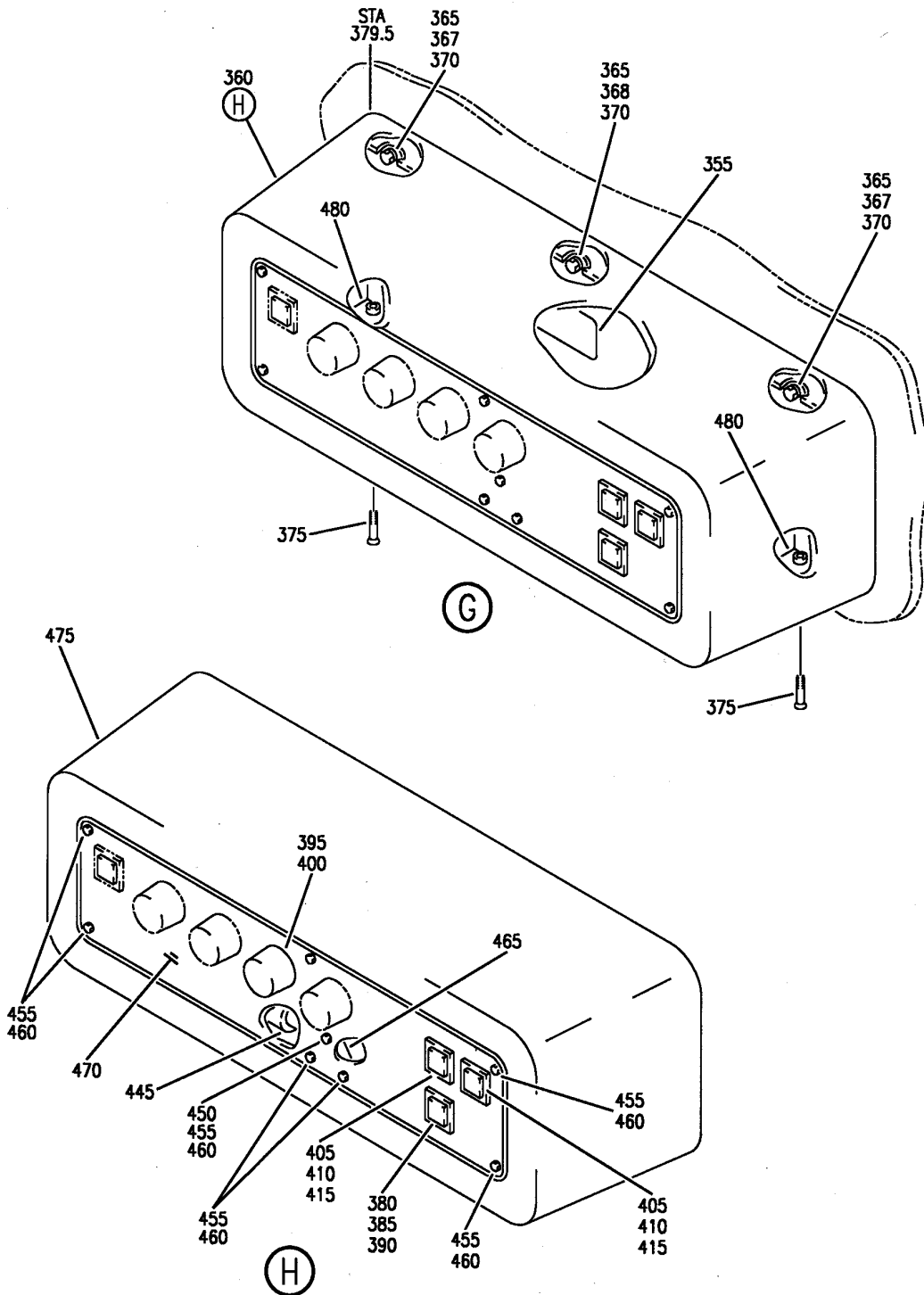
PANEL INSTL-ATTENDANT (PASSENGER LOADING LIGHTS ONLY)
FIGURE 1B (SHEET 3)

33-22-05-01B

BRI
JAN 20/09

33-22-05-01B
PAGE 0B

BOEING
757
PARTS CATALOG (MAINTENANCE)



Y 33220501B SHT 4 REV 218

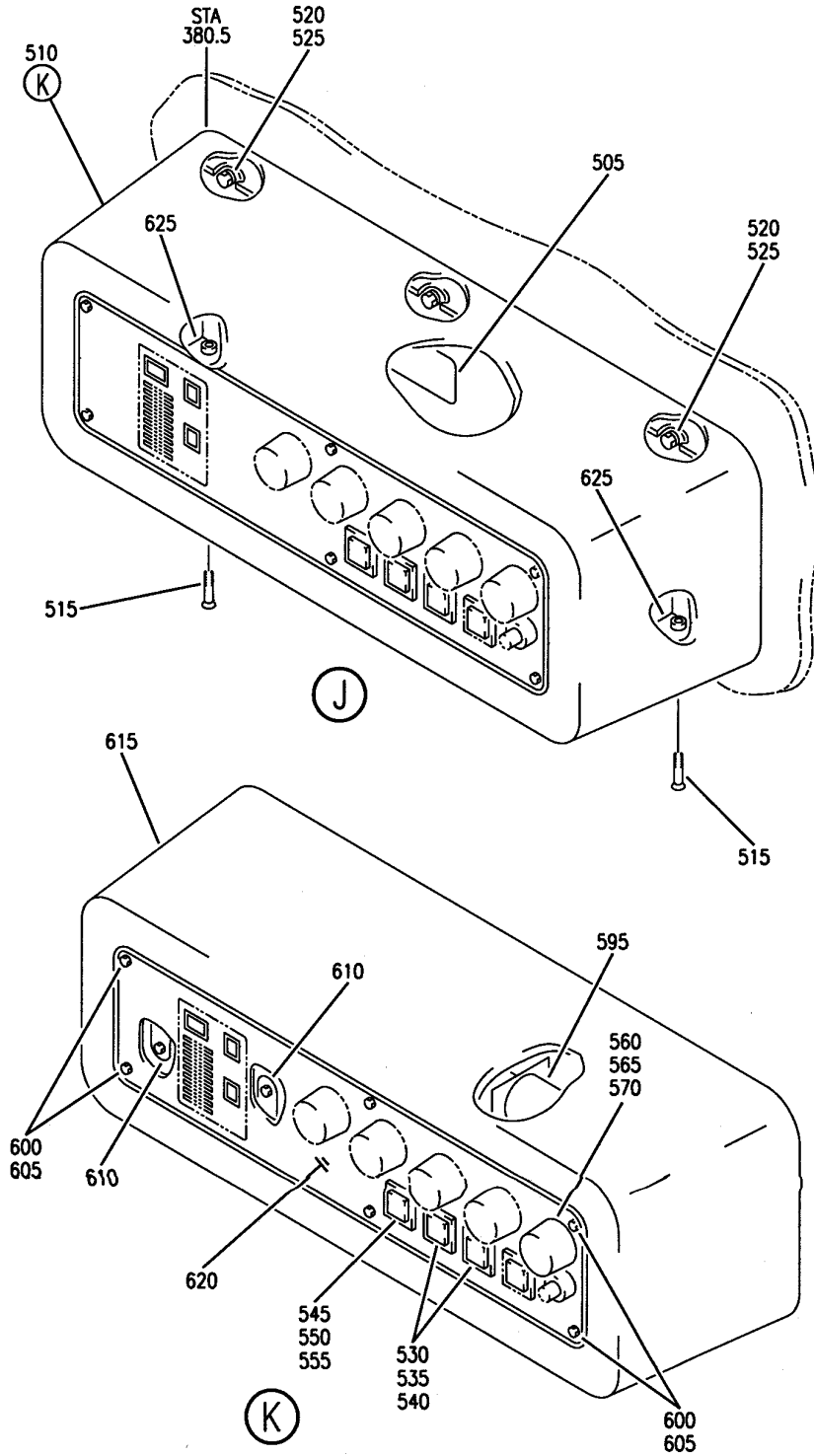
PANEL INSTL-ATTENDANT (PASSENGER LOADING LIGHTS ONLY)
FIGURE 1B (SHEET 4)

33-22-05-01B

BRI
JAN 20/09

33-22-05-01B
PAGE 0C

BOEING
757
PARTS CATALOG (MAINTENANCE)



Y 33220501B SHT 5 REV 212

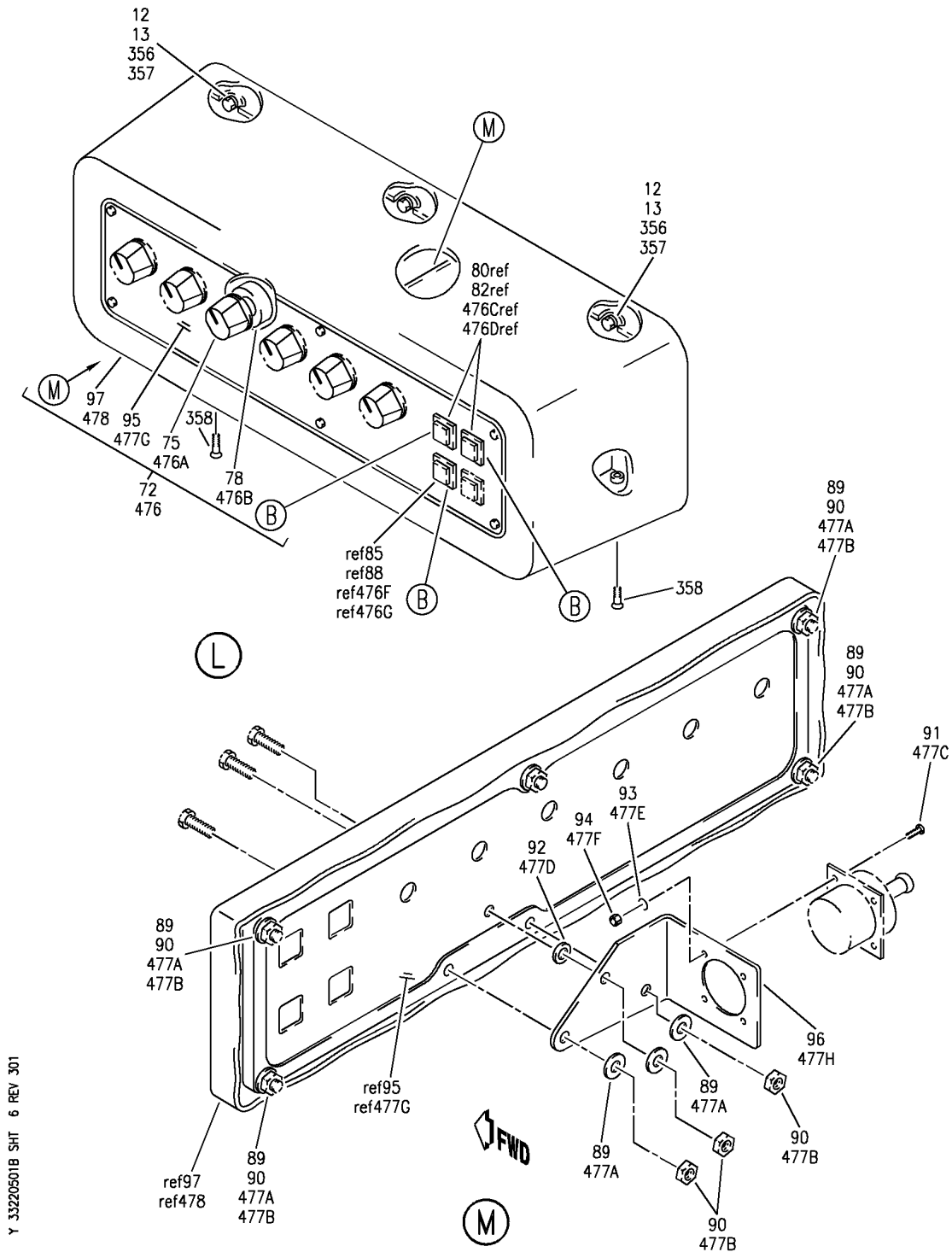
PANEL INSTL-ATTENDANT (PASSENGER LOADING LIGHTS ONLY)
FIGURE 1B (SHEET 5)

33-22-05-01B

BRI
JAN 20/09

33-22-05-01B
PAGE 0D


BOEING
 757
PARTS CATALOG (MAINTENANCE)



Y 33220501B SHT 6 REV 301

PANEL INSTL-ATTENDANT (PASSENGER LOADING LIGHTS ONLY)
 FIGURE 1B (SHEET 6)

33-22-05-01B

BRI
JAN 20/09

33-22-05-01B
 PAGE 0E



757

PARTS CATALOG (MAINTENANCE)

FIG ITEM	PART NUMBER	1 2 3 4 5 6 7	NOMENCLATURE	EFFECT FROM TO	UNITS PER ASSY
1B			PANEL INSTL-ATTENDANT (PASSENGER LOADING LIGHTS ONLY)	108120	
- 650	417N6001-143B		PANEL INSTL-ATTENDANT DOOR NO. 1 (PASSENGER LOADING LIGHTS ONLY) POSITION DATA: STA 380.50 LH FOR NHA/OTHER SYS DET SEE: 25-20-00-07E	108120	RF
655	BAC27NPA0471		.MARKER-ALUMINUM FOIL PLACARD CONTENT: P21 ATTENDANT PANEL	108120	1
660	417N6002-95SP		.PANEL ASSY- SUPPLIER CODE: V89954 COMPONENT MAINT MANUAL REF: 33-22-51	108120	1
665	417N6008-1		ATTACHING PARTS .SCREW-SHOULDER	108120	3
670	NAS1149D0316J		.WASHER	108120	AR
675	BACS12ER3K8		.SCREW	108120	2
			-----*-----		
680	2100-100		..LENS-SWITCH SUPPLIER CODE: V91929	108120	2
685	2100-8		..SWITCH ASSY-LIGHTED PUSH BUTTON SUPPLIER CODE: V91929 ELECTRICAL EQUIP NUMBER: S10301 S10300	108120	2
690	85		...BULB- SUPPLIER CODE: V08805	108120	2
695	2100-102		..LENS-SWITCH SUPPLIER CODE: V91929	108120	1
700	2100-6		..SWITCH ASSY-LIGHTED PUSH BUTTON SUPPLIER CODE: V91929 ELECTRICAL EQUIP NUMBER: S10296	108120	1
705	85		...BULB- SUPPLIER CODE: V08805	108120	1

MISSING ITEM NUMBERS NOT APPLICABLE

- ITEM NOT ILLUSTRATED

33-22-05-01B

33-22-05
FIG. 01B
PAGE 1
JAN 20/09

BRI



757

PARTS CATALOG (MAINTENANCE)

FIG ITEM	PART NUMBER	1 2 3 4 5 6 7	NOMENCLATURE	EFFECT FROM TO	UNITS PER ASSY
1B 709	RD409-101 KNOB- SUPPLIER CODE: V81590	108120	1
714	44YY26087 SWITCH- SUPPLIER CODE: V81073 ELECTRICAL EQUIP NUMBER: S10302	108120	1
740	NAS43DD3-6FC SPACER	108120	1
745	MS35333-73 WASHER	108120	8
750	BACN10MG10 NUT	108120	8
755	417N6009-29 BRACKET	108120	1
780	417N6003-7SP PANEL ASSY-	108120	1
785	417N6004-211SP FACEPLATE ASSY-	108120	1

MISSING ITEM NUMBERS NOT APPLICABLE

- ITEM NOT ILLUSTRATED

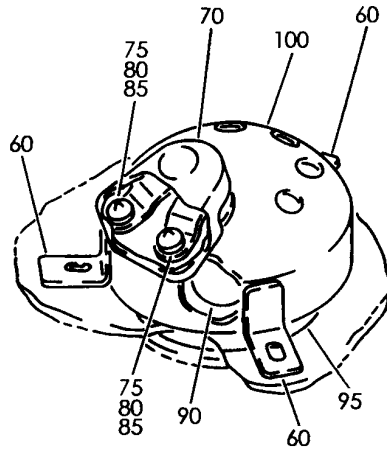
33-22-05-01B

33-22-05
FIG. 01B
PAGE 2
JAN 20/09

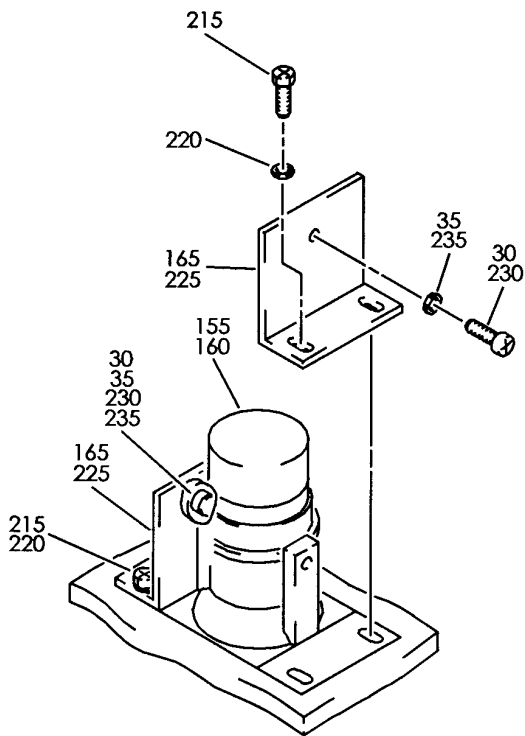
BRI

BOEING PROPRIETARY - Copyright © - Unpublished Work - See title page for details.

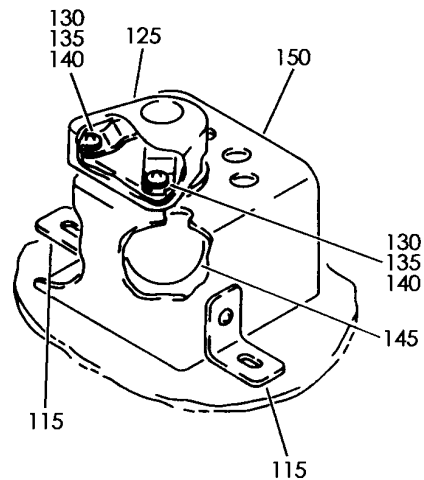
BOEING
757
PARTS CATALOG (MAINTENANCE)



(C)



(E)



(D)

Y 33220503 SHT 2 REV 203

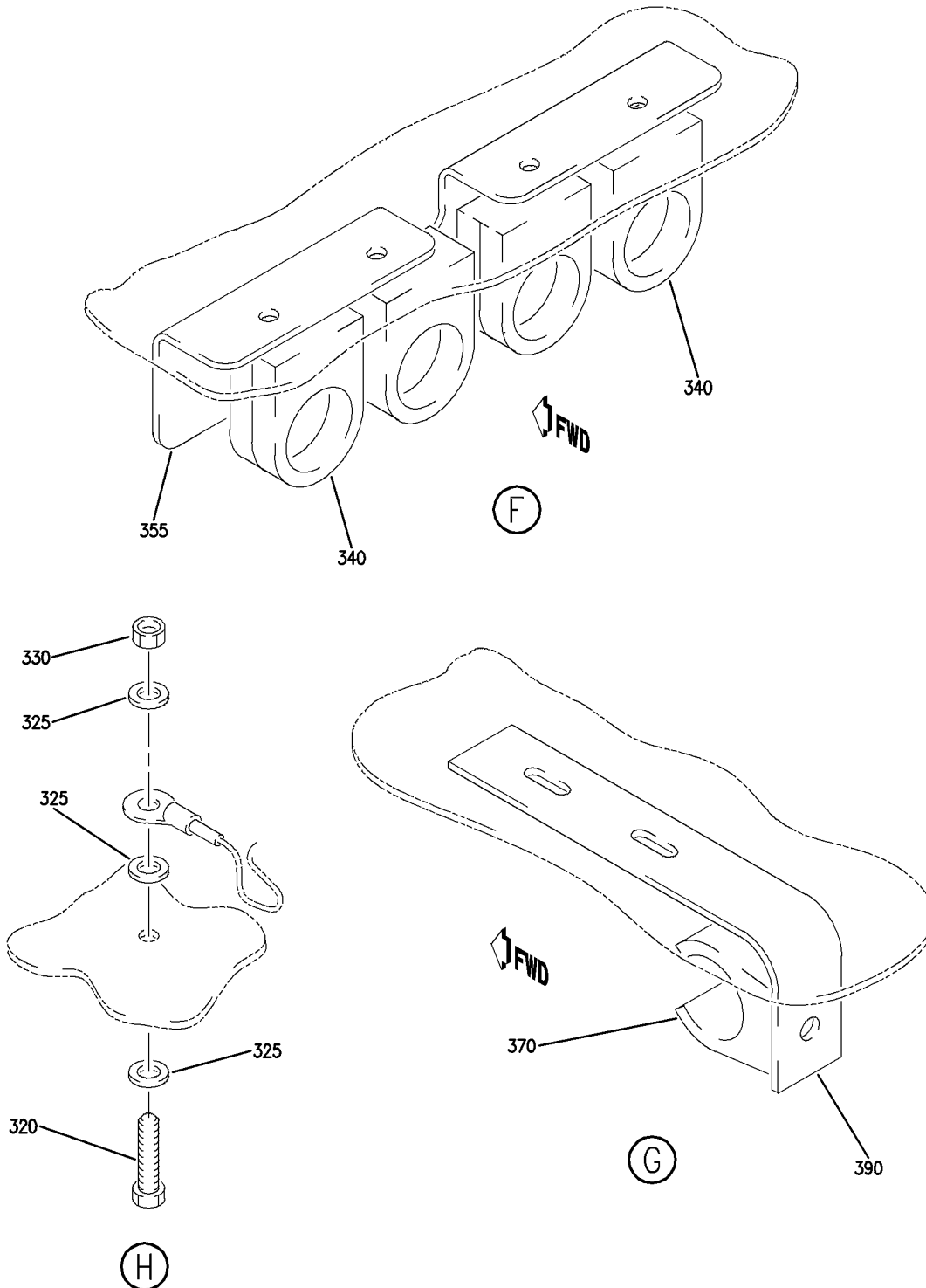
CEILING ASSY-ATTENDANT FWD(PANEL LIGHTS ONLY)
FIGURE 3 (SHEET 2)

33-22-05-03

BRI
JAN 20/09

33-22-05-03
PAGE 0A

BOEING
757
PARTS CATALOG (MAINTENANCE)



Y 33220503 SHT 3 REV 245

CEILING ASSY-ATTENDANT FWD(PANEL LIGHTS ONLY)
FIGURE 3 (SHEET 3)

33-22-05-03

BRI
JAN 20/09

33-22-05-03
PAGE 0B



757

PARTS CATALOG (MAINTENANCE)

FIG ITEM	PART NUMBER	1 2 3 4 5 6 7	NOMENCLATURE	EFFECT FROM TO	UNITS PER ASSY
3			CEILING ASSY-ATTENDANT FWD(PANEL LIGHTS ONLY)	103106	
- 200	411N3520-29B		CEILING ASSY-ATTENDANT PANEL (LIGHTS ONLY) POSITION DATA: DOOR 1 ENTRY FOR NHA/OTHER SYS DET SEE: 25-22-02-69C	103106	RF
210	BAC27NPA1413		.MARKER- PLACARD CONTENT: DOOR 1, RH EMERGENCY LIGHT ELECTRICAL EQUIP NUMBER: L00892	103106	1
215	BACS12FA3K5		.SCREW-	103106	4
220	NAS1149D0332J		.WASHER	103106	4
225	417U5120-1		.BRACKET-EMER. DOWN LIGHT	103106	1
230	NAS1801-06-8		.SCREW	103106	2
235	NAS1149DN632J		.WASHER-	103106	2
240	0105924-005		.LIGHT-EMERGENCY SUPPLIER CODE: VOVDA9 SPECIFICATION NUMBER: S417U006-6 MISCELLANEOUS DATA: USES 1317 BULB OR EQUIV FOR DETAILS SEE: 33-51-51-55	103106	1
245	417A5460-6		.LIGHT ASSY-	103106	1
250	BAC27NEL1204		..MARKER- PLACARD CONTENT: M11445 BALLAST	103106	1
255	BAC27NEL1206		..MARKER- PLACARD CONTENT: D10470 CONNECTOR	103106	1
260	BAC27NEL1207		..MARKER- PLACARD CONTENT: L1023 LAMP	103106	1
265	BAC27NEL1208		..MARKER- PLACARD CONTENT: L1024 LAMP	103106	1
270	BAC27NEL1209		..MARKER- PLACARD CONTENT: D10472 CONNECTOR	103106	1
275	BAC27NEL1220		..MARKER- PLACARD CONTENT: M11444 AREA LIGHT ASSY	103106	1
280	417A5464-20		..BRACKET ASSY	103106	4

MISSING ITEM NUMBERS NOT APPLICABLE

- ITEM NOT ILLUSTRATED

33-22-05-03

33-22-05
FIG. 03
PAGE 1
JAN 20/09

BRI



757

PARTS CATALOG (MAINTENANCE)

FIG ITEM	PART NUMBER	1 2 3 4 5 6 7	NOMENCLATURE	EFFECT FROM TO	UNITS PER ASSY
3			ATTACHING PARTS		
- 285	BACS12GU3K6	..	SCREW	103106	4
- 290	NAS1149D0316J	..	WASHER	103106	4
			-----*-----		
295	PLT1MM	..	STRAP	103106	2
			SUPPLIER CODE: V06383		
			SPECIFICATION NUMBER: BACS38K4		
			OPTIONAL PART: TOR180 V53421		
296	BACS12GU08K7	..	SCREW	103106	5
297	NAS1149DN816J	..	WASHER	103106	7
298	PLH508CD	..	NUT	103106	1
			SUPPLIER CODE: VFO224		
			SPECIFICATION NUMBER: BACN10YR08CD		
			OPTIONAL PART: H52732-08CD V15653		
300	8171-1	..	BALLAST-	103106	1
			SUPPLIER CODE: V30242		
			SPECIFICATION NUMBER: S283U008-16		
			ELECTRICAL EQUIP NUMBER: M11445		
			COMPONENT MAINT MANUAL REF: 33-20-01		
			OPTIONAL PART: 8184-1 V30242		
300	8184-1	..	BALLAST-	103106	1
			SUPPLIER CODE: V30242		
			FUNCTIONAL DESCRIPTION: STARTS & OPERATES ONE FLUORESCENT LAMP.		
			SPECIFICATION NUMBER: S283U008-16		
			ELECTRICAL EQUIP NUMBER: M11445		
			COMPONENT MAINT MANUAL REF: 33-20-08		
			OPTIONAL PART: 8171-1 V30242		

MISSING ITEM NUMBERS NOT APPLICABLE

- ITEM NOT ILLUSTRATED

33-22-05-03

33-22-05
FIG. 03
PAGE 2
JAN 20/09

BRI



757

PARTS CATALOG (MAINTENANCE)

FIG ITEM	PART NUMBER	1 2 3 4 5 6 7	NOMENCLATURE	EFFECT FROM TO	UNITS PER ASSY
3					
315	286N0608-701	..	WIRE BUNDLE ASSY-	103106	1
- 332	BACC65AM802P	...	RECEPTACLE-	103106	1
			ELECTRICAL EQUIP NUMBER: D10470		
			WIRING DIAGRAM REF: 332711		
- 334	MB12P1	...	PLUG-	103106	1
			SUPPLIER CODE: V09922		
			ELECTRICAL EQUIP NUMBER: D10472		
			WIRING DIAGRAM REF: 332711		
335	RR2002-4B2J	..	GROMMET	103106	1
			SUPPLIER CODE: V57268		
			SPECIFICATION NUMBER: BACG20AF4B2J		
			OPTIONAL PART: SZ6924-4B2J		
			V95272		
			701-4B2J		
			V07096		
			E4B2J		
			V60980		
			H4B2J		
			V60980		
			G6940-4B2J		
			V75345		
340	BV03112N20	..	HOLDER-LAMP	103106	4
			SUPPLIER CODE: V17023		
			ATTACHING PARTS		
- 345	BACS12GU08K7	..	SCREW	103106	4
- 350	NAS1149DN816J	..	WASHER	103106	4
			-----*-----		
355	65C34653-4	..	BRACKET-LIGHTING	103106	1
			ATTACHING PARTS		
- 360	NAS1801-04-6	..	SCREW	103106	8
- 365	NAS1149DN416J	..	WASHER	103106	8
			-----*-----		
370	5386	..	DAMPENER-	103106	2
			SUPPLIER CODE: V22336		
			OPTIONAL PART: AL5273		
			V22336		

MISSING ITEM NUMBERS NOT APPLICABLE

- ITEM NOT ILLUSTRATED

33-22-05-03

33-22-05
FIG. 03
PAGE 3
JAN 20/09

BRI



757

PARTS CATALOG (MAINTENANCE)

FIG ITEM	PART NUMBER	1 2 3 4 5 6 7	NOMENCLATURE	EFFECT FROM TO	UNITS PER ASSY
3 370	AL5273		.. DAMPENER- SUPPLIER CODE: V22336 OPTIONAL PART: 5386 V22336 ATTACHING PARTS	103106	2
- 375	BACS12CK06-9		.. SCREW-	103106	2
- 380	NAS1149DN616J		.. WASHER	103106	2
- 385	PLH506CD		.. NUT SUPPLIER CODE: VFO224 SPECIFICATION NUMBER: BACN10YR06CD OPTIONAL PART: H52732-06CD V15653 -----*-----	103106	2
390	65C34653-7		.. BRACKET ATTACHING PARTS	103106	2
- 395	BACS12GU08K7		.. SCREW	103106	4
- 400	NAS1149DN816J		.. WASHER -----*-----	103106	4
405	417A5464-18		.. REFLECTOR ASSY	103106	1

MISSING ITEM NUMBERS NOT APPLICABLE

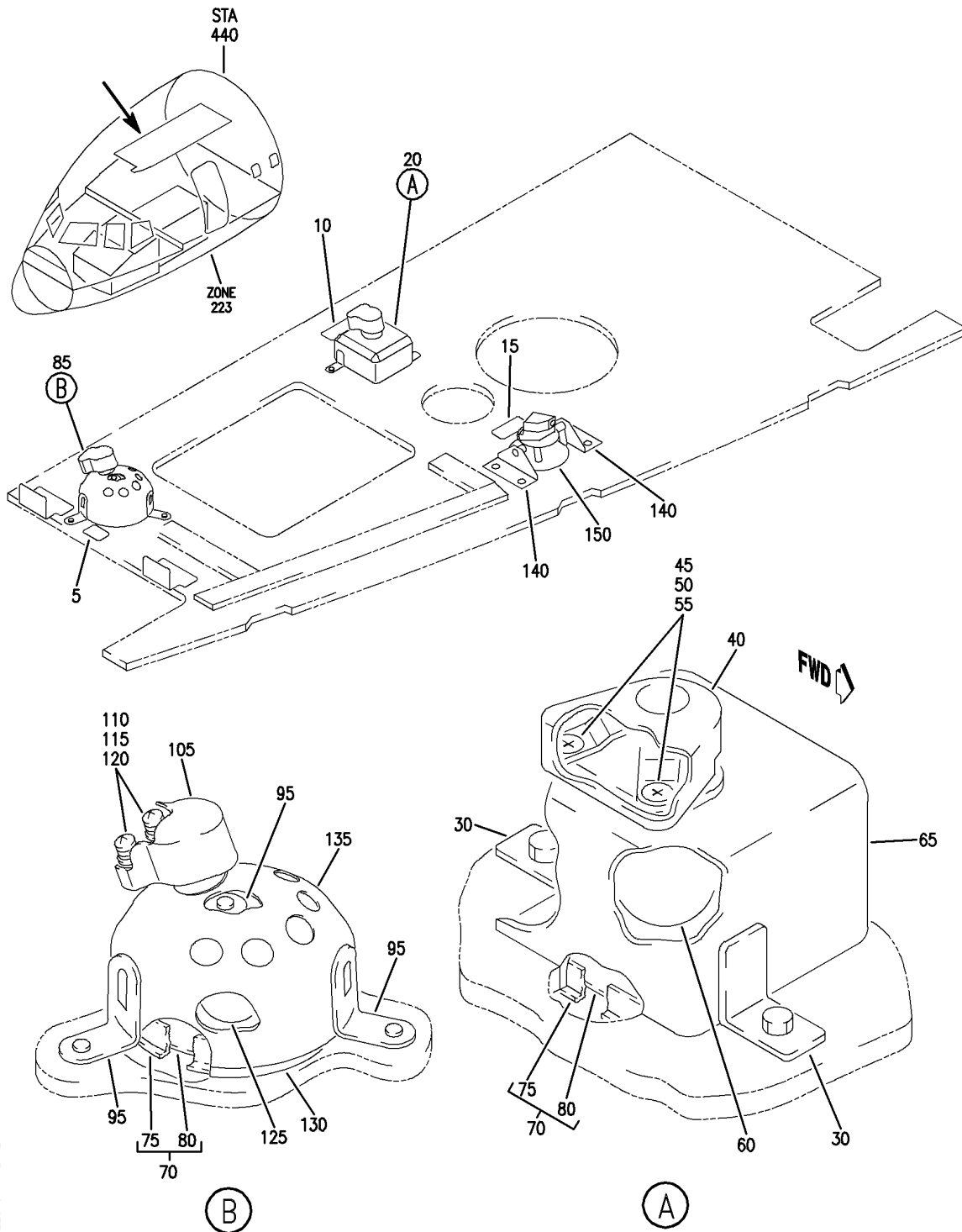
- ITEM NOT ILLUSTRATED

33-22-05-03

33-22-05
FIG. 03
PAGE 4
JAN 20/09

BRI

BOEING
757
PARTS CATALOG (MAINTENANCE)



Y 33220503A REV 24-3

CEILING ASSY-ATTENDANT FWD (PANEL LIGHTS ONLY)
FIGURE 3A

33-22-05-03A

BRI
JAN 20/09

33-22-05-03A
PAGE 0



757

PARTS CATALOG (MAINTENANCE)

FIG ITEM	PART NUMBER	1 2 3 4 5 6 7	NOMENCLATURE	EFFECT FROM TO	UNITS PER ASSY
3A			CEILING ASSY-ATTENDANT FWD (PANEL LIGHTS ONLY)	103106	
- 1	411N3520-13B		CEILING ASSY-ATTENDANT PANEL (LIGHTS ONLY)	103106	RF
			POSITION DATA: (FWD) DOOR 1 ENTRY FOR NHA/OTHER SYS DET SEE: 25-22-02-69L		
	5 BAC27NPS311		.MARKER- PLACARD CONTENT: L260 LAMP	103106	1
	10 BAC27NPS319		.MARKER- PLACARD CONTENT: L259 ATTENDANT WORK LIGHT	103106	1
	15 BAC27NPA1412		.MARKER- PLACARD CONTENT: L891 DOOR 1, LH EMERGENCY LIGHT	103106	1
	20 10-1037-3		.HOUSING ASSY- SUPPLIER CODE: V72914 SPECIFICATION NUMBER: S417N502-12 ELECTRICAL EQUIP NUMBER: L00259	103106	1
			ATTACHING PARTS		
- 25	BACS12FA3K4		.SCREW- -----*-----	103106	1
	30 11-4387-1		..BRACKET- SUPPLIER CODE: V72914	103106	2
			ATTACHING PARTS		
- 35	MS35206-226		..SCREW -----*-----	103106	2
	40 11-3438-5		..NIPPLE-CABLE SUPPLIER CODE: V72914	103106	1
	45 MS35206-227		..SCREW	103106	2
	50 MS352338-41		..SCREW	103106	2
	55 NAS620-6L		..WASHER	103106	2
	60 LP1308		..LAMP- SUPPLIER CODE: V08806	103106	1
	65 11-4410-1		..FLOODLIGHT ASSY- SUPPLIER CODE: V72914	103106	1

MISSING ITEM NUMBERS NOT APPLICABLE

- ITEM NOT ILLUSTRATED

33-22-05-03A

33-22-05
FIG. 03A
PAGE 1
JAN 20/09

BRI



757

PARTS CATALOG (MAINTENANCE)

FIG ITEM	PART NUMBER	1 2 3 4 5 6 7	NOMENCLATURE	EFFECT FROM TO	UNITS PER ASSY
3A					
70	11-4269-1E	.	BEZEL ASSY- SUPPLIER CODE: V72914 SPECIFICATION NUMBER: S417N502-9E	103106	2
75	11-4227-1	..	BEZEL- SUPPLIER CODE: V72914	103106	1
80	25-1115-1	..	LENS- SUPPLIER CODE: V72914	103106	1
85	10-1039-1	.	HOUSING ASSY- SUPPLIER CODE: V72914 SPECIFICATION NUMBER: S417N502-4 ELECTRICAL EQUIP NUMBER: L00260 ATTACHING PARTS	103106	1
- 90	BACS12FA3K4	.	SCREW -----*-----	103106	3
95	11-4387-1	..	BRACKET- SUPPLIER CODE: V72914 ATTACHING PARTS	103106	3
- 100	MS35206-226	..	SCREW -----*-----	103106	3
105	11-3438-5	..	NIPPLE-CABLE SUPPLIER CODE: V72914	103106	1
110	MS35206-227	..	SCREW	103106	2
115	MS35338-41	..	WASHER	103106	2
120	NAS620-6L	..	WASHER	103106	2
125	LP1308	..	LAMP- SUPPLIER CODE: V08806	103106	1
130	11-4249-1	..	RETAINER ASSY- SUPPLIER CODE: V72914	103106	1
135	11-4412-1	..	FLOODLIGHT ASSY- SUPPLIER CODE: V72914	103106	1
140	417U5120-1	.	BRACKET ATTACHING PARTS	103106	2
- 145	BACS12FA3K5	.	SCREW -----*-----	103106	4

MISSING ITEM NUMBERS NOT APPLICABLE

- ITEM NOT ILLUSTRATED

33-22-05-03A

33-22-05
FIG. 03A
PAGE 2
JAN 20/09

BRI

BOEING PROPRIETARY - Copyright © - Unpublished Work - See title page for details.



757

PARTS CATALOG (MAINTENANCE)

FIG ITEM	PART NUMBER	1 2 3 4 5 6 7	NOMENCLATURE	EFFECT FROM TO	UNITS PER ASSY
3A 150	0105924-005		.LIGHT- SUPPLIER CODE: VOVDA9 SPECIFICATION NUMBER: S417U006-6 ELECTRICAL EQUIP NUMBER: L00891 FOR DETAILS SEE: 33-51-51-55 ATTACHING PARTS	103106	1
- 155	NAS1801-06-8		.SCREW	103106	2
- 160	NAS1149DN632J		.WASHER -----*-----	103106	2

MISSING ITEM NUMBERS NOT APPLICABLE

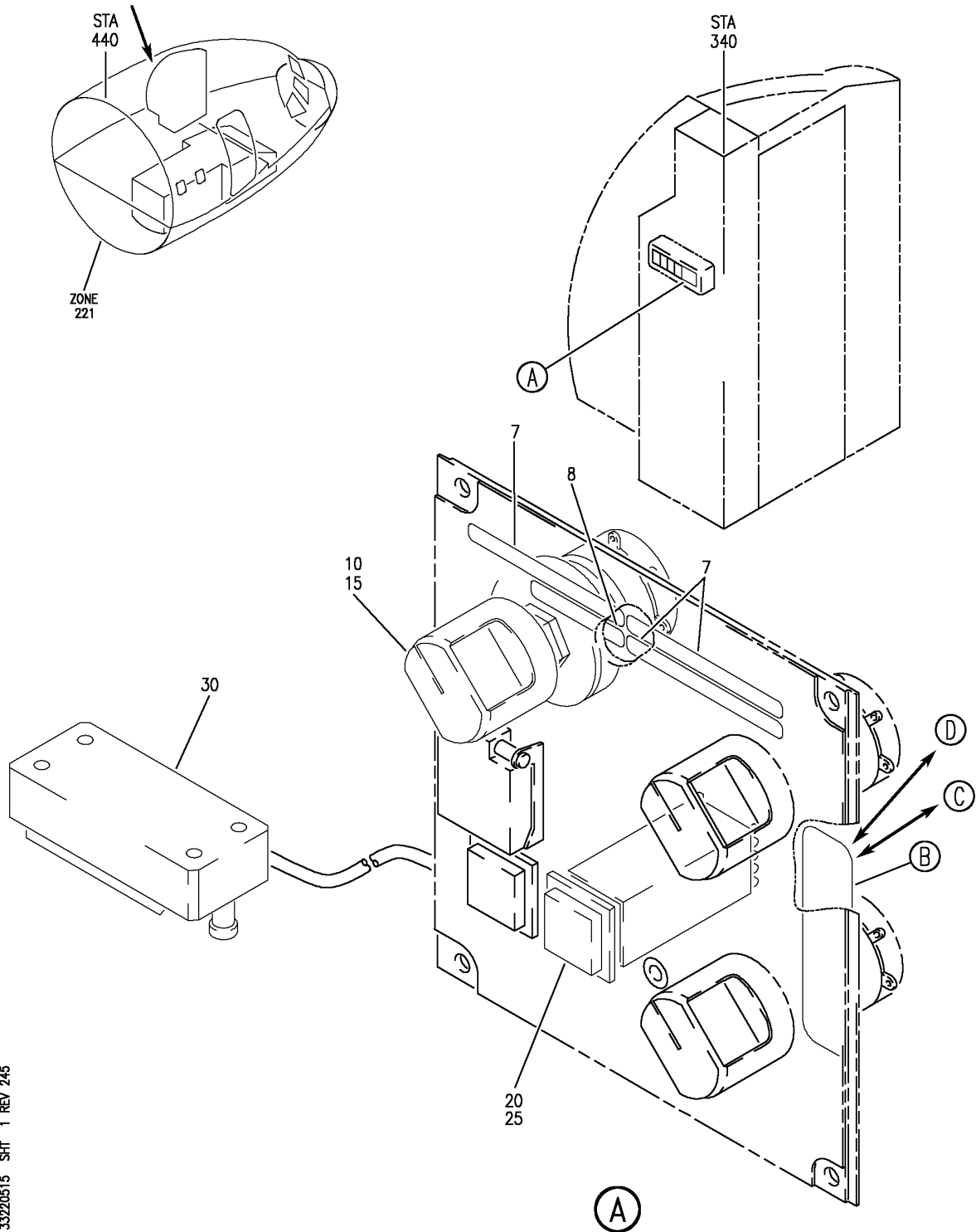
- ITEM NOT ILLUSTRATED

33-22-05-03A

33-22-05
FIG. 03A
PAGE 3
JAN 20/09

BRI

BOEING
757
PARTS CATALOG (MAINTENANCE)



Y 33220515 SHT 1 REV 245

MODULE ASSY-FWD LIGHTING WITH EMER EXIT LT, ATTENDANT PNL (FORWARD ATTENDANT'S PANEL ONLY)
FIGURE 15 (SHEET 1)

BRI
JAN 20/09

33-22-05-15

33-22-05-15
PAGE 0

BOEING
757
PARTS CATALOG (MAINTENANCE)

5

FWD LIGHTING MODULE
 PN 285A1710-3
 BOEING PN S417A150-11 SERNO
 MOD LEVEL ABCD MFG DATE

(B)

3

FWD LIGHTING MODULE
 BOEING P/N S417A150-35
 P/N 285A1710-14 SERNO
 MOD LEVEL ABCD MFG DATE

(C)

4

FWD LIGHTING MODULE
 BOEING P/N S417A150-41
 P/N 285A1710-17 SERNO
 MOD LEVEL ABCD MFG DATE

(D)

Y 33220515 SHT 2 REV 245

MODULE ASSY-FWD LIGHTING WITH EMER EXIT LT, ATTENDANT PNL (FORWARD ATTENDANT'S PANEL ONLY)
 FIGURE 15 (SHEET 2)

BRI
 JAN 20/09

33-22-05-15

33-22-05-15
 PAGE 0A



757

PARTS CATALOG (MAINTENANCE)

FIG ITEM	PART NUMBER	1 2 3 4 5 6 7	NOMENCLATURE	EFFECT FROM TO	UNITS PER ASSY
15			MODULE ASSY-FWD LIGHTING WITH EMER EXIT LT, ATTENDANT PNL (FORWARD ATTENDANT'S PANEL ONLY)	103106	
- 1	285A1710-17		MODULE ASSY-FWD LIGHTING WITH EMER EXIT LT, ATTENDANT PNL (FORWARD ATTENDANT'S PANEL ONLY) SUPPLIER CODE: V89954 COMPONENT MAINT MANUAL REF: 33-11-05 FOR NHA/OTHER SYS DET SEE: 31-17-11-05	103106	RF
4	BAC27DEX6990		.MARKER- SUPPLIER CODE: V89954	103106	1
7	S906-10207-2		.LABEL-BAR CODE	103106	3
8	S906-10207-4		.LABEL-BAR CODE	103106	1
10	RD409-101		.KNOB-SWITCH SUPPLIER CODE: V81590	103106	1
15	44MY241308		.SWITCH-ROTARY WITH 1 DECK, 2 POLE 3 POS SUPPLIER CODE: V81073 ELECTRICAL EQUIP NUMBER: S00002	103106	1
20	2100-100		.LENS-WHITE NO LEGEND SUPPLIER CODE: V91929	103106	1
25	2100-3		.SWITCH ASSY-2 POLE ALT SUPPLIER CODE: V91929 ELECTRICAL EQUIP NUMBER: S00005	103106	1
- 28	85		..BULB- SUPPLIER CODE: V08805	103106	1
30	SGMC104M0ER000		.CONNECTOR- SUPPLIER CODE: V28198 SPECIFICATION NUMBER: S906-30234-401 ELECTRICAL EQUIP NUMBER: P00001	103106	1

MISSING ITEM NUMBERS NOT APPLICABLE

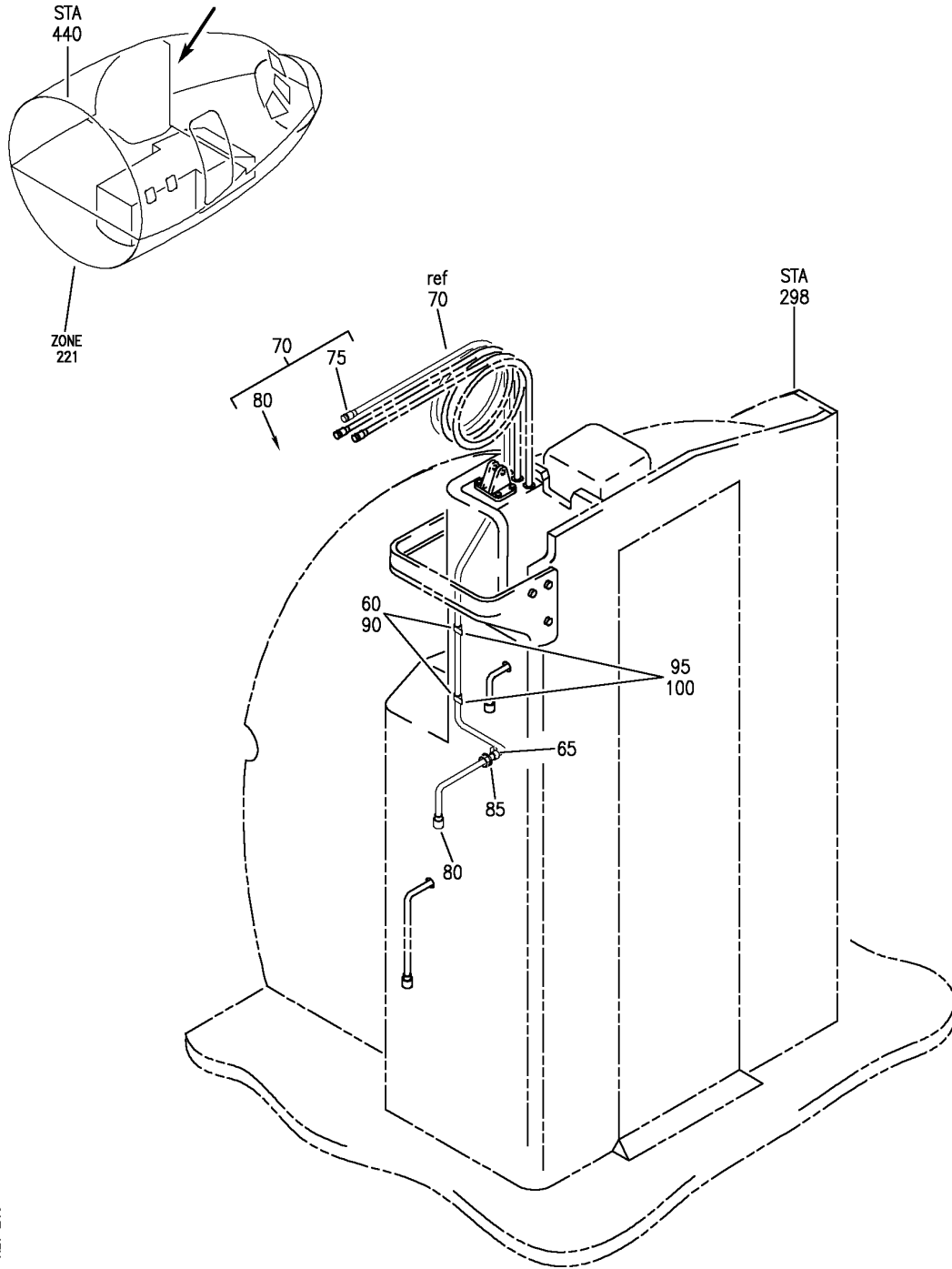
- ITEM NOT ILLUSTRATED

33-22-05-15

33-22-05
FIG. 15
PAGE 1
JAN 20/09

BRI

BOEING
757
PARTS CATALOG (MAINTENANCE)



Y 3320551 REV 246

MODULE ASSY-LAV A (LIGHTS ONLY)
FIGURE 51

33-22-05-51

BRI
MAY 28/07

33-22-05-51
PAGE 0



757

PARTS CATALOG (MAINTENANCE)

FIG ITEM	PART NUMBER	1 2 3 4 5 6 7	NOMENCLATURE	EFFECT FROM TO	UNITS PER ASSY
51			MODULE ASSY-LAV A (LIGHTS ONLY)	101102	
- 1	D75D0A033-111		MODULE ASSY-LAV A (LIGHTS ONLY) SUPPLIER CODE: VS5825 SPECIFICATION NUMBER: S417N101-1037B COMPONENT MAINT MANUAL REF: 25-40-59 PRE SERVICE BULLETIN: D75D-25-99 VS5825 FOR NHA/OTHER SYS DET SEE: 25-41-01-55Z	101102	RF
- 1	D75D0A033-111A		MODULE ASSY-LAV A (LIGHTS ONLY) SUPPLIER CODE: VS5825 POST SERVICE BULLETIN: D75D-25-99 VS5825	101102	RF
70	D75D95040-901		.HARNASS ASSY-ATTENDANT PNL SUPPLIER CODE: VS5825	101102	1
75	BACC45FT20C41P		..CONNECTOR-P8	101102	1
80	BACC45FT20-41S		..CONNECTOR-P6	101102	1
- 82	T18R		..TIE-INSULOK SUPPLIER CODE: VU3384 OPTIONAL PART: 89176-0001 VS5006	101102	11
90	BACC10DK3		.CLAMP ATTACHING PARTS	101102	2
95	NAS1801-3-6		.SCREW	101102	2
100	NAS1149D0332K		.WASHER -----*-----	101102	2

MISSING ITEM NUMBERS NOT APPLICABLE

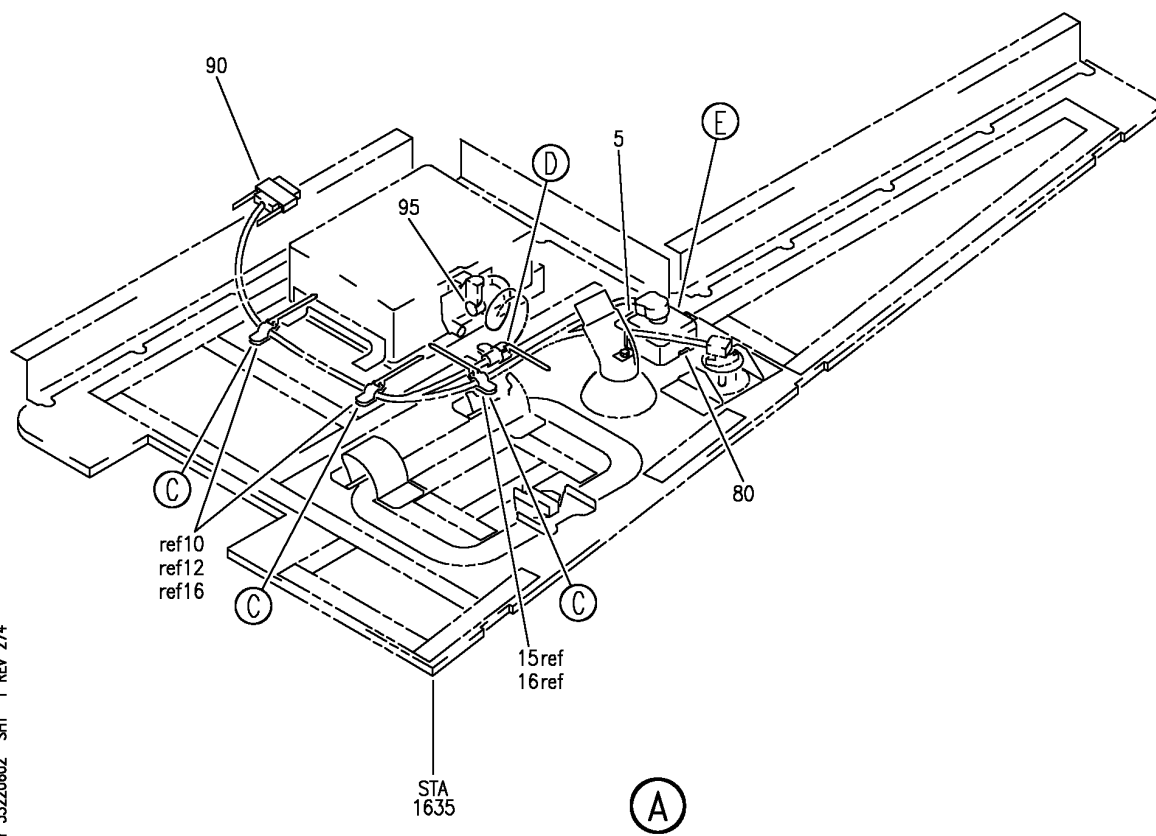
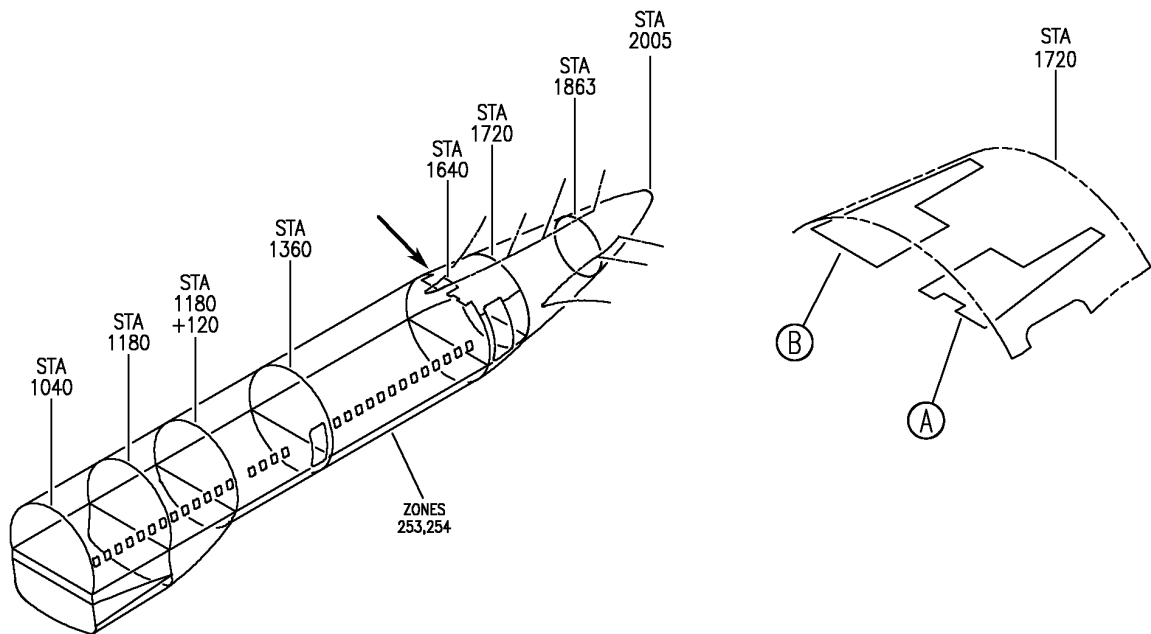
- ITEM NOT ILLUSTRATED

33-22-05-51

33-22-05
FIG. 51
PAGE 1
JAN 20/09

BRI

BOEING
757
PARTS CATALOG (MAINTENANCE)



Y 33220602 SH1 1 REV 274

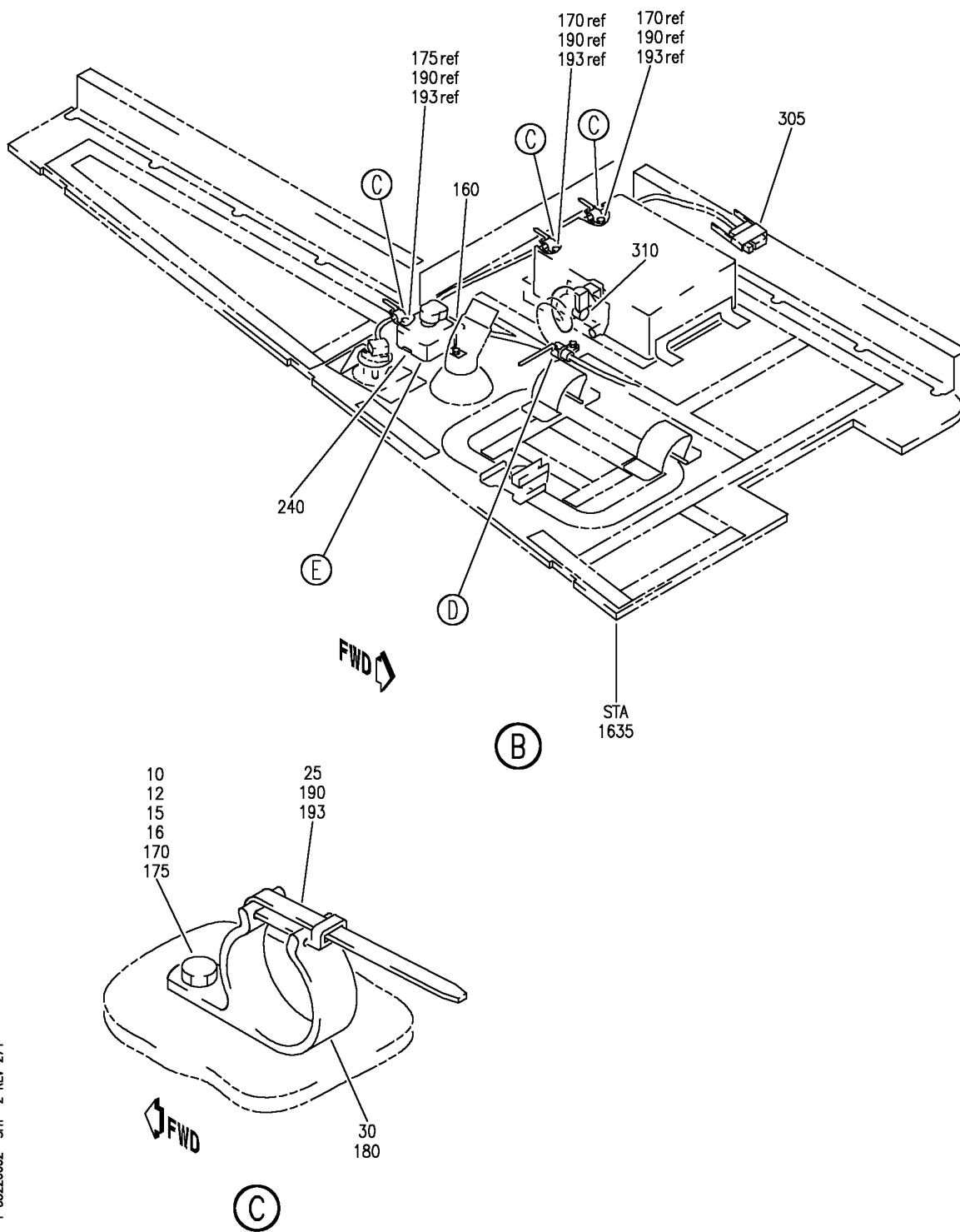
CEILING ASSY-ENTRY DOOR 4 LOWERED (AFT ATTENDANT'S PANEL ONLY)
FIGURE 2 (SHEET 1)

BRI
JAN 20/09

33-22-06-02

33-22-06-02
PAGE 0

BOEING
757
PARTS CATALOG (MAINTENANCE)



Y 33220602 SH1 2 REV 274

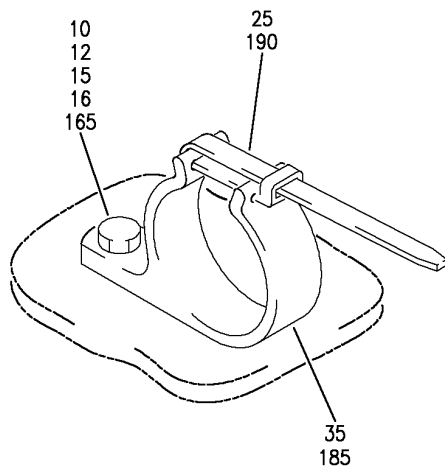
CEILING ASSY-ENTRY DOOR 4 LOWERED (AFT ATTENDANT'S PANEL ONLY)
FIGURE 2 (SHEET 2)

33-22-06-02

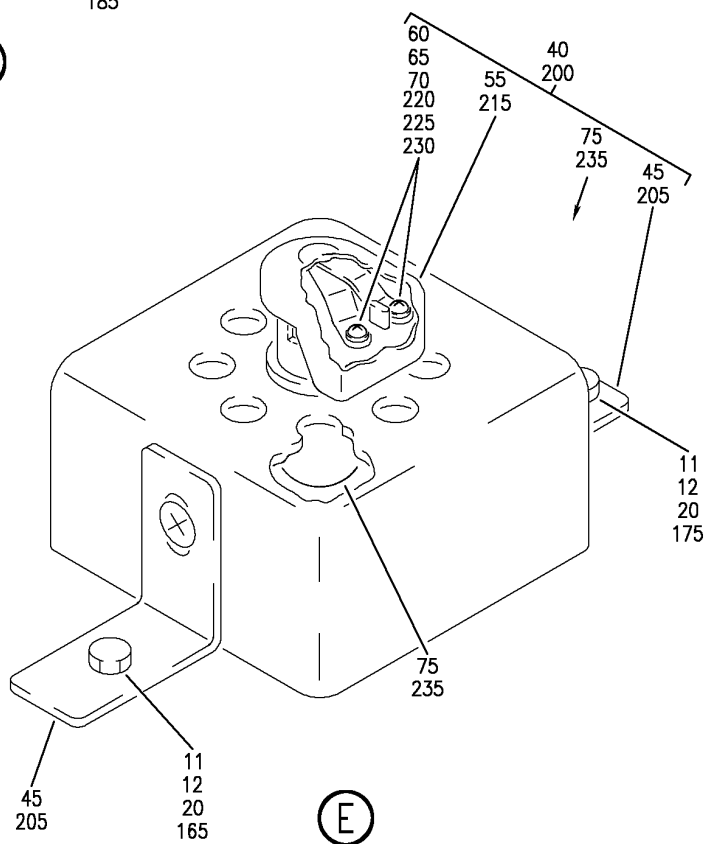
BRI
JAN 20/09

33-22-06-02
PAGE 0A

BOEING
757
PARTS CATALOG (MAINTENANCE)



(D)



(E)

Y 33220602 SH1 3 REV 259

CEILING ASSY-ENTRY DOOR 4 LOWERED (AFT ATTENDANT'S PANEL ONLY)
FIGURE 2 (SHEET 3)

33-22-06-02

BRI
JAN 20/09

33-22-06-02
PAGE 0B



757

PARTS CATALOG (MAINTENANCE)

FIG ITEM	PART NUMBER	1 2 3 4 5 6 7	NOMENCLATURE	EFFECT FROM TO	UNITS PER ASSY
2			CEILING ASSY-ENTRY DOOR 4 LOWERED (AFT ATTENDANT'S PANEL ONLY)	103106	
- 1	411N3920-15B		CEILING ASSY-ENTRY DOOR 4 LOWERED (AFT ATTENDANT'S PANEL ONLY)	103106	RF
			POSITION DATA: L FOR NHA/OTHER SYS DET SEE: 25-22-02-70D		
	5 BAC27NPS322		.MARKER- PLACARD CONTENT: ATTENDANT WORK LIGHT L518	103106	1
	12 BACS12FA3K5		.SCREW	103106	5
	15 BACS12FA3K6		.SCREW	103106	1
	25 PLT1-5IM		.STRAP	103106	4
			SUPPLIER CODE: V06383 SPECIFICATION NUMBER: BACS38K5 OPTIONAL PART: T03R0 V53421		
	30 287T0011-1		.CLAMP	103106	3
	35 287T0011-3		.CLAMP	103106	1
	40 10-1037-3		.HOUSING ASSY- SUPPLIER CODE: V72914 SPECIFICATION NUMBER: S417N502-12	103106	1
	45 11-4387-1		..BRACKET- SUPPLIER CODE: V72914 ATTACHING PARTS	103106	1
- 50	MS35206-226		..SCREW -----*-----	103106	2
	55 11-3438-5		..NIPPLE-CABLE SUPPLIER CODE: V72914	103106	1
	60 MS35206-227		..SCREW	103106	2
	65 MS35338-41		..WASHER	103106	2
	70 NAS620-6L		..WASHER	103106	2
	75 LP1308		..LAMP- SUPPLIER CODE: V08806	103106	1

MISSING ITEM NUMBERS NOT APPLICABLE

- ITEM NOT ILLUSTRATED

33-22-06-02

33-22-06
FIG. 02
PAGE 1
JAN 20/09

BRI



757

PARTS CATALOG (MAINTENANCE)

FIG ITEM	PART NUMBER	1 2 3 4 5 6 7	NOMENCLATURE	EFFECT FROM TO	UNITS PER ASSY
2	80 11-4269-1E		.BEZEL ASSY- SUPPLIER CODE: V72914 SPECIFICATION NUMBER: S417N502-9E	103106	1
-	85 286N0768-701		WIRE BUNDLE ASSY	103106	1
	90 BACC65AK231P		.CONNECTOR- ELECTRICAL EQUIP NUMBER: D42740J WIRING DIAGRAM REF: 332214	103106	1
	95 AMCO2PA03R		.PLUG- SUPPLIER CODE: VS5065 ELECTRICAL EQUIP NUMBER: D05238 WIRING DIAGRAM REF: 352112	103106	1
-	150 411N3920-36B		CEILING ASSY-ENTRY DOOR 4 LOWERED (AFT ATTENDANT'S PANEL ONLY) POSITION DATA: RH FOR NHA/OTHER SYS DET SEE: 25-22-02-70D	103106	RF
	160 BAC27NPS321		.MARKER- PLACARD CONTENT: ATTENDANT WORK LIGHT L531	103106	1
	165 BACS12FA3K5		.SCREW	103106	2
	170 BACS12GU3K6		.SCREW	103106	2
	175 BACS12FA3K6		.SCREW	103106	1
	180 287T0011-1		.CLAMP	103106	3
	185 287T0011-3		.CLAMP	103106	1
	190 PLT1-5IM		.STRAP SUPPLIER CODE: V06383 SPECIFICATION NUMBER: BACS38K5 OPTIONAL PART: T03R0 V53421	103106	4

MISSING ITEM NUMBERS NOT APPLICABLE

- ITEM NOT ILLUSTRATED

BRI

33-22-06-02

BOEING PROPRIETARY - Copyright © - Unpublished Work - See title page for details.

33-22-06
FIG. 02
PAGE 2
JAN 20/09



757

PARTS CATALOG (MAINTENANCE)

FIG ITEM	PART NUMBER	1 2 3 4 5 6 7	NOMENCLATURE	EFFECT FROM TO	UNITS PER ASSY
2 200	10-1037-3		.HOUSING ASSY-ATTENDANT WORK LIGHT SUPPLIER CODE: V72914 POSITION DATA: AFT LEFT SPECIFICATION NUMBER: S417N502-12 ELECTRICAL EQUIP NUMBER: L00518	103106	1
205	11-4387-1		..BRACKET- SUPPLIER CODE: V72914 ATTACHING PARTS	103106	1
- 210	MS35206-226		..SCREW -----*-----	103106	2
215	11-3438-5		..NIPPLE-CABLE SUPPLIER CODE: V72914	103106	1
220	MS35206-227		..SCREW	103106	2
225	MS35338-41		..WASHER	103106	2
230	NAS620-6L		..WASHER	103106	2
235	LP1308		..LAMP- SUPPLIER CODE: V08806	103106	1
240	11-4269-1E		.BEZEL ASSY- SUPPLIER CODE: V72914 SPECIFICATION NUMBER: S417N502-9E	103106	1
- 300	286N0768-701		.WIRE BUNDLE ASSY	103106	1
305	BACC65AK231P		..CONNECTOR-RCPT ELECTRICAL EQUIP NUMBER: D42740J WIRING DIAGRAM REF: 332214	103106	1
310	AMC02PA03R		..PLUG- SUPPLIER CODE: VS5065 ELECTRICAL EQUIP NUMBER: D05238 WIRING DIAGRAM REF: 352122	103106	1

MISSING ITEM NUMBERS NOT APPLICABLE

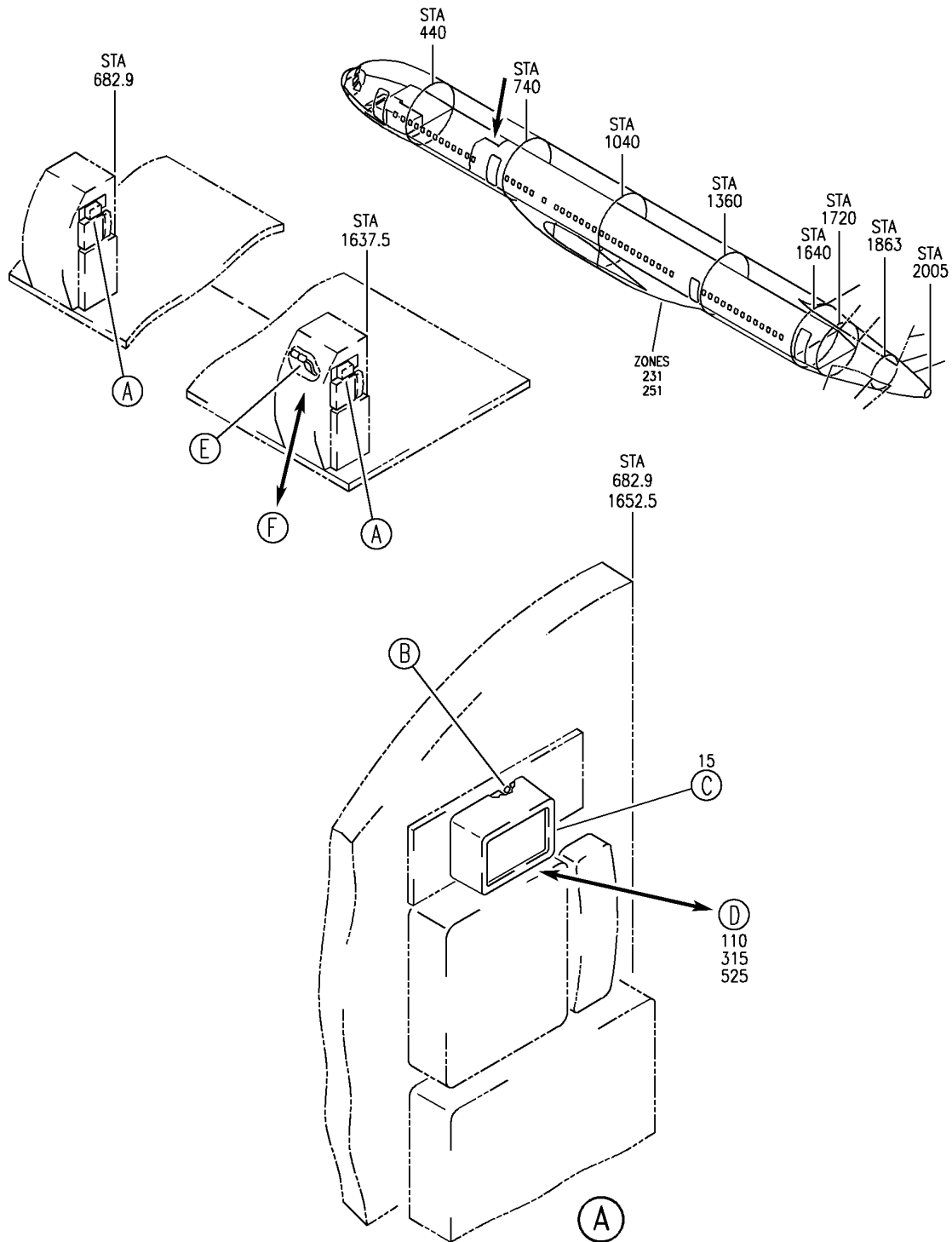
- ITEM NOT ILLUSTRATED

33-22-06-02

33-22-06
FIG. 02
PAGE 3
JAN 20/09

BRI

BOEING
757
PARTS CATALOG (MAINTENANCE)



Y 33220603 SH1 1 REV 297

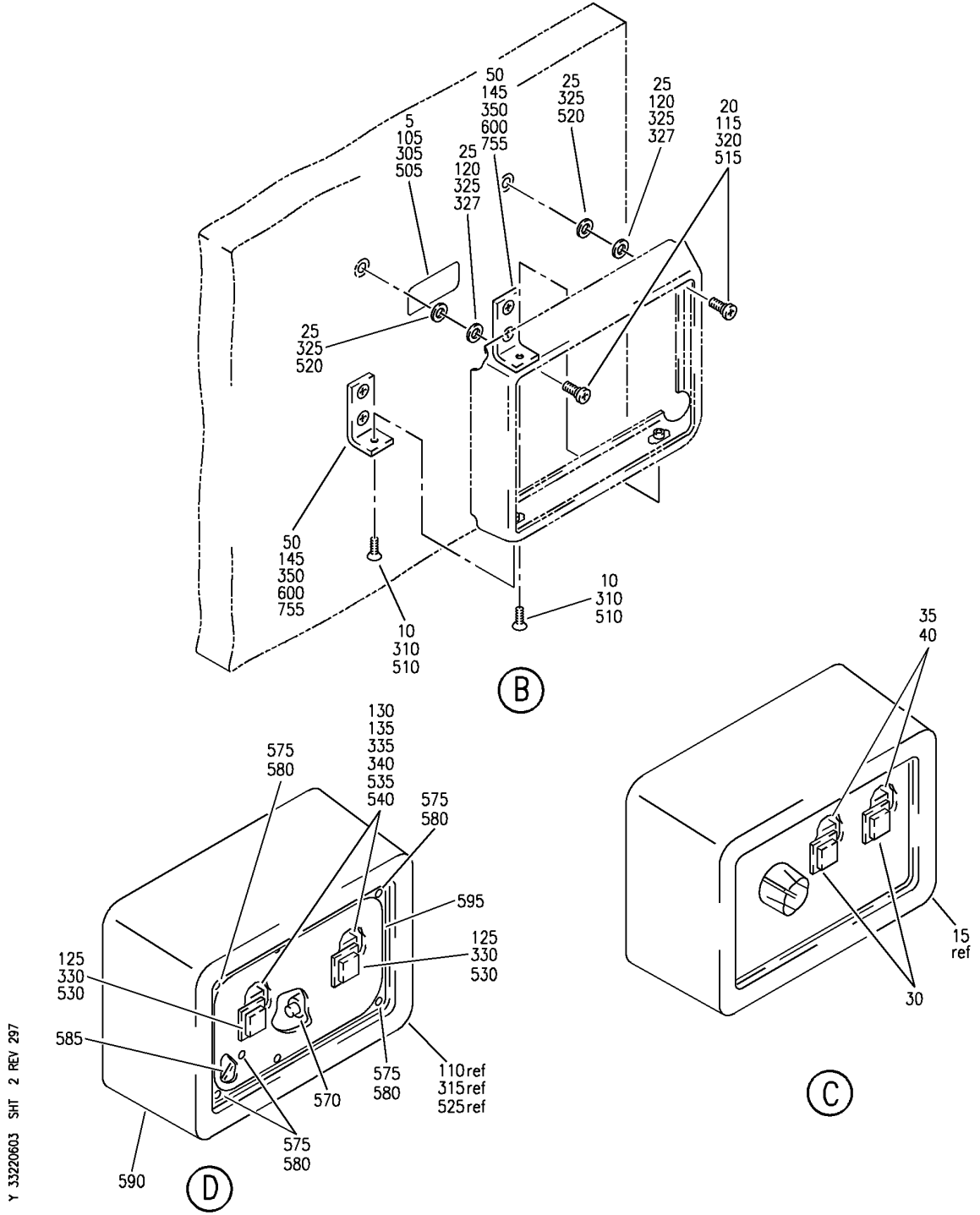
PANEL AND HARNESS INSTL ATTENDANT (AFT ATTENDANT 'S PANEL ONLY)
FIGURE 3 (SHEET 1)

33-22-06-03

BRI
MAY 28/07

33-22-06-03
PAGE 0

BOEING
757
PARTS CATALOG (MAINTENANCE)



Y 33220603 SH1 2 REV 297

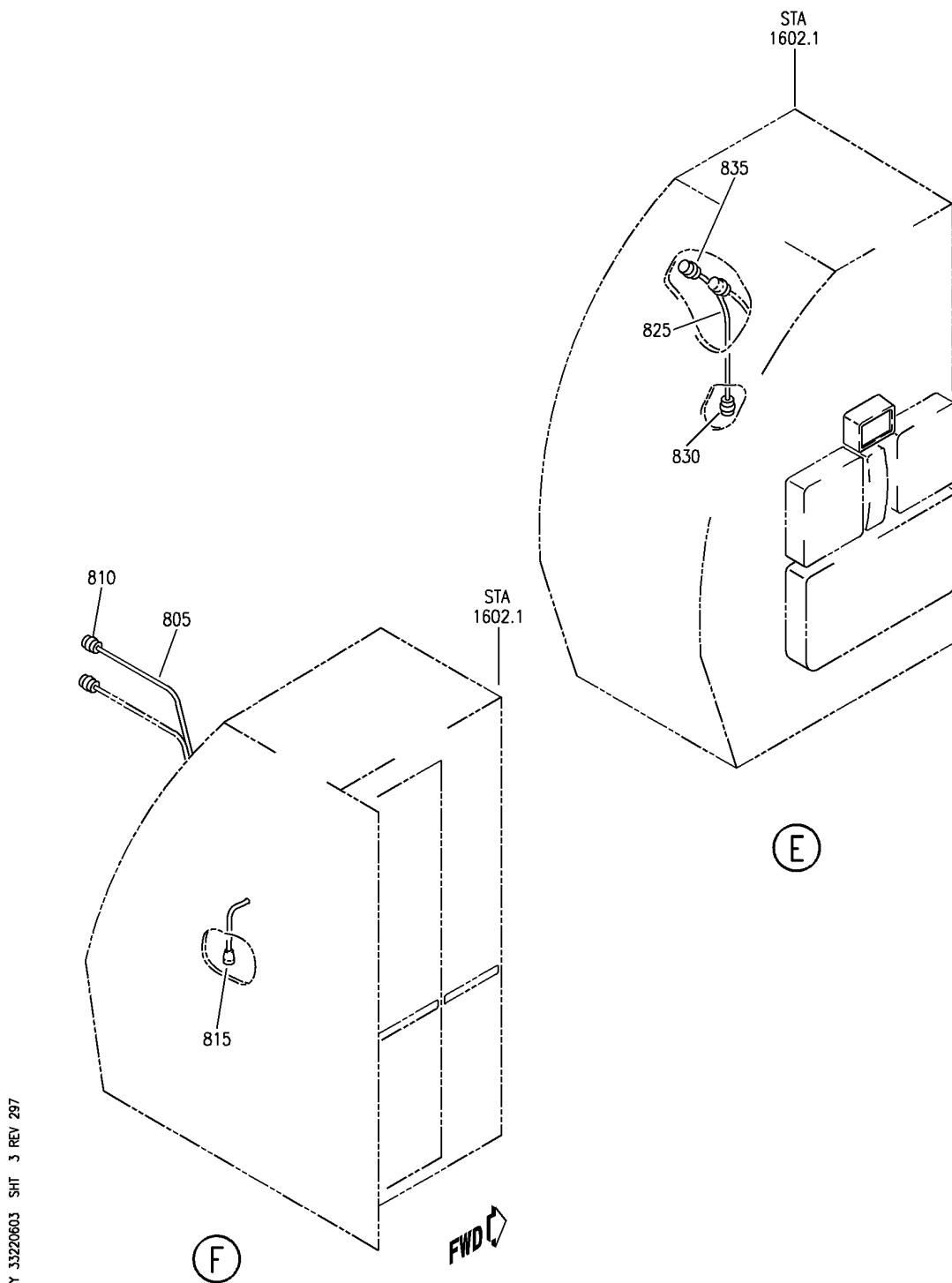
PANEL AND HARNESS INSTL ATTENDANT (AFT ATTENDANT 'S PANEL ONLY)
FIGURE 3 (SHEET 2)

33-22-06-03

BRI
MAY 28/07

33-22-06-03
PAGE 0A

BOEING
757
PARTS CATALOG (MAINTENANCE)



PANEL AND HARNESS INSTL ATTENDANT (AFT ATTENDANT 'S PANEL ONLY)
FIGURE 3 (SHEET 3)

33-22-06-03

BRI
MAY 28/07

33-22-06-03
PAGE 0B



757

PARTS CATALOG (MAINTENANCE)

FIG ITEM	PART NUMBER	1 2 3 4 5 6 7	NOMENCLATURE	EFFECT FROM TO	UNITS PER ASSY
3			PANEL AND HARNESS INSTL ATTENDANT (AFT ATTENDANT 'S PANEL ONLY)	002004 006010 107107 121503 904949 952999 904949	
- 1	417N6001-2		PANEL INSTL-ATTENDANT (AFT ATTENDANT'S PANEL ONLY) POSITION DATA: STA 1638 FOR NHA/OTHER SYS DET SEE: 25-20-00-01E		RF
- 1	417N6001-8		PANEL INSTL-ATTENDANT (AFT ATTENDANT'S PANEL ONLY) POSITION DATA: STA 1652.5 FOR NHA/OTHER SYS DET SEE: 25-20-00-01E	107107	RF
- 1	417N6001-66		PANEL INSTL-ATTENDANT (AFT ATTENDANT'S PANEL ONLY) POSITION DATA: STA 1638 FOR NHA/OTHER SYS DET SEE: 25-20-00-01E	121503	RF
5	BAC27NPA0472		.MARKER-ALUMINUM FOIL PLACARD CONTENT: P22 ATTENDANT PANEL	002004 006010 107107 121503 904949 952999	1
10	NAS514P1032-8		.SCREW	107107 121503 904949	2
15	417N6002-2SP		.PANEL ASSY- SUPPLIER CODE: V89954 COMPONENT MAINT MANUAL REF: 33-22-51	904949	1
15	417N6002-6SP		.PANEL ASSY- SUPPLIER CODE: V89954 COMPONENT MAINT MANUAL REF: 33-22-51	107107	1

MISSING ITEM NUMBERS NOT APPLICABLE

- ITEM NOT ILLUSTRATED

33-22-06-03

33-22-06
FIG. 03
PAGE 1
JAN 20/09

BRI



757

PARTS CATALOG (MAINTENANCE)

FIG ITEM	PART NUMBER	1 2 3 4 5 6 7	NOMENCLATURE	EFFECT FROM TO	UNITS PER ASSY
3					
15	417N6002-52SP		.PANEL ASSY- SUPPLIER CODE: V89954 COMPONENT MAINT MANUAL REF: 33-22-51 ATTACHING PARTS	121503	1
20	417N6008-1		.SCREW-SHOULDER OPTIONAL PART: 417N6008-3	107107 904949	2
20	417N6008-3		.SCREW-SHOULDER OPTIONAL PART: 417N6008-1	121503 904949	2
25	AN960PD10L		.WASHER	107107 904949	4
25	AN960JD10L		.WASHER	121503	4
			-----*-----		
30	2100-100		..LENS-SWITCH SUPPLIER CODE: V91929	002004 006010 107107 121503 904949 952999	2
35	2100-8		..SWITCH ASSY-LIGHTED PUSH BUTTON SUPPLIER CODE: V91929 ELECTRICAL EQUIP NUMBER: S10167 S10336	002004 006010 107107 121503 904949 952999	2
40	85		...BULB- SUPPLIER CODE: V08805	002004 006010 107107 121503 904949 952999	1
- 45	286N0510-001		..WIRE BUNDLE	107107 121503 904949	RF
50	417N6009-15		.BRACKET	002004 006010 107107 121503 904949 952999	2
- 55	NAS514P1032-8		ATTACHING PARTS .SCREW- OPTIONAL PART: NAS514P1032-12 V80206	107107 121503 904949	4

MISSING ITEM NUMBERS NOT APPLICABLE

- ITEM NOT ILLUSTRATED

33-22-06-03

33-22-06
FIG. 03
PAGE 2
JAN 20/09

BRI



757

PARTS CATALOG (MAINTENANCE)

FIG ITEM	PART NUMBER	1 2 3 4 5 6 7	NOMENCLATURE	EFFECT FROM TO	UNITS PER ASSY
3					
- 55	NAS514P1032-12	.	SCREW- OPTIONAL PART: NAS514P1032-8 V80206 -----*-----	904949	4
- 300	417N6001-60	PANEL	INSTL-ATTENDANT (AFT ATTENDANT'S PANEL ONLY) POSITION DATA: STA 1637.5 FOR NHA/OTHER SYS DET SEE: 25-20-00-01A	002004 006010	RF
- 300	417N6001-50	PANEL	INSTL-ATTENDANT (AFT ATTENDANT'S PANEL ONLY) POSITION DATA: STA 1637.5 FOR NHA/OTHER SYS DET SEE: 25-20-00-01A	952999	RF
305	BAC27NPA0472	.MARKER	-ALUMINUM FOIL PLACARD CONTENT: P22 ATTENDANT PANEL	002004 006010 952999	1
310	NAS514P1032-8	.	SCREW	002004 006010 952999	2
315	417N6002-6SP	.PANEL	ASSY- SUPPLIER CODE: V89954 COMPONENT MAINT MANUAL REF: 33-22-51 ATTACHING PARTS	002004 006010 952999	1
320	417N6008-1	.SCREW	-SHOULDER	002004 006010 952999	2
325	AN960JD10LL	.WASHER		002004 006010 952999	4
330	2100-100	..	LENS-SWITCH SUPPLIER CODE: V91929	002004 006010 952999	2
335	2100-8	..	SWITCH ASSY-LIGHTED PUSH BUTTON SUPPLIER CODE: V91929 ELECTRICAL EQUIP NUMBER: S10167 S10336	002004 006010 952999	2

MISSING ITEM NUMBERS NOT APPLICABLE

- ITEM NOT ILLUSTRATED

33-22-06-03

33-22-06
FIG. 03
PAGE 3
JAN 20/09

BRI



757

PARTS CATALOG (MAINTENANCE)

FIG ITEM	PART NUMBER	1 2 3 4 5 6 7	NOMENCLATURE	EFFECT FROM TO	UNITS PER ASSY
3 340	85		. . . BULB-	002004	1
			SUPPLIER CODE:	006010	
			V08805	952999	
- 345	286N0510-002		.. WIRE BUNDLE	002004	RF
				006010	
				952999	
350	417N6009-15		. BRACKET	002004	2
				006010	
				952999	
- 355	NAS514P1032-8		ATTACHING PARTS	002004	4
			. SCREW	006010	
				952999	
			-----*		

MISSING ITEM NUMBERS NOT APPLICABLE

- ITEM NOT ILLUSTRATED

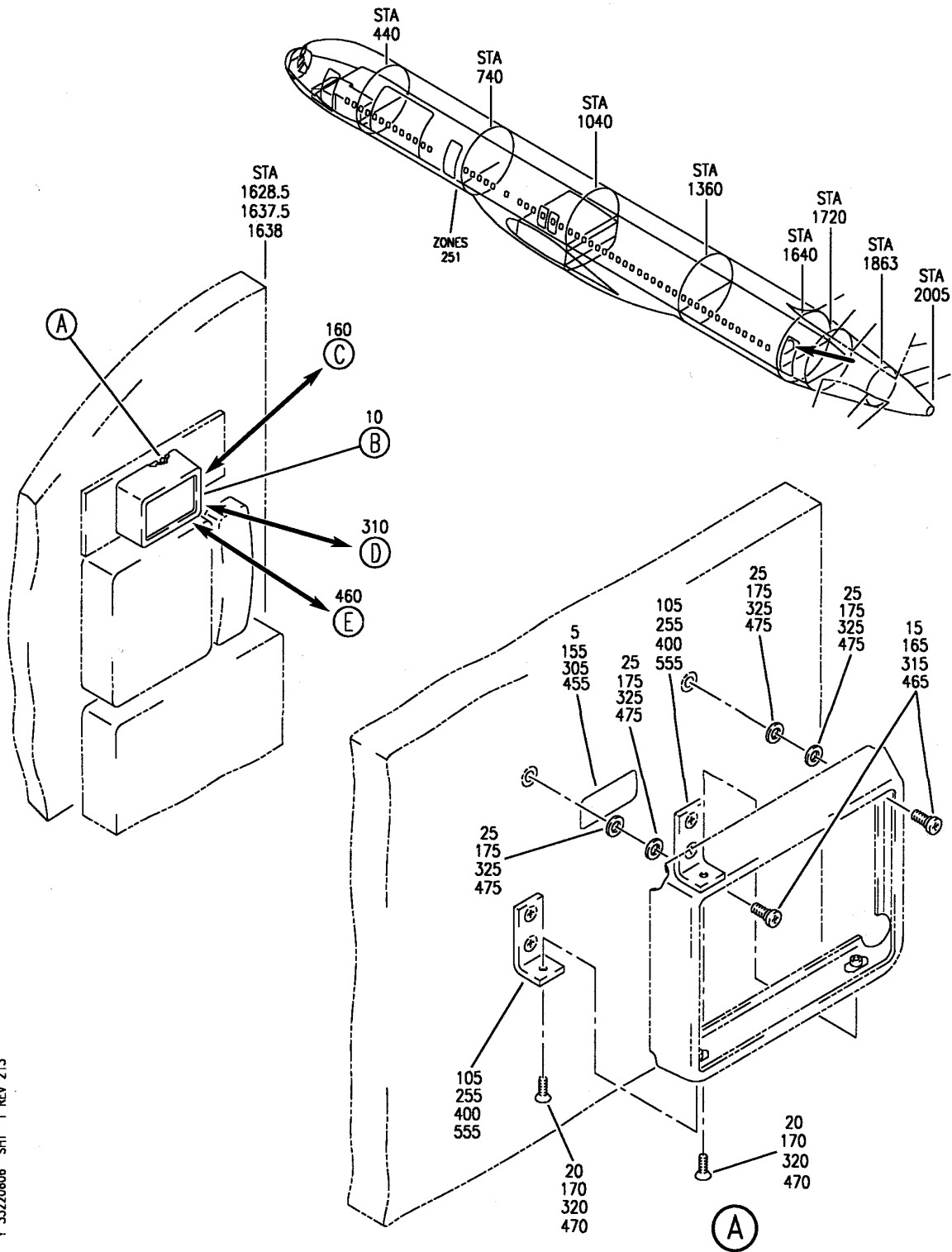
BRI

33-22-06-03

BOEING PROPRIETARY - Copyright © - Unpublished Work - See title page for details.

33-22-06
FIG. 03
PAGE 4
JAN 20/09

BOEING
757
PARTS CATALOG (MAINTENANCE)



Y 33220606 SH1 1 REV 213

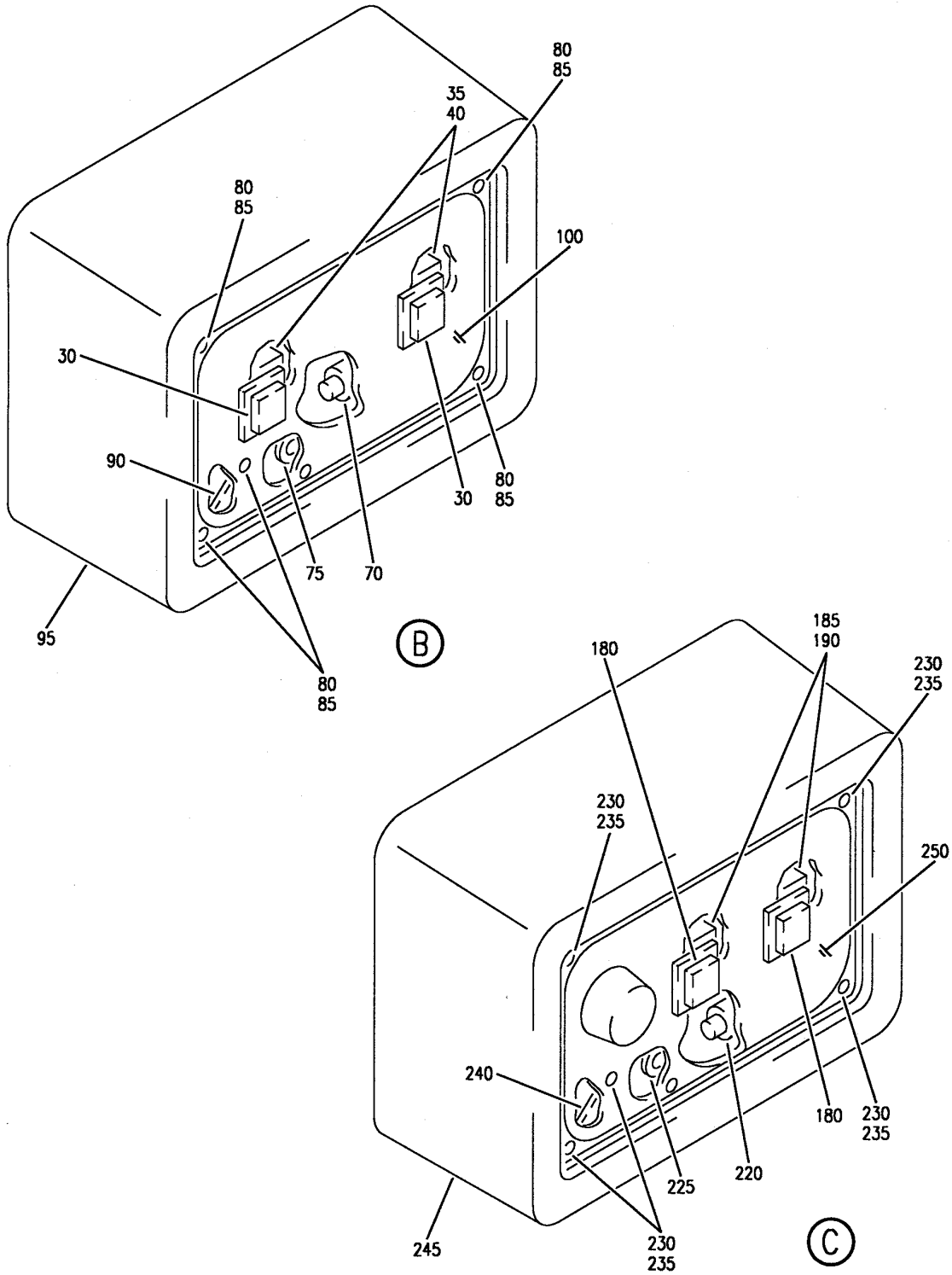
PANEL INSTL-ATTENDANT
FIGURE 6 (SHEET 1)

33-22-06-06

BRI
MAY 28/07

33-22-06-06
PAGE 0

BOEING
757
PARTS CATALOG (MAINTENANCE)



Y 33220606 SHT 2 REV 213

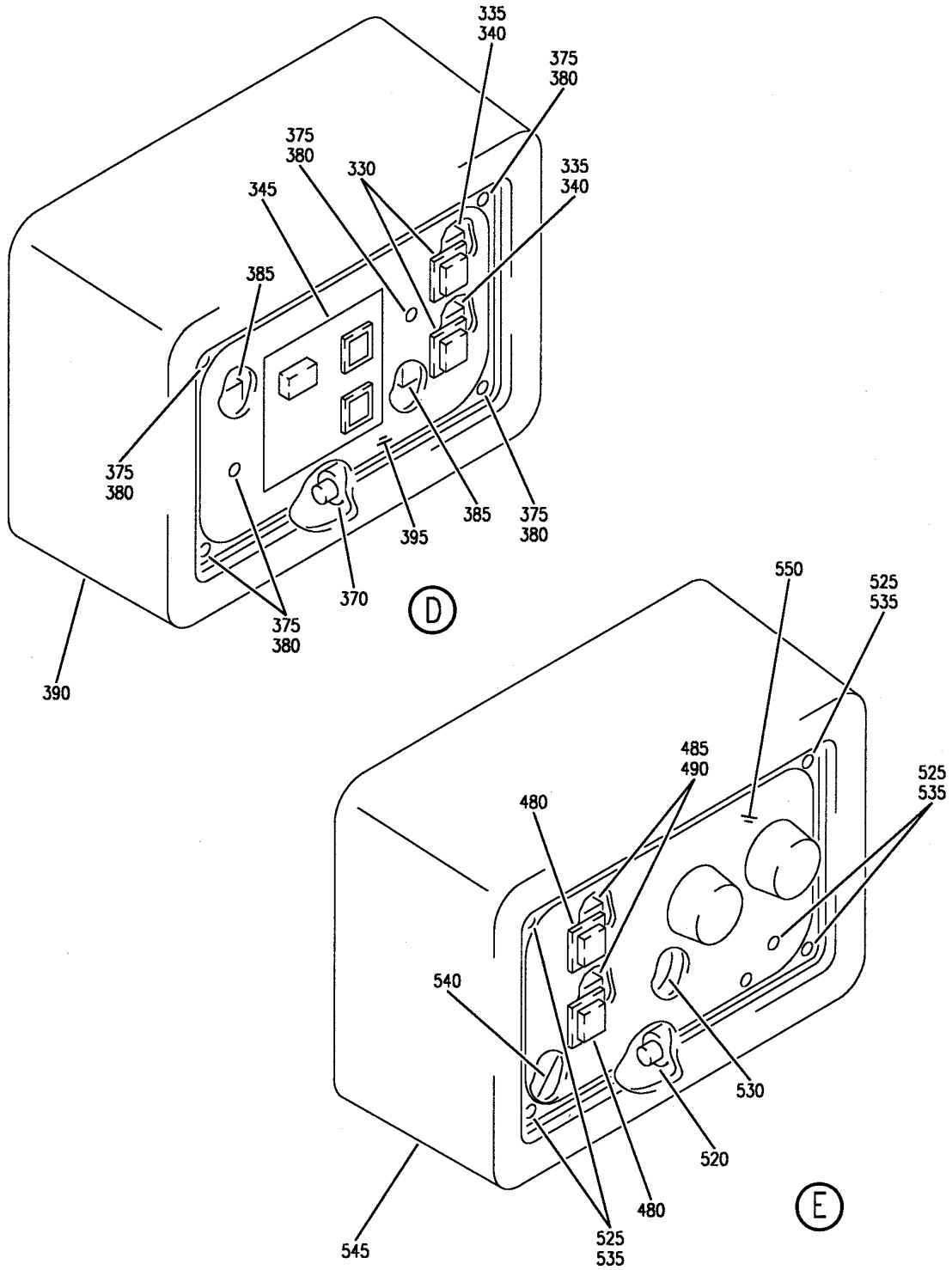
PANEL INSTL-ATTENDANT
FIGURE 6 (SHEET 2)

33-22-06-06

BRI
MAY 28/07

33-22-06-06
PAGE 0A

BOEING
757
PARTS CATALOG (MAINTENANCE)



Y 33220606 SH1 3 REV 213

PANEL INSTL-ATTENDANT
FIGURE 6 (SHEET 3)

33-22-06-06

BRI
MAY 28/07

33-22-06-06
PAGE 0B



757

PARTS CATALOG (MAINTENANCE)

FIG ITEM	PART NUMBER	1 2 3 4 5 6 7	NOMENCLATURE	EFFECT FROM TO	UNITS PER ASSY
6			PANEL INSTL-ATTENDANT	101102 108120	
- 1	417N6001-223SP		PANEL INSTL-ATTENDANT DOOR NO. 4 POSITION DATA: STA 1637.5 LH FOR NHA SEE: 25-20-00-07E	504903 108120	RF
- 1	417N6001-224SP		PANEL INSTL-ATTENDANT DOOR NO. 4 POSITION DATA: STA 1637.5 LH FOR NHA SEE: 25-20-00-07E	101102	RF
5	BAC27NPA0472		.MARKER-ALUMINUM FOIL PLACARD CONTENT: P22 ATTENDANT PANEL	101102 108120	1
10	417N6002-108SP		.PANEL ASSY- SUPPLIER CODE: V89954 ELECTRICAL EQUIP NUMBER: P0002 COMPONENT MAINT MANUAL REF: 33-22-51 OPTIONAL PART: 417N6002-6SP V89954	108120	1
10	417N6002-109SP		.PANEL ASSY- SUPPLIER CODE: V89954 ELECTRICAL EQUIP NUMBER: P0002 COMPONENT MAINT MANUAL REF: 33-22-51 OPTIONAL PART: 417N6002-6SP V89954	101102	1
10	417N6002-6SP		.PANEL ASSY- SUPPLIER CODE: V89954 COMPONENT MAINT MANUAL REF: 33-22-51 OPTIONAL PART: 417N6002-108SP V89954 417N6002-109SP V89954	101102 108120	1

MISSING ITEM NUMBERS NOT APPLICABLE

- ITEM NOT ILLUSTRATED

33-22-06-06

33-22-06
FIG. 06
PAGE 1
JAN 20/09

BRI



757

PARTS CATALOG (MAINTENANCE)

FIG ITEM	PART NUMBER	1 2 3 4 5 6 7	NOMENCLATURE	EFFECT FROM TO	UNITS PER ASSY
6			ATTACHING PARTS		
15	417N6008-1	.	SCREW-SHOULDER	101102 108120	2
20	NAS514P1032-8	.	SCREW-	101102 108120	2
25	NAS1149D0332J	.	WASHER	101102 108120	AR
			-----*-----		
30	2100-100	..	LENS-SWITCH SUPPLIER CODE: V91929	101102 108120	2
35	2100-8	..	SWITCH ASSY-LIGHTED PUSH BUTTON SUPPLIER CODE: V91929 ELECTRICAL EQUIP NUMBER: S10167 S10336	101102 108120	2
40	85	...	BULB- SUPPLIER CODE: V08805	101102 108120	1
- 45	288N0177-601	..	WIRE BUNDLE INSTL	101102	1
- 45	288N0177-701	..	WIRE BUNDLE INSTL	108120	1
			ATTACHING PARTS		
- 50	BACS12CK04-6	..	SCREW	101102 108120	4
- 55	NAS1149DN416K	..	WASHER	101102 108120	4
- 60	BRH10A04	..	NUT SUPPLIER CODE: V52828 SPECIFICATION NUMBER: BACN10JCO4 OPTIONAL PART: NS202101-40 V80539 RMLH9075-40W V72962 VN303A40 V92215 96-40 V80539 T6S440J V11815 H10-04BAC V15653	101102 108120	4
			-----*-----		
- 65	286N0510-302	...	WIRE BUNDLE	108120	1
- 65	286N0510-303	...	WIRE BUNDLE	101102	1

MISSING ITEM NUMBERS NOT APPLICABLE

- ITEM NOT ILLUSTRATED

33-22-06-06

33-22-06
FIG. 06
PAGE 2
JAN 20/09

BRI

BOEING PROPRIETARY - Copyright © - Unpublished Work - See title page for details.



757

PARTS CATALOG (MAINTENANCE)

FIG ITEM	PART NUMBER	1 2 3 4 5 6 7	NOMENCLATURE	EFFECT FROM TO	UNITS PER ASSY
6					
70	BACC45FN10A5P	CONNECTOR- ELECTRICAL EQUIP NUMBER: D04616	101102 108120	1
75	NAS43DD3-6	..	SPACER	101102 108120	1
80	MS35333-73	..	WASHER	101102 108120	6
85	BACN10MG10	..	NUT	101102 108120	6
90	417N6009-11	..	BRACKET	101102 108120	1
95	417N6003-3SP	..	PANEL ASSY- USED ON: 417N6002-6SP	101102 108120	1
100	417N6004-13SP	..	FACEPLATE ASSY- USED ON: 417N6002-6SP	101102 108120	1
105	417N6009-15	.	BRACKET	101102 108120	2
- 110	NAS514P1032-8	.	ATTACHING PARTS SCREW-	101102 108120	4
- 150	417N6001-231SP	-----*-----	PANEL INSTL-ATTENDANT POSITION DATA: STA 1638.0 FOR NHA/OTHER SYS DET SEE: 25-20-00-07E	504903	RF
155	BAC27NPA0472	.	MARKER-ALUMINUM FOIL PLACARD CONTENT: P22 ATTENDANT PANEL	504903	1
160	417N6002-121SP	.	PANEL ASSY- SUPPLIER CODE: V89954 ATTACHING PARTS	504903	1
165	417N6008-1	.	SCREW-SHOULDER	504903	2
170	NAS514P1032-8	.	SCREW	504903	2
175	NAS1149D0332J	.	WASHER	504903	AR
180	2100-100	..	LENS-SWITCH SUPPLIER CODE: V91929	504903	2
185	2100-8	..	SWITCH ASSY-LIGHTED PUSH BUTTON SUPPLIER CODE: V91929 ELECTRICAL EQUIP NUMBER: S10167 S10336	504903	2

MISSING ITEM NUMBERS NOT APPLICABLE

- ITEM NOT ILLUSTRATED

33-22-06-06

33-22-06
FIG. 06
PAGE 3
JAN 20/09

BRI

BOEING PROPRIETARY - Copyright © - Unpublished Work - See title page for details.



757

PARTS CATALOG (MAINTENANCE)

FIG ITEM	PART NUMBER	1 2 3 4 5 6 7	NOMENCLATURE	EFFECT FROM TO	UNITS PER ASSY
6					
190	85		...BULB- SUPPLIER CODE: V08805	504903	1
- 195	288N0177-703		..WIRE BUNDLE INSTL ATTACHING PARTS	504903	1
- 200	BACS12CK04-6		..SCREW	504903	4
- 205	NAS1149DN416K		..WASHER	504903	4
- 210	BRH10A04		..NUT SUPPLIER CODE: V52828 SPECIFICATION NUMBER: BACN10JCO4 OPTIONAL PART: NS202101-40 V80539 RMLH9075-40W V72962 VN303A40 V92215 96-40 V80539 T6S440J V11815 H10-04BAC V15653 -----*-----	504903	4
- 215	286N0510-307		...WIRE BUNDLE	504903	1
220	BACC45FN12A12P		...CONNECTOR- ELECTRICAL EQUIP NUMBER: D04616	504903	1
225	NAS43DD3-6		..SPACER	504903	1
230	MS35333-73		..WASHER	504903	6
235	BACN10MG10		..NUT	504903	6
240	417N6009-7		..BRACKET	504903	1
245	417N6003-3SP		..PANEL ASSY	504903	1
250	417N6002-142SP		..FACEPLATE ASSY	504903	1
255	417N6009-15		.BRACKET ATTACHING PARTS	504903	2
- 260	NAS514P1032-8		.SCREW -----*-----	504903	4

MISSING ITEM NUMBERS NOT APPLICABLE

- ITEM NOT ILLUSTRATED

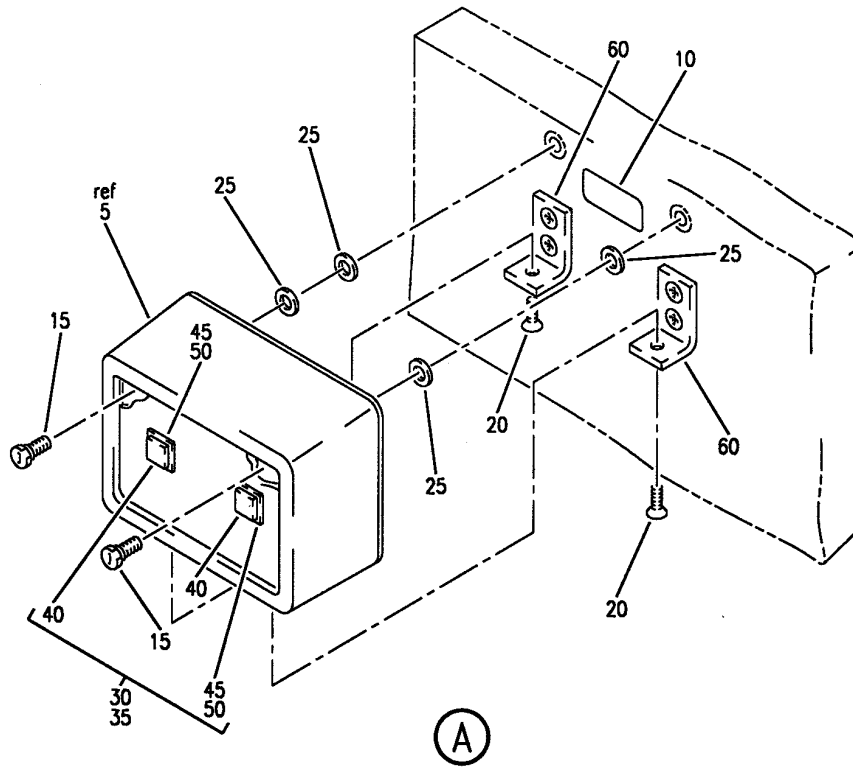
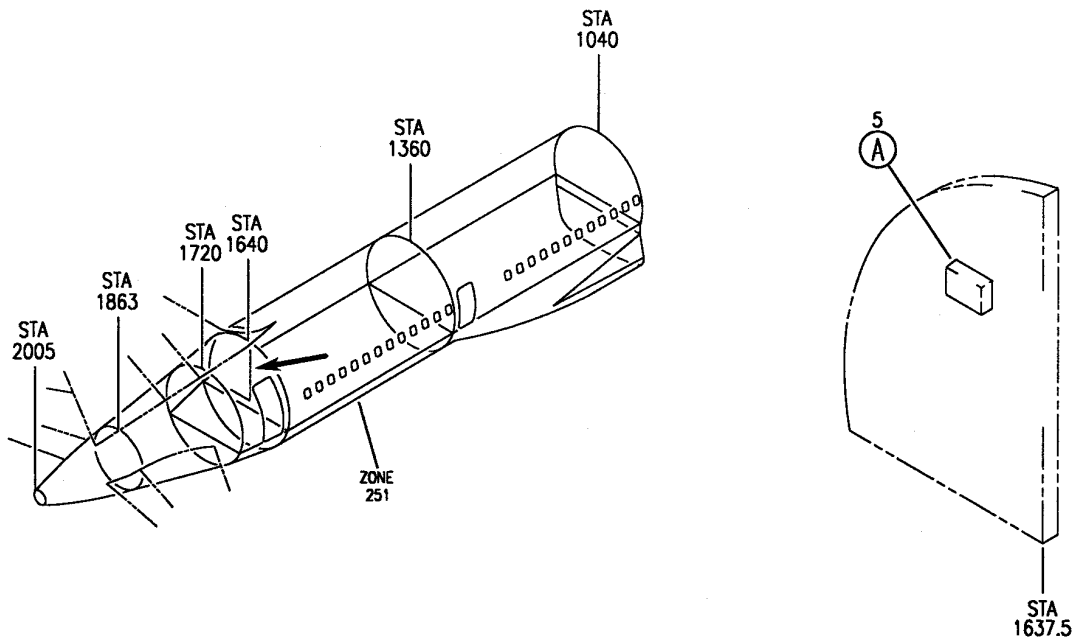
33-22-06-06

33-22-06
FIG. 06
PAGE 4
JAN 20/09

BRI

BOEING PROPRIETARY - Copyright © - Unpublished Work - See title page for details.

BOEING
757
PARTS CATALOG (MAINTENANCE)



Y 33220609 REV 214

PANEL INSTL-ATTENDANT (AFT ATTENDANT'S PANEL ONLY)
FIGURE 9

33-22-06-09

BRI
MAY 28/07

33-22-06-09
PAGE 0



757

PARTS CATALOG (MAINTENANCE)

FIG ITEM	PART NUMBER	1 2 3 4 5 6 7	NOMENCLATURE	EFFECT FROM TO	UNITS PER ASSY
9			PANEL INSTL-ATTENDANT (AFT ATTENDANT'S PANEL ONLY)	011100 950951	
- 1	417N6001-55		PANEL INSTL-ATTENDANT DOOR NO. 4 (AFT ATTENDANT'S PANEL ONLY) POSITION DATA: LH STA 1637.5 FOR NHA SEE: 25-20-00-01A	011100 950951	RF
5	417N6001-5001		.PANEL INSTL-ATTENDANT DOOR NO. 4 (PASSENGER LOADING LIGHT ONLY) POSITION DATA: LH STA 1637.5	011100 950951	RF
10	BAC27NPA0472		..MARKER-ALUMINUM FOIL PLACARD CONTENT: P22 ATTENDANT PANEL	011100 950951	1
15	417N6008-1		..SCREW-SHOULDER	011100 950951	2
20	NAS514P1032-8		..SCREW	011100 950951	2
25	AN960JD10L		..WASHER	011100 950951	4
30	417N6002-6		..PANEL ASSY- SUPPLIER CODE: V89954 COMPONENT MAINT MANUAL REF: 33-22-51	011100 950951	1
40	2100-100		...LENS-SWITCH SUPPLIER CODE: V91929	011100 950951	2
45	2100-8		...SWITCH ASSY-LIGHTED PUSH BUTTON SUPPLIER CODE: V91929 ELECTRICAL EQUIP NUMBER: S10167 S10336	011100 950951	2
50	85		...BULB- SUPPLIER CODE: V08805	011100 950951	1
- 55	286N0510-002		...WIRE BUNDLE	011100	RF
60	417N6009-15		..BRACKET	011100 950951	2
- 65	NAS514P1032-8		ATTACHING PARTS ..SCREW	011100 950951	4
-----*-----					

MISSING ITEM NUMBERS NOT APPLICABLE

- ITEM NOT ILLUSTRATED

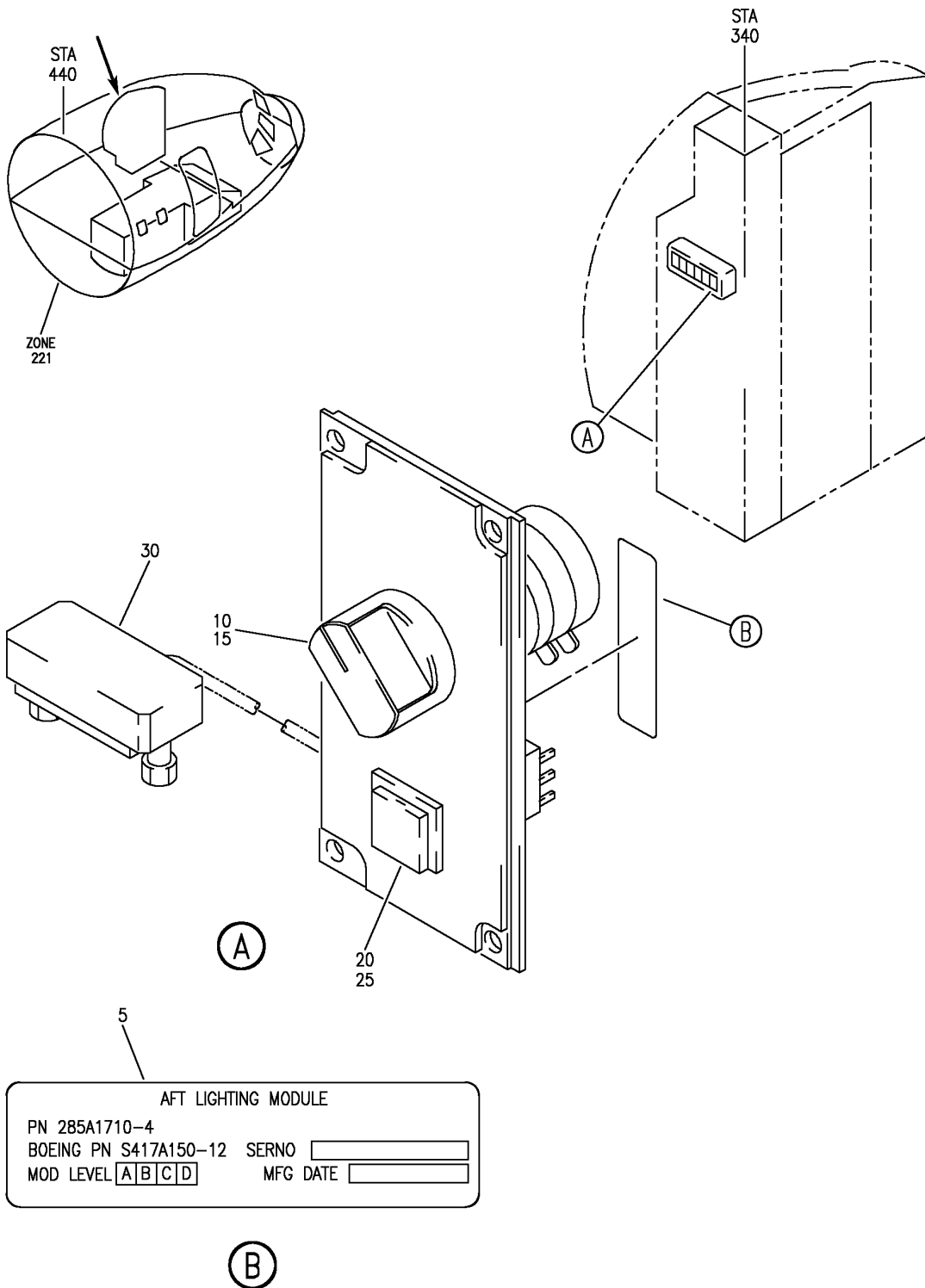
33-22-06-09

33-22-06
FIG. 09
PAGE 1
JAN 20/09

BRI

BOEING PROPRIETARY - Copyright © - Unpublished Work - See title page for details.

BOEING
757
PARTS CATALOG (MAINTENANCE)



Y 33220615 REV 256

MODULE ASSY-AFT LIGHTING WITH EMER EXIT LT, ATTENDANT PNL (AFT ATTENDANT'S PANEL ONLY)
FIGURE 15

BRI
JAN 20/09

33-22-06-15

33-22-06-15
PAGE 0



757

PARTS CATALOG (MAINTENANCE)

FIG ITEM	PART NUMBER	1 2 3 4 5 6 7	NOMENCLATURE	EFFECT FROM TO	UNITS PER ASSY
15			MODULE ASSY-AFT LIGHTING WITH EMER EXIT LT, ATTENDANT PNL (AFT ATTENDANT'S PANEL ONLY)	103106	
1	285A1710-4		MODULE ASSY-AFT LIGHTING WITH EMER EXIT LT, (P22) ATTENDANT PNL (AFT ATTENDANT'S PANEL ONLY) SUPPLIER CODE: V89954 ELECTRICAL EQUIP NUMBER: M02107 COMPONENT MAINT MANUAL REF: 33-11-05 FOR NHA SEE: 31-17-11-04	103106	RF
5	BAC27DEX6210		.MARKER- SUPPLIER CODE: V89954	103106	1
10	RD409-101		.KNOB-SWITCH SUPPLIER CODE: V81590	103106	1
15	44MY241308		.SWITCH-ROTARY WITH 1 DECK, 2 POLE 3 POS SUPPLIER CODE: V81073 ELECTRICAL EQUIP NUMBER: S00001	103106	1
20	2100-100		.LENS-WHITE NO LEGEND SUPPLIER CODE: V91929	103106	1
25	2100-3		.SWITCH ASSY-2 POLE ALT SUPPLIER CODE: V91929 ELECTRICAL EQUIP NUMBER: S00002	103106	1
- 28	85		..BULB- SUPPLIER CODE: V08805	103106	1
30	SGMC104M0ER000		.CONNECTOR- SUPPLIER CODE: V28198 SPECIFICATION NUMBER: S906-30234-401 ELECTRICAL EQUIP NUMBER: P00001	103106	1

MISSING ITEM NUMBERS NOT APPLICABLE

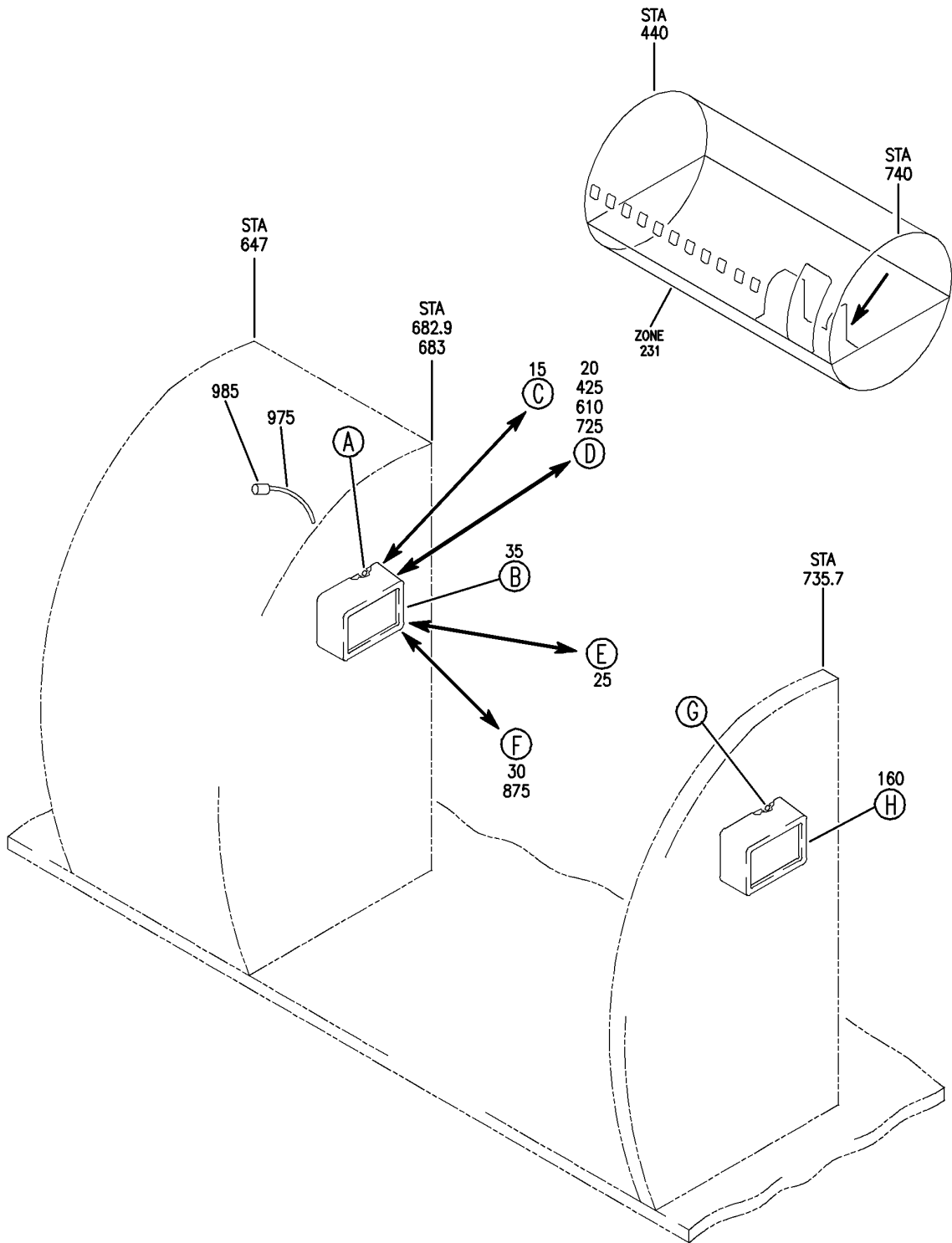
- ITEM NOT ILLUSTRATED

33-22-06-15

33-22-06
FIG. 15
PAGE 1
JAN 20/09

BRI

BOEING
757
PARTS CATALOG (MAINTENANCE)



Y 33220701 SHT 1 REV 241

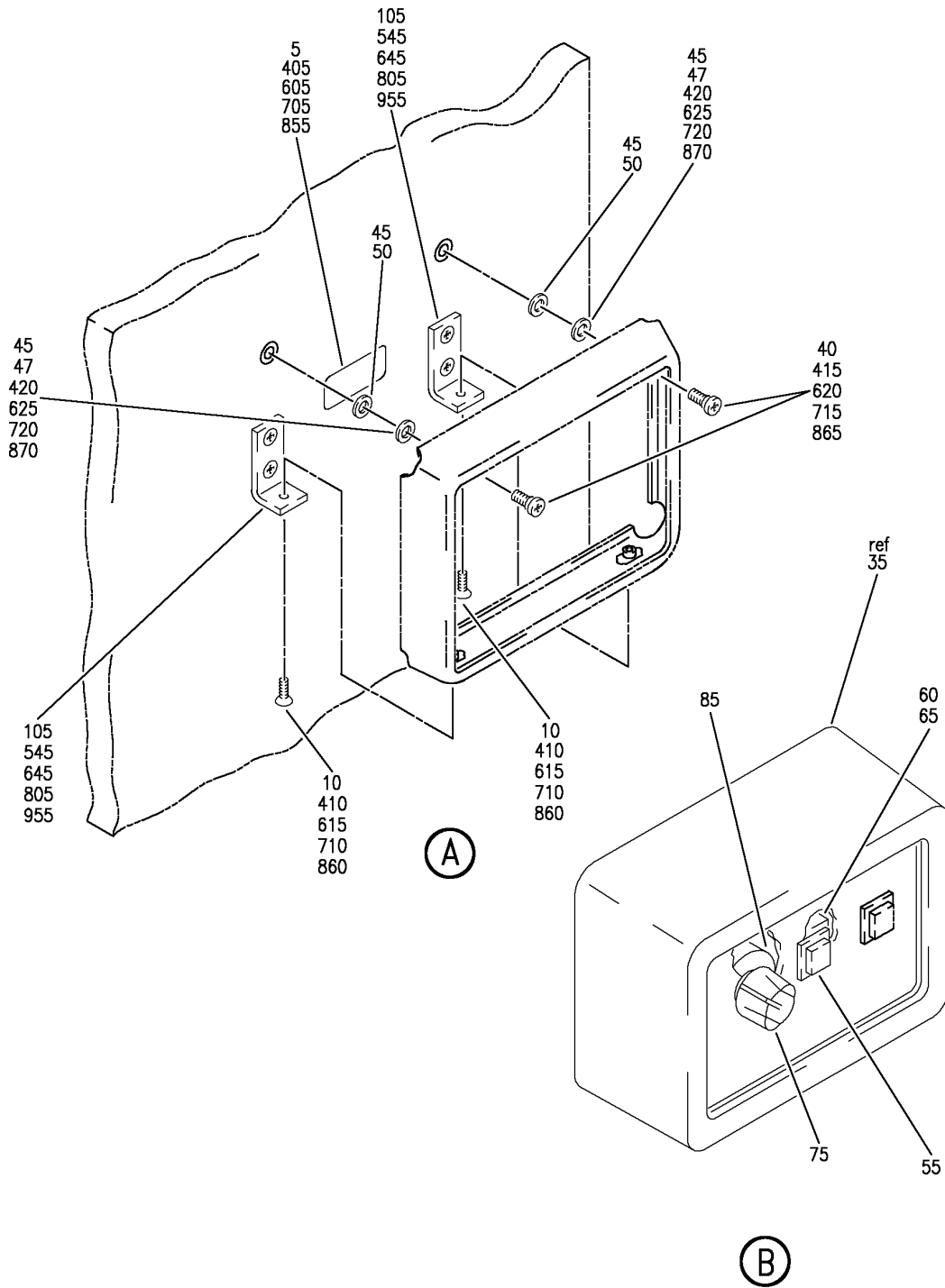
PANEL INSTL-ATTENDANT (ATTENDANT'S PANEL ONLY)
FIGURE 1 (SHEET 1)

33-22-07-01

BRI
JAN 20/09

33-22-07-01
PAGE 0

BOEING
757
PARTS CATALOG (MAINTENANCE)



Y 33220701 SHT 2 REV 245

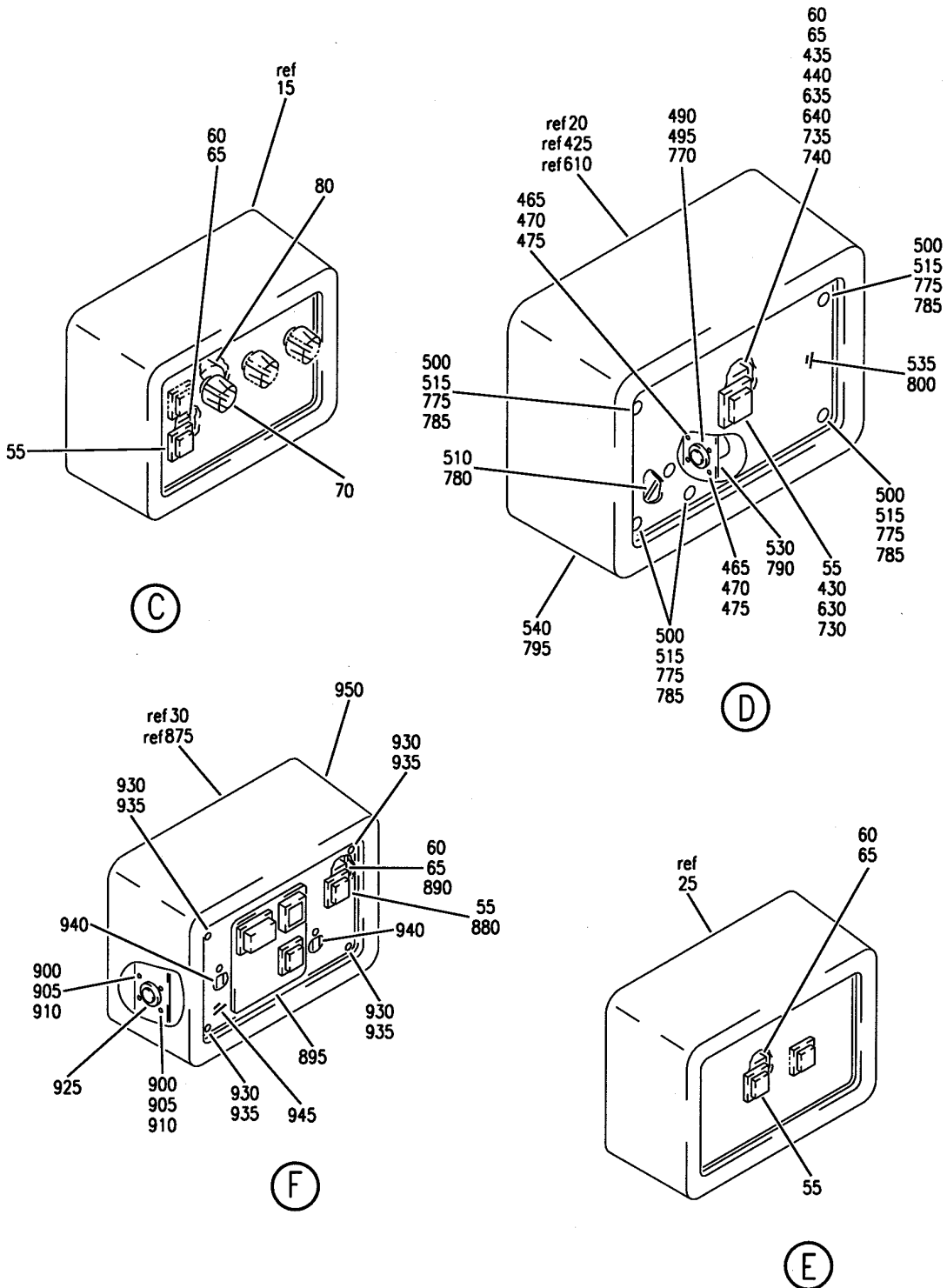
PANEL INSTL-ATTENDANT (ATTENDANT'S PANEL ONLY)
FIGURE 1 (SHEET 2)

33-22-07-01

BRI
JAN 20/09

33-22-07-01
PAGE 0A


BOEING
 757
PARTS CATALOG (MAINTENANCE)



Y 33220701 SHT 3 REV 213

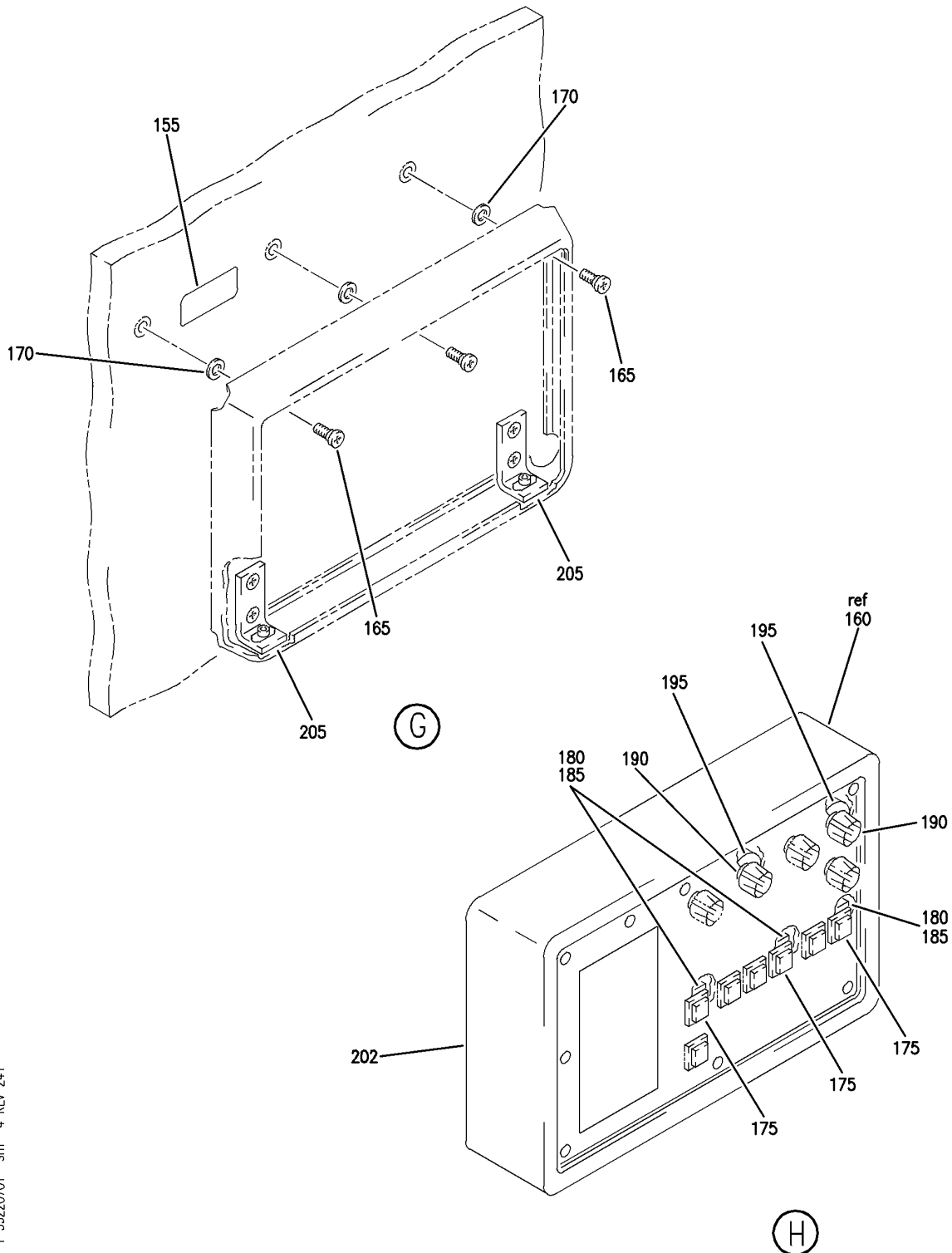
PANEL INSTL-ATTENDANT (ATTENDANT'S PANEL ONLY)
 FIGURE 1 (SHEET 3)

33-22-07-01

BRI
JAN 20/09

33-22-07-01
 PAGE 0B

BOEING
757
PARTS CATALOG (MAINTENANCE)



Y 33220701 SHT 4 REV 241

PANEL INSTL-ATTENDANT (ATTENDANT'S PANEL ONLY)
FIGURE 1 (SHEET 4)

33-22-07-01

BRI
JAN 20/09

33-22-07-01
PAGE 0C



757

PARTS CATALOG (MAINTENANCE)

FIG ITEM	PART NUMBER	1 2 3 4 5 6 7	NOMENCLATURE	EFFECT FROM TO	UNITS PER ASSY
1			PANEL INSTL-ATTENDANT (ATTENDANT'S PANEL ONLY)	108120 950999	
1	417N6001-51		PANEL INSTL-ATTENDANT DOOR NO. 2 (ATTENDANT'S PANEL ONLY) POSITION DATA: STA 682.90 LH FOR NHA/OTHER SYS DET SEE: 25-20-00-01A	952999	RF
1	417N6001-68		PANEL INSTL-ATTENDANT DOOR NO. 2 POSITION DATA: STA 682.90 LH FOR NHA SEE: 25-20-00-01A	950951	RF
5	BAC27NPA0473		.MARKER-ALUMINUM FOIL PLACARD CONTENT: P23 ATTENDANT PANEL	950999	1
10	NAS514P1032-8		.SCREW	950999	2
20	417N6002-47SP		.PANEL ASSY- SUPPLIER CODE: V89954 COMPONENT MAINT MANUAL REF: 33-22-51	950999	1
40	417N6008-1		ATTACHING PARTS .SCREW-SHOULDER	950999	2
47	AN960JD10LL		.WASHER	950999	2
55	2100-100		-----*----- ..LENS-SWITCH SUPPLIER CODE: V91929	950999	1
60	2100-8		..SWITCH ASSY-LIGHTED PUSH BUTTON SUPPLIER CODE: V91929 ELECTRICAL EQUIP NUMBER: S10159	950999	1
65	85		...BULB- SUPPLIER CODE: V08805	950999	1
- 100	286N0506-010		..WIRE BUNDLE-	950999	RF
105	417N6009-15		.BRACKET ATTACHING PARTS	950999	2
- 110	NAS514P1032-8		.SCREW -----*-----	950999	4

MISSING ITEM NUMBERS NOT APPLICABLE

- ITEM NOT ILLUSTRATED

33-22-07-01

33-22-07
FIG. 01
PAGE 1
JAN 20/09

BRI

BOEING PROPRIETARY - Copyright © - Unpublished Work - See title page for details.



757

PARTS CATALOG (MAINTENANCE)

FIG ITEM	PART NUMBER	1 2 3 4 5 6 7	NOMENCLATURE	EFFECT FROM TO	UNITS PER ASSY
1					
- 400	417N6001-144B		PANEL INSTL-ATTENDANT DOOR NO. 2 POSITION DATA: STA 682.90 LH FOR NHA SEE: 25-20-00-07E	108120	RF
405	BAC27NPA0473		.MARKER-ALUMINUM FOIL PLACARD CONTENT: P23 ATTENDANT PANEL	108120	1
410	NAS514P1032-8		.SCREW	108120	2
415	417N6008-1		.SCREW	108120	2
420	NAS1149D0316J		.WASHER	108120	2
425	417N6002-94SP		.PANEL ASSY- SUPPLIER CODE: V89954	108120	1
425	417N6002-47SP		.PANEL ASSY- SUPPLIER CODE: V89954 COMPONENT MAINT MANUAL REF: 33-22-51	108120	1
430	2100-100		..LENS-SWITCH SUPPLIER CODE: V91929	108120	1
435	2100-8		..SWITCH ASSY-LIGHTED PUSH BUTTON SUPPLIER CODE: V91929 ELECTRICAL EQUIP NUMBER: S10514	108120	1
440	85		...BULB- SUPPLIER CODE: V08805	108120	1
465	NAS1801-04-05		..SCREW	108120	4
470	NAS1149DN416J		..WASHER	108120	4
475	K19798-04		..NUT- SUPPLIER CODE: V15653 SPECIFICATION NUMBER: BACN10NW1 OPTIONAL PART: RMA4812-160-40 V72962 293162 V60119 MS21042L04	108120	4
475	MS21042L04		..NUT- OPTIONAL PART: BACN10NW1	108120	4
- 480	288N0201-701		..WIRE BUNDLE INSTL	108120	1

MISSING ITEM NUMBERS NOT APPLICABLE

- ITEM NOT ILLUSTRATED

33-22-07-01

33-22-07
FIG. 01
PAGE 2
JAN 20/09

BRI



757

PARTS CATALOG (MAINTENANCE)

FIG ITEM	PART NUMBER	1 2 3 4 5 6 7	NOMENCLATURE	EFFECT FROM TO	UNITS PER ASSY
1					
- 485	286N0506-306		...WIRE BUNDLE	108120	1
490	BACC45FN10A5P	CONNECTOR-	108120	1
			ELECTRICAL EQUIP NUMBER: D04634		
500	BACN10MG10		..NUT	108120	6
510	NAS43DD3-6		..SPACER	108120	1
515	MS35333-73		..WASHER	108120	6
530	417N6009-11		..BRACKET	108120	1
535	417N6004-123SP		..FACEPLATE	108120	1
540	417N6003-3SP		..PANEL ASSY	108120	1
545	417N6009-15		.BRACKET	108120	2
			ATTACHING PARTS		
- 550	NAS514P1032-8		.SCREW	108120	4
			-----*-----		

MISSING ITEM NUMBERS NOT APPLICABLE

- ITEM NOT ILLUSTRATED

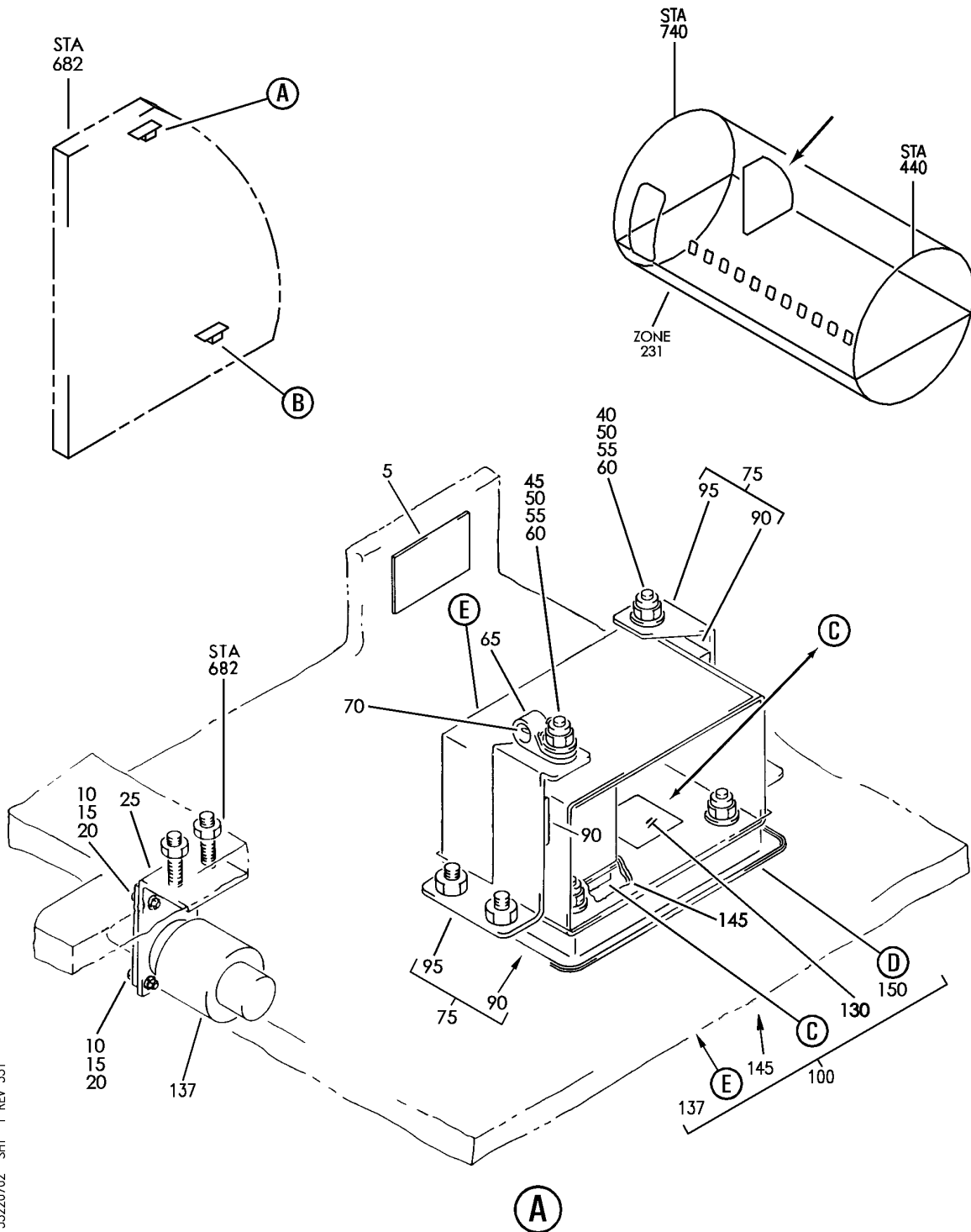
BRI

33-22-07-01

BOEING PROPRIETARY - Copyright © - Unpublished Work - See title page for details.

33-22-07
FIG. 01
PAGE 3
JAN 20/09

BOEING
757
PARTS CATALOG (MAINTENANCE)



Y 33220702 SHT 1 REV 331

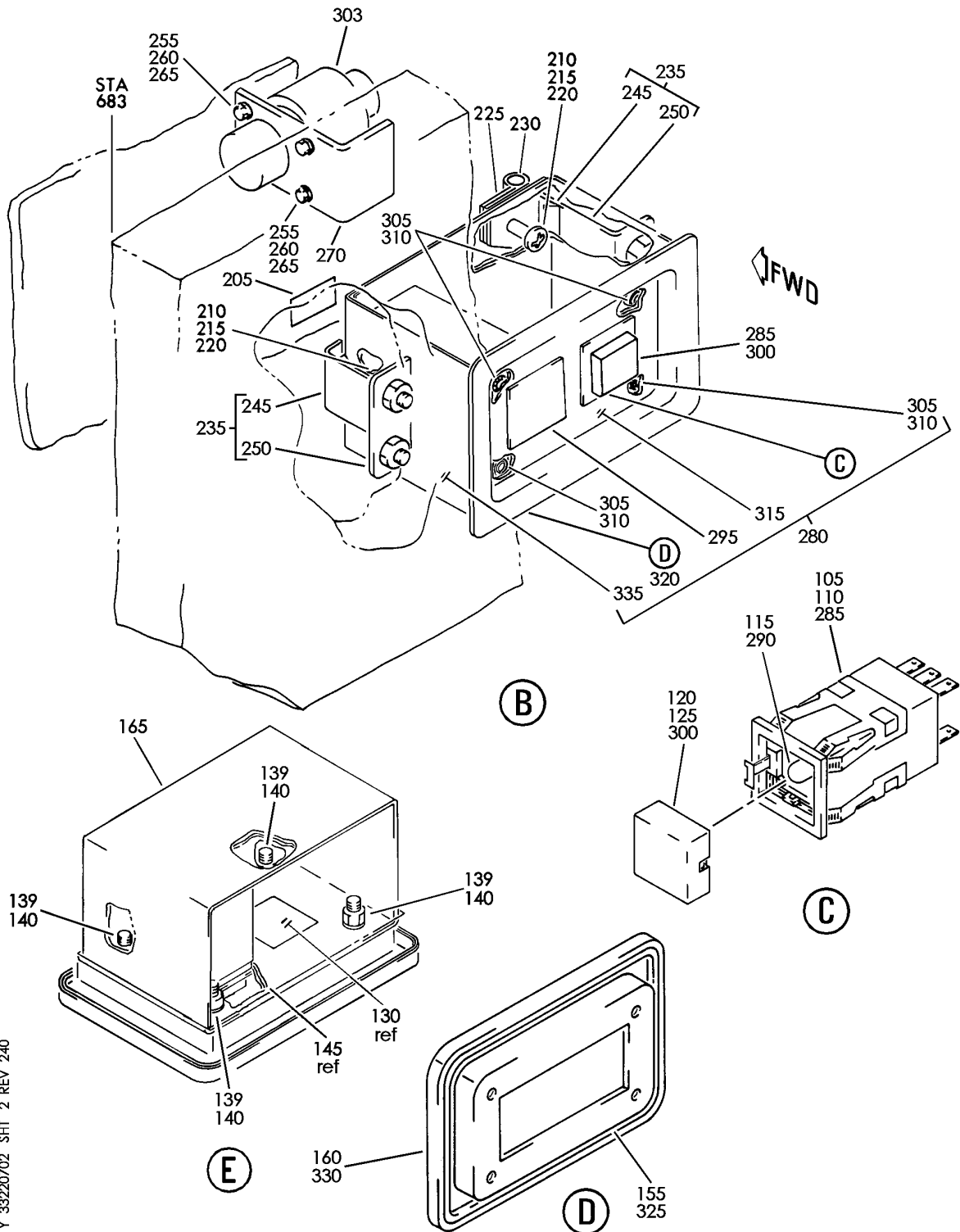
PANEL INSTL-ENTRY DOOR NO. 2 AND 4 ATTENDANT
FIGURE 2 (SHEET 1)

33-22-07-02

BRI
JAN 20/09

33-22-07-02
PAGE 0


BOEING
 757
PARTS CATALOG (MAINTENANCE)



Y 33220702 SHT 2 REV 240

PANEL INSTL-ENTRY DOOR NO. 2 AND 4 ATTENDANT
 FIGURE 2 (SHEET 2)

33-22-07-02

BRI
 JAN 20/09

33-22-07-02
 PAGE 0A



757

PARTS CATALOG (MAINTENANCE)

FIG ITEM	PART NUMBER	1 2 3 4 5 6 7	NOMENCLATURE	EFFECT FROM TO	UNITS PER ASSY
2			PANEL INSTL-ENTRY DOOR NO. 2 AND 4 ATTENDANT	504903	
- 200	417N6010-208SP		PANEL INSTL-ENTRY DOOR NO. 2 ATTENDANT FOR NHA SEE: 25-20-00-07E	504903	RF
205	BAC27NPA0473		.MARKER-ALUMINUM FOIL PLACARD CONTENT: P23 ATTENDANT PANEL	504903	1
210	BACS12CK08-12		.SCREW	504903	2
215	NAS1149DN832J		.WASHER	504903	2
220	BRH10A08		.NUT	504903	2
			SUPPLIER CODE: V52828 SPECIFICATION NUMBER: BACN10JCO8 OPTIONAL PART: H10-08BAC V15653 NS202101-82 V80539 RMLH9075-82W V72962 VN303A82 V92215 96-82 V80539 T6S832J V11815		
225	BACC10DK4		.CLAMP	504903	1
230	N2088		.PLUG SUPPLIER CODE: V75345 SPECIFICATION NUMBER: BACP20BA1 OPTIONAL PART: SZ7105 V95272 4841 V84914	504903	1
235	417N6023-5		.BRACKET ASSY ATTACHING PARTS	504903	2
- 240	BACS12CK3-5		.SCREW -----*-----	504903	4
245	417N6023-6		..PAD-MTG	504903	1
250	417N6009-9		..BRACKET	504903	1
255	BACS12CK04-6		.SCREW	504903	4
260	NAS1149DN416J		.WASHER	504903	4
265	MS21042L04		.NUT	504903	4

MISSING ITEM NUMBERS NOT APPLICABLE

- ITEM NOT ILLUSTRATED

33-22-07-02

33-22-07
FIG. 02
PAGE 1
JAN 20/09

BRI



757

PARTS CATALOG (MAINTENANCE)

FIG ITEM	PART NUMBER	1 2 3 4 5 6 7	NOMENCLATURE	EFFECT FROM TO	UNITS PER ASSY
2					
270	417N6009-4		.BRACKET ATTACHING PARTS	504903	1
- 275	BACS12CK3-5		.SCREW	504903	2
			-----*-----		
280	417N6011-10SP		.PANEL ASSY- SUPPLIER CODE: V89954	504903	1
285	2100-8		..SWITCH ASSY-PUSH BUTTON SUPPLIER CODE: V91929 ELECTRICAL EQUIP NUMBER: S10161	504903	1
290	85		...BULB- SUPPLIER CODE: V08805	504903	1
295	AML78CB001		..PLUG-SWITCH HOLE SUPPLIER CODE: V91929	504903	1
300	2100-100		..LENS-PUSH BUTTON SUPPLIER CODE: V91929	504903	1
- 301	288N0201-603		..WIRE BUNDLE INSTL	504903	1
- 302	286N0506-014		...WIRE BUNDLE	504903	1
303	BACC45FT10A5P		...CONNECTOR- ELECTRICAL EQUIP NUMBER: D04634	504903	1
305	MS35333-72		..WASHER	504903	4
310	MS35649-284		..NUT	504903	4
315	417N6013-12SP		..FACEPLATE ASSY	504903	1
320	417N6012-1SP		..PANEL ASSY	504903	1
325	417N6018-1SP		...SEAL	504903	1
330	417N6014-1SP		...SHELL	504903	1
335	417N6015-3		..HOUSING ASSY-SWITCH	504903	1

MISSING ITEM NUMBERS NOT APPLICABLE

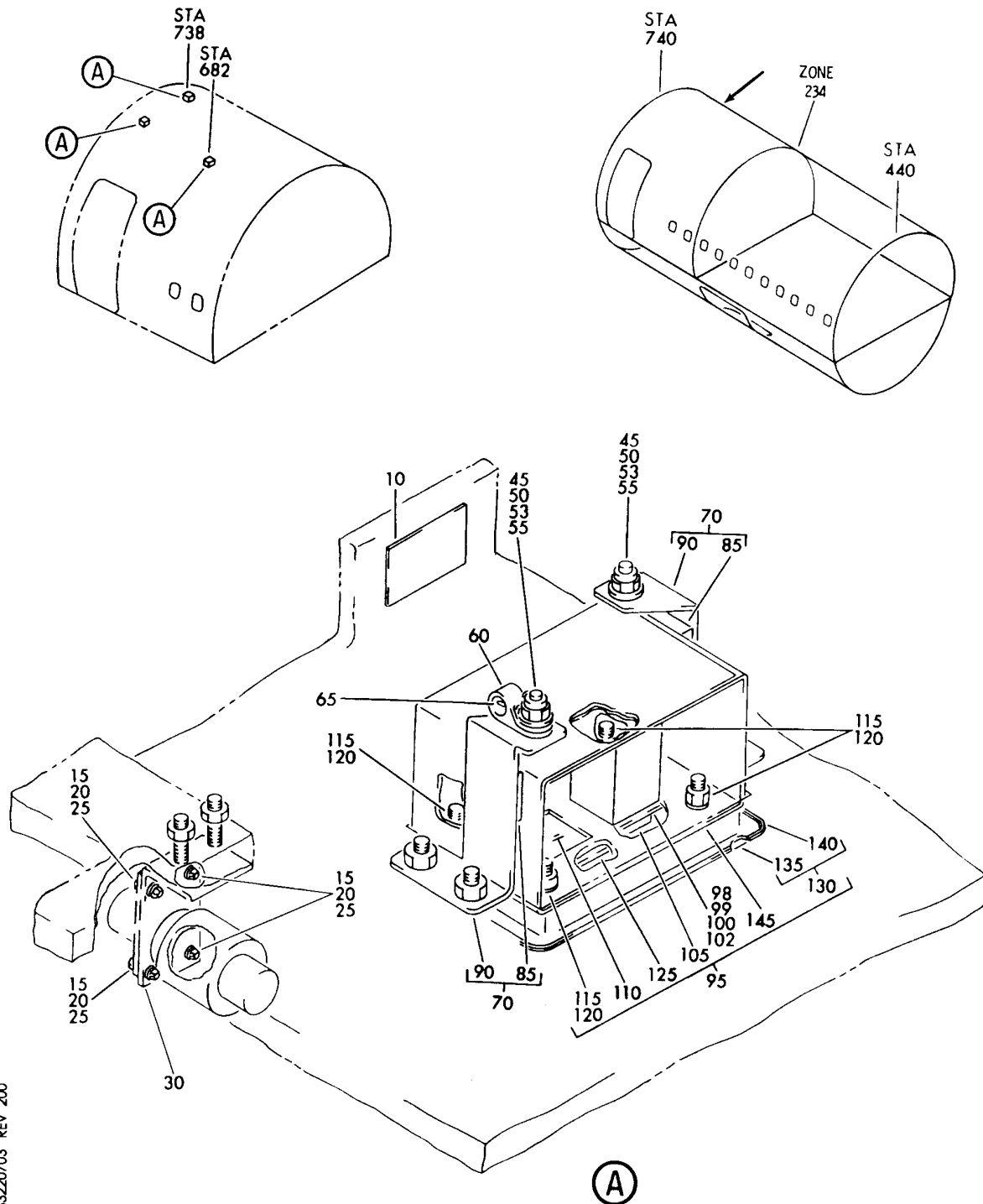
- ITEM NOT ILLUSTRATED

33-22-07-02

33-22-07
FIG. 02
PAGE 2
JAN 20/09

BRI

BOEING
757
PARTS CATALOG (MAINTENANCE)



Y 33220703 REV 200

PANEL INSTL-ENTRY DOOR NO. 2 ATTENDANT
FIGURE 3

33-22-07-03

BRI
MAY 28/07

33-22-07-03
PAGE 0



757

PARTS CATALOG (MAINTENANCE)

FIG ITEM	PART NUMBER	1 2 3 4 5 6 7	NOMENCLATURE	EFFECT FROM TO	UNITS PER ASSY
3			PANEL INSTL-ENTRY DOOR NO. 2 ATTENDANT	002004 006102 107107 121503 904949	
- 1	417N6010-4		PANEL INSTL-ENTRY DOOR NO. 2 ATTENDANT FOR NHA SEE: 25-20-00-01A 25-20-00-01E	002004 006100 107107 121503 904949	RF
- 1	417N6010-204SP		PANEL INSTL-ENTRY DOOR NO. 2 ATTENDANT FOR NHA SEE: 25-20-00-07E	101102	RF
10	BAC27NPA0490		.MARKER-ALUMINUM FOIL PLACARD CONTENT: P76 ATTENDANT PANEL	002004 006102 107107 121503 904949	1
10	BAC27NPA0473		.MARKER-ALUMINUM FOIL PLACARD CONTENT: P23 ATTENDANT PANEL	002004 006100 107107 121503 904949	1
15	BACS12CK04-6		.SCREW	002004 006102 107107 121503 904949	4
20	AN960KD4L		.WASHER	002004 006102 107107 121503 904949	4

MISSING ITEM NUMBERS NOT APPLICABLE

- ITEM NOT ILLUSTRATED

BRI

33-22-07-03

33-22-07
FIG. 03
PAGE 1
JAN 20/09



757

PARTS CATALOG (MAINTENANCE)

FIG ITEM	PART NUMBER	1 2 3 4 5 6 7	NOMENCLATURE	EFFECT FROM TO	UNITS PER ASSY
3					
25	BRH10A04	.NUT	SUPPLIER CODE: V52828 SPECIFICATION NUMBER: BACN10JC04 OPTIONAL PART: NS202101-40 V80539 RMLH9075-40W V72962 VN303A40 V92215 96-40 V80539 T6S440J V11815 H10-04BAC V15653	002004 006102 107107 121503 904949	4
25	MS21042L04	.NUT		002004 006100 107107 121503 904949	4
30	417N6009-4	.BRACKET		002004 006102 107107 121503 904949	1
- 35	BACS12CK3-4	ATTACHING PARTS .SCREW		002004 006102 107107 121503 904949	2
- 40	AN960PD10L	.WASHER		002004 006102 107107 121503 904949	2
45	BACS12CK08-12	-----*----- .SCREW		002004 006102 107107 121503 904949	2

MISSING ITEM NUMBERS NOT APPLICABLE

- ITEM NOT ILLUSTRATED

33-22-07-03

33-22-07
FIG. 03
PAGE 2
JAN 20/09

BRI



757

PARTS CATALOG (MAINTENANCE)

FIG ITEM	PART NUMBER	1 2 3 4 5 6 7	NOMENCLATURE	EFFECT FROM TO	UNITS PER ASSY
3	50	AN960KD8	.WASHER	002004 006102 107107 121503 904949	2
	53	NAS43DD4-14FC	.SPACER	002004 006102 107107 121503 904949	2
	55	BRH10A08	.NUT- SUPPLIER CODE: V52828 SPECIFICATION NUMBER: BACN10JC08 OPTIONAL PART: H10-08BAC V15653 NS202101-82 V80539 RMLH9075-82W V72962 VN303A82 V92215 96-82 V80539 T6S832J V11815	002004 006102 107107 121503 904949	2
55	MS21042L08	.NUT	002004 006100 107107 121503 904949	2	
60	BACC10DK4	.CLAMP	002004 006102 107107 121503 904949	1	
65	N2088	.PLUG SUPPLIER CODE: V75345 SPECIFICATION NUMBER: BACP20BA1 OPTIONAL PART: SZ7105 V95272 4841 V84914	002004 006102 107107 121503 904949	1	

MISSING ITEM NUMBERS NOT APPLICABLE

- ITEM NOT ILLUSTRATED

33-22-07-03

33-22-07
FIG. 03
PAGE 3
JAN 20/09

BRI



757

PARTS CATALOG (MAINTENANCE)

FIG ITEM	PART NUMBER	1 2 3 4 5 6 7	NOMENCLATURE	EFFECT FROM TO	UNITS PER ASSY
3	70 417N6023-1		.BRACKET ASSY	002004 006102 107107 121503 904949	2
- 75	BACS12CK3-4		ATTACHING PARTS .SCREW	002004 006102 107107 121503 904949	4
- 80	AN960PD10L		.WASHER	002004 006102 107107 121503 904949	4
85	417N6023-4		-----*----- ..PAD-MTG	002004 006102 107107 121503 904949	1
90	417N6009-6		..BRACKET	002004 006102 107107 121503 904949	1
95	417N6011-6SP		.PANEL ASSY- SUPPLIER CODE: V89954	002004 006102 107107 121503 904949	1
95	417N6011-5SP		.PANEL ASSY- SUPPLIER CODE: V89954	002004 006100 107107 121503 904949	1
100	2100-8		..SWITCH ASSY-PUSH BUTTON SUPPLIER CODE: V91929 ELECTRICAL EQUIP NUMBER: S10159	002004 006102 107107 121503 904949	1
102	85		...BULB- SUPPLIER CODE: V08805	002004 006102 107107 121503 904949	1

MISSING ITEM NUMBERS NOT APPLICABLE

- ITEM NOT ILLUSTRATED

33-22-07-03

33-22-07
FIG. 03
PAGE 4
JAN 20/09

BRI



757

PARTS CATALOG (MAINTENANCE)

FIG ITEM	PART NUMBER	1 2 3 4 5 6 7	NOMENCLATURE	EFFECT FROM TO	UNITS PER ASSY
3					
105	2100-100		.. LENS-PUSH BUTTON SUPPLIER CODE: V91929	002004 006102 107107 121503 904949	1
110	AML78CB001		.. PLUG-SWITCH HOLE SUPPLIER CODE: V91929	002004 006102 107107 121503 904949	1
115	MS35333-72		.. WASHER	002004 006102 107107 121503 904949	4
120	MS35649-284		.. NUT- OPTIONAL PART: BACN10MG08	002004 006102 107107 121503 904949	4
120	BACN10MG08		.. NUT- OPTIONAL PART: MS35649-284	002004 006102 107107 121503 904949	4
125	417N6013-18SP		.. FACEPLATE ASSY	002004 006102 107107 121503 904949	1
130	417N6012-1SP		.. PANEL ASSY	002004 006102 107107 121503 904949	1
135	417N6018-1SP		... SEAL	002004 006102 107107 121503 904949	1
140	417N6014-1SP		... SHELL	002004 006102 107107 121503 904949	1

MISSING ITEM NUMBERS NOT APPLICABLE

- ITEM NOT ILLUSTRATED

33-22-07-03

33-22-07
FIG. 03
PAGE 5
JAN 20/09

BRI

BOEING PROPRIETARY - Copyright © - Unpublished Work - See title page for details.



757

PARTS CATALOG (MAINTENANCE)

FIG ITEM	PART NUMBER	1 2 3 4 5 6 7	NOMENCLATURE	EFFECT FROM TO	UNITS PER ASSY
3					
145	417N6015-3		..HOUSING ASSY-SWITCH	002004 006102 107107 121503 904949	1
- 150	286N0540-001		..WIRE BUNDLE	002004 006100 107107 121503 904949	1
- 150	286N0540-301		..WIRE BUNDLE-	101102	1
- 150	286N0540-301		..WIRE BUNDLE-	101102	1

MISSING ITEM NUMBERS NOT APPLICABLE

- ITEM NOT ILLUSTRATED

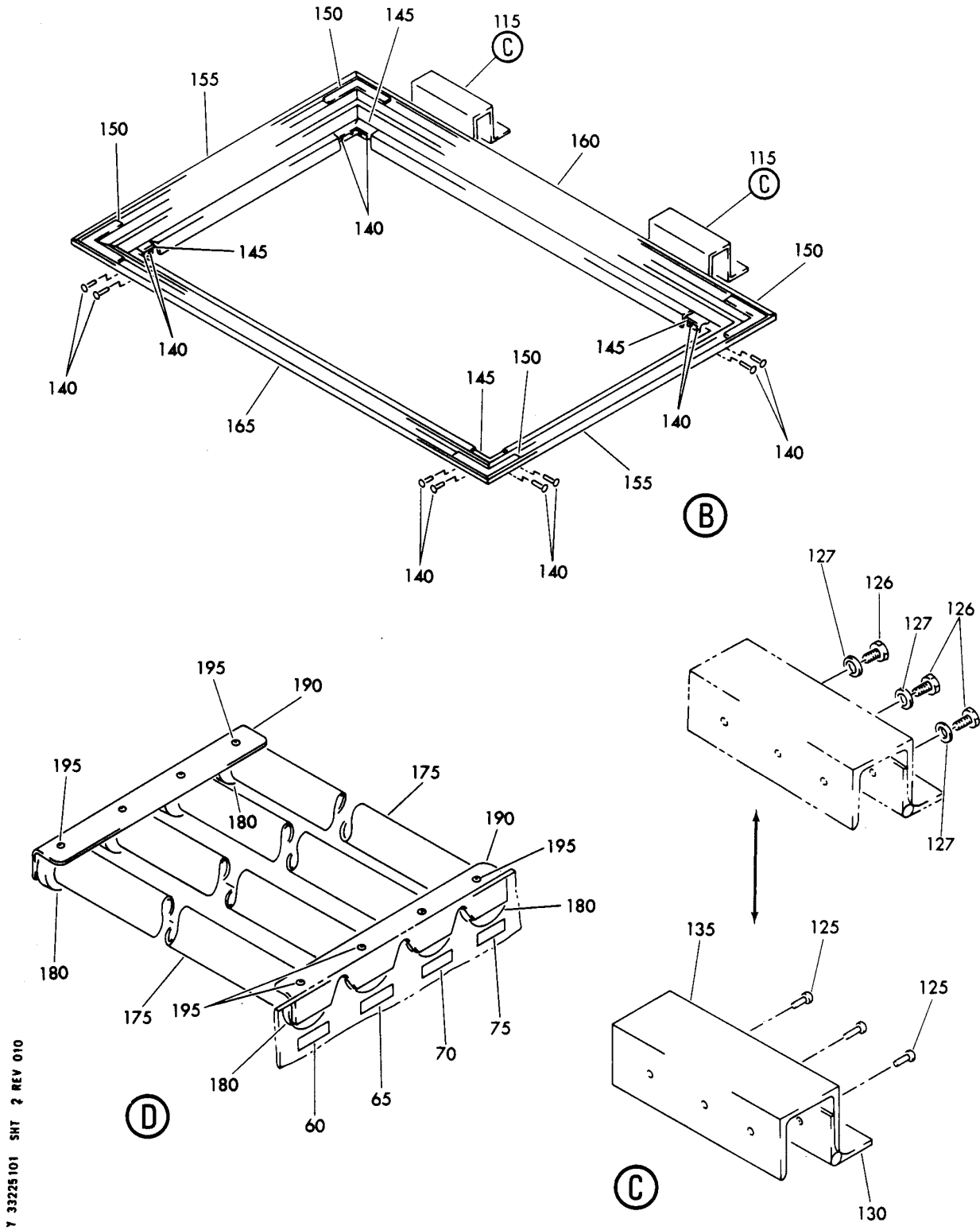
BRI

33-22-07-03

BOEING PROPRIETARY - Copyright © - Unpublished Work - See title page for details.

33-22-07
FIG. 03
PAGE 6
JAN 20/09

BOEING
757
PARTS CATALOG (MAINTENANCE)



Y 33225101 SHT 2 REV 010

LIGHT INSTL-FWD ENTRY
FIGURE 1 (SHEET 2)

33-22-51-01

BRI
MAY 28/07

33-22-51-01
PAGE 0A



**757
PARTS CATALOG (MAINTENANCE)**

FIG ITEM	PART NUMBER	1 2 3 4 5 6 7	NOMENCLATURE	EFFECT FROM TO	UNITS PER ASSY
1			LIGHT INSTL-FWD ENTRY	107107 121503 904949	
- 1	417N5103-2		LIGHT INSTL-ENTRY POSITION DATA: FWD FOR NHA SEE: 25-20-00-01E	107107 121503 904949	RF
5	417N5152-5		.LANYARD ASSY-	107107 121503 904949	1
10	GSC205		..SLEEVE- SUPPLIER CODE: V59730 SPECIFICATION NUMBER: BACS13S205C OPTIONAL PART: YOC130 V12357 BACS13S232B	107107 121503 904949	4
10	GSB232		..SLEEVE- SUPPLIER CODE: V56501 SPECIFICATION NUMBER: BACS13S232B OPTIONAL PART: BACS13S205C	107107 121503 904949	4
15	10-61790-1		..HOOK- SUPPLIER CODE: V08205 SPECIFICATION NUMBER: 10-61790-1	107107 121503 904949	1
20	65C16899-6		..SPRING	107107 121503 904949	2
25	417N5152-4		..CORD-NYLON	107107 121503 904949	AR
30	417N5155-8		.BRACKET	107107 121503 904949	1
- 35	BACS12FA3K5		ATTACHING PARTS .SCREW	107107 121503 904949	2
40	SAM225-1		-----*----- .LATCH- SUPPLIER CODE: V31845	107107 121503 904949	2

MISSING ITEM NUMBERS NOT APPLICABLE

- ITEM NOT ILLUSTRATED

BRI

33-22-51-01

BOEING PROPRIETARY - Copyright © - Unpublished Work - See title page for details.

33-22-51
FIG. 01
PAGE 1
JAN 20/09



757

PARTS CATALOG (MAINTENANCE)

FIG ITEM	PART NUMBER	1 2 3 4 5 6 7	NOMENCLATURE	EFFECT FROM TO	UNITS PER ASSY
1			ATTACHING PARTS		
- 45	BACS12FA3K5		.SCREW	107107 121503 904949	4
			-----*-----		
50	417N5113-2		.LIGHT ASSY- ELECTRICAL EQUIP NUMBER: M10321	107107 121503 904949	1
- 55	BACS12FA3K5		ATTACHING PARTS .SCREW	107107 121503 904949	6
			-----*-----		
60	BAC27NPA0168		..MARKER-ALUMINUM FOIL PLACARD CONTENT: L457 LAMP	107107 121503 904949	1
65	BAC27NPA0169		..MARKER-ALUMINUM FOIL PLACARD CONTENT: L458 LAMP	107107 121503 904949	1
70	BAC27NPA0170		..MARKER-ALUMINUM FOIL PLACARD CONTENT: L459 LAMP	107107 121503 904949	1
75	BAC27NPA0171		..MARKER-ALUMINUM FOIL PLACARD CONTENT: L460 LAMP	107107 121503 904949	1
80	BAC27NPA0182		..MARKER-ALUMINUM FOIL PLACARD CONTENT: M10379	107107 121503 904949	1
85	BAC27NPA0183		..MARKER-ALUMINUM FOIL PLACARD CONTENT: M10380	107107 121503 904949	1
90	BAC27NPA0189		..MARKER-ALUMINUM FOIL PLACARD CONTENT: K10283	107107 121503 904949	1
95	BAC27NPA0194		..MARKER-ALUMINUM FOIL PLACARD CONTENT: D3472 CONNECTOR	107107 121503 904949	1
105	BACS12FA08K6		..SCREW- OPTIONAL PART: BACS12FA08K4	107107 121503 904949	10
105	BACS12FA08K4		..SCREW- OPTIONAL PART: BACS12FA08K6	107107 121503 904949	10
107	417N5155-9		..BRACKET	107107 121503 904949	1

MISSING ITEM NUMBERS NOT APPLICABLE

- ITEM NOT ILLUSTRATED

33-22-51-01

33-22-51
FIG. 01
PAGE 2
JAN 20/09

BRI

BOEING PROPRIETARY - Copyright © - Unpublished Work - See title page for details.



757

PARTS CATALOG (MAINTENANCE)

FIG ITEM	PART NUMBER	1 2 3 4 5 6 7	NOMENCLATURE	EFFECT FROM TO	UNITS PER ASSY
1			ATTACHING PARTS		
- 108	BACS12FA3K5	..	SCREW	107107 121503 904949	2
110	417N5151-19	-----*	FRAME ASSY-	107107 121503 904949	1
115	417N5154-6	...	HINGE ASSY- SUPPLIER CODE: V89954	107107 121503 904949	2
- 120	BACR15BA5D	...	RIVET- SIZE DETERMINED ON INSTL.	107107 121503 904949	6
126	BACS12CB3-6	-----*	SCREW	107107 121503 904949	3
127	AN960KD10L	WASHER	107107 121503 904949	3
130	417N5156-9	HINGE ASSY-	107107 121503 904949	1
135	417N5157-8	CHANNEL-	107107 121503 904949	1
140	BACR15BA4D	...	RIVET- SIZE DETERMINED ON INSTL.	107107 121503 904949	16
145	417N5157-4	...	BRACKET-CORNER	107107 121503 904949	4
150	417N5157-5	...	CLIP-CORNER OPTIONAL PART: 417N5157-9	107107 121503 904949	4
150	417N5157-9	...	CLIP-CORNER OPTIONAL PART: 417N5157-5	107107 121503 904949	4
155	417N5151-9	...	FRAME-	107107 121503 904949	2
160	417N5151-7	...	FRAME-	107107 121503 904949	1
165	417N5151-8	...	FRAME-	107107 121503 904949	1

MISSING ITEM NUMBERS NOT APPLICABLE

- ITEM NOT ILLUSTRATED

33-22-51-01

33-22-51
FIG. 01
PAGE 3
JAN 20/09

BRI



757

PARTS CATALOG (MAINTENANCE)

FIG ITEM	PART NUMBER	1 2 3 4 5 6 7	NOMENCLATURE	EFFECT FROM TO	UNITS PER ASSY
1					
170	417N5153-2	..	LENS	107107 121503 904949	1
175	F15T8WW	..	LAMP- SUPPLIER CODE: V13545 ELECTRICAL EQUIP NUMBER: L00457 L00458 L00459 L00460	107107 121503 904949	4
180	BV03112N25	..	HOLDER-LAMP SUPPLIER CODE: V17023 OPTIONAL PART: BV03112N03-25 V17023	107107 121503 904949	8
180	BV03112N03-25	..	HOLDER-LAMP SUPPLIER CODE: V17023 OPTIONAL PART: BV03112N25 V17023	107107 121503 904949	8
- 185	BACS12ER04K7	..	ATTACHING PARTS SCREW	107107 121503 904949	16
190	417N5155-15	..	-----*----- BRACKET-	107107 121503 904949	2
195	BACS12FA3K5	..	ATTACHING PARTS SCREW	107107 121503 904949	7
200	NAS603-12P	..	-----*----- SCREW	107107 121503 904949	6
202	NAS603-14P	..	SCREW	107107 121503 904949	1
205	AN960PD10L	..	WASHER	107107 121503 904949	1
207	AN960PD10	..	WASHER-	107107 121503 904949	12

MISSING ITEM NUMBERS NOT APPLICABLE

- ITEM NOT ILLUSTRATED

33-22-51-01

33-22-51
FIG. 01
PAGE 4
JAN 20/09

BRI

BOEING PROPRIETARY - Copyright © - Unpublished Work - See title page for details.



757

PARTS CATALOG (MAINTENANCE)

FIG ITEM	PART NUMBER	1 2 3 4 5 6 7	NOMENCLATURE	EFFECT FROM TO	UNITS PER ASSY
1 208	BRH10A3	..	NUT SUPPLIER CODE: V52828 SPECIFICATION NUMBER: BACN10JC3 OPTIONAL PART: H10-3BAC V15653 NS202101-02 V80539 RMLH9075-3W V72962 VN303A02 V92215 96-02 V80539 T6S1032J V11815	107107 121503 904949	7
209	BACS18C8-4	..	SPACER	107107 121503 904949	7
210	MS35649-202	..	NUT	107107 121503 904949	1
- 215	05939-8	..	BALLAST ASSY- SUPPLIER CODE: V17023 SPECIFICATION NUMBER: S283N702-8 ELECTRICAL EQUIP NUMBER: M10379 M10380 COMPONENT MAINT MANUAL REF: 33-21-05 OPTIONAL PART: 05939-108 V17023	107107 121503 904949	2

MISSING ITEM NUMBERS NOT APPLICABLE

- ITEM NOT ILLUSTRATED

33-22-51-01

33-22-51
FIG. 01
PAGE 5
JAN 20/09

BRI



757

PARTS CATALOG (MAINTENANCE)

FIG ITEM	PART NUMBER	1 2 3 4 5 6 7	NOMENCLATURE	EFFECT FROM TO	UNITS PER ASSY
1					
- 215	05939-108	..	BALLAST ASSY- SUPPLIER CODE: V17023 SPECIFICATION NUMBER: S283N702-108 ELECTRICAL EQUIP NUMBER: M10379 M10380 COMPONENT MAINT MANUAL REF: 33-21-05 OPTIONAL PART: 05939-8 V17023	107107 121503 904949	2
- 220	06188	...	HOUSING ASSY- SUPPLIER CODE: V17023 USED ON: 05939-8	107107 121503 904949	1
- 222	MS24693-1	SCREW	107107 121503 904949	4
- 225	08899-001	...	HOUSING ASSY- SUPPLIER CODE: V17023 USED ON: 05939-108	107107 121503 904949	1
- 227	011-0002-510	SCREW- SUPPLIER CODE: V17023	107107 121503 904949	4
- 230	GMA1-5	...	FUSE-1.5A, 250V SUPPLIER CODE: V71400	107107 121503 904949	1
- 231	417N5113-10	..	KIT ASSY- OPTIONAL PART: 417N5113-11	107107 121503 904949	1
- 231	417N5113-11	..	KIT ASSY- OPTIONAL PART: 417N5113-10	107107 121503 904949	1

MISSING ITEM NUMBERS NOT APPLICABLE

- ITEM NOT ILLUSTRATED

33-22-51-01

33-22-51
FIG. 01
PAGE 6
JAN 20/09

BRI



757

PARTS CATALOG (MAINTENANCE)

FIG ITEM	PART NUMBER	1 2 3 4 5 6 7	NOMENCLATURE	EFFECT FROM TO	UNITS PER ASSY
1					
- 232	05939-8	...	BALLAST ASSY- SUPPLIER CODE: V17023 SPECIFICATION NUMBER: S283N702-8 ELECTRICAL EQUIP NUMBER: M10379 M10380 COMPONENT MAINT MANUAL REF: 33-21-05 OPTIONAL PART: 05939-108 V17023	107107 121503 904949	2
- 232	05939-108	...	BALLAST ASSY- SUPPLIER CODE: V17023 SPECIFICATION NUMBER: S283N702-108 ELECTRICAL EQUIP NUMBER: M10379 M10380 COMPONENT MAINT MANUAL REF: 33-21-05 OPTIONAL PART: 05939-8 V17023	107107 121503 904949	2
- 233	06188	HOUSING ASSY- SUPPLIER CODE: V17023 USED ON: 05939-8	107107 121503 904949	1
- 234	MS24693-1	SCREW	107107 121503 904949	4
- 235	08899-001	HOUSING ASSY- SUPPLIER CODE: V17023 USED ON: 05939-108	107107 121503 904949	1
- 236	011-0002-510	SCREW- SUPPLIER CODE: V17023	107107 121503 904949	4
- 237	GMA1-5	FUSE-1.5A, 250V SUPPLIER CODE: V71400	107107 121503 904949	1

MISSING ITEM NUMBERS NOT APPLICABLE

- ITEM NOT ILLUSTRATED

33-22-51-01

33-22-51
FIG. 01
PAGE 7
JAN 20/09

BRI



757

PARTS CATALOG (MAINTENANCE)

FIG ITEM	PART NUMBER	1 2 3 4 5 6 7	NOMENCLATURE	EFFECT FROM TO	UNITS PER ASSY
1					
240	JAD9F007	..	RELAY- SUPPLIER CODE: V58657 SPECIFICATION NUMBER: BACR13CJ2 ELECTRICAL EQUIP NUMBER: K10283	107107 121503 904949	1
255	BACS12CK04-5	..	SCREW-	107107 121503 904949	4
260	AN960KD4L	..	WASHER	107107 121503 904949	4
265	BRH10C04D	..	NUT SUPPLIER CODE: V52828 SPECIFICATION NUMBER: BACN10JCO4CD OPTIONAL PART: H51650-04BAC V15653 102LH9075-40W V72962 NS202486-40 V80539 T6C440JCD V11815 T6C440JCD V11815	107107 121503 904949	4
270	417N5155-4	..	BRACKET	107107 121503 904949	1
- 275	BACN10YJ3	..	ATTACHING PARTS NUT- -----*-----	107107 121503 904949	4

MISSING ITEM NUMBERS NOT APPLICABLE

- ITEM NOT ILLUSTRATED

BRI

33-22-51-01

BOEING PROPRIETARY - Copyright © - Unpublished Work - See title page for details.

33-22-51
FIG. 01
PAGE 8
JAN 20/09



757

PARTS CATALOG (MAINTENANCE)

FIG ITEM	PART NUMBER	1 2 3 4 5 6 7	NOMENCLATURE	EFFECT FROM TO	UNITS PER ASSY
1 280	RR2002-4H1J		.. GROMMET SUPPLIER CODE: V57268 SPECIFICATION NUMBER: BACG20AF4H1J OPTIONAL PART: SZ6924-4H1J V95272 701-4H1J V07096 E4H1J V60980 H4H1J V60980 G6940-4H1J V75345	107107 121503 904949	4
282	417N5155-13		.. PLATE-SCUFF	107107 121503 904949	2
283	417N5111-3		.. TAPE-FOAM	107107 121503 904949	AR
285	417N5133-1		.. HOOD ASSY	107107 121503 904949	1
290	63-9263		... BOLLARD-EXTRUDED	107107 121503 904949	5
295	417N5158-7		... BRACKET ASSY	107107 121503 904949	2
- 300	BACS12FA08K6		ATTACHING PARTS ... SCREW	107107 121503 904949	4
305	417N5158-3		-----*----- ... BRACKET ASSY	107107 121503 904949	1
- 310	BACS21DW3C6B		ATTACHING PARTS ... STUD	107107 121503 904949	3
- 315	BACN10YJ3		... NUT- -----*-----	107107 121503 904949	3

MISSING ITEM NUMBERS NOT APPLICABLE

- ITEM NOT ILLUSTRATED

33-22-51-01

33-22-51
FIG. 01
PAGE 9
JAN 20/09

BRI

BOEING PROPRIETARY - Copyright © - Unpublished Work - See title page for details.



757

PARTS CATALOG (MAINTENANCE)

FIG ITEM	PART NUMBER	1 2 3 4 5 6 7	NOMENCLATURE	EFFECT FROM TO	UNITS PER ASSY
1					
316	BACR12AG2C	RING	107107 121503 904949	2
317	82-99-374-38	STUD SUPPLIER CODE: V94222 SPECIFICATION NUMBER: BACS21AP380W	107107 121503 904949	2
318	417N5158-4	BRACKET	107107 121503 904949	1
320	417N5156-2	...	HINGE	107107 121503 904949	2
			ATTACHING PARTS		
- 325	BACS21DW3B6B	...	STUD	107107 121503 904949	8
- 330	916-618	...	NUT- SUPPLIER CODE: V26365 -----*-----	107107 121503 904949	8
335	BACS21DW3B6B	...	STUD	107107 121503 904949	4
340	417N5143-4	...	DOOR ASSY	107107 121503 904949	1
345	SL618-3A	INSERT- SUPPLIER CODE: V97393	107107 121503 904949	7
350	417N5143-1	...	HOOD ASSY-BASIC	107107 121503 904949	1
355	SL618-3A	INSERT- SUPPLIER CODE: V97393	107107 121503 904949	2
360	SL618-08A	INSERT- SUPPLIER CODE: V97393	107107 121503 904949	14
365	NAS42DD8-16	SPACER	107107 121503 904949	2
- 500	286N0614-001		WIRE BUNDLE ASSY	107107 121503 904949	RF

MISSING ITEM NUMBERS NOT APPLICABLE

- ITEM NOT ILLUSTRATED

BRI

33-22-51-01

33-22-51
FIG. 01
PAGE 10
JAN 20/09



757

PARTS CATALOG (MAINTENANCE)

FIG ITEM	PART NUMBER	1 2 3 4 5 6 7	NOMENCLATURE	EFFECT FROM TO	UNITS PER ASSY
1					
505	BACC45FN12-12P	.	CONNECTOR- ELECTRICAL EQUIP NUMBER: D03472 WIRING DIAGRAM REF: 332211	107107 904949	1
507	BACC45FN12-12P	.	CONNECTOR- ELECTRICAL EQUIP NUMBER: D03472 WIRING DIAGRAM REF: 332211	121503	2
510	BACS16X3	.	SOCKET- ELECTRICAL EQUIP NUMBER: D04014 WIRING DIAGRAM REF: 332211	107107 121503 904949	1
- 550	286N0614-001		WIRE BUNDLE ASSY	107107 121503 904949	RF
555	BACC45FT12A12S9	.	CONNECTOR- ELECTRICAL EQUIP NUMBER: D04016 D04018 WIRING DIAGRAM REF: 332211	107107 121503 904949	2
- 600	286N3576-004		WIRE BUNDLE ASSY	107107	RF
- 601	286N3576-023		WIRE BUNDLE ASSY	121503 904949	RF
605	BACC10GH12	.	CLAMP- ELECTRICAL EQUIP NUMBER: D03438T WIRING DIAGRAM REF: 332211	107107 121503 904949	1
610	BACC45FT12A12S	.	CONNECTOR- ELECTRICAL EQUIP NUMBER: D03438 WIRING DIAGRAM REF: 332211	107107 121503 904949	1

MISSING ITEM NUMBERS NOT APPLICABLE

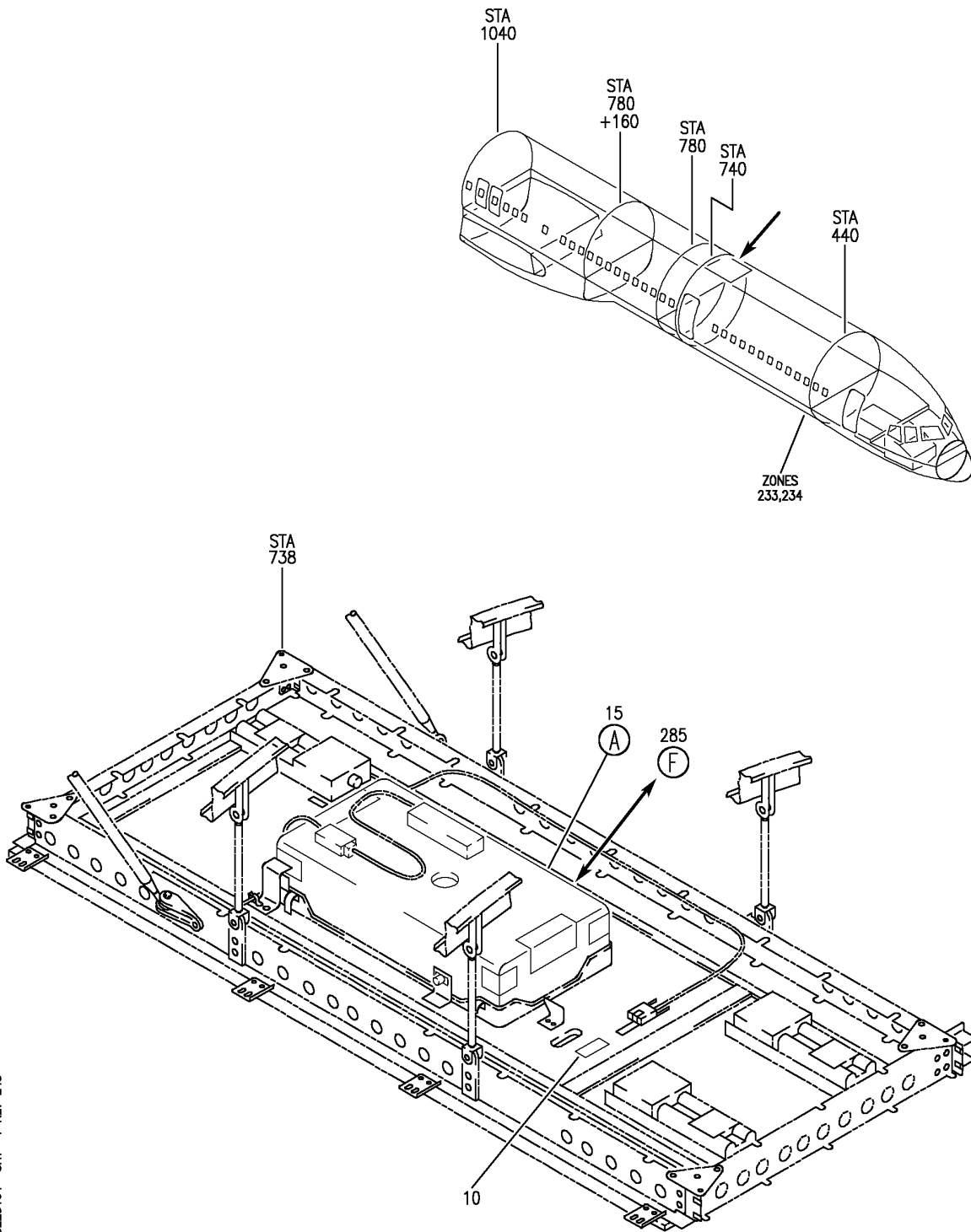
- ITEM NOT ILLUSTRATED

33-22-51-01

33-22-51
FIG. 01
PAGE 11
JAN 20/09

BRI

BOEING
757
PARTS CATALOG (MAINTENANCE)



Y 33225104 SHT 1 REV 245

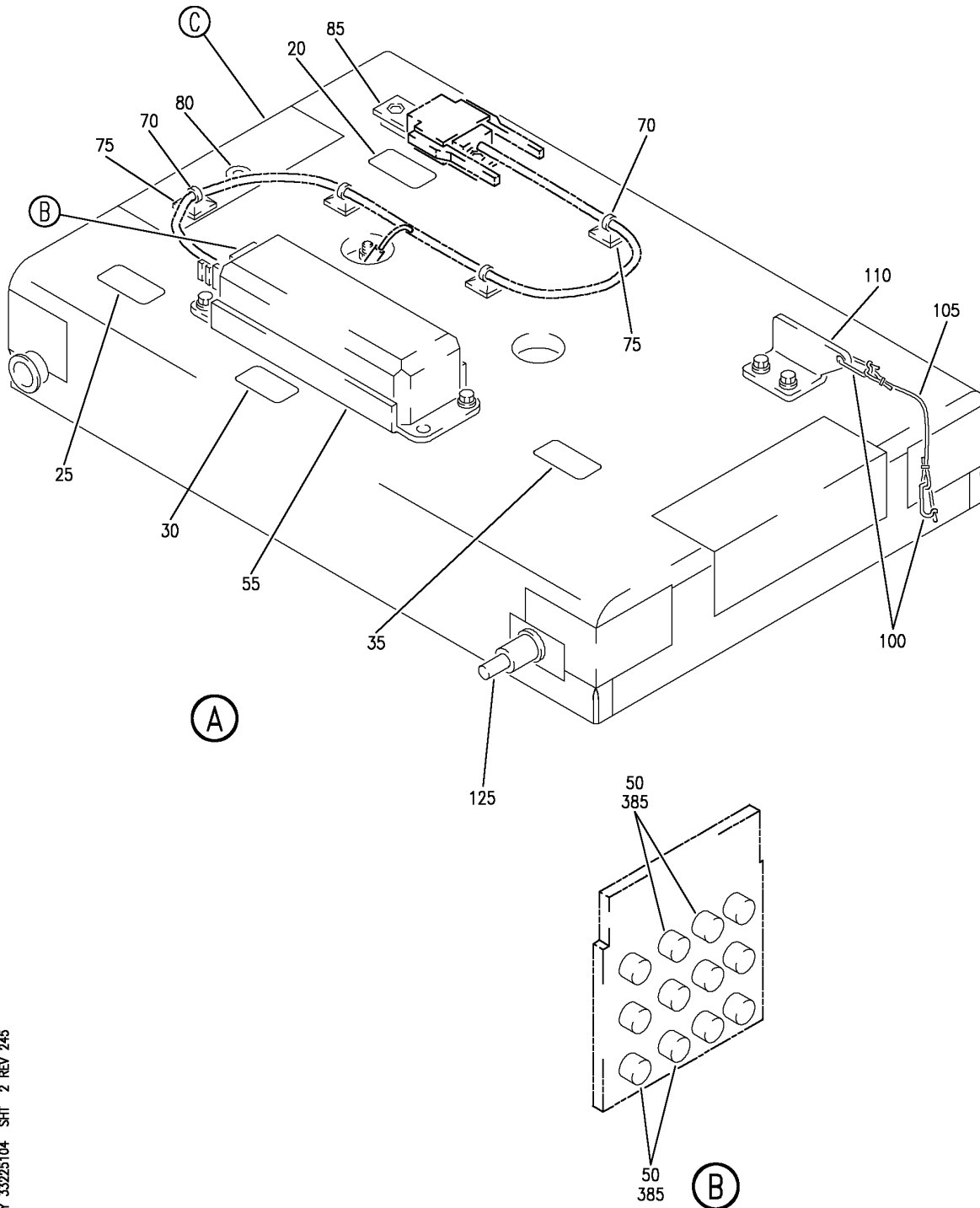
CEILING INSTL-ENTRY DOOR 2 (PASSENGER LOADING LIGHTS ONLY)
FIGURE 4 (SHEET 1)

33-22-51-04

BRI
JAN 20/09

33-22-51-04
PAGE 0

BOEING
757
PARTS CATALOG (MAINTENANCE)



Y 33225104 SHT 2 REV 245

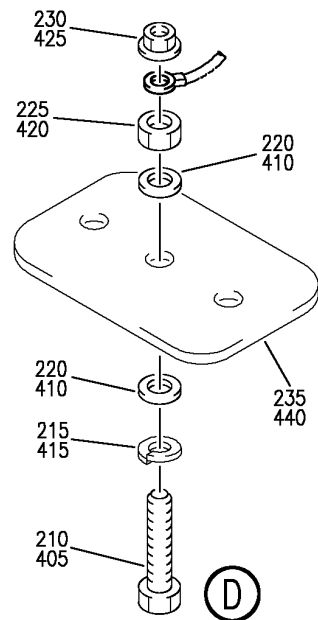
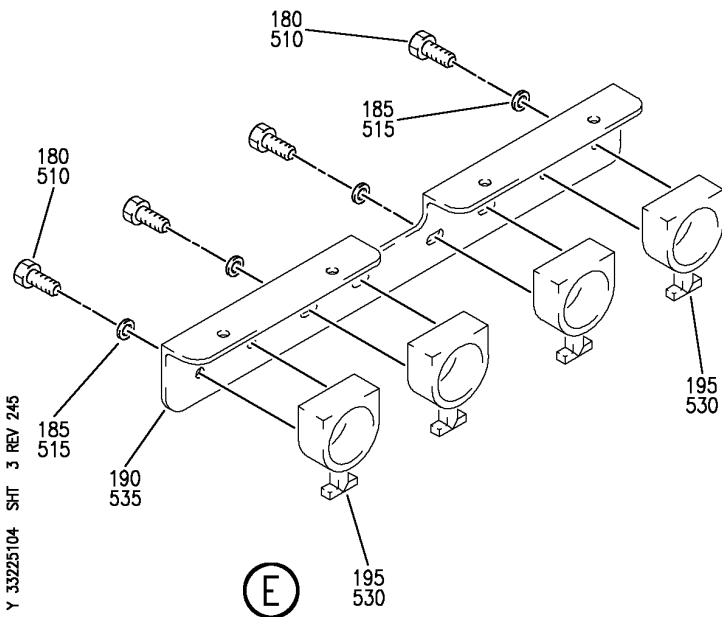
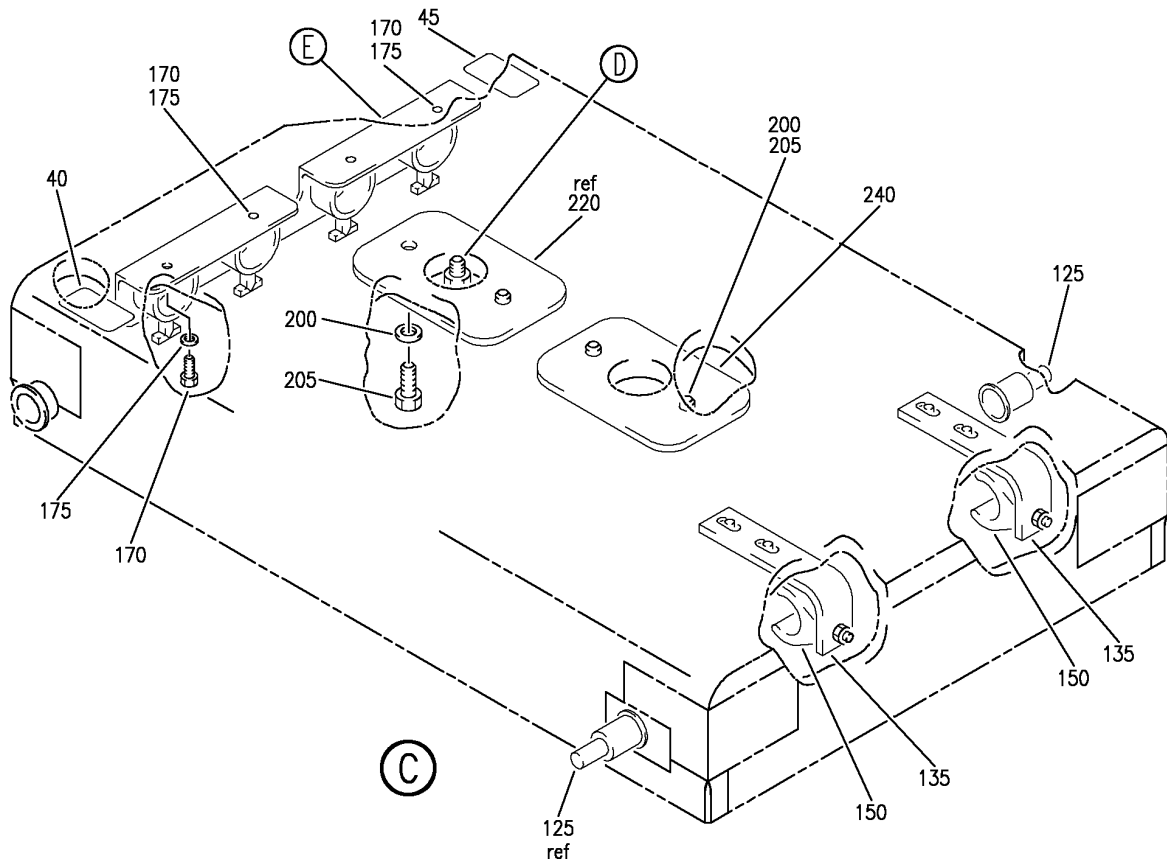
CEILING INSTL-ENTRY DOOR 2 (PASSENGER LOADING LIGHTS ONLY)
FIGURE 4 (SHEET 2)

33-22-51-04

BRI
JAN 20/09

33-22-51-04
PAGE 0A


BOEING
 757
PARTS CATALOG (MAINTENANCE)



Y 33225104 SHT 3 REV 245

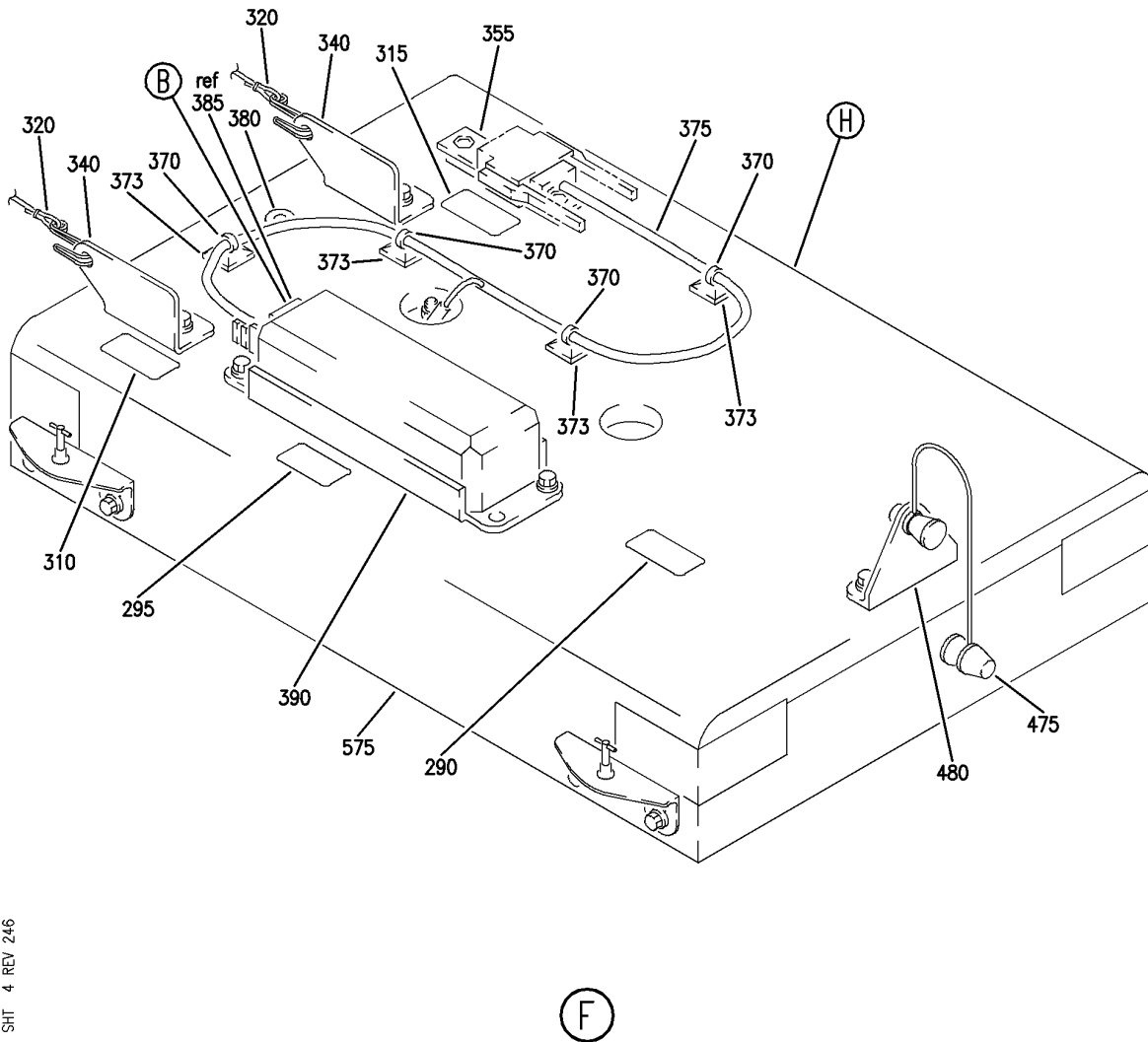
CEILING INSTL-ENTRY DOOR 2 (PASSENGER LOADING LIGHTS ONLY)
 FIGURE 4 (SHEET 3)

33-22-51-04

BRI
JAN 20/09

33-22-51-04
 PAGE 0B

BOEING
757
PARTS CATALOG (MAINTENANCE)



Y 33225104 SHT 4 REV 246

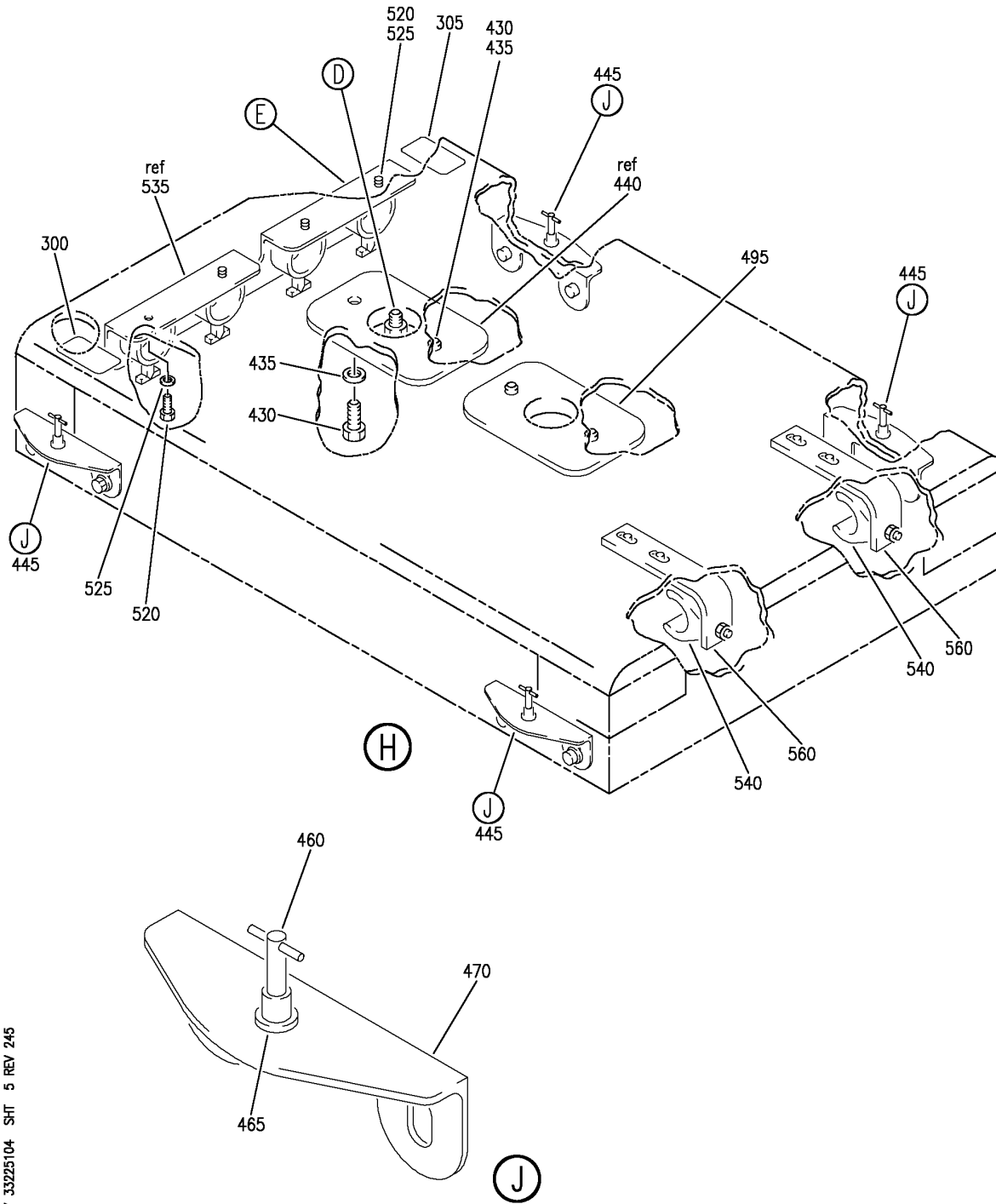
CEILING INSTL-ENTRY DOOR 2 (PASSENGER LOADING LIGHTS ONLY)
FIGURE 4 (SHEET 4)

33-22-51-04

BRI
JAN 20/09

33-22-51-04
PAGE 0C

BOEING
757
PARTS CATALOG (MAINTENANCE)



Y 33225104 SHT 5 REV 245

CEILING INSTL-ENTRY DOOR 2 (PASSENGER LOADING LIGHTS ONLY)
FIGURE 4 (SHEET 5)

33-22-51-04

BRI
JAN 20/09

33-22-51-04
PAGE 0D



757

PARTS CATALOG (MAINTENANCE)

FIG ITEM	PART NUMBER	1 2 3 4 5 6 7	NOMENCLATURE	EFFECT FROM TO	UNITS PER ASSY
4			CEILING INSTL-ENTRY DOOR 2 (PASSENGER LOADING LIGHTS ONLY)	103106	
- 280	411N3620-34B		CEILING ASSY-ENTRY DOOR 2 (PASSENGER LOADING LIGHTS ONLY) FOR NHA/OTHER SYS DET SEE: 25-22-02-40R	103106	RF
285	417A5470-7		.LIGHT ASSY-	103106	1
290	BAC27DEL1330		..MARKER- PLACARD CONTENT: M11428 ENTRY AREA LIGHT	103106	1
295	BAC27NPS312		..MARKER- PLACARD CONTENT: M11429 BALLAST	103106	1
300	BAC27NPS313		..MARKER- PLACARD CONTENT: L1021 LAMP	103106	1
305	BAC27NPS314		..MARKER- PLACARD CONTENT: L1022 LAMP	103106	1
310	BAC27NPS316		..MARKER- PLACARD CONTENT: D10468 CONNECTOR	103106	1
315	BAC27NPS317		..MARKER- PLACARD CONTENT: D10466 CONNECTOR	103106	1
320	H3583-1		..LANYARD ASSY- SUPPLIER CODE: V83014	103106	2
340	65C34653-11		..BRACKET ATTACHING PARTS	103106	2
- 345	BACS12GU3K4		..SCREW	103106	AR
- 350	NAS1149D0332J		..WASHER	103106	AR
			-----*-----		
355	BACT44E1S		..CONNECTOR ATTACHING PARTS	103106	1
- 360	BACS12GU3K5		..SCREW	103106	AR
- 365	NAS620A10L		..WASHER	103106	AR
			-----*-----		
370	PLT1MM		..STRAP SUPPLIER CODE: V06383 SPECIFICATION NUMBER: BACS38K4 OPTIONAL PART: TOR180 V53421	103106	AR

MISSING ITEM NUMBERS NOT APPLICABLE

- ITEM NOT ILLUSTRATED

33-22-51-04

33-22-51
FIG. 04
PAGE 1
JAN 20/09

BRI



757

PARTS CATALOG (MAINTENANCE)

FIG ITEM	PART NUMBER	1 2 3 4 5 6 7	NOMENCLATURE	EFFECT FROM TO	UNITS PER ASSY
4					
373	MB3		..BASE-MTG SUPPLIER CODE: V09922	103106	4
375	286N0676-503		..MODULE-LIGHT ELECTRICAL EQUIP NUMBER: M11429 COMPONENT MAINT MANUAL REF: 33-20-08	103106	1
380	RR2002-4H1J		..GROMMET SUPPLIER CODE: V57268 SPECIFICATION NUMBER: BACG20AF4H1J OPTIONAL PART: SZ6924-4H1J V95272 701-4H1J V07096 E4H1J V60980 H4H1J V60980 G6940-4H1J V75345	103106	1
385	318-2020-901L		..CONTACT SUPPLIER CODE: V55104 SPECIFICATION NUMBER: BACC47CP1S OPTIONAL PART: ZZL4120-36LDH14 V49367 LP807105-205 V77820	103106	AR
390	8184-1		..BALLAST- SUPPLIER CODE: V30242 FUNCTIONAL DESCRIPTION: STARTS & OPERATES ONE FLUORESCENT LAMP. SPECIFICATION NUMBER: S283U008-16 ELECTRICAL EQUIP NUMBER: M11429 COMPONENT MAINT MANUAL REF: 33-20-08 OPTIONAL PART: 8171-1 V30242	103106	1

MISSING ITEM NUMBERS NOT APPLICABLE

- ITEM NOT ILLUSTRATED

33-22-51-04

33-22-51
FIG. 04
PAGE 2
JAN 20/09

BRI



757

PARTS CATALOG (MAINTENANCE)

FIG ITEM	PART NUMBER	1 2 3 4 5 6 7	NOMENCLATURE	EFFECT FROM TO	UNITS PER ASSY
4 390	8171-1		..BALLAST- SUPPLIER CODE: V30242 SPECIFICATION NUMBER: S283U008-16 ELECTRICAL EQUIP NUMBER: M11429 COMPONENT MAINT MANUAL REF: 33-20-01 OPTIONAL PART: 8184-1 V30242 ATTACHING PARTS	103106	1
- 395	BACS12GU3K4		..SCREW	103106	AR
- 400	NAS1149D0332J		..WASHER -----*-----	103106	AR
405	BACS12GU3K10		..SCREW	103106	AR
410	NAS1149D0316H		..WASHER	103106	AR
415	BACW10EC3S		..WASHER	103106	AR
420	MS35650-305T		..NUT	103106	AR
425	MS21042L3		..NUT	103106	AR
430	BACS12GU3K4		..SCREW	103106	AR
435	NAS1149D0332J		..WASHER	103106	AR
440	417A5464-14		..PLATE	103106	1
445	417A5464-23		..BRACKET ASSY ATTACHING PARTS	103106	4
- 450	BACS12GU3K4		..SCREW	103106	AR
- 455	NAS1149D0332J		..WASHER -----*-----	103106	AR
460	BACS21EE5R		...STUD	103106	1
465	1127700		...WASHER SUPPLIER CODE: V60119 SPECIFICATION NUMBER: BACW10X4 OPTIONAL PART: 2600LW V71286	103106	1
470	417A5464-24		...BRACKET	103106	1
475	H3583-1		..LANYARD ASSY- SUPPLIER CODE: V83014	103106	1
480	411A3081-5		..BRACKET ATTACHING PARTS	103106	1
- 485	BACS12GU3K4		..SCREW	103106	AR
- 490	NAS1149D0332J		..WASHER -----*-----	103106	AR
495	479W1306-15		..PLATE	103106	1

MISSING ITEM NUMBERS NOT APPLICABLE

- ITEM NOT ILLUSTRATED

33-22-51-04

33-22-51
FIG. 04
PAGE 3
JAN 20/09

BRI

 **BOEING**
757
PARTS CATALOG (MAINTENANCE)

FIG ITEM	PART NUMBER	1 2 3 4 5 6 7	NOMENCLATURE	EFFECT FROM TO	UNITS PER ASSY
4			ATTACHING PARTS		
- 500	BACS12GU3K4	..	SCREW	103106	AR
- 505	NAS1149D0332J	..	WASHER	103106	AR
- 510	NAS1801-04-7	..	SCREW	103106	8
- 515	NAS1149DN432J	..	WASHER	103106	8
- 520	BACS12GU3K4	..	SCREW	103106	4
- 525	NAS1149D0332J	..	WASHER	103106	4
			-----*-----		
530	BV03112N20	..	HOLDER-LAMP	103106	4
			SUPPLIER CODE: V17023		
535	65C34653-4	..	BRACKET	103106	1
540	AL5273	..	DAMPENER-	103106	2
			SUPPLIER CODE: V22336		
			ATTACHING PARTS		
- 545	BACS12CK06-11	..	SCREW	103106	2
- 550	NAS1149DN632J	..	WASHER	103106	AR
- 555	BRH10C06D	..	NUT	103106	AR
			SUPPLIER CODE: V52828		
			SPECIFICATION NUMBER: BACN10JCO6CD		
			OPTIONAL PART: T6C632JCD		
			V11815		
			NS202486-62		
			V80539		
			102LH9075-62W		
			V72962		
			H51650-06BAC		
			V15653		
			-----*-----		
560	65C34653-7	..	BRACKET	103106	2
			ATTACHING PARTS		
- 565	BACS12GU3K4	..	SCREW	103106	AR
- 570	NAS1149D0332J	..	WASHER	103106	AR
			-----*-----		
575	65C26572-70	..	SHELL ASSY	103106	1
- 580	SL6224-3A	...	INSERT-	103106	AR
			SUPPLIER CODE: V97393		

MISSING ITEM NUMBERS NOT APPLICABLE

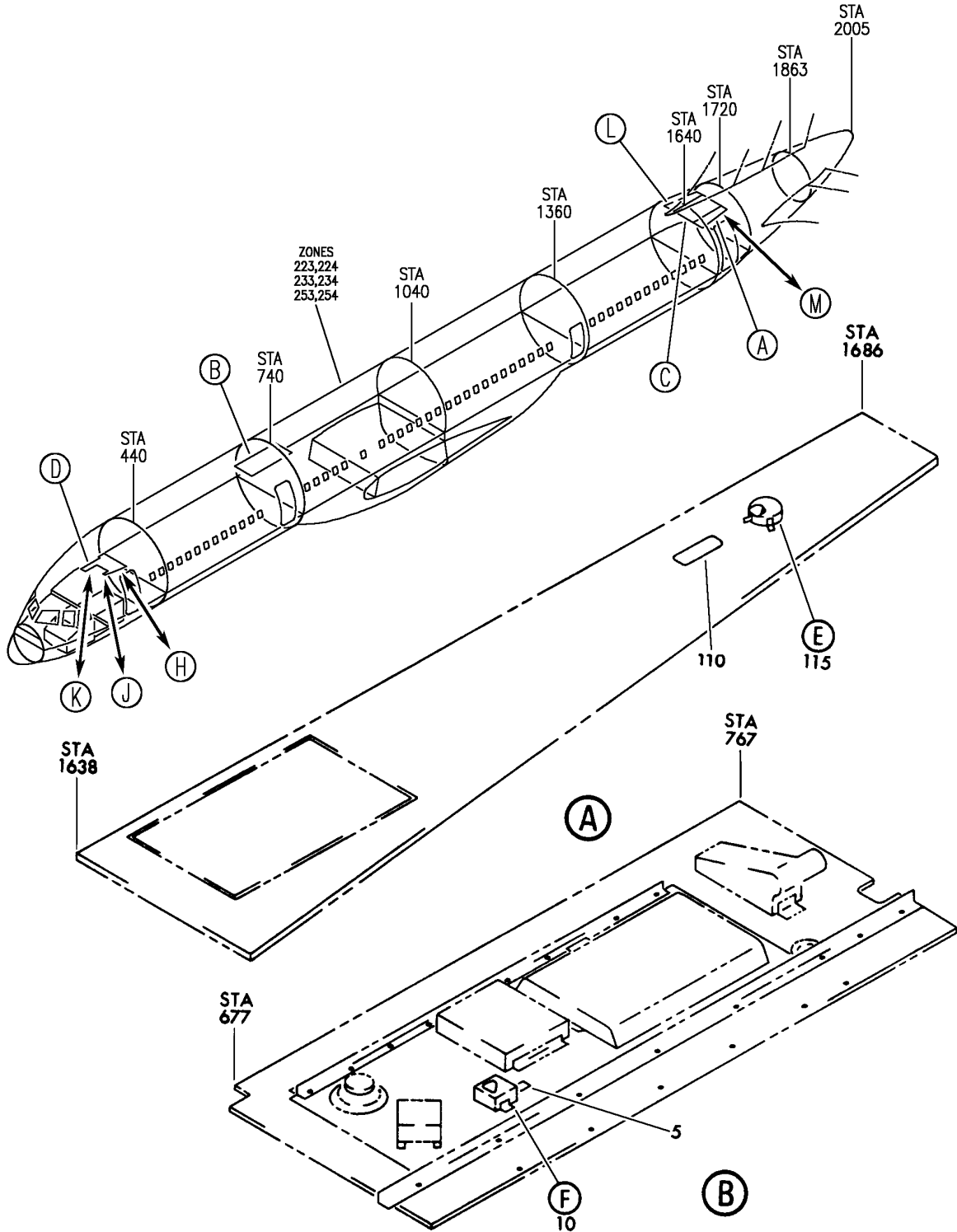
- ITEM NOT ILLUSTRATED

BRI

33-22-51-04

33-22-51
FIG. 04
PAGE 4
JAN 20/09

BOEING
757
PARTS CATALOG (MAINTENANCE)



Y 33225201 SH1 1 REV 275

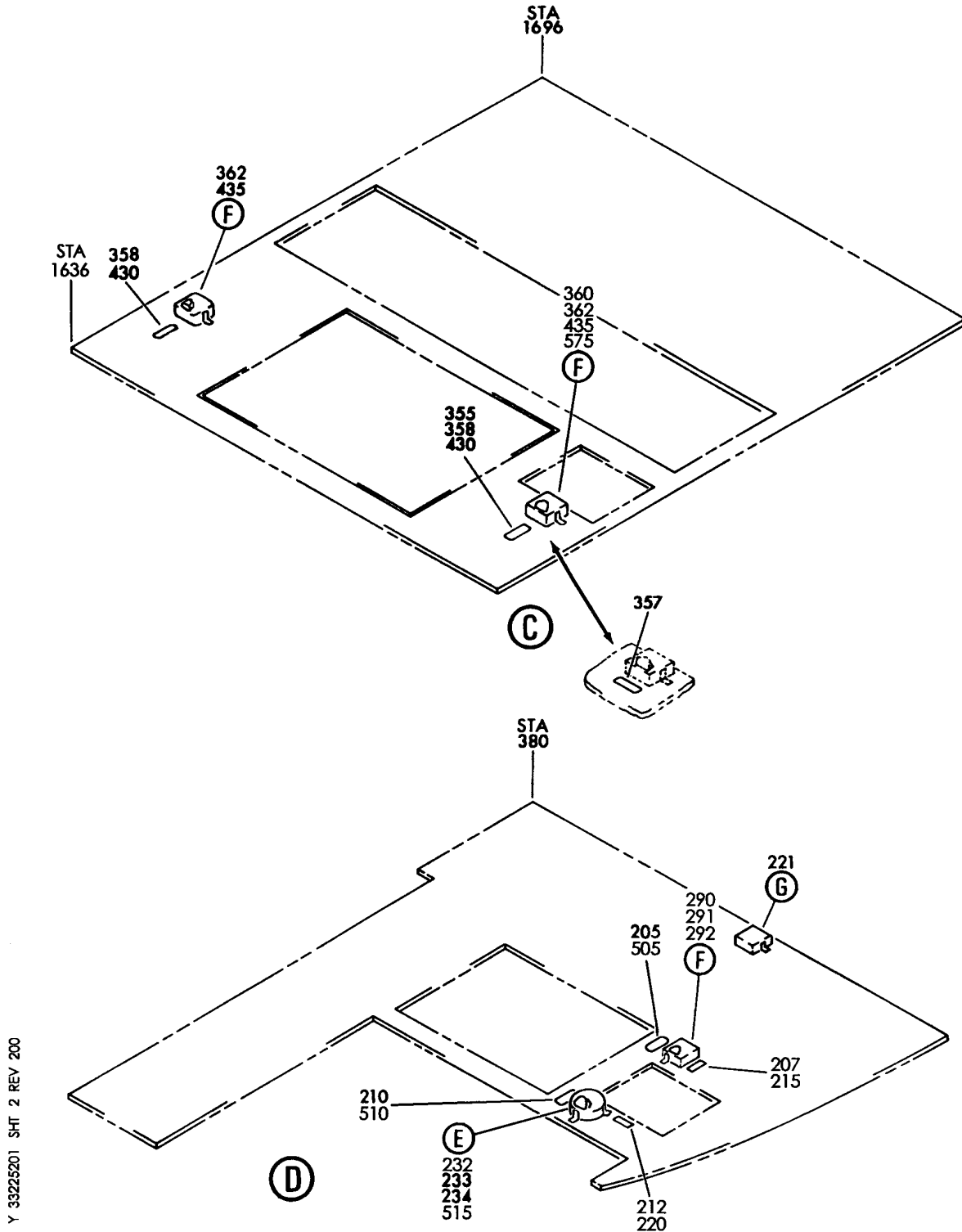
PANEL AND CEILING ASSY-(LIGHTS ONLY)
FIGURE 1 (SHEET 1)

33-22-52-01

BRI
MAY 28/07

33-22-52-01
PAGE 0

BOEING
757
PARTS CATALOG (MAINTENANCE)



Y 33225201 SHT 2 REV 200

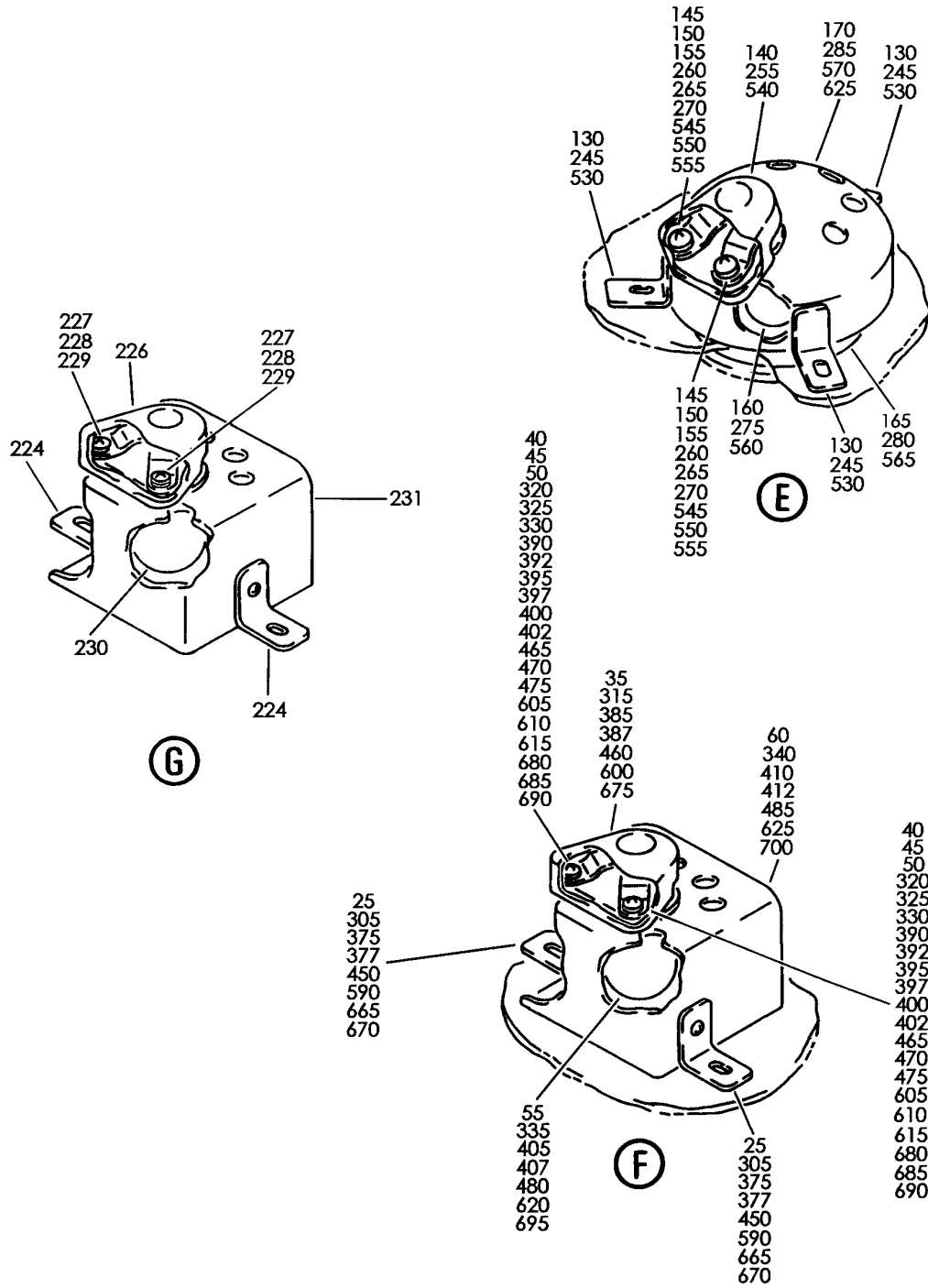
PANEL AND CEILING ASSY-(LIGHTS ONLY)
FIGURE 1 (SHEET 2)

33-22-52-01

BRI
MAY 28/07

33-22-52-01
PAGE 0A

BOEING
757
PARTS CATALOG (MAINTENANCE)



Y 33225201 SHT 3 REV 208

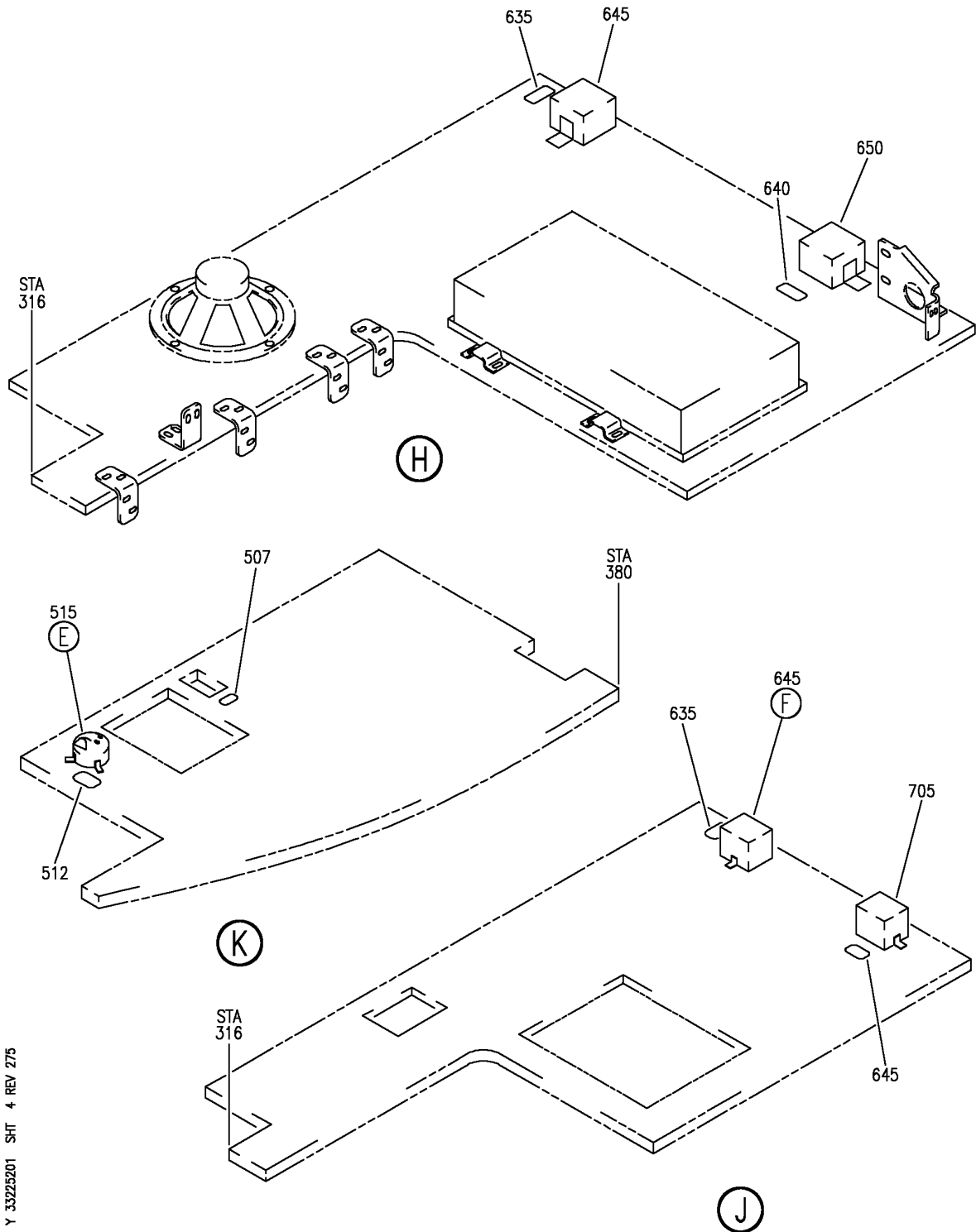
PANEL AND CEILING ASSY-(LIGHTS ONLY)
FIGURE 1 (SHEET 3)

33-22-52-01

BRI
MAY 28/07

33-22-52-01
PAGE 0B

BOEING
757
PARTS CATALOG (MAINTENANCE)



Y 33225201 SH1 4 REV 275

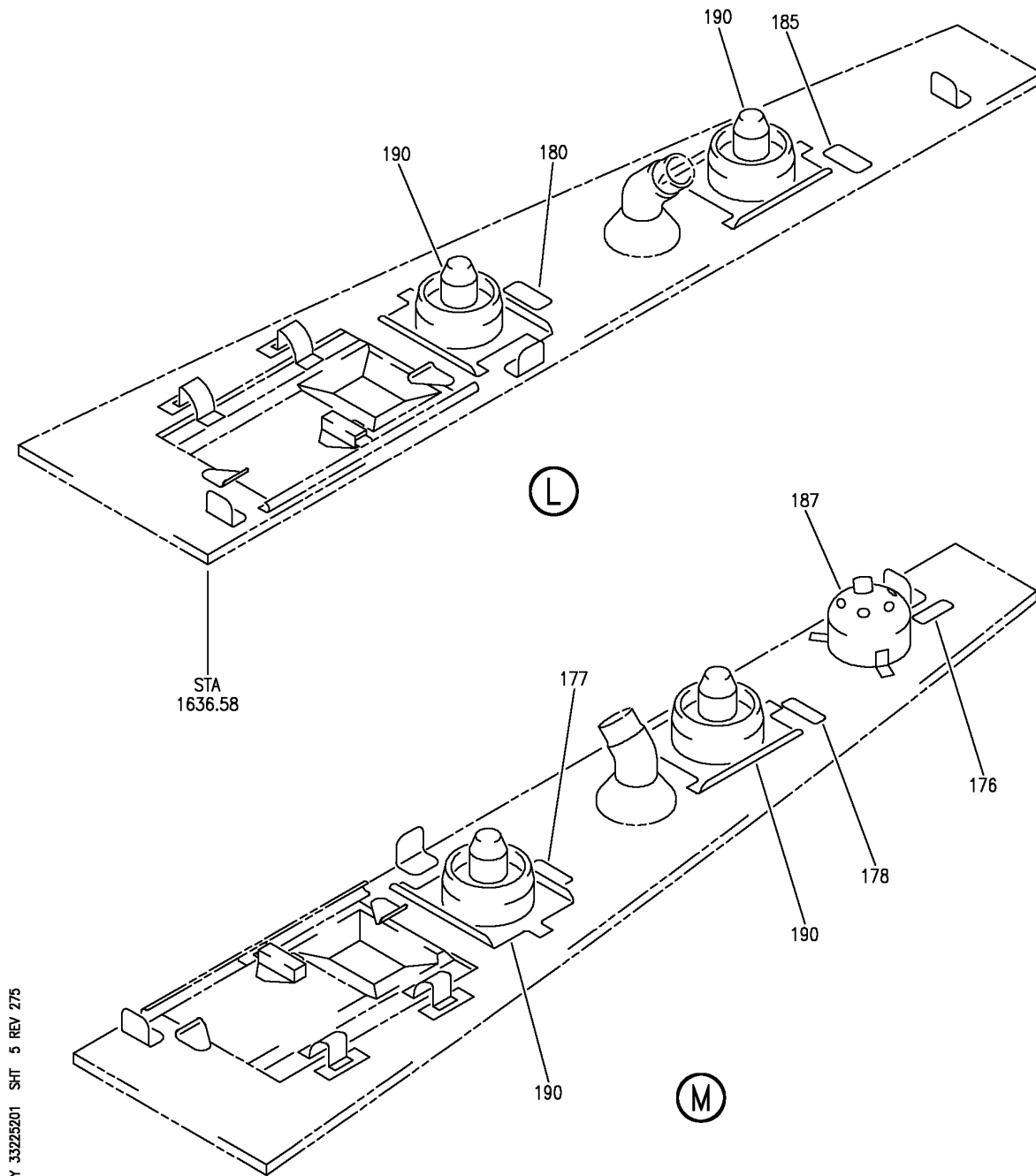
PANEL AND CEILING ASSY-(LIGHTS ONLY)
FIGURE 1 (SHEET 4)

33-22-52-01

BRI
MAY 28/07

33-22-52-01
PAGE 0C

BOEING
757
PARTS CATALOG (MAINTENANCE)



PANEL AND CEILING ASSY-(LIGHTS ONLY)
FIGURE 1 (SHEET 5)

33-22-52-01

BRI
MAY 28/07

33-22-52-01
PAGE 0D



757

PARTS CATALOG (MAINTENANCE)

FIG ITEM	PART NUMBER	1 2 3 4 5 6 7	NOMENCLATURE	EFFECT FROM TO	UNITS PER ASSY
1			PANEL AND CEILING ASSY- (LIGHTS ONLY)	002004 006102 107999	
- 100	411N3264-33SP		PANEL ASSY-FLAT (LIGHTS ONLY) POSITION DATA: LH SIDE FOR NHA/OTHER SYS DET SEE: 25-22-02-03E	108120	RF
- 100	411N3264-85SP		PANEL ASSY-FLAT (LIGHTS ONLY) POSITION DATA: LH SIDE FOR NHA/OTHER SYS DET SEE: 25-22-02-18A 25-22-02-18G 25-22-02-24	121949	RF
- 100	411N3264-65SP		PANEL ASSY-FLAT (LIGHTS ONLY) POSITION DATA: LH SIDE FOR NHA/OTHER SYS DET SEE: 25-22-02-03B 25-22-02-03C 25-22-02-18J 25-22-02-95A	002004 006102 950999	RF
110	BAC27NPA0266		.MARKER-ALUMINUM FOIL PLACARD CONTENT: L267 THRESHOLD LIGHT	002004 006102 108999	1
115	10-1039-3		.FLOODLIGHT ASSY- SUPPLIER CODE: V72914 SPECIFICATION NUMBER: S417N502-5 ELECTRICAL EQUIP NUMBER: L00267	002004 006102 108999	1
- 120	NAS1801-08-5		ATTACHING PARTS .SCREW-	002004 006102 108999	3
- 125	AN960JD8L		.WASHER-	002004 006102 121999	3
- 125	NAS1149DN816J		.WASHER- -----*-----	108120	3
130	11-4387-1		..BRACKET- SUPPLIER CODE: V72914	002004 006102 108999	3

MISSING ITEM NUMBERS NOT APPLICABLE

- ITEM NOT ILLUSTRATED

33-22-52-01

33-22-52
FIG. 01
PAGE 1
JAN 20/09

BRI



757

PARTS CATALOG (MAINTENANCE)

FIG ITEM	PART NUMBER	1 2 3 4 5 6 7	NOMENCLATURE	EFFECT FROM TO	UNITS PER ASSY
1			ATTACHING PARTS		
- 135	MS35206-226		.. SCREW	002004 006102 108999	3
140	11-3438-5		-----*----- .. NIPPLE-CABLE	002004 006102 108999	1
			SUPPLIER CODE: V72914		
145	MS35206-227		.. SCREW	002004 006102 108999	2
150	MS35338-41		.. WASHER	002004 006102 108999	2
155	NAS620-6L		.. WASHER	002004 006102 108999	2
160	LP1308		.. LAMP-	002004 006102 108999	1
			SUPPLIER CODE: V08806		
165	11-4249-3		.. RETAINER ASSY-	002004 006102 108999	1
			SUPPLIER CODE: V72914		
170	11-4412-1		.. FLOODLIGHT ASSY-	002004 006102 108999	1
			SUPPLIER CODE: V72914		
- 200	411N3210-201SP		PANEL ASSY-ACOUSTICAL (LIGHTS ONLY) POSITION DATA: FWD REWORKED BY SB: 25-0163R1 FOR NHA/OTHER SYS DET SEE: 25-22-02-29	107107	RF
- 201	411N3260-152SP		PANEL ASSY-FLAT (LIGHTS ONLY) POSITION DATA: FWD FOR NHA/OTHER SYS DET SEE: 25-22-02-19	904949	RF
- 202	411N3260-239SP		PANEL ASSY-FLAT (LIGHTS ONLY) POSITION DATA: FWD FOR NHA/OTHER SYS DET SEE: 25-22-02-19	121503	RF

MISSING ITEM NUMBERS NOT APPLICABLE

- ITEM NOT ILLUSTRATED

33-22-52-01

33-22-52
FIG. 01
PAGE 2
JAN 20/09

BRI



757

PARTS CATALOG (MAINTENANCE)

FIG ITEM	PART NUMBER	1 2 3 4 5 6 7	NOMENCLATURE	EFFECT FROM TO	UNITS PER ASSY
1					
- 202	411N3260-240SP		PANEL ASSY-FLAT (LIGHTS ONLY) POSITION DATA: FWD FOR NHA/OTHER SYS DET SEE: 25-22-02-52	002004	RF
- 203	411N3260-135SP		PANEL ASSY-FLAT (LIGHTS ONLY) POSITION DATA: FWD FOR NHA/OTHER SYS DET SEE: 25-22-02-19B	904949	RF
- 203	411N3260-215SP		PANEL ASSY-FLAT (LIGHTS ONLY) POSITION DATA: FWD FOR NHA/OTHER SYS DET SEE: 25-22-02-19B	121503	RF
- 203	411N3260-324SP		PANEL ASSY-FLAT (LIGHTS ONLY) FOR NHA/OTHER SYS DET SEE: 25-22-02-52 25-22-02-19E	006100	RF
- 203	411N3260-600SP		PANEL ASSY-FLAT (LIGHTS ONLY) POSITION DATA: FWD	108120	RF
- 203	411N3260-606SP		PANEL ASSY-FLAT (LIGHTS ONLY) FOR NHA/OTHER SYS DET SEE: 25-22-02-19E	101102	RF
- 203	411N3260-261SP		PANEL ASSY-FLAT (LIGHTS ONLY) POSITION DATA: FWD FOR NHA/OTHER SYS DET SEE: 25-22-02-58B	952952	RF
205	BAC27NPA0273		.MARKER-ALUMINUM FOIL PLACARD CONTENT: L259 ATTENDANT WORK LIGHT	002004 006102 107503 904949	1
210	BAC27NPA0265		.MARKER-ALUMINUM FOIL PLACARD CONTENT: L260 THRESHOLD LIGHT	002004 006102 107503 904949	1
215	BAC27NPA0273		.MARKER-ALUMINUM FOIL PLACARD CONTENT: L259 ATTENDANT WORK LIGHT	952952	1

MISSING ITEM NUMBERS NOT APPLICABLE

- ITEM NOT ILLUSTRATED

33-22-52-01

33-22-52
FIG. 01
PAGE 3
JAN 20/09

BRI



757

PARTS CATALOG (MAINTENANCE)

FIG ITEM	PART NUMBER	1 2 3 4 5 6 7	NOMENCLATURE	EFFECT FROM TO	UNITS PER ASSY
1					
220	BAC27NPA0625		.MARKER-ALUMINUM FOIL PLACARD CONTENT: S10386	952952	1
233	10-1039-1		.HOUSING ASSY- SUPPLIER CODE: V72914 SPECIFICATION NUMBER: S417N502-4 ELECTRICAL EQUIP NUMBER: L00260	002004 006102 107107 952952	1
234	10-1039-1		.HOUSING ASSY- SUPPLIER CODE: V72914 SPECIFICATION NUMBER: S417N502-4 ELECTRICAL EQUIP NUMBER: L00260	108503 904949	1
- 235	BACS12FA08K5		.SCREW- ATTACHING PARTS	002004 006102 107107	3
- 235	NAS1801-08-5		.SCREW-	108503 904949	3
- 235	BACS12GU08K5		.SCREW-	952952	3
- 240	AN960KD8L		.WASHER-	107107	3
- 240	AN960JD8L		.WASHER-	002004 006100 107503 904949 952952	3
- 240	NAS1149DN816J		.WASHER	101102	3
245	11-4387-1		-----*----- .BRACKET- SUPPLIER CODE: V72914	002004 006102 107503 904949 952952	3
- 250	MS35206-226		ATTACHING PARTS .SCREW	002004 006102 107503 904949 952952	3
255	11-3438-5		-----*----- .NIPPLE-CABLE SUPPLIER CODE: V72914	002004 006102 107503 904949 952952	1

MISSING ITEM NUMBERS NOT APPLICABLE

- ITEM NOT ILLUSTRATED

33-22-52-01

33-22-52
FIG. 01
PAGE 4
JAN 20/09

BRI

BOEING PROPRIETARY - Copyright © - Unpublished Work - See title page for details.



757

PARTS CATALOG (MAINTENANCE)

FIG ITEM	PART NUMBER	1 2 3 4 5 6 7	NOMENCLATURE	EFFECT FROM TO	UNITS PER ASSY
1					
260	MS35206-227	..	SCREW	002004 006102 107503 904949 952952	2
265	MS35338-41	..	WASHER	002004 006102 107503 904949 952952	2
270	NAS620-6L	..	WASHER	002004 006102 107503 904949 952952	2
275	LP1308	..	LAMP- SUPPLIER CODE: V08806	002004 006102 107503 904949 952952	1
280	11-4249-1	..	RETAINER ASSY- SUPPLIER CODE: V72914	002004 006102 107503 904949 952952	1
285	11-4412-1	..	FLOODLIGHT ASSY- SUPPLIER CODE: V72914	002004 006102 107503 904949 952952	1
290	10-1037-1	.H	HOUSING ASSY- SUPPLIER CODE: V72914 SPECIFICATION NUMBER: S417N502-2 ELECTRICAL EQUIP NUMBER: L00259 COMPONENT MAINT MANUAL REF: 33-30-41	002004 006102 107107 952952	1
291	10-1037-1	.H	HOUSING ASSY- SUPPLIER CODE: V72914 SPECIFICATION NUMBER: S417N502-2 ELECTRICAL EQUIP NUMBER: L00259 COMPONENT MAINT MANUAL REF: 33-30-41	108503 904949	1

MISSING ITEM NUMBERS NOT APPLICABLE

- ITEM NOT ILLUSTRATED

33-22-52-01

33-22-52
FIG. 01
PAGE 5
JAN 20/09

BRI

BOEING PROPRIETARY - Copyright © - Unpublished Work - See title page for details.



757

PARTS CATALOG (MAINTENANCE)

FIG ITEM	PART NUMBER	1 2 3 4 5 6 7	NOMENCLATURE	EFFECT FROM TO	UNITS PER ASSY
1			ATTACHING PARTS		
- 295	BACS12FA08K5		.SCREW-	002004 006102 107107	2
- 295	NAS1801-08-5		.SCREW-	108503 904949	2
- 295	BACS12GU08K5		.SCREW-	952952	2
- 300	AN960KD8L		.WASHER-	107107	2
- 300	AN960JD8L		.WASHER-	002004 006100 107503 904949	2
- 300	NAS1149DN816J		.WASHER	952952 101102	2
			-----*-----		
305	11-4387-1		..BRACKET- SUPPLIER CODE: V72914	002004 006102 107503 904949 952952	2
			ATTACHING PARTS		
- 310	MS35206-226		..SCREW	002004 006102 107503 904949 952952	2
			-----*-----		
315	11-3438-5		..NIPPLE-CABLE SUPPLIER CODE: V72914	002004 006102 107503 904949 952952	1
320	MS35206-227		..SCREW	002004 006102 107503 904949 952952	2
325	MS35338-41		..WASHER	002004 006102 107503 904949 952952	2
330	NAS620-6L		..WASHER	002004 006102 107503 904949 952952	2

MISSING ITEM NUMBERS NOT APPLICABLE

- ITEM NOT ILLUSTRATED

BRI

33-22-52-01

BOEING PROPRIETARY - Copyright © - Unpublished Work - See title page for details.

33-22-52
FIG. 01
PAGE 6
JAN 20/09



757

PARTS CATALOG (MAINTENANCE)

FIG ITEM	PART NUMBER	1 2 3 4 5 6 7	NOMENCLATURE	EFFECT FROM TO	UNITS PER ASSY
1					
335	LP1308		.. LAMP- SUPPLIER CODE: V08806	002004 006102 107503 904949 952952	1
340	11-4410-1		.. FLOODLIGHT ASSY- SUPPLIER CODE: V72914	002004 006102 107503 904949 952952	1
360	10-1037-1		. HOUSING ASSY- SUPPLIER CODE: V72914 SPECIFICATION NUMBER: S417N502-2 ELECTRICAL EQUIP NUMBER: L00518 COMPONENT MAINT MANUAL REF: 33-30-41 ATTACHING PARTS	121503 904949	1
- 365	BACS12FA08K5		. SCREW	121503 904949	2
- 370	AN960KD8L		. WASHER	121503 904949	2
- 370	AN960JD8L		. WASHER-	121503 904949	2
			-----*-----		
375	11-4387-1		.. BRACKET- SUPPLIER CODE: V72914 ATTACHING PARTS	121503 904949	2
- 380	MS35206-226		.. SCREW	121503 904949	2
			-----*-----		
385	11-3438-5		.. NIPPLE-CABLE SUPPLIER CODE: V72914	121503 904949	1
390	MS35206-227		.. SCREW	121503 904949	2
395	MS35338-41		.. WASHER	121503 904949	2
400	NAS620-6L		.. WASHER	121503 904949	2
405	LP1308		.. LAMP- SUPPLIER CODE: V08806	121503 904949	1
410	11-4410-1		.. FLOODLIGHT ASSY- SUPPLIER CODE: V72914	121503 904949	1

MISSING ITEM NUMBERS NOT APPLICABLE

- ITEM NOT ILLUSTRATED

33-22-52-01

33-22-52
FIG. 01
PAGE 7
JAN 20/09

BRI

BOEING PROPRIETARY - Copyright © - Unpublished Work - See title page for details.



757

PARTS CATALOG (MAINTENANCE)

FIG ITEM	PART NUMBER	1 2 3 4 5 6 7	NOMENCLATURE	EFFECT FROM TO	UNITS PER ASSY
1			ATTACHING PARTS		
- 440	NAS1801-08-5		.SCREW-	121503 904949	4
- 500	411N3260-499SP		-----*----- PANEL ASSY-FLAT FLYAWAY (LIGHTS ONLY) FOR NHA/OTHER SYS DET SEE: 25-22-02-19F	504903	RF
505	BAC27NPA0273		.MARKER-ALUMINUM FOIL PLACARD CONTENT: L259 ATTENDANT WORK LIGHT	504903	1
510	BAC27NPA0265		.MARKER-ALUMINUM FOIL PLACARD CONTENT: L260 THRESHOLD LIGHT	504903	1
515	10-1039-1		.HOUSING ASSY- SUPPLIER CODE: V72914 SPECIFICATION NUMBER: S417N502-4 ELECTRICAL EQUIP NUMBER: L00260	504903	1
530	11-4387-1		..BRACKET- SUPPLIER CODE: V72914	504903	3
535	MS5206-226		..SCREW	504903	3
540	113438-5		..NIPPLE-CABLE SUPPLIER CODE: V72914	504903	1
545	MS35206-227		..SCREW	504903	2
550	MS35338-41		..WASHER	504903	2
555	NAS620-6L		..WASHER	504903	2
560	LP1308		..LAMP- SUPPLIER CODE: V08806	504903	1
565	11-4249-1		..RETAINER ASSY- SUPPLIER CODE: V72914	504903	1
570	11-4412-1		..FLOODLIGHT ASSY- SUPPLIER CODE: V72914	504903	1
- 585	NAS1149D0316J		ATTACHING PARTS .WASHER-	504903	2
590	11-4387-1		-----*----- ..BRACKET- SUPPLIER CODE: V72914	504903	2
595	MS35206-226		..SCREW	504903	2

MISSING ITEM NUMBERS NOT APPLICABLE

- ITEM NOT ILLUSTRATED

33-22-52-01

33-22-52
FIG. 01
PAGE 8
JAN 20/09

BRI

BOEING PROPRIETARY - Copyright © - Unpublished Work - See title page for details.



757

PARTS CATALOG (MAINTENANCE)

FIG ITEM	PART NUMBER	1 2 3 4 5 6 7	NOMENCLATURE	EFFECT FROM TO	UNITS PER ASSY
1					
600	11-3438-5		..NIPPLE-CABLE SUPPLIER CODE: V72914	504903	2
605	MS35206-227		..SCREW	504903	2
610	MS35338-41		..WASHER	504903	2
615	NAS620-6L		..WASHER	504903	2
620	LP1308		..LAMP- SUPPLIER CODE: V08806	504903	1
625	114412-1		..FLOOD LIGHT ASSY- SUPPLIER CODE: V72914	504903	1

MISSING ITEM NUMBERS NOT APPLICABLE

- ITEM NOT ILLUSTRATED

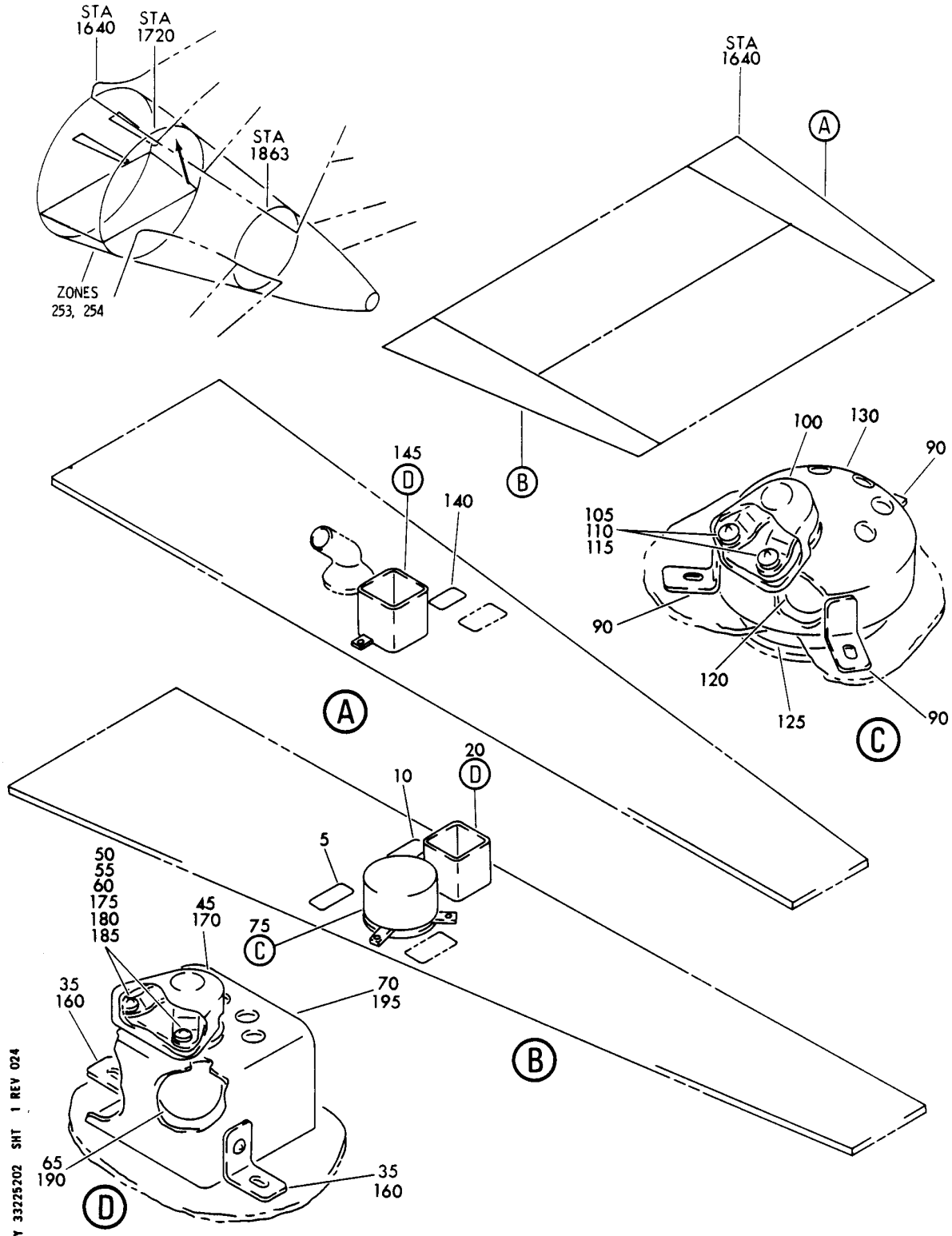
BRI

33-22-52-01

BOEING PROPRIETARY - Copyright © - Unpublished Work - See title page for details.

33-22-52
FIG. 01
PAGE 9
JAN 20/09

BOEING
757
PARTS CATALOG (MAINTENANCE)



Y 33225202 SHT 1 REV 024

PANEL ASSY-CLG
FIGURE 2

33-22-52-02

BRI
JAN 20/09

33-22-52-02
PAGE 0

BOEING
757
PARTS CATALOG (MAINTENANCE)

FIG ITEM	PART NUMBER	1 2 3 4 5 6 7	NOMENCLATURE	EFFECT FROM TO	UNITS PER ASSY
2			PANEL ASSY-CLG	107107	
- 1	411N3210-89SP		PANEL ASSY-CLG FOR NHA/OTHER SYS DET SEE: 25-22-02-27	107107	RF
5	BAC27NPA0266		.MARKER-ALUMINUM FOIL PLACARD CONTENT: L267	107107	1
10	BAC27NPA0732		.MARKER-ALUMINUM FOIL PLACARD CONTENT: L518	107107	1
20	10-1037-1		.HOUSING ASSY- SUPPLIER CODE: V72914 SPECIFICATION NUMBER: S417N502-2 ELECTRICAL EQUIP NUMBER: L00518 COMPONENT MAINT MANUAL REF: 33-30-41	107107	1
- 25	BACS12FA08K5		ATTACHING PARTS .SCREW	107107	2
- 30	AN960KD8L		.WASHER	107107	2
35	11-4387-1		-----*----- ..BRACKET- SUPPLIER CODE: V72914	107107	2
- 40	MS35206-226		ATTACHING PARTS ..SCREW	107107	2
45	11-3438-5		-----*----- ..NIPPLE-CABLE SUPPLIER CODE: V72914	107107	1
50	MS35206-227		..SCREW	107107	2
55	MS35338-41		..WASHER	107107	2
60	NAS620-6L		..WASHER	107107	2
65	LP1308		..LAMP- SUPPLIER CODE: V08806	107107	1
70	11-4410-1		..FLOODLIGHT ASSY- SUPPLIER CODE: V72914	107107	1
75	10-1039-1		.HOUSING ASSY- SUPPLIER CODE: V72914 SPECIFICATION NUMBER: S417N502-4 ELECTRICAL EQUIP NUMBER: L00267	107107	1

MISSING ITEM NUMBERS NOT APPLICABLE

- ITEM NOT ILLUSTRATED

BRI

33-22-52-02

BOEING PROPRIETARY - Copyright © - Unpublished Work - See title page for details.

33-22-52
FIG. 02
PAGE 1
JAN 20/09



757

PARTS CATALOG (MAINTENANCE)

FIG ITEM	PART NUMBER	1 2 3 4 5 6 7	NOMENCLATURE	EFFECT FROM TO	UNITS PER ASSY
2			ATTACHING PARTS		
- 80	BACS12FA08K5	.	SCREW	107107	3
- 85	AN960KD8L	.	WASHER	107107	3
		-----*			
90	11-4387-1	..	BRACKET-	107107	3
			SUPPLIER CODE: V72914		
			ATTACHING PARTS		
- 95	MS35206-226	..	SCREW	107107	3
		-----*			
100	11-3438-5	..	NIPPLE-CABLE	107107	1
			SUPPLIER CODE: V72914		
105	MS35206-227	..	SCREW	107107	2
110	MS35338-41	..	WASHER	107107	2
115	NAS620-6L	..	WASHER	107107	2
120	LP1308	..	LAMP-	107107	1
			SUPPLIER CODE: V08806		
125	11-4249-1	..	RETAINER ASSY-	107107	1
			SUPPLIER CODE: V72914		
130	11-4412-1	..	FLOODLIGHT ASSY-	107107	1
			SUPPLIER CODE: V72914		
- 135	411N3210-104SP		PANEL ASSY-CLG FOR NHA/OTHER SYS DET SEE: 25-22-02-27	107107	RF
140	BAC27NPA0273	.	MARKER-ALUMINUM FOIL PLACARD CONTENT: L259 ATTENDANT WORK LIGHT	107107	1
145	10-1037-1	.	HOUSING ASSY-	107107	1
			SUPPLIER CODE: V72914		
			SPECIFICATION NUMBER: S417N502-2		
			ELECTRICAL EQUIP NUMBER: L00259		
			COMPONENT MAINT MANUAL REF: 33-30-41		
			ATTACHING PARTS		
- 150	BACS12FA08K5	.	SCREW	107107	2
- 155	AN960KD8L	.	WASHER	107107	2
		-----*			
160	11-4387-1	..	BRACKET-	107107	2
			SUPPLIER CODE: V72914		

MISSING ITEM NUMBERS NOT APPLICABLE

- ITEM NOT ILLUSTRATED

33-22-52-02

33-22-52
FIG. 02
PAGE 2
JAN 20/09

BRI

BOEING PROPRIETARY - Copyright © - Unpublished Work - See title page for details.



757

PARTS CATALOG (MAINTENANCE)

FIG ITEM	PART NUMBER	1 2 3 4 5 6 7	NOMENCLATURE	EFFECT FROM TO	UNITS PER ASSY
2			ATTACHING PARTS		
- 165	MS35206-226	..	SCREW	107107	2
			-----*-----		
170	11-3438-5	..	NIPPLE-CABLE	107107	1
			SUPPLIER CODE:		
			V72914		
175	MS35206-227	..	SCREW	107107	2
180	MS35338-41	..	WASHER	107107	2
185	NAS620-6L	..	WASHER	107107	2
190	LP1308	..	LAMP-	107107	1
			SUPPLIER CODE:		
			V08806		
195	11-4410-1	..	FLOODLIGHT ASSY-	107107	1
			SUPPLIER CODE:		
			V72914		

MISSING ITEM NUMBERS NOT APPLICABLE

- ITEM NOT ILLUSTRATED

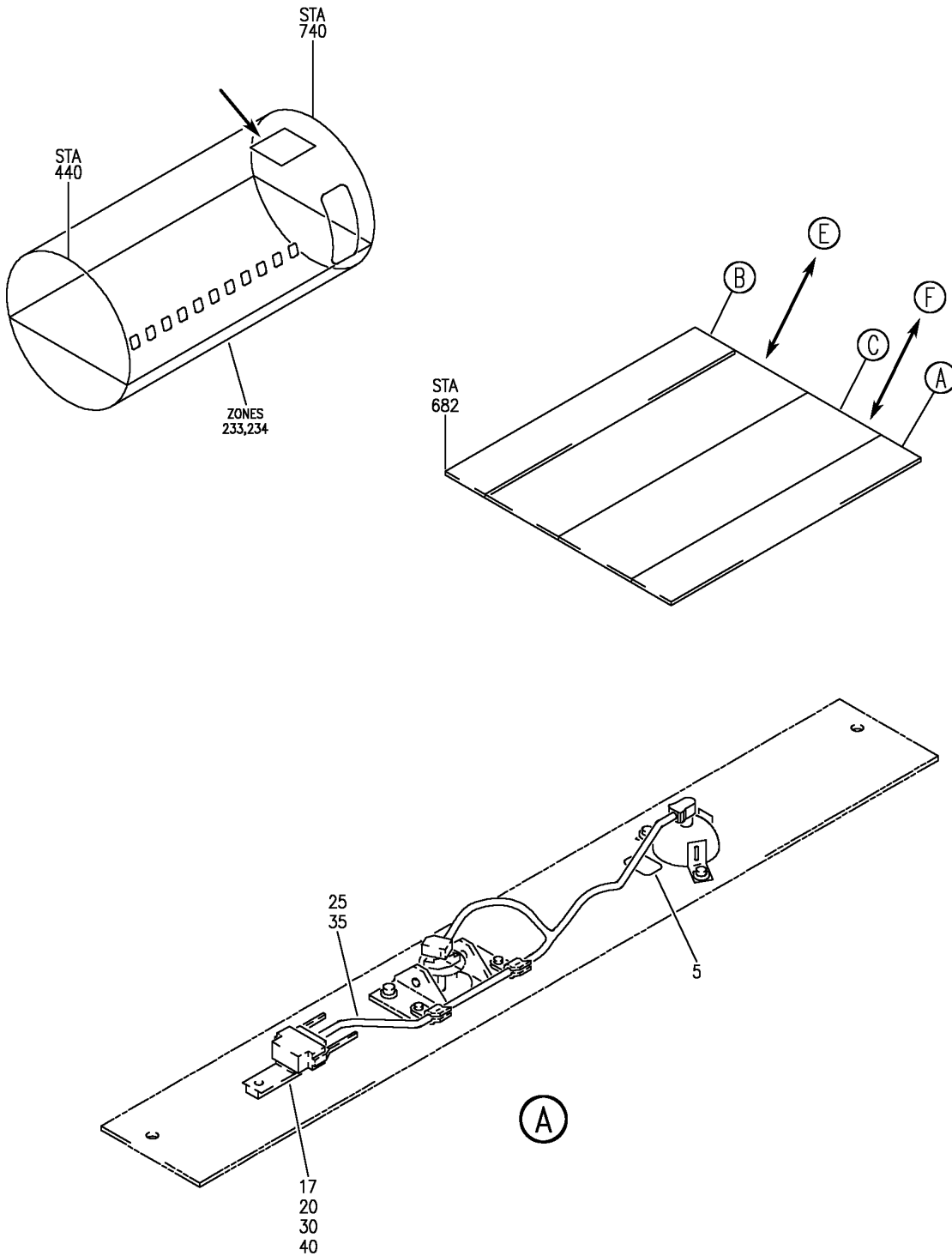
BRI

33-22-52-02

BOEING PROPRIETARY - Copyright © - Unpublished Work - See title page for details.

33-22-52
FIG. 02
PAGE 3
JAN 20/09

BOEING
757
PARTS CATALOG (MAINTENANCE)



Y 33225203A SHT 1 REV 262

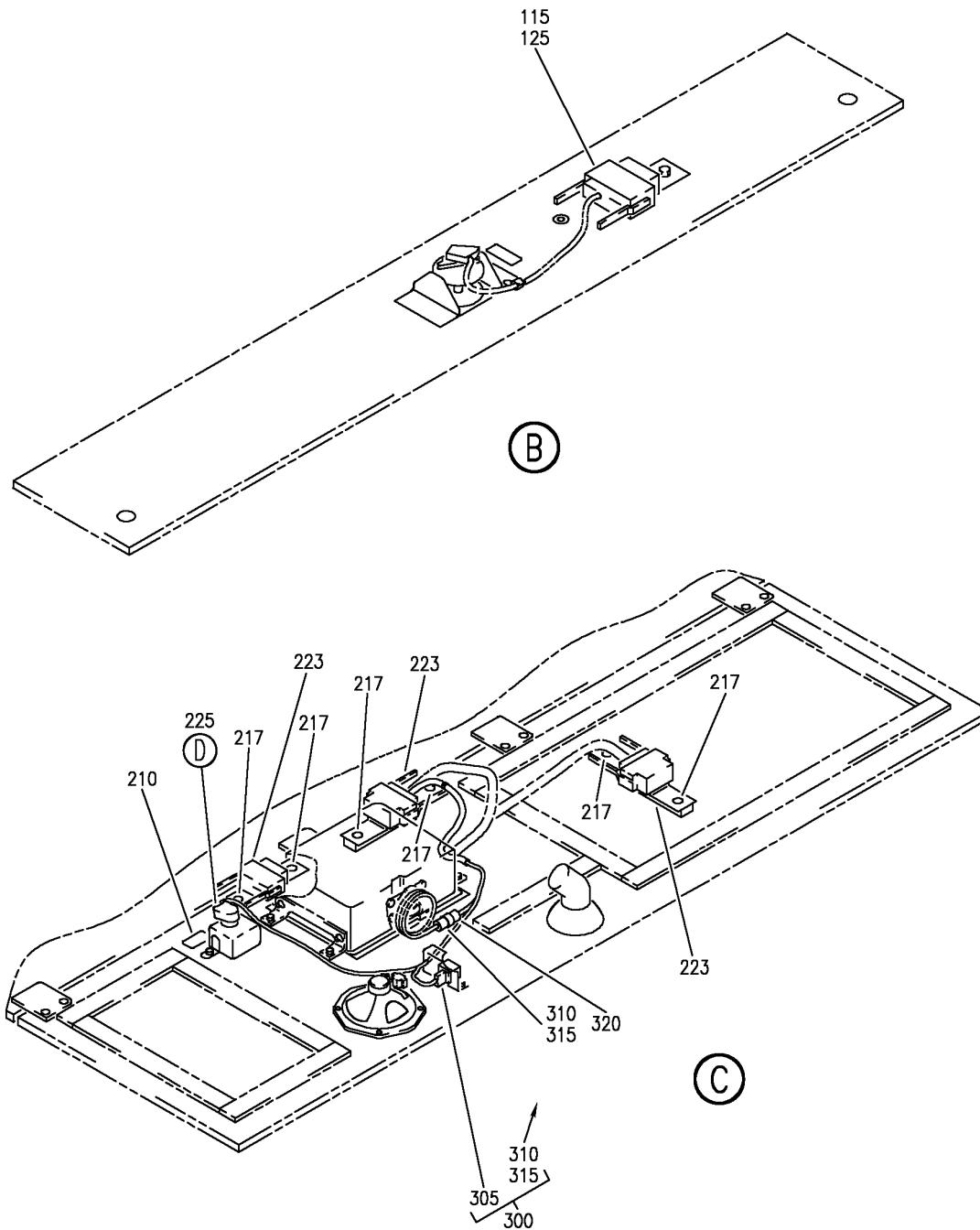
CEILING ASSY-DOOR 2 (LIGHTS ONLY)
FIGURE 3A (SHEET 1)

33-22-52-03A

BRI
JAN 20/09

33-22-52-03A
PAGE 0

BOEING
757
PARTS CATALOG (MAINTENANCE)



Y 33225203A SHT 2 REV 262

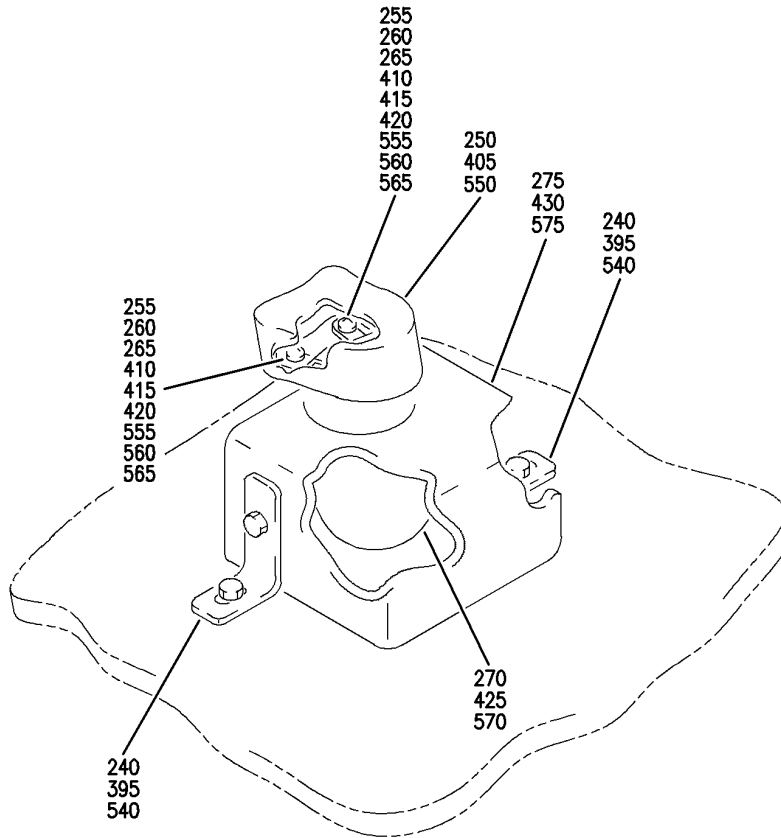
CEILING ASSY-DOOR 2 (LIGHTS ONLY)
FIGURE 3A (SHEET 2)

33-22-52-03A

BRI
JAN 20/09

33-22-52-03A
PAGE 0A

BOEING
757
PARTS CATALOG (MAINTENANCE)



(D)

Y 33225203A SH1 3 REV 243

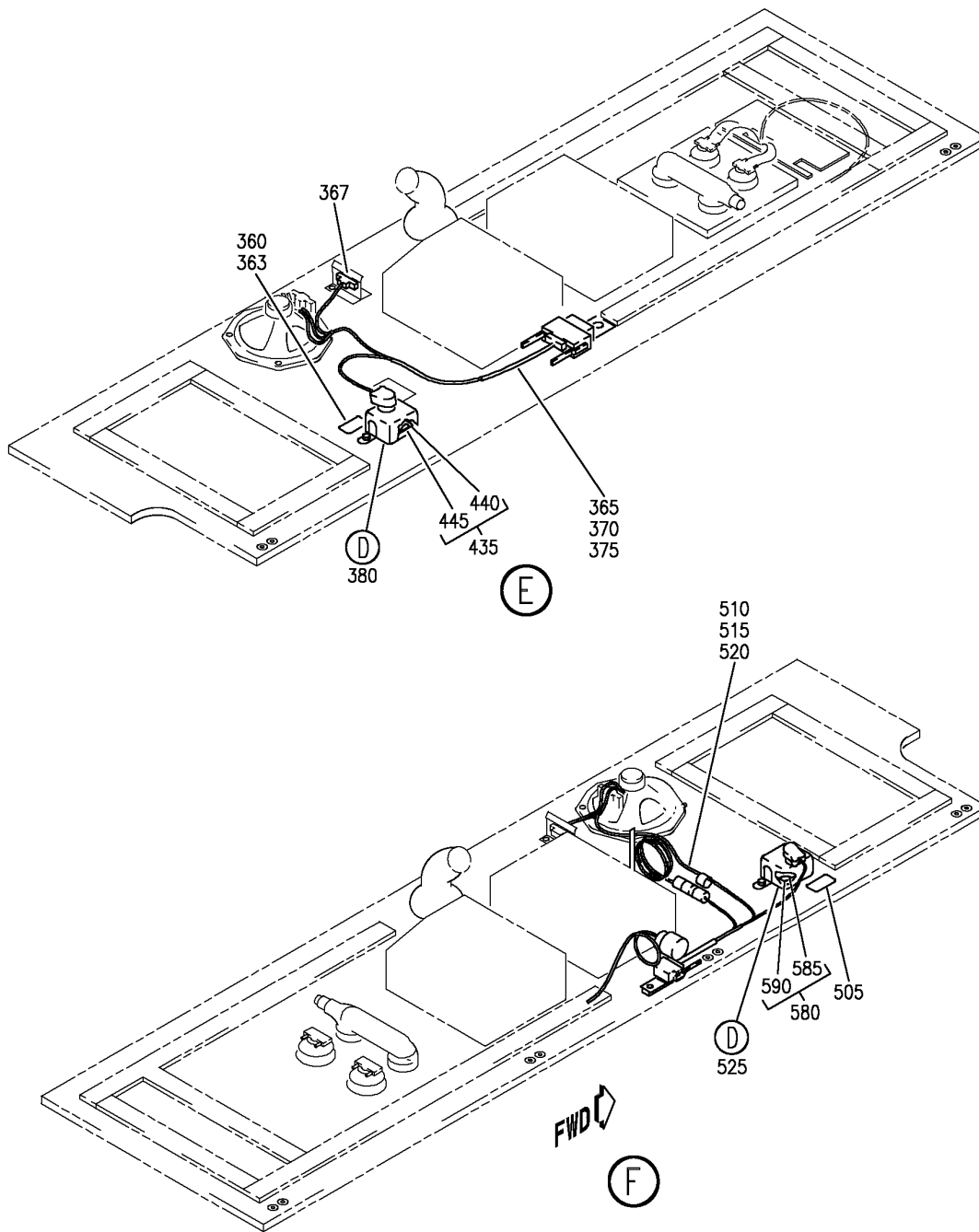
CEILING ASSY-DOOR 2 (LIGHTS ONLY)
FIGURE 3A (SHEET 3)

33-22-52-03A

BRI
JAN 20/09

33-22-52-03A
PAGE 0B

BOEING
757
PARTS CATALOG (MAINTENANCE)



Y 33225203A SH1 4 REV 331

CEILING ASSY-DOOR 2 (LIGHTS ONLY)
FIGURE 3A (SHEET 4)

33-22-52-03A

BRI
JAN 20/09

33-22-52-03A
PAGE 0C



757

PARTS CATALOG (MAINTENANCE)

FIG ITEM	PART NUMBER	1 2 3 4 5 6 7	NOMENCLATURE	EFFECT FROM TO	UNITS PER ASSY
3A			CEILING ASSY-DOOR 2 (LIGHTS ONLY)	103106	
- 1	411N3620-72B		CEILING ASSY-ENTRY (LIGHTS ONLY) POSITION DATA: DOOR 2 FOR NHA/OTHER SYS DET SEE: 25-22-02-40E	103106	RF
	5 BAC27NPS307		.MARKER- PLACARD CONTENT: THRESHOLD LIGHT (LAMP) ELECTRICAL EQUIP NUMBER: L00816	103106	1
	10 BACS12GU3K5		.SCREW-	103106	2
- 15	10-1039-3		.FLOODLIGHT ASSY-THRESHOLD LIGHT SUPPLIER CODE: V72914 SPECIFICATION NUMBER: S417N502-5 ELECTRICAL EQUIP NUMBER: L00267	103106	1
	17 BACT44E1S		.CONNECTOR-	103106	1
	35 286N0774-701		.WIRE BUNDLE ASSY	103106	1
	40 BACC65AK221P		..RECEPTACLE- ELECTRICAL EQUIP NUMBER: D42788J WIRING DIAGRAM REF: 332212	103106	1
- 350	411N3620-74B		CEILING ASSY-DOOR 2 ENTRY (LIGHTS ONLY) POSITION DATA: STA 682.00 TO STA 738.00 RBL 15.00 FOR NHA/OTHER SYS DET SEE: 25-22-02-40S	103106	RF
- 350	411N3620-73B		CEILING ASSY-DOOR 2 ENTRY (LIGHTS ONLY) POSITION DATA: STA 682.00 TO STA 738.00 LBL 15.00 FOR NHA/OTHER SYS DET SEE: 25-22-02-40S	103106	RF
	363 BAC27TPPS4573		.MARKER- PLACARD CONTENT: L1138 DIRECT CEILING LIGHT	103106	1
	365 286N0764-601		.WIRE BUNDLE ASSY	103106	RF

MISSING ITEM NUMBERS NOT APPLICABLE

- ITEM NOT ILLUSTRATED

33-22-52-03A

33-22-52
FIG. 03A
PAGE 1
JAN 20/09

BRI

BOEING PROPRIETARY - Copyright © - Unpublished Work - See title page for details.



757

PARTS CATALOG (MAINTENANCE)

FIG ITEM	PART NUMBER	1 2 3 4 5 6 7	NOMENCLATURE	EFFECT FROM TO	UNITS PER ASSY
3A 367	RSE120026	..	SOCKET-RELAY SUPPLIER CODE: V58982 SPECIFICATION NUMBER: BACS16AG1 OPTIONAL PART: 451120-026 V58982 ELECTRICAL EQUIP NUMBER: D03935 WIRING DIAGRAM REF: 233131	103106	RF
370	BACC65AK251P	..	RECEPTACLE- ELECTRICAL EQUIP NUMBER: D42728J WIRING DIAGRAM REF: 335112	103106	RF
375	AMC02PA03R	..	PLUG- SUPPLIER CODE: VS5065 ELECTRICAL EQUIP NUMBER: D06310 WIRING DIAGRAM REF: 352121	103106	RF
380	10-1037-3	.H	HOUSING ASSY- SUPPLIER CODE: V72914 SPECIFICATION NUMBER: S417N502-12 ELECTRICAL EQUIP NUMBER: L00624	103106	1
- 385	BACS12GU08K5	.S	SCREW	103106	2
- 390	NAS1149DN832J	.W	WASHER	103106	2
		-----*			
395	11-4387-1	..	BRACKET- SUPPLIER CODE: V72914	103106	2
			ATTACHING PARTS		
- 400	MS35206-226	..	SCREW	103106	2
		-----*			
405	11-3438-5	..	NIPPLE-CABLE SUPPLIER CODE: V72914	103106	1
410	MS35206-227	..	SCREW	103106	2
415	MS352338-41	..	SCREW	103106	2
420	NAS620-6L	..	WASHER	103106	2

MISSING ITEM NUMBERS NOT APPLICABLE

- ITEM NOT ILLUSTRATED

33-22-52-03A

33-22-52
FIG. 03A
PAGE 2
JAN 20/09

BRI

BOEING PROPRIETARY - Copyright © - Unpublished Work - See title page for details.



757

PARTS CATALOG (MAINTENANCE)

FIG ITEM	PART NUMBER	1 2 3 4 5 6 7	NOMENCLATURE	EFFECT FROM TO	UNITS PER ASSY
3A					
425	LP1308	..	LAMP- SUPPLIER CODE: V08806	103106	1
430	11-4410-1	..	FLOODLIGHT ASSY- SUPPLIER CODE: V72914	103106	1
435	11-4269-1E	.BEZEL ASSY- SUPPLIER CODE: V72914 SPECIFICATION NUMBER: S417N502-9E		103106	1
440	11-4227-1	..BEZEL- SUPPLIER CODE: V72914		103106	1
445	25-1115-1	..LENS- SUPPLIER CODE: V72914		103106	1
520	S280W557-151	..PLUG- ELECTRICAL EQUIP NUMBER: D42726P WIRING DIAGRAM REF: 332212		103106	RF
- 530	BACS12GU08K5	ATTACHING PARTS .SCREW		103106	2
- 535	NAS1149DN832J	.WASHER -----*-----		103106	2

MISSING ITEM NUMBERS NOT APPLICABLE

- ITEM NOT ILLUSTRATED

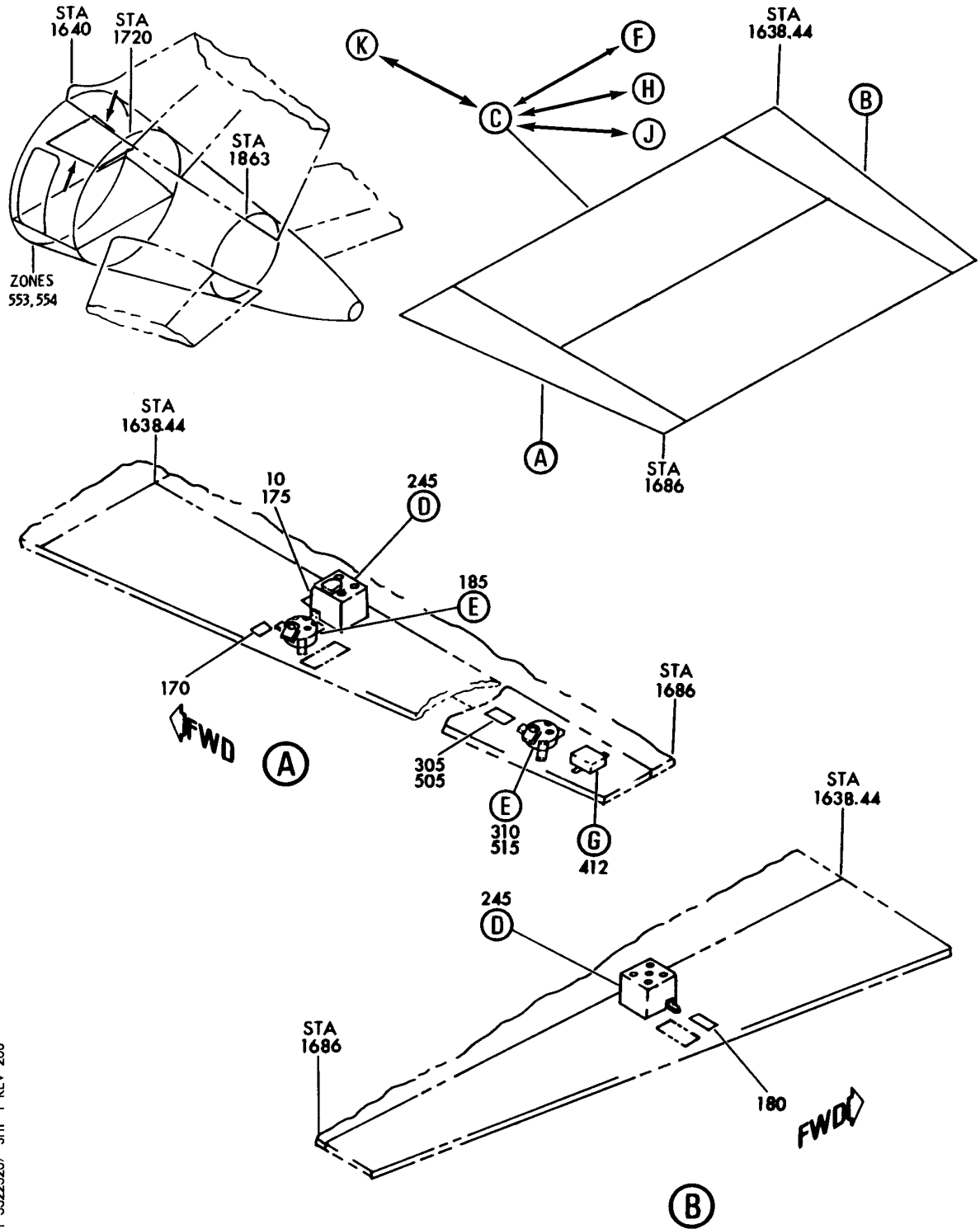
33-22-52-03A

33-22-52
FIG. 03A
PAGE 3
JAN 20/09

BRI

BOEING PROPRIETARY - Copyright © - Unpublished Work - See title page for details.

BOEING
757
PARTS CATALOG (MAINTENANCE)



Y 33225207 SHT 1 REV 206

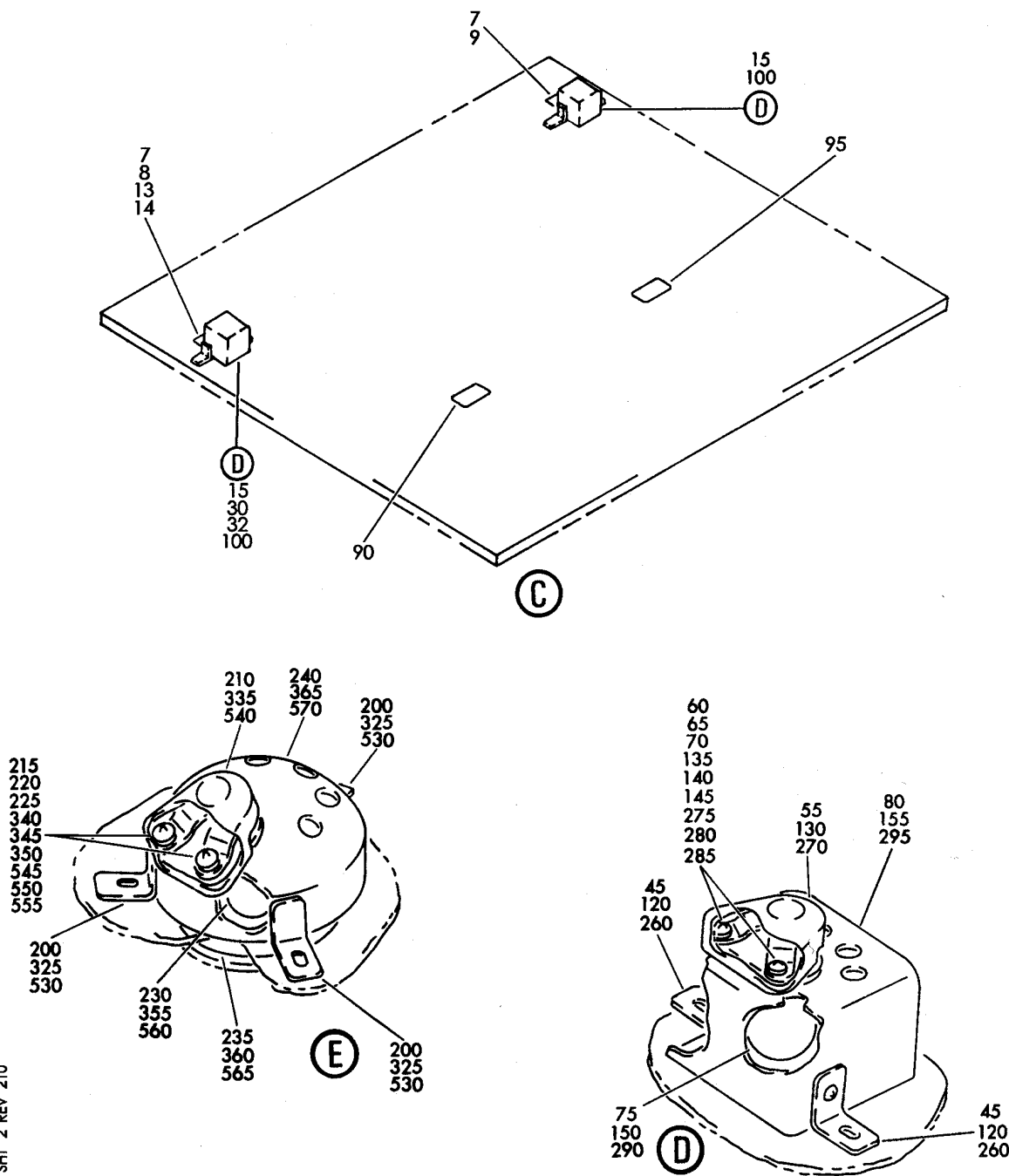
PANEL ASSY-AFT CLG (LIGHTS ONLY)
FIGURE 7 (SHEET 1)

33-22-52-07

BRI
MAY 28/07

33-22-52-07
PAGE 0

BOEING
757
PARTS CATALOG (MAINTENANCE)



Y 33225207 SHT 2 REV 210

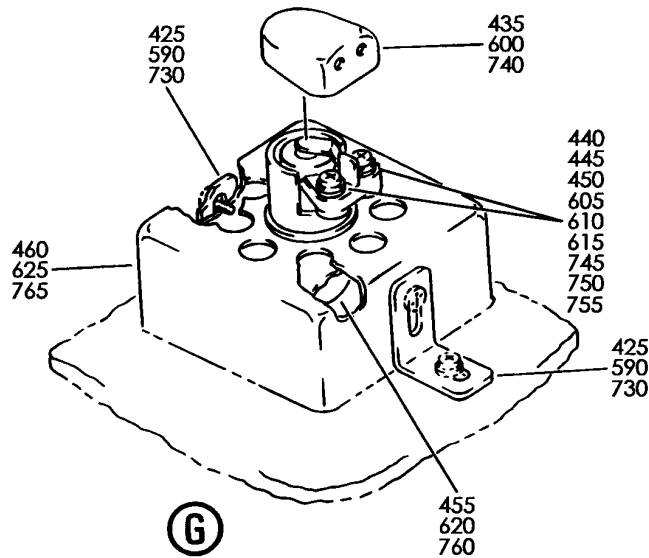
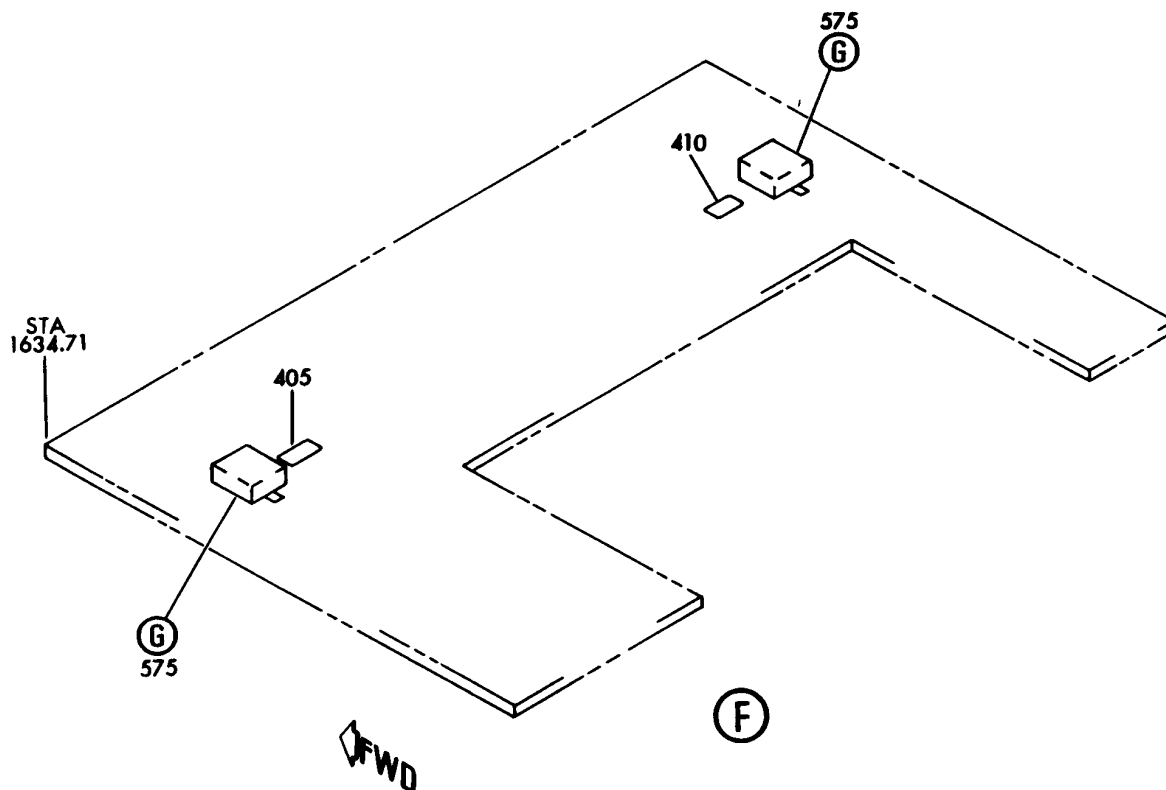
PANEL ASSY-AFT CLG (LIGHTS ONLY)
FIGURE 7 (SHEET 2)

33-22-52-07

BRI
MAY 28/07

33-22-52-07
PAGE 0A

BOEING
757
PARTS CATALOG (MAINTENANCE)



Y 33225207 SHT 3 REV 206

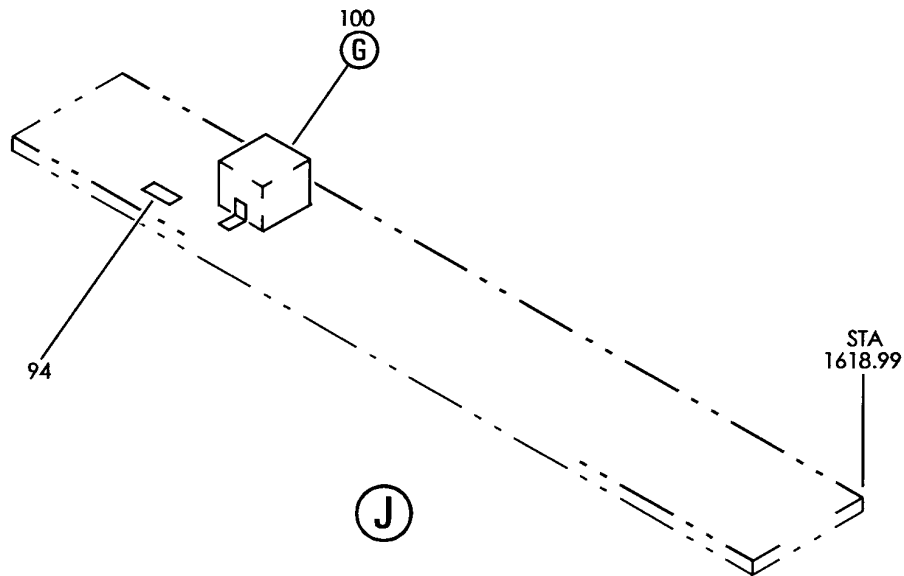
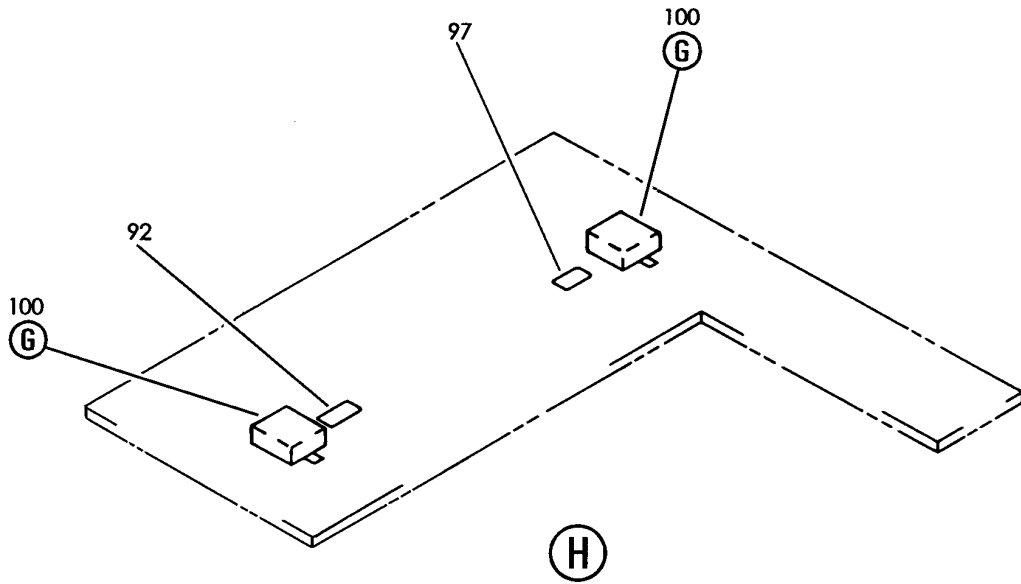
PANEL ASSY-AFT CLG (LIGHTS ONLY)
FIGURE 7 (SHEET 3)

33-22-52-07

BRI
MAY 28/07

33-22-52-07
PAGE 0B

BOEING
757
PARTS CATALOG (MAINTENANCE)



Y 33225207 SHT 4 REV 206

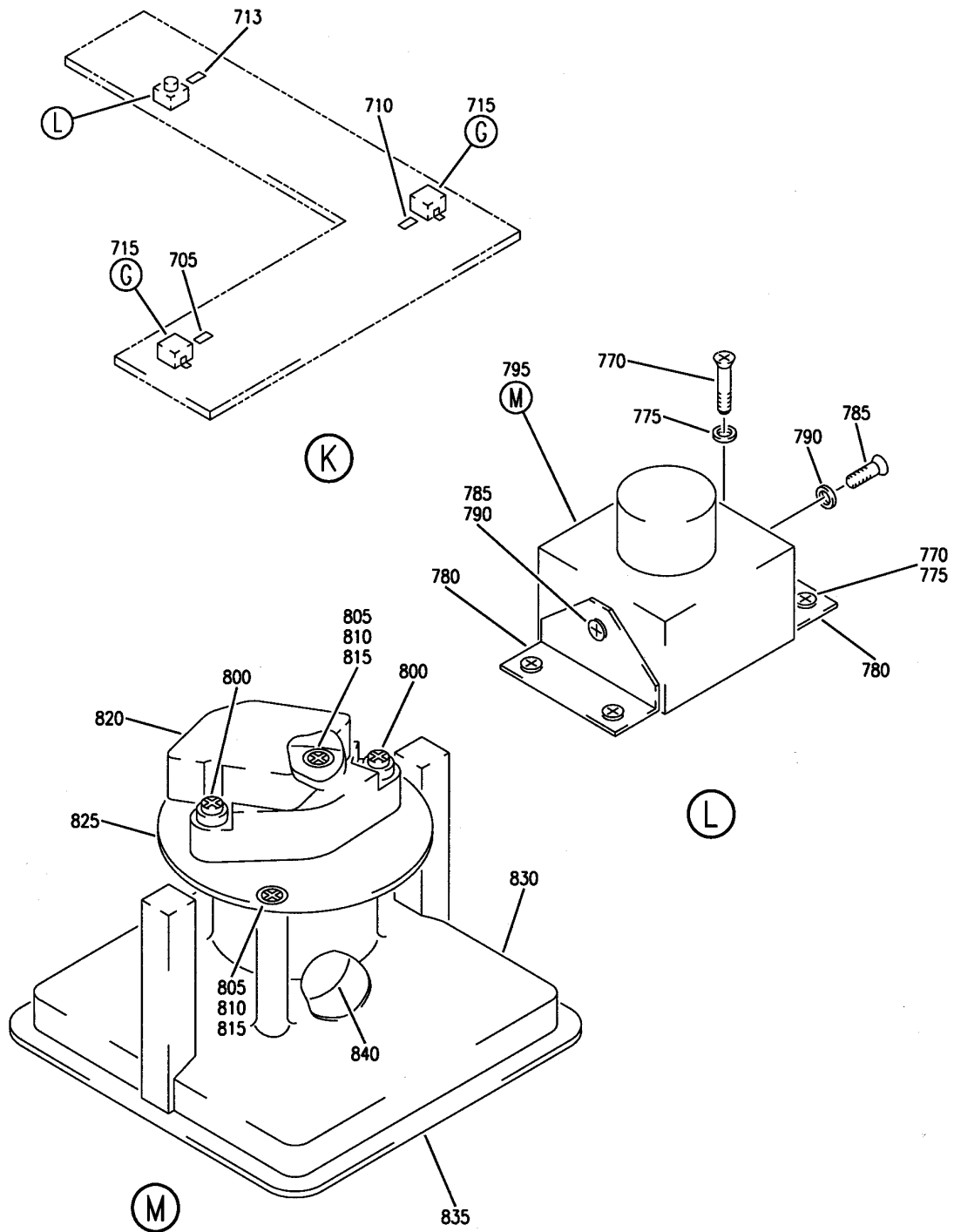
PANEL ASSY-AFT CLG (LIGHTS ONLY)
FIGURE 7 (SHEET 4)

33-22-52-07

BRI
MAY 28/07

33-22-52-07
PAGE 0C

BOEING
757
PARTS CATALOG (MAINTENANCE)



Y 33225207 SHT 5 REV 214

PANEL ASSY-AFT CLG (LIGHTS ONLY)
FIGURE 7 (SHEET 5)

33-22-52-07

BRI
MAY 28/07

33-22-52-07
PAGE 0D



757

PARTS CATALOG (MAINTENANCE)

FIG ITEM	PART NUMBER	1 2 3 4 5 6 7	NOMENCLATURE	EFFECT FROM TO	UNITS PER ASSY
7			PANEL ASSY-AFT CLG (LIGHTS ONLY)	101102 108120 504999 904949	
- 1	411N3264-96SP		PANEL ASSY-CLG (LIGHTS ONLY) POSITION DATA: AFT FOR NHA/OTHER SYS DET SEE: 25-22-02-24		RF
- 2	411N3264-149SP		PANEL ASSY-CLG (LIGHTS ONLY) POSITION DATA: AFT FOR NHA/OTHER SYS DET SEE: 25-22-02-18J	950951	RF
- 2	411N3264-157SP		PANEL ASSY-CLG (LIGHTS ONLY) POSITION DATA: AFT FOR NHA/OTHER SYS DET SEE: 25-22-02-95A 25-22-02-03B	952999	RF
- 3	411N3264-261SP		PANEL ASSY-CLG (LIGHTS ONLY) POSITION DATA: AFT FOR NHA/OTHER SYS DET SEE: 25-22-02-03B	101102	RF
- 4	411N3264-251SP		PANEL ASSY-FLAT (LIGHTS ONLY) POSITION DATA: AFT FOR NHA/OTHER SYS DET SEE: 25-22-02-18G	504903	RF
- 5	411N3264-288B		PANEL ASSY-CLG (LIGHTS ONLY) POSITION DATA: AFT FOR NHA/OTHER SYS DET SEE: 25-22-02-03E	108120	RF
10	BAC27NPA0732		.MARKER-ALUMINUM FOIL PLACARD CONTENT: L518 ATTENDANT WORK LIGHT	950951	1
11	BAC27NPA0732		.MARKER-ALUMINUM FOIL PLACARD CONTENT: L518 ATTENDANT WORK LIGHT	950951	2

MISSING ITEM NUMBERS NOT APPLICABLE

- ITEM NOT ILLUSTRATED

33-22-52-07

33-22-52
FIG. 07
PAGE 1
JAN 20/09

BRI



757

PARTS CATALOG (MAINTENANCE)

FIG ITEM	PART NUMBER	1 2 3 4 5 6 7	NOMENCLATURE	EFFECT FROM TO	UNITS PER ASSY
7					
13	BAC27NEL1170		.MARKER-ALUMINUM FOIL PLACARD CONTENT: L518 ATTENDANT WORK LIGHT	504903	1
15	10-1037-1		.HOUSING ASSY- SUPPLIER CODE: V72914 SPECIFICATION NUMBER: S417N502-2 ELECTRICAL EQUIP NUMBER: L00518 COMPONENT MAINT MANUAL REF: 33-30-41 ATTACHING PARTS	101102 904949 952999	2
- 20	NAS1801-08-5		.SCREW-	904949	4
- 20	BACS12GU08K5		.SCREW-	101102 952999	4
- 25	AN960JD8L		.WASHER-	101102 904949 952999	4
			-----*-----		
32	10-1037-1		.HOUSING ASSY- SUPPLIER CODE: V72914 SPECIFICATION NUMBER: S417N502-2 ELECTRICAL EQUIP NUMBER: L00518 COMPONENT MAINT MANUAL REF: 33-30-41 ATTACHING PARTS	108120 504903 950951	1
- 35	BACS12GU08K5		.SCREW-	108120 504903 950951	2
- 40	NAS1149DN816J		.WASHER	108120 504903 950951	2
			-----*-----		
45	11-4387-1		..BRACKET- SUPPLIER CODE: V72914	101102 904949 952999	2
45	11-4387-1		..BRACKET- SUPPLIER CODE: V72914 ATTACHING PARTS	108120 504903 950951	2
- 50	MS35206-226		..SCREW	101102 904949 952999	2

MISSING ITEM NUMBERS NOT APPLICABLE

- ITEM NOT ILLUSTRATED

33-22-52-07

33-22-52
FIG. 07
PAGE 2
JAN 20/09

BRI



757

PARTS CATALOG (MAINTENANCE)

FIG ITEM	PART NUMBER	1 2 3 4 5 6 7	NOMENCLATURE	EFFECT FROM TO	UNITS PER ASSY
7					
- 50	MS35206-226	..	SCREW	108120 504903 950951	2
			-----*-----		
55	11-3438-5	..	NIPPLE-CABLE SUPPLIER CODE: V72914	101102 904949 952999	1
55	11-3438-5	..	NIPPLE-CABLE SUPPLIER CODE: V72914	108120 504903 950951	1
60	MS35206-227	..	SCREW	101102 904949 952999	2
60	MS35206-227	..	SCREW	108120 504903 950951	2
65	MS35338-41	..	WASHER	101102 904949 952999	2
65	MS35338-41	..	WASHER	108120 504903 950951	2
70	NAS620-6L	..	WASHER	101102 904949 952999	2
70	NAS620-6L	..	WASHER	108120 504903 950951	2
75	LP1308	..	LAMP- SUPPLIER CODE: V08806	101102 904949 952999	1
75	LP1308	..	LAMP- SUPPLIER CODE: V08806	108120 504903 950951	1
80	11-4410-1	..	FLOODLIGHT ASSY- SUPPLIER CODE: V72914	101102 904949 952999	1
80	11-4410-1	..	FLOODLIGHT ASSY- SUPPLIER CODE: V72914	108120 504903 950951	1

MISSING ITEM NUMBERS NOT APPLICABLE

- ITEM NOT ILLUSTRATED

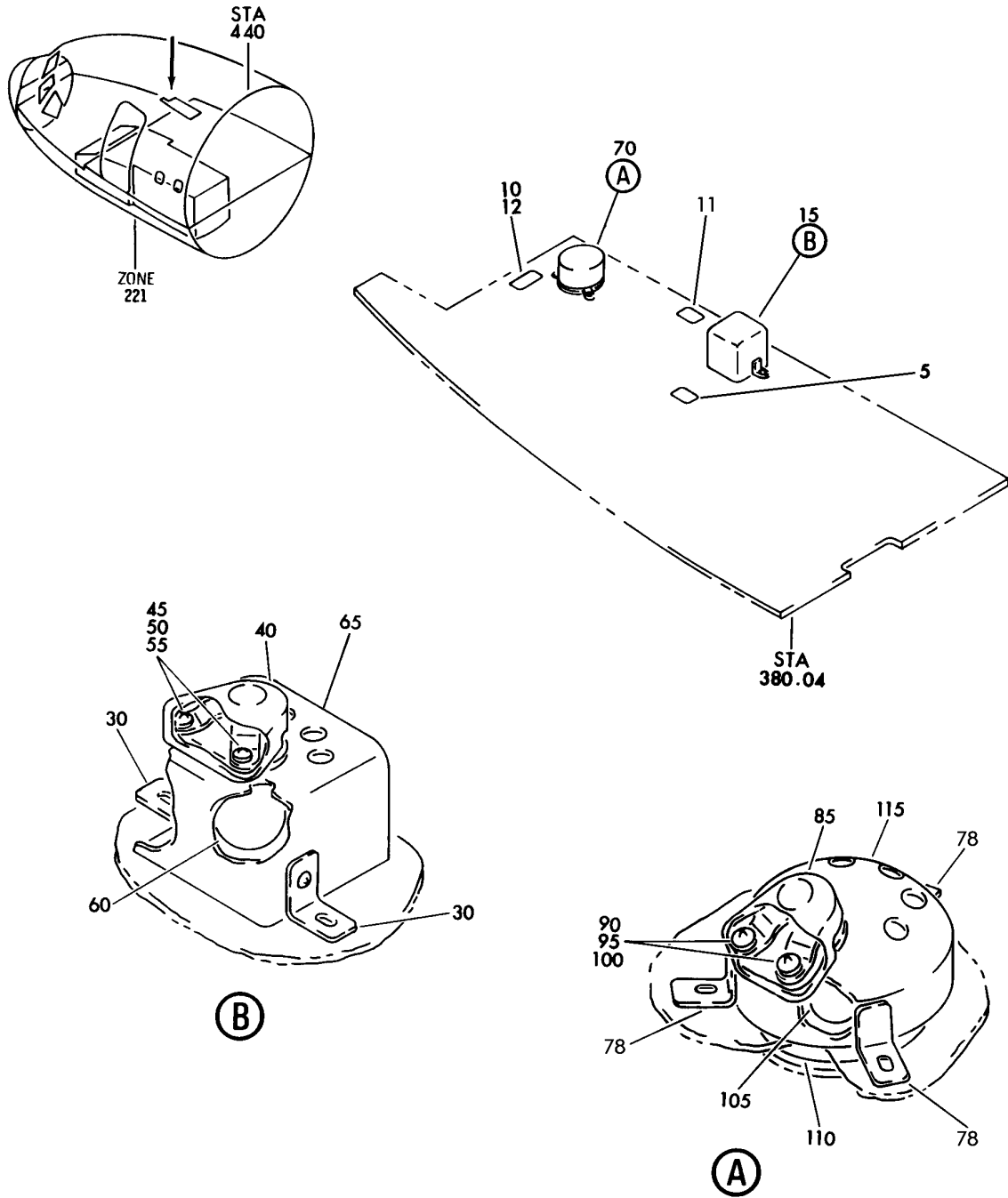
33-22-52-07

33-22-52
FIG. 07
PAGE 3
JAN 20/09

BRI

BOEING PROPRIETARY - Copyright © - Unpublished Work - See title page for details.

BOEING
757
PARTS CATALOG (MAINTENANCE)



Y 33225209 REV 248

PANEL ASSY-FLAT
FIGURE 9

33-22-52-09

BRI
JAN 20/09

33-22-52-09
PAGE 0



757

PARTS CATALOG (MAINTENANCE)

FIG ITEM	PART NUMBER	1 2 3 4 5 6 7	NOMENCLATURE	EFFECT FROM TO	UNITS PER ASSY
9			PANEL ASSY-FLAT	504903	
- 2	411N3260-295SP		PANEL ASSY-FLAT (LIGHTS ONLY) FOR NHA/OTHER SYS DET SEE: 25-22-02-58B	953999 953999	RF
- 3	411N3260-632SP		PANEL ASSY-FLAT (LIGHTS ONLY) FOR NHA/OTHER SYS DET SEE: 25-22-02-20F	504903	RF
5	BAC27NPA0273		.MARKER-ALUMINUM FOIL PLACARD CONTENT: L259 ATTENDANT WORK LIGHT	953999	1
10	BAC27NPA0265		.MARKER-ALUMINUM FOIL PLACARD CONTENT: L260	953999	1
11	BAC29PPS4198		.PLACARD-ALUMINUM FOIL PLACARD CONTENT: L480	504903	1
15	10-1038-1		.HOUSING ASSY- SUPPLIER CODE: V72914 SPECIFICATION NUMBER: S417N502-3 ELECTRICAL EQUIP NUMBER: L00553 L00554 L00480	504903	1
15	10-1037-1		.HOUSING ASSY-LIGHT SUPPLIER CODE: V72914 SPECIFICATION NUMBER: S417N502-2 COMPONENT MAINT MANUAL REF: 33-30-41 ATTACHING PARTS	953999	1
- 20	BACS12GU08K5		.SCREW-	953999	5
- 21	BACS12GU08K5		.SCREW-	504903	2
- 29	NAS1149DN816J		.WASHER	953999 504903 953999	2
30	11-4387-1		-----*----- .BRACKET- SUPPLIER CODE: V72914	504903 953999	2

MISSING ITEM NUMBERS NOT APPLICABLE

- ITEM NOT ILLUSTRATED

33-22-52-09

33-22-52
FIG. 09
PAGE 1
JAN 20/09

BRI

BOEING PROPRIETARY - Copyright © - Unpublished Work - See title page for details.

 **BOEING**
757
PARTS CATALOG (MAINTENANCE)

FIG ITEM	PART NUMBER	1 2 3 4 5 6 7	NOMENCLATURE	EFFECT FROM TO	UNITS PER ASSY
9			ATTACHING PARTS		
- 35	MS35206-226		.. SCREW	504903 953999	2
			-----*-----		
40	11-3438-5		.. NIPPLE-CABLE SUPPLIER CODE: V72914	504903 953999	1
45	MS35206-227		.. SCREW	504903 953999	2
50	MS35338-41		.. WASHER	504903 953999	2
55	NAS620-6L		.. WASHER	504903 953999	2
60	LP1308		.. LAMP- SUPPLIER CODE: V08806	504903 953999	1
65	11-4410-1		.. FLOODLIGHT ASSY- SUPPLIER CODE: V72914	953999	1
65	11-4411-1		.. FLOODLIGHT ASSY- SUPPLIER CODE: V72914	504903	1
70	10-1039-1		. HOUSING ASSY- SUPPLIER CODE: V72914 SPECIFICATION NUMBER: S417N502-4 ELECTRICAL EQUIP NUMBER: L00623	504903 953999	1
			ATTACHING PARTS		
- 72	BACS12GU08K5		. SCREW-	504903 953999	3
- 76	NAS1149DN816J		. WASHER	953999	3
			-----*-----		
78	11-4387-1		.. BRACKET- SUPPLIER CODE: V72914	504903 953999	3
			ATTACHING PARTS		
- 80	MS35206-226		.. SCREW	504903 953999	3
			-----*-----		
85	11-3438-5		.. NIPPLE-CABLE SUPPLIER CODE: V72914	504903 953999	1
90	MS35206-227		.. SCREW	504903 953999	2
95	MS35338-41		.. WASHER	504903 953999	2

MISSING ITEM NUMBERS NOT APPLICABLE

- ITEM NOT ILLUSTRATED

BRI

33-22-52-09

33-22-52
FIG. 09
PAGE 2
JAN 20/09



757

PARTS CATALOG (MAINTENANCE)

FIG ITEM	PART NUMBER	1 2 3 4 5 6 7	NOMENCLATURE	EFFECT FROM TO	UNITS PER ASSY
9					
100	NAS620-6L		.. WASHER	504903 953999	2
105	LP1308		.. LAMP- SUPPLIER CODE: V08806	504903 953999	1
110	11-4249-1		.. RETAINER ASSY- SUPPLIER CODE: V72914	504903 953999	1
115	11-4412-1		.. FLOODLIGHT ASSY- SUPPLIER CODE: V72914	504903 953999	1

MISSING ITEM NUMBERS NOT APPLICABLE

- ITEM NOT ILLUSTRATED

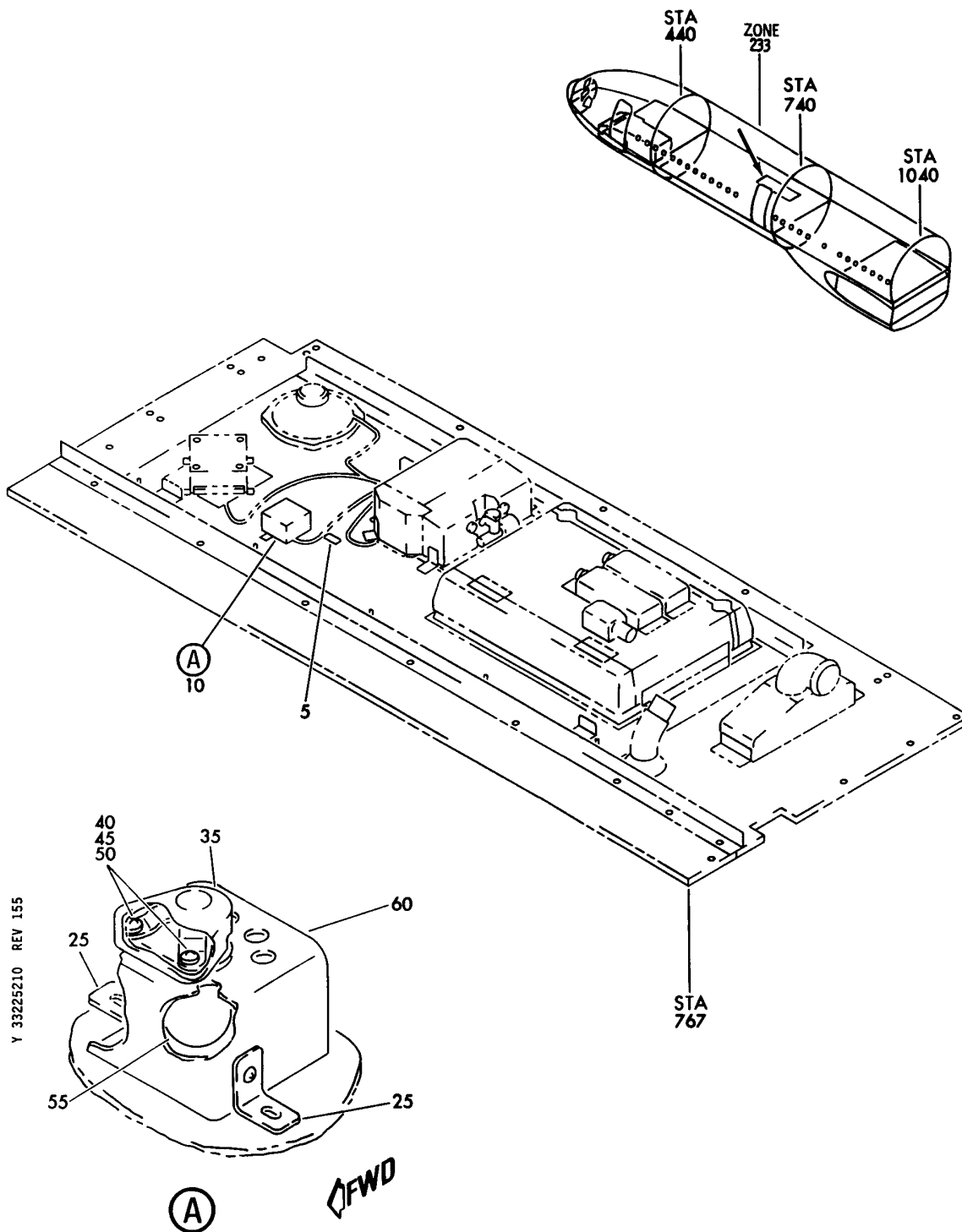
BRI

33-22-52-09

BOEING PROPRIETARY - Copyright © - Unpublished Work - See title page for details.

33-22-52
FIG. 09
PAGE 3
JAN 20/09

BOEING
757
PARTS CATALOG (MAINTENANCE)



Y 33225210 REV 155

PANEL ASSY-DOOR NO. 2 FLAT (LIGHTS ONLY) (FLYAWAY)
FIGURE 10

33-22-52-10

BRI
JAN 20/09

33-22-52-10
PAGE 0



757

PARTS CATALOG (MAINTENANCE)

FIG ITEM	PART NUMBER	1 2 3 4 5 6 7	NOMENCLATURE	EFFECT FROM TO	UNITS PER ASSY
10			PANEL ASSY-DOOR NO. 2 FLAT (LIGHTS ONLY) (FLYAWAY)	504504 506506	
- 1	411N3262-187SP		PANEL ASSY-DOOR NO. 2 FLAT BAB (LIGHTS ONLY) FOR NHA/OTHER SYS DET SEE: 25-22-02-50B	504504 506506	RF
5	BAC27NPA0354		.MARKER-ALUMINUM FOIL-PLACARD CONTENT: L255 ATTENDANT WORK LIGHT	504504 506506	1
10	10-1037-1		.HOUSING ASSY-SUPPLIER CODE: V72914 SPECIFICATION NUMBER: S417N502-2 ELECTRICAL EQUIP NUMBER: L00255 COMPONENT MAINT MANUAL REF: 33-30-41	504504 506506	1
- 15	BACS12GU08K6		ATTACHING PARTS .SCREW	504504 506506	2
- 20	NAS1149D0332J		.WASHER	504504 506506	2
25	11-4387-1		-----*----- ..BRACKET-SUPPLIER CODE: V72914 ATTACHING PARTS	504504 506506	2
- 30	MS35206-226		..SCREW	504504 506506	2
35	11-3438-5		-----*----- ..NIPPLE-CABLE SUPPLIER CODE: V72914	504504 506506	1
40	MS35206-227		..SCREW	504504 506506	2
45	MS35338-41		..WASHER	504504 506506	2
50	NAS620-6L		..WASHER	504504 506506	2
55	LP1308		..LAMP-SUPPLIER CODE: V08806	504504 506506	1
60	11-4410-1		..FLOODLIGHT ASSY-SUPPLIER CODE: V72914	504504 506506	1

MISSING ITEM NUMBERS NOT APPLICABLE

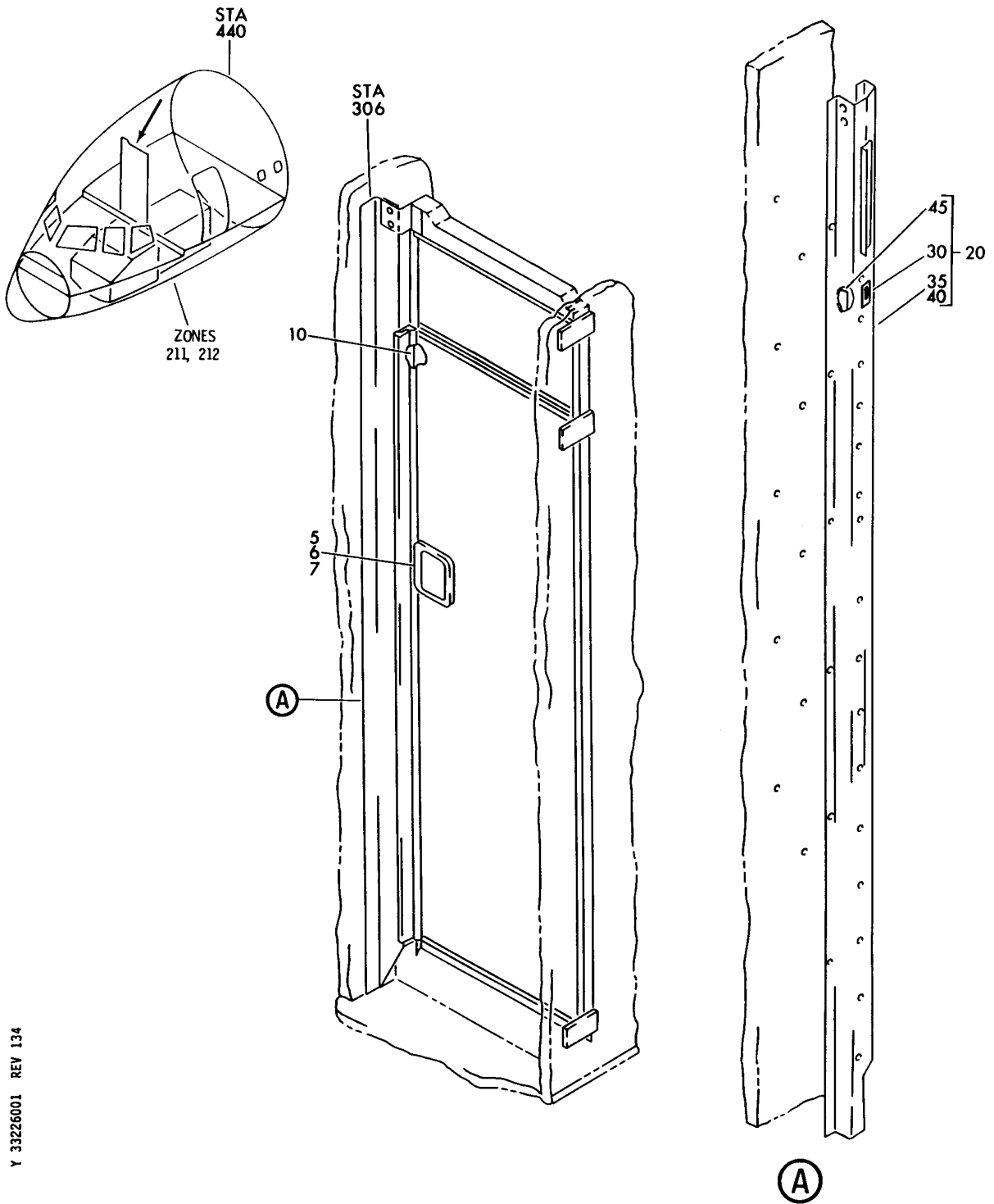
- ITEM NOT ILLUSTRATED

33-22-52-10

33-22-52
FIG. 10
PAGE 1
JAN 20/09

BRI

BOEING
757
PARTS CATALOG (MAINTENANCE)



Y 33226001 REV 134

DOOR INSTL-CREW (FLYAWAY) (LIGHTS ONLY)
FIGURE 1

33-22-60-01

BRI
MAY 28/07

33-22-60-01
PAGE 0



757

PARTS CATALOG (MAINTENANCE)

FIG ITEM	PART NUMBER	1 2 3 4 5 6 7	NOMENCLATURE	EFFECT FROM TO	UNITS PER ASSY
1			DOOR INSTL-CREW (FLYAWAY) (LIGHTS ONLY)	002004 006100 107107 121503 904999	
- 1	417N1076-25		DOOR INSTL-CREW (LIGHTS ONLY) FOR NHA/OTHER SYS DET SEE: 25-20-00-01E	107107	RF
- 1	417N1076-35		DOOR INSTL-CREW (LIGHTS ONLY) FOR NHA/OTHER SYS DET SEE: 25-20-00-01E	904949	RF
- 2	417N1076-52		DOOR INSTL-CREW (LIGHTS ONLY) FOR NHA/OTHER SYS DET SEE: 25-20-00-01E	121503	RF
- 2	417N1076-57		DOOR INSTL-CREW (LIGHTS ONLY) FOR NHA/OTHER SYS DET SEE: 25-20-00-01A	002004 952952	RF
- 3	417N1076-64		DOOR INSTL-CREW (LIGHTS ONLY) FOR NHA/OTHER SYS DET SEE: 25-20-00-01A	008010 953999	RF
- 3	417N1076-74		DOOR INSTL-CREW (LIGHTS ONLY) FOR NHA/OTHER SYS DET SEE: 25-20-00-01A	950951	RF
- 3	417N1076-72		DOOR INSTL-CREW (LIGHTS ONLY) FOR NHA/OTHER SYS DET SEE: 25-20-00-01A	006007	RF
- 4	417N1076-87		DOOR INSTL-CREW (LIGHTS ONLY) FOR NHA/OTHER SYS DET SEE: 25-20-00-01A	011100	RF
5	417N1106-58SP		.DOOR ASSY- POSITION DATA: LWR	107107	RF
5	417N1106-68SP		.DOOR ASSY- POSITION DATA: LWR	904949	RF
6	417N1106-90SP		.DOOR ASSY- POSITION DATA: LWR	121503	RF
6	417N1106-96SP		.DOOR ASSY- POSITION DATA: LWR	002004 952952	RF

MISSING ITEM NUMBERS NOT APPLICABLE

- ITEM NOT ILLUSTRATED

33-22-60-01

33-22-60
FIG. 01
PAGE 1
JAN 20/09

BRI

 **BOEING**
757
PARTS CATALOG (MAINTENANCE)

FIG ITEM	PART NUMBER	1 2 3 4 5 6 7	NOMENCLATURE	EFFECT FROM TO	UNITS PER ASSY
1					
7	417N1106-98SP		.DOOR ASSY- POSITION DATA: LWR	006100 950951 953999	RF
10	8112-0401		..ACTUATOR- SUPPLIER CODE: V99564 SPECIFICATION NUMBER: 60B40018-32 ELECTRICAL EQUIP NUMBER: S10165A ATTACHING PARTS	002004 006100 107107 121503 904999	1
- 15	MS51861-14		..SCREW	002004 006100 107107 121503 904999	2
			-----*-----		
20	417N1079-40		.JAMB ASSY-	008010 950951 953999	RF
20	417N1079-35		.JAMB ASSY-	002004 107107 121503 904949 952952	RF
20	417N1079-41		.JAMB ASSY-	011100	RF
20	417N1079-39		.JAMB ASSY-	006007	RF
- 25	286N0502-002		..WIRE BUNDLE ASSY	002004 006100 107107 121503 904999	RF
45	BAC27NPA0224		..MARKER-ALUMINUM FOIL PLACARD CONTENT: S10165 DOOR DIM SW	002004 006100 107107 121503 904999	1

MISSING ITEM NUMBERS NOT APPLICABLE

- ITEM NOT ILLUSTRATED

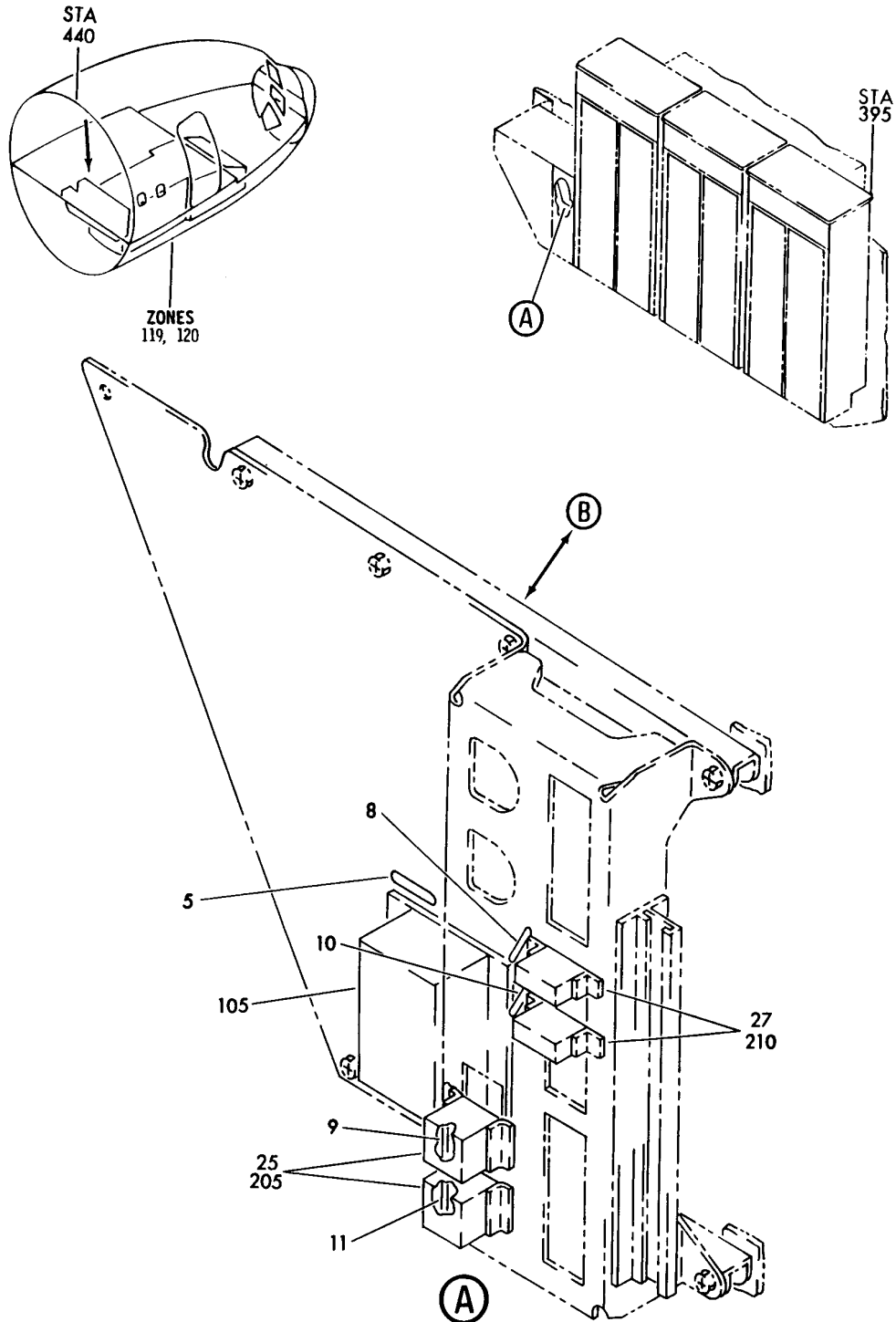
BRI

33-22-60-01

BOEING PROPRIETARY - Copyright © - Unpublished Work - See title page for details.

33-22-60
FIG. 01
PAGE 2
JAN 20/09

BOEING
757
PARTS CATALOG (MAINTENANCE)



Y 33227101 SHT 1 REV 173

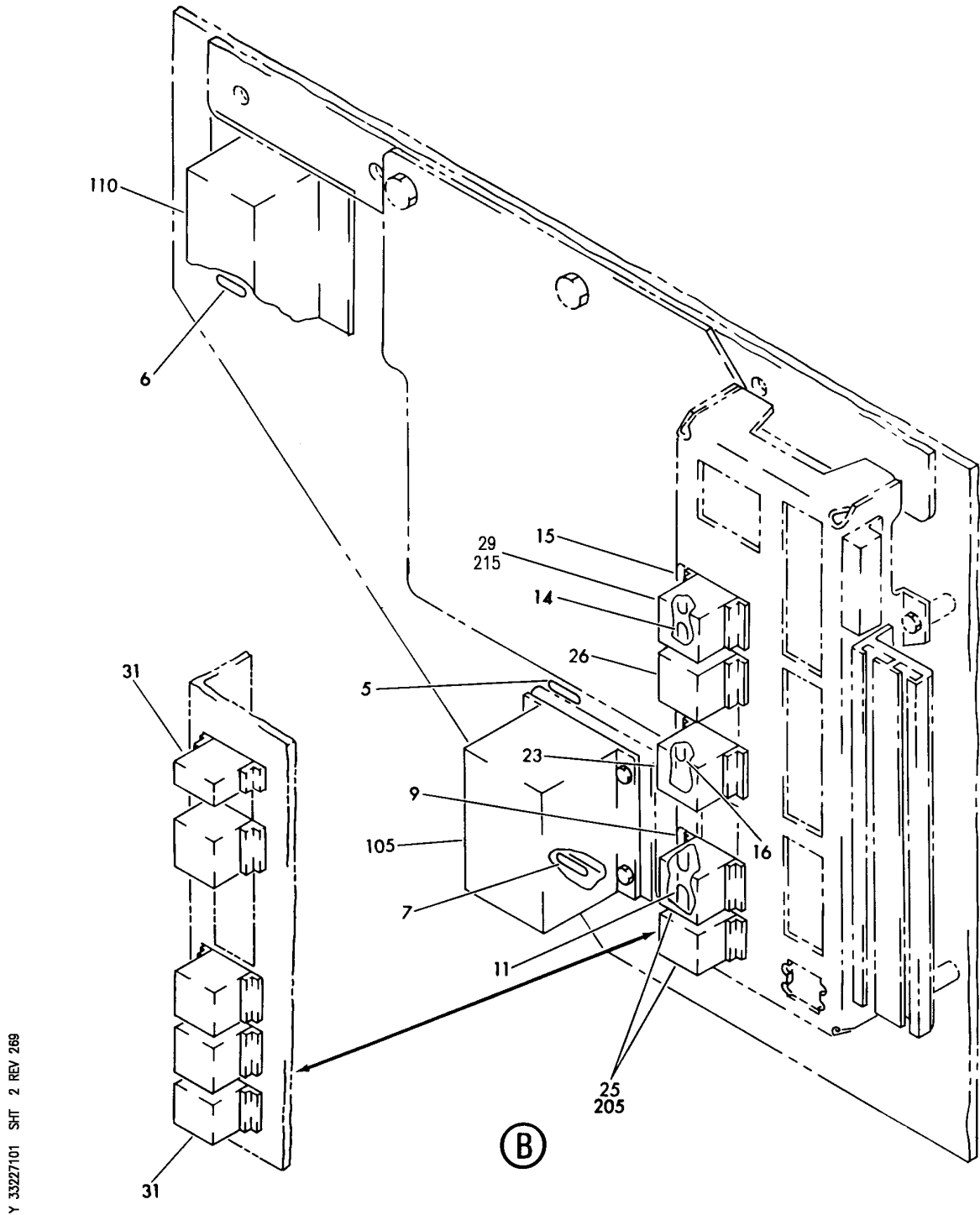
PANEL ASSY-P34 APU/EXT PWR (PASSENGER LOADING LIGHTS ONLY)
FIGURE 1 (SHEET 1)

33-22-71-01

BRI
MAY 28/07

33-22-71-01
PAGE 0

BOEING
757
PARTS CATALOG (MAINTENANCE)



PANEL ASSY-P34 APU/EXT PWR (PASSENGER LOADING LIGHTS ONLY)
FIGURE 1 (SHEET 2)

33-22-71-01

BRI
MAY 28/07

33-22-71-01
PAGE 0A



757

PARTS CATALOG (MAINTENANCE)

FIG ITEM	PART NUMBER	1 2 3 4 5 6 7	NOMENCLATURE	EFFECT FROM TO	UNITS PER ASSY
1			PANEL ASSY-P34 APU/EXT PWR (PASSENGER LOADING LIGHTS ONLY)	002004 006102 107107 121503 904999	
- 1	284N1316-1		PANEL ASSY-P34 APU/EXT PWR (PASSENGER LOADING LIGHTS ONLY) VARIABLE DRAWING REF: 284N1316-5023 284N1316-5047 284N1316-5063 284N1316-5064 284N1316-5067 FOR NHA/OTHER SYS DET SEE: 31-01-34-02	002004 006100 107107 121503 904999	RF
6	BAC27NEX0346		.DECAL- PLACARD CONTENT: T10022	002004 006100 950999	1
7	BAC27NEX0346		.DECAL- PLACARD CONTENT: T10022	107107 121503 904949	1
9	BAC27NEX0359		.DECAL- PLACARD CONTENT: K10256	002004 006102 107107 121503 904999	1
11	BAC27NEX0360		.DECAL- PLACARD CONTENT: K10257	002004 006102 107107 121503 904999	1
14	BAC27NEX2079		.DECAL- PLACARD CONTENT: K10574 POST SERVICE BULLETIN: 24-0048	002004 006100 107107 121503 904949 952999	1
15	BAC27NEX2079		.DECAL- PLACARD CONTENT: K10574	101102	1
25	KAX9E004		.RELAY- SUPPLIER CODE: V58657 ELECTRICAL EQUIP NUMBER: K10256 K10257	002004 006102 107107 121503 904999	2

MISSING ITEM NUMBERS NOT APPLICABLE

- ITEM NOT ILLUSTRATED

33-22-71-01

33-22-71
FIG. 01
PAGE 1
JAN 20/09

BRI



757

PARTS CATALOG (MAINTENANCE)

FIG ITEM	PART NUMBER	1 2 3 4 5 6 7	NOMENCLATURE	EFFECT FROM TO	UNITS PER ASSY
1	26 KAX9E004		.RELAY- SUPPLIER CODE: V58657 ELECTRICAL EQUIP NUMBER: K10574 POST SERVICE BULLETIN: 24-0048	002004 006100 107107 121503 904949 952999	1
	29 KAX9E004		.RELAY- SUPPLIER CODE: V58657 ELECTRICAL EQUIP NUMBER: K10574	101102	1
	105 FT1003		.TRANSFORMER-AUTO SUPPLIER CODE: V14752 SPECIFICATION NUMBER: 60B40026-15 ELECTRICAL EQUIP NUMBER: T10022	107107 121503 904949	1
	110 FT1003		.TRANSFORMER-AUTO SUPPLIER CODE: V14752 SPECIFICATION NUMBER: 60B40026-15 ELECTRICAL EQUIP NUMBER: T10022	002004 006100 950999	1
-	115 NAS1801-3-8		ATTACHING PARTS .SCREW	002004 006102 107107 121503 904999	4
-	200 286N1240-002		-----*----- WIRE BUNDLE ASSY-(PASSENGER LOADING LIGHTS ONLY)	121503 904949	RF
-	200 286N1240-003		WIRE BUNDLE ASSY-(PASSENGER LOADING LIGHTS ONLY)	107107	RF
-	200 286N1240-006		WIRE BUNDLE ASSY-(PASSENGER LOADING LIGHTS ONLY)	002004 006100 950999	RF
	205 BACS16W2		.SOCKET- ELECTRICAL EQUIP NUMBER: D03080 D03082 WIRING DIAGRAM REF: 332211	002004 006102 107107 121503 904999	2

MISSING ITEM NUMBERS NOT APPLICABLE

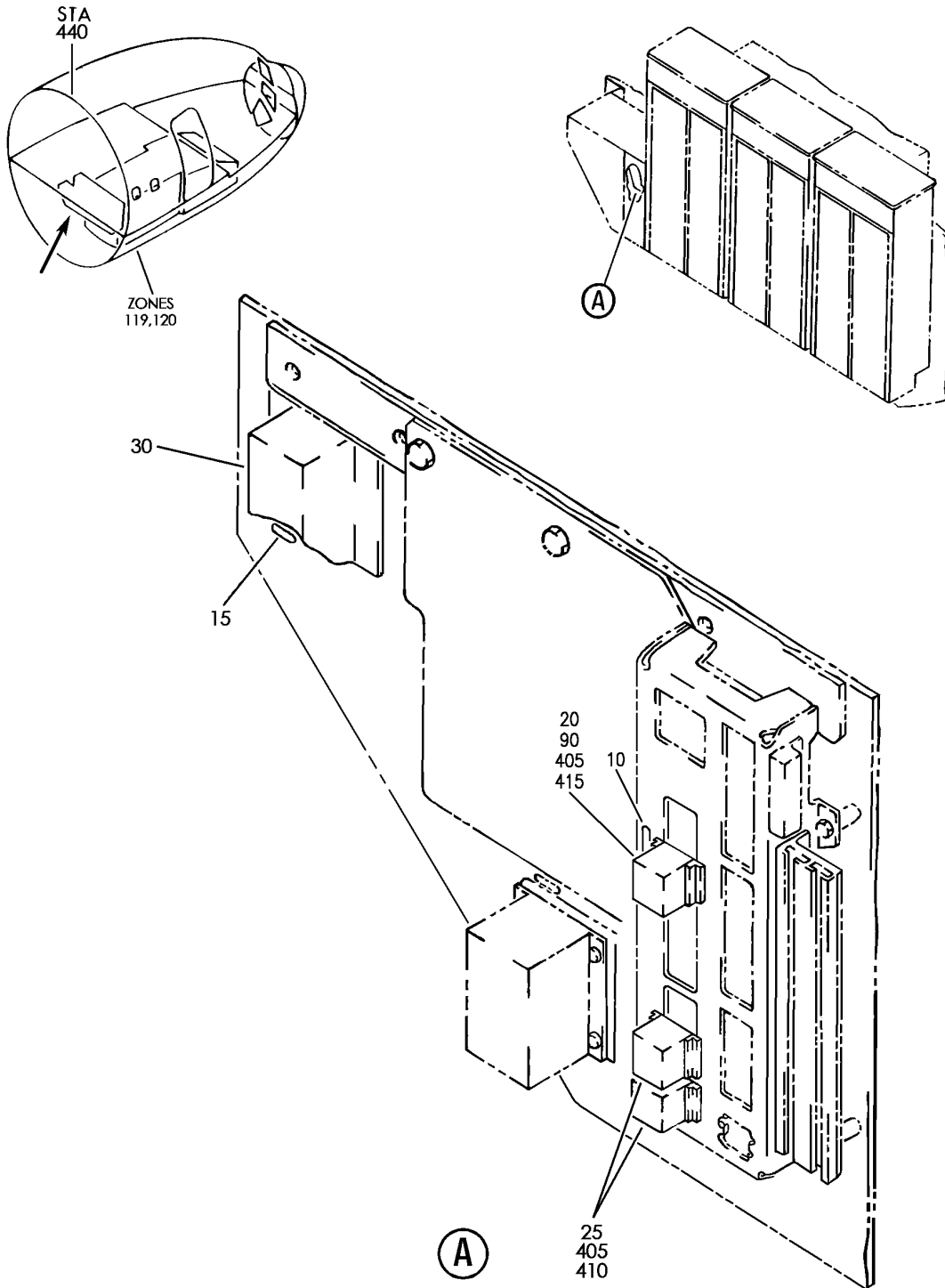
- ITEM NOT ILLUSTRATED

33-22-71-01

33-22-71
FIG. 01
PAGE 2
JAN 20/09

BRI

BOEING
757
PARTS CATALOG (MAINTENANCE)



Y 33227101A REV 280

PACKAGE ASSY-OPTION P34 APU/EXT PWR (PASSENGER LOADING LIGHTS ONLY)
FIGURE 1A

BRI
MAY 28/07

33-22-71-01A

33-22-71-01A
PAGE 0



757

PARTS CATALOG (MAINTENANCE)

FIG ITEM	PART NUMBER	1 2 3 4 5 6 7	NOMENCLATURE	EFFECT FROM TO	UNITS PER ASSY
1A			PACKAGE ASSY-OPTION P34 APU/EXT PWR (PASSENGER LOADING LIGHTS ONLY)	101102 504903	
- 1	284N1316-1001		PACKAGE ASSY-OPTION P34 APU/EXT PWR (PASSENGER LOADING LIGHTS ONLY) FOR NHA/OTHER SYS DET SEE: 31-01-34-01	101102 504903	RF
15	BAC27NEX0346		.DECAL- PLACARD CONTENT: T10022	101102 504903	1
25	KAX9E004		.RELAY- SUPPLIER CODE: V58657 ELECTRICAL EQUIP NUMBER: K10256 K10257	101102 504903	2
30	FT1003		.TRANSFORMER-AUTO SUPPLIER CODE: V14752 SPECIFICATION NUMBER: 60B40026-15 ELECTRICAL EQUIP NUMBER: T10022	101102 504903	1
- 75	284N1316-1002		PACKAGE ASSY-OPTION P34 APU/EXT PWR (PASSENGER LOADING LIGHTS ONLY) FOR NHA/OTHER SYS DET SEE: 31-01-34-01	101102	RF
90	KAX9E004		.RELAY- SUPPLIER CODE: V58657 ELECTRICAL EQUIP NUMBER: K10574	101102	1
- 100	284N1316-1041		PACKAGE ASSY-OPTION P34 APU/EXT PWR (PASSENGER LOADING LIGHTS ONLY) MISCELLANEOUS DATA: CEILING LIGHTS FOR NHA/OTHER SYS DET SEE: 31-01-34-01	101102	RF

MISSING ITEM NUMBERS NOT APPLICABLE

- ITEM NOT ILLUSTRATED

33-22-71-01A

33-22-71
FIG. 01A
PAGE 1
JAN 20/09

BRI

BOEING PROPRIETARY - Copyright © - Unpublished Work - See title page for details.



757

PARTS CATALOG (MAINTENANCE)

FIG ITEM	PART NUMBER	1 2 3 4 5 6 7	NOMENCLATURE	EFFECT FROM TO	UNITS PER ASSY
1A 105	FT1003		.TRANSFORMER- SUPPLIER CODE: V14752 SPECIFICATION NUMBER: 60B40026-15 ELECTRICAL EQUIP NUMBER: T10003 T10004 ATTACHING PARTS	101102	2
- 110	NAS1801-3-8		.SCREW	101102	7
- 115	NAS1801-3-20		.SCREW	101102	1
- 120	NAS43DD3-48FC		.SPACER	101102	1
			-----*-----		
125	AN970-3		.WASHER	101102	1
- 400	286N1240-321		WIRE BUNDLE ASSY	504903	RF
- 400	286N1240-322		WIRE BUNDLE ASSY	101102	RF
410	BACS16W2		.SOCKET- ELECTRICAL EQUIP NUMBER: D03080 D03082 WIRING DIAGRAM REF: 332211	101102 504903	2
415	RSF116404		.SOCKET- SUPPLIER CODE: V58982 SPECIFICATION NUMBER: BACS16W2A OPTIONAL PART: 102-011-1 V09922 000300-1542 V05574 ELECTRICAL EQUIP NUMBER: D07210 WIRING DIAGRAM REF: 332211	101102	1

MISSING ITEM NUMBERS NOT APPLICABLE

- ITEM NOT ILLUSTRATED

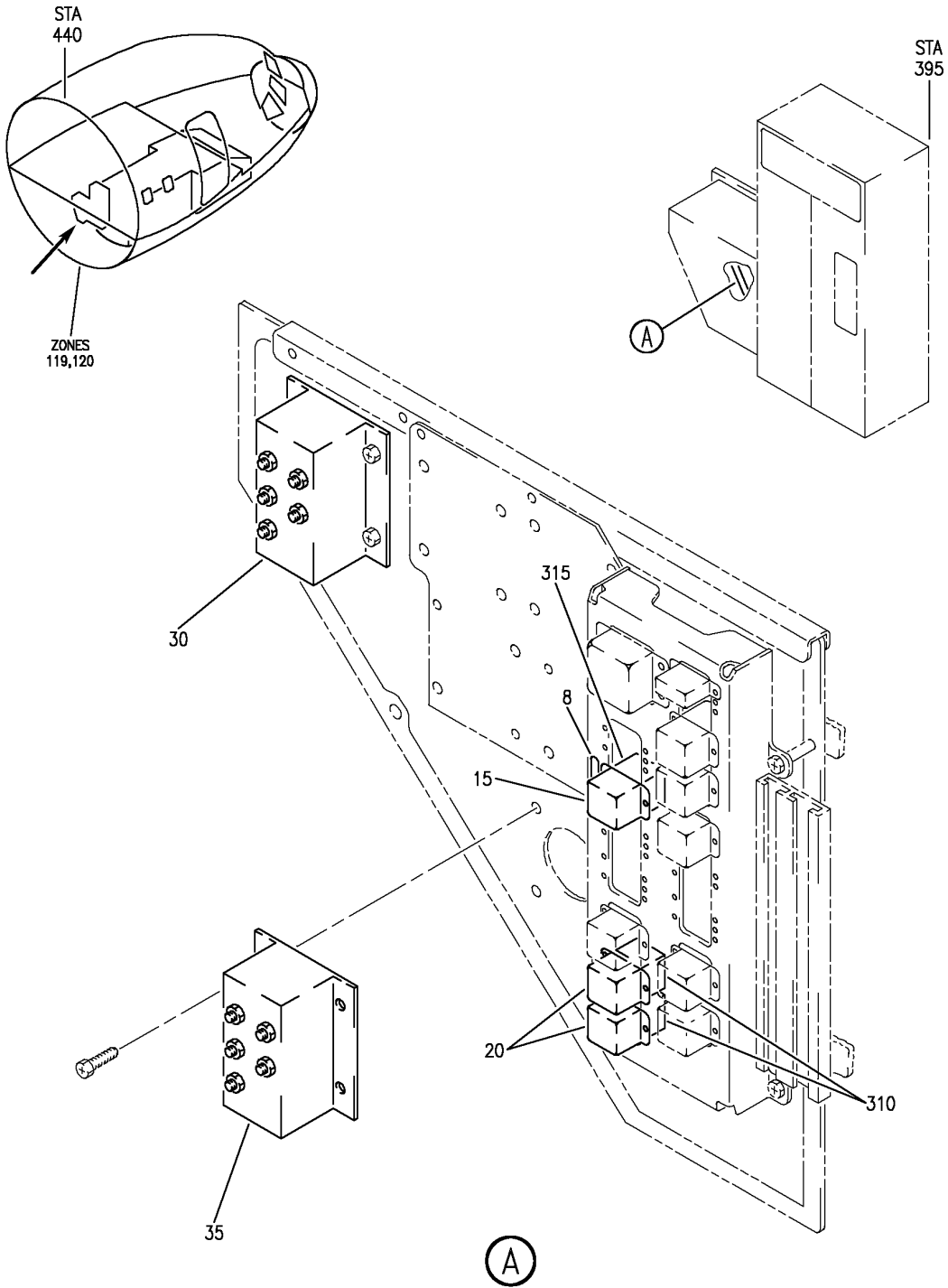
33-22-71-01A

33-22-71
FIG. 01A
PAGE 2
JAN 20/09

BRI

BOEING PROPRIETARY - Copyright © - Unpublished Work - See title page for details.

BOEING
757
PARTS CATALOG (MAINTENANCE)



Y 33227102 REV 331

PANEL ASSY-P34 APU/EXT PWR (PASSENGER LOADING LIGHTS ONLY)
FIGURE 2

33-22-71-02

BRI
JAN 20/09

33-22-71-02
PAGE 0



757

PARTS CATALOG (MAINTENANCE)

FIG ITEM	PART NUMBER	1 2 3 4 5 6 7	NOMENCLATURE	EFFECT FROM TO	UNITS PER ASSY
2			PANEL ASSY-P34 APU/EXT PWR (PASSENGER LOADING LIGHTS ONLY)	103106 108120	
- 2	284N1316-147		PANEL ASSY-P34 APU/EXT PWR (PASSENGER LOADING LIGHTS ONLY)	108120	RF
- 5	MODREF31492		FOR NHA/OTHER SYS DET SEE: 24-00-58-05C PANEL ASSY-P34 APU/EXT PWR (PASSENGER LOADING LIGHTS ONLY) MODULE NUMBER: 284N1316-207 REV A FOR OTHER SYS DETAILS SEE: 11-36-09-08 24-22-03-04 24-23-01-03 24-41-01-02 24-51-01-03 24-51-03-02 24-51-04-03 24-51-54-04 24-53-73-02 24-54-01-02 31-01-34-03 33-21-71-02 33-24-71-02 33-42-71-03 38-14-71-02	103105	1

MISSING ITEM NUMBERS NOT APPLICABLE

- ITEM NOT ILLUSTRATED

BRI

33-22-71-02

BOEING PROPRIETARY - Copyright © - Unpublished Work - See title page for details.

33-22-71
FIG. 02
PAGE 1
JAN 20/09



757

PARTS CATALOG (MAINTENANCE)

FIG ITEM	PART NUMBER	1 2 3 4 5 6 7	NOMENCLATURE	EFFECT FROM TO	UNITS PER ASSY
2					
- 5	MODREF34794		PANEL ASSY-P34 APU/EXT PWR (PASSENGER LOADING LIGHTS ONLY) MODULE NUMBER: 284N1316-207 REV B FOR OTHER SYS DETAILS SEE: 11-36-09-08 24-22-03-04 24-23-01-03 24-41-01-02 24-51-01-03 24-51-03-02 24-51-04-03 24-51-54-04 24-53-73-02 24-54-01-02 31-01-34-03 33-21-71-02 33-24-71-02 33-42-71-03 38-14-71-02	106106	1
15	KAX9E004		.RELAY- SUPPLIER CODE: V58657 ELECTRICAL EQUIP NUMBER: K10574	103106 108120	1
20	KAX9E004		.RELAY- SUPPLIER CODE: V58657 ELECTRICAL EQUIP NUMBER: K10256 K10257	103106 108120	2
35	FT1003		.TRANSFORMER- SUPPLIER CODE: V14752 SPECIFICATION NUMBER: 60B40026-15 ELECTRICAL EQUIP NUMBER: T10022	108120	1
- 40	NAS1801-3-8		ATTACHING PARTS .SCREW -----*-----	108120	4
- 301	286N1240-323		WIRE BUNDLE ASSY	108120	RF
- 302	286N1240-602		WIRE BUNDLE ASSY	103106	RF

MISSING ITEM NUMBERS NOT APPLICABLE

- ITEM NOT ILLUSTRATED

33-22-71-02

33-22-71
FIG. 02
PAGE 2
JAN 20/09

BRI



757

PARTS CATALOG (MAINTENANCE)

FIG ITEM	PART NUMBER	1 2 3 4 5 6 7	NOMENCLATURE	EFFECT FROM TO	UNITS PER ASSY
2 310	BACS16W2		.SOCKET- ELECTRICAL EQUIP NUMBER: D03080 D03082 WIRING DIAGRAM REF: 332211	103106 108120	2
315	RSF116404		.SOCKET- SUPPLIER CODE: V58982 SPECIFICATION NUMBER: BACS16W2A OPTIONAL PART: 102-011-1 V09922 000300-1542 V05574 ELECTRICAL EQUIP NUMBER: D07210 WIRING DIAGRAM REF: 332211	103106 108120	1

MISSING ITEM NUMBERS NOT APPLICABLE

- ITEM NOT ILLUSTRATED

BRI

33-22-71-02

BOEING PROPRIETARY - Copyright © - Unpublished Work - See title page for details.

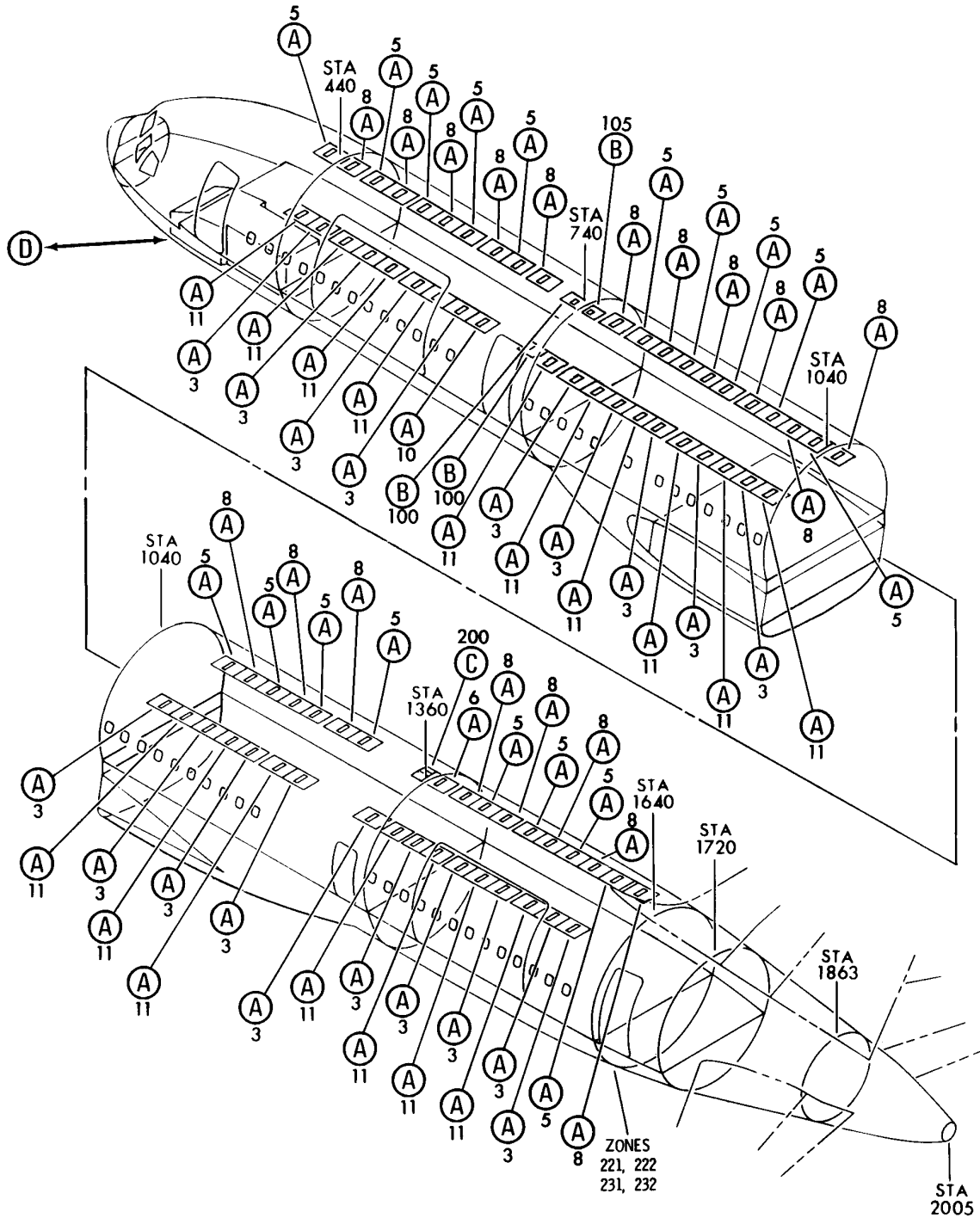
33-22-71
FIG. 02
PAGE 3
JAN 20/09

READING LIGHTS

BRI
MAY 28/07

33-23-00
SECTION TITLE
PAGE 1


BOEING
 757
PARTS CATALOG (MAINTENANCE)



Y 33230102 SHT 1 REV 331

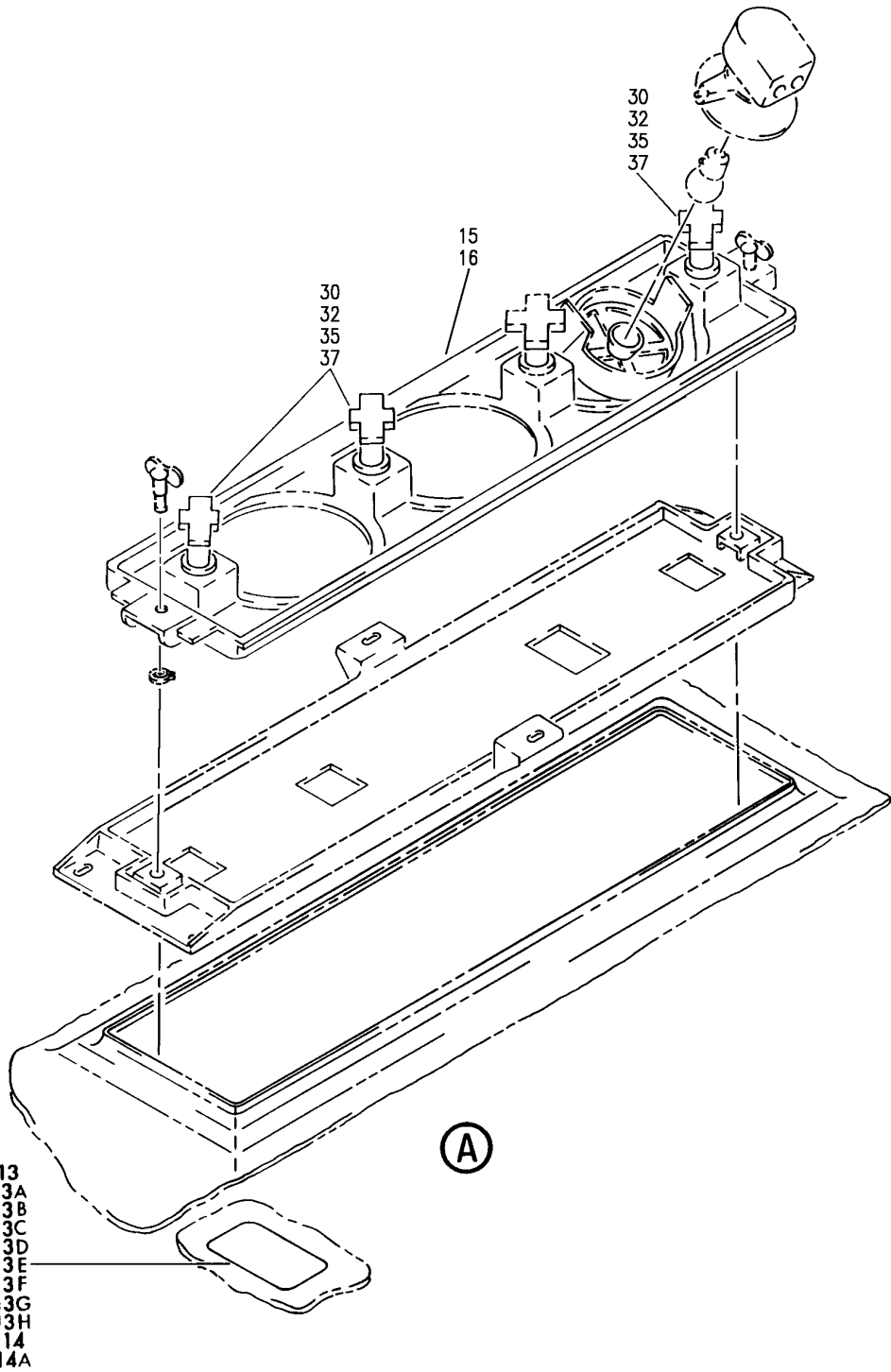
SERVICE UNIT INSTL-PASS. (PASSENGER READING LIGHTS ONLY)
 FIGURE 2 (SHEET 1)

33-23-01-02

BRI
JAN 20/09

33-23-01-02
 PAGE 0

BOEING
757
PARTS CATALOG (MAINTENANCE)



Y 33230102 SH1 2 REV 331

13
13A
13B
13C
13D
13E
13F
13G
13H
14
14A

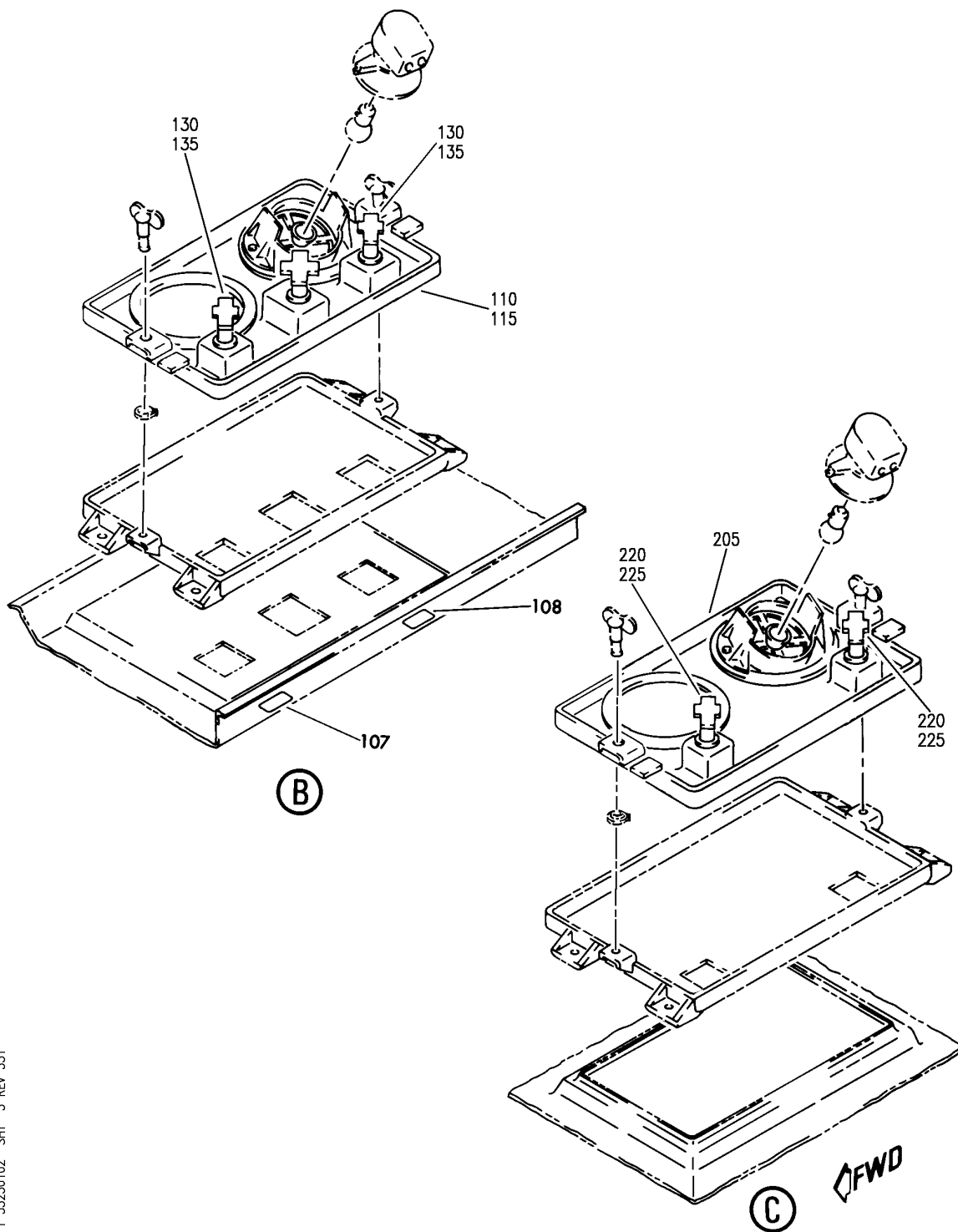
SERVICE UNIT INSTL-PASS. (PASSENGER READING LIGHTS ONLY)
FIGURE 2 (SHEET 2)

33-23-01-02

BRI
JAN 20/09

33-23-01-02
PAGE 0A

BOEING
757
PARTS CATALOG (MAINTENANCE)



Y 33230102 SH1 3 REV 331

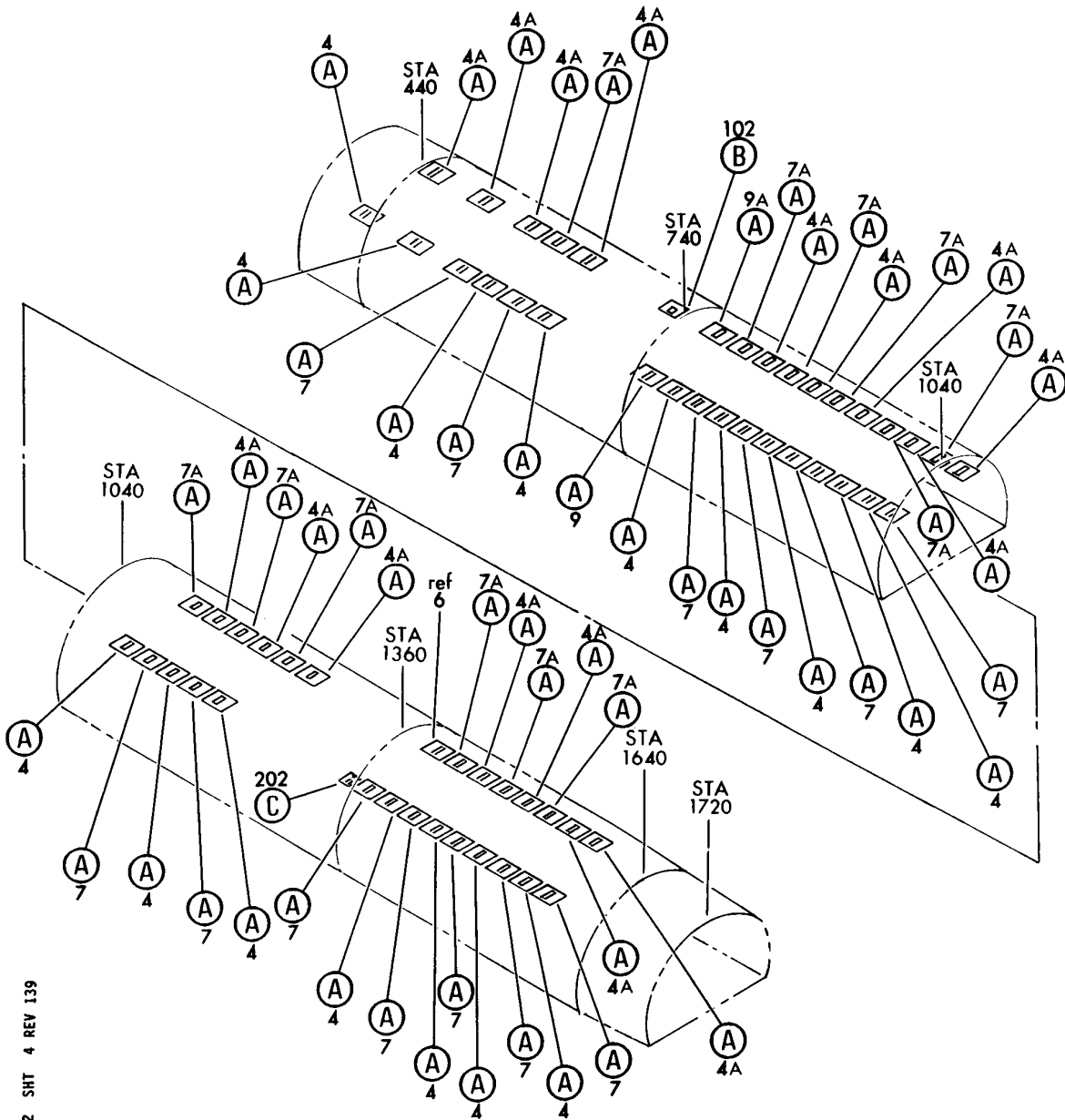
SERVICE UNIT INSTL-PASS. (PASSENGER READING LIGHTS ONLY)
FIGURE 2 (SHEET 3)

33-23-01-02

BRI
JAN 20/09

33-23-01-02
PAGE 0B

BOEING
757
PARTS CATALOG (MAINTENANCE)



Y 33230102 SHT 4 REV 139

(D)

SERVICE UNIT INSTL-PASS. (PASSENGER READING LIGHTS ONLY)
FIGURE 2 (SHEET 4)

33-23-01-02

BRI
JAN 20/09

33-23-01-02
PAGE 0C



757

PARTS CATALOG (MAINTENANCE)

FIG ITEM	PART NUMBER	1 2 3 4 5 6 7	NOMENCLATURE	EFFECT FROM TO	UNITS PER ASSY
2			SERVICE UNIT INSTL-PASS. (PASSENGER READING LIGHTS ONLY)	107107	
- 1	417N3001-46		SERVICE UNIT INSTL-PASS. (PASSENGER READING LIGHTS ONLY)	107107	RF
			FOR NHA/OTHER SYS DET SEE: 25-20-00-20A		
3	417N3100-393SP		.SERVICE UNIT ASSY- POSITION DATA: UNDERBIN COMPONENT MAINT MANUAL REF: 25-23-30 FOR NHA/OTHER SYS DET SEE: 25-23-01-03 25-23-01-07 25-23-01-12	107107	RF
5	417N3100-382SP		.SERVICE UNIT ASSY- POSITION DATA: UNDERBIN COMPONENT MAINT MANUAL REF: 25-23-33 FOR NHA/OTHER SYS DET SEE: 25-23-01-03 25-23-01-07 25-23-01-12	107107	RF
6	417N3100-386SP		.SERVICE UNIT ASSY- POSITION DATA: UNDERBIN COMPONENT MAINT MANUAL REF: 25-23-33 FOR NHA/OTHER SYS DET SEE: 25-23-01-12	107107	RF
8	417N3100-384SP		.SERVICE UNIT ASSY- POSITION DATA: UNDERBIN COMPONENT MAINT MANUAL REF: 25-23-33 FOR NHA/OTHER SYS DET SEE: 25-23-01-03 25-23-01-07 25-23-01-12	107107	RF

MISSING ITEM NUMBERS NOT APPLICABLE

- ITEM NOT ILLUSTRATED

33-23-01-02

33-23-01
FIG. 02
PAGE 1
JAN 20/09

BRI



757

PARTS CATALOG (MAINTENANCE)

FIG ITEM	PART NUMBER	1 2 3 4 5 6 7	NOMENCLATURE	EFFECT FROM TO	UNITS PER ASSY
2					
10	417N3100-323SP	.	SERVICE UNIT ASSY- POSITION DATA: UNDERBIN COMPONENT MAINT MANUAL REF: 25-23-32 FUNCTIONAL REFERENCE: EQUIPMENT/FURNISHINGS FOR DETAILS SEE 25-23-01-03	107107	RF
11	417N3100-391SP	.	SERVICE UNIT ASSY- POSITION DATA: UNDERBIN COMPONENT MAINT MANUAL REF: 25-23-30 FOR NHA/OTHER SYS DET SEE: 25-23-01-03 25-23-01-07 25-23-01-12	107107	RF
13	BAC27NPA0660	..	MARKER-ALUMINUM FOIL USED ON: 417N3100-115SP 417N3100-325SP 417N3100-393SP 417N3100-467SP 417N3100-655SP	107107	RF
13A	BAC27NPA0661	..	MARKER-ALUMINUM FOIL USED ON: 417N3100-58SP 417N3100-334SP 417N3100-384SP 417N3100-438SP 417N3100-496SP	107107	RF
13B	BAC27NPA0662	..	MARKER-ALUMINUM FOIL USED ON: 417N3100-119SP 417N3100-327SP 417N3100-391SP 417N3100-469SP 417N3100-653SP	107107	RF
13C	BAC27NPA0662	..	MARKER-ALUMINUM FOIL USED ON: 417N3100-111SP 417N3100-323SP 417N3100-513SP	107107	RF

MISSING ITEM NUMBERS NOT APPLICABLE

- ITEM NOT ILLUSTRATED

33-23-01-02

33-23-01
FIG. 02
PAGE 2
JAN 20/09

BRI

BOEING PROPRIETARY - Copyright © - Unpublished Work - See title page for details.



757

PARTS CATALOG (MAINTENANCE)

FIG ITEM	PART NUMBER	1 2 3 4 5 6 7	NOMENCLATURE	EFFECT FROM TO	UNITS PER ASSY
2 13D	BAC27NPA0663		..MARKER-ALUMINUM FOIL USED ON: 417N3100-56SP 417N3100-328SP 417N3100-382SP 417N3100-400SP 417N3100-436SP	107107	RF
13E	BAC27NPA0667		..MARKER-ALUMINUM FOIL USED ON: 417N3100-128SP 417N3100-338SP 417N3100-386SP 417N3100-442SP 417N3100-498SP	107107	RF
15	10-1006-1		..LIGHT ASSY-READING SUPPLIER CODE: V72914 SPECIFICATION NUMBER: S417N302-1 COMPONENT MAINT MANUAL REF: 33-23-05 USED ON: 417N3100-115SP 417N3100-119SP 417N3100-325SP 417N3100-327SP 417N3100-391SP 417N3100-393SP 417N3100-467SP 417N3100-469SP 417N3100-653SP 417N3100-655SP FOR DETAILS SEE: 33-23-01-95	107107	1

MISSING ITEM NUMBERS NOT APPLICABLE

- ITEM NOT ILLUSTRATED

33-23-01-02

33-23-01
FIG. 02
PAGE 3
JAN 20/09

BRI



757

PARTS CATALOG (MAINTENANCE)

FIG ITEM	PART NUMBER	1 2 3 4 5 6 7	NOMENCLATURE	EFFECT FROM TO	UNITS PER ASSY
2 15	10-1006-2		.. LIGHT ASSY-READING SUPPLIER CODE: V72914 SPECIFICATION NUMBER: S417N302-2 COMPONENT MAINT MANUAL REF: 33-23-05 USED ON: 417N3100-56SP 417N3100-58SP 417N3100-128SP 417N3100-328SP 417N3100-334SP 417N3100-338SP 417N3100-382SP 417N3100-384SP 417N3100-386SP 417N3100-400SP 417N3100-436SP 417N3100-438SP 417N3100-442SP 417N3100-496SP 417N3100-498SP FOR DETAILS SEE: 33-23-01-95	107107	1
16	10-1006-1		.. LIGHT ASSY-READING SUPPLIER CODE: V72914 SPECIFICATION NUMBER: S417N302-1 COMPONENT MAINT MANUAL REF: 33-23-05 USED ON: 417N3100-111SP 417N3100-323SP 417N3100-513SP FOR DETAILS SEE: 33-23-01-95	107107	1

MISSING ITEM NUMBERS NOT APPLICABLE

- ITEM NOT ILLUSTRATED

33-23-01-02

33-23-01
 FIG. 02
 PAGE 4
 JAN 20/09

BRI



757

PARTS CATALOG (MAINTENANCE)

FIG ITEM	PART NUMBER	1 2 3 4 5 6 7	NOMENCLATURE	EFFECT FROM TO	UNITS PER ASSY
2			ATTACHING PARTS		
- 17	BRH10A08		..NUT-	107107	4
			SUPPLIER CODE: V52828		
			SPECIFICATION NUMBER: BACN10JC08		
			OPTIONAL PART: H10-08BAC		
			V15653		
			NS202101-82		
			V80539		
			RMLH9075-82W		
			V72962		
			VN303A82		
			V92215		
			96-82		
			V80539		
			T6S832J		
			V11815		
			USED ON:		
			417N3100-56SP		
			417N3100-58SP		
			417N3100-115SP		
			417N3100-119SP		
			417N3100-128SP		
			417N3100-325SP		
			417N3100-327SP		
			417N3100-328SP		
			417N3100-334SP		
			417N3100-338SP		
			417N3100-382SP		
			417N3100-384SP		
			417N3100-386SP		
			417N3100-391SP		
			417N3100-393SP		
			417N3100-400SP		
			417N3100-436SP		
			417N3100-438SP		
			417N3100-442SP		
			417N3100-467SP		
			417N3100-469SP		
			417N3100-496SP		
			417N3100-498SP		
			417N3100-653SP		
			417N3100-655SP		

MISSING ITEM NUMBERS NOT APPLICABLE

- ITEM NOT ILLUSTRATED

33-23-01-02

33-23-01
FIG. 02
PAGE 5
JAN 20/09

BRI



757

PARTS CATALOG (MAINTENANCE)

FIG ITEM	PART NUMBER	1 2 3 4 5 6 7 NOMENCLATURE	EFFECT FROM TO	UNITS PER ASSY
2 - 18	BRH10A08	..NUT- SUPPLIER CODE: V52828 SPECIFICATION NUMBER: BACN10JC08 OPTIONAL PART: H10-08BAC V15653 NS202101-82 V80539 RMLH9075-82W V72962 VN303A82 V92215 96-82 V80539 T6S832J V11815 USED ON: 417N3100-111SP 417N3100-323SP 417N3100-513SP -----*-----	107107	4

MISSING ITEM NUMBERS NOT APPLICABLE

- ITEM NOT ILLUSTRATED

BRI

33-23-01-02

BOEING PROPRIETARY - Copyright © - Unpublished Work - See title page for details.

33-23-01
FIG. 02
PAGE 6
JAN 20/09



757

PARTS CATALOG (MAINTENANCE)

FIG ITEM	PART NUMBER	1 2 3 4 5 6 7	NOMENCLATURE	EFFECT FROM TO	UNITS PER ASSY
2 30	920056		.. SWITCH-READING LIGHTS SUPPLIER CODE: V07150 ELECTRICAL EQUIP NUMBER: S10273 S10274 S10275 S10278 S10279 S10280 USED ON: 417N3100-56SP 417N3100-58SP 417N3100-115SP 417N3100-119SP 417N3100-128SP 417N3100-325SP 417N3100-327SP 417N3100-328SP 417N3100-334SP 417N3100-338SP 417N3100-382SP 417N3100-384SP 417N3100-386SP 417N3100-391SP 417N3100-393SP 417N3100-400SP 417N3100-436SP 417N3100-438SP 417N3100-442SP 417N3100-467SP 417N3100-469SP 417N3100-496SP 417N3100-498SP	107107	3

MISSING ITEM NUMBERS NOT APPLICABLE

- ITEM NOT ILLUSTRATED

33-23-01-02

33-23-01
FIG. 02
PAGE 7
JAN 20/09

BRI



757

PARTS CATALOG (MAINTENANCE)

FIG ITEM	PART NUMBER	1 2 3 4 5 6 7	NOMENCLATURE	EFFECT FROM TO	UNITS PER ASSY
2 30	SW43346		.. SWITCH-READING LIGHTS SUPPLIER CODE: V07150 ELECTRICAL EQUIP NUMBER: S10273 S10274 S10275 S10278 S10279 S10280 USED ON: 417N3100-56SP 417N3100-58SP 417N3100-115SP 417N3100-119SP 417N3100-128SP 417N3100-325SP 417N3100-327SP 417N3100-328SP 417N3100-334SP 417N3100-338SP 417N3100-382SP 417N3100-384SP 417N3100-386SP 417N3100-391SP 417N3100-393SP 417N3100-400SP 417N3100-436SP 417N3100-438SP 417N3100-442SP 417N3100-467SP 417N3100-469SP 417N3100-496SP 417N3100-498SP	107107	3
32	920056		.. SWITCH-READING LIGHTS SUPPLIER CODE: V07150 ELECTRICAL EQUIP NUMBER: S10273 S10274 S10275 USED ON: 417N3100-111SP 417N3100-323SP 417N3100-513SP	107107	3

MISSING ITEM NUMBERS NOT APPLICABLE

- ITEM NOT ILLUSTRATED

33-23-01-02

33-23-01
 FIG. 02
 PAGE 8
 JAN 20/09

BRI



757

PARTS CATALOG (MAINTENANCE)

FIG ITEM	PART NUMBER	1 2 3 4 5 6 7	NOMENCLATURE	EFFECT FROM TO	UNITS PER ASSY
2	32 SW43346		..SWITCH-READING LIGHTS SUPPLIER CODE: V07150 ELECTRICAL EQUIP NUMBER: S10273 S10274 S10275 USED ON: 417N3100-111SP 417N3100-323SP 417N3100-513SP	107107	3
	35 S417N304-1M		..LENS-LT SWITCH USED ON: 417N3100-325SP 417N3100-327SP 417N3100-328SP 417N3100-334SP 417N3100-338SP 417N3100-382SP 417N3100-384SP 417N3100-386SP 417N3100-391SP 417N3100-393SP	107107	3
	37 S417N304-1M		..LENS-LT SWITCH USED ON: 417N3100-323SP	107107	3
	100 417N3200-5SP		.SERVICE UNIT ASSY- POSITION DATA: OVERDOOR COMPONENT MAINT MANUAL REF: 35-21-04 FOR NHA/OTHER SYS DET SEE: 25-23-01-03	107107	RF
	105 417N3200-6SP		.SERVICE UNIT ASSY- POSITION DATA: OVERDOOR COMPONENT MAINT MANUAL REF: 35-21-04 FOR NHA/OTHER SYS DET SEE: 25-23-01-03	107107	RF
	107 BAC27NPA0339		..MARKER-ALUMINUM FOIL- PLACARD CONTENT: S10288	107107	1
	108 BAC27NPA0340		..MARKER-ALUMINUM FOIL- PLACARD CONTENT: S10289	107107	1

MISSING ITEM NUMBERS NOT APPLICABLE

- ITEM NOT ILLUSTRATED

33-23-01-02

33-23-01
FIG. 02
PAGE 9
JAN 20/09

BRI



757

PARTS CATALOG (MAINTENANCE)

FIG ITEM	PART NUMBER	1 2 3 4 5 6 7	NOMENCLATURE	EFFECT FROM TO	UNITS PER ASSY
2 110	10-1006-3		..LIGHT ASSY-READING SUPPLIER CODE: V72914 SPECIFICATION NUMBER: S417N302-3 COMPONENT MAINT MANUAL REF: 33-23-05 USED ON: 417N3200-5SP 417N3200-65SP FOR DETAILS SEE: 33-23-01-96	107107	1
115	10-1006-4		..LIGHT ASSY-READING SUPPLIER CODE: V72914 SPECIFICATION NUMBER: S417N302-4 COMPONENT MAINT MANUAL REF: 33-23-05 USED ON: 417N3200-6SP 417N3200-66SP FOR DETAILS SEE: 33-23-01-96	107107	1
130	920056		..SWITCH-READING LIGHTS SUPPLIER CODE: V07150 ELECTRICAL EQUIP NUMBER: S10288 S10289	107107	2
130	SW43346		..SWITCH-READING LIGHTS SUPPLIER CODE: V07150 ELECTRICAL EQUIP NUMBER: S10288 S10289	107107	2
135 200	S417N304-1M 417N3700-2SP		..LENS-LT SWITCH .SERVICE UNIT ASSY- POSITION DATA: UNDERBIN COMPONENT MAINT MANUAL REF: 35-21-05	107107 107107	2 RF

MISSING ITEM NUMBERS NOT APPLICABLE

- ITEM NOT ILLUSTRATED

33-23-01-02

33-23-01
FIG. 02
PAGE 10
JAN 20/09

BRI



**757
PARTS CATALOG (MAINTENANCE)**

FIG ITEM	PART NUMBER	1 2 3 4 5 6 7	NOMENCLATURE	EFFECT FROM TO	UNITS PER ASSY
2 205	10-1006-6		..LIGHT ASSY-READING SUPPLIER CODE: V72914 SPECIFICATION NUMBER: S417N302-6 COMPONENT MAINT MANUAL REF: 33-23-05 FOR DETAILS SEE: 33-23-01-96	107107	1
220	920056		..SWITCH-READING SUPPLIER CODE: V07150 ELECTRICAL EQUIP NUMBER: S10291 S10331	107107	2
220	SW43346		..SWITCH-READING SUPPLIER CODE: V07150 ELECTRICAL EQUIP NUMBER: S10291 S10331	107107	2
225	S417N304-1M		..LENS-LT SWITCH	107107	2

MISSING ITEM NUMBERS NOT APPLICABLE

— ITEM NOT ILLUSTRATED

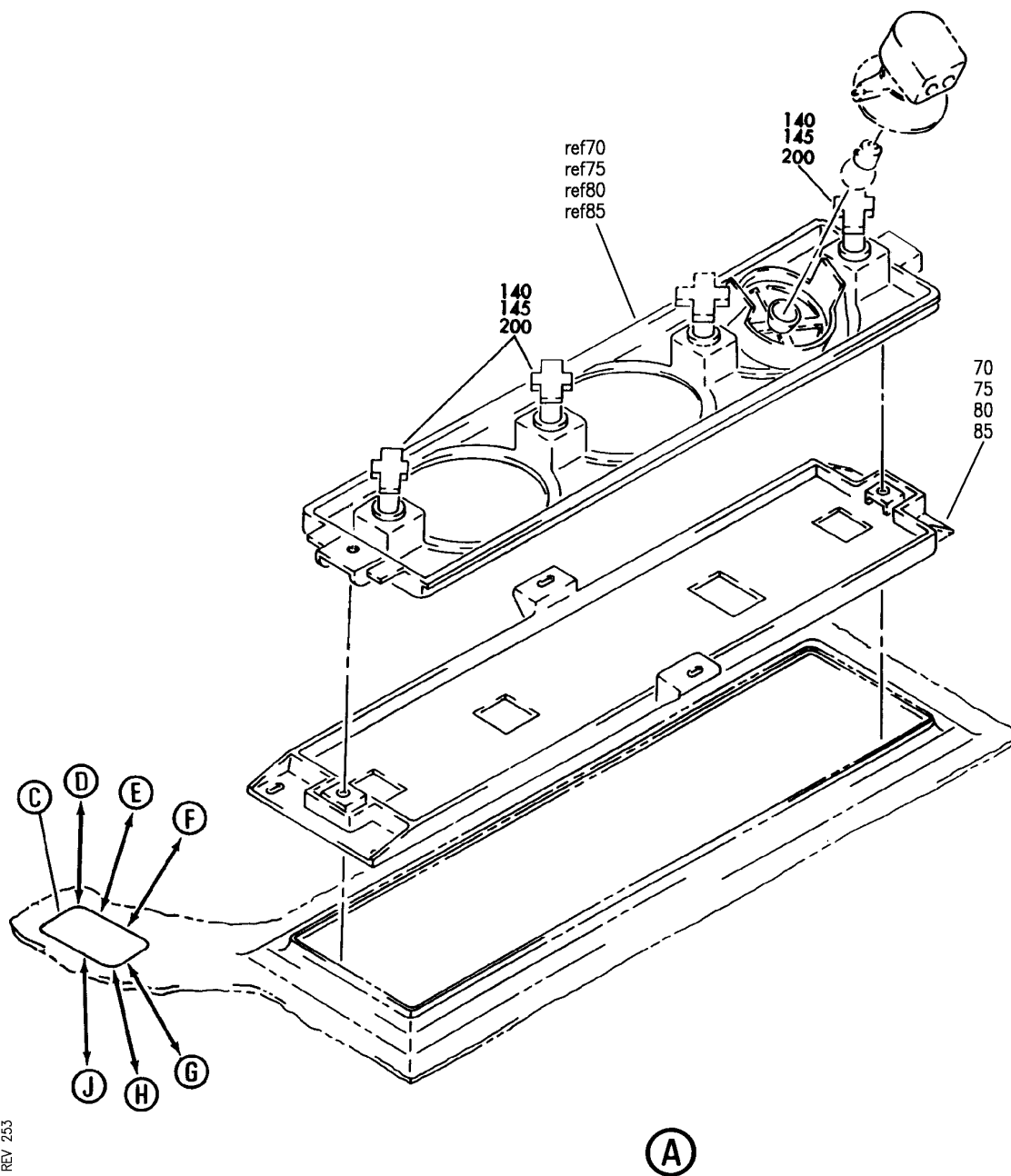
BRI

33-23-01-02

BOEING PROPRIETARY - Copyright © - Unpublished Work - See title page for details.

33-23-01
FIG. 02
PAGE 11
JAN 20/09

BOEING
757
PARTS CATALOG (MAINTENANCE)



Y 33230118 SHT 2 REV 253

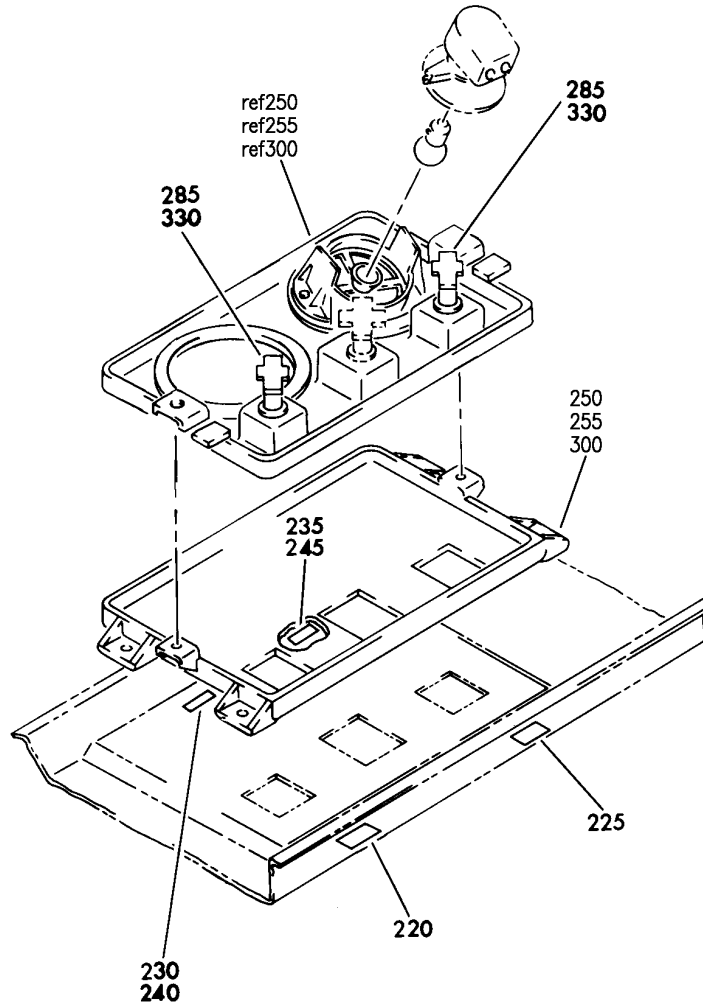
SERVICE UNIT INSTL-PASS. AND PASS. (FLYAWAY KIT) (PASSENGER READING LIGHTS ONLY)
FIGURE 18 (SHEET 2)

33-23-01-18

BRI
MAY 28/07

33-23-01-18
PAGE 0A

BOEING
757
PARTS CATALOG (MAINTENANCE)



(B)

Y 33230118 SHT 3 REV 253

SERVICE UNIT INSTL-PASS. AND PASS. (FLYAWAY KIT) (PASSENGER READING LIGHTS ONLY)
FIGURE 18 (SHEET 3)

BRI
MAY 28/07

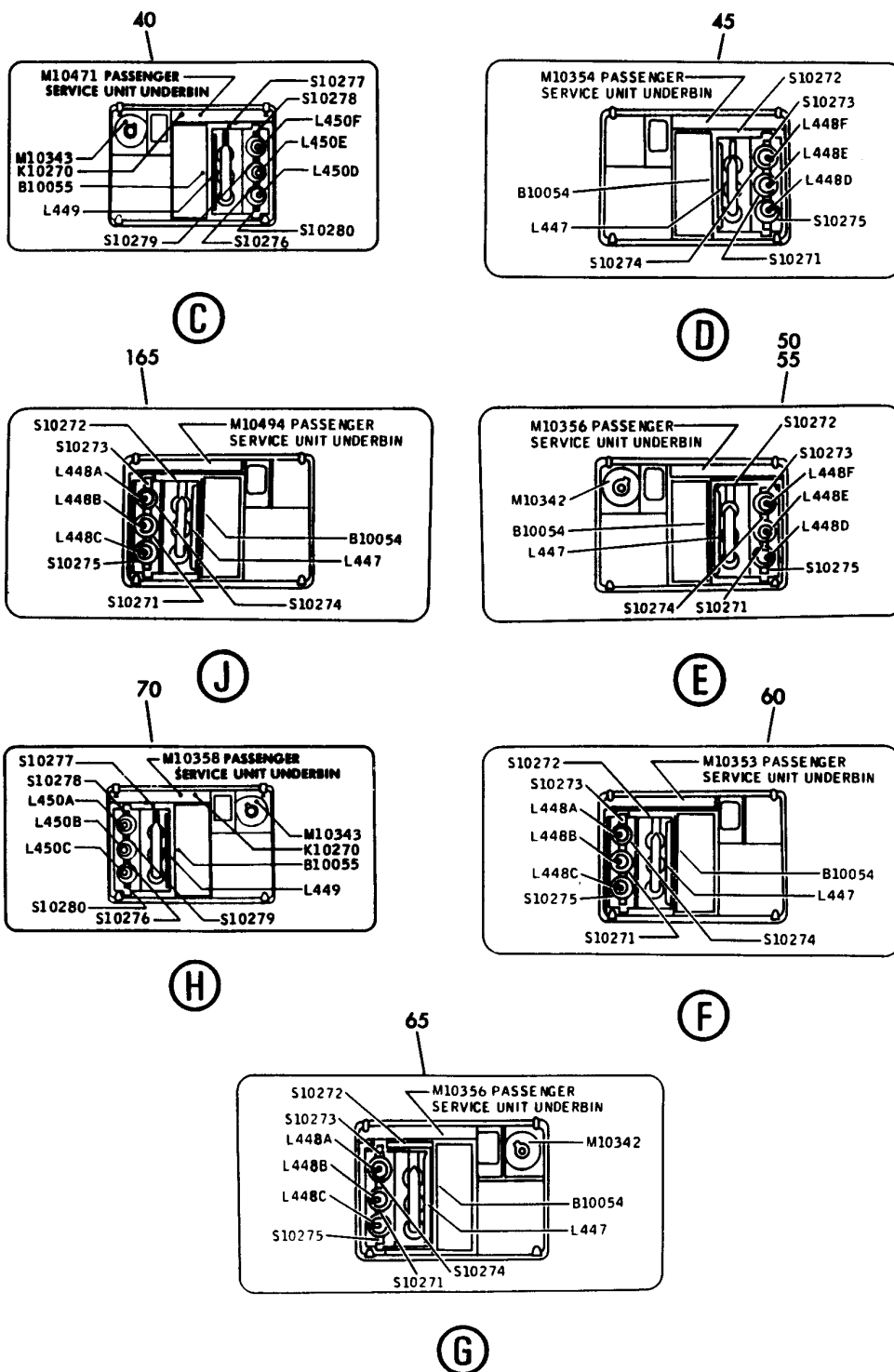
33-23-01-18

33-23-01-18
PAGE 0B

BOEING

757

PARTS CATALOG (MAINTENANCE)



Y 33230118 SHT 4 REV 129

SERVICE UNIT INSTL-PASS. AND PASS. (FLYAWAY KIT) (PASSENGER READING LIGHTS ONLY)
FIGURE 18 (SHEET 4)

33-23-01-18

BRI
MAY 28/07

33-23-01-18
PAGE 0C



757

PARTS CATALOG (MAINTENANCE)

FIG ITEM	PART NUMBER	1 2 3 4 5 6 7	NOMENCLATURE	EFFECT FROM TO	UNITS PER ASSY
18			SERVICE UNIT INSTL-PASS. AND PASS. (FLYAWAY KIT) (PASSENGER READING LIGHTS ONLY)	121503 904949	
- 1	417N3001-60		SERVICE UNIT INSTL-PASS. (PASSENGER READING LIGHTS ONLY) FOR NHA/OTHER SYS DET SEE: 25-20-00-20A	904949	RF
- 1	417N3001-63		SERVICE UNIT INSTL-PASS. ALTERNATE CONFIG. TO -60 INSTL FLYAWAY KIT DETAILS SHOWN FOR -60 INSTL TO BE SALVAGE AND INSTALLED UNDER -63 INSTL (PASSENGER READING LIGHTS ONLY) POST RAPID REVISION: RR92003-19 FOR NHA/OTHER SYS DET SEE: 25-20-00-10	904949	RF
- 1	417N3001-137		SERVICE UNIT INSTL-PASS. (PASSENGER READING LIGHTS ONLY) FOR NHA/OTHER SYS DET SEE: 25-20-00-20A	121503	RF
- 1	417N3001-138		SERVICE UNIT INSTL-PASS. ALTERNATE CONFIG. TO -137 INSTL FLYAWAY KIT DETAILS SHOWN FOR -137 INSTL TO BE SALVAGE AND INSTALLED UNDER -138 INSTL (PASSENGER READING LIGHTS ONLY) FOR NHA/OTHER SYS DET SEE: 25-20-00-10	121503	RF
5	417N3100-402SP		.SERVICE UNIT ASSY- POSITION DATA: UNDERBIN COMPONENT MAINT MANUAL REF: 25-23-33	121503 904949	RF
10	417N3100-406SP		.SERVICE UNIT ASSY- POSITION DATA: UNDERBIN COMPONENT MAINT MANUAL REF: 25-23-33	121503 904949	RF

MISSING ITEM NUMBERS NOT APPLICABLE

- ITEM NOT ILLUSTRATED

33-23-01-18

33-23-01
FIG. 18
PAGE 1
JAN 20/09

BRI



757

PARTS CATALOG (MAINTENANCE)

FIG ITEM	PART NUMBER	1 2 3 4 5 6 7	NOMENCLATURE	EFFECT FROM TO	UNITS PER ASSY
18					
15	417N3100-408SP	.	SERVICE UNIT ASSY- POSITION DATA: UNDERBIN COMPONENT MAINT MANUAL REF: 25-23-33	121503 904949	RF
20	417N3100-408SP	.	SERVICE UNIT ASSY- POSITION DATA: UNDERBIN COMPONENT MAINT MANUAL REF: 25-23-33 USED ON: 417N3001-63 417N3001-74 POST RAPID REVISION: RR92003-19	121503 904949	RF
20	417N3100-408SP	.	SERVICE UNIT ASSY- POSITION DATA: UNDERBIN COMPONENT MAINT MANUAL REF: 25-23-33	121503	RF
25	417N3100-643SP	.	SERVICE UNIT ASSY- POSITION DATA: UNDERBIN	121503 904949	RF
30	417N3100-645SP	.	SERVICE UNIT ASSY- POSITION DATA: UNDERBIN	121503 904949	RF
35	417N3100-647SP	.	SERVICE UNIT ASSY- POSITION DATA: UNDERBIN	121503 904949	RF
40	BAC27NPA0667	..	MARKER-ALUMINUM FOIL USED ON: 417N3100-402SP	121503 904949	RF
45	BAC27NPA0663	..	MARKER-ALUMINUM FOIL USED ON: 417N3100-406SP	121503 904949	RF
50	BAC27NPA0661	..	MARKER-ALUMINUM FOIL USED ON: 417N3100-408SP	121503 904949	RF
55	BAC27NPA0661	..	MARKER-ALUMINUM FOIL USED ON: 417N3100-408SP	121503 904949	RF
55	BAC27NPA0661	..	MARKER-ALUMINUM FOIL	121503	RF
60	BAC27NPA0662	..	MARKER-ALUMINUM FOIL USED ON: 417N3100-643SP	121503 904949	RF
65	BAC27NPA0660	..	MARKER-ALUMINUM FOIL USED ON: 417N3100-645SP	121503 904949	RF

MISSING ITEM NUMBERS NOT APPLICABLE

- ITEM NOT ILLUSTRATED

33-23-01-18

33-23-01
FIG. 18
PAGE 2
JAN 20/09

BRI



757

PARTS CATALOG (MAINTENANCE)

FIG ITEM	PART NUMBER	1 2 3 4 5 6 7	NOMENCLATURE	EFFECT FROM TO	UNITS PER ASSY
18					
70	BAC27NPA0666		..MARKER-ALUMINUM FOIL USED ON: 417N3100-647SP	121503 904949	RF
75	10-1006-1		..LIGHT ASSY-READING SUPPLIER CODE: V72914 SPECIFICATION NUMBER: S417N302-1 COMPONENT MAINT MANUAL REF: 33-23-05 USED ON: 417N3100-643SP 417N3100-645SP 417N3100-647SP FOR DETAILS SEE: 33-23-01-95	121503 904949	1
80	10-1006-2		..LIGHT ASSY-READING SUPPLIER CODE: V72914 SPECIFICATION NUMBER: S417N302-2 COMPONENT MAINT MANUAL REF: 33-23-05 USED ON: 417N3100-402SP 417N3100-406SP 417N3100-408SP FOR DETAILS SEE: 33-23-01-95	121503 904949	1
85	10-1006-2		..LIGHT ASSY-READING SUPPLIER CODE: V72914 SPECIFICATION NUMBER: S417N302-2 COMPONENT MAINT MANUAL REF: 33-23-05 USED ON: 417N3100-408SP FOR DETAILS SEE: 33-23-01-95	121503 904949	1
85	10-1006-2		..LIGHT ASSY-READING SUPPLIER CODE: V72914 SPECIFICATION NUMBER: S417N302-2 COMPONENT MAINT MANUAL REF: 33-23-05 FOR DETAILS SEE: 33-23-01-95	121503	1

MISSING ITEM NUMBERS NOT APPLICABLE

- ITEM NOT ILLUSTRATED

33-23-01-18

33-23-01
FIG. 18
PAGE 3
JAN 20/09

BRI



757

PARTS CATALOG (MAINTENANCE)

FIG ITEM	PART NUMBER	1 2 3 4 5 6 7	NOMENCLATURE	EFFECT FROM TO	UNITS PER ASSY
18			ATTACHING PARTS		
- 90	BACN10YJ08		..NUT	121503 904949	4
- 95	BACN10YJ08		..NUT- USED ON: 417N3100-408SP	121503 904949	4
- 95	BACN10YJ08		..NUT-FLYAWAY -----*-----	121503	4
140	920056		..SWITCH-READING LT SUPPLIER CODE: V07150 ELECTRICAL EQUIP NUMBER: S10273 S10274 S10275	121503 904949	3
140	SW43346		..SWITCH-READING LT SUPPLIER CODE: V07150 ELECTRICAL EQUIP NUMBER: S10273 S10274 S10275	121503 904949	3
145	920056		..SWITCH-READING LT SUPPLIER CODE: V07150 ELECTRICAL EQUIP NUMBER: S10273 S10274 S10275	121503	3
145	SW43346		..SWITCH-READING LT SUPPLIER CODE: V07150 ELECTRICAL EQUIP NUMBER: S10273 S10274 S10275 USED ON: 417N3100-408SP	121503	3
150	VIP720-1C		.LENS-LT SWITCH SUPPLIER CODE: V28406 SPECIFICATION NUMBER: S417N304-1C	121503 904949	219

MISSING ITEM NUMBERS NOT APPLICABLE

- ITEM NOT ILLUSTRATED

33-23-01-18

33-23-01
FIG. 18
PAGE 4
JAN 20/09

BRI



757

PARTS CATALOG (MAINTENANCE)

FIG ITEM	PART NUMBER	1 2 3 4 5 6 7	NOMENCLATURE	EFFECT FROM TO	UNITS PER ASSY
18 155	VIP720-6J		.LENS-LT SWITCH SUPPLIER CODE: V28406 SPECIFICATION NUMBER: S417N304-6J OPTIONAL PART: 691212-13A1-1J V07150 USED ON: 417N3001-63	904949	3
155	VIP720-1C		.LENS-LT SWITCH SUPPLIER CODE: V28406 SPECIFICATION NUMBER: S417N304-1C	121503	3
160	417N3100-641SP		.SERVICE UNIT ASSY- POSITION DATA: UNDERBIN	121503 904949	RF
165	BAC29PPS11240		..PLACARD-	121503 904949	RF
170	10-1006-1		..LIGHT ASSY-READING SUPPLIER CODE: V72914 SPECIFICATION NUMBER: S417N302-1 COMPONENT MAINT MANUAL REF: 33-23-05 FOR DETAILS SEE: 33-23-01-95 ATTACHING PARTS	121503 904949	1
- 175	BACN10YJ08		..NUT	121503 904949	4
200	920056		-----*----- ..SWITCH-READING LT SUPPLIER CODE: V07150 ELECTRICAL EQUIP NUMBER: S10273 S10274 S10275	121503 904949	3
200	SW43346		..SWITCH-READING LT SUPPLIER CODE: V07150 ELECTRICAL EQUIP NUMBER: S10273 S10274 S10275	121503 904949	3

MISSING ITEM NUMBERS NOT APPLICABLE

- ITEM NOT ILLUSTRATED

33-23-01-18

33-23-01
FIG. 18
PAGE 5
JAN 20/09

BRI



757

PARTS CATALOG (MAINTENANCE)

FIG ITEM	PART NUMBER	1 2 3 4 5 6 7	NOMENCLATURE	EFFECT FROM TO	UNITS PER ASSY
18 205	VIP720-1C		.LENS-LT SWITCH SUPPLIER CODE: V28406 SPECIFICATION NUMBER: S417N304-1C	121503 904949	3
210	417N3200-77SP		.SERVICE UNIT ASSY- POSITION DATA: OVERDOOR COMPONENT MAINT MANUAL REF: 35-21-04	121503 904949	RF
215	417N3200-78SP		.SERVICE UNIT ASSY- POSITION DATA: OVERDOOR COMPONENT MAINT MANUAL REF: 35-21-04	121503 904949	RF
220	BAC27NPA0339		..MARKER-ALUMINUM FOIL- PLACARD CONTENT: S10288	121503 904949	1
225	BAC27NPA0340		..MARKER-ALUMINUM FOIL- PLACARD CONTENT: S10289	121503 904949	1
230	BAC27NPA0605		..MARKER-ALUMINUM FOIL- PLACARD CONTENT: L455A USED ON: 417N3200-77SP	121503 904949	1
235	BAC27NPA0606		..MARKER-ALUMINUM FOIL- PLACARD CONTENT: L455B USED ON: 417N3200-77SP	121503 904949	1
240	BAC27NPA0607		..MARKER-ALUMINUM FOIL- PLACARD CONTENT: L455C USED ON: 417N3200-78SP	121503 904949	1
245	BAC27NPA0608		..MARKER-ALUMINUM FOIL- PLACARD CONTENT: L455D USED ON: 417N3200-78SP	121503 904949	1

MISSING ITEM NUMBERS NOT APPLICABLE

- ITEM NOT ILLUSTRATED

33-23-01-18

33-23-01
FIG. 18
PAGE 6
JAN 20/09

BRI



757

PARTS CATALOG (MAINTENANCE)

FIG ITEM	PART NUMBER	1 2 3 4 5 6 7	NOMENCLATURE	EFFECT FROM TO	UNITS PER ASSY
18 250	10-1006-3		..LIGHT ASSY-READING SUPPLIER CODE: V72914 SPECIFICATION NUMBER: S417N302-3 COMPONENT MAINT MANUAL REF: 33-23-05 USED ON: 417N3200-77SP FOR DETAILS SEE: 33-23-01-96	121503 904949	1
255	10-1006-4		..LIGHT ASSY-READING SUPPLIER CODE: V72914 SPECIFICATION NUMBER: S417N302-4 COMPONENT MAINT MANUAL REF: 33-23-05 USED ON: 417N3200-78SP FOR DETAILS SEE: 33-23-01-96	121503 904949	1
- 260	BACN10YJ08		..NUT -----*-----	121503 904949	4
285	920056		..SWITCH-READING LT SUPPLIER CODE: V07150 ELECTRICAL EQUIP NUMBER: S10288 S10289	121503 904949	2
285	SW43346		..SWITCH-READING LT SUPPLIER CODE: V07150 ELECTRICAL EQUIP NUMBER: S10288 S10289	121503 904949	2
290	VIP720-1C		.LENS-LT SWITCH SUPPLIER CODE: V28406 SPECIFICATION NUMBER: S417N304-1C	121503 904949	6
295	417N3700-18SP		.SERVICE UNIT ASSY- ATTENDANT POSITION DATA: UNDERBIN	121503 904949	RF

MISSING ITEM NUMBERS NOT APPLICABLE

- ITEM NOT ILLUSTRATED

33-23-01-18

33-23-01
FIG. 18
PAGE 7
JAN 20/09

BRI



757

PARTS CATALOG (MAINTENANCE)

FIG ITEM	PART NUMBER	1 2 3 4 5 6 7	NOMENCLATURE	EFFECT FROM TO	UNITS PER ASSY
18 300	10-1006-6		..LIGHT ASSY-READING SUPPLIER CODE: V72914 SPECIFICATION NUMBER: S417N302-6 COMPONENT MAINT MANUAL REF: 33-23-05 FOR DETAILS SEE: 33-23-01-96 ATTACHING PARTS	121503 904949	1
- 305	BACN10YJ08		..NUT	121503 904949	4
			-----*-----		
330	920056		..SWITCH-READING LT SUPPLIER CODE: V07150	121503 904949	2
330	SW43346		..SWITCH-READING LT SUPPLIER CODE: V07150	121503 904949	2
335	VIP720-1C		.LENS-LT SWITCH SUPPLIER CODE: V28406 SPECIFICATION NUMBER: S417N304-1C	121503 904949	2

MISSING ITEM NUMBERS NOT APPLICABLE

- ITEM NOT ILLUSTRATED

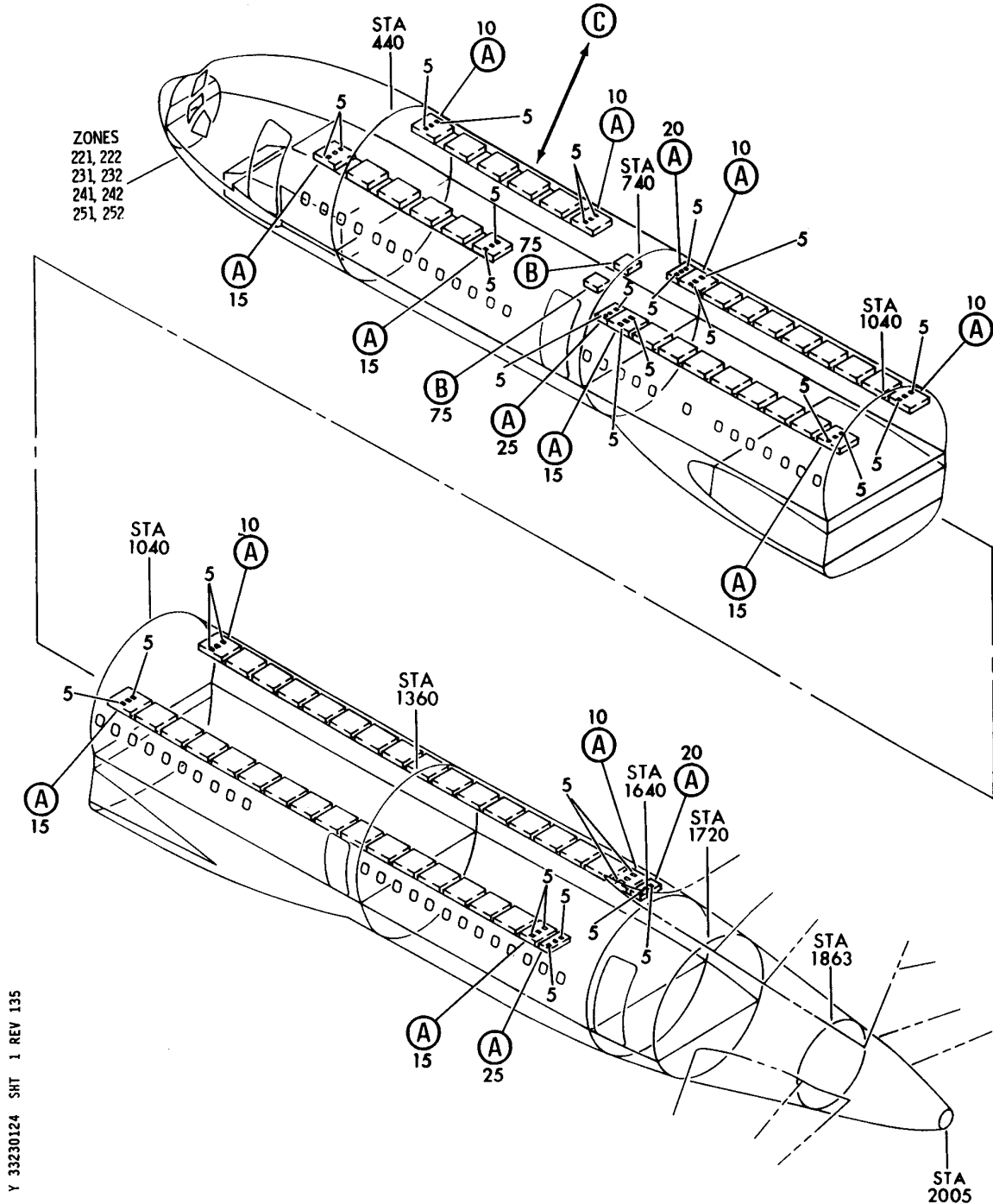
BRI

33-23-01-18

BOEING PROPRIETARY - Copyright © - Unpublished Work - See title page for details.

33-23-01
FIG. 18
PAGE 8
JAN 20/09

BOEING
757
PARTS CATALOG (MAINTENANCE)



Y 33230124 SH1 1 REV 135

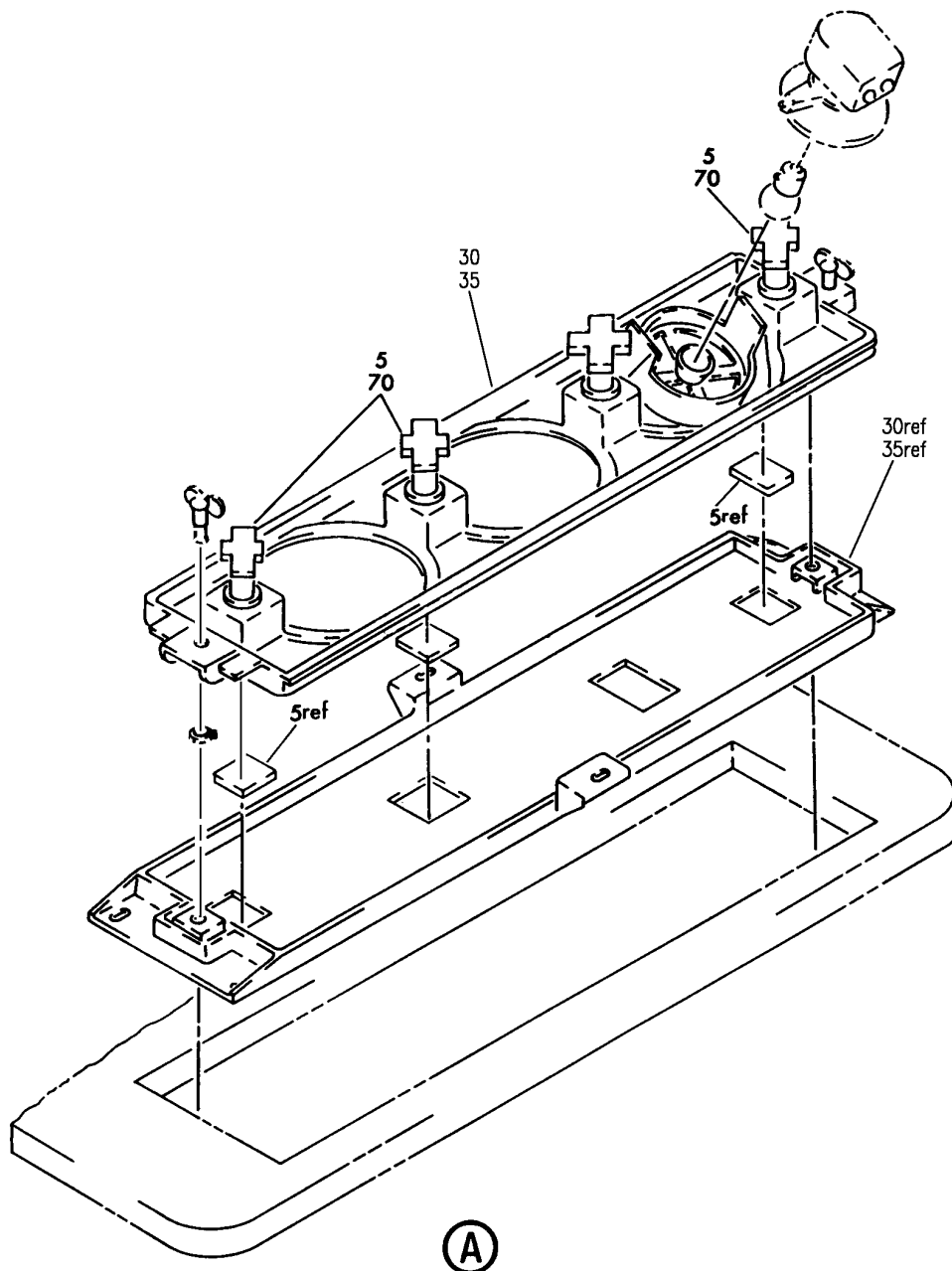
SERVICE UNIT INSTL-PASS. (PASSENGER READING LIGHTS ONLY)
FIGURE 24 (SHEET 1)

33-23-01-24

BRI
JAN 20/09

33-23-01-24
PAGE 0

BOEING
757
PARTS CATALOG (MAINTENANCE)



Y 33230124 SHT 2 REV 253

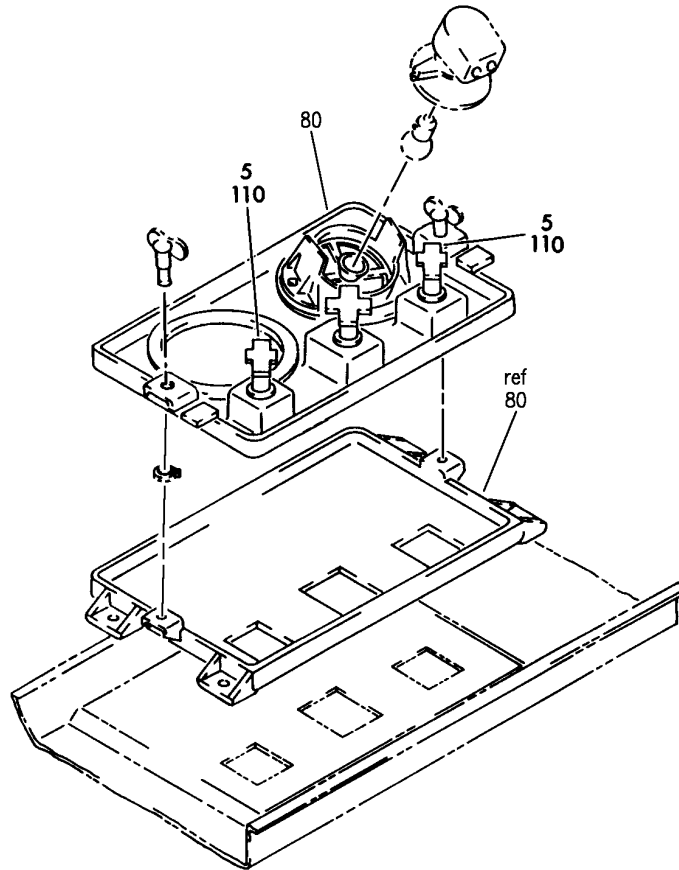
SERVICE UNIT INSTL-PASS. (PASSENGER READING LIGHTS ONLY)
FIGURE 24 (SHEET 2)

33-23-01-24

BRI
JAN 20/09

33-23-01-24
PAGE 0A

BOEING
757
PARTS CATALOG (MAINTENANCE)



(B)

Y 33230124 SHT 3 REV 253

SERVICE UNIT INSTL-PASS. (PASSENGER READING LIGHTS ONLY)
FIGURE 24 (SHEET 3)

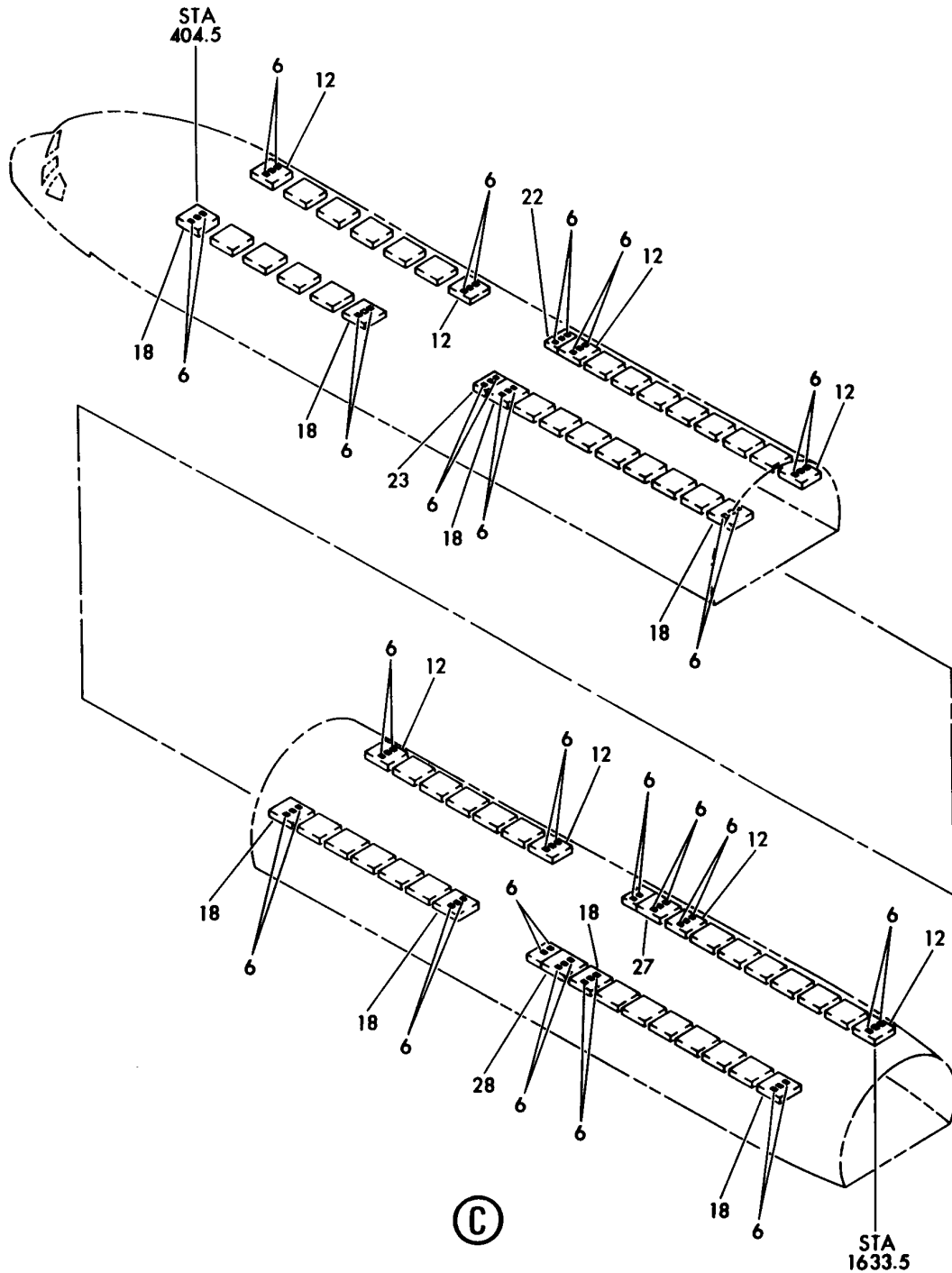
33-23-01-24

BRI
JAN 20/09

33-23-01-24
PAGE 0B

BOEING PROPRIETARY - Copyright © - Unpublished Work - See title page for details.

BOEING
757
PARTS CATALOG (MAINTENANCE)



Y 33230124 SHT 4 REV 135

SERVICE UNIT INSTL-PASS. (PASSENGER READING LIGHTS ONLY)
FIGURE 24 (SHEET 4)

33-23-01-24

BRI
JAN 20/09

33-23-01-24
PAGE 0C



757

PARTS CATALOG (MAINTENANCE)

FIG ITEM	PART NUMBER	1 2 3 4 5 6 7	NOMENCLATURE	EFFECT FROM TO	UNITS PER ASSY
24			SERVICE UNIT INSTL-PASS. (PASSENGER READING LIGHTS ONLY)	950951	
- 1	417N3001-159		SERVICE UNIT INSTL-PASS. (PASSENGER READING LIGHTS ONLY) FOR NHA/OTHER SYS DET SEE: 25-20-00-20A	950951	RF
6	VIP720-1M		.LENS-LT SWITCH SUPPLIER CODE: V28406 SPECIFICATION NUMBER: S417N304-1M	950951	199
12	417N3100-424SP		.SERVICE UNIT ASSY- POSITION DATA: UNDERBIN ELECTRICAL EQUIP NUMBER: M03021 COMPONENT MAINT MANUAL REF: 25-23-34	950951	RF
18	417N3100-415SP		.SERVICE UNIT ASSY- POSITION DATA: UNDERBIN ELECTRICAL EQUIP NUMBER: M03012 COMPONENT MAINT MANUAL REF: 25-23-34	950951	RF
22	417N3100-538SP		.SERVICE UNIT ASSY- POSITION DATA: UNDERBIN ELECTRICAL EQUIP NUMBER: M03012 COMPONENT MAINT MANUAL REF: 25-23-36 QUALIFIED I/W DATA: I/W EXCEPT N/I FOR NC001-NC010	950951	RF
23	417N3100-537SP		.SERVICE UNIT ASSY- POSITION DATA: UNDERBIN ELECTRICAL EQUIP NUMBER: M03012 COMPONENT MAINT MANUAL REF: 25-23-36 QUALIFIED I/W DATA: I/W EXCEPT N/I FOR NC001NC010	950951	RF

MISSING ITEM NUMBERS NOT APPLICABLE

- ITEM NOT ILLUSTRATED

33-23-01-24

33-23-01
FIG. 24
PAGE 1
JAN 20/09

BRI



757

PARTS CATALOG (MAINTENANCE)

FIG ITEM	PART NUMBER	1 2 3 4 5 6 7	NOMENCLATURE	EFFECT FROM TO	UNITS PER ASSY
24					
27	417N3100-596SP	.	SERVICE UNIT ASSY- POSITION DATA: UNDERBIN ELECTRICAL EQUIP NUMBER: M03012 COMPONENT MAINT MANUAL REF: 25-23-34	950951	RF
28	417N3100-595SP	.	SERVICE UNIT ASSY- POSITION DATA: UNDERBIN ELECTRICAL EQUIP NUMBER: M03012 COMPONENT MAINT MANUAL REF: 25-23-34	950951	RF
30	10-1006-2	..	LIGHT ASSY-READING SUPPLIER CODE: V72914 SPECIFICATION NUMBER: S417N302-2 COMPONENT MAINT MANUAL REF: 33-23-05 USED ON: 417N3100-415SP 417N3100-537SP 417N3100-595SP FOR DETAILS SEE: 33-23-01-95	950951	1
35	10-1006-1	..	LIGHT ASSY-READING SUPPLIER CODE: V72914 SPECIFICATION NUMBER: S417N302-1 COMPONENT MAINT MANUAL REF: 33-23-05 USED ON: 417N3100-424SP 417N3100-538SP 417N3100-543SP 417N3100-596SP FOR DETAILS SEE: 33-23-01-95	950951	1
- 40	NAS43DD3-20	..	SPACER	950951	4
- 45	BACN10YJ08	..	NUT	950951	4
			-----*-----		

MISSING ITEM NUMBERS NOT APPLICABLE

- ITEM NOT ILLUSTRATED

33-23-01-24

33-23-01
FIG. 24
PAGE 2
JAN 20/09

BRI



757

PARTS CATALOG (MAINTENANCE)

FIG ITEM	PART NUMBER	1 2 3 4 5 6 7	NOMENCLATURE	EFFECT FROM TO	UNITS PER ASSY
24 70	920056		..SWITCH-READING LT SUPPLIER CODE: V07150 ELECTRICAL EQUIP NUMBER: S10273 210274 210275	950951	3
70	SW43346		..SWITCH-READING LT SUPPLIER CODE: V07150 ELECTRICAL EQUIP NUMBER: S10273 210274 210275	950951	3
75	417N3200-62SP		.SERVICE UNIT ASSY- POSITION DATA: OVERDOOR ELECTRICAL EQUIP NUMBER: M03012 COMPONENT MAINT MANUAL REF: 35-21-04	950951	RF
80	10-1006-4		..LIGHT ASSY-READING SUPPLIER CODE: V72914 SPECIFICATION NUMBER: S417N302-4 COMPONENT MAINT MANUAL REF: 33-23-05 FOR DETAILS SEE: 33-23-01-96 ATTACHING PARTS	950951	1
- 85	BACN10YJ08		..NUT -----*-----	950951	4
110	920056		..SWITCH-READING LT SUPPLIER CODE: V07150 ELECTRICAL EQUIP NUMBER: S10288 S10289	950951	2
110	SW43346		..SWITCH-READING LT SUPPLIER CODE: V07150 ELECTRICAL EQUIP NUMBER: S10288 S10289	950951	2

MISSING ITEM NUMBERS NOT APPLICABLE

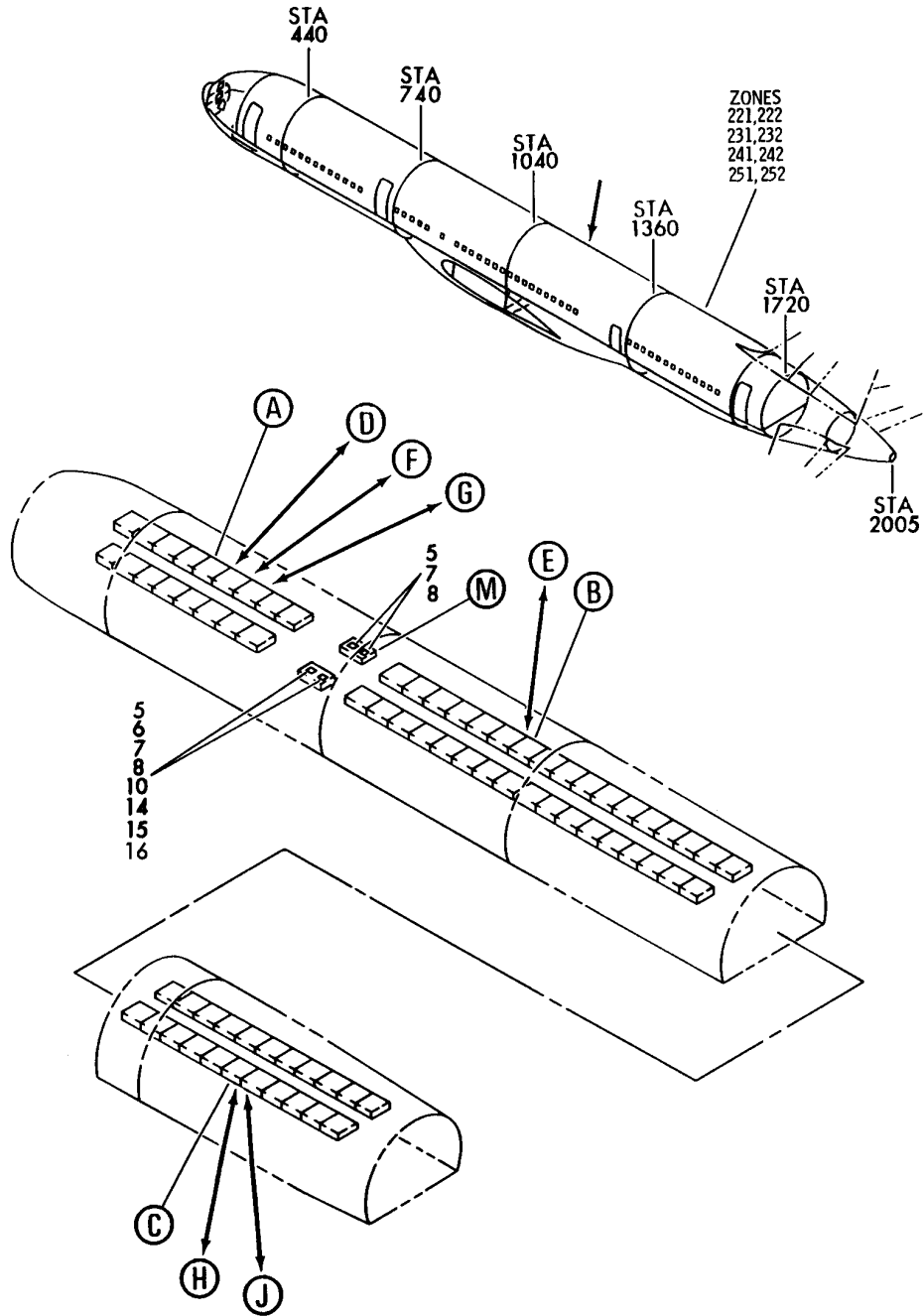
- ITEM NOT ILLUSTRATED

33-23-01-24

33-23-01
FIG. 24
PAGE 3
JAN 20/09

BRI

BOEING
757
PARTS CATALOG (MAINTENANCE)



Y 33230127 SHT 1 REV 244

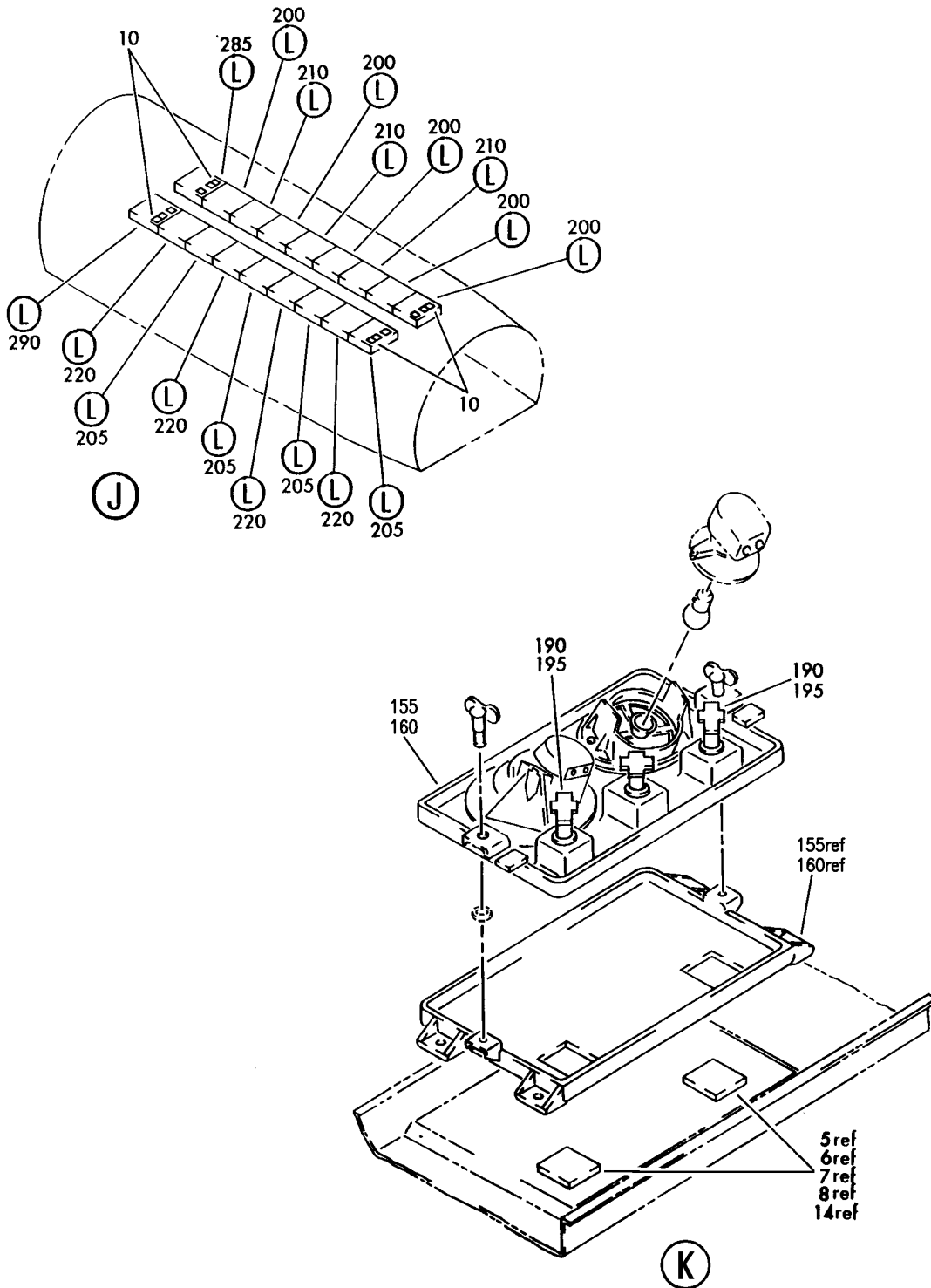
SERVICE UNIT INSTL-PASS. (PASSENGER READING LIGHTS ONLY)
FIGURE 27 (SHEET 1)

33-23-01-27

BRI
MAY 28/07

33-23-01-27
PAGE 0

BOEING
757
PARTS CATALOG (MAINTENANCE)



Y 33230127 SHT 5 REV 253

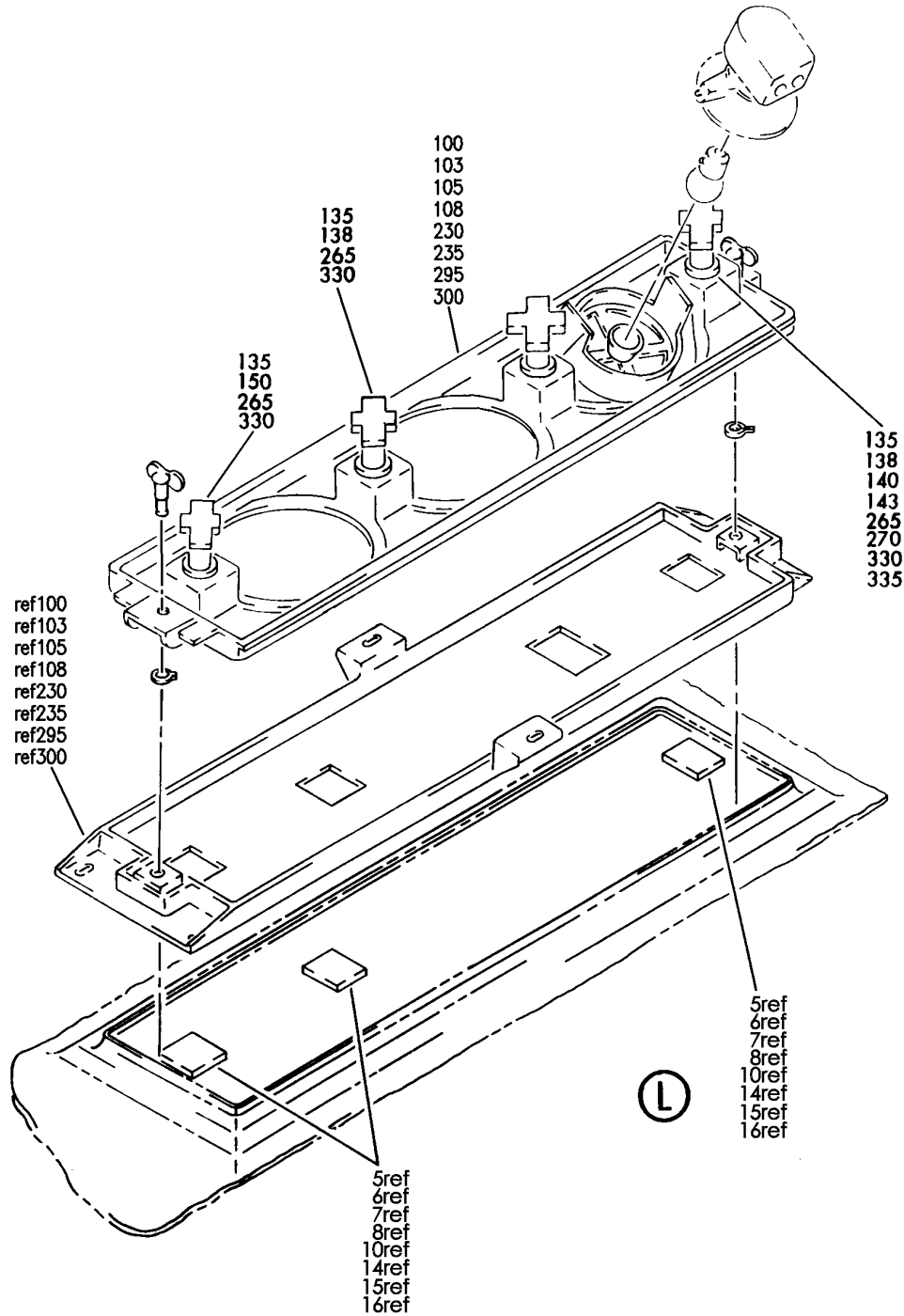
SERVICE UNIT INSTL-PASS. (PASSENGER READING LIGHTS ONLY)
FIGURE 27 (SHEET 5)

33-23-01-27

BRI
MAY 28/07

33-23-01-27
PAGE 0D

BOEING
757
PARTS CATALOG (MAINTENANCE)



Y 33230127 SHT 6 REV 253

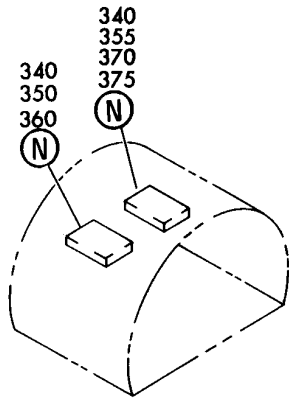
SERVICE UNIT INSTL-PASS. (PASSENGER READING LIGHTS ONLY)
FIGURE 27 (SHEET 6)

33-23-01-27

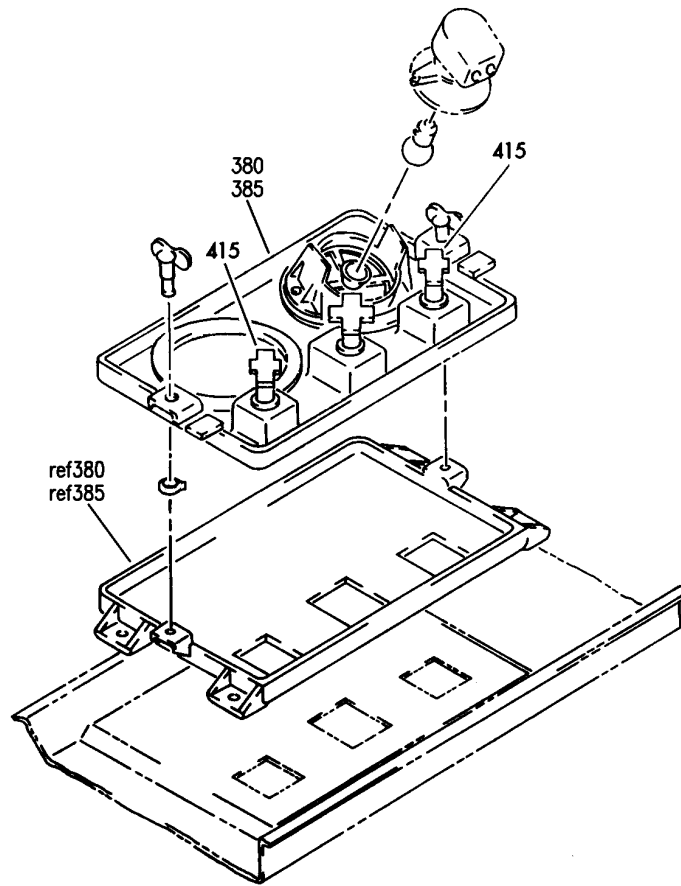
BRI
MAY 28/07

33-23-01-27
PAGE 0E

BOEING
757
PARTS CATALOG (MAINTENANCE)



(M)



(N)

Y 33230127 SH1 7 REV 253

SERVICE UNIT INSTL-PASS. (PASSENGER READING LIGHTS ONLY)
FIGURE 27 (SHEET 7)

33-23-01-27

BRI
MAY 28/07

33-23-01-27
PAGE OF



757

PARTS CATALOG (MAINTENANCE)

FIG ITEM	PART NUMBER	1 2 3 4 5 6 7	NOMENCLATURE	EFFECT FROM TO	UNITS PER ASSY
27			SERVICE UNIT INSTL-PASS. (PASSENGER READING LIGHTS ONLY)	002004 006100 952999	
- 1	417N3001-132		SERVICE UNIT INSTL-PASS. (PASSENGER READING LIGHTS ONLY) FOR NHA/OTHER SYS DET SEE: 25-20-00-20A	952952	RF
- 1	417N3001-88		SERVICE UNIT INSTL-PASS. (PASSENGER READING LIGHTS ONLY) FOR NHA/OTHER SYS DET SEE: 25-20-00-20A	002004	RF
- 1	417N3001-155		SERVICE UNIT INSTL-PASS. (PASSENGER READING LIGHTS ONLY) FOR NHA/OTHER SYS DET SEE: 25-20-00-20A	953999	RF
- 1	417N3001-157		SERVICE UNIT INSTL-PASS. (PASSENGER READING LIGHTS ONLY) FOR NHA/OTHER SYS DET SEE: 25-20-00-20A	006010	RF
7	VIP720-1M		.LENS-LIGHT SWITCH SUPPLIER CODE: V28406 SPECIFICATION NUMBER: S417N304-1M	002004 006100	239
15	VIP720-1M		.LENS-LIGHT SWITCH SUPPLIER CODE: V28406 SPECIFICATION NUMBER: S417N304-1M	952999	218
52	417N3100-444SP		.SERVICE UNIT ASSY-PASS. POSITION DATA: UNDERBIN COMPONENT MAINT MANUAL REF: 25-23-30	002004 006100	RF
57	417N3100-539SP		.SERVICE UNIT ASSY-PASS. POSITION DATA: UNDERBIN COMPONENT MAINT MANUAL REF: 25-23-33	002004 006100	RF
62	417N3100-427SP		.SERVICE UNIT ASSY-PASS. POSITION DATA: UNDERBIN COMPONENT MAINT MANUAL REF: 25-23-33	002004 006100	RF

MISSING ITEM NUMBERS NOT APPLICABLE

- ITEM NOT ILLUSTRATED

33-23-01-27

33-23-01
FIG. 27
PAGE 1
JAN 20/09

BRI



757

PARTS CATALOG (MAINTENANCE)

FIG ITEM	PART NUMBER	1 2 3 4 5 6 7	NOMENCLATURE	EFFECT FROM TO	UNITS PER ASSY
27 62A	417N3100-425SP		.SERVICE UNIT ASSY-PASS. POSITION DATA: UNDERBIN COMPONENT MAINT MANUAL REF: 25-23-33	002004 006100	RF
63	417N3100-426SP		.SERVICE UNIT ASSY-PASS. POSITION DATA: UNDERBIN COMPONENT MAINT MANUAL REF: 25-23-34	952999	RF
64	417N3100-506SP		.SERVICE UNIT ASSY-PASS. POSITION DATA: UNDERBIN COMPONENT MAINT MANUAL REF: 25-23-37	952999	RF
67	417N3100-505SP		.SERVICE UNIT ASSY-PASS. POSITION DATA: UNDERBIN COMPONENT MAINT MANUAL REF: 25-23-37	002004 006100	RF
68	417N3100-428SP		.SERVICE UNIT ASSY-PASS. POSITION DATA: UNDERBIN COMPONENT MAINT MANUAL REF: 25-23-34	952999	RF
68	417N3100-296SP		.SERVICE UNIT ASSY-PASS. POSITION DATA: UNDERBIN COMPONENT MAINT MANUAL REF: 25-23-34	952999	RF
72	417N3100-540SP		.SERVICE UNIT ASSY-PASS. POSITION DATA: UNDERBIN COMPONENT MAINT MANUAL REF: 25-23-33	002004 006100	RF
73	417N3100-419SP		.SERVICE UNIT ASSY-PASS. POSITION DATA: UNDERBIN COMPONENT MAINT MANUAL REF: 25-23-34	952999	RF
77	417N3100-508SP		.SERVICE UNIT ASSY-PASS. POSITION DATA: UNDERBIN COMPONENT MAINT MANUAL REF: 25-23-37	002004 006100	RF

MISSING ITEM NUMBERS NOT APPLICABLE

- ITEM NOT ILLUSTRATED

33-23-01-27

33-23-01
FIG. 27
PAGE 2
JAN 20/09

BRI



757

PARTS CATALOG (MAINTENANCE)

FIG ITEM	PART NUMBER	1 2 3 4 5 6 7	NOMENCLATURE	EFFECT FROM TO	UNITS PER ASSY
27					
78	417N3100-421SP	.	SERVICE UNIT ASSY-PASS. POSITION DATA: UNDERBIN COMPONENT MAINT MANUAL REF: 25-23-34	952999	RF
79	417N3100-538SP	.	SERVICE UNIT ASSY-PASS. POSITION DATA: UNDERBIN COMPONENT MAINT MANUAL REF: 25-23-36 QUALIFIED I/W DATA: I/W EXCEPT N/I FOR NCO01-NC010	952999	RF
82	417N3100-442SP	.	SERVICE UNIT ASSY-PASS. POSITION DATA: UNDERBIN COMPONENT MAINT MANUAL REF: 25-23-33	002004 006100	RF
85	417N3100-537SP	.	SERVICE UNIT ASSY-PASS. POSITION DATA: UNDERBIN COMPONENT MAINT MANUAL REF: 25-23-36 QUALIFIED I/W DATA: I/W EXCEPT N/I FOR NCO01NC010	952999	RF
93	417N3100-596SP	.	SERVICE UNIT ASSY-PASS. POSITION DATA: UNDERBIN COMPONENT MAINT MANUAL REF: 25-23-34	952999	RF
98	417N3100-595SP	.	SERVICE UNIT ASSY-PASS. POSITION DATA: UNDERBIN COMPONENT MAINT MANUAL REF: 25-23-34	952999	RF

MISSING ITEM NUMBERS NOT APPLICABLE

- ITEM NOT ILLUSTRATED

33-23-01-27

33-23-01
FIG. 27
PAGE 3
JAN 20/09

BRI



757

PARTS CATALOG (MAINTENANCE)

FIG ITEM	PART NUMBER	1 2 3 4 5 6 7	NOMENCLATURE	EFFECT FROM TO	UNITS PER ASSY
27 100	10-1006-1		..LIGHT ASSY-READING SUPPLIER CODE: V72914 SPECIFICATION NUMBER: S417N302-1 COMPONENT MAINT MANUAL REF: 33-23-05 USED ON: 417N3100-425SP 417N3100-427SP 417N3100-505SP 417N3100-539SP FOR DETAILS SEE: 33-23-01-95	002004 006100	1
100	10-1006-1		..LIGHT ASSY-READING SUPPLIER CODE: V72914 SPECIFICATION NUMBER: S417N302-1 COMPONENT MAINT MANUAL REF: 33-23-05 USED ON: 417N3100-537SP FOR DETAILS SEE: 33-23-01-95	952999	1
103	10-1006-1		..LIGHT ASSY-READING SUPPLIER CODE: V72914 SPECIFICATION NUMBER: S417N302-1 COMPONENT MAINT MANUAL REF: 33-23-05 USED ON: 417N3100-419SP 417N3100-421SP 417N3100-595SP FOR DETAILS SEE: 33-23-01-95	952999	1

MISSING ITEM NUMBERS NOT APPLICABLE

- ITEM NOT ILLUSTRATED

33-23-01-27

33-23-01
FIG. 27
PAGE 4
JAN 20/09

BRI



757

PARTS CATALOG (MAINTENANCE)

FIG ITEM	PART NUMBER	1 2 3 4 5 6 7	NOMENCLATURE	EFFECT FROM TO	UNITS PER ASSY
27 105	10-1006-2		..LIGHT ASSY-READING SUPPLIER CODE: V72914 SPECIFICATION NUMBER: S417N302-2 COMPONENT MAINT MANUAL REF: 33-23-05 USED ON: 417N3100-442SP 417N3100-444SP 417N3100-508SP 417N3100-540SP FOR DETAILS SEE: 33-23-01-95	002004 006100	1
105	10-1006-2		..LIGHT ASSY-READING SUPPLIER CODE: V72914 SPECIFICATION NUMBER: S417N302-2 COMPONENT MAINT MANUAL REF: 33-23-05 USED ON: 417N3100-498SP 417N3100-508SP 417N3100-540SP FOR DETAILS SEE: 33-23-01-95	952999	1
105	10-1006-2		..LIGHT ASSY-READING SUPPLIER CODE: V72914 SPECIFICATION NUMBER: S417N302-2 COMPONENT MAINT MANUAL REF: 33-23-05 USED ON: 417N3100-428SP 417N3100-506SP 417N3100-596SP FOR DETAILS SEE: 33-23-01-95	952999	1
- 110	BACN10YJ08		ATTACHING PARTS ..NUT	002004 006100	4
- 110	BACN10YJ08		..NUT	952999	4
- 113	BACN10YJ08		..NUT	952999	4
- 113	BACN10YJ08		..NUT	952999	4
-----*-----					

MISSING ITEM NUMBERS NOT APPLICABLE

- ITEM NOT ILLUSTRATED

33-23-01-27

33-23-01
FIG. 27
PAGE 5
JAN 20/09

BRI



757

PARTS CATALOG (MAINTENANCE)

FIG ITEM	PART NUMBER	1 2 3 4 5 6 7	NOMENCLATURE	EFFECT FROM TO	UNITS PER ASSY
27					
135	920056	..	SWITCH-READING LT SUPPLIER CODE: V07150	002004 006100	3
135	920056	..	SWITCH-READING LT SUPPLIER CODE: V07150	952999	3
135	SW43346	..	SWITCH-READING LT SUPPLIER CODE: V07150	952999	3
135	SW43346	..	SWITCH-READING LT SUPPLIER CODE: V07150	002004 006100	3
138	920056	..	SWITCH-READING LT SUPPLIER CODE: V07150	952999	3
138	920056	..	SWITCH-READING LT SUPPLIER CODE: V07150	952999	3
138	SW43346	..	SWITCH-READING LT SUPPLIER CODE: V07150	952999	3
138	SW43346	..	SWITCH-READING LT SUPPLIER CODE: V07150	952999	3
140	S417N304-1M	..	LENS-LT SWITCH	952999	1
143	S417N304-1M	..	LENS-LT SWITCH	952999	1
143	S417N304-1M	..	LENS-LT SWITCH	952999	1
145	417N3700-22SP	.S	SERVICE UNIT ASSY- ATTENDANTS POSITION DATA: UNDERBIN	002004 006100	RF
150	417N3700-21SP	.S	SERVICE UNIT ASSY- ATTENDANTS POSITION DATA: UNDERBIN	002004 006100	RF
155	10-1006-5	..	LIGHT ASSY-READING SUPPLIER CODE: V72914 SPECIFICATION NUMBER: S417N302-5 COMPONENT MAINT MANUAL REF: 33-23-05 USED ON: 417N3700-21SP FOR DETAILS SEE: 33-23-01-96	002004 006100	1

MISSING ITEM NUMBERS NOT APPLICABLE

- ITEM NOT ILLUSTRATED

BRI

33-23-01-27

BOEING PROPRIETARY - Copyright © - Unpublished Work - See title page for details.

33-23-01
FIG. 27
PAGE 6
JAN 20/09



757

PARTS CATALOG (MAINTENANCE)

FIG ITEM	PART NUMBER	1 2 3 4 5 6 7	NOMENCLATURE	EFFECT FROM TO	UNITS PER ASSY
27 160	10-1006-6		..LIGHT ASSY-READING SUPPLIER CODE: V72914 SPECIFICATION NUMBER: S417N302-6 COMPONENT MAINT MANUAL REF: 33-23-05 USED ON: 417N3700-22SP FOR DETAILS SEE: 33-23-01-96 ATTACHING PARTS	002004 006100	1
- 165	BACN10YJ08		..NUT	002004 006100	4
			-----*-----		
190	920056		..SWITCH-READING LT SUPPLIER CODE: V07150 ELECTRICAL EQUIP NUMBER: S10291 S10331	002004 006100	2
190	SW43346		..SWITCH-READING LT SUPPLIER CODE: V07150 ELECTRICAL EQUIP NUMBER: S10291 S10331	002004 006100	2
195	S417N304-1M		..LENS-LT SWITCH	002004 006100	2
350	417N3200-62SP		.SERVICE UNIT ASSY-PASS. POSITION DATA: OVERDOOR COMPONENT MAINT MANUAL REF: 35-21-04	952999	RF
355	417N3200-77SP		.SERVICE UNIT ASSY-PASS. POSITION DATA: OVERDOOR COMPONENT MAINT MANUAL REF: 35-21-04	002004 006100	RF
360	417N3200-78SP		.SERVICE UNIT ASSY-PASS. POSITION DATA: OVERDOOR COMPONENT MAINT MANUAL REF: 35-21-04	002004 006100	RF

MISSING ITEM NUMBERS NOT APPLICABLE

- ITEM NOT ILLUSTRATED

33-23-01-27

33-23-01
FIG. 27
PAGE 7
JAN 20/09

BRI



757

PARTS CATALOG (MAINTENANCE)

FIG ITEM	PART NUMBER	1 2 3 4 5 6 7	NOMENCLATURE	EFFECT FROM TO	UNITS PER ASSY
27 380	10-1006-3		..LIGHT ASSY-READING SUPPLIER CODE: V72914 SPECIFICATION NUMBER: S417N302-3 COMPONENT MAINT MANUAL REF: 33-23-05 USED ON: 417N3200-77SP FOR DETAILS SEE: 33-23-01-96	002004 006100	1
385	10-1006-4		..LIGHT ASSY-READING SUPPLIER CODE: V72914 SPECIFICATION NUMBER: S417N302-4 COMPONENT MAINT MANUAL REF: 33-23-05 FOR DETAILS SEE: 33-23-01-96	952999	1
385	10-1006-4		..LIGHT ASSY-READING SUPPLIER CODE: V72914 SPECIFICATION NUMBER: S417N302-4 COMPONENT MAINT MANUAL REF: 33-23-05 USED ON: 417N3200-78SP FOR DETAILS SEE: 33-23-01-96	002004 006100	1
- 390	BACN10YJ08		ATTACHING PARTS ..NUT	002004 006100	4
- 390	BACN10YJ08		..NUT	952999	4
415	920056		-----*----- ..SWITCH-READING LT SUPPLIER CODE: V07150 ELECTRICAL EQUIP NUMBER: S10288 S10289	002004 006100	2
415	920056		..SWITCH-READING LT SUPPLIER CODE: V07150 ELECTRICAL EQUIP NUMBER: S10288 S10289	952999	2

MISSING ITEM NUMBERS NOT APPLICABLE

- ITEM NOT ILLUSTRATED

33-23-01-27

33-23-01
FIG. 27
PAGE 8
JAN 20/09

BRI



757

PARTS CATALOG (MAINTENANCE)

FIG ITEM	PART NUMBER	1 2 3 4 5 6 7	NOMENCLATURE	EFFECT FROM TO	UNITS PER ASSY
27 415	SW43346		.. SWITCH-READING LT SUPPLIER CODE: V07150 ELECTRICAL EQUIP NUMBER: S10288 S10289	002004 006100	2
415	SW43346		.. SWITCH-READING LT SUPPLIER CODE: V07150 ELECTRICAL EQUIP NUMBER: S10288 S10289	952999	2

MISSING ITEM NUMBERS NOT APPLICABLE

- ITEM NOT ILLUSTRATED

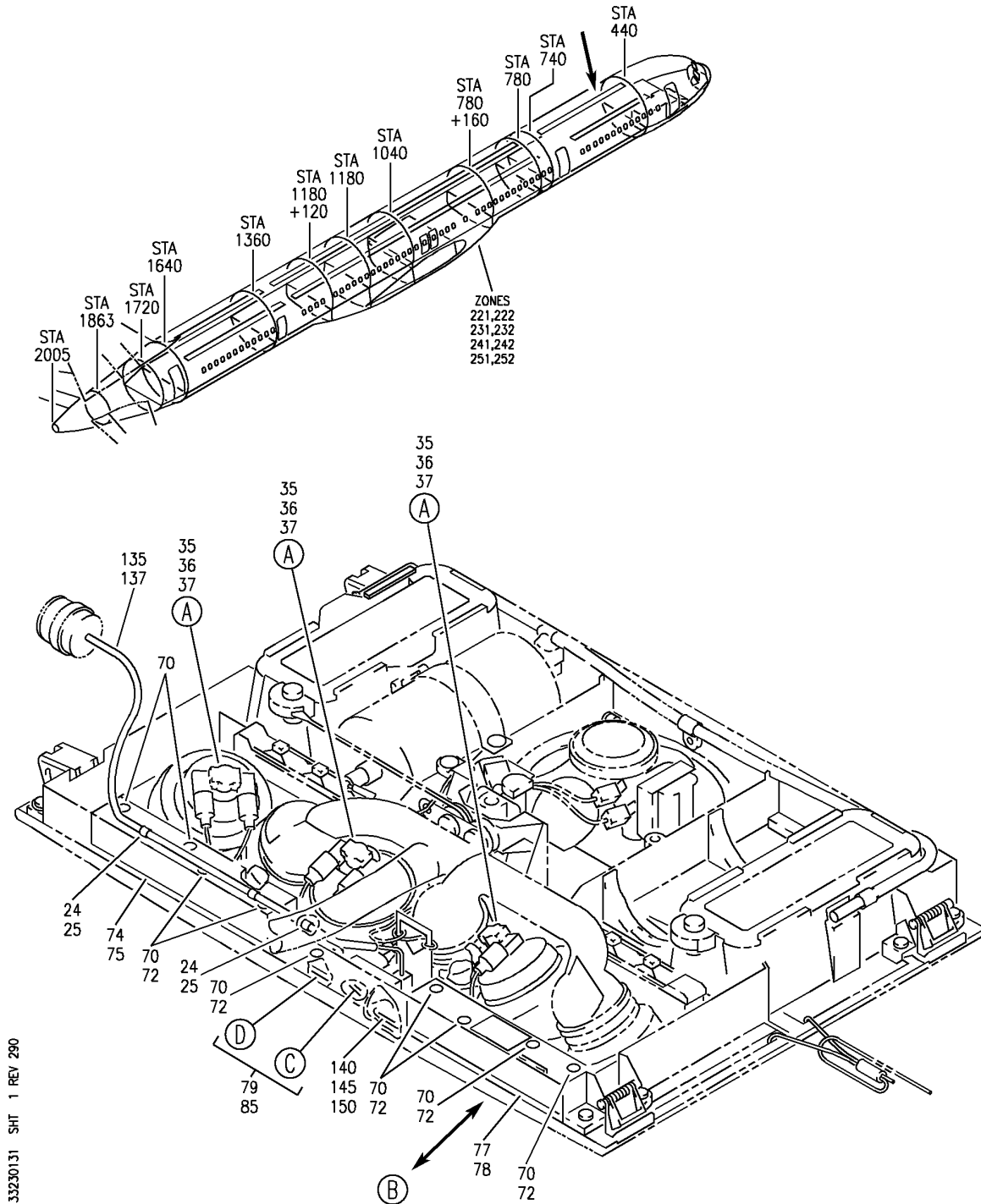
BRI

33-23-01-27

BOEING PROPRIETARY - Copyright © - Unpublished Work - See title page for details.

33-23-01
FIG. 27
PAGE 9
JAN 20/09

BOEING
757
PARTS CATALOG (MAINTENANCE)



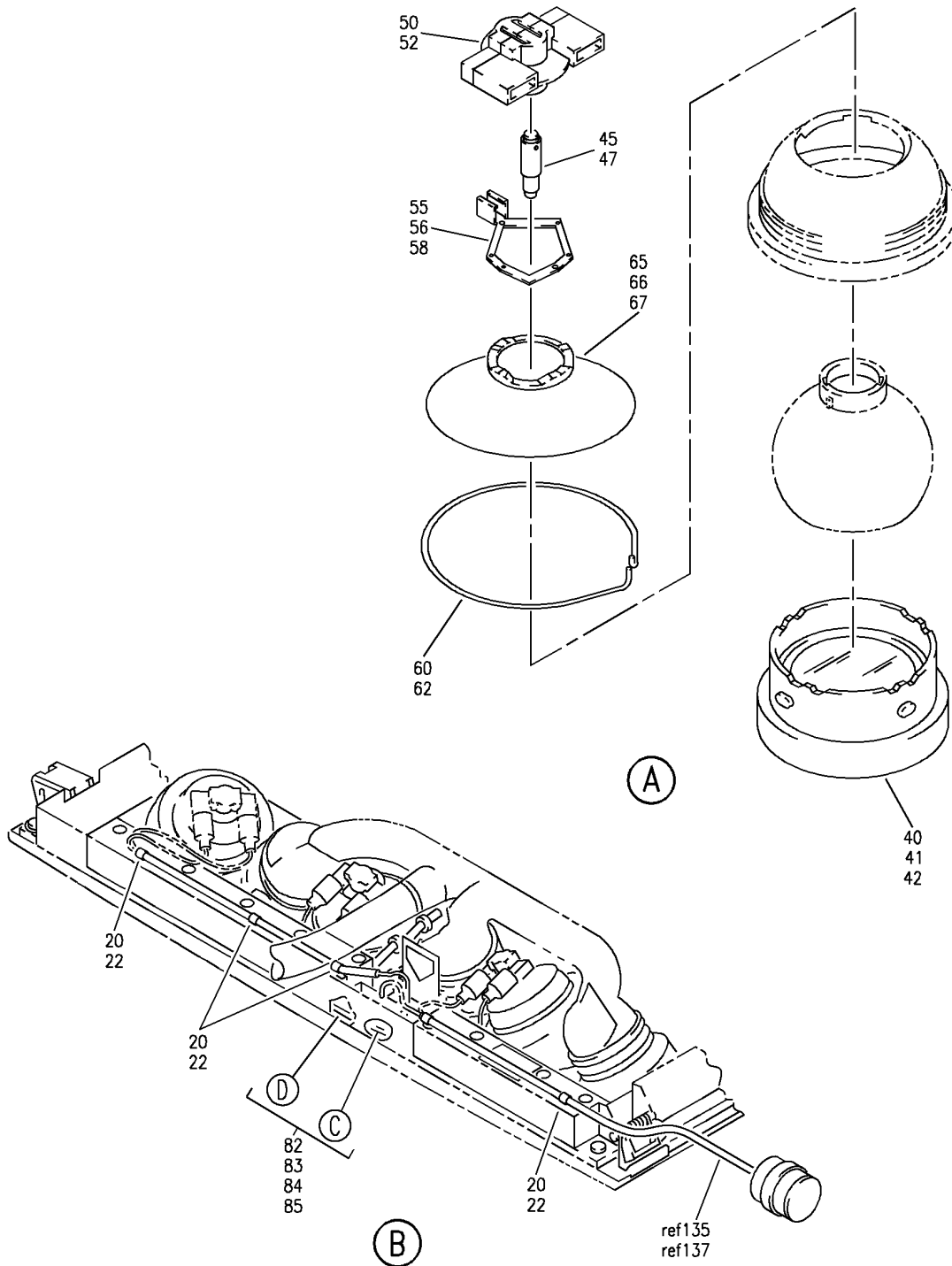
SERVICE UNIT ASSY-PASS. (PASSENGER READING LIGHTS ONLY)
FIGURE 31 (SHEET 1)

33-23-01-31

BRI
JAN 20/09

33-23-01-31
PAGE 0

BOEING
757
PARTS CATALOG (MAINTENANCE)



Y 33230131 SHT 2 REV 290

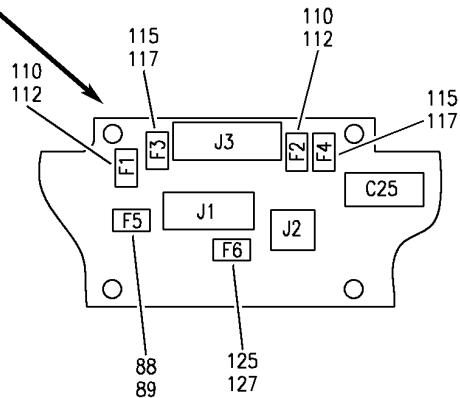
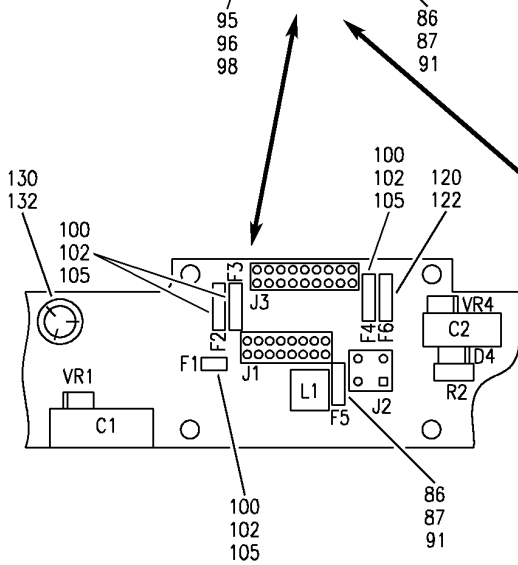
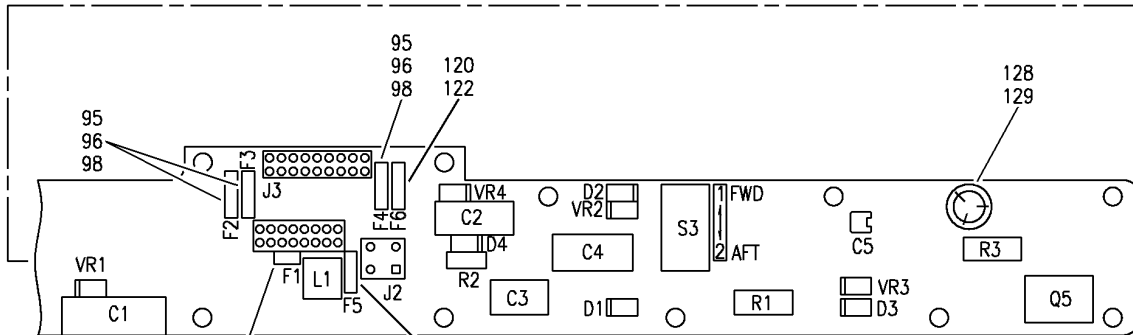
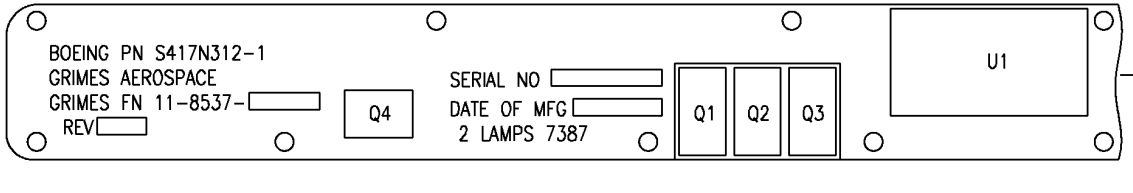
SERVICE UNIT ASSY-PASS. (PASSENGER READING LIGHTS ONLY)
FIGURE 31 (SHEET 2)

33-23-01-31

BRI
JAN 20/09

33-23-01-31
PAGE 0A

BOEING
757
PARTS CATALOG (MAINTENANCE)



(C)

Y 33230131 SHT 3 REV 290

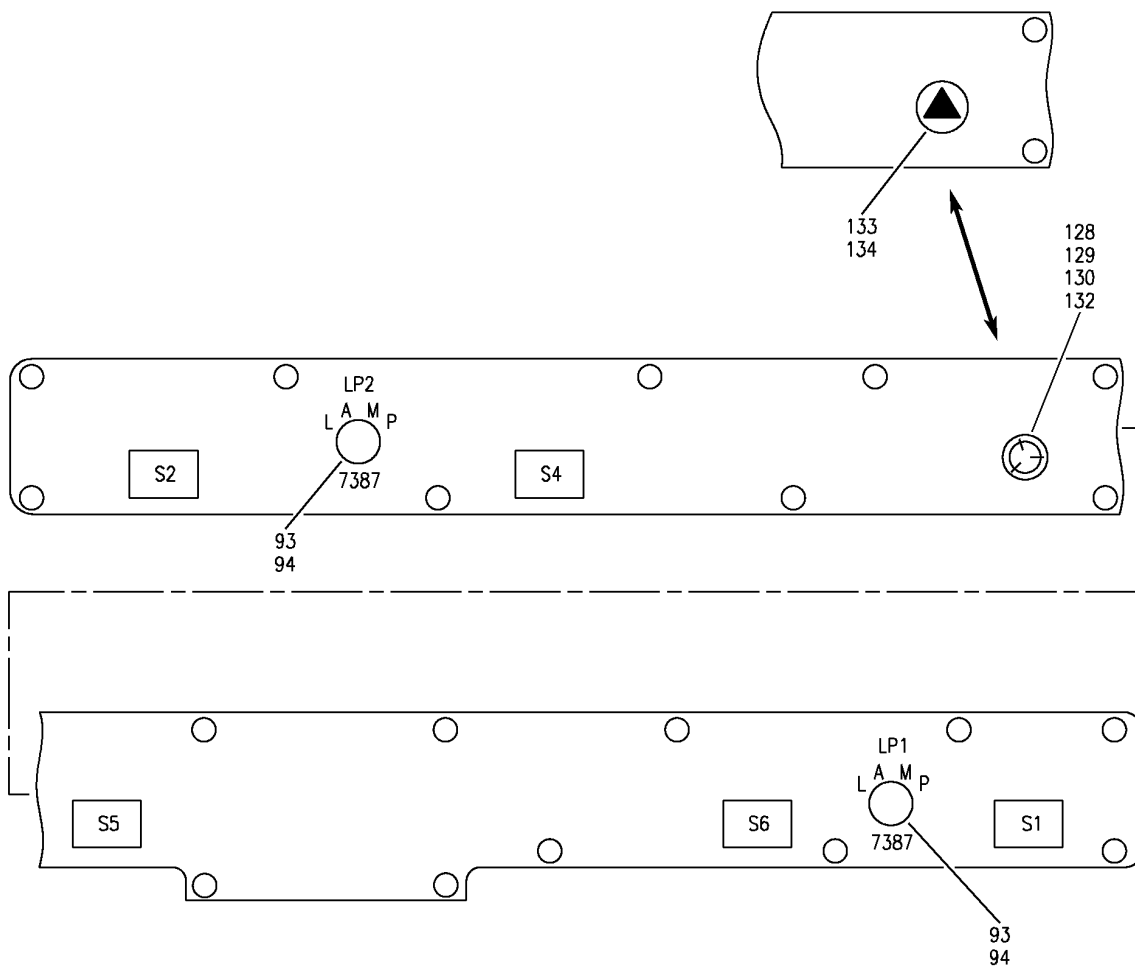
SERVICE UNIT ASSY-PASS. (PASSENGER READING LIGHTS ONLY)
FIGURE 31 (SHEET 3)

33-23-01-31

BRI
JAN 20/09

33-23-01-31
PAGE 0B

BOEING
757
PARTS CATALOG (MAINTENANCE)



(D)

Y 33230131 SHT 4 REV 290

SERVICE UNIT ASSY-PASS. (PASSENGER READING LIGHTS ONLY)
FIGURE 31 (SHEET 4)

33-23-01-31

BRI
JAN 20/09

33-23-01-31
PAGE 0C



757

PARTS CATALOG (MAINTENANCE)

FIG ITEM	PART NUMBER	1 2 3 4 5 6 7	NOMENCLATURE	EFFECT FROM TO	UNITS PER ASSY
31			SERVICE UNIT ASSY-PASS. (PASSENGER READING LIGHTS ONLY)	103106 108120	
- 5	417N3011-202SP		SERVICE UNIT ASSY-PASS. WITH SPKR AND GASPER (PASSENGER READING LIGHTS ONLY) POSITION DATA: RH ELECTRICAL EQUIP NUMBER: M10973 COMPONENT MAINT MANUAL REF: 25-23-38 FOR NHA/OTHER SYS DET SEE: 25-23-01-52B	103106	RF
- 5	417N3011-402SP		SERVICE UNIT ASSY-PASS. WITH SPKR AND GASPER (PASSENGER READING LIGHTS ONLY) POSITION DATA: RH ELECTRICAL EQUIP NUMBER: M10973 COMPONENT MAINT MANUAL REF: 25-23-38 FOR NHA/OTHER SYS DET SEE: 25-23-01-34A 25-23-01-52B 25-23-01-76A	103106 108120	RF
- 15	417N3011-214SP		SERVICE UNIT ASSY-PASS. NO SPKR WITH GASPER (PASSENGER READING LIGHTS ONLY) POSITION DATA: RH ELECTRICAL EQUIP NUMBER: M10973 COMPONENT MAINT MANUAL REF: 25-23-38 FOR NHA/OTHER SYS DET SEE: 25-23-01-52B	103106	RF

MISSING ITEM NUMBERS NOT APPLICABLE

- ITEM NOT ILLUSTRATED

33-23-01-31

33-23-01
FIG. 31
PAGE 1
JAN 20/09

BRI



757

PARTS CATALOG (MAINTENANCE)

FIG ITEM	PART NUMBER	1 2 3 4 5 6 7	NOMENCLATURE	EFFECT FROM TO	UNITS PER ASSY
31					
- 15	417N3011-414SP		SERVICE UNIT ASSY-PASS. NO SPKR WITH GASPER (PASSENGER READING LIGHTS ONLY) POSITION DATA: RH ELECTRICAL EQUIP NUMBER: M10973 COMPONENT MAINT MANUAL REF: 25-23-38 FOR NHA/OTHER SYS DET SEE: 25-23-01-34A 25-23-01-52B 25-23-01-76A	103106 108120	RF
25	PLT2MM2		.STRAP- SUPPLIER CODE: V06383 OPTIONAL PART: PLT2MM V06383	108120	AR
25	PLT2MM2		.STRAP- SUPPLIER CODE: V06383 OPTIONAL PART: PLT2MM V06383	105106	AR
25	PLT2MM2		.STRAP- SUPPLIER CODE: V06383 OPTIONAL PART: PLT2MM V06383	103104	AR
- 30	PLT2MM		.STRAP- SUPPLIER CODE: V06383 OPTIONAL PART: PLT2MM2 V06383	108120	AR
- 30	PLT2MM		.STRAP- SUPPLIER CODE: V06383 OPTIONAL PART: PLT2MM2 V06383	105106	AR

MISSING ITEM NUMBERS NOT APPLICABLE

- ITEM NOT ILLUSTRATED

33-23-01-31

33-23-01
FIG. 31
PAGE 2
JAN 20/09

BRI



757

PARTS CATALOG (MAINTENANCE)

FIG ITEM	PART NUMBER	1 2 3 4 5 6 7	NOMENCLATURE	EFFECT FROM TO	UNITS PER ASSY
31					
- 30	PLT2MM		. STRAP- SUPPLIER CODE: V06383 OPTIONAL PART: PLT2MM2 V06383	103104	AR
35	10-1581-5G		. LIGHT ASSY-READING SUPPLIER CODE: V72914 SPECIFICATION NUMBER: S417N311-5G COMPONENT MAINT MANUAL REF: 33-20-65	105106	3
35	10-1581-5G		. LIGHT ASSY-READING SUPPLIER CODE: V72914 SPECIFICATION NUMBER: S417N311-5G COMPONENT MAINT MANUAL REF: 33-20-65	103104	3
36	10-1581-5B		. LIGHT ASSY-READING SUPPLIER CODE: V72914 SPECIFICATION NUMBER: S417N311-5B COMPONENT MAINT MANUAL REF: 33-20-65	108120	3
40	11-6557-5G		.. BEZEL- SUPPLIER CODE: V72914	105106	1
40	11-6557-5G		.. BEZEL- SUPPLIER CODE: V72914	103104	1
41	11-6557-5B		.. BEZEL- SUPPLIER CODE: V72914	108120	1
45	9204		.. BULB- SUPPLIER CODE: V68045	108120	1
45	9204		.. BULB- SUPPLIER CODE: V68045	105106	1
45	9204		.. BULB- SUPPLIER CODE: V68045	103104	1
50	11-6555-1		.. LAMPHOLDER- SUPPLIER CODE: V72914	108120	1

MISSING ITEM NUMBERS NOT APPLICABLE

- ITEM NOT ILLUSTRATED

33-23-01-31

33-23-01
FIG. 31
PAGE 3
JAN 20/09

BRI



757

PARTS CATALOG (MAINTENANCE)

FIG ITEM	PART NUMBER	1 2 3 4 5 6 7	NOMENCLATURE	EFFECT FROM TO	UNITS PER ASSY
31					
50	11-6555-1	..	LAMPHOLDER- SUPPLIER CODE: V72914	105106	1
50	11-6555-1	..	LAMPHOLDER- SUPPLIER CODE: V72914	103104	1
55	60-4745-1	..	WASHER- SUPPLIER CODE: V72914 CONFIG CHG DATA FROM A CMM: SUPSD BY 60-4745-9	108120	1
55	60-4745-9	..	WASHER- SUPPLIER CODE: V72914 CONFIG CHG DATA FROM A CMM: SUPSDS 60-4745-1	108120	1
55	60-4745-1	..	WASHER- SUPPLIER CODE: V72914 CONFIG CHG DATA FROM A CMM: SUPSD BY 60-4745-9	105106	1
55	60-4745-9	..	WASHER- SUPPLIER CODE: V72914 CONFIG CHG DATA FROM A CMM: SUPSDS 60-4745-1	105106	1
55	60-4745-1	..	WASHER- SUPPLIER CODE: V72914 CONFIG CHG DATA FROM A CMM: SUPSD BY 60-4745-9	103104	1
56	60-4745-9	..	WASHER- SUPPLIER CODE: V72914 CONFIG CHG DATA FROM A CMM: SUPSDS 60-4745-1	103104	1
60	60-4853-1	..	RING-RETAINING SUPPLIER CODE: V72914	108120	1
60	60-4853-1	..	RING-RETAINING SUPPLIER CODE: V72914	105106	1
60	60-4853-1	..	RING-RETAINING SUPPLIER CODE: V72914	103104	1
65	11-6510-3G	..	RETAINER- SUPPLIER CODE: V72914	105106	1

MISSING ITEM NUMBERS NOT APPLICABLE

- ITEM NOT ILLUSTRATED

33-23-01-31

33-23-01
FIG. 31
PAGE 4
JAN 20/09

BRI



757

PARTS CATALOG (MAINTENANCE)

FIG ITEM	PART NUMBER	1 2 3 4 5 6 7	NOMENCLATURE	EFFECT FROM TO	UNITS PER ASSY
31					
65	11-6510-3G		..RETAINER- SUPPLIER CODE: V72914	103104	1
66	11-6510-3B		..RETAINER- SUPPLIER CODE: V72914	108120	1
70	NAS600-14P		.SCREW	108120	9
70	NAS600-14P		.SCREW	105106	9
70	NAS600-14P		.SCREW	103104	9
75	417N3035-3		.SHROUD	108120	1
75	417N3035-3		.SHROUD	105106	1
75	417N3035-3		.SHROUD	103104	1
77	417N3035-4		.SHROUD	108120	1
77	417N3035-4		.SHROUD	105106	1
77	417N3035-4		.SHROUD	103104	1
83	11-6537-9		.MODULE ASSY-SWITCH SUPPLIER CODE: V72914 SPECIFICATION NUMBER: S417N312-13 COMPONENT MAINT MANUAL REF: 33-21-42 USED ON: 417N3011-402SP 417N3011-414SP	105106	1
83	11-6537-9		.MODULE ASSY-SWITCH SUPPLIER CODE: V72914 SPECIFICATION NUMBER: S417N312-13 COMPONENT MAINT MANUAL REF: 33-21-42 USED ON: 417N3011-202SP 417N3011-214SP 417N3011-314SP	105106	1
83	11-6537-1		.MODULE ASSY-SWITCH SUPPLIER CODE: V72914 SPECIFICATION NUMBER: S417N312-1 COMPONENT MAINT MANUAL REF: 33-21-42 OPTIONAL PART: 11-6537-3 V72914 11-6537-5 V72914	105106	1

MISSING ITEM NUMBERS NOT APPLICABLE

- ITEM NOT ILLUSTRATED

33-23-01-31

33-23-01
FIG. 31
PAGE 5
JAN 20/09

BRI



757

PARTS CATALOG (MAINTENANCE)

FIG ITEM	PART NUMBER	1 2 3 4 5 6 7	NOMENCLATURE	EFFECT FROM TO	UNITS PER ASSY
31 83	11-6537-3		.MODULE ASSY-SWITCH SUPPLIER CODE: V72914 SPECIFICATION NUMBER: S417N312-1 COMPONENT MAINT MANUAL REF: 33-21-42 OPTIONAL PART: 11-6537-1 V72914 11-6537-5 V72914	105106	1
83	11-6537-5		.MODULE ASSY-SWITCH SUPPLIER CODE: V72914 SPECIFICATION NUMBER: S417N312-1 COMPONENT MAINT MANUAL REF: 33-21-42 OPTIONAL PART: 11-6537-1 V72914 11-6537-3 V72914	105106	1
83	11-6537-7		.MODULE ASSY-SWITCH SUPPLIER CODE: V72914 SPECIFICATION NUMBER: S417N312-11 COMPONENT MAINT MANUAL REF: 33-21-42	105106	1
83	11-6537-9		.MODULE ASSY-SWITCH SUPPLIER CODE: V72914 SPECIFICATION NUMBER: S417N312-13 COMPONENT MAINT MANUAL REF: 33-21-42 USED ON: 417N3011-402SP 417N3011-414SP	103104	1

MISSING ITEM NUMBERS NOT APPLICABLE

- ITEM NOT ILLUSTRATED

33-23-01-31

33-23-01
FIG. 31
PAGE 6
JAN 20/09

BRI



757

PARTS CATALOG (MAINTENANCE)

FIG ITEM	PART NUMBER	1 2 3 4 5 6 7	NOMENCLATURE	EFFECT FROM TO	UNITS PER ASSY
31 83	11-6537-9		.MODULE ASSY-SWITCH SUPPLIER CODE: V72914 SPECIFICATION NUMBER: S417N312-13 COMPONENT MAINT MANUAL REF: 33-21-42 USED ON: 417N3011-202SP 417N3011-214SP 417N3011-314SP	103104	1
83	11-6537-1		.MODULE ASSY-SWITCH SUPPLIER CODE: V72914 SPECIFICATION NUMBER: S417N312-1 COMPONENT MAINT MANUAL REF: 33-21-42 OPTIONAL PART: 11-6537-3 V72914 11-6537-5 V72914	103104	1
83	11-6537-3		.MODULE ASSY-SWITCH SUPPLIER CODE: V72914 SPECIFICATION NUMBER: S417N312-1 COMPONENT MAINT MANUAL REF: 33-21-42 OPTIONAL PART: 11-6537-1 V72914 11-6537-5 V72914	103104	1
83	11-6537-5		.MODULE ASSY-SWITCH SUPPLIER CODE: V72914 SPECIFICATION NUMBER: S417N312-1 COMPONENT MAINT MANUAL REF: 33-21-42 OPTIONAL PART: 11-6537-1 V72914 11-6537-3 V72914	103104	1

MISSING ITEM NUMBERS NOT APPLICABLE

- ITEM NOT ILLUSTRATED

33-23-01-31

33-23-01
FIG. 31
PAGE 7
JAN 20/09

BRI



757

PARTS CATALOG (MAINTENANCE)

FIG ITEM	PART NUMBER	1 2 3 4 5 6 7	NOMENCLATURE	EFFECT FROM TO	UNITS PER ASSY
31					
83	11-6537-7		.MODULE ASSY-SWITCH SUPPLIER CODE: V72914 SPECIFICATION NUMBER: S417N312-11 COMPONENT MAINT MANUAL REF: 33-21-42	103104	1
83	11-6537-9		.MODULE ASSY-SWITCH SUPPLIER CODE: V72914 SPECIFICATION NUMBER: S417N312-13 COMPONENT MAINT MANUAL REF: 33-21-42	108120	1
83	11-6537-1		.MODULE ASSY-SWITCH SUPPLIER CODE: V72914 SPECIFICATION NUMBER: S417N312-1 COMPONENT MAINT MANUAL REF: 33-21-42 OPTIONAL PART: 11-6537-3 V72914 11-6537-5 V72914	108120	1
83	11-6537-3		.MODULE ASSY-SWITCH SUPPLIER CODE: V72914 SPECIFICATION NUMBER: S417N312-1 COMPONENT MAINT MANUAL REF: 33-21-42 OPTIONAL PART: 11-6537-1 V72914 11-6537-5 V72914	108120	1

MISSING ITEM NUMBERS NOT APPLICABLE

- ITEM NOT ILLUSTRATED

BRI

33-23-01-31

BOEING PROPRIETARY - Copyright © - Unpublished Work - See title page for details.

33-23-01
FIG. 31
PAGE 8
JAN 20/09

 **BOEING**
757
PARTS CATALOG (MAINTENANCE)

FIG ITEM	PART NUMBER	1 2 3 4 5 6 7	NOMENCLATURE	EFFECT FROM TO	UNITS PER ASSY
31					
83	11-6537-5		.MODULE ASSY-SWITCH SUPPLIER CODE: V72914 SPECIFICATION NUMBER: S417N312-1 COMPONENT MAINT MANUAL REF: 33-21-42 OPTIONAL PART: 11-6537-1 V72914 11-6537-3 V72914	108120	1
83	11-6537-7		.MODULE ASSY-SWITCH SUPPLIER CODE: V72914 SPECIFICATION NUMBER: S417N312-11 COMPONENT MAINT MANUAL REF: 33-21-42	108120	1
86	273005		.. FUSE-5A 125V (F5) SUPPLIER CODE: V75915 USED ON: 11-6537-7	108120	1
86	273005		.. FUSE-5A 125V (F5) SUPPLIER CODE: V75915 USED ON: 11-6537-7	105106	1
86	273005		.. FUSE-5A 125V (F5) SUPPLIER CODE: V75915 USED ON: 11-6537-7	103104	1
86	255005		.. FUSE-5A 125V (F5) SUPPLIER CODE: V75915 USED ON: 11-6537-1 11-6537-3 11-6537-5	108120	1
87	255005		.. FUSE-5A 125V (F5) SUPPLIER CODE: V75915 USED ON: 11-6537-1 11-6537-3 11-6537-5	105106	1

MISSING ITEM NUMBERS NOT APPLICABLE

— ITEM NOT ILLUSTRATED

BRI

33-23-01-31

BOEING PROPRIETARY - Copyright © - Unpublished Work - See title page for details.

33-23-01
FIG. 31
PAGE 9
JAN 20/09



757

PARTS CATALOG (MAINTENANCE)

FIG ITEM	PART NUMBER	1 2 3 4 5 6 7	NOMENCLATURE	EFFECT FROM TO	UNITS PER ASSY
31					
87	255005	..	FUSE-5A 125V (F5) SUPPLIER CODE: V75915 USED ON: 11-6537-1 11-6537-3 11-6537-5	103104	1
88	154005	..	FUSE-5A 125V (F5) SUPPLIER CODE: V72914 USED ON: 11-6537-9	108120	1
88	154005	..	FUSE-5A 125V (F5) SUPPLIER CODE: V72914 USED ON: 11-6537-9	105106	1
88	154005	..	FUSE-5A 125V (F5) SUPPLIER CODE: V72914 USED ON: 11-6537-9	103104	1
93	0L387BPGPL	..	LAMP-LP1 AND LP2 SUPPLIER CODE: VS3774	108120	2
93	0L387BPGPL	..	LAMP-LP1 AND LP2 SUPPLIER CODE: VS3774	105106	2
93	0L387BPGPL	..	LAMP-LP1 AND LP2 SUPPLIER CODE: VS3774	103104	2
95	25502	..	FUSE-2A 125V (F1-F4) SUPPLIER CODE: V72914 CONFIG CHG DATA FROM A CMM: SUPSD BY 275002 USED ON: 11-6537-1 11-6537-3	108120	4
95	275002	..	FUSE-2A 125V (F1-F4) SUPPLIER CODE: V75915 CONFIG CHG DATA FROM A CMM: SUPSDS 25502 USED ON: 11-6537-1 11-6537-3	108120	4

MISSING ITEM NUMBERS NOT APPLICABLE

- ITEM NOT ILLUSTRATED

33-23-01-31

33-23-01
FIG. 31
PAGE 10
JAN 20/09

BRI



757

PARTS CATALOG (MAINTENANCE)

FIG ITEM	PART NUMBER	1 2 3 4 5 6 7	NOMENCLATURE	EFFECT FROM TO	UNITS PER ASSY
31					
95	25502	..	FUSE-2A 125V (F1-F4) SUPPLIER CODE: V72914 CONFIG CHG DATA FROM A CMM: SUPSD BY 275002 USED ON: 11-6537-1 11-6537-3	105106	4
95	275002	..	FUSE-2A 125V (F1-F4) SUPPLIER CODE: V75915 CONFIG CHG DATA FROM A CMM: SUPSDS 25502 USED ON: 11-6537-1 11-6537-3	105106	4
95	25502	..	FUSE-2A 125V (F1-F4) SUPPLIER CODE: V72914 CONFIG CHG DATA FROM A CMM: SUPSD BY 275002 USED ON: 11-6537-1 11-6537-3	103104	4
96	275002	..	FUSE-2A 125V (F1-F4) SUPPLIER CODE: V75915 CONFIG CHG DATA FROM A CMM: SUPSDS 25502 USED ON: 11-6537-1 11-6537-3	103104	4
100	25502	..	FUSE-2A 125V (F1-F4) SUPPLIER CODE: V72914 CONFIG CHG DATA FROM A CMM: SUPSD BY 275002 USED ON: 11-6537-5 11-6537-7	108120	4
100	275002	..	FUSE-2A 125V (F1-F4) SUPPLIER CODE: V75915 CONFIG CHG DATA FROM A CMM: SUPSDS 25502 USED ON: 11-6537-5 11-6537-7	108120	4

MISSING ITEM NUMBERS NOT APPLICABLE

- ITEM NOT ILLUSTRATED

33-23-01-31

33-23-01
FIG. 31
PAGE 11
JAN 20/09

BRI



757

PARTS CATALOG (MAINTENANCE)

FIG ITEM	PART NUMBER	1 2 3 4 5 6 7	NOMENCLATURE	EFFECT FROM TO	UNITS PER ASSY
31 100	25502	..	FUSE-2A 125V (F1-F4) SUPPLIER CODE: V72914 CONFIG CHG DATA FROM A CMM: SUPSD BY 275002 USED ON: 11-6537-5 11-6537-7	105106	4
100	275002	..	FUSE-2A 125V (F1-F4) SUPPLIER CODE: V75915 CONFIG CHG DATA FROM A CMM: SUPSDS 25502 USED ON: 11-6537-5 11-6537-7	105106	4
100	25502	..	FUSE-2A 125V (F1-F4) SUPPLIER CODE: V72914 CONFIG CHG DATA FROM A CMM: SUPSD BY 275002 USED ON: 11-6537-5 11-6537-7	103104	4
105	275002	..	FUSE-2A 125V (F1-F4) SUPPLIER CODE: V75915 CONFIG CHG DATA FROM A CMM: SUPSDS 25502 USED ON: 11-6537-5 11-6537-7	103104	4
110	MFU021	..	FUSE-2A (F1-F2) SUPPLIER CODE: V72914 USED ON: 11-6537-9	108120	2
110	MFU021	..	FUSE-2A (F1-F2) SUPPLIER CODE: V72914 USED ON: 11-6537-9	105106	2
110	MFU021	..	FUSE-2A (F1-F2) SUPPLIER CODE: V72914 USED ON: 11-6537-9	103104	2

MISSING ITEM NUMBERS NOT APPLICABLE

- ITEM NOT ILLUSTRATED

33-23-01-31

33-23-01
FIG. 31
PAGE 12
JAN 20/09

BRI



757

PARTS CATALOG (MAINTENANCE)

FIG ITEM	PART NUMBER	1 2 3 4 5 6 7	NOMENCLATURE	EFFECT FROM TO	UNITS PER ASSY
31					
115	MFU025	..	FUSE-2A (F3-F4) SUPPLIER CODE: V72914 USED ON: 11-6537-9	108120	2
115	MFU025	..	FUSE-2A (F3-F4) SUPPLIER CODE: V72914 USED ON: 11-6537-9	105106	2
115	MFU025	..	FUSE-2A (F3-F4) SUPPLIER CODE: V72914 USED ON: 11-6537-9	103104	2
120	255001	..	FUSE-1A 125V (F6) SUPPLIER CODE: V72914 USED ON: 11-6537-1 11-6537-3 11-6537-5 11-6537-7	108120	1
120	255001	..	FUSE-1A 125V (F6) SUPPLIER CODE: V72914 USED ON: 11-6537-1 11-6537-3 11-6537-5 11-6537-7	105106	1
120	255001	..	FUSE-1A 125V (F6) SUPPLIER CODE: V72914 USED ON: 11-6537-1 11-6537-3 11-6537-5 11-6537-7	103104	1
125	MFU012	..	FUSE-1A (F6) SUPPLIER CODE: V72914 USED ON: 11-6537-9	108120	1
125	MFU012	..	FUSE-1A (F6) SUPPLIER CODE: V72914 USED ON: 11-6537-9	105106	1

MISSING ITEM NUMBERS NOT APPLICABLE

- ITEM NOT ILLUSTRATED

33-23-01-31

33-23-01
FIG. 31
PAGE 13
JAN 20/09

BRI



757

PARTS CATALOG (MAINTENANCE)

FIG ITEM	PART NUMBER	1 2 3 4 5 6 7	NOMENCLATURE	EFFECT FROM TO	UNITS PER ASSY
31 125	MFU012		.. FUSE-1A (F6) SUPPLIER CODE: V72914 USED ON: 11-6537-9	103104	1
128	60-3927-1		.. LABEL- SUPPLIER CODE: V72914 USED ON: 11-6537-1 11-6537-3	108120	2
128	60-3927-1		.. LABEL- SUPPLIER CODE: V72914 USED ON: 11-6537-1 11-6537-3	105106	2
128	60-3927-1		.. LABEL- SUPPLIER CODE: V72914 USED ON: 11-6537-1 11-6537-3	103104	2
130	60-3927-1		.. LABEL- SUPPLIER CODE: V72914 USED ON: 11-6537-5 11-6537-7	108120	2
130	60-3927-1		.. LABEL- SUPPLIER CODE: V72914 USED ON: 11-6537-5 11-6537-7	105106	2
130	60-3927-1		.. LABEL- SUPPLIER CODE: V72914 USED ON: 11-6537-5 11-6537-7	103104	2
133	60-3927-1		.. LABEL- SUPPLIER CODE: V72914 USED ON: 11-6537-9	108120	1

MISSING ITEM NUMBERS NOT APPLICABLE

- ITEM NOT ILLUSTRATED

33-23-01-31

33-23-01
FIG. 31
PAGE 14
JAN 20/09

BRI



757

PARTS CATALOG (MAINTENANCE)

FIG ITEM	PART NUMBER	1 2 3 4 5 6 7	NOMENCLATURE	EFFECT FROM TO	UNITS PER ASSY
31					
133	60-3927-1		.. LABEL- SUPPLIER CODE: V72914 USED ON: 11-6537-9	105106	1
133	60-3927-1		.. LABEL- SUPPLIER CODE: V72914 USED ON: 11-6537-9	103104	1
135	53251		. WIRE BUNDLE- SUPPLIER CODE: V16115 SPECIFICATION NUMBER: S417N313-203	108120	1
135	53251		. WIRE BUNDLE- SUPPLIER CODE: V16115 SPECIFICATION NUMBER: S417N313-203	105106	1
135	53251		. WIRE BUNDLE- SUPPLIER CODE: V16115 SPECIFICATION NUMBER: S417N313-203	103104	1
140	11-6563-22G		. OVERLAY- SUPPLIER CODE: V72914 SPECIFICATION NUMBER: S417N312-22G	105106	1
140	11-6563-22G		. OVERLAY- SUPPLIER CODE: V72914 SPECIFICATION NUMBER: S417N312-22G	103104	1
140	11-6563-22C		. OVERLAY- SUPPLIER CODE: V72914 SPECIFICATION NUMBER: S417N312-22C	108120	1

MISSING ITEM NUMBERS NOT APPLICABLE

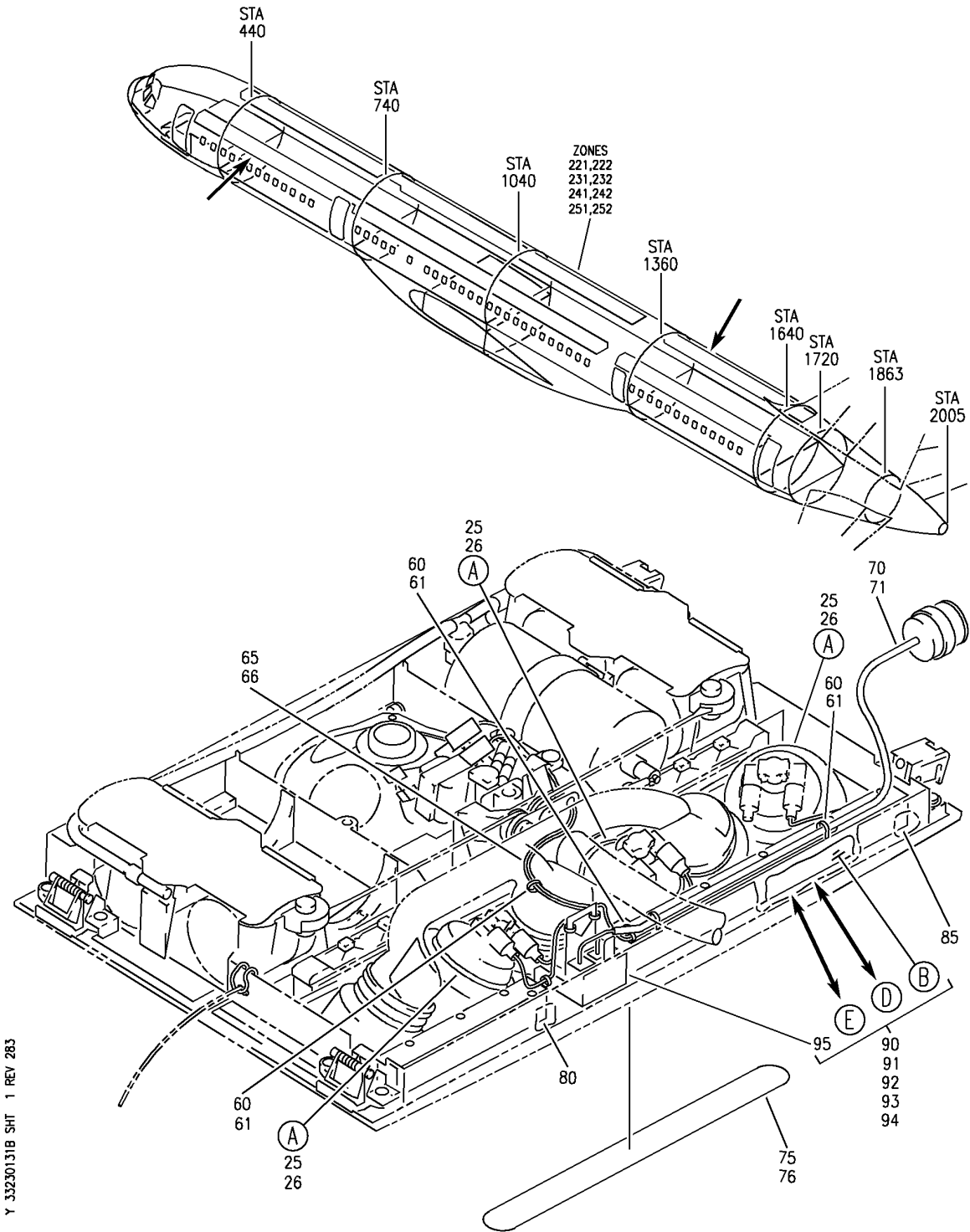
- ITEM NOT ILLUSTRATED

33-23-01-31

33-23-01
FIG. 31
PAGE 15
JAN 20/09

BRI

BOEING
757
PARTS CATALOG (MAINTENANCE)



Y 33230131B SHT 1 REV 283

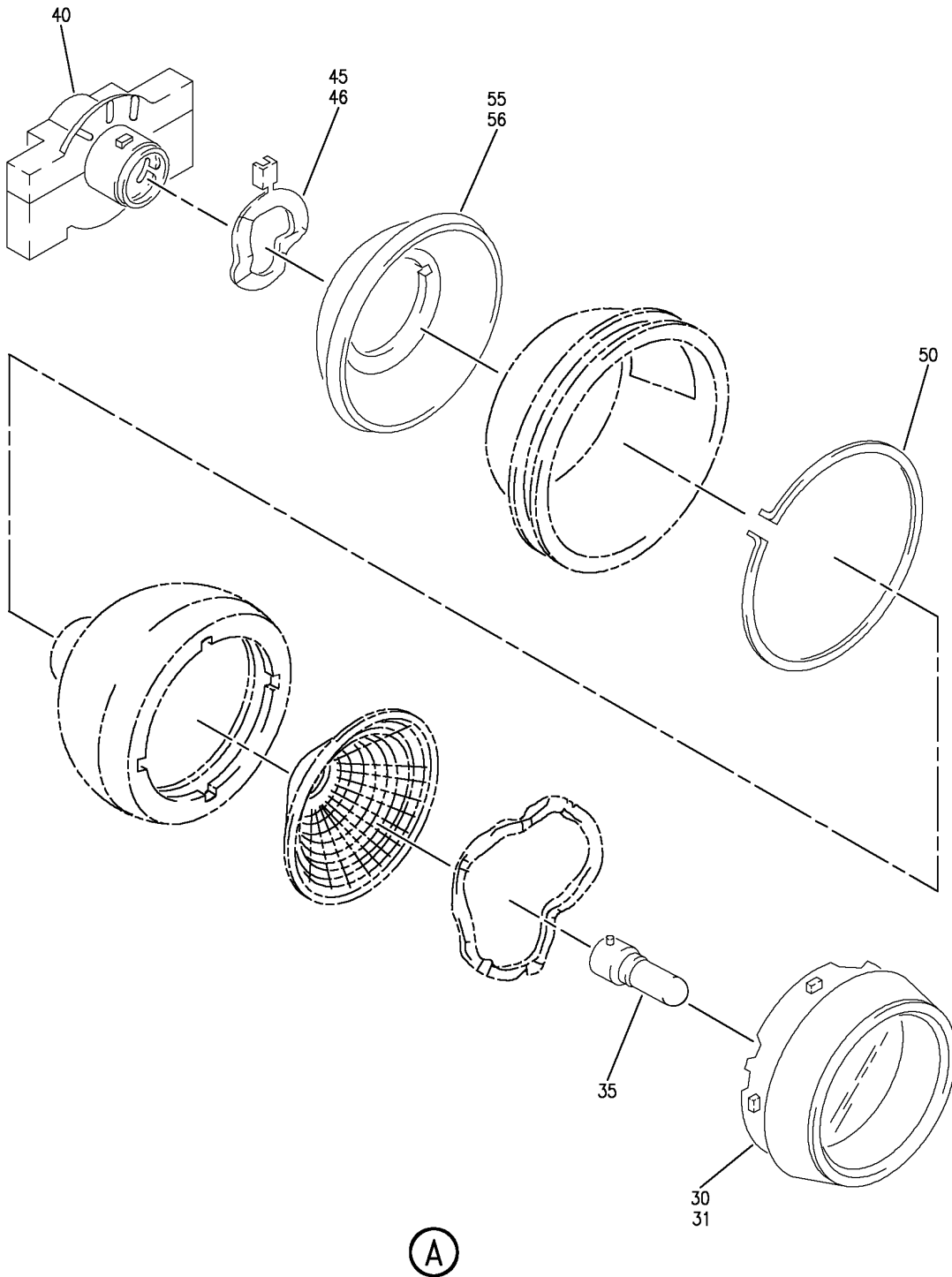
SERVICE UNIT ASSY-PASS. (PASSENGER READING LIGHTS ONLY)
FIGURE 31B (SHEET 1)

33-23-01-31B

BRI
JAN 20/09

33-23-01-31B
PAGE 0

BOEING
757
PARTS CATALOG (MAINTENANCE)



Y 33230131B SHT 2 REV 254

SERVICE UNIT ASSY-PASS. (PASSENGER READING LIGHTS ONLY)
FIGURE 31B (SHEET 2)

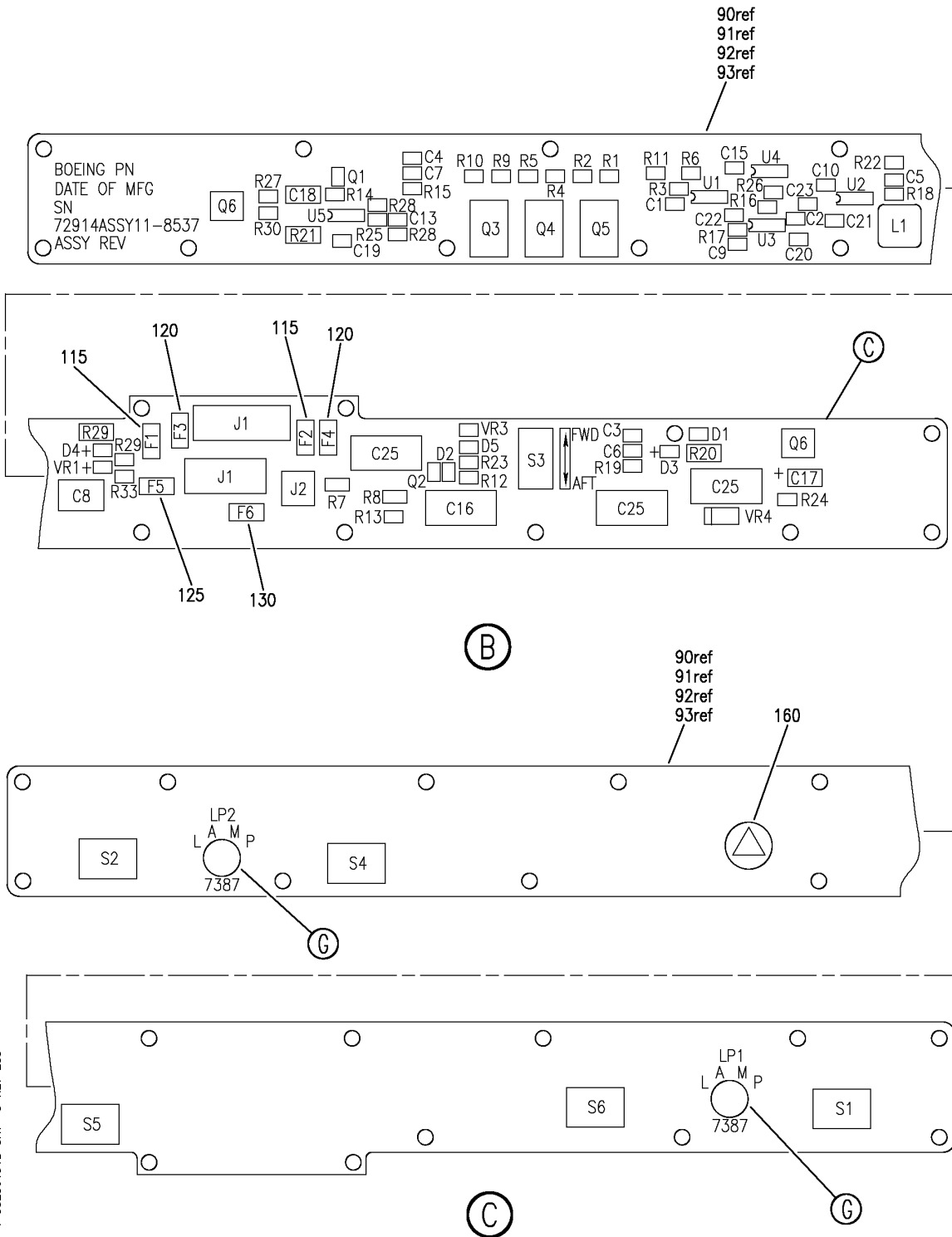
33-23-01-31B

BRI
JAN 20/09

33-23-01-31B
PAGE 0A

BOEING PROPRIETARY - Copyright © - Unpublished Work - See title page for details.


BOEING
 757
PARTS CATALOG (MAINTENANCE)



Y 33230131B SHT 3 REV 255

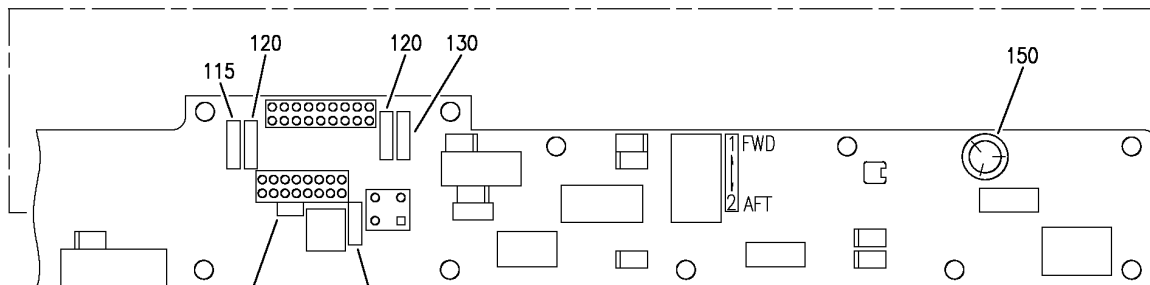
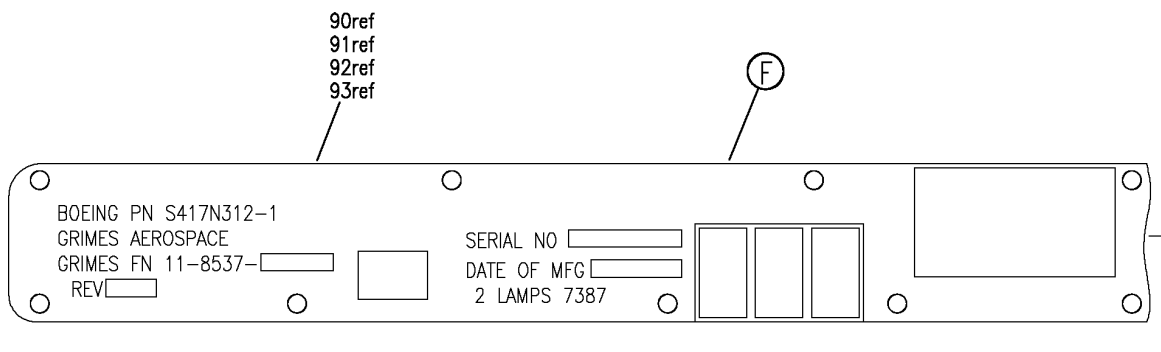
SERVICE UNIT ASSY-PASS. (PASSENGER READING LIGHTS ONLY)
FIGURE 31B (SHEET 3)

33-23-01-31B

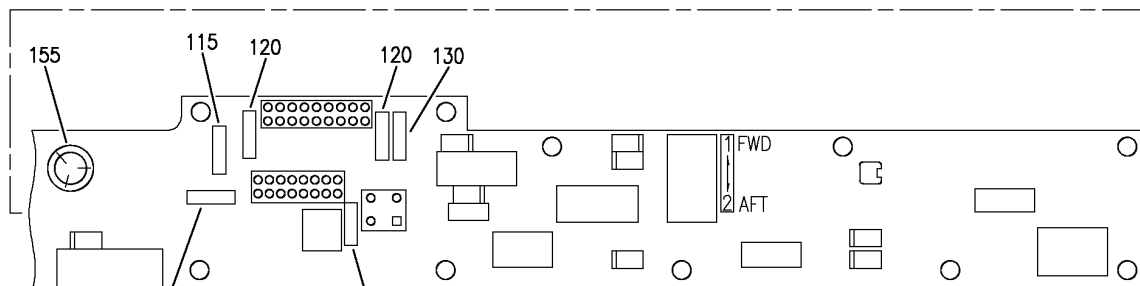
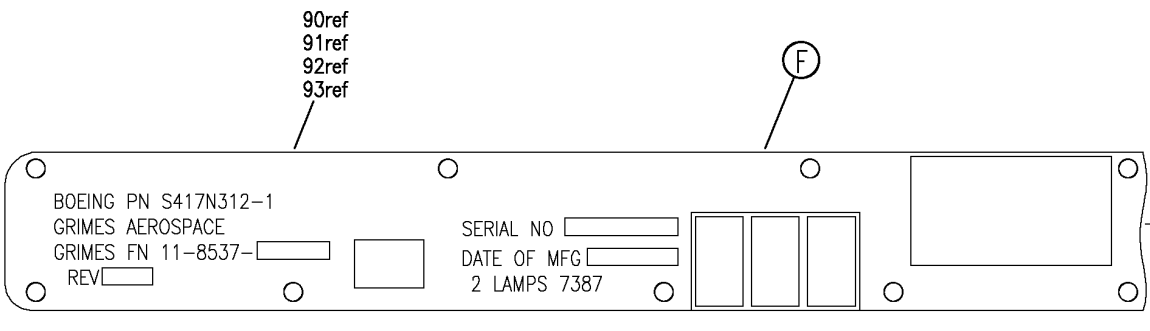
BRI
JAN 20/09

33-23-01-31B
PAGE 0B


BOEING
 757
PARTS CATALOG (MAINTENANCE)



(D)



(E)

Y 33230131B SHT 4 REV 255

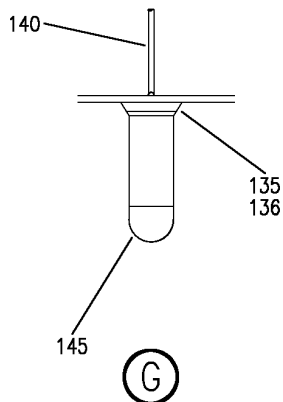
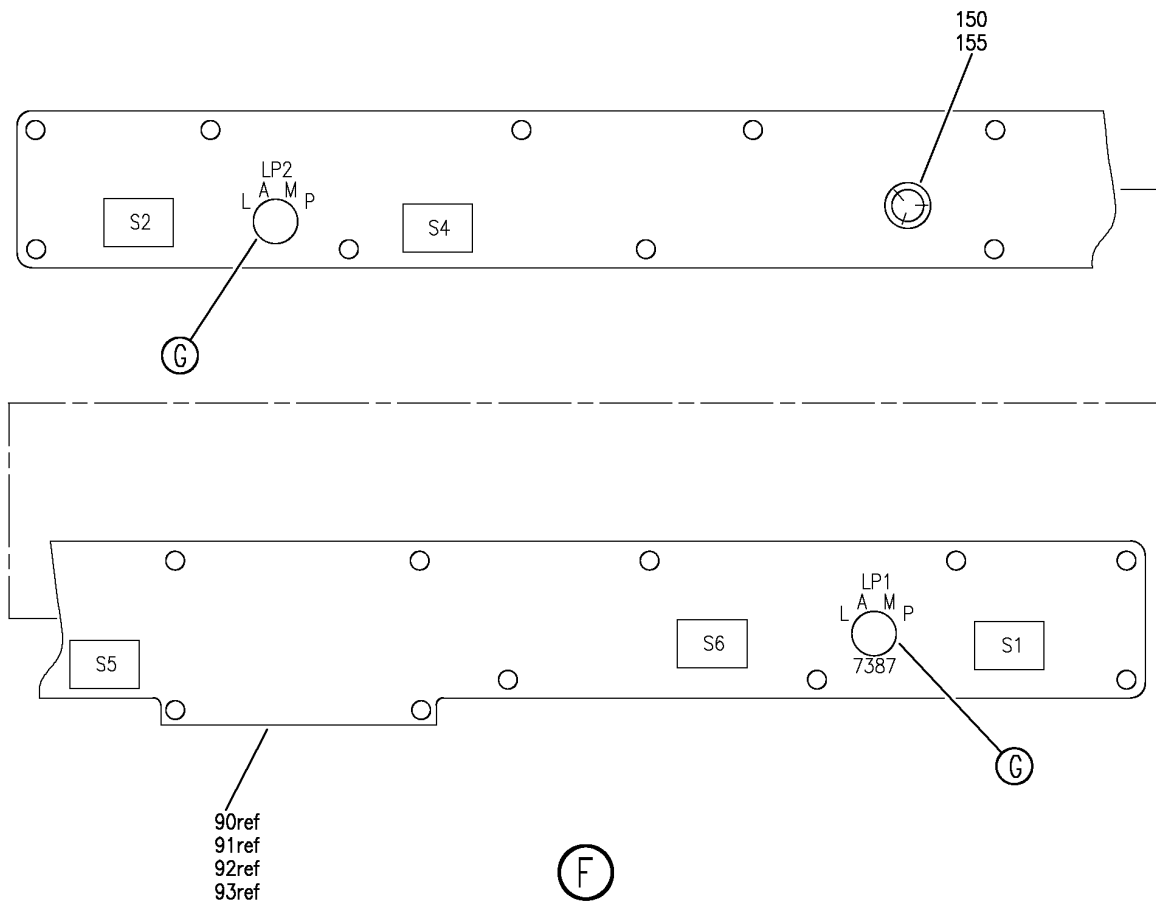
SERVICE UNIT ASSY-PASS. (PASSENGER READING LIGHTS ONLY)
 FIGURE 31B (SHEET 4)

33-23-01-31B

BRI
 JAN 20/09

33-23-01-31B
 PAGE 0C

BOEING
757
PARTS CATALOG (MAINTENANCE)



Y 33230131B SHT 5 REV 255

SERVICE UNIT ASSY-PASS. (PASSENGER READING LIGHTS ONLY)
FIGURE 31B (SHEET 5)

33-23-01-31B

BRI
JAN 20/09

33-23-01-31B
PAGE 0D



757

PARTS CATALOG (MAINTENANCE)

FIG ITEM	PART NUMBER	1 2 3 4 5 6 7	NOMENCLATURE	EFFECT FROM TO	UNITS PER ASSY
31B			SERVICE UNIT ASSY-PASS. (PASSENGER READING LIGHTS ONLY)	103106 108120	
- 1	417N3011-401W		SERVICE UNIT ASSY-PASS. WITH SPKR AND GASPER (PASSENGER READING LIGHTS ONLY) POSITION DATA: LH ELECTRICAL EQUIP NUMBER: M10973 COMPONENT MAINT MANUAL REF: 25-23-38 FOR NHA/OTHER SYS DET SEE: 25-23-01-34A 25-23-01-76A	108120	RF
- 1	417N3011-401B		SERVICE UNIT ASSY-PASS. WITH 2K SPKR AND GASPER (PASSENGER READING LIGHTS ONLY) POSITION DATA: LH ELECTRICAL EQUIP NUMBER: M10973 FOR NHA/OTHER SYS DET SEE: 25-23-01-52B	103106	RF
- 10	417N3011-413M		SERVICE UNIT ASSY-PASS. NO SPKR WITH GASPER (PASSENGER READING LIGHTS ONLY) POSITION DATA: LH ELECTRICAL EQUIP NUMBER: M10973 COMPONENT MAINT MANUAL REF: 25-23-38 FOR NHA/OTHER SYS DET SEE: 25-23-01-34A 25-23-01-76A	108120	RF
- 10	417N3011-413B		SERVICE UNIT ASSY-PASS. NO SPKR WITH GASPER (PASSENGER READING LIGHTS ONLY) POSITION DATA: LH ELECTRICAL EQUIP NUMBER: M10973 FOR NHA/OTHER SYS DET SEE: 25-23-01-52B	103106	RF

MISSING ITEM NUMBERS NOT APPLICABLE

- ITEM NOT ILLUSTRATED

33-23-01-31B

33-23-01
FIG. 31B
PAGE 1
JAN 20/09

BRI



757

PARTS CATALOG (MAINTENANCE)

FIG ITEM	PART NUMBER	1 2 3 4 5 6 7	NOMENCLATURE	EFFECT FROM TO	UNITS PER ASSY
31B - 10	417N3011-713B		SERVICE UNIT ASSY-PASS. NO SPKR WITH GASPER (PASSENGER READING LIGHTS ONLY) POSITION DATA: LH ELECTRICAL EQUIP NUMBER: M10973 FOR NHA/OTHER SYS DET SEE: 25-23-01-34A 25-23-01-76A	108120	RF
- 20	417N3011-421D		SERVICE UNIT ASSY-PASS. WITH SPKR AND GASPER (PASSENGER READING LIGHTS ONLY) POSITION DATA: LH ELECTRICAL EQUIP NUMBER: M10983 COMPONENT MAINT MANUAL REF: 25-23-38 FOR NHA/OTHER SYS DET SEE: 25-23-01-34A 25-23-01-76A	108120	RF
- 20	417N3011-421B		SERVICE UNIT ASSY-PASS. WITH 2K SPKR, MUTING RELAY AND GASPER (PASSENGER READING LIGHTS ONLY) ELECTRICAL EQUIP NUMBER: M10983 FOR NHA/OTHER SYS DET SEE: 25-23-01-52B	103106	RF
25	10-1581-5B		.LIGHT ASSY-READING SUPPLIER CODE: V72914 SPECIFICATION NUMBER: S417N311-5B COMPONENT MAINT MANUAL REF: 33-20-65	108120	3
25	10-1581-3B		.LIGHT ASSY-READING SUPPLIER CODE: V72914 SPECIFICATION NUMBER: S417N311-3B COMPONENT MAINT MANUAL REF: 33-20-65	108120	3

MISSING ITEM NUMBERS NOT APPLICABLE

- ITEM NOT ILLUSTRATED

33-23-01-31B

33-23-01
FIG. 31B
PAGE 2
JAN 20/09

BRI



757

PARTS CATALOG (MAINTENANCE)

FIG ITEM	PART NUMBER	1 2 3 4 5 6 7	NOMENCLATURE	EFFECT FROM TO	UNITS PER ASSY
31B 25	10-1581-5G		.LIGHT ASSY-READING SUPPLIER CODE: V72914 SPECIFICATION NUMBER: S417N311-5G COMPONENT MAINT MANUAL REF: 33-20-65	103106	3
30	11-6557-5B		..BEZEL- SUPPLIER CODE: V72914 USED ON: 10-1581-5B	108120	1
30	11-6557-3B		..BEZEL- SUPPLIER CODE: V72914 USED ON: 10-1581-3B	108120	1
30	11-6557-5G		..BEZEL- SUPPLIER CODE: V72914 USED ON: 10-1581-5G	103106	1
35	9204		..BULB- SUPPLIER CODE: V68045	108120	1
35	9204		..BULB- SUPPLIER CODE: V68045	103106	1
40	11-6555-1		..LAMPHOLDER- SUPPLIER CODE: V72914	108120	1
40	11-6555-1		..LAMPHOLDER- SUPPLIER CODE: V72914	103106	1
45	60-4745-9		..WASHER- SUPPLIER CODE: V72914 CONFIG CHG DATA FROM A CMM: SUPERSEDES 60-4745-1	108120	1
45	60-4745-1		..WASHER- SUPPLIER CODE: V72914 CONFIG CHG DATA FROM A CMM: SUPSD BY 60-4745-9	108120	1
45	60-4745-9		..WASHER- SUPPLIER CODE: V72914 CONFIG CHG DATA FROM A CMM: SUPERSEDES 60-4745-1	103106	1

MISSING ITEM NUMBERS NOT APPLICABLE

- ITEM NOT ILLUSTRATED

33-23-01-31B

33-23-01
FIG. 31B
PAGE 3
JAN 20/09

BRI

BOEING PROPRIETARY - Copyright © - Unpublished Work - See title page for details.



757

PARTS CATALOG (MAINTENANCE)

FIG ITEM	PART NUMBER	1 2 3 4 5 6 7	NOMENCLATURE	EFFECT FROM TO	UNITS PER ASSY
31B 46	60-4745-1		.. WASHER- SUPPLIER CODE: V72914 CONFIG CHG DATA FROM A CMM: SUPSD BY 60-4745-9	103106	1
50	60-4853-1		.. RING-RETAINING SUPPLIER CODE: V72914	108120	1
50	60-4853-1		.. RING-RETAINING SUPPLIER CODE: V72914	103106	1
55	11-6510-3B		.. RETAINER- SUPPLIER CODE: V72914 USED ON: 10-1581-5B	108120	1
55	11-6510-1B		.. RETAINER- SUPPLIER CODE: V72914 USED ON: 10-1581-3B	108120	1
55	11-6510-3G		.. RETAINER- SUPPLIER CODE: V72914 USED ON: 10-1581-5G	103106	1
60	PLT2MM2		. STRAP- SUPPLIER CODE: V06383 OPTIONAL PART: PLT2MM V06383	108120	AR
60	PLT2MM		. STRAP- SUPPLIER CODE: V06383 OPTIONAL PART: PLT2MM2 V06383	108120	AR
60	PLT2MM2		. STRAP- SUPPLIER CODE: V06383 OPTIONAL PART: PLT2MM V06383	103106	AR

MISSING ITEM NUMBERS NOT APPLICABLE

- ITEM NOT ILLUSTRATED

33-23-01-31B

33-23-01
FIG. 31B
PAGE 4
JAN 20/09

BRI



757

PARTS CATALOG (MAINTENANCE)

FIG ITEM	PART NUMBER	1 2 3 4 5 6 7	NOMENCLATURE	EFFECT FROM TO	UNITS PER ASSY
31B 60	PLT2MM		.STRAP- SUPPLIER CODE: V06383 OPTIONAL PART: PLT2MM2 V06383	103106	AR
65	53004		.WIRE BUNDLE- SUPPLIER CODE: V16115 SPECIFICATION NUMBER: S417N313-103 USED ON: 417N3011-421D 417N3011-421B 417N3011-421G 417N3011-421SP	108120	1
65	53002		.WIRE BUNDLE- SUPPLIER CODE: V16115 SPECIFICATION NUMBER: S417N313-101 USED ON: 417N3011-401W 417N3011-413M	108120	1
65	53002		.WIRE BUNDLE- SUPPLIER CODE: V16115 SPECIFICATION NUMBER: S417N313-101 USED ON: 417N3011-401W 417N3011-413M	105106	1
65	53004		.WIRE BUNDLE- SUPPLIER CODE: V16115 SPECIFICATION NUMBER: S417N313-103 USED ON: 417N3011-421SP 417N3011-421C 417N3011-421B 417N3011-421J	103104	1

MISSING ITEM NUMBERS NOT APPLICABLE

- ITEM NOT ILLUSTRATED

33-23-01-31B

33-23-01
FIG. 31B
PAGE 5
JAN 20/09

BRI



757

PARTS CATALOG (MAINTENANCE)

FIG ITEM	PART NUMBER	1 2 3 4 5 6 7	NOMENCLATURE	EFFECT FROM TO	UNITS PER ASSY
31B 65	53002		.WIRE BUNDLE- SUPPLIER CODE: V16115 SPECIFICATION NUMBER: S417N313-101 USED ON: 417N3011-401W 417N3011-413M	103104	1
66	53004		.WIRE BUNDLE- SUPPLIER CODE: V16115 SPECIFICATION NUMBER: S417N313-103 USED ON: 417N3011-421B	105106	1
70	53005		.WIRE BUNDLE- SUPPLIER CODE: V16115 SPECIFICATION NUMBER: S417N313-208 USED ON: 417N3011-421D 417N3011-421B 417N3011-421G 417N3011-421SP	108120	1
70	53251		.WIRE BUNDLE- SUPPLIER CODE: V16115 SPECIFICATION NUMBER: S417N313-203 USED ON: 417N3011-401W 417N3011-413M	108120	1
70	53251		.WIRE BUNDLE- SUPPLIER CODE: V16115 SPECIFICATION NUMBER: S417N313-203 USED ON: 417N3011-401W 417N3011-413M	105106	1

MISSING ITEM NUMBERS NOT APPLICABLE

- ITEM NOT ILLUSTRATED

33-23-01-31B

33-23-01
FIG. 31B
PAGE 6
JAN 20/09

BRI



757

PARTS CATALOG (MAINTENANCE)

FIG ITEM	PART NUMBER	1 2 3 4 5 6 7	NOMENCLATURE	EFFECT FROM TO	UNITS PER ASSY
31B 70	53005		.WIRE BUNDLE- SUPPLIER CODE: V16115 SPECIFICATION NUMBER: S417N313-208 USED ON: 417N3011-421SP 417N3011-421C 417N3011-421B 417N3011-421J	103104	1
70	53251		.WIRE BUNDLE- SUPPLIER CODE: V16115 SPECIFICATION NUMBER: S417N313-203 USED ON: 417N3011-401W 417N3011-413M	103104	1
70	53005		.WIRE BUNDLE- SUPPLIER CODE: V16115 SPECIFICATION NUMBER: S417N313-208 USED ON: 417N3011-421B	105106	1
75	11-6563-22C		.OVERLAY- SUPPLIER CODE: V72914 SPECIFICATION NUMBER: S417N312-22C	108120	1
75	11-6563-22G		.OVERLAY- SUPPLIER CODE: V72914 SPECIFICATION NUMBER: S417N312-22G	103106	1
80	417N3035-3		.SHROUD	108120	1
80	417N3035-3		.SHROUD	103106	1
85	417N3035-4		.SHROUD	108120	1
85	417N3035-4		.SHROUD	103106	1
90	11-6537-9		.MODULE ASSY-SWITCH SUPPLIER CODE: V72914 SPECIFICATION NUMBER: S417N312-13 COMPONENT MAINT MANUAL REF: 33-21-42	108120	1

MISSING ITEM NUMBERS NOT APPLICABLE

- ITEM NOT ILLUSTRATED

33-23-01-31B

33-23-01
FIG. 31B
PAGE 7
JAN 20/09

BRI



757

PARTS CATALOG (MAINTENANCE)

FIG ITEM	PART NUMBER	1 2 3 4 5 6 7	NOMENCLATURE	EFFECT FROM TO	UNITS PER ASSY
31B 90	11-6537-1		.MODULE ASSY-SWITCH SUPPLIER CODE: V72914 SPECIFICATION NUMBER: S417N312-1 COMPONENT MAINT MANUAL REF: 33-21-42 OPTIONAL PART: 11-6537-3 V72914 11-6537-5 V72914	108120	1
90	11-6537-3		.MODULE ASSY-SWITCH SUPPLIER CODE: V72914 SPECIFICATION NUMBER: S417N312-1 COMPONENT MAINT MANUAL REF: 33-21-42 OPTIONAL PART: 11-6537-1 V72914 11-6537-5 V72914	108120	1
90	11-6537-5		.MODULE ASSY-SWITCH SUPPLIER CODE: V72914 SPECIFICATION NUMBER: S417N312-1 COMPONENT MAINT MANUAL REF: 33-21-42 OPTIONAL PART: 11-6537-1 V72914 11-6537-3 V72914	108120	1
90	11-6537-7		.MODULE ASSY-SWITCH SUPPLIER CODE: V72914 SPECIFICATION NUMBER: S417N312-11 COMPONENT MAINT MANUAL REF: 33-21-42	108120	1

MISSING ITEM NUMBERS NOT APPLICABLE

- ITEM NOT ILLUSTRATED

33-23-01-31B

33-23-01
FIG. 31B
PAGE 8
JAN 20/09

BRI



757

PARTS CATALOG (MAINTENANCE)

FIG ITEM	PART NUMBER	1 2 3 4 5 6 7	NOMENCLATURE	EFFECT FROM TO	UNITS PER ASSY
31B 92	11-6537-9		.MODULE ASSY-SWITCH SUPPLIER CODE: V72914 SPECIFICATION NUMBER: S417N312-13 COMPONENT MAINT MANUAL REF: 33-21-42	103106	1
92	11-6537-1		.MODULE ASSY-SWITCH SUPPLIER CODE: V72914 SPECIFICATION NUMBER: S417N312-1 COMPONENT MAINT MANUAL REF: 33-21-42 OPTIONAL PART: 11-6537-3 V72914 11-6537-5 V72914	103106	1
92	11-6537-3		.MODULE ASSY-SWITCH SUPPLIER CODE: V72914 SPECIFICATION NUMBER: S417N312-1 COMPONENT MAINT MANUAL REF: 33-21-42 OPTIONAL PART: 11-6537-1 V72914 11-6537-5 V72914	103106	1
92	11-6537-5		.MODULE ASSY-SWITCH SUPPLIER CODE: V72914 SPECIFICATION NUMBER: S417N312-1 COMPONENT MAINT MANUAL REF: 33-21-42 OPTIONAL PART: 11-6537-1 V72914 11-6537-3 V72914	103106	1

MISSING ITEM NUMBERS NOT APPLICABLE

- ITEM NOT ILLUSTRATED

33-23-01-31B

33-23-01
FIG. 31B
PAGE 9
JAN 20/09

BRI



757

PARTS CATALOG (MAINTENANCE)

FIG ITEM	PART NUMBER	1 2 3 4 5 6 7	NOMENCLATURE	EFFECT FROM TO	UNITS PER ASSY
31B 92	11-6537-7		.MODULE ASSY-SWITCH SUPPLIER CODE: V72914 SPECIFICATION NUMBER: S417N312-11 COMPONENT MAINT MANUAL REF: 33-21-42	103106	1
- 95	273005		.. FUSE-5A 125V (F5) SUPPLIER CODE: V75915 USED ON: 11-6537-7	108120	1
- 95	273005		.. FUSE-5A 125V (F5) SUPPLIER CODE: V75915 USED ON: 11-6537-7	103106	1
- 95	255005		.. FUSE-5A,125V (F5) SUPPLIER CODE: V75915 MISCELLANEOUS DATA: GRIMES PART NO. FU248 USED ON: 11-6537-1 11-6537-3 11-6537-5	108120	1
- 96	255005		.. FUSE-5A,125V (F5) SUPPLIER CODE: V75915 MISCELLANEOUS DATA: GRIMES PART NO. FU248 USED ON: 11-6537-1 11-6537-3 11-6537-5	103106	1

MISSING ITEM NUMBERS NOT APPLICABLE

- ITEM NOT ILLUSTRATED

33-23-01-31B

33-23-01
FIG. 31B
PAGE 10
JAN 20/09

BRI



757

PARTS CATALOG (MAINTENANCE)

FIG ITEM	PART NUMBER	1 2 3 4 5 6 7	NOMENCLATURE	EFFECT FROM TO	UNITS PER ASSY
31B - 100	275002		.. FUSE-2A,125V (F1-F4) SUPPLIER CODE: V75915 CONFIG CHG DATA FROM A CMM: SUPSDS 25502 MISCELLANEOUS DATA: GRIMES PART NO. FU154 OPTIONAL PART: 25502 V75915 USED ON: 11-6537-1 11-6537-3	108120	4
- 100	25502		.. FUSE-2A,125V (F1-F4) SUPPLIER CODE: V75915 CONFIG CHG DATA FROM A CMM: SUPSD BY 275002 MISCELLANEOUS DATA: GRIMES PART NO. FU154 OPTIONAL PART: 275002 V75915 USED ON: 11-6537-1 11-6537-3	108120	4
- 100	275002		.. FUSE-2A,125V (F1-F4) SUPPLIER CODE: V75915 CONFIG CHG DATA FROM A CMM: SUPSDS 25502 MISCELLANEOUS DATA: GRIMES PART NO. FU154 OPTIONAL PART: 25502 V75915 USED ON: 11-6537-1 11-6537-3	103106	4

MISSING ITEM NUMBERS NOT APPLICABLE

- ITEM NOT ILLUSTRATED

33-23-01-31B

33-23-01
FIG. 31B
PAGE 11
JAN 20/09

BRI



757

PARTS CATALOG (MAINTENANCE)

FIG ITEM	PART NUMBER	1 2 3 4 5 6 7	NOMENCLATURE	EFFECT FROM TO	UNITS PER ASSY
31B - 100	25502		.. FUSE-2A,125V (F1-F4) SUPPLIER CODE: V75915 CONFIG CHG DATA FROM A CMM: SUPSD BY 275002 MISCELLANEOUS DATA: GRIMES PART NO. FU154 OPTIONAL PART: 275002 V75915 USED ON: 11-6537-1 11-6537-3	103106	4
- 105	275002		.. FUSE-2A,125V (F1-F4) SUPPLIER CODE: V75915 CONFIG CHG DATA FROM A CMM: SUPSDS 25502 MISCELLANEOUS DATA: GRIMES PART NO. FU154 OPTIONAL PART: 25502 V75915 USED ON: 11-6537-5 11-6537-7	108120	4
- 105	25502		.. FUSE-2A,125V (F1-F4) SUPPLIER CODE: V75915 CONFIG CHG DATA FROM A CMM: SUPSD BY 275002 MISCELLANEOUS DATA: GRIMES PART NO. FU154 OPTIONAL PART: 275002 V75915 USED ON: 11-6537-5 11-6537-7	108120	4

MISSING ITEM NUMBERS NOT APPLICABLE

- ITEM NOT ILLUSTRATED

33-23-01-31B

33-23-01
FIG. 31B
PAGE 12
JAN 20/09

BRI



757

PARTS CATALOG (MAINTENANCE)

FIG ITEM	PART NUMBER	1 2 3 4 5 6 7	NOMENCLATURE	EFFECT FROM TO	UNITS PER ASSY
31B - 105	275002		.. FUSE-2A,125V (F1-F4) SUPPLIER CODE: V75915 CONFIG CHG DATA FROM A CMM: SUPSDS 25502 MISCELLANEOUS DATA: GRIMES PART NO. FU154 OPTIONAL PART: 25502 V75915 USED ON: 11-6537-5 11-6537-7	103106	4
- 105	25502		.. FUSE-2A,125V (F1-F4) SUPPLIER CODE: V75915 CONFIG CHG DATA FROM A CMM: SUPSD BY 275002 MISCELLANEOUS DATA: GRIMES PART NO. FU154 OPTIONAL PART: 275002 V75915 USED ON: 11-6537-5 11-6537-7	103106	4
- 110	255001		.. FUSE-1A,125V (F6) SUPPLIER CODE: V75915 MISCELLANEOUS DATA: GRIMES PART NO. FU112 USED ON: 11-6537-1 11-6537-3 11-6537-5 11-6537-7	108120	1

MISSING ITEM NUMBERS NOT APPLICABLE

- ITEM NOT ILLUSTRATED

33-23-01-31B

33-23-01
FIG. 31B
PAGE 13
JAN 20/09

BRI



757

PARTS CATALOG (MAINTENANCE)

FIG ITEM	PART NUMBER	1 2 3 4 5 6 7	NOMENCLATURE	EFFECT FROM TO	UNITS PER ASSY
31B - 110	255001		.. FUSE-1A,125V (F6) SUPPLIER CODE: V75915 MISCELLANEOUS DATA: GRIMES PART NO. FU112 USED ON: 11-6537-1 11-6537-3 11-6537-5 11-6537-7	103106	1
115	MFU021		.. FUSE-2A (F1,F2) SUPPLIER CODE: V72914 USED ON: 11-6537-9	108120	2
115	MFU021		.. FUSE-2A (F1,F2) SUPPLIER CODE: V72914 USED ON: 11-6537-9	103106	2
120	MFU025		.. FUSE-2A (F3,F4) SUPPLIER CODE: V72914 USED ON: 11-6537-9	108120	2
120	MFU025		.. FUSE-2A (F3,F4) SUPPLIER CODE: V72914 USED ON: 11-6537-9	103106	2
125	154005		.. FUSE-125V,5A (F5) SUPPLIER CODE: V72914 USED ON: 11-6537-9	108120	1
125	154005		.. FUSE-125V,5A (F5) SUPPLIER CODE: V72914 USED ON: 11-6537-9	103106	1
130	MFU012		.. FUSE-1A (F6) SUPPLIER CODE: V72914 USED ON: 11-6537-9	108120	1

MISSING ITEM NUMBERS NOT APPLICABLE

- ITEM NOT ILLUSTRATED

33-23-01-31B

33-23-01
FIG. 31B
PAGE 14
JAN 20/09

BRI



757

PARTS CATALOG (MAINTENANCE)

FIG ITEM	PART NUMBER	1 2 3 4 5 6 7	NOMENCLATURE	EFFECT FROM TO	UNITS PER ASSY
31B 130	MFU012		.. FUSE-1A (F6) SUPPLIER CODE: V72914 USED ON: 11-6537-9	103106	1
135	11-6566-11		.. GUIDE-LAMP SUPPLIER CODE: V75915 USED ON: 11-6537-9	108120	2
135	11-6566-1		.. GUIDE-LAMP SUPPLIER CODE: V75915 USED ON: 11-6537-1 11-6537-3 11-6537-5 11-6537-7	108120	2
135	11-6566-11		.. GUIDE-LAMP SUPPLIER CODE: V75915 USED ON: 11-6537-9	103106	2
135	11-6566-1		.. GUIDE-LAMP SUPPLIER CODE: V75915 USED ON: 11-6537-1 11-6537-3 11-6537-5 11-6537-7	103106	2
140	50863-5		.. RECEPTACLE-CONTACT SUPPLIER CODE: V00779 MISCELLANEOUS DATA: GRIMES PART NO. C08923	108120	4
140	50863-5		.. RECEPTACLE-CONTACT SUPPLIER CODE: V00779 MISCELLANEOUS DATA: GRIMES PART NO. C08923	103106	4
145	OL387BPGPL		.. LAMP-LP1 AND LP2 SUPPLIER CODE: VS3774	108120	2
145	OL387BPGPL		.. LAMP-LP1 AND LP2 SUPPLIER CODE: VS3774	103106	2

MISSING ITEM NUMBERS NOT APPLICABLE

- ITEM NOT ILLUSTRATED

33-23-01-31B

33-23-01
FIG. 31B
PAGE 15
JAN 20/09

BRI

BOEING PROPRIETARY - Copyright © - Unpublished Work - See title page for details.



757

PARTS CATALOG (MAINTENANCE)

FIG ITEM	PART NUMBER	1 2 3 4 5 6 7	NOMENCLATURE	EFFECT FROM TO	UNITS PER ASSY
31B 150	60-3927-1		.. LABEL- SUPPLIER CODE: V72914 USED ON: 11-6537-1 11-6537-3	108120	2
150	60-3927-1		.. LABEL- SUPPLIER CODE: V72914 USED ON: 11-6537-1 11-6537-3	103106	2
155	60-3927-1		.. LABEL- SUPPLIER CODE: V72914 USED ON: 11-6537-5 11-6537-7	108120	2
155	60-3927-1		.. LABEL- SUPPLIER CODE: V72914 USED ON: 11-6537-5 11-6537-7	103106	2
160	60-3927-1		.. LABEL- SUPPLIER CODE: V72914 USED ON: 11-6537-9	108120	1
160	60-3927-1		.. LABEL- SUPPLIER CODE: V72914 USED ON: 11-6537-9	103106	1

MISSING ITEM NUMBERS NOT APPLICABLE

- ITEM NOT ILLUSTRATED

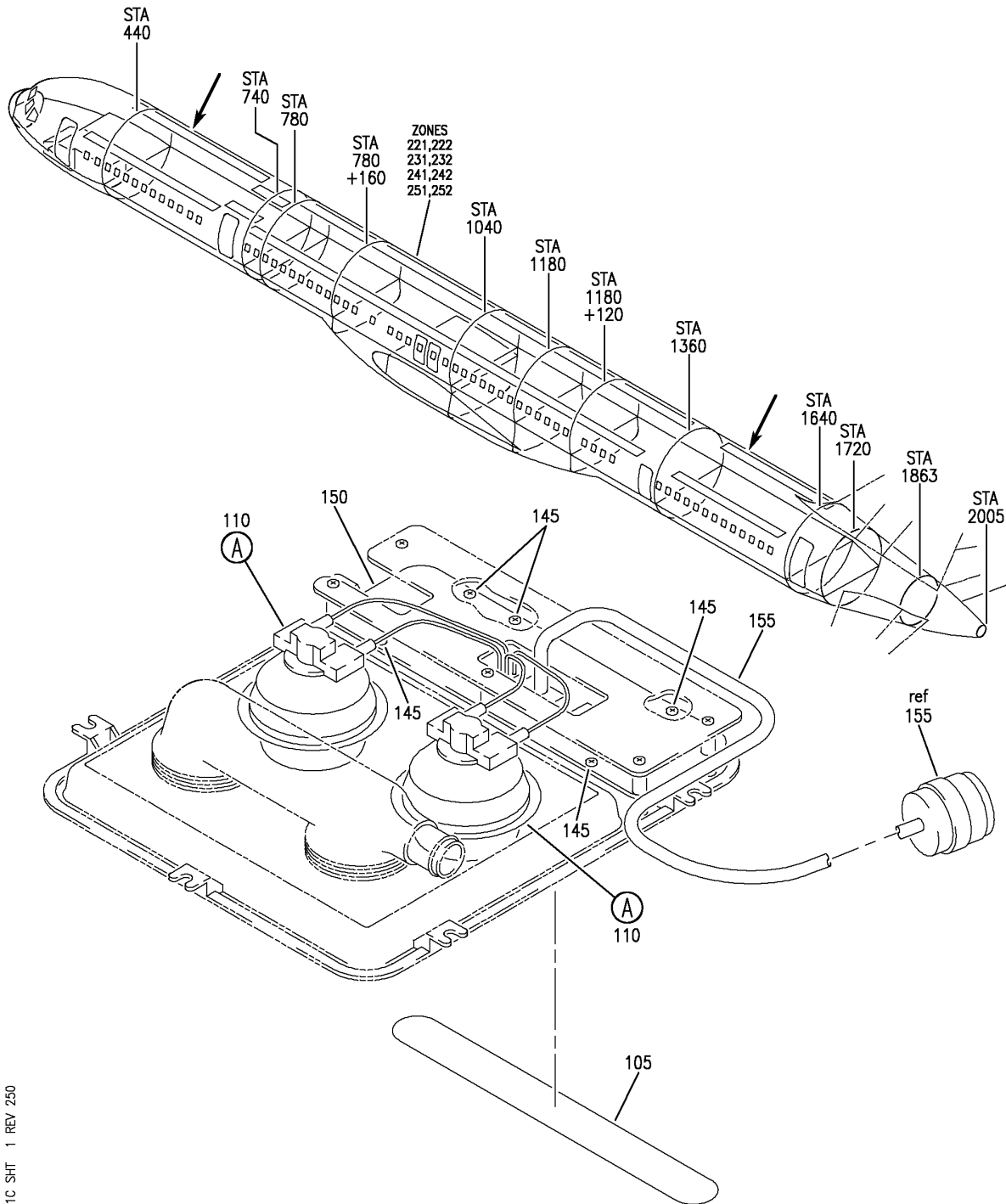
33-23-01-31B

33-23-01
FIG. 31B
PAGE 16
JAN 20/09

BRI

BOEING PROPRIETARY - Copyright © - Unpublished Work - See title page for details.

BOEING
757
PARTS CATALOG (MAINTENANCE)



Y 33230131C SHT 1 REV 250

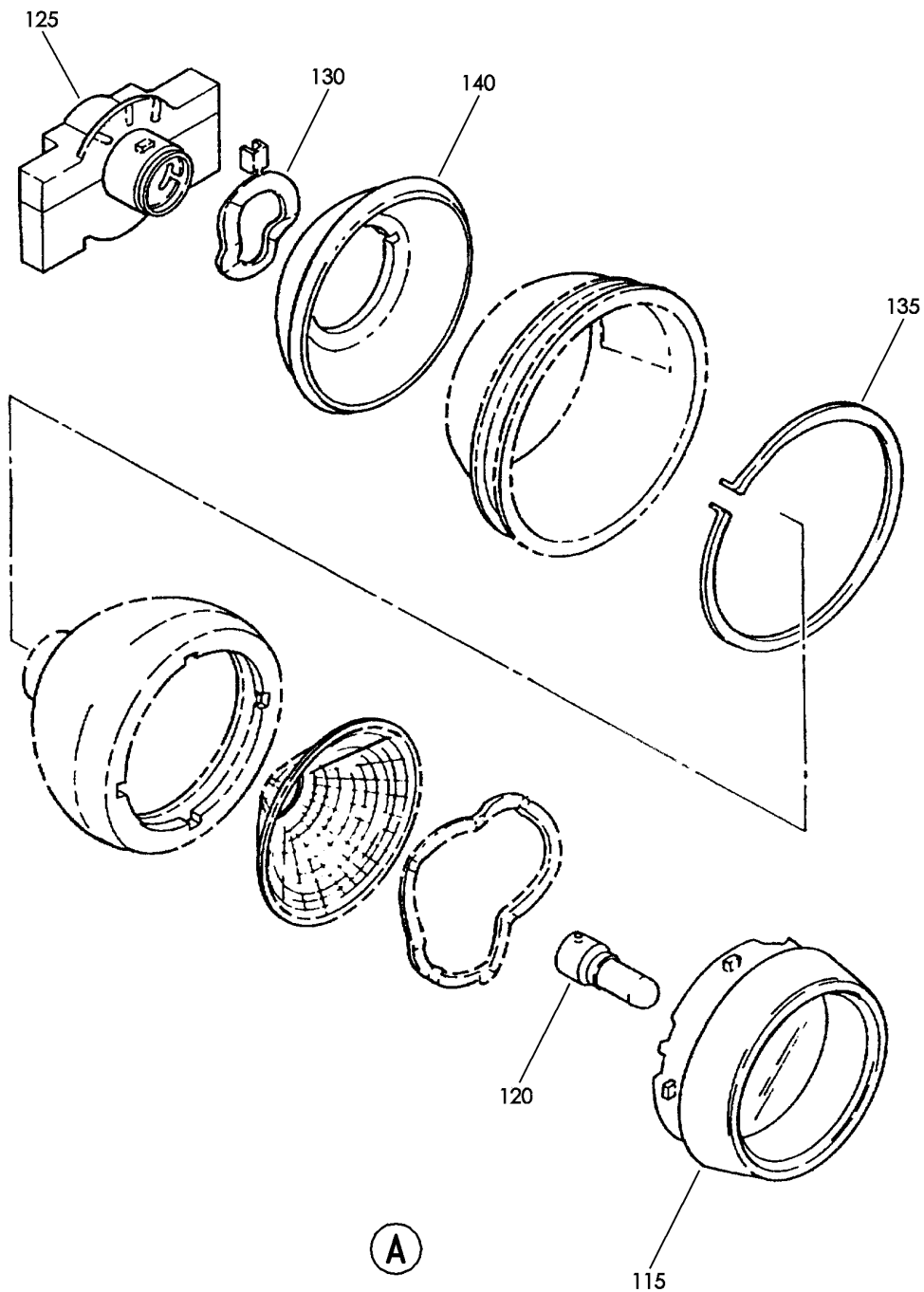
SERVICE UNIT ASSY-PASS. LOWERED CEILING, LIGHT/GASPER (PASSENGER READING LIGHTS ONLY)
FIGURE 31C (SHEET 1)

BRI
JAN 20/09

33-23-01-31C

33-23-01-31C
PAGE 0

BOEING
757
PARTS CATALOG (MAINTENANCE)



Y 33230131C SHT 2 REV 250

SERVICE UNIT ASSY-PASS. LOWERED CEILING, LIGHT/GASPER (PASSENGER READING LIGHTS ONLY)
FIGURE 31C (SHEET 2)

BRI
JAN 20/09

33-23-01-31C

33-23-01-31C
PAGE 0A



757

PARTS CATALOG (MAINTENANCE)

FIG ITEM	PART NUMBER	1 2 3 4 5 6 7	NOMENCLATURE	EFFECT FROM TO	UNITS PER ASSY
31C			SERVICE UNIT ASSY-PASS. LOWERED CEILING, LIGHT/GASPER (PASSENGER READING LIGHTS ONLY)	103106	
- 100	417N3051-170B		SERVICE UNIT ASSY-PASS. LOWERED CEILING, LIGHT GASPER, BOTH SIDES (PASSENGER READING LIGHT ONLY) ELECTRICAL EQUIP NUMBER: M11047 FOR NHA/OTHER SYS DET SEE: 25-22-02-40S	103106	RF
105	11-6563-112G		.OVERLAY- SUPPLIER CODE: V72914 SPECIFICATION NUMBER: S417N312-112G	103106	1
110	10-1581-5G		.LIGHT ASSY-READING SUPPLIER CODE: V72914 SPECIFICATION NUMBER: S417N311-5G COMPONENT MAINT MANUAL REF: 33-20-65	103106	2
115	11-6557-5G		..BEZEL- SUPPLIER CODE: V72914	103106	1
120	9204		..BULB- SUPPLIER CODE: V68045	103106	1
125	11-6555-1		..LAMPHOLDER- SUPPLIER CODE: V72914	103106	1
130	60-4745-1		..WASHER- SUPPLIER CODE: V72914 CONFIG CHG DATA FROM A CMM: SUPSD BY 60-4745-9	103106	1
130	60-4745-9		..WASHER- SUPPLIER CODE: V72914 CONFIG CHG DATA FROM A CMM: SUPERSEDES 60-4745-1	103106	1
135	60-4853-1		..RING-RETAINING SUPPLIER CODE: V72914	103106	1

MISSING ITEM NUMBERS NOT APPLICABLE

- ITEM NOT ILLUSTRATED

33-23-01-31C

33-23-01
FIG. 31C
PAGE 1
JAN 20/09

BRI

BOEING PROPRIETARY - Copyright © - Unpublished Work - See title page for details.



757

PARTS CATALOG (MAINTENANCE)

FIG ITEM	PART NUMBER	1 2 3 4 5 6 7	NOMENCLATURE	EFFECT FROM TO	UNITS PER ASSY
31C 140	11-6510-3G		. . RETAINER- SUPPLIER CODE: V72914	103106	1
145	BACS12CK04-4		. SCREW	103106	5
150	11-6612-5		. SWITCH ASSY-MODULE SUPPLIER CODE: V72914 SPECIFICATION NUMBER: S417N312-111 COMPONENT MAINT MANUAL REF: 33-21-44 FOR DETAILS SEE: 33-23-51-50	103106	1
150	11-6612-1		. SWITCH ASSY-MODULE SUPPLIER CODE: V72914 SPECIFICATION NUMBER: S417N312-101 COMPONENT MAINT MANUAL REF: 33-21-44 OPTIONAL PART: 11-6612-3 V72914 FOR DETAILS SEE: 33-23-51-50	103106	1
155	81215		. HARNESS-JUMPER WIRE SUPPLIER CODE: V16115 SPECIFICATION NUMBER: S417N313-411	103106	1

MISSING ITEM NUMBERS NOT APPLICABLE

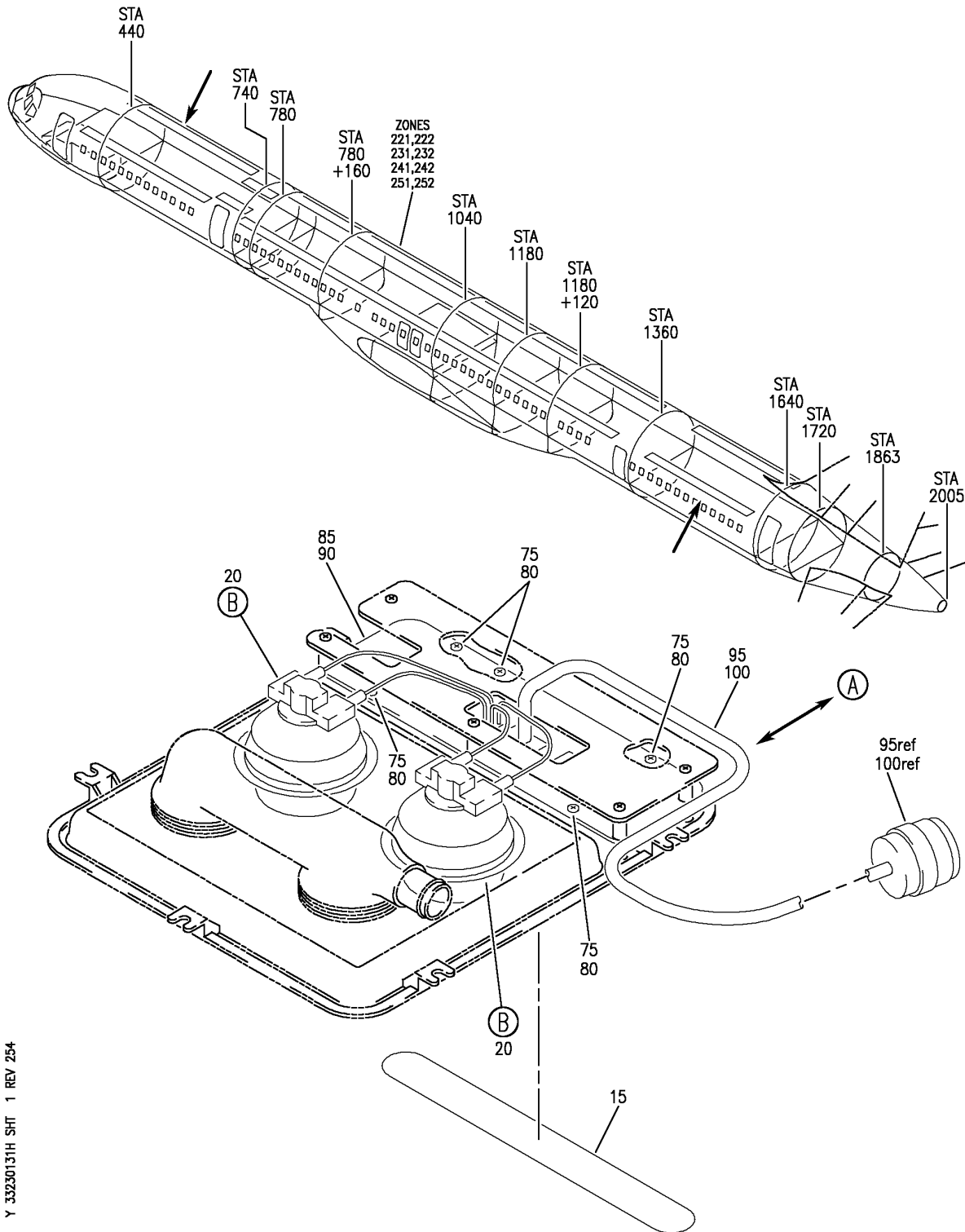
- ITEM NOT ILLUSTRATED

33-23-01-31C

33-23-01
FIG. 31C
PAGE 2
JAN 20/09

BRI

BOEING
757
PARTS CATALOG (MAINTENANCE)



Y 33230131H SHT 1 REV 254

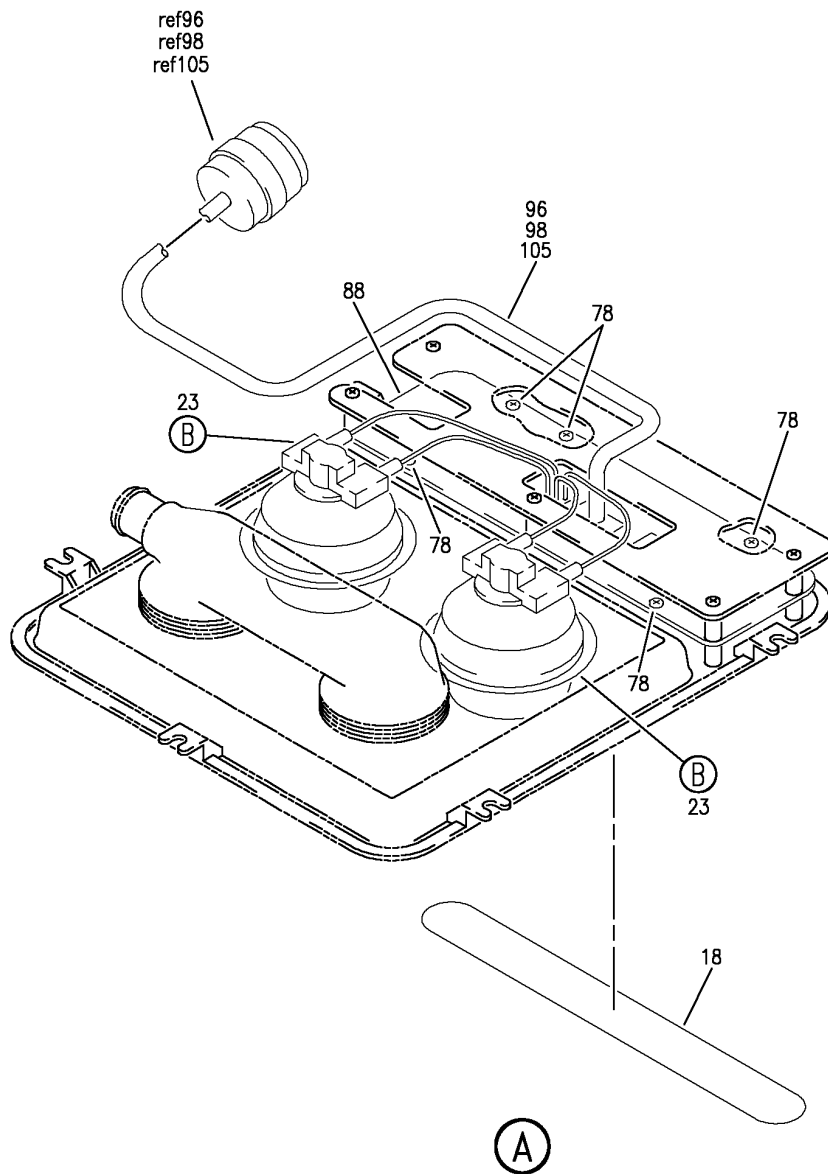
SERVICE UNIT ASSY-PASS. LIGHT/GASPER (READING LIGHTS ONLY)
FIGURE 31H (SHEET 1)

33-23-01-31H

BRI
JAN 20/09

33-23-01-31H
PAGE 0

BOEING
757
PARTS CATALOG (MAINTENANCE)



Y 33230131H SHT 2 REV 254

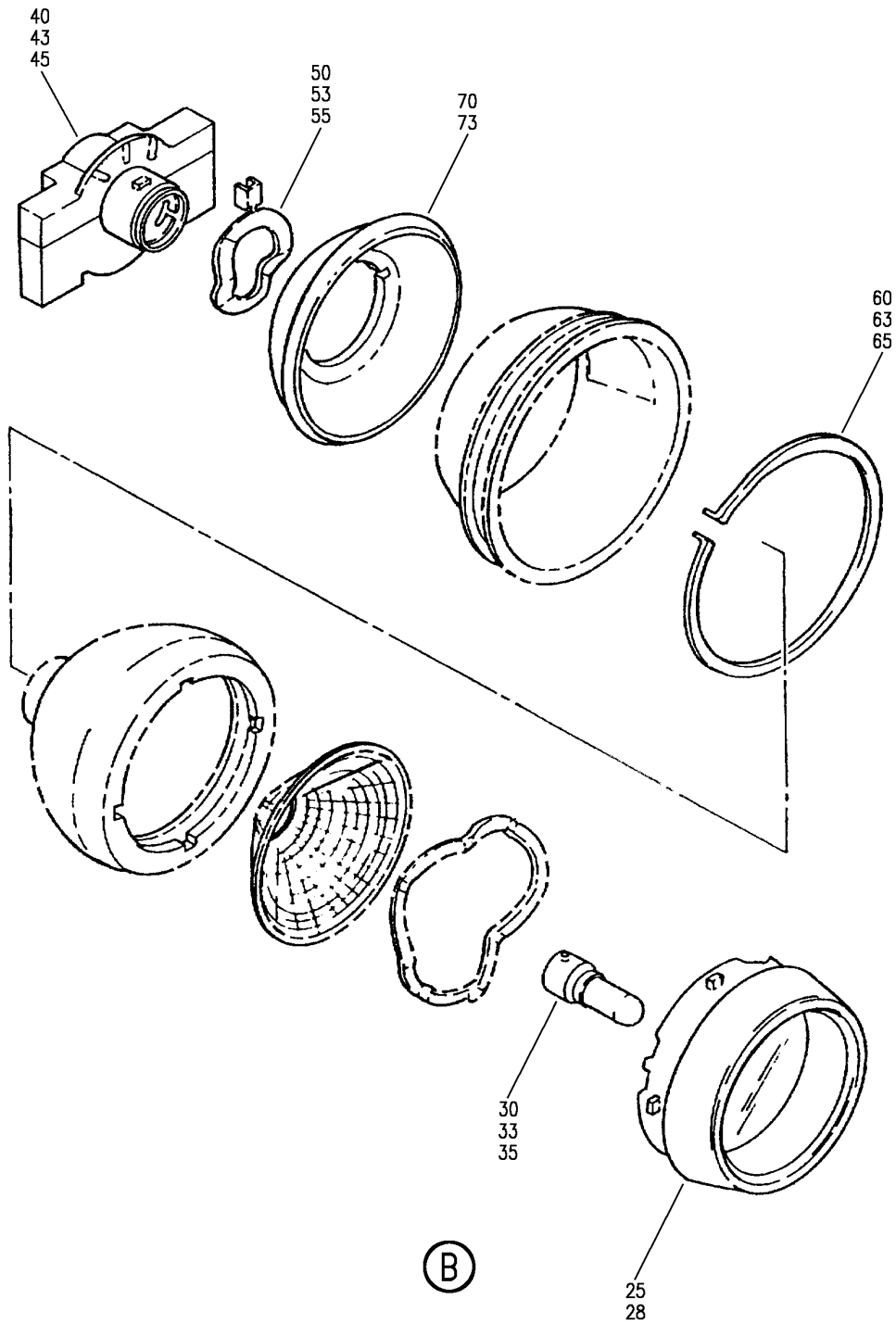
SERVICE UNIT ASSY-PASS. LIGHT/GASPER (READING LIGHTS ONLY)
FIGURE 31H (SHEET 2)

33-23-01-31H

BRI
JAN 20/09

33-23-01-31H
PAGE 0A

BOEING
757
PARTS CATALOG (MAINTENANCE)



Y 33230131H SHT 3 REV 254

SERVICE UNIT ASSY-PASS. LIGHT/GASPER (READING LIGHTS ONLY)
FIGURE 31H (SHEET 3)

33-23-01-31H

BRI
JAN 20/09

33-23-01-31H
PAGE 0B



757

PARTS CATALOG (MAINTENANCE)

FIG ITEM	PART NUMBER	1 2 3 4 5 6 7	NOMENCLATURE	EFFECT FROM TO	UNITS PER ASSY
31H			SERVICE UNIT ASSY-PASS. LIGHT/GASPER (READING LIGHTS ONLY)	108120	
- 1	417N3051-55C		SERVICE UNIT ASSY-PASS. LIGHTS/GASPER (READING LIGHTS ONLY) POSITION DATA: RH SIDE ELECTRICAL EQUIP NUMBER: M11047 COMPONENT MAINT MANUAL REF: 25-23-39 FOR NHA/OTHER SYS DET SEE: 25-23-01-34A 25-23-01-76A	108120	RF
15	11-6563-112C		.OVERLAY- SUPPLIER CODE: V72914 SPECIFICATION NUMBER: S417N312-112C USED ON: 417N3051-54D 417N3051-55C 417N3051-55D	108108	1
20	10-1581-5B		.LIGHT ASSY-READING SUPPLIER CODE: V72914 SPECIFICATION NUMBER: S417N311-5B COMPONENT MAINT MANUAL REF: 33-20-65 USED ON: 417N3051-55C 417N3051-55D	108120	2
25	11-6557-5B		..BEZEL- SUPPLIER CODE: V72914 USED ON: 10-1581-5B	108120	2
35	9204		..BULB- SUPPLIER CODE: V68045	108120	1
45	11-6555-1		..LAMPHOLDER- SUPPLIER CODE: V72914	108120	1

MISSING ITEM NUMBERS NOT APPLICABLE

- ITEM NOT ILLUSTRATED

33-23-01-31H

33-23-01
FIG. 31H
PAGE 1
JAN 20/09

BRI



757

PARTS CATALOG (MAINTENANCE)

FIG ITEM	PART NUMBER	1 2 3 4 5 6 7	NOMENCLATURE	EFFECT FROM TO	UNITS PER ASSY
31H 55	60-4745-1		.. WASHER- SUPPLIER CODE: V72914 CONFIG CHG DATA FROM A CMM: SUPSD BY 60-4745-9	108120	1
55	60-4745-9		.. WASHER- SUPPLIER CODE: V72914 CONFIG CHG DATA FROM A CMM: SUPERSEDES 60-4745-1	108120	1
65	60-4853-1		.. RING-RETAINING SUPPLIER CODE: V72914	108120	1
70	11-6510-3B		.. RETAINER- SUPPLIER CODE: V72914 USED ON: 10-1581-5B	108120	1
80	NAS600-4P		. SCREW	108120	5
90	11-6612-1		. SWITCH ASSY-MODULE SUPPLIER CODE: V72914 SPECIFICATION NUMBER: S417N312-101 COMPONENT MAINT MANUAL REF: 33-21-44 OPTIONAL PART: 11-6612-3 V72914 USED ON: 417N3051-54D 417N3051-55C 417N3051-55D 417N3051-55G 417N3051-55K FOR DETAILS SEE: 33-23-51-50	108120	1

MISSING ITEM NUMBERS NOT APPLICABLE

- ITEM NOT ILLUSTRATED

33-23-01-31H

33-23-01
FIG. 31H
PAGE 2
JAN 20/09

BRI



757

PARTS CATALOG (MAINTENANCE)

FIG ITEM	PART NUMBER	1 2 3 4 5 6 7	NOMENCLATURE	EFFECT FROM TO	UNITS PER ASSY
31H 90	11-6612-5		.SWITCH ASSY-MODULE SUPPLIER CODE: V72914 SPECIFICATION NUMBER: S417N312-111 COMPONENT MAINT MANUAL REF: 33-21-44 USED ON: 417N3051-54D 417N3051-55C 417N3051-55D 417N3051-55G 417N3051-55K FOR DETAILS SEE: 33-23-51-50	108120	1
100	53319		.HARNESS-JUMPER WIRE SUPPLIER CODE: V16115 SPECIFICATION NUMBER: S417N313-403 OPTIONAL PART: 53320 V16115 USED ON: 417N3051-55C 417N3051-55D 417N3051-55G 417N3051-55K	108120	1
100	53320		.HARNESS-JUMPER WIRE SUPPLIER CODE: V16115 SPECIFICATION NUMBER: S417N313-403 OPTIONAL PART: 53319 V16115 USED ON: 417N3051-55C 417N3051-55D 417N3051-55G 417N3051-55K	108120	1

MISSING ITEM NUMBERS NOT APPLICABLE

- ITEM NOT ILLUSTRATED

BRI

33-23-01-31H

BOEING PROPRIETARY - Copyright © - Unpublished Work - See title page for details.

33-23-01
FIG. 31H
PAGE 3
JAN 20/09



757

PARTS CATALOG (MAINTENANCE)

FIG ITEM	PART NUMBER	1 2 3 4 5 6 7	NOMENCLATURE	EFFECT FROM TO	UNITS PER ASSY
31H 105	53319		.HARNESS-JUMPER WIRE SUPPLIER CODE: V16115 SPECIFICATION NUMBER: S417N313-403 OPTIONAL PART: 53320 V16115 USED ON: 417N3051-54D	108120	1
105	53320		.HARNESS-JUMPER WIRE SUPPLIER CODE: V16115 SPECIFICATION NUMBER: S417N313-403 OPTIONAL PART: 53319 V16115 USED ON: 417N3051-54D	108120	1

MISSING ITEM NUMBERS NOT APPLICABLE

- ITEM NOT ILLUSTRATED

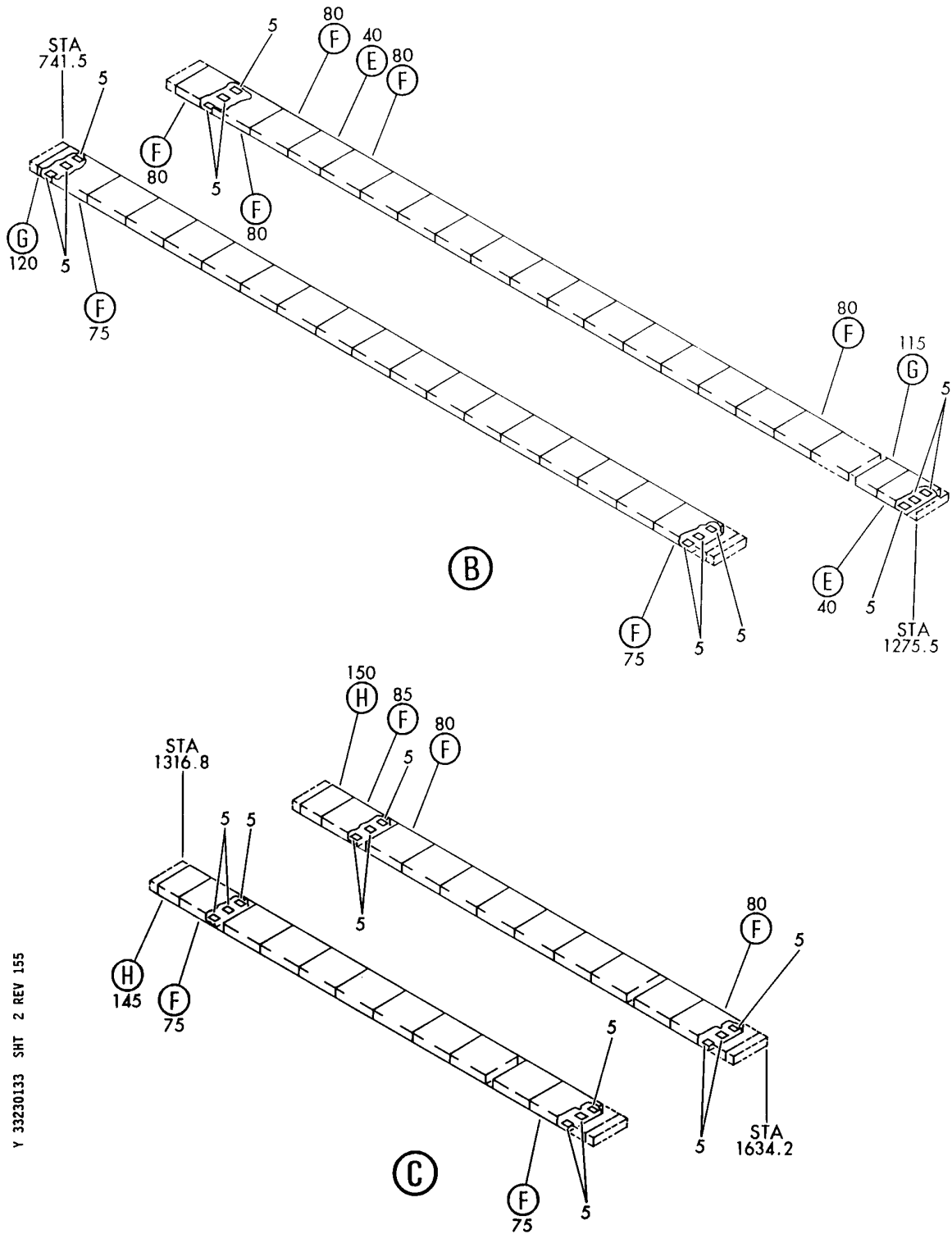
BRI

33-23-01-31H

BOEING PROPRIETARY - Copyright © - Unpublished Work - See title page for details.

33-23-01
FIG. 31H
PAGE 4
JAN 20/09


BOEING
 757
PARTS CATALOG (MAINTENANCE)



Y 33230133 SHT 2 REV 155

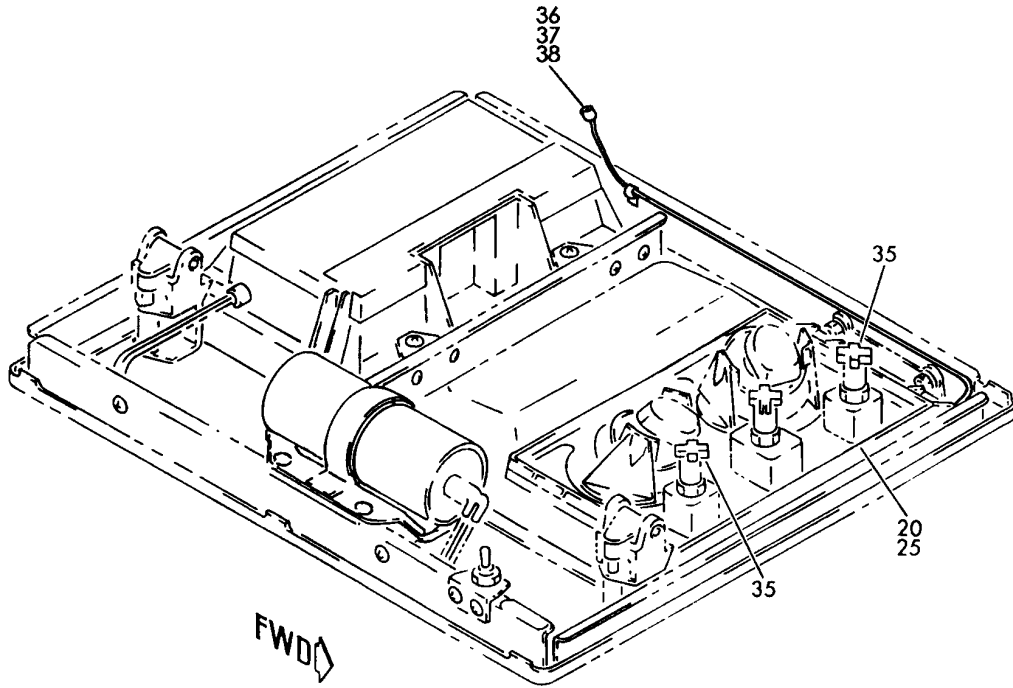
SERVICE UNIT INSTL-PASS (PASSENGER READING LIGHTS ONLY)
 FIGURE 33 (SHEET 2)

33-23-01-33

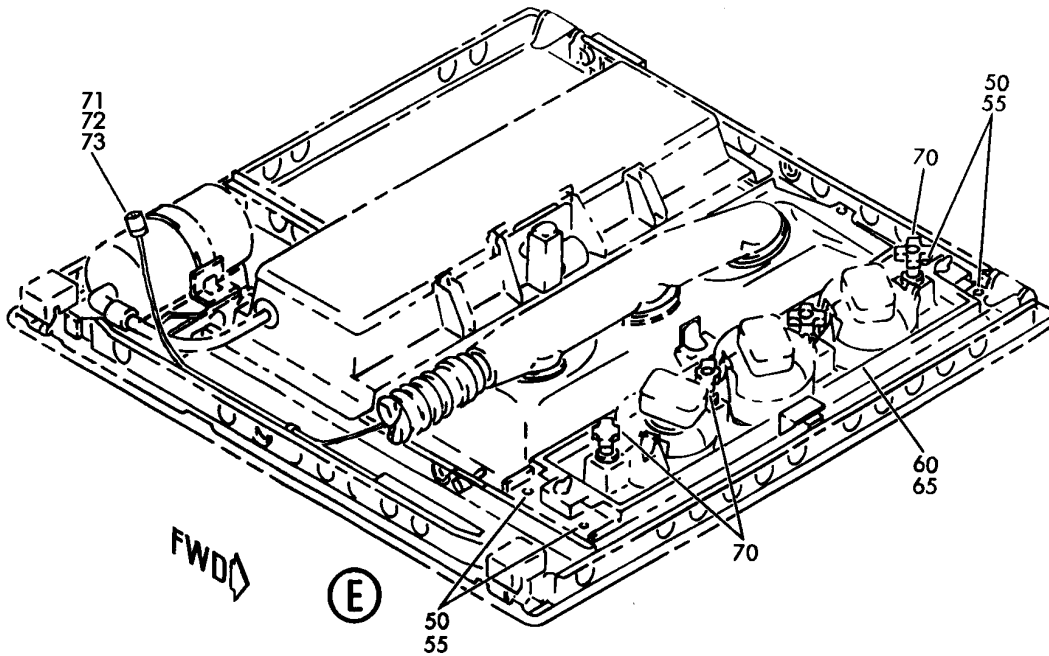
BRI
 MAY 28/07

33-23-01-33
 PAGE 0A

BOEING
757
PARTS CATALOG (MAINTENANCE)



(D)



(E)

Y 33230133 SHT 3 REV 209

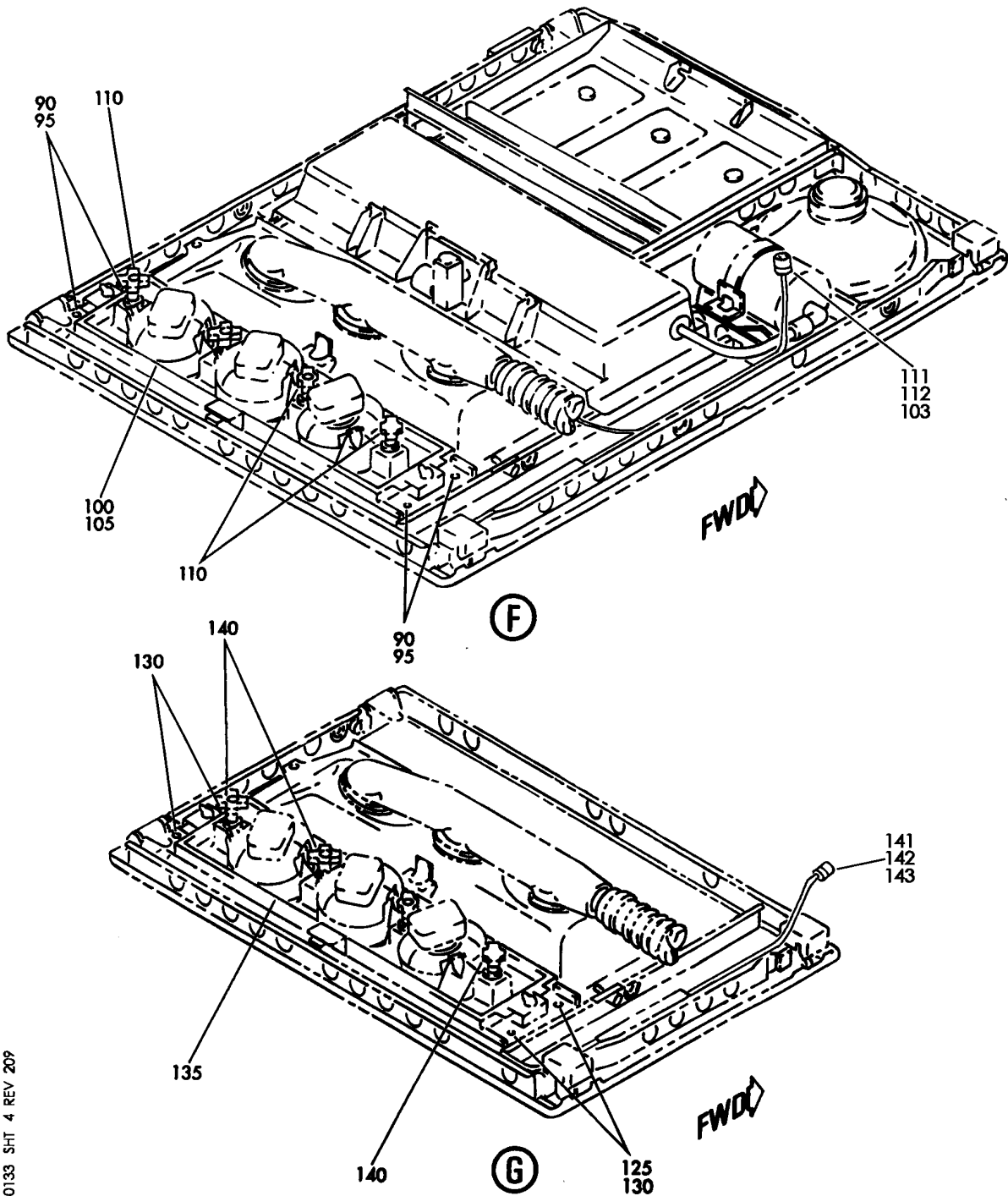
SERVICE UNIT INSTL-PASS (PASSENGER READING LIGHTS ONLY)
FIGURE 33 (SHEET 3)

33-23-01-33

BRI
MAY 28/07

33-23-01-33
PAGE 0B

BOEING
757
PARTS CATALOG (MAINTENANCE)



Y 33230133 SHT 4 REV 209

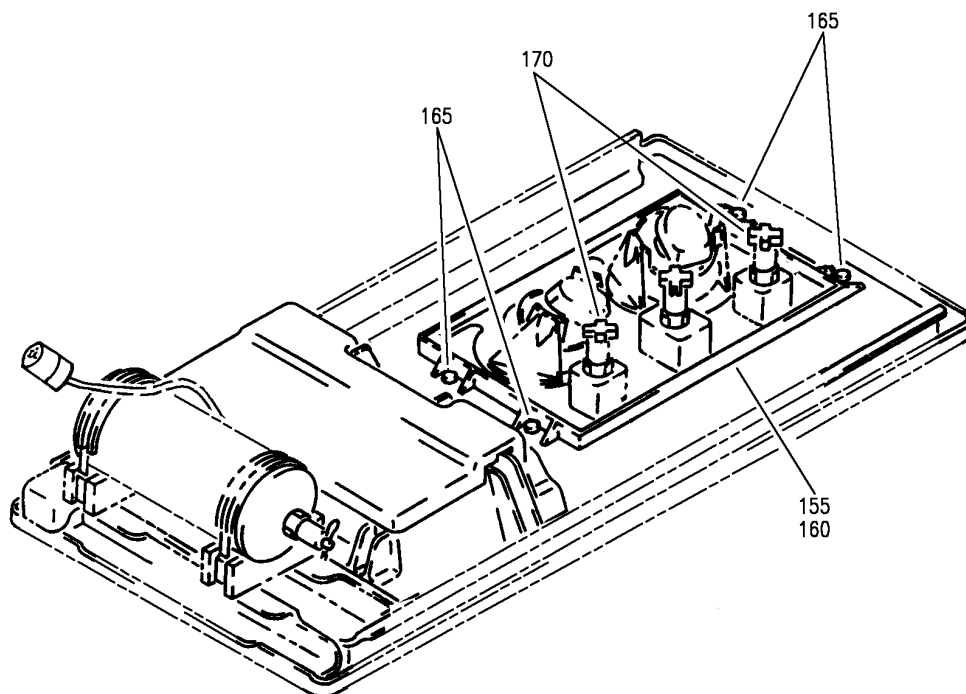
SERVICE UNIT INSTL-PASS (PASSENGER READING LIGHTS ONLY)
FIGURE 33 (SHEET 4)

33-23-01-33

BRI
MAY 28/07

33-23-01-33
PAGE 0C

BOEING
757
PARTS CATALOG (MAINTENANCE)



(H)

Y 33230133 SH1 5 REV 304

SERVICE UNIT INSTL-PASS (PASSENGER READING LIGHTS ONLY)
FIGURE 33 (SHEET 5)

33-23-01-33

BRI
MAY 28/07

33-23-01-33
PAGE 0D



757

PARTS CATALOG (MAINTENANCE)

FIG ITEM	PART NUMBER	1 2 3 4 5 6 7	NOMENCLATURE	EFFECT FROM TO	UNITS PER ASSY
33			SERVICE UNIT INSTL-PASS (PASSENGER READING LIGHTS ONLY)	011102	
- 1	417N3001-98		SERVICE UNIT INSTL-PASS. (PASSENGER READING LIGHTS ONLY)	011100	RF
- 1	417N3001-164SP		FOR NHA/OTHER SYS DET SEE: 25-20-00-20A SERVICE UNIT INSTL-PASS. (PASSENGER READING LIGHTS ONLY)	101102	RF
5	VIP720-1M		.LENS-LIGHT SWITCH SUPPLIER CODE: V28406 SPECIFICATION NUMBER: S417N304-1M	011102	244
10	417N3200-55SP		.SERVICE UNIT ASSY-PASS. WITHOUT GASPERS ELECTRICAL EQUIP NUMBER: M10363 COMPONENT MAINT MANUAL REF: 35-21-04	011100	RF
10	417N3200-155SP		.SERVICE UNIT ASSY-PASS. WITHOUT GASPERS ELECTRICAL EQUIP NUMBER: M10363 COMPONENT MAINT MANUAL REF: 35-21-04	101102	RF
15	417N3200-56SP		.SERVICE UNIT ASSY-PASS. ELECTRICAL EQUIP NUMBER: M10363 COMPONENT MAINT MANUAL REF: 35-21-04	011100	RF
15	417N3200-156SP		.SERVICE UNIT ASSY-PASS. WITHOUT GASPERS ELECTRICAL EQUIP NUMBER: M10363 COMPONENT MAINT MANUAL REF: 35-21-04	101102	RF

MISSING ITEM NUMBERS NOT APPLICABLE

- ITEM NOT ILLUSTRATED

33-23-01-33

33-23-01
FIG. 33
PAGE 1
JAN 20/09

BRI



757

PARTS CATALOG (MAINTENANCE)

FIG ITEM	PART NUMBER	1 2 3 4 5 6 7	NOMENCLATURE	EFFECT FROM TO	UNITS PER ASSY
33 20	10-1006-3		..LIGHT ASSY-READING SUPPLIER CODE: V72914 SPECIFICATION NUMBER: S417N302-3 COMPONENT MAINT MANUAL REF: 33-23-05 USED ON: 417N3200-55SP 417N3200-155SP FOR DETAILS SEE: 33-23-01-96	011102	1
25	10-1006-4		..LIGHT ASSY-READING SUPPLIER CODE: V72914 SPECIFICATION NUMBER: S417N302-4 COMPONENT MAINT MANUAL REF: 33-23-05 USED ON: 417N3200-56SP 417N3200-156SP FOR DETAILS SEE: 33-23-01-96	011102	1
- 30	BACN10YJ08		..NUT -----*-----	011102	4
35	920056		..SWITCH-READING LIGHT SUPPLIER CODE: V07150	011102	2
35	SW43346		..SWITCH-READING LIGHT SUPPLIER CODE: V07150	011102	2
- 36	288N0181-701		..WIRE BUNDLE INSTL- USED ON: 417N3200-156SP	101102	1
- 36A	288N0181-702		..WIRE BUNDLE INSTL- USED ON: 417N3200-155SP	101102	1
37	286N0522-301		...WIRE BUNDLE ASSY	101102	1
38	BACC45FT18A14P	CONNECTOR- ELECTRICAL EQUIP NUMBER: D03450	101102	1

MISSING ITEM NUMBERS NOT APPLICABLE

- ITEM NOT ILLUSTRATED

33-23-01-33

33-23-01
FIG. 33
PAGE 2
JAN 20/09

BRI



757

PARTS CATALOG (MAINTENANCE)

FIG ITEM	PART NUMBER	1 2 3 4 5 6 7	NOMENCLATURE	EFFECT FROM TO	UNITS PER ASSY
33					
40	417N3100-508SP	.	SERVICE UNIT ASSY-PASS. POSITION DATA: UNDERBIN ELECTRICAL EQUIP NUMBER: M03012 COMPONENT MAINT MANUAL REF: 25-23-37	011100	RF
40	417N3100-729B	.	SERVICE UNIT ASSY-PASS. 22 IN. PARTIAL WITHOUT SPKR POSITION DATA: UNDERBIN ELECTRICAL EQUIP NUMBER: M03012 COMPONENT MAINT MANUAL REF: 25-23-37	101102	RF
45	417N3100-709SP	.	SERVICE UNIT ASSY-PASS. 22 IN. PARTIAL WITHOUT SPKR POSITION DATA: UNDERBIN ELECTRICAL EQUIP NUMBER: M03012 COMPONENT MAINT MANUAL REF: 25-23-37	011100	RF
45	417N3100-725B	.	SERVICE UNIT ASSY-PASS. 22 IN. PARTIAL WITHOUT SPKR POSITION DATA: UNDERBIN ELECTRICAL EQUIP NUMBER: M03012	101102	RF
50	NAS43DD3-20	..	SPACER	011102	4
55	BACN10YJ08	..	NUT	011102	4
60	10-1006-1	..	LIGHT ASSY-READING SUPPLIER CODE: V72914 SPECIFICATION NUMBER: S417N302-1 COMPONENT MAINT MANUAL REF: 33-23-05 USED ON: 417N3100-709SP 417N3100-725B FOR DETAILS SEE: 33-23-01-95	011102	1

MISSING ITEM NUMBERS NOT APPLICABLE

- ITEM NOT ILLUSTRATED

33-23-01-33

33-23-01
FIG. 33
PAGE 3
JAN 20/09

BRI



757

PARTS CATALOG (MAINTENANCE)

FIG ITEM	PART NUMBER	1 2 3 4 5 6 7	NOMENCLATURE	EFFECT FROM TO	UNITS PER ASSY
33 65	10-1006-2		..LIGHT ASSY-READING SUPPLIER CODE: V72914 SPECIFICATION NUMBER: S417N302-2 COMPONENT MAINT MANUAL REF: 33-23-05 USED ON: 417N3100-508SP 417N3100-729B FOR DETAILS SEE: 33-23-01-95	011102	1
70	920056		..SWITCH-READING LIGHT SUPPLIER CODE: V07150	011102	3
70	SW43346		..SWITCH-READING LIGHT SUPPLIER CODE: V07150	011102	3
- 71	288N0174-701		..WIRE BUNDLE INSTL-PSU UNDER BIN POSITION DATA: RH SIDE USED ON: 417N3100-725B	101102	RF
72	286N0512-302		...WIRE BUNDLE ASSY	101102	1
73	BACC45FT18A14P	CONNECTOR- ELECTRICAL EQUIP NUMBER: D03440	101102	1
75	417N3100-707SP		.SERVICE UNIT ASSY-PASS. POSITION DATA: UNDERBIN ELECTRICAL EQUIP NUMBER: M03012 COMPONENT MAINT MANUAL REF: 25-23-30	011100	RF
75	417N3100-723B		.SERVICE UNIT ASSY-PASS. FULL WITH SPKR POSITION DATA: UNDERBIN ELECTRICAL EQUIP NUMBER: M03012 COMPONENT MAINT MANUAL REF: 25-23-30	101102	RF

MISSING ITEM NUMBERS NOT APPLICABLE

- ITEM NOT ILLUSTRATED

33-23-01-33

33-23-01
FIG. 33
PAGE 4
JAN 20/09

BRI



757

PARTS CATALOG (MAINTENANCE)

FIG ITEM	PART NUMBER	1 2 3 4 5 6 7	NOMENCLATURE	EFFECT FROM TO	UNITS PER ASSY
33					
80	417N3100-708SP	.	SERVICE UNIT ASSY-PASS. FULL WITH SPKR POSITION DATA: UNDERBIN ELECTRICAL EQUIP NUMBER: M03012 COMPONENT MAINT MANUAL REF: 25-23-30	011100	RF
80	417N3100-724B	.	SERVICE UNIT ASSY-PASS. FULL WITH SPKR POSITION DATA: UNDERBIN ELECTRICAL EQUIP NUMBER: M03012 COMPONENT MAINT MANUAL REF: 25-23-30	101102	RF
85	417N3100-712SP	.	SERVICE UNIT ASSY-PASS. FULL WITH MUTED SPKR POSITION DATA: UNDERBIN ELECTRICAL EQUIP NUMBER: M10471 COMPONENT MAINT MANUAL REF: 25-23-30	011100	RF
85	417N3100-728B	.	SERVICE UNIT ASSY-PASS. FULL WITH MUTED SPKR POSITION DATA: UNDERBIN ELECTRICAL EQUIP NUMBER: M10471 COMPONENT MAINT MANUAL REF: 25-23-30	101102	RF
90	NAS43DD3-20	..	SPACER	011102	4
95	BACN10YJ08	..	NUT	011102	4
100	10-1006-1	..	LIGHT ASSY-READING SUPPLIER CODE: V72914 SPECIFICATION NUMBER: S417N302-1 COMPONENT MAINT MANUAL REF: 33-23-05 USED ON: 417N3100-707SP 417N3100-723B FOR DETAILS SEE: 33-23-01-95	011102	1

MISSING ITEM NUMBERS NOT APPLICABLE

- ITEM NOT ILLUSTRATED

33-23-01-33

33-23-01
FIG. 33
PAGE 5
JAN 20/09

BRI



757

PARTS CATALOG (MAINTENANCE)

FIG ITEM	PART NUMBER	1 2 3 4 5 6 7	NOMENCLATURE	EFFECT FROM TO	UNITS PER ASSY
33 105	10-1006-2		..LIGHT ASSY-READING SUPPLIER CODE: V72914 SPECIFICATION NUMBER: S417N302-2 COMPONENT MAINT MANUAL REF: 33-23-05 USED ON: 417N3100-708SP 417N3100-712SP 417N3100-724B 417N3100-728B FOR DETAILS SEE: 33-23-01-95	011102	1
110	920056		..SWITCH-READING LIGHT SUPPLIER CODE: V07150	011102	3
110	SW43346		..SWITCH-READING LIGHT SUPPLIER CODE: V07150	011102	3
- 111	288N0174-701		..WIRE BUNDLE INSTL-PSU UNDER BIN POSITION DATA: RH SIDE USED ON: 417N3100-723B	101102	RF
112	286N0512-302		...WIRE BUNDLE ASSY	101102	1
113	BACC45FT18A14P	CONNECTOR- ELECTRICAL EQUIP NUMBER: D03440	101102	1
115	417N3100-710A		.SERVICE UNIT ASSY-PASS. POSITION DATA: UNDERBIN ELECTRICAL EQUIP NUMBER: M03012	011102	RF
120	417N3100-711A		.SERVICE UNIT ASSY-PASS. POSITION DATA: UNDERBIN ELECTRICAL EQUIP NUMBER: M03012	011102	RF
125	NAS43DD3-20		..SPACER	011102	4
130	BACN10YJ08		..NUT	011102	4

MISSING ITEM NUMBERS NOT APPLICABLE

- ITEM NOT ILLUSTRATED

33-23-01-33

33-23-01
FIG. 33
PAGE 6
JAN 20/09

BRI

BOEING
757
PARTS CATALOG (MAINTENANCE)

FIG ITEM	PART NUMBER	1 2 3 4 5 6 7	NOMENCLATURE	EFFECT FROM TO	UNITS PER ASSY
33 135	10-1006-2		..LIGHT ASSY-READING SUPPLIER CODE: V72914 SPECIFICATION NUMBER: S417N302-2 COMPONENT MAINT MANUAL REF: 33-23-05 FOR DETAILS SEE: 33-23-01-95	011102	1
140	920056		..SWITCH-READING LIGHT SUPPLIER CODE: V07150	011102	3
140	SW43346		..SWITCH-READING LIGHT SUPPLIER CODE: V07150	011102	3
- 141	288N0174-701		..WIRE BUNDLE INSTL-PSU UNDER BIN POSITION DATA: RH SIDE USED ON: 417N3100-710A	101102	RF
142	286N0512-302		...WIRE BUNDLE ASSY	101102	1
143	BACC45FT18A14P	CONNECTOR- ELECTRICAL EQUIP NUMBER: D03440	101102	1
145	417N3700-21SP		.SERVICE UNIT ASSY- ATTENDANT POSITION DATA: UNDERBIN COMPONENT MAINT MANUAL REF: 35-21-05	011100	RF
145	417N3700-121SP		.SERVICE UNIT ASSY-PASS. ATTENDANT POSITION DATA: UNDERBIN COMPONENT MAINT MANUAL REF: 35-21-05	101102	RF
150	417N3700-22SP		.SERVICE UNIT ASSY-PASS. ATTENDANT POSITION DATA: UNDERBIN COMPONENT MAINT MANUAL REF: 35-21-05	011102	RF
150	417N3700-122SP		.SERVICE UNIT ASSY-PASS. ATTENDANT POSITION DATA: UNDERBIN COMPONENT MAINT MANUAL REF: 35-21-05	101102	RF

MISSING ITEM NUMBERS NOT APPLICABLE

- ITEM NOT ILLUSTRATED

33-23-01-33

33-23-01
FIG. 33
PAGE 7
JAN 20/09

BRI

BOEING PROPRIETARY - Copyright © - Unpublished Work - See title page for details.



757

PARTS CATALOG (MAINTENANCE)

FIG ITEM	PART NUMBER	1 2 3 4 5 6 7	NOMENCLATURE	EFFECT FROM TO	UNITS PER ASSY
33 155	10-1006-5		..LIGHT ASSY-READING SUPPLIER CODE: V72914 SPECIFICATION NUMBER: S417N302-5 COMPONENT MAINT MANUAL REF: 33-23-05 USED ON: 417N3700-21SP 417N3700-121SP 417N3700-123B FOR DETAILS SEE: 33-23-01-96	011102	1
160	10-1006-6		..LIGHT ASSY-READING SUPPLIER CODE: V72914 SPECIFICATION NUMBER: S417N302-6 COMPONENT MAINT MANUAL REF: 33-23-05 USED ON: 417N3700-22SP 417N3700-122SP 417N3700-124B FOR DETAILS SEE: 33-23-01-96	011102	1
165	BACN10YJ08		..NUT	011102	4
170	920056		..SWITCH-READING LIGHT SUPPLIER CODE: V07150	011102	2
170	SW43346		..SWITCH-READING LIGHT SUPPLIER CODE: V07150	011102	2

MISSING ITEM NUMBERS NOT APPLICABLE

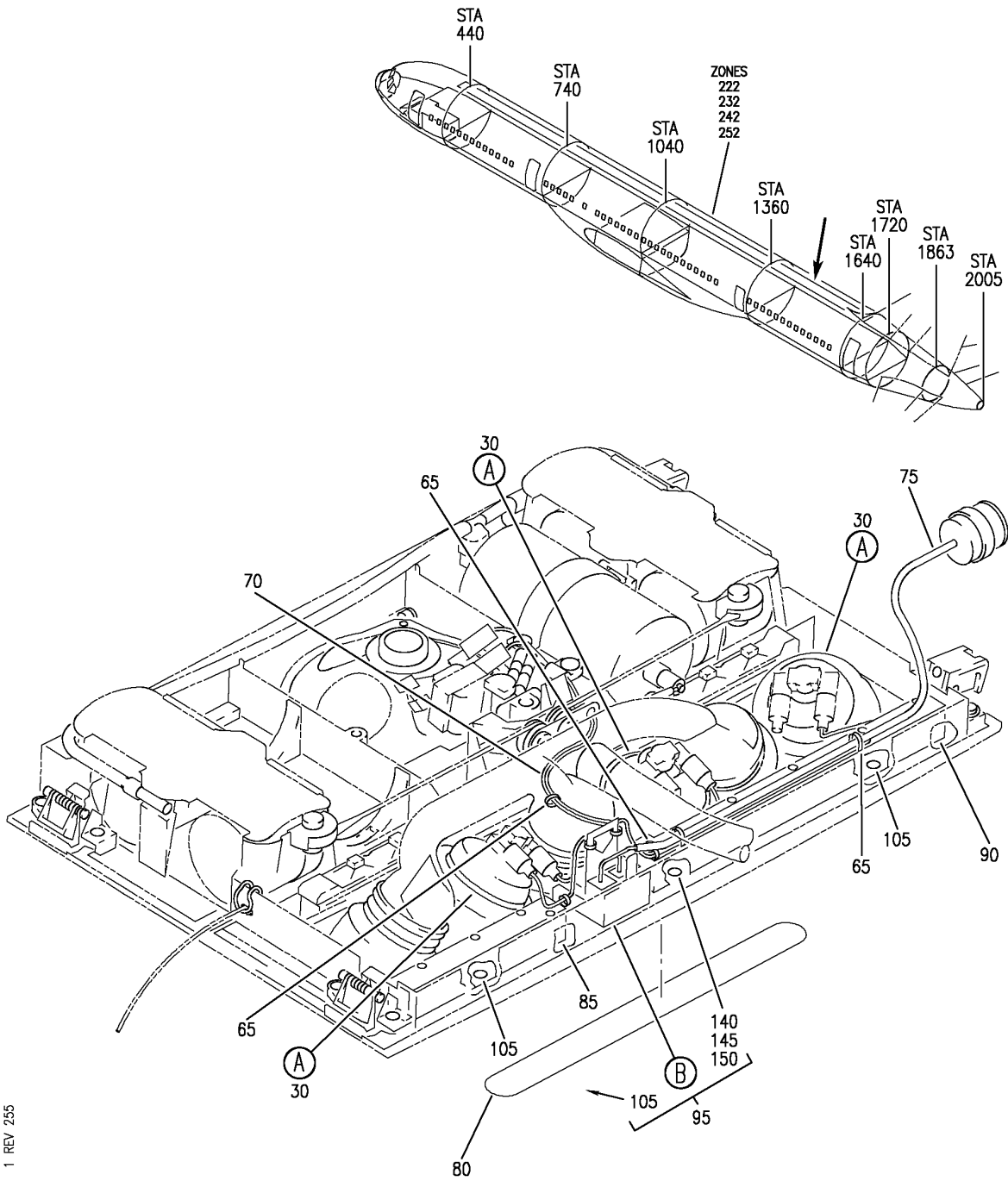
- ITEM NOT ILLUSTRATED

33-23-01-33

33-23-01
FIG. 33
PAGE 8
JAN 20/09

BRI

BOEING
757
PARTS CATALOG (MAINTENANCE)



Y 33230134A SHT 1 REV 255

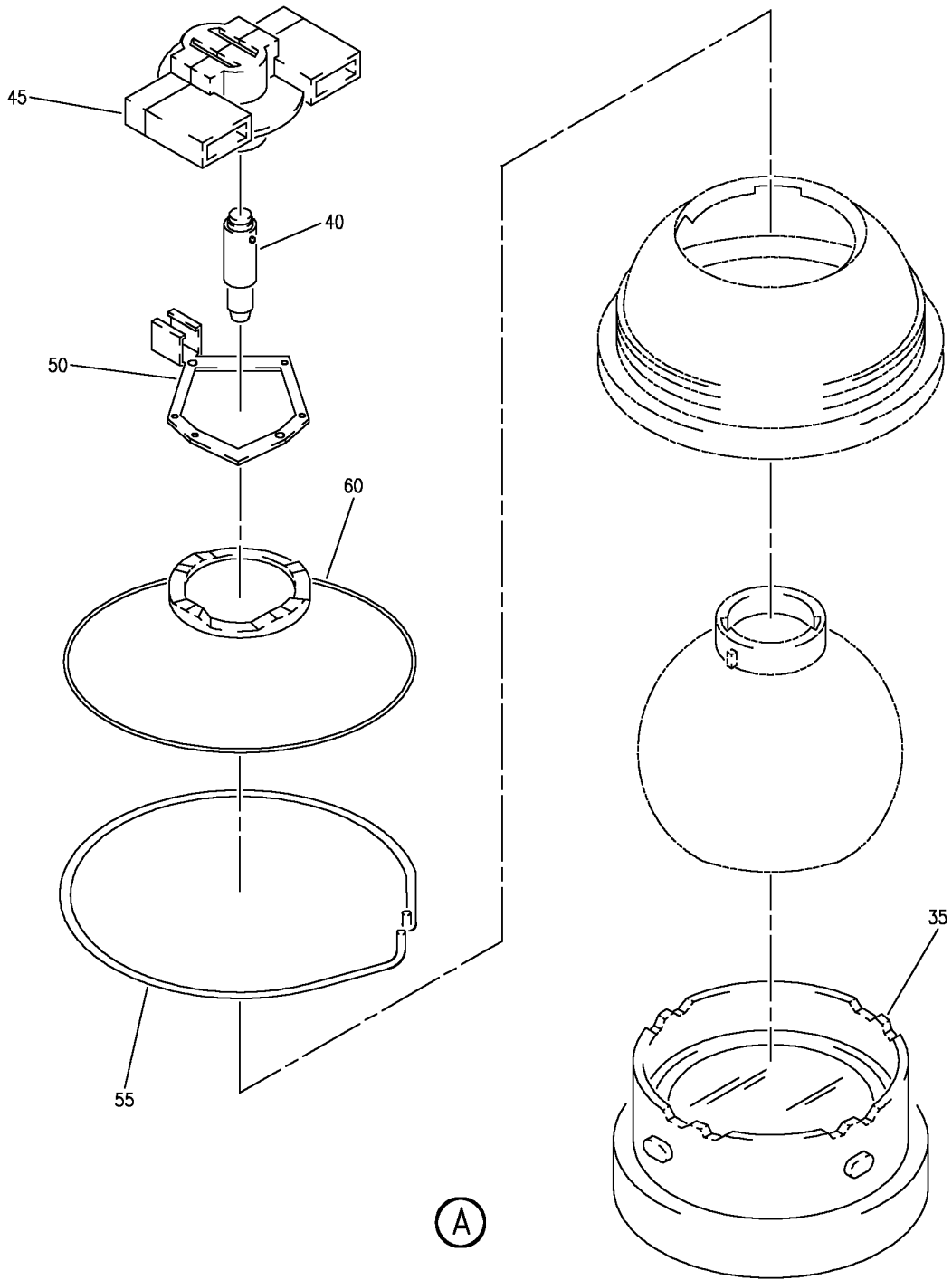
SERVICE UNIT ASSY-PASS. (PASSENGER READING LIGHTS ONLY)
FIGURE 34A (SHEET 1)

33-23-01-34A

BRI
JAN 20/09

33-23-01-34A
PAGE 0

BOEING
757
PARTS CATALOG (MAINTENANCE)



Y 33230134A SHT 2 REV 248

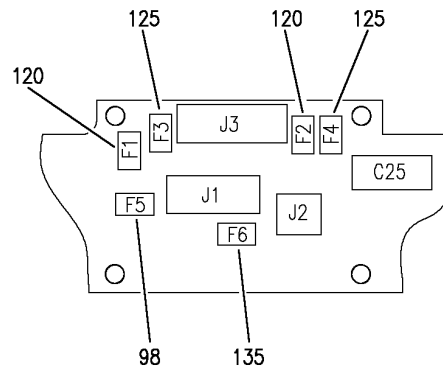
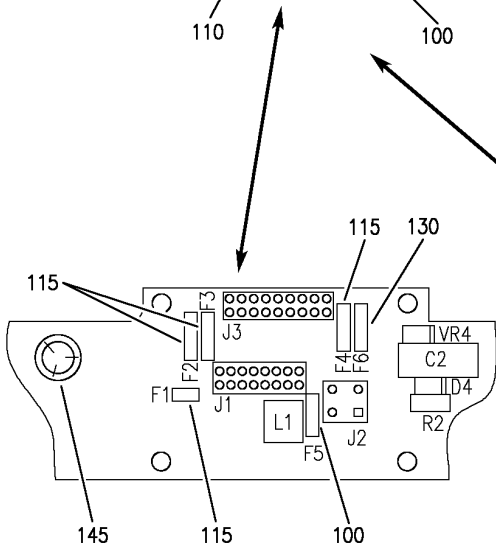
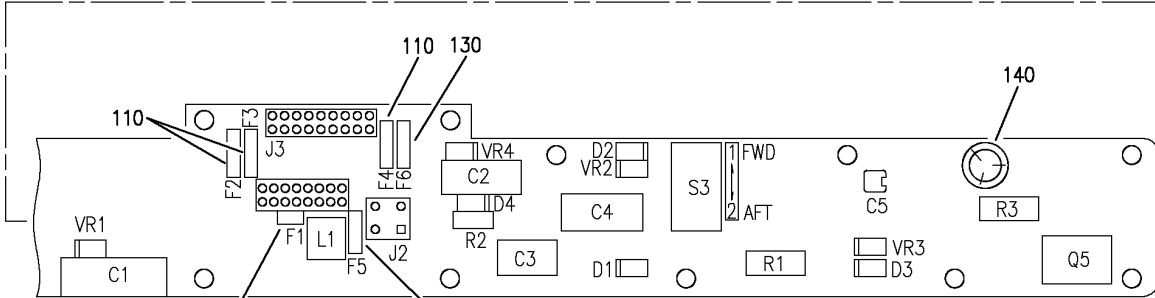
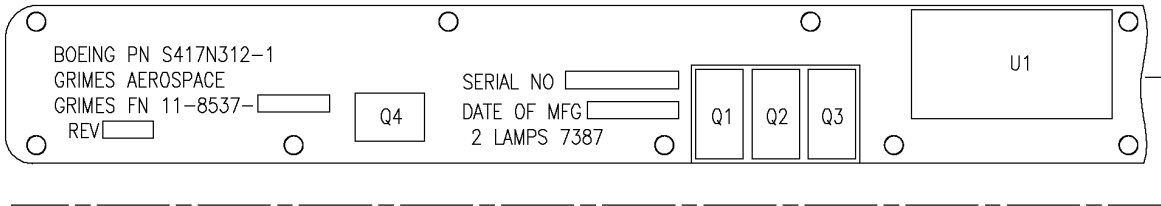
SERVICE UNIT ASSY-PASS. (PASSENGER READING LIGHTS ONLY)
FIGURE 34A (SHEET 2)

33-23-01-34A

BRI
JAN 20/09

33-23-01-34A
PAGE 0A

BOEING
757
PARTS CATALOG (MAINTENANCE)



(B)

Y 33230134A SHT 3 REV 255

SERVICE UNIT ASSY-PASS. (PASSENGER READING LIGHTS ONLY)
FIGURE 34A (SHEET 3)

33-23-01-34A

BRI
JAN 20/09

33-23-01-34A
PAGE 0B



757

PARTS CATALOG (MAINTENANCE)

FIG ITEM	PART NUMBER	1 2 3 4 5 6 7	NOMENCLATURE	EFFECT FROM TO	UNITS PER ASSY
34A			SERVICE UNIT ASSY-PASS. (PASSENGER READING LIGHTS ONLY)	103106 108120	
- 1	417N3011-422C		SERVICE UNIT ASSY-PASS. WITH SPKR AND GASPER (PASSENGER READING LIGHTS ONLY) ELECTRICAL EQUIP NUMBER: M10983 COMPONENT MAINT MANUAL REF: 25-23-38 FOR NHA/OTHER SYS DET SEE: 25-23-01-34A 25-23-01-76A	108120	RF
- 1	417N3011-422B		SERVICE UNIT ASSY-PASS. WITH 2K SPKR, MUTING RELAY AND GASPER (PASSENGER READING LIGHTS ONLY) ELECTRICAL EQUIP NUMBER: M10983 COMPONENT MAINT MANUAL REF: 25-23-38 FOR NHA/OTHER SYS DET SEE: 25-23-01-52B	103106	RF
30	10-1581-5B		.LIGHT ASSY-READING SUPPLIER CODE: V72914 SPECIFICATION NUMBER: S417N311-5B COMPONENT MAINT MANUAL REF: 33-20-65	108120	3
30	10-1581-3B		.LIGHT ASSY-READING SUPPLIER CODE: V72914 SPECIFICATION NUMBER: S417N311-3B COMPONENT MAINT MANUAL REF: 33-20-65	108120	3
30	10-1581-5G		.LIGHT ASSY-READING SUPPLIER CODE: V72914 SPECIFICATION NUMBER: S417N311-5G COMPONENT MAINT MANUAL REF: 33-20-65	103104	3

MISSING ITEM NUMBERS NOT APPLICABLE

- ITEM NOT ILLUSTRATED

33-23-01-34A

33-23-01
FIG. 34A
PAGE 1
JAN 20/09

BRI



757

PARTS CATALOG (MAINTENANCE)

FIG ITEM	PART NUMBER	1 2 3 4 5 6 7	NOMENCLATURE	EFFECT FROM TO	UNITS PER ASSY
34A					
30	10-1581-5G		.LIGHT ASSY-READING SUPPLIER CODE: V72914 SPECIFICATION NUMBER: S417N311-5G COMPONENT MAINT MANUAL REF: 33-20-65	105106	3
35	11-6557-5B		..BEZEL- SUPPLIER CODE: V72914 USED ON: 10-1581-5B	108120	1
35	11-6557-3B		..BEZEL- SUPPLIER CODE: V72914 USED ON: 10-1581-3B	108120	1
35	11-6557-5G		..BEZEL- SUPPLIER CODE: V72914	103104	1
35	11-6557-5G		..BEZEL- SUPPLIER CODE: V72914	105106	1
40	9204		..BULB- SUPPLIER CODE: V68045	108120	1
40	9204		..BULB- SUPPLIER CODE: V68045	103104	1
40	9204		..BULB- SUPPLIER CODE: V68045	105106	1
45	11-6555-1		..LAMPHOLDER- SUPPLIER CODE: V72914	105106	1
45	11-6555-1		..LAMPHOLDER- SUPPLIER CODE: V72914	108120	1
45	11-6555-1		..LAMPHOLDER- SUPPLIER CODE: V72914	103104	1
50	60-4745-9		..WASHER- SUPPLIER CODE: V72914 CONFIG CHG DATA FROM A CMM: SUPERSEDES 60-4745-1	108120	1

MISSING ITEM NUMBERS NOT APPLICABLE

- ITEM NOT ILLUSTRATED

33-23-01-34A

33-23-01
FIG. 34A
PAGE 2
JAN 20/09

BRI

BOEING PROPRIETARY - Copyright © - Unpublished Work - See title page for details.



757

PARTS CATALOG (MAINTENANCE)

FIG ITEM	PART NUMBER	1 2 3 4 5 6 7	NOMENCLATURE	EFFECT FROM TO	UNITS PER ASSY
34A					
50	60-4745-1	..	WASHER- SUPPLIER CODE: V72914 CONFIG CHG DATA FROM A CMM: SUPSD BY 60-4745-9	108120	1
50	60-4745-9	..	WASHER- SUPPLIER CODE: V72914 CONFIG CHG DATA FROM A CMM: SUPERSEDES 60-4745-1	103104	1
50	60-4745-1	..	WASHER- SUPPLIER CODE: V72914 CONFIG CHG DATA FROM A CMM: SUPSD BY 60-4745-9	103104	1
50	60-4745-9	..	WASHER- SUPPLIER CODE: V72914 CONFIG CHG DATA FROM A CMM: SUPERSEDES 60-4745-1	105106	1
50	60-4745-1	..	WASHER- SUPPLIER CODE: V72914 CONFIG CHG DATA FROM A CMM: SUPSD BY 60-4745-9	105106	1
55	60-4853-1	..	RING-RETAINING SUPPLIER CODE: V72914	108120	1
55	60-4853-1	..	RING-RETAINING SUPPLIER CODE: V72914	103104	1
55	60-4853-1	..	RING-RETAINING SUPPLIER CODE: V72914	105106	1
60	11-6510-3B	..	RETAINER- SUPPLIER CODE: V72914 USED ON: 10-1581-5B	108120	1
60	11-6510-1B	..	RETAINER- SUPPLIER CODE: V72914 USED ON: 10-1581-3B	108120	1
60	11-6510-3G	..	RETAINER- SUPPLIER CODE: V72914	103104	1

MISSING ITEM NUMBERS NOT APPLICABLE

- ITEM NOT ILLUSTRATED

33-23-01-34A

33-23-01
FIG. 34A
PAGE 3
JAN 20/09

BRI

BOEING PROPRIETARY - Copyright © - Unpublished Work - See title page for details.



757

PARTS CATALOG (MAINTENANCE)

FIG ITEM	PART NUMBER	1 2 3 4 5 6 7	NOMENCLATURE	EFFECT FROM TO	UNITS PER ASSY
34A 60	11-6510-3G		. . RETAINER- SUPPLIER CODE: V72914	105106	1
65	PLT2MM2		. STRAP- SUPPLIER CODE: V06383 OPTIONAL PART: PLT2MM V06383	108120	AR
65	PLT2MM		. STRAP- SUPPLIER CODE: V06383 OPTIONAL PART: PLT2MM2 V06383	108120	AR
65	PLT2MM2		. STRAP- SUPPLIER CODE: V06383 OPTIONAL PART: PLT2MM2 V06383	103104	AR
65	PLT2MM2		. STRAP- SUPPLIER CODE: V06383	105106	AR
65	PLT2MM		. STRAP- SUPPLIER CODE: V06383	103104	AR
65	PLT2MM		. STRAP- SUPPLIER CODE: V06383	105106	AR
70	53004		. WIRE BUNDLE- SUPPLIER CODE: V16115 SPECIFICATION NUMBER: S417N313-103	105106	1
70	53004		. WIRE BUNDLE- SUPPLIER CODE: V16115 SPECIFICATION NUMBER: S417N313-103	108120	1
70	53004		. WIRE BUNDLE- SUPPLIER CODE: V16115 SPECIFICATION NUMBER: S417N313-103	103104	1
75	53005		. WIRE BUNDLE- SUPPLIER CODE: V16115 SPECIFICATION NUMBER: S417N313-208	105106	1

MISSING ITEM NUMBERS NOT APPLICABLE

- ITEM NOT ILLUSTRATED

33-23-01-34A

33-23-01
FIG. 34A
PAGE 4
JAN 20/09

BRI

BOEING PROPRIETARY - Copyright © - Unpublished Work - See title page for details.



757

PARTS CATALOG (MAINTENANCE)

FIG ITEM	PART NUMBER	1 2 3 4 5 6 7	NOMENCLATURE	EFFECT FROM TO	UNITS PER ASSY
34A					
75	53005		.WIRE BUNDLE- SUPPLIER CODE: V16115 SPECIFICATION NUMBER: S417N313-208	108120	1
75	53005		.WIRE BUNDLE- SUPPLIER CODE: V16115 SPECIFICATION NUMBER: S417N313-208	103104	1
80	11-6563-22C		.OVERLAY- SUPPLIER CODE: V72914 SPECIFICATION NUMBER: S417N312-22C	108120	1
80	11-6563-22G		.OVERLAY- SUPPLIER CODE: V72914 SPECIFICATION NUMBER: S417N312-22G	103104	1
80	11-6563-22G		.OVERLAY- SUPPLIER CODE: V72914 SPECIFICATION NUMBER: S417N312-22G	105106	1
85	417N3035-3		.SHROUD	108120	1
85	417N3035-3		.SHROUD	103104	1
85	417N3035-3		.SHROUD	105106	1
90	417N3035-4		.SHROUD	108120	1
90	417N3035-4		.SHROUD	103104	1
90	417N3035-4		.SHROUD	105106	1
95	11-6537-9		.MODULE ASSY-SWITCH SUPPLIER CODE: V72914 SPECIFICATION NUMBER: S417N312-13 COMPONENT MAINT MANUAL REF: 33-21-42	108120	1

MISSING ITEM NUMBERS NOT APPLICABLE

- ITEM NOT ILLUSTRATED

33-23-01-34A

33-23-01
FIG. 34A
PAGE 5
JAN 20/09

BRI

BOEING PROPRIETARY - Copyright © - Unpublished Work - See title page for details.



757

PARTS CATALOG (MAINTENANCE)

FIG ITEM	PART NUMBER	1 2 3 4 5 6 7	NOMENCLATURE	EFFECT FROM TO	UNITS PER ASSY
34A 95	11-6537-1		.MODULE ASSY-SWITCH SUPPLIER CODE: V72914 SPECIFICATION NUMBER: S417N312-1 COMPONENT MAINT MANUAL REF: 33-21-42 OPTIONAL PART: 11-6537-3 V72914 11-6537-5 V72914	108120	1
95	11-6537-3		.MODULE ASSY-SWITCH SUPPLIER CODE: V72914 SPECIFICATION NUMBER: S417N312-1 COMPONENT MAINT MANUAL REF: 33-21-42 OPTIONAL PART: 11-6537-1 V72914 11-6537-5 V72914	108120	1
95	11-6537-5		.MODULE ASSY-SWITCH SUPPLIER CODE: V72914 SPECIFICATION NUMBER: S417N312-1 COMPONENT MAINT MANUAL REF: 33-21-42 OPTIONAL PART: 11-6537-1 V72914 11-6537-3 V72914	108120	1
95	11-6537-7		.MODULE ASSY-SWITCH SUPPLIER CODE: V72914 SPECIFICATION NUMBER: S417N312-11 COMPONENT MAINT MANUAL REF: 33-21-42	108120	1

MISSING ITEM NUMBERS NOT APPLICABLE

- ITEM NOT ILLUSTRATED

33-23-01-34A

33-23-01
FIG. 34A
PAGE 6
JAN 20/09

BRI



757

PARTS CATALOG (MAINTENANCE)

FIG ITEM	PART NUMBER	1 2 3 4 5 6 7	NOMENCLATURE	EFFECT FROM TO	UNITS PER ASSY
34A 95	11-6537-9		.MODULE ASSY-SWITCH SUPPLIER CODE: V72914 SPECIFICATION NUMBER: S417N312-13 COMPONENT MAINT MANUAL REF: 33-21-42	103104	1
95	11-6537-1		.MODULE ASSY-SWITCH SUPPLIER CODE: V72914 SPECIFICATION NUMBER: S417N312-1 COMPONENT MAINT MANUAL REF: 33-21-42 OPTIONAL PART: 11-6537-3 V72914 11-6537-5 V72914	103104	1
95	11-6537-3		.MODULE ASSY-SWITCH SUPPLIER CODE: V72914 SPECIFICATION NUMBER: S417N312-1 COMPONENT MAINT MANUAL REF: 33-21-42 OPTIONAL PART: 11-6537-1 V72914 11-6537-5 V72914	103104	1
95	11-6537-5		.MODULE ASSY-SWITCH SUPPLIER CODE: V72914 SPECIFICATION NUMBER: S417N312-1 COMPONENT MAINT MANUAL REF: 33-21-42 OPTIONAL PART: 11-6537-1 V72914 11-6537-3 V72914	103104	1

MISSING ITEM NUMBERS NOT APPLICABLE

- ITEM NOT ILLUSTRATED

33-23-01-34A

33-23-01
FIG. 34A
PAGE 7
JAN 20/09

BRI



757

PARTS CATALOG (MAINTENANCE)

FIG ITEM	PART NUMBER	1 2 3 4 5 6 7	NOMENCLATURE	EFFECT FROM TO	UNITS PER ASSY
34A 95	11-6537-7		.MODULE ASSY-SWITCH SUPPLIER CODE: V72914 SPECIFICATION NUMBER: S417N312-11 COMPONENT MAINT MANUAL REF: 33-21-42	103104	1
95	11-6537-9		.MODULE ASSY-SWITCH SUPPLIER CODE: V72914 SPECIFICATION NUMBER: S417N312-13 COMPONENT MAINT MANUAL REF: 33-21-42	105106	1
95	11-6537-1		.MODULE ASSY-SWITCH SUPPLIER CODE: V72914 SPECIFICATION NUMBER: S417N312-1 COMPONENT MAINT MANUAL REF: 33-21-42 OPTIONAL PART: 11-6537-3 V72914 11-6537-5 V72914	105106	1
95	11-6537-3		.MODULE ASSY-SWITCH SUPPLIER CODE: V72914 SPECIFICATION NUMBER: S417N312-1 COMPONENT MAINT MANUAL REF: 33-21-42 OPTIONAL PART: 11-6537-1 V72914 11-6537-5 V72914	105106	1

MISSING ITEM NUMBERS NOT APPLICABLE

- ITEM NOT ILLUSTRATED

33-23-01-34A

33-23-01
FIG. 34A
PAGE 8
JAN 20/09

BRI



757

PARTS CATALOG (MAINTENANCE)

FIG ITEM	PART NUMBER	1 2 3 4 5 6 7	NOMENCLATURE	EFFECT FROM TO	UNITS PER ASSY
34A 95	11-6537-5	.	MODULE ASSY-SWITCH SUPPLIER CODE: V72914 SPECIFICATION NUMBER: S417N312-1 COMPONENT MAINT MANUAL REF: 33-21-42 OPTIONAL PART: 11-6537-1 V72914 11-6537-3 V72914	105106	1
95	11-6537-7	.	MODULE ASSY-SWITCH SUPPLIER CODE: V72914 SPECIFICATION NUMBER: S417N312-11 COMPONENT MAINT MANUAL REF: 33-21-42	105106	1
98	154005	..	FUSE-5A 125V (F5) SUPPLIER CODE: V72914 USED ON: 11-6537-9	108120	1
98	154005	..	FUSE-5A 125V (F5) SUPPLIER CODE: V72914 USED ON: 11-6537-9	103104	1
98	154005	..	FUSE-5A 125V (F5) SUPPLIER CODE: V72914 USED ON: 11-6537-9	105106	1
100	273005	..	FUSE-5A 125V SUPPLIER CODE: V75915 USED ON: 11-6537-7	108120	1
100	273005	..	FUSE-5A 125V SUPPLIER CODE: V75915 USED ON: 11-6537-7	103104	1

MISSING ITEM NUMBERS NOT APPLICABLE

- ITEM NOT ILLUSTRATED

33-23-01-34A

33-23-01
FIG. 34A
PAGE 9
JAN 20/09

BRI



757

PARTS CATALOG (MAINTENANCE)

FIG ITEM	PART NUMBER	1 2 3 4 5 6 7	NOMENCLATURE	EFFECT FROM TO	UNITS PER ASSY
34A 100	255005	..	FUSE-5A 125V (F5) SUPPLIER CODE: V75915 USED ON: 11-6537-1 11-6537-3 11-6537-5	108120	1
100	255005	..	FUSE-5A 125V (F5) SUPPLIER CODE: V75915 USED ON: 11-6537-1 11-6537-3 11-6537-5	103104	1
100	273005	..	FUSE-5A 125V SUPPLIER CODE: V75915 USED ON: 11-6537-7	105106	1
100	255005	..	FUSE-5A 125V (F5) SUPPLIER CODE: V75915 USED ON: 11-6537-1 11-6537-3 11-6537-5	105106	1
105	0L387BPGPL	..	LAMP-LP1 AND LP2 SUPPLIER CODE: VS3774	108120	2
105	0L387BPGPL	..	LAMP-LP1 AND LP2 SUPPLIER CODE: VS3774	103104	2
105	0L387BPGPL	..	LAMP-LP1 AND LP2 SUPPLIER CODE: VS3774	105106	2
110	25502	..	FUSE-2A 125V (F1-F4) SUPPLIER CODE: V72914 CONFIG CHG DATA FROM A CMM: SUPSD BY 275002 USED ON: 11-6537-1 11-6537-3	108120	4

MISSING ITEM NUMBERS NOT APPLICABLE

- ITEM NOT ILLUSTRATED

33-23-01-34A

33-23-01
FIG. 34A
PAGE 10
JAN 20/09

BRI

BOEING PROPRIETARY - Copyright © - Unpublished Work - See title page for details.



757

PARTS CATALOG (MAINTENANCE)

FIG ITEM	PART NUMBER	1 2 3 4 5 6 7	NOMENCLATURE	EFFECT FROM TO	UNITS PER ASSY
34A 110	25502	..	FUSE-2A 125V (F1-F4) SUPPLIER CODE: V72914 CONFIG CHG DATA FROM A CMM: SUPSD BY 275002 USED ON: 11-6537-1 11-6537-3	103104	4
110	275002	..	FUSE-2A 125V (F1-F4) SUPPLIER CODE: V75915 CONFIG CHG DATA FROM A CMM: SUPSDS 25502 USED ON: 11-6537-1 11-6537-3	108120	4
110	275002	..	FUSE-2A 125V (F1-F4) SUPPLIER CODE: V75915 CONFIG CHG DATA FROM A CMM: SUPSDS 25502 USED ON: 11-6537-1 11-6537-3	103104	4
110	25502	..	FUSE-2A 125V (F1-F4) SUPPLIER CODE: V72914 CONFIG CHG DATA FROM A CMM: SUPSD BY 275002 USED ON: 11-6537-1 11-6537-3	105106	4
110	275002	..	FUSE-2A 125V (F1-F4) SUPPLIER CODE: V75915 CONFIG CHG DATA FROM A CMM: SUPSDS 25502 USED ON: 11-6537-1 11-6537-3	105106	4
115	25502	..	FUSE-2A 125V (F1-F4) SUPPLIER CODE: V72914 CONFIG CHG DATA FROM A CMM: SUPSD BY 275002 USED ON: 11-6537-5 11-6537-7	108120	4

MISSING ITEM NUMBERS NOT APPLICABLE

- ITEM NOT ILLUSTRATED

33-23-01-34A

33-23-01
FIG. 34A
PAGE 11
JAN 20/09

BRI

BOEING PROPRIETARY - Copyright © - Unpublished Work - See title page for details.



757

PARTS CATALOG (MAINTENANCE)

FIG ITEM	PART NUMBER	1 2 3 4 5 6 7	NOMENCLATURE	EFFECT FROM TO	UNITS PER ASSY
34A 115	25502	..	FUSE-2A 125V (F1-F4) SUPPLIER CODE: V72914 CONFIG CHG DATA FROM A CMM: SUPSD BY 275002 USED ON: 11-6537-5 11-6537-7	103104	4
115	275002	..	FUSE-2A 125V (F1-F4) SUPPLIER CODE: V75915 CONFIG CHG DATA FROM A CMM: SUPSDS 25502 USED ON: 11-6537-5 11-6537-7	108120	4
115	275002	..	FUSE-2A 125V (F1-F4) SUPPLIER CODE: V75915 CONFIG CHG DATA FROM A CMM: SUPSDS 25502 USED ON: 11-6537-5 11-6537-7	103104	4
115	25502	..	FUSE-2A 125V (F1-F4) SUPPLIER CODE: V72914 CONFIG CHG DATA FROM A CMM: SUPSD BY 275002 USED ON: 11-6537-5 11-6537-7	105106	4
115	275002	..	FUSE-2A 125V (F1-F4) SUPPLIER CODE: V75915 CONFIG CHG DATA FROM A CMM: SUPSDS 25502 USED ON: 11-6537-5 11-6537-7	105106	4
120	MFU021	..	FUSE-2A (F1-F2) SUPPLIER CODE: V72914 USED ON: 11-6537-9	108120	2

MISSING ITEM NUMBERS NOT APPLICABLE

- ITEM NOT ILLUSTRATED

33-23-01-34A

33-23-01
FIG. 34A
PAGE 12
JAN 20/09

BRI

BOEING PROPRIETARY - Copyright © - Unpublished Work - See title page for details.



757

PARTS CATALOG (MAINTENANCE)

FIG ITEM	PART NUMBER	1 2 3 4 5 6 7	NOMENCLATURE	EFFECT FROM TO	UNITS PER ASSY
34A 120	MFU021	..	FUSE-2A (F1-F2) SUPPLIER CODE: V72914 USED ON: 11-6537-9	103104	2
120	MFU021	..	FUSE-2A (F1-F2) SUPPLIER CODE: V72914 USED ON: 11-6537-9	105106	2
125	MFU025	..	FUSE-2A (F1-F2) SUPPLIER CODE: V72914 USED ON: 11-6537-9	108120	2
125	MFU025	..	FUSE-2A (F1-F2) SUPPLIER CODE: V72914 USED ON: 11-6537-9	103104	2
125	MFU025	..	FUSE-2A (F1-F2) SUPPLIER CODE: V72914 USED ON: 11-6537-9	105106	2
130	255001	..	FUSE-1A 125V (F6) SUPPLIER CODE: V72914 USED ON: 11-6537-1 11-6537-3 11-6537-5 11-6537-7	108120	1
130	255001	..	FUSE-1A 125V (F6) SUPPLIER CODE: V72914 USED ON: 11-6537-1 11-6537-3 11-6537-5 11-6537-7	103104	1
130	255001	..	FUSE-1A 125V (F6) SUPPLIER CODE: V72914 USED ON: 11-6537-1 11-6537-3 11-6537-5 11-6537-7	105106	1

MISSING ITEM NUMBERS NOT APPLICABLE

- ITEM NOT ILLUSTRATED

33-23-01-34A

33-23-01
FIG. 34A
PAGE 13
JAN 20/09

BRI

BOEING PROPRIETARY - Copyright © - Unpublished Work - See title page for details.



757

PARTS CATALOG (MAINTENANCE)

FIG ITEM	PART NUMBER	1 2 3 4 5 6 7	NOMENCLATURE	EFFECT FROM TO	UNITS PER ASSY
34A 135	MFU012	..	FUSE-1A (F6) SUPPLIER CODE: V72914 USED ON: 11-6537-9	108120	1
135	MFU012	..	FUSE-1A (F6) SUPPLIER CODE: V72914 USED ON: 11-6537-9	103104	1
135	MFU012	..	FUSE-1A (F6) SUPPLIER CODE: V72914 USED ON: 11-6537-9	105106	1
140	60-3927-1	..	LABEL- SUPPLIER CODE: V72914 USED ON: 11-6537-1 11-6537-3	108120	2
140	60-3927-1	..	LABEL- SUPPLIER CODE: V72914 USED ON: 11-6537-1 11-6537-3	103104	2
140	60-3927-1	..	LABEL- SUPPLIER CODE: V72914 USED ON: 11-6537-1 11-6537-3	105106	2
145	60-3927-1	..	LABEL- SUPPLIER CODE: V72914 USED ON: 11-6537-5 11-6537-7	108120	2
145	60-3927-1	..	LABEL- SUPPLIER CODE: V72914 USED ON: 11-6537-5 11-6537-7	103104	2

MISSING ITEM NUMBERS NOT APPLICABLE

- ITEM NOT ILLUSTRATED

33-23-01-34A

33-23-01
FIG. 34A
PAGE 14
JAN 20/09

BRI

BOEING PROPRIETARY - Copyright © - Unpublished Work - See title page for details.



757

PARTS CATALOG (MAINTENANCE)

FIG ITEM	PART NUMBER	1 2 3 4 5 6 7	NOMENCLATURE	EFFECT FROM TO	UNITS PER ASSY
34A 145	60-3927-1		.. LABEL- SUPPLIER CODE: V72914 USED ON: 11-6537-5 11-6537-7	105106	2
150	60-3927-1		.. LABEL- SUPPLIER CODE: V72914 USED ON: 11-6537-9	108120	1
150	60-3927-1		.. LABEL- SUPPLIER CODE: V72914 USED ON: 11-6537-9	103104	1
150	60-3927-1		.. LABEL- SUPPLIER CODE: V72914 USED ON: 11-6537-9	105106	1

MISSING ITEM NUMBERS NOT APPLICABLE

- ITEM NOT ILLUSTRATED

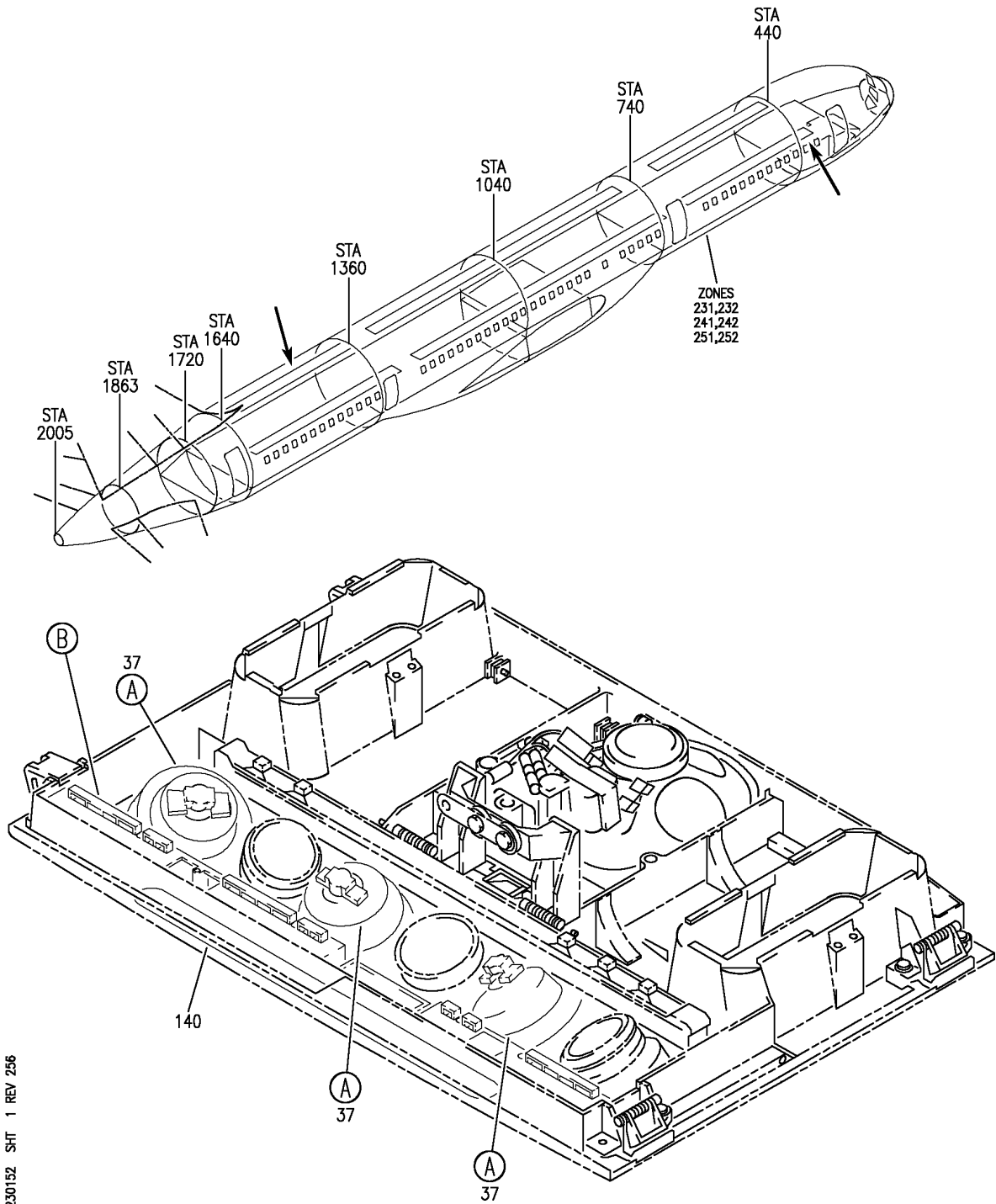
BRI

33-23-01-34A

BOEING PROPRIETARY - Copyright © - Unpublished Work - See title page for details.

33-23-01
FIG. 34A
PAGE 15
JAN 20/09

BOEING
757
PARTS CATALOG (MAINTENANCE)



Y 33230152 SHT 1 REV 256

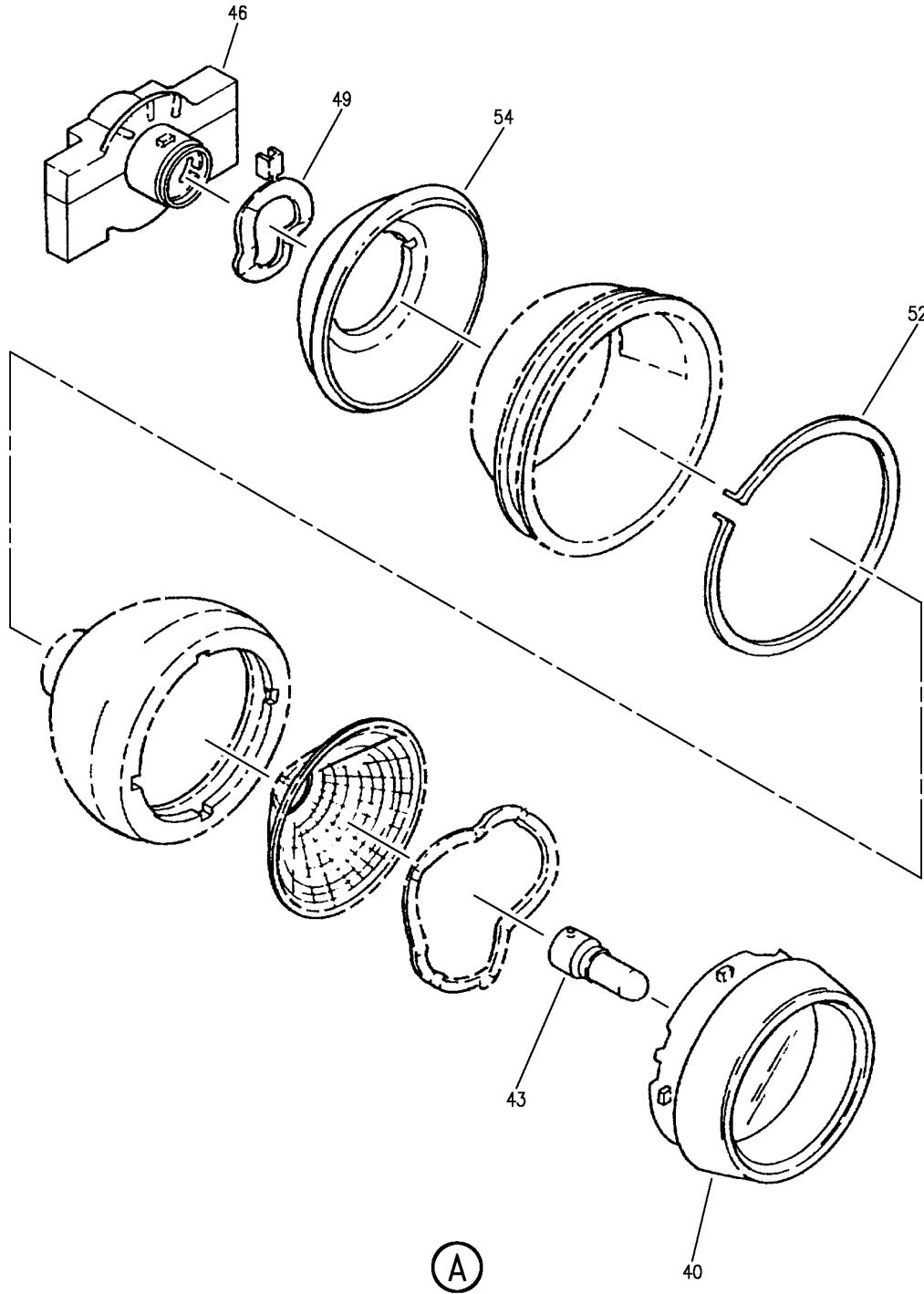
SERVICE UNIT ASSY-PASS. (PASSENGER READING LIGHTS ONLY)
FIGURE 52 (SHEET 1)

33-23-01-52

BRI
JAN 20/09

33-23-01-52
PAGE 0

BOEING
757
PARTS CATALOG (MAINTENANCE)



Y 33230152 SH1 2 REV 253

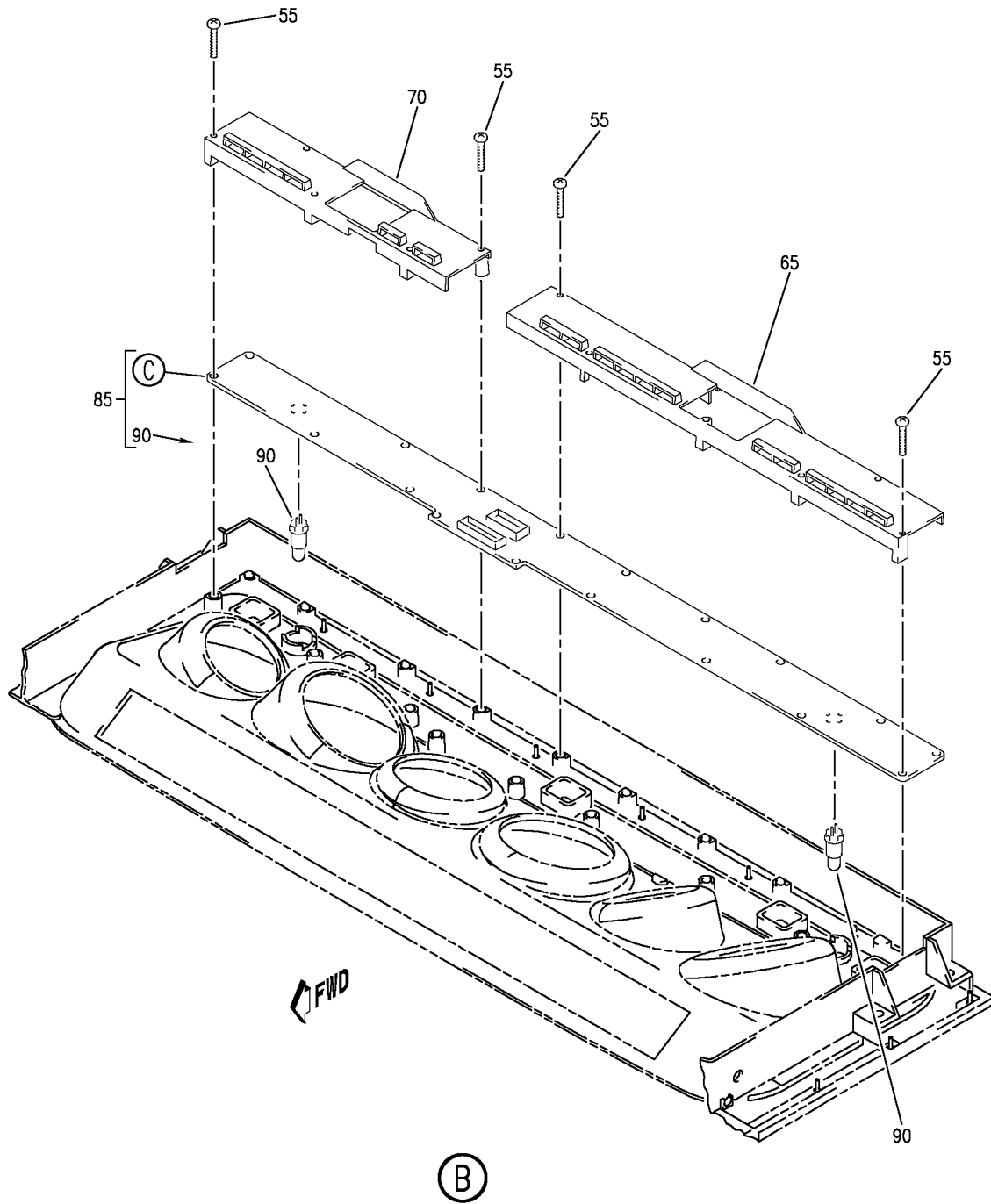
SERVICE UNIT ASSY-PASS. (PASSENGER READING LIGHTS ONLY)
FIGURE 52 (SHEET 2)

33-23-01-52

BRI
JAN 20/09

33-23-01-52
PAGE 0A

BOEING
757
PARTS CATALOG (MAINTENANCE)



Y 33230152 SH1 3 REV 256

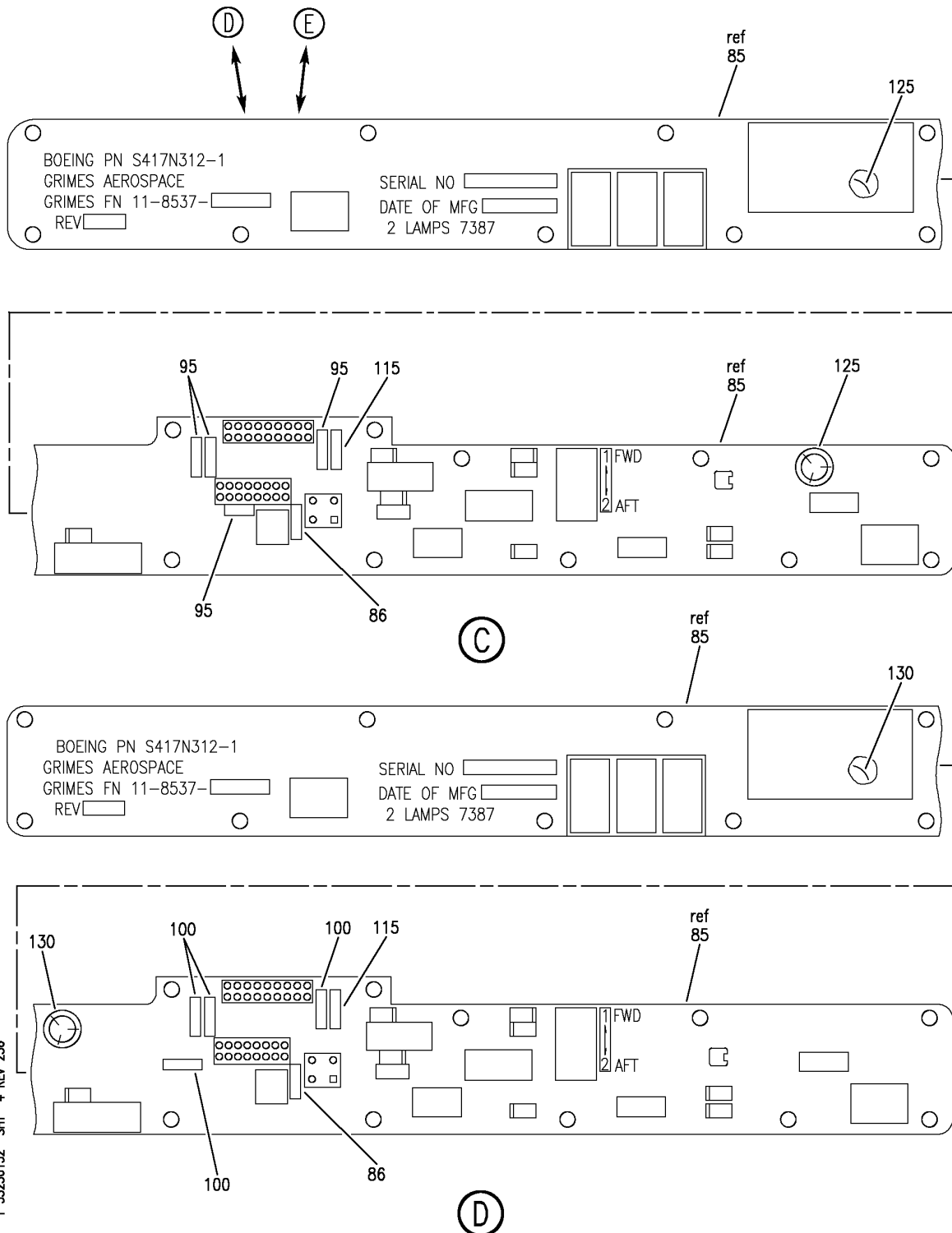
SERVICE UNIT ASSY-PASS. (PASSENGER READING LIGHTS ONLY)
FIGURE 52 (SHEET 3)

33-23-01-52

BRI
JAN 20/09

33-23-01-52
PAGE 0B

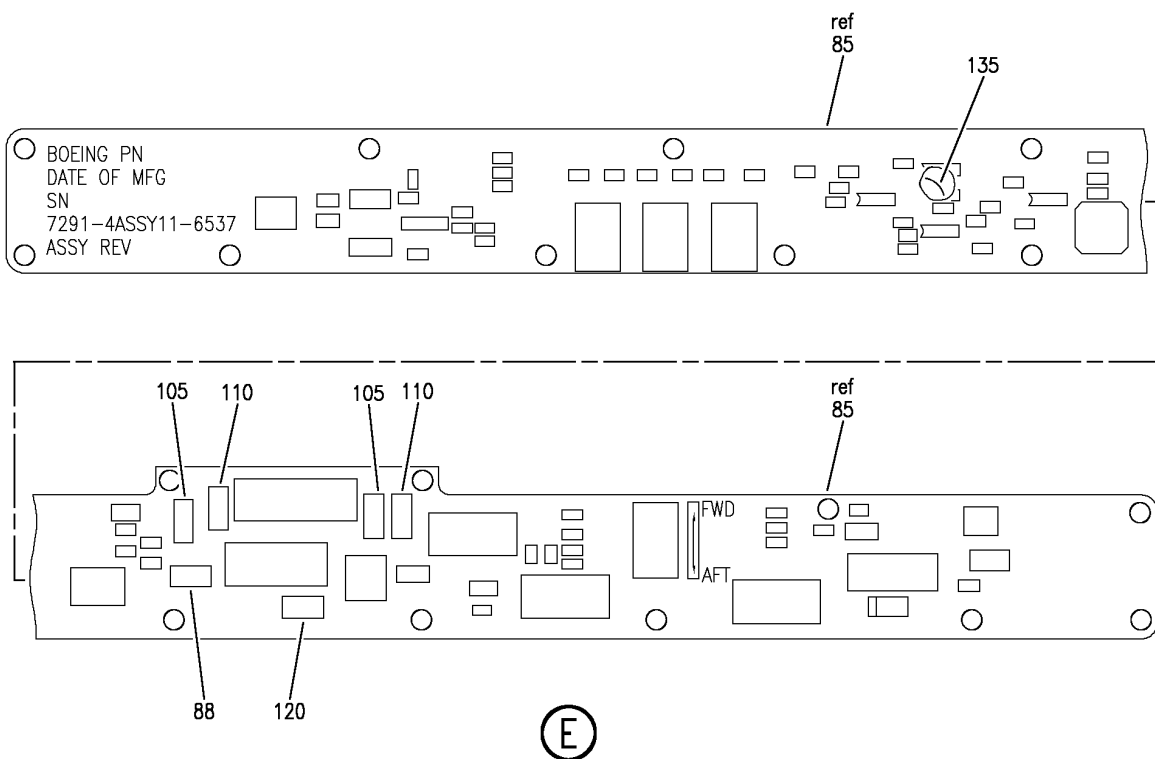

BOEING
 757
PARTS CATALOG (MAINTENANCE)



SERVICE UNIT ASSY-PASS. (PASSENGER READING LIGHTS ONLY)
 FIGURE 52 (SHEET 4)

33-23-01-52

BOEING
757
PARTS CATALOG (MAINTENANCE)



Y 33230152 SH1 5 REV 256

SERVICE UNIT ASSY-PASS. (PASSENGER READING LIGHTS ONLY)
FIGURE 52 (SHEET 5)

33-23-01-52

BRI
JAN 20/09

33-23-01-52
PAGE 0D



757

PARTS CATALOG (MAINTENANCE)

FIG ITEM	PART NUMBER	1 2 3 4 5 6 7	NOMENCLATURE	EFFECT FROM TO	UNITS PER ASSY
52			SERVICE UNIT ASSY-PASS. (PASSENGER READING LIGHTS ONLY)	950951	
- 23	417N3011-5D		SERVICE UNIT ASSY-PASS. (PASSENGER READING LIGHTS ONLY) ELECTRICAL EQUIP NUMBER: M10983 COMPONENT MAINT MANUAL REF: 25-23-38	950951	RF
- 28	417N3011-6D		SERVICE UNIT ASSY-PASS. (PASSENGER READING LIGHTS ONLY) ELECTRICAL EQUIP NUMBER: M10983 COMPONENT MAINT MANUAL REF: 25-23-38	950951	RF
- 30	417N3011-7B		SERVICE UNIT ASSY-PASS. (PASSENGER READING LIGHTS ONLY) ELECTRICAL EQUIP NUMBER: M10976 COMPONENT MAINT MANUAL REF: 25-23-38	950951	RF
- 35	417N3011-8B		SERVICE UNIT ASSY-PASS. (PASSENGER READING LIGHTS ONLY) ELECTRICAL EQUIP NUMBER: M10976 COMPONENT MAINT MANUAL REF: 25-23-38	950951	RF
37	10-1581-3B		.LIGHT ASSY-READING SUPPLIER CODE: V72914 SPECIFICATION NUMBER: S417N311-3B COMPONENT MAINT MANUAL REF: 33-20-65	950951	3
37	10-1581-5B		.LIGHT ASSY-READING SUPPLIER CODE: V72914 SPECIFICATION NUMBER: S417N311-5B COMPONENT MAINT MANUAL REF: 33-20-65	950951	3

MISSING ITEM NUMBERS NOT APPLICABLE

- ITEM NOT ILLUSTRATED

33-23-01-52

33-23-01
FIG. 52
PAGE 1
JAN 20/09

BRI



757

PARTS CATALOG (MAINTENANCE)

FIG ITEM	PART NUMBER	1 2 3 4 5 6 7	NOMENCLATURE	EFFECT FROM TO	UNITS PER ASSY
52					
40	11-6557-3B	..	BEZEL- SUPPLIER CODE: V72914 USED ON: 10-1581-3B	950951	1
40	11-6557-5B	..	BEZEL- SUPPLIER CODE: V72914 USED ON: 10-1581-5B	950951	1
43	9204	..	BULB- SUPPLIER CODE: V68045	950951	1
46	11-6555-1	..	LAMPHOLDER- SUPPLIER CODE: V72914	950951	1
49	60-4745-1	..	WASHER- SUPPLIER CODE: V72914 CONFIG CHG DATA FROM A CMM: SUPSD BY 60-4745-9	950951	1
49	60-4745-9	..	WASHER- SUPPLIER CODE: V72914 CONFIG CHG DATA FROM A CMM: SUPERSEDES 60-4745-1	950951	1
52	60-4852-1	..	RING-RETAINING SUPPLIER CODE: V72914	950951	1
54	11-6510-1B	..	RETAINER- SUPPLIER CODE: V72914 USED ON: 10-1581-3B	950951	1
54	11-6510-3B	..	RETAINER- SUPPLIER CODE: V72914 USED ON: 10-1581-5B	950951	1
55	NAS8200A14	.	SCREW- OPTIONAL PART: NAS600-14P	950951	11
55	NAS600-14P	.	SCREW- OPTIONAL PART: NAS8200A14	950951	11
65	417N3035-1	.	SHROUD	950951	1
70	417N3035-2	.	SHROUD	950951	1

MISSING ITEM NUMBERS NOT APPLICABLE

- ITEM NOT ILLUSTRATED

33-23-01-52

33-23-01
FIG. 52
PAGE 2
JAN 20/09

BRI



757

PARTS CATALOG (MAINTENANCE)

FIG ITEM	PART NUMBER	1 2 3 4 5 6 7	NOMENCLATURE	EFFECT FROM TO	UNITS PER ASSY
52 85	11-6537-1		.MODULE ASSY-SWITCH SUPPLIER CODE: V72914 SPECIFICATION NUMBER: S417N312-1 COMPONENT MAINT MANUAL REF: 33-21-42 OPTIONAL PART: 11-6537-3 V72914 11-6537-5 V72914	950951	1
85	11-6537-3		.MODULE ASSY-SWITCH SUPPLIER CODE: V72914 SPECIFICATION NUMBER: S417N312-1 COMPONENT MAINT MANUAL REF: 33-21-42 OPTIONAL PART: 11-6537-1 V72914 11-6537-5 V72914	950951	1
85	11-6537-5		.MODULE ASSY-SWITCH SUPPLIER CODE: V72914 SPECIFICATION NUMBER: S417N312-1 COMPONENT MAINT MANUAL REF: 33-21-42 OPTIONAL PART: 11-6537-1 V72914 11-6537-3 V72914	950951	1
85	11-6537-7		.MODULE ASSY-SWITCH SUPPLIER CODE: V72914 SPECIFICATION NUMBER: S417N312-11 COMPONENT MAINT MANUAL REF: 33-21-42	950951	1

MISSING ITEM NUMBERS NOT APPLICABLE

- ITEM NOT ILLUSTRATED

33-23-01-52

33-23-01
FIG. 52
PAGE 3
JAN 20/09

BRI



757

PARTS CATALOG (MAINTENANCE)

FIG ITEM	PART NUMBER	1 2 3 4 5 6 7	NOMENCLATURE	EFFECT FROM TO	UNITS PER ASSY
52					
85	11-6537-9	.	MODULE ASSY-SWITCH SUPPLIER CODE: V72914 SPECIFICATION NUMBER: S417N312-13 COMPONENT MAINT MANUAL REF: 33-21-42	950951	1
86	273005	..	FUSE-5A 125V SUPPLIER CODE: V75915 USED ON: 11-6537-7	950951	1
86	255005	..	FUSE-5A 125V (F5) SUPPLIER CODE: V75915 USED ON: 11-6537-1 11-6537-3 11-6537-5	950951	1
88	154005	..	FUSE-5A 125V (F5) SUPPLIER CODE: V72914 USED ON: 11-6537-9	950951	1
95	25502	..	FUSE-2A 125V (F1-F4) SUPPLIER CODE: V72914 CONFIG CHG DATA FROM A CMM: SUPSD BY 275002 USED ON: 11-6537-1 11-6537-3	950951	4
95	275002	..	FUSE-2A 125V (F1-F4) SUPPLIER CODE: V75915 CONFIG CHG DATA FROM A CMM: SUPSDS 25502 USED ON: 11-6537-1 11-6537-3	950951	4
100	25502	..	FUSE-2A 125V (F1-F4) SUPPLIER CODE: V72914 CONFIG CHG DATA FROM A CMM: SUPSD BY 275002 USED ON: 11-6537-5 11-6537-7	950951	4

MISSING ITEM NUMBERS NOT APPLICABLE

- ITEM NOT ILLUSTRATED

33-23-01-52

33-23-01
FIG. 52
PAGE 4
JAN 20/09

BRI



757

PARTS CATALOG (MAINTENANCE)

FIG ITEM	PART NUMBER	1 2 3 4 5 6 7	NOMENCLATURE	EFFECT FROM TO	UNITS PER ASSY
52 100	275002	..	FUSE-2A 125V (F1-F4) SUPPLIER CODE: V75915 CONFIG CHG DATA FROM A CMM: SUPSDS 25502 USED ON: 11-6537-5 11-6537-7	950951	4
105	MFU021	..	FUSE-2A (F1-F2) SUPPLIER CODE: V72914 USED ON: 11-6537-9	950951	2
110	MFU025	..	FUSE-2A (F3-F4) SUPPLIER CODE: V72914 USED ON: 11-6537-9	950951	2
115	255001	..	FUSE-CA 125V (F6) SUPPLIER CODE: V72914 USED ON: 11-6537-1 11-6537-3 11-6537-5 11-6537-7	950951	1
120	MFU012	..	FUSE-1A (F6) SUPPLIER CODE: V72914 USED ON: 11-6537-9	950951	1
125	60-3927-1	..	LABEL- SUPPLIER CODE: V72914 USED ON: 11-6537-1 11-6537-3	950951	2
130	60-3927-1	..	LABEL- SUPPLIER CODE: V72914 USED ON: 11-6537-5 11-6537-7	950951	2
135	60-3927-1	..	LABEL- SUPPLIER CODE: V72914 USED ON: 11-6537-9	950951	1

MISSING ITEM NUMBERS NOT APPLICABLE

- ITEM NOT ILLUSTRATED

33-23-01-52

33-23-01
FIG. 52
PAGE 5
JAN 20/09

BRI



757

PARTS CATALOG (MAINTENANCE)

FIG ITEM	PART NUMBER	1 2 3 4 5 6 7	NOMENCLATURE	EFFECT FROM TO	UNITS PER ASSY
52 140	11-6563-12C		.OVERLAY- SUPPLIER CODE: V72914 SPECIFICATION NUMBER: S417N312-2C	950951	1
140	11-6563-22C		.OVERLAY- SUPPLIER CODE: V72914 SPECIFICATION NUMBER: S417N312-22C	950951	1

MISSING ITEM NUMBERS NOT APPLICABLE

- ITEM NOT ILLUSTRATED

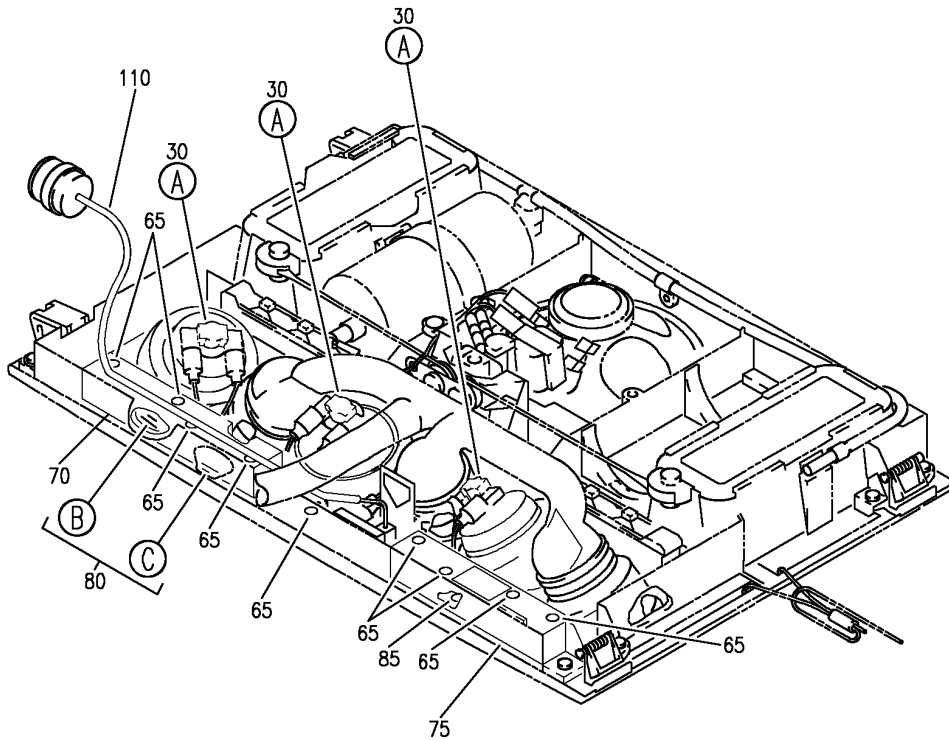
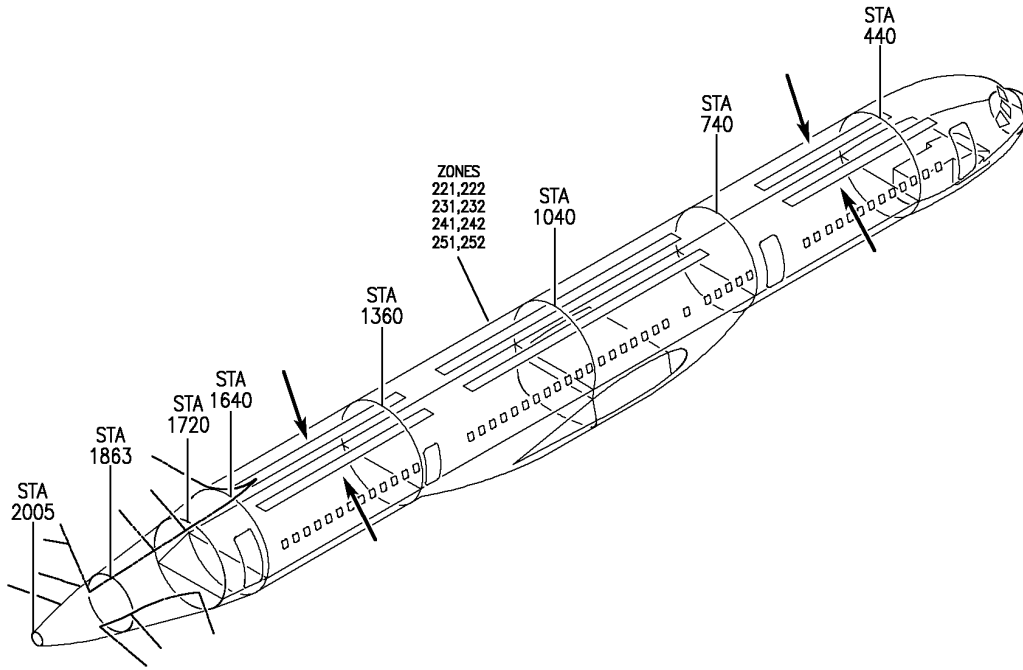
BRI

33-23-01-52

BOEING PROPRIETARY - Copyright © - Unpublished Work - See title page for details.

33-23-01
FIG. 52
PAGE 6
JAN 20/09

BOEING
757
PARTS CATALOG (MAINTENANCE)



Y 33230166D SHT 1 REV 256

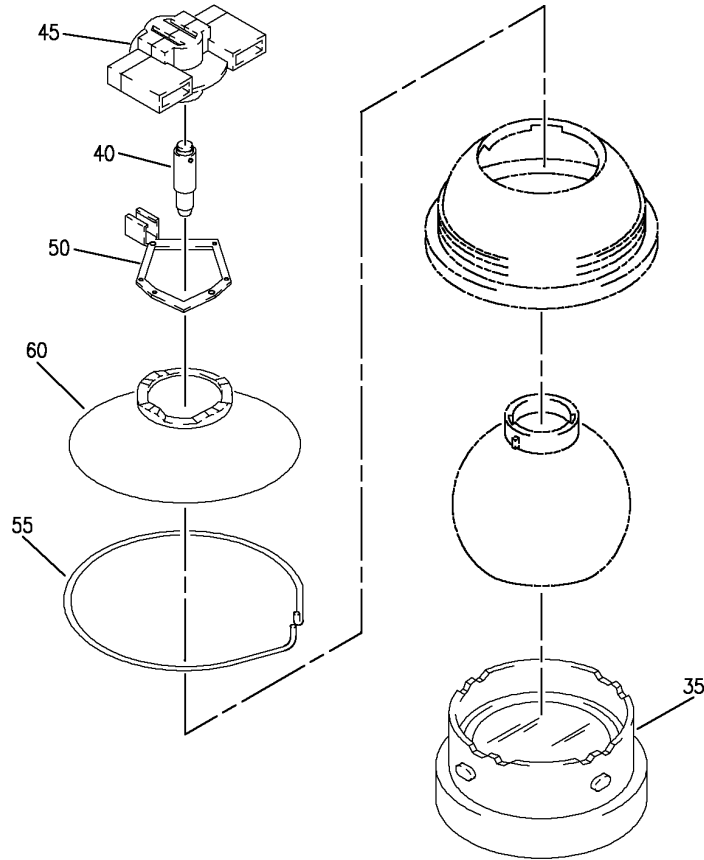
SERVICE UNIT ASSY-PASS. (PASSENGER READING LIGHTS ONLY)
FIGURE 66D (SHEET 1)

33-23-01-66D

BRI
JAN 20/09

33-23-01-66D
PAGE 0

BOEING
757
PARTS CATALOG (MAINTENANCE)



(A)

Y 33230166D SHT 2 REV 252

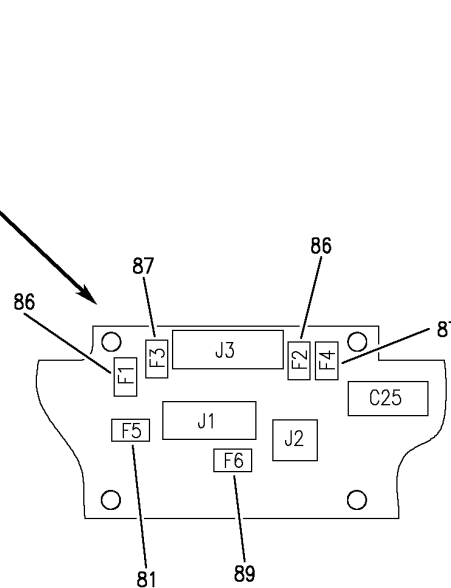
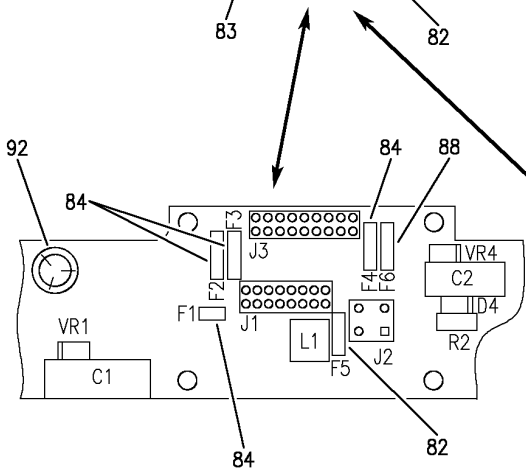
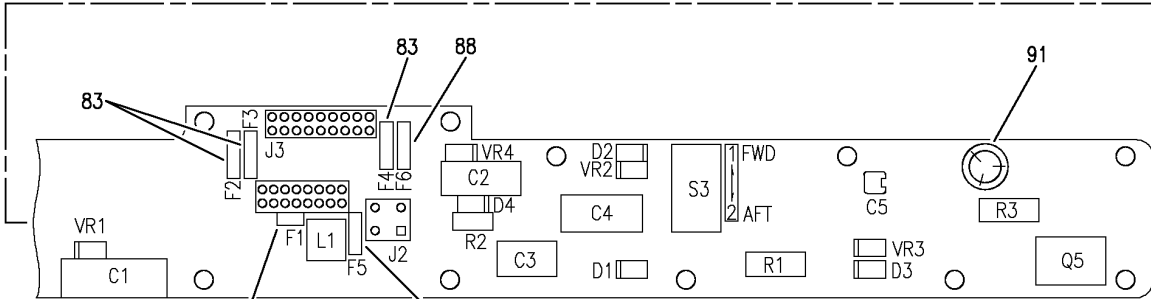
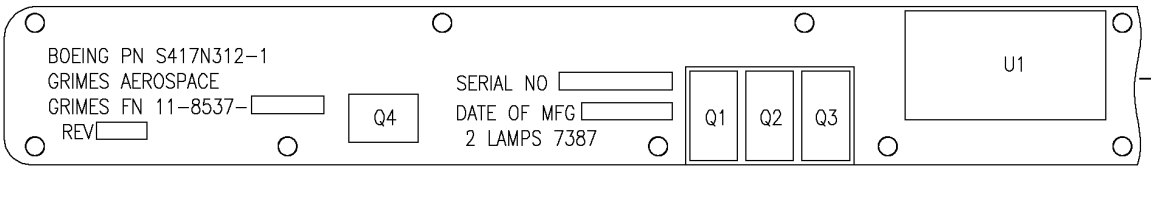
SERVICE UNIT ASSY-PASS. (PASSENGER READING LIGHTS ONLY)
FIGURE 66D (SHEET 2)

33-23-01-66D

BRI
JAN 20/09

33-23-01-66D
PAGE 0A


BOEING
 757
PARTS CATALOG (MAINTENANCE)



ⓑ

Y 33230166D SHT 3 REV 256

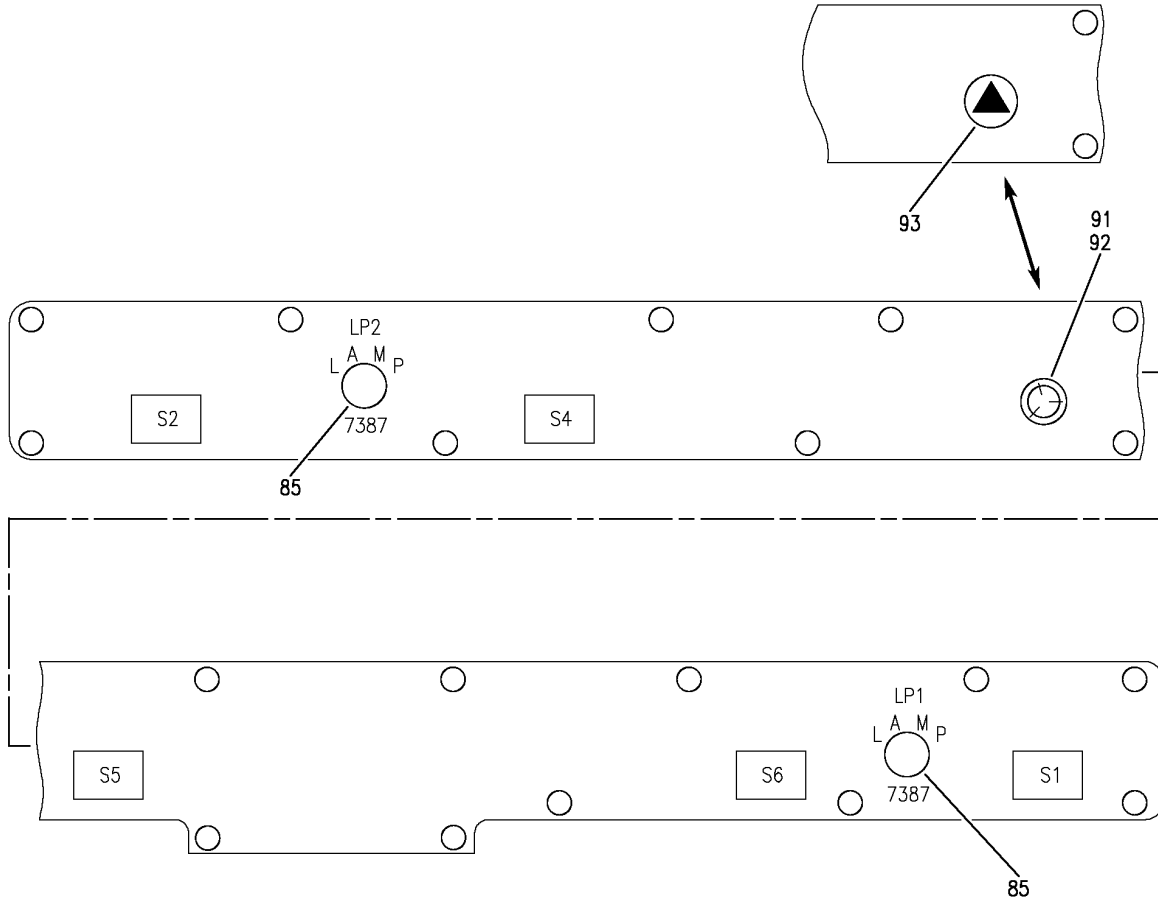
SERVICE UNIT ASSY-PASS. (PASSENGER READING LIGHTS ONLY)
 FIGURE 66D (SHEET 3)

33-23-01-66D

BRI
JAN 20/09

33-23-01-66D
 PAGE 0B

BOEING
757
PARTS CATALOG (MAINTENANCE)



(C)

Y 33230166D SH- 4 REV 256

SERVICE UNIT ASSY-PASS. (PASSENGER READING LIGHTS ONLY)
FIGURE 66D (SHEET 4)

33-23-01-66D

BRI
JAN 20/09

33-23-01-66D
PAGE 0C

BOEING PROPRIETARY - Copyright © - Unpublished Work - See title page for details.



757

PARTS CATALOG (MAINTENANCE)

FIG ITEM	PART NUMBER	1 2 3 4 5 6 7	NOMENCLATURE	EFFECT FROM TO	UNITS PER ASSY
66D			SERVICE UNIT ASSY-PASS. (PASSENGER READING LIGHTS ONLY)	504903	
- 1	417N3011-363B		SERVICE UNIT ASSY-PASS. WITH SPKR AND GASPER 22 MIN. OXY (PASSENGER READING LIGHTS ONLY) POSITION DATA: LH ELECTRICAL EQUIP NUMBER: M10979 COMPONENT MAINT MANUAL REF: 25-23-38 FOR NHA/OTHER SYS DET SEE: 25-23-01-50B	504903	RF
- 3	417N3011-364B		SERVICE UNIT ASSY-PASS. WITH SPKR AND GASPER 22 MIN. OXY (PASSENGER READING LIGHTS ONLY) POSITION DATA: RH ELECTRICAL EQUIP NUMBER: M10979 COMPONENT MAINT MANUAL REF: 25-23-38 FOR NHA/OTHER SYS DET SEE: 25-23-01-50B	504903	RF
- 5	417N3011-365B		SERVICE UNIT ASSY-PASS. NO SPKR WITH GASPER 22 MIN. OXY (PASSENGER READING LIGHTS ONLY) POSITION DATA: LH ELECTRICAL EQUIP NUMBER: M10979 COMPONENT MAINT MANUAL REF: 25-23-38 FOR NHA/OTHER SYS DET SEE: 25-23-01-50B	504903	RF

MISSING ITEM NUMBERS NOT APPLICABLE

- ITEM NOT ILLUSTRATED

33-23-01-66D

33-23-01
FIG. 66D
PAGE 1
JAN 20/09

BRI



757

PARTS CATALOG (MAINTENANCE)

FIG ITEM	PART NUMBER	1 2 3 4 5 6 7	NOMENCLATURE	EFFECT FROM TO	UNITS PER ASSY
66D - 7	417N3011-366B		SERVICE UNIT ASSY-PASS. NO SPKR WITH GASPER 22 MIN. OXY (PASSENGER READING LIGHTS ONLY) POSITION DATA: RH ELECTRICAL EQUIP NUMBER: M10979 COMPONENT MAINT MANUAL REF: 25-23-38 FOR NHA/OTHER SYS DET SEE: 25-23-01-50B	504903	RF
30	10-1581-5B		.LIGHT ASSY-READING SUPPLIER CODE: V72914 SPECIFICATION NUMBER: S417N311-5B COMPONENT MAINT MANUAL REF: 33-20-65	504903	3
30	10-1581-3B		.LIGHT ASSY-READING SUPPLIER CODE: V72914 SPECIFICATION NUMBER: S417N311-3B COMPONENT MAINT MANUAL REF: 33-20-65	504903	3
35	11-6557-5B		..BEZEL- SUPPLIER CODE: V72914 USED ON: 10-1581-5B	504903	1
35	11-6557-3B		..BEZEL- SUPPLIER CODE: V72914 USED ON: 10-1581-3B	504903	1
40	9204		..BULB- SUPPLIER CODE: V68045	504903	1
45	11-6555-1		..LAMPHOLDER- SUPPLIER CODE: V72914	504903	1
50	60-4745-9		..WASHER- SUPPLIER CODE: V72914 CONFIG CHG DATA FROM A CMM: SUPERSEDES 60-4745-1	504903	1

MISSING ITEM NUMBERS NOT APPLICABLE

- ITEM NOT ILLUSTRATED

33-23-01-66D

33-23-01
FIG. 66D
PAGE 2
JAN 20/09

BRI



757

PARTS CATALOG (MAINTENANCE)

FIG ITEM	PART NUMBER	1 2 3 4 5 6 7	NOMENCLATURE	EFFECT FROM TO	UNITS PER ASSY
66D 50	60-4745-1		.. WASHER- SUPPLIER CODE: V72914 CONFIG CHG DATA FROM A CMM: SUPSD BY 60-4745-9	504903	1
55	60-4853-1		.. RING-RETAINING SUPPLIER CODE: V72914	504903	1
60	11-6510-1B		.. RETAINER- SUPPLIER CODE: V72914 USED ON: 10-1581-3B	504903	1
65	NAS600-14P		... SCREW	504903	9
70	417N3035-3		... SHROUD	504903	1
75	417N3035-4		... SHROUD	504903	1
80	11-6537-7		.MODULE ASSY-SWITCH SUPPLIER CODE: V72914 SPECIFICATION NUMBER: S417N312-11 COMPONENT MAINT MANUAL REF: 33-21-42	504903	1
80	11-6537-1		.MODULE ASSY-SWITCH SUPPLIER CODE: V72914 SPECIFICATION NUMBER: S417N312-1 COMPONENT MAINT MANUAL REF: 33-21-42 OPTIONAL PART: 11-6537-3 V72914 11-6537-5 V72914	504903	1
80	11-6537-3		.MODULE ASSY- SUPPLIER CODE: V72914 SPECIFICATION NUMBER: S417N312-1 COMPONENT MAINT MANUAL REF: 33-21-42 OPTIONAL PART: 11-6537-1 V72914 11-6537-5 V72914	504903	1

MISSING ITEM NUMBERS NOT APPLICABLE

- ITEM NOT ILLUSTRATED

33-23-01-66D

33-23-01
FIG. 66D
PAGE 3
JAN 20/09

BRI

BOEING PROPRIETARY - Copyright © - Unpublished Work - See title page for details.



757

PARTS CATALOG (MAINTENANCE)

FIG ITEM	PART NUMBER	1 2 3 4 5 6 7	NOMENCLATURE	EFFECT FROM TO	UNITS PER ASSY
66D 80	11-6537-5		.MODULE ASSY- SUPPLIER CODE: V72914 SPECIFICATION NUMBER: S417N312-1 COMPONENT MAINT MANUAL REF: 33-21-42 OPTIONAL PART: 11-6537-1 V72914 11-6537-3 V72914	504903	1
80	11-6537-9		.MODULE ASSY-SWITCH SUPPLIER CODE: V72914 SPECIFICATION NUMBER: S417N312-13 COMPONENT MAINT MANUAL REF: 33-21-42	504903	1
81	154005		.. FUSE-5A 125V (F5) SUPPLIER CODE: V72914 USED ON: 11-6537-9	504903	1
82	273005		.. FUSE-5A 125V (F5) SUPPLIER CODE: V75915 USED ON: 11-6537-7	504903	1
82	255005		.. FUSE-5A 125V (F5) SUPPLIER CODE: V75915 USED ON: 11-6537-1 11-6537-3 11-6537-5	504903	1
83	25502		.. FUSE-2A 125V (F1-F4) SUPPLIER CODE: V72914 CONFIG CHG DATA FROM A CMM: SUPSD BY 275002 USED ON: 11-6537-1 11-6537-3	504903	4

MISSING ITEM NUMBERS NOT APPLICABLE

- ITEM NOT ILLUSTRATED

33-23-01-66D

33-23-01
FIG. 66D
PAGE 4
JAN 20/09

BRI

BOEING PROPRIETARY - Copyright © - Unpublished Work - See title page for details.



757

PARTS CATALOG (MAINTENANCE)

FIG ITEM	PART NUMBER	1 2 3 4 5 6 7	NOMENCLATURE	EFFECT FROM TO	UNITS PER ASSY
66D 83	275002	..	FUSE-2A 125V (F1-F4) SUPPLIER CODE: V75915 CONFIG CHG DATA FROM A CMM: SUPSDS 25502 USED ON: 11-6537-1 11-6537-3	504903	4
84	25502	..	FUSE-2A 125V (F1-F4) SUPPLIER CODE: V72914 CONFIG CHG DATA FROM A CMM: SUPSD BY 275002 USED ON: 11-6537-5 11-6537-7	504903	4
84	275002	..	FUSE-2A 125V (F1-F4) SUPPLIER CODE: V75915 CONFIG CHG DATA FROM A CMM: SUPSDS 25502 USED ON: 11-6537-5 11-6537-7	504903	4
85	OL387BPGPL	..	LAMP-LP1 AND LP2 SUPPLIER CODE: VS3774	504903	2
86	MFU021	..	FUSE-2A (F1-F2) SUPPLIER CODE: V72914 USED ON: 11-6537-9	504903	2
87	MFU025	..	FUSE-2A (F3-F4) SUPPLIER CODE: V72914 USED ON: 11-6537-9	504903	2
88	255001	..	FUSE-1A 125V (F6) SUPPLIER CODE: V72914 USED ON: 11-6537-1 11-6537-3 11-6537-5 11-6537-7	504903	1

MISSING ITEM NUMBERS NOT APPLICABLE

- ITEM NOT ILLUSTRATED

33-23-01-66D

33-23-01
FIG. 66D
PAGE 5
JAN 20/09

BRI

BOEING PROPRIETARY - Copyright © - Unpublished Work - See title page for details.



757

PARTS CATALOG (MAINTENANCE)

FIG ITEM	PART NUMBER	1 2 3 4 5 6 7	NOMENCLATURE	EFFECT FROM TO	UNITS PER ASSY
66D 89	MFU012	..	FUSE-1A (F6) SUPPLIER CODE: V72914 USED ON: 11-6537-9	504903	1
91	60-3927-1	..	LABEL- SUPPLIER CODE: V72914 USED ON: 11-6537-1 11-6537-3	504903	2
92	60-3927-1	..	LABEL- SUPPLIER CODE: V72914 USED ON: 11-6537-5 11-6537-7	504903	2
93	60-3927-1	..	LABEL- SUPPLIER CODE: V72914 USED ON: 11-6537-9	504903	1
96	PLT2MM2	.S	TRAP- SUPPLIER CODE: V06383 OPTIONAL PART: PLT2MM V06383	504903	AR
96	PLT2MM	.S	TRAP- SUPPLIER CODE: V06383 OPTIONAL PART: PLT2MM2 V06383	504903	AR
105	53002	.W	IRE BUNDLE- SUPPLIER CODE: V16115 SPECIFICATION NUMBER: S417N313-101	504903	1
110	S417N313-202	.W	IRE BUNDLE	504903	1
115	11-6563-22C	.O	VERLAY- SUPPLIER CODE: V72914 SPECIFICATION NUMBER: S417N312-22C	504903	1

MISSING ITEM NUMBERS NOT APPLICABLE

- ITEM NOT ILLUSTRATED

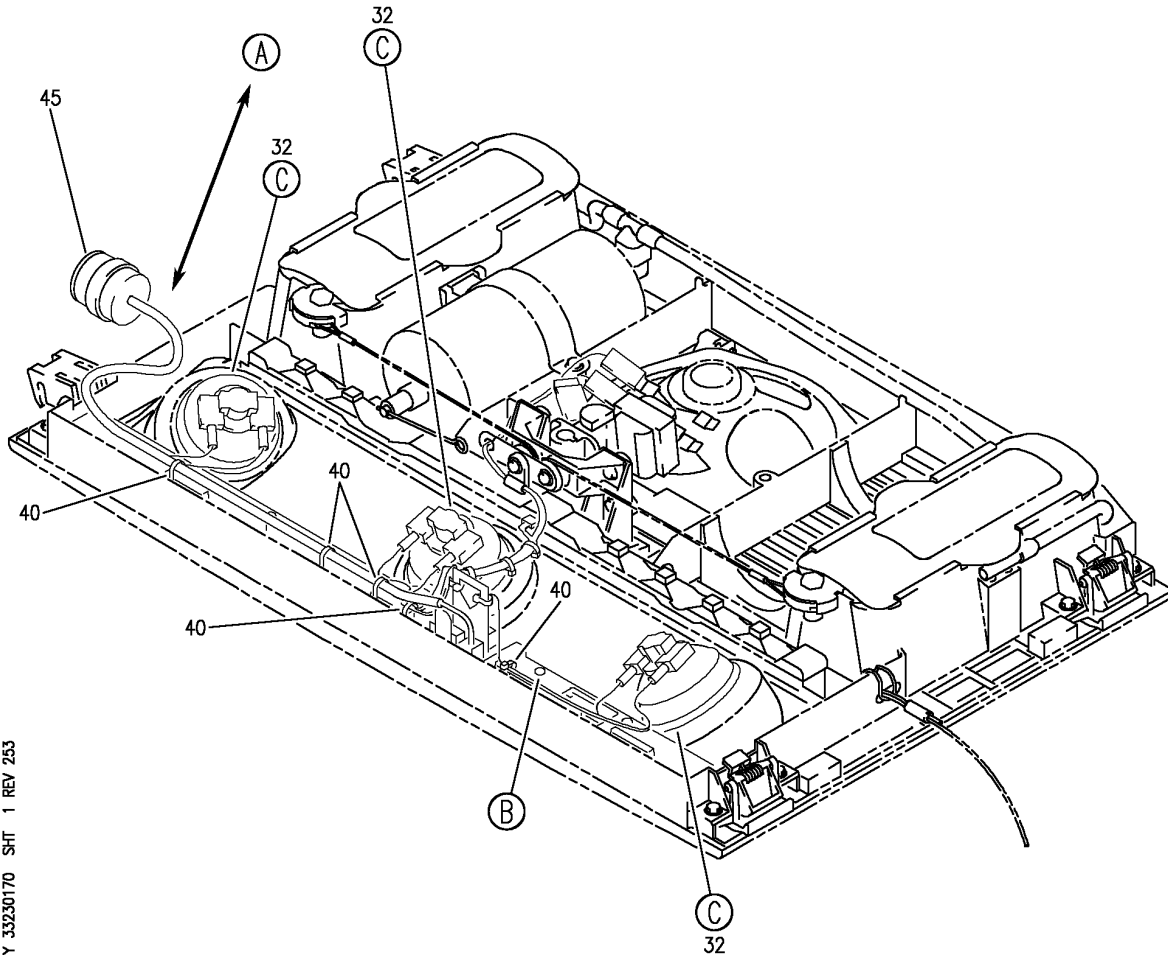
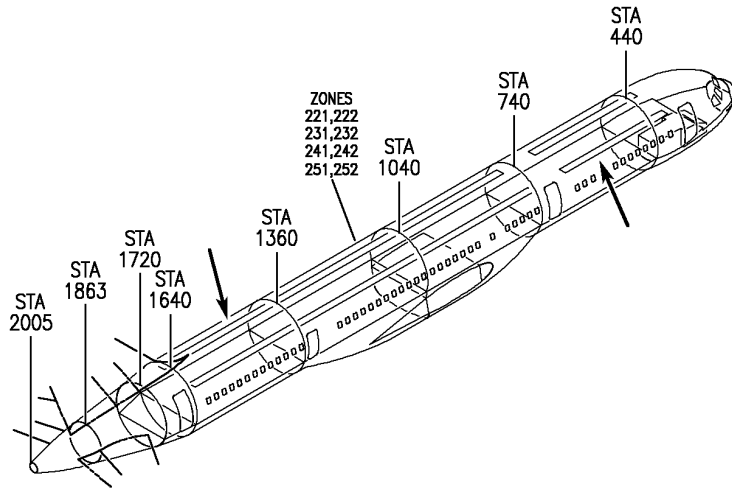
33-23-01-66D

33-23-01
FIG. 66D
PAGE 6
JAN 20/09

BRI

BOEING PROPRIETARY - Copyright © - Unpublished Work - See title page for details.

BOEING
757
PARTS CATALOG (MAINTENANCE)



Y 33230170 SHT 1 REV 253

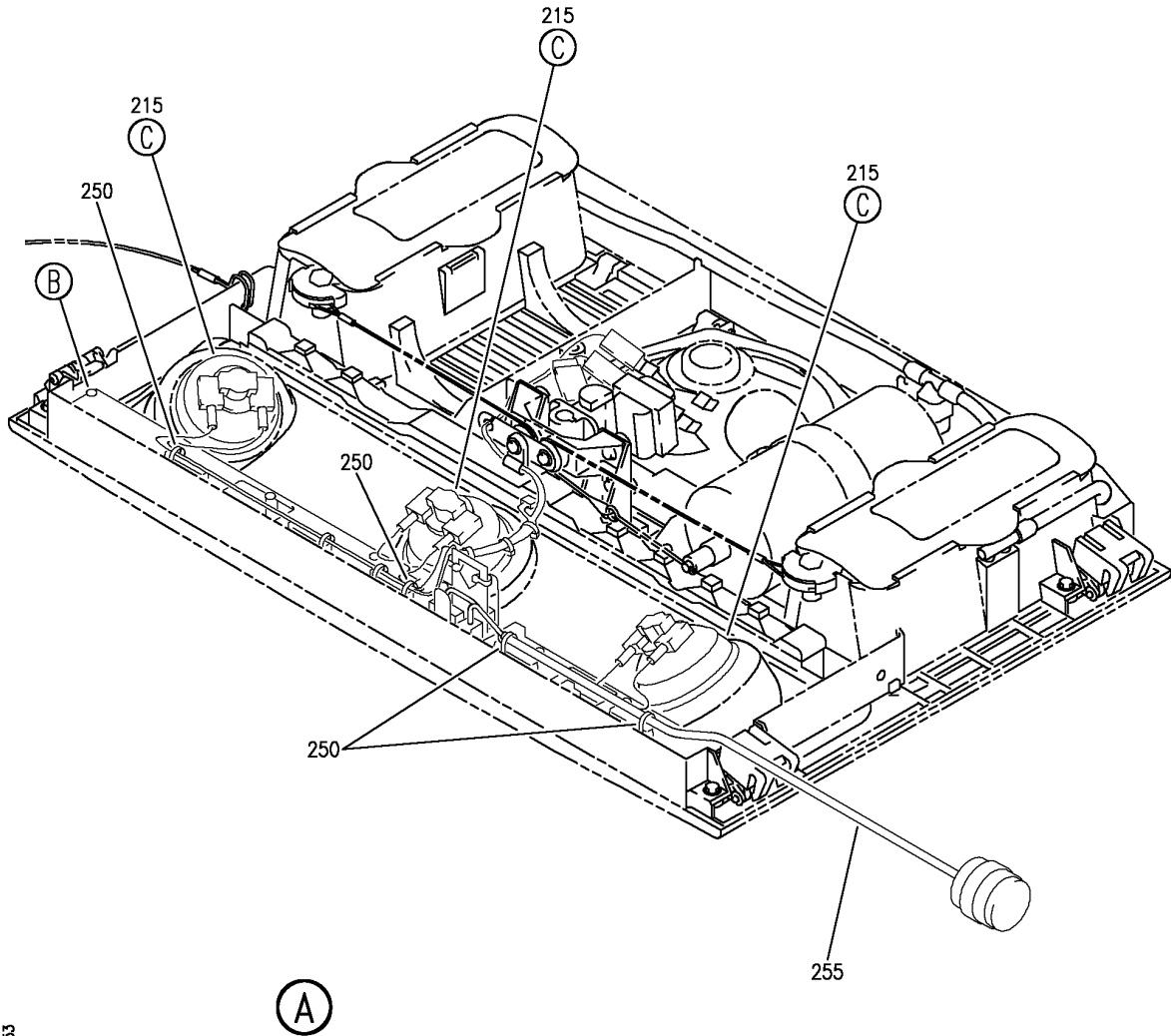
SERVICE UNIT ASSY-PASS. (READING LIGHTS ONLY)
FIGURE 70 (SHEET 1)

33-23-01-70

BRI
JAN 20/09

33-23-01-70
PAGE 0

BOEING
757
PARTS CATALOG (MAINTENANCE)



Y 33230170 SH1 2 REV 253

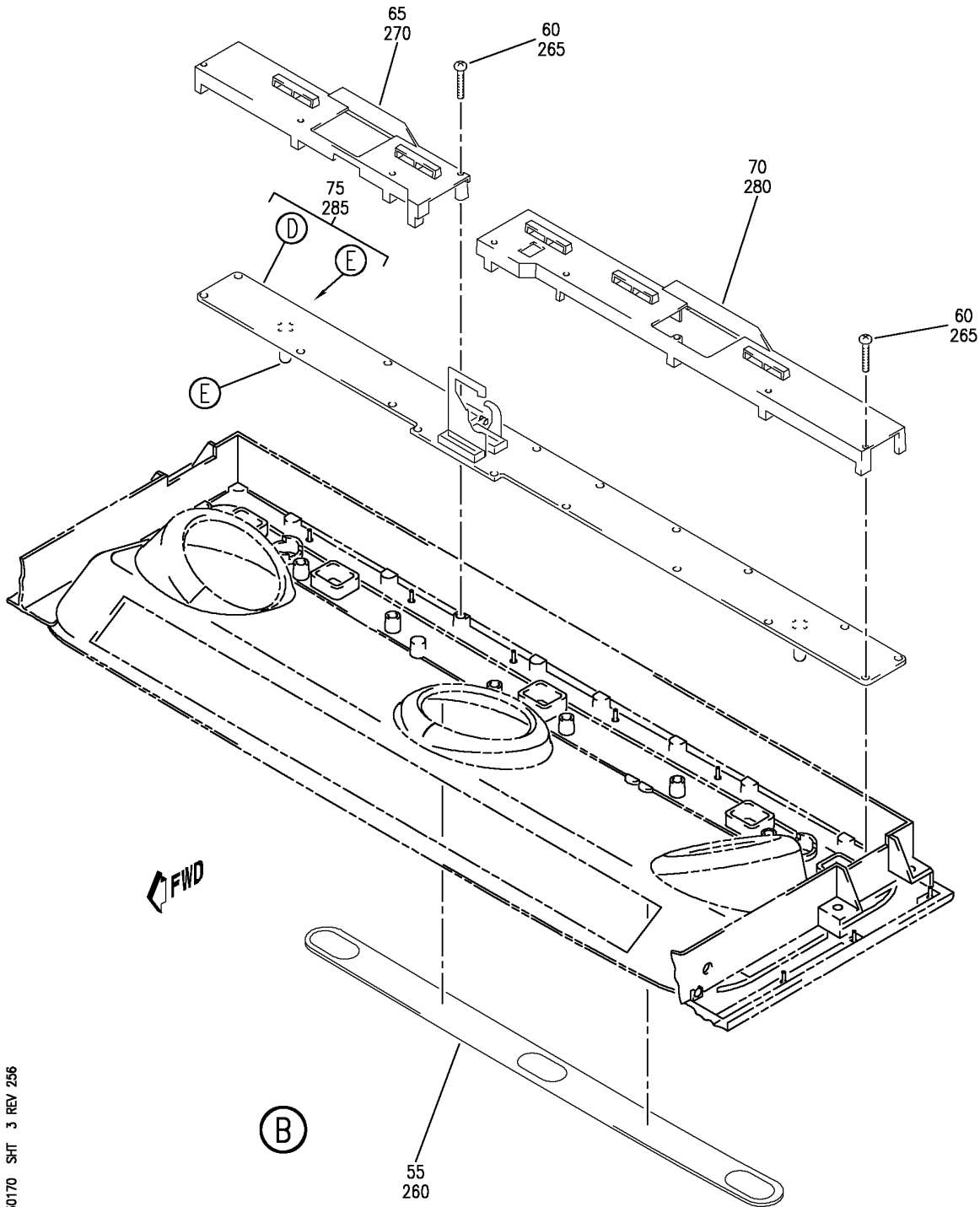
SERVICE UNIT ASSY-PASS. (READING LIGHTS ONLY)
FIGURE 70 (SHEET 2)

33-23-01-70

BRI
JAN 20/09

33-23-01-70
PAGE 0A

BOEING
757
PARTS CATALOG (MAINTENANCE)



Y 33230170 SH1 3 REV 256

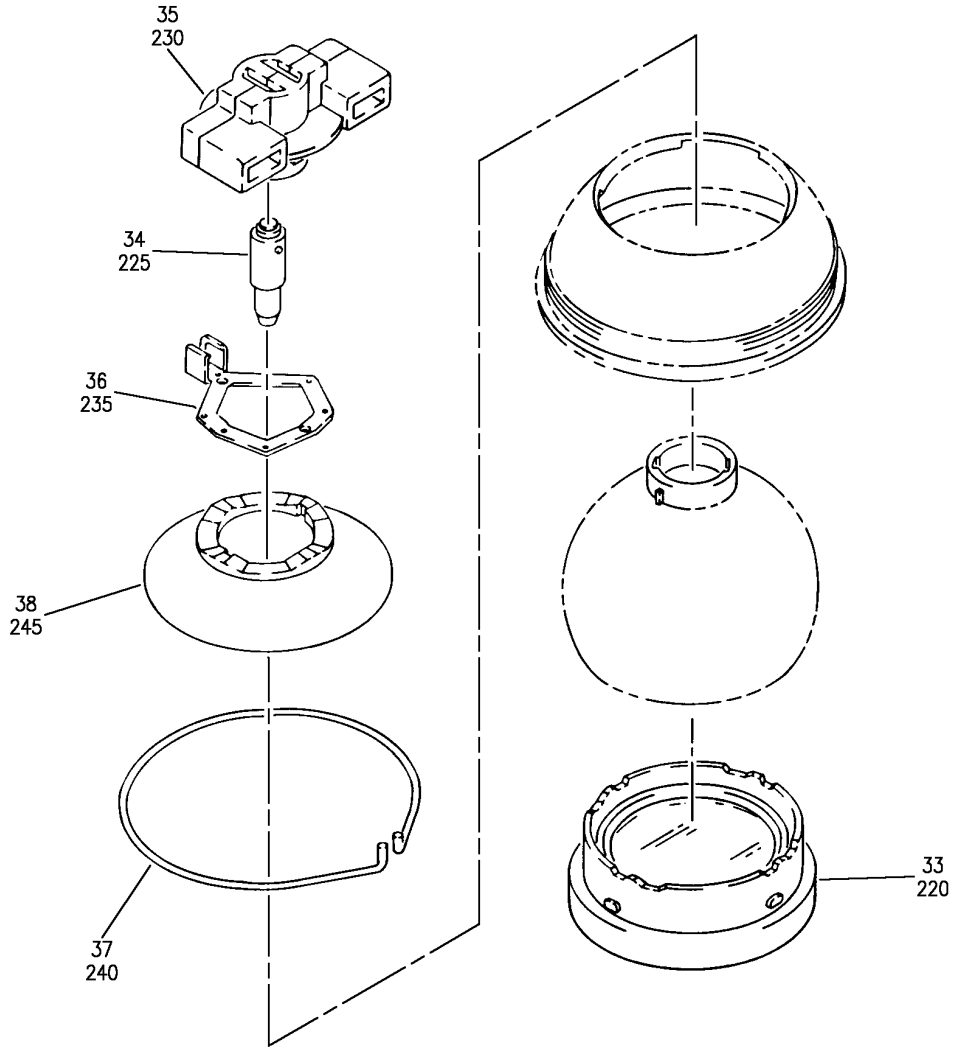
SERVICE UNIT ASSY-PASS. (READING LIGHTS ONLY)
FIGURE 70 (SHEET 3)

33-23-01-70

BRI
JAN 20/09

33-23-01-70
PAGE 0B

BOEING
757
PARTS CATALOG (MAINTENANCE)



Ⓒ

Y 33230170 SHIT 4 REV 253

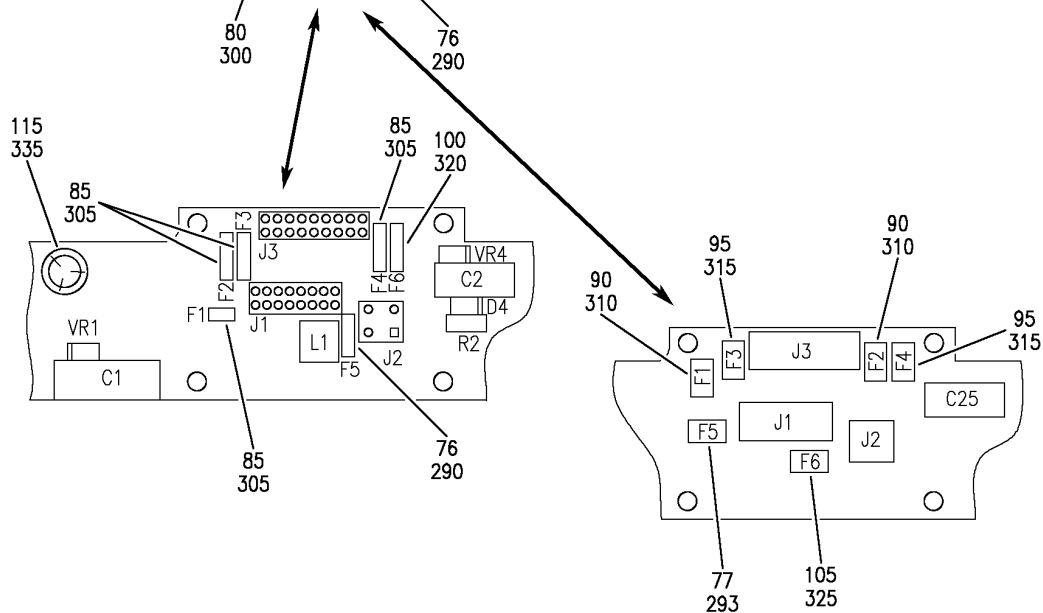
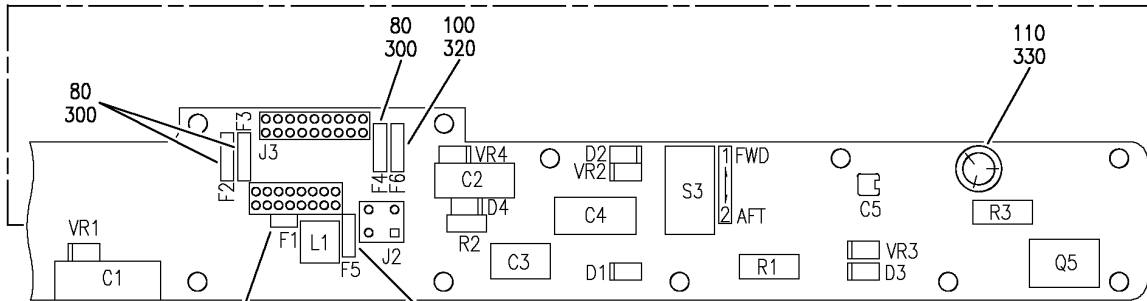
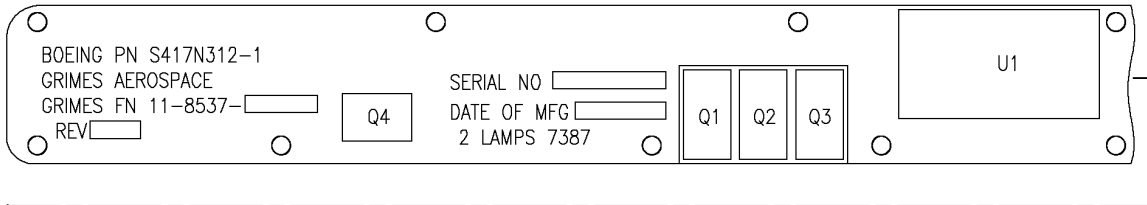
SERVICE UNIT ASSY-PASS. (READING LIGHTS ONLY)
FIGURE 70 (SHEET 4)

33-23-01-70

BRI
JAN 20/09

33-23-01-70
PAGE 0C


BOEING
 757
PARTS CATALOG (MAINTENANCE)



D

Y 33230170 SH 5 REV 256

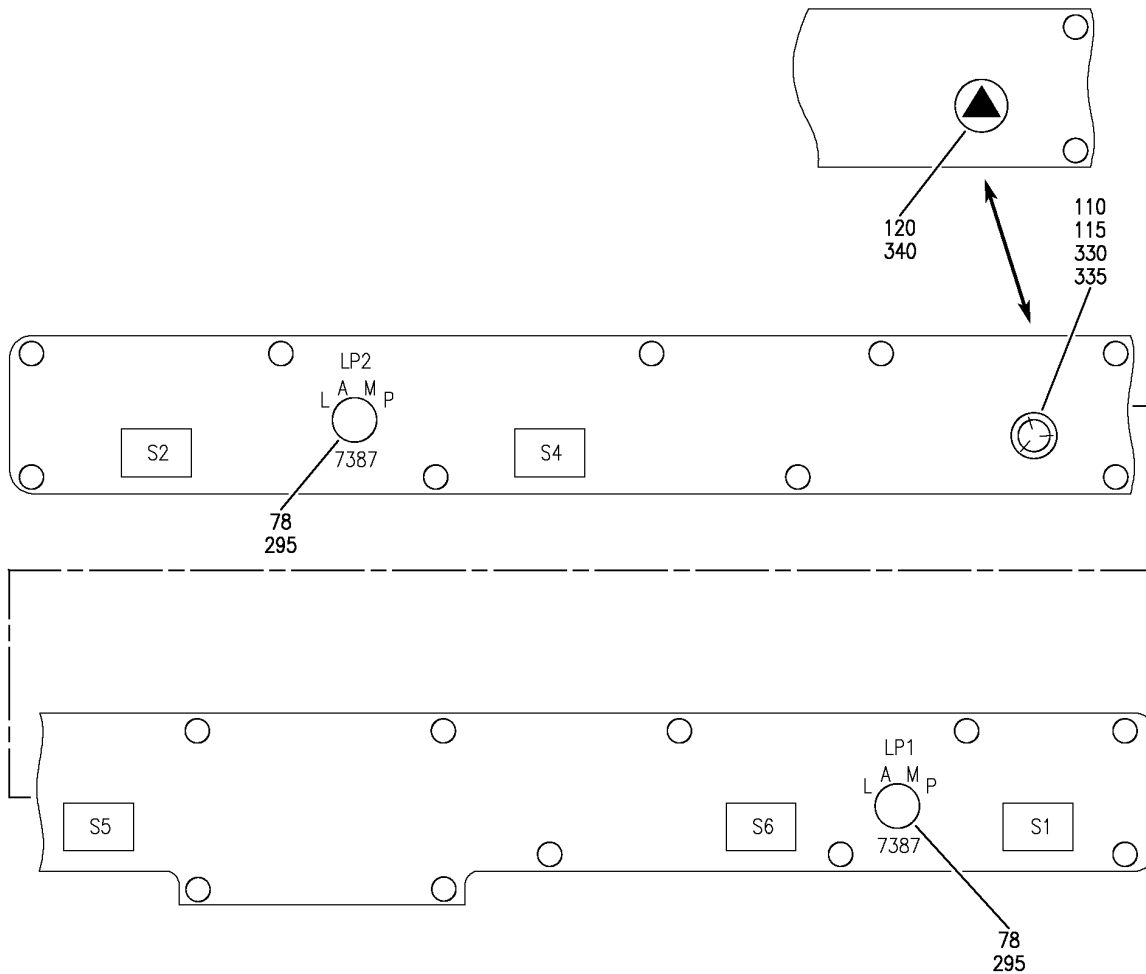
SERVICE UNIT ASSY-PASS. (READING LIGHTS ONLY)
 FIGURE 70 (SHEET 5)

33-23-01-70

BRI
JAN 20/09

33-23-01-70
 PAGE 0D

BOEING
757
PARTS CATALOG (MAINTENANCE)



(E)

Y 33230170 SHIT 6 REV 256

SERVICE UNIT ASSY-PASS. (READING LIGHTS ONLY)
FIGURE 70 (SHEET 6)

33-23-01-70

BRI
JAN 20/09

33-23-01-70
PAGE 0E



757

PARTS CATALOG (MAINTENANCE)

FIG ITEM	PART NUMBER	1 2 3 4 5 6 7	NOMENCLATURE	EFFECT FROM TO	UNITS PER ASSY
70			SERVICE UNIT ASSY-PASS. (READING LIGHTS ONLY)	108120	
- 1	417N3011-309B		SERVICE UNIT ASSY-PASS. WITH SPKR AND NO GASPER (READING LIGHTS ONLY) POSITION DATA: LH ELECTRICAL EQUIP NUMBER: M10978 COMPONENT MAINT MANUAL REF: 25-23-38 FOR NHA/OTHER SYS DET SEE: 25-23-01-58B	108120	RF
- 5	417N3011-317B		SERVICE UNIT ASSY-PASS. NO SPKR AND NO GASPER (READING LIGHTS ONLY) POSITION DATA: LH ELECTRICAL EQUIP NUMBER: M10978 COMPONENT MAINT MANUAL REF: 25-23-38 FOR NHA/OTHER SYS DET SEE: 25-23-01-58B	108120	RF
32	10-1581-5B		.LIGHT ASSY-READING SUPPLIER CODE: V72914 SPECIFICATION NUMBER: S417N311-5B COMPONENT MAINT MANUAL REF: 33-20-65	108120	3
32	10-1581-3B		.LIGHT ASSY-READING SUPPLIER CODE: V72914 SPECIFICATION NUMBER: S417N311-3B COMPONENT MAINT MANUAL REF: 33-20-65	108120	3
33	11-6557-5B		..BEZEL- SUPPLIER CODE: V72914 USED ON: 10-1581-5B	108120	1
33	11-6557-3B		..BEZEL- SUPPLIER CODE: V72914 USED ON: 10-1581-3B	108120	1

MISSING ITEM NUMBERS NOT APPLICABLE

- ITEM NOT ILLUSTRATED

33-23-01-70

33-23-01
FIG. 70
PAGE 1
JAN 20/09

BRI



757

PARTS CATALOG (MAINTENANCE)

FIG ITEM	PART NUMBER	1 2 3 4 5 6 7	NOMENCLATURE	EFFECT FROM TO	UNITS PER ASSY
70					
34	9204		..BULB- SUPPLIER CODE: V68045	108120	1
35	11-6555-1		..LAMPHOLDER- SUPPLIER CODE: V72914	108120	1
36	60-4745-1		..WASHER- SUPPLIER CODE: V72914	108120	1
36	60-4745-9		..WASHER- SUPPLIER CODE: V72914 CONFIG CHG DATA FROM A CMM: SUPSD BY 60-4745-9	108120	1
37	60-4853-1		..RING-RETAINING SUPPLIER CODE: V72914	108120	1
38	11-6510-3B		..RETAINER- SUPPLIER CODE: V72914 USED ON: 10-1581-5B	108120	1
38	11-6510-1B		..RETAINER- SUPPLIER CODE: V72914 USED ON: 10-1581-3B	108120	1
40	PLT2MM2		.STRAP- SUPPLIER CODE: V06383 OPTIONAL PART: PLT2MM V06383	108120	5
40	PLT2MM		.STRAP- SUPPLIER CODE: V06383 OPTIONAL PART: PLT2MM2 V06383	108120	5
45	53303		.WIRE BUNDLE- SUPPLIER CODE: V16115 SPECIFICATION NUMBER: S417N313-201	108120	1

MISSING ITEM NUMBERS NOT APPLICABLE

- ITEM NOT ILLUSTRATED

33-23-01-70

33-23-01
FIG. 70
PAGE 2
JAN 20/09

BRI

BOEING PROPRIETARY - Copyright © - Unpublished Work - See title page for details.



757

PARTS CATALOG (MAINTENANCE)

FIG ITEM	PART NUMBER	1 2 3 4 5 6 7	NOMENCLATURE	EFFECT FROM TO	UNITS PER ASSY
70					
55	11-6563-22C		.OVERLAY- SUPPLIER CODE: V72914 SPECIFICATION NUMBER: S417N312-22C	108120	1
60	NAS600-14P		.SCREW	108120	9
65	417N3035-4		.SHROUD	108120	1
70	417N3035-5		.SHROUD	108120	1
75	11-6537-9		.MODULE ASSY-SWITCH SUPPLIER CODE: V72914 SPECIFICATION NUMBER: S417N312-13 COMPONENT MAINT MANUAL REF: 33-21-42	108120	1
75	11-6537-7		.MODULE ASSY-SWITCH SUPPLIER CODE: V72914 SPECIFICATION NUMBER: S417N312-11 COMPONENT MAINT MANUAL REF: 33-21-42	108120	1
75	11-6537-1		.MODULE ASSY-SWITCH SUPPLIER CODE: V72914 SPECIFICATION NUMBER: S417N312-1 COMPONENT MAINT MANUAL REF: 33-21-42 OPTIONAL PART: 11-6537-3 V72914 11-6537-5 V72914	108120	1
75	11-6537-3		.MODULE ASSY-SWITCH SUPPLIER CODE: V72914 SPECIFICATION NUMBER: S417N312-1 COMPONENT MAINT MANUAL REF: 33-21-42 OPTIONAL PART: 11-6537-1 V72914 11-6537-5 V72914	108120	1

MISSING ITEM NUMBERS NOT APPLICABLE

- ITEM NOT ILLUSTRATED

33-23-01-70

33-23-01
FIG. 70
PAGE 3
JAN 20/09

BRI



757

PARTS CATALOG (MAINTENANCE)

FIG ITEM	PART NUMBER	1 2 3 4 5 6 7	NOMENCLATURE	EFFECT FROM TO	UNITS PER ASSY
70					
75	11-6537-5	.	MODULE ASSY-SWITCH SUPPLIER CODE: V72914 SPECIFICATION NUMBER: S417N312-1 COMPONENT MAINT MANUAL REF: 33-21-42 OPTIONAL PART: 11-6537-1 V72914 11-6537-3 V72914	108120	1
76	273005	..	FUSE-5A 125V SUPPLIER CODE: V75915 USED ON: 11-6537-7	108120	1
76	255005	..	FUSE-5A 125V (F5) SUPPLIER CODE: V75915 USED ON: 11-6537-1 11-6537-3 11-6537-5	108120	1
77	154005	..	FUSE-5A 125V (F5) SUPPLIER CODE: V72914 USED ON: 11-6537-9	108120	1
78	0L387BPGPL	..	LAMP-LP1 AND LP2 SUPPLIER CODE: VS3774	108120	2
80	25502	..	FUSE-2A 125V (F1-F4) SUPPLIER CODE: V72914 CONFIG CHG DATA FROM A CMM: SUPSD BY 275002 USED ON: 11-6537-1 11-6537-3	108120	4
80	275002	..	FUSE-2A 125V (F1-F4) SUPPLIER CODE: V75915 CONFIG CHG DATA FROM A CMM: SUPSDS 25502 USED ON: 11-6537-1 11-6537-3	108120	4

MISSING ITEM NUMBERS NOT APPLICABLE

- ITEM NOT ILLUSTRATED

33-23-01-70

33-23-01
FIG. 70
PAGE 4
JAN 20/09

BRI



757

PARTS CATALOG (MAINTENANCE)

FIG ITEM	PART NUMBER	1 2 3 4 5 6 7	NOMENCLATURE	EFFECT FROM TO	UNITS PER ASSY
70					
85	25502	..	FUSE-2A 125V (F1-F4) SUPPLIER CODE: V72914 CONFIG CHG DATA FROM A CMM: SUPSD BY 275002 USED ON: 11-6537-5 11-6537-7	108120	4
85	275002	..	FUSE-2A 125V (F1-F4) SUPPLIER CODE: V75915 CONFIG CHG DATA FROM A CMM: SUPSDS 25502 USED ON: 11-6537-5 11-6537-7	108120	4
90	MFU021	..	FUSE-2A (F1-F2) SUPPLIER CODE: V72914 USED ON: 11-6537-9	108120	2
95	MFU025	..	FUSE-2A (F3-F4) SUPPLIER CODE: V72914 USED ON: 11-6537-9	108120	2
100	255001	..	FUSE-1A 125V (F6) SUPPLIER CODE: V72914 USED ON: 11-6537-1 11-6537-3 11-6537-5 11-6537-7	108120	1
105	MFU012	..	FUSE-1A (F6) SUPPLIER CODE: V72914 USED ON: 11-6537-9	108120	1
110	60-3927-1	..	LABEL- SUPPLIER CODE: V72914 USED ON: 11-6537-1 11-6537-3	108120	2

MISSING ITEM NUMBERS NOT APPLICABLE

- ITEM NOT ILLUSTRATED

33-23-01-70

33-23-01
FIG. 70
PAGE 5
JAN 20/09

BRI



757

PARTS CATALOG (MAINTENANCE)

FIG ITEM	PART NUMBER	1 2 3 4 5 6 7	NOMENCLATURE	EFFECT FROM TO	UNITS PER ASSY
70 115	60-3927-1		.. LABEL- SUPPLIER CODE: V72914 USED ON: 11-6537-5 11-6537-7	108120	2
120	60-3927-1		.. LABEL- SUPPLIER CODE: V72914 USED ON: 11-6537-9	108120	1
- 200	417N3011-310B		SERVICE UNIT ASSY-PASS. WITH SPKR AND NO GASPER (READING LIGHTS ONLY) POSITION DATA: RH ELECTRICAL EQUIP NUMBER: M10978 COMPONENT MAINT MANUAL REF: 25-23-38 FOR NHA/OTHER SYS DET SEE: 25-23-01-58B	108120	RF
- 205	417N3011-318B		SERVICE UNIT ASSY-PASS. NO SPKR AND NO GASPER (READING LIGHTS ONLY) POSITION DATA: RH ELECTRICAL EQUIP NUMBER: M10978 COMPONENT MAINT MANUAL REF: 25-23-38 FOR NHA/OTHER SYS DET SEE: 25-23-01-58B	108120	RF
- 210	417N3011-324B		SERVICE UNIT ASSY-PASS. WITH MUTED SPKR AND NO GASPER (READING LIGHTS ONLY) POSITION DATA: RH ELECTRICAL EQUIP NUMBER: M10981 COMPONENT MAINT MANUAL REF: 25-23-38 FOR NHA/OTHER SYS DET SEE: 25-23-01-58B	108120	RF

MISSING ITEM NUMBERS NOT APPLICABLE

- ITEM NOT ILLUSTRATED

33-23-01-70

33-23-01
FIG. 70
PAGE 6
JAN 20/09

BRI



757

PARTS CATALOG (MAINTENANCE)

FIG ITEM	PART NUMBER	1 2 3 4 5 6 7	NOMENCLATURE	EFFECT FROM TO	UNITS PER ASSY
70 215	10-1581-5B		.LIGHT ASSY-READING SUPPLIER CODE: V72914 SPECIFICATION NUMBER: S417N311-5B COMPONENT MAINT MANUAL REF: 33-20-65	108120	3
215	10-1581-3B		.LIGHT ASSY-READING SUPPLIER CODE: V72914 SPECIFICATION NUMBER: S417N311-3B COMPONENT MAINT MANUAL REF: 33-20-65	108120	3
220	11-6557-5B		..BEZEL- SUPPLIER CODE: V72914 USED ON: 10-1581-5B	108120	1
220	11-6557-3B		..BEZEL- SUPPLIER CODE: V72914 USED ON: 10-1581-3B	108120	1
225	9204		..BULB- SUPPLIER CODE: V68045	108120	1
230	11-6555-1		..LAMPHOLDER- SUPPLIER CODE: V72914	108120	1
235	60-4745-1		..WASHER- SUPPLIER CODE: V72914 CONFIG CHG DATA FROM A CMM: SUPSD BY 60-4745-9	108120	1
235	60-4745-9		..WASHER- SUPPLIER CODE: V72914 CONFIG CHG DATA FROM A CMM: SUPERSEDES 60-4745-1	108120	1
240	60-4853-1		..RING-RETAINING SUPPLIER CODE: V72914	108120	1
245	11-6510-3B		..RETAINER- SUPPLIER CODE: V72914 USED ON: 10-1581-5B	108120	1

MISSING ITEM NUMBERS NOT APPLICABLE

- ITEM NOT ILLUSTRATED

33-23-01-70

33-23-01
FIG. 70
PAGE 7
JAN 20/09

BRI

BOEING PROPRIETARY - Copyright © - Unpublished Work - See title page for details.



757

PARTS CATALOG (MAINTENANCE)

FIG ITEM	PART NUMBER	1 2 3 4 5 6 7	NOMENCLATURE	EFFECT FROM TO	UNITS PER ASSY
70 245	11-6510-1B		. . RETAINER- SUPPLIER CODE: V72914 USED ON: 10-1581-3B	108120	1
250	PLT2MM2		. STRAP- SUPPLIER CODE: V06383 OPTIONAL PART: PLT2MM V06383	108120	6
250	PLT2MM		. STRAP- SUPPLIER CODE: V06383 OPTIONAL PART: PLT2MM2 V06383	108120	6
255	53303		. WIRE BUNDLE- SUPPLIER CODE: V16115 SPECIFICATION NUMBER: S417N313-201 USED ON: 417N3011-310B 417N3011-318B	108120	1
255	53253		. WIRE BUNDLE- SUPPLIER CODE: V16115 SPECIFICATION NUMBER: S417N313-206 USED ON: 417N3011-324B	108120	1
260	11-6563-22C		. OVERLAY- SUPPLIER CODE: V72914 SPECIFICATION NUMBER: S417N312-22C	108120	1
265	NAS600-14P		. SCREW	108120	9
270	417N3035-4		. SHROUD	108120	1
280	417N3035-5		. SHROUD	108120	1
285	11-6537-7		. MODULE ASSY-SWITCH SUPPLIER CODE: V72914 SPECIFICATION NUMBER: S417N312-11 COMPONENT MAINT MANUAL REF: 33-21-42	108120	1

MISSING ITEM NUMBERS NOT APPLICABLE

- ITEM NOT ILLUSTRATED

33-23-01-70

33-23-01
FIG. 70
PAGE 8
JAN 20/09

BRI



757

PARTS CATALOG (MAINTENANCE)

FIG ITEM	PART NUMBER	1 2 3 4 5 6 7	NOMENCLATURE	EFFECT FROM TO	UNITS PER ASSY
70 285	11-6537-9		.MODULE ASSY-SWITCH SUPPLIER CODE: V72914 SPECIFICATION NUMBER: S417N312-13 COMPONENT MAINT MANUAL REF: 33-21-42	108120	1
285	11-6537-1		.MODULE ASSY-SWITCH SUPPLIER CODE: V72914 SPECIFICATION NUMBER: S417N312-1 COMPONENT MAINT MANUAL REF: 33-21-42 OPTIONAL PART: 11-6537-3 V72914 11-6537-5 V72914	108120	1
285	11-6537-3		.MODULE ASSY-SWITCH SUPPLIER CODE: V72914 SPECIFICATION NUMBER: S417N312-1 COMPONENT MAINT MANUAL REF: 33-21-42 OPTIONAL PART: 11-6537-1 V72914 11-6537-5 V72914	108120	1
285	11-6537-5		.MODULE ASSY-SWITCH SUPPLIER CODE: V72914 SPECIFICATION NUMBER: S417N312-1 COMPONENT MAINT MANUAL REF: 33-21-42 OPTIONAL PART: 11-6537-1 V72914 11-6537-3 V72914	108120	1
290	273005		.. FUSE-5A 125V SUPPLIER CODE: V75915 USED ON: 11-6537-7	108120	1

MISSING ITEM NUMBERS NOT APPLICABLE

- ITEM NOT ILLUSTRATED

33-23-01-70

33-23-01
FIG. 70
PAGE 9
JAN 20/09

BRI



757

PARTS CATALOG (MAINTENANCE)

FIG ITEM	PART NUMBER	1 2 3 4 5 6 7	NOMENCLATURE	EFFECT FROM TO	UNITS PER ASSY
70 290	255005		.. FUSE-5A 125V (F5) SUPPLIER CODE: V75915 USED ON: 11-6537-1 11-6537-3 11-6537-5	108120	1
293	154005		.. FUSE-5A 125V (F5) SUPPLIER CODE: V72914 USED ON: 11-6537-9	108120	1
295	0L387BPGPL		.. LAMP-LP1 AND LP2 SUPPLIER CODE: VS3774	108120	2
300	25502		.. FUSE-2A 125V (F1-F4) SUPPLIER CODE: V72914 CONFIG CHG DATA FROM A CMM: SUPSD BY 275002 USED ON: 11-6537-1 11-6537-3	108120	4
300	275002		.. FUSE-2A 125V (F1-F4) SUPPLIER CODE: V75915 CONFIG CHG DATA FROM A CMM: SUPSDS 25502 USED ON: 11-6537-1 11-6537-3	108120	4
305	25502		.. FUSE-2A 125V (F1-F4) SUPPLIER CODE: V72914 CONFIG CHG DATA FROM A CMM: SUPSD BY 275002 USED ON: 11-6537-5 11-6537-7	108120	4
305	275002		.. FUSE-2A 125V (F1-F4) SUPPLIER CODE: V75915 CONFIG CHG DATA FROM A CMM: SUPSDS 25502 USED ON: 11-6537-5 11-6537-7	108120	4

MISSING ITEM NUMBERS NOT APPLICABLE

- ITEM NOT ILLUSTRATED

33-23-01-70

33-23-01
FIG. 70
PAGE 10
JAN 20/09

BRI



757

PARTS CATALOG (MAINTENANCE)

FIG ITEM	PART NUMBER	1 2 3 4 5 6 7	NOMENCLATURE	EFFECT FROM TO	UNITS PER ASSY
70					
310	MFU021	..	FUSE-2A (F1-F2) SUPPLIER CODE: V72914 USED ON: 11-6537-9	108120	2
315	MFU025	..	FUSE-2A (F3-F4) SUPPLIER CODE: V72914 USED ON: 11-6537-9	108120	2
320	255001	..	FUSE-1A 125V (F6) SUPPLIER CODE: V72914 USED ON: 11-6537-1 11-6537-3 11-6537-5 11-6537-7	108120	1
325	MFU012	..	FUSE-1A (F6) SUPPLIER CODE: V72914 USED ON: 11-6537-9	108120	1
330	60-3927-1	..	LABEL- SUPPLIER CODE: V72914 USED ON: 11-6537-1 11-6537-3	108120	2
335	60-3927-1	..	LABEL- SUPPLIER CODE: V72914 USED ON: 11-6537-5 11-6537-7	108120	2
340	60-3927-1	..	LABEL- SUPPLIER CODE: V72914 USED ON: 11-6537-9	108120	1

MISSING ITEM NUMBERS NOT APPLICABLE

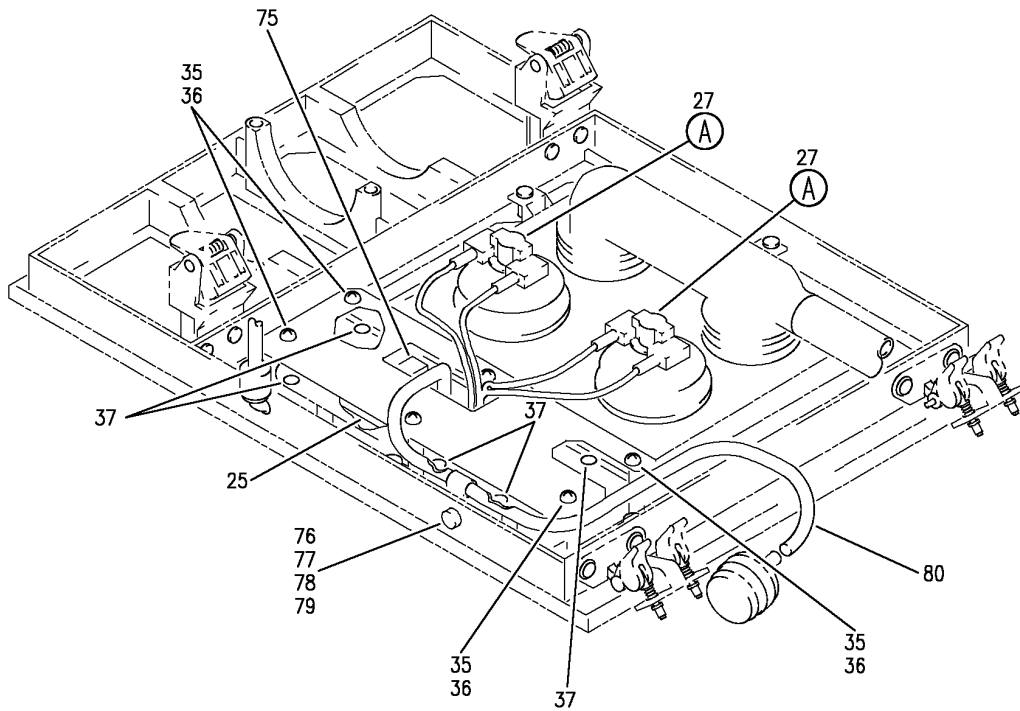
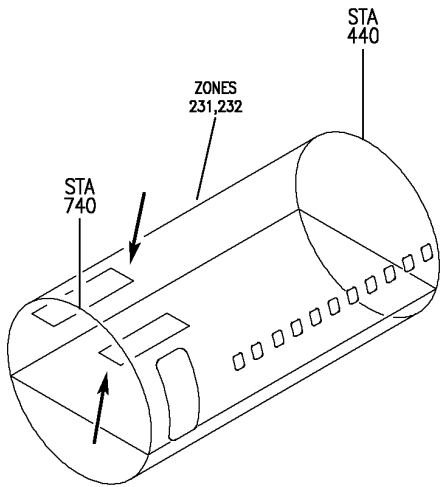
- ITEM NOT ILLUSTRATED

33-23-01-70

33-23-01
FIG. 70
PAGE 11
JAN 20/09

BRI

BOEING
757
PARTS CATALOG (MAINTENANCE)



Y 33230173 REV 307

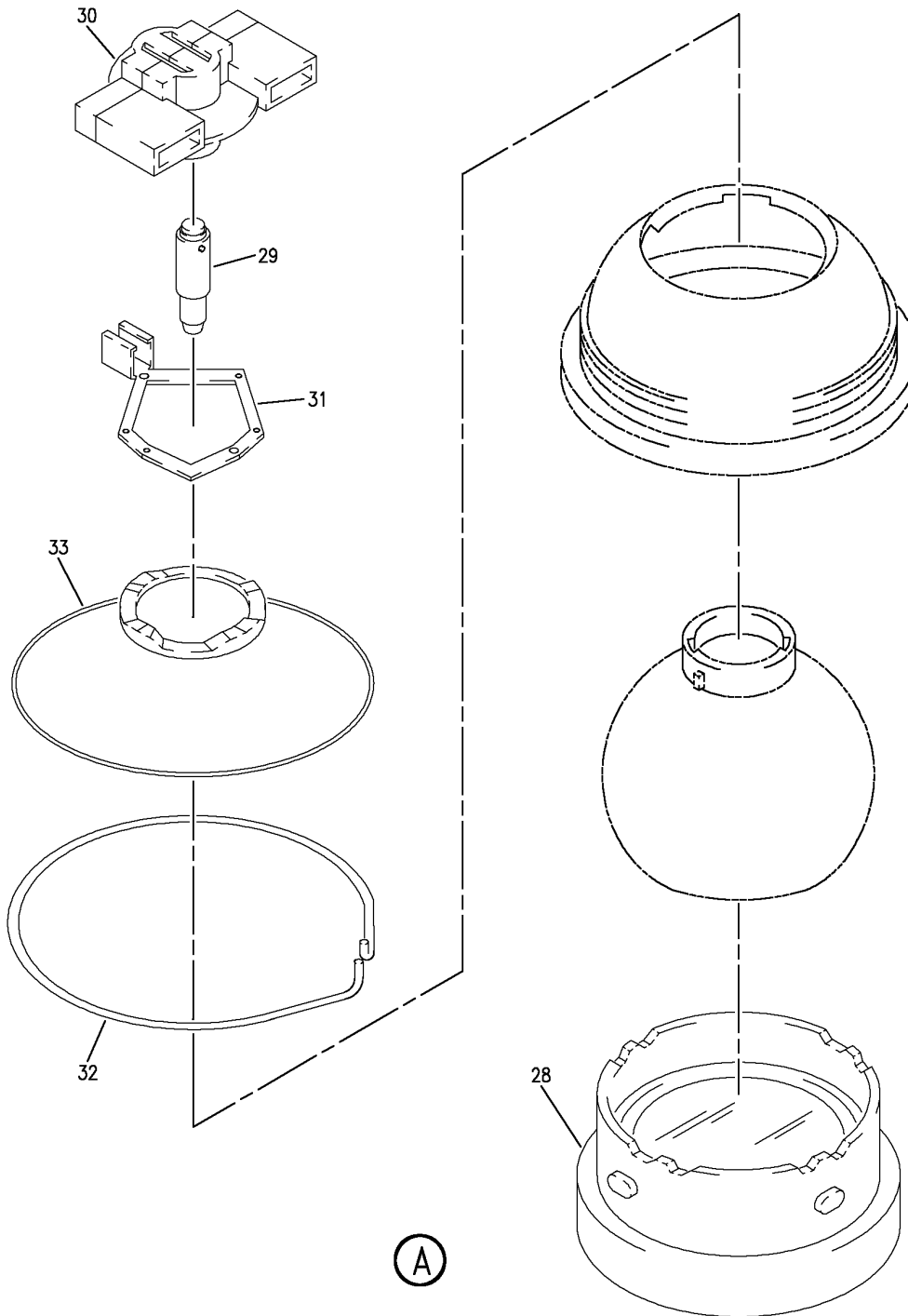
SERVICE UNIT ASSY-PASS, (PASSENGER READING LIGHTS ONLY)
FIGURE 73 (SHEET 1)

33-23-01-73

BRI
JAN 20/09

33-23-01-73
PAGE 0

BOEING
757
PARTS CATALOG (MAINTENANCE)



Y 33230173 SHT 2 REV 251

SERVICE UNIT ASSY-PASS, (PASSENGER READING LIGHTS ONLY)
FIGURE 73 (SHEET 2)

33-23-01-73

BRI
JAN 20/09

33-23-01-73
PAGE 0A



757

PARTS CATALOG (MAINTENANCE)

FIG ITEM	PART NUMBER	1 2 3 4 5 6 7	NOMENCLATURE	EFFECT FROM TO	UNITS PER ASSY
73			SERVICE UNIT ASSY-PASS, (PASSENGER READING LIGHTS ONLY)	108120	
- 1	417N3051-45B		SERVICE UNIT ASSY-PASS. POSITION DATA: (PASSENGER READING LIGHTS ONLY) ELECTRICAL EQUIP NUMBER: M11047 COMPONENT MAINT MANUAL REF: 25-23-39 FOR NHA/OTHER SYS DET SEE: 25-23-01-58B	108120	RF
- 5	417N3051-46C		SERVICE UNIT ASSY-PASS. (PASSENGER READING LIGHTS ONLY) ELECTRICAL EQUIP NUMBER: M11045 COMPONENT MAINT MANUAL REF: 25-23-39 FOR NHA/OTHER SYS DET SEE: 25-23-01-58B	108120	RF
27	10-1581-5B		.LIGHT ASSY-READING SUPPLIER CODE: V72914 SPECIFICATION NUMBER: S417N311-5B COMPONENT MAINT MANUAL REF: 33-20-65	108120	2
27	10-1581-3B		.LIGHT ASSY-READING SUPPLIER CODE: V72914 SPECIFICATION NUMBER: S417N311-3B COMPONENT MAINT MANUAL REF: 33-20-65	108120	2
28	11-6557-5B		..BEZEL- SUPPLIER CODE: V72914 USED ON: 10-1581-5B	108120	1
28	11-6557-3B		..BEZEL- SUPPLIER CODE: V72914 USED ON: 10-1581-3B	108120	1
29	9204		..BULB- SUPPLIER CODE: V68045	108120	1

MISSING ITEM NUMBERS NOT APPLICABLE

- ITEM NOT ILLUSTRATED

33-23-01-73

33-23-01
FIG. 73
PAGE 1
JAN 20/09

BRI



757

PARTS CATALOG (MAINTENANCE)

FIG ITEM	PART NUMBER	1 2 3 4 5 6 7	NOMENCLATURE	EFFECT FROM TO	UNITS PER ASSY
73					
30	11-6555-1	..	LAMPHOLDER- SUPPLIER CODE: V72914	108120	1
31	60-4745-1	..	WASHER- SUPPLIER CODE: V72914	108120	1
31	60-4745-9	..	WASHER- SUPPLIER CODE: V72914 CONFIG CHG DATA FROM A CMM: SUPSD BY 60-4745-9	108120	1
32	60-4853-1	..	RING-RETAINING SUPPLIER CODE: V72914	108120	1
33	11-6510-3B	..	RETAINER- SUPPLIER CODE: V72914 USED ON: 10-1581-5B	108120	1
33	11-6510-1B	..	RETAINER- SUPPLIER CODE: V72914 USED ON: 10-1581-3B	108120	1
35	NAS600-14P	.	SCREW	108120	RF
36	NAS43DDO-40FC	.	SPACER	108120	RF
37	NAS600-4P	.	SCREW	108120	5
75	S417N312-111	.	MODULE-SWITCH	108120	1
75	11-6612-5	.	SWITCH ASSY-MODULE SUPPLIER CODE: V72914 SPECIFICATION NUMBER: S417N312-111 COMPONENT MAINT MANUAL REF: 33-21-44 FOR DETAILS SEE: 33-23-51-50	108120	1

MISSING ITEM NUMBERS NOT APPLICABLE

- ITEM NOT ILLUSTRATED

BRI

33-23-01-73

33-23-01
FIG. 73
PAGE 2
JAN 20/09



757

PARTS CATALOG (MAINTENANCE)

FIG ITEM	PART NUMBER	1 2 3 4 5 6 7	NOMENCLATURE	EFFECT FROM TO	UNITS PER ASSY
73 75	11-6612-1		.SWITCH ASSY-MODULE SUPPLIER CODE: V72914 SPECIFICATION NUMBER: S417N312-101 COMPONENT MAINT MANUAL REF: 33-21-44 OPTIONAL PART: 11-6612-3 V72914 FOR DETAILS SEE: 33-23-51-50	108120	1
80	53314		.HARNES-JUMPER WIRE SUPPLIER CODE: V16115 SPECIFICATION NUMBER: S417N313-401	108120	1

MISSING ITEM NUMBERS NOT APPLICABLE

- ITEM NOT ILLUSTRATED

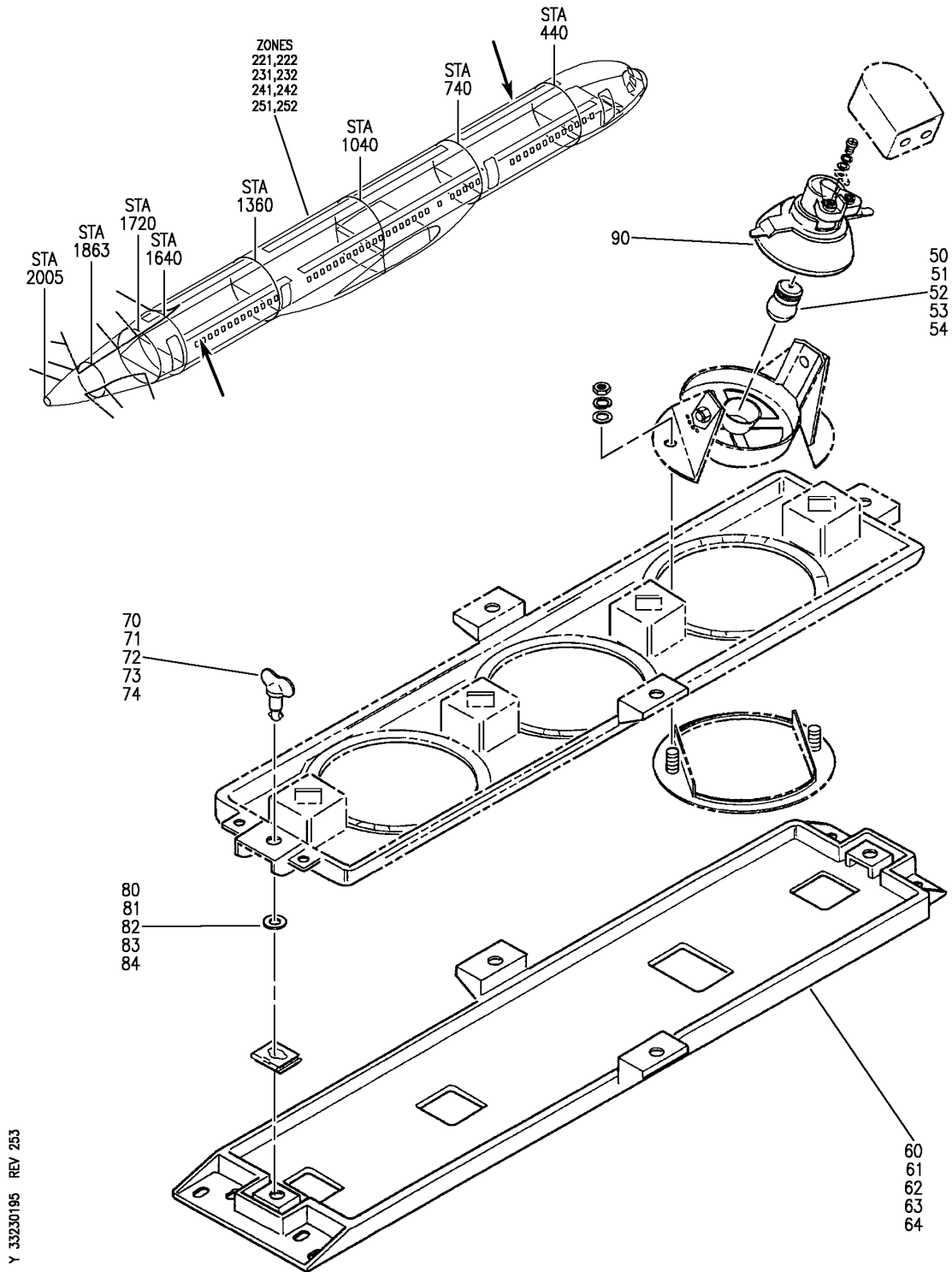
BRI

33-23-01-73

BOEING PROPRIETARY - Copyright © - Unpublished Work - See title page for details.

33-23-01
FIG. 73
PAGE 3
JAN 20/09

BOEING
757
PARTS CATALOG (MAINTENANCE)



LIGHT ASSY-PASS. READING
FIGURE 95

33-23-01-95

BRI
MAY 28/07

33-23-01-95
PAGE 0



757

PARTS CATALOG (MAINTENANCE)

FIG ITEM	PART NUMBER	1 2 3 4 5 6 7	NOMENCLATURE	EFFECT FROM TO	UNITS PER ASSY
95			LIGHT ASSY-PASS. READING	002004 006102 107107 121503 904999	
- 1	10-1006-1		LIGHT ASSY-PASS. READING SUPPLIER CODE: V72914 SPECIFICATION NUMBER: S417N302-1 COMPONENT MAINT MANUAL REF: 33-23-05 FOR NHA SEE: 33-23-01-02 33-23-01-18 33-23-01-24 33-23-01-27 33-23-01-33	002004 006102 107107 121503 904999	RF
- 5	10-1006-2		LIGHT ASSY-PASS. READING SUPPLIER CODE: V72914 SPECIFICATION NUMBER: S417N302-2 COMPONENT MAINT MANUAL REF: 33-23-05 FOR NHA SEE: 33-23-01-02 33-23-01-18 33-23-01-24 33-23-01-27 33-23-01-33	002004 006102 107107 121503 904999	RF
R R	50 1308		.BULB-INCANDESCENT 28V 0.56AMP, DS1, DS2, DS3 SUPPLIER CODE: V08806 OPTIONAL PART: LP1308 V72914 OPTIONAL SUPPLIER CODE: S5006 92966	952999	3
	50 1308		.BULB-INCANDESCENT 28V 0.56AMP, DS1, DS2, DS3 SUPPLIER CODE: V08806 OPTIONAL PART: LP1308 V72914 OPTIONAL SUPPLIER CODE: S5006 92966	950951	3

MISSING ITEM NUMBERS NOT APPLICABLE

- ITEM NOT ILLUSTRATED

33-23-01-95

33-23-01
FIG. 95
PAGE 1
MAY 20/09

BRI



757

PARTS CATALOG (MAINTENANCE)

FIG ITEM	PART NUMBER	1 2 3 4 5 6 7	NOMENCLATURE	EFFECT FROM TO	UNITS PER ASSY
95					
52	LP1308		.LAMP-INCANDESCENT 28V 0.56AMP, DS1, DS2, DS3 SUPPLIER CODE: V08806 OPTIONAL PART: 1308 V56962	952999	3
52	LP1308		.LAMP-INCANDESCENT 28V 0.56AMP, DS1, DS2, DS3 SUPPLIER CODE: V08806 OPTIONAL PART: 1308 V56962	950951	3
53	LP1308		.LAMP-INCANDESCENT 28V 0.56AMP, DS1, DS2, DS3 SUPPLIER CODE: V08806 OPTIONAL PART: 1308 V56962	107107 904949	3
53	LP1308		.LAMP-INCANDESCENT 28V 0.56AMP, DS1, DS2, DS3 SUPPLIER CODE: V08806 OPTIONAL PART: 1308 V56962	121503	3
53	LP1308		.LAMP-INCANDESCENT 28V 0.56AMP, DS1, DS2, DS3 SUPPLIER CODE: V08806 OPTIONAL PART: 1308 V56962	002004 006010	3
53	LP1308		.LAMP-INCANDESCENT 28V 0.56AMP, DS1, DS2, DS3 SUPPLIER CODE: V08806 OPTIONAL PART: 1308 V56962	101102	3
53	LP1308		.LAMP-INCANDESCENT 28V 0.56AMP, DS1, DS2, DS3 SUPPLIER CODE: V08806 OPTIONAL PART: 1308 V56962	011100	3

MISSING ITEM NUMBERS NOT APPLICABLE

- ITEM NOT ILLUSTRATED

33-23-01-95

33-23-01
FIG. 95
PAGE 3
JAN 20/09

BRI

BOEING PROPRIETARY - Copyright © - Unpublished Work - See title page for details.



757

PARTS CATALOG (MAINTENANCE)

FIG ITEM	PART NUMBER	1 2 3 4 5 6 7	NOMENCLATURE	EFFECT FROM TO	UNITS PER ASSY
95					
60	25-1096-1		.LENS- SUPPLIER CODE: V72914 CONFIG CHG DATA FROM A CMM: SUPSD BY 25-1096-5	952999	1
60	25-1096-1		.LENS- SUPPLIER CODE: V72914 CONFIG CHG DATA FROM A CMM: SUPSD BY 25-1096-5	950951	1
61	25-1096-1		.LENS- SUPPLIER CODE: V72914 CONFIG CHG DATA FROM A CMM: SUPSD BY 25-1096-5	107107 904949	1
61	25-1096-1		.LENS- SUPPLIER CODE: V72914 CONFIG CHG DATA FROM A CMM: SUPSD BY 25-1096-5	121503	1
61	25-1096-1		.LENS- SUPPLIER CODE: V72914 CONFIG CHG DATA FROM A CMM: SUPSD BY 25-1096-5	002004 006010	1
61	25-1096-1		.LENS- SUPPLIER CODE: V72914 CONFIG CHG DATA FROM A CMM: SUPSD BY 25-1096-5	101102	1
61	25-1096-1		.LENS- SUPPLIER CODE: V72914 CONFIG CHG DATA FROM A CMM: SUPSD BY 25-1096-5	011100	1
62	25-1096-5		.LENS- SUPPLIER CODE: V72914 CONFIG CHG DATA FROM A CMM: SUPERSEDES 25-1095-1	952999	1
62	25-1096-5		.LENS- SUPPLIER CODE: V72914 CONFIG CHG DATA FROM A CMM: SUPERSEDES 25-1095-1	950951	1

MISSING ITEM NUMBERS NOT APPLICABLE

- ITEM NOT ILLUSTRATED

33-23-01-95

33-23-01
FIG. 95
PAGE 4
JAN 20/09

BRI



757

PARTS CATALOG (MAINTENANCE)

FIG ITEM	PART NUMBER	1 2 3 4 5 6 7	NOMENCLATURE	EFFECT FROM TO	UNITS PER ASSY
95					
63	25-1096-5	. LENS-	SUPPLIER CODE: V72914 CONFIG CHG DATA FROM A CMM: SUPERSEDES 25-1095-1	107107 904949	1
63	25-1096-5	. LENS-	SUPPLIER CODE: V72914 CONFIG CHG DATA FROM A CMM: SUPERSEDES 25-1095-1	121503	1
63	25-1096-5	. LENS-	SUPPLIER CODE: V72914 CONFIG CHG DATA FROM A CMM: SUPERSEDES 25-1095-1	002004 006010	1
63	25-1096-5	. LENS-	SUPPLIER CODE: V72914 CONFIG CHG DATA FROM A CMM: SUPERSEDES 25-1095-1	101102	1
63	25-1096-5	. LENS-	SUPPLIER CODE: V72914 CONFIG CHG DATA FROM A CMM: SUPERSEDES 25-1095-1	011100	1
70	82-12-260-16	. STUD-WING HEAD	SUPPLIER CODE: V94222 OPTIONAL PART: FA1346 V72914	952999	2
70	82-12-260-16	. STUD-WING HEAD	SUPPLIER CODE: V94222 OPTIONAL PART: FA1346 V72914	950951	2
71	82-12-260-16	. STUD-WING HEAD	SUPPLIER CODE: V94222 OPTIONAL PART: FA1346 V72914	107107 904949	2
71	82-12-260-16	. STUD-WING HEAD	SUPPLIER CODE: V94222 OPTIONAL PART: FA1346 V72914	121503	2

MISSING ITEM NUMBERS NOT APPLICABLE

- ITEM NOT ILLUSTRATED

33-23-01-95

33-23-01
FIG. 95
PAGE 5
JAN 20/09

BRI

BOEING PROPRIETARY - Copyright © - Unpublished Work - See title page for details.



757

PARTS CATALOG (MAINTENANCE)

FIG ITEM	PART NUMBER	1 2 3 4 5 6 7	NOMENCLATURE	EFFECT FROM TO	UNITS PER ASSY
95					
71	82-12-260-16	.	STUD-WING HEAD SUPPLIER CODE: V94222 OPTIONAL PART: FA1346 V72914	002004 006010	2
71	82-12-260-16	.	STUD-WING HEAD SUPPLIER CODE: V94222 OPTIONAL PART: FA1346 V72914	101102	2
71	82-12-260-16	.	STUD-WING HEAD SUPPLIER CODE: V94222 OPTIONAL PART: FA1346 V72914	011100	2
72	FA1346	.	STUD-WING HEAD SUPPLIER CODE: V72914 OPTIONAL PART: 82-12-260-16 V94222	952999	2
72	FA1346	.	STUD-WING HEAD SUPPLIER CODE: V72914 OPTIONAL PART: 82-12-260-16 V94222	950951	2
73	FA1346	.	STUD-WING HEAD SUPPLIER CODE: V72914 OPTIONAL PART: 82-12-260-16 V94222	107107 904949	2
73	FA1346	.	STUD-WING HEAD SUPPLIER CODE: V72914 OPTIONAL PART: 82-12-260-16 V94222	121503	2
73	FA1346	.	STUD-WING HEAD SUPPLIER CODE: V72914 OPTIONAL PART: 82-12-260-16 V94222	002004 006010	2

MISSING ITEM NUMBERS NOT APPLICABLE

- ITEM NOT ILLUSTRATED

33-23-01-95

33-23-01
FIG. 95
PAGE 6
JAN 20/09

BRI

BOEING PROPRIETARY - Copyright © - Unpublished Work - See title page for details.



757

PARTS CATALOG (MAINTENANCE)

FIG ITEM	PART NUMBER	1 2 3 4 5 6 7	NOMENCLATURE	EFFECT FROM TO	UNITS PER ASSY
95					
73	FA1346		.STUD-WING HEAD SUPPLIER CODE: V72914 OPTIONAL PART: 82-12-260-16 V94222	101102	2
73	FA1346		.STUD-WING HEAD SUPPLIER CODE: V72914 OPTIONAL PART: 82-12-260-16 V94222	011100	2
80	82-32-101-20		.RING-RTNR SUPPLIER CODE: V94222 OPTIONAL PART: FA593 V72914	952999	4
80	82-32-101-20		.RING-RTNR SUPPLIER CODE: V94222 OPTIONAL PART: FA593 V72914	950951	4
81	82-32-101-20		.RING-RTNR SUPPLIER CODE: V94222 OPTIONAL PART: FA593 V72914	107107 904949	4
81	82-32-101-20		.RING-RTNR SUPPLIER CODE: V94222 OPTIONAL PART: FA593 V72914	121503	4
81	82-32-101-20		.RING-RTNR SUPPLIER CODE: V94222 OPTIONAL PART: FA593 V72914	002004 006010	4
81	82-32-101-20		.RING-RTNR SUPPLIER CODE: V94222 OPTIONAL PART: FA593 V72914	101102	4

MISSING ITEM NUMBERS NOT APPLICABLE

- ITEM NOT ILLUSTRATED

33-23-01-95

33-23-01
FIG. 95
PAGE 7
JAN 20/09

BRI

BOEING PROPRIETARY - Copyright © - Unpublished Work - See title page for details.



757

PARTS CATALOG (MAINTENANCE)

FIG ITEM	PART NUMBER	1 2 3 4 5 6 7	NOMENCLATURE	EFFECT FROM TO	UNITS PER ASSY
95					
81	82-32-101-20	.RING-RTNR	SUPPLIER CODE: V94222	011100	4
			OPTIONAL PART: FA593 V72914		
82	FA593	.RING-RTNR	SUPPLIER CODE: V72914	952999	4
			OPTIONAL PART: 82-32-101-20 V94222		
82	FA593	.RING-RTNR	SUPPLIER CODE: V72914	950951	4
			OPTIONAL PART: 82-32-101-20 V94222		
83	FA593	.RING-RTNR	SUPPLIER CODE: V72914	107107 904949	4
			OPTIONAL PART: 82-32-101-20 V94222		
83	FA593	.RING-RTNR	SUPPLIER CODE: V72914	121503	4
			OPTIONAL PART: 82-32-101-20 V94222		
83	FA593	.RING-RTNR	SUPPLIER CODE: V72914	002004 006010	4
			OPTIONAL PART: 82-32-101-20 V94222		
83	FA593	.RING-RTNR	SUPPLIER CODE: V72914	101102	4
			OPTIONAL PART: 82-32-101-20 V94222		
83	FA593	.RING-RTNR	SUPPLIER CODE: V72914	011100	4
			OPTIONAL PART: 82-32-101-20 V94222		

MISSING ITEM NUMBERS NOT APPLICABLE

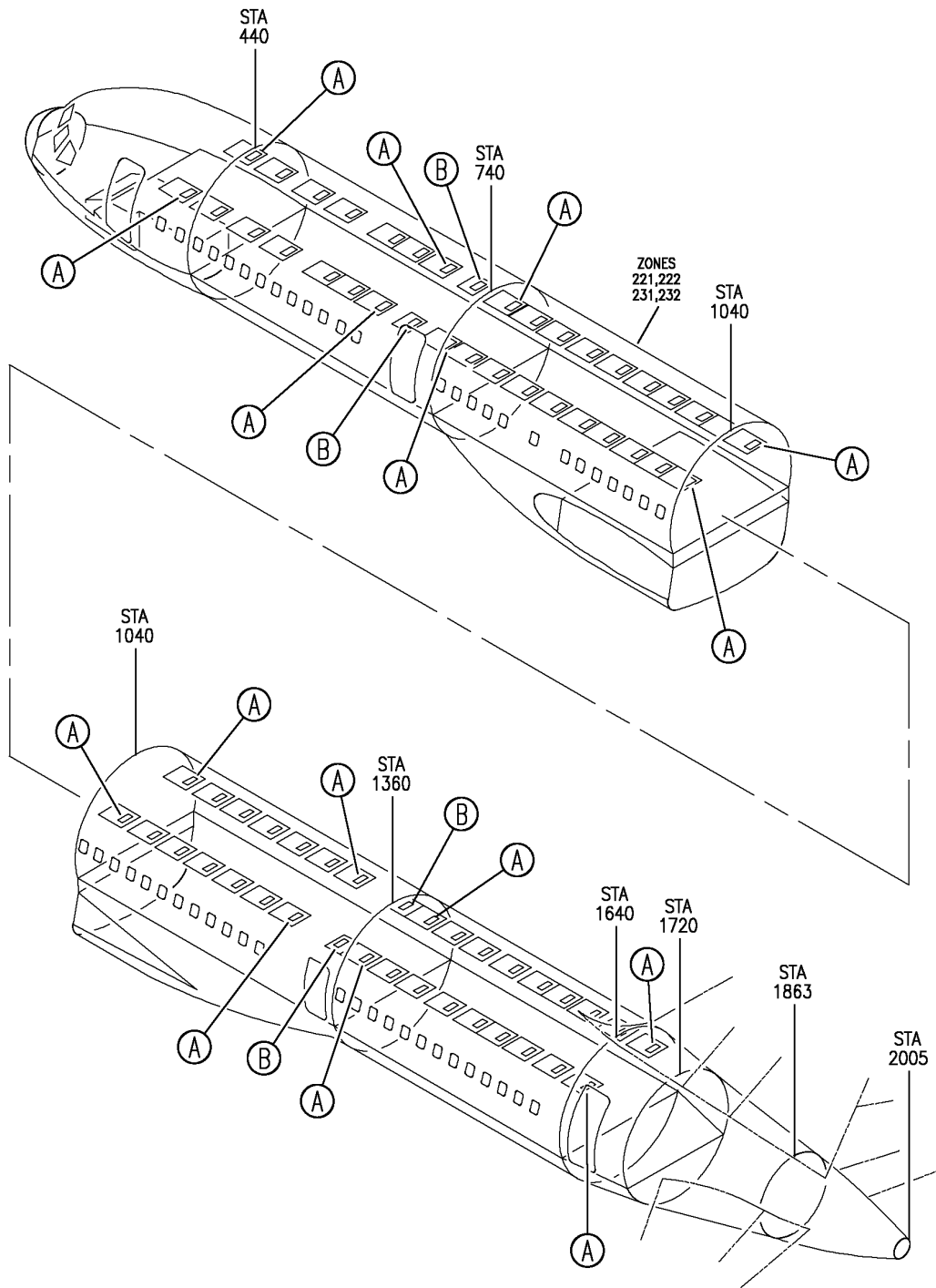
- ITEM NOT ILLUSTRATED

33-23-01-95

33-23-01
FIG. 95
PAGE 8
JAN 20/09

BRI

BOEING
757
PARTS CATALOG (MAINTENANCE)



Y 33230196 SH-T 1 REV 253

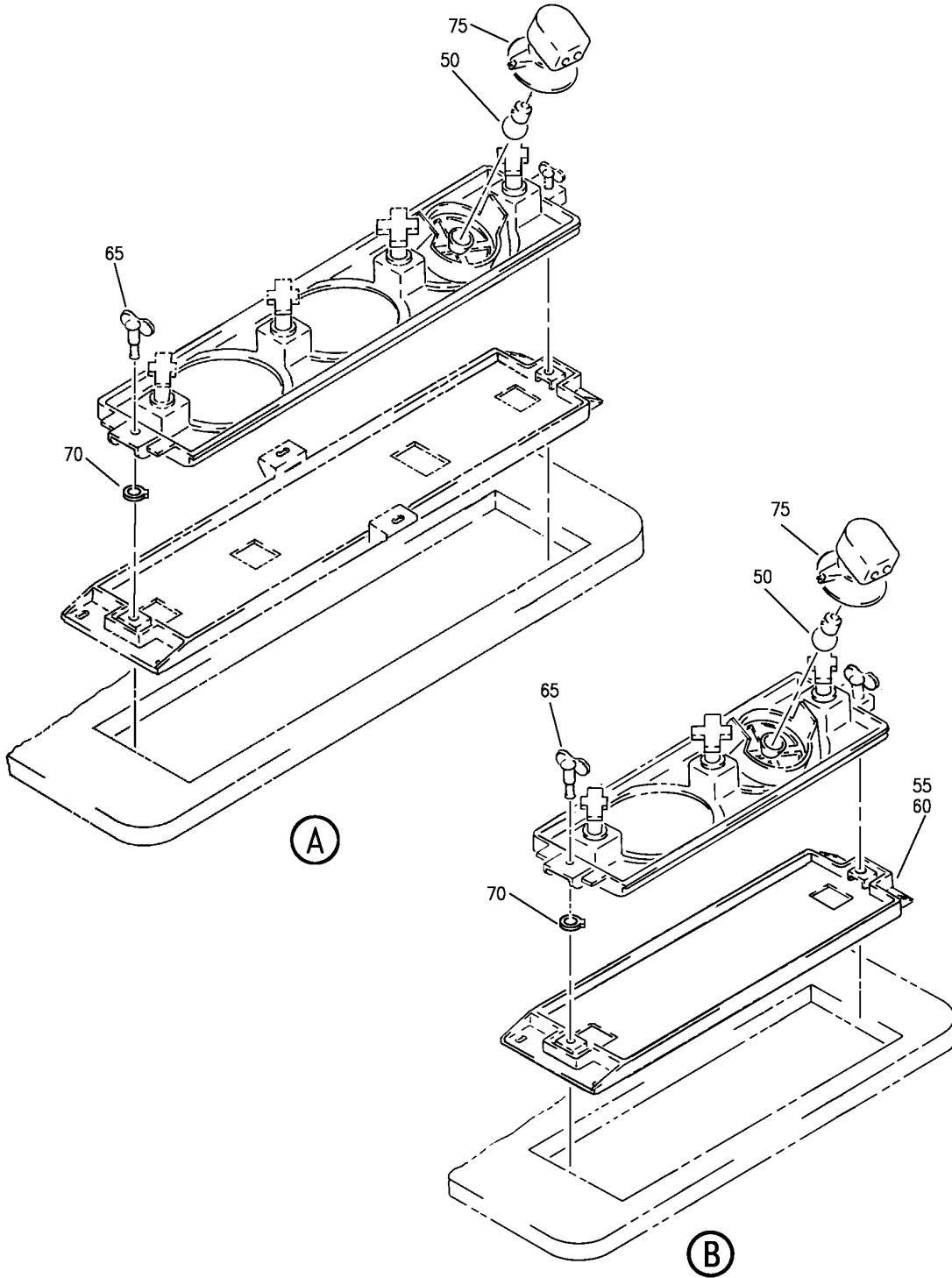
LIGHT ASSY-PASS. READING (TWO LIGHT ONLY)
FIGURE 96 (SHEET 1)

33-23-01-96

BRI
MAY 28/07

33-23-01-96
PAGE 0

BOEING
757
PARTS CATALOG (MAINTENANCE)



Y 33230196 SH1 2 REV 253

LIGHT ASSY-PASS. READING (TWO LIGHT ONLY)
FIGURE 96 (SHEET 2)

33-23-01-96

BRI
MAY 28/07

33-23-01-96
PAGE 0A



757

PARTS CATALOG (MAINTENANCE)

FIG ITEM	PART NUMBER	1 2 3 4 5 6 7	NOMENCLATURE	EFFECT FROM TO	UNITS PER ASSY
96			LIGHT ASSY-PASS. READING (TWO LIGHT ONLY)	002004 006102 107107 121503 904999	
- 1	10-1006-3		LIGHT ASSY-PASS. READING (TWO LIGHT ONLY) SUPPLIER CODE: V72914 SPECIFICATION NUMBER: S417N302-3 COMPONENT MAINT MANUAL REF: 33-23-05 FOR NHA SEE: 33-23-01-02 33-23-01-18 33-23-01-27 33-23-01-33	002004 006102 107107 121503 904949	RF
- 5	10-1006-4		LIGHT ASSY-PASS. READING (TWO LIGHT ONLY) SUPPLIER CODE: V72914 SPECIFICATION NUMBER: S417N302-4 ELECTRICAL EQUIP NUMBER: L00455C L00455D COMPONENT MAINT MANUAL REF: 33-23-05 FOR NHA SEE: 33-23-01-02 33-23-01-18 33-23-01-24 33-23-01-27 33-23-01-33	002004 006102 107107 121503 904999	RF
- 10	10-1006-5		LIGHT ASSY-PASS. READING (TWO LIGHT ONLY) SUPPLIER CODE: V72914 SPECIFICATION NUMBER: S417N302-5 COMPONENT MAINT MANUAL REF: 33-23-05 FOR NHA SEE: 33-23-01-27 33-23-01-33	002004 006102	RF

MISSING ITEM NUMBERS NOT APPLICABLE

- ITEM NOT ILLUSTRATED

33-23-01-96

33-23-01
FIG. 96
PAGE 1
JAN 20/09

BRI

 **BOEING**
757
PARTS CATALOG (MAINTENANCE)

FIG ITEM	PART NUMBER	1 2 3 4 5 6 7	NOMENCLATURE	EFFECT FROM TO	UNITS PER ASSY
R R R R R R R	96 50	1308	.BULB-INCANDESCENT 28V 0.56AMP, DS1, DS2 SUPPLIER CODE: V08806 OPTIONAL PART: LP1308 V72914 OPTIONAL SUPPLIER CODE: S5006 92966	011100	2
	50	LP1308	.LAMP-INCANDESCENT 28V SUPPLIER CODE: V08806 OPTIONAL PART: 1308 V56962	952999	2
	50	LP1308	.LAMP-INCANDESCENT 28V SUPPLIER CODE: V08806 OPTIONAL PART: 1308 V56962	950951	2
	50	LP1308	.LAMP-INCANDESCENT 28V SUPPLIER CODE: V08806 OPTIONAL PART: 1308 V56962	002004 006010 107107	2
	50	LP1308	.LAMP-INCANDESCENT 28V SUPPLIER CODE: V08806 OPTIONAL PART: 1308 V56962	101102 121503 904949	2
	50	LP1308	.LAMP-INCANDESCENT 28V SUPPLIER CODE: V08806 OPTIONAL PART: 1308 V56962	011100	2
	55	25-1097-1	.LENS- SUPPLIER CODE: V72914 USED ON: 10-1006-3 10-1006-4	101102 952999	1

MISSING ITEM NUMBERS NOT APPLICABLE

— ITEM NOT ILLUSTRATED

BRI

33-23-01-96

BOEING PROPRIETARY - Copyright © - Unpublished Work - See title page for details.

33-23-01
FIG. 96
PAGE 3
MAY 20/09



757

PARTS CATALOG (MAINTENANCE)

FIG ITEM	PART NUMBER	1 2 3 4 5 6 7	NOMENCLATURE	EFFECT FROM TO	UNITS PER ASSY
96					
55	25-1097-1		.LENS- SUPPLIER CODE: V72914 USED ON: 10-1006-3 10-1006-4	002004 006102 950951	1
55	25-1097-1		.LENS- SUPPLIER CODE: V72914 USED ON: 10-1006-3 10-1006-4	107107	1
55	25-1097-1		.LENS- SUPPLIER CODE: V72914 USED ON: 10-1006-3 10-1006-4	121503 904949	1
60	25-1097-3		.LENS- SUPPLIER CODE: V72914 USED ON: 10-1006-5 10-1006-6	107107 121503 904949	1
60	25-1097-3		.LENS- SUPPLIER CODE: V72914 USED ON: 10-1006-5 10-1006-6	002004 006010 101102	1
60	25-1097-3		.LENS- SUPPLIER CODE: V72914 USED ON: 10-1006-5 10-1006-6	011100	1
65	82-12-200-16		.STUD-WING HEAD SUPPLIER CODE: V9422 OPTIONAL PART: FA1345 V72914	952999	2
65	82-12-200-16		.STUD-WING HEAD SUPPLIER CODE: V9422 OPTIONAL PART: FA1345 V72914	950951	2

MISSING ITEM NUMBERS NOT APPLICABLE

- ITEM NOT ILLUSTRATED

33-23-01-96

33-23-01
FIG. 96
PAGE 4
JAN 20/09

BRI



757

PARTS CATALOG (MAINTENANCE)

FIG ITEM	PART NUMBER	1 2 3 4 5 6 7	NOMENCLATURE	EFFECT FROM TO	UNITS PER ASSY
96					
65	82-12-200-16	.	STUD-WING HEAD SUPPLIER CODE: V94222 OPTIONAL PART: FA1345 V72914	002004 006010 107107	2
65	82-12-200-16	.	STUD-WING HEAD SUPPLIER CODE: V94222 OPTIONAL PART: FA1346 V72914	101102 121503 904949	2
65	82-12-200-16	.	STUD-WING HEAD SUPPLIER CODE: V94222 OPTIONAL PART: FA1345 V72914	011100	2
65	FA1345	.	STUD-WING HEAD SUPPLIER CODE: V72914 OPTIONAL PART: 82-12-200-16 V94222	952999	2
65	FA1345	.	STUD-WING HEAD SUPPLIER CODE: V72914 OPTIONAL PART: 82-12-200-16 V94222	950951	2
65	FA1345	.	STUD-WING HEAD SUPPLIER CODE: V72914 OPTIONAL PART: 82-12-200-16 V94222	002004 006010 107107	2
65	FA1345	.	STUD-WING HEAD SUPPLIER CODE: V72914 OPTIONAL PART: 82-12-200-16 V94222	101102 121503 904949	2
65	FA1345	.	STUD-WING HEAD SUPPLIER CODE: V72914 OPTIONAL PART: 82-12-200-16 V94222	011100	2

MISSING ITEM NUMBERS NOT APPLICABLE

- ITEM NOT ILLUSTRATED

33-23-01-96

33-23-01
FIG. 96
PAGE 5
JAN 20/09

BRI



757

PARTS CATALOG (MAINTENANCE)

FIG ITEM	PART NUMBER	1 2 3 4 5 6 7	NOMENCLATURE	EFFECT FROM TO	UNITS PER ASSY
96					
70	82-32-101-20	.RING-RTNR SUPPLIER CODE: V94222 OPTIONAL PART: FA593 V72914		952999	2
70	82-32-101-20	.RING-RTNR SUPPLIER CODE: V94222 OPTIONAL PART: FA593 V72914		950951	2
70	82-32-101-20	.RING-RTNR SUPPLIER CODE: V94222 OPTIONAL PART: FA593 V72914		002004 006010 107107	2
70	82-32-101-20	.RING-RTNR SUPPLIER CODE: V94222 OPTIONAL PART: FA593 V72914		101102 121503 904949	2
70	82-32-101-20	.RING-RTNR SUPPLIER CODE: V94222 OPTIONAL PART: FA593 V72914		011100	2
70	FA593	.RING-RTNR SUPPLIER CODE: V72914 OPTIONAL PART: 82-32-101-20 V94222		952999	2
70	FA593	.RING-RTNR SUPPLIER CODE: V72914 OPTIONAL PART: 82-32-101-20 V94222		950951	2
70	FA593	.RING-RTNR SUPPLIER CODE: V72914 OPTIONAL PART: 82-32-101-20 V94222		002004 006010 107107	2

MISSING ITEM NUMBERS NOT APPLICABLE

- ITEM NOT ILLUSTRATED

33-23-01-96

33-23-01
FIG. 96
PAGE 6
JAN 20/09

BRI



757

PARTS CATALOG (MAINTENANCE)

FIG ITEM	PART NUMBER	1 2 3 4 5 6 7	NOMENCLATURE	EFFECT FROM TO	UNITS PER ASSY
96 70	FA593		.RING-RTNR SUPPLIER CODE: V72914 OPTIONAL PART: 82-32-101-20 V94222	101102 121503 904949	2
70	FA593		.RING-RTNR SUPPLIER CODE: V72914 OPTIONAL PART: 82-32-101-20 V94222	011100	2

MISSING ITEM NUMBERS NOT APPLICABLE

- ITEM NOT ILLUSTRATED

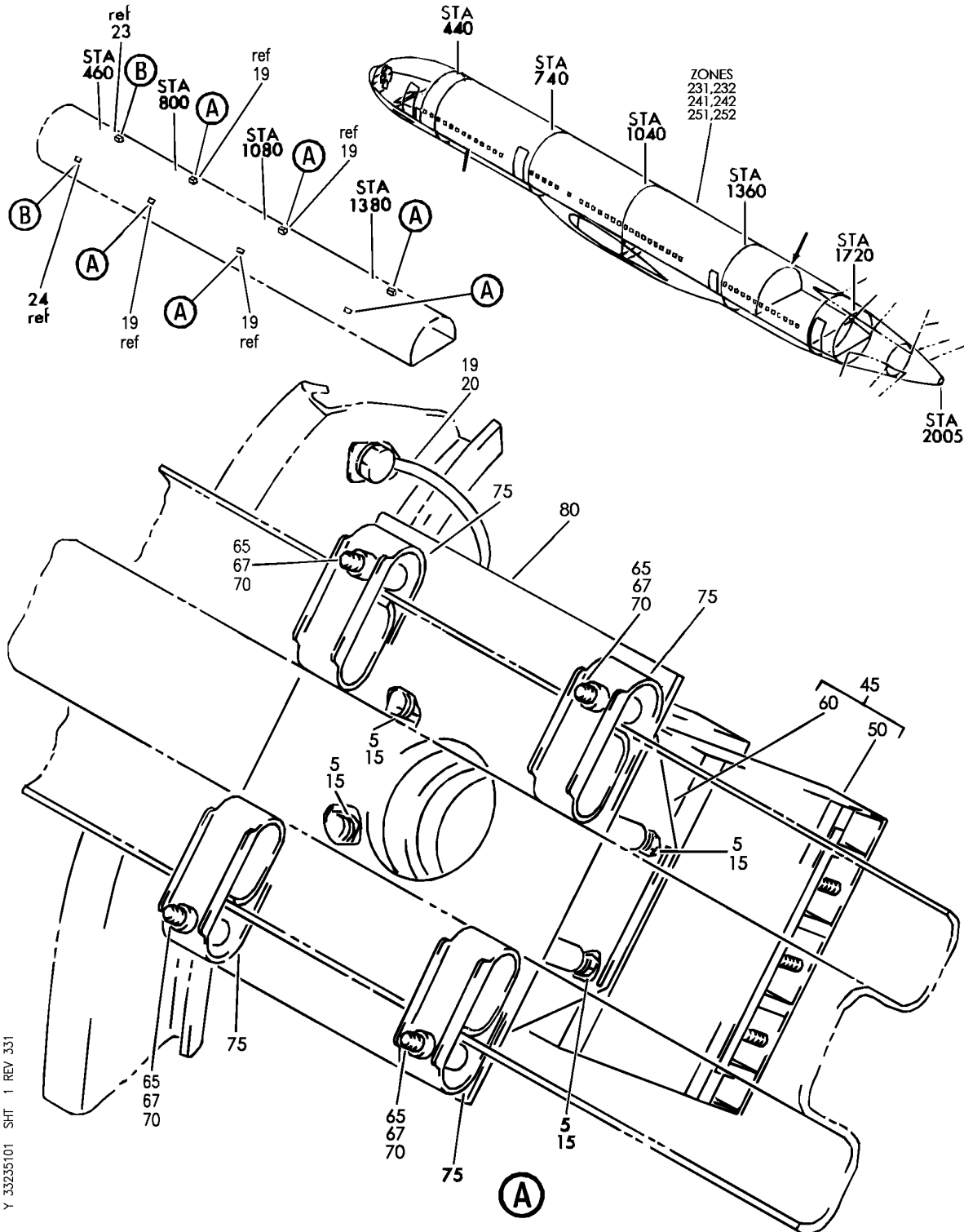
BRI

33-23-01-96

BOEING PROPRIETARY - Copyright © - Unpublished Work - See title page for details.

33-23-01
FIG. 96
PAGE 7
JAN 20/09

BOEING
757
PARTS CATALOG (MAINTENANCE)



Y 33235101 SHT 1 REV 331

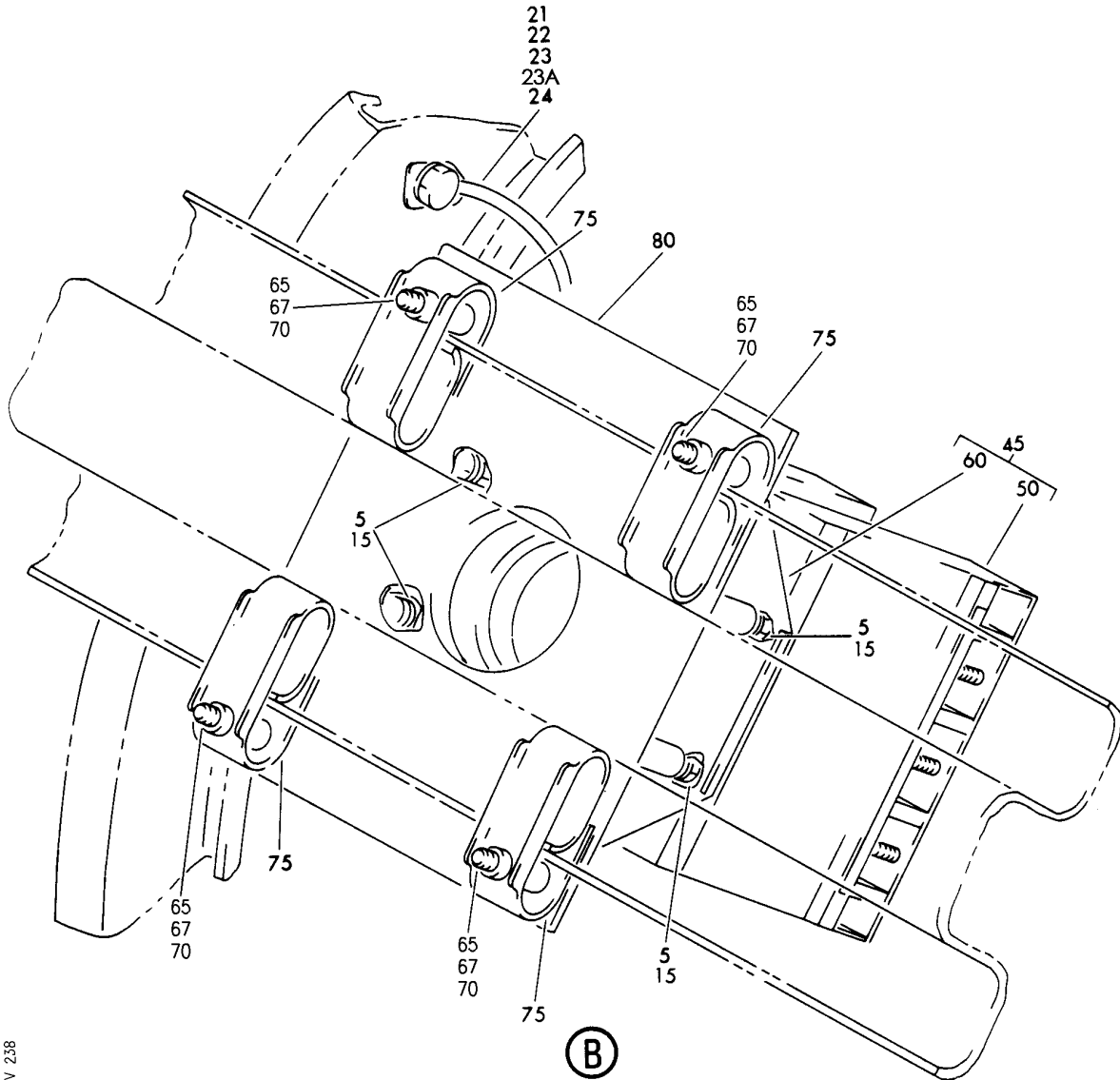
TRANSFORMER INSTL
FIGURE 1 (SHEET 1)

33-23-51-01

BRI
JAN 20/09

33-23-51-01
PAGE 0

BOEING
757
PARTS CATALOG (MAINTENANCE)



Y 33235101 SH1 2 REV 238

TRANSFORMER INSTL
FIGURE 1 (SHEET 2)

33-23-51-01

BRI
MAY 28/07

33-23-51-01
PAGE 0A



757

PARTS CATALOG (MAINTENANCE)

FIG ITEM	PART NUMBER	1 2 3 4 5 6 7	NOMENCLATURE	EFFECT FROM TO	UNITS PER ASSY
1			TRANSFORMER INSTL	002004 006102 107999	
- 1	412N3400-1		TRANSFORMER INSTL- VARIABLE DRAWING REF: 412N3400-2 FOR NHA SEE: 25-20-00-01A 25-20-00-01B 25-20-00-03A	002004 006100 107107 121503 904999	RF
- 1	412N3400-5		TRANSFORMER INSTL- FOR NHA SEE: 25-20-00-07G	108120	RF
- 1	412N3400-10		TRANSFORMER INSTL- FOR NHA SEE: 25-20-00-07G	101102 504903	RF
	5 NAS1801-3-8		.SCREW	002004 006102 107999	32
	15 AN960JD10L		.WASHER-	002004 006100 107107 121503 904999	32
R R R	15 NAS1149D0332J		.WASHER	101102 108120 504903	32
- 17	412N3400-17		.KIT ASSY-SUBSTITUTION OPTIONAL PART: 412N3400-16	002004 006102 107999	8
- 17	412N3400-16		.KIT ASSY-SUBSTITUTION OPTIONAL PART: 412N3400-17	002004 006102 107999	8
R R R R R R R R R	20 740A20-4		.JUMPER ASSY SUPPLIER CODE: V91812 SPECIFICATION NUMBER: BACJ40A20-4 OPTIONAL PART: TJEJ40A20-4 V33483 RBEJ20-4 V1GK47	002004 006100 107503 904999	6

MISSING ITEM NUMBERS NOT APPLICABLE

- ITEM NOT ILLUSTRATED

33-23-51-01

33-23-51
FIG. 01
PAGE 1
MAY 20/09

BRI



757

PARTS CATALOG (MAINTENANCE)

FIG ITEM	PART NUMBER	1 2 3 4 5 6 7	NOMENCLATURE	EFFECT FROM TO	UNITS PER ASSY	
R R R R R R R R R R	1 20	740A20-5	. JUMPER ASSY SUPPLIER CODE: V91812 SPECIFICATION NUMBER: BACJ40A20-5 OPTIONAL PART: TJEJ40A20-5 V33483 RBEJ20-5 V1GK47	101102 504903	6	
	21	740A20-4	. JUMPER ASSY SUPPLIER CODE: V91812 SPECIFICATION NUMBER: BACJ40A20-4 OPTIONAL PART: TJEJ40A20-4 V33483 RBEJ20-4 V1GK47	002004 006100 107107 121503 904999	2	
	22	BACJ40A20-11	. JUMPER ASSY- OPTIONAL PART: BACJ40K5A5A11	002004 006100 121503 904999	2	
	22	RBEJ40K5A5A11	. JUMPER ASSY- SUPPLIER CODE: V1GK47 SPECIFICATION NUMBER: BACJ40K5A5A11 OPTIONAL PART: BACJ40A20-11	002004 006102 108999	2	
	45	412N3410-1	. MOUNTING ASSY	002004 006102 107999	8	
	50	FT1046	.. TRANSFORMER- SUPPLIER CODE: V14752 FUNCTIONAL DESCRIPTION: PROVIDES 115 VOLT POWER FOR CARGO BAY LIGHTING SPECIFICATION NUMBER: 60B40026-17 ATTACHING PARTS	002004 006102 107999	1	
	- 55	NAS1801-06-7	.. SCREW -----*-----	002004 006102 107999	4	
	MISSING ITEM NUMBERS NOT APPLICABLE					

- ITEM NOT ILLUSTRATED

33-23-51-01

33-23-51
FIG. 01
PAGE 2
MAY 20/09

BRI



757

PARTS CATALOG (MAINTENANCE)

FIG ITEM	PART NUMBER	1 2 3 4 5 6 7	NOMENCLATURE	EFFECT FROM TO	UNITS PER ASSY
1					
60	412N3411-3	. .	BRACKET ASSY	002004 006102 107999	1
65	NAS1801-3-13	. .	SCREW	002004 006100 107107 121503 904999	28
66	NAS1801-3-16	. .	SCREW	002004 006100 107107 121503 904999	4
67	NAS1801-3-13	. .	SCREW	101102 108120 504903	32
70	AN960JD10L	. .	WASHER-	002004 006100 107107 121503 904999	32
70	NAS1149D0332J	. .	WASHER	101102 108120 504903	32
75	1619-1932	. .	BRACKET-MTG SUPPLIER CODE: V60119	002004 006102 107999	32
80	412N3411-1	. .	BRACKET ASSY	002004 006102 107999	8
85	412N3412-1	. .	SPACER	107107 121503 904949	1
90	412N3412-2	. .	SPACER	107107 121503 904949	1

R
R
R
R
R
R
R
R

R
R
R
R
R
R
R

MISSING ITEM NUMBERS NOT APPLICABLE

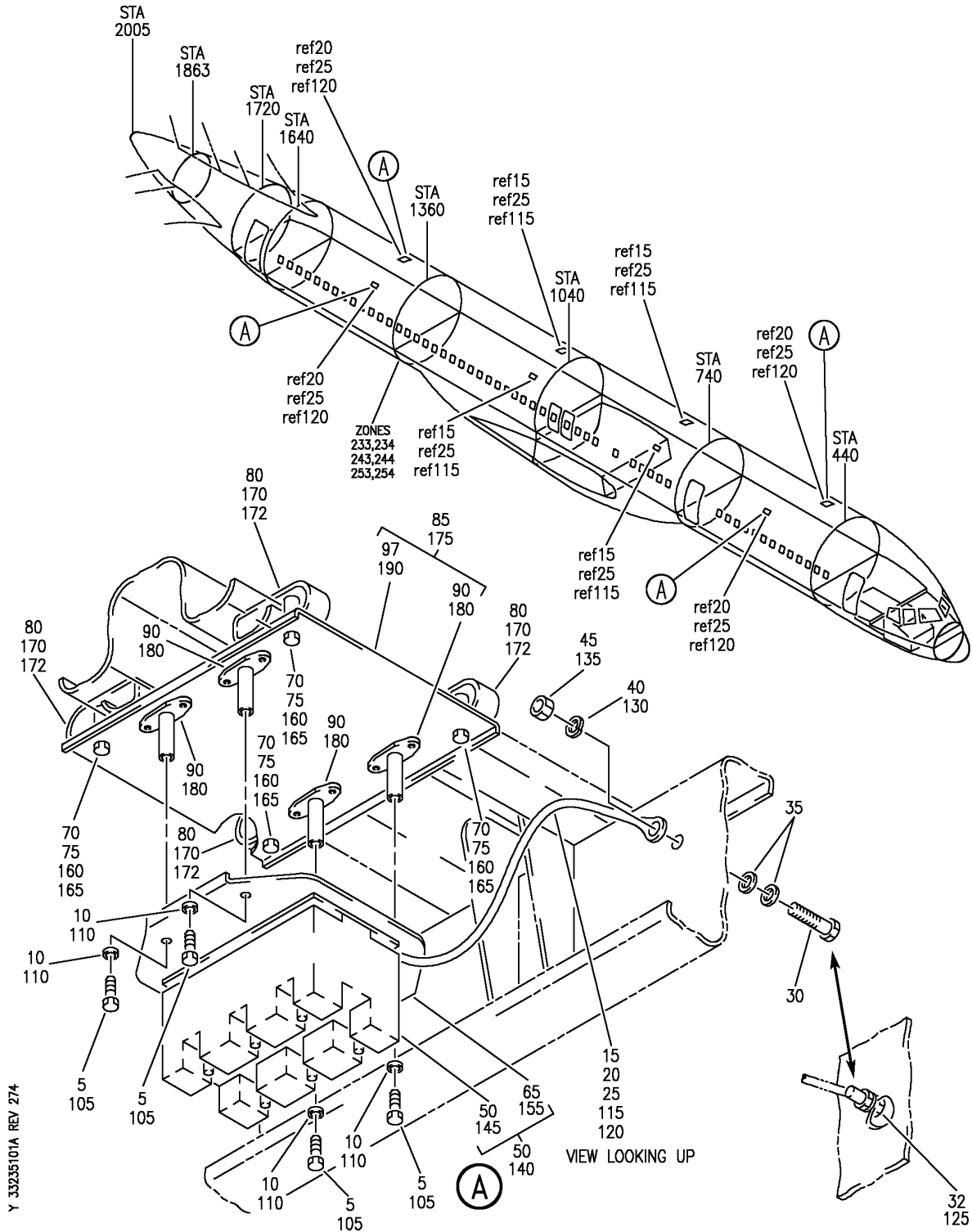
- ITEM NOT ILLUSTRATED

33-23-51-01

33-23-51
FIG. 01
PAGE 3
MAY 20/09

BRI

BOEING
757
PARTS CATALOG (MAINTENANCE)



Y 33235101A REV 274

TRANSFORMER INSTL
FIGURE 1A

33-23-51-01A

BRI
JAN 20/09

33-23-51-01A
PAGE 0

 **BOEING**
757
PARTS CATALOG (MAINTENANCE)

FIG ITEM	PART NUMBER	1 2 3 4 5 6 7	NOMENCLATURE	EFFECT FROM TO	UNITS PER ASSY
1A					
- 100	MODREF21975		TRANSFORMER INSTL TRANSFORMER INSTL- MODULE NUMBER: 412N3400-18 REV A	103106 103106	1
105	BACS12HN3-8		.SCREW	103106	32
110	NAS1149D0332J		.WASHER	103106	32
115	740A20-6		.JUMPER ASSY SUPPLIER CODE: V91812 SPECIFICATION NUMBER: BACJ40A20-6 OPTIONAL PART: TJEJ40A20-6 V33483 RBEJ20-6 V1GK47	103106	4
120	RBEJ40K5A5A11		.JUMPER ASSY SUPPLIER CODE: V1GK47 SPECIFICATION NUMBER: BACJ40K5A5A11 ATTACHING PARTS	103106	4
125	BACS53B1ES1		.STUD	103106	8
130	BACW10EC3S		.WASHER	103106	8
135	BRH10C3D		.NUT SUPPLIER CODE: V52828 SPECIFICATION NUMBER: BACN10JC3CD OPTIONAL PART: T6C1032JCD V11815 NS202486-02 V80539 102LH9075-3W V72962 H51650-3BAC V15653	103106	8
140	412N3410-1		-----*----- .MOUNTING ASSY	103106	8
145	FT1046		..TRANSFORMER- SUPPLIER CODE: V14752 FUNCTIONAL DESCRIPTION: PROVIDES 115 VOLT POWER FOR CARGO BAY LIGHTING SPECIFICATION NUMBER: 60B40026-17	103106	1

MISSING ITEM NUMBERS NOT APPLICABLE

- ITEM NOT ILLUSTRATED

BRI

33-23-51-01A

BOEING PROPRIETARY - Copyright © - Unpublished Work - See title page for details.

33-23-51
FIG. 01A
PAGE 1
JAN 20/09



757

PARTS CATALOG (MAINTENANCE)

FIG ITEM	PART NUMBER	1 2 3 4 5 6 7	NOMENCLATURE	EFFECT FROM TO	UNITS PER ASSY
1 A			ATTACHING PARTS		
- 150	NAS1801-06-7		.. SCREW -----*-----	103106	4
155	412N3411-3		.. BRACKET ASSY	103106	1
160	BACS12HN3-13		. SCREW	103106	32
165	NAS1149D0332J		. WASHER	103106	32
170	1619-1932		. BRACKET-MTG	103106	32
			SUPPLIER CODE: V60119		
175	412N3411-1		. BRACKET ASSY	103106	8
180	WSI4A8		.. NUT SUPPLIER CODE: V04169 SPECIFICATION NUMBER: BACN10TL3A8	103106	4
			ATTACHING PARTS		
- 185	BACR15BA4AD		.. RIVET- SIZE DETERMINED ON INSTL. -----*-----	103106	8
190	412N3411-2		.. BRACKET	103106	4

R
R
R

MISSING ITEM NUMBERS NOT APPLICABLE

- ITEM NOT ILLUSTRATED

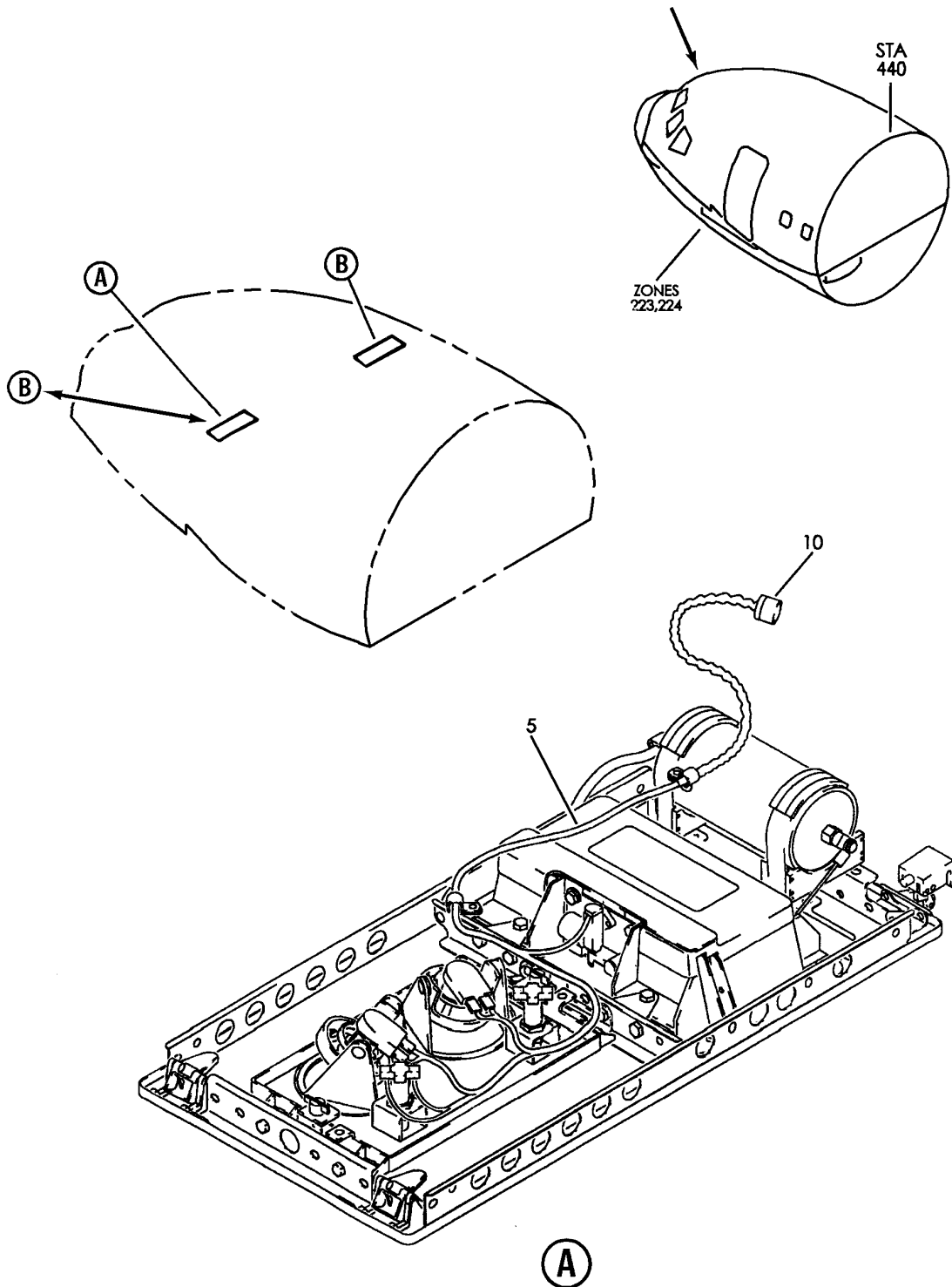
33-23-51-01A

33-23-51
FIG. 01A
PAGE 2
MAY 20/09

BRI

BOEING PROPRIETARY - Copyright © - Unpublished Work - See title page for details.

BOEING
757
PARTS CATALOG (MAINTENANCE)



Y 33235102 SH1 1 REV 209

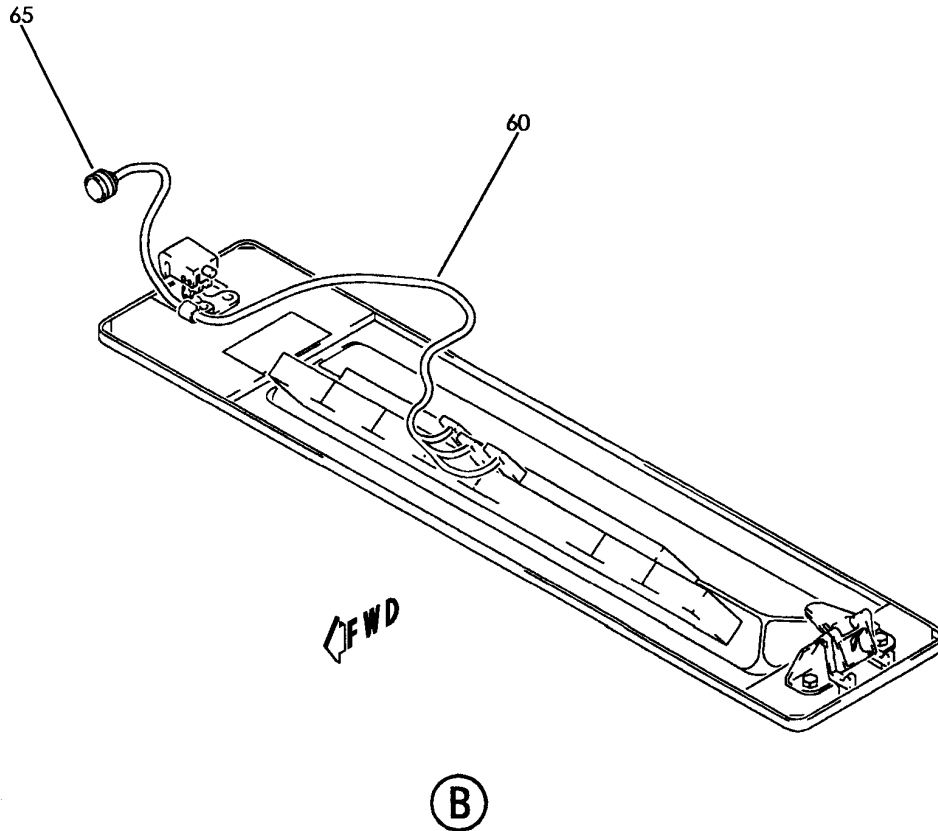
WIRE BUNDLE INSTL ATTENDANT SERVICE UNIT UNDER BIN
FIGURE 2 (SHEET 1)

33-23-51-02

BRI
MAY 28/07

33-23-51-02
PAGE 0

BOEING
757
PARTS CATALOG (MAINTENANCE)



Y 33235102 SHT 2 REV 209

WIRE BUNDLE INSTL ATTENDANT SERVICE UNIT UNDER BIN
FIGURE 2 (SHEET 2)

33-23-51-02

BRI
MAY 28/07

33-23-51-02
PAGE 0A



757

PARTS CATALOG (MAINTENANCE)

FIG ITEM	PART NUMBER	1 2 3 4 5 6 7	NOMENCLATURE	EFFECT FROM TO	UNITS PER ASSY
2			WIRE BUNDLE INSTL ATTENDANT SERVICE UNIT UNDER BIN	101102	
- 1	288N0182-701		WIRE BUNDLE INSTL-ATTENDANT SERVICE UNIT UNDER BIN POSITION DATA: LH	101102	1
5	286N0520-301		.WIRE BUNDLE	101102	1
10	BACC45FT18A149		..CONNECTOR- ELECTRICAL EQUIP NUMBER: D03448	101102	1

MISSING ITEM NUMBERS NOT APPLICABLE

- ITEM NOT ILLUSTRATED

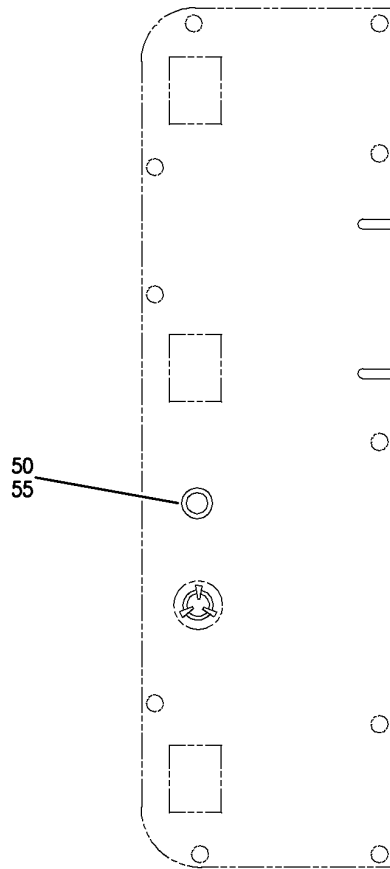
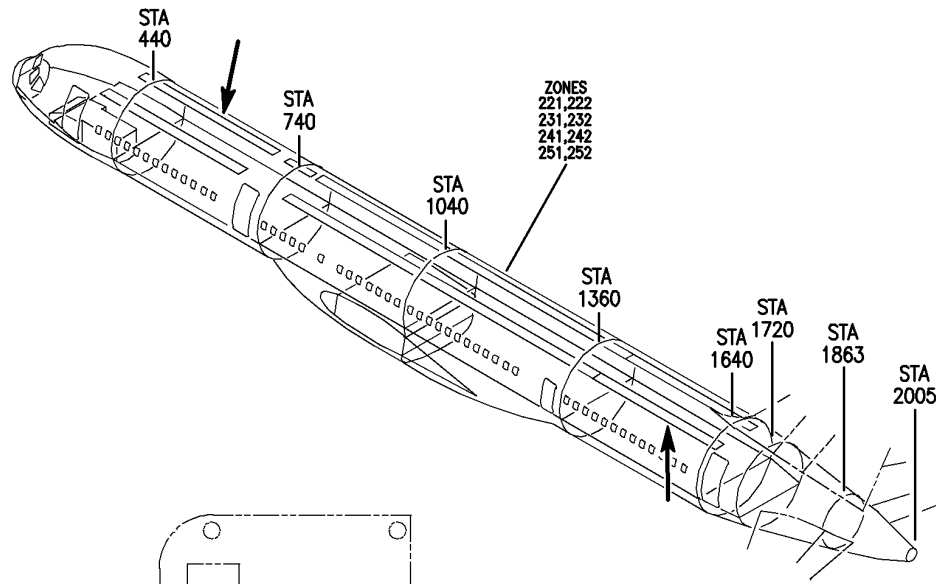
BRI

33-23-51-02

BOEING PROPRIETARY - Copyright © - Unpublished Work - See title page for details.

33-23-51
FIG. 02
PAGE 1
JAN 20/09

BOEING
757
PARTS CATALOG (MAINTENANCE)



Y 33235150 REV 240

SWITCH ASSY-MODULE
FIGURE 50

33-23-51-50

BRI
JAN 20/09

33-23-51-50
PAGE 0



757

PARTS CATALOG (MAINTENANCE)

FIG ITEM	PART NUMBER	1 2 3 4 5 6 7	NOMENCLATURE	EFFECT FROM TO	UNITS PER ASSY
50					
- 1	11-6612-1		SWITCH ASSY-MODULE SWITCH ASSY-MODULE SUPPLIER CODE: V72914 SPECIFICATION NUMBER: S417N312-101 COMPONENT MAINT MANUAL REF: 33-21-44 OPTIONAL PART: 11-6612-3 V72914 FOR NHA SEE: 33-23-01-31H 33-23-01-73	108120 108120	RF
- 1	11-6612-5		SWITCH ASSY-MODULE SUPPLIER CODE: V72914 SPECIFICATION NUMBER: S417N312-111 COMPONENT MAINT MANUAL REF: 33-21-44 FOR NHA SEE: 33-23-01-31H 33-23-01-73	108120	RF
50	0L387BPGPL		.LAMP-LP1 SUPPLIER CODE: VS3774 MISCELLANEOUS DATA: GRIMES SPEC NO. LP055	108120	1
55	11-6566-1		.GUIDE-LAMP SUPPLIER CODE: V72914	108120	1

MISSING ITEM NUMBERS NOT APPLICABLE

- ITEM NOT ILLUSTRATED

BRI

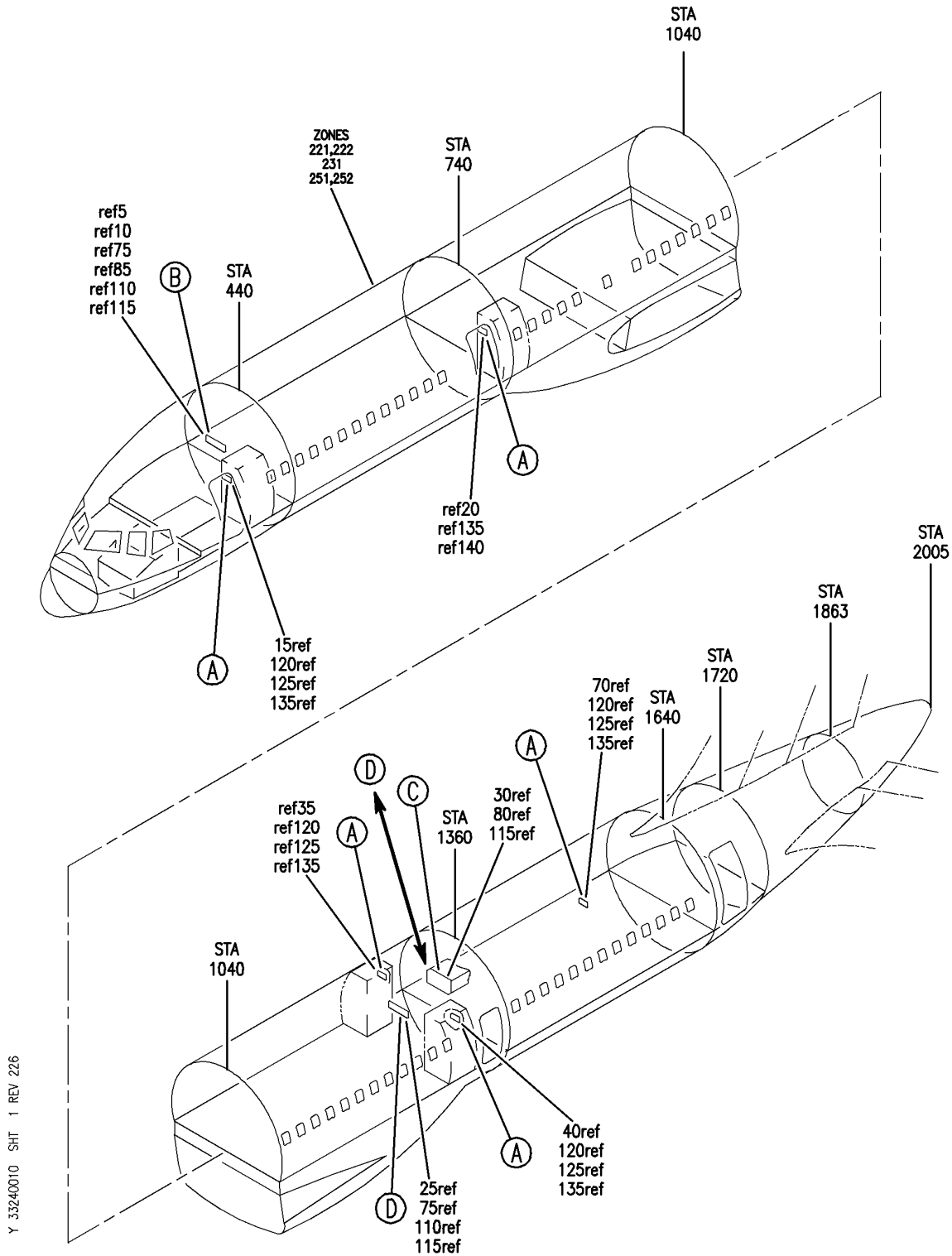
33-23-51-50

BOEING PROPRIETARY - Copyright © - Unpublished Work - See title page for details.

33-23-51
FIG. 50
PAGE 1
JAN 20/09

INFORMATION SIGNS

BOEING
757
PARTS CATALOG (MAINTENANCE)



Y. 33240010 SHT 1 REV 226

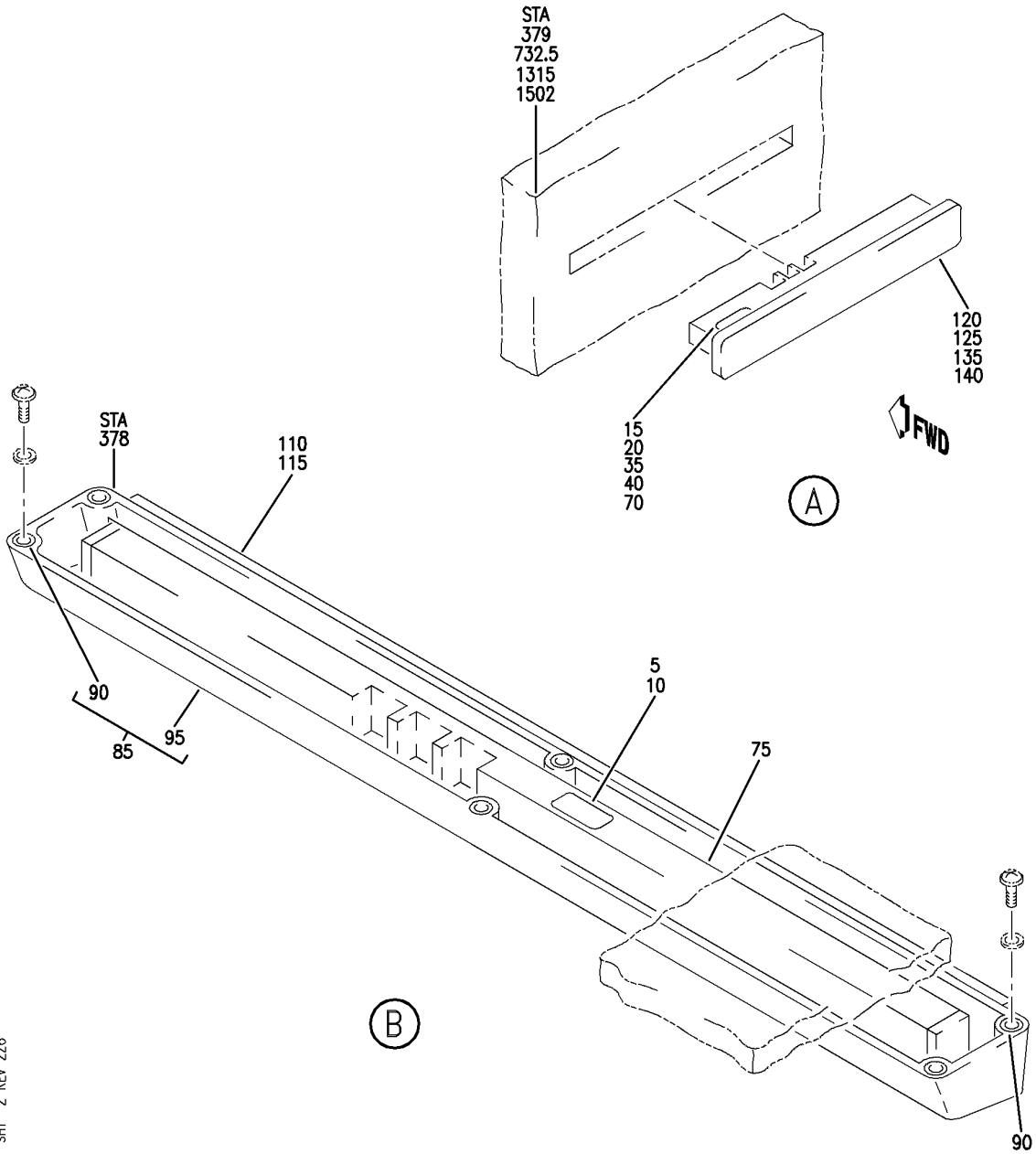
SIGN INSTL-LIGHTED (PASSENGER SIGNS ONLY)
FIGURE 10 (SHEET 1)

33-24-00-10

BRI
JAN 20/09

33-24-00-10
PAGE 0

BOEING
757
PARTS CATALOG (MAINTENANCE)



Y 33240010 SHT 2 REV 226

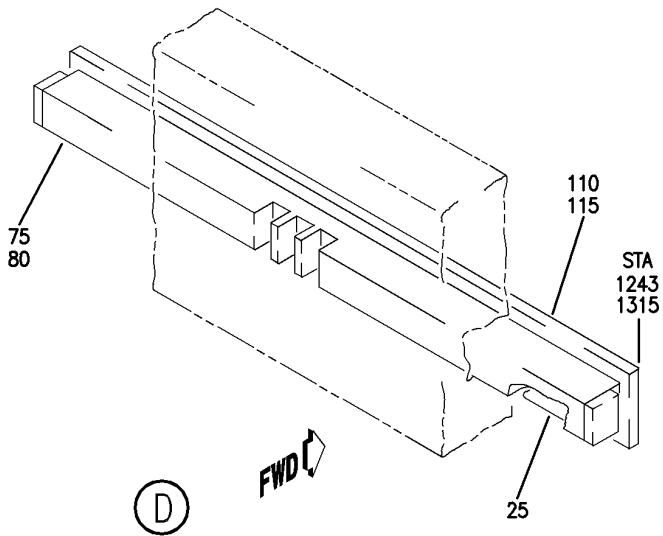
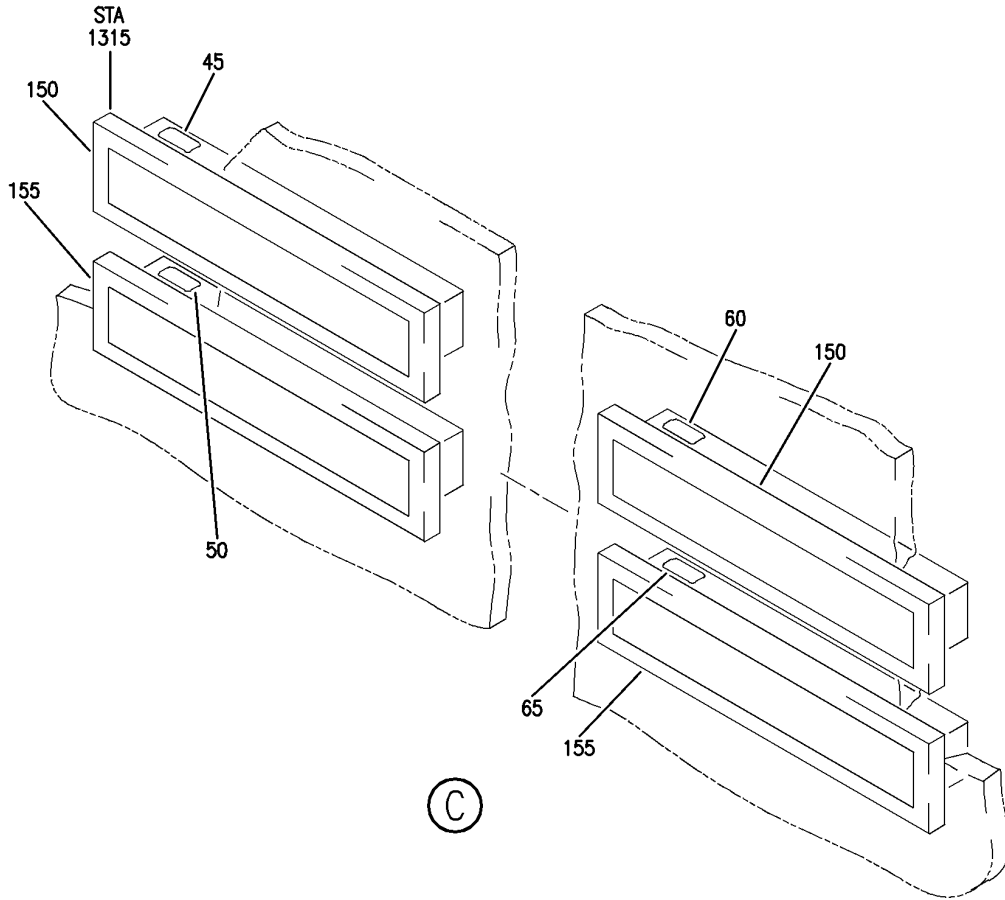
SIGN INSTL-LIGHTED (PASSENGER SIGNS ONLY)
FIGURE 10 (SHEET 2)

33-24-00-10

BRI
JAN 20/09

33-24-00-10
PAGE 0A

BOEING
757
PARTS CATALOG (MAINTENANCE)



Y 33240010 SHT 3 REV 226

SIGN INSTL-LIGHTED (PASSENGER SIGNS ONLY)
FIGURE 10 (SHEET 3)

33-24-00-10

BRI
JAN 20/09

33-24-00-10
PAGE 0B



757

PARTS CATALOG (MAINTENANCE)

FIG ITEM	PART NUMBER	1 2 3 4 5 6 7	NOMENCLATURE	EFFECT FROM TO	UNITS PER ASSY
10			SIGN INSTL-LIGHTED (PASSENGER SIGNS ONLY)	504903	
- 1	417N5218-47SP		SIGN INSTL-LIGHTED (PASSENGER SIGNS ONLY) FOR NHA/OTHER SYS DET SEE: 25-20-00-11	504903	RF
5	BAC27NPA0283		.MARKER-ALUMINUM FOIL POSITION DATA: STA 378.00 PLACARD CONTENT: L00418 LAVATORY OCCUPIED SIGN	504903	1
10	BAC29PPS5209		.MARKER-ALUMINUM FOIL PLACARD CONTENT: L00643 LAV OCC	504903	1
15	BAC27NPA0274		.MARKER-ALUMINUM FOIL POSITION DATA: STA 340.00 PLACARD CONTENT: L410 NS/FSB SIGN	504903	1
25	BAC27NPA0284		.MARKER-ALUMINUM FOIL POSITION DATA: STA 1243.00 PLACARD CONTENT: L00419 LAVATORY OCCUPIED SIGN	504903	1
35	BAC27NEL1163		.DECAL- POSITION DATA: RH PLACARD CONTENT: L848 NS/FSB SIGN	504903	1
40	BAC27NEL1162		.MARKER- POSITION DATA: LH PLACARD CONTENT: L849 NS/FSB SIGN	504903	1
70	BAC27NPA0276		.MARKER-ALUMINUM FOIL POSITION DATA: STA 1502.05 PLACARD CONTENT: L412 NS/FSB	504903	1
80	BR9292-902		.HOUSING ASSY- SUPPLIER CODE: V17023 SPECIFICATION NUMBER: S417N506-2	504903	3
85	417N5160-1SP		.HOUSING ASSY ATTACHING PARTS	504903	1
- 87	BACS12FA08K9		.SCREW	504903	6

MISSING ITEM NUMBERS NOT APPLICABLE

- ITEM NOT ILLUSTRATED

33-24-00-10

33-24-00
FIG. 10
PAGE 1
JAN 20/09

BRI



757

PARTS CATALOG (MAINTENANCE)

FIG ITEM	PART NUMBER	1 2 3 4 5 6 7	NOMENCLATURE	EFFECT FROM TO	UNITS PER ASSY
10					
- 88	NAS1149DN816J	.	WASHER	504903	6
		-----*			
90	UI19136-4B4	..	INSERT-	504903	6
			SUPPLIER CODE:		
			V07757		
95	417N5160-2	..	HOUSING	504903	1
115	BR9293-1019	.	LENS-LAV OCCUPIED	504903	3
			SUPPLIER CODE:		
			V17023		
			SPECIFICATION NUMBER:		
			S417N506-119		
120	BR9442-913	.	SIGN-NO SMOKING FASTEN	504903	4
			SEAT BELT		
			SUPPLIER CODE:		
			V17023		
			SPECIFICATION NUMBER:		
			S417N503-13		
125	06152-14	..	LENS-NO SMOKING FASTEN	504903	1
			SEAT BELT		
			SUPPLIER CODE:		
			V17023		
- 130	387	..	BULB-	504903	4
			SUPPLIER CODE:		
			V08806		

MISSING ITEM NUMBERS NOT APPLICABLE

- ITEM NOT ILLUSTRATED

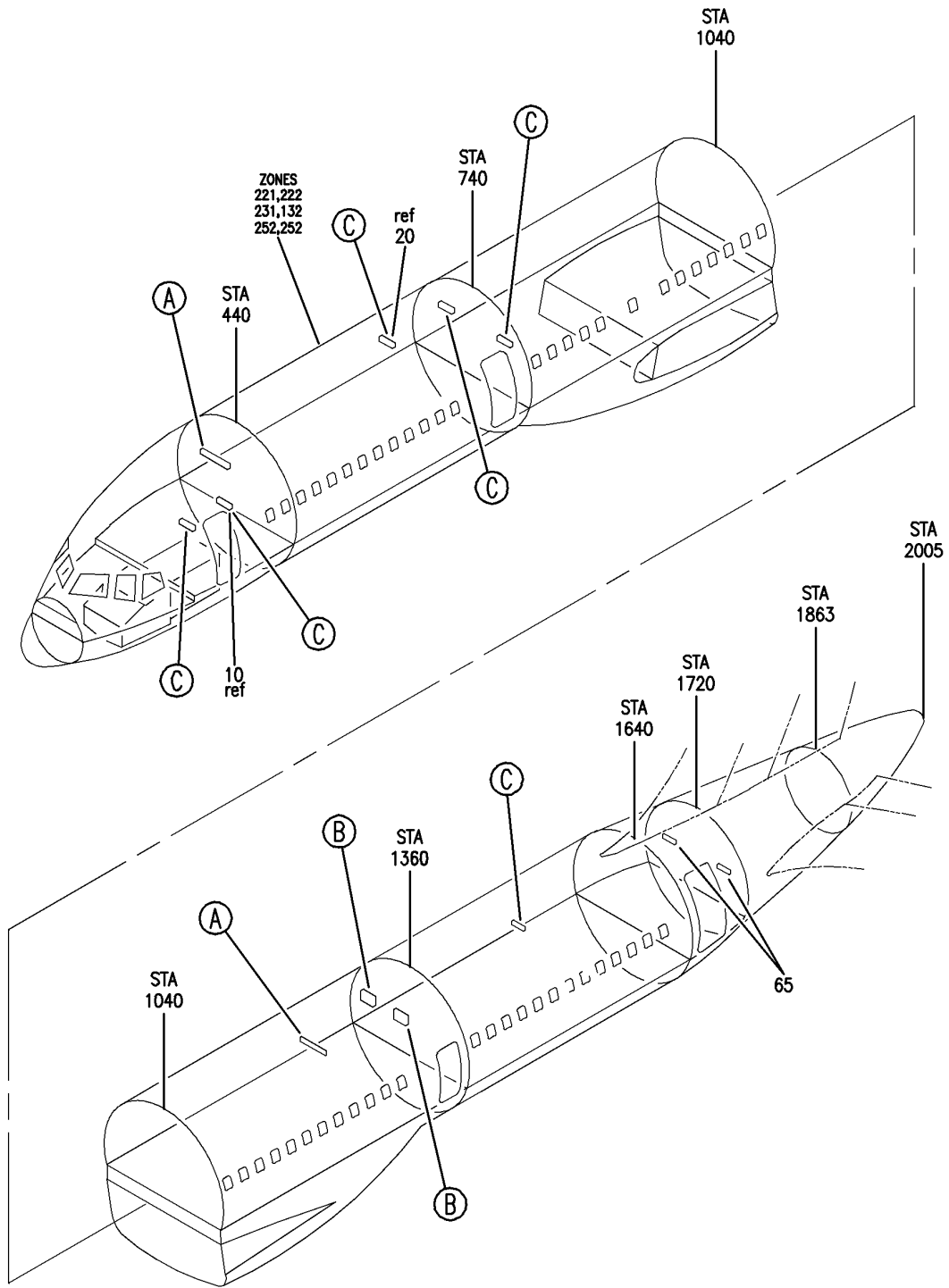
BRI

33-24-00-10

BOEING PROPRIETARY - Copyright © - Unpublished Work - See title page for details.

33-24-00
FIG. 10
PAGE 2
JAN 20/09

BOEING
757
PARTS CATALOG (MAINTENANCE)



Y 33240023 SH1 1 REV 226

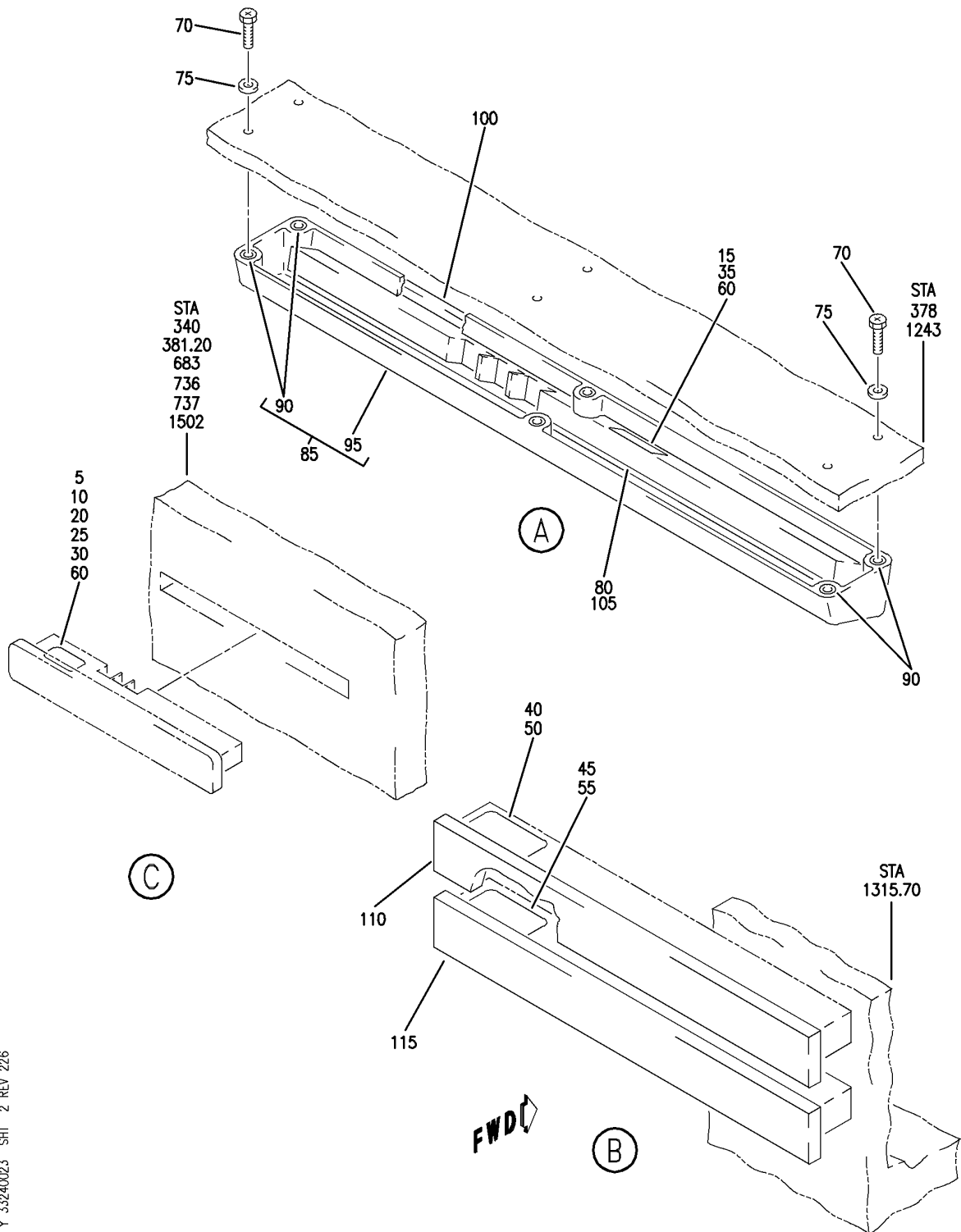
SIGN INSTL-LIGHTED (PASSENGER SIGNS ONLY) (BRI)
FIGURE 23 (SHEET 1)

33-24-00-23

BRI
MAY 28/07

33-24-00-23
PAGE 0

BOEING
757
PARTS CATALOG (MAINTENANCE)



Y 33240023 SH1 2 REV 226

SIGN INSTL-LIGHTED (PASSENGER SIGNS ONLY) (BRI)
FIGURE 23 (SHEET 2)

33-24-00-23

BRI
MAY 28/07

33-24-00-23
PAGE 0A



757

PARTS CATALOG (MAINTENANCE)

FIG ITEM	PART NUMBER	1 2 3 4 5 6 7	NOMENCLATURE	EFFECT FROM TO	UNITS PER ASSY
23			SIGN INSTL-LIGHTED (PASSENGER SIGNS ONLY) (BRI)	101102	
- 1	417N5218-37SP		SIGN INSTL-LIGHTED (PASSENGER SIGNS ONLY) FOR NHA/OTHER SYS DET SEE: 25-20-00-11	101102	RF
5	BAC27NPA0274		.MARKER-ALUMINUM FOIL POSITION DATA: STA 340.00 PLACARD CONTENT: L410 NS/FSB SIGN	101102	1
10	BAC29PPS18383		.MARKER-ALUMINUM FOIL PLACARD CONTENT: L831 NS/FSB SIGN	101102	1
15	BAC27NPA0283		.MARKER-ALUMINUM FOIL POSITION DATA: STA 378.00 PLACARD CONTENT: L00418 LAVATORY OCCUPIED SIGN	101102	1
20	BAC27NPA1278		.MARKER-ALUMINUM FOIL POSITION DATA: STA 683.00 PLACARD CONTENT: L546 NS/FSB SIGN	101102	1
25	BAC27NPA0275		.MARKER-ALUMINUM FOIL POSITION DATA: STA 737.00 LH SIDE PLACARD CONTENT: L409 NS/FSB SIGN	101102	1
30	BAC27NPA0943		.MARKER-ALUMINUM FOIL POSITION DATA: STA 736.00 RH SIDE PLACARD CONTENT: L532 NS/FSB SIGN	101102	1
35	BAC27NPA0284		.MARKER-ALUMINUM FOIL POSITION DATA: STA 1243.00 RH SIDE PLACARD CONTENT: L00419 LAVATORY OCCUPIED SIGN	101102	1
40	BAC29PPS5210		.MARKER-ALUMINUM FOIL POSITION DATA: STA 1315.70 LH SIDE PLACARD CONTENT: L641 LAVATORIES SIGN	101102	1

MISSING ITEM NUMBERS NOT APPLICABLE

- ITEM NOT ILLUSTRATED

33-24-00-23

33-24-00
FIG. 23
PAGE 1
JAN 20/09

BRI



757

PARTS CATALOG (MAINTENANCE)

FIG ITEM	PART NUMBER	1 2 3 4 5 6 7	NOMENCLATURE	EFFECT FROM TO	UNITS PER ASSY
23					
45	BAC29PPS5211		.MARKER-ALUMINUM FOIL POSITION DATA: STA 1315.70 LH SIDE PLACARD CONTENT: L642 OCCUPIED SIGN	101102	1
50	BAC29PPS4193		.MARKER-ALUMINUM FOIL POSITION DATA: STA 1315.70 RH SIDE PLACARD CONTENT: L616 TOILETS	101102	1
55	BAC29PPS4194		.MARKER-ALUMINUM FOIL POSITION DATA: STA 1315.70 RH SIDE PLACARD CONTENT: L617 OCCUPIED	101102	1
60	BAC27NPA0276		.MARKER-ALUMINUM FOIL POSITION DATA: STA 1502.00 PLACARD CONTENT: L412 NS/FSB SIGN	101102	1
65	BR9442-913		.SIGN-NO SMOKING FASTEN SEAT BELT SUPPLIER CODE: V17023 SPECIFICATION NUMBER: S417N503-13 ELECTRICAL EQUIP NUMBER: L00409 L00410 L00412 L00532 L00546 L00831	101102	6
70	BACS12FA08K9		.SCREW	101102	6
75	NAS1149DN816J		.WASHER	101102	6
80	BR9292-902		.HOUSING ASSY-SIGN SUPPLIER CODE: V17023 SPECIFICATION NUMBER: S417N506-2 ELECTRICAL EQUIP NUMBER: L00418 L00419	101102	2
85	417N5160-1SP		.HOUSING ASSY	101102	1
90	UI19136-4B4		..INSERT- SUPPLIER CODE: V07757	101102	6
95	417N5160-2		..HOUSING	101102	1

MISSING ITEM NUMBERS NOT APPLICABLE

- ITEM NOT ILLUSTRATED

33-24-00-23

33-24-00
FIG. 23
PAGE 2
JAN 20/09

BRI



757

PARTS CATALOG (MAINTENANCE)

FIG ITEM	PART NUMBER	1 2 3 4 5 6 7	NOMENCLATURE	EFFECT FROM TO	UNITS PER ASSY
23 100	BR9293-1023		.LENS-LAV OCCUPIED SUPPLIER CODE: V17023 SPECIFICATION NUMBER: S417N506-123	101102	1
105	BR9293-1019		.LENS-LAV OCCUPIED SUPPLIER CODE: V17023 SPECIFICATION NUMBER: S417N506-119	101102	1
110	BR9446-754		.SIGN ASSY-LAV OCCUPIED SUPPLIER CODE: V17023 SPECIFICATION NUMBER: S417N506-2053 ELECTRICAL EQUIP NUMBER: L00641 L00616	101102	2
115	BR9446-746		.SIGN ASSY-LAV OCCUPIED ENGLISH SUPPLIER CODE: V17023 SPECIFICATION NUMBER: S417N506-2045 ELECTRICAL EQUIP NUMBER: L00642 L00617	101102	2

MISSING ITEM NUMBERS NOT APPLICABLE

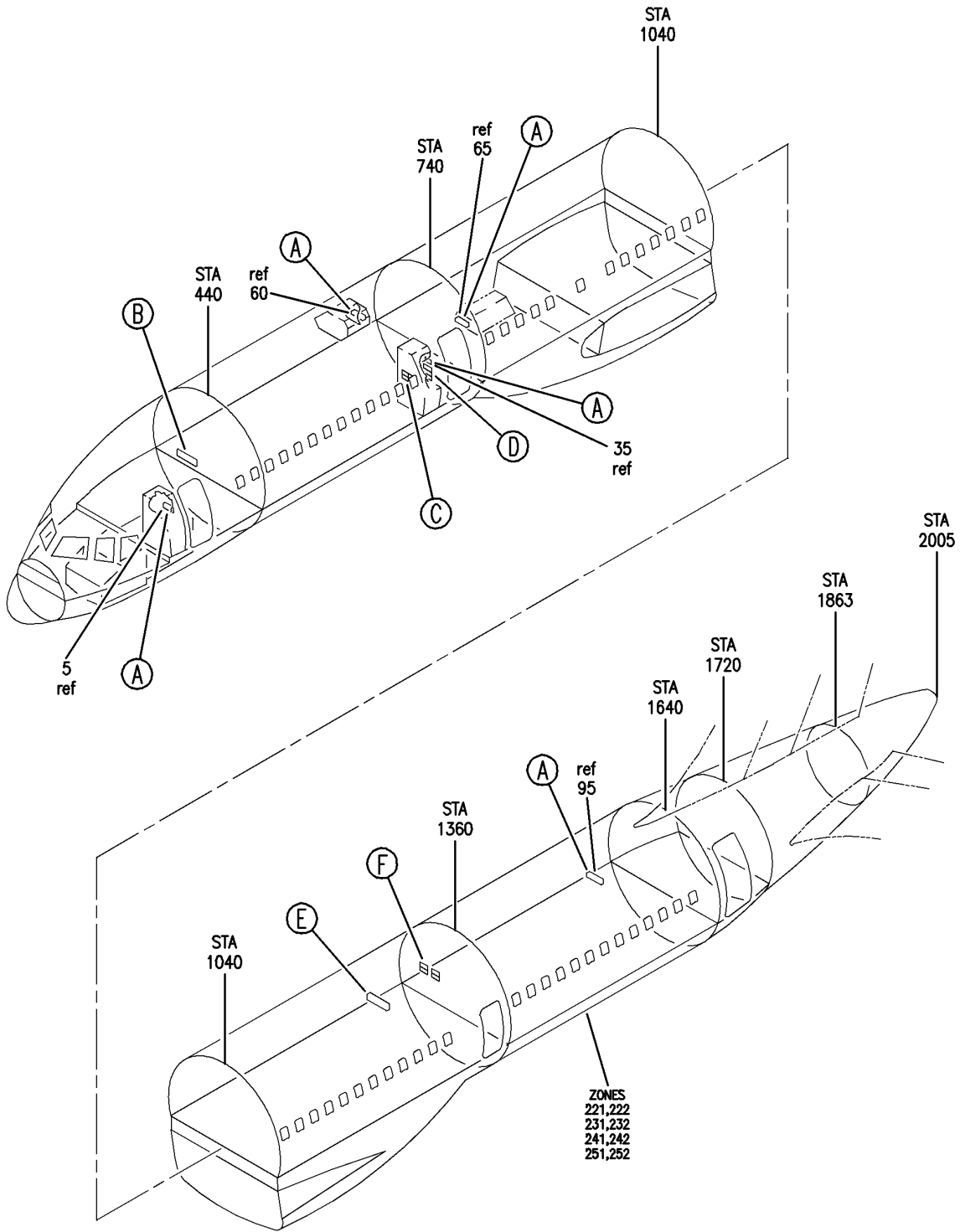
- ITEM NOT ILLUSTRATED

33-24-00-23

33-24-00
FIG. 23
PAGE 3
JAN 20/09

BRI

BOEING
757
PARTS CATALOG (MAINTENANCE)



Y 33240025 SHT 1 REV 226

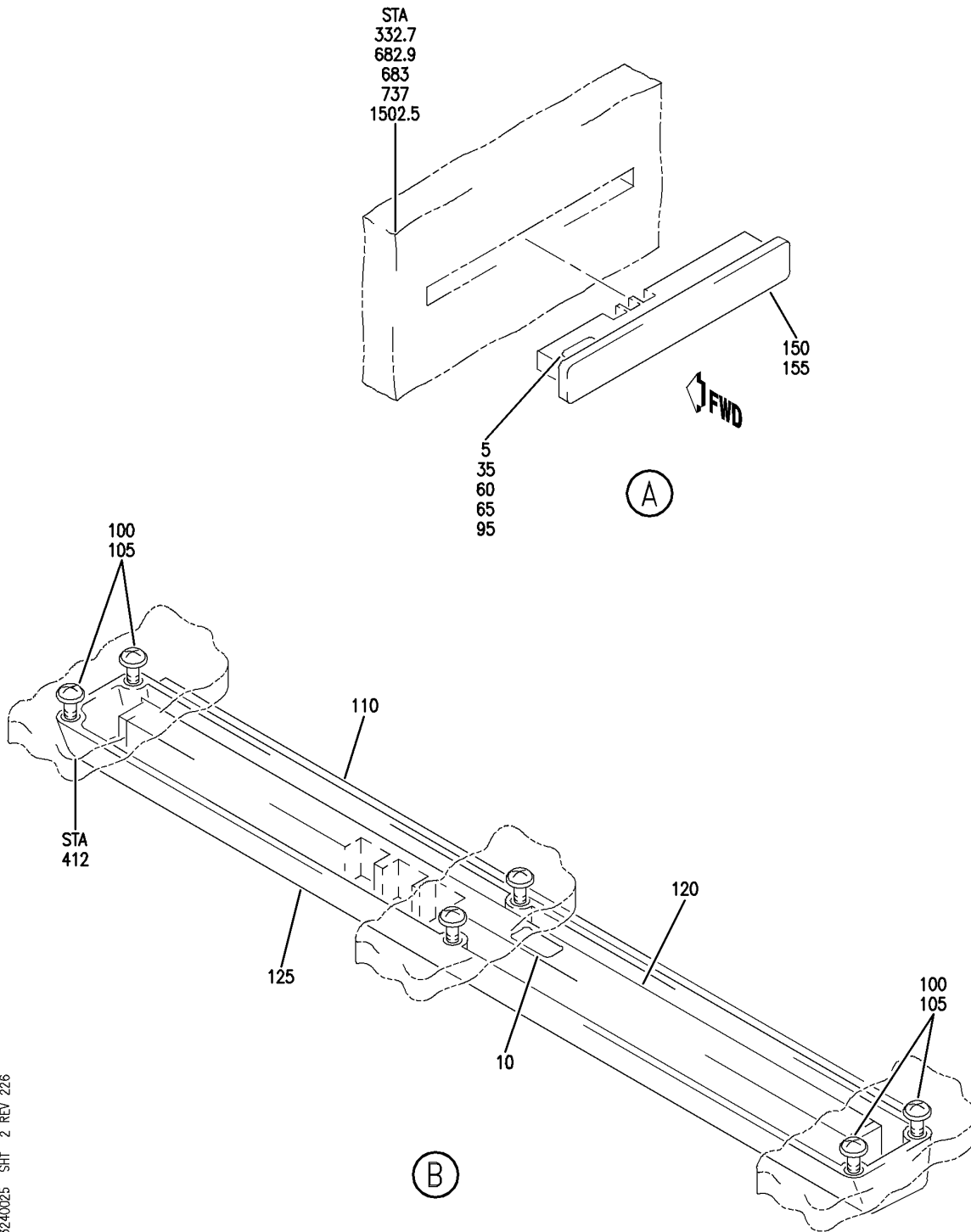
SIGN INSTL-LIGHTED (PASSENGER SIGNS ONLY)
FIGURE 25 (SHEET 1)

33-24-00-25

BRI
JAN 20/09

33-24-00-25
PAGE 0

BOEING
757
PARTS CATALOG (MAINTENANCE)



Y 33240025 SHT 2 REV 226

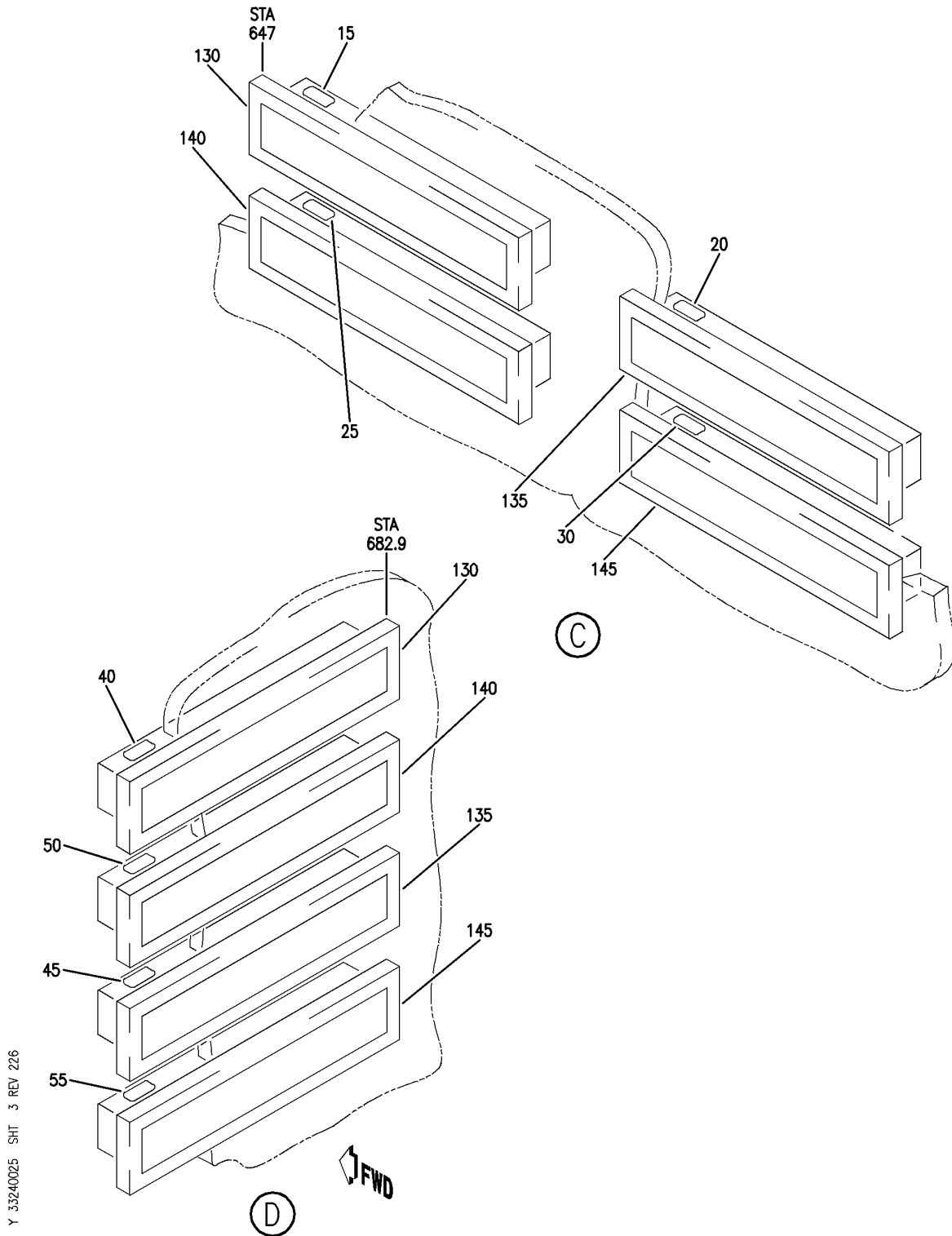
SIGN INSTL-LIGHTED (PASSENGER SIGNS ONLY)
FIGURE 25 (SHEET 2)

33-24-00-25

BRI
JAN 20/09

33-24-00-25
PAGE 0A

BOEING
757
PARTS CATALOG (MAINTENANCE)



Y 33240025 SHT 3 REV 226

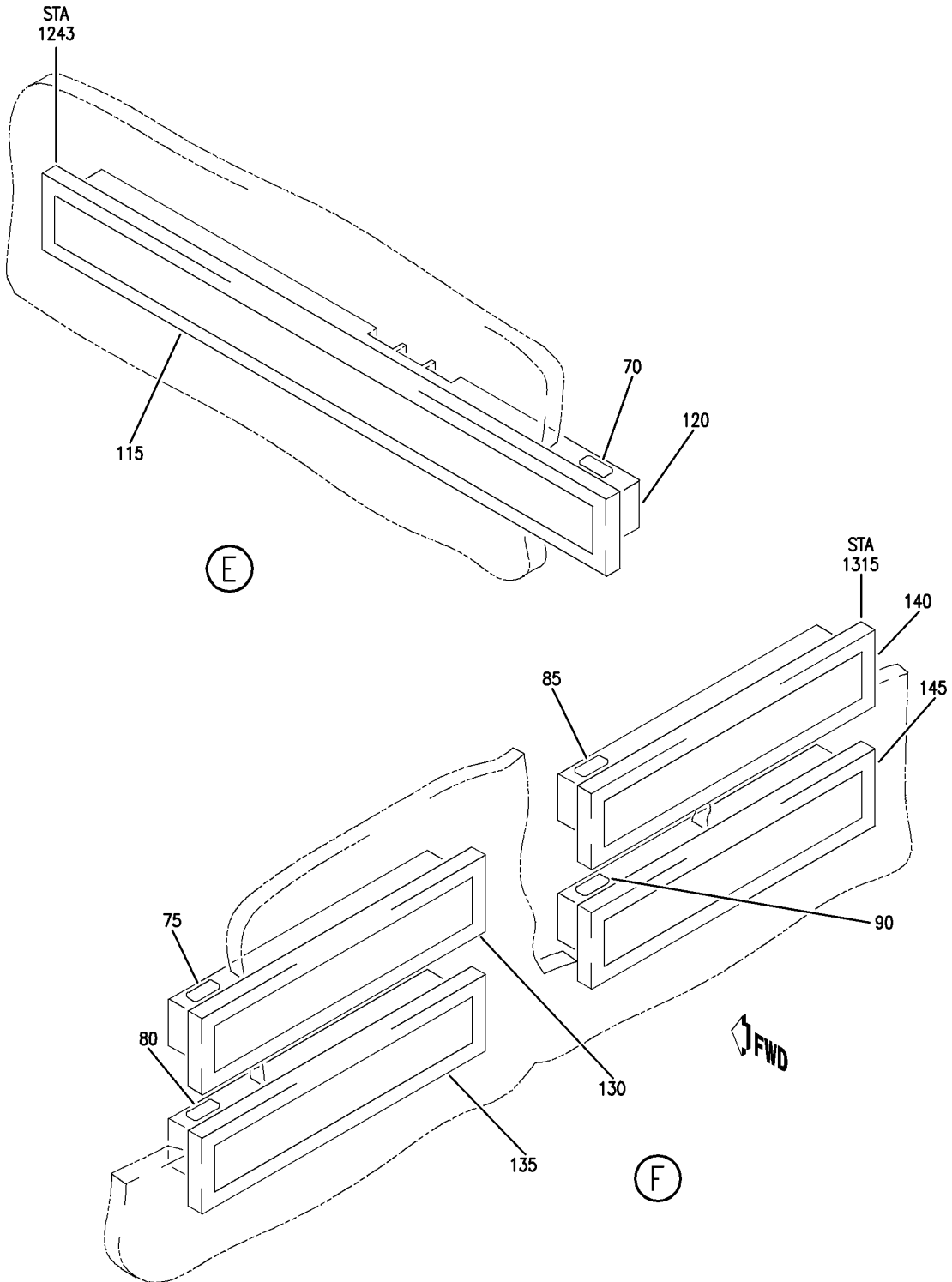
SIGN INSTL-LIGHTED (PASSENGER SIGNS ONLY)
FIGURE 25 (SHEET 3)

33-24-00-25

BRI
JAN 20/09

33-24-00-25
PAGE 0B

BOEING
757
PARTS CATALOG (MAINTENANCE)



Y 33240025 SHT 4 REV 226

SIGN INSTL-LIGHTED (PASSENGER SIGNS ONLY)
FIGURE 25 (SHEET 4)

33-24-00-25

BRI
JAN 20/09

33-24-00-25
PAGE 0C



757

PARTS CATALOG (MAINTENANCE)

FIG ITEM	PART NUMBER	1 2 3 4 5 6 7	NOMENCLATURE	EFFECT FROM TO	UNITS PER ASSY
25			SIGN INSTL-LIGHTED (PASSENGER SIGNS ONLY)	108120	
- 1	417N5218-54SP		SIGN INSTL-LIGHTED (PASSENGER SIGNS ONLY) FOR NHA/OTHER SYS DET SEE: 25-20-00-11	108120	RF
5	BAC27NPA0274		.MARKER-ALUMINUM FOIL POSITION DATA: STA 332.7 PLACARD CONTENT: L410 NS/FSB SIGN	108120	1
10	BAC29PPS5209		.MARKER-ALUMINUM FOIL POSITION DATA: STA 412.00 PLACARD CONTENT: L643 LAVATORY OCCUPIED SIGN	108120	1
15	BAC27NEL1150		.DECAL- POSITION DATA: STA 647.00 PLACARD CONTENT: L840 LAV	108120	1
20	BAC27NEL1151		.DECAL- POSITION DATA: STA 647.00 PLACARD CONTENT: L841 OCC	108120	1
25	BAC27NEL1152		.DECAL- POSITION DATA: STA 647.00 PLACARD CONTENT: L842 LAV	108120	1
30	BAC27NEL1153		.DECAL- POSITION DATA: STA 647.00 PLACARD CONTENT: L843 OCC	108120	1
35	BAC27NPA0944		.MARKER-ALUMINUM FOIL POSITION DATA: STA 682.9 PLACARD CONTENT: L536 NS/FSB SIGN	108120	1
40	BAC27NEL1154		.DECAL- POSITION DATA: STA 682.90 PLACARD CONTENT: L844 LAV	108120	1

MISSING ITEM NUMBERS NOT APPLICABLE

- ITEM NOT ILLUSTRATED

33-24-00-25

33-24-00
FIG. 25
PAGE 1
JAN 20/09

BRI



757

PARTS CATALOG (MAINTENANCE)

FIG ITEM	PART NUMBER	1 2 3 4 5 6 7	NOMENCLATURE	EFFECT FROM TO	UNITS PER ASSY
25					
45	BAC27NEL1155	.DECAL-	POSITION DATA: STA 682.90 PLACARD CONTENT: L845 OCC	108120	1
50	BAC27NEL1156	.DECAL-	POSITION DATA: STA 682.90 PLACARD CONTENT: L846 LAV	108120	1
55	BAC27NEL1157	.DECAL-	POSITION DATA: STA 682.90 PLACARD CONTENT: L847 OCC	108120	1
60	BAC27NPA1278	.MARKER-ALUMINUM FOIL	POSITION DATA: STA 683 PLACARD CONTENT: L546 NS/FSB SIGN	108120	1
65	BAC27NPA0275	.MARKER-ALUMINUM FOIL	POSITION DATA: STA 737 PLACARD CONTENT: L409 NS/FSB SIGN	108120	1
70	BAC27NPA0284	.MARKER-ALUMINUM FOIL	POSITION DATA: STA 1243.0 PLACARD CONTENT: L00419 LAVATORY OCCUPIED SIGN	108120	1
75	BAC29PPS4193	.MARKER-ALUMINUM FOIL	POSITION DATA: STA 1315 PLACARD CONTENT: L616 TOILETS	108120	1
80	BAC29PPS4194	.MARKER-ALUMINUM FOIL	POSITION DATA: STA 1315 PLACARD CONTENT: L617 OCCUPIED	108120	1
85	BAC29PPS5210	.MARKER-ALUMINUM FOIL	POSITION DATA: STA 1315 PLACARD CONTENT: L614 LAVATORIES SIGN	108120	1

MISSING ITEM NUMBERS NOT APPLICABLE

- ITEM NOT ILLUSTRATED

33-24-00-25

33-24-00
FIG. 25
PAGE 2
JAN 20/09

BRI



757

PARTS CATALOG (MAINTENANCE)

FIG ITEM	PART NUMBER	1 2 3 4 5 6 7	NOMENCLATURE	EFFECT FROM TO	UNITS PER ASSY
25					
90	BAC29PPS5211		.MARKER-ALUMINUM FOIL POSITION DATA: STA 1315 PLACARD CONTENT: L642 OCCUPIED SIGN	108120	1
95	BAC27NPA0276		.MARKER-ALUMINUM FOIL POSITION DATA: STA 1502.50 PLACARD CONTENT: L412 NS/FSB SIGN	108120	1
100	BACS12FA08K9		.SCREW	108120	6
105	NAS1149DN816J		.WASHER	108120	6
110	BR9293-998		.LENS-LAV OCC (ENGLISH/SPANISH) SUPPLIER CODE: V17023 SPECIFICATION NUMBER: S417N506-98	108120	1
115	BR9293-999		.LENS-LAV OCC (ENGLISH/SPANISH) SUPPLIER CODE: V17023 SPECIFICATION NUMBER: S417N506-99	108120	1
120	BR9292-902		.HOUSING ASSY- SUPPLIER CODE: V17023 SPECIFICATION NUMBER: S417N506-2 ELECTRICAL EQUIP NUMBER: L00419 L00643	108120	2
125	417N5160-1		.HOUSING ASSY- POSITION DATA: STA 412 FWD LWR CLG	108120	1
130	BR9446-745		.SIGN ASSY-LAVATORIES SUPPLIER CODE: V17023 SPECIFICATION NUMBER: S417N506-2044 ELECTRICAL EQUIP NUMBER: L00616 L00840 L00844	108120	3

MISSING ITEM NUMBERS NOT APPLICABLE

- ITEM NOT ILLUSTRATED

33-24-00-25

33-24-00
FIG. 25
PAGE 3
JAN 20/09

BRI



757

PARTS CATALOG (MAINTENANCE)

FIG ITEM	PART NUMBER	1 2 3 4 5 6 7	NOMENCLATURE	EFFECT FROM TO	UNITS PER ASSY
25 135	BR9446-746	.	SIGN ASSY-LAV OCC SUPPLIER CODE: V17023 SPECIFICATION NUMBER: S417N506-2045 ELECTRICAL EQUIP NUMBER: L00617 L00841 L00845	108120	3
140	BR9446-751	.	SIGN-LAV LENS (SPANISH) SUPPLIER CODE: V17023 SPECIFICATION NUMBER: S417N506-2050 ELECTRICAL EQUIP NUMBER: L00641 L00842 L00846	108120	3
145	BR9446-752	.	SIGN ASSY-LAV. OCCUPIED (SPANISH) SUPPLIER CODE: V17023 SPECIFICATION NUMBER: S417N506-2051 ELECTRICAL EQUIP NUMBER: L00642 L00843 L00847	108120	3
150	BR9442-913	.	SIGN-ATTENDANT INFORMATION SUPPLIER CODE: V17023 SPECIFICATION NUMBER: S417N503-13	108120	5
155	06152-14	..	LENS-NS/FSB SUPPLIER CODE: V17023	108120	1
- 160	387	..	BULB- SUPPLIER CODE: V08806	108120	5

MISSING ITEM NUMBERS NOT APPLICABLE

- ITEM NOT ILLUSTRATED

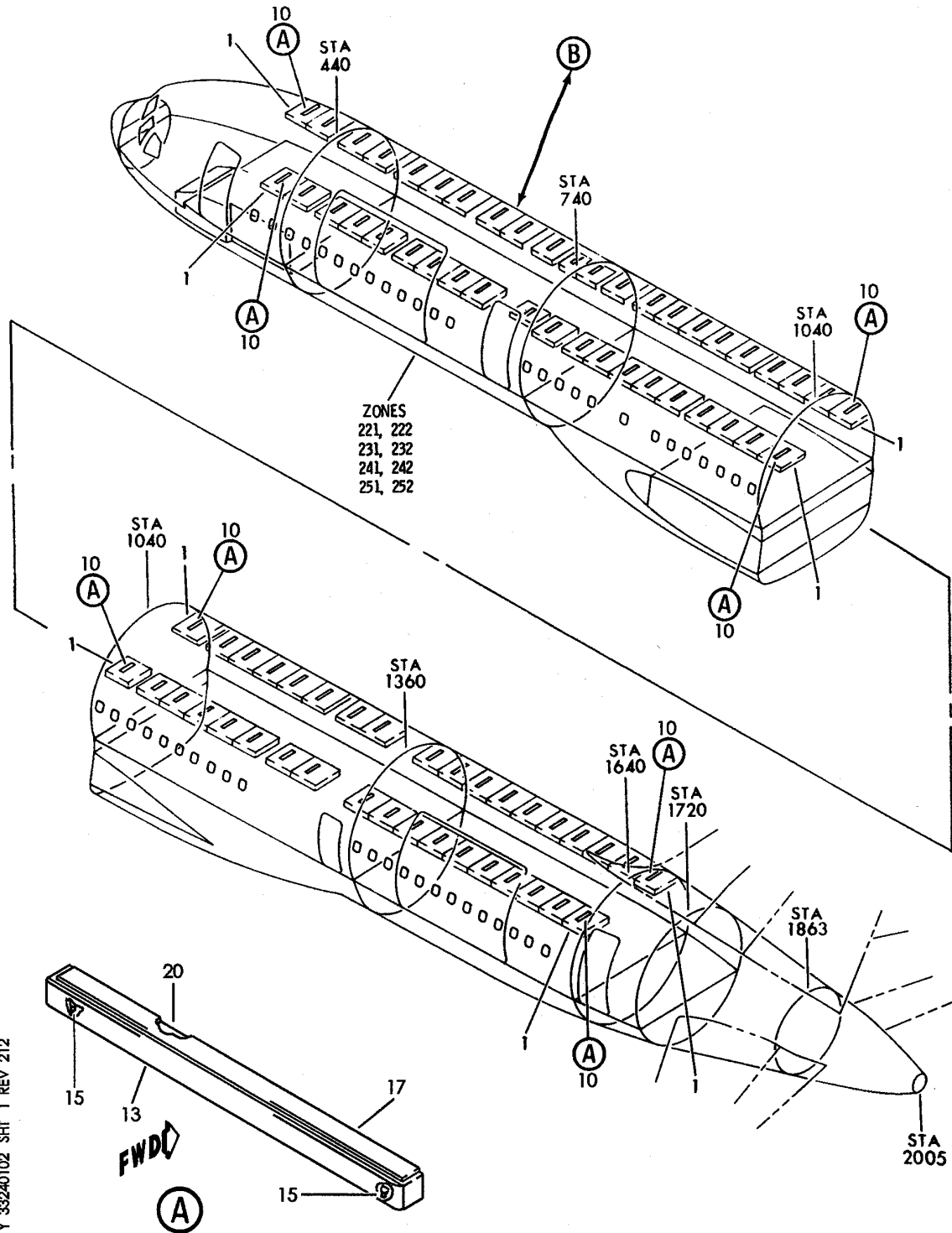
BRI

33-24-00-25

BOEING PROPRIETARY - Copyright © - Unpublished Work - See title page for details.

33-24-00
FIG. 25
PAGE 4
JAN 20/09

BOEING
757
PARTS CATALOG (MAINTENANCE)



Y 33240102 SHT 1 REV 212

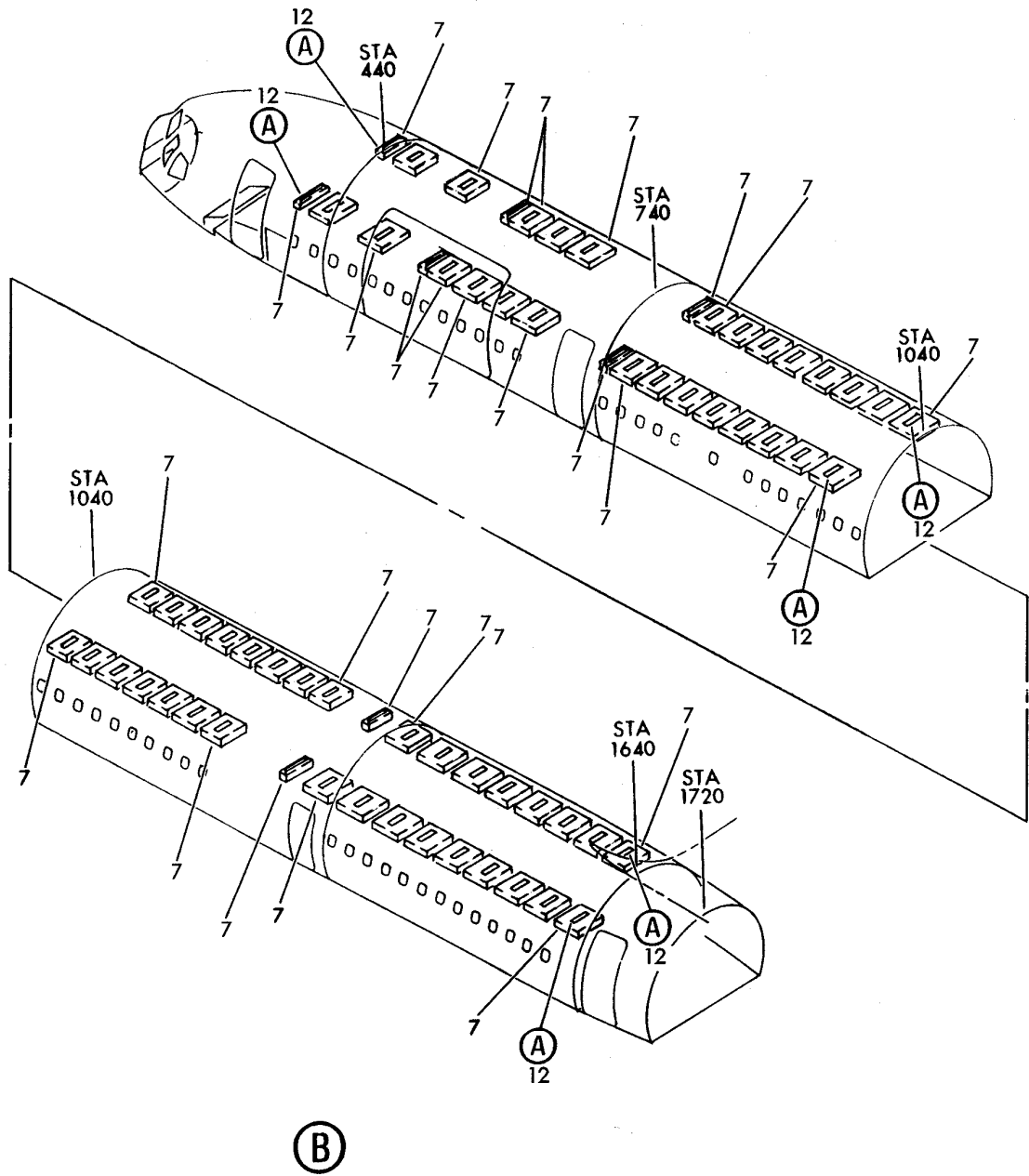
SERVICE UNIT INSTL-PASS. (LIGHTS ONLY)
FIGURE 2 (SHEET 1)

33-24-01-02

BRI
JAN 20/09

33-24-01-02
PAGE 0

BOEING
757
PARTS CATALOG (MAINTENANCE)



Y 33240102 SHT 2 REV 212

SERVICE UNIT INSTL-PASS. (LIGHTS ONLY)
FIGURE 2 (SHEET 2)

33-24-01-02

BRI
JAN 20/09

33-24-01-02
PAGE 0A



757

PARTS CATALOG (MAINTENANCE)

FIG ITEM	PART NUMBER	1 2 3 4 5 6 7	NOMENCLATURE	EFFECT FROM TO	UNITS PER ASSY
2			SERVICE UNIT INSTL-PASS. (LIGHTS ONLY)	107107	
1	417N3001-46		SERVICE UNIT INSTL-PASS. (LIGHTS ONLY)	107107	RF
			FOR NHA/OTHER SYS DET SEE: 25-20-00-20A		
5	10-1018-19		.LENS-NO SMOKING FASTEN SEATBELT	107107	78
			SUPPLIER CODE: V72914		
			SPECIFICATION NUMBER: S417N301-19		
10	10-1018-1		.HOUSING ASSY-NO SMOKING FASTEN SEATBELT	107107	78
			SUPPLIER CODE: V72914		
			SPECIFICATION NUMBER: S417N301-1		
13	25-1095-1		..LENS-	107107	1
			SUPPLIER CODE: V72914		
15	MS25237-387		..LAMP	107107	1
17	11-4222-1		..HOUSING ASSY-	107107	1
			SUPPLIER CODE: V72914		
20	11-4195-1		..COVER ASSY-	107107	1
			SUPPLIER CODE: V72914		

MISSING ITEM NUMBERS NOT APPLICABLE

- ITEM NOT ILLUSTRATED

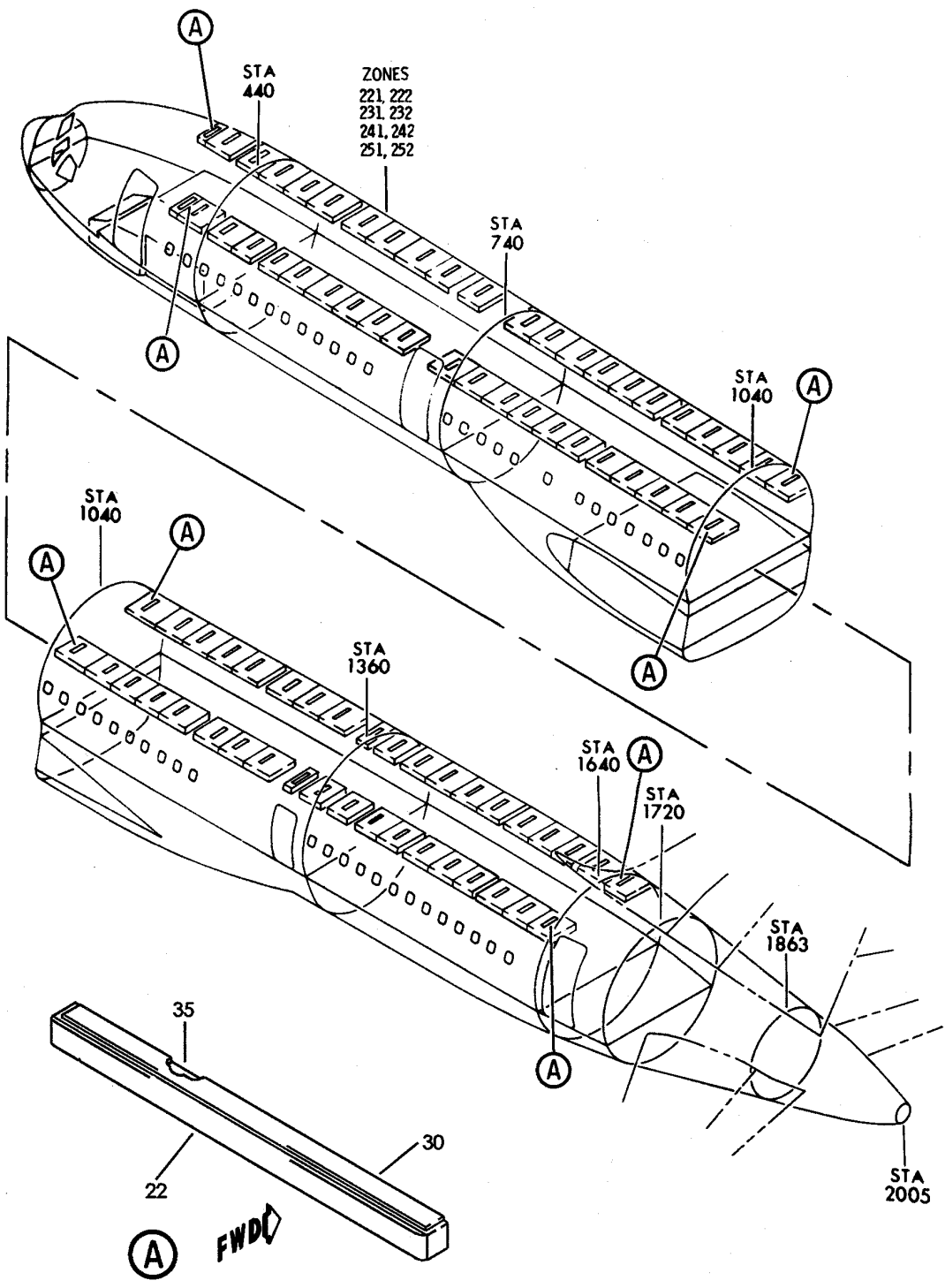
BRI

33-24-01-02

BOEING PROPRIETARY - Copyright © - Unpublished Work - See title page for details.

33-24-01
FIG. 02
PAGE 1
JAN 20/09

BOEING
757
PARTS CATALOG (MAINTENANCE)



Y 33240119 REV 212

SERVICE UNIT INSTL-PASS. AND PASS. (FLYAWAY KIT) (LIGHTS ONLY)
FIGURE 19

33-24-01-19

BRI
MAY 28/07

33-24-01-19
PAGE 0



757

PARTS CATALOG (MAINTENANCE)

FIG ITEM	PART NUMBER	1 2 3 4 5 6 7	NOMENCLATURE	EFFECT FROM TO	UNITS PER ASSY
19			SERVICE UNIT INSTL-PASS. AND PASS. (FLYAWAY KIT) (LIGHTS ONLY)	121503 904949	
- 1	417N3001-60		SERVICE UNIT INSTL-PASS. (LIGHTS ONLY) FOR NHA/OTHER SYS DET SEE: 25-20-00-20A	904949	RF
- 1	417N3001-63		SERVICE UNIT INSTL-PASS. FLYAWAY KIT (LIGHTS ONLY) MISCELLANEOUS DATA: (ALTERNATE CONFIG TO -60 INSTL DETAILS SHOWN FOR -74 INSTL TO BE SALVAGED AND INSTALLED UNDER -63 INSTL.) POST RAPID REVISION: RR92003-19 FOR NHA/OTHER SYS DET SEE: 25-20-00-10	904949	RF
- 1	417N3001-137		SERVICE UNIT INSTL-PASS. (LIGHTS ONLY) FOR NHA/OTHER SYS DET SEE: 25-20-00-20A	121503	RF
- 1	417N3001-138		SERVICE UNIT INSTL-PASS. FLYAWAY KIT (LIGHTS ONLY) MISCELLANEOUS DATA: (ALTERNATE CONFIG. TO -137 INSTL DETAILS SHOWN FOR -137 INSTL TO BE SALVAGED AND INSTALLED UNDER -138 INSTL.) FOR NHA/OTHER SYS DET SEE: 25-20-00-10	121503	RF
- 5	10-1018-44		.LENS-NO SMOKING FASTEN SEATBELT SUPPLIER CODE: V72914 SPECIFICATION NUMBER: S417N301-44	904949	80

MISSING ITEM NUMBERS NOT APPLICABLE

- ITEM NOT ILLUSTRATED

33-24-01-19

33-24-01
FIG. 19
PAGE 1
JAN 20/09

BRI



757

PARTS CATALOG (MAINTENANCE)

FIG ITEM	PART NUMBER	1 2 3 4 5 6 7	NOMENCLATURE	EFFECT FROM TO	UNITS PER ASSY
- 19 7	10-1018-19		.LENS-NO SMOKING FASTEN SEATBELT SUPPLIER CODE: V72914 SPECIFICATION NUMBER: S417N301-19 USED ON: 417N3001-74 417N3001-137	121503	81
- 10	10-1018-19		.LENS-NO SMOKING FASTEN SEATBELT SUPPLIER CODE: V72914 SPECIFICATION NUMBER: S417N301-19 USED ON: 417N3001-75 417N3001-138	121503	80
- 15	10-1018-1		.HOUSING ASSY-FASTEN SEATBELT SUPPLIER CODE: V72914 SPECIFICATION NUMBER: S417N301-1	904949	80
- 18	10-1018-1		.HOUSING ASSY-FASTEN SEATBELT SUPPLIER CODE: V72914 SPECIFICATION NUMBER: S417N301-1 USED ON: 417N3001-74 417N3001-137	121503	81
- 20	10-1018-1		.HOUSING ASSY-NO SMOKING FASTEN SEATBELT SUPPLIER CODE: V72914 SPECIFICATION NUMBER: S417N301-1 USED ON: 417N3001-75 417N3001-138	121503	80
22	25-1095-1		..LENS- SUPPLIER CODE: V72914	904949	1
22	25-1095-1		..LENS- SUPPLIER CODE: V72914	121503	1

MISSING ITEM NUMBERS NOT APPLICABLE

- ITEM NOT ILLUSTRATED

BRI

33-24-01-19

33-24-01
FIG. 19
PAGE 2
JAN 20/09



757

PARTS CATALOG (MAINTENANCE)

FIG ITEM	PART NUMBER	1 2 3 4 5 6 7	NOMENCLATURE	EFFECT FROM TO	UNITS PER ASSY
19					
22	25-1095-1		.. LENS- SUPPLIER CODE: V72914	121503	1
- 25	MS25237-387		.. LAMP	904949	6
- 25	MS25237-387		.. LAMP	121503	6
- 25	MS25237-387		.. LAMP	121503	6
30	11-4222-1		.. HOUSING ASSY- SUPPLIER CODE: V72914	904949	1
30	11-4222-1		.. HOUSING ASSY- SUPPLIER CODE: V72914	121503	1
30	11-4222-1		.. HOUSING ASSY- SUPPLIER CODE: V72914	121503	1
35	11-4195-1		.. COVER ASSY- SUPPLIER CODE: V72914	904949	1
35	11-4195-1		.. COVER ASSY- SUPPLIER CODE: V72914	121503	1
35	11-4195-1		.. COVER ASSY- SUPPLIER CODE: V72914	121503	1

MISSING ITEM NUMBERS NOT APPLICABLE

- ITEM NOT ILLUSTRATED

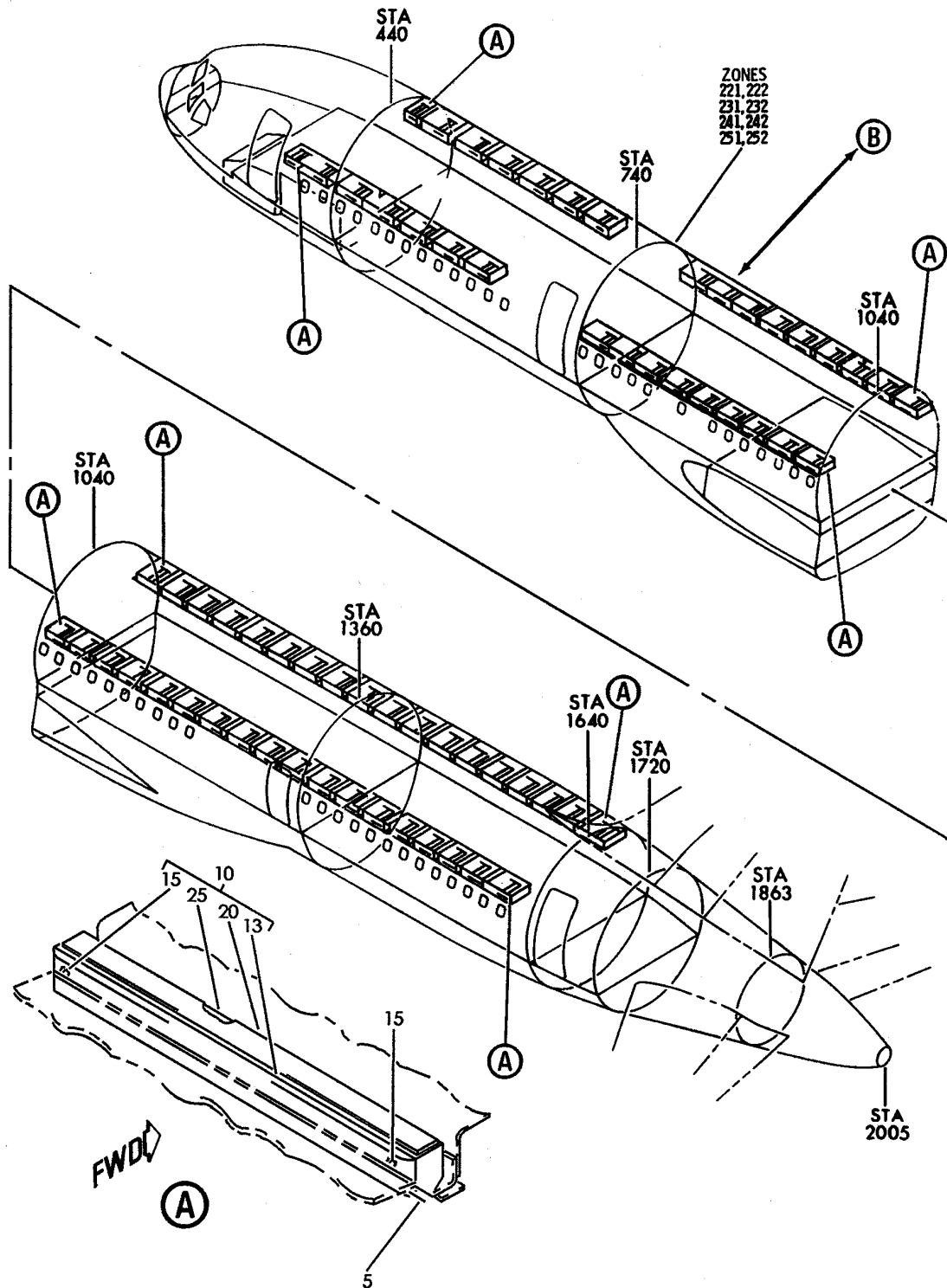
33-24-01-19

33-24-01
FIG. 19
PAGE 3
JAN 20/09

BRI

BOEING PROPRIETARY - Copyright © - Unpublished Work - See title page for details.

BOEING
757
PARTS CATALOG (MAINTENANCE)



Y 33240125 SHT 1 REV 212

SERVICE UNIT INSTL-PASS. (LIGHTS ONLY)
FIGURE 25 (SHEET 1)

33-24-01-25

BRI
JAN 20/09

33-24-01-25
PAGE 0



757

PARTS CATALOG (MAINTENANCE)

FIG ITEM	PART NUMBER	1 2 3 4 5 6 7	NOMENCLATURE	EFFECT FROM TO	UNITS PER ASSY
25			SERVICE UNIT INSTL-PASS. (LIGHTS ONLY)	950951	
- 1	417N3001-159		SERVICE UNIT INSTL-PASS. (LIGHTS ONLY) FOR NHA/OTHER SYS DET SEE: 25-20-00-20A	950951	RF
6	10-1018-53		.LENS-NSFSB SUPPLIER CODE: V72914 SPECIFICATION NUMBER: S417N301-53	950951	67
12	10-1018-1		.HOUSING ASSY-NO SMOKING FASTEN SEATBELT SUPPLIER CODE: V72914 SPECIFICATION NUMBER: S417N301-1	950951	67
13	25-1095-1		..LENS- SUPPLIER CODE: V72914	950951	1
15	MS25237-387		..LAMP	950951	6
20	11-4222-1		..HOUSING ASSY- SUPPLIER CODE: V72914	950951	1
25	11-4195-1		..COVER ASSY- SUPPLIER CODE: V72914	950951	1

MISSING ITEM NUMBERS NOT APPLICABLE

- ITEM NOT ILLUSTRATED

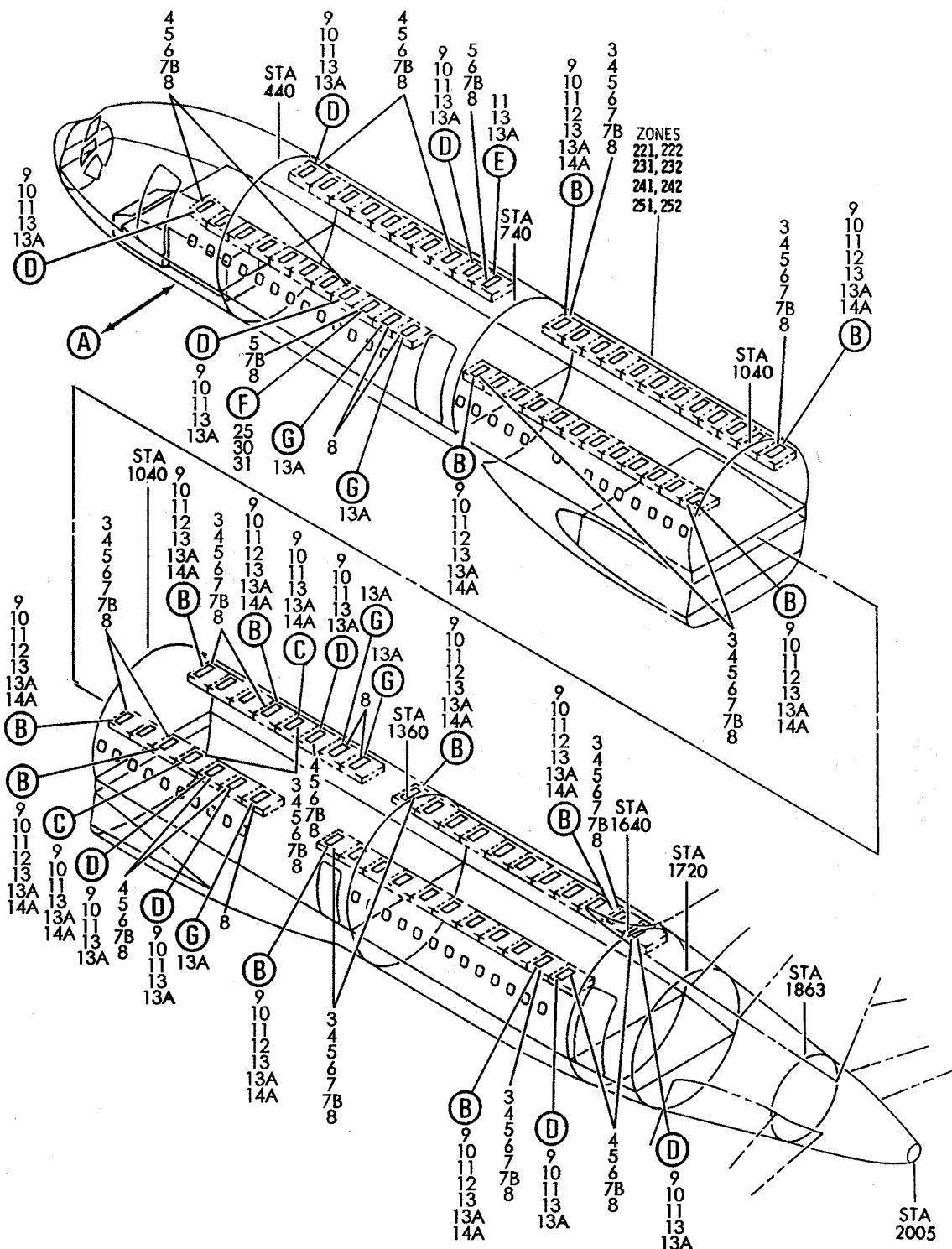
BRI

33-24-01-25

BOEING PROPRIETARY - Copyright © - Unpublished Work - See title page for details.

33-24-01
FIG. 25
PAGE 1
JAN 20/09

BOEING
757
PARTS CATALOG (MAINTENANCE)



Y 33240129 SH1 1 REV 212

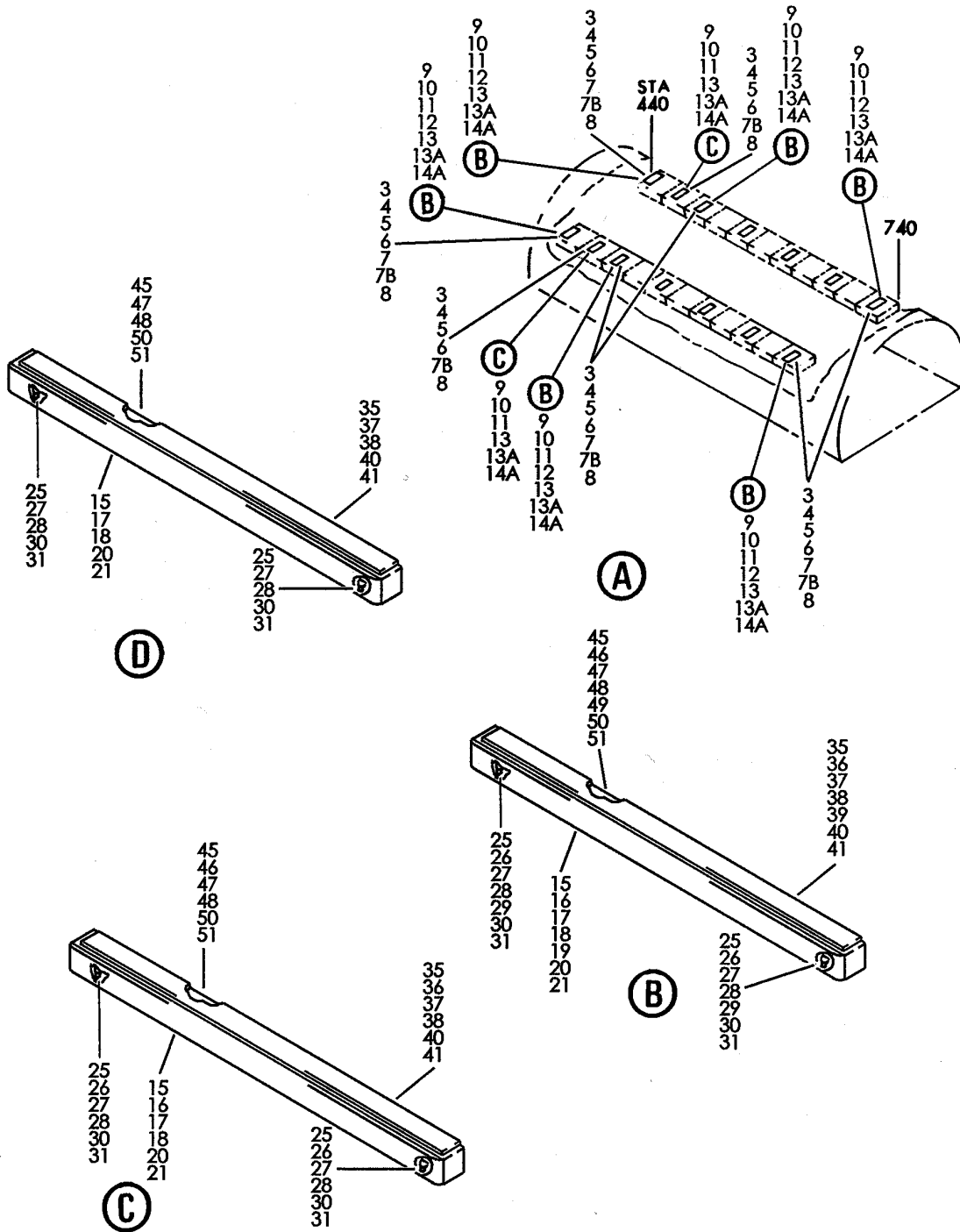
SERVICE UNIT INSTL-PASS. (LIGHTS ONLY)
FIGURE 29 (SHEET 1)

33-24-01-29

BRI
MAY 28/07

33-24-01-29
PAGE 0

BOEING
757
PARTS CATALOG (MAINTENANCE)



Y 33240129 SHT 2 REV 212

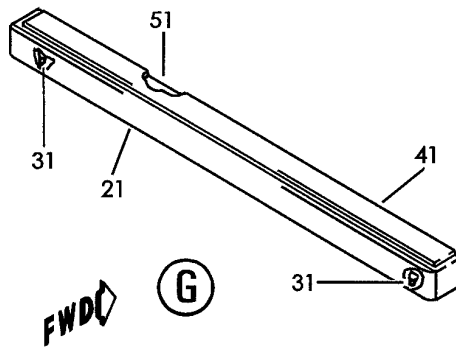
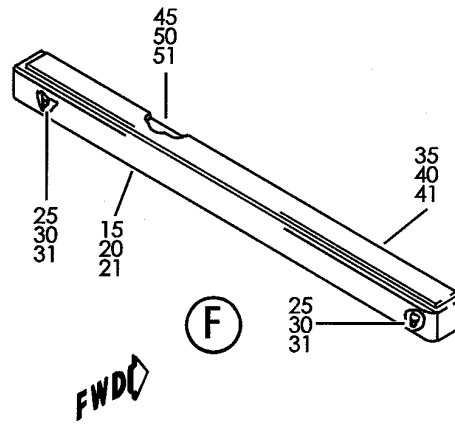
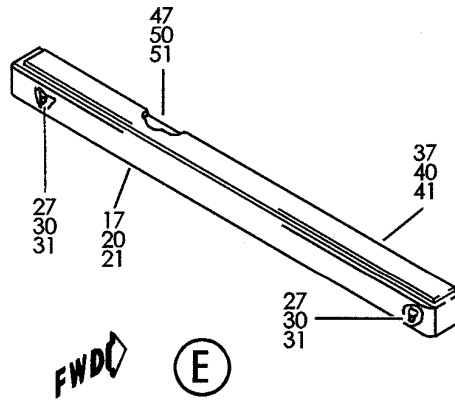
SERVICE UNIT INSTL-PASS. (LIGHTS ONLY)
FIGURE 29 (SHEET 2)

33-24-01-29

BRI
MAY 28/07

33-24-01-29
PAGE 0A

BOEING
757
PARTS CATALOG (MAINTENANCE)



Y 33240129 SHT 3 REV 212

SERVICE UNIT INSTL-PASS. (LIGHTS ONLY)
FIGURE 29 (SHEET 3)

33-24-01-29

BRI
MAY 28/07

33-24-01-29
PAGE 0B



757

PARTS CATALOG (MAINTENANCE)

FIG ITEM	PART NUMBER	1 2 3 4 5 6 7	NOMENCLATURE	EFFECT FROM TO	UNITS PER ASSY
29			SERVICE UNIT INSTL-PASS. (LIGHTS ONLY)	002004 006010 952999	
- 1	417N3001-132		SERVICE UNIT INSTL-PASS (LIGHTS ONLY) FOR NHA/OTHER SYS DET SEE: 25-20-00-20A	952952	RF
- 1	417N3001-88		SERVICE UNIT INSTL-PASS (LIGHTS ONLY) FOR NHA/OTHER SYS DET SEE: 25-20-00-20A	002004	RF
- 1	417N3001-155		SERVICE UNIT INSTL-PASS (LIGHTS ONLY) FOR NHA/OTHER SYS DET SEE: 25-20-00-20A	953999	RF
- 1	417N3001-157		SERVICE UNIT INSTL-PASS (LIGHTS ONLY) FOR NHA/OTHER SYS DET SEE: 25-20-00-20A	006010	RF
6	10-1018-19		.LENS-NO SMOKING FASTEN SEATBELT SUPPLIER CODE: V72914 SPECIFICATION NUMBER: S417N301-19	952999	76
8	10-1018-47		.LENS-NO SMOKING FASTEN SEATBELT SUPPLIER CODE: V72914 SPECIFICATION NUMBER: S417N301-47	002004 006010	82
8	10-1018-50		.LENS-NO SMOKING FASTEN SEATBELT SUPPLIER CODE: V72914 SPECIFICATION NUMBER: S417N301-50	002004 006010	82
11	10-1018-1		.HOUSING ASSY-NO SMOKING FASTEN SEATBELT SUPPLIER CODE: V72914 SPECIFICATION NUMBER: S417N301-1	952999	76
13A	10-1018-1		.HOUSING ASSY-NO SMOKING FASTEN SEATBELT SUPPLIER CODE: V72914 SPECIFICATION NUMBER: S417N301-1	002004 006010	82

MISSING ITEM NUMBERS NOT APPLICABLE

- ITEM NOT ILLUSTRATED

33-24-01-29

33-24-01
FIG. 29
PAGE 1
JAN 20/09

BRI



757

PARTS CATALOG (MAINTENANCE)

FIG ITEM	PART NUMBER	1 2 3 4 5 6 7	NOMENCLATURE	EFFECT FROM TO	UNITS PER ASSY
29					
17	25-1095-1	..	LENS- SUPPLIER CODE: V72914	952999	1
21	25-1095-1	..	LENS- SUPPLIER CODE: V72914	002004 006010	1
27	MS25237-387	..	LAMP	952999	6
31	MS25237-387	..	LAMP	002004 006010	6
37	11-4222-1	..	HOUSING ASSY- SUPPLIER CODE: V72914	952999	1
41	11-4222-1	..	HOUSING ASSY- SUPPLIER CODE: V72914	002004 006010	1
47	11-4195-1	..	COVER ASSY- SUPPLIER CODE: V72914	952999	1
51	11-4195-1	..	COVER ASSY- SUPPLIER CODE: V72914	002004 006010	1

MISSING ITEM NUMBERS NOT APPLICABLE

- ITEM NOT ILLUSTRATED

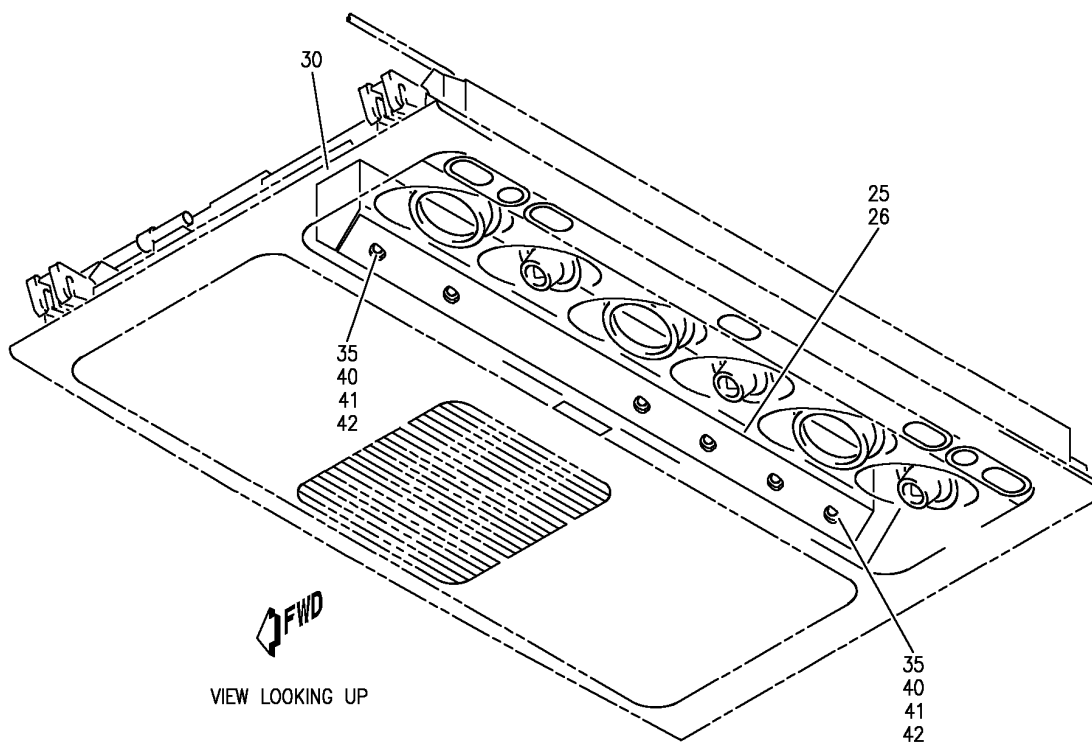
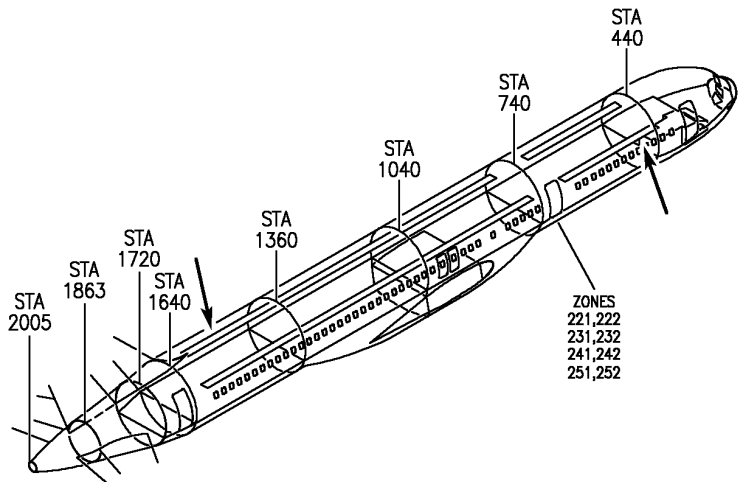
BRI

33-24-01-29

BOEING PROPRIETARY - Copyright © - Unpublished Work - See title page for details.

33-24-01
FIG. 29
PAGE 2
JAN 20/09

BOEING
757
PARTS CATALOG (MAINTENANCE)



Y 33240131B REV 271

SERVICE UNIT ASSY-PASS. (PASSENGER SIGNS ONLY)
FIGURE 31B

33-24-01-31B

BRI
JAN 20/09

33-24-01-31B
PAGE 0



757

PARTS CATALOG (MAINTENANCE)

FIG ITEM	PART NUMBER	1 2 3 4 5 6 7	NOMENCLATURE	EFFECT FROM TO	UNITS PER ASSY
31B			SERVICE UNIT ASSY-PASS. (PASSENGER SIGNS ONLY)	103106 108120	
- 1	417N3011-401W		SERVICE UNIT ASSY-PASS. WITH SPKR AND GASPER (PASSENGER SIGNS ONLY) POSITION DATA: LH ELECTRICAL EQUIP NUMBER: M10973 COMPONENT MAINT MANUAL REF: 25-23-38 FOR NHA/OTHER SYS DET SEE: 25-23-01-34A 25-23-01-76A	108120	RF
- 1	417N3011-401B		SERVICE UNIT ASSY-PASS. WITH 2K SPKR AND GASPER (PASSENGER SIGNS ONLY) POSITION DATA: LH ELECTRICAL EQUIP NUMBER: M10973 FOR NHA/OTHER SYS DET SEE: 25-23-01-52B	103106	RF
- 10	417N3011-413M		SERVICE UNIT ASSY-PASS. NO SPKR WITH GASPER (PASSENGER SIGNS ONLY) POSITION DATA: LH ELECTRICAL EQUIP NUMBER: M10973 COMPONENT MAINT MANUAL REF: 25-23-38 FOR NHA/OTHER SYS DET SEE: 25-23-01-34A 25-23-01-76A	108120	RF
- 10	417N3011-413B		SERVICE UNIT ASSY-PASS. NO SPKR WITH GASPER (PASSENGER SIGNS ONLY) POSITION DATA: LH ELECTRICAL EQUIP NUMBER: M10973 FOR NHA/OTHER SYS DET SEE: 25-23-01-52B	103106	RF

MISSING ITEM NUMBERS NOT APPLICABLE

- ITEM NOT ILLUSTRATED

33-24-01-31B

33-24-01
FIG. 31B
PAGE 1
JAN 20/09

BRI



757

PARTS CATALOG (MAINTENANCE)

FIG ITEM	PART NUMBER	1 2 3 4 5 6 7	NOMENCLATURE	EFFECT FROM TO	UNITS PER ASSY
31B - 10	417N3011-713B		SERVICE UNIT ASSY-PASS. NO SPKR WITH GASPER (PASSENGER SIGNS ONLY) POSITION DATA: LH ELECTRICAL EQUIP NUMBER: M10973 FOR NHA/OTHER SYS DET SEE: 25-23-01-34A 25-23-01-76A	108120	RF
- 20	417N3011-421D		SERVICE UNIT ASSY-PASS. WITH SPKR AND GASPER (PASSENGER SIGNS ONLY) POSITION DATA: LH ELECTRICAL EQUIP NUMBER: M10983 COMPONENT MAINT MANUAL REF: 25-23-38 FOR NHA/OTHER SYS DET SEE: 25-23-01-34A 25-23-01-76A	108120	RF
- 20	417N3011-421B		SERVICE UNIT ASSY-PASS. WITH 2K SPKR, MUTING RELAY AND GASPER (PASSENGER SIGNS ONLY) ELECTRICAL EQUIP NUMBER: M10983 FOR NHA/OTHER SYS DET SEE: 25-23-01-52B	103106	RF
25	4809-50		.LENS-NO SMOKING FASTEN SEAT BELT SIGN SUPPLIER CODE: VOACH0 SPECIFICATION NUMBER: S417N301-111AV	108120	1
25	4809-62		.LENS-NO SMOKING FASTEN SEAT BELT SIGN SUPPLIER CODE: VOACH0 SPECIFICATION NUMBER: S417N301-111BJ	103106	1
- 27	417N3012-6D		.PANEL ASSY- USED ON: 417N3011-401W 417N3011-413M FOR OTHER SYS DETAILS SEE: 25-23-01-31B	108120	RF

MISSING ITEM NUMBERS NOT APPLICABLE

- ITEM NOT ILLUSTRATED

33-24-01-31B

33-24-01
FIG. 31B
PAGE 2
JAN 20/09

BRI



757

PARTS CATALOG (MAINTENANCE)

FIG ITEM	PART NUMBER	1 2 3 4 5 6 7	NOMENCLATURE	EFFECT FROM TO	UNITS PER ASSY
31B - 27	417N3012-6N		.PANEL ASSY- USED ON: 417N3011-401B 417N3011-413B FOR OTHER SYS DETAILS SEE: 25-23-01-31B	105106	RF
- 27	417N3012-6N		.PANEL ASSY- USED ON: 417N3011-401B 417N3011-413B FOR OTHER SYS DETAILS SEE: 25-23-01-31B	103104	RF
- 29	417N3012-7D		.PANEL ASSY- USED ON: 417N3011-421D FOR OTHER SYS DETAILS SEE: 25-23-01-31B	108120	RF
- 29	417N3012-7G		.PANEL ASSY- USED ON: 417N3011-421B 417N3011-421C 417N3011-421J 417N3011-421SP FOR OTHER SYS DETAILS SEE: 25-23-01-31B	103104	RF
- 29	417N3012-7G		.PANEL ASSY- USED ON: 417N3011-421B FOR OTHER SYS DETAILS SEE: 25-23-01-31B	105106	RF
30	4708-1		..HOUSING ASSY-LAMP SUPPLIER CODE: VOACH0 SPECIFICATION NUMBER: S417N301-2 OPTIONAL PART: 10-1018-2 V72914	108120	1
30	4708-1		..HOUSING ASSY-LAMP SUPPLIER CODE: VOACH0 SPECIFICATION NUMBER: S417N301-2 OPTIONAL PART: 10-1018-2 V72914	103106	1

MISSING ITEM NUMBERS NOT APPLICABLE

- ITEM NOT ILLUSTRATED

33-24-01-31B

33-24-01
FIG. 31B
PAGE 3
JAN 20/09

BRI



757

PARTS CATALOG (MAINTENANCE)

FIG ITEM	PART NUMBER	1 2 3 4 5 6 7	NOMENCLATURE	EFFECT FROM TO	UNITS PER ASSY
31B 35	7387		...LAMP- SUPPLIER CODE: V08806 OPTIONAL PART: CM7387 V08806 OL387BP VS3774 OL387BPGPL VS3774	108120	6
35	CM7387		...LAMP- SUPPLIER CODE: V08806 OPTIONAL PART: 7387 V08806 OL387BP VS3774 OL387BPGPL VS3774	108120	6
35	OL387BP		...LAMP- SUPPLIER CODE: VS3774 OPTIONAL PART: 7387 V08806 CM7387 V08806 OL387BPGPL VS3774	108120	6
35	OL387BPGPL		...LAMP- SUPPLIER CODE: VS3774 OPTIONAL PART: 7387 V08806 OL387BP VS3774 CM7387 V08806	108120	6

MISSING ITEM NUMBERS NOT APPLICABLE

- ITEM NOT ILLUSTRATED

33-24-01-31B

33-24-01
FIG. 31B
PAGE 4
JAN 20/09

BRI

BOEING PROPRIETARY - Copyright © - Unpublished Work - See title page for details.



757

PARTS CATALOG (MAINTENANCE)

FIG ITEM	PART NUMBER	1 2 3 4 5 6 7	NOMENCLATURE	EFFECT FROM TO	UNITS PER ASSY
31B 40	7387		...LAMP- SUPPLIER CODE: V08806 OPTIONAL PART: CM7387 V08806 OL387BP VS3774 OL387BPGPL VS3774	103106	6
40	CM7387		...LAMP- SUPPLIER CODE: V08806 OPTIONAL PART: 7387 V08806 OL387BP VS3774 OL387BPGPL VS3774	103106	6
40	OL387BP		...LAMP- SUPPLIER CODE: VS3774 OPTIONAL PART: 7387 V08806 CM7387 V08806 OL387BPGPL VS3774	103106	6
40	OL387BPGPL		...LAMP- SUPPLIER CODE: VS3774 OPTIONAL PART: 7387 V08806 OL387BP VS3774 CM7387 V08806	103106	6

MISSING ITEM NUMBERS NOT APPLICABLE

- ITEM NOT ILLUSTRATED

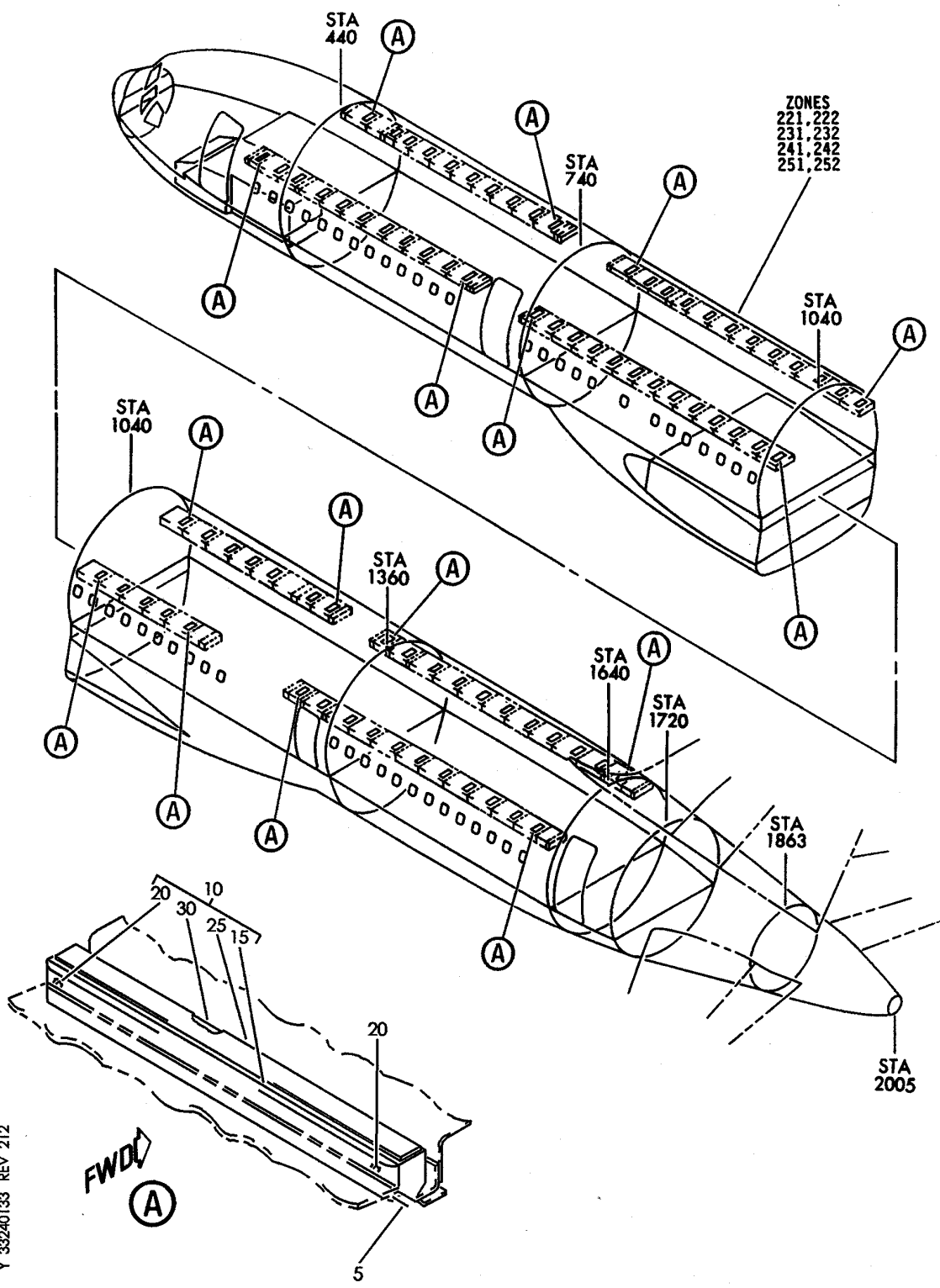
33-24-01-31B

33-24-01
FIG. 31B
PAGE 5
JAN 20/09

BRI

BOEING PROPRIETARY - Copyright © - Unpublished Work - See title page for details.

BOEING
757
PARTS CATALOG (MAINTENANCE)



Y 33240133 REV 212

SERVICE UNIT INSTL-PASS. (PASSENGER SIGNS ONLY)
FIGURE 33

33-24-01-33

BRI
MAY 28/07

33-24-01-33
PAGE 0



757

PARTS CATALOG (MAINTENANCE)

FIG ITEM	PART NUMBER	1 2 3 4 5 6 7	NOMENCLATURE	EFFECT FROM TO	UNITS PER ASSY
33			SERVICE UNIT INSTL-PASS. (PASSENGER SIGNS ONLY)	011102	
- 1	417N3001-98		SERVICE UNIT INSTL-PASS. (PASSENGER SIGNS ONLY)	011100	RF
			FOR NHA/OTHER SYS DET SEE: 25-20-00-20A		
- 1	417N3001-164SP		SERVICE UNIT INSTL-PASS. (PASSENGER SIGNS ONLY)	101102	RF
			FOR NHA/OTHER SYS DET SEE: 25-20-00-20		
5	10-1018-47		.LENS-NO SMOKING FASTEN SEATBELT	011102	80
			SUPPLIER CODE: V72914		
			SPECIFICATION NUMBER: S417N301-47		
10	10-1018-1		.HOUSING ASSY-NO SMOKING FASTEN SEATBELT	011102	80
			SUPPLIER CODE: V72914		
			SPECIFICATION NUMBER: S417N301-1		
15	25-1095-1		..LENS-	011102	1
			SUPPLIER CODE: V72914		
20	MS25237-387		..LAMP	011102	6
25	11-4222-1		..HOUSING ASSY-	011102	1
			SUPPLIER CODE: V72914		
30	11-4195-1		..COVER ASSY-	011102	1
			SUPPLIER CODE: V72914		

MISSING ITEM NUMBERS NOT APPLICABLE

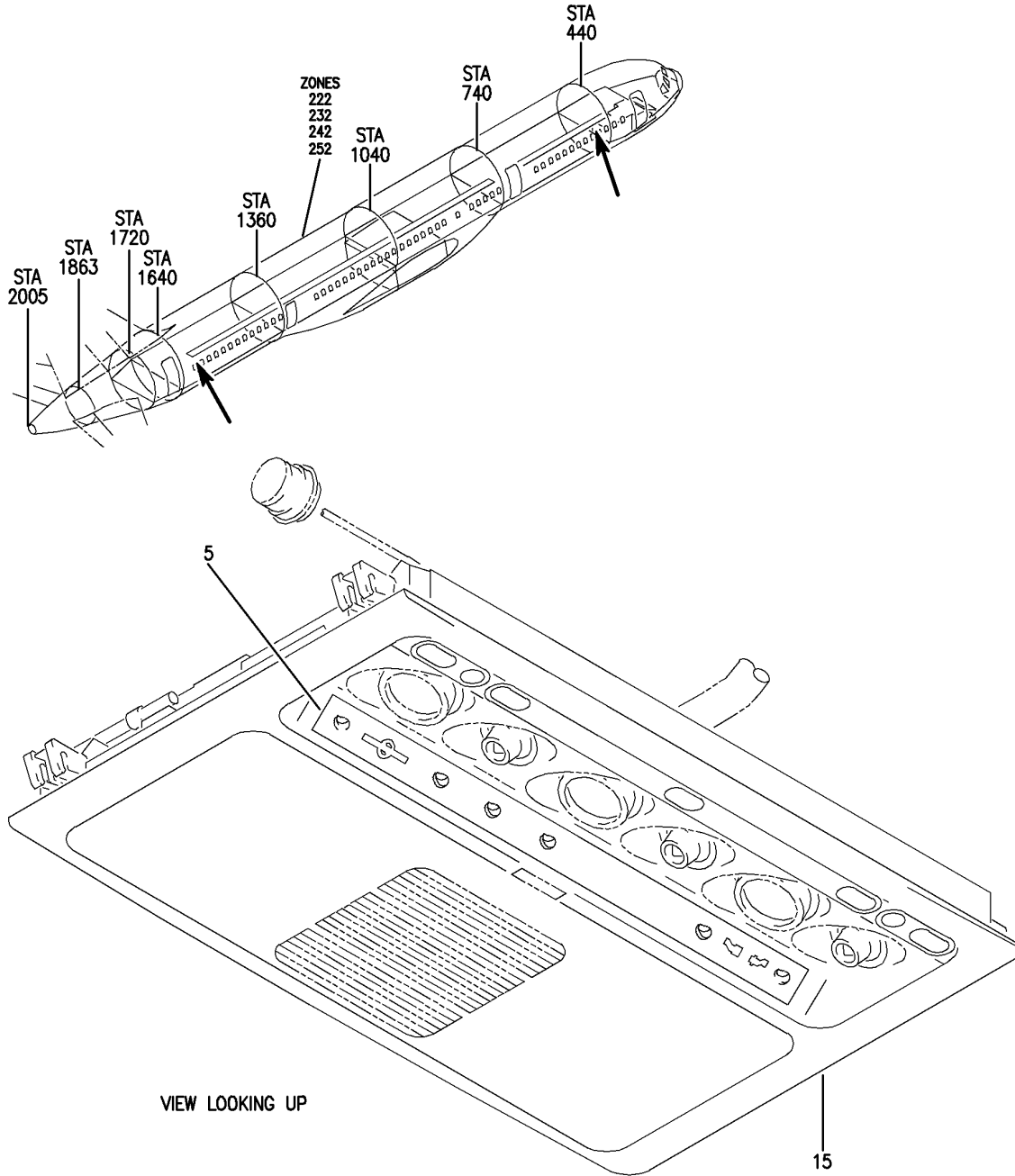
- ITEM NOT ILLUSTRATED

33-24-01-33

33-24-01
FIG. 33
PAGE 1
JAN 20/09

BRI

BOEING
757
PARTS CATALOG (MAINTENANCE)



Y 33240134A REV 237

SERVICE UNIT ASSY-PASS. (PASSENGER SIGNS ONLY)
FIGURE 34A

33-24-01-34A

BRI
JAN 20/09

33-24-01-34A
PAGE 0



757

PARTS CATALOG (MAINTENANCE)

FIG ITEM	PART NUMBER	1 2 3 4 5 6 7	NOMENCLATURE	EFFECT FROM TO	UNITS PER ASSY
34A			SERVICE UNIT ASSY-PASS. (PASSENGER SIGNS ONLY)	103106 108120	
- 1	417N3011-422C		SERVICE UNIT ASSY-PASS. WITH SPKR AND GASPER (PASSENGER SIGNS ONLY) ELECTRICAL EQUIP NUMBER: M10983 COMPONENT MAINT MANUAL REF: 25-23-38 FOR NHA/OTHER SYS DET SEE: 25-23-01-34A 25-23-01-76A	108120	RF
- 1	417N3011-422B		SERVICE UNIT ASSY-PASS. WITH 2K SPKR, MUTING RELAY AND GASPER (PASSENGER SIGNS ONLY) ELECTRICAL EQUIP NUMBER: M10983 COMPONENT MAINT MANUAL REF: 25-23-38 FOR NHA/OTHER SYS DET SEE: 25-23-01-52B	103106	RF
5	4809-50		.LENS-NO SMOKING FASTEN SEAT BELT SIGN SUPPLIER CODE: VOACH0 SPECIFICATION NUMBER: S417N301-111AV	108120	1
5	4809-62		.LENS- SUPPLIER CODE: VOACH0 SPECIFICATION NUMBER: S417N301-111BJ	103104	1
5	4809-62		.LENS- SUPPLIER CODE: VOACH0 SPECIFICATION NUMBER: S417N301-111BJ	105106	1
- 10	417N3012-7D		.PANEL ASSY	108120	RF
- 10	417N3012-7G		.PANEL ASSY-	103104	RF
- 10	417N3012-7G		.PANEL ASSY-	105106	RF
15	4708-1		..HOUSING ASSY-LAMP SUPPLIER CODE: VOACH0 SPECIFICATION NUMBER: S417N301-2 OPTIONAL PART: 10-1018-2 V72914	108120	1

MISSING ITEM NUMBERS NOT APPLICABLE

- ITEM NOT ILLUSTRATED

33-24-01-34A

33-24-01
FIG. 34A
PAGE 1
JAN 20/09

BRI

BOEING PROPRIETARY - Copyright © - Unpublished Work - See title page for details.



757

PARTS CATALOG (MAINTENANCE)

FIG ITEM	PART NUMBER	1 2 3 4 5 6 7	NOMENCLATURE	EFFECT FROM TO	UNITS PER ASSY
34A 15	4708-1		..HOUSING ASSY-LAMP SUPPLIER CODE: VOACH0 SPECIFICATION NUMBER: S417N301-2 OPTIONAL PART: 10-1018-2 V72914	103104	1
15	4708-1		..HOUSING ASSY-LAMP SUPPLIER CODE: VOACH0 SPECIFICATION NUMBER: S417N301-2 OPTIONAL PART: 10-1018-2 V72914	105106	1
- 20	7387		...LAMP- SUPPLIER CODE: V08806 OPTIONAL PART: CM7387 V08806 OL387BP VS3774 OL387BPGPL VS3774	108120	6
- 20	CM7387		...LAMP- SUPPLIER CODE: V08806 OPTIONAL PART: 7387 V08806 OL387BP VS3774	108120	6
- 20	OL387BP		...LAMP- SUPPLIER CODE: VS3774 OPTIONAL PART: 7387 V08806 CM7387 V08806 OL387BPGPL VS3774	108120	6

MISSING ITEM NUMBERS NOT APPLICABLE

- ITEM NOT ILLUSTRATED

33-24-01-34A

33-24-01
FIG. 34A
PAGE 2
JAN 20/09

BRI



757

PARTS CATALOG (MAINTENANCE)

FIG ITEM	PART NUMBER	1 2 3 4 5 6 7	NOMENCLATURE	EFFECT FROM TO	UNITS PER ASSY
34A - 20	OL387BPGPL		...LAMP- SUPPLIER CODE: VS3774 OPTIONAL PART: 7387 V08806 OL387BP VS3774	108120	6
- 20	7387		...LAMP- SUPPLIER CODE: V08806 OPTIONAL PART: CM7387 V08806 OL387BP VS3774 OL387BPGPL VS3774	103104	6
- 20	CM7387		...LAMP- SUPPLIER CODE: V08806 OPTIONAL PART: 7387 V08806 OL387BP VS3774	103104	6
- 20	OL387BP		...LAMP- SUPPLIER CODE: VS3774 OPTIONAL PART: 7387 V08806 CM7387 V08806 OL387BPGPL VS3774	103104	6
- 20	OL387BPGPL		...LAMP- SUPPLIER CODE: VS3774 OPTIONAL PART: 7387 V08806 OL387BP VS3774	103104	6

MISSING ITEM NUMBERS NOT APPLICABLE

- ITEM NOT ILLUSTRATED

33-24-01-34A

33-24-01
FIG. 34A
PAGE 3
JAN 20/09

BRI

BOEING PROPRIETARY - Copyright © - Unpublished Work - See title page for details.



757

PARTS CATALOG (MAINTENANCE)

FIG ITEM	PART NUMBER	1 2 3 4 5 6 7	NOMENCLATURE	EFFECT FROM TO	UNITS PER ASSY
34A - 20	7387		...LAMP- SUPPLIER CODE: V08806 OPTIONAL PART: CM7387 V08806 OL387BP VS3774 OL387BPGPL VS3774	105106	6
- 20	CM7387		...LAMP- SUPPLIER CODE: V08806 OPTIONAL PART: 7387 V08806 OL387BP VS3774	105106	6
- 20	OL387BP		...LAMP- SUPPLIER CODE: VS3774 OPTIONAL PART: 7387 V08806 CM7387 V08806 OL387BPGPL VS3774	105106	6
- 20	OL387BPGPL		...LAMP- SUPPLIER CODE: VS3774 OPTIONAL PART: 7387 V08806 OL387BP VS3774	105106	6

MISSING ITEM NUMBERS NOT APPLICABLE

- ITEM NOT ILLUSTRATED

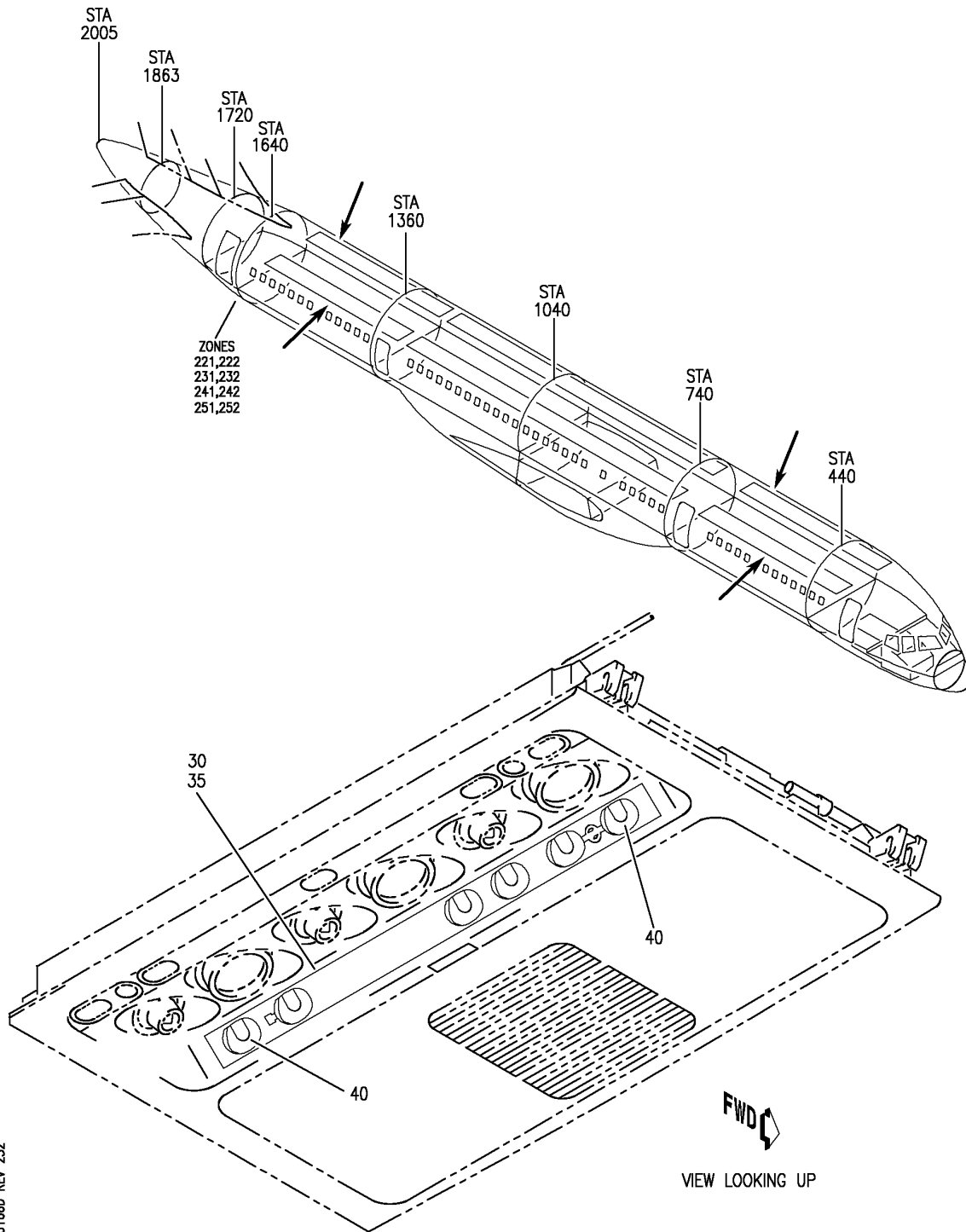
BRI

33-24-01-34A

BOEING PROPRIETARY - Copyright © - Unpublished Work - See title page for details.

33-24-01
FIG. 34A
PAGE 4
JAN 20/09

BOEING
757
PARTS CATALOG (MAINTENANCE)



Y 33240166D REV 252

SERVICE UNIT ASSY-PASS. (PASSENGER SIGNS ONLY)
FIGURE 66D

33-24-01-66D

BRI
JAN 20/09

33-24-01-66D
PAGE 0



757

PARTS CATALOG (MAINTENANCE)

FIG ITEM	PART NUMBER	1 2 3 4 5 6 7	NOMENCLATURE	EFFECT FROM TO	UNITS PER ASSY
66D			SERVICE UNIT ASSY-PASS. (PASSENGER SIGNS ONLY)	504903	
- 1	417N3011-363B		SERVICE UNIT ASSY-PASS. WITH SPKR AND GASPER 22 MIN. OXY (PASSENGER SIGNS ONLY) POSITION DATA: LH ELECTRICAL EQUIP NUMBER: M10979 COMPONENT MAINT MANUAL REF: 25-23-38 FOR NHA/OTHER SYS DET SEE: 25-23-01-50B	504903	RF
- 3	417N3011-364B		SERVICE UNIT ASSY-PASS. WITH SPKR AND GASPER 22 MIN. OXY (PASSENGER SIGNS ONLY) POSITION DATA: RH ELECTRICAL EQUIP NUMBER: M10979 COMPONENT MAINT MANUAL REF: 25-23-38 FOR NHA/OTHER SYS DET SEE: 25-23-01-50B	504903	RF
- 5	417N3011-365B		SERVICE UNIT ASSY-PASS. NO SPKR WITH GASPER 22 MIN. OXY (PASSENGER SIGNS ONLY) POSITION DATA: LH ELECTRICAL EQUIP NUMBER: M10979 COMPONENT MAINT MANUAL REF: 25-23-38 FOR NHA/OTHER SYS DET SEE: 25-23-01-50B	504903	RF

MISSING ITEM NUMBERS NOT APPLICABLE

- ITEM NOT ILLUSTRATED

33-24-01-66D

33-24-01
FIG. 66D
PAGE 1
JAN 20/09

BRI



757

PARTS CATALOG (MAINTENANCE)

FIG ITEM	PART NUMBER	1 2 3 4 5 6 7	NOMENCLATURE	EFFECT FROM TO	UNITS PER ASSY
66D - 7	417N3011-366B		SERVICE UNIT ASSY-PASS. NO SPKR WITH GASPER 22 MIN. OXY (PASSENGER SIGNS ONLY) POSITION DATA: RH ELECTRICAL EQUIP NUMBER: M10979 COMPONENT MAINT MANUAL REF: 25-23-38 FOR NHA/OTHER SYS DET SEE: 25-23-01-50B	504903	RF
30	4809-50		. LENS-SIGN NO SMOKING FASTEN SEAT BELT SUPPLIER CODE: VOACH0 PLACARD CONTENT: SEAT BELT SPECIFICATION NUMBER: S417N301-111AV	504903	1
35	4708-1		. HOUSING ASSY-LAMP SUPPLIER CODE: VOACH0 SPECIFICATION NUMBER: S417N301-2 OPTIONAL PART: 10-1018-2 V72914	504903	1
40	7387		.. LAMP- SUPPLIER CODE: V08806 OPTIONAL PART: CM7387 V08806 OL387BP VS3774 OL387BPGPL VS3774	504903	6
40	CM7387		.. LAMP- SUPPLIER CODE: V08806 OPTIONAL PART: 7387 V08806 OL387BP VS3774	504903	6

MISSING ITEM NUMBERS NOT APPLICABLE

- ITEM NOT ILLUSTRATED

33-24-01-66D

33-24-01
FIG. 66D
PAGE 2
JAN 20/09

BRI



757

PARTS CATALOG (MAINTENANCE)

FIG ITEM	PART NUMBER	1 2 3 4 5 6 7	NOMENCLATURE	EFFECT FROM TO	UNITS PER ASSY
66D 40	OL387BP		. . LAMP- SUPPLIER CODE : VS3774 OPTIONAL PART : 7387 V08806 CM7387 V08806 OL387BPGPL VS3774	504903	6

MISSING ITEM NUMBERS NOT APPLICABLE

- ITEM NOT ILLUSTRATED

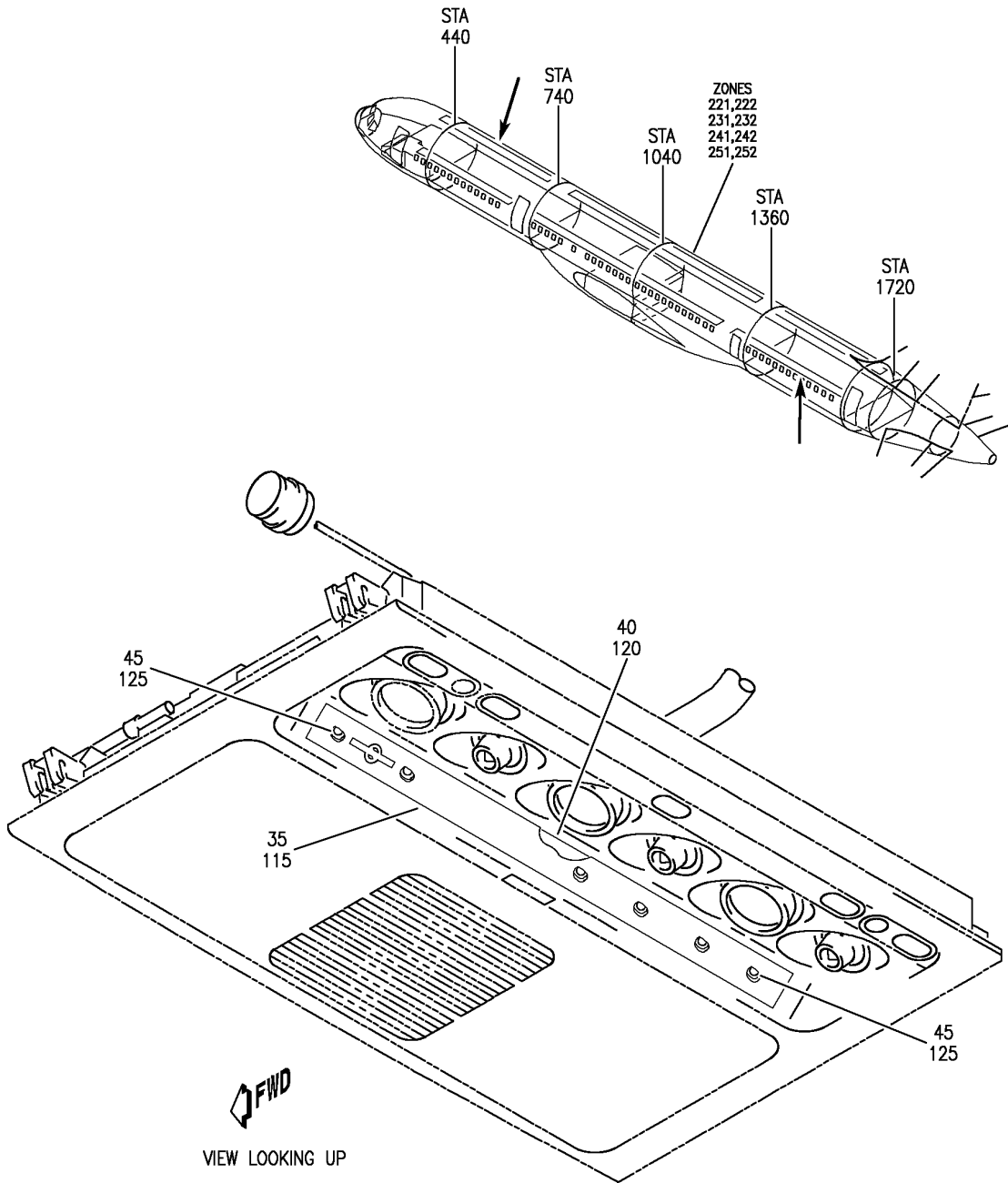
BRI

33-24-01-66D

BOEING PROPRIETARY - Copyright © - Unpublished Work - See title page for details.

33-24-01
FIG. 66D
PAGE 3
JAN 20/09

BOEING
757
PARTS CATALOG (MAINTENANCE)



Y 33240170 REV 253

SERVICE UNIT ASSY-PASS. (PASSENGER SIGN ONLY)
FIGURE 70

33-24-01-70

BRI
JAN 20/09

33-24-01-70
PAGE 0



757

PARTS CATALOG (MAINTENANCE)

FIG ITEM	PART NUMBER	1 2 3 4 5 6 7	NOMENCLATURE	EFFECT FROM TO	UNITS PER ASSY
70			SERVICE UNIT ASSY-PASS. (PASSENGER SIGN ONLY)	108120	
- 1	417N3011-309B		SERVICE UNIT ASSY-PASS. WITH SPKR AND NO GASPER (PASSENGER SIGN ONLY) POSITION DATA: LH ELECTRICAL EQUIP NUMBER: M10978 COMPONENT MAINT MANUAL REF: 25-23-38 FOR NHA/OTHER SYS DET SEE: 25-23-01-58B	108120	RF
- 5	417N3011-317B		SERVICE UNIT ASSY-PASS. NO SPKR AND NO GASPER (PASSENGER SIGN ONLY) POSITION DATA: LH ELECTRICAL EQUIP NUMBER: M10978 COMPONENT MAINT MANUAL REF: 25-23-38 FOR NHA/OTHER SYS DET SEE: 25-23-01-58B	108120	RF
35	4809-50		.LENS-NO SMOKING FASTEN SEAT BELT SUPPLIER CODE: VOACH0 SPECIFICATION NUMBER: S417N301-111AV	108120	1
40	4708-1		.HOUSING ASSY-LAMP SUPPLIER CODE: VOACH0 SPECIFICATION NUMBER: S417N301-2 OPTIONAL PART: 10-1018-2 V72914	108120	1
45	7387		..LAMP- SUPPLIER CODE: V08806 OPTIONAL PART: CM7387 V08806 OL387BP VS3774 OL387BPGPL VS3774	108120	6

MISSING ITEM NUMBERS NOT APPLICABLE

- ITEM NOT ILLUSTRATED

33-24-01-70

33-24-01
FIG. 70
PAGE 1
JAN 20/09

BRI



757

PARTS CATALOG (MAINTENANCE)

FIG ITEM	PART NUMBER	1 2 3 4 5 6 7	NOMENCLATURE	EFFECT FROM TO	UNITS PER ASSY
70 45	CM7387		..LAMP- SUPPLIER CODE: V08806 OPTIONAL PART: 7387 V08806 OL387BP VS3774	108120	6
45	OL387BP		..LAMP- SUPPLIER CODE: VS3774 OPTIONAL PART: 7387 V08806 CM7387 V08806 387BPGPL VS3774	108120	6
45	OL387BPGPL		..LAMP- SUPPLIER CODE: VS3774 OPTIONAL PART: 7387 V08806 OL387BP VS3774	108120	6
- 100	417N3011-310B		SERVICE UNIT ASSY-PASS. WITH SPKR AND NO GASPER (PASSENGER SIGN ONLY) POSITION DATA: RH ELECTRICAL EQUIP NUMBER: M10978 COMPONENT MAINT MANUAL REF: 25-23-38 FOR NHA/OTHER SYS DET SEE: 25-23-01-58B	108120	RF
- 105	417N3011-318B		SERVICE UNIT ASSY-PASS. NO SPKR AND NO GASPER (PASSENGER SIGN ONLY) POSITION DATA: RH ELECTRICAL EQUIP NUMBER: M10978 COMPONENT MAINT MANUAL REF: 25-23-38 FOR NHA/OTHER SYS DET SEE: 25-23-01-58B	108120	RF

MISSING ITEM NUMBERS NOT APPLICABLE

- ITEM NOT ILLUSTRATED

33-24-01-70

33-24-01
FIG. 70
PAGE 2
JAN 20/09

BRI



757

PARTS CATALOG (MAINTENANCE)

FIG ITEM	PART NUMBER	1 2 3 4 5 6 7	NOMENCLATURE	EFFECT FROM TO	UNITS PER ASSY
70 - 110	417N3011-324B		SERVICE UNIT ASSY-PASS. WITH MUTED SPKR AND NO GASPER (PASSENGER SIGN ONLY) POSITION DATA: RH ELECTRICAL EQUIP NUMBER: M10981 COMPONENT MAINT MANUAL REF: 25-23-38 FOR NHA/OTHER SYS DET SEE: 25-23-01-58B	108120	RF
115	4809-50		.LENS-NO SMOKING FASTEN SEAT BELT SUPPLIER CODE: VOACH0 SPECIFICATION NUMBER: S417N301-111AV	108120	1
120	4708-1		.HOUSING ASSY-LAMP SUPPLIER CODE: VOACH0 SPECIFICATION NUMBER: S417N301-2 OPTIONAL PART: 10-1018-2 V72914	108120	1
125	7387		..LAMP- SUPPLIER CODE: V08806 OPTIONAL PART: CM7387 V08806 OL387BP VS3774 OL387BPGPL VS3774	108120	6
125	CM7387		..LAMP- SUPPLIER CODE: V08806 OPTIONAL PART: 7387 V08806 OL387BP VS3774	108120	6

MISSING ITEM NUMBERS NOT APPLICABLE

- ITEM NOT ILLUSTRATED

BRI

33-24-01-70

BOEING PROPRIETARY - Copyright © - Unpublished Work - See title page for details.

33-24-01
FIG. 70
PAGE 3
JAN 20/09



757

PARTS CATALOG (MAINTENANCE)

FIG ITEM	PART NUMBER	1 2 3 4 5 6 7	NOMENCLATURE	EFFECT FROM TO	UNITS PER ASSY
70 125	OL387BP		.. LAMP- SUPPLIER CODE: VS3774 OPTIONAL PART: 7387 V08806 CM7387 V08806 OL387BPGPL VS3774	108120	6
125	OL387BPGPL		.. LAMP- SUPPLIER CODE: VS3774 OPTIONAL PART: 7387 V08806 OL387BP VS3774	108120	6

MISSING ITEM NUMBERS NOT APPLICABLE

- ITEM NOT ILLUSTRATED

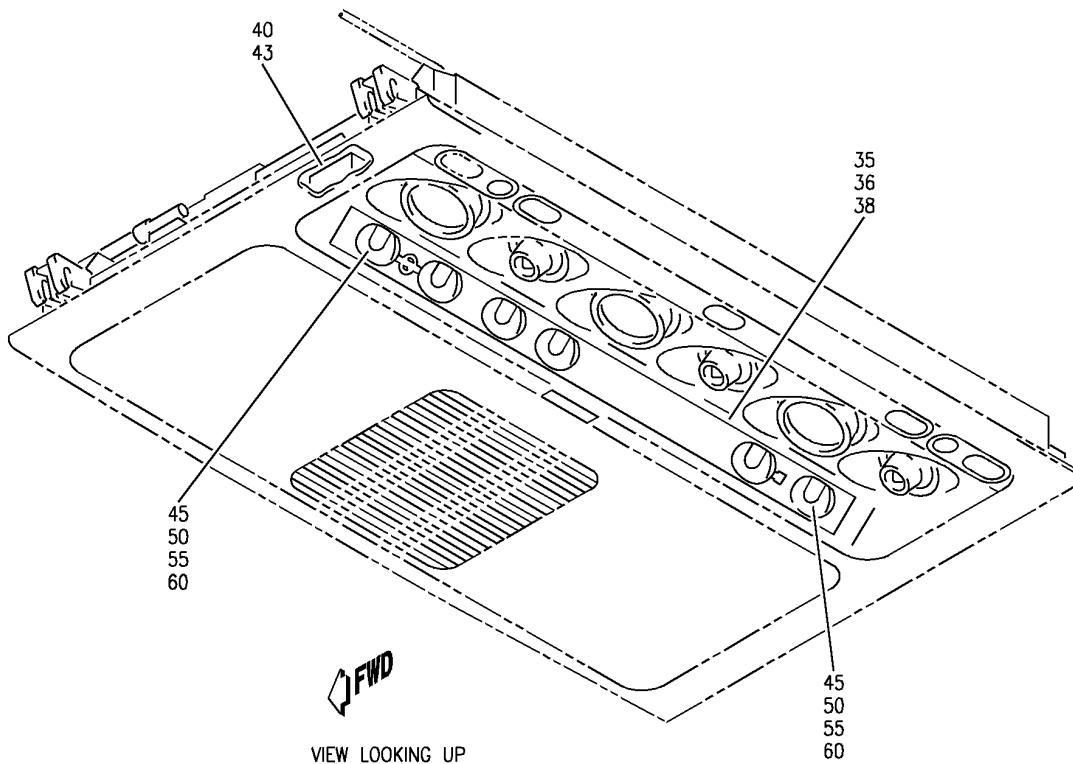
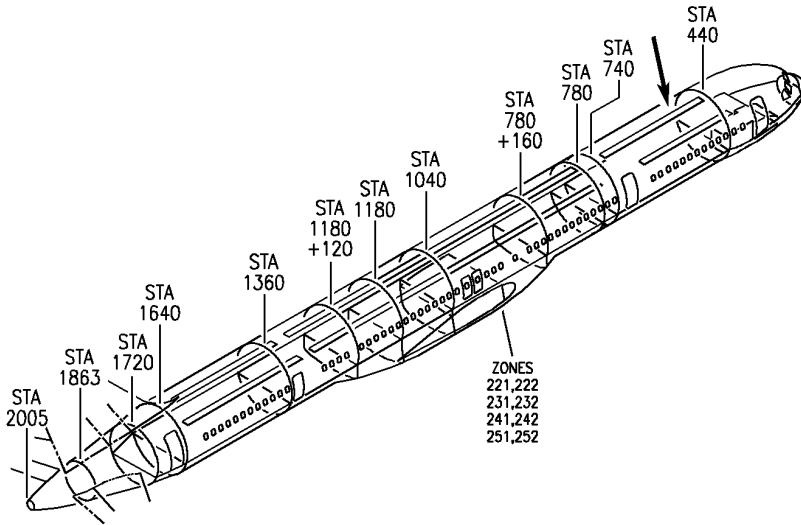
BRI

33-24-01-70

BOEING PROPRIETARY - Copyright © - Unpublished Work - See title page for details.

33-24-01
FIG. 70
PAGE 4
JAN 20/09

BOEING
757
PARTS CATALOG (MAINTENANCE)



Y 33240177 REV 290

SERVICE UNIT ASSY-PASS. (PASSENGER SIGNS ONLY)
FIGURE 77

33-24-01-77

BRI
JAN 20/09

33-24-01-77
PAGE 0



757

PARTS CATALOG (MAINTENANCE)

FIG ITEM	PART NUMBER	1 2 3 4 5 6 7	NOMENCLATURE	EFFECT FROM TO	UNITS PER ASSY
77			SERVICE UNIT ASSY-PASS. (PASSENGER SIGNS ONLY)	103106 108120	
- 5	417N3011-202SP		SERVICE UNIT ASSY-PASS. WITH SPKR AND GASPER (PASSENGER SIGNS ONLY) POSITION DATA: RH ELECTRICAL EQUIP NUMBER: M10973 COMPONENT MAINT MANUAL REF: 25-23-38 FOR NHA/OTHER SYS DET SEE: 25-23-01-52B	103106	RF
- 5	417N3011-402SP		SERVICE UNIT ASSY-PASS. WITH SPKR AND GASPER (PASSENGER SIGNS ONLY) POSITION DATA: RH ELECTRICAL EQUIP NUMBER: M10973 COMPONENT MAINT MANUAL REF: 25-23-38 FOR NHA/OTHER SYS DET SEE: 25-23-01-34A 25-23-01-52B 25-23-01-76A	103106 108120	RF
- 15	417N3011-214SP		SERVICE UNIT ASSY-PASS. NO SPKR WITH GASPER (PASSENGER SIGNS ONLY) POSITION DATA: RH ELECTRICAL EQUIP NUMBER: M10973 COMPONENT MAINT MANUAL REF: 25-23-38 FOR NHA/OTHER SYS DET SEE: 25-23-01-52B	103106	RF

MISSING ITEM NUMBERS NOT APPLICABLE

- ITEM NOT ILLUSTRATED

33-24-01-77

33-24-01
FIG. 77
PAGE 1
JAN 20/09

BRI



757

PARTS CATALOG (MAINTENANCE)

FIG ITEM	PART NUMBER	1 2 3 4 5 6 7	NOMENCLATURE	EFFECT FROM TO	UNITS PER ASSY
77 - 15	417N3011-414SP		SERVICE UNIT ASSY-PASS. NO SPKR WITH GASPER (PASSENGER SIGNS ONLY) POSITION DATA: RH ELECTRICAL EQUIP NUMBER: M10973 COMPONENT MAINT MANUAL REF: 25-23-38 FOR NHA/OTHER SYS DET SEE: 25-23-01-34A 25-23-01-52B 25-23-01-76A	103106 108120	RF
35	4809-62		.LENS-NO SMOKING FASTEN SEAT BELT SIGN SUPPLIER CODE: VOACH0 SPECIFICATION NUMBER: S417N301-111BJ	105106	1
35	4809-62		.LENS-NO SMOKING FASTEN SEAT BELT SIGN SUPPLIER CODE: VOACH0 SPECIFICATION NUMBER: S417N301-111BJ	103104	1
35	4809-50		.LENS-NO SMOKING FASTEN SEAT BELT SIGN SUPPLIER CODE: VOACH0 SPECIFICATION NUMBER: S417N301-111AV	108120	1
40	4708-1		.HOUSING ASSY-LAMP SUPPLIER CODE: VOACH0 SPECIFICATION NUMBER: S417N301-2 OPTIONAL PART: 10-1018-2 V72914	108120	1
40	4708-1		.HOUSING ASSY-LAMP SUPPLIER CODE: VOACH0 SPECIFICATION NUMBER: S417N301-2 OPTIONAL PART: 10-1018-2 V72914	105106	1

MISSING ITEM NUMBERS NOT APPLICABLE

- ITEM NOT ILLUSTRATED

33-24-01-77

33-24-01
FIG. 77
PAGE 2
JAN 20/09

BRI



757

PARTS CATALOG (MAINTENANCE)

FIG ITEM	PART NUMBER	1 2 3 4 5 6 7	NOMENCLATURE	EFFECT FROM TO	UNITS PER ASSY
77 40	4708-1		.HOUSING ASSY-LAMP SUPPLIER CODE: VOACH0 SPECIFICATION NUMBER: S417N301-2 OPTIONAL PART: 10-1018-2 V72914	103104	1
45	7387		..LAMP- SUPPLIER CODE: V08806 OPTIONAL PART: CM7387 V08806 OL387BP VS3774	108120	6
45	CM7387		..LAMP- SUPPLIER CODE: V08806 OPTIONAL PART: 7387 V08806 OL387BP VS3774	108120	6
45	OL387BP		..LAMP- SUPPLIER CODE: VS3774 OPTIONAL PART: 7387 V08806 CM7387 V08806	108120	6
50	7387		..LAMP- SUPPLIER CODE: V08806 OPTIONAL PART: CM7387 V08806 OL387BP VS3774	105106	6
50	CM7387		..LAMP- SUPPLIER CODE: V08806 OPTIONAL PART: 7387 V08806 OL387BP VS3774	105106	6

MISSING ITEM NUMBERS NOT APPLICABLE

- ITEM NOT ILLUSTRATED

33-24-01-77

33-24-01
FIG. 77
PAGE 3
JAN 20/09

BRI



757

PARTS CATALOG (MAINTENANCE)

FIG ITEM	PART NUMBER	1 2 3 4 5 6 7	NOMENCLATURE	EFFECT FROM TO	UNITS PER ASSY
77					
50	OL387BP		.. LAMP- SUPPLIER CODE: VS3774 OPTIONAL PART: 7387 V08806 CM7387 V08806	105106	6
50	7387		.. LAMP- SUPPLIER CODE: V08806 OPTIONAL PART: CM7387 V08806 OL387BP VS3774	103104	6
50	CM7387		.. LAMP- SUPPLIER CODE: V08806 OPTIONAL PART: 7387 V08806 OL387BP VS3774	103104	6
50	OL387BP		.. LAMP- SUPPLIER CODE: VS3774 OPTIONAL PART: 7387 V08806 CM7387 V08806	103104	6

MISSING ITEM NUMBERS NOT APPLICABLE

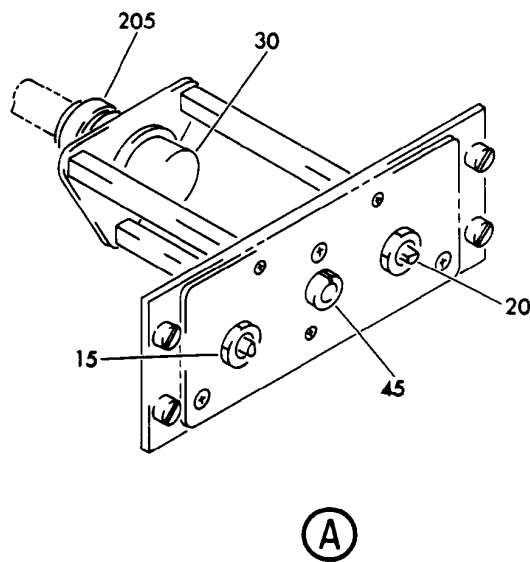
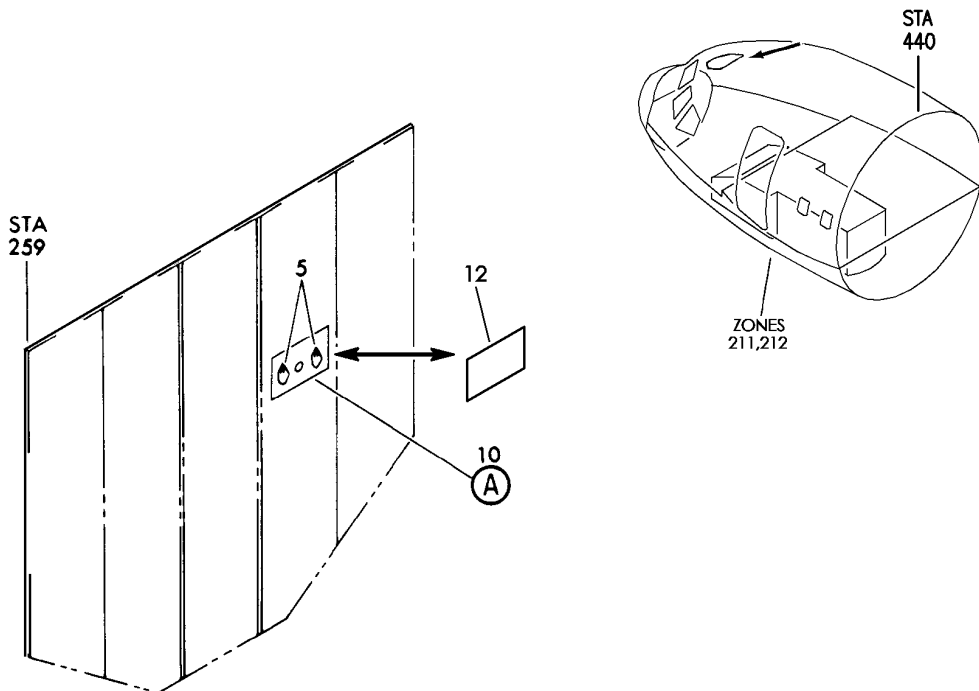
- ITEM NOT ILLUSTRATED

33-24-01-77

33-24-01
FIG. 77
PAGE 4
JAN 20/09

BRI

BOEING
757
PARTS CATALOG (MAINTENANCE)



Y 33245101 REV 233

PANEL INSTL-P5 OVERHEAD (PASSENGER SIGNS ONLY)
FIGURE 1

33-24-51-01

BRI
MAY 28/07

33-24-51-01
PAGE 0



757

PARTS CATALOG (MAINTENANCE)

FIG ITEM	PART NUMBER	1 2 3 4 5 6 7	NOMENCLATURE	EFFECT FROM TO	UNITS PER ASSY
1			PANEL INSTL-P5 OVERHEAD (PASSENGER SIGNS ONLY)	002004 006010 107107 121503 904999	
- 1	233N3101-1		PANEL INSTL-P5 OVERHEAD (PASSENGER SIGNS ONLY) VARIABLE DRAWING REF: 233N3101-5005 233N3101-5025 233N3101-5041 233N3101-5042 233N3101-5045 FOR NHA/OTHER SYS DET SEE: 25-10-00-05A	002004 006010 107107 121503 904999	RF
5	BP248-110		.KN0B- SUPPLIER CODE: V81590 SPECIFICATION NUMBER: 452-016-9001	002004 006010 107107 121503 904999	2
5	BP248-127		.KN0B- SUPPLIER CODE: V81590	002004 006010 107107 121503 904999	2
10	233T3216-10		.PANEL ASSY-PASS. SIGN CONT SUPPLIER CODE: V89954 ELECTRICAL EQUIP NUMBER: M00052	002004 006010 107107 121503 904999	RF
15	AC45-0009-1		..SWITCH- SUPPLIER CODE: V91812 OPTIONAL PART: AC45-0009-2 V91812	002004 006010 107107 121503 904999	1
15	AC45-0009-2		..SWITCH- SUPPLIER CODE: V91812 OPTIONAL PART: AC45-0009-1 V91812	002004 006010 107107 121503 904999	1
20	AC45-0008-1		..SWITCH- SUPPLIER CODE: V91812 OPTIONAL PART: AC45-0008-2 V91812	002004 006010 107107 121503 904999	1

MISSING ITEM NUMBERS NOT APPLICABLE

- ITEM NOT ILLUSTRATED

33-24-51-01

33-24-51
FIG. 01
PAGE 1
JAN 20/09

BRI



757

PARTS CATALOG (MAINTENANCE)

FIG ITEM	PART NUMBER	1 2 3 4 5 6 7	NOMENCLATURE	EFFECT FROM TO	UNITS PER ASSY
1	20 AC45-0008-2		.. SWITCH- SUPPLIER CODE: V91812 OPTIONAL PART: AC45-0008-1 V91812	002004 006010 107107 121503 904999	1
	30 BACC45FN14-15P		.. CONNECTOR	002004 006010 107107 121503 904999	1
			ATTACHING PARTS		
-	35 NAS1801-04-05		.. SCREW-	002004 006010 107107 121503 904999	3
-	40 K19798-04		.. NUT SUPPLIER CODE: V15653 SPECIFICATION NUMBER: BACN10NW1 OPTIONAL PART: RMA4812-160-40 V72962 293162 V60119	002004 006010 107107 121503 904999	3
	45 800000121-1		-----*----- .. CONNECTOR- SUPPLIER CODE: V05617	002004 006010 107107 121503 904999	1
-	200 286N2072-003		WIRE BUNDLE ASSY-(PASSENGER SIGNS ONLY)	121503 904949	RF
-	200 286N2072-004		WIRE BUNDLE ASSY-(PASSENGER SIGNS ONLY)	107107	RF
-	200 286N2072-005		WIRE BUNDLE ASSY-(PASSENGER SIGNS ONLY) REWORKED BY SB: 33-0039	002004 006010 950999	RF
	205 BACC45FT14A15S		.CONNECTOR- ELECTRICAL EQUIP NUMBER: D03517 WIRING DIAGRAM REF: 332411	002004 006010 107107 121503 904999	1

MISSING ITEM NUMBERS NOT APPLICABLE

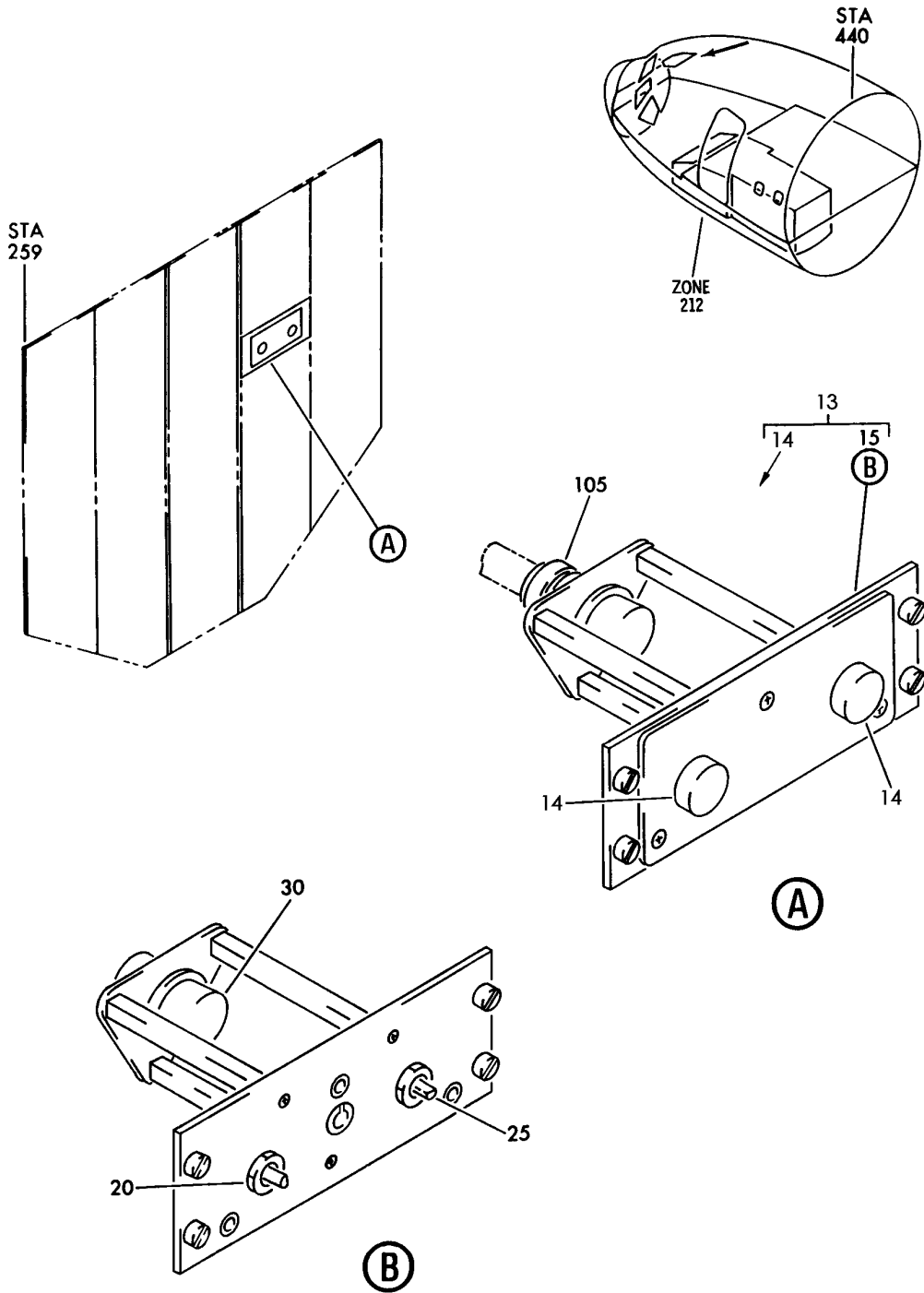
- ITEM NOT ILLUSTRATED

BRI

33-24-51-01

33-24-51
FIG. 01
PAGE 2
JAN 20/09

BOEING
757
PARTS CATALOG (MAINTENANCE)



Y 33245102 REV 247

PANEL INSTL-P5 OVHD (PASSENGER SIGNS ONLY)
FIGURE 2

33-24-51-02

BRI
MAY 28/07

33-24-51-02
PAGE 0



757

PARTS CATALOG (MAINTENANCE)

FIG ITEM	PART NUMBER	1 2 3 4 5 6 7	NOMENCLATURE	EFFECT FROM TO	UNITS PER ASSY
2			PANEL INSTL-P5 OVHD (PASSENGER SIGNS ONLY)	011106 108120 504903	
- 1	233N3101-1		PANEL INSTL-P5 OVHD (PASSENGER SIGNS ONLY) VARIABLE DRAWING REF: 233N3101-5142 FOR NHA/OTHER SYS DET SEE: 25-10-00-05A	011100	RF
- 4	233N3103-136		PANEL INSTL-P5 OVHD (PASSENGER SIGNS ONLY) FOR NHA/OTHER SYS DET SEE: 25-10-00-15E	504903	RF
- 4	233N3103-132		PANEL INSTL-P5 OVHD (PASSENGER SIGNS ONLY) FOR NHA/OTHER SYS DET SEE: 25-10-00-15E	101102	RF
- 5	233N3103-59		PANEL INSTL-P5 OVHD (PASSENGER SIGNS ONLY) FOR NHA/OTHER SYS DET SEE: 25-10-00-15E	108120	RF
- 8	MODREF170180		PANEL INSTL-P5 OVHD (PASSENGER SIGNS ONLY) MODULE NUMBER: 233N3103-353 REV B FOR OTHER SYS DETAILS SEE: 11-31-10-12 21-25-55-03 21-31-01-02 21-33-51-03 21-51-54-03 21-58-19-10 21-58-51-03 21-61-04-03 21-65-51-01 22-21-01-04 22-24-51-02 23-24-01-01 23-32-00-11 23-42-02-02 23-71-05-02 24-11-52-05 24-22-01-03 24-31-01-10 24-31-03-09 24-33-04-01 24-41-51-04 24-51-62-01 26-18-51-04	106106	1

MISSING ITEM NUMBERS NOT APPLICABLE

- ITEM NOT ILLUSTRATED

33-24-51-02

33-24-51
FIG. 02
PAGE 1
JAN 20/09

BRI



757

PARTS CATALOG (MAINTENANCE)

FIG ITEM	PART NUMBER	1 2 3 4 5 6 7 NOMENCLATURE	EFFECT FROM TO	UNITS PER ASSY
2		27-21-53-02 27-41-55-01 27-61-51-03 27-62-52-02 28-22-51-02 28-41-04-01 28-41-51-03 29-11-02-03 29-11-05-04 29-11-52-07 29-21-54-03 29-31-00-01 29-32-51-03 29-33-52-03 30-11-51-03 30-21-51-03 30-31-51-02 30-32-51-01 30-33-51-02 30-41-51-03 30-42-51-03 31-12-11-84 31-12-11-84 A 32-42-52-03 33-11-03-03 33-11-51-17 33-13-01-65 33-13-02-03 33-16-51-03 33-41-52-04 33-42-01-04 33-42-02-04 33-42-52-04 33-43-51-04 33-44-51-05 33-45-53-03 33-51-08-05 34-21-02-01 35-21-51-04 36-11-04-01 36-21-00-01 36-21-02-05 36-22-51-03 49-41-00-02 49-52-00-01 49-70-00-01 52-51-51-03 52-71-51-02 73-21-52-02		

MISSING ITEM NUMBERS NOT APPLICABLE

- ITEM NOT ILLUSTRATED

33-24-51-02

33-24-51
FIG. 02
PAGE 2
JAN 20/09

BRI



757

PARTS CATALOG (MAINTENANCE)

FIG ITEM	PART NUMBER	1 2 3 4 5 6 7	NOMENCLATURE	EFFECT FROM TO	UNITS PER ASSY
2					
- 10	MODREF33760		74-31-51-05 75-32-00-01 80-11-09-02 PANEL INSTL-P5 OVHD (PASSENGER SIGNS ONLY) MODULE NUMBER: 233N3103-351 REV C FOR OTHER SYS DETAILS SEE: 11-31-10-12 21-25-55-03 21-31-01-02 21-33-51-03 21-51-54-03 21-58-19-10 21-58-51-03 21-61-04-03 21-65-51-01 22-21-01-04 22-24-51-02 23-24-01-01 23-32-00-11 23-42-02-02 23-71-05-02 24-11-52-05 24-22-01-03 24-31-01-10 24-31-03-09 24-33-04-01 24-41-51-04 24-51-62-01 26-18-51-04 27-21-53-02 27-41-55-01 27-61-51-03 27-62-52-02 28-22-51-02 28-41-04-01 28-41-51-03 29-11-02-03 29-11-05-04 29-11-52-07 29-21-54-03 29-31-00-01 29-32-51-03 29-33-52-03 30-11-51-03 30-21-51-03 30-31-51-02 30-32-51-01	103103	1
MISSING ITEM NUMBERS NOT APPLICABLE					

- ITEM NOT ILLUSTRATED

33-24-51-02

33-24-51
 FIG. 02
 PAGE 3
 JAN 20/09

BRI

BOEING
757
PARTS CATALOG (MAINTENANCE)

FIG ITEM	PART NUMBER	1 2 3 4 5 6 7	NOMENCLATURE	EFFECT FROM TO	UNITS PER ASSY
2			30-33-51-02 30-41-51-03 30-42-51-03 31-12-11-91 31-12-11-91 A 32-42-52-03 33-11-03-03 33-11-51-17 33-13-01-65 33-13-02-03 33-16-51-03 33-41-52-04 33-42-01-04 33-42-02-04 33-42-52-04 33-43-51-04 33-44-51-05 33-45-53-03 33-51-08-05 34-21-02-01 35-21-51-04 36-11-04-01 36-21-00-01 36-21-02-05 36-22-51-03 49-41-00-02 49-52-00-01 49-70-00-01 52-51-51-03 52-71-51-02 73-21-52-02 74-31-51-05 75-32-00-01 80-11-09-02		
- 10	MODREF34038		PANEL INSTL-P5 OVHD (PASSENGER SIGNS ONLY) MODULE NUMBER: 233N3103-351 REV D FOR OTHER SYS DETAILS SEE: 11-31-10-12 21-25-55-03 21-31-01-02 21-33-51-03 21-51-54-03 21-58-19-10 21-58-51-03 21-61-04-03 21-65-51-01 22-21-01-04	104105	1
MISSING ITEM NUMBERS NOT APPLICABLE					

- ITEM NOT ILLUSTRATED

BRI

33-24-51-02

BOEING PROPRIETARY - Copyright © - Unpublished Work - See title page for details.

33-24-51
FIG. 02
PAGE 4
JAN 20/09



757

PARTS CATALOG (MAINTENANCE)

FIG ITEM	PART NUMBER	1 2 3 4 5 6 7	NOMENCLATURE	EFFECT FROM TO	UNITS PER ASSY
2			22-24-51-02 23-24-01-01 23-32-00-11 23-42-02-02 23-71-05-02 24-11-52-05 24-22-01-03 24-31-01-10 24-31-03-09 24-33-04-01 24-41-51-04 24-51-62-01 26-18-51-04 27-21-53-02 27-41-55-01 27-61-51-03 27-62-52-02 28-22-51-02 28-41-04-01 28-41-51-03 29-11-02-03 29-11-05-04 29-11-52-07 29-21-54-03 29-31-00-01 29-32-51-03 29-33-52-03 30-11-51-03 30-21-51-03 30-31-51-02 30-32-51-01 30-33-51-02 30-41-51-03 30-42-51-03 31-12-11-91 31-12-11-91 A 32-42-52-03 33-11-03-03 33-11-51-17 33-13-01-65 33-13-02-03 33-16-51-03 33-41-52-04 33-42-01-04 33-42-02-04 33-42-52-04 33-43-51-04 33-44-51-05 33-45-53-03		

MISSING ITEM NUMBERS NOT APPLICABLE

- ITEM NOT ILLUSTRATED

BRI

33-24-51-02

BOEING PROPRIETARY - Copyright © - Unpublished Work - See title page for details.

33-24-51
FIG. 02
PAGE 5
JAN 20/09



757

PARTS CATALOG (MAINTENANCE)

FIG ITEM	PART NUMBER	1 2 3 4 5 6 7	NOMENCLATURE	EFFECT FROM TO	UNITS PER ASSY
2			33-51-08-05 34-21-02-01 35-21-51-04 36-11-04-01 36-21-00-01 36-21-02-05 36-22-51-03 49-41-00-02 49-52-00-01 49-70-00-01 52-51-51-03 52-71-51-02 73-21-52-02 74-31-51-05 75-32-00-01 80-11-09-02		
13	233T3216-300		.PANEL ASSY-PASS. SIGN CONT SUPPLIER CODE: V89954 ELECTRICAL EQUIP NUMBER: M00052 COMPONENT MAINT MANUAL REF: 33-24-02	011106 108120 504903	1
14	BP248-127		..KNOB- SUPPLIER CODE: V81590	011106 108120 504903	2
15	233T3216-10		..PANEL ASSY- SUPPLIER CODE: V89954	011106 108120 504903	1
20	AC45-0009-1		...SWITCH- SUPPLIER CODE: V91812 OPTIONAL PART: AC45-0009-2 V91812	011106 108120 504903	1
20	AC45-0009-2		...SWITCH- SUPPLIER CODE: V91812 OPTIONAL PART: AC45-0009-1 V91812	011106 108120 504903	1
25	AC45-0008-1		...SWITCH- SUPPLIER CODE: V91812 OPTIONAL PART: AC45-0008-2 V91812	011106 108120 504903	1

MISSING ITEM NUMBERS NOT APPLICABLE

- ITEM NOT ILLUSTRATED

33-24-51-02

33-24-51
FIG. 02
PAGE 6
JAN 20/09

BRI



757

PARTS CATALOG (MAINTENANCE)

FIG ITEM	PART NUMBER	1 2 3 4 5 6 7	NOMENCLATURE	EFFECT FROM TO	UNITS PER ASSY
2					
25	AC45-0008-2	...	SWITCH- SUPPLIER CODE: V91812 OPTIONAL PART: AC45-0008-1 V91812	011106 108120 504903	1
30	BACC45FN14-15P	...	CONNECTOR ATTACHING PARTS	011106 108120 504903	1
- 35	NAS1801-04-05	...	SCREW	011106 108120 504903	2
- 40	K19798-04	...	NUT SUPPLIER CODE: V15653 SPECIFICATION NUMBER: BACN10NW1 OPTIONAL PART: RMA4812-160-40 V72962 293162 V60119	011106 108120 504903	2
- 100	286N2072-005	-----*	WIRE BUNDLE ASSY- REWORKED BY SB: 33-0039	011100	RF
- 101	286N2072-345		WIRE BUNDLE ASSY-	504903	RF
- 102	286N2072-343		WIRE BUNDLE ASSY	101102	RF
- 102	286N2072-355		WIRE BUNDLE ASSY-	108120	RF
- 103	286N2072-701		WIRE BUNDLE ASSY	103106	RF
105	BACC45FT14A15S	.	CONNECTOR- ELECTRICAL EQUIP NUMBER: D03517 WIRING DIAGRAM REF: 332411	011106 108120 504903	1

MISSING ITEM NUMBERS NOT APPLICABLE

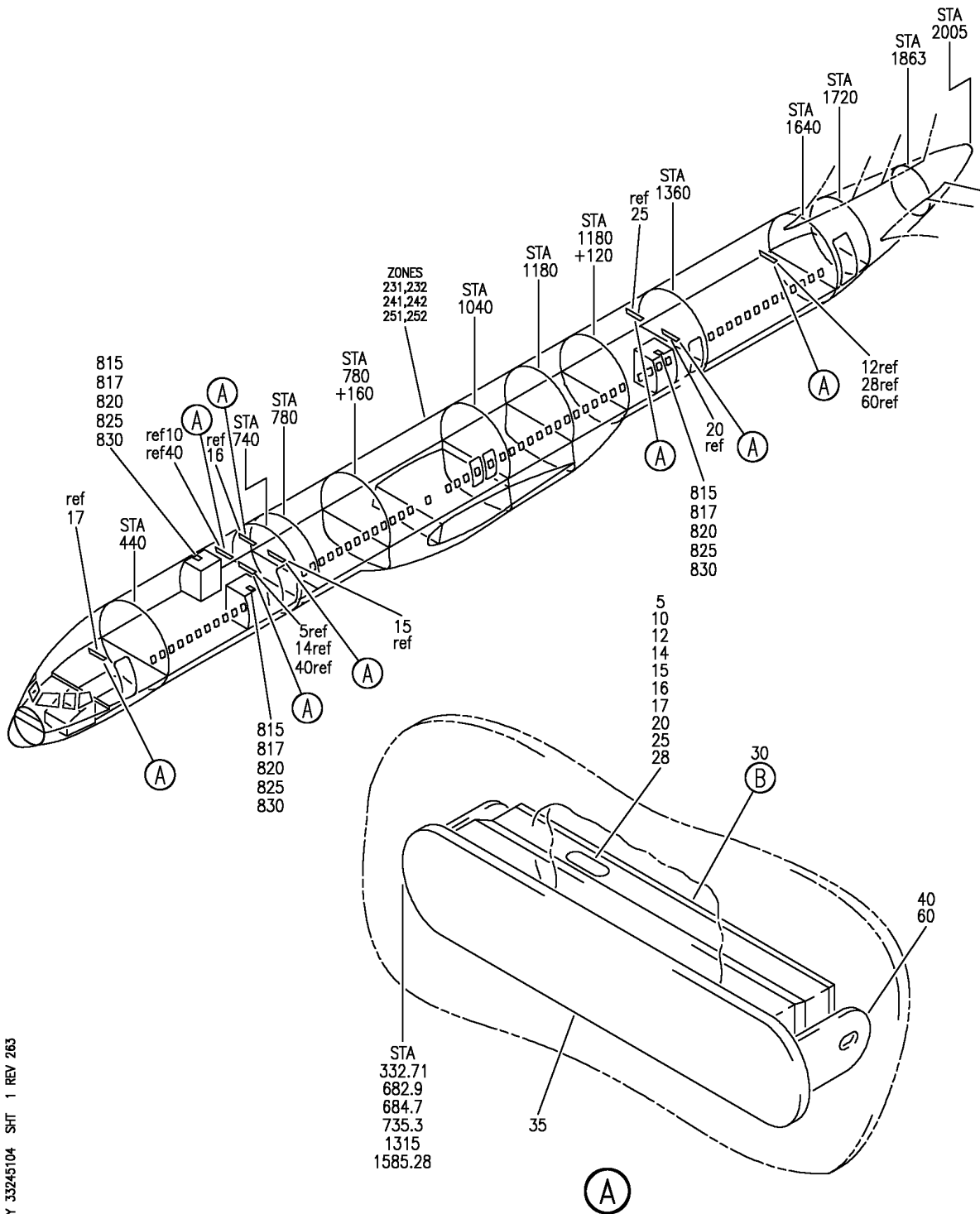
- ITEM NOT ILLUSTRATED

BRI

33-24-51-02

33-24-51
FIG. 02
PAGE 7
JAN 20/09

BOEING
757
PARTS CATALOG (MAINTENANCE)



Y 33245104 SH1 1 REV 263

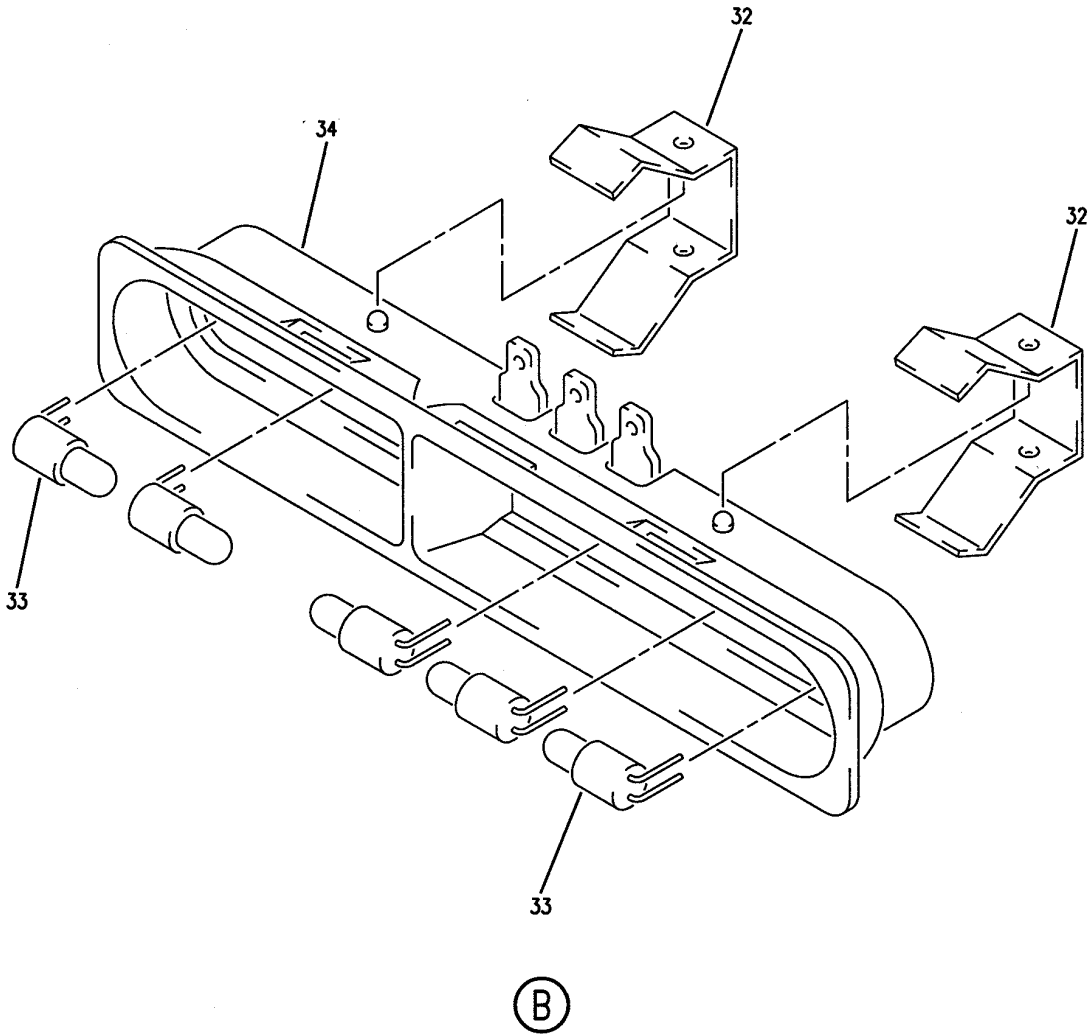
SIGN AND HARNESS INSTL LIGHTED
FIGURE 4 (SHEET 1)

33-24-51-04

BRI
JAN 20/09

33-24-51-04
PAGE 0

BOEING
757
PARTS CATALOG (MAINTENANCE)



Y 33245104 SHT 2 REV 219

SIGN AND HARNESS INSTL LIGHTED
FIGURE 4 (SHEET 2)

33-24-51-04

BRI
JAN 20/09

33-24-51-04
PAGE 0A

 **BOEING**
757
PARTS CATALOG (MAINTENANCE)

FIG ITEM	PART NUMBER	1 2 3 4 5 6 7	NOMENCLATURE	EFFECT FROM TO	UNITS PER ASSY
4			SIGN AND HARNESS INSTL LIGHTED	103106	
- 2	MODREF18593		SIGN INSTL-LIGHTED NS/FSB SIGN, AFT FACING ON BIN ENDCAP MODULE NUMBER: 417N5600-410 REV A POSITION DATA: STA 684.7 RH	103106	1
- 3	MODREF18594		SIGN INSTL-LIGHTED NS/FSB SIGN, FWD FACING ON BIN ENDCAP MODULE NUMBER: 417N5600-411 REV A POSITION DATA: STA 735.3 LH	103106	1
- 4	MODREF18595		SIGN INSTL-LIGHTED NS/FSB SIGN, AFT FACING ON LAV C MODULE NUMBER: 417N5600-412 REV A POSITION DATA: STA 1315 LH	103106	1
- 5	MODREF34825		SIGN INSTL-LIGHTED NS/FSB SIGN, AFT FACING ON LAV D MODULE NUMBER: 417N5600-413 REV B POSITION DATA: STA 1315 RH	103106	1
- 7	MODREF18599		SIGN INSTL-LIGHTED NS/FSB SIGN, FWD FACING, BIN ENDCAP MODULE NUMBER: 417N5600-418 REV A POSITION DATA: STA 735.3 RH	103106	1
- 8	MODREF18591		SIGN INSTL-LIGHTED NS/FSB SIGN, FWD FACING ON LAV A MODULE NUMBER: 417N5600-407 REV A POSITION DATA: STA 332.71 LH	103106	1

MISSING ITEM NUMBERS NOT APPLICABLE

- ITEM NOT ILLUSTRATED

BRI

33-24-51-04

BOEING PROPRIETARY - Copyright © - Unpublished Work - See title page for details.

33-24-51
FIG. 04
PAGE 1
JAN 20/09



757

PARTS CATALOG (MAINTENANCE)

FIG ITEM	PART NUMBER	1 2 3 4 5 6 7	NOMENCLATURE	EFFECT FROM TO	UNITS PER ASSY
4					
- 9	MODREF31636		SIGN INSTL-LIGHTED NS/FSB SIGN, AFT FACING ON BIN ENDCAP MODULE NUMBER: 417N5600-420 REV A POSITION DATA: STA 684.7 LH	103106	1
10	BAC27NPA1278		.MARKER-ALUMINUM FOIL NS/FSB SIGN, AFT FACING, BIN ENDCAP POSITION DATA: STA 684.70 R/H PLACARD CONTENT: L546 NS/FSB SIGN USED ON: 417N5600-402 417N5600-410 MODREF18593	103106	1
14	BAC27NPA0944		.MARKER-ALUMINUM FOIL POSITION DATA: STA 684.70 LH SIDE PLACARD CONTENT: L536 NS/FSB SIGN USED ON: MODREF31636	103106	1
15	BAC27NPA0275		.MARKER-ALUMINUM FOIL NS/FSB SIGN, FWD FACING, BIN END CAP POSITION DATA: STA 735.00 LH PLACARD CONTENT: L409 NS/FSB SIGN USED ON: 417N5600-403 417N5600-411 MODREF18594	103106	1
16	BAC27NPA0943		.MARKER-ALUMINUM FOIL POSITION DATA: STA 753,3 RH SIDE PLACARD CONTENT: L532 NSFSB SIGN USED ON: MODREF18599 417N5600-418	103106	1

MISSING ITEM NUMBERS NOT APPLICABLE

- ITEM NOT ILLUSTRATED

33-24-51-04

33-24-51
FIG. 04
PAGE 2
JAN 20/09

BRI



757

PARTS CATALOG (MAINTENANCE)

FIG ITEM	PART NUMBER	1 2 3 4 5 6 7	NOMENCLATURE	EFFECT FROM TO	UNITS PER ASSY
4	17 BAC27NPA0274		.MARKER-PLUMINUM FOIL POSITION DATA: STA 332.71 PLACARD CONTENT: L410 NS/FSB SIGN USED ON: 417N5600-407 MODREF18591	103106	1
	20 BAC27NPA1409		.MARKER-ALUMINUM FOIL NS/FSB SIGN, AFT FACING, LAV C POSITION DATA: STA 1315.00 LH PLACARD CONTENT: L848 NS/FSB SIGN USED ON: 417N5600-404 417N5600-412 MODREF18595	103106	1
	25 BAC27NPA1410		.MARKER-ALUMINUM FOIL NS/FSB SIGN, AFT FACING, LAV D POSITION DATA: STA 1315.00 RH PLACARD CONTENT: L849 NS/FSB SIGN USED ON: 417N5600-405 417N5600-413 MODREF18596 MODREF34825	103106	1
	30 82000-35701		.HOUSING ASSY- SUPPLIER CODE: VS5006 SPECIFICATION NUMBER: S479W410-1 ELECTRICAL EQUIP NUMBER: L00409 L00410 L00532 L00536 L00546 L00848 L00849 COMPONENT MAINT MANUAL REF: 33-24-01	103106	1
32	82104-35701		..SPRING-MTG SUPPLIER CODE: VS5006	103106	2

MISSING ITEM NUMBERS NOT APPLICABLE

- ITEM NOT ILLUSTRATED

33-24-51-04

33-24-51
FIG. 04
PAGE 3
JAN 20/09

BRI



757

PARTS CATALOG (MAINTENANCE)

FIG ITEM	PART NUMBER	1 2 3 4 5 6 7	NOMENCLATURE	EFFECT FROM TO	UNITS PER ASSY
4					
33	0L6034BPGPL		. . LAMP- SUPPLIER CODE: VS3774 OPTIONAL PART: 6034BPGPL VS5006	103106	5
33	6034BPGPL		. . LAMP- SUPPLIER CODE: VS5006 OPTIONAL PART: 0L6034BPGPL V31869	103106	5
34	82002-35701		. . HOUSING- SUPPLIER CODE: VS5006	103106	1
35	82000-35801		. LENS- SUPPLIER CODE: VS5006 SPECIFICATION NUMBER: S479W410-1001 COMPONENT MAINT MANUAL REF: 33-24-01	103106	1

MISSING ITEM NUMBERS NOT APPLICABLE

- ITEM NOT ILLUSTRATED

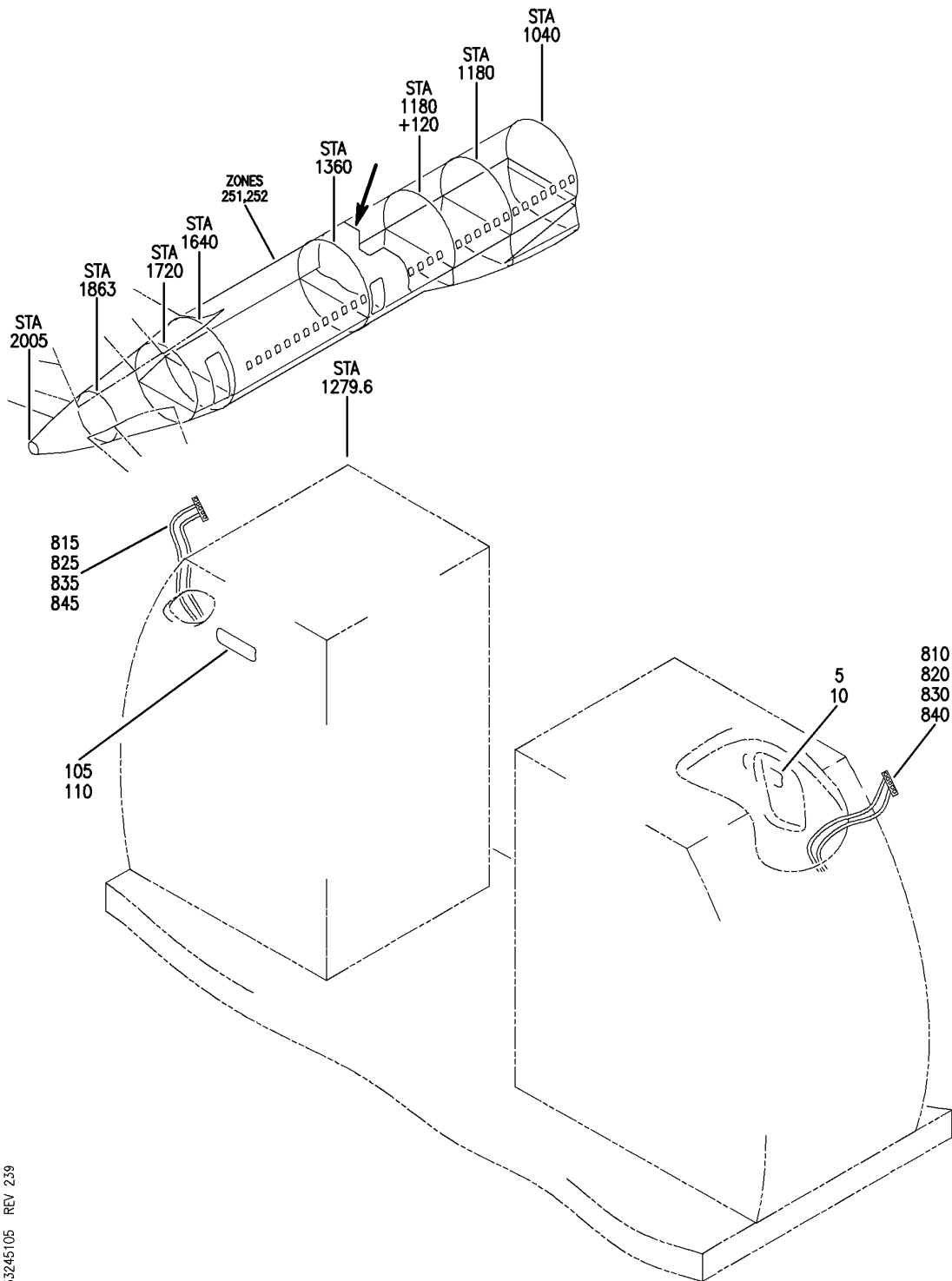
BRI

33-24-51-04

BOEING PROPRIETARY - Copyright © - Unpublished Work - See title page for details.

33-24-51
FIG. 04
PAGE 4
JAN 20/09

BOEING
757
PARTS CATALOG (MAINTENANCE)



Y. 33245105 REV 239

SIGN AND HARNESS ISTL LIGHTED
FIGURE 5

33-24-51-05

BRI
JAN 20/09

33-24-51-05
PAGE 0



757

PARTS CATALOG (MAINTENANCE)

FIG ITEM	PART NUMBER	1 2 3 4 5 6 7	NOMENCLATURE	EFFECT FROM TO	UNITS PER ASSY
5			SIGN AND HARNESS INSTL LIGHTED	103106	
- 1	MODREF18585		SIGN INSTL-LIGHTED LAV OCCUPIED SIGN, FWD FACING LAV D MODULE NUMBER: 417N5600-303 REV A POSITION DATA: STA 1279.6 RH	103106	1
	5 BAC27NEL1188		.MARKER- POSITION DATA: STA 1279.6 RH PLACARD CONTENT: L00886 LAVATORY OCCUPIED SIGN	103106	1
	10 82000-49003		.SIGN ASSY-LAV OCC SUPPLIER CODE: VS5006 SPECIFICATION NUMBER: S417A548-3 ELECTRICAL EQUIP NUMBER: L00886 COMPONENT MAINT MANUAL REF: 33-24-04 FOR DETAILS SEE: 33-24-51-90	103106	1
- 100	MODREF18586		SIGN INSTL-LIGHTED LAV OCCUPIED SIGN, AFT FACING LAV C MODULE NUMBER: 417N5600-304 REV A POSITION DATA: STA 1315 LH	103106	1
	105 BAC27NPA0285		.MARKER-ALUMINUM FOIL AFT FACING, LAV. C POSITION DATA: STA 1315.00 LH PLACARD CONTENT: L00420 LAVATORY OCCUPIED SIGN	103106	1

MISSING ITEM NUMBERS NOT APPLICABLE

- ITEM NOT ILLUSTRATED

33-24-51-05

33-24-51
FIG. 05
PAGE 1
JAN 20/09

BRI



757

PARTS CATALOG (MAINTENANCE)

FIG ITEM	PART NUMBER	1 2 3 4 5 6 7	NOMENCLATURE	EFFECT FROM TO	UNITS PER ASSY
5 110	82000-49003		.SIGN ASSY-LAV OCC SUPPLIER CODE: VS5006 SPECIFICATION NUMBER: S417A548-3 ELECTRICAL EQUIP NUMBER: L00420 COMPONENT MAINT MANUAL REF: 33-24-04 FOR DETAILS SEE: 33-24-51-90	103106	1

MISSING ITEM NUMBERS NOT APPLICABLE

- ITEM NOT ILLUSTRATED

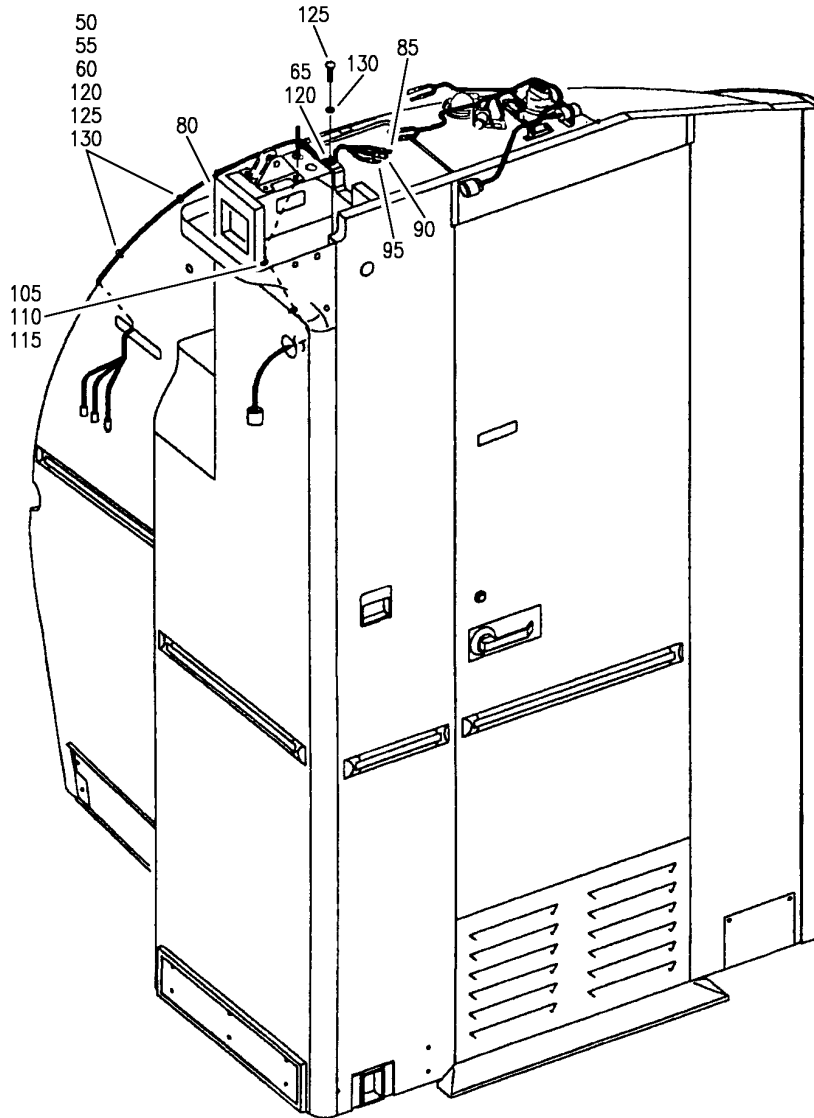
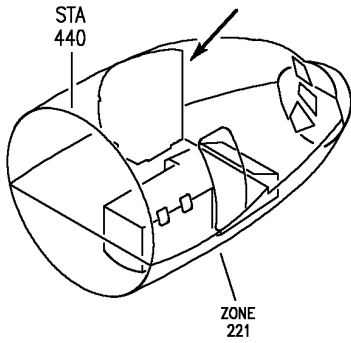
BRI

33-24-51-05

BOEING PROPRIETARY - Copyright © - Unpublished Work - See title page for details.

33-24-51
FIG. 05
PAGE 2
JAN 20/09

BOEING
757
PARTS CATALOG (MAINTENANCE)



Y 33245110 REV 278

MODULE ASSY-LAV A (LIGHTS ONLY)
FIGURE 10

33-24-51-10

BRI
JAN 20/09

33-24-51-10
PAGE 0



757

PARTS CATALOG (MAINTENANCE)

FIG ITEM	PART NUMBER	1 2 3 4 5 6 7	NOMENCLATURE	EFFECT FROM TO	UNITS PER ASSY
10			MODULE ASSY-LAV A (LIGHTS ONLY)	103106	
- 1	D71D0A012-111		MODULE ASSY-LAV A (LIGHTS ONLY) SUPPLIER CODE: VS5825 SPECIFICATION NUMBER: S417N104-1312A ELECTRICAL EQUIP NUMBER: M10012 COMPONENT MAINT MANUAL REF: 25-44-10 FOR NHA/OTHER SYS DET SEE: 25-41-01-40E	103106	RF
80	D71D95001-907		.HARNES ASSY-NO SMOKING FASTEN SEATBELT SIGN SUPPLIER CODE: VS5825	103106	1
85	48-7190		..CONNECTOR-P111 SUPPLIER CODE: V02660	103106	1
90	48-7190-1		..CONNECTOR-P113 SUPPLIER CODE: V02660	103106	1
90	AIS16P1		..CONNECTOR-P113 SUPPLIER CODE: V05574	103106	1
95	48-7191		..CONNECTOR-J112 SUPPLIER CODE: V02660	103106	1
105	BACC10DK5		.CLAMP ATTACHING PARTS	103106	1
110	NAS1801-3-6		.SCREW	103106	1
115	NAS1149D0332K		.WASHER -----*-----	103106	1

MISSING ITEM NUMBERS NOT APPLICABLE

- ITEM NOT ILLUSTRATED

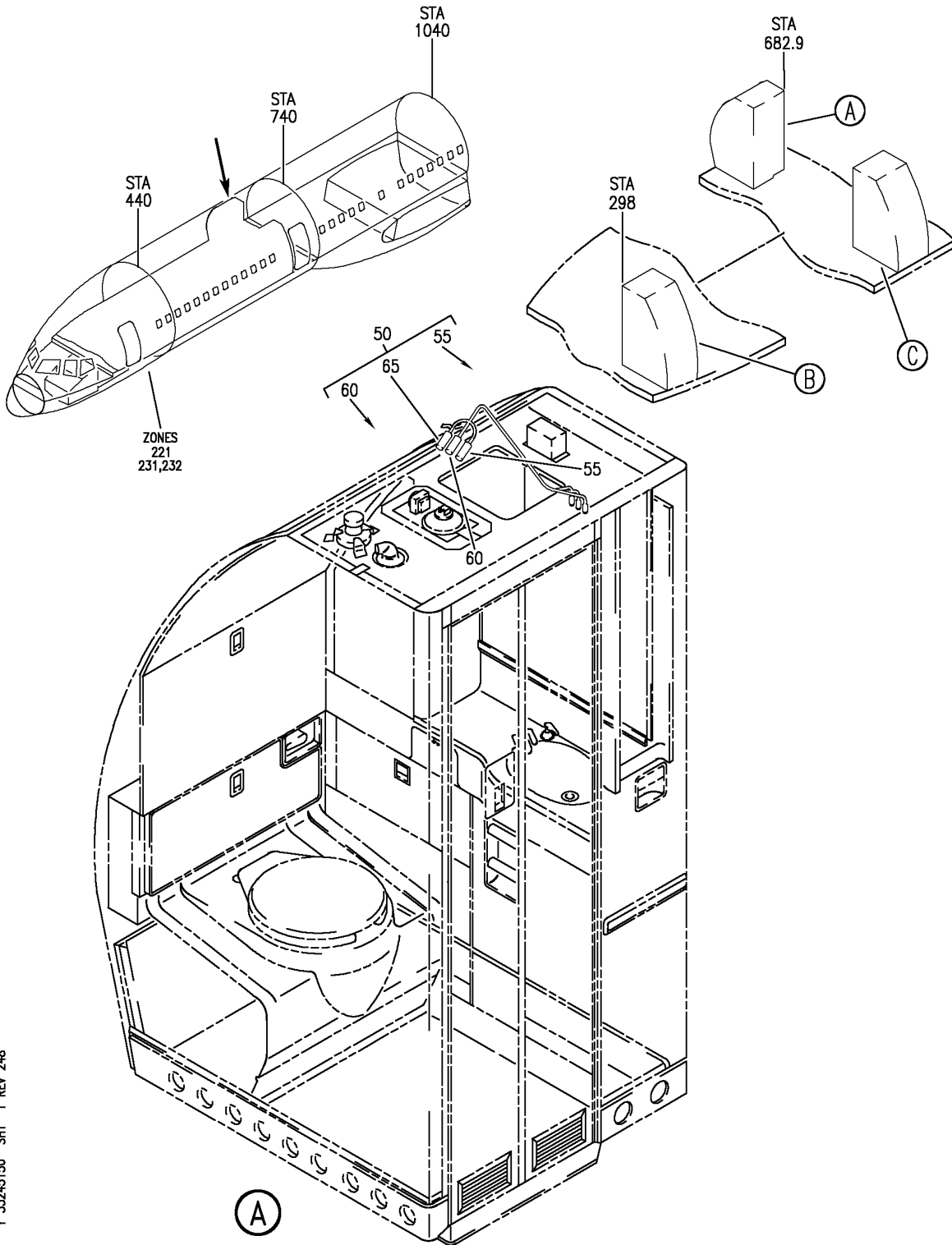
BRI

33-24-51-10

BOEING PROPRIETARY - Copyright © - Unpublished Work - See title page for details.

33-24-51
FIG. 10
PAGE 1
JAN 20/09

BOEING
757
PARTS CATALOG (MAINTENANCE)



Y 33245150 SHT 1 REV 248

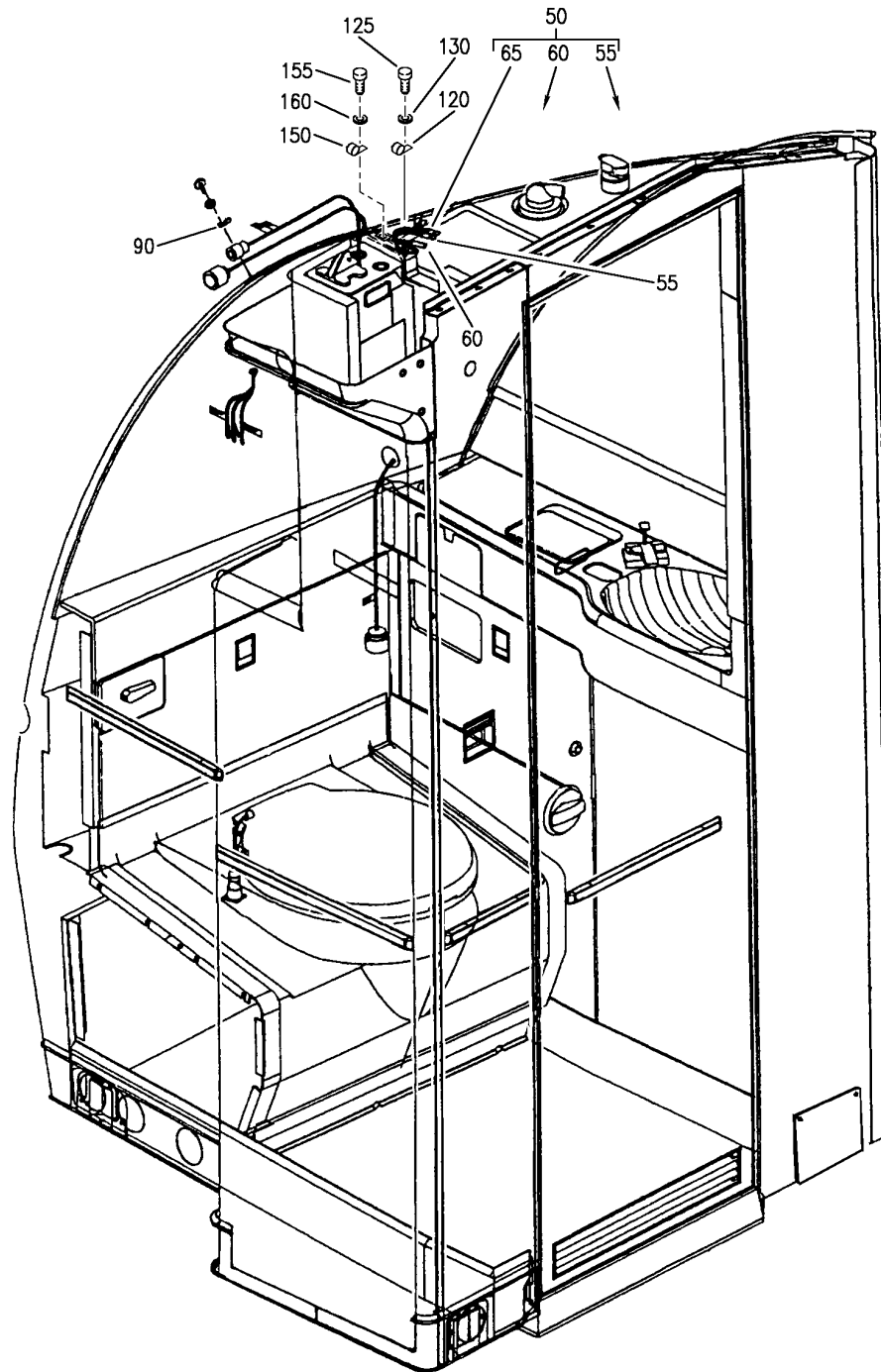
MODULE ASSY- LAV A (LIGHTS ONLY)
FIGURE 50 (SHEET 1)

33-24-51-50

BRI
MAY 28/07

33-24-51-50
PAGE 0

BOEING
 757
 PARTS CATALOG (MAINTENANCE)



(B)

Y 33245150 SH1 2 REV 250

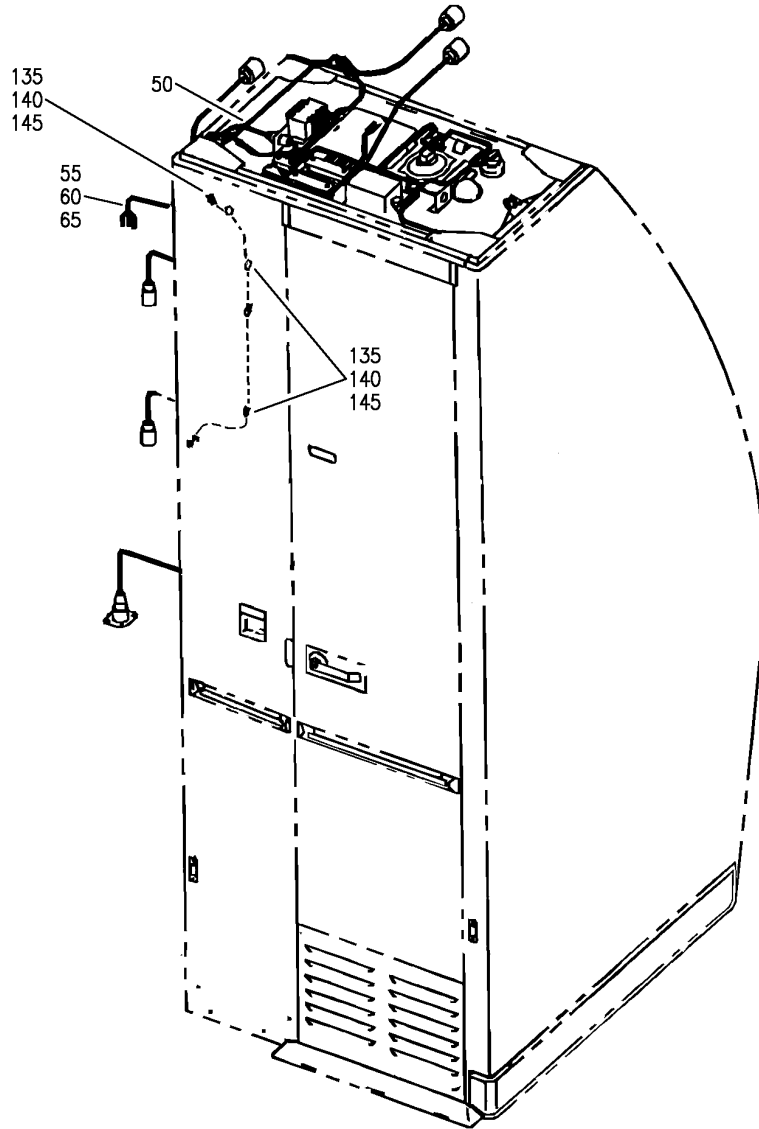
MODULE ASSY- LAV A (LIGHTS ONLY)
 FIGURE 50 (SHEET 2)

33-24-51-50

BRI
 MAY 28/07

33-24-51-50
 PAGE 0A

BOEING
757
PARTS CATALOG (MAINTENANCE)



(C)

Y 33245150 SH1 3 REV 248

MODULE ASSY- LAV A (LIGHTS ONLY)
FIGURE 50 (SHEET 3)

33-24-51-50

BRI
MAY 28/07

33-24-51-50
PAGE 0B



757

PARTS CATALOG (MAINTENANCE)

FIG ITEM	PART NUMBER	1 2 3 4 5 6 7	NOMENCLATURE	EFFECT FROM TO	UNITS PER ASSY
50			MODULE ASSY- LAV A (LIGHTS ONLY)	101102 108120	
- 1	D75D0A033-111A		MODULE ASSY-LAV A (LIGHTS ONLY) SUPPLIER CODE: VS5825 POST SERVICE BULLETIN: D75D-25-99 VS5825	101102	RF
- 1	D75D0A033-111		MODULE ASSY-LAV A (LIGHTS ONLY) SUPPLIER CODE: VS5825 SPECIFICATION NUMBER: S417N101-1037B COMPONENT MAINT MANUAL REF: 25-40-59 PRE SERVICE BULLETIN: D75D-25-99 VS5825 FOR NHA/OTHER SYS DET SEE: 25-41-01-55Z	101102	RF
- 1	D75D0A044-111		MODULE ASSY-LAV A (LIGHTS ONLY) SUPPLIER CODE: VS5825 SPECIFICATION NUMBER: S417N101-1346A ELECTRICAL EQUIP NUMBER: M10012 COMPONENT MAINT MANUAL REF: 25-40-62 FOR NHA/OTHER SYS DET SEE: 25-41-01-55A	108120	RF
50	D75D95027-111		. HARNESS ASSY-NO SMOKING FASTEN SEAT BELT SIGN SUPPLIER CODE: VS5825	101102 108120	1
55	48-7190		.. CONNECTOR-P21 SUPPLIER CODE: V02660	101102 108120	1
60	48-7191		.. CONNECTOR-J22 SUPPLIER CODE: V02660	101102 108120	1
65	48-7190-1		.. CONNECTOR-P23 SUPPLIER CODE: V02660	101102 108120	1

MISSING ITEM NUMBERS NOT APPLICABLE

- ITEM NOT ILLUSTRATED

33-24-51-50

33-24-51
FIG. 50
PAGE 1
JAN 20/09

BRI



757

PARTS CATALOG (MAINTENANCE)

FIG ITEM	PART NUMBER	1 2 3 4 5 6 7	NOMENCLATURE	EFFECT FROM TO	UNITS PER ASSY
50					
65	AIS16P1	..	CONNECTOR-P23 SUPPLIER CODE: V05574	101102 108120	1
- 70	T18R	..	TIE-INSULOK SUPPLIER CODE: VU3384 OPTIONAL PART: 89176-0001 VS5006	108120	3
- 75	BACC10DK5	.	CLAMP ATTACHING PARTS	108120	2
- 80	NAS1801-3-6	.	SCREW	108120	2
- 85	NAS1149D0332K	.	WASHER	108120	2
			-----*-----		
- 105	BACC10DK10	.	CLAMP ATTACHING PARTS	101102	1
- 110	NAS1801-3-6	.	SCREW	101102	1
- 115	NAS1149D0332K	.	WASHER	101102	1
			-----*-----		
120	BACC10DK5	.	CLAMP ATTACHING PARTS	101102	1
125	NAS1801-3-6	.	SCREW	101102	1
130	NAS1149D0332K	.	WASHER	101102	1
			-----*-----		

MISSING ITEM NUMBERS NOT APPLICABLE

- ITEM NOT ILLUSTRATED

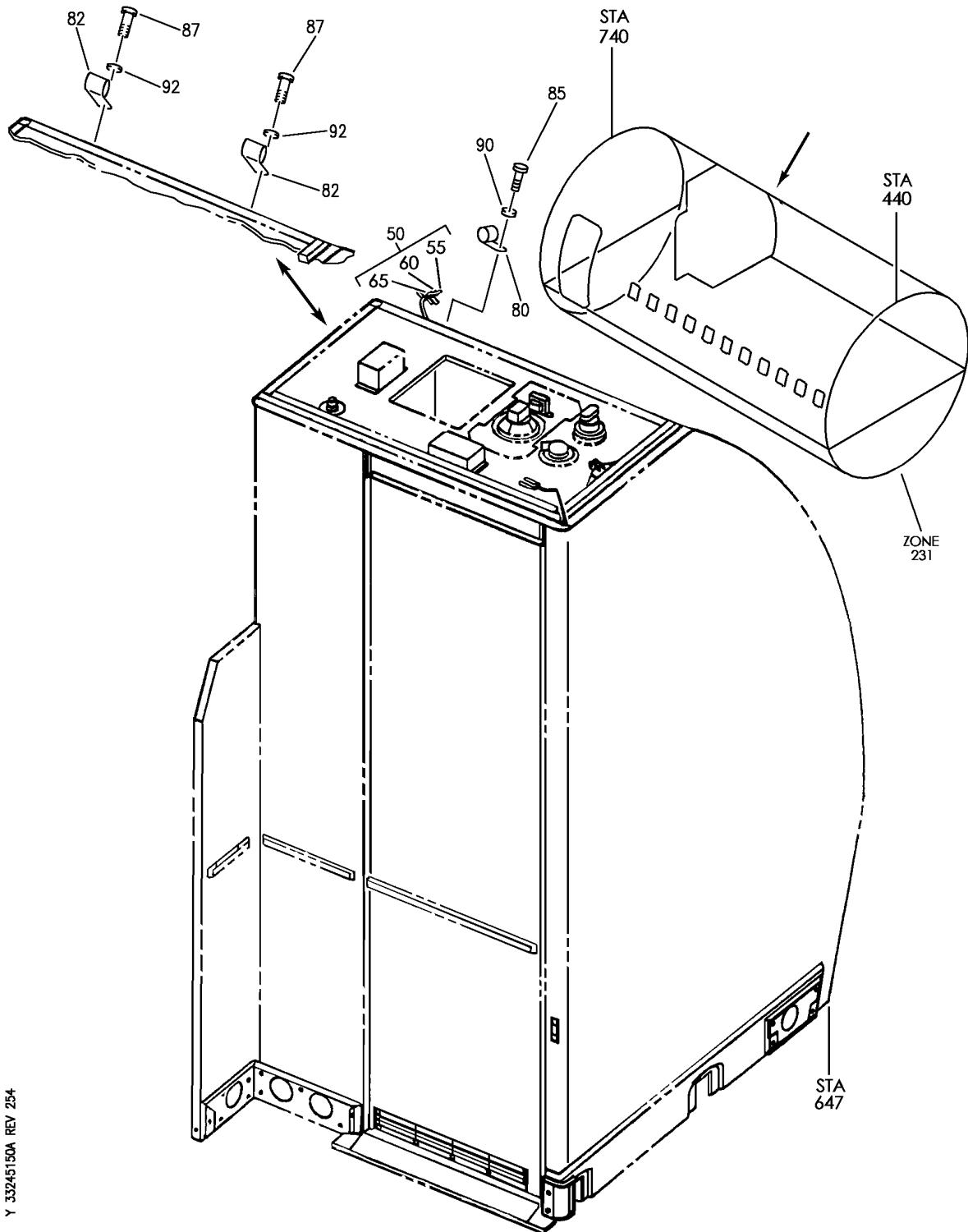
33-24-51-50

33-24-51
FIG. 50
PAGE 2
JAN 20/09

BRI

BOEING PROPRIETARY - Copyright © - Unpublished Work - See title page for details.

BOEING
 757
 PARTS CATALOG (MAINTENANCE)



Y 33245150A REV 254

MODULE ASSY-LAV S (PASSENGER SIGNS ONLY)
 FIGURE 50A

33-24-51-50A

BRI
 JAN 20/09

33-24-51-50A
 PAGE 0



757

PARTS CATALOG (MAINTENANCE)

FIG ITEM	PART NUMBER	1 2 3 4 5 6 7	NOMENCLATURE	EFFECT FROM TO	UNITS PER ASSY
50A			MODULE ASSY-LAV S (PASSENGER SIGNS ONLY)	108120	
- 1	D75D0S025-111		MODULE ASSY-LAV S (PASSENGER SIGNS ONLY) SUPPLIER CODE: VS5825 SPECIFICATION NUMBER: S417N101-8628A COMPONENT MAINT MANUAL REF: 25-40-62 FOR NHA/OTHER SYS DET SEE: 25-41-03-20A	108120	RF
50	D75D95027-111		.HARNES ASSY-NO SMOKING FASTEN SEAT BELT SIGN SUPPLIER CODE: VS5825	108120	1
55	48-7190		..CONNECTOR-P21 SUPPLIER CODE: V02660	108120	1
60	48-7191		..CONNECTOR-J22 SUPPLIER CODE: V02660	108120	1
65	48-7190-1		..CONNECTOR-P23 SUPPLIER CODE: V02660	108120	1
65	AIS16P1		..CONNECTOR-P23 SUPPLIER CODE: V05574	108120	1
- 75	D75D95065-111		.HARNES ASSY-LAV OCCUPIED SIGN SUPPLIER CODE: VS5825	108120	1
82	BACC10DK5		.CLAMP ATTACHING PARTS	108120	2
87	NAS1801-3-7		.SCREW	108120	2
92	NAS1149D0332K		.WASHER -----*-----	108120	2

MISSING ITEM NUMBERS NOT APPLICABLE

- ITEM NOT ILLUSTRATED

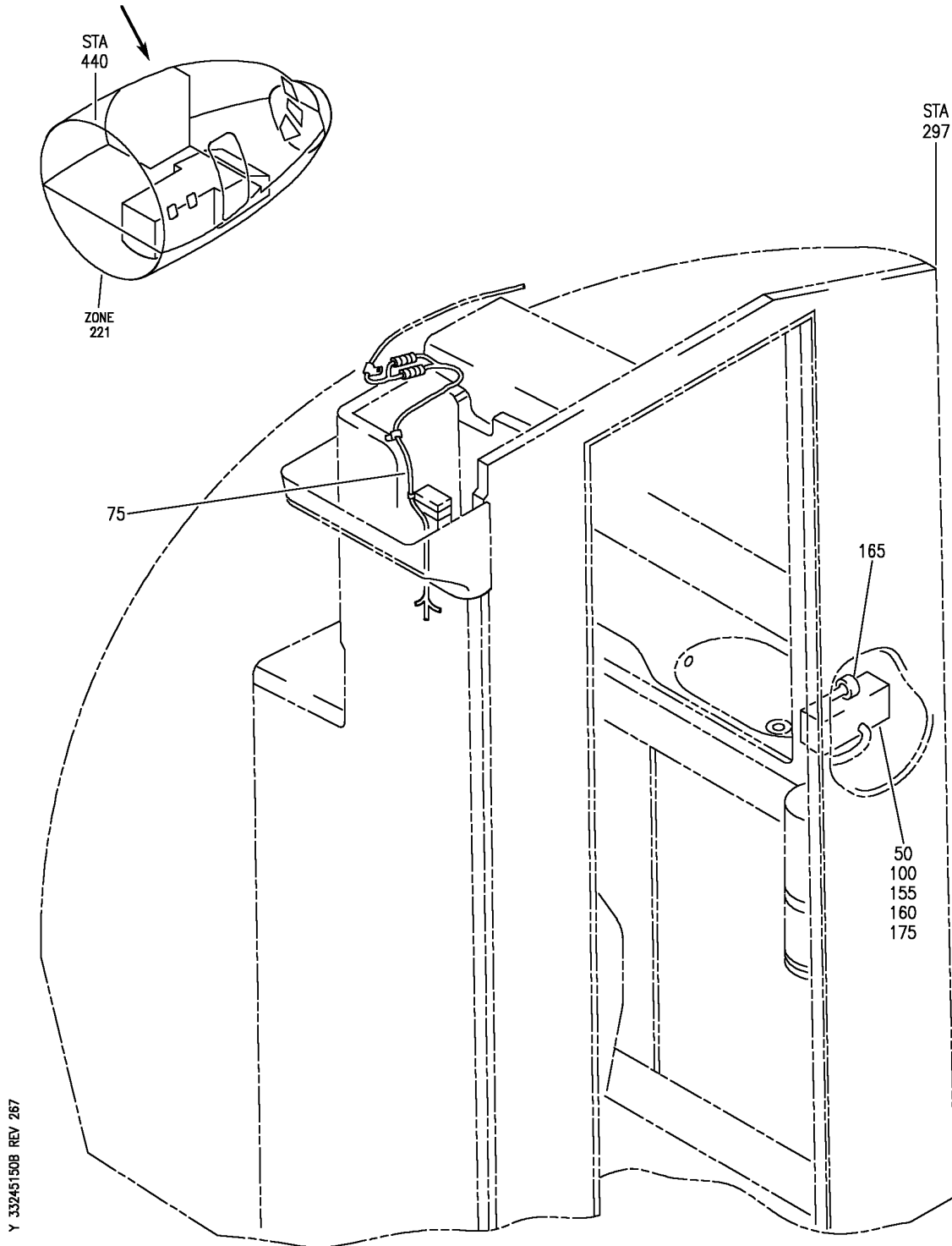
33-24-51-50A

33-24-51
FIG. 50A
PAGE 1
JAN 20/09

BRI

BOEING PROPRIETARY - Copyright © - Unpublished Work - See title page for details.

BOEING
757
PARTS CATALOG (MAINTENANCE)



ELECTRICAL ASSY-LAV A (PASSENGER SIGNS ONLY)
FIGURE 50B

33-24-51-50B

BRI
JAN 20/09

33-24-51-50B
PAGE 0



757

PARTS CATALOG (MAINTENANCE)

FIG ITEM	PART NUMBER	1 2 3 4 5 6 7	NOMENCLATURE	EFFECT FROM TO	UNITS PER ASSY
50B			ELECTRICAL ASSY-LAV A (PASSENGER SIGNS ONLY)	107107	
- 1	1A112-0088-13		ELECTRICAL ASSY-LAV A (PASSENGER SIGNS ONLY) SUPPLIER CODE: VS5825 FOR NHA/OTHER SYS DET SEE: 25-41-01-06E	107107	RF
100	2A112-0086-7		.PANEL-UTILITY SUPPLIER CODE: VS5825 CONFIG CHG DATA FROM A CMM: SUPSD BY 2A112-0086-1007	107107	1
100	2A112-0086-1007		.PANEL-UTILITY SUPPLIER CODE: VS5825 CONFIG CHG DATA FROM A CMM: SUPERSEDES 2A112-0086-7	107107	1
- 105	2A112-0086-1503		..HOUSING ASSY- SUPPLIER CODE: VS5825	107107	1
- 110	BACC45FT14-15P		...CONNECTOR-P1M1	107107	1
- 115	MS18209-387		...LAMP-L1TM1, L2TM1	107107	2
- 120	2A112-0086-1505		..COVER- SUPPLIER CODE: VS5825	107107	1
- 125	NAS603-6P		.SCREW	107107	2
- 130	NAS603-7P		.SCREW	107107	1
- 135	MS35333-39		.WASHER	107107	3
- 140	AN960D10L		.WASHER	107107	2
- 145	AN960C10L		.WASHER	107107	1
- 150	2A112-0086-287		.PANEL-UTILITY SUPPLIER CODE: VS5825	107107	1
- 150	2A112-0086-783		..HOUSING ASSY- SUPPLIER CODE: VS5825	107107	1
- 150	2A112-0086-785		..COVER ASSY- SUPPLIER CODE: VS5825	107107	1

MISSING ITEM NUMBERS NOT APPLICABLE

- ITEM NOT ILLUSTRATED

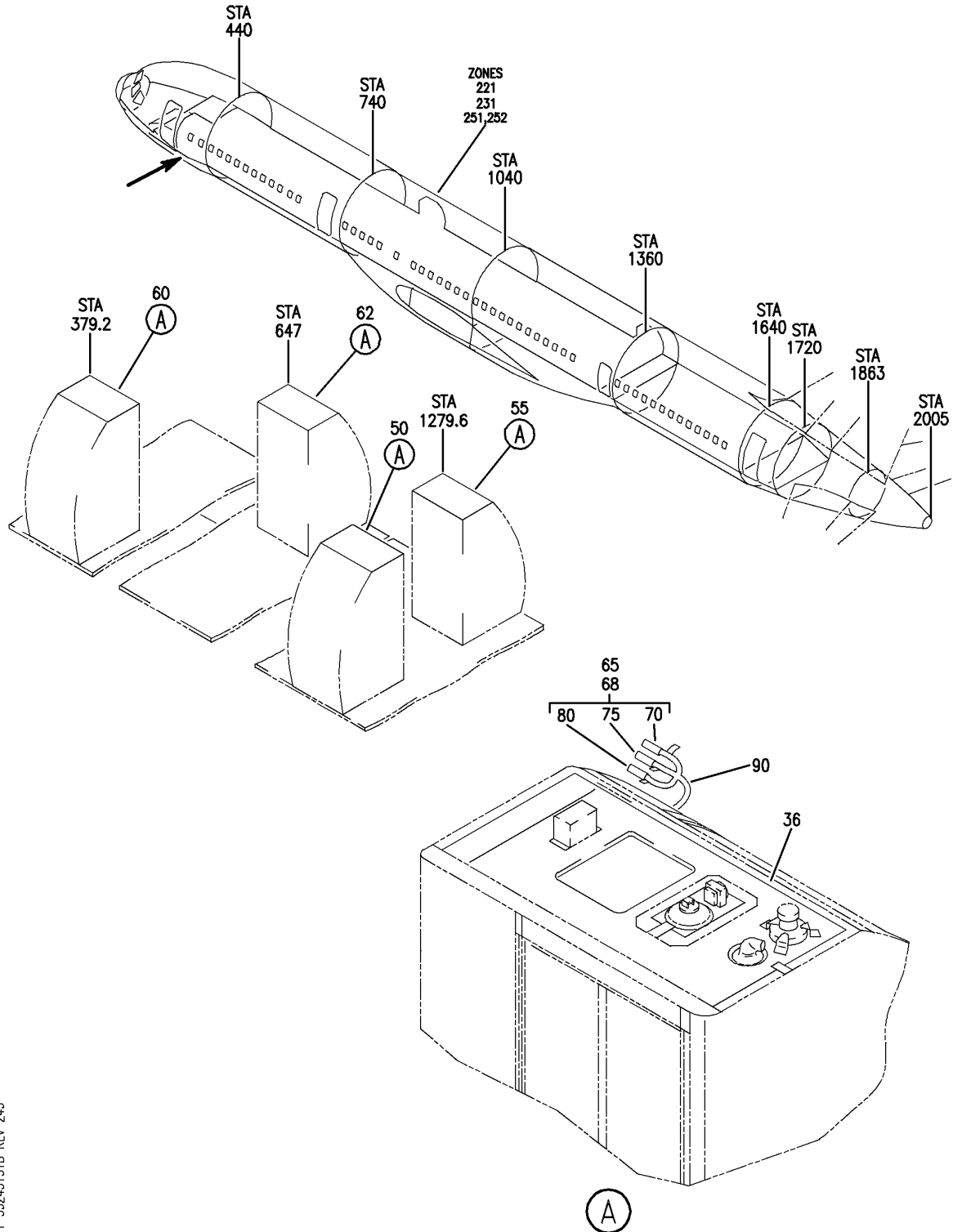
33-24-51-50B

33-24-51
FIG. 50B
PAGE 1
JAN 20/09

BRI

BOEING PROPRIETARY - Copyright © - Unpublished Work - See title page for details.

BOEING
757
PARTS CATALOG (MAINTENANCE)



Y 33245151B REV 245

CEILING ASSY-SEG 150 LAV (PASSENGER SIGNS ONLY)
FIGURE 51B

33-24-51-51B

BRI
JAN 20/09

33-24-51-51B
PAGE 0



757

PARTS CATALOG (MAINTENANCE)

FIG ITEM	PART NUMBER	1 2 3 4 5 6 7	NOMENCLATURE	EFFECT FROM TO	UNITS PER ASSY
51B			CEILING ASSY-SEG 150 LAV (PASSENGER SIGNS ONLY)	504903	
- 1	D75D15074-111		CEILING ASSY-SEG 150, LAV C (PASSENGER SIGNS ONLY) SUPPLIER CODE: VS5825 FOR NHA/OTHER SYS DET SEE: 25-41-03-50A	504903	RF
- 5	D75D15073-111		CEILING ASSY-SEG 150, LAV D (PASSENGER SIGNS ONLY) SUPPLIER CODE: VS5825 FOR NHA/OTHER SYS DET SEE: 25-41-03-51A	504903	RF
- 10	D75D15075-111		CEILING ASSY-SEG 150, LAV F (PASSENGER SIGNS ONLY) SUPPLIER CODE: VS5825 FOR NHA/OTHER SYS DET SEE: 25-41-01-12B	504903	RF
50	D75D37060-111A		.CEILING ASSY-LAV C SUPPLIER CODE: VS5825	504903	RF
55	D75D37059-111A		.CEILING ASSY-LAV D SUPPLIER CODE: VS5825	504903	RF
60	D75D37061-111A		.CEILING ASSY-LAV F SUPPLIER CODE: VS5825	504903	RF
65	D75D95027-111		..HARNES ASSY-NO SMOKING FASTEN SEAT BELT SUPPLIER CODE: VS5825	504903	1
70	48-7190		...CONNECTOR-P21 SUPPLIER CODE: V02660	504903	1
75	48-7191		...CONNECTOR-J22 SUPPLIER CODE: V02660	504903	1
80	48-7190-1		...CONNECTOR-P23 SUPPLIER CODE: V02660	504903	1
80	AIS16P1		...CONNECTOR-P23 SUPPLIER CODE: V05574	504903	1

MISSING ITEM NUMBERS NOT APPLICABLE

- ITEM NOT ILLUSTRATED

33-24-51-51B

33-24-51
FIG. 51B
PAGE 1
JAN 20/09

BRI

BOEING PROPRIETARY - Copyright © - Unpublished Work - See title page for details.



757

PARTS CATALOG (MAINTENANCE)

FIG ITEM	PART NUMBER	1 2 3 4 5 6 7	NOMENCLATURE	EFFECT FROM TO	UNITS PER ASSY
51B - 85	T18R		. . . TIE-INSULOK SUPPLIER CODE: VU3384 OPTIONAL PART: 89176-0001 VS5006	504903	3

MISSING ITEM NUMBERS NOT APPLICABLE

- ITEM NOT ILLUSTRATED

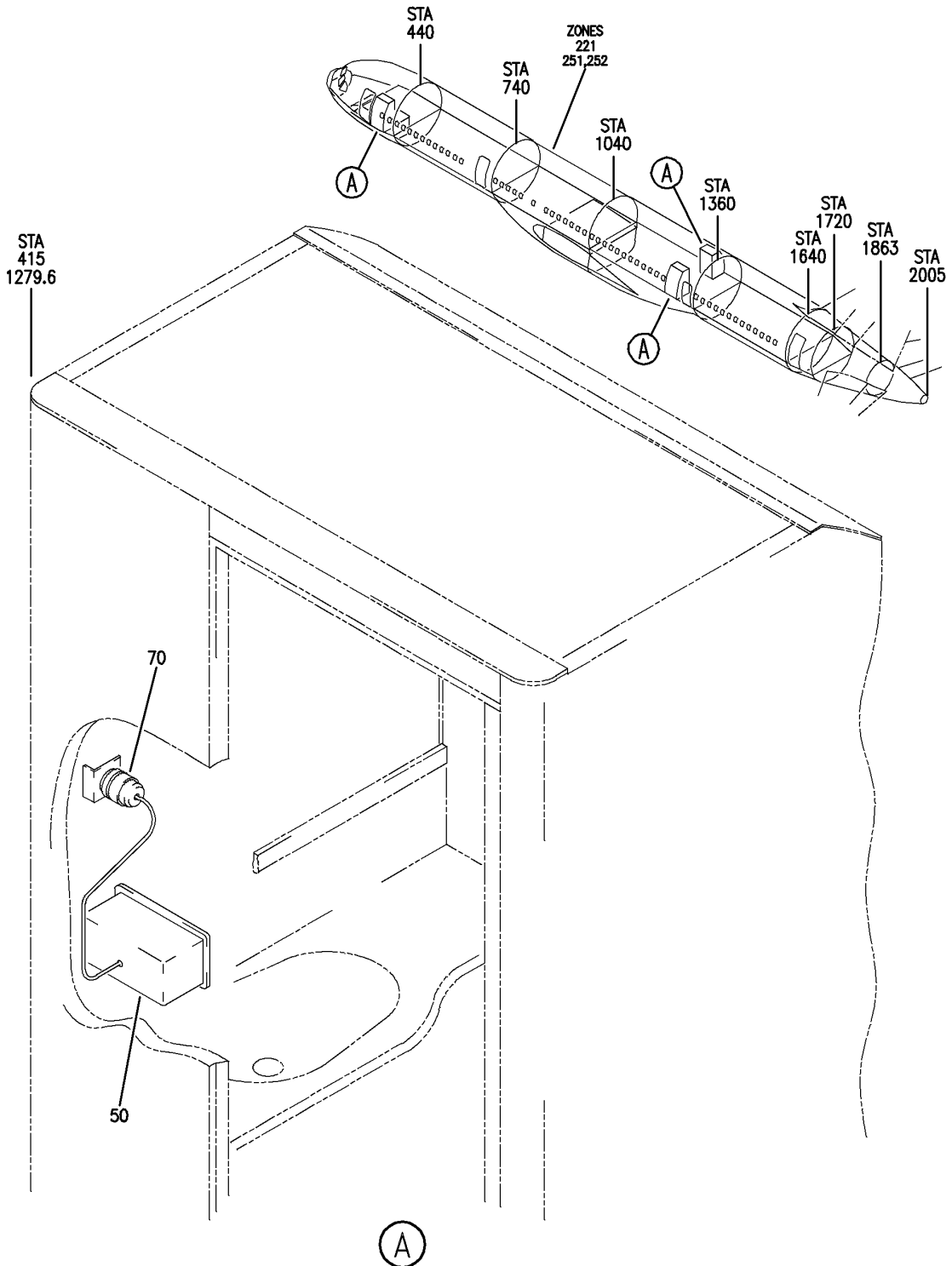
BRI

33-24-51-51B

BOEING PROPRIETARY - Copyright © - Unpublished Work - See title page for details.

33-24-51
FIG. 51B
PAGE 2
JAN 20/09

BOEING
757
PARTS CATALOG (MAINTENANCE)



Y 33245151C REV 241

ELECTRICAL ASSY-LAV (PASSENGER SIGNS ONLY)
FIGURE 51C

33-24-51-51C

BRI
JAN 20/09

33-24-51-51C
PAGE 0



757

PARTS CATALOG (MAINTENANCE)

FIG ITEM	PART NUMBER	1 2 3 4 5 6 7	NOMENCLATURE	EFFECT FROM TO	UNITS PER ASSY
51C			ELECTRICAL ASSY-LAV (PASSENGER SIGNS ONLY)	107107	
- 1	1A122-0089-4		ELECTRICAL ASSY-LAV C (PASSENGER SIGNS ONLY) SUPPLIER CODE: VS5825 FOR NHA/OTHER SYS DET SEE: 25-41-03-50B	107107	RF
- 5	1A122-0089-3		ELECTRICAL ASSY-LAV D (PASSENGER SIGNS ONLY) SUPPLIER CODE: VS5825 FOR NHA/OTHER SYS DET SEE: 25-41-03-51B	107107	RF
- 10	1A122-0089-13		ELECTRICAL ASSY-LAV F (PASSENGER SIGNS ONLY) SUPPLIER CODE: VS5825 FOR NHA/OTHER SYS DET SEE: 25-41-01-09E	107107	RF
50	2A122-0089-1007		.PANEL ASSY-UTILITY LAV D AND F SUPPLIER CODE: VS5825	107107	1
50	2A122-0089-1008		.PANEL ASSY-UTILITY LAV C SUPPLIER CODE: VS5825	107107	1
- 60	2A122-0089-1503		..HOUSING ASSY-LAV D AND F SUPPLIER CODE: VS5825	107107	1
- 60	2A122-0089-1504		..HOUSING ASSY-LAV C SUPPLIER CODE: VS5825	107107	1
70	BACC45FT14-15P		...CONNECTOR-PLUG P1M1 LAV D, F, AND C	107107	1
- 80	MS18209-387		...LAMP-L1TM1, L2TM1 LAV D, F, AND C	107107	2
- 90	2A122-0089-1505		..COVER ASSY-LAV D AND F SUPPLIER CODE: VS5825	107107	1
- 90	2A122-0089-1506		..COVER ASSY-LAV C SUPPLIER CODE: VS5825	107107	1

MISSING ITEM NUMBERS NOT APPLICABLE

- ITEM NOT ILLUSTRATED

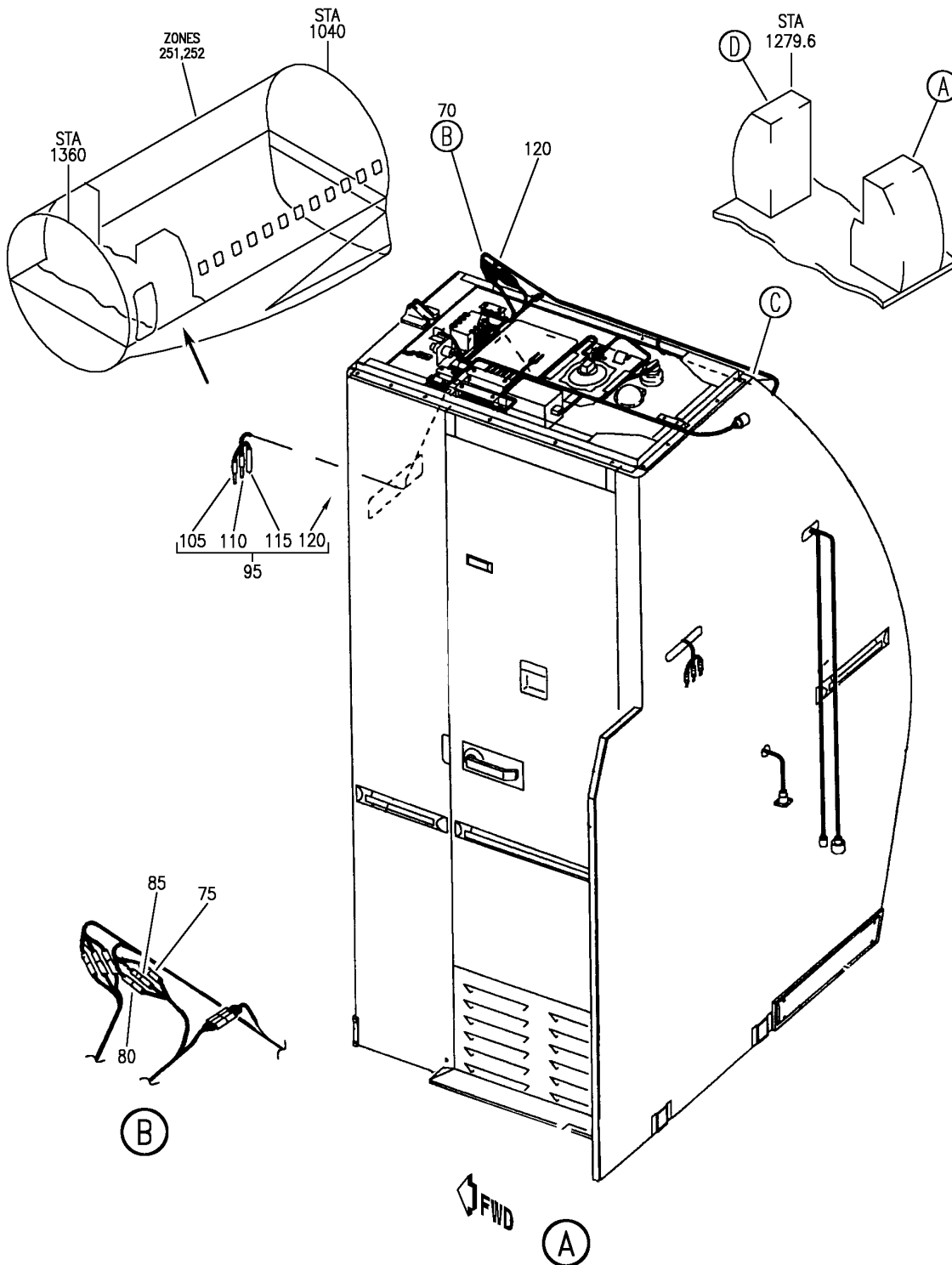
33-24-51-51C

33-24-51
FIG. 51C
PAGE 1
JAN 20/09

BRI

BOEING PROPRIETARY - Copyright © - Unpublished Work - See title page for details.

BOEING
757
PARTS CATALOG (MAINTENANCE)



Y 33245151J SHT 1 REV 262

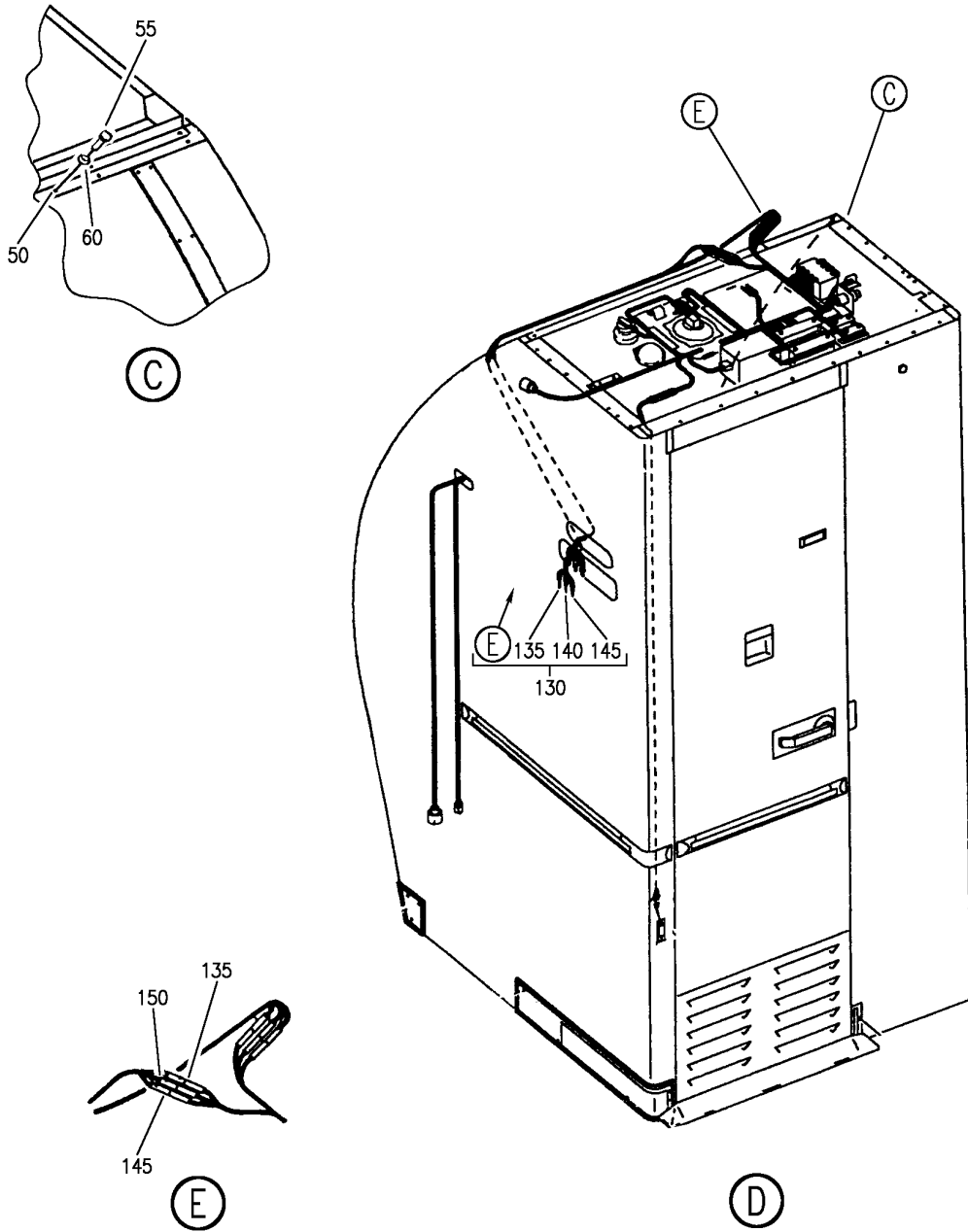
MODULE ASSY-LAV C AND D (PASSENGER SIGNS ONLY)
FIGURE 51J (SHEET 1)

33-24-51-51J

BRI
JAN 20/09

33-24-51-51J
PAGE 0

BOEING
757
PARTS CATALOG (MAINTENANCE)



Y 33245151J SHT 2 REV 262

MODULE ASSY-LAV C AND D (PASSENGER SIGNS ONLY)
FIGURE 51J (SHEET 2)

33-24-51-51J

BRI
JAN 20/09

33-24-51-51J
PAGE 0A

BOEING
757
PARTS CATALOG (MAINTENANCE)

FIG ITEM	PART NUMBER	1 2 3 4 5 6 7	NOMENCLATURE	EFFECT FROM TO	UNITS PER ASSY
51J			MODULE ASSY-LAV C AND D (PASSENGER SIGNS ONLY)	103106	
- 1	D71D0C009-111		MODULE ASSY-LAV C (PASSENGER SIGNS ONLY) SUPPLIER CODE: VS5825 SPECIFICATION NUMBER: S417N104-2609A ELECTRICAL EQUIP NUMBER: M10014 COMPONENT MAINT MANUAL REF: 25-44-10 FOR NHA/OTHER SYS DET SEE: 25-41-03-07K	103106	RF
- 5	D71D0D009-111		MODULE ASSY-LAV D (PASSENGER SIGNS ONLY) SUPPLIER CODE: VS5825 SPECIFICATION NUMBER: S417N104-3609A ELECTRICAL EQUIP NUMBER: M10015 COMPONENT MAINT MANUAL REF: 25-44-10 FOR NHA/OTHER SYS DET SEE: 25-41-03-07K	103106	RF
50	BACC10DK5		.CLAMP-NYLON, LAV D ATTACHING PARTS	103106	1
55	NAS1801-3-7		.SCREW	103106	1
60	NAS1149D0332K		.WASHER	103106	1
70	D71D95001-903		-----*----- .HARNES ASSY-NO SMOKING FASTEN SEAT BELT SIGN SUPPLIER CODE: VS5825	103106	1
75	48-7190		..CONNECTOR-P111 SUPPLIER CODE: V02660	103106	1
80	48-7190-1		..CONNECTOR-P113 SUPPLIER CODE: V02660	103106	1
80	AIS16P1		..CONNECTOR-P113 SUPPLIER CODE: V05574	103106	1
85	48-7191		..CONNECTOR-J112 SUPPLIER CODE: V02660	103106	1

MISSING ITEM NUMBERS NOT APPLICABLE

- ITEM NOT ILLUSTRATED

33-24-51-51J

33-24-51
FIG. 51J
PAGE 1
JAN 20/09

BRI

BOEING PROPRIETARY - Copyright © - Unpublished Work - See title page for details.



757

PARTS CATALOG (MAINTENANCE)

FIG ITEM	PART NUMBER	1 2 3 4 5 6 7	NOMENCLATURE	EFFECT FROM TO	UNITS PER ASSY
51J - 90	T18R		..TIE-INSULOK SUPPLIER CODE: VU3384 OPTIONAL PART: 89176-0001 VS5006	103106	4
95	D71D95002-901		.HARNESS ASSY-LAV OCCUPIED SIGN, LAV D SUPPLIER CODE: VS5825	103106	1
105	48-7190		..CONNECTOR-P23, P121 SUPPLIER CODE: V02660	103106	2
110	48-7190-1		..CONNECTOR-P22 SUPPLIER CODE: V02660	103106	1
110	AIS16P1		..CONNECTOR-P22 SUPPLIER CODE: V05574	103106	1
115	48-7191		..CONNECTOR-J21, J122 SUPPLIER CODE: V02660	103106	2
120	48-7191-1		..RECEPTACLE-J123 SUPPLIER CODE: V02660	103106	1
- 125	T18R		..TIE-INSULOK SUPPLIER CODE: VU3384 OPTIONAL PART: 89176-0001 VS5006	103106	4
130	D71D95003-901		.HARNESS ASSY-LAV OCCUPIED SIGN, LAV C SUPPLIER CODE: VS5825	103106	1
135	48-7190		..CONNECTOR-P53, P124 SUPPLIER CODE: V02660	103106	2
140	48-7190-1		..CONNECTOR-P52 SUPPLIER CODE: V02660	103106	1
140	AIS16P1		..CONNECTOR-P52 SUPPLIER CODE: V05574	103106	1
145	48-7191		..CONNECTOR-J51, J125 SUPPLIER CODE: V02660	103106	2

MISSING ITEM NUMBERS NOT APPLICABLE

- ITEM NOT ILLUSTRATED

33-24-51-51J

33-24-51
FIG. 51J
PAGE 2
JAN 20/09

BRI

BOEING PROPRIETARY - Copyright © - Unpublished Work - See title page for details.



757

PARTS CATALOG (MAINTENANCE)

FIG ITEM	PART NUMBER	1 2 3 4 5 6 7	NOMENCLATURE	EFFECT FROM TO	UNITS PER ASSY
51J 150	48-7191-1		..RECEPTACLE-P126 SUPPLIER CODE: V02660	103106	1
- 155	T18R		..TIE-INSULOK SUPPLIER CODE: VU3384 OPTIONAL PART: 89176-0001 VS5006	103106	6

MISSING ITEM NUMBERS NOT APPLICABLE

- ITEM NOT ILLUSTRATED

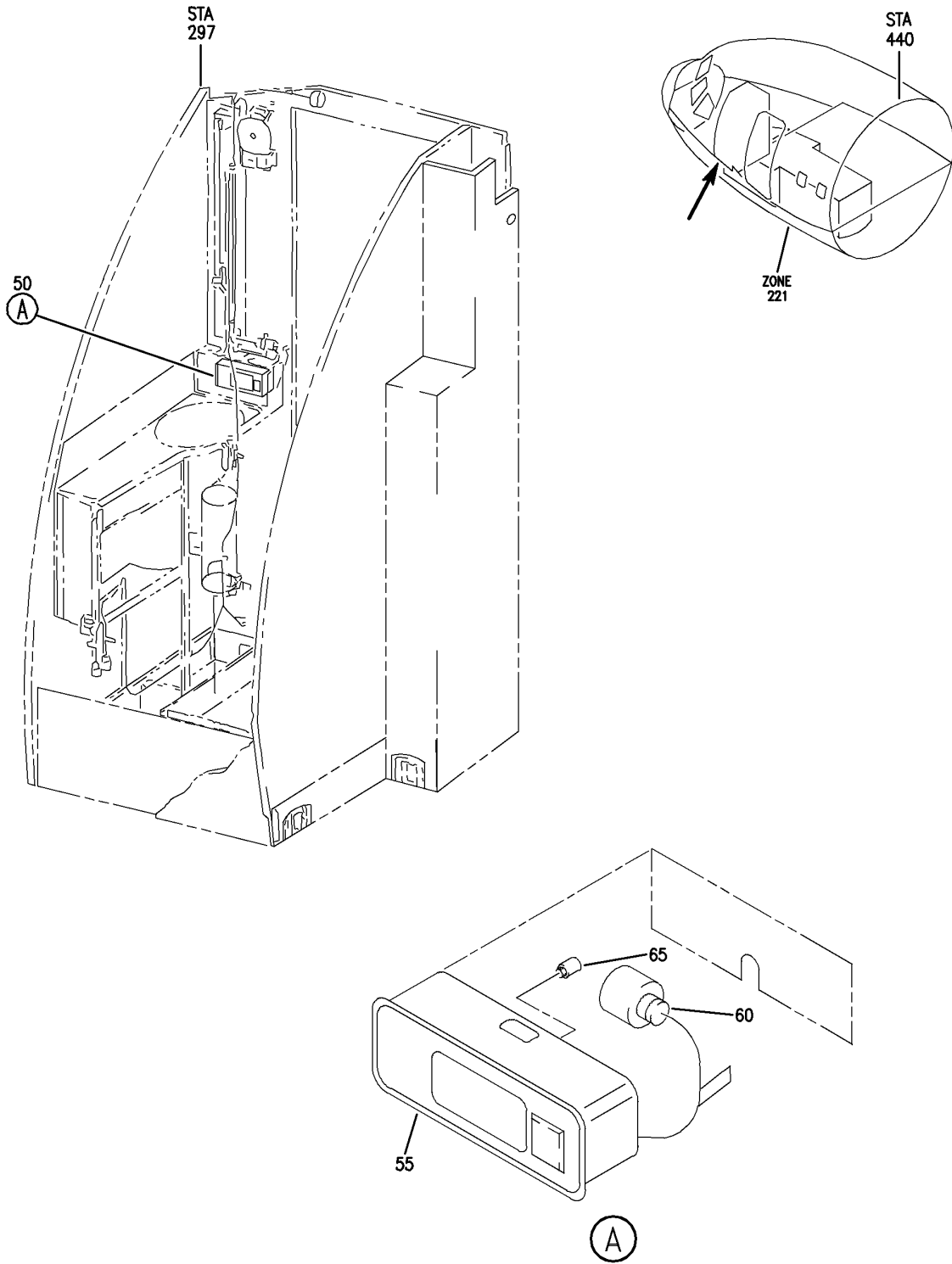
BRI

33-24-51-51J

BOEING PROPRIETARY - Copyright © - Unpublished Work - See title page for details.

33-24-51
FIG. 51J
PAGE 3
JAN 20/09

BOEING
757
PARTS CATALOG (MAINTENANCE)



Y 33245153 REV 233

WALL ASSY-OUT SEG 110, LAV A (PASSENGER SIGNS ONLY)
FIGURE 53

33-24-51-53

BRI
JAN 20/09

33-24-51-53
PAGE 0



757

PARTS CATALOG (MAINTENANCE)

FIG ITEM	PART NUMBER	1 2 3 4 5 6 7	NOMENCLATURE	EFFECT FROM TO	UNITS PER ASSY
53			WALL ASSY-OUT SEG 110, LAV A (PASSENGER SIGNS ONLY)	504903	
- 1	D75D11263-111		WALL ASSY-OUT SEG 110, LAV A (PASSENGER SIGNS ONLY) SUPPLIER CODE: VS5825 FOR NHA/OTHER SYS DET SEE: 25-41-01-12	504903	RF
50	D75D94013-111AA		.MODULE ASSY-AUX, (M1), SUPPLIER CODE: VS5825	504903	1
55	D75D30790-111AA		..HOUSING ASSY-RETURN TO SEAT SIGN SUPPLIER CODE: VS5825	504903	1
60	BACC45FT14-15P		...CONNECTOR-(P1M1)	504903	1
65	MS18209-387		..LAMP- CONFIG CHG DATA FROM A CMM: SUPSD BY MS25237-387	504903	2
65	MS25237-387		..LAMP-(L1TM1), (L2TM1) CONFIG CHG DATA FROM A CMM: SUPSDS MS18209-387	504903	2
- 70	D75D30785-111		..COVER- SUPPLIER CODE: VS5825	504903	1

MISSING ITEM NUMBERS NOT APPLICABLE

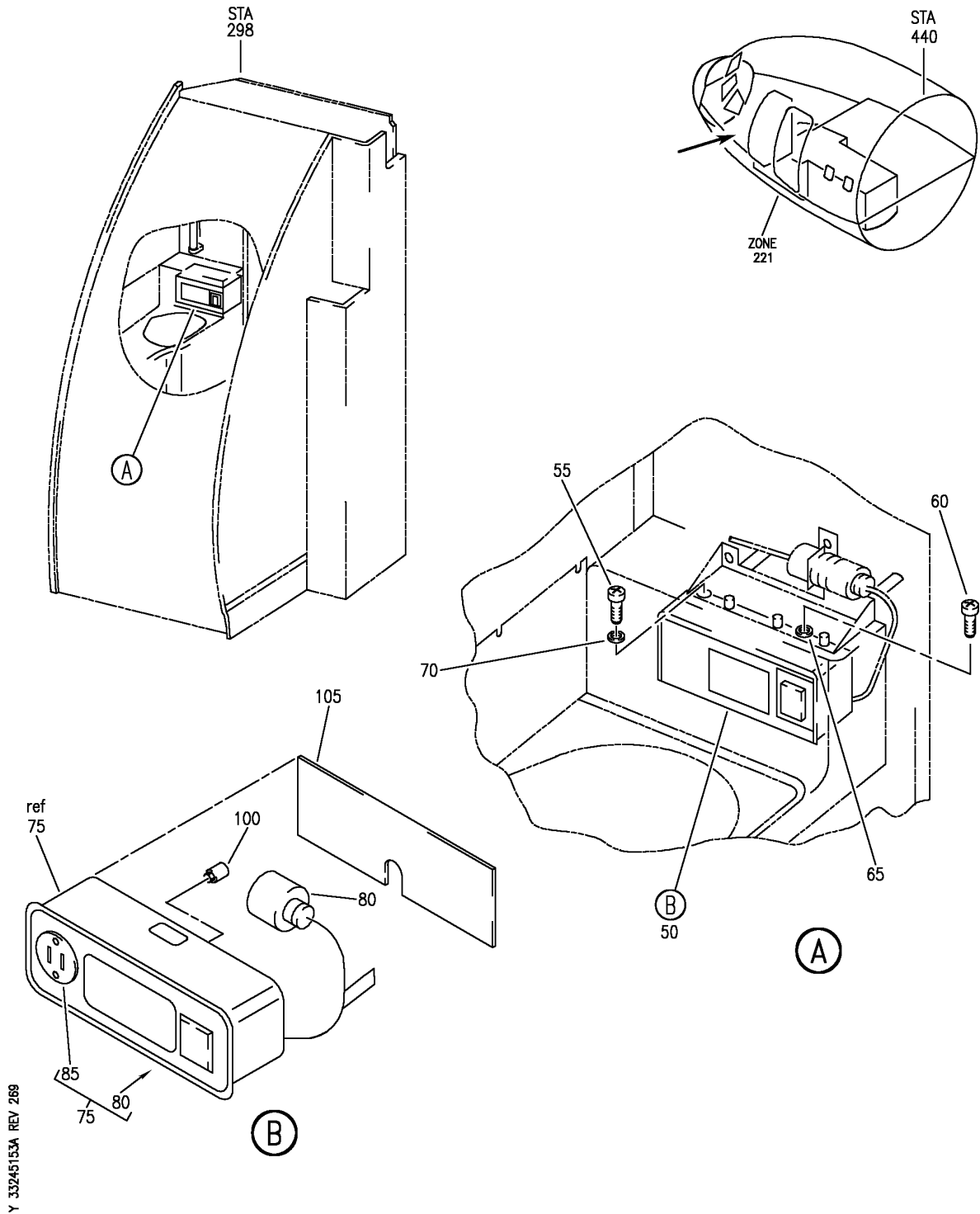
- ITEM NOT ILLUSTRATED

33-24-51-53

33-24-51
FIG. 53
PAGE 1
JAN 20/09

BRI

BOEING
757
PARTS CATALOG (MAINTENANCE)



WALL ASSY-OUT SEG 110 LAV A (PASSENGER SIGNS ONLY)
FIGURE 53A

33-24-51-53A

BRI
MAY 28/07

33-24-51-53A
PAGE 0



757

PARTS CATALOG (MAINTENANCE)

FIG ITEM	PART NUMBER	1 2 3 4 5 6 7	NOMENCLATURE	EFFECT FROM TO	UNITS PER ASSY
53A			WALL ASSY-OUT SEG 110 LAV A (PASSENGER SIGNS ONLY)	101102	
- 1	D75D11230-111		WALL ASSY-SEG 110, LAV A (PASSENGER SIGNS ONLY) SUPPLIER CODE: VS5825 FOR NHA/OTHER SYS DET SEE: 25-41-01-46A ATTACHING PARTS	101102	RF
55	NAS1801-3-7	.SCREW		101102	1
60	NAS514P1032-8	.SCREW		101102	1
65	D75D70655-111	.SPACER-	SUPPLIER CODE: VS5825	101102	1
70	NAS1149D0332K	.WASHER		101102	1
75	D75D30792-111AA	..HOUSING ASSY-RETURN TO SEAT SIGN	SUPPLIER CODE: VS5825	101102	1
80	BACC45FT14-15P	...CONNECTOR-P1M1		101102	1
100	MS25237-387	..LAMP-L1TM1, L2TM1		101102	2
105	D75D30785-111	..COVER-	SUPPLIER CODE: VS5825	101102	1

MISSING ITEM NUMBERS NOT APPLICABLE

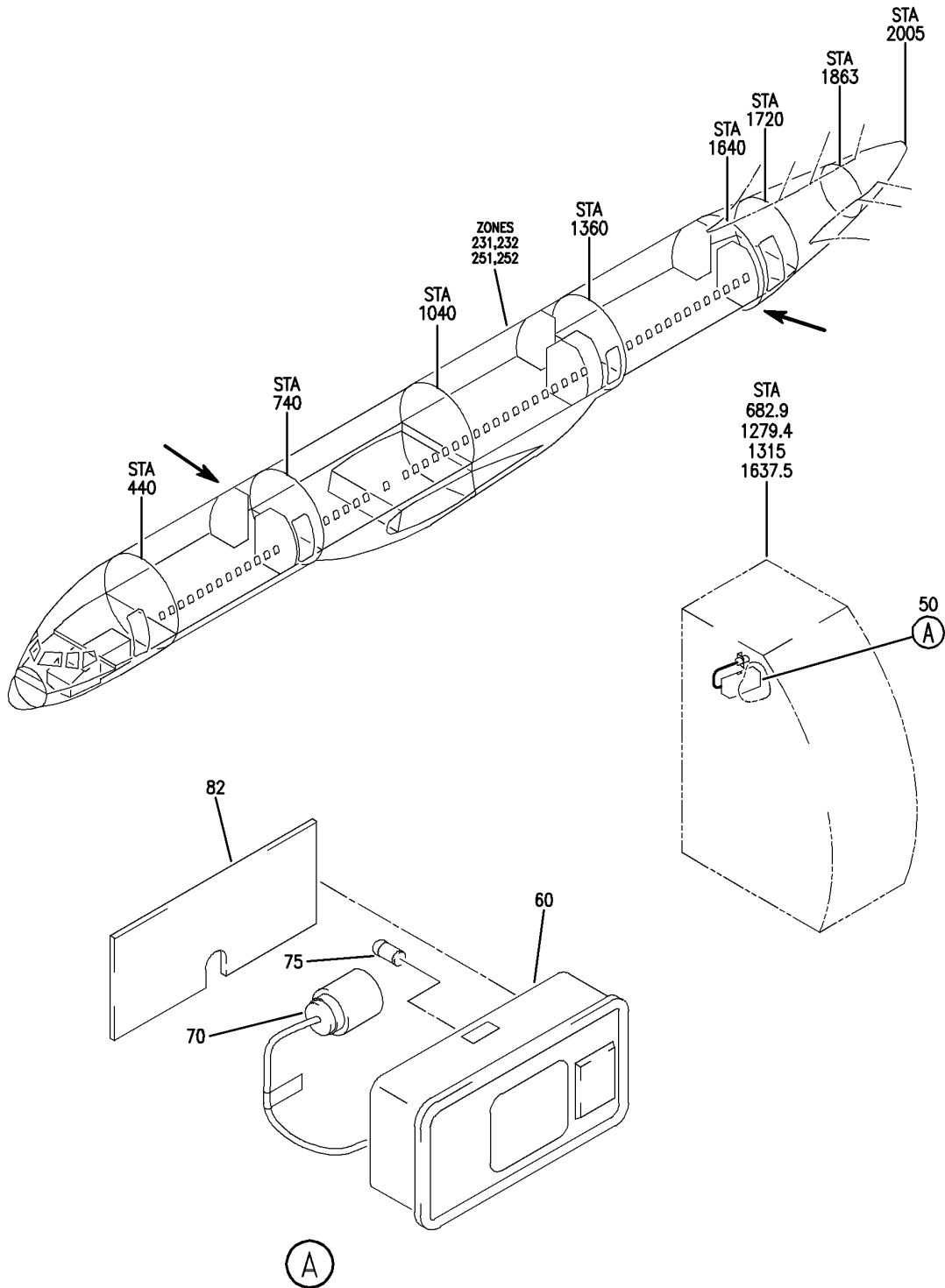
- ITEM NOT ILLUSTRATED

33-24-51-53A

33-24-51
FIG. 53A
PAGE 1
JAN 20/09

BRI

BOEING
757
PARTS CATALOG (MAINTENANCE)



Y 33245154 REV 247

WALL ASSY-OUT SEG 110, LAV (PASSENGER SIGNS ONLY)
FIGURE 54

33-24-51-54

BRI
MAY 28/07

33-24-51-54
PAGE 0



757

PARTS CATALOG (MAINTENANCE)

FIG ITEM	PART NUMBER	1 2 3 4 5 6 7	NOMENCLATURE	EFFECT FROM TO	UNITS PER ASSY
54			WALL ASSY-OUT SEG 110, LAV (PASSENGER SIGNS ONLY)	101102	
- 1	D75D11231-111		WALL ASSY-OUT SEG 110, LAV B (PASSENGER SIGNS ONLY) SUPPLIER CODE: VS5825 FOR NHA/OTHER SYS DET SEE: 25-41-03-52C	101102	RF
- 5	D75D11232-111		WALL ASSY-OUT SEG 110, LAV C (PASSENGER SIGNS ONLY) SUPPLIER CODE: VS5825 FOR NHA/OTHER SYS DET SEE: 25-41-03-50H	101102	RF
- 10	D75D11233-111		WALL ASSY-OUT SEG 110, LAV D (PASSENGER SIGNS ONLY) SUPPLIER CODE: VS5825 FOR NHA/OTHER SYS DET SEE: 25-41-03-51H	101102	RF
50	D75D94012-111AA		.MODULE ASSY-AUX M1 LAV B AND D SUPPLIER CODE: VS5825	101102	1
- 55	D75D94013-111AA		.MODULE ASSY-AUX, M1, LAV C SUPPLIER CODE: VS5825	101102	1
60	D75D30788-111AA		..HOUSING ASSY-RETURN TO SEAT SIGN LAV B AND D SUPPLIER CODE: VS5825	101102	1
- 65	D75D30790-111AA		..HOUSING ASSY-RETURN TO SEAT SIGN, LAV C SUPPLIER CODE: VS5825	101102	1
70	BACC45FT14-15P		...CONNECTOR-(P1M1)	101102	1
75	MS25237-387		..LAMP-(L1TM1), (L2TM1)	101102	2
82	D75D30784-111		..COVER-LAV B AND D SUPPLIER CODE: VS5825	101102	1
- 85	D75D30785-111		..COVER-LAV C SUPPLIER CODE: VS5825	101102	1

MISSING ITEM NUMBERS NOT APPLICABLE

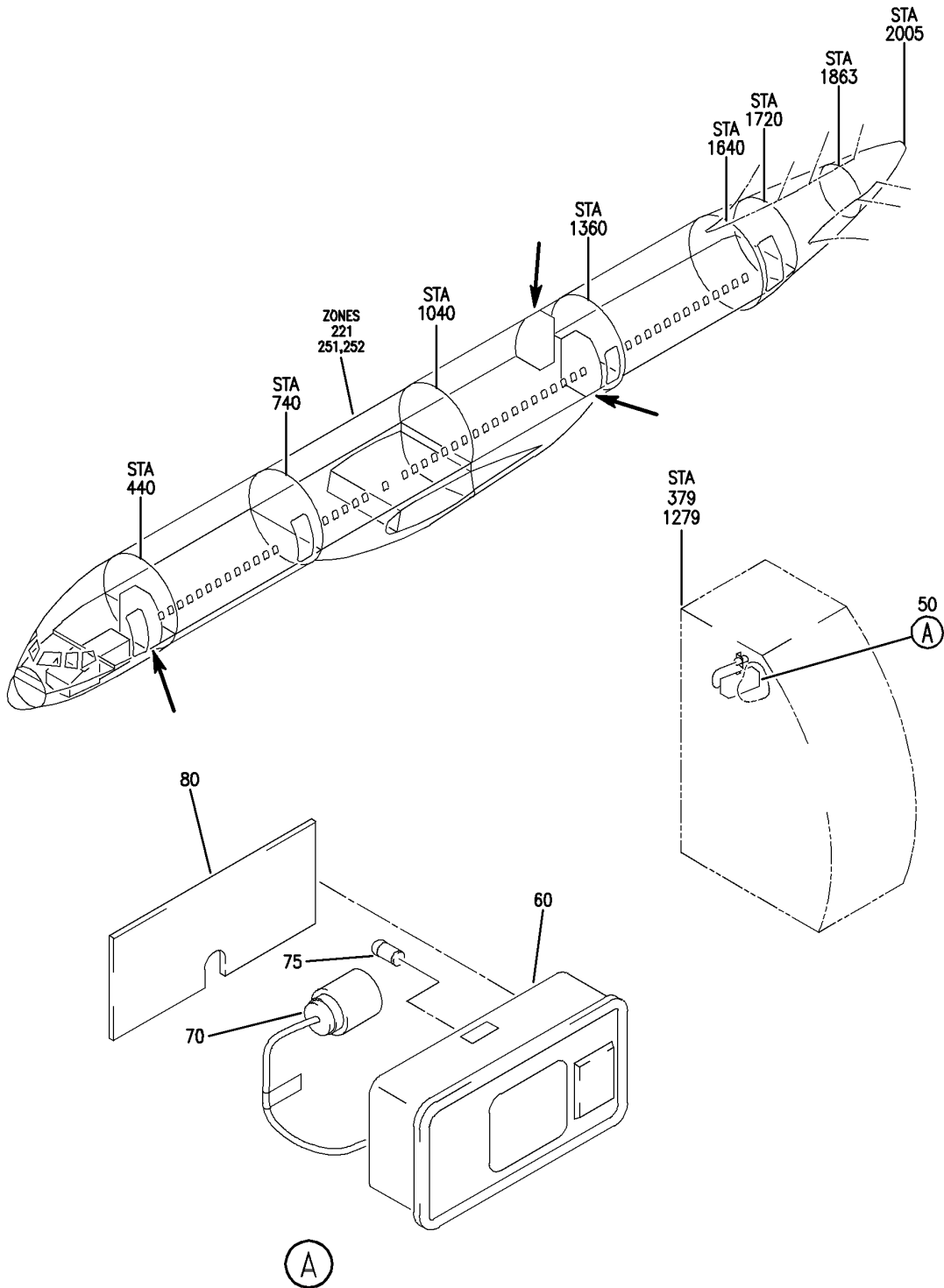
- ITEM NOT ILLUSTRATED

33-24-51-54

33-24-51
FIG. 54
PAGE 1
JAN 20/09

BRI

BOEING
757
PARTS CATALOG (MAINTENANCE)



Y 33245154A REV 238

WALL ASSY-OUT SEG 110, LAV (PASSENGER SIGNS ONLY)
FIGURE 54A

33-24-51-54A

BRI
JAN 20/09

33-24-51-54A
PAGE 0



757

PARTS CATALOG (MAINTENANCE)

FIG ITEM	PART NUMBER	1 2 3 4 5 6 7	NOMENCLATURE	EFFECT FROM TO	UNITS PER ASSY
54A					
- 1	D75D11220-111		WALL ASSY-OUT SEG 110, LAV (PASSENGER SIGNS ONLY) WALL ASSY-OUT SEG 110, LAV C (PASSENGER SIGNS ONLY) SUPPLIER CODE: VS5825 FOR NHA/OTHER SYS DET SEE: 25-41-03-50A	108120 504903 504903	RF
- 1	D75D11274-111		WALL ASSY-OUT SEG 110, LAV C (PASSENGER SIGNS ONLY) SUPPLIER CODE: VS5825 FOR NHA/OTHER SYS DET SEE: 25-41-03-25A	108120	RF
- 5	D75D11219-111		WALL ASSY-OUT SEG 110, LAV D (PASSENGER SIGNS ONLY) SUPPLIER CODE: VS5825 FOR NHA/OTHER SYS DET SEE: 25-41-03-51A	504903	RF
- 5	D75D11275-111		WALL ASSY-OUT SEG 110, LAV D (PASSENGER SIGNS ONLY) SUPPLIER CODE: VS5825 FOR NHA/OTHER SYS DET SEE: 25-41-03-51M	108120	RF
- 10	D75D11240-111		WALL ASSY-OUT SEG 110, LAV F (PASSENGER SIGNS ONLY) SUPPLIER CODE: VS5825 FOR NHA/OTHER SYS DET SEE: 25-41-01-12B	504903	RF
- 15	D75D11276-111		WALL ASSY-OUT SEG 110, LAV S (PASSENGER SIGNS ONLY) SUPPLIER CODE: VS5825 FOR NHA/OTHER SYS DET SEE: 25-41-03-08Q	108120	RF
50	D75D94013-111AA		.MODULE ASSY-AUX, (M1), LAV C SUPPLIER CODE: VS5825	108120 504903	1

MISSING ITEM NUMBERS NOT APPLICABLE

- ITEM NOT ILLUSTRATED

33-24-51-54A

33-24-51
FIG. 54A
PAGE 1
JAN 20/09

BRI

BOEING PROPRIETARY - Copyright © - Unpublished Work - See title page for details.



757

PARTS CATALOG (MAINTENANCE)

FIG ITEM	PART NUMBER	1 2 3 4 5 6 7	NOMENCLATURE	EFFECT FROM TO	UNITS PER ASSY
54A					
- 55	D75D94012-111AA	.	MODULE ASSY-AUX, (M1), LAV D AND F SUPPLIER CODE: VS5825	504903	1
- 55	D75D94012-111AA	.	MODULE ASSY-AUX, (M1), LAV D AND S SUPPLIER CODE: VS5825	108120	1
60	D75D30790-111AA	..	HOUSING ASSY-RETURN TO SEAT SIGN, LAV C SUPPLIER CODE: VS5825	108120 504903	1
- 65	D75D30788-111AA	..	HOUSING ASSY-RETURN TO SEAT SIGN, LAV D AND F SUPPLIER CODE: VS5825	504903	1
- 65	D75D30788-111AA	..	HOUSING ASSY-RETURN TO SEAT SIGN, LAV D AND S SUPPLIER CODE: VS5825	108120	1
70	BACC45FT14-15P	...	CONNECTOR-(P1M1)	108120 504903	1
75	MS18209-387	..	LAMP	504903	2
75	MS25237-387	..	LAMP-L1TM1, L2TM1	108120	2
80	D75D30785-111	..	COVER-LAV C SUPPLIER CODE: VS5825	108120 504903	1
- 85	D75D30784-111	..	COVER-LAV D AND F SUPPLIER CODE: VS5825	504903	1
- 85	D75D30784-111	..	COVER-LAV D AND S SUPPLIER CODE: VS5825	108120	1

MISSING ITEM NUMBERS NOT APPLICABLE

- ITEM NOT ILLUSTRATED

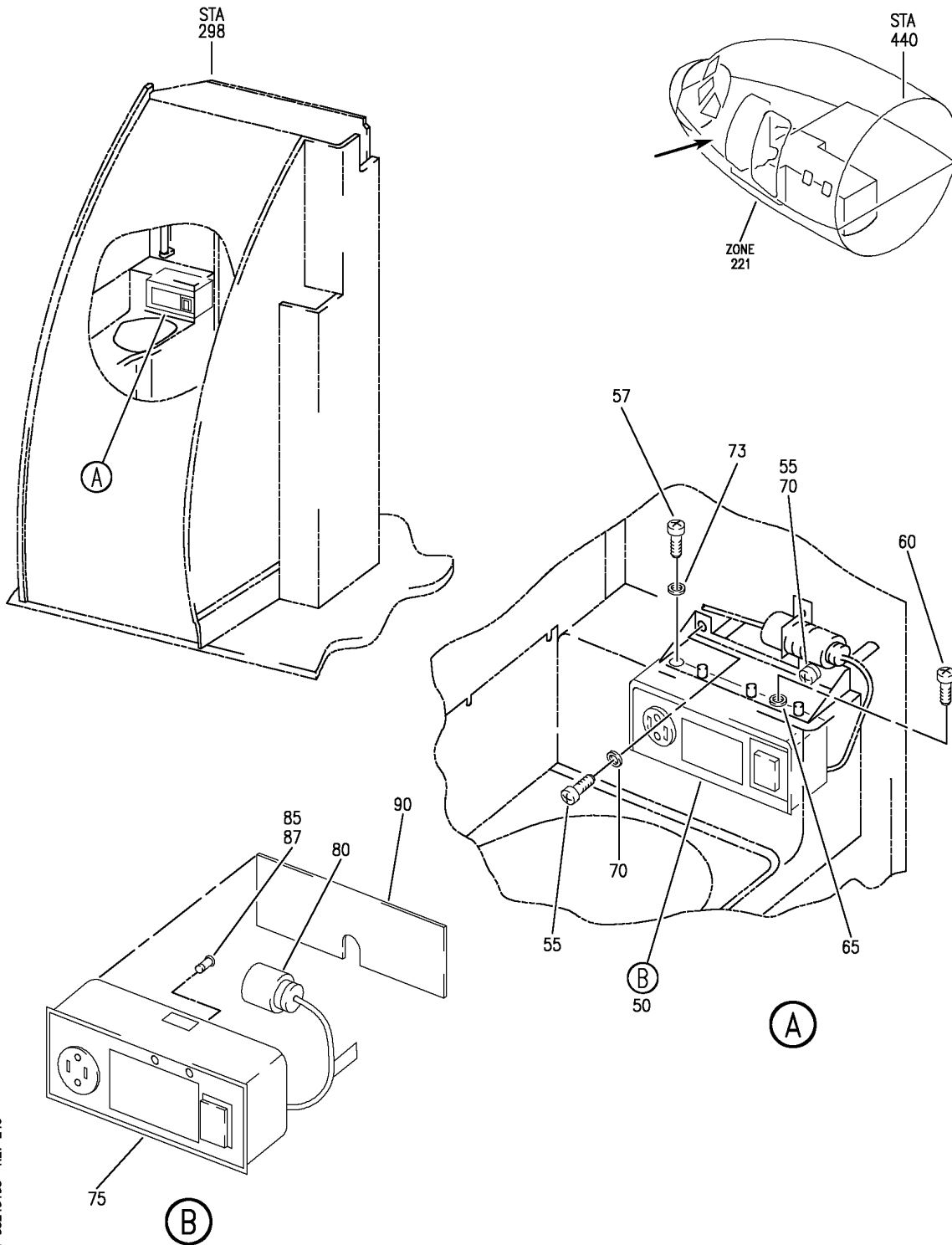
33-24-51-54A

33-24-51
FIG. 54A
PAGE 2
JAN 20/09

BRI

BOEING PROPRIETARY - Copyright © - Unpublished Work - See title page for details.

BOEING
757
PARTS CATALOG (MAINTENANCE)



Y 33245155 REV 246

WALL ASSY-OUT SEG 110 AND 100, LAV A FWD CAB. (PASSENGER SIGNS ONLY)
FIGURE 55

33-24-51-55

BRI
JAN 20/09

33-24-51-55
PAGE 0



**757
PARTS CATALOG (MAINTENANCE)**

FIG ITEM	PART NUMBER	1 2 3 4 5 6 7	NOMENCLATURE	EFFECT FROM TO	UNITS PER ASSY
55			WALL ASSY-OUT SEG 110 AND 100, LAV A FWD CAB. (PASSENGER SIGNS ONLY)	108120	
- 2	D75D11273-111		WALL ASSY-OUT SEG 110 LAV A (PASSENGER SIGNS ONLY) SUPPLIER CODE: VS5825 FOR NHA/OTHER SYS DET SEE: 25-41-01-06Q	108120	RF
50	D75D94013-111AA		.MODULE ASSY-AUX, M1 SUPPLIER CODE: VS5825 ATTACHING PARTS	108120	1
57	NAS1801-3-7		.SCREW	108120	1
60	NAS514P1032-8		.SCREW	108120	1
65	D75D70655-111		.SPACER- SUPPLIER CODE: VS5825	108120	1
73	NAS1149D0332K		.WASHER	108120	1
75	D75D30792-111AA		-----*----- ..HOUSING ASSY-RETURN TO SEAT SIGN SUPPLIER CODE: VS5825	108120	1
80	BACC45FT14-15P		...CONNECTOR-P1M1	108120	1
87	MS25237-387		..LAMP-L1TM1, L2TM1	108120	2
90	D75D30785-111		..COVER- SUPPLIER CODE: VS5825	108120	1

MISSING ITEM NUMBERS NOT APPLICABLE

- ITEM NOT ILLUSTRATED

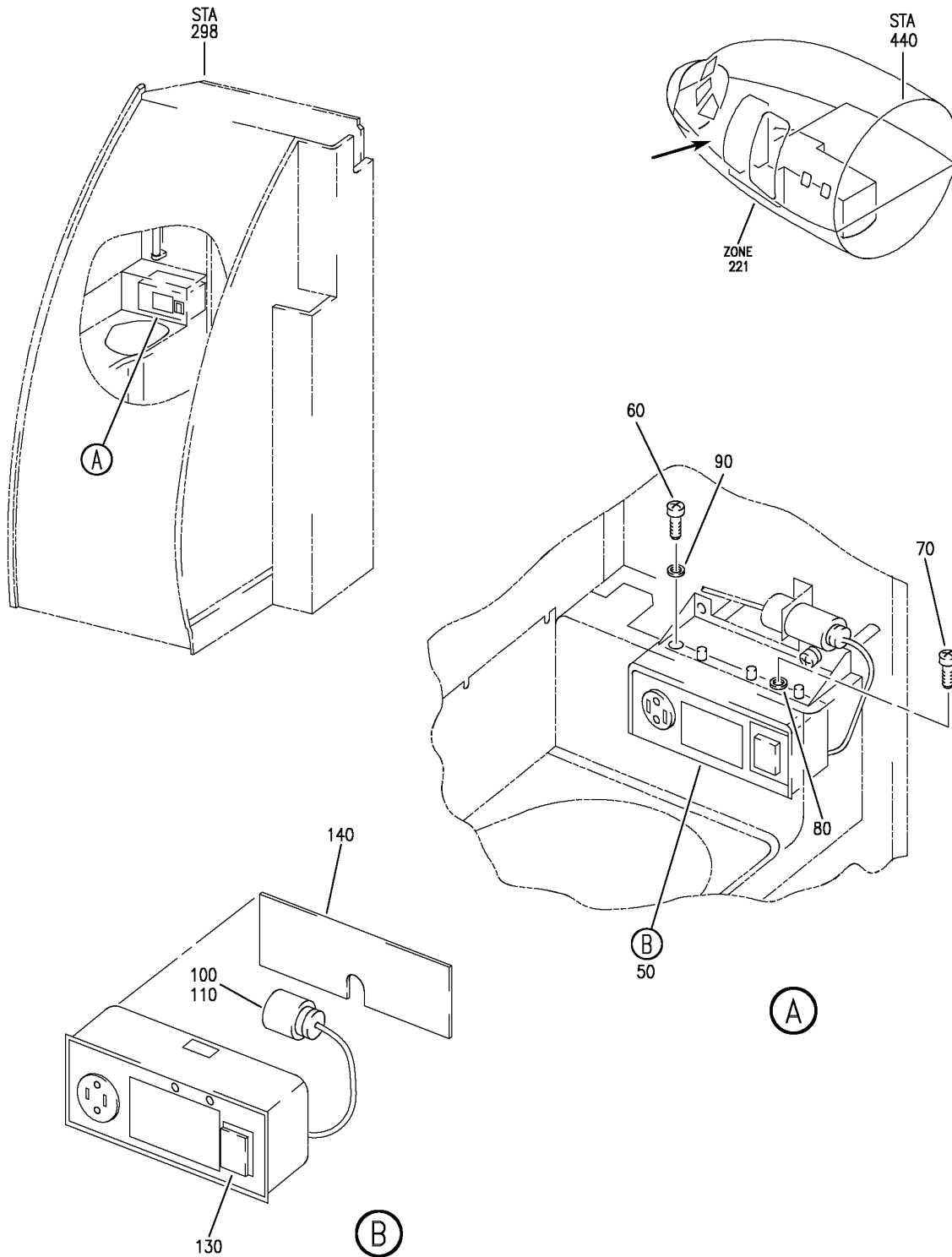
BRI

33-24-51-55

BOEING PROPRIETARY - Copyright © - Unpublished Work - See title page for details.

33-24-51
FIG. 55
PAGE 1
JAN 20/09

BOEING
757
PARTS CATALOG (MAINTENANCE)



Y 33245155A REV 253

WALL ASSY-OUT, SEG 100, LAV A (PASSENGER SIGNS ONLY)
FIGURE 55A

33-24-51-55A

BRI
JAN 20/09

33-24-51-55A
PAGE 0



757

PARTS CATALOG (MAINTENANCE)

FIG ITEM	PART NUMBER	1 2 3 4 5 6 7	NOMENCLATURE	EFFECT FROM TO	UNITS PER ASSY
55A			WALL ASSY-OUT, SEG 100, LAV A (PASSENGER SIGNS ONLY)	103106	
- 1	D71D10049-111A		WALL ASSY-OUT SEG 100 LAV A (PASSENGER SIGNS ONLY) SUPPLIER CODE: VS5825 FOR NHA/OTHER SYS DET SEE: 25-41-01-40E	103106	RF
50	D75D94013-111AA		.MODULE ASSY-AUX, M1 SUPPLIER CODE: VS5825 ATTACHING PARTS	103106	1
60	NAS1801-3-7		.SCREW	103106	1
70	NAS514P1032-8		.SCREW	103106	1
80	D75D70655-111		.SPACER- SUPPLIER CODE: VS5825	103106	1
90	NAS1149D0332K		.WASHER	103106	2
100	D75D30790-111AA		-----*----- ..HOUSING ASSY- RETURN TO SEAT SIGN SUPPLIER CODE: VS5825	103106	1
110	BACC45FT14-15P		...CONNECTOR-P1M1	103106	1
130	MS25237-387		..LAMP-L1TM1 AND L2TM1	103106	2
140	D75D30785-111		..COVER- SUPPLIER CODE: VS5825	103106	1

MISSING ITEM NUMBERS NOT APPLICABLE

- ITEM NOT ILLUSTRATED

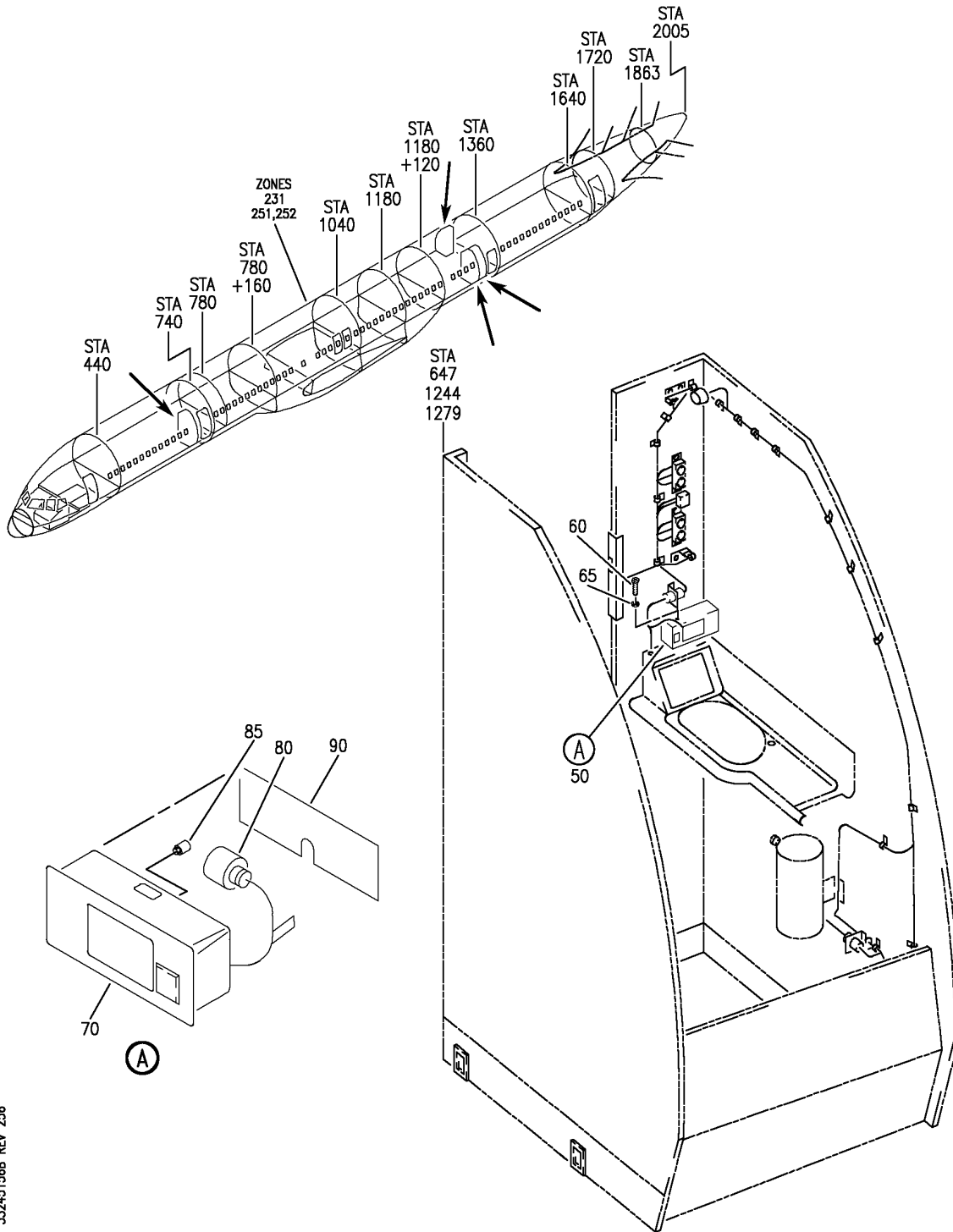
33-24-51-55A

33-24-51
FIG. 55A
PAGE 1
JAN 20/09

BRI

BOEING PROPRIETARY - Copyright © - Unpublished Work - See title page for details.

BOEING
757
PARTS CATALOG (MAINTENANCE)



Y 33245156B REV 256

WALL ASSY-OUT SEG 100 LAV (PASSENGER SIGNS ONLY)
FIGURE 56B

33-24-51-56B

BRI
JAN 20/09

33-24-51-56B
PAGE 0



757

PARTS CATALOG (MAINTENANCE)

FIG ITEM	PART NUMBER	1 2 3 4 5 6 7	NOMENCLATURE	EFFECT FROM TO	UNITS PER ASSY
56B			WALL ASSY-OUT SEG 100 LAV (PASSENGER SIGNS ONLY)	103106	
- 1	D71D10050-111A		WALL ASSY-OUT SEG 100 LAV B (PASSENGER SIGNS ONLY) SUPPLIER CODE: VS5825 FOR NHA/OTHER SYS DET SEE: 25-41-03-52F	103106	RF
- 5	D71D10051-111A		WALL ASSY-OUT SEG 100 LAV C (PASSENGER SIGNS ONLY) SUPPLIER CODE: VS5825 FOR NHA/OTHER SYS DET SEE: 25-41-03-50Q	103106	RF
- 10	D71D10052-111A		WALL ASSY-OUT SEG 100 LAV D (PASSENGER SIGNS ONLY) SUPPLIER CODE: VS5825 FOR NHA/OTHER SYS DET SEE: 25-41-03-51R	103106	RF
50	D75D94012-111AA		.MODULE ASSY-AUX, M1 LAV B AND D SUPPLIER CODE: VS5825	103106	1
- 55	D75D94013-111AA		.MODULE ASSY-AUX, M1 LAV C SUPPLIER CODE: VS5825	103106	1
60	NAS1801-3-8		ATTACHING PARTS .SCREW	103106	2
65	NAS1149D0332K		.WASHER	103106	2
70	D75D30788-111AA		-----*----- ..HOUSING ASSY-RETURN TO SEAT SIGN, LAV B AND D SUPPLIER CODE: VS5825	103106	1
- 75	D75D30790-111AA		..HOUSING ASSY-RETURN TO SEAT SIGN, LAV C SUPPLIER CODE: VS5825	103106	1
80	BACC45FT14-15P		...CONNECTOR-P1M1	103106	1
85	MS18209-387		..LAMP-L1TM1, L2TM1	103106	2
90	D75D30784-111		..COVER-LAV B AND D SUPPLIER CODE: VS5825	103106	1
- 95	D75D30785-111		..COVER-LAV C SUPPLIER CODE: VS5825	103106	1

MISSING ITEM NUMBERS NOT APPLICABLE

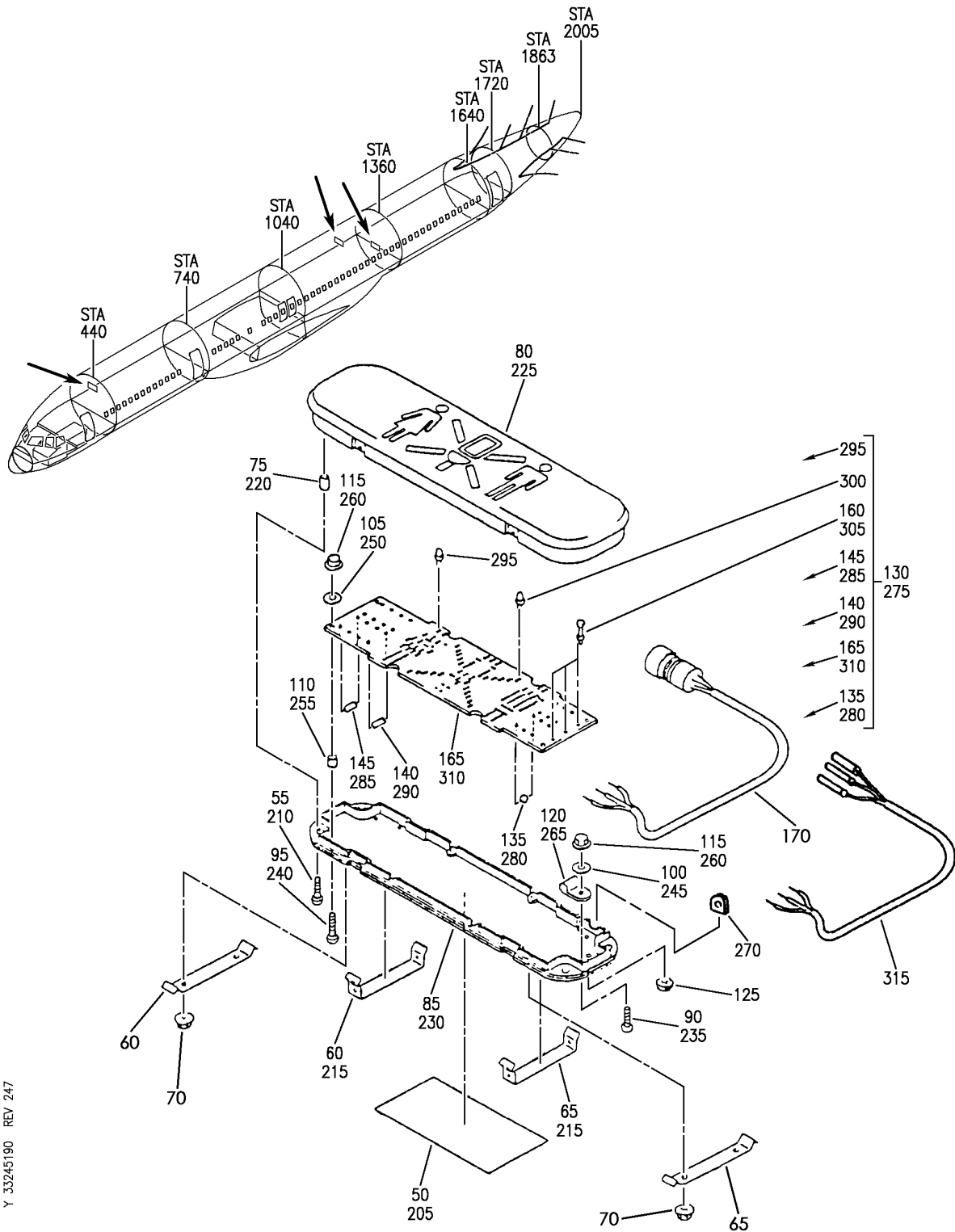
- ITEM NOT ILLUSTRATED

33-24-51-56B

33-24-51
FIG. 56B
PAGE 1
JAN 20/09

BRI

BOEING
757
PARTS CATALOG (MAINTENANCE)



Y 33245190 REV 247

SIGN ASSY-LAV OCCUPIED
FIGURE 90

33-24-51-90

BRI
JAN 20/09

33-24-51-90
PAGE 0



757

PARTS CATALOG (MAINTENANCE)

FIG ITEM	PART NUMBER	1 2 3 4 5 6 7	NOMENCLATURE	EFFECT FROM TO	UNITS PER ASSY
90			SIGN ASSY-LAV OCCUPIED	103106	
- 1	82000-49001		SIGN ASSY-LAV OCCUPIED SIGN SUPPLIER CODE: VS5006 SPECIFICATION NUMBER: S417A548-1 ELECTRICAL EQUIP NUMBER: L00643 COMPONENT MAINT MANUAL REF: 33-24-04 FOR NHA SEE: 33-26-52-81A 33-26-52-82A	103106	RF
50	82107-49001		.NAMEPLATE- SUPPLIER CODE: VS5006	103106	1
55	MS51957-27		.SCREW	103106	4
60	82105-49001		.SPRING- SUPPLIER CODE: VS5006	103106	2
65	82108-49001		.SPRING-MTG SUPPLIER CODE: VS5006	103106	2
70	MS21043-06		.NUT	103106	4
75	MS21209C0610		.INSERT	103106	4
80	82001-49001		.LENS- SUPPLIER CODE: VS5006	103106	1
85	82004-49001		.PLATE ASSY-BASE SUPPLIER CODE: VS5006	103106	1
90	MS51957-15		.SCREW	103106	1
95	MS51957-16		.SCREW	103106	4
100	MS15795-804		.WASHER	103106	1
105	MS51859-2		..WASHER	103106	4
110	89199-00604		.SPACER- SUPPLIER CODE: VS5006	103106	4
115	MS21043-04		.NUT	103106	5
120	89199-00072		.CLAMP-CABLE SUPPLIER CODE: VS5006	103106	1
125	82104-49001		.GROMMET- SUPPLIER CODE: VS5006	103106	1
130	82002-49001		.CIRCUIT BOARD ASSY-PRINTED SUPPLIER CODE: VS5006	103106	1

MISSING ITEM NUMBERS NOT APPLICABLE

- ITEM NOT ILLUSTRATED

33-24-51-90

33-24-51
FIG. 90
PAGE 1
JAN 20/09

BRI



757

PARTS CATALOG (MAINTENANCE)

FIG ITEM	PART NUMBER	1 2 3 4 5 6 7	NOMENCLATURE	EFFECT FROM TO	UNITS PER ASSY
90					
135	H14F	..	DIODE- SUPPLIER CODE: VS5006 OPTIONAL PART: 89124-00081 VS5006	103106	4
140	SPR1-2-3300HMG	..	RESISTOR- SUPPLIER CODE: VS5006	103106	8
145	SPR1-2-3600HMG	..	RESISTOR- SUPPLIER CODE: VS5006	103106	2
- 150	HLMAKH00	..	LED- SUPPLIER CODE: VS5006	103106	20
- 155	HLMP1540	..	LED- SUPPLIER CODE: VS5006	103106	72
160	89172-00044	..	TERMINAL- SUPPLIER CODE: VS5006	103106	3
165	82106-49001	..	CIRCUIT BOARD- SUPPLIER CODE: VS5006	103106	1
170	82003-49001	.	CONNECTOR ASSY- SUPPLIER CODE: VS5006 MISCELLANEOUS DATA: INCLUDING CONNECTOR AMC02RA03B (1035B)	103106	1
- 200	82000-49003		SIGN ASSY-LAV OCC SUPPLIER CODE: VS5006 SPECIFICATION NUMBER: S417A548-3 COMPONENT MAINT MANUAL REF: 33-24-04 FOR NHA SEE: 33-24-51-05	103106	RF
205	82107-49003	.	NAMEPLATE- SUPPLIER CODE: VS5006	103106	1
210	MS24693C25	.	SCREW	103106	4
215	82105-49001	.	SPRING- SUPPLIER CODE: VS5006	103106	2
220	MS21209C0610	.	INSERT	103106	4

MISSING ITEM NUMBERS NOT APPLICABLE

- ITEM NOT ILLUSTRATED

33-24-51-90

33-24-51
FIG. 90
PAGE 2
JAN 20/09

BRI

BOEING PROPRIETARY - Copyright © - Unpublished Work - See title page for details.



757

PARTS CATALOG (MAINTENANCE)

FIG ITEM	PART NUMBER	1 2 3 4 5 6 7	NOMENCLATURE	EFFECT FROM TO	UNITS PER ASSY
90					
225	82001-49003		.LENS- SUPPLIER CODE: VS5006	103106	1
230	82006-49002		.PLATE ASSY-BASE SUPPLIER CODE: VS5006	103106	1
235	MS24693C4		.SCREW	103106	1
240	MS24693C6		.SCREW	103106	4
245	MS15795-804		.WASHER	103106	1
250	MS51859-2		.WASHER	103106	4
255	89199-00604		.SPACER- SUPPLIER CODE: VS5006	103106	4
260	MS21043-04		.NUT	103106	5
265	89199-00072		.CLAMP-CABLE SUPPLIER CODE: VS5006	103106	1
270	82110-49001		.GROMMET- SUPPLIER CODE: VS5006	103106	1
275	82002-49001		.CIRCUIT BOARD ASSY-PRINTED SUPPLIER CODE: VS5006	103106	1
280	89124-00081		..DIODE- SUPPLIER CODE: VS5006	103106	4
285	89130-00807		..RESISTOR- SUPPLIER CODE: VS5006	103106	2
290	19130-00808		..RESISTOR- SUPPLIER CODE: VS5006	103106	8
295	89124-00143		..LED- SUPPLIER CODE: VS5006	103106	72
300	89124-00144		..LED- SUPPLIER CODE: VS5006	103106	20
305	89172-00044		..TERMINAL- SUPPLIER CODE: VS5006	103106	3
310	82106-49001		..CIRCUIT BOARD- SUPPLIER CODE: VS5006	103106	1

MISSING ITEM NUMBERS NOT APPLICABLE

- ITEM NOT ILLUSTRATED

33-24-51-90

33-24-51
FIG. 90
PAGE 3
JAN 20/09

BRI

BOEING PROPRIETARY - Copyright © - Unpublished Work - See title page for details.



757

PARTS CATALOG (MAINTENANCE)

FIG ITEM	PART NUMBER	1 2 3 4 5 6 7	NOMENCLATURE	EFFECT FROM TO	UNITS PER ASSY
90 315	82003-49002		.CONNECTOR ASSY- SUPPLIER CODE: VS5006 MISCELLANEOUS DATA: INCLUDING CONNECTOR AMC02RA03B (1035B)	103106	1

MISSING ITEM NUMBERS NOT APPLICABLE

- ITEM NOT ILLUSTRATED

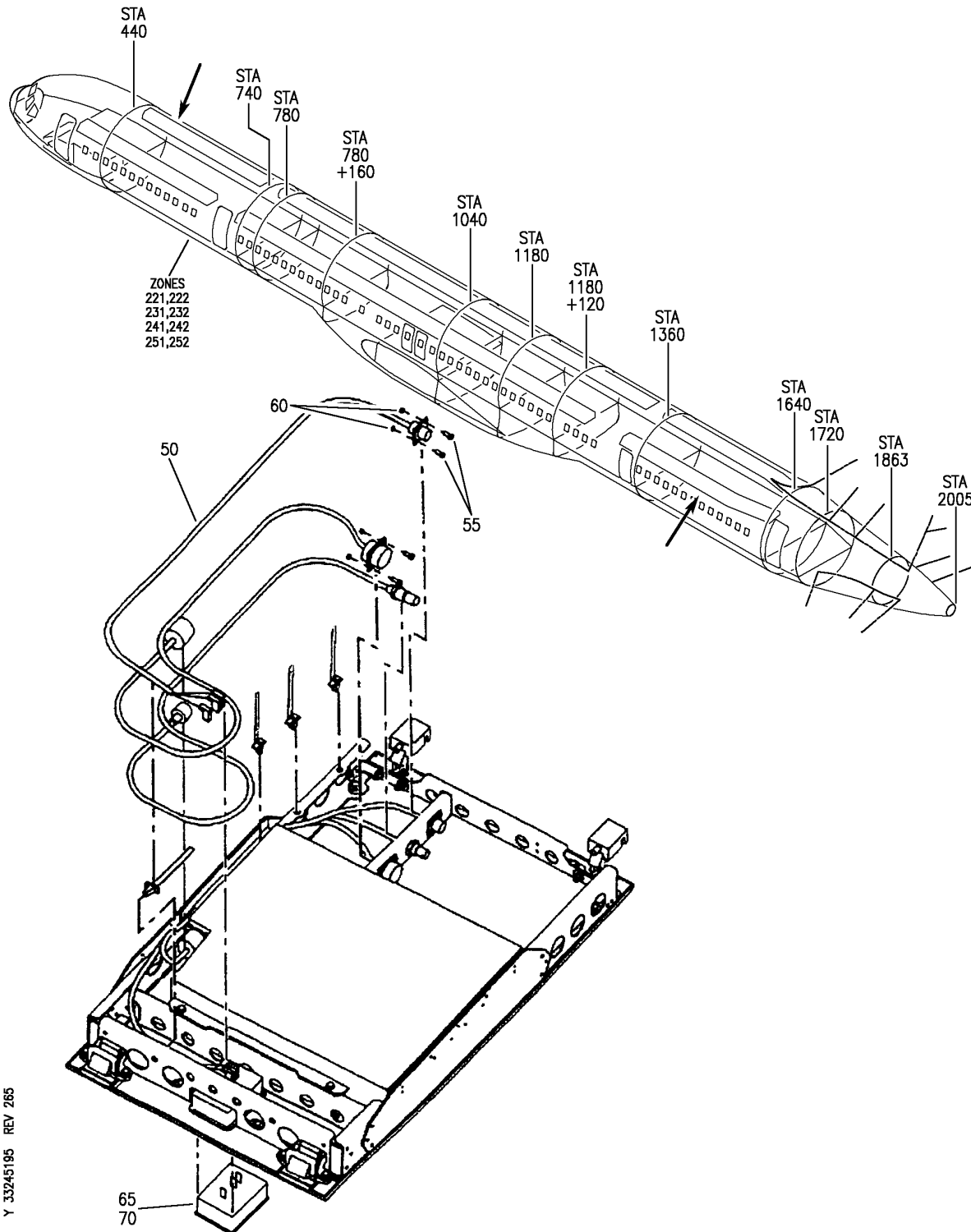
BRI

33-24-51-90

BOEING PROPRIETARY - Copyright © - Unpublished Work - See title page for details.

33-24-51
FIG. 90
PAGE 4
JAN 20/09

BOEING
757
PARTS CATALOG (MAINTENANCE)



Y 33245195 REV 265

MONITOR ASSY-VIDEO PSU MODULE (LIGHTS ONLY)
FIGURE 95

33-24-51-95

BRI
JAN 20/09

33-24-51-95
PAGE 0



757

PARTS CATALOG (MAINTENANCE)

FIG ITEM	PART NUMBER	1 2 3 4 5 6 7	NOMENCLATURE	EFFECT FROM TO	UNITS PER ASSY
95			MONITOR ASSY-VIDEO PSU MODULE (LIGHTS ONLY)	103106	
- 1	RDAA902125-03		MONITOR-VIDEO PSU MODULE (LIGHTS ONLY) (CUSTOMER FURNISHED) SUPPLIER CODE: VOFF57 POSITION DATA: LH FUNCTIONAL DESCRIPTION: PROVIDES A MOTORIZED RETRACTING VIDEO MONITOR FOR PASSENGER VIEWING COMPONENT MAINT MANUAL REF: 23-09-90 FOR NHA/OTHER SYS DET SEE: 23-32-01-32C	103106	RF
- 10	RDAA902124-03		MONITOR-VIDEO PSU MODULE (LIGHTS ONLY) (CUSTOMER FURNISHED) SUPPLIER CODE: VOFF57 POSITION DATA: RH FUNCTIONAL DESCRIPTION: PROVIDES A MOTORIZED RETRACTING VIDEO MONITOR FOR PASSENGER VIEWING. COMPONENT MAINT MANUAL REF: 23-09-90 FOR NHA/OTHER SYS DET SEE: 23-32-01-32C	103106	RF
50	105235-01		.CABLE ASSY-NSFSB SUPPLIER CODE: VOFF57 ATTACHING PARTS	103106	1
55	NAS1801-04-4		.SCREW	103106	2
60	MS21042L04		.NUT	103106	2
65	4710-1		-----*----- .LENS-NO SMOKING FASTEN SEAT BELT SUPPLIER CODE: VOACH0 SPECIFICATION NUMBER: S417N301-211A	103106	1
70	7387		..LAMP- SUPPLIER CODE: V08806	103106	1

MISSING ITEM NUMBERS NOT APPLICABLE

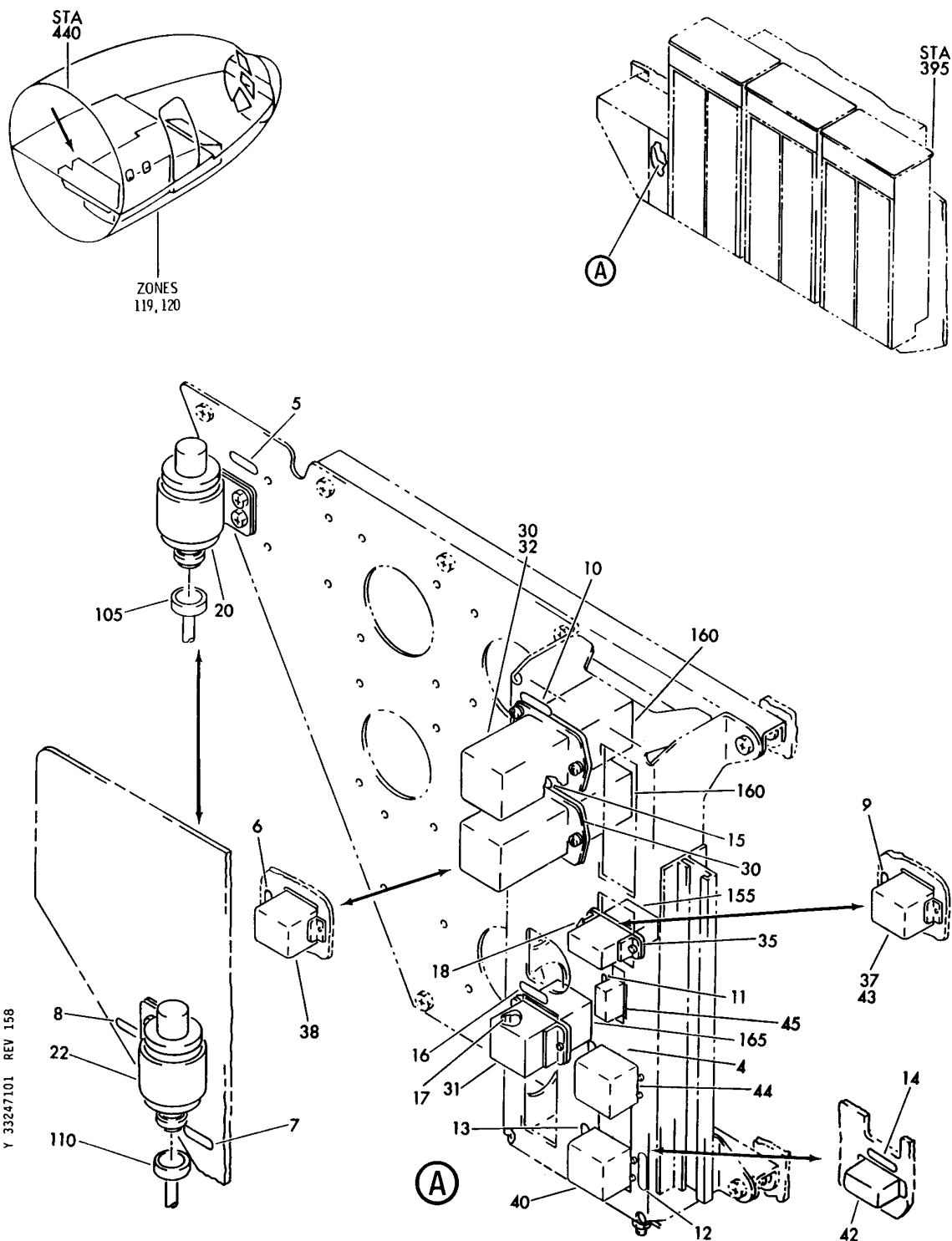
- ITEM NOT ILLUSTRATED

33-24-51-95

33-24-51
FIG. 95
PAGE 1
JAN 20/09

BRI

BOEING
757
PARTS CATALOG (MAINTENANCE)



PANEL ASSY-P34 APU/EXT PWR (PASSENGER SIGNS ONLY)

FIGURE 1

33-24-71-01

BRI
MAY 28/07

33-24-71-01
PAGE 0



757

PARTS CATALOG (MAINTENANCE)

FIG ITEM	PART NUMBER	1 2 3 4 5 6 7	NOMENCLATURE	EFFECT FROM TO	UNITS PER ASSY
1			PANEL ASSY-P34 APU/EXT PWR (PASSENGER SIGNS ONLY)	002004 006102 107107 121503 904999	
- 1	284N1316-1		PANEL ASSY-P34 APU/EXT PWR (PASSENGER SIGNS ONLY) VARIABLE DRAWING REF: 284N1316-5023 284N1316-5037 284N1316-5047 284N1316-5063 284N1316-5064 284N1316-5067	002004 006100 107107 121503 904999	RF
7	BAC27NEX0351		.DECAL- PLACARD CONTENT: S10259	107107 121503 904949	1
8	BAC27NEX0351		.DECAL- PLACARD CONTENT: S10259	002004 006100 950999	1
9	BAC27NEX1658		.DECAL- PLACARD CONTENT: K10437	002004 006100 950951	1
10	BAC27NEX0352		.DECAL- PLACARD CONTENT: K10028	002004 006102 107107 121503 904999	1
13	BAC27NEX1658		.DECAL- PLACARD CONTENT: K10437	107107	1
14	BAC27NEX1658		.DECAL- PLACARD CONTENT: K10437	121503 904949	1
16	BAC27NEX0353		.DECAL- PLACARD CONTENT: K10029	107107 121503 904949	1
17	BAC27NEX0353		.DECAL- PLACARD CONTENT: K10029	002004 006102 950999	1
18	BAC27NEX0358		.DECAL- PLACARD CONTENT: K10219	107107 121503 904949	1
18	BAC27NEX1658		.DECAL- PLACARD CONTENT: K10437	952999	1

MISSING ITEM NUMBERS NOT APPLICABLE

- ITEM NOT ILLUSTRATED

33-24-71-01

33-24-71
FIG. 01
PAGE 1
JAN 20/09

BRI



757

PARTS CATALOG (MAINTENANCE)

FIG ITEM	PART NUMBER	1 2 3 4 5 6 7	NOMENCLATURE	EFFECT FROM TO	UNITS PER ASSY
1					
22	214C40-1-71		.SWITCH-PRESSURE SUPPLIER CODE: V02750 ELECTRICAL EQUIP NUMBER: S10259 ATTACHING PARTS	002004 006102 107107 121503 904999	1
- 25	NAS1801-3-13		.SCREW-	121503 904949	2
- 25	NAS1801-3-10		.SCREW-	002004 006100 107107 950999	2
			-----*-----		
31	E410-1537		.RELAY- SUPPLIER CODE: V99699 SPECIFICATION NUMBER: BACR13CG2A OPTIONAL PART: E415-1078 V99699 BR230S0116 V56623 KD4A017 V58687 FCA410-62 V78290 ELECTRICAL EQUIP NUMBER: K10029	002004 006102 107107 121503 904999	1
32	9324-7424		.RELAY- SUPPLIER CODE: V35344 ELECTRICAL EQUIP NUMBER: K10028	002004 006102 107107 121503 904999	1
35	JAD9E006		.RELAY- SUPPLIER CODE: V58657 SPECIFICATION NUMBER: BACR13CJ1 ELECTRICAL EQUIP NUMBER: K10219	107107 121503 904949	1

MISSING ITEM NUMBERS NOT APPLICABLE

- ITEM NOT ILLUSTRATED

33-24-71-01

33-24-71
FIG. 01
PAGE 2
JAN 20/09

BRI



757

PARTS CATALOG (MAINTENANCE)

FIG ITEM	PART NUMBER	1 2 3 4 5 6 7	NOMENCLATURE	EFFECT FROM TO	UNITS PER ASSY
1 37	E410-1537		.RELAY- SUPPLIER CODE: V99699 SPECIFICATION NUMBER: BACR13CG2A OPTIONAL PART: E415-1078 V99699 BR230S0116 V56623 KD4A017 V58687 FCA410-62 V78290 ELECTRICAL EQUIP NUMBER: K10437	952999	1
42	W260F4AM11		.RELAY- SUPPLIER CODE: VF0219 SPECIFICATION NUMBER: BACR13CD2 OPTIONAL PART: BR16S233 V09026 EE4AA005 V35344 3SAV1338A2 V01526 HFW1206K03 V58614 HFW1204K01 V71482 ELECTRICAL EQUIP NUMBER: K10437	107107 121503 904949	1

MISSING ITEM NUMBERS NOT APPLICABLE

- ITEM NOT ILLUSTRATED

BRI

33-24-71-01

BOEING PROPRIETARY - Copyright © - Unpublished Work - See title page for details.

33-24-71
FIG. 01
PAGE 3
JAN 20/09



757

PARTS CATALOG (MAINTENANCE)

FIG ITEM	PART NUMBER	1 2 3 4 5 6 7	NOMENCLATURE	EFFECT FROM TO	UNITS PER ASSY
1 43	E410-1537		.RELAY- SUPPLIER CODE: V99699 SPECIFICATION NUMBER: BACR13CG2A OPTIONAL PART: E415-1078 V99699 BR230S0116 V56623 KD4A017 V58687 FCA410-62 V78290 ELECTRICAL EQUIP NUMBER: K10437	002004 006100 950951	1
- 100	286N1242-002		WIRE BUNDLE ASSY-(PASSENGER SIGNS ONLY)	107107 121503 904949	RF
- 100	286N1240-006		WIRE BUNDLE ASSY-(PASSENGER SIGNS ONLY)	002004 006100 950999	RF
110	BACC45FS10A5S		.CONNECTOR- ELECTRICAL EQUIP NUMBER: D03262 WIRING DIAGRAM REF: 332411	002004 006100 107107 121503 904999	1
- 150	286N1240-002		WIRE BUNDLE ASSY-(PASSENGER SIGNS ONLY)	121503 904949	RF
- 150	286N1240-003		WIRE BUNDLE ASSY-(PASSENGER SIGNS ONLY)	107107	RF
- 150	286N1240-006		WIRE BUNDLE ASSY-(PASSENGER SIGNS ONLY)	002004 006100 950999	RF
155	BACS16X2		.SOCKET- ELECTRICAL EQUIP NUMBER: D02714 WIRING DIAGRAM REF: 332411	107107 121503 904949	1
165	BACS16W1		.SOCKET- ELECTRICAL EQUIP NUMBER: D02712 WIRING DIAGRAM REF: 332411	002004 006102 107107 121503 904999	1

MISSING ITEM NUMBERS NOT APPLICABLE

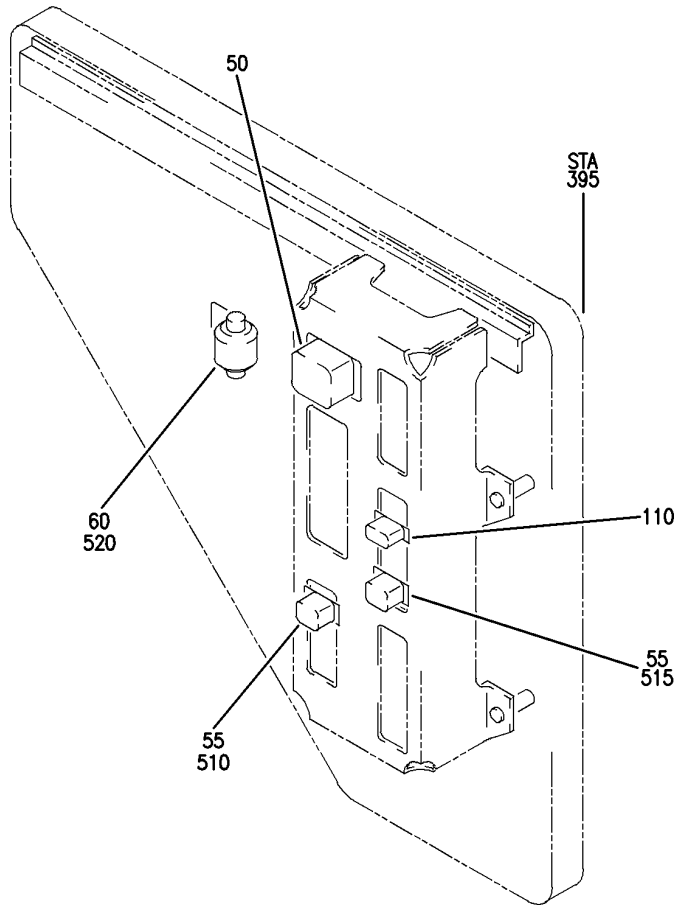
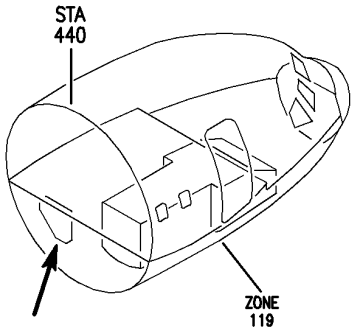
- ITEM NOT ILLUSTRATED

33-24-71-01

33-24-71
FIG. 01
PAGE 4
JAN 20/09

BRI

BOEING
757
PARTS CATALOG (MAINTENANCE)



Y 33247101A REV 227

PACKAGE ASSY-OPTION P34 APU/EXT PWR (PASSENGER SIGNS ONLY)
FIGURE 1A

BRI
MAY 28/07

33-24-71-01A

33-24-71-01A
PAGE 0



757

PARTS CATALOG (MAINTENANCE)

FIG ITEM	PART NUMBER	1 2 3 4 5 6 7	NOMENCLATURE	EFFECT FROM TO	UNITS PER ASSY
1 A			PACKAGE ASSY-OPTION P34 APU/EXT PWR (PASSENGER SIGNS ONLY)	101102 504903	
- 1	284N1316-1001		PACKAGE ASSY-OPTION P34 APU/EXT PWR (PASSENGER SIGNS ONLY) FOR NHA/OTHER SYS DET SEE: 31-01-34-01	101102 504903	RF
50	9324-7424		.RELAY- SUPPLIER CODE: V35344 ELECTRICAL EQUIP NUMBER: K10028	101102 504903	1
55	E410-1537		.RELAY- SUPPLIER CODE: V99699 SPECIFICATION NUMBER: BACR13CG2A OPTIONAL PART: E415-1078 V99699 BR230S0116 V56623 KD4A017 V58687 FCA410-62 V78290 ELECTRICAL EQUIP NUMBER: K10029 K10437	101102 504903	2
60	214C40-1-71		.SWITCH-PRESSURE SUPPLIER CODE: V02750 ELECTRICAL EQUIP NUMBER: S10259	101102 504903	1
- 65	NAS1801-3-10		ATTACHING PARTS .SCREW	101102 504903	2
- 100	284N1316-1027		-----*----- PACKAGE ASSY-OPTION P34 APU/EXT PWR (PASSENGER SIGNS ONLY) FOR NHA SEE: 31-01-34-01	504903	RF

MISSING ITEM NUMBERS NOT APPLICABLE

- ITEM NOT ILLUSTRATED

33-24-71-01A

33-24-71
FIG. 01A
PAGE 1
JAN 20/09

BRI

BOEING PROPRIETARY - Copyright © - Unpublished Work - See title page for details.



757

PARTS CATALOG (MAINTENANCE)

FIG ITEM	PART NUMBER	1 2 3 4 5 6 7	NOMENCLATURE	EFFECT FROM TO	UNITS PER ASSY
1A 110	JAD9E006		.RELAY- SUPPLIER CODE: V58657 SPECIFICATION NUMBER: BACR13CJ1 ELECTRICAL EQUIP NUMBER: K10219	504903	1
- 500	286N1240-321		WIRE BUNDLE ASSY	504903	RF
- 500	286N1240-322		WIRE BUNDLE ASSY	101102	RF
510	BACS16W1		.SOCKET- ELECTRICAL EQUIP NUMBER: D02712 WIRING DIAGRAM REF: 332411	101102 504903	1
515	RSF116400		.SOCKET- SUPPLIER CODE: V58982 SPECIFICATION NUMBER: BACS16W1A OPTIONAL PART: 102-009-1 V09922 000300-1539 V05574 ELECTRICAL EQUIP NUMBER: D05166 WIRING DIAGRAM REF: 332411	101102 504903	1
520	BACC45FS10A5S		.CONNECTOR- ELECTRICAL EQUIP NUMBER: D03262 WIRING DIAGRAM REF: 332411	101102 504903	1

MISSING ITEM NUMBERS NOT APPLICABLE

- ITEM NOT ILLUSTRATED

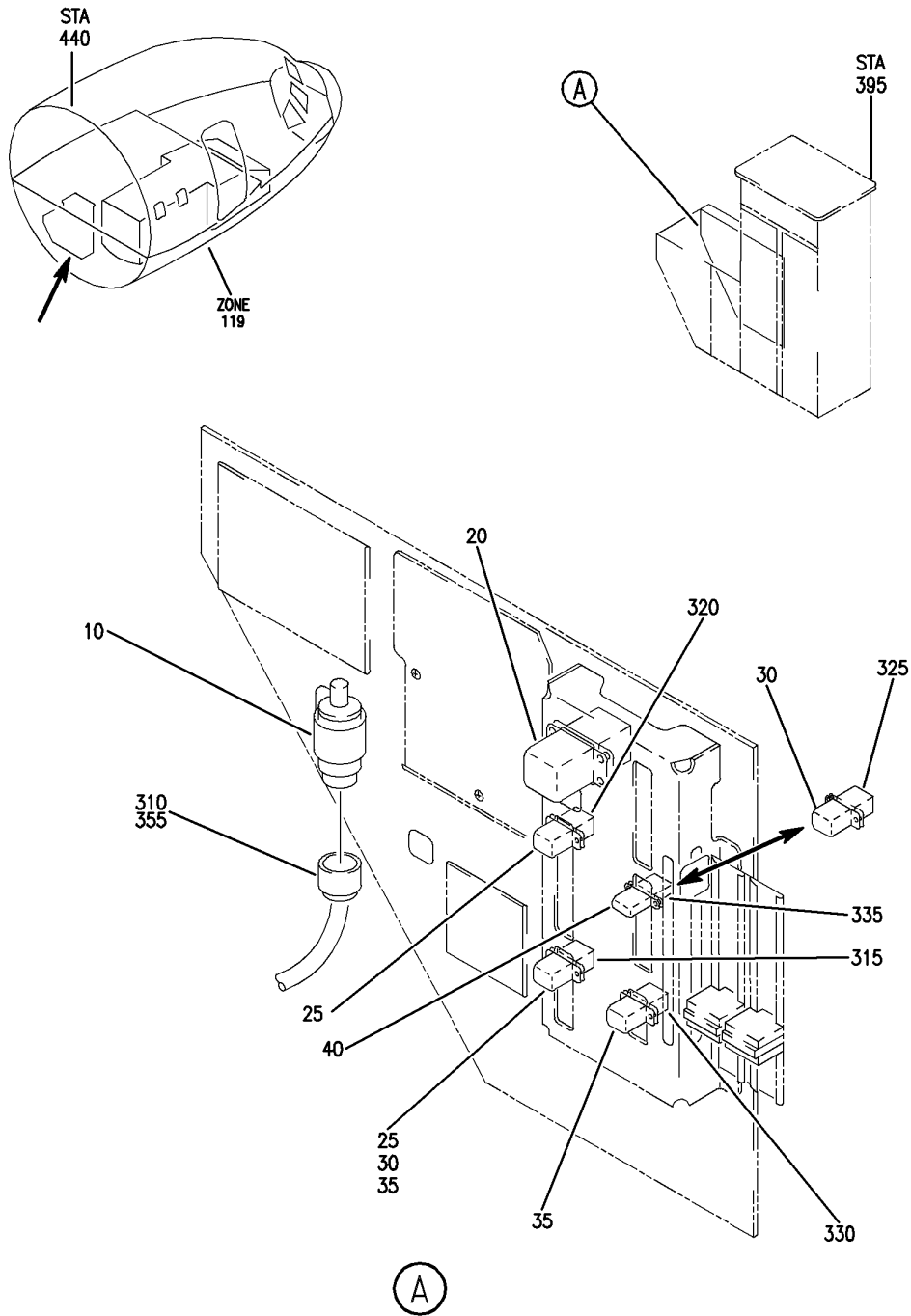
BRI

33-24-71-01A

BOEING PROPRIETARY - Copyright © - Unpublished Work - See title page for details.

33-24-71
FIG. 01A
PAGE 2
JAN 20/09

BOEING
757
PARTS CATALOG (MAINTENANCE)



Y 33247102 REV 227

PANEL ASSY-P34 APU/EXT PWR (PASSENGER SIGNS ONLY)
FIGURE 2

33-24-71-02

BRI
JAN 20/09

33-24-71-02
PAGE 0



757

PARTS CATALOG (MAINTENANCE)

FIG ITEM	PART NUMBER	1 2 3 4 5 6 7	NOMENCLATURE	EFFECT FROM TO	UNITS PER ASSY
2			PANEL ASSY-P34 APU/EXT PWR (PASSENGER SIGNS ONLY)	103106 108120	
- 2	284N1316-147		PANEL ASSY-P34 APU/EXT PWR (PASSENGER SIGNS ONLY) FOR NHA/OTHER SYS DET SEE: 24-00-58-05C	108120	RF
- 5	MODREF31492		PANEL ASSY-P34 APU/EXT PWR (PASSENGER SIGNS ONLY) MODULE NUMBER: 284N1316-207 REV A FOR OTHER SYS DETAILS SEE: 11-36-09-08 24-22-03-04 24-23-01-03 24-41-01-02 24-51-01-03 24-51-03-02 24-51-04-03 24-51-54-04 24-53-73-02 24-54-01-02 31-01-34-03 33-21-71-02 33-22-71-02 33-42-71-03 38-14-71-02	103105	1
- 5	MODREF34794		PANEL ASSY-P34 APU/EXT PWR (PASSENGER SIGNS ONLY) MODULE NUMBER: 284N1316-207 REV B FOR OTHER SYS DETAILS SEE: 11-36-09-08 24-22-03-04 24-23-01-03 24-41-01-02 24-51-01-03 24-51-03-02 24-51-04-03 24-51-54-04 24-53-73-02 24-54-01-02 31-01-34-03 33-21-71-02 33-22-71-02 33-42-71-03 38-14-71-02	106106	1

MISSING ITEM NUMBERS NOT APPLICABLE

- ITEM NOT ILLUSTRATED

BRI

33-24-71-02

33-24-71
FIG. 02
PAGE 1
JAN 20/09



757

PARTS CATALOG (MAINTENANCE)

FIG ITEM	PART NUMBER	1 2 3 4 5 6 7	NOMENCLATURE	EFFECT FROM TO	UNITS PER ASSY
2					
10	214C40-1-71		.SWITCH-PRESSURE SUPPLIER CODE: V02750 ELECTRICAL EQUIP NUMBER: S10259 ATTACHING PARTS	103106 108120	1
- 15	NAS1801-3-10		.SCREW-	108120	2
- 15	BACS12HN3-10		.SCREW-	103106	2
			-----*-----		
20	9324-7424		.RELAY- SUPPLIER CODE: V35344 ELECTRICAL EQUIP NUMBER: K10028 ATTACHING PARTS	103106 108120	1
- 22	NAS1801-08-6		.SCREW- OPTIONAL PART: BACS12HN08-6	103106	4
- 22	BACS12HN08-6		.SCREW- OPTIONAL PART: NAS1801-08-6	103106 108120	4
- 23	NAS1149DN832J		.WASHER	103106 108120	4
			-----*-----		
30	E410-1537		.RELAY- SUPPLIER CODE: V99699 SPECIFICATION NUMBER: BACR13CG2A OPTIONAL PART: E415-1078 V99699 BR230S0116 V56623 KD4A017 V58687 FCA410-62 V78290 ELECTRICAL EQUIP NUMBER: K10029 K10437	103106	2

MISSING ITEM NUMBERS NOT APPLICABLE

- ITEM NOT ILLUSTRATED

BRI

33-24-71-02

BOEING PROPRIETARY - Copyright © - Unpublished Work - See title page for details.

33-24-71
FIG. 02
PAGE 2
JAN 20/09



757

PARTS CATALOG (MAINTENANCE)

FIG ITEM	PART NUMBER	1 2 3 4 5 6 7	NOMENCLATURE	EFFECT FROM TO	UNITS PER ASSY
2 35	E410-1537		.RELAY- SUPPLIER CODE: V99699 SPECIFICATION NUMBER: BACR13CG2A OPTIONAL PART: E415-1078 V99699 BR230S0116 V56623 KD4A017 V58687 FCA410-62 V78290 ELECTRICAL EQUIP NUMBER: K10029 K10437	108120	2
- 301	286N1240-323		WIRE BUNDLE ASSY	108120	RF
- 302	286N1240-602		WIRE BUNDLE ASSY	103106	RF
310	BACC45FS10A5S		.CONNECTOR- ELECTRICAL EQUIP NUMBER: D03262 WIRING DIAGRAM REF: 332411	103106 108120	1
315	BACS16W1		.SOCKET- ELECTRICAL EQUIP NUMBER: D02712 WIRING DIAGRAM REF: 332411	103106 108120	1
325	RSF116400		.SOCKET- SUPPLIER CODE: V58982 SPECIFICATION NUMBER: BACS16W1A OPTIONAL PART: 102-009-1 V09922 000300-1539 V05574 ELECTRICAL EQUIP NUMBER: D05166 WIRING DIAGRAM REF: 332411	103106	1

MISSING ITEM NUMBERS NOT APPLICABLE

- ITEM NOT ILLUSTRATED

33-24-71-02

33-24-71
FIG. 02
PAGE 3
JAN 20/09

BRI



757

PARTS CATALOG (MAINTENANCE)

FIG ITEM	PART NUMBER	1 2 3 4 5 6 7	NOMENCLATURE	EFFECT FROM TO	UNITS PER ASSY
2 330	RSF116400		. SOCKET- SUPPLIER CODE: V58982 SPECIFICATION NUMBER: BACS16W1A OPTIONAL PART: 102-009-1 V09922 000300-1539 V05574 ELECTRICAL EQUIP NUMBER: D05166 WIRING DIAGRAM REF: 332411	108120	1

MISSING ITEM NUMBERS NOT APPLICABLE

- ITEM NOT ILLUSTRATED

BRI

33-24-71-02

BOEING PROPRIETARY - Copyright © - Unpublished Work - See title page for details.

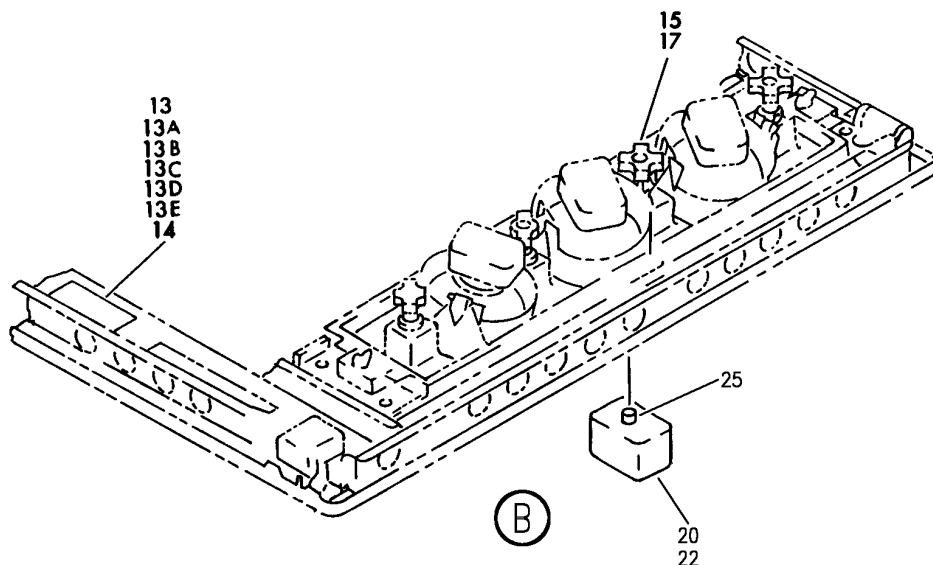
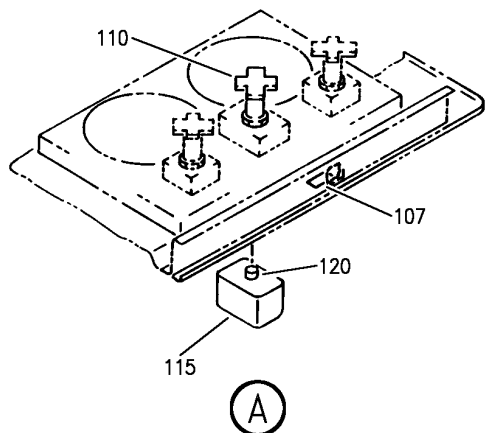
33-24-71
FIG. 02
PAGE 4
JAN 20/09

LAVATORY CALL LIGHTS AND MASTER CALL LIGHT MODULES

BRI
MAY 28/07

33-25-00
SECTION TITLE
PAGE 1

BOEING
757
PARTS CATALOG (MAINTENANCE)



Y 33250102 SH1 2 REV 331

SERVICE UNIT INSTL-PASS. (PASSENGER CALL LIGHTS ONLY)
FIGURE 2 (SHEET 2)

33-25-01-02

BRI
JAN 20/09

33-25-01-02
PAGE 0A



757

PARTS CATALOG (MAINTENANCE)

FIG ITEM	PART NUMBER	1 2 3 4 5 6 7	NOMENCLATURE	EFFECT FROM TO	UNITS PER ASSY
2			SERVICE UNIT INSTL-PASS. (PASSENGER CALL LIGHTS ONLY)	107107	
- 1	417N3001-46		SERVICE UNIT INSTL-PASS. (PASSENGER CALL LIGHTS ONLY)	107107	RF
			FOR NHA/OTHER SYS DET SEE: 25-20-00-20A		
3	417N3100-393SP		.SERVICE UNIT ASSY- POSITION DATA: UNDERBIN COMPONENT MAINT MANUAL REF: 25-23-30 FOR NHA/OTHER SYS DET SEE: 25-23-01-03 25-23-01-07 25-23-01-12	107107	RF
5	417N3100-382SP		.SERVICE UNIT ASSY- POSITION DATA: UNDERBIN COMPONENT MAINT MANUAL REF: 25-23-33 FOR NHA/OTHER SYS DET SEE: 25-23-01-03 25-23-01-07 25-23-01-12	107107	RF
6	417N3100-386SP		.SERVICE UNIT ASSY- POSITION DATA: UNDERBIN COMPONENT MAINT MANUAL REF: 25-23-33 FOR NHA/OTHER SYS DET SEE: 25-23-01-12	107107	RF
8	417N3100-384SP		.SERVICE UNIT ASSY- POSITION DATA: UNDERBIN COMPONENT MAINT MANUAL REF: 25-23-33 FOR NHA/OTHER SYS DET SEE: 25-23-01-03 25-23-01-07 25-23-01-12	107107	RF

MISSING ITEM NUMBERS NOT APPLICABLE

- ITEM NOT ILLUSTRATED

33-25-01-02

33-25-01
FIG. 02
PAGE 1
JAN 20/09

BRI



757

PARTS CATALOG (MAINTENANCE)

FIG ITEM	PART NUMBER	1 2 3 4 5 6 7 NOMENCLATURE	EFFECT FROM TO	UNITS PER ASSY
2				
10	417N3100-323SP	.SERVICE UNIT ASSY- POSITION DATA: UNDERBIN COMPONENT MAINT MANUAL REF: 25-23-32 FUNCTIONAL REFERENCE: EQUIPMENT/FURNISHINGS FOR DETAILS SEE 25-23-01-03	107107	RF
10	417N3100-513SP	.SERVICE UNIT ASSY- POSITION DATA: UNDERBIN COMPONENT MAINT MANUAL REF: 25-23-33 FUNCTIONAL REFERENCE: EQUIPMENT/FURNISHINGS FOR DETAILS SEE 25-23-01-03	107107	RF
11	417N3100-391SP	.SERVICE UNIT ASSY- POSITION DATA: UNDERBIN COMPONENT MAINT MANUAL REF: 25-23-30 FOR NHA/OTHER SYS DET SEE: 25-23-01-03 25-23-01-07 25-23-01-12	107107	RF
13	BAC27NPA0660	..MARKER-ALUMINUM FOIL USED ON: 417N3100-115SP 417N3100-325SP 417N3100-393SP 417N3100-467SP 417N3100-655SP	107107	RF
13A	BAC27NPA0661	..MARKER-ALUMINUM FOIL USED ON: 417N3100-58SP 417N3100-334SP 417N3100-384SP 417N3100-438SP 417N3100-496SP	107107	RF
13B	BAC27NPA0662	..MARKER-ALUMINUM FOIL USED ON: 417N3100-119SP 417N3100-327SP 417N3100-391SP 417N3100-469SP 417N3100-653SP	107107	RF

MISSING ITEM NUMBERS NOT APPLICABLE

- ITEM NOT ILLUSTRATED

33-25-01-02

33-25-01
FIG. 02
PAGE 2
JAN 20/09

BRI



757

PARTS CATALOG (MAINTENANCE)

FIG ITEM	PART NUMBER	1 2 3 4 5 6 7	NOMENCLATURE	EFFECT FROM TO	UNITS PER ASSY
2 13C	BAC27NPA0662		..MARKER-ALUMINUM FOIL USED ON: 417N3100-111SP 417N3100-323SP 417N3100-513SP	107107	RF
13D	BAC27NPA0663		..MARKER-ALUMINUM FOIL USED ON: 417N3100-56SP 417N3100-328SP 417N3100-382SP 417N3100-400SP 417N3100-436SP	107107	RF
13E	BAC27NPA0667		..MARKER-ALUMINUM FOIL USED ON: 417N3100-128SP 417N3100-338SP 417N3100-386SP 417N3100-442SP 417N3100-498SP	107107	RF

MISSING ITEM NUMBERS NOT APPLICABLE

- ITEM NOT ILLUSTRATED

33-25-01-02

33-25-01
FIG. 02
PAGE 3
JAN 20/09

BRI



757

PARTS CATALOG (MAINTENANCE)

FIG ITEM	PART NUMBER	1 2 3 4 5 6 7	NOMENCLATURE	EFFECT FROM TO	UNITS PER ASSY
2 15	920055		.. SWITCH-ATTENDANT CALL SUPPLIER CODE: V07150 ELECTRICAL EQUIP NUMBER: S10271 S10276 USED ON: 417N3100-56SP 417N3100-58SP 417N3100-115SP 417N3100-119SP 417N3100-128SP 417N3100-325SP 417N3100-327SP 417N3100-328SP 417N3100-334SP 417N3100-338SP 417N3100-382SP 417N3100-384SP 417N3100-386SP 417N3100-391SP 417N3100-393SP 417N3100-400SP 417N3100-436SP 417N3100-438SP 417N3100-442SP 417N3100-467SP 417N3100-469SP 417N3100-496SP 417N3100-498SP 417N3100-653SP 417N3100-655SP	107107	1

MISSING ITEM NUMBERS NOT APPLICABLE

- ITEM NOT ILLUSTRATED

BRI

33-25-01-02

BOEING PROPRIETARY - Copyright © - Unpublished Work - See title page for details.

33-25-01
FIG. 02
PAGE 4
JAN 20/09



757

PARTS CATALOG (MAINTENANCE)

FIG ITEM	PART NUMBER	1 2 3 4 5 6 7	NOMENCLATURE	EFFECT FROM TO	UNITS PER ASSY
2 15	SW43353		.. SWITCH-ATTENDANT CALL SUPPLIER CODE: V07150 ELECTRICAL EQUIP NUMBER: S10271 S10276 USED ON: 417N3100-56SP 417N3100-58SP 417N3100-115SP 417N3100-119SP 417N3100-128SP 417N3100-325SP 417N3100-327SP 417N3100-328SP 417N3100-334SP 417N3100-338SP 417N3100-382SP 417N3100-384SP 417N3100-386SP 417N3100-391SP 417N3100-393SP 417N3100-400SP 417N3100-436SP 417N3100-438SP 417N3100-442SP 417N3100-467SP 417N3100-469SP 417N3100-496SP 417N3100-498SP 417N3100-653SP 417N3100-655SP	107107	1
17	920055		.. SWITCH-ATTENDANT CALL SUPPLIER CODE: V07150 ELECTRICAL EQUIP NUMBER: S10271 USED ON: 417N3100-111SP 417N3100-323SP 417N3100-513SP	107107	1

MISSING ITEM NUMBERS NOT APPLICABLE

- ITEM NOT ILLUSTRATED

33-25-01-02

33-25-01
FIG. 02
PAGE 5
JAN 20/09

BRI

 **BOEING**
757
PARTS CATALOG (MAINTENANCE)

FIG ITEM	PART NUMBER	1 2 3 4 5 6 7	NOMENCLATURE	EFFECT FROM TO	UNITS PER ASSY
2					
17	SW43353		.. SWITCH-ATTENDANT CALL SUPPLIER CODE: V07150 ELECTRICAL EQUIP NUMBER: S10271 USED ON: 417N3100-111SP 417N3100-323SP 417N3100-513SP	107107	1
20	VIP720-2J		.. LENS-CALL SWITCH SUPPLIER CODE: V28406 SPECIFICATION NUMBER: S417N303-2J USED ON: 417N3100-325SP 417N3100-327SP 417N3100-328SP 417N3100-334SP 417N3100-338SP 417N3100-382SP 417N3100-384SP 417N3100-386SP 417N3100-391SP 417N3100-393SP	107107	1
22	VIP720-2J		.. LENS-CALL SWITCH SUPPLIER CODE: V28406 SPECIFICATION NUMBER: S417N303-2J USED ON: 417N3100-323SP	107107	1
25	GE387		TEMPORARY BREAKDOWN FOR: S417N303-2J ... LAMP- SUPPLIER CODE: V08806	107107	1
100	417N3200-5SP		. SERVICE UNIT ASSY-OVERHEAD COMPONENT MAINT MANUAL REF: 35-21-04 FOR NHA/OTHER SYS DET SEE: 25-23-01-03	107107	RF

R
R
R
R
R
R
R
R
R
R
R
R
R
R
R
R
R
R
R
R
R
R

MISSING ITEM NUMBERS NOT APPLICABLE

- ITEM NOT ILLUSTRATED

BRI

33-25-01-02

BOEING PROPRIETARY - Copyright © - Unpublished Work - See title page for details.

33-25-01
FIG. 02
PAGE 6
MAY 20/09



757

PARTS CATALOG (MAINTENANCE)

FIG ITEM	PART NUMBER	1 2 3 4 5 6 7	NOMENCLATURE	EFFECT FROM TO	UNITS PER ASSY
2					
105	417N3200-6SP		.SERVICE UNIT ASSY- POSITION DATA: OVERDOOR COMPONENT MAINT MANUAL REF: 32-21-04 FOR NHA/OTHER SYS DET SEE: 25-23-01-03	107107	RF
107	BAC27NPA0337		..MARKER-ALUMINUM FOIL- PLACARD CONTENT: S10286	107107	1
110	920055		..SWITCH-ATTENDANT CALL SUPPLIER CODE: V07150 ELECTRICAL EQUIP NUMBER: S10286	107107	1
110	SW43353		..SWITCH-ATTENDANT CALL SUPPLIER CODE: V07150 ELECTRICAL EQUIP NUMBER: S10286	107107	1
115	VIP720-2J		..LENS-CALL SWITCH SUPPLIER CODE: V28406 SPECIFICATION NUMBER: S417N303-2J	107107	1
			TEMPORARY BREAKDOWN FOR: S417N303-2J	107107	
120	GE387		...LAMP- SUPPLIER CODE: V08806	107107	1

R
R
R
R
R

MISSING ITEM NUMBERS NOT APPLICABLE

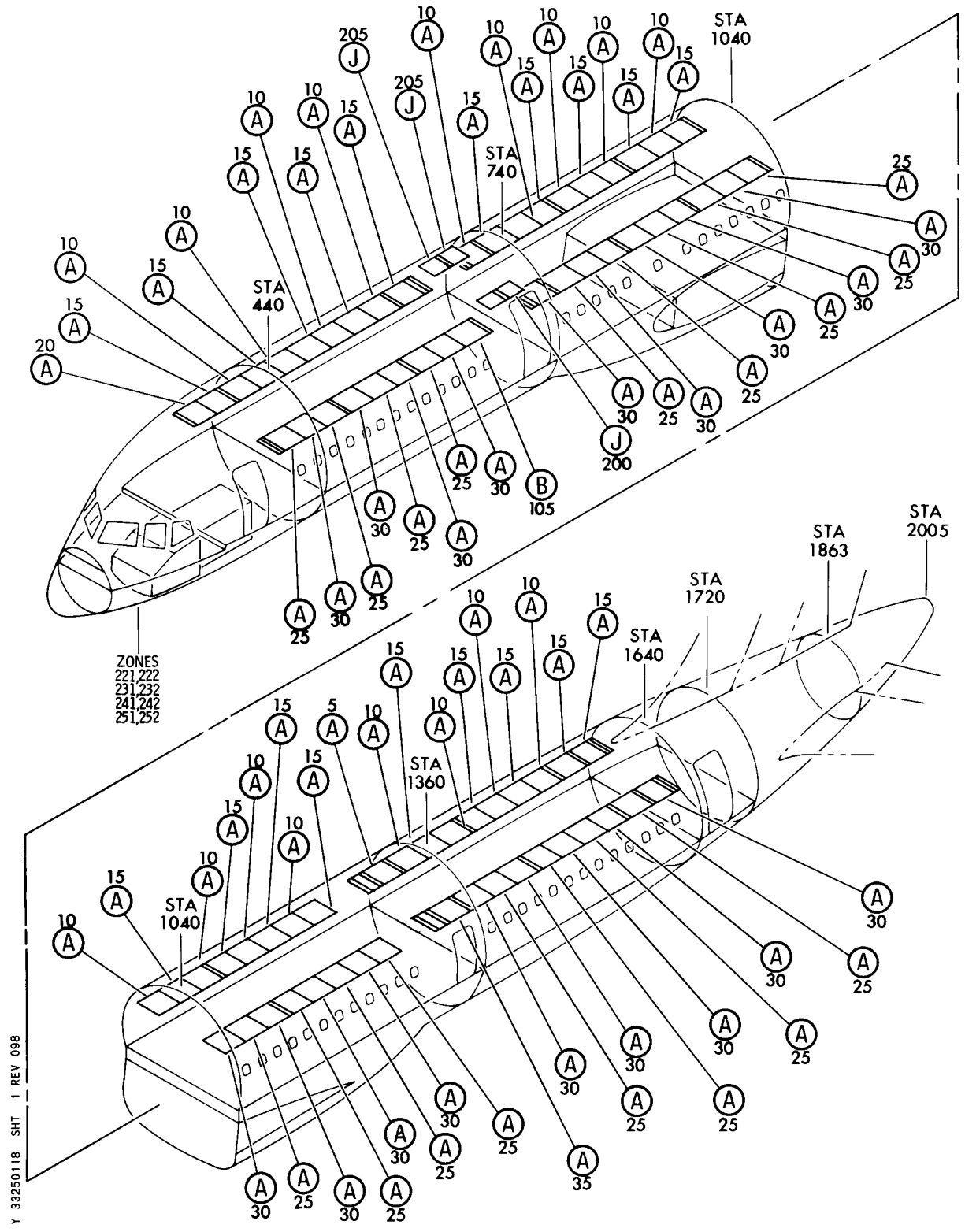
- ITEM NOT ILLUSTRATED

33-25-01-02

33-25-01
FIG. 02
PAGE 7
MAY 20/09

BRI

BOEING
757
PARTS CATALOG (MAINTENANCE)



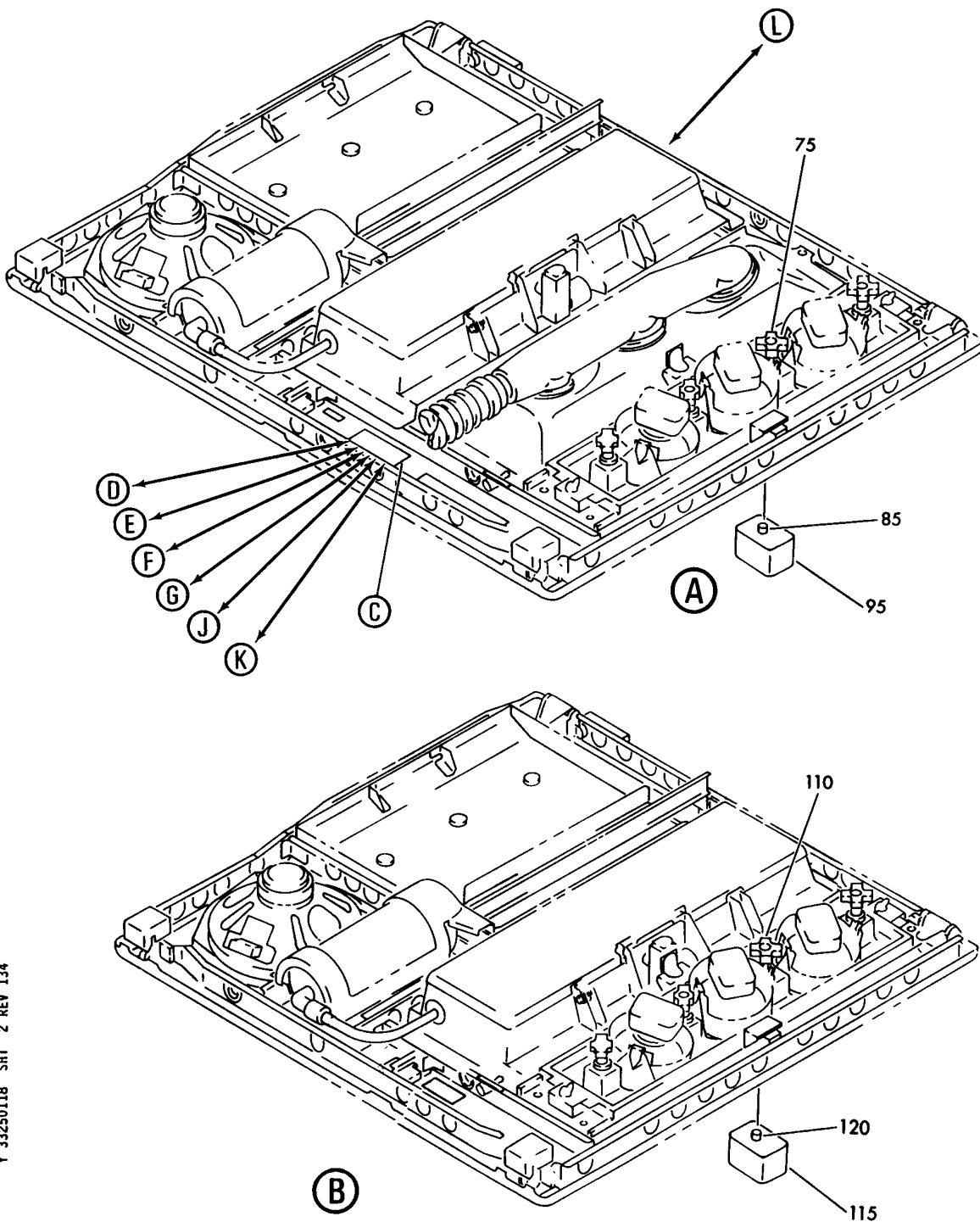
SERVICE UNIT INSTL-PASS. AND PASS. (FLYAWAY KIT) (PASSENGER CALL LIGHTS ONLY)
FIGURE 18 (SHEET 1)

BRI
MAY 28/07

33-25-01-18

33-25-01-18
PAGE 0

BOEING
757
PARTS CATALOG (MAINTENANCE)



Y 33250118 SHT 2 REV 134

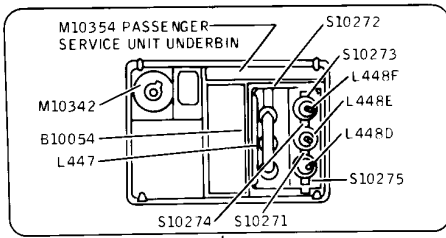
SERVICE UNIT INSTL-PASS. AND PASS. (FLYAWAY KIT) (PASSENGER CALL LIGHTS ONLY)
FIGURE 18 (SHEET 2)

BRI
MAY 28/07

33-25-01-18

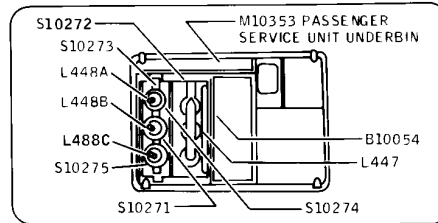
33-25-01-18
PAGE 0A

BOEING
757
PARTS CATALOG (MAINTENANCE)



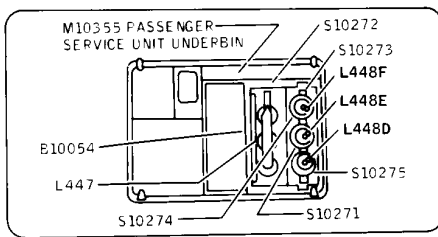
50

(C)



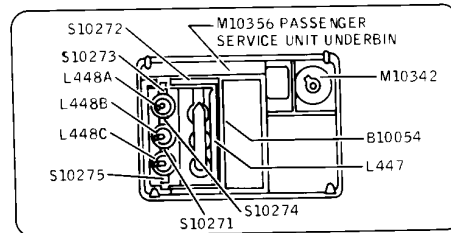
60

(D)



45

(F)



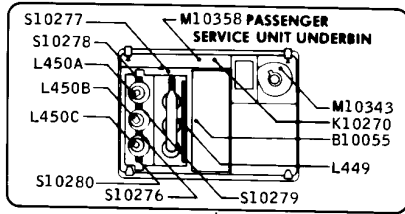
65

(E)

Y 33250118 SHT 3 REV 098

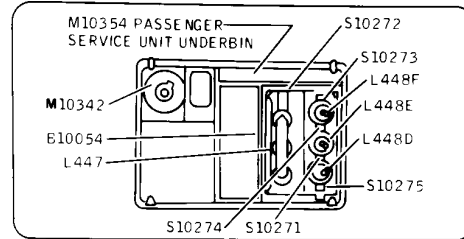
SERVICE UNIT INSTL-PASS. AND PASS. (FLYAWAY KIT) (PASSENGER CALL LIGHTS ONLY)
FIGURE 18 (SHEET 3)

BOEING
757
PARTS CATALOG (MAINTENANCE)



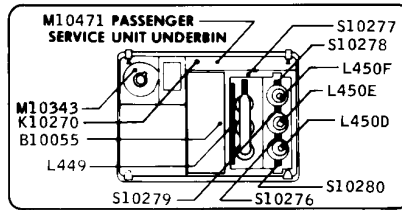
70

(G)



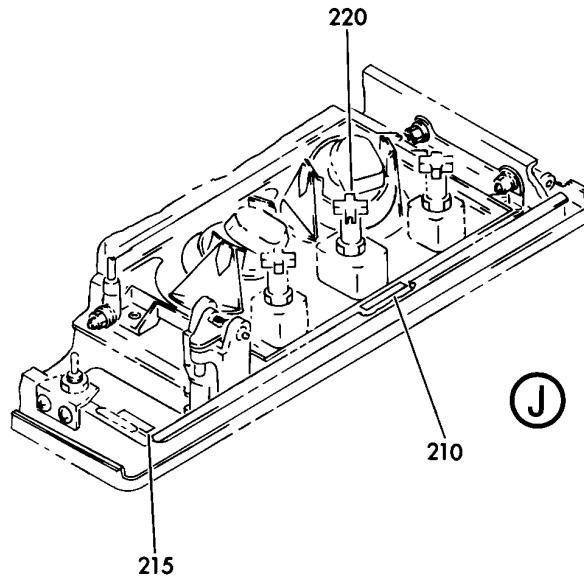
55

(H)



40

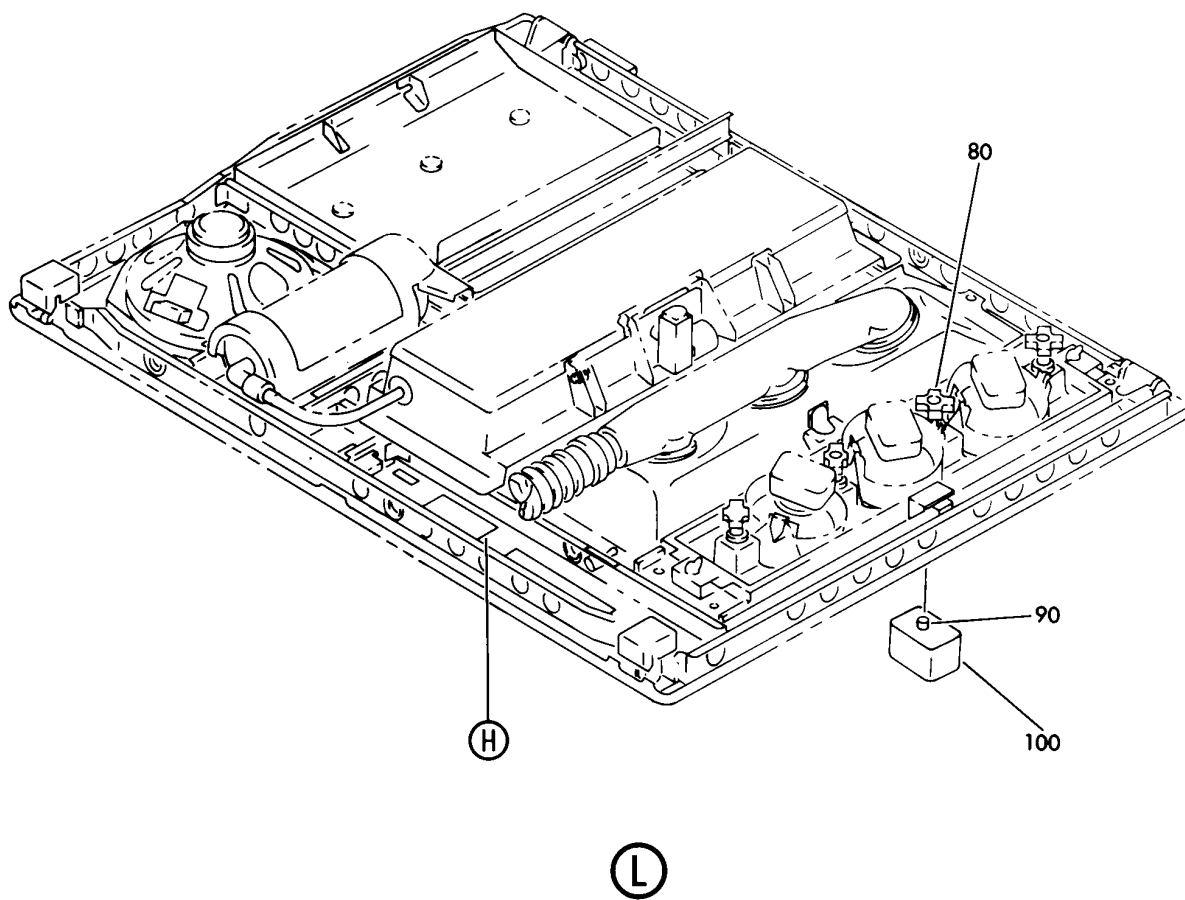
(K)



(J)

SERVICE UNIT INSTL-PASS. AND PASS. (FLYAWAY KIT) (PASSENGER CALL LIGHTS ONLY)
FIGURE 18 (SHEET 4)

BOEING
757
PARTS CATALOG (MAINTENANCE)



Y 33250118 SHT 5 REV 098

SERVICE UNIT INSTL-PASS. AND PASS. (FLYAWAY KIT) (PASSENGER CALL LIGHTS ONLY)
FIGURE 18 (SHEET 5)

BRI
MAY 28/07

33-25-01-18

33-25-01-18
PAGE 0D



757

PARTS CATALOG (MAINTENANCE)

FIG ITEM	PART NUMBER	1 2 3 4 5 6 7	NOMENCLATURE	EFFECT FROM TO	UNITS PER ASSY
18			SERVICE UNIT INSTL-PASS. AND PASS. (FLYAWAY KIT) (PASSENGER CALL LIGHTS ONLY)	121503 904949	
- 1	417N3001-60		SERVICE UNIT INSTL-PASS. (PASSENGER CALL LIGHTS ONLY) FOR NHA/OTHER SYS DET SEE: 25-20-00-20A	904949	RF
- 1	417N3001-63		SERVICE UNIT INSTL-PASS. ALTERNATE CONFIG. TO -60 INSTL FLYAWAY KIT (PASSENGER CALL LIGHTS ONLY) POST RAPID REVISION: RR92003-19 FOR NHA/OTHER SYS DET SEE: 25-20-00-10	904949	RF
- 1	417N3001-137		SERVICE UNIT INSTL-PASS. (PASSENGER CALL LIGHTS ONLY) FOR NHA/OTHER SYS DET SEE: 25-20-00-20A	121503	RF
- 1	417N3001-138		SERVICE UNIT INSTL-PASS. ALTERNATE CONFIG. TO -137 INSTL FLYAWAY KIT DETAILS SHOWN FOR -137 INSTL TO BE SALVAGED AND INSTALLED UNDER -138 INSTL (PASSENGER CALL LIGHTS ONLY) FOR NHA/OTHER SYS DET SEE: 25-20-00-10	121503	RF
5	417N3100-402SP		.SERVICE UNIT ASSY- POSITION DATA: UNDERBIN COMPONENT MAINT MANUAL REF: 25-23-33	121503 904949	RF
10	417N3100-406SP		.SERVICE UNIT ASSY- POSITION DATA: UNDERBIN COMPONENT MAINT MANUAL REF: 25-23-33	121503 904949	RF
15	417N3100-408SP		.SERVICE UNIT ASSY- POSITION DATA: UNDERBIN COMPONENT MAINT MANUAL REF: 25-23-33	121503 904949	RF

MISSING ITEM NUMBERS NOT APPLICABLE

- ITEM NOT ILLUSTRATED

33-25-01-18

33-25-01
FIG. 18
PAGE 1
JAN 20/09

BRI



757

PARTS CATALOG (MAINTENANCE)

FIG ITEM	PART NUMBER	1 2 3 4 5 6 7	NOMENCLATURE	EFFECT FROM TO	UNITS PER ASSY
18					
20	417N3100-408SP	.	SERVICE UNIT ASSY- POSITION DATA: UNDERBIN COMPONENT MAINT MANUAL REF: 25-23-33 USED ON: 417N3001-63 417N3001-74	121503 904949	RF
25	417N3100-643SP	.	SERVICE UNIT ASSY- POSITION DATA: UNDERBIN	121503 904949	RF
30	417N3100-645SP	.	SERVICE UNIT ASSY- POSITION DATA: UNDERBIN	121503 904949	RF
35	417N3100-647SP	.	SERVICE UNIT ASSY- POSITION DATA: UNDERBIN	121503 904949	RF
40	BAC27NPA0667	..	MARKER-ALUMINUM FOIL USED ON: 417N3100-402SP	121503 904949	RF
45	BAC27NPA0663	..	MARKER-ALUMINUM FOIL USED ON: 417N3100-406SP	121503 904949	RF
50	BAC27NPA0661	..	MARKER-ALUMINUM FOIL USED ON: 417N3100-408SP	121503 904949	RF
55	BAC27NPA0661	..	MARKER-ALUMINUM FOIL USED ON: 417N3100-408SP	121503 904949	RF
60	BAC27NPA0662	..	MARKER-ALUMINUM FOIL USED ON: 417N3100-643SP	121503 904949	RF
65	BAC27NPA0660	..	MARKER-ALUMINUM FOIL USED ON: 417N3100-645SP	121503 904949	RF
70	BAC27NPA0666	..	MARKER-ALUMINUM FOIL USED ON: 417N3100-647SP	121503 904949	RF
75	920055	..	SWITCH-ATTENDANT CALL SUPPLIER CODE: V07150 ELECTRICAL EQUIP NUMBER: S10271	121503 904949	1
75	SW43353	..	SWITCH-ATTENDANT CALL SUPPLIER CODE: V07150 ELECTRICAL EQUIP NUMBER: S10271	121503 904949	1

MISSING ITEM NUMBERS NOT APPLICABLE

- ITEM NOT ILLUSTRATED

33-25-01-18

33-25-01
FIG. 18
PAGE 2
JAN 20/09

BRI

BOEING PROPRIETARY - Copyright © - Unpublished Work - See title page for details.



757

PARTS CATALOG (MAINTENANCE)

FIG ITEM	PART NUMBER	1 2 3 4 5 6 7	NOMENCLATURE	EFFECT FROM TO	UNITS PER ASSY
18					
80	920055		.. SWITCH-ATTENDANT CALL SUPPLIER CODE: V07150 ELECTRICAL EQUIP NUMBER: S10271 USED ON: 417N3100-408SP	121503 904949	1
80	SW43353		.. SWITCH-ATTENDANT CALL SUPPLIER CODE: V07150 ELECTRICAL EQUIP NUMBER: S10271 USED ON: 417N3100-408SP	121503 904949	1
85	VIP720-2F		. LENS ASSY-CALL SWITCH SUPPLIER CODE: V28406 SPECIFICATION NUMBER: S417N303-2F	121503 904949	73
90	VIP720-2F		. LENS ASSY-CALL SWITCH SUPPLIER CODE: V28406 SPECIFICATION NUMBER: S417N303-2F USED ON: 417N3001-63 417N3001-74	121503 904949	1
95	GE387		.. LAMP- SUPPLIER CODE: V08806	121503 904949	1
100	GE387		.. LAMP- SUPPLIER CODE: V08806 USED ON: 417N3100-408SP	121503 904949	1
105	417N3100-641SP		. SERVICE UNIT ASSY- POSITION DATA: UNDERBIN	121503 904949	RF
110	920055		.. SWITCH-ATTENDANT CALL SUPPLIER CODE: V07150	121503 904949	1
110	SW43353		.. SWITCH-ATTENDANT CALL SUPPLIER CODE: V07150	121503 904949	1
115	VIP720-2F		. LENS ASSY-CALL SWITCH SUPPLIER CODE: V28406 SPECIFICATION NUMBER: S417N303-2F	121503 904949	1

MISSING ITEM NUMBERS NOT APPLICABLE

- ITEM NOT ILLUSTRATED

33-25-01-18

33-25-01
FIG. 18
PAGE 3
JAN 20/09

BRI

BOEING PROPRIETARY - Copyright © - Unpublished Work - See title page for details.



757

PARTS CATALOG (MAINTENANCE)

FIG ITEM	PART NUMBER	1 2 3 4 5 6 7	NOMENCLATURE	EFFECT FROM TO	UNITS PER ASSY
18					
120	GE387		..LAMP- SUPPLIER CODE: V08806	121503 904949	1
200	417N3200-77SP		.SERVICE UNIT ASSY- POSITION DATA: OVERDOOR COMPONENT MAINT MANUAL REF: 35-21-04	121503 904949	RF
205	417N3200-78SP		.SERVICE UNIT ASSY- POSITION DATA: OVERDOOR COMPONENT MAINT MANUAL REF: 35-21-04	121503 904949	RF
210	BAC27NPA0337		..MARKER-ALUMINUM FOIL PLACARD CONTENT: S10286	121503 904949	1
215	BAC27NPA0338		..MARKER-ALUMINUM FOIL PLACARD CONTENT: S10287	121503 904949	1
220	920055		..SWITCH-ATTENDANT CALL SUPPLIER CODE: V07150 ELECTRICAL EQUIP NUMBER: S10286 S10287	121503 904949	1
220	SW43353		..SWITCH-ATTENDANT CALL SUPPLIER CODE: V07150 ELECTRICAL EQUIP NUMBER: S10286 S10287	121503 904949	1

MISSING ITEM NUMBERS NOT APPLICABLE

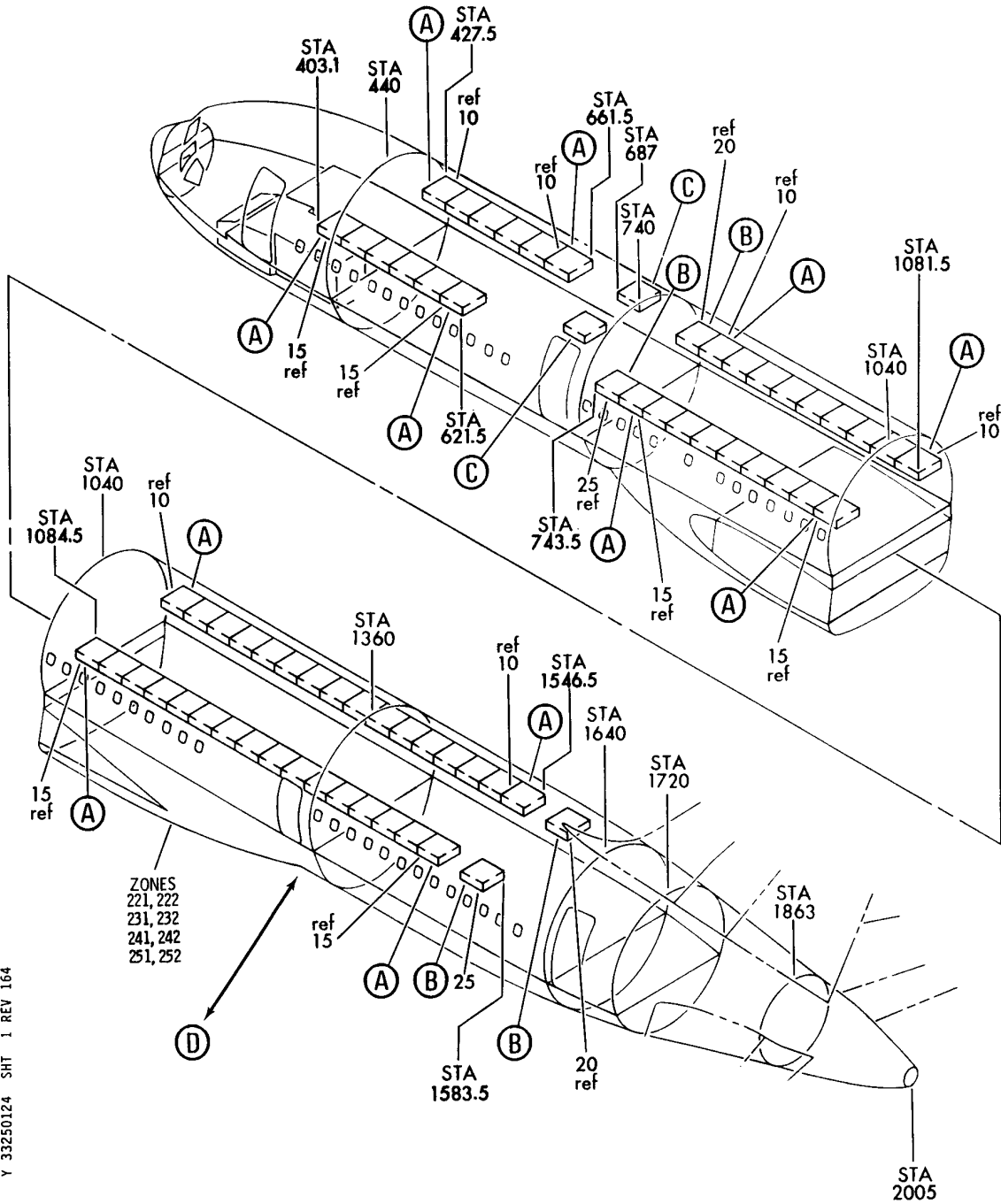
- ITEM NOT ILLUSTRATED

33-25-01-18

33-25-01
FIG. 18
PAGE 4
JAN 20/09

BRI

BOEING
757
PARTS CATALOG (MAINTENANCE)



Y 33250124 SHT 1 REV 164

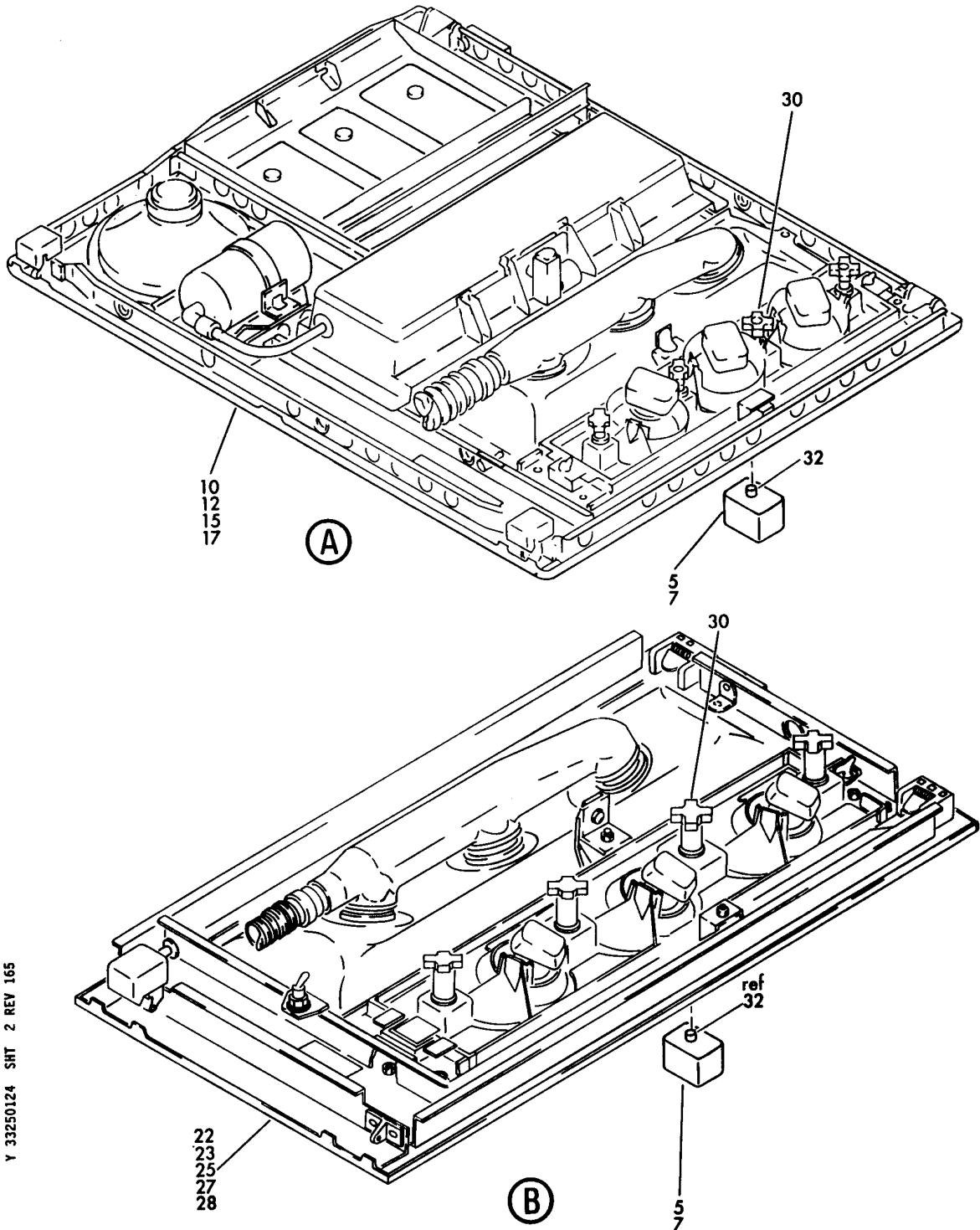
SERVICE UNIT INSTL-PASS. (PASSENGER CALL LIGHTS ONLY)
FIGURE 24 (SHEET 1)

33-25-01-24

BRI
JAN 20/09

33-25-01-24
PAGE 0

BOEING
757
PARTS CATALOG (MAINTENANCE)



Y 33250124 SHT 2 REV 165

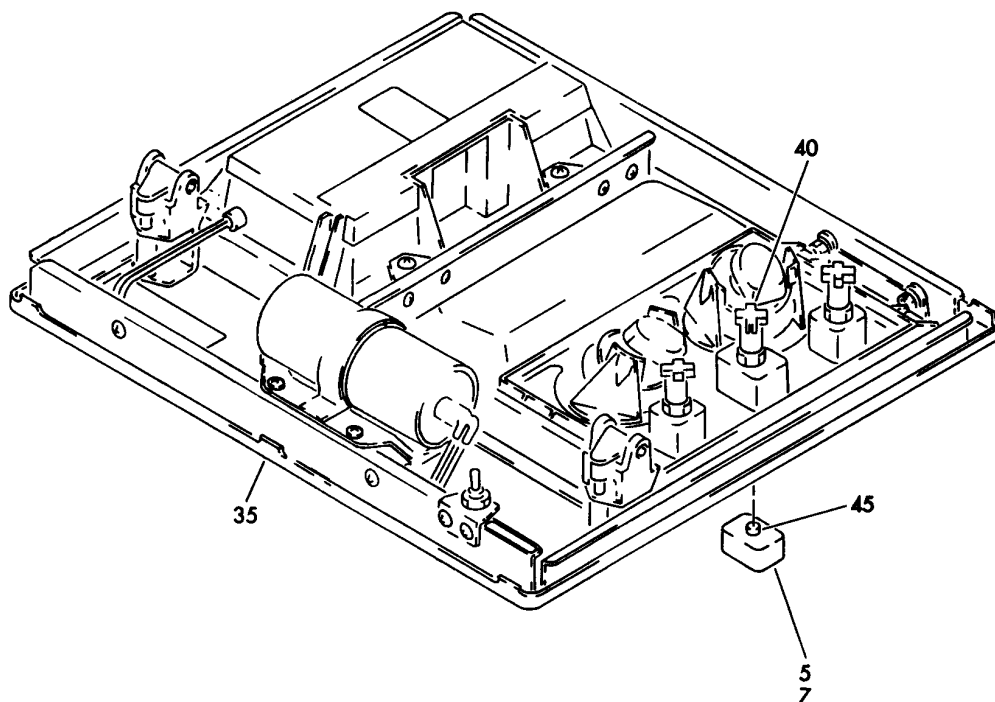
SERVICE UNIT INSTL-PASS. (PASSENGER CALL LIGHTS ONLY)
FIGURE 24 (SHEET 2)

33-25-01-24

BRI
JAN 20/09

33-25-01-24
PAGE 0A

BOEING
757
PARTS CATALOG (MAINTENANCE)



Ⓒ

Y 33250124 SMT 3 REV 165

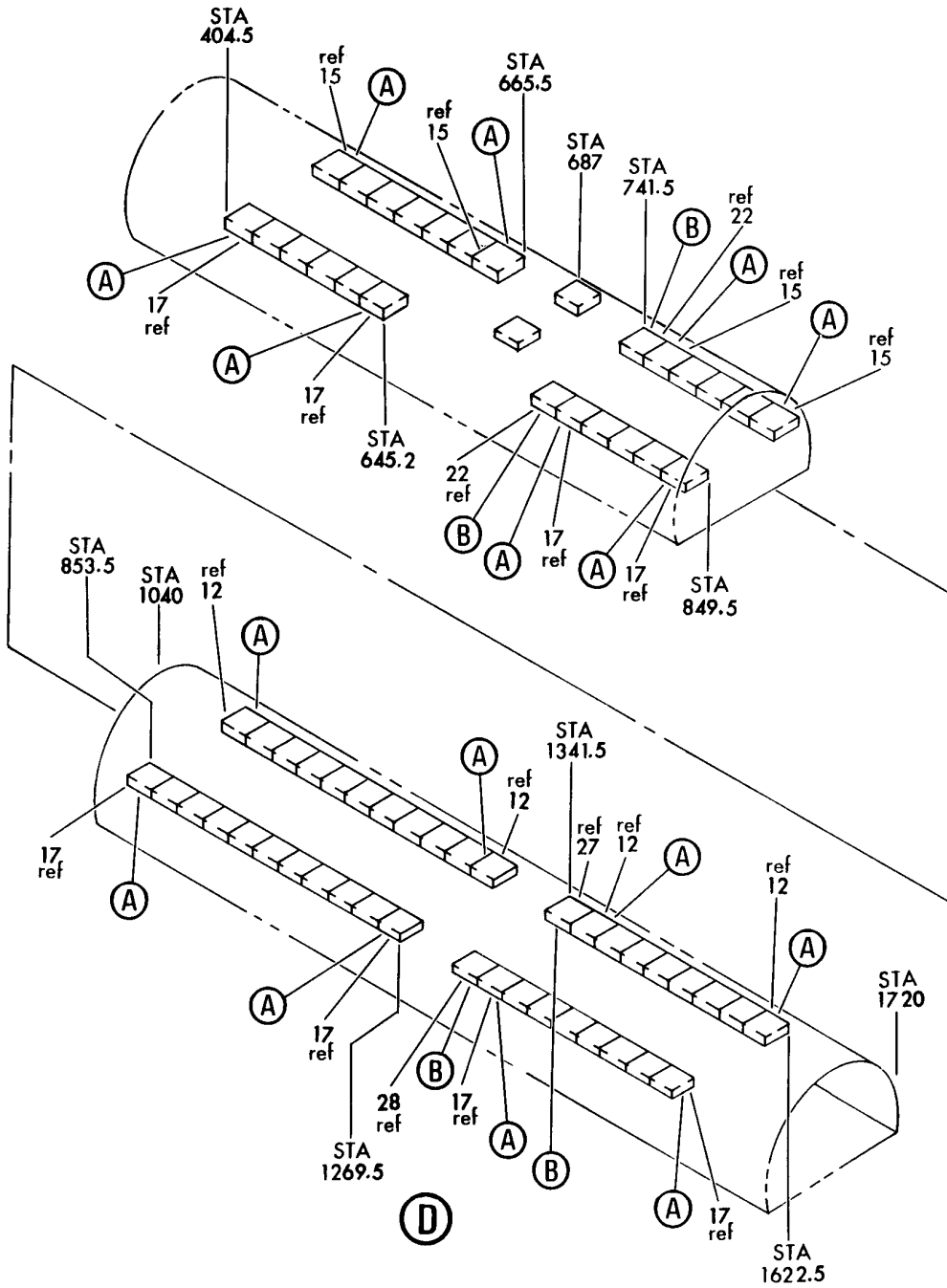
SERVICE UNIT INSTL-PASS. (PASSENGER CALL LIGHTS ONLY)
FIGURE 24 (SHEET 3)

33-25-01-24

BRI
JAN 20/09

33-25-01-24
PAGE 0B


BOEING
 757
PARTS CATALOG (MAINTENANCE)



Y 33250124 SHT 4 REV 164

SERVICE UNIT INSTL-PASS. (PASSENGER CALL LIGHTS ONLY)
 FIGURE 24 (SHEET 4)

33-25-01-24

BRI
JAN 20/09

33-25-01-24
 PAGE 0C



757

PARTS CATALOG (MAINTENANCE)

FIG ITEM	PART NUMBER	1 2 3 4 5 6 7	NOMENCLATURE	EFFECT FROM TO	UNITS PER ASSY
24			SERVICE UNIT INSTL-PASS. (PASSENGER CALL LIGHTS ONLY)	950951	
- 1	417N3001-159		SERVICE UNIT INSTL-PASS. (PASSENGER CALL LIGHTS ONLY)	950951	RF
7	VIP720-2J		FOR NHA/OTHER SYS DET SEE: 25-20-00-20A .LENS-CALL SWITCH SUPPLIER CODE: V28406 SPECIFICATION NUMBER: S417N303-2J	950951	67
12	417N3100-424SP		.SERVICE UNIT ASSY- POSITION DATA: UNDERBIN ELECTRICAL EQUIP NUMBER: M03012 COMPONENT MAINT MANUAL REF: 25-23-34	950951	RF
17	417N3100-415SP		.SERVICE UNIT ASSY- POSITION DATA: UNDERBIN ELECTRICAL EQUIP NUMBER: M03012 COMPONENT MAINT MANUAL REF: 25-23-34	950951	RF
22	417N3100-538SP		.SERVICE UNIT ASSY- POSITION DATA: UNDERBIN ELECTRICAL EQUIP NUMBER: M03012 COMPONENT MAINT MANUAL REF: 25-23-36 QUALIFIED I/W DATA: I/W EXCEPT N/I FOR NC001-NC010	950951	RF
23	417N3100-537SP		.SERVICE UNIT ASSY- POSITION DATA: UNDERBIN ELECTRICAL EQUIP NUMBER: M03012 COMPONENT MAINT MANUAL REF: 25-23-36 QUALIFIED I/W DATA: I/W EXCEPT N/I FOR NC001NC010	950951	RF

MISSING ITEM NUMBERS NOT APPLICABLE

- ITEM NOT ILLUSTRATED

BRI

33-25-01-24

33-25-01
FIG. 24
PAGE 1
JAN 20/09



757

PARTS CATALOG (MAINTENANCE)

FIG ITEM	PART NUMBER	1 2 3 4 5 6 7	NOMENCLATURE	EFFECT FROM TO	UNITS PER ASSY
24					
27	417N3100-596SP	.	SERVICE UNIT ASSY- POSITION DATA: UNDERBIN ELECTRICAL EQUIP NUMBER: M03012 COMPONENT MAINT MANUAL REF: 25-23-34	950951	RF
28	417N3100-595SP	.	SERVICE UNIT ASSY- POSITION DATA: UNDERBIN ELECTRICAL EQUIP NUMBER: M03012 COMPONENT MAINT MANUAL REF: 25-23-34	950951	RF
30	920055	..	SWITCH-ATTENDANT CALL SUPPLIER CODE: V07150 ELECTRICAL EQUIP NUMBER: S10286	950951	1
30	SW43353	..	SWITCH-ATTENDANT CALL SUPPLIER CODE: V07150 ELECTRICAL EQUIP NUMBER: S10286	950951	1
32	GE387	..	LAMP- SUPPLIER CODE: V08806 ELECTRICAL EQUIP NUMBER: S10286T	950951	1
35	417N3200-62SP	.	SERVICE UNIT ASSY- POSITION DATA: OVERDOOR COMPONENT MAINT MANUAL REF: 35-21-04	950951	RF
40	920055	..	SWITCH-ATTENDANT CALL SUPPLIER CODE: V07150 ELECTRICAL EQUIP NUMBER: S10286	950951	1
40	SW43353	..	SWITCH-ATTENDANT CALL SUPPLIER CODE: V07150 ELECTRICAL EQUIP NUMBER: S10286	950951	1
45	GE387	..	LAMP- SUPPLIER CODE: V08806 ELECTRICAL EQUIP NUMBER: S10286T	950951	1

MISSING ITEM NUMBERS NOT APPLICABLE

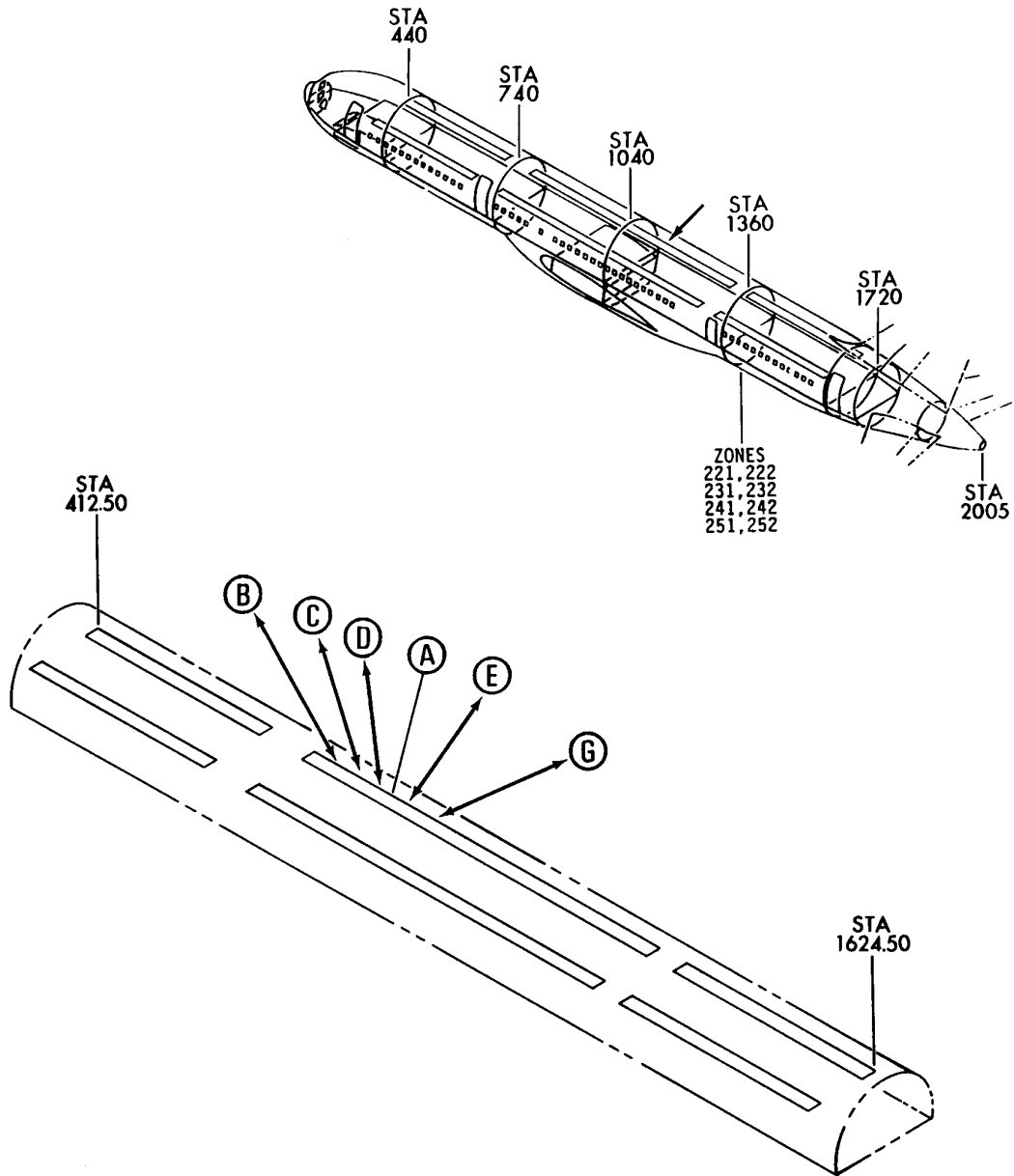
- ITEM NOT ILLUSTRATED

33-25-01-24

33-25-01
FIG. 24
PAGE 2
JAN 20/09

BRI

BOEING
757
PARTS CATALOG (MAINTENANCE)



Y 33250128 SHT 1 REV 156

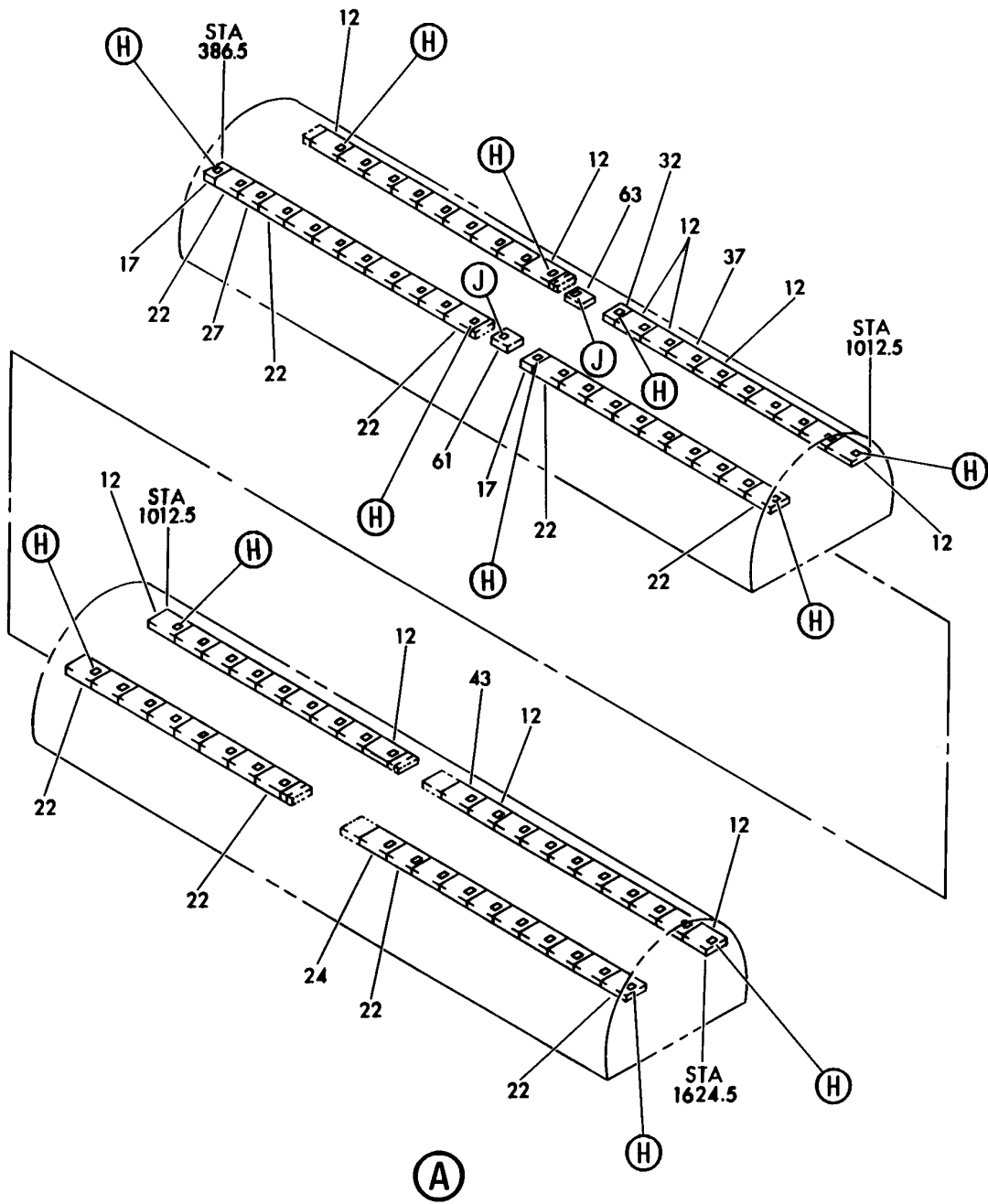
SERVICE UNIT INSTL-PASS. (PASSENGER CALL LIGHTS ONLY)
FIGURE 28 (SHEET 1)

33-25-01-28

BRI
MAY 28/07

33-25-01-28
PAGE 0


BOEING
 757
PARTS CATALOG (MAINTENANCE)



Y 33250128 SHT 2 REV 142

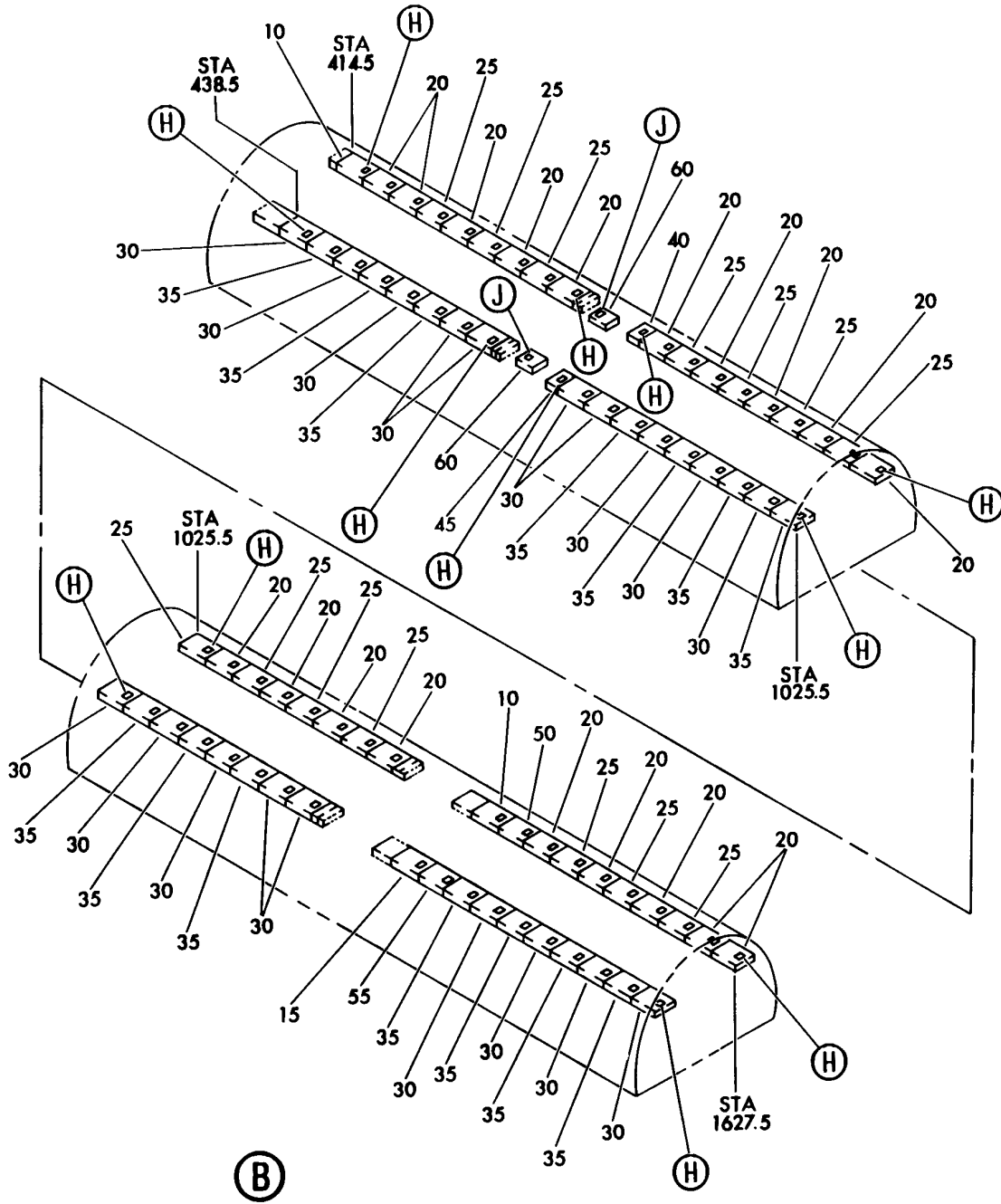
SERVICE UNIT INSTL-PASS. (PASSENGER CALL LIGHTS ONLY)
 FIGURE 28 (SHEET 2)

33-25-01-28

BRI
MAY 28/07

33-25-01-28
 PAGE 0A


BOEING
 757
PARTS CATALOG (MAINTENANCE)



Y 33250128 SHT 3 REV 142

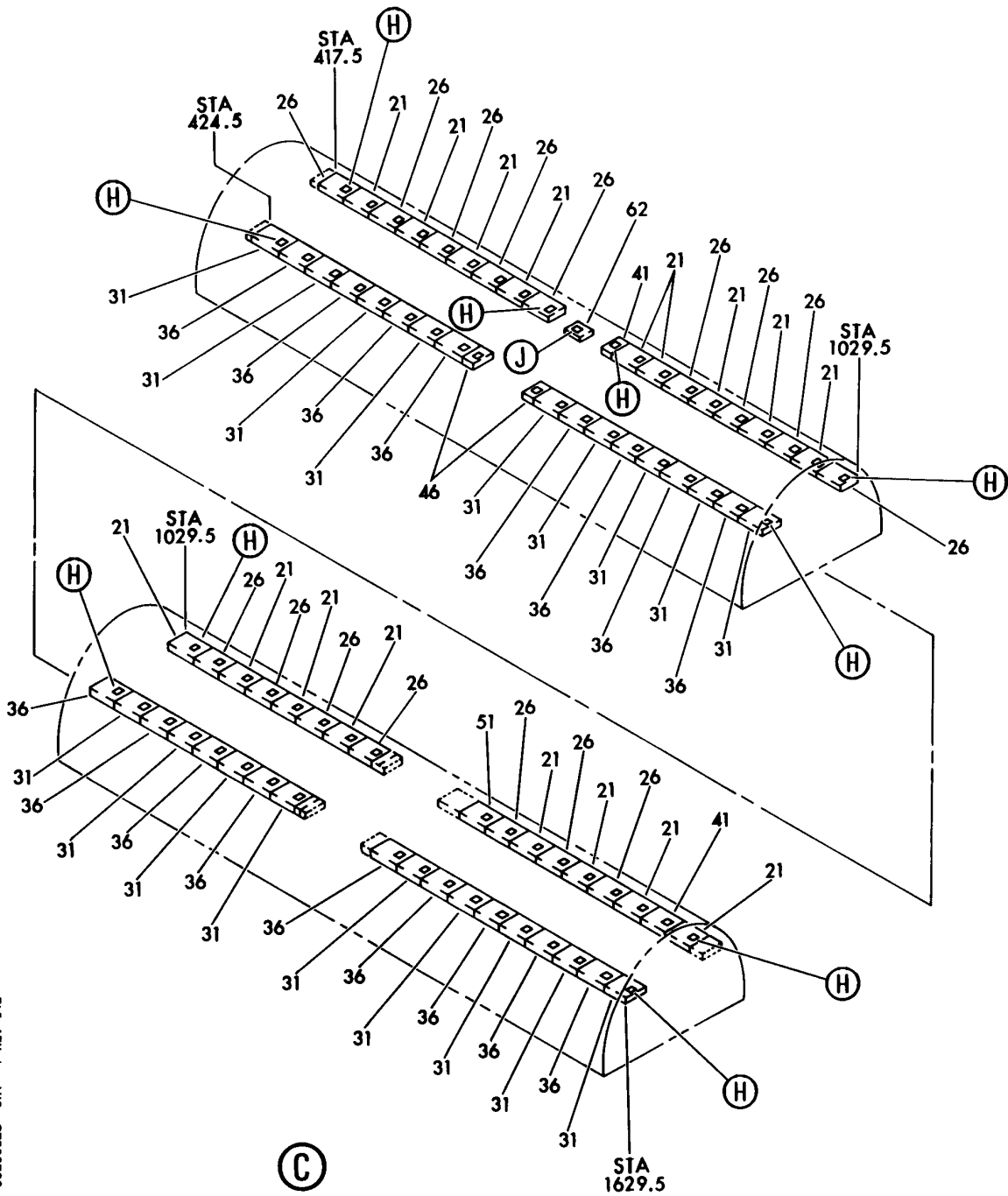
SERVICE UNIT INSTL-PASS. (PASSENGER CALL LIGHTS ONLY)
 FIGURE 28 (SHEET 3)

33-25-01-28

BRI
MAY 28/07

33-25-01-28
 PAGE 0B


BOEING
 757
PARTS CATALOG (MAINTENANCE)



Y 33250128 SHT 4 REV 142

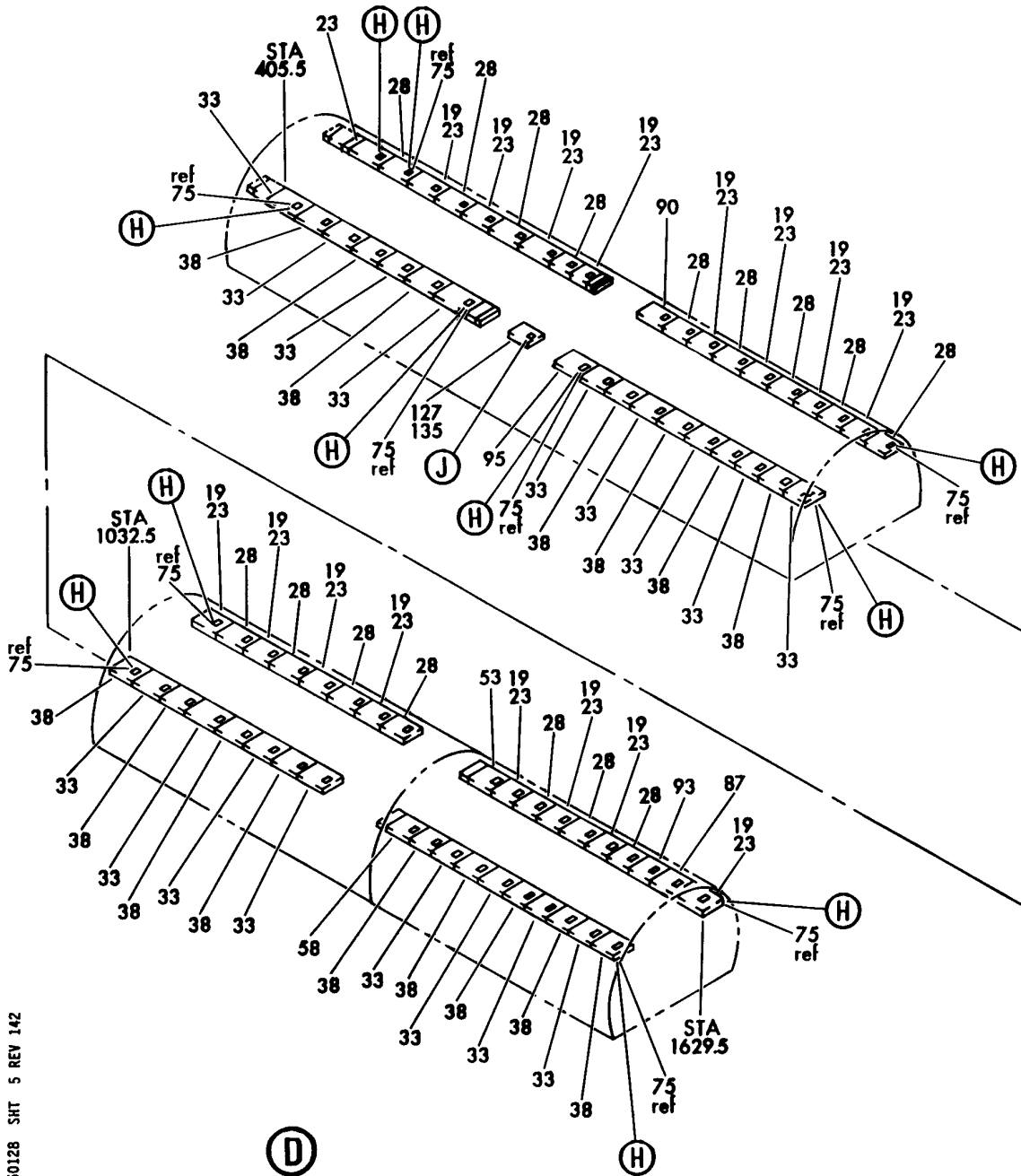
SERVICE UNIT INSTL-PASS. (PASSENGER CALL LIGHTS ONLY)
 FIGURE 28 (SHEET 4)

33-25-01-28

BRI
MAY 28/07

33-25-01-28
 PAGE 0C


BOEING
 757
PARTS CATALOG (MAINTENANCE)



Y 33250128 SHT 5 REV 142

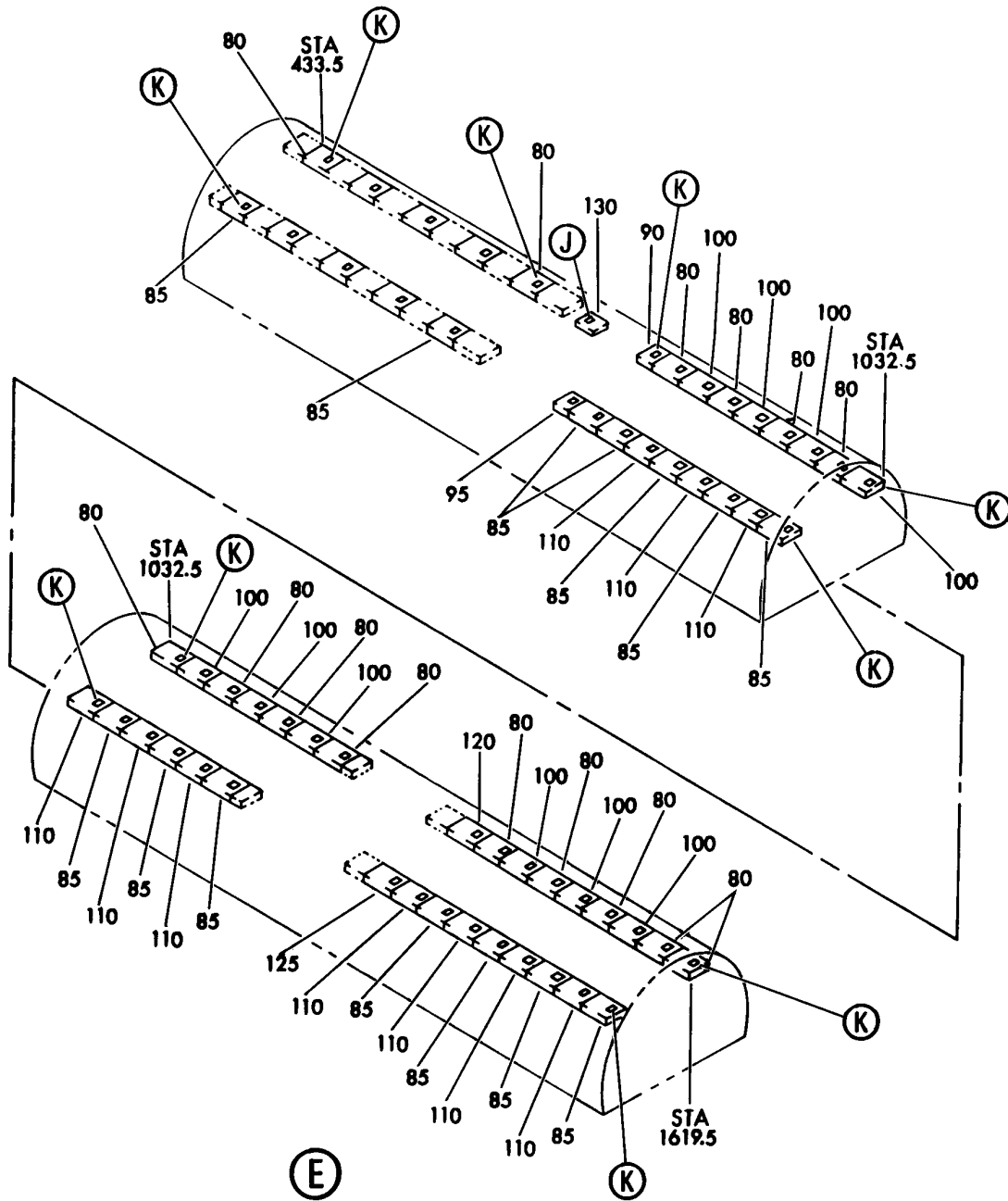
SERVICE UNIT INSTL-PASS. (PASSENGER CALL LIGHTS ONLY)
 FIGURE 28 (SHEET 5)

33-25-01-28

BRI
MAY 28/07

33-25-01-28
 PAGE 0D


BOEING
 757
PARTS CATALOG (MAINTENANCE)



Y 33250128 SHT 6 REV 142

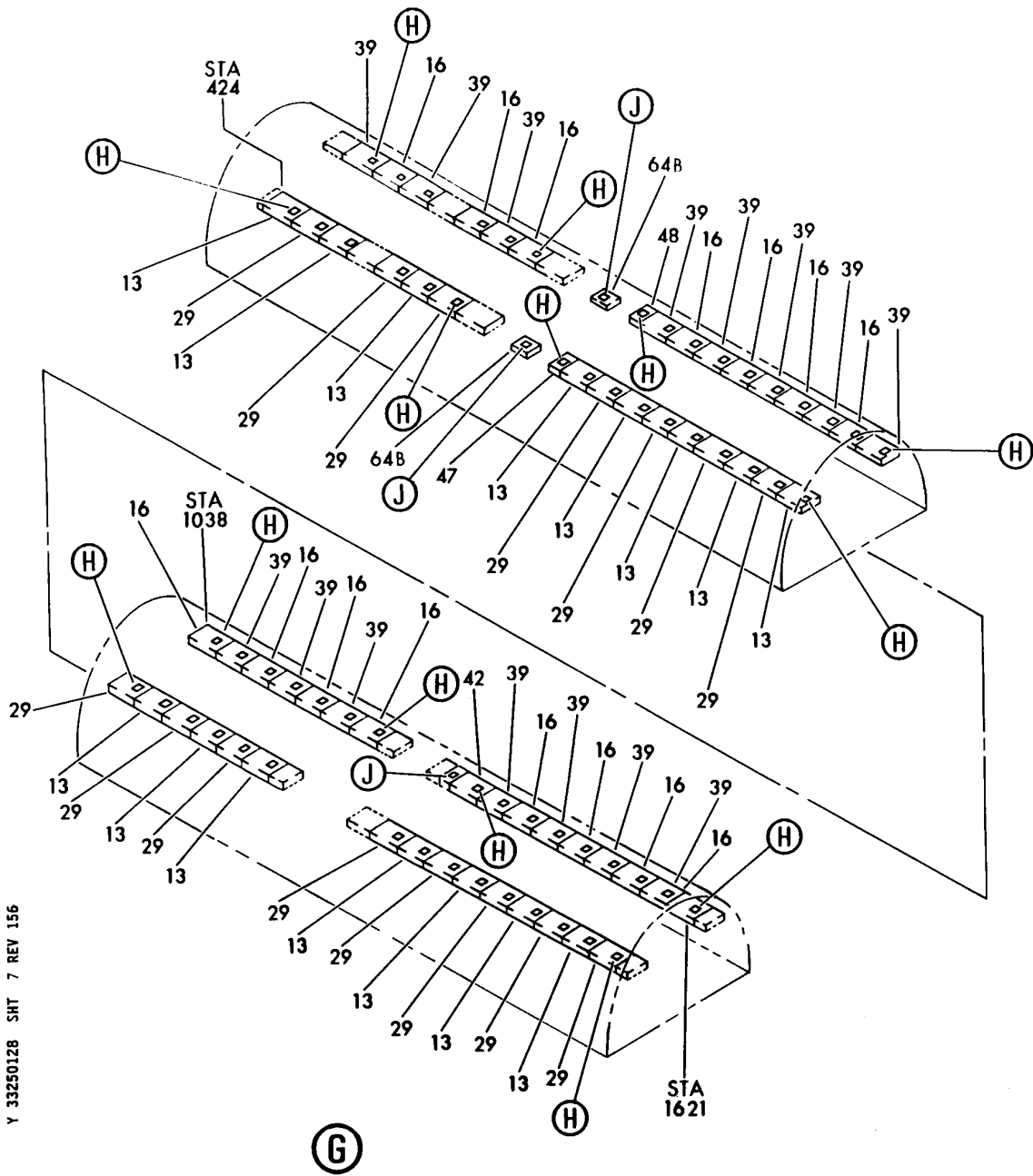
SERVICE UNIT INSTL-PASS. (PASSENGER CALL LIGHTS ONLY)
 FIGURE 28 (SHEET 6)

33-25-01-28

BRI
 MAY 28/07

33-25-01-28
 PAGE 0E

BOEING
757
PARTS CATALOG (MAINTENANCE)



Y 33250128 SHT 7 REV 156

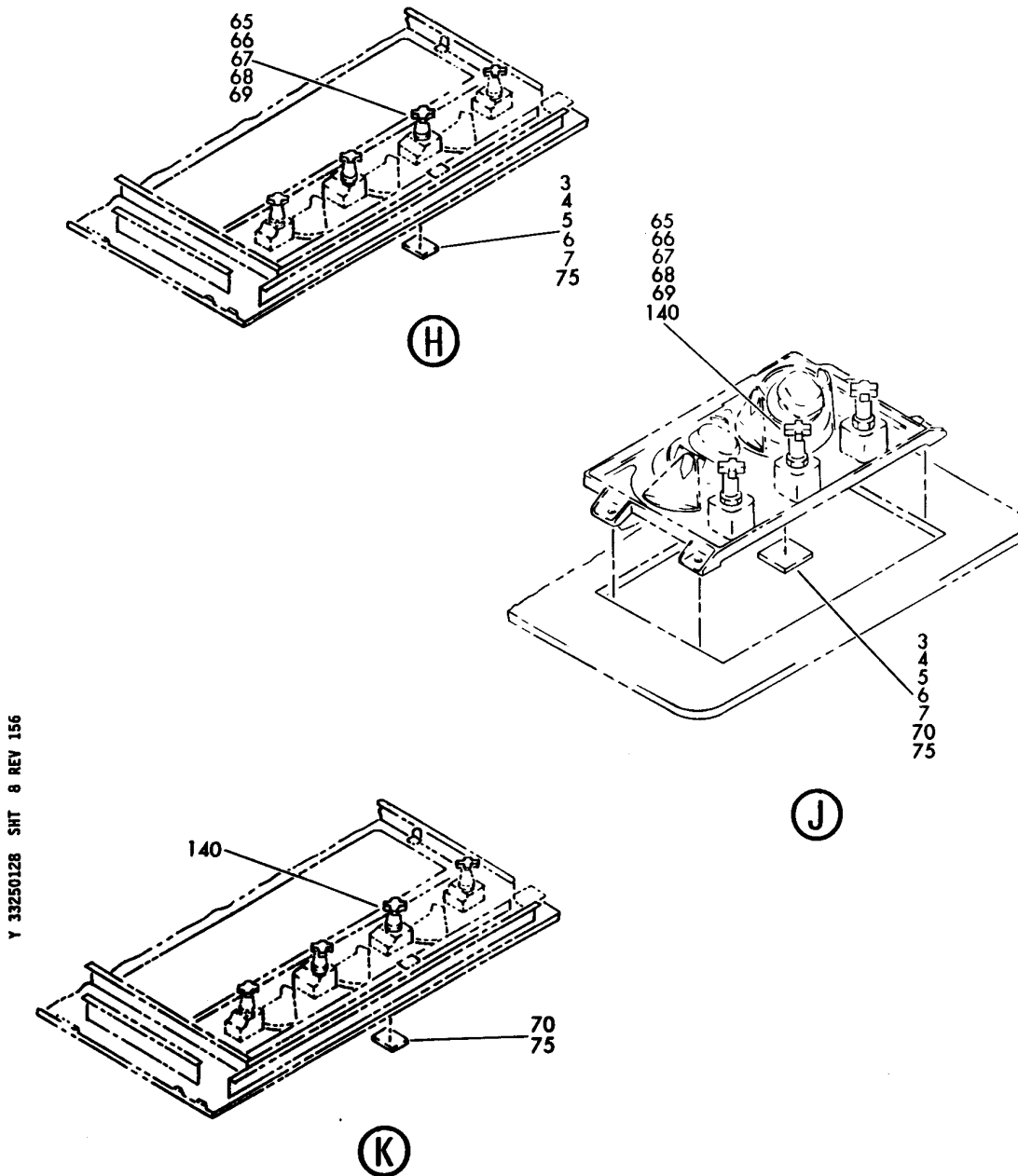
SERVICE UNIT INSTL-PASS. (PASSENGER CALL LIGHTS ONLY)
FIGURE 28 (SHEET 7)

33-25-01-28

BRI
MAY 28/07

33-25-01-28
PAGE OF

BOEING
757
PARTS CATALOG (MAINTENANCE)



Y 33250128 SH1 8 REV 156

SERVICE UNIT INSTL-PASS. (PASSENGER CALL LIGHTS ONLY)
FIGURE 28 (SHEET 8)

33-25-01-28

BRI
MAY 28/07

33-25-01-28
PAGE 0G



757

PARTS CATALOG (MAINTENANCE)

FIG ITEM	PART NUMBER	1 2 3 4 5 6 7	NOMENCLATURE	EFFECT FROM TO	UNITS PER ASSY
28			SERVICE UNIT INSTL-PASS. (PASSENGER CALL LIGHTS ONLY)	002004 006010 952999	
- 1	417N3001-132		SERVICE UNIT INSTL-PASS. (PASSENGER CALL LIGHTS ONLY) FOR NHA/OTHER SYS DET SEE: 25-20-00-20A	952952	RF
- 1	417N3001-88		SERVICE UNIT INSTL-PASS. (PASSENGER CALL LIGHTS ONLY) FOR NHA/OTHER SYS DET SEE: 25-20-00-20A	002004	RF
- 1	417N3001-155		SERVICE UNIT INSTL-PASS. (PASSENGER CALL LIGHTS ONLY) FOR NHA/OTHER SYS DET SEE: 25-20-00-20A	953999	RF
- 1	417N3001-157		SERVICE UNIT INSTL-PASS. (PASSENGER CALL LIGHTS ONLY) FOR NHA/OTHER SYS DET SEE: 25-20-00-20A	006010	RF
7	VIP720-2D		.LENS ASSY-CALL SWITCH SUPPLIER CODE: V28406 SPECIFICATION NUMBER: S417N303-2D OPTIONAL PART: 932501-931 V07150	002004 006010	79
12	417N3100-444SP		.SERVICE UNIT ASSY- POSITION DATA: UNDERBIN COMPONENT MAINT MANUAL REF: 25-23-30	002004 006010	RF
17	417N3100-539SP		.SERVICE UNIT ASSY- POSITION DATA: UNDERBIN COMPONENT MAINT MANUAL REF: 25-23-33	002004 006010	RF
22	417N3100-427SP		.SERVICE UNIT ASSY- POSITION DATA: UNDERBIN COMPONENT MAINT MANUAL REF: 25-23-33	002004 006010	RF

MISSING ITEM NUMBERS NOT APPLICABLE

- ITEM NOT ILLUSTRATED

33-25-01-28

33-25-01
FIG. 28
PAGE 1
JAN 20/09

BRI



757

PARTS CATALOG (MAINTENANCE)

FIG ITEM	PART NUMBER	1 2 3 4 5 6 7	NOMENCLATURE	EFFECT FROM TO	UNITS PER ASSY
28					
23	417N3100-426SP	.	SERVICE UNIT ASSY- POSITION DATA: UNDERBIN COMPONENT MAINT MANUAL REF: 25-23-34	952999	RF
24	417N3100-425SP	.	SERVICE UNIT ASSY- POSITION DATA: UNDERBIN COMPONENT MAINT MANUAL REF: 25-23-33	002004 006010	RF
27	417N3100-505SP	.	SERVICE UNIT ASSY- POSITION DATA: UNDERBIN COMPONENT MAINT MANUAL REF: 25-23-37	002004 006010	RF
28	417N3100-428SP	.	SERVICE UNIT ASSY- POSITION DATA: UNDERBIN COMPONENT MAINT MANUAL REF: 25-23-34	952999	RF
28	417N3100-296SP	.	SERVICE UNIT ASSY- POSITION DATA: UNDERBIN COMPONENT MAINT MANUAL REF: 25-23-34	952999	RF
32	417N3100-540SP	.	SERVICE UNIT ASSY- POSITION DATA: UNDERBIN COMPONENT MAINT MANUAL REF: 25-23-33	002004 006010	RF
33	417N3100-419SP	.	SERVICE UNIT ASSY- POSITION DATA: UNDERBIN COMPONENT MAINT MANUAL REF: 25-23-34	952999	RF
37	417N3100-508SP	.	SERVICE UNIT ASSY- POSITION DATA: UNDERBIN COMPONENT MAINT MANUAL REF: 25-23-37	002004 006010	RF
38	417N3100-421SP	.	SERVICE UNIT ASSY- POSITION DATA: UNDERBIN COMPONENT MAINT MANUAL REF: 25-23-34	952999	RF

MISSING ITEM NUMBERS NOT APPLICABLE

- ITEM NOT ILLUSTRATED

33-25-01-28

33-25-01
FIG. 28
PAGE 2
JAN 20/09

BRI



757

PARTS CATALOG (MAINTENANCE)

FIG ITEM	PART NUMBER	1 2 3 4 5 6 7	NOMENCLATURE	EFFECT FROM TO	UNITS PER ASSY
28					
43	417N3100-442SP	.	SERVICE UNIT ASSY- POSITION DATA: UNDERBIN COMPONENT MAINT MANUAL REF: 25-23-33	002004 006010	RF
53	417N3100-596SP	.	SERVICE UNIT ASSY- POSITION DATA: UNDERBIN COMPONENT MAINT MANUAL REF: 25-23-34	952999	RF
58	417N3100-595SP	.	SERVICE UNIT ASSY- POSITION DATA: UNDERBIN COMPONENT MAINT MANUAL REF: 25-23-34	952999	RF
61	417N3200-77SP	.	SERVICE UNIT ASSY- POSITION DATA: UNDERBIN COMPONENT MAINT MANUAL REF: 35-21-04	002004 006010	RF
63	417N3200-78SP	.	SERVICE UNIT ASSY- POSITION DATA: UNDERBIN COMPONENT MAINT MANUAL REF: 35-21-04	002004 006010	RF
67	920055	..	SWITCH-ATTENDANT CALL SUPPLIER CODE: V07150 ELECTRICAL EQUIP NUMBER: S10271 S10286	002004 006010	1
67	SW43353	..	SWITCH-ATTENDANT CALL SUPPLIER CODE: V07150 ELECTRICAL EQUIP NUMBER: S10271 S10286	002004 006010	1
68	920055	..	SWITCH-ATTENDANT CALL SUPPLIER CODE: V07150 ELECTRICAL EQUIP NUMBER: S10271 S10286	952999	1
68	SW43353	..	SWITCH-ATTENDANT CALL SUPPLIER CODE: V07150 ELECTRICAL EQUIP NUMBER: S10271 S10286	952999	1

MISSING ITEM NUMBERS NOT APPLICABLE

- ITEM NOT ILLUSTRATED

33-25-01-28

33-25-01
FIG. 28
PAGE 3
JAN 20/09

BRI



757

PARTS CATALOG (MAINTENANCE)

FIG ITEM	PART NUMBER	1 2 3 4 5 6 7	NOMENCLATURE	EFFECT FROM TO	UNITS PER ASSY
28					
87	417N3100-506SP	.	SERVICE UNIT ASSY- POSITION DATA: UNDERBIN COMPONENT MAINT MANUAL REF: 25-23-37	952999	RF
90	417N3100-538SP	.	SERVICE UNIT ASSY- POSITION DATA: UNDERBIN COMPONENT MAINT MANUAL REF: 25-23-36 QUALIFIED I/W DATA: I/W EXCEPT N/I FOR NCO01-NC010	952999	RF
93	417N3100-538SP	.	SERVICE UNIT ASSY- POSITION DATA: UNDERBIN COMPONENT MAINT MANUAL REF: 25-23-36 QUALIFIED I/W DATA: I/W EXCEPT N/I FOR NCO01-NC010	952999	RF
95	417N3100-537SP	.	SERVICE UNIT ASSY- POSITION DATA: UNDERBIN COMPONENT MAINT MANUAL REF: 25-23-36 QUALIFIED I/W DATA: I/W EXCEPT N/I FOR NCO01NC010	952999	RF
135	417N3200-62SP	.	SERVICE UNIT ASSY- POSITION DATA: OVERDOOR COMPONENT MAINT MANUAL REF: 35-21-04	952999	RF
140	920055	..	SWITCH-ATTENDANT CALL SUPPLIER CODE: V07150 ELECTRICAL EQUIP NUMBER: S10271 S10286	952999	1
140	920055	..	SWITCH-ATTENDANT CALL SUPPLIER CODE: V07150 ELECTRICAL EQUIP NUMBER: S10271 S10286	952999	1

MISSING ITEM NUMBERS NOT APPLICABLE

- ITEM NOT ILLUSTRATED

33-25-01-28

33-25-01
FIG. 28
PAGE 4
JAN 20/09

BRI

BOEING PROPRIETARY - Copyright © - Unpublished Work - See title page for details.



757

PARTS CATALOG (MAINTENANCE)

FIG ITEM	PART NUMBER	1 2 3 4 5 6 7	NOMENCLATURE	EFFECT FROM TO	UNITS PER ASSY
28 140	SW43353		.. SWITCH-ATTENDANT CALL SUPPLIER CODE: V07150 ELECTRICAL EQUIP NUMBER: S10271 S10286	952999	1
140	SW43353		.. SWITCH-ATTENDANT CALL SUPPLIER CODE: V07150 ELECTRICAL EQUIP NUMBER: S10271 S10286	952999	1

MISSING ITEM NUMBERS NOT APPLICABLE

- ITEM NOT ILLUSTRATED

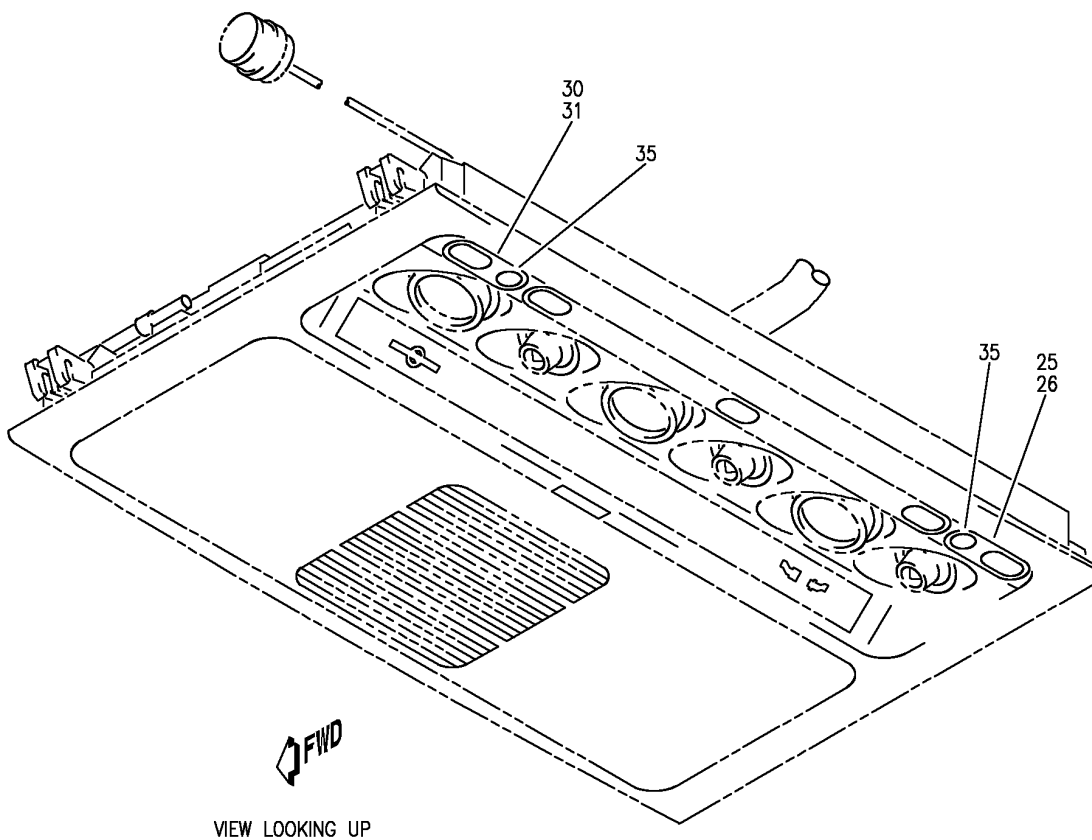
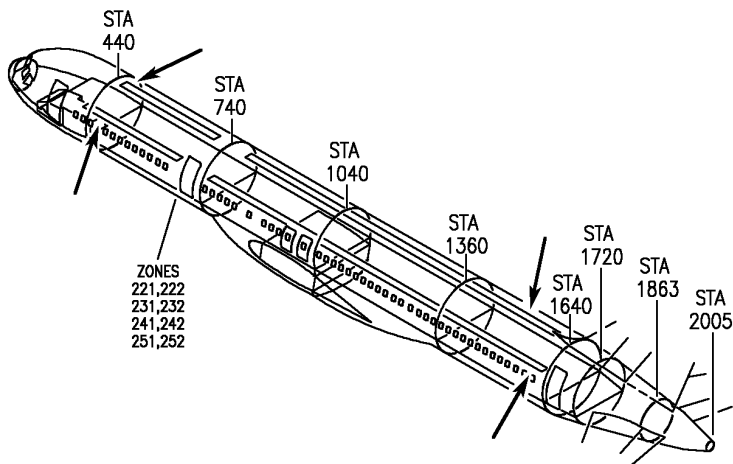
BRI

33-25-01-28

BOEING PROPRIETARY - Copyright © - Unpublished Work - See title page for details.

33-25-01
FIG. 28
PAGE 5
JAN 20/09

BOEING
757
PARTS CATALOG (MAINTENANCE)



VIEW LOOKING UP

Y 33250131B REV 271

SERVICE UNIT ASSY-PASS. (PASSENGER CALL LIGHTS ONLY)
FIGURE 31B

33-25-01-31B

BRI
JAN 20/09

33-25-01-31B
PAGE 0



757

PARTS CATALOG (MAINTENANCE)

FIG ITEM	PART NUMBER	1 2 3 4 5 6 7	NOMENCLATURE	EFFECT FROM TO	UNITS PER ASSY
31B			SERVICE UNIT ASSY-PASS. (PASSENGER CALL LIGHTS ONLY)	103106 108120	
- 1	417N3011-401W		SERVICE UNIT ASSY-PASS. WITH SPKR AND GASPER (PASSENGER CALL LIGHTS ONLY) POSITION DATA: LH ELECTRICAL EQUIP NUMBER: M10973 COMPONENT MAINT MANUAL REF: 25-23-38 FOR NHA/OTHER SYS DET SEE: 25-23-01-34A 25-23-01-76A	108120	RF
- 1	417N3011-401B		SERVICE UNIT ASSY-PASS. WITH 2K SPKR AND GASPER (PASSENGER CALL LIGHTS ONLY) POSITION DATA: LH ELECTRICAL EQUIP NUMBER: M10973 FOR NHA/OTHER SYS DET SEE: 25-23-01-52B	103106	RF
- 10	417N3011-413M		SERVICE UNIT ASSY-PASS. NO SPKR WITH GASPER (PASSENGER CALL LIGHTS ONLY) POSITION DATA: LH ELECTRICAL EQUIP NUMBER: M10973 COMPONENT MAINT MANUAL REF: 25-23-38 FOR NHA/OTHER SYS DET SEE: 25-23-01-34A 25-23-01-76A	108120	RF
- 10	417N3011-413B		SERVICE UNIT ASSY-PASS. NO SPKR WITH GASPER (PASSENGER CALL LIGHTS ONLY) POSITION DATA: LH ELECTRICAL EQUIP NUMBER: M10973 FOR NHA/OTHER SYS DET SEE: 25-23-01-52B	103106	RF

MISSING ITEM NUMBERS NOT APPLICABLE

- ITEM NOT ILLUSTRATED

33-25-01-31B

33-25-01
FIG. 31B
PAGE 1
JAN 20/09

BRI



757

PARTS CATALOG (MAINTENANCE)

FIG ITEM	PART NUMBER	1 2 3 4 5 6 7	NOMENCLATURE	EFFECT FROM TO	UNITS PER ASSY
31B - 10	417N3011-713B		SERVICE UNIT ASSY-PASS. NO SPKR WITH GASPER (PASSENGER CALL LIGHTS ONLY) POSITION DATA: LH ELECTRICAL EQUIP NUMBER: M10973 FOR NHA/OTHER SYS DET SEE: 25-23-01-34A 25-23-01-76A	108120	RF
- 20	417N3011-421D		SERVICE UNIT ASSY-PASS. WITH SPKR AND GASPER (PASSENGER CALL LIGHTS ONLY) POSITION DATA: LH ELECTRICAL EQUIP NUMBER: M10983 COMPONENT MAINT MANUAL REF: 25-23-38 FOR NHA/OTHER SYS DET SEE: 25-23-01-34A 25-23-01-76A	108120	RF
- 20	417N3011-421B		SERVICE UNIT ASSY-PASS. WITH 2K SPKR, MUTING RELAY AND GASPER (PASSENGER CALL LIGHTS ONLY) ELECTRICAL EQUIP NUMBER: M10983 FOR NHA/OTHER SYS DET SEE: 25-23-01-52B	103106	RF
25	11-6563-23C		.OVERLAY- SUPPLIER CODE: V72914 SPECIFICATION NUMBER: S417N312-23C	108120	1
25	11-6563-23G		.OVERLAY- SUPPLIER CODE: V72914 SPECIFICATION NUMBER: S417N312-23G	103106	1
30	11-6563-24C		.OVERLAY- SUPPLIER CODE: V72914 SPECIFICATION NUMBER: S417N312-24C	108120	1

MISSING ITEM NUMBERS NOT APPLICABLE

- ITEM NOT ILLUSTRATED

33-25-01-31B

33-25-01
FIG. 31B
PAGE 2
JAN 20/09

BRI



757

PARTS CATALOG (MAINTENANCE)

FIG ITEM	PART NUMBER	1 2 3 4 5 6 7	NOMENCLATURE	EFFECT FROM TO	UNITS PER ASSY
31B 30	11-6563-24G		.OVERLAY- SUPPLIER CODE: V72914 SPECIFICATION NUMBER: S417N312-24G	103106	1
35	25-1734-15		.LENS- SUPPLIER CODE: V72914 SPECIFICATION NUMBER: S417N312-5A OPTIONAL PART: 25-1734-15A V72914	108120	2
35	25-1734-15		.LENS- SUPPLIER CODE: V72914 SPECIFICATION NUMBER: S417N312-5A OPTIONAL PART: 25-1734-15A V72914	103106	2

MISSING ITEM NUMBERS NOT APPLICABLE

- ITEM NOT ILLUSTRATED

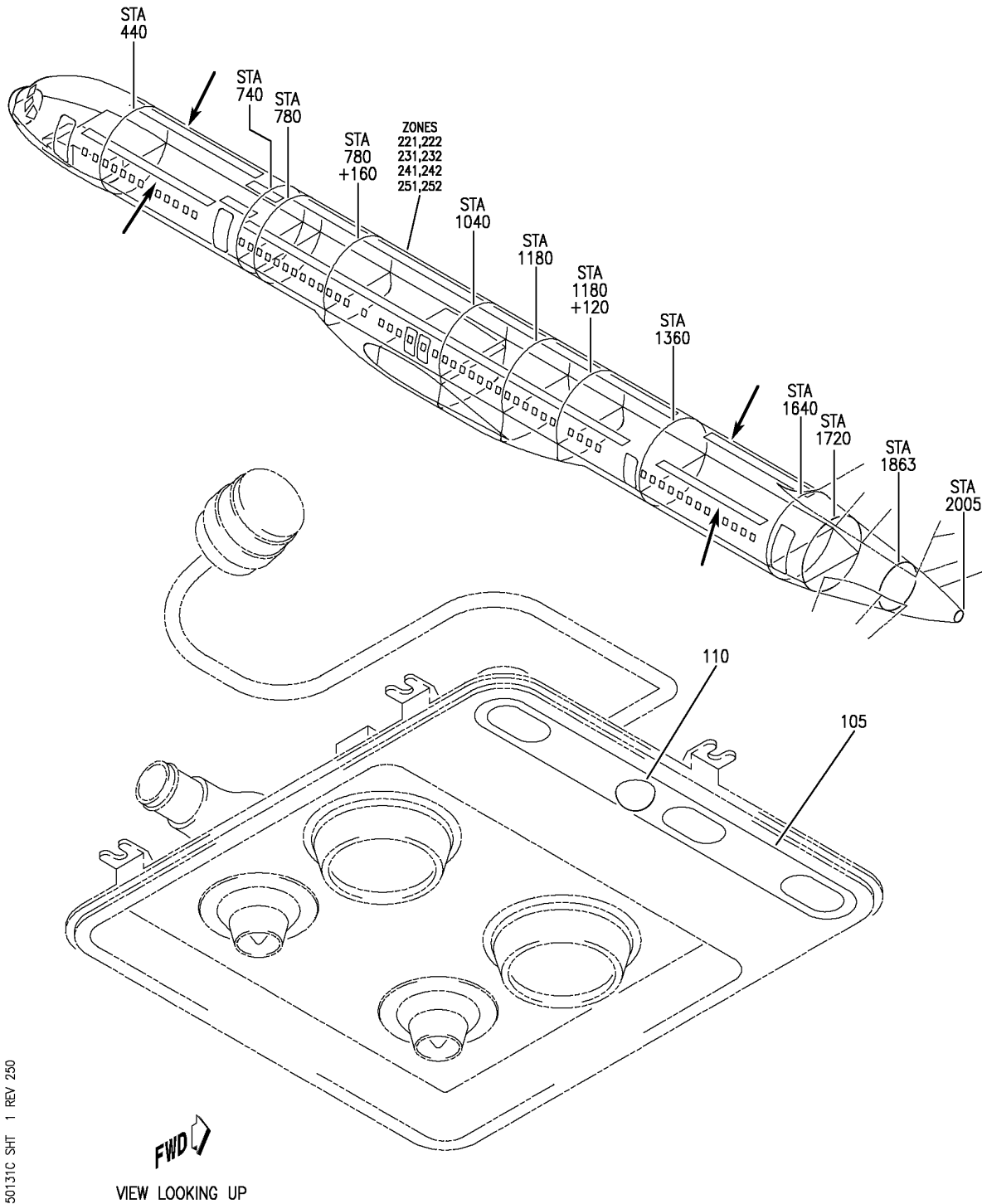
BRI

33-25-01-31B

BOEING PROPRIETARY - Copyright © - Unpublished Work - See title page for details.

33-25-01
FIG. 31B
PAGE 3
JAN 20/09

BOEING
757
PARTS CATALOG (MAINTENANCE)



Y 33250131C SHT 1 REV 250

FWD ↗

VIEW LOOKING UP

SERVICE UNIT ASSY-PASS. (PASSENGER CALL LIGHTS ONLY)
FIGURE 31C

33-25-01-31C

BRI
JAN 20/09

33-25-01-31C
PAGE 0



757

PARTS CATALOG (MAINTENANCE)

FIG ITEM	PART NUMBER	1 2 3 4 5 6 7	NOMENCLATURE	EFFECT FROM TO	UNITS PER ASSY
31C			SERVICE UNIT ASSY-PASS. (PASSENGER CALL LIGHTS ONLY)	103106	
- 100	417N3051-170B		SERVICE UNIT ASSY-PASS. LOWERED CEILING, LIGHT GASPER, BOTH SIDES (PASSENGER CALL LIGHTS ONLY) ELECTRICAL EQUIP NUMBER: M11047 FOR NHA/OTHER SYS DET SEE: 25-22-02-40S	103106	RF
105	11-6563-112G		.OVERLAY- SUPPLIER CODE: V72914 SPECIFICATION NUMBER: S417N312-112G	103106	RF
110	25-1734-15		.LENS- SUPPLIER CODE: V72914 SPECIFICATION NUMBER: S417N312-5A OPTIONAL PART: 25-1734-15A V72914	103106	1

MISSING ITEM NUMBERS NOT APPLICABLE

- ITEM NOT ILLUSTRATED

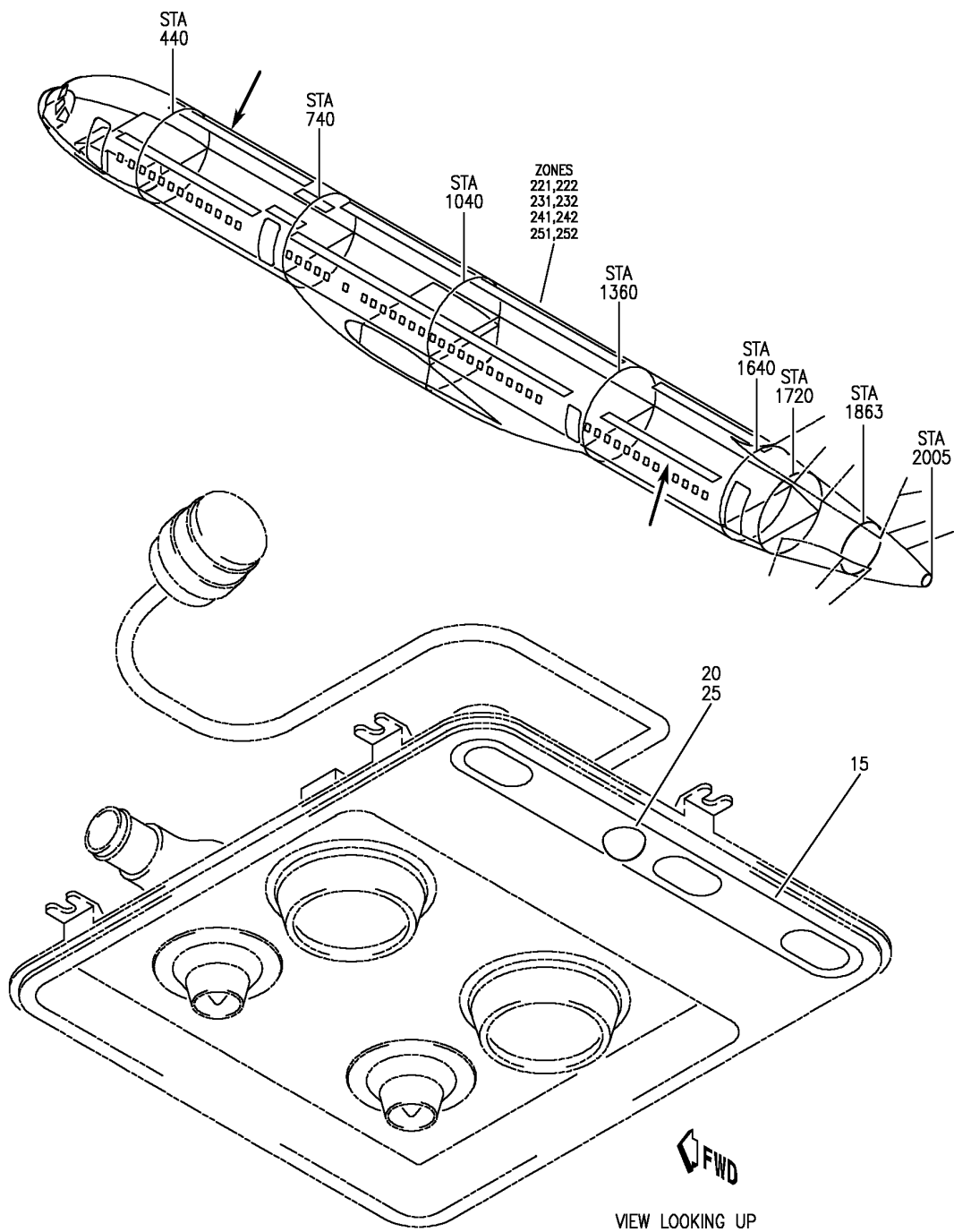
BRI

33-25-01-31C

BOEING PROPRIETARY - Copyright © - Unpublished Work - See title page for details.

33-25-01
FIG. 31C
PAGE 1
JAN 20/09

BOEING
757
PARTS CATALOG (MAINTENANCE)



Y 33250131H REV 254

SERVICE UNIT ASSY-PASS. LIGHT/GASPER (CALL LIGHTS ONLY)
FIGURE 31H

33-25-01-31H

BRI
JAN 20/09

33-25-01-31H
PAGE 0



757

PARTS CATALOG (MAINTENANCE)

FIG ITEM	PART NUMBER	1 2 3 4 5 6 7	NOMENCLATURE	EFFECT FROM TO	UNITS PER ASSY
31H			SERVICE UNIT ASSY-PASS. LIGHT/GASPER (CALL LIGHTS ONLY)	108120 952999	
- 1	417N3051-55C		SERVICE UNIT ASSY-PASS. LIGHTS/GASPER (CALL LIGHTS ONLY) ELECTRICAL EQUIP NUMBER: M11047 COMPONENT MAINT MANUAL REF: 25-23-39 FOR NHA/OTHER SYS DET SEE: 25-23-01-34A 25-23-01-76A	108120	RF
15	11-6563-112B		.OVERLAY- SUPPLIER CODE: V72914 SPECIFICATION NUMBER: S417N312-112B USED ON: 417N3051-54A 417N3051-54B 417N3051-54E 417N3051-55A 417N3051-55G	952999	1
15	11-6563-112C		.OVERLAY- SUPPLIER CODE: V72914 SPECIFICATION NUMBER: S417N312-112C USED ON: 417N3051-54D 417N3051-55C 417N3051-55D	108108	1
25	25-1734-15		.LENS- SUPPLIER CODE: V72914 SPECIFICATION NUMBER: S417N312-5A OPTIONAL PART: 25-1734-15A V72914 USED ON: 417N3051-54D 417N3051-55C 417N3051-55D 417N3051-55G 417N3051-55K	108120	1

MISSING ITEM NUMBERS NOT APPLICABLE

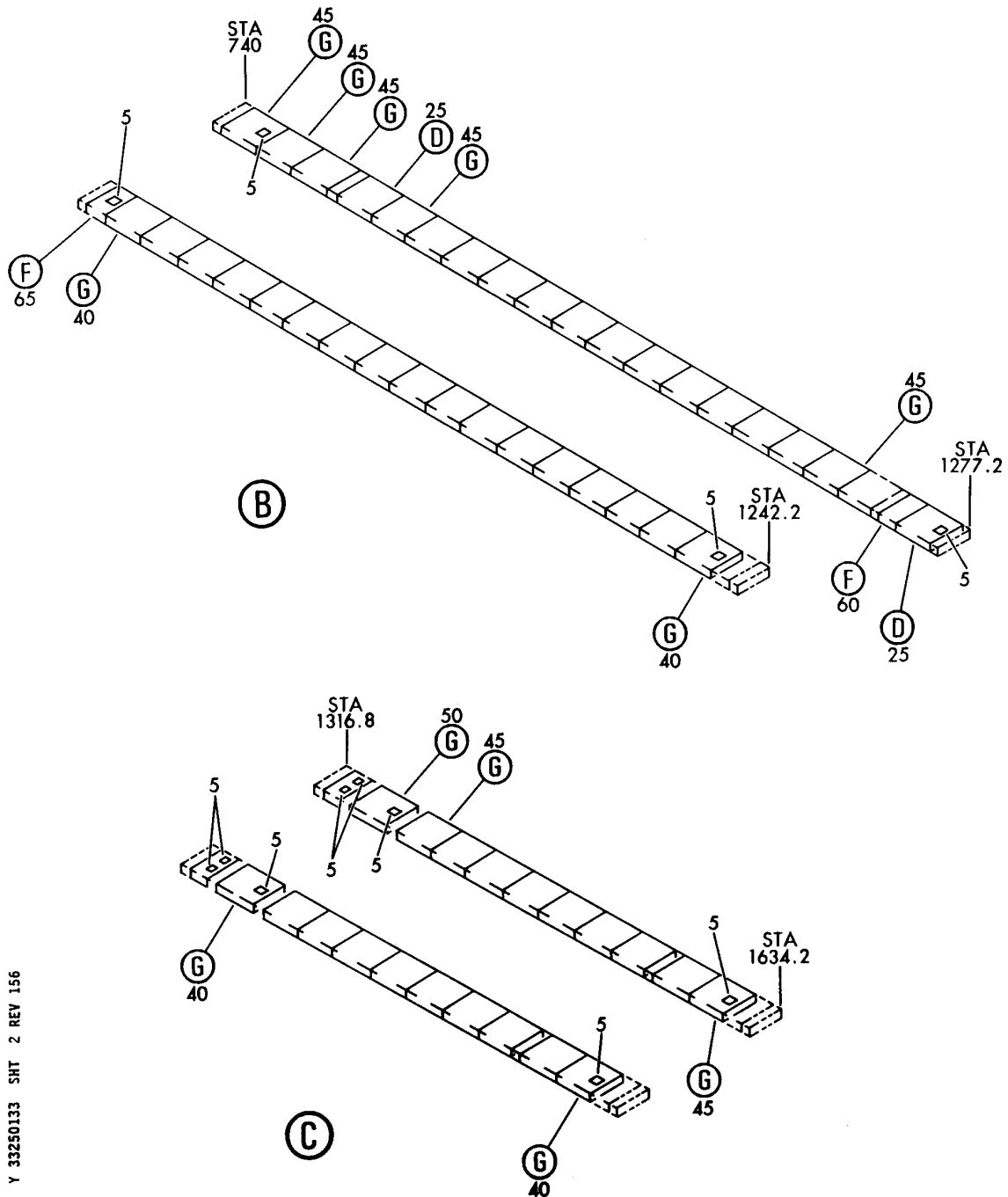
- ITEM NOT ILLUSTRATED

33-25-01-31H

33-25-01
FIG. 31H
PAGE 1
JAN 20/09

BRI


BOEING
 757
PARTS CATALOG (MAINTENANCE)



Y 33250133 SHT 2 REV 156

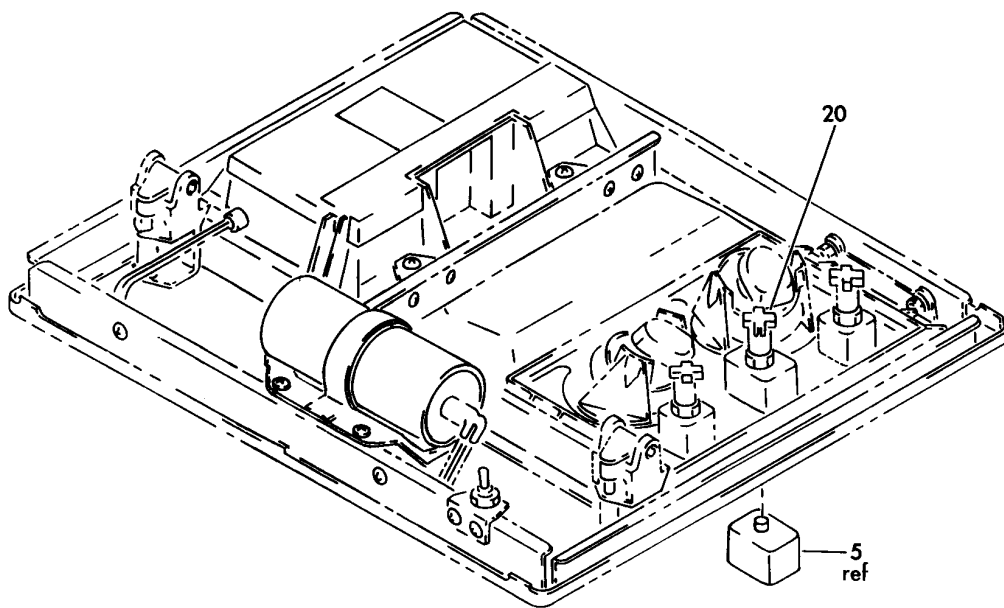
SERVICE UNIT INSTL-PASS (PASSENGER CALL LIGHTS ONLY)
 FIGURE 33 (SHEET 2)

33-25-01-33

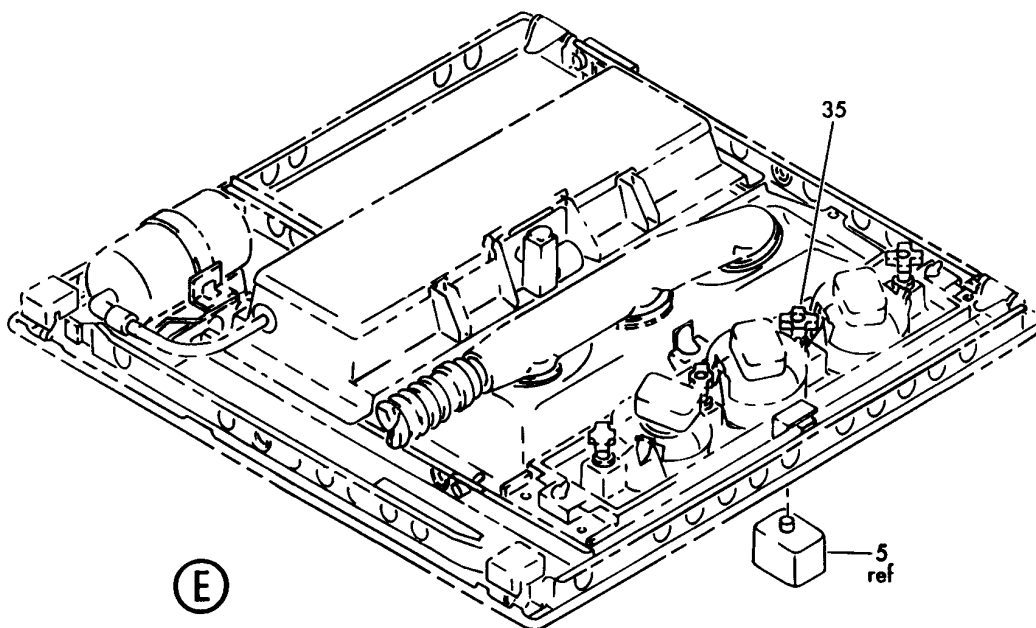
BRI
 MAY 28/07

33-25-01-33
 PAGE 0A

BOEING
757
PARTS CATALOG (MAINTENANCE)



(D)



(E)

Y 33250133 SHT 3 REV 155

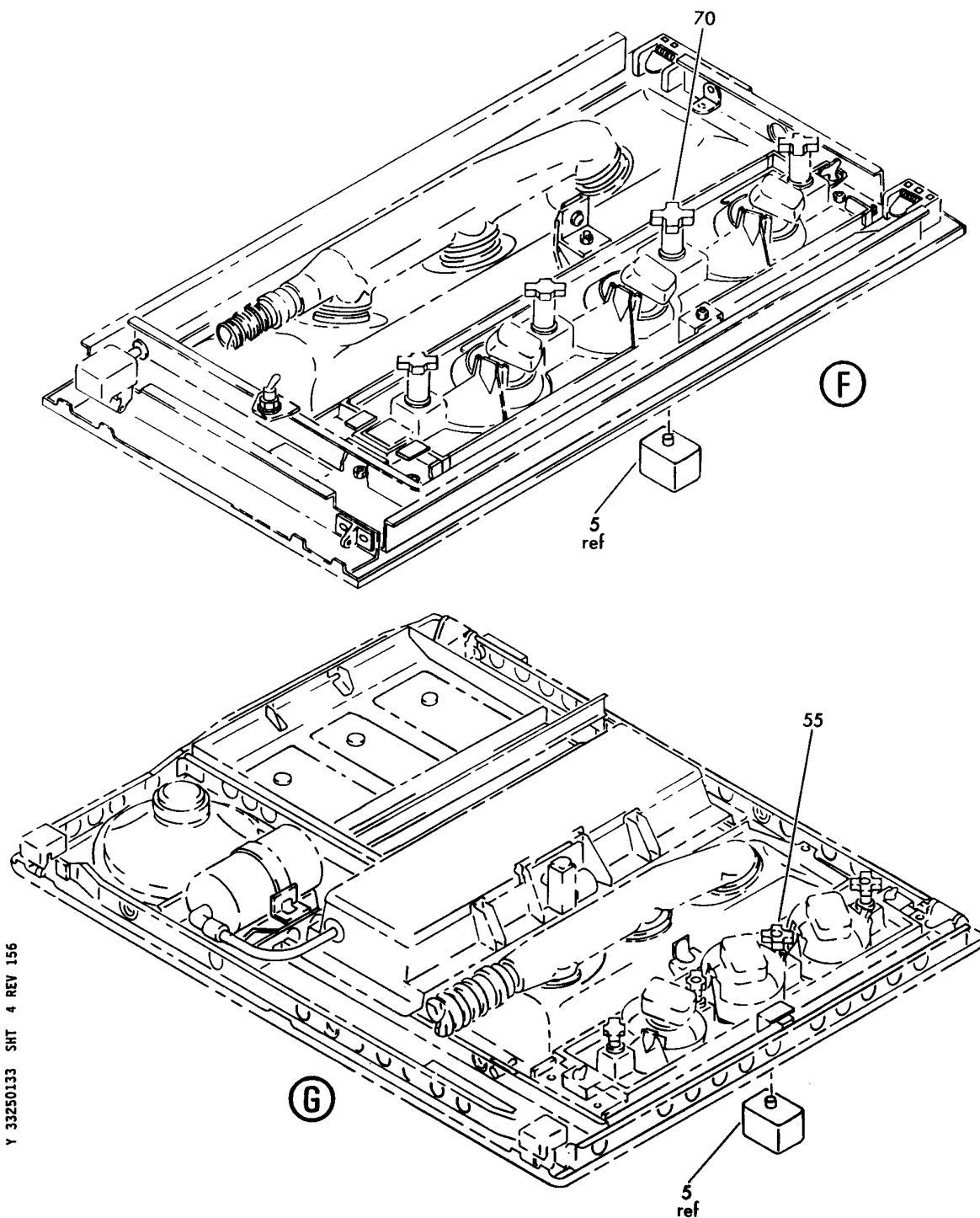
SERVICE UNIT INSTL-PASS (PASSENGER CALL LIGHTS ONLY)
FIGURE 33 (SHEET 3)

33-25-01-33

BRI
MAY 28/07

33-25-01-33
PAGE 0B

BOEING
757
PARTS CATALOG (MAINTENANCE)



Y 33250133 SHT 4 REV 156

SERVICE UNIT INSTL-PASS (PASSENGER CALL LIGHTS ONLY)
FIGURE 33 (SHEET 4)

33-25-01-33

BRI
MAY 28/07

33-25-01-33
PAGE 0C



757

PARTS CATALOG (MAINTENANCE)

FIG ITEM	PART NUMBER	1 2 3 4 5 6 7	NOMENCLATURE	EFFECT FROM TO	UNITS PER ASSY
33			SERVICE UNIT INSTL-PASS (PASSENGER CALL LIGHTS ONLY)	011102 504903	
- 1	417N3001-98		SERVICE UNIT INSTL-PASS. (PASSENGER CALL LIGHTS ONLY)	011100	RF
- 1	417N3001-164SP		FOR NHA/OTHER SYS DET SEE: 25-20-00-20A SERVICE UNIT INSTL-PASS. (PASSENGER CALL LIGHTS ONLY)	101102	RF
5	VIP720-2J		.LENS-LIGHT SWITCH SUPPLIER CODE: V28406 SPECIFICATION NUMBER: S417N303-2J	011102 504903	1
10	417N3200-55SP		.SERVICE UNIT ASSY-PASS. ELECTRICAL EQUIP NUMBER: M10363 COMPONENT MAINT MANUAL REF: 35-21-04	011100	RF
10	417N3200-155SP		.SERVICE UNIT ASSY-PASS. WITHOUT GASPER ELECTRICAL EQUIP NUMBER: M10363 COMPONENT MAINT MANUAL REF: 35-21-04	101102	RF
15	417N3200-56SP		.SERVICE UNIT ASSY-PASS. ELECTRICAL EQUIP NUMBER: M10363 COMPONENT MAINT MANUAL REF: 35-21-04	011100	RF
15	417N3200-156SP		.SERVICE UNIT ASSY-PASS. WITHOUT GASPER ELECTRICAL EQUIP NUMBER: M10363 COMPONENT MAINT MANUAL REF: 35-21-04	101102	RF
20	920055		..SWITCH-ATTENDANT CALL SUPPLIER CODE: V07150	011102 504903	1
20	SW43353		..SWITCH-ATTENDANT CALL SUPPLIER CODE: V07150	011102 504903	1

MISSING ITEM NUMBERS NOT APPLICABLE

- ITEM NOT ILLUSTRATED

33-25-01-33

33-25-01
FIG. 33
PAGE 1
JAN 20/09

BRI



757

PARTS CATALOG (MAINTENANCE)

FIG ITEM	PART NUMBER	1 2 3 4 5 6 7	NOMENCLATURE	EFFECT FROM TO	UNITS PER ASSY
33					
25	417N3100-508SP	.	SERVICE UNIT ASSY-PASS. POSITION DATA: UNDERBIN ELECTRICAL EQUIP NUMBER: M03012 COMPONENT MAINT MANUAL REF: 25-23-37	011100	RF
25	417N3100-729B	.	SERVICE UNIT ASSY-PASS. 22 IN. PARTIAL WITHOUT SPKR POSITION DATA: UNDERBIN ELECTRICAL EQUIP NUMBER: M03012 COMPONENT MAINT MANUAL REF: 25-23-37	101102	RF
30	417N3100-709SP	.	SERVICE UNIT ASSY-PASS. 22 IN. PARTIAL WITHOUT SPKR POSITION DATA: UNDERBIN ELECTRICAL EQUIP NUMBER: M03012 COMPONENT MAINT MANUAL REF: 25-23-37	011100	RF
30	417N3100-725B	.	SERVICE UNIT ASSY-PASS. 22 IN. PARTIAL WITHOUT SPKR POSITION DATA: UNDERBIN ELECTRICAL EQUIP NUMBER: M03012 COMPONENT MAINT MANUAL REF: 25-23-37	101102	RF
35	920055	..	SWITCH-ATTENDANT CALL SUPPLIER CODE: V07150	011102 504903	1
35	SW43353	..	SWITCH-ATTENDANT CALL SUPPLIER CODE: V07150	011102 504903	1
40	417N3100-707SP	.	SERVICE UNIT ASSY-PASS. POSITION DATA: UNDERBIN ELECTRICAL EQUIP NUMBER: M03012 COMPONENT MAINT MANUAL REF: 25-23-30	011100	RF

MISSING ITEM NUMBERS NOT APPLICABLE

- ITEM NOT ILLUSTRATED

33-25-01-33

33-25-01
FIG. 33
PAGE 2
JAN 20/09

BRI



757

PARTS CATALOG (MAINTENANCE)

FIG ITEM	PART NUMBER	1 2 3 4 5 6 7	NOMENCLATURE	EFFECT FROM TO	UNITS PER ASSY
33					
40	417N3100-723B	.	SERVICE UNIT ASSY-PASS. FULL WITH SPKR POSITION DATA: UNDERBIN ELECTRICAL EQUIP NUMBER: M03012 COMPONENT MAINT MANUAL REF: 25-23-30	101102	RF
45	417N3100-708SP	.	SERVICE UNIT ASSY-PASS. FULL WITH SPKR POSITION DATA: UNDERBIN ELECTRICAL EQUIP NUMBER: M03012 COMPONENT MAINT MANUAL REF: 25-23-30	011100	RF
45	417N3100-724B	.	SERVICE UNIT ASSY-PASS. FULL WITH SPKR POSITION DATA: UNDERBIN ELECTRICAL EQUIP NUMBER: M03012 COMPONENT MAINT MANUAL REF: 25-23-30	101102	RF
50	417N3100-712SP	.	SERVICE UNIT ASSY-PASS. FULL WITH MUTED SPKR POSITION DATA: UNDERBIN ELECTRICAL EQUIP NUMBER: M10471 COMPONENT MAINT MANUAL REF: 25-23-30	011100	RF
50	417N3100-728B	.	SERVICE UNIT ASSY-PASS. FULL WITH MUTED SPKR POSITION DATA: UNDERBIN ELECTRICAL EQUIP NUMBER: M10471 COMPONENT MAINT MANUAL REF: 25-23-30	101102	RF
55	920055	..	SWITCH-ATTENDANT CALL SUPPLIER CODE: V07150	011102 504903	1
55	SW43353	..	SWITCH-ATTENDANT CALL SUPPLIER CODE: V07150	011102 504903	1

MISSING ITEM NUMBERS NOT APPLICABLE

- ITEM NOT ILLUSTRATED

33-25-01-33

33-25-01
FIG. 33
PAGE 3
JAN 20/09

BRI



757

PARTS CATALOG (MAINTENANCE)

FIG ITEM	PART NUMBER	1 2 3 4 5 6 7	NOMENCLATURE	EFFECT FROM TO	UNITS PER ASSY
33					
60	417N3100-710A	.	SERVICE UNIT ASSY-PASS. POSITION DATA: UNDERBIN ELECTRICAL EQUIP NUMBER: M03012	011102 504903	RF
65	417N3100-711A	.	SERVICE UNIT ASSY-PASS. POSITION DATA: UNDERBIN ELECTRICAL EQUIP NUMBER: M03012	011102 504903	RF
70	920055	..	SWITCH-ATTENDANT CALL SUPPLIER CODE: V07150	011102 504903	1
70	SW43353	..	SWITCH-ATTENDANT CALL SUPPLIER CODE: V07150	011102 504903	1

MISSING ITEM NUMBERS NOT APPLICABLE

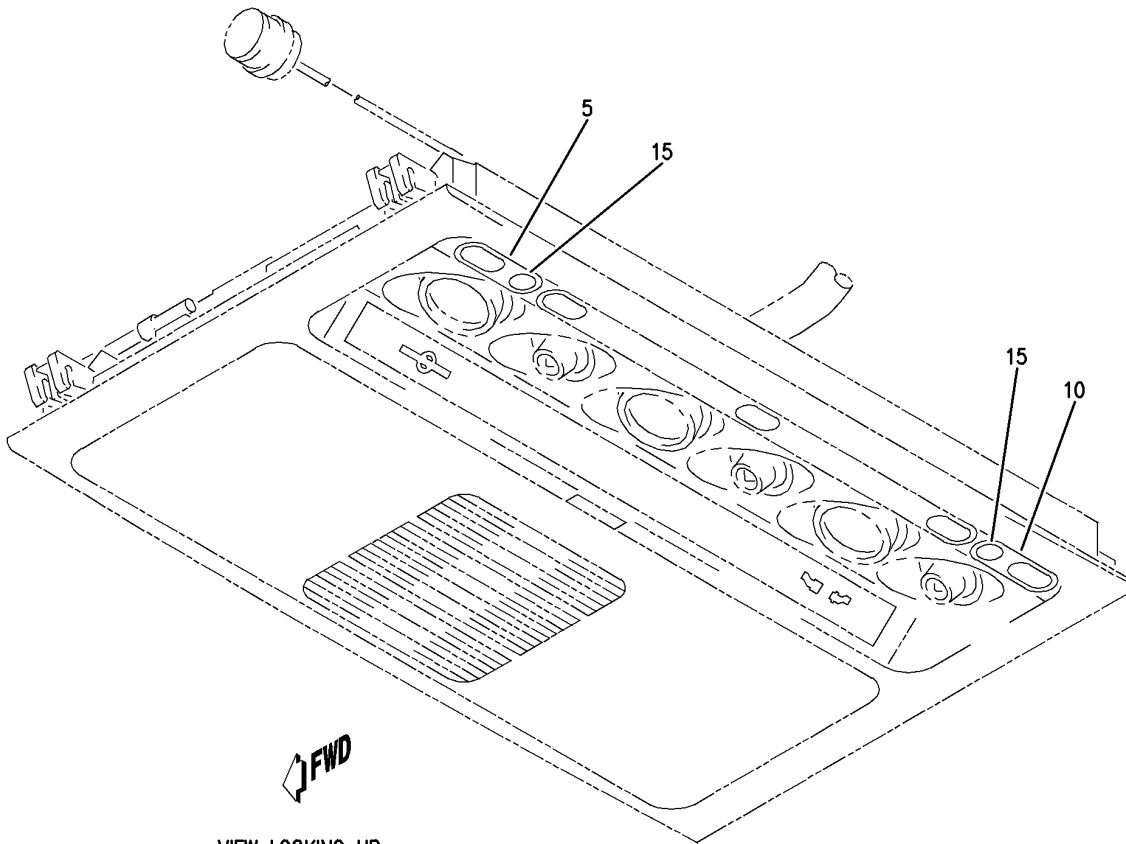
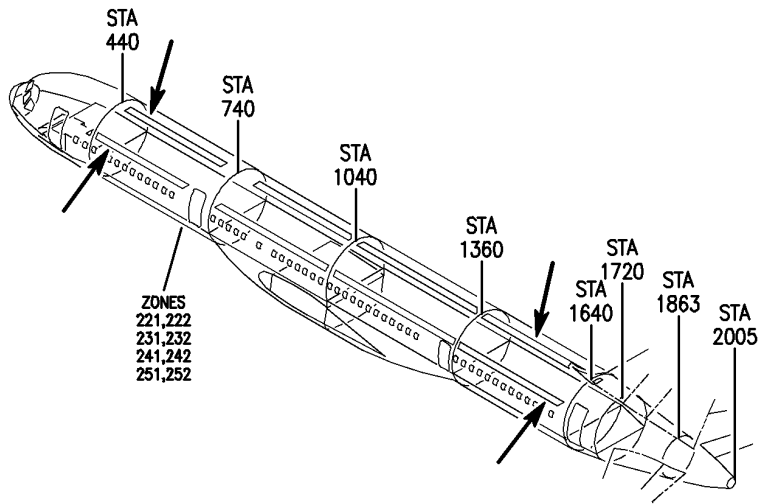
- ITEM NOT ILLUSTRATED

33-25-01-33

33-25-01
FIG. 33
PAGE 4
JAN 20/09

BRI

BOEING
757
PARTS CATALOG (MAINTENANCE)



VIEW LOOKING UP

Y 332501-34A REV 237

SERVICE UNIT ASSY-PASS. (PASSENGER CALL LIGHTS ONLY)
FIGURE 34A

33-25-01-34A

BRI
JAN 20/09

33-25-01-34A
PAGE 0

BOEING PROPRIETARY - Copyright © - Unpublished Work - See title page for details.



757

PARTS CATALOG (MAINTENANCE)

FIG ITEM	PART NUMBER	1 2 3 4 5 6 7	NOMENCLATURE	EFFECT FROM TO	UNITS PER ASSY
34A			SERVICE UNIT ASSY-PASS. (PASSENGER CALL LIGHTS ONLY)	103106 108120	
- 1	417N3011-422C		SERVICE UNIT ASSY-PASS. WITH SPKR AND GASPER (PASSENGER CALL LIGHTS ONLY) ELECTRICAL EQUIP NUMBER: M10983 COMPONENT MAINT MANUAL REF: 25-23-38 FOR NHA/OTHER SYS DET SEE: 25-23-01-34A 25-23-01-76A	108120	RF
- 1	417N3011-422B		SERVICE UNIT ASSY-PASS. WITH 2K SPKR, MUTING RELAY AND GASPER (PASSENGER CALL LIGHTS ONLY) ELECTRICAL EQUIP NUMBER: M10983 COMPONENT MAINT MANUAL REF: 25-23-38 FOR NHA/OTHER SYS DET SEE: 25-23-01-52B	103106	RF
5	11-6563-23C		.OVERLAY- SUPPLIER CODE: V72914 SPECIFICATION NUMBER: S417N312-23C	108120	1
5	11-6563-23G		.OVERLAY- SUPPLIER CODE: V72914 SPECIFICATION NUMBER: S417N312-23G	103104	1
5	11-6563-23G		.OVERLAY- SUPPLIER CODE: V72914 SPECIFICATION NUMBER: S417N312-23G	105106	1
10	11-6563-24C		.OVERLAY- SUPPLIER CODE: V72914 SPECIFICATION NUMBER: S417N312-24C	108120	1

MISSING ITEM NUMBERS NOT APPLICABLE

- ITEM NOT ILLUSTRATED

33-25-01-34A

33-25-01
FIG. 34A
PAGE 1
JAN 20/09

BRI



757

PARTS CATALOG (MAINTENANCE)

FIG ITEM	PART NUMBER	1 2 3 4 5 6 7	NOMENCLATURE	EFFECT FROM TO	UNITS PER ASSY
34A 10	11-6563-24G		.OVERLAY- SUPPLIER CODE: V72914 SPECIFICATION NUMBER: S417N312-24G	103104	1
10	11-6563-24G		.OVERLAY- SUPPLIER CODE: V72914 SPECIFICATION NUMBER: S417N312-24G	105106	1
15	25-1734-15		.LENS- SUPPLIER CODE: V72914 SPECIFICATION NUMBER: S417N312-5A OPTIONAL PART: 25-1734-15A V72914	108120	2
15	25-1734-15		.LENS- SUPPLIER CODE: V72914 SPECIFICATION NUMBER: S417N312-5A OPTIONAL PART: 25-1734-15A V72914	103104	2
15	25-1734-15		.LENS- SUPPLIER CODE: V72914 SPECIFICATION NUMBER: S417N312-5A OPTIONAL PART: 25-1734-15A V72914	105106	2

MISSING ITEM NUMBERS NOT APPLICABLE

- ITEM NOT ILLUSTRATED

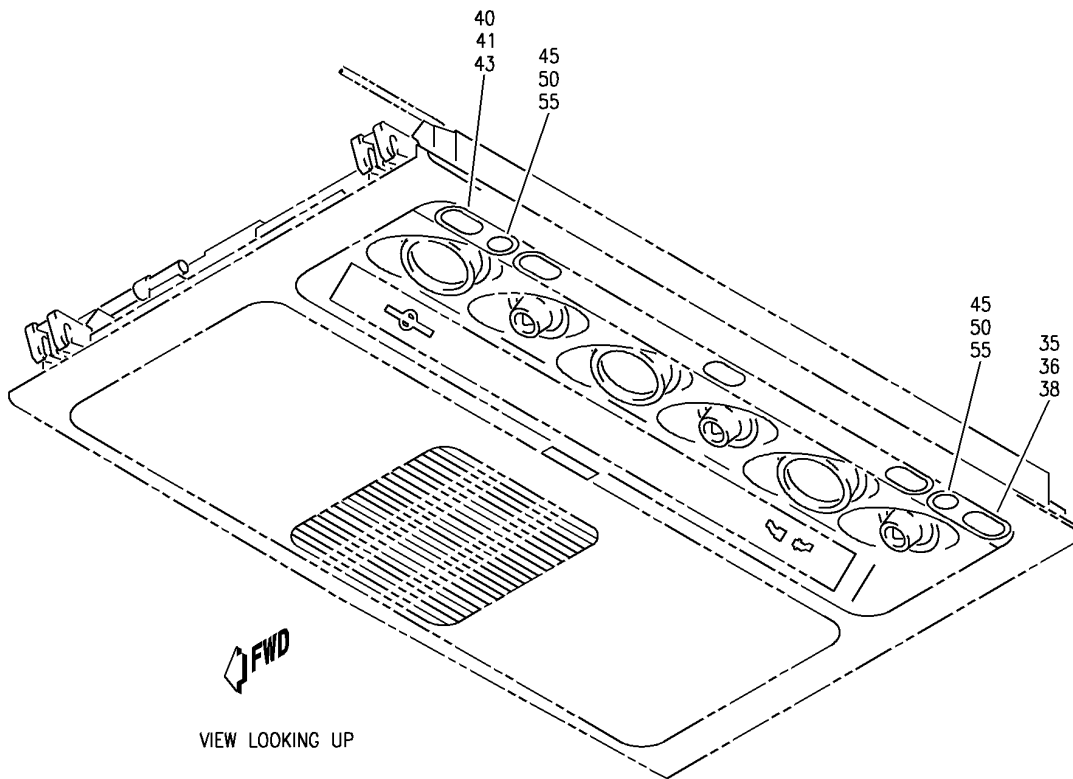
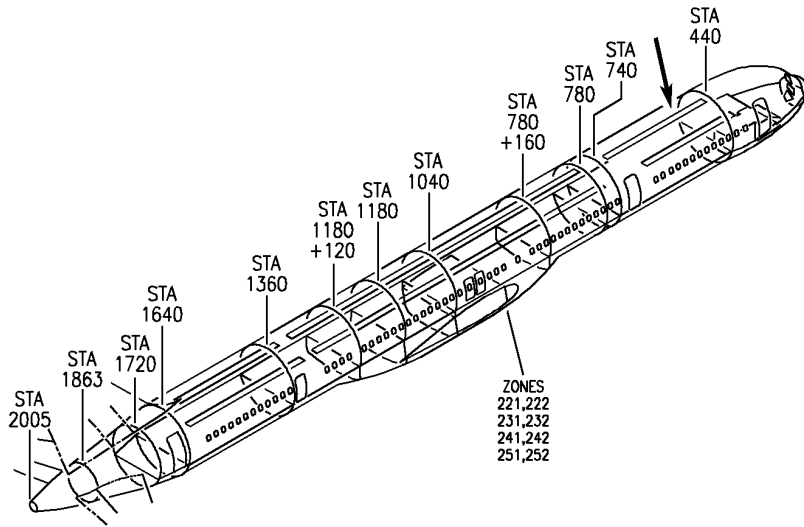
33-25-01-34A

33-25-01
FIG. 34A
PAGE 2
JAN 20/09

BRI

BOEING PROPRIETARY - Copyright © - Unpublished Work - See title page for details.

BOEING
757
PARTS CATALOG (MAINTENANCE)



Y 33250154 REV 290

SERVICE UNIT ASSY-PASS. (PASSENGER CALL LIGHTS ONLY)
FIGURE 54

33-25-01-54

BRI
JAN 20/09

33-25-01-54
PAGE 0



757

PARTS CATALOG (MAINTENANCE)

FIG ITEM	PART NUMBER	1 2 3 4 5 6 7	NOMENCLATURE	EFFECT FROM TO	UNITS PER ASSY
54			SERVICE UNIT ASSY-PASS. (PASSENGER CALL LIGHTS ONLY)	103106 108120	
- 5	417N3011-202SP		SERVICE UNIT ASSY-PASS. WITH SPKR AND GASPER (PASSENGER CALL LIGHTS ONLY) POSITION DATA: RH ELECTRICAL EQUIP NUMBER: M10973 COMPONENT MAINT MANUAL REF: 25-23-38 FOR NHA/OTHER SYS DET SEE: 25-23-01-52B	103106	RF
- 5	417N3011-402SP		SERVICE UNIT ASSY-PASS. WITH SPKR AND GASPER (PASSENGER CALL LIGHTS ONLY) POSITION DATA: RH ELECTRICAL EQUIP NUMBER: M10973 COMPONENT MAINT MANUAL REF: 25-23-38 FOR NHA/OTHER SYS DET SEE: 25-23-01-34A 25-23-01-52B 25-23-01-76A	103106 108120	RF
- 15	417N3011-214SP		SERVICE UNIT ASSY-PASS. NO SPKR WITH GASPER (PASSENGER CALL LIGHTS ONLY) POSITION DATA: RH ELECTRICAL EQUIP NUMBER: M10973 COMPONENT MAINT MANUAL REF: 25-23-38 FOR NHA/OTHER SYS DET SEE: 25-23-01-52B	103106	RF

MISSING ITEM NUMBERS NOT APPLICABLE

- ITEM NOT ILLUSTRATED

33-25-01-54

33-25-01
FIG. 54
PAGE 1
JAN 20/09

BRI



757

PARTS CATALOG (MAINTENANCE)

FIG ITEM	PART NUMBER	1 2 3 4 5 6 7	NOMENCLATURE	EFFECT FROM TO	UNITS PER ASSY
54 - 15	417N3011-414SP		SERVICE UNIT ASSY-PASS. NO SPKR WITH GASPER (PASSENGER CALL LIGHTS ONLY) POSITION DATA: RH ELECTRICAL EQUIP NUMBER: M10973 COMPONENT MAINT MANUAL REF: 25-23-38 FOR NHA/OTHER SYS DET SEE: 25-23-01-34A 25-23-01-52B 25-23-01-76A	103106 108120	RF
35	11-6563-24G		.OVERLAY- SUPPLIER CODE: V72914 SPECIFICATION NUMBER: S417N312-24G	105106	1
35	11-6563-24G		.OVERLAY- SUPPLIER CODE: V72914 SPECIFICATION NUMBER: S417N312-24G	103104	1
35	11-6563-24C		.OVERLAY- SUPPLIER CODE: V72914 SPECIFICATION NUMBER: S417N312-24C	108120	1
40	11-6563-23G		.OVERLAY- SUPPLIER CODE: V72914 SPECIFICATION NUMBER: S417N312-23G	105106	1
40	11-6563-23G		.OVERLAY- SUPPLIER CODE: V72914 SPECIFICATION NUMBER: S417N312-23G	103104	1
40	11-6563-23C		.OVERLAY- SUPPLIER CODE: V72914 SPECIFICATION NUMBER: S417N312-23C	108120	1

MISSING ITEM NUMBERS NOT APPLICABLE

- ITEM NOT ILLUSTRATED

33-25-01-54

33-25-01
FIG. 54
PAGE 2
JAN 20/09

BRI



757

PARTS CATALOG (MAINTENANCE)

FIG ITEM	PART NUMBER	1 2 3 4 5 6 7	NOMENCLATURE	EFFECT FROM TO	UNITS PER ASSY
54					
45	25-1734-15	. LENS-	SUPPLIER CODE: V72914 SPECIFICATION NUMBER: S417N312-5A OPTIONAL PART: 25-1734-15A V72914	108120	1
45	25-1734-15	. LENS-	SUPPLIER CODE: V72914 SPECIFICATION NUMBER: S417N312-5A OPTIONAL PART: 25-1734-15A V72914	105106	1
50	25-1734-15	. LENS-	SUPPLIER CODE: V72914 SPECIFICATION NUMBER: S417N312-5A OPTIONAL PART: 25-1734-15A V72914	103104	1

MISSING ITEM NUMBERS NOT APPLICABLE

- ITEM NOT ILLUSTRATED

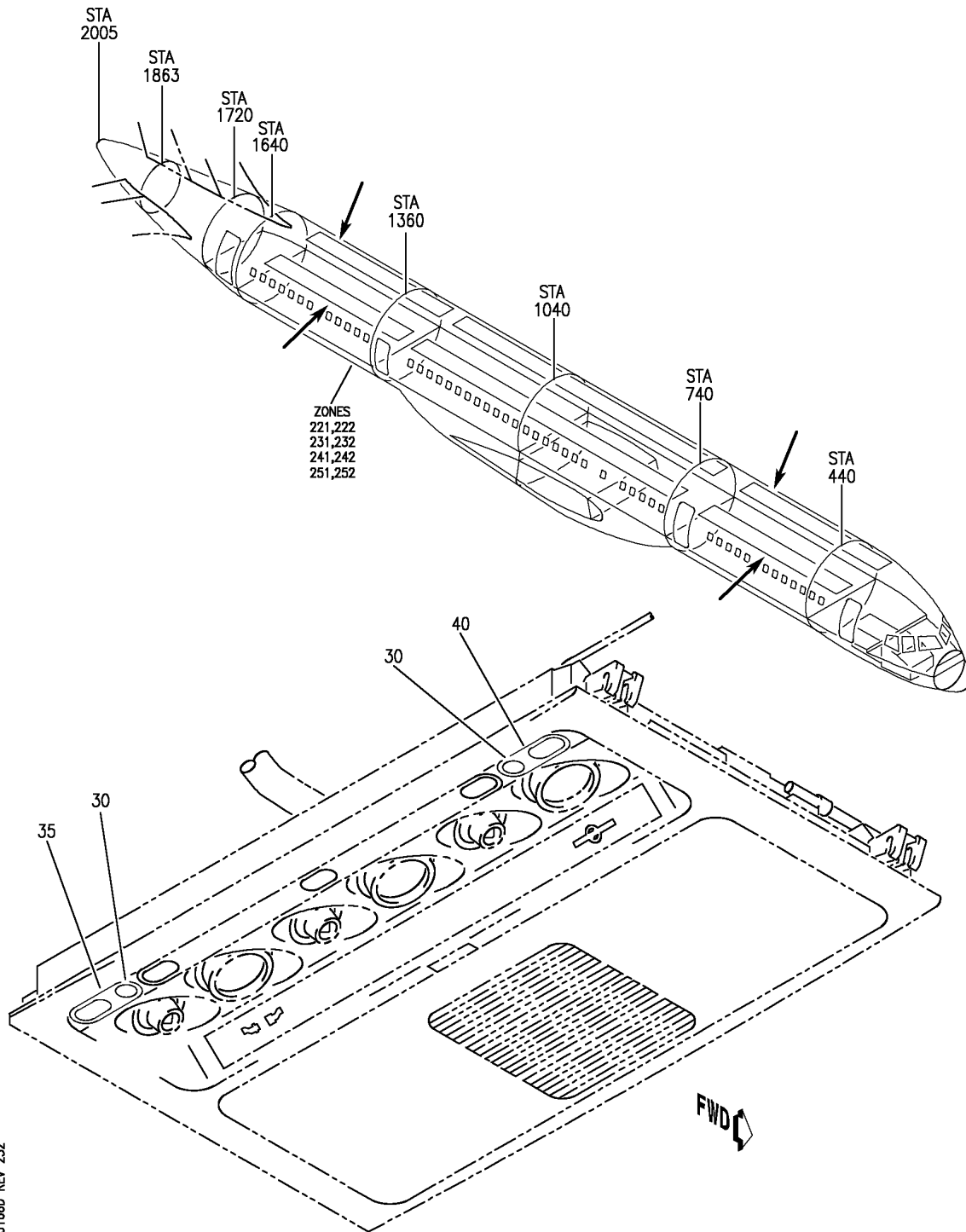
BRI

33-25-01-54

BOEING PROPRIETARY - Copyright © - Unpublished Work - See title page for details.

33-25-01
FIG. 54
PAGE 3
JAN 20/09

BOEING
757
PARTS CATALOG (MAINTENANCE)



Y 33250166D REV 252

SERVICE UNIT ASSY-PASS. (PASSENGER CALL LIGHTS ONLY)
FIGURE 66D

33-25-01-66D

BRI
JAN 20/09

33-25-01-66D
PAGE 0



757

PARTS CATALOG (MAINTENANCE)

FIG ITEM	PART NUMBER	1 2 3 4 5 6 7	NOMENCLATURE	EFFECT FROM TO	UNITS PER ASSY
66D			SERVICE UNIT ASSY-PASS. (PASSENGER CALL LIGHTS ONLY)	504903	
- 1	417N3011-363B		SERVICE UNIT ASSY-PASS. WITH SPKR AND GASPER 22 MIN. OXY (PASSENGER CALL LIGHTS ONLY) POSITION DATA: LH ELECTRICAL EQUIP NUMBER: M10979 COMPONENT MAINT MANUAL REF: 25-23-38 FOR NHA/OTHER SYS DET SEE: 25-23-01-50B	504903	RF
- 3	417N3011-364B		SERVICE UNIT ASSY-PASS. WITH SPKR AND GASPER 22 MIN. OXY (PASSENGER CALL LIGHTS ONLY) POSITION DATA: RH ELECTRICAL EQUIP NUMBER: M10979 COMPONENT MAINT MANUAL REF: 25-23-38 FOR NHA/OTHER SYS DET SEE: 25-23-01-50B	504903	RF
- 5	417N3011-365B		SERVICE UNIT ASSY-PASS. NO SPKR WITH GASPER 22 MIN. OXY (PASSENGER CALL LIGHTS ONLY) POSITION DATA: LH ELECTRICAL EQUIP NUMBER: M10979 COMPONENT MAINT MANUAL REF: 25-23-38 FOR NHA/OTHER SYS DET SEE: 25-23-01-50B	504903	RF

MISSING ITEM NUMBERS NOT APPLICABLE

- ITEM NOT ILLUSTRATED

33-25-01-66D

33-25-01
FIG. 66D
PAGE 1
JAN 20/09

BRI



757

PARTS CATALOG (MAINTENANCE)

FIG ITEM	PART NUMBER	1 2 3 4 5 6 7	NOMENCLATURE	EFFECT FROM TO	UNITS PER ASSY
66D - 7	417N3011-366B		SERVICE UNIT ASSY-PASS. NO SPKR WITH GASPER 22 MIN. OXY (PASSENGER CALL LIGHTS ONLY) POSITION DATA: RH ELECTRICAL EQUIP NUMBER: M10979 COMPONENT MAINT MANUAL REF: 25-23-38 FOR NHA/OTHER SYS DET SEE: 25-23-01-50B	504903	RF
30	25-1734-15		.LENS- SUPPLIER CODE: V72914 SPECIFICATION NUMBER: S417N312-5A OPTIONAL PART: 25-1734-15A V72914	504903	2
35	11-6563-23C		.OVERLAY- SUPPLIER CODE: V72914 SPECIFICATION NUMBER: S417N312-23C	504903	1
40	11-6563-24C		.OVERLAY- SUPPLIER CODE: V72914 SPECIFICATION NUMBER: S417N312-24C	504903	1

MISSING ITEM NUMBERS NOT APPLICABLE

- ITEM NOT ILLUSTRATED

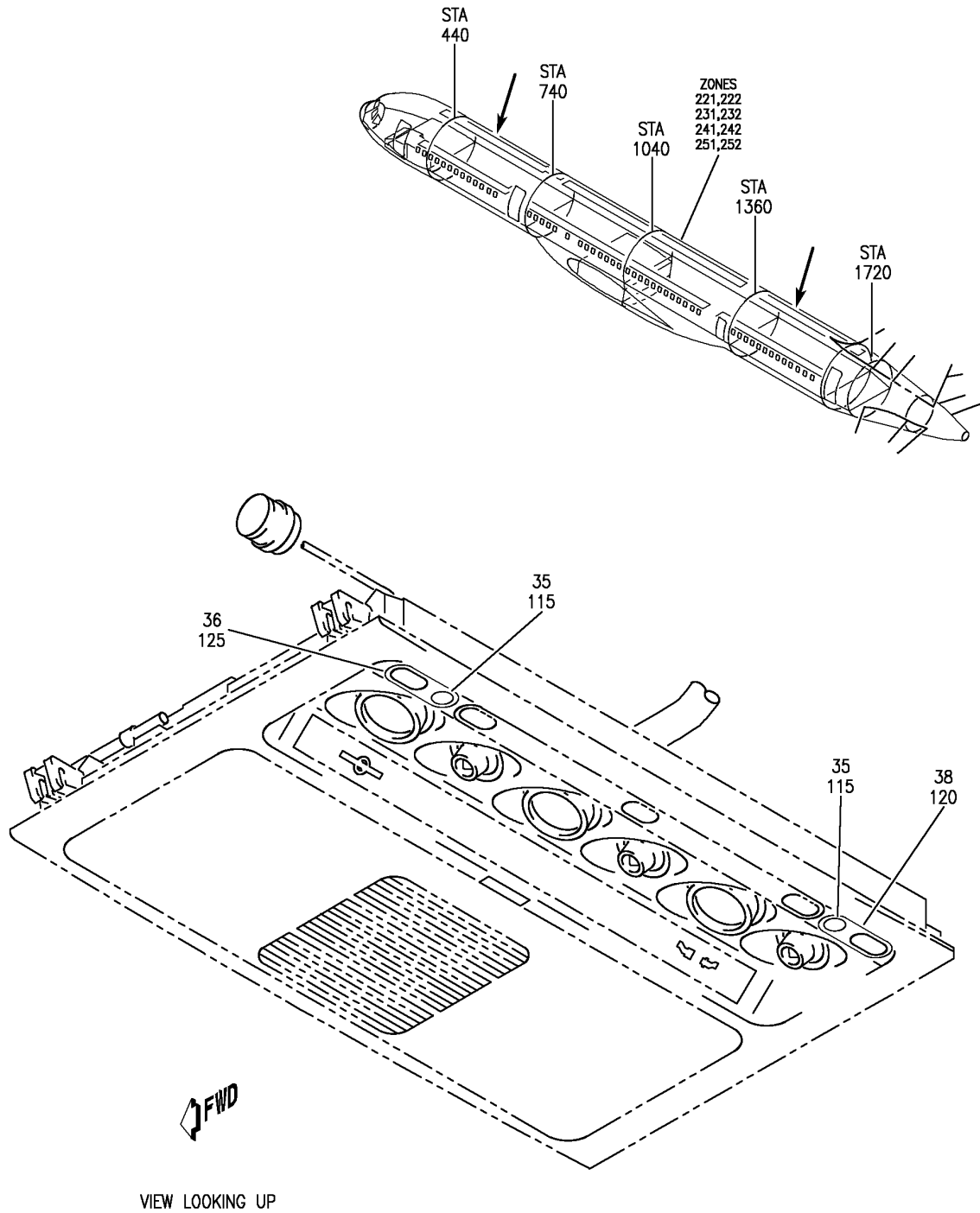
BRI

33-25-01-66D

BOEING PROPRIETARY - Copyright © - Unpublished Work - See title page for details.

33-25-01
FIG. 66D
PAGE 2
JAN 20/09

BOEING
757
PARTS CATALOG (MAINTENANCE)



Y 33250170 REV 253

SERVICE UNIT ASSY-PASS. (PASSENGER CALL LIGHTS ONLY)
FIGURE 70

33-25-01-70

BRI
JAN 20/09

33-25-01-70
PAGE 0



757

PARTS CATALOG (MAINTENANCE)

FIG ITEM	PART NUMBER	1 2 3 4 5 6 7	NOMENCLATURE	EFFECT FROM TO	UNITS PER ASSY
70			SERVICE UNIT ASSY-PASS. (PASSENGER CALL LIGHTS ONLY)	108120	
- 1	417N3011-309B		SERVICE UNIT ASSY-PASS. WITH SPKR AND NO GASPER (PASSENGER CALL LIGHTS ONLY) POSITION DATA: LH ELECTRICAL EQUIP NUMBER: M10978 COMPONENT MAINT MANUAL REF: 25-23-38 FOR NHA/OTHER SYS DET SEE: 25-23-01-58B	108120	RF
- 5	417N3011-317B		SERVICE UNIT ASSY-PASS. NO SPKR AND NO GASPER (PASSENGER CALL LIGHTS ONLY) POSITION DATA: LH ELECTRICAL EQUIP NUMBER: M10978 COMPONENT MAINT MANUAL REF: 25-23-38 FOR NHA/OTHER SYS DET SEE: 25-23-01-58B	108120	RF
35	25-1734-15		.LENS- SUPPLIER CODE: V72914 SPECIFICATION NUMBER: S417N312-5A OPTIONAL PART: 25-1734-15A V72914	108120	2
36	11-6563-24C		.OVERLAY- SUPPLIER CODE: V72914 SPECIFICATION NUMBER: S417N312-24C	108120	1
38	11-6563-23C		.OVERLAY- SUPPLIER CODE: V72914 SPECIFICATION NUMBER: S417N312-23C	108120	1

MISSING ITEM NUMBERS NOT APPLICABLE

- ITEM NOT ILLUSTRATED

33-25-01-70

33-25-01
FIG. 70
PAGE 1
JAN 20/09

BRI



757

PARTS CATALOG (MAINTENANCE)

FIG ITEM	PART NUMBER	1 2 3 4 5 6 7	NOMENCLATURE	EFFECT FROM TO	UNITS PER ASSY
70 - 100	417N3011-310B		SERVICE UNIT ASSY-PASS. WITH SPKR AND NO GASPER (PASSENGER CALL LIGHTS ONLY) POSITION DATA: RH ELECTRICAL EQUIP NUMBER: M10978 COMPONENT MAINT MANUAL REF: 25-23-38 FOR NHA/OTHER SYS DET SEE: 25-23-01-58B	108120	RF
- 105	417N3011-318B		SERVICE UNIT ASSY-PASS. NO SPKR AND NO GASPER (PASSENGER CALL LIGHTS ONLY) POSITION DATA: RH ELECTRICAL EQUIP NUMBER: M10978 COMPONENT MAINT MANUAL REF: 25-23-38 FOR NHA/OTHER SYS DET SEE: 25-23-01-58B	108120	RF
- 110	417N3011-324B		SERVICE UNIT ASSY-PASS. WITH MUTED SPKR AND NO GASPER (PASSENGER CALL LIGHTS ONLY) POSITION DATA: RH ELECTRICAL EQUIP NUMBER: M10981 COMPONENT MAINT MANUAL REF: 25-23-38 FOR NHA/OTHER SYS DET SEE: 25-23-01-58B	108120	RF
115	25-1734-15		.LENS- SUPPLIER CODE: V72914 SPECIFICATION NUMBER: S417N312-5A OPTIONAL PART: 25-1734-15A V72914	108120	2
120	11-6563-24C		.OVERLAY- SUPPLIER CODE: V72914 SPECIFICATION NUMBER: S417N312-24C	108120	1

MISSING ITEM NUMBERS NOT APPLICABLE

- ITEM NOT ILLUSTRATED

33-25-01-70

33-25-01
FIG. 70
PAGE 2
JAN 20/09

BRI



757

PARTS CATALOG (MAINTENANCE)

FIG ITEM	PART NUMBER	1 2 3 4 5 6 7	NOMENCLATURE	EFFECT FROM TO	UNITS PER ASSY
70 125	11-6563-23C		.OVERLAY- SUPPLIER CODE: V72914 SPECIFICATION NUMBER: S417N312-23C	108120	1

MISSING ITEM NUMBERS NOT APPLICABLE

- ITEM NOT ILLUSTRATED

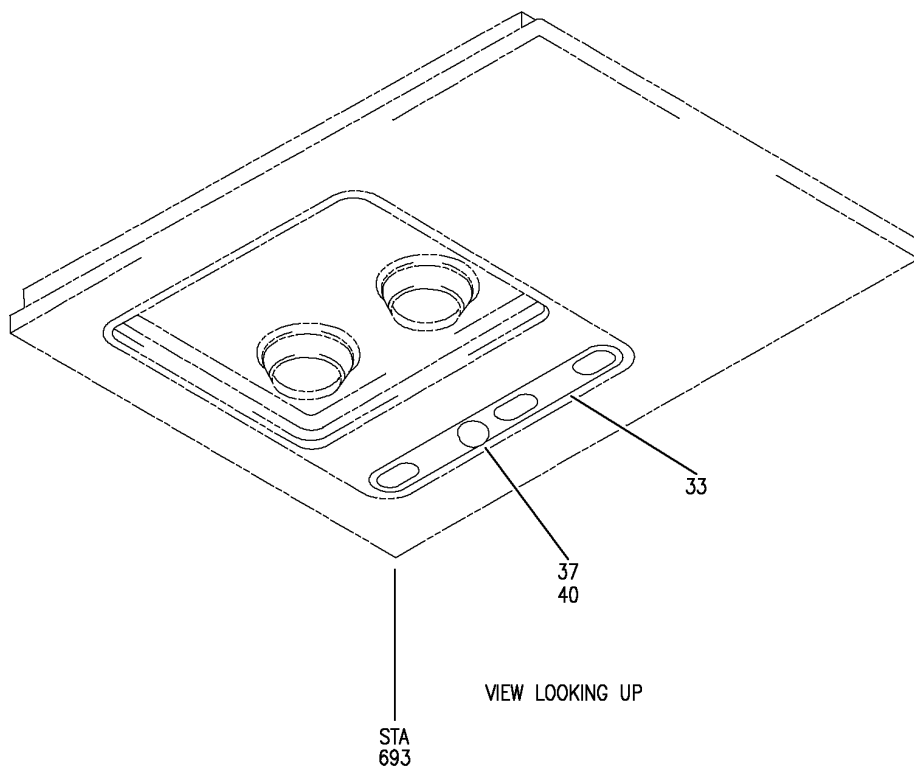
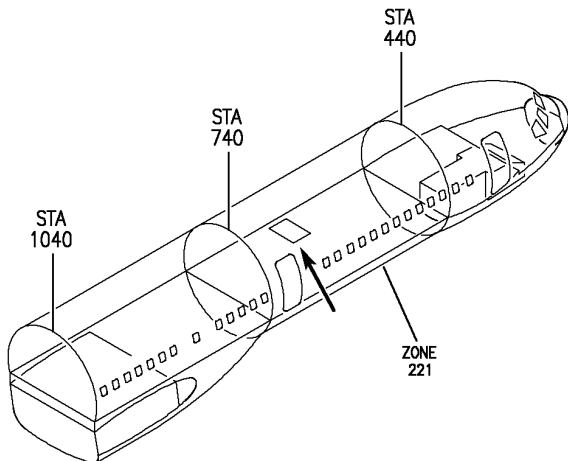
BRI

33-25-01-70

BOEING PROPRIETARY - Copyright © - Unpublished Work - See title page for details.

33-25-01
FIG. 70
PAGE 3
JAN 20/09

BOEING
757
PARTS CATALOG (MAINTENANCE)



Y 33250173 REV 251

SERVICE UNIT INSTL-PASS. (PASSENGER CALL LIGHTS ONLY)
FIGURE 73

33-25-01-73

BRI
JAN 20/09

33-25-01-73
PAGE 0



757

PARTS CATALOG (MAINTENANCE)

FIG ITEM	PART NUMBER	1 2 3 4 5 6 7	NOMENCLATURE	EFFECT FROM TO	UNITS PER ASSY
73			SERVICE UNIT INSTL-PASS. (PASSENGER CALL LIGHTS ONLY)	108120	
- 1	417N3051-45B		SERVICE UNIT ASSY-PASS. POSITION DATA: (PASSENGER CALL LIGHTS ONLY) ELECTRICAL EQUIP NUMBER: M11047 COMPONENT MAINT MANUAL REF: 25-23-39 FOR NHA/OTHER SYS DET SEE: 25-23-01-58B	108120	RF
- 5	417N3051-46C		SERVICE UNIT ASSY-PASS. (PASSENGER CALL LIGHTS ONLY) ELECTRICAL EQUIP NUMBER: M11045 COMPONENT MAINT MANUAL REF: 25-23-39 FOR NHA/OTHER SYS DET SEE: 25-23-01-58B	108120	RF
33	11-6563-112C		.OVERLAY- SUPPLIER CODE: V72914 SPECIFICATION NUMBER: S417N312-112C	108120	1
37	25-1734-15		.LENS- SUPPLIER CODE: V72914 SPECIFICATION NUMBER: S417N312-5A OPTIONAL PART: 25-1734-15A V72914	108120	1

MISSING ITEM NUMBERS NOT APPLICABLE

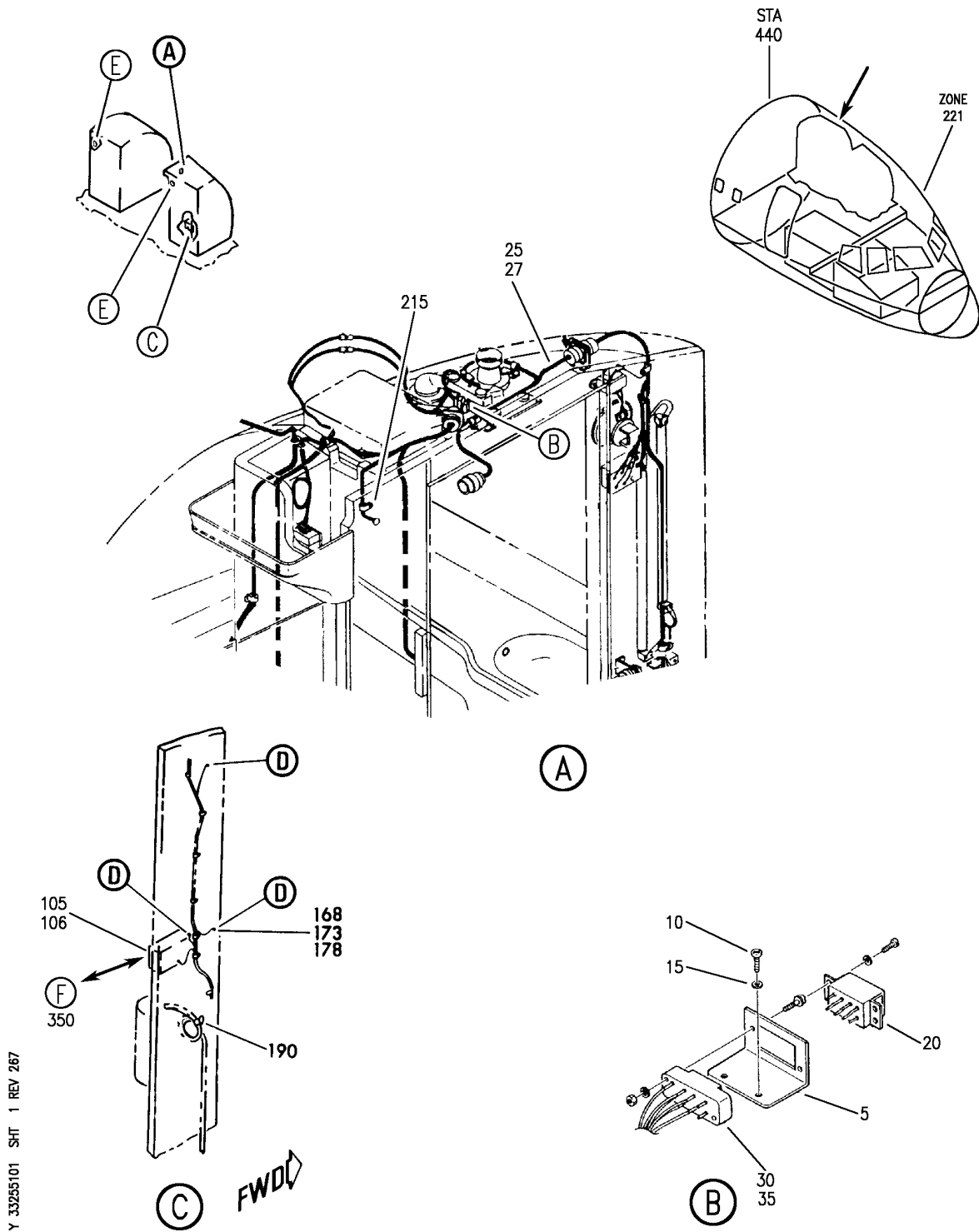
- ITEM NOT ILLUSTRATED

BRI

33-25-01-73

33-25-01
FIG. 73
PAGE 1
JAN 20/09

BOEING
757
PARTS CATALOG (MAINTENANCE)



Y 33255101 SHT 1 REV 267

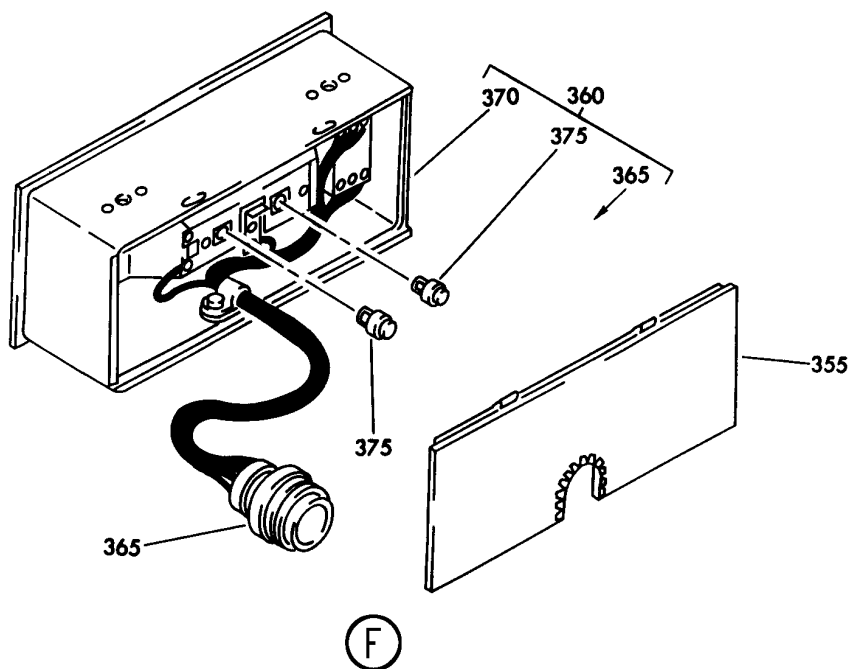
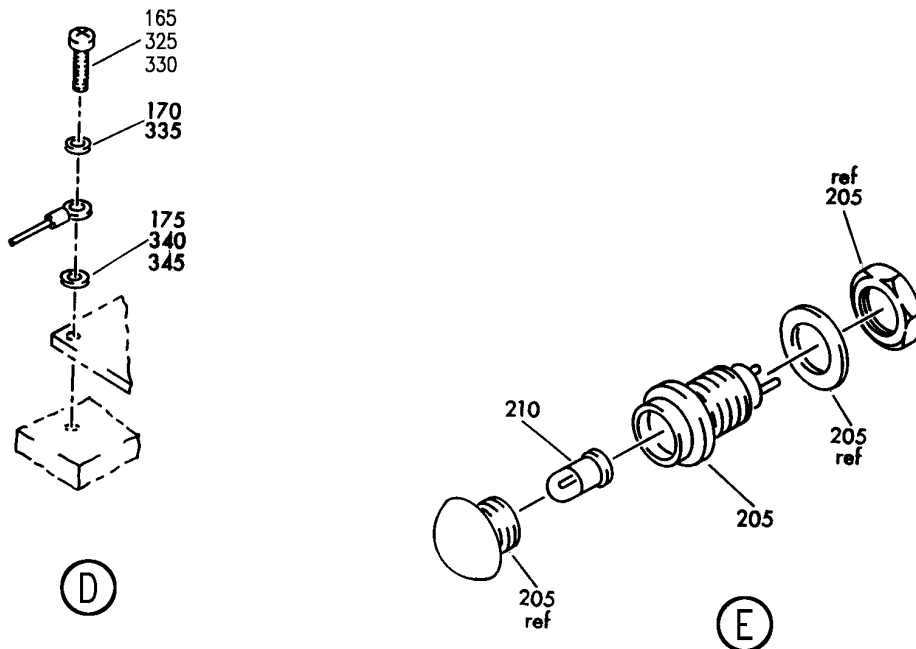
ELECTRICAL ASSY-LAV A (PASSENGER AND LAVATORY CALL LIGHTS ONLY)
FIGURE 1 (SHEET 1)

33-25-51-01

BRI
MAY 28/07

33-25-51-01
PAGE 0

BOEING
757
PARTS CATALOG (MAINTENANCE)



Y 33255101 SH1 2 REV 267

ELECTRICAL ASSY-LAV A (PASSENGER AND LAVATORY CALL LIGHTS ONLY)
FIGURE 1 (SHEET 2)

33-25-51-01

BRI
MAY 28/07

33-25-51-01
PAGE 0A



757

PARTS CATALOG (MAINTENANCE)

FIG ITEM	PART NUMBER	1 2 3 4 5 6 7	NOMENCLATURE	EFFECT FROM TO	UNITS PER ASSY
1			ELECTRICAL ASSY-LAV A (PASSENGER AND LAVATORY CALL LIGHTS ONLY)	107107 121503 904949 952999	
- 1	1A112-0088-71		ELECTRICAL ASSY-(PASSENGER AND LAVATORY CALL LIGHTS ONLY) SUPPLIER CODE: VS5825 FOR NHA/OTHER SYS DET SEE: 25-41-01-06H	121503 904949	RF
- 1	1A112-0088-61		ELECTRICAL ASSY-(PASSENGER AND LAVATORY CALL LIGHTS ONLY) SUPPLIER CODE: VS5825 FOR NHA/OTHER SYS DET SEE: 25-41-01-06 25-41-01-06E	107107 952999	RF
5	3A114-0080-1		.SUPPORT-RELAY SUPPLIER CODE: VS5825	107107 121503 904949 952999	1
10	NAS601-5P		ATTACHING PARTS .SCREW	107107 121503 904949 952999	2
15	AN960PD6L		.WASHER	107107 121503 904949 952999	2
20	W260F4AM11		-----*----- .RELAY- SUPPLIER CODE: VF0219 SPECIFICATION NUMBER: BACR13CD2 OPTIONAL PART: BR16S233 V09026 EE4AA005 V35344 3SAV1338A2 V01526 HFW1206K03 V58614 HFW1204K01 V71482	107107 121503 904949 952999	RF

MISSING ITEM NUMBERS NOT APPLICABLE

- ITEM NOT ILLUSTRATED

33-25-51-01

33-25-51
FIG. 01
PAGE 1
JAN 20/09

BRI



757

PARTS CATALOG (MAINTENANCE)

FIG ITEM	PART NUMBER	1 2 3 4 5 6 7	NOMENCLATURE	EFFECT FROM TO	UNITS PER ASSY
1					
- 100	1A112-0088-13		ELECTRICAL ASSY-LAV A (PASSENGER AND LAVATORY CALL LIGHTS ONLY) SUPPLIER CODE: VS5825 FOR NHA/OTHER SYS DET SEE: 25-41-01-06E	107107	RF
- 100	1A112-0088-143		ELECTRICAL ASSY-(PASSENGER AND LAVATORY CALL LIGHTS ONLY) SUPPLIER CODE: VS5825 FOR NHA/OTHER SYS DET SEE: 25-41-01-06H	121503 904949	RF
- 101	1A112-0088-163		ELECTRICAL ASSY-LAV A (PASSENGER AND LAVATORY CALL LIGHTS ONLY) SUPPLIER CODE: VS5825 CONFIG CHG DATA FROM A CMM: SUPERSEDES 1A112-0088-203 FOR NHA/OTHER SYS DET SEE: 25-41-01-06	952999	RF
- 104	2A112-0086-1007		.PANEL-UTILITY SUPPLIER CODE: VS5825 CONFIG CHG DATA FROM A CMM: SUPERSEDES 2A112-0086-7	107107	1
105	2A112-0086-7		.PANEL-UTILITY SUPPLIER CODE: VS5825 CONFIG CHG DATA FROM A CMM: SUPSD BY 2A112-0086-1007	107107 121503 904949	1
105	2A112-0086-177		.PANEL-UTILITY SUPPLIER CODE: VS5825	121503 904949	1
105	2A112-0086-1197		.PANEL-UTILITY SUPPLIER CODE: VS5825 CONFIG CHG DATA FROM A CMM: SUPERSEDES 2A112-0086-197	952999	RF
- 115	2A112-0086-673		..HOUSING ASSY- SUPPLIER CODE: VS5825	121503 904949	1

MISSING ITEM NUMBERS NOT APPLICABLE

- ITEM NOT ILLUSTRATED

33-25-51-01

33-25-51
FIG. 01
PAGE 2
JAN 20/09

BRI



757

PARTS CATALOG (MAINTENANCE)

FIG ITEM	PART NUMBER	1 2 3 4 5 6 7	NOMENCLATURE	EFFECT FROM TO	UNITS PER ASSY
1					
- 115	2A112-0086-1693	..	HOUSING ASSY- SUPPLIER CODE: VS5825 CONFIG CHG DATA FROM A CMM: SUPERSEDES 2A112-0086-693	952999	RF
- 115	2A112-0086-1503	..	HOUSING ASSY- SUPPLIER CODE: VS5825	107107	1
- 116	BACC45FT14-15P	...	CONNECTOR-P1M1	107107	1
- 117	AML21KBA2AC002	...	SWITCH-ATTENDANT CALL SUPPLIER CODE: V91929	107107	1
- 118	MS18209-387	...	LAMP-L1TM1, L2TM1	107107	2
- 120	2A112-0086-675	..	COVER ASSY- SUPPLIER CODE: VS5825	121503 904949	1
- 120	2A112-0086-1695	..	COVER ASSY- SUPPLIER CODE: VS5825 CONFIG CHG DATA FROM A CMM: SUPERSEDES 2A112-0086-695	952999	1
- 125	BACC45FT14-15P	..	CONNECTOR	121503 904949	1
- 130	AML21KBA2AC002	..	SWITCH-ATTN CALL S1M1 SUPPLIER CODE: V91929	121503 904949	1
- 135	MS25237-387	..	LAMP- L1M1, L2M1 L1TM1, L2TM1	121503 904949	2
165	NAS603-6P	.	SCREW	121503 904949	3
170	MS35333-39	.	WASHER	121503 904949	3
175	AN960PD10L	.	WASHER	121503 904949	3
- 185	T18R	.	TIE- SUPPLIER CODE: VU3384 OPTIONAL PART: 89176-0001 VS5006	952999	1

MISSING ITEM NUMBERS NOT APPLICABLE

- ITEM NOT ILLUSTRATED

33-25-51-01

33-25-51
FIG. 01
PAGE 3
JAN 20/09

BRI



757

PARTS CATALOG (MAINTENANCE)

FIG ITEM	PART NUMBER	1 2 3 4 5 6 7	NOMENCLATURE	EFFECT FROM TO	UNITS PER ASSY
1					
- 200	1A112-0088-137		ELECTRICAL ASSY-LAV A (PASSENGER AND LAVATORY CALL LIGHTS ONLY) SUPPLIER CODE: VS5825 FOR NHA/OTHER SYS DET SEE: 25-41-01-06E	107107	RF
- 201	1A112-0088-177		ELECTRICAL ASSY-(PASSENGER AND LAVATORY CALL LIGHTS ONLY) SUPPLIER CODE: VS5825 FOR NHA/OTHER SYS DET SEE: 25-41-01-06H	121503 904949	RF
- 201	1A112-0088-317		ELECTRICAL ASSY-LAV A (PASSENGER AND LAVATORY CALL LIGHTS ONLY) SUPPLIER CODE: VS5825 FOR NHA/OTHER SYS DET SEE: 25-41-01-06	952999	RF
205	A20247AM1		.SWITCH ASSY-CALL RESET S3 SUPPLIER CODE: V81640	107107 121503 904949 952999	1
210	MS25237-387		..LAMP-(L4)	121503 904949 952999	1
210	MS18209-387		..LAMP-L4	107107	1

MISSING ITEM NUMBERS NOT APPLICABLE

- ITEM NOT ILLUSTRATED

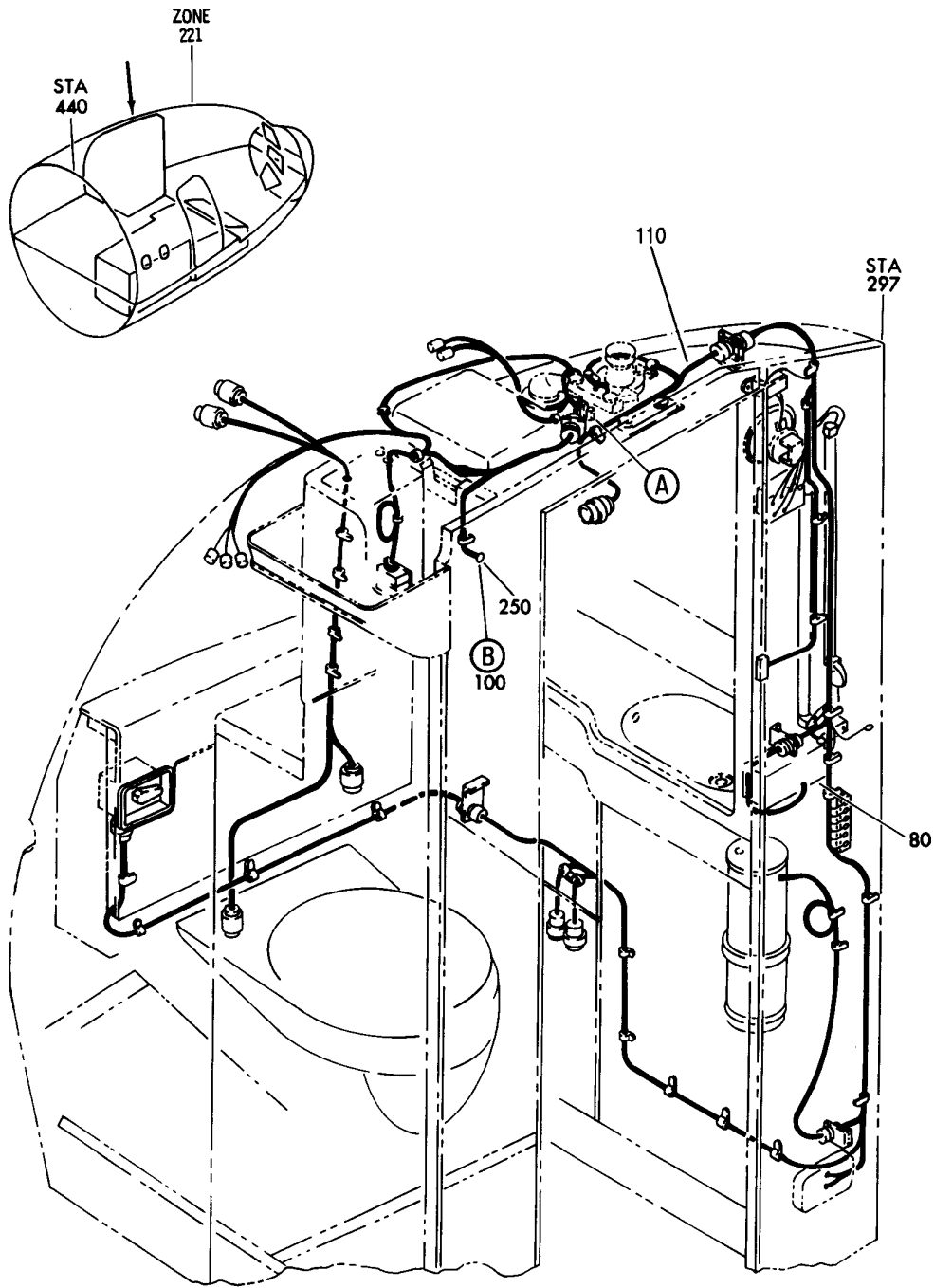
BRI

33-25-51-01

BOEING PROPRIETARY - Copyright © - Unpublished Work - See title page for details.

33-25-51
FIG. 01
PAGE 4
JAN 20/09

BOEING
757
PARTS CATALOG (MAINTENANCE)



Y 33255101A SHT 1 REV 237

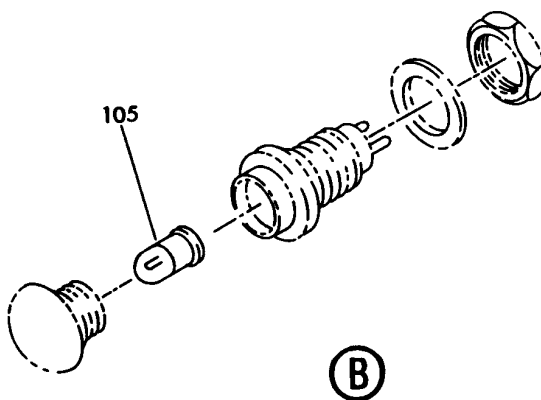
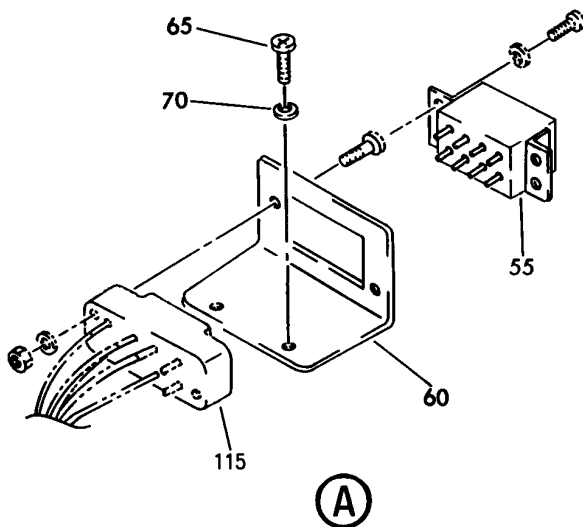
ELECTRICAL ASSY-LAV A (PASSENGER AND LAVATORY CALL LIGHTS ONLY)
FIGURE 1A (SHEET 1)

33-25-51-01A

BRI
MAY 28/07

33-25-51-01A
PAGE 0

BOEING
757
PARTS CATALOG (MAINTENANCE)



Y 33255101A SHT 2 REV 237

ELECTRICAL ASSY-LAV A (PASSENGER AND LAVATORY CALL LIGHTS ONLY)
FIGURE 1A (SHEET 2)

33-25-51-01A

BRI
MAY 28/07

33-25-51-01A
PAGE 0A



757

PARTS CATALOG (MAINTENANCE)

FIG ITEM	PART NUMBER	1 2 3 4 5 6 7	NOMENCLATURE	EFFECT FROM TO	UNITS PER ASSY
1A			ELECTRICAL ASSY-LAV A (PASSENGER AND LAVATORY CALL LIGHTS ONLY)	002004 006100 950951	
- 1	1A112-0088NPA		ELECTRICAL ASSY-LAV A (PASSENGER AND LAVATORY CALL LIGHTS ONLY) SUPPLIER CODE: VS5825 FOR NHA/OTHER SYS DET SEE: 25-41-01-06F	002004 006100	RF
- 1	1A112-0088NRA		ELECTRICAL ASSY-LAV A (PASSENGER AND LAVATORY CALL LIGHTS ONLY) SUPPLIER CODE: VS5825 FOR NHA/OTHER SYS DET SEE: 25-41-01-06B	950951	RF
55	3ASV1338A2		.RELAY-K1 SUPPLIER CODE: VS5825	002004 006100	1
60	3A114-0080-1		.SUPPORT-RELAY SUPPLIER CODE: VS5825	002004 006100	1
65	NAS601-5P		ATTACHING PARTS .SCREW	002004 006100	2
70	AN960PD6L		.WASHER	002004 006100	2
80	2A112-0086-1197		-----*----- .PANEL-UTILITY SUPPLIER CODE: VS5825 CONFIG CHG DATA FROM A CMM: SUPERSEDES 2A112-0086-297	002004 006100	1
80	2A112-0086-297		.PANEL ASSY-UTILITY SUPPLIER CODE: VS5825 CONFIG CHG DATA FROM A CMM: SUPSD BY 2A112-0086-1197	002004 006100 950951	1
- 85	2A112-0086-1693		..HOUSING ASSY- SUPPLIER CODE: VS5825 CONFIG CHG DATA FROM A CMM: SUPERSEDES 2A112-0086-793	002004 006100	1

MISSING ITEM NUMBERS NOT APPLICABLE

- ITEM NOT ILLUSTRATED

33-25-51-01A

33-25-51
FIG. 01A
PAGE 1
JAN 20/09

BRI

BOEING PROPRIETARY - Copyright © - Unpublished Work - See title page for details.



757

PARTS CATALOG (MAINTENANCE)

FIG ITEM	PART NUMBER	1 2 3 4 5 6 7	NOMENCLATURE	EFFECT FROM TO	UNITS PER ASSY
1 A					
- 85	2A112-0086-793	..	HOUSING ASSY- SUPPLIER CODE: VS5825 CONFIG CHG DATA FROM A CMM: SUPSD BY 2A112-0086-1693	002004 006100 950951	1
87	BACC45FT14-15P	...	CONNECTOR-P1M1	950951	1
- 88	BACC45FT14-15P	...	CONNECTOR-P1M1	002004 006100	1
- 90	MS18209-387	...	LAMP- L1M1, L2M1 L1TM1, L2TM1	002004 006100	2
- 92	AML21KBA2AC005	...	SWITCH-ATTENDANT CALL, S1M1 SUPPLIER CODE: V91929	002004 006100 950951	1
- 95	2A112-0086-1695	..	COVER ASSY- SUPPLIER CODE: VS5825 CONFIG CHG DATA FROM A CMM: SUPERSEDES 2A112-0086-795	002004 006100	1
- 95	2A112-0086-795	..	COVER- SUPPLIER CODE: VS5825 CONFIG CHG DATA FROM A CMM: SUPSD BY 2A112-0086-1695	002004 006100 950951	1
100	A20247AM1	.	SWITCH ASSY-CALL RESET, S3 SUPPLIER CODE: V81640	002004 006100 950951	1
105	MS18209-387	..	LAMP-L4	002004 006100 950951	1

MISSING ITEM NUMBERS NOT APPLICABLE

- ITEM NOT ILLUSTRATED

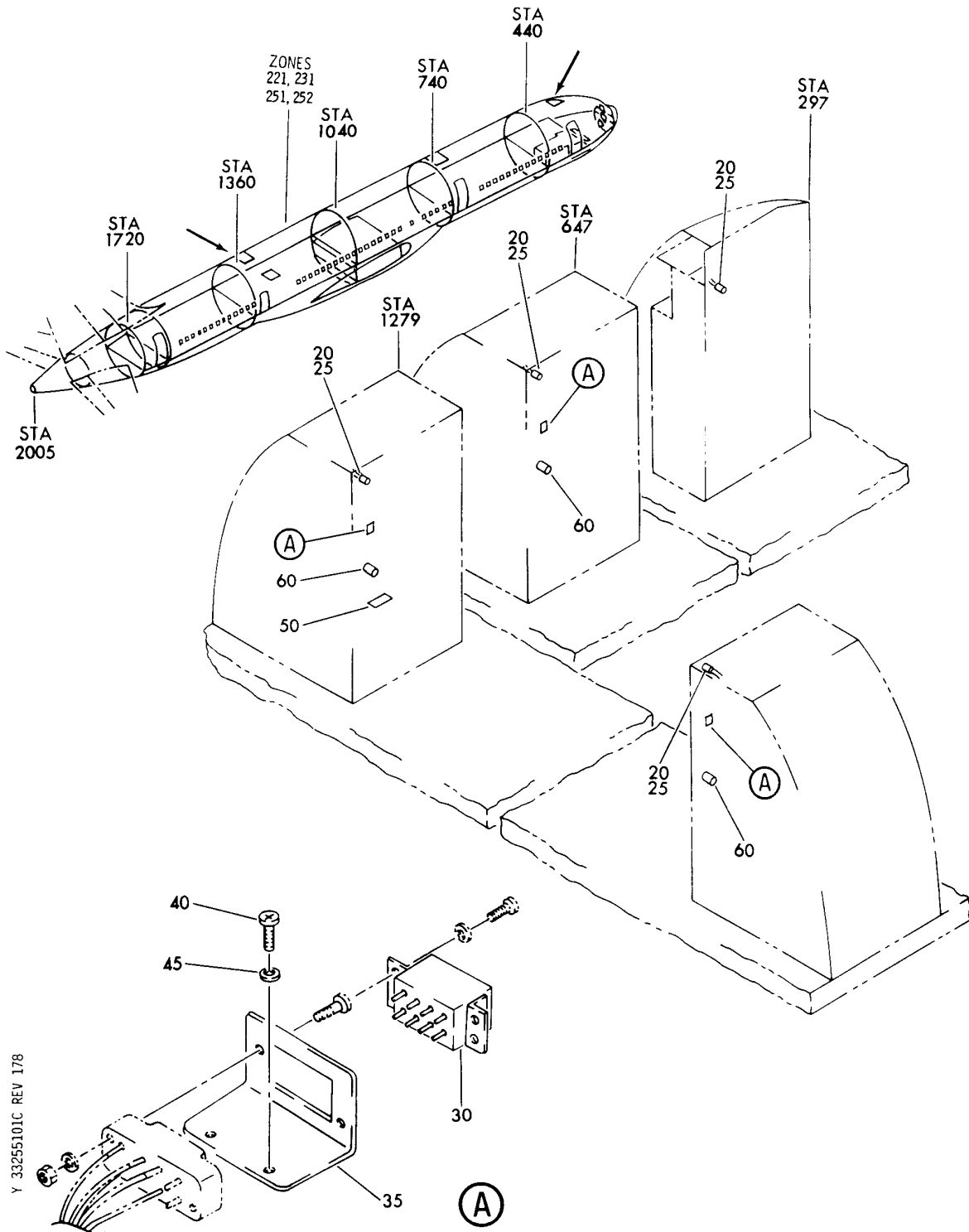
33-25-51-01A

33-25-51
FIG. 01A
PAGE 2
JAN 20/09

BRI

BOEING PROPRIETARY - Copyright © - Unpublished Work - See title page for details.

BOEING
757
PARTS CATALOG (MAINTENANCE)



Y 33255101C REV 178

ELECTRICAL ASSY-LAV (PASSENGER AND LAVATORY CALL LIGHTS ONLY)
FIGURE 1C

33-25-51-01C

BRI
MAY 28/07

33-25-51-01C
PAGE 0



757

PARTS CATALOG (MAINTENANCE)

FIG ITEM	PART NUMBER	1 2 3 4 5 6 7	NOMENCLATURE	EFFECT FROM TO	UNITS PER ASSY
1C			ELECTRICAL ASSY-LAV (PASSENGER AND LAVATORY CALL LIGHTS ONLY)	002004 006100 950951	
- 1	1A122-0089NPA		ELECTRICAL ASSY-LAV B (PASSENGER AND LAVATORY CALL LIGHTS ONLY) SUPPLIER CODE: VS5825	002004 006100	RF
- 5	1A122-0089NRA		ELECTRICAL ASSY-LAV C (PASSENGER AND LAVATORY CALL LIGHTS ONLY) SUPPLIER CODE: VS5825 FOR NHA/OTHER SYS DET SEE: 25-41-04-27	950951	RF
- 5	1A122-0089NPB		ELECTRICAL ASSY-LAV C (PASSENGER AND LAVATORY CALL LIGHTS ONLY) SUPPLIER CODE: VS5825 FOR NHA/OTHER SYS DET SEE: 25-41-04-28	002004 006100	RF
- 10	1A122-0089NRB		ELECTRICAL ASSY-LAV D (PASSENGER AND LAVATORY CALL LIGHTS ONLY) SUPPLIER CODE: VS5825 FOR NHA/OTHER SYS DET SEE: 25-41-04-28	950951	RF
- 10	1A122-0089NPC		ELECTRICAL ASSY-LAV D (PASSENGER AND LAVATORY CALL LIGHTS ONLY) SUPPLIER CODE: VS5825 FOR NHA/OTHER SYS DET SEE: 25-41-04-43	002004 006100	RF
- 15	1A122-0089NRC		ELECTRICAL ASSY-LAV S (PASSENGER AND LAVATORY CALL LIGHTS ONLY) SUPPLIER CODE: VS5825 FOR NHA/OTHER SYS DET SEE: 25-41-04-44	950951	RF
20	A20247AM1		.SWITCH ASSY-CALL RESET S3 SUPPLIER CODE: V81640	002004 006100 950951	1

MISSING ITEM NUMBERS NOT APPLICABLE

- ITEM NOT ILLUSTRATED

33-25-51-01C

33-25-51
FIG. 01C
PAGE 1
JAN 20/09

BRI

BOEING PROPRIETARY - Copyright © - Unpublished Work - See title page for details.



757

PARTS CATALOG (MAINTENANCE)

FIG ITEM	PART NUMBER	1 2 3 4 5 6 7	NOMENCLATURE	EFFECT FROM TO	UNITS PER ASSY
1C					
25	MS18209-387	..	LAMP-L4	002004 006100 950951	1
30	3SAV1338A2	.RELAY-K1	SUPPLIER CODE: V00779	002004 006100	1
35	3A114-0080-1	.SUPPORT-RELAY	SUPPLIER CODE: VS5825	002004 006100	1
40	NAS601-5P	.SCREW	ATTACHING PARTS	002004 006100	6
45	AN960PD6L	.WASHER		002004 006100	6
		-----*-----			
50	2A122-0089-338	.PANEL ASSY-LAV C	SUPPLIER CODE: VS5825	002004 006100 950951	1
			CONFIG CHG DATA FROM A CMM: SUPSD BY 2A122-0089-328		
50	2A122-0089-328	.PANEL ASSY-LAV C	SUPPLIER CODE: VS5825	002004 006100	1
			CONFIG CHG DATA FROM A CMM: SUPERSEDES 2A122-0089-338		
50	2A122-0089-337	.PANEL ASSY-LAV	D AND S B AND D	002004 006100 950951	1
			SUPPLIER CODE: VS5825		
			CONFIG CHG DATA FROM A CMM: SUPSD BY 2A122-0089-327		
50	2A122-0089-327	.PANEL ASSY-LAV B AND D	SUPPLIER CODE: VS5825	002004 006100	1
			CONFIG CHG DATA FROM A CMM: SUPERSEDES 2A122-0089-337		
- 55	2A122-0089-833	..HOUSING ASSY-LAV	D AND S B AND D	002004 006100 950951	1
			SUPPLIER CODE: VS5825		
			CONFIG CHG DATA FROM A CMM: SUPSD BY 2A122-0089-832		

MISSING ITEM NUMBERS NOT APPLICABLE

- ITEM NOT ILLUSTRATED

33-25-51-01C

33-25-51
FIG. 01C
PAGE 2
JAN 20/09

BRI

BOEING PROPRIETARY - Copyright © - Unpublished Work - See title page for details.



757

PARTS CATALOG (MAINTENANCE)

FIG ITEM	PART NUMBER	1 2 3 4 5 6 7	NOMENCLATURE	EFFECT FROM TO	UNITS PER ASSY
1C					
- 55	2A122-0089-823	.	HOUSING ASSY-LAV B AND D SUPPLIER CODE: VS5825 CONFIG CHG DATA FROM A CMM: SUPERSEDES 2A122-0089-833	002004 006100	1
- 55	2A122-0089-834	..	HOUSING ASSY-LAV C SUPPLIER CODE: VS5825 CONFIG CHG DATA FROM A CMM: SUPSD BY 2A122-0089-824	002004 006100 950951	1
- 55	2A122-0089-824	..	HOUSING ASSY-LAV C SUPPLIER CODE: VS5825 CONFIG CHG DATA FROM A CMM: SUPERSEDES 2A122-0089-834	002004 006100	1
60	BACC45FT14-15P	...	CONNECTOR-P1M1	950951	1
- 65	BACC45FT14-15P	...	CONNECTOR-P1M1	002004 006100	1
- 70	AML21KBA2AC005	...	SWITCH-ATTENDANT CALL S1M1 SUPPLIER CODE: V91929	002004 006100 950951	1
- 75	MS18209-387	...	LAMP-L1TM1, L2TM1	002004 006100 950951	2
- 80	2A122-0089-836	..	COVER-LAV C SUPPLIER CODE: VS5825 CONFIG CHG DATA FROM A CMM: SUPSD BY 2A122-0089-826	002004 006100 950951	1
- 80	2A122-0089-826	..	COVER ASSY-LAV C SUPPLIER CODE: VS5825 CONFIG CHG DATA FROM A CMM: SUPERSEDES 2A122-0089-836	002004 006100	1
- 80	2A122-0089-835	..	COVER-LAV D AND S B AND D SUPPLIER CODE: VS5825 CONFIG CHG DATA FROM A CMM: SUPSD BY 2A122-0089-825	002004 006100 950951	1

MISSING ITEM NUMBERS NOT APPLICABLE

- ITEM NOT ILLUSTRATED

33-25-51-01C

33-25-51
FIG. 01C
PAGE 3
JAN 20/09

BRI

BOEING PROPRIETARY - Copyright © - Unpublished Work - See title page for details.



757

PARTS CATALOG (MAINTENANCE)

FIG ITEM	PART NUMBER	1 2 3 4 5 6 7	NOMENCLATURE	EFFECT FROM TO	UNITS PER ASSY
1 C - 80	2A122-0089-825		..COVER ASSY-LAV B AND D SUPPLIER CODE: VS5825 CONFIG CHG DATA FROM A CMM: SUPERSEDES 2A122-0089-835	002004 006100	1

MISSING ITEM NUMBERS NOT APPLICABLE

- ITEM NOT ILLUSTRATED

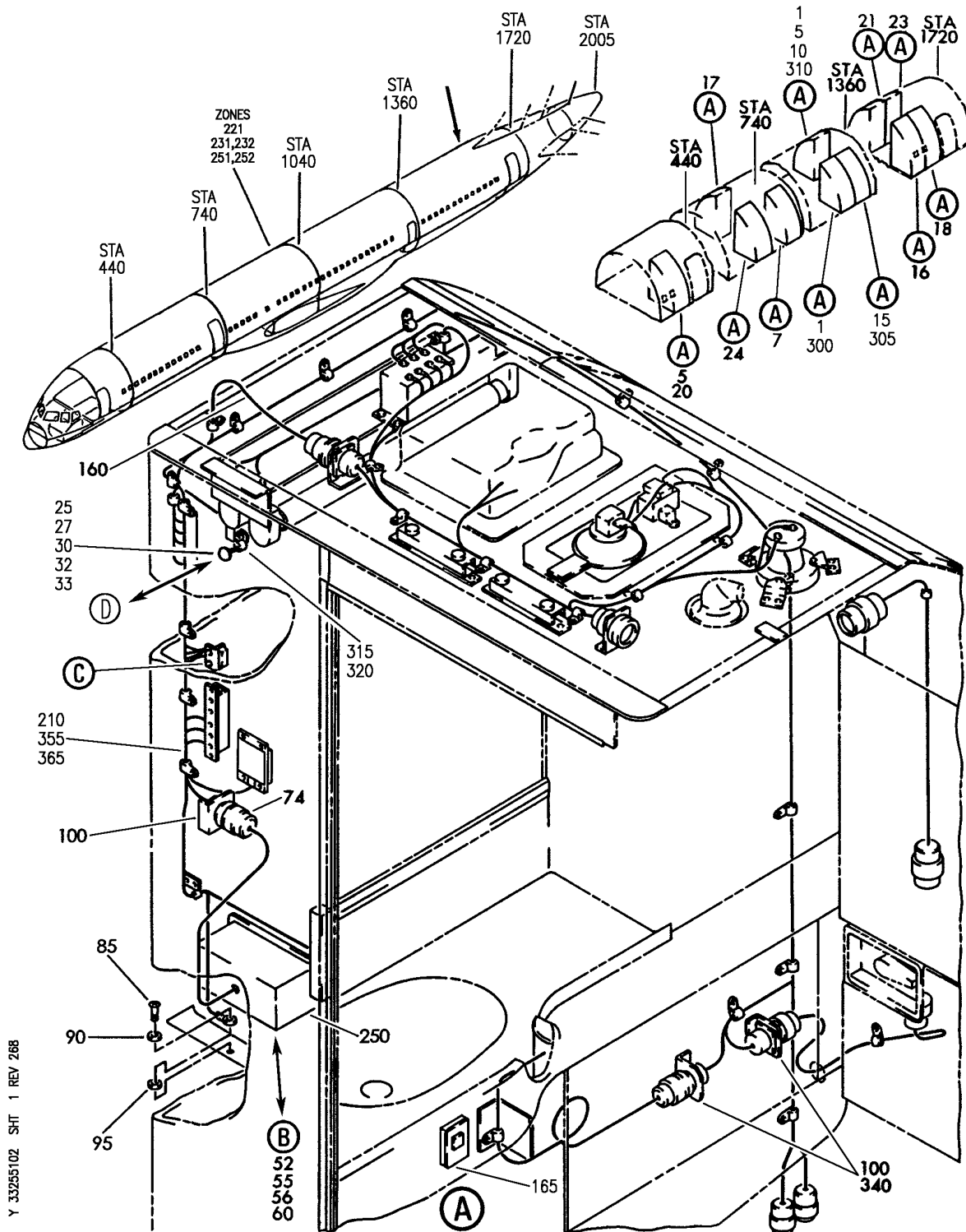
BRI

33-25-51-01C

BOEING PROPRIETARY - Copyright © - Unpublished Work - See title page for details.

33-25-51
FIG. 01C
PAGE 4
JAN 20/09

BOEING
757
PARTS CATALOG (MAINTENANCE)



Y 33255102 SHT 1 REV 268

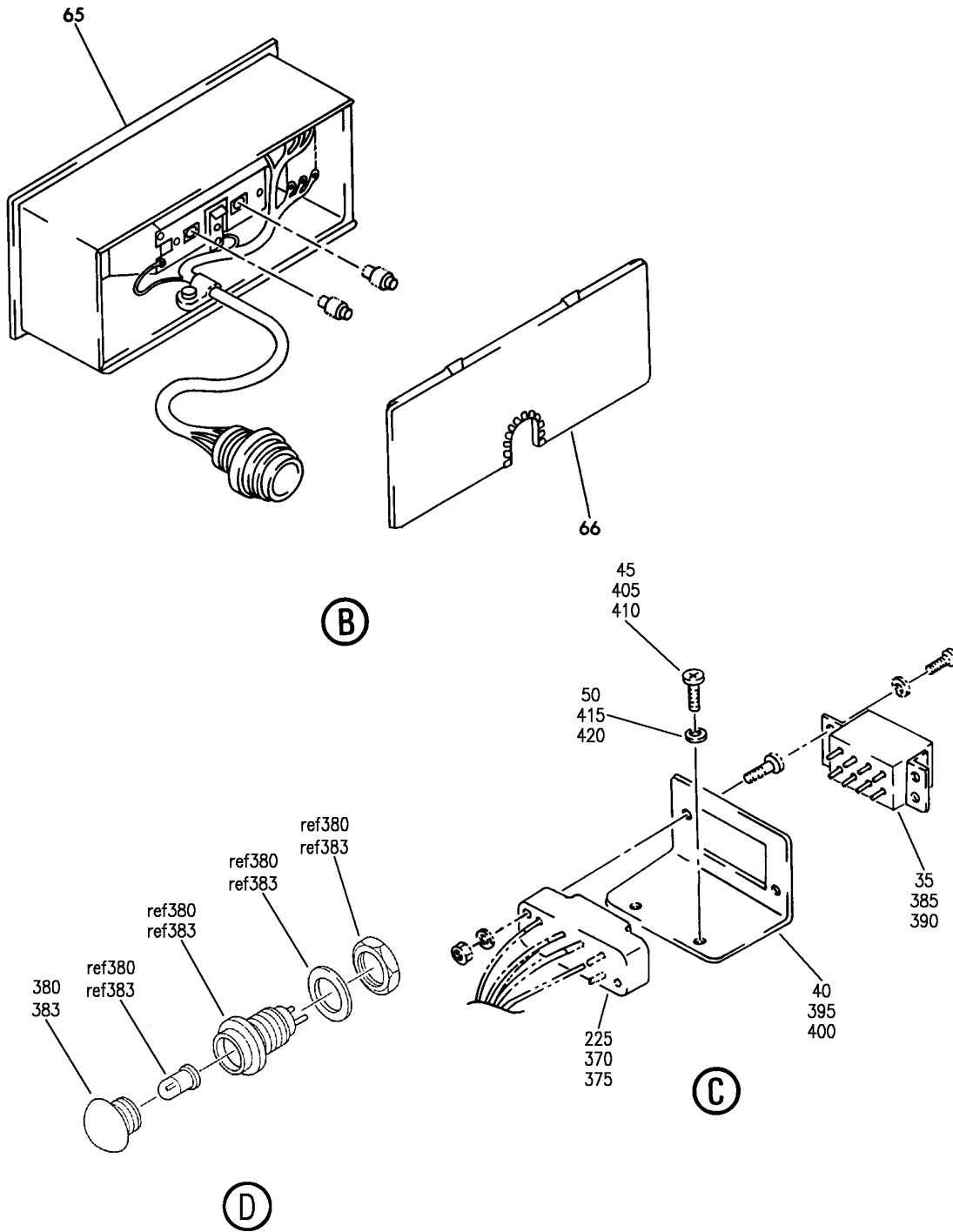
ELECTRICAL ASSY-(PASSENGER AND LAVATORY CALL LIGHTS ONLY)
FIGURE 2 (SHEET 1)

33-25-51-02

BRI
MAY 28/07

33-25-51-02
PAGE 0


BOEING
 757
PARTS CATALOG (MAINTENANCE)



Y 33255102 SH1 2 REV 267

ELECTRICAL ASSY-(PASSENGER AND LAVATORY CALL LIGHTS ONLY)
 FIGURE 2 (SHEET 2)

33-25-51-02

BRI
 MAY 28/07

33-25-51-02
 PAGE 0A



757

PARTS CATALOG (MAINTENANCE)

FIG ITEM	PART NUMBER	1 2 3 4 5 6 7	NOMENCLATURE	EFFECT FROM TO	UNITS PER ASSY
2			ELECTRICAL ASSY-(PASSENGER AND LAVATORY CALL LIGHTS ONLY)	121503 904949 952999	
5	1A122-0089-243		ELECTRICAL ASSY-LAV D AND F (PASSENGER AND LAVATORY CALL LIGHTS ONLY) SUPPLIER CODE: VS5825 FOR NHA/OTHER SYS DET SEE: 25-41-04-95 25-41-01-09D	121503 904949	RF
10	1A122-0089-463		ELECTRICAL ASSY-LAV D (PASSENGER AND LAVATORY CALL LIGHTS ONLY) SUPPLIER CODE: VS5825 FOR NHA/OTHER SYS DET SEE: 25-41-04-57	952999	RF
15	1A122-0089-244		ELECTRICAL ASSY-LAV C (PASSENGER AND LAVATORY CALL LIGHTS ONLY) SUPPLIER CODE: VS5825 FOR NHA/OTHER SYS DET SEE: 25-41-04-96	121503 904949	RF
15	1A122-0089-464		ELECTRICAL ASSY-LAV C (PASSENGER AND LAVATORY CALL LIGHTS ONLY) SUPPLIER CODE: VS5825 FOR NHA/OTHER SYS DET SEE: 25-41-04-60	952999	RF
24	1A122-0089-393		ELECTRICAL ASSY-LAV S (PASSENGER AND LAVATORY CALL LIGHTS ONLY) SUPPLIER CODE: VS5825	953999	RF
25	A20247AM1		.SWITCH ASSY-CALL RESET S3 SUPPLIER CODE: V81640	952952	1
25	A20247AM1		.SWITCH ASSY-CALL RESET S3 SUPPLIER CODE: V81640	121503 904949 953999	1
30	MS25237-387		..LAMP-L4	121503 904949 953999	1
30	MS25237-387		..LAMP	952952	1

MISSING ITEM NUMBERS NOT APPLICABLE

- ITEM NOT ILLUSTRATED

33-25-51-02

33-25-51
FIG. 02
PAGE 1
JAN 20/09

BRI



757

PARTS CATALOG (MAINTENANCE)

FIG ITEM	PART NUMBER	1 2 3 4 5 6 7	NOMENCLATURE	EFFECT FROM TO	UNITS PER ASSY
2					
32	HRTS17KM	..	SOCKET-RELAY XK1 SUPPLIER CODE: V91663	121503 904949	1
32	HRTS17KJV2	..	SOCKET-RELAY XK1 SUPPLIER CODE: V91663	121503 904949	1
35	W260F4AM11	.RELAY	SUPPLIER CODE: VF0219 SPECIFICATION NUMBER: BACR13CD2 OPTIONAL PART: BR16S233 V09026 EE4AA005 V35344 3SAV1338A2 V01526 HFW1206K03 V58614 HFW1204K01 V71482	121503 904949 953999	1
35	W260F4AM11	.RELAY	SUPPLIER CODE: VF0219 SPECIFICATION NUMBER: BACR13CD2 OPTIONAL PART: BR16S233 V09026 EE4AA005 V35344 3SAV1338A2 V01526 HFW1206K03 V58614 HFW1204K01 V71482	952952	1
40	3A114-0080-1	.SUPPORT-RELAY	SUPPLIER CODE: VS5825	121503 904949 953999	1
40	3A114-0080-1	.SUPPORT-RELAY	SUPPLIER CODE: VS5825	952952	1
45	NAS601-5P	.SCREW	ATTACHING PARTS	121503 904949 953999	2
45	NAS601-5P	.SCREW		952952	2

MISSING ITEM NUMBERS NOT APPLICABLE

- ITEM NOT ILLUSTRATED

33-25-51-02

33-25-51
FIG. 02
PAGE 2
JAN 20/09

BRI

 **BOEING**
757
PARTS CATALOG (MAINTENANCE)

FIG ITEM	PART NUMBER	1 2 3 4 5 6 7	NOMENCLATURE	EFFECT FROM TO	UNITS PER ASSY
2					
50	AN960PD6L	.	WASHER	121503 904949 953999	2
50	AN960PD6L	.	WASHER	952952	2
- 57	2A122-0089-178	.	PANEL ASSY-UTILITY LAV C SUPPLIER CODE: VS5825	121503 904949	1
- 57	2A122-0089-287	.	PANEL-UTILITY LAV S SUPPLIER CODE: VS5825	952999	1
- 58	2A122-0089-328	.	PANEL ASSY-UTILITY LAV C SUPPLIER CODE: VS5825	952999	1
- 59	2A122-0089-327	.	PANEL ASSY-UTILITY LAV D SUPPLIER CODE: VS5825	952999	1
60	2A122-0089-177	.	PANEL ASSY-UTILITY LAV D AND F SUPPLIER CODE: VS5825	121503 904949	1
- 61	2A122-0089-824	..	HOUSING ASSY-LAV C SUPPLIER CODE: VS5825	952999	1
- 62	2A122-0089-823	..	HOUSING ASSY-LAV D SUPPLIER CODE: VS5825	952999	1
- 63	2A122-0089-825	..	COVER ASSY-LAV D SUPPLIER CODE: VS5825	952999	1
- 64	2A122-0089-826	..	COVER ASSY-LAV C SUPPLIER CODE: VS5825	952999	1
- 64	2A122-0089-785	..	COVER ASSY-LAV S SUPPLIER CODE: VS5825	952999	1
65	3A122-0089-824	..	HOUSING ASSY-LAV C SUPPLIER CODE: VS5825	952999	1
- 72	BACC45FT14-15P	..	CONNECTOR-P1M1 LAV C, D AND T LAV C, D AND F	121503 904949	1
- 75	AML21KBA2AC002	..	SWITCH-ATTN CALL, S1M1 SUPPLIER CODE: V91929	121503 904949	1
- 77	2A122-0089-783	..	HOUSING ASSY-(LAV S) SUPPLIER CODE: VS5825	952999	1

MISSING ITEM NUMBERS NOT APPLICABLE

- ITEM NOT ILLUSTRATED

BRI

33-25-51-02

BOEING PROPRIETARY - Copyright © - Unpublished Work - See title page for details.

33-25-51
FIG. 02
PAGE 3
JAN 20/09



757

PARTS CATALOG (MAINTENANCE)

FIG ITEM	PART NUMBER	1 2 3 4 5 6 7	NOMENCLATURE	EFFECT FROM TO	UNITS PER ASSY
2					
- 80	MS25237-387	..	LAMP-L1M1, L2M1	121503 904949	2
- 83	MS25237-387	..	LAMP-L1M1, L2M1	952999	2
			LAV F		
			LAV S		
85	NAS603-6P	.SCREW-	LAV B, C AND D	121503 904949	1
			LAV C, D AND F		
			LAV C, D AND S		
			LAV J, K AND M		
85	NAS603-6P	.SCREW-LAV S		952999	1
90	MS35333-39	.WASHER		121503 904949	1
90	MS35333-39	.WASHER-LAV S		952999	1
95	AN960PD10L	.WASHER		121503 904949	1
95	AN960C10L	.WASHER-LAV S		952999	1
100	2A114-0019-7	.SUPPORT-CONN.	SUPPLIER CODE: VS5825	121503 904949 953999	3
100	2A114-0019-7	.SUPPORT-CONN.	SUPPLIER CODE: VS5825	952952	3
			ATTACHING PARTS		
- 105	NAS601-5P	.SCREW		121503 904949 953999	6
- 105	NAS601-5P	.SCREW		952952	6
- 110	AN960PD6L	.WASHER		121503 904949 953999	6
- 110	AN960PD6L	.WASHER		952952	6
- 113	AN960PD6L	.WASHER-LAV F		121503 904949	6
			-----*-----		

MISSING ITEM NUMBERS NOT APPLICABLE

- ITEM NOT ILLUSTRATED

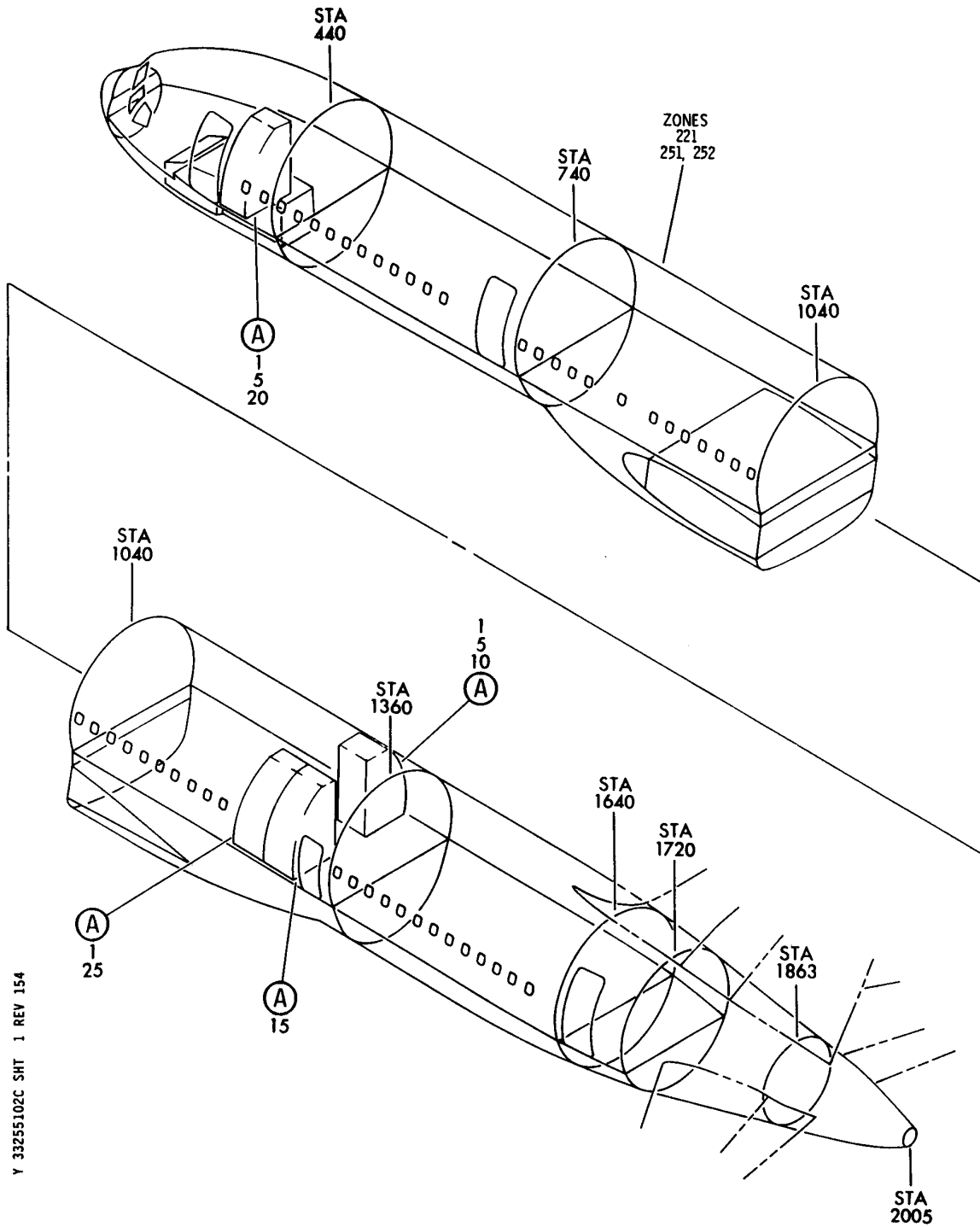
33-25-51-02

33-25-51
FIG. 02
PAGE 4
JAN 20/09

BRI

BOEING PROPRIETARY - Copyright © - Unpublished Work - See title page for details.

BOEING
757
PARTS CATALOG (MAINTENANCE)



Y 33255102C SHT 1 REV 154

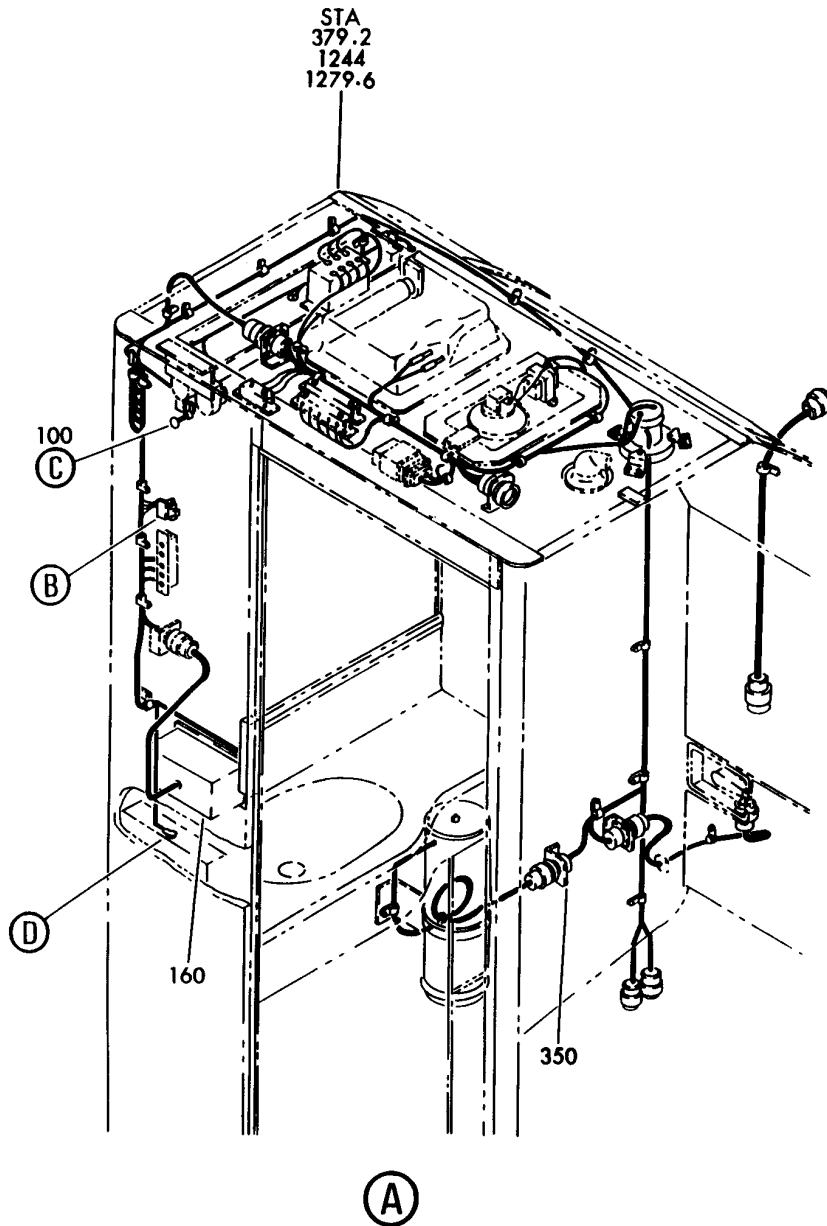
ELECTRICAL ASSY-LAV (PASSENGER AND LAVATORY CALL LIGHTS)
FIGURE 2C (SHEET 1)

33-25-51-02C

BRI
JAN 20/09

33-25-51-02C
PAGE 0

BOEING
757
PARTS CATALOG (MAINTENANCE)



Y 33255102C SHT 2 REV 154

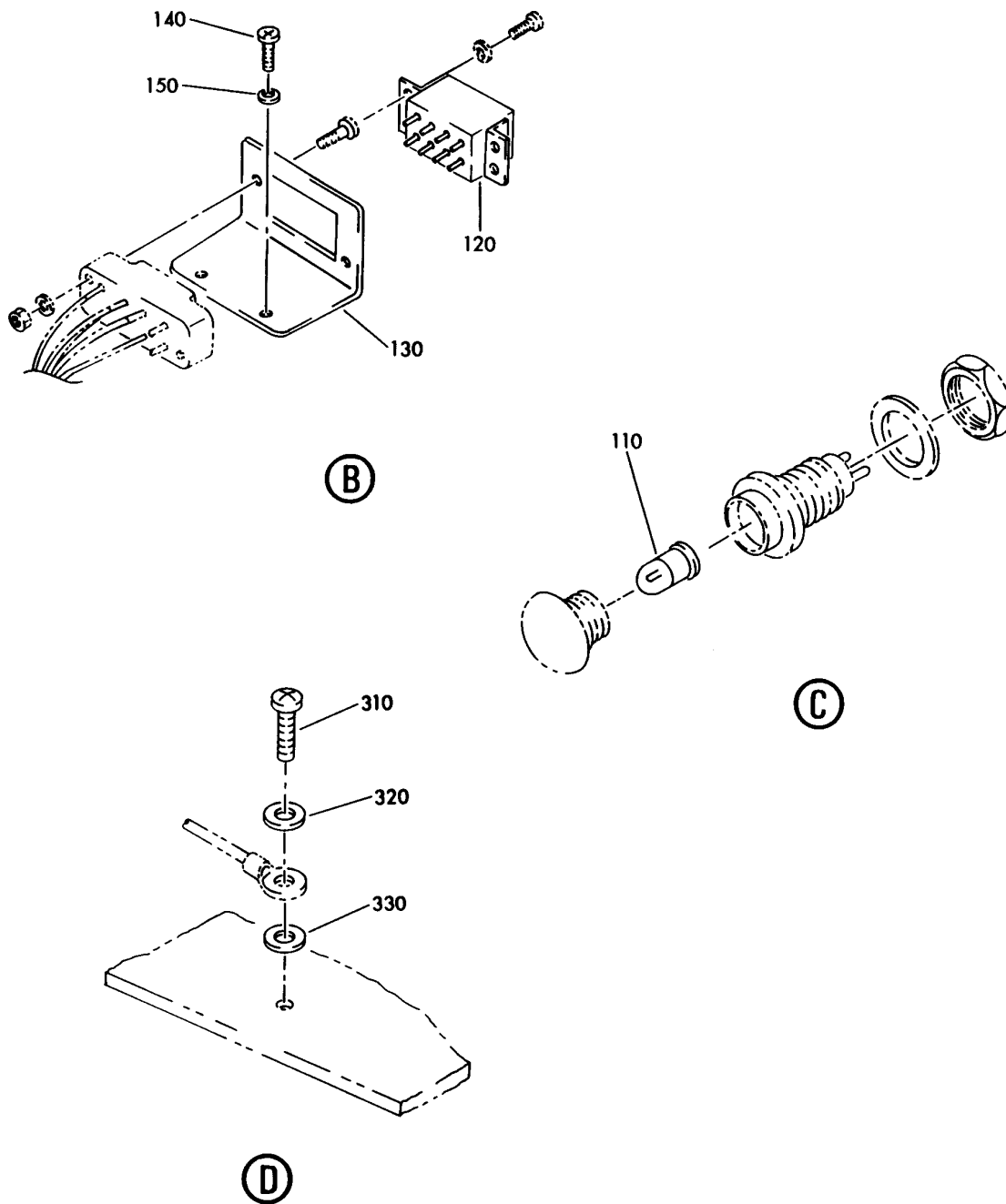
ELECTRICAL ASSY-LAV (PASSENGER AND LAVATORY CALL LIGHTS)
FIGURE 2C (SHEET 2)

33-25-51-02C

BRI
JAN 20/09

33-25-51-02C
PAGE 0A

BOEING
757
PARTS CATALOG (MAINTENANCE)



Y 33255102C SHT 3 REV 154

ELECTRICAL ASSY-LAV (PASSENGER AND LAVATORY CALL LIGHTS)
FIGURE 2C (SHEET 3)

33-25-51-02C

BRI
JAN 20/09

33-25-51-02C
PAGE 0B



757

PARTS CATALOG (MAINTENANCE)

FIG ITEM	PART NUMBER	1 2 3 4 5 6 7	NOMENCLATURE	EFFECT FROM TO	UNITS PER ASSY
2C			ELECTRICAL ASSY-LAV (PASSENGER AND LAVATORY CALL LIGHTS)	107107	
10	1A122-0089-3		ELECTRICAL ASSY-LAV D (PASSENGER AND LAVATORY CALL LIGHTS ONLY) SUPPLIER CODE: VS5825 FOR NHA/OTHER SYS DET SEE: 25-41-03-51B	107107	RF
15	1A122-0089-4		ELECTRICAL ASSY-LAV C (PASSENGER AND LAVATORY CALL LIGHTS ONLY) SUPPLIER CODE: VS5825 FOR NHA/OTHER SYS DET SEE: 25-41-03-50B	107107	RF
20	1A122-0089-13		ELECTRICAL ASSY-LAV F (PASSENGER AND LAVATORY CALL LIGHTS ONLY) SUPPLIER CODE: VS5825 FOR NHA/OTHER SYS DET SEE: 25-41-01-09E	107107	RF
100	A20247AM1		.SWITCH ASSY-CALL RESET S3 SUPPLIER CODE: V81640	107107	1
110	MS18209-387		..LAMP-L4	107107	1
- 160	2A122-0089-1007		.PANEL ASSY-UTILITY LAV D AND F SUPPLIER CODE: VS5825	107107	1
- 160	2A122-0089-1007		.PANEL ASSY- SUPPLIER CODE: VS5825	107107	1
- 170	2A122-0089-1008		.PANEL ASSY-UTILITY LAV C SUPPLIER CODE: VS5825	107107	1
- 170	2A122-0089-1008		.PANEL ASSY- SUPPLIER CODE: VS5825	107107	1
- 200	2A122-0089-1503		..HOUSING ASSY-LAV D AND F SUPPLIER CODE: VS5825	107107	1
- 200	2A122-0089-1503		..HOUSING ASSY- SUPPLIER CODE: VS5825	107107	1

MISSING ITEM NUMBERS NOT APPLICABLE

- ITEM NOT ILLUSTRATED

33-25-51-02C

33-25-51
FIG. 02C
PAGE 1
JAN 20/09

BRI

BOEING PROPRIETARY - Copyright © - Unpublished Work - See title page for details.



757

PARTS CATALOG (MAINTENANCE)

FIG ITEM	PART NUMBER	1 2 3 4 5 6 7	NOMENCLATURE	EFFECT FROM TO	UNITS PER ASSY
2C					
- 210	2A122-0089-1504	..	HOUSING ASSY-LAV C SUPPLIER CODE: VS5825	107107	1
- 210	2A122-0089-1504	..	HOUSING ASSY- SUPPLIER CODE: VS5825	107107	1
- 240	BACC45FT14-15P	...	CONNECTOR-PLUG P1M1	107107	1
- 250	AML21KBA2AC002	...	SWITCH-ATTENTION CALL LAV C, D AND F SUPPLIER CODE: V91929	107107	1
- 250	AML21KBA2AC002	...	SWITCH-ATTENTION CALL SUPPLIER CODE: V91929	107107	1
260	MS18209-387	...	LAMP-L1TM1, L2TM1	107107	2
- 270	2A122-0089-1505	..	COVER ASSY-LAV D AND F SUPPLIER CODE: VS5825	107107	1
- 280	2A122-0089-1506	..	COVER ASSY-LAV C SUPPLIER CODE: VS5825	107107	1
310	NAS603-7P	.	SCREW	107107	1
320	MS35333-39	.	WASHER	107107	1
330	AN960C10L	.	WASHER	107107	1
- 340	T18R	.	TIE- SUPPLIER CODE: VU3384 OPTIONAL PART: 89176-0001 VS5006	107107	1
350	2A114-0019-7	.	SUPPORT-CONN. SUPPLIER CODE: VS5825	107107	1
- 360	NAS601-5P	.	SCREW	107107	6
- 370	AN960PD6L	.	WASHER	107107	6

MISSING ITEM NUMBERS NOT APPLICABLE

- ITEM NOT ILLUSTRATED

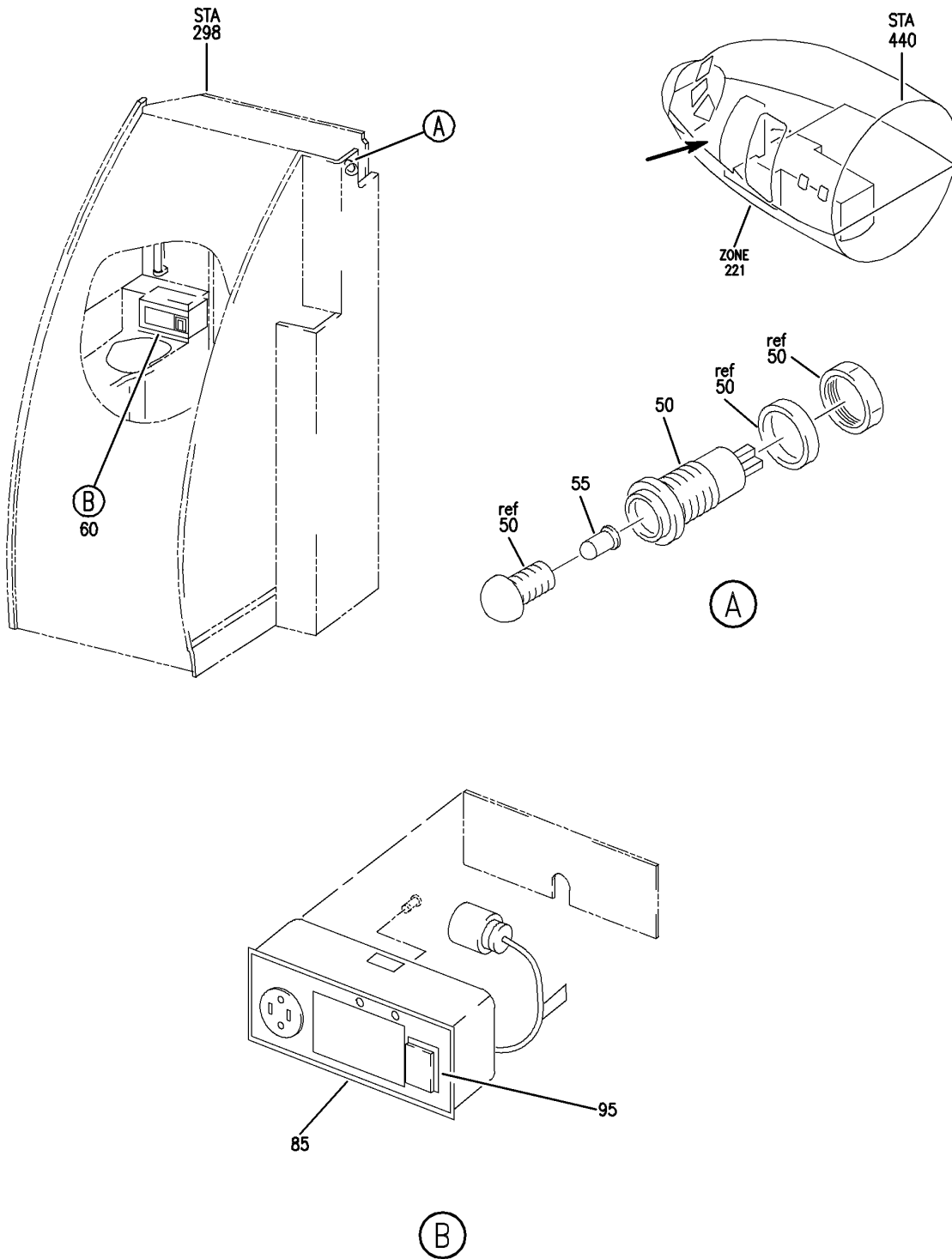
33-25-51-02C

33-25-51
FIG. 02C
PAGE 2
JAN 20/09

BRI

BOEING PROPRIETARY - Copyright © - Unpublished Work - See title page for details.

BOEING
757
PARTS CATALOG (MAINTENANCE)



Y 33255150 REV 256

WALL ASSY-OUT SEG 110, LAV A (PASSENGER AND LAVATORY CALL LIGHTS ONLY)
FIGURE 50

33-25-51-50

BRI
MAY 28/07

33-25-51-50
PAGE 0



757

PARTS CATALOG (MAINTENANCE)

FIG ITEM	PART NUMBER	1 2 3 4 5 6 7	NOMENCLATURE	EFFECT FROM TO	UNITS PER ASSY
50			WALL ASSY-OUT SEG 110, LAV A (PASSENGER AND LAVATORY CALL LIGHTS ONLY)	101102 504903	
- 1	D75D11263-111		WALL ASSY-OUT SEG 110, LAV A (PASSENGER AND LAVATORY CALL LIGHTS ONLY) SUPPLIER CODE: VS5825 FOR NHA/OTHER SYS DET SEE: 25-41-01-12	504903	RF
- 1	D75D11230-111		WALL ASSY-OUT SEG 110, LAV A (PASSENGER AND LAVATORY CALL LIGHTS ONLY) SUPPLIER CODE: VS5825 FOR NHA/OTHER SYS DET SEE: 25-41-01-46A	101102	RF
50	A20247AM1		.SWITCH ASSY-CALL RESET, S3 SUPPLIER CODE: V81640	101102 504903	1
55	MS25237-387		..LAMP-L4	101102	1
60	D75D94013-111AA		.MODULE ASSY-AUX, M1 SUPPLIER CODE: VS5825	101102 504903	RF
85	D75D30792-111AA		..HOUSING ASSY-RETURN TO SEAT SIGN SUPPLIER CODE: VS5825	101102	RF
85	D75D30790-111AA		..HOUSING ASSY-RETURN TO SEAT SIGN SUPPLIER CODE: VS5825	504903	RF
95	AML21KBA2AC005		...SWITCH-ATTENDANT CALL S1M1 SUPPLIER CODE: V91929	101102 504903	1

MISSING ITEM NUMBERS NOT APPLICABLE

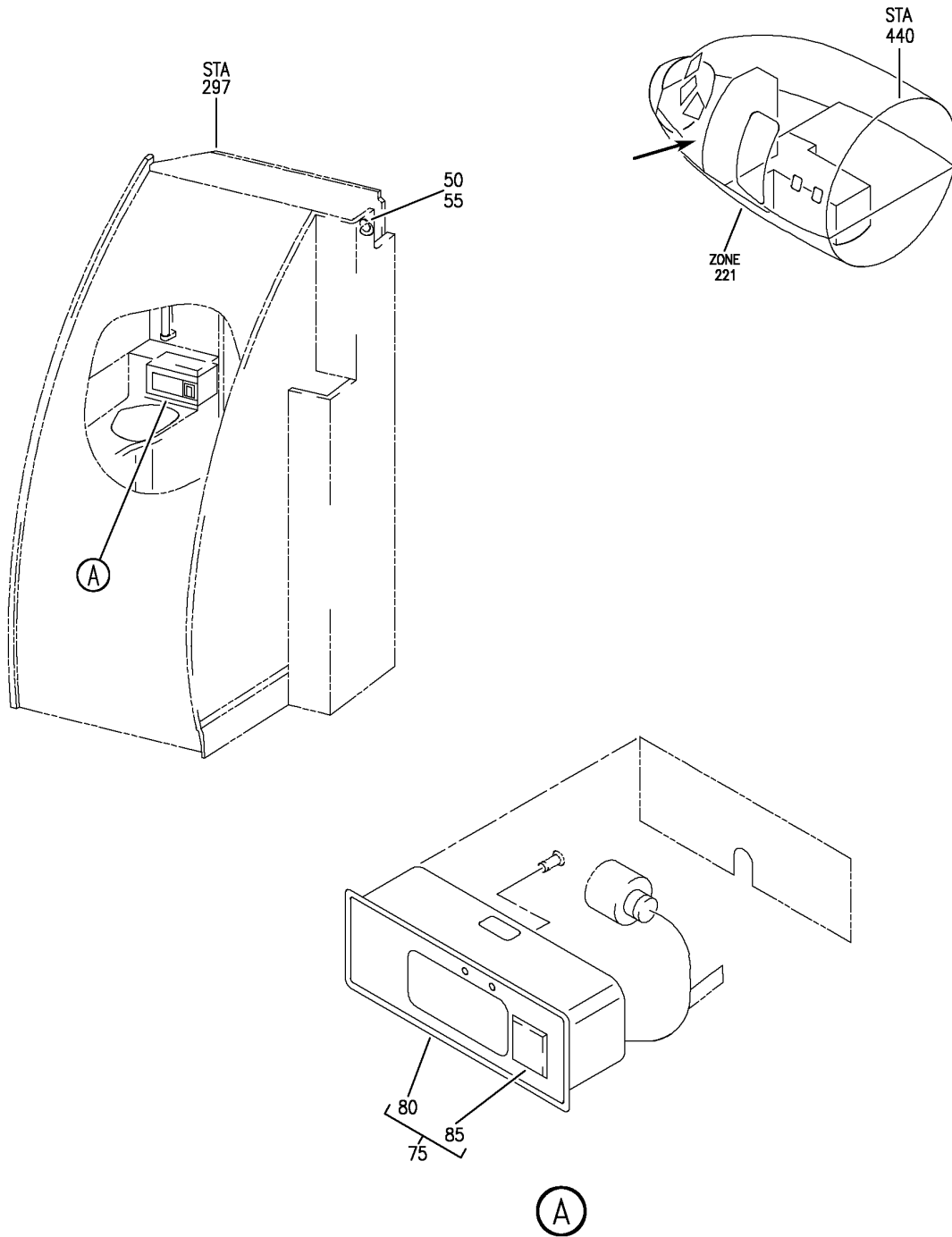
- ITEM NOT ILLUSTRATED

33-25-51-50

33-25-51
FIG. 50
PAGE 1
JAN 20/09

BRI

BOEING
757
PARTS CATALOG (MAINTENANCE)



Y 33255150C REV 253

WALL ASSY-OUT, SEG 100, 110 LAV A (PASSENGER AND LAVATORY CALL LIGHTS ONLY)
FIGURE 50C

BRI
JAN 20/09

33-25-51-50C

33-25-51-50C
PAGE 0

BOEING PROPRIETARY - Copyright © - Unpublished Work - See title page for details.



757

PARTS CATALOG (MAINTENANCE)

FIG ITEM	PART NUMBER	1 2 3 4 5 6 7	NOMENCLATURE	EFFECT FROM TO	UNITS PER ASSY
50C			WALL ASSY-OUT, SEG 100, 110 LAV A (PASSENGER AND LAVATORY CALL LIGHTS ONLY)	108120	
- 1	D75D11273-111		WALL ASSY-OUT SEG 110 LAV A (PASSENGER AND LAVATORY CALL LIGHTS ONLY) SUPPLIER CODE: VS5825 FOR NHA/OTHER SYS DET SEE: 25-41-01-06Q	108120	RF
50	A20247AM1		.SWITCH ASSY-CALL RESET S3 SUPPLIER CODE: V81640	108120	1
55	MS25237-387		..LAMP-L4	108120	1
75	D75D94013-111AA		.MODULE ASSY-AUX, M1 SUPPLIER CODE: VS5825	108120	RF
80	D75D30792-111AA		..HOUSING ASSY-RETURN TO SEAT SIGN SUPPLIER CODE: VS5825	108120	RF
85	AML21KBA2AC005		...SWITCH-ATTENDANT CALL S1M1 SUPPLIER CODE: V91929	108120	1

MISSING ITEM NUMBERS NOT APPLICABLE

- ITEM NOT ILLUSTRATED

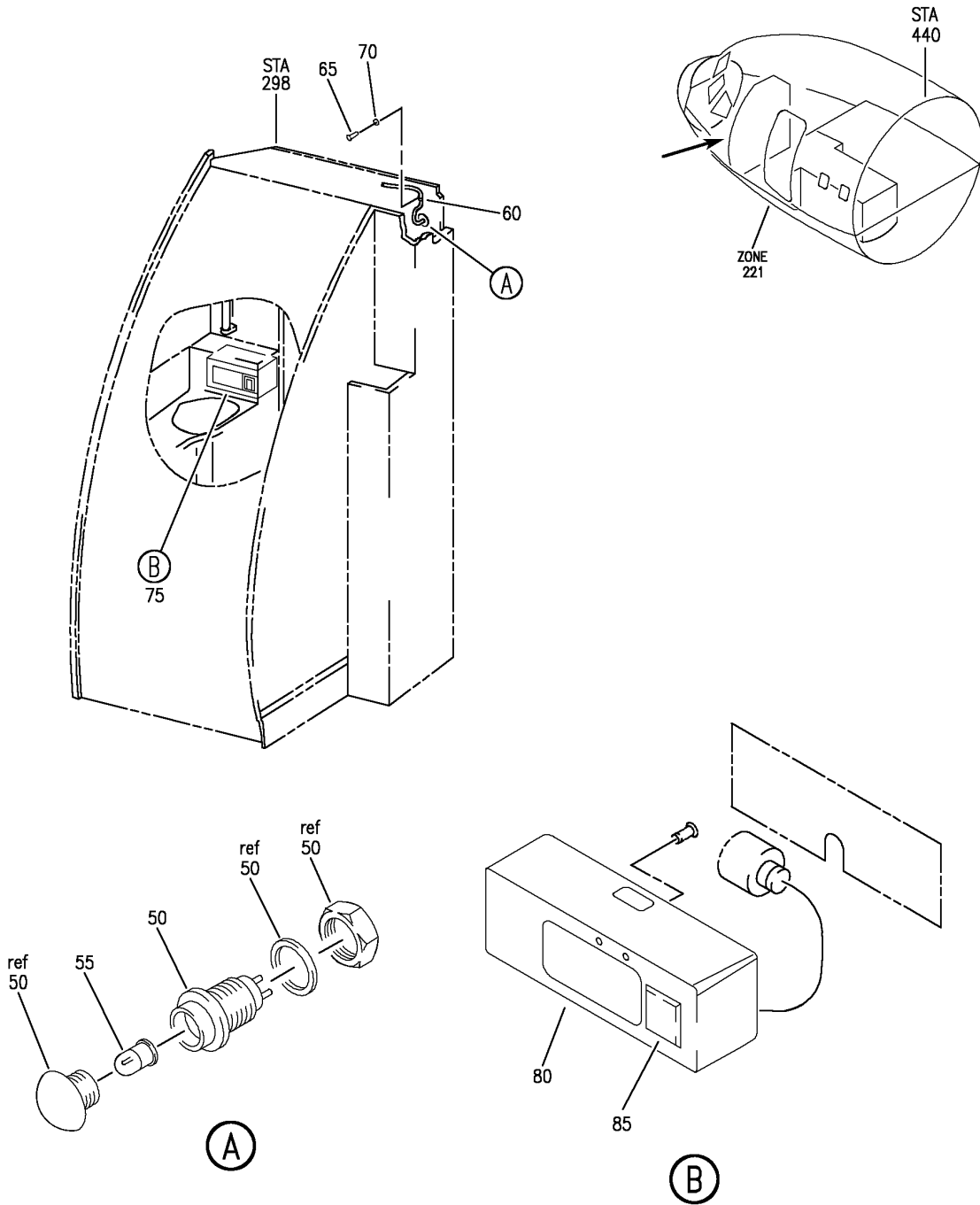
33-25-51-50C

33-25-51
FIG. 50C
PAGE 1
JAN 20/09

BRI

BOEING PROPRIETARY - Copyright © - Unpublished Work - See title page for details.

BOEING
757
PARTS CATALOG (MAINTENANCE)



Y 33255150D REV 256

WALL ASSY-OUT SEG 100 LAV A (PASSENGER AND LAVATORY CALL LIGHTS ONLY)
FIGURE 50D

33-25-51-50D

BRI
JAN 20/09

33-25-51-50D
PAGE 0



757

PARTS CATALOG (MAINTENANCE)

FIG ITEM	PART NUMBER	1 2 3 4 5 6 7	NOMENCLATURE	EFFECT FROM TO	UNITS PER ASSY
50D			WALL ASSY-OUT SEG 100 LAV A (PASSENGER AND LAVATORY CALL LIGHTS ONLY)	103106	
- 1	D71D10049-111A		WALL ASSY-OUT SEG 100 LAV A (PASSENGER AND LAVATORY CALL LIGHTS ONLY) SUPPLIER CODE: VS5825 FOR NHA/OTHER SYS DET SEE: 25-41-01-40E	103106	RF
50	A20247AM1		.SWITCH ASSY-CALL RESET S3 SUPPLIER CODE: V81640	103106	1
55	MS18209-387		..LAMP-L4	103106	1
60	BACC10DK2		.CLAMP ATTACHING PARTS	103106	5
65	NAS1801-3-6		.SCREW	103106	1
70	NAS1149D0332K		.WASHER	103106	1
			-----*-----		
75	D75D94013-111AA		.MODULE ASSY-AUX M1 SUPPLIER CODE: VS5825	103106	RF
80	D75D30790-111AA		..HOUSING ASSY-RETURN TO SEAT SIGN SUPPLIER CODE: VS5825	103106	RF
85	AML21KBA2AC005		...SWITCH-ATTENDANT CALL S1M1 SUPPLIER CODE: V91929	103106	1

MISSING ITEM NUMBERS NOT APPLICABLE

- ITEM NOT ILLUSTRATED

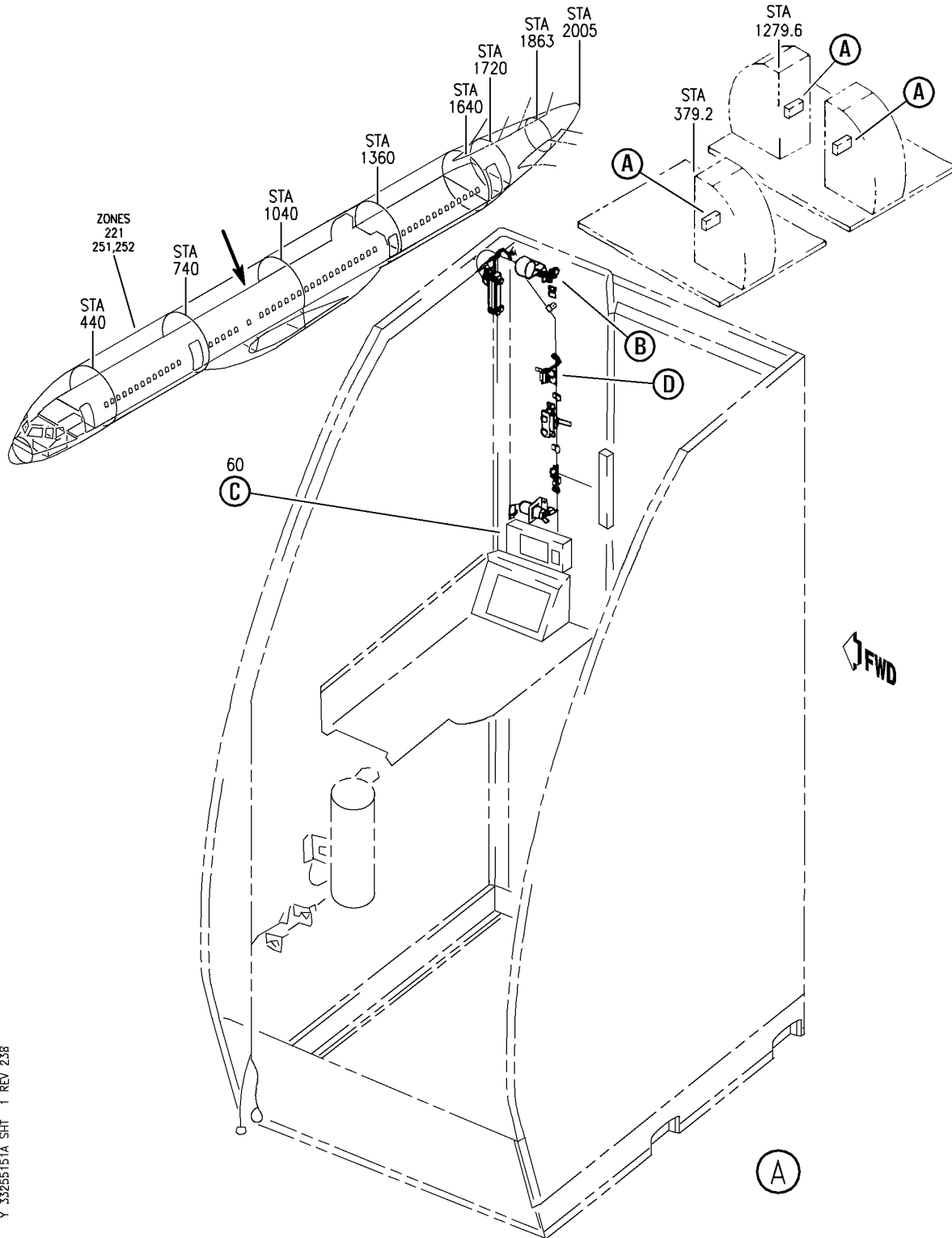
33-25-51-50D

33-25-51
FIG. 50D
PAGE 1
JAN 20/09

BRI

BOEING PROPRIETARY - Copyright © - Unpublished Work - See title page for details.

BOEING
757
PARTS CATALOG (MAINTENANCE)



Y 33255151A SHT 1 REV 238

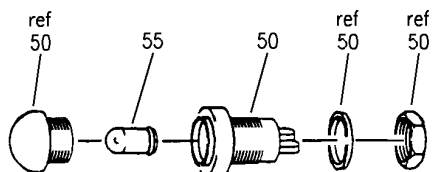
WALL ASSY-OUT SEG 110, LAV (PASSENGER AND LAVATORY CALL LIGHTS ONLY)
FIGURE 51A (SHEET 1)

BRI
JAN 20/09

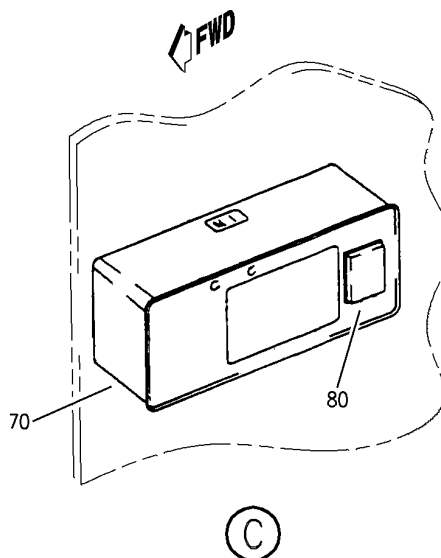
33-25-51-51A

33-25-51-51A
PAGE 0

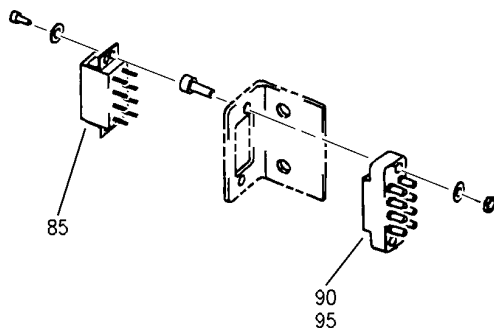
BOEING
757
PARTS CATALOG (MAINTENANCE)



(B)



(C)



(D)

Y 33255151A SHT 2 REV 238

WALL ASSY-OUT SEG 110, LAV (PASSENGER AND LAVATORY CALL LIGHTS ONLY)
FIGURE 51A (SHEET 2)

BRI
JAN 20/09

33-25-51-51A

33-25-51-51A
PAGE 0A



757

PARTS CATALOG (MAINTENANCE)

FIG ITEM	PART NUMBER	1 2 3 4 5 6 7	NOMENCLATURE	EFFECT FROM TO	UNITS PER ASSY
51A			WALL ASSY-OUT SEG 110, LAV (PASSENGER AND LAVATORY CALL LIGHTS ONLY)	108120 504903	
- 1	D75D11220-111		WALL ASSY-OUT, LAV C (PASSENGER AND LAVATORY CALL LIGHTS ONLY) SUPPLIER CODE: VS5825 FOR NHA/OTHER SYS DET SEE: 25-41-03-50A	504903	RF
- 1	D75D11274-111		WALL ASSY-OUT, SEG 110 LAV C (PASSENGER AND LAVATORY CALL LIGHTS ONLY) SUPPLIER CODE: VS5825 FOR NHA/OTHER SYS DET SEE: 25-41-03-25A	108120	RF
- 5	D75D11219-111		WALL ASSY-OUT SEG 110, LAV D (PASSENGER AND LAVATORY CALL LIGHTS ONLY) SUPPLIER CODE: VS5825 FOR NHA/OTHER SYS DET SEE: 25-41-03-51A	504903	RF
- 5	D75D11275-111		WALL ASSY-OUT, SEG 110 LAV D (PASSENGER AND LAVATORY CALL LIGHTS ONLY) SUPPLIER CODE: VS5825 FOR NHA/OTHER SYS DET SEE: 25-41-03-51M	108120	RF
- 10	D75D11240-111		WALL ASSY-OUT SEG 110, LAV F (PASSENGER AND LAVATORY CALL LIGHTS ONLY) SUPPLIER CODE: VS5825 FOR NHA/OTHER SYS DET SEE: 25-41-01-12B	504903	RF

MISSING ITEM NUMBERS NOT APPLICABLE

- ITEM NOT ILLUSTRATED

33-25-51-51A

33-25-51
FIG. 51A
PAGE 1
JAN 20/09

BRI



757

PARTS CATALOG (MAINTENANCE)

FIG ITEM	PART NUMBER	1 2 3 4 5 6 7	NOMENCLATURE	EFFECT FROM TO	UNITS PER ASSY
51A - 15	D75D11276-111		WALL ASSY-OUT, SEG 110 LAV S (PASSENGER AND LAVATORY CALL LIGHTS ONLY) SUPPLIER CODE: VS5825 FOR NHA/OTHER SYS DET SEE: 25-41-03-08Q	108120	RF
50	A20247AM1		.SWITCH ASSY-CALL RESET S3 SUPPLIER CODE: V81640	108120 504903	1
55	MS18209-387		..LAMP-L4	504903	1
60	D75D94013-111AA		.MODULE ASSY-AUX, (M1), LAV C SUPPLIER CODE: VS5825	108120 504903	RF
- 65	D75D94012-111AA		.MODULE ASSY-AUX, (M1), LAV D AND F SUPPLIER CODE: VS5825	504903	RF
- 65	D75D94012-111AA		.MODULE ASSY-AUX, (M1), SUPPLIER CODE: VS5825 POSITION DATA: LAV D AND S	108120	RF
70	D75D30790-111AA		..HOUSING ASSY-RETURN TO SEAT SIGN, LAV C SUPPLIER CODE: VS5825	108120 504903	RF
- 75	D75D30788-111AA		..HOUSING ASSY-RETURN TO SEAT SIGN, LAV D AND F SUPPLIER CODE: VS5825	504903	RF
- 75	D75D30788-111AA		..HOUSING ASSY-RETURN TO SEAT SIGN, LAV D AND S SUPPLIER CODE: VS5825	108120	RF
80	AML21KBA2AC005		...SWITCH-ATTENTION CALL, S1M1 SUPPLIER CODE: V91929	108120 504903	1

MISSING ITEM NUMBERS NOT APPLICABLE

- ITEM NOT ILLUSTRATED

33-25-51-51A

33-25-51
FIG. 51A
PAGE 2
JAN 20/09

BRI

BOEING PROPRIETARY - Copyright © - Unpublished Work - See title page for details.



757

PARTS CATALOG (MAINTENANCE)

FIG ITEM	PART NUMBER	1 2 3 4 5 6 7	NOMENCLATURE	EFFECT FROM TO	UNITS PER ASSY
51A 85	W260F4AM11	.	RELAY-K1 SUPPLIER CODE: VF0219 SPECIFICATION NUMBER: BACR13CD2 OPTIONAL PART: BR16S233 V09026 EE4AA005 V35344 3SAV1338A2 V01526 HFW1206K03 V58614 HFW1204K01 V71482	108120 504903	1
90	D75D91020-211	.	HARNESS ASSY-MAIN SUPPLIER CODE: VS5825	504903	RF
- 93	D75D91020-111	.	HARNESS ASSY-MAIN SUPPLIER CODE: VS5825 POSITION DATA: LAV D AND S	108120	RF
95	HRTS17KM	..	SOCKET-XK1 SUPPLIER CODE: V91663	108120 504903	1
95	HRTS17KJV2	..	SOCKET-XK1 SUPPLIER CODE: V91663	108120 504903	1

MISSING ITEM NUMBERS NOT APPLICABLE

- ITEM NOT ILLUSTRATED

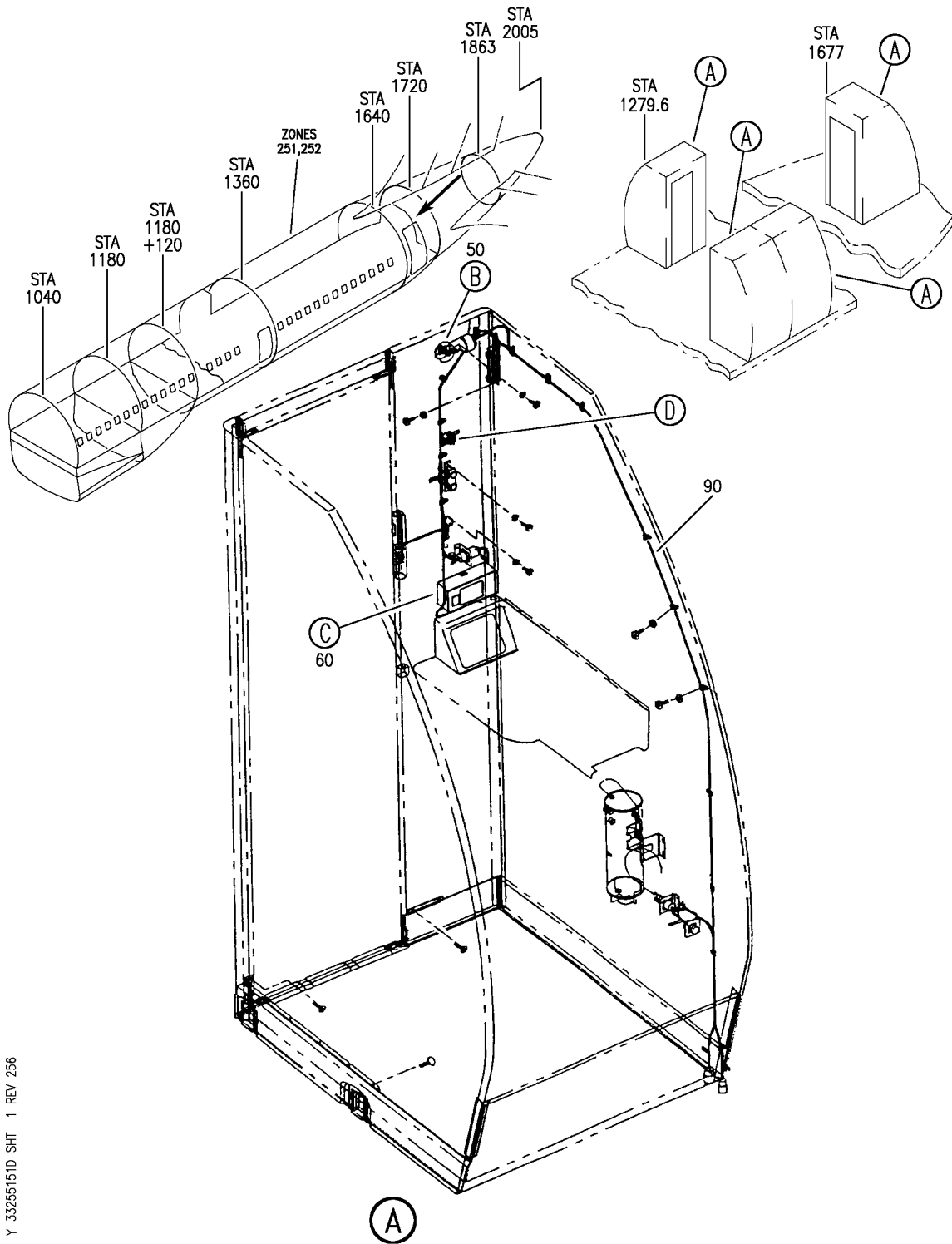
33-25-51-51A

33-25-51
FIG. 51A
PAGE 3
JAN 20/09

BRI

BOEING PROPRIETARY - Copyright © - Unpublished Work - See title page for details.

BOEING
757
PARTS CATALOG (MAINTENANCE)



Y 33255151D SHT 1 REV 256

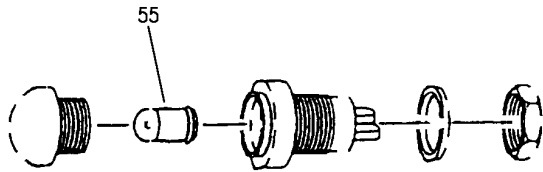
WALL ASSY-OUT SEG 110, LAV (PASSENGER AND LAVATORY CALL LIGHTS ONLY)
FIGURE 51D (SHEET 1)

BRI
MAY 28/07

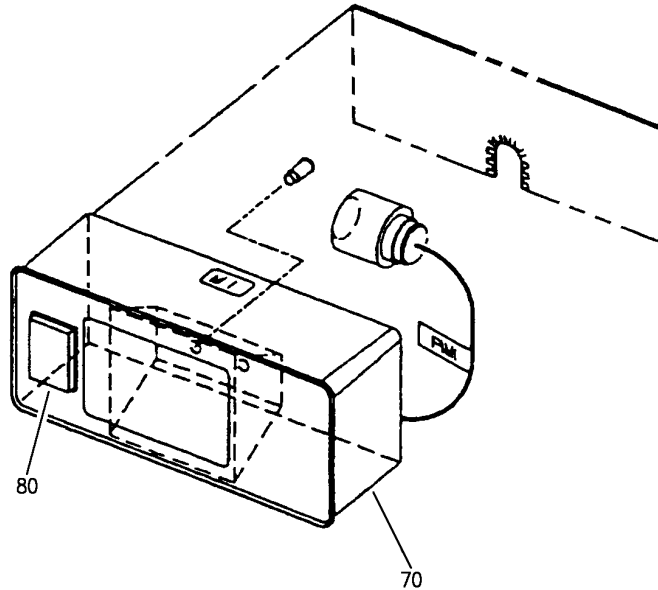
33-25-51-51D

33-25-51-51D
PAGE 0

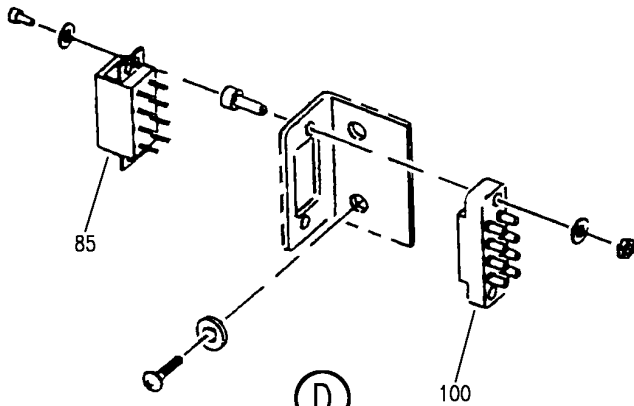
BOEING
757
PARTS CATALOG (MAINTENANCE)



(B)



(C)



(D)

Y 33255151D SH1 2 REV 247

WALL ASSY-OUT SEG 110, LAV (PASSENGER AND LAVATORY CALL LIGHTS ONLY)
FIGURE 51D (SHEET 2)

33-25-51-51D

BRI
MAY 28/07

33-25-51-51D
PAGE 0A



757

PARTS CATALOG (MAINTENANCE)

FIG ITEM	PART NUMBER	1 2 3 4 5 6 7	NOMENCLATURE	EFFECT FROM TO	UNITS PER ASSY
51D			WALL ASSY-OUT SEG 110, LAV (PASSENGER AND LAVATORY CALL LIGHTS ONLY)	101102	
- 1	D75D11231-111		WALL ASSY-OUT SEG 110, LAV B (PASSENGER AND LAVATORY CALL LIGHTS ONLY) SUPPLIER CODE: VS5825 FOR NHA/OTHER SYS DET SEE: 25-41-03-52C	101102	RF
- 5	D75D11232-111		WALL ASSY-OUT SEG 110, LAV C (PASSENGER AND LAVATORY CALL LIGHTS ONLY) SUPPLIER CODE: VS5825 FOR NHA/OTHER SYS DET SEE: 25-41-03-50H	101102	RF
- 10	D75D11233-111		WALL ASSY-OUT SEG 110, LAV D (PASSENGER AND LAVATORY CALL LIGHTS ONLY) SUPPLIER CODE: VS5825 FOR NHA/OTHER SYS DET SEE: 25-41-03-51H	101102	RF
50	A20247AM1		.SWITCH ASSY-CALL RESET S3 SUPPLIER CODE: V81640	101102	1
55	MS18209-387		..LAMP-L4	101102	1
60	D75D94012-111AA		.MODULE ASSY-AUX, M1, LAV B AND D SUPPLIER CODE: VS5825	101102	RF
- 65	D75D94013-111AA		.MODULE ASSY-AUX, M1, LAV C SUPPLIER CODE: VS5825	101102	RF
70	D75D30788-111AA		..HOUSING ASSY-RETURN TO SEAT SIGN, LAV B AND D SUPPLIER CODE: VS5825	101102	RF
- 75	D75D30790-111AA		..HOUSING ASSY-RETURN TO SEAT SIGN, LAV C SUPPLIER CODE: VS5825	101102	RF

MISSING ITEM NUMBERS NOT APPLICABLE

- ITEM NOT ILLUSTRATED

33-25-51-51D

33-25-51
FIG. 51D
PAGE 1
JAN 20/09

BRI

BOEING PROPRIETARY - Copyright © - Unpublished Work - See title page for details.



757

PARTS CATALOG (MAINTENANCE)

FIG ITEM	PART NUMBER	1 2 3 4 5 6 7	NOMENCLATURE	EFFECT FROM TO	UNITS PER ASSY
51D					
80	AML21KBA2AC005	...	SWITCH-ATTENDANT CALL, S1M1 SUPPLIER CODE: V91929	101102	1
85	W260F4AM11	.RELAY-K1	SUPPLIER CODE: VF0219 SPECIFICATION NUMBER: BACR13CD2 OPTIONAL PART: BR16S233 V09026 EE4AA005 V35344 3SAV1338A2 V01526 HFW1206K03 V58614 HFW1204K01 V71482	101102	1
90	D75D91020-111	.HARNESS ASSY-MAIN	LAV B AND D SUPPLIER CODE: VS5825	101102	RF
- 95	D75D91020-211	.HARNESS ASSY-MAIN	LAV C SUPPLIER CODE: VS5825	101102	RF
100	HRTS17KM	.. SOCKET-XK1	SUPPLIER CODE: V91663	101102	1
100	HRTS17KJV2	.. SOCKET-XK1	SUPPLIER CODE: V91663	101102	1

MISSING ITEM NUMBERS NOT APPLICABLE

- ITEM NOT ILLUSTRATED

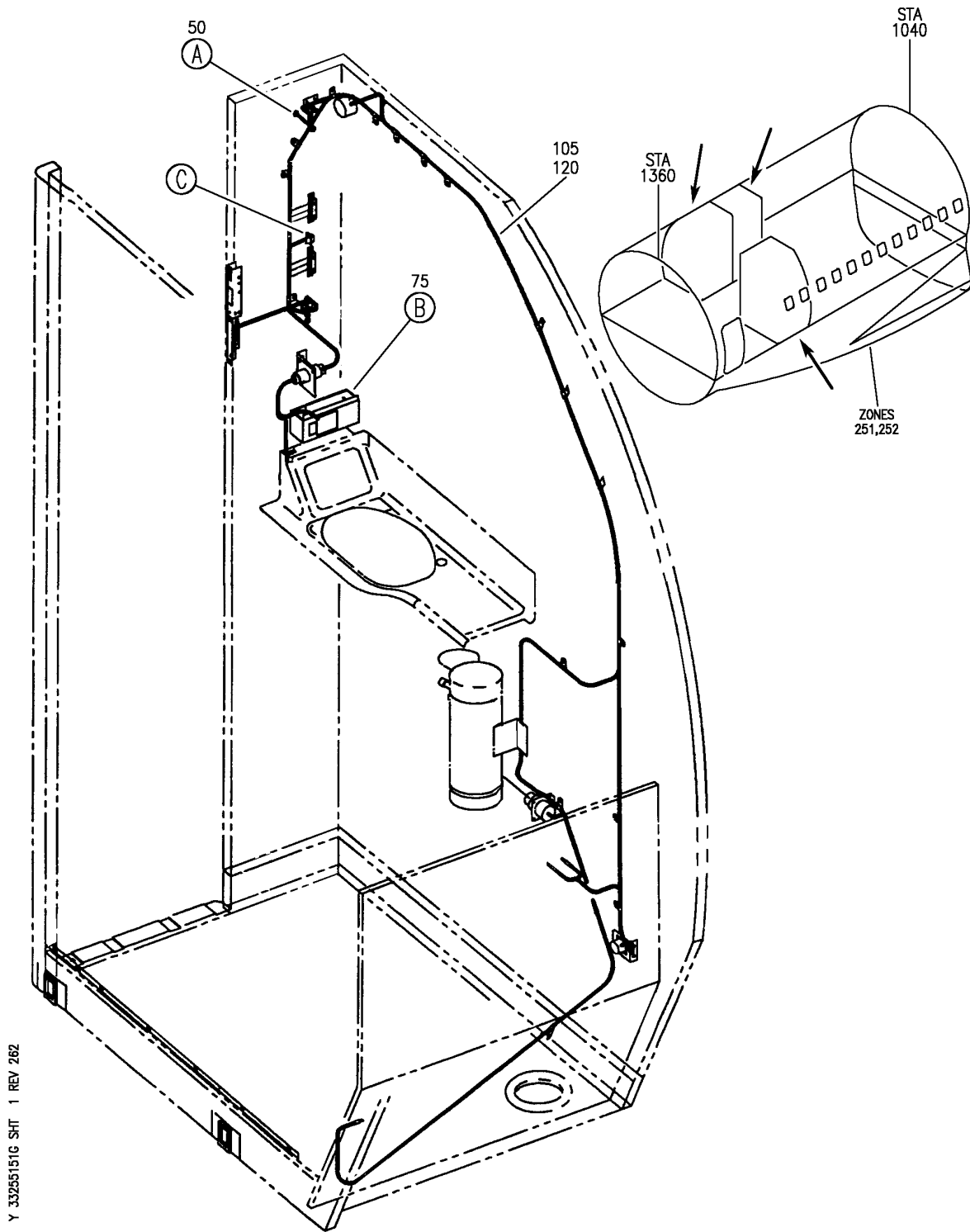
33-25-51-51D

33-25-51
FIG. 51D
PAGE 2
JAN 20/09

BRI

BOEING PROPRIETARY - Copyright © - Unpublished Work - See title page for details.

BOEING
757
PARTS CATALOG (MAINTENANCE)



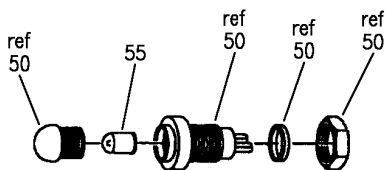
WALL ASSY-OUT SEG 100, LAV (PASSENGER AND LAVATORY CALL LIGHTS ONLY)
FIGURE 51G (SHEET 1)

BRI
JAN 20/09

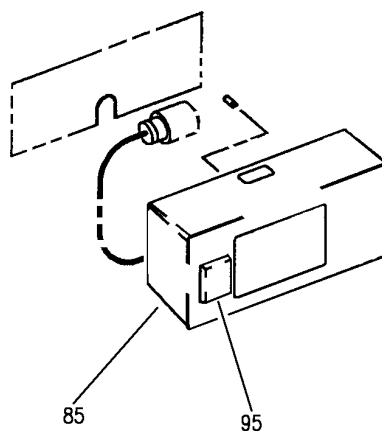
33-25-51-51G

33-25-51-51G
PAGE 0

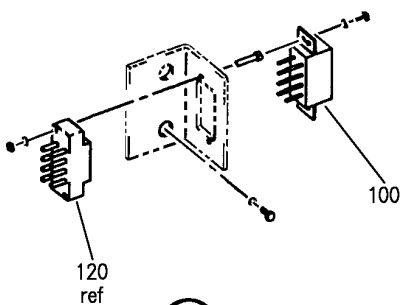
BOEING
757
PARTS CATALOG (MAINTENANCE)



(A)



(B)



(C)

Y 33255151G SHT 2 REV 262

WALL ASSY-OUT SEG 100, LAV (PASSENGER AND LAVATORY CALL LIGHTS ONLY)
FIGURE 51G (SHEET 2)

33-25-51-51G

BRI
JAN 20/09

33-25-51-51G
PAGE 0A



757

PARTS CATALOG (MAINTENANCE)

FIG ITEM	PART NUMBER	1 2 3 4 5 6 7	NOMENCLATURE	EFFECT FROM TO	UNITS PER ASSY
51G			WALL ASSY-OUT SEG 100, LAV (PASSENGER AND LAVATORY CALL LIGHTS ONLY)	103106	
- 1	D71D10050-111A		WALL ASSY-OUT SEG 100, LAV B (PASSENGER AND LAVATORY CALL LIGHTS ONLY) SUPPLIER CODE: VS5825 FOR NHA/OTHER SYS DET SEE: 25-41-03-52F	103106	RF
- 5	D71D10051-111A		WALL ASSY-OUT SEG 100, LAV C (PASSENGER AND LAVATORY CALL LIGHTS ONLY) SUPPLIER CODE: VS5825 FOR NHA/OTHER SYS DET SEE: 25-41-03-50Q	103106	RF
- 10	D71D10052-111A		WALL ASSY-OUT SEG 100, LAV D (PASSENGER AND LAVATORY CALL LIGHTS ONLY) SUPPLIER CODE: VS5825 FOR NHA/OTHER SYS DET SEE: 25-41-03-51R	103106	RF
50	A20247AM1		.SWITCH ASSY-RESET, S3, LAV B SUPPLIER CODE: V81640	103106	1
55	MS18209-387		..LAMP-L4	103106	1
- 60	D71D95013-111		.SWITCH ASSY-RESET, LAV C AND D SUPPLIER CODE: VS5825	103106	1
- 65	A20247AM1		..SWITCH ASSY-S3 SUPPLIER CODE: V81640	103106	1
- 70	MS18209-387		...LAMP-L4	103106	1
75	D75D94012-111AA		.MODULE ASSY-AUX, M1, LAV B AND D SUPPLIER CODE: VS5825	103106	RF
- 80	D75D94013-111AA		.MODULE ASSY-AUX, M1, LAV C SUPPLIER CODE: VS5825	103106	RF

MISSING ITEM NUMBERS NOT APPLICABLE

- ITEM NOT ILLUSTRATED

33-25-51-51G

33-25-51
FIG. 51G
PAGE 1
JAN 20/09

BRI

BOEING PROPRIETARY - Copyright © - Unpublished Work - See title page for details.



757

PARTS CATALOG (MAINTENANCE)

FIG ITEM	PART NUMBER	1 2 3 4 5 6 7	NOMENCLATURE	EFFECT FROM TO	UNITS PER ASSY
51G 85	D75D30788-111AA	..	HOUSING ASSY-RETURN TO SEAT SIGN, LAV B AND D SUPPLIER CODE: VS5825	103106	RF
- 90	D75D30790-111AA	..	HOUSING ASSY-RETURN TO SEAT SIGN, LAV C SUPPLIER CODE: VS5825	103106	RF
95	AML21KBA2AC005	...	SWITCH-ATTENDANT, S1M1 SUPPLIER CODE: V91929	103106	1
100	W260F4AM11	.RELAY-K1 SUPPLIER CODE: VF0219 SPECIFICATION NUMBER: BACR13CD2 OPTIONAL PART: BR16S233 V09026 EE4AA005 V35344 3SAV1338A2 V01526 HFW1206K03 V58614 HFW1204K01 V71482		103106	1
105	D71D91011-111	.HARNASS ASSY-MAIN, LAV B SUPPLIER CODE: VS5825		103106	RF
- 110	D71D91008-211	.HARNASS ASSY-MAIN, LAV C SUPPLIER CODE: VS5825		103106	RF
- 115	D71D91008-111	.HARNASS ASSY-MAIN, LAV D SUPPLIER CODE: VS5825		103106	RF
120	HRTS17KM	..SOCKET-XK1 SUPPLIER CODE: V91663		103106	1
120	HRTS17KJV2	..SOCKET-XK1 SUPPLIER CODE: V91663		103106	1

MISSING ITEM NUMBERS NOT APPLICABLE

- ITEM NOT ILLUSTRATED

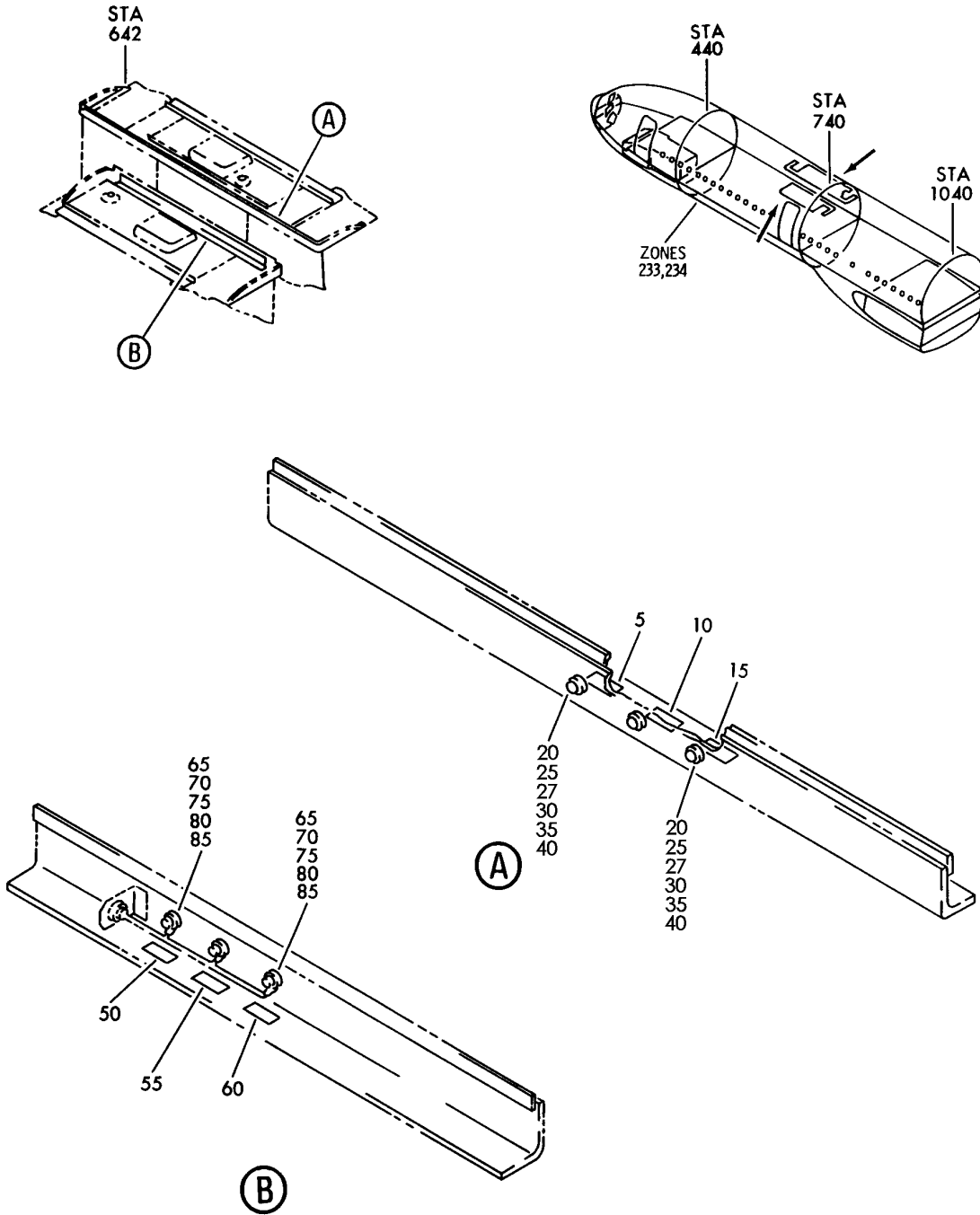
33-25-51-51G

33-25-51
FIG. 51G
PAGE 2
JAN 20/09

BRI

BOEING PROPRIETARY - Copyright © - Unpublished Work - See title page for details.

BOEING
757
PARTS CATALOG (MAINTENANCE)



Y 33255202 REV 215

PANEL ASSY-DOOR NO. 2 HEADER (FLYAWAY)
FIGURE 2

33-25-52-02

BRI
JAN 20/09

33-25-52-02
PAGE 0



757

PARTS CATALOG (MAINTENANCE)

FIG ITEM	PART NUMBER	1 2 3 4 5 6 7	NOMENCLATURE	EFFECT FROM TO	UNITS PER ASSY
2			PANEL ASSY-DOOR NO. 2 HEADER (FLYAWAY)	504504 506506	
- 1	411N3262-203SP		PANEL ASSY-DOOR NO. 2 HEADER (LIGHTS ONLY) FOR NHA/OTHER SYS DET SEE: 25-22-02-50B	504504 506506	RF
	5 BAC27NPA0685		.MARKER-ALUMINUM FOIL PLACARD CONTENT: L527	504504 506506	1
	10 BAC27NPA0686		.MARKER-ALUMINUM FOIL PLACARD CONTENT: L528	504504 506506	1
	15 BAC27NPA0687		.MARKER-ALUMINUM FOIL PLACARD CONTENT: L529	504504 506506	1
	20 NAS1149F0632P		.WASHER-	504504 506506	3
	25 MS35333-42		.WASHER-	504504 506506	3
	27 NAS1149D0632P		.WASHER	504504 506506	3
	30 MS25082-20		.NUT	504504 506506	3
	35 AA826-38		.TERMINAL SUPPLIER CODE: V98410 SPECIFICATION NUMBER: BACT12AC5 OPTIONAL PART: R1896SN V14726 320573 V00779	504504 506506	3
	40 855320-3-387		.LIGHT- SUPPLIER CODE: V08717 ELECTRICAL EQUIP NUMBER: L00527 L00528 L00529	504504 506506	3
- 45	411N3262-204SP		PANEL ASSY-DOOR NO. 2 HEADER (LIGHTS ONLY) FOR NHA/OTHER SYS DET SEE: 25-22-02-50B	504504 506506	RF
	50 BAC27NPA0682		.MARKER-ALUMINUM FOIL PLACARD CONTENT: L524	504504 506506	1

MISSING ITEM NUMBERS NOT APPLICABLE

- ITEM NOT ILLUSTRATED

33-25-52-02

33-25-52
FIG. 02
PAGE 1
JAN 20/09

BRI



757

PARTS CATALOG (MAINTENANCE)

FIG ITEM	PART NUMBER	1 2 3 4 5 6 7	NOMENCLATURE	EFFECT FROM TO	UNITS PER ASSY
2					
55	BAC27NPA0683		.MARKER-ALUMINUM FOIL PLACARD CONTENT: L525	504504 506506	1
60	BAC27NPA0684		.MARKER-ALUMINUM FOIL PLACARD CONTENT: L526	504504 506506	1
65	NAS1149F0632P		.WASHER-	504504 506506	3
70	MS35333-42		.WASHER-	504504 506506	3
75	MS25082-20		.NUT	504504 506506	3
80	AA826-38		.TERMINAL SUPPLIER CODE: V98410 SPECIFICATION NUMBER: BACT12AC5 OPTIONAL PART: R1896SN V14726 320573 V00779	504504 506506	3
85	855320-3-387		.LIGHT- SUPPLIER CODE: V08717 ELECTRICAL EQUIP NUMBER: L00524 L00525 L00526	504504 506506	3

MISSING ITEM NUMBERS NOT APPLICABLE

- ITEM NOT ILLUSTRATED

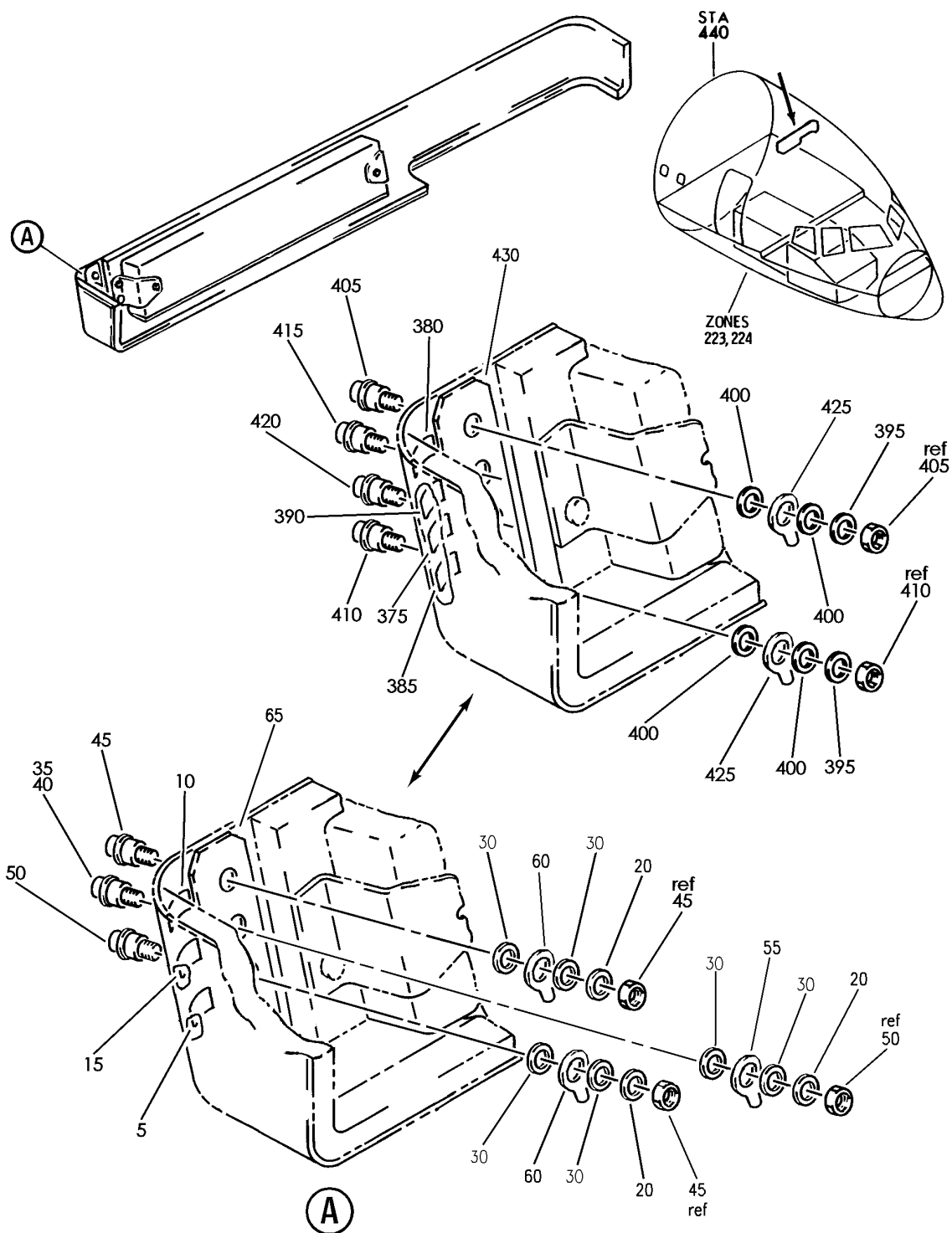
BRI

33-25-52-02

BOEING PROPRIETARY - Copyright © - Unpublished Work - See title page for details.

33-25-52
FIG. 02
PAGE 2
JAN 20/09

BOEING
757
PARTS CATALOG (MAINTENANCE)



Y 33255301 REV 24B

BULLNOSE ASSY-CLG PNL (PASSENGER CALL LIGHTS ONLY)
FIGURE 1

33-25-53-01

BRI
MAY 28/07

33-25-53-01
PAGE 0



757

PARTS CATALOG (MAINTENANCE)

FIG ITEM	PART NUMBER	1 2 3 4 5 6 7	NOMENCLATURE	EFFECT FROM TO	UNITS PER ASSY
1			BULLNOSE ASSY-CLG PNL (PASSENGER CALL LIGHTS ONLY)	002004 006102 107999	
- 1	411N3270-56SP		BULLNOSE ASSY-CLG PNL (PASSENGER CALL LIGHTS ONLY) FOR NHA/OTHER SYS DET SEE: 25-22-02-29	107107	RF
- 1	411N3270-250AE		BULLNOSE ASSY-CLG PNL (PASSENGER CALL LIGHTS ONLY) FOR NHA/OTHER SYS DET SEE: 25-22-02-19F 25-22-02-11B	108120 504903	RF
- 1	411N3270-250N		BULLNOSE ASSY-CLG PNL (PASSENGER CALL LIGHTS ONLY) FOR NHA/OTHER SYS DET SEE: 25-22-02-11A 25-22-02-19E 25-22-02-52 25-22-02-58B	002004 006102 950999	RF
- 1	411N3270-250L		BULLNOSE ASSY-CLG PNL (PASSENGER CALL LIGHTS ONLY) FOR NHA/OTHER SYS DET SEE: 25-22-02-19	904949	RF
5	BAC27NPA0579		.MARKER-ALUMINUM FOIL PLACARD CONTENT: L519 CALL LIGHT	002004 006102 107120 504999	1
10	BAC27NPA0580		.MARKER-ALUMINUM FOIL PLACARD CONTENT: L520 CALL LIGHT	002004 006102 107120 504999	1
15	BAC27NPA0581		.MARKER-ALUMINUM FOIL PLACARD CONTENT: L324 CALL LIGHT	002004 006102 107120 504999	1
20	MS35333-42		.WASHER	002004 006102 107120 504999	3
30	NAS1149F0632P		.WASHER	002004 006102 108949 952999	6
30	AN960-616L		.WASHER	107107	6

MISSING ITEM NUMBERS NOT APPLICABLE

- ITEM NOT ILLUSTRATED

33-25-53-01

33-25-53
FIG. 01
PAGE 1
JAN 20/09

BRI



757

PARTS CATALOG (MAINTENANCE)

FIG ITEM	PART NUMBER	1 2 3 4 5 6 7	NOMENCLATURE	EFFECT FROM TO	UNITS PER ASSY
1					
40	855320-7-387	.LIGHT-	SUPPLIER CODE: V08717 ELECTRICAL EQUIP NUMBER: L00324 OPTIONAL PART: 855320-71-387	002004 006102 107120 504999	1
40	855320-71-387	.LIGHT-	SUPPLIER CODE: V08717 ELECTRICAL EQUIP NUMBER: L00324 OPTIONAL PART: 855320-7-387	002004 006102 108120 504999	1
45	855320-3-387	.LIGHT-	SUPPLIER CODE: V08717 ELECTRICAL EQUIP NUMBER: L00520	002004 006102 107120 504999	1
50	855320-8-387	.LIGHT-	SUPPLIER CODE: V08717 ELECTRICAL EQUIP NUMBER: L00519	002004 006102 107120 504999	1
55	AA826-38	.TERMINAL	SUPPLIER CODE: V98410 SPECIFICATION NUMBER: BACT12AC5 OPTIONAL PART: R1896SN V14726 320573 V00779	002004 006102 107120 504999	1
60	AA826-38	.TERMINAL	SUPPLIER CODE: V98410 SPECIFICATION NUMBER: BACT12AC5 OPTIONAL PART: R1896SN V14726 320573 V00779	002004 006102 107120 504999	2
65	411N3142-26	..CLIP-PLATE		002004 006102 107120 504999	1

MISSING ITEM NUMBERS NOT APPLICABLE

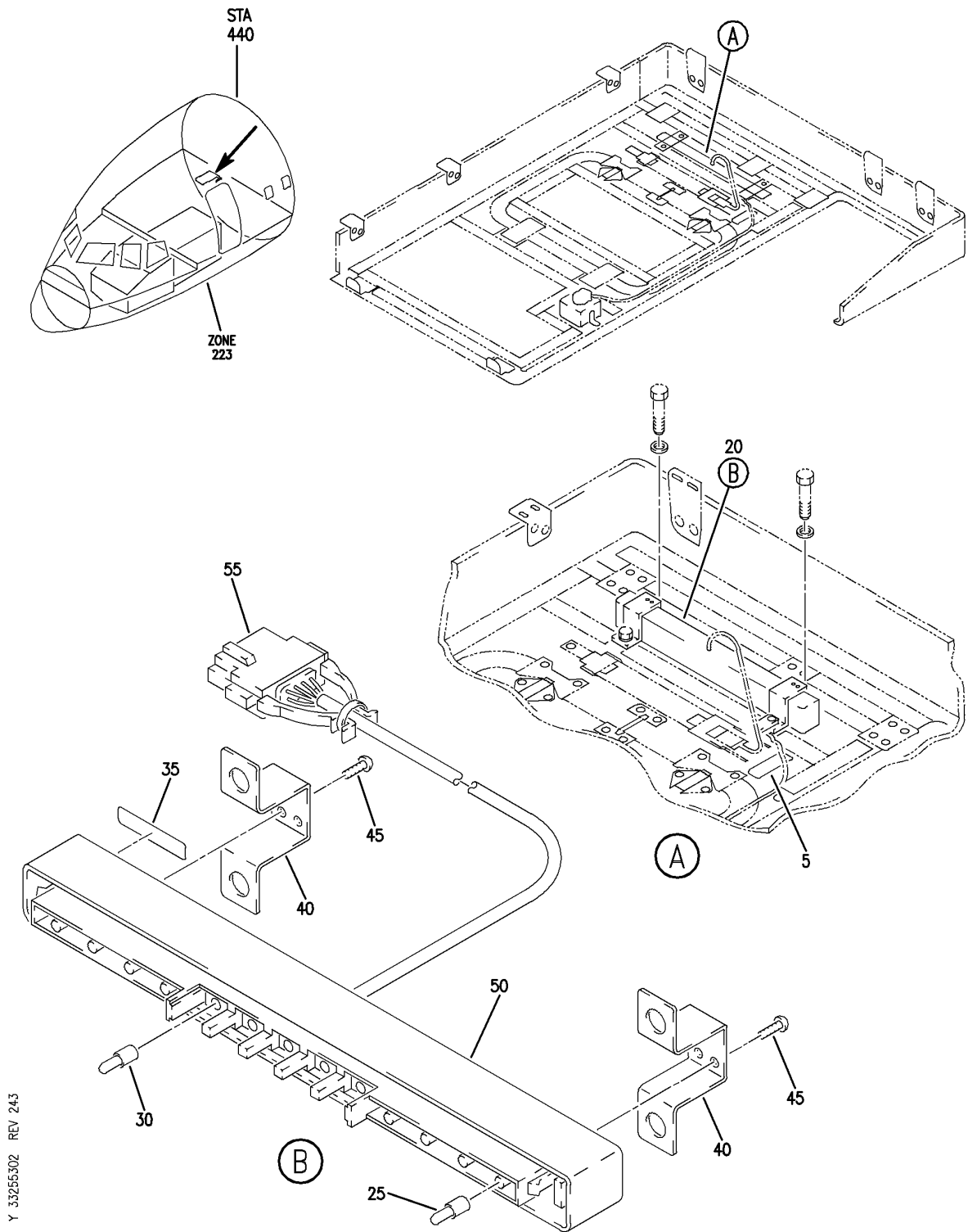
- ITEM NOT ILLUSTRATED

33-25-53-01

33-25-53
FIG. 01
PAGE 2
JAN 20/09

BRI

BOEING
757
PARTS CATALOG (MAINTENANCE)



Y 33255302 REV 243

CEILING ASSY-CLOSE OUT CENTERLINE AND OFFSET EXIT SIGN (PASSENGER LAVATORY CALL LIGHTS ONLY)
FIGURE 2

BRI
JAN 20/09

33-25-53-02

33-25-53-02
PAGE 0



757

PARTS CATALOG (MAINTENANCE)

FIG ITEM	PART NUMBER	1 2 3 4 5 6 7	NOMENCLATURE	EFFECT FROM TO	UNITS PER ASSY
2			CEILING ASSY-CLOSE OUT CENTERLINE AND OFFSET EXIT SIGN (PASSENGER LAVATORY CALL LIGHTS ONLY)	103106	
- 1	411N3510-8B		CEILING ASSY-CLOSE OUT OFFSET EXIT SIGN (PASSENGER AND LAVATORY CALL LIGHTS ONLY) POSITION DATA: DOOR 1 FOR NHA/OTHER SYS DET SEE: 25-22-02-69	103106	RF
5	BAC27NPA1493		.MARKER- PLACARD CONTENT: M11430 ATTENDANT CALL LIGHTS	103106	1
20	82000-57401		.LIGHT HOUSING ASSY-EXIT SIGN SUPPLIER CODE: VS5006 SPECIFICATION NUMBER: S479W220-109 ELECTRICAL EQUIP NUMBER: M11430 COMPONENT MAINT MANUAL REF: 33-24-03	103106	1
- 22	BACS12FA3K4		ATTACHING PARTS .SCREW -----*-----	103106	3
25	3071BPEGPL		..LAMP- SUPPLIER CODE: VS5006	103106	8
30	387BPGPL		..LAMP- SUPPLIER CODE: VS5006	103106	5
35	82102-57401		..PLATE-NAME SUPPLIER CODE: VS5006	103106	1
40	82101-57401		..BRACKET- SUPPLIER CODE: VS5006 ATTACHING PARTS	103106	2
45	MS51957-27		..SCREW -----*-----	103106	4
50	82001-57401		..HOUSING ASSY- SUPPLIER CODE: VS5006	103106	1

MISSING ITEM NUMBERS NOT APPLICABLE

- ITEM NOT ILLUSTRATED

33-25-53-02

33-25-53
FIG. 02
PAGE 1
JAN 20/09

BRI



757

PARTS CATALOG (MAINTENANCE)

FIG ITEM	PART NUMBER	1 2 3 4 5 6 7	NOMENCLATURE	EFFECT FROM TO	UNITS PER ASSY
2 55	ATM08RBV		...RECEPTACLE- SUPPLIER CODE: VOP9C6 SPECIFICATION NUMBER: S280W557-221	103106	1

MISSING ITEM NUMBERS NOT APPLICABLE

- ITEM NOT ILLUSTRATED

BRI

33-25-53-02

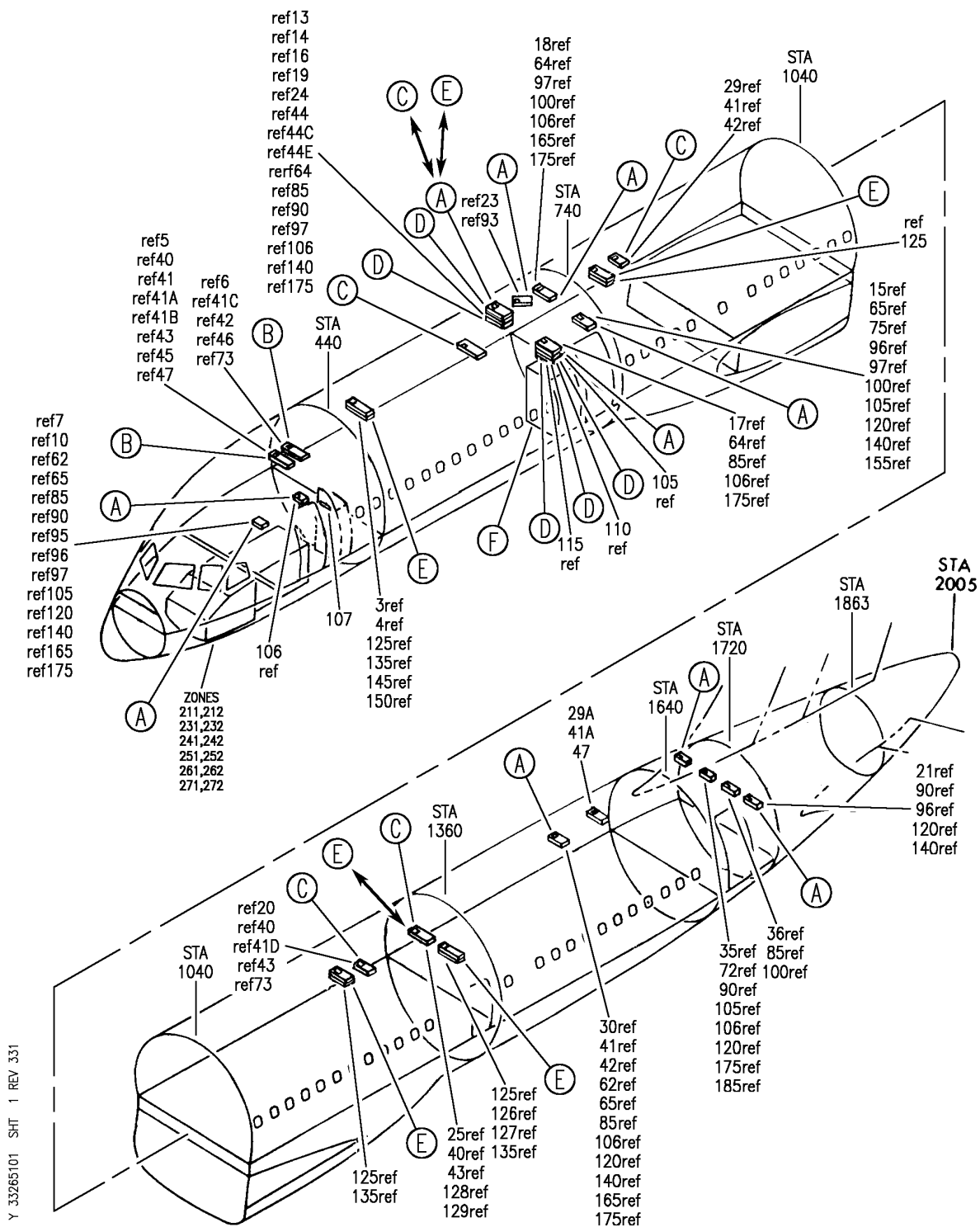
BOEING PROPRIETARY - Copyright © - Unpublished Work - See title page for details.

33-25-53
FIG. 02
PAGE 2
JAN 20/09

LAVATORY LIGHTS AND SIGNS

BRI
MAY 28/07

33-26-00
SECTION TITLE
PAGE 1

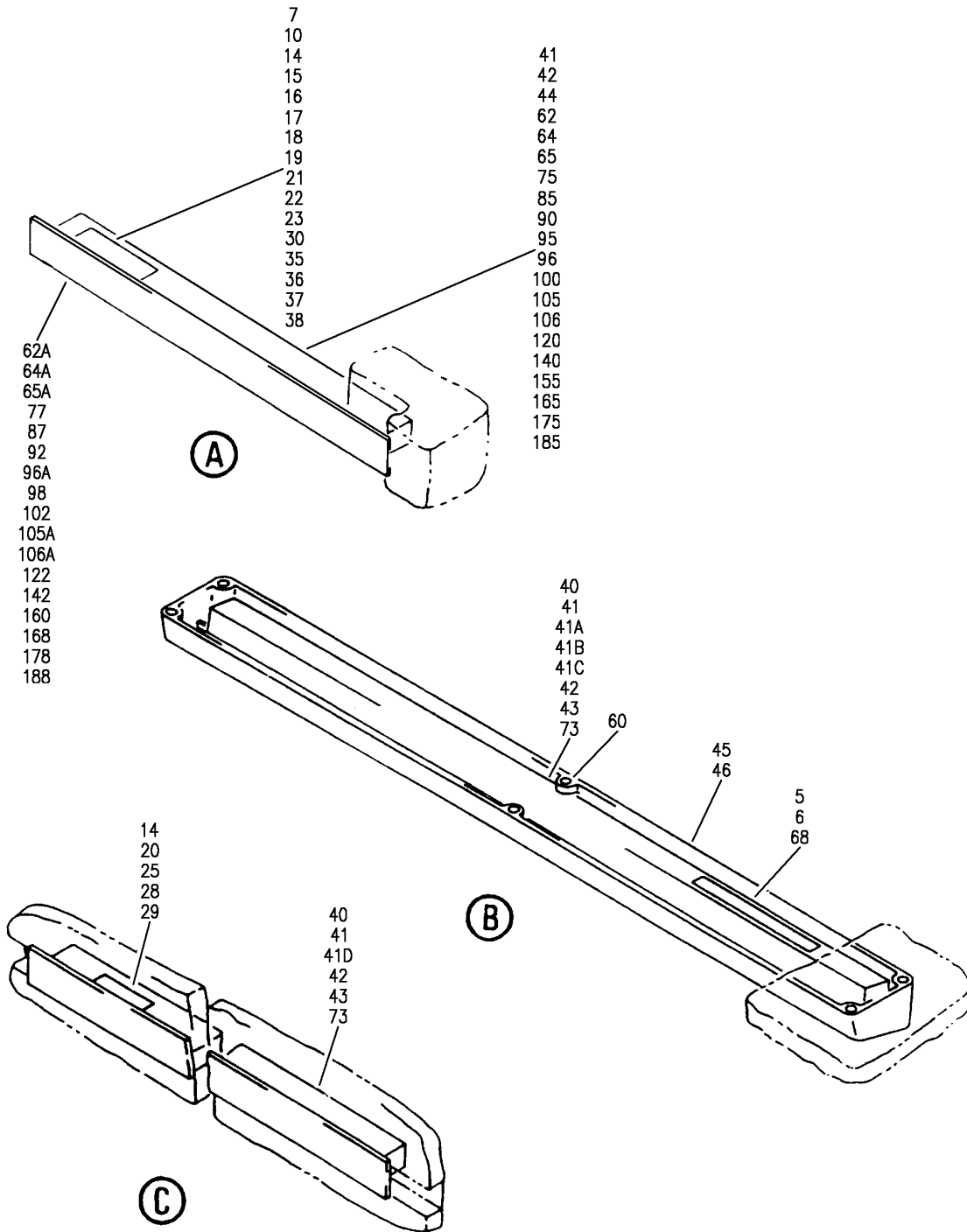


Y 33265101 SHT 1 REV 331

SIGN INSTL-LIGHTED
FIGURE 1 (SHEET 1)

33-26-51-01

BOEING
757
PARTS CATALOG (MAINTENANCE)



Y 33265101 SH1 2 REV 331

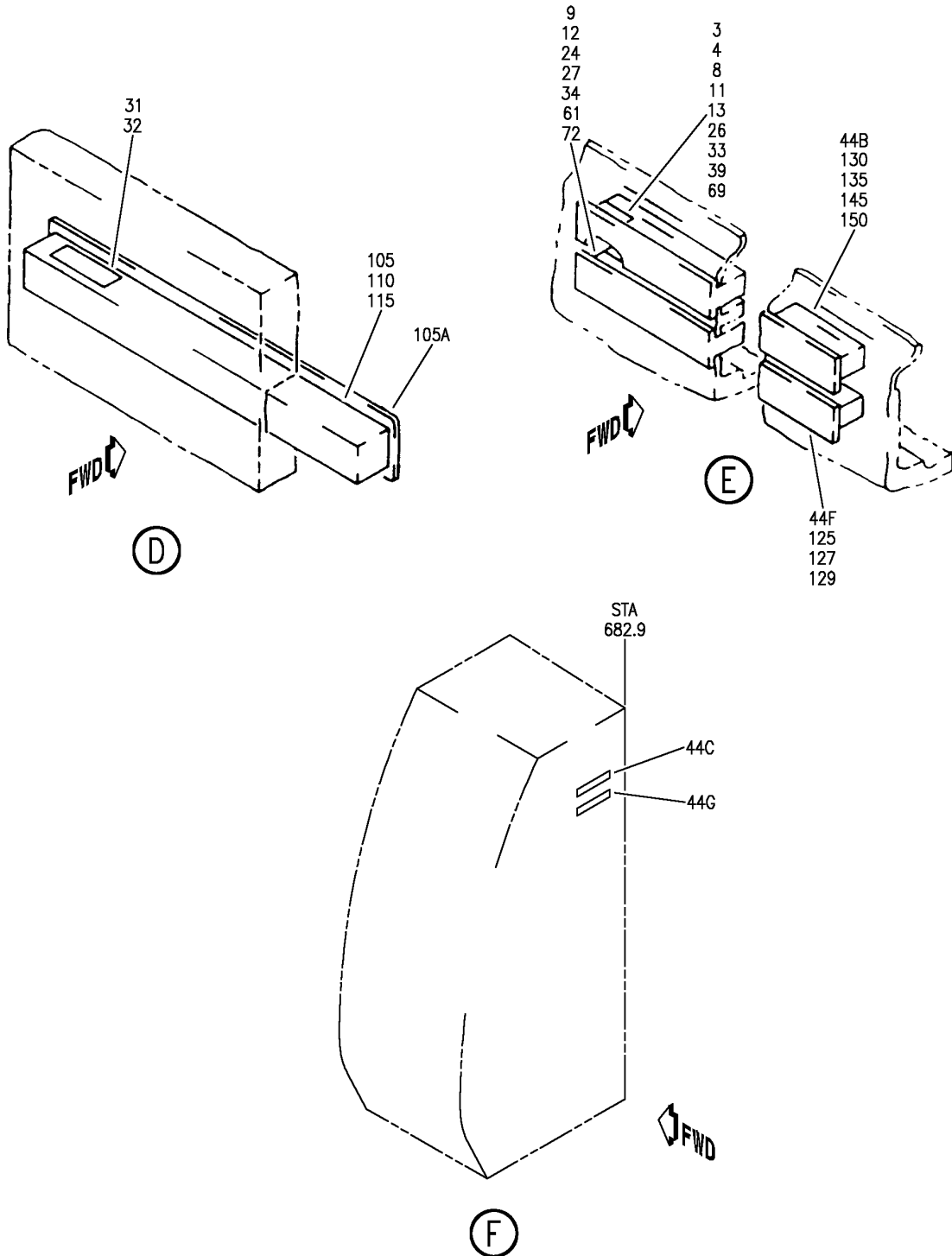
SIGN INSTL-LIGHTED
FIGURE 1 (SHEET 2)

33-26-51-01

BRI
JAN 20/09

33-26-51-01
PAGE 0A

BOEING
757
PARTS CATALOG (MAINTENANCE)



Y 33265101 SH1 3 REV 304

SIGN INSTL-LIGHTED
FIGURE 1 (SHEET 3)

33-26-51-01

BRI
MAY 28/07

33-26-51-01
PAGE 0B



757

PARTS CATALOG (MAINTENANCE)

FIG ITEM	PART NUMBER	1 2 3 4 5 6 7	NOMENCLATURE	EFFECT FROM TO	UNITS PER ASSY
1			SIGN INSTL-LIGHTED	107107 121503 904949	
- 1	417N5159-3		SIGN INSTL-LIGHTED FOR NHA SEE: 33-20-51-01	107107	RF
- 1	417N5159-23		SIGN INSTL-LIGHTED FOR NHA SEE: 33-20-51-01	121503 904949	RF
5	BAC27NPA0283		.MARKER-ALUMINUM FOIL PLACARD CONTENT: L00418 LAVATORY OCCUPIED SIGN	107107	1
7	BAC27NPA0274		.MARKER-ALUMINUM FOIL PLACARD CONTENT: L410 NS/FSB SIGN	107107	1
10	BAC27NPA0274		.MARKER-ALUMINUM FOIL PLACARD CONTENT: L410 NS/FSB SIGN	121503 904949	1
16	BAC27NPA1278		.MARKER-ALUMINUM FOIL PLACARD CONTENT: L546 NS/FSB SIGN	121503 904949	1
17	BAC27NPA0944		.MARKER-ALUMINUM FOIL PLACARD CONTENT: L536 NS/FSB SIGN	107107 121503 904949	1
18	BAC27NPA0943		.MARKER-ALUMINUM FOIL PLACARD CONTENT: L532 NS/FSB SIGN	107107 121503 904949	1
20	BAC27NPA0284		.MARKER-ALUMINUM FOIL PLACARD CONTENT: L00419 LAVATORY OCCUPIED SIGN	107107 121503 904949	1
25	BAC27NPA0285		.MARKER-ALUMINUM FOIL PLACARD CONTENT: L00420 LAVATORY OCCUPIED SIGN	107107	1
30	BAC27NPA0276		.MARKER-ALUMINUM FOIL PLACARD CONTENT: L412 NS/FSB SIGN	107107 121503 904949	1
35	BAC27NPA0357		.MARKER-ALUMINUM FOIL PLACARD CONTENT: L516 NS/FSB SIGN	107107 121503 904949	1
39	BAC29PPS4193		.MARKER-ALUMINUM FOIL PLACARD CONTENT: L616 TOILETS	121503 904949	1

MISSING ITEM NUMBERS NOT APPLICABLE

- ITEM NOT ILLUSTRATED

33-26-51-01

33-26-51
FIG. 01
PAGE 1
JAN 20/09

BRI



757

PARTS CATALOG (MAINTENANCE)

FIG ITEM	PART NUMBER	1 2 3 4 5 6 7	NOMENCLATURE	EFFECT FROM TO	UNITS PER ASSY
1					
40	BR9292-901		.HOUSING ASSY-SIGN LAV OCCUPIED UNILINGUAL SUPPLIER CODE: V17023 SPECIFICATION NUMBER: S417N506-1 ELECTRICAL EQUIP NUMBER: L00418-L00420	107107 121503 904949	3
45	417N5160-1SP		.HOUSING ASSY-	107107 121503 904949	1
- 50	BACS12FA08K9		ATTACHING PARTS .SCREW	107107 121503 904949	6
- 55	AN960JD8L		.WASHER-	107107	6
- 55	AN960JD10L		.WASHER-	121503 904949	6
			-----*-----		
60	UI19136-4B4		..INSERT- SUPPLIER CODE: V07757	107107 121503 904949	6
61	BAC29PPS4194		.MARKER-ALUMINUM FOIL PLACARD CONTENT: L617 OCCUPIED	121503 904949	1
65	BR9442-907		.SIGN ASSY-ENGLISH ATTENDANT INFORMATION SUPPLIER CODE: V17023 SPECIFICATION NUMBER: S417N503-7 ELECTRICAL EQUIP NUMBER: L00409 L00410 L00412 OPTIONAL PART: BR9242-907 V17023	121503 904949	3
65A	06152-1		..LENS-NS/FSB SUPPLIER CODE: V17023	121503 904949	1
- 65C	387		..BULB- SUPPLIER CODE: V08806	121503 904949	5
68	BAC29PPS5209		.MARKER-ALUMINUM FOIL- PLACARD CONTENT: L643 LAVATORY OCCUPIED SIGN	121503 904949	1

MISSING ITEM NUMBERS NOT APPLICABLE

- ITEM NOT ILLUSTRATED

33-26-51-01

33-26-51
FIG. 01
PAGE 2
JAN 20/09

BRI



757

PARTS CATALOG (MAINTENANCE)

FIG ITEM	PART NUMBER	1 2 3 4 5 6 7	NOMENCLATURE	EFFECT FROM TO	UNITS PER ASSY
1	69 BAC29PPS5210		.MARKER-ALUMINUM FOIL- PLACARD CONTENT: L641 LAVATORIES SIGN	121503 904949	1
	73 BR9292-902		.HOUSING ASSY-SIGN LAV OCCUPIED BILINGUAL SUPPLIER CODE: V17023 SPECIFICATION NUMBER: S417N506-2 ELECTRICAL EQUIP NUMBER: L00419 L00643	121503 904949	2
	75 BR9442-908		.SIGN ASSY-ENGLISH ATTENDANT INFORMATION SUPPLIER CODE: V17023 SPECIFICATION NUMBER: S417N503-8 ELECTRICAL EQUIP NUMBER: L00536 OPTIONAL PART: BR9242-908 V17023	107107	1
	77 06152-2		..LENS-NS/FSB SUPPLIER CODE: V17023	107107	1
-	79 387		..BULB- SUPPLIER CODE: V08806	107107	5
	106 BR9442-907		.SIGN ASSY-ENGLISH ATTENDANT INFORMATION SUPPLIER CODE: V17023 SPECIFICATION NUMBER: S417N503-7 ELECTRICAL EQUIP NUMBER: L00410 L00412 L00516 L00532 L00536 L00546 OPTIONAL PART: BR9242-907 V17023	121503 904949	6
	106A 06152-1		..LENS-NS/FSB SUPPLIER CODE: V17023	121503 904949	1

MISSING ITEM NUMBERS NOT APPLICABLE

- ITEM NOT ILLUSTRATED

BRI

33-26-51-01

BOEING PROPRIETARY - Copyright © - Unpublished Work - See title page for details.

33-26-51
FIG. 01
PAGE 3
JAN 20/09



757

PARTS CATALOG (MAINTENANCE)

FIG ITEM	PART NUMBER	1 2 3 4 5 6 7	NOMENCLATURE	EFFECT FROM TO	UNITS PER ASSY
1 -106C	387		. . BULB- SUPPLIER CODE: V08806	121503 904949	5
126	BR9446-714		. SIGN ASSY-TOILETS ENGLISH SUPPLIER CODE: V17023 SPECIFICATION NUMBER: S417N506-2015 ELECTRICAL EQUIP NUMBER: L00616	121503 904949	1
127	BR9446-715		. SIGN ASSY-OCCUPIED ENGLISH SUPPLIER CODE: V17023 SPECIFICATION NUMBER: S417N506-2016 ELECTRICAL EQUIP NUMBER: L00617	121503 904949	1
128	BR9446-718		. SIGN ASSY-LAVATORIES SPANISH SUPPLIER CODE: V17023 SPECIFICATION NUMBER: S417N506-2017 ELECTRICAL EQUIP NUMBER: L00641	904949	1
128	BR9446-728		. SIGN ASSY-SERVICIOS SPANISH SUPPLIER CODE: V17023 SPECIFICATION NUMBER: S417N506-2027 ELECTRICAL EQUIP NUMBER: L00641	121503	1
129	BR9446-719		. SIGN ASSY-OCCUPIED (SPANISH) SUPPLIER CODE: V17023 SPECIFICATION NUMBER: S417N506-2018 ELECTRICAL EQUIP NUMBER: L00642	121503 904949	1

MISSING ITEM NUMBERS NOT APPLICABLE

- ITEM NOT ILLUSTRATED

BRI

33-26-51-01

33-26-51
FIG. 01
PAGE 4
JAN 20/09



757

PARTS CATALOG (MAINTENANCE)

FIG ITEM	PART NUMBER	1 2 3 4 5 6 7	NOMENCLATURE	EFFECT FROM TO	UNITS PER ASSY
1 165	BR9442-907	.	SIGN ASSY-ENGLISH ATTENDANT INFORMATION SUPPLIER CODE: V17023 SPECIFICATION NUMBER: S417N503-7 ELECTRICAL EQUIP NUMBER: L00410 L00412 L00532 OPTIONAL PART: BR9242-907 V17023	107107	3
168	06152-1	..	LENS-NS/FSB SUPPLIER CODE: V17023	107107	1
- 170	387	..	BULB- SUPPLIER CODE: V08806	107107	5
185	BR9442-907	.	SIGN ASSY-ENGLISH ATTENDANT INFORMATION SUPPLIER CODE: V17023 SPECIFICATION NUMBER: S417N503-7 ELECTRICAL EQUIP NUMBER: L00516 OPTIONAL PART: BR9242-907 V17023	107107 121503 904949	1
188	06152-1	..	LENS-NS/FSB SUPPLIER CODE: V17023	107107 121503 904949	1
- 190	387	..	BULB- SUPPLIER CODE: V08806	107107 121503 904949	5

MISSING ITEM NUMBERS NOT APPLICABLE

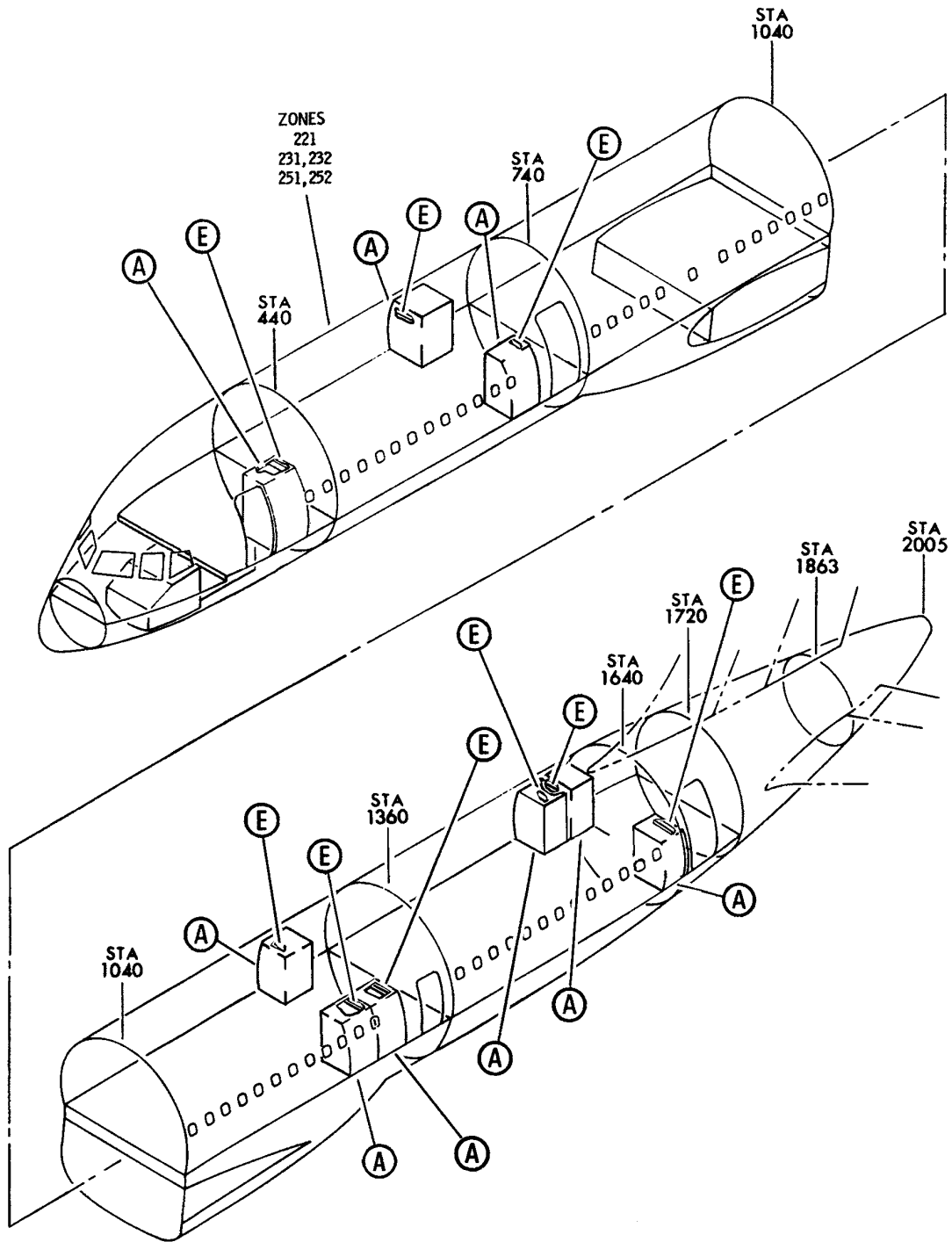
- ITEM NOT ILLUSTRATED

33-26-51-01

33-26-51
FIG. 01
PAGE 5
JAN 20/09

BRI

BOEING
757
PARTS CATALOG (MAINTENANCE)



Y 33265202 SHT 1 REV 264

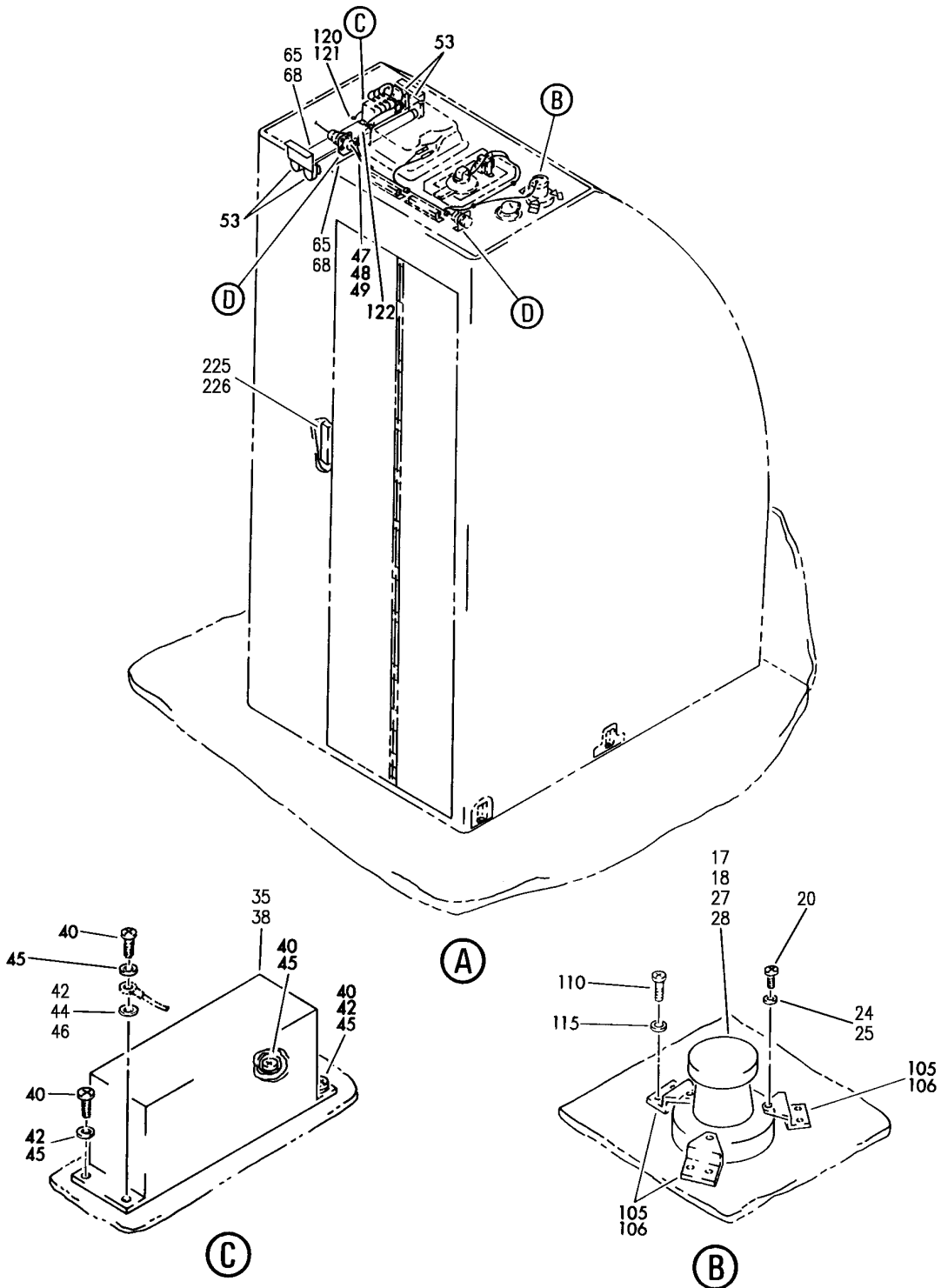
ELECTRICAL MIRROR AND LIGHT ASSY-LAV (LIGHTS ONLY)
FIGURE 2 (SHEET 1)

33-26-52-02

BRI
JAN 20/09

33-26-52-02
PAGE 0

BOEING
757
PARTS CATALOG (MAINTENANCE)



Y 33265202 SHT 2 REV 331

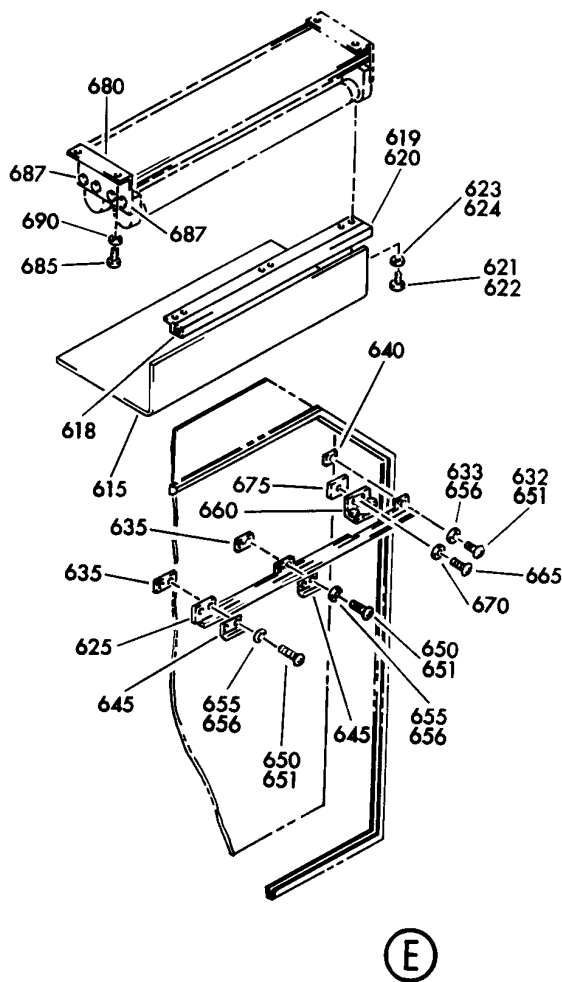
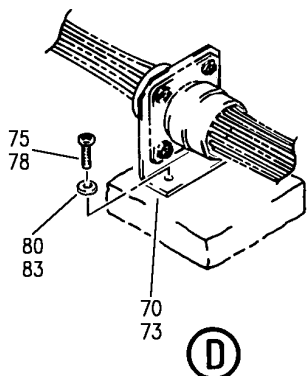
ELECTRICAL MIRROR AND LIGHT ASSY-LAV (LIGHTS ONLY)
FIGURE 2 (SHEET 2)

33-26-52-02

BRI
JAN 20/09

33-26-52-02
PAGE 0A

BOEING
757
PARTS CATALOG (MAINTENANCE)



Y 33265202 SHT 3 REV 264

ELECTRICAL MIRROR AND LIGHT ASSY-LAV (LIGHTS ONLY)
FIGURE 2 (SHEET 3)

33-26-52-02

BRI
JAN 20/09

33-26-52-02
PAGE 08



757

PARTS CATALOG (MAINTENANCE)

FIG ITEM	PART NUMBER	1 2 3 4 5 6 7	NOMENCLATURE	EFFECT FROM TO	UNITS PER ASSY
2			ELECTRICAL MIRROR AND LIGHT ASSY-LAV (LIGHTS ONLY)	952999	
- 10	1A122-0089-222		ELECTRICAL ASSY-LAV C (LIGHTS ONLY) SUPPLIER CODE: VS5825	952999	RF
17	1A081-0171-1		.LIGHT ASSY-DOME L3 SUPPLIER CODE: VS5825 CONFIG CHG DATA FROM A CMM: SUPERSEDES L18615-11	952999	1
20	NAS602-6P		.SCREW	952999	3
25	AN960PD8L		.WASHER	952999	3
			-----*-----		
- 30	GE1691AF		.BULB- SUPPLIER CODE: V08806 CONFIG CHG DATA FROM A CMM: SUPERSEDES 1691TF	952999	1
35	1343-1		.BALLAST- SUPPLIER CODE: V30242 SPECIFICATION NUMBER: 60B40025-43	952999	1
			ATTACHING PARTS		
40	NAS602-5P		.SCREW	952999	4
40	NAS602-5P		.SCREW	952999	4
45	AN960PD8L		.WASHER	952999	4
46	MS35333-38		.WASHER	952999	1
			-----*-----		
48	2A122-0089-224		.HARNES ASSY-LAV C SUPPLIER CODE: VS5825	952999	RF
53	BV03112N40		.SOCKET-LAMP SUPPLIER CODE: V17023	952999	4
			ATTACHING PARTS		
- 55	NAS600-5P		.SCREW	952999	8
- 60	AN960-4		.WASHER	952999	8
			-----*-----		
65	F15T12WW		.LAMP-FLUOR. LAV C SUPPLIER CODE: V13545	952999	2
70	2A114-0019-1		.SUPPORT-CONN., LAV C SUPPLIER CODE: VS5825	952999	2
			ATTACHING PARTS		
75	NAS601-5P		.SCREW-LAV C	952999	4

MISSING ITEM NUMBERS NOT APPLICABLE

- ITEM NOT ILLUSTRATED

33-26-52-02

33-26-52
FIG. 02
PAGE 1
JAN 20/09

BRI



757

PARTS CATALOG (MAINTENANCE)

FIG ITEM	PART NUMBER	1 2 3 4 5 6 7	NOMENCLATURE	EFFECT FROM TO	UNITS PER ASSY
2					
80	AN960PD6L		.WASHER-LAV C -----*-----	952999	4
105	3A114-0135-1		.BRACKET-MTG SUPPLIER CODE: VS5825 CONFIG CHG DATA FROM A CMM: SUPERSEDES PA57610	952999	3
105	3A114-0135-1		.BRACKET-MTG SUPPLIER CODE: VS5825 CONFIG CHG DATA FROM A CMM: SUPERSEDES PA57610	952999	3
110	NAS602-5P		.SCREW	952999	6
115	AN960PD8L		.WASHER -----*-----	952999	6
122	NAS603-6P		.SCREW	952999	1
- 125	MS35333-39		.WASHER-LAV C	952999	1
- 130	AN960D10L		.WASHER	952999	1
- 610	OA122-0007-2		MIRROR AND LIGHT INSTL- LAV C (LIGHTS ONLY) SUPPLIER CODE: VS5825 FOR NHA/OTHER SYS DET SEE: 25-41-04-60	952999	RF
615	2A124-0033-2		.LENS- LAV C LAV K SUPPLIER CODE: VS5825	952999	1
618	OA122-0007-3		.CUSHION-RUBBER SUPPLIER CODE: VS5825	952999	1
618	OA122-0007-3		.CUSHION-RUBBER SUPPLIER CODE: VS5825	952999	1
619	2A124-0045-2		.TRIM-LENS LAV C LAV K SUPPLIER CODE: VS5825	952999	1
622	NAS601-5P		.SCREW	952999	6
623	AN960PD6L		.WASHER -----*-----	952999	6

MISSING ITEM NUMBERS NOT APPLICABLE

- ITEM NOT ILLUSTRATED

33-26-52-02

33-26-52
FIG. 02
PAGE 2
JAN 20/09

BRI

BOEING PROPRIETARY - Copyright © - Unpublished Work - See title page for details.



757

PARTS CATALOG (MAINTENANCE)

FIG ITEM	PART NUMBER	1 2 3 4 5 6 7	NOMENCLATURE	EFFECT FROM TO	UNITS PER ASSY
2					
625	2A124-0034-2	.	SUPPORT-LENS LAV C LAV K SUPPLIER CODE: VS5825 ATTACHING PARTS	952999	1
632	NAS601-7P	.	SCREW	952999	1
633	AN960PD6L	.	WASHER	952999	1
			-----*-----		
635	2A124-0049-1	.	SPACER- SUPPLIER CODE: VS5825	952999	2
635	2A124-0049-1	.	SPACER- SUPPLIER CODE: VS5825	952999	2
640	2A124-0049-5	.	SPACER- SUPPLIER CODE: VS5825	952999	1
640	2A124-0049-5	.	SPACER- SUPPLIER CODE: VS5825	952999	1
645	2A124-0050-1	.	CLIP-LENS SUPPLIER CODE: VS5825 ATTACHING PARTS	952999	2
651	NAS601-7P	.	SCREW	952999	5
656	AN960PD6L	.	WASHER	952999	5
			-----*-----		
660	3A123-0149-1	.	ANGLE-LENS SPRT SUPPLIER CODE: VS5825 CONFIG CHG DATA FROM A CMM: SUPERSEDES 3A123-0149-11	952999	1
660	3A123-0149-1	.	ANGLE-LENS SPRT LAV B SUPPLIER CODE: VS5825 CONFIG CHG DATA FROM A CMM: SUPERSEDES 3A123-0149-11	952999	1
660	3A123-0149-1	.	ANGLE-LENS SPRT SUPPLIER CODE: VS5825 CONFIG CHG DATA FROM A CMM: SUPERSEDES 3A123-0149-11	952999	1
665	NAS623-3-4	.	SCREW	952999	1
665	NAS623-3-4	.	SCREW	952999	1
670	AN960PD10L	.	WASHER	952999	1
			-----*-----		

MISSING ITEM NUMBERS NOT APPLICABLE

- ITEM NOT ILLUSTRATED

33-26-52-02

33-26-52
FIG. 02
PAGE 3
JAN 20/09

BRI

BOEING PROPRIETARY - Copyright © - Unpublished Work - See title page for details.



757

PARTS CATALOG (MAINTENANCE)

FIG ITEM	PART NUMBER	1 2 3 4 5 6 7	NOMENCLATURE	EFFECT FROM TO	UNITS PER ASSY
2					
675	2A124-0049-3		. SPACER- SUPPLIER CODE: VS5825	952999	1
680	2A124-0094-1		. PLANE-GND SUPPLIER CODE: VS5825	952999	1
			ATTACHING PARTS		
685	NAS601-5P		. SCREW	952999	4
685	NAS601-5P		. SCREW	952999	4
690	AN960PD6L		. WASHER	952999	4
690	AN960PD6L		. WASHER	952999	4
			-----*-----		

MISSING ITEM NUMBERS NOT APPLICABLE

- ITEM NOT ILLUSTRATED

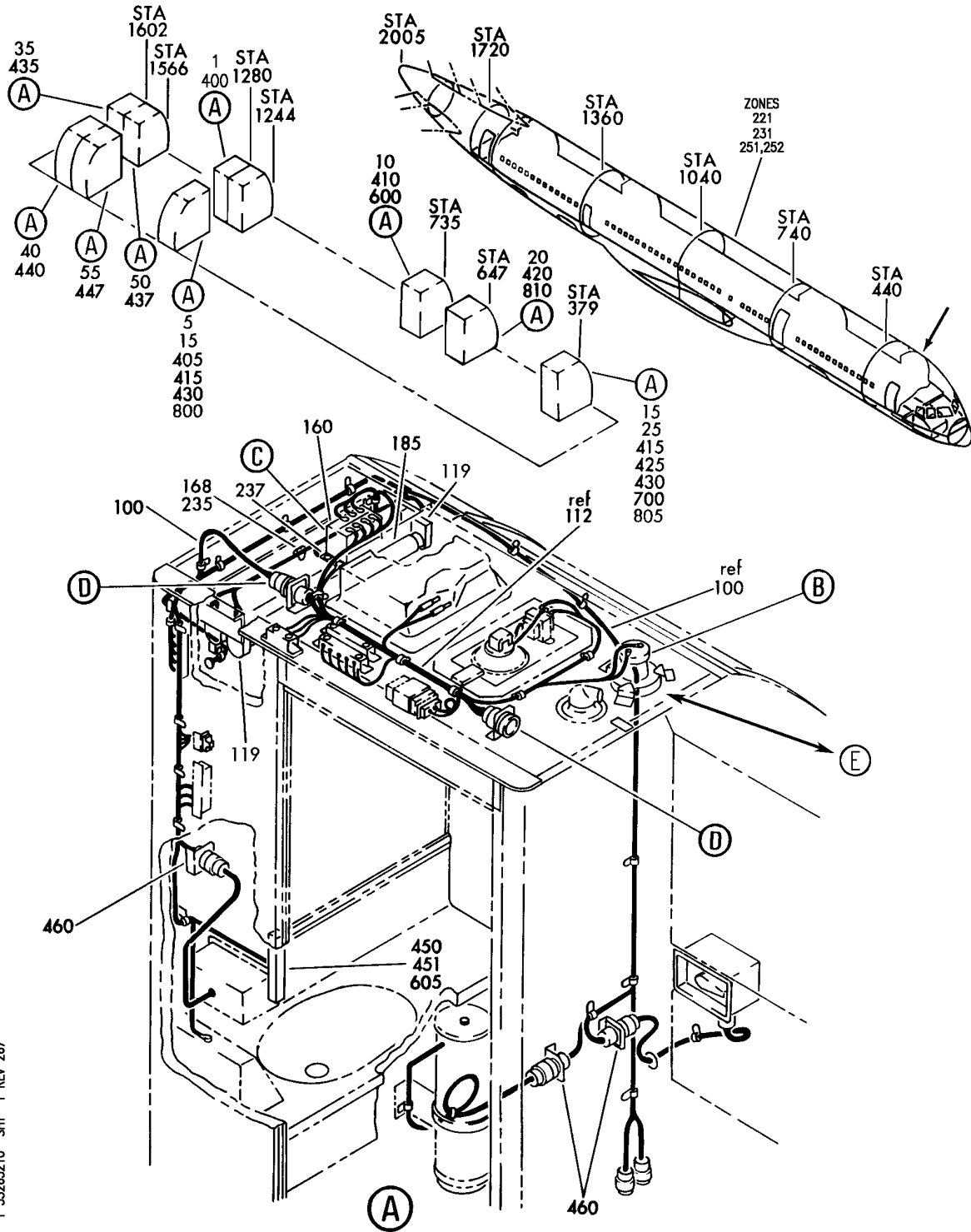
BRI

33-26-52-02

BOEING PROPRIETARY - Copyright © - Unpublished Work - See title page for details.

33-26-52
FIG. 02
PAGE 4
JAN 20/09

BOEING
757
PARTS CATALOG (MAINTENANCE)



Y 33265210 SHT 1 REV 267

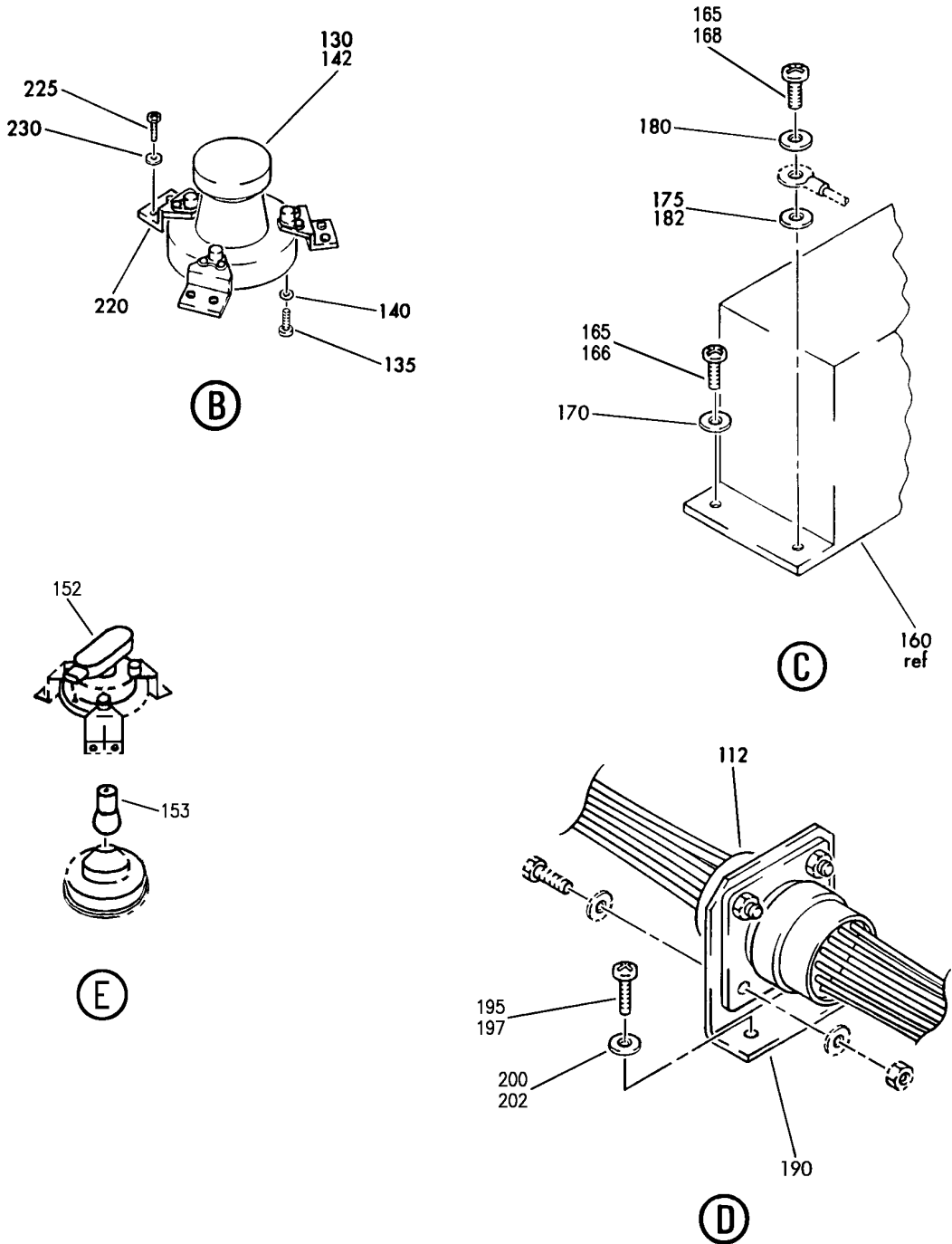
ELECTRICAL ASSY-LAV (LIGHTS ONLY)
FIGURE 10 (SHEET 1)

33-26-52-10

BRI
MAY 28/07

33-26-52-10
PAGE 0

BOEING
757
PARTS CATALOG (MAINTENANCE)



Y 33265210 SHT 2 REV 267

ELECTRICAL ASSY-LAV (LIGHTS ONLY)
FIGURE 10 (SHEET 2)

33-26-52-10

BRI
MAY 28/07

33-26-52-10
PAGE 0A



757

PARTS CATALOG (MAINTENANCE)

FIG ITEM	PART NUMBER	1 2 3 4 5 6 7	NOMENCLATURE	EFFECT FROM TO	UNITS PER ASSY
10			ELECTRICAL ASSY-LAV (LIGHTS ONLY)	121503 904949 952999	
1	1A122-0089-132		ELECTRICAL ASSY-LAV C (LIGHTS ONLY) SUPPLIER CODE: VS5825 FOR NHA/OTHER SYS DET SEE: 25-41-04-96	121503 904949	RF
1	1A122-0089-222		ELECTRICAL ASSY-LAV C (LIGHTS ONLY) SUPPLIER CODE: VS5825 FOR NHA/OTHER SYS DET SEE: 25-41-04-60	952999	RF
5	1A122-0089-131		ELECTRICAL ASSY-LAV D (LIGHTS ONLY) SUPPLIER CODE: VS5825 FOR NHA/OTHER SYS DET SEE: 25-41-04-95	121503 904949	RF
5	1A122-0089-221		ELECTRICAL ASSY-LAV D (LIGHTS ONLY) SUPPLIER CODE: VS5825 FOR NHA/OTHER SYS DET SEE: 25-41-04-57	952999	RF
20	1A122-0089-431		ELECTRICAL ASSY-LAV S (LIGHTS ONLY) SUPPLIER CODE: VS5825 FOR NHA/OTHER SYS DET SEE: 25-41-03-08C	952952	RF
25	1A122-0089-301		ELECTRICAL ASSY-LAV F (LIGHTS ONLY) SUPPLIER CODE: VS5825 FOR NHA/OTHER SYS DET SEE: 25-41-01-09D	121503 904949	RF
100	2A122-0089-223		.HARNES ASSY- LAV D AND F LAV D AND T LAV D LAV S SUPPLIER CODE: VS5825	952999	RF

MISSING ITEM NUMBERS NOT APPLICABLE

- ITEM NOT ILLUSTRATED

33-26-52-10

33-26-52
FIG. 10
PAGE 1
JAN 20/09

BRI



757

PARTS CATALOG (MAINTENANCE)

FIG ITEM	PART NUMBER	1 2 3 4 5 6 7	NOMENCLATURE	EFFECT FROM TO	UNITS PER ASSY
10					
100	2A122-0089-223		.HARNES ASSY-LAV J SUPPLIER CODE: VS5825	952952	RF
- 105	2A122-0089-194		.HARNES ASSY-LAV C SUPPLIER CODE: VS5825	121503 904949	RF
- 105	2A122-0089-224		.HARNES ASSY-LAV C SUPPLIER CODE: VS5825	952999	RF
- 110	2A122-0089-193		.HARNES ASSY-LAV D SUPPLIER CODE: VS5825	121503 904949	RF
- 110	2A122-0089-383		.HARNES ASSY-LAV S SUPPLIER CODE: VS5825	952952	RF
112	2A122-0089-353		.HARNES ASSY-LAV S SUPPLIER CODE: VS5825	952952	RF
112	2A122-0089-293		.HARNES ASSY-LAV F SUPPLIER CODE: VS5825	121503 904949	RF
119	BV03112N40		.. SOCKET-LAMP, LAV SUPPLIER CODE: V17023	121503 904949 953999	4
119	BV03112N40		.. SOCKET-LAMP SUPPLIER CODE: V17023	952952	4
- 120	NAS600-5P		.. SCREW	121503 904949 953999	8
- 120	NAS600-5P		.. SCREW	952952	8
- 125	AN960-4		.. WASHER	121503	8
- 125	AN960-4		.. WASHER	904949	8
- 125	AN960-4		.. WASHER	952952	8
- 125	AN960-4		.. WASHER	952952	8
			-----*-----		
130	1A081-0171-1		.LIGHT ASSY-DOME, L3 SUPPLIER CODE: VS5825	121503 904949 953999	1
			CONFIG CHG DATA FROM A CMM: SUPERSEDES L18615-11		
130	1A081-0171-1		.LIGHT ASSY-DOME L3 SUPPLIER CODE: VS5825	952952	1
			CONFIG CHG DATA FROM A CMM: SUPERSEDES L18615-11		

MISSING ITEM NUMBERS NOT APPLICABLE

- ITEM NOT ILLUSTRATED

33-26-52-10

33-26-52
FIG. 10
PAGE 2
JAN 20/09

BRI

BOEING PROPRIETARY - Copyright © - Unpublished Work - See title page for details.



757

PARTS CATALOG (MAINTENANCE)

FIG ITEM	PART NUMBER	1 2 3 4 5 6 7	NOMENCLATURE	EFFECT FROM TO	UNITS PER ASSY
10			ATTACHING PARTS		
135	NAS602-6P		.SCREW	121503 904949 953999	3
135	NAS602-6P		.SCREW	952952	3
140	AN960PD8L		.WASHER	121503 904949 953999	3
140	AN960PD8L		.WASHER	952952	3
			-----*-----		
142	PA35319		..LENS ASSY- SUPPLIER CODE: V17744 USED ON: L18615-11	952999	1
- 145	1A081-0171-101		..HOUSING ASSY- SUPPLIER CODE: VS5825	952999	1
- 155	GE1691AF		.BULB-L3T, SUPPLIER CODE: V08806 CONFIG CHG DATA FROM A CMM: SUPERSEDES 1691IF	121503 904949 953999	1
- 155	1691IF		.BULB- SUPPLIER CODE: V08806 CONFIG CHG DATA FROM A CMM: SUPSD BY GE1691AF	121503 904949	1
160	1343-1		.BALLAST- RT1 SUPPLIER CODE: V30242 SPECIFICATION NUMBER: 60B40025-43	121503 904949 953999	1
160	1343-1		.BALLAST- RT1 SUPPLIER CODE: V30242 SPECIFICATION NUMBER: 60B40025-43	952952	1
165	NAS602-5P		ATTACHING PARTS .SCREW- LAV C,D,F	121503 904949 953999	4
165	NAS602-5P		.SCREW	952952	4
170	AN960PD8L		.WASHER	121503 904949 953999	3
170	AN960PD8L		.WASHER	952952	3

MISSING ITEM NUMBERS NOT APPLICABLE

- ITEM NOT ILLUSTRATED

33-26-52-10

33-26-52
FIG. 10
PAGE 3
JAN 20/09

BRI



757

PARTS CATALOG (MAINTENANCE)

FIG ITEM	PART NUMBER	1 2 3 4 5 6 7	NOMENCLATURE	EFFECT FROM TO	UNITS PER ASSY
10					
175	MS35333-38	.	WASHER	121503 904949 953999	1
175	MS35333-38	.	WASHER	952952	1
180	AN960PD8L	.	WASHER	121503 904949 953999	1
180	AN960PD8L	.	WASHER	952952	1
			-----*-----		
185	F15T12WW	.	LAMP-FLUOR. L1, L2 SUPPLIER CODE: V13545	121503 904949 953999	2
185	F15T12WW	.	LAMP-FLUOR. L1, L2 SUPPLIER CODE: V13545	952952	2
190	2A114-0019-1	.	SUPPORT-CONN. LAV C, D, F LAV G, K AND M LAV J, K AND M LAV K, M AND S SUPPLIER CODE: VS5825	121503 904949 953999	2
190	2A114-0019-1	.	SUPPORT-CONN. LAV G AND M LAV C, D, F SUPPLIER CODE: VS5825	952952	2
			ATTACHING PARTS		
195	NAS601-5P	.	SCREW	952952	4
195	NAS1801-08-5	.	SCREW- LAV C, D, F	953999	4
197	NAS601-5P	.	SCREW	121503 904949	2
- 198	NAS601-7P	.	SCREW	121503 904949	4
200	AN960PD6L	.	WASHER- LAV C, D, F LAV K, M AND S	953999	4
200	AN960PD6L	.	WASHER	952952	4
202	AN960PD6L	.	WASHER	121503 904949	2
- 203	AN960PD6L	.	WASHER	121503 904949	8
- 204	NAS679A06	.	NUT	121503 904949	4
			-----*-----		

MISSING ITEM NUMBERS NOT APPLICABLE

- ITEM NOT ILLUSTRATED

33-26-52-10

33-26-52
FIG. 10
PAGE 4
JAN 20/09

BRI

BOEING PROPRIETARY - Copyright © - Unpublished Work - See title page for details.



757

PARTS CATALOG (MAINTENANCE)

FIG ITEM	PART NUMBER	1 2 3 4 5 6 7	NOMENCLATURE	EFFECT FROM TO	UNITS PER ASSY
10					
205	2A114-0019-7		.SUPPORT-CONN. LAV S LAV T LAV F SUPPLIER CODE: VS5825 ATTACHING PARTS	121503 904949 953999	1
- 210	NAS601-5P		.SCREW- LAV F	121503 904949 953999	2
- 211	NAS600-7P		.SCREW	121503 904949	4
- 215	AN960PD6L		.WASHER- LAV F	121503 904949 953999	2
- 216	AN960-4		.WASHER	121503 904949	8
- 217	NAS679A04		.NUT	121503 904949	4
			-----*-----		
220	3A114-0135-1		.BRACKET-MTG LAV C, D, F LAV K, M AND S SUPPLIER CODE: VS5825	121503 904949 953999	3
220	3A114-0135-1		.BRACKET-MTG SUPPLIER CODE: VS5825 ATTACHING PARTS	952952	3
225	NAS602-5P		.SCREW	952952	6
225	NAS1801-08-5		.SCREW	121503 904949 953999	6
230	AN960PD8L		.WASHER	121503 904949 953999	6
230	AN960PD8L		.WASHER -----*-----	952952	6
235	NAS602-6P		.SCREW	953999	1
235	NAS602-6P		.SCREW	952952	1
237	NAS603-6P		.SCREW	121503 904949	1
- 245	MS35333-39		.WASHER	121503 904949 953999	1
- 245	MS35333-39		.WASHER	952952	1
- 255	AN960PD10L		.WASHER	121503 904949 953999	1

MISSING ITEM NUMBERS NOT APPLICABLE

- ITEM NOT ILLUSTRATED

33-26-52-10

33-26-52
FIG. 10
PAGE 5
JAN 20/09

BRI



757

PARTS CATALOG (MAINTENANCE)

FIG ITEM	PART NUMBER	1 2 3 4 5 6 7	NOMENCLATURE	EFFECT FROM TO	UNITS PER ASSY
10					
- 255	AN960PD10L		.WASHER	952952	1
400	1A122-0089-464		ELECTRICAL ASSY-LAV C (LIGHTS ONLY) SUPPLIER CODE: VS5825 CONFIG CHG DATA FROM A CMM: SUPERSEDES 1A122-0089-454 FOR NHA/OTHER SYS DET SEE: 25-41-04-60	952999	RF
400	1A122-0089-244		ELECTRICAL ASSY-LAV C (LIGHTS ONLY) SUPPLIER CODE: VS5825 FOR NHA/OTHER SYS DET SEE: 25-41-04-96	121503 904949	RF
405	1A122-0089-463		ELECTRICAL ASSY-LAV D (LIGHTS ONLY) SUPPLIER CODE: VS5825 FOR NHA/OTHER SYS DET SEE: 25-41-04-57	952999	RF
415	1A122-0089-243		ELECTRICAL ASSY-LAV D AND F (LIGHTS ONLY) SUPPLIER CODE: VS5825 FOR NHA/OTHER SYS DET SEE: 25-41-04-95 25-41-01-09D	121503 904949	RF
420	1A122-0089-393		ELECTRICAL ASSY-LAV S (LIGHTS ONLY) SUPPLIER CODE: VS5825 FOR NHA/OTHER SYS DET SEE: 25-41-03-08C	952952	RF
450	1A081-0164-1		.SWITCH-DOOR S1 LAV C, D SUPPLIER CODE: VS5825 CONFIG CHG DATA FROM A CMM: SUPERSEDES 10C10B SUPSD BY 1A081-0164-3	121503 904949 953999	1

MISSING ITEM NUMBERS NOT APPLICABLE

- ITEM NOT ILLUSTRATED

33-26-52-10

33-26-52
FIG. 10
PAGE 6
JAN 20/09

BRI

BOEING PROPRIETARY - Copyright © - Unpublished Work - See title page for details.



757

PARTS CATALOG (MAINTENANCE)

FIG ITEM	PART NUMBER	1 2 3 4 5 6 7	NOMENCLATURE	EFFECT FROM TO	UNITS PER ASSY
10 450	1A081-0164-1		.SWITCH-DOOR S1 LAV C, F LAV G AND M SUPPLIER CODE: VS5825 CONFIG CHG DATA FROM A CMM: SUPERSEDES 10C10B SUPSD BY 1A081-0164-3	952952	1
450	10C10B		.SWITCH-DOOR S1 LAV C AND D SUPPLIER CODE: V15438 CONFIG CHG DATA FROM A CMM: SUPSD BY 1A081-0164-1 REPLD BY 10CQOF	121503 904949	1
451	10C10F		.SWITCH-DOOR S1 SUPPLIER CODE: V15438 CONFIG CHG DATA FROM A CMM: REPLS 10C10B	121503 904949	1
- 457	NAS514P632-6		.SCREW	952952	2
- 457	NAS514P632-6		.SCREW	952952	2
- 458	NAS514P632-3		.SCREW	121503 904949	2
460	2A114-0019-7		-----*----- .SUPPORT-CONN. LAV C, D AND S K, M AND S SUPPLIER CODE: VS5825	121503 904949 953999	3
460	2A114-0019-7		.SUPPORT-CONN. SUPPLIER CODE: VS5825 ATTACHING PARTS	952952	3
- 465	NAS601-5P		.SCREW	952952	6
- 465	NAS1801-06-5		.SCREW	121503 904949 953999	6
- 470	AN960PD6L		.WASHER	121503 904949 953999	6
- 470	AN960PD6L		.WASHER -----*-----	952952	6

MISSING ITEM NUMBERS NOT APPLICABLE

- ITEM NOT ILLUSTRATED

33-26-52-10

33-26-52
FIG. 10
PAGE 7
JAN 20/09

BRI

BOEING PROPRIETARY - Copyright © - Unpublished Work - See title page for details.



757

PARTS CATALOG (MAINTENANCE)

FIG ITEM	PART NUMBER	1 2 3 4 5 6 7	NOMENCLATURE	EFFECT FROM TO	UNITS PER ASSY
10 - 800	1A122-0089-277		ELECTRICAL ASSY-LAV D (LIGHTS ONLY) SUPPLIER CODE: VS5825 FOR NHA/OTHER SYS DET SEE: 25-41-04-57	952999	RF

MISSING ITEM NUMBERS NOT APPLICABLE

- ITEM NOT ILLUSTRATED

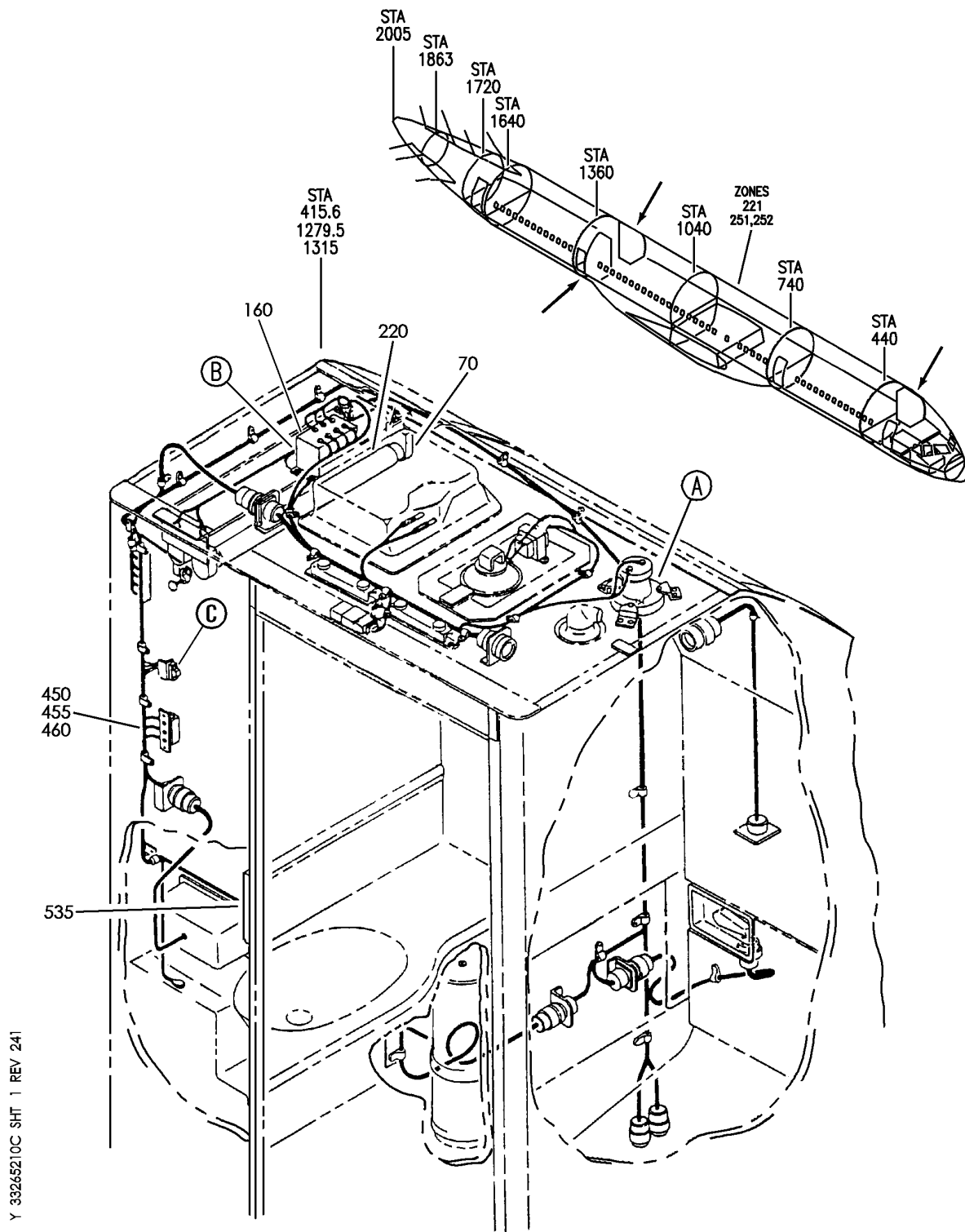
BRI

33-26-52-10

BOEING PROPRIETARY - Copyright © - Unpublished Work - See title page for details.

33-26-52
FIG. 10
PAGE 8
JAN 20/09

BOEING
757
PARTS CATALOG (MAINTENANCE)



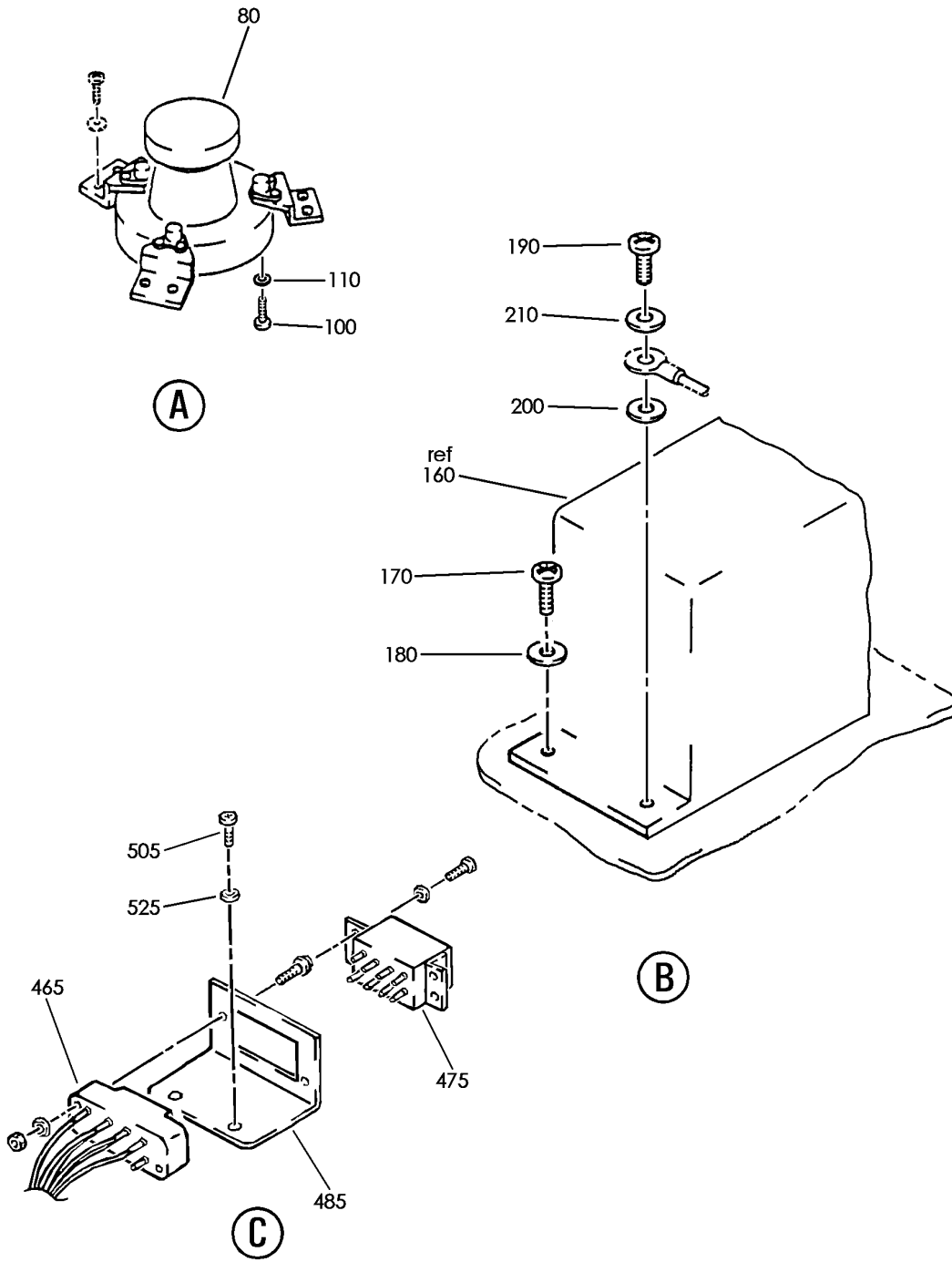
Y 33265210C SHT 1 REV 241

ELECTRICAL ASSY-LAV (LIGHTS ONLY)
FIGURE 10C (SHEET 1)

33-26-52-10C

BRI
JAN 20/09

33-26-52-10C
PAGE 0



Y 33265210C SH1 2 REV 241

ELECTRICAL ASSY-LAV (LIGHTS ONLY)
FIGURE 10C (SHEET 2)

33-26-52-10C



757

PARTS CATALOG (MAINTENANCE)

FIG ITEM	PART NUMBER	1 2 3 4 5 6 7	NOMENCLATURE	EFFECT FROM TO	UNITS PER ASSY
10C			ELECTRICAL ASSY-LAV (LIGHTS ONLY)	107107	
- 1	1A122-0089-132		ELECTRICAL ASSY-LAV C (LIGHTS ONLY) SUPPLIER CODE: VS5825 FOR NHA/OTHER SYS DET SEE: 25-41-03-50B	107107	RF
- 5	1A122-0089-131		ELECTRICAL ASSY-LAV D (LIGHTS ONLY) SUPPLIER CODE: VS5825 FOR NHA/OTHER SYS DET SEE: 25-41-03-51B	107107	RF
- 10	1A122-0089-191		ELECTRICAL ASSY-LAV F (LIGHTS ONLY) SUPPLIER CODE: VS5825 FOR NHA/OTHER SYS DET SEE: 25-41-01-09E	107107	RF
- 50	2A122-0089-193		.HARNESS ASSY-LAV D SUPPLIER CODE: VS5825	107107	RF
- 55	2A122-0089-194		.HARNESS ASSY-LAV C SUPPLIER CODE: VS5825	107107	RF
- 60	2A122-0089-203		.HARNESS ASSY-LAV D AND F SUPPLIER CODE: VS5825	107107	RF
70	BV03112N40		.. SOCKET-LAMP SUPPLIER CODE: V17023	107107	4
80	L18615-11		.LIGHT ASSY-DOME SUPPLIER CODE: VOVDA9 CONFIG CHG DATA FROM A CMM: SUPSD BY 1A081-0171-1	107107	1
80	1A081-0171-1		.LIGHT ASSY-DOME L3 SUPPLIER CODE: VS5825 CONFIG CHG DATA FROM A CMM: SUPERSEDES L18615-11 ATTACHING PARTS	107107	1
100	NAS602-6P		.SCREW	107107	3
110	AN960PD8L		.WASHER	107107	3
- 120	1A081-0171-101		-----*----- .. HOUSING ASSY- SUPPLIER CODE: VS5825	107107	1

MISSING ITEM NUMBERS NOT APPLICABLE

- ITEM NOT ILLUSTRATED

33-26-52-10C

33-26-52
FIG. 10C
PAGE 1
JAN 20/09

BRI

BOEING PROPRIETARY - Copyright © - Unpublished Work - See title page for details.



757

PARTS CATALOG (MAINTENANCE)

FIG ITEM	PART NUMBER	1 2 3 4 5 6 7	NOMENCLATURE	EFFECT FROM TO	UNITS PER ASSY
10C					
- 130	1A081-0171-201		. . LENS ASSY- SUPPLIER CODE: VS5825	107107	1
- 140	1691IF		. BULB- SUPPLIER CODE: V08806 CONFIG CHG DATA FROM A CMM: SUPSD BY GE1691AF	107107	1
- 140	GE1691AF		. BULB-L3T SUPPLIER CODE: V08806 CONFIG CHG DATA FROM A CMM: SUPERSEDES 1691IF	107107	1
160	1343-1		. BALLAST-RT1 SUPPLIER CODE: V30242 SPECIFICATION NUMBER: 60B40025-43 ATTACHING PARTS	107107	1
170	NAS602-5P		. SCREW	107107	3
180	AN960PD8L		. WASHER	107107	3
			-----*-----		
190	NAS602-5P		. SCREW	107107	1
200	MS35333-38		. WASHER	107107	1
210	AN960D8L		. WASHER	107107	1
220	F15T12WW		. LAMP-FLUORESCENT L1, L2 SUPPLIER CODE: V13545	107107	2
- 400	1A122-0089-4		ELECTRICAL ASSY-LAV C (LIGHTS ONLY) SUPPLIER CODE: VS5825 FOR NHA/OTHER SYS DET SEE: 25-41-03-50B	107107	RF
- 405	1A122-0089-3		ELECTRICAL ASSY-LAV D (LIGHTS ONLY) SUPPLIER CODE: VS5825 FOR NHA/OTHER SYS DET SEE: 25-41-03-51B	107107	RF
- 410	1A122-0089-13		ELECTRICAL ASSY-LAV F (LIGHTS ONLY) SUPPLIER CODE: VS5825 FOR NHA/OTHER SYS DET SEE: 25-41-01-09E	107107	RF
450	2A122-0089-5		. HARNESS ASSY-LAV D SUPPLIER CODE: VS5825	107107	RF

MISSING ITEM NUMBERS NOT APPLICABLE

- ITEM NOT ILLUSTRATED

33-26-52-10C

33-26-52
FIG. 10C
PAGE 2
JAN 20/09

BRI

BOEING PROPRIETARY - Copyright © - Unpublished Work - See title page for details.



757

PARTS CATALOG (MAINTENANCE)

FIG ITEM	PART NUMBER	1 2 3 4 5 6 7	NOMENCLATURE	EFFECT FROM TO	UNITS PER ASSY
10C 455	2A122-0089-6	.	HARNASS ASSY-LAV C SUPPLIER CODE: VS5825	107107	RF
460	2A122-0089-15	.	HARNASS ASSY-LAV F SUPPLIER CODE: VS5825	107107	RF
465	HRTS17KM	..	SOCKET-XK1 SUPPLIER CODE: V91663	107107	1
465	HRTS17KJV2	..	SOCKET-XK1 SUPPLIER CODE: V91663	107107	1
475	W260F4AM11	.	RELAY-K1 SUPPLIER CODE: VF0219 SPECIFICATION NUMBER: BACR13CD2 OPTIONAL PART: BR16S233 V09026 EE4AA005 V35344 3SAV1338A2 V01526 HFW1206K03 V58614 HFW1204K01 V71482	107107	1
485	3A114-0080-1	.	SUPPORT-RELAY SUPPLIER CODE: VS5825 ATTACHING PARTS	107107	1
505	NAS601-5P	.	SCREW	107107	2
525	AN960PD6L	.	WASHER	107107	2
535	10C10B	-----*			
535	10C10B	.	SWITCH-DOOR SUPPLIER CODE: V15438 CONFIG CHG DATA FROM A CMM: SUPSD BY 1A081-0164-1	107107	1
535	1A081-0164-1	.	SWITCH-DOOR SUPPLIER CODE: VS5825 CONFIG CHG DATA FROM A CMM: SUPERSEDES 10C10B SUPERSEDES BY 1A081-0164-3	107107	1

MISSING ITEM NUMBERS NOT APPLICABLE

- ITEM NOT ILLUSTRATED

33-26-52-10C

33-26-52
FIG. 10C
PAGE 3
JAN 20/09

BRI

BOEING PROPRIETARY - Copyright © - Unpublished Work - See title page for details.



757

PARTS CATALOG (MAINTENANCE)

FIG ITEM	PART NUMBER	1 2 3 4 5 6 7	NOMENCLATURE	EFFECT FROM TO	UNITS PER ASSY
10C 535	1A081-0164-3		.SWITCH-DOOR S1 SUPPLIER CODE: VS5825 CONFIG CHG DATA FROM A CMM: SUPERSEDES 1A081-0164-1 ATTACHING PARTS	107107	1
- 565	NAS514P632-6		.SCREW -----*-----	107107	3
- 700	1A122-0089-17		ELECTRICAL ASSY-LAV F (LIGHTS ONLY) SUPPLIER CODE: VS5825 FOR NHA/OTHER SYS DET SEE: 25-41-01-09E	107107	RF
- 750	10C10B		.SWITCH-DOOR SUPPLIER CODE: V15438 CONFIG CHG DATA FROM A CMM: SUPSD BY 1A081-0164-1	107107	1
- 750	1A081-0164-1		.SWITCH-DOOR SUPPLIER CODE: VS5825 CONFIG CHG DATA FROM A CMM: SUPERSEDES 10C10B SUPERSEDES BY 1A081-0164-3	107107	1
- 750	1A081-0164-3		.SWITCH-DOOR S1 SUPPLIER CODE: VS5825 CONFIG CHG DATA FROM A CMM: SUPERSEDES 1A081-0164-1 ATTACHING PARTS	107107	1
- 755	NAS514P632-6		.SCREW -----*-----	107107	3

MISSING ITEM NUMBERS NOT APPLICABLE

- ITEM NOT ILLUSTRATED

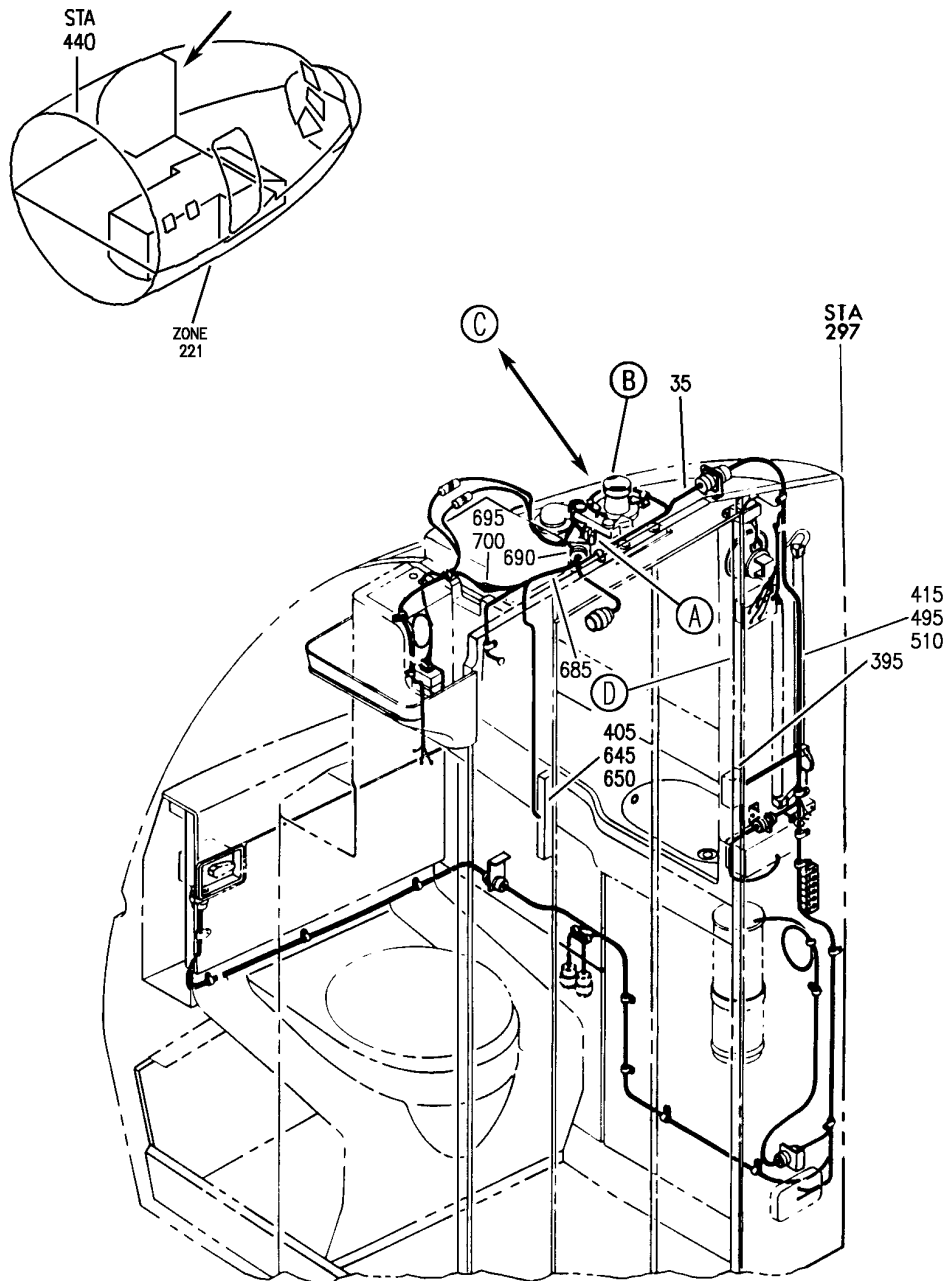
33-26-52-10C

33-26-52
FIG. 10C
PAGE 4
JAN 20/09

BRI

BOEING PROPRIETARY - Copyright © - Unpublished Work - See title page for details.

BOEING
757
PARTS CATALOG (MAINTENANCE)



Y 33265215 SH1 1 REV 272

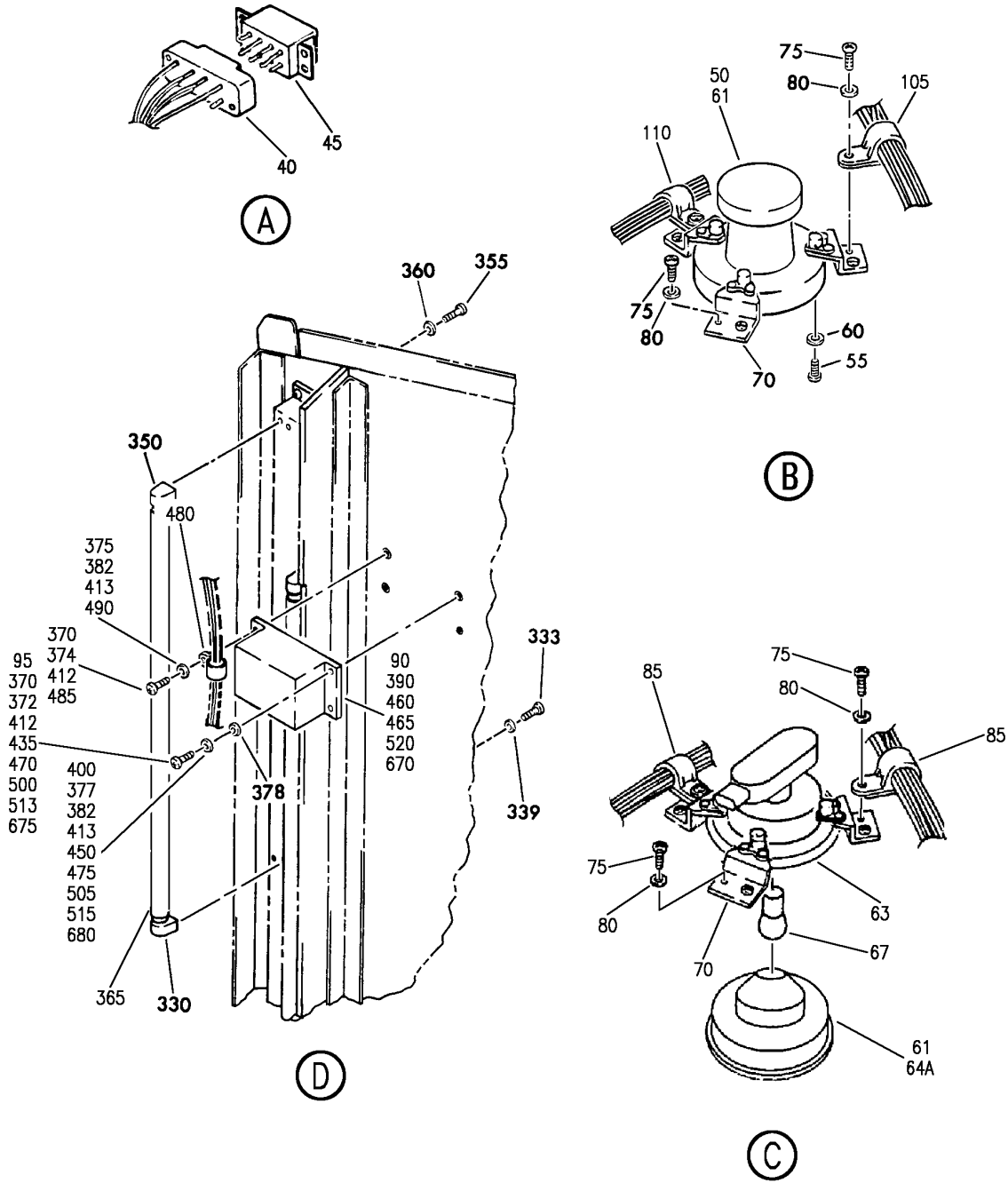
ELECTRICAL ASSY-LAV A (LIGHTS ONLY)
FIGURE 15 (SHEET 1)

33-26-52-15

BRI
MAY 28/07

33-26-52-15
PAGE 0

BOEING
757
PARTS CATALOG (MAINTENANCE)



Y 33265215 SH1 2 REV 272

ELECTRICAL ASSY-LAV A (LIGHTS ONLY)
FIGURE 15 (SHEET 2)

33-26-52-15

BRI
MAY 28/07

33-26-52-15
PAGE 0A



757

PARTS CATALOG (MAINTENANCE)

FIG ITEM	PART NUMBER	1 2 3 4 5 6 7	NOMENCLATURE	EFFECT FROM TO	UNITS PER ASSY
15			ELECTRICAL ASSY-LAV A (LIGHTS ONLY)	002004 006100 107107 121503 904949 952999	
- 1	1A112-0088-61		ELECTRICAL ASSY-LAV A (LIGHTS ONLY) SUPPLIER CODE: VS5825 FOR NHA/OTHER SYS DET SEE: 25-41-01-06 25-41-01-06E	107107 952999	RF
- 1	1A112-0088-71		ELECTRICAL ASSY-LAV A (LIGHTS ONLY) SUPPLIER CODE: VS5825 FOR NHA/OTHER SYS DET SEE: 25-41-01-06H	121503 904949	RF
35	2A112-0086-83		. HARNESS ASSY- SUPPLIER CODE: VS5825	107107	1
40	HRTS17KM		.. SOCKET-RELAY XK1 SUPPLIER CODE: V91663	107107	1
40	HRTS17KJV2		.. SOCKET-RELAY XK1 SUPPLIER CODE: V91663	107107	1
45	W260F4AM11		. RELAY-K1 SUPPLIER CODE: VF0219 SPECIFICATION NUMBER: BACR13CD2 OPTIONAL PART: BR16S233 V09026 EE4AA005 V35344 3SAV1338A2 V01526 HFW1206K03 V58614 HFW1204K01 V71482	107107	1

MISSING ITEM NUMBERS NOT APPLICABLE

- ITEM NOT ILLUSTRATED

33-26-52-15

33-26-52
FIG. 15
PAGE 1
JAN 20/09

BRI



757

PARTS CATALOG (MAINTENANCE)

FIG ITEM	PART NUMBER	1 2 3 4 5 6 7	NOMENCLATURE	EFFECT FROM TO	UNITS PER ASSY
15					
50	L18615-11		.LIGHT ASSY-DOME L3 SUPPLIER CODE: VOVDA9 CONFIG CHG DATA FROM A CMM: SUPSD BY 1A081-0171-1 SUPSD BY 1A081-0171-11	107107	1
50	1A081-0171-1		.LIGHT ASSY-DOME L3 SUPPLIER CODE: VS5825 CONFIG CHG DATA FROM A CMM: SUPERSEDES L18615-11	107107 121503 904949 952999	1
- 53	L18615-11		.LIGHT ASSY-DOME L3 SUPPLIER CODE: VOVDA9 CONFIG CHG DATA FROM A CMM: SUPSD BY 1A081-0171-1	107107	1
55	NAS602-6P		ATTACHING PARTS .SCREW	107107 121503 904949 952999	3
60	AN960PD8L		.WASHER	107107 121503 904949 952999	3
61	PA35319		-----*----- ..LENS ASSY- SUPPLIER CODE: V17744 USED ON: L18615-11	107107	1
- 62	1A081-0171-101		..HOUSING ASSY- SUPPLIER CODE: VS5825	107107	1
- 64	1A081-0171-201		..LENS ASSY- SUPPLIER CODE: VS5825	107107	1
- 65	GE1691AF		.BULB-L3T SUPPLIER CODE: V08806 CONFIG CHG DATA FROM A CMM: SUPERSEDES 1691IF	107107 121503 904949 952999	1
- 65	1691IF		.BULB- SUPPLIER CODE: V08806 CONFIG CHG DATA FROM A CMM: SUPSD BY GE 1691AF	107107 121503 904949	1

MISSING ITEM NUMBERS NOT APPLICABLE

- ITEM NOT ILLUSTRATED

33-26-52-15

33-26-52
FIG. 15
PAGE 2
JAN 20/09

BRI

 **BOEING**
757
PARTS CATALOG (MAINTENANCE)

FIG ITEM	PART NUMBER	1 2 3 4 5 6 7	NOMENCLATURE	EFFECT FROM TO	UNITS PER ASSY
15					
70	3A114-0135-1		.BRACKET-MTG SUPPLIER CODE: VS5825	107107 121503 904949 952999	3
75	NAS602-5P		ATTACHING PARTS .SCREW	107107 121503 904949 952999	6
80	AN960PD8L		.WASHER	107107 121503 904949 952999	6
- 300	1A112-0088-163		-----*----- ELECTRICAL ASSY-LAV A (LIGHTS ONLY) SUPPLIER CODE: VS5825 CONFIG CHG DATA FROM A CMM: SUPERSEDES 1A112-0088-203 FOR NHA/OTHER SYS DET SEE: 25-41-01-06	952999	RF
- 300	1A112-0088-13		ELECTRICAL ASSY-LAV A (LIGHTS ONLY) SUPPLIER CODE: VS5825 FOR NHA/OTHER SYS DET SEE: 25-41-01-06E	107107	RF
- 301	1A112-0088-143		ELECTRICAL ASSY-LAV A (LIGHTS ONLY) SUPPLIER CODE: VS5825 FOR NHA/OTHER SYS DET SEE: 25-41-01-06H	121503 904949	RF
330	BV5-01261		.SOCKET-LT SUPPLIER CODE: V17023	107107 121503 904949 952999	2
333	NAS601-5P		ATTACHING PARTS .SCREW	107107 121503 904949 952999	4
339	AN960PD6L		.WASHER	107107 121503 904949 952999	4
			-----*-----		

MISSING ITEM NUMBERS NOT APPLICABLE

- ITEM NOT ILLUSTRATED

BRI

33-26-52-15

33-26-52
FIG. 15
PAGE 3
JAN 20/09



757

PARTS CATALOG (MAINTENANCE)

FIG ITEM	PART NUMBER	1 2 3 4 5 6 7	NOMENCLATURE	EFFECT FROM TO	UNITS PER ASSY
15					
350	BV5-01258		. SOCKET-LT SUPPLIER CODE: V17023	107107 121503 904949 952999	2
355	NAS601-5P		ATTACHING PARTS . SCREW	107107 121503 904949 952999	4
360	AN960PD6L		. WASHER	107107 121503 904949 952999	4
365	5113WW		-----*----- . LAMP-FLUOR. L1,L2 SUPPLIER CODE: V08806	107107 121503 904949 952999	2
370	NAS603-6P		. SCREW	107107	3
372	NAS603-6P		. SCREW	952999	4
375	AN960PD10L		. WASHER	107107 952999	3
377	MS35333-39		. WASHER	952999	1
378	AN960D10L		. WASHER	952999	1
- 380	AN960C10L		. WASHER	952999	1
390	61-48-2		. BALLAST-RT1 SUPPLIER CODE: V82255 SPECIFICATION NUMBER: 10-60752-11	107107 121503 904949 952999	1
405	10C10B		. SWITCH-DOOR S1 SUPPLIER CODE: V15438 CONFIG CHG DATA FROM A CMM: SUPSD BY 1A081-0164-1 REPLD BY 10C10F	107107 121503 904949	1
405	1A081-0164-1		. SWITCH-DOOR S1 SUPPLIER CODE: VS5825 CONFIG CHG DATA FROM A CMM: SUPERSEDES 10C10B SUPSD BY 1A081-0164-3	107107 121503 904949	1
405	1A081-0164-3		. SWITCH-DOOR S1 SUPPLIER CODE: VS5825 CONFIG CHG DATA FROM A CMM: SUPERSEDES 1A081-0164-1	002004 006100 107107	1

MISSING ITEM NUMBERS NOT APPLICABLE

- ITEM NOT ILLUSTRATED

33-26-52-15

33-26-52
FIG. 15
PAGE 4
JAN 20/09

BRI



757

PARTS CATALOG (MAINTENANCE)

FIG ITEM	PART NUMBER	1 2 3 4 5 6 7	NOMENCLATURE	EFFECT FROM TO	UNITS PER ASSY
15 405	10C10F		.SWITCH-DOOR S1 SUPPLIER CODE: V15438 CONFIG CHG DATA FROM A CMM: REPLS 10C10B ATTACHING PARTS	121503 904949	1
- 410	NAS514P632-6		.SCREW	107107	3
- 410	NAS514P632-3		.SCREW	121503 904949	3
			-----*-----		
465	61-48-2		.BALLAST-RT1 SUPPLIER CODE: V82255 SPECIFICATION NUMBER: 10-60752-11 ATTACHING PARTS	107107	1
470	NAS1603-6P		.SCREW	107107	3
475	AN960PD10L		.WASHER	107107	3
			-----*-----		
- 600	1A112-0088-137		ELECTRICAL ASSY-LAV A (LIGHTS ONLY) SUPPLIER CODE: VS5825 FOR NHA/OTHER SYS DET SEE: 25-41-01-06E	107107	RF
- 600	1A112-0088-317		ELECTRICAL ASSY-LAV A (LIGHTS ONLY) SUPPLIER CODE: VS5825 FOR NHA/OTHER SYS DET SEE: 25-41-01-06	952999	RF
- 600	1A112-0088-177		ELECTRICAL ASSY-LAV A (LIGHTS ONLY) SUPPLIER CODE: VS5825 FOR NHA/OTHER SYS DET SEE: 25-41-01-06H	121503 904949	RF
645	10C10B		.SWITCH-DOOR S1 SUPPLIER CODE: V15438 CONFIG CHG DATA FROM A CMM: SUPSD BY 1A081-0164-1	107107	1
645	1A081-0164-1		.SWITCH-DOOR S1 SUPPLIER CODE: VS5825 CONFIG CHG DATA FROM A CMM: SUPERSEDES 10C10B SUPSD BY 1A081-0164-3	107107	1

MISSING ITEM NUMBERS NOT APPLICABLE

- ITEM NOT ILLUSTRATED

33-26-52-15

33-26-52
FIG. 15
PAGE 5
JAN 20/09

BRI



757

PARTS CATALOG (MAINTENANCE)

FIG ITEM	PART NUMBER	1 2 3 4 5 6 7	NOMENCLATURE	EFFECT FROM TO	UNITS PER ASSY
15 650	1A081-0164-1		.SWITCH-DOOR S1 SUPPLIER CODE: VS5825 CONFIG CHG DATA FROM A CMM: SUPERSEDES 10C10B SUPSD BY 1A081-0164-3 SUPSD BY 10C10F	107107 121503 904949 952999	1
650	10C10B		.SWITCH-DOOR S1 SUPPLIER CODE: V15438 CONFIG CHG DATA FROM A CMM: SUPSD BY 1A081-0164-1 REPLD BY 10C10F	107107	1
650	1A081-0164-3		.SWITCH-DOOR S1 SUPPLIER CODE: VS5825 CONFIG CHG DATA FROM A CMM: SUPERSEDES 1A081-0164-1	107107	1
- 655	NAS514P632-6		ATTACHING PARTS .SCREW -----*	107107 121503 904949 952999	3

MISSING ITEM NUMBERS NOT APPLICABLE

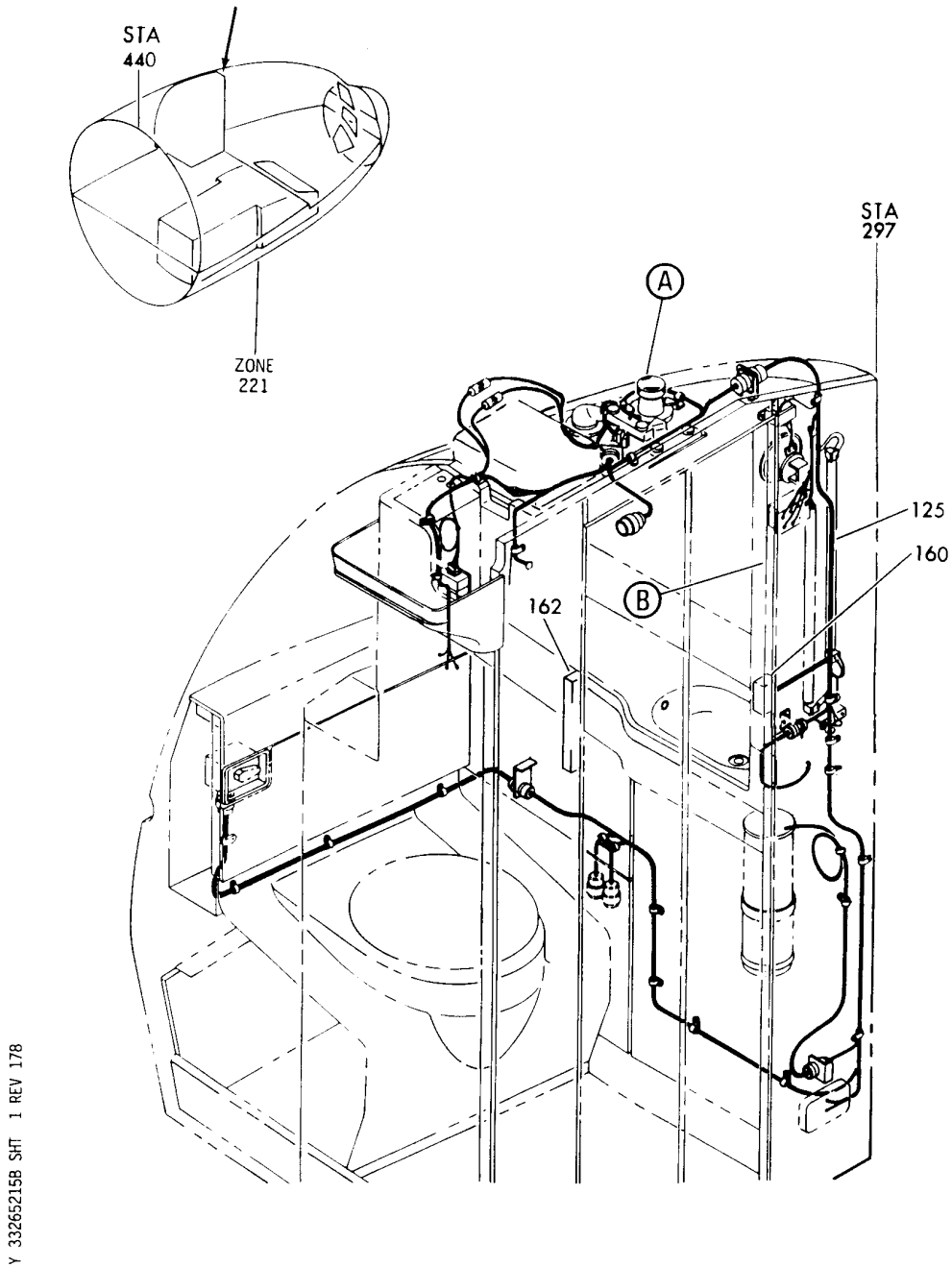
- ITEM NOT ILLUSTRATED

33-26-52-15

33-26-52
FIG. 15
PAGE 6
JAN 20/09

BRI

BOEING
757
PARTS CATALOG (MAINTENANCE)



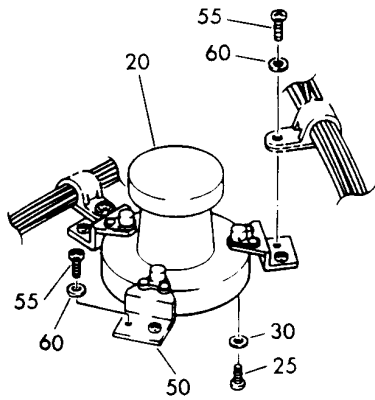
ELECTRICAL ASSY-LAV (LIGHTS ONLY)
FIGURE 15B (SHEET 1)

33-26-52-15B

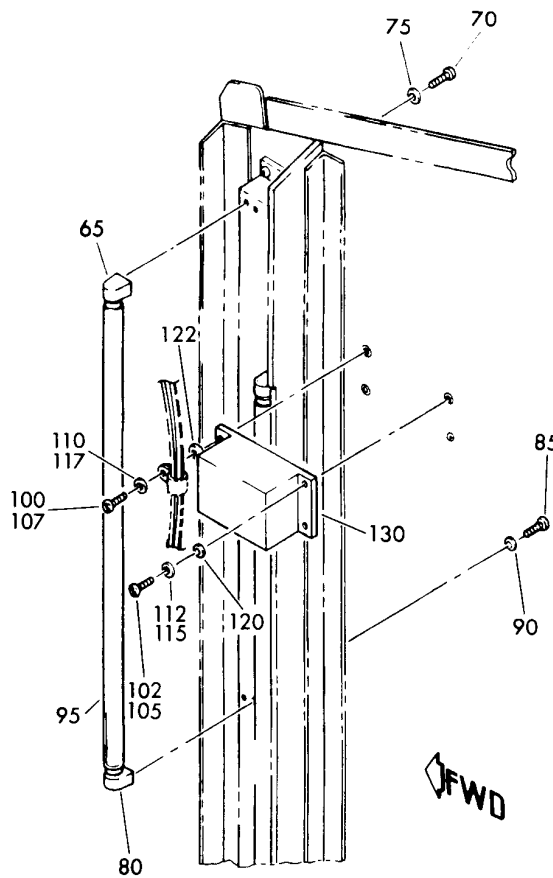
BRI
MAY 28/07

33-26-52-15B
PAGE 0

BOEING
757
PARTS CATALOG (MAINTENANCE)



(A)



(B)

Y 33265215B SHT 2 REV 178

ELECTRICAL ASSY-LAV (LIGHTS ONLY)
FIGURE 15B (SHEET 2)

33-26-52-15B

BRI
MAY 28/07

33-26-52-15B
PAGE 0A



757

PARTS CATALOG (MAINTENANCE)

FIG ITEM	PART NUMBER	1 2 3 4 5 6 7	NOMENCLATURE	EFFECT FROM TO	UNITS PER ASSY
15B			ELECTRICAL ASSY-LAV (LIGHTS ONLY)	002004 006100 950951	
- 1	1A112-0088NRA		ELECTRICAL ASSY-LAV A (LIGHTS ONLY) SUPPLIER CODE: VS5825 FOR NHA/OTHER SYS DET SEE: 25-41-01-06B	950951	RF
- 1	1A112-0088NPA		ELECTRICAL ASSY-LAV A (LIGHTS ONLY) SUPPLIER CODE: VS5825 FOR NHA/OTHER SYS DET SEE: 25-41-01-06F	002004 006100	RF
20	1A081-0171-1		.LIGHT ASSY-DOME, (L3) SUPPLIER CODE: VS5825	002004 006100 950951	1
25	NAS602-6P		ATTACHING PARTS .SCREW	002004 006100 950951	3
30	AN960PD8L		.WASHER	002004 006100 950951	3
- 35	1A081-0171-101		-----*----- ..HOUSING ASSY- SUPPLIER CODE: VS5825	002004 006100 950951	1
- 40	1A081-0171-201		..LENS ASSY- SUPPLIER CODE: VS5825	002004 006100 950951	1
- 45	GE1691AF		.BULB-(L3T) SUPPLIER CODE: V08806	002004 006100 950951	1
50	3A114-0135-1		.BRACKET-MOUNTING SUPPLIER CODE: VS5825	002004 006100 950951	3
55	NAS602-5P		ATTACHING PARTS .SCREW	002004 006100 950951	6
60	AN960PD8L		.WASHER	002004 006100 950951	6
65	BV5-01258		-----*----- .SOCKET- SUPPLIER CODE: V17023	002004 006100 950951	2

MISSING ITEM NUMBERS NOT APPLICABLE

- ITEM NOT ILLUSTRATED

33-26-52-15B

33-26-52
FIG. 15B
PAGE 1
JAN 20/09

BRI

BOEING PROPRIETARY - Copyright © - Unpublished Work - See title page for details.



757

PARTS CATALOG (MAINTENANCE)

FIG ITEM	PART NUMBER	1 2 3 4 5 6 7	NOMENCLATURE	EFFECT FROM TO	UNITS PER ASSY
15B			ATTACHING PARTS		
70	NAS601-5P		.SCREW	002004 006100 950951	4
75	AN960PD6L		.WASHER	002004 006100 950951	4
80	BV5-01261		-----*----- .SOCKET-	002004 006100 950951	2
			SUPPLIER CODE: V17023		
85	NAS601-5P		ATTACHING PARTS .SCREW	002004 006100 950951	4
90	AN960PD6L		.WASHER	002004 006100 950951	4
95	5113WW		-----*----- .LAMP-FLUORESCENT (L1, L2)	002004 006100 950951	2
			SUPPLIER CODE: V08806		
100	NAS603-6P		.SCREW	950951	3
102	NAS603-6P		.SCREW	002004 006100	3
105	NAS603-6P		.SCREW	950951	1
107	NAS603-6P		.SCREW	002004 006100	1
110	AN960PD10L		.WASHER	950951	3
112	AN960PD10L		.WASHER	002004 006100	3
115	MS35333-39		.WASHER	950951	1
117	MS35333-39		.WASHER	002004 006100	1
120	AN960D10L		.WASHER	950951	1
122	AN960D10L		.WASHER	002004 006100	1
125	2A112-0086-245		.HARNESS ASSY- SUPPLIER CODE: VS5825	950951	RF
125	2A112-0086-195		.HARNESS ASSY-(SUPSD BY 2A112-0086-215) SUPPLIER CODE: VS5825	002004 006100	RF
125	2A112-0086-215		.HARNESS ASSY-(SUPERSEDES 2A112-0086-195) SUPPLIER CODE: VS5825	002004 006100	RF

MISSING ITEM NUMBERS NOT APPLICABLE

- ITEM NOT ILLUSTRATED

33-26-52-15B

33-26-52
FIG. 15B
PAGE 2
JAN 20/09

BRI

BOEING PROPRIETARY - Copyright © - Unpublished Work - See title page for details.



757

PARTS CATALOG (MAINTENANCE)

FIG ITEM	PART NUMBER	1 2 3 4 5 6 7	NOMENCLATURE	EFFECT FROM TO	UNITS PER ASSY
15B 130	61-48-2		. . BALLAST-(RT1) SUPPLIER CODE: V82255 SPECIFICATION NUMBER: 10-60752-11	002004 006100 950951	1
160	1A081-0164-3		. SWITCH-D00R (S1) SUPPLIER CODE: VS5825	950951	1
162	1A081-0164-1		. SWITCH-D00R (SUPSD BY 1A081-0164-3) SUPPLIER CODE: VS5825	002004 006100	1
162	1A081-0164-3		. SWITCH-D00R (S1) (SUPERSEDES A081-0164-1) SUPPLIER CODE: VS5825	002004 006100	1
- 165	NAS514P632-6		ATTACHING PARTS . SCREW -----*-----	002004 006100 950951	3

MISSING ITEM NUMBERS NOT APPLICABLE

- ITEM NOT ILLUSTRATED

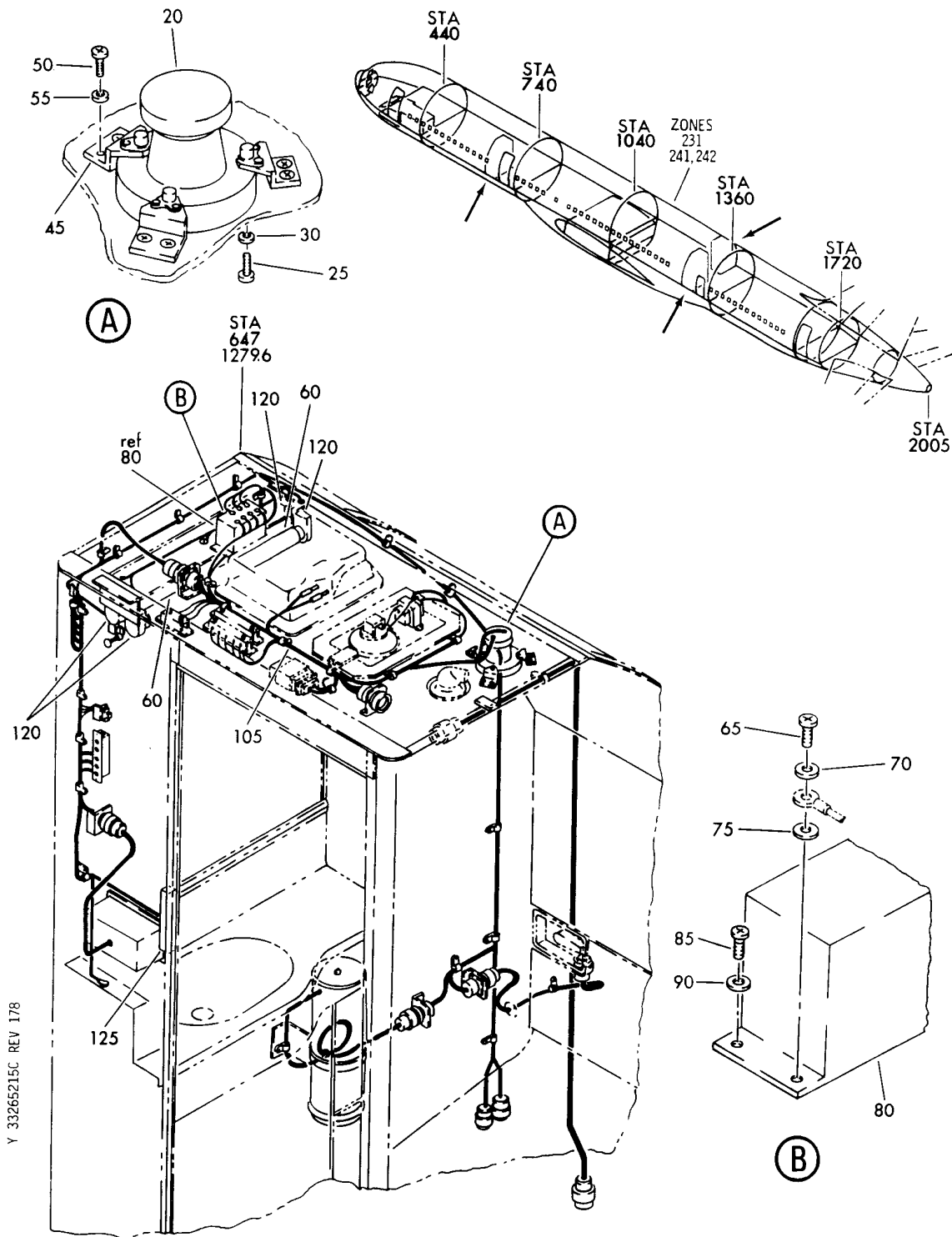
33-26-52-15B

33-26-52
FIG. 15B
PAGE 3
JAN 20/09

BRI

BOEING PROPRIETARY - Copyright © - Unpublished Work - See title page for details.

BOEING
757
PARTS CATALOG (MAINTENANCE)



Y 33265215C REV 178

ELECTRICAL ASSY-LAV (LIGHTS ONLY)
FIGURE 15C

33-26-52-15C

BRI
MAY 28/07

33-26-52-15C
PAGE 0



757

PARTS CATALOG (MAINTENANCE)

FIG ITEM	PART NUMBER	1 2 3 4 5 6 7	NOMENCLATURE	EFFECT FROM TO	UNITS PER ASSY
15C			ELECTRICAL ASSY-LAV (LIGHTS ONLY)	002004 006100 950951	
- 1	1A122-0089NRA		ELECTRICAL ASSY-LAV C (LIGHTS ONLY) SUPPLIER CODE: VS5825 FOR NHA/OTHER SYS DET SEE: 25-41-04-27	950951	RF
- 1	1A122-0089NPB		ELECTRICAL ASSY-LAV C (LIGHTS ONLY) SUPPLIER CODE: VS5825 FOR NHA/OTHER SYS DET SEE: 25-41-04-28	002004 006100	RF
- 5	1A122-0089NRB		ELECTRICAL ASSY-LAV D (LIGHTS ONLY) SUPPLIER CODE: VS5825 FOR NHA/OTHER SYS DET SEE: 25-41-04-43	950951	RF
- 5	1A122-0089NPC		ELECTRICAL ASSY-LAV D (LIGHTS ONLY) SUPPLIER CODE: VS5825 FOR NHA/OTHER SYS DET SEE: 25-41-04-44	002004 006100	RF
- 10	1A122-0089NRC		ELECTRICAL ASSY-LAV S (LIGHTS ONLY) SUPPLIER CODE: VS5825 FOR NHA/OTHER SYS DET SEE: 25-41-03-08A	950951	RF
- 12	1A122-0089NPA		ELECTRICAL ASSY-LAV B (LIGHTS ONLY) SUPPLIER CODE: VS5825	002004 006100	RF
- 15	GE1691AF		.BULB-(L3T) SUPPLIER CODE: V08806	002004 006100 950951	1
20	1A081-0171-1		.LIGHT ASSY-DOME, (L3) SUPPLIER CODE: VS5825	002004 006100 950951	1
25	NAS602-6P		ATTACHING PARTS .SCREW	002004 006100 950951	3

MISSING ITEM NUMBERS NOT APPLICABLE

- ITEM NOT ILLUSTRATED

33-26-52-15C

33-26-52
FIG. 15C
PAGE 1
JAN 20/09

BRI

BOEING PROPRIETARY - Copyright © - Unpublished Work - See title page for details.

 **BOEING**
757
PARTS CATALOG (MAINTENANCE)

FIG ITEM	PART NUMBER	1 2 3 4 5 6 7	NOMENCLATURE	EFFECT FROM TO	UNITS PER ASSY
15C 30	AN960PD8L		.WASHER	002004 006100 950951	3
- 35	1A081-0171-201		-----*----- .. LENS ASSY- SUPPLIER CODE: VS5825	950951	1
- 40	1A081-0171-101		.. HOUSING ASSY- SUPPLIER CODE: VS5825	950951	1
45	3A114-0135-1		.BRACKET-MOUNTING SUPPLIER CODE: VS5825 ATTACHING PARTS	002004 006100 950951	3
50	NAS602-5P		.SCREW	002004 006100 950951	6
55	AN960PD8L		.WASHER	002004 006100 950951	6
60	F15T12WW		-----*----- .LAMP-FLOUR. (L1, L2) SUPPLIER CODE: V13545	002004 006100 950951	2
65	NAS602-5P		.SCREW	002004 006100 950951	1
70	MS35333-38		.WASHER	002004 006100 950951	1
75	AN960D8L		.WASHER	002004 006100 950951	1
80	1343-1		.BALLAST-(RT1) SUPPLIER CODE: V30242 SPECIFICATION NUMBER: 60B40025-43 ATTACHING PARTS	002004 006100 950951	1
85	NAS602-5P		.SCREW	002004 006100 950951	3
90	AN960PD8L		.WASHER	002004 006100 950951	3
- 95	NAS600-5P		-----*----- .SCREW	002004 006100 950951	8

MISSING ITEM NUMBERS NOT APPLICABLE

- ITEM NOT ILLUSTRATED

BRI

33-26-52-15C

BOEING PROPRIETARY - Copyright © - Unpublished Work - See title page for details.

33-26-52
FIG. 15C
PAGE 2
JAN 20/09



757

PARTS CATALOG (MAINTENANCE)

FIG ITEM	PART NUMBER	1 2 3 4 5 6 7	NOMENCLATURE	EFFECT FROM TO	UNITS PER ASSY
15C - 100	AN960PD4L	.	WASHER	002004 006100 950951	8
105	2A122-0089-394	.	HARNESS ASSY-(LAV C) (SUPSD BY 2A122-0089-404) SUPPLIER CODE: VS5825	002004 006100 950951	RF
- 110	2A122-0089-393	.	HARNESS ASSY-(LAV D) SUPPLIER CODE: VS5825	950951	RF
- 112	2A122-0089-404	.	HARNESS ASSY-(LAV C) (SUPERSEDES 2A122-0089-394) SUPPLIER CODE: VS5825	002004 006100	RF
- 115	2A122-0089-433	.	HARNESS ASSY-(LAV S) SUPPLIER CODE: VS5825	950951	RF
- 117	2A122-0089-393	.	HARNESS ASSY-(LAV B AND D) (SUPSD BY 2A122-0089-403) SUPPLIER CODE: VS5825	002004 006100	RF
- 117	2A122-0089-403	.	HARNESS ASSY-(LAV B AND D) (SUPERSEDES 2A122-0089-393) SUPPLIER CODE: VS5825	002004 006100	RF
120	BV03112N40	..	SOCKET-LAMP SUPPLIER CODE: V17023	002004 006100 950951	4
125	1A081-0164-1	.	SWITCH-DOOR (SUPSD BY 1A081-0164-3) SUPPLIER CODE: VS5825	002004 006100	1
125	1A081-0164-3	.	SWITCH-DOOR (S1) (SUPERSEDES 1A081-0164-1) SUPPLIER CODE: VS5825	002004 006100 950951	1
- 130	NAS514P632-6	.	ATTACHING PARTS SCREW -----*-----	002004 006100 950951	3

MISSING ITEM NUMBERS NOT APPLICABLE

- ITEM NOT ILLUSTRATED

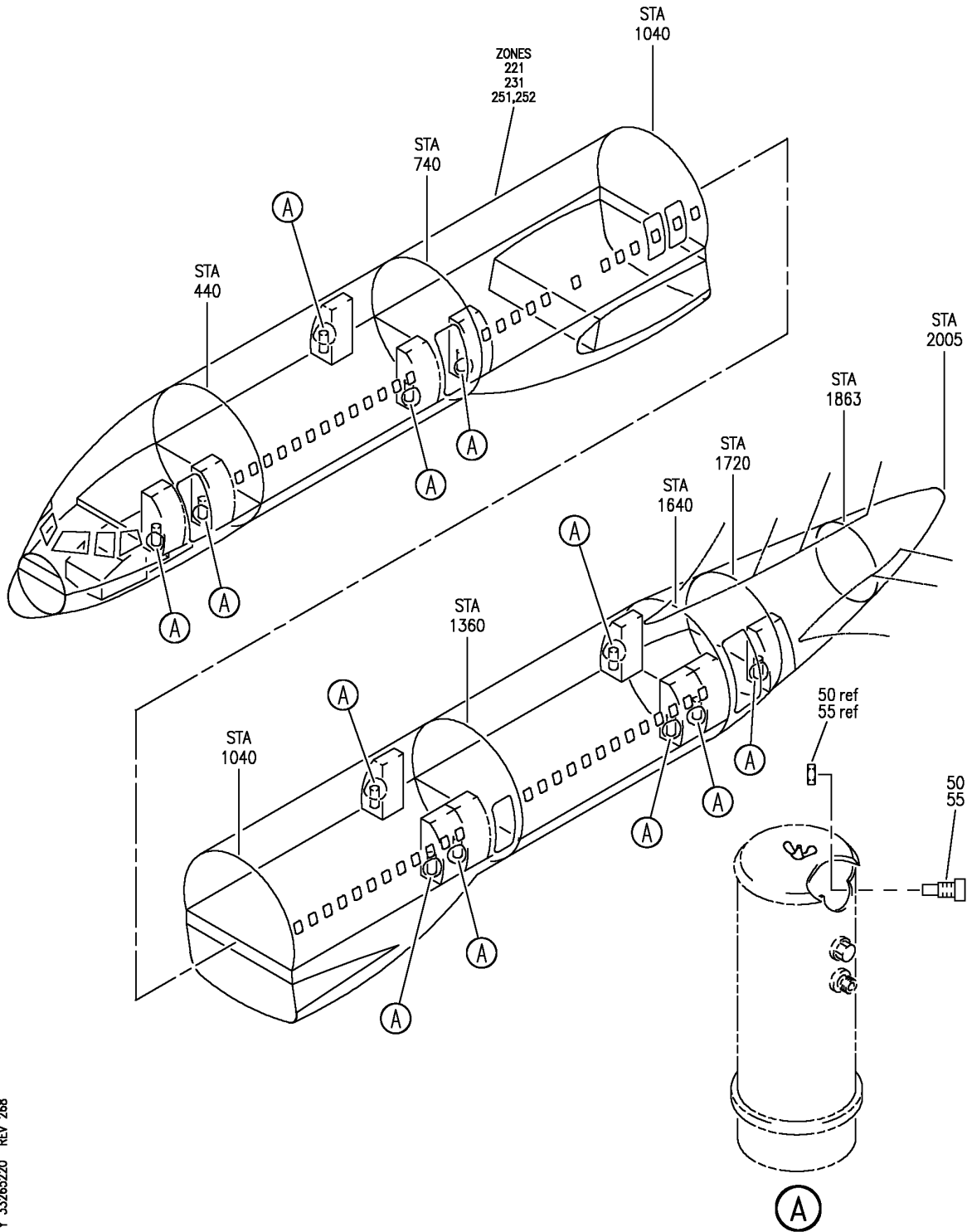
33-26-52-15C

33-26-52
FIG. 15C
PAGE 3
JAN 20/09

BRI

BOEING PROPRIETARY - Copyright © - Unpublished Work - See title page for details.

BOEING
757
PARTS CATALOG (MAINTENANCE)



Y 33265220 REV 268

HEATER ASSY-WATER LAV (LIGHTS ONLY)
FIGURE 20

33-26-52-20

BRI
MAY 28/07

33-26-52-20
PAGE 0



757

PARTS CATALOG (MAINTENANCE)

FIG ITEM	PART NUMBER	1 2 3 4 5 6 7	NOMENCLATURE	EFFECT FROM TO	UNITS PER ASSY
20			HEATER ASSY-WATER LAV (LIGHTS ONLY)	002004 006951	
- 1	1A081-0157-12		HEATER ASSY-WATER LAV (LIGHTS ONLY) SUPPLIER CODE: VS5825 COMPONENT MAINT MANUAL REF: 25-41-15 FOR NHA/OTHER SYS DET SEE: 38-11-51-01A 38-11-51-15J 38-11-51-20A 38-11-51-20E 38-11-51-25A 38-11-51-26B 38-11-51-27C 38-11-51-30C 38-11-51-30D 38-11-51-30J 38-13-51-01 38-13-51-10C	101106 108951	RF
- 1	1A081-0157-12		HEATER ASSY-WATER LAV (LIGHTS ONLY) SUPPLIER CODE: VS5825 CONFIG CHG DATA FROM A CMM: SUPERSEDES 24E507040G01 COMPONENT MAINT MANUAL REF: 25-41-15 FOR NHA/OTHER SYS DET SEE: 38-11-51-02L 38-11-51-10C 38-13-51-10D	002004 006100 107107	RF
50	BNS3RUY		.LIGHT-IND SUPPLIER CODE: VS5825	101106 108951	1

MISSING ITEM NUMBERS NOT APPLICABLE

- ITEM NOT ILLUSTRATED

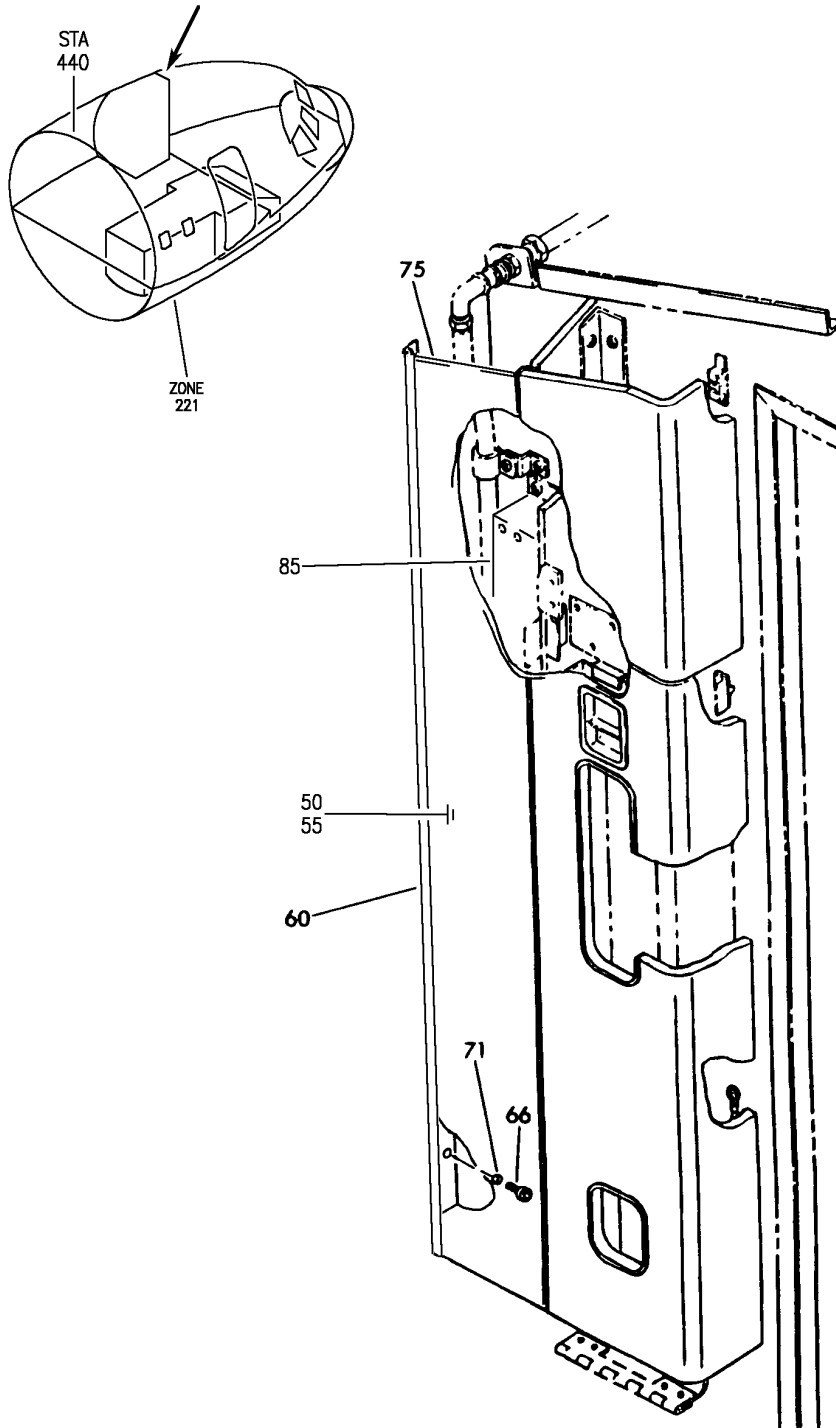
BRI

33-26-52-20

BOEING PROPRIETARY - Copyright © - Unpublished Work - See title page for details.

33-26-52
FIG. 20
PAGE 1
JAN 20/09

BOEING
757
PARTS CATALOG (MAINTENANCE)



Y 33265240 REV 264

CABINET ASSY-LT AND UTILITY LAV A (LIGHTS ONLY)
FIGURE 40

33-26-52-40

BRI
MAY 28/07

33-26-52-40
PAGE 0



757

PARTS CATALOG (MAINTENANCE)

FIG ITEM	PART NUMBER	1 2 3 4 5 6 7	NOMENCLATURE	EFFECT FROM TO	UNITS PER ASSY
40			CABINET ASSY-LT AND UTILITY LAV A (LIGHTS ONLY)	002004 006100 107107 121503 904999	
- 1	0A112-0006-41		CABINET ASSY-LT AND UTILITY, LAV A (LAVATORY LIGHTS ONLY) SUPPLIER CODE: VS5825 FOR NHA/OTHER SYS DET SEE: 25-41-01-06 25-41-01-06E	107107 952999	RF
- 1	0A112-0006-161		CABINET ASSY-LT AND UTILITY, LAV A (LAVATORY LIGHTS ONLY) SUPPLIER CODE: VS5825 FOR NHA/OTHER SYS DET SEE: 25-41-01-06F	002004 006100	RF
- 1	0A112-0006-31		CABINET ASSY-LT AND UTILITY, LAV A (LAVATORY LIGHTS ONLY) SUPPLIER CODE: VS5825 CONFIG CHG DATA FROM A CMM: SUPSD BY 0A112-0006-31 FOR NHA/OTHER SYS DET SEE: 25-41-01-06B 25-41-01-06H	121503 904951	RF
- 1	0A112-0006-121		CABINET ASSY-LT AND UTILITY (LAVATORY LIGHTS ONLY) SUPPLIER CODE: VS5825 CONFIG CHG DATA FROM A CMM: SUPERSEDES 0A112-0006-31 FOR NHA/OTHER SYS DET SEE: 25-41-01-06H	121503 904949	RF
50	2A114-0011-3		.LENS- SUPPLIER CODE: VS5825	002004 006100 107107 121503 904999	1
55	0A112-0006-3		.TRIM-LENS SUPPLIER CODE: VS5825	002004 006100 107107 950999	1

MISSING ITEM NUMBERS NOT APPLICABLE

- ITEM NOT ILLUSTRATED

33-26-52-40

33-26-52
FIG. 40
PAGE 1
JAN 20/09

BRI



757

PARTS CATALOG (MAINTENANCE)

FIG ITEM	PART NUMBER	1 2 3 4 5 6 7	NOMENCLATURE	EFFECT FROM TO	UNITS PER ASSY
40					
- 57	0A112-0006-3		. TRIM-LENS SUPPLIER CODE: VS5825	107107 121503 904949 952999	1
60	2A114-0073-1		. SUPPORT-LENS SUPPLIER CODE: VS5825	002004 006100 107107 121503 904999	1
			ATTACHING PARTS		
- 65	NAS601-5P		. SCREW	121503 904949 952999	5
66	NAS601-5P		. SCREW	002004 006100 107107 950951	6
- 67	NAS601-5P		. SCREW	107107	6
- 70	AN960PD6L		. WASHER	121503 904949 952999	5
71	AN960PD6L		. WASHER	002004 006100 107107 950951	6
- 72	AN960PD6L		. WASHER	107107	6
			-----*-----		
75	0A112-0006-7		. CUSHION-RUBBER SUPPLIER CODE: VS5825	002004 006100 107107 121503 904999	1

MISSING ITEM NUMBERS NOT APPLICABLE

- ITEM NOT ILLUSTRATED

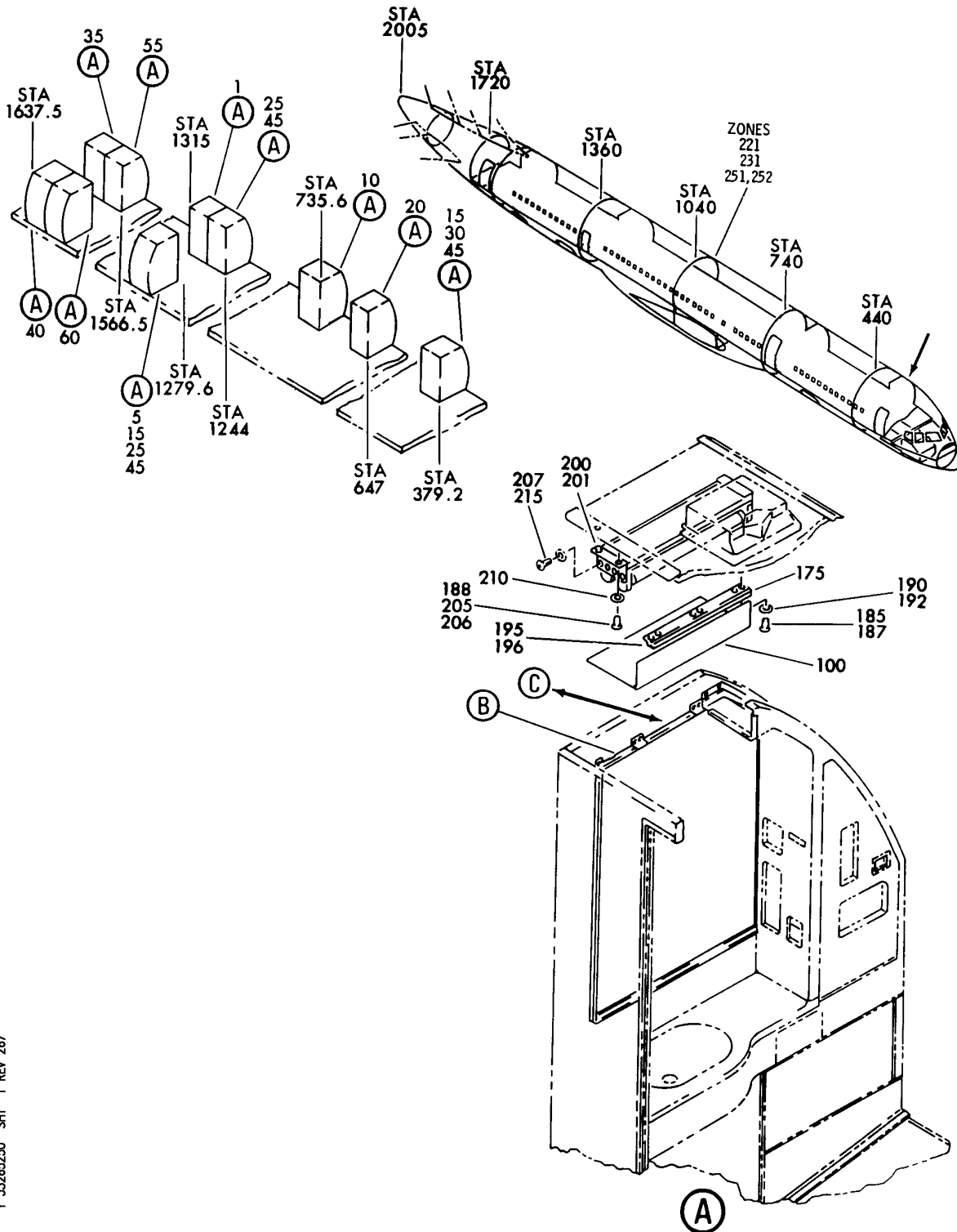
BRI

33-26-52-40

BOEING PROPRIETARY - Copyright © - Unpublished Work - See title page for details.

33-26-52
FIG. 40
PAGE 2
JAN 20/09

BOEING
757
PARTS CATALOG (MAINTENANCE)



Y 33265250 SHT 1 REV 267

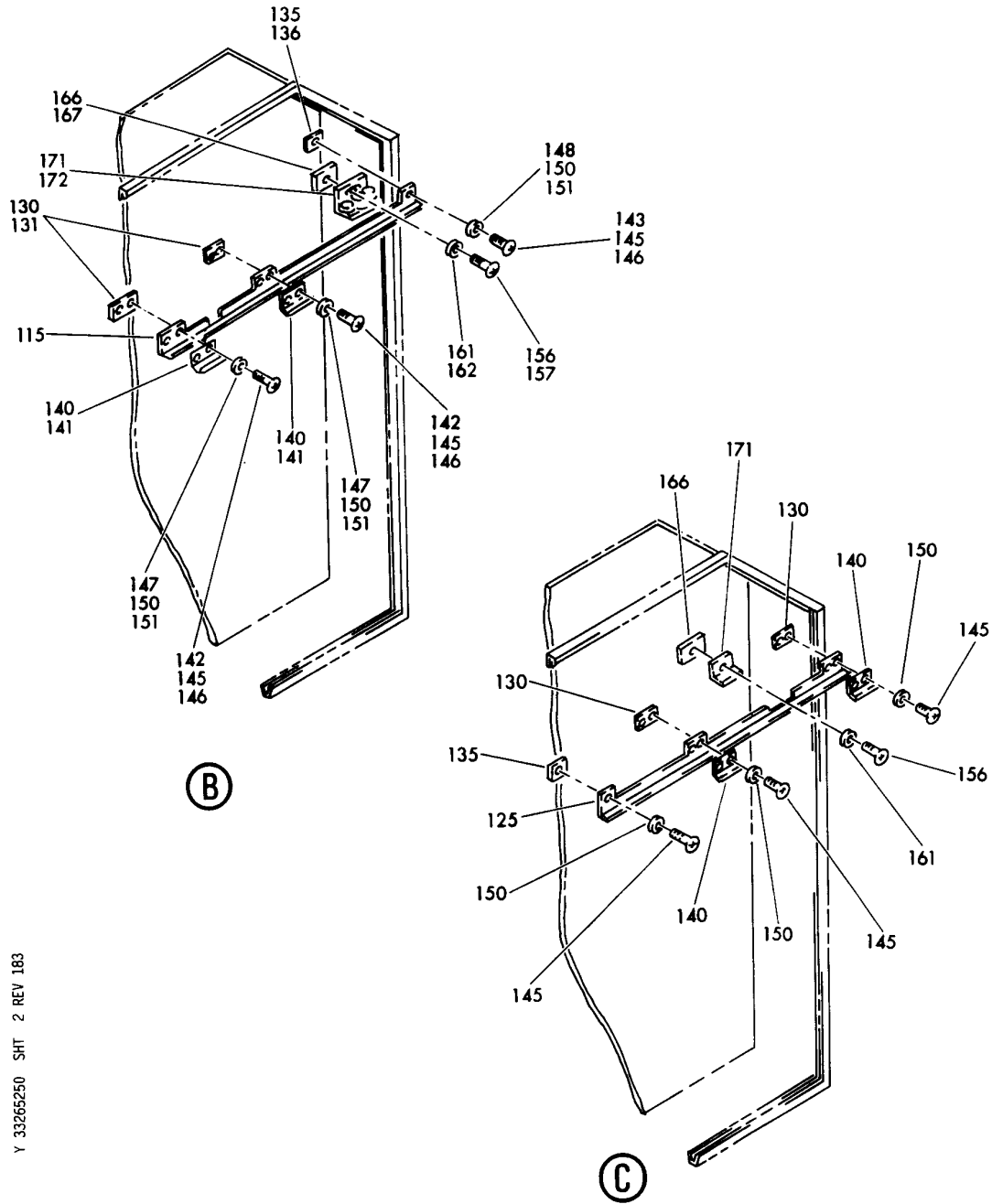
MIRROR AND LIGHT INSTL-LAV (LIGHTS ONLY)
FIGURE 50 (SHEET 1)

33-26-52-50

BRI
MAY 28/07

33-26-52-50
PAGE 0

BOEING
757
PARTS CATALOG (MAINTENANCE)



Y 33265250 SHT 2 REV 183

MIRROR AND LIGHT INSTL-LAV (LIGHTS ONLY)
FIGURE 50 (SHEET 2)

33-26-52-50

BRI
MAY 28/07

33-26-52-50
PAGE 0A



757

PARTS CATALOG (MAINTENANCE)

FIG ITEM	PART NUMBER	1 2 3 4 5 6 7	NOMENCLATURE	EFFECT FROM TO	UNITS PER ASSY
50			MIRROR AND LIGHT INSTL-LAV (LIGHTS ONLY)	107107 121503 904999	
1	0A122-0007-2		MIRROR AND LIGHT INSTL-LAV C (LIGHTS ONLY) SUPPLIER CODE: VS5825 FOR NHA/OTHER SYS DET SEE: 25-41-04-60 25-41-04-27 25-41-04-96 25-41-03-50B	107107 121503 904999	RF
5	0A122-0007-1		MIRROR AND LIGHT ASSY-LAV D (LIGHTS ONLY) SUPPLIER CODE: VS5825 FOR NHA/OTHER SYS DET SEE: 25-41-04-57 25-41-04-43	950999	RF
10	0A122-0007-11		MIRROR AND LIGHT INSTL-LAV T (LIGHTS ONLY) SUPPLIER CODE: VS5825	952999	RF
15	0A122-0007-1		MIRROR AND LIGHT ASSY-LAV D AND F (LIGHTS ONLY) SUPPLIER CODE: VS5825 FOR NHA/OTHER SYS DET SEE: 25-41-01-09E 25-41-03-51B 25-41-04-95	107107 121503 904949	RF
20	0A122-0007-31		MIRROR AND LIGHT ASSY- LAV S (LIGHTS ONLY) SUPPLIER CODE: VS5825 FOR NHA/OTHER SYS DET SEE: 25-41-03-08A 25-41-03-08C	950951 953999	RF
20	0A122-0007-51		MIRROR AND LIGHT INSTL-LAV S (LIGHTS ONLY) SUPPLIER CODE: VS5825 FOR NHA/OTHER SYS DET SEE: 25-41-03-08A	950951	RF

MISSING ITEM NUMBERS NOT APPLICABLE

- ITEM NOT ILLUSTRATED

33-26-52-50

33-26-52
FIG. 50
PAGE 1
JAN 20/09

BRI



757

PARTS CATALOG (MAINTENANCE)

FIG ITEM	PART NUMBER	1 2 3 4 5 6 7	NOMENCLATURE	EFFECT FROM TO	UNITS PER ASSY
50					
100	2A124-0033-1		.LENS- LAV B AND D LAV F AND M LAV D AND F SUPPLIER CODE: VS5825	107107 121503 904949	1
100	2A124-0033-1		.LENS- LAV D LAV J LAV M SUPPLIER CODE: VS5825	950999	1
100	2A124-0033-1		.LENS-LAV B, D AND F SUPPLIER CODE: VS5825	107107	1
- 105	2A124-0033-2		.LENS- LAV C SUPPLIER CODE: VS5825	107107 950999	1
- 110	2A124-0033-3		.LENS- LAV T SUPPLIER CODE: VS5825	950951 953999	1
115	2A124-0034-1		.SUPPORT-LENS LAV B AND D LAV D AND F LAV F AND M SUPPLIER CODE: VS5825	107107 121503 904949	1
115	2A124-0034-1		.SUPPORT-LENS LAV D LAV J LAV M SUPPLIER CODE: VS5825	950999	1
115	2A124-0034-1		.SUPPORT-LENS LAV B, D AND F SUPPLIER CODE: VS5825	107107	1
- 120	2A124-0034-2		.SUPPORT-LENS LAV C SUPPLIER CODE: VS5825	107107 950999	1
- 125	2A124-0034-3		.SUPPORT-LENS LAV T SUPPLIER CODE: VS5825	950951 953999	1

MISSING ITEM NUMBERS NOT APPLICABLE

- ITEM NOT ILLUSTRATED

33-26-52-50

33-26-52
FIG. 50
PAGE 2
JAN 20/09

BRI



757

PARTS CATALOG (MAINTENANCE)

FIG ITEM	PART NUMBER	1 2 3 4 5 6 7	NOMENCLATURE	EFFECT FROM TO	UNITS PER ASSY
50					
130	2A124-0049-1	.	SPACER- LAV C, D AND F LAV C, D AND T SUPPLIER CODE: VS5825	107107 121503 904951 953999	2
130	2A124-0049-1	.	SPACER- SUPPLIER CODE: VS5825	952952	2
131	2A124-0049-1	.	SPACER- SUPPLIER CODE: VS5825	121503 904999	2
- 133	2A124-0049-3	.	SPACER- SUPPLIER CODE: VS5825	121503 904999	1
135	2A124-0049-5	.	SPACER- SUPPLIER CODE: VS5825	107107 121503 904951 953999	1
135	2A124-0049-5	.	SPACER- SUPPLIER CODE: VS5825	952952	1
136	2A124-0049-5	.	SPACER- SUPPLIER CODE: VS5825	952952	1
- 137	2A124-0049-5	.	SPACER- SUPPLIER CODE: VS5825	121503 904949 952999	1
140	2A124-0050-1	.	CLIP-LENS LAV C, D AND F LAV C, D AND T LAV C, D AND S LAV F, K AND M LAV J, K AND L LAV J, K AND M LAV K, M AND S SUPPLIER CODE: VS5825	107107 121503 904951 953999	2
140	2A124-0050-1	.	CLIP-LENS SUPPLIER CODE: VS5825	952952	2
141	2A124-0050-1	.	CLIP-LENS LAV C, B, D AND F SUPPLIER CODE: VS5825	121503 904949 952999	2
141	2A124-0050-1	.	CLIP-LENS SUPPLIER CODE: VS5825	121503 904949 952999	2

MISSING ITEM NUMBERS NOT APPLICABLE

- ITEM NOT ILLUSTRATED

33-26-52-50

33-26-52
FIG. 50
PAGE 3
JAN 20/09

BRI

BOEING PROPRIETARY - Copyright © - Unpublished Work - See title page for details.



757

PARTS CATALOG (MAINTENANCE)

FIG ITEM	PART NUMBER	1 2 3 4 5 6 7	NOMENCLATURE	EFFECT FROM TO	UNITS PER ASSY
50					
141	2A124-0050-1		.CLIP-LENS SUPPLIER CODE: VS5825 ATTACHING PARTS	121503 904949	2
- 144	NAS601-7P		.SCREW	121503 904949 952999	4
145	NAS601-7P		.SCREW	107107 121503 904951 953999	5
145	NAS601-7P		.SCREW	952952	5
146	NAS601-7P		.SCREW	952952	5
- 149	AN960PD6L		.WASHER	121503 904949 952999	4
150	AN960PD6L		.WASHER	107107 121503 904951 953999	5
150	AN960PD6L		.WASHER	107107	5
150	AN960PD6L		.WASHER	952952	5
151	AN960PD6L		.WASHER	952952	5
			-----*-----		
156	NAS623-3-4P		.SCREW	121503 904949 953999	1
156	NAS623-3-4		.SCREW	107107 950951	1
156	NAS623-3-4P		.SCREW	952952	1
156	NAS623-3-4		.SCREW	107107	1
156	NAS623-3-4		.SCREW	121503 904949 952999	1
157	NAS623-3-4		.SCREW	121503 904949 952999	1
161	AN960PD10L		.WASHER	107107 121503 904951 953999	1
161	AN960PD10L		.WASHER	107107	1
161	AN960PD10L		.WASHER	952952	1
162	AN960PD10L		.WASHER	952952	1

MISSING ITEM NUMBERS NOT APPLICABLE

- ITEM NOT ILLUSTRATED

33-26-52-50

33-26-52
FIG. 50
PAGE 4
JAN 20/09

BRI

BOEING PROPRIETARY - Copyright © - Unpublished Work - See title page for details.



757

PARTS CATALOG (MAINTENANCE)

FIG ITEM	PART NUMBER	1 2 3 4 5 6 7	NOMENCLATURE	EFFECT FROM TO	UNITS PER ASSY
50 166	2A124-0049-3		. SPACER- LAV C, D AND F LAV C, D AND T LAV C, D AND S LAV G, K AND M LAV F, K AND M LAV J, K AND L LAV J, K AND M SUPPLIER CODE: VS5825	107107 121503 904951 953999	1
166	2A124-0049-3		. SPACER- SUPPLIER CODE: VS5825	952952	1
167	2A124-0049-3		. SPACER- SUPPLIER CODE: VS5825	952952	1
167	2A124-0049-3		. SPACER- SUPPLIER CODE: VS5825	121503 904949 952999	1
167	2A124-0049-3		. SPACER- SUPPLIER CODE: VS5825	121503 904949	1
171	3A123-0149-1		. ANGLE-LENS SPRT SUPPLIER CODE: VS5825	107107 121503 904951 953999	1
171	3A123-0149-1		. ANGLE-LENS SPRT SUPPLIER CODE: VS5825	952952	1
171	3A123-0149-1		. ANGLE-LENS SPRT SUPPLIER CODE: VS5825	121503 904949 952999	1
172	3A123-0149-1		. ANGLE-LENS SPRT LAV B, C, D AND F SUPPLIER CODE: VS5825	121503 904949 952999	1
- 173	3A123-0149-1		. ANGLE-LENS SPRT SUPPLIER CODE: VS5825	121503 904949 952999	1

MISSING ITEM NUMBERS NOT APPLICABLE

- ITEM NOT ILLUSTRATED

33-26-52-50

33-26-52
FIG. 50
PAGE 5
JAN 20/09

BRI

BOEING PROPRIETARY - Copyright © - Unpublished Work - See title page for details.



757

PARTS CATALOG (MAINTENANCE)

FIG ITEM	PART NUMBER	1 2 3 4 5 6 7	NOMENCLATURE	EFFECT FROM TO	UNITS PER ASSY
50 175	2A124-0045-1		.TRIM-LENS LAV C, D AND F LAV B AND D LAV D AND T LAV D AND S LAV F AND M LAV T AND M LAV J AND M LAV D AND F LAV M AND S SUPPLIER CODE: VS5825	107107 121503 904951 953999	1
175	2A124-0045-1		.TRIM-LENS LAV D LAV J LAV M SUPPLIER CODE: VS5825	952952	1
175	2A124-0045-1		.TRIM-LENS LAV M, S AND T LAV B, D AND F LAV B, D, F AND S SUPPLIER CODE: VS5825	107107	1
- 180	2A124-0045-2		.TRIM-LENS LAV C LAV G SUPPLIER CODE: VS5825	107107 950999	1
185	NAS601-5P		.ATTACHING PARTS .SCREW	121503 904949 953999	6
185	NAS601-5P		.SCREW	952952	6
187	NAS601-5P		.SCREW	107107	2
				121503 904999	
188	NAS601-5P		.SCREW	952999	2
190	AN960PD6L		.WASHER	121503	6
				904949 953999	
190	AN960PD6L		.WASHER	952952	6
192	AN960PD6L		.WASHER	107107	2
192	AN960PD6L		.WASHER	107107	2
				950999	
195	0A122-0007-3		-----*----- .CUSHION-RUBBER SUPPLIER CODE: VS5825	107107 950951 953999	1

MISSING ITEM NUMBERS NOT APPLICABLE

- ITEM NOT ILLUSTRATED

33-26-52-50

33-26-52
FIG. 50
PAGE 6
JAN 20/09

BRI

BOEING PROPRIETARY - Copyright © - Unpublished Work - See title page for details.



757

PARTS CATALOG (MAINTENANCE)

FIG ITEM	PART NUMBER	1 2 3 4 5 6 7	NOMENCLATURE	EFFECT FROM TO	UNITS PER ASSY
50					
195	0A122-0007-3	.	CUSHION-RUBBER SUPPLIER CODE: VS5825	952952	1
196	0A122-0007-3	.	CUSHION-RUBBER LAV B, D AND F SUPPLIER CODE: VS5825	952952	1
200	2A124-0094-1	.	PLANE-GND LAV C, D AND F LAV C, D AND S SUPPLIER CODE: VS5825	121503 904949 952999	1
200	2A124-0094-1	.	PLANE-GND LAV C AND D LAV F AND M LAV J AND L SUPPLIER CODE: VS5825	952952	1
201	2A124-0094-1	.	PLANE-GND LAV B AND F SUPPLIER CODE: VS5825	952999	1
201	2A124-0094-1	.	PLANE-GND LAV B SUPPLIER CODE: VS5825	121503 904949	1
205	NAS601-5P	.	ATTACHING PARTS SCREW	121503 904949 952999	4
205	NAS601-5P	.	SCREW	952952	4
206	NAS601-5P	.	SCREW	952952	4
207	NAS600-4P	.	SCREW	952999	8
210	AN960PD6L	.	WASHER	121503 904949 952999	4
210	AN960PD6L	.	WASHER	952952	4
- 212	AN960-4L	.	WASHER -----*-----	952999	8
215	NAS600-4P	.	SCREW	950951	8
- 220	AN960-4L	.	WASHER	950951	8

MISSING ITEM NUMBERS NOT APPLICABLE

- ITEM NOT ILLUSTRATED

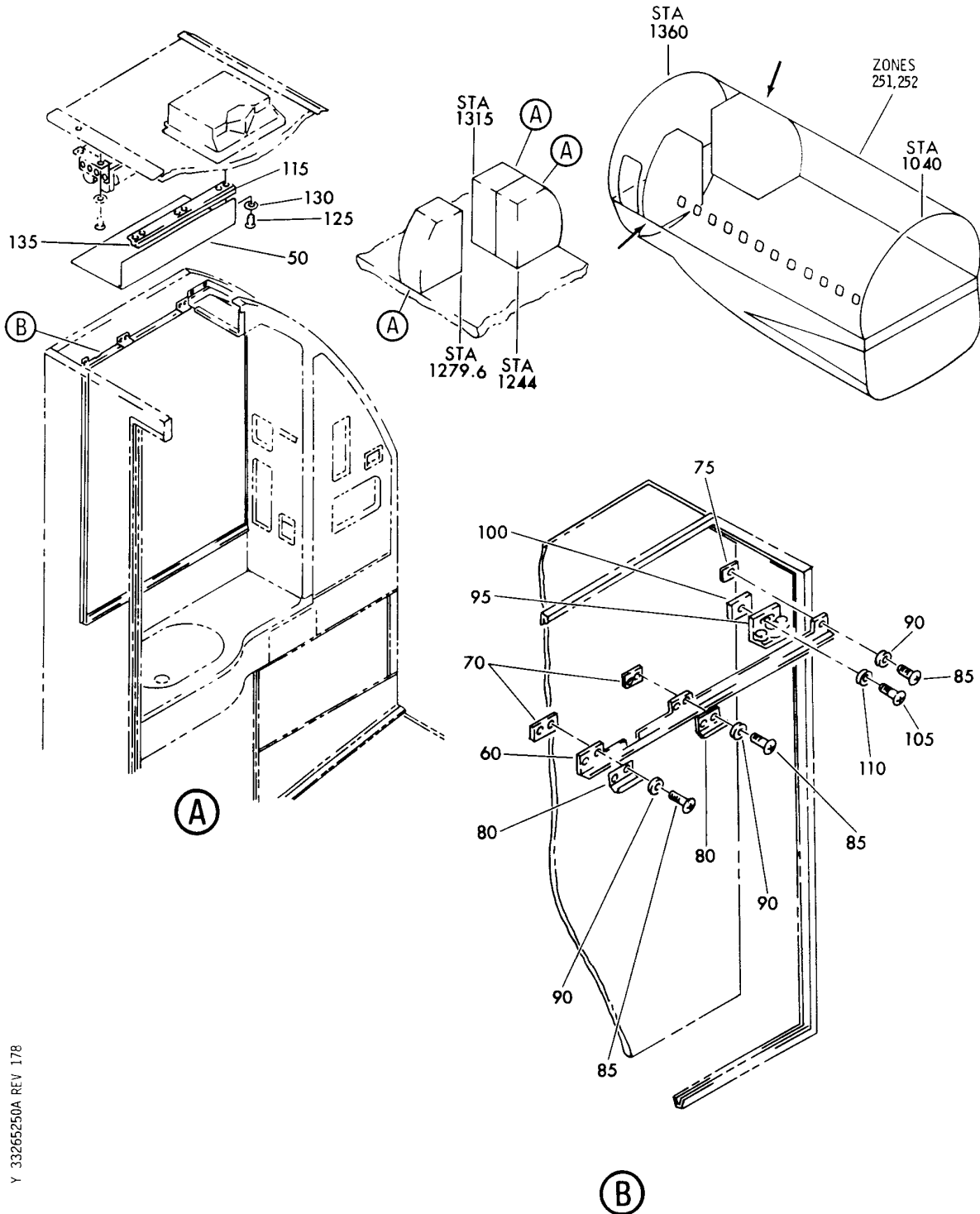
33-26-52-50

33-26-52
FIG. 50
PAGE 7
JAN 20/09

BRI

BOEING PROPRIETARY - Copyright © - Unpublished Work - See title page for details.

BOEING
757
PARTS CATALOG (MAINTENANCE)



Y 33265250A REV 178

MIRROR AND LIGHT INSTL-LAV (LIGHTS ONLY)
FIGURE 50A

33-26-52-50A

BRI
MAY 28/07

33-26-52-50A
PAGE 0



757

PARTS CATALOG (MAINTENANCE)

FIG ITEM	PART NUMBER	1 2 3 4 5 6 7	NOMENCLATURE	EFFECT FROM TO	UNITS PER ASSY
50A			MIRROR AND LIGHT INSTL-LAV (LIGHTS ONLY)	002004 006100	
- 1	0A122-0007-1		MIRROR AND LIGHT ASSY-LAV B AND D (LIGHTS ONLY) SUPPLIER CODE: VS5825 FOR NHA/OTHER SYS DET SEE: 25-41-04-21 25-41-04-44	002004 006100	RF
- 5	0A122-0007-2		MIRROR AND LIGHT INSTL-LAV C (LIGHTS ONLY) SUPPLIER CODE: VS5825 FOR NHA/OTHER SYS DET SEE: 25-41-04-28	002004 006100	RF
50	2A124-0033-1		.LENS-(LAV B AND D) SUPPLIER CODE: VS5825	002004 006100	1
- 55	2A124-0033-2		.LENS-(LAV C) SUPPLIER CODE: VS5825	002004 006100	1
60	2A124-0034-1		.SUPPORT-LENS (LAV B AND D) SUPPLIER CODE: VS5825	002004 006100	1
- 65	2A124-0034-2		.SUPPORT-LENS (LAV C) SUPPLIER CODE: VS5825	002004 006100	1
70	2A124-0049-1		.SPACER- SUPPLIER CODE: VS5825	002004 006100	2
75	2A124-0049-5		.SPACER- SUPPLIER CODE: VS5825	002004 006100	1
80	2A124-0050-1		.CLIP- SUPPLIER CODE: VS5825	002004 006100	2
85	NAS601-7P		ATTACHING PARTS .SCREW	002004 006100	5
90	AN960PD6L		.WASHER	002004 006100	5
95	3A123-0149-1		-----*----- .ANGLE-LENS SPRT SUPPLIER CODE: VS5825	002004 006100	1
100	2A124-0049-3		.SPACER- SUPPLIER CODE: VS5825	002004 006100	1

MISSING ITEM NUMBERS NOT APPLICABLE

- ITEM NOT ILLUSTRATED

33-26-52-50A

33-26-52
FIG. 50A
PAGE 1
JAN 20/09

BRI

BOEING PROPRIETARY - Copyright © - Unpublished Work - See title page for details.



757

PARTS CATALOG (MAINTENANCE)

FIG ITEM	PART NUMBER	1 2 3 4 5 6 7	NOMENCLATURE	EFFECT FROM TO	UNITS PER ASSY
50A			ATTACHING PARTS		
105	NAS623-3-4		.SCREW	002004 006100	1
110	AN960PD10L		.WASHER	002004 006100	1
			-----*-----		
115	2A124-0045-1		.TRIM-LENS (LAV B AND D) SUPPLIER CODE: VS5825	002004 006100	1
- 120	2A124-0045-2		.TRIM-LENS (LAV C) SUPPLIER CODE: VS5825	002004 006100	1
			ATTACHING PARTS		
125	NAS601-5P		.SCREW	002004 006100	6
130	AN960PD6L		.WASHER	002004 006100	6
			-----*-----		
135	0A122-0007-3		.CUSHION-RUBBER SUPPLIER CODE: VS5825	002004 006100	1

MISSING ITEM NUMBERS NOT APPLICABLE

- ITEM NOT ILLUSTRATED

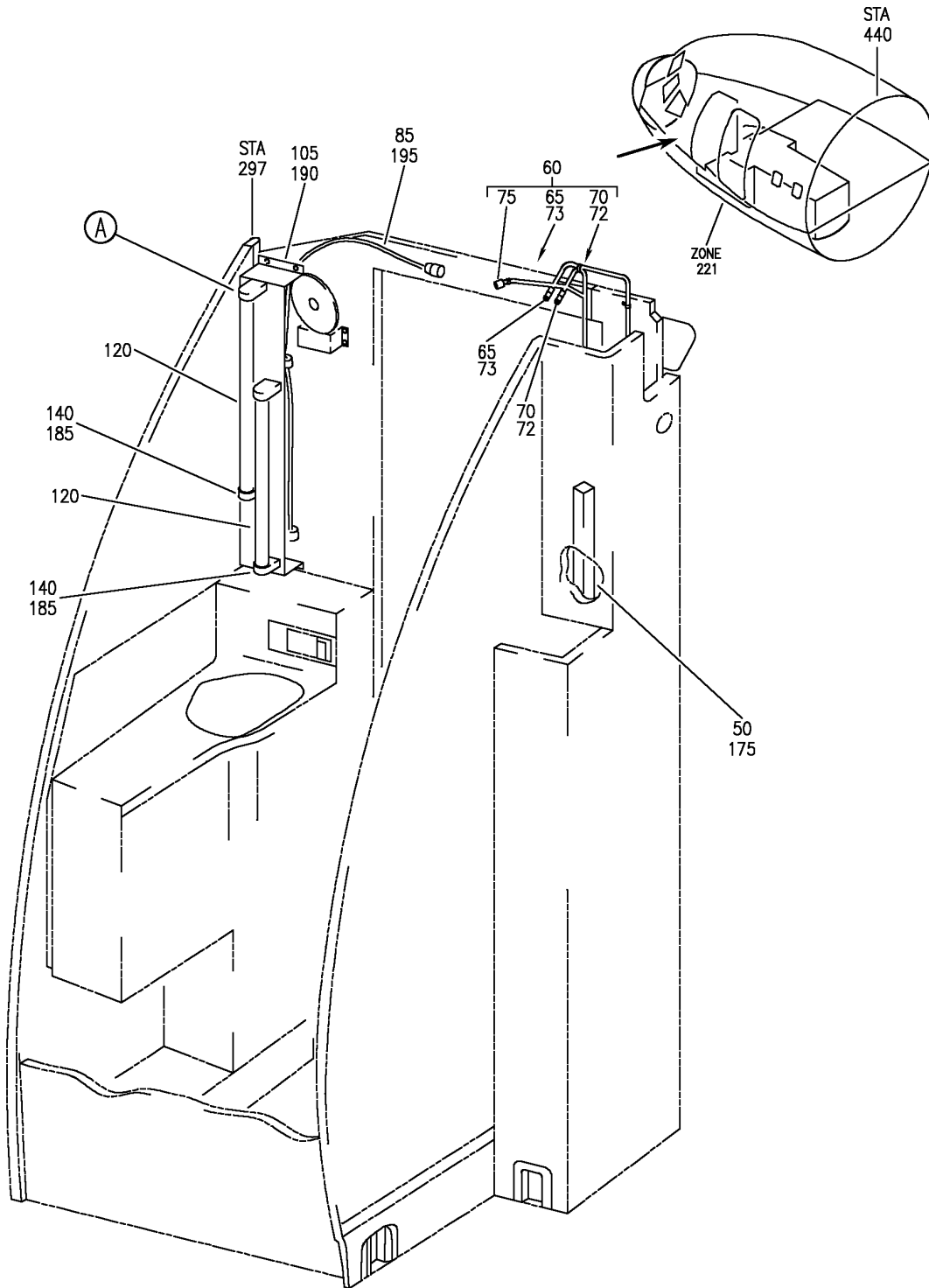
BRI

33-26-52-50A

BOEING PROPRIETARY - Copyright © - Unpublished Work - See title page for details.

33-26-52
FIG. 50A
PAGE 2
JAN 20/09

BOEING
757
PARTS CATALOG (MAINTENANCE)



Y 33265260 SHT 1 REV 265

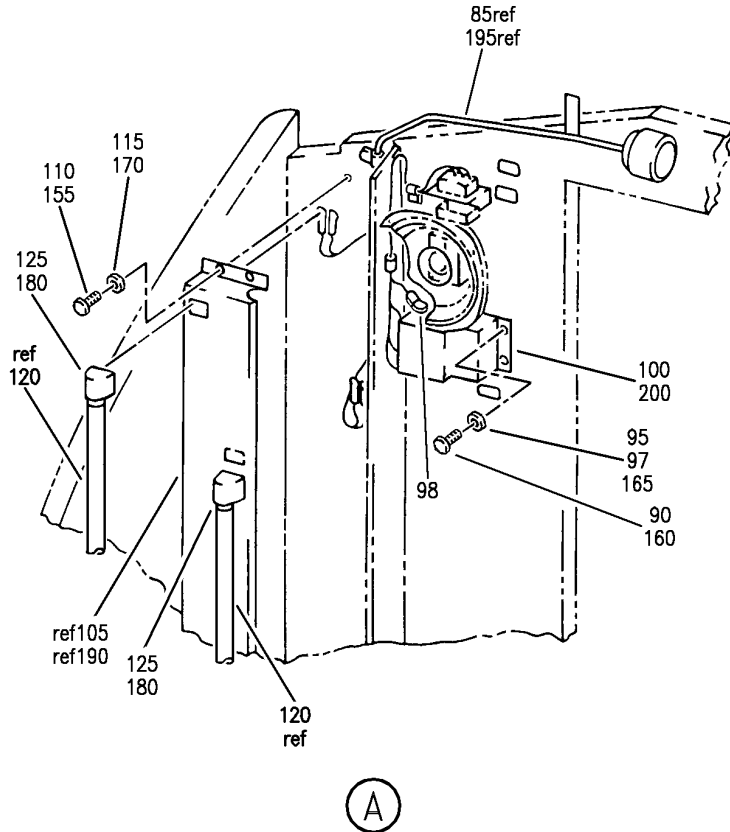
WALL ASSY-OUT SEG 110 LAV A (LIGHTS ONLY)
FIGURE 60 (SHEET 1)

33-26-52-60

BRI
MAY 28/07

33-26-52-60
PAGE 0

BOEING
757
PARTS CATALOG (MAINTENANCE)



Y 33265260 SH1 2 REV 265

WALL ASSY-OUT SEG 110 LAV A (LIGHTS ONLY)
FIGURE 60 (SHEET 2)

33-26-52-60

BRI
MAY 28/07

33-26-52-60
PAGE 0A

 **BOEING**
757
PARTS CATALOG (MAINTENANCE)

FIG ITEM	PART NUMBER	1 2 3 4 5 6 7	NOMENCLATURE	EFFECT FROM TO	UNITS PER ASSY
60			WALL ASSY-OUT SEG 110 LAV A (LIGHTS ONLY)	101102	
- 1	D75D11230-111		WALL ASSY-SEG 110, LAV A (LIGHTS ONLY) SUPPLIER CODE: VS5825 FOR NHA/OTHER SYS DET SEE: 25-41-01-46A	101102	RF
50	1A081-0164-3		.SWITCH-DOOR S1 SUPPLIER CODE: VS5825	101102	1
- 55	NAS514P632-6		ATTACHING PARTS .SCREW	101102	3
60	D75D91014-111		-----*----- .HARNES ASSY-DOOR SWITCH SUPPLIER CODE: VS5825	101102	1
65	48-7190		..CONNECTOR-P22 SUPPLIER CODE: V02660	101102	1
72	48-7191		..CONNECTOR-J21 SUPPLIER CODE: V02660	101102	1
73	48-7191-1		..RECEPTACLE-J23 SUPPLIER CODE: V02660	101102	1
75	BACC45FT14C12P		..CONNECTOR-P102	101102	1
- 82	T18R		..TIE- SUPPLIER CODE: VU3384 OPTIONAL PART: 89176-0001 VS5006	101102	5
85	D75D91022-111		.HARNES ASSY-MAIN SUPPLIER CODE: VS5825 ATTACHING PARTS	101102	RF
90	NAS1801-3-6		.SCREW	101102	4
97	NAS1149D0332K		.WASHER	101102	3
98	NAS1149D0316H		.WASHER	101102	2
100	61-48-2		-----*----- ..BALLAST-RT1 SUPPLIER CODE: V82255 SPECIFICATION NUMBER: 10-60752-11	101102	1
105	D75D30370-111		.PLANE ASSY-GND SUPPLIER CODE: VS5825	101102	1

MISSING ITEM NUMBERS NOT APPLICABLE

- ITEM NOT ILLUSTRATED

BRI

33-26-52-60

BOEING PROPRIETARY - Copyright © - Unpublished Work - See title page for details.

33-26-52
FIG. 60
PAGE 1
JAN 20/09



757

PARTS CATALOG (MAINTENANCE)

FIG ITEM	PART NUMBER	1 2 3 4 5 6 7	NOMENCLATURE	EFFECT FROM TO	UNITS PER ASSY
60			ATTACHING PARTS		
110	NAS1801-06-5	.	SCREW	101102	4
115	NAS1149DN616K	.	WASHER	101102	4
			-----*-----		
120	5113WW	.	LAMP-FLUOR. L1, L2	101102	2
			SUPPLIER CODE: V08806		
125	BV5-01258	.	SOCKET-	101102	2
			SUPPLIER CODE: V17023		
			ATTACHING PARTS		
- 130	NAS1801-06-3	.	SCREW	101102	4
- 135	NAS1149DN616K	.	WASHER	101102	4
			-----*-----		
140	BV5-01261	.	SOCKET-	101102	2
			SUPPLIER CODE: V17023		
			ATTACHING PARTS		
- 145	NAS1801-06-3	.	SCREW	101102	4
- 150	NAS1149DN616K	.	WASHER	101102	4
			-----*-----		

MISSING ITEM NUMBERS NOT APPLICABLE

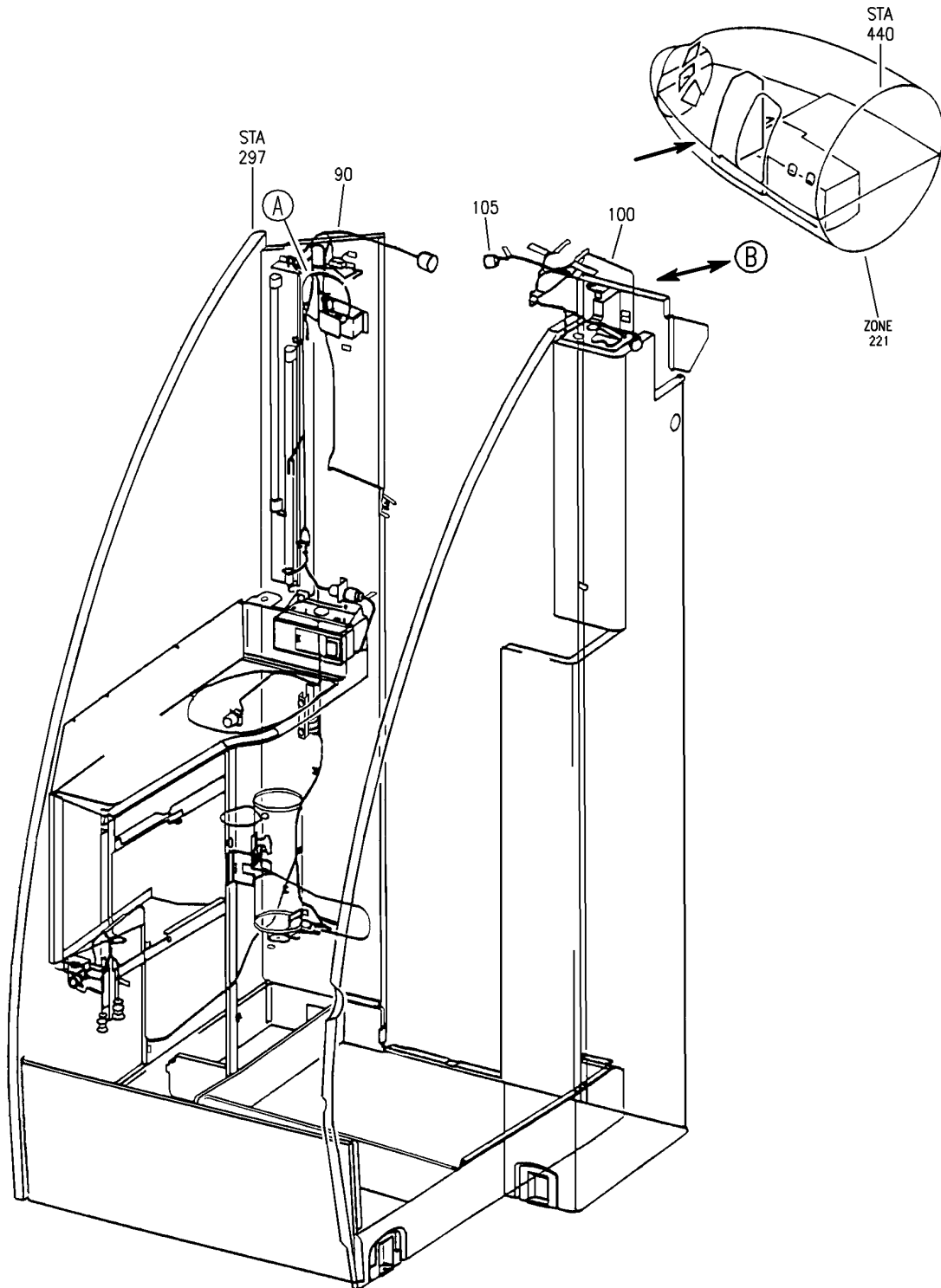
- ITEM NOT ILLUSTRATED

33-26-52-60

33-26-52
FIG. 60
PAGE 2
JAN 20/09

BRI

BOEING
757
PARTS CATALOG (MAINTENANCE)



Y 33265260E SHT 1 REV 242

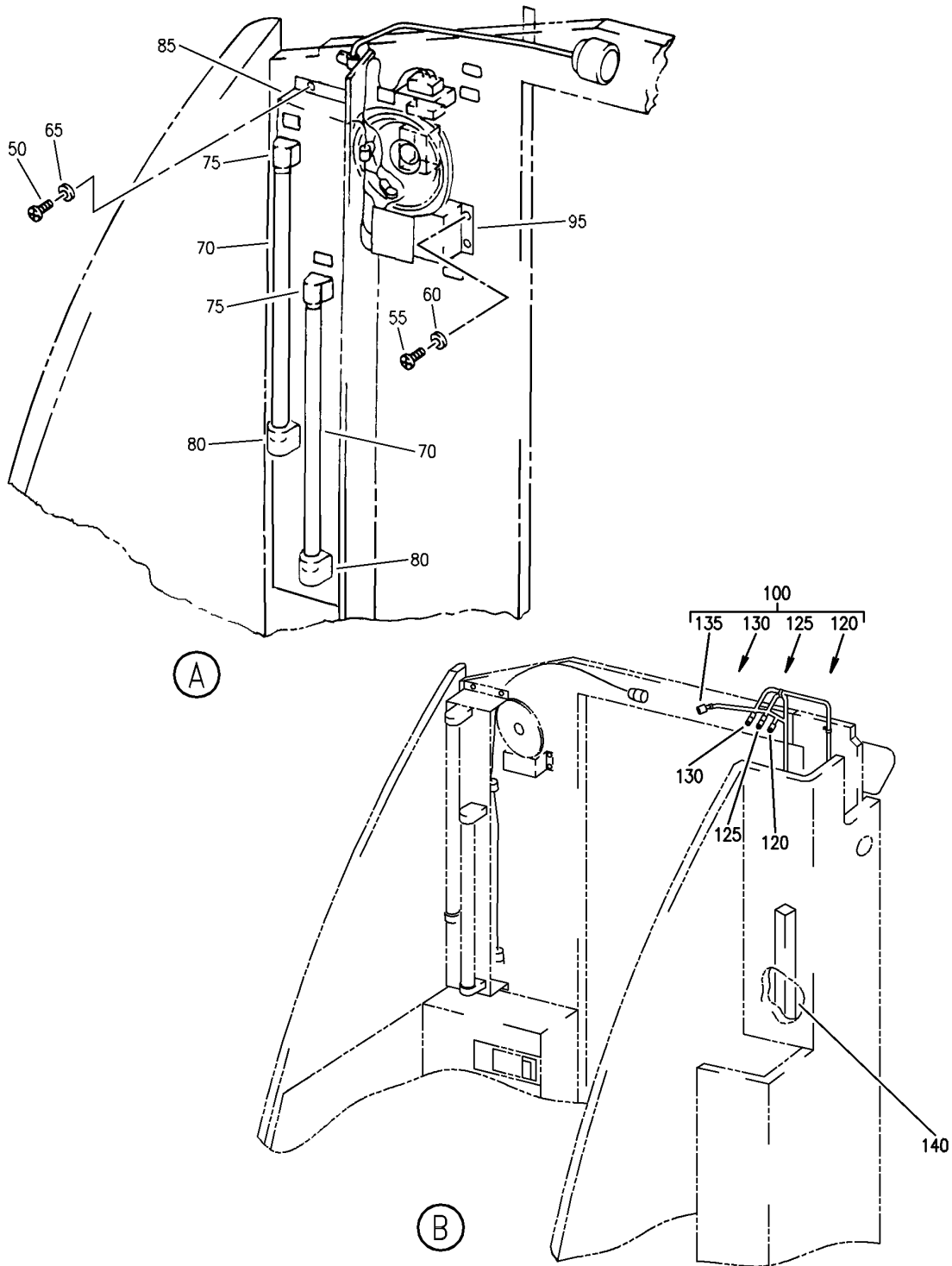
WALL ASSY-OUT SEG 110 LAV (LAVATORY LIGHTS ONLY)
FIGURE 60E (SHEET 1)

33-26-52-60E

BRI
JAN 20/09

33-26-52-60E
PAGE 0

BOEING
757
PARTS CATALOG (MAINTENANCE)



Y 33265260E SHT 2 REV 242

WALL ASSY-OUT SEG 110 LAV (LAVATORY LIGHTS ONLY)
FIGURE 60E (SHEET 2)

33-26-52-60E

BRI
JAN 20/09

33-26-52-60E
PAGE 0A



757

PARTS CATALOG (MAINTENANCE)

FIG ITEM	PART NUMBER	1 2 3 4 5 6 7	NOMENCLATURE	EFFECT FROM TO	UNITS PER ASSY
60E			WALL ASSY-OUT SEG 110 LAV (LAVATORY LIGHTS ONLY)	504903	
- 1	D75D11263-111		WALL ASSY-OUT SEG 110, LAV A (LAVATORY LIGHTS ONLY) SUPPLIER CODE: VS5825 FOR NHA/OTHER SYS DET SEE: 25-41-01-12	504903	RF
50	NAS1801-06-5	.	SCREW	504903	4
55	NAS1801-3-6	.	SCREW	504903	4
60	AN960KD10L	.	WASHER	504903	4
65	AN960KD6L	.	WASHER	504903	4
70	5113WW	.	LAMP-FLUOR. L1, L2 SUPPLIER CODE: V08806	504903	2
75	BV5-01258	.	SOCKET-LIGHT SUPPLIER CODE: V17023	504903	2
80	BV5-01261	.	SOCKET-LIGHT SUPPLIER CODE: V17023	504903	2
85	D75D30370-111	.	PLANE ASSY- SUPPLIER CODE: VS5825	504903	1
90	D75D91018-111	.	HARNASS ASSY-MAIN SUPPLIER CODE: VS5825	504903	RF
95	61-48-2	..	BALLAST- RT1 SUPPLIER CODE: V82255 SPECIFICATION NUMBER: 10-60752-11	504903	1
100	D75D91011-111	.	HARNASS ASSY-DOOR SWITCH SUPPLIER CODE: VS5825	504903	1
105	BACC45FT14C7P	..	CONNECTOR-P120	504903	1
- 110	T18R	..	TIE-INSULOK SUPPLIER CODE: VU3384 OPTIONAL PART: 89176-0001 VS5006	504903	5
140	1A081-0164-11	.	SWITCH-DOOR S1 SUPPLIER CODE: VS5825	504903	1

MISSING ITEM NUMBERS NOT APPLICABLE

- ITEM NOT ILLUSTRATED

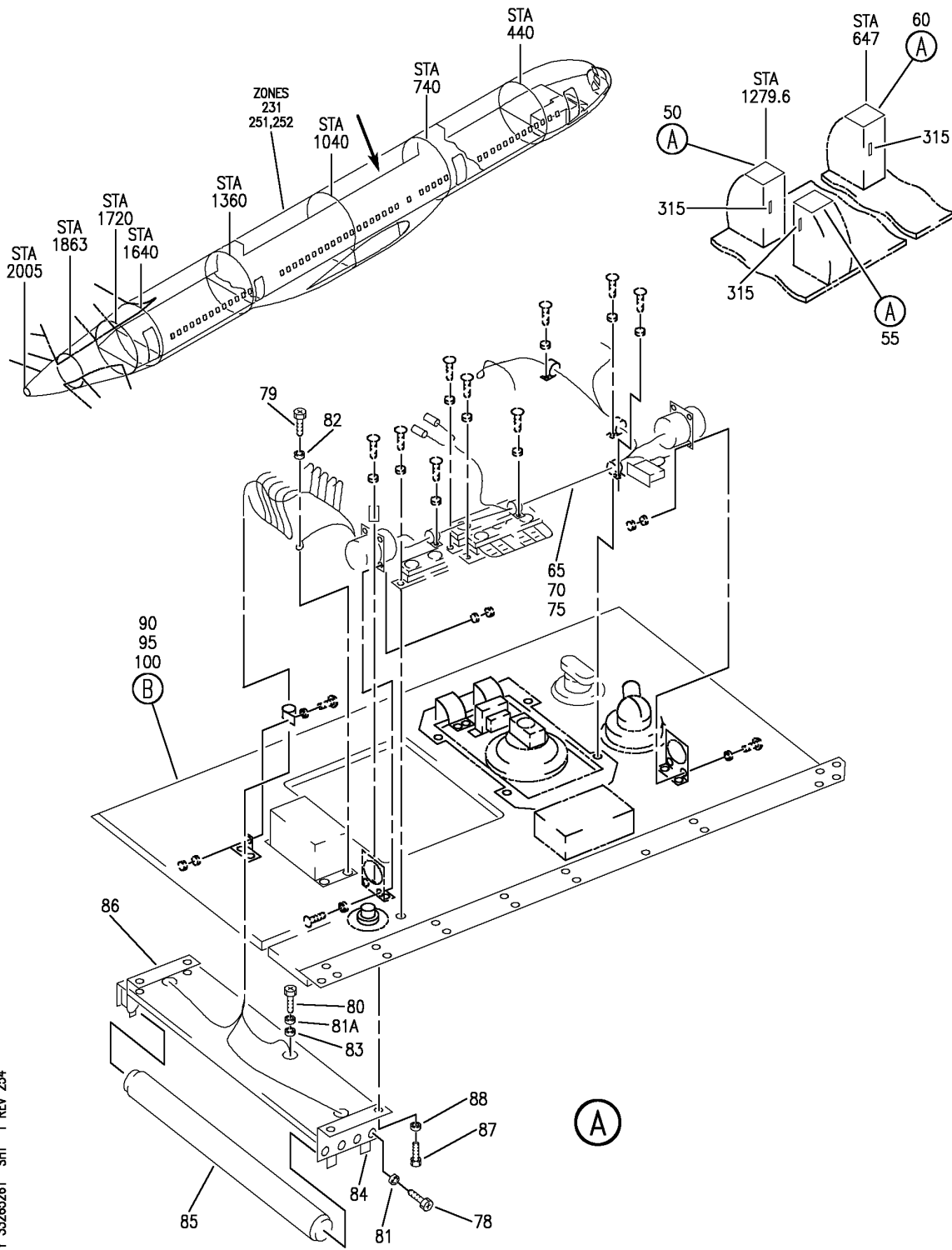
33-26-52-60E

33-26-52
FIG. 60E
PAGE 1
JAN 20/09

BRI

BOEING PROPRIETARY - Copyright © - Unpublished Work - See title page for details.

BOEING
757
PARTS CATALOG (MAINTENANCE)



Y 33265261 SHT 1 REV 254

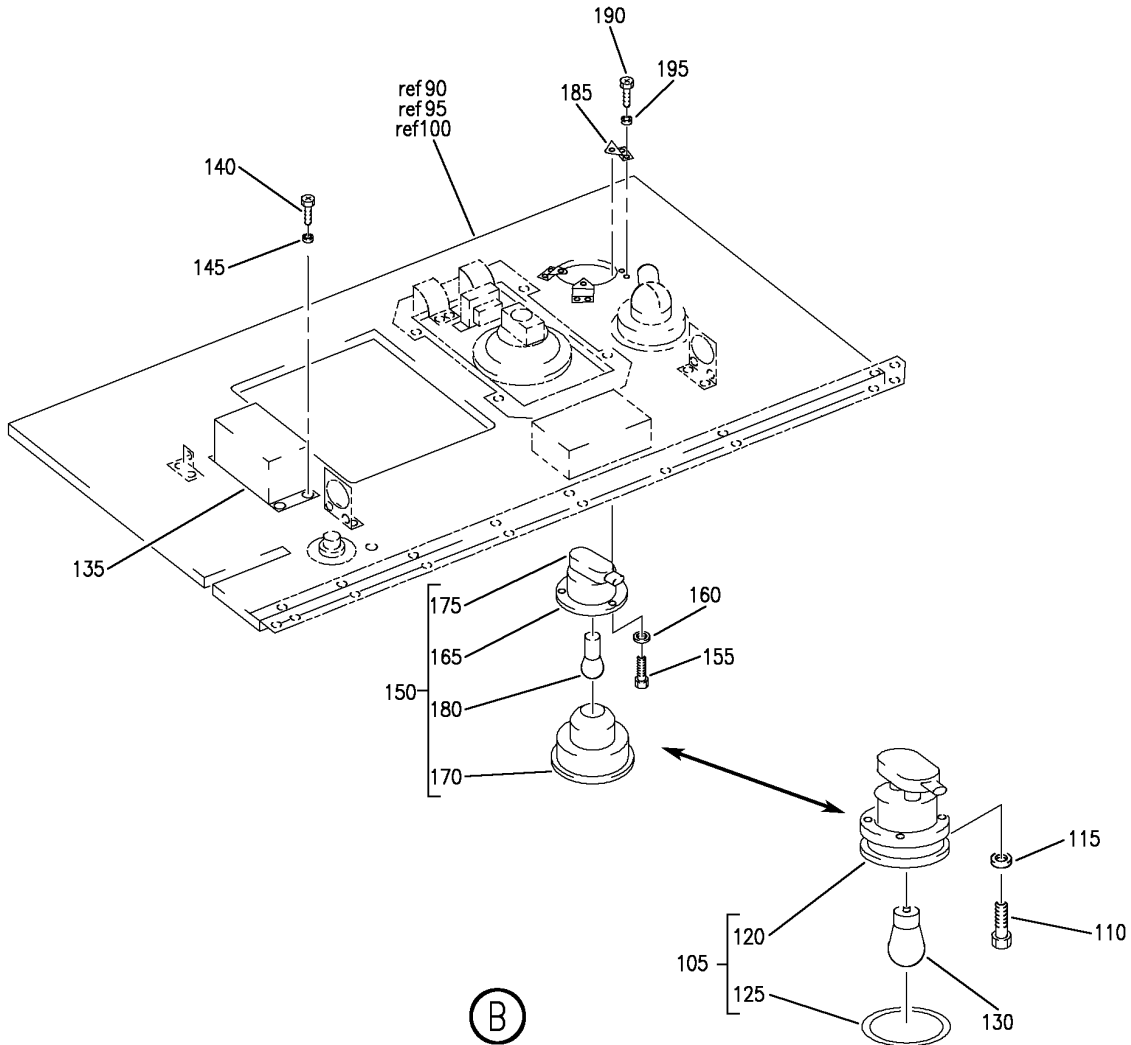
CEILING AND WALL ASSY-SEG 110 AND 150, LAV (LIGHTS ONLY)
FIGURE 61 (SHEET 1)

33-26-52-61

BRI
JAN 20/09

33-26-52-61
PAGE 0

BOEING
757
PARTS CATALOG (MAINTENANCE)



Y 33265261 SHT 2 REV 250

CEILING AND WALL ASSY-SEG 110 AND 150, LAV (LIGHTS ONLY)
FIGURE 61 (SHEET 2)

33-26-52-61

BRI
JAN 20/09

33-26-52-61
PAGE 0A



757

PARTS CATALOG (MAINTENANCE)

FIG ITEM	PART NUMBER	1 2 3 4 5 6 7	NOMENCLATURE	EFFECT FROM TO	UNITS PER ASSY
61			CEILING AND WALL ASSY-SEG 110 AND 150, LAV (LIGHTS ONLY)	108120	
- 1	D75D15066-111A		CEILING ASSY-SEG 150, LAV C (LIGHTS ONLY) SUPPLIER CODE: VS5825 FOR NHA/OTHER SYS DET SEE: 25-41-03-25A	108120	RF
- 5	D75D15042-111		CEILING ASSY-SEG 150, LAV D (LIGHTS ONLY) SUPPLIER CODE: VS5825 FOR NHA/OTHER SYS DET SEE: 25-41-03-51M	108120	RF
- 10	D75D15103-111		CEILING ASSY-SEG 150, LAV S (LIGHTS ONLY) SUPPLIER CODE: VS5825 FOR NHA/OTHER SYS DET SEE: 25-41-03-08Q	108120	RF
50	D75D37054-111B		.CEILING ASSY-LAV C SUPPLIER CODE: VS5825	108120	RF
55	D75D37033-111A		.CEILING ASSY-LAV D SUPPLIER CODE: VS5825	108120	RF
60	D75D37082-111A		.CEILING ASSY-LAV S SUPPLIER CODE: VS5825	108120	RF
70	D75D92042-111		..HARNES ASSY-LAV D SUPPLIER CODE: VS5825	108120	RF
75	D75D92078-111		..HARNES ASSY-LAV S SUPPLIER CODE: VS5825	108120	RF
78	NAS1801-04-5		ATTACHING PARTS ..SCREW	108120	8
79	NAS1801-08-6		..SCREW	108120	1
80	NAS1801-3-7		..SCREW	108120	1
81	NAS1149DN616K		..WASHER	108120	8
81A	MS35333-39		..WASHER	108120	1
82	NAS1149D0816H		..WASHER	108120	2
83	NAS1149D0316H		..WASHER	108120	2
84	BV03112N40		-----*----- ... SOCKET-LAMP SUPPLIER CODE: V17023	108120	4

MISSING ITEM NUMBERS NOT APPLICABLE

- ITEM NOT ILLUSTRATED

33-26-52-61

33-26-52
FIG. 61
PAGE 1
JAN 20/09

BRI



757

PARTS CATALOG (MAINTENANCE)

FIG ITEM	PART NUMBER	1 2 3 4 5 6 7	NOMENCLATURE	EFFECT FROM TO	UNITS PER ASSY
61					
85	F15T12WW	..	LAMP-L1, L2 SUPPLIER CODE: V13545	108120	2
86	D75D30225-111	..	PLANE ASSY-GND SUPPLIER CODE: VS5825 ATTACHING PARTS	108120	1
87	NAS1801-06-5	..	SCREW	108120	4
90	D75A45047-111A	..	PANEL ASSY-LAV C SUPPLIER CODE: VS5825	108120	RF
95	D75A45026-111A	..	PANEL ASSY-LAV D SUPPLIER CODE: VS5825	108120	RF
100	D75A45030-111A	..	PANEL ASSY-LAV S SUPPLIER CODE: VS5825	108120	RF
105	1A081-0171-1	...	LIGHT ASSY-DOME L3 SUPPLIER CODE: VS5825 ATTACHING PARTS	108120	1
110	NAS1801-08-6	...	SCREW	108120	3
115	NAS1149DN816K	...	WASHER	108120	3
120	1A081-0171-101	HOUSING ASSY- SUPPLIER CODE: VS5825	108120	1
125	1A081-0171-201	LENS ASSY- SUPPLIER CODE: VS5825	108120	1
130	1691AF	...	LAMP-LT3 SUPPLIER CODE: V08806	108120	1
135	1343-1	...	BALLAST-RT1 SUPPLIER CODE: V30242 SPECIFICATION NUMBER: 60B40025-43 ATTACHING PARTS	108120	1
140	NAS1801-08-5	...	SCREW	108120	3
145	NAS1149DN816K	...	WASHER	108120	3

MISSING ITEM NUMBERS NOT APPLICABLE

- ITEM NOT ILLUSTRATED

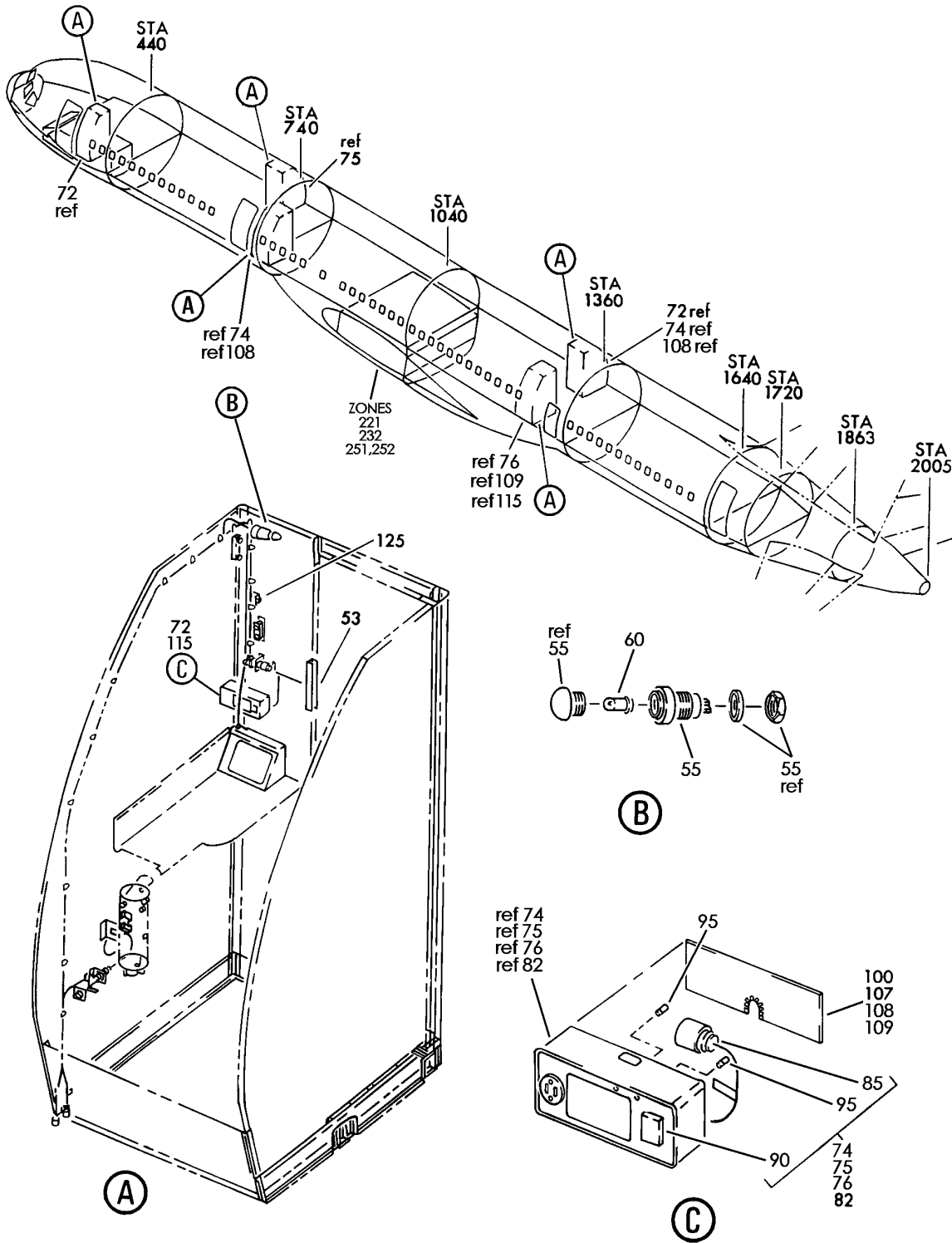
33-26-52-61

33-26-52
FIG. 61
PAGE 2
JAN 20/09

BRI

BOEING PROPRIETARY - Copyright © - Unpublished Work - See title page for details.

BOEING
757
PARTS CATALOG (MAINTENANCE)



Y 33265265C REV 24-3

WALL ASSY-OUT SEG 110, LAV (LIGHTS ONLY)
FIGURE 65C

33-26-52-65C

BRI
JAN 20/09

33-26-52-65C
PAGE 0



757

PARTS CATALOG (MAINTENANCE)

FIG ITEM	PART NUMBER	1 2 3 4 5 6 7	NOMENCLATURE	EFFECT FROM TO	UNITS PER ASSY
65C			WALL ASSY-OUT SEG 110, LAV (LIGHTS ONLY)	504903	
- 1	D75D11220-111		WALL ASSY-OUT SEG 110, LAV C (LIGHTS ONLY) SUPPLIER CODE: VS5825 FOR NHA/OTHER SYS DET SEE: 25-41-03-50A	504903	RF
- 5	D75D11219-111		WALL ASSY-OUT SEG 110, LAV D (LIGHTS ONLY) SUPPLIER CODE: VS5825 FOR NHA/OTHER SYS DET SEE: 25-41-03-51A	504903	RF
- 10	D75D11221-111		WALL ASSY-OUT SEG 110, LAV F (LIGHTS ONLY) SUPPLIER CODE: VS5825	504903	RF
53	1A081-0164-11		.SWITCH-DOOR SUPPLIER CODE: VS5825 ELECTRICAL EQUIP NUMBER: S00001	504903	1
55	A20247AM1		.SWITCH ASSY-CALL RESET SUPPLIER CODE: V81640 ELECTRICAL EQUIP NUMBER: S00003	504903	1
60	MS18209-387		..LAMP- ELECTRICAL EQUIP NUMBER: L00004	504903	1
75	D75D30790-111AA		..HOUSING ASSY-SEAT SIGN LAV C LAV K SUPPLIER CODE: VS5825	504903	1
85	BACC45FT14-15P		...CONNECTOR- ELECTRICAL EQUIP NUMBER: P001M1	504903	1
90	AML21KBA2AC005		...SWITCH-ATTN CALL SUPPLIER CODE: V91929 ELECTRICAL EQUIP NUMBER: S001M1	504903	1
95	MS18209-387		..LAMP- ELECTRICAL EQUIP NUMBER: L01TM1 L02TM1	504903	2

MISSING ITEM NUMBERS NOT APPLICABLE

- ITEM NOT ILLUSTRATED

33-26-52-65C

33-26-52
FIG. 65C
PAGE 1
JAN 20/09

BRI

BOEING PROPRIETARY - Copyright © - Unpublished Work - See title page for details.



757

PARTS CATALOG (MAINTENANCE)

FIG ITEM	PART NUMBER	1 2 3 4 5 6 7	NOMENCLATURE	EFFECT FROM TO	UNITS PER ASSY
65C 100	D75D30785-111	. .	COVER- LAV C LAV K SUPPLIER CODE: VS5825	504903	1
115	D75D94013-111AA	. .	MODULE ASSY-AUX LAV C LAV K SUPPLIER CODE: VS5825 ELECTRICAL EQUIP NUMBER: M00001	504903	1
125	HRTS17KM	. .	SOCKET- SUPPLIER CODE: V91663	504903	1
125	HRTS17KJV2	. .	SOCKET- SUPPLIER CODE: V91663	504903	1

MISSING ITEM NUMBERS NOT APPLICABLE

- ITEM NOT ILLUSTRATED

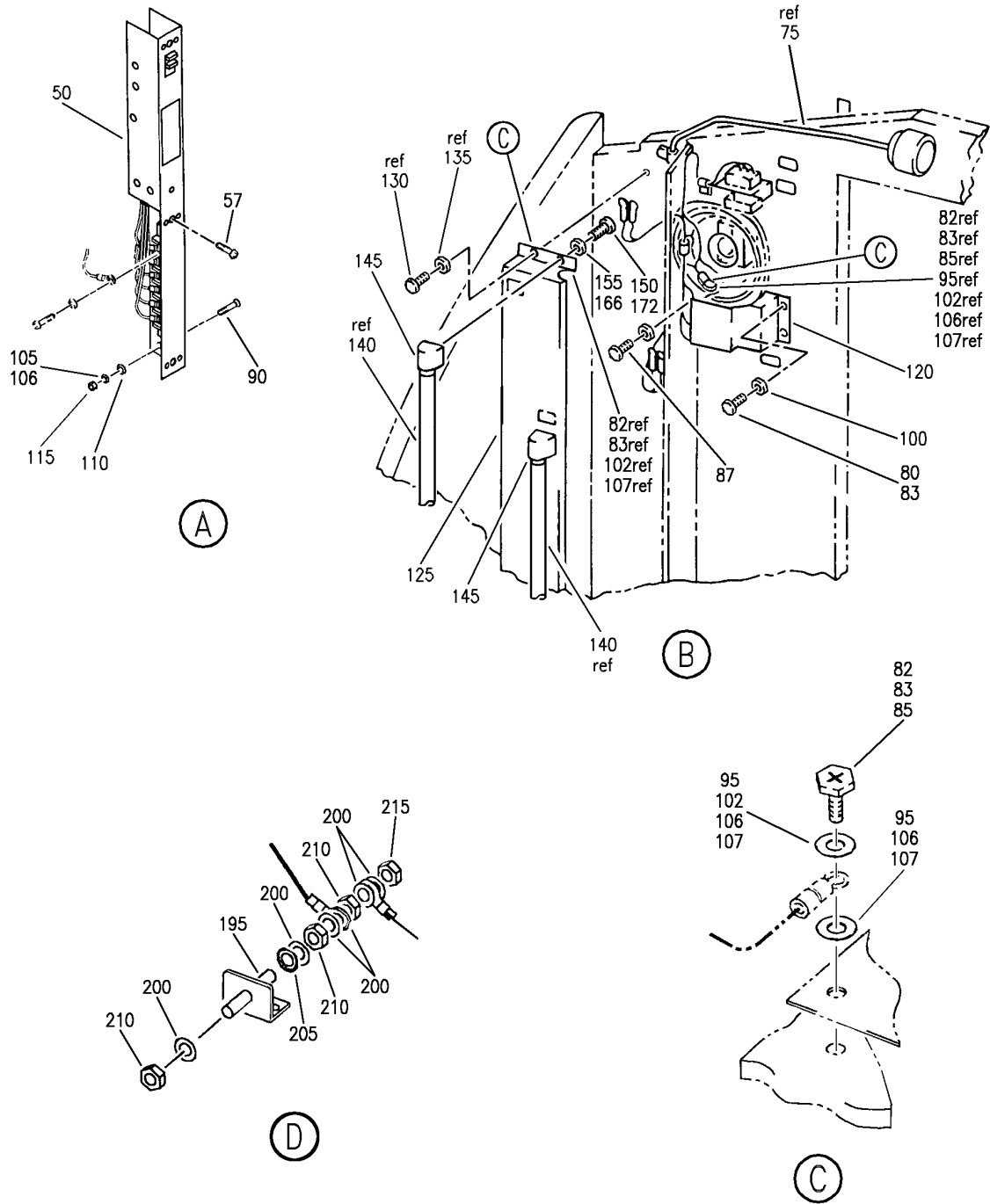
33-26-52-65C

33-26-52
FIG. 65C
PAGE 2
JAN 20/09

BRI

BOEING PROPRIETARY - Copyright © - Unpublished Work - See title page for details.

BOEING
757
PARTS CATALOG (MAINTENANCE)



Y 33265270A SHT 2 REV 291

WALL ASSY-OUT, SEG 100, LAV A (LIGHTS ONLY)
FIGURE 70A (SHEET 2)

33-26-52-70A

BRI
JAN 20/09

33-26-52-70A
PAGE 0A



757

PARTS CATALOG (MAINTENANCE)

FIG ITEM	PART NUMBER	1 2 3 4 5 6 7	NOMENCLATURE	EFFECT FROM TO	UNITS PER ASSY
70A			WALL ASSY-OUT, SEG 100, LAV A (LIGHTS ONLY)	108120	
- 1	D75D11273-111		WALL ASSY-OUT SEG 110, LAV A (LIGHTS ONLY) SUPPLIER CODE: VS5825 FOR NHA/OTHER SYS DET SEE: 25-41-01-06Q	108120	RF
50	1A081-0164-11		.SWITCH-DOOR S1 SUPPLIER CODE: VS5825	108120	1
- 55	NAS514P632-6		ATTACHING PARTS .SCREW	108120	3
60	D71D91014-111		-----*----- .HARNES ASSY-DOOR SWITCH SUPPLIER CODE: VS5825	108120	1
65	BACC45FT14C12P		..CONNECTOR-P102	108120	1
66	48-7190		..CONNECTOR-P22 SUPPLIER CODE: V02660	108120	1
67	48-7191		..CONNECTOR-J21 SUPPLIER CODE: V02660	108120	1
68	48-7190-1		..CONNECTOR-J23 SUPPLIER CODE: V02660	108120	1
68	AIS16P1		..CONNECTOR-J113 SUPPLIER CODE: V05574	108120	1
68	AIS16P1		..CONNECTOR-J23 SUPPLIER CODE: V05574	108120	1
- 72	T18R		..TIE-INSULOK SUPPLIER CODE: VU3384 OPTIONAL PART: 89176-0001 VS5006	108120	5
75	D71D91022-111		.HARNES ASSY-MAIN SUPPLIER CODE: VS5825 ATTACHING PARTS	108120	RF
80	NAS1801-06-5		.SCREW	108120	3
85	NAS1801-3-6		.SCREW	108120	1
100	NAS1149D0332K		.WASHER	108120	3
102	NAS1149D0316H		.WASHER -----*-----	108120	2

MISSING ITEM NUMBERS NOT APPLICABLE

- ITEM NOT ILLUSTRATED

33-26-52-70A

33-26-52
FIG. 70A
PAGE 1
JAN 20/09

BRI

BOEING PROPRIETARY - Copyright © - Unpublished Work - See title page for details.



757

PARTS CATALOG (MAINTENANCE)

FIG ITEM	PART NUMBER	1 2 3 4 5 6 7	NOMENCLATURE	EFFECT FROM TO	UNITS PER ASSY
70A 120	61-48-2		. . BALLAST-RT1 SUPPLIER CODE: V82255 SPECIFICATION NUMBER: 10-60752-11	108120	1
125	D75D30370-111		. PLANE ASSY-GRD SUPPLIER CODE: VS5825 ATTACHING PARTS	108120	1
130	NAS1801-06-5		. SCREW	108120	4
135	NAS1149DN616K		. WASHER	108120	4
140	5113WW		. LAMP-FLOURESCENT L1,L2 SUPPLIER CODE: V08806	108120	2
145	BV5-01258		. SOCKET- SUPPLIER CODE: V17023 ATTACHING PARTS	108120	2
166	NAS1801-06-3		. SCREW	108120	4
172	NAS1149DN616K		. WASHER	108120	4

MISSING ITEM NUMBERS NOT APPLICABLE

- ITEM NOT ILLUSTRATED

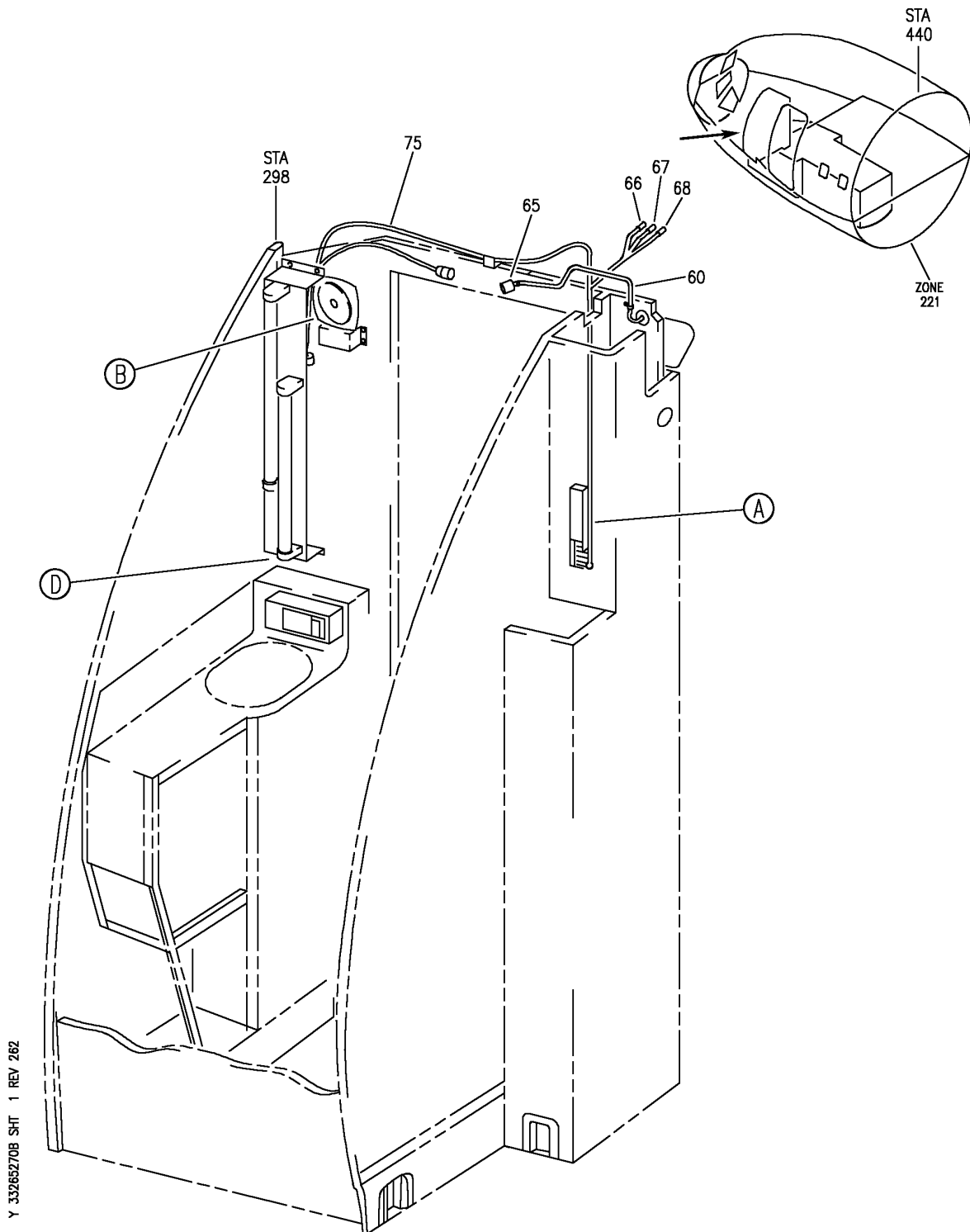
33-26-52-70A

33-26-52
FIG. 70A
PAGE 2
JAN 20/09

BRI

BOEING PROPRIETARY - Copyright © - Unpublished Work - See title page for details.

BOEING
757
PARTS CATALOG (MAINTENANCE)



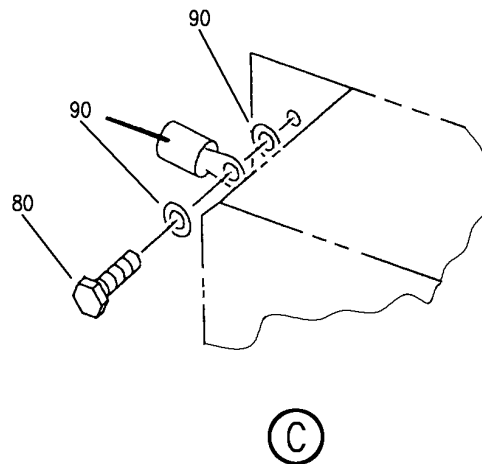
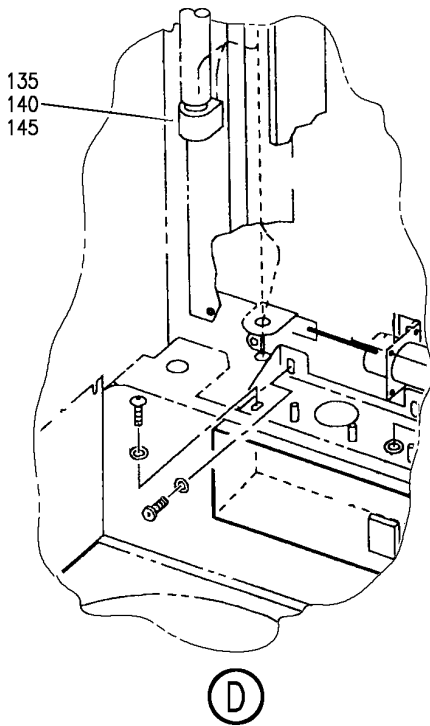
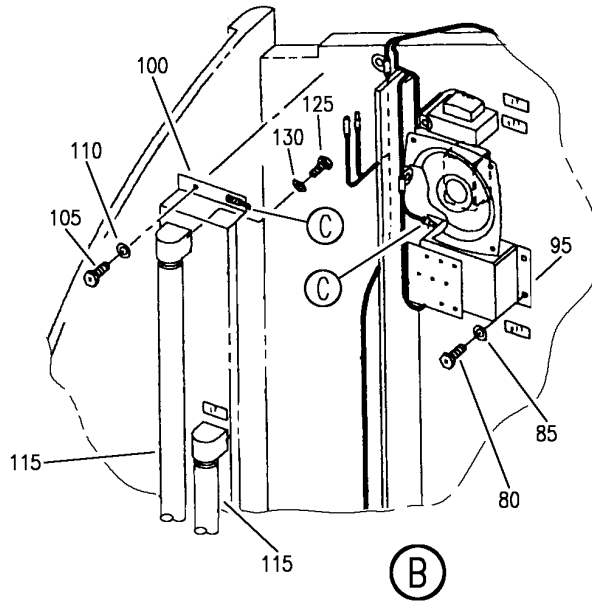
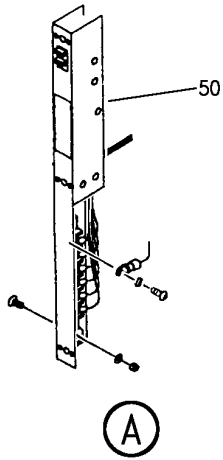
WALL ASSY-OUT SEG 100 LAV A (LIGHTS ONLY)
FIGURE 70B (SHEET 1)

33-26-52-70B

BRI
JAN 20/09

33-26-52-70B
PAGE 0

BOEING
757
PARTS CATALOG (MAINTENANCE)



Y 33265270B SHT. 2 REV 256

WALL ASSY-OUT SEG 100 LAV A (LIGHTS ONLY)
FIGURE 70B (SHEET 2)

BRI
JAN 20/09

33-26-52-70B

33-26-52-70B
PAGE 0A



757

PARTS CATALOG (MAINTENANCE)

FIG ITEM	PART NUMBER	1 2 3 4 5 6 7	NOMENCLATURE	EFFECT FROM TO	UNITS PER ASSY
70B			WALL ASSY-OUT SEG 100 LAV A (LIGHTS ONLY)	103106	
- 1	D71D10049-111A		WALL ASSY-OUT SEG 100 LAV A (LIGHTS ONLY) SUPPLIER CODE: VS5825 FOR NHA/OTHER SYS DET SEE: 25-41-01-40E	103106	RF
50	1A081-0164-11		.SWITCH-DOOR S1 SUPPLIER CODE: VS5825	103106	1
- 55	NAS514P632-6		ATTACHING PARTS .SCREW -----*-----	103106	3
60	D71D91503-111		.HARNESS ASSY-DOOR SWITCH SUPPLIER CODE: VS5825	103106	1
65	BACC45FT14C12P		..CONNECTOR-P102	103106	1
66	48-7190		..CONNECTOR-P112 SUPPLIER CODE: V02660	103106	1
67	48-7191		..CONNECTOR-J111 SUPPLIER CODE: V02660	103106	1
68	48-7191-1		..RECEPTACLE-J113 SUPPLIER CODE: V02660	103106	1
- 70	T18R		..TIE-INSULOK SUPPLIER CODE: VU3384 OPTIONAL PART: 89176-0001 VS5006	103106	7
75	D71D91009-111		.HARNESS ASSY-MAIN SUPPLIER CODE: VS5825 ATTACHING PARTS	103106	RF
80	NAS1801-3-6		.SCREW	103106	5
85	NAS1149D0332K		.WASHER	103106	3
90	NAS1149D0316H		.WASHER -----*-----	103106	4
95	61-48-2		..BALLAST-RT1 SUPPLIER CODE: V82255 SPECIFICATION NUMBER: 10-60752-11	103106	1
100	D71D30051-111		.PLANE-GROUND SUPPLIER CODE: VS5825	103106	1

MISSING ITEM NUMBERS NOT APPLICABLE

- ITEM NOT ILLUSTRATED

33-26-52-70B

33-26-52
FIG. 70B
PAGE 1
JAN 20/09

BRI

BOEING PROPRIETARY - Copyright © - Unpublished Work - See title page for details.



**757
PARTS CATALOG (MAINTENANCE)**

FIG ITEM	PART NUMBER	1 2 3 4 5 6 7	NOMENCLATURE	EFFECT FROM TO	UNITS PER ASSY
70B			ATTACHING PARTS		
105	NAS1801-3-6	.	SCREW	103106	3
110	NAS1149D0332K	.	WASHER	103106	3
			-----*-----		
115	5113WW	.	LAMP-FLOURESCENT L1, L2	103106	2
			SUPPLIER CODE: V08806		
120	BV5-01258	.	SOCKET-LAMP	103106	2
			SUPPLIER CODE: V17023		
			ATTACHING PARTS		
125	NAS1801-06-3	.	SCREW	103106	2
130	NAS1149DN616K	.	WASHER	103106	2
			-----*-----		
135	BV5-01261	.	SOCKET-LAMP	103106	2
			SUPPLIER CODE: V17023		
			ATTACHING PARTS		
140	NAS1801-06-3	.	SCREW	103106	2
145	NAS1149DN616K	.	WASHER	103106	2
			-----*-----		

MISSING ITEM NUMBERS NOT APPLICABLE

— ITEM NOT ILLUSTRATED

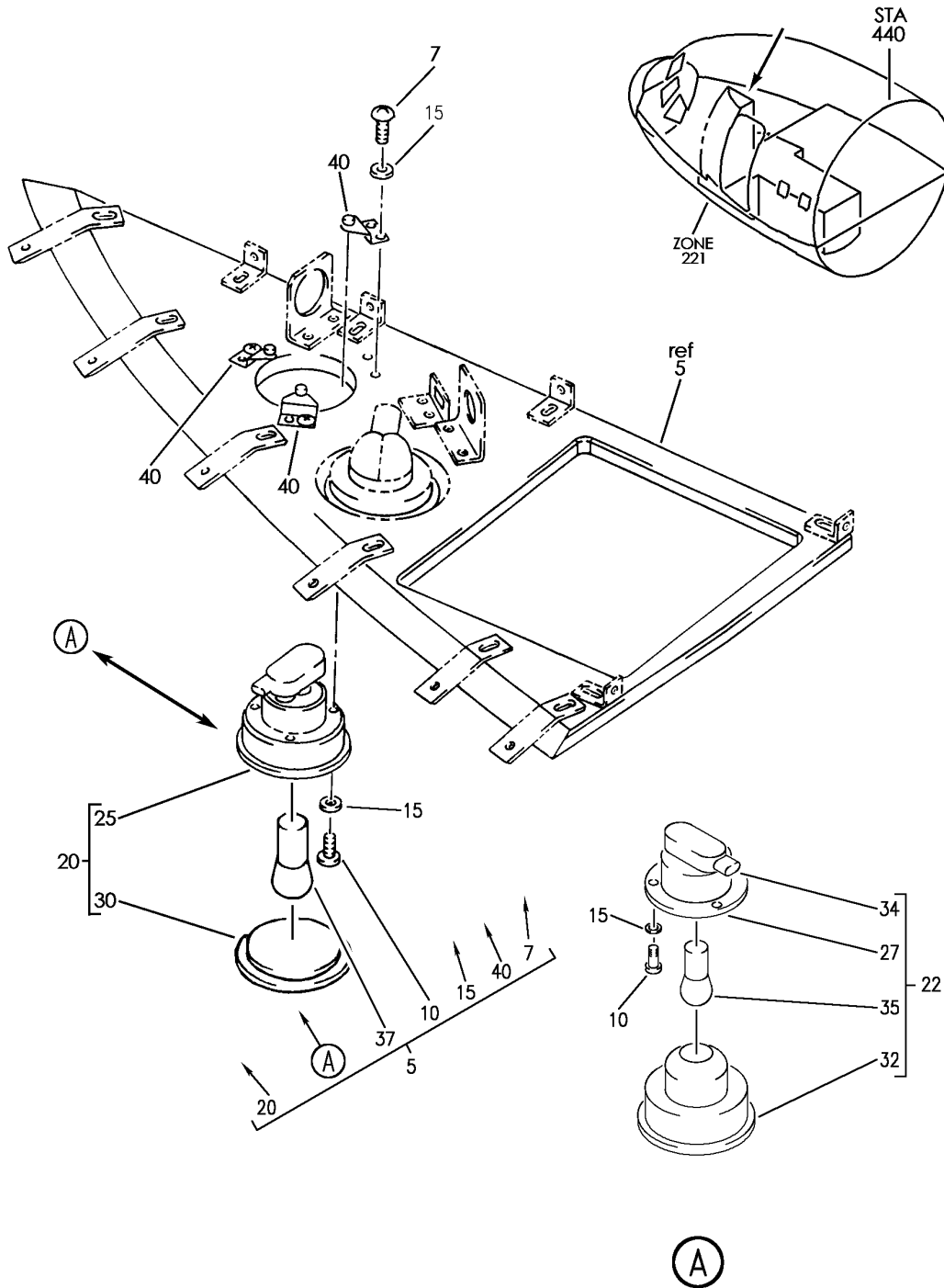
33-26-52-70B

33-26-52
FIG. 70B
PAGE 2
JAN 20/09

BRI

BOEING PROPRIETARY - Copyright © - Unpublished Work - See title page for details.

BOEING
757
PARTS CATALOG (MAINTENANCE)



Y 33265274 REV 248

CEILING ASSY-SEG 150, LAV A (LIGHTS ONLY)
FIGURE 74

33-26-52-74

BRI
JAN 20/09

33-26-52-74
PAGE 0



757

PARTS CATALOG (MAINTENANCE)

FIG ITEM	PART NUMBER	1 2 3 4 5 6 7	NOMENCLATURE	EFFECT FROM TO	UNITS PER ASSY
74			CEILING ASSY-SEG 150, LAV A (LIGHTS ONLY)	108120	
- 1	D75D15028-111		CEILING ASSY-SEG 150, LAV A (LIGHTS ONLY) SUPPLIER CODE: VS5825 FOR NHA/OTHER SYS DET SEE: 25-41-01-06Q	108120	RF
5	D75A45025-111A		.PANEL ASSY- SUPPLIER CODE: VS5825	108120	RF
7	NAS1801-08-5		..SCREW	108120	6
10	NAS1801-08-6		..SCREW	108120	3
15	NAS1149DN816K		..WASHER	108120	9
22	1A081-0171-11		..LIGHT ASSY-DOME L3 SUPPLIER CODE: VS5825	108120	1
27	1A081-0171-111		...HOUSING ASSY- SUPPLIER CODE: VS5825	108120	1
32	1A081-0171-211		...LENS ASSY- SUPPLIER CODE: VS5825	108120	1
34	1A081-0171-311		...SOCKET ASSY- SUPPLIER CODE: VS5825	108120	1
35	MS25233-303		...LAMP	108120	1
40	D75D30263-111		..BRACKET- SUPPLIER CODE: VS5825	108120	3

MISSING ITEM NUMBERS NOT APPLICABLE

- ITEM NOT ILLUSTRATED

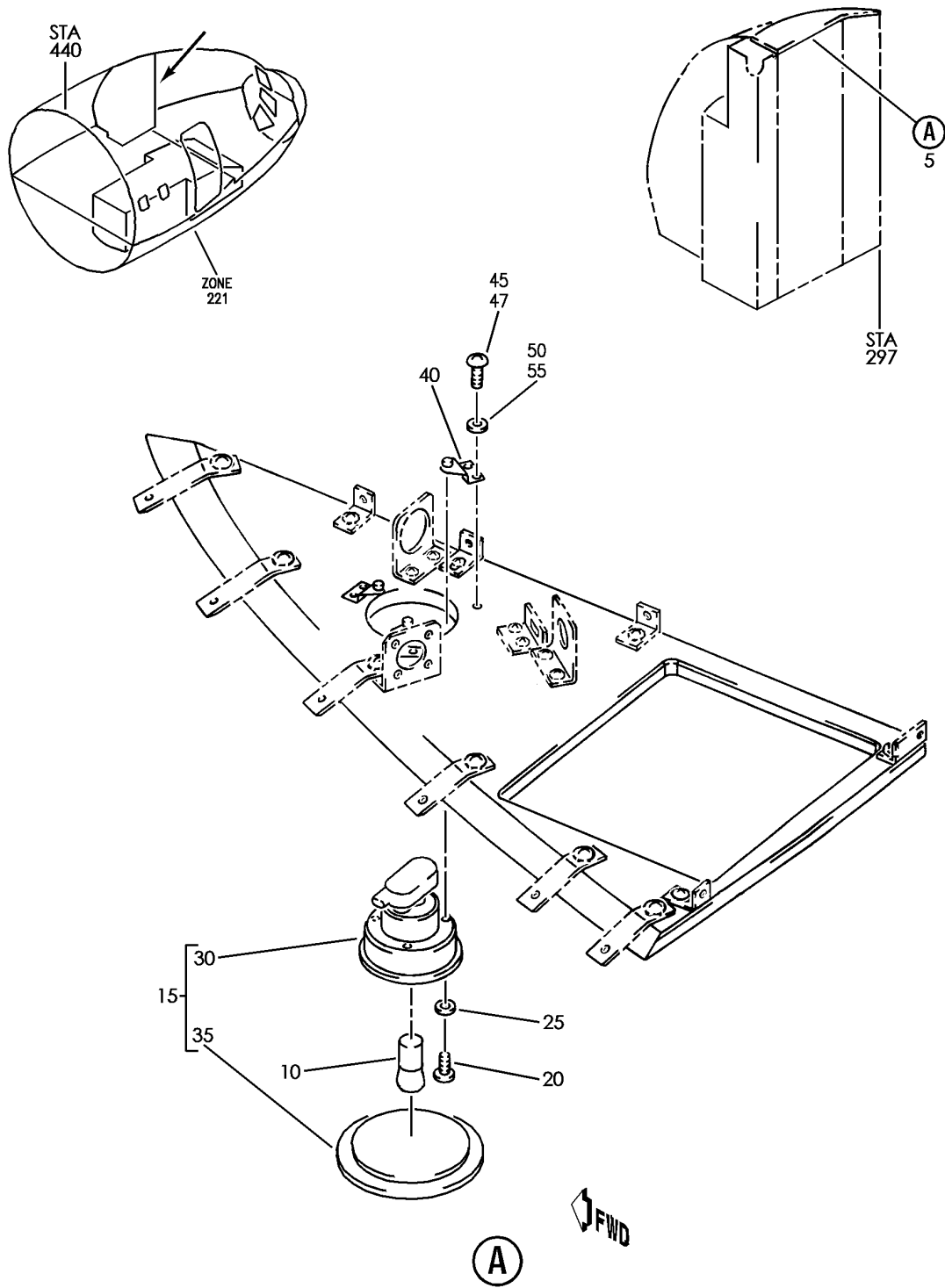
33-26-52-74

33-26-52
FIG. 74
PAGE 1
JAN 20/09

BRI

BOEING PROPRIETARY - Copyright © - Unpublished Work - See title page for details.

BOEING
757
PARTS CATALOG (MAINTENANCE)



Y 33265274A REV 247

CEILING ASSY-SEG 150 LAV A (LIGHTS ONLY)
FIGURE 74A

33-26-52-74A

BRI
MAY 28/07

33-26-52-74A
PAGE 0

 **BOEING**
757
PARTS CATALOG (MAINTENANCE)

FIG ITEM	PART NUMBER	1 2 3 4 5 6 7	NOMENCLATURE	EFFECT FROM TO	UNITS PER ASSY
74A			CEILING ASSY-SEG 150 LAV A (LIGHTS ONLY)	101102	
- 1	D75D15020-111		CEILING ASSY-SEG 150, LAV A (LIGHTS ONLY) SUPPLIER CODE: VS5825 FOR NHA/OTHER SYS DET SEE: 25-41-01-46A	101102	RF
5	D75A45014-111A		.PANEL ASSY- SUPPLIER CODE: VS5825	101102	RF
10	1691AF		..LAMP-L3T SUPPLIER CODE: V08806	101102	1
15	1A081-0171-1		..LIGHT ASSY-DOME L3 SUPPLIER CODE: VS5825	101102	1
20	NAS1801-08-6		ATTACHING PARTS ..SCREW-	101102	3
25	NAS1149DN816K		..WASHER	101102	3
30	1A081-0171-101		-----*----- ...HOUSING ASSY- SUPPLIER CODE: VS5825	101102	1
35	1A081-0171-201		...LENS ASSY- SUPPLIER CODE: VS5825	101102	1
40	D75D30263-111		..BRACKET- SUPPLIER CODE: VS5825	101102	3
47	NAS1801-08-8		ATTACHING PARTS ..SCREW	101102	6
55	NAS1149DN816K		..WASHER -----*-----	101102	6

MISSING ITEM NUMBERS NOT APPLICABLE

- ITEM NOT ILLUSTRATED

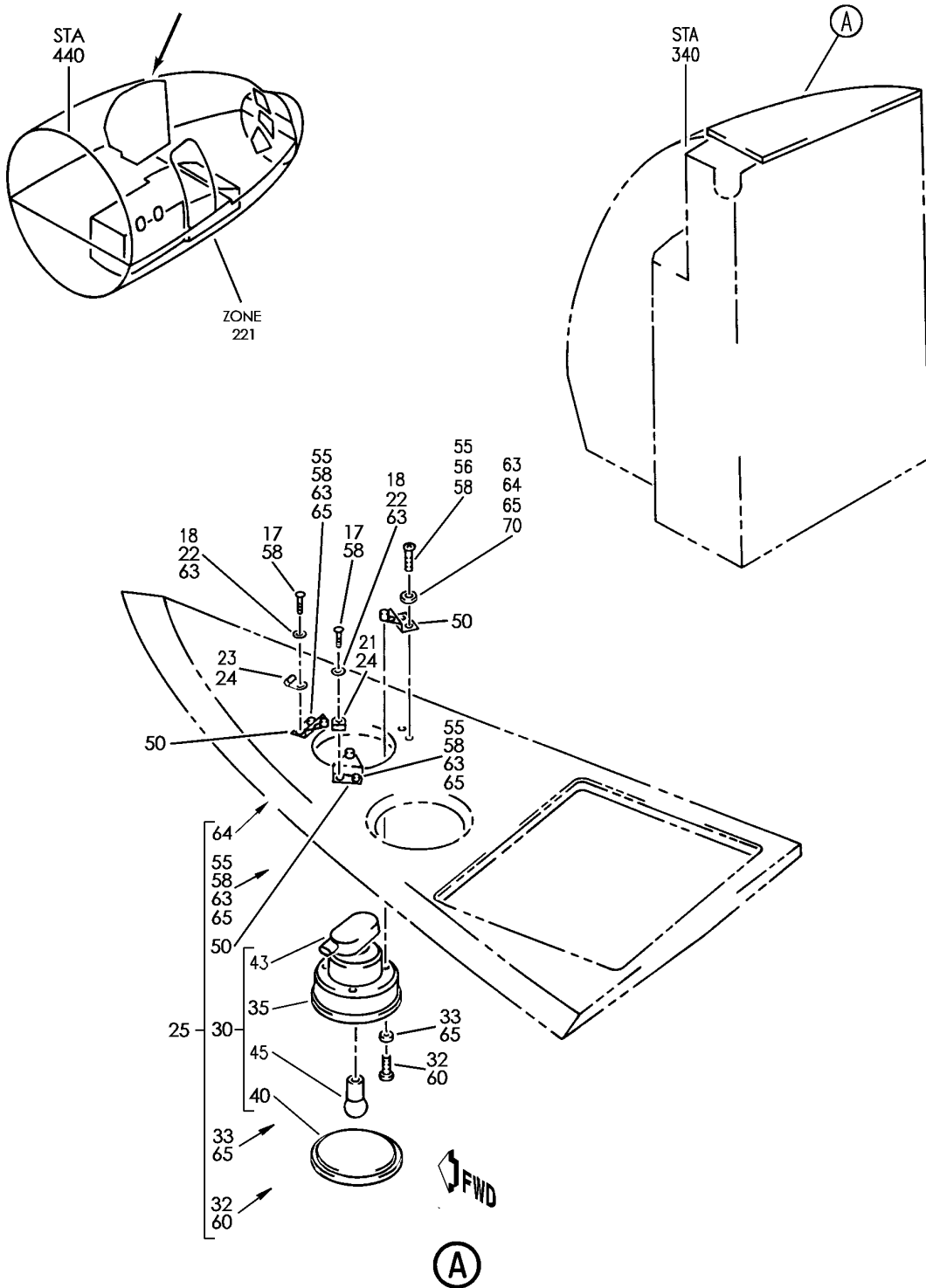
BRI

33-26-52-74A

BOEING PROPRIETARY - Copyright © - Unpublished Work - See title page for details.

33-26-52
FIG. 74A
PAGE 1
JAN 20/09

BOEING
757
PARTS CATALOG (MAINTENANCE)



Y 33265275 REV 256

CEILING ASSY-SEG 150 LAV A (LIGHTS ONLY)
FIGURE 75

33-26-52-75

BRI
JAN 20/09

33-26-52-75
PAGE 0



757

PARTS CATALOG (MAINTENANCE)

FIG ITEM	PART NUMBER	1 2 3 4 5 6 7	NOMENCLATURE	EFFECT FROM TO	UNITS PER ASSY
75			CEILING ASSY-SEG 150 LAV A (LIGHTS ONLY)	504903	
- 1	D75D15072-111		CEILING ASSY-SEG 150, LAV A (LIGHTS ONLY) SUPPLIER CODE: VS5825 FOR NHA/OTHER SYS DET SEE: 25-41-01-12	504903	RF
25	D75A45014-111A		.PANEL ASSY- SUPPLIER CODE: VS5825	504903	RF
30	1A081-0171-1		..LIGHT ASSY-DOME SUPPLIER CODE: VS5825 ELECTRICAL EQUIP NUMBER: L00003	504903	1
35	1A081-0171-101		...HOUSING ASSY- SUPPLIER CODE: VS5825	504903	1
40	1A081-0171-201		...LENS ASSY- SUPPLIER CODE: VS5825	504903	1
45	1691AF		...LAMP- SUPPLIER CODE: V08806 ELECTRICAL EQUIP NUMBER: L00003T	504903	1
50	D75D30263-111		..BRACKET- SUPPLIER CODE: VS5825 ATTACHING PARTS	504903	3
55	NAS1801-08-5		..SCREW	504903	4
60	NAS1801-08-6		..SCREW	504903	3
65	AN960KD8L		..WASHER	504903	7
70	NAS1149DN816K		..WASHER	504903	2
			-----*-----		

MISSING ITEM NUMBERS NOT APPLICABLE

- ITEM NOT ILLUSTRATED

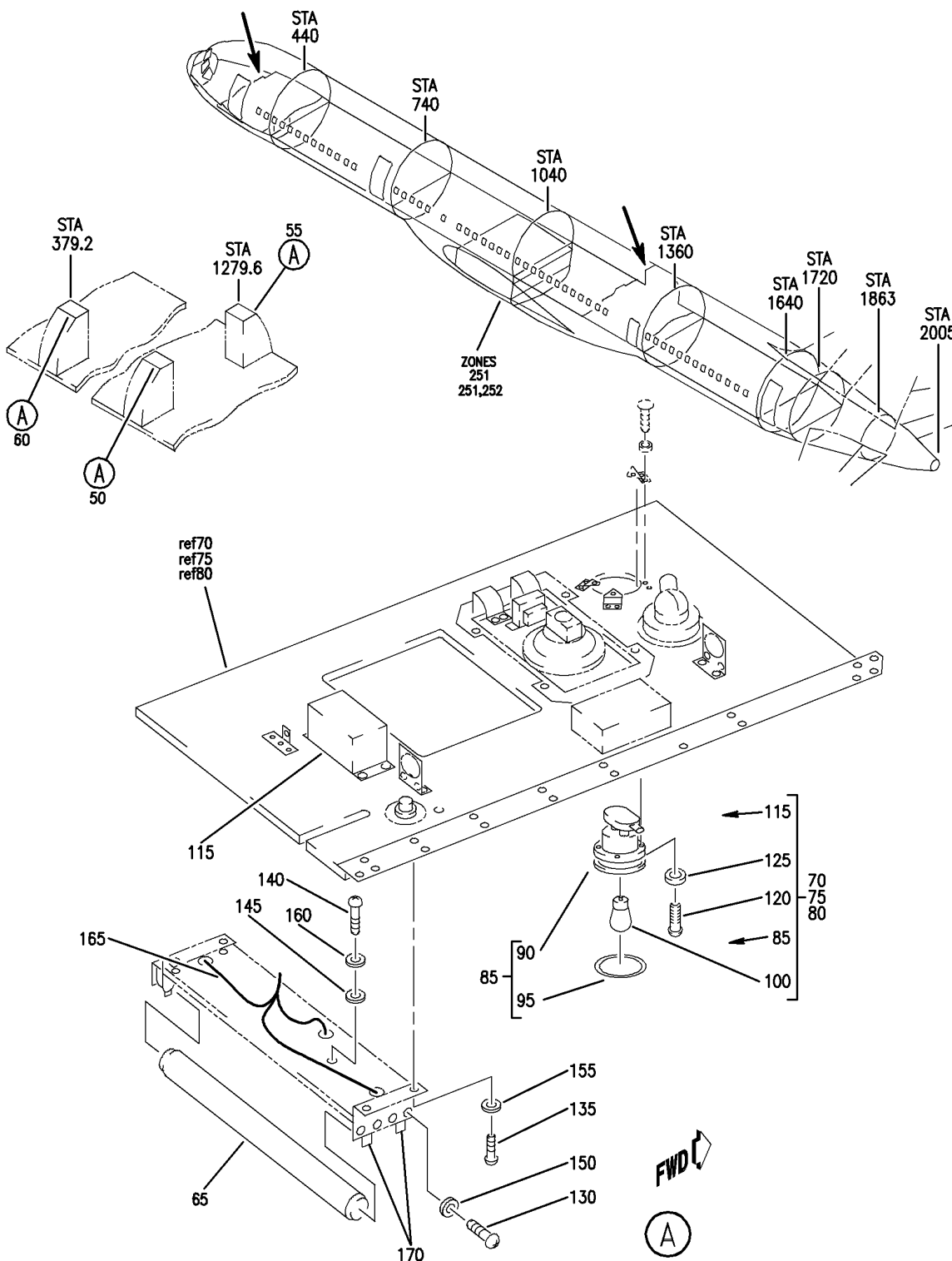
33-26-52-75

33-26-52
FIG. 75
PAGE 1
JAN 20/09

BRI

BOEING PROPRIETARY - Copyright © - Unpublished Work - See title page for details.

BOEING
757
PARTS CATALOG (MAINTENANCE)



Y 33265275A REV 238

CEILING ASSY-SEG 150, LAV (LIGHTS ONLY)
FIGURE 75A

33-26-52-75A

BRI
JAN 20/09

33-26-52-75A
PAGE 0



757

PARTS CATALOG (MAINTENANCE)

FIG ITEM	PART NUMBER	1 2 3 4 5 6 7	NOMENCLATURE	EFFECT FROM TO	UNITS PER ASSY
75A			CEILING ASSY-SEG 150, LAV (LIGHTS ONLY)	504903	
- 1	D75D15074-111		CEILING ASSY-SEG 150, LAV C (LIGHTS ONLY) SUPPLIER CODE: VS5825 FOR NHA/OTHER SYS DET SEE: 25-41-03-50A	504903	RF
- 5	D75D15073-111		CEILING ASSY-SEG 150, LAV D (LIGHTS ONLY) SUPPLIER CODE: VS5825 FOR NHA/OTHER SYS DET SEE: 25-41-03-51A	504903	RF
- 10	D75D15075-111		CEILING ASSY-SEG 150, LAV F (LIGHTS ONLY) SUPPLIER CODE: VS5825 FOR NHA/OTHER SYS DET SEE: 25-41-01-12B	504903	RF
50	D75D37060-111A		.CEILING ASSY-LAV C SUPPLIER CODE: VS5825	504903	RF
55	D75D37059-111A		.CEILING ASSY-LAV D SUPPLIER CODE: VS5825	504903	RF
60	D75D37061-111A		.CEILING ASSY-LAV F SUPPLIER CODE: VS5825	504903	RF
65	F15T12WW		..LAMP-L1 AND L2 SUPPLIER CODE: V13545	504903	2
70	D75A45056-111A		..PANEL ASSY-LAV C SUPPLIER CODE: VS5825	504903	RF
75	D75A45055-111A		..PANEL ASSY-LAV D SUPPLIER CODE: VS5825	504903	RF
80	D75A45057-111A		..PANEL ASSY-LAV F SUPPLIER CODE: VS5825	504903	RF
85	1A081-0171-1		...LIGHT ASSY-DOME, L3 SUPPLIER CODE: VS5825	504903	1
90	1A081-0171-101	HOUSING ASSY- SUPPLIER CODE: VS5825	504903	1

MISSING ITEM NUMBERS NOT APPLICABLE

- ITEM NOT ILLUSTRATED

33-26-52-75A

33-26-52
FIG. 75A
PAGE 1
JAN 20/09

BRI

BOEING PROPRIETARY - Copyright © - Unpublished Work - See title page for details.



757

PARTS CATALOG (MAINTENANCE)

FIG ITEM	PART NUMBER	1 2 3 4 5 6 7	NOMENCLATURE	EFFECT FROM TO	UNITS PER ASSY
75A 95	1A081-0171-201	LENS ASSY- SUPPLIER CODE: VS5825	504903	1
100	1691AF	LAMP-LT3 SUPPLIER CODE: V08806	504903	1
115	1343-1	BALLAST-RT1 SUPPLIER CODE: V30242 SPECIFICATION NUMBER: 60B40025-43	504903	1
120	NAS1801-08-6	...	SCREW	504903	3
125	AN960KD8L	...	WASHER	504903	3
130	NAS1801-04-5	..	SCREW	504903	8
135	NAS1801-06-5	..	SCREW	504903	8
140	NAS1801-3-7	..	SCREW	504903	1
145	AN960D10L	..	WASHER	504903	1
150	AN960KD4L	..	WASHER	504903	8
155	AN960KD6L	..	WASHER	504903	26
165	D75D92063-211	..	HARNES ASSY-LAV C SUPPLIER CODE: VS5825	504903	RF
170	BV03112N40	..	SOCKET- SUPPLIER CODE: V17023	504903	4

MISSING ITEM NUMBERS NOT APPLICABLE

- ITEM NOT ILLUSTRATED

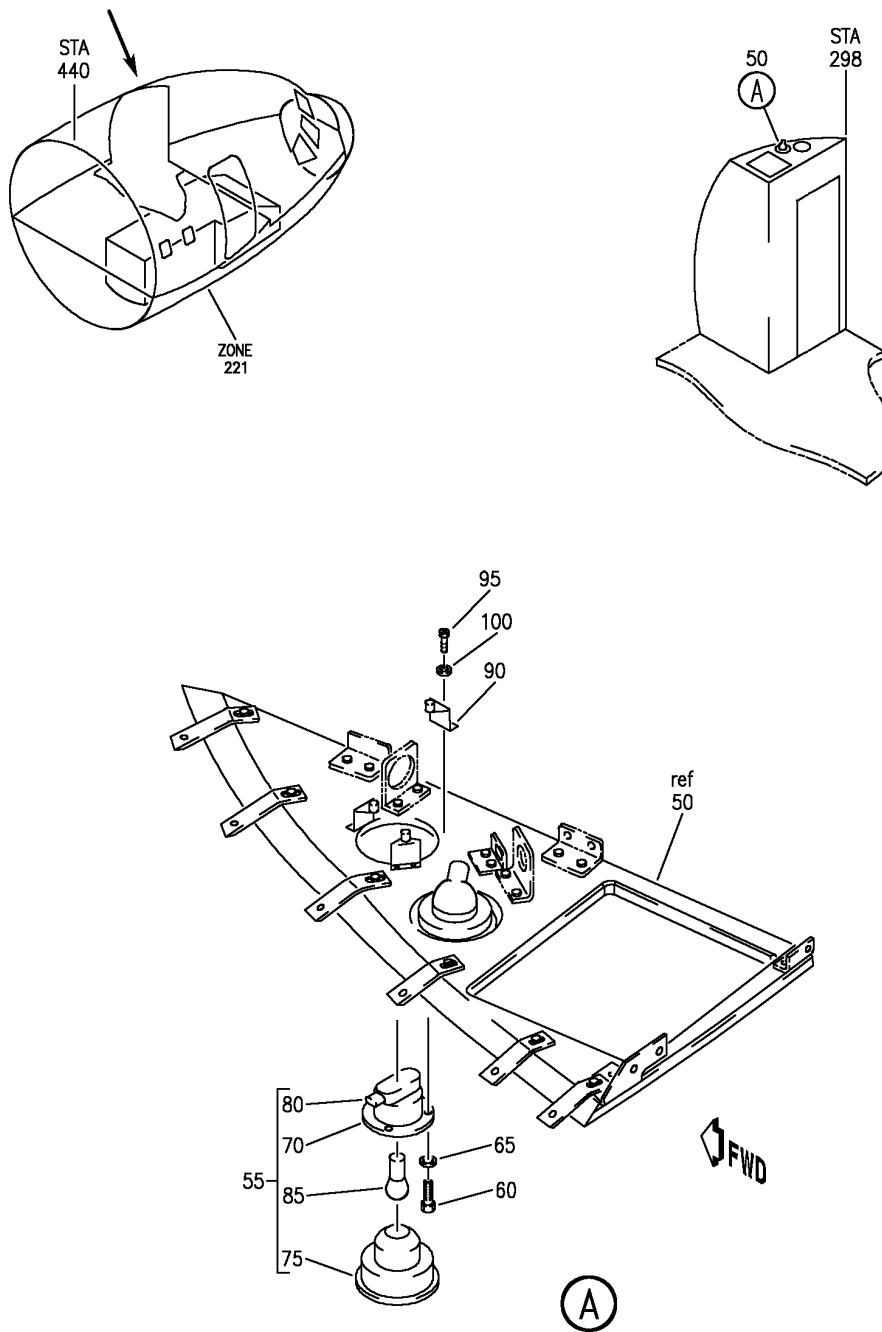
33-26-52-75A

33-26-52
FIG. 75A
PAGE 2
JAN 20/09

BRI

BOEING PROPRIETARY - Copyright © - Unpublished Work - See title page for details.

BOEING
757
PARTS CATALOG (MAINTENANCE)



Y 33265275C REV 262

CEILING ASSY-SEG 150 LAV A (LIGHTS ONLY)
FIGURE 75C

33-26-52-75C

BRI
JAN 20/09

33-26-52-75C
PAGE 0

BOEING
757
PARTS CATALOG (MAINTENANCE)

FIG ITEM	PART NUMBER	1 2 3 4 5 6 7	NOMENCLATURE	EFFECT FROM TO	UNITS PER ASSY
75C			CEILING ASSY-SEG 150 LAV A (LIGHTS ONLY)	103106	
- 1	D71D15014-111A		CEILING ASSY-SEG 150 LAV A (LIGHTS ONLY) SUPPLIER CODE: VS5825 FOR NHA/OTHER SYS DET SEE: 25-41-01-40E	103106	RF
50	D71A45009-111A		.PANEL ASSY- SUPPLIER CODE: VS5825	103106	RF
55	1A081-0171-11		..LIGHT ASSY-DOME SUPPLIER CODE: VS5825 ATTACHING PARTS	103106	1
60	NAS1801-08-6		..SCREW	103106	3
65	NAS1149DN816K		..WASHER	103106	3
70	1A081-0171-111		...HOUSING ASSY- SUPPLIER CODE: VS5825	103106	1
75	1A081-0171-211		...LENS ASSY- SUPPLIER CODE: VS5825	103106	1
80	1A081-0171-311		...SOCKET ASSY- SUPPLIER CODE: VS5825	103106	1
85	MS25233-303		...LAMP-L3T	103106	1
90	D75D30263-111		..BRACKET- SUPPLIER CODE: VS5825 ATTACHING PARTS	103106	3
95	NAS1801-08-5		..SCREW	103106	6
100	NAS1149DN816K		..WASHER	103106	6

MISSING ITEM NUMBERS NOT APPLICABLE

- ITEM NOT ILLUSTRATED

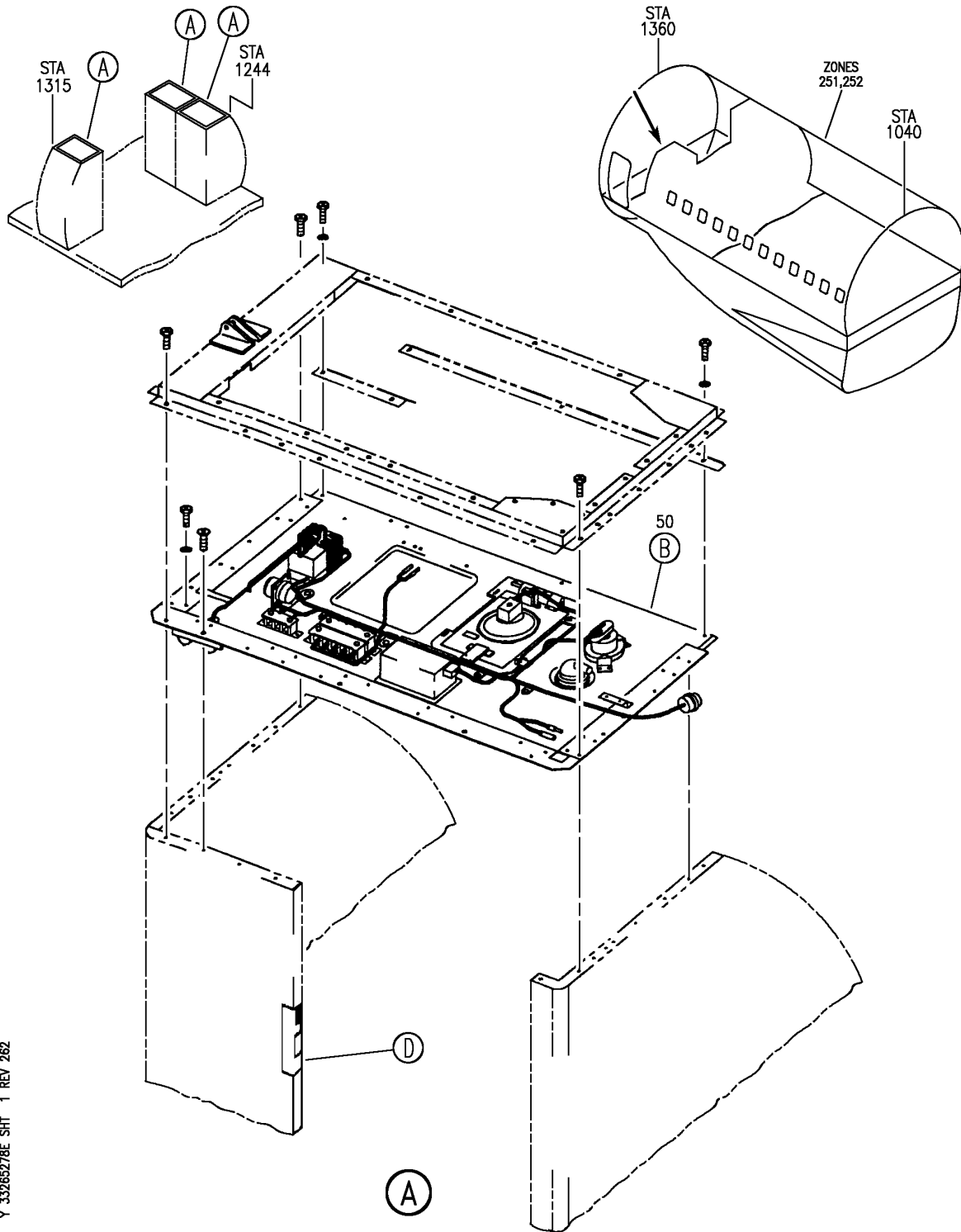
BRI

33-26-52-75C

BOEING PROPRIETARY - Copyright © - Unpublished Work - See title page for details.

33-26-52
FIG. 75C
PAGE 1
JAN 20/09

BOEING
757
PARTS CATALOG (MAINTENANCE)



Y 33265278E SHT 1 REV 262

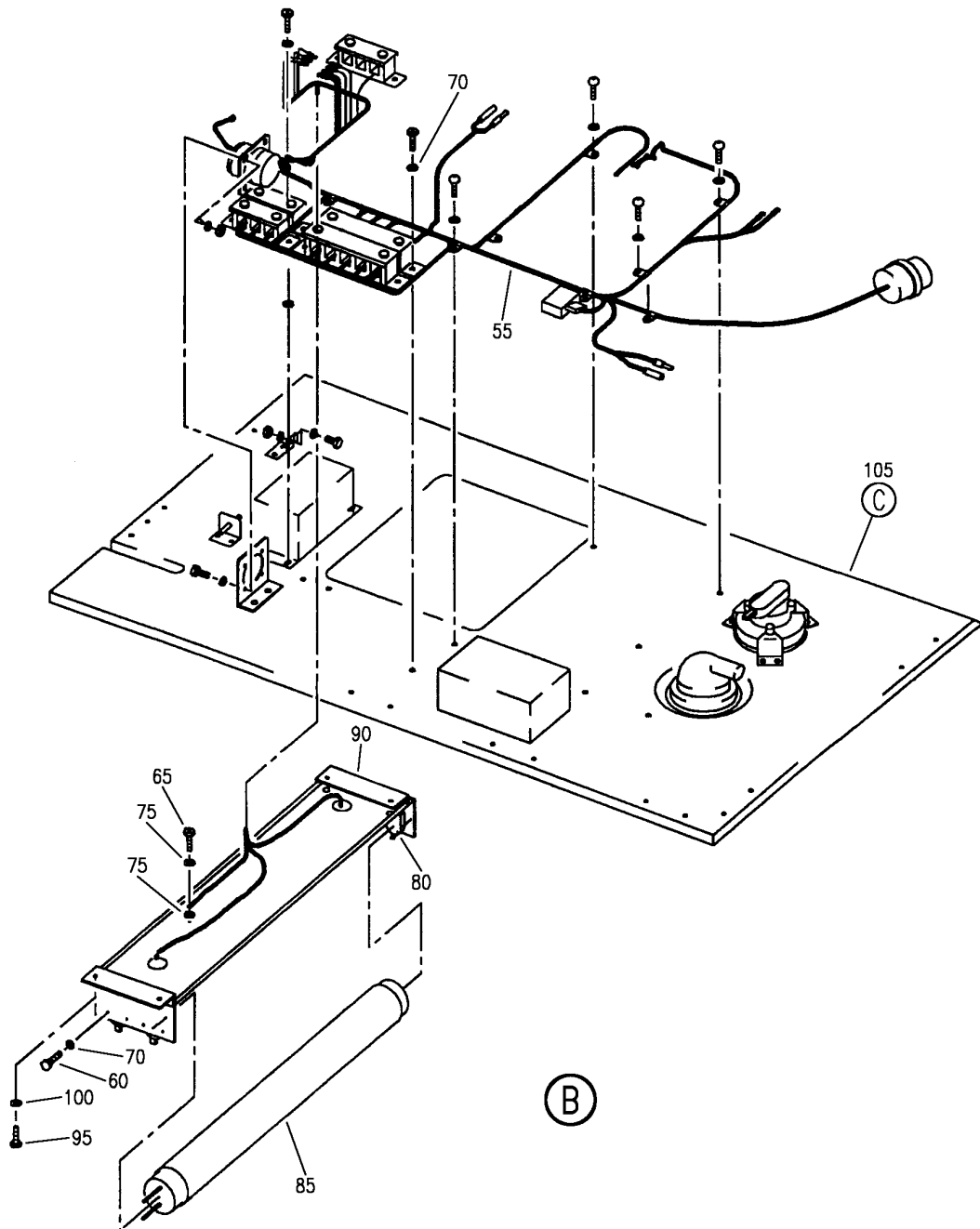
CEILING AND WALL ASSY-SEG 100 AND 150 LAV (LIGHTS ONLY)
FIGURE 78E (SHEET 1)

33-26-52-78E

BRI
JAN 20/09

33-26-52-78E
PAGE 0

BOEING
757
PARTS CATALOG (MAINTENANCE)



Y 33265278E SHT 2 REV 262

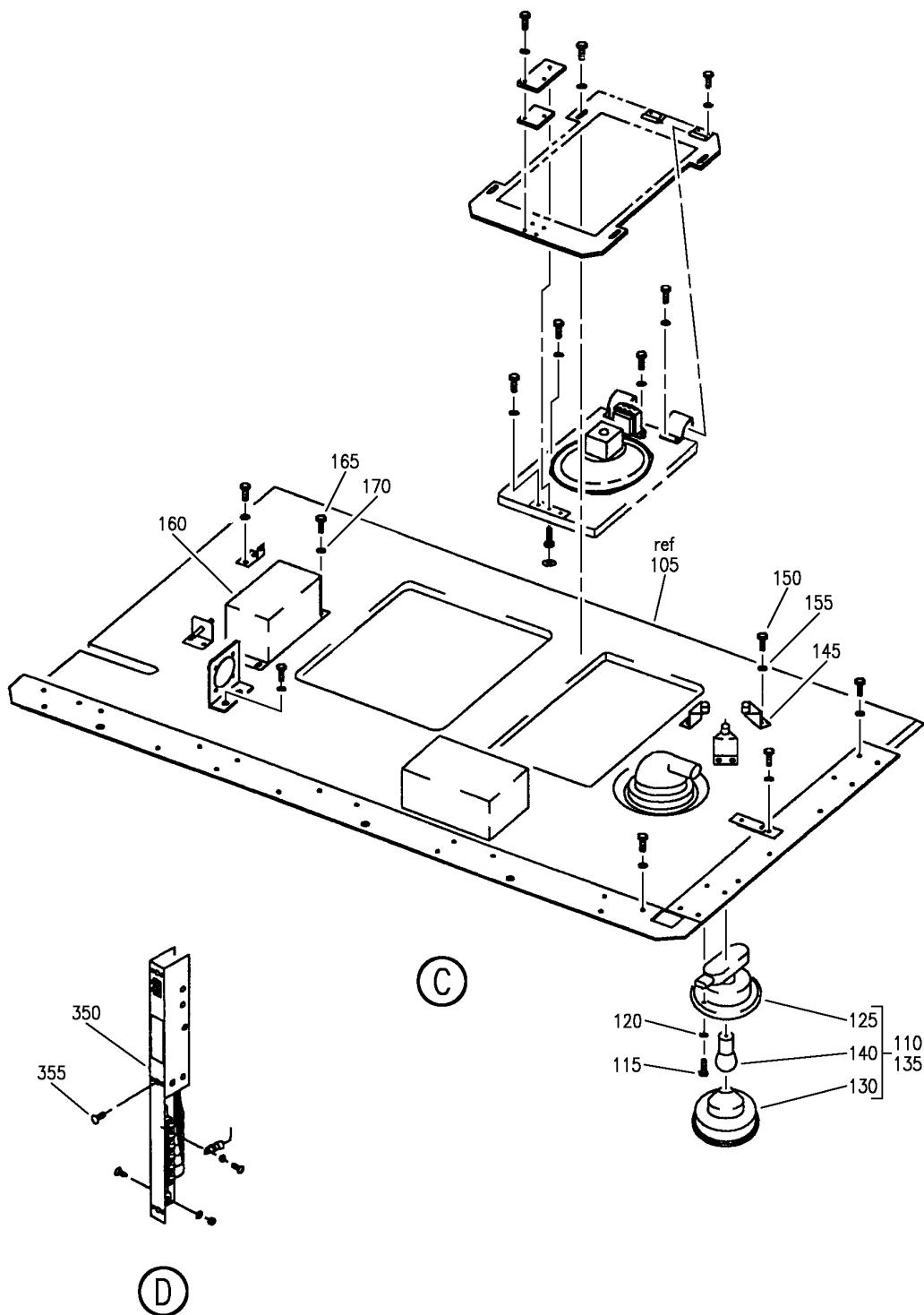
CEILING AND WALL ASSY-SEG 100 AND 150 LAV (LIGHTS ONLY)
FIGURE 78E (SHEET 2)

33-26-52-78E

BRI
JAN 20/09

33-26-52-78E
PAGE 0A

BOEING
757
PARTS CATALOG (MAINTENANCE)



Y 33265278E SHT 3 REV 262

CEILING AND WALL ASSY-SEG 100 AND 150 LAV (LIGHTS ONLY)
FIGURE 78E (SHEET 3)

33-26-52-78E

BRI
JAN 20/09

33-26-52-78E
PAGE 0B



757

PARTS CATALOG (MAINTENANCE)

FIG ITEM	PART NUMBER	1 2 3 4 5 6 7	NOMENCLATURE	EFFECT FROM TO	UNITS PER ASSY
78E			CEILING AND WALL ASSY- SEG 100 AND 150 LAV (LIGHTS ONLY)	103106	
- 1	D71D15036-111A		CEILING ASSY-SEG 150 LAV B (LIGHTS ONLY) SUPPLIER CODE: VS5825 FOR NHA/OTHER SYS DET SEE: 25-41-03-52F	103106	RF
- 5	D71D15040-111A		CEILING ASSY-SEG 150 LAV C (LIGHTS ONLY) SUPPLIER CODE: VS5825 FOR NHA/OTHER SYS DET SEE: 25-41-03-50Q	103106	RF
- 10	D71D15038-111A		CEILING ASSY-SEG 150 LAV D (LIGHTS ONLY) SUPPLIER CODE: VS5825 FOR NHA/OTHER SYS DET SEE: 25-41-03-51R	103106	RF
50	D71D37028-111A		.CEILING ASSY- LAV B SUPPLIER CODE: VS5825	103106	RF
- 52	D71D37032-111A		.CEILING ASSY- LAV C SUPPLIER CODE: VS5825	103106	RF
- 53	D71D37030-111A		.CEILING ASSY- LAV D SUPPLIER CODE: VS5825	103106	RF
55	D71D92027-111		..HARNES ASSY- LAV B SUPPLIER CODE: VS5825	103106	RF
- 57	D71D92033-211		..HARNES ASSY- LAV C SUPPLIER CODE: VS5825	103106	RF
- 58	D71D92029-111		..HARNES ASSY- LAV D SUPPLIER CODE: VS5825	103106	RF
60	NAS1801-04-5		ATTACHING PARTS ..SCREW	103106	8
65	NAS1801-3-7		..SCREW	103106	1
70	NAS1149DN416K		..WASHER	103106	8

MISSING ITEM NUMBERS NOT APPLICABLE

- ITEM NOT ILLUSTRATED

33-26-52-78E

33-26-52
FIG. 78E
PAGE 1
JAN 20/09

BRI

BOEING PROPRIETARY - Copyright © - Unpublished Work - See title page for details.



757

PARTS CATALOG (MAINTENANCE)

FIG ITEM	PART NUMBER	1 2 3 4 5 6 7	NOMENCLATURE	EFFECT FROM TO	UNITS PER ASSY
78E					
75	NAS1149D0316H	..	WASHER	103106	2
		-----*			
80	BV03112N40	...	SOCKET-	103106	4
			SUPPLIER CODE: V17023		
85	F15T12WW	..	LAMP-FLOUR, L1 AND L2	103106	2
			SUPPLIER CODE: V13545		
90	D75D30225-111	..	PLANE ASSY-GROUND	103106	1
			SUPPLIER CODE: VS5825		
			ATTACHING PARTS		
95	NAS1801-06-5	..	SCREW	103106	4
100	NAS1149DN616K	..	WASHER	103106	4
		-----*			
105	D71A45016-111A	..	PANEL ASSY-	103106	RF
			LAV B		
			SUPPLIER CODE: VS5825		
- 107	D71A45018-111A	..	PANEL ASSY-	103106	RF
			LAV C		
			SUPPLIER CODE: VS5825		
- 108	D71A45017-111A	..	PANEL ASSY-	103106	RF
			LAV D		
			SUPPLIER CODE: VS5825		
110	1A081-0171-11	...	LIGHT ASSY-DOME, L3	103106	1
			SUPPLIER CODE: VS5825		
			ATTACHING PARTS		
115	NAS1801-08-6	...	SCREW	103106	3
120	NAS1149DN816K	...	WASHER	103106	3
		-----*			
125	1A081-0171-111	HOUSING ASSY-	103106	1
			SUPPLIER CODE: VS5825		
130	1A081-0171-211	LENS ASSY-	103106	1
			SUPPLIER CODE: VS5825		
135	1A081-0171-311	SOCKET ASSY-	103106	1
			SUPPLIER CODE: VS5825		
140	MS25233-303	LAMP	103106	1
145	D75D30263-111	...	BRACKET-	103106	3
			SUPPLIER CODE: VS5825		
			ATTACHING PARTS		
150	NAS1801-08-6	...	SCREW	103106	2

MISSING ITEM NUMBERS NOT APPLICABLE

- ITEM NOT ILLUSTRATED

33-26-52-78E

33-26-52
FIG. 78E
PAGE 2
JAN 20/09

BRI

BOEING PROPRIETARY - Copyright © - Unpublished Work - See title page for details.



757

PARTS CATALOG (MAINTENANCE)

FIG ITEM	PART NUMBER	1 2 3 4 5 6 7	NOMENCLATURE	EFFECT FROM TO	UNITS PER ASSY
78E 155	NAS1149DN816K	...	WASHER -----*-----	103106	2
160	1343-1	...	BALLAST-RT1 SUPPLIER CODE: V30242 SPECIFICATION NUMBER: 60B40025-43 ATTACHING PARTS	103106	1
165	NAS1801-08-5	...	SCREW	103106	3
170	NAS1149DN816K	...	WASHER -----*-----	103106	3
- 300	D71D10050-111A		WALL ASSY-OUT SEG 100 LAV B (LIGHTS ONLY) SUPPLIER CODE: VS5825 FOR NHA/OTHER SYS DET SEE: 25-41-03-52F	103106	RF
- 305	D71D10051-111A		WALL ASSY-OUT SEG 100 LAV C (LIGHTS ONLY) SUPPLIER CODE: VS5825 FOR NHA/OTHER SYS DET SEE: 25-41-03-50Q	103106	RF
- 310	D71D10052-111A		WALL ASSY-OUT SEG 100 LAV D (LIGHTS ONLY) SUPPLIER CODE: VS5825 FOR NHA/OTHER SYS DET SEE: 25-41-03-51R	103106	RF
350	1A081-0164-11	.	SWITCH-DOOR (S1) SUPPLIER CODE: VS5825 ATTACHING PARTS	103106	1
355	NAS514P632-6	.	SCREW -----*-----	103106	3

MISSING ITEM NUMBERS NOT APPLICABLE

- ITEM NOT ILLUSTRATED

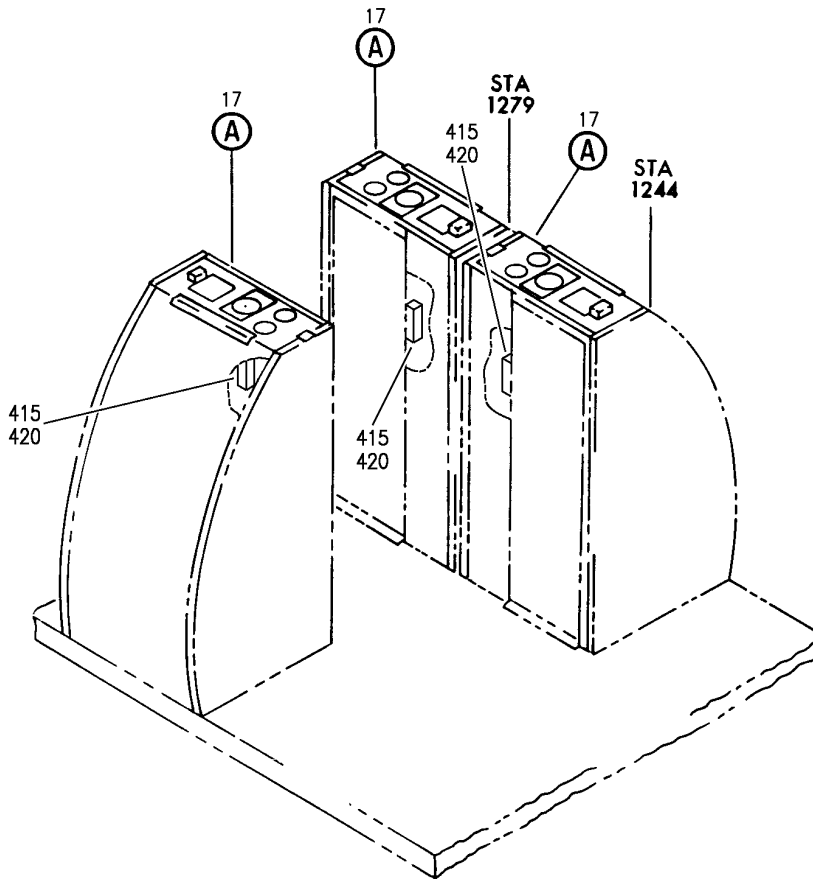
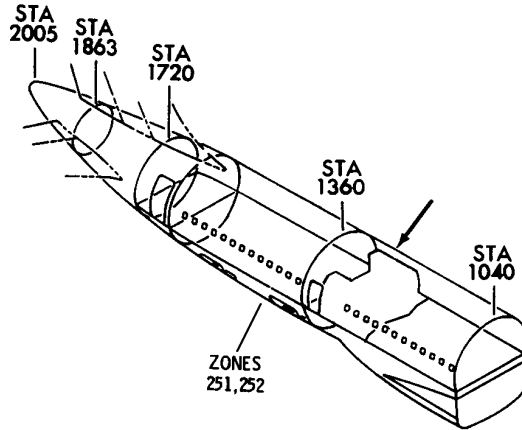
33-26-52-78E

33-26-52
FIG. 78E
PAGE 3
JAN 20/09

BRI

BOEING PROPRIETARY - Copyright © - Unpublished Work - See title page for details.

BOEING
757
PARTS CATALOG (MAINTENANCE)



Y 33265280C SHT 1 REV 247

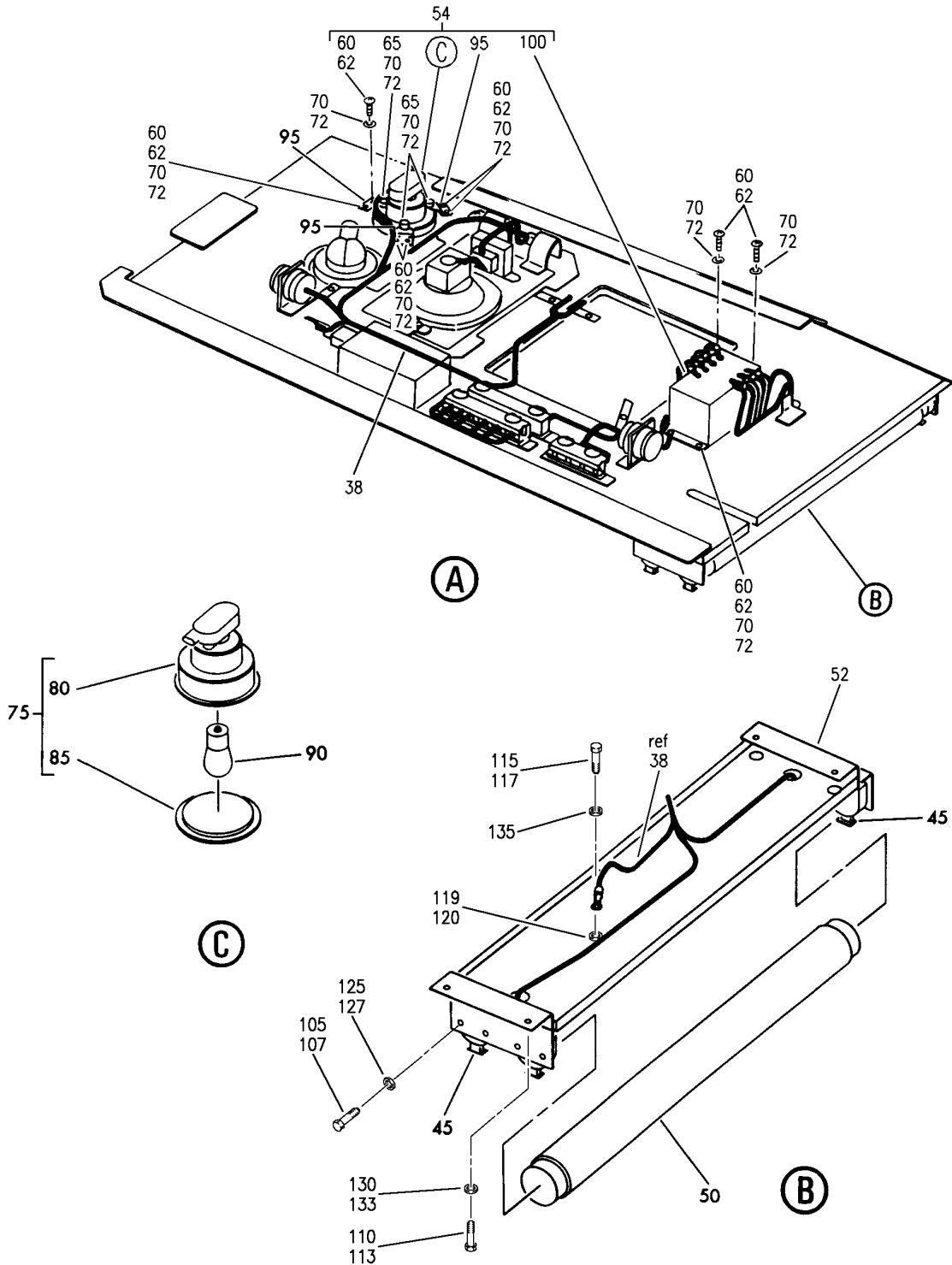
CEILING ASSY-SEG 150, LAV (LIGHTS ONLY)
FIGURE 80C (SHEET 1)

33-26-52-80C

BRI
MAY 28/07

33-26-52-80C
PAGE 0

BOEING
757
PARTS CATALOG (MAINTENANCE)



Y 33265280C SH1 2 REV 247

CEILING ASSY-SEG 150, LAV (LIGHTS ONLY)
FIGURE 80C (SHEET 2)

33-26-52-80C

BRI
MAY 28/07

33-26-52-80C
PAGE 0A



757

PARTS CATALOG (MAINTENANCE)

FIG ITEM	PART NUMBER	1 2 3 4 5 6 7	NOMENCLATURE	EFFECT FROM TO	UNITS PER ASSY
80C			CEILING ASSY-SEG 150, LAV (LIGHTS ONLY)	101102	
- 1	D75D15033-111		CEILING ASSY-SEG 150, LAV B (LIGHTS ONLY) SUPPLIER CODE: VS5825 FOR NHA/OTHER SYS DET SEE: 25-41-03-52C	101102	RF
- 5	D75D15034-111		CEILING ASSY-SEG 150, LAV C (LIGHTS ONLY) SUPPLIER CODE: VS5825 FOR NHA/OTHER SYS DET SEE: 25-41-03-50H	101102	RF
- 10	D75D15035-111		CEILING ASSY-SEG 150, LAV D (LIGHTS ONLY) SUPPLIER CODE: VS5825 FOR NHA/OTHER SYS DET SEE: 25-41-03-51H	101102	RF
17	D75D37024-111A		.CEILING ASSY-LAV B SUPPLIER CODE: VS5825	101102	RF
- 20	D75D37025-111A		.CEILING ASSY-LAV C SUPPLIER CODE: VS5825	101102	RF
- 21	D75D37026-111A		.CEILING ASSY-LAV D SUPPLIER CODE: VS5825	101102	RF
38	D75D92036-111		..HARNES ASSY-LAV B AND D SUPPLIER CODE: VS5825	101102	RF
- 40	D75D92036-211		..HARNES ASSY-LAV C SUPPLIER CODE: VS5825	101102	RF
45	BV03112N40		...SOCKET-LAMP SUPPLIER CODE: V17023 OPTIONAL PART: BV03112N03-40 V17023	101102	4
50	F15T12WW		..LAMP-L1, L2 SUPPLIER CODE: V13545	101102	2
52	D75D30225-111		..PLANE ASSY- SUPPLIER CODE: VS5825	101102	1

MISSING ITEM NUMBERS NOT APPLICABLE

- ITEM NOT ILLUSTRATED

33-26-52-80C

33-26-52
FIG. 80C
PAGE 1
JAN 20/09

BRI

BOEING PROPRIETARY - Copyright © - Unpublished Work - See title page for details.



757

PARTS CATALOG (MAINTENANCE)

FIG ITEM	PART NUMBER	1 2 3 4 5 6 7	NOMENCLATURE	EFFECT FROM TO	UNITS PER ASSY
80C					
54	D75A45027-111A	..	PANEL ASSY-LAV B SUPPLIER CODE: VS5825	101102	RF
- 55	D75A45028-111A	..	PANEL ASSY-LAV C SUPPLIER CODE: VS5825	101102	RF
- 57	D75A45026-111A	..	PANEL ASSY-LAV D SUPPLIER CODE: VS5825	101102	RF
60	NAS1801-08-5	...	SCREW	101102	9
62	NAS602-5P	...	SCREW	101102	9
65	NAS1801-08-6	...	SCREW	101102	3
70	AN960KD8L	...	WASHER	101102	12
75	1A081-0171-1	...	LIGHT ASSY-DOME L3 SUPPLIER CODE: VS5825	101102	1
80	1A081-0171-101	HOUSING ASSY- SUPPLIER CODE: VS5825	101102	1
85	1A081-0171-201	LENS ASSY- SUPPLIER CODE: VS5825	101102	1
90	1691AF	...	LAMP-L3T SUPPLIER CODE: V08806	101102	1
95	D75D30263-111	...	BRACKET- SUPPLIER CODE: VS5825	101102	3
100	1343-1	...	BALLAST-RT1 SUPPLIER CODE: V30242 SPECIFICATION NUMBER: 60B40025-43	101102	1
105	NAS600-5P	..	SCREW	101102	8
107	NAS1801-04-5	..	SCREW	101102	8
110	NAS601-5P	..	SCREW	101102	4
113	NAS1801-06-5	..	SCREW	101102	4
115	NAS603-7P	..	SCREW	101102	1
117	NAS1801-3-7	..	SCREW	101102	1
119	NAS1149D0316H	..	WASHER	101102	1
125	AN960KD4L	..	WASHER	101102	8
127	NAS1149DN416K	..	WASHER	101102	8
130	AN960KD6L	..	WASHER	101102	4
133	NAS1149DN616K	..	WASHER	101102	4

MISSING ITEM NUMBERS NOT APPLICABLE

- ITEM NOT ILLUSTRATED

33-26-52-80C

33-26-52
FIG. 80C
PAGE 2
JAN 20/09

BRI

BOEING PROPRIETARY - Copyright © - Unpublished Work - See title page for details.



757

PARTS CATALOG (MAINTENANCE)

FIG ITEM	PART NUMBER	1 2 3 4 5 6 7	NOMENCLATURE	EFFECT FROM TO	UNITS PER ASSY
80C - 395	D75D11231-111		WALL ASSY-OUT SEG 110, LAV B (LIGHTS ONLY) SUPPLIER CODE: VS5825 FOR NHA/OTHER SYS DET SEE: 25-41-03-52C	101102	RF
- 400	D75D11232-111		WALL ASSY-OUT SEG 110, LAV C (LIGHTS ONLY) SUPPLIER CODE: VS5825 FOR NHA/OTHER SYS DET SEE: 25-41-03-50H	101102	RF
- 405	D75D11233-111		WALL ASSY-OUT SEG 110, LAV D (LIGHTS ONLY) SUPPLIER CODE: VS5825 FOR NHA/OTHER SYS DET SEE: 25-41-03-51H	101102	RF
415	1A081-0164-11		.SWITCH-DOOR SUPPLIER CODE: VS5825 ELECTRICAL EQUIP NUMBER: S00001	101102	1
420	1A081-0164-3		.SWITCH-DOOR S1 SUPPLIER CODE: VS5825	101102	1
- 425	NAS514P632-6		ATTACHING PARTS .SCREW -----*-----	101102	3

MISSING ITEM NUMBERS NOT APPLICABLE

- ITEM NOT ILLUSTRATED

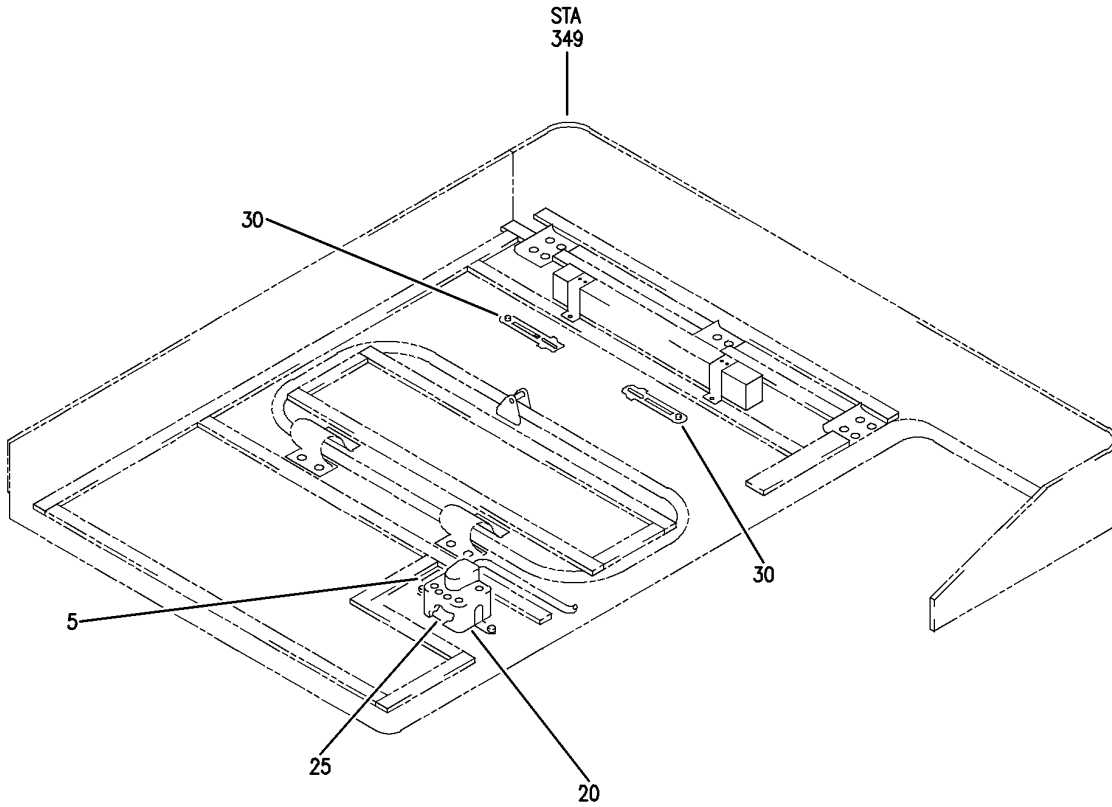
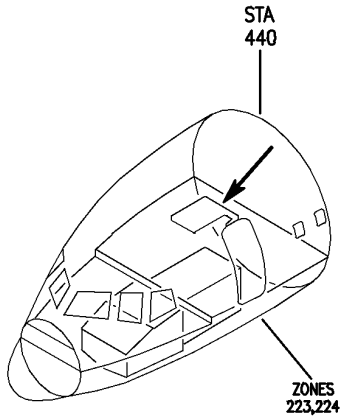
33-26-52-80C

33-26-52
FIG. 80C
PAGE 3
JAN 20/09

BRI

BOEING PROPRIETARY - Copyright © - Unpublished Work - See title page for details.

BOEING
757
PARTS CATALOG (MAINTENANCE)



Y 33265281 REV 246

CEILING ASSY-CLOSE OUT CENTERLINE AND OFFSET EXIT SIGN (LAVATORY LIGHTS ONLY)
FIGURE 81

BRI
JAN 20/09

33-26-52-81

33-26-52-81
PAGE 0



757

PARTS CATALOG (MAINTENANCE)

FIG ITEM	PART NUMBER	1 2 3 4 5 6 7	NOMENCLATURE	EFFECT FROM TO	UNITS PER ASSY
81			CEILING ASSY-CLOSE OUT CENTERLINE AND OFFSET EXIT SIGN (LAVATORY LIGHTS ONLY)	103106	
- 1	411N3510-8B		CEILING ASSY-CLOSE OUT OFFSET EXIT SIGN (LAVATORY LIGHTS ONLY) POSITION DATA: DOOR 1 FOR NHA/OTHER SYS DET SEE: 25-22-02-69	103106	RF
5	BAC27NPS305		.MARKER-ALUMINUM FOIL PLACARD CONTENT: L352 LAMP	103106	1
20	10-1038-1		.HOUSING ASSY-ACCENT LIGHT SUPPLIER CODE: V72914 SPECIFICATION NUMBER: S417N502-3 ELECTRICAL EQUIP NUMBER: L00352	103106	1
- 22	BACS12FA08K4		ATTACHING PARTS .SCREW -----*-----	103106	2
25	11-4269-1E		.BEZEL ASSY- SUPPLIER CODE: V72914 SPECIFICATION NUMBER: S417N502-9E	103106	1
30	BACT44E1S		.CONNECTOR ATTACHING PARTS	103106	2
- 35	BACS12GU3K5		.SCREW- -----*-----	103106	4

MISSING ITEM NUMBERS NOT APPLICABLE

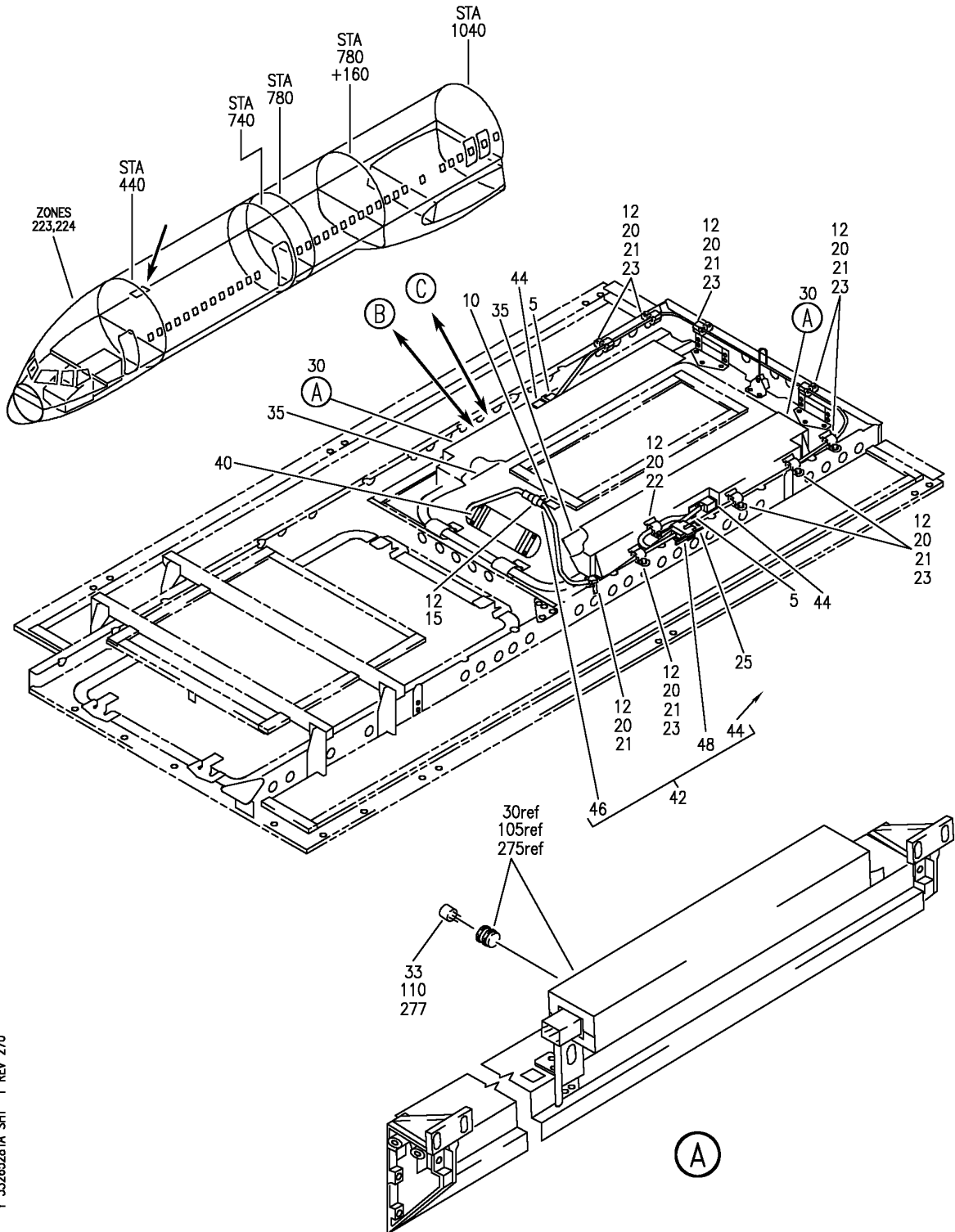
- ITEM NOT ILLUSTRATED

33-26-52-81

33-26-52
FIG. 81
PAGE 1
JAN 20/09

BRI

BOEING
757
PARTS CATALOG (MAINTENANCE)



Y 33265281A SHT 1 REV 270

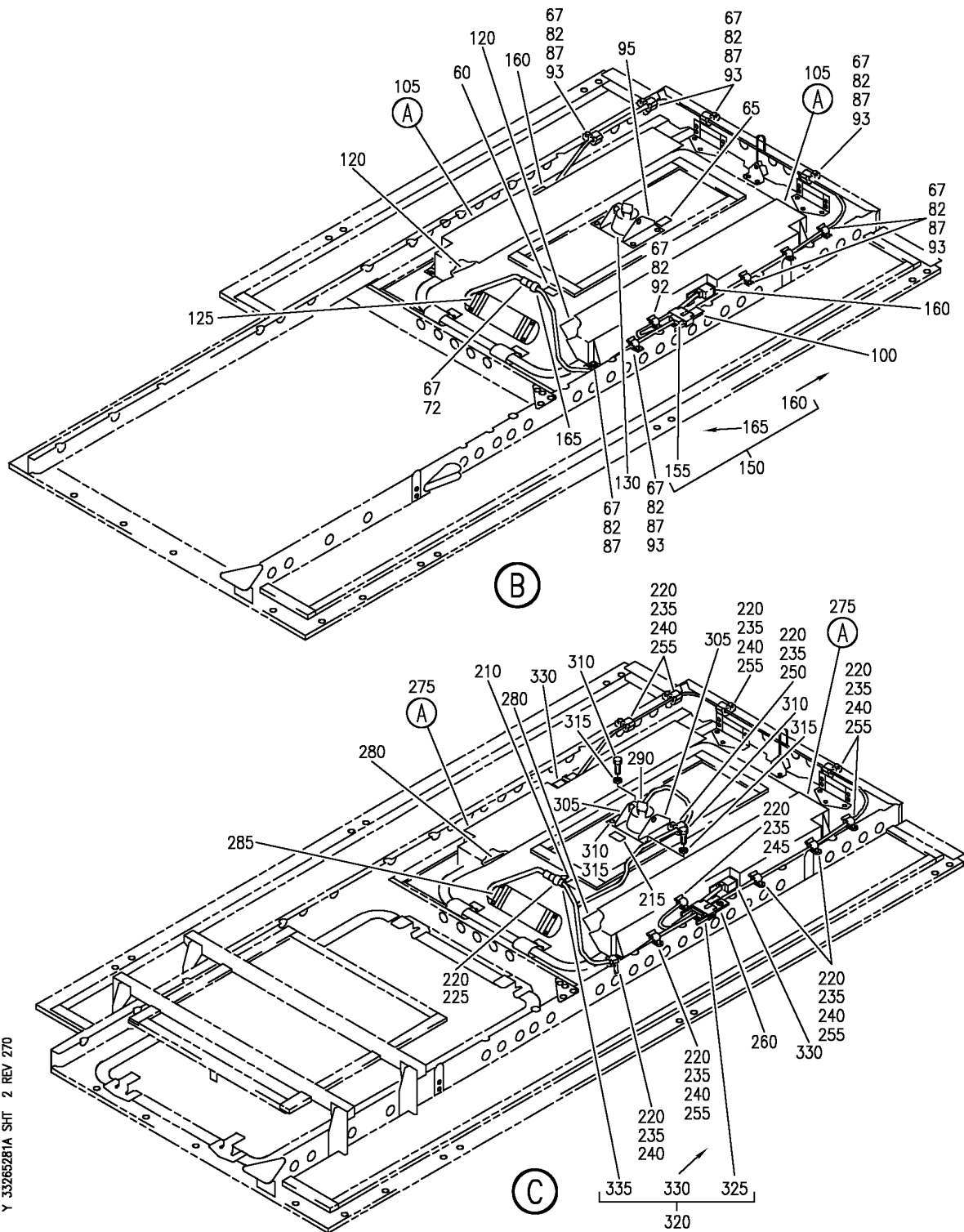
CEILING ASSY-HORSESHOE DOOR 1
FIGURE 81A (SHEET 1)

33-26-52-81A

BRI
JAN 20/09

33-26-52-81A
PAGE 0

BOEING
757
PARTS CATALOG (MAINTENANCE)



Y 33265281A SHT 2 REV 270

CEILING ASSY-HORSESHOE DOOR 1
FIGURE 81A (SHEET 2)

33-26-52-81A

BRI
JAN 20/09

33-26-52-81A
PAGE 0A

BOEING
757
PARTS CATALOG (MAINTENANCE)

FIG ITEM	PART NUMBER	1 2 3 4 5 6 7	NOMENCLATURE	EFFECT FROM TO	UNITS PER ASSY
81A			CEILING ASSY-HORSESHOE DOOR 1	103106	
- 50	411N3530-15B		CEILING ASSY-HORSESHOE (LIGHTS ONLY) POSITION DATA: DOOR 1 FOR NHA/OTHER SYS DET SEE: 25-22-02-69F	103106	RF
- 55	BAC27DEL1285		.MARKER-ALUMINUM FOIL PLACARD CONTENT: M01840 RECESSED CEILING LIGHT	103106	2
60	BAC29PPS5209		.MARKER-ALUMINUM FOIL PLACARD CONTENT: L643 LAVATORY OCCUPIED SIGN	103106	1
65	BAC27TPPS6598		.MARKER-ALUMINUM FOIL PLACARD CONTENT: L1117 EMERGENCY AISLE LIGHT	103106	1
67	PLT1-5IM		.STRAP SUPPLIER CODE: V06383 SPECIFICATION NUMBER: BACS38K5 OPTIONAL PART: T03R0 V53421	103106	11
72	287T0011-3		.CLAMP ATTACHING PARTS	103106	1
- 77	BACS12FA3K5		.SCREW -----*-----	103106	1
82	287T0011-1		.CLAMP ATTACHING PARTS	103106	10
87	BACS12FA3K8		.SCREW	103106	9
92	BACS12FA3K6		.SCREW-	103106	1
93	BRC600-10-3		.NUT- SUPPLIER CODE: V52828 SPECIFICATION NUMBER: BACN10YD2 OPTIONAL PART: 130121 V60119 -----*-----	103106	8
95	417U5120-1		.BRACKET ATTACHING PARTS	103106	1
- 97	BACS12FA3K5		.SCREW -----*-----	103106	4

MISSING ITEM NUMBERS NOT APPLICABLE

- ITEM NOT ILLUSTRATED

33-26-52-81A

33-26-52
FIG. 81A
PAGE 1
JAN 20/09

BRI

BOEING PROPRIETARY - Copyright © - Unpublished Work - See title page for details.



757

PARTS CATALOG (MAINTENANCE)

FIG ITEM	PART NUMBER	1 2 3 4 5 6 7	NOMENCLATURE	EFFECT FROM TO	UNITS PER ASSY
81A 100	BACT44E1S		.CONNECTOR- ATTACHING PARTS	103106	1
- 102	BACS12GU3K8		.SCREW	103106	2
- 103	BRC600-10-3		.NUT SUPPLIER CODE: V52828 SPECIFICATION NUMBER: BACN10YD2 OPTIONAL PART: 130121 V60119	103106	2
			-----*-----		
105	4042-10		.LIGHT ASSY-RECESSED SUPPLIER CODE: VD1347 SPECIFICATION NUMBER: S417N514-301 ELECTRICAL EQUIP NUMBER: M01840 COMPONENT MAINT MANUAL REF: 33-21-14	103106	2
110	774-115-91		.. FUSE- SUPPLIER CODE: VD1347	103106	1
120	417A5430-1		.LENS	103106	2
125	82000-49001		.SIGN ASSY-LAV OCC SIGN SUPPLIER CODE: VS5006 SPECIFICATION NUMBER: S417A548-1 ELECTRICAL EQUIP NUMBER: L00643 COMPONENT MAINT MANUAL REF: 33-24-04 FOR DETAILS SEE: 33-24-51-90	103106	1
130	0105924-005		.LIGHT- SUPPLIER CODE: VOVDA9 SPECIFICATION NUMBER: S417U006-6 ELECTRICAL EQUIP NUMBER: L01117 FOR DETAILS SEE: 33-51-51-55 ATTACHING PARTS	103106	1
- 135	NAS1801-06-8		.SCREW	103106	2
- 140	NAS1149DN632J		.WASHER -----*-----	103106	2

MISSING ITEM NUMBERS NOT APPLICABLE

- ITEM NOT ILLUSTRATED

33-26-52-81A

33-26-52
FIG. 81A
PAGE 2
JAN 20/09

BRI

BOEING PROPRIETARY - Copyright © - Unpublished Work - See title page for details.



757

PARTS CATALOG (MAINTENANCE)

FIG ITEM	PART NUMBER	1 2 3 4 5 6 7	NOMENCLATURE	EFFECT FROM TO	UNITS PER ASSY
81A					
150	286N0682-702	.	WIRE BUNDLE ASSY	103106	1
155	BACC65AK251P	..	RECEPTACLE- ELECTRICAL EQUIP NUMBER: D42596J WIRING DIAGRAM REF: 332121	103106	1
160	BACC65AL803S	..	PLUG- ELECTRICAL EQUIP NUMBER: D08728 D08730 WIRING DIAGRAM REF: 332121	103106	2
165	AMC02PA03B	..	CAP- SUPPLIER CODE: V05574 ELECTRICAL EQUIP NUMBER: D10920 WIRING DIAGRAM REF: 332621	103106	1

MISSING ITEM NUMBERS NOT APPLICABLE

- ITEM NOT ILLUSTRATED

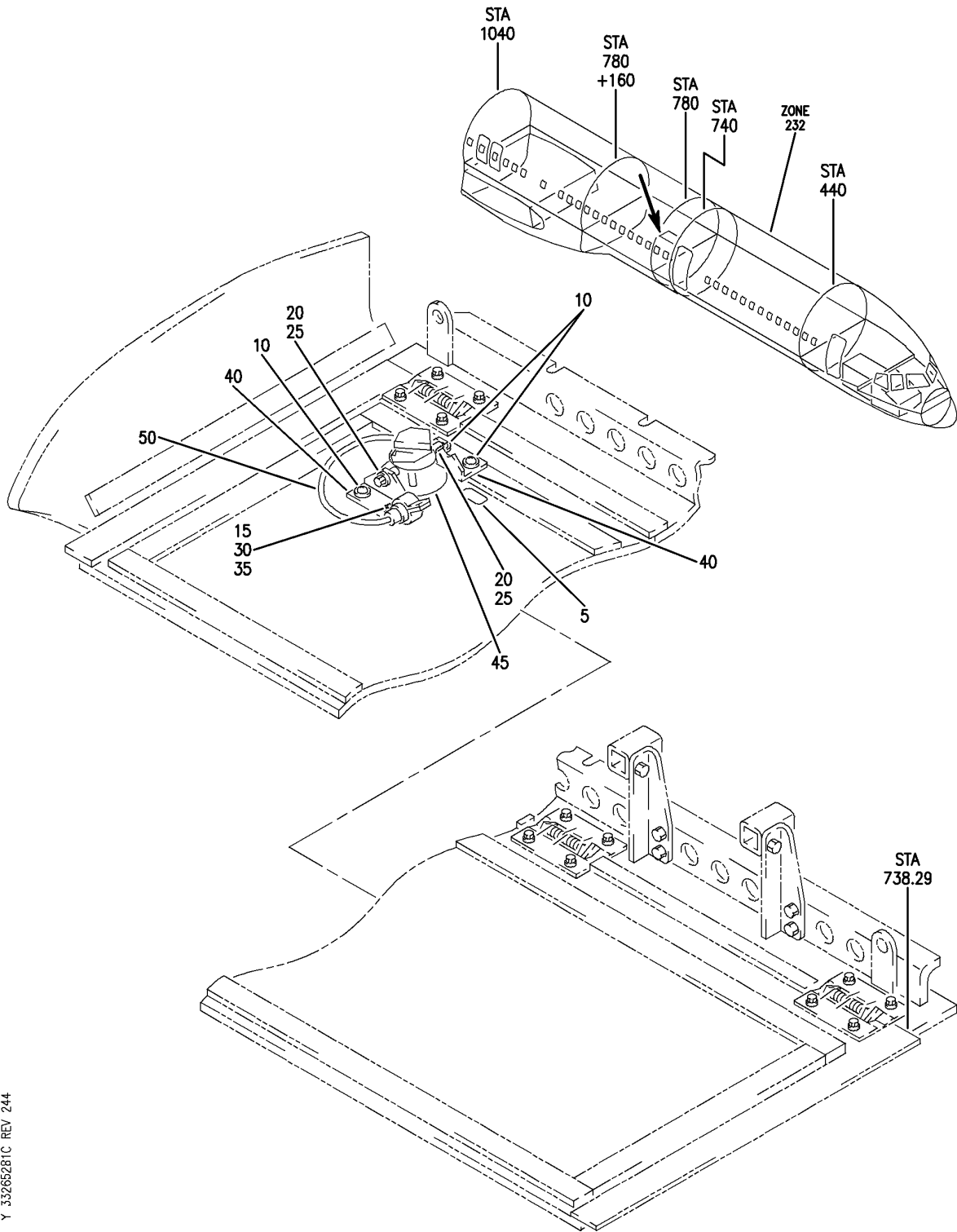
33-26-52-81A

33-26-52
FIG. 81A
PAGE 3
JAN 20/09

BRI

BOEING PROPRIETARY - Copyright © - Unpublished Work - See title page for details.

BOEING
757
PARTS CATALOG (MAINTENANCE)



Y 33265281C REV 244

CEILING ASSY-DOOR 2 PLUG
FIGURE 81C

33-26-52-81C

BRI
JAN 20/09

33-26-52-81C
PAGE 0



757

PARTS CATALOG (MAINTENANCE)

FIG ITEM	PART NUMBER	1 2 3 4 5 6 7	NOMENCLATURE	EFFECT FROM TO	UNITS PER ASSY
81C			CEILING ASSY-DOOR 2 PLUG	103106	
- 1	411N3660-11B		CEILING ASSY-PLUG (LIGHTS ONLY) POSITION DATA: DOOR 2 FOR NHA/OTHER SYS DET SEE: 25-22-02-40M	103106	RF
5	BAC27TPPS6662		.MARKER-ALUMINUM FOIL PLACARD CONTENT: L1105 EMERGENCY AISLE LIGHT	103106	1
10	BACS12FA3K4		.SCREW	103106	3
15	BACS12FA3K6		.SCREW	103106	1
20	NAS1801-06-8		.SCREW	103106	2
25	NAS1149DN632J		.WASHER	103106	2
30	287T0011-3		.CLAMP	103106	1
35	PLT1-5IM		.STRAP	103106	1
			SUPPLIER CODE: V06383 SPECIFICATION NUMBER: BACS38K5 OPTIONAL PART: T03R0 V53421		
40	417U5120-1		.BRACKET	103106	2
45	0105924-005		.LIGHT- SUPPLIER CODE: VOVDA9 SPECIFICATION NUMBER: S417U006-6 ELECTRICAL EQUIP NUMBER: L01105 FOR DETAILS SEE: 33-51-51-55	103106	1
50	286N0788-701		.WIRE BUNDLE ASSY	103106	1
55	AMC02RA03W		..RECEPTACLE- SUPPLIER CODE: V05574 ELECTRICAL EQUIP NUMBER: D42104J WIRING DIAGRAM REF: 335113	103106	1

MISSING ITEM NUMBERS NOT APPLICABLE

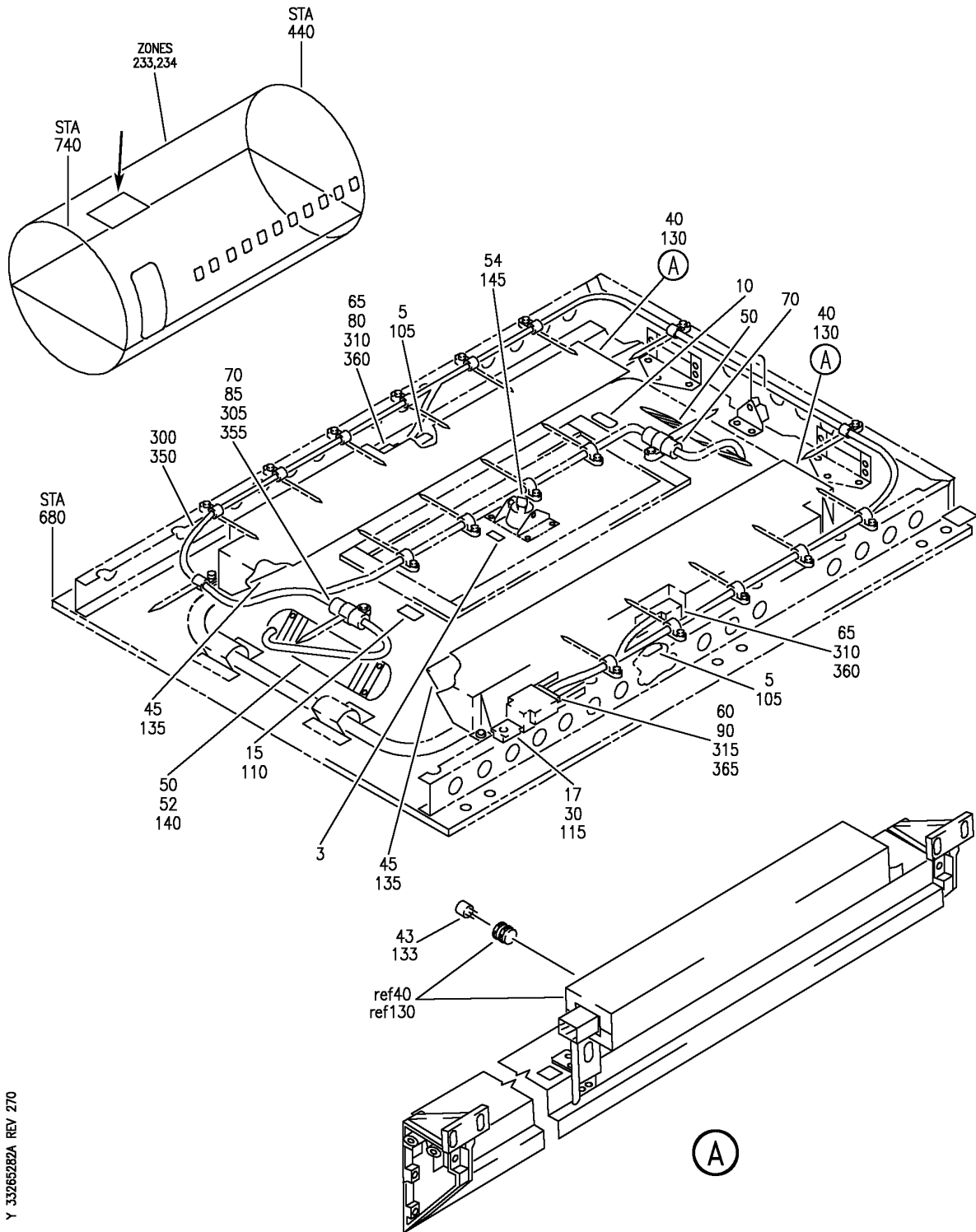
- ITEM NOT ILLUSTRATED

33-26-52-81C

33-26-52
FIG. 81C
PAGE 1
JAN 20/09

BRI

BOEING
757
PARTS CATALOG (MAINTENANCE)



Y 33265282A REV 270

CEILING ASSY-HORSESHOE DOOR 2 (LAV LIGHTS ONLY)
FIGURE 82A

33-26-52-82A

BRI
JAN 20/09

33-26-52-82A
PAGE 0



757

PARTS CATALOG (MAINTENANCE)

FIG ITEM	PART NUMBER	1 2 3 4 5 6 7	NOMENCLATURE	EFFECT FROM TO	UNITS PER ASSY
82A			CEILING ASSY-HORSESHOE DOOR 2 (LAV LIGHTS ONLY)	103106	
- 1	411N3630-8B		CEILING ASSY-HORSESHOE (LAV LIGHTS ONLY) POSITION DATA: DOOR 2 FOR NHA/OTHER SYS DET SEE: 25-22-02-40G	103106	RF
3	BAC27TPPS6599		.MARKER- PLACARD CONTENT: EMERGENCY AISLE LIGHTS ELECTRICAL EQUIP NUMBER: L01118	103106	1
5	BAC27DEL1285		.MARKER-ALUMINUM FOIL PLACARD CONTENT: RECESSED CEILING LIGTS ELECTRICAL EQUIP NUMBER: M01840	103106	2
15	BAC27NPA1492		.MARKER-ALUMINUM FOIL PLACARD CONTENT: LAV OCCUPIED SIGN ELECTRICAL EQUIP NUMBER: L01066	103106	1
17	BACT44E1S		.CONNECTOR ATTACHING PARTS	103106	1
- 20	BACS12GU3K8		.SCREW	103106	2
- 25	BRC600-10-3		.NUT SUPPLIER CODE: V52828 SPECIFICATION NUMBER: BACN10YD2 OPTIONAL PART: 130121 V60119	103106	2
40	4042-10		-----*----- .LIGHT ASSY-RECESSED SUPPLIER CODE: VD1347 SPECIFICATION NUMBER: S417N514-301 COMPONENT MAINT MANUAL REF: 33-21-14	103106	2
43	774-115-91		.. FUSE- SUPPLIER CODE: VD1347	103106	1
45	417A5430-1		.LENS	103106	2

MISSING ITEM NUMBERS NOT APPLICABLE

- ITEM NOT ILLUSTRATED

33-26-52-82A

33-26-52
FIG. 82A
PAGE 1
JAN 20/09

BRI

BOEING PROPRIETARY - Copyright © - Unpublished Work - See title page for details.



757

PARTS CATALOG (MAINTENANCE)

FIG ITEM	PART NUMBER	1 2 3 4 5 6 7	NOMENCLATURE	EFFECT FROM TO	UNITS PER ASSY
82A 52	82000-49001		.SIGN ASSY-LAV OCC SIGN SUPPLIER CODE: VS5006 SPECIFICATION NUMBER: S417A548-1 ELECTRICAL EQUIP NUMBER: L00643 COMPONENT MAINT MANUAL REF: 33-24-04 FOR DETAILS SEE: 33-24-51-90	103106	1
54	0105924-005		.LIGHT- SUPPLIER CODE: VOVDA9 SPECIFICATION NUMBER: S417U006-6 ELECTRICAL EQUIP NUMBER: L00897 FOR DETAILS SEE: 33-51-51-55	103106	1
- 55	BACS12HN06-8		ATTACHING PARTS .SCREW- USED ON: 411N3630-8SP 411N3630-8B 411N3630-10SP	103106	2
- 56	NAS1149DN632J		.WASHER -----*-----	103106	2
- 75 80	286N0684-701 BACC65AL803S		.WIRE BUNDLE ASSY ..PLUG- ELECTRICAL EQUIP NUMBER: D08732 D08734 WIRING DIAGRAM REF: 332121	103106 103106	1 1
85	AMC02PA03B		..CAP- SUPPLIER CODE: V05574 ELECTRICAL EQUIP NUMBER: D10924 WIRING DIAGRAM REF: 332621	103106	1
90	BACC65AK251P		..RECEPTACLE- ELECTRICAL EQUIP NUMBER: D42598J WIRING DIAGRAM REF: 332121	103106	1

MISSING ITEM NUMBERS NOT APPLICABLE

- ITEM NOT ILLUSTRATED

33-26-52-82A

33-26-52
FIG. 82A
PAGE 2
JAN 20/09

BRI

 **BOEING**
757
PARTS CATALOG (MAINTENANCE)

FIG ITEM	PART NUMBER	1 2 3 4 5 6 7	NOMENCLATURE	EFFECT FROM TO	UNITS PER ASSY
82A - 102	411N3630-9B		CEILING ASSY-HORSESHOE (LIGHTS ONLY) POSITION DATA: DOOR 2 FOR NHA/OTHER SYS DET SEE: 25-22-02-40Y	103106	1
105	BAC27DEL1285		.MARKER-ALUMINUM FOIL PLACARD CONTENT: RECESSED CEILING LIGTS ELECTRICAL EQUIP NUMBER: M01840	103106	2
110	BAC27EEL6229		.MARKER-ALUMINUM FOIL PLACARD CONTENT: L1131	103106	1
115	BACT44E1S		.CONNECTOR ATTACHING PARTS	103106	1
- 120	BACS12GU3K8		.SCREW	103106	2
- 125	BRC600-10-3		.NUT SUPPLIER CODE: V52828 SPECIFICATION NUMBER: BACN10YD2 OPTIONAL PART: 130121 V60119	103106	2
130	4042-10		-----*----- .LIGHT ASSY-RECESSED SUPPLIER CODE: VD1347 SPECIFICATION NUMBER: S417N514-301 COMPONENT MAINT MANUAL REF: 33-21-14	103106	2
133	774-115-91		.. FUSE- SUPPLIER CODE: VD1347	103106	1
135	417A5430-1		.LENS	103106	2
140	82000-49001		.SIGN ASSY-LAV OCC SIGN SUPPLIER CODE: VS5006 SPECIFICATION NUMBER: S417A548-1 ELECTRICAL EQUIP NUMBER: L00643 COMPONENT MAINT MANUAL REF: 33-24-04 FOR DETAILS SEE: 33-24-51-90	103106	1
300	286N0786-701		.WIRE BUNDLE ASSY	103106	1

MISSING ITEM NUMBERS NOT APPLICABLE

- ITEM NOT ILLUSTRATED

33-26-52-82A

33-26-52
FIG. 82A
PAGE 3
JAN 20/09

BRI

BOEING PROPRIETARY - Copyright © - Unpublished Work - See title page for details.



757

PARTS CATALOG (MAINTENANCE)

FIG ITEM	PART NUMBER	1 2 3 4 5 6 7	NOMENCLATURE	EFFECT FROM TO	UNITS PER ASSY
82A 305	AMC02PA03B		..CAP-LAV OCC SIGN SUPPLIER CODE: V05574 ELECTRICAL EQUIP NUMBER: D11394 WIRING DIAGRAM REF: 332621	103106	1
310	BACC65AL801S		..PLUG- ELECTRICAL EQUIP NUMBER: D11432 D11434 WIRING DIAGRAM REF: 332121	103106	2
315	BACC65AK251P		..RECEPTACLE- ELECTRICAL EQUIP NUMBER: D42886J WIRING DIAGRAM REF: 335113	103106	1

MISSING ITEM NUMBERS NOT APPLICABLE

- ITEM NOT ILLUSTRATED

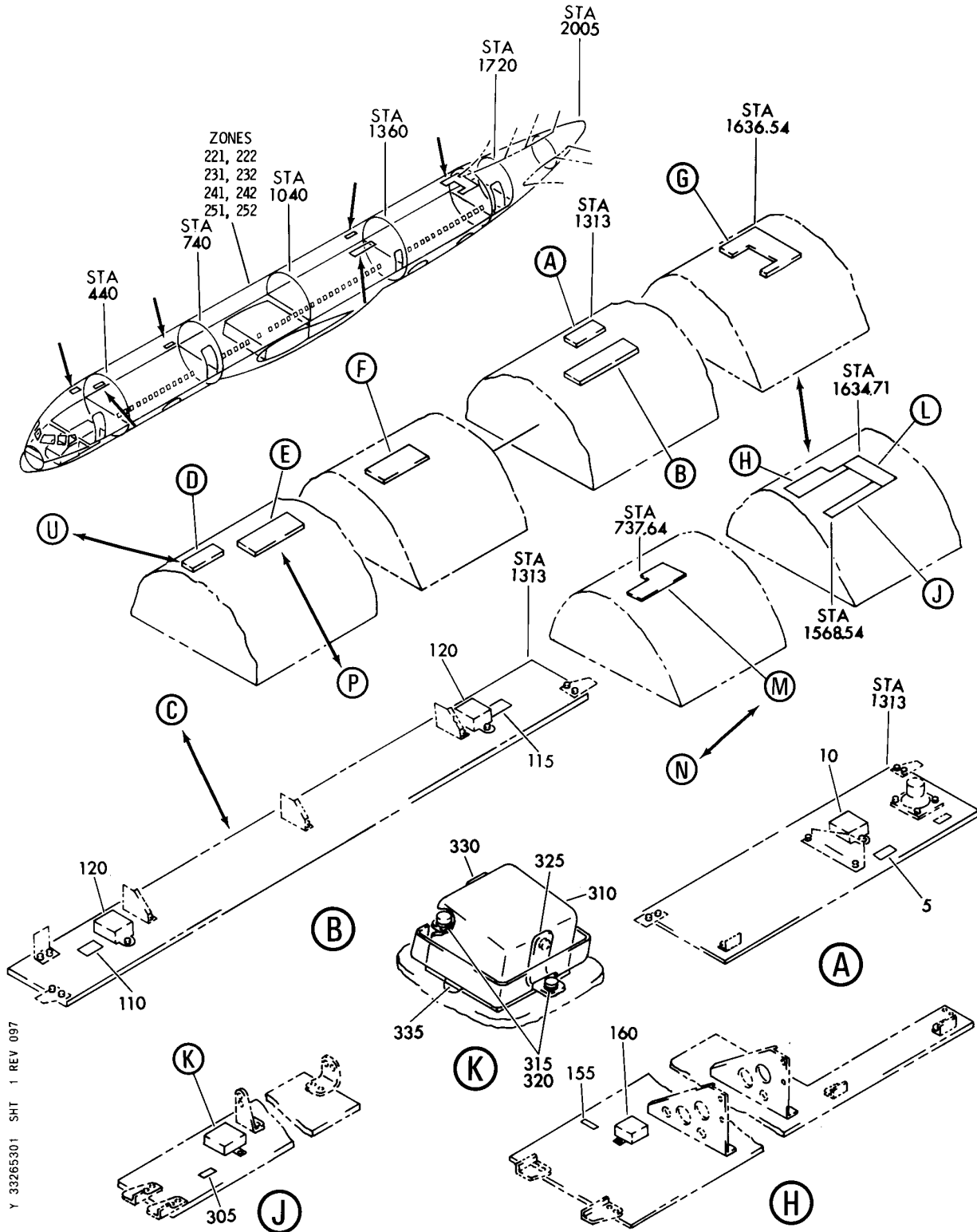
BRI

33-26-52-82A

BOEING PROPRIETARY - Copyright © - Unpublished Work - See title page for details.

33-26-52
FIG. 82A
PAGE 4
JAN 20/09

BOEING
757
PARTS CATALOG (MAINTENANCE)



Y 33265301 SHT 1 REV 097

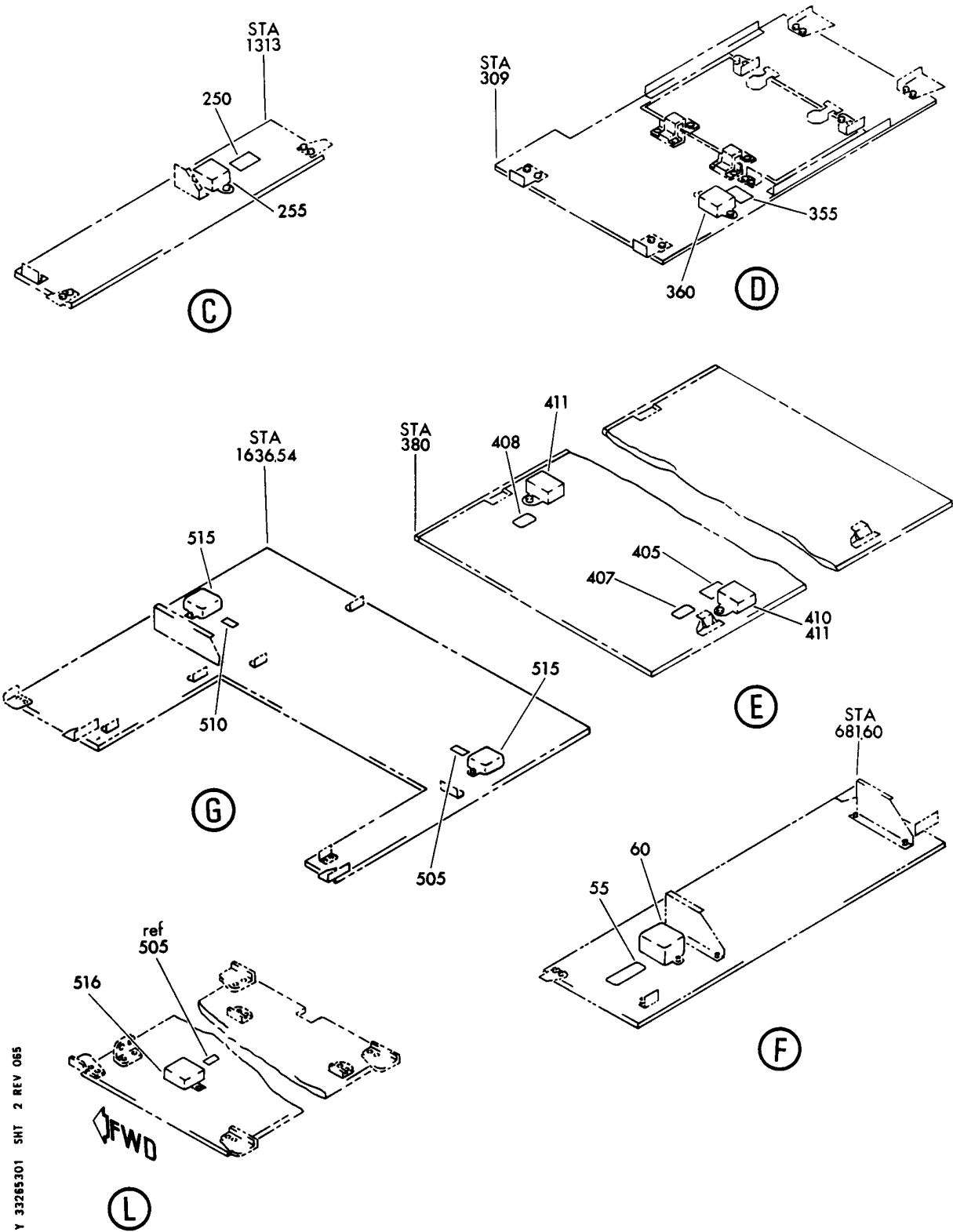
PANEL ASSY-NON ACOUSTICAL AND ACOUSTICAL (LIGHTS ONLY)
FIGURE 1 (SHEET 1)

33-26-53-01

BRI
MAY 28/07

33-26-53-01
PAGE 0

BOEING
757
PARTS CATALOG (MAINTENANCE)



Y 33285301 SHT 2 REV 085

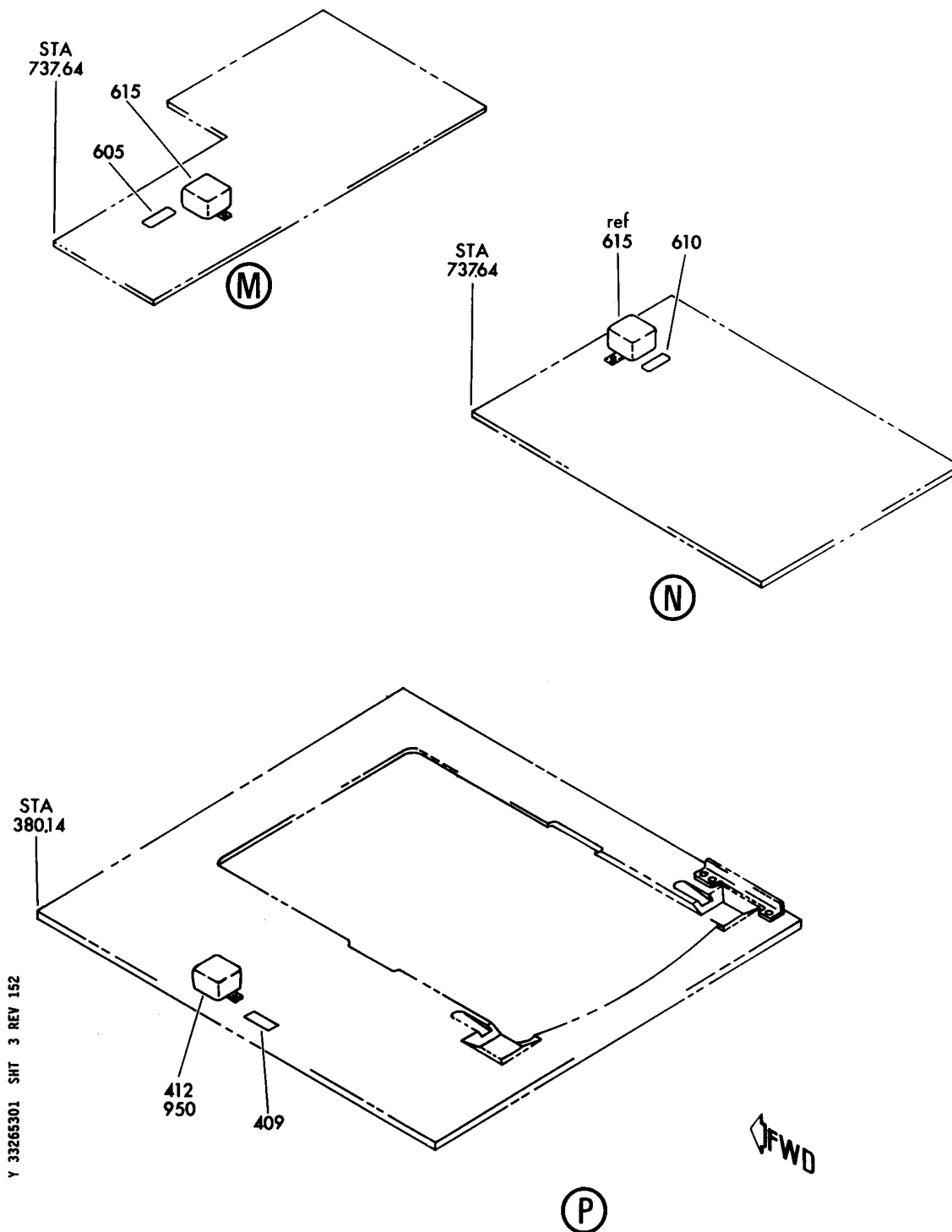
PANEL ASSY-NON ACOUSTICAL AND ACOUSTICAL (LIGHTS ONLY)
FIGURE 1 (SHEET 2)

33-26-53-01

BRI
MAY 28/07

33-26-53-01
PAGE 0A

BOEING
757
PARTS CATALOG (MAINTENANCE)



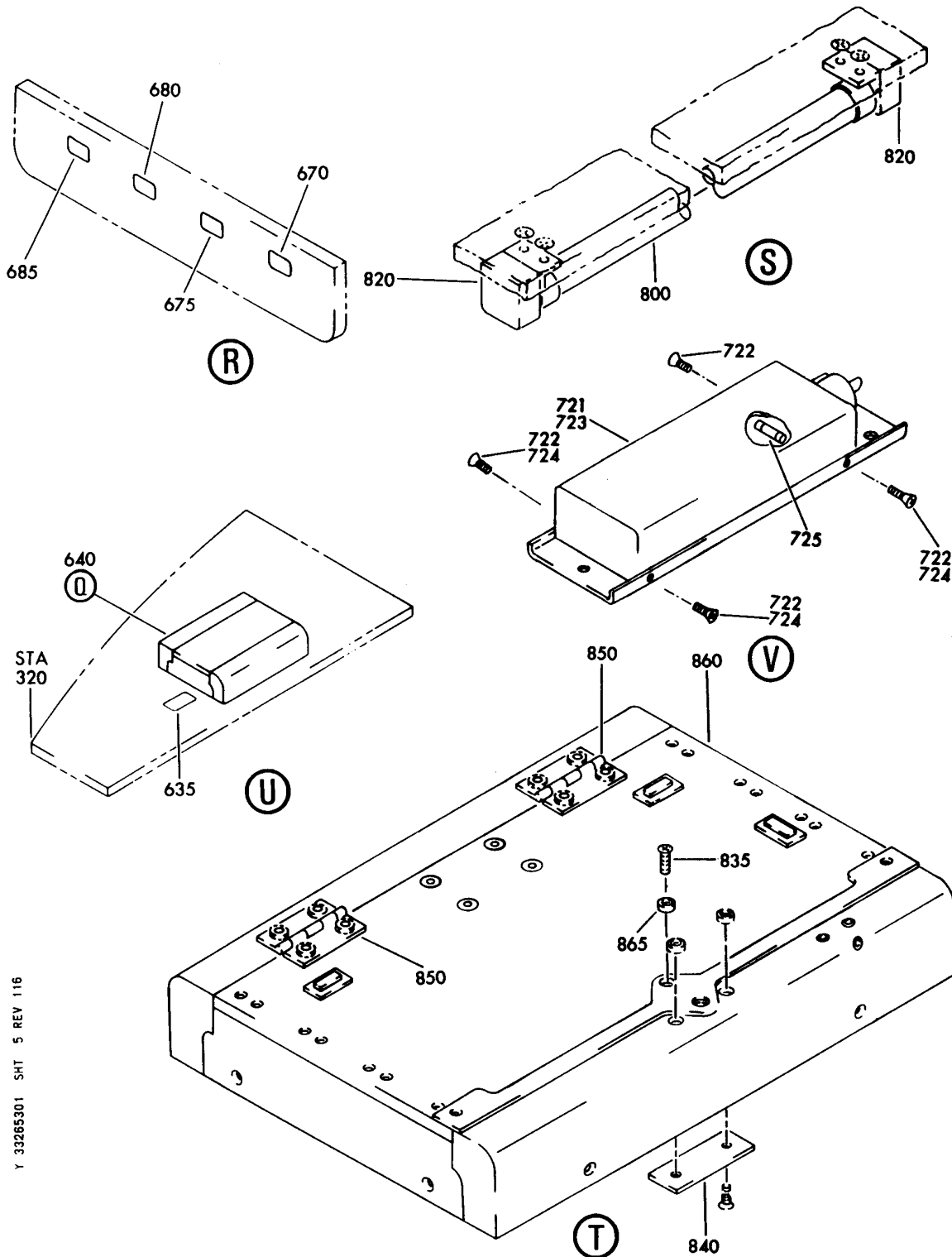
PANEL ASSY-NON ACOUSTICAL AND ACOUSTICAL (LIGHTS ONLY)
FIGURE 1 (SHEET 3)

33-26-53-01

BRI
MAY 28/07

33-26-53-01
PAGE 0B

BOEING
757
PARTS CATALOG (MAINTENANCE)



Y 33265301 SHT 5 REV 116

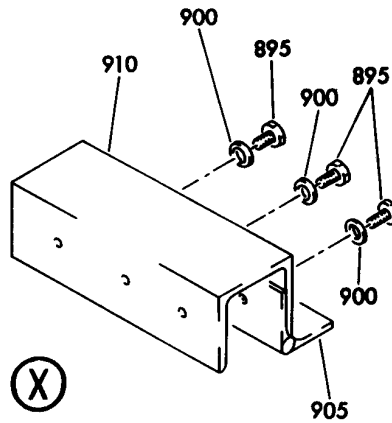
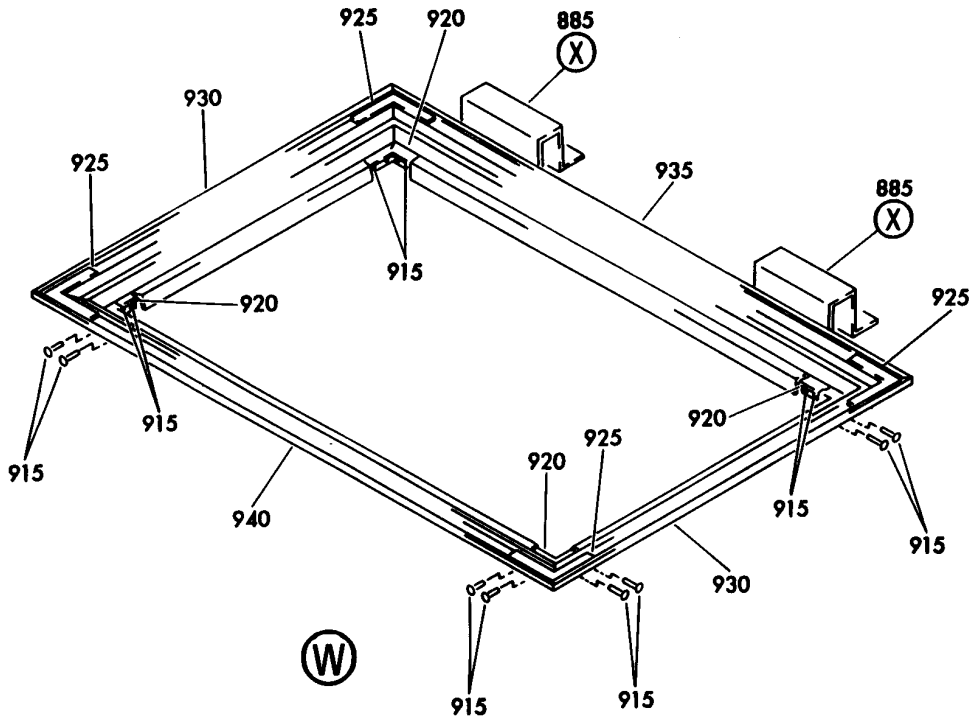
PANEL ASSY-NON ACOUSTICAL AND ACOUSTICAL (LIGHTS ONLY)
FIGURE 1 (SHEET 5)

33-26-53-01

BRI
MAY 28/07

33-26-53-01
PAGE 0D

BOEING
757
PARTS CATALOG (MAINTENANCE)



Y 33265301 SHT 6 REV 125

PANEL ASSY-NON ACOUSTICAL AND ACOUSTICAL (LIGHTS ONLY)
FIGURE 1 (SHEET 6)

33-26-53-01

BRI
MAY 28/07

33-26-53-01
PAGE 0E



757

PARTS CATALOG (MAINTENANCE)

FIG ITEM	PART NUMBER	1 2 3 4 5 6 7	NOMENCLATURE	EFFECT FROM TO	UNITS PER ASSY
1			PANEL ASSY-NON ACOUSTICAL AND ACOUSTICAL (LIGHTS ONLY)	002004 006102 107999	
- 1	411N3210-151SP		PANEL ASSY-NON ACOUSTICAL (LIGHTS ONLY) FOR NHA/OTHER SYS DET SEE: 25-22-02-26	107107	RF
- 1	411N3262-12SP		PANEL ASSY-FLAT (LIGHTS ONLY) FOR NHA/OTHER SYS DET SEE: 25-22-02-26 25-22-02-26D 25-22-02-26E 25-22-02-26G	002004 006102 108503 904951	RF
- 1	411N3262-83SP		PANEL ASSY-FLAT (LIGHTS ONLY) FOR NHA/OTHER SYS DET SEE: 25-22-02-26	952999	RF
- 1	411N3262-130SP		PANEL ASSY-FLAT (LIGHTS ONLY) FOR NHA/OTHER SYS DET SEE: 25-22-02-08D	504903	RF
5	BAC27NPA0272		.MARKER-ALUMINUM FOIL PLACARD CONTENT: L355 LAVATORY ACCENT LIGHT	002004 006102 107999	1
10	10-1038-1		.HOUSING ASSY- SUPPLIER CODE: V72914 SPECIFICATION NUMBER: S417N502-3 ELECTRICAL EQUIP NUMBER: L00355 FOR DETAILS SEE: 33-26-54-01 ATTACHING PARTS	002004 006102 107999	1
- 15	BACS12FA08K5		.SCREW-	107107	2
- 15	NAS1801-08-5		.SCREW-	002004 006102 108503 904951	2
- 15	BACS12GU08K5		.SCREW	504903 952999	2
- 20	AN960KD8L		.WASHER-	107107	2
- 20	AN960JD8L		.WASHER-	002004 006102 107107 121503 904999	2

MISSING ITEM NUMBERS NOT APPLICABLE

- ITEM NOT ILLUSTRATED

33-26-53-01

33-26-53
FIG. 01
PAGE 1
JAN 20/09

BRI



757

PARTS CATALOG (MAINTENANCE)

FIG ITEM	PART NUMBER	1 2 3 4 5 6 7	NOMENCLATURE	EFFECT FROM TO	UNITS PER ASSY
1					
- 20	NAS1149DN816J	.	WASHER	108120 504903	2
- 100	411N3262-13SP	-----*-----	PANEL ASSY-FLAT (LIGHTS ONLY) FOR NHA/OTHER SYS DET SEE: 25-22-02-26D 25-22-02-26G	002004 006102	RF
110	BAC27NPA0271	.	MARKER-ALUMINUM FOIL PLACARD CONTENT: L353 LAVATORY ACCENT LIGHT	002004 006102	1
115	BAC27NPA0270	.	MARKER-ALUMINUM FOIL PLACARD CONTENT: L354 LAVATORY ACCENT LIGHT	002004 006102	1
120	10-1038-1	.	HOUSING ASSY- SUPPLIER CODE: V72914 SPECIFICATION NUMBER: S417N502-3 ELECTRICAL EQUIP NUMBER: L00353 L00354 FOR DETAILS SEE: 33-26-54-01 ATTACHING PARTS	002004 006102	2
- 125	NAS1801-08-5	.	SCREW-	002004 006102	4
- 130	AN960JD8L	.	WASHER-	002004 006102	4
- 240	411N3210-152SP	-----*-----	PANEL ASSY-END CLOSURE (LAVATORY LIGHTS ONLY) FOR NHA/OTHER SYS DET SEE: 25-22-02-26	107107	RF
- 240	411N3262-31SP		PANEL ASSY-FLAT (LAVATORY LIGHTS ONLY) FOR NHA/OTHER SYS DET SEE: 25-22-02-26 25-22-02-26E 25-22-02-08D	108999	RF
250	BAC27NPA0270	.	MARKER-ALUMINUM FOIL PLACARD CONTENT: L354 LAVATORY ACCENT LIGHT	107999	1

MISSING ITEM NUMBERS NOT APPLICABLE

- ITEM NOT ILLUSTRATED

33-26-53-01

33-26-53
FIG. 01
PAGE 2
JAN 20/09

BRI



757

PARTS CATALOG (MAINTENANCE)

FIG ITEM	PART NUMBER	1 2 3 4 5 6 7	NOMENCLATURE	EFFECT FROM TO	UNITS PER ASSY
1 255	10-1038-1		.HOUSING ASSY- SUPPLIER CODE: V72914 SPECIFICATION NUMBER: S417N502-3 ELECTRICAL EQUIP NUMBER: L00354 FOR DETAILS SEE: 33-26-54-01 ATTACHING PARTS	107999	1
- 260	BACS12FA08K5		.SCREW	107107	2
- 260	NAS1801-08-5		.SCREW	108999	2
- 265	AN960KD8L		.WASHER-	107107	2
- 265	AN960JD8L		.WASHER-	107999	2
			-----*-----		
- 350	411N3210-602SP		PANEL ASSY-ACOUSTICAL (LAVATORY LIGHTS ONLY) FOR NHA/OTHER SYS DET SEE: 25-22-02-29	107107	RF
- 351	411N3260-62SP		PANEL ASSY-FLAT (LAVATORY LIGHTS ONLY) FOR NHA/OTHER SYS DET SEE: 25-22-02-52	002004	RF
- 351	411N3260-126SP		PANEL ASSY-FLAT (LAVATORY LIGHTS ONLY) FOR NHA/OTHER SYS DET SEE: 25-22-02-19	121503 904949	RF
355	BAC27NPA0269		.MARKER-ALUMINUM FOIL PLACARD CONTENT: L352 LAVATORY ACCENT LIGHT	002004 107107	1
360	10-1038-1		.HOUSING ASSY- SUPPLIER CODE: V72914 SPECIFICATION NUMBER: S417N502-3 ELECTRICAL EQUIP NUMBER: L00352 FOR DETAILS SEE: 33-26-54-01 ATTACHING PARTS	002004 107107	1
- 365	BACS12FA08K4		.SCREW-	107107	2
- 365	NAS1801-08-5		.SCREW-	002004	2
- 370	AN960KD8L		.WASHER-	107107	2
- 370	AN960JD8L		.WASHER-	002004 107107	2
			-----*-----		

MISSING ITEM NUMBERS NOT APPLICABLE

- ITEM NOT ILLUSTRATED

33-26-53-01

33-26-53
FIG. 01
PAGE 3
JAN 20/09

BRI



757

PARTS CATALOG (MAINTENANCE)

FIG ITEM	PART NUMBER	1 2 3 4 5 6 7	NOMENCLATURE	EFFECT FROM TO	UNITS PER ASSY
1					
- 400	411N3210-163SP		PANEL ASSY-ACCESS DOOR (LAVATORY LIGHTS ONLY) POSITION DATA: FWD FOR NHA/OTHER SYS DET SEE: 25-22-02-30	107107	RF
- 400	411N3260-136SP		PANEL ASSY-FLAT (LAVATORY LIGHTS ONLY) FOR NHA/OTHER SYS DET SEE: 25-22-02-20B	121503 904949	RF
- 400	411N3260-143SP		PANEL ASSY-ACCESS DOOR FWD (LAVATORY LIGHTS ONLY)	108120	RF
- 400	411N3260-151SP		PANEL ASSY-FLAT (LAVATORY LIGHTS ONLY) FOR NHA/OTHER SYS DET SEE: 25-22-02-20T	904949	RF
- 400	411N3260-247SP		PANEL ASSY-FLAT (LAVATORY LIGHTS ONLY) FOR NHA/OTHER SYS DET SEE: 25-22-02-20T	121503	RF
405	BAC27NPA0355		.MARKER-ALUMINUM FOIL PLACARD CONTENT: L480	108120	1
410	10-1038-1		.HOUSING ASSY- SUPPLIER CODE: V72914 SPECIFICATION NUMBER: S417N502-3 ELECTRICAL EQUIP NUMBER: L00480 FOR DETAILS SEE: 33-26-54-01	107107	1
412	10-1038-1		.HOUSING ASSY- SUPPLIER CODE: V72914 SPECIFICATION NUMBER: S417N502-3 ELECTRICAL EQUIP NUMBER: L00480 FOR DETAILS SEE: 33-26-54-01	108503 904949	1
- 415	BACS12FA08K5		.SCREW-	107107	2
- 417	NAS1801-08-5		.SCREW-	108120 904949	2
- 417	BACS12GU08K5		.SCREW-	121503	2
- 420	AN960KD8L		.WASHER-	107107	2
- 420	AN960JD8L		.WASHER-	107107	2

MISSING ITEM NUMBERS NOT APPLICABLE

- ITEM NOT ILLUSTRATED

33-26-53-01

33-26-53
FIG. 01
PAGE 4
JAN 20/09

BRI



757

PARTS CATALOG (MAINTENANCE)

FIG ITEM	PART NUMBER	1 2 3 4 5 6 7	NOMENCLATURE	EFFECT FROM TO	UNITS PER ASSY
1 - 422	AN960JD8L		. WASHER -----*-----	108503 904949	2

MISSING ITEM NUMBERS NOT APPLICABLE

- ITEM NOT ILLUSTRATED

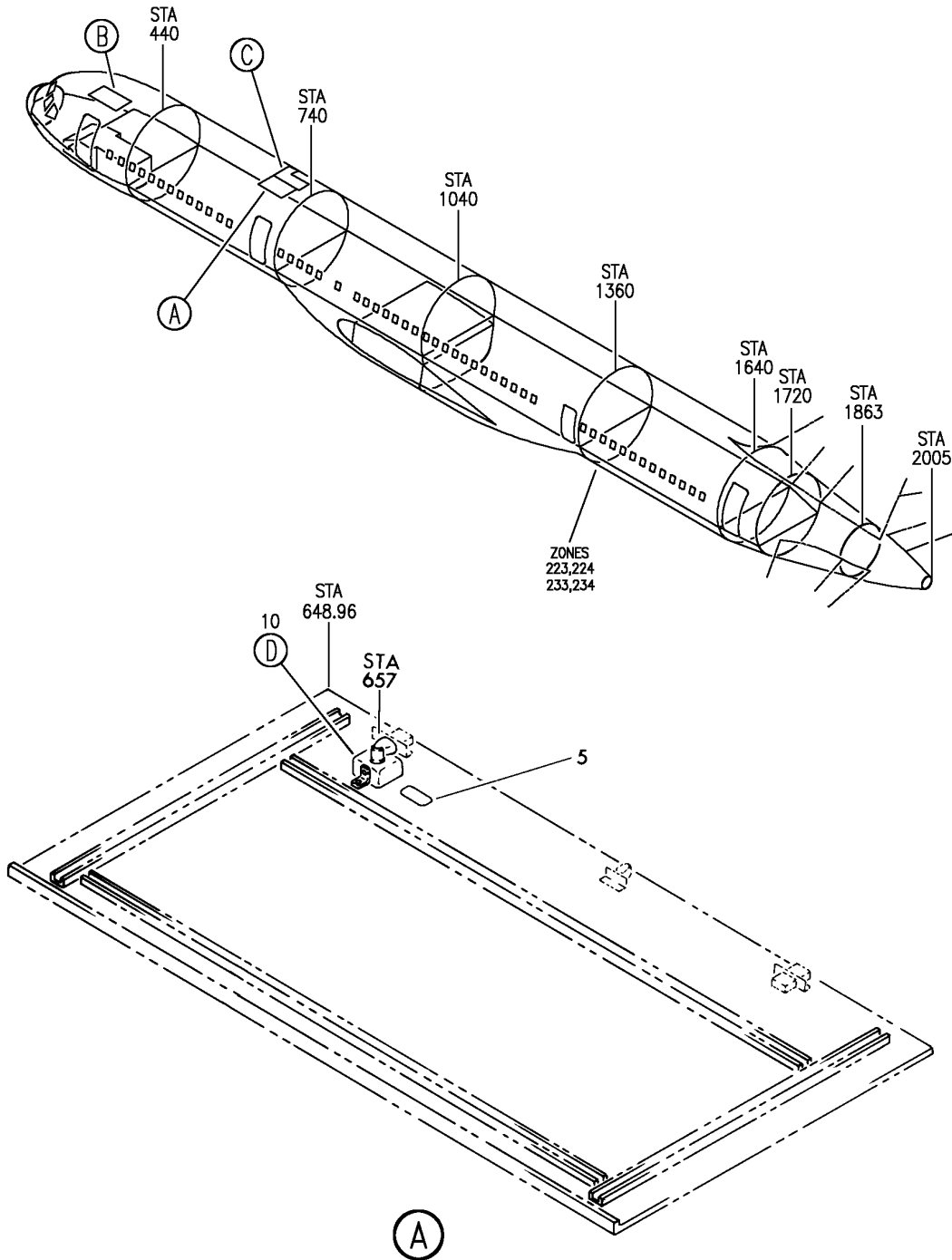
BRI

33-26-53-01

BOEING PROPRIETARY - Copyright © - Unpublished Work - See title page for details.

33-26-53
FIG. 01
PAGE 5
JAN 20/09

BOEING
757
PARTS CATALOG (MAINTENANCE)



Y 33265303 SH1 1 REV 274

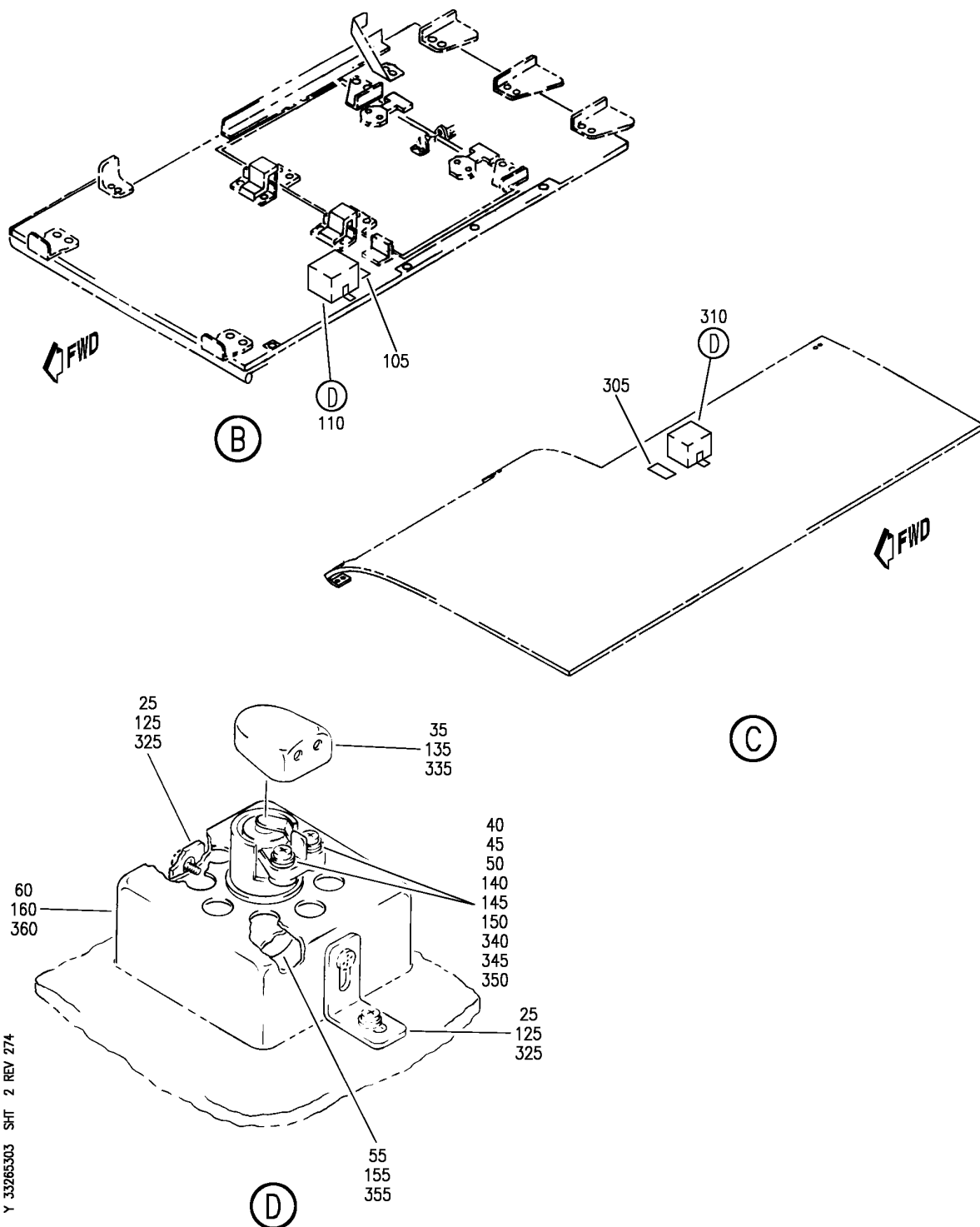
PANEL ASSY-FLAT, CURVED CLG. AND MID CAB. ACCESS DOOR
FIGURE 3 (SHEET 1)

33-26-53-03

BRI
MAY 28/07

33-26-53-03
PAGE 0

BOEING
757
PARTS CATALOG (MAINTENANCE)



Y 33265303 SH1 2 REV 274

PANEL ASSY-FLAT, CURVED CLG. AND MID CAB. ACCESS DOOR
FIGURE 3 (SHEET 2)

33-26-53-03

BRI
MAY 28/07

33-26-53-03
PAGE 0A



757

PARTS CATALOG (MAINTENANCE)

FIG ITEM	PART NUMBER	1 2 3 4 5 6 7	NOMENCLATURE	EFFECT FROM TO	UNITS PER ASSY
3			PANEL ASSY-FLAT, CURVED CLG. AND MID CAB. ACCESS DOOR	006102 108120 504903 950999	
- 100	411N3260-62SP		PANEL ASSY-FLAT (LIGHTS ONLY) FOR NHA/OTHER SYS DET SEE: 25-22-02-11A 25-22-02-11B 25-22-02-19E 25-22-02-19F 25-22-02-58B	006102 504903 950999	RF
105	BAC27NPA0269		.MARKER-ALUMINUM FOIL PLACARD CONTENT: L352 LAVATORY ACCENT LIGHT	006102 504903 950999	1
110	10-1038-1		.HOUSING ASSY- SUPPLIER CODE: V72914 SPECIFICATION NUMBER: S417N502-3 ELECTRICAL EQUIP NUMBER: L00521 L00586	006102 504903 950999	1
- 115	NAS1801-08-5		ATTACHING PARTS .SCREW	006102 504903 950999	2
- 120	AN960JD8L		.WASHER	006102 504903 950999	2
125	11-4387-1		-----*----- ..BRACKET- SUPPLIER CODE: V72914 ATTACHING PARTS	006102 504903 950999	2
- 130	MS35206-226		..SCREW	006102 504903 950999	2
135	11-3438-5		-----*----- ..NIPPLE-CABLE SUPPLIER CODE: V72914	006102 504903 950999	1
140	MS35206-227		..SCREW	006102 504903 950999	2
145	MS35338-41		..WASHER	006102 504903 950999	2

MISSING ITEM NUMBERS NOT APPLICABLE

- ITEM NOT ILLUSTRATED

33-26-53-03

33-26-53
FIG. 03
PAGE 1
JAN 20/09

BRI



757

PARTS CATALOG (MAINTENANCE)

FIG ITEM	PART NUMBER	1 2 3 4 5 6 7	NOMENCLATURE	EFFECT FROM TO	UNITS PER ASSY
3					
150	NAS620-6L		.. WASHER	006102 504903 950999	2
155	LP1251		.. LAMP- SUPPLIER CODE: V72914 FOR SPARES PROCURE: 1251 V01526	006102 504903 950999	1
160	11-4411-1		.. FLOODLIGHT ASSY- SUPPLIER CODE: V72914	006102 504903 950999	1
310	10-1038-1		. HOUSING ASSY- SUPPLIER CODE: V72914 SPECIFICATION NUMBER: S417N502-3 ELECTRICAL EQUIP NUMBER: L00521 L00586	108120	1
355	LP1251		.. LAMP- SUPPLIER CODE: V72914 FOR SPARES PROCURE: 1251 V01526	108120	1

MISSING ITEM NUMBERS NOT APPLICABLE

- ITEM NOT ILLUSTRATED

BRI

33-26-53-03

BOEING PROPRIETARY - Copyright © - Unpublished Work - See title page for details.

33-26-53
FIG. 03
PAGE 2
JAN 20/09



757

PARTS CATALOG (MAINTENANCE)

FIG ITEM	PART NUMBER	1 2 3 4 5 6 7	NOMENCLATURE	EFFECT FROM TO	UNITS PER ASSY
1			HOUSING ASSY	002004 006102 107999 121503 904949	
2	10-1038-1		HOUSING ASSY- SUPPLIER CODE: V72914 SPECIFICATION NUMBER: S417N502-3 FOR NHA SEE: 33-26-53-01 33-27-54-01		RF
2C	10-1038-1		HOUSING ASSY- SUPPLIER CODE: V72914 SPECIFICATION NUMBER: S417N502-3 FOR NHA SEE: 33-26-53-01 33-27-54-01	107107	RF
4B	10-1038-1		HOUSING ASSY- SUPPLIER CODE: V72914 SPECIFICATION NUMBER: S417N502-3 FOR NHA SEE: 33-26-53-01	002004 006102	RF
4D	10-1038-1		HOUSING ASSY- SUPPLIER CODE: V72914 SPECIFICATION NUMBER: S417N502-3 FOR NHA SEE: 33-26-53-01 33-27-54-01	950999	RF
4E	10-1038-1		HOUSING ASSY- SUPPLIER CODE: V72914 SPECIFICATION NUMBER: S417N502-3 FOR NHA SEE: 33-26-53-01 33-27-54-01	108949 952999	RF
4F	10-1038-1		HOUSING ASSY- SUPPLIER CODE: V72914 SPECIFICATION NUMBER: S417N502-3 FOR NHA SEE: 33-26-53-01	950951	RF

MISSING ITEM NUMBERS NOT APPLICABLE

- ITEM NOT ILLUSTRATED

33-26-54-01

33-26-54
FIG. 01
PAGE 1
JAN 20/09

BRI



757

PARTS CATALOG (MAINTENANCE)

FIG ITEM	PART NUMBER	1 2 3 4 5 6 7	NOMENCLATURE	EFFECT FROM TO	UNITS PER ASSY
1					
4G	10-1038-1		HOUSING ASSY- SUPPLIER CODE: V72914 SPECIFICATION NUMBER: S417N502-3 FOR NHA SEE: 33-26-53-01	002004 006102	RF
5	11-4387-1		.BRACKET- SUPPLIER CODE: V72914	002004 006102	2
5	11-4387-1		.BRACKET- SUPPLIER CODE: V72914	107107	2
5	11-4387-1		.BRACKET- SUPPLIER CODE: V72914	121503 904949	2
5	11-4387-1		.BRACKET- SUPPLIER CODE: V72914	108949 952999	2
5	11-4387-1		.BRACKET- SUPPLIER CODE: V72914	950951	2
10	MS35206-226		.SCREW	002004 006102	2
10	MS35206-226		.SCREW	107107	2
10	MS35206-226		.SCREW	121503 904949	2
10	MS35206-226		.SCREW	108949 952999	2
10	MS35206-226		.SCREW	950951	2
15	11-3438-5		.NIPPLE-CABLE SUPPLIER CODE: V72914	002004 006102	1
15	11-3438-5		.NIPPLE-CABLE SUPPLIER CODE: V72914	107107	1
15	11-3438-5		.NIPPLE-CABLE SUPPLIER CODE: V72914	121503 904949	1
15	11-3438-5		.NIPPLE-CABLE SUPPLIER CODE: V72914	108949 952999	1
15	11-3438-5		.NIPPLE-CABLE SUPPLIER CODE: V72914	950951	1
25	MS35206-227		.SCREW	002004 006102	2
25	MS35206-227		.SCREW	107107	2

MISSING ITEM NUMBERS NOT APPLICABLE

- ITEM NOT ILLUSTRATED

33-26-54-01

33-26-54
FIG. 01
PAGE 2
JAN 20/09

BRI

BOEING PROPRIETARY - Copyright © - Unpublished Work - See title page for details.



757

PARTS CATALOG (MAINTENANCE)

FIG ITEM	PART NUMBER	1 2 3 4 5 6 7	NOMENCLATURE	EFFECT FROM TO	UNITS PER ASSY
1					
25	MS35206-227	.	SCREW	121503 904949	2
25	MS35206-227	.	SCREW	108949 952999	2
25	MS35206-227	.	SCREW	950951	2
30	MS35338-41	.	WASHER	002004 006102	2
30	MS35338-41	.	WASHER	107107	2
30	MS35338-41	.	WASHER	121503 904949	2
30	MS35338-41	.	WASHER	108949 952999	2
30	MS35338-41	.	WASHER	950951	2
35	NAS620-6L	.	WASHER	002004 006102	2
35	NAS620-6L	.	WASHER	107107	2
35	NAS620-6L	.	WASHER	121503 904949	2
35	NAS620-6L	.	WASHER	108949 952999	2
35	NAS620-6L	.	WASHER	950951	2
40	LP1251	.	LAMP-	002004 006102	1
			SUPPLIER CODE: V72914		
			FOR SPARES PROCURE: 1251		
			V01526		
40	LP1251	.	LAMP-	107107	1
			SUPPLIER CODE: V72914		
			FOR SPARES PROCURE: 1251		
			V01526		
40	LP1251	.	LAMP-	121503 904949	1
			SUPPLIER CODE: V72914		
			FOR SPARES PROCURE: 1251		
			V01526		
40	LP1251	.	LAMP-	108949 952999	1
			SUPPLIER CODE: V72914		
			FOR SPARES PROCURE: 1251		
			V01526		

MISSING ITEM NUMBERS NOT APPLICABLE

- ITEM NOT ILLUSTRATED

33-26-54-01

33-26-54
FIG. 01
PAGE 3
JAN 20/09

BRI

BOEING PROPRIETARY - Copyright © - Unpublished Work - See title page for details.



757

PARTS CATALOG (MAINTENANCE)

FIG ITEM	PART NUMBER	1 2 3 4 5 6 7	NOMENCLATURE	EFFECT FROM TO	UNITS PER ASSY
1					
40	LP1251		.LAMP- SUPPLIER CODE: V72914 FOR SPARES PROCURE: 1251 V01526	950951	1
45	11-4411-1		.FLOODLIGHT ASSY- SUPPLIER CODE: V72914	002004 006102	1
45	11-4411-1		.FLOODLIGHT ASSY- SUPPLIER CODE: V72914	107107	1
45	11-4411-1		.FLOODLIGHT ASSY- SUPPLIER CODE: V72914	121503 904949	1
45	11-4411-1		.FLOODLIGHT ASSY- SUPPLIER CODE: V72914	108949 952999	1
45	11-4411-1		.FLOODLIGHT ASSY- SUPPLIER CODE: V72914	950951	1

MISSING ITEM NUMBERS NOT APPLICABLE

- ITEM NOT ILLUSTRATED

BRI

33-26-54-01

BOEING PROPRIETARY - Copyright © - Unpublished Work - See title page for details.

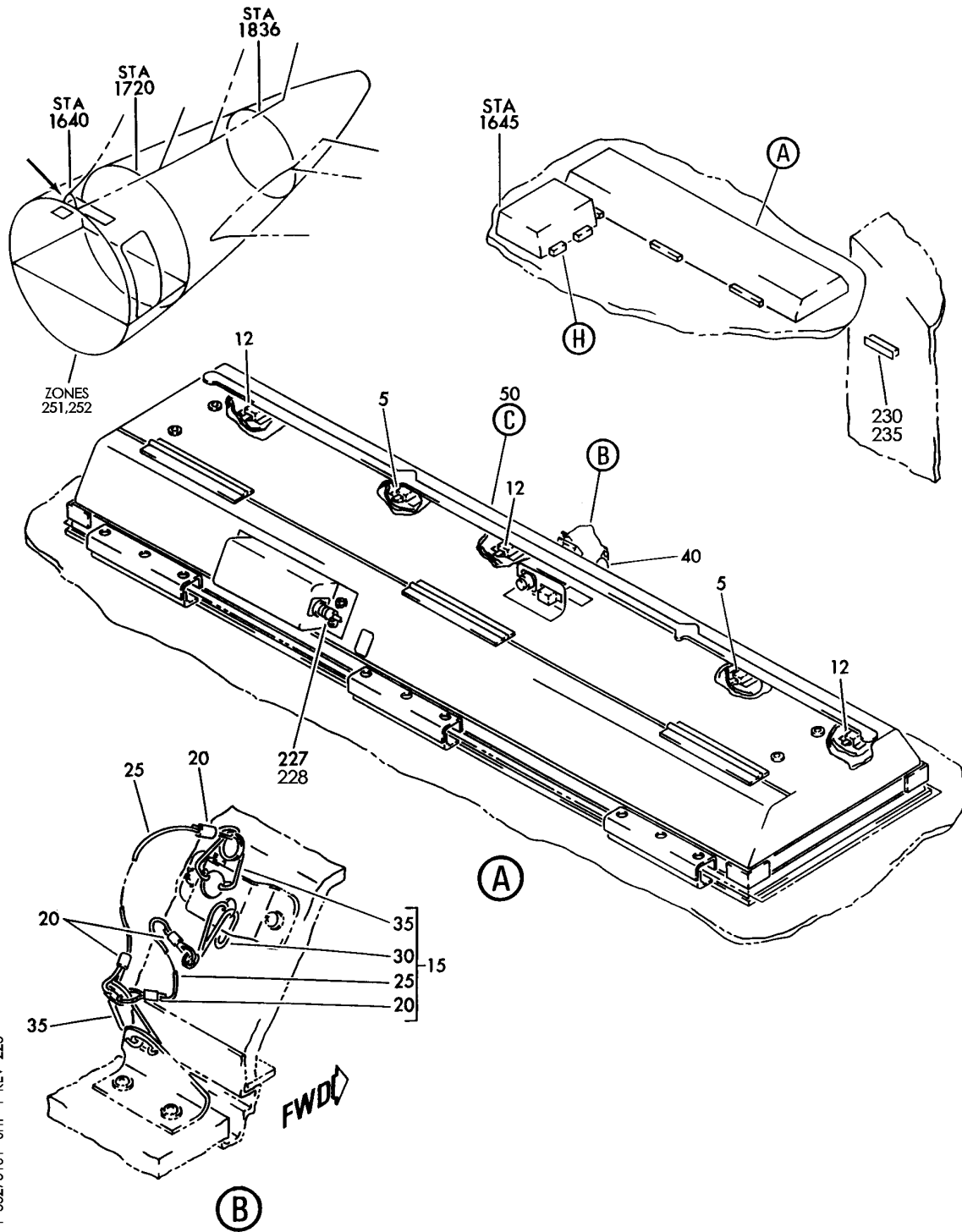
33-26-54
FIG. 01
PAGE 4
JAN 20/09

GALLEY LIGHTS

BRI
MAY 28/07

33-27-00
SECTION TITLE
PAGE 1

BOEING
757
PARTS CATALOG (MAINTENANCE)



Y 33275101 SHT 1 REV 223

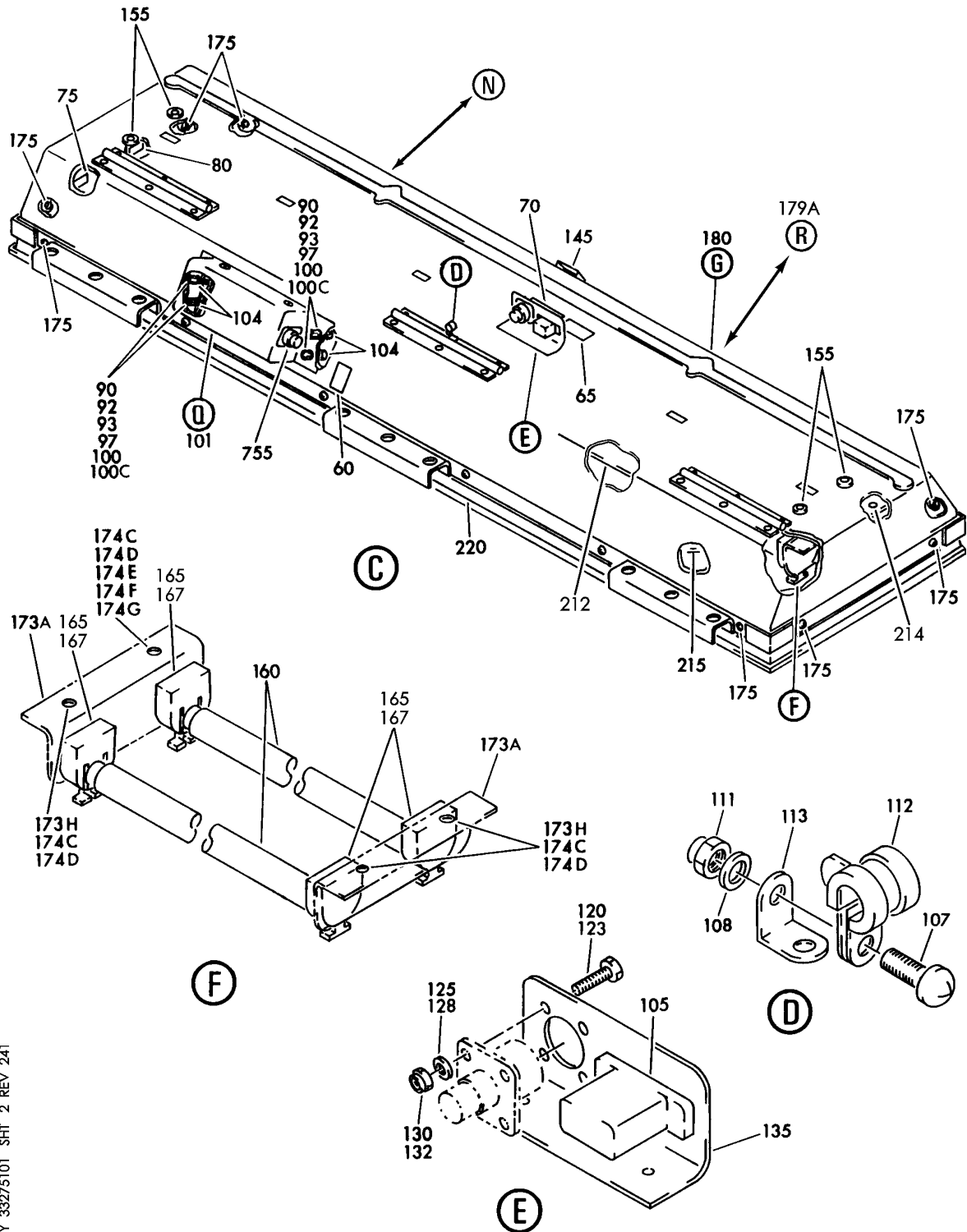
LIGHT INSTL-GALLEY AFT
FIGURE 1 (SHEET 1)

33-27-51-01

BRI
MAY 28/07

33-27-51-01
PAGE 0


BOEING
 757
PARTS CATALOG (MAINTENANCE)



Y 33275101 SHT 2 REV 241

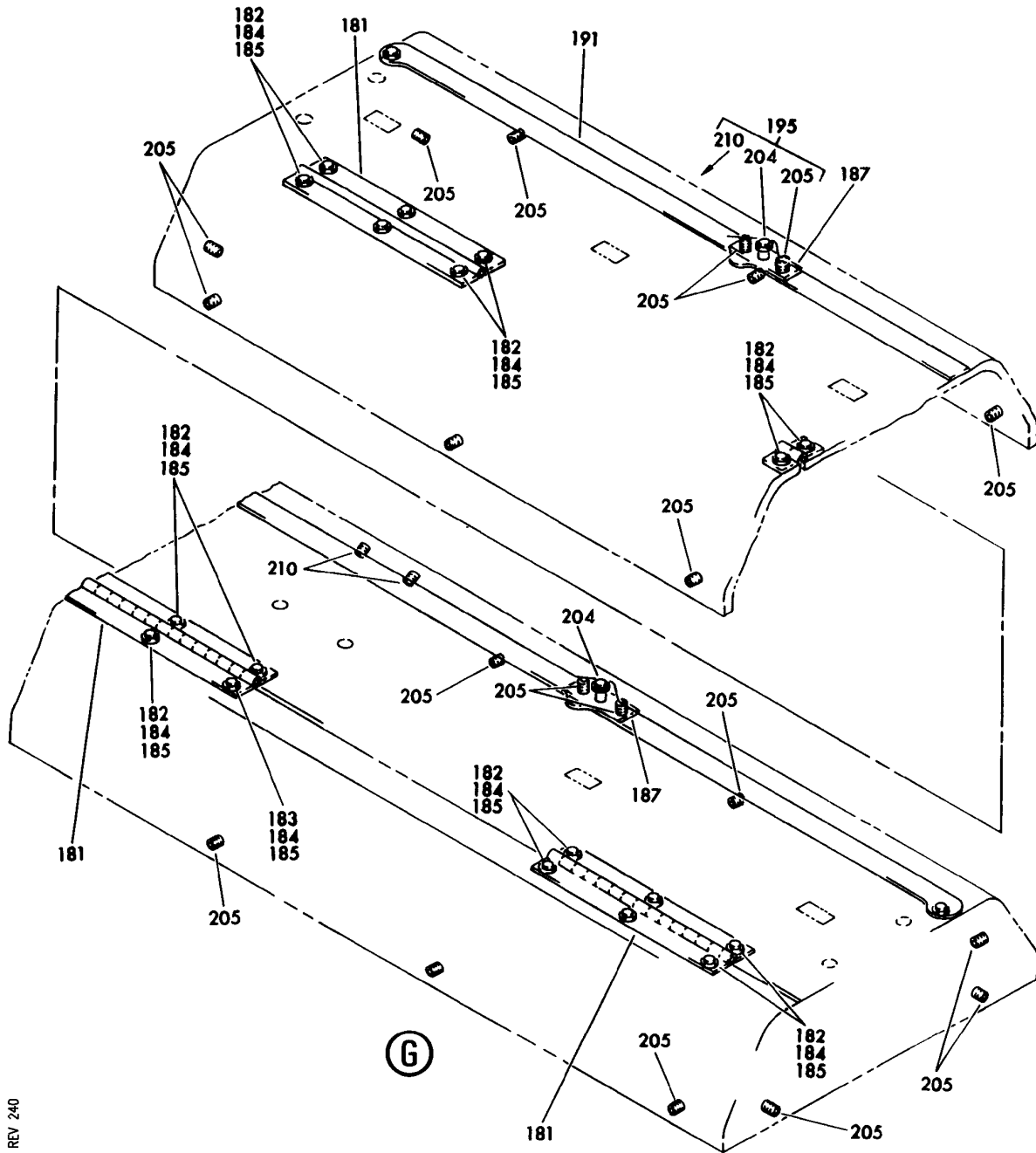
LIGHT INSTL-GALLEY AFT
 FIGURE 1 (SHEET 2)

33-27-51-01

BRI
 MAY 28/07

33-27-51-01
 PAGE 0A

BOEING
757
PARTS CATALOG (MAINTENANCE)



Y 33275101 SHT 3 REV 240

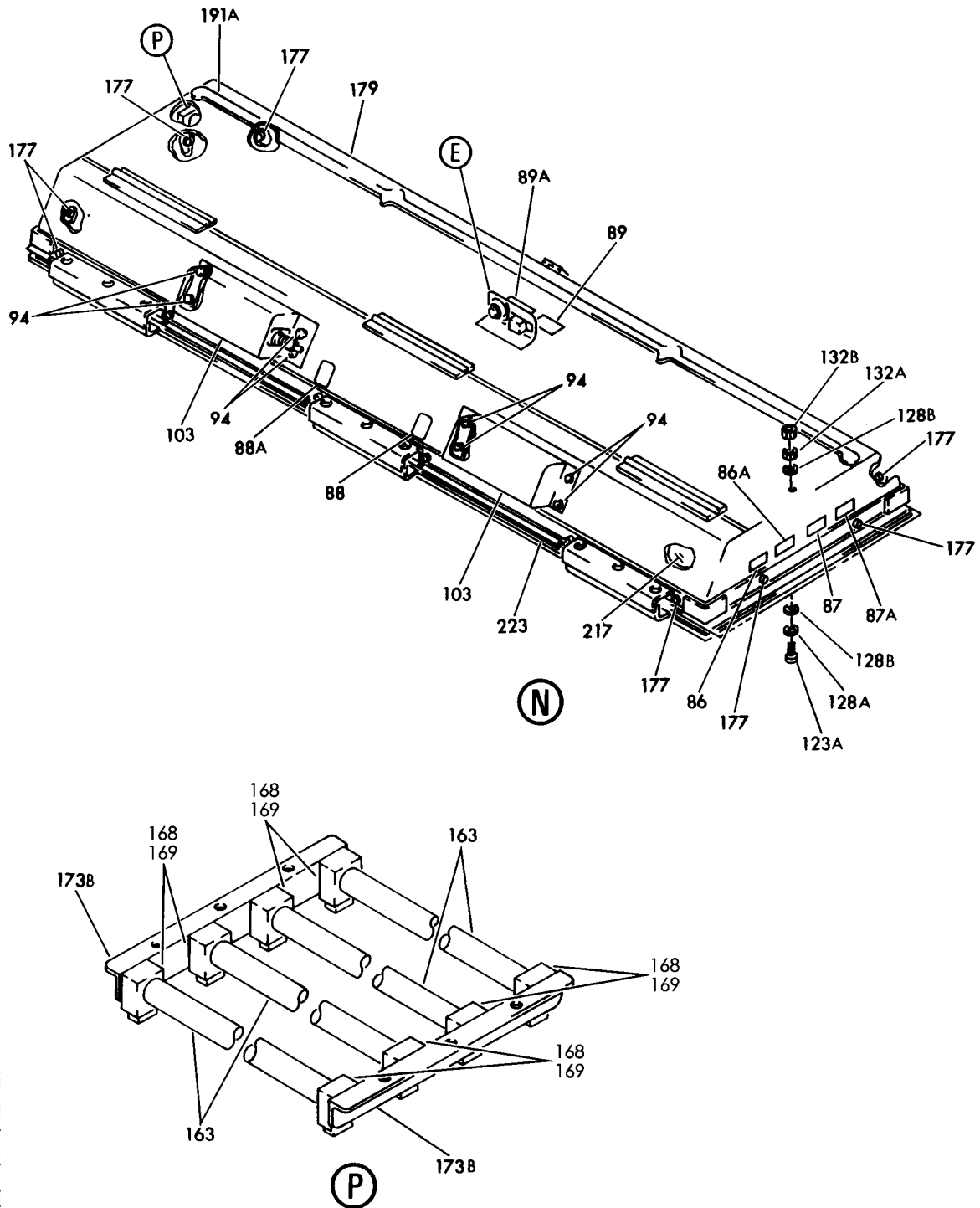
LIGHT INSTL-GALLEY AFT
FIGURE 1 (SHEET 3)

33-27-51-01

BRI
MAY 28/07

33-27-51-01
PAGE 0B

BOEING
757
PARTS CATALOG (MAINTENANCE)



Y 33275101 SHT 6 REV 241

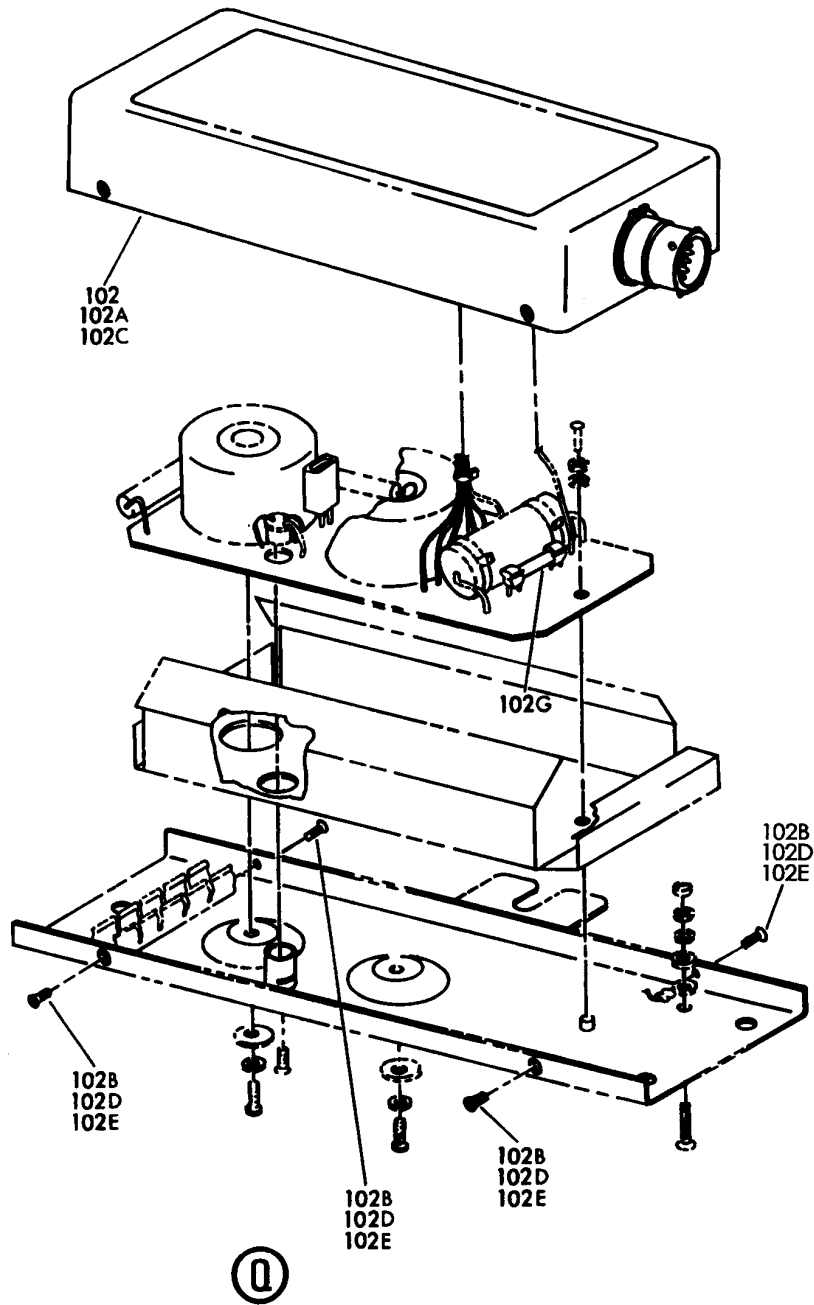
LIGHT INSTL-GALLEY AFT
FIGURE 1 (SHEET 6)

33-27-51-01

BRI
MAY 28/07

33-27-51-01
PAGE 0E

BOEING
757
PARTS CATALOG (MAINTENANCE)



Y 33275101 SHT 7 REV 209

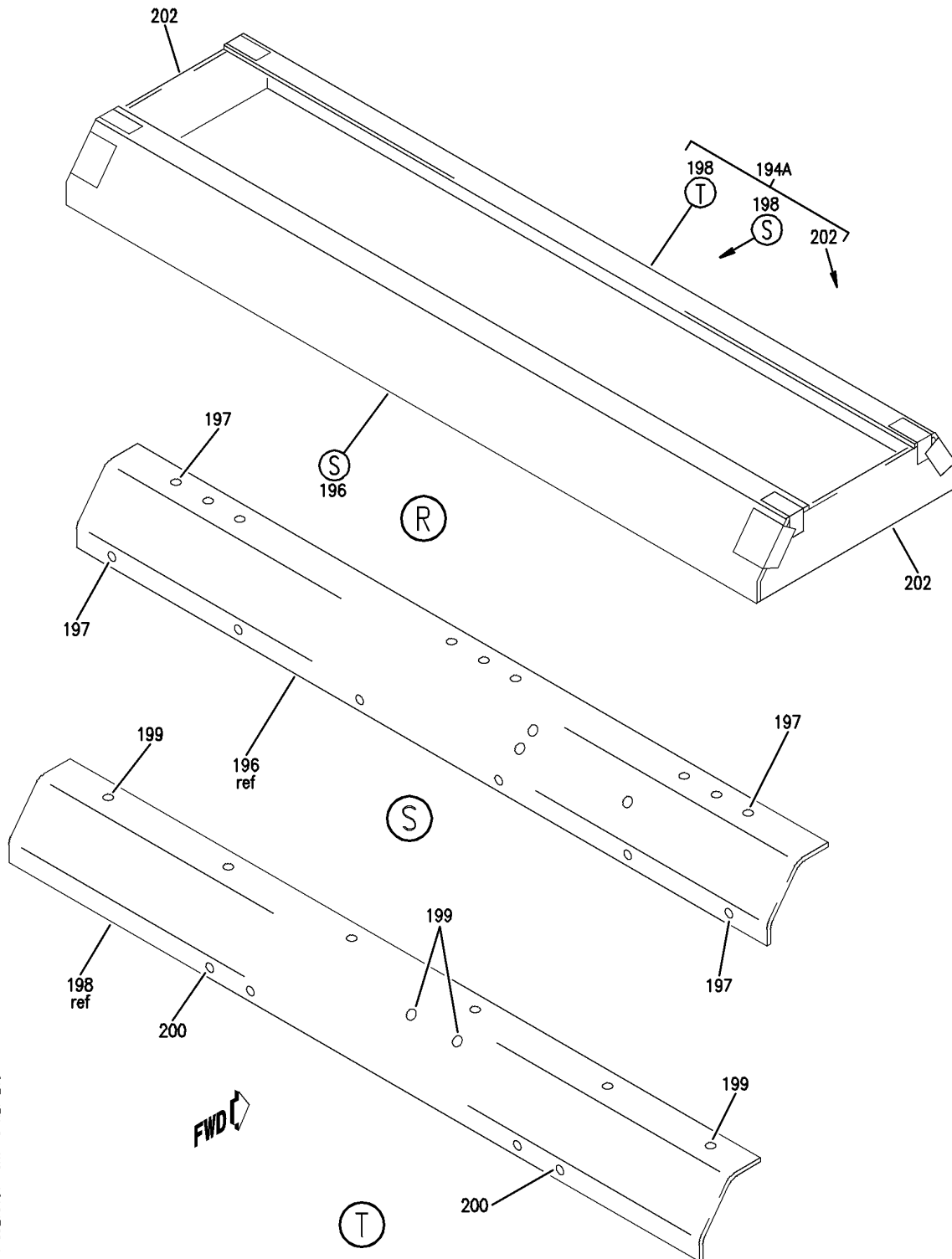
LIGHT INSTL-GALLEY AFT
FIGURE 1 (SHEET 7)

33-27-51-01

BRI
MAY 28/07

33-27-51-01
PAGE OF

BOEING
757
PARTS CATALOG (MAINTENANCE)



Y 33275101 SHT 8 REV 240

LIGHT INSTL-GALLEY AFT
FIGURE 1 (SHEET 8)

33-27-51-01

BRI
MAY 28/07

33-27-51-01
PAGE 0G



757

PARTS CATALOG (MAINTENANCE)

FIG ITEM	PART NUMBER	1 2 3 4 5 6 7	NOMENCLATURE	EFFECT FROM TO	UNITS PER ASSY
1			LIGHT INSTL-GALLEY AFT	002004 006102 107999	
- 1	417N5102-4		LIGHT INSTL-GALLEY POSITION DATA: AFT FOR NHA SEE: 25-20-00-01A 25-20-00-01E	107107 904949 952952	RF
- 1	417N5102-10		LIGHT INSTL-GALLEY POSITION DATA: AFT FOR NHA SEE: 25-20-00-01A 25-20-00-01E	002004 006100 121503 950951 953999	RF
- 1	417N5102-11		LIGHT INSTL-GALLEY POST RAPID REVISION: RR92002-132A-L FOR NHA SEE: 25-20-00-11 25-20-00-09	101102 108120 504903	RF
12	SAM225-1		.LATCH- SUPPLIER CODE: V31845	002004 006102 107999	3
- 13	BACS12FA3K5		ATTACHING PARTS .SCREW	002004 006102 107999	6
15	417N5152-3		-----*----- .LANYARD ASSY	002004 006100 107107 121503 904999	1
15	417N5152-5		.LANYARD ASSY	101102 108120 504903	1
20	GSC205		..SLEEVE- SUPPLIER CODE: V59730 SPECIFICATION NUMBER: BACS13S205C OPTIONAL PART: YOC130 V12357 BACS13S232B	002004 006102 107999	4

MISSING ITEM NUMBERS NOT APPLICABLE

- ITEM NOT ILLUSTRATED

33-27-51-01

33-27-51
FIG. 01
PAGE 1
JAN 20/09

BRI



757

PARTS CATALOG (MAINTENANCE)

FIG ITEM	PART NUMBER	1 2 3 4 5 6 7	NOMENCLATURE	EFFECT FROM TO	UNITS PER ASSY
1					
20	GSB232		.. SLEEVE- SUPPLIER CODE: V56501 SPECIFICATION NUMBER: BACS13S232B OPTIONAL PART: BACS13S205C	002004 006102 107999	4
25	417N5152-4		.. CORD-NYLON	002004 006102 107999	AR
30	10-61790-1		.. HOOK- SUPPLIER CODE: V08205 SPECIFICATION NUMBER: 10-61790-1	002004 006102 107999	1
35	65C16899-6		.. SPRING-TORSION	002004 006102 107999	2
40	417N5155-8		. BRACKET	101102 108120 504903	1
- 45	BACS12FA3K5		ATTACHING PARTS . SCREW	101102 108120 504903	2
50	417N5112-1		-----*----- . LIGHT ASSY-4B GALLEY	107107 904949 952952	1
50	417N5112-2		. LIGHT ASSY-4B GALLEY	107107 904949 952952	1
50	417N5112-3		. LIGHT ASSY-4B GALLEY	107107 904949 952952	1
50	417N5112-6		. LIGHT ASSY-4B GALLEY	002004 006102 108903 950951 953999	1
- 55	BACS12FA3K5		ATTACHING PARTS . SCREW -----*-----	002004 006102 107999	9

MISSING ITEM NUMBERS NOT APPLICABLE

- ITEM NOT ILLUSTRATED

33-27-51-01

33-27-51
FIG. 01
PAGE 2
JAN 20/09

BRI

BOEING PROPRIETARY - Copyright © - Unpublished Work - See title page for details.



757

PARTS CATALOG (MAINTENANCE)

FIG ITEM	PART NUMBER	1 2 3 4 5 6 7	NOMENCLATURE	EFFECT FROM TO	UNITS PER ASSY	
1	60	BAC27NPA0188	..MARKER-ALUMINUM FOIL PLACARD CONTENT: M10385 BALLAST	002004 006102 108120 504903 950999	1	
	65	BAC27NPA0193	..MARKER-ALUMINUM FOIL PLACARD CONTENT: K10292 RELAY	002004 006102 108120 504903 950999	1	
	70	BAC27NPA0197	..MARKER-ALUMINUM FOIL PLACARD CONTENT: D3478 CONNECTOR	002004 006102 108120 504903 950999	1	
	75	BAC27NPA0180	..MARKER-ALUMINUM FOIL PLACARD CONTENT: L469 LAMP	002004 006102 108120 504903 950999	1	
	80	BAC27NPA0181	..MARKER-ALUMINUM FOIL PLACARD CONTENT: L470 LAMP	002004 006102 108120 504903 950999	1	
	92	BACS12FA3K4	.. SCREW-	002004 006102 108903 950951 953999	3	
	93	NAS603-10P	.. SCREW-	107107 904949 952952	4	
	97	AN960JD10L	.. WASHER	107107 904949 952952	4	
	MISSING ITEM NUMBERS NOT APPLICABLE					

- ITEM NOT ILLUSTRATED

33-27-51-01

33-27-51
FIG. 01
PAGE 3
JAN 20/09

BRI



757

PARTS CATALOG (MAINTENANCE)

FIG ITEM	PART NUMBER	1 2 3 4 5 6 7	NOMENCLATURE	EFFECT FROM TO	UNITS PER ASSY
1 100	BRH10A3	..	NUT SUPPLIER CODE: V52828 SPECIFICATION NUMBER: BACN10JC3 OPTIONAL PART: H10-3BAC V15653 NS202101-02 V80539 RMLH9075-3W V72962 VN303A02 V92215 96-02 V80539 T6S1032J V11815	107107 904949 952952	3
100C	BACS18C8-4	..	SPACER	107107 904949 952952	4
101	05939-10	..	BALLAST ASSY- SUPPLIER CODE: V17023 SPECIFICATION NUMBER: S283N702-10 ELECTRICAL EQUIP NUMBER: M10385 COMPONENT MAINT MANUAL REF: 33-21-05 OPTIONAL PART: 05939-110 V17023	107107 904949 952952	1
101	05939-110	..	BALLAST ASSY- SUPPLIER CODE: V17023 SPECIFICATION NUMBER: S283N702-110 ELECTRICAL EQUIP NUMBER: M10385 COMPONENT MAINT MANUAL REF: 33-21-05 OPTIONAL PART: 05939-10 V17023	107107 904949 952952	1

MISSING ITEM NUMBERS NOT APPLICABLE

- ITEM NOT ILLUSTRATED

BRI

33-27-51-01

33-27-51
FIG. 01
PAGE 4
JAN 20/09



757

PARTS CATALOG (MAINTENANCE)

FIG ITEM	PART NUMBER	1 2 3 4 5 6 7	NOMENCLATURE	EFFECT FROM TO	UNITS PER ASSY
1					
102	06188	...	HOUSING ASSY- SUPPLIER CODE: V17023 USED ON: 05939-10	107107 904949 952952	1
102B	MS24693-1	SCREW	107107 904949 952952	4
102C	08899-001	...	HOUSING ASSY- SUPPLIER CODE: V17023 USED ON: 05939-110	107107 904949 952952	1
102E	011-0002-510	SCREW- SUPPLIER CODE: V17023	107107 904949 952952	4
102G	GMA1-5	...	FUSE-1.5A, 250V SUPPLIER CODE: V71400	107107 904949 952952	1
104	BACS18C8-4	..	SPACER	107107 904949 952952	3
105	JAD9F007	..	RELAY- SUPPLIER CODE: V58657 SPECIFICATION NUMBER: BACR13CJ2 ELECTRICAL EQUIP NUMBER: K10292	002004 006102 107999	1
107	NAS602-8P	..	SCREW-	107107 904949 952952	1
107	BACS12CK08U8	..	SCREW-	002004 006102 108903 950951 953999	1
108	AN960PD10L	..	WASHER-	107107 904949 952952	1
108	NAS1149D0332J	..	WASHER-	002004 006102 108903 950951 953999	1

MISSING ITEM NUMBERS NOT APPLICABLE

- ITEM NOT ILLUSTRATED

33-27-51-01

33-27-51
FIG. 01
PAGE 5
JAN 20/09

BRI

BOEING PROPRIETARY - Copyright © - Unpublished Work - See title page for details.



757

PARTS CATALOG (MAINTENANCE)

FIG ITEM	PART NUMBER	1 2 3 4 5 6 7	NOMENCLATURE	EFFECT FROM TO	UNITS PER ASSY
1	111 BRH10A08		..NUT SUPPLIER CODE: V52828 SPECIFICATION NUMBER: BACN10JCO8 OPTIONAL PART: H10-08BAC V15653 NS202101-82 V80539 RMLH9075-82W V72962 VN303A82 V92215 96-82 V80539 T6S832J V11815	002004 006102 108120 504903 950999	1
	112 BACC10DK4		..CLAMP	002004 006102 108120 504903 950999	1
	113 AN743-12		..BRACKET	002004 006102 107999	1
	120 NAS1801-04-5		..SCREW-	002004 006102 108903 950951 953999	4
	120 NAS1801-04-6		..SCREW-	107107 904949 952952	4
	125 NAS1149DN416H		..WASHER-	002004 006102 108903 950951 953999	4
	125 AN960PD4		..WASHER-	107107 904949 952952	4
	130 MS21042L04		..NUT-	002004 006102 108903 950951 953999	4

MISSING ITEM NUMBERS NOT APPLICABLE

- ITEM NOT ILLUSTRATED

33-27-51-01

33-27-51
FIG. 01
PAGE 6
JAN 20/09

BRI

BOEING
757
PARTS CATALOG (MAINTENANCE)

FIG ITEM	PART NUMBER	1 2 3 4 5 6 7	NOMENCLATURE	EFFECT FROM TO	UNITS PER ASSY
1					
130	BACN10NN1	..	NUT-	107107 904949 952952	4
135	417N5155-1	..	BRACKET	002004 006102 107999	1
145	417N5155-10	..	BRACKET	002004 006102 107999	1
			ATTACHING PARTS		
- 150	BACS12FA3K5	..	SCREW-	107107 904949 952952	2
- 150	NAS1801-3-4	..	SCREW-	002004 006102 108903 950951 953999	2
- 151	NAS1149D0316J	..	WASHER	002004 006102 108903 950951 953999	2
			-----*-----		
155	RR2002-4H1J	..	GROMMET SUPPLIER CODE: V57268 SPECIFICATION NUMBER: BACG20AF4H1J OPTIONAL PART: SZ6924-4H1J V95272 701-4H1J V07096 E4H1J V60980 H4H1J V60980 G6940-4H1J V75345	002004 006102 107999	4
- 156	417N5112-7	..	KIT ASSY- OPTIONAL PART: 417N5112-8 417N5112-9	002004 006102 108903 950951 953999	1

MISSING ITEM NUMBERS NOT APPLICABLE

- ITEM NOT ILLUSTRATED

BRI

33-27-51-01

BOEING PROPRIETARY - Copyright © - Unpublished Work - See title page for details.

33-27-51
FIG. 01
PAGE 7
JAN 20/09



757

PARTS CATALOG (MAINTENANCE)

FIG ITEM	PART NUMBER	1 2 3 4 5 6 7	NOMENCLATURE	EFFECT FROM TO	UNITS PER ASSY
1					
- 156	417N5112-8	..	KIT ASSY- OPTIONAL PART: 417N5112-7	002004 006102 108903 950951 953999	1
- 156	417N5112-9	..	KIT ASSY- OPTIONAL PART: 417N5112-7	101102 108120 504903	1
- 157	05939-10	...	BALLAST ASSY- SUPPLIER CODE: V17023 SPECIFICATION NUMBER: S283N702-10 ELECTRICAL EQUIP NUMBER: M10385 COMPONENT MAINT MANUAL REF: 33-21-05 OPTIONAL PART: 05939-110 V17023	002004 006102 108903 950951 953999	1
- 157	05939-110	...	BALLAST ASSY- SUPPLIER CODE: V17023 SPECIFICATION NUMBER: S283N702-110 ELECTRICAL EQUIP NUMBER: M10385 COMPONENT MAINT MANUAL REF: 33-21-05 OPTIONAL PART: 05939-10 V17023	002004 006102 108903 950951 953999	1
- 158	06188	HOUSING ASSY- SUPPLIER CODE: V17023 USED ON: 05939-10	002004 006102 108903 950951 953999	1
-158B	MS24693-1	SCREW	002004 006102 108903 950951 953999	4
-158C	08899-001	HOUSING ASSY- SUPPLIER CODE: V17023 USED ON: 05939-110	002004 006102 108903 950951 953999	1

MISSING ITEM NUMBERS NOT APPLICABLE

- ITEM NOT ILLUSTRATED

33-27-51-01

33-27-51
FIG. 01
PAGE 8
JAN 20/09

BRI



757

PARTS CATALOG (MAINTENANCE)

FIG ITEM	PART NUMBER	1 2 3 4 5 6 7	NOMENCLATURE	EFFECT FROM TO	UNITS PER ASSY
1 -158D	011-0002-510	SCREW- SUPPLIER CODE: V17023	002004 006102 108903 950951 953999	4
-158E	GMA1-5	FUSE-1.5A, 250V SUPPLIER CODE: V71400	002004 006102 108903 950951 953999	1
160	F40WW	..	LAMP- SUPPLIER CODE: V08805 MISCELLANEOUS DATA: MAY USE ALTERNATE LAMPS: PHILIPS F4030U, GE F40SPX30, AND OSRAM-SYLVANIA F40D830 OR F40D30 ELECTRICAL EQUIP NUMBER: L00469 L00470	002004 006102 107999	2
160	F40CW	..	LAMP-FLUOR SUPPLIER CODE: V08805 MISCELLANEOUS DATA: MAY USE ALTERNATE LAMPS: PHILIPS F4041U, GE F40SPX41, AND OSRAM- SYLVANIA F40D841 OR F40D41 ELECTRICAL EQUIP NUMBER: L00469 L00470 OPTIONAL PART: F40D41 V08805	101102 108120 504903	2
160	F40D41	..	LAMP-FLUOR SUPPLIER CODE: V08805 ELECTRICAL EQUIP NUMBER: L00469 L00470 OPTIONAL PART: F40CW V08805	101102 108120 504903	2

MISSING ITEM NUMBERS NOT APPLICABLE

- ITEM NOT ILLUSTRATED

33-27-51-01

33-27-51
FIG. 01
PAGE 9
JAN 20/09

BRI



757

PARTS CATALOG (MAINTENANCE)

FIG ITEM	PART NUMBER	1 2 3 4 5 6 7	NOMENCLATURE	EFFECT FROM TO	UNITS PER ASSY
1 160	F40T12CW	..	LAMP-FLUOR SUPPLIER CODE: V08805 MISCELLANEOUS DATA: MAY USE ALTERNATE LAMPS: PHILIPS F4030U, GE F40SPX30 AND OSRAM-SYLVANIA F40D830 OR F40D30 ELECTRICAL EQUIP NUMBER: L00469 L00470	101102 108120 504903	2
165	BV03112N03-40	..	FITTING- SUPPLIER CODE: V17023 OPTIONAL PART: BV03112N40 V17023	002004 006102 108120 504903 950999	4
167	BV03112N40	..	SOCKET- SUPPLIER CODE: V17023 OPTIONAL PART: BV03112N03-40 V17023 ATTACHING PARTS	002004 006102 108120 504903 950999	4
-170A	NAS1801-04-8	..	SCREW-	002004 006102 108120 504903 950999	8
-170C	NAS1149DN416H	..	WASHER-	002004 006102 108903 950951 953999	8
- 171	AN960PD4L	..	WASHER-	107107 904949 952952	16
- 172	MS35338-40	..	WASHER	002004 006102 108120 504903 950999	8
173A	417N5155-2	-----*	BRACKET	002004 006102 108120 504903 950999	2

MISSING ITEM NUMBERS NOT APPLICABLE

- ITEM NOT ILLUSTRATED

BRI

33-27-51-01

33-27-51
FIG. 01
PAGE 10
JAN 20/09



757

PARTS CATALOG (MAINTENANCE)

FIG ITEM	PART NUMBER	1 2 3 4 5 6 7	NOMENCLATURE	EFFECT FROM TO	UNITS PER ASSY
1			ATTACHING PARTS		
173C	NAS603-12P	..	SCREW	107107 904949 952952	5
173E	AN960JD10L	..	WASHER	107107 904949 952952	5
173F	MS35649-202	..	NUT	107107 904949 952952	2
173H	NAS1801-3-5	..	SCREW	107107 904949 952952 002004 006102 108903 950951 953999	3
174C	MS35338-43	..	WASHER	002004 006102 108903 950951 953999	4
174D	NAS1149D0316J	..	WASHER	002004 006102 108903 950951 953999	5
174E	NAS1801-3-13	..	SCREW	002004 006102 108903 950951 953999	1
174F	MS35650-305T	..	NUT	002004 006102 108903 950951 953999	1
174G	MS21042L3	..	NUT	002004 006102 108903 950951 953999	1
175	BACS12FA08K5	-----*	SCREW-	107107 904949 952952	16
175	BACS12FA3K4	-----*	SCREW-	002004 006102 108903 950951 953999	16

MISSING ITEM NUMBERS NOT APPLICABLE

- ITEM NOT ILLUSTRATED

33-27-51-01

33-27-51
FIG. 01
PAGE 11
JAN 20/09

BRI

BOEING PROPRIETARY - Copyright © - Unpublished Work - See title page for details.

BOEING
757
PARTS CATALOG (MAINTENANCE)

FIG ITEM	PART NUMBER	1 2 3 4 5 6 7	NOMENCLATURE	EFFECT FROM TO	UNITS PER ASSY
1					
179A	417N5132-9	..	HOOD ASSY	002004 006102 108903 950951 953999	1
180	417N5132-5	..	HOOD ASSY-	002004 006100 950999	1
180	417N5132-3	..	HOOD ASSY-	107107 904949 952952	1
181	417N5156-3	...	BRACKET-HINGE	002004 006102 107999	3
			ATTACHING PARTS		
182	BACS21DW3B6B	...	STUD-	107107 904949 952952	17
182C	BACS12FA3K4	...	SCREW	002004 006102 108903 950951 953999	18
183	BACS21DW3B8B	...	STUD-	107107 904949 952952	1
184	916-618	...	NUT-	107107 904949 952952	18
			SUPPLIER CODE: V26365		
185	F22K1-02	...	NUT	107107 904949 952952	18
			SUPPLIER CODE: V72962		
			SPECIFICATION NUMBER: BACN10R10L		
			OPTIONAL PART: 22K1-02 V72962 26CL02 V80539		
			-----*-----		
187	417N5158-7	...	BRACKET ASSY	002004 006102 107999	2
			ATTACHING PARTS		
- 190	BACS12FA08K6	...	SCREW-	107107 904949 952952	4

MISSING ITEM NUMBERS NOT APPLICABLE

- ITEM NOT ILLUSTRATED

BRI

33-27-51-01

33-27-51
FIG. 01
PAGE 12
JAN 20/09

BOEING PROPRIETARY - Copyright © - Unpublished Work - See title page for details.



757

PARTS CATALOG (MAINTENANCE)

FIG ITEM	PART NUMBER	1 2 3 4 5 6 7	NOMENCLATURE	EFFECT FROM TO	UNITS PER ASSY
1 -190A	NAS1801-08-4	...	SCREW-	002004 006102 108903 950951 953999	4
-190B	NAS620-8L	...	WASHER	002004 006102 108903 950951 953999	4
191	417N5158-1	-----*-----	...BRACKET ASSY-LATCH	002004 006102 107999	1
- 192	BACS21DW3B6B		ATTACHING PARTS ...STUD-	107107 904949 952952	4
-192B	BACS12FA3K4	...	SCREW-	002004 006102 108903 950951 953999	4
- 193	916-618	...	NUT- SUPPLIER CODE: V26365	107107 904949 952952	4
- 194	F22K1-02	...	NUT SUPPLIER CODE: V72962 SPECIFICATION NUMBER: BACN10R10L OPTIONAL PART: 22K1-02 V72962 26CL02 V80539	107107 904949 952952	4
194A	417N5142-17	-----*-----	...HOOD ASSY-BASIC	002004 006102 108903 950951 953999	1
195	417N5142-6	...	HOOD ASSY-BASIC	107107 904949 952952	1
195	417N5142-7	...	HOOD ASSY-BASIC	107107 904949 952952	1

MISSING ITEM NUMBERS NOT APPLICABLE

- ITEM NOT ILLUSTRATED

BRI

33-27-51-01

33-27-51
FIG. 01
PAGE 13
JAN 20/09



757

PARTS CATALOG (MAINTENANCE)

FIG ITEM	PART NUMBER	1 2 3 4 5 6 7	NOMENCLATURE	EFFECT FROM TO	UNITS PER ASSY
1					
196	417N5142-15	PANEL ASSY-SIDE POSITION DATA: FWD	101102 108120 504903	1
197	SL618-3A	INSERT- SUPPLIER CODE: V97393 OPTIONAL PART: SL6224-3A V97393	101102 108120 504903	18
197	SL6224-3A	INSERT- SUPPLIER CODE: V97393 OPTIONAL PART: SL618-3A V97393	101102 108120 504903	18
198	417N5142-16	PANEL ASSY-SIDE POSITION DATA: AFT	101102 108120 504903	1
199	SL618-3A	INSERT- SUPPLIER CODE: V97393	101102 108120 504903	8
200	SL618-08A	INSERT- SUPPLIER CODE: V97393	101102 108120 504903	4
202	417N5142-21	PANEL ASSY-END OPTIONAL PART: 417N5142-11	101102 108120 504903	2
202	417N5142-11	PANEL ASSY-END OPTIONAL PART: 417N5142-21	101102 108120 504903	2
204	NAS42DD8-16	SPACER	002004 006100 107107 121503 904999	2
205	SL618-08A	INSERT- SUPPLIER CODE: V97393	002004 006100 107107 121503 904999	20
210	SL618-3A	INSERT- SUPPLIER CODE: V97393	002004 006100 107107 121503 904999	2
212	417N5142-4	DOOR ASSY-	107107 904949 952952	1

MISSING ITEM NUMBERS NOT APPLICABLE

- ITEM NOT ILLUSTRATED

33-27-51-01

33-27-51
FIG. 01
PAGE 14
JAN 20/09

BRI

BOEING PROPRIETARY - Copyright © - Unpublished Work - See title page for details.



757

PARTS CATALOG (MAINTENANCE)

FIG ITEM	PART NUMBER	1 2 3 4 5 6 7	NOMENCLATURE	EFFECT FROM TO	UNITS PER ASSY
1					
212	417N5142-14	...	DOOR ASSY-	002004 006102 108903 950951 953999	1
- 213	SL618-3A	INSERT- SUPPLIER CODE: V97393 OPTIONAL PART: SL6224-3A V97393	002004 006102 108903 950951 953999	18
-213A	SL6224-3A	INSERT- SUPPLIER CODE: V97393 OPTIONAL PART: SL618-3A V97393	002004 006102 108903 950951 953999	AR
214	NAS43DD4-17FC	SPACER	002004 006102 108903 950951 953999	1
215	417N5153-1	..	LENS	002004 006102 107999	1
220	417N5151-17	..	FRAME ASSY-	002004 006100 107107 121503 904999	1
220	417N5151-20	..	FRAME ASSY-	002004 006102 107999	1
- 225	286N0612-001	..	WIRE BUNDLE- OPTIONAL PART: 286N0612-301	002004 006102 107999	1
- 225	286N0612-301	..	WIRE BUNDLE- OPTIONAL PART: 286N0612-001 286N0646-001	101102 108120 504903	1

MISSING ITEM NUMBERS NOT APPLICABLE

- ITEM NOT ILLUSTRATED

33-27-51-01

33-27-51
FIG. 01
PAGE 15
JAN 20/09

BRI



757

PARTS CATALOG (MAINTENANCE)

FIG ITEM	PART NUMBER	1 2 3 4 5 6 7	NOMENCLATURE	EFFECT FROM TO	UNITS PER ASSY
1 227	C0909A12-12S7		...CONNECTOR- SUPPLIER CODE: V13556 SPECIFICATION NUMBER: BACC63BN12-12S7 OPTIONAL PART: 48-63NBN12-12S7 V02660 R071212-12S7 V41118 ELECTRICAL EQUIP NUMBER: D04036 WIRING DIAGRAM REF: 332731	002004 006102 107999	1
- 750	286N0612-001		WIRE BUNDLE-GALLEY POSITION DATA: AFT	002004 006100 107107 121503 904999	RF
- 750	286N0612-301		WIRE BUNDLE-GALLEY POSITION DATA: AFT	101102 108120 504903	RF
755	BACC45FT12A12S7		.CONNECTOR- ELECTRICAL EQUIP NUMBER: D04036 WIRING DIAGRAM REF: 332731	002004 006100 107107 121503 904999	1

MISSING ITEM NUMBERS NOT APPLICABLE

- ITEM NOT ILLUSTRATED

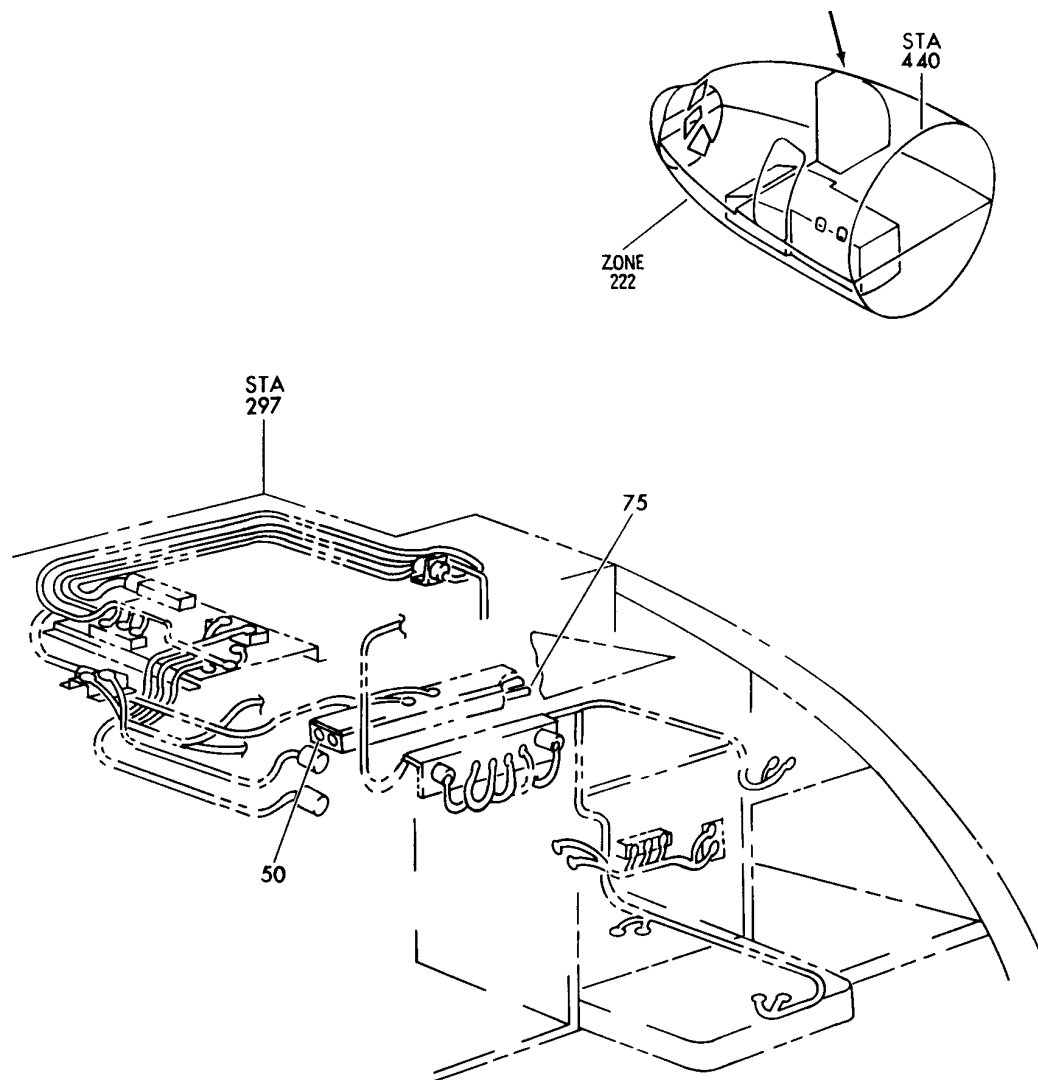
BRI

33-27-51-01

BOEING PROPRIETARY - Copyright © - Unpublished Work - See title page for details.

33-27-51
FIG. 01
PAGE 16
JAN 20/09

BOEING
757
PARTS CATALOG (MAINTENANCE)



Y 33275102 REV 161

ELECTRICAL SYSTEM INSTL UNIT G1A (LIGHTS ONLY)
FIGURE 2

33-27-51-02

BRI
JAN 20/09

33-27-51-02
PAGE 0



757

PARTS CATALOG (MAINTENANCE)

FIG ITEM	PART NUMBER	1 2 3 4 5 6 7	NOMENCLATURE	EFFECT FROM TO	UNITS PER ASSY
2			ELECTRICAL SYSTEM INSTL UNIT G1A (LIGHTS ONLY)	950951	
- 1	1002E11A20000		ELECTRICAL SYSTEM INSTL- UNIT G1A (LIGHTS ONLY) SUPPLIER CODE: VD2249 FOR NHA/OTHER SYS DET SEE: 25-31-01-68A	950951	RF
50	1002E11A21511		.LENS ASSY-WORK LT SUPPLIER CODE: VD2249	950951	1
- 55	NAS514P632-4		..SCREW	950951	4
- 60	2E11A21511-05		..RETAINER- SUPPLIER CODE: VD2249 CONFIG CHG DATA FROM A CMM: M/F 090436 MANUFACTURED FROM: 090436	950951	4
- 65	26S39-3		..FASTENER- SUPPLIER CODE: VDO680	950951	2
- 70	2E11A21511-03		..LENS- SUPPLIER CODE: VD2249 CONFIG CHG DATA FROM A CMM: M/F 266089 MANUFACTURED FROM: 266089	950951	1
75	F8T50W		.TUBE-FLOURESCENT SUPPLIER CODE: V24455	950951	2

MISSING ITEM NUMBERS NOT APPLICABLE

- ITEM NOT ILLUSTRATED

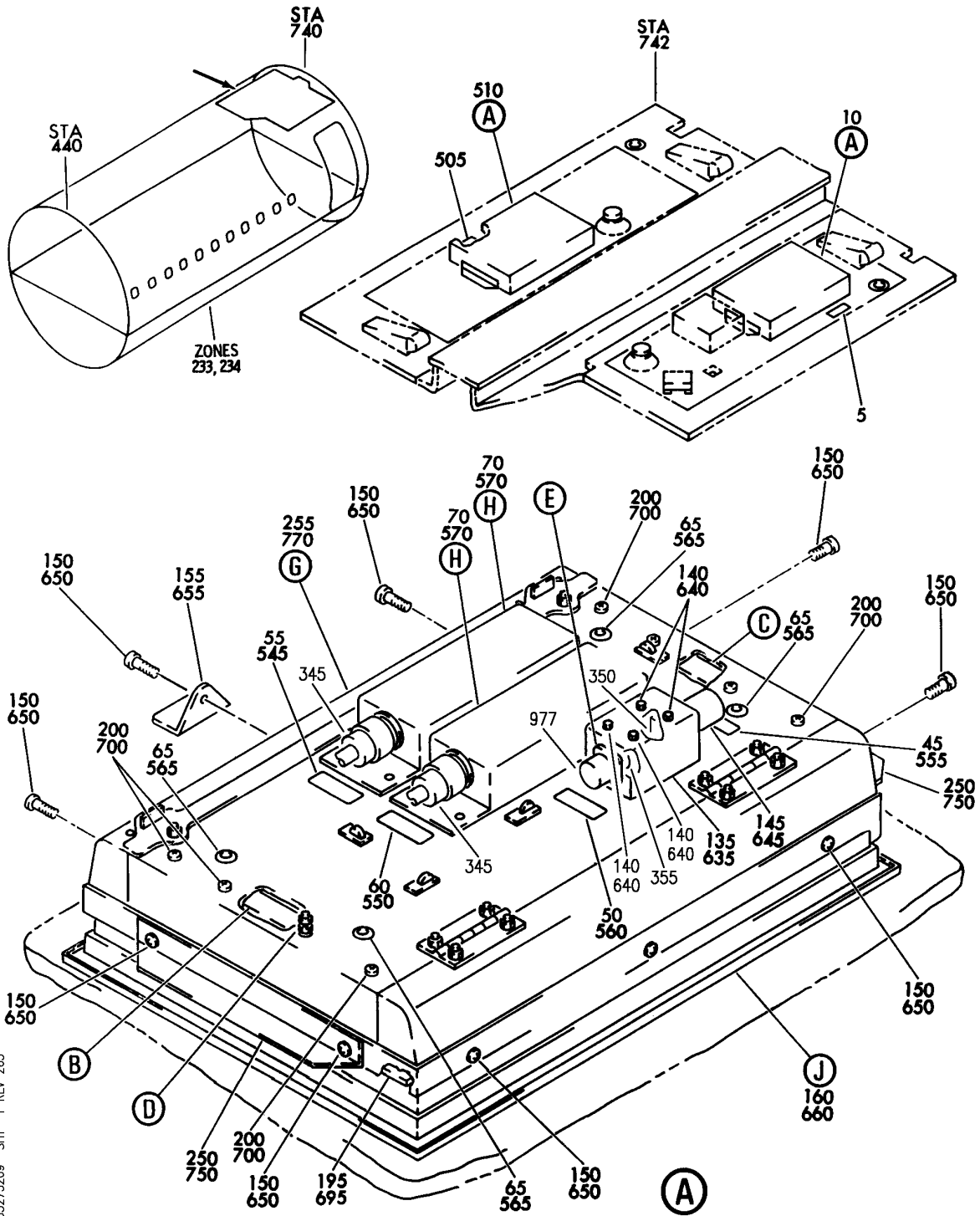
BRI

33-27-51-02

BOEING PROPRIETARY - Copyright © - Unpublished Work - See title page for details.

33-27-51
FIG. 02
PAGE 1
JAN 20/09


BOEING
 757
PARTS CATALOG (MAINTENANCE)



Y 33275209 SHT 1 REV 265

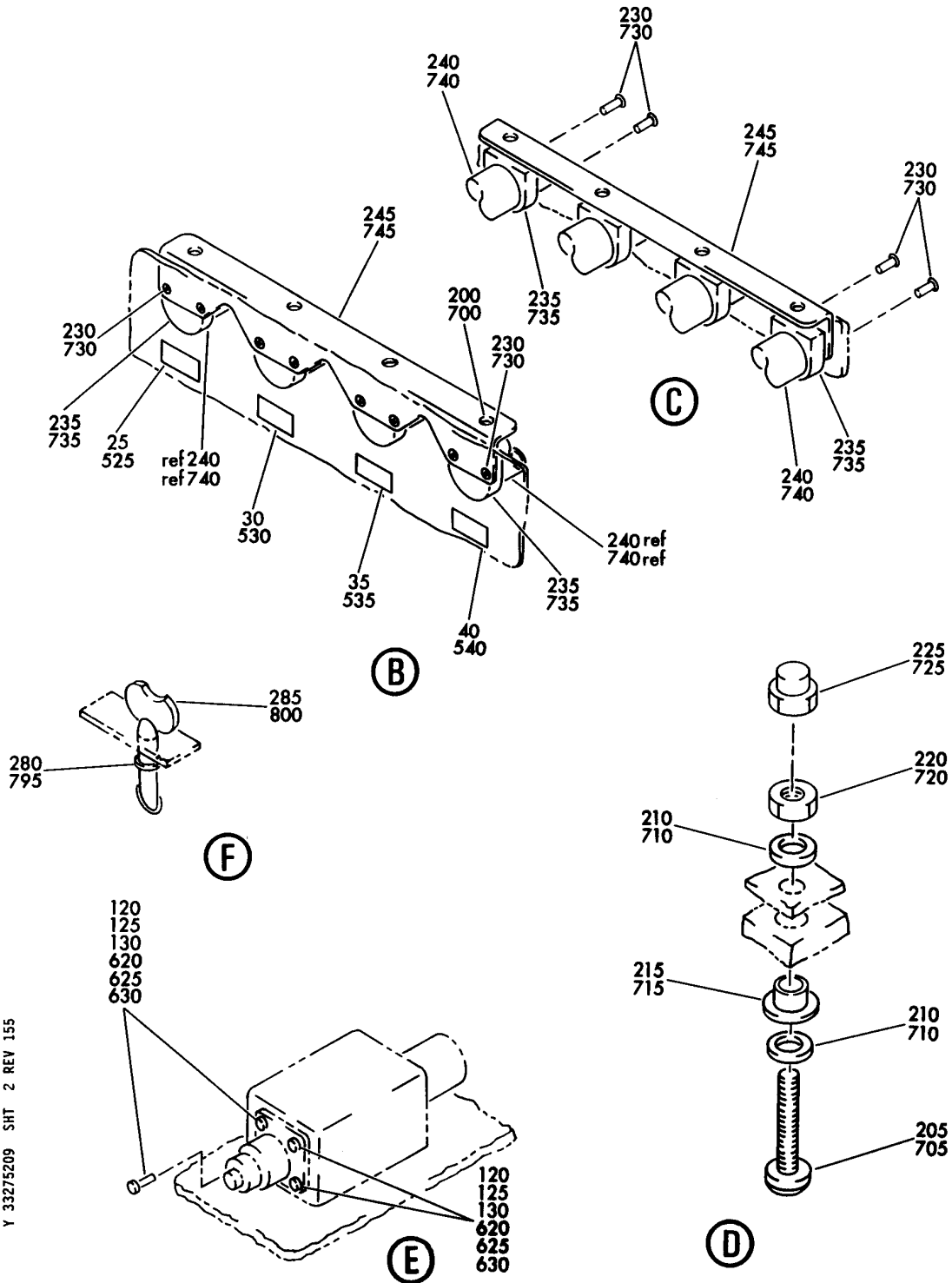
PANEL ASSY-DOOR NO. 2 FLAT (LIGHTS ONLY) (FLYAWAY)
 FIGURE 9 (SHEET 1)

33-27-52-09

BRI
 JAN 20/09

33-27-52-09
 PAGE 0

BOEING
757
PARTS CATALOG (MAINTENANCE)



Y 33275209 SHT 2 REV 155

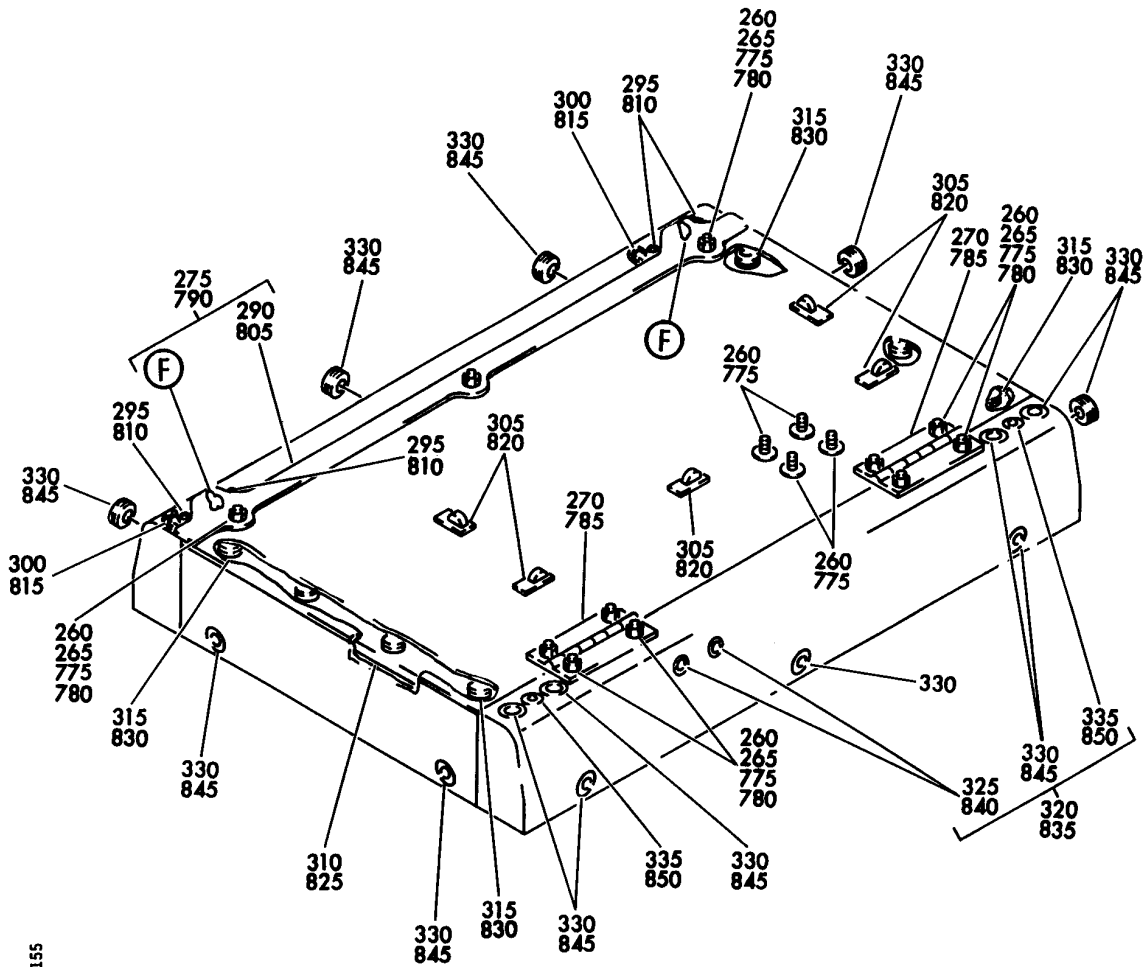
PANEL ASSY-DOOR NO. 2 FLAT (LIGHTS ONLY) (FLYAWAY)
FIGURE 9 (SHEET 2)

33-27-52-09

BRI
JAN 20/09

33-27-52-09
PAGE 0A

BOEING
757
PARTS CATALOG (MAINTENANCE)



Y 33275209 SH1 3 REV 155

(G)

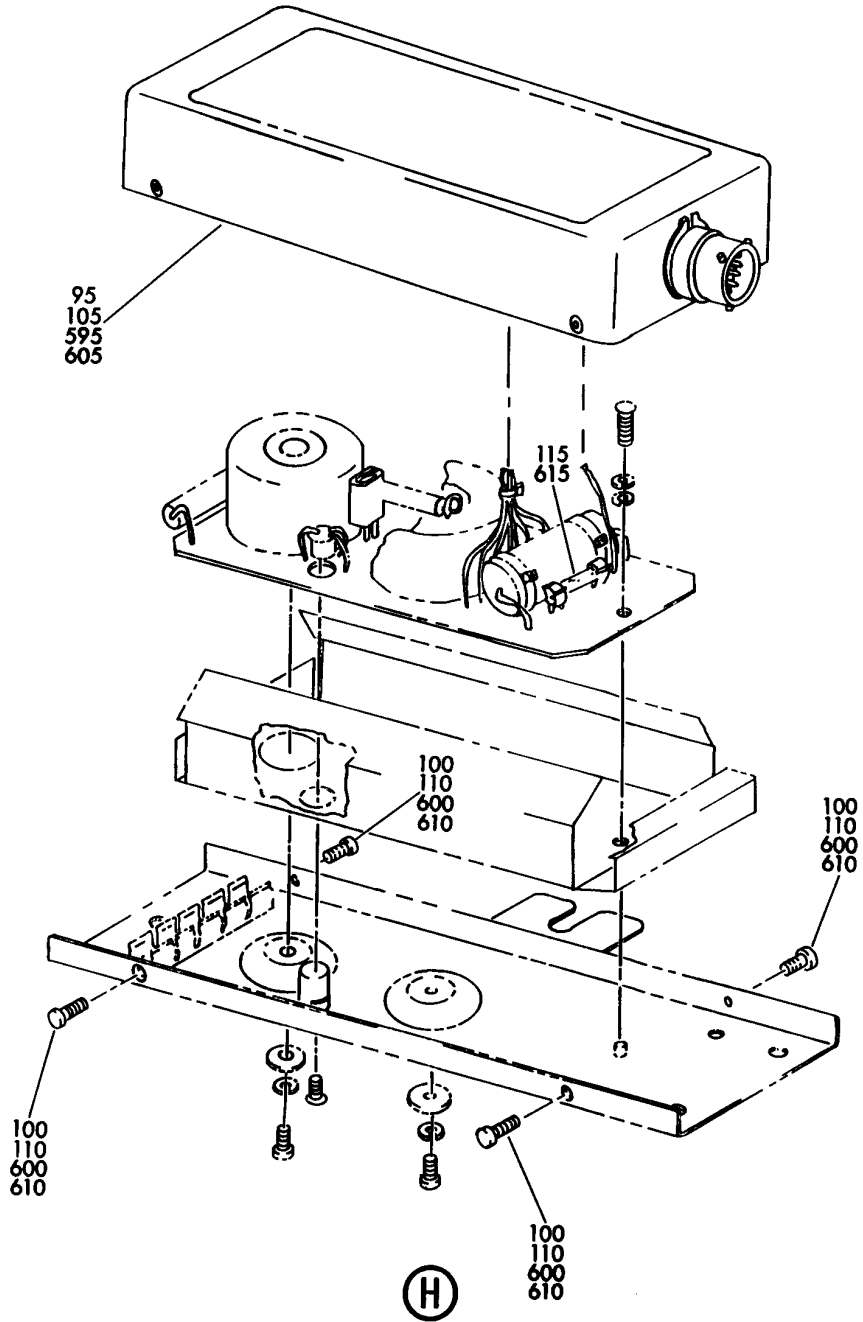
PANEL ASSY-DOOR NO. 2 FLAT (LIGHTS ONLY) (FLYAWAY)
FIGURE 9 (SHEET 3)

33-27-52-09

BRI
JAN 20/09

33-27-52-09
PAGE 0B

BOEING
757
PARTS CATALOG (MAINTENANCE)



Y 33275209 SHT 4 REV 155

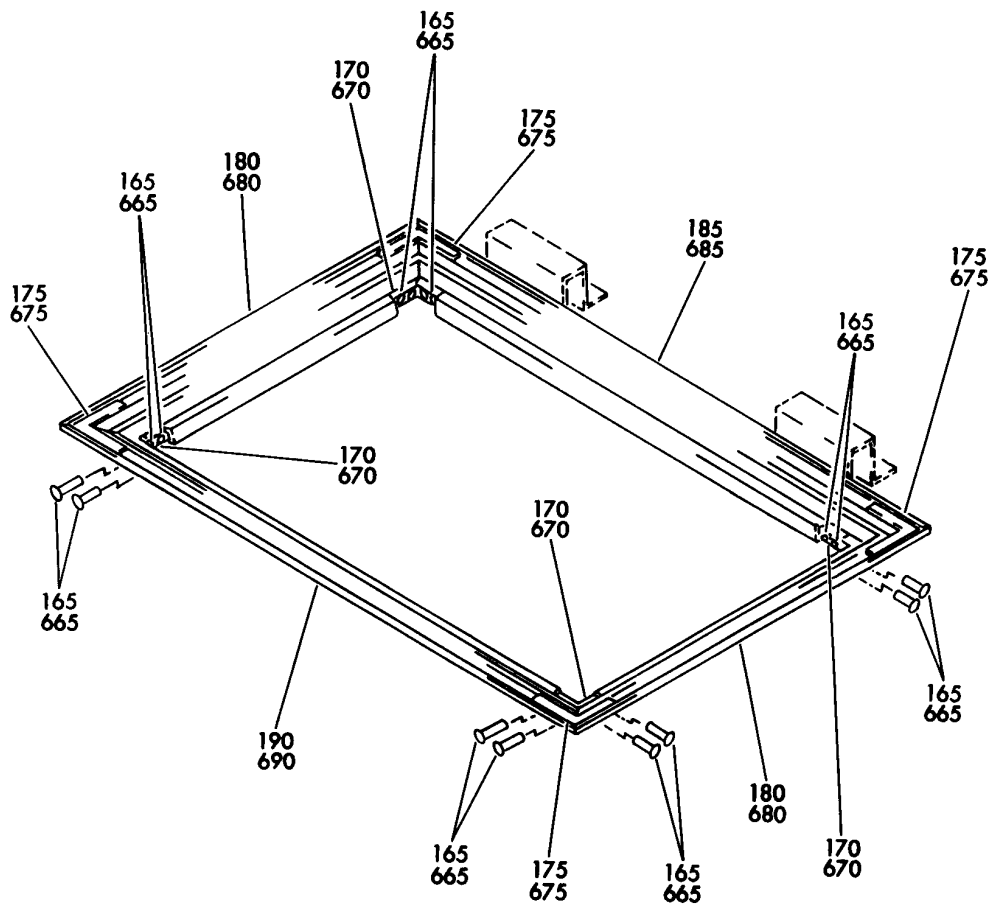
PANEL ASSY-DOOR NO. 2 FLAT (LIGHTS ONLY) (FLYAWAY)
FIGURE 9 (SHEET 4)

33-27-52-09

BRI
JAN 20/09

33-27-52-09
PAGE 0C

BOEING
757
PARTS CATALOG (MAINTENANCE)



(J)

Y 33275209 SHT 5 REV 155

PANEL ASSY-DOOR NO. 2 FLAT (LIGHTS ONLY) (FLYAWAY)
FIGURE 9 (SHEET 5)

33-27-52-09

BRI
JAN 20/09

33-27-52-09
PAGE 0D



757

PARTS CATALOG (MAINTENANCE)

FIG ITEM	PART NUMBER	1 2 3 4 5 6 7	NOMENCLATURE	EFFECT FROM TO	UNITS PER ASSY
9			PANEL ASSY-DOOR NO. 2 FLAT (LIGHTS ONLY) (FLYAWAY)	504504 506506	
- 1	411N3262-187SP		PANEL ASSY-DOOR NO. 2 FLAT (LIGHTS ONLY) FOR NHA/OTHER SYS DET SEE: 25-22-02-50B	504504 506506	RF
5	BAC27NPA0951		.MARKER-ALUMINUM FOIL	504504 506506	1
10	417N5114-2		.LIGHT ASSY- ELECTRICAL EQUIP NUMBER: M10210	504504 506506	1
- 15	BACS12GU3K6		ATTACHING PARTS .SCREW	504504 506506	6
- 20	NAS1149D0332J		.WASHER	504504 506506	6
			-----*-----		
25	BAC27NPA0358		..MARKER-ALUMINUM FOIL PLACARD CONTENT: L476 LAMP	504504 506506	1
30	BAC27NPA0359		..MARKER-ALUMINUM FOIL PLACARD CONTENT: L477 LAMP	504504 506506	1
35	BAC27NPA0360		..MARKER-ALUMINUM FOIL PLACARD CONTENT: L478 LAMP	504504 506506	1
40	BAC27NPA0361		..MARKER-ALUMINUM FOIL PLACARD CONTENT: L479 LAMP	504504 506506	1
45	BAC27NPA0362		..MARKER-ALUMINUM FOIL PLACARD CONTENT: K10310 RELAY	504504 506506	1
50	BAC27NPA0363		..MARKER-ALUMINUM FOIL PLACARD CONTENT: D4300 CONNECTOR	504504 506506	1
55	BAC27NPA0364		..MARKER-ALUMINUM FOIL PLACARD CONTENT: M10412 BALLAST	504504 506506	1
60	BAC27NPA0365		..MARKER-ALUMINUM FOIL PLACARD CONTENT: M10413 BALLAST	504504 506506	1

MISSING ITEM NUMBERS NOT APPLICABLE

- ITEM NOT ILLUSTRATED

33-27-52-09

33-27-52
FIG. 09
PAGE 1
JAN 20/09

BRI



757

PARTS CATALOG (MAINTENANCE)

FIG ITEM	PART NUMBER	1 2 3 4 5 6 7	NOMENCLATURE	EFFECT FROM TO	UNITS PER ASSY
9 65	RR2002-4H1J		..GROMMET SUPPLIER CODE: V57268 SPECIFICATION NUMBER: BACG20AF4H1J OPTIONAL PART: SZ6924-4H1J V95272 701-4H1J V07096 E4H1J V60980 H4H1J V60980 G6940-4H1J V75345	504504 506506	4
- 67	417N5114-6		..KIT ASSY-SUB OPTIONAL PART: 417N5114-8	504504 506506	2
- 67	417N5114-8		..KIT ASSY-SUB OPTIONAL PART: 417N5114-6	504504 506506	2
70	05939-8		...BALLAST ASSY- SUPPLIER CODE: V17023 SPECIFICATION NUMBER: S283N702-8 ELECTRICAL EQUIP NUMBER: M10412 M10413 COMPONENT MAINT MANUAL REF: 33-21-05 OPTIONAL PART: 05939-108 V17023	504504 506506	2
70	05939-108		...BALLAST ASSY- SUPPLIER CODE: V17023 SPECIFICATION NUMBER: S283N702-108 ELECTRICAL EQUIP NUMBER: M10412 M10413 COMPONENT MAINT MANUAL REF: 33-21-05 OPTIONAL PART: 05939-8 V17023	504504 506506	2

MISSING ITEM NUMBERS NOT APPLICABLE

- ITEM NOT ILLUSTRATED

33-27-52-09

33-27-52
FIG. 09
PAGE 2
JAN 20/09

BRI



757

PARTS CATALOG (MAINTENANCE)

FIG ITEM	PART NUMBER	1 2 3 4 5 6 7	NOMENCLATURE	EFFECT FROM TO	UNITS PER ASSY
9			ATTACHING PARTS		
- 75	NAS603-12P	...	SCREW	504504 506506	6
- 80	NAS1149D0363J	...	WASHER-	504504 506506	12
- 85	BACS18C8-4	...	SPACER	504504 506506	6
- 90	F1975-3BAC	...	NUT-	504504 506506	6
			SUPPLIER CODE: V15653		
			SPECIFICATION NUMBER: BACN10JU3		
			OPTIONAL PART: NS103221-02		
			V80539		
			RMF9223-3		
			V22599		
			RMF9223-3		
			V72962		
			BACN10JC3CD		
- 90	BRH10C3D	...	NUT-	504504 506506	6
			SUPPLIER CODE: V52828		
			SPECIFICATION NUMBER: BACN10JC3CD		
			OPTIONAL PART: T6C1032JCD		
			V11815		
			NS202486-02		
			V80539		
			102LH9075-3W		
			V72962		
			H51650-3BAC		
			V15653		
			BACN10JU3		
			-----*-----		
95	06188	HOUSING ASSY-	504504 506506	1
			SUPPLIER CODE: V17023		
			USED ON: 05939-8		
100	MS24693-1	SCREW	504504 506506	4
105	08899-001	HOUSING ASSY-	504504 506506	1
			SUPPLIER CODE: V17023		
			USED ON: 05939-108		

MISSING ITEM NUMBERS NOT APPLICABLE

- ITEM NOT ILLUSTRATED

33-27-52-09

33-27-52
FIG. 09
PAGE 3
JAN 20/09

BRI



757

PARTS CATALOG (MAINTENANCE)

FIG ITEM	PART NUMBER	1 2 3 4 5 6 7	NOMENCLATURE	EFFECT FROM TO	UNITS PER ASSY
9					
110	011-0002-510	SCREW- SUPPLIER CODE: V17023	504504 506506	4
115	GMA1-5	FUSE-1.5A, 250V SUPPLIER CODE: V71400	504504 506506	1
120	BACS12CK04-5	..	SCREW	504504 506506	4
125	NAS1149DN416K	..	WASHER-	504504 506506	4
130	BRH10C04D	..	NUT SUPPLIER CODE: V52828 SPECIFICATION NUMBER: BACN10JCO4CD OPTIONAL PART: H51650-04BAC V15653 102LH9075-40W V72962 NS202486-40 V80539 T6C440JCD V11815 T6C440JCD V11815	504504 506506	4
135	417N5155-4	..	BRACKET	504504 506506	1
140	BACN10YJ3	..	NUT	504504 506506	4
145	JAD9F007	..	RELAY- SUPPLIER CODE: V58657 SPECIFICATION NUMBER: BACR13CJ2 ELECTRICAL EQUIP NUMBER: K10310	504504 506506	1
150	BACS12FA08K6	..	SCREW	504504 506506	10
155	417N5155-7	..	BRACKET	504504 506506	1
160	417N5151-13	..	FRAME ASSY	504504 506506	1
165	BACR15BA4A	...	RIVET- SIZE DETERMINED ON INSTL.	504504 506506	16
170	417N5157-4	...	BRACKET-CORNER	504504 506506	4

MISSING ITEM NUMBERS NOT APPLICABLE

- ITEM NOT ILLUSTRATED

33-27-52-09

33-27-52
FIG. 09
PAGE 4
JAN 20/09

BRI

BOEING PROPRIETARY - Copyright © - Unpublished Work - See title page for details.



757

PARTS CATALOG (MAINTENANCE)

FIG ITEM	PART NUMBER	1 2 3 4 5 6 7	NOMENCLATURE	EFFECT FROM TO	UNITS PER ASSY
9					
175	417N5157-5	...	CLIP-CORNER OPTIONAL PART: 417N5157-9	504504 506506	4
175	417N5157-9	...	CLIP-CORNER OPTIONAL PART: 417N5157-5	504504 506506	4
180	417N5151-9	...	FRAME	504504 506506	2
185	417N5151-7	...	FRAME	504504 506506	1
190	417N5151-8	...	FRAME	504504 506506	1
195	417N5153-2	..	LENS	504504 506506	1
200	BACS12FA3K5	..	SCREW	504504 506506	7
205	NAS1801-3-14	..	SCREW-	504504 506506	1
210	NAS1149D0316J	..	WASHER-	504504 506506	2
- 213	NAS1149D0316J	..	WASHER- POSITION DATA: FS	504504 506506	1
- 214	MS35338-43	..	WASHER- POSITION DATA: FS	504504 506506	AR
215	BACS18C8-4	..	SPACER	504504 506506	1
220	MS35649-202	..	NUT- OPTIONAL PART: MS35650-305T	504504 506506	1
220	MS35650-305T	..	NUT- OPTIONAL PART: MS35649-202	504504 506506	1
225	MS21042L3	..	NUT-	504504 506506	1
230	BACS12ER04K7	..	SCREW	504504 506506	16
235	BV03112N03-25	..	HOLDER-LAMP SUPPLIER CODE: V17023 OPTIONAL PART: BV03112N25 V17023	504504 506506	8

MISSING ITEM NUMBERS NOT APPLICABLE

- ITEM NOT ILLUSTRATED

BRI

33-27-52-09

33-27-52
FIG. 09
PAGE 5
JAN 20/09



757

PARTS CATALOG (MAINTENANCE)

FIG ITEM	PART NUMBER	1 2 3 4 5 6 7	NOMENCLATURE	EFFECT FROM TO	UNITS PER ASSY
9					
235	BV03112N25	..	HOLDER-LAMP SUPPLIER CODE: V17023 OPTIONAL PART: BV03112B03-25 V17023	504504 506506	8
240	F15T8WW	..	LAMP-MID GALLEY SUPPLIER CODE: V13545 ELECTRICAL EQUIP NUMBER: L00476 L00477 L00478 L00479	504504 506506	4
245	417N5155-15	..	BRACKET	504504 506506	2
250	417N5155-6	..	BRACKET	504504 506506	2
255	417N5133-1	..	HOOD ASSY	504504 506506	1
260	BACS21DW3C6B	...	STUD	504504 506506	15
265	BACN10YJ3	...	NUT	504504 506506	11
270	417N5156-2	...	HINGE	504504 506506	2
275	417N5158-3	...	BRACKET ASSY	504504 506506	1
280	BACR12AG2C	RING	504504 506506	2
285	82-99-374-38	STUD SUPPLIER CODE: V94222 SPECIFICATION NUMBER: BACS21AP380W	504504 506506	2
290	417N5158-4	BRACKET	504504 506506	1
295	BACS12FA08K6	...	SCREW	504504 506506	4
300	417N5158-7	...	BRACKET ASSY-LATCH	504504 506506	1
305	63-9263	...	BOLLARD	504504 506506	5
310	417N5143-4	...	DOOR ASSY	504504 506506	1
315	SL618-3A	INSERT- SUPPLIER CODE: V97393	504504 506506	7

MISSING ITEM NUMBERS NOT APPLICABLE

- ITEM NOT ILLUSTRATED

33-27-52-09

33-27-52
FIG. 09
PAGE 6
JAN 20/09

BRI

BOEING PROPRIETARY - Copyright © - Unpublished Work - See title page for details.



757

PARTS CATALOG (MAINTENANCE)

FIG ITEM	PART NUMBER	1 2 3 4 5 6 7	NOMENCLATURE	EFFECT FROM TO	UNITS PER ASSY
9					
320	417N5143-1	...	HOOD ASSY-BASIC	504504 506506	1
325	SL618-3A	INSERT- SUPPLIER CODE: V97393	504504 506506	2
330	SL618-08A	INSERT- SUPPLIER CODE: V97393	504504 506506	14
335	NAS42DD8-16	SPACER	504504 506506	2
- 340	286N0618-001	..	WIRE BUNDLE ASSY- OPTIONAL PART: 286N0618-301	504504 506506	1
- 340	286N0618-301	..	WIRE BUNDLE ASSY- OPTIONAL PART: 286N0618-001	504504 506506	1
345	BACC45FT12A12S9	...	CONNECTOR- ELECTRICAL EQUIP NUMBER: D04186 D04188 WIRING DIAGRAM REF: 332722	504504 506506	2
350	RSF116208	...	SOCKET- SUPPLIER CODE: V58982 SPECIFICATION NUMBER: BACS16X3A OPTIONAL PART: 102-005-1 V09922 000300-1541 V05574 ELECTRICAL EQUIP NUMBER: D04190 WIRING DIAGRAM REF: 332722	504504 506506	1
355	BACC45FN12-12P	...	CONNECTOR- ELECTRICAL EQUIP NUMBER: D04612 WIRING DIAGRAM REF: 332722	504504 506506	1
- 500	411N3262-186SP		PANEL ASSY-DOOR NO. 2 FLAT (LIGHTS ONLY) FOR NHA/OTHER SYS DET SEE: 25-22-02-50B	504504 506506	RF
505	BAC27NPA0952	.	MARKER-ALUMINUM FOIL PLACARD CONTENT: M10414 MID GALLEY 2D LIGHT	504504 506506	1

MISSING ITEM NUMBERS NOT APPLICABLE

- ITEM NOT ILLUSTRATED

33-27-52-09

33-27-52
FIG. 09
PAGE 7
JAN 20/09

BRI



757

PARTS CATALOG (MAINTENANCE)

FIG ITEM	PART NUMBER	1 2 3 4 5 6 7	NOMENCLATURE	EFFECT FROM TO	UNITS PER ASSY
9					
510	417N5114-1		.LIGHT ASSY- ELECTRICAL EQUIP NUMBER: M10414 ATTACHING PARTS	504504 506506	1
- 515	BACS12GU3K5		.SCREW	504504 506506	6
- 520	NAS1149D0332J		.WASHER	504504 506506	6
			-----*-----		
525	BAC27NPA0176		..MARKER-ALUMINUM FOIL PLACARD CONTENT: L465 LAMP	504504 506506	1
530	BAC27NPA0177		..MARKER-ALUMINUM FOIL PLACARD CONTENT: L466 LAMP	504504 506506	1
535	BAC27NPA0178		..MARKER-ALUMINUM FOIL PLACARD CONTENT: L467 LAMP	504504 506506	1
540	BAC27NPA0179		..MARKER-ALUMINUM FOIL PLACARD CONTENT: L468 LAMP	504504 506506	1
545	BAC27NPA0186		..MARKER-ALUMINUM FOIL PLACARD CONTENT: M10383 BALLAST	504504 506506	1
550	BAC27NPA0187		..MARKER-ALUMINUM FOIL PLACARD CONTENT: M10384 BALLAST	504504 506506	1
555	BAC27NPA0192		..MARKER-ALUMINUM FOIL PLACARD CONTENT: K10291 RELAY	504504 506506	1
560	BAC27NPA0196		..MARKER-ALUMINUM FOIL PLACARD CONTENT: D3476 CONNECTOR	504504 506506	1
565	RR2002-4H1J		..GROMMET SUPPLIER CODE: V57268 SPECIFICATION NUMBER: BACG20AF4H1J OPTIONAL PART: SZ6924-4H1J V95272 701-4H1J V07096 E4H1J V60980 H4H1J V60980 G6940-4H1J V75345	504504 506506	4

MISSING ITEM NUMBERS NOT APPLICABLE

- ITEM NOT ILLUSTRATED

33-27-52-09

33-27-52
FIG. 09
PAGE 8
JAN 20/09

BRI



757

PARTS CATALOG (MAINTENANCE)

FIG ITEM	PART NUMBER	1 2 3 4 5 6 7	NOMENCLATURE	EFFECT FROM TO	UNITS PER ASSY
9					
- 567	417N5114-6	..	KIT ASSY-SUB OPTIONAL PART: 417N5114-7	504504 506506	2
- 567	417N5114-7	..	KIT ASSY-SUB OPTIONAL PART: 417N5114-6	504504 506506	2
570	05939-8	...	BALLAST ASSY- SUPPLIER CODE: V17023 SPECIFICATION NUMBER: S283N702-8 ELECTRICAL EQUIP NUMBER: M10383 M10384 COMPONENT MAINT MANUAL REF: 33-21-05 OPTIONAL PART: 05939-108 V17023	504504 506506	2
570	05939-108	...	BALLAST ASSY- SUPPLIER CODE: V17023 SPECIFICATION NUMBER: S283N702-108 ELECTRICAL EQUIP NUMBER: M10383 M10384 COMPONENT MAINT MANUAL REF: 33-21-05 OPTIONAL PART: 05939-8 V17023 ATTACHING PARTS	504504 506506	2
- 575	NAS603-12P	...	SCREW	504504 506506	6
- 580	NAS1149D0363J	...	WASHER-	504504 506506	12
- 585	BACS18C8-4	...	SPACER	504504 506506	6

MISSING ITEM NUMBERS NOT APPLICABLE

- ITEM NOT ILLUSTRATED

33-27-52-09

33-27-52
FIG. 09
PAGE 9
JAN 20/09

BRI

BOEING PROPRIETARY - Copyright © - Unpublished Work - See title page for details.



757

PARTS CATALOG (MAINTENANCE)

FIG ITEM	PART NUMBER	1 2 3 4 5 6 7	NOMENCLATURE	EFFECT FROM TO	UNITS PER ASSY
9					
- 590	F1975-3BAC	...	NUT- SUPPLIER CODE: V15653 SPECIFICATION NUMBER: BACN10JU3 OPTIONAL PART: NS103221-02 V80539 RMF9223-3 V22599 RMF9223-3 V72962 BACN10JC3CD	504504 506506	6
- 590	BRH10C3D	...	NUT- SUPPLIER CODE: V52828 SPECIFICATION NUMBER: BACN10JC3CD OPTIONAL PART: T6C1032JCD V11815 NS202486-02 V80539 102LH9075-3W V72962 H51650-3BAC V15653 BACN10JU3	504504 506506	6
			-----*-----		
595	06188	HOUSING ASSY- SUPPLIER CODE: V17023 USED ON: 05939-8	504504 506506	1
600	MS24693-1	SCREW	504504 506506	4
605	08899-001	HOUSING ASSY- SUPPLIER CODE: V17023 USED ON: 05939-108	504504 506506	1
610	011-0002-510	SCREW- SUPPLIER CODE: V17023	504504 506506	4
615	GMA1-5	FUSE-1.5A, 250V SUPPLIER CODE: V71400	504504 506506	1
620	BACS12CK04-5	..	SCREW	504504 506506	4

MISSING ITEM NUMBERS NOT APPLICABLE

- ITEM NOT ILLUSTRATED

33-27-52-09

33-27-52
FIG. 09
PAGE 10
JAN 20/09

BRI

 **BOEING**
757
PARTS CATALOG (MAINTENANCE)

FIG ITEM	PART NUMBER	1 2 3 4 5 6 7	NOMENCLATURE	EFFECT FROM TO	UNITS PER ASSY
9					
625	NAS1149DN416K	..	WASHER-	504504 506506	4
630	BRH10C04D	..	NUT SUPPLIER CODE: V52828 SPECIFICATION NUMBER: BACN10JCO4CD OPTIONAL PART: H51650-04BAC V15653 102LH9075-40W V72962 NS202486-40 V80539 T6C440JCD V11815 T6C440JCD V11815	504504 506506	4
635	417N5155-4	..	BRACKET	504504 506506	1
640	BACN10YJ3	..	NUT	504504 506506	4
645	JAD9F007	..	RELAY- SUPPLIER CODE: V58657 SPECIFICATION NUMBER: BACR13CJ2 ELECTRICAL EQUIP NUMBER: K10291	504504 506506	1
650	BACS12FA08K6	..	SCREW	504504 506506	10
655	417N5155-7	..	BRACKET	504504 506506	1
660	417N5151-13	..	FRAME ASSY	504504 506506	1
665	BACR15BA4A	...	RIVET- SIZE DETERMINED ON INSTL.	504504 506506	16
670	417N5157-4	...	BRACKET-CORNER	504504 506506	4
675	417N5157-5	...	CLIP-CORNER OPTIONAL PART: 417N5157-9	504504 506506	4
675	417N5157-9	...	CLIP-CORNER OPTIONAL PART: 417N5157-5	504504 506506	4
680	417N5151-9	...	FRAME	504504 506506	2
685	417N5151-7	...	FRAME	504504 506506	1

MISSING ITEM NUMBERS NOT APPLICABLE

— ITEM NOT ILLUSTRATED

BRI

33-27-52-09

33-27-52
FIG. 09
PAGE 11
JAN 20/09

BOEING PROPRIETARY - Copyright © - Unpublished Work - See title page for details.



757

PARTS CATALOG (MAINTENANCE)

FIG ITEM	PART NUMBER	1 2 3 4 5 6 7	NOMENCLATURE	EFFECT FROM TO	UNITS PER ASSY
9					
690	417N5151-8	. . .	FRAME	504504 506506	1
695	417N5153-2	. . .	LENS	504504 506506	1
700	BACS12FA3K5	. . .	SCREW	504504 506506	7
705	NAS1801-3-14	. . .	SCREW-	504504 506506	1
710	NAS1149D0316J	. . .	WASHER-	504504 506506	2
- 712	MS35388-43	. . .	WASHER- POSITION DATA: FS	504504 506506	1
- 714	NAS1149D0316J	. . .	WASHER- POSITION DATA: FS	504504 506506	1
715	BACS18C8-4	. . .	SPACER	504504 506506	1
720	MS35649-202	. . .	NUT- OPTIONAL PART: MS35650-305T	504504 506506	1
720	MS35650-305T	. . .	NUT- OPTIONAL PART: MS35649-202	504504 506506	1
725	MS21042L3	. . .	NUT-	504504 506506	1
730	BACS12ER04K7	. . .	SCREW	504504 506506	16
735	BV03112N03-25	. . .	HOLDER-LAMP SUPPLIER CODE: V17023 OPTIONAL PART: BV03112N25 V17023	504504 506506	8
735	BV03112N25	. . .	HOLDER-LAMP SUPPLIER CODE: V17023 OPTIONAL PART: BV03112N03-25 V17023	504504 506506	8
740	F15T8WW	. . .	LAMP-MID GALLEY SUPPLIER CODE: V13545 ELECTRICAL EQUIP NUMBER: L00465 L00466 L00467 L00468	504504 506506	4

MISSING ITEM NUMBERS NOT APPLICABLE

- ITEM NOT ILLUSTRATED

33-27-52-09

33-27-52
FIG. 09
PAGE 12
JAN 20/09

BRI

BOEING PROPRIETARY - Copyright © - Unpublished Work - See title page for details.



757

PARTS CATALOG (MAINTENANCE)

FIG ITEM	PART NUMBER	1 2 3 4 5 6 7	NOMENCLATURE	EFFECT FROM TO	UNITS PER ASSY
9					
745	417N5155-15	..	BRACKET	504504 506506	2
750	417N5155-6	..	BRACKET	504504 506506	2
- 755	286N0610-001	..	WIRE BUNDLE- POSITION DATA: RH SIDE OPTIONAL PART: 286N0610-302	504504 506506	1
- 755	286N0610-302	..	WIRE BUNDLE- POSITION DATA: RH SIDE OPTIONAL PART: 286N0610-001	504504 506506	1
- 760	C0909A12-12S9	...	CONNECTOR- SUPPLIER CODE: V13556 SPECIFICATION NUMBER: BACC63BN12-12S9 OPTIONAL PART: 48-63N12-12S9 V02660 R071212-12S9 V41118 ELECTRICAL EQUIP NUMBER: D04032 D04034 WIRING DIAGRAM REF: 332721	504504 506506	2
- 765	BACS16X3	...	SOCKET- ELECTRICAL EQUIP NUMBER: D04042 WIRING DIAGRAM REF: 332731	504504 506506	1
770	417N5133-1	..	HOOD ASSY	504504 506506	1
775	BACS21DW3C6B	...	STUD	504504 506506	15
780	BACN10YJ3	...	NUT	504504 506506	11
785	417N5156-2	...	HINGE	504504 506506	2
790	417N5158-3	...	BRACKET ASSY	504504 506506	1
795	BACR12AG2C	RING	504504 506506	2

MISSING ITEM NUMBERS NOT APPLICABLE

- ITEM NOT ILLUSTRATED

33-27-52-09

33-27-52
FIG. 09
PAGE 13
JAN 20/09

BRI

 **BOEING**
757
PARTS CATALOG (MAINTENANCE)

FIG ITEM	PART NUMBER	1 2 3 4 5 6 7	NOMENCLATURE	EFFECT FROM TO	UNITS PER ASSY
9					
800	82-99-374-38	STUD SUPPLIER CODE: V94222 SPECIFICATION NUMBER: BACS21AP380W	504504 506506	2
805	417N5158-4	BRACKET	504504 506506	1
810	BACS12FA08K6	...	SCREW	504504 506506	4
815	417N5158-7	...	BRACKET ASSY-LATCH	504504 506506	1
820	63-9263	...	BOLLARD	504504 506506	5
825	417N5143-4	...	DOOR ASSY	504504 506506	1
830	SL618-3A	INSERT- SUPPLIER CODE: V97393	504504 506506	7
835	417N5143-1	...	HOOD ASSY-BASIC	504504 506506	1
840	SL618-3A	INSERT- SUPPLIER CODE: V97393	504504 506506	2
845	SL618-08A	INSERT- SUPPLIER CODE: V97393	504504 506506	14
850	NAS42DD8-16	SPACER	504504 506506	2
- 975	286N3544-303		WIRE BUNDLE ASSY	504504 506506	RF
977	BACC45FT12A12S	.CON	CONNECTOR- ELECTRICAL EQUIP NUMBER: D04300 WIRING DIAGRAM REF: 332722	504504 506506	1

MISSING ITEM NUMBERS NOT APPLICABLE

- ITEM NOT ILLUSTRATED

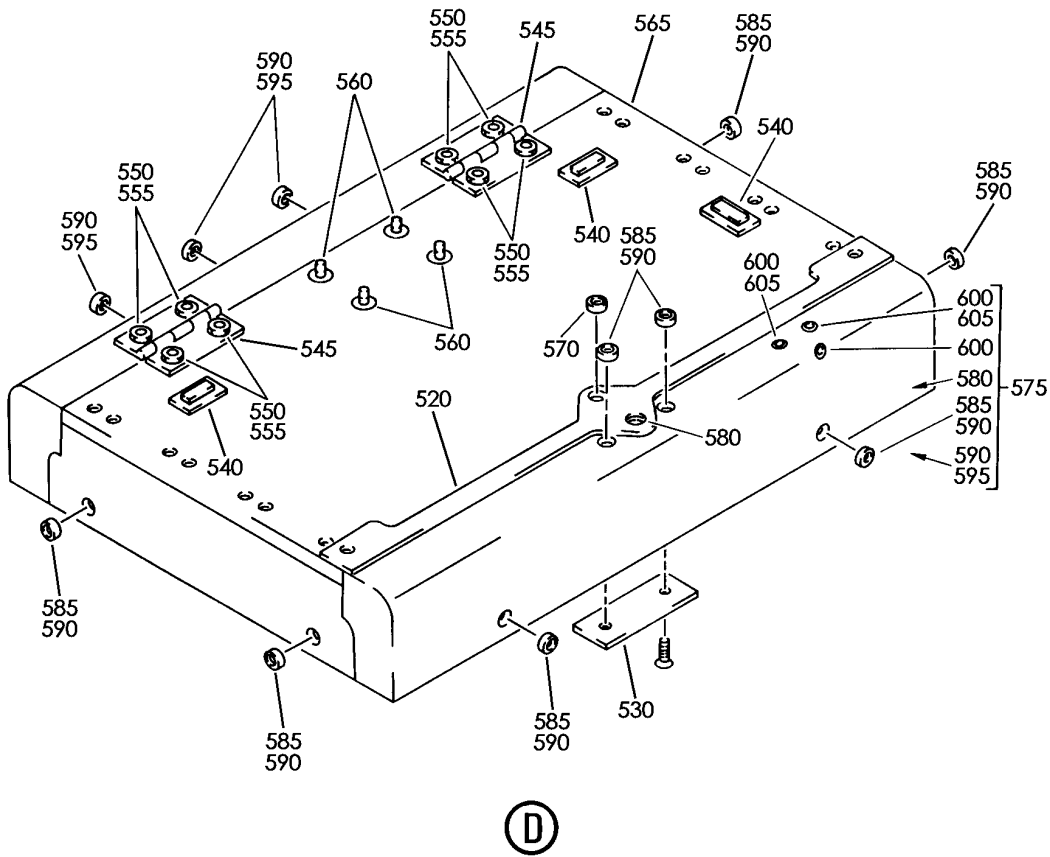
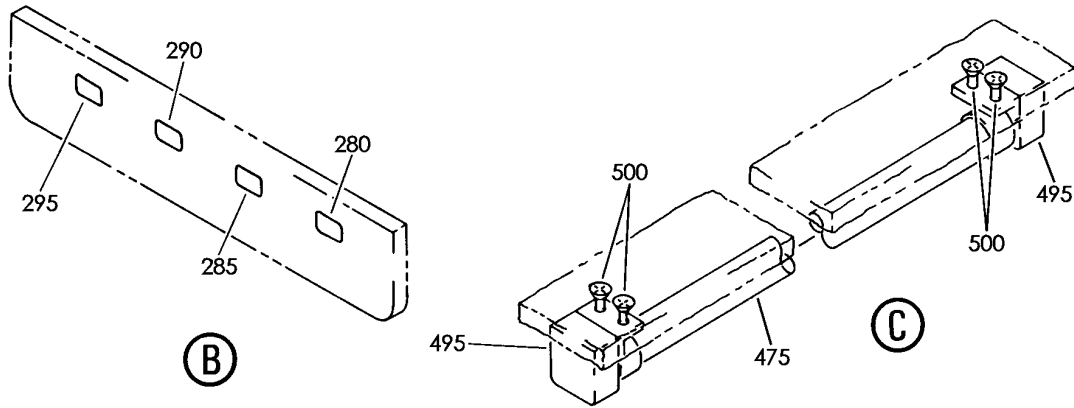
BRI

33-27-52-09

BOEING PROPRIETARY - Copyright © - Unpublished Work - See title page for details.

33-27-52
FIG. 09
PAGE 14
JAN 20/09

BOEING
757
PARTS CATALOG (MAINTENANCE)



Y 33275301 SH1 2 REV 223

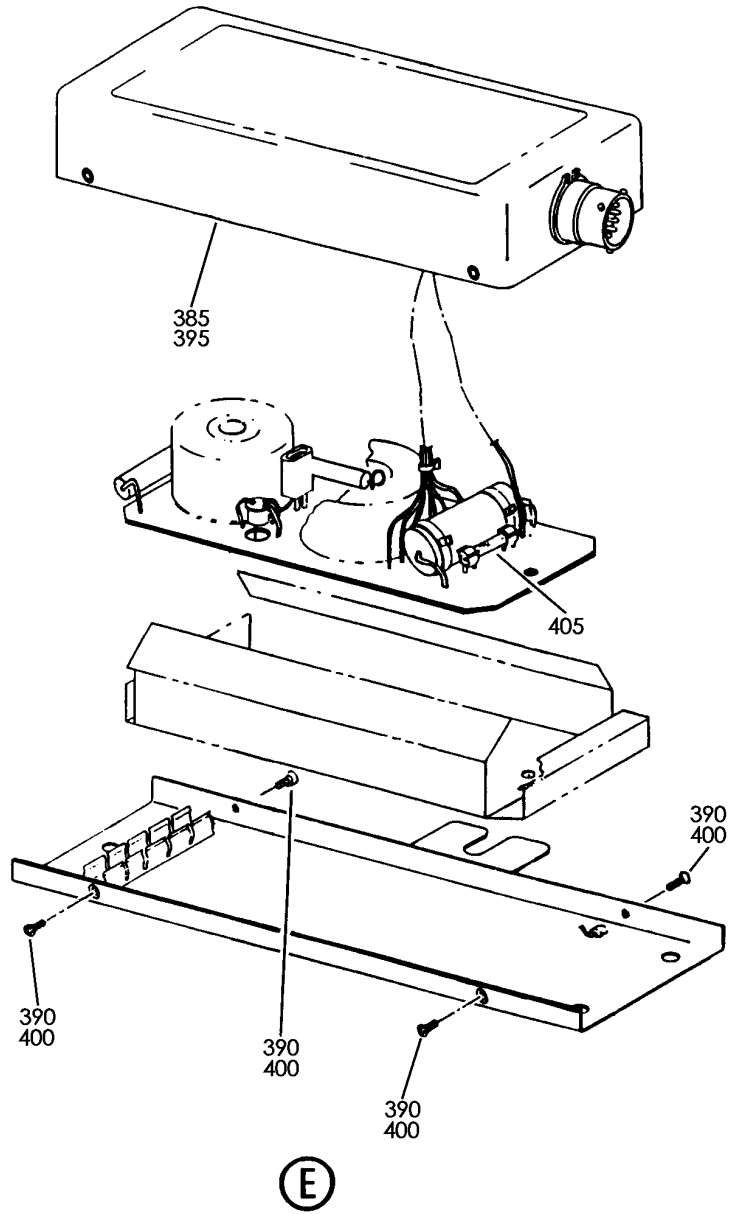
PANEL ASSY-ACOUSTICAL, FLAT AND NON-ACOUSTICAL (LIGHTS ONLY)
FIGURE 1 (SHEET 2)

33-27-53-01

BRI
MAY 28/07

33-27-53-01
PAGE 0A

BOEING
757
PARTS CATALOG (MAINTENANCE)



Y 33275301 SHT 3 REV 223

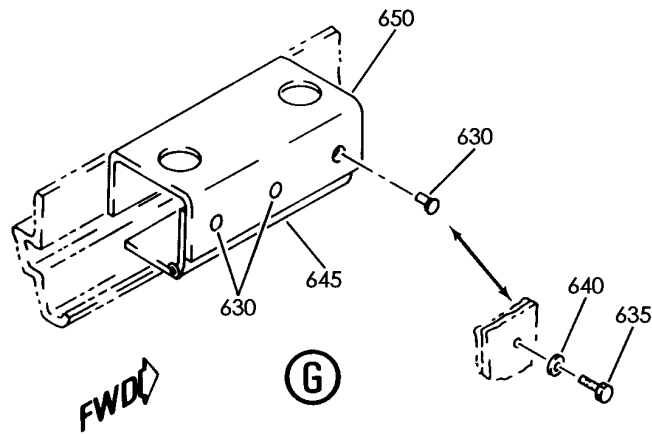
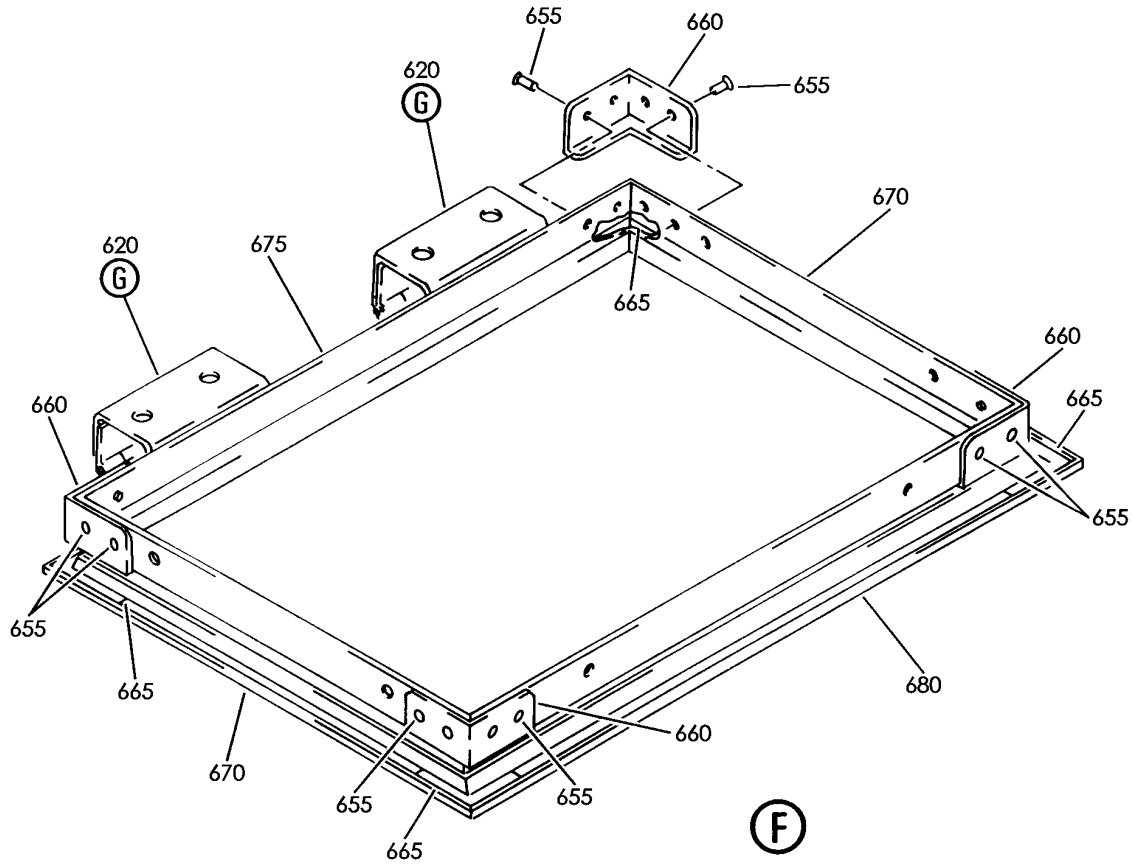
PANEL ASSY-ACOUSTICAL, FLAT AND NON-ACOUSTICAL (LIGHTS ONLY)
FIGURE 1 (SHEET 3)

33-27-53-01

BRI
MAY 28/07

33-27-53-01
PAGE 0B

BOEING
757
PARTS CATALOG (MAINTENANCE)



Y 33275301 SHT 4 REV 223

PANEL ASSY-ACOUSTICAL, FLAT AND NON-ACOUSTICAL (LIGHTS ONLY)
FIGURE 1 (SHEET 4)

33-27-53-01

BRI
MAY 28/07

33-27-53-01
PAGE 0C



757

PARTS CATALOG (MAINTENANCE)

FIG ITEM	PART NUMBER	1 2 3 4 5 6 7	NOMENCLATURE	EFFECT FROM TO	UNITS PER ASSY
1			PANEL ASSY-ACOUSTICAL, FLAT AND NON-ACOUSTICAL (LIGHTS ONLY)	002004 006102 107503 904999	
- 1	411N3210-130SP		PANEL ASSY-ACOUSTICAL (LIGHTS ONLY) FOR NHA/OTHER SYS DET SEE: 25-22-02-29	107107	RF
- 2	411N3260-153SP		PANEL ASSY-FLAT (LIGHTS ONLY) FOR NHA/OTHER SYS DET SEE: 25-22-02-19	121503 904949	RF
- 2	411N3260-159SP		PANEL ASSY-FLAT (LIGHTS ONLY) FOR NHA/OTHER SYS DET SEE: 25-22-02-52 25-22-02-19E	002004 006010	RF
- 3	411N3260-237SP		PANEL ASSY-FLAT (LIGHTS ONLY) FOR NHA/OTHER SYS DET SEE: 25-22-02-58B	952999	RF
- 3	411N3260-283SP		PANEL ASSY-FLAT (LIGHTS ONLY) FOR NHA/OTHER SYS DET SEE: 25-22-02-11A	950951	RF
- 3	411N3260-363SP		PANEL ASSY-FLAT (LIGHTS ONLY) FOR NHA/OTHER SYS DET SEE: 25-22-02-19E	011102	RF
- 4	411N3260-328SP		PANEL ASSY-FLAT LIGHTS ONLY FOR NHA/OTHER SYS DET SEE: 25-22-02-11B	108120	RF
210	BAC27NPA0948		.MARKER-ALUMINUM FOIL SUPPLIER CODE: V89954 PLACARD CONTENT: M10209 FWD GALLEY 1A LIGHT	002004 006102 107107 121503 904999	1
235	417N5111-4		.LIGHT ASSY- ELECTRICAL EQUIP NUMBER: M10209	002004 006010 107503 904949 952999	1
- 240	BACS12FA3K4		ATTACHING PARTS .SCREW-	107107 121503 904949	4

MISSING ITEM NUMBERS NOT APPLICABLE

- ITEM NOT ILLUSTRATED

33-27-53-01

33-27-53
FIG. 01
PAGE 1
JAN 20/09

BRI



757

PARTS CATALOG (MAINTENANCE)

FIG ITEM	PART NUMBER	1 2 3 4 5 6 7	NOMENCLATURE	EFFECT FROM TO	UNITS PER ASSY
1					
- 240	BACS12GU3K4	.	SCREW	952999	4
		-----*			
255	BAC27NPA0185	..	MARKER-ALUMINUM FOIL SUPPLIER CODE: V89954 PLACARD CONTENT: M10382 BALLAST	002004 006102 107503 904999	1
260	BAC27NPA0184	..	MARKER-ALUMINUM FOIL SUPPLIER CODE: V89954 PLACARD CONTENT: M10381 BALLAST	002004 006102 107503 904999	1
265	BAC27NPA0195	..	MARKER-ALUMINUM FOIL SUPPLIER CODE: V89954 PLACARD CONTENT: D3474 CONNECTOR	002004 006102 107503 904999	1
270	BAC27NPA0190	..	MARKER-ALUMINUM FOIL SUPPLIER CODE: V89954 PLACARD CONTENT: K10289 RELAY ON/OFF CONTROL	002004 006102 107503 904999	1
275	BAC27NPA0191	..	MARKER-ALUMINUM FOIL SUPPLIER CODE: V89954 PLACARD CONTENT: K10290 RELAY DIMMING CONTROL	002004 006102 107503 904999	1
280	BAC27NPA0175	..	MARKER-ALUMINUM FOIL SUPPLIER CODE: V89954 PLACARD CONTENT: L464 LAMP	002004 006102 107503 904999	1
280	BAC27NPA0175	..	MARKER-ALUMINUM FOIL SUPPLIER CODE: V89954 PLACARD CONTENT: L464 LAMP	108120	1
285	BAC27NPA0174	..	MARKER-ALUMINUM FOIL SUPPLIER CODE: V89954 PLACARD CONTENT: L463 LAMP	002004 006102 107503 904999	1
290	BAC27NPA0173	..	MARKER-ALUMINUM FOIL SUPPLIER CODE: V89954 PLACARD CONTENT: L462 LAMP	002004 006102 107503 904999	1

MISSING ITEM NUMBERS NOT APPLICABLE

- ITEM NOT ILLUSTRATED

33-27-53-01

33-27-53
FIG. 01
PAGE 2
JAN 20/09

BRI

BOEING PROPRIETARY - Copyright © - Unpublished Work - See title page for details.



757

PARTS CATALOG (MAINTENANCE)

FIG ITEM	PART NUMBER	1 2 3 4 5 6 7	NOMENCLATURE	EFFECT FROM TO	UNITS PER ASSY
1					
295	BAC27NPA0172	..	MARKER-ALUMINUM FOIL SUPPLIER CODE: V89954 PLACARD CONTENT: L461 LAMP	002004 006102 107503 904999	1
300	NAS603-14P	..	SCREW	002004 006102 107503 904999	6
305	NAS603-12P	..	SCREW	002004 006010 107503 904949 952999	1
325	AN960PD10L	..	WASHER	107107 121503 904949 952999	13
340	AN960PD10	..	WASHER	107107 121503 904949 952999	12
355	MS35649-202	..	NUT	107107 121503 904949 952999	1
365	BRH10A3	..	NUT SUPPLIER CODE: V52828 SPECIFICATION NUMBER: BACN10JC3 OPTIONAL PART: H10-3BAC V15653 NS202101-02 V80539 RMLH9075-3W V72962 VN303A02 V92215 96-02 V80539 T6S1032J V11815	107107 121503 904949 952999	7
410	BACS18C8-4	..	SPACER	002004 006102 107503 904999	7

MISSING ITEM NUMBERS NOT APPLICABLE

- ITEM NOT ILLUSTRATED

33-27-53-01

33-27-53
FIG. 01
PAGE 3
JAN 20/09

BRI

BOEING PROPRIETARY - Copyright © - Unpublished Work - See title page for details.



757

PARTS CATALOG (MAINTENANCE)

FIG ITEM	PART NUMBER	1 2 3 4 5 6 7	NOMENCLATURE	EFFECT FROM TO	UNITS PER ASSY
1					
415	BACS12CK04-5	..	SCREW	002004 006102 107503 904999	4
420	AN960KD4L	..	WASHER	002004 006010 107503 904949 952999	4
425	BRH10C04D	..	NUT SUPPLIER CODE: V52828 SPECIFICATION NUMBER: BACN10JCO4CD OPTIONAL PART: H51650-04BAC V15653 102LH9075-40W V72962 NS202486-40 V80539 T6C440JCD V11815 T6C440JCD V11815	002004 006102 107503 904999	4
430	JAD9F007	..	RELAY- SUPPLIER CODE: V58657 SPECIFICATION NUMBER: BACR13CJ2 ELECTRICAL EQUIP NUMBER: K10289 K10290	002004 006102 107503 904999	2
435	417N5155-3	..	BRACKET-RELAY	002004 006102 107503 904999	1
- 440	AN960PD4L	..	ATTACHING PARTS WASHER	107107 121503 904949 952999	4
- 445	BACN10YJ3F	..	NUT	107107 121503 904949	4

MISSING ITEM NUMBERS NOT APPLICABLE

- ITEM NOT ILLUSTRATED

33-27-53-01

33-27-53
FIG. 01
PAGE 4
JAN 20/09

BRI



757

PARTS CATALOG (MAINTENANCE)

FIG ITEM	PART NUMBER	1 2 3 4 5 6 7	NOMENCLATURE	EFFECT FROM TO	UNITS PER ASSY
1					
- 445	BACN10YJ3	..	NUT-	002004 006010 107503 904949 952999	4
455	417N5155-9	..	-----*----- BRACKET-LANYARD	002004 006102 107503 904999	1
- 460	BACS12FA3K5	..	ATTACHING PARTS SCREW	002004 006102 107503 904999	2
470	417N5155-12	..	-----*----- PLATE-SCUFF	002004 006102 107503 904999	2
475	5108WW	..	BULB-FLUOR. SUPPLIER CODE: V08806 ELECTRICAL EQUIP NUMBER: L00461 L00462 L00463 L00464	002004 006010 107503 904949 952999	4
480	NAS601-8P	..	SCREW-	107107 121503 904949 952999	16
485	AN960C4L	..	WASHER	107107 121503 904949 952999	16
485	NAS1149CN632R	..	WASHER	107107 121503 904949 952999	16

MISSING ITEM NUMBERS NOT APPLICABLE

- ITEM NOT ILLUSTRATED

33-27-53-01

33-27-53
FIG. 01
PAGE 5
JAN 20/09

BRI



757

PARTS CATALOG (MAINTENANCE)

FIG ITEM	PART NUMBER	1 2 3 4 5 6 7	NOMENCLATURE	EFFECT FROM TO	UNITS PER ASSY
1 490	BRH10A04	..	NUT SUPPLIER CODE: V52828 SPECIFICATION NUMBER: BACN10JCO4 OPTIONAL PART: NS202101-40 V80539 RMLH9075-40W V72962 VN303A40 V92215 96-40 V80539 T6S440J V11815 H10-04BAC V15653	002004 006010 107503 904949 952999	16
495	BV03300-23	..	LAMPHOLDER- SUPPLIER CODE: V17023	002004 006010 107503 904949 952999	8
500	RR2002-3H1	..	GROMMET SUPPLIER CODE: V57268 SPECIFICATION NUMBER: BACG20AF3H1 OPTIONAL PART: SZ6924-3H1 V95272 701-3H1 V07096 E3H1 V60980 H3H1 V60980 G6940-3H1 V75345	002004 006010 107503 904949 952999	16
510	BACS12FA08K5	..	SCREW	002004 006102 107503 904999	9
515	417N5131-3	..	HOOD ASSY- SUPPLIER CODE: V89954	002004 006010 107503 904949 952999	1

MISSING ITEM NUMBERS NOT APPLICABLE

- ITEM NOT ILLUSTRATED

33-27-53-01

33-27-53
FIG. 01
PAGE 6
JAN 20/09

BRI



757

PARTS CATALOG (MAINTENANCE)

FIG ITEM	PART NUMBER	1 2 3 4 5 6 7	NOMENCLATURE	EFFECT FROM TO	UNITS PER ASSY
1 520	417N5158-5		...BRACKET-LATCH	002004 006010 107503 904949 952999	1
- 525	BACS12ER08K4		ATTACHING PARTS ...SCREW	002004 006102 107503 904999	1
530	417N5158-7		-----*----- ...BRACKET ASSY	002004 006102 107503 904999	1
- 535	BACS12FA08K6		ATTACHING PARTS ...SCREW	002004 006102 107503 904999	2
540	63-9263		-----*----- ...BOLLARD- OPTIONAL PART: MB3 V09922	002004 006010 107503 904949 952999	3
540	MB3		...BASE-MTG SUPPLIER CODE: V09922 OPTIONAL PART: 63-9263	002004 006010 107503 904949 952999	3
545	417N5156-1		...HINGE	002004 006102 107503 904999	2
550	BACS21DW3B6B		...STUD	002004 006102 107503 904999	8
555	BACN10YJ3		...NUT	002004 006010 107503 904949 952999	8
560	BACS21DW3B6B		...STUD	002004 006102 107503 904999	4

MISSING ITEM NUMBERS NOT APPLICABLE

- ITEM NOT ILLUSTRATED

33-27-53-01

33-27-53
FIG. 01
PAGE 7
JAN 20/09

BRI

 **BOEING**
757
PARTS CATALOG (MAINTENANCE)

FIG ITEM	PART NUMBER	1 2 3 4 5 6 7	NOMENCLATURE	EFFECT FROM TO	UNITS PER ASSY
1					
565	417N5141-4	...	PANEL ASSY-DOOR	002004 006010 107503 904949 952999	1
570	SL618-08A	INSERT- SUPPLIER CODE: V97393	002004 006102 107503 904999	1
575	417N5141-8	...	HOOD ASSY	002004 006010 107503 904949 952999	1
580	NAS42DD8-16	SPACER	002004 006102 107503 904999	1
590	SL618-08A	INSERT- SUPPLIER CODE: V97393	107107 121503 904949 952999	11
610	417N5153-3	..	LENS	002004 006102 107503 904999	1
615	417N5151-15	..	FRAME ASSY	107107 121503 904949 952999	1
620	417N5154-4	...	HINGE ASSY- SUPPLIER CODE: V89954	002004 006102 107503 904999	2
- 625	BACR15BA5D	...	ATTACHING PARTS RIVET- SIZE DETERMINED ON INSTL.	002004 006102 107503 904999	6
635	BACS12CB3-6	-----*	SCREW	002004 006102 107503 904999	3
640	AN960KD10L	WASHER	002004 006102 107503 904999	3

MISSING ITEM NUMBERS NOT APPLICABLE

- ITEM NOT ILLUSTRATED

BRI

33-27-53-01

BOEING PROPRIETARY - Copyright © - Unpublished Work - See title page for details.

33-27-53
FIG. 01
PAGE 8
JAN 20/09



757

PARTS CATALOG (MAINTENANCE)

FIG ITEM	PART NUMBER	1 2 3 4 5 6 7	NOMENCLATURE	EFFECT FROM TO	UNITS PER ASSY
1					
645	417N5156-8	HINGE ASSY- USED ON: 417N5154-4	002004 006102 107503 904999	1
650	417N5157-7	CHANNEL- USED ON: 417N5154-4	002004 006102 107503 904999	1
655	BACR15BA4D	...	RIVET- SIZE DETERMINED ON INSTL.	002004 006102 107503 904999	16
660	417N5157-4	...	BRACKET-CORNER	002004 006102 107503 904999	4
665	417N5157-5	...	CLIP-CORNER OPTIONAL PART: 417N5157-9	002004 006102 107503 904999	4
665	417N5157-9	...	CLIP-CORNER OPTIONAL PART: 417N5157-5	002004 006102 107503 904999	4
670	417N5151-12	...	FRAME- USED ON: 417N5151-3 417N5151-15	107107 121503 904949 952999	2
675	417N5151-10	...	FRAME- USED ON: 417N5151-3 417N5151-15	107107 121503 904949 952999	1
680	417N5151-16	...	FRAME	107107 121503 904949 952999	1
- 685	417N5111-13	..	KIT ASSY-SUB OPTIONAL PART: 417N5111-14	002004 006010 107503 904949 952999	1
- 685	417N5111-14	..	KIT ASSY-SUB OPTIONAL PART: 417N5111-13	002004 006010 107503 904949 952999	1

MISSING ITEM NUMBERS NOT APPLICABLE

- ITEM NOT ILLUSTRATED

33-27-53-01

33-27-53
FIG. 01
PAGE 9
JAN 20/09

BRI



757

PARTS CATALOG (MAINTENANCE)

FIG ITEM	PART NUMBER	1 2 3 4 5 6 7	NOMENCLATURE	EFFECT FROM TO	UNITS PER ASSY
1					
- 690	05939-9		...BALLAST ASSY- SUPPLIER CODE: V17023 SPECIFICATION NUMBER: S283N702-9 ELECTRICAL EQUIP NUMBER: M10381 M10382 COMPONENT MAINT MANUAL REF: 33-21-05 OPTIONAL PART: 05939-109 V17023	002004 006010 107503 904949 952999	2
- 690	05939-109		...BALLAST ASSY- SUPPLIER CODE: V17023 SPECIFICATION NUMBER: S283N702-109 ELECTRICAL EQUIP NUMBER: M10381 M10382 COMPONENT MAINT MANUAL REF: 33-21-05 OPTIONAL PART: 05939-9 V17023	002004 006010 107503 904949 952999	2
- 695	06188	HOUSING ASSY- SUPPLIER CODE: V17023 USED ON: 05939-9	002004 006010 107503 904949 952999	1
- 700	MS24693-1	SCREW	002004 006010 107503 904949 952999	4
- 705	08899-001	HOUSING ASSY- SUPPLIER CODE: V17023 USED ON: 05939-109	002004 006010 107503 904949 952999	1
- 710	011-0002-510	SCREW- SUPPLIER CODE: V17023	002004 006010 107503 904949 952999	4

MISSING ITEM NUMBERS NOT APPLICABLE

- ITEM NOT ILLUSTRATED

33-27-53-01

33-27-53
FIG. 01
PAGE 10
JAN 20/09

BRI



757

PARTS CATALOG (MAINTENANCE)

FIG ITEM	PART NUMBER	1 2 3 4 5 6 7	NOMENCLATURE	EFFECT FROM TO	UNITS PER ASSY
1					
- 715	GMA1-5	FUSE-1.5A, 250V SUPPLIER CODE: V71400	002004 006010 107503 904949 952999	1
- 740	286N0608-301		WIRE BUNDLE ASSY	002004 006100 107107 121503 904999	RF
- 740	286N0608-001		WIRE BUNDLE ASSY- (LIGHTS ONLY)	101102 108120	RF
- 745	R071612A12S10	.CONNECTOR-	SUPPLIER CODE: V41118 SPECIFICATION NUMBER: BCREF7872 OPTIONAL PART: BMS2426612A12S1 V11139 OVERLENGTH PART NUMBER: BACC45FT12A12S10 ELECTRICAL EQUIP NUMBER: D04028 D04030 WIRING DIAGRAM REF: 332711	107107 121503 904949	2
- 750	286N3644-003		WIRE BUNDLE ASSY- (LIGHTS ONLY)	107107	RF
755	BACC45FN12-12S	.CONNECTOR-	ELECTRICAL EQUIP NUMBER: D01652 WIRING DIAGRAM REF: 332711	107107	1

MISSING ITEM NUMBERS NOT APPLICABLE

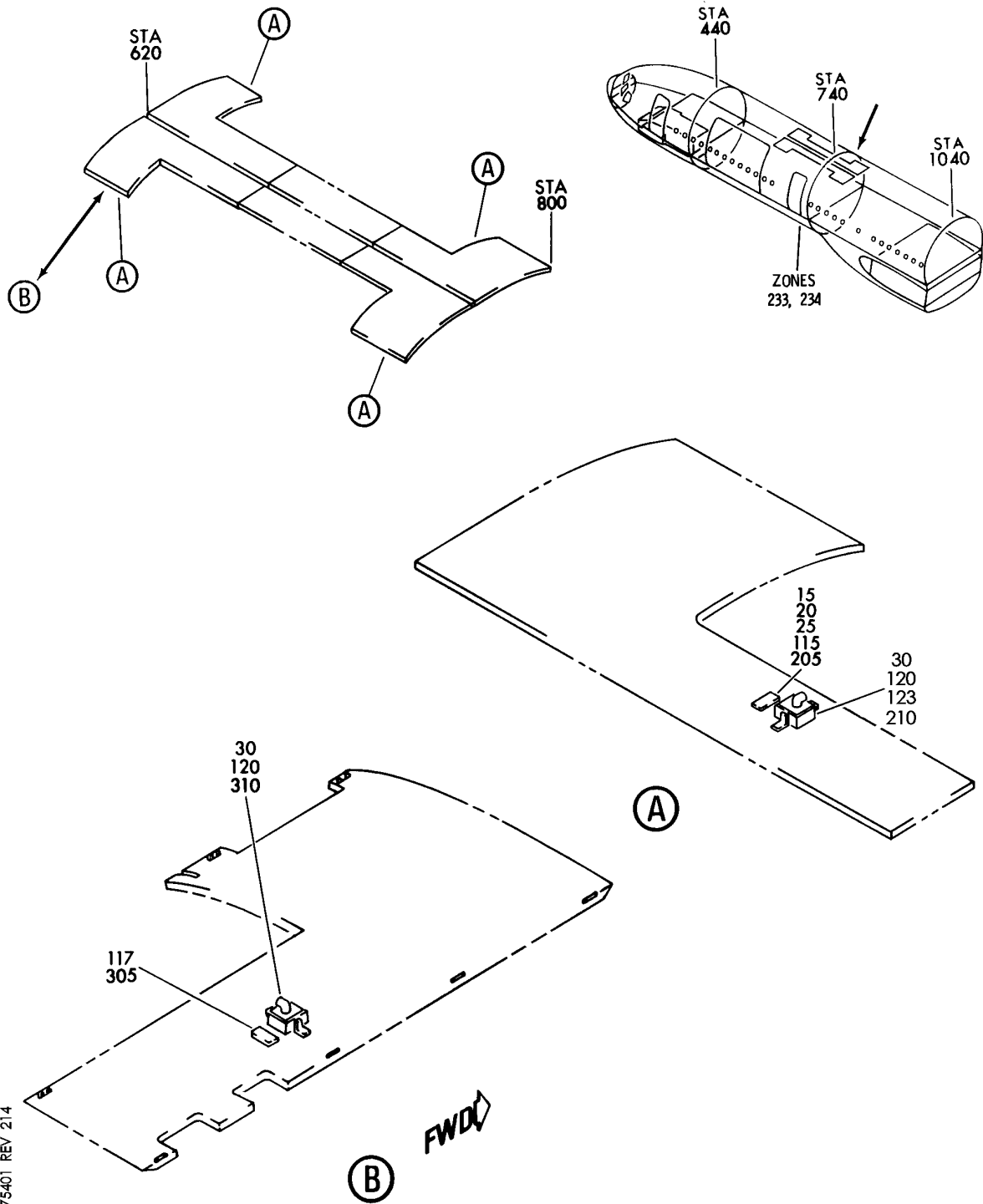
- ITEM NOT ILLUSTRATED

33-27-53-01

33-27-53
FIG. 01
PAGE 11
JAN 20/09

BRI

BOEING
757
PARTS CATALOG (MAINTENANCE)



Y 33275401 REV 214

PANEL ASSY-CURVED CLG (LIGHTS ONLY)
FIGURE 1

33-27-54-01

BRI
JAN 20/09

33-27-54-01
PAGE 0



757

PARTS CATALOG (MAINTENANCE)

FIG ITEM	PART NUMBER	1 2 3 4 5 6 7	NOMENCLATURE	EFFECT FROM TO	UNITS PER ASSY
1			PANEL ASSY-CURVED CLG (LIGHTS ONLY)	504504 506506 950999	
- 1	411N3266-134SP		PANEL ASSY-CURVED CLG (LIGHTS ONLY) FOR NHA/OTHER SYS DET SEE: 25-22-01-02	504504 506506	RF
- 1	411N3266-135SP		PANEL ASSY-CURVED CLG FOR NHA/OTHER SYS DET SEE: 25-22-01-02	504504 506506	RF
- 1	411N3266-136SP		PANEL ASSY-CURVED CLG FOR NHA/OTHER SYS DET SEE: 25-22-01-02	504504 506506	RF
15	BAC27NPA0688		.MARKER-ALUMINUM FOIL PLACARD CONTENT: L521 GALLEY ACCENT LIGHT USED ON: 411N3250-21SP 411N3250-82SP 411N3266-134SP	504504 506506	1
20	BAC27NPA0689		.MARKER-ALUMINUM FOIL PLACARD CONTENT: L522 GALLEY ACCENT LIGHT USED ON: 411N3250-25SP 411N3266-135SP 411N3266-184SP	504504 506506	1
25	BAC27NPA0690		.MARKER-ALUMINUM FOIL PLACARD CONTENT: L523 GALLEY ACCENT LIGHT USED ON: 411N3250-26SP 411N3266-183SP	504504 506506	1
30	10-1038-1		.HOUSING ASSY-ELEC SUPPLIER CODE: V72914 SPECIFICATION NUMBER: S417N502-3 ELECTRICAL EQUIP NUMBER: L00521 L00522 L00523 FOR DETAILS SEE: 33-26-54-01	504504 506506	1

MISSING ITEM NUMBERS NOT APPLICABLE

- ITEM NOT ILLUSTRATED

33-27-54-01

33-27-54
FIG. 01
PAGE 1
JAN 20/09

BRI



757

PARTS CATALOG (MAINTENANCE)

FIG ITEM	PART NUMBER	1 2 3 4 5 6 7	NOMENCLATURE	EFFECT FROM TO	UNITS PER ASSY
1			ATTACHING PARTS		
- 35	BACS12FA08K5		.SCREW- USED ON: 411N3266-135SP 411N3266-183SP 411N3266-184SP	504504 506506	2
- 40	AN960KD8L		.WASHER	504504 506506	2
- 100	411N3266-90SP		-----*----- PANEL ASSY-CURVED CLG (LIGHTS ONLY) FOR NHA/OTHER SYS DET SEE: 25-22-01-17	950999	RF
115	BAC27NPA1327		.MARKER-ALUMINUM FOIL PLACARD CONTENT: L586 GALLEY ACCENT LIGHT	950999	1
120	10-1038-1		.HOUSING ASSY- SUPPLIER CODE: V72914 SPECIFICATION NUMBER: S417N502-3 ELECTRICAL EQUIP NUMBER: L00586 FOR DETAILS SEE: 33-26-54-01	950999	1
- 125	NAS1801-08-5		ATTACHING PARTS	950999	2
- 130	AN960JD8L		.SCREW- .WASHER- -----*-----	950999	2

MISSING ITEM NUMBERS NOT APPLICABLE

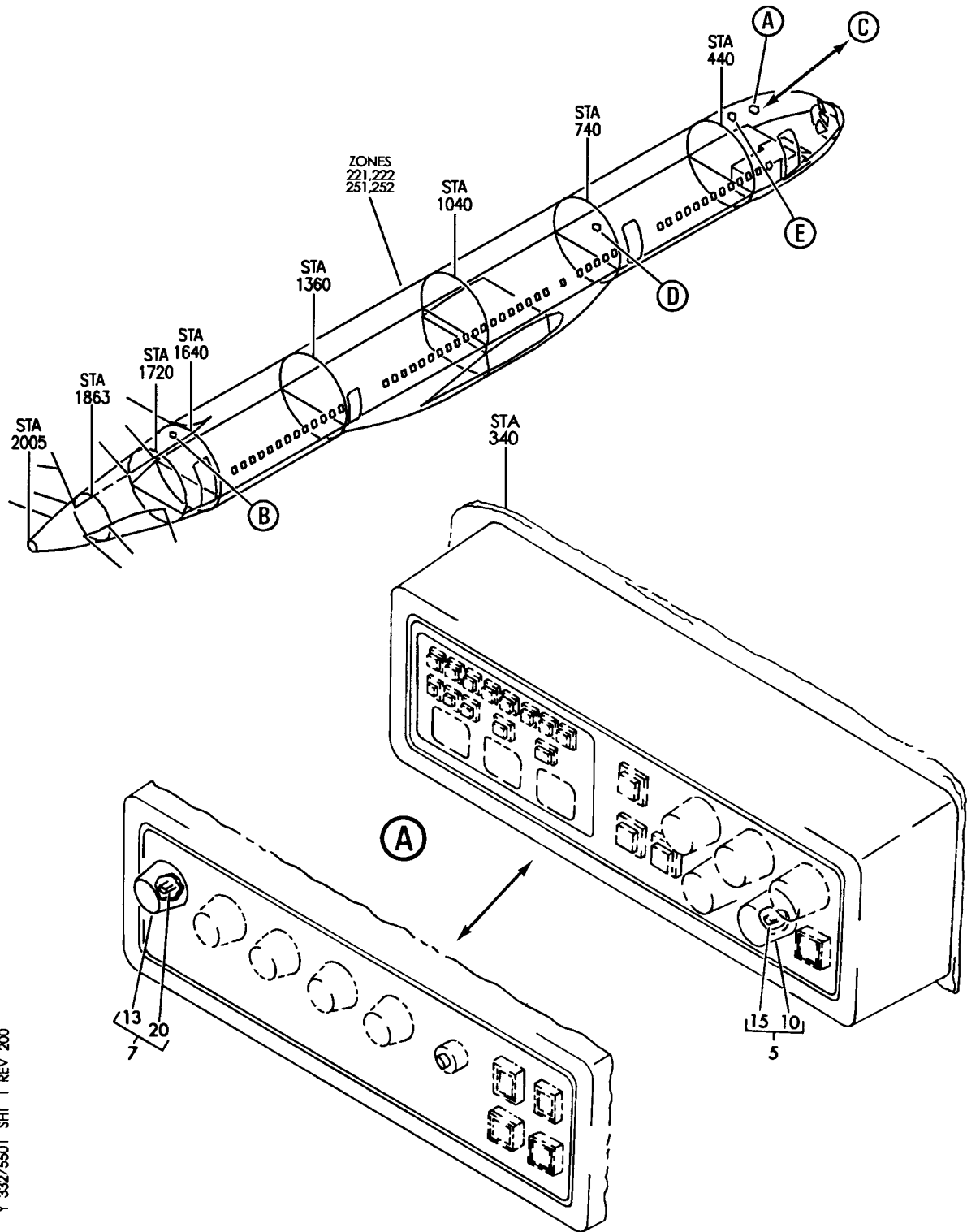
- ITEM NOT ILLUSTRATED

33-27-54-01

33-27-54
FIG. 01
PAGE 2
JAN 20/09

BRI

BOEING
757
PARTS CATALOG (MAINTENANCE)



Y 33275501 SHT 1 REV 200

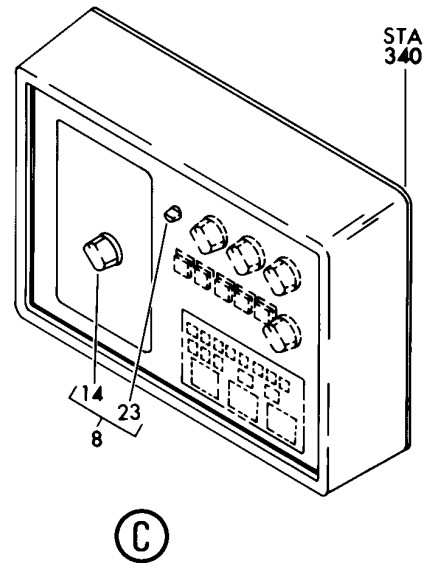
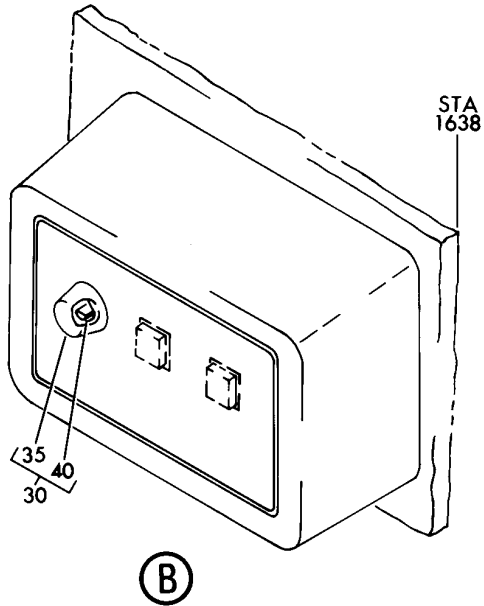
PANEL INSTL-ATTENDANT (GALLEY LIGHTS ONLY)
FIGURE 1 (SHEET 1)

33-27-55-01

BRI
MAY 28/07

33-27-55-01
PAGE 0

BOEING
757
PARTS CATALOG (MAINTENANCE)



Y 33275501 SHT 2 REV 099

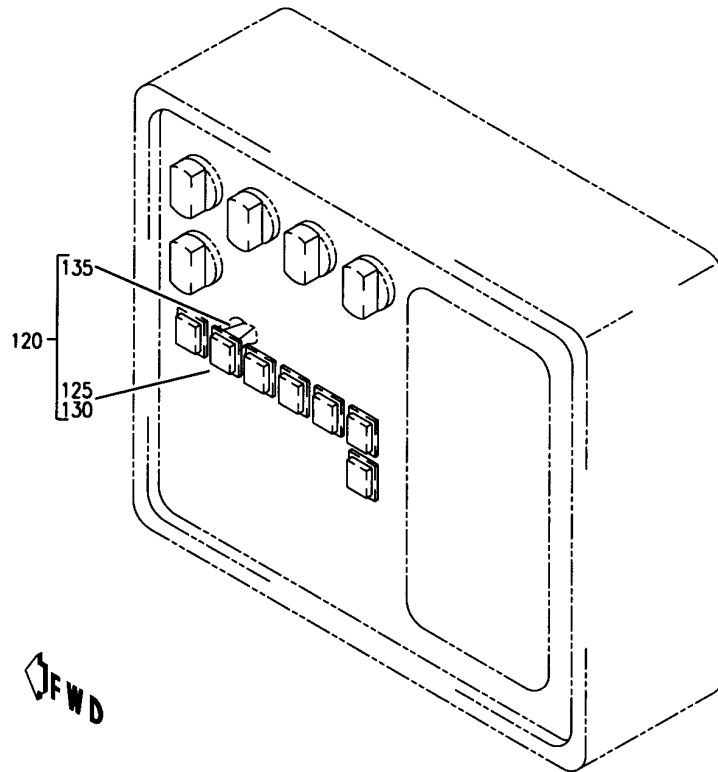
PANEL INSTL-ATTENDANT (GALLEY LIGHTS ONLY)
FIGURE 1 (SHEET 2)

33-27-55-01

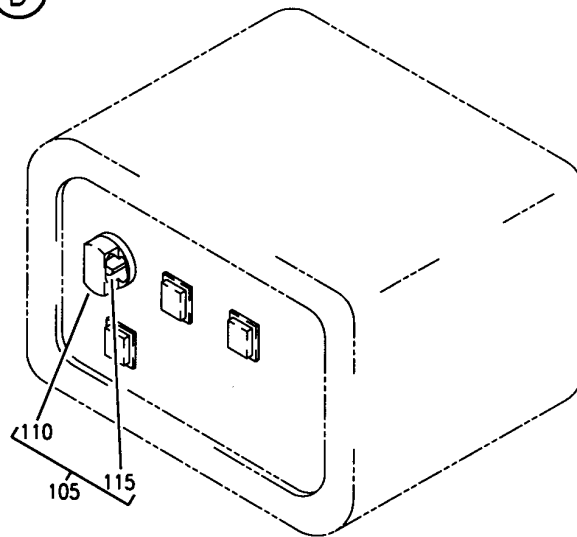
BRI
MAY 28/07

33-27-55-01
PAGE 0A

BOEING
757
PARTS CATALOG (MAINTENANCE)



(D)



Y 33275501 SHT 3 REV 200

PANEL INSTL-ATTENDANT (GALLEY LIGHTS ONLY)
FIGURE 1 (SHEET 3)

33-27-55-01

BRI
MAY 28/07

33-27-55-01
PAGE 0B



757

PARTS CATALOG (MAINTENANCE)

FIG ITEM	PART NUMBER	1 2 3 4 5 6 7	NOMENCLATURE	EFFECT FROM TO	UNITS PER ASSY
1			PANEL INSTL-ATTENDANT (GALLEY LIGHTS ONLY)	121949	
- 1	417N6001-30		PANEL INSTL-ATTENDANT (GALLEY LIGHTS ONLY) POSITION DATA: STA 340 FOR NHA/OTHER SYS DET SEE: 25-20-00-01E	121503 904949	RF
- 1	417N6001-209SP		PANEL INSTL-ATTENDANT (GALLEY LIGHTS ONLY) POSITION DATA: STA 340 FOR NHA/OTHER SYS DET SEE: 25-20-00-07E	504903	RF
7	417N6002-31SP		.PANEL ASSY- SUPPLIER CODE: V89954 COMPONENT MAINT MANUAL REF: 33-22-51	121503 904949	RF
8	417N6002-74SP		.PANEL ASSY- SUPPLIER CODE: V89954 COMPONENT MAINT MANUAL REF: 33-22-51	504903	RF
13	RD409-101		..KNOB- SUPPLIER CODE: V81590	121503 904949	1
14	RD409-101		..KNOB- SUPPLIER CODE: V81590	504903	1
20	44YY26087		..SWITCH-ROTARY SUPPLIER CODE: V81073 ELECTRICAL EQUIP NUMBER: S10369	121503 904949	1
23	44YY26087		..SWITCH-ROTARY SUPPLIER CODE: V81073 ELECTRICAL EQUIP NUMBER: S10369	504903	1
- 25	417N6001-2		PANEL INSTL-ATTENDANT (GALLEY LIGHTS ONLY) POSITION DATA: STA 1638 FOR NHA/OTHER SYS DET SEE: 25-20-00-01E	904949	RF

MISSING ITEM NUMBERS NOT APPLICABLE

- ITEM NOT ILLUSTRATED

33-27-55-01

33-27-55
FIG. 01
PAGE 1
JAN 20/09

BRI



757

PARTS CATALOG (MAINTENANCE)

FIG ITEM	PART NUMBER	1 2 3 4 5 6 7	NOMENCLATURE	EFFECT FROM TO	UNITS PER ASSY
1					
- 25	417N6001-66		PANEL INSTL-ATTENDANT (GALLEY LIGHTS ONLY) POSITION DATA: STA 1638 FOR NHA/OTHER SYS DET SEE: 25-20-00-01E	121503	RF
- 25	417N6001-231SP		PANEL INSTL-ATTENDANT (GALLEY LIGHTS ONLY) POSITION DATA: STA 1638.0 FOR NHA/OTHER SYS DET SEE: 25-20-00-07E	504903	RF
30	417N6002-2SP		.PANEL ASSY- SUPPLIER CODE: V89954 COMPONENT MAINT MANUAL REF: 33-22-51	904949	RF
30	417N6002-52SP		.PANEL ASSY- SUPPLIER CODE: V89954 COMPONENT MAINT MANUAL REF: 33-22-51	121503	RF
30	417N6002-121SP		.PANEL ASSY- SUPPLIER CODE: V89954	504903	RF
35	RD409-101		..KNOB- SUPPLIER CODE: V81590	121949	1
40	44YY26087		..SWITCH-ROTARY SUPPLIER CODE: V81073 ELECTRICAL EQUIP NUMBER: S10368	121949	1

MISSING ITEM NUMBERS NOT APPLICABLE

- ITEM NOT ILLUSTRATED

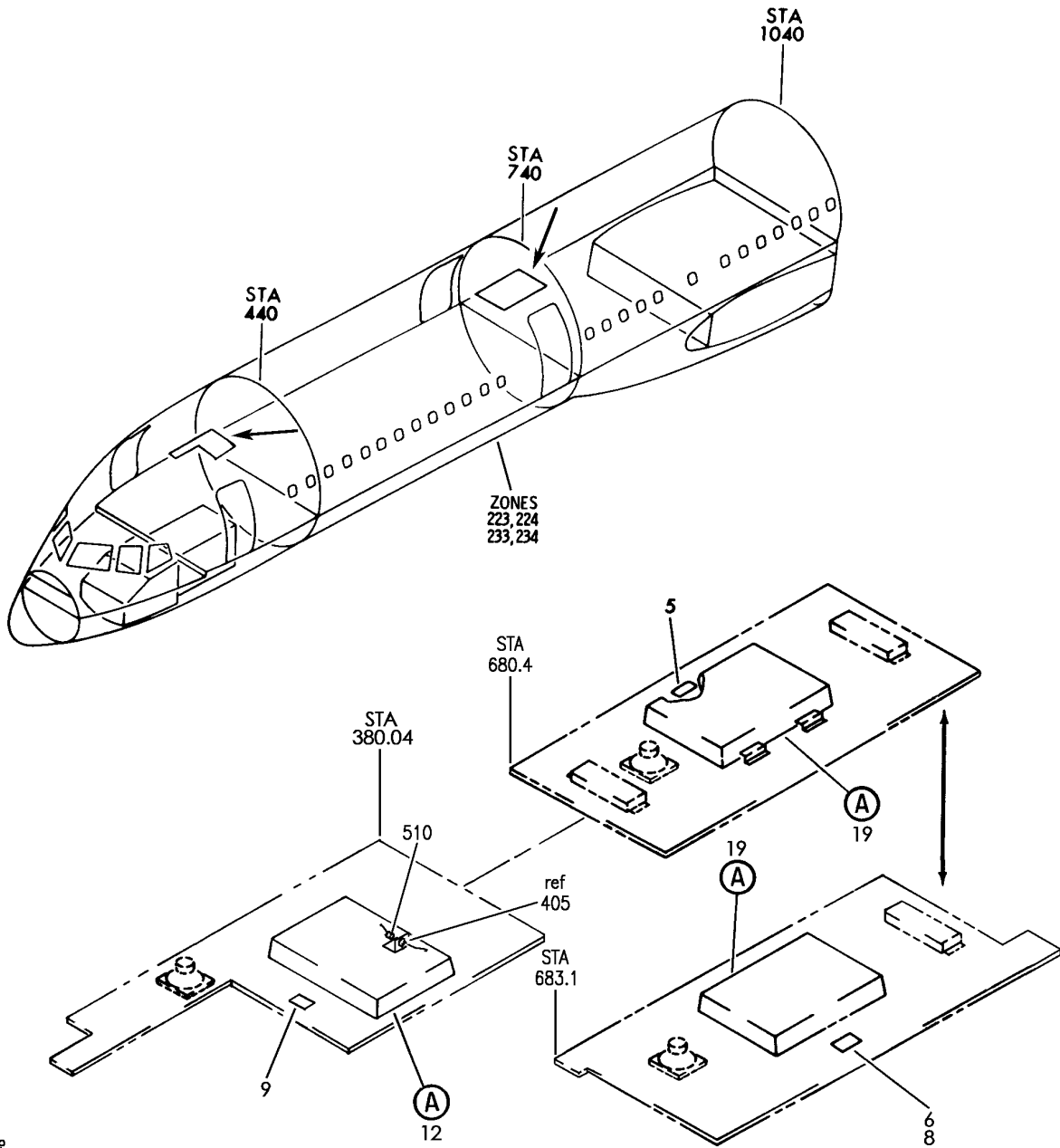
BRI

33-27-55-01

BOEING PROPRIETARY - Copyright © - Unpublished Work - See title page for details.

33-27-55
FIG. 01
PAGE 2
JAN 20/09

BOEING
757
PARTS CATALOG (MAINTENANCE)



Y 33275601 SHT 1 REV 248

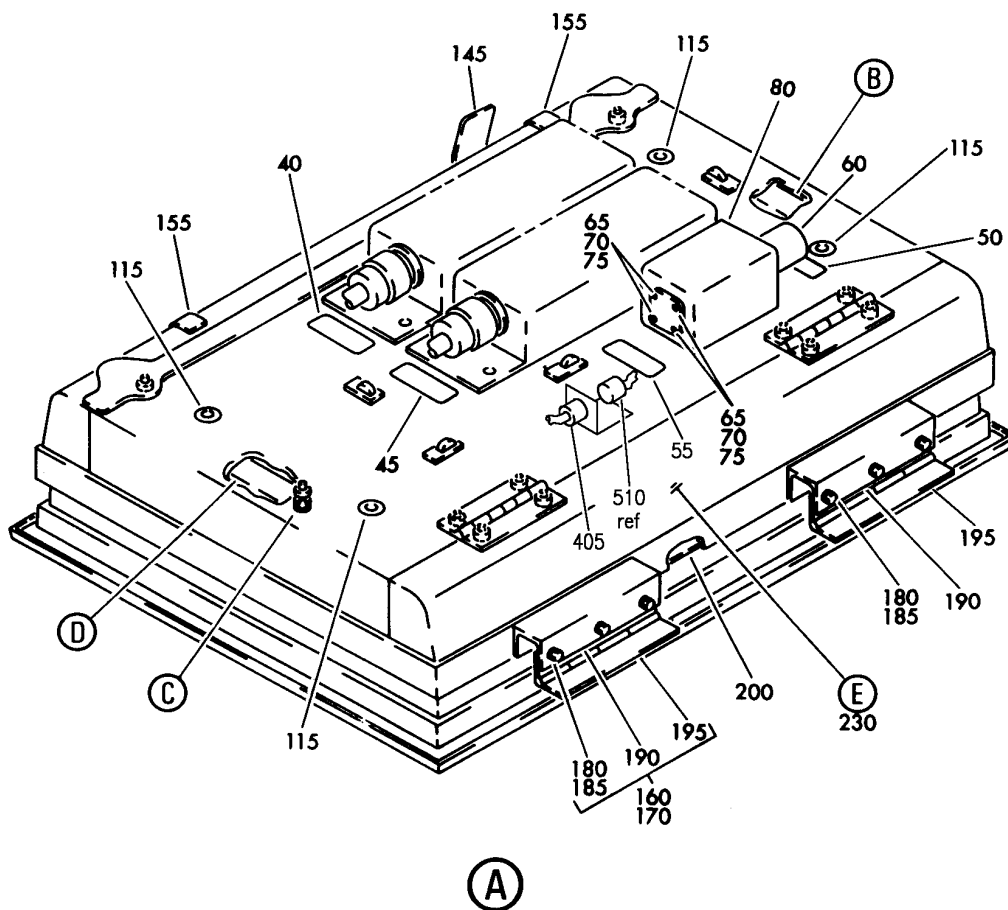
PANEL ASSY-CLG (LIGHTS ONLY)
FIGURE 1 (SHEET 1)

33-27-56-01

BRI
MAY 28/07

33-27-56-01
PAGE 0

BOEING
757
PARTS CATALOG (MAINTENANCE)



Y 33275601 SH1 2 REV 248

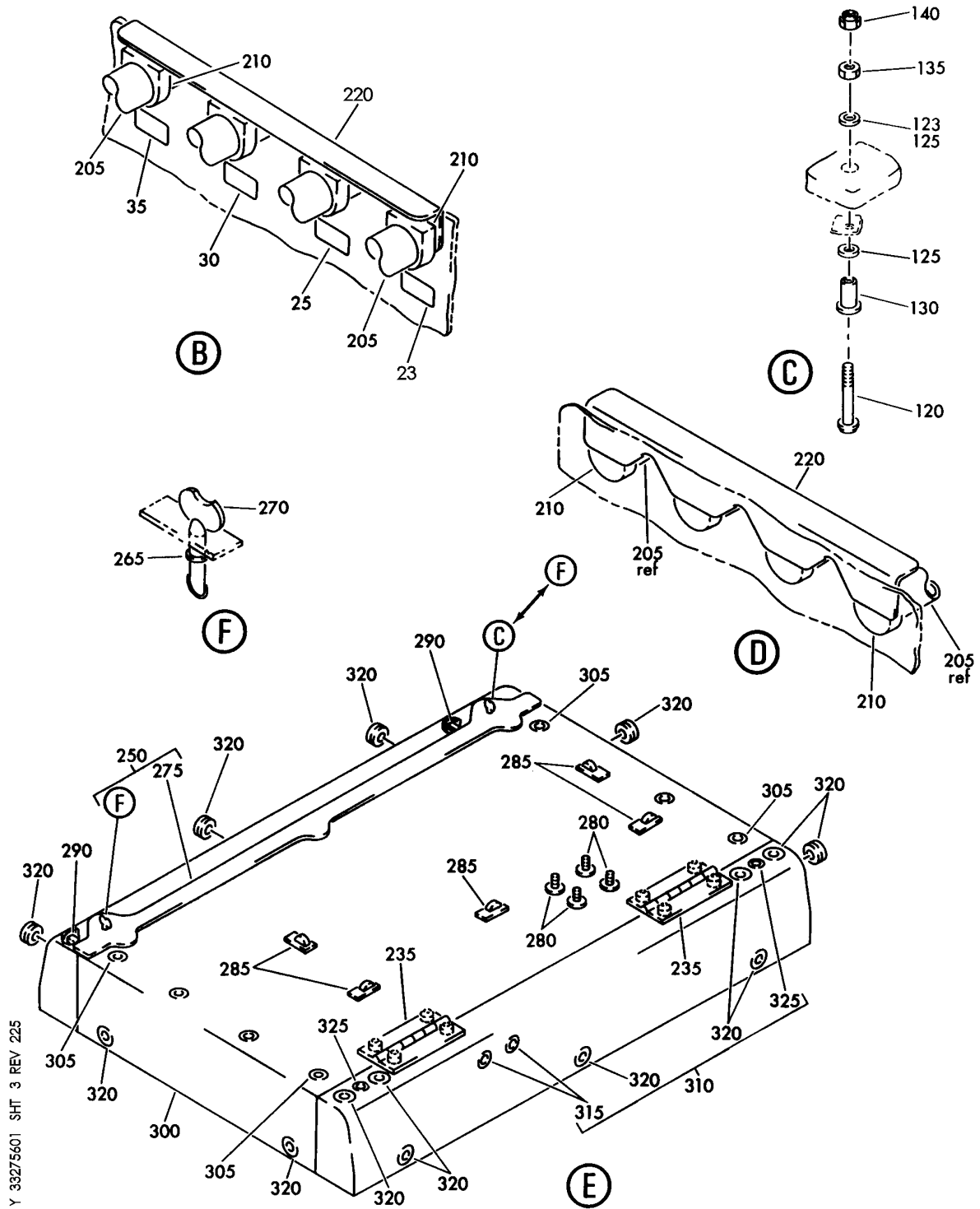
PANEL ASSY-CLG (LIGHTS ONLY)
FIGURE 1 (SHEET 2)

33-27-56-01

BRI
MAY 28/07

33-27-56-01
PAGE 0A


BOEING
 757
PARTS CATALOG (MAINTENANCE)



Y 33275601 SHT 3 REV 225

PANEL ASSY-CLG (LIGHTS ONLY)
 FIGURE 1 (SHEET 3)

33-27-56-01

BRI
 MAY 28/07

33-27-56-01
 PAGE 0B



757

PARTS CATALOG (MAINTENANCE)

FIG ITEM	PART NUMBER	1 2 3 4 5 6 7	NOMENCLATURE	EFFECT FROM TO	UNITS PER ASSY
1			PANEL ASSY-CLG (LIGHTS ONLY)	002004 006102 108120 952999	
- 1	411N3260-646B		PANEL ASSY-NON-SCULPTURE (PASSENGER ADDRESS SYSTEM ONLY) POSITION DATA: FWD FOR NHA/OTHER SYS DET SEE: 25-22-02-11B	108120	RF
- 2	411N3260-231SP		PANEL ASSY-FLAT (LIGHTS ONLY) FOR NHA/OTHER SYS DET SEE: 25-22-02-58B	952952	RF
- 2	411N3260-241SP		PANEL ASSY-FLAT (LIGHTS ONLY) FOR NHA/OTHER SYS DET SEE: 25-22-02-52	002004	RF
- 2	411N3260-319SP		PANEL ASSY-FLAT (LIGHTS ONLY) FOR NHA/OTHER SYS DET SEE: 25-22-02-19E	006102	RF
- 3	411N3260-314SP		PANEL ASSY-FLAT (LIGHTS ONLY) FOR NHA/OTHER SYS DET SEE: 25-22-02-58B	953999	RF
5	BAC29PPS0982		.MARKER-ALUMINUM FOIL PLACARD CONTENT: M10321 FLOURESCENT LIGHT	108120 952999	1
12	417N5113-2		.LIGHT ASSY-ENTRY ELECTRICAL EQUIP NUMBER: M10321	002004 006102 108120 952999	1
- 15	BACS12GU3K4		ATTACHING PARTS .SCREW	002004 006102 108120 952999	10
- 17	AN960JD10LL		.WASHER	002004 006102 952999	10
- 18	NAS1149D0316J		.WASHER	006102 952999 108120	10
23	BAC27NPA0168		-----*----- .MARKER-ALUMINUM FOIL PLACARD CONTENT: L457 LAMP	002004 006102 108120 952999	1

MISSING ITEM NUMBERS NOT APPLICABLE

- ITEM NOT ILLUSTRATED

33-27-56-01

33-27-56
FIG. 01
PAGE 1
JAN 20/09

BRI



757

PARTS CATALOG (MAINTENANCE)

FIG ITEM	PART NUMBER	1 2 3 4 5 6 7	NOMENCLATURE	EFFECT FROM TO	UNITS PER ASSY
1					
25	BAC27NPA0169	..	MARKER-ALUMINUM FOIL PLACARD CONTENT: L458 LAMP	002004 006102 108120 952999	1
30	BAC27NPA0170	..	MARKER-ALUMINUM FOIL PLACARD CONTENT: L459 LAMP	002004 006102 108120 952999	1
35	BAC27NPA0171	..	MARKER-ALUMINUM FOIL PLACARD CONTENT: L460 LAMP	002004 006102 108120 952999	1
40	BAC27NPA0182	..	MARKER-ALUMINUM FOIL PLACARD CONTENT: M10379	002004 006102 108120 952999	1
45	BAC27NPA0183	..	MARKER-ALUMINUM FOIL PLACARD CONTENT: M10380	002004 006102 108120 952999	1
50	BAC27NPA0189	..	MARKER-ALUMINUM FOIL PLACARD CONTENT: K10283	002004 006102 108120 952999	1
55	BAC27NPA0194	..	MARKER-ALUMINUM FOIL PLACARD CONTENT: D3472 CONNECTOR	002004 006102 108120 952999	1
60	JAD9F007	..	RELAY- SUPPLIER CODE: V58657 SPECIFICATION NUMBER: BACR13CJ2 ELECTRICAL EQUIP NUMBER: K10283	002004 006102 108120 952999	1
65	BACS12CK04-5	..	SCREW	002004 006102 108120 952999	4
70	AN960KD4L	..	WASHER- OPTIONAL PART: NAS1149DN416J	002004 006102 108120 952999	4
70	NAS1149DN416J	..	WASHER- OPTIONAL PART: AN960KD4L	002004 006102 108120 952999	4

MISSING ITEM NUMBERS NOT APPLICABLE

- ITEM NOT ILLUSTRATED

33-27-56-01

33-27-56
FIG. 01
PAGE 2
JAN 20/09

BRI

BOEING PROPRIETARY - Copyright © - Unpublished Work - See title page for details.



757

PARTS CATALOG (MAINTENANCE)

FIG ITEM	PART NUMBER	1 2 3 4 5 6 7	NOMENCLATURE	EFFECT FROM TO	UNITS PER ASSY
1	75 BRH10C04D		..NUT SUPPLIER CODE: V52828 SPECIFICATION NUMBER: BACN10JC04CD OPTIONAL PART: H51650-04BAC V15653 102LH9075-40W V72962 NS202486-40 V80539 T6C440JCD V11815 T6C440JCD V11815	002004 006102 108120 952999	4
	80 417N5155-4		..BRACKET-RELAY ATTACHING PARTS	002004 006102 108120 952999	1
-	85 BACN10YJ3		..NUT	002004 006102 108120 952999	4
-	87 417N5113-10		-----*----- ..KIT ASSY- OPTIONAL PART: 417N5113-11	002004 006102 108120 952999	1
-	87 417N5113-11		..KIT ASSY- OPTIONAL PART: 417N5113-10	002004 006102 108120 952999	1
-	90 05939-8		...BALLAST ASSY- SUPPLIER CODE: V17023 SPECIFICATION NUMBER: S283N702-8 ELECTRICAL EQUIP NUMBER: M10379 M10380 COMPONENT MAINT MANUAL REF: 33-21-05 USED ON: 417N5113-11	002004 006102 108120 952999	2

MISSING ITEM NUMBERS NOT APPLICABLE

- ITEM NOT ILLUSTRATED

33-27-56-01

33-27-56
FIG. 01
PAGE 3
JAN 20/09

BRI

 **BOEING**
757
PARTS CATALOG (MAINTENANCE)

FIG ITEM	PART NUMBER	1 2 3 4 5 6 7	NOMENCLATURE	EFFECT FROM TO	UNITS PER ASSY
1					
- 90	05939-108		...BALLAST ASSY- SUPPLIER CODE: V17023 SPECIFICATION NUMBER: S283N702-108 ELECTRICAL EQUIP NUMBER: M10379 M10380 COMPONENT MAINT MANUAL REF: 33-21-05 USED ON: 417N5113-10 ATTACHING PARTS	002004 006102 108120 952999	2
- 95	NAS603-12P		...SCREW	002004 006102 108120 952999	6
- 100	AN960PD10		...WASHER	002004 006102 108120 952999	12
- 105	BACS18C8-4		...SPACER	002004 006102 108120 952999	6
- 110	BRH10A3		...NUT SUPPLIER CODE: V52828 SPECIFICATION NUMBER: BACN10JC3 OPTIONAL PART: H10-3BAC V15653 NS202101-02 V80539 RMLH9075-3W V72962 VN303A02 V92215 96-02 V80539 T6S1032J V11815	002004 006102 108120 952999	6
- 111	06188		-----*-----HOUSING ASSY- SUPPLIER CODE: V17023 USED ON: 05939-8	002004 006102 108120 952999	1

MISSING ITEM NUMBERS NOT APPLICABLE

- ITEM NOT ILLUSTRATED

BRI

33-27-56-01

BOEING PROPRIETARY - Copyright © - Unpublished Work - See title page for details.

33-27-56
FIG. 01
PAGE 4
JAN 20/09



757

PARTS CATALOG (MAINTENANCE)

FIG ITEM	PART NUMBER	1 2 3 4 5 6 7	NOMENCLATURE	EFFECT FROM TO	UNITS PER ASSY
1					
- 112	MS24693-1	SCREW	002004 006102 108120 952999	4
- 113	08899-001	HOUSING ASSY- SUPPLIER CODE: V17023 USED ON: 05939-108	002004 006102 108120 952999	1
- 114	011-0002-510	SCREW- SUPPLIER CODE: V17023	002004 006102 108120 952999	4
-114A	GMA1-5	FUSE-1.5A, 250V SUPPLIER CODE: V71400	002004 006102 108120 952999	1
115	RR2002-4H1J	..	GROMMET SUPPLIER CODE: V57268 SPECIFICATION NUMBER: BACG20AF4H1J OPTIONAL PART: SZ6924-4H1J V95272 701-4H1J V07096 E4H1J V60980 H4H1J V60980 G6940-4H1J V75345	002004 006102 108120 952999	4
120	NAS1801-3-9	..	SCREW-	002004 006102 952999	1
123	MS35338-43	..	WASHER- OPTIONAL PART: BACW10EC3S	002004 006102 108120 952999	1
123	BACW10EC3S	..	WASHER- OPTIONAL PART: MS35338-43	002004 006102 108120 952999	1
125	AN960JD10LL	..	WASHER- OPTIONAL PART: NAS1149D0316J	002004 006102 108120 952999	2

MISSING ITEM NUMBERS NOT APPLICABLE

- ITEM NOT ILLUSTRATED

33-27-56-01

33-27-56
FIG. 01
PAGE 5
JAN 20/09

BRI

BOEING
757
PARTS CATALOG (MAINTENANCE)

FIG ITEM	PART NUMBER	1 2 3 4 5 6 7	NOMENCLATURE	EFFECT FROM TO	UNITS PER ASSY
1					
125	NAS1149D0316J	..	WASHER- OPTIONAL PART: AN960JD10LL	002004 006102 108120 952999	2
130	BACS18C8-4	..	SPACER	002004 006102 108120 952999	1
135	MS35650-305T	..	NUT-	002004 006102 108120 952999	1
140	PLH53CD	..	NUT- SUPPLIER CODE: VFO224 SPECIFICATION NUMBER: BACN10YR3CD OPTIONAL PART: H52732-3CD V15653 MS21042L3 BACN11AG3	002004 006102 108120 952999	1
140	MS21042L3	..	NUT- OPTIONAL PART: BACN10YR3CD	002004 006102 108120 952999	1
140	H55338-3	..	NUT- SUPPLIER CODE: V15653 SPECIFICATION NUMBER: BACN11AG3 OPTIONAL PART: BACN10YR3CD	002004 006102 108120 952999	1
145	417N5155-9	..	BRACKET-LANYARD	002004 006102 108120 952999	1
- 150	BACS12FA3K5	..	ATTACHING PARTS SCREW	002004 006102 108120 952999	2
155	417N5155-13	..	-----*----- PLATE-SCUFF	002004 006102 108120 952999	2

MISSING ITEM NUMBERS NOT APPLICABLE

- ITEM NOT ILLUSTRATED

BRI

33-27-56-01

BOEING PROPRIETARY - Copyright © - Unpublished Work - See title page for details.

33-27-56
FIG. 01
PAGE 6
JAN 20/09

BOEING
757
PARTS CATALOG (MAINTENANCE)

FIG ITEM	PART NUMBER	1 2 3 4 5 6 7	NOMENCLATURE	EFFECT FROM TO	UNITS PER ASSY
1					
160	417N5151-19	..	FRAME ASSY	002004 006102 108120 952999	1
- 165	BACS12FA08K6	..	SCREW- ATTACHING PARTS OPTIONAL PART: BACS12FA08K4	002004 006102 108120 952999	10
- 165	BACS12FA08K4	..	SCREW- OPTIONAL PART: BACS12FA08K6	002004 006102 108120 952999	10
170	417N5154-6	..	HINGE ASSY- SUPPLIER CODE: V89954 ATTACHING PARTS	002004 006102 108120 952999	2
- 175	BACR15BA5D	...	RIVET- SIZE DETERMINED ON INSTL.	002004 006102 108120 952999	6
180	BACS12CB3-6	SCREW	002004 006102 108120 952999	3
185	AN960KD10L	WASHER	002004 006102 108120 952999	3
190	417N5157-8	CHANNEL	002004 006102 108120 952999	1
195	417N5156-9	HINGE ASSY	002004 006102 108120 952999	1
200	417N5153-2	..	LENS	002004 006102 108120 952999	1

MISSING ITEM NUMBERS NOT APPLICABLE

- ITEM NOT ILLUSTRATED

BRI

33-27-56-01

BOEING PROPRIETARY - Copyright © - Unpublished Work - See title page for details.

33-27-56
FIG. 01
PAGE 7
JAN 20/09



757

PARTS CATALOG (MAINTENANCE)

FIG ITEM	PART NUMBER	1 2 3 4 5 6 7	NOMENCLATURE	EFFECT FROM TO	UNITS PER ASSY
1 205	F15T8WW		..LAMP- SUPPLIER CODE: V13545 ELECTRICAL EQUIP NUMBER: L00457 L00458 L00459 L00460	002004 006102 108120 952999	4
210	BV03112N03-25		..HOLDER-LAMP SUPPLIER CODE: V17023 OPTIONAL PART: BV03112N25 V17023	002004 006102 108120 952999	8
210	BV03112N25		..HOLDER-LAMP SUPPLIER CODE: V17023 OPTIONAL PART: BV03112N03-25 V17023	002004 006102 108120 952999	8
- 215	BACS12ER04K7		ATTACHING PARTS ..SCREW	002004 006102 108120 952999	16
220	417N5155-15		-----*----- ..BRACKET-LT	002004 006102 108120 952999	2
- 225	BACS12FA3K5		ATTACHING PARTS ..SCREW	002004 006102 108120 952999	7
230	417N5133-1		-----*----- ..HOOD ASSY	002004 006102 108120 952999	1
235	417N5156-2		...HINGE	002004 006102 108120 952999	2
- 240	BACS21DW3C6B		ATTACHING PARTS ...STUD	002004 006102 108120 952999	8

MISSING ITEM NUMBERS NOT APPLICABLE

- ITEM NOT ILLUSTRATED

33-27-56-01

33-27-56
FIG. 01
PAGE 8
JAN 20/09

BRI

BOEING PROPRIETARY - Copyright © - Unpublished Work - See title page for details.



757

PARTS CATALOG (MAINTENANCE)

FIG ITEM	PART NUMBER	1 2 3 4 5 6 7	NOMENCLATURE	EFFECT FROM TO	UNITS PER ASSY
1					
- 245	BACN10YJ3	...	NUT	002004 006102 108120 952999	8
250	417N5158-3*	BRACKET ASSY	002004 006102 108120 952999	1
- 255	BACS21DW3C6B	...	STUD	002004 006102 108120 952999	3
- 260	BACN10YJ3	...	NUT	002004 006102 108120 952999	3
265	BACR12AG2C*	RING	002004 006102 108120 952999	2
270	82-99-374-38	STUD SUPPLIER CODE: V94222 SPECIFICATION NUMBER: BACS21AP380W	002004 006102 108120 952999	2
275	417N5158-4	BRACKET	002004 006102 108120 952999	1
280	BACS21DW3C6B	...	STUD	002004 006102 108120 952999	4
285	63-9263	...	BOLLARD-EXTRUDED	002004 006102 108120 952999	5
290	417N5158-7	...	BRACKET ASSY	002004 006102 108120 952999	2

MISSING ITEM NUMBERS NOT APPLICABLE

- ITEM NOT ILLUSTRATED

33-27-56-01

33-27-56
FIG. 01
PAGE 9
JAN 20/09

BRI

BOEING PROPRIETARY - Copyright © - Unpublished Work - See title page for details.



757

PARTS CATALOG (MAINTENANCE)

FIG ITEM	PART NUMBER	1 2 3 4 5 6 7	NOMENCLATURE	EFFECT FROM TO	UNITS PER ASSY
1			ATTACHING PARTS		
- 295	BACS12FA08K6	...	SCREW	002004 006102 108120 952999	4
300	417N5143-4	-----*-----	...DOOR ASSY	002004 006102 108120 952999	1
305	SL618-3A	INSERT- SUPPLIER CODE: V97393	002004 006102 108120 952999	7
310	417N5143-1	...	HOOD ASSY-BASIC	002004 006102 108120 952999	1
315	SL618-3A	INSERT- SUPPLIER CODE: V97393	002004 006102 108120 952999	2
320	SL618-08A	INSERT- SUPPLIER CODE: V97393	002004 006102 108120 952999	14
325	NAS42DD8-16	SPACER	002004 006102 108120 952999	2
- 400	286N0614-001	..	WIRE BUNDLE ASSY- OPTIONAL PART: 286N0614-301 286N0614-302	002004 006102 952999	1
- 400	286N0614-301	..	WIRE BUNDLE ASSY- OPTIONAL PART: 286N0614-001 286N0614-302	002004 006102 952999	1
- 400	286N0614-302	..	WIRE BUNDLE ASSY- OPTIONAL PART: 286N0614-001 286N0614-301	002004 006102 952999	1
405	BACC45FN12-12P	...	CONNECTOR- ELECTRICAL EQUIP NUMBER: D03472 WIRING DIAGRAM REF: 332211	002004 006102 952999	1

MISSING ITEM NUMBERS NOT APPLICABLE

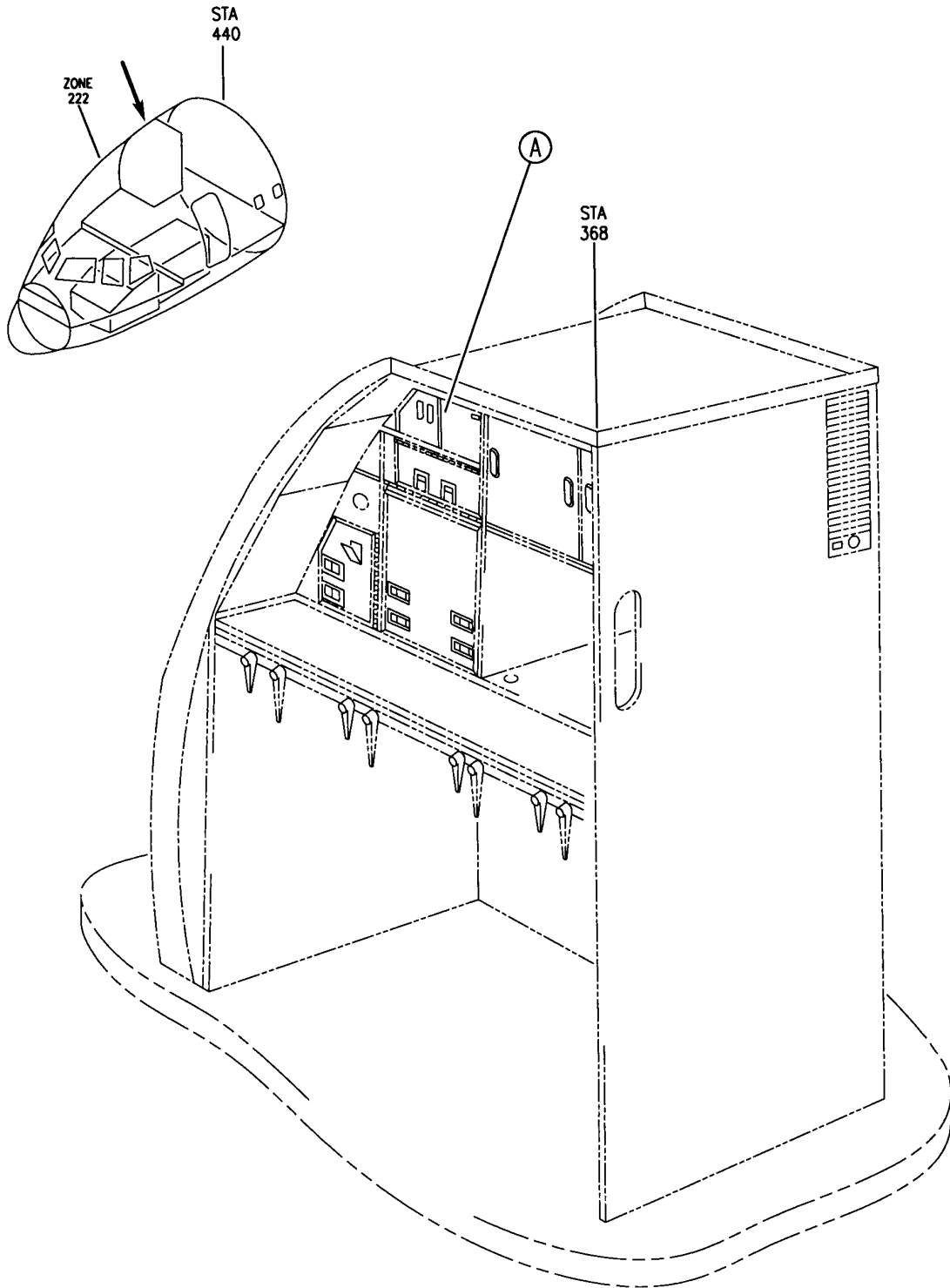
- ITEM NOT ILLUSTRATED

33-27-56-01

33-27-56
FIG. 01
PAGE 10
JAN 20/09

BRI

BOEING
757
PARTS CATALOG (MAINTENANCE)



Y 33276024 SHT 1 REV 228

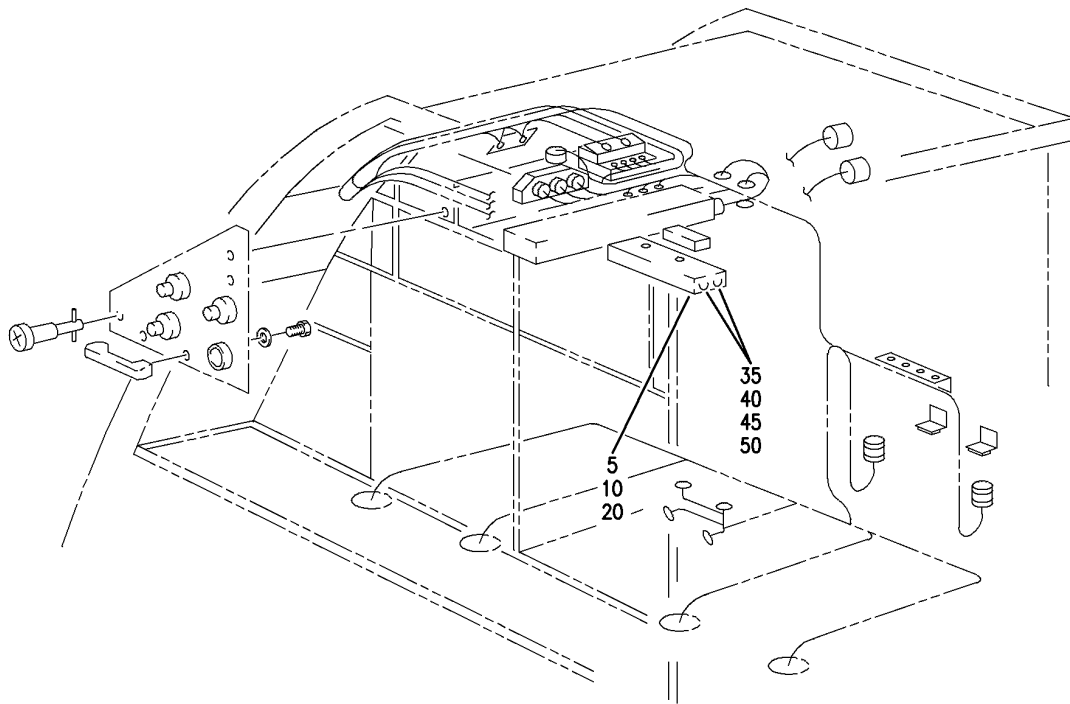
ELECTRICAL SYSTEM ASSY GALLEY G1B (LIGHTS ONLY)
FIGURE 24 (SHEET 1)

33-27-60-24

BRI
JAN 20/09

33-27-60-24
PAGE 0

BOEING
757
PARTS CATALOG (MAINTENANCE)



(A)

Y 33276024 SHT 2 REV 228

ELECTRICAL SYSTEM ASSY GALLEY G1B (LIGHTS ONLY)
FIGURE 24 (SHEET 2)

33-27-60-24

BRI
JAN 20/09

33-27-60-24
PAGE 0A



757

PARTS CATALOG (MAINTENANCE)

FIG ITEM	PART NUMBER	1 2 3 4 5 6 7	NOMENCLATURE	EFFECT FROM TO	UNITS PER ASSY
24			ELECTRICAL SYSTEM ASSY	950951	
- 1	1002E12A20000		GALLEY G1B (LIGHTS ONLY) ELECTRICAL SYSTEM ASSY- GALLEY G1B (LIGHTS ONLY) SUPPLIER CODE: VD2249 FOR NHA/OTHER SYS DET SEE: 25-31-01-68	950951	RF
5	1002E12A21510		.CASING-WORK LT SUPPLIER CODE: VD2249	950951	1
10	1002E12A21511		.LENS ASSY-WORK LT SUPPLIER CODE: VD2249	950951	1
- 15	NAS514P632-4		..SCREW	950951	4
20	2600-17		..FASTENER- SUPPLIER CODE: VDO680	950951	2
- 25	2E11A21511-03		..LENS- SUPPLIER CODE: VD2249 MANUFACTURED FROM: 266089	950951	1
- 30	2E11A21511-05		..RETAINER- SUPPLIER CODE: VD2249 MANUFACTURED FROM: 090436	950951	4
35	BV5-01441		.COVER- SUPPLIER CODE: V17023	950951	4
40	BV5-011261		.SOCKET- SUPPLIER CODE: V17023	950951	2
45	BV5-01258		.SOCKET- SUPPLIER CODE: V17023	950951	2
50	F8T50W		.TUBE-FLOURESCENT SUPPLIER CODE: V24455	950951	2

MISSING ITEM NUMBERS NOT APPLICABLE

- ITEM NOT ILLUSTRATED

BRI

33-27-60-24

BOEING PROPRIETARY - Copyright © - Unpublished Work - See title page for details.

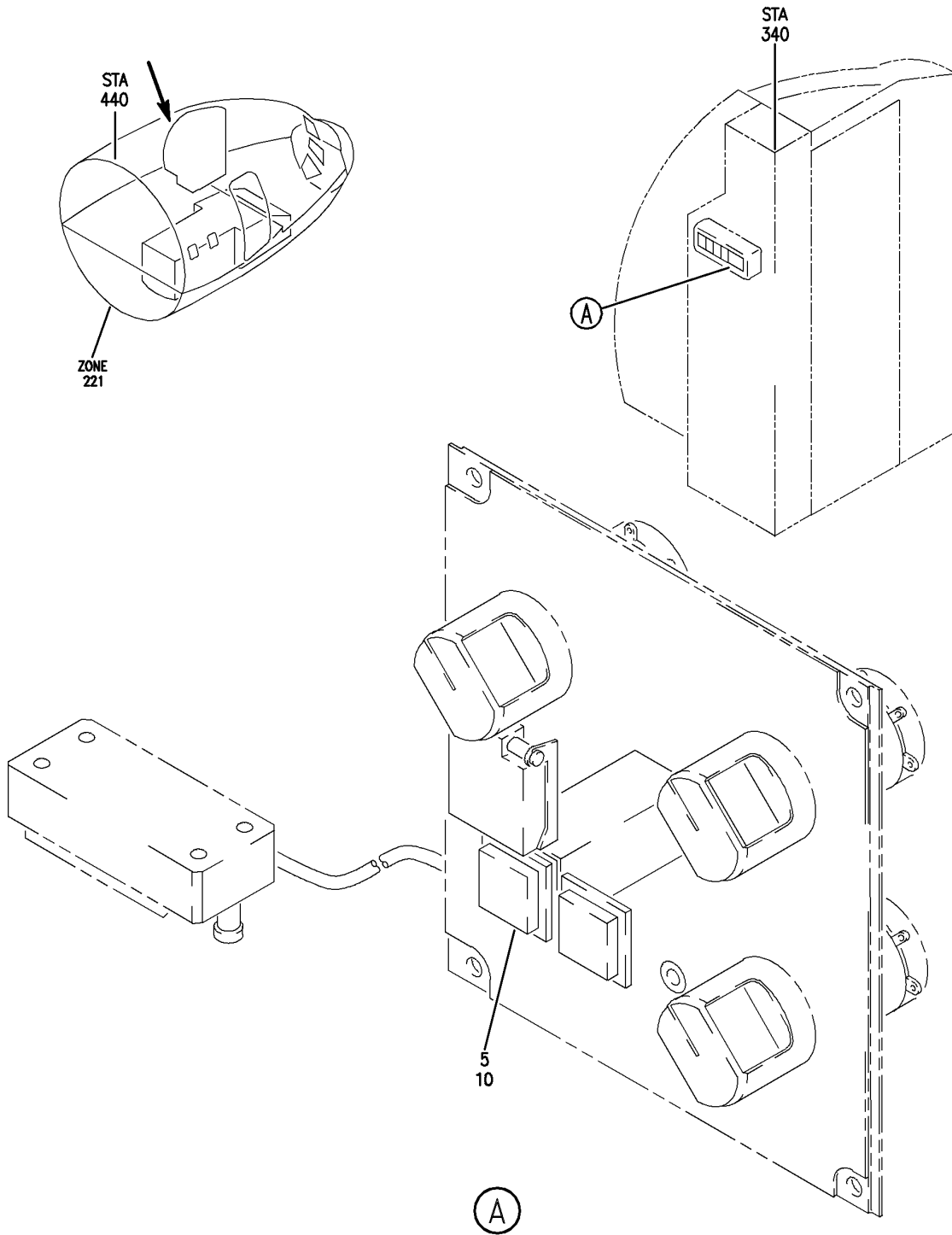
33-27-60
FIG. 24
PAGE 1
JAN 20/09

SERVICE AND CARGO LOADING LIGHTS

BRI
MAY 28/07

33-31-00
SECTION TITLE
PAGE 1

BOEING
757
PARTS CATALOG (MAINTENANCE)



Y 33315005 REV 258

MODULE ASSY-FWD LIGHTING WITH EMER EXIT LT, ATTENDANT PNL (GROUND SERVICE LIGHTS ONLY)
FIGURE 5

BRI
JAN 20/09

33-31-50-05

33-31-50-05
PAGE 0



757

PARTS CATALOG (MAINTENANCE)

FIG ITEM	PART NUMBER	1 2 3 4 5 6 7	NOMENCLATURE	EFFECT FROM TO	UNITS PER ASSY
5			MODULE ASSY-FWD LIGHTING WITH EMER EXIT LT, ATTENDANT PNL (GROUND SERVICE LIGHTS ONLY)	103106	
- 1	285A1710-17		MODULE ASSY-FWD LIGHTING WITH EMER EXIT LT, ATTENDANT PNL (GROUND SERVICE LIGHTS ONLY) SUPPLIER CODE: V89954 COMPONENT MAINT MANUAL REF: 33-11-05 FOR NHA/OTHER SYS DET SEE: 31-17-11-05	103106	RF
5	2100-100		.LENS-WHITE NO LEGEND SUPPLIER CODE: V91929	103106	1
10	2100-1		.SWITCH ASSY-2 POLE MOM. SUPPLIER CODE: V91929 ELECTRICAL EQUIP NUMBER: S00004	103106	1
- 15	85		..BULB- SUPPLIER CODE: V08805	103106	1

MISSING ITEM NUMBERS NOT APPLICABLE

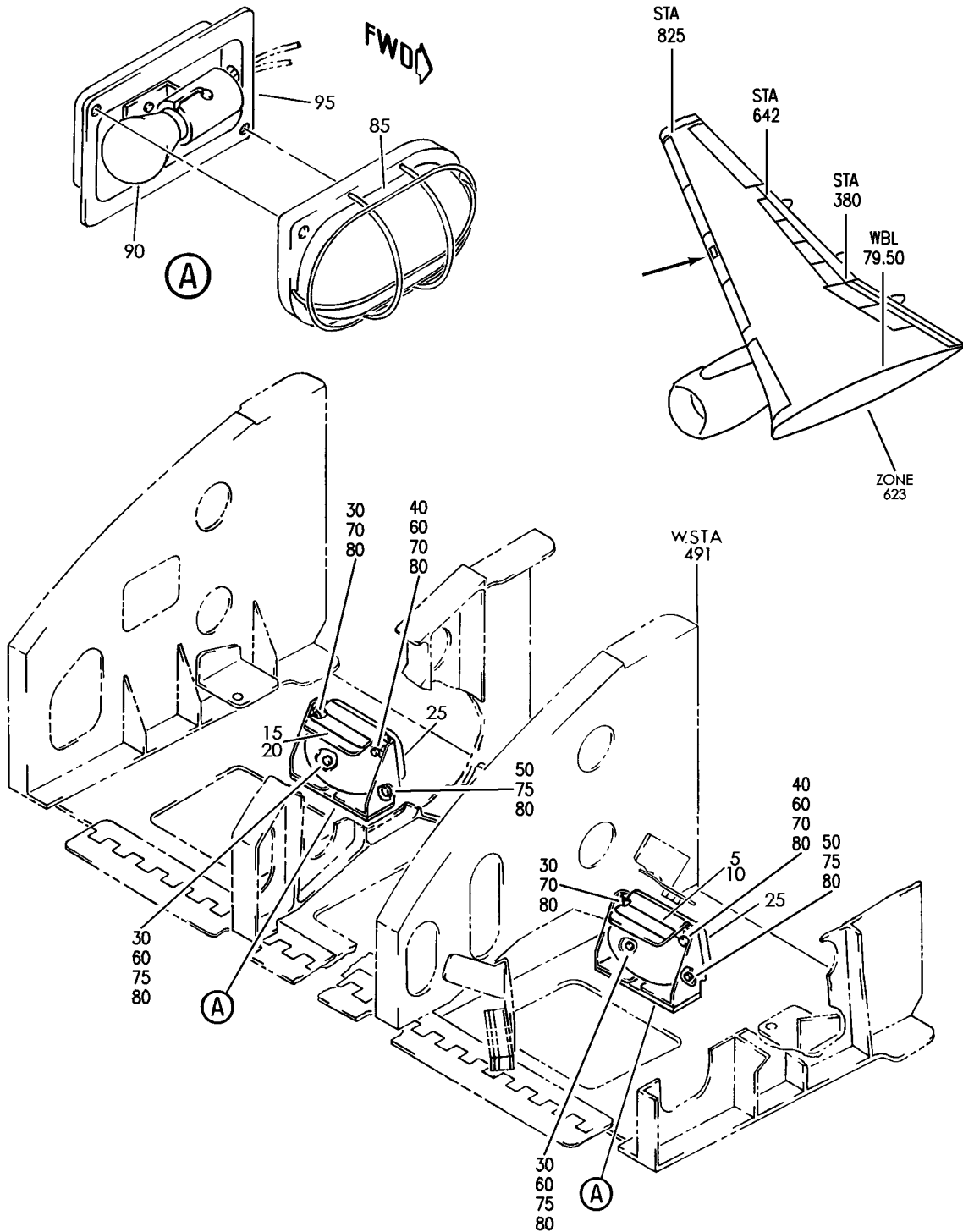
- ITEM NOT ILLUSTRATED

33-31-50-05

33-31-50
FIG. 05
PAGE 1
JAN 20/09

BRI

BOEING
757
PARTS CATALOG (MAINTENANCE)



Y 33315104 REV 225

EQUIPMENT INSTL-WING REFUELING PNL E/E (SERVICE LIGHTS ONLY)
FIGURE 4

33-31-51-04

BRI
MAY 28/07

33-31-51-04
PAGE 0



757

PARTS CATALOG (MAINTENANCE)

FIG ITEM	PART NUMBER	1 2 3 4 5 6 7	NOMENCLATURE	EFFECT FROM TO	UNITS PER ASSY
4			EQUIPMENT INSTL-WING REFUELING PNL E/E (SERVICE LIGHTS ONLY)	002004 006999	
- 1	284N1114-2		EQUIPMENT INSTL-WING REFUELING PNL E/E (SERVICE LIGHTS ONLY) FOR NHA/OTHER SYS DET SEE: 24-00-58-01	107107	RF
- 1	284N1114-5		EQUIPMENT INSTL-WING REFUELING PNL E/E (SERVICE LIGHTS ONLY) FOR NHA/OTHER SYS DET SEE: 24-00-58-01	904949	RF
- 1	284N1114-7		EQUIPMENT INSTL-WING REFUELING PNL E/E (SERVICE LIGHTS ONLY) FOR NHA/OTHER SYS DET SEE: 24-00-58-01	002004 121503 952952	RF
- 1	284N1114-11		EQUIPMENT INSTL-WING REFUELING PNL E/E (SERVICE LIGHTS ONLY) FOR NHA/OTHER SYS DET SEE: 24-00-58-01	006014 950951 953999	RF
- 1	284N1114-12		EQUIPMENT INSTL-WING REFUELING PNL E/E (SERVICE LIGHTS ONLY) FOR NHA/OTHER SYS DET SEE: 24-00-58-01	015017	RF
- 1	284N1114-13		EQUIPMENT INSTL-WING REFUELING PNL E/E (SERVICE LIGHTS ONLY) FOR NHA/OTHER SYS DET SEE: 24-00-58-01	018100	RF
- 1	284N1114-16		EQUIPMENT INSTL-WING REFUELING PNL E/E (SERVICE LIGHTS ONLY) FOR NHA/OTHER SYS DET SEE: 24-00-58-05A	101102 108120 504903	RF
- 2	MODREF29852		EQUIPMENT INSTL-WING REFUELING PNL E/E (SERVICE LIGHTS ONLY) MODULE NUMBER: 284N1114-16 REV B FOR OTHER SYS DETAILS SEE: 11-24-01-02 23-41-00-01 28-21-55-01 52-49-02-01	103106	1

MISSING ITEM NUMBERS NOT APPLICABLE

- ITEM NOT ILLUSTRATED

33-31-51-04

33-31-51
FIG. 04
PAGE 1
JAN 20/09

BRI



757

PARTS CATALOG (MAINTENANCE)

FIG ITEM	PART NUMBER	1 2 3 4 5 6 7	NOMENCLATURE	EFFECT FROM TO	UNITS PER ASSY
4	10	BAC27NEL1059	.MARKER-ALUMINUM FOIL PLACARD CONTENT: L00379 LT FLNG PANEL	002004 101102 107503	1
	20	BAC27NEL1060	.MARKER-ALUMINUM FOIL PLACARD CONTENT: L00243 LT FLNG PANEL	002004 101102 107503	1
	25	15-0143-7	.LIGHT ASSY-FLOOD SUPPLIER CODE: V72914 ELECTRICAL EQUIP NUMBER: L00243 L00379	107107	2
	25	15-0143-31	.LIGHT-FLOOD SUPPLIER CODE: V72914 ELECTRICAL EQUIP NUMBER: L00243 L00379	002004 006999	2
	25	15-0143-35	.LIGHT-FLOOD SUPPLIER CODE: V72914 ELECTRICAL EQUIP NUMBER: L00243 L00379	002004 006999	2
	25	15-0143-37	.LIGHT-FLOOD SUPPLIER CODE: V72914 ELECTRICAL EQUIP NUMBER: L00243 L00379 OPTIONAL PART: 15-0143-37 V72914	002004 006999	2
			TEMPORARY BREAKDOWN FOR: 15-0143-31 15-0143-35 15-0143-37	002004 006999	
	30	NAS601-10	ATTACHING PARTS .SCREW-	006014 950951 953999	4
	30	NAS601-10P	.SCREW- POST SERVICE BULLETIN: 28-0033R2 28-0033R3	002004 015903	4

MISSING ITEM NUMBERS NOT APPLICABLE

- ITEM NOT ILLUSTRATED

33-31-51-04

33-31-51
FIG. 04
PAGE 2
JAN 20/09

BRI



757

PARTS CATALOG (MAINTENANCE)

FIG ITEM	PART NUMBER	1 2 3 4 5 6 7	NOMENCLATURE	EFFECT FROM TO	UNITS PER ASSY
4	40 NAS601-8	.SCREW-		006014 950951 953999	2
	40 NAS601-8P	.SCREW-	POST SERVICE BULLETIN: 28-0033R2 28-0033R3	002004 015017 107107 121503	2
	50 NAS601-12	.SCREW-		006014 950951 953999	2
	50 NAS601-12P	.SCREW-	POST SERVICE BULLETIN: 28-0033R2 28-0033R3	002004 015903	2
	60 AN960JD6	.WASHER-		006014 950951 953999	4
	60 NAS1149DN632J	.WASHER-	POST SERVICE BULLETIN: 28-0033R2 28-0033R3	002004 015903	4
	70 BACS12CK06-7	.SCREW-	PRE SERVICE BULLETIN: 28-0033R3	002004 904949 952952	4
	75 BACS12CK06-10	.SCREW-	PRE SERVICE BULLETIN: 28-0033R3	002004 904949 952952	4
	80 MS21042L06	.NUT-	POST SERVICE BULLETIN: 28-0033	002004 006100 107107 121503 904999	8
	80 PLH506CD	.NUT	SUPPLIER CODE: VF0224 SPECIFICATION NUMBER: BACN10YR06CD OPTIONAL PART: H52732-06CD V15653	101106 108120 504903	8
	85 16-0454-9	-----*----- .COVER ASSY-	SUPPLIER CODE: V72914	002004 006999	1

MISSING ITEM NUMBERS NOT APPLICABLE

- ITEM NOT ILLUSTRATED

33-31-51-04

33-31-51
FIG. 04
PAGE 3
JAN 20/09

BRI

BOEING PROPRIETARY - Copyright © - Unpublished Work - See title page for details.



757

PARTS CATALOG (MAINTENANCE)

FIG ITEM	PART NUMBER	1 2 3 4 5 6 7	NOMENCLATURE	EFFECT FROM TO	UNITS PER ASSY
4					
90	GE1691	..	LAMP- SUPPLIER CODE: V72914 USED ON: 15-0143-7 15-0143-35 15-0143-37	002004 006999	1
90	GE2233	..	LAMP- SUPPLIER CODE: V72914 USED ON: 15-0143-31	002004 006949 952999	1
90	MS35478-1691	..	LAMP-INCANDESCENT DS1	002004 006999	1
95	16-1174-1	..	HOUSING ASSY- SUPPLIER CODE: V72914	002004 006999	1

MISSING ITEM NUMBERS NOT APPLICABLE

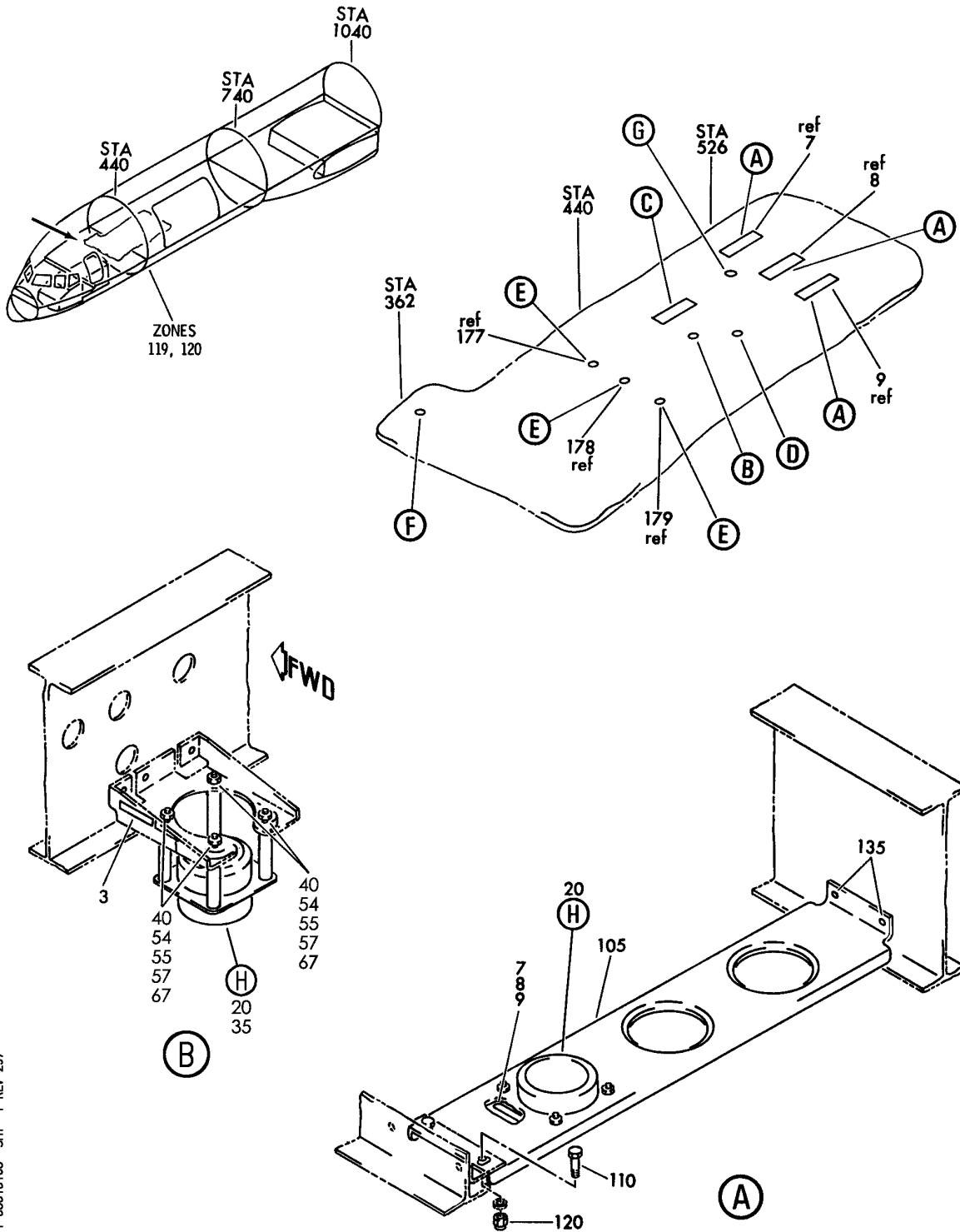
- ITEM NOT ILLUSTRATED

33-31-51-04

33-31-51
FIG. 04
PAGE 4
JAN 20/09

BRI

BOEING
757
PARTS CATALOG (MAINTENANCE)



Y 33315105 SHT 1 REV 297

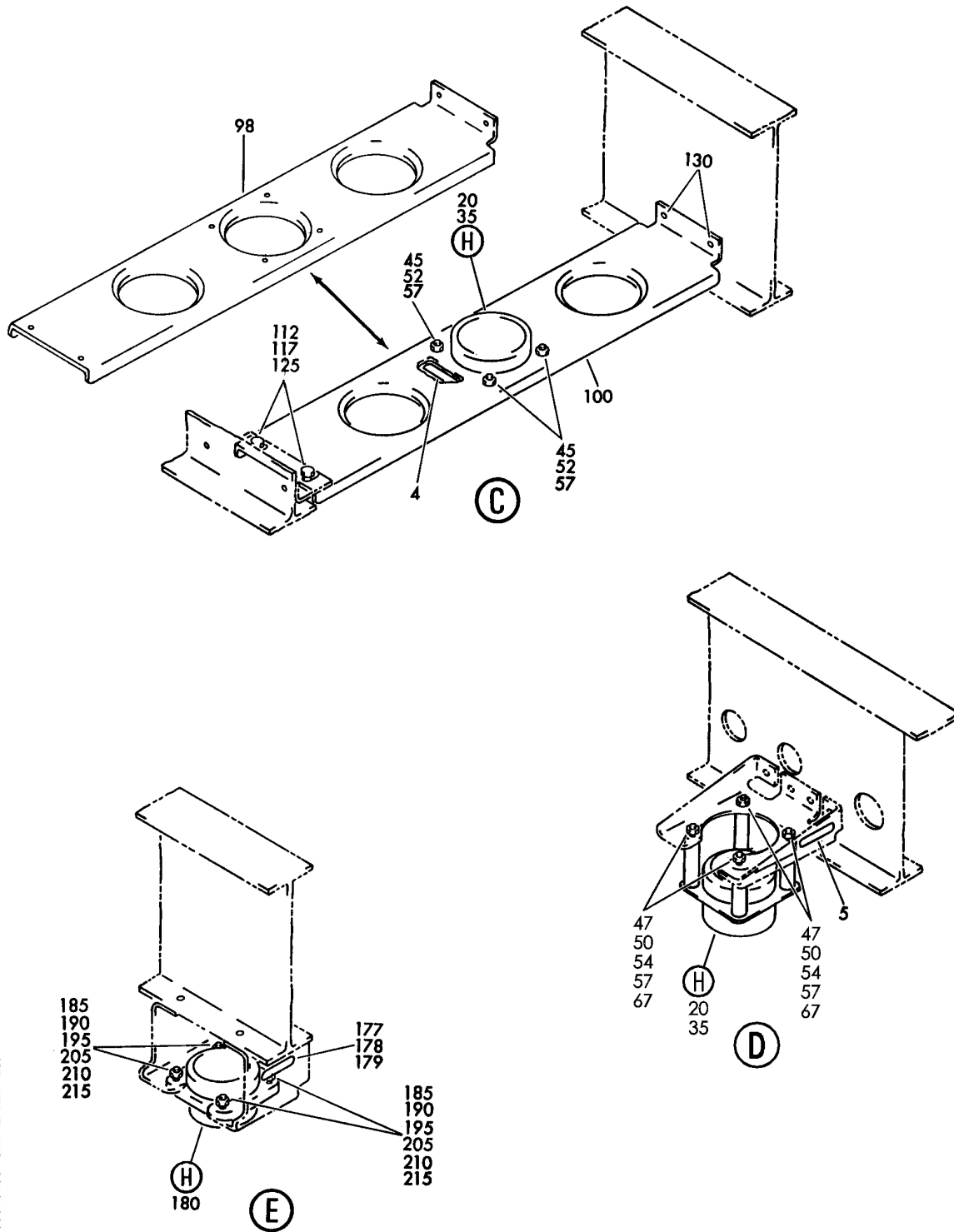
LIGHT INSTL-SECT. 41 AND 43 SVCE
FIGURE 5 (SHEET 1)

33-31-51-05

BRI
MAY 28/07

33-31-51-05
PAGE 0

BOEING
757
PARTS CATALOG (MAINTENANCE)



Y 33315105 SHT 2 REV 239

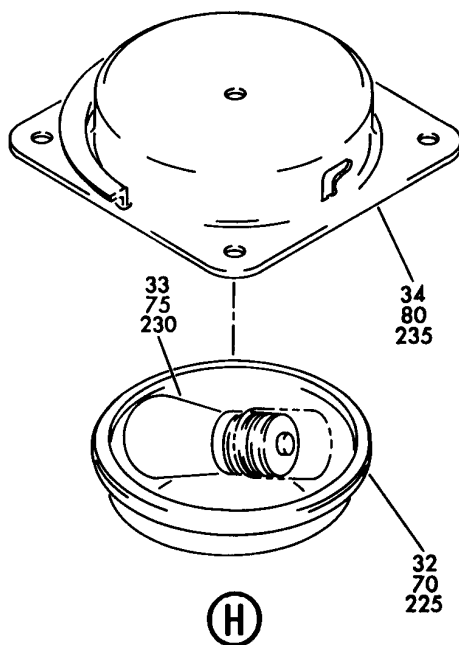
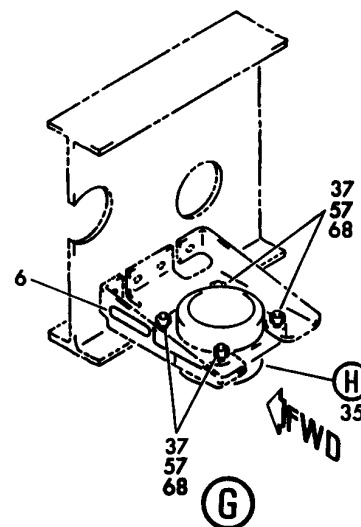
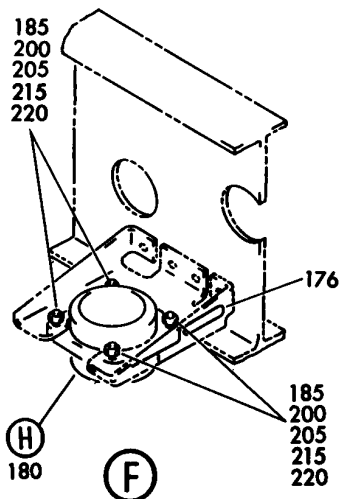
LIGHT INSTL-SECT. 41 AND 43 SVCE
FIGURE 5 (SHEET 2)

33-31-51-05

BRI
MAY 28/07

33-31-51-05
PAGE 0A

BOEING
757
PARTS CATALOG (MAINTENANCE)



Y 33315105 SHT 3 REV 194

LIGHT INSTL-SECT. 41 AND 43 SVCE
FIGURE 5 (SHEET 3)

33-31-51-05

BRI
MAY 28/07

33-31-51-05
PAGE 0B



757

PARTS CATALOG (MAINTENANCE)

FIG ITEM	PART NUMBER	1 2 3 4 5 6 7	NOMENCLATURE	EFFECT FROM TO	UNITS PER ASSY
5			LIGHT INSTL-SECT. 41 AND 43 SVCE	002004 006999	
- 1	284N1355-11		LIGHT INSTL-SVCE POSITION DATA: SECT. 43 FOR NHA SEE: 24-00-58-01A	002004 006010 107107 121503 904999	RF
- 1	284N1355-15		LIGHT INSTL-SVCE POSITION DATA: SECT. 43 FOR NHA SEE: 24-00-58-01A	011100	RF
- 1	284N1355-17		LIGHT INSTL-SVCE POSITION DATA: SECT. 43 FOR NHA SEE: 24-00-58-05A	101102 108120 504903	RF
3	BAC27NEX0106		.DECAL- PLACARD CONTENT: L00341	002004 006102 107999	1
4	BAC27NEX0107		.DECAL- PLACARD CONTENT: L00342	002004 006102 107999	1
5	BAC27NEX0108		.DECAL- PLACARD CONTENT: L00343	002004 006102 107999	1
6	BAC27NEX0119		.DECAL- PLACARD CONTENT: L00381	002004 006102 107999	1
35	15-0129-5		.LIGHT ASSY- SUPPLIER CODE: V72914 ELECTRICAL EQUIP NUMBER: L00341 L00342 L00343 L00381	002004 006102 107999	4
35	15-0129-7		.LIGHT ASSY- SUPPLIER CODE: V72914 ELECTRICAL EQUIP NUMBER: L00341 L00342 L00343 L00381	002004 006102 107999	4

MISSING ITEM NUMBERS NOT APPLICABLE

- ITEM NOT ILLUSTRATED

33-31-51-05

33-31-51
FIG. 05
PAGE 1
JAN 20/09

BRI



757

PARTS CATALOG (MAINTENANCE)

FIG ITEM	PART NUMBER	1 2 3 4 5 6 7	NOMENCLATURE	EFFECT FROM TO	UNITS PER ASSY
5			ATTACHING PARTS		
37	NAS1801-06-5	.	SCREW-	002004 006010 107107 121503 904999	4
37	NAS602-8P	.	SCREW-	011102 108120 504903	4
40	NAS602-22P	.	SCREW-	011102 108120 504903	4
40	NAS602-32P	.	SCREW-	002004 006010 107107 121503 904999	4
45	NAS602-48P	.	SCREW-	002004 006102 107999	4
47	NAS602-40P	.	SCREW-	002004 006100 107107 121503 904999	4
47	NAS602-36P	.	SCREW-	101102 108120 504903	4
50	NAS43DD3-128FC	.	SPACER-	011100	4
50	NAS43DD3-128	.	SPACER-	002004 006010 107107 121503 904999	4
50	NAS43DD3-112FC	.	SPACER-	011102 108120 504903	4
52	NAS43DD3-160	.	SPACER-	002004 006010 107107 121503 904999	4
52	NAS43DD3-160FC	.	SPACER-	011102 108120 504903	4
55	NAS43DD3-60FC	.	SPACER-	011102 108120 504903	4

MISSING ITEM NUMBERS NOT APPLICABLE

- ITEM NOT ILLUSTRATED

33-31-51-05

33-31-51
FIG. 05
PAGE 2
JAN 20/09

BRI

BOEING PROPRIETARY - Copyright © - Unpublished Work - See title page for details.



757

PARTS CATALOG (MAINTENANCE)

FIG ITEM	PART NUMBER	1 2 3 4 5 6 7	NOMENCLATURE	EFFECT FROM TO	UNITS PER ASSY
5	55	NAS43DD3-96	. SPACER-	002004 006010 107107 121503 904999	4
	57	NAS1149DN816J	. WASHER	011102 108120 504903	
67	67	MS21042L08	. NUT-	002004 006010 107107 121503 904999	8
	67	BRH10A08	. NUT- SUPPLIER CODE: V52828 SPECIFICATION NUMBER: BACN10JC08 OPTIONAL PART: H10-08BAC V15653 NS202101-82 V80539 RMLH9075-82W V72962 VN303A82 V92215 96-82 V80539 T6S832J V11815	002004 006010 107107 121503 904999	
68	68	BRH10A06	. NUT- SUPPLIER CODE: V52828 SPECIFICATION NUMBER: BACN10JC06 OPTIONAL PART: H10-06BAC V15653 RMLH9075-62W V72962 VN303A62 V92215 96-62 V80539 NS202101-62 V80539 T6S632J V11815	002004 006010 107107 121503 904999	4

MISSING ITEM NUMBERS NOT APPLICABLE

- ITEM NOT ILLUSTRATED

33-31-51-05

33-31-51
FIG. 05
PAGE 3
JAN 20/09

BRI



757

PARTS CATALOG (MAINTENANCE)

FIG ITEM	PART NUMBER	1 2 3 4 5 6 7	NOMENCLATURE	EFFECT FROM TO	UNITS PER ASSY
5					
68	MS21042L06	.	NUT-	002004 006010 107107 121503 904999	4
70	B9842-4	-----*----- ..	COVER ASSY- SUPPLIER CODE: V72914	002004 006102 107999	1
75	1665	..	LAMP- SUPPLIER CODE: V71744 USED ON: 15-0129-5	002004 006102 107999	1
- 77	2233	..	BULB- SUPPLIER CODE: V08805 USED ON: 15-0129-7	002004 006102 107999	1
80	16-0490-3	..	HOUSING ASSY- SUPPLIER CODE: V72914 USED ON: 15-0129-5	002004 006102 107999	1
80	16-0490-9	..	HOUSING ASSY- SUPPLIER CODE: V72914 USED ON: 15-0129-7	002004 006102 107999	1
98	284N1063-12	.	SUPPORT-	002004 006017 107107 121503 904999	1
98	284N1063-20	.	SUPPORT-	018102 108120 504903	1
112	NAS1801-3-6		ATTACHING PARTS .SCREW	002004 006102 107999	2
117	AN960-10L	.	WASHER-	002004 006010 107107 121503 904999	2
117	NAS1149D0332J	.	WASHER-	011102 108120 504903	2

MISSING ITEM NUMBERS NOT APPLICABLE

- ITEM NOT ILLUSTRATED

33-31-51-05

33-31-51
FIG. 05
PAGE 4
JAN 20/09

BRI

 **BOEING**
757
PARTS CATALOG (MAINTENANCE)

FIG ITEM	PART NUMBER	1 2 3 4 5 6 7	NOMENCLATURE	EFFECT FROM TO	UNITS PER ASSY
5 125	BRH10A3	.NUT-	SUPPLIER CODE: V52828 SPECIFICATION NUMBER: BACN10JC3 OPTIONAL PART: H10-3BAC V15653 NS202101-02 V80539 RMLH9075-3W V72962 VN303A02 V92215 96-02 V80539 T6S1032J V11815	002004 006102 107999	2
125	MS21042L3	.NUT-		002004 006102 107999	2
130	BACR15FT5D	.RIVET-	SIZE DETERMINED ON INSTL.	002004 006102 107999	2
- 175	284N1355-10	-----*-----	LIGHT INSTL-SVCE POSITION DATA: SECT. 41 FOR NHA SEE: 24-00-58-01A	002004 006010 107107 121503 904999	RF
- 175	284N1355-14		LIGHT INSTL-SVCE POSITION DATA: SECT. 41 FOR NHA SEE: 24-00-58-01A 24-00-58-05A	011102 108120 504903	RF
- 175	MODREF9918		LIGHT INSTL-SVCE MODULE NUMBER: 284N1355-14 REV A POSITION DATA: SECT. 41	103106	1
176	BAC27NEX0102	.DECAL-	PLACARD CONTENT: L00337	002004 006999	1
177	BAC27NEX0103	.DECAL-	PLACARD CONTENT: L00338	002004 006999	1

MISSING ITEM NUMBERS NOT APPLICABLE

- ITEM NOT ILLUSTRATED

BRI

33-31-51-05

BOEING PROPRIETARY - Copyright © - Unpublished Work - See title page for details.

33-31-51
FIG. 05
PAGE 5
JAN 20/09



757

PARTS CATALOG (MAINTENANCE)

FIG ITEM	PART NUMBER	1 2 3 4 5 6 7	NOMENCLATURE	EFFECT FROM TO	UNITS PER ASSY
5					
178	BAC27NEX0104	.DECAL-	PLACARD CONTENT: L00339	002004 006999	1
179	BAC27NEX0105	.DECAL-	PLACARD CONTENT: L00340	002004 006999	1
180	15-0129-5	.LIGHT ASSY-	SUPPLIER CODE: V72914 ELECTRICAL EQUIP NUMBER: L00337 L00338 L00339 L00340	002004 006999	4
180	15-0129-7	.LIGHT ASSY-	SUPPLIER CODE: V72914 ELECTRICAL EQUIP NUMBER: L00337 L00338 L00339 L00340	002004 006999	4
190	NAS1801-06-6	.SCREW-	ATTACHING PARTS	002004 006010 107107 121503 904999	12
195	NAS602-56P	.SCREW-		011106 108120 504903	12
200	NAS1801-06-5	.SCREW-		002004 006010 107107 121503 904999	4
200	NAS602-8P	.SCREW-		011106 108120 504903	4
205	NAS1149DN816J	.WASHER		011106 108120 504903	16
210	NAS43DD3-189FC	.SPACER		011106 108120 504903	12

MISSING ITEM NUMBERS NOT APPLICABLE

- ITEM NOT ILLUSTRATED

33-31-51-05

33-31-51
FIG. 05
PAGE 6
JAN 20/09

BRI

BOEING PROPRIETARY - Copyright © - Unpublished Work - See title page for details.



757

PARTS CATALOG (MAINTENANCE)

FIG ITEM	PART NUMBER	1 2 3 4 5 6 7	NOMENCLATURE	EFFECT FROM TO	UNITS PER ASSY
5					
220	MS21042L06	.	NUT-	002004 006010 107107 121503 904999	4
220	BRH10A06	.	NUT- SUPPLIER CODE: V52828 SPECIFICATION NUMBER: BACN10JC06 OPTIONAL PART: H10-06BAC V15653 RMLH9075-62W V72962 VN303A62 V92215 96-62 V80539 NS202101-62 V80539 T6S632J V11815 -----*-----	002004 006010 107107 121503 904999	4
225	B9842-4	..	COVER ASSY- SUPPLIER CODE: V72914	002004 006999	1
230	1665	..	LAMP- SUPPLIER CODE: V71744 USED ON: 15-0129-5	002004 006102 107999	1
- 233	2233	..	BULB- SUPPLIER CODE: V08805 USED ON: 15-0129-7	002004 006999	1
235	16-0490-3	..	HOUSING ASSY- SUPPLIER CODE: V72914 USED ON: 15-0129-5	002004 006999	1
235	16-0490-9	..	HOUSING ASSY- SUPPLIER CODE: V72914 USED ON: 15-0129-7	002004 006999	1

MISSING ITEM NUMBERS NOT APPLICABLE

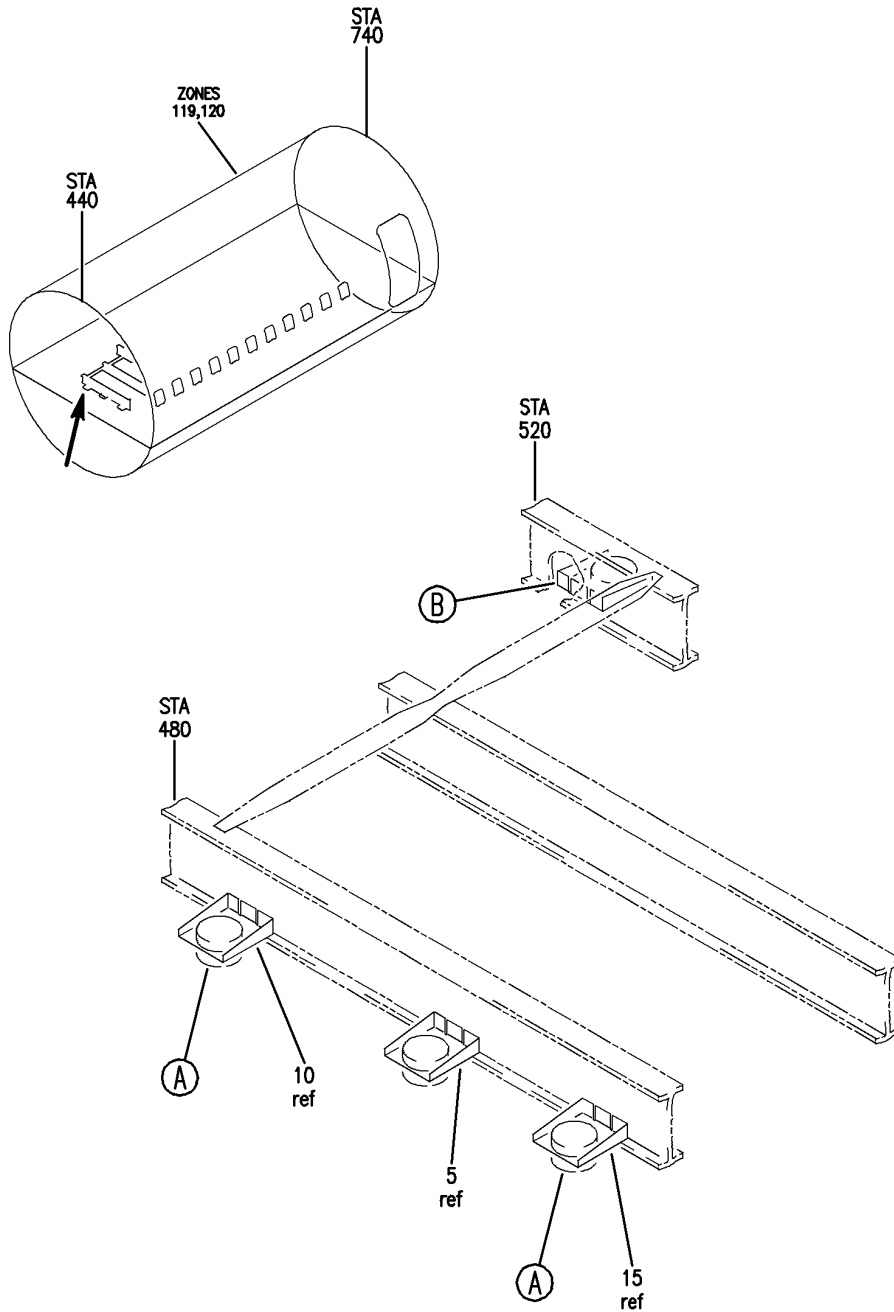
- ITEM NOT ILLUSTRATED

33-31-51-05

33-31-51
FIG. 05
PAGE 7
JAN 20/09

BRI

BOEING
757
PARTS CATALOG (MAINTENANCE)



Y. 33315105A SHT 1 REV 231

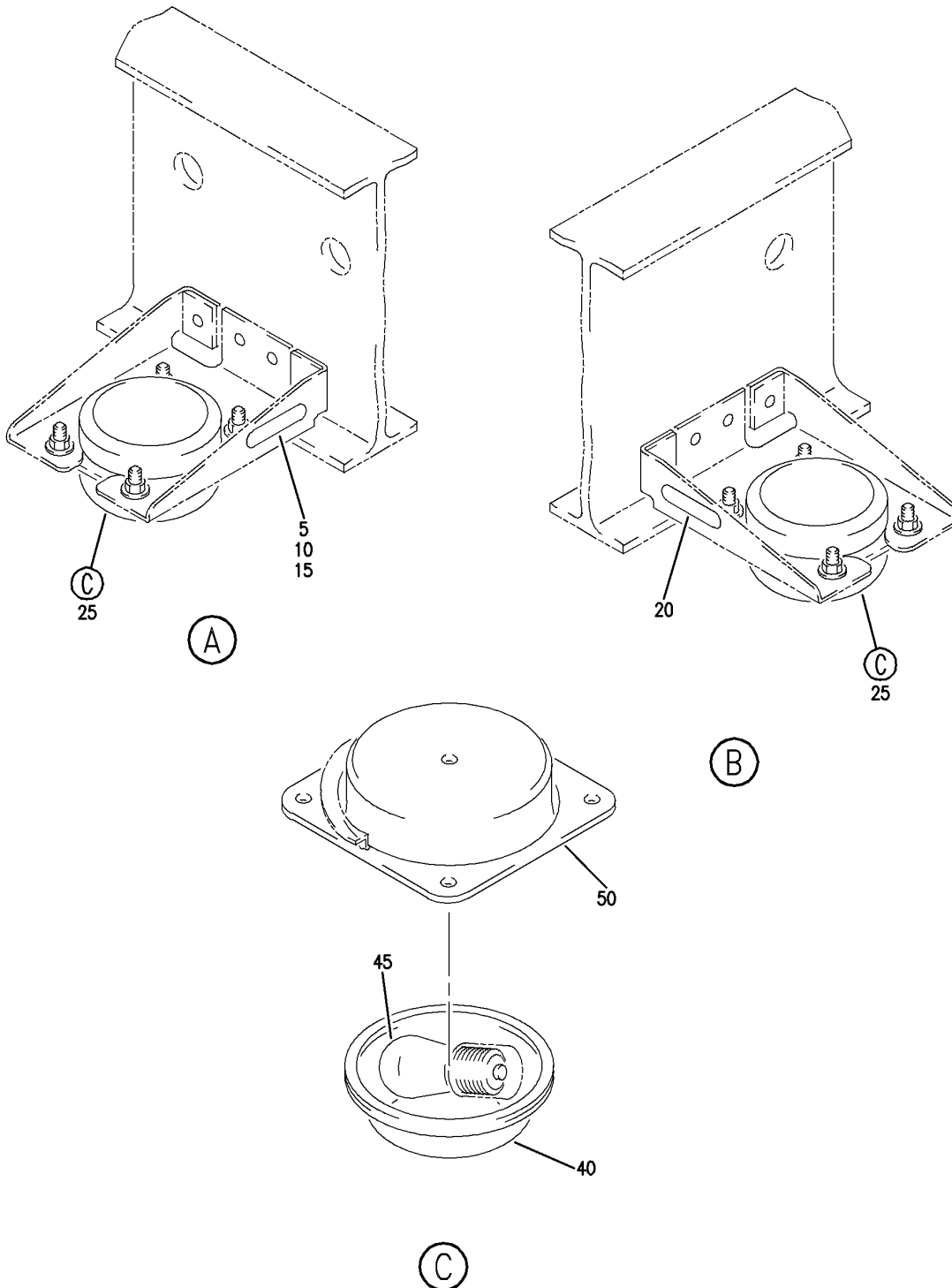
LIGHT INSTL-SECT. 43 SVCE
FIGURE 5A (SHEET 1)

BRI
JAN 20/09

33-31-51-05A

33-31-51-05A
PAGE 0

BOEING
757
PARTS CATALOG (MAINTENANCE)



Y 33315105A SHT 2 REV 231

LIGHT INSTL-SECT. 43 SVCE
FIGURE 5A (SHEET 2)

33-31-51-05A

BRI
JAN 20/09

33-31-51-05A
PAGE 0A



757

PARTS CATALOG (MAINTENANCE)

FIG ITEM	PART NUMBER	1 2 3 4 5 6 7	NOMENCLATURE	EFFECT FROM TO	UNITS PER ASSY
5A			LIGHT INSTL-SECT. 43 SVCE	103106	
- 1	MODREF9921		LIGHT INSTL-SVCE MODULE NUMBER: 284N1355-19 REV A POSITION DATA: SECT. 43	103106	1
5	BAC27NEX0106		.DECAL- PLACARD CONTENT: L00341	103106	1
10	BAC27NEX0107		.DECAL- PLACARD CONTENT: L00342	103106	1
15	BAC27NEX0108		.DECAL- PLACARD CONTENT: L00343	103106	1
20	BAC27NEX0119		.DECAL- PLACARD CONTENT: L00381	103106	1
25	15-0129-7		.LIGHT ASSY- SUPPLIER CODE: V72914 ELECTRICAL EQUIP NUMBER: L00341 L00342 L00343 L00381	103106	4
- 30	NAS602-8P		ATTACHING PARTS .SCREW-	103106	16
- 35	NAS1149DN816J		.WASHER	103106	16
			-----*-----		
40	B9842-4		..COVER ASSY- SUPPLIER CODE: V72914	103106	1
45	1665		..LAMP- SUPPLIER CODE: V71744	103106	1
50	16-0490-3		..HOUSING ASSY- SUPPLIER CODE: V72914	103106	1

MISSING ITEM NUMBERS NOT APPLICABLE

- ITEM NOT ILLUSTRATED

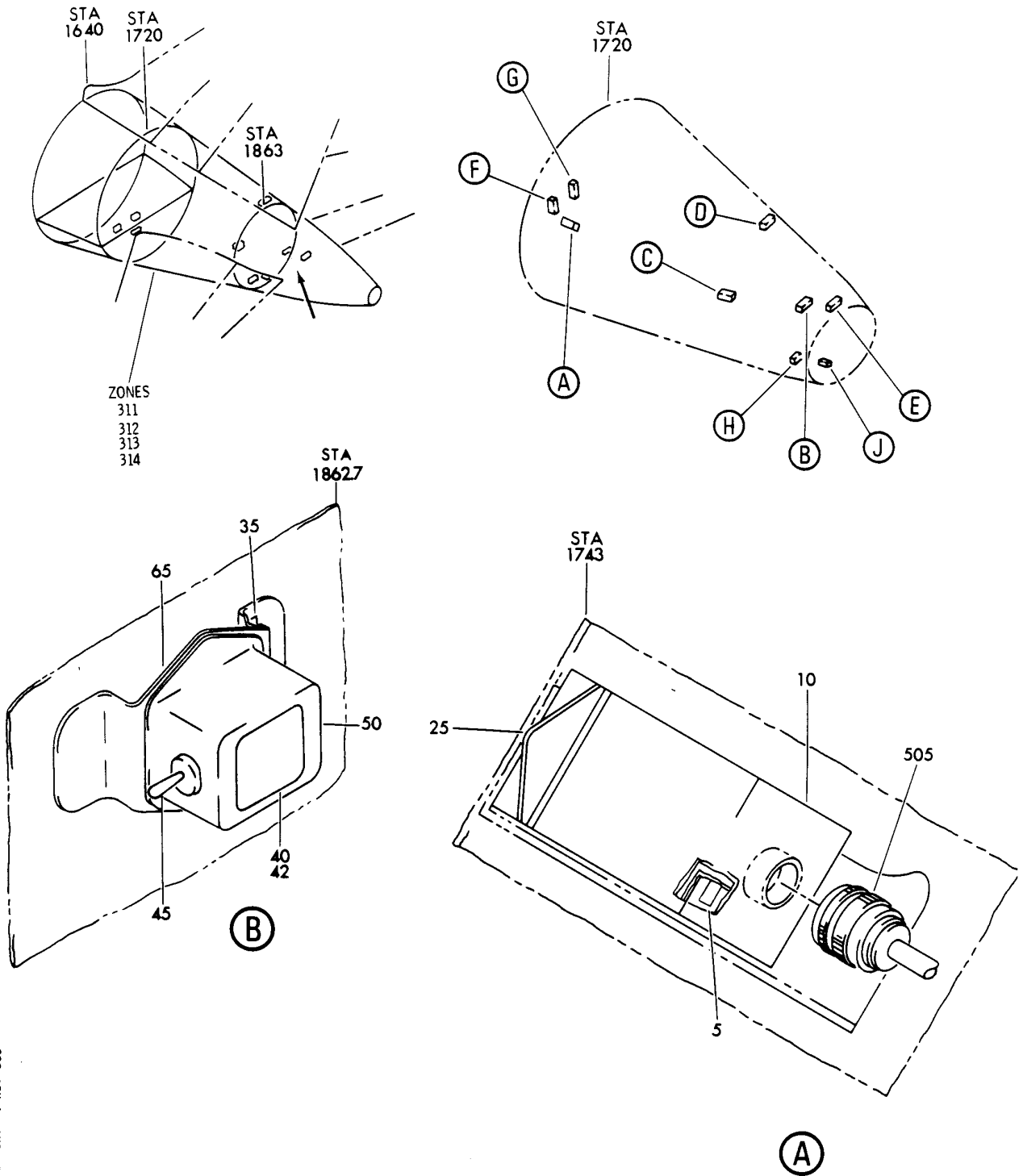
33-31-51-05A

33-31-51
FIG. 05A
PAGE 1
JAN 20/09

BRI

BOEING PROPRIETARY - Copyright © - Unpublished Work - See title page for details.

BOEING
757
PARTS CATALOG (MAINTENANCE)



Y 33315106 SHT 1 REV 083

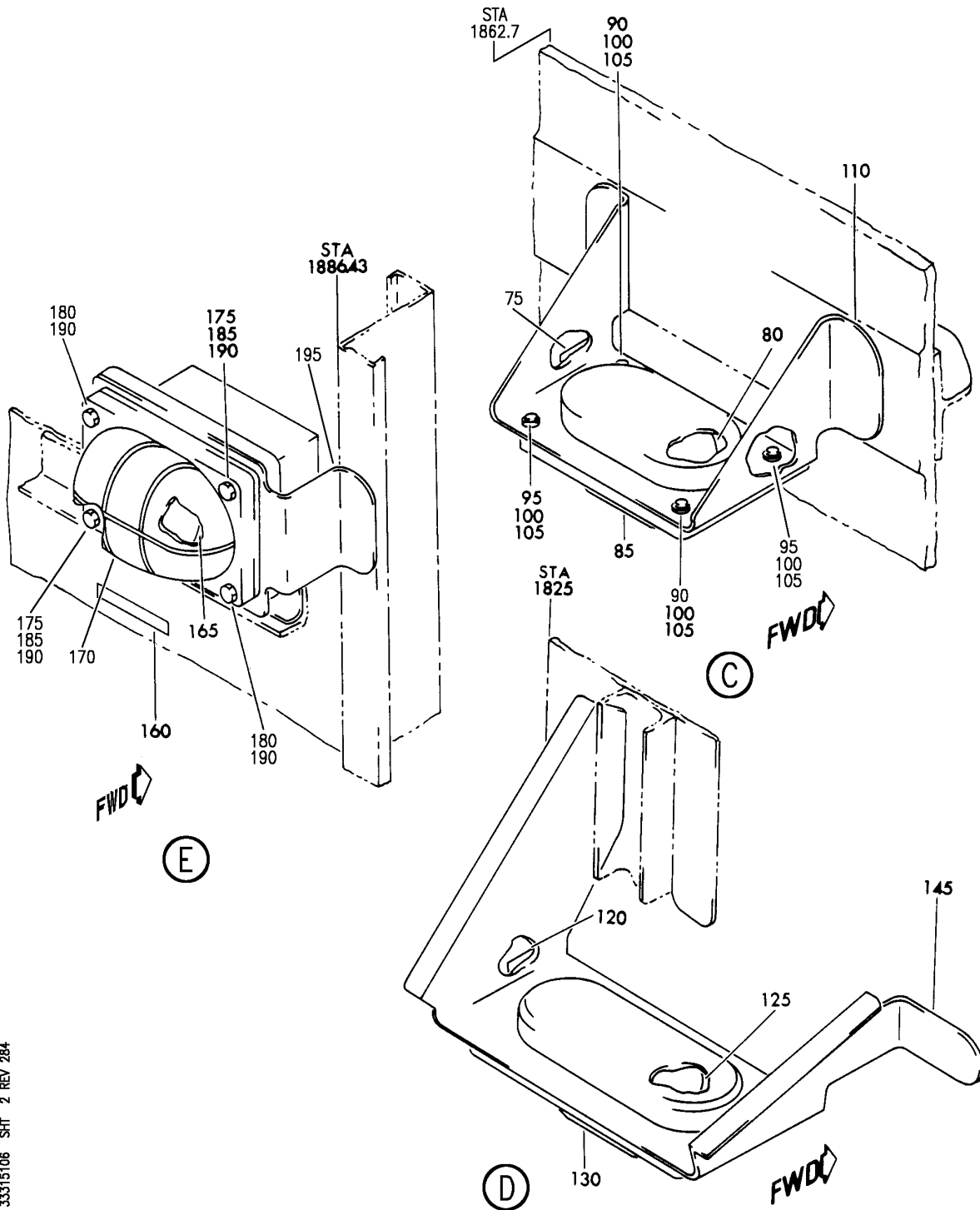
LIGHT, SWITCH AND TRANSFORMER INSTL-SECT. 48 SVCE
FIGURE 6 (SHEET 1)

33-31-51-06

BRI
MAY 28/07

33-31-51-06
PAGE 0

BOEING
757
PARTS CATALOG (MAINTENANCE)



Y 33315106 SHT 2 REV 284

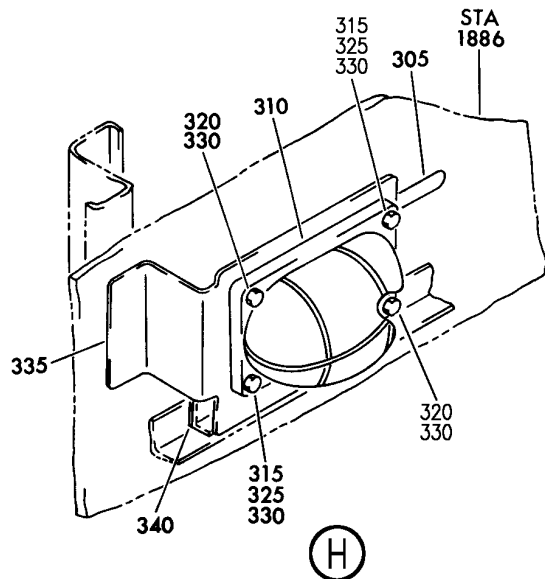
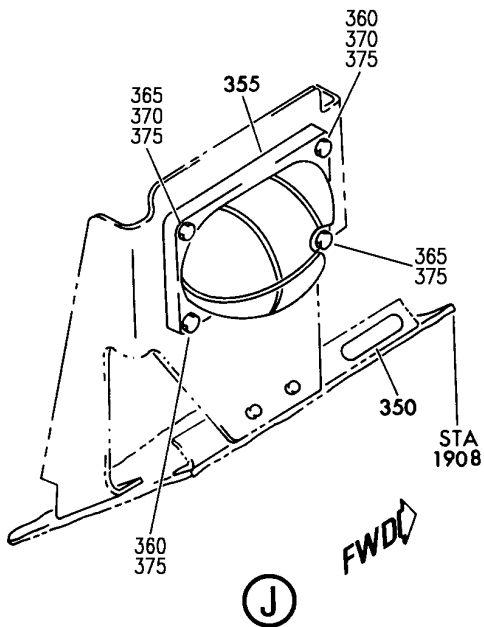
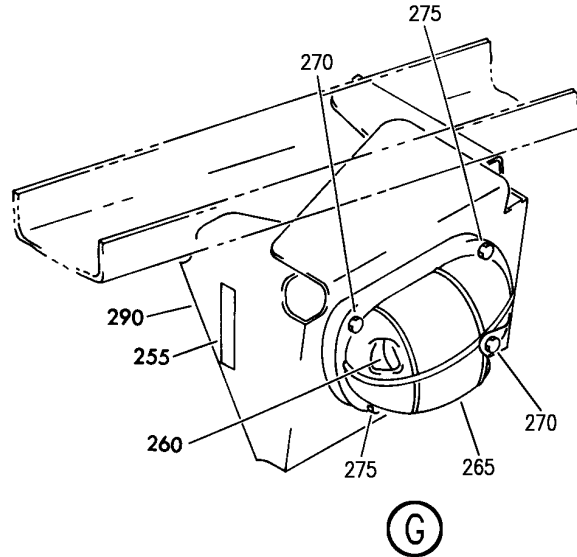
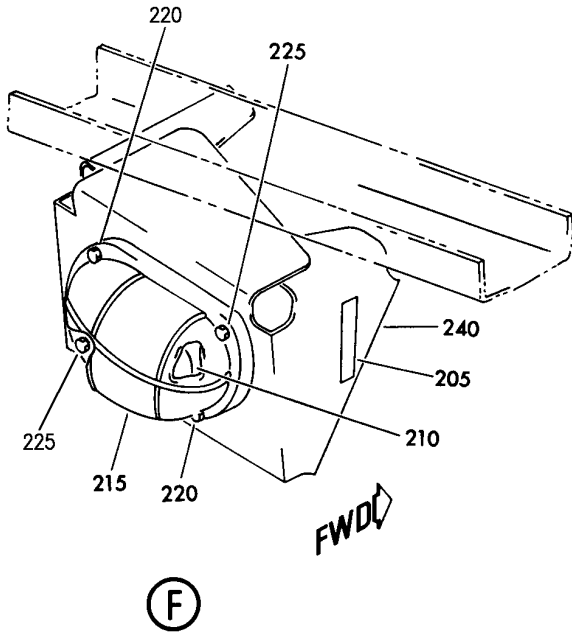
LIGHT, SWITCH AND TRANSFORMER INSTL-SECT. 48 SVCE
FIGURE 6 (SHEET 2)

33-31-51-06

BRI
MAY 28/07

33-31-51-06
PAGE 0A


BOEING
 757
PARTS CATALOG (MAINTENANCE)



Y 33315106 SHT 3 REV 284

LIGHT, SWITCH AND TRANSFORMER INSTL-SECT. 48 SVCE
 FIGURE 6 (SHEET 3)

33-31-51-06

BRI
 MAY 28/07

33-31-51-06
 PAGE 0B



757

PARTS CATALOG (MAINTENANCE)

FIG ITEM	PART NUMBER	1 2 3 4 5 6 7	NOMENCLATURE	EFFECT FROM TO	UNITS PER ASSY
6			LIGHT, SWITCH AND TRANSFORMER INSTL-SECT. 48 SVCE	002004 006999	
- 1	MODREF10603		TRANSFORMER INSTL-SVCE LT MODULE NUMBER: 284N1481-25 REV A POSITION DATA: SECT. 48	103106	1
- 1	284N1481-8		TRANSFORMER INSTL-SVCE LT POSITION DATA: SECT. 48 FOR NHA SEE: 24-00-58-01A	002004 006100 107107 121503 904999	RF
- 1	284N1481-25		TRANSFORMER INSTL-SVCE LT POSITION DATA: SECT. 48 FOR NHA SEE: 24-00-58-05	101102 108120 504903	RF
5	BAC27NEX0129		.DECAL- PLACARD CONTENT: T00149	002004 006999	1
10	FT1008		.TRANSFORMER- SUPPLIER CODE: V14752 SPECIFICATION NUMBER: 60B40026-20 ELECTRICAL EQUIP NUMBER: T00149 OPTIONAL PART: FT1008-14752 V14752 ATTACHING PARTS	002004 006999	1
- 15	NAS1801-3-7		.SCREW	002004 006999	4
- 20	AN960PD3L		.WASHER	002004 006100 107107 121503 904999	4
- 20	NAS1149DN316J		.WASHER	101106 108120 504903	4
25	284N1654-12		-----*----- .BRACKET ASSY-	002004 006999	1

MISSING ITEM NUMBERS NOT APPLICABLE

- ITEM NOT ILLUSTRATED

33-31-51-06

33-31-51
FIG. 06
PAGE 1
JAN 20/09

BRI

BOEING PROPRIETARY - Copyright © - Unpublished Work - See title page for details.



757

PARTS CATALOG (MAINTENANCE)

FIG ITEM	PART NUMBER	1 2 3 4 5 6 7	NOMENCLATURE	EFFECT FROM TO	UNITS PER ASSY
6					
- 30	284N1481-2		SWITCH INSTL-SVCE LT POSITION DATA: SECT. 48 FOR NHA SEE: 24-00-58-01A	002004 006100 107107 121503 904999	RF
- 30	284N1481-24		SWITCH INSTL-SVCE LT POSITION DATA: SECT. 48 FOR NHA SEE: 24-00-58-05	101102 108120 504903	RF
- 30	MODREF10602		SWITCH INSTL-SVCE LT MODULE NUMBER: 284N1481-24 REV A POSITION DATA: SECT. 48	103106	1
35	BAC27NEX0126		.DECAL- PLACARD CONTENT: S00443	002004 006999	1
42	BAC27NEX1804		.MARKER-ALUMINUM FOIL- PLACARD CONTENT: SW TAILCONE COMPT LTS-AFT	002004 006999	1
45	MS25306-232		.SWITCH- ELECTRICAL EQUIP NUMBER: S00443	002004 006999	1
50	66-1502		.BOX	002004 006999	1
			ATTACHING PARTS		
- 55	NAS1801-3-7		.SCREW	002004 006999	2
- 60	AN960PD3L		.WASHER	002004 006100 107107 121503 904999	2
- 60	NAS1149DN316J		.WASHER	101106 108120 504903	2
			-----*-----		
65	284N1654-10		.BRACKET ASSY	002004 006999	1
- 70	MODREF10597		LIGHT INSTL-SVCE MODULE NUMBER: 284N1481-18 REV A POSITION DATA: SECT. 48	103106	1

MISSING ITEM NUMBERS NOT APPLICABLE

- ITEM NOT ILLUSTRATED

33-31-51-06

33-31-51
FIG. 06
PAGE 2
JAN 20/09

BRI



757

PARTS CATALOG (MAINTENANCE)

FIG ITEM	PART NUMBER	1 2 3 4 5 6 7	NOMENCLATURE	EFFECT FROM TO	UNITS PER ASSY
6					
- 70	284N1481-10		LIGHT INSTL-SVCE POSITION DATA: SECT. 48 FOR NHA SEE: 24-00-58-01A	002004 006100 107107 121503 904999	RF
- 70	284N1481-18		LIGHT INSTL-SVCE POSITION DATA: SECT. 48 FOR NHA SEE: 24-00-58-05	101102 108120 504903	RF
75	BAC27NEX0115		.DECAL- PLACARD CONTENT: L00350	002004 006999	1
85	15-0143-17		.LIGHT- SUPPLIER CODE: V72914 ELECTRICAL EQUIP NUMBER: L00350	002004 006999	1
85	15-0143-29		.LIGHT- SUPPLIER CODE: V72914 ELECTRICAL EQUIP NUMBER: L00350	002004 006999	1
90	NAS1801-06-7		ATTACHING PARTS .SCREW	002004 006999	2
95	NAS1801-06-11		.SCREW	002004 006999	2
100	AN960PD6L		.WASHER	002004 006010 107107 121503 904999	4
- 100	NAS1149DN616J		.WASHER	101106 108120 504903	4

MISSING ITEM NUMBERS NOT APPLICABLE

- ITEM NOT ILLUSTRATED

33-31-51-06

33-31-51
FIG. 06
PAGE 3
JAN 20/09

BRI



757

PARTS CATALOG (MAINTENANCE)

FIG ITEM	PART NUMBER	1 2 3 4 5 6 7	NOMENCLATURE	EFFECT FROM TO	UNITS PER ASSY
6 105	BRH10A06	.NUT	SUPPLIER CODE: V52828 SPECIFICATION NUMBER: BACN10JCO6 OPTIONAL PART: H10-06BAC V15653 RMLH9075-62W V72962 VN303A62 V92215 96-62 V80539 NS202101-62 V80539 T6S632J V11815	002004 006010 107107 121503 904999	4
105	BRH10A06	.NUT	SUPPLIER CODE: V52828 SPECIFICATION NUMBER: BACN10JCO6 OPTIONAL PART: H10-06BAC V15653 RMLH9075-62W V72962 VN303A62 V92215 96-62 V80539 NS202101-62 V80539 T6S632J V11815	101106 108120 504903	4
110	284N1654-16	-----*----- .BRACKET-SPRT		002004 006010 107107 121503 904999	1
110	284N1654-33	.BRACKET-SPRT		011106 108120 504903	1

MISSING ITEM NUMBERS NOT APPLICABLE

- ITEM NOT ILLUSTRATED

33-31-51-06

33-31-51
FIG. 06
PAGE 4
JAN 20/09

BRI



757

PARTS CATALOG (MAINTENANCE)

FIG ITEM	PART NUMBER	1 2 3 4 5 6 7	NOMENCLATURE	EFFECT FROM TO	UNITS PER ASSY
6					
- 115	284N1481-19		LIGHT INSTL-SVCE POSITION DATA: SECT. 48 FOR NHA SEE: 24-00-58-05	101102 108120 504903	RF
- 115	284N1481-11		LIGHT INSTL-SVCE POSITION DATA: SECT. 48 FOR NHA SEE: 24-00-58-01A	002004 006100 107107 121503 904999	RF
- 115	MODREF10598		LIGHT INSTL-SVCE MODULE NUMBER: 284N1481-19 REV A POSITION DATA: SECT. 48	103106	1
120	BAC27NEX0118		.DECAL- PLACARD CONTENT: L00380	002004 006999	1
130	15-0143-17		.LIGHT- SUPPLIER CODE: V72914 ELECTRICAL EQUIP NUMBER: L00380	002004 006999	1
130	15-0143-29		.LIGHT- SUPPLIER CODE: V72914 ELECTRICAL EQUIP NUMBER: L00380	002004 006999	1
- 135	NAS1801-06-11		ATTACHING PARTS .SCREW	002004 006999	4
- 140	AN960PD6L		.WASHER	002004 006100 107107 121503 904999	4
- 140	NAS1149DN616J		.WASHER	101106 108120 504903	4
145	284N1654-31		-----*----- .BRACKET ASSY- ATTACHING PARTS	002004 006999	1
- 150	BACR15FT5D		.RIVET- SIZE DETERMINED ON INSTL. -----*-----	002004 006999	2

MISSING ITEM NUMBERS NOT APPLICABLE

- ITEM NOT ILLUSTRATED

33-31-51-06

33-31-51
FIG. 06
PAGE 5
JAN 20/09

BRI

BOEING PROPRIETARY - Copyright © - Unpublished Work - See title page for details.



757

PARTS CATALOG (MAINTENANCE)

FIG ITEM	PART NUMBER	1 2 3 4 5 6 7	NOMENCLATURE	EFFECT FROM TO	UNITS PER ASSY
6					
- 155	284N1481-26		LIGHT INSTL-SVCE POSITION DATA: SECT. 48 FOR NHA SEE: 24-00-58-05	101102 108120 504903	RF
- 155	284N1481-9		LIGHT INSTL-SVCE POSITION DATA: SECT. 48 FOR NHA SEE: 24-00-58-01A	002004 006100 107107 121503 904999	RF
- 155	MODREF10604		LIGHT INSTL-SVCE MODULE NUMBER: 284N1481-26 REV A POSITION DATA: SECT. 48	103106	1
160	BAC27NEX0116		.DECAL- PLACARD CONTENT: L00351	002004 006999	1
170	15-0143-17		.LIGHT- SUPPLIER CODE: V72914	002004 006999	1
170	15-0143-29		.LIGHT- SUPPLIER CODE: V72914	002004 006999	1
175	BACB30NT06K4		ATTACHING PARTS .BOLT	002004 006999	2
180	BACB30NT06K7		.BOLT-	002004 006999	2
185	AN960XC6		.WASHER	002004 006100 107107 121503 904999	2
185	NAS1149CN632B		.WASHER	101106 108120 504903	2

MISSING ITEM NUMBERS NOT APPLICABLE

- ITEM NOT ILLUSTRATED

33-31-51-06

33-31-51
FIG. 06
PAGE 6
JAN 20/09

BRI

BOEING PROPRIETARY - Copyright © - Unpublished Work - See title page for details.



757

PARTS CATALOG (MAINTENANCE)

FIG ITEM	PART NUMBER	1 2 3 4 5 6 7	NOMENCLATURE	EFFECT FROM TO	UNITS PER ASSY
6 190	BRH10C06M		.NUT SUPPLIER CODE: V52828 SPECIFICATION NUMBER: BACN10JCO6CM OPTIONAL PART: T6C632JM V11815 97E62 V80539 109LH9075-62W V72962 VN303D62 V92215 NS202101SE62 V80539 H01-06BAC V15653 -----*-----	002004 006100 107107 121503 904999	4
195	284N1654-27		.BRACKET-SPRT	002004 006999	1
- 200	284N1481-20		LIGHT INSTL-SVCE POSITION DATA: SECT. 48 FOR NHA SEE: 24-00-58-05	101102 108120 504903	RF
- 200	284N1481-12		LIGHT INSTL-SVCE POSITION DATA: SECT. 48 FOR NHA SEE: 24-00-58-01A	002004 006100 107107 121503 904999	RF
- 200	MODREF10599		LIGHT INSTL-SVCE MODULE NUMBER: 284N1481-20 REV A POSITION DATA: SECT. 48	103103	1
- 200	MODREF27754		LIGHT INSTL-SVCE MODULE NUMBER: 284N1481-20 REV B	104106	1
205	BAC27NEX0113		.DECAL- PLACARD CONTENT: L00348	002004 006999	1
215	15-0143-17		.LIGHT- SUPPLIER CODE: V72914 ELECTRICAL EQUIP NUMBER: L00348	002004 006999	1

MISSING ITEM NUMBERS NOT APPLICABLE

- ITEM NOT ILLUSTRATED

33-31-51-06

33-31-51
FIG. 06
PAGE 7
JAN 20/09

BRI



757

PARTS CATALOG (MAINTENANCE)

FIG ITEM	PART NUMBER	1 2 3 4 5 6 7	NOMENCLATURE	EFFECT FROM TO	UNITS PER ASSY
6 215	15-0143-29		.LIGHT- SUPPLIER CODE: V72914 ELECTRICAL EQUIP NUMBER: L00348 ATTACHING PARTS	002004 006999	1
220	NAS1801-06-11		.SCREW	002004 006999	2
225	NAS1801-06-7		.SCREW	002004 006100 107107 121503 904999	2
225	NAS1801-06-17		.SCREW	101106 108120 504903	2
240	284N1654-21		-----*----- .BRACKET-SPRT ATTACHING PARTS	002004 006999	1
- 245	BACR15FT5D		.RIVET- SIZE DETERMINED ON INSTL.	002004 006999	4
- 250	284N1481-21		-----*----- LIGHT INSTL-SVCE POSITION DATA: SECT. 48 FOR NHA SEE: 24-00-58-05	101102 108120 504903	RF
- 250	284N1481-13		LIGHT INSTL-SVCE POSITION DATA: SECT. 48 FOR NHA SEE: 24-00-58-01A	002004 006100 107107 121503 904999	RF
- 250	MODREF10600		LIGHT INSTL-SVCE MODULE NUMBER: 284N1481-21 REV A POSITION DATA: SECT. 48	103103	1
- 250	MODREF27755		LIGHT INSTL-SVCE MODULE NUMBER: 284N1481-21 REV B	104106	1
255	BAC27NEX0114		.DECAL- PLACARD CONTENT: L00349	002004 006999	1
265	15-0143-17		.LIGHT- SUPPLIER CODE: V72914 ELECTRICAL EQUIP NUMBER: L00349	002004 006999	1

MISSING ITEM NUMBERS NOT APPLICABLE

- ITEM NOT ILLUSTRATED

33-31-51-06

33-31-51
FIG. 06
PAGE 8
JAN 20/09

BRI



757

PARTS CATALOG (MAINTENANCE)

FIG ITEM	PART NUMBER	1 2 3 4 5 6 7	NOMENCLATURE	EFFECT FROM TO	UNITS PER ASSY
6 265	15-0143-29		.LIGHT- SUPPLIER CODE: V72914 ELECTRICAL EQUIP NUMBER: L00349 ATTACHING PARTS	002004 006999	1
270	NAS1801-06-11		.SCREW	002004 006999	2
275	NAS1801-06-7		.SCREW	002004 006100 107107 121503 904999	2
275	NAS1801-06-17		.SCREW	101106 108120 504903	2
290	284N1654-22		-----*----- .BRACKET-SPRT ATTACHING PARTS	002004 006999	1
- 295	BACR15FT5D		.RIVET- SIZE DETERMINED ON INSTL. -----*-----	002004 006999	4
- 300	284N1481-14		LIGHT INSTL-SVCE POSITION DATA: SECT. 48 FOR NHA SEE: 24-00-58-01A	002004 006100 107107 121503 904999	RF
- 300	284N1481-22		LIGHT INSTL-SVCE POSITION DATA: SECT. 48 FOR NHA SEE: 24-00-58-05	101102 108120 504903	RF
- 300	MODREF10601		LIGHT INSTL-SVCE MODULE NUMBER: 284N1481-22 REV A POSITION DATA: SECT. 48	103106	1
305	BAC27NEX1684		.DECAL- PLACARD CONTENT: L00540	002004 006999	1
310	15-0143-29		.LIGHT- SUPPLIER CODE: V72914	002004 006999	1
310	15-0143-17		.LIGHT- SUPPLIER CODE: V72914	002004 006999	1

MISSING ITEM NUMBERS NOT APPLICABLE

- ITEM NOT ILLUSTRATED

33-31-51-06

33-31-51
FIG. 06
PAGE 9
JAN 20/09

BRI

 **BOEING**
757
PARTS CATALOG (MAINTENANCE)

FIG ITEM	PART NUMBER	1 2 3 4 5 6 7	NOMENCLATURE	EFFECT FROM TO	UNITS PER ASSY
6			ATTACHING PARTS		
315	BACB30NT06K4		.BOLT	002004 006999	2
320	BACB30NT06K7		.BOLT	002004 006999	2
325	AN960XC6		.WASHER	002004 006100 107107 121503 904999	2
325	NAS1149CN632B		.WASHER	101106 108120 504903	2
			-----*-----		
335	284N1654-28		.BRACKET-SPRT	002004 006999	1
340	284N1859-6		.SPACER	002004 006999	1
- 345	284N1481-15		LIGHT INSTL-SVCE POSITION DATA: SECT. 48 FOR NHA SEE: 24-00-58-01A	002004 006100 107107 121503 904999	RF
- 345	284N1481-27		LIGHT INSTL-SVCE POSITION DATA: SECT. 48 FOR NHA SEE: 24-00-58-05	101102 108120 504903	RF
- 345	MODREF10605		LIGHT INSTL-SVCE MODULE NUMBER: 284N1481-27 REV A POSITION DATA: SECT. 48	103106	1
350	BAC27NEX1673		.DECAL- PLACARD CONTENT: L00541	002004 006999	1
355	15-0143-29		.LIGHT- SUPPLIER CODE: V72914	002004 006999	1
355	15-0143-17		.LIGHT- SUPPLIER CODE: V72914	002004 006999	1
360	BACB30NT06K4		ATTACHING PARTS .BOLT	002004 006999	2
365	BACB30NT06K7		.BOLT	002004 006999	2

MISSING ITEM NUMBERS NOT APPLICABLE

- ITEM NOT ILLUSTRATED

BRI

33-31-51-06

33-31-51
FIG. 06
PAGE 10
JAN 20/09



757

PARTS CATALOG (MAINTENANCE)

FIG ITEM	PART NUMBER	1 2 3 4 5 6 7	NOMENCLATURE	EFFECT FROM TO	UNITS PER ASSY
6					
370	AN960XC6	.	WASHER	002004 006100 107107 121503 904999	2
375	BRH10C06M	.	NUT	002004 006100 107107 121503 904999	4
			SUPPLIER CODE: V52828		
			SPECIFICATION NUMBER: BACN10JCO6CM		
			OPTIONAL PART: T6C632JM V11815 97E62 V80539 109LH9075-62W V72962 VN303D62 V92215 NS202101SE62 V80539 H01-06BAC V15653		
			-----*-----		
- 500	286N2818-701		WIRE BUNDLE ASSY	103106	RF
- 500	286N2818-002		WIRE BUNDLE ASSY	107107 121503 904949	RF
- 500	286N2818-004		WIRE BUNDLE ASSY	002004 006100 950999	RF
- 500	286N2818-301		WIRE BUNDLE ASSY-	108120	RF
- 500	286N2818-303		WIRE BUNDLE ASSY-	101102	RF
- 500	286N2818-306		WIRE BUNDLE ASSY	504903	RF
505	BACC45FT14D7S	.	CONNECTOR-	002004 006999	1
			ELECTRICAL EQUIP NUMBER: D02258		
			WIRING DIAGRAM REF: 333131		

MISSING ITEM NUMBERS NOT APPLICABLE

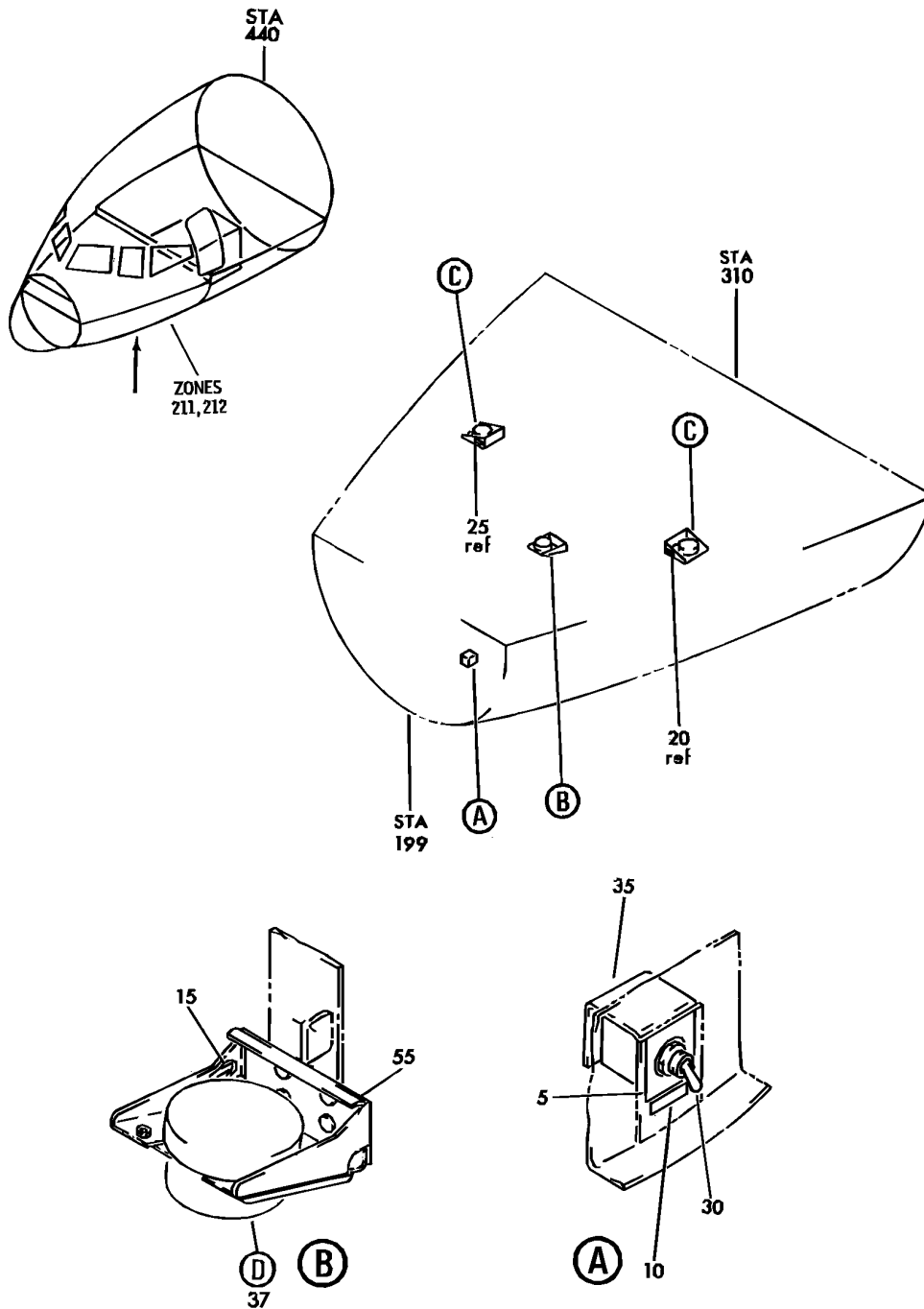
- ITEM NOT ILLUSTRATED

33-31-51-06

33-31-51
FIG. 06
PAGE 11
JAN 20/09

BRI

BOEING
757
PARTS CATALOG (MAINTENANCE)



Y 33315110 SHT 1 REV 240

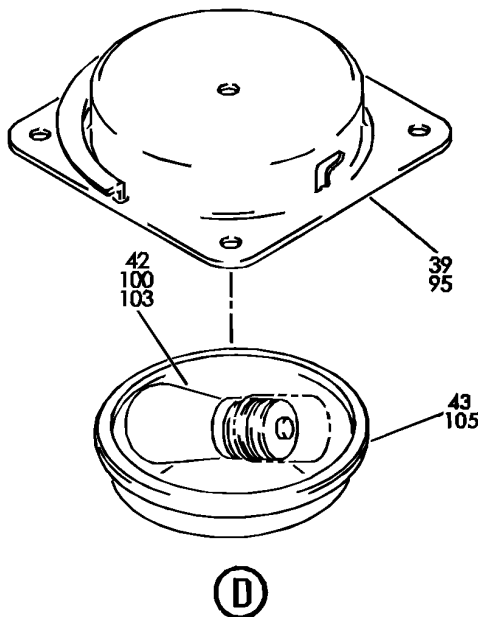
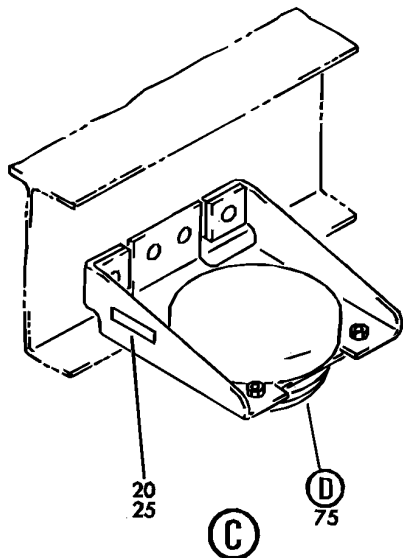
LIGHT INSTL-SECT. 41 SVCE (LIGHTS ONLY)
FIGURE 10 (SHEET 1)

33-31-51-10

BRI
MAY 28/07

33-31-51-10
PAGE 0

BOEING
757
PARTS CATALOG (MAINTENANCE)



Y 33315110 SHT 2 REV 240

LIGHT INSTL-SECT. 41 SVCE (LIGHTS ONLY)
FIGURE 10 (SHEET 2)

33-31-51-10

BRI
MAY 28/07

33-31-51-10
PAGE 0A



757

PARTS CATALOG (MAINTENANCE)

FIG ITEM	PART NUMBER	1 2 3 4 5 6 7	NOMENCLATURE	EFFECT FROM TO	UNITS PER ASSY
10			LIGHT INSTL-SECT. 41 SVCE (LIGHTS ONLY)	002004 006999	
- 1	284N1401-1		LIGHT INSTL-SVCE (LIGHTS ONLY) POSITION DATA: SECT. 41 FOR NHA/OTHER SYS DET SEE: 24-00-58-01A	107107 904949 952952	RF
- 1	284N1401-2		LIGHT INSTL-SVCE (LIGHTS ONLY) POSITION DATA: SECT. 41 FOR NHA/OTHER SYS DET SEE: 24-00-58-01A	002004 006017 121503 950951 953999	RF
- 1	284N1401-3		LIGHT INSTL-SVCE (LIGHTS ONLY) POSITION DATA: SECT. 41 FOR NHA/OTHER SYS DET SEE: 24-00-58-01A 24-00-58-05	018102 108120 504903	RF
- 1	MODREF10115		LIGHT INSTL-SVCE (LIGHTS ONLY) MODULE NUMBER: 284N1401-3 REV A POSITION DATA: SECT. 41	103106	1
10	BAC27NEX0401		.MARKER-ALUMINUM FOIL- PLACARD CONTENT: S00357	002004 006999	1
15	BAC27NEX0122		.MARKER-ALUMINUM FOIL- PLACARD CONTENT: L00384	002004 006999	1
20	BAC27NEX0100		.MARKER-ALUMINUM FOIL PLACARD CONTENT: L00335	002004 006999	1
25	BAC27NEX0101		.MARKER-ALUMINUM FOIL- PLACARD CONTENT: L00336	002004 006999	1
30	MS25306-222		.SWITCH- ELECTRICAL EQUIP NUMBER: S00357	002004 006999	1
35	284N1809-1		.BRACKET-SPRT	002004 006999	1
37	15-0129-5		.LIGHT ASSY- SUPPLIER CODE: V72914 ELECTRICAL EQUIP NUMBER: L00384	002004 006999	1

MISSING ITEM NUMBERS NOT APPLICABLE

- ITEM NOT ILLUSTRATED

33-31-51-10

33-31-51
FIG. 10
PAGE 1
JAN 20/09

BRI



757

PARTS CATALOG (MAINTENANCE)

FIG ITEM	PART NUMBER	1 2 3 4 5 6 7	NOMENCLATURE	EFFECT FROM TO	UNITS PER ASSY
10					
37	15-0129-7		.LIGHT ASSY- SUPPLIER CODE: V72914 ELECTRICAL EQUIP NUMBER: L00384	002004 006999	1
39	B9842-4		..COVER ASSY- SUPPLIER CODE: V72914	002004 006999	1
- 40	2233		..BULB- SUPPLIER CODE: V08805 USED ON: 15-0129-7	002004 006999	1
42	1665		..LAMP- SUPPLIER CODE: V71744 USED ON: 15-0129-5	002004 006102 107999	1
43	16-0490-3		..HOUSING ASSY- SUPPLIER CODE: V72914 USED ON: 15-0129-5	002004 006999	1
43	16-0490-9		..HOUSING ASSY- SUPPLIER CODE: V72914 USED ON: 15-0129-7	002004 006999	1
- 45	NAS1801-06-5		ATTACHING PARTS .SCREW	002004 006999	4
- 50	NAS1149DN632J		.WASHER-	018106 108120 504903	4
- 50	AN960PD6		.WASHER-	002004 006017 107107 121503 904999	4
55	284N1808-5		-----*----- .BRACKET ASSY-SPRT	107107 904949 952952	1
55	284N1808-7		.BRACKET ASSY-SPRT	002004 006017 107107 121503 904999	1

MISSING ITEM NUMBERS NOT APPLICABLE

- ITEM NOT ILLUSTRATED

33-31-51-10

33-31-51
FIG. 10
PAGE 2
JAN 20/09

BRI

BOEING PROPRIETARY - Copyright © - Unpublished Work - See title page for details.



757

PARTS CATALOG (MAINTENANCE)

FIG ITEM	PART NUMBER	1 2 3 4 5 6 7	NOMENCLATURE	EFFECT FROM TO	UNITS PER ASSY
10					
55	284N1808-10		.BRACKET ASSY-SPRT	018106 108120 504903	1
- 60	NAS1801-08-6		ATTACHING PARTS .SCREW	002004 006999	4
- 65	AN960PD8L		.WASHER	002004 006999	4
			-----*-----		
75	15-0129-5		.LIGHT ASSY- SUPPLIER CODE: V72914 ELECTRICAL EQUIP NUMBER: L00335 L00336	002004 006999	2
75	15-0129-7		.LIGHT ASSY- SUPPLIER CODE: V72914 ELECTRICAL EQUIP NUMBER: L00335 L00336	002004 006999	2
- 80	NAS1801-06-6		ATTACHING PARTS .SCREW	002004 006999	8
- 85	AN960PD06L		.WASHER	002004 006999	8
- 90	BRH10A06		.NUT SUPPLIER CODE: V52828 SPECIFICATION NUMBER: BACN10JCO6 OPTIONAL PART: H10-06BAC V15653 RMLH9075-62W V72962 VN303A62 V92215 96-62 V80539 NS202101-62 V80539 T6S632J V11815	002004 006999	8
			-----*-----		
95	B9842-4		.COVER ASSY- SUPPLIER CODE: V72914	002004 006999	1

MISSING ITEM NUMBERS NOT APPLICABLE

- ITEM NOT ILLUSTRATED

33-31-51-10

33-31-51
FIG. 10
PAGE 3
JAN 20/09

BRI

BOEING PROPRIETARY - Copyright © - Unpublished Work - See title page for details.



757

PARTS CATALOG (MAINTENANCE)

FIG ITEM	PART NUMBER	1 2 3 4 5 6 7	NOMENCLATURE	EFFECT FROM TO	UNITS PER ASSY
10 100	1665		..LAMP- SUPPLIER CODE: V71744 USED ON: 15-0129-5	002004 006102 107999	1
- 103	2233		..BULB- SUPPLIER CODE: V08805 USED ON: 15-0129-7	002004 006999	1
105	16-0490-3		..HOUSING ASSY- SUPPLIER CODE: V72914 USED ON: 15-0129-5	002004 006999	1
105	16-0490-9		..HOUSING ASSY- SUPPLIER CODE: V72914 USED ON: 15-0129-7	002004 006999	1

MISSING ITEM NUMBERS NOT APPLICABLE

- ITEM NOT ILLUSTRATED

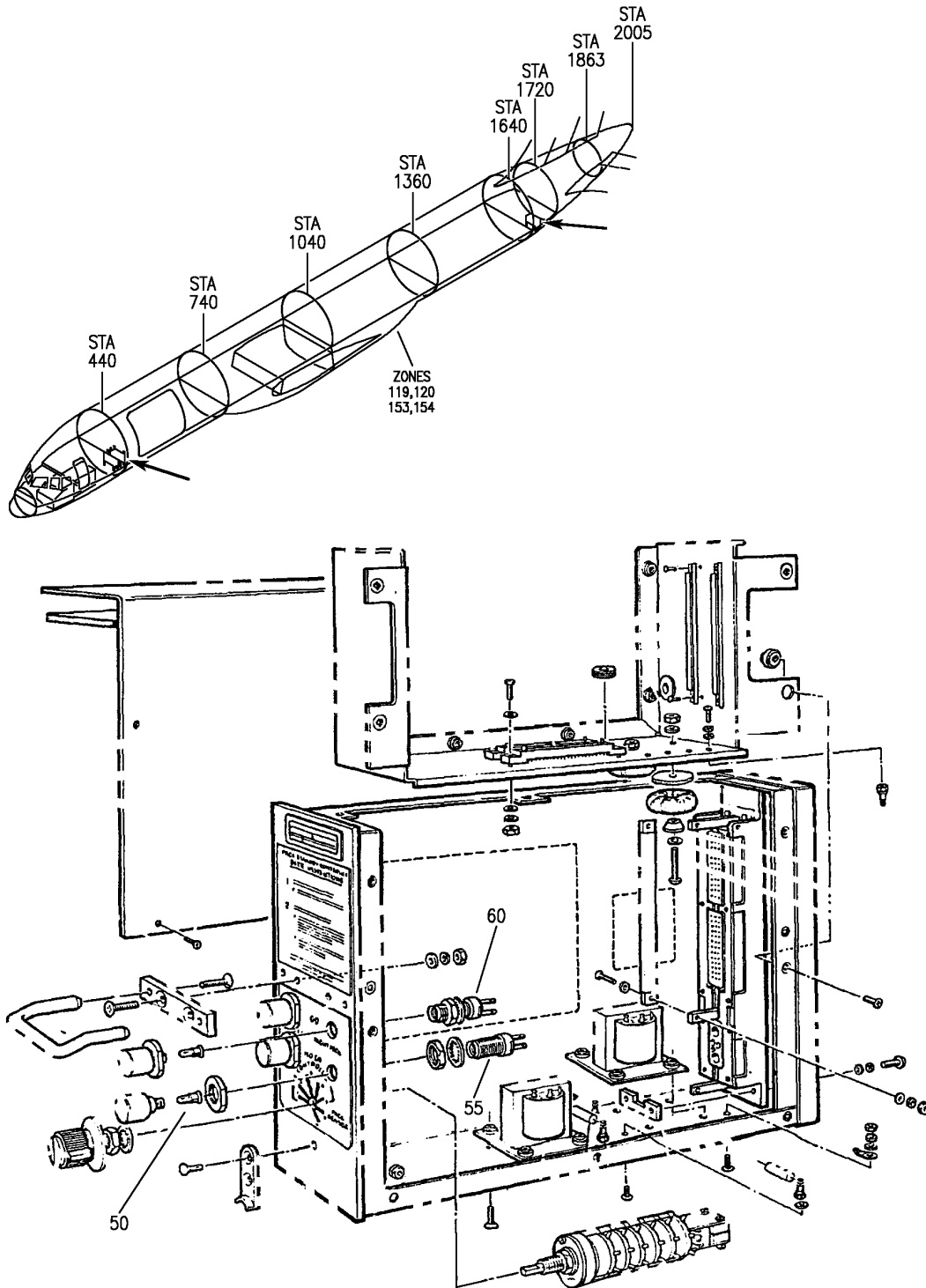
BRI

33-31-51-10

BOEING PROPRIETARY - Copyright © - Unpublished Work - See title page for details.

33-31-51
FIG. 10
PAGE 4
JAN 20/09

BOEING
757
PARTS CATALOG (MAINTENANCE)



Y 33315150 REV 262

CONTROLLER ASSY-PACK STBY TEMP (LIGHTS ONLY)
FIGURE 50

33-31-51-50

BRI
MAY 28/07

33-31-51-50
PAGE 0



757

PARTS CATALOG (MAINTENANCE)

FIG ITEM	PART NUMBER	1 2 3 4 5 6 7	NOMENCLATURE	EFFECT FROM TO	UNITS PER ASSY
50			CONTROLLER ASSY-PACK STBY TEMP (LIGHTS ONLY)	002004 006999	
- 1	624284-1		CONTROLLER ASSY-PACK STBY SUPPLIER CODE: V07217 SPECIFICATION NUMBER: S210T130-28 ELECTRICAL EQUIP NUMBER: M10389 COMPONENT MAINT MANUAL REF: 21-51-04 FOR NHA/OTHER SYS DET SEE: 21-51-14-01 21-51-14-01B 21-51-14-08	002004 006999	RF
50	387		.BULB-INCANDESCENT SUPPLIER CODE: V08806 MISCELLANEOUS DATA: SUPPLIER CONTROL DWG 462-901-9002	002004 006999	4
55	81310301471-506		.LAMPHOLDER-RED SUPPLIER CODE: V72619 MISCELLANEOUS DATA: SUPPLIER CONTROL DWG 482-902-9002 OPTIONAL PART: 03-91080-6P5TL V87034	002004 006999	2
55	03-91080-6P5TL		.LAMPHOLDER-RED SUPPLIER CODE: V87034 MISCELLANEOUS DATA: SUPPLIER CONTROL DWG 482-902-9002 OPTIONAL PART: 81310301471-506 V72619	002004 006999	2
60	81310301472-506		.LAMPHOLDER-GREEN SUPPLIER CODE: V72619 MISCELLANEOUS DATA: SUPPLIER CONTROL DWG 482-902-9003 OPTIONAL PART: 03-91080-7P5TL V87034	002004 006999	2

MISSING ITEM NUMBERS NOT APPLICABLE

- ITEM NOT ILLUSTRATED

33-31-51-50

33-31-51
FIG. 50
PAGE 1
JAN 20/09

BRI



757
PARTS CATALOG (MAINTENANCE)

FIG ITEM	PART NUMBER	1 2 3 4 5 6 7	NOMENCLATURE	EFFECT FROM TO	UNITS PER ASSY
50 60	03-91080-7P5TL	.	LAMPHOLDER-GREEN SUPPLIER CODE: V87034 MISCELLANEOUS DATA: SUPPLIER CONTROL DWG 482-902-9003 OPTIONAL PART: 81310301472-506 V72619	002004 006999	2

MISSING ITEM NUMBERS NOT APPLICABLE

- ITEM NOT ILLUSTRATED

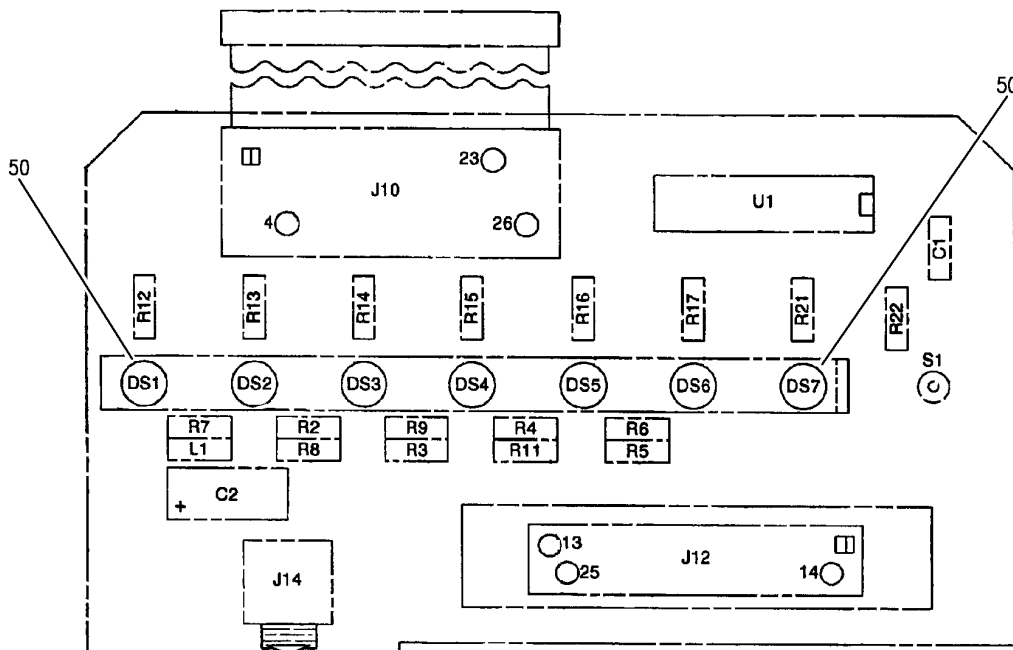
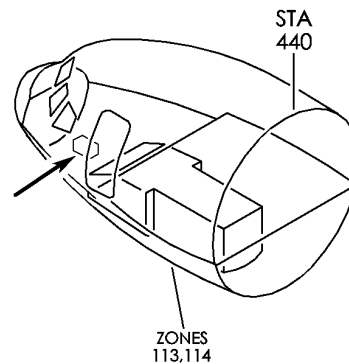
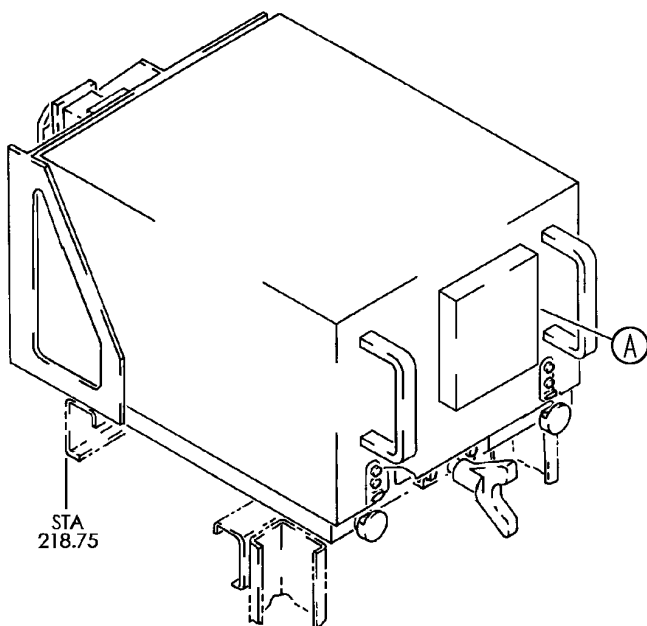
BRI

33-31-51-50

BOEING PROPRIETARY - Copyright © - Unpublished Work - See title page for details.

33-31-51
FIG. 50
PAGE 2
SEP 20/08

BOEING
757
PARTS CATALOG (MAINTENANCE)



(A)

Y 33315151 REV 276

MODULE ASSY ATE
FIGURE 51

33-31-51-51

BRI
MAY 28/07

33-31-51-51
PAGE 0



757

PARTS CATALOG (MAINTENANCE)

FIG ITEM	PART NUMBER	1 2 3 4 5 6 7	NOMENCLATURE	EFFECT FROM TO	UNITS PER ASSY
51			MODULE ASSY ATE	002004 006102 107107 121503 904951 953999	
- 1	2039433-0501		MODULE ASSY-ATE SUPPLIER CODE: V97896 FOR NHA SEE: 34-43-01-01 34-43-01-02	002004 006102 107107 121503 904951 953999	RF
50	12068-003		.LAMP- SUPPLIER CODE: V97896	002004 006102 107107 121503 904951 953999	7

MISSING ITEM NUMBERS NOT APPLICABLE

- ITEM NOT ILLUSTRATED

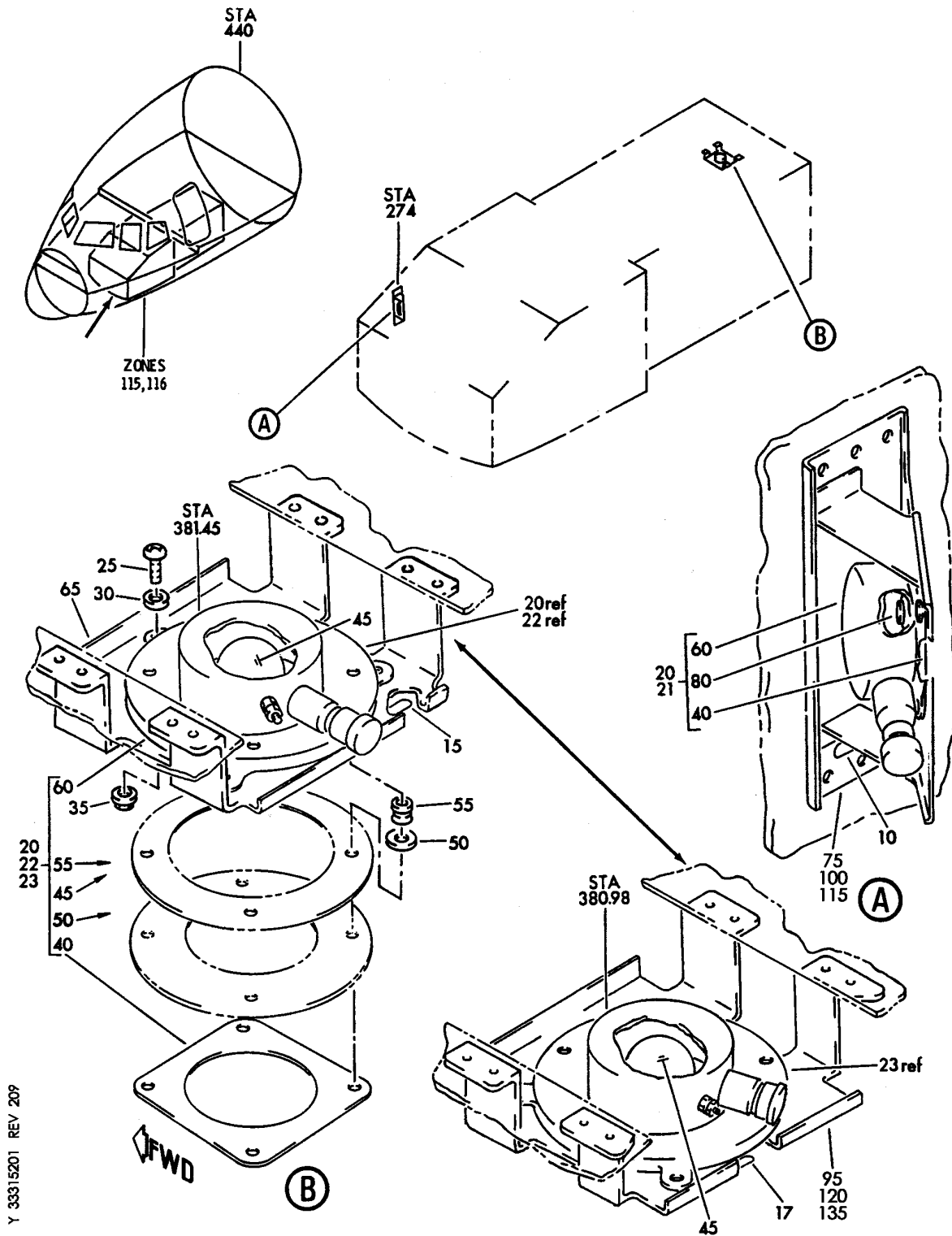
BRI

33-31-51-51

BOEING PROPRIETARY - Copyright © - Unpublished Work - See title page for details.

33-31-51
FIG. 51
PAGE 1
JAN 20/09

BOEING
757
PARTS CATALOG (MAINTENANCE)



Y 33315201 REV 209

LIGHT INSTL-NOSE WHL WELL SVCE
FIGURE 1

33-31-52-01

BRI
MAY 28/07

33-31-52-01
PAGE 0



757

PARTS CATALOG (MAINTENANCE)

FIG ITEM	PART NUMBER	1 2 3 4 5 6 7	NOMENCLATURE	EFFECT FROM TO	UNITS PER ASSY
1			LIGHT INSTL-NOSE WHL WELL SVCE	002004 006999	
- 3	284N1419-3		LIGHT INSTL-NOSE WHL WELL SVCE POSITION DATA: STA 380.98 FOR NHA SEE: 24-00-58-01A	107107	RF
- 3	284N1419-5		LIGHT INSTL-NOSE WHL WELL SVCE POSITION DATA: STA 380.98 FOR NHA SEE: 24-00-58-01A	002004 006102 108999	RF
- 3	MODREF10329		LIGHT INSTL-NOSE WHL WELL SVCE MODULE NUMBER: 284N1419-5 REV A POSITION DATA: STA 380.98 24-00-58-05	103106	1
- 5	284N1419-2		LIGHT INSTL-NOSE WHL WELL SVCE POSITION DATA: STA 274 FOR NHA SEE: 24-00-58-01A	107107	RF
- 5	284N1419-4		LIGHT INSTL-NOSE WHL WELL SVCE POSITION DATA: STA 274 FOR NHA SEE: 24-00-58-01A 24-00-58-05	002004 006102 108999	RF
- 5	MODREF10328		LIGHT INSTL-NOSE WHL WELL SVCE MODULE NUMBER: 284N1419-4 REV A POSITION DATA: STA 274	103106	1
10	BAC27NEX0099		.DECAL- PLACARD CONTENT: L00078 USED ON: 284N1419-2 284N1419-4 MODREF10328	002004 006999	1

MISSING ITEM NUMBERS NOT APPLICABLE

- ITEM NOT ILLUSTRATED

33-31-52-01

33-31-52
FIG. 01
PAGE 1
JAN 20/09

BRI



757

PARTS CATALOG (MAINTENANCE)

FIG ITEM	PART NUMBER	1 2 3 4 5 6 7	NOMENCLATURE	EFFECT FROM TO	UNITS PER ASSY
1					
17	BAC27NEX0092		.DECAL- PLACARD CONTENT: L00071 USED ON: 284N1419-3 284N1419-5 MODREF10329	002004 006999	1
21	10-0015-17		.LIGHT ASSY-DOME SUPPLIER CODE: V72914 ELECTRICAL EQUIP NUMBER: L00078 USED ON: 284N1419-2 284N1419-4 MODREF10328	002004 006999	1
23	10-0015-17		.LIGHT ASSY-DOME SUPPLIER CODE: V72914 ELECTRICAL EQUIP NUMBER: L00071 USED ON: 284N1419-3 284N1419-5 MODREF10329	002004 006999	1
25	NAS1801-08-6		ATTACHING PARTS .SCREW	002004 006999	3
30	NAS1149DN816J		.WASHER-	002004 006999	3
35	BRH10A08		.NUT SUPPLIER CODE: V52828 SPECIFICATION NUMBER: BACN10JCO8 OPTIONAL PART: H10-08BAC V15653 NS202101-82 V80539 RMLH9075-82W V72962 VN303A82 V92215 96-82 V80539 T6S832J V11815 -----*-----	002004 006999	3

MISSING ITEM NUMBERS NOT APPLICABLE

- ITEM NOT ILLUSTRATED

33-31-52-01

33-31-52
FIG. 01
PAGE 2
JAN 20/09

BRI



757

PARTS CATALOG (MAINTENANCE)

FIG ITEM	PART NUMBER	1 2 3 4 5 6 7	NOMENCLATURE	EFFECT FROM TO	UNITS PER ASSY
1					
40	11-0111-3		..COVER ASSY- SUPPLIER CODE: V72914	002004 006999	1
45	MS25235-3011		..LAMP	002004 006999	1
50	MS15795-802		..WASHER	002004 006999	2
55	60-0758-1		..BUSHING- SUPPLIER CODE: V72914	002004 006999	2
60	11-0110-1		..HOUSING ASSY- SUPPLIER CODE: V72914	002004 006999	1
- 70	MS21042L08		.NUT	002004 006102 107999	3
75	284N1807-2		.BRACKET- QUALIFIED OPTIONAL DATA: 284N1807-2 IN COMBINATION WITH(3) MS21042L08 NUTS OPTIONAL TO 284N1807-9	002004 006102 107999	1
75	284N1807-9		.BRACKET- QUALIFIED OPTIONAL DATA: 284N1807-2 IN COMBINATION WITH (3) MS21042L08 NUTS OPTIONAL TO 284N1807-9	002004 006102 107999	1
80	T8077S832		..NUTPLATE SUPPLIER CODE: V11815 SPECIFICATION NUMBER: BACN10JP08B OPTIONAL PART: MK2000-08BAC V15653 NS103198-82 V80539 RMA9207M82 V72962 VN201A1-82 V92215 BRM100A08 V52828 ATTACHING PARTS	002004 006102 107999	3
- 85	BACR15BA3AD		..RIVET -----*-----	002004 006102 107999	2

MISSING ITEM NUMBERS NOT APPLICABLE

- ITEM NOT ILLUSTRATED

33-31-52-01

33-31-52
FIG. 01
PAGE 3
JAN 20/09

BRI



757

PARTS CATALOG (MAINTENANCE)

FIG ITEM	PART NUMBER	1 2 3 4 5 6 7	NOMENCLATURE	EFFECT FROM TO	UNITS PER ASSY
1					
- 90	MS21042L08	.	NUT	002004 006102 107999	3
95	284N1807-7	.BRACKET-	QUALIFIED OPTIONAL DATA: 284N1807-7 IN COMBINATION WITH (3) MS21042L08 NUTS OPTIONAL TO 284N1807-8	002004 006102 107999	1
95	284N1807-8	.BRACKET-	QUALIFIED OPTIONAL DATA: 284N1807-7 IN COMBINATION WITH (3) MS21042L08 NUTS OPTIONAL TO 284N1807-8	002004 006102 107999	1
100	284N1807-9	.BRACKET-	OPTIONAL PART: 284N1419-6 USED ON: 284N1419-4 MODREF10328	002004 006999	1
- 105	284N1419-6	.SUB KIT ASSY-	OPTIONAL PART: 284N1807-9 USED ON: 284N1419-4 MODREF10328 ATTACHING PARTS	002004 006999	1
- 110	MS21042L08	..	NUT	002004 006999	3
115	284N1807-2	..	BRACKET	002004 006999	1
120	284N1807-8	.BRACKET-	OPTIONAL PART: 284N1419-7 USED ON: 284N1419-5 MODREF10329	002004 006999	1
- 125	284N1419-7	.SUB KIT ASSY-	OPTIONAL PART: 284N1807-8 USED ON: 284N1419-5 MODREF10329 ATTACHING PARTS	002004 006999	1
- 130	MS21042L08	..	NUT	002004 006999	3

MISSING ITEM NUMBERS NOT APPLICABLE

- ITEM NOT ILLUSTRATED

33-31-52-01

33-31-52
FIG. 01
PAGE 4
JAN 20/09

BRI



757

PARTS CATALOG (MAINTENANCE)

FIG ITEM	PART NUMBER	1 2 3 4 5 6 7	NOMENCLATURE	EFFECT FROM TO	UNITS PER ASSY
1 135	284N1807-7		. . BRACKET	002004 006999	1

MISSING ITEM NUMBERS NOT APPLICABLE

- ITEM NOT ILLUSTRATED

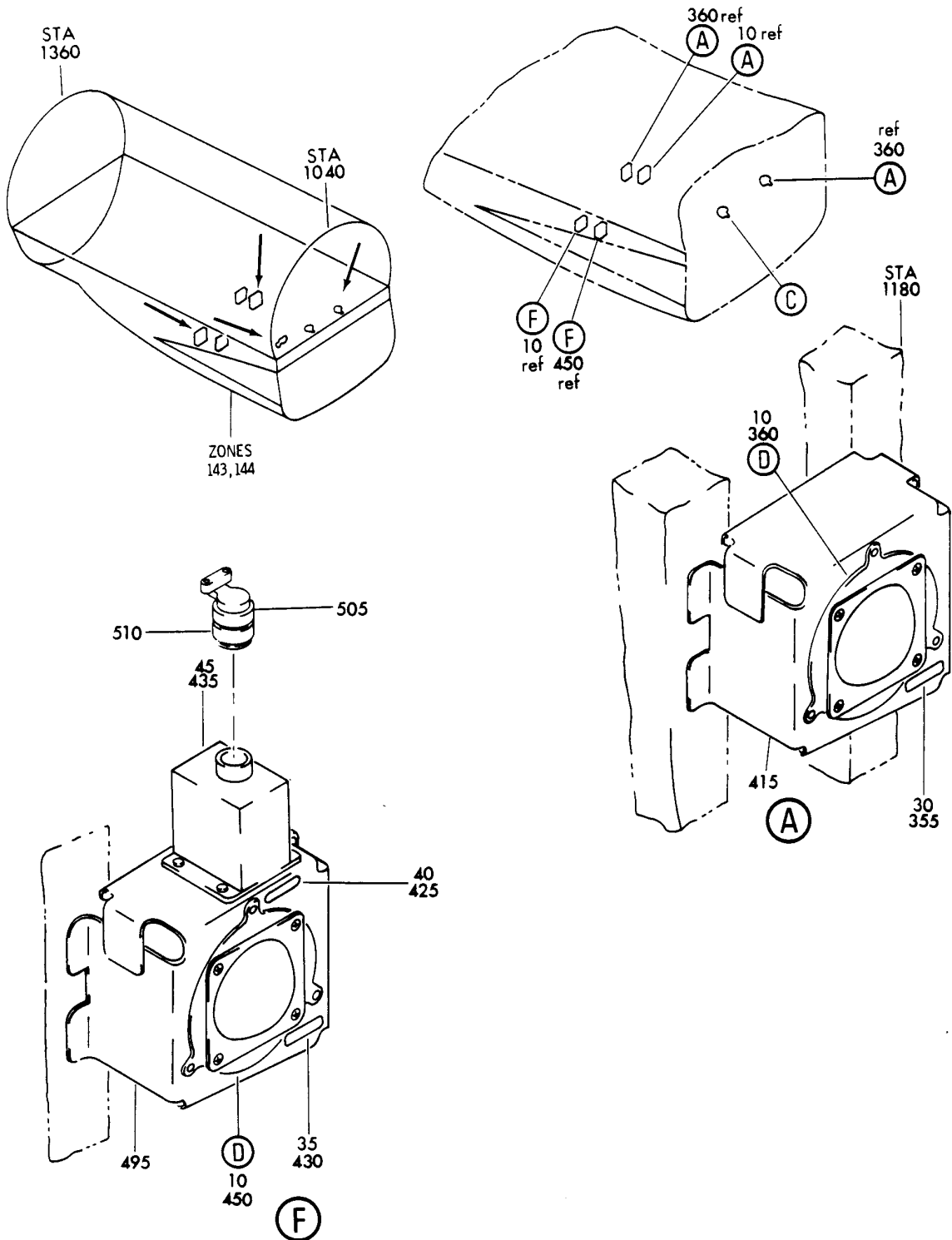
BRI

33-31-52-01

BOEING PROPRIETARY - Copyright © - Unpublished Work - See title page for details.

33-31-52
FIG. 01
PAGE 5
JAN 20/09

BOEING
757
PARTS CATALOG (MAINTENANCE)



Y 33315202 SHT 1 REV 041

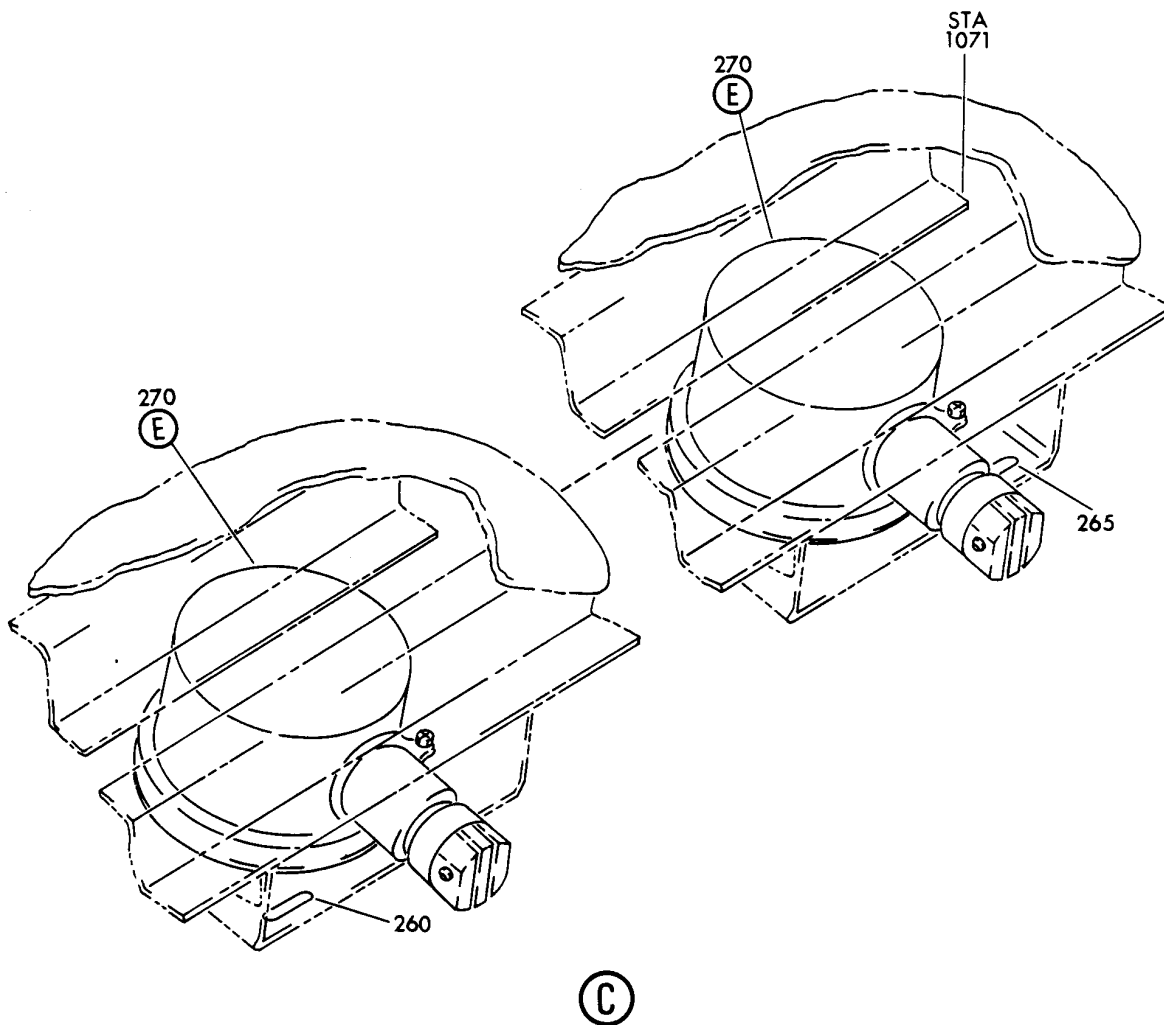
LIGHT INSTL-MAIN WHL WELL SVCE
FIGURE 2 (SHEET 1)

33-31-52-02

BRI
MAY 28/07

33-31-52-02
PAGE 0

BOEING
757
PARTS CATALOG (MAINTENANCE)



Y 33315202 SHT 2 REV 041

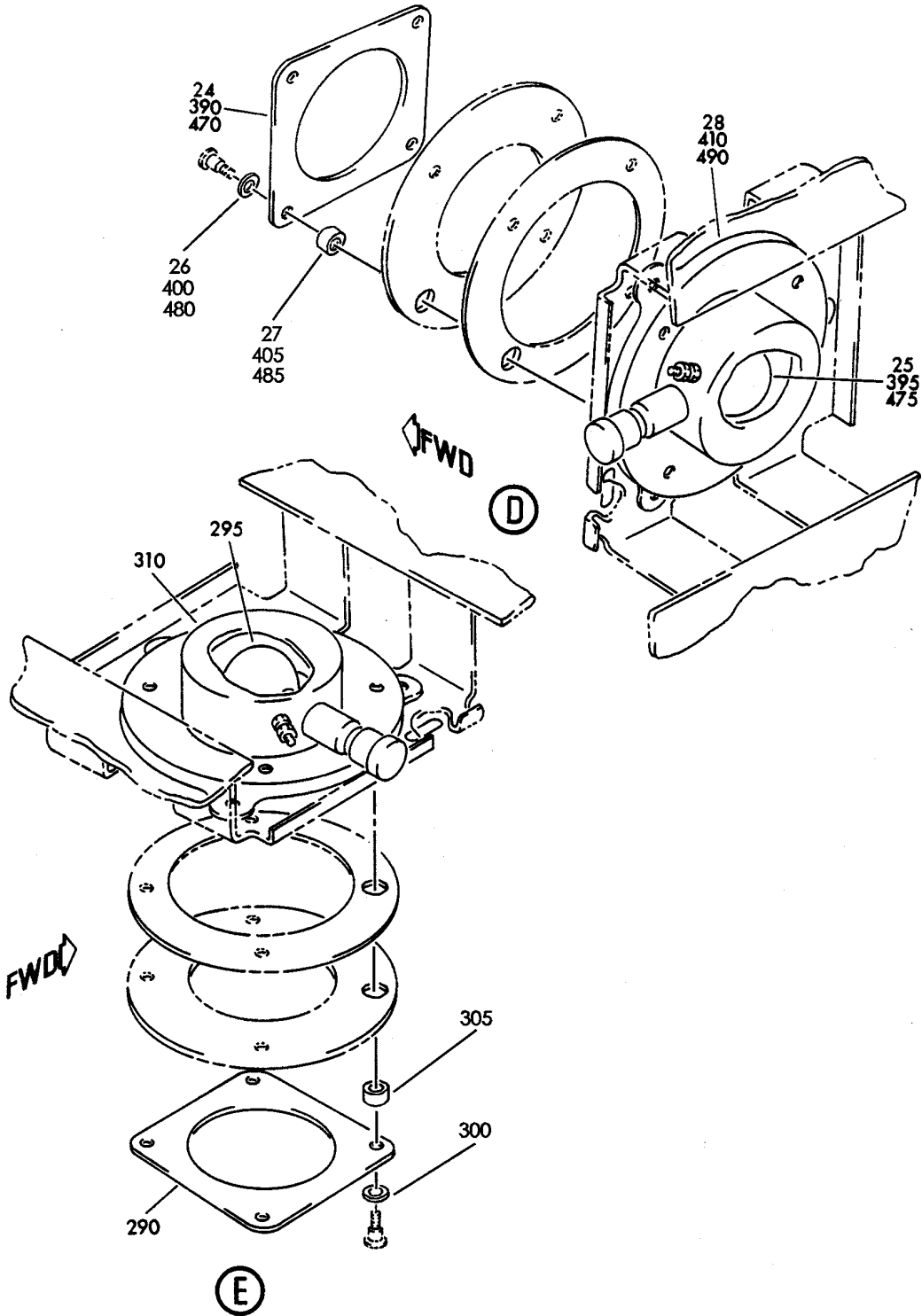
LIGHT INSTL-MAIN WHL WELL SVCE
FIGURE 2 (SHEET 2)

BRI
MAY 28/07

33-31-52-02

33-31-52-02
PAGE 0A

BOEING
757
PARTS CATALOG (MAINTENANCE)



Y 33315202 SHT 3 REV 211

LIGHT INSTL-MAIN WHL WELL SVCE
FIGURE 2 (SHEET 3)

33-31-52-02

BRI
MAY 28/07

33-31-52-02
PAGE 0B



757

PARTS CATALOG (MAINTENANCE)

FIG ITEM	PART NUMBER	1 2 3 4 5 6 7	NOMENCLATURE	EFFECT FROM TO	UNITS PER ASSY
2			LIGHT INSTL-MAIN WHL WELL SVCE	002004 006999	
- 1	284N1441-1		LIGHT INSTL-MAIN WHL WELL SVCE POSITION DATA: LH FOR NHA SEE: 24-00-58-01A	002004 006100 107107 121503 904999	RF
- 1	284N1441-15		LIGHT INSTL-MAIN WHL WELL SVCE POSITION DATA: LH FOR NHA SEE: 24-00-58-05A	101102 108120 504903	RF
- 1	MODREF10419		LIGHT INSTL-MAIN WHL WELL SVCE MODULE NUMBER: 284N1441-15 REV A POSITION DATA: LH	103106	1
- 5	284N1441-2		LIGHT INSTL-MAIN WHL WELL SVCE POSITION DATA: RH FOR NHA SEE: 24-00-58-01A	002004 006100 107107 121503 904999	RF
- 5	284N1441-16		LIGHT INSTL-MAIN WHL WELL SVCE POSITION DATA: RH FOR NHA SEE: 24-00-58-05A	101102 108120 504903	RF
- 5	MODREF10420		LIGHT INSTL-MAIN WHL WELL SVCE MODULE NUMBER: 284N1441-16 REV A POSITION DATA: RH	103106	1
10	10-0015-17		.LIGHT ASSY-DOME SUPPLIER CODE: V72914 ELECTRICAL EQUIP NUMBER: L00072 L00077	002004 006999	1
- 15	NAS1801-08-6		ATTACHING PARTS .SCREW	002004 006999	3
- 20	NAS1149DN816J		.WASHER	002004 006999	3

MISSING ITEM NUMBERS NOT APPLICABLE

- ITEM NOT ILLUSTRATED

33-31-52-02

33-31-52
FIG. 02
PAGE 1
JAN 20/09

BRI



757

PARTS CATALOG (MAINTENANCE)

FIG ITEM	PART NUMBER	1 2 3 4 5 6 7	NOMENCLATURE	EFFECT FROM TO	UNITS PER ASSY
2 - 21	BRH10A08		.NUT SUPPLIER CODE: V52828 SPECIFICATION NUMBER: BACN10JC08 OPTIONAL PART: H10-08BAC V15653 NS202101-82 V80539 RMLH9075-82W V72962 VN303A82 V92215 96-82 V80539 T6S832J V11815 -----*-----	002004 006100 107107 121503 904999	3
24	11-0111-3		..COVER ASSY- SUPPLIER CODE: V72914	002004 006999	1
25	MS25235-3011		..LAMP	002004 006999	1
26	MS15795-802		..WASHER	002004 006999	1
27	60-3799-1		..BUSHING- SUPPLIER CODE: V72914	002004 006999	1
28	11-0110-1		..HOUSING ASSY- SUPPLIER CODE: V72914	002004 006999	1
30	BAC27NEX0098		.DECAL-L00077 USED ON: 284N1441-1 284N1441-15 MODREF10419	002004 006999	1
35	BAC27NEX0093		.DECAL- PLACARD CONTENT: L00072 USED ON: 284N1441-2 284N1441-16 MODREF10420	002004 006999	1

MISSING ITEM NUMBERS NOT APPLICABLE

- ITEM NOT ILLUSTRATED

33-31-52-02

33-31-52
FIG. 02
PAGE 2
JAN 20/09

BRI



757

PARTS CATALOG (MAINTENANCE)

FIG ITEM	PART NUMBER	1 2 3 4 5 6 7	NOMENCLATURE	EFFECT FROM TO	UNITS PER ASSY
2					
40	BAC27NEX0127		.DECAL- PLACARD CONTENT: T00141 USED ON: 284N1441-2 284N1441-16 MODREF10420	002004 006999	1
45	FT1008		.TRANSFORMER- SUPPLIER CODE: V14752 POSITION DATA: RH SIDE SPECIFICATION NUMBER: 60B40026-20 ELECTRICAL EQUIP NUMBER: T00141 OPTIONAL PART: FT1008-14752 V14752 USED ON: 284N1441-2 284N1441-16 MODREF10420	002004 006999	1
- 50	NAS1801-3-8		.SCREW	002004 006999	4
- 55	NAS1149D0332J		.WASHER	002004 006999	4
			-----*-----		
- 250	284N1441-5		LIGHT INSTL-MAIN WHL WELL SVCE POSITION DATA: LH FOR NHA SEE: 24-00-58-01A	002004 107107 121503 904949 952952	RF
- 250	284N1441-11		LIGHT INSTL-MAIN WHL WELL SVCE POSITION DATA: LH FOR NHA SEE: 24-00-58-01A 24-00-58-05	006102 108120 504903 950951 953999	RF
- 250	MODREF10416		LIGHT INSTL-MAIN WHL WELL SVCE MODULE NUMBER: 284N1441-11 REV A POSITION DATA: LH	103106	1

MISSING ITEM NUMBERS NOT APPLICABLE

- ITEM NOT ILLUSTRATED

33-31-52-02

33-31-52
FIG. 02
PAGE 3
JAN 20/09

BRI



757

PARTS CATALOG (MAINTENANCE)

FIG ITEM	PART NUMBER	1 2 3 4 5 6 7	NOMENCLATURE	EFFECT FROM TO	UNITS PER ASSY
2					
- 255	284N1441-6		LIGHT INSTL-MAIN WHL WELL SVCE POSITION DATA: RH FOR NHA SEE: 24-00-58-01A	002004 006100 107107 121503 904999	RF
- 255	284N1441-17		LIGHT INSTL-MAIN WHL WELL SVCE POSITION DATA: RH FOR NHA SEE: 24-00-58-05	101102 108120 504903	RF
- 255	MODREF10421		LIGHT INSTL-MAIN WHL WELL SVCE MODULE NUMBER: 284N1441-17 REV A POSITION DATA: RH	103106	1
260	BAC27NEX0094		.DECAL- PLACARD CONTENT: L00073 USED ON: 284N1441-6 284N1441-17 MODREF10421	002004 006999	1
265	BAC27NEX0097		.DECAL- PLACARD CONTENT: L00076 USED ON: 284N1441-5 284N1441-11 MODREF10416	002004 006999	1
270	10-0015-17		.LIGHT ASSY-DOME SUPPLIER CODE: V72914 ELECTRICAL EQUIP NUMBER: L00073 L00076	002004 006999	1
- 275	NAS1801-08-6		ATTACHING PARTS .SCREW	002004 006999	3
- 281	NAS1149D0332J		.WASHER- USED ON: 284N1441-11 MODREF10416	006106 108120 504903 950951 953999	3

MISSING ITEM NUMBERS NOT APPLICABLE

- ITEM NOT ILLUSTRATED

33-31-52-02

33-31-52
FIG. 02
PAGE 4
JAN 20/09

BRI



757

PARTS CATALOG (MAINTENANCE)

FIG ITEM	PART NUMBER	1 2 3 4 5 6 7	NOMENCLATURE	EFFECT FROM TO	UNITS PER ASSY
2					
- 282	NAS1149DN816J	.	WASHER	002004 006100 107107 121503 904999	3
- 283	NAS1149DN816J	.	WASHER	101106 108120 504903	3
- 285	BRH10A08	.	NUT- SUPPLIER CODE: V52828 SPECIFICATION NUMBER: BACN10JC08 OPTIONAL PART: H10-08BAC V15653 NS202101-82 V80539 RMLH9075-82W V72962 VN303A82 V92215 96-82 V80539 T6S832J V11815	002004 006100 107107 121503 904999	3
- 287	MS21042L08	.	NUT- USED ON: 284N1441-11 MODREF10416	006106 108120 504903 950951 953999	3

MISSING ITEM NUMBERS NOT APPLICABLE

- ITEM NOT ILLUSTRATED

33-31-52-02

33-31-52
FIG. 02
PAGE 5
JAN 20/09

BRI



757

PARTS CATALOG (MAINTENANCE)

FIG ITEM	PART NUMBER	1 2 3 4 5 6 7	NOMENCLATURE	EFFECT FROM TO	UNITS PER ASSY
2 - 288	BRH10A08		.NUT- SUPPLIER CODE: V52828 SPECIFICATION NUMBER: BACN10JC08 OPTIONAL PART: H10-08BAC V15653 NS202101-82 V80539 RMLH9075-82W V72962 VN303A82 V92215 96-82 V80539 T6S832J V11815 USED ON: 284N1441-17 MODREF10421 -----*-----	101106 108120 504903	3
290	11-0111-3		..COVER ASSY- SUPPLIER CODE: V72914	002004 006999	1
295	MS25235-3011		..LAMP	002004 006999	1
300	MS15795-802		..WASHER	002004 006999	1
305	60-3799-1		..BUSHING- SUPPLIER CODE: V72914	002004 006999	1
310	11-0110-1		..HOUSING ASSY- SUPPLIER CODE: V72914	002004 006999	1
- 500	286N2516-004		WIRE BUNDLE ASSY-	002004 006100 950999	RF
- 500	286N2516-005		WIRE BUNDLE ASSY-	107107 121503 904949	RF
- 501	286N2516-312		WIRE BUNDLE ASSY-	101102 108120	RF
- 501	286N2516-320		WIRE BUNDLE ASSY	504903	RF
- 503	286N5810-601		WIRE BUNDLE ASSY	103106	RF

MISSING ITEM NUMBERS NOT APPLICABLE

- ITEM NOT ILLUSTRATED

33-31-52-02

33-31-52
FIG. 02
PAGE 6
JAN 20/09

BRI



757

PARTS CATALOG (MAINTENANCE)

FIG ITEM	PART NUMBER	1 2 3 4 5 6 7	NOMENCLATURE	EFFECT FROM TO	UNITS PER ASSY
2 505	MS27559-4		.SUPPORT- ELECTRICAL EQUIP NUMBER: D02256T WIRING DIAGRAM REF: 333111	002004 006999	1
510	C0909A14-07SN		.CONNECTOR- SUPPLIER CODE: V13556 SPECIFICATION NUMBER: BACC63BN14-7S OPTIONAL PART: 48-63N14-7S V02660 R071214-7S V41118 ELECTRICAL EQUIP NUMBER: D02256 WIRING DIAGRAM REF: 333111	002004 006999	1

MISSING ITEM NUMBERS NOT APPLICABLE

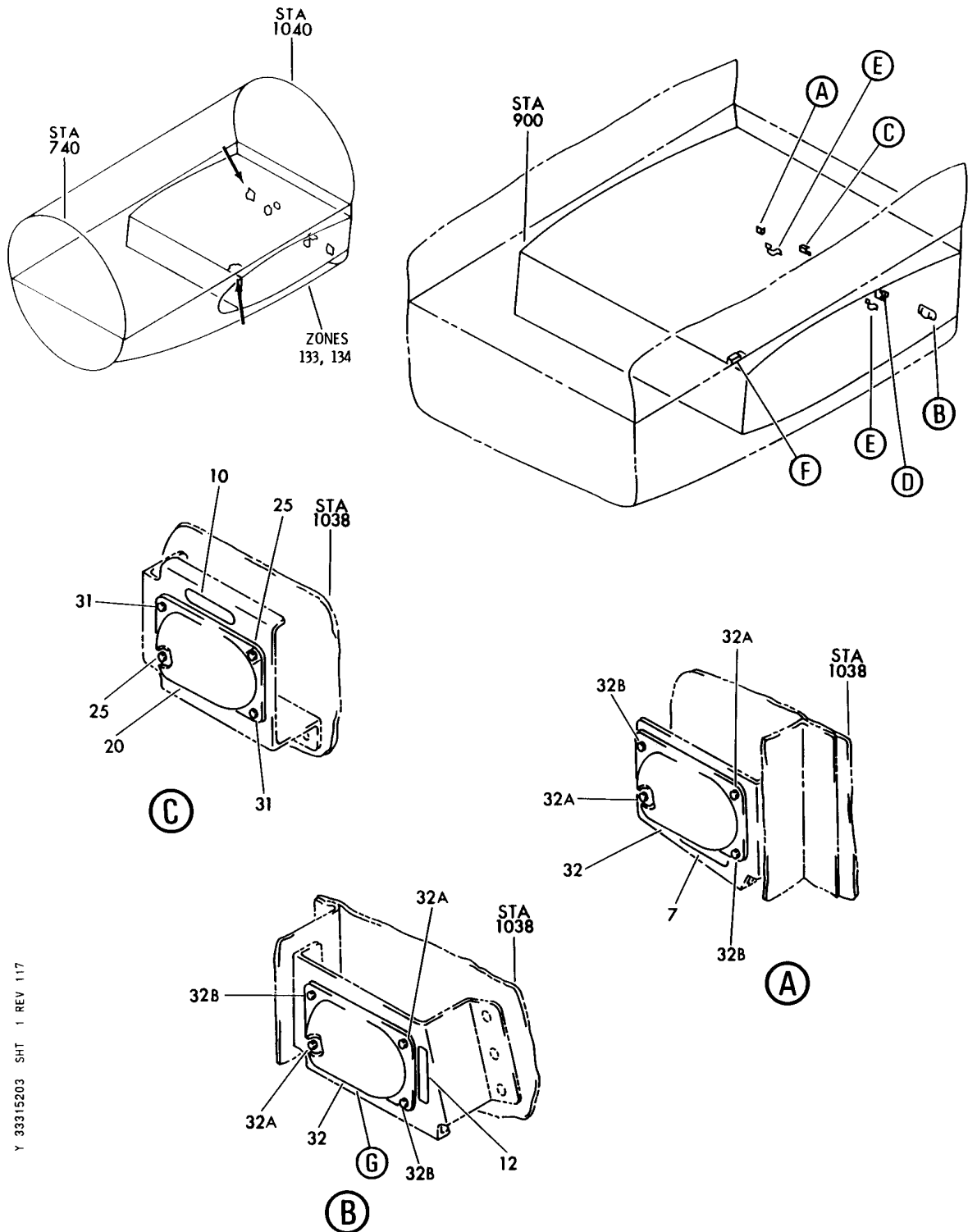
- ITEM NOT ILLUSTRATED

33-31-52-02

33-31-52
FIG. 02
PAGE 7
JAN 20/09

BRI

BOEING
757
PARTS CATALOG (MAINTENANCE)



Y 33315203 SHT 1 REV 117

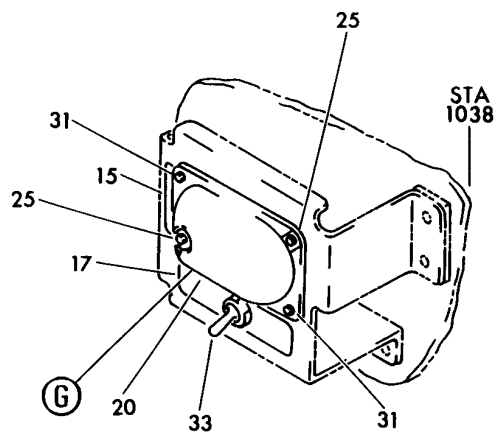
LIGHT AND SWITCH INSTL-AIR CONDITIONING BAY SVCE
FIGURE 3 (SHEET 1)

33-31-52-03

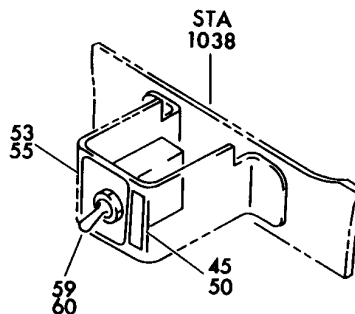
BRI
MAY 28/07

33-31-52-03
PAGE 0

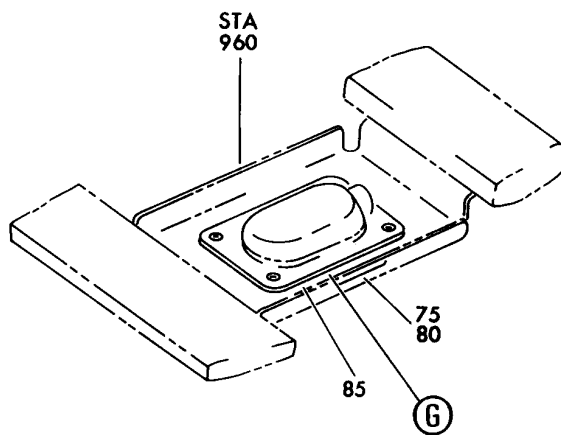
BOEING
757
PARTS CATALOG (MAINTENANCE)



(D)



(E)



(F)

Y 33315203 SHT 2 REV 117

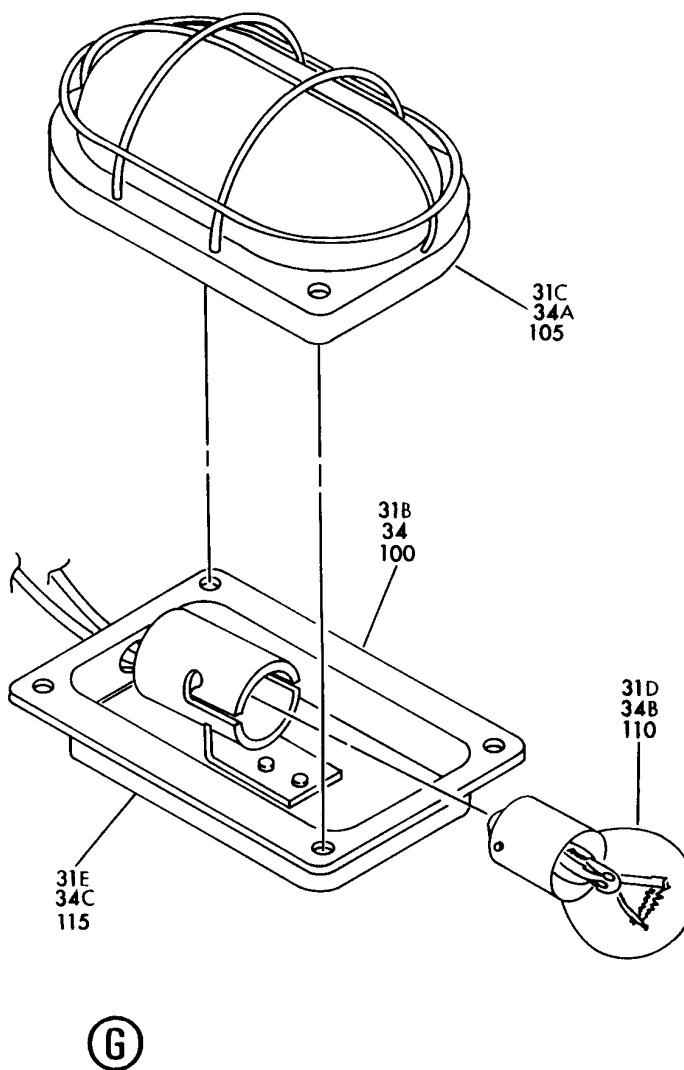
LIGHT AND SWITCH INSTL-AIR CONDITIONING BAY SVCE
FIGURE 3 (SHEET 2)

33-31-52-03

BRI
MAY 28/07

33-31-52-03
PAGE 0A

BOEING
757
PARTS CATALOG (MAINTENANCE)



Y 33315203 SHT 3 REV 117

LIGHT AND SWITCH INSTL-AIR CONDITIONING BAY SVCE
FIGURE 3 (SHEET 3)

33-31-52-03

BRI
MAY 28/07

33-31-52-03
PAGE 0B



757

PARTS CATALOG (MAINTENANCE)

FIG ITEM	PART NUMBER	1 2 3 4 5 6 7	NOMENCLATURE	EFFECT FROM TO	UNITS PER ASSY
3			LIGHT AND SWITCH INSTL-AIR CONDITIONING BAY SVCE	002004 006999	
- 1	284N1447-12		LIGHT INSTL-AIR CONDITIONING BAY SVCE POSITION DATA: RH FOR NHA SEE: 24-00-58-01A	002004 006100 107107 121503 904999	RF
- 1	284N1447-17		LIGHT INSTL-AIR CONDITIONING BAY SVCE POSITION DATA: RH FOR NHA SEE: 24-00-58-05	101102 108120 504903	RF
- 1	MODREF10485		LIGHT INSTL-AIR CONDITIONING BAY SVCE MODULE NUMBER: 284N1447-17 REV A POSITION DATA: RH	103106	1
- 5	284N1447-11		LIGHT INSTL-AIR CONDITIONING BAY SVCE POSITION DATA: LH FOR NHA SEE: 24-00-58-01A	002004 006100 107107 121503 904999	RF
- 5	284N1447-14		LIGHT INSTL-AIR CONDITIONING BAY SVCE POSITION DATA: LH FOR NHA SEE: 24-00-58-05	101102 108120 504903	RF
- 5	MODREF10482		LIGHT INSTL-AIR CONDITIONING BAY SVCE MODULE NUMBER: 284N1447-14 REV A POSITION DATA: LH	103106	1
10	BAC27NEX0112		.DECAL- POSITION DATA: RH SIDE PLACARD CONTENT: L00347	002004 006999	1
15	BAC27NEX0110		.DECAL- POSITION DATA: LH SIDE PLACARD CONTENT: L00345	002004 006999	1

MISSING ITEM NUMBERS NOT APPLICABLE

- ITEM NOT ILLUSTRATED

33-31-52-03

33-31-52
FIG. 03
PAGE 1
JAN 20/09

BRI



757

PARTS CATALOG (MAINTENANCE)

FIG ITEM	PART NUMBER	1 2 3 4 5 6 7	NOMENCLATURE	EFFECT FROM TO	UNITS PER ASSY
3					
17	BAC27NEX1731		.DECAL- POSITION DATA: LH SIDE PLACARD CONTENT: SERVICE LIGHTS ON OFF S00361	002004 006999	1
20	15-0143-7		.LIGHT ASSY- SUPPLIER CODE: V72914 ELECTRICAL EQUIP NUMBER: L00345 L00347	002004 006999	1
20	15-0143-29		.LIGHT- SUPPLIER CODE: V72914 ELECTRICAL EQUIP NUMBER: L00345 L00347	002004 006102 107999	1
25	NAS1801-06-8		ATTACHING PARTS .SCREW-	002004 006999	2
31	NAS1801-06-10		.SCREW	002004 006999	2
			-----*-----		
			TEMPORARY BREAKDOWN FOR: 15-0143-29	002004 006102 107999	
31B	16-0454-9		..COVER ASSY- SUPPLIER CODE: V72914	002004 006999	1
31C	20201-23		...COVER GLASS- SUPPLIER CODE: V72914	002004 006999	1
31D	MS35478-1691		..LAMP	002004 006999	1
31E	16-1174-1		..HOUSING ASSY- SUPPLIER CODE: V72914	002004 006999	1
38	MS25306-222		.SWITCH- POSITION DATA: LH SIDE ELECTRICAL EQUIP NUMBER: S00361	002004 006100 107107 121503 904999	1

MISSING ITEM NUMBERS NOT APPLICABLE

- ITEM NOT ILLUSTRATED

33-31-52-03

33-31-52
FIG. 03
PAGE 2
JAN 20/09

BRI



757

PARTS CATALOG (MAINTENANCE)

FIG ITEM	PART NUMBER	1 2 3 4 5 6 7	NOMENCLATURE	EFFECT FROM TO	UNITS PER ASSY
3					
- 40	284N1447-4		SWITCH INSTL-AIR CONDITIONING BAY SVCE POSITION DATA: RH FOR NHA SEE: 24-00-58-01A 24-00-58-05	002004 006102 107999	RF
- 40	MODREF10486		SWITCH INSTL-AIR CONDITIONING BAY SVCE MODULE NUMBER: 284N1447-4 REV A POSITION DATA: RH	103103	1
- 40	MODREF27739		SWITCH INSTL-AIR CONDITIONING BAY SVCE MODULE NUMBER: 284N1447-4 REV B POSITION DATA: RH	104106	1
50	BAC27NEX0125		.DECAL- PLACARD CONTENT: S00362 USED ON: 284N1447-4 MODREF10486 MODREF27739	002004 006999	1
55	BAC27NEX0506		.DECAL- PLACARD CONTENT: SERVICE LIGHTS ON OFF USED ON: 284N1447-4 MODREF10486 MODREF27739	002004 006999	1
60	MS25306-222		.SWITCH- ELECTRICAL EQUIP NUMBER: S00362 USED ON: 284N1447-4 MODREF10486 MODREF27739	002004 006999	1
- 65	284N1447-5		LIGHT INSTL-AIR CONDITIONING BAY SVCE POSITION DATA: LH FOR NHA SEE: 24-00-58-01A	002004 006100 107107 121503 904999	RF

MISSING ITEM NUMBERS NOT APPLICABLE

- ITEM NOT ILLUSTRATED

33-31-52-03

33-31-52
FIG. 03
PAGE 3
JAN 20/09

BRI

 **BOEING**
757
PARTS CATALOG (MAINTENANCE)

FIG ITEM	PART NUMBER	1 2 3 4 5 6 7	NOMENCLATURE	EFFECT FROM TO	UNITS PER ASSY
3					
- 65	284N1447-15		LIGHT INSTL-AIR CONDITIONING BAY SVCE POSITION DATA: LH FOR NHA SEE: 24-00-58-05	101102 108120 504903	RF
- 65	MODREF10483		LIGHT INSTL-AIR CONDITIONING BAY SVCE MODULE NUMBER: 284N1447-15 REV A POSITION DATA: LH	103103	1
- 65	MODREF27737		LIGHT INSTL-AIR CONDITIONING BAY SVCE MODULE NUMBER: 284N1447-15 REV B POSITION DATA: LH	104106	1
- 70	284N1447-6		LIGHT INSTL-AIR CONDITIONING BAY SVCE POSITION DATA: RH FOR NHA SEE: 24-00-58-01A	002004 006100 107107 121503 904999	RF
- 70	284N1447-16		LIGHT INSTL-AIR CONDITIONING BAY SVCE POSITION DATA: RH FOR NHA SEE: 24-00-58-05	101102 108120 504903	RF
- 70	MODREF10484		LIGHT INSTL-AIR CONDITIONING BAY SVCE MODULE NUMBER: 284N1447-16 REV A POSITION DATA: RH	103103	1
- 70	MODREF27738		LIGHT INSTL-AIR CONDITIONING BAY SVCE MODULE NUMBER: 284N1447-16 REV B POSITION DATA: RH	104106	1
75	BAC27NEX0109		.DECAL- PLACARD CONTENT: L00344 USED ON: 284N1447-5	002004 006999	1

MISSING ITEM NUMBERS NOT APPLICABLE

- ITEM NOT ILLUSTRATED

BRI

33-31-52-03

BOEING PROPRIETARY - Copyright © - Unpublished Work - See title page for details.

33-31-52
FIG. 03
PAGE 4
JAN 20/09



757

PARTS CATALOG (MAINTENANCE)

FIG ITEM	PART NUMBER	1 2 3 4 5 6 7	NOMENCLATURE	EFFECT FROM TO	UNITS PER ASSY
3					
80	BAC27NEX0111	.DECAL-	PLACARD CONTENT: L00346 USED ON: 284N1447-6	002004 006999	1
85	15-0143-7	.LIGHT ASSY-	SUPPLIER CODE: V72914 ELECTRICAL EQUIP NUMBER: L00344 L00346	002004 006999	1
85	15-0143-29	.LIGHT-	SUPPLIER CODE: V72914 ELECTRICAL EQUIP NUMBER: L00344 L00346	002004 006999	1
			TEMPORARY BREAKDOWN FOR: 15-0143-29 ATTACHING PARTS	002004 006999	
- 90	NAS1801-06-9	.SCREW		002004 006999	4
		-----*-----			
100	16-0454-9	..COVER ASSY-	SUPPLIER CODE: V72914	002004 006999	1
105	20201-23	...COVER GLASS-	SUPPLIER CODE: V72914	002004 006999	1
110	MS35478-1691	..LAMP		002004 006999	1
115	16-1174-1	..HOUSING ASSY-	SUPPLIER CODE: V72914	002004 006999	1

MISSING ITEM NUMBERS NOT APPLICABLE

- ITEM NOT ILLUSTRATED

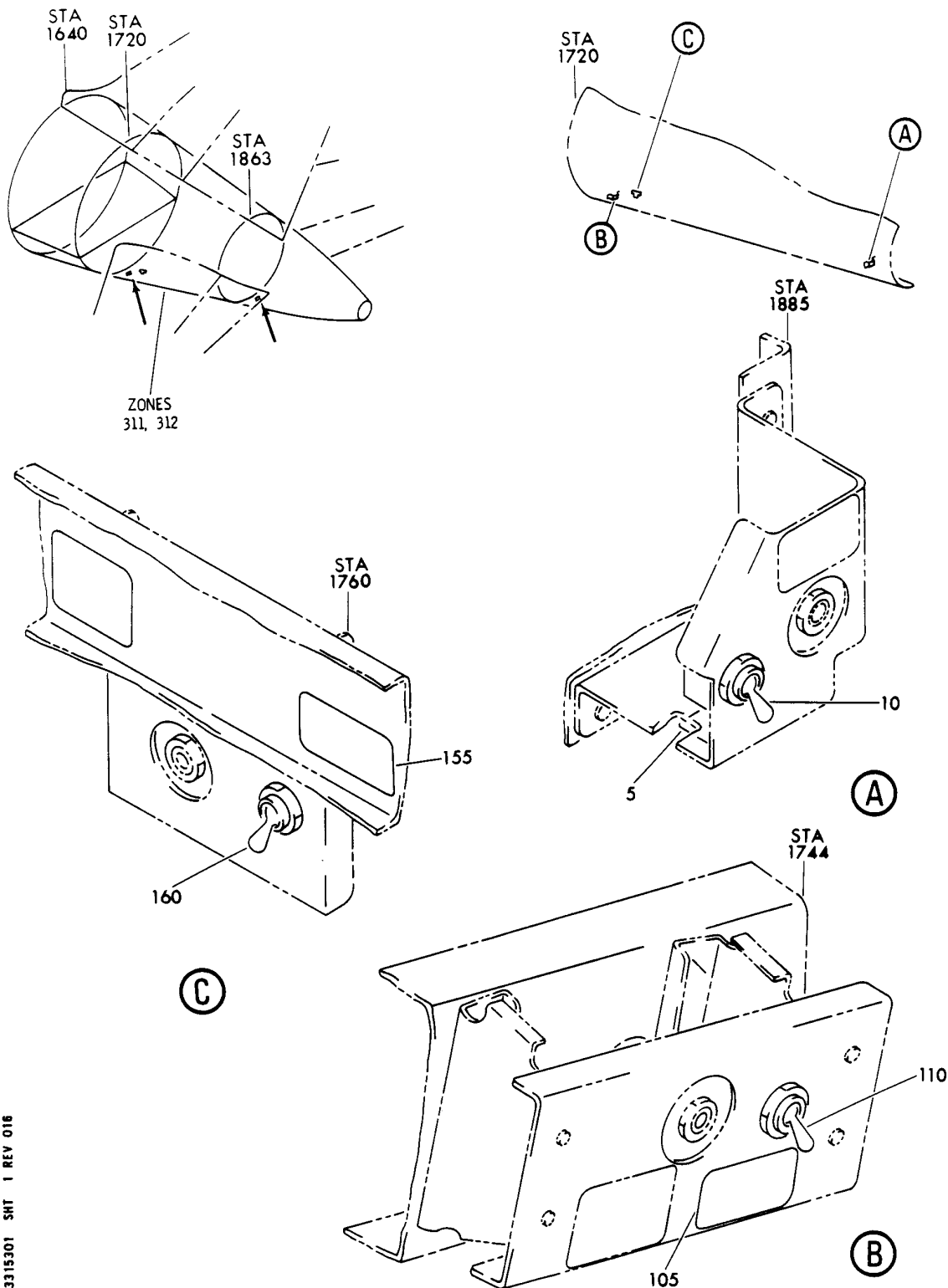
33-31-52-03

33-31-52
FIG. 03
PAGE 5
JAN 20/09

BRI

BOEING PROPRIETARY - Copyright © - Unpublished Work - See title page for details.

BOEING
757
PARTS CATALOG (MAINTENANCE)



Y 33315301 SMT 1 REV 016

INTERPHONE INSTL-SECT. 48 AND APU COMPT (LIGHTS ONLY)
FIGURE 1

33-31-53-01

BRI
MAY 28/07

33-31-53-01
PAGE 0



757

PARTS CATALOG (MAINTENANCE)

FIG ITEM	PART NUMBER	1 2 3 4 5 6 7	NOMENCLATURE	EFFECT FROM TO	UNITS PER ASSY
1			INTERPHONE INSTL-SECT. 48 AND APU COMPT (LIGHTS ONLY)	002004 006999	
- 1	284N1482-8		INTERPHONE INSTL-APU COMPT (LIGHTS ONLY) FOR NHA/OTHER SYS DET SEE: 24-00-58-01B	002004 107107 121503 904949 952952	RF
- 1	284N1482-10		INTERPHONE INSTL-APU COMPT (LIGHTS ONLY) FOR NHA/OTHER SYS DET SEE: 24-00-58-01B	006100 950951 953999	RF
- 1	284N1482-12		INTERPHONE INSTL-APU COMPT (LIGHTS ONLY) FOR NHA/OTHER SYS DET SEE: 24-00-58-05	101102 108120 504903	RF
- 1	MODREF10684		INTERPHONE INSTL-APU COMPT (LIGHTS ONLY) MODULE NUMBER: 284N1482-12 REV A FOR OTHER SYS DETAILS SEE: 11-23-00-03 23-41-51-01	103106	1
5	BAC27NEL0840		.MARKER-ALUMINUM FOIL- S00428 SW APU COMPT LTS	002004 006999	1
10	MS25306-222		.SWITCH- ELECTRICAL EQUIP NUMBER: S00428	002004 006999	1
- 150	284N1482-7		INTERPHONE INSTL-TAIL CONE (LIGHTS ONLY) POSITION DATA: SECT. 48 FOR NHA/OTHER SYS DET SEE: 24-00-58-01B	002004 107107 121503 904949 952952	RF
- 150	284N1482-9		INTERPHONE INSTL-TAIL CONE (LIGHTS ONLY) POSITION DATA: SECT. 48 FOR NHA/OTHER SYS DET SEE: 24-00-58-01B	006100 950951 953999	RF
- 150	284N1482-11		INTERPHONE INSTL-SECT. 48 TAIL CONE (LIGHTS ONLY) FOR NHA/OTHER SYS DET SEE: 24-00-58-05	101102 108120 504903	RF

MISSING ITEM NUMBERS NOT APPLICABLE

- ITEM NOT ILLUSTRATED

33-31-53-01

33-31-53
FIG. 01
PAGE 1
JAN 20/09

BRI



757

PARTS CATALOG (MAINTENANCE)

FIG ITEM	PART NUMBER	1 2 3 4 5 6 7	NOMENCLATURE	EFFECT FROM TO	UNITS PER ASSY
1					
- 150	MODREF10683		INTERPHONE INSTL-SECT. 48 TAIL CONE (LIGHTS ONLY) MODULE NUMBER: 284N1482-11 REV A FOR OTHER SYS DETAILS SEE: 23-41-51-01	103106	1
155	BAC27NEL0841		.MARKER-ALUMINUM FOIL- PLACARD CONTENT: S00427 SW TAIL CONE COMPT LTS	002004 006999	1
160	MS25306-232		.SWITCH- ELECTRICAL EQUIP NUMBER: S00427	002004 006999	1

MISSING ITEM NUMBERS NOT APPLICABLE

- ITEM NOT ILLUSTRATED

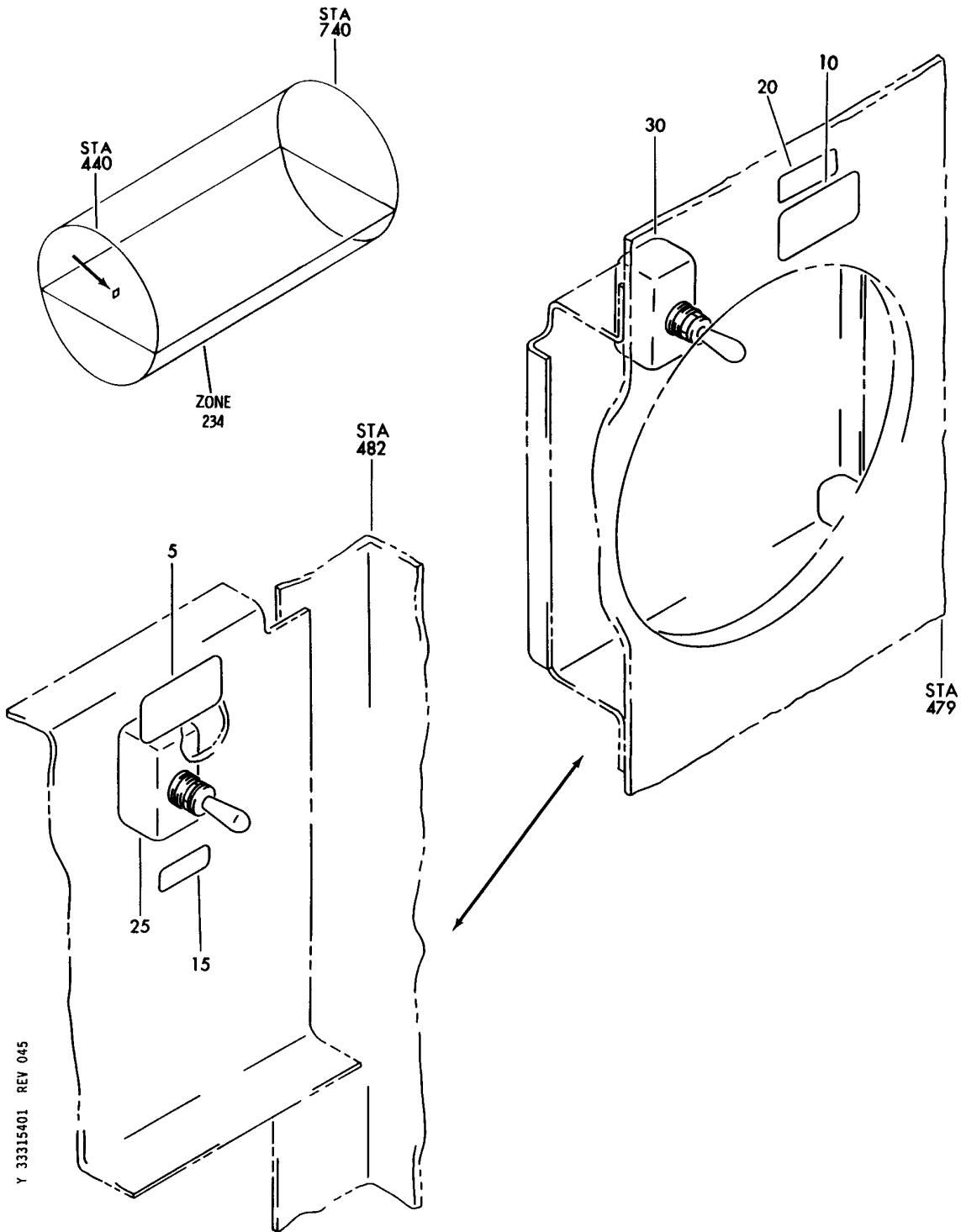
BRI

33-31-53-01

BOEING PROPRIETARY - Copyright © - Unpublished Work - See title page for details.

33-31-53
FIG. 01
PAGE 2
JAN 20/09

BOEING
757
PARTS CATALOG (MAINTENANCE)



Y 33315401 REV 045

PANEL INSTL-EQPT CTR SVCE (SERVICE LIGHTS ONLY)
FIGURE 1

33-31-54-01

BRI
MAY 28/07

33-31-54-01
PAGE 0



757

PARTS CATALOG (MAINTENANCE)

FIG ITEM	PART NUMBER	1 2 3 4 5 6 7	NOMENCLATURE	EFFECT FROM TO	UNITS PER ASSY
1			PANEL INSTL-EQPT CTR SVCE (SERVICE LIGHTS ONLY)	002004 006999	
- 1	284N1360-8		PANEL INSTL-EQPT CTR SVCE (SERVICE LIGHTS ONLY) FOR NHA/OTHER SYS DET SEE: 24-00-58-01C	002004 006012 952999	RF
- 1	284N1360-11		PANEL INSTL-EQPT CTR SVCE (SERVICE LIGHTS ONLY) FOR NHA/OTHER SYS DET SEE: 24-00-58-01C	107107 121503 904949	RF
- 1	284N1360-22		PANEL INSTL-EQPT CTR SVCE (SERVICE LIGHTS ONLY) FOR NHA/OTHER SYS DET SEE: 24-00-58-01C	950951	RF
- 2	284N1360-25		PANEL INSTL-EQPT CTR SVCE (SERVICE LIGHTS ONLY) FOR NHA/OTHER SYS DET SEE: 24-00-58-01C	013100	RF
- 2	284N1360-34		PANEL INSTL-EQPT CTR SVCE (SERVICE LIGHTS ONLY) FOR NHA/OTHER SYS DET SEE: 24-00-58-05	101102 108120 504903	RF
- 2	MODREF10004		PANEL INSTL-EQPT CTR SVCE (SERVICE LIGHTS ONLY) MODULE NUMBER: 284N1360-34 REV A FOR OTHER SYS DETAILS SEE: 11-36-51-01 23-41-56-01 25-29-51-01 27-51-71-05 27-58-52-01 33-37-53-01	103106	1
10	BAC27NEX0503		.DECAL- PLACARD CONTENT: E/E CENTER LIGHTS	002004 006999	1
20	BAC27NEX1695		.DECAL- PLACARD CONTENT: S00355	002004 006999	1
30	MS25307-222		.SWITCH- ELECTRICAL EQUIP NUMBER: S00355	002004 006999	1

MISSING ITEM NUMBERS NOT APPLICABLE

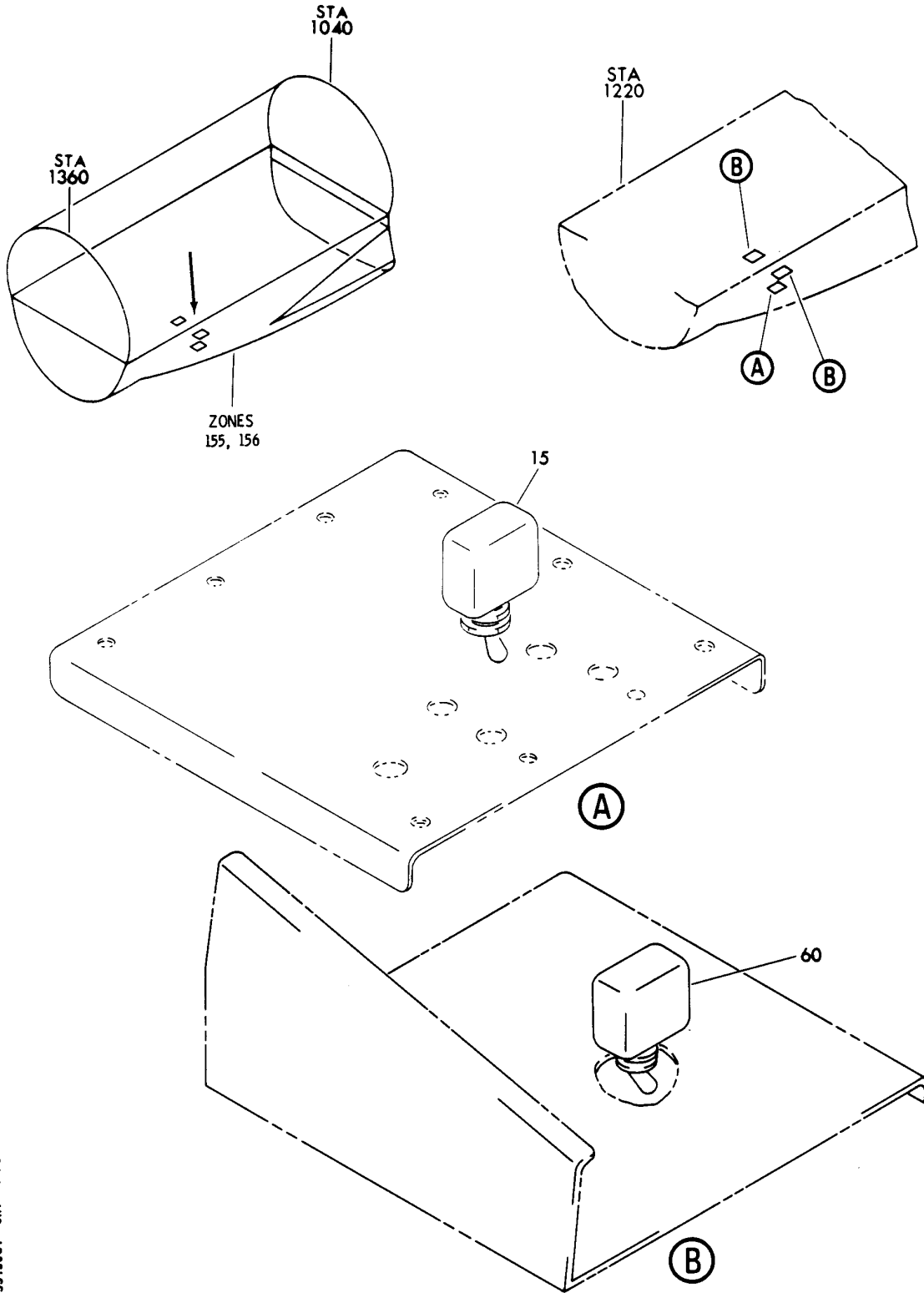
- ITEM NOT ILLUSTRATED

33-31-54-01

33-31-54
FIG. 01
PAGE 1
JAN 20/09

BRI

BOEING
757
PARTS CATALOG (MAINTENANCE)



Y 33315501 SHT 1 REV 032

PANEL ASSY-MAIN WHL WELL ELEC SVCE (LIGHTS ONLY)
FIGURE 1

33-31-55-01

BRI
MAY 28/07

33-31-55-01
PAGE 0



757

PARTS CATALOG (MAINTENANCE)

FIG ITEM	PART NUMBER	1 2 3 4 5 6 7	NOMENCLATURE	EFFECT FROM TO	UNITS PER ASSY
1			PANEL ASSY-MAIN WHL WELL ELEC SVCE (LIGHTS ONLY)	002004 006999	
- 1	284N1745-2		PANEL ASSY-MAIN WHL WELL ELEC SVCE (LIGHTS ONLY) FOR NHA/OTHER SYS DET SEE: 23-41-53-01	002004 006999	RF
- 1	284N1745-5		PANEL ASSY-MAIN WHL WELL ELEC SVCE (LIGHTS ONLY) FOR NHA/OTHER SYS DET SEE: 23-41-53-01	002004 006999	RF
15	MS25306-222		.SWITCH- ELECTRICAL EQUIP NUMBER: S00318	002004 006999	1

MISSING ITEM NUMBERS NOT APPLICABLE

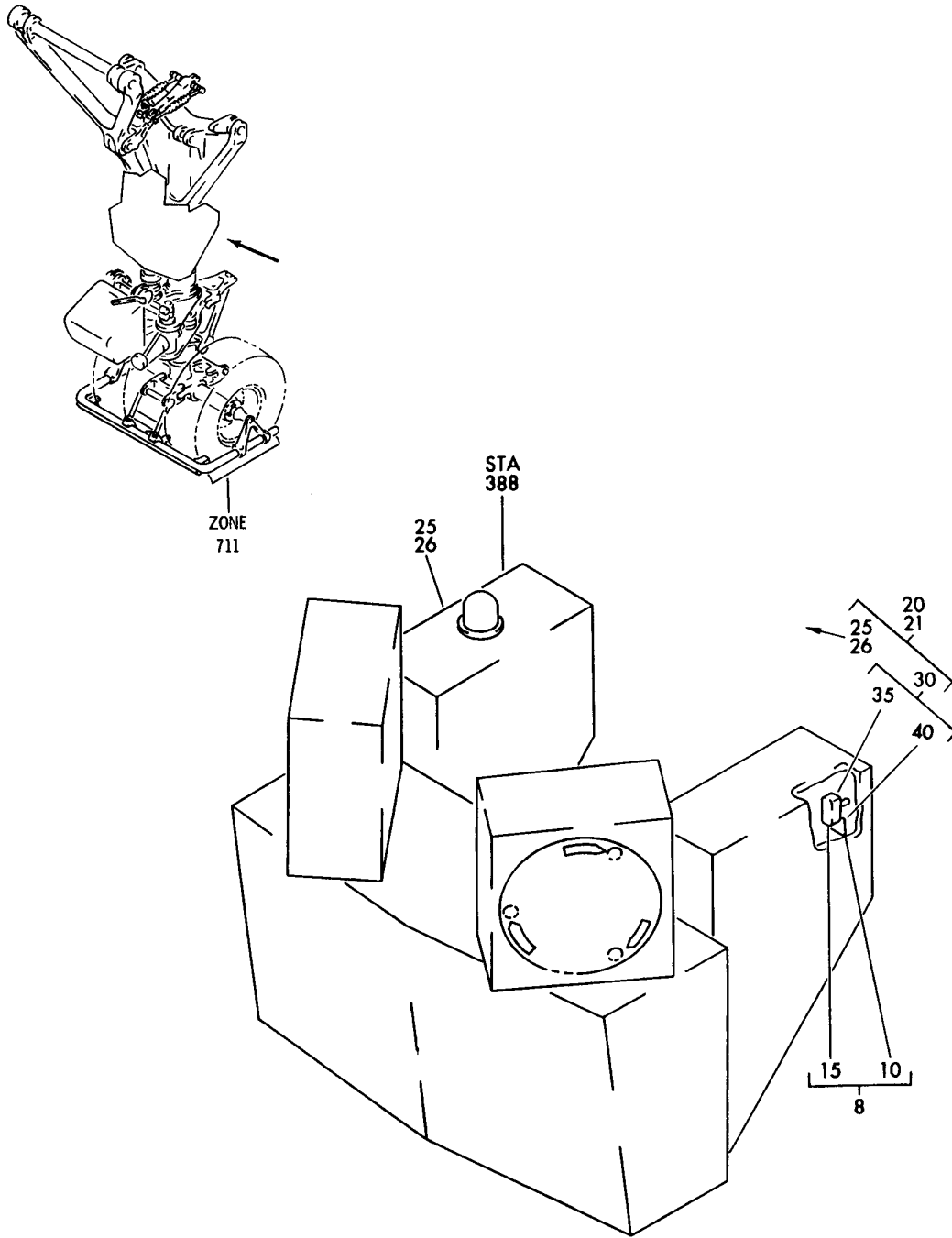
- ITEM NOT ILLUSTRATED

33-31-55-01

33-31-55
FIG. 01
PAGE 1
SEP 20/08

BRI

BOEING
757
PARTS CATALOG (MAINTENANCE)



Y 33315601 REV 160

PANEL INSTL-P62 AND P63 NLG LDG AND TURNOFF LTS (SERVICE LIGHTS ONLY)
FIGURE 1

33-31-56-01

BRI
MAY 28/07

33-31-56-01
PAGE 0



757

PARTS CATALOG (MAINTENANCE)

FIG ITEM	PART NUMBER	1 2 3 4 5 6 7	NOMENCLATURE	EFFECT FROM TO	UNITS PER ASSY
1			PANEL INSTL-P62 AND P63 NLG LDG AND TURNOFF LTS (SERVICE LIGHTS ONLY)	002004 006101 107107 121503 904999	
- 2	284N1761-30		PANEL INSTL-P62 AND P63 NLG LDG AND TURNOFF LTS (SERVICE LIGHTS ONLY) FOR NHA/OTHER SYS DET SEE: 24-00-58-01C	107107	RF
- 2	284N1761-31		PANEL INSTL-P62 AND P63 NLG LDG AND TURNOFF LTS (SERVICE LIGHTS ONLY) FOR NHA/OTHER SYS DET SEE: 24-00-58-01C	904949	RF
- 2	284N1761-34		PANEL INSTL-P62 AND P63 NLG LDG AND TURNOFF LTS (SERVICE LIGHTS ONLY) FOR NHA/OTHER SYS DET SEE: 24-00-58-01C	952952	RF
- 2	284N1761-38		PANEL INSTL-P62 AND P63 NLG LDG AND TURNOFF LTS (SERVICE LIGHTS ONLY) FOR NHA/OTHER SYS DET SEE: 24-00-58-01C	002004	RF
- 3	284N1761-42		PANEL INSTL-P62 AND P63 NLG LDG AND TURNOFF LTS (SERVICE LIGHTS ONLY) FOR NHA/OTHER SYS DET SEE: 24-00-58-01C	121503	RF
- 3	284N1761-48		PANEL INSTL-P62 AND P63 NLG LDG AND TURNOFF LTS (SERVICE LIGHTS ONLY) FOR NHA/OTHER SYS DET SEE: 24-00-58-01C	006017	RF
- 3	284N1761-54		PANEL INSTL-P62 AND P63 NLG LDG AND TURNOFF LTS (SERVICE LIGHTS ONLY) FOR NHA/OTHER SYS DET SEE: 24-00-58-01C	953999	RF
- 3	284N1761-57		PANEL INSTL-P62 AND P63 NLG LDG AND TURNOFF LTS (SERVICE LIGHTS ONLY) FOR NHA/OTHER SYS DET SEE: 24-00-58-01C	950951	RF

MISSING ITEM NUMBERS NOT APPLICABLE

- ITEM NOT ILLUSTRATED

33-31-56-01

33-31-56
FIG. 01
PAGE 1
JAN 20/09

BRI



757

PARTS CATALOG (MAINTENANCE)

FIG ITEM	PART NUMBER	1 2 3 4 5 6 7	NOMENCLATURE	EFFECT FROM TO	UNITS PER ASSY
1					
- 4	284N1761-60		PANEL INSTL-P62 AND P63 NLG LDG AND TURNOFF LTS (SERVICE LIGHTS ONLY) FOR NHA/OTHER SYS DET SEE: 24-00-58-01C	018100	RF
- 5	284N1761-90		PANEL INSTL-P62 AND P63 NLG LDG AND TURNOFF LTS (SERVICE LIGHTS ONLY) FOR NHA/OTHER SYS DET SEE: 24-00-58-05E	101101	RF
8	284N1758-11		.HOUSING ASSY-P63 CONT PNL POSITION DATA: LH	002004 107107 121503 904949	RF
8	284N1758-21		.HOUSING ASSY-P63 CONT PNL POSITION DATA: LH	952952	RF
8	284N1758-29		.HOUSING ASSY-P63 CONT PNL POSITION DATA: LH	006017	RF
8	284N1758-33		.HOUSING ASSY-P63 CONT PNL POSITION DATA: LH	006017	RF
8	284N1758-36		.HOUSING ASSY-P63 CONT PNL POSITION DATA: LH	953999	RF
8	284N1758-45		.HOUSING ASSY-P63 CONT PNL POSITION DATA: LH	950951	RF
10	BAC27NEL0166		..MARKER-ALUMINUM FOIL- PLACARD CONTENT: S00324 SWITCH-NLG W/W INSP LT	002004 006017 107107 121503 904999	1
15	MS25306-222		..SWITCH- ELECTRICAL EQUIP NUMBER: S00324	002004 006017 107107 121503 904999	1
20	284N1209-2		.PANEL ASSY-P62 AND P63, NLG, LDG AND TURNOFF LTS	018100	RF
25	284N1209-13		..HOUSING ASSY-	018100	RF
30	284N1758-48		...CONTROL PANEL ASSY-P63	018100	RF
35	BAC27NEL0166	MARKER-ALUMINUM FOIL- PLACARD CONTENT: S00324 SWITCH-NLG W/W INSP LT	018100	1

MISSING ITEM NUMBERS NOT APPLICABLE

- ITEM NOT ILLUSTRATED

33-31-56-01

33-31-56
FIG. 01
PAGE 2
JAN 20/09

BRI



757

PARTS CATALOG (MAINTENANCE)

FIG ITEM	PART NUMBER	1 2 3 4 5 6 7	NOMENCLATURE	EFFECT FROM TO	UNITS PER ASSY
1 40	MS25306-222	SWITCH- ELECTRICAL EQUIP NUMBER: S00324	018100	1

MISSING ITEM NUMBERS NOT APPLICABLE

- ITEM NOT ILLUSTRATED

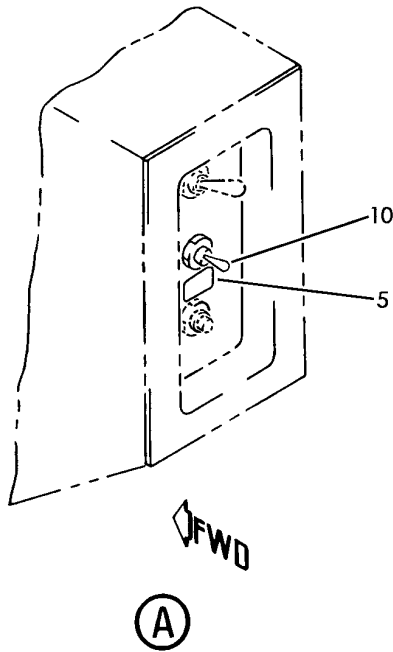
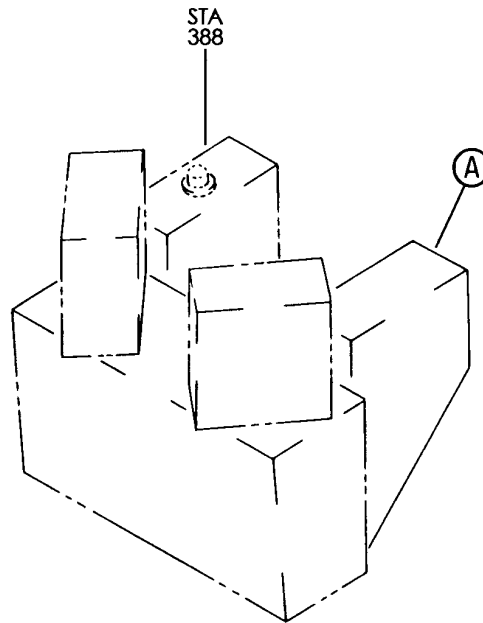
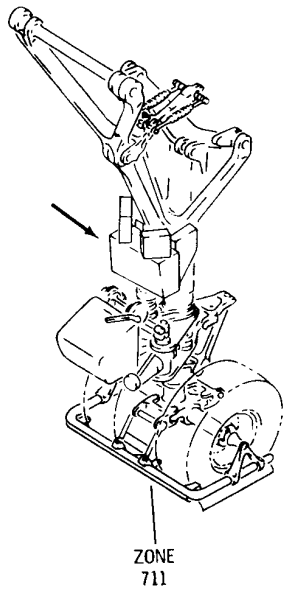
BRI

33-31-56-01

BOEING PROPRIETARY - Copyright © - Unpublished Work - See title page for details.

33-31-56
FIG. 01
PAGE 3
JAN 20/09

BOEING
757
PARTS CATALOG (MAINTENANCE)



Y 33315601B REV 208

PANEL ASSY-P62 AND P63 NLG LDG AND TURNOFF LTS (SERVICE LIGHTS ONLY)
FIGURE 1B

BRI
MAY 28/07

33-31-56-01B

33-31-56-01B
PAGE 0



757

PARTS CATALOG (MAINTENANCE)

FIG ITEM	PART NUMBER	1 2 3 4 5 6 7	NOMENCLATURE	EFFECT FROM TO	UNITS PER ASSY
1B			PANEL ASSY-P62 AND P63 NLG LDG AND TURNOFF LTS (SERVICE LIGHTS ONLY)	102106 108120 504903	
- 1	284N1209-103		PANEL ASSY-P62 AND P63, NLG LDG AND TURNOFF LTS (SERVICE LIGHTS ONLY) FOR NHA/OTHER SYS DET SEE: 33-42-04-01	102102	RF
- 1	284N1209-108		PANEL ASSY-P62 AND P63, NLG LDG AND TURNOFF LTS (SERVICE LIGHTS ONLY) FOR NHA/OTHER SYS DET SEE: 33-42-04-01	504903	RF
- 2	284N1209-134		PANEL ASSY-P62 AND P63 NLG LDG AND TURNOFF LTS (SERVICE LIGHTS ONLY) FOR NHA/OTHER SYS DET SEE: 33-42-04-01	108120	RF
- 3	284N1209-140		PANEL ASSY-P62 AND P63, NLG LDG AND TURNOFF LTS (SERVICE LIGHTS ONLY) FOR NHA/OTHER SYS DET SEE: 33-42-04-01	103106	RF
5	BAC27NEL0166		.MARKER-ALUMINUM FOIL PLACARD CONTENT: S00324 SWITCH-NLG W/W INSP LT	102106 108120 504903	1
10	MS25306-222		.SWITCH- ELECTRICAL EQUIP NUMBER: S00324	102106 108120 504903	1

MISSING ITEM NUMBERS NOT APPLICABLE

- ITEM NOT ILLUSTRATED

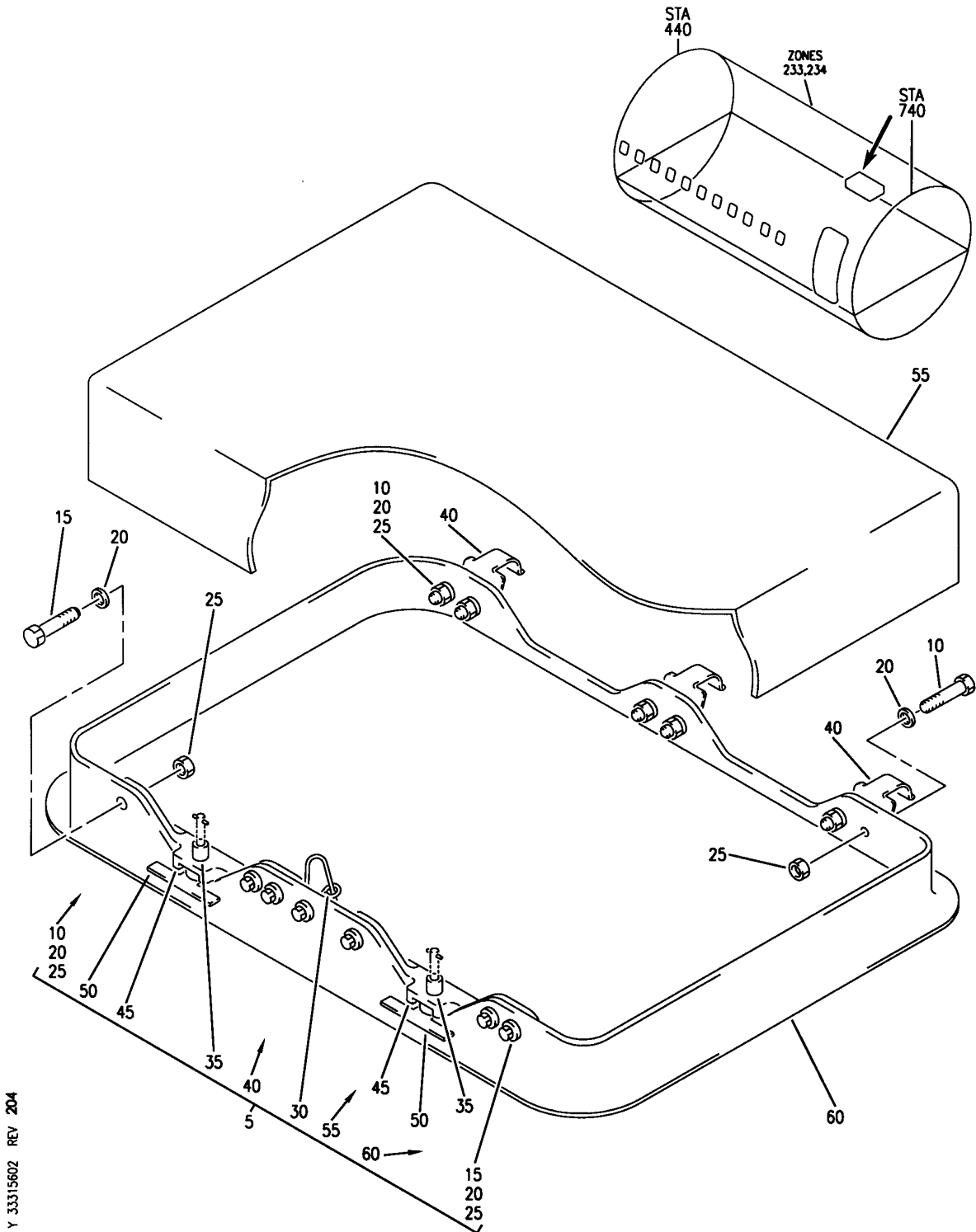
33-31-56-01B

33-31-56
FIG. 01B
PAGE 1
JAN 20/09

BRI

BOEING PROPRIETARY - Copyright © - Unpublished Work - See title page for details.

BOEING
757
PARTS CATALOG (MAINTENANCE)



Y 33315602 REV 204

CEILING ASSY-ENTRY DOOR 2 (SERVICE LIGHTS ONLY)
FIGURE 2

33-31-56-02

BRI
JAN 20/09

33-31-56-02
PAGE 0



757

PARTS CATALOG (MAINTENANCE)

FIG ITEM	PART NUMBER	1 2 3 4 5 6 7	NOMENCLATURE	EFFECT FROM TO	UNITS PER ASSY
2			CEILING ASSY-ENTRY DOOR 2 (SERVICE LIGHTS ONLY)	103106	
- 1	411N3620-34B		CEILING ASSY-ENTRY DOOR 2 (SERVICE LIGHTS ONLY) FOR NHA/OTHER SYS DET SEE: 25-22-02-40R	103106	RF
5	417A5471-2A		.BEZEL ASSY	103106	1
10	NAS1801-04-5		..SCREW- OPTIONAL PART: BACS12HN04-5	103106	6
10	BACS12HN04-5		..SCREW- OPTIONAL PART: NAS1801-04-5	103106	6
15	NAS1801-04-6		..SCREW- OPTIONAL PART: BACS12HN04-6	103106	7
15	BACS12HN04-6		..SCREW- OPTIONAL PART: NAS1801-04-6	103106	7
20	NAS1149FN432P		..WASHER	103106	13
25	BRH10C04D		..NUT- SUPPLIER CODE: V52828 SPECIFICATION NUMBER: BACN10JCO4CD OPTIONAL PART: H51650-04BAC V15653 102LH9075-40W V72962 NS202486-40 V80539 T6C440JCD V11815 T6C440JCD V11815 POSITION DATA: FAR SIDE BACN10YRO4CD	103106	13

MISSING ITEM NUMBERS NOT APPLICABLE

- ITEM NOT ILLUSTRATED

33-31-56-02

33-31-56
FIG. 02
PAGE 1
JAN 20/09

BRI



757

PARTS CATALOG (MAINTENANCE)

FIG ITEM	PART NUMBER	1 2 3 4 5 6 7	NOMENCLATURE	EFFECT FROM TO	UNITS PER ASSY
2					
25	PLH504CD	..	NUT- SUPPLIER CODE: VF0224 SPECIFICATION NUMBER: BACN10YR04CD OPTIONAL PART: H52732-04CD V15653 POSITION DATA: FAR SIDE BACN10JCO4CD	103106	13
30	MS29523-1	..	HOOK	103106	1
33	1127700	..	WASHER SUPPLIER CODE: V60119 SPECIFICATION NUMBER: BACW10X4 OPTIONAL PART: 2600LW V71286	103106	2
35	BACS21Y8R	..	STUD ASSY- OPTIONAL PART: BACS21EE8R	103106	2
35	BACS21EE8R	..	STUD- OPTIONAL PART: BACS21Y8R	103106	2
40	417A5464-15	..	SPRING-BEZEL SUPPORT	103106	3
45	417T5093-3	..	BRACKET-TEE	103106	2
50	417T5135-1	..	SEAL-RUBBER	103106	2
55	417A5463-5	..	LENS	103106	1
60	65C26694-1A	..	BEZEL	103106	1

MISSING ITEM NUMBERS NOT APPLICABLE

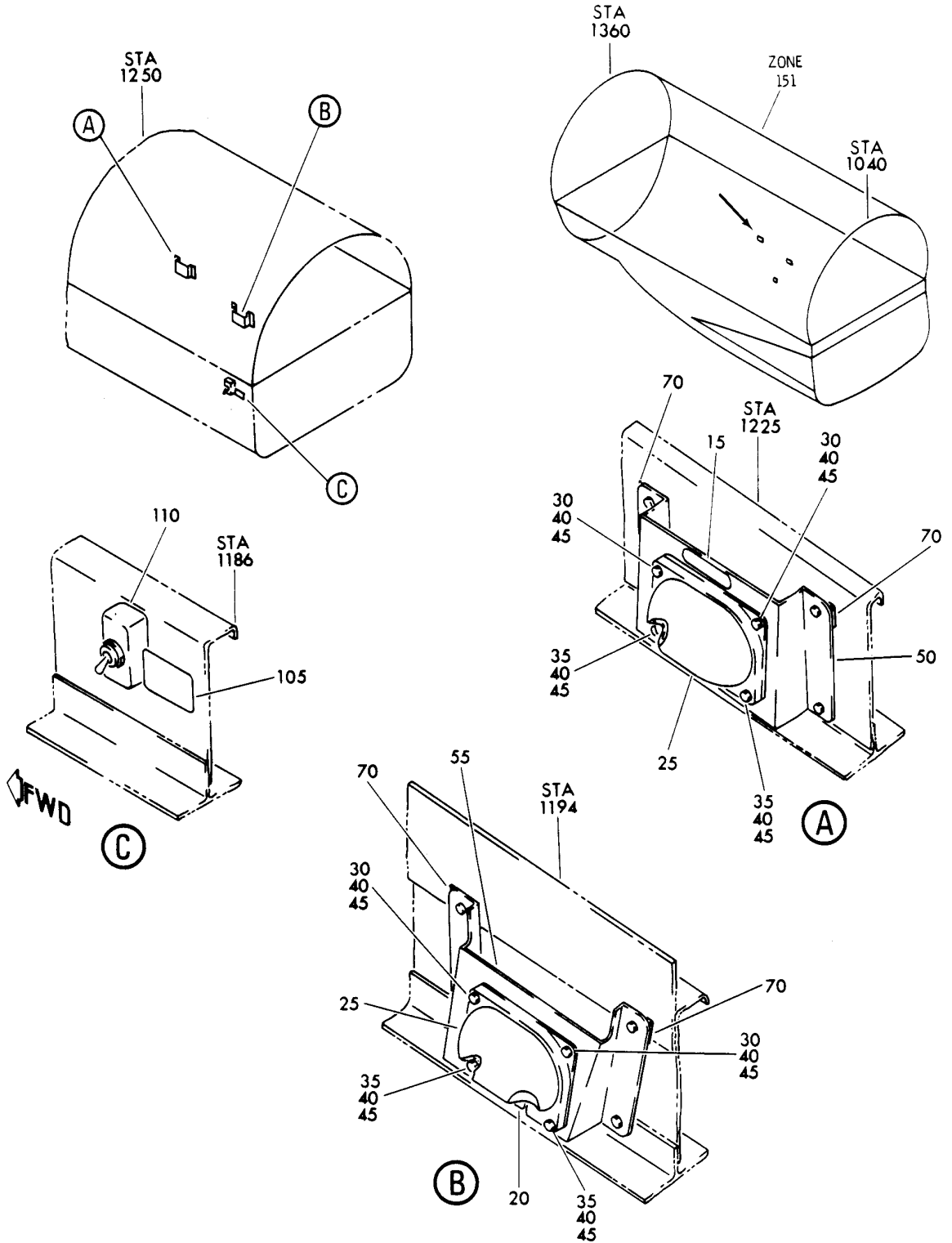
- ITEM NOT ILLUSTRATED

33-31-56-02

33-31-56
FIG. 02
PAGE 2
JAN 20/09

BRI

BOEING
757
PARTS CATALOG (MAINTENANCE)



Y 33315701 SHT 1 REV 015

LIGHT AND SWITCH INSTL-HYDR SVCE COMPT
FIGURE 1

33-31-57-01

BRI
MAY 28/07

33-31-57-01
PAGE 0



757

PARTS CATALOG (MAINTENANCE)

FIG ITEM	PART NUMBER	1 2 3 4 5 6 7	NOMENCLATURE	EFFECT FROM TO	UNITS PER ASSY
1			LIGHT AND SWITCH INSTL-HYDR SVCE COMPT	002004 006999	
- 5	284N1483-1		LIGHT INSTL-HYDR SVCE COMPT FOR NHA SEE: 24-00-58-01A 24-00-58-05	002004 006102 107999	RF
- 5	MODREF10685		LIGHT INSTL-HYDR SVCE COMPT MODULE NUMBER: 284N1483-1 REV A	103106	1
- 10	284N1483-3		LIGHT INSTL-HYDR SVCE COMPT FOR NHA SEE: 24-00-58-01A 24-00-58-05	002004 006102 107999	RF
- 10	MODREF10686		LIGHT INSTL-HYDR SVCE COMPT MODULE NUMBER: 284N1483-3 REV A	103106	1
15	BAC27NEX1671		.MARKER-ALUMINUM FOIL-PLACARD CONTENT: L00488 USED ON: 284N1483-1 MODREF10685	002004 006999	1
20	BAC27NEX1670		.MARKER-ALUMINUM FOIL-PLACARD CONTENT: L00487 USED ON: 284N1483-3 MODREF10686	002004 006999	1
25	15-0143-29		.LIGHT-SUPPLIER CODE: V72914 ELECTRICAL EQUIP NUMBER: L00488 ATTACHING PARTS	002004 006999	1
30	NAS1801-06-10		.SCREW	002004 006999	2
35	NAS1801-06-7		.SCREW	002004 006999	2
40	AN960PD6L		.WASHER	002004 006999	4
50	284N1859-9		-----*----- .BRACKET-SPRT USED ON: 284N1483-1 MODREF10685	002004 006999	1
55	284N1859-11		.BRACKET-SPRT USED ON: 284N1483-3 MODREF10686	002004 006999	1

MISSING ITEM NUMBERS NOT APPLICABLE

- ITEM NOT ILLUSTRATED

33-31-57-01

33-31-57
FIG. 01
PAGE 1
JAN 20/09

BRI



757

PARTS CATALOG (MAINTENANCE)

FIG ITEM	PART NUMBER	1 2 3 4 5 6 7	NOMENCLATURE	EFFECT FROM TO	UNITS PER ASSY
1			ATTACHING PARTS		
- 60	L8006K4		.BOLT SUPPLIER CODE: V06725 SPECIFICATION NUMBER: BACB30MY6K4	002004 006999	4
- 65	HL79-6		.COLLAR SUPPLIER CODE: V5M902 SPECIFICATION NUMBER: BACC30M6 OPTIONAL PART: HL79-6 V73197 HL79-6 V92215 66014-6 V56878 HL79-6 V56878 -----*-----	002004 006999	4
70	BACF3F007L007NN		.FILLER	002004 006999	2
- 100	284N1483-5		SWITCH INSTL-HYDR SVCE COMPT FOR NHA SEE: 24-00-58-01A 24-00-58-05	002004 006102 107999	RF
- 100	MODREF10687		SWITCH INSTL-HYDR SVCE COMPT MODULE NUMBER: 284N1483-5 REV A	103106	1
105	BAC27NEX1681		.MARKER-ALUMINUM FOIL- PLACARD CONTENT: S10328 SW HYD. COMPT LTS	002004 006999	1
110	MS25306-222		.SWITCH- ELECTRICAL EQUIP NUMBER: S10328	002004 006999	1

MISSING ITEM NUMBERS NOT APPLICABLE

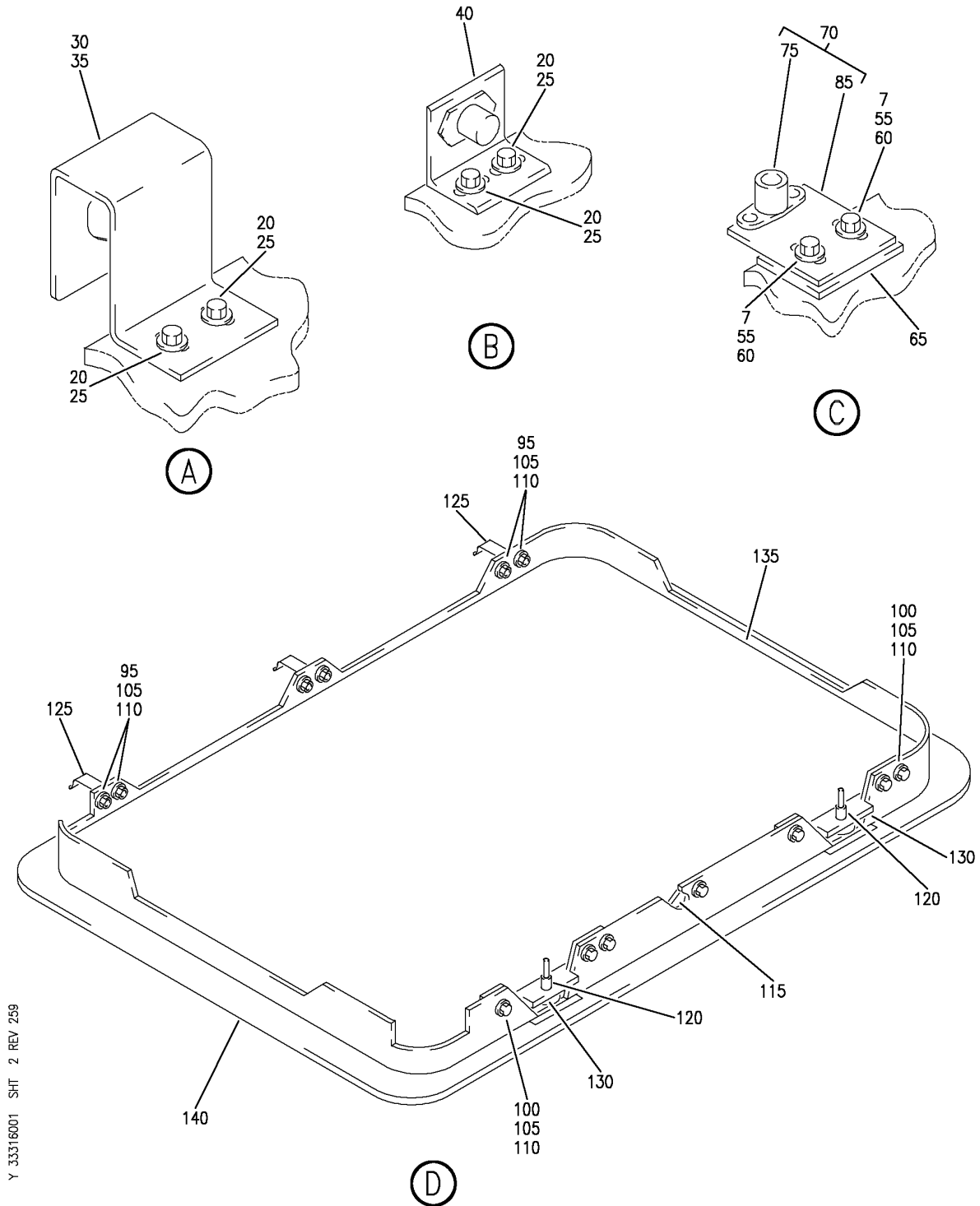
- ITEM NOT ILLUSTRATED

33-31-57-01

33-31-57
FIG. 01
PAGE 2
JAN 20/09

BRI

BOEING
757
PARTS CATALOG (MAINTENANCE)



Y 33316001 SHT 2 REV 259

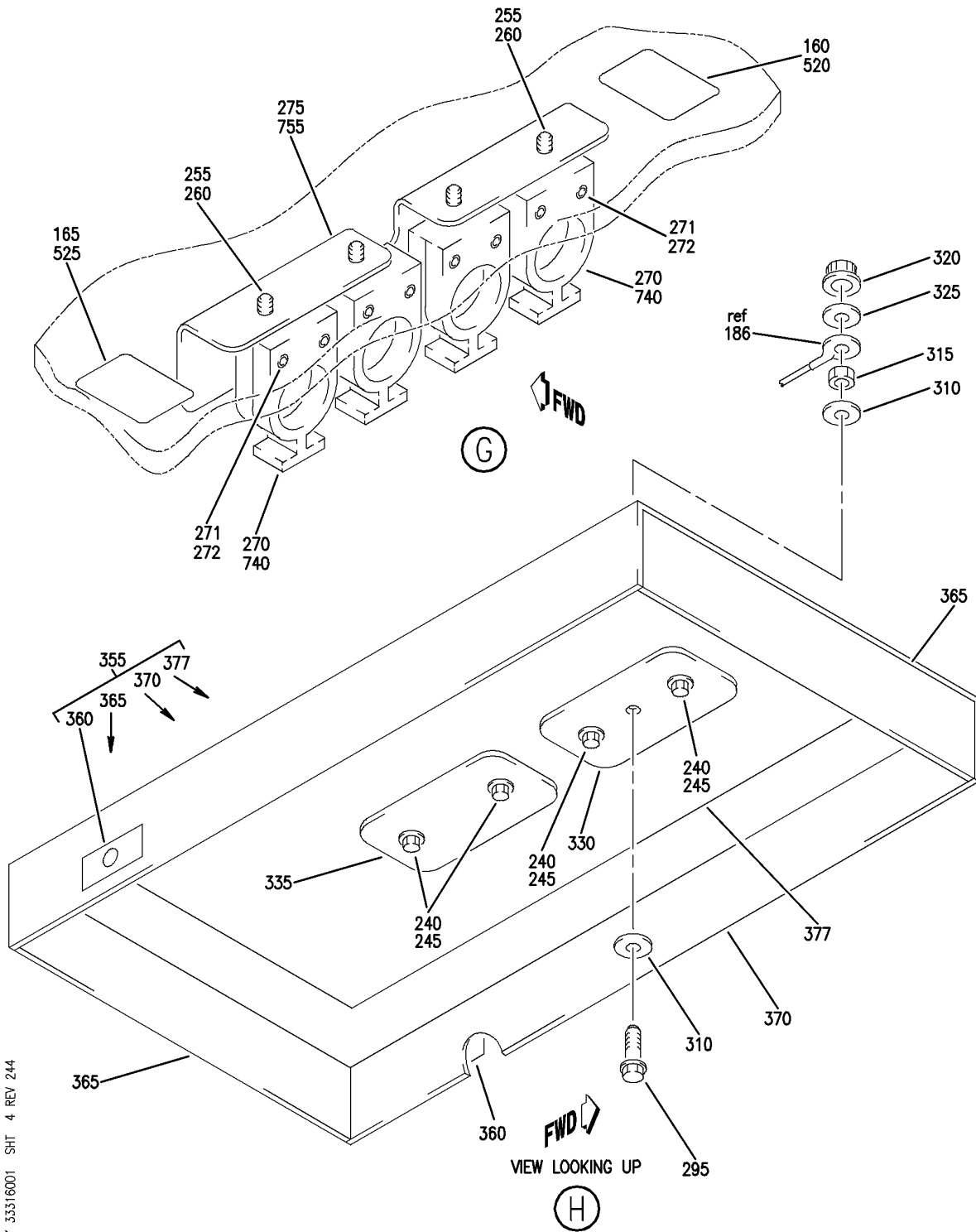
CEILING ASSY-ENTRY DOOR 1 (SERVICE LIGHTS ONLY)
FIGURE 1 (SHEET 2)

33-31-60-01

BRI
JAN 20/09

33-31-60-01
PAGE 0A

BOEING
757
PARTS CATALOG (MAINTENANCE)



Y 33316001 SH1 4 REV 244

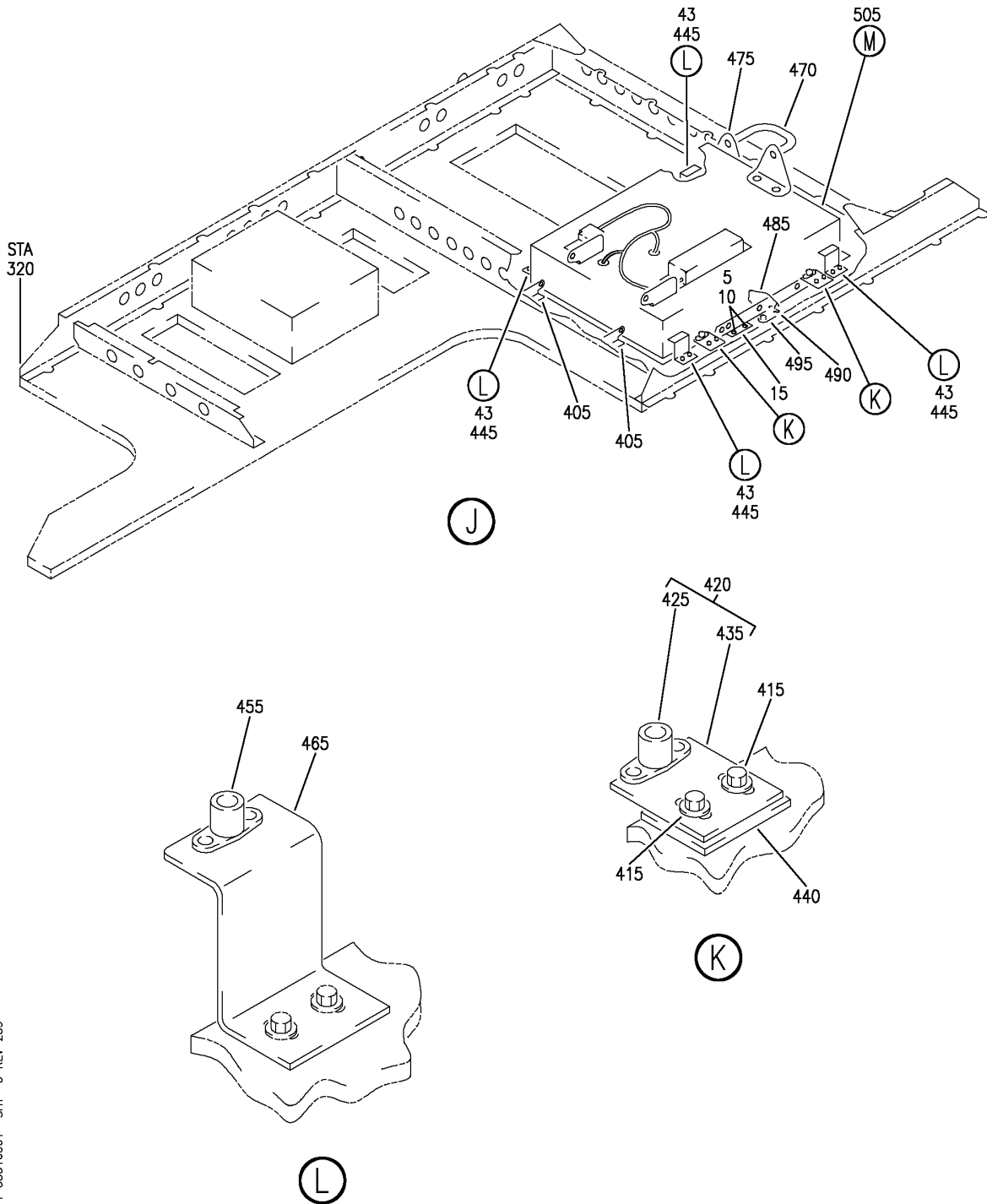
CEILING ASSY-ENTRY DOOR 1 (SERVICE LIGHTS ONLY)
FIGURE 1 (SHEET 4)

33-31-60-01

BRI
JAN 20/09

33-31-60-01
PAGE 0C

BOEING
757
PARTS CATALOG (MAINTENANCE)



Y 33316001 SHT 5 REV 259

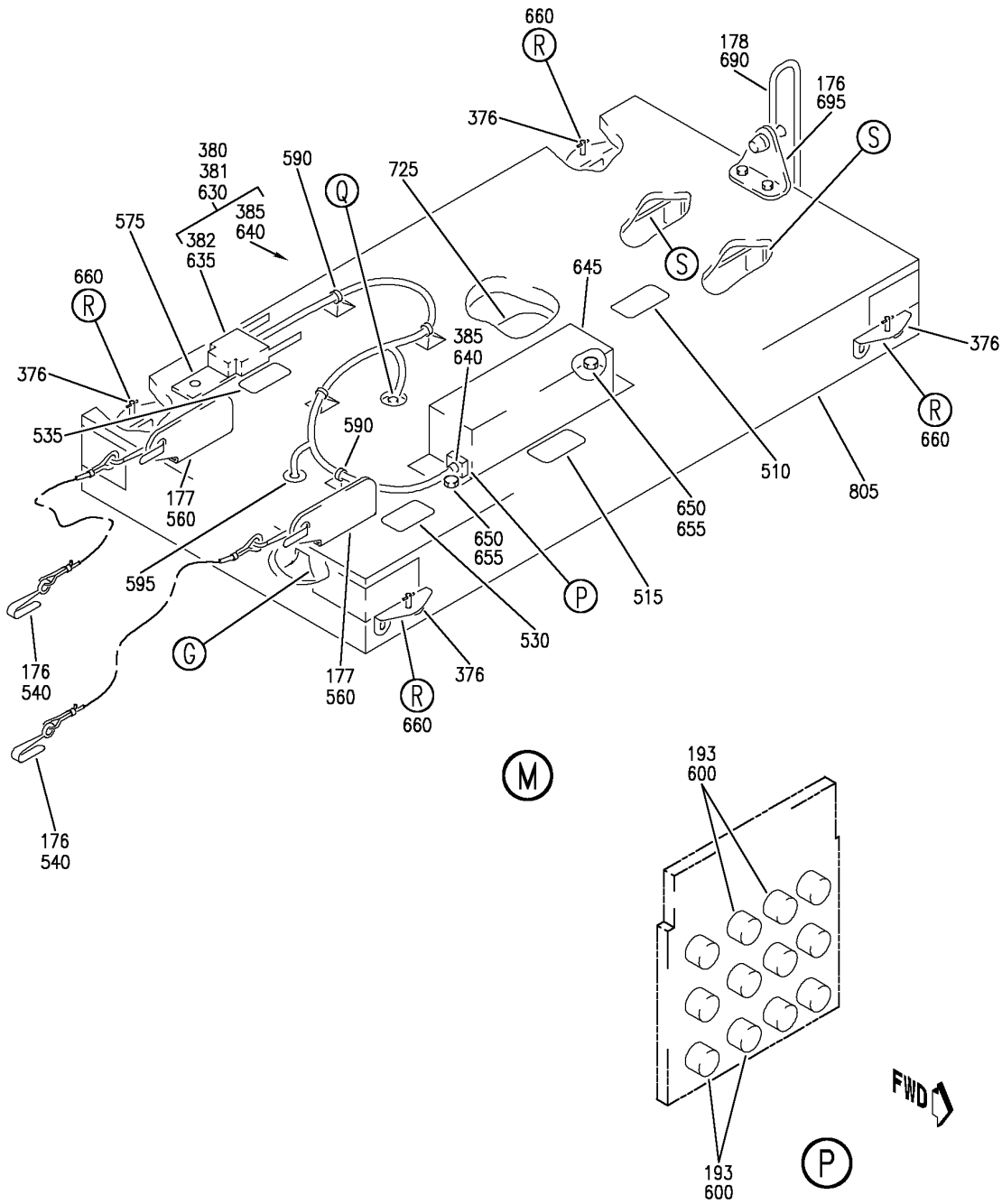
CEILING ASSY-ENTRY DOOR 1 (SERVICE LIGHTS ONLY)
FIGURE 1 (SHEET 5)

33-31-60-01

BRI
JAN 20/09

33-31-60-01
PAGE 0D

BOEING
757
PARTS CATALOG (MAINTENANCE)



Y 33316001 SH1 6 REV 248

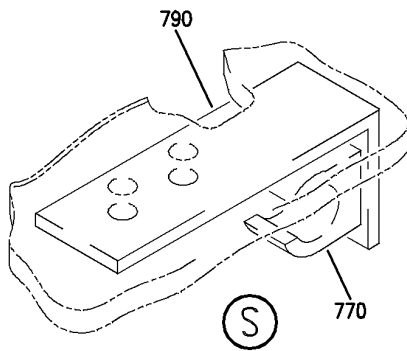
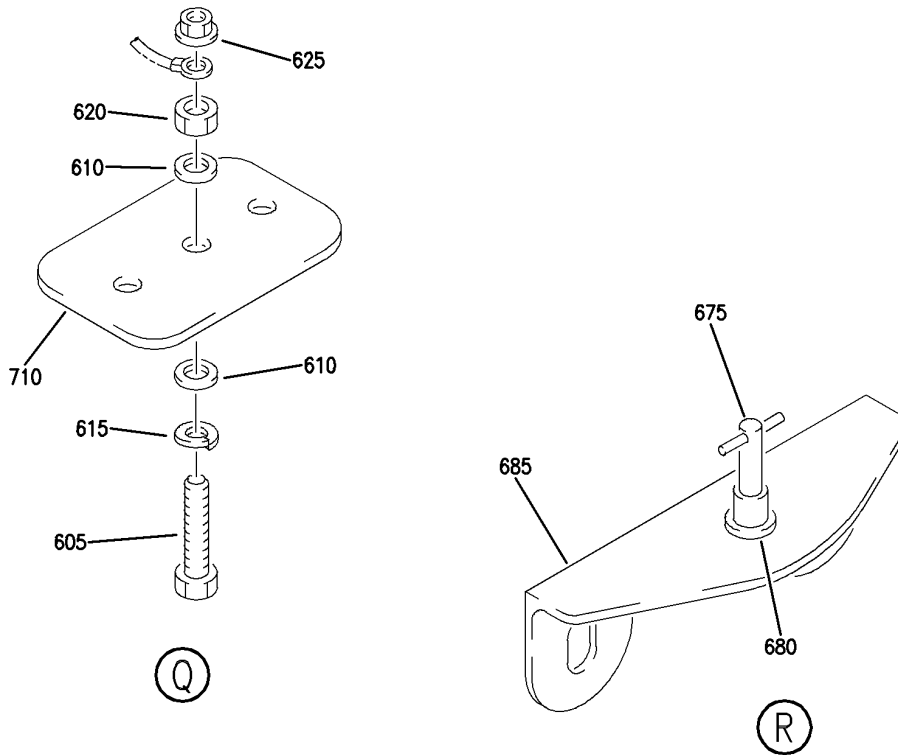
CEILING ASSY-ENTRY DOOR 1 (SERVICE LIGHTS ONLY)
FIGURE 1 (SHEET 6)

33-31-60-01

BRI
JAN 20/09

33-31-60-01
PAGE 0E

BOEING
757
PARTS CATALOG (MAINTENANCE)



Y 33316001 SHIT 7 REV 244

CEILING ASSY-ENTRY DOOR 1 (SERVICE LIGHTS ONLY)
FIGURE 1 (SHEET 7)

33-31-60-01

BRI
JAN 20/09

33-31-60-01
PAGE OF

BOEING
757
PARTS CATALOG (MAINTENANCE)

FIG ITEM	PART NUMBER	1 2 3 4 5 6 7	NOMENCLATURE	EFFECT FROM TO	UNITS PER ASSY
1			CEILING ASSY-ENTRY DOOR 1 (SERVICE LIGHTS ONLY)	103106	
- 1	411N3520-28B		CEILING ASSY-ENTRY (SERVICE LIGHTS ONLY) POSITION DATA: DOOR 1 FOR NHA/OTHER SYS DET SEE: 25-22-02-69A	103106	RF
	3 65C34653-11		.BRACKET-LANYARD ATTACHING PARTS	103106	2
- 4	BACS12FA3K5		.SCREW -----*-----	103106	4
	5 BACB12GU3K8		.BOLT-	103106	4
	7 BACS12FA3K7		.SCREW	103106	4
	15 BACT44E1S		.CONNECTOR-	103106	1
	20 BACS12FA3K5		.SCREW-	103106	8
	43 417A5464-25		.BRACKET ASSY-	103106	4
	55 BACS12FA3K7		.SCREW-	103106	4
	65 BACS40R010E015F		.SHIM	103106	2
	70 65C27481-231		.BRACKET ASSY	103106	2
	75 BACR11Y3A		..RECEPTACLE ATTACHING PARTS	103106	1
- 80	AF517-3-3		..RIVET- SUPPLIER CODE: V53551 SPECIFICATION NUMBER: BACR15DR3P3 OPTIONAL PART: CCR274SS3-3 V11815 RV570A3-3 V98996 SIZE DETERMINED ON INSTL. -----*-----	103106	1
	85 65C27481-224		..PLATE	103106	1
	90 417A5471-2A		.BEZEL ASSY-ENTRY LT	103106	1
	95 NAS1801-04-5		..SCREW- OPTIONAL PART: BACS12HN04-5	103106	6
	95 BACS12HN04-5		..SCREW- OPTIONAL PART: NAS1801-04-5	103106	6
100	NAS1801-04-6		..SCREW- OPTIONAL PART: BACS12HN04-6	103106	7
100	BACS12HN04-6		..SCREW- OPTIONAL PART: NAS1801-04-6	103106	7

MISSING ITEM NUMBERS NOT APPLICABLE

- ITEM NOT ILLUSTRATED

BRI

33-31-60-01

33-31-60
FIG. 01
PAGE 1
JAN 20/09



757

PARTS CATALOG (MAINTENANCE)

FIG ITEM	PART NUMBER	1 2 3 4 5 6 7	NOMENCLATURE	EFFECT FROM TO	UNITS PER ASSY
1					
105	NAS1149FN432P	..	WASHER	103106	13
110	BRH10C04D	..	NUT-	103106	13
			SUPPLIER CODE: V52828		
			SPECIFICATION NUMBER: BACN10JCO4CD		
			OPTIONAL PART: H51650-04BAC		
			V15653		
			102LH9075-40W		
			V72962		
			NS202486-40		
			V80539		
			T6C440JCD		
			V11815		
			T6C440JCD		
			V11815		
			BACN10YRO4CD		
110	PLH504CD	..	NUT-	103106	13
			SUPPLIER CODE: VFO224		
			SPECIFICATION NUMBER: BACN10YRO4CD		
			OPTIONAL PART: H52732-04CD		
			V15653		
			BACN10JCO4CD		
115	MS29523-1	..	HOOK	103106	2
120	BACS21Y8R	..	STUD ASSY-	103106	4
			OPTIONAL PART: BACS21EE8R		
120	BACS21EE8R	..	STUD-	103106	4
			OPTIONAL PART: BACS21Y8R		
125	417A5464-15	..	SPRING	103106	3
130	417T5093-3	..	BRACKET	103106	2
135	417A5463-5	..	LENS	103106	2
140	65C26694-1	..	BEZEL	103106	2
145	417A5470-7	.	LIGHT ASSY-	103106	1
150	BAC27DEL1330	..	MARKER-ENTRY AREA LT	103106	1
			ELECTRICAL EQUIP NUMBER: M11428		
155	BAC27NPS312	..	MARKER-	103106	1
			BALLAST		
			ELECTRICAL EQUIP NUMBER: M11429		

MISSING ITEM NUMBERS NOT APPLICABLE

- ITEM NOT ILLUSTRATED

33-31-60-01

33-31-60
FIG. 01
PAGE 2
JAN 20/09

BRI



757

PARTS CATALOG (MAINTENANCE)

FIG ITEM	PART NUMBER	1 2 3 4 5 6 7	NOMENCLATURE	EFFECT FROM TO	UNITS PER ASSY
1					
160	BAC27NPS313	..	MARKER-LAMP ELECTRICAL EQUIP NUMBER: L01021	103106	1
165	BAC27NPS314	..	MARKER-LAMP ELECTRICAL EQUIP NUMBER: L01022	103106	1
170	BAC27NPS316	..	MARKER-CONNECTOR ELECTRICAL EQUIP NUMBER: D10468	103106	1
175	BAC27NPS317	..	MARKER-CONNECTOR ELECTRICAL EQUIP NUMBER: D10466	103106	1
176	H3583-1	..	LANYARD ASSY-SUPPLIER CODE: V83014	103106	3
177	65C34653-11	..	BRACKET	103106	2
178	411A3081-5	..	BRACKET	103106	1
180	PLT1MM	..	STRAP SUPPLIER CODE: V06383 SPECIFICATION NUMBER: BACS38K4 OPTIONAL PART: TOR180 V53421	103106	4
185	MB3	..	BASE-MTG SUPPLIER CODE: V09922	103106	4
190	RR2002-4H1J	..	GROMMET SUPPLIER CODE: V57268 SPECIFICATION NUMBER: BACG20AF4H1J OPTIONAL PART: SZ6924-4H1J V95272 701-4H1J V07096 E4H1J V60980 H4H1J V60980 G6940-4H1J V75345	103106	2

MISSING ITEM NUMBERS NOT APPLICABLE

- ITEM NOT ILLUSTRATED

33-31-60-01

33-31-60
FIG. 01
PAGE 3
JAN 20/09

BRI



757

PARTS CATALOG (MAINTENANCE)

FIG ITEM	PART NUMBER	1 2 3 4 5 6 7	NOMENCLATURE	EFFECT FROM TO	UNITS PER ASSY
1 193	318-2020-901L	..	CONTACT SUPPLIER CODE: V55104 SPECIFICATION NUMBER: BACC47CP1S OPTIONAL PART: ZZL4120-36LDH14 V49367 LP807105-205 V77820	103106	AR
195	BACT44E1S	..	CONNECTOR ATTACHING PARTS	103106	1
200	BACS12GU3K5	..	SCREW	103106	2
205	NAS620A10L	..	WASHER	103106	2
			-----*-----		
220	5386	..	DAMPENER-LAMP SUPPLIER CODE: V22336 OPTIONAL PART: AL5273 V22336	103106	2
220	AL5273	..	DAMPENER-LAMP SUPPLIER CODE: V22336 OPTIONAL PART: 5386 V22336 ATTACHING PARTS	103106	2
225	BACS12CK06-11	..	SCREW-	103106	2
- 230	NAS1149DN632J	..	WASHER	103106	2
- 235	BRH10C06D	..	NUT SUPPLIER CODE: V52828 SPECIFICATION NUMBER: BACN10JC06CD OPTIONAL PART: T6C632JCD V11815 NS202486-62 V80539 102LH9075-62W V72962 H51650-06BAC V15653	103106	2
			-----*-----		
240	BACS12GU3K4	..	SCREW	103106	8
245	NAS114D0332J	..	WASHER	103106	8
250	65C34653-7	..	BRACKET	103106	2

MISSING ITEM NUMBERS NOT APPLICABLE

- ITEM NOT ILLUSTRATED

33-31-60-01

33-31-60
FIG. 01
PAGE 4
JAN 20/09

BRI



757

PARTS CATALOG (MAINTENANCE)

FIG ITEM	PART NUMBER	1 2 3 4 5 6 7	NOMENCLATURE	EFFECT FROM TO	UNITS PER ASSY
1			ATTACHING PARTS		
255	BACS12GU3K4	..	SCREW	103106	4
260	NAS1149D0332J	..	WASHER	103106	4
			-----*-----		
270	BV3112N20	..	HOLDER-LAMP	103106	4
			SUPPLIER CODE: V17023		
			ATTACHING PARTS		
- 272	NAS1801-04-7	..	SCREW	103106	AR
- 273	NAS1149DN432J	..	WASHER	103106	AR
			-----*-----		
275	65C34653-4	..	BRACKET	103106	1
280	8171-1	..	BALLAST-	103106	2
			SUPPLIER CODE: V30242		
			SPECIFICATION NUMBER: S283U008-16		
			ELECTRICAL EQUIP NUMBER: M11429		
			COMPONENT MAINT MANUAL REF: 33-20-01		
			OPTIONAL PART: 8184-1		
			V30242		
280	8184-1	..	BALLAST-	103106	2
			SUPPLIER CODE: V30242		
			FUNCTIONAL DESCRIPTION: STARTS & OPERATES ONE FLUORESCENT LAMP.		
			SPECIFICATION NUMBER: S283U008-16		
			ELECTRICAL EQUIP NUMBER: M11429		
			COMPONENT MAINT MANUAL REF: 33-20-08		
			OPTIONAL PART: 8171-1		
			V30242		
			ATTACHING PARTS		
- 285	BACS12GU3K4	..	SCREW	103106	2
- 290	NAS1149D0332J	..	WASHER	103106	2
			-----*-----		
295	BACS12GU3K10	..	SCREW	103106	1
300	BACS12GU3K4	..	SCREW	103106	4
305	NAS1149D0332J	..	WASHER	103106	4
310	NAS1149D0316H	..	WASHER	103106	2
- 317	BACW10EC3S	..	WASHER	103106	AR
320	MS21042L3	..	NUT	103106	1

MISSING ITEM NUMBERS NOT APPLICABLE

- ITEM NOT ILLUSTRATED

33-31-60-01

33-31-60
FIG. 01
PAGE 5
JAN 20/09

BRI



757

PARTS CATALOG (MAINTENANCE)

FIG ITEM	PART NUMBER	1 2 3 4 5 6 7	NOMENCLATURE	EFFECT FROM TO	UNITS PER ASSY
1					
325	MS35650-305T	..	NUT	103106	1
330	417A5464-14	..	PLATE	103106	1
335	479W1306-15	..	PLATE	103106	1
355	65C26572-70	..	SHELL ASSY	103106	1
- 357	SL6224-3A	...	INSERT- SUPPLIER CODE: V97393	103106	AR
376	417A5464-23	..	BRACKET ASSY ATTACHING PARTS	103106	4
- 377	BACS12GU3K4	..	SCREW	103106	AR
- 378	NAS1149D0332J	..	WASHER	103106	AR
			-----*-----		
382	BACC65AK221P	...	RECEPTACLE- ELECTRICAL EQUIP NUMBER: D10466 WIRING DIAGRAM REF: 332211	103106	1
386	286N0754-502	.W	WIRE BUNDLE ASSY	103106	1
387	BACC65AJ121S	..	PLUG- ELECTRICAL EQUIP NUMBER: D03438 WIRING DIAGRAM REF: 332211	103106	1
388	AMC02PA03R	..	PLUG- SUPPLIER CODE: VS5065 ELECTRICAL EQUIP NUMBER: D10680 WIRING DIAGRAM REF: 352121	103106	1
389	BACC65AK251P	..	RECEPTACLE- ELECTRICAL EQUIP NUMBER: D42710J WIRING DIAGRAM REF: 332211	103106	1

MISSING ITEM NUMBERS NOT APPLICABLE

- ITEM NOT ILLUSTRATED

33-31-60-01

33-31-60
FIG. 01
PAGE 6
JAN 20/09

BRI

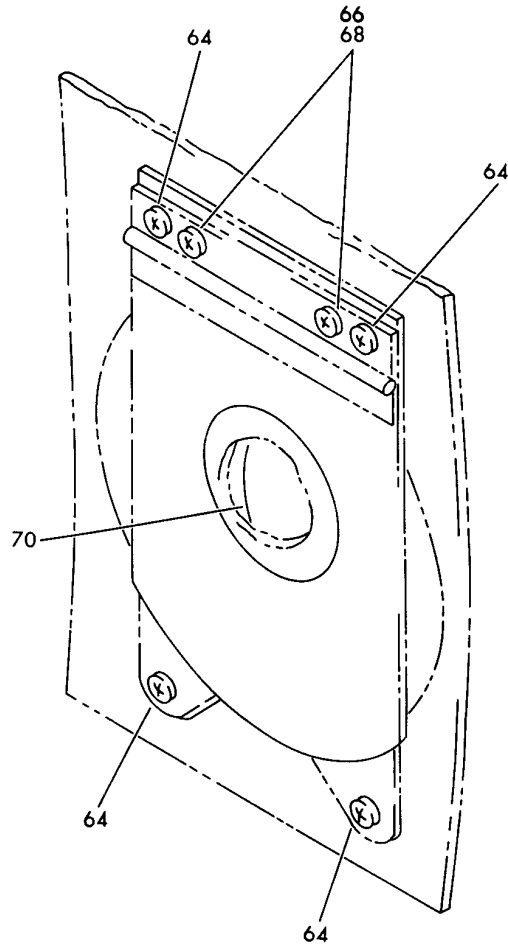
BOEING PROPRIETARY - Copyright © - Unpublished Work - See title page for details.

LOWER LOBE CARGO COMPARTMENT LIGHTS

BRI
MAY 28/07

33-37-00
SECTION TITLE
PAGE 1

BOEING
757
PARTS CATALOG (MAINTENANCE)



Ⓒ

Y 33375101 SH1 2 REV 191

LIGHTING INSTL-CARGO COMPT NO. 1 AND NO. 2 CARGO DR
FIGURE 1 (SHEET 2)

33-37-51-01

BRI
MAY 28/07

33-37-51-01
PAGE 0A

BOEING PROPRIETARY - Copyright © - Unpublished Work - See title page for details.



757

PARTS CATALOG (MAINTENANCE)

FIG ITEM	PART NUMBER	1 2 3 4 5 6 7	NOMENCLATURE	EFFECT FROM TO	UNITS PER ASSY
1			LIGHTING INSTL-CARGO COMPT NO. 1 AND NO. 2 CARGO DR	002004 006999	
- 1	453N4120-1		LIGHTING INSTL-CARGO COMPT NO. 1 CARGO DR FOR NHA SEE: 25-50-00-23 33-37-51-03 33-37-51-10	002004 006102 107999	RF
- 1	MODREF18797		LIGHTING INSTL-CARGO COMPT NO. 1 CARGO DR MODULE NUMBER: 453N4120-1 REV A	103106	1
- 5	453N4120-2		LIGHTING INSTL-CARGO COMPT NO. 2 CARGO DR FOR NHA SEE: 33-37-51-02 33-37-51-09 25-50-00-23	002004 006102 107999	RF
- 5	MODREF18820		LIGHTING INSTL-CARGO COMPT NO. 2 CARGO DR MODULE NUMBER: 453N4120-2 REV A	103106	1
10	BAC27NCA0005		.MARKER-ALUMINUM FOIL PLACARD CONTENT: L389 USED ON: 453N4120-1 453N4120-4 453N4120-6 453N4120-8 MODREF18797 MODREF18822	002004 006999	1
15	BAC27NCA0010		.MARKER-ALUMINUM FOIL PLACARD CONTENT: L394 USED ON: 453N4120-2 453N4120-5 453N4120-7 MODREF18820 MODREF18821	002004 006999	1

MISSING ITEM NUMBERS NOT APPLICABLE

- ITEM NOT ILLUSTRATED

33-37-51-01

33-37-51
FIG. 01
PAGE 1
JAN 20/09

BRI



757

PARTS CATALOG (MAINTENANCE)

FIG ITEM	PART NUMBER	1 2 3 4 5 6 7	NOMENCLATURE	EFFECT FROM TO	UNITS PER ASSY
1 20	BAC27NCA0003		.MARKER-ALUMINUM FOIL PLACARD CONTENT: L387 USED ON: 453N4120-1 453N4120-4 453N4120-6 453N4120-8 MODREF18797 MODREF18822	002004 006999	1
25	BAC27NCA0008		.MARKER-ALUMINUM FOIL PLACARD CONTENT: L392 USED ON: 453N4120-2 453N4120-5 453N4120-7 MODREF18820 MODREF18821	002004 006999	1
30	BAC27NCA0002		.MARKER-ALUMINUM FOIL PLACARD CONTENT: L386 USED ON: 453N4120-1 453N4120-4 453N4120-6 453N4120-8 MODREF18797 MODREF18822	002004 006999	1
35	BAC27NCA0007		.MARKER-ALUMINUM FOIL PLACARD CONTENT: L391 USED ON: 453N4120-2 453N4120-5 453N4120-7 MODREF18820 MODREF18821	002004 006999	1
40	BAC27NCA0004		.MARKER-ALUMINUM FOIL PLACARD CONTENT: L388 USED ON: 453N4120-1 453N4120-4 453N4120-6 453N4120-8 MODREF18797 MODREF18822	002004 006999	1

MISSING ITEM NUMBERS NOT APPLICABLE

- ITEM NOT ILLUSTRATED

33-37-51-01

33-37-51
FIG. 01
PAGE 2
JAN 20/09

BRI



757

PARTS CATALOG (MAINTENANCE)

FIG ITEM	PART NUMBER	1 2 3 4 5 6 7	NOMENCLATURE	EFFECT FROM TO	UNITS PER ASSY
1					
45	BAC27NCA0009		.MARKER-ALUMINUM FOIL PLACARD CONTENT: L393 USED ON: 453N4120-2 453N4120-5 453N4120-7 MODREF18820 MODREF18821	002004 006999	1
50	BAC27NCA0001		.MARKER-LUMINUM FOIL PLACARD CONTENT: L385 USED ON: 453N4120-1 453N4120-4 453N4120-6 453N4120-8 MODREF18797 MODREF18822	002004 006999	1
55	BAC27NCA0006		.MARKER-ALUMINUM FOIL PLACARD CONTENT: L390 USED ON: 453N4120-2 453N4120-5 453N4120-7 MODREF18820 MODREF18821	002004 006999	1
60	15-0133-1		.FLOODLIGHT- SUPPLIER CODE: V72914 ATTACHING PARTS	002004 006999	5
- 62	NAS1801-3-7		.SCREW- OPTIONAL PART: BACS12CB3-7	002004 006999	20
- 62	BACS12CB3-7		.SCREW- OPTIONAL PART: NAS1801-3-7	002004 006999	20
64	10-32		..SCREW-MTG SUPPLIER CODE: V83945	002004 006999	4
66	MS35207-263		..SCREW	002004 006999	2
68	MS35650-302		..NUT	002004 006999	2
70	MS25235-311		..LAMP	002004 006999	1

MISSING ITEM NUMBERS NOT APPLICABLE

- ITEM NOT ILLUSTRATED

33-37-51-01

33-37-51
FIG. 01
PAGE 3
JAN 20/09

BRI

BOEING PROPRIETARY - Copyright © - Unpublished Work - See title page for details.



757

PARTS CATALOG (MAINTENANCE)

FIG ITEM	PART NUMBER	1 2 3 4 5 6 7	NOMENCLATURE	EFFECT FROM TO	UNITS PER ASSY
1					
- 72	25-0322-1		.. LENS- SUPPLIER CODE: V72914	002004 006999	AR
- 73	16-0591-1		.. PLATE ASSY-ESCUTCHEON SUPPLIER CODE: V72914	002004 006999	1

MISSING ITEM NUMBERS NOT APPLICABLE

- ITEM NOT ILLUSTRATED

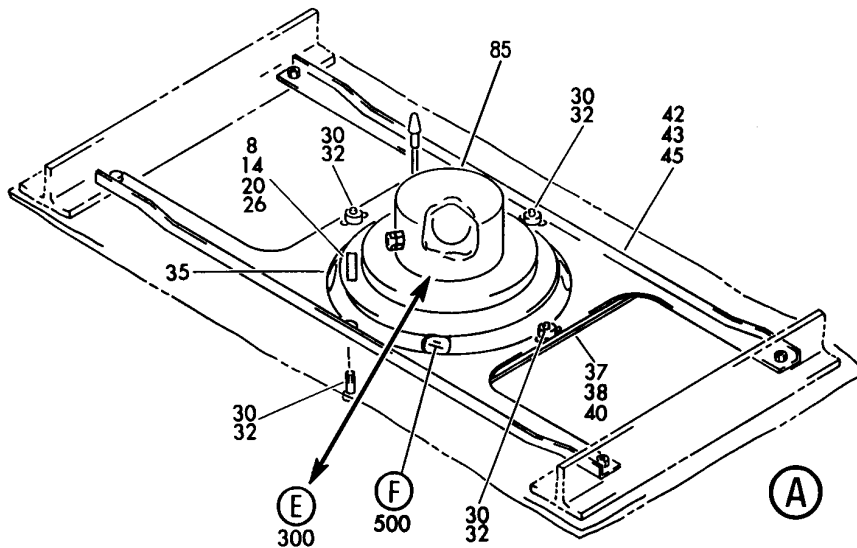
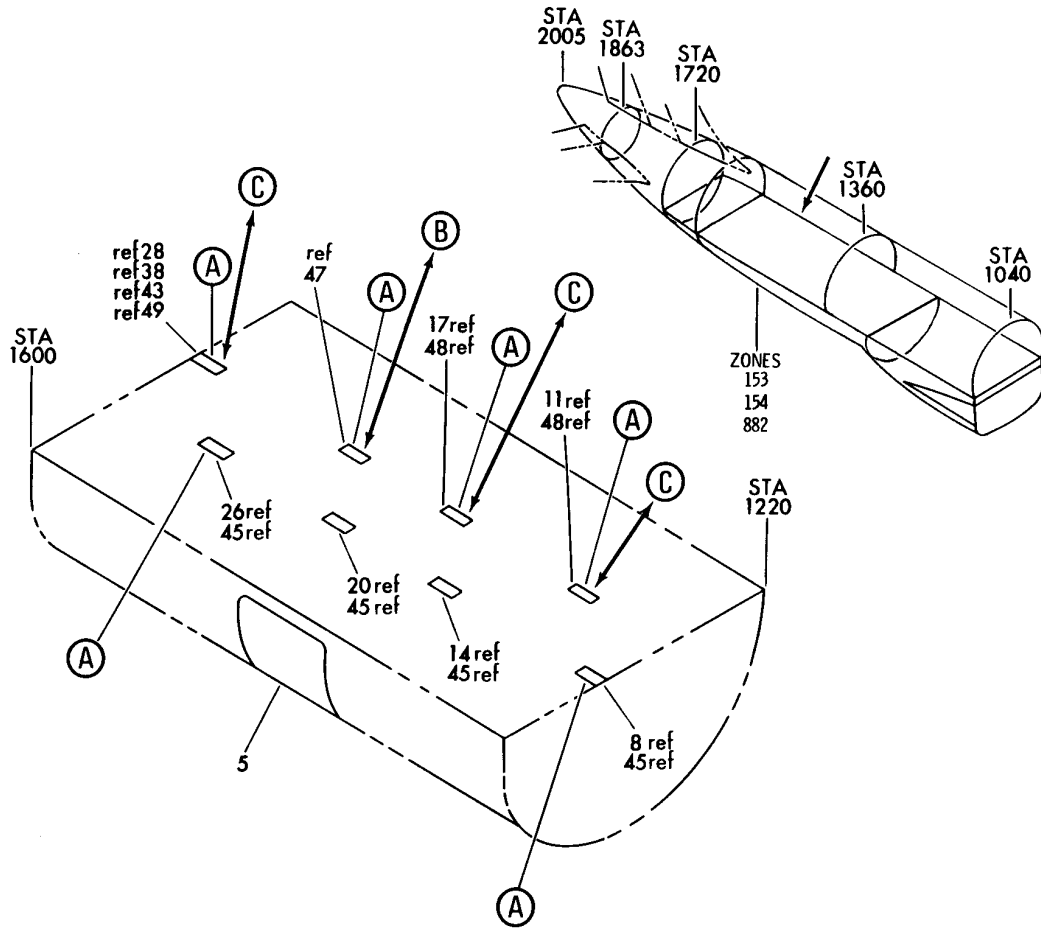
BRI

33-37-51-01

BOEING PROPRIETARY - Copyright © - Unpublished Work - See title page for details.

33-37-51
FIG. 01
PAGE 4
JAN 20/09

BOEING
757
PARTS CATALOG (MAINTENANCE)



Y 33375102 SH1 1 REV 246

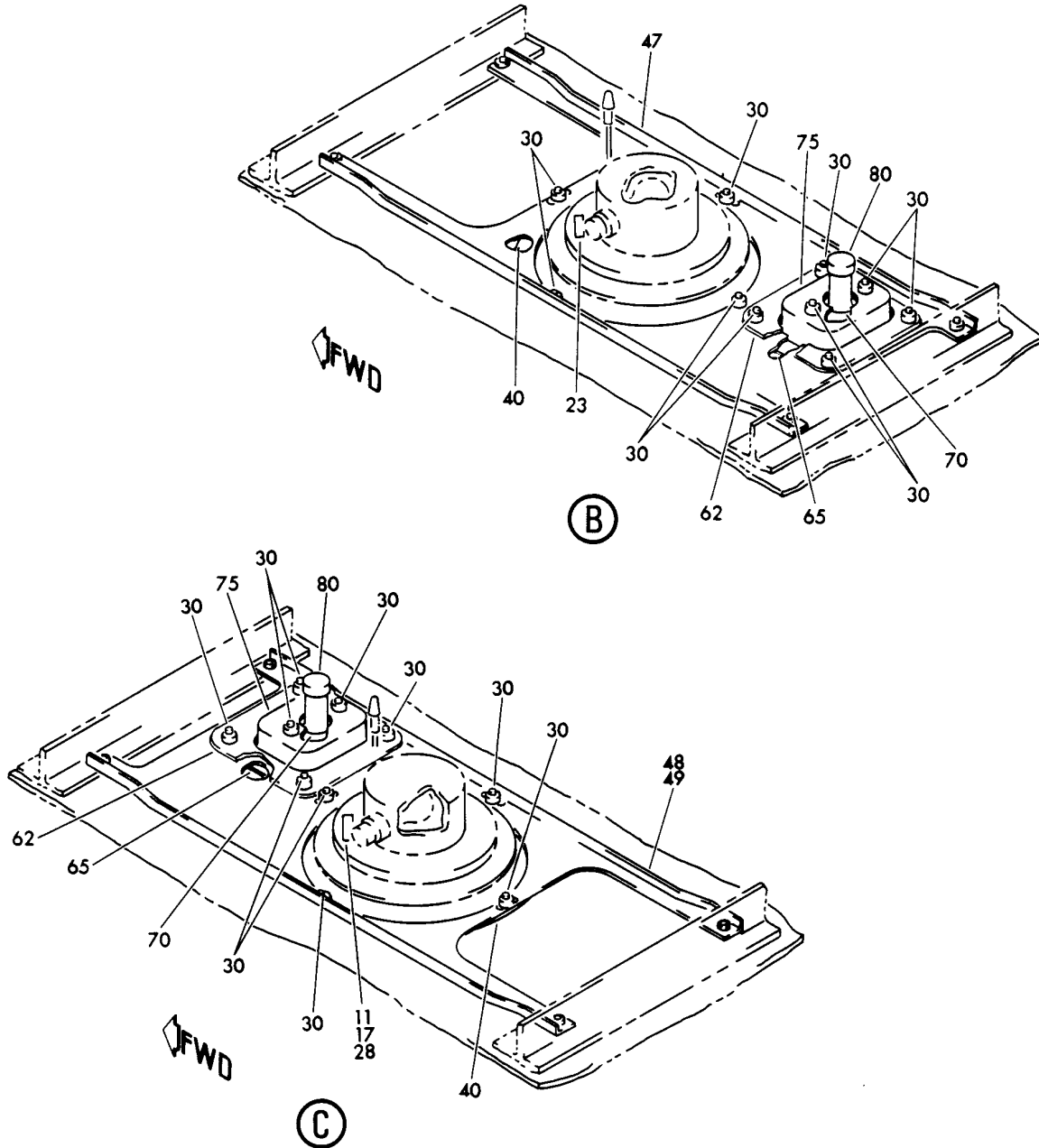
LIGHTING INSTL-AFT CARGO COMPT
FIGURE 2 (SHEET 1)

33-37-51-02

BRI
MAY 28/07

33-37-51-02
PAGE 0

BOEING
757
PARTS CATALOG (MAINTENANCE)



Y 33375 102 SHT 2 REV 082

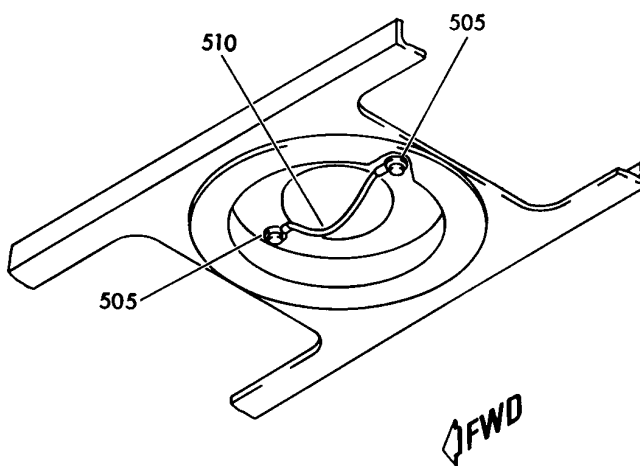
LIGHTING INSTL-AFT CARGO COMPT
FIGURE 2 (SHEET 2)

33-37-51-02

BRI
MAY 28/07

33-37-51-02
PAGE 0A

BOEING
757
PARTS CATALOG (MAINTENANCE)



(F)

Y 33375102 SHT 3 REV 246

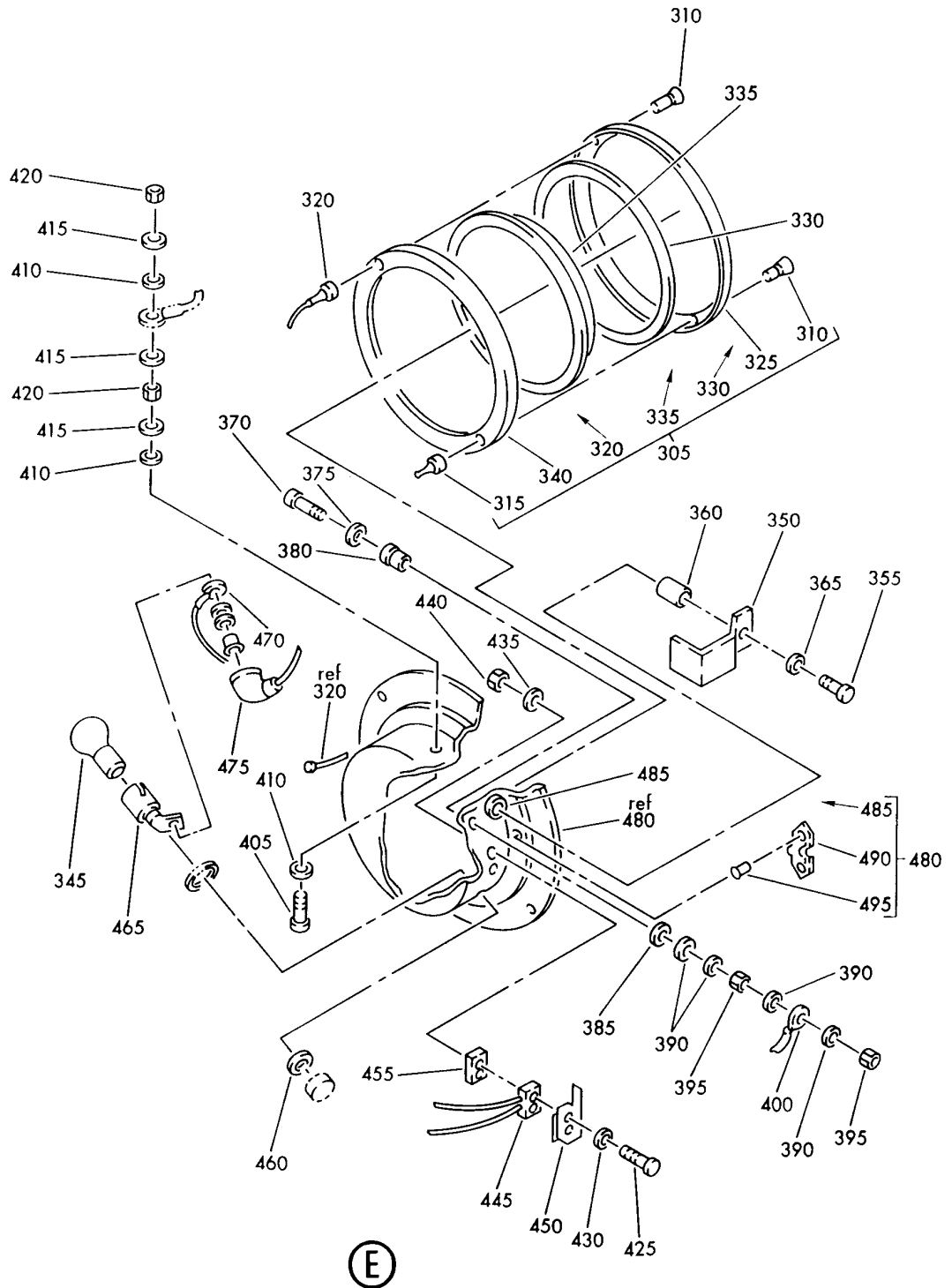
LIGHTING INSTL-AFT CARGO COMPT
FIGURE 2 (SHEET 3)

33-37-51-02

BRI
MAY 28/07

33-37-51-02
PAGE 08

BOEING
757
PARTS CATALOG (MAINTENANCE)



Y 33375102 SHT 4 REV 186

LIGHTING INSTL-AFT CARGO COMPT
FIGURE 2 (SHEET 4)

33-37-51-02

BRI
MAY 28/07

33-37-51-02
PAGE 0C



757

PARTS CATALOG (MAINTENANCE)

FIG ITEM	PART NUMBER	1 2 3 4 5 6 7	NOMENCLATURE	EFFECT FROM TO	UNITS PER ASSY
2			LIGHTING INSTL-AFT CARGO COMPT	002004 006016 107107 121503 904999	
- 1	453N4210-1		LIGHTING INSTL- POSITION DATA: AFT CARGO COMPT REWORKED BY ALERT SB: 25A0189 FOR NHA SEE: 25-50-00-11	107107	RF
- 1	453N4210-5		LIGHTING INSTL- POSITION DATA: AFT CARGO COMPT REWORKED BY ALERT SB: 25A0189 FOR NHA SEE: 25-50-00-11	002004 006016 121503 904999	RF
5	453N4120-2		.LIGHTING INSTL-NO. 2 CARGO DOOR FOR DETAILS SEE: 33-37-51-01	002004 006016 107107 121503 904999	1
8	BAC27NCA0034		.MARKER-ALUMINUM FOIL PLACARD CONTENT: L224	002004 006016 107107 121503 904999	1
11	BAC27NCA0041		.MARKER-ALUMINUM FOIL PLACARD CONTENT: L231	002004 006016 107107 121503 904999	1
14	BAC27NCA0035		.MARKER-ALUMINUM FOIL PLACARD CONTENT: L225	002004 006016 107107 121503 904999	1
17	BAC27NCA0040		.MARKER-ALUMINUM FOIL PLACARD CONTENT: L230	002004 006016 107107 121503 904999	1
20	BAC27NCA0036		.MARKER-ALUMINUM FOIL PLACARD CONTENT: L226	002004 006016 107107 121503 904999	1

MISSING ITEM NUMBERS NOT APPLICABLE

- ITEM NOT ILLUSTRATED

33-37-51-02

33-37-51
FIG. 02
PAGE 1
JAN 20/09

BRI



757

PARTS CATALOG (MAINTENANCE)

FIG ITEM	PART NUMBER	1 2 3 4 5 6 7	NOMENCLATURE	EFFECT FROM TO	UNITS PER ASSY
2					
23	BAC27NCA0039	.	MARKER-ALUMINUM FOIL PLACARD CONTENT: L229	002004 006016 107107 121503 904999	1
26	BAC27NCA0037	.	MARKER-ALUMINUM FOIL PLACARD CONTENT: L227	002004 006016 107107 121503 904999	1
28	BAC27NCA0038	.	MARKER-ALUMINUM FOIL PLACARD CONTENT: L228	002004 006016 107107 121503 904999	1
30	BACS12CK3-8	.	SCREW	107107	56
30	BACS12CK3-10	.	SCREW	002004 006016 121503 904999	56
35	69B40306-4	.	ADAPTER-CONTAINER LT OPTIONAL PART: 69B40306-6	107107	8
35	453N4001-1	.	ADAPTER-CONTAINER LT	002004 006016 121503 904999	8
35	69B40306-6	.	ADAPTER-CONTAINER LT OPTIONAL PART: 69B40306-4	107107	8
40	453N4801-1	.	SPACER-DOME LT	107107	8
45	453N4800-1	.	SUPPORT ASSY	002004 006016 107107 121503 904999	4
47	453N4800-5	.	SUPPORT ASSY	002004 006016 107107 121503 904999	1
48	453N4800-6	.	SUPPORT ASSY	002004 006016 107107 121503 904999	2

R
R
R
R
R

MISSING ITEM NUMBERS NOT APPLICABLE

- ITEM NOT ILLUSTRATED

33-37-51-02

33-37-51
FIG. 02
PAGE 2
MAY 20/09

BRI

BOEING PROPRIETARY - Copyright © - Unpublished Work - See title page for details.

 **BOEING**
757
PARTS CATALOG (MAINTENANCE)

FIG ITEM	PART NUMBER	1 2 3 4 5 6 7	NOMENCLATURE	EFFECT FROM TO	UNITS PER ASSY	
R R R R R	2 49	453N4800-7	.SUPPORT ASSY	002004 006016 107107 121503 904999	1	
	- 53	BACS12CK3-7	ATTACHING PARTS .SCREW	002004 006016 107107 121503 904999	36	
	- 57	AN960PD10L	.WASHER-	002004 006016 107107 121503 904999	36	
	- 57	AN960JD10L	.WASHER-	002004 006016 107107 121503 904999	36	
	- 61	BRH10C3D	.NUT SUPPLIER CODE: V52828 SPECIFICATION NUMBER: BACN10JC3CD OPTIONAL PART: T6C1032JCD V11815 NS202486-02 V80539 102LH9075-3W V72962 H51650-3BAC V15653 -----*-----	002004 006016 107107 121503 904999	36	
	62	453N2707-1	.RETAINER	002004 006016 107107 121503 904999	4	
	65	453N2702-1	.SPACER	107107	4	
	65	453N2702-3	.SPACER	002004 006016 121503 904999	4	
	MISSING ITEM NUMBERS NOT APPLICABLE					

- ITEM NOT ILLUSTRATED

BRI

33-37-51-02

BOEING PROPRIETARY - Copyright © - Unpublished Work - See title page for details.

33-37-51
FIG. 02
PAGE 3
MAY 20/09



757

PARTS CATALOG (MAINTENANCE)

FIG ITEM	PART NUMBER	1 2 3 4 5 6 7	NOMENCLATURE	EFFECT FROM TO	UNITS PER ASSY
2					
70	453N2702-2	.	SPACER	002004 006016 107107 121503 904999	4
75	453N2606-1	.	PAN ASSY-SPRT PRE ALERT SB: 25A0189	002004 006016 121503 904952	4
75	453N2606-5	.	PAN ASSY-SPRT POST ALERT SB: 25A0189	002004 006016 107107 121503 904999	4
80	453N2705-1	.	NOZZLE	002004 006016 107107 121503 904999	4
-	82 NAS1801-08-6	.	SCREW-	002004 006016 107107 121503 904999	32
-	83 AN960PD8L	.	WASHER-	107107	32
-	83 AN960JD8	.	WASHER	002004 006016 121503 904999	32
-	84 130007	.	NUT- SUPPLIER CODE: V60119 SPECIFICATION NUMBER: BACN10FX83 OPTIONAL PART: BRC500-8-08 V52828 SL213-08-1 V97393 A11330-8-82 V72962 A4972-8-82 V72962 A4972-8-82 V72962	002004 006016 107107 121503 904999	32

R
R
R
R

MISSING ITEM NUMBERS NOT APPLICABLE

- ITEM NOT ILLUSTRATED

33-37-51-02

33-37-51
FIG. 02
PAGE 4
MAY 20/09

BRI



757

PARTS CATALOG (MAINTENANCE)

FIG ITEM	PART NUMBER	1 2 3 4 5 6 7	NOMENCLATURE	EFFECT FROM TO	UNITS PER ASSY
2 85	15-0188-7		.LIGHT ASSY- SUPPLIER CODE: V72914 COMPONENT MAINT MANUAL REF: 33-30-08 QUALIFIED I/W DATA: 15-0188-19 MAY REPLACE 15-0188-7 OR 15-0188-11 OR BR7203-701 BY REMOVING THE PIGTAIL CONNECTOR ON THE 15-0188-19 PRIOR TO INSTALLATION OPTIONAL PART: BR7203-701 V17023 15-0188-11 V72914 FOR DETAILS SEE: 33-37-51-50A	002004 006016 107107 121503 904999	8
85	BR7203-701		.LIGHT ASSY- SUPPLIER CODE: V17023 COMPONENT MAINT MANUAL REF: 33-31-32 OPTIONAL PART: 15-0188-7 V72914 15-0188-11 V72914	002004 006016 107107 121503 904999	8

MISSING ITEM NUMBERS NOT APPLICABLE

- ITEM NOT ILLUSTRATED

BRI

33-37-51-02

BOEING PROPRIETARY - Copyright © - Unpublished Work - See title page for details.

33-37-51
FIG. 02
PAGE 5
JAN 20/09



757

PARTS CATALOG (MAINTENANCE)

FIG ITEM	PART NUMBER	1 2 3 4 5 6 7	NOMENCLATURE	EFFECT FROM TO	UNITS PER ASSY
2 85	15-0188-11		.LIGHT ASSY- SUPPLIER CODE: V72914 FUNCTIONAL DESCRIPTION: DOME LIGHT, RECESSED MOUNTING TO PROVIDE AREA ILLUMINATION. COMPONENT MAINT MANUAL REF: 33-30-08 QUALIFIED I/W DATA: 15-0188-19 MAY REPLACE 15-0188-7, OR 15-0188-11, OR BR7203-701 BY REMOVING THE PIGTAIL CONNECTOR ON THE 15-0188-19 PRIOR TO INSTALLATION. OPTIONAL PART: BR7203-701 V17023 15-0188-7 V72914 FOR DETAILS SEE: 33-37-51-50A	002004 006016 121503 904999	8

R
R
R
R
R
R
R
R
R
R
R
R
R
R
R
R
R
R
R
R
R
R

MISSING ITEM NUMBERS NOT APPLICABLE

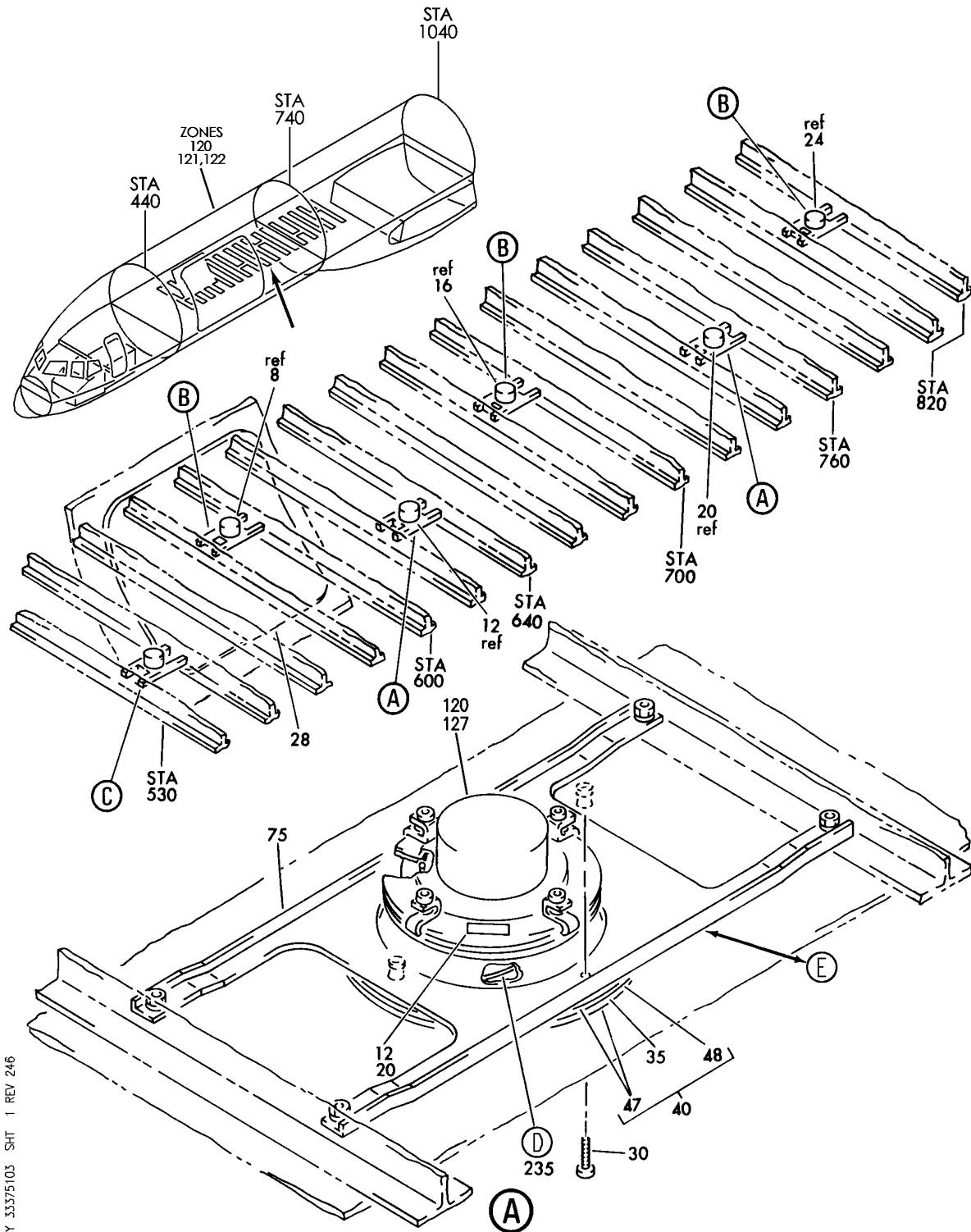
- ITEM NOT ILLUSTRATED

33-37-51-02

33-37-51
FIG. 02
PAGE 6
MAY 20/09

BRI

BOEING
757
PARTS CATALOG (MAINTENANCE)



Y 33375103 SHT 1 REV 246

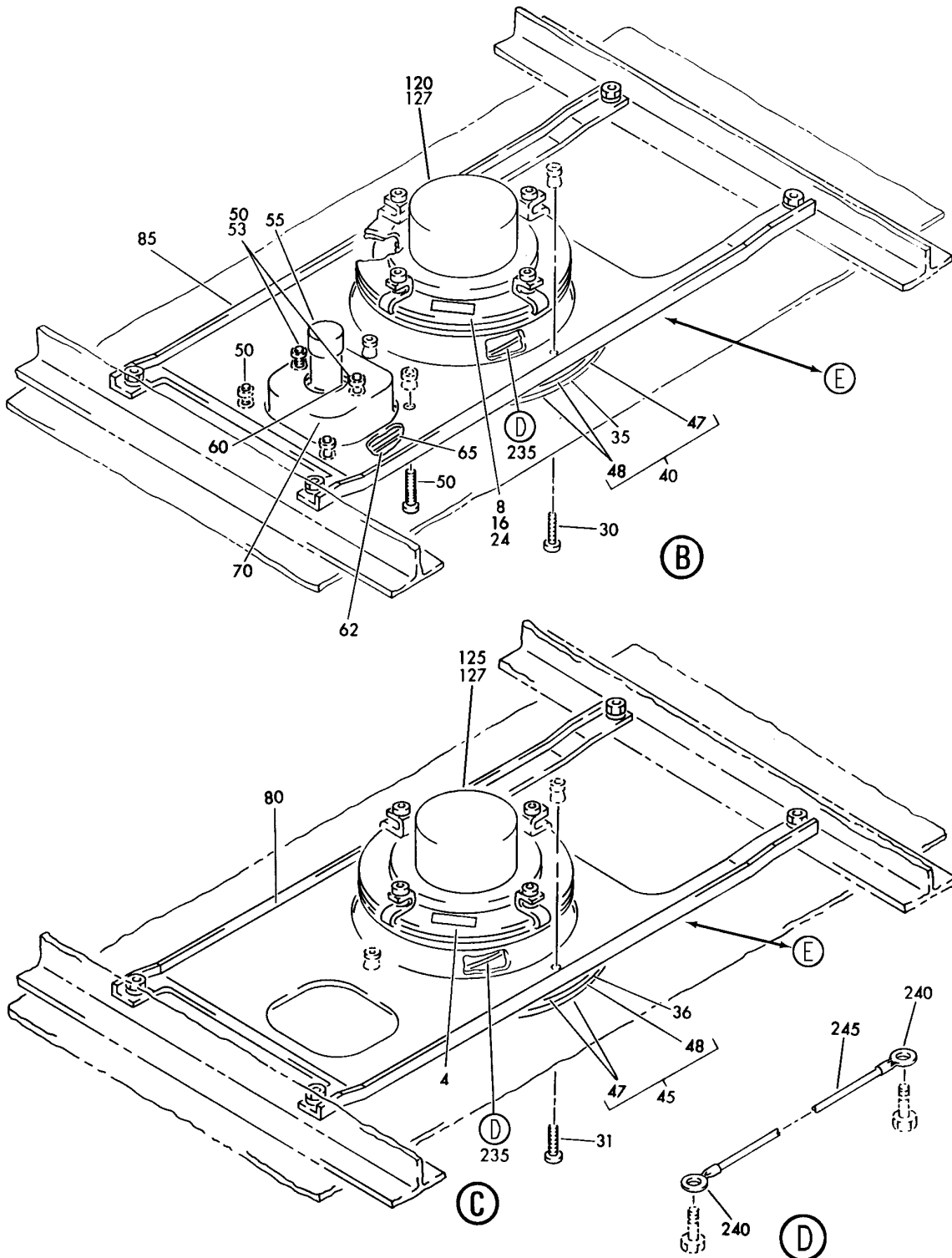
LIGHTING INSTL-CARGO COMPT FWD
FIGURE 3 (SHEET 1)

33-37-51-03

BRI
MAY 28/07

33-37-51-03
PAGE 0

BOEING
757
PARTS CATALOG (MAINTENANCE)



Y 33375103 SH1 2 REV 246

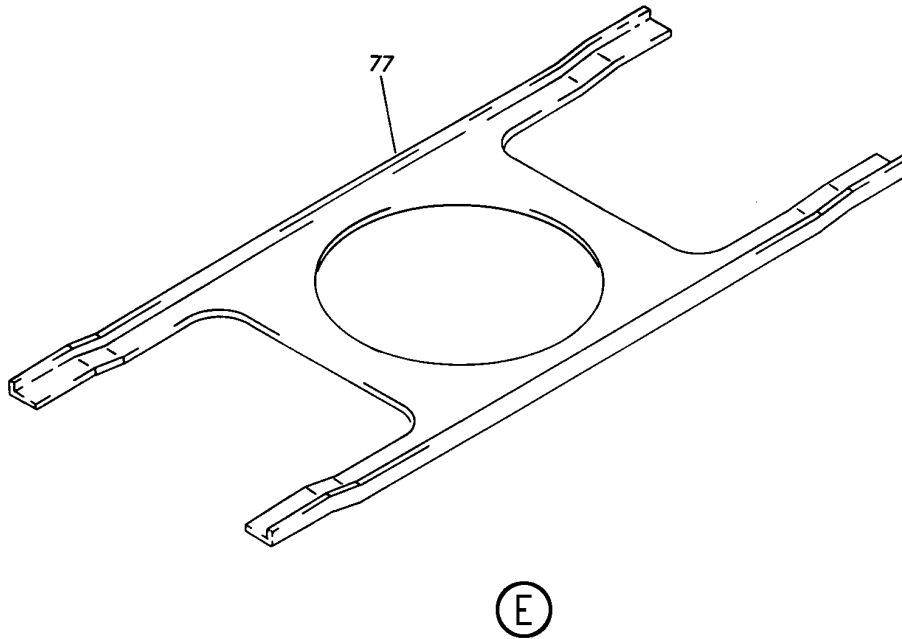
LIGHTING INSTL-CARGO COMPT FWD
FIGURE 3 (SHEET 2)

33-37-51-03

BRI
MAY 28/07

33-37-51-03
PAGE 0A

BOEING
757
PARTS CATALOG (MAINTENANCE)



Y 33375103 SHT 3 REV 246

LIGHTING INSTL-CARGO COMPT FWD
FIGURE 3 (SHEET 3)

33-37-51-03

BRI
MAY 28/07

33-37-51-03
PAGE 0B



757

PARTS CATALOG (MAINTENANCE)

FIG ITEM	PART NUMBER	1 2 3 4 5 6 7	NOMENCLATURE	EFFECT FROM TO	UNITS PER ASSY
3			LIGHTING INSTL-CARGO COMPT FWD	002004 006016 107107 121503 904999	
- 1	453N4110-2		LIGHTING INSTL-CARGO COMPT POSITION DATA: FWD REWORKED BY ALERT SB: 25A0189 FOR NHA SEE: 25-50-00-10	107107	RF
- 1	453N4110-6		LIGHTING INSTL-CARGO COMPT POSITION DATA: FWD REWORKED BY ALERT SB: 25A0189 FOR NHA SEE: 25-50-00-10	002004 006016 121503 904999	RF
4	BAC27NCA0047		.MARKER-ALUMINUM FOIL PLACARD CONTENT: L504	002004 006016 107107 121503 904999	1
8	BAC27NCA0046		.MARKER-ALUMINUM FOIL PLACARD CONTENT: L374	002004 006016 107107 121503 904999	1
12	BAC27NCA0043		.MARKER-ALUMINUM FOIL PLACARD CONTENT: L233	002004 006016 107107 121503 904999	1
16	BAC27NCA0045		.MARKER-ALUMINUM FOIL PLACARD CONTENT: L235	002004 006016 107107 121503 904999	1
20	BAC27NCA0042		.MARKER-ALUMINUM FOIL PLACARD CONTENT: L232	002004 006016 107107 121503 904999	1
24	BAC27NCA0044		.MARKER-ALUMINUM FOIL PLACARD CONTENT: L234	002004 006016 107107 121503 904999	1

MISSING ITEM NUMBERS NOT APPLICABLE

- ITEM NOT ILLUSTRATED

33-37-51-03

33-37-51
FIG. 03
PAGE 1
JAN 20/09

BRI



757

PARTS CATALOG (MAINTENANCE)

FIG ITEM	PART NUMBER	1 2 3 4 5 6 7	NOMENCLATURE	EFFECT FROM TO	UNITS PER ASSY
3					
28	453N4120-1		.LIGHTING INSTL-NO. 1 CARGO DR FOR DETAILS SEE: 33-37-51-01	002004 006016 107107 121503 904999	1
R	30	BACS12CK3-8	.SCREW	107107	20
R	30	BACS12CK3-10	.SCREW	002004 006016 121503 904999	20
R	31	BACS12CK3-8	.SCREW	107107	4
R	31	BACS12CK3-10	.SCREW	002004 006016 121503 904999	4
R	35	453N4801-1	.SPACER-DOME LT	107107	5
R	36	453N4801-1	.SPACER	107107	1
R	40	69B40306-4	.ADAPTER-CONTAINER LT OPTIONAL PART: 69B40306-6	107107	5
R	40	453N4001-1	.ADAPTER-CONTAINER LT	002004 006016 121503 904999	5
R	40	69B40306-6	.ADAPTER-CONTAINER LT OPTIONAL PART: 69B40306-4	107107	5
R	45	453N4001-1	.ADAPTER-CONTAINER LT	002004 006016 121503 904999	1
R	45	69B40306-4	.ADAPTER-CONTAINER LT OPTIONAL PART: 69B40306-6	107107	1
R	45	69B40306-6	.ADAPTER-CONTAINER LT OPTIONAL PART: 69B40306-4	107107	1
R	47	453N4801-3	..SPACER	002004 006016 121503 904999	2
R	48	69B40306-5	..ADAPTER-	002004 006016 121503 904999	1
R	48	69B40306-6	..ADAPTER-	002004 006016 121503 904999	1

MISSING ITEM NUMBERS NOT APPLICABLE

- ITEM NOT ILLUSTRATED

33-37-51-03

33-37-51
FIG. 03
PAGE 2
MAY 20/09

BRI

BOEING
757
PARTS CATALOG (MAINTENANCE)

FIG ITEM	PART NUMBER	1 2 3 4 5 6 7	NOMENCLATURE	EFFECT FROM TO	UNITS PER ASSY
R R R R R	3				
	50	BACS12CK3-10	.SCREW	002004 006016 121503 904999	12
	50	BACS12CK3-8	.SCREW	107107	12
	53	BACS12CK3-8	.SCREW	002004 006016 107107 121503 904999	6
	55	453N2705-1	.NOZZLE	002004 006016 107107 121503 904999	3
	60	453N2702-2	.SPACER	002004 006016 107107 121503 904999	3
	62	417N2707-1	.RETAINER	002004 006016 107107 121503 904999	3
	65	453N2702-1	.SPACER	107107	3
	65	453N2702-3	.SPACER	002004 006016 121503 904999	3
	70	453N2606-1	.PAN ASSY-SPRT PRE ALERT SB: 25A0189	002004 006016 121503 904952	3
70	453N2606-5	.PAN ASSY-SPRT POST ALERT SB: 25A0189	002004 006016 107107 121503 904999	3	
75	453N4800-11	.SUPPORT ASSY-	002004 006016 107107 121503 904999	2	
80	453N4800-11	.SUPPORT ASSY-	002004 006016 107107 121503 904999	1	

MISSING ITEM NUMBERS NOT APPLICABLE

— ITEM NOT ILLUSTRATED

BRI

33-37-51-03

BOEING PROPRIETARY - Copyright © - Unpublished Work - See title page for details.

33-37-51
FIG. 03
PAGE 3
MAY 20/09

 **BOEING**
757
PARTS CATALOG (MAINTENANCE)

FIG ITEM	PART NUMBER	1 2 3 4 5 6 7	NOMENCLATURE	EFFECT FROM TO	UNITS PER ASSY
R R R R R	3 85	453N4800-9	.SUPPORT ASSY	002004 006016 107107 121503 904999	3
	- 90	BACS12CK3-7	ATTACHING PARTS .SCREW	002004 006016 107107 121503 904999	20
	- 95	BACS12CK3-7	.SCREW	002004 006016 107107 121503 904999	4
	- 100	AN960PD10L	.WASHER	002004 006016 107107 121503 904999	20
	- 110	BRH10C3D	.NUT SUPPLIER CODE: V52828 SPECIFICATION NUMBER: BACN10JC3CD OPTIONAL PART: T6C1032JCD V11815 NS202486-02 V80539 102LH9075-3W V72962 H51650-3BAC V15653	002004 006016 107107 121503 904999	20

MISSING ITEM NUMBERS NOT APPLICABLE

- ITEM NOT ILLUSTRATED

BRI

33-37-51-03

BOEING PROPRIETARY - Copyright © - Unpublished Work - See title page for details.

33-37-51
FIG. 03
PAGE 4
MAY 20/09



**757
PARTS CATALOG (MAINTENANCE)**

FIG ITEM	PART NUMBER	1 2 3 4 5 6 7	NOMENCLATURE	EFFECT FROM TO	UNITS PER ASSY
R R R R R R R R R R	3 - 115	BRC500-10-3	.NUT SUPPLIER CODE: V52828 SPECIFICATION NUMBER: BACN10FX22 OPTIONAL PART: F49322-3-22 V15653 SL241-3-1 V97393 130062 V60119 A11330-10-3 V72962 -----*-----	002004 006016 107107 121503 904999	4
	120	15-0188-7	.LIGHT ASSY- SUPPLIER CODE: V72914 COMPONENT MAINT MANUAL REF: 33-30-08 QUALIFIED I/W DATA: 15-0188-19 MAY REPLACE 15-0188-7 OR 15-0188-11 OR BR7203-701 BY REMOVING THE PIGTAIL CONNECTOR ON THE 15-0188-19 PRIOR TO INSTALLATION OPTIONAL PART: 15-0188-11 V72914 BR7203-701 V17023 PRE SERVICE LETTER: 33-016 FOR DETAILS SEE: 33-37-51-50A	002004 006016 107107 121503 904999	5

MISSING ITEM NUMBERS NOT APPLICABLE

- ITEM NOT ILLUSTRATED

BRI

33-37-51-03

BOEING PROPRIETARY - Copyright © - Unpublished Work - See title page for details.

33-37-51
FIG. 03
PAGE 5
MAY 20/09



757

PARTS CATALOG (MAINTENANCE)

FIG ITEM	PART NUMBER	1 2 3 4 5 6 7	NOMENCLATURE	EFFECT FROM TO	UNITS PER ASSY
3 120	BR7203-701		.LIGHT ASSY- SUPPLIER CODE: V17023 COMPONENT MAINT MANUAL REF: 33-31-32 QUALIFIED I/W DATA: 15-0188-19 MAY REPLACE 15-0188-7 OR 15-0188-11 OR BR7203-701 BY REMOVING THE PIGTAIL CONNECTOR ON THE 15-0188-19 PRIOR TO INSTALLATION OPTIONAL PART: 15-0188-7 V72914 15-0188-11 V72914	002004 006016 107107 121503 904999	5
125	15-0188-7		.LIGHT ASSY- SUPPLIER CODE: V72914 COMPONENT MAINT MANUAL REF: 33-30-08 QUALIFIED I/W DATA: 15-0188-19 MAY REPLACE 15-0188-7 OR 15-0188-11 OR BR7203-701 BY REMOVING THE PIGTAIL CONNECTOR ON THE 15-0188-19 PRIOR TO INSTALLATION OPTIONAL PART: BR7203-701 V17023 15-0188-11 V72914 PRE SERVICE LETTER: 33-016 FOR DETAILS SEE: 33-37-51-50A	002004 006016 107107 121503 904999	1

MISSING ITEM NUMBERS NOT APPLICABLE

- ITEM NOT ILLUSTRATED

33-37-51-03

33-37-51
FIG. 03
PAGE 6
JAN 20/09

BRI



757

PARTS CATALOG (MAINTENANCE)

FIG ITEM	PART NUMBER	1 2 3 4 5 6 7	NOMENCLATURE	EFFECT FROM TO	UNITS PER ASSY
3 125	BR7203-701		.LIGHT ASSY- SUPPLIER CODE: V17023 COMPONENT MAINT MANUAL REF: 33-31-32 QUALIFIED I/W DATA: 15-0188-19 MAY REPLACE 15-0188-7 OR 15-0188-11 OR BR7203-701 BY REMOVING THE PIGTAIL CONNECTOR ON THE 15-0188-19 PRIOR TO INSTALLATION OPTIONAL PART: 15-0188-7 V72914 15-0188-11 V72914	002004 006016 107107 121503 904999	1
R R	127	15-0188-11	.LIGHT ASSY- SUPPLIER CODE: V72914 FUNCTIONAL DESCRIPTION: DOME LIGHT, RECESSED MOUNTING TO PROVIDE AREA ILLUMINATION. COMPONENT MAINT MANUAL REF: 33-30-08 QUALIFIED I/W DATA: 15-0188-19 MAY REPLACE 15-0188-7, OR 15-0188-11, OR BR7203-701 BY REMOVING THE PIGTAIL CONNECTOR ON THE 15-0188-19 PRIOR TO INSTALLATION. OPTIONAL PART: 15-0188-7 V72914 BR7203-701 V17023 FOR DETAILS SEE: 33-37-51-50A ATTACHING PARTS	002004 006016 121503 904999	6
-	130	NAS1801-08-6	.SCREW-	002004 006016 107107 121503 904999	20

MISSING ITEM NUMBERS NOT APPLICABLE

- ITEM NOT ILLUSTRATED

33-37-51-03

33-37-51
FIG. 03
PAGE 7
MAY 20/09

BRI



757

PARTS CATALOG (MAINTENANCE)

FIG ITEM	PART NUMBER	1 2 3 4 5 6 7	NOMENCLATURE	EFFECT FROM TO	UNITS PER ASSY
3					
- 135	NAS1801-08-6	.	SCREW-	002004 006016 107107 121503 904999	4
- 140	AN960PD8L	.	WASHER-	002004 006016 107107 121503 904999	20
- 140	AN960JD8L	.	WASHER-	002004 006016 107107 121503 904999	20
- 145	AN960PD8L	.	WASHER-	002004 006016 107107 121503 904999	4
- 145	AN960JD8L	.	WASHER-	002004 006016 107107 121503 904999	4
- 150	130007	.	NUT- SUPPLIER CODE: V60119 SPECIFICATION NUMBER: BACN10FX83 OPTIONAL PART: BRC500-8-08 V52828 SL213-08-1 V97393 A11330-8-82 V72962 A4972-8-82 V72962 A4972-8-82 V72962 BACN10FX84	002004 006016 107107 121503 904999	20

MISSING ITEM NUMBERS NOT APPLICABLE

- ITEM NOT ILLUSTRATED

33-37-51-03

33-37-51
FIG. 03
PAGE 8
MAY 20/09

BRI



757

PARTS CATALOG (MAINTENANCE)

FIG ITEM	PART NUMBER	1 2 3 4 5 6 7	NOMENCLATURE	EFFECT FROM TO	UNITS PER ASSY
3 - 150	130008		.NUT- SUPPLIER CODE: V60119 SPECIFICATION NUMBER: BACN10FX84 OPTIONAL PART: RM52LHA4972-6-8 V72962 SL211-08-1 V97393 A11330-6-82 V72962 A4972-6-82 V72962 BACN10FX83	002004 006016 107107 121503 904999	20
- 155	130007		.NUT- SUPPLIER CODE: V60119 SPECIFICATION NUMBER: BACN10FX83 OPTIONAL PART: BRC500-8-08 V52828 SL213-08-1 V97393 A11330-8-82 V72962 A4972-8-82 V72962 A4972-8-82 V72962 BACN10FX84	002004 006016 107107 121503 904999	4
- 155	130008		.NUT- SUPPLIER CODE: V60119 SPECIFICATION NUMBER: BACN10FX84 OPTIONAL PART: RM52LHA4972-6-8 V72962 SL211-08-1 V97393 A11330-6-82 V72962 A4972-6-82 V72962 BACN10FX83 -----*-----	002004 006016 107107 121503 904999	4

MISSING ITEM NUMBERS NOT APPLICABLE

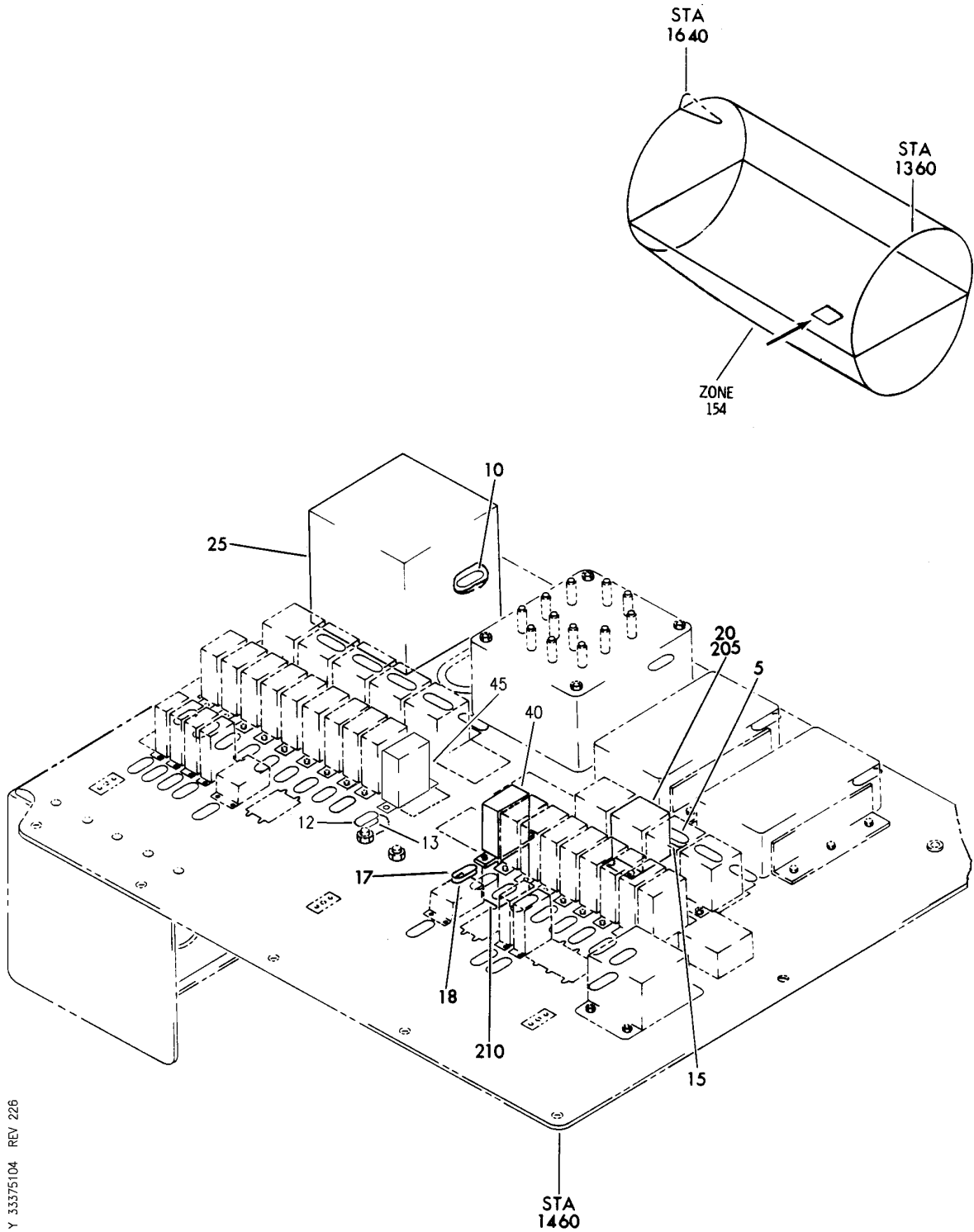
- ITEM NOT ILLUSTRATED

33-37-51-03

33-37-51
FIG. 03
PAGE 9
JAN 20/09

BRI

BOEING
757
PARTS CATALOG (MAINTENANCE)



Y 33375104 REV 226

EQUIPMENT ASSY-AFT EQPT CTR E6 RELAY (LIGHTS ONLY)
FIGURE 4

33-37-51-04

BRI
MAY 28/07

33-37-51-04
PAGE 0



757

PARTS CATALOG (MAINTENANCE)

FIG ITEM	PART NUMBER	1 2 3 4 5 6 7	NOMENCLATURE	EFFECT FROM TO	UNITS PER ASSY
4			EQUIPMENT ASSY-AFT EQPT CTR E6 RELAY (LIGHTS ONLY)	121503 904949	
- 1	284N1680-1		EQUIPMENT ASSY-EQPT CTR E6 RELAY (LIGHTS ONLY) POSITION DATA: AFT VARIABLE DRAWING REF: 284N1680-5009 FOR NHA/OTHER SYS DET SEE: 25-70-51-53	121503 904949	RF
5	BAC27NEX0638		.DECAL- PLACARD CONTENT: K10047	121503 904949	1
10	BAC27NEX0643		.DECAL- PLACARD CONTENT: T10002	121503 904949	1
15	BAC27NEX1325		.DECAL- PLACARD CONTENT: D2287	121503 904949	1
17	BAC27NEX1514		.DECAL- PLACARD CONTENT: K10305	121503 904949	1
18	BAC27NEX1569		.DECAL- PLACARD CONTENT: D4172	121503 904949	1
20	ES410-1538		.RELAY- SUPPLIER CODE: V99699 SPECIFICATION NUMBER: BACR13CG2AB OPTIONAL PART: KD4L018 V35344 BR230DS0115 V56623 KD4L036 V58657 FCA410-63 V78290 ELECTRICAL EQUIP NUMBER: K10047	121503 904949	1

MISSING ITEM NUMBERS NOT APPLICABLE

- ITEM NOT ILLUSTRATED

33-37-51-04

33-37-51
FIG. 04
PAGE 1
JAN 20/09

BRI



757

PARTS CATALOG (MAINTENANCE)

FIG ITEM	PART NUMBER	1 2 3 4 5 6 7	NOMENCLATURE	EFFECT FROM TO	UNITS PER ASSY
4 25	FT1046		.TRANSFORMER- SUPPLIER CODE: V14752 FUNCTIONAL DESCRIPTION: PROVIDES 115 VOLT POWER FOR CARGO BAY LIGHTING SPECIFICATION NUMBER: 60B40026-17 ELECTRICAL EQUIP NUMBER: T10002	121503 904949	1
- 30	NAS1801-06-8		.SCREW	121503 904949	4
- 35	AN960PD6L		.WASHER	121503 904949	4
			-----*-----		
40	ES210-1632		.RELAY- SUPPLIER CODE: V99699 SPECIFICATION NUMBER: BACR13CF2AB OPTIONAL PART: JD4L018 V35344 JD4L031 V35344 BR246S0111 V56623 BR64S105 V56623 FCA210-71 V78290 61GB2319-1A320 V98927 ELECTRICAL EQUIP NUMBER: K10305	121503 904949	1
- 200	286N1024-002		WIRE BUNDLE ASSY-	121503 904949	RF
205	BACS16W1		.SOCKET- ELECTRICAL EQUIP NUMBER: D02287 WIRING DIAGRAM REF: 333721	121503 904949	1

MISSING ITEM NUMBERS NOT APPLICABLE

- ITEM NOT ILLUSTRATED

33-37-51-04

33-37-51
FIG. 04
PAGE 2
JAN 20/09

BRI



757

PARTS CATALOG (MAINTENANCE)

FIG ITEM	PART NUMBER	1 2 3 4 5 6 7	NOMENCLATURE	EFFECT FROM TO	UNITS PER ASSY
4 210	RSF116200		. SOCKET- SUPPLIER CODE: V58982 SPECIFICATION NUMBER: BACS16X1A OPTIONAL PART: 102-006-1 V09922 000300-1538 V05574 ELECTRICAL EQUIP NUMBER: D04172 WIRING DIAGRAM REF: 333721	121503 904949	1

MISSING ITEM NUMBERS NOT APPLICABLE

- ITEM NOT ILLUSTRATED

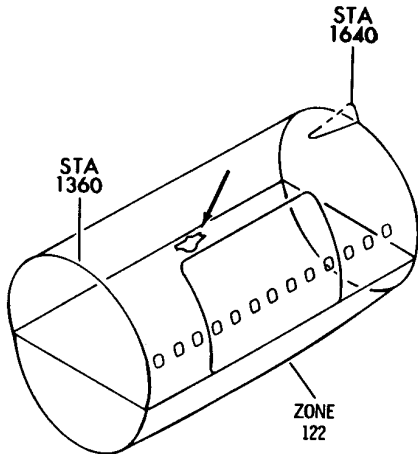
BRI

33-37-51-04

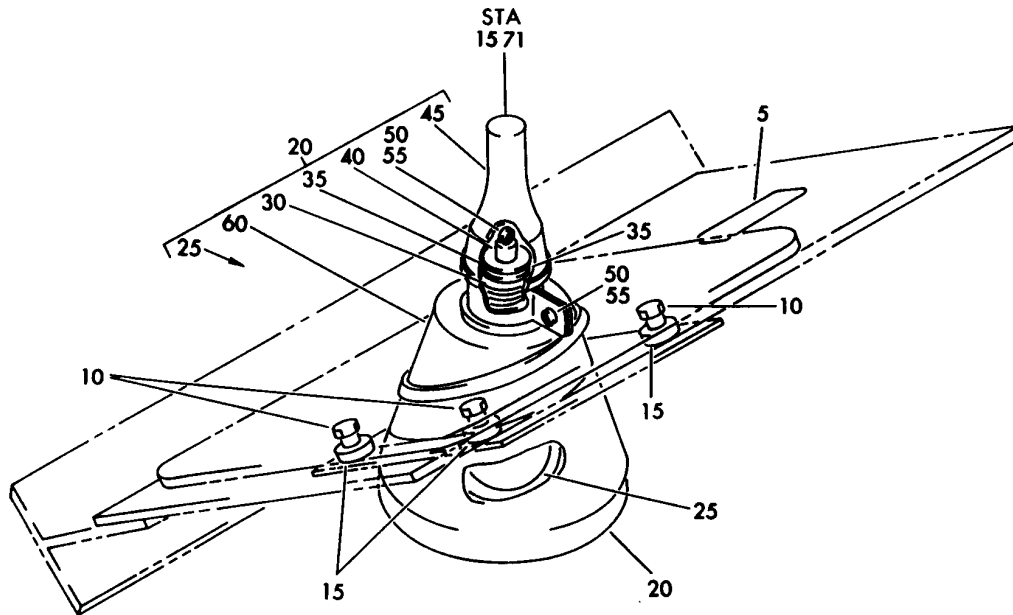
BOEING PROPRIETARY - Copyright © - Unpublished Work - See title page for details.

33-37-51
FIG. 04
PAGE 3
JAN 20/09

BOEING
757
PARTS CATALOG (MAINTENANCE)



Y 33375105 REV 016



LIGHT INSTL-NO. 3 CARGO DOOR
FIGURE 5

33-37-51-05

BRI
MAY 28/07

33-37-51-05
PAGE 0



757

PARTS CATALOG (MAINTENANCE)

FIG ITEM	PART NUMBER	1 2 3 4 5 6 7	NOMENCLATURE	EFFECT FROM TO	UNITS PER ASSY
5			LIGHT INSTL-NO. 3 CARGO DOOR	121503 904949	
- 1	453N4221-1		LIGHT INSTL-NO. 3 CARGO DOOR	121503 904949	RF
			FOR NHA SEE: 25-50-00-11		
5	BAC27NCA0011		.MARKER-ALUMINUM FOIL PLACARD CONTENT: L472	121503 904949	1
10	BACB30NE3-7		.BOLT	121503 904949	4
15	NAS43DD3-20		.SPACER	121503 904949	4
20	15-0093-7		.FLOODLIGHT ASSY- SUPPLIER CODE: V72914	121503 904949	1
25	GE1665		..LAMP- SUPPLIER CODE: V08806	121503 904949	1
30	A3320		..SPRING-PLUG SUPPLIER CODE: V72914	121503 904949	1
35	A6293-1		..WASHER- SUPPLIER CODE: V72914	121503 904949	2
40	A7306		..CONTACT ASSY- SUPPLIER CODE: V72914	121503 904949	1
45	60-2517-1		..BOOT-SILICONE SUPPLIER CODE: V72914	121503 904949	1
50	MS35206-226		..SCREW	121503 904949	2
55	MS35338-41		..WASHER	121503 904949	2
60	16-0391-3		..HOUSING ASSY- SUPPLIER CODE: V72914	121503 904949	1

MISSING ITEM NUMBERS NOT APPLICABLE

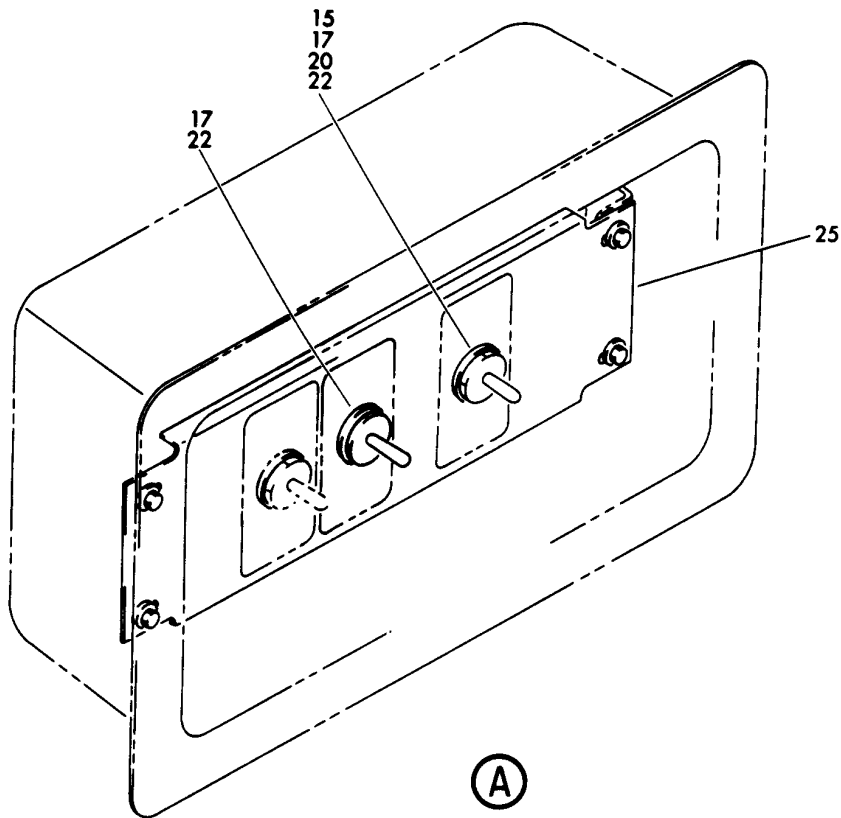
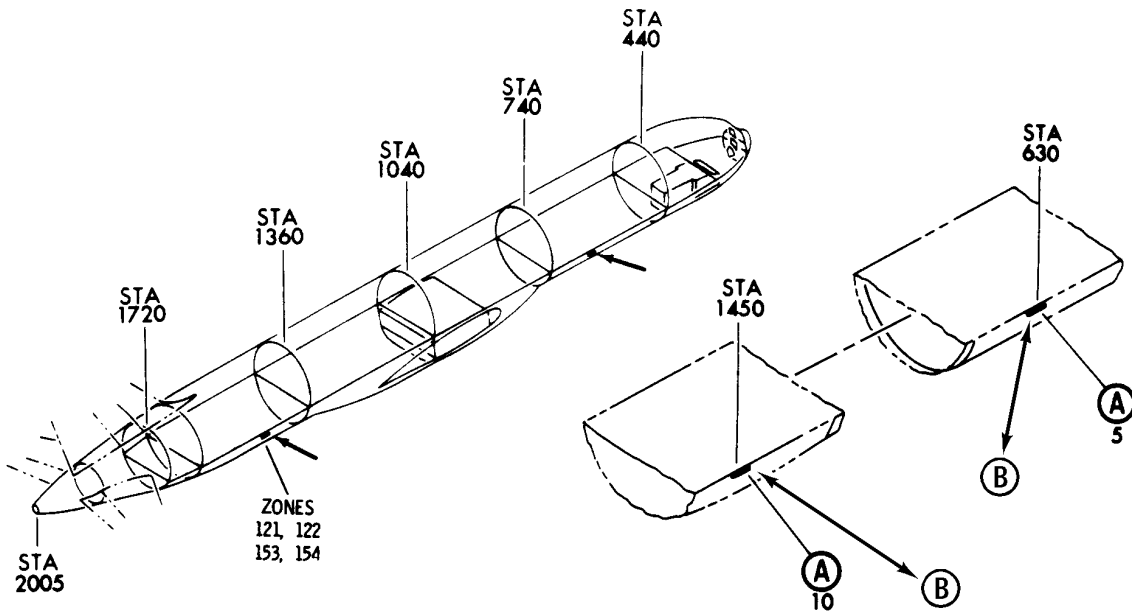
- ITEM NOT ILLUSTRATED

33-37-51-05

33-37-51
FIG. 05
PAGE 1
JAN 20/09

BRI

BOEING
757
PARTS CATALOG (MAINTENANCE)



Y 33375106 SHT 1 REV 217

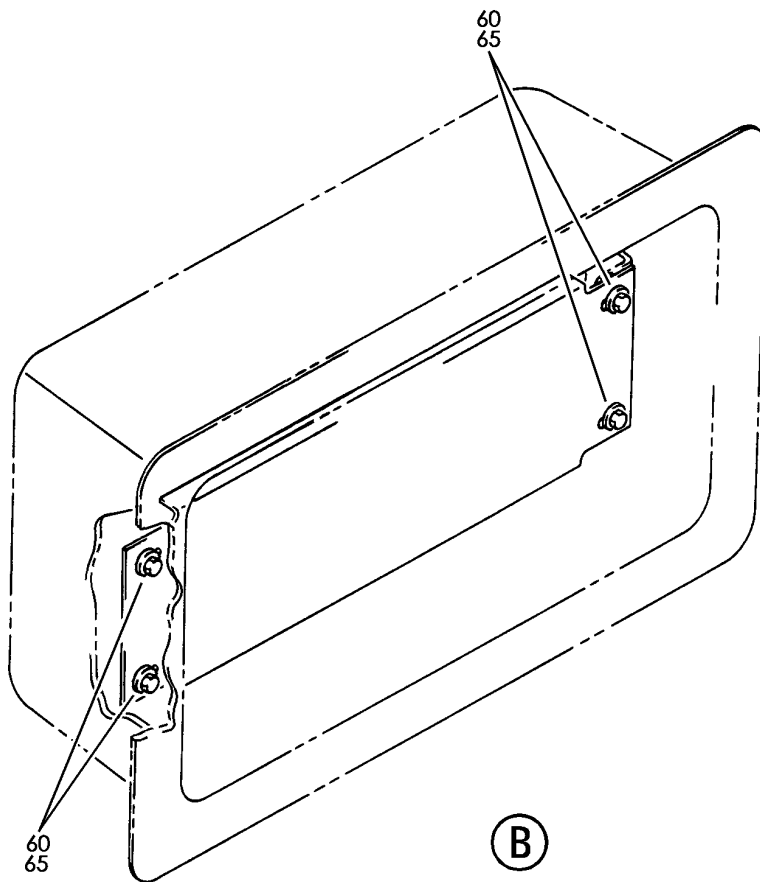
CONTROL PANEL INSTL-FWD AND AFT CARGO DOORS P43 AND P44 (LIGHTS ONLY)
FIGURE 6 (SHEET 1)

33-37-51-06

BRI
MAY 28/07

33-37-51-06
PAGE 0

BOEING
757
PARTS CATALOG (MAINTENANCE)



Y 33375106 SHT 2 REV 217

CONTROL PANEL INSTL-FWD AND AFT CARGO DOORS P43 AND P44 (LIGHTS ONLY)
FIGURE 6 (SHEET 2)

33-37-51-06

BRI
MAY 28/07

33-37-51-06
PAGE 0A



757

PARTS CATALOG (MAINTENANCE)

FIG ITEM	PART NUMBER	1 2 3 4 5 6 7	NOMENCLATURE	EFFECT FROM TO	UNITS PER ASSY
6			CONTROL PANEL INSTL-FWD AND AFT CARGO DOORS P43 AND P44 (LIGHTS ONLY)	002004 006999	
- 1	284N1338-2		PANEL INSTL-CARGO DOOR P44 (LIGHTS ONLY) POSITION DATA: AFT FOR NHA/OTHER SYS DET SEE: 24-00-58-01C	002004 006100 107107 121503 904999	RF
- 3	284N1338-1		PANEL INSTL-CARGO DOOR P43 (LIGHTS ONLY) POSITION DATA: FWD FOR NHA/OTHER SYS DET SEE: 24-00-58-01C	002004 006100 107107 121503 904999	RF
5	284N1338-3		.PANEL ASSY- USED ON: 284N1338-1	002004 006100 107107 121503 904999	1
10	284N1338-4		.PANEL ASSY- USED ON: 284N1338-2	002004 006100 107107 121503 904999	1
15	MS25306-222		..SWITCH- ELECTRICAL EQUIP NUMBER: S10128 USED ON: 284N1338-3 284N1338-18 284N1338-17	002004 006100 107107 121503 904999	1
20	MS25306-222		..SWITCH- ELECTRICAL EQUIP NUMBER: S429 USED ON: 284N1338-4 284N1338-20 284N1338-21 284N1338-22 284N1338-23	002004 006100 107107 121503 904999	1
25	284N1064-2		..CHANNEL ASSY-	002004 006100 107107 121503 904999	1

MISSING ITEM NUMBERS NOT APPLICABLE

- ITEM NOT ILLUSTRATED

33-37-51-06

33-37-51
FIG. 06
PAGE 1
JAN 20/09

BRI



757

PARTS CATALOG (MAINTENANCE)

FIG ITEM	PART NUMBER	1 2 3 4 5 6 7	NOMENCLATURE	EFFECT FROM TO	UNITS PER ASSY
6			ATTACHING PARTS		
- 30	NAS1801-3-8		.. SCREW-	002004 006100 107999	4
- 35	AN960C10L		.. WASHER-	002004 006100	4
			PRE SERVICE BULLETIN: 33-0035	107999	
- 35	NAS1149C0332R		. WASHER-	002004 006100	4
			POST SERVICE BULLETIN: 33-0035		
			-----*-----		
- 50	284N1338-25		PANEL INSTL-CARGO DOOR P43 (LIGHTS ONLY) POSITION DATA: FWD FOR NHA/OTHER SYS DET SEE: 24-00-58-05	101102 108120 504903	RF
- 50	MODREF9820		PANEL INSTL-CARGO DOOR P43 (LIGHTS ONLY) MODULE NUMBER: 284N1338-25 REV A POSITION DATA: FWD	103106	1
- 55	284N1338-26		PANEL INSTL-CARGO DOOR P43 (LIGHTS ONLY) POSITION DATA: FWD FOR NHA/OTHER SYS DET SEE: 24-00-58-05	101102 108120 504903	RF
- 55	MODREF9821		PANEL INSTL-CARGO DOOR P43 (LIGHTS ONLY) MODULE NUMBER: 284N1338-26 REV A POSITION DATA: FWD	103106	1
60	NAS1801-3-6		. SCREW	101106 108120 504903	4
65	NAS1149C0332R		. WASHER	101106 108120 504903	4

MISSING ITEM NUMBERS NOT APPLICABLE

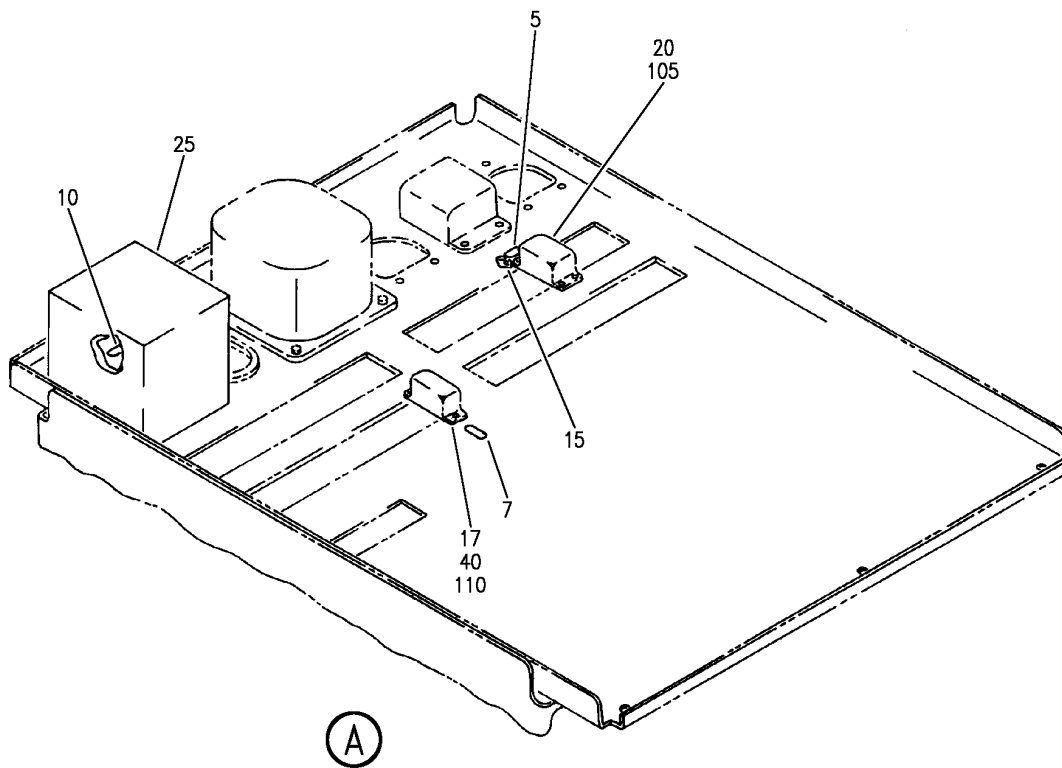
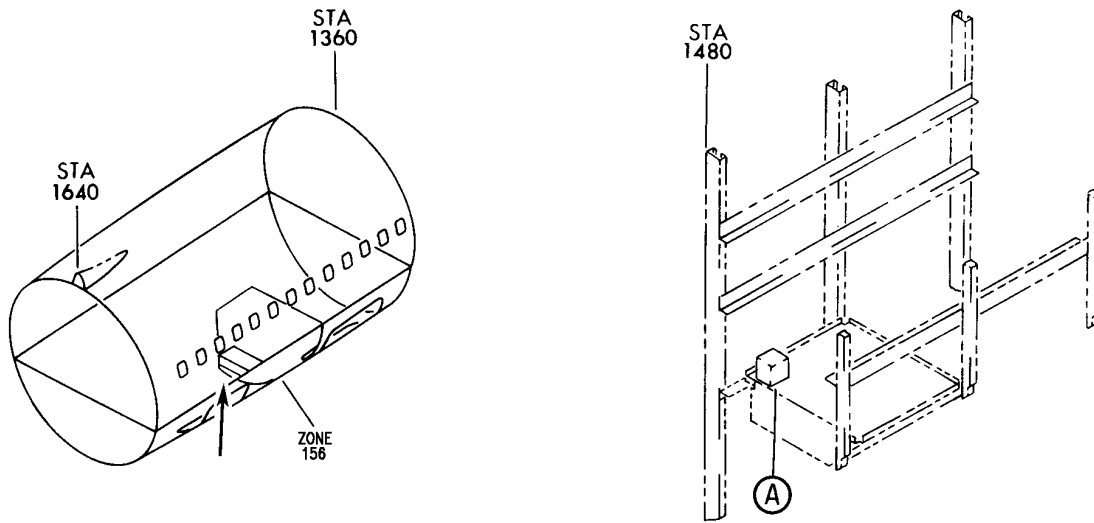
- ITEM NOT ILLUSTRATED

33-37-51-06

33-37-51
FIG. 06
PAGE 2
JAN 20/09

BRI

BOEING
757
PARTS CATALOG (MAINTENANCE)



Y 33375107 REV 265

EQUIPMENT ASSY-AFT EQPT CTR E6 RELAY (LIGHTS ONLY)
FIGURE 7

33-37-51-07

BRI
MAY 28/07

33-37-51-07
PAGE 0



757

PARTS CATALOG (MAINTENANCE)

FIG ITEM	PART NUMBER	1 2 3 4 5 6 7	NOMENCLATURE	EFFECT FROM TO	UNITS PER ASSY
7			EQUIPMENT ASSY-AFT EQPT CTR E6 RELAY (LIGHTS ONLY)	002004 006100 107107 950999	
- 1	284N1554-1		EQUIPMENT ASSY-EQPT CTR E6 RELAY (LIGHTS ONLY) POSITION DATA: AFT VARIABLE DRAWING REF: 284N1554-5004 284N1554-5013 284N1554-5018 284N1554-5027 284N1554-5028 FOR NHA/OTHER SYS DET SEE: 53-61-51-10	002004 006100 107107 950999	RF
5	BAC27NEX0638		.DECAL- PLACARD CONTENT: K10047	002004 006100 107107 950999	1
10	BAC27NEX0643		.DECAL- PLACARD CONTENT: T10002	002004 006100 107107 950999	1
15	BAC27NEX1325		.DECAL- PLACARD CONTENT: D2287	002004 006100 107107 950999	1
20	ES410-1538		.RELAY- SUPPLIER CODE: V99699 SPECIFICATION NUMBER: BACR13CG2AB OPTIONAL PART: KD4L018 V35344 BR230DS0115 V56623 KD4L036 V58657 FCA410-63 V78290 ELECTRICAL EQUIP NUMBER: K10047	107107	1

MISSING ITEM NUMBERS NOT APPLICABLE

- ITEM NOT ILLUSTRATED

33-37-51-07

33-37-51
FIG. 07
PAGE 1
JAN 20/09

BRI



757

PARTS CATALOG (MAINTENANCE)

FIG ITEM	PART NUMBER	1 2 3 4 5 6 7	NOMENCLATURE	EFFECT FROM TO	UNITS PER ASSY
7 20	E410-1537		.RELAY- SUPPLIER CODE: V99699 SPECIFICATION NUMBER: BACR13CG2A OPTIONAL PART: E415-1078 V99699 BR230S0116 V56623 KD4A017 V58687 FCA410-62 V78290 ELECTRICAL EQUIP NUMBER: K10047	002004 006100 950999	1
25	FT1046		.TRANSFORMER- SUPPLIER CODE: V14752 FUNCTIONAL DESCRIPTION: PROVIDES 115 VOLT POWER FOR CARGO BAY LIGHTING SPECIFICATION NUMBER: 60B40026-17 ELECTRICAL EQUIP NUMBER: T10002 ATTACHING PARTS	002004 006100 107107 950999	1
- 30	NAS1801-06-8		.SCREW	002004 006100 107107 950999	4
- 35	AN960JD6L		.WASHER-	002004 006100 107107 950999	4
- 100	286N1024-007		-----*----- WIRE BUNDLE ASSY	107107	RF
- 100	286N1024-008		WIRE BUNDLE ASSY	002004 006008 950999	RF
105	BACS16W1		.SOCKET- ELECTRICAL EQUIP NUMBER: D02287 WIRING DIAGRAM REF: 333721	002004 006008 107107 950999	1

MISSING ITEM NUMBERS NOT APPLICABLE

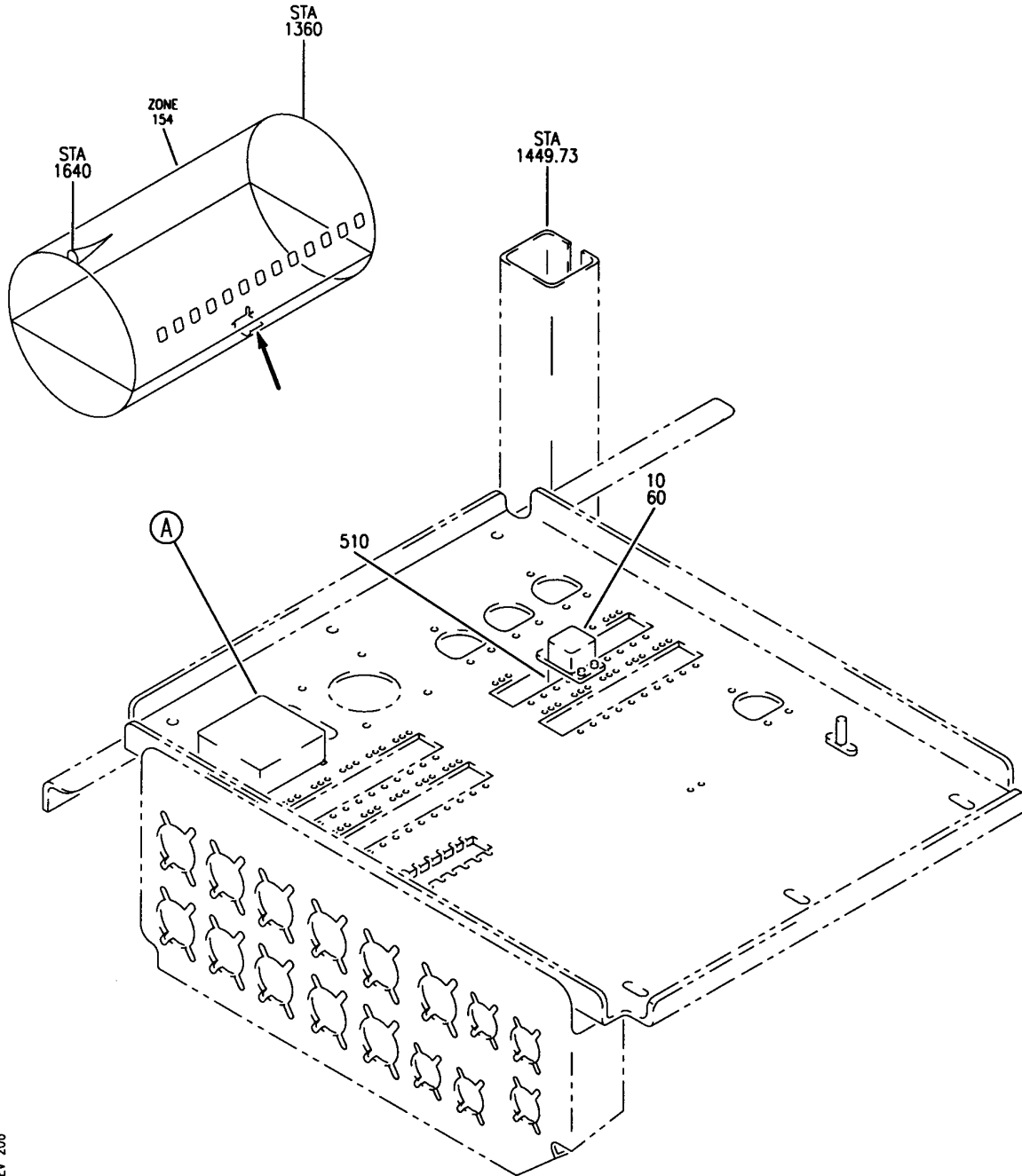
- ITEM NOT ILLUSTRATED

33-37-51-07

33-37-51
FIG. 07
PAGE 2
JAN 20/09

BRI

BOEING
757
PARTS CATALOG (MAINTENANCE)



Y 33375107A SHT 1 REV 206

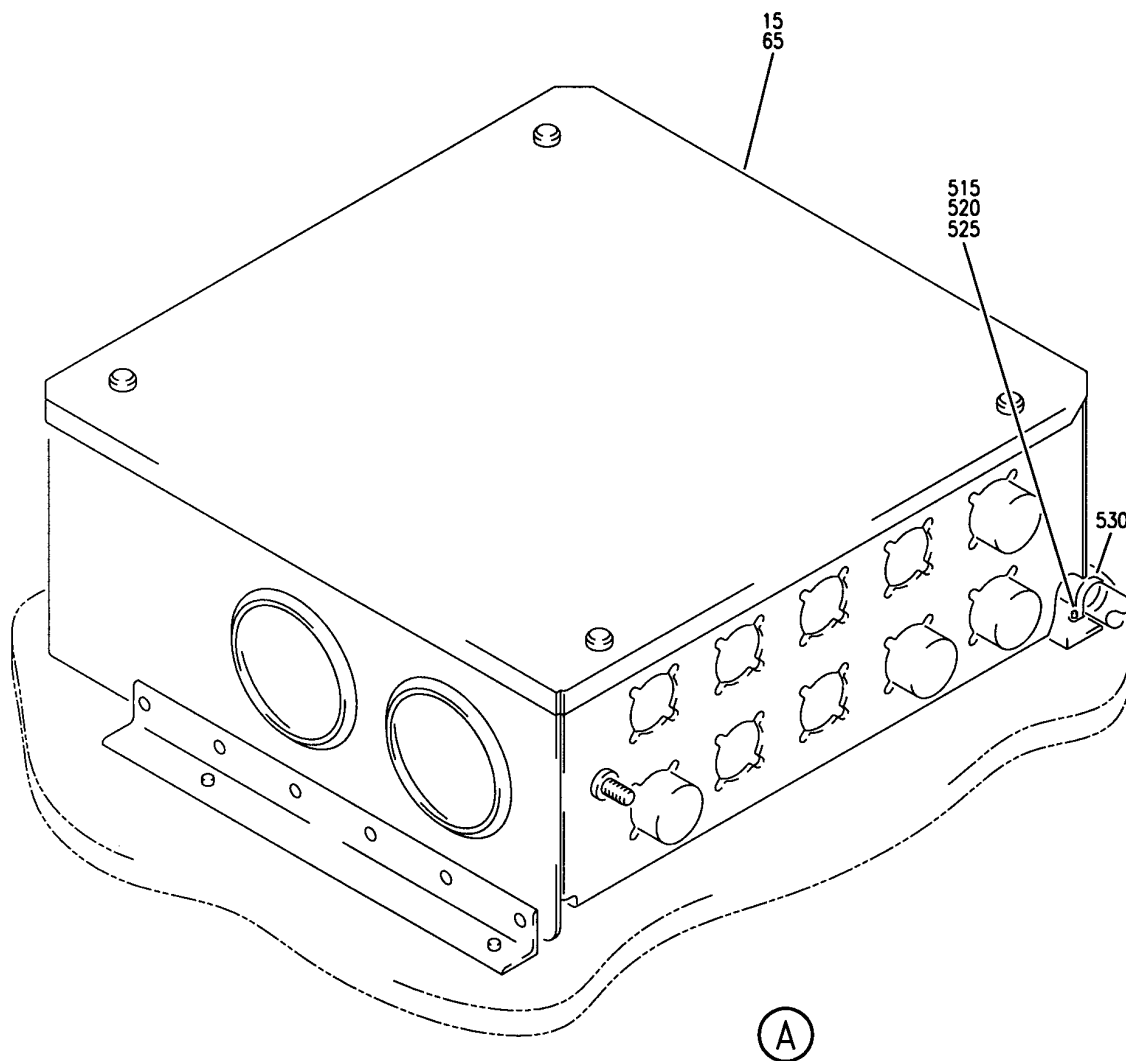
EQUIPMENT ASSY-E6 AFT EQPT CTR RELAY PNL OPTION PKG (CARGO COMPARTMENT LIGHTS ONLY)
FIGURE 7A (SHEET 1)

BRI
MAY 28/07

33-37-51-07A

33-37-51-07A
PAGE 0

BOEING
757
PARTS CATALOG (MAINTENANCE)



Y 33375107A SH1 2 REV 206

EQUIPMENT ASSY-E6 AFT EQPT CTR RELAY PNL OPTION PKG (CARGO COMPARTMENT LIGHTS ONLY)
FIGURE 7A (SHEET 2)

BRI
MAY 28/07

33-37-51-07A

33-37-51-07A
PAGE 0A



757

PARTS CATALOG (MAINTENANCE)

FIG ITEM	PART NUMBER	1 2 3 4 5 6 7	NOMENCLATURE	EFFECT FROM TO	UNITS PER ASSY
7A			EQUIPMENT ASSY-E6 AFT EQPT CTR RELAY PNL OPTION PKG (CARGO COMPARTMENT LIGHTS ONLY)	101102 504903	
- 1	284N1554-1000		EQUIPMENT ASSY-E6 EQPT CTR RELAY PNL OPTION PKG (CARGO COMPARTMENT LIGHTS ONLY) POSITION DATA: AFT MISCELLANEOUS DATA: MINOR MODEL 757-200 FOR NHA/OTHER SYS DET SEE: 31-01-86-02	101102 504903	RF
10	E410-1537		.RELAY- SUPPLIER CODE: V99699 SPECIFICATION NUMBER: BACR13CG2A OPTIONAL PART: E415-1078 V99699 BR230S0116 V56623 KD4A017 V58687 FCA410-62 V78290 ELECTRICAL EQUIP NUMBER: K10047	101102 504903	1
15	FT1046		.TRANSFORMER- SUPPLIER CODE: V14752 FUNCTIONAL DESCRIPTION: PROVIDES 115 VOLT POWER FOR CARGO BAY LIGHTING SPECIFICATION NUMBER: 60B40026-17 ELECTRICAL EQUIP NUMBER: T10002	101102 504903	1
- 20	NAS1801-06-8		ATTACHING PARTS .SCREW	101102 504903	4
- 25	NAS1149DN616J		.WASHER	101102 504903	4
- 501	286N1024-325		-----*----- WIRE BUNDLE ASSY	504903	RF
- 501	286N1024-327		WIRE BUNDLE ASSY	101102	RF

MISSING ITEM NUMBERS NOT APPLICABLE

- ITEM NOT ILLUSTRATED

33-37-51-07A

33-37-51
FIG. 07A
PAGE 1
JAN 20/09

BRI

BOEING PROPRIETARY - Copyright © - Unpublished Work - See title page for details.



757

PARTS CATALOG (MAINTENANCE)

FIG ITEM	PART NUMBER	1 2 3 4 5 6 7	NOMENCLATURE	EFFECT FROM TO	UNITS PER ASSY
7A 510	BACS16W1	.	SOCKET- ELECTRICAL EQUIP NUMBER: D02287 WIRING DIAGRAM REF: 333721	101102 504903	1
515	NAS1801-06-26	.	SCREW	101102 504903	1
520	NAS43DD1-64	.	SPACER	101102 504903	1
525	NAS1149FN616P	.	WASHER	101102 504903	1
530	JM44LC13WS3R	.	CLAMP SUPPLIER CODE: V22175 SPECIFICATION NUMBER: BACC10GE3 OPTIONAL PART: 509S3 V83930 S714WH3 V18076 TA12C32WS3 V84971	101102 504903	1

MISSING ITEM NUMBERS NOT APPLICABLE

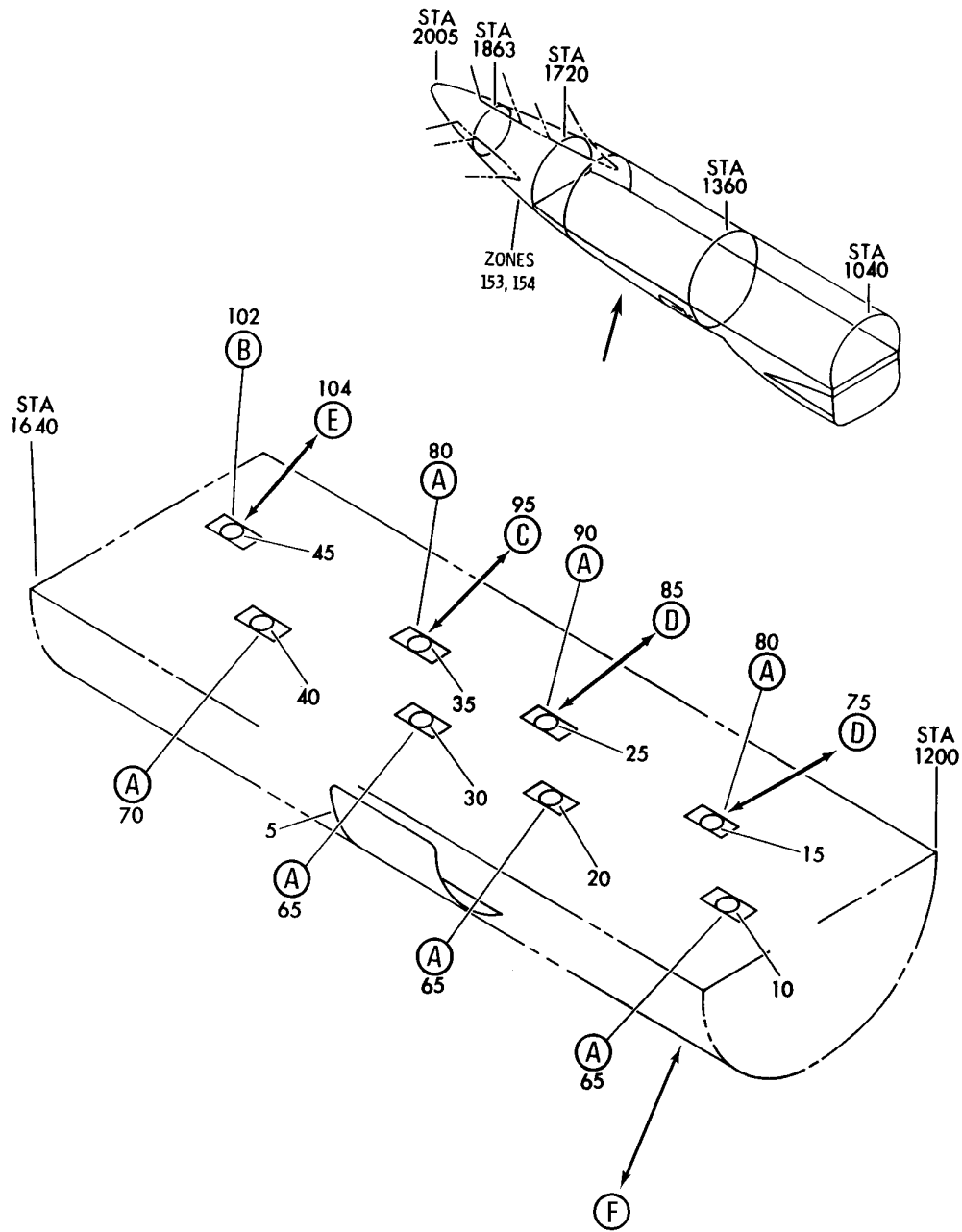
- ITEM NOT ILLUSTRATED

33-37-51-07A

33-37-51
FIG. 07A
PAGE 2
JAN 20/09

BRI

BOEING
757
PARTS CATALOG (MAINTENANCE)



Y 33375109 SHT 1 REV 248

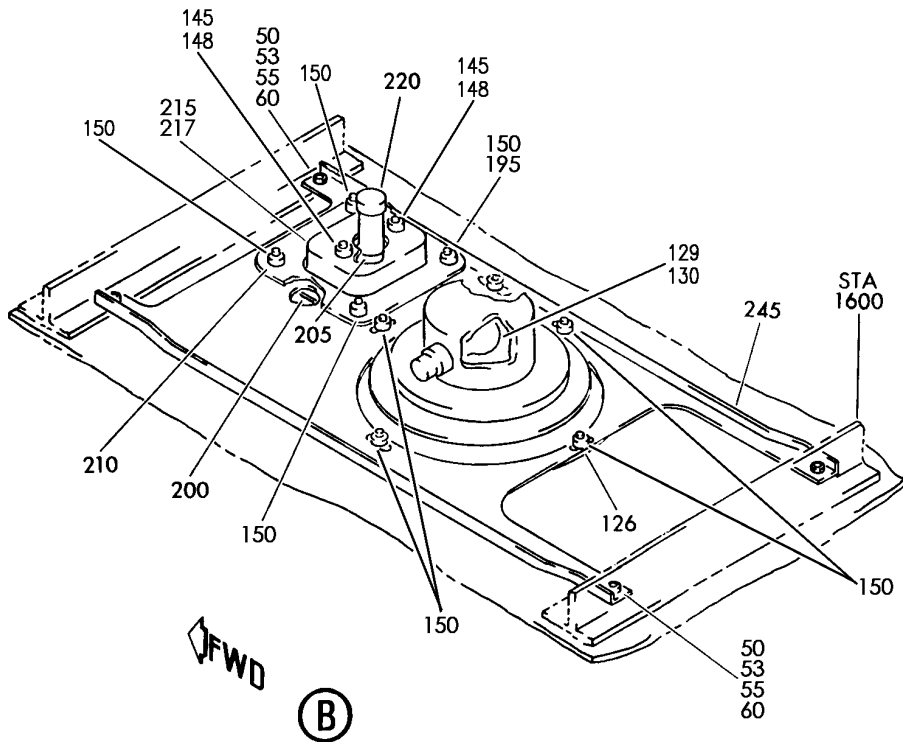
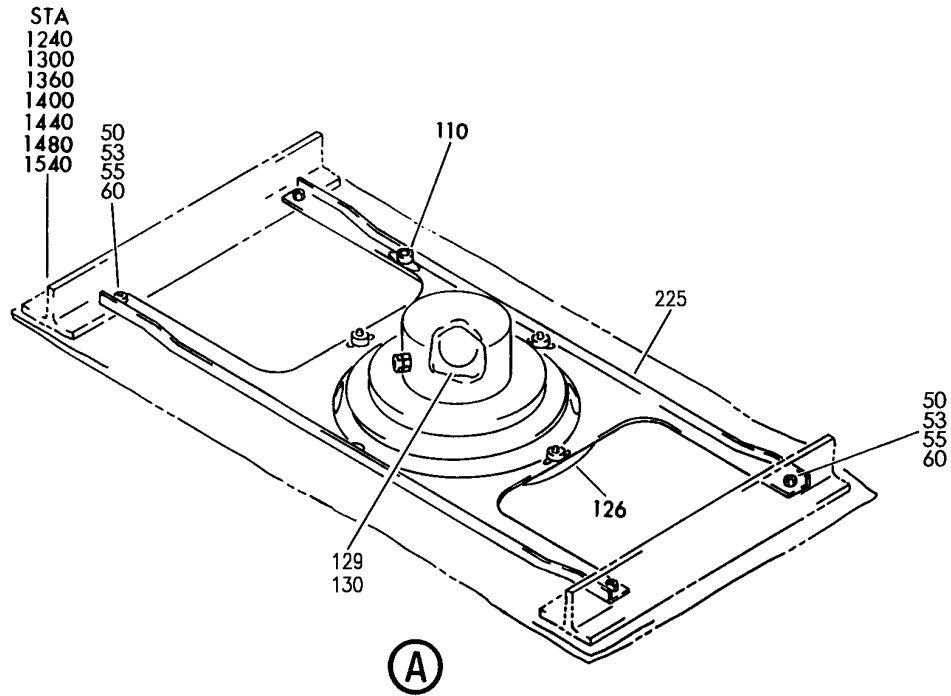
LIGHTING INSTL-AFT CARGO COMPT
FIGURE 9 (SHEET 1)

33-37-51-09

BRI
MAY 28/07

33-37-51-09
PAGE 0

BOEING
757
PARTS CATALOG (MAINTENANCE)



Y 33375109 SHT 2 REV 248

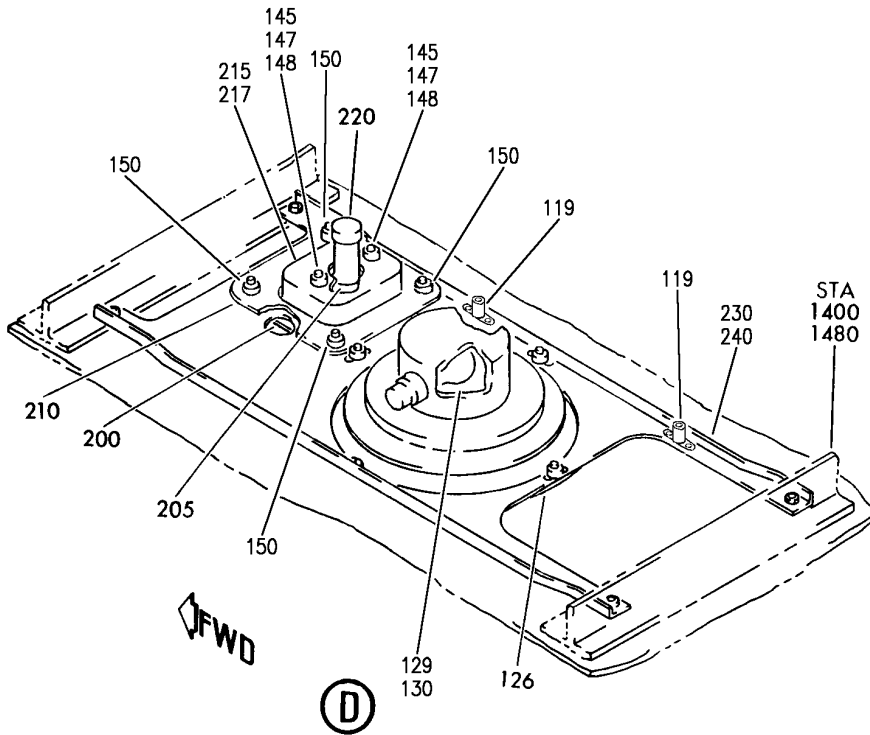
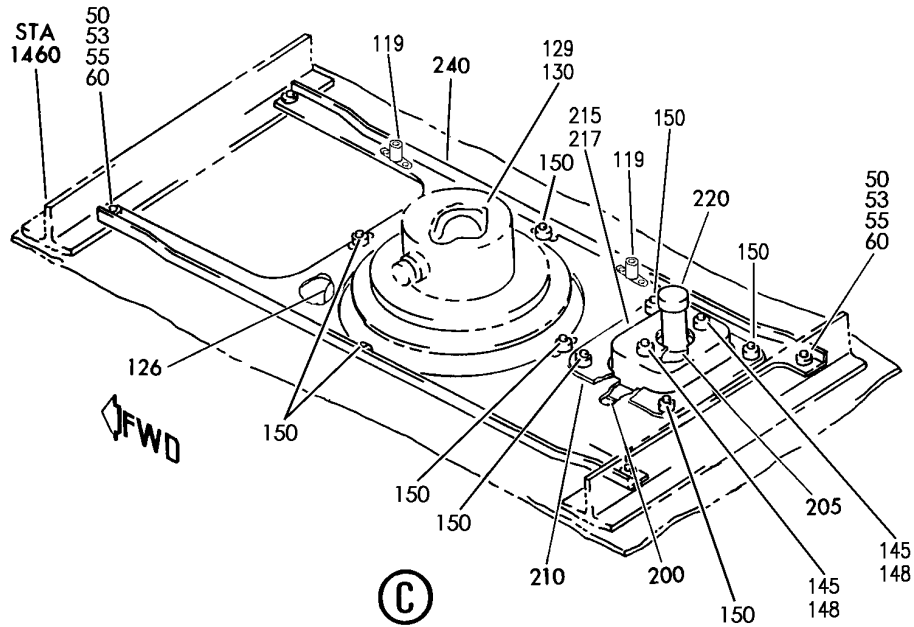
LIGHTING INSTL-AFT CARGO COMPT
FIGURE 9 (SHEET 2)

33-37-51-09

BRI
MAY 28/07

33-37-51-09
PAGE 0A

BOEING
757
PARTS CATALOG (MAINTENANCE)



Y 33375109 SH1 3 REV 248

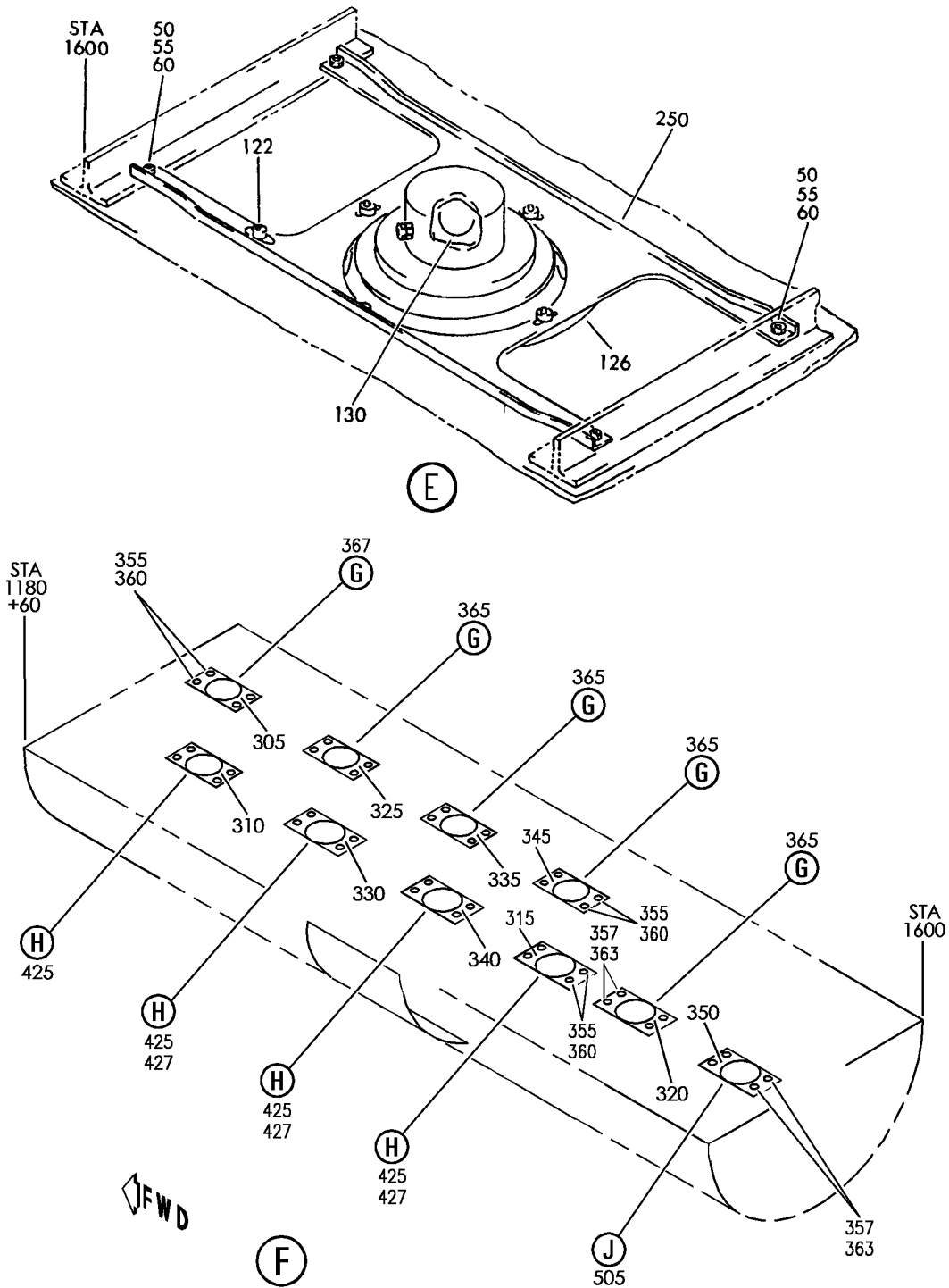
LIGHTING INSTL-AFT CARGO COMPT
FIGURE 9 (SHEET 3)

33-37-51-09

BRI
MAY 28/07

33-37-51-09
PAGE 0B


BOEING
 757
PARTS CATALOG (MAINTENANCE)



Y 33375108 SHIT 4 REV 248

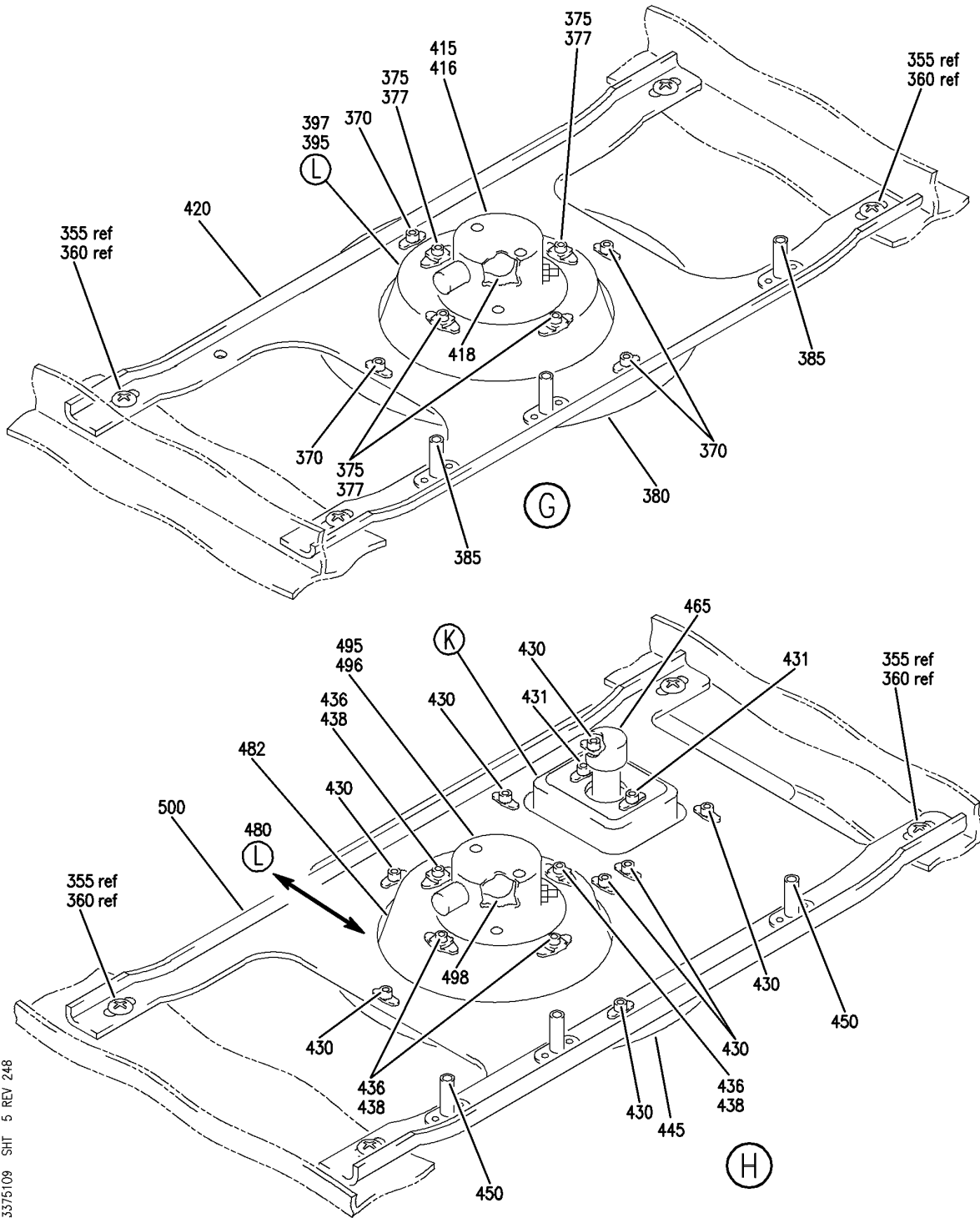
LIGHTING INSTL-AFT CARGO COMPT
FIGURE 9 (SHEET 4)

33-37-51-09

BRI
MAY 28/07

33-37-51-09
PAGE 0C

BOEING
757
PARTS CATALOG (MAINTENANCE)



Y 33375109 SHT 5 REV 248

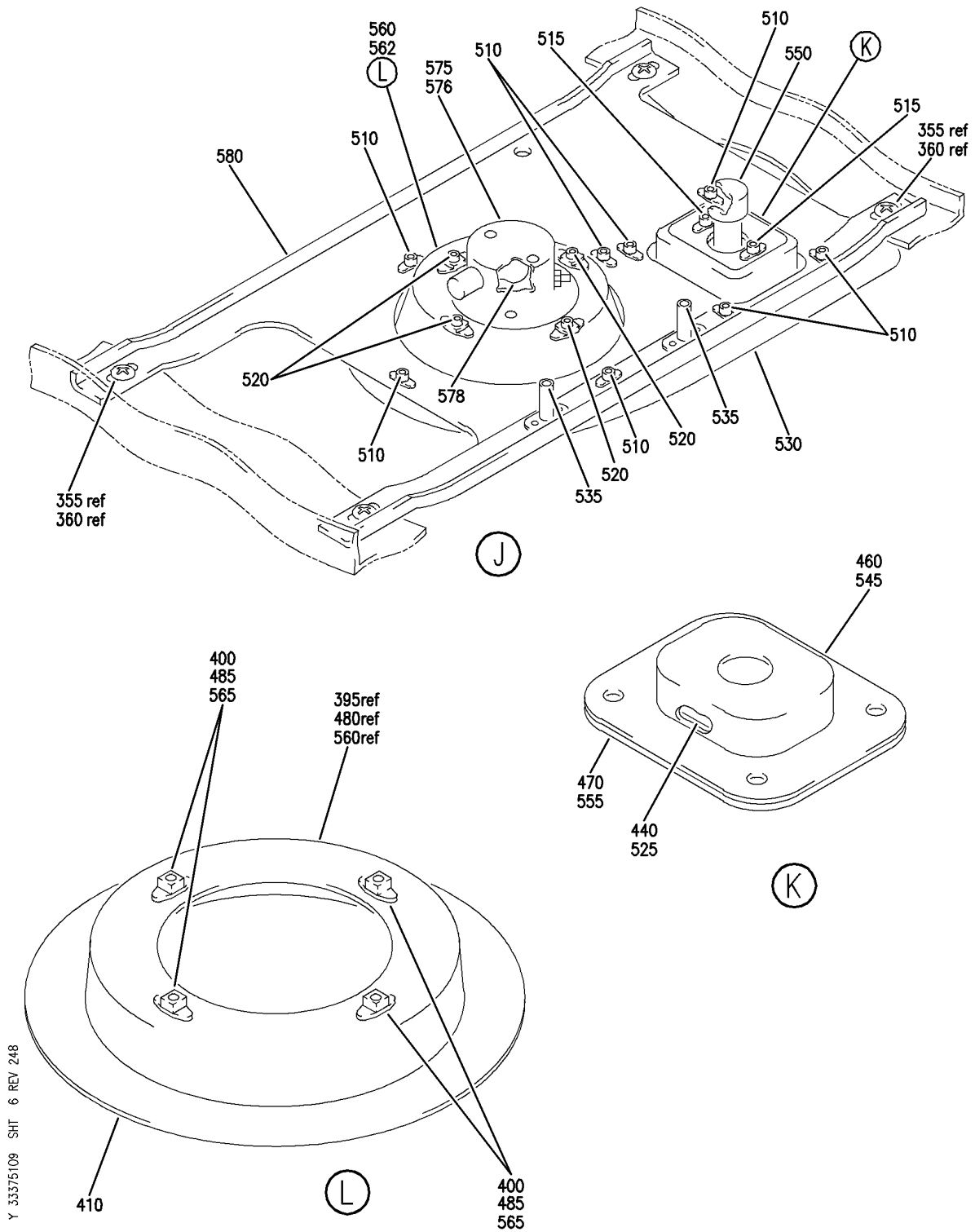
LIGHTING INSTL-AFT CARGO COMPT
FIGURE 9 (SHEET 5)

33-37-51-09

BRI
MAY 28/07

33-37-51-09
PAGE 0D

BOEING
757
PARTS CATALOG (MAINTENANCE)



LIGHTING INSTL-AFT CARGO COMPT
FIGURE 9 (SHEET 6)

33-37-51-09

BRI
MAY 28/07

33-37-51-09
PAGE 0E



757

PARTS CATALOG (MAINTENANCE)

FIG ITEM	PART NUMBER	1 2 3 4 5 6 7	NOMENCLATURE	EFFECT FROM TO	UNITS PER ASSY
9			LIGHTING INSTL-AFT CARGO COMPT	017106 504903	
- 1	453N4210-9		LIGHTING INSTL-CARGO COMPT POSITION DATA: AFT REWORKED BY ALERT SB: 25A0189 FOR NHA SEE: 25-50-00-11	017100	RF
- 1	453N4210-18		LIGHTING INSTL-CARGO COMPT BASIC FOR 757-200 FOR NHA SEE: 25-50-00-22	101102 504903	RF
5	453N4120-2		.LIGHTING INSTL-NO. 2 CARGO DOOR FOR DETAILS SEE: 33-37-51-01	017100	1
10	BAC27NCA0034		.MARKER-ALUMINUM FOIL PLACARD CONTENT: L224	017102 504903	1
15	BAC27NCA0041		.MARKER-ALUMINUM FOIL PLACARD CONTENT: L231	017102 504903	1
20	BAC27NCA0035		.MARKER-ALUMINUM FOIL PLACARD CONTENT: L225	017102 504903	1
25	BAC27NCA0040		.MARKER-ALUMINUM FOIL PLACARD CONTENT: L230	017102 504903	1
30	BAC27NCA0036		.MARKER-ALUMINUM FOIL PLACARD CONTENT: L226	017102 504903	1
35	BAC27NCA0039		.MARKER-ALUMINUM FOIL PLACARD CONTENT: L229	017102 504903	1
40	BAC27NCA0037		.MARKER-ALUMINUM FOIL PLACARD CONTENT: L227	017102 504903	1
45	BAC27NCA0038		.MARKER-ALUMINUM FOIL PLACARD CONTENT: L228	017102 504903	1
50	BACS12CK3-7		.SCREW	017100	32
53	BACS12FA3K7		.SCREW	101102 504903	32
55	NAS1149D0316J		.WASHER	017100	32

MISSING ITEM NUMBERS NOT APPLICABLE

- ITEM NOT ILLUSTRATED

33-37-51-09

33-37-51
FIG. 09
PAGE 1
JAN 20/09

BRI



757

PARTS CATALOG (MAINTENANCE)

FIG ITEM	PART NUMBER	1 2 3 4 5 6 7	NOMENCLATURE	EFFECT FROM TO	UNITS PER ASSY
9 60	130007		.NUT- SUPPLIER CODE: V60119 SPECIFICATION NUMBER: BACN10FX83 OPTIONAL PART: BRC500-8-08 V52828 SL213-08-1 V97393 A11330-8-82 V72962 A4972-8-82 V72962 A4972-8-82 V72962	017100	32
60	BRC600-8-3		.NUT SUPPLIER CODE: V52828 SPECIFICATION NUMBER: BACN10YD1 OPTIONAL PART: 130120 V60119	101102 504903	32
65	453N4400-10		.LIGHT ASSY-	017100	3
65	453N4400-19		.LIGHT ASSY- ELECTRICAL EQUIP NUMBER: L00224 L00225 L00226	101102 504903	3
70	453N4400-9		.LIGHT ASSY-	017100	1
70	453N4400-18		.LIGHT ASSY- ELECTRICAL EQUIP NUMBER: L00227	101102 504903	1
75	453N4400-11		.LIGHT ASSY- REWORKED BY ALERT SB: 25A0189	017100	1
75	453N4400-32		.LIGHT ASSY- ELECTRICAL EQUIP NUMBER: L00231	101102 504903	1
85	453N4400-6		.LIGHT ASSY- REWORKED BY ALERT SB: 25A0189	017100	1
85	453N4400-30		.LIGHT ASSY- ELECTRICAL EQUIP NUMBER: L00230	101102 504903	1
95	453N4400-5		.LIGHT ASSY- REWORKED BY ALERT SB: 25A0189	017100	1

MISSING ITEM NUMBERS NOT APPLICABLE

- ITEM NOT ILLUSTRATED

33-37-51-09

33-37-51
FIG. 09
PAGE 2
JAN 20/09

BRI



757

PARTS CATALOG (MAINTENANCE)

FIG ITEM	PART NUMBER	1 2 3 4 5 6 7	NOMENCLATURE	EFFECT FROM TO	UNITS PER ASSY
9					
95	453N4400-29		.LIGHT ASSY- ELECTRICAL EQUIP NUMBER: L00229	101102 504903	1
102	453N4400-7		.LIGHT ASSY- REWORKED BY ALERT SB: 25A0189	017100	1
102	453N4400-31		.LIGHT ASSY- ELECTRICAL EQUIP NUMBER: L00228	101102 504903	1
106	WS1-4A6		..NUT- SUPPLIER CODE: V04169 SPECIFICATION NUMBER: BACN10TL3A6 USED ON: 453N4400-5 453N4400-6 453N4400-7 453N4400-8 453N4400-9 453N4400-10 453N4400-11	017100	1
106	WS1-4A6		..NUT- SUPPLIER CODE: V04169 SPECIFICATION NUMBER: BACN10TL3A6 USED ON: 453N4400-15 453N4400-16 453N4400-17 453N4400-18 453N4400-19 453N4400-20 453N4400-29 453N4400-30 453N4400-31 453N4400-32 ATTACHING PARTS	101102 504903	1
- 108	BACR15CE4D		..RIVET- SIZE DETERMINED ON INSTL.	017100	2
- 108	BACR15CE4D		..RIVET- SIZE DETERMINED ON INSTL. -----*-----	101102 504903	2

MISSING ITEM NUMBERS NOT APPLICABLE

- ITEM NOT ILLUSTRATED

BRI

33-37-51-09

BOEING PROPRIETARY - Copyright © - Unpublished Work - See title page for details.

33-37-51
FIG. 09
PAGE 3
JAN 20/09



757

PARTS CATALOG (MAINTENANCE)

FIG ITEM	PART NUMBER	1 2 3 4 5 6 7	NOMENCLATURE	EFFECT FROM TO	UNITS PER ASSY
9 126	453N4001-1		.. ADAPTER- USED ON: 453N4400-5 453N4400-6 453N4400-7 453N4400-8 453N4400-9 453N4400-10 453N4400-11	017100	1
126	453N4001-1		.. ADAPTER- USED ON: 453N4400-15 453N4400-16 453N4400-17 453N4400-18 453N4400-19 453N4400-29 453N4400-30 453N4400-31 453N4400-32	101102 504903	1
- 128	BACS12CK3-10		ATTACHING PARTS .. SCREW- USED ON: 453N4400-5 453N4400-6 453N4400-11 453N4400-15 453N4400-16 453N4400-17 453N4400-20 453N4400-29 453N4400-30 453N4400-31 453N4400-32 -----*-----	017102 504903	4

MISSING ITEM NUMBERS NOT APPLICABLE

- ITEM NOT ILLUSTRATED

BRI

33-37-51-09

BOEING PROPRIETARY - Copyright © - Unpublished Work - See title page for details.

33-37-51
FIG. 09
PAGE 4
JAN 20/09



757

PARTS CATALOG (MAINTENANCE)

FIG ITEM	PART NUMBER	1 2 3 4 5 6 7	NOMENCLATURE	EFFECT FROM TO	UNITS PER ASSY
9 129	15-0188-19		..LIGHT ASSY-DOME SUPPLIER CODE: V72914 COMPONENT MAINT MANUAL REF: 33-30-08 USED ON: 453N4400-15 453N4400-16 453N4400-17 453N4400-18 453N4400-19 453N4400-20 453N4400-29 453N4400-30 453N4400-31 453N4400-32 FOR DETAILS SEE: 33-37-51-50A	101102 504903	1
130	BR7203-702		..LIGHT ASSY- SUPPLIER CODE: V17023 COMPONENT MAINT MANUAL REF: 33-31-32 OPTIONAL PART: 15-0188-9 V72914 USED ON: 453N4400-5 453N4400-6 453N4400-7 453N4400-9 453N4400-10 453N4400-11 FOR DETAILS SEE: 33-37-51-50	017100	1

MISSING ITEM NUMBERS NOT APPLICABLE

- ITEM NOT ILLUSTRATED

33-37-51-09

33-37-51
FIG. 09
PAGE 5
JAN 20/09

BRI



757

PARTS CATALOG (MAINTENANCE)

FIG ITEM	PART NUMBER	1 2 3 4 5 6 7	NOMENCLATURE	EFFECT FROM TO	UNITS PER ASSY
9 130	15-0188-9		.. LIGHT ASSY- SUPPLIER CODE: V72914 COMPONENT MAINT MANUAL REF: 33-30-08 OPTIONAL PART: BR7203-702 V17023 USED ON: 453N4400-5 453N4400-6 453N4400-7 453N4400-9 453N4400-10 453N4400-11 FOR DETAILS SEE: 33-37-51-50	017100	1
130	15-0188-19		.. LIGHT ASSY-DOME SUPPLIER CODE: V72914 COMPONENT MAINT MANUAL REF: 33-30-08	017100	1
- 132	BACS12GU08K6		ATTACHING PARTS .. SCREW- USED ON: 453N4400-10 453N4400-8 453N4400-9 453N4400-5 453N4400-6 453N4400-11 453N4400-7	017100	4
- 132	BACS12GU08K6		.. SCREW- USED ON: 453N4400-15 453N4400-16 453N4400-17 453N4400-18 453N4400-19 453N4400-20 453N4400-29 453N4400-30 453N4400-31 453N4400-32	101102 504903	4

MISSING ITEM NUMBERS NOT APPLICABLE

- ITEM NOT ILLUSTRATED

33-37-51-09

33-37-51
FIG. 09
PAGE 6
JAN 20/09

BRI



757

PARTS CATALOG (MAINTENANCE)

FIG ITEM	PART NUMBER	1 2 3 4 5 6 7	NOMENCLATURE	EFFECT FROM TO	UNITS PER ASSY
9					
- 135	NAS1149DN816J		.. WASHER- USED ON: 453N4400-10 453N4400-8 453N4400-9 453N4400-5 453N4400-6 453N4400-11 453N4400-7	017100	4
- 135	NAS1149DN816J		.. WASHER- USED ON: 453N4400-15 453N4400-16 453N4400-17 453N4400-18 453N4400-19 453N4400-20 453N4400-29 453N4400-30 453N4400-31 453N4400-32	101102 504903	4
- 140	130007		.. NUT- SUPPLIER CODE: V60119 SPECIFICATION NUMBER: BACN10FX83 OPTIONAL PART: BRC500-8-08 V52828 SL213-08-1 V97393 A11330-8-82 V72962 A4972-8-82 V72962 A4972-8-82 V72962 USED ON: 453N4400-10 453N4400-8 453N4400-9 453N4400-5 453N4400-6 453N4400-11 453N4400-7	017100	4

MISSING ITEM NUMBERS NOT APPLICABLE

- ITEM NOT ILLUSTRATED

BRI

33-37-51-09

BOEING PROPRIETARY - Copyright © - Unpublished Work - See title page for details.

33-37-51
FIG. 09
PAGE 7
JAN 20/09



757

PARTS CATALOG (MAINTENANCE)

FIG ITEM	PART NUMBER	1 2 3 4 5 6 7	NOMENCLATURE	EFFECT FROM TO	UNITS PER ASSY
9 - 140	130007		..NUT- SUPPLIER CODE: V60119 SPECIFICATION NUMBER: BACN10FX83 OPTIONAL PART: BRC500-8-08 V52828 SL213-08-1 V97393 A11330-8-82 V72962 A4972-8-82 V72962 A4972-8-82 V72962 USED ON: 453N4400-15 453N4400-16 453N4400-17 453N4400-18 453N4400-19 453N4400-20 453N4400-29 453N4400-30 453N4400-31 453N4400-32 -----*-----	101102 504903	4
145	BACS12CK3-8		..SCREW- USED ON: 453N4400-5 453N4400-6 453N4400-7 453N4400-11 453N4400-15 453N4400-16 453N4400-17 453N4400-20 453N4400-30 453N4400-31 453N4400-32 453N4400-29	017102 504903	2

MISSING ITEM NUMBERS NOT APPLICABLE

- ITEM NOT ILLUSTRATED

BRI

33-37-51-09

BOEING PROPRIETARY - Copyright © - Unpublished Work - See title page for details.

33-37-51
FIG. 09
PAGE 8
JAN 20/09



757

PARTS CATALOG (MAINTENANCE)

FIG ITEM	PART NUMBER	1 2 3 4 5 6 7	NOMENCLATURE	EFFECT FROM TO	UNITS PER ASSY
9 150	BACS12CK3-10		.. SCREW- USED ON: 453N4400-5 453N4400-6 453N4400-7 453N4400-15 453N4400-16 453N4400-17 453N4400-11 453N4400-20 453N4400-29 453N4400-30 453N4400-31 453N4400-32	017102 504903	4
200	453N2707-1		.. RETAINER- USED ON: 453N4400-11 453N4400-15 453N4400-16 453N4400-17 453N4400-20 453N4400-29 453N4400-30 453N4400-31 453N4400-32 453N4400-5 453N4400-6 453N4400-7	017102 504903	1
205	453N2702-2		.. SPACER- USED ON: 453N4400-11 453N4400-15 453N4400-16 453N4400-17 453N4400-20 453N4400-29 453N4400-30 453N4400-31 453N4400-32 453N4400-5 453N4400-6 453N4400-7	017102 504903	1

MISSING ITEM NUMBERS NOT APPLICABLE

- ITEM NOT ILLUSTRATED

BRI

33-37-51-09

BOEING PROPRIETARY - Copyright © - Unpublished Work - See title page for details.

33-37-51
FIG. 09
PAGE 9
JAN 20/09



757

PARTS CATALOG (MAINTENANCE)

FIG ITEM	PART NUMBER	1 2 3 4 5 6 7	NOMENCLATURE	EFFECT FROM TO	UNITS PER ASSY
9 210	453N2702-3		.. SPACER- USED ON: 453N4400-5 453N4400-6 453N4400-7 453N4400-11 453N4400-15 453N4400-16 453N4400-17 453N4400-20 453N4400-29 453N4400-30 453N4400-31 453N4400-32	017102 504903	1
215	453N2606-1		.. PAN ASSY-SPRT USED ON: 453N4400-15 453N4400-16 453N4400-17 453N4400-20 453N4400-5 453N4400-6 453N4400-7 453N4400-11 PRE ALERT SB: 25A0189 PRE AIRLINE MOD: EOC-757-25H012 VBAA REFERENCE AIRLINE MOD: CIC B757/IPC/98-0352 VBAA	017100	1

MISSING ITEM NUMBERS NOT APPLICABLE

- ITEM NOT ILLUSTRATED

BRI

33-37-51-09

BOEING PROPRIETARY - Copyright © - Unpublished Work - See title page for details.

33-37-51
FIG. 09
PAGE 10
JAN 20/09



757

PARTS CATALOG (MAINTENANCE)

FIG ITEM	PART NUMBER	1 2 3 4 5 6 7	NOMENCLATURE	EFFECT FROM TO	UNITS PER ASSY
9 215	453N2606-5		.. PAN ASSY-SPRT USED ON: 453N4400-15 453N4400-16 453N4400-17 453N4400-20 453N4400-5 453N4400-6 453N4400-7 453N4400-11 POST ALERT SB: 25A0189 POST AIRLINE MOD: EOC-757-25H012 VBAA REFERENCE AIRLINE MOD: CIC B757/IPC/98-0352 VBAA	017100 504903	1
215	453N2606-1		.. PAN ASSY-SPRT USED ON: 453N4400-32	101102 504903	1
217	453N2606-5		.. PAN ASSY-SPRT USED ON: 453N4400-29 453N4400-30 453N4400-31	101102 504903	1
220	453N2705-1		.. NOZZLE- USED ON: 453N4400-5 453N4400-6 453N4400-7 453N4400-11 453N4400-15 453N4400-16 453N4400-17 453N4400-20 453N4400-29 453N4400-30 453N4400-31 453N4400-32	017102 504903	1
225	453N4800-1		.. SUPPORT ASSY- USED ON: 453N4400-9 453N4400-10 453N4400-18 453N4400-19 453N4400-34	017102 504903	1

MISSING ITEM NUMBERS NOT APPLICABLE

- ITEM NOT ILLUSTRATED

33-37-51-09

33-37-51
FIG. 09
PAGE 11
JAN 20/09

BRI



757

PARTS CATALOG (MAINTENANCE)

FIG ITEM	PART NUMBER	1 2 3 4 5 6 7	NOMENCLATURE	EFFECT FROM TO	UNITS PER ASSY
9					
230	453N4800-6		.. SUPPORT ASSY- USED ON: 453N4400-6 453N4400-11 453N4400-16 453N4400-20 453N4400-30 453N4400-32	017102 504903	1
240	453N4800-5		.. SUPPORT ASSY- USED ON: 453N4400-5 453N4400-15 453N4400-29 453N4400-36	017102 504903	1
245	453N4800-7		.. SUPPORT ASSY- USED ON: 453N4400-7 453N4400-17 453N4400-31 453N4400-37	017102 504903	1
- 300	MODREF18826		LIGHTING INSTL-CARGO COMPT BASIC FOR 757-200 MODULE NUMBER: 453N4210-19 REV A POSITION DATA: AFT	103106	1
315	BAC27NCA121		.MARKER- PLACARD CONTENT: L1091	103106	1
320	BAC27NCA122		.MARKER- PLACARD CONTENT: L1092	103106	1
325	BAC27NCA0034		.MARKER-ALUMINUM FOIL PLACARD CONTENT: L224	103106	1
330	BAC27NCA0041		.MARKER-ALUMINUM FOIL PLACARD CONTENT: L231	103106	1
335	BAC27NCA0035		.MARKER-ALUMINUM FOIL PLACARD CONTENT: L225	103106	1
340	BAC27NCA0040		.MARKER-ALUMINUM FOIL PLACARD CONTENT: L230	103106	1
345	BAC27NCA0036		.MARKER-ALUMINUM FOIL PLACARD CONTENT: L226	103106	1

MISSING ITEM NUMBERS NOT APPLICABLE

- ITEM NOT ILLUSTRATED

33-37-51-09

33-37-51
FIG. 09
PAGE 12
JAN 20/09

BRI



757

PARTS CATALOG (MAINTENANCE)

FIG ITEM	PART NUMBER	1 2 3 4 5 6 7	NOMENCLATURE	EFFECT FROM TO	UNITS PER ASSY
9					
350	BAC27NCA0038		.MARKER-ALUMINUM FOIL PLACARD CONTENT: L228	103106	1
355	BACS12FA3K7		.SCREW	103106	32
360	BRC600-8-3		.NUT SUPPLIER CODE: V52828 SPECIFICATION NUMBER: BACN10YD1 OPTIONAL PART: 130120 V60119	103106	32
365	453N4400-34		.LIGHT ASSY- ELECTRICAL EQUIP NUMBER: L00224 L00225 L00226 L01092	103106	4
370	BACS12FA3K10		..SCREW	103106	4
377	BACS12FA08K6		..SCREW	103106	4
380	453N4801-4		..SPACER	103106	1
385	WS1-4A6		..NUT SUPPLIER CODE: V04169 SPECIFICATION NUMBER: BACN10TL3A6 ATTACHING PARTS	103106	3
- 390	BACR15CE4D		..RIVET- SIZE DETERMINED ON INSTL. -----*-----	103106	2
397	69B40306-6		..ADAPTER	103106	1
416	15-0188-19		..LIGHT ASSY-DOME CARGO COMPT SUPPLIER CODE: V72914 COMPONENT MAINT MANUAL REF: 33-30-08 FOR DETAILS SEE: 33-37-51-50A	103106	1

MISSING ITEM NUMBERS NOT APPLICABLE

- ITEM NOT ILLUSTRATED

33-37-51-09

33-37-51
FIG. 09
PAGE 13
JAN 20/09

BRI

 **BOEING**
757
PARTS CATALOG (MAINTENANCE)

FIG ITEM	PART NUMBER	1 2 3 4 5 6 7	NOMENCLATURE	EFFECT FROM TO	UNITS PER ASSY
9			ATTACHING PARTS		
- 417	130007		..NUT SUPPLIER CODE: V60119 SPECIFICATION NUMBER: BACN10FX83 OPTIONAL PART: BRC500-8-08 V52828 SL213-08-1 V97393 A11330-8-82 V72962 A4972-8-82 V72962 A4972-8-82 V72962 -----*-----	103106	1
420	453N4800-1		..SUPPORT ASSY	103106	1
427	453N4400-38		.LIGHT ASSY- ELECTRICAL EQUIP NUMBER: L00231 L00230 L01091	103106	3
430	BACS12FA3K10		..SCREW	103106	8
431	BACS12FA3K8		..SCREW	103106	2
438	BACS12FA08K6		..SCREW	103106	4
440	453N2702-2		..SPACER	103106	1
445	453N4801-5		..SPACER	103106	1
450	WS1-4A6		..NUT SUPPLIER CODE: V04169 SPECIFICATION NUMBER: BACN10TL3A6	103106	3
- 455	BACR15CE4D		ATTACHING PARTS ..RIVET- SIZE DETERMINED ON INSTL. -----*-----	103106	2
460	453N2606-5		..PAN ASSY-SUPPORT	103106	1
465	453N2705-1		..NOZZLE	103106	1
470	453N2707-1		..RETAINER	103106	1
482	69B40306-6		..ADAPTER	103106	1
496	15-0188-19		..LIGHT ASSY-DOME SUPPLIER CODE: V72914 COMPONENT MAINT MANUAL REF: 33-30-08 FOR DETAILS SEE: 33-37-51-50A	103106	1

MISSING ITEM NUMBERS NOT APPLICABLE

- ITEM NOT ILLUSTRATED

BRI

33-37-51-09

BOEING PROPRIETARY - Copyright © - Unpublished Work - See title page for details.

33-37-51
FIG. 09
PAGE 14
JAN 20/09



757

PARTS CATALOG (MAINTENANCE)

FIG ITEM	PART NUMBER	1 2 3 4 5 6 7	NOMENCLATURE	EFFECT FROM TO	UNITS PER ASSY
9			ATTACHING PARTS		
- 497	130007		..NUT SUPPLIER CODE: V60119 SPECIFICATION NUMBER: BACN10FX83 OPTIONAL PART: BRC500-8-08 V52828 SL213-08-1 V97393 A11330-8-82 V72962 A4972-8-82 V72962 A4972-8-82 V72962 -----*-----	103106	1
500	453N4800-5		..SUPPORT ASSY	103106	1
505	453N4400-37		.LIGHT ASSY- ELECTRICAL EQUIP NUMBER: L00228	103106	1
510	BACS12FA3K10		..SCREW	103106	8
515	BACS12FA3K8		..SCREW	103106	2
520	BACS12FA08K6		..SCREW	103106	4
525	453N2702-2		..SPACER	103106	1
530	453N4801-5		..SPACER	103106	1
535	WS1-4A6		..NUT SUPPLIER CODE: V04169 SPECIFICATION NUMBER: BACN10TL3A6	103106	2
- 540	BACR15CE4D		ATTACHING PARTS ..RIVET- SIZE DETERMINED ON INSTL. -----*-----	103106	2
545	453N2606-5		..PAN ASSY-SUPPORT	103106	1
550	453N2705-1		..NOZZLE	103106	1
555	453N2707-1		..RETAINER	103106	1
562	69B40306-6		..ADAPTER	103106	1

MISSING ITEM NUMBERS NOT APPLICABLE

- ITEM NOT ILLUSTRATED

33-37-51-09

33-37-51
FIG. 09
PAGE 15
JAN 20/09

BRI



757

PARTS CATALOG (MAINTENANCE)

FIG ITEM	PART NUMBER	1 2 3 4 5 6 7	NOMENCLATURE	EFFECT FROM TO	UNITS PER ASSY
9 565	BRF200A08		...NUTPLATE SUPPLIER CODE: V52828 SPECIFICATION NUMBER: BACN10JR08F OPTIONAL PART: NS103203-82 V80539 RMF9201-82 V72962 VN152A1-82 V92215 T8091S832 V11815 F5000-08BAC V15653 ATTACHING PARTS	103106	4
- 570	BACR15CE3AD		...RIVET- SIZE DETERMINED ON INSTL. -----*-----	103106	2
576	15-0188-19		..LIGHT ASSY-DOME SUPPLIER CODE: V72914 COMPONENT MAINT MANUAL REF: 33-30-08 FOR DETAILS SEE: 33-37-51-50A ATTACHING PARTS	103106	1
- 577	130007		..NUT SUPPLIER CODE: V60119 SPECIFICATION NUMBER: BACN10FX83 OPTIONAL PART: BRC500-8-08 V52828 SL213-08-1 V97393 A11330-8-82 V72962 A4972-8-82 V72962 A4972-8-82 V72962 -----*-----	103106	1
578	MS25235-3011		...LAMP	103106	1
580	453N4800-5		..SUPPORT ASSY	103106	1

MISSING ITEM NUMBERS NOT APPLICABLE

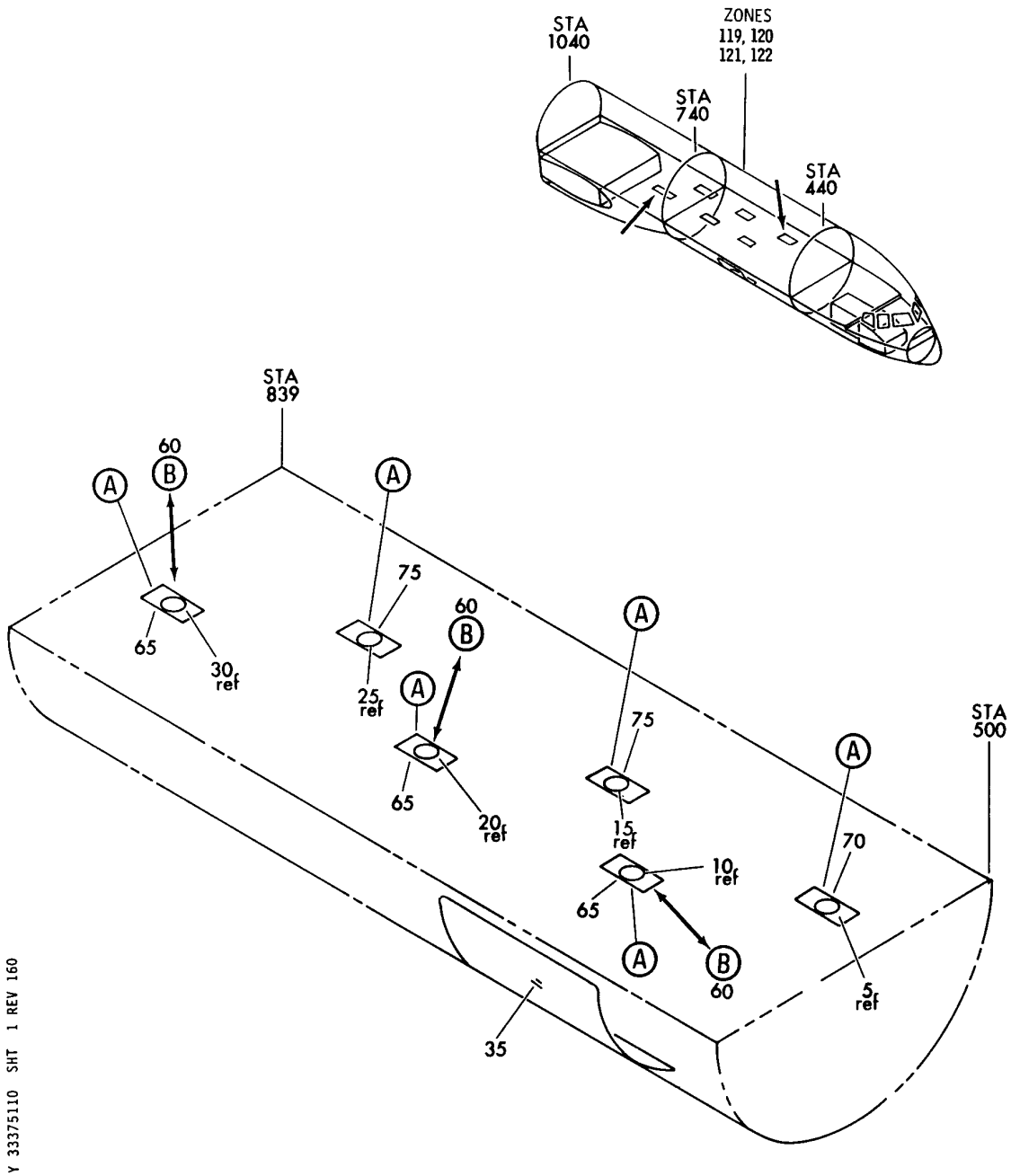
- ITEM NOT ILLUSTRATED

33-37-51-09

33-37-51
FIG. 09
PAGE 16
JAN 20/09

BRI

BOEING
757
PARTS CATALOG (MAINTENANCE)



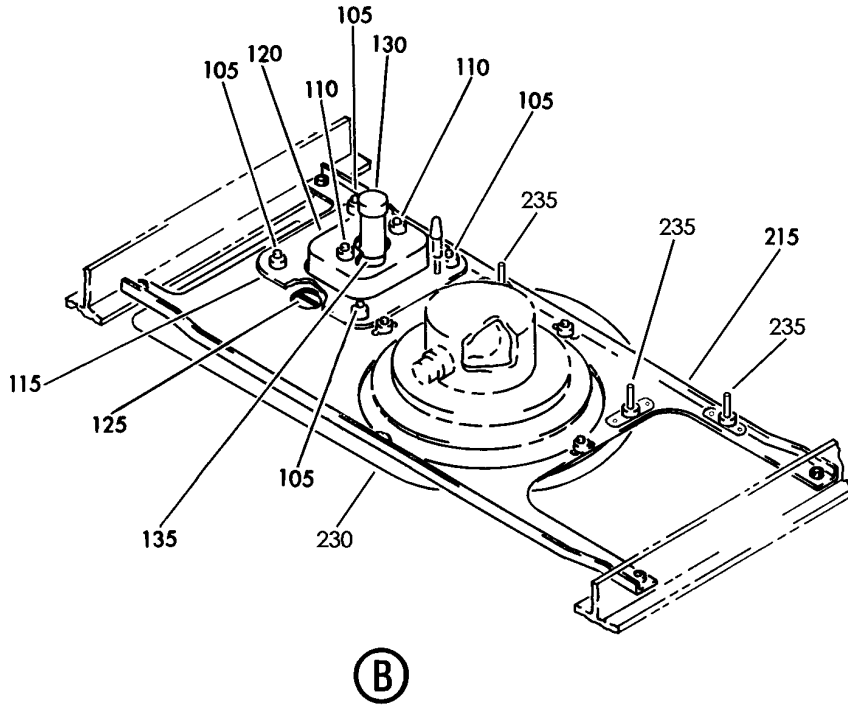
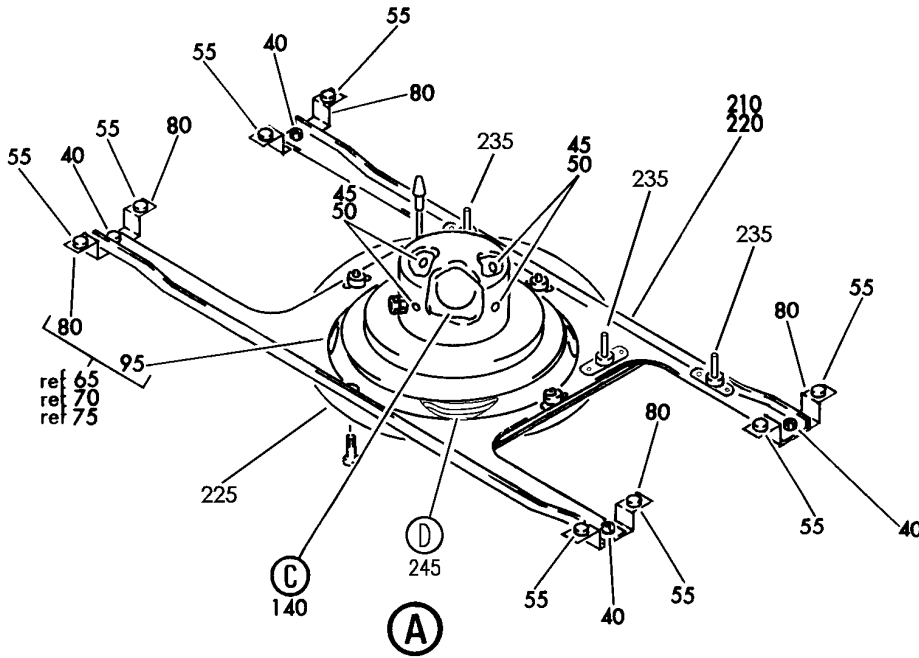
LIGHTING INSTL-CARGO COMPT FWD
FIGURE 10 (SHEET 1)

33-37-51-10

BRI
MAY 28/07

33-37-51-10
PAGE 0

BOEING
757
PARTS CATALOG (MAINTENANCE)



Y 33375110 SHT 2 REV 251

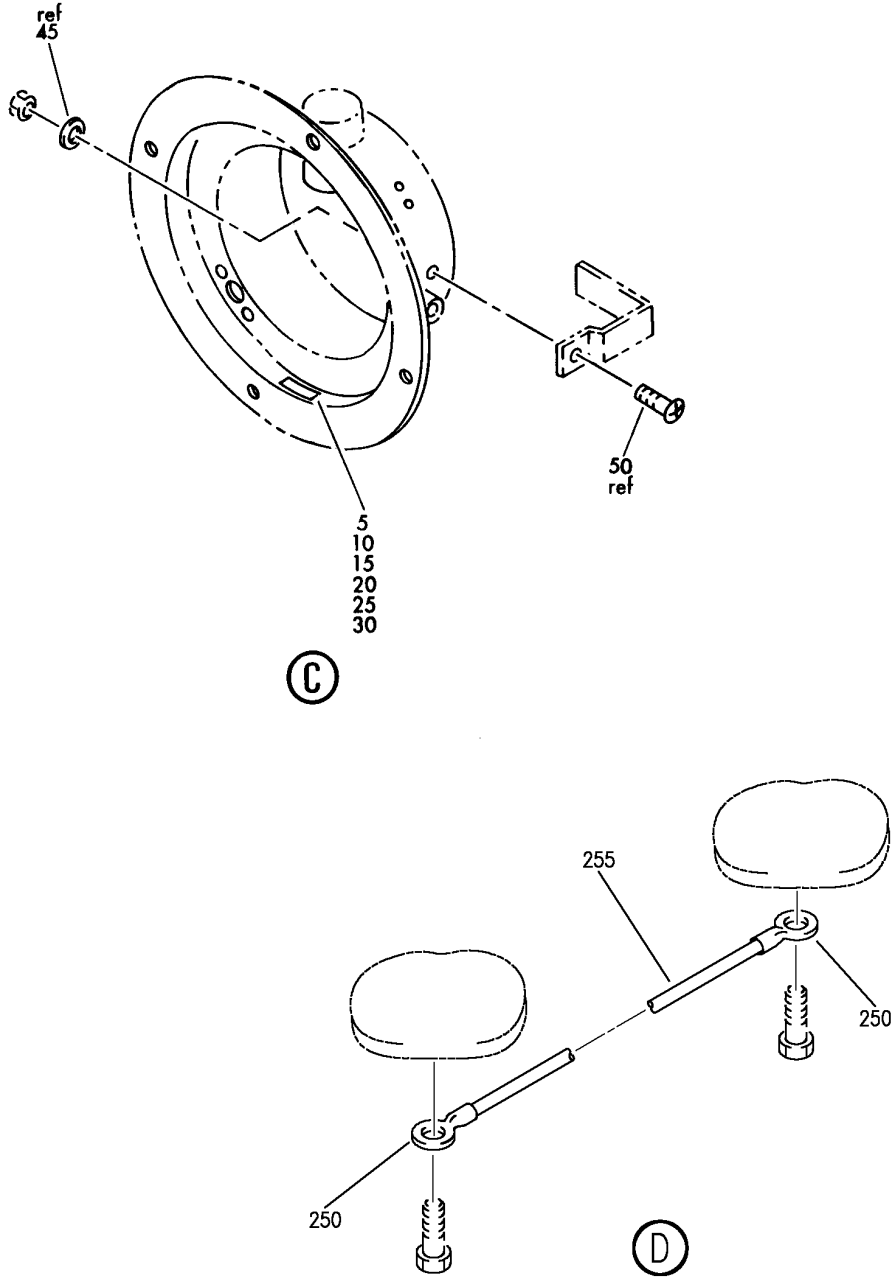
LIGHTING INSTL-CARGO COMPT FWD
FIGURE 10 (SHEET 2)

33-37-51-10

BRI
MAY 28/07

33-37-51-10
PAGE 0A

BOEING
757
PARTS CATALOG (MAINTENANCE)



Y 33375110 SHT 3 REV 251

LIGHTING INSTL-CARGO COMPT FWD
FIGURE 10 (SHEET 3)

33-37-51-10

BRI
MAY 28/07

33-37-51-10
PAGE 0B



757

PARTS CATALOG (MAINTENANCE)

FIG ITEM	PART NUMBER	1 2 3 4 5 6 7	NOMENCLATURE	EFFECT FROM TO	UNITS PER ASSY
10			LIGHTING INSTL-CARGO COMPT FWD	017106 108120 504903	
- 1	453N4110-10		LIGHTING INSTL-CARGO COMPT POSITION DATA: FWD REWORKED BY ALERT SB: 25A0189	017100	RF
- 1	453N4110-17		LIGHTING INSTL-CARGO COMPT POSITION DATA: FWD FOR NHA SEE: 25-50-00-22	101102 504903	RF
- 1	453N4110-18		LIGHTING INSTL-CARGO COMPT POSITION DATA: FWD FOR NHA SEE: 25-50-00-22	108120	RF
- 1	MODREF18796		LIGHTING INSTL-CARGO COMPT MODULE NUMBER: 453N4110-18 REV A POSITION DATA: FWD	103106	1
5	BAC27NCA0047		.MARKER-ALUMINUM FOIL PLACARD CONTENT: L504	017106 108120 504903	1
10	BAC27NCA0046		.MARKER-ALUMINUM FOIL PLACARD CONTENT: L374	017106 108120 504903	1
15	BAC27NCA0043		.MARKER-ALUMINUM FOIL PLACARD CONTENT: L233	017106 108120 504903	1
20	BAC27NCA0045		.MARKER-ALUMINUM FOIL PLACARD CONTENT: L235	017106 108120 504903	1
25	BAC27NCA0042		.MARKER-ALUMINUM FOIL PLACARD CONTENT: L232	017106 108120 504903	1
30	BAC27NCA0044		.MARKER-ALUMINUM FOIL PLACARD CONTENT: L234	017106 108120 504903	1
35	453N4120-1		.LIGHTING INSTL-NO. 1 CARGO DR FOR DETAILS SEE: 33-37-51-01	017100	1
40	BACS12CK3-7		.SCREW-	017100	20
40	BACS12FA3K7		.SCREW-	101106 108120 504903	20

MISSING ITEM NUMBERS NOT APPLICABLE

- ITEM NOT ILLUSTRATED

33-37-51-10

33-37-51
FIG. 10
PAGE 1
JAN 20/09

BRI



757

PARTS CATALOG (MAINTENANCE)

FIG ITEM	PART NUMBER	1 2 3 4 5 6 7	NOMENCLATURE	EFFECT FROM TO	UNITS PER ASSY
10 50	130007		.NUT- SUPPLIER CODE: V60119 SPECIFICATION NUMBER: BACN10FX83 OPTIONAL PART: BRC500-8-08 V52828 SL213-08-1 V97393 A11330-8-82 V72962 A4972-8-82 V72962 A4972-8-82 V72962	017100	20
50	BRC600-8-3		.NUT- SUPPLIER CODE: V52828 SPECIFICATION NUMBER: BACN10YD1 OPTIONAL PART: 130120 V60119	101106 108120 504903	20
55	BACR15FT6D		.RIVET- SIZE DETERMINED ON INSTL.	017106 108120 504903	8
60	453N4400-1		.LIGHT ASSY- REWORKED BY ALERT SB: 25A0189	017100	3
60	453N4400-28		.LIGHT ASSY- ELECTRICAL EQUIP NUMBER: L00234 L00235 L00374	101102 504903	3
60	453N4400-42		.LIGHT ASSY- ELECTRICAL EQUIP NUMBER: L00234 L00235 L00374	103106 108120	3
70	453N4400-2		.LIGHT ASSY-	017100	1
70	453N4400-40		.LIGHT ASSY- ELECTRICAL EQUIP NUMBER: L00504	103106 108120	1
70	453N4400-13		.LIGHT ASSY- ELECTRICAL EQUIP NUMBER: L00504	101102 504903	1
75	453N4400-3		.LIGHT ASSY-	017100	2

MISSING ITEM NUMBERS NOT APPLICABLE

- ITEM NOT ILLUSTRATED

33-37-51-10

33-37-51
FIG. 10
PAGE 2
JAN 20/09

BRI

BOEING PROPRIETARY - Copyright © - Unpublished Work - See title page for details.



757

PARTS CATALOG (MAINTENANCE)

FIG ITEM	PART NUMBER	1 2 3 4 5 6 7	NOMENCLATURE	EFFECT FROM TO	UNITS PER ASSY
10					
75	453N4400-41		.LIGHT ASSY- ELECTRICAL EQUIP NUMBER: L00232 L00233	103106 108120	2
75	453N4400-14		.LIGHT ASSY- ELECTRICAL EQUIP NUMBER: L00232 L00233	101102 504903	2
80	453N4702-2		..SUPPORT- USED ON: 453N4400-2 453N4400-13 453N4400-40 ATTACHING PARTS	017106 108120 504903	4
- 85	BACS12CK3-7		..SCREW-	017102 504903	4
- 85	BACS12FA3K7		..SCREW- USED ON: 453N4400-40	103106 108120	4
- 90	130007		..NUT- SUPPLIER CODE: V60119 SPECIFICATION NUMBER: BACN10FX83 OPTIONAL PART: BRC500-8-08 V52828 SL213-08-1 V97393 A11330-8-82 V72962 A4972-8-82 V72962 A4972-8-82 V72962	017102 504903	4
- 90	BRC600-10-3		..NUT- SUPPLIER CODE: V52828 SPECIFICATION NUMBER: BACN10YD2 OPTIONAL PART: 130121 V60119 USED ON: 453N4400-40 -----*-----	103106 108120	4
95	453N4001-1		..ADAPTER-	017102 504903	1

MISSING ITEM NUMBERS NOT APPLICABLE

- ITEM NOT ILLUSTRATED

BRI

33-37-51-10

BOEING PROPRIETARY - Copyright © - Unpublished Work - See title page for details.

33-37-51
FIG. 10
PAGE 3
JAN 20/09



757

PARTS CATALOG (MAINTENANCE)

FIG ITEM	PART NUMBER	1 2 3 4 5 6 7	NOMENCLATURE	EFFECT FROM TO	UNITS PER ASSY
10					
95	69B40306-6	..	ADAPTER-	103106 108120	1
			ATTACHING PARTS		
- 100	BACS12CK3-10	..	SCREW-	017102 504903	4
- 100	BACS12FA3K10	..	SCREW-	103106 108120	4
			-----*-----		
105	BACS12CK3-10	..	SCREW-	017100	4
105	BACS12FA3K10	..	SCREW-	103106 108120	4
			USED ON: 453N4400-42		
110	BACS12CK3-8	..	SCREW-	017100	2
110	BACS12FA3K8	..	SCREW-	103106 108120	2
			USED ON: 453N4400-42		
115	453N2707-1	..	RETAINER	017100 103106	1
120	453N2606-1	..	PAN ASSY-	017100	1
			USED ON: 453N4400-1 453N4400-12		
			PRE ALERT SB: 25A0189		
120	453N2606-5	..	PAN ASSY-	017106 108120 504903	1
			USED ON: 453N4400-1 453N4400-12		
			POST ALERT SB: 25A0189		
125	453N2702-3	..	SPACER	017100	1
130	453N2705-1	..	NOZZLE	017100 103106	1
135	453N2702-2	..	SPACER	017100 103106	1
140	BR7203-702	..	LIGHT ASSY-	017100	1
			SUPPLIER CODE: V17023		
			COMPONENT MAINT MANUAL REF: 33-31-32		
			OPTIONAL PART: 15-0188-9 V72914		
			FOR DETAILS SEE: 33-37-51-50		

MISSING ITEM NUMBERS NOT APPLICABLE

- ITEM NOT ILLUSTRATED

33-37-51-10

33-37-51
FIG. 10
PAGE 4
JAN 20/09

BRI



757

PARTS CATALOG (MAINTENANCE)

FIG ITEM	PART NUMBER	1 2 3 4 5 6 7	NOMENCLATURE	EFFECT FROM TO	UNITS PER ASSY
10 140	15-0188-9		..LIGHT ASSY- SUPPLIER CODE: V72914 COMPONENT MAINT MANUAL REF: 33-30-08 OPTIONAL PART: BR7203-702 V17023 FOR DETAILS SEE: 33-37-51-50	017100	1
140	15-0188-19		..LIGHT ASSY-DOME SUPPLIER CODE: V72914 COMPONENT MAINT MANUAL REF: 33-30-08 FOR DETAILS SEE: 33-37-51-50A ATTACHING PARTS	017106 108120 504903	1
- 145	BACS12GU08K6		..SCREW-	017102 504903	4
- 145	BACS12FA08K6		..SCREW-	103106 108120	4
- 155	130007		..NUT SUPPLIER CODE: V60119 SPECIFICATION NUMBER: BACN10FX83 OPTIONAL PART: BRC500-8-08 V52828 SL213-08-1 V97393 A11330-8-82 V72962 A4972-8-82 V72962 A4972-8-82 V72962	017106 108120 504903	4
210	453N4800-9		-----*----- ..SUPPORT ASSY	017100 103106	1
220	453N4800-11		..SUPPORT ASSY	017106 108120 504903	1
225	453N4801-4		..SPACER- USED ON: 453N4400-40 453N4400-41	103106 108120	1

MISSING ITEM NUMBERS NOT APPLICABLE

- ITEM NOT ILLUSTRATED

33-37-51-10

33-37-51
FIG. 10
PAGE 5
JAN 20/09

BRI



757

PARTS CATALOG (MAINTENANCE)

FIG ITEM	PART NUMBER	1 2 3 4 5 6 7	NOMENCLATURE	EFFECT FROM TO	UNITS PER ASSY
10					
230	453N4801-5		.. SPACER- USED ON: 453N4400-42	103106 108120	1
235	WS14A10		.. NUTPLATE- SUPPLIER CODE: V04169 SPECIFICATION NUMBER: BACN10TL3A10 ATTACHING PARTS	103106 108120	3
- 240	BACR15CE4D		.. RIVET- SIZE DETERMINED ON INSTL. -----*-----	103106 108120	2

MISSING ITEM NUMBERS NOT APPLICABLE

- ITEM NOT ILLUSTRATED

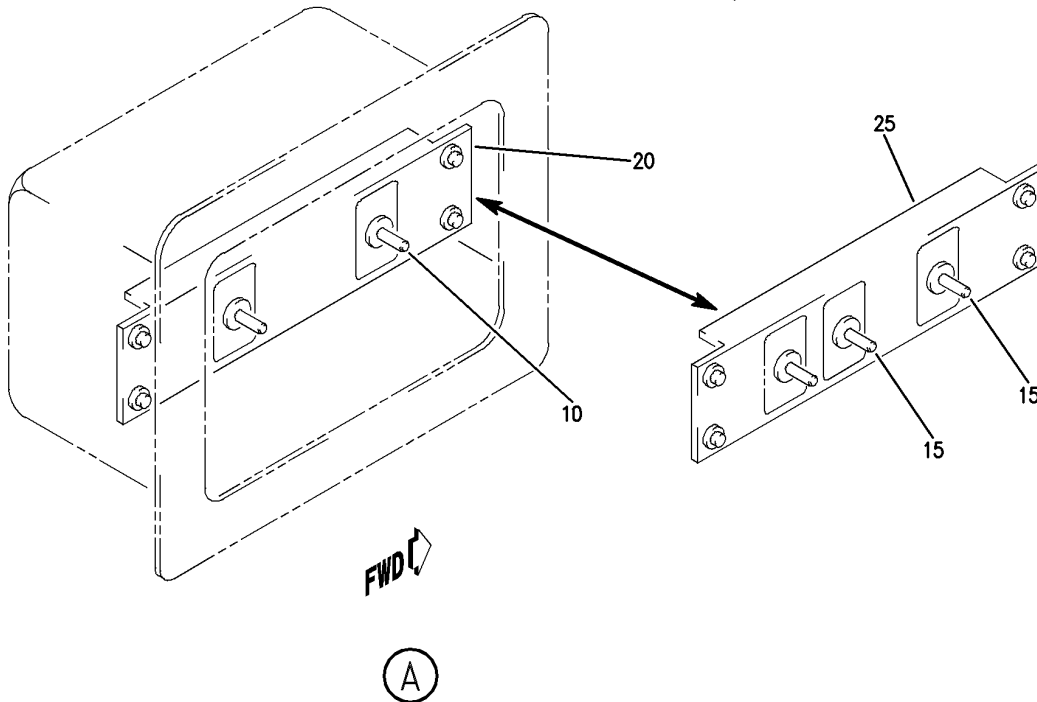
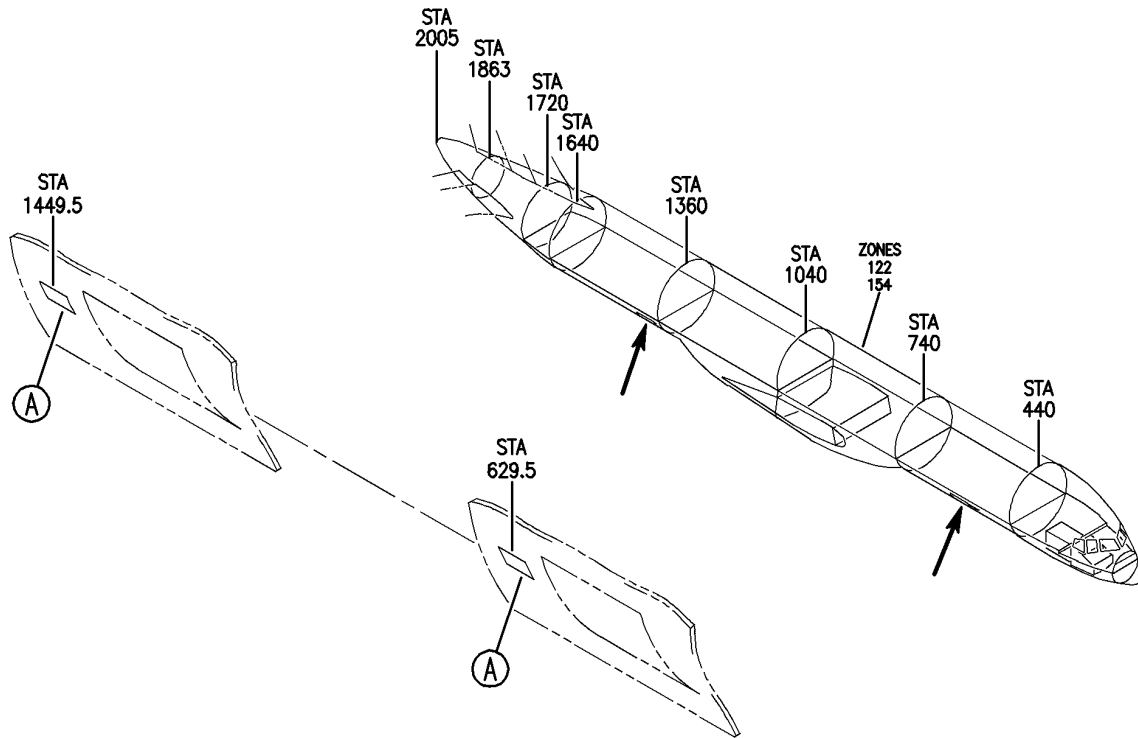
BRI

33-37-51-10

BOEING PROPRIETARY - Copyright © - Unpublished Work - See title page for details.

33-37-51
FIG. 10
PAGE 6
JAN 20/09

BOEING
757
PARTS CATALOG (MAINTENANCE)



Y 33375111 REV 229

PANEL ASSY-FWD AND AFT CARGO DOORS P43 AND P44 CONT (LIGHTS ONLY)
FIGURE 11

33-37-51-11

BRI
MAY 28/07

33-37-51-11
PAGE 0



757

PARTS CATALOG (MAINTENANCE)

FIG ITEM	PART NUMBER	1 2 3 4 5 6 7	NOMENCLATURE	EFFECT FROM TO	UNITS PER ASSY
11			PANEL ASSY-FWD AND AFT CARGO DOORS P43 AND P44 CONT (LIGHTS ONLY)	101106 108120 504903	
- 1	284N1338-27		PANEL ASSY-CARGO DOOR P43 CONT (LIGHTS ONLY) POSITION DATA: FWD FOR NHA/OTHER SYS DET SEE: 24-00-58-05C	101102 108120 504903	RF
- 1	MODREF9822		PANEL ASSY-CARGO DOOR P43 CONT (LIGHTS ONLY) MODULE NUMBER: 284N1338-27 REV A POSITION DATA: FWD FOR OTHER SYS DETAILS SEE: 11-37-06-02 52-34-52-03	103106	1
- 5	284N1338-28		PANEL ASSY-CARGO DOOR P44 CONT (LIGHTS ONLY) POSITION DATA: AFT FOR NHA/OTHER SYS DET SEE: 24-00-58-05C	101102 108120 504903	RF
- 5	MODREF9823		PANEL ASSY-CARGO DOOR P44 CONT (LIGHTS ONLY) MODULE NUMBER: 284N1338-28 REV A POSITION DATA: AFT FOR OTHER SYS DETAILS SEE: 11-38-06-02 52-34-52-03	103106	1
10	MS25306-222		.SWITCH- ELECTRICAL EQUIP NUMBER: S10128 S00429	101106 108120 504903	1
20	284N1064-2		.CHANNEL ASSY	101106 108120 504903	1

MISSING ITEM NUMBERS NOT APPLICABLE

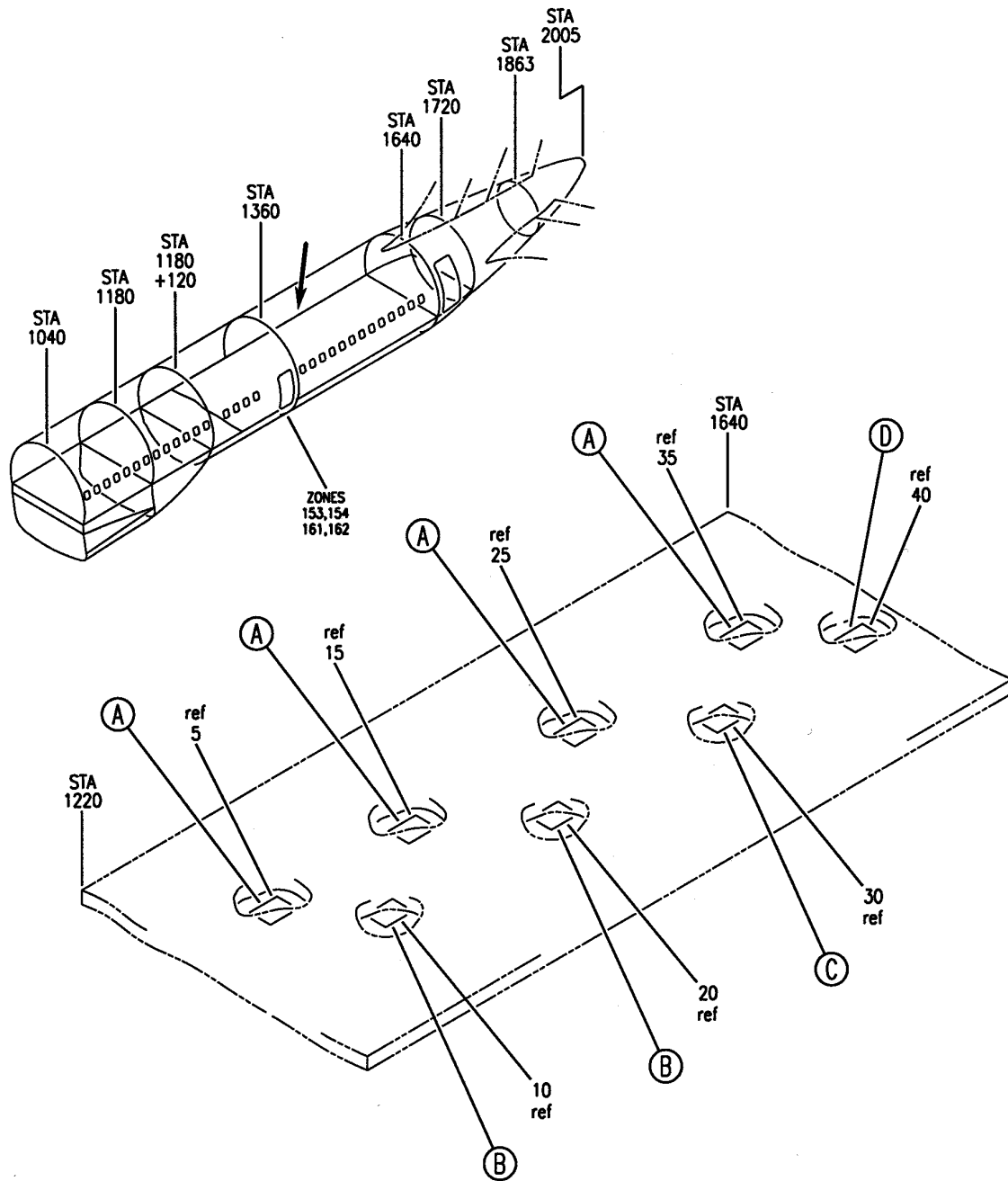
- ITEM NOT ILLUSTRATED

33-37-51-11

33-37-51
FIG. 11
PAGE 1
JAN 20/09

BRI

BOEING
757
PARTS CATALOG (MAINTENANCE)



Y 33375112 SHT 1 REV 218

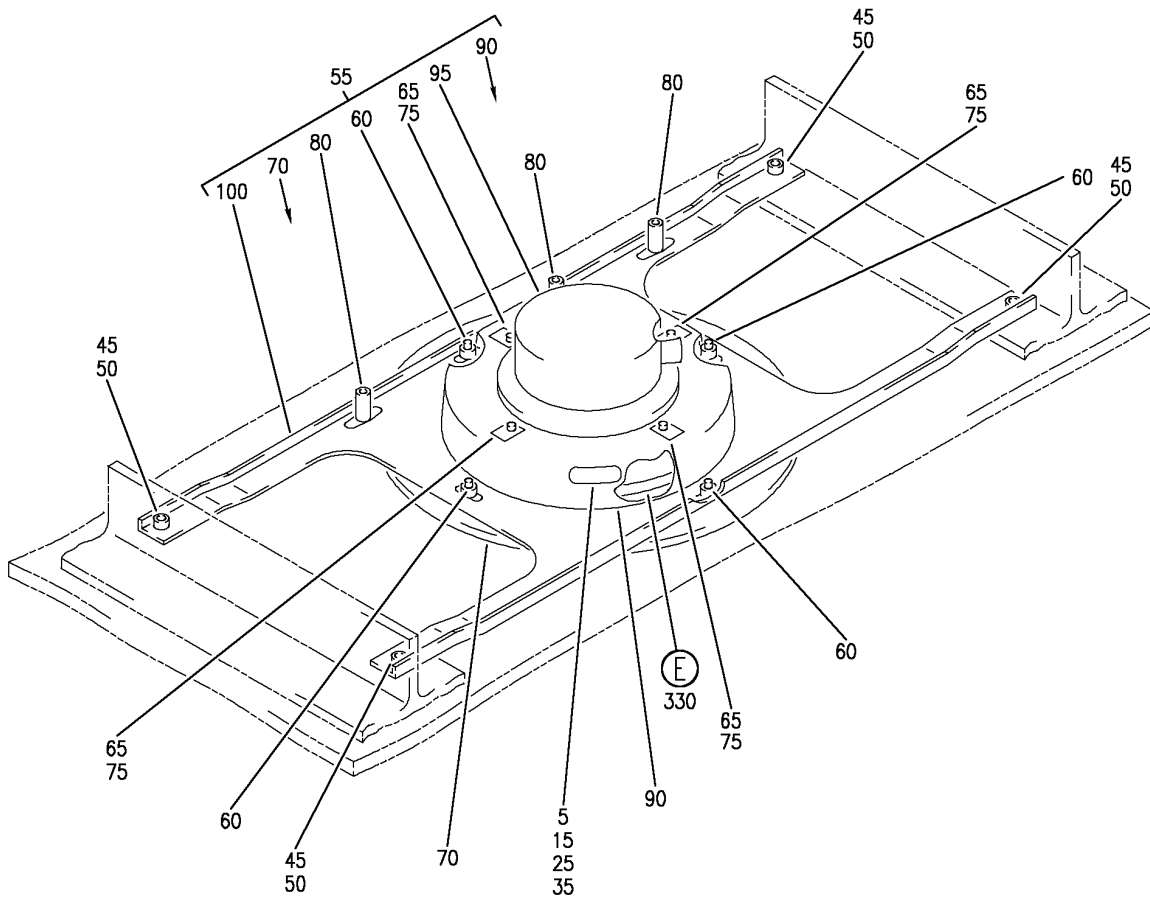
LIGHTING INSTL-AFT CARGO COMPT
FIGURE 12 (SHEET 1)

33-37-51-12

BRI
JAN 20/09

33-37-51-12
PAGE 0

BOEING
757
PARTS CATALOG (MAINTENANCE)



(A)

Y 33375112 SHT 2 REV 251

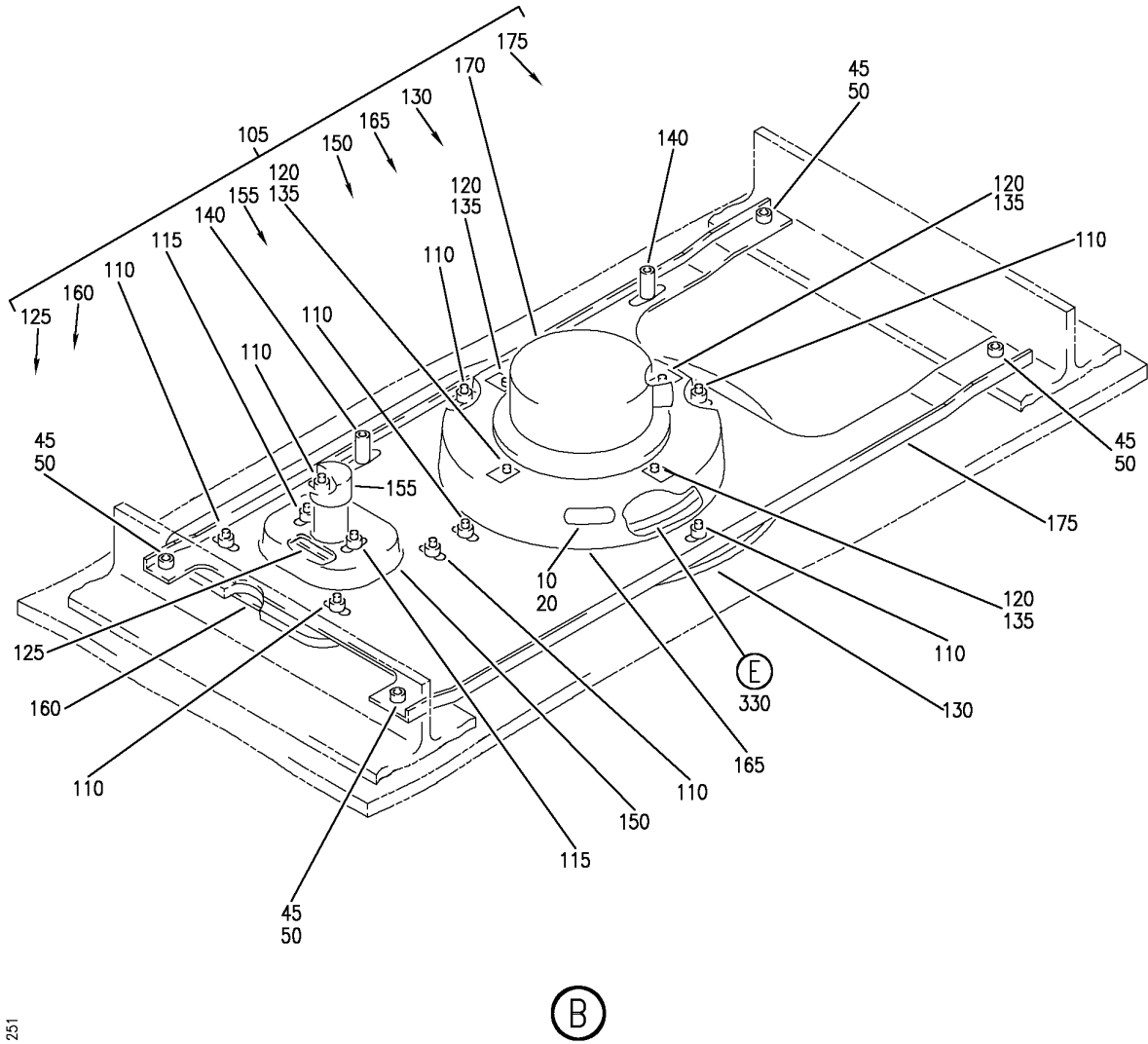
LIGHTING INSTL-AFT CARGO COMPT
FIGURE 12 (SHEET 2)

33-37-51-12

BRI
JAN 20/09

33-37-51-12
PAGE 0A

BOEING
757
PARTS CATALOG (MAINTENANCE)



Y 33375112 SHT 3 REV 251

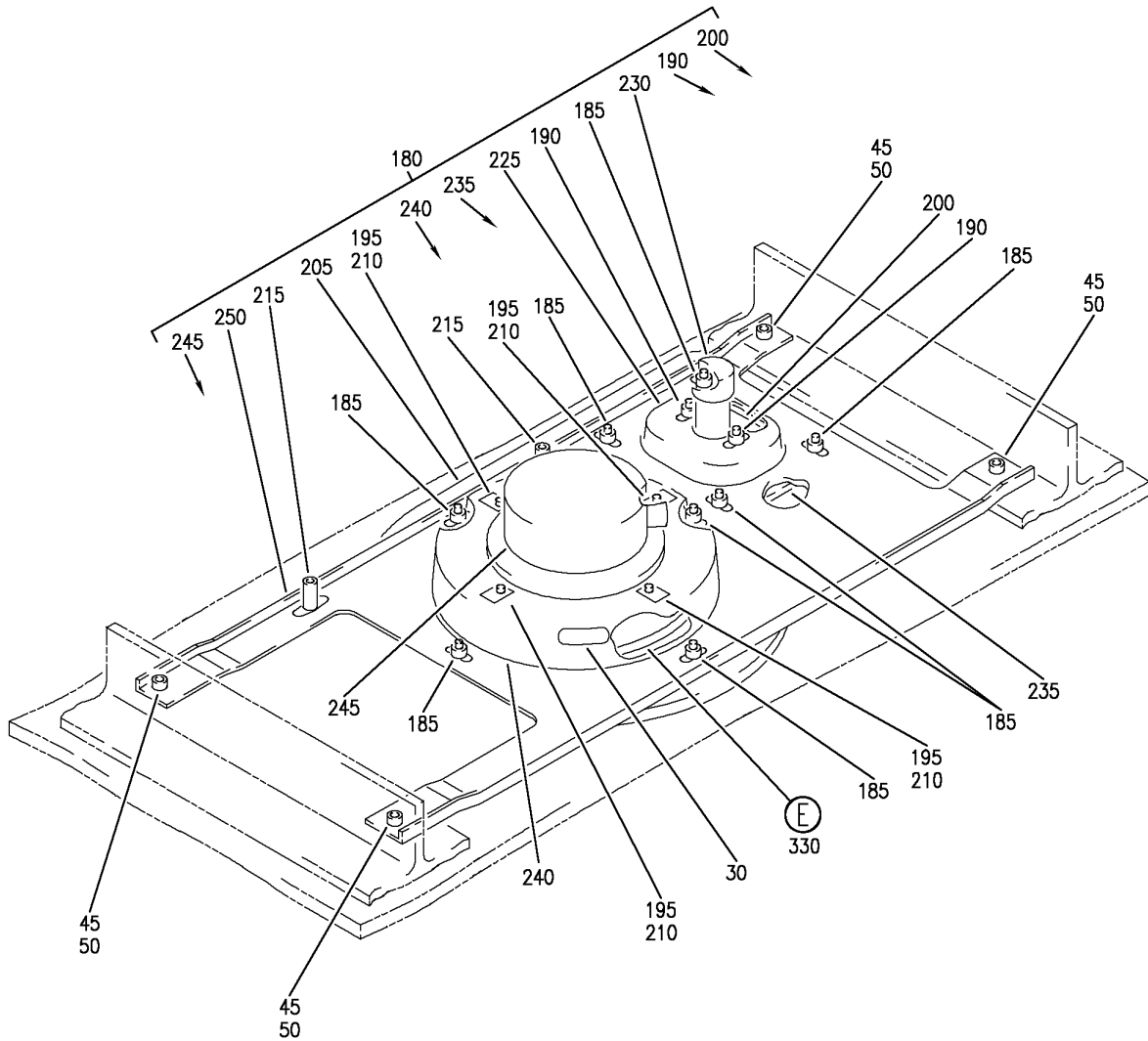
LIGHTING INSTL-AFT CARGO COMPT
FIGURE 12 (SHEET 3)

33-37-51-12

BRI
JAN 20/09

33-37-51-12
PAGE 0B

BOEING
757
PARTS CATALOG (MAINTENANCE)



Ⓒ

Y 33375112 SHT 4 REV 251

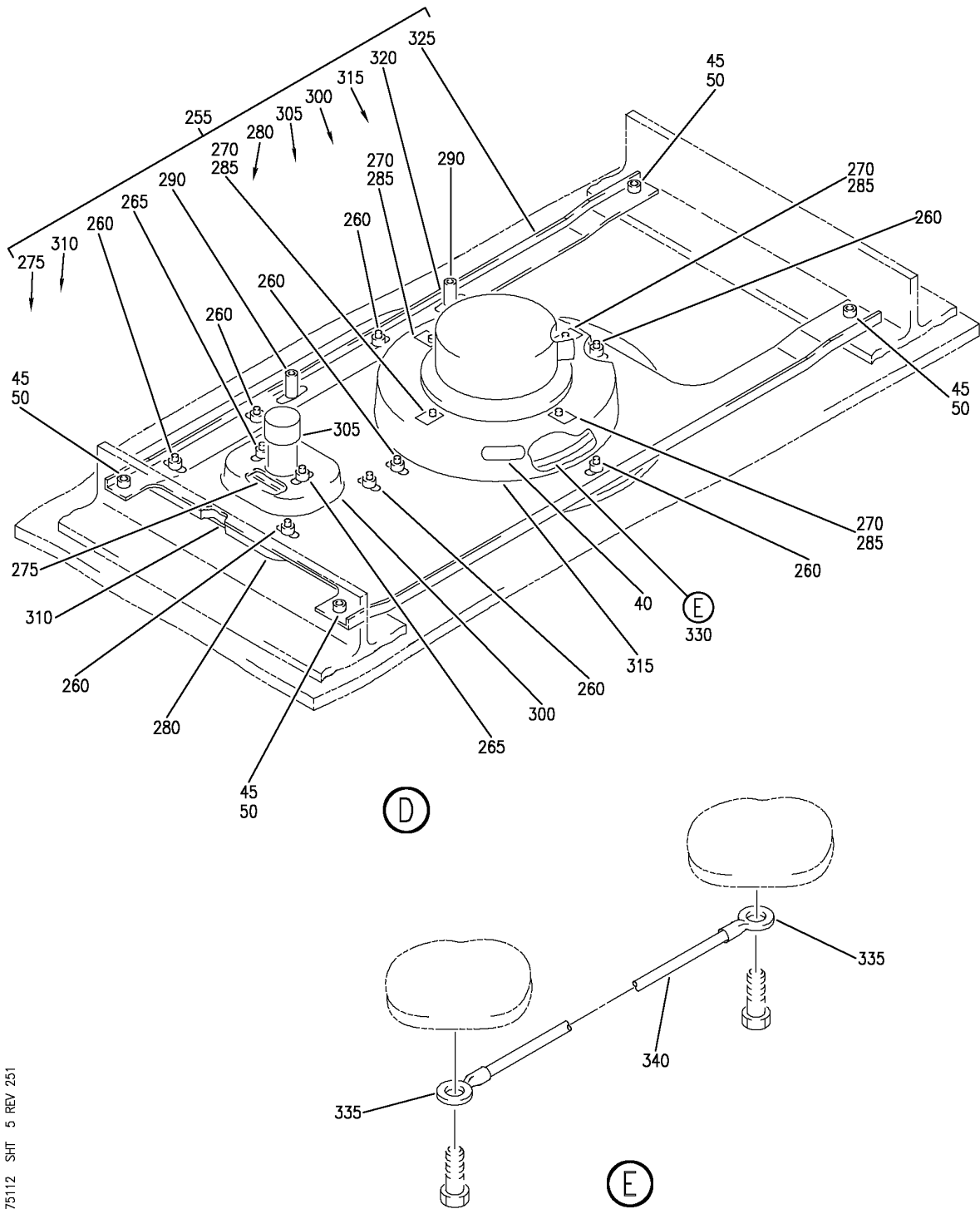
LIGHTING INSTL-AFT CARGO COMPT
FIGURE 12 (SHEET 4)

33-37-51-12

BRI
JAN 20/09

33-37-51-12
PAGE 0C

BOEING
757
PARTS CATALOG (MAINTENANCE)



Y 33375112 SHT 5 REV 251

LIGHTING INSTL-AFT CARGO COMPT
FIGURE 12 (SHEET 5)

33-37-51-12

BRI
JAN 20/09

33-37-51-12
PAGE 0D



757

PARTS CATALOG (MAINTENANCE)

FIG ITEM	PART NUMBER	1 2 3 4 5 6 7	NOMENCLATURE	EFFECT FROM TO	UNITS PER ASSY
12			LIGHTING INSTL-AFT CARGO COMPT	108120	
- 1	453N4210-20		LIGHTING INSTL-CARGO COMPT POSITION DATA: AFT FOR NHA SEE: 25-50-00-22	108120	RF
5	BAC27NCA0034		.MARKER-ALUMINUM FOIL PLACARD CONTENT: L224	108120	1
10	BAC27NCA0041		.MARKER-ALUMINUM FOIL PLACARD CONTENT: L231	108120	1
15	BAC27NCA0035		.MARKER-ALUMINUM FOIL PLACARD CONTENT: L225	108120	1
20	BAC27NCA0040		.MARKER-ALUMINUM FOIL PLACARD CONTENT: L230	108120	1
25	BAC27NCA0036		.MARKER-ALUMINUM FOIL PLACARD CONTENT: L226	108120	1
30	BAC27NCA0039		.MARKER-ALUMINUM FOIL PLACARD CONTENT: L229	108120	1
35	BAC27NCA0037		.MARKER-ALUMINUM FOIL PLACARD CONTENT: L227	108120	1
40	BAC27NCA0038		.MARKER-ALUMINUM FOIL PLACARD CONTENT: L228	108120	1
45	BACS12FA3K7		.SCREW	108120	32
50	BRC600-8-3		.NUT SUPPLIER CODE: V52828 SPECIFICATION NUMBER: BACN10YD1 OPTIONAL PART: 130120 V60119	108120	32
55	453N4400-34		.LIGHT ASSY- ELECTRICAL EQUIP NUMBER: L00224 L00225 L00226 L00227	108120	4
60	BACS12FA3K10		..SCREW	108120	4
65	BACS12FA08K6		..SCREW	108120	4
70	453N4801-4		..SPACER	108120	1

MISSING ITEM NUMBERS NOT APPLICABLE

- ITEM NOT ILLUSTRATED

33-37-51-12

33-37-51
FIG. 12
PAGE 1
JAN 20/09

BRI



757

PARTS CATALOG (MAINTENANCE)

FIG ITEM	PART NUMBER	1 2 3 4 5 6 7	NOMENCLATURE	EFFECT FROM TO	UNITS PER ASSY
12 75	130007	..	NUT SUPPLIER CODE: V60119 SPECIFICATION NUMBER: BACN10FX83 OPTIONAL PART: BRC500-8-08 V52828 SL213-08-1 V97393 A11330-8-82 V72962 A4972-8-82 V72962 A4972-8-82 V72962	108120	4
80	WS1-4A6	..	NUT SUPPLIER CODE: V04169 SPECIFICATION NUMBER: BACN10TL3A6 ATTACHING PARTS	108120	3
- 85	BACR15CE4D	..	RIVET- SIZE DETERMINED ON INSTL. -----*-----	108120	6
90	69B40306-6	..	ADAPTER-LT	108120	1
95	15-0188-19	..	LIGHT ASSY- SUPPLIER CODE: V72914 COMPONENT MAINT MANUAL REF: 33-30-08 FOR DETAILS SEE: 33-37-51-50A	108120	1
100	453N4800-1	..	SUPPORT ASSY	108120	1
105	453N4400-36	.	LIGHT ASSY- ELECTRICAL EQUIP NUMBER: L00231 L00230	108120	2
110	BACS12FA3K10	..	SCREW	108120	8
115	BACS12FA3K8	..	SCREW	108120	2
120	BACS12FA08K6	..	SCREW	108120	4
125	453N2702-2	..	SPACER	108120	1
130	453N4801-5	..	SPACER	108120	1

MISSING ITEM NUMBERS NOT APPLICABLE

- ITEM NOT ILLUSTRATED

33-37-51-12

33-37-51
FIG. 12
PAGE 2
JAN 20/09

BRI

BOEING
757
PARTS CATALOG (MAINTENANCE)

FIG ITEM	PART NUMBER	1 2 3 4 5 6 7	NOMENCLATURE	EFFECT FROM TO	UNITS PER ASSY
12 135	130007		..NUT SUPPLIER CODE: V60119 SPECIFICATION NUMBER: BACN10FX83 OPTIONAL PART: BRC500-8-08 V52828 SL213-08-1 V97393 A11330-8-82 V72962 A4972-8-82 V72962 A4972-8-82 V72962	108120	4
140	WS14A10		..NUTPLATE SUPPLIER CODE: V04169 SPECIFICATION NUMBER: BACN10TL3A10 ATTACHING PARTS	108120	2
- 145	BACR15CE4D		..RIVET- SIZE DETERMINED ON INSTL. -----*-----	108120	4
150	453N2606-5		..PAN ASSY-SUPPORT QUALIFIED I/W DATA: TO PROVIDE NEW SUPPORT PAN ASSEMBLY TO MEET AIRWORTHINESS CERTIFICATION REQUIREMENT (REF. FAR 121.314, AMENDMENT 202).	108120	1
155	453N2705-1		..NOZZLE	108120	1
160	453N2707-1		..RETAINER	108120	1
165	69B40306-6		..ADAPTER	108120	1
170	15-0188-19		..LIGHT ASSY- SUPPLIER CODE: V72914 COMPONENT MAINT MANUAL REF: 33-30-08 FOR DETAILS SEE: 33-37-51-50A	108120	1
175	453N4800-6		..SUPPORT ASSY	108120	1
180	453N4400-35		.LIGHT ASSY- ELECTRICAL EQUIP NUMBER: L00229	108120	1
185	BACS12FA3K10		..SCREW	108120	8
190	BACS12FA3K8		..SCREW	108120	2

MISSING ITEM NUMBERS NOT APPLICABLE

- ITEM NOT ILLUSTRATED

33-37-51-12

33-37-51
FIG. 12
PAGE 3
JAN 20/09

BRI

BOEING PROPRIETARY - Copyright © - Unpublished Work - See title page for details.

BOEING
757
PARTS CATALOG (MAINTENANCE)

FIG ITEM	PART NUMBER	1 2 3 4 5 6 7	NOMENCLATURE	EFFECT FROM TO	UNITS PER ASSY
12					
195	BACS12FA08K6	..	SCREW	108120	4
200	453N2702-2	..	SPACER	108120	1
205	453N4801-5	..	SPACER	108120	1
210	130007	..	NUT	108120	4
			SUPPLIER CODE: V60119		
			SPECIFICATION NUMBER: BACN10FX83		
			OPTIONAL PART: BRC500-8-08		
			V52828		
			SL213-08-1		
			V97393		
			A11330-8-82		
			V72962		
			A4972-8-82		
			V72962		
			A4972-8-82		
			V72962		
215	WS14A10	..	NUTPLATE	108120	2
			SUPPLIER CODE: V04169		
			SPECIFICATION NUMBER: BACN10TL3A10		
			ATTACHING PARTS		
- 220	BACR15CE4D	..	RIVET-	108120	4
			SIZE DETERMINED ON INSTL.		
			-----*-----		
225	453N2606-5	..	PAN ASSY-SUPPORT	108120	1
			QUALIFIED I/W DATA: TO PROVIDE NEW SUPPORT PAN ASSEMBLY TO MEET AIRWORTHINESS CERTIFICATION REQUIREMENT (REF. FAR 121.314, AMENDMENT 202).		
230	453N2705-1	..	NOZZLE	108120	1
235	453N2707-1	..	RETAINER	108120	1
240	69B40306-6	..	ADAPTER	108120	1
245	15-0188-19	..	LIGHT ASSY-	108120	1
			SUPPLIER CODE: V72914		
			COMPONENT MAINT MANUAL REF: 33-30-08		
			FOR DETAILS SEE: 33-37-51-50A		
250	453N4800-5	..	SUPPORT ASSY	108120	1
255	453N4400-37	..	LIGHT ASSY	108120	1
260	BACS12FA3K10	..	SCREW	108120	8

MISSING ITEM NUMBERS NOT APPLICABLE

- ITEM NOT ILLUSTRATED

33-37-51-12

33-37-51
FIG. 12
PAGE 4
JAN 20/09

BRI



757

PARTS CATALOG (MAINTENANCE)

FIG ITEM	PART NUMBER	1 2 3 4 5 6 7	NOMENCLATURE	EFFECT FROM TO	UNITS PER ASSY
12					
265	BACS12FA3K8	..	SCREW	108120	2
270	BACS12FA08K6	..	SCREW	108120	4
275	453N2702-2	..	SPACER	108120	1
280	453N4801-6	..	SPACER	108120	1
285	130007	..	NUT	108120	4
			SUPPLIER CODE: V60119		
			SPECIFICATION NUMBER: BACN10FX83		
			OPTIONAL PART: BRC500-8-08		
			V52828		
			SL213-08-1		
			V97393		
			A11330-8-82		
			V72962		
			A4972-8-82		
			V72962		
			A4972-8-82		
			V72962		
290	WS1-4A6	..	NUT	108120	2
			SUPPLIER CODE: V04169		
			SPECIFICATION NUMBER: BACN10TL3A6		
			ATTACHING PARTS		
- 295	BACR15CE4D	..	RIVET-	108120	4
			SIZE DETERMINED ON INSTL.		
			-----*-----		
300	453N2606-5	..	PAN ASSY-SUPPORT	108120	1
			QUALIFIED I/W DATA: TO PROVIDE NEW SUPPORT PAN ASSEMBLY TO MEET AIRWORTHINESS CERTIFICATION REQUIREMENT (REF. FAR 121.314, AMENDMENT 202).		
305	453N2705-1	..	NOZZLE	108120	1
310	453N2707-1	..	RETAINER	108120	1
315	69B40306-6	..	ADAPTER-LT	108120	1
320	15-0188-19	..	LIGHT ASSY-	108120	1
			SUPPLIER CODE: V72914		
			COMPONENT MAINT MANUAL REF: 33-30-08		
			FOR DETAILS SEE: 33-37-51-50A		
325	453N4800-7	..	SUPPORT ASSY	108120	1

MISSING ITEM NUMBERS NOT APPLICABLE

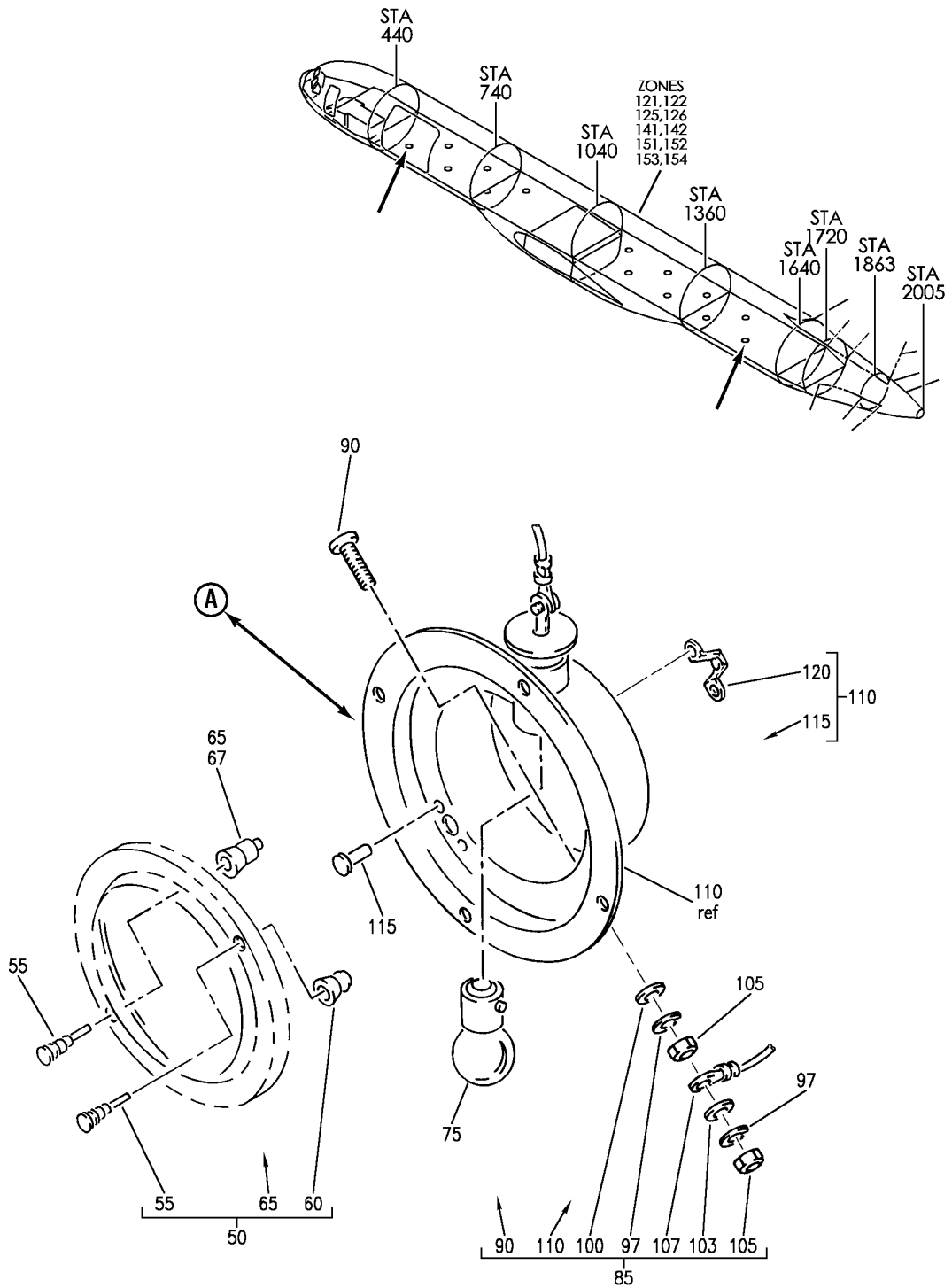
- ITEM NOT ILLUSTRATED

33-37-51-12

33-37-51
FIG. 12
PAGE 5
JAN 20/09

BRI

BOEING
757
PARTS CATALOG (MAINTENANCE)



Y 33375150 SHT 1 REV 252

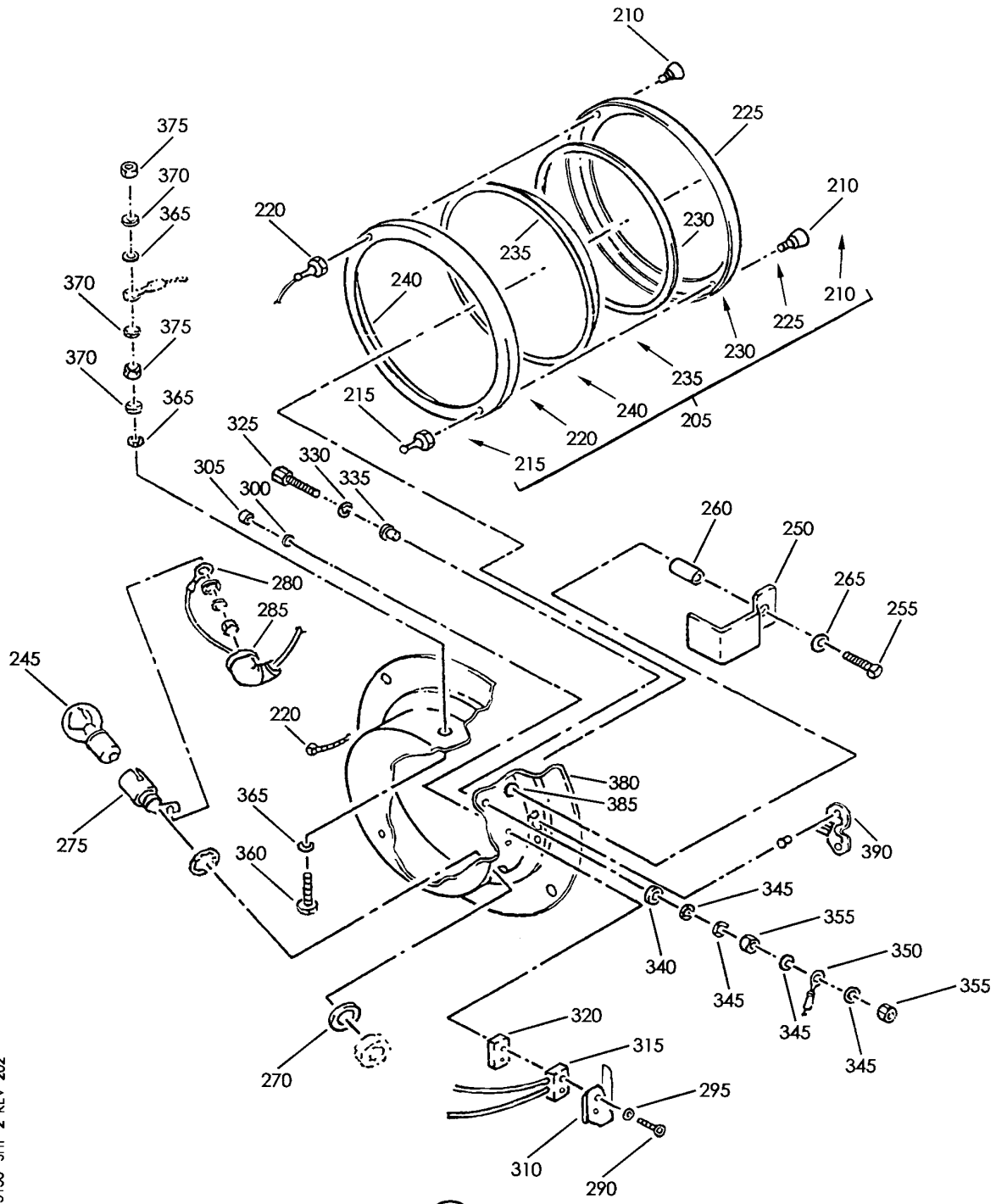
LIGHT ASSY-CARGO COMPARTMENT
FIGURE 50 (SHEET 1)

33-37-51-50

BRI
MAY 28/07

33-37-51-50
PAGE 0

BOEING
757
PARTS CATALOG (MAINTENANCE)



Y 33375150 SHT 2 REV 202

LIGHT ASSY-CARGO COMPARTMENT
FIGURE 50 (SHEET 2)

33-37-51-50

BRI
MAY 28/07

33-37-51-50
PAGE 0A

 **BOEING**
757
PARTS CATALOG (MAINTENANCE)

FIG ITEM	PART NUMBER	1 2 3 4 5 6 7	NOMENCLATURE	EFFECT FROM TO	UNITS PER ASSY
50			LIGHT ASSY-CARGO COMPARTMENT	017100	
- 1	15-0188-9		LIGHT ASSY-CARGO COMPARTMENT SUPPLIER CODE: V72914 COMPONENT MAINT MANUAL REF: 33-30-08 FOR NHA SEE: 33-37-51-09 33-37-51-10	017100	RF
50	16-0787-1		.COVER ASSY- SUPPLIER CODE: V72914	017100	1
55	16-0785-1		..KNOB- SUPPLIER CODE: V72914	017100	2
60	11493-1		..POST ASSY- SUPPLIER CODE: V72914	017100	1
65	60-1400-1		..POST ASSY- SUPPLIER CODE: V72914	017100	1
65	60-1400-3		..POST ASSY- SUPPLIER CODE: V72914 CONFIG CHG DATA FROM A CMM: SUPERSEDES 60-1400-1	017100	1
- 70	16-0787-5		..COVER- SUPPLIER CODE: V72914	017100	1
75	MS25235-3011		.LAMP	017100	1
85	16-0786-7		.HOUSING ASSY- SUPPLIER CODE: V72914	017100	1
90	MS35206-231		..SCREW	017100	1
97	MS35338-41		..WASHER	017100	2
100	AN960-6		..WASHER- CONFIG CHG DATA FROM A CMM: SUPSD BY MS27183-6	017100	1
100	MS27183-6		..WASHER- CONFIG CHG DATA FROM A CMM: SUPERSEDES AN960-6	017100	1
103	MS27183-5		..WASHER	017100	1
105	MS35649-262		..NUT	017100	2
107	11-4482-25		..LEAD- SUPPLIER CODE: V72914	017100	1

MISSING ITEM NUMBERS NOT APPLICABLE

- ITEM NOT ILLUSTRATED

BRI

33-37-51-50

33-37-51
FIG. 50
PAGE 1
JAN 20/09

 **BOEING**
757
PARTS CATALOG (MAINTENANCE)

FIG ITEM	PART NUMBER	1 2 3 4 5 6 7	NOMENCLATURE	EFFECT FROM TO	UNITS PER ASSY
50					
110	16-0786-3	..	HOUSING SUBASSY- SUPPLIER CODE: V72914	017100	1
115	MS20426A4-4	...	RIVET	017100	4
120	C4883-012-1	...	CATCH- SUPPLIER CODE: V78553 CONFIG CHG DATA FROM A CMM: SUPSD BY C1663-017-1	017100	2
120	C1663-017-1	...	CATCH- SUPPLIER CODE: V78553 CONFIG CHG DATA FROM A CMM: SUPSD BY TPO401	017100	2
120	TP0401	...	CATCH- SUPPLIER CODE: V78553 CONFIG CHG DATA FROM A CMM: SUPERSEDES C4883-012-1	017100	2
- 200	BR7203-702		LIGHT ASSY- SUPPLIER CODE: V17023 COMPONENT MAINT MANUAL REF: 33-30-08 FOR NHA SEE: 33-37-51-09 33-37-51-10	017100	RF
205	07854	.	COVER ASSY-LENS SUPPLIER CODE: V17023	017100	1
210	08580	..	KNOB- SUPPLIER CODE: V17023	017100	2
215	P101-421-495	..	STUD-BALL SUPPLIER CODE: V78558	017100	1
220	08597	..	CABLE AND BALL- SUPPLIER CODE: V17023	017100	1
225	08582	..	FRAME-OUTER SUPPLIER CODE: V17023	017100	1
230	100945	..	GASKET- SUPPLIER CODE: V82942	017100	1
235	07863	..	LENS-GLASS SUPPLIER CODE: V17023	017100	1

MISSING ITEM NUMBERS NOT APPLICABLE

- ITEM NOT ILLUSTRATED

BRI

33-37-51-50

BOEING PROPRIETARY - Copyright © - Unpublished Work - See title page for details.

33-37-51
FIG. 50
PAGE 2
JAN 20/09



757

PARTS CATALOG (MAINTENANCE)

FIG ITEM	PART NUMBER	1 2 3 4 5 6 7	NOMENCLATURE	EFFECT FROM TO	UNITS PER ASSY
50					
240	08583		. . FRAME-INNER SUPPLIER CODE: V17023	017100	1
245	MS25325-3011		. LAMP-INCANDESCENT	017100	1
250	06454		. COVER-TERM. SUPPLIER CODE: V17023	017100	1
255	MS35206-232		ATTACHING PARTS . SCREW-MACHINE	017100	1
260	9209		. SPACER-SLEEVE SUPPLIER CODE: V83330	017100	1
265	AN960-6L		. WASHER-FLAT	017100	1
270	5700-60-30		-----*----- . WASHER-FLAT SUPPLIER CODE: V86928	017100	1
275	08605		. LAMPHOLDER-SUPPLIED WITH SCREW, INTERNAL STAR LOCK WASHER AND NUT SUPPLIER CODE: V17023	017100	1
275	08603-901		OPTIONAL PART: 08603-901 V17023 . LAMPHOLDER-SUPPLIED WITH SCREW, INTERNAL STAR LOCK WASHER AND NUT SUPPLIER CODE: V17023	017100	1
280	MS25036-149		. TERMINAL	017100	1
285	7056A		. BOOT-ELECTRICAL TERM. SUPPLIER CODE: V17023	017100	1
290	MS35206-208		. SCREW	017100	2
295	AN936A2		. WASHER-LOCK	017100	2
300	MS35338-39		. WASHER-LOCK	017100	2
305	MS35649-222		. NUT	017100	2
310	JX40		. ACTUATOR-ARM SWITCH WITH INSULATOR SUPPLIER CODE: V91929	017100	1
315	MS24547-1		. SWITCH	017100	1
320	06453		. SPACER-SWITCH SUPPLIER CODE: V17023	017100	1

MISSING ITEM NUMBERS NOT APPLICABLE

- ITEM NOT ILLUSTRATED

33-37-51-50

33-37-51
FIG. 50
PAGE 3
JAN 20/09

BRI



757

PARTS CATALOG (MAINTENANCE)

FIG ITEM	PART NUMBER	1 2 3 4 5 6 7	NOMENCLATURE	EFFECT FROM TO	UNITS PER ASSY
50					
325	BD5-0029-001	.	STUD-TERM. +28 VDC SUPPLIER CODE: V17023	017100	1
330	AN960-6L	.	WASHER	017100	1
335	5607-76	.	WASHER-SHOULDERD SUPPLIER CODE: V86928	017100	1
340	5610-114-40	.	WASHER-NONMETALLIC SUPPLIER CODE: V86928	017100	1
345	MS35338-41	.	WASHER-LOCK	017100	4
350	MS25336-101	.	TERMANIL	017100	1
355	MS35649-262	.	NUT	017100	2
360	MS35206-230	.	SCREW-GND	017100	1
365	AN960-6L	.	WASHER	017100	3
370	MS35338-41	.	WASHER-LOCK	017100	3
375	MS35649-222	.	NUT	017100	2
380	07844-1-2	.	HOUSING ASSY- SUPPLIER CODE: V17032	017100	1
385	FE0632	..	NUT-CLINCH SUPPLIER CODE: V05394	017100	1
390	C4893-012	..	RECEPTACLE-STUD SUPPLIER CODE: V78558	017100	1

MISSING ITEM NUMBERS NOT APPLICABLE

- ITEM NOT ILLUSTRATED

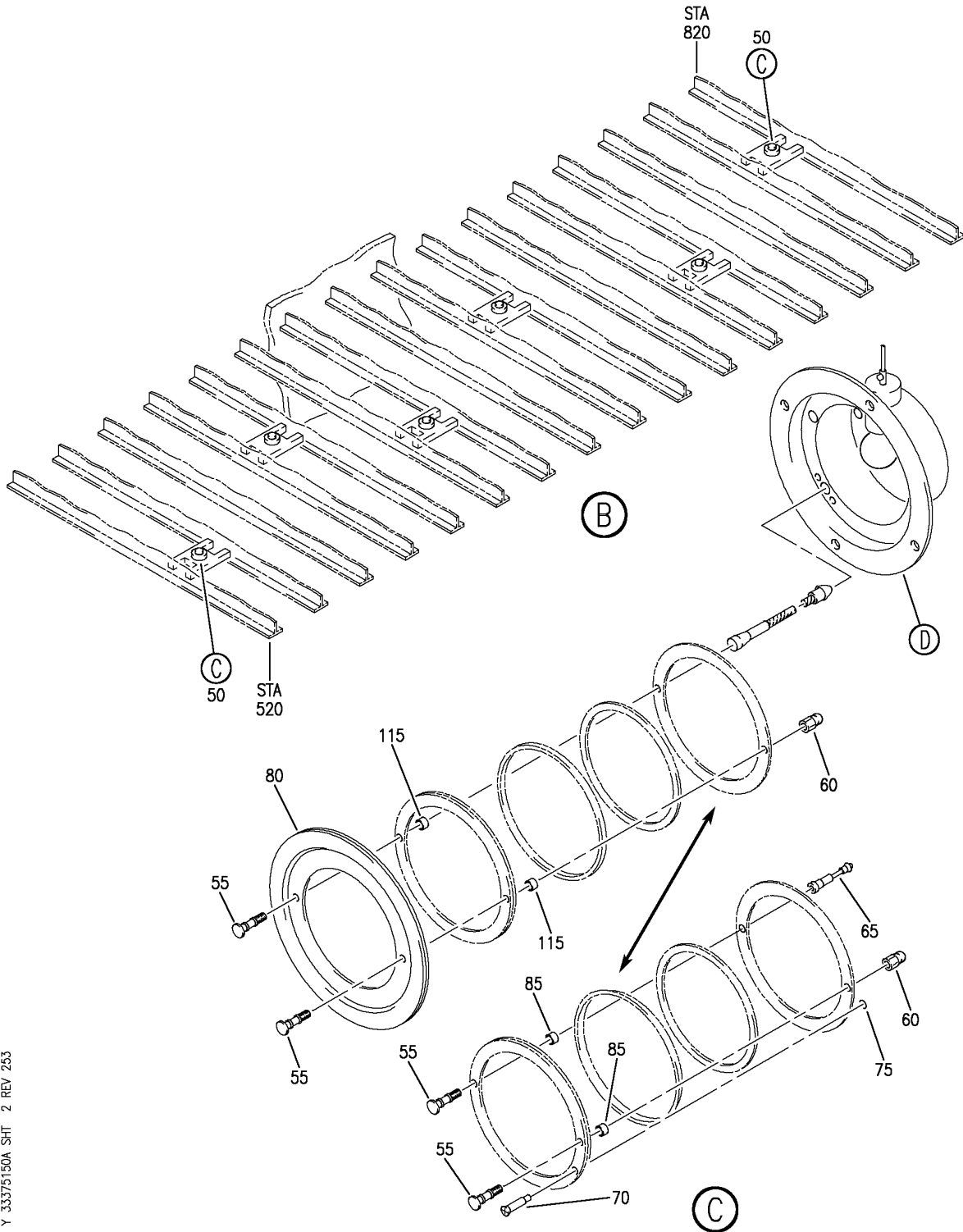
BRI

33-37-51-50

BOEING PROPRIETARY - Copyright © - Unpublished Work - See title page for details.

33-37-51
FIG. 50
PAGE 4
JAN 20/09

BOEING
757
PARTS CATALOG (MAINTENANCE)



Y 33375150A SHT 2 REV 263

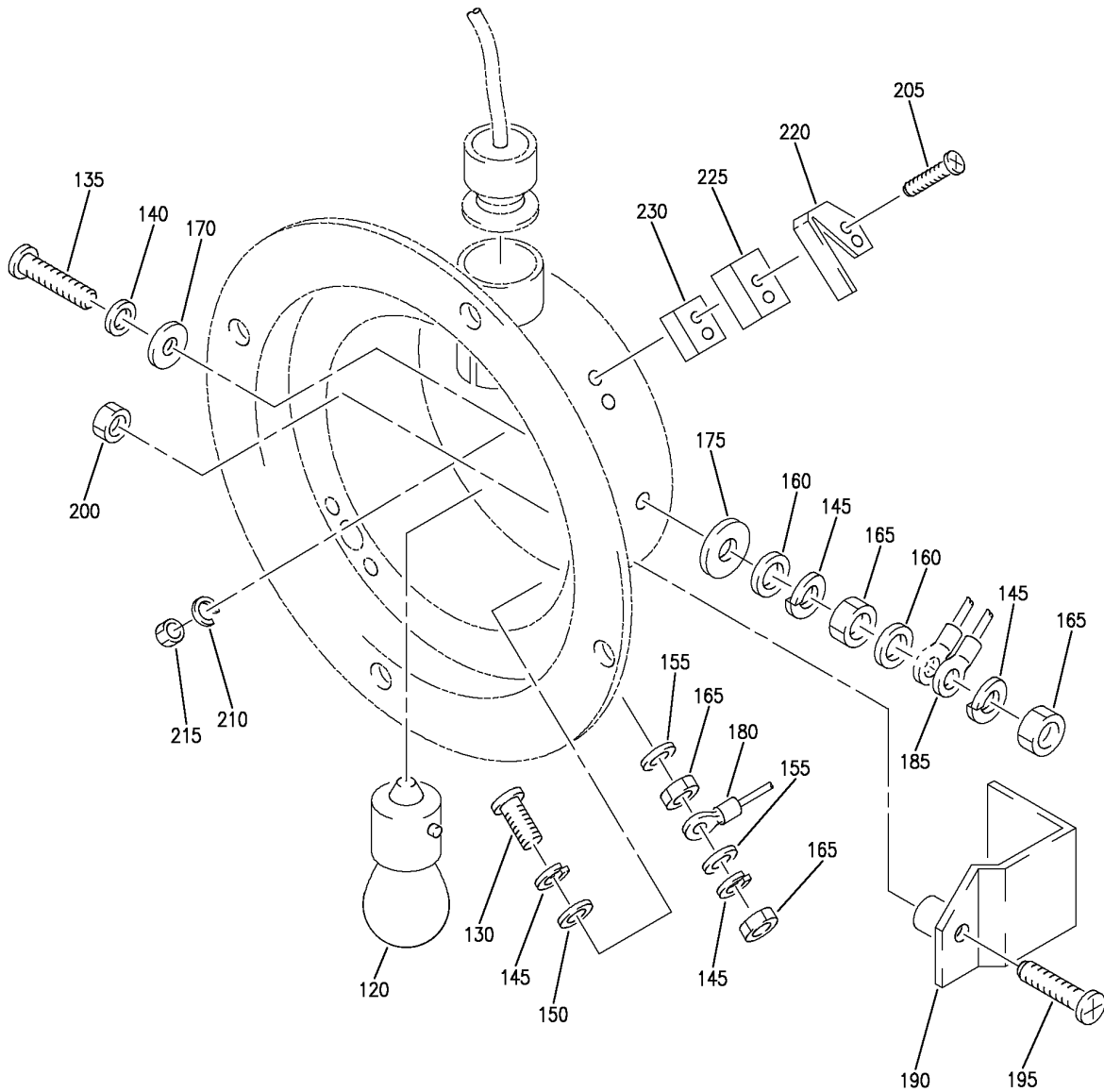
LIGHT ASSY-CARGO COMPARTMENT
FIGURE 50A (SHEET 2)

33-37-51-50A

BRI
MAY 28/07

33-37-51-50A
PAGE 0A

BOEING
757
PARTS CATALOG (MAINTENANCE)



(D)

Y 33375150A SHT 3 REV 263

LIGHT ASSY-CARGO COMPARTMENT
FIGURE 50A (SHEET 3)

33-37-51-50A

BRI
MAY 28/07

33-37-51-50A
PAGE 0B



757

PARTS CATALOG (MAINTENANCE)

FIG ITEM	PART NUMBER	1 2 3 4 5 6 7	NOMENCLATURE	EFFECT FROM TO	UNITS PER ASSY
50A - 1	15-0188-7		LIGHT ASSY-CARGO COMPARTMENT SUPPLIER CODE: V72914 COMPONENT MAINT MANUAL REF: 33-30-08 QUALIFIED I/W DATA: 15-0188-19 MAY REPLACE 15-0188-7 OR 15-0188-11 OR BR7203-701 BY REMOVING THE PIGTAIL CONNECTOR ON THE 15-0188-19 PRIOR TO INSTALLATION OPTIONAL PART: BR7203-701 V72914 15-0188-11 V72914 FOR NHA SEE: 33-37-51-02 33-37-51-03	002004 006016 107107 121503 904999	RF
50	16-0787-9		.COVER ASSY- SUPPLIER CODE: V72914	002004 006016 107107 121503 904999	1
50	16-0787-15		.COVER ASSY- SUPPLIER CODE: V72914	101105 108120 504903	1
55	NS800		..STUD- SUPPLIER CODE: V72914	101105 108120 504903	2
60	11493-1		..POST ASSY- SUPPLIER CODE: V72914	002004 006016 101105 108999	1
65	60-5003-1		..POST ASSY- SUPPLIER CODE: V72914	101105 108120 504903	1
70	81-18-280-16		..FASTENER- SUPPLIER CODE: V94222 CONFIG CHG DATA FROM A CMM: SUPSD BY FA435	101105 108120 504903	2

MISSING ITEM NUMBERS NOT APPLICABLE

- ITEM NOT ILLUSTRATED

33-37-51-50A

33-37-51
FIG. 50A
PAGE 2
JAN 20/09

BRI



757

PARTS CATALOG (MAINTENANCE)

FIG ITEM	PART NUMBER	1 2 3 4 5 6 7	NOMENCLATURE	EFFECT FROM TO	UNITS PER ASSY
50A					
70	FA435	..	FASTENER- SUPPLIER CODE: V72914 CONFIG CHG DATA FROM A CMM: SUPERSEDES 81-18-280-16	101105 108120 504903	2
75	81-32-101-20	..	RETAINER- SUPPLIER CODE: V94222 CONFIG CHG DATA FROM A CMM: SUPSD BY FA602	101105 108120 504903	2
75	FA602	..	RETAINER- SUPPLIER CODE: V72914 CONFIG CHG DATA FROM A CMM: SUPERSEDES 81-32-101-20	101105 108120 504903	2
85	60-1198-1	..	SPACER- SUPPLIER CODE: V72914	101105 108120 504903	2
- 90	16-0787-1	..	COVER ASSY- SUPPLIER CODE: V72914	002004 006016 107107 121503 904999	1
- 95	16-0785-1	...	KNOB- SUPPLIER CODE: V72914	002004 006016 107107 121503 904999	1
- 100	11493-1	...	POST ASSY- SUPPLIER CODE: V72914	002004 006016 107107 121503 904999	1
- 105	60-1400-3	...	POST ASSY- SUPPLIER CODE: V72914	002004 006016 107107 121503 904999	1
- 110	16-0787-5	...	COVER- SUPPLIER CODE: V72914	002004 006016 107107 121503 904999	1
115	60-1198-1	SPACER- SUPPLIER CODE: V72914	002004 006016 107107 121503 904999	2

MISSING ITEM NUMBERS NOT APPLICABLE

- ITEM NOT ILLUSTRATED

33-37-51-50A

33-37-51
FIG. 50A
PAGE 3
JAN 20/09

BRI

BOEING PROPRIETARY - Copyright © - Unpublished Work - See title page for details.



757

PARTS CATALOG (MAINTENANCE)

FIG ITEM	PART NUMBER	1 2 3 4 5 6 7	NOMENCLATURE	EFFECT FROM TO	UNITS PER ASSY
50A 120	MS25235-3011	.	LAMP	002004 006016 101105 107999	1
- 125	16-1548-5	.	HOUSING ASSY- SUPPLIER CODE: V72914 USED ON: 15-0188-7	002004 006016 107107 121503 904999	1
- 125	16-1548-9	.	HOUSING ASSY- SUPPLIER CODE: V72914	002004 006016 121503 904999	1
- 125	16-1548-11	.	HOUSING ASSY- SUPPLIER CODE: V72914	101105 108120 504903	1
130	MS35206-208	..	SCREW	002004 006016 101105 107999	1
135	MS35206-232	..	SCREW	002004 006016 101105 107999	1
140	AN960-6	..	WASHER- CONFIG CHG DATA FROM A CMM: SUPSD BY MS27183-5 SUPSD BY MS27183-6	002004 006016 107107 121503 904999	1
140	MS27183-6	..	WASHER- CONFIG CHG DATA FROM A CMM: SUPERSEDES AN960-6	002004 006016 107107 121503 904999	1
140	MS27183-5	..	WASHER- CONFIG CHG DATA FROM A CMM: SUPERSEDES AN960-6	002004 006016 101105 108999	1
145	MS35338-41	..	WASHER	002004 006016 101105 107999	4
150	MS27183-6	..	WASHER	002004 006016 101105 107999	1

MISSING ITEM NUMBERS NOT APPLICABLE

- ITEM NOT ILLUSTRATED

33-37-51-50A

33-37-51
FIG. 50A
PAGE 4
JAN 20/09

BRI

BOEING PROPRIETARY - Copyright © - Unpublished Work - See title page for details.



757

PARTS CATALOG (MAINTENANCE)

FIG ITEM	PART NUMBER	1 2 3 4 5 6 7	NOMENCLATURE	EFFECT FROM TO	UNITS PER ASSY
50A 155	AN960-6	..	WASHER- CONFIG CHG DATA FROM A CMM: SUPSD BY MS27183-6	002004 006016 101105 107999	2
155	MS27183-6	..	WASHER- CONFIG CHG DATA FROM A CMM: SUPERSEDES AN960-6	002004 006016 101105 107999	2
160	AN960-6	..	WASHER- CONFIG CHG DATA FROM A CMM: SUPSD BY MS27183-6	002004 006016 107107 121503 904999	2
160	MS27183-6	..	WASHER- CONFIG CHG DATA FROM A CMM: SUPERSEDES AN960-6	002004 006016 101105 107999	2
165	MS35649-262	..	NUT	002004 006016 101105 107999	4
170	60-3564-1	..	BUSHING- SUPPLIER CODE: V72914	002004 006016 107107 121503 904999	1
170	16-2392-1	..	BUSHING- SUPPLIER CODE: V72914	002004 006016 101105 108999	1
175	A4149-2	..	SPRING- SUPPLIER CODE: V72914	002004 006016 101105 107999	1
180	11-4482-35	..	LEAD-ELECTRICAL SUPPLIER CODE: V72914	101105 108120 504903	1
185	11-4482-33	..	LEAD-ELECTRICAL SUPPLIER CODE: V72914	101105 108120 504903	1
190	16-1214-3	..	COVER- SUPPLIER CODE: V72914 CONFIG CHG DATA FROM A CMM: SUPSD BY 16-1214-5	002004 006016 107107 121503 904999	1

MISSING ITEM NUMBERS NOT APPLICABLE

- ITEM NOT ILLUSTRATED

33-37-51-50A

33-37-51
FIG. 50A
PAGE 5
JAN 20/09

BRI

BOEING PROPRIETARY - Copyright © - Unpublished Work - See title page for details.



757

PARTS CATALOG (MAINTENANCE)

FIG ITEM	PART NUMBER	1 2 3 4 5 6 7	NOMENCLATURE	EFFECT FROM TO	UNITS PER ASSY
50A 190	16-1214-5		..COVER- SUPPLIER CODE: V72914 CONFIG CHG DATA FROM A CMM: SUPERSEDES 16-1214-3 ATTACHING PARTS	002004 006016 101105 107999	1
195	MS35206-232		..SCREW	002004 006016 101105 107999	1
200	F12LHCFM1-62		..NUT- SUPPLIER CODE: V72962 CONFIG CHG DATA FROM A CMM: SUPSD BY SN152	002004 006016 101105 107999	1
200	SN152		..NUT- SUPPLIER CODE: V72914 CONFIG CHG DATA FROM A CMM: SUPERSEDES F12LHCFM1-62 -----*-----	002004 006016 101105 107999	1
205	MS35206-208		..SCREW	002004 006016 101105 107999	2
210	MS35338-39		..WASHER	002004 006016 101105 107999	2
215	MS35649-222		..NUT	002004 006016 101105 107999	2
220	NX41		..ACTUATOR- SUPPLIER CODE: V91929 CONFIG CHG DATA FROM A CMM: SUPSD BY JX46	002004 006016 101105 107999	1
220	JX46		..ACTUATOR- SUPPLIER CODE: V91929 CONFIG CHG DATA FROM A CMM: SUPSD BY SW702	002004 006016 101105 107999	1
220	SW702		..ACTUATOR- SUPPLIER CODE: V72914 CONFIG CHG DATA FROM A CMM: SUPERSEDES JX46	002004 006016 101105 107999	1

MISSING ITEM NUMBERS NOT APPLICABLE

- ITEM NOT ILLUSTRATED

33-37-51-50A

33-37-51
FIG. 50A
PAGE 6
JAN 20/09

BRI

BOEING PROPRIETARY - Copyright © - Unpublished Work - See title page for details.



757

PARTS CATALOG (MAINTENANCE)

FIG ITEM	PART NUMBER	1 2 3 4 5 6 7	NOMENCLATURE	EFFECT FROM TO	UNITS PER ASSY
50A 225	MS24547-1	.	. SWITC H	002004 006016 107107 121503 904999	1
230	16-1546-1	.	. SPACER- SUPPLIER CODE: V72914	002004 006016 101105 107999	1

MISSING ITEM NUMBERS NOT APPLICABLE

- ITEM NOT ILLUSTRATED

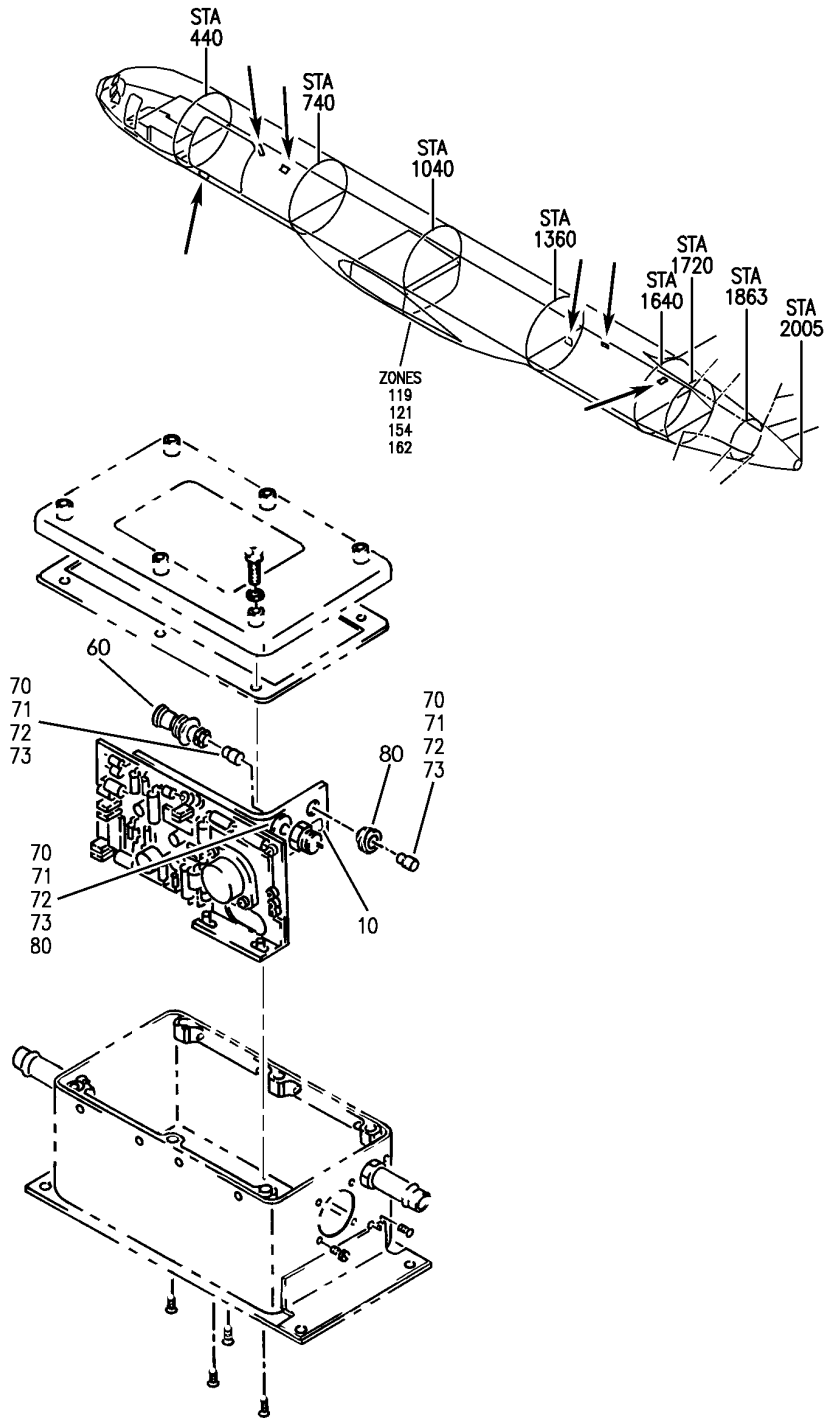
BRI

33-37-51-50A

BOEING PROPRIETARY - Copyright © - Unpublished Work - See title page for details.

33-37-51
FIG. 50A
PAGE 7
JAN 20/09

BOEING
757
PARTS CATALOG (MAINTENANCE)



Y 33375160 REV 267

ELECTRONICS ASSY-(LIGHTS ONLY)
FIGURE 60

33-37-51-60

BRI
MAY 28/07

33-37-51-60
PAGE 0



757

PARTS CATALOG (MAINTENANCE)

FIG ITEM	PART NUMBER	1 2 3 4 5 6 7	NOMENCLATURE	EFFECT FROM TO	UNITS PER ASSY
60			ELECTRONICS ASSY-(LIGHTS ONLY)	002004 006100 107107 121503 904999	
- 5	98-0415		ELECTRONICS ASSY- SUPPLIER CODE: V03972 USED ON: 2156-204A FOR NHA SEE: 26-16-01-05	002004 006100 107107 121503 904999	RF
10	29-0883		.DECAL-DS1 SUPPLIER CODE: V03792	002004 006100 107107 121503 904999	1
- 50	40-5023		.HOLDER ASSY-LAMP SUPPLIER CODE: V03972	002004 006100 107107 121503 904999	1
60	98-0328		..HOLDER ASSY-LENS SUPPLIER CODE: V03972	002004 006100 107107 121503 904999	1
70	CM382AS15		..LAMP- SUPPLIER CODE: V71744 OPTIONAL PART: CM382AS10 V71744 GI382AS15 V71744 GI382AS10 V71744 40CM382AS15 V71744	002004 006100 107107 121503 904999	3

MISSING ITEM NUMBERS NOT APPLICABLE

- ITEM NOT ILLUSTRATED

BRI

33-37-51-60

33-37-51
FIG. 60
PAGE 1
JAN 20/09



757

PARTS CATALOG (MAINTENANCE)

FIG ITEM	PART NUMBER	1 2 3 4 5 6 7	NOMENCLATURE	EFFECT FROM TO	UNITS PER ASSY
60					
70	CM382AS10	..	LAMP- SUPPLIER CODE: V71744 OPTIONAL PART: CM382AS15 V71744 GI382AS15 V71744 GI382AS10 V71744 40CM382AS15 V71744	002004 006100 107107 121503 904999	3
70	GI382AS15	..	LAMP- SUPPLIER CODE: V71744 OPTIONAL PART: CM382AS15 V71744 CM382AS10 V71744 GI382AS10 V71744 40CM382AS15 V71744	002004 006100 107107 121503 904999	3
70	GI382AS10	..	LAMP- SUPPLIER CODE: V71744 OPTIONAL PART: CM382AS15 V71744 CM382AS10 V71744 GI382AS15 V71744 40CM382AS15 V71744	002004 006100 107107 121503 904999	3
70	40-0011	..	LAMP- SUPPLIER CODE: V03972 CONFIG CHG DATA FROM A CMM: REPLACES CM382AS15	002004 006100 107107 121503 904999	3

MISSING ITEM NUMBERS NOT APPLICABLE

- ITEM NOT ILLUSTRATED

BRI

33-37-51-60

BOEING PROPRIETARY - Copyright © - Unpublished Work - See title page for details.

33-37-51
FIG. 60
PAGE 2
JAN 20/09



757

PARTS CATALOG (MAINTENANCE)

FIG ITEM	PART NUMBER	1 2 3 4 5 6 7	NOMENCLATURE	EFFECT FROM TO	UNITS PER ASSY
60 72	40CM382AS15		. . LAMP- SUPPLIER CODE: V71744 CONFIG CHG DATA FROM A CMM: REPLD BY 40-0011 OPTIONAL PART: CM382AS10 V71744 CM382AS15 V71744 GI382AS15 V71744 GI382AS10 V71744	002004 006100 107107 121503 904999	3
80	53-0190		. GROMMET- SUPPLIER CODE: V03972	002004 006100 107107 121503 904999	2

MISSING ITEM NUMBERS NOT APPLICABLE

- ITEM NOT ILLUSTRATED

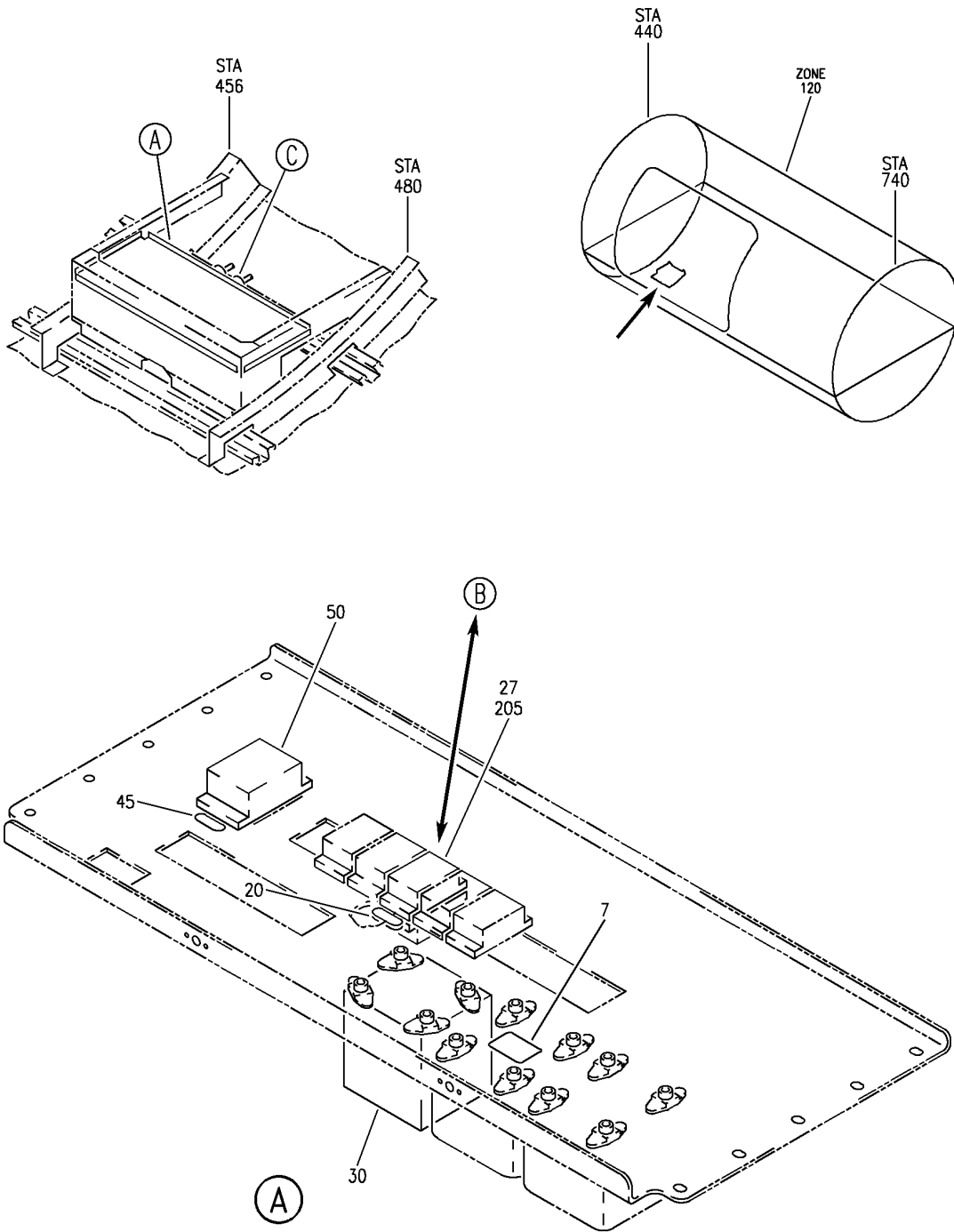
BRI

33-37-51-60

BOEING PROPRIETARY - Copyright © - Unpublished Work - See title page for details.

33-37-51
FIG. 60
PAGE 3
JAN 20/09

BOEING
757
PARTS CATALOG (MAINTENANCE)



Y 33375201 SHT 1 REV 291

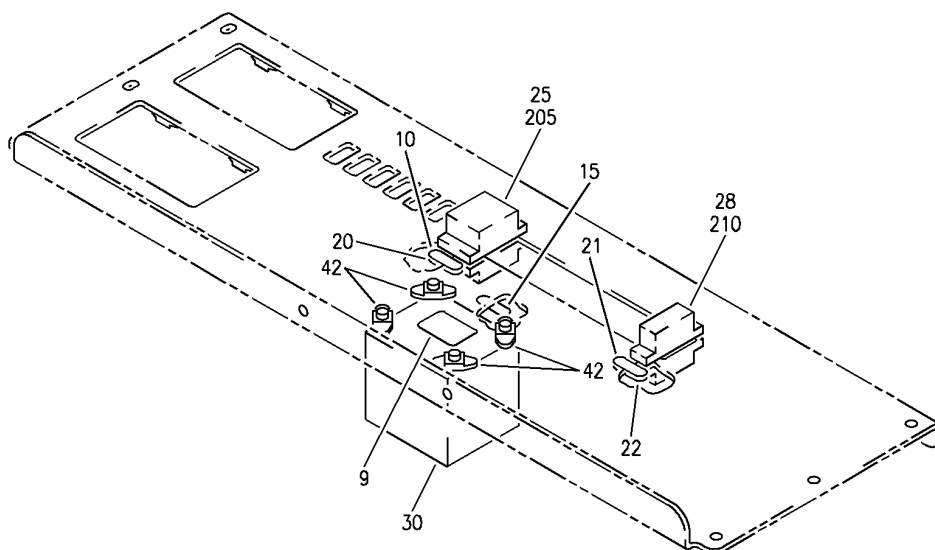
PANEL ASSY-P65 MISC ELECTRONIC EQPT CTR (LIGHTS ONLY)
FIGURE 1 (SHEET 1)

33-37-52-01

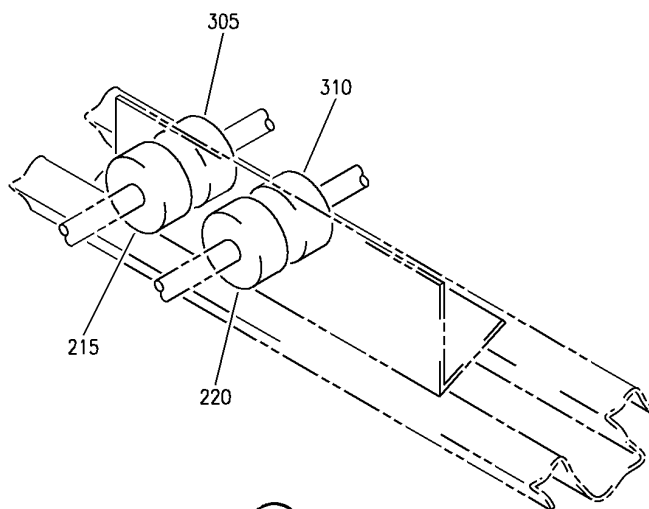
BRI
MAY 28/07

33-37-52-01
PAGE 0

BOEING
757
PARTS CATALOG (MAINTENANCE)



(B)



(C)

Y 33375201 SHT 2 REV 291

PANEL ASSY-P65 MISC ELECTRONIC EQPT CTR (LIGHTS ONLY)
FIGURE 1 (SHEET 2)

33-37-52-01

BRI
MAY 28/07

33-37-52-01
PAGE 0A



757

PARTS CATALOG (MAINTENANCE)

FIG ITEM	PART NUMBER	1 2 3 4 5 6 7	NOMENCLATURE	EFFECT FROM TO	UNITS PER ASSY
1			PANEL ASSY-P65 MISC ELECTRONIC EQPT CTR (LIGHTS ONLY)	002004 006100 107107 121503 904999	
- 1	284N1747-3		PANEL ASSY-P65 MISC ELECTRONIC EQPT CTR (LIGHTS ONLY) PRE SERVICE BULLETIN: 34-0200 REWORKED BY SB: 33-0035 FOR NHA/OTHER SYS DET SEE: 31-01-65-03	002004 006100 107107 952999	RF
- 1	284N1747-7		PANEL ASSY-P65 MISC ELECTRONIC EQPT CTR (LIGHTS ONLY) FOR NHA/OTHER SYS DET SEE: 31-01-65-03	121503 904949	RF
- 1	284N1747-9		PANEL ASSY-P65 MISC ELECTRONIC EQPT CTR (LIGHTS ONLY) FOR NHA/OTHER SYS DET SEE: 31-01-65-03	950951	RF
- 3	284N1747-3		PANEL ASSY-P65 MISC ELECTRONIC EQPT CTR (LIGHTS ONLY) REWORK DRAWING REF: 824N1065-1 REWORKED BY SB: 34-0200 FOR NHA/OTHER SYS DET SEE: 31-01-65-03	952952	RF
9	BAC27NEX1293		.DECAL- PLACARD CONTENT: P65	002004 006100 107107 121503 904999	1
10	BAC27NEX1295		.DECAL- PLACARD CONTENT: K10048	002004 006100 107107 121503 904999	1
15	BAC27NEX1299		.DECAL- PLACARD CONTENT: T148	002004 006100 107107 121503 904999	1

MISSING ITEM NUMBERS NOT APPLICABLE

- ITEM NOT ILLUSTRATED

33-37-52-01

33-37-52
FIG. 01
PAGE 1
JAN 20/09

BRI



757

PARTS CATALOG (MAINTENANCE)

FIG ITEM	PART NUMBER	1 2 3 4 5 6 7	NOMENCLATURE	EFFECT FROM TO	UNITS PER ASSY
1	20 BAC27NEX1303		.DECAL- PLACARD CONTENT: D2286	002004 006100 107107 121503 904949 952999	1
	25 ES410-1538		.RELAY- SUPPLIER CODE: V99699 SPECIFICATION NUMBER: BACR13CG2AB OPTIONAL PART: KD4L018 V35344 BR230DS0115 V56623 KD4L036 V58657 FCA410-63 V78290 ELECTRICAL EQUIP NUMBER: K10048	002004 006100 107107 121503 904999	1
	30 FT1046		.TRANSFORMER- SUPPLIER CODE: V14752 FUNCTIONAL DESCRIPTION: PROVIDES 115 VOLT POWER FOR CARGO BAY LIGHTING SPECIFICATION NUMBER: 60B40026-17 ELECTRICAL EQUIP NUMBER: T00148	002004 006100 107107 121503 904999	1
-	35 NAS602-10P		ATTACHING PARTS .SCREW-	002004 006100 107107 121503 904949 952999	4
-	35 NAS601-10P		.SCREW-	950951	4
-	40 AN960PD6		.WASHER-	002004 006100 107107 121503 904999	4

MISSING ITEM NUMBERS NOT APPLICABLE

- ITEM NOT ILLUSTRATED

33-37-52-01

33-37-52
FIG. 01
PAGE 2
JAN 20/09

BRI



757

PARTS CATALOG (MAINTENANCE)

FIG ITEM	PART NUMBER	1 2 3 4 5 6 7	NOMENCLATURE	EFFECT FROM TO	UNITS PER ASSY
1					
- 40	AN960JD6		.WASHER- PRE SERVICE BULLETIN: 34-0200	002004 006100 107107 121503 904999	4
- 40	NAS1149DN832J		.WASHER- POST SERVICE BULLETIN: 34-0200	952952	4
- 200	286N0808-002		-----*----- WIRE BUNDLE ASSY-	002004 006100 107107 952999	RF
- 200	286N0808-004		WIRE BUNDLE ASSY-	904949	RF
- 200	286N0808-008		WIRE BUNDLE ASSY-	950951	RF
- 200	286N0808-007		WIRE BUNDLE ASSY-	121503	RF
- 201	286N0808-022		WIRE BUNDLE ASSY	950951	RF
205	BACS16W1		.SOCKET- ELECTRICAL EQUIP NUMBER: D02286 WIRING DIAGRAM REF: 333711	002004 006100 107107 121503 904999	1

MISSING ITEM NUMBERS NOT APPLICABLE

- ITEM NOT ILLUSTRATED

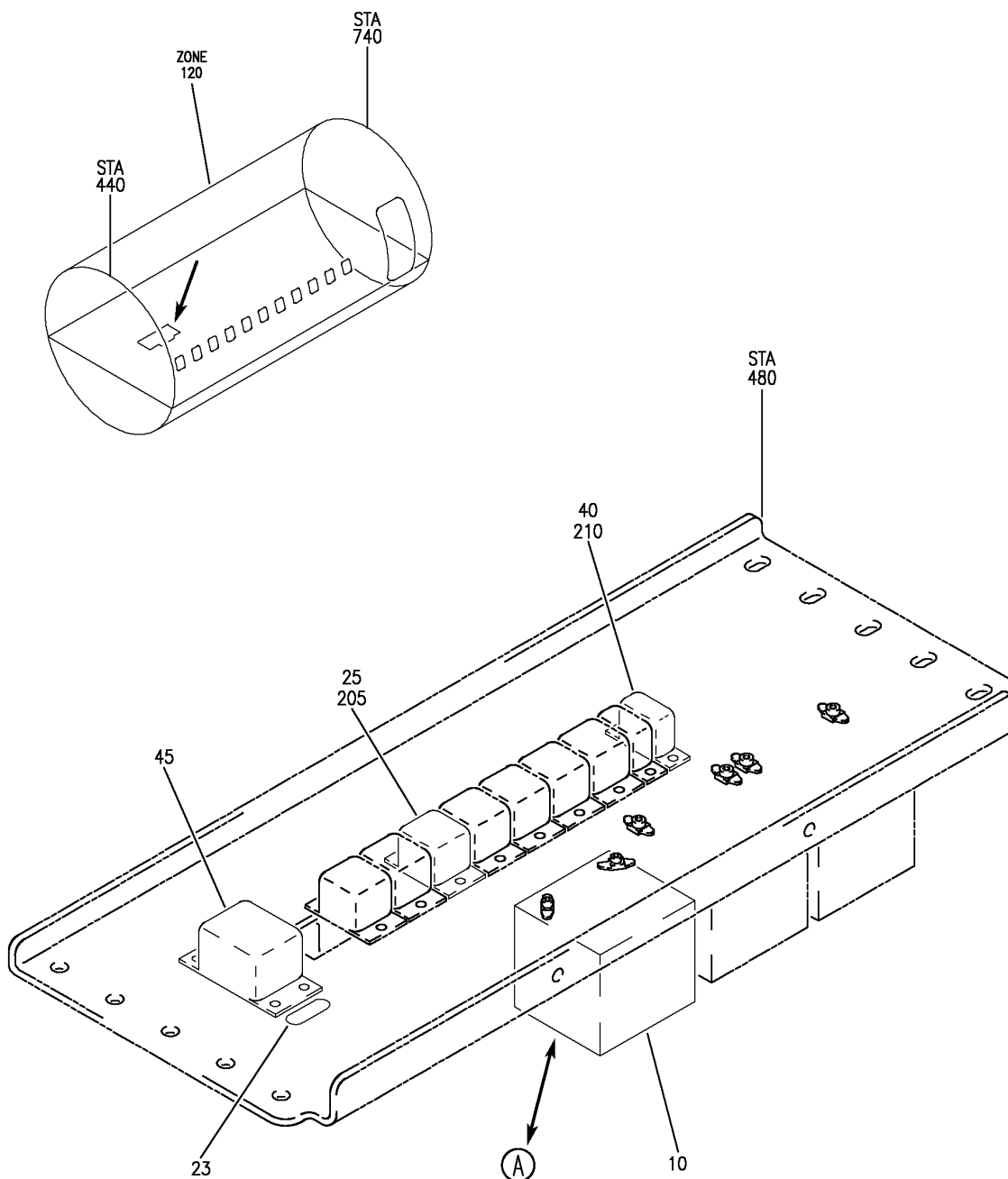
BRI

33-37-52-01

BOEING PROPRIETARY - Copyright © - Unpublished Work - See title page for details.

33-37-52
FIG. 01
PAGE 3
JAN 20/09


BOEING
 757
PARTS CATALOG (MAINTENANCE)



Y 33375201A SHT 1 REV 254

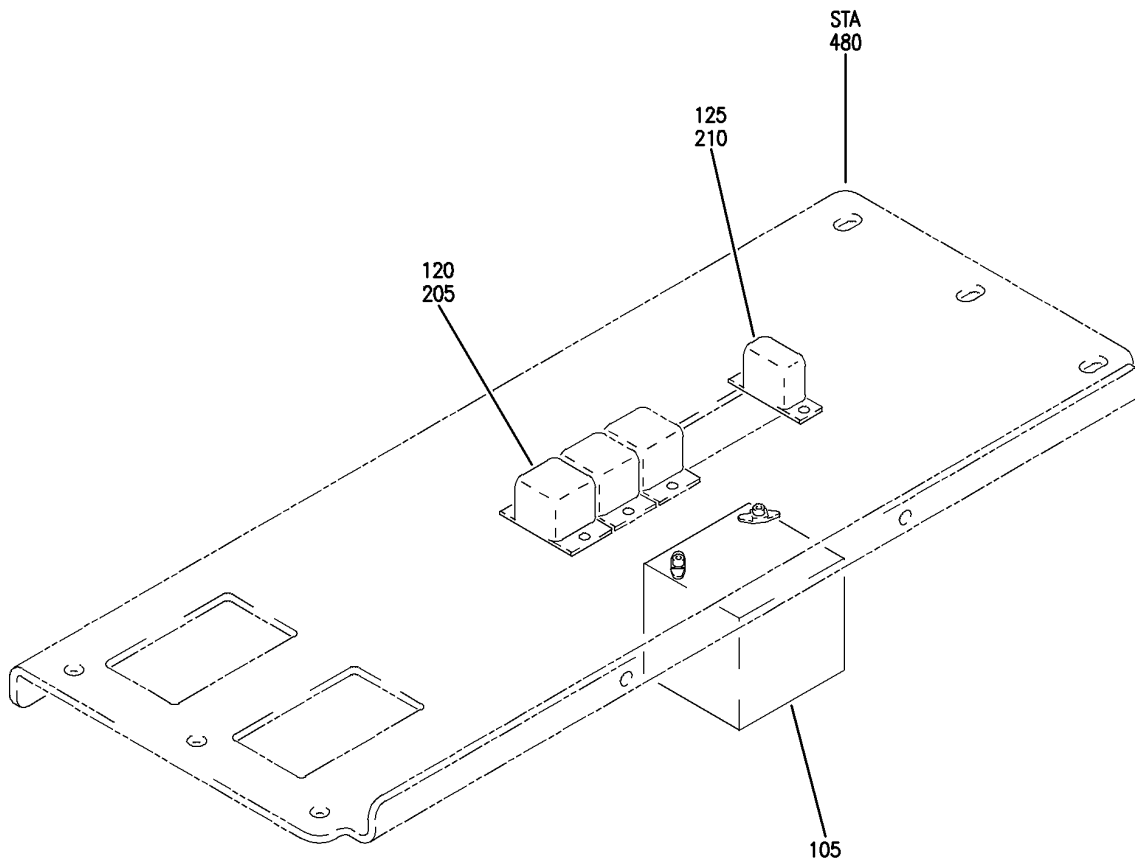
PANEL INSTL-P65 MISC RELAY (LIGHTS ONLY)
 FIGURE 1A (SHEET 1)

33-37-52-01A

BRI
JAN 20/09

33-37-52-01A
 PAGE 0

BOEING
757
PARTS CATALOG (MAINTENANCE)



(A)

Y 33375201A SH1 2 REV 226

PANEL INSTL-P65 MISC RELAY (LIGHTS ONLY)
FIGURE 1A (SHEET 2)

33-37-52-01A

BRI
JAN 20/09

33-37-52-01A
PAGE 0A



757

PARTS CATALOG (MAINTENANCE)

FIG ITEM	PART NUMBER	1 2 3 4 5 6 7	NOMENCLATURE	EFFECT FROM TO	UNITS PER ASSY
1 A			PANEL INSTL-P65 MISC RELAY (LIGHTS ONLY)	103106 108120	
- 1	284N1747-406		PANEL INSTL-P65 MISC RELAY (LIGHTS ONLY) FOR NHA/OTHER SYS DET SEE: 24-00-58-05E	108120	RF
- 2	MODREF31315		PANEL INSTL-P65 MISC RELAY (LIGHTS ONLY) MODULE NUMBER: 284N1747-402 REV B FOR OTHER SYS DETAILS SEE: 31-01-65-01 34-22-02-04 34-46-51-01A 38-32-35-01A 52-34-05-01	103105	1
- 2	MODREF34778		PANEL INSTL-P65 MISC RELAY (LIGHTS ONLY) MODULE NUMBER: 284N1747-402 REV C FOR OTHER SYS DETAILS SEE: 31-01-65-01 34-22-02-04 34-46-51-01A 38-32-35-01A 52-34-05-01	106106	1
10	FT1046		.TRANSFORMER- SUPPLIER CODE: V14752 FUNCTIONAL DESCRIPTION: PROVIDES 115 VOLT POWER FOR CARGO BAY LIGHTING SPECIFICATION NUMBER: 60B40026-17 ELECTRICAL EQUIP NUMBER: T00148 ATTACHING PARTS	103106 108120	1
- 15	BACS12CK08-10		.SCREW-	106106	4
- 15	NAS602-10P		.SCREW-	103105 108120	4
- 20	NAS1149DN832J		.WASHER	103106 108120	4
			-----*-----		

MISSING ITEM NUMBERS NOT APPLICABLE

- ITEM NOT ILLUSTRATED

33-37-52-01A

33-37-52
FIG. 01A
PAGE 1
JAN 20/09

BRI

BOEING PROPRIETARY - Copyright © - Unpublished Work - See title page for details.



757

PARTS CATALOG (MAINTENANCE)

FIG ITEM	PART NUMBER	1 2 3 4 5 6 7	NOMENCLATURE	EFFECT FROM TO	UNITS PER ASSY
1A 23	TTVF7525WE10	.TAPE-	SUPPLIER CODE: VOKW00 SPECIFICATION NUMBER: BACT19J4 OPTIONAL PART: THT1-437W10 V85480 PLACARD CONTENT: K10787	103106 108120	AR
25	ES410-1538	.RELAY-	SUPPLIER CODE: V99699 SPECIFICATION NUMBER: BACR13CG2AB OPTIONAL PART: KD4L018 V35344 BR230DS0115 V56623 KD4L036 V58657 FCA410-63 V78290 ELECTRICAL EQUIP NUMBER: K10048	103106 108120	1
45	9324-7424	.RELAY-	SUPPLIER CODE: V35344 ELECTRICAL EQUIP NUMBER: K10787 ATTACHING PARTS	103106	1
- 50	NAS1801-08-6	.SCREW-		103105	4
- 50	BACS12HN08-6	.SCREW-		106106	4
- 55	NAS1149FN832P	.WASHER		103106	4
- 60	PLH508CD	.NUT	SUPPLIER CODE: VF0224 SPECIFICATION NUMBER: BACN10YR08CD OPTIONAL PART: H52732-08CD V15653	103106	4
- 200	286N0808-308	-----*-----	WIRE BUNDLE ASSY	108120	RF
- 200	286N0808-701		WIRE BUNDLE ASSY	103106	RF

MISSING ITEM NUMBERS NOT APPLICABLE

- ITEM NOT ILLUSTRATED

33-37-52-01A

33-37-52
FIG. 01A
PAGE 2
JAN 20/09

BRI

BOEING PROPRIETARY - Copyright © - Unpublished Work - See title page for details.



757

PARTS CATALOG (MAINTENANCE)

FIG ITEM	PART NUMBER	1 2 3 4 5 6 7	NOMENCLATURE	EFFECT FROM TO	UNITS PER ASSY
1 A - 205	BACS16W1		. SOCKET- ELECTRICAL EQUIP NUMBER: D02286 WIRING DIAGRAM REF: 333711	103106 108120	1

MISSING ITEM NUMBERS NOT APPLICABLE

- ITEM NOT ILLUSTRATED

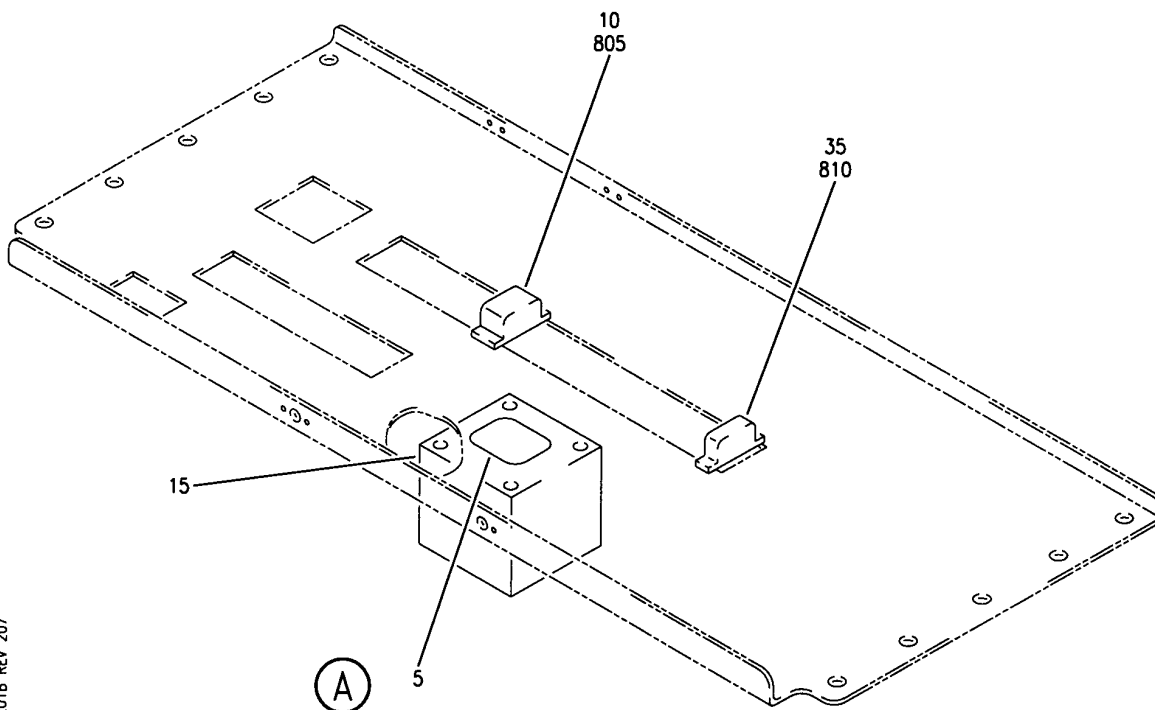
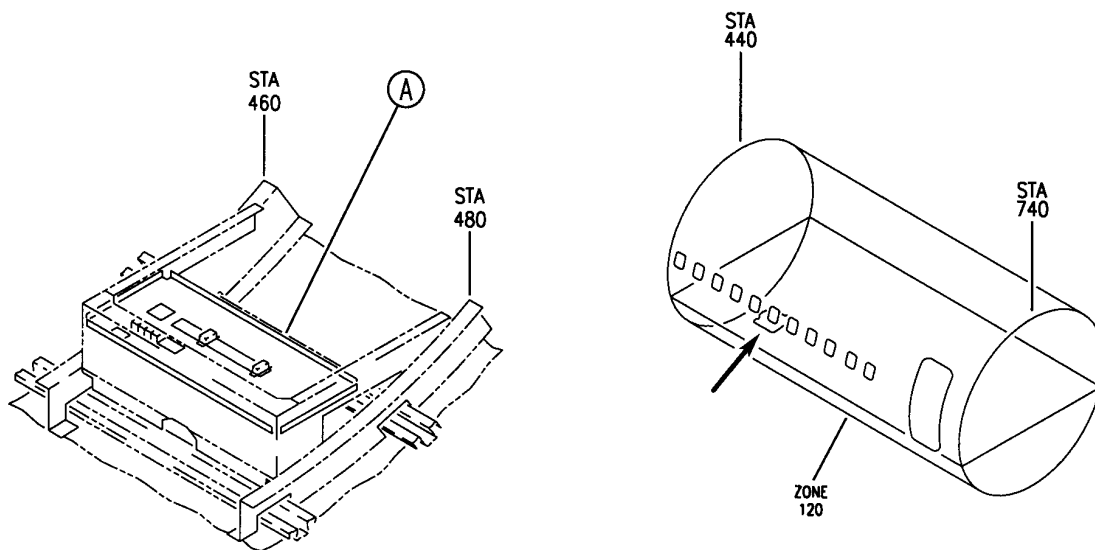
BRI

33-37-52-01A

BOEING PROPRIETARY - Copyright © - Unpublished Work - See title page for details.

33-37-52
FIG. 01A
PAGE 3
JAN 20/09

BOEING
757
PARTS CATALOG (MAINTENANCE)



Y 33375201B REV 207

OPTION PACKAGE ASSY-P65 MISC ELECTRONIC EQPT CTR (LIGHTS ONLY)
FIGURE 1B

33-37-52-01B

BRI
MAY 28/07

33-37-52-01B
PAGE 0



757

PARTS CATALOG (MAINTENANCE)

FIG ITEM	PART NUMBER	1 2 3 4 5 6 7	NOMENCLATURE	EFFECT FROM TO	UNITS PER ASSY
1B			OPTION PACKAGE ASSY-P65 MISC ELECTRONIC EQPT CTR (LIGHTS ONLY)	101102 504903	
- 1	284N1747-1010		PACKAGE ASSY-P65 MISC ELECTRONIC EQPT CTR (LIGHTS ONLY) FOR NHA/OTHER SYS DET SEE: 31-01-65-01A	101102 504903	RF
5	BAC27NEX1293		.DECAL- PLACARD CONTENT: P65	101102 504903	RF
10	ES410-1538		.RELAY- SUPPLIER CODE: V99699 SPECIFICATION NUMBER: BACR13CG2AB OPTIONAL PART: KD4L018 V35344 BR230DS0115 V56623 KD4L036 V58657 FCA410-63 V78290 ELECTRICAL EQUIP NUMBER: K10048	101102 504903	1
15	FT1046		.TRANSFORMER- SUPPLIER CODE: V14752 FUNCTIONAL DESCRIPTION: PROVIDES 115 VOLT POWER FOR CARGO BAY LIGHTING SPECIFICATION NUMBER: 60B40026-17 ELECTRICAL EQUIP NUMBER: T00148	101102 504903	1
- 20	NAS601-10P		ATTACHING PARTS .SCREW	101102 504903	4
- 25	NAS1149DN632J		.WASHER	101102 504903	4
- 30	284N1747-1007		-----*----- PACKAGE ASSY- FOR NHA/OTHER SYS DET SEE: 31-01-65-01A	504903	RF

MISSING ITEM NUMBERS NOT APPLICABLE

- ITEM NOT ILLUSTRATED

33-37-52-01B

33-37-52
FIG. 01B
PAGE 1
JAN 20/09

BRI

BOEING PROPRIETARY - Copyright © - Unpublished Work - See title page for details.



757

PARTS CATALOG (MAINTENANCE)

FIG ITEM	PART NUMBER	1 2 3 4 5 6 7	NOMENCLATURE	EFFECT FROM TO	UNITS PER ASSY
1B 35	ES210-1632		.RELAY- SUPPLIER CODE: V99699 SPECIFICATION NUMBER: BACR13CF2AB OPTIONAL PART: JD4L018 V35344 JD4L031 V35344 BR246S0111 V56623 BR64S105 V56623 FCA210-71 V78290 61GB2319-1A320 V98927 ELECTRICAL EQUIP NUMBER: K10749	504903	1
- 800	286N0808-301		WIRE BUNDLE ASSY	101102 504903	RF
- 800	286N0808-308		WIRE BUNDLE ASSY	101102	RF
- 800	286N0808-310		WIRE BUNDLE ASSY	504903	RF
805	BACS16W1		.SOCKET- ELECTRICAL EQUIP NUMBER: D02286 WIRING DIAGRAM REF: 333711	101102 504903	1
810	RSF116202		.SOCKET- SUPPLIER CODE: V58982 SPECIFICATION NUMBER: BACS16X4A OPTIONAL PART: 102-006-2 V09922 000300-1648 V05574 ELECTRICAL EQUIP NUMBER: D08614 WIRING DIAGRAM REF: 333711	101102 504903	1

MISSING ITEM NUMBERS NOT APPLICABLE

- ITEM NOT ILLUSTRATED

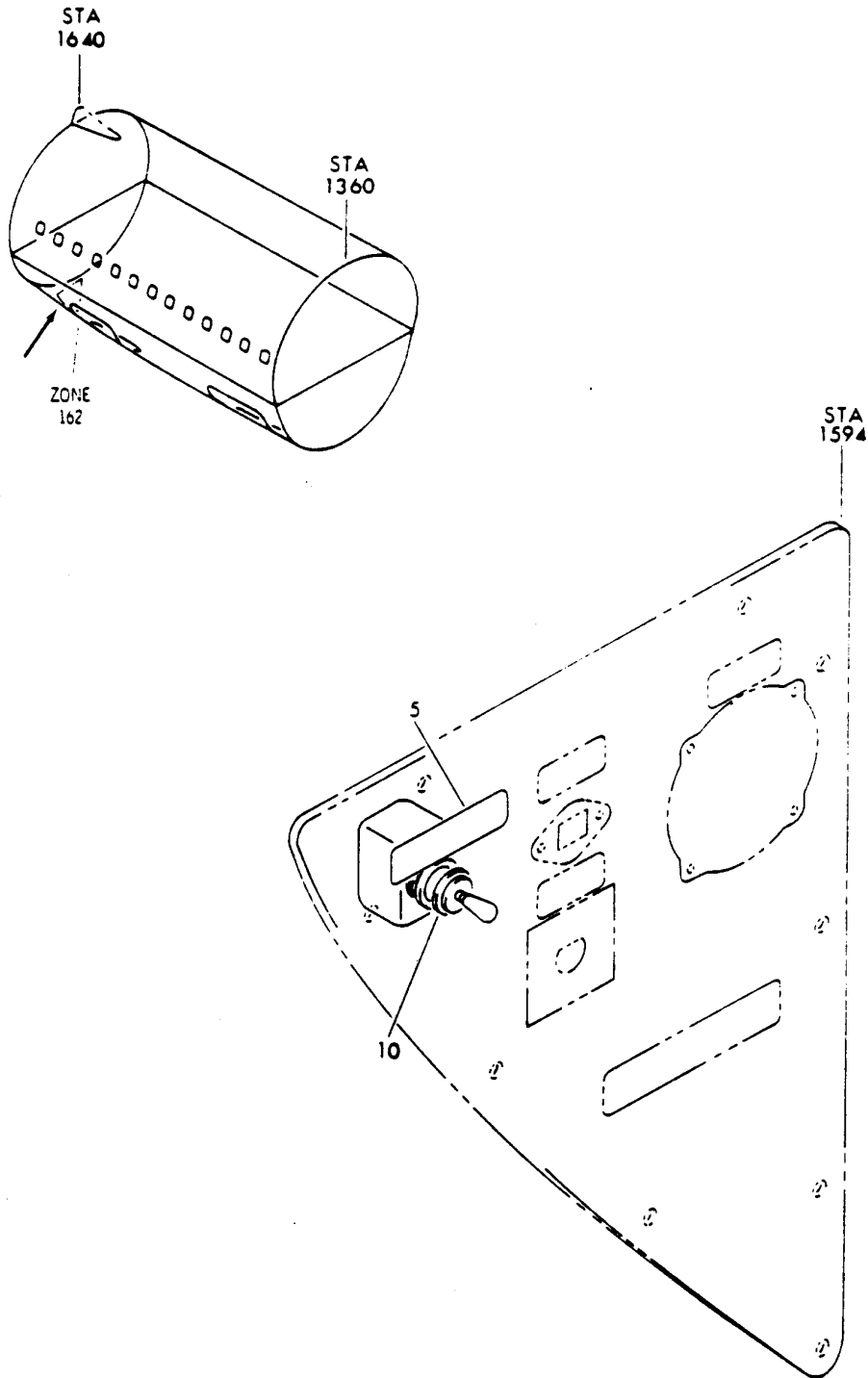
33-37-52-01B

33-37-52
FIG. 01B
PAGE 2
JAN 20/09

BRI

BOEING PROPRIETARY - Copyright © - Unpublished Work - See title page for details.

BOEING
757
PARTS CATALOG (MAINTENANCE)



Y 33375203 SMT 1 REV 010

EQUIPMENT ASSY-E6 AFT EQPT CTR METER PNL (LIGHTS ONLY)
FIGURE 3

33-37-52-03

BRI
MAY 28/07

33-37-52-03
PAGE 0



757

PARTS CATALOG (MAINTENANCE)

FIG ITEM	PART NUMBER	1 2 3 4 5 6 7	NOMENCLATURE	EFFECT FROM TO	UNITS PER ASSY
3			EQUIPMENT ASSY-E6 AFT EQPT CTR METER PNL (LIGHTS ONLY)	121503 904949	
- 1	284N1662-5		EQUIPMENT ASSY-E6 EQPT CTR METER PNL (LIGHTS ONLY)	121503 904949	RF
	5 BAC27NEL0924		POSITION DATA: AFT FOR NHA/OTHER SYS DET SEE: 25-70-51-53 .DECAL-	121503 904949	1
	10 MS25306-222		PLACARD CONTENT: S10311 CARGO LIGHTS .SWITCH- ELECTRICAL EQUIP NUMBER: S10311	121503 904949	1

MISSING ITEM NUMBERS NOT APPLICABLE

- ITEM NOT ILLUSTRATED

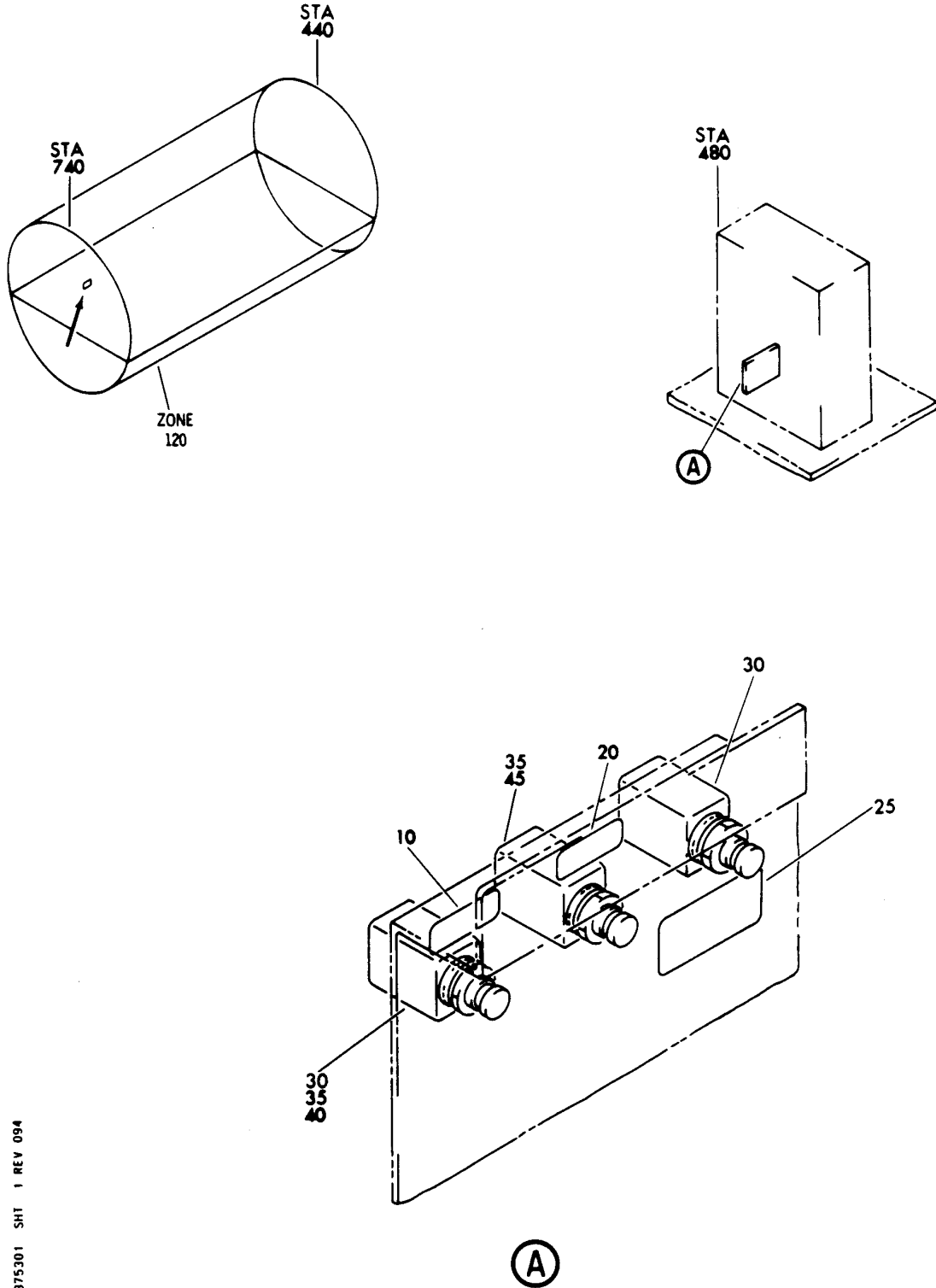
BRI

33-37-52-03

BOEING PROPRIETARY - Copyright © - Unpublished Work - See title page for details.

33-37-52
FIG. 03
PAGE 1
JAN 20/09

BOEING
757
PARTS CATALOG (MAINTENANCE)



Y 33375301 SHT 1 REV 094

PANEL INSTL-EQPT CTR SVCE (LOWER LOBE CARGO COMPARTMENT LIGHTS ONLY)
FIGURE 1

33-37-53-01

BRI
MAY 28/07

33-37-53-01
PAGE 0



757

PARTS CATALOG (MAINTENANCE)

FIG ITEM	PART NUMBER	1 2 3 4 5 6 7	NOMENCLATURE	EFFECT FROM TO	UNITS PER ASSY
1			PANEL INSTL-EQPT CTR SVCE (LOWER LOBE CARGO COMPARTMENT LIGHTS ONLY)	002004 006999	
- 1	284N1360-8		PANEL INSTL-EQPT CTR SVCE (LOWER LOBE CARGO COMPARTMENT LIGHTS ONLY) FOR NHA/OTHER SYS DET SEE: 24-00-58-01C	002004 006012 952999	RF
- 1	284N1360-11		PANEL INSTL-EQPT CTR SVCE (LOWER LOBE CARGO COMPARTMENT LIGHTS ONLY) FOR NHA/OTHER SYS DET SEE: 24-00-58-01C	107107 121503 904949	RF
- 1	284N1360-22		PANEL INSTL-EQPT CTR SVCE (LOWER LOBE CARGO COMPARTMENT LIGHTS ONLY) FOR NHA/OTHER SYS DET SEE: 24-00-58-01C	950951	RF
- 2	284N1360-25		PANEL INSTL-EQPT CTR SVCE (LOWER LOBE CARGO COMPARTMENT LIGHTS ONLY) FOR NHA/OTHER SYS DET SEE: 24-00-58-01C	013100	RF
- 2	284N1360-34		PANEL INSTL-EQPT CTR SVCE (LOWER LOBE CARGO COMPARTMENT LIGHTS ONLY) FOR NHA/OTHER SYS DET SEE: 24-00-58-05	101102 108120 504903	RF
- 2	MODREF10004		PANEL INSTL-EQPT CTR SVCE (LOWER LOBE CARGO COMPARTMENT LIGHTS ONLY) MODULE NUMBER: 284N1360-34 REV A FOR OTHER SYS DETAILS SEE: 11-36-51-01 23-41-56-01 25-29-51-01 27-51-71-05 27-58-52-01 33-31-54-01	103106	1
10	BAC27NEX1321		.DECAL- PLACARD CONTENT: C4149 USED ON: 284N1360-34 MODREF10004	002004 006999	1

MISSING ITEM NUMBERS NOT APPLICABLE

- ITEM NOT ILLUSTRATED

33-37-53-01

33-37-53
FIG. 01
PAGE 1
JAN 20/09

BRI



757

PARTS CATALOG (MAINTENANCE)

FIG ITEM	PART NUMBER	1 2 3 4 5 6 7	NOMENCLATURE	EFFECT FROM TO	UNITS PER ASSY
1					
20	BAC27NEX1320		.DECAL- PLACARD CONTENT: C4048 USED ON: 284N1360-34 MODREF10004	002004 006999	1
30	2TC47-7-5		.CIRCUIT BREAKER- SUPPLIER CODE: V82647 SPECIFICATION NUMBER: BACC18AD7 OPTIONAL PART: 4310-029-705 V76374 ELECTRICAL EQUIP NUMBER: C04149 C04431 USED ON: 284N1360-34 284N1360-42 MODREF10004 MODREF10011	101106 108120 504903	2
40	2TC6-7-5		.CIRCUIT BREAKER- SUPPLIER CODE: V82647 SPECIFICATION NUMBER: BACC18Z7R OPTIONAL PART: 4310-002-705 V76374 ELECTRICAL EQUIP NUMBER: C04149	002004 006012 107107 121503 904999	1
40	2TC47-7-5		.CIRCUIT BREAKER- SUPPLIER CODE: V82647 SPECIFICATION NUMBER: BACC18AD7 OPTIONAL PART: 4310-029-705 V76374 ELECTRICAL EQUIP NUMBER: C04149 USED ON: 284N1360-34 MODREF10004	013102 108120 504903	1

MISSING ITEM NUMBERS NOT APPLICABLE

- ITEM NOT ILLUSTRATED

33-37-53-01

33-37-53
FIG. 01
PAGE 2
JAN 20/09

BRI



757

PARTS CATALOG (MAINTENANCE)

FIG ITEM	PART NUMBER	1 2 3 4 5 6 7	NOMENCLATURE	EFFECT FROM TO	UNITS PER ASSY
1 45	2TC6-10		.CIRCUIT BREAKER- SUPPLIER CODE: V82647 SPECIFICATION NUMBER: BACC18Z10R OPTIONAL PART: 4310-002-10 V76374 ELECTRICAL EQUIP NUMBER: C04048	002004 006012 107107 121503 904999	1
45	2TC47-10		.CIRCUIT BREAKER- SUPPLIER CODE: V82647 SPECIFICATION NUMBER: BACC18AD10 OPTIONAL PART: 4310-029-10 V76374 ELECTRICAL EQUIP NUMBER: C04048	013106 108120 504903	1

MISSING ITEM NUMBERS NOT APPLICABLE

- ITEM NOT ILLUSTRATED

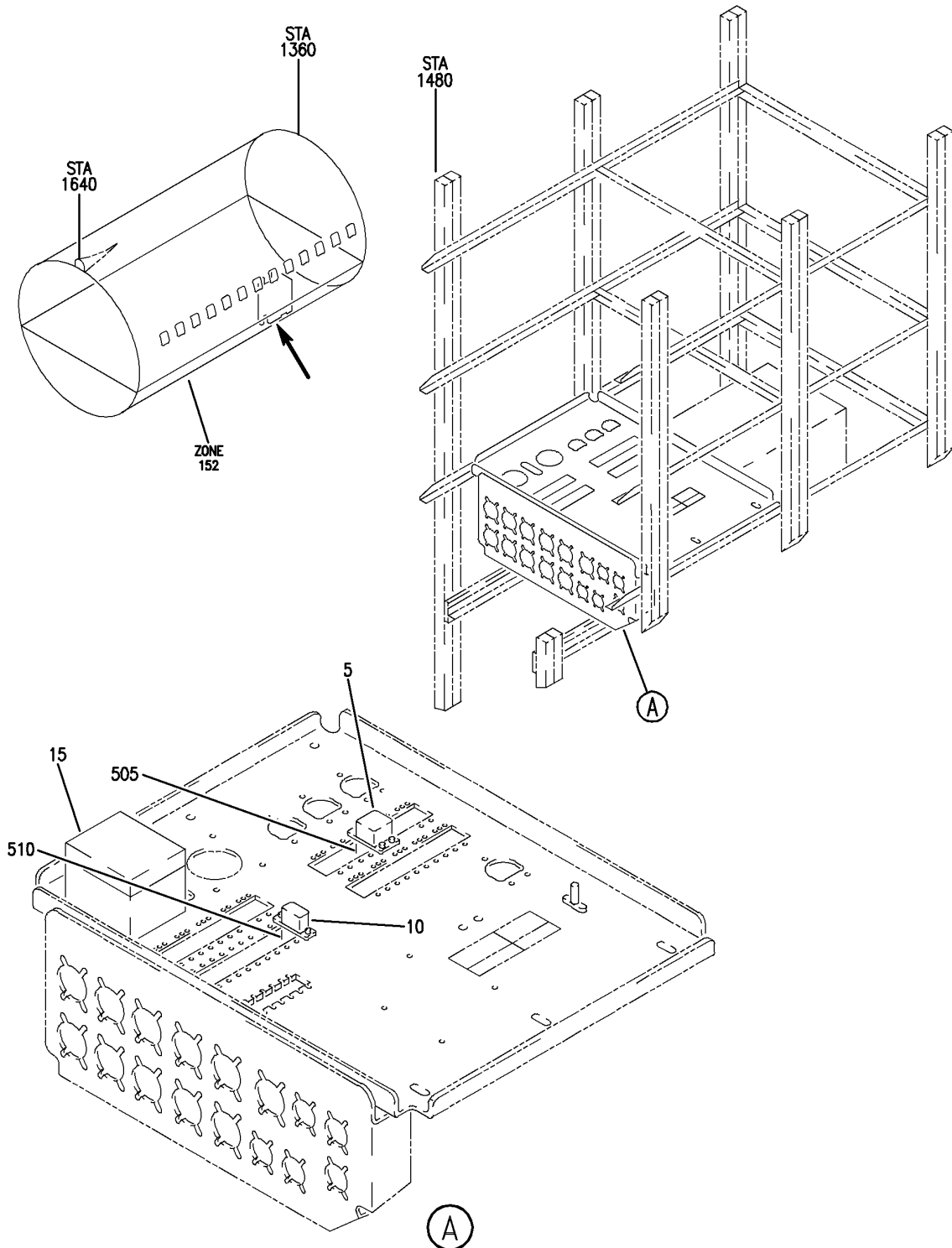
BRI

33-37-53-01

BOEING PROPRIETARY - Copyright © - Unpublished Work - See title page for details.

33-37-53
FIG. 01
PAGE 3
JAN 20/09

BOEING
757
PARTS CATALOG (MAINTENANCE)



Y 33377101 REV 225

EQUIPMENT ASSY-E6 RELAY PNL AFT EQPT CTR (LIGHTS ONLY)
FIGURE 1

33-37-71-01

BRI
JAN 20/09

33-37-71-01
PAGE 0



757

PARTS CATALOG (MAINTENANCE)

FIG ITEM	PART NUMBER	1 2 3 4 5 6 7	NOMENCLATURE	EFFECT FROM TO	UNITS PER ASSY
1			EQUIPMENT ASSY-E6 RELAY PNL AFT EQPT CTR (LIGHTS ONLY)	108120	
- 1	284N1554-123		EQUIPMENT ASSY-E6 RELAY PNL EQPT CTR (LIGHTS ONLY) POSITION DATA: AFT FOR NHA/OTHER SYS DET SEE: 24-00-58-05D	108120	RF
5	E410-1537		.RELAY- SUPPLIER CODE: V99699 SPECIFICATION NUMBER: BACR13CG2A OPTIONAL PART: E415-1078 V99699 BR230S0116 V56623 KD4A017 V58687 FCA410-62 V78290 ELECTRICAL EQUIP NUMBER: K10047	108120	1
15	FT1046		.TRANSFORMER- SUPPLIER CODE: V14752 FUNCTIONAL DESCRIPTION: PROVIDES 115 VOLT POWER FOR CARGO BAY LIGHTING SPECIFICATION NUMBER: 60B40026-17 ELECTRICAL EQUIP NUMBER: T10002	108120	1
- 20	NAS1801-06-8		ATTACHING PARTS .SCREW	108120	4
- 25	NAS1149DN616J		.WASHER	108120	4
			-----*-----		
- 501	286N1024-306		WIRE BUNDLE ASSY	108120	RF
505	BAC16W1		.SOCKET- ELECTRICAL EQUIP NUMBER: D02287 WIRING DIAGRAM REF: 333721	108120	1

MISSING ITEM NUMBERS NOT APPLICABLE

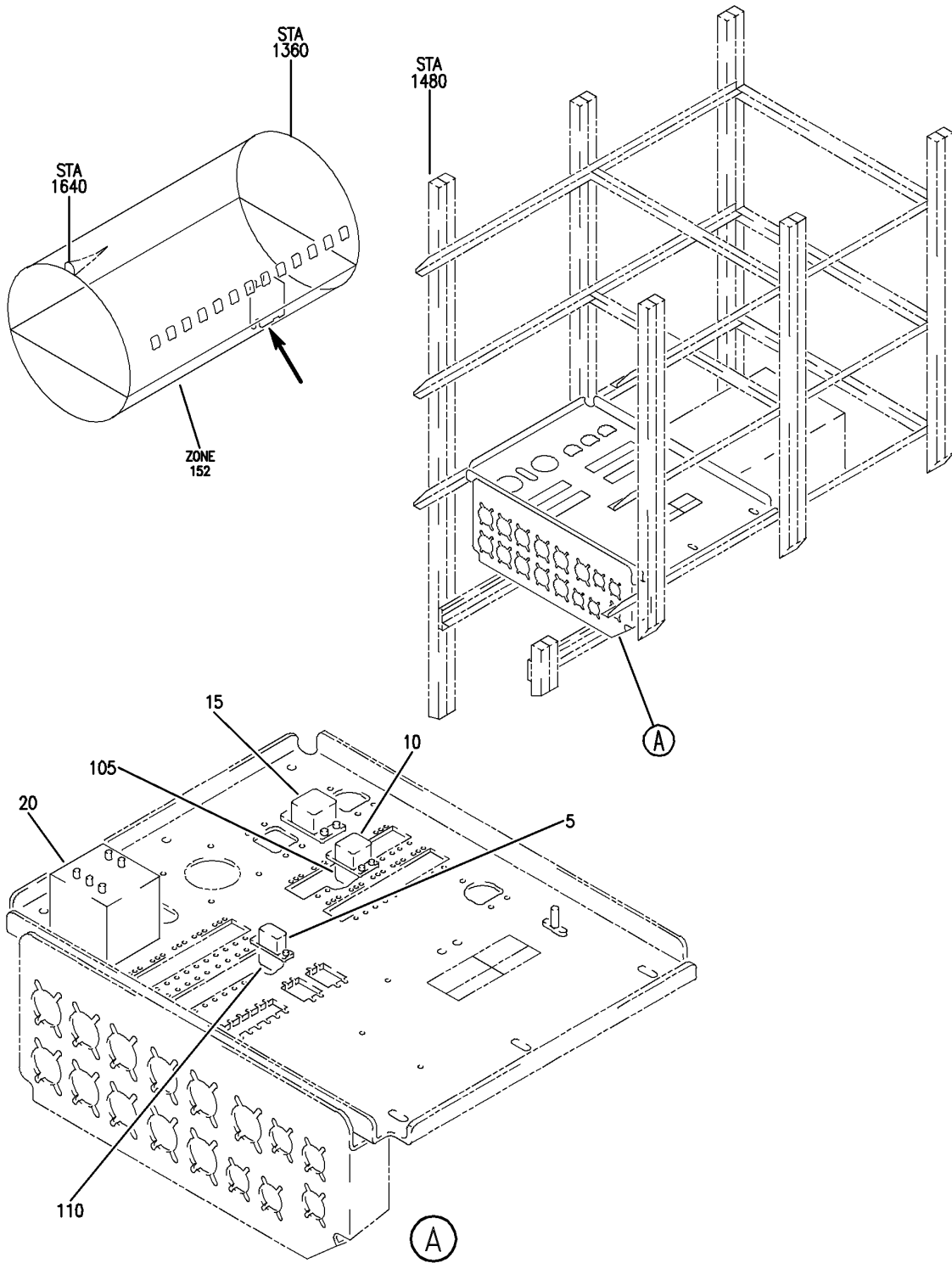
- ITEM NOT ILLUSTRATED

33-37-71-01

33-37-71
FIG. 01
PAGE 1
JAN 20/09

BRI

BOEING
757
PARTS CATALOG (MAINTENANCE)



Y. 33377102 REV 225

EQUIPMENT ASSY-E6 RELAY PNL AFT EQPT CTR (LIGHTS ONLY)
FIGURE 2

33-37-71-02

BRI
JAN 20/09

33-37-71-02
PAGE 0



757

PARTS CATALOG (MAINTENANCE)

FIG ITEM	PART NUMBER	1 2 3 4 5 6 7	NOMENCLATURE	EFFECT FROM TO	UNITS PER ASSY
2			EQUIPMENT ASSY-E6 RELAY PNL AFT EQPT CTR (LIGHTS ONLY)	103106	
- 1	MODREF11091		EQUIPMENT ASSY-E6 RELAY PNL AFT EQPT CTR (LIGHTS ONLY) MODULE NUMBER: 284N1554-308 REV A FOR OTHER SYS DETAILS SEE: 24-31-71-06 24-31-71-07 24-32-05-03 24-32-06-03 24-32-71-06 28-25-71-07 31-01-86-05 49-31-71-02 49-41-71-05 49-61-71-05 52-34-71-02	103106	1
10	E410-1537		.RELAY- SUPPLIER CODE: V99699 SPECIFICATION NUMBER: BACR13CG2A OPTIONAL PART: E415-1078 V99699 BR230S0116 V56623 KD4A017 V58687 FCA410-62 V78290 ELECTRICAL EQUIP NUMBER: K10047	103106	1
15	9324-7424		.RELAY- SUPPLIER CODE: V35344 ELECTRICAL EQUIP NUMBER: K10788	103106	1
- 16	BACS12HN08-7		ATTACHING PARTS .SCREW-	103106	4
- 17	NAS1149DN816J		.WASHER	103106	4
- 18	BACN11AG08		.NUT -----*-----	103106	4

MISSING ITEM NUMBERS NOT APPLICABLE

- ITEM NOT ILLUSTRATED

33-37-71-02

33-37-71
FIG. 02
PAGE 1
JAN 20/09

BRI



**757
PARTS CATALOG (MAINTENANCE)**

FIG ITEM	PART NUMBER	1 2 3 4 5 6 7	NOMENCLATURE	EFFECT FROM TO	UNITS PER ASSY
2 20	FT1046		.TRANSFORMER- SUPPLIER CODE: V14752 FUNCTIONAL DESCRIPTION: PROVIDES 115 VOLT POWER FOR CARGO BAY LIGHTING SPECIFICATION NUMBER: 60B40026-17 ELECTRICAL EQUIP NUMBER: T10002 ATTACHING PARTS	103106	1
- 25	NAS1801-06-8		.SCREW	103106	4
- 30	NAS1149DN616J		.WASHER	103106	4
			-----*-----		
- 100	286N1024-602		WIRE BUNDLE ASSY	103106	RF
105	BACS16W1		.SOCKET- ELECTRICAL EQUIP NUMBER: D02287 WIRING DIAGRAM REF: 333721	103106	1

MISSING ITEM NUMBERS NOT APPLICABLE

- ITEM NOT ILLUSTRATED

BRI

33-37-71-02

BOEING PROPRIETARY - Copyright © - Unpublished Work - See title page for details.

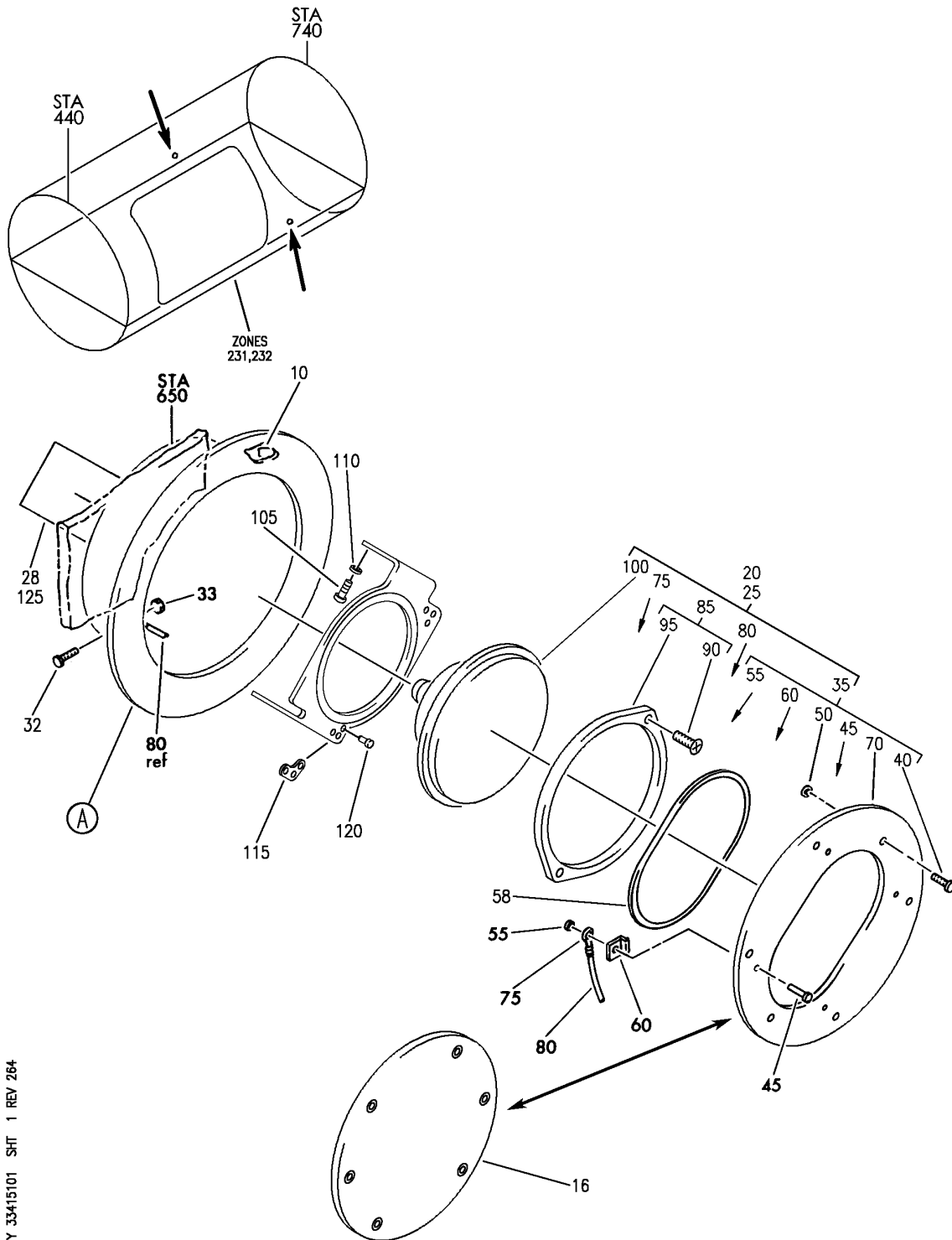
33-37-71
FIG. 02
PAGE 2
JAN 20/09

WING ILLUMINATION LIGHTS

BRI
MAY 28/07

33-41-00
SECTION TITLE
PAGE 1

BOEING
757
PARTS CATALOG (MAINTENANCE)



Y 33415101 SHT 1 REV 264

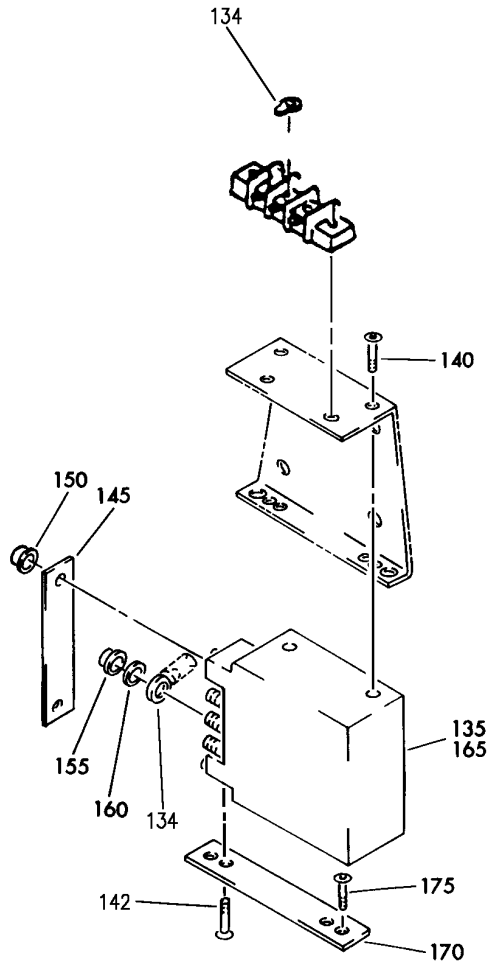
LIGHT INSTL-WG ILLUMINATION
FIGURE 1 (SHEET 1)

33-41-51-01

BRI
MAY 28/07

33-41-51-01
PAGE 0

BOEING
757
PARTS CATALOG (MAINTENANCE)



(A)

Y 33415101 SH1 2 REV 256

LIGHT INSTL-WG ILLUMINATION
FIGURE 1 (SHEET 2)

33-41-51-01

BRI
MAY 28/07

33-41-51-01
PAGE 0A



757

PARTS CATALOG (MAINTENANCE)

FIG ITEM	PART NUMBER	1 2 3 4 5 6 7	NOMENCLATURE	EFFECT FROM TO	UNITS PER ASSY
1			LIGHT INSTL-WG ILLUMINATION	002004 006999	
- 1	284N1358-1		LIGHT INSTL-WG ILLUMINATION POSITION DATA: LH FOR NHA SEE: 24-00-58-01A	002004 006017 107107 121503 904999	RF
- 1	284N1358-3		LIGHT INSTL-WG ILLUMINATION POSITION DATA: LH FOR NHA SEE: 24-00-58-01A 24-00-58-05	018102 108120 504903	RF
- 1	MODREF27701		LIGHT INSTL-WG ILLUMINATION MODULE NUMBER: 284N1358-3 REV B POSITION DATA: LH	103105	1
- 1	MODREF172109		LIGHT INSTL-WING ILLUMINATION MODULE NUMBER: 284N1358-3 REV C POSITION DATA: LH	106106	1
- 5	284N1358-2		LIGHT INSTL-WG ILLUMINATION POSITION DATA: RH FOR NHA SEE: 24-00-58-01A	002004 006017 107107 121503 904999	RF
- 5	284N1358-4		LIGHT INSTL-WG ILLUMINATION POSITION DATA: RH FOR NHA SEE: 24-00-58-01A 24-00-58-05	018102 108120 504903	RF
- 5	MODREF27702		LIGHT INSTL-WG ILLUMINATION MODULE NUMBER: 284N1358-4 REV B POSITION DATA: RH	103105	1
- 5	MODREF172110		LIGHT INSTL-WING ILLUMINATION MODULE NUMBER: 284N1358-8 REV C POSITION DATA: RH	106106	1

MISSING ITEM NUMBERS NOT APPLICABLE

- ITEM NOT ILLUSTRATED

33-41-51-01

33-41-51
FIG. 01
PAGE 1
JAN 20/09

BRI



757

PARTS CATALOG (MAINTENANCE)

FIG ITEM	PART NUMBER	1 2 3 4 5 6 7	NOMENCLATURE	EFFECT FROM TO	UNITS PER ASSY
1 10	BAC27NEX0665	.DECAL-	PLACARD CONTENT: L00070 LIGHT WING ILLUMINATION, L USED ON: 284N1358-1 284N1358-3 284N1358-5 MODREF9927 MODREF9929 MODREF27701 MODREF27703	002004 006999	1
- 15	BAC27NEX0664	.DECAL-	PLACARD CONTENT: L00069 LIGHT WING ILLUMINATION, R USED ON: 284N1358-2 284N1358-4 284N1358-6 MODREF9928 MODREF9930 MODREF27702 MODREF27704	002004 006999	1
20	30-1637-5	.LIGHT ASSY-	SUPPLIER CODE: V72914 POSITION DATA: LH SIDE SPECIFICATION NUMBER: S283T008-21 ELECTRICAL EQUIP NUMBER: L00070 COMPONENT MAINT MANUAL REF: 33-41-27 OPTIONAL PART: 30-1637-1 V72914 OPTIONAL PART: 30-1637-7 V72914	002004 006999	1

MISSING ITEM NUMBERS NOT APPLICABLE

- ITEM NOT ILLUSTRATED

33-41-51-01

33-41-51
FIG. 01
PAGE 2
JAN 20/09

BRI



757

PARTS CATALOG (MAINTENANCE)

FIG ITEM	PART NUMBER	1 2 3 4 5 6 7	NOMENCLATURE	EFFECT FROM TO	UNITS PER ASSY
1 20	30-1637-1		.LIGHT ASSY- SUPPLIER CODE: V72914 POSITION DATA: LH SIDE SPECIFICATION NUMBER: S283T008-21 ELECTRICAL EQUIP NUMBER: L00070 COMPONENT MAINT MANUAL REF: 33-41-27 OPTIONAL PART: 30-1637-5 V72914 OPTIONAL PART: 30-1637-7 V72914	002004 006999	1
20	30-1637-7		.LIGHT ASSY- SUPPLIER CODE: V72914 POSITION DATA: LH SIDE SPECIFICATION NUMBER: S283T008-101 ELECTRICAL EQUIP NUMBER: L00070 COMPONENT MAINT MANUAL REF: 33-41-27 OPTIONAL PART: 30-1637-5 V72914 30-1637-1 V72914	002004 006999	1

MISSING ITEM NUMBERS NOT APPLICABLE

- ITEM NOT ILLUSTRATED

33-41-51-01

33-41-51
FIG. 01
PAGE 3
JAN 20/09

BRI



757

PARTS CATALOG (MAINTENANCE)

FIG ITEM	PART NUMBER	1 2 3 4 5 6 7	NOMENCLATURE	EFFECT FROM TO	UNITS PER ASSY
1 25	30-1637-6		.LIGHT ASSY- SUPPLIER CODE: V72914 POSITION DATA: RH SIDE SPECIFICATION NUMBER: S283T008-22 ELECTRICAL EQUIP NUMBER: L00069 COMPONENT MAINT MANUAL REF: 33-41-27 OPTIONAL PART: 30-1637-2 V72914 OPTIONAL PART: 30-1637-8 V72914	002004 006999	1
25	30-1637-2		.LIGHT ASSY- SUPPLIER CODE: V72914 POSITION DATA: RH SIDE SPECIFICATION NUMBER: S283T008-22 ELECTRICAL EQUIP NUMBER: L00069 COMPONENT MAINT MANUAL REF: 33-41-27 OPTIONAL PART: 30-1637-6 V72914 OPTIONAL PART: 30-1637-8 V72914	002004 006999	1

MISSING ITEM NUMBERS NOT APPLICABLE

- ITEM NOT ILLUSTRATED

BRI

33-41-51-01

BOEING PROPRIETARY - Copyright © - Unpublished Work - See title page for details.

33-41-51
FIG. 01
PAGE 4
JAN 20/09



757

PARTS CATALOG (MAINTENANCE)

FIG ITEM	PART NUMBER	1 2 3 4 5 6 7	NOMENCLATURE	EFFECT FROM TO	UNITS PER ASSY
1 25	30-1637-8		.LIGHT ASSY- SUPPLIER CODE: V72914 POSITION DATA: RH SIDE SPECIFICATION NUMBER: S283T008-100 ELECTRICAL EQUIP NUMBER: L00069 COMPONENT MAINT MANUAL REF: 33-41-27 OPTIONAL PART: 30-1637-6 V72914 30-1637-2 V72914	002004 006999	1
28	31-5456-1		..PLATE-IDENT SUPPLIER CODE: V72914 USED ON: 30-1637-1 30-1637-2	002004 006999	1
28	31-5752-1		..PLATE-IDENT SUPPLIER CODE: V72914 USED ON: 30-1637-5 30-1637-6	002004 006999	1
32	MS35206-227		..SCREW	002004 006999	1
33	MS21042-06		..NUT	002004 006999	1
35	31-5414-1		..LENS ASSY- SUPPLIER CODE: V72914 POSITION DATA: LH SIDE	002004 006999	1
- 36	31-5414-2		..LENS ASSY- SUPPLIER CODE: V72914 POSITION DATA: RH SIDE	002004 006999	1
40	60-3503-1		...SCREW-MACHINE SUPPLIER CODE: V72914	002004 006999	6

MISSING ITEM NUMBERS NOT APPLICABLE

- ITEM NOT ILLUSTRATED

33-41-51-01

33-41-51
FIG. 01
PAGE 5
JAN 20/09

BRI



757

PARTS CATALOG (MAINTENANCE)

FIG ITEM	PART NUMBER	1 2 3 4 5 6 7	NOMENCLATURE	EFFECT FROM TO	UNITS PER ASSY
1	40 60-3503-5		...SCREW-MACHINE SUPPLIER CODE: V72914 POSITION DATA: LH SIDE	002004 006999	6
-	42 60-3503-5		...SCREW-MACHINE SUPPLIER CODE: V72914 POSITION DATA: RH SIDE	002004 006999	6
	45 MS24693S27		...SCREW- CONFIG CHG DATA FROM A CMM: SUPSD BY MS24693C27	002004 006999	4
	45 MS24693C27		...SCREW- CONFIG CHG DATA FROM A CMM: SUPERSEDES MS24693S27	002004 006999	4
	50 MS35338-42		...WASHER- POSITION DATA: LH SIDE	002004 006999	6
-	52 MS35338-42		...WASHER- POSITION DATA: RH SIDE	002004 006999	6
	55 MS21042-06		...NUT	002004 006999	4
	58 25-0304-23		...LENS- SUPPLIER CODE: V72914	002004 006999	1
	60 60-3731-1		...CLIP- SUPPLIER CODE: V72914	002004 006999	4
-	65 31-5413-2		...RETAINER- SUPPLIER CODE: V72914 POSITION DATA: RH SIDE	002004 006999	1
	70 31-5413-1		...RETAINER- SUPPLIER CODE: V72914 POSITION DATA: LH SIDE	002004 006999	1
-	72 31-4923-1		..LANYARD ASSY- SUPPLIER CODE: V72914 ATTACHING PARTS	002004 006999	1
-	73 MS35206-227		..SCREW	002004 006999	1
-	74 MS21042-06		..NUT	002004 006999	1
		-----*-----			
MISSING ITEM NUMBERS NOT APPLICABLE					

- ITEM NOT ILLUSTRATED

33-41-51-01

33-41-51
FIG. 01
PAGE 6
JAN 20/09

BRI



757

PARTS CATALOG (MAINTENANCE)

FIG ITEM	PART NUMBER	1 2 3 4 5 6 7	NOMENCLATURE	EFFECT FROM TO	UNITS PER ASSY
1					
75	36158	...	LUG- SUPPLIER CODE: V00779	002004 006999	2
80	31-4923-3	...	ROPE-WIRE SUPPLIER CODE: V72914	002004 006999	1
85	31-5239-1	..	RETAINER ASSY-LAMP SUPPLIER CODE: V72914	002004 006999	1
90	MS35206-248	...	SCREW	002004 006999	2
95	31-5239-3	...	RETAINER- SUPPLIER CODE: V72914	002004 006999	1
100	Q4631	..	LAMP-13V 250W SUPPLIER CODE: V08806	002004 006999	1
105	NAS1801-3D8	..	SCREW	002004 006999	4
110	AN960-10	..	WASHER	002004 006999	4
115	MS21073L08	...	NUT	002004 006999	2
120	MS20426A3-4	...	RIVET	002004 006999	4
125	31-5456-1	..	PLATE- SUPPLIER CODE: V72914	002004 006999	1
125	31-5752-1	..	PLATE- SUPPLIER CODE: V72914	002004 006999	1
134	36160	..	TERMINAL- SUPPLIER CODE: V00779	002004 006999	5
135	FT1218	..	TRANSFORMER- SUPPLIER CODE: V14752	002004 006999	1
			USED ON: 30-1637-5 30-1637-6		
135	55-1444-1	..	TRANSFORMER- SUPPLIER CODE: V72914	002004 006999	1
			USED ON: 30-1637-1 30-1637-2		

MISSING ITEM NUMBERS NOT APPLICABLE

- ITEM NOT ILLUSTRATED

33-41-51-01

33-41-51
FIG. 01
PAGE 7
JAN 20/09

BRI

BOEING PROPRIETARY - Copyright © - Unpublished Work - See title page for details.



757

PARTS CATALOG (MAINTENANCE)

FIG ITEM	PART NUMBER	1 2 3 4 5 6 7	NOMENCLATURE	EFFECT FROM TO	UNITS PER ASSY
1			ATTACHING PARTS		
140	MS35207-259	..	SCREW- CONFIG CHG DATA FROM A CMM: SUPSD BY MS35207-260	002004 006999	2
140	MS35207-260	..	SCREW- CONFIG CHG DATA FROM A CMM: SUPERSEDES MS35207-259	002004 006999	2
142	MS24693S268	..	SCREW- CONFIG CHG DATA FROM A CMM: SUPSD BY MS24693S269	002004 006999	2
142	MS24693S269	..	SCREW- CONFIG CHG DATA FROM A CMM: SUPERSEDES MS24693S268	002004 006999	2
145	56-0261-1	...	PLATE-COVER SUPPLIER CODE: V72914 USED ON: 55-1444-1	002004 006999	1
150	MS21043-3	...	NUT- USED ON: 55-1444-1	002004 006999	2
155	MS21043-3	...	NUT- USED ON: 55-1444-1	002004 006999	3
160	NAS620C10L	...	WASHER- USED ON: 55-1444-1	002004 006999	3
165	56-0544-1	...	TRANSFORMER ASSY-SUB SUPPLIER CODE: V72914 USED ON: 55-1444-1	002004 006999	1
170	31-4926-1	..	PLATE-MTG SUPPLIER CODE: V72914	002004 006999	1
175	MS35207-263	..	SCREW -----*-----	002004 006999	2

MISSING ITEM NUMBERS NOT APPLICABLE

- ITEM NOT ILLUSTRATED

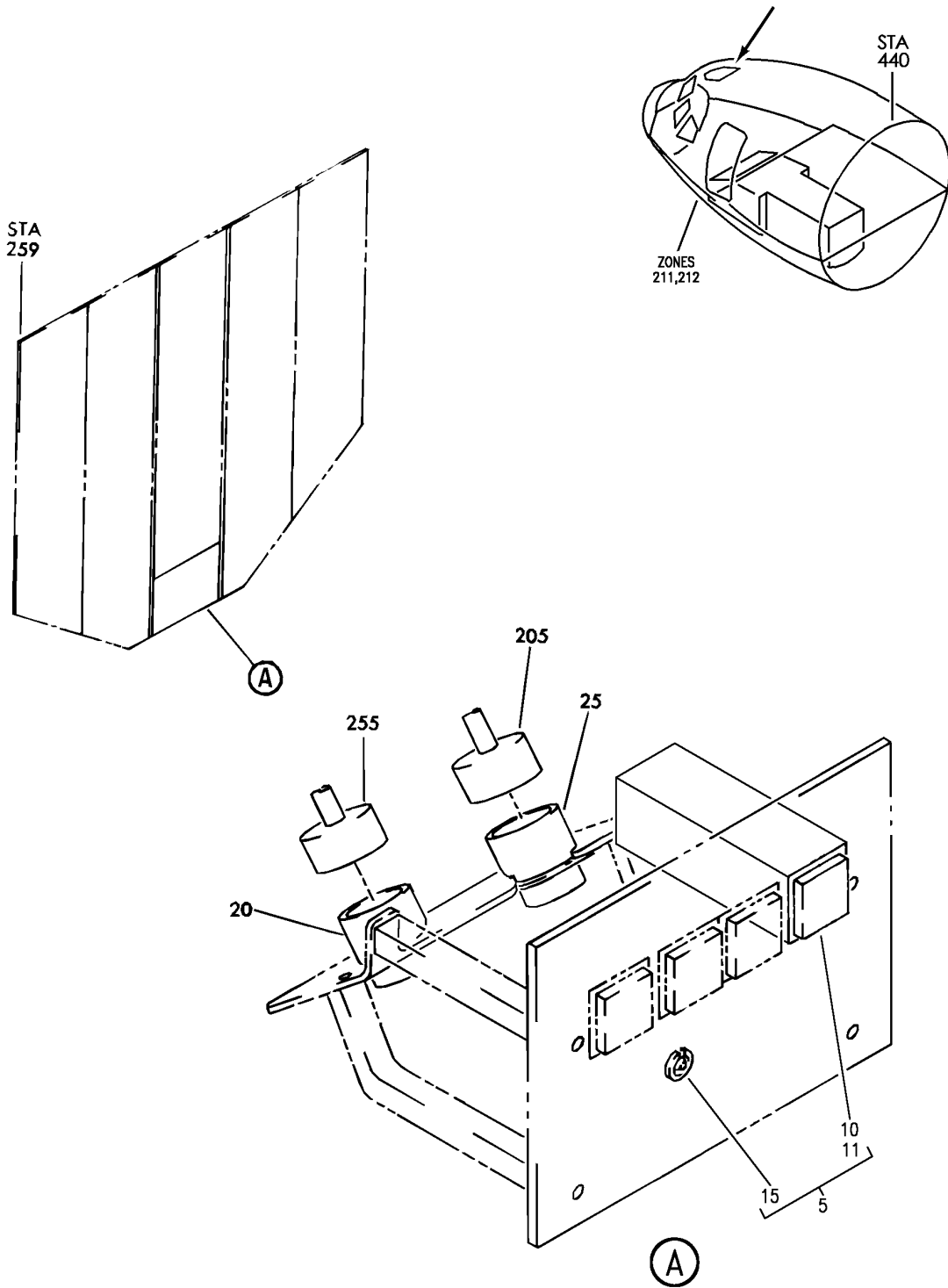
33-41-51-01

33-41-51
FIG. 01
PAGE 8
JAN 20/09

BRI

BOEING PROPRIETARY - Copyright © - Unpublished Work - See title page for details.

BOEING
757
PARTS CATALOG (MAINTENANCE)



Y 33415201 REV 264

PANEL INSTL-P5 OVHD (WING ILLUMINATION LIGHTS ONLY)
FIGURE 1

33-41-52-01

BRI
MAY 28/07

33-41-52-01
PAGE 0



757

PARTS CATALOG (MAINTENANCE)

FIG ITEM	PART NUMBER	1 2 3 4 5 6 7	NOMENCLATURE	EFFECT FROM TO	UNITS PER ASSY
1			PANEL INSTL-P5 OVHD (WING ILLUMINATION LIGHTS ONLY)	002004 006010 107107 121503 904999	
- 1	233N3101-1		PANEL INSTL-P5 OVHD (WING ILLUMINATION LIGHTS ONLY) VARIABLE DRAWING REF: 233N3101-5005 233N3101-5025 233N3101-5041 233N3101-5042 233N3101-5045 FOR NHA/OTHER SYS DET SEE: 25-10-00-05A	002004 006010 107107 121503 904999	RF
5	233N3210-14		.PANEL ASSY-ANTI-COLLISION LIGHTING SUPPLIER CODE: V89954 ELECTRICAL EQUIP NUMBER: M10396 COMPONENT MAINT MANUAL REF: 33-44-71 QUALIFIED I/W DATA: 233N3210-13 -14 -15 -16 ARE ALL INTERCHANGEABLE EXCEPT SUBJECT TO CUSTOMER PREFERENCE	107107	RF
5	233N3210-15		.PANEL ASSY-ANTI-COLLISION LIGHTING SUPPLIER CODE: V89954 ELECTRICAL EQUIP NUMBER: M10396 COMPONENT MAINT MANUAL REF: 33-44-71 QUALIFIED I/W DATA: 233N3210-13 -14 -15 -16 ARE ALL INTERCHANGEABLE EXCEPT SUBJECT TO CUSTOMER PREFERENCE	121503 904949	RF

MISSING ITEM NUMBERS NOT APPLICABLE

- ITEM NOT ILLUSTRATED

33-41-52-01

33-41-52
FIG. 01
PAGE 1
JAN 20/09

BRI



757

PARTS CATALOG (MAINTENANCE)

FIG ITEM	PART NUMBER	1 2 3 4 5 6 7	NOMENCLATURE	EFFECT FROM TO	UNITS PER ASSY
1	5 233T3217-41		.PANEL ASSY-ANTI-COLLISION LIGHTING SUPPLIER CODE: V89954 ELECTRICAL EQUIP NUMBER: M00056 COMPONENT MAINT MANUAL REF: 33-44-72 QUALIFIED I/W DATA: 233T3217-40 -41 -42 ARE ALL INTERCHANGEABLE EXCEPT SUBJECT TO CUSTOMER PREFERENCE THE 233T3217-300 PANEL ASSY IS I/W THE 233T3217-41 PANEL ASSY T/W THE S233T100-6030 LIGHTPLATE.	002004 006010 950999	RF
10	BCREFA0503		..SWITCH ASSY-LIGHTED PUSH BUTTON IND SUPPLIER CODE: V81590 OVERLENGTH PART NUMBER: 433-673-1004-4012 SPECIFICATION NUMBER: S231T290-4012 MISCELLANEOUS DATA: WHEN REPLACING THE PUSHBUTTON SWITCH ASSY OR THE MASTER MODULE WITHIN, VERIFY THAT A CONFIG D MASTER MODULE P/N 13206-001 IS INSTALLED IN LIEU OF ANY EARLIER CONFIGURATION MASTER MODULES. FOR DETAILS SEE: 33-13-00-45A	121503 904949	1
10	851-30768-3012		..SWITCH ASSY-LIGHTED PUSH BUTTON IND ON SUPPLIER CODE: V96182 SPECIFICATION NUMBER: S231T290-3012 OPTIONAL PART: S231T290-5012 FOR DETAILS SEE: 33-13-00-35A	121503 904949	1

MISSING ITEM NUMBERS NOT APPLICABLE

- ITEM NOT ILLUSTRATED

33-41-52-01

33-41-52
FIG. 01
PAGE 2
JAN 20/09

BRI



757

PARTS CATALOG (MAINTENANCE)

FIG ITEM	PART NUMBER	1 2 3 4 5 6 7	NOMENCLATURE	EFFECT FROM TO	UNITS PER ASSY
1					
10	4336731004-4212	..	SWITCH ASSY-LIGHTED PUSHBUTTON IND SUPPLIER CODE: V81590 SPECIFICATION NUMBER: S231T290-4212	121503 904949	1
10	S231T290-5012	..	SWITCH ASSY-LIGHTED PUSH BUTTON IND OPTIONAL PART: 851-30768-3012 V96182	121503 904949	1
10	851-30768-2012	..	SWITCH ASSY-LIGHTED PUSH BUTTON IND ON SUPPLIER CODE: V96182 SPECIFICATION NUMBER: S231T290-2012 FOR DETAILS SEE: 33-13-00-25A	107107	1
10	4336731004-4212	..	SWITCH ASSY-LIGHTED PUSHBUTTON IND SUPPLIER CODE: V81590 SPECIFICATION NUMBER: S231T290-4212 POST SERVICE LETTER: 33-027	002004 006010 950999	1
10	BCREFA0503	..	SWITCH ASSY-LIGHTED PUSHBUTTON IND SUPPLIER CODE: V81590 OVERLENGTH PART NUMBER: 433-673-1004-4012 SPECIFICATION NUMBER: S231T290-4012 MISCELLANEOUS DATA: WHEN REPLACING THE PUSHBUTTON SWITCH ASSY OR THE MASTER MODULE WITHIN, VERIFY THAT A CONFIG D MASTER MODULE P/N 13206-001 IS INSTALLED IN LIEU OF ANY EARLIER CONFIGURATION MASTER MODULES. PRE SERVICE LETTER: 33-027 FOR DETAILS SEE: 33-13-00-45A	002004 006010 950999	1

MISSING ITEM NUMBERS NOT APPLICABLE

- ITEM NOT ILLUSTRATED

33-41-52-01

33-41-52
FIG. 01
PAGE 3
JAN 20/09

BRI



757

PARTS CATALOG (MAINTENANCE)

FIG ITEM	PART NUMBER	1 2 3 4 5 6 7	NOMENCLATURE	EFFECT FROM TO	UNITS PER ASSY
1					
10	BCREF7604		..SWITCH ASSY-LIGHTED PUSHBUTTON IND SUPPLIER CODE: V81590 OVERLENGTH PART NUMBER: 433-673-1001-1012 SPECIFICATION NUMBER: S231T290-1012 FOR DETAILS SEE: 33-13-00-15A	107107	1
10	851-30768-3012		..SWITCH ASSY-LIGHTED PUSHBUTTON IND SUPPLIER CODE: V96182 SPECIFICATION NUMBER: S231T290-3012 FOR DETAILS SEE: 33-13-00-35A	107107	1
10	BCREFA0503		..SWITCH ASSY-LIGHTED PUSHBUTTON IND SUPPLIER CODE: V81590 OVERLENGTH PART NUMBER: 433-673-1004-4012 SPECIFICATION NUMBER: S231T290-4012 MISCELLANEOUS DATA: WHEN REPLACING THE PUSHBUTTON SWITCH ASSY OR THE MASTER MODULE WITHIN, VERIFY THAT A CONFIG D MASTER MODULE P/N 13206-001 IS INSTALLED IN LIEU OF ANY EARLIER CONFIGURATION MASTER MODULES. FOR DETAILS SEE: 33-13-00-45A	107107	1
11	S231T290-5012		..SWITCH ASSY-LIGHTED PUSHBUTTON IND	107107	1
11	4336731004-4212		..SWITCH ASSY-LIGHTED PUSHBUTTON IND SUPPLIER CODE: V81590 SPECIFICATION NUMBER: S231T290-4212	107107	1

MISSING ITEM NUMBERS NOT APPLICABLE

- ITEM NOT ILLUSTRATED

33-41-52-01

33-41-52
FIG. 01
PAGE 4
JAN 20/09

BRI



757

PARTS CATALOG (MAINTENANCE)

FIG ITEM	PART NUMBER	1 2 3 4 5 6 7	NOMENCLATURE	EFFECT FROM TO	UNITS PER ASSY
1					
15	800000121-1	..	CONNECTOR- SUPPLIER CODE: V05617	002004 006010 107107 121503 904999	1
20	BACC45FN16-24P9	..	CONNECTOR	002004 006010 950999	1
20	BACC45FN20-25P6	..	CONNECTOR	107107 121503 904949	1
25	BACC45FN16-24P	..	CONNECTOR	002004 006010 950999	1
25	BACC45FN18-14P	..	CONNECTOR	107107 121503 904949	1
			ATTACHING PARTS		
- 30	BACS12CB04-5	..	SCREW-	107107	6
- 35	NAS1801-04-5	..	SCREW- OPTIONAL PART: BACS12HN04-5	002004 006010 950999	4
- 35	BACS12HN04-5	..	SCREW- OPTIONAL PART: NAS1801-04-5	002004 006010 121503 904999	4
- 40	K19798-04	..	NUT SUPPLIER CODE: V15653 SPECIFICATION NUMBER: BACN10NW1 OPTIONAL PART: RMA4812-160-40 V72962 293162 V60119	107107	6
- 45	K19798-04	..	NUT SUPPLIER CODE: V15653 SPECIFICATION NUMBER: BACN10NW1 OPTIONAL PART: RMA4812-160-40 V72962 293162 V60119	002004 006010 121503 904999	4
- 200	286N2072-003	-----*	WIRE BUNDLE ASSY-(WING ILLUMINATION LIGHTS ONLY)	121503 904949	RF

MISSING ITEM NUMBERS NOT APPLICABLE

- ITEM NOT ILLUSTRATED

33-41-52-01

33-41-52
FIG. 01
PAGE 5
JAN 20/09

BRI

BOEING PROPRIETARY - Copyright © - Unpublished Work - See title page for details.



757

PARTS CATALOG (MAINTENANCE)

FIG ITEM	PART NUMBER	1 2 3 4 5 6 7	NOMENCLATURE	EFFECT FROM TO	UNITS PER ASSY
1					
- 200	286N2072-004		WIRE BUNDLE ASSY-(WING ILLUMINATION LIGHTS ONLY)	107107	RF
- 200	286N2072-005		WIRE BUNDLE ASSY-(WING ILLUMINATION LIGHTS ONLY)	002004 006010	RF
			REWORKED BY SB: 33-0039	950999	
205	BACC45FT18A14S		.CONNECTOR- ELECTRICAL EQUIP NUMBER: D03507 WIRING DIAGRAM REF: 334111	107107 121503 904949	1
205	BACC45FT16A24S		.CONNECTOR- ELECTRICAL EQUIP NUMBER: D03507 WIRING DIAGRAM REF: 334111	002004 006010 950999	1
- 250	286N2064-003		WIRE BUNDLE ASSY-(WING ILLUMINATION LIGHTS ONLY)	121503 904949	RF
- 250	286N2064-004		WIRE BUNDLE ASSY-(WING ILLUMINATION LIGHTS ONLY)	107107	RF
- 250	286N2064-005		WIRE BUNDLE ASSY-(WING ILLUMINATION LIGHTS ONLY)	002004 006010	RF
			REWORKED BY SB: 33-0039	950999	
255	BACC45FT20A25S6		.CONNECTOR- ELECTRICAL EQUIP NUMBER: D03505 WIRING DIAGRAM REF: 334421	107107 121503 904949	1
255	BACC45FT16A24S9		.CONNECTOR- ELECTRICAL EQUIP NUMBER: D03508 WIRING DIAGRAM REF: 243311	002004 006010 950999	1

MISSING ITEM NUMBERS NOT APPLICABLE

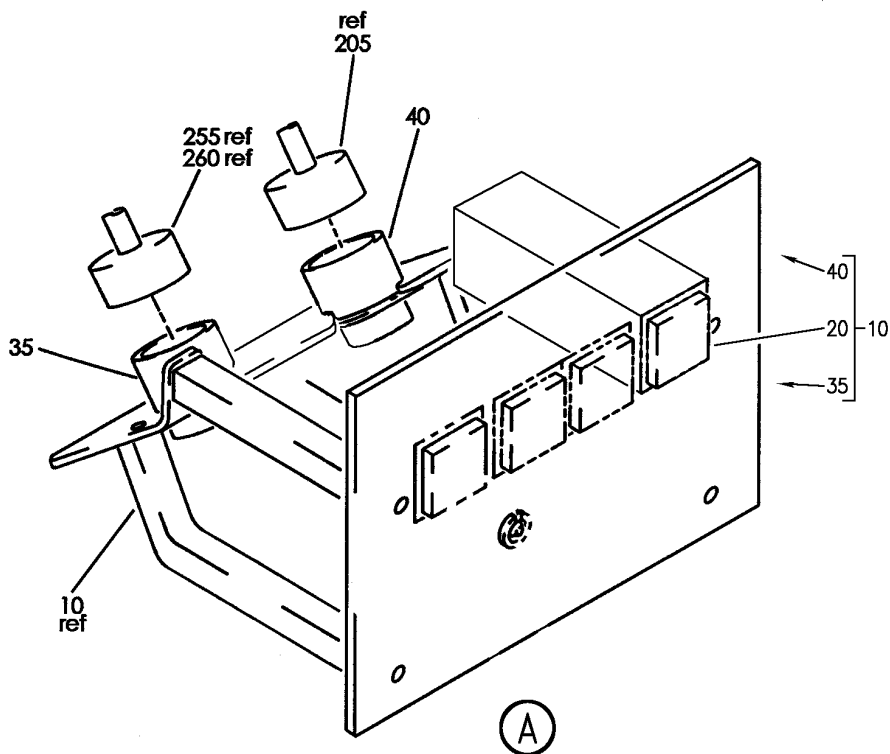
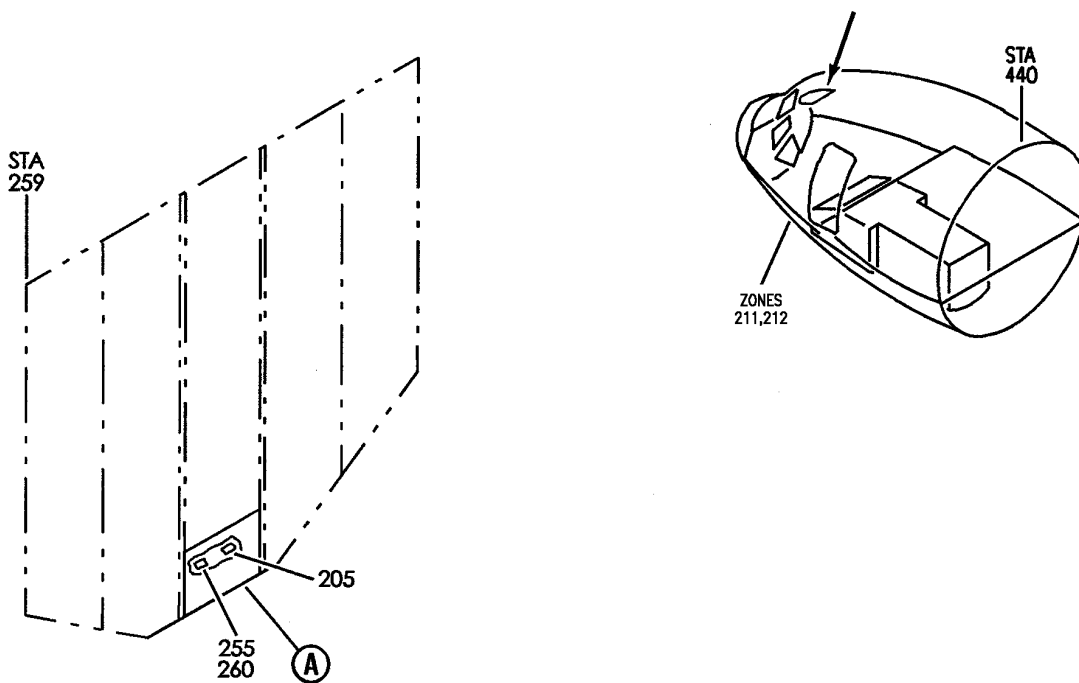
- ITEM NOT ILLUSTRATED

33-41-52-01

33-41-52
FIG. 01
PAGE 6
JAN 20/09

BRI

BOEING
757
PARTS CATALOG (MAINTENANCE)



Y 33415203 REV 264

PANEL INSTL-P5 OVHD (WING ILLUMINATION LIGHTS ONLY)
FIGURE 3

33-41-52-03

BRI
MAY 28/07

33-41-52-03
PAGE 0



757

PARTS CATALOG (MAINTENANCE)

FIG ITEM	PART NUMBER	1 2 3 4 5 6 7	NOMENCLATURE	EFFECT FROM TO	UNITS PER ASSY
3			PANEL INSTL-P5 OVHD (WING ILLUMINATION LIGHTS ONLY)	011100	
- 1	233N3101-1		PANEL INSTL-OVHD (WING ILLUMINATION LIGHTS ONLY) VARIABLE DRAWING REF: 233N3101-5142 FOR NHA/OTHER SYS DET SEE: 25-10-00-05A	011100	RF
- 5	233T3217-300		.PANEL ASSY-ANTI-COLLISION LIGHTING SUPPLIER CODE: V89954 ELECTRICAL EQUIP NUMBER: M00056 COMPONENT MAINT MANUAL REF: 33-44-72 QUALIFIED I/W DATA: THE 233T3217-300 PANEL ASSY IS I/W THE 233T3217-41 PANEL ASSY T/W THE S233T100-6030 LIGHTPLATE.	011100	RF
10	233T3217-41		..PANEL ASSY- SUPPLIER CODE: V89954 COMPONENT MAINT MANUAL REF: 33-44-72 QUALIFIED I/W DATA: THE 233T3217-300 PANEL ASSY IS I/W THE 233T3217-41 PANEL ASSY T/W THE S233T100-6030 LIGHTPLATE.	011100	RF

MISSING ITEM NUMBERS NOT APPLICABLE

- ITEM NOT ILLUSTRATED

33-41-52-03

33-41-52
FIG. 03
PAGE 1
JAN 20/09

BRI



757

PARTS CATALOG (MAINTENANCE)

FIG ITEM	PART NUMBER	1 2 3 4 5 6 7	NOMENCLATURE	EFFECT FROM TO	UNITS PER ASSY
3					
20	BCREFA0503		...SWITCH ASSY-LIGHTED PUSH BUTTON IND SUPPLIER CODE: V81590 OVERLENGTH PART NUMBER: 433-673-1004-4012 SPECIFICATION NUMBER: S231T290-4012 MISCELLANEOUS DATA: WHEN REPLACING THE PUSHBUTTON SWITCH ASSY OR THE MASTER MODULE WITHIN, VERIFY THAT A CONFIG D MASTER MODULE P/N 13206-001 IS INSTALLED IN LIEU OF ANY EARLIER CONFIGURATION MASTER MODULES. FOR DETAILS SEE: 33-13-00-45A	011100	1
20	4336731004-4212		...SWITCH ASSY-LIGHTED PUSHBUTTON IND SUPPLIER CODE: V81590 SPECIFICATION NUMBER: S231T290-4212	011100	1
35	BACC45FN16-24P9		...CONNECTOR	011100	1
40	BACC45FN16-24P		...CONNECTOR ATTACHING PARTS	011100	1
- 50	NAS1801-04-5		...SCREW- OPTIONAL PART: BACS12HN04-5	011100	4
- 50	BACS12HN04-5		...SCREW- OPTIONAL PART: NAS1801-04-5	011100	4
- 60	K19798-04		...NUT SUPPLIER CODE: V15653 SPECIFICATION NUMBER: BACN10NW1 OPTIONAL PART: RMA4812-160-40 V72962 293162 V60119	011100	4
- 200	286N2072-005		-----*----- WIRE BUNDLE ASSY- REWORKED BY SB: 33-0039	011100	RF

MISSING ITEM NUMBERS NOT APPLICABLE

- ITEM NOT ILLUSTRATED

33-41-52-03

33-41-52
FIG. 03
PAGE 2
JAN 20/09

BRI



757

PARTS CATALOG (MAINTENANCE)

FIG ITEM	PART NUMBER	1 2 3 4 5 6 7	NOMENCLATURE	EFFECT FROM TO	UNITS PER ASSY
3 205	BACC45FT16A24S	.	CONNECTOR- ELECTRICAL EQUIP NUMBER: D03507 WIRING DIAGRAM REF: 334111	011100	1
- 250	286N2064-005	WIRE BUNDLE ASSY-	REWORKED BY SB: 33-0039	011100	RF
260	BACC45FT16A24S9	.	CONNECTOR- ELECTRICAL EQUIP NUMBER: D03505 WIRING DIAGRAM REF: 334421	011100	1

MISSING ITEM NUMBERS NOT APPLICABLE

- ITEM NOT ILLUSTRATED

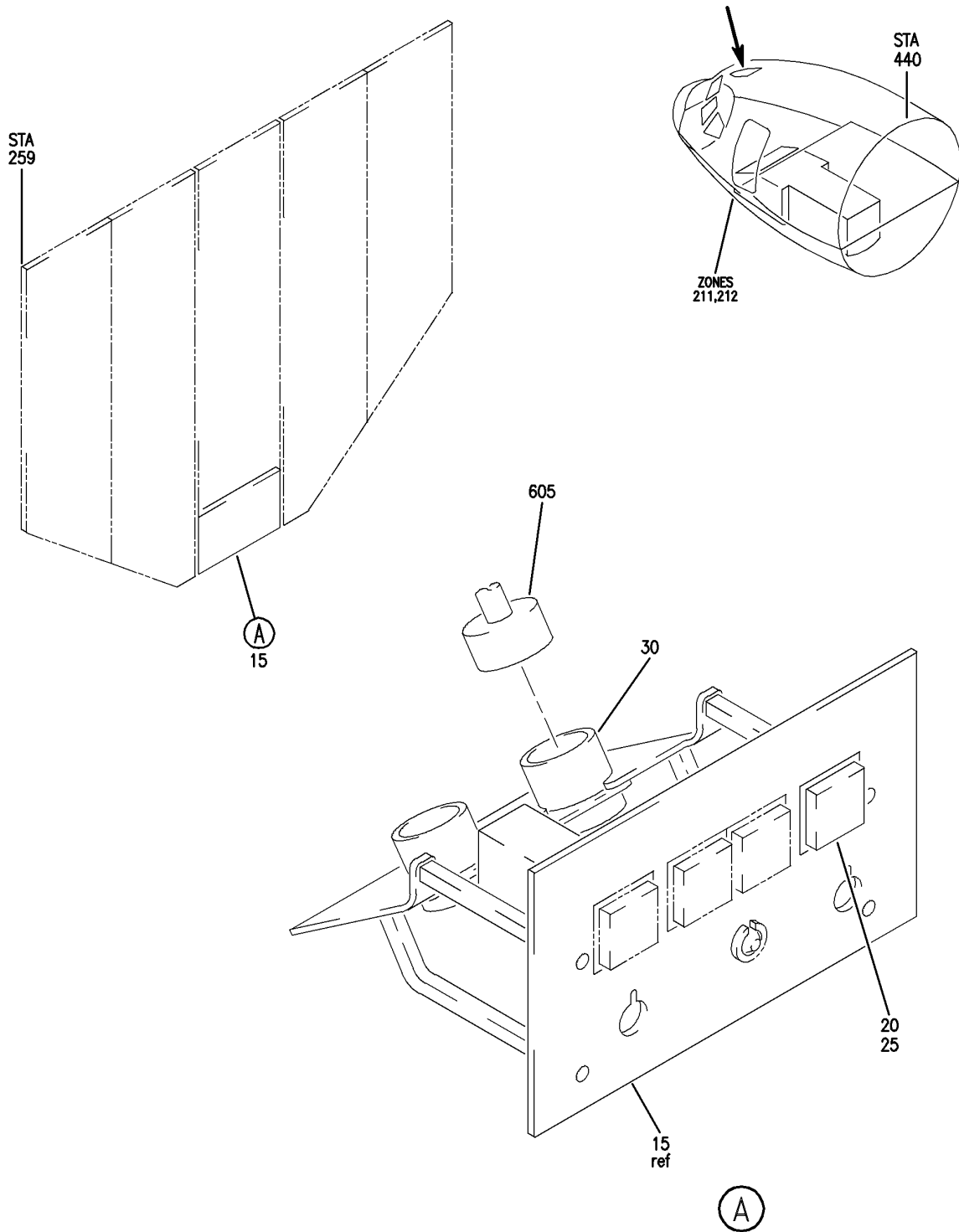
BRI

33-41-52-03

BOEING PROPRIETARY - Copyright © - Unpublished Work - See title page for details.

33-41-52
FIG. 03
PAGE 3
JAN 20/09

BOEING
757
PARTS CATALOG (MAINTENANCE)



Y 33415204 REV 245

PANEL INSTL-P5 OVHD (WING ILLUMINATION LIGHTS ONLY)
FIGURE 4

33-41-52-04

BRI
MAY 28/07

33-41-52-04
PAGE 0



757

PARTS CATALOG (MAINTENANCE)

FIG ITEM	PART NUMBER	1 2 3 4 5 6 7	NOMENCLATURE	EFFECT FROM TO	UNITS PER ASSY
4			PANEL INSTL-P5 OVHD (WING ILLUMINATION LIGHTS ONLY)	101106 108120 504903	
- 3	233N3103-132		PANEL INSTL-P5 OVHD (WING ILLUMINATION LIGHTS ONLY) FOR NHA/OTHER SYS DET SEE: 25-10-00-15E	101102	RF
- 3	233N3103-136		PANEL INSTL-P5 OVHD (WING ILLUMINATION LIGHTS ONLY) FOR NHA/OTHER SYS DET SEE: 25-10-00-15E	504903	RF
- 6	233N3103-59		PANEL INSTL-P5 OVHD (WING ILLUMINATION LIGHTS ONLY) FOR NHA/OTHER SYS DET SEE: 25-10-00-15E	108120	RF
- 7	MODREF33760		PANEL INSTL-P5 OVHD (WING ILLUMINATION LIGHTS ONLY) MODULE NUMBER: 233N3103-351 REV C FOR OTHER SYS DETAILS SEE: 11-31-10-12 21-25-55-03 21-31-01-02 21-33-51-03 21-51-54-03 21-58-19-10 21-58-51-03 21-61-04-03 21-65-51-01 22-21-01-04 22-24-51-02 23-24-01-01 23-32-00-11 23-42-02-02 23-71-05-02 24-11-52-05 24-22-01-03 24-31-01-10 24-31-03-09 24-33-04-01 24-41-51-04 24-51-62-01 26-18-51-04 27-21-53-02 27-41-55-01	103103	1

MISSING ITEM NUMBERS NOT APPLICABLE

- ITEM NOT ILLUSTRATED

33-41-52-04

33-41-52
FIG. 04
PAGE 1
JAN 20/09

BRI



757

PARTS CATALOG (MAINTENANCE)

FIG ITEM	PART NUMBER	1 2 3 4 5 6 7	NOMENCLATURE	EFFECT FROM TO	UNITS PER ASSY
4			27-61-51-03 27-62-52-02 28-22-51-02 28-41-04-01 28-41-51-03 29-11-02-03 29-11-05-04 29-11-52-07 29-21-54-03 29-31-00-01 29-32-51-03 29-33-52-03 30-11-51-03 30-21-51-03 30-31-51-02 30-32-51-01 30-33-51-02 30-41-51-03 30-42-51-03 31-12-11-91 31-12-11-91 A 32-42-52-03 33-11-03-03 33-11-51-17 33-13-01-65 33-13-02-03 33-16-51-03 33-24-51-02 33-42-01-04 33-42-02-04 33-42-52-04 33-43-51-04 33-44-51-05 33-45-53-03 33-51-08-05 34-21-02-01 35-21-51-04 36-11-04-01 36-21-00-01 36-21-02-05 36-22-51-03 49-41-00-02 49-52-00-01 49-70-00-01 52-51-51-03 52-71-51-02 73-21-52-02 74-31-51-05 75-32-00-01		

MISSING ITEM NUMBERS NOT APPLICABLE

- ITEM NOT ILLUSTRATED

BRI

33-41-52-04

BOEING PROPRIETARY - Copyright © - Unpublished Work - See title page for details.

33-41-52
FIG. 04
PAGE 2
JAN 20/09



757

PARTS CATALOG (MAINTENANCE)

FIG ITEM	PART NUMBER	1 2 3 4 5 6 7	NOMENCLATURE	EFFECT FROM TO	UNITS PER ASSY
4					
- 7	MODREF34038		80-11-09-02 PANEL INSTL-P5 OVHD (WING ILLUMINATION LIGHTS ONLY) MODULE NUMBER: 233N3103-351 REV D FOR OTHER SYS DETAILS SEE: 11-31-10-12 21-25-55-03 21-31-01-02 21-33-51-03 21-51-54-03 21-58-19-10 21-58-51-03 21-61-04-03 21-65-51-01 22-21-01-04 22-24-51-02 23-24-01-01 23-32-00-11 23-42-02-02 23-71-05-02 24-11-52-05 24-22-01-03 24-31-01-10 24-31-03-09 24-33-04-01 24-41-51-04 24-51-62-01 26-18-51-04 27-21-53-02 27-41-55-01 27-61-51-03 27-62-52-02 28-22-51-02 28-41-04-01 28-41-51-03 29-11-02-03 29-11-05-04 29-11-52-07 29-21-54-03 29-31-00-01 29-32-51-03 29-33-52-03 30-11-51-03 30-21-51-03 30-31-51-02 30-32-51-01 30-33-51-02	104105	1
MISSING ITEM NUMBERS NOT APPLICABLE					

- ITEM NOT ILLUSTRATED

33-41-52-04

33-41-52
FIG. 04
PAGE 3
JAN 20/09

BRI



757

PARTS CATALOG (MAINTENANCE)

FIG ITEM	PART NUMBER	1 2 3 4 5 6 7	NOMENCLATURE	EFFECT FROM TO	UNITS PER ASSY
4			30-41-51-03 30-42-51-03 31-12-11-91 31-12-11-91 A 32-42-52-03 33-11-03-03 33-11-51-17 33-13-01-65 33-13-02-03 33-16-51-03 33-24-51-02 33-42-01-04 33-42-02-04 33-42-52-04 33-43-51-04 33-44-51-05 33-45-53-03 33-51-08-05 34-21-02-01 35-21-51-04 36-11-04-01 36-21-00-01 36-21-02-05 36-22-51-03 49-41-00-02 49-52-00-01 49-70-00-01 52-51-51-03 52-71-51-02 73-21-52-02 74-31-51-05 75-32-00-01 80-11-09-02		
- 8	MODREF170180		PANEL INSTL-P5 OVHD (WING ILLUMINATION LIGHTS ONLY) MODULE NUMBER: 233N3103-353 REV B FOR OTHER SYS DETAILS SEE: 11-31-10-12 21-25-55-03 21-31-01-02 21-33-51-03 21-51-54-03 21-58-19-10 21-58-51-03 21-61-04-03 21-65-51-01 22-21-01-04	106106	1
MISSING ITEM NUMBERS NOT APPLICABLE					

- ITEM NOT ILLUSTRATED

33-41-52-04

33-41-52
 FIG. 04
 PAGE 4
 JAN 20/09

BRI



757

PARTS CATALOG (MAINTENANCE)

FIG ITEM	PART NUMBER	1 2 3 4 5 6 7	NOMENCLATURE	EFFECT FROM TO	UNITS PER ASSY
4			22-24-51-02 23-24-01-01 23-32-00-11 23-42-02-02 23-71-05-02 24-11-52-05 24-22-01-03 24-31-01-10 24-31-03-09 24-33-04-01 24-41-51-04 24-51-62-01 26-18-51-04 27-21-53-02 27-41-55-01 27-61-51-03 27-62-52-02 28-22-51-02 28-41-04-01 28-41-51-03 29-11-02-03 29-11-05-04 29-11-52-07 29-21-54-03 29-31-00-01 29-32-51-03 29-33-52-03 30-11-51-03 30-21-51-03 30-31-51-02 30-32-51-01 30-33-51-02 30-41-51-03 30-42-51-03 31-12-11-84 31-12-11-84 A 32-42-52-03 33-11-03-03 33-11-51-17 33-13-01-65 33-13-02-03 33-16-51-03 33-24-51-02 33-42-01-04 33-42-02-04 33-42-52-04 33-43-51-04 33-44-51-05 33-45-53-03		

MISSING ITEM NUMBERS NOT APPLICABLE

- ITEM NOT ILLUSTRATED

33-41-52-04

33-41-52
FIG. 04
PAGE 5
JAN 20/09

BRI



757

PARTS CATALOG (MAINTENANCE)

FIG ITEM	PART NUMBER	1 2 3 4 5 6 7	NOMENCLATURE	EFFECT FROM TO	UNITS PER ASSY
4			33-51-08-05 34-21-02-01 35-21-51-04 36-11-04-01 36-21-00-01 36-21-02-05 36-22-51-03 49-41-00-02 49-52-00-01 49-70-00-01 52-51-51-03 52-71-51-02 73-21-52-02 74-31-51-05 75-32-00-01 80-11-09-02		
- 13	233N3210-300		.PANEL ASSY-ANTI-COLLISION LIGHTING SUPPLIER CODE: V89954 ELECTRICAL EQUIP NUMBER: M10396 COMPONENT MAINT MANUAL REF: 33-44-71 QUALIFIED I/W DATA: THE 233N3210-300 PANEL ASSY IS I/W THE 233N3210-16 PANEL ASSY T/W THE S233T100-6030 LIGHTPLATE	108120	RF
- 13	233T3217-300		.PANEL ASSY-ANTI-COLLISION LIGHTING SUPPLIER CODE: V89954 ELECTRICAL EQUIP NUMBER: M00056 COMPONENT MAINT MANUAL REF: 33-44-72 QUALIFIED I/W DATA: THE 233T3217-300 PANEL ASSY IS I/W THE 233T3217-41 PANEL ASSY T/W THE S233T100-6030 LIGHTPLATE.	101106 504903	RF

MISSING ITEM NUMBERS NOT APPLICABLE

- ITEM NOT ILLUSTRATED

33-41-52-04

33-41-52
FIG. 04
PAGE 6
JAN 20/09

BRI



757

PARTS CATALOG (MAINTENANCE)

FIG ITEM	PART NUMBER	1 2 3 4 5 6 7	NOMENCLATURE	EFFECT FROM TO	UNITS PER ASSY
4 15	233N3210-16		..PANEL ASSY- SUPPLIER CODE: V89954 COMPONENT MAINT MANUAL REF: 33-44-71 QUALIFIED I/W DATA: THE 233N3210-300 PANEL ASSY IS I/W THE 233N3210-16 PANEL ASSY T/W THE S233T100-6030 LIGHTPLATE	108120	1
15	233T3217-41		..PANEL ASSY- SUPPLIER CODE: V89954 COMPONENT MAINT MANUAL REF: 33-44-72 QUALIFIED I/W DATA: THE 233T3217-300 PANEL ASSY IS I/W THE 233T3217-41 PANEL ASSY T/W THE S233T100-6030 LIGHTPLATE.	101106 504903	1
20	4336731004-4212		...SWITCH ASSY-LIGHTED PUSH SUPPLIER CODE: V81590 SPECIFICATION NUMBER: S231T290-4212 OPTIONAL PART: S231T290-5012 851-35100-5012 V96182	108120	1

MISSING ITEM NUMBERS NOT APPLICABLE

- ITEM NOT ILLUSTRATED

BRI

33-41-52-04

BOEING PROPRIETARY - Copyright © - Unpublished Work - See title page for details.

33-41-52
FIG. 04
PAGE 7
JAN 20/09



757

PARTS CATALOG (MAINTENANCE)

FIG ITEM	PART NUMBER	1 2 3 4 5 6 7	NOMENCLATURE	EFFECT FROM TO	UNITS PER ASSY
4 20	BCREFA0503		...SWITCH ASSY-LIGHTED PUSH BUTTON IND SUPPLIER CODE: V81590 OVERLENGTH PART NUMBER: 433-673-1004-4012 SPECIFICATION NUMBER: S231T290-4012 MISCELLANEOUS DATA: WHEN REPLACING THE PUSHBUTTON SWITCH ASSY OR THE MASTER MODULE WITHIN, VERIFY THAT A CONFIG D MASTER MODULE P/N 13206-001 IS INSTALLED IN LIEU OF ANY EARLIER CONFIGURATION MASTER MODULES. FOR DETAILS SEE: 33-13-00-45A	108120	1
20	851-35100-5012		...SWITCH ASSY-LIGHTED PUSH BUTTON IND SUPPLIER CODE: V96182 SPECIFICATION NUMBER: S231T290-5012 OPTIONAL PART: 4336731004-4212 V81590	108120	1
20	851-30768-2012		...SWITCH ASSY-LIGHTED PUSH BUTTON IND ON SUPPLIER CODE: V96182 SPECIFICATION NUMBER: S231T290-2012 FOR DETAILS SEE: 33-13-00-25A	108120	1
20	851-30768-3012		...SWITCH ASSY-LIGHTED PUSH BUTTON IND ON SUPPLIER CODE: V96182 SPECIFICATION NUMBER: S231T290-3012 FOR DETAILS SEE: 33-13-00-35A	108120	1

MISSING ITEM NUMBERS NOT APPLICABLE

- ITEM NOT ILLUSTRATED

33-41-52-04

33-41-52
FIG. 04
PAGE 8
JAN 20/09

BRI



757

PARTS CATALOG (MAINTENANCE)

FIG ITEM	PART NUMBER	1 2 3 4 5 6 7	NOMENCLATURE	EFFECT FROM TO	UNITS PER ASSY
4					
25	4336731004-4212	...	SWITCH ASSY-LIGHTED PUSHBUTTON IND SUPPLIER CODE: V81590 SPECIFICATION NUMBER: S231T290-4212	101106 504903	1
25	BCREFA0503	...	SWITCH ASSY-LIGHTED PUSH BUTTON IND SUPPLIER CODE: V81590 OVERLENGTH PART NUMBER: 433-673-1004-4012 SPECIFICATION NUMBER: S231T290-4012 MISCELLANEOUS DATA: WHEN REPLACING THE PUSHBUTTON SWITCH ASSY OR THE MASTER MODULE WITHIN, VERIFY THAT A CONFIG D MASTER MODULE P/N 13206-001 IS INSTALLED IN LIEU OF ANY EARLIER CONFIGURATION MASTER MODULES. FOR DETAILS SEE: 33-13-00-45A	101106 504903	1
30	BACC45FN18-14P	...	CONNECTOR	108120	1
30	BACC45FN16-24P	...	CONNECTOR	101106 504903	1
			ATTACHING PARTS		
- 40	NAS1801-04-5	...	SCREW- OPTIONAL PART: BACS12HN04-5	101106 108120 504903	2
- 40	BACS12HN04-5	...	SCREW- OPTIONAL PART: NAS1801-04-5	101106 108120 504903	2
- 45	K19798-04	...	NUT SUPPLIER CODE: V15653 SPECIFICATION NUMBER: BACN10NW1 OPTIONAL PART: RMA4812-160-40 V72962 293162 V60119	101106 108120 504903	2
- 601	286N2072-343		WIRE BUNDLE ASSY	101102	RF
- 601	286N2072-345		WIRE BUNDLE ASSY	504903	RF

MISSING ITEM NUMBERS NOT APPLICABLE

- ITEM NOT ILLUSTRATED

33-41-52-04

33-41-52
FIG. 04
PAGE 9
JAN 20/09

BRI



**757
PARTS CATALOG (MAINTENANCE)**

FIG ITEM	PART NUMBER	1 2 3 4 5 6 7	NOMENCLATURE	EFFECT FROM TO	UNITS PER ASSY
4					
- 602	286N2072-355		WIRE BUNDLE ASSY-	108120	RF
- 603	286N2072-701		WIRE BUNDLE ASSY	103106	RF
605	BACC45FT18A14S		.CONNECTOR-	108120	1
			ELECTRICAL EQUIP NUMBER: D03507		
			WIRING DIAGRAM REF: 334111		
605	BACC45FT16A24S		.CONNECTOR-	101106	1
			ELECTRICAL EQUIP NUMBER: D03507	504903	
			WIRING DIAGRAM REF: 334111		

MISSING ITEM NUMBERS NOT APPLICABLE

- ITEM NOT ILLUSTRATED

BRI

33-41-52-04

BOEING PROPRIETARY - Copyright © - Unpublished Work - See title page for details.

33-41-52
FIG. 04
PAGE 10
JAN 20/09

LANDING RUNWAY TURNOFF AND TAXI LIGHTS

BRI
MAY 28/07

33-42-00
SECTION TITLE
PAGE 1

 **BOEING**
757
PARTS CATALOG (MAINTENANCE)

NON-ILLUSTRATED FIGURE

THE ITEMS REFLECTED IN THIS FIGURE ARE INTENTIONALLY
NON-ILLUSTRATED. THEY ARE REFERENCED TO EITHER A
NEXT HIGHER OR NEXT LOWER ASSEMBLY/INSTALLATION FIGURE.

COLLECTOR INSTL-OPT
FIGURE 1

33-42-00-01

BRI
JAN 20/09

33-42-00-01
PAGE 0



757

PARTS CATALOG (MAINTENANCE)

FIG ITEM	PART NUMBER	1 2 3 4 5 6 7	NOMENCLATURE	EFFECT FROM TO	UNITS PER ASSY
1					
- 1	933N4201-1		COLLECTOR INSTL-OPT	504903	
- 5	284N1621-1		COLLECTOR INSTL-OPT	504903	RF
			.LIGHT INSTL-NLG TAXI	504903	1
			FOR DETAILS SEE: 33-42-02-01		

MISSING ITEM NUMBERS NOT APPLICABLE

- ITEM NOT ILLUSTRATED

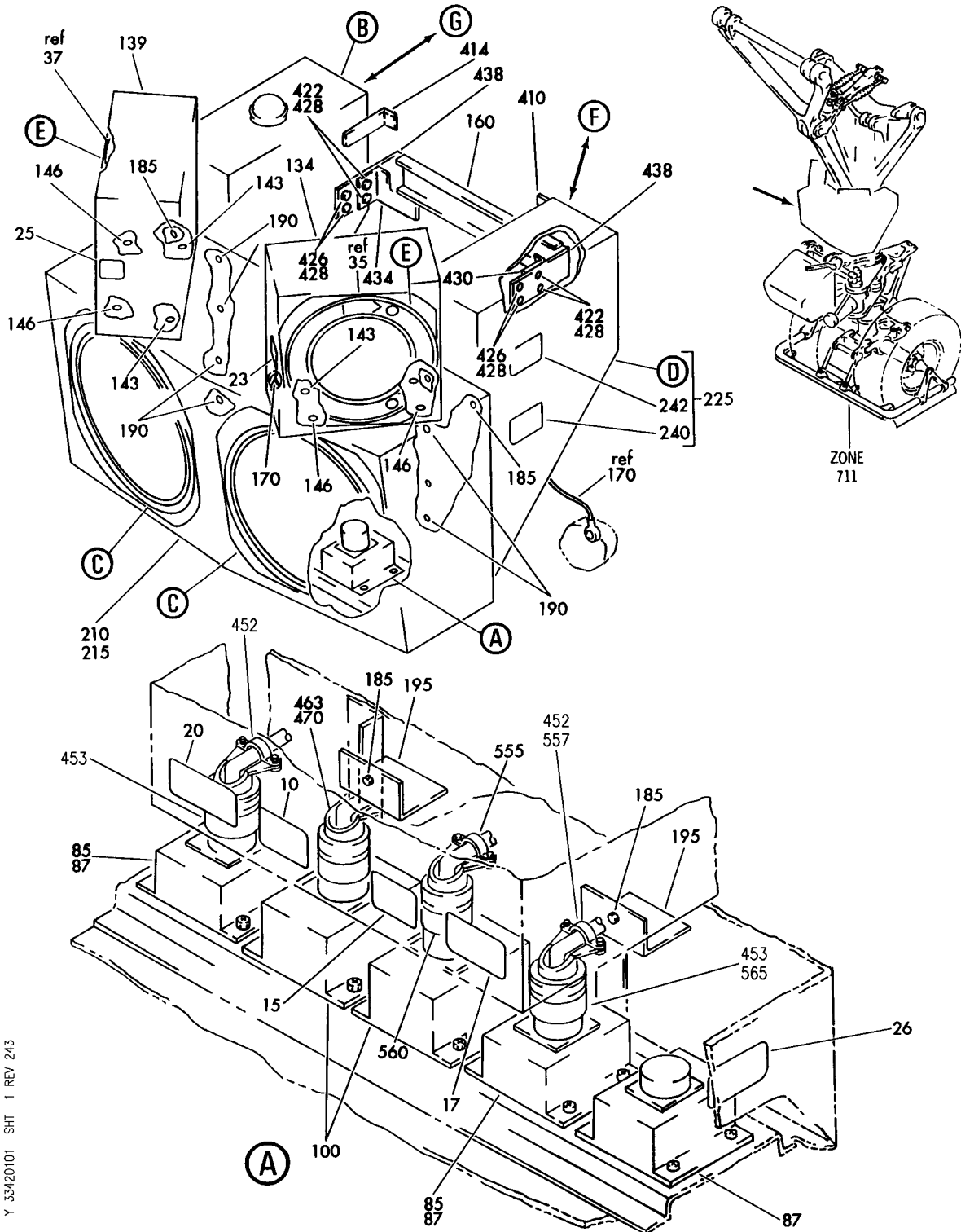
BRI

33-42-00-01

BOEING PROPRIETARY - Copyright © - Unpublished Work - See title page for details.

33-42-00
FIG. 01
PAGE 1
JAN 20/09

BOEING
757
PARTS CATALOG (MAINTENANCE)



Y 33420101 SHIT 1 REV 243

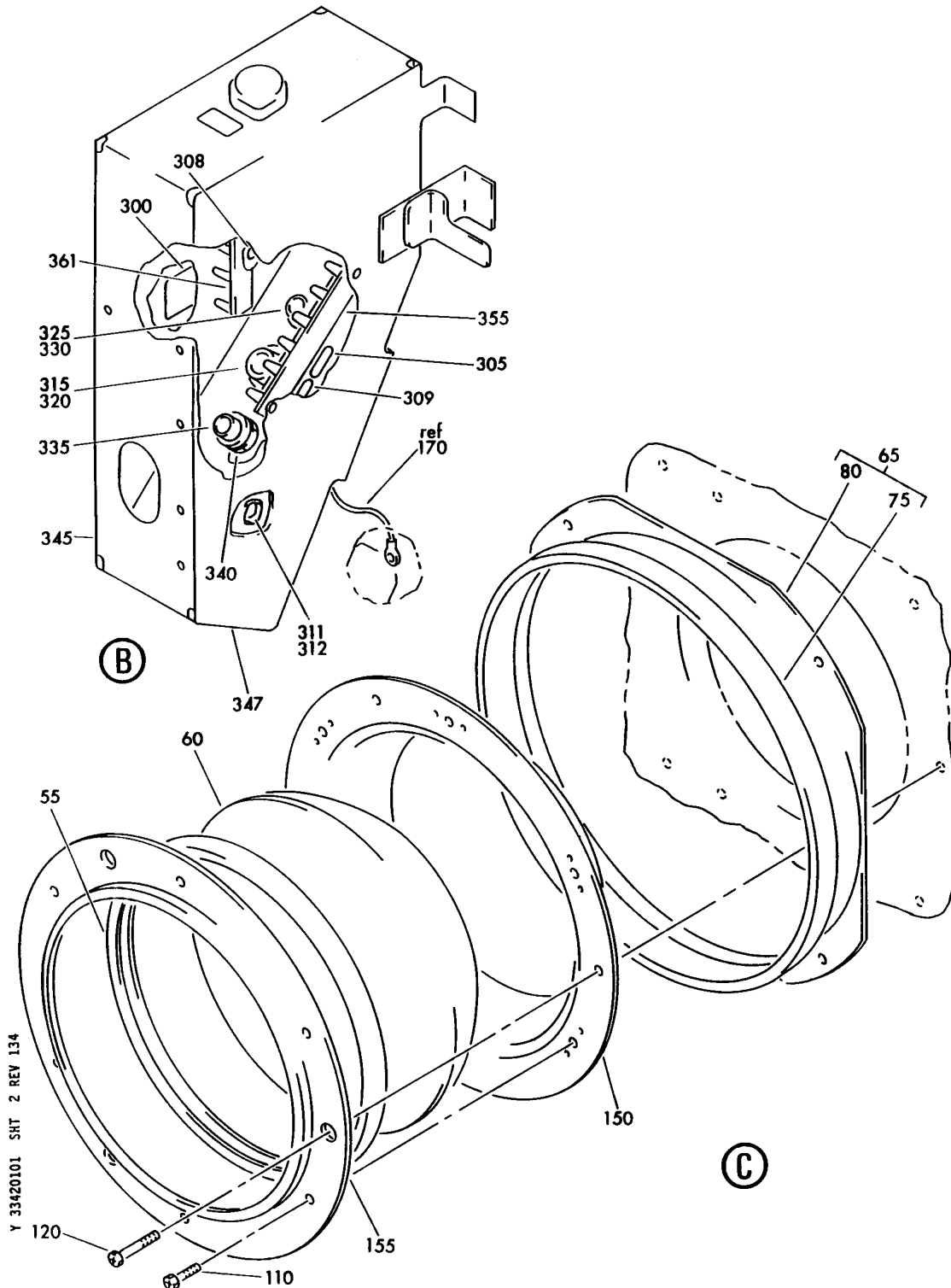
PANEL INSTL-P62 AND P63 NLG LDG AND TURNOFF LTS (LANDING, RUNWAY TURNOFF AND TAXI LIGHTS ONLY)
FIGURE 1 (SHEET 1)

BRI
MAY 28/07

33-42-01-01

33-42-01-01
PAGE 0

BOEING
757
PARTS CATALOG (MAINTENANCE)



Y 33420101 SHT 2 REV 134

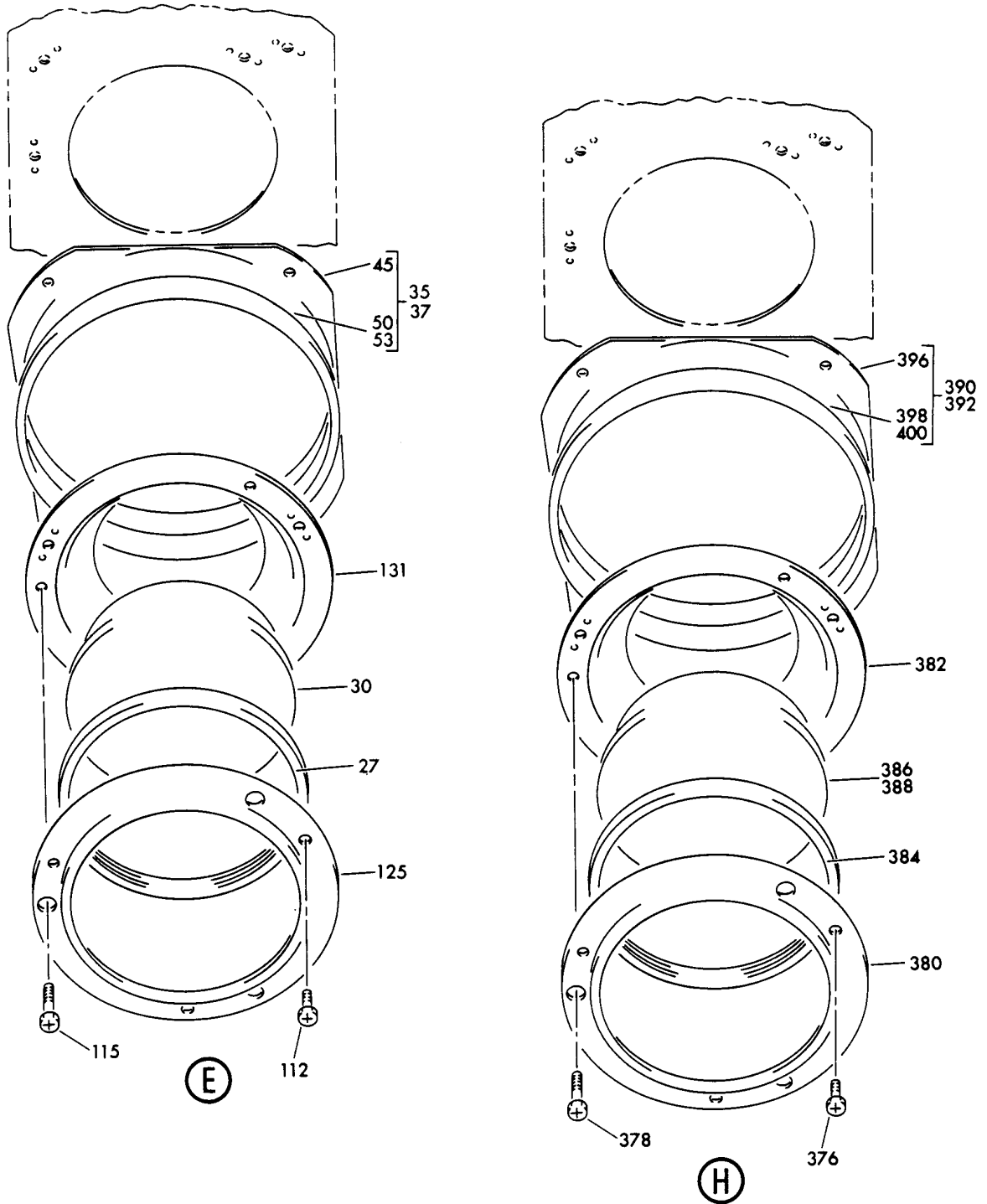
PANEL INSTL-P62 AND P63 NLG LDG AND TURNOFF LTS (LANDING, RUNWAY TURNOFF AND TAXI LIGHTS ONLY)
FIGURE 1 (SHEET 2)

33-42-01-01

BRI
MAY 28/07

33-42-01-01
PAGE 0A

BOEING
757
PARTS CATALOG (MAINTENANCE)



Y 33420101 SHT 3 REV 054

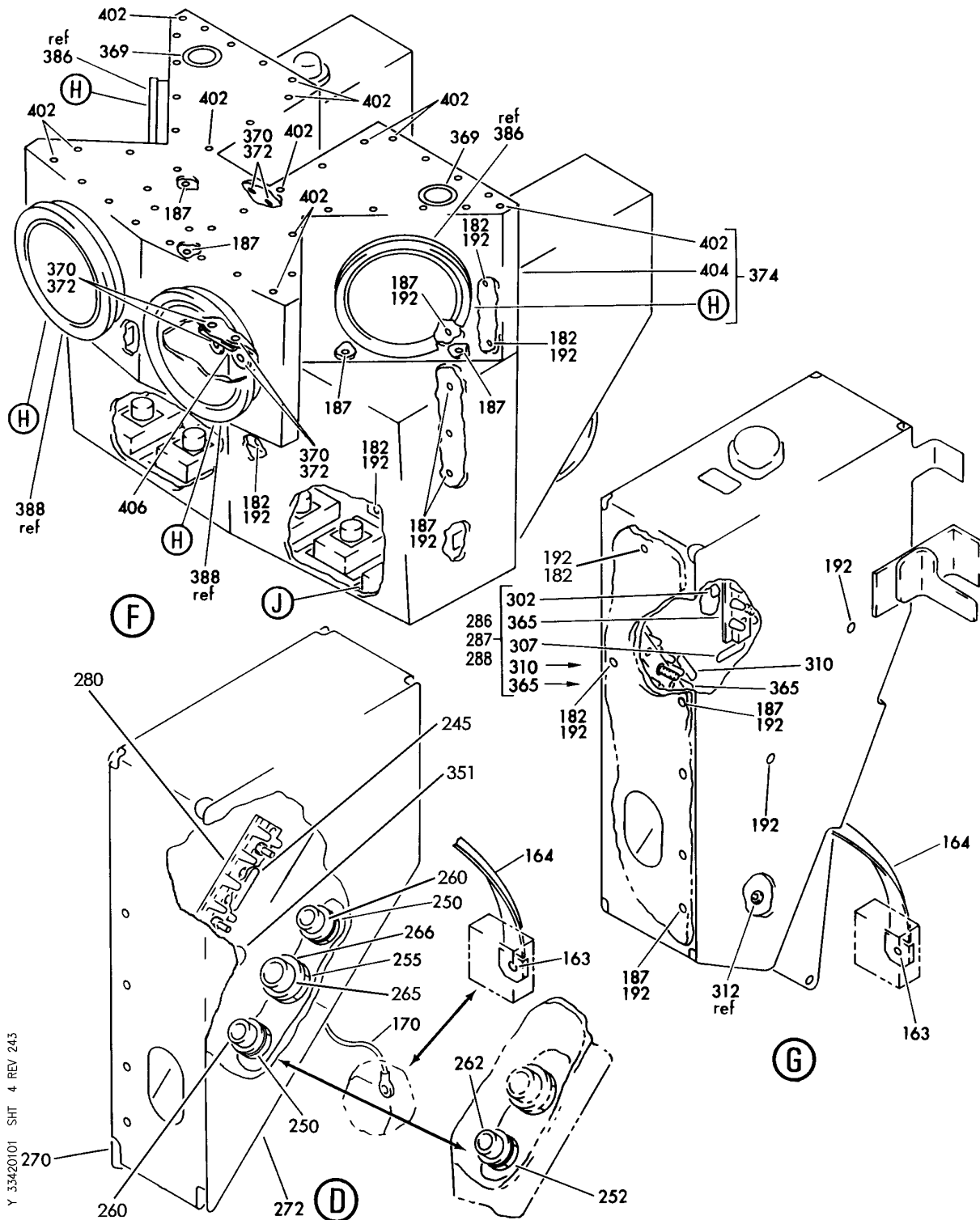
PANEL INSTL-P62 AND P63 NLG LDG AND TURNOFF LTS (LANDING, RUNWAY TURNOFF AND TAXI LIGHTS ONLY)
FIGURE 1 (SHEET 3)

BRI
MAY 28/07

33-42-01-01

33-42-01-01
PAGE 0B

BOEING
757
PARTS CATALOG (MAINTENANCE)



Y 33420101 SHT 4 REV 243

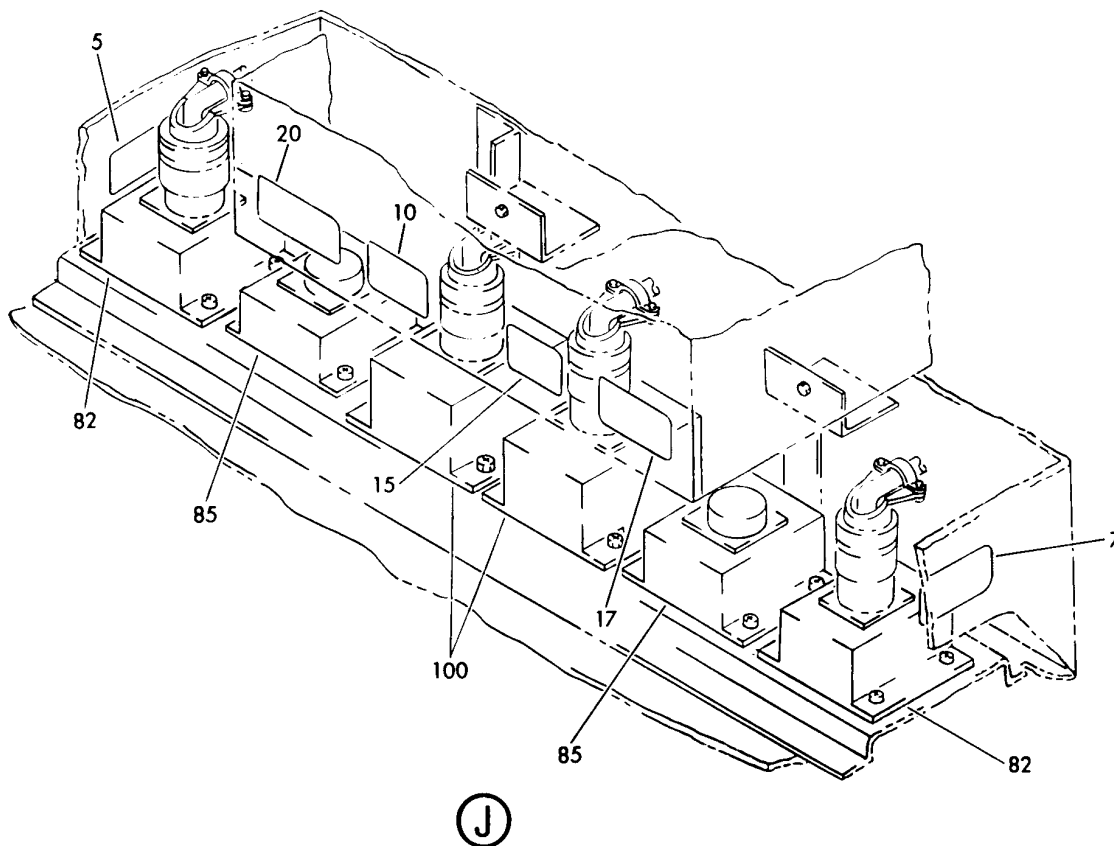
PANEL INSTL-P62 AND P63 NLG LDG AND TURNOFF LTS (LANDING, RUNWAY TURNOFF AND TAXI LIGHTS ONLY)
FIGURE 1 (SHEET 4)

BRI
MAY 28/07

33-42-01-01

33-42-01-01
PAGE 0C

BOEING
757
PARTS CATALOG (MAINTENANCE)



Y 33420101 SHT 5 REV 186

PANEL INSTL-P62 AND P63 NLG LDG AND TURNOFF LTS (LANDING, RUNWAY TURNOFF AND TAXI LIGHTS ONLY)
FIGURE 1 (SHEET 5)

BRI
MAY 28/07

33-42-01-01

33-42-01-01
PAGE 0D



757

PARTS CATALOG (MAINTENANCE)

FIG ITEM	PART NUMBER	1 2 3 4 5 6 7	NOMENCLATURE	EFFECT FROM TO	UNITS PER ASSY
1			PANEL INSTL-P62 AND P63 NLG LDG AND TURNOFF LTS (LANDING, RUNWAY TURNOFF AND TAXI LIGHTS ONLY)	002004 006017 107107 121503 904999	
- 2	284N1761-30		PANEL INSTL-P62 AND P63 NLG LDG AND TURNOFF LTS (LANDING, RUNWAY TURNOFF AND TAXI LIGHTS ONLY) FOR NHA/OTHER SYS DET SEE: 24-00-58-01C	107107	RF
- 2	284N1761-31		PANEL INSTL-P62 AND P63 NLG LDG AND TURNOFF LTS (LANDING, RUNWAY TURNOFF AND TAXI LIGHTS ONLY) FOR NHA/OTHER SYS DET SEE: 24-00-58-01C	904949	RF
- 2	284N1761-34		PANEL INSTL-P62 AND P63 NLG LDG AND TURNOFF LTS (LANDING, RUNWAY TURNOFF AND TAXI LIGHTS ONLY) FOR NHA/OTHER SYS DET SEE: 24-00-58-01C	952952	RF
- 2	284N1761-38		PANEL INSTL-P62 AND P63 NLG LDG AND TURNOFF LTS (LANDING, RUNWAY TURNOFF AND TAXI LIGHTS ONLY) FOR NHA/OTHER SYS DET SEE: 24-00-58-01C	002004	RF
- 3	284N1761-42		PANEL INSTL-P62 AND P63 NLG LDG AND TURNOFF LTS (LANDING, RUNWAY TURNOFF AND TAXI LIGHTS ONLY) FOR NHA/OTHER SYS DET SEE: 24-00-58-01C	121503	RF
- 3	284N1761-48		PANEL INSTL-P62 AND P63 NLG LDG AND TURNOFF LTS (LANDING, RUNWAY TURNOFF AND TAXI LIGHTS ONLY) FOR NHA/OTHER SYS DET SEE: 24-00-58-01C	006017	RF
- 3	284N1761-54		PANEL INSTL-P62 AND P63 NLG LDG AND TURNOFF LTS (LANDING, RUNWAY TURNOFF AND TAXI LIGHTS ONLY) FOR NHA/OTHER SYS DET SEE: 24-00-58-01C	953999	RF

MISSING ITEM NUMBERS NOT APPLICABLE

- ITEM NOT ILLUSTRATED

33-42-01-01

33-42-01
FIG. 01
PAGE 1
JAN 20/09

BRI



757

PARTS CATALOG (MAINTENANCE)

FIG ITEM	PART NUMBER	1 2 3 4 5 6 7	NOMENCLATURE	EFFECT FROM TO	UNITS PER ASSY
1					
- 4	284N1761-57		PANEL INSTL-P62 AND P63 NLG LDG AND TURNOFF LTS (LANDING, RUNWAY TURNOFF AND TAXI LIGHTS ONLY) FOR NHA/OTHER SYS DET SEE: 24-00-58-01C	950951	RF
5	BAC27NEL1055		.MARKER-ALUMINUM FOIL- PLACARD CONTENT: T10037 R TAXI LT XFMR	950951	1
7	BAC27NEL1054		.MARKER-ALUMINUM FOIL- PLACARD CONTENT: T10036 L TAXI LT XFMR	950951	1
10	BAC27NEL0286		.MARKER-ALUMINUM FOIL- PLACARD CONTENT: T00144 R NLG LDG LT XFMR	002004 006017 107107 121503 904999	1
15	BAC27NEL0282		.MARKER-ALUMINUM FOIL- PLACARD CONTENT: T00143 L NLG LDG LT XFMR	002004 006017 107107 121503 904999	1
17	BAC27NEL0281		.MARKER-ALUMINUM FOIL- PLACARD CONTENT: T00137 L RWY TURNOFF LT XFMR	002004 006017 107107 121503 904999	1
20	BAC27NEL0285		.MARKER-ALUMINUM FOIL- PLACARD CONTENT: T00138 R RWY TURNOFF LT XFMR	002004 006017 107107 121503 904999	1
23	BAC27NEL0928		.MARKER-ALUMINUM FOIL- PLACARD CONTENT: L00079 LIGHT-RUNWAY TURNOFF, L	002004 006017 107107 121503 904949 952999	1
25	BAC27NEL0929		.MARKER-ALUMINUM FOIL- PLACARD CONTENT: L00080 LIGHT-RUNWAY TURNOFF, R	002004 006017 107107 121503 904949 952999	1
26	BAC27NEL0283		.MARKER-ALUMINIUM FOIL PLACARD CONTENT: T00142 TAXI LT XFMR	952999	1

MISSING ITEM NUMBERS NOT APPLICABLE

- ITEM NOT ILLUSTRATED

33-42-01-01

33-42-01
FIG. 01
PAGE 2
JAN 20/09

BRI



757

PARTS CATALOG (MAINTENANCE)

FIG ITEM	PART NUMBER	1 2 3 4 5 6 7	NOMENCLATURE	EFFECT FROM TO	UNITS PER ASSY
1					
27	284N1761-2		.GASKET- MANUFACTURED FROM: SH SYN RUBBER BMS1-59 STK 0.03IN. 1.00IN 18.50 F-25.01	002004 006017 107107 121503 904949 952999	2
30	4551		.LAMP-SEALED BEAM SUPPLIER CODE: V08806 ELECTRICAL EQUIP NUMBER: L00079 L00080	002004 006017 107107 121503 904949 952999	2
30	MS24517-4551		.LAMP-	002004 006017 107107 121503 904949 952999	2
35	284N1067-21		.SHIELD ASSY-LT OPTIONAL PART: 284N1067-73	002004 006017 107107 121503 904999	1
35	284N1067-73		.SHIELD ASSY-LT OPTIONAL PART: 284N1067-21	002004 006017 107107 121503 904999	1
37	284N1067-22		.SHIELD ASSY-LT OPTIONAL PART: 284N1067-74	002004 006017 107107 121503 904999	1
37	284N1067-74		.SHIELD ASSY-LT OPTIONAL PART: 284N1067-22	002004 006017 107107 121503 904999	1
- 40	NAS1801-3-8		ATTACHING PARTS .SCREW -----*-----	002004 006017 107107 121503 904949 952999	8

MISSING ITEM NUMBERS NOT APPLICABLE

- ITEM NOT ILLUSTRATED

33-42-01-01

33-42-01
FIG. 01
PAGE 3
JAN 20/09

BRI

BOEING PROPRIETARY - Copyright © - Unpublished Work - See title page for details.



757

PARTS CATALOG (MAINTENANCE)

FIG ITEM	PART NUMBER	1 2 3 4 5 6 7	NOMENCLATURE	EFFECT FROM TO	UNITS PER ASSY
1					
45	284N1067-29	. .	RIM	002004 006017 107107 121503 904949 952999	1
50	284N1067-31	. .	SHIELD- USED ON: 284N1067-21	002004 006017 107107 121503 904999	1
50	284N1067-75	. .	SHIELD- USED ON: 284N1067-73	002004 006017 107107 121503 904999	1
53	284N1067-30	. .	SHIELD- USED ON: 284N1067-22	002004 006017 107107 121503 904999	1
53	284N1067-76	. .	SHIELD- USED ON: 284N1067-74	002004 006017 107107 121503 904999	1
55	284N1761-3	. GASKET-	MANUFACTURED FROM: SH SYN RUBBER BMS1-59 STK 0.03IN. 1.00IN 25.50 F-25.01	002004 006017 107107 121503 904999	2
60	Q4559X	. LAMP-SEALED BEAM	SUPPLIER CODE: V08806 ELECTRICAL EQUIP NUMBER: L00358 L00359	002004 006017 107107 121503 904999	2
65	284N1067-69	. SHIELD ASSY-LT		002004 006017 107107 121503 904999	2
- 70	NAS1801-3-8	. ATTACHING PARTS SCREW		002004 006017 107107 121503 904999	8
			-----*-----		

MISSING ITEM NUMBERS NOT APPLICABLE

- ITEM NOT ILLUSTRATED

33-42-01-01

33-42-01
FIG. 01
PAGE 4
JAN 20/09

BRI

BOEING PROPRIETARY - Copyright © - Unpublished Work - See title page for details.



757

PARTS CATALOG (MAINTENANCE)

FIG ITEM	PART NUMBER	1 2 3 4 5 6 7	NOMENCLATURE	EFFECT FROM TO	UNITS PER ASSY
1	75 284N1067-32	. .	RIM	002004 006017 107107 121503 904999	1
	80 284N1067-68	. .	SHIELD	002004 006017 107107 121503 904999	1
	82 FT1227	. .	AUTOTRANSFORMER- SUPPLIER CODE: V14752 ELECTRICAL EQUIP NUMBER: T10036 T10037 ATTACHING PARTS	950951	2
-	83 NAS1801-3-8	. .	SCREW	950951	8
	85 FT1222	. .	AUTOTRANSFORMER- SUPPLIER CODE: V14752 ELECTRICAL EQUIP NUMBER: T00137 T00138 ATTACHING PARTS	002004 006017 107107 121503 904951	2
	87 FT1222	. .	AUTOTRANSFORMER- SUPPLIER CODE: V14752 ELECTRICAL EQUIP NUMBER: T00137 T00138 T00142 ATTACHING PARTS	952999	3
-	90 NAS1801-3-8	. .	SCREW	002004 006017 107107 121503 904951	8
-	95 NAS1801-3-8	. .	SCREW	952999	12
	100 FT1221	. .	AUTOTRANSFORMER- SUPPLIER CODE: V14752 ELECTRICAL EQUIP NUMBER: T00143 T00144	002004 006017 107107 121503 904999	2

MISSING ITEM NUMBERS NOT APPLICABLE

- ITEM NOT ILLUSTRATED

33-42-01-01

33-42-01
FIG. 01
PAGE 5
JAN 20/09

BRI

BOEING
757
PARTS CATALOG (MAINTENANCE)

FIG ITEM	PART NUMBER	1 2 3 4 5 6 7	NOMENCLATURE	EFFECT FROM TO	UNITS PER ASSY
1			ATTACHING PARTS		
- 105	NAS1801-3-8		.SCREW	002004 006017 107107 121503 904999	8
110	NAS1801-3-6		-----*----- .SCREW-	002004 006017 107107 121503 904999	12
112	NAS1801-3-6		.SCREW	002004 006017 107107 121503 904949 952999	6
115	NAS1801-3-24		.SCREW-	002004 006017 107107 121503 904949 952999	6
120	NAS1801-3-28		.SCREW-	002004 006017 107107 121503 904999 952999	6
125	90-10021-3		.RETAINER-	002004 006017 107107 121503 904949 952999	2
131	90-10021		.RETAINER ASSY	002004 006017 107107 121503 904949 952999	2
134	284N1759-63		.BOX ASSY	002004 006017 107107 121503 904949 952999	1

R
R
R
R
R

MISSING ITEM NUMBERS NOT APPLICABLE

- ITEM NOT ILLUSTRATED

BRI

33-42-01-01

33-42-01
FIG. 01
PAGE 6
MAY 20/09

BOEING
757
PARTS CATALOG (MAINTENANCE)

FIG ITEM	PART NUMBER	1 2 3 4 5 6 7	NOMENCLATURE	EFFECT FROM TO	UNITS PER ASSY
R R R R R R	139	284N1759-64	.BOX ASSY	002004 006017 107107 121503 904949 952999	1
	143	BACB30NM3K4	ATTACHING PARTS .BOLT	002004 006017 107107 121503 904949 952999	4
	146	BACB30NM3K5	.BOLT	002004 006017 107107 121503 904949 952999	4
	150	9-64387-4	-----*----- .FRAME ASSY-	002004 006017 107107 121503 904999	2
	155	9-64386-2	.RETAINER ASSY-	002004 006017 107107 121503 904999	2
	160	284N1759-84	.ANGLE-SPRT	002004 006017 107107 121503 904999	1
	- 162	BACB30NM3K3	ATTACHING PARTS .BOLT	002004 006017 107107 121503 904999	4
	163	AN960D416L	-----*----- .WASHER	002004 006017 107107 121503 904999	2

MISSING ITEM NUMBERS NOT APPLICABLE

- ITEM NOT ILLUSTRATED

BRI

33-42-01-01

BOEING PROPRIETARY - Copyright © - Unpublished Work - See title page for details.

33-42-01
FIG. 01
PAGE 7
MAY 20/09



757

PARTS CATALOG (MAINTENANCE)

FIG ITEM	PART NUMBER	1 2 3 4 5 6 7	NOMENCLATURE	EFFECT FROM TO	UNITS PER ASSY
1 164	284N6202-1	.	STRAP ASSY-	002004 006017 107107 121503 904999	2
R R R R R R R R	- 165 NAS1801-4-8	.	ATTACHING PARTS SCREW	002004 107107 121503 904949 952952	2
- 165	NAS1801-4-10	.	SCREW	006017 950951 953999	2
- 166	AN960D416L	.	WASHER	002004 006017 107107 121503 904999	4
- 167	F42NKE048	.	NUT SUPPLIER CODE: V72962 SPECIFICATION NUMBER: BACN10R428 OPTIONAL PART: 42NKE048 V72962 26C048 V80539	006017 950951 953999	2
- 169	RBEJ40D20-32	..	JUMPER ASSY SUPPLIER CODE: V1GK47 SPECIFICATION NUMBER: BACJ40D20-32 OPTIONAL PART: 4F32F V79550 4F8F V79550 740D20 V91812	002004 006017 107107 121503 904999	2
182	BACB30NM3K4	.	BOLT	950951	6
185	BACB30NM3K4	.	BOLT	002004 006017 107107 121503 904949 952999	4

MISSING ITEM NUMBERS NOT APPLICABLE

- ITEM NOT ILLUSTRATED

33-42-01-01

33-42-01
FIG. 01
PAGE 8
MAY 20/09

BRI



757

PARTS CATALOG (MAINTENANCE)

FIG ITEM	PART NUMBER	1 2 3 4 5 6 7	NOMENCLATURE	EFFECT FROM TO	UNITS PER ASSY
1					
187	BACB30NM3K6	.	BOLT	950951	12
190	BACB30NM3K6	.	BOLT	002004	8
				006017	
				107107	
				121503	
				904949	
				952999	
192	AN960PD10L	.	WASHER	950951	16
195	284N1759-48	.	ANGLE ASSY	002004	2
				006017	
				107107	
				121503	
				904999	
			ATTACHING PARTS		
- 200	BACB30MY5K	.	BOLT-	002004	6
			SIZE DETERMINED ON INSTL.	006017	
				107107	
				121503	
				904999	
- 205	HL70-5	.	COLLAR	002004	6
			SUPPLIER CODE:	006017	
			V5M902	107107	
			SPECIFICATION NUMBER:	121503	
			BACC30M5	904999	
			OPTIONAL PART:		
			HL70-5		
			V73197		
			HL70-5		
			V92215		
			66014-5		
			V56878		
			HL70-5		
			V56878		
			-----*-----		
R 210	284N1759-75	.	BOX ASSY	107107	1
R 210	284N1759-139	.	BOX ASSY	904949	
R 210	284N1759-159	.	BOX ASSY	952952	1
R 210				002004	1
R 210				006017	
R 210				121503	
R 210	284N1759-161	.	BOX ASSY	950951	
215	284N1759-36	..	PANEL ASSY-	953999	1
			POSITION DATA:	002004	1
			FRONT	006017	
				107107	
				121503	
				904999	
			ATTACHING PARTS		
- 217	NAS514P1032-7	..	SCREW	950951	34

MISSING ITEM NUMBERS NOT APPLICABLE

- ITEM NOT ILLUSTRATED

33-42-01-01

33-42-01
FIG. 01
PAGE 9
MAY 20/09

BRI

BOEING
757
PARTS CATALOG (MAINTENANCE)

FIG ITEM	PART NUMBER	1 2 3 4 5 6 7	NOMENCLATURE	EFFECT FROM TO	UNITS PER ASSY
1					
- 220	NAS514P1032-7	..	SCREW	002004 006017 107107 121503 904949 952999	36
			-----*-----		
225	284N1758-11	.HOUSING ASSY-P63 CONT PNL POSITION DATA: LH		002004 107107 121503 904949 952952	RF
225	284N1758-21	.HOUSING ASSY-P63 CONT PNL POSITION DATA: LH		002004 107107 121503 904949 952952	RF
225	284N1758-33	.HOUSING ASSY-P63 CONT PNL POSITION DATA: LH		006017	RF
225	284N1758-36	.HOUSING ASSY-P63 CONT PNL POSITION DATA: LH		953999	RF
R R R R R	- 230	BACB30NM4K5	.BOLT	002004 006017 107107 121503 904999	3
	- 235	AN960C416L	.WASHER	002004 006017 107107 121503 904999	3
			-----*-----		
	240	BAC27NEL0430	..MARKER-ALUMINUM FOIL- PLACARD CONTENT: P63 CONTROL PANEL	002004 006017 107107 121503 904951 953999 952952	1
	242	BAC27NEL0430	..MARKER-ALUMINUM FOIL- PLACARD CONTENT: P63 CONTROL PANEL	952952	1
	245	BAC27NEL0284	..MARKER-ALUMINUM FOIL- PLACARD CONTENT: TBO045	002004 006017 107107 121503 904999	1

MISSING ITEM NUMBERS NOT APPLICABLE

- ITEM NOT ILLUSTRATED

BRI

33-42-01-01

BOEING PROPRIETARY - Copyright © - Unpublished Work - See title page for details.

33-42-01
FIG. 01
PAGE 10
MAY 20/09



757

PARTS CATALOG (MAINTENANCE)

FIG ITEM	PART NUMBER	1 2 3 4 5 6 7	NOMENCLATURE	EFFECT FROM TO	UNITS PER ASSY
1					
252	186027FS60K30	..	LOCKNUT- SUPPLIER CODE: V30463 OPTIONAL PART: 186027FS60K3 V30463	002004 006017 107107 121503 904999	1
252	186027FS60K3	..	LOCKNUT- SUPPLIER CODE: V30463 OPTIONAL PART: 186027FS60K30 V30463	002004 006017 107107 121503 904999	1
255	186029FS60K30	..	LOCKNUT- SUPPLIER CODE: V30463 OPTIONAL PART: 186029FS60K3 V30463	002004 006017 107107 121503 904999	1
255	186029FS60K3	..	LOCKNUT- SUPPLIER CODE: V30463 OPTIONAL PART: 186029FS60K30 V30463	002004 006017 107107 121503 904999	1
262	188193FS60K3J	..	CONNECTOR-J BOX SUPPLIER CODE: V30463 OPTIONAL PART: 188193FS60K3 V30463	002004 006017 107107 121503 904999	1
262	188193FS60K3	..	CONNECTOR-J BOX SUPPLIER CODE: V30463 OPTIONAL PART: 188193FS60K3J V30463	002004 006017 107107 121503 904999	1
265	188196FS60K3J	..	CONNECTOR-J BOX SUPPLIER CODE: V30463 OPTIONAL PART: 188196FS60K3 V30463	002004 006017 107107 121503 904999	1
265	188196FS60K3	..	CONNECTOR-J BOX SUPPLIER CODE: V30463 OPTIONAL PART: 188196FS60K3J V30463	002004 006017 107107 121503 904999	1

MISSING ITEM NUMBERS NOT APPLICABLE

- ITEM NOT ILLUSTRATED

33-42-01-01

33-42-01
FIG. 01
PAGE 11
JAN 20/09

BRI

BOEING PROPRIETARY - Copyright © - Unpublished Work - See title page for details.



757

PARTS CATALOG (MAINTENANCE)

FIG ITEM	PART NUMBER	1 2 3 4 5 6 7	NOMENCLATURE	EFFECT FROM TO	UNITS PER ASSY
1	270 284N1759-111		.. PANEL ASSY-	002004 107107 121503 904949 952952	1
R R R	270 284N1759-176		.. PANEL ASSY	006017 950951 953999	1
	272 284N1759-1		.. PANEL ASSY	002004 006017 107107 121503 904999	1
-	275 NAS1801-3-6		ATTACHING PARTS .. SCREW	002004 006017 107107 121503 904999	21
	280 M81714-5-1		-----*----- .. TERMINAL- ELECTRICAL EQUIP NUMBER: TB0045	002004 006017 107107 121503 904999	1
-	285 NAS514P632-8		ATTACHING PARTS .. SCREW	002004 006017 107107 121503 904999	2
	287 284N1758-20		-----*----- .HOUSING ASSY-P62 CONT PNL POSITION DATA: RH	002004 952952	RF
	287 284N1758-22		.HOUSING ASSY-P62 CONT PNL POSITION DATA: RH	107107	RF
	287 284N1758-23		.HOUSING ASSY-P62 CONT PNL POSITION DATA: RH	121503 904949	RF
	288 284N1758-35		.HOUSING ASSY-P62 CONT PNL POSITION DATA: RH	006017 950951 953999	RF

MISSING ITEM NUMBERS NOT APPLICABLE

- ITEM NOT ILLUSTRATED

33-42-01-01

33-42-01
FIG. 01
PAGE 12
MAY 20/09

BRI

 **BOEING**
757
PARTS CATALOG (MAINTENANCE)

FIG ITEM	PART NUMBER	1 2 3 4 5 6 7	NOMENCLATURE	EFFECT FROM TO	UNITS PER ASSY
1			ATTACHING PARTS		
R R R R R	- 290 BACB30NM4K5		.BOLT	002004 006017 107107 121503 904999	3
	- 295 AN960C416L		.WASHER	002004 006017 107107 121503 904999	3
	300 BAC27NEL0429		-----*----- ..MARKER-ALUMINUM FOIL- PLACARD CONTENT: P62 CONTROL PANEL	002004 006017 107107 121503 904949 952999	1
	302 BAC27NEL0429		..MARKER-ALUMINUM FOIL- PLACARD CONTENT: P62 CONTROL PANEL	950951	1
	305 BAC27NEL0287		..MARKER-ALUMINUM FOIL- PLACARD CONTENT: TB0025	107107 121503 904949	1
	307 BAC27NEL0287		..MARKER-ALUMINUM FOIL- PLACARD CONTENT: TB0025	950951	1
	308 BAC27NEL0287		..MARKER-ALUMINUM FOIL- PLACARD CONTENT: TB0025	002004 006017 952999	1
	309 BAC27NEL1079		..MARKER-ALUMINUM FOIL- PLACARD CONTENT: TB0225	002004 006017 952999	1
	310 BAC27NEL1079		..MARKER-ALUMINUM FOIL- PLACARD CONTENT: TB0225	950951	1
	311 510		..COVER-JACK SUPPLIER CODE: V82389	002004 006017 107107 121503 904999	1
	312 MS90298-2		..CONNECTOR-	002004 006017 107107 121503 904999	1

MISSING ITEM NUMBERS NOT APPLICABLE

- ITEM NOT ILLUSTRATED

BRI

33-42-01-01

BOEING PROPRIETARY - Copyright © - Unpublished Work - See title page for details.

33-42-01
FIG. 01
PAGE 13
MAY 20/09



757

PARTS CATALOG (MAINTENANCE)

FIG ITEM	PART NUMBER	1 2 3 4 5 6 7	NOMENCLATURE	EFFECT FROM TO	UNITS PER ASSY
1					
315	188196FS60K3	..	CONNECTOR-J BOX SUPPLIER CODE: V30463 OPTIONAL PART: 188196FS60K3J V30463	002004 006017 107107 121503 904999	1
315	188196FS60K3J	..	CONNECTOR-J BOX SUPPLIER CODE: V30463 OPTIONAL PART: 188196FS60K3 V30463	002004 006017 107107 121503 904999	1
320	186029FS60K3	..	LOCKNUT- SUPPLIER CODE: V30463 OPTIONAL PART: 186029FS60K30 V30463	002004 006017 107107 121503 904999	1
320	186029FS60K30	..	LOCKNUT- SUPPLIER CODE: V30463 OPTIONAL PART: 186029FS60K3 V30463	002004 006017 107107 121503 904999	1
325	188195FS60K3	..	CONNECTOR-J BOX SUPPLIER CODE: V30463 OPTIONAL PART: 188195FS60K3J V30463	002004 006017 107107 121503 904999	1
325	188195FS60K3J	..	CONNECTOR-J BOX SUPPLIER CODE: V30463 OPTIONAL PART: 188195FS60K3 V30463	002004 006017 107107 121503 904999	1
330	186028FS60K3	..	LOCKNUT- SUPPLIER CODE: V30463 OPTIONAL PART: 186028FS60K3K V30463	002004 006017 107107 121503 904999	1
330	186028FS60K3K	..	LOCKNUT- SUPPLIER CODE: V30463 OPTIONAL PART: 186028FS60K3 V30463	002004 006017 107107 121503 904999	1

MISSING ITEM NUMBERS NOT APPLICABLE

- ITEM NOT ILLUSTRATED

33-42-01-01

33-42-01
FIG. 01
PAGE 14
JAN 20/09

BRI

BOEING PROPRIETARY - Copyright © - Unpublished Work - See title page for details.



757

PARTS CATALOG (MAINTENANCE)

FIG ITEM	PART NUMBER	1 2 3 4 5 6 7	NOMENCLATURE	EFFECT FROM TO	UNITS PER ASSY
1					
335	188193FS60K3	..	CONNECTOR-J BOX SUPPLIER CODE: V30463 OPTIONAL PART: 188193FS60K3J V30463	002004 006017 107107 121503 904999	1
335	188193FS60K3J	..	CONNECTOR-J BOX SUPPLIER CODE: V30463 OPTIONAL PART: 188193FS60K3 V30463	002004 006017 107107 121503 904999	1
340	186027FS60K3	..	LOCKNUT- SUPPLIER CODE: V30463 OPTIONAL PART: 186027FS60K30 V30463	002004 006017 107107 121503 904999	1
340	186027FS60K30	..	LOCKNUT- SUPPLIER CODE: V30463 OPTIONAL PART: 186027FS60K3 V30463	002004 006017 107107 121503 904999	1
345	284N1759-114	..	PANEL ASSY-	107107	1
345	284N1759-116	..	PANEL ASSY	121503 904949	1
345	284N1759-142	..	PANEL ASSY-	002004 952952	1
345	284N1759-184	..	PANEL ASSY	006017 950951 953999	1
347	284N1759-2	..	PANEL ASSY	002004 952952	1
347	284N1759-145	..	PANEL ASSY	950951	1
347	284N1759-148	..	PANEL ASSY	107107	1
347	284N1759-149	..	PANEL ASSY	121503 904949	1
347	284N1759-150	..	PANEL ASSY	006017 953999	1
- 350	NAS1801-3-6	..	ATTACHING PARTS SCREW	002004 006017 107107 121503 904999	21
			-----*-----		

MISSING ITEM NUMBERS NOT APPLICABLE

- ITEM NOT ILLUSTRATED

33-42-01-01

33-42-01
FIG. 01
PAGE 15
MAY 20/09

BRI

BOEING PROPRIETARY - Copyright © - Unpublished Work - See title page for details.



757

PARTS CATALOG (MAINTENANCE)

FIG ITEM	PART NUMBER	1 2 3 4 5 6 7	NOMENCLATURE	EFFECT FROM TO	UNITS PER ASSY
1					
351	BACN10TL3A3	...	NUT	002004 006017 107107 121503 904949 952999	1
- 353	BACR15BA4AD	...	RIVET	002004 006017 107107 121503 904949 952999	2
			ATTACHING PARTS		
355	M81714-5-1	..	TERMINAL- ELECTRICAL EQUIP NUMBER: TB0025	107107	1
355	M81714-5-10	..	TERMINAL- ELECTRICAL EQUIP NUMBER: TB0025	121503 904949	1
- 360	NAS514P632-8	..	SCREW	107107 121503 904949	2
			ATTACHING PARTS		
361	M81714-5-7	..	TERMINAL- ELECTRICAL EQUIP NUMBER: TB0025 TB0225	002004 006017 952999	2
- 363	NAS514P632-8	..	SCREW	002004 006017 952999	4
			ATTACHING PARTS		
365	M81714-5-7	..	TERMINAL- ELECTRICAL EQUIP NUMBER: TB0025 TB0225	950951	2
- 367	NAS514P632-8	..	SCREW	950951	4
			ATTACHING PARTS		
369	NAS557-20A	.	GROMMET	950951	2
370	BACB30NM3K3	.	BOLT	950951	6
372	AN960PD10L	.	WASHER	950951	6
374	284N1782-1	.	LIGHT ASSY	950951	1
376	NAS1801-3-6	..	SCREW	950951	12
378	NAS1801-3-24	..	SCREW	950951	12
380	90-10021-3	..	RETAINER	950951	4
382	90-10021	..	RETAINER ASSY	950951	4

MISSING ITEM NUMBERS NOT APPLICABLE

- ITEM NOT ILLUSTRATED

33-42-01-01

33-42-01
FIG. 01
PAGE 16
MAY 20/09

BRI

BOEING
757
PARTS CATALOG (MAINTENANCE)

FIG ITEM	PART NUMBER	1 2 3 4 5 6 7	NOMENCLATURE	EFFECT FROM TO	UNITS PER ASSY
1					
384	284N1761-2		.. GASKET- MANUFACTURED FROM: SH SYN RUBBER BMS1-59 STK 0.03IN. 1.00IN 18.50 F-25.01	950951	4
386	4551		.. LAMP-SEALED BEAM SUPPLIER CODE: V08806 ELECTRICAL EQUIP NUMBER: L00079 L00080	950951	2
386	MS24517-4551		.. LAMP-	950951	2
388	Q4554		.. LAMP-SEALED BEAM SUPPLIER CODE: V08806 ELECTRICAL EQUIP NUMBER: L00556 L00557	950951	2
390	284N1067-73		.. SHIELD ASSY-LT	950951	2
392	284N1067-74		.. SHIELD ASSY-LT ATTACHING PARTS	950951	2
- 394	NAS1801-3-8		.. SCREW -----*-----	950951	16
396	284N1067-29		... RIM	950951	1
398	284N1067-75		... SHIELD- USED ON: 284N1067-73	950951	1
400	284N1067-76		... SHIELD- USED ON: 284N1067-74	950951	1
402	NAS514P1032-7		.. SCREW	950951	42
404	284N1782-2		.. BOX ASSY	950951	1
406	284N1782-3		. BRACKET-SPRT	950951	1
410	284N1759-201		. SUPPORT ASSY-WIRE	006017 950951 953999	1
414	284N1759-202		. SUPPORT ASSY-WIRE	006017 950951 953999	1
- 418	NAS1801-08-9		ATTACHING PARTS . SCREW	006017 950951 953999	4
- 420	AN960JD8L		. WASHER -----*-----	006017 950951 953999	4

MISSING ITEM NUMBERS NOT APPLICABLE

- ITEM NOT ILLUSTRATED

BRI

33-42-01-01

BOEING PROPRIETARY - Copyright © - Unpublished Work - See title page for details.

33-42-01
FIG. 01
PAGE 17
JAN 20/09



757

PARTS CATALOG (MAINTENANCE)

FIG ITEM	PART NUMBER	1 2 3 4 5 6 7	NOMENCLATURE	EFFECT FROM TO	UNITS PER ASSY
1					
422	NAS1801-08-10	.	SCREW	006017 950951 953999	4
426	NAS1801-08-9	.	SCREW	006017 950951 953999	4
428	AN960JD8L	.	WASHER	006017 950951 953999	8
430	284N1759-197	.	SUPPORT ASSY-WIRE	006017 950951 953999	1
434	284N1759-198	.	SUPPORT ASSY-WIRE	006017 950951 953999	1
438	284N1759-166	.	ANGLE ASSY	006017 950951 953999	2
- 450	286N3052-003		WIRE BUNDLE ASSY-(LANDING, RUNWAY, TURNOFF AND TAXI LIGHTS ONLY)	107107 121503 904949	RF
- 450	286N3052-007		WIRE BUNDLE ASSY-(LANDING, RUNWAY, TURNOFF AND TAXI LIGHTS ONLY)	002004 006017 950999	RF
452	G899418	.	CLAMP- SUPPLIER CODE: V06324 SPECIFICATION NUMBER: BACC10HG18A OPTIONAL PART: G8994M18 V06324 S2252-18-8 V07418 900-555L18-34 V31461 6000-124-1018 V14283 GS3418-18ACD V06324 S2126-18A8 V07418 ELECTRICAL EQUIP NUMBER: D00188T D00190T WIRING DIAGRAM REF: 334221	002004 006017 107107 121503 904999	2

MISSING ITEM NUMBERS NOT APPLICABLE

- ITEM NOT ILLUSTRATED

33-42-01-01

33-42-01
FIG. 01
PAGE 18
JAN 20/09

BRI



757

PARTS CATALOG (MAINTENANCE)

FIG ITEM	PART NUMBER	1 2 3 4 5 6 7	NOMENCLATURE	EFFECT FROM TO	UNITS PER ASSY
1 453	BACC63BP18A8SN		.CONNECTOR- ELECTRICAL EQUIP NUMBER: D00188 D00190 WIRING DIAGRAM REF: 334221	002004 006017 107107 121503 904999	2
- 455	286N3054-003		WIRE BUNDLE ASSY-(LANDING RUNWAY, TURNOFF AND TAXI LIGHTS ONLY)	107107 121503 904949	RF
- 455	286N3054-007		WIRE BUNDLE ASSY-(LANDING RUNWAY, TURNOFF AND TAXI LIGHTS ONLY)	002004 006017 950999	RF
463	G899418		.CLAMP- SUPPLIER CODE: V06324 SPECIFICATION NUMBER: BACC10HG18A OPTIONAL PART: G8994M18 V06324 S2252-18-8 V07418 900-555L18-34 V31461 6000-124-1018 V14283 GS3418-18ACD V06324 S2126-18A8 V07418 ELECTRICAL EQUIP NUMBER: D02308T WIRING DIAGRAM REF: 334211	002004 006017 107107 121503 904999	1
470	R071018R8S8L		.CONNECTOR- SUPPLIER CODE: V41118 SPECIFICATION NUMBER: BACC63BP18R8S8L ELECTRICAL EQUIP NUMBER: D02308 WIRING DIAGRAM REF: 334211	002004 006017 107107 121503 904999	1
- 550	286N3054-003		WIRE BUNDLE ASSY-(LANDING, RUNWAY, TURNOFF AND TAXI LIGHTS ONLY)	107107 121503 904949	RF
- 550	286N3052-007		WIRE BUNDLE ASSY-(LANDING, RUNWAY, TURNOFF AND TAXI LIGHTS ONLY)	002004 006017 950999	RF

MISSING ITEM NUMBERS NOT APPLICABLE

- ITEM NOT ILLUSTRATED

33-42-01-01

33-42-01
FIG. 01
PAGE 19
JAN 20/09

BRI



757

PARTS CATALOG (MAINTENANCE)

FIG ITEM	PART NUMBER	1 2 3 4 5 6 7	NOMENCLATURE	EFFECT FROM TO	UNITS PER ASSY
1 555	GS3418-18CD	.CLAMP-	SUPPLIER CODE: V06324 SPECIFICATION NUMBER: BACC10HG18 OPTIONAL PART: S2126-18-8 V07418 ELECTRICAL EQUIP NUMBER: D02294T WIRING DIAGRAM REF: 334211 334212	002004 006017 107107 121503 904999	1
557	GS3417-18C	.CLAMP-	SUPPLIER CODE: V06324 SPECIFICATION NUMBER: BACC10HF18 OPTIONAL PART: S2125-18-8 V07418 ELECTRICAL EQUIP NUMBER: D02198T WIRING DIAGRAM REF: 334231	002004 006017 950999	1
560	R071018R8S8L	.CONNECTOR-	SUPPLIER CODE: V41118 SPECIFICATION NUMBER: BACC63BP18R8S8L ELECTRICAL EQUIP NUMBER: D02294 WIRING DIAGRAM REF: 334211 334212	002004 006017 107107 121503 904999	1
565	R071018R8SNL	.CONNECTOR-	SUPPLIER CODE: V41118 SPECIFICATION NUMBER: BACC63BP18R8SNL ELECTRICAL EQUIP NUMBER: D02198 WIRING DIAGRAM REF: 334231	952999	1

MISSING ITEM NUMBERS NOT APPLICABLE

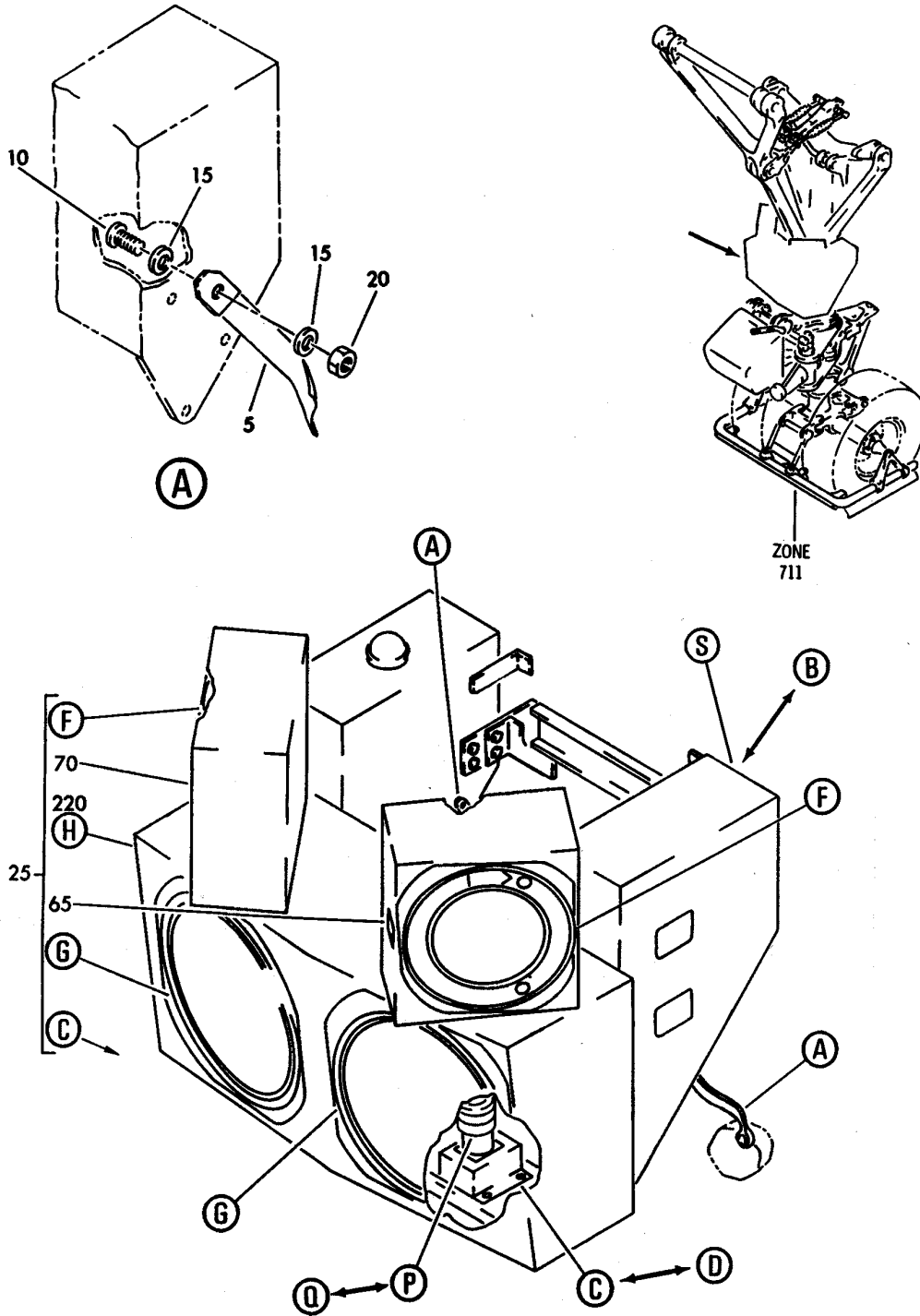
- ITEM NOT ILLUSTRATED

33-42-01-01

33-42-01
FIG. 01
PAGE 20
JAN 20/09

BRI

BOEING
757
PARTS CATALOG (MAINTENANCE)



Y 33420102 SHT 1 REV 209

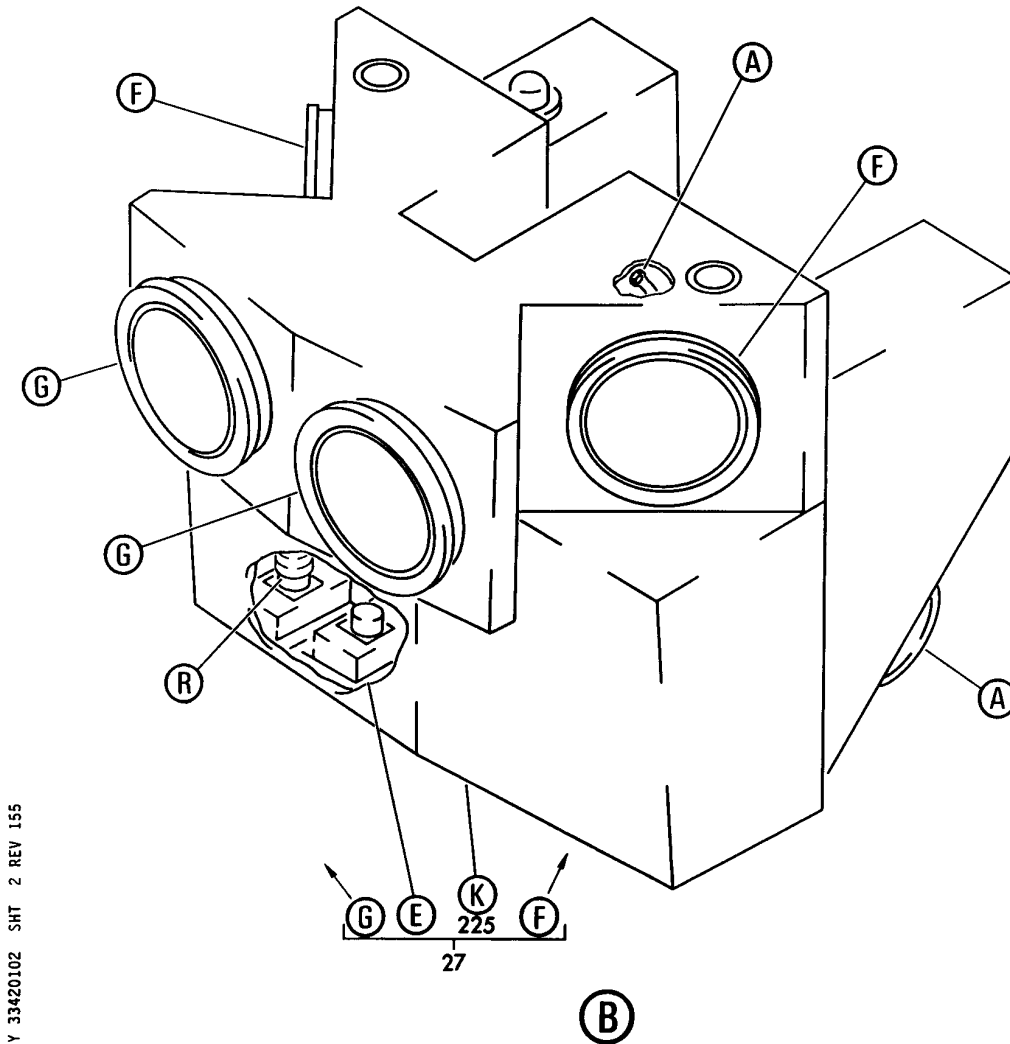
PANEL INSTL-P62 AND P63 NLG LDG AND TURNOFF LTS (LANDING, RUNWAY TURNOFF AND TAXI LIGHTS ONLY)
FIGURE 2 (SHEET 1)

BRI
MAY 28/07

33-42-01-02

33-42-01-02
PAGE 0

BOEING
757
PARTS CATALOG (MAINTENANCE)



Y 33420102 SHT 2 REV 155

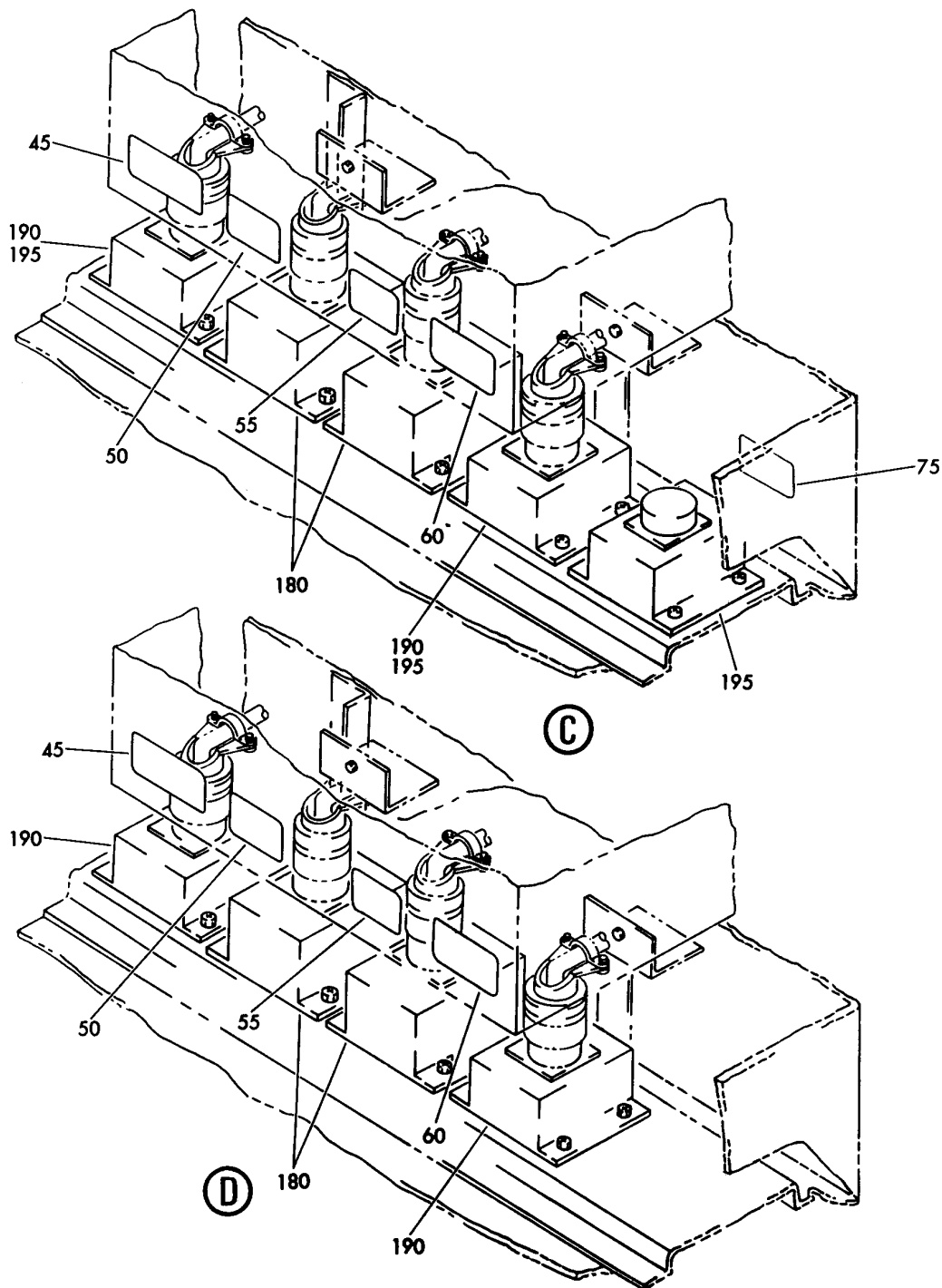
PANEL INSTL-P62 AND P63 NLG LDG AND TURNOFF LTS (LANDING, RUNWAY TURNOFF AND TAXI LIGHTS ONLY)
FIGURE 2 (SHEET 2)

BRI
MAY 28/07

33-42-01-02

33-42-01-02
PAGE 0A

BOEING
757
PARTS CATALOG (MAINTENANCE)



Y 33420102 SHT 3 REV 155

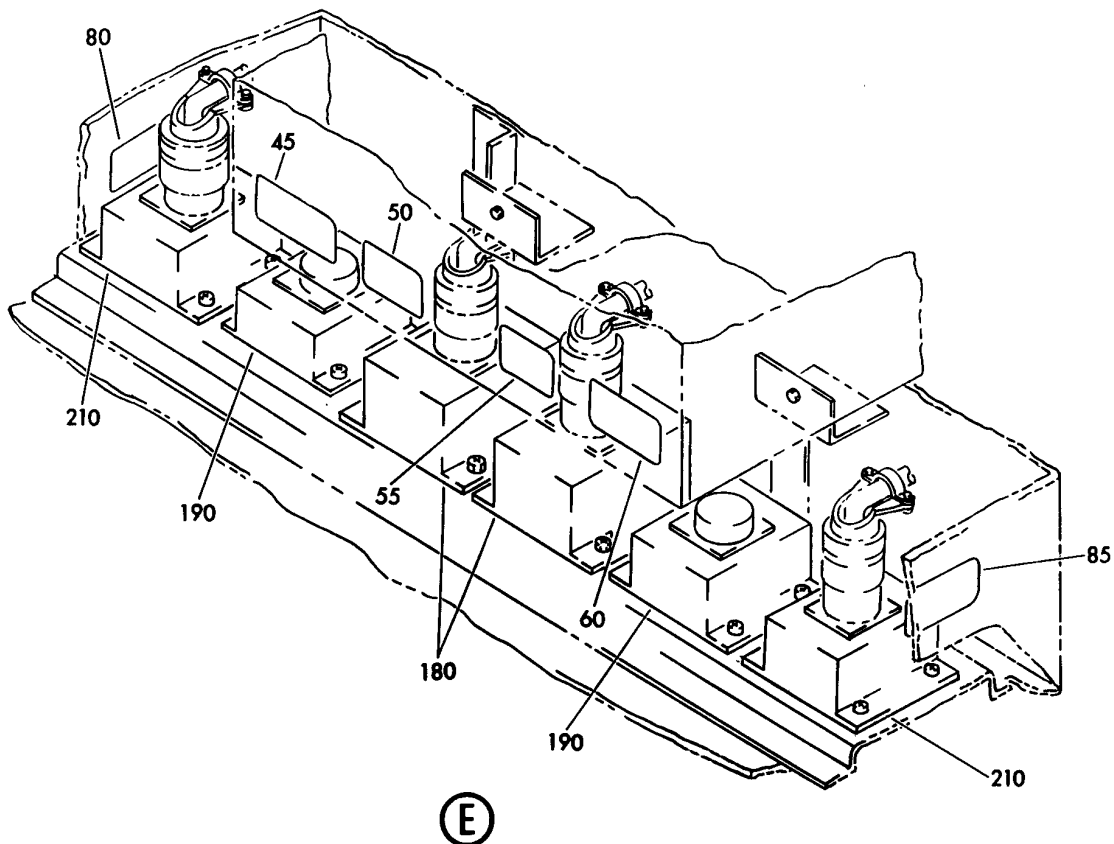
PANEL INSTL-P62 AND P63 NLG LDG AND TURNOFF LTS (LANDING, RUNWAY TURNOFF AND TAXI LIGHTS ONLY)
FIGURE 2 (SHEET 3)

BRI
MAY 28/07

33-42-01-02

33-42-01-02
PAGE 0B

BOEING
757
PARTS CATALOG (MAINTENANCE)



Y 33420102 SHT 4 REV 155

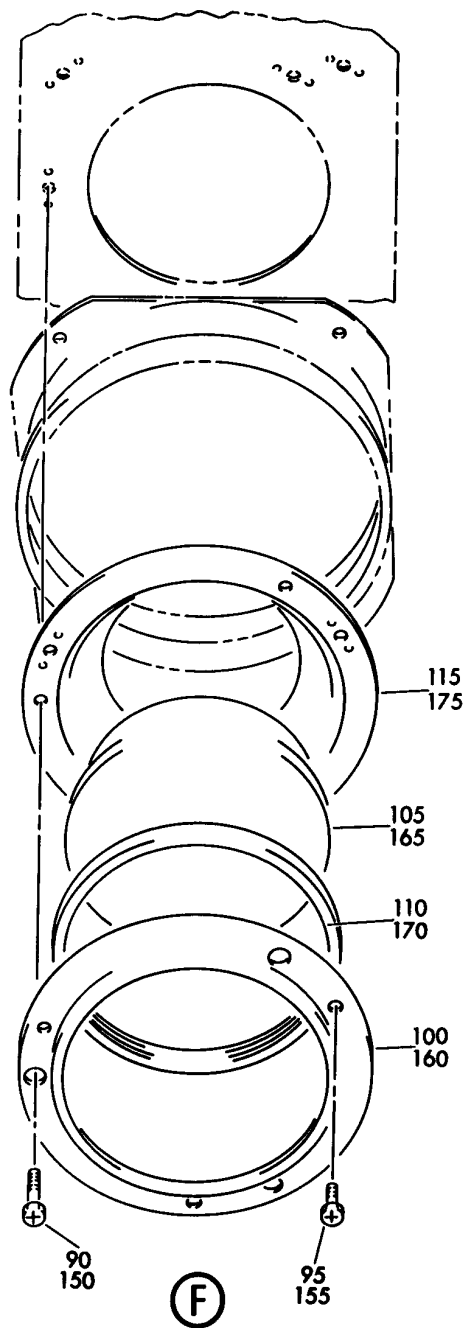
PANEL INSTL-P62 AND P63 NLG LDG AND TURNOFF LTS (LANDING, RUNWAY TURNOFF AND TAXI LIGHTS ONLY)
FIGURE 2 (SHEET 4)

BRI
MAY 28/07

33-42-01-02

33-42-01-02
PAGE 0C

BOEING
757
PARTS CATALOG (MAINTENANCE)



Y 33420102 SHT 5 REV 155

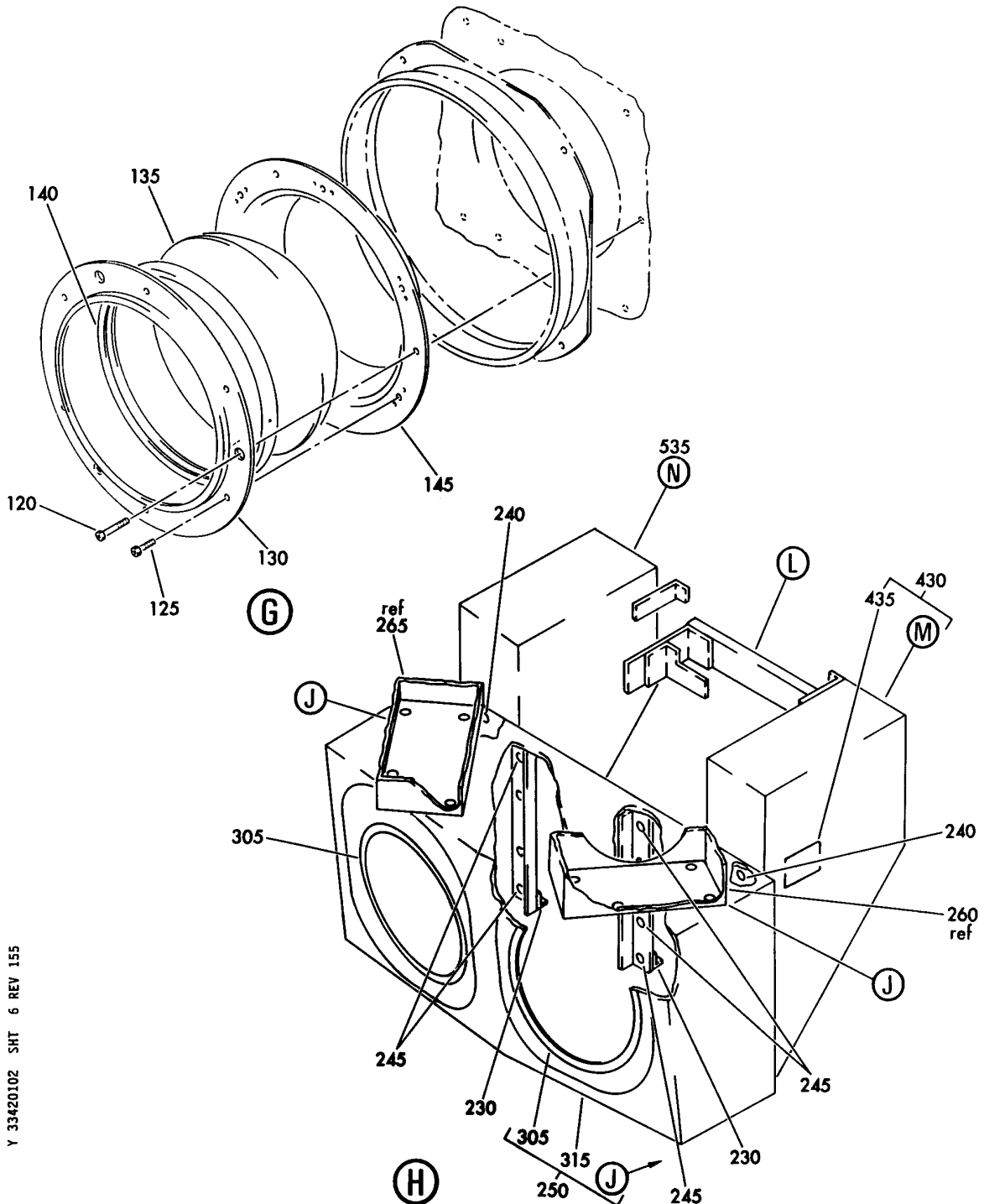
PANEL INSTL-P62 AND P63 NLG LDG AND TURNOFF LTS (LANDING, RUNWAY TURNOFF AND TAXI LIGHTS ONLY)
FIGURE 2 (SHEET 5)

BRI
MAY 28/07

33-42-01-02

33-42-01-02
PAGE 0D

BOEING
757
PARTS CATALOG (MAINTENANCE)



Y 33420102 SHT 6 REV 155

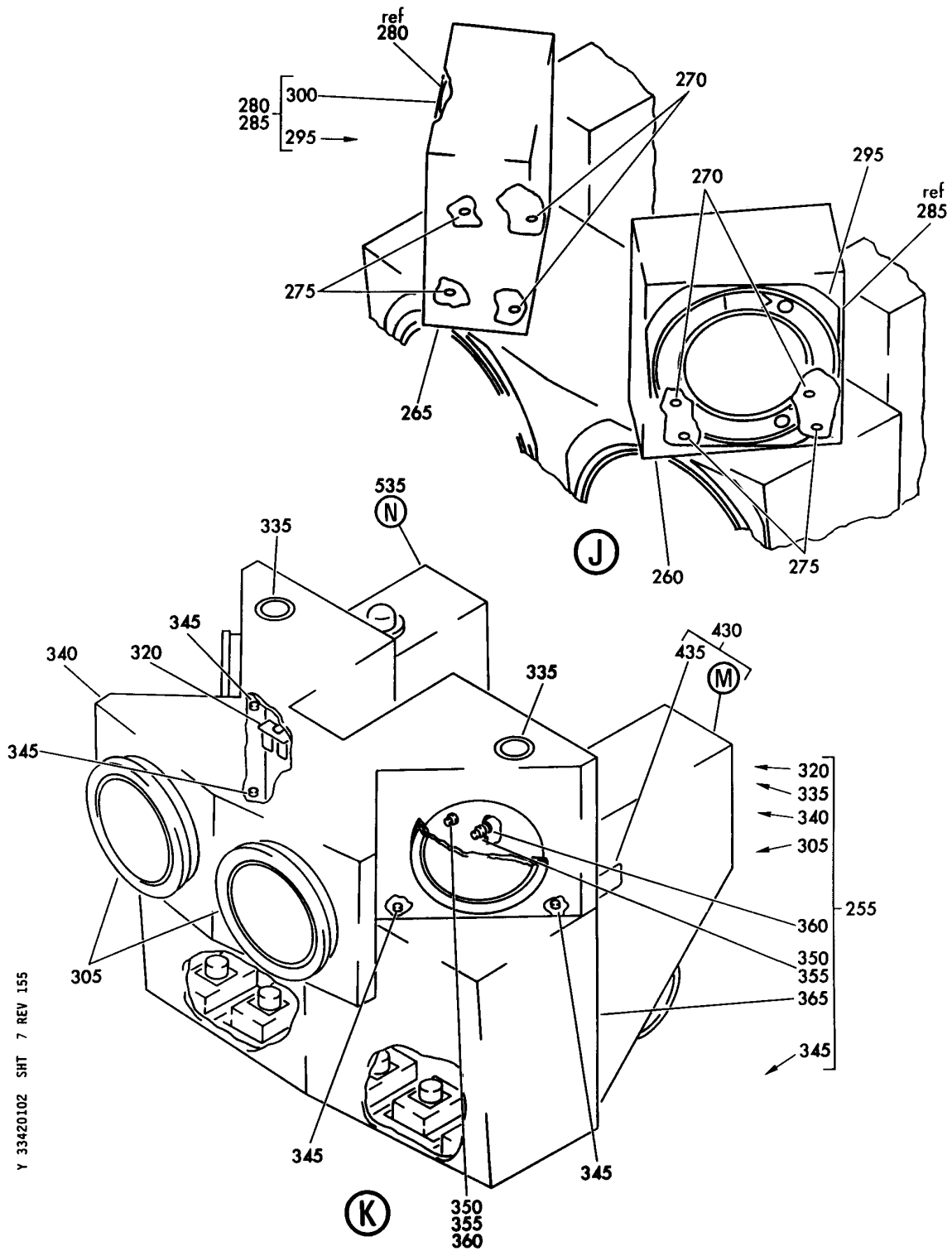
PANEL INSTL-P62 AND P63 NLG LDG AND TURNOFF LTS (LANDING, RUNWAY TURNOFF AND TAXI LIGHTS ONLY)
FIGURE 2 (SHEET 6)

BRI
MAY 28/07

33-42-01-02

33-42-01-02
PAGE 0E

BOEING
757
PARTS CATALOG (MAINTENANCE)



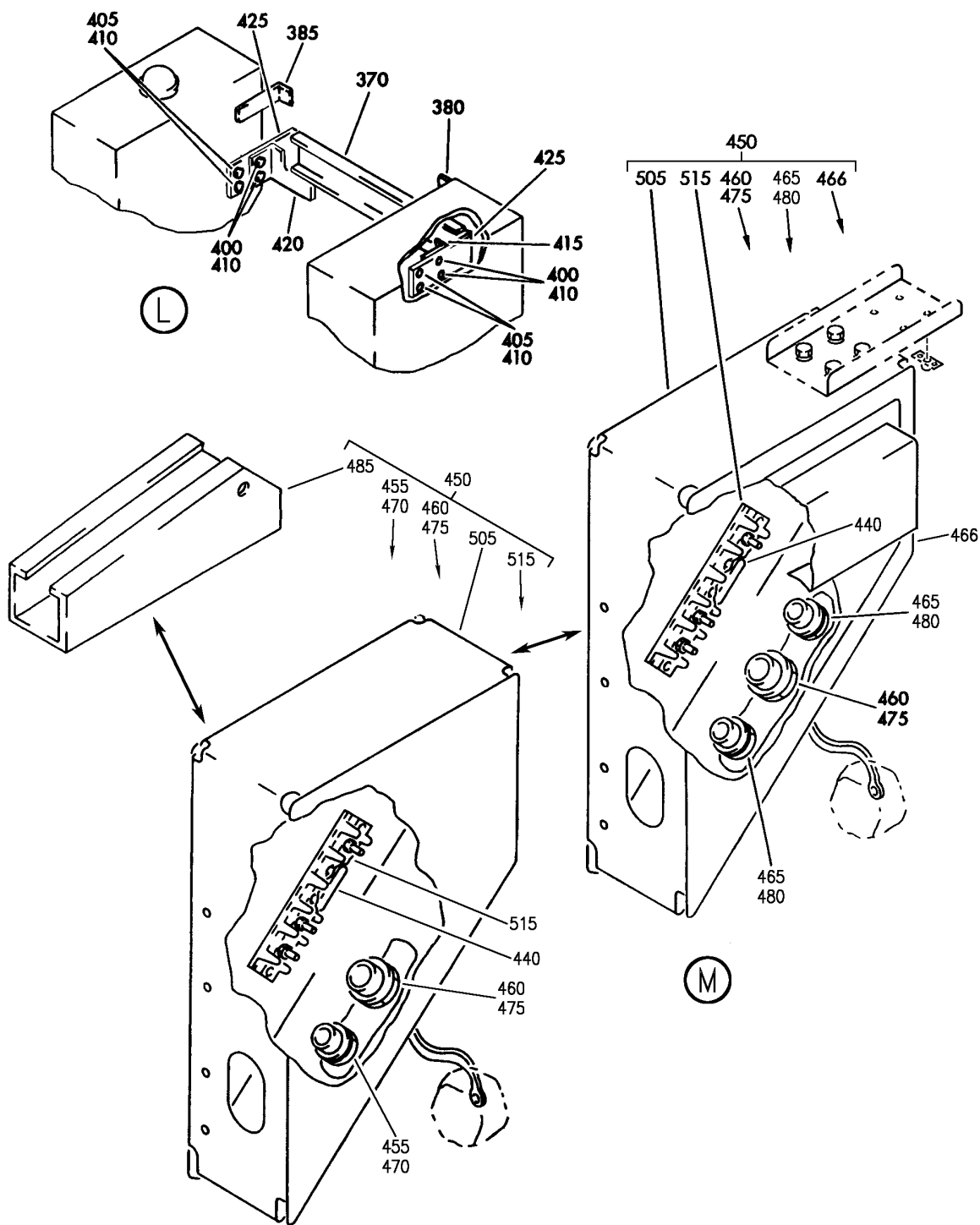
PANEL INSTL-P62 AND P63 NLG LDG AND TURNOFF LTS (LANDING, RUNWAY TURNOFF AND TAXI LIGHTS ONLY)
FIGURE 2 (SHEET 7)

BRI
MAY 28/07

33-42-01-02

33-42-01-02
PAGE OF


BOEING
 757
PARTS CATALOG (MAINTENANCE)



Y 33420102 SH1 8 REV 295

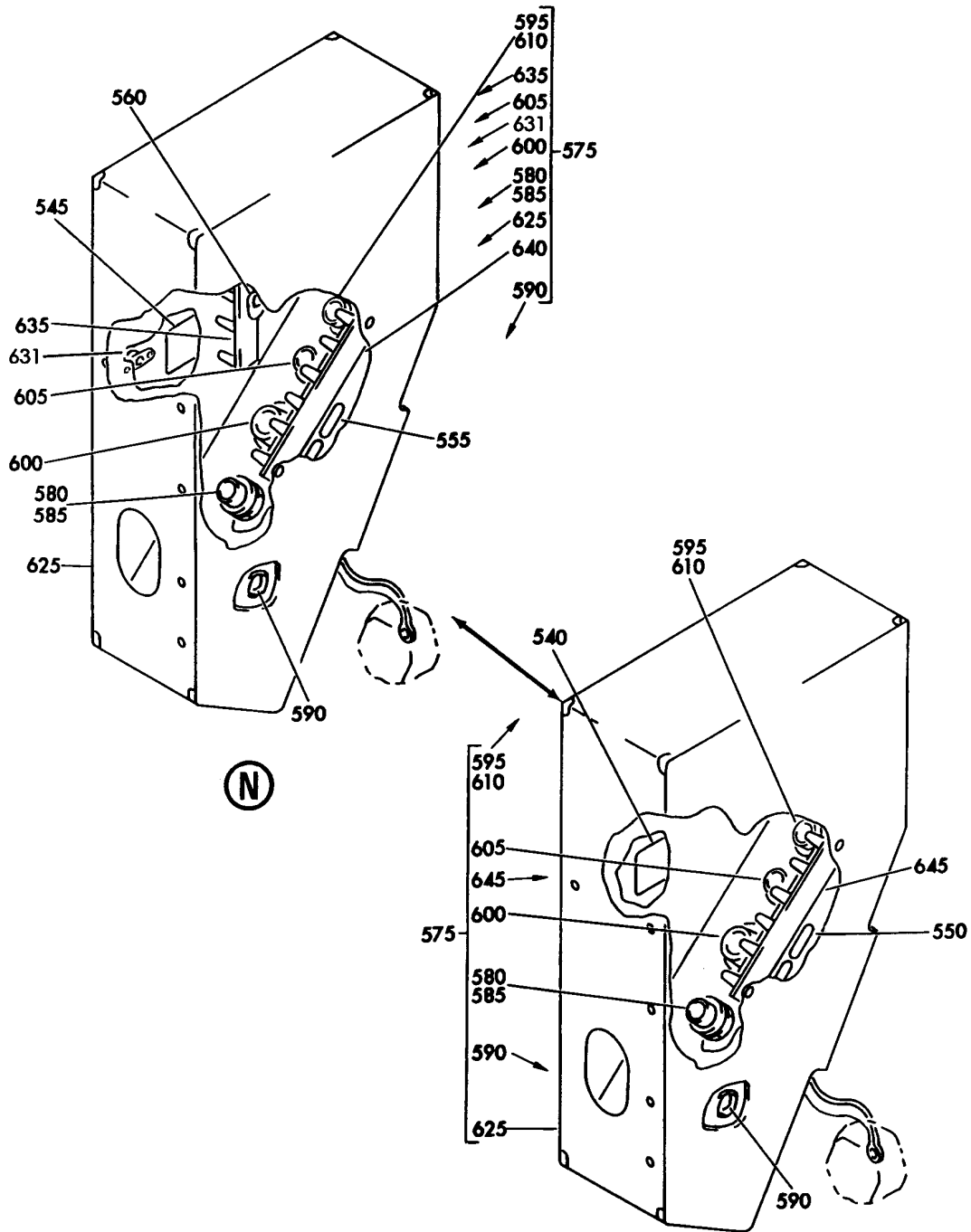
PANEL INSTL-P62 AND P63 NLG LDG AND TURNOFF LTS (LANDING, RUNWAY TURNOFF AND TAXI LIGHTS ONLY)
 FIGURE 2 (SHEET 8)

BRI
 MAY 28/07

33-42-01-02

33-42-01-02
 PAGE 06

BOEING
757
PARTS CATALOG (MAINTENANCE)



Y 33420102 SHT 9 REV 204

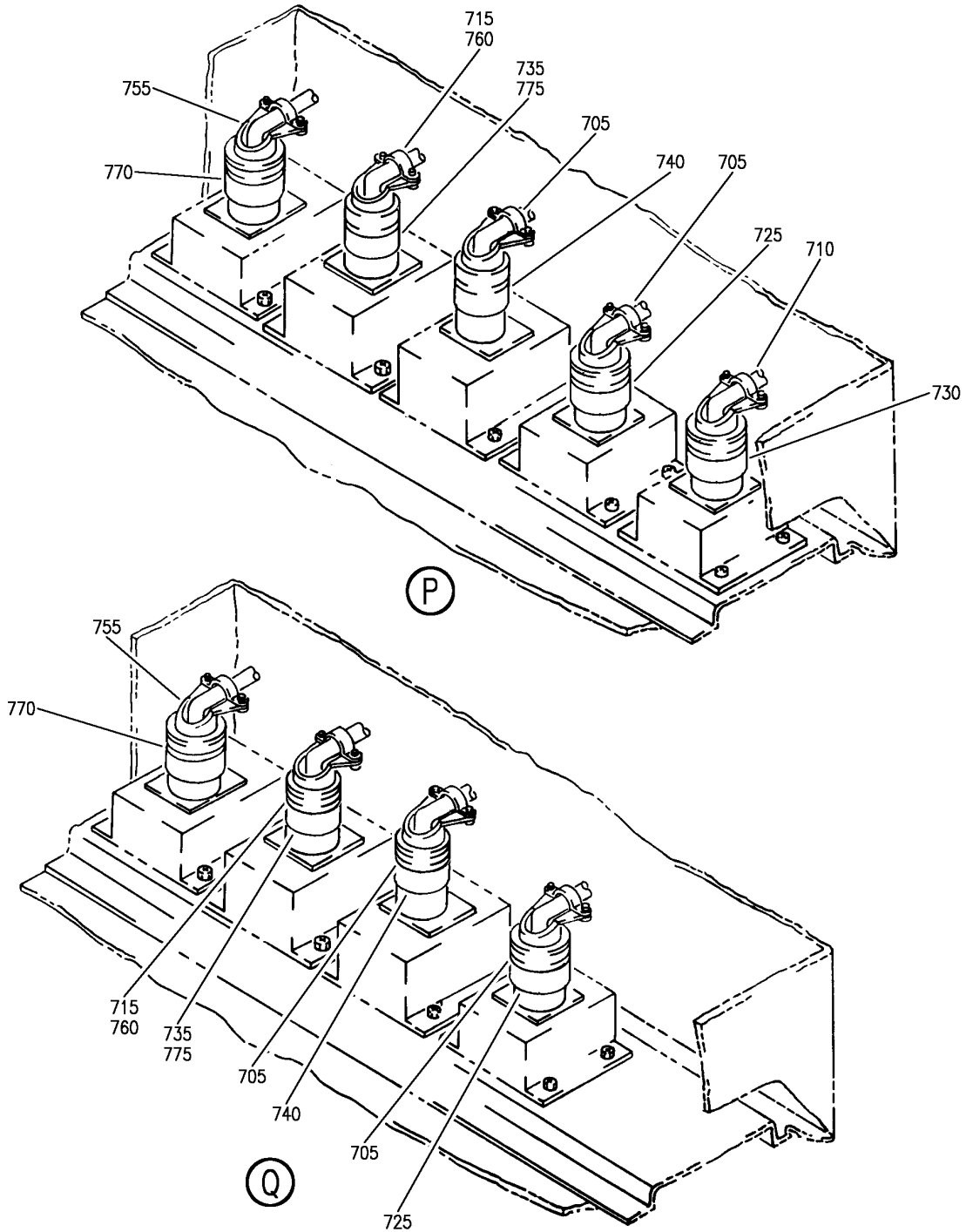
PANEL INSTL-P62 AND P63 NLG LDG AND TURNOFF LTS (LANDING, RUNWAY TURNOFF AND TAXI LIGHTS ONLY)
FIGURE 2 (SHEET 9)

BRI
MAY 28/07

33-42-01-02

33-42-01-02
PAGE 0H

BOEING
 757
 PARTS CATALOG (MAINTENANCE)



Y 33420102 SH1 10 REV 273

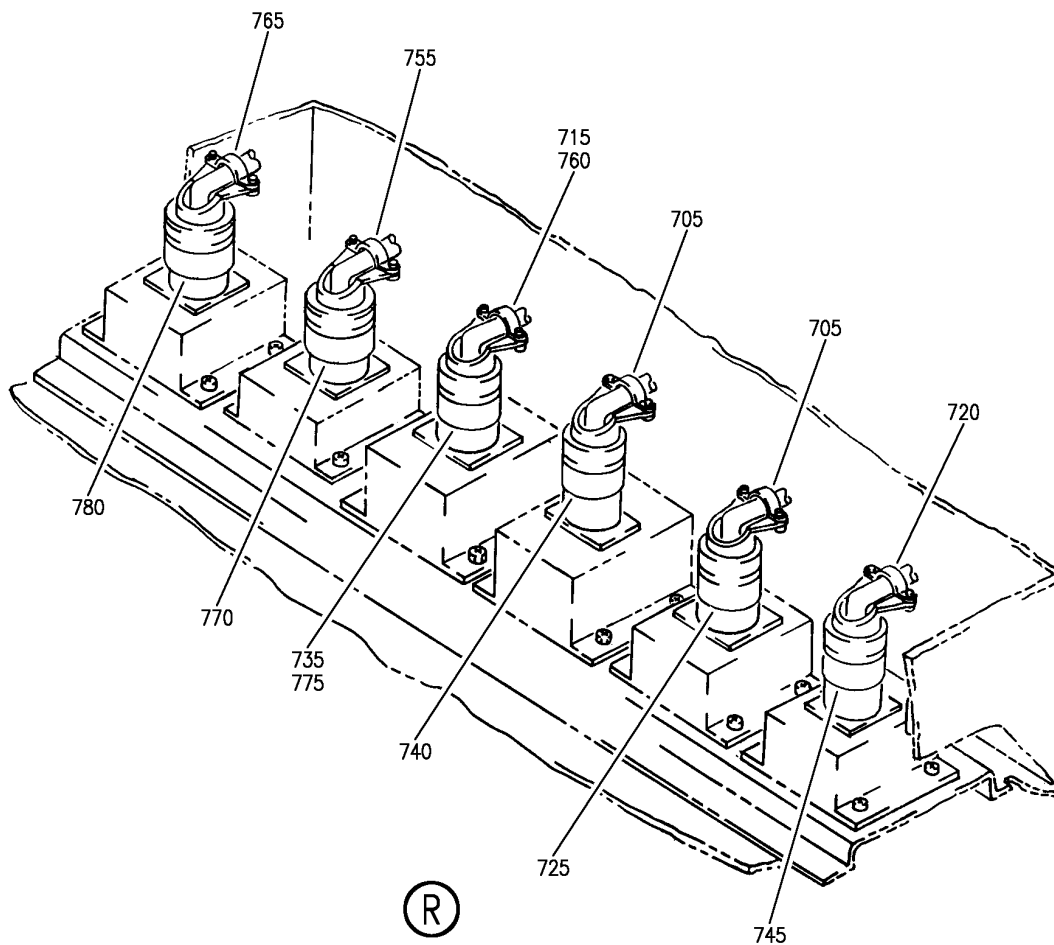
PANEL INSTL-P62 AND P63 NLG LDG AND TURNOFF LTS (LANDING, RUNWAY TURNOFF AND TAXI LIGHTS ONLY)
 FIGURE 2 (SHEET 10)

BRI
 MAY 28/07

33-42-01-02

33-42-01-02
 PAGE 01

BOEING
757
PARTS CATALOG (MAINTENANCE)



Y 33420102 SH11 REV 273

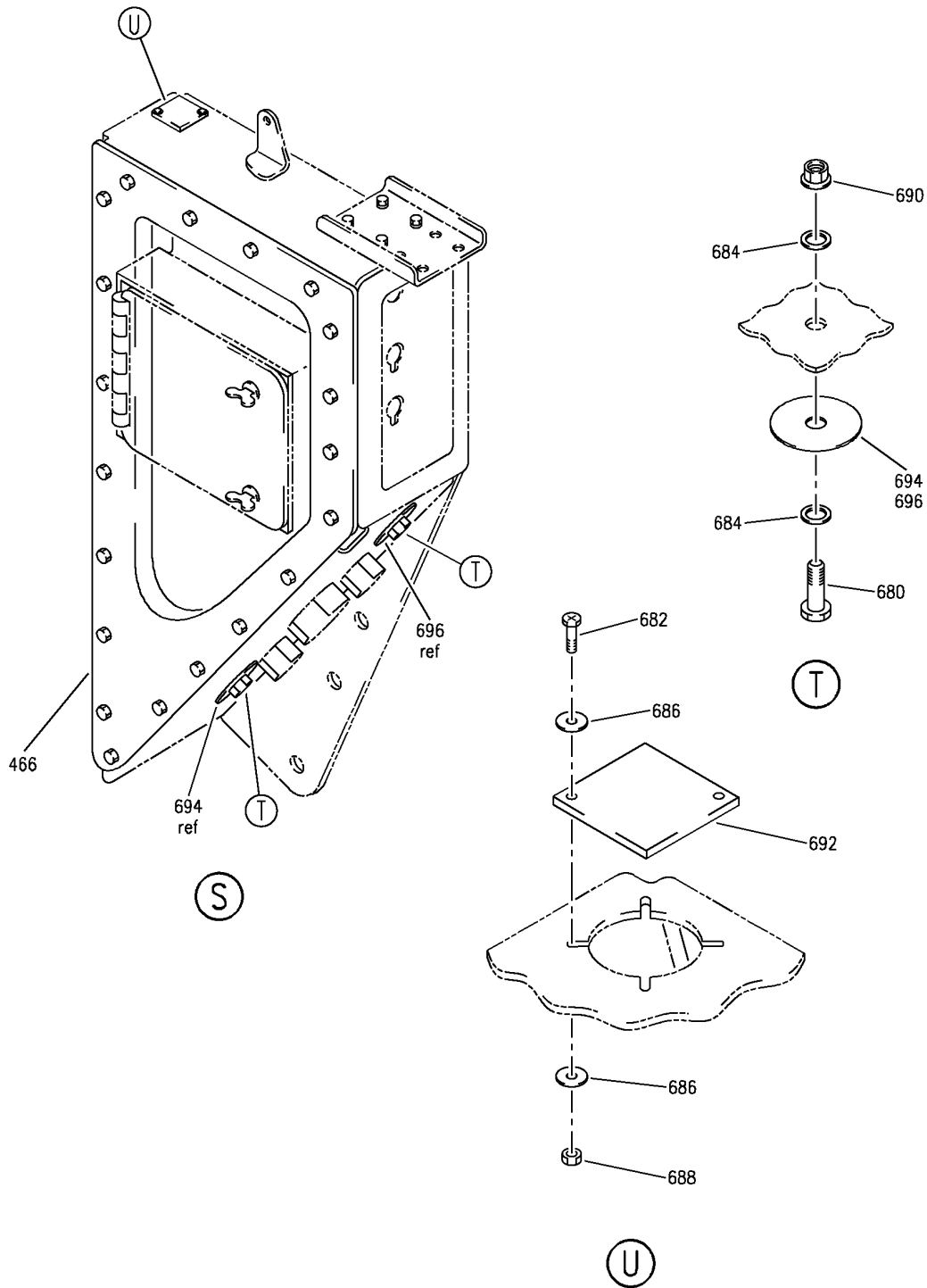
PANEL INSTL-P62 AND P63 NLG LDG AND TURNOFF LTS (LANDING, RUNWAY TURNOFF AND TAXI LIGHTS ONLY)
FIGURE 2 (SHEET 11)

BRI
MAY 28/07

33-42-01-02

33-42-01-02
PAGE 0J

BOEING
757
PARTS CATALOG (MAINTENANCE)



Y 33420102 SHT 12 REV 296

PANEL INSTL-P62 AND P63 NLG LDG AND TURNOFF LTS (LANDING, RUNWAY TURNOFF AND TAXI LIGHTS ONLY)
FIGURE 2 (SHEET 12)

BRI
MAY 28/07

33-42-01-02

33-42-01-02
PAGE OK



757

PARTS CATALOG (MAINTENANCE)

FIG ITEM	PART NUMBER	1 2 3 4 5 6 7	NOMENCLATURE	EFFECT FROM TO	UNITS PER ASSY
2			PANEL INSTL-P62 AND P63 NLG LDG AND TURNOFF LTS (LANDING, RUNWAY TURNOFF AND TAXI LIGHTS ONLY)	018101	
- 1	284N1761-60		PANEL INSTL-P62 AND P63 NLG LDG AND TURNOFF LTS (LANDING, RUNWAY TURNOFF AND TAXI LIGHTS ONLY) FOR NHA/OTHER SYS DET SEE: 24-00-58-01C	018100	RF
- 2	284N1761-87		PANEL INSTL-P62 AND P63 NLG LDG AND TURNOFF LTS (LANDING, RUNWAY TURNOFF AND TAXI LIGHTS ONLY) FOR NHA SEE: 24-00-58-05	101101	RF
- 2	284N1761-90		PANEL INSTL-P62 AND P63 NLG LDG AND TURNOFF LTS (LANDING, RUNWAY TURNOFF AND TAXI LIGHTS ONLY) FOR NHA/OTHER SYS DET SEE: 24-00-58-05E	101101	RF
5	284N6202-1		.STRAP ASSY ATTACHING PARTS	018101	2
10	NAS1801-4-10		.SCREW	018101	2
15	NAS1149D0416J		.WASHER-	018101	4
20	F42NKE048		.NUT	018101	2
			SUPPLIER CODE: V72962 SPECIFICATION NUMBER: BACN10R428 OPTIONAL PART: 42NKE048 V72962 26C048 V80539 -----*-----		
25	284N1209-2		.PANEL ASSY-P62 AND P63, NLG, LDG AND TURNOFF LTS	018100	1
27	284N1209-42		.PANEL ASSY-P62 AND P63, NLG, LDG AND TURNOFF LTS ATTACHING PARTS	101101	1
- 30	BACB30NM4K5		.BOLT	018101	6
- 35	NAS1149D0416J		.WASHER	018101	6

MISSING ITEM NUMBERS NOT APPLICABLE

- ITEM NOT ILLUSTRATED

33-42-01-02

33-42-01
FIG. 02
PAGE 1
JAN 20/09

BRI

BOEING PROPRIETARY - Copyright © - Unpublished Work - See title page for details.



757

PARTS CATALOG (MAINTENANCE)

FIG ITEM	PART NUMBER	1 2 3 4 5 6 7	NOMENCLATURE	EFFECT FROM TO	UNITS PER ASSY
2 - 40	F42NKE048	.NUT	SUPPLIER CODE: V72962 SPECIFICATION NUMBER: BACN10R428 OPTIONAL PART: 42NKE048 V72962 26C048 V80539 -----*-----	018101	6
45	BAC27NEL0285	..MARKER-ALUMINUM FOIL- PLACARD CONTENT: T00138 R RWY TURNOFF LT XFMR		018101	1
50	BAC27NEL0286	..MARKER-ALUMINUM FOIL- PLACARD CONTENT: T00144 R NLG LDG LT XFMR		018101	1
55	BAC27NEL0282	..MARKER-ALUMINUM FOIL- PLACARD CONTENT: T00143 L NLG LDG LT XFMR		018101	1
60	BAC27NEL0281	..MARKER-ALUMINUM FOIL- PLACARD CONTENT: T00137 L RWY TURNOFF LT XFMR		018101	1
65	BAC27NEL0928	..MARKER-ALUMINUM FOIL- PLACARD CONTENT: L00079 LIGHT-RUNWAY TURNOFF, L		018101	1
70	BAC27NEL0929	..MARKER-ALUMINUM FOIL- PLACARD CONTENT: L00080 LIGHT-RUNWAY TURNOFF, R		018101	1
90	NAS1801-3-24	..SCREW		018101	6
95	NAS1801-3-6	..SCREW		018101	6
100	90-10021-3	..RETAINER-		018101	2
100	90-10021-7	..RETAINER-		018101	2
105	4551	..LAMP-SEALED BEAM SUPPLIER CODE: V08806 ELECTRICAL EQUIP NUMBER: L00079 L00080		018101	2
105	MS24517-4551	..LAMP-		018101	2

MISSING ITEM NUMBERS NOT APPLICABLE

- ITEM NOT ILLUSTRATED

33-42-01-02

33-42-01
FIG. 02
PAGE 2
SEP 28/07

BRI



757

PARTS CATALOG (MAINTENANCE)

FIG ITEM	PART NUMBER	1 2 3 4 5 6 7	NOMENCLATURE	EFFECT FROM TO	UNITS PER ASSY
2					
110	284N1761-2	..	GASKET- MANUFACTURED FROM: SH SYN RUBBER BMS1-59 STK 0.03IN. 1.00IN 18.50 F-25.01	018101	2
115	90-10021	..	RETAINER ASSY	018101	2
120	NAS1801-3-28	..	SCREW-	018101	6
125	NAS1801-3-6	..	SCREW-	018101	6
130	9-64386-2	..	RETAINER ASSY-	018101	2
135	Q4559X	..	LAMP-SEALED BEAM SUPPLIER CODE: V08806 ELECTRICAL EQUIP NUMBER: L00358 L00359	018101	2
140	284N1761-3	..	GASKET- MANUFACTURED FROM: SH SYN RUBBER BMS1-59 STK 0.03IN. 1.00IN 25.50 F-25.01	018101	2
145	9-64387-4	..	FRAME ASSY	018101	2
180	FT1221	..	AUTOTRANSFORMER- SUPPLIER CODE: V14752 ELECTRICAL EQUIP NUMBER: T00143 T00144 ATTACHING PARTS	018101	2
- 185	NAS1801-3-8	..	SCREW -----*-----	018101	8
190	FT1222	..	AUTOTRANSFORMER- SUPPLIER CODE: V14752 ELECTRICAL EQUIP NUMBER: T00137 T00138 ATTACHING PARTS	018101	2
- 200	NAS1801-3-8	..	SCREW -----*-----	018101	8
220	284N1209-13	..	HOUSING ASSY-	018100	1
220	284N1209-49	..	HOUSING ASSY-	101101	1
230	284N1759-48	...	ANGLE ASSY ATTACHING PARTS	018101	2
- 235	BACB30NM3K4	...	BOLT -----*-----	018101	2
240	BACB30NM3K4	...	BOLT	018101	2
245	BACB30NM3K6	...	BOLT	018101	8
250	284N1759-205	...	BOX ASSY-TAXI AND TURNOFF LTS, NLG	018100	1

MISSING ITEM NUMBERS NOT APPLICABLE

- ITEM NOT ILLUSTRATED

33-42-01-02

33-42-01
FIG. 02
PAGE 3
JAN 20/09

BRI

 **BOEING**
757
PARTS CATALOG (MAINTENANCE)

FIG ITEM	PART NUMBER	1 2 3 4 5 6 7	NOMENCLATURE	EFFECT FROM TO	UNITS PER ASSY
2					
250	284N1759-234	...	BOX ASSY-TAXI AND TURNOFF LTS, NLG	101101	1
260	284N1759-63	BOX ASSY	018101	1
265	284N1759-64	BOX ASSY ATTACHING PARTS	018101	1
270	BACB30NM3K4	BOLT	018101	4
275	BACB30NM3K5	BOLT	018101	4
			-----*-----		
280	284N1067-73	SHIELD ASSY-LIGHT POSITION DATA: L	018101	1
285	284N1067-74	SHIELD ASSY-LIGHT POSITION DATA: R ATTACHING PARTS	018101	1
- 290	NAS1801-3-8	SCREW	018101	8
			-----*-----		
295	284N1067-75	SHIELD- POSITION DATA: LH SIDE	018101	1
300	284N1067-76	SHIELD- POSITION DATA: LH SIDE	018101	1
305	284N1067-69	SHIELD ASSY ATTACHING PARTS	018101	2
- 310	NAS1801-3-8	SCREW	018101	8
			-----*-----		
315	284N1759-208	BOX ASSY-	018100	1
315	284N1759-237	BOX ASSY-	101101	1
370	284N1759-84	...	ANGLE-SPRT ATTACHING PARTS	018101	1
- 375	BACB30NM3K3	...	BOLT	018101	4
			-----*-----		
380	284N1759-201	...	SUPPORT ASSY-WIRE	018101	1
385	284N1759-202	...	SUPPORT ASSY-WIRE ATTACHING PARTS	018101	1
- 390	NAS1801-08-9	...	SCREW	018101	4
- 395	NAS1149DN816J	...	WASHER	018101	4
			-----*-----		
400	NAS1801-08-10	...	SCREW	018101	4
405	NAS1801-08-9	...	SCREW	018101	4
410	NAS1149DN816J	...	WASHER	018101	8
415	284N1759-197	...	SUPPORT ASSY-WIRE	018101	1
420	284N1759-198	...	SUPPORT ASSY-WIRE	018101	1
425	284N1759-166	...	ANGLE ASSY	018101	2
430	284N1758-48	...	CONTROL PANEL ASSY-P63	018100	1
430	284N1758-68	...	CONTROL PANEL ASSY-P63	101101	1

MISSING ITEM NUMBERS NOT APPLICABLE

- ITEM NOT ILLUSTRATED

BRI

33-42-01-02

33-42-01
FIG. 02
PAGE 4
JAN 20/09



**757
PARTS CATALOG (MAINTENANCE)**

FIG ITEM	PART NUMBER	1 2 3 4 5 6 7	NOMENCLATURE	EFFECT FROM TO	UNITS PER ASSY
2					
435	BAC27NEL0430	MARKER-ALUMINUM FOIL- PLACARD CONTENT: P63 CONTROL PANEL	018101	1
440	BAC27NEL0284	MARKER-ALUMINUM FOIL- PLACARD CONTENT: TB0045	018101	1
450	284N1758-49	HOUSING ASSY-P63	018100	1
450	284N1758-69	HOUSING ASSY-P63	101101	1
455	186027FS60K3	LOCKNUT- SUPPLIER CODE: V30463 OPTIONAL PART: 186027FS60K30 V30463	018101	1
455	186027FS60K30	LOCKNUT- SUPPLIER CODE: V30463 OPTIONAL PART: 186027FS60K3 V30463	018101	1
460	186029FS60K3	LOCKNUT- SUPPLIER CODE: V30463 OPTIONAL PART: 186029FS60K30 V30463	018101	1
460	186029FS60K30	LOCKNUT- SUPPLIER CODE: V30463 OPTIONAL PART: 186029FS60K3 V30463	018101	1
470	188193FS60K3	CONNECTOR-J BOX SUPPLIER CODE: V30463 OPTIONAL PART: 188193FS60K3J V30463	018101	1
470	188193FS60K3J	CONNECTOR-J BOX SUPPLIER CODE: V30463 OPTIONAL PART: 188193FS60K3 V30463	018101	1

MISSING ITEM NUMBERS NOT APPLICABLE

— ITEM NOT ILLUSTRATED

33-42-01-02

33-42-01
FIG. 02
PAGE 5
JAN 20/09

BRI

BOEING PROPRIETARY - Copyright © - Unpublished Work - See title page for details.

 **BOEING**
757
PARTS CATALOG (MAINTENANCE)

FIG ITEM	PART NUMBER	1 2 3 4 5 6 7	NOMENCLATURE	EFFECT FROM TO	UNITS PER ASSY
2					
475	188196FS60K3	CONNECTOR-J BOX SUPPLIER CODE: V30463 OPTIONAL PART: 188196FS60K3J V30463	018101	1
475	188196FS60K3J	CONNECTOR-J BOX SUPPLIER CODE: V30463 OPTIONAL PART: 188196FS60K3 V30463	018101	1
505	284N1759-1	PANEL ASSY ATTACHING PARTS	018101	1
- 510	NAS1801-3-6	SCREW	018101	21
			-----*-----		
515	M81714-5-1	TERMINAL- ELECTRICAL EQUIP NUMBER: TB0045 ATTACHING PARTS	018101	1
- 520	NAS514P632-8	SCREW	018101	2
- 525	BACW10P118S	WASHER	018101	2
- 530	PLH506CD	NUT SUPPLIER CODE: VF0224 SPECIFICATION NUMBER: BACN10YR06CD OPTIONAL PART: H52732-06CD V15653 -----*-----	018101	2
535	284N1758-46	...	CONTROL PANEL ASSY-(P62)	018100	1
535	284N1758-66	...	CONTROL PANEL ASSY-(P62)	101101	1
545	BAC27NEL0429	MARKER-ALUMINUM FOIL- PLACARD CONTENT: P62 CONTROL PANEL	018100	1
555	BAC27NEL0287	MARKER-ALUMINUM FOIL- PLACARD CONTENT: TB0025	018100	1
560	BAC27NEL1079	MARKER-ALUMINUM FOIL- PLACARD CONTENT: TB0225	018100	1
575	284N1758-47	HOUSING ASSY-P62	018100	1
575	284N1758-67	HOUSING ASSY-P62	101101	1
580	510	COVER-JACK SUPPLIER CODE: V82389	018101	1
585	MS90298-2	CONNECTOR	018101	1
590	66-18544-2	TERMINAL	018101	1

MISSING ITEM NUMBERS NOT APPLICABLE

- ITEM NOT ILLUSTRATED

BRI

33-42-01-02

33-42-01
FIG. 02
PAGE 6
JAN 20/09



757

PARTS CATALOG (MAINTENANCE)

FIG ITEM	PART NUMBER	1 2 3 4 5 6 7	NOMENCLATURE	EFFECT FROM TO	UNITS PER ASSY
2					
595	186028FS60K3	LOCKNUT- SUPPLIER CODE: V30463 OPTIONAL PART: 186028FS60K3K V30463	018101	1
595	186028FS60K3K	LOCKNUT- SUPPLIER CODE: V30463 OPTIONAL PART: 186028FS60K3 V30463	018101	1
600	186027FS60K3	LOCKNUT- SUPPLIER CODE: V30463 OPTIONAL PART: 186027FS60K30 V30463	018101	1
600	186027FS60K30	LOCKNUT- SUPPLIER CODE: V30463 OPTIONAL PART: 186027FS60K3 V30463	018101	1
605	186029FS60K3	LOCKNUT- SUPPLIER CODE: V30463 OPTIONAL PART: 186029FS60K30 V30463	018101	1
605	186029FS60K30	LOCKNUT- SUPPLIER CODE: V30463 OPTIONAL PART: 186029FS60K3 V30463	018101	1
610	188195FS60K3	CONNECTOR-J BOX SUPPLIER CODE: V30463 OPTIONAL PART: 188195FS60K3J V30463	018101	1
610	188195FS60K3J	CONNECTOR-J BOX SUPPLIER CODE: V30463 OPTIONAL PART: 188195FS60K3 V30463	018101	1
625	284N1759-150	PANEL ASSY-	018101	1

MISSING ITEM NUMBERS NOT APPLICABLE

- ITEM NOT ILLUSTRATED

33-42-01-02

33-42-01
FIG. 02
PAGE 7
MAY 28/07

BRI

BOEING PROPRIETARY - Copyright © - Unpublished Work - See title page for details.



757

PARTS CATALOG (MAINTENANCE)

FIG ITEM	PART NUMBER	1 2 3 4 5 6 7	NOMENCLATURE	EFFECT FROM TO	UNITS PER ASSY
2			ATTACHING PARTS		
- 630	BACS12HN3-6	SCREW-	018101	21
			-----*-----		
	631 BACN10TL3A3	NUT	018100	1
			ATTACHING PARTS		
- 633	BACR15BA4AD	RIVET	018100	2
			-----*-----		
	635 M81714-5-7	TERMINAL-	018100	1
			ELECTRICAL EQUIP NUMBER:		
			TB0225		
	640 M81714-5-8	TERMINAL-	018100	1
			ELECTRICAL EQUIP NUMBER:		
			TB0025		
			ATTACHING PARTS		
- 650	NAS514P632-8	SCREW	018100	4
- 660	BACW10P118S	WASHER	018100	4
- 670	PLH506CD	NUT	018100	4
			SUPPLIER CODE:		
			VF0224		
			SPECIFICATION NUMBER:		
			BACN10YR06CD		
			OPTIONAL PART:		
			H52732-06CD		
			V15653		
			-----*-----		
- 700	286N3052-007		WIRE BUNDLE ASSY-	018100	RF
- 700	286N3052-303		WIRE BUNDLE ASSY-	101101	RF

MISSING ITEM NUMBERS NOT APPLICABLE

- ITEM NOT ILLUSTRATED

33-42-01-02

33-42-01
FIG. 02
PAGE 8
JAN 20/09

BRI

BOEING PROPRIETARY - Copyright © - Unpublished Work - See title page for details.



757

PARTS CATALOG (MAINTENANCE)

FIG ITEM	PART NUMBER	1 2 3 4 5 6 7	NOMENCLATURE	EFFECT FROM TO	UNITS PER ASSY
2 705	G899418		.CLAMP- SUPPLIER CODE: V06324 SPECIFICATION NUMBER: BACC10HG18A OPTIONAL PART: G8994M18 V06324 S2252-18-8 V07418 900-555L18-34 V31461 6000-124-1018 V14283 GS3418-18ACD V06324 S2126-18A8 V07418 ELECTRICAL EQUIP NUMBER: D00188T D02308T WIRING DIAGRAM REF: 334211 334221	018101	2
715	G899418		.CLAMP- SUPPLIER CODE: V06324 SPECIFICATION NUMBER: BACC10HG18A OPTIONAL PART: G8994M18 V06324 S2252-18-8 V07418 900-555L18-34 V31461 6000-124-1018 V14283 GS3418-18ACD V06324 S2126-18A8 V07418 ELECTRICAL EQUIP NUMBER: D02294T WIRING DIAGRAM REF: 334212	018101	1

MISSING ITEM NUMBERS NOT APPLICABLE

- ITEM NOT ILLUSTRATED

BRI

33-42-01-02

BOEING PROPRIETARY - Copyright © - Unpublished Work - See title page for details.

33-42-01
FIG. 02
PAGE 9
MAY 28/07



757

PARTS CATALOG (MAINTENANCE)

FIG ITEM	PART NUMBER	1 2 3 4 5 6 7	NOMENCLATURE	EFFECT FROM TO	UNITS PER ASSY
2					
725	BACC63BP18A8SN	.	CONNECTOR- ELECTRICAL EQUIP NUMBER: D00188 WIRING DIAGRAM REF: 334221	018101	1
735	BACC63BP18A8S8	.	CONNECTOR- ELECTRICAL EQUIP NUMBER: D02294 WIRING DIAGRAM REF: 334212	018101	1
740	BACC63BP18A8S8	.	CONNECTOR- ELECTRICAL EQUIP NUMBER: D02308 WIRING DIAGRAM REF: 334211	018101	1
- 750	286N3054-007		WIRE BUNDLE ASSY	018100	RF
- 751	286N3054-305		WIRE BUNDLE ASSY	101101	RF
755	G899418	.	CLAMP- SUPPLIER CODE: V06324 SPECIFICATION NUMBER: BACC10HG18A OPTIONAL PART: G8994M18 V06324 S2252-18-8 V07418 900-555L18-34 V31461 6000-124-1018 V14283 GS3418-18ACD V06324 S2126-18A8 V07418 ELECTRICAL EQUIP NUMBER: D00190T WIRING DIAGRAM REF: 334221	018101	1
770	BACC63BP18A8SN	.	CONNECTOR- ELECTRICAL EQUIP NUMBER: D00190 WIRING DIAGRAM REF: 334221	018101	1

MISSING ITEM NUMBERS NOT APPLICABLE

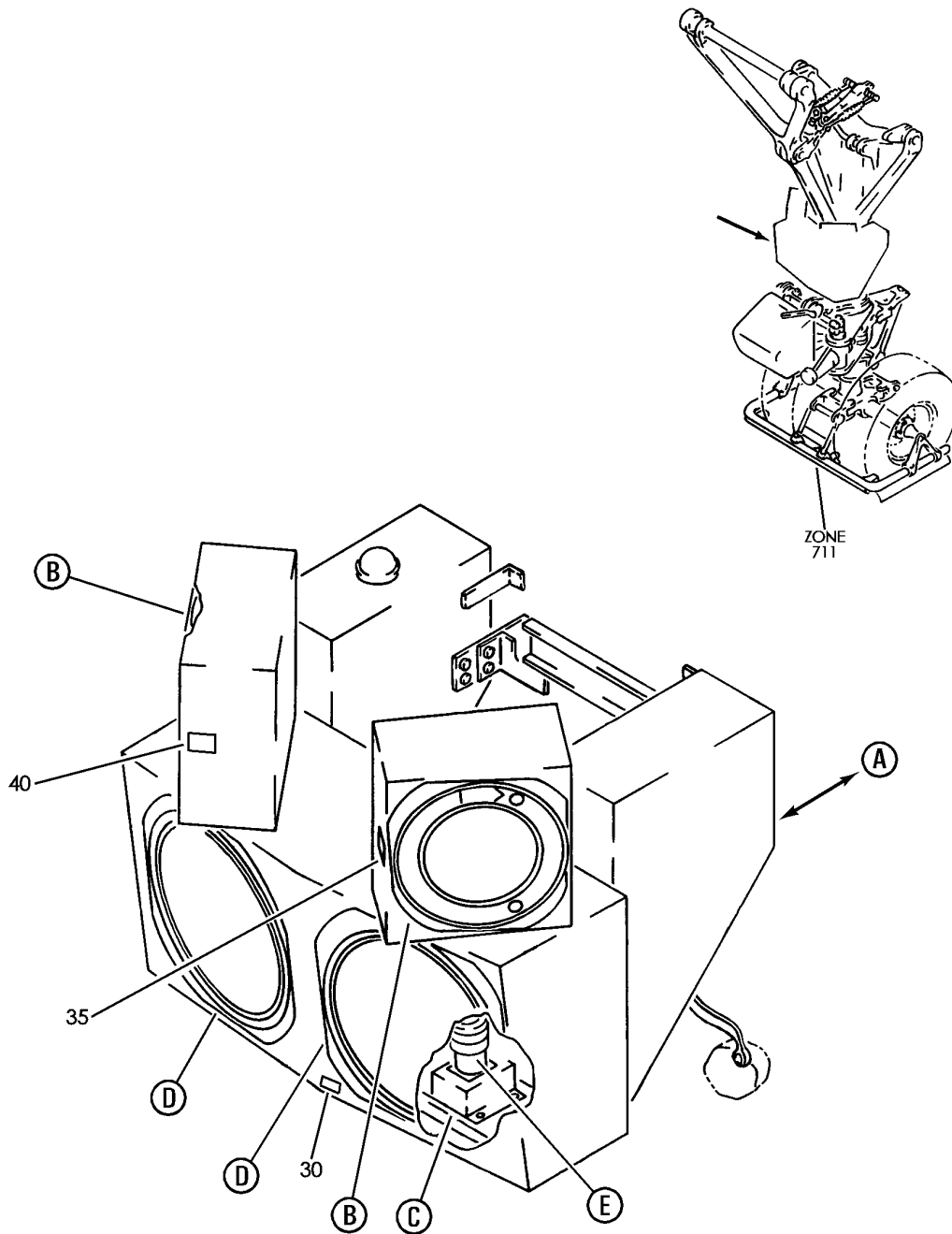
- ITEM NOT ILLUSTRATED

33-42-01-02

33-42-01
FIG. 02
PAGE 10
JAN 20/09

BRI

BOEING
757
PARTS CATALOG (MAINTENANCE)



Y 33420103 SHT 1 REV 227

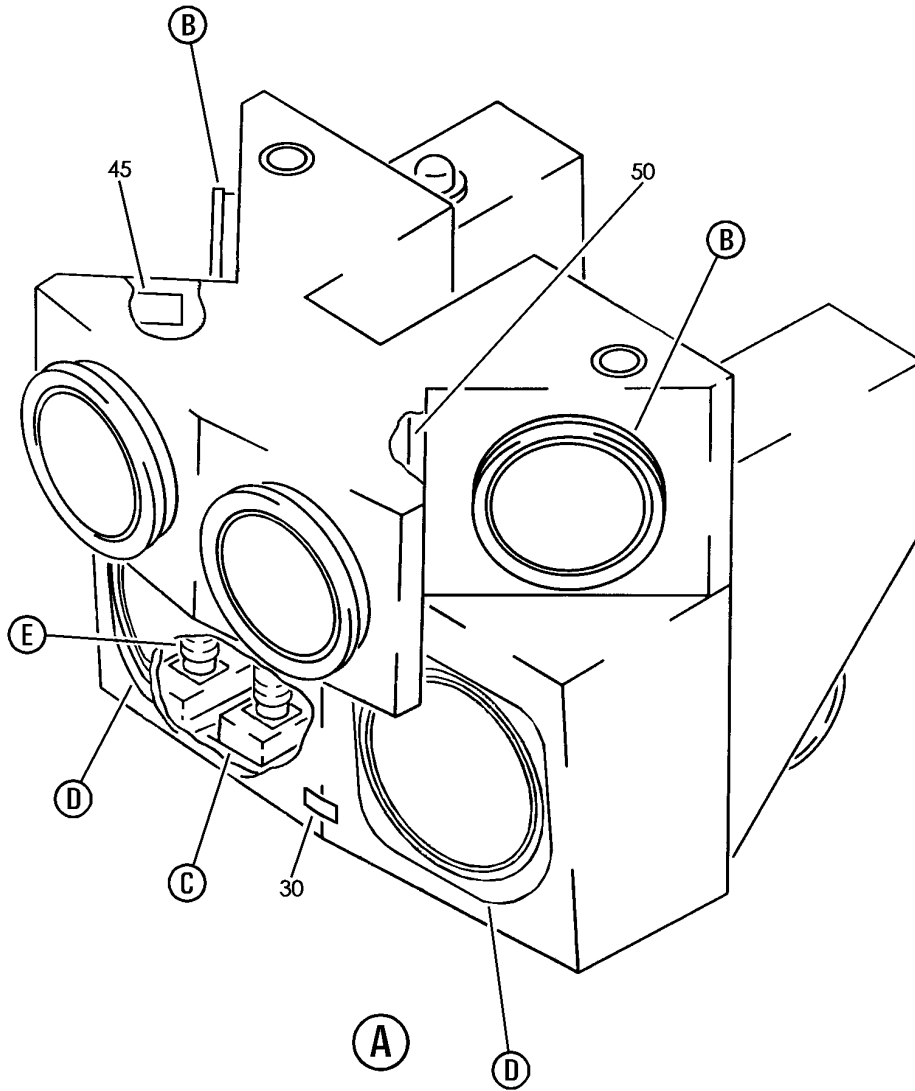
PANEL ASSY-P62 AND P63 NLG LDG AND TURNOFF LTS (NOSE GEAR LANDING AND RUNAWAY TURNOFF LIGHTS ONLY)
FIGURE 3 (SHEET 1)

BRI
MAY 28/07

33-42-01-03

33-42-01-03
PAGE 0

BOEING
757
PARTS CATALOG (MAINTENANCE)



Y 33420103 SHT 2 REV 227

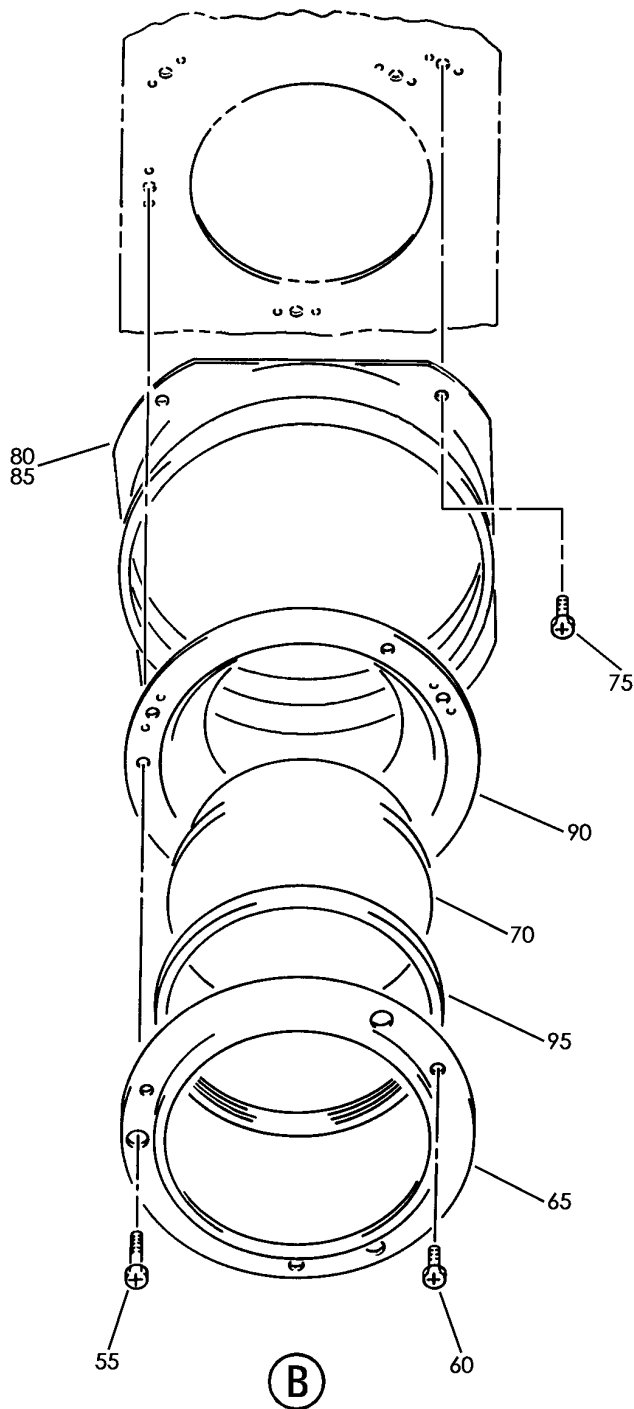
PANEL ASSY-P62 AND P63 NLG LDG AND TURNOFF LTS (NOSE GEAR LANDING AND RUNAWAY TURNOFF LIGHTS ONLY)
FIGURE 3 (SHEET 2)

BRI
MAY 28/07

33-42-01-03

33-42-01-03
PAGE 0A

BOEING
757
PARTS CATALOG (MAINTENANCE)



Y 33420103 SHT 3 REV 227

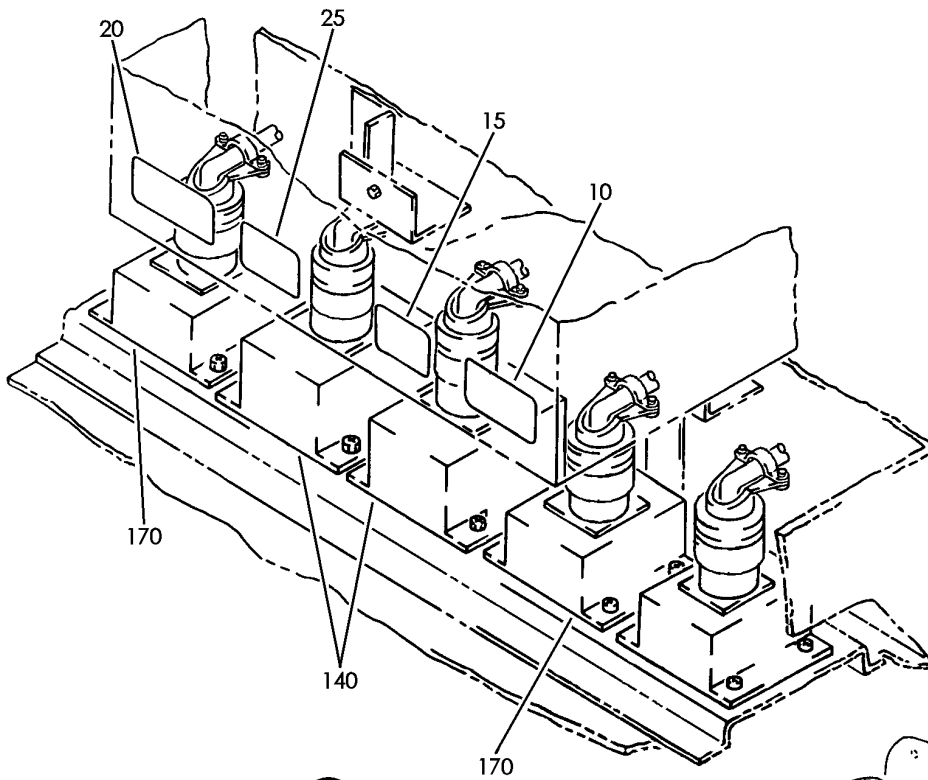
PANEL ASSY-P62 AND P63 NLG LDG AND TURNOFF LTS (NOSE GEAR LANDING AND RUNAWAY TURNOFF LIGHTS ONLY)
FIGURE 3 (SHEET 3)

BRI
MAY 28/07

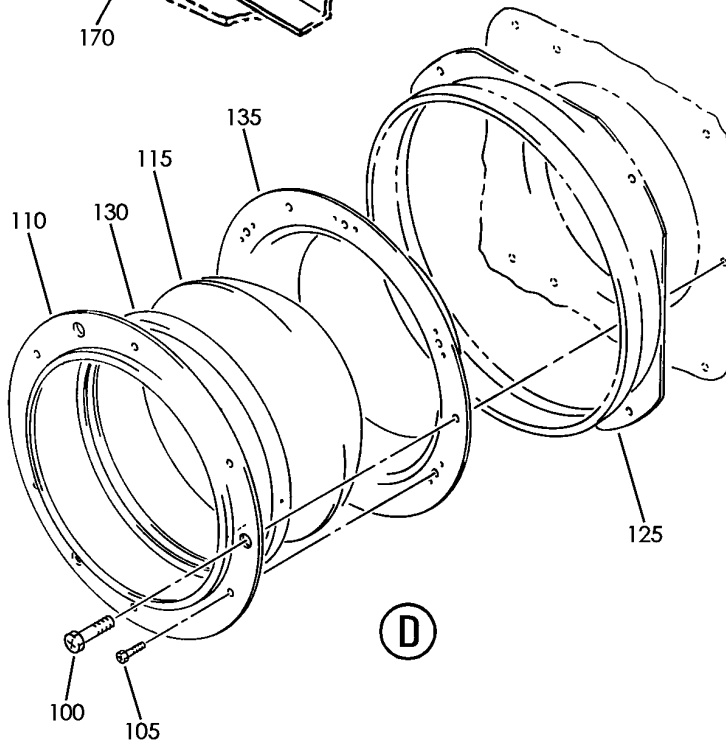
33-42-01-03

33-42-01-03
PAGE 0B

BOEING
757
PARTS CATALOG (MAINTENANCE)



(C)



(D)

Y 33420103 SHT 4 REV 231

PANEL ASSY-P62 AND P63 NLG LDG AND TURNOFF LTS (NOSE GEAR LANDING AND RUNAWAY TURNOFF LIGHTS ONLY)
FIGURE 3 (SHEET 4)

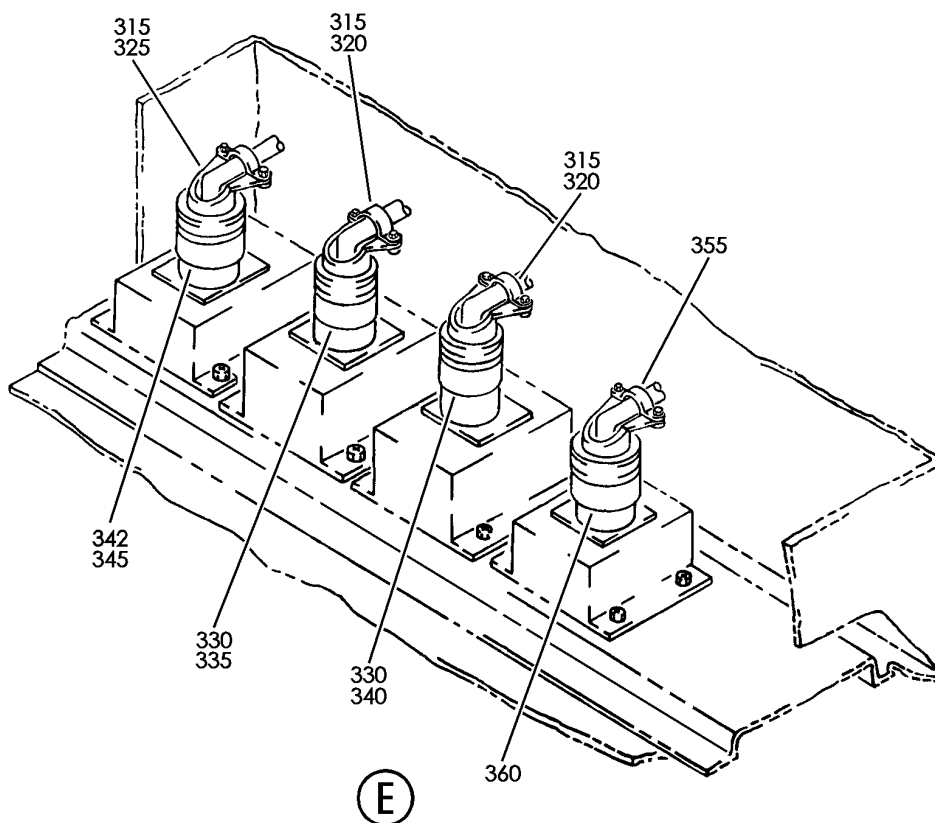
BRI
MAY 28/07

33-42-01-03

33-42-01-03
PAGE 0C

BOEING PROPRIETARY - Copyright © - Unpublished Work - See title page for details.

BOEING
757
PARTS CATALOG (MAINTENANCE)



Y 33420103 SHT 5 REV 231

PANEL ASSY-P62 AND P63 NLG LDG AND TURNOFF LTS (NOSE GEAR LANDING AND RUNAWAY TURNOFF LIGHTS ONLY)
FIGURE 3 (SHEET 5)

BRI
MAY 28/07

33-42-01-03

33-42-01-03
PAGE 0D



757

PARTS CATALOG (MAINTENANCE)

FIG ITEM	PART NUMBER	1 2 3 4 5 6 7	NOMENCLATURE	EFFECT FROM TO	UNITS PER ASSY
3			PANEL ASSY-P62 AND P63 NLG LDG AND TURNOFF LTS (NOSE GEAR LANDING AND RUNAWAY TURNOFF LIGHTS ONLY)	102106 108120 504903	
- 1	284N1209-103		PANEL ASSY-P62 AND P63 NLG LDG AND TURNOFF LTS (NOSE GEAR LANDING AND RUNAWAY TURNOFF LIGHTS ONLY)	102102	RF
- 1	284N1209-108		FOR NHA/OTHER SYS DET SEE: 33-42-04-01 PANEL ASSY-P62 AND P63 NLG LDG AND TURNOFF LTS (NOSE GEAR LANDING AND RUNAWAY TURNOFF LIGHTS ONLY)	504903	RF
- 2	284N1209-134		FOR NHA/OTHER SYS DET SEE: 33-42-04-01 PANEL ASSY-P62 AND P63 NLG LDG AND TURNOFF LTS (NOSE GEAR LANDING AND RUNAWAY TURNOFF LIGHTS ONLY)	108120	RF
- 5	284N1209-140		FOR NHA/OTHER SYS DET SEE: 33-42-04-01 PANEL ASSY-P62 AND P63 NLG LDG AND TURNOFF LTS (NOSE GEAR LANDING AND RUNAWAY TURNOFF LIGHTS ONLY)	103106	RF
10	BAC27NEL0281		.MARKER-ALUMINUM FOIL PLACARD CONTENT: T00137 L RWY TURNOFF LT XFMR	102106 108120 504903	1
15	BAC27NEL0282		.MARKER-ALUMINUM FOIL PLACARD CONTENT: T00143 L NLG LDG LT XFMR	102106 108120 504903	1
20	BAC27NEL0285		.MARKER-ALUMINUM FOIL PLACARD CONTENT: T00138 R RWY TURNOFF LT XFMR	102106 108120 504903	1
25	BAC27NEL0286		.MARKER-ALUMINUM FOIL PLACARD CONTENT: T00144 R NLG LDG LT XFMR	102106 108120 504903	1

MISSING ITEM NUMBERS NOT APPLICABLE

- ITEM NOT ILLUSTRATED

33-42-01-03

33-42-01
FIG. 03
PAGE 1
JAN 20/09

BRI



757

PARTS CATALOG (MAINTENANCE)

FIG ITEM	PART NUMBER	1 2 3 4 5 6 7	NOMENCLATURE	EFFECT FROM TO	UNITS PER ASSY
3					
30	BAC27NEL0927	.	MARKER-ALUMINUM FOIL	102106 108120 504903	1
35	BAC27NEL0928	.	MARKER-ALUMINUM FOIL PLACARD CONTENT: L00079 LIGHT-RUNWAY TURNOFF, L	102102 108120 504903	1
40	BAC27NEL0929	.	MARKER-ALUMINUM FOIL PLACARD CONTENT: L00080 LIGHT-RUNWAY TURNOFF, R	102102 108120 504903	1
45	BAC27NEL1061	.	MARKER-ALUMINUM FOIL POSITION DATA: LH SIDE	103106	1
50	BAC27NEL1062	.	MARKER-ALUMINUM FOIL POSITION DATA: RH SIDE	103106	1
55	NAS1801-3-24	.	SCREW	102106 108120 504903	6
60	NAS1801-3-8	.	SCREW	102106 108120 504903	6
65	90-10021-3	.	RETAINER- OPTIONAL PART: 90-10021-7	102106 108120 504903	2
65	90-10021-7	.	RETAINER- OPTIONAL PART: 90-10021-3	102106 108120 504903	2
70	4551	.	LAMP-SEALED BEAM SUPPLIER CODE: V08806 ELECTRICAL EQUIP NUMBER: L00079 L00080	102106 108120 504903	2
70	MS24517-4551	.	LAMP-	102106 108120 504903	2
75	NAS1801-3-8	.	SCREW	102102 108120 504903	6
80	284N1067-73	.	SHIELD ASSY-LT POSITION DATA: L SIDE	102102 108120 504903	1
85	284N1067-74	.	SHIELD ASSY-LT POSITION DATA: R SIDE	102102 108120 504903	1

MISSING ITEM NUMBERS NOT APPLICABLE

- ITEM NOT ILLUSTRATED

33-42-01-03

33-42-01
FIG. 03
PAGE 2
JAN 20/09

BRI



757

PARTS CATALOG (MAINTENANCE)

FIG ITEM	PART NUMBER	1 2 3 4 5 6 7	NOMENCLATURE	EFFECT FROM TO	UNITS PER ASSY
3	90 90-10021	.	RETAINER ASSY-TURNOFF LT	102106 108120 504903	2
	95 284N1209-62	.	GASKET-RUNWAY TURNOFF LTS	102106 108120 504903	2
	100 NAS1801-3-28	.	SCREW	102106 108120 504903	6
	105 NAS1801-3-8	.	SCREW	102106 108120 504903	12
	110 9-64386-2	.	RETAINER ASSY-LDG LT	102106 108120 504903	2
	115 Q4559X	.	LAMP-SEALED BEAM SUPPLIER CODE: V08806 ELECTRICAL EQUIP NUMBER: L00358 L00359	102106 108120 504903	2
	125 284N1067-69	.	SHIELD ASSY	102106 108120 504903	2
	130 284N1209-63	.	GASKET-LDG LTS	102106 108120 504903	2
	135 9-64387-4	.	FRAME ASSY	102106 108120 504903	2
	140 FT1221	.	AUTOTRANSFORMER-750 VA, TYPE 2 SUPPLIER CODE: V14752 ELECTRICAL EQUIP NUMBER: T00143 T00144	102106 108120 504903	2
-	145 NAS1801-3-8	.	ATTACHING PARTS SCREW	102106 108120 504903	8
	170 FT1222	-----*-----	AUTOTRANSFORMER-350 VA, TYPE 2 SUPPLIER CODE: V14752 ELECTRICAL EQUIP NUMBER: T00137 T00138	102106 108120 504903	2

MISSING ITEM NUMBERS NOT APPLICABLE

- ITEM NOT ILLUSTRATED

33-42-01-03

33-42-01
FIG. 03
PAGE 3
JAN 20/09

BRI

BOEING PROPRIETARY - Copyright © - Unpublished Work - See title page for details.



757

PARTS CATALOG (MAINTENANCE)

FIG ITEM	PART NUMBER	1 2 3 4 5 6 7	NOMENCLATURE	EFFECT FROM TO	UNITS PER ASSY
3			ATTACHING PARTS		
- 175	NAS1801-3-8		.SCREW	102106 108120 504903	8
			-----*-----		
- 300	288N0156-701		.WIRE BUNDLE INSTL	504903	RF
- 300	288N0156-704		.WIRE BUNDLE INSTL	102102	RF
- 301	288N0156-732		.WIRE BUNDLE INSTL	108120	RF
- 305	288N0156-739		.WIRE BUNDLE INSTL	103106	RF
- 310	286N3052-005		..WIRE BUNDLE ASSY	504903	RF
- 310	286N3052-303		..WIRE BUNDLE ASSY	102102	RF
- 310	286N3052-320		..WIRE BUNDLE ASSY	108120	RF
- 311	286N3052-701		..WIRE BUNDLE ASSY	103106	RF
315	G899418		...CLAMP-	102102	3
			SUPPLIER CODE:	108120	
			V06324	504903	
			SPECIFICATION NUMBER:		
			BACC10HG18A		
			OPTIONAL PART:		
			G8994M18		
			V06324		
			S2252-18-8		
			V07418		
			900-555L18-34		
			V31461		
			6000-124-1018		
			V14283		
			GS3418-18ACD		
			V06324		
			S2126-18A8		
			V07418		
			ELECTRICAL EQUIP NUMBER:		
			D00188T		
			D02308T		
			D02294T		
			WIRING DIAGRAM REF:		
			334211		
			334212		
			334221		

MISSING ITEM NUMBERS NOT APPLICABLE

- ITEM NOT ILLUSTRATED

33-42-01-03

33-42-01
FIG. 03
PAGE 4
JAN 20/09

BRI



757

PARTS CATALOG (MAINTENANCE)

FIG ITEM	PART NUMBER	1 2 3 4 5 6 7	NOMENCLATURE	EFFECT FROM TO	UNITS PER ASSY
3 315	620AA028NF18L	...	CLAMP- SUPPLIER CODE: V06324 SPECIFICATION NUMBER: BACC10KE18 OPTIONAL PART: S3820-18-65 V07418 ELECTRICAL EQUIP NUMBER: D00188T D02308T D02294T WIRING DIAGRAM REF: 334211 334212 334221	103106	3
330	BACC63BP18A8S8	...	CONNECTOR- ELECTRICAL EQUIP NUMBER: D02308 D02294 WIRING DIAGRAM REF: 334211 334212	102106 108120 504903	2
342	BACC63BP18A8SN	...	CONNECTOR- ELECTRICAL EQUIP NUMBER: D00188 WIRING DIAGRAM REF: 334221	102106 108120 504903	1
- 350	286N3054-29	..	WIRE BUNDLE ASSY	504903	RF
- 350	286N3054-305	..	WIRE BUNDLE ASSY	102102	RF
- 351	286N3054-319	..	WIRE BUNDLE ASSY	108120	RF
- 351	286N3054-701	..	WIRE BUNDLE ASSY	103106	RF

MISSING ITEM NUMBERS NOT APPLICABLE

- ITEM NOT ILLUSTRATED

33-42-01-03

33-42-01
FIG. 03
PAGE 5
JAN 20/09

BRI



757

PARTS CATALOG (MAINTENANCE)

FIG ITEM	PART NUMBER	1 2 3 4 5 6 7	NOMENCLATURE	EFFECT FROM TO	UNITS PER ASSY
3 355	G899418		...CLAMP- SUPPLIER CODE: V06324 SPECIFICATION NUMBER: BACC10HG18A OPTIONAL PART: G8994M18 V06324 S2252-18-8 V07418 900-555L18-34 V31461 6000-124-1018 V14283 GS3418-18ACD V06324 S2126-18A8 V07418 ELECTRICAL EQUIP NUMBER: D00190T WIRING DIAGRAM REF: 334221	102102 108120 504903	1
355	620AA028NF18L		...CLAMP- SUPPLIER CODE: V06324 SPECIFICATION NUMBER: BACC10KE18 OPTIONAL PART: S3820-18-65 V07418 ELECTRICAL EQUIP NUMBER: D00190T WIRING DIAGRAM REF: 334221	103106	1
360	BACC63BP18R8SN		...CONNECTOR- ELECTRICAL EQUIP NUMBER: D00190 WIRING DIAGRAM REF: 334221	102102 108120 504903	1
360	BACC63BP18A8SN		...CONNECTOR- ELECTRICAL EQUIP NUMBER: D00190 WIRING DIAGRAM REF: 334221	103106	1

MISSING ITEM NUMBERS NOT APPLICABLE

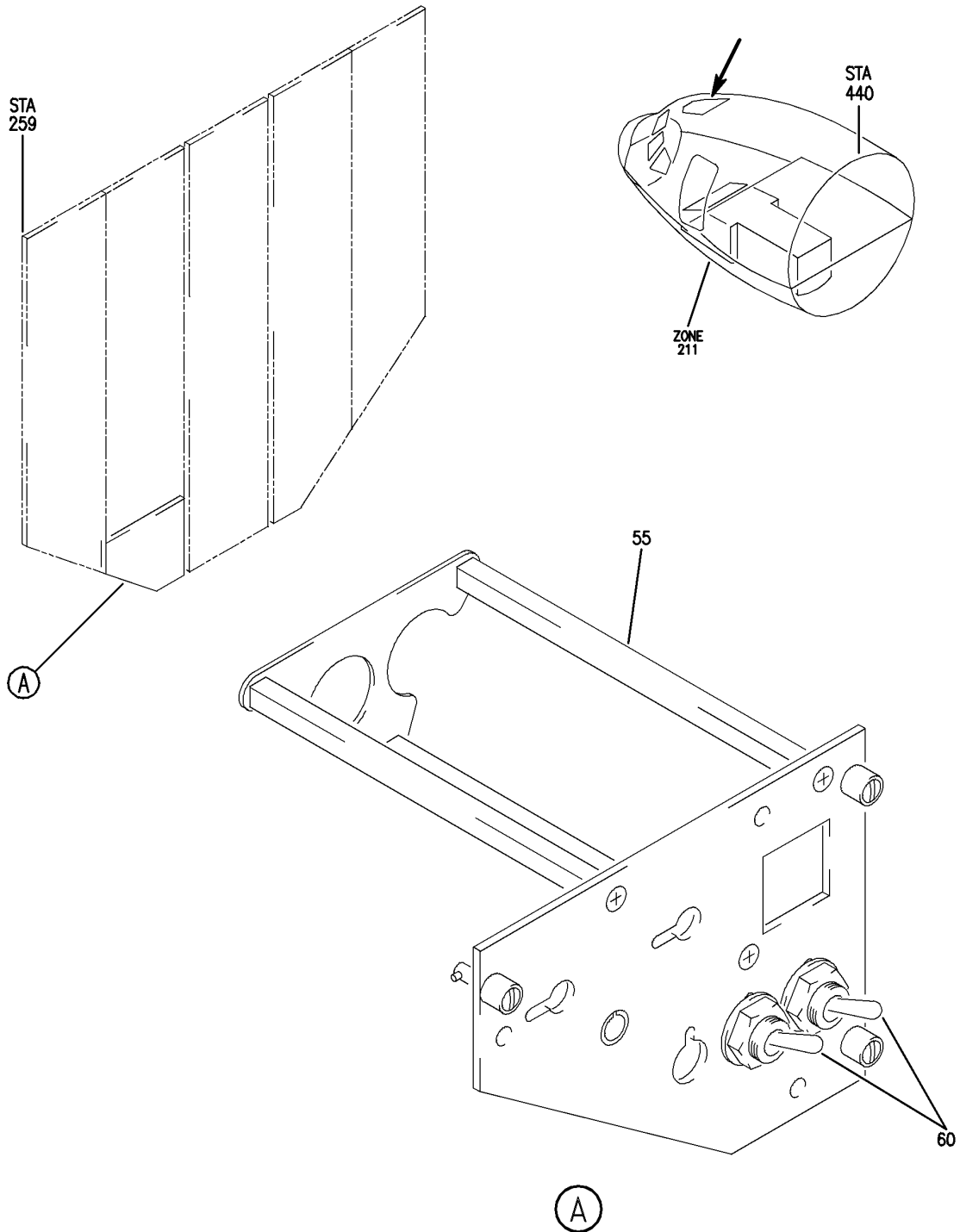
- ITEM NOT ILLUSTRATED

33-42-01-03

33-42-01
FIG. 03
PAGE 6
JAN 20/09

BRI

BOEING
757
PARTS CATALOG (MAINTENANCE)



Y 33420104 REV 235

PANEL INSTL-P5 OVHD (NOSE GEAR LANDING AND RUNWAY TURNOFF LIGHTS ONLY)
FIGURE 4

33-42-01-04

BRI
MAY 28/07

33-42-01-04
PAGE 0



757

PARTS CATALOG (MAINTENANCE)

FIG ITEM	PART NUMBER	1 2 3 4 5 6 7	NOMENCLATURE	EFFECT FROM TO	UNITS PER ASSY
4			PANEL INSTL-P5 OVHD (NOSE GEAR LANDING AND RUNWAY TURNOFF LIGHTS ONLY)	101106 108120 504903	
- 2	233N3103-132		PANEL INSTL-P5 OVHD (NOSE GEAR LANDING AND RUNWAY TURNOFF LIGHTS ONLY) FOR NHA/OTHER SYS DET SEE: 25-10-00-15E	101102	RF
- 2	233N3103-136		PANEL INSTL-P5 OVHD (NOSE GEAR LANDING AND RUNWAY TURNOFF LIGHTS ONLY) FOR NHA/OTHER SYS DET SEE: 25-10-00-15E	504903	RF
- 6	233N3103-59		PANEL INSTL-P5 OVHD (NOSE GEAR LANDING AND RUNWAY TURNOFF LIGHTS ONLY) FOR NHA/OTHER SYS DET SEE: 25-10-00-15E	108120	RF
- 7	MODREF33760		PANEL INSTL-P5 OVHD (NOSE GEAR LANDING AND RUNWAY TURNOFF LIGHTS ONLY) MODULE NUMBER: 233N3103-351 REV C FOR OTHER SYS DETAILS SEE: 11-31-10-12 21-25-55-03 21-31-01-02 21-33-51-03 21-51-54-03 21-58-19-10 21-58-51-03 21-61-04-03 21-65-51-01 22-21-01-04 22-24-51-02 23-24-01-01 23-32-00-11 23-42-02-02 23-71-05-02 24-11-52-05 24-22-01-03 24-31-01-10 24-31-03-09 24-33-04-01 24-41-51-04 24-51-62-01 26-18-51-04 27-21-53-02 27-41-55-01	103103	1

MISSING ITEM NUMBERS NOT APPLICABLE

- ITEM NOT ILLUSTRATED

33-42-01-04

33-42-01
FIG. 04
PAGE 1
JAN 20/09

BRI



757

PARTS CATALOG (MAINTENANCE)

FIG ITEM	PART NUMBER	1 2 3 4 5 6 7 NOMENCLATURE	EFFECT FROM TO	UNITS PER ASSY
4		27-61-51-03 27-62-52-02 28-22-51-02 28-41-04-01 28-41-51-03 29-11-02-03 29-11-05-04 29-11-52-07 29-21-54-03 29-31-00-01 29-32-51-03 29-33-52-03 30-11-51-03 30-21-51-03 30-31-51-02 30-32-51-01 30-33-51-02 30-41-51-03 30-42-51-03 31-12-11-91 31-12-11-91 A 32-42-52-03 33-11-03-03 33-11-51-17 33-13-01-65 33-13-02-03 33-16-51-03 33-24-51-02 33-41-52-04 33-43-51-04 33-44-51-05 33-45-53-03 33-51-08-05 34-21-02-01 35-21-51-04 36-11-04-01 36-21-00-01 36-21-02-05 36-22-51-03 49-41-00-02 49-52-00-01 49-70-00-01 52-51-51-03 52-71-51-02 73-21-52-02 74-31-51-05 75-32-00-01 80-11-09-02 FOR ADDITIONAL DETAILS SEE: MISSING ITEM NUMBERS NOT APPLICABLE		

- ITEM NOT ILLUSTRATED

33-42-01-04

33-42-01
FIG. 04
PAGE 2
JAN 20/09

BRI



757

PARTS CATALOG (MAINTENANCE)

FIG ITEM	PART NUMBER	1 2 3 4 5 6 7	NOMENCLATURE	EFFECT FROM TO	UNITS PER ASSY
4					
- 7	MODREF34038		33-42-02-04 33-42-52-04 PANEL INSTL-P5 OVHD (NOSE GEAR LANDING AND RUNWAY TURNOFF LIGHTS ONLY) MODULE NUMBER: 233N3103-351 REV D FOR OTHER SYS DETAILS SEE: 11-31-10-12 21-25-55-03 21-31-01-02 21-33-51-03 21-51-54-03 21-58-19-10 21-58-51-03 21-61-04-03 21-65-51-01 22-21-01-04 22-24-51-02 23-24-01-01 23-32-00-11 23-42-02-02 23-71-05-02 24-11-52-05 24-22-01-03 24-31-01-10 24-31-03-09 24-33-04-01 24-41-51-04 24-51-62-01 26-18-51-04 27-21-53-02 27-41-55-01 27-61-51-03 27-62-52-02 28-22-51-02 28-41-04-01 28-41-51-03 29-11-02-03 29-11-05-04 29-11-52-07 29-21-54-03 29-31-00-01 29-32-51-03 29-33-52-03 30-11-51-03 30-21-51-03 30-31-51-02 30-32-51-01	104105	1
MISSING ITEM NUMBERS NOT APPLICABLE					

- ITEM NOT ILLUSTRATED

33-42-01-04

33-42-01
FIG. 04
PAGE 3
JAN 20/09

BRI



757

PARTS CATALOG (MAINTENANCE)

FIG ITEM	PART NUMBER	1 2 3 4 5 6 7	NOMENCLATURE	EFFECT FROM TO	UNITS PER ASSY
4			30-33-51-02 30-41-51-03 30-42-51-03 31-12-11-91 31-12-11-91A 32-42-52-03 33-11-03-03 33-11-51-17 33-13-01-65 33-13-02-03 33-16-51-03 33-24-51-02 33-41-52-04 33-43-51-04 33-44-51-05 33-45-53-03 33-51-08-05 34-21-02-01 35-21-51-04 36-11-04-01 36-21-00-01 36-21-02-05 36-22-51-03 49-41-00-02 49-52-00-01 49-70-00-01 52-51-51-03 52-71-51-02 73-21-52-02 74-31-51-05 75-32-00-01 80-11-09-02 FOR ADDITIONAL DETAILS SEE: 33-42-02-04 33-42-52-04 		
- 8	MODREF170180		PANEL INSTL-P5 OVHD (NOSE GEAR LANDING AND RUNWAY TURNOFF LIGHTS ONLY) MODULE NUMBER: 233N3103-353 REV B FOR OTHER SYS DETAILS SEE: 11-31-10-12 21-25-55-03 21-31-01-02 21-33-51-03 21-51-54-03 21-58-19-10 21-58-51-03 21-61-04-03 	106106	1
MISSING ITEM NUMBERS NOT APPLICABLE					

- ITEM NOT ILLUSTRATED

BRI

33-42-01-04

BOEING PROPRIETARY - Copyright © - Unpublished Work - See title page for details.

33-42-01
FIG. 04
PAGE 4
JAN 20/09



757

PARTS CATALOG (MAINTENANCE)

FIG ITEM	PART NUMBER	1 2 3 4 5 6 7	NOMENCLATURE	EFFECT FROM TO	UNITS PER ASSY
4			21-65-51-01 22-21-01-04 22-24-51-02 23-24-01-01 23-32-00-11 23-42-02-02 23-71-05-02 24-11-52-05 24-22-01-03 24-31-01-10 24-31-03-09 24-33-04-01 24-41-51-04 24-51-62-01 26-18-51-04 27-21-53-02 27-41-55-01 27-61-51-03 27-62-52-02 28-22-51-02 28-41-04-01 28-41-51-03 29-11-02-03 29-11-05-04 29-11-52-07 29-21-54-03 29-31-00-01 29-32-51-03 29-33-52-03 30-11-51-03 30-21-51-03 30-31-51-02 30-32-51-01 30-33-51-02 30-41-51-03 30-42-51-03 31-12-11-84 31-12-11-84 A 32-42-52-03 33-11-03-03 33-11-51-17 33-13-01-65 33-13-02-03 33-16-51-03 33-24-51-02 33-41-52-04 33-43-51-04 33-44-51-05 33-45-53-03		

MISSING ITEM NUMBERS NOT APPLICABLE

- ITEM NOT ILLUSTRATED

BRI

33-42-01-04

BOEING PROPRIETARY - Copyright © - Unpublished Work - See title page for details.

33-42-01
FIG. 04
PAGE 5
JAN 20/09



**757
PARTS CATALOG (MAINTENANCE)**

FIG ITEM	PART NUMBER	1 2 3 4 5 6 7 NOMENCLATURE	EFFECT FROM TO	UNITS PER ASSY
4		33-51-08-05 34-21-02-01 35-21-51-04 36-11-04-01 36-21-00-01 36-21-02-05 36-22-51-03 49-41-00-02 49-52-00-01 49-70-00-01 52-51-51-03 52-71-51-02 73-21-52-02 74-31-51-05 75-32-00-01 80-11-09-02 FOR ADDITIONAL DETAILS SEE: 33-42-02-04 33-42-52-04 .PANEL ASSY-LIGHTING CONT SUPPLIER CODE: V89954 POSITION DATA: L ELECTRICAL EQUIP NUMBER: M10056 COMPONENT MAINT MANUAL REF: 33-11-71 QUALIFIED I/W DATA: THE 233N3214-300 PANEL ASSY IS I/W THE 233N3214-31 PANEL ASSY T/W THE S233T100-6003 LIGHTPLATE AND (2) RC445-131 KNOBS AND (2) TT410-101 KNOBS	108120	RF
-	50 233N3214-300			

MISSING ITEM NUMBERS NOT APPLICABLE

- ITEM NOT ILLUSTRATED

BRI

33-42-01-04

BOEING PROPRIETARY - Copyright © - Unpublished Work - See title page for details.

33-42-01
FIG. 04
PAGE 6
JAN 20/09



757

PARTS CATALOG (MAINTENANCE)

FIG ITEM	PART NUMBER	1 2 3 4 5 6 7	NOMENCLATURE	EFFECT FROM TO	UNITS PER ASSY
4 - 50	233N3214-301		.PANEL ASSY-LIGHTING CONT SUPPLIER CODE: V89954 POSITION DATA: L ELECTRICAL EQUIP NUMBER: M10056 COMPONENT MAINT MANUAL REF: 33-11-71 QUALIFIED I/W DATA: THE 233N3214-301 PANEL ASSY IS I/W THE 233N3214-32 PANEL ASSY T/W THE S233T100-6003 LIGHTPLATE AND (2) RC445-131 KNOBS AND (2) TT410-101 KNOBS	101102 108120	RF
- 50	233N3214-305		.PANEL ASSY-LIGHTING CONT SUPPLIER CODE: V89954 POSITION DATA: L ELECTRICAL EQUIP NUMBER: M10056 COMPONENT MAINT MANUAL REF: 33-11-71 QUALIFIED I/W DATA: THE 233N3214-305 PANEL ASSY IS I/W THE 233N3214-34 PANEL ASSY T/W THE S233T100-6016 LIGHTPLATE AND (2) RC445-131 KNOBS AND (2) TT410-106 KNOBS	103106 504903	RF
55	233N3214-31		..PANEL ASSY- SUPPLIER CODE: V89954 COMPONENT MAINT MANUAL REF: 33-11-71 QUALIFIED I/W DATA: THE 233N3214-300 PANEL ASSY IS I/W THE 233N3214-31 PANEL ASSY T/W THE S233T100-6003 LIGHTPLATE AND (2) RC445-131 KNOBS AND (2) TT410-101 KNOBS	108120	RF

MISSING ITEM NUMBERS NOT APPLICABLE

- ITEM NOT ILLUSTRATED

33-42-01-04

33-42-01
FIG. 04
PAGE 7
JAN 20/09

BRI



757

PARTS CATALOG (MAINTENANCE)

FIG ITEM	PART NUMBER	1 2 3 4 5 6 7	NOMENCLATURE	EFFECT FROM TO	UNITS PER ASSY
4 55	233N3214-32		..PANEL ASSY- SUPPLIER CODE: V89954 COMPONENT MAINT MANUAL REF: 33-11-71 QUALIFIED I/W DATA: THE 233N3214-301 PANEL ASSY IS I/W THE 233N3214-32 PANEL ASSY T/W THE S233T100-6003 LIGHTPLATE AND (2) RC445-131 KNOBS AND (2)	101102	RF
55	233N3214-34		..PANEL ASSY- SUPPLIER CODE: V89954 COMPONENT MAINT MANUAL REF: 33-11-71	103106 504903	RF
60	MS25306-222		...SWITCH-TG	101106 108120 504903	2

MISSING ITEM NUMBERS NOT APPLICABLE

- ITEM NOT ILLUSTRATED

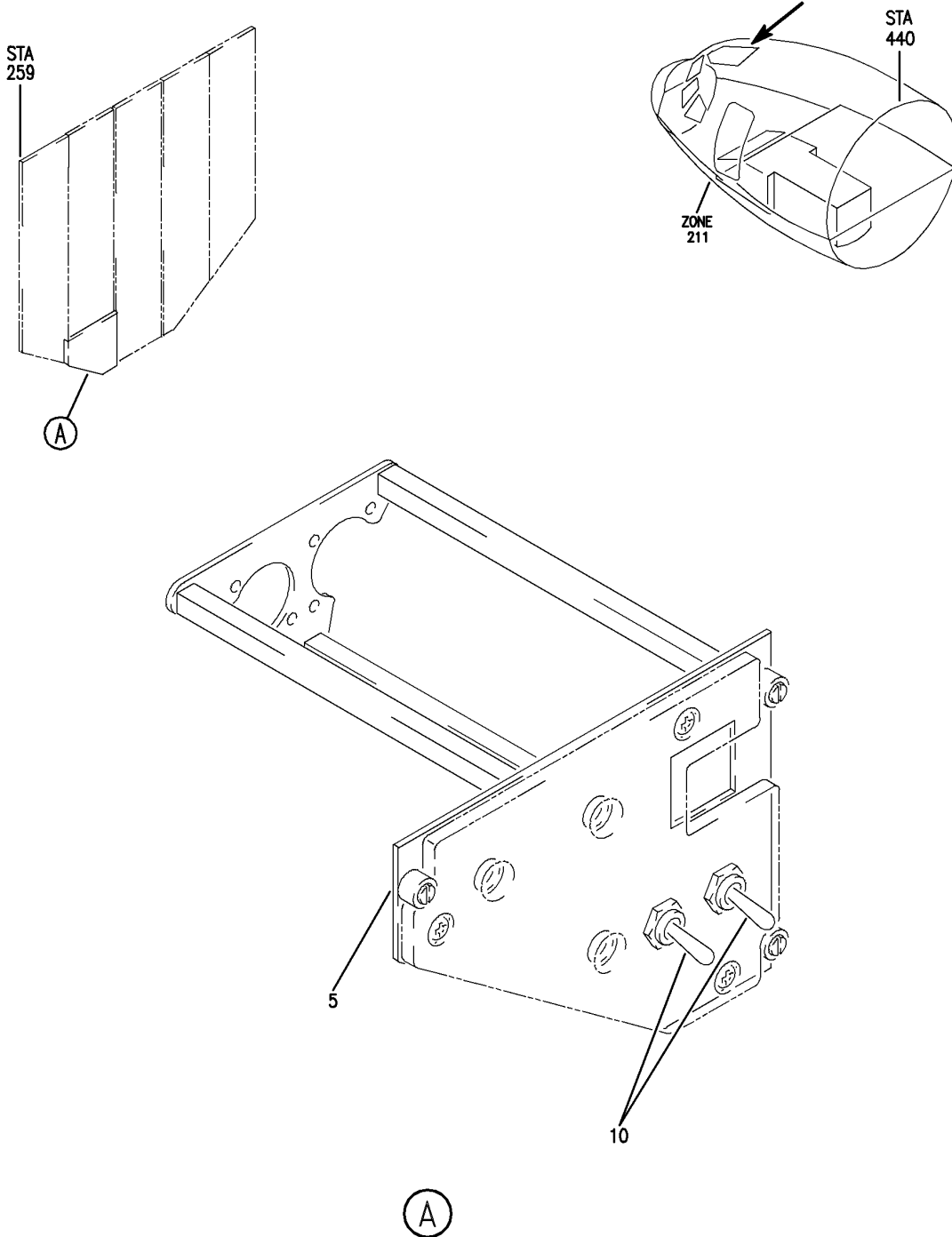
BRI

33-42-01-04

BOEING PROPRIETARY - Copyright © - Unpublished Work - See title page for details.

33-42-01
FIG. 04
PAGE 8
JAN 20/09

BOEING
757
PARTS CATALOG (MAINTENANCE)



Y 33420105 REV 259

PANEL INSTL-P5 OVHD (NOSE GEAR LANDING AND RUNWAY TURNOFF LIGHTS ONLY)
FIGURE 5

BRI
MAY 28/07

33-42-01-05

33-42-01-05
PAGE 0



757

PARTS CATALOG (MAINTENANCE)

FIG ITEM	PART NUMBER	1 2 3 4 5 6 7	NOMENCLATURE	EFFECT FROM TO	UNITS PER ASSY
5			PANEL INSTL-P5 OVHD (NOSE GEAR LANDING AND RUNWAY TURNOFF LIGHTS ONLY)	002004 006010 107107 121503 904999	
- 1	233N3101-1		PANEL INSTL-P5 OVHD (NOSE GEAR LANDING AND RUNWAY TURNOFF LIGHTS ONLY) VARIABLE DRAWING REF: 233N3101-5005 233N3101-5025 233N3101-5041 233N3101-5042 233N3101-5045 FOR NHA/OTHER SYS DET SEE: 25-10-00-05A	002004 006010 107107 121503 904999	RF
5	233N3214-27		.PANEL ASSY- SUPPLIER CODE: V89954 COMPONENT MAINT MANUAL REF: 33-11-71 QUALIFIED I/W DATA: 233N3214-24 -27 -31 -32 -33 ARE ALL INTERCHANGEABLE EXCEPT SUBJECT TO CUSTOMER PREFERENCE OF KORRY OR MASTER SPECIALTIES LIGHTED PUSHBUTTON SWITCHES	107107	1
5	233N3214-28		.PANEL ASSY- SUPPLIER CODE: V89954 COMPONENT MAINT MANUAL REF: 33-11-71 QUALIFIED I/W DATA: 233N3214-22 -26 -28 -29 ARE ALL INTERCHANGEABLE EXCEPT SUBJECT TO CUSTOMER PREFERENCE THE 233N3214-303 PANEL ASSY IS I/W THE 233N3214-28 PANEL ASSY T/W THE S233T100-6016 LIGHTPLATE AND (2) RC445-131 KNOBS AND (2) TT410-101 KNOBS	952999	1

MISSING ITEM NUMBERS NOT APPLICABLE

- ITEM NOT ILLUSTRATED

33-42-01-05

33-42-01
FIG. 05
PAGE 1
JAN 20/09

BRI



757

PARTS CATALOG (MAINTENANCE)

FIG ITEM	PART NUMBER	1 2 3 4 5 6 7	NOMENCLATURE	EFFECT FROM TO	UNITS PER ASSY
5	233N3214-31		.PANEL ASSY- SUPPLIER CODE: V89954 COMPONENT MAINT MANUAL REF: 33-11-71 QUALIFIED I/W DATA: THE 233N3214-300 PANEL ASSY IS I/W THE 233N3214-31 PANEL ASSY T/W THE S233T100-6003 LIGHTPLATE AND (2) RC445-131 KNOBS AND (2) TT410-101 KNOBS 233N3214-24 -27 -31 -32 -33 ARE ALL INTERCHANGEABLE EXCEPT SUBJECT TO CUSTOMER PREFERENCE OF KORRY OR MASTER SPECIALTIES LIGHTED PUSHBUTTON SWITCHES	002004 006010	1
5	233N3214-33		.PANEL ASSY- SUPPLIER CODE: V89954 COMPONENT MAINT MANUAL REF: 33-11-71 QUALIFIED I/W DATA: 233N3214-24 -27 -31 -32 -33 ARE ALL INTERCHANGEABLE EXCEPT SUBJECT TO CUSTOMER PREFERENCE	121503 904949	1
5	233N3214-41		.PANEL ASSY- SUPPLIER CODE: V89954 COMPONENT MAINT MANUAL REF: 33-11-71 QUALIFIED I/W DATA: THE 233N3214-302 PANEL ASSY IS I/W THE 233N3214-41 PANEL ASSY T/W THE S233T100-6066 LIGHTPLATE AND (2) RC445-131 KNOBS AND (2) TT410-101 KNOBS	950951	1

MISSING ITEM NUMBERS NOT APPLICABLE

- ITEM NOT ILLUSTRATED

33-42-01-05

33-42-01
FIG. 05
PAGE 2
JAN 20/09

BRI



757

PARTS CATALOG (MAINTENANCE)

FIG ITEM	PART NUMBER	1 2 3 4 5 6 7	NOMENCLATURE	EFFECT FROM TO	UNITS PER ASSY
5 10	MS25306-222		. . SWITCH	002004 006010 107107 121503 904999	2

MISSING ITEM NUMBERS NOT APPLICABLE

- ITEM NOT ILLUSTRATED

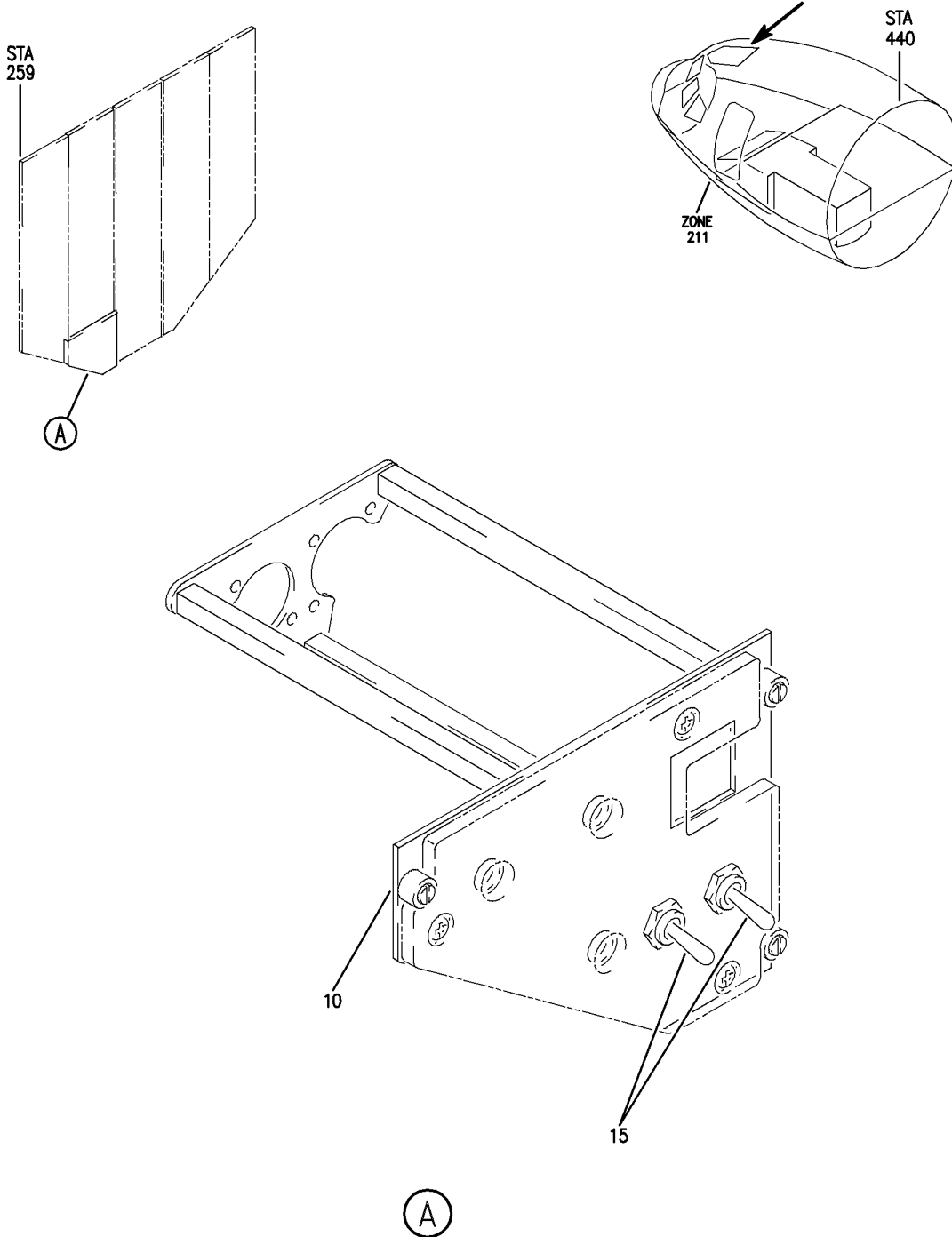
BRI

33-42-01-05

BOEING PROPRIETARY - Copyright © - Unpublished Work - See title page for details.

33-42-01
FIG. 05
PAGE 3
JAN 20/09

BOEING
757
PARTS CATALOG (MAINTENANCE)



Y 33420106 REV 259

PANEL INSTL-P5 OVHD (NOSE GEAR LANDING AND RUNWAY TURNOFF LIGHTS ONLY)
FIGURE 6

33-42-01-06

BRI
MAY 28/07

33-42-01-06
PAGE 0



757

PARTS CATALOG (MAINTENANCE)

FIG ITEM	PART NUMBER	1 2 3 4 5 6 7	NOMENCLATURE	EFFECT FROM TO	UNITS PER ASSY
6			PANEL INSTL-P5 OVHD (NOSE GEAR LANDING AND RUNWAY TURNOFF LIGHTS ONLY)	011100	
- 1	233N3101-1		PANEL INSTL-P5 OVHD (NOSE GEAR LANDING AND RUNWAY TURNOFF LIGHTS ONLY) VARIABLE DRAWING REF: 233N3101-5142 FOR NHA/OTHER SYS DET SEE: 25-10-00-05A	011100	RF
- 5	233N3214-300		.PANEL ASSY-LIGHTING CONT SUPPLIER CODE: V89954 POSITION DATA: L ELECTRICAL EQUIP NUMBER: M10056 COMPONENT MAINT MANUAL REF: 33-11-71 QUALIFIED I/W DATA: THE 233N3214-300 PANEL ASSY IS I/W THE 233N3214-31 PANEL ASSY T/W THE S233T100-6003 LIGHTPLATE AND (2) RC445-131 KNOBS AND (2) TT410-101 KNOBS	011100	RF
- 5	233N3214-301		.PANEL ASSY-LIGHTING CONT SUPPLIER CODE: V89954 POSITION DATA: L ELECTRICAL EQUIP NUMBER: M10056 COMPONENT MAINT MANUAL REF: 33-11-71 QUALIFIED I/W DATA: THE 233N3214-301 PANEL ASSY IS I/W THE 233N3214-32 PANEL ASSY T/W THE S233T100-6003 LIGHTPLATE AND (2) RC445-131 KNOBS AND (2) TT410-101 KNOBS	011100	RF

MISSING ITEM NUMBERS NOT APPLICABLE

- ITEM NOT ILLUSTRATED

BRI

33-42-01-06

33-42-01
FIG. 06
PAGE 1
JAN 20/09



757

PARTS CATALOG (MAINTENANCE)

FIG ITEM	PART NUMBER	1 2 3 4 5 6 7	NOMENCLATURE	EFFECT FROM TO	UNITS PER ASSY
6 10	233N3214-31		..PANEL ASSY- SUPPLIER CODE: V89954 COMPONENT MAINT MANUAL REF: 33-11-71 QUALIFIED I/W DATA: 233N3214-24 -27 -31 -32 -33 ARE ALL INTERCHANGEABLE EXCEPT SUBJECT TO CUSTOMER PREFERENCE THE 233N3214-300 PANEL ASSY IS I/W THE 233N3214-31 PANEL ASSY T/W THE S233T100-6003 LIGHTPLATE AND (2) RC445-131 KNOBS AND (2) TT410-101 KNOBS	011100	1
15	MS25306-222		..SWITCH	011100	2

MISSING ITEM NUMBERS NOT APPLICABLE

- ITEM NOT ILLUSTRATED

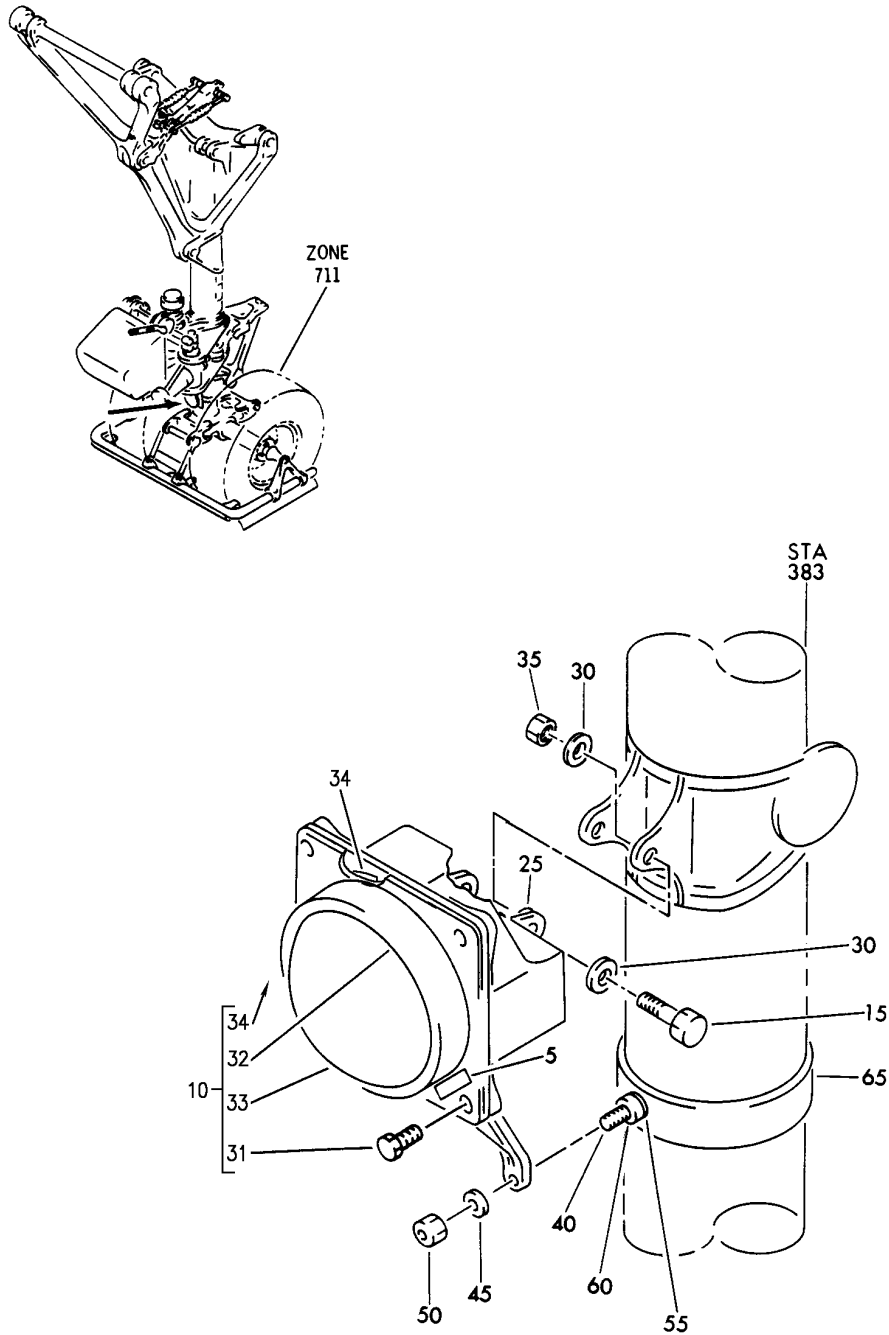
BRI

33-42-01-06

BOEING PROPRIETARY - Copyright © - Unpublished Work - See title page for details.

33-42-01
FIG. 06
PAGE 2
JAN 20/09

BOEING
757
PARTS CATALOG (MAINTENANCE)



Y 33420201 REV 269

LIGHT INSTL-NLG TAXI
FIGURE 1

33-42-02-01

BRI
JAN 20/09

33-42-02-01
PAGE 0



757

PARTS CATALOG (MAINTENANCE)

FIG ITEM	PART NUMBER	1 2 3 4 5 6 7	NOMENCLATURE	EFFECT FROM TO	UNITS PER ASSY
1			LIGHT INSTL-NLG TAXI	504903 952999	
- 1	284N1621-1		LIGHT INSTL-NLG TAXI FOR NHA SEE: 24-00-58-01A 33-42-00-01	504903 952999	RF
5	BAC27NEX0687		.MARKER-ALUMINUM FOIL PLACARD CONTENT: L00395 LIGHT TAXI	504903 952999	1
10	50-0130-1		.LIGHT- SUPPLIER CODE: V72914 ELECTRICAL EQUIP NUMBER: L00395 ATTACHING PARTS	504903 952999	1
15	NAS6706-14		.BOLT-	504903 952999	2
25	AN960C616		.WASHER-	504903 952999	2
30	AN960C616L		.WASHER-	504903 952999	4
			-----*-----		
31	MS35207-265		..SCREW	504903 952999	4
32	51-0311-1		..RETAINER ASSY- SUPPLIER CODE: V72914	504903 952999	1
33	MS24517-4551		..LAMP-	504903 952999	1
33	4551		..LAMP-SEALED BEAM SUPPLIER CODE: V08806	504903 952999	1
34	51-0308-1		..PADS-RUBBER SUPPLIER CODE: V72914	504903 952999	AR
35	BRH10C6D		.NUT- SUPPLIER CODE: V52828 SPECIFICATION NUMBER: BACN10JC6CD OPTIONAL PART: H51650-6BAC V15653	504903 952999	2
40	NAS6703-6		.BOLT-	504903 952999	1
45	AN960C10L		.WASHER-	504903 952999	1

MISSING ITEM NUMBERS NOT APPLICABLE

- ITEM NOT ILLUSTRATED

33-42-02-01

33-42-02
FIG. 01
PAGE 1
JAN 20/09

BRI



757

PARTS CATALOG (MAINTENANCE)

FIG ITEM	PART NUMBER	1 2 3 4 5 6 7	NOMENCLATURE	EFFECT FROM TO	UNITS PER ASSY
1 50	BRH10C3D		.NUT- SUPPLIER CODE: V52828 SPECIFICATION NUMBER: BACN10JC3CD OPTIONAL PART: T6C1032JCD V11815 NS202486-02 V80539 102LH9075-3W V72962 H51650-3BAC V15653	504903 952999	1
55	BACC15AN10		.CLIP	504903 952999	1
60	BACB19F10		.BLOCK	504903 952999	1
65	3140AB048E		.CLAMP- SUPPLIER CODE: V94581 SPECIFICATION NUMBER: BACC10FY048SE OPTIONAL PART: BC1083-048SE V14242 NE103338-048 V8W928	504903 952999	1

MISSING ITEM NUMBERS NOT APPLICABLE

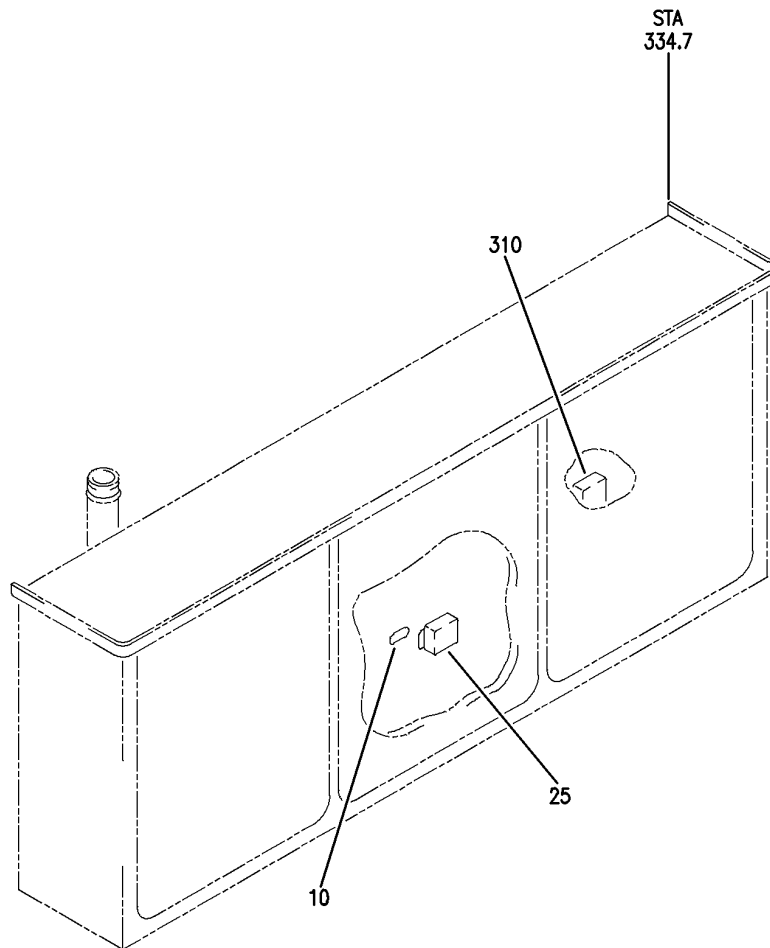
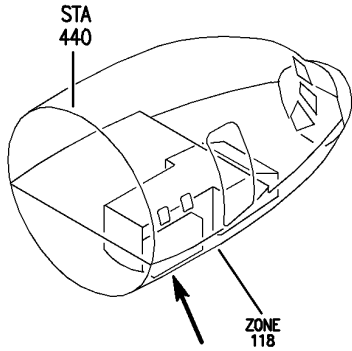
- ITEM NOT ILLUSTRATED

33-42-02-01

33-42-02
FIG. 01
PAGE 2
JAN 20/09

BRI

BOEING
757
PARTS CATALOG (MAINTENANCE)



Y 33420202 REV 254

PACKAGE ASSY-OPTION P33 MISC ELEC EQPT (NOSE GEAR TAXI LIGHTS ONLY)
FIGURE 2

BRI
JAN 20/09

33-42-02-02

33-42-02-02
PAGE 0



757

PARTS CATALOG (MAINTENANCE)

FIG ITEM	PART NUMBER	1 2 3 4 5 6 7	NOMENCLATURE	EFFECT FROM TO	UNITS PER ASSY
2			PACKAGE ASSY-OPTION P33 MISC ELEC EQPT (NOSE GEAR TAXI LIGHTS ONLY)	504903	
- 1	284N1318-1001		PACKAGE ASSY-OPTION P33 MISC ELEC EQPT (NOSE GEAR TAXI LIGHTS ONLY)	504903	RF
25	MS27743-6		FOR NHA SEE: 31-01-33-01 .RELAY- ELECTRICAL EQUIP NUMBER: K00551 WIRING DIAGRAM REF: 334231	504903	1
- 300	286N1230-322		WIRE BUNDLE ASSY	504903	RF
310	SO-1057-8912		.SOCKET-RELAY SUPPLIER CODE: V35344 ELECTRICAL EQUIP NUMBER: D05576 WIRING DIAGRAM REF: 334231	504903	1

MISSING ITEM NUMBERS NOT APPLICABLE

- ITEM NOT ILLUSTRATED

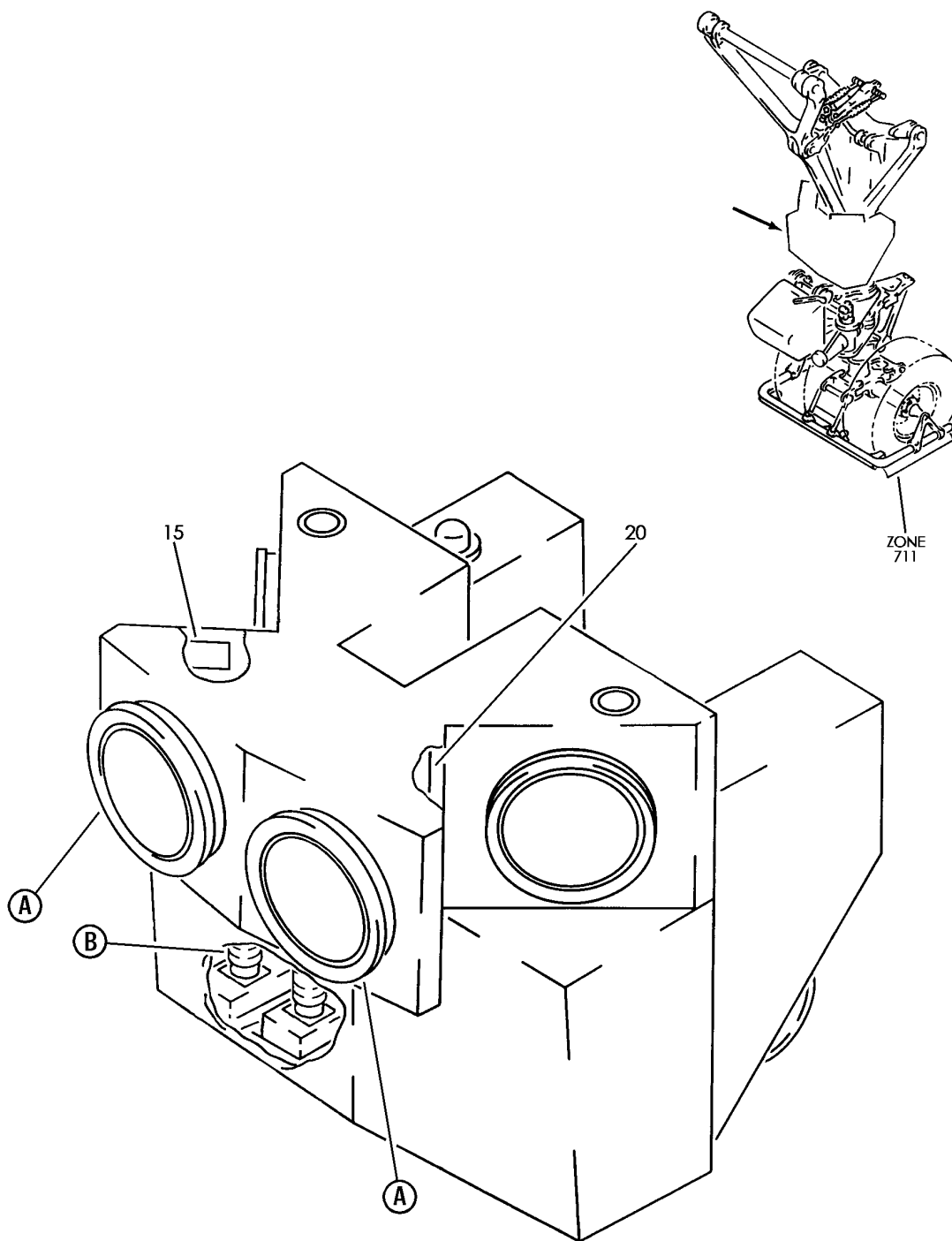
BRI

33-42-02-02

BOEING PROPRIETARY - Copyright © - Unpublished Work - See title page for details.

33-42-02
FIG. 02
PAGE 1
JAN 20/09

BOEING
757
PARTS CATALOG (MAINTENANCE)



Y 33-42-02-03 SHT 1 REV 227

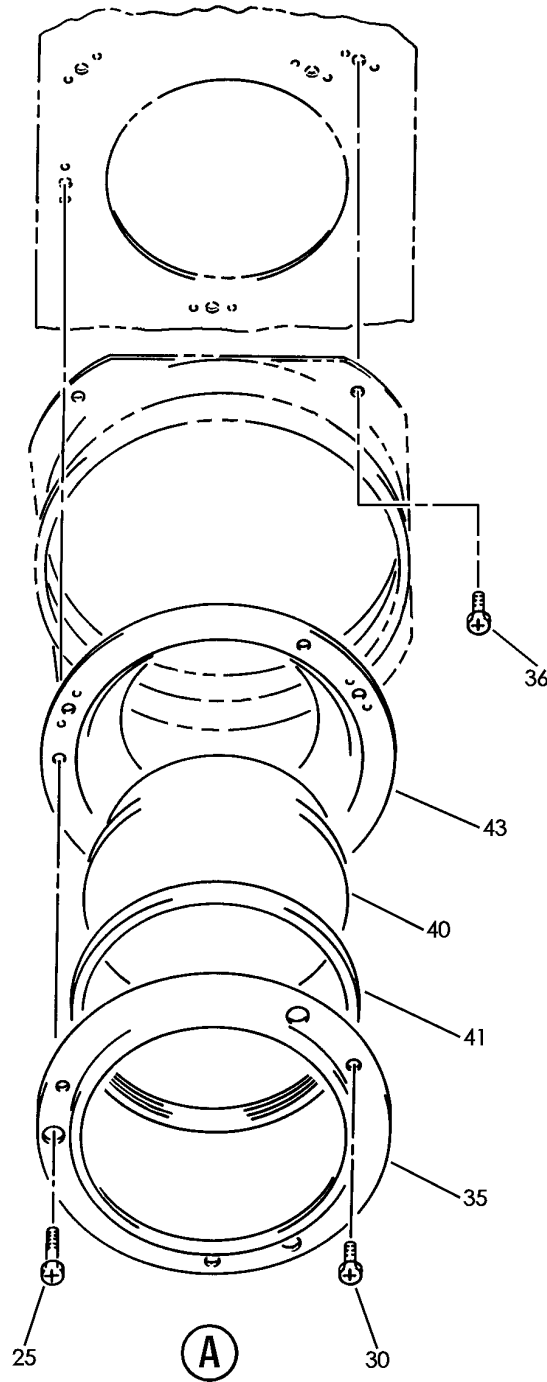
PANEL ASSY-P62 AND P63 NLG LDG AND TURNOFF LTS (NOSE GEAR TAXI LIGHTS ONLY)
FIGURE 3 (SHEET 1)

BRI
JAN 20/09

33-42-02-03

33-42-02-03
PAGE 0

BOEING
757
PARTS CATALOG (MAINTENANCE)



Y 33420203 SHT 2 REV 227

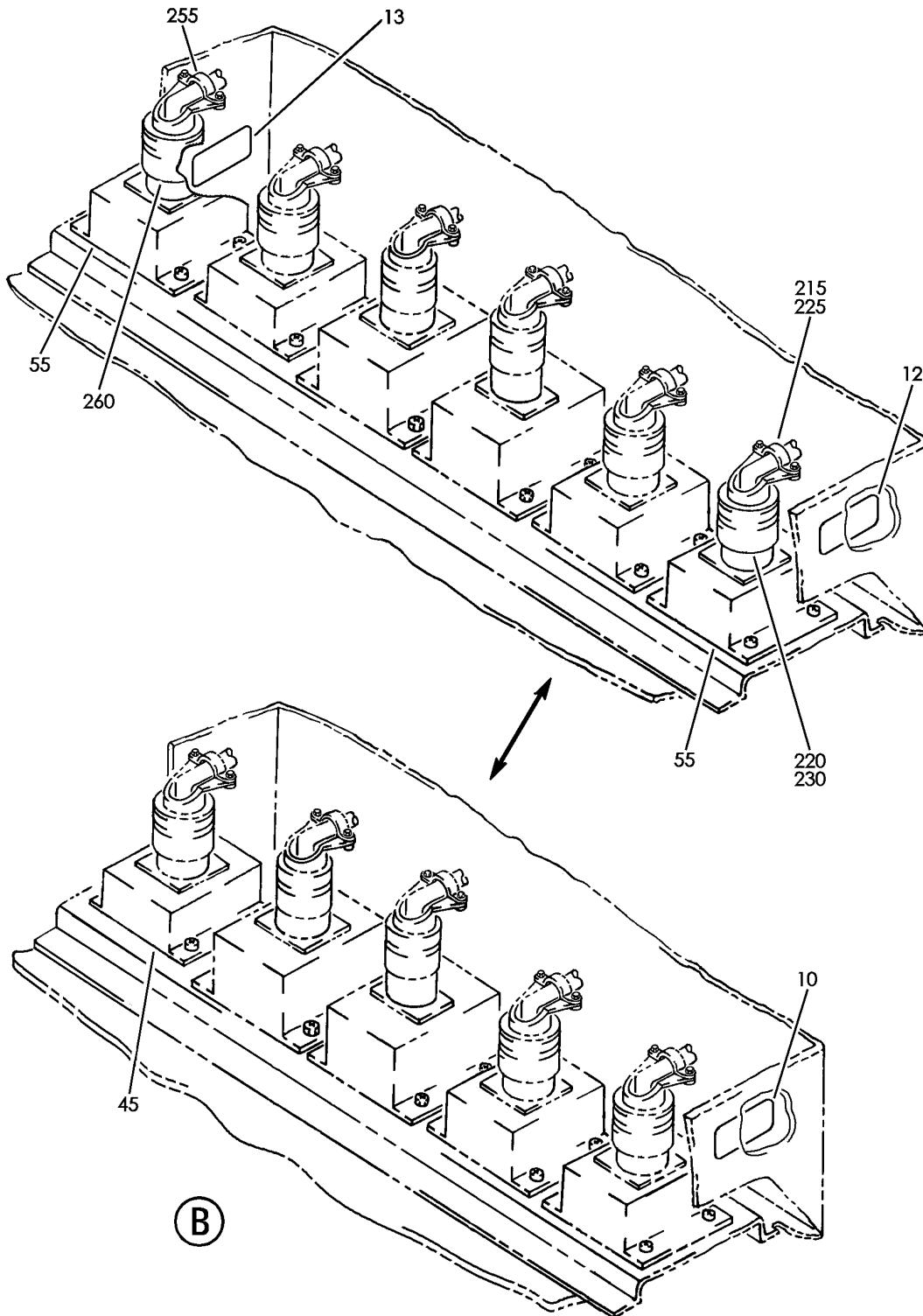
PANEL ASSY-P62 AND P63 NLG LDG AND TURNOFF LTS (NOSE GEAR TAXI LIGHTS ONLY)
FIGURE 3 (SHEET 2)

BRI
JAN 20/09

33-42-02-03

33-42-02-03
PAGE 0A

BOEING
757
PARTS CATALOG (MAINTENANCE)



Y 33420203 SHT 3 REV 231

PANEL ASSY-P62 AND P63 NLG LDG AND TURNOFF LTS (NOSE GEAR TAXI LIGHTS ONLY)
FIGURE 3 (SHEET 3)

33-42-02-03

BRI
JAN 20/09

33-42-02-03
PAGE 0B



757

PARTS CATALOG (MAINTENANCE)

FIG ITEM	PART NUMBER	1 2 3 4 5 6 7	NOMENCLATURE	EFFECT FROM TO	UNITS PER ASSY
3			PANEL ASSY-P62 AND P63 NLG LDG AND TURNOFF LTS (NOSE GEAR TAXI LIGHTS ONLY)	103106 504903	
- 1	284N1209-108		PANEL ASSY-P62 AND P63 NLG LDG AND TURNOFF LTS (NOSE GEAR TAXI LIGHTS ONLY)	504903	RF
- 5	284N1209-140		FOR NHA/OTHER SYS DET SEE: 33-42-04-01 PANEL ASSY-P62 AND P63 NLG LDG AND TURNOFF LTS (NOSE GEAR TAXI LIGHTS ONLY)	103106	RF
10	BAC27NEL0283		.MARKER-ALUMINUM FOIL PLACARD CONTENT: T00142 TAXI LT XFMR	504903	1
12	BAC27NEL1054		.MARKER-ALUMINUM FOIL PLACARD CONTENT: T10036 L TAXI LT XFMR	103106	1
13	BAC27NEL1055		.MARKER-ALUMINUM FOIL PLACARD CONTENT: T10037 R TAXI LT XFMR	103106	1
15	BAC27NEL1061		.MARKER-ALUMINUM FOIL POSITION DATA: LH SIDE	103106	RF
20	BAC27NEL1062		.MARKER-ALUMINUM FOIL POSITION DATA: RH SIDE	103106	RF
25	NAS1801-3-24		.SCREW	103106	6
30	NAS1801-3-8		.SCREW	103106	6
35	90-10021-3		.RETAINER- OPTIONAL PART: 90-10021-7	103106	4
35	90-10021-7		.RETAINER- OPTIONAL PART: 90-10021-3	103106	4
40	Q4554		.LAMP-SEALED BEAM SUPPLIER CODE: V08806 ELECTRICAL EQUIP NUMBER: L00556 L00557	103106	2
41	284N1209-62		.GASKET-RUNWAY TURNOFF LTS	103106	2
43	90-10021		.RETAINER ASSY-TURNOFF LT	103106	2

MISSING ITEM NUMBERS NOT APPLICABLE

- ITEM NOT ILLUSTRATED

33-42-02-03

33-42-02
FIG. 03
PAGE 1
JAN 20/09

BRI



757

PARTS CATALOG (MAINTENANCE)

FIG ITEM	PART NUMBER	1 2 3 4 5 6 7	NOMENCLATURE	EFFECT FROM TO	UNITS PER ASSY
3					
45	FT1222		.AUTOTRANSFORMER-350 VA, TYPE 2 SUPPLIER CODE: V14752 ELECTRICAL EQUIP NUMBER: T00142 ATTACHING PARTS	103106 504903	1
- 50	NAS1801-3-8		.SCREW	103106 504903	4
			-----*-----		
55	FT1227		.AUTOTRANSFORMER-750 VA, TYPE 2 SUPPLIER CODE: V14752 ELECTRICAL EQUIP NUMBER: T10036 T10037 ATTACHING PARTS	103106	2
- 60	NAS1801-3-8		.SCREW	103106	8
			-----*-----		
- 200	288N0156-701		.WIRE BUNDLE INSTL	504903	RF
- 205	288N0156-739		.WIRE BUNDLE INSTL	103106	RF
- 210	286N3052-005		..WIRE BUNDLE ASSY	504903	RF
- 210	286N3052-701		..WIRE BUNDLE ASSY	103106	RF
215	GS3417-18C		...CLAMP- SUPPLIER CODE: V06324 SPECIFICATION NUMBER: BACC10HF18 OPTIONAL PART: S2125-18-8 V07418 ELECTRICAL EQUIP NUMBER: D02198 WIRING DIAGRAM REF: 334231	504903	1
220	R071018A8SNL		...CONNECTOR- SUPPLIER CODE: V41118 SPECIFICATION NUMBER: BACC63BP18A8SNL ELECTRICAL EQUIP NUMBER: D02198 WIRING DIAGRAM REF: 334231	504903	1

MISSING ITEM NUMBERS NOT APPLICABLE

- ITEM NOT ILLUSTRATED

33-42-02-03

33-42-02
FIG. 03
PAGE 2
JAN 20/09

BRI

BOEING PROPRIETARY - Copyright © - Unpublished Work - See title page for details.



757

PARTS CATALOG (MAINTENANCE)

FIG ITEM	PART NUMBER	1 2 3 4 5 6 7	NOMENCLATURE	EFFECT FROM TO	UNITS PER ASSY
3 225	S3819-18-65	...	CLAMP- SUPPLIER CODE: V07418 SPECIFICATION NUMBER: BACC10KD18 OPTIONAL PART: 620AS028NF18L V06324 ELECTRICAL EQUIP NUMBER: D05500T WIRING DIAGRAM REF: 334231	103106	1
230	BACC63BP18A8S8L	...	CONNECTOR- ELECTRICAL EQUIP NUMBER: D05500 WIRING DIAGRAM REF: 334231	103106	1
- 250 255	286N3054-701 620AA028NF18L	..	WIRE BUNDLE ASSY ...CLAMP- SUPPLIER CODE: V06324 SPECIFICATION NUMBER: BACC10KE18 OPTIONAL PART: S3820-18-65 V07418 ELECTRICAL EQUIP NUMBER: D05440T WIRING DIAGRAM REF: 334231	103106 103106	RF 1
260	BACC63BP18A8S8L	...	CONNECTOR- ELECTRICAL EQUIP NUMBER: D05440 WIRING DIAGRAM REF: 334231	103106	1

MISSING ITEM NUMBERS NOT APPLICABLE

- ITEM NOT ILLUSTRATED

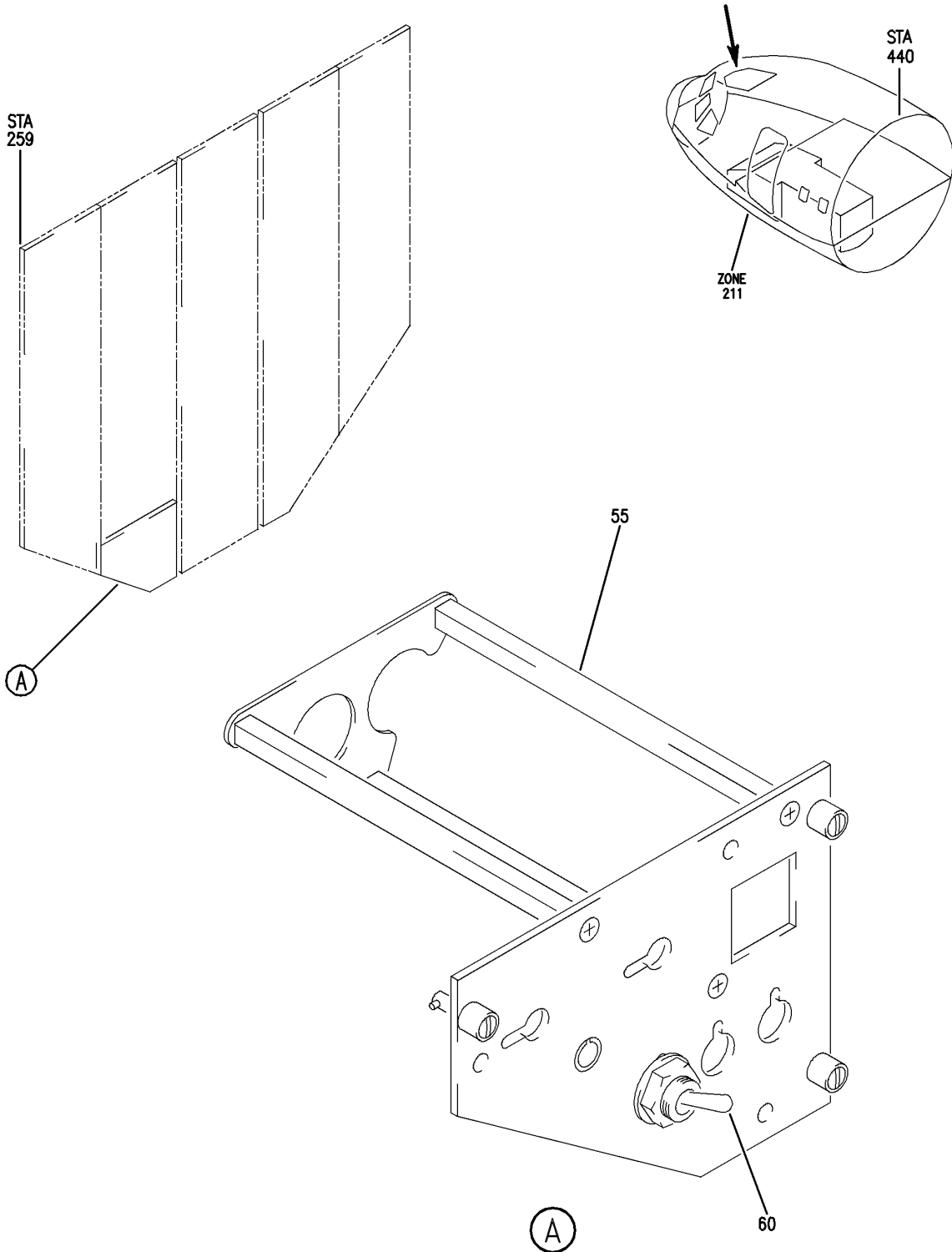
33-42-02-03

33-42-02
FIG. 03
PAGE 3
JAN 20/09

BRI

BOEING PROPRIETARY - Copyright © - Unpublished Work - See title page for details.

BOEING
757
PARTS CATALOG (MAINTENANCE)



Y 33420204 REV 235

PANEL INSTL-P5 OVHD (NOSE GEAR TAXI LIGHT ONLY)
FIGURE 4

33-42-02-04

BRI
JAN 20/09

33-42-02-04
PAGE 0



757

PARTS CATALOG (MAINTENANCE)

FIG ITEM	PART NUMBER	1 2 3 4 5 6 7	NOMENCLATURE	EFFECT FROM TO	UNITS PER ASSY
4			PANEL INSTL-P5 OVHD (NOSE GEAR TAXI LIGHT ONLY)	103106 504903	
- 6	MODREF33760		PANEL INSTL-P5 OVHD (NOSE GEAR TAXI LIGHT ONLY) MODULE NUMBER: 233N3103-351 REV C FOR OTHER SYS DETAILS SEE: 11-31-10-12 21-25-55-03 21-31-01-02 21-33-51-03 21-51-54-03 21-58-19-10 21-58-51-03 21-61-04-03 21-65-51-01 22-21-01-04 22-24-51-02 23-24-01-01 23-32-00-11 23-42-02-02 23-71-05-02 24-11-52-05 24-22-01-03 24-31-01-10 24-31-03-09 24-33-04-01 24-41-51-04 24-51-62-01 26-18-51-04 27-21-53-02 27-41-55-01 27-61-51-03 27-62-52-02 28-22-51-02 28-41-04-01 28-41-51-03 29-11-02-03 29-11-05-04 29-11-52-07 29-21-54-03 29-31-00-01 29-32-51-03 29-33-52-03 30-11-51-03 30-21-51-03 30-31-51-02	103103	1
MISSING ITEM NUMBERS NOT APPLICABLE					

- ITEM NOT ILLUSTRATED

33-42-02-04

33-42-02
FIG. 04
PAGE 1
JAN 20/09

BRI



757

PARTS CATALOG (MAINTENANCE)

FIG ITEM	PART NUMBER	1 2 3 4 5 6 7	NOMENCLATURE	EFFECT FROM TO	UNITS PER ASSY
4			30-32-51-01 30-33-51-02 30-41-51-03 30-42-51-03 31-12-11-91 31-12-11-91A 32-42-52-03 33-11-03-03 33-11-51-17 33-13-01-65 33-13-02-03 33-16-51-03 33-24-51-02 33-41-52-04 33-43-51-04 33-44-51-05 33-45-53-03 33-51-08-05 34-21-02-01 35-21-51-04 36-11-04-01 36-21-00-01 36-21-02-05 36-22-51-03 49-41-00-02 49-52-00-01 49-70-00-01 52-51-51-03 52-71-51-02 73-21-52-02 74-31-51-05 75-32-00-01 80-11-09-02 FOR ADDITIONAL DETAILS SEE: 33-42-01-04 33-42-52-04 PANEL INSTL-P5 OVHD (NOSE GEAR TAXI LIGHT ONLY) MODULE NUMBER: 233N3103-351 REV D FOR OTHER SYS DETAILS SEE: 11-31-10-12 21-25-55-03 21-31-01-02 21-33-51-03 21-51-54-03 21-58-19-10 21-58-51-03		
- 6	MODREF34038		33-42-02-04 MISSING ITEM NUMBERS NOT APPLICABLE	104105	1

- ITEM NOT ILLUSTRATED

BRI

33-42-02-04

BOEING PROPRIETARY - Copyright © - Unpublished Work - See title page for details.

33-42-02
FIG. 04
PAGE 2
JAN 20/09



757

PARTS CATALOG (MAINTENANCE)

FIG ITEM	PART NUMBER	1 2 3 4 5 6 7 NOMENCLATURE	EFFECT FROM TO	UNITS PER ASSY
4		21-61-04-03 21-65-51-01 22-21-01-04 22-24-51-02 23-24-01-01 23-32-00-11 23-42-02-02 23-71-05-02 24-11-52-05 24-22-01-03 24-31-01-10 24-31-03-09 24-33-04-01 24-41-51-04 24-51-62-01 26-18-51-04 27-21-53-02 27-41-55-01 27-61-51-03 27-62-52-02 28-22-51-02 28-41-04-01 28-41-51-03 29-11-02-03 29-11-05-04 29-11-52-07 29-21-54-03 29-31-00-01 29-32-51-03 29-33-52-03 30-11-51-03 30-21-51-03 30-31-51-02 30-32-51-01 30-33-51-02 30-41-51-03 30-42-51-03 31-12-11-91 31-12-11-91 A 32-42-52-03 33-11-03-03 33-11-51-17 33-13-01-65 33-13-02-03 33-16-51-03 33-24-51-02 33-41-52-04 33-43-51-04 33-44-51-05		

MISSING ITEM NUMBERS NOT APPLICABLE

- ITEM NOT ILLUSTRATED

33-42-02-04

33-42-02
FIG. 04
PAGE 3
JAN 20/09

BRI



757

PARTS CATALOG (MAINTENANCE)

FIG ITEM	PART NUMBER	1 2 3 4 5 6 7	NOMENCLATURE	EFFECT FROM TO	UNITS PER ASSY
4			33-45-53-03 33-51-08-05 34-21-02-01 35-21-51-04 36-11-04-01 36-21-00-01 36-21-02-05 36-22-51-03 49-41-00-02 49-52-00-01 49-70-00-01 52-51-51-03 52-71-51-02 73-21-52-02 74-31-51-05 75-32-00-01 80-11-09-02 FOR ADDITIONAL DETAILS SEE: 33-42-01-04 33-42-52-04		
- 7	MODREF170180		PANEL INSTL-P5 OVHD (NOSE GEAR TAXI LIGHT ONLY) MODULE NUMBER: 233N3103-353 REV B FOR OTHER SYS DETAILS SEE: 11-31-10-12 21-25-55-03 21-31-01-02 21-33-51-03 21-51-54-03 21-58-19-10 21-58-51-03 21-61-04-03 21-65-51-01 22-21-01-04 22-24-51-02 23-24-01-01 23-32-00-11 23-42-02-02 23-71-05-02 24-11-52-05 24-22-01-03 24-31-01-10 24-31-03-09 24-33-04-01 24-41-51-04 24-51-62-01 26-18-51-04	106106	1

MISSING ITEM NUMBERS NOT APPLICABLE

- ITEM NOT ILLUSTRATED

33-42-02-04

33-42-02
FIG. 04
PAGE 4
JAN 20/09

BRI



757

PARTS CATALOG (MAINTENANCE)

FIG ITEM	PART NUMBER	1 2 3 4 5 6 7 NOMENCLATURE	EFFECT FROM TO	UNITS PER ASSY
4		27-21-53-02 27-41-55-01 27-61-51-03 27-62-52-02 28-22-51-02 28-41-04-01 28-41-51-03 29-11-02-03 29-11-05-04 29-11-52-07 29-21-54-03 29-31-00-01 29-32-51-03 29-33-52-03 30-11-51-03 30-21-51-03 30-31-51-02 30-32-51-01 30-33-51-02 30-41-51-03 30-42-51-03 31-12-11-84 31-12-11-84 A 32-42-52-03 33-11-03-03 33-11-51-17 33-13-01-65 33-13-02-03 33-16-51-03 33-24-51-02 33-41-52-04 33-43-51-04 33-44-51-05 33-45-53-03 33-51-08-05 34-21-02-01 35-21-51-04 36-11-04-01 36-21-00-01 36-21-02-05 36-22-51-03 49-41-00-02 49-52-00-01 49-70-00-01 52-51-51-03 52-71-51-02 73-21-52-02 74-31-51-05 75-32-00-01		

MISSING ITEM NUMBERS NOT APPLICABLE

- ITEM NOT ILLUSTRATED

33-42-02-04

33-42-02
FIG. 04
PAGE 5
JAN 20/09

BRI



757

PARTS CATALOG (MAINTENANCE)

FIG ITEM	PART NUMBER	1 2 3 4 5 6 7	NOMENCLATURE	EFFECT FROM TO	UNITS PER ASSY
4			80-11-09-02 FOR ADDITIONAL DETAILS SEE: 33-42-01-04 33-42-52-04		
- 50	233N3214-305	.	PANEL ASSY-LIGHTING CONT SUPPLIER CODE: V89954 POSITION DATA: L ELECTRICAL EQUIP NUMBER: M10056 COMPONENT MAINT MANUAL REF: 33-11-71	103106 504903	RF
55	233N3214-34	..	PANEL ASSY- SUPPLIER CODE: V89954 COMPONENT MAINT MANUAL REF: 33-11-71	103106 504903	RF
60	MS25306-222	...	SWITCH-TG	103106 504903	1

MISSING ITEM NUMBERS NOT APPLICABLE

- ITEM NOT ILLUSTRATED

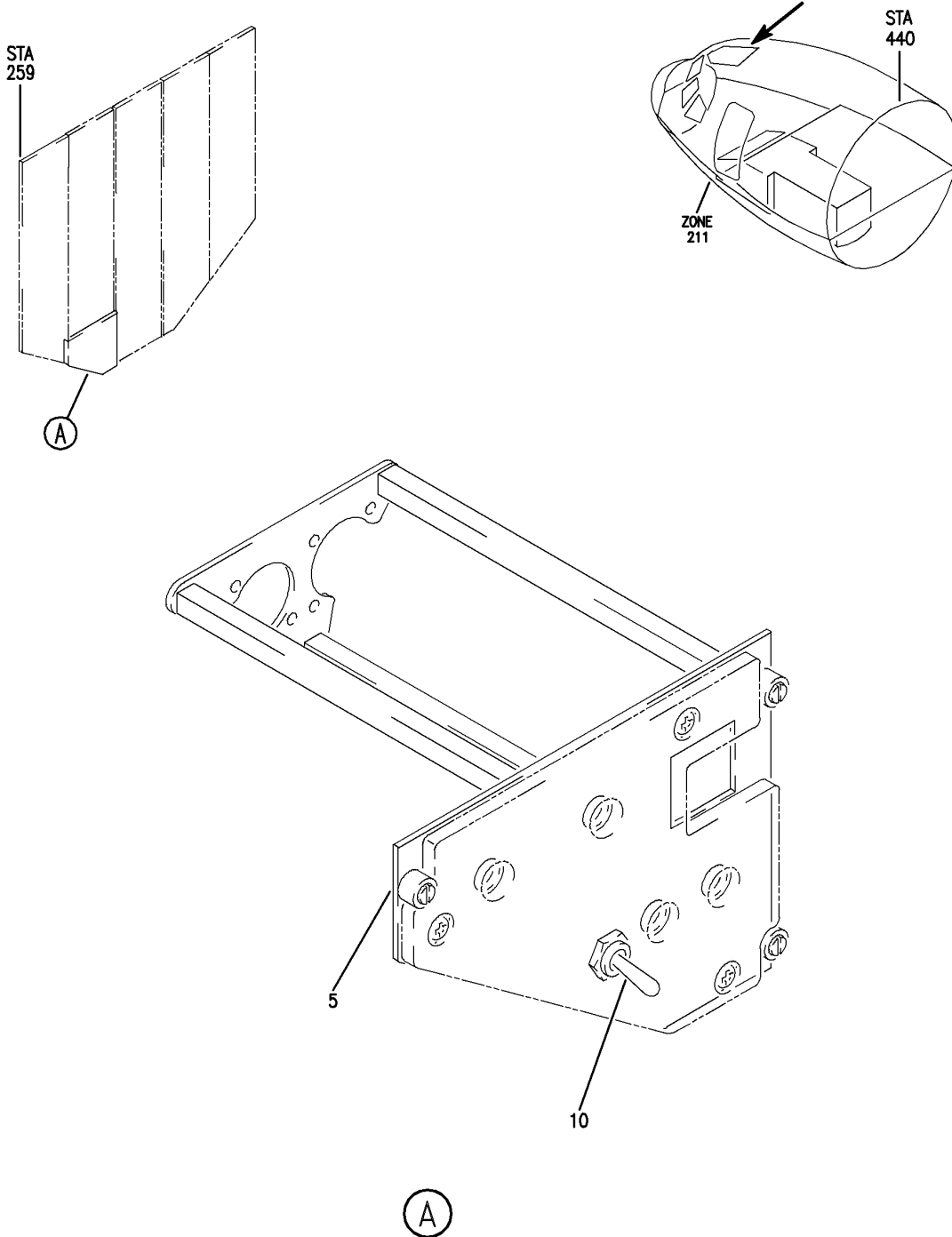
BRI

33-42-02-04

BOEING PROPRIETARY - Copyright © - Unpublished Work - See title page for details.

33-42-02
FIG. 04
PAGE 6
JAN 20/09

BOEING
757
PARTS CATALOG (MAINTENANCE)



Y 33420205 REV 259

PANEL INSTL-P5 OVHD (NOSE GEAR TAXI LIGHT ONLY)
FIGURE 5

33-42-02-05

BRI
JAN 20/09

33-42-02-05
PAGE 0



757

PARTS CATALOG (MAINTENANCE)

FIG ITEM	PART NUMBER	1 2 3 4 5 6 7	NOMENCLATURE	EFFECT FROM TO	UNITS PER ASSY
5			PANEL INSTL-P5 OVHD (NOSE GEAR TAXI LIGHT ONLY)	950999	
- 1	233N3101-1		PANEL INSTL-P5 OVHD (NOSE GEAR TAXI LIGHT ONLY) VARIABLE DRAWING REF: 233N3101-5041 233N3101-5045 FOR NHA/OTHER SYS DET SEE: 25-10-00-05A	950999	RF
5	233N3214-28		.PANEL ASSY- SUPPLIER CODE: V89954 COMPONENT MAINT MANUAL REF: 33-11-71 QUALIFIED I/W DATA: 233N3214-22 -26 -28 -29 ARE ALL INTERCHANGEABLE EXCEPT SUBJECT TO CUSTOMER PREFERENCE THE 233N3214-303 PANEL ASSY IS I/W THE 233N3214-28 PANEL ASSY T/W THE S233T100-6016 LIGHTPLATE AND (2) RC445-131 KNOBS AND (2) TT410-101 KNOBS	952999	1
5	233N3214-41		.PANEL ASSY- SUPPLIER CODE: V89954 COMPONENT MAINT MANUAL REF: 33-11-71 QUALIFIED I/W DATA: THE 233N3214-302 PANEL ASSY IS I/W THE 233N3214-41 PANEL ASSY T/W THE S233T100-6066 LIGHTPLATE AND (2) RC445-131 KNOBS AND (2) TT410-101 KNOBS	950951	1
10	MS25306-222		..SWITCH	952999	1

MISSING ITEM NUMBERS NOT APPLICABLE

- ITEM NOT ILLUSTRATED

33-42-02-05

33-42-02
FIG. 05
PAGE 1
JAN 20/09

BRI



757

PARTS CATALOG (MAINTENANCE)

FIG ITEM	PART NUMBER	1 2 3 4 5 6 7	NOMENCLATURE	EFFECT FROM TO	UNITS PER ASSY
5 10	64AT22-1		.. SWITCH SUPPLIER CODE: V91929 SPECIFICATION NUMBER: BACS30EM11 OPTIONAL PART: 64AT11-1 V91929 A3-1110-01-1 V81640 A3-1110-01 V81640	950951	1

MISSING ITEM NUMBERS NOT APPLICABLE

- ITEM NOT ILLUSTRATED

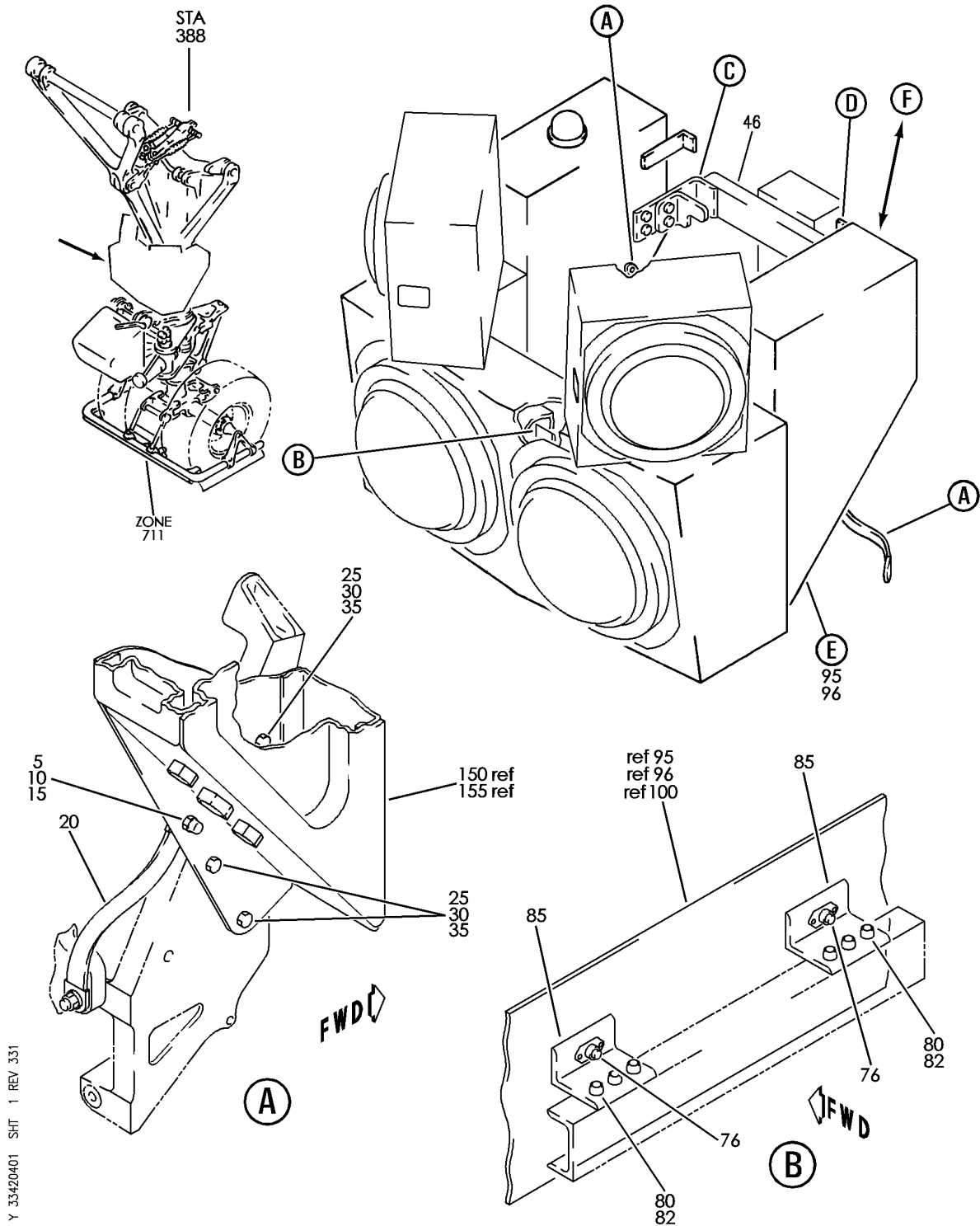
BRI

33-42-02-05

BOEING PROPRIETARY - Copyright © - Unpublished Work - See title page for details.

33-42-02
FIG. 05
PAGE 2
JAN 20/09

BOEING
757
PARTS CATALOG (MAINTENANCE)



Y 33420401 SHT 1 REV 331

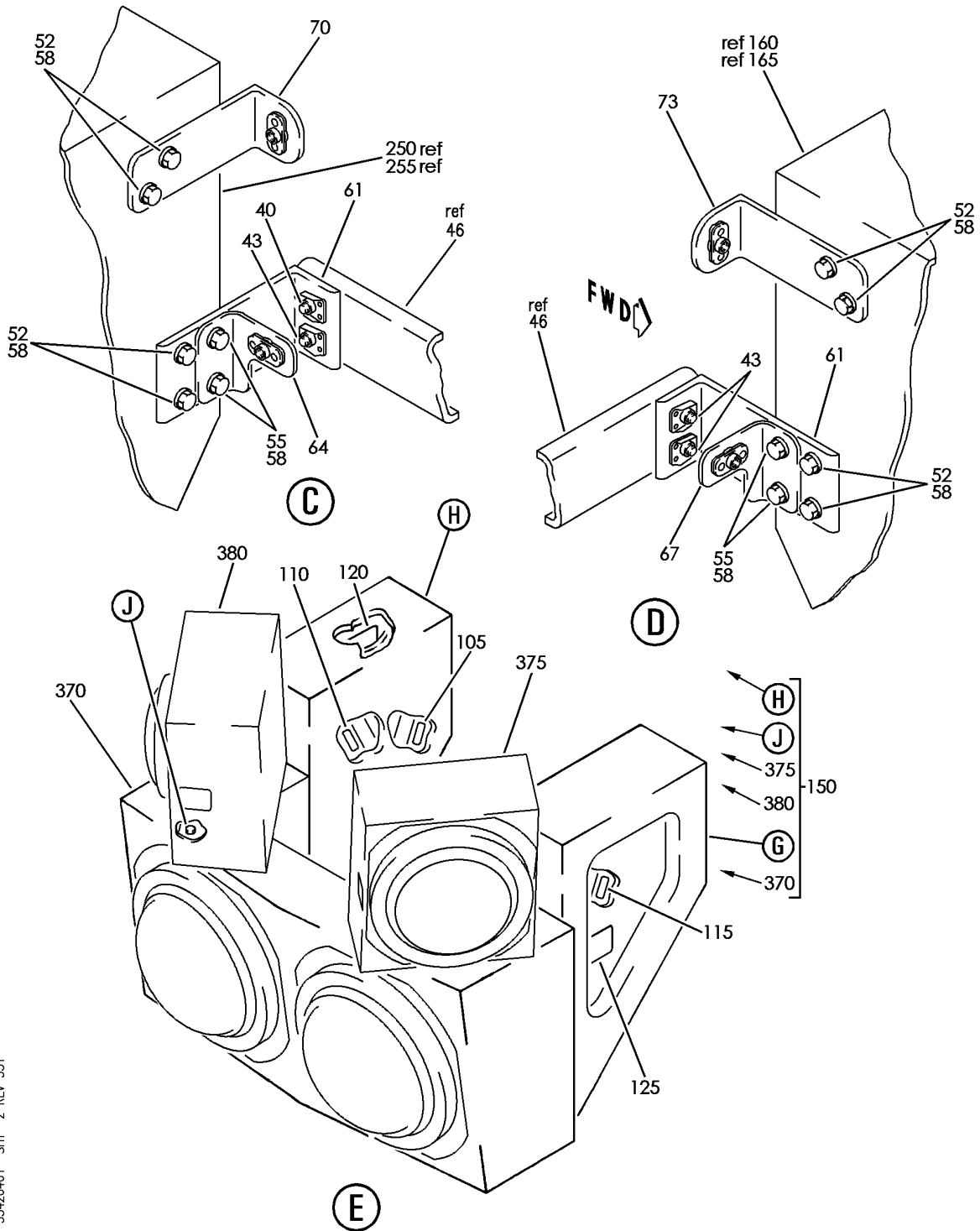
PANEL INSTL-P62 AND P63 NLG LDG AND TURNOFF LTS (PANEL ONLY)
FIGURE 1 (SHEET 1)

33-42-04-01

BRI
JAN 20/09

33-42-04-01
PAGE 0

BOEING
757
PARTS CATALOG (MAINTENANCE)



Y 33420401 SH-T 2 REV 331

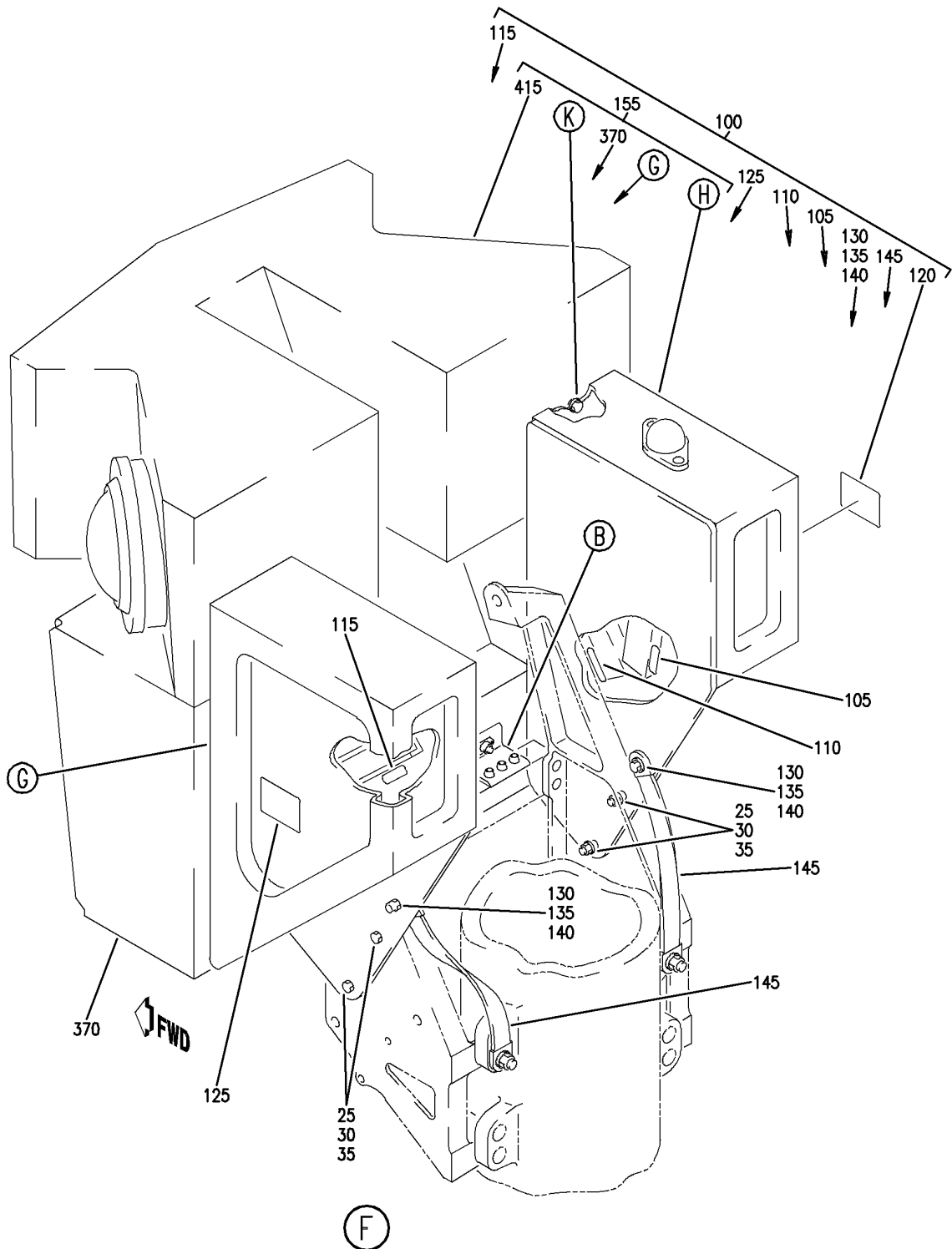
PANEL INSTL-P62 AND P63 NLG LDG AND TURNOFF LTS (PANEL ONLY)
FIGURE 1 (SHEET 2)

33-42-04-01

BRI
JAN 20/09

33-42-04-01
PAGE 0A

BOEING
757
PARTS CATALOG (MAINTENANCE)



Y 33420401 SHT 3 REV 231

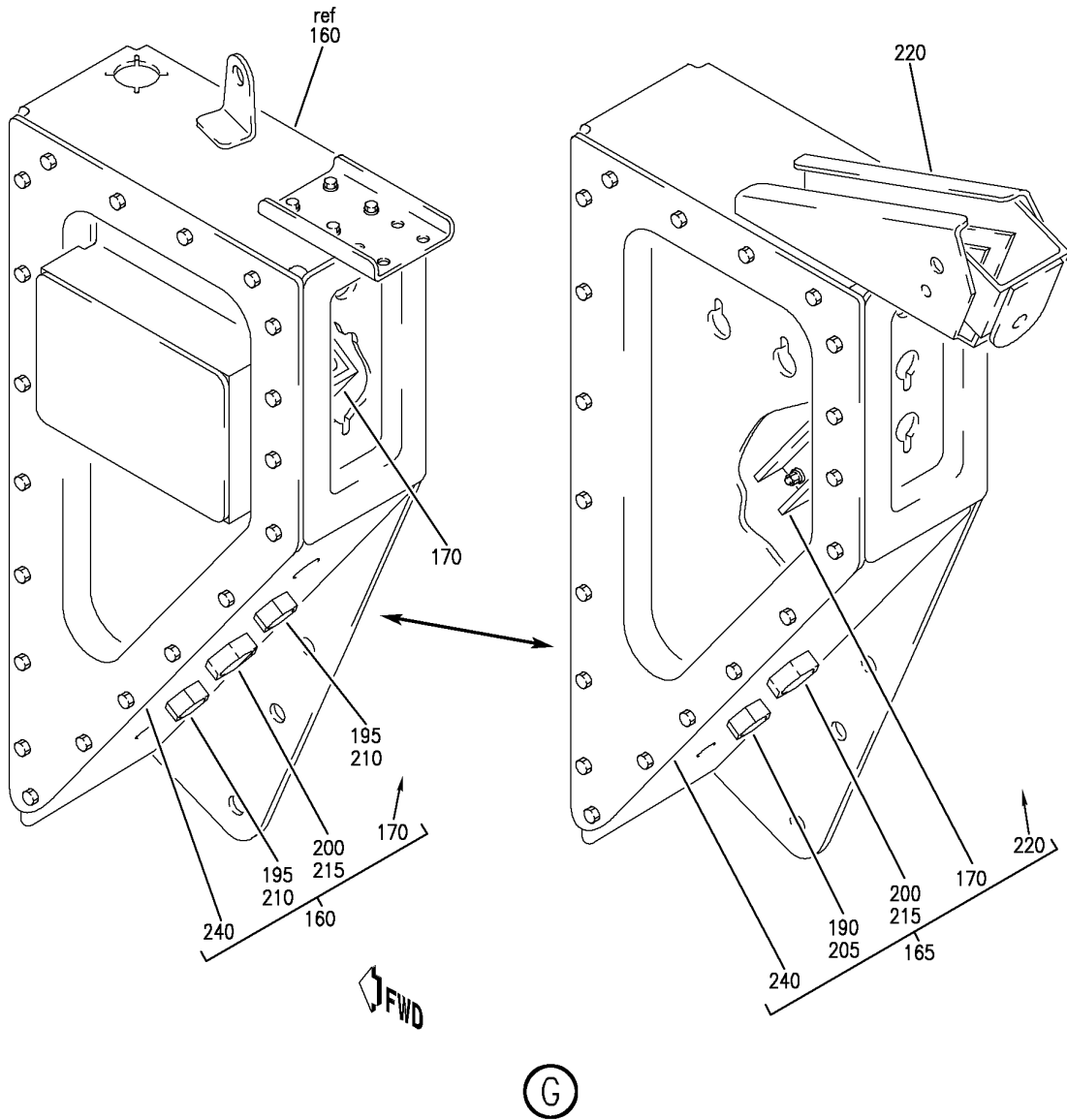
PANEL INSTL-P62 AND P63 NLG LDG AND TURNOFF LTS (PANEL ONLY)
FIGURE 1 (SHEET 3)

33-42-04-01

BRI
MAY 28/07

33-42-04-01
PAGE 0B

BOEING
757
PARTS CATALOG (MAINTENANCE)



Y 33420401 SH1 4 REV 331

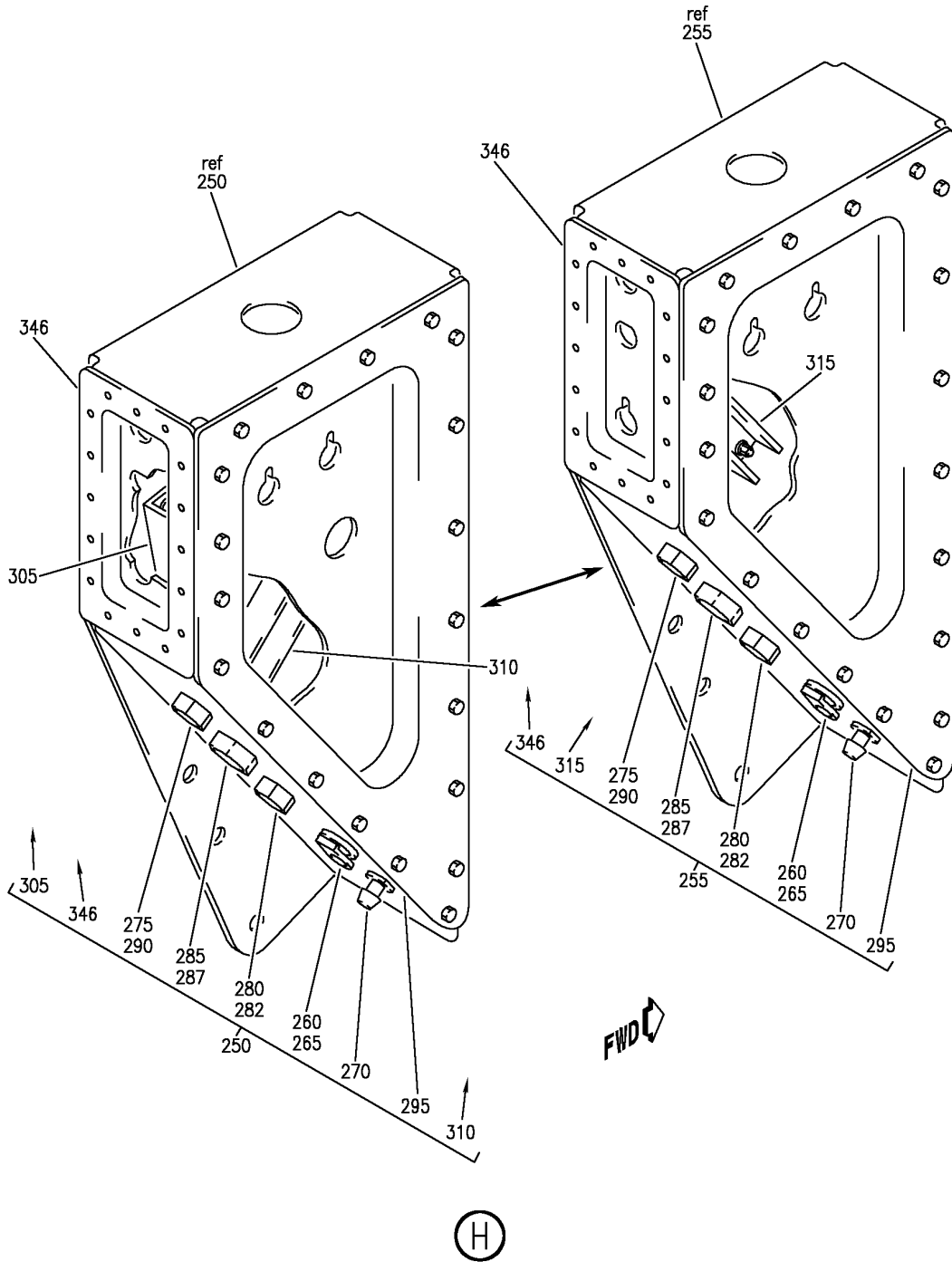
PANEL INSTL-P62 AND P63 NLG LDG AND TURNOFF LTS (PANEL ONLY)
FIGURE 1 (SHEET 4)

33-42-04-01

BRI
JAN 20/09

33-42-04-01
PAGE 0C

BOEING
757
PARTS CATALOG (MAINTENANCE)



Y 33420401 SH1 5 REV 277

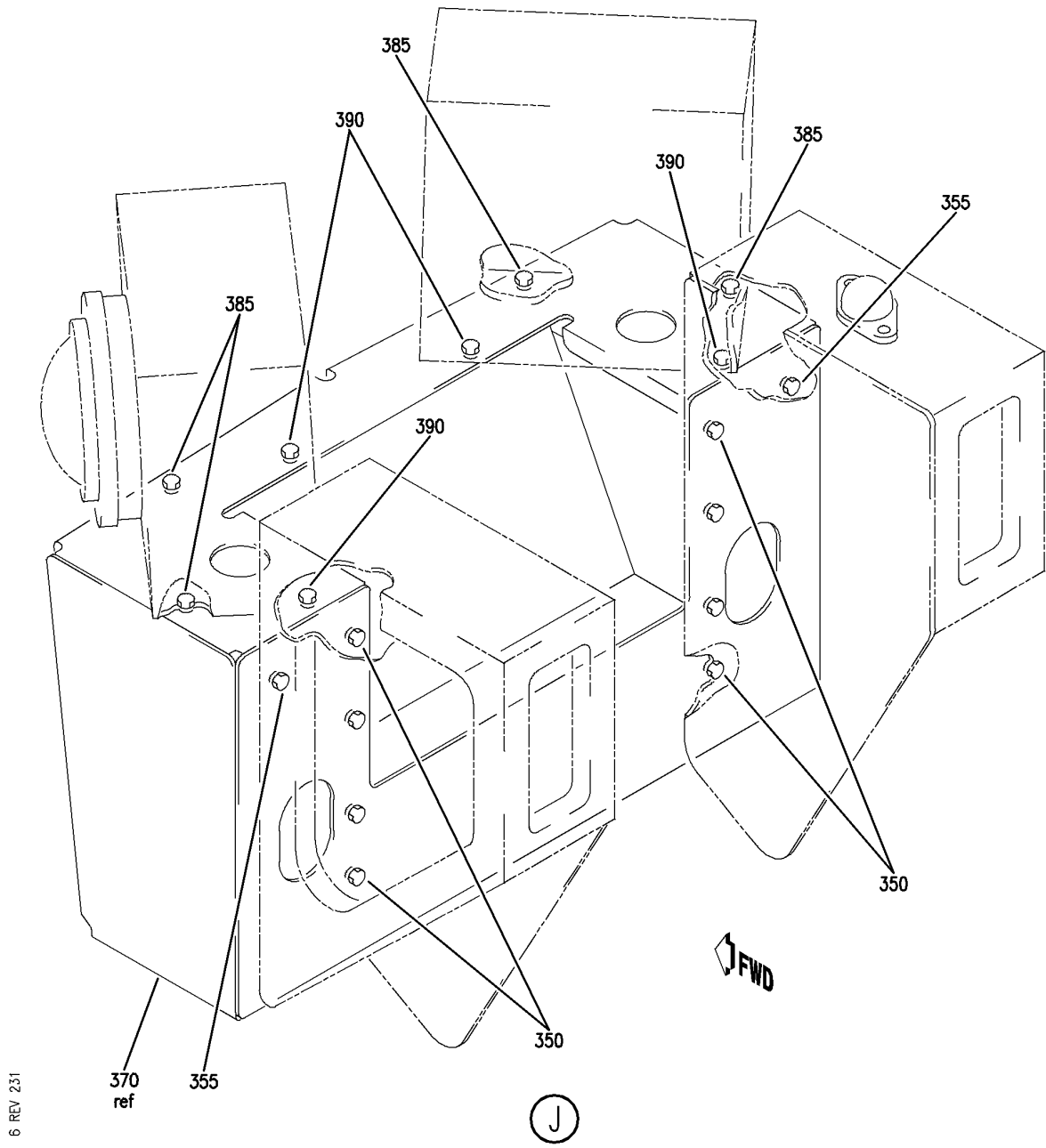
PANEL INSTL-P62 AND P63 NLG LDG AND TURNOFF LTS (PANEL ONLY)
FIGURE 1 (SHEET 5)

33-42-04-01

BRI
MAY 28/07

33-42-04-01
PAGE 0D

BOEING
757
PARTS CATALOG (MAINTENANCE)



Y 33420401 SH 6 REV 231

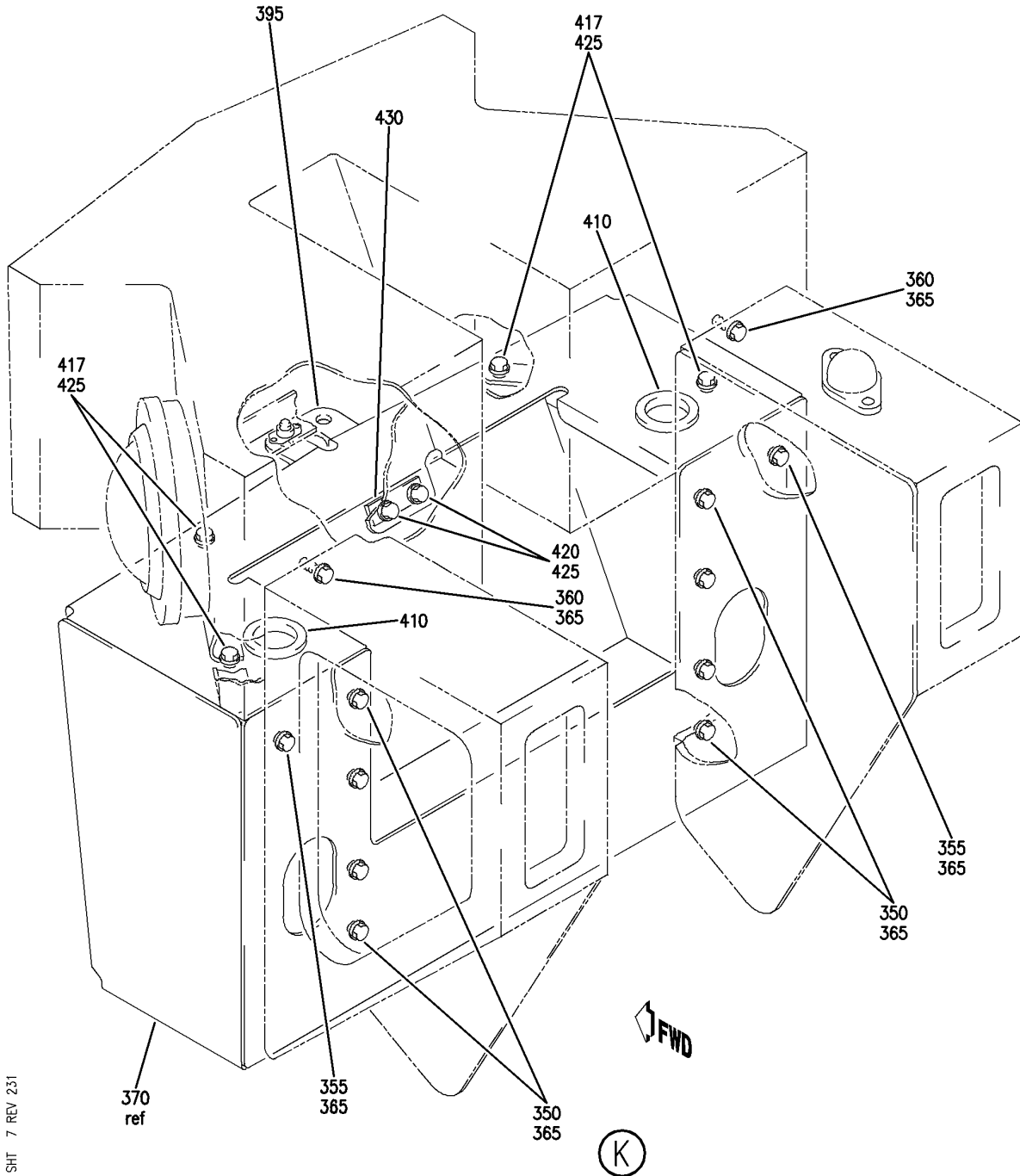
PANEL INSTL-P62 AND P63 NLG LDG AND TURNOFF LTS (PANEL ONLY)
FIGURE 1 (SHEET 6)

33-42-04-01

BRI
MAY 28/07

33-42-04-01
PAGE 0E

BOEING
757
PARTS CATALOG (MAINTENANCE)



Y 33420401 SH7 7 REV 231

PANEL INSTL-P62 AND P63 NLG LDG AND TURNOFF LTS (PANEL ONLY)
FIGURE 1 (SHEET 7)

33-42-04-01

BRI
MAY 28/07

33-42-04-01
PAGE OF



757

PARTS CATALOG (MAINTENANCE)

FIG ITEM	PART NUMBER	1 2 3 4 5 6 7	NOMENCLATURE	EFFECT FROM TO	UNITS PER ASSY
1			PANEL INSTL-P62 AND P63 NLG LDG AND TURNOFF LTS (PANEL ONLY)	102106 108120 504903	
- 1	284N1761-103		PANEL INSTL-P62 AND P63 NLG LDG AND TURNOFF LTS (PANEL ONLY)	102102	RF
- 1	284N1761-108		FOR NHA SEE: 24-00-58-05E PANEL INSTL-P62 AND P63 NLG LDG AND TURNOFF LTS (PANEL ONLY)	504903	RF
- 2	284N1761-134		FOR NHA SEE: 24-00-58-05E PANEL INSTL-P62 AND P63 NLG LDG AND TURNOFF LTS (PANEL ONLY)	108120	RF
- 4	MODREF9330		FOR NHA SEE: 24-00-58-05E PANEL INSTL-P62 AND P63 NLG LDG AND TURNOFF LTS (PANEL ONLY)	103103	1
- 4	MODREF27778		MODULE NUMBER: 284N1761-140 REV A PANEL INSTL-P62 AND P63 NLG LDG AND TURNOFF LTS (PANEL ONLY)	104106	1
5	NAS1801-4-10		MODULE NUMBER: 284N1761-140 REV B .SCREW	102102 504903	2
10	NAS1149D0416J		.WASHER	102102	4
15	F42NKE048		.NUT	504903	2
			SUPPLIER CODE: V72962	102102	
			SPECIFICATION NUMBER: BACN10R428	504903	
			OPTIONAL PART: 42NKE048	102102	
			V72962	504903	
			26C048		
			V80539		
20	284N6202-1		.STRAP ASSY	102102	2
25	BACB30NM4K5		.BOLT	504903	6
				102106	
				108120	
				504903	

MISSING ITEM NUMBERS NOT APPLICABLE

- ITEM NOT ILLUSTRATED

33-42-04-01

33-42-04
FIG. 01
PAGE 1
JAN 20/09

BRI



757

PARTS CATALOG (MAINTENANCE)

FIG ITEM	PART NUMBER	1 2 3 4 5 6 7	NOMENCLATURE	EFFECT FROM TO	UNITS PER ASSY
1					
30	NAS1149D0416J	.	WASHER	102106 108120 504903	6
35	F42NKE048	.	NUT SUPPLIER CODE: V72962 SPECIFICATION NUMBER: BACN10R428 OPTIONAL PART: 42NKE048 V72962 26C048 V80539	102106 108120 504903	6
40	BACB30NM3K5	.	BOLT	102106 108120 504903	1
43	BACB30NM3K3	.	BOLT	102106 108120 504903	3
46	284N1759-84	.	ANGLE-SPRT	102106 108120 504903	1
52	NAS1801-08-9	.	SCREW	102106 108120 504903	8
55	NAS1801-08-10	.	SCREW	102106 108120 504903	4
58	NAS1149DN816J	.	WASHER	102106 108120 504903	12
61	284N1759-166	.	ANGLE ASSY	102106 108120 504903	2
64	284N1759-198	.	SUPPORT ASSY	102106 108120 504903	1
67	284N1759-197	.	SUPPORT ASSY	102106 108120 504903	1
70	284N1759-202	.	SUPPORT ASSY	102106 108120 504903	1
73	284N1759-201	.	SUPPORT ASSY	102106 108120 504903	1
76	BACB30NM3K4	.	BOLT	102106 108120 504903	2

MISSING ITEM NUMBERS NOT APPLICABLE

- ITEM NOT ILLUSTRATED

33-42-04-01

33-42-04
FIG. 01
PAGE 2
JAN 20/09

BRI

BOEING PROPRIETARY - Copyright © - Unpublished Work - See title page for details.



757

PARTS CATALOG (MAINTENANCE)

FIG ITEM	PART NUMBER	1 2 3 4 5 6 7	NOMENCLATURE	EFFECT FROM TO	UNITS PER ASSY
1	80 BACB30MY5K	.	BOLT	102106 108120	6
	82 HL70-5	.	COLLAR SUPPLIER CODE: V5M902 SPECIFICATION NUMBER: BACC30M5 OPTIONAL PART: HL70-5 V73197 HL70-5 V92215 66014-5 V56878 HL70-5 V56878	504903 102106 108120 504903	6
	85 284N1759-48	.	ANGLE ASSY	102106 108120	2
	95 284N1209-103	.	PANEL ASSY-P62 AND P63 NLG LDG AND TURNOFF LTS FUNCTIONAL REFERENCE: COMMUNICATIONS FOR DETAILS SEE 23-41-54-01B 23-43-02-01B 23-51-01-02B FIRE PROTECTION FOR DETAILS SEE 26-15-53-01B LANDING GEAR FOR DETAILS SEE 32-12-52-01B LIGHTS FOR DETAILS SEE 33-31-56-01B 33-42-01-03 33-51-09-02B PLACARDS AND MARKINGS FOR DETAILS SEE 11-22-01-02 11-22-03-01	504903 102102	1

MISSING ITEM NUMBERS NOT APPLICABLE

- ITEM NOT ILLUSTRATED

33-42-04-01

33-42-04
FIG. 01
PAGE 3
JAN 20/09

BRI



757

PARTS CATALOG (MAINTENANCE)

FIG ITEM	PART NUMBER	1 2 3 4 5 6 7	NOMENCLATURE	EFFECT FROM TO	UNITS PER ASSY
1 95	284N1209-108		.PANEL ASSY-P62 AND P63 NLG LDG AND TURNOFF LTS FUNCTIONAL REFERENCE: COMMUNICATIONS FOR DETAILS SEE 23-41-54-01B 23-43-02-01B 23-51-01-02B 23-71-11-01B FIRE PROTECTION FOR DETAILS SEE 26-15-53-01B LANDING GEAR FOR DETAILS SEE 32-12-52-01B LIGHTS FOR DETAILS SEE 33-31-56-01B 33-42-01-03 33-42-02-03 33-51-09-02B PLACARDS AND MARKINGS FOR DETAILS SEE 11-22-01-02 11-22-03-01	504903	1
96	284N1209-134		.PANEL ASSY-P62 AND P63 NLG LDG AND TURNOFF LTS FUNCTIONAL REFERENCE: COMMUNICATIONS FOR DETAILS SEE 23-41-54-01B 23-43-02-01B 23-51-01-02B FIRE PROTECTION FOR DETAILS SEE 26-15-53-01B LANDING GEAR FOR DETAILS SEE 32-12-52-01B LIGHTS FOR DETAILS SEE 33-31-56-01B 33-42-01-03 33-51-09-02B PLACARDS AND MARKINGS FOR DETAILS SEE 11-22-01-02 11-22-03-01	108120	1

MISSING ITEM NUMBERS NOT APPLICABLE

- ITEM NOT ILLUSTRATED

BRI

33-42-04-01

BOEING PROPRIETARY - Copyright © - Unpublished Work - See title page for details.

33-42-04
FIG. 01
PAGE 4
JAN 20/09



757

PARTS CATALOG (MAINTENANCE)

FIG ITEM	PART NUMBER	1 2 3 4 5 6 7	NOMENCLATURE	EFFECT FROM TO	UNITS PER ASSY
1 100	284N1209-140		.PANEL ASSY-P62 AND P63 NLG LDG AND TURNOFF LTS FUNCTIONAL REFERENCE: COMMUNICATIONS FOR DETAILS SEE 23-41-54-01B 23-43-02-01B 23-51-01-02B FIRE PROTECTION FOR DETAILS SEE 26-15-53-01B LANDING GEAR FOR DETAILS SEE 32-12-52-01B LIGHTS FOR DETAILS SEE 33-31-56-01B 33-42-01-03 33-42-02-03 33-51-09-02B PLACARDS AND MARKINGS FOR DETAILS SEE 11-22-01-02 11-22-03-01	103106	1
105	BAC27NEL0287		..MARKER-ALUMINUM FOIL PLACARD CONTENT: TB0025	102106 108120 504903	1
110	BAC27NEL1079		..MARKER-ALUMINUM FOIL PLACARD CONTENT: TB0225	102106 108120	1
115	BAC27NEL0284		..MARKER-ALUMINUM FOIL PLACARD CONTENT: TB0045	102106 108120 504903	1
120	BAC27NEL0429		..MARKER-ALUMINUM FOIL PLACARD CONTENT: P62 CONTROL PANEL	102106 108120 504903	1
125	BAC27NEL0430		..MARKER-ALUMINUM FOIL PLACARD CONTENT: P63 CONTROL PANEL	102106 108120 504903	1
130	NAS1801-4-10		..SCREW	103106 108120	2
135	NAS1149D0416J		..WASHER	103106 108120	4

MISSING ITEM NUMBERS NOT APPLICABLE

- ITEM NOT ILLUSTRATED

33-42-04-01

33-42-04
FIG. 01
PAGE 5
JAN 20/09

BRI

 **BOEING**
757
PARTS CATALOG (MAINTENANCE)

FIG ITEM	PART NUMBER	1 2 3 4 5 6 7	NOMENCLATURE	EFFECT FROM TO	UNITS PER ASSY
1					
140	F42NKE048	..	NUT SUPPLIER CODE: V72962 SPECIFICATION NUMBER: BACN10R428 OPTIONAL PART: 42NKE048 V72962 26C048 V80539	103106 108120	2
145	284N6202-1	..	STRAP ASSY	103106 108120	2
150	284N1209-203	..	BOX ASSY	102102 108120	RF
150	284N1209-208	..	BOX ASSY	504903	RF
155	284N1209-212	..	BOX ASSY	103106	RF
160	284N1758-75	...	HOUSING ASSY-P63	504903	RF
165	284N1758-69	...	HOUSING ASSY-P63	102106 108120	RF
170	M81714-5-1	TERMINAL- ELECTRICAL EQUIP NUMBER: TB0045 ATTACHING PARTS	102106 108120 504903	1
- 175	NAS514P632-8	SCREW	102106 108120 504903	2
- 180	BACW10P118S	WASHER	102106 108120 504903	2
- 185	PLH506CD	NUT SUPPLIER CODE: VFO224 SPECIFICATION NUMBER: BACN10YR06CD OPTIONAL PART: H52732-06CD V15653 -----*-----	102106 108120 504903	2
190	186027FS60K3	LOCKNUT- SUPPLIER CODE: V30463 OPTIONAL PART: 186027FS60K30 V30463	102106 108120	1

MISSING ITEM NUMBERS NOT APPLICABLE

- ITEM NOT ILLUSTRATED

BRI

33-42-04-01

BOEING PROPRIETARY - Copyright © - Unpublished Work - See title page for details.

33-42-04
FIG. 01
PAGE 6
JAN 20/09



757

PARTS CATALOG (MAINTENANCE)

FIG ITEM	PART NUMBER	1 2 3 4 5 6 7	NOMENCLATURE	EFFECT FROM TO	UNITS PER ASSY
1					
190	186027FS60K30	LOCKNUT- SUPPLIER CODE: V30463 OPTIONAL PART: 186027FS60K3 V30463	102106 108120	1
195	186027FS60K3	LOCKNUT- SUPPLIER CODE: V30463 OPTIONAL PART: 186027FS60K30 V30463	504903	2
195	186027FS60K30	LOCKNUT- SUPPLIER CODE: V30463 OPTIONAL PART: 186027FS60K3 V30463	504903	2
200	186029FS60K3	LOCKNUT- SUPPLIER CODE: V30463 OPTIONAL PART: 186029FS60K30 V30463	102106 108120 504903	1
200	186029FS60K30	LOCKNUT- SUPPLIER CODE: V30463 OPTIONAL PART: 186029FS60K3 V30463	102106 108120 504903	1
205	188193FS60K3	CONNECTOR-J BOX SUPPLIER CODE: V30463 OPTIONAL PART: 188193FS60K3J V30463	102106 108120	1
205	188193FS60K3J	CONNECTOR-J BOX SUPPLIER CODE: V30463 OPTIONAL PART: 188193FS60K3 V30463	102106 108120	1
210	188193FS60K3	CONNECTOR-J BOX SUPPLIER CODE: V30463 OPTIONAL PART: 188193FS60K3J V30463	504903	2

MISSING ITEM NUMBERS NOT APPLICABLE

- ITEM NOT ILLUSTRATED

33-42-04-01

33-42-04
FIG. 01
PAGE 7
JAN 20/09

BRI

BOEING PROPRIETARY - Copyright © - Unpublished Work - See title page for details.



757

PARTS CATALOG (MAINTENANCE)

FIG ITEM	PART NUMBER	1 2 3 4 5 6 7	NOMENCLATURE	EFFECT FROM TO	UNITS PER ASSY
1					
210	188193FS60K3J	CONNECTOR-J BOX SUPPLIER CODE: V30463 OPTIONAL PART: 188193FS60K3 V30463	504903	2
215	188196FS60K3	CONNECTOR-J BOX SUPPLIER CODE: V30463 OPTIONAL PART: 188196FS60K3J V30463	102106 108120 504903	1
215	188196FS60K3J	CONNECTOR-J BOX SUPPLIER CODE: V30463 OPTIONAL PART: 188196FS60K3 V30463	102106 108120 504903	1
240	284N1759-1	PANEL ASSY	102106 108120 504903	1
			ATTACHING PARTS		
- 245	NAS1801-3-6	SCREW	102106 108120 504903	21
			-----*-----		
250	284N1758-67	...	HOUSING ASSY-P62	102106 108120	RF
250	284N1758-79	...	HOUSING ASSY-P62	504903	RF
260	510	COVER-JACK SUPPLIER CODE: V82389	102106 108120 504903	1
265	MS90298-2	CONNECTOR	102106 108120 504903	1
270	66-18544-2	TERMINAL	102106 108120 504903	1
275	186028FS60K3	LOCKNUT- SUPPLIER CODE: V30463 POSITION DATA: NEAR SIDE OPTIONAL PART: 186028FS60K3K V30463	102106 108120 504903	1

MISSING ITEM NUMBERS NOT APPLICABLE

- ITEM NOT ILLUSTRATED

33-42-04-01

33-42-04
FIG. 01
PAGE 8
JAN 20/09

BRI

BOEING PROPRIETARY - Copyright © - Unpublished Work - See title page for details.



757

PARTS CATALOG (MAINTENANCE)

FIG ITEM	PART NUMBER	1 2 3 4 5 6 7	NOMENCLATURE	EFFECT FROM TO	UNITS PER ASSY
1					
275	186028FS60K3K	LOCKNUT- SUPPLIER CODE: V30463 OPTIONAL PART: 186028FS60K3 V30463	102106 108120 504903	1
280	186027FS60K3	LOCKNUT- SUPPLIER CODE: V30463 POSITION DATA: NEAR SIDE OPTIONAL PART: 186027FS60K30 V30463	102106 108120 504903	1
280	186027FS60K30	LOCKNUT- SUPPLIER CODE: V30463 OPTIONAL PART: 186027FS60K3 V30463	102106 108120 504903	1
282	188193FS60K3	CONNECTOR- SUPPLIER CODE: V30463 OPTIONAL PART: 188193FS60K3J V30463	102106 108120 504903	1
282	188193FS60K3J	CONNECTOR- SUPPLIER CODE: V30463 OPTIONAL PART: 188193FS60K3 V30463	102106 108120 504903	1
285	186029FS60K3	LOCKNUT- SUPPLIER CODE: V30463 POSITION DATA: NEAR SIDE OPTIONAL PART: 186029FS60K30 V30463	102106 108120 504903	1
285	186029FS60K30	LOCKNUT- SUPPLIER CODE: V30463 OPTIONAL PART: 186029FS60K3 V30463	102106 108120 504903	1

MISSING ITEM NUMBERS NOT APPLICABLE

- ITEM NOT ILLUSTRATED

33-42-04-01

33-42-04
FIG. 01
PAGE 9
JAN 20/09

BRI



757

PARTS CATALOG (MAINTENANCE)

FIG ITEM	PART NUMBER	1 2 3 4 5 6 7	NOMENCLATURE	EFFECT FROM TO	UNITS PER ASSY
1					
287	188196FS60K3	CONNECTOR- SUPPLIER CODE: V30463 OPTIONAL PART: 188196FS60K3J V30463	102106 108120 504903	1
287	188196FS60K3J	CONNECTOR- SUPPLIER CODE: V30463 OPTIONAL PART: 188196FS60K3 V30463	102106 108120 504903	1
290	188195FS60K3	CONNECTOR-J BOX SUPPLIER CODE: V30463 OPTIONAL PART: 188195FS60K3J V30463	102106 108120 504903	1
290	188195FS60K3J	CONNECTOR-J BOX SUPPLIER CODE: V30463 OPTIONAL PART: 188195FS60K3 V30463	102106 108120 504903	1
295	284N1759-149	PANEL ASSY	504903	1
295	284N1759-150	PANEL ASSY	102106 108120	1
			ATTACHING PARTS		
- 300	BACS12HN3-6	SCREW-	102106 108120 504903	21
			-----*-----		
305	M81714-5-7	TERMINAL- ELECTRICAL EQUIP NUMBER: TB0225	102106 108120	1
310	M81714-5-8	TERMINAL- ELECTRICAL EQUIP NUMBER: TB0025	102106 108120	1
315	M81714-5-10	TERMINAL- ELECTRICAL EQUIP NUMBER: TB0025	504903	1
			ATTACHING PARTS		
- 320	NAS514P632-8	SCREW	102106 108120	4
- 325	NAS514P632-8	SCREW	504903	2
- 330	BACW10P118S	WASHER	102106 108120	4
- 335	BACW10P118S	WASHER	504903	2

MISSING ITEM NUMBERS NOT APPLICABLE

- ITEM NOT ILLUSTRATED

33-42-04-01

33-42-04
FIG. 01
PAGE 10
JAN 20/09

BRI

BOEING
757
PARTS CATALOG (MAINTENANCE)

FIG ITEM	PART NUMBER	1 2 3 4 5 6 7	NOMENCLATURE	EFFECT FROM TO	UNITS PER ASSY
1					
- 340	PLH506CD	NUT SUPPLIER CODE: VF0224 SPECIFICATION NUMBER: BACN10YR06CD OPTIONAL PART: H52732-06CD V15653	102106 108120	4
- 345	PLH506CD	NUT SUPPLIER CODE: VF0224 SPECIFICATION NUMBER: BACN10YR06CD OPTIONAL PART: H52732-06CD V15653	504903	2
			-----*-----		
346	284N1760-2	PANEL-REAR OPTIONAL PART: 284N1760-6	102106 108120 504903	1
346	284N1760-6	PANEL-REAR OPTIONAL PART: 284N1760-2	102106 108120 504903	1
			ATTACHING PARTS		
- 347	BACR15BB5	RIVET- SIZE DETERMINED ON INSTL.	102106 108120 504903	16
			-----*-----		
350	BACB30NM3K6	...	BOLT	102106 108120 504903	8
355	BACB30NM3K6	...	BOLT	103106	2
355	BACB30NM3K4	...	BOLT	102102 108120 504903	2
360	BACB30NM3K4	...	BOLT	103106	2
365	NAS1149D0316K	...	WASHER	103106	12
370	284N1759-237	...	BOX ASSY-LDG LT	102102 108120	1
370	284N1759-238	...	BOX ASSY-LDG LT	103106	1
370	284N1759-239	...	BOX ASSY-LDG LT	504903	1
375	284N1759-63	...	BOX ASSY-TAXI LT POSITION DATA: LH SIDE	102102 108120 504903	1
380	284N1759-64	...	BOX ASSY-TAXI LT POSITION DATA: RH SIDE	102102 108120 504903	1

MISSING ITEM NUMBERS NOT APPLICABLE

- ITEM NOT ILLUSTRATED

BRI

33-42-04-01

33-42-04
FIG. 01
PAGE 11
JAN 20/09



757

PARTS CATALOG (MAINTENANCE)

FIG ITEM	PART NUMBER	1 2 3 4 5 6 7	NOMENCLATURE	EFFECT FROM TO	UNITS PER ASSY
1			ATTACHING PARTS		
385	BACB30NM3K5	...	BOLT	102102 108120 504903	4
390	BACB30NM3K4	...	BOLT	102102 108120 504903	4
395	284N1782-3	-----*-----	...BRACKET-SPRT ATTACHING PARTS	103106	1
- 400	BACB30NM3K3	...	BOLT	103106	4
- 405	NAS1149D0316J	...	WASHER	103106	4
		-----*-----			
410	NAS557-20A	...	GROMMET	103106	2
415	284N1782-26	...	HOUSING ASSY ATTACHING PARTS	103106	1
417	BACB30NM3K6	...	BOLT	103106	4
420	BACB30NM3K3	...	BOLT	103106	2
425	NAS1149D0316J	...	WASHER	103106	6
		-----*-----			
430	284N1782-25	...	SHIM	103106	1
- 435	287N6200-24	..	PROVISION INSTL-NLG ELEC CONDUIT FOR DETAILS SEE: 32-21-51-02	103106 108120	1

MISSING ITEM NUMBERS NOT APPLICABLE

- ITEM NOT ILLUSTRATED

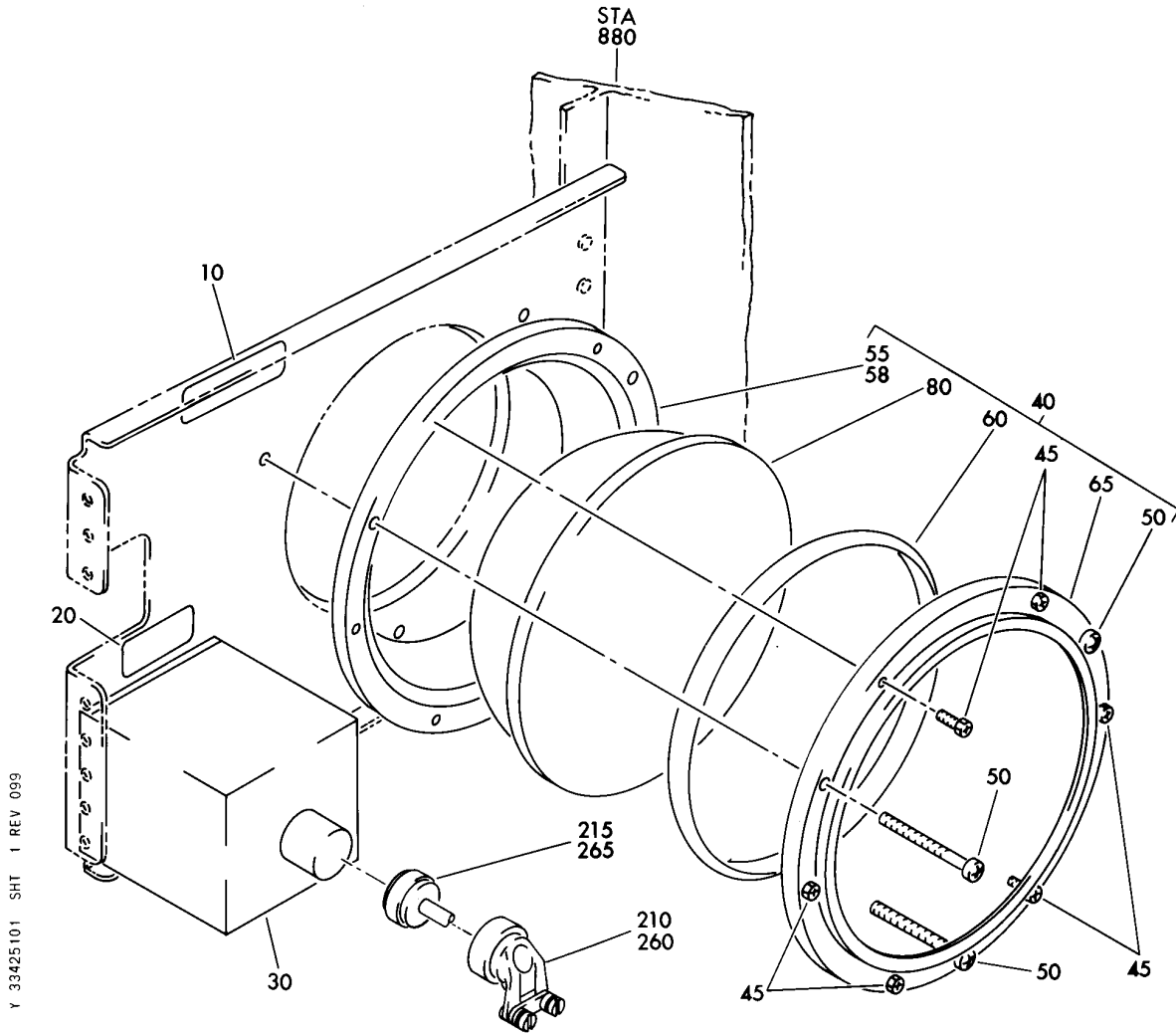
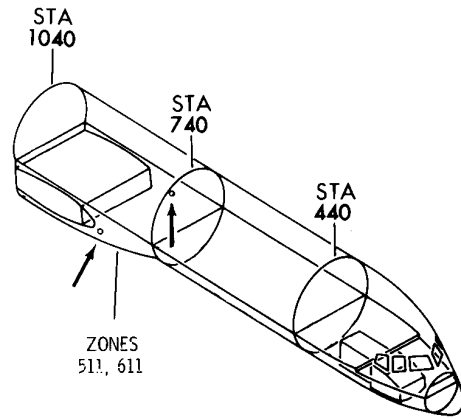
BRI

33-42-04-01

BOEING PROPRIETARY - Copyright © - Unpublished Work - See title page for details.

33-42-04
FIG. 01
PAGE 12
JAN 20/09

BOEING
757
PARTS CATALOG (MAINTENANCE)



Y 33425101 SHT 1 REV 099

LIGHT INSTL-LDG
FIGURE 1

33-42-51-01

BRI
MAY 28/07

33-42-51-01
PAGE 0



757

PARTS CATALOG (MAINTENANCE)

FIG ITEM	PART NUMBER	1 2 3 4 5 6 7	NOMENCLATURE	EFFECT FROM TO	UNITS PER ASSY
1			LIGHT INSTL-LDG	002004 006999	
- 1	284N1111-5		LIGHT INSTL-LDG STRAKE POSITION DATA: LH FOR NHA SEE: 24-00-58-01A 24-00-58-05	002004 006102 107999	RF
- 1	MODREF30160		LIGHT INSTL-LDG STRAKE MODULE NUMBER: 284N1111-5 REV B POSITION DATA: LH	103106	1
- 5	284N1111-6		LIGHT INSTL-LDG STRAKE POSITION DATA: RH FOR NHA SEE: 24-00-58-01A 24-00-58-05	002004 006102 107999	RF
- 5	MODREF10981		LIGHT INSTL-LDG STRAKE MODULE NUMBER: 284N1111-6 REV A POSITION DATA: RH	103103	1
- 5	MODREF27686		LIGHT INSTL-LDG STRAKE MODULE NUMBER: 284N1111-6 REV B POSITION DATA: RH	104106	1
10	BAC27NEL0011		.MARKER-ALUMINUM FOIL POSITION DATA: LH SIDE PLACARD CONTENT: L356 LANDING LIGHT, 600W	002004 006999	1
- 15	BAC27NEL0012		.MARKER-ALUMINUM FOIL POSITION DATA: RH SIDE PLACARD CONTENT: L357 LANDING LIGHT, 600W	002004 006999	1
20	BAC27NEL0013		.MARKER-ALUMINUM FOIL POSITION DATA: LH SIDE PLACARD CONTENT: T129 115/28V XFMR	002004 006999	1
- 25	BAC27NEL0014		.MARKER-ALUMINUM FOIL POSITION DATA: RH SIDE PLACARD CONTENT: T130 115/28V XFMR	002004 006999	1

MISSING ITEM NUMBERS NOT APPLICABLE

- ITEM NOT ILLUSTRATED

33-42-51-01

33-42-51
FIG. 01
PAGE 1
JAN 20/09

BRI



757

PARTS CATALOG (MAINTENANCE)

FIG ITEM	PART NUMBER	1 2 3 4 5 6 7	NOMENCLATURE	EFFECT FROM TO	UNITS PER ASSY
1	30 FT1221		.AUTOTRANSFORMER- SUPPLIER CODE: V14752 ELECTRICAL EQUIP NUMBER: T00129 T00130	002004 006999	1
-	35 NAS1801-3-8		.SCREW	002004 006999	4
	40 284N1111-3		-----*----- .LIGHT ASSY- (LIGHTS ONLY) POSITION DATA: LH SIDE OPTIONAL PART: 284N1111-7 FUNCTIONAL REFERENCE: PLACARDS AND MARKINGS FOR DETAILS SEE 11-24-03-01	002004 006999	1
	40 284N1111-7		.LIGHT ASSY- (LIGHTS ONLY) POSITION DATA: LH SIDE OPTIONAL PART: 284N1111-3 FUNCTIONAL REFERENCE: PLACARDS AND MARKINGS FOR DETAILS SEE 11-24-03-01	002004 006999	1
-	42 284N1111-7		.LIGHT ASSY- (LIGHTS ONLY) POSITION DATA: RH SIDE FUNCTIONAL REFERENCE: PLACARDS AND MARKINGS FOR DETAILS SEE 11-24-03-01	002004 006999	1
	45 NAS1801-3-6		..SCREW-	002004 006999	6
	50 BACS12CK3-34		..SCREW-	002004 006999	3
	55 9-64387-2		..FRAME ASSY- POSITION DATA: LH SIDE USED ON: 284N1111-3	002004 006999	1

MISSING ITEM NUMBERS NOT APPLICABLE

- ITEM NOT ILLUSTRATED

33-42-51-01

33-42-51
FIG. 01
PAGE 2
JAN 20/09

BRI



757

PARTS CATALOG (MAINTENANCE)

FIG ITEM	PART NUMBER	1 2 3 4 5 6 7	NOMENCLATURE	EFFECT FROM TO	UNITS PER ASSY
1					
58	9-64387-4	..	FRAME ASSY- USED ON: 284N1111-7	002004 006999	1
60	65-17604-3	..	GASKET- OPTIONAL PART: 65-53875-3	002004 006999	1
60	65-53875-3	..	GASKET- OPTIONAL PART: 65-17604-3	002004 006999	1
65	9-64386-2	..	RETAINER ASSY-	002004 006999	1
80	Q4559X	..	LAMP- SUPPLIER CODE: V08806 ELECTRICAL EQUIP NUMBER: L00356 L00357	002004 006999	1
- 200	286N3424-005		WIRE BUNDLE ASSY-	002004 006100 107107 121503 904999	RF
R - 200	286N3424-309		WIRE BUNDLE ASSY	108120	RF
R - 200	286N3424-310		WIRE BUNDLE ASSY	101102	RF
- 200	286N3424-308		WIRE BUNDLE ASSY	504903	RF
- 201	286N3424-701		WIRE BUNDLE ASSY	103106	RF
210	GS3418-18CD	.	CLAMP- SUPPLIER CODE: V06324 SPECIFICATION NUMBER: BACC10HG18 OPTIONAL PART: S2126-18-8 V07418 ELECTRICAL EQUIP NUMBER: D02292T WIRING DIAGRAM REF: 334212	002004 006102 107999	1

MISSING ITEM NUMBERS NOT APPLICABLE

- ITEM NOT ILLUSTRATED

BRI

33-42-51-01

BOEING PROPRIETARY - Copyright © - Unpublished Work - See title page for details.

33-42-51
FIG. 01
PAGE 3
MAY 20/09



757

PARTS CATALOG (MAINTENANCE)

FIG ITEM	PART NUMBER	1 2 3 4 5 6 7	NOMENCLATURE	EFFECT FROM TO	UNITS PER ASSY
1 210	620AA028NF18L		.CLAMP- SUPPLIER CODE: V06324 SPECIFICATION NUMBER: BACC10KE18 OPTIONAL PART: S3820-18-65 V07418 ELECTRICAL EQUIP NUMBER: D02292T WIRING DIAGRAM REF: 334212	103106	1
215	BACC63BP18A8S8L		.CONNECTOR- ELECTRICAL EQUIP NUMBER: D02292 WIRING DIAGRAM REF: 334212	002004 006999	1
- 250	286N3346-306		WIRE BUNDLE ASSY	504903	RF
- 250	286N3346-005		WIRE BUNDLE ASSY-	002004 006100 107107 121503 904999	RF
R - 250	286N3346-301		WIRE BUNDLE ASSY	108120	RF
R - 250	286N3346-302		WIRE BUNDLE ASSY	101102	RF
- 250	286N3346-701		WIRE BUNDLE ASSY	103106	RF
260	GS3418-18CD		.CLAMP- SUPPLIER CODE: V06324 SPECIFICATION NUMBER: BACC10HG18 OPTIONAL PART: S2126-18-8 V07418 ELECTRICAL EQUIP NUMBER: D02306T WIRING DIAGRAM REF: 334211	002004 006102 107999	1

MISSING ITEM NUMBERS NOT APPLICABLE

- ITEM NOT ILLUSTRATED

33-42-51-01

33-42-51
FIG. 01
PAGE 4
MAY 20/09

BRI



757

PARTS CATALOG (MAINTENANCE)

FIG ITEM	PART NUMBER	1 2 3 4 5 6 7	NOMENCLATURE	EFFECT FROM TO	UNITS PER ASSY
1 260	620AA028NF18L		.CLAMP- SUPPLIER CODE: V06324 SPECIFICATION NUMBER: BACC10KE18 OPTIONAL PART: S3820-18-65 V07418 ELECTRICAL EQUIP NUMBER: D02306T WIRING DIAGRAM REF: 334211	103106	1
265	BACC63BP18A8S8L		.CONNECTOR- ELECTRICAL EQUIP NUMBER: D02306 WIRING DIAGRAM REF: 334211	002004 006999	1

MISSING ITEM NUMBERS NOT APPLICABLE

- ITEM NOT ILLUSTRATED

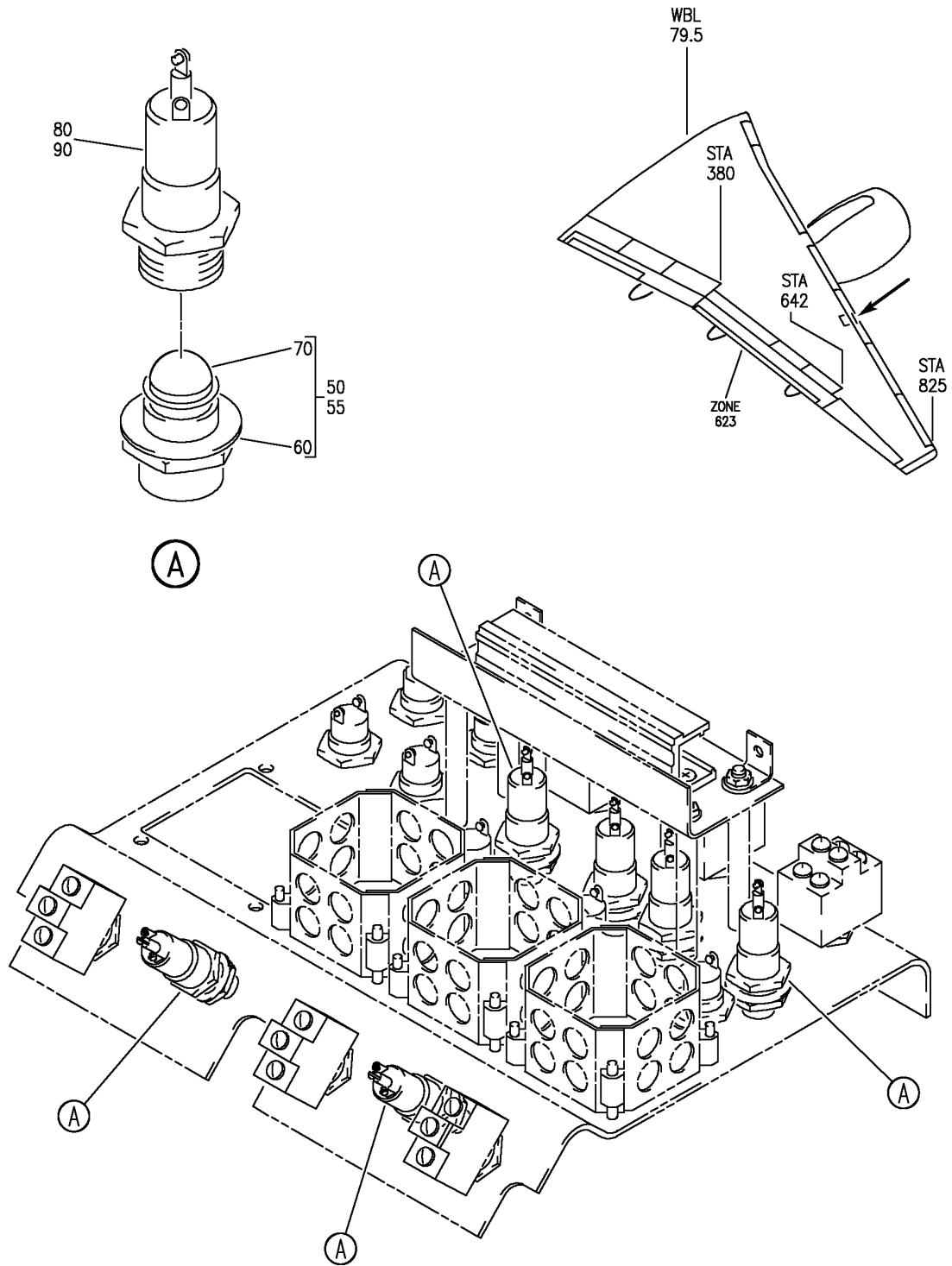
BRI

33-42-51-01

BOEING PROPRIETARY - Copyright © - Unpublished Work - See title page for details.

33-42-51
FIG. 01
PAGE 5
JAN 20/09

BOEING
757
PARTS CATALOG (MAINTENANCE)



Y 33425110 REV 264

LIGHT ASSY-INDICATOR
FIGURE 10

33-42-51-10

BRI
MAY 28/07

33-42-51-10
PAGE 0



757

PARTS CATALOG (MAINTENANCE)

FIG ITEM	PART NUMBER	1 2 3 4 5 6 7	NOMENCLATURE	EFFECT FROM TO	UNITS PER ASSY
10			LIGHT ASSY-INDICATOR	002004	
- 1	BCREF5082		LIGHT ASSY-INDICATOR SUPPLIER CODE: V81590 OVERLENGTH PART NUMBER: 121-563-1005-001 ELECTRICAL EQUIP NUMBER: L00081 L00082 L00083 L00402 L00270 L00271 FOR NHA SEE: 28-14-01-03 28-14-01-04 28-26-51-01	006999 002004 006999	RF
- 1	BCREF6926		LIGHT ASSY-INDICATOR SUPPLIER CODE: V81590 OVERLENGTH PART NUMBER: 121-563-1005-005 ELECTRICAL EQUIP NUMBER: L00081 L00082 L00083 L00402 L00270 L00271 OPTIONAL PART: BCREF7752 V81590 FOR NHA SEE: 28-14-01-03 28-14-01-04 28-26-51-01	002004 006999	RF

MISSING ITEM NUMBERS NOT APPLICABLE

- ITEM NOT ILLUSTRATED

33-42-51-10

33-42-51
FIG. 10
PAGE 1
SEP 20/08

BRI



757

PARTS CATALOG (MAINTENANCE)

FIG ITEM	PART NUMBER	1 2 3 4 5 6 7	NOMENCLATURE	EFFECT FROM TO	UNITS PER ASSY
10					
- 1	BCREF7752		LIGHT ASSY-INDICATOR SUPPLIER CODE: V81590 OVERLENGTH PART NUMBER: 121-563-1006-004 ELECTRICAL EQUIP NUMBER: L00081 L00082 L00083 L00402 L00270 L00271 OPTIONAL PART: BCREF6926 V81590 FOR NHA SEE: 28-14-01-03 28-14-01-04 28-26-51-01	002004 006999	RF
- 5	BCREF6373		LIGHT-INDICATOR SUPPLIER CODE: V81590 OVERLENGTH PART NUMBER: 121-563-1005-003 FOR NHA SEE: 32-44-04-01	121503 904949	RF
			TEMPORARY BREAKDOWN FOR: BCREF7752	002004 006999	
50	563-1005-001		.CAP ASSY- SUPPLIER CODE: V81590 USED ON: BCREF5082	002004 006999	1
50	563-1005-005		.CAP ASSY- SUPPLIER CODE: V81590 USED ON: BCREF6926	002004 006999	1
50	563-1005-004		.CAP ASSY- SUPPLIER CODE: V81590 USED ON: BCREF7752	002004 006999	1
55	563-1005-003		.CAP ASSY- SUPPLIER CODE: V81590 USED ON: BCREF6373	121503 904949	1

MISSING ITEM NUMBERS NOT APPLICABLE

- ITEM NOT ILLUSTRATED

33-42-51-10

33-42-51
FIG. 10
PAGE 2
JAN 20/09

BRI



757

PARTS CATALOG (MAINTENANCE)

FIG ITEM	PART NUMBER	1 2 3 4 5 6 7	NOMENCLATURE	EFFECT FROM TO	UNITS PER ASSY
10					
60	MS29513-013	..	PACKING	002004 006120 504903 950999	1
60	MS29513-013	..	PACKING	121503 904949	1
70	MS25237-387	..	LAMP	002004 006120 504903 950999	1
70	MS25237-387	..	LAMP	121503 904949	1
80	121-1005-001	.BASE ASSY-	SUPPLIER CODE: V81590 USED ON: BCREF5082	002004 006999	1
80	121-1005-005	.BASE ASSY-	SUPPLIER CODE: V81590 USED ON: BCREF6926	002004 006999	1
80	121-1005-004	.BASE ASSY-	SUPPLIER CODE: V81590 USED ON: BCREF7752	002004 006999	1
90	121-1005-003	.BASE ASSY-	SUPPLIER CODE: V81590 USED ON: BCREF6373	121503 904949	1

MISSING ITEM NUMBERS NOT APPLICABLE

- ITEM NOT ILLUSTRATED

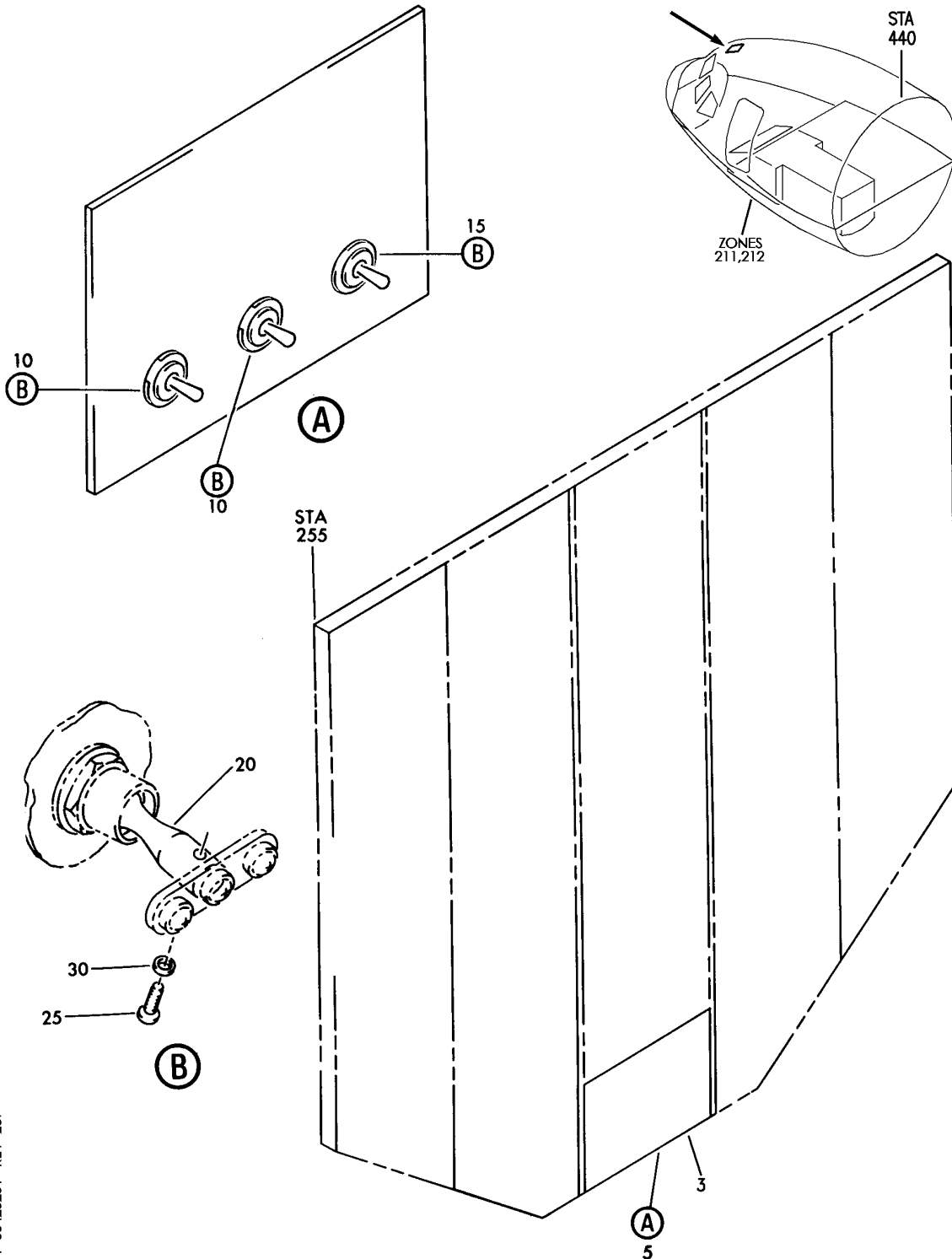
BRI

33-42-51-10

BOEING PROPRIETARY - Copyright © - Unpublished Work - See title page for details.

33-42-51
FIG. 10
PAGE 3
JAN 20/09

BOEING
757
PARTS CATALOG (MAINTENANCE)



Y 33425201 REV 239

PANEL INSTL-P5 OVERHEAD (LANDING, RUNWAY TURNOFF AND TAXI LIGHTS ONLY)
FIGURE 1

BRI
MAY 28/07

33-42-52-01

33-42-52-01
PAGE 0



757

PARTS CATALOG (MAINTENANCE)

FIG ITEM	PART NUMBER	1 2 3 4 5 6 7	NOMENCLATURE	EFFECT FROM TO	UNITS PER ASSY
1			PANEL INSTL-P5 OVERHEAD (LANDING, RUNWAY TURNOFF AND TAXI LIGHTS ONLY)	002004 006010 107107 121503 904999	
- 1	233N3101-1		PANEL INSTL-P5 OVERHEAD (LANDING, RUNWAY TURNOFF AND TAXI LIGHTS ONLY) VARIABLE DRAWING REF: 233N3101-5005 233N3101-5025 233N3101-5041 233N3101-5042 233N3101-5045 FOR NHA/OTHER SYS DET SEE: 25-10-00-05A	002004 006010 107107 121503 904999	RF
5	233N3210-14		.PANEL ASSY-ANTI-COLLISION LIGHTING SUPPLIER CODE: V89954 ELECTRICAL EQUIP NUMBER: M10396 COMPONENT MAINT MANUAL REF: 33-44-71 QUALIFIED I/W DATA: 233N3210-13 -14 -15 -16 ARE ALL INTERCHANGEABLE EXCEPT SUBJECT TO CUSTOMER PREFERENCE	107107	RF
5	233N3210-15		.PANEL ASSY-ANTI-COLLISION LIGHTING SUPPLIER CODE: V89954 ELECTRICAL EQUIP NUMBER: M10396 COMPONENT MAINT MANUAL REF: 33-44-71 QUALIFIED I/W DATA: 233N3210-13 -14 -15 -16 ARE ALL INTERCHANGEABLE EXCEPT SUBJECT TO CUSTOMER PREFERENCE	121503 904949	RF

MISSING ITEM NUMBERS NOT APPLICABLE

- ITEM NOT ILLUSTRATED

33-42-52-01

33-42-52
FIG. 01
PAGE 1
JAN 20/09

BRI



757

PARTS CATALOG (MAINTENANCE)

FIG ITEM	PART NUMBER	1 2 3 4 5 6 7	NOMENCLATURE	EFFECT FROM TO	UNITS PER ASSY
1	5 233T3217-41		. PANEL ASSY-ANTI-COLLISION LIGHTING SUPPLIER CODE: V89954 ELECTRICAL EQUIP NUMBER: M00056 COMPONENT MAINT MANUAL REF: 33-44-72 QUALIFIED I/W DATA: 233T3217-40 -41 -42 ARE ALL INTERCHANGEABLE EXCEPT SUBJECT TO CUSTOMER PREFERENCE THE 233T3217-300 PANEL ASSY IS I/W THE 233T3217-41 PANEL ASSY I/W THE S233T100-6030 LIGHTPLATE	002004 006010 950999	RF
10	A3-50		.. SWITCH ASSY-TG SUPPLIER CODE: V81640	002004 006010 107107 121503 904999	2
15	A3-1207		.. SWITCH ASSY-TG SUPPLIER CODE: V81640	002004 006010 107107 121503 904999	1
20	24-7137		... TOGGLE ASSY-CAP AND LENS SUPPLIER CODE: V27193	002004 006010 107107 121503 904999	1
25	11-4177-101		ATTACHING PARTS ... SCREW- SUPPLIER CODE: V27193	002004 006010 107107 121503 904999	1
30	16-3257-69		... LOCKWASHER- SUPPLIER CODE: V27193 -----*-----	002004 006010 107107 121503 904999	1

MISSING ITEM NUMBERS NOT APPLICABLE

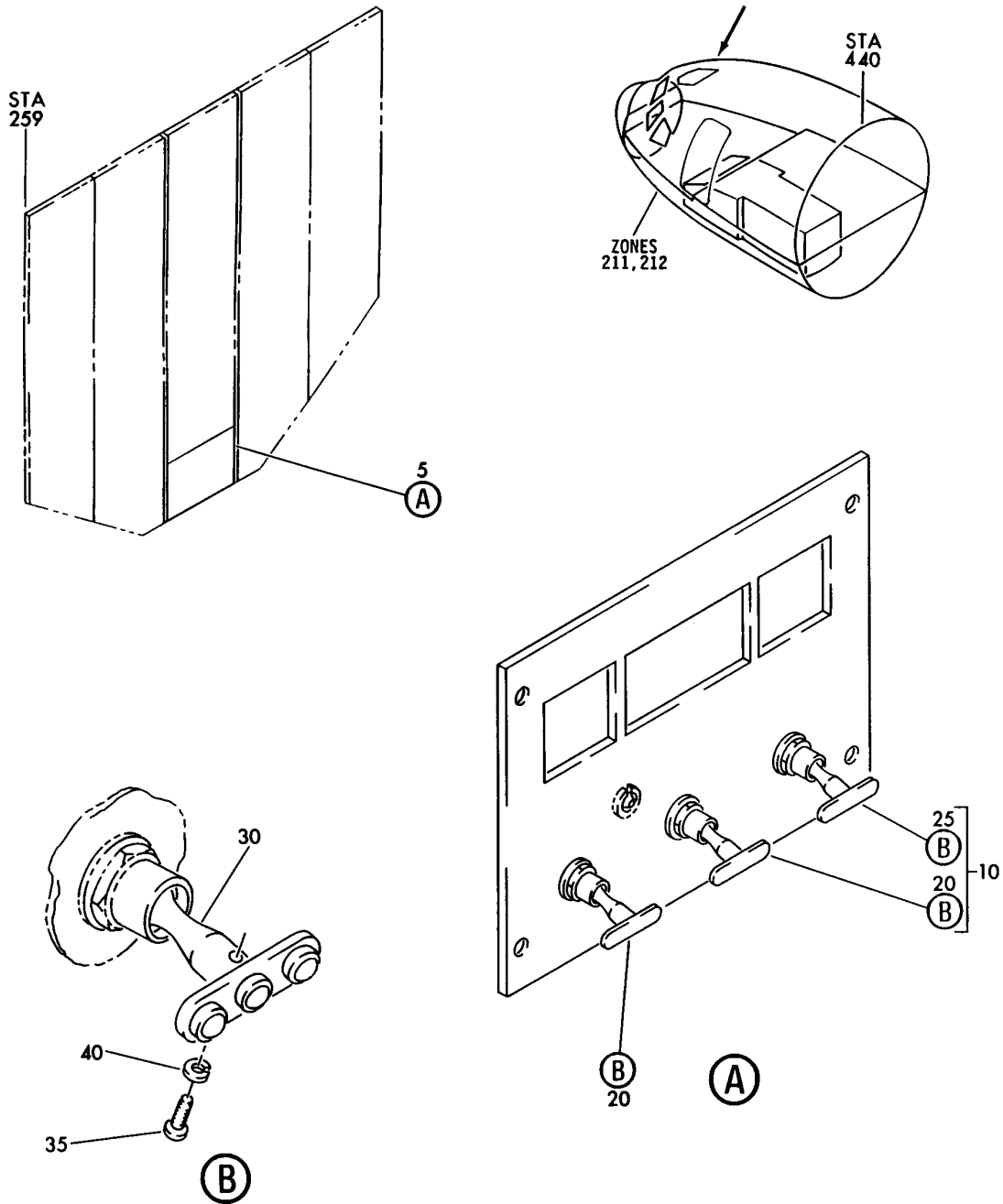
- ITEM NOT ILLUSTRATED

33-42-52-01

33-42-52
FIG. 01
PAGE 2
JAN 20/09

BRI

BOEING
757
PARTS CATALOG (MAINTENANCE)



Y 33425203 REV 155

PANEL INSTL-P5 OVERHEAD (LANDING RUNWAY TURNOFF AND TAXI LIGHTS ONLY)
FIGURE 3

33-42-52-03

BRI
MAY 28/07

33-42-52-03
PAGE 0



757

PARTS CATALOG (MAINTENANCE)

FIG ITEM	PART NUMBER	1 2 3 4 5 6 7	NOMENCLATURE	EFFECT FROM TO	UNITS PER ASSY
3			PANEL INSTL-P5 OVERHEAD (LANDING RUNWAY TURNOFF AND TAXI LIGHTS ONLY)	011100	
- 1	233N3101-1		PANEL INSTL-OVERHEAD (LANDING RUNWAY TURNOFF AND TAXI LIGHTS ONLY) VARIABLE DRAWING REF: 233N3101-5142 FOR NHA/OTHER SYS DET SEE: 25-10-00-05A	011100	RF
5	233T3217-300		.PANEL ASSY-ANTI-COLLISION LIGHTING SUPPLIER CODE: V89954 COMPONENT MAINT MANUAL REF: 33-44-72 QUALIFIED I/W DATA: THE 233T3217-300 PANEL ASSY IS I/W THE 233T3217-41 PANEL ASSY T/W THE S233T100-6030 LIGHTPLATE.	011100	RF
10	233T3217-41		..PANEL ASSY-ANTI-COLLISION LIGHTING SUPPLIER CODE: V89954 ELECTRICAL EQUIP NUMBER: M00056 COMPONENT MAINT MANUAL REF: 33-44-72 QUALIFIED I/W DATA: THE 233T3217-300 PANEL ASSY IS I/W THE 233T3217-41 PANEL ASSY T/W THE S233T100-6030 LIGHTPLATE.	011100	RF
20	A3-50		...SWITCH ASSY-TG SUPPLIER CODE: V81640	011100	2
25	A3-1207		...SWITCH ASSY-TG SUPPLIER CODE: V81640	011100	1
30	24-7137	TOGGLE ASSY-CAP AND LENS SUPPLIER CODE: V27193	011100	1

MISSING ITEM NUMBERS NOT APPLICABLE

- ITEM NOT ILLUSTRATED

33-42-52-03

33-42-52
FIG. 03
PAGE 1
JAN 20/09

BRI



757

PARTS CATALOG (MAINTENANCE)

FIG ITEM	PART NUMBER	1 2 3 4 5 6 7	NOMENCLATURE	EFFECT FROM TO	UNITS PER ASSY
3			ATTACHING PARTS		
35	11-4177-101	SCREW-	011100	1
			SUPPLIER CODE: V27193		
40	16-3257-69	LOCKWASHER-	011100	1
			SUPPLIER CODE: V27193		
			-----*-----		

MISSING ITEM NUMBERS NOT APPLICABLE

- ITEM NOT ILLUSTRATED

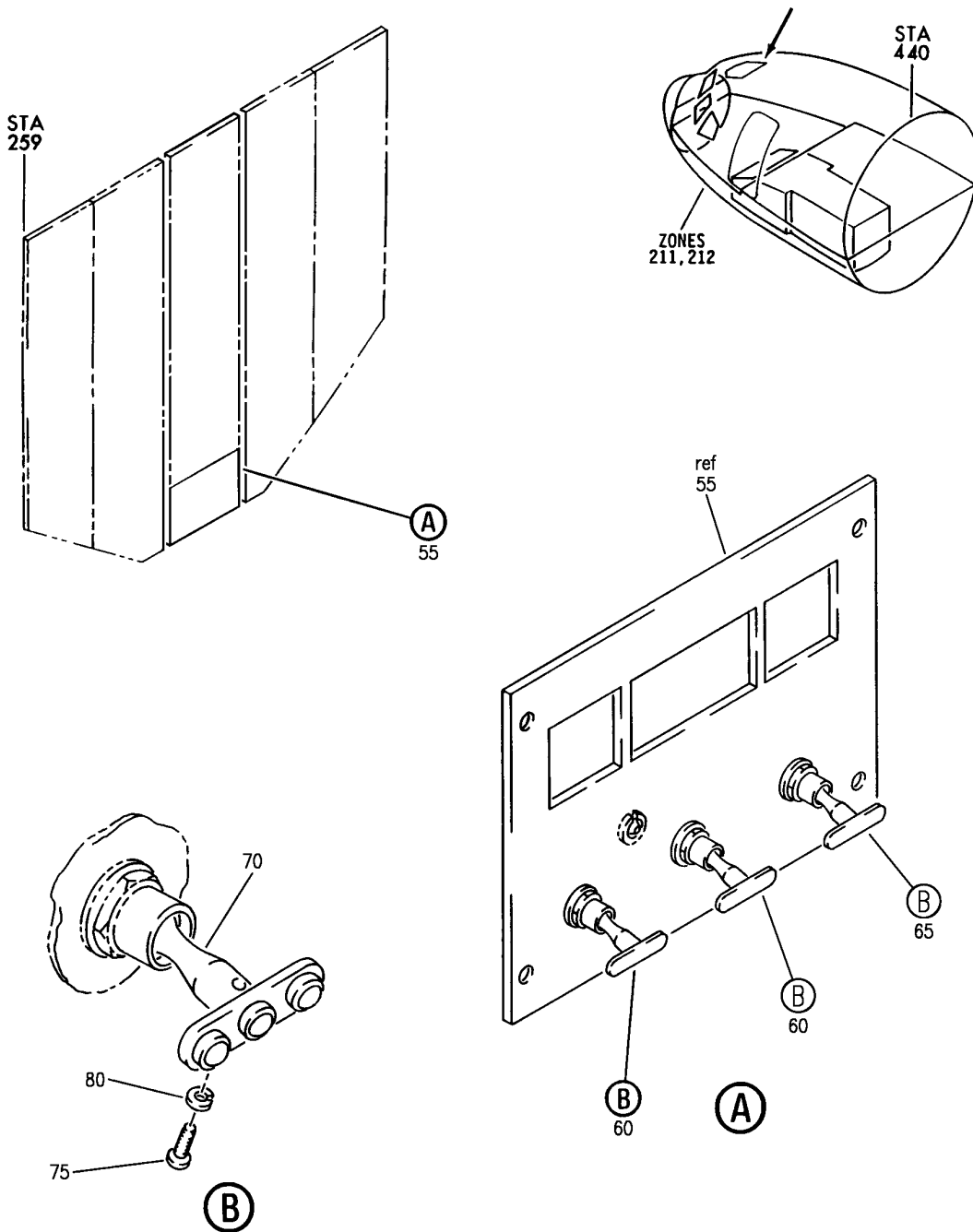
BRI

33-42-52-03

BOEING PROPRIETARY - Copyright © - Unpublished Work - See title page for details.

33-42-52
FIG. 03
PAGE 2
JAN 20/09

BOEING
757
PARTS CATALOG (MAINTENANCE)



Y 33425204 REV 251

PANEL INSTL-P5 OVHD (LANDING RUNWAY TURNOFF AND TAXI LIGHTS ONLY)
FIGURE 4

33-42-52-04

BRI
MAY 28/07

33-42-52-04
PAGE 0



757

PARTS CATALOG (MAINTENANCE)

FIG ITEM	PART NUMBER	1 2 3 4 5 6 7	NOMENCLATURE	EFFECT FROM TO	UNITS PER ASSY
4			PANEL INSTL-P5 OVHD (LANDING RUNWAY TURNOFF AND TAXI LIGHTS ONLY)	101106 108120	
- 2	233N3103-132		PANEL INSTL-P5 OVHD (LANDING RUNWAY TURNOFF AND TAXI LIGHTS ONLY)	504903 101102	RF
- 2	233N3103-136		FOR NHA/OTHER SYS DET SEE: 25-10-00-15E PANEL INSTL-P5 OVHD (LANDING RUNWAY TURNOFF AND TAXI LIGHTS ONLY)	504903	RF
- 6	233N3103-59		FOR NHA/OTHER SYS DET SEE: 25-10-00-15E PANEL INSTL-P5 OVHD (LANDING RUNWAY TURNOFF AND TAXI LIGHTS ONLY)	108120	RF
- 7	MODREF33760		FOR NHA/OTHER SYS DET SEE: 25-10-00-15E PANEL INSTL-P5 OVHD (LANDING RUNWAY TURNOFF AND TAXI LIGHTS ONLY)	103103	1
			MODULE NUMBER: 233N3103-351 REV C FOR OTHER SYS DETAILS SEE: 11-31-10-12 21-25-55-03 21-31-01-02 21-33-51-03 21-51-54-03 21-58-19-10 21-58-51-03 21-61-04-03 21-65-51-01 22-21-01-04 22-24-51-02 23-24-01-01 23-32-00-11 23-42-02-02 23-71-05-02 24-11-52-05 24-22-01-03 24-31-01-10 24-31-03-09 24-33-04-01 24-41-51-04 24-51-62-01 26-18-51-04 27-21-53-02 27-41-55-01		

MISSING ITEM NUMBERS NOT APPLICABLE

- ITEM NOT ILLUSTRATED

33-42-52-04

33-42-52
FIG. 04
PAGE 1
JAN 20/09

BRI



757

PARTS CATALOG (MAINTENANCE)

FIG ITEM	PART NUMBER	1 2 3 4 5 6 7 NOMENCLATURE	EFFECT FROM TO	UNITS PER ASSY
4		27-61-51-03 27-62-52-02 28-22-51-02 28-41-04-01 28-41-51-03 29-11-02-03 29-11-05-04 29-11-52-07 29-21-54-03 29-31-00-01 29-32-51-03 29-33-52-03 30-11-51-03 30-21-51-03 30-31-51-02 30-32-51-01 30-33-51-02 30-41-51-03 30-42-51-03 31-12-11-91 31-12-11-91 A 32-42-52-03 33-11-03-03 33-11-51-17 33-13-01-65 33-13-02-03 33-16-51-03 33-24-51-02 33-41-52-04 33-43-51-04 33-44-51-05 33-45-53-03 33-51-08-05 34-21-02-01 35-21-51-04 36-11-04-01 36-21-00-01 36-21-02-05 36-22-51-03 49-41-00-02 49-52-00-01 49-70-00-01 52-51-51-03 52-71-51-02 73-21-52-02 74-31-51-05 75-32-00-01 80-11-09-02 FOR ADDITIONAL DETAILS SEE: MISSING ITEM NUMBERS NOT APPLICABLE		

- ITEM NOT ILLUSTRATED

33-42-52-04

33-42-52
FIG. 04
PAGE 2
JAN 20/09

BRI



757

PARTS CATALOG (MAINTENANCE)

FIG ITEM	PART NUMBER	1 2 3 4 5 6 7	NOMENCLATURE	EFFECT FROM TO	UNITS PER ASSY
4					
- 7	MODREF34038		33-42-01-04 33-42-02-04 PANEL INSTL-P5 OVHD (LANDING RUNWAY TURNOFF AND TAXI LIGHTS ONLY) MODULE NUMBER: 233N3103-351 REV D FOR OTHER SYS DETAILS SEE: 11-31-10-12 21-25-55-03 21-31-01-02 21-33-51-03 21-51-54-03 21-58-19-10 21-58-51-03 21-61-04-03 21-65-51-01 22-21-01-04 22-24-51-02 23-24-01-01 23-32-00-11 23-42-02-02 23-71-05-02 24-11-52-05 24-22-01-03 24-31-01-10 24-31-03-09 24-33-04-01 24-41-51-04 24-51-62-01 26-18-51-04 27-21-53-02 27-41-55-01 27-61-51-03 27-62-52-02 28-22-51-02 28-41-04-01 28-41-51-03 29-11-02-03 29-11-05-04 29-11-52-07 29-21-54-03 29-31-00-01 29-32-51-03 29-33-52-03 30-11-51-03 30-21-51-03 30-31-51-02 30-32-51-01	104105	1
MISSING ITEM NUMBERS NOT APPLICABLE					

- ITEM NOT ILLUSTRATED

33-42-52-04

33-42-52
 FIG. 04
 PAGE 3
 JAN 20/09

BRI



757

PARTS CATALOG (MAINTENANCE)

FIG ITEM	PART NUMBER	1 2 3 4 5 6 7	NOMENCLATURE	EFFECT FROM TO	UNITS PER ASSY
4			30-33-51-02 30-41-51-03 30-42-51-03 31-12-11-91 31-12-11-91A 32-42-52-03 33-11-03-03 33-11-51-17 33-13-01-65 33-13-02-03 33-16-51-03 33-24-51-02 33-41-52-04 33-43-51-04 33-44-51-05 33-45-53-03 33-51-08-05 34-21-02-01 35-21-51-04 36-11-04-01 36-21-00-01 36-21-02-05 36-22-51-03 49-41-00-02 49-52-00-01 49-70-00-01 52-51-51-03 52-71-51-02 73-21-52-02 74-31-51-05 75-32-00-01 80-11-09-02 FOR ADDITIONAL DETAILS SEE: 33-42-01-04 33-42-02-04 PANEL INSTL-P5 OVHD (LANDING RUNWAY TURNOFF AND TAXI LIGHTS ONLY) MODULE NUMBER: 233N3103-353 REV B FOR OTHER SYS DETAILS SEE: 11-31-10-12 21-25-55-03 21-31-01-02 21-33-51-03 21-51-54-03 21-58-19-10 21-58-51-03 21-61-04-03 		
- 10	MODREF170180			106106	1

MISSING ITEM NUMBERS NOT APPLICABLE

- ITEM NOT ILLUSTRATED

BRI

33-42-52-04

BOEING PROPRIETARY - Copyright © - Unpublished Work - See title page for details.

33-42-52
FIG. 04
PAGE 4
JAN 20/09



757

PARTS CATALOG (MAINTENANCE)

FIG ITEM	PART NUMBER	1 2 3 4 5 6 7	NOMENCLATURE	EFFECT FROM TO	UNITS PER ASSY
4			21-65-51-01 22-21-01-04 22-24-51-02 23-24-01-01 23-32-00-11 23-42-02-02 23-71-05-02 24-11-52-05 24-22-01-03 24-31-01-10 24-31-03-09 24-33-04-01 24-41-51-04 24-51-62-01 26-18-51-04 27-21-53-02 27-41-55-01 27-61-51-03 27-62-52-02 28-22-51-02 28-41-04-01 28-41-51-03 29-11-02-03 29-11-05-04 29-11-52-07 29-21-54-03 29-31-00-01 29-32-51-03 29-33-52-03 30-11-51-03 30-21-51-03 30-31-51-02 30-32-51-01 30-33-51-02 30-41-51-03 30-42-51-03 31-12-11-84 31-12-11-84 A 32-42-52-03 33-11-03-03 33-11-51-17 33-13-01-65 33-13-02-03 33-16-51-03 33-24-51-02 33-41-52-04 33-43-51-04 33-44-51-05 33-45-53-03		

MISSING ITEM NUMBERS NOT APPLICABLE

- ITEM NOT ILLUSTRATED

BRI

33-42-52-04

BOEING PROPRIETARY - Copyright © - Unpublished Work - See title page for details.

33-42-52
FIG. 04
PAGE 5
JAN 20/09



757

PARTS CATALOG (MAINTENANCE)

FIG ITEM	PART NUMBER	1 2 3 4 5 6 7	NOMENCLATURE	EFFECT FROM TO	UNITS PER ASSY
4			33-51-08-05 34-21-02-01 35-21-51-04 36-11-04-01 36-21-00-01 36-21-02-05 36-22-51-03 49-41-00-02 49-52-00-01 49-70-00-01 52-51-51-03 52-71-51-02 73-21-52-02 74-31-51-05 75-32-00-01 80-11-09-02 FOR ADDITIONAL DETAILS SEE: 33-42-01-04 33-42-02-04		
- 50	233N3210-300		.PANEL ASSY-ANTI-COLLISION LIGHTING SUPPLIER CODE: V89954 ELECTRICAL EQUIP NUMBER: M10396 COMPONENT MAINT MANUAL REF: 33-44-71 QUALIFIED I/W DATA: THE 233N3210-300 PANEL ASSY IS I/W THE 233N3210-16 PANEL ASSY T/W THE S233T100-6030 LIGHTPLATE	108120	RF
- 50	233T3217-300		.PANEL ASSY-ANTI-COLLISION LIGHTING SUPPLIER CODE: V89954 ELECTRICAL EQUIP NUMBER: M00056 COMPONENT MAINT MANUAL REF: 33-44-72 QUALIFIED I/W DATA: THE 233T3217-300 PANEL ASSY IS I/W THE 233T3217-41 PANEL ASSY T/W THE S233T100-6030 LIGHTPLATE.	101106 504903	RF

MISSING ITEM NUMBERS NOT APPLICABLE

- ITEM NOT ILLUSTRATED

33-42-52-04

33-42-52
FIG. 04
PAGE 6
JAN 20/09

BRI



757

PARTS CATALOG (MAINTENANCE)

FIG ITEM	PART NUMBER	1 2 3 4 5 6 7	NOMENCLATURE	EFFECT FROM TO	UNITS PER ASSY
4					
55	233N3210-16	..	PANEL ASSY- LIGHTING SUPPLIER CODE: V89954 COMPONENT MAINT MANUAL REF: 33-44-71 QUALIFIED I/W DATA: THE 233N3210-300 PANEL ASSY IS I/W THE 233N3210-16 PANEL ASSY T/W THE S233T100-6030 LIGHTPLATE	108120	RF
55	233T3217-41	..	PANEL ASSY- LIGHTING SUPPLIER CODE: V89954 COMPONENT MAINT MANUAL REF: 33-44-72 QUALIFIED I/W DATA: THE 233T3217-300 PANEL ASSY IS I/W THE 233T3217-41 PANEL ASSY T/W THE S233T100-6030 LIGHTPLATE.	101106 504903	RF
60	A3-50	...	SWITCH ASSY-TG SUPPLIER CODE: V81640	101106 108120 504903	2
65	A3-1207	...	SWITCH ASSY-TG SUPPLIER CODE: V81640	101106 108120 504903	1
70	24-7137	TOGGLE ASSY-CAP AND LENS SUPPLIER CODE: V27193	101106 108120 504903	1
75	11-4177-101	SCREW- SUPPLIER CODE: V27193	101106 108120 504903	1
80	16-3257-69	LOCKWASHER- SUPPLIER CODE: V27193 -----*-----	101106 108120 504903	1

MISSING ITEM NUMBERS NOT APPLICABLE

- ITEM NOT ILLUSTRATED

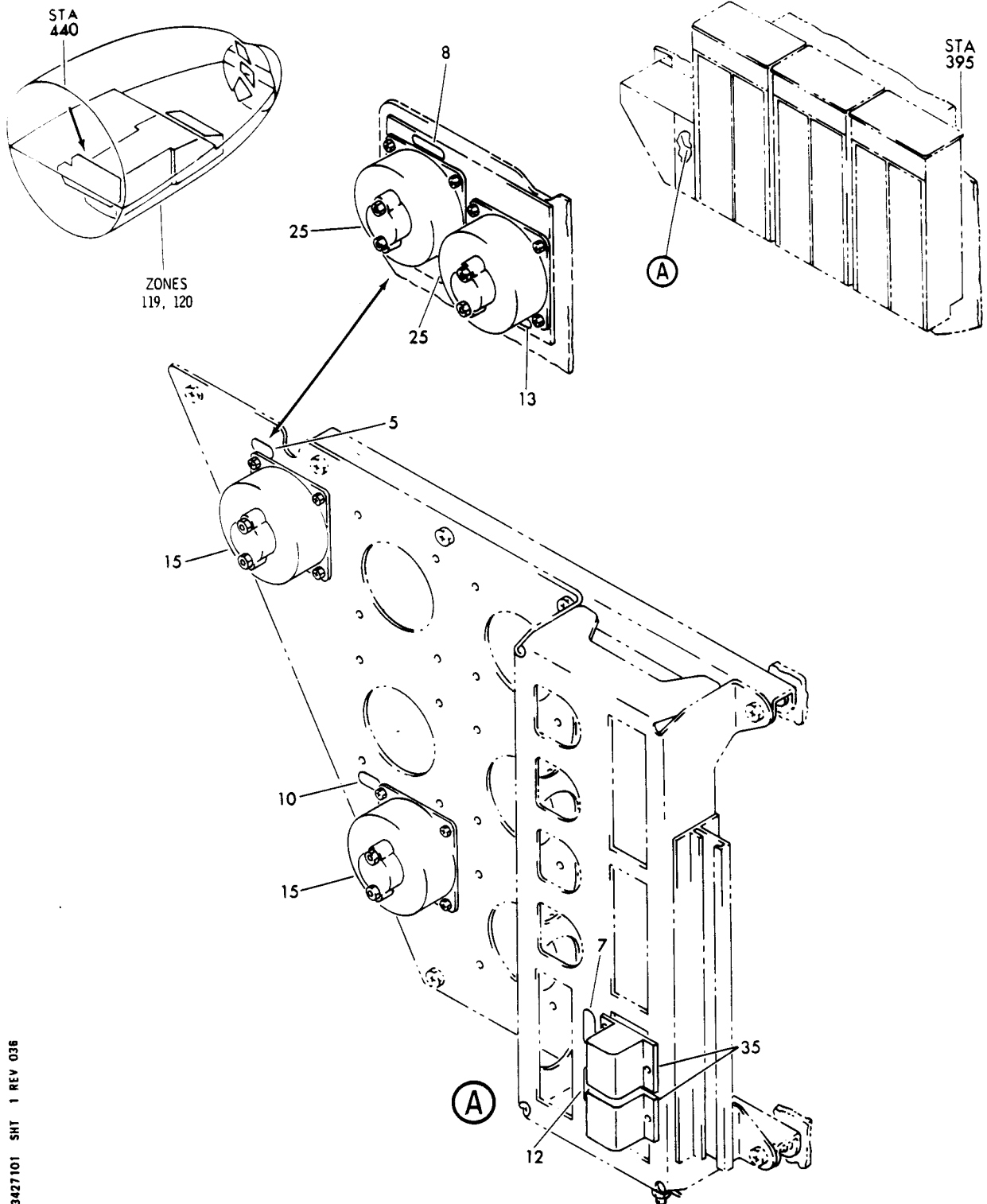
33-42-52-04

33-42-52
FIG. 04
PAGE 7
JAN 20/09

BRI

BOEING PROPRIETARY - Copyright © - Unpublished Work - See title page for details.

BOEING
757
PARTS CATALOG (MAINTENANCE)



Y 33427101 SHT 1 REV 036

PANEL ASSY-P34 APU/EXT PWR (LANDING, RUNWAY, TURNOFF AND TAXI LIGHTS ONLY)
FIGURE 1

33-42-71-01

BRI
MAY 28/07

33-42-71-01
PAGE 0

BOEING
757
PARTS CATALOG (MAINTENANCE)

FIG ITEM	PART NUMBER	1 2 3 4 5 6 7	NOMENCLATURE	EFFECT FROM TO	UNITS PER ASSY
1			PANEL ASSY-P34 APU/EXT PWR (LANDING, RUNWAY, TURNOFF AND TAXI LIGHTS ONLY)	002004 006100 107107 121503 904999	
- 1	284N1316-1		PANEL ASSY-P34 APU/EXT PWR (LANDING, RUNWAY, TURNOFF AND TAXI LIGHTS ONLY) VARIABLE DRAWING REF: 284N1316-5023 284N1316-5047 284N1316-5063 284N1316-5064 284N1316-5067 FOR NHA/OTHER SYS DET SEE: 31-01-34-02	002004 006100 107107 121503 904999	RF
7	BAC27TEX0160		.DECAL- PLACARD CONTENT: K435	002004 006100 950999	1
8	BAC27TEX0160		.DECAL- PLACARD CONTENT: K435	107107 121503 904949	1
12	BAC27TEX0311		.DECAL- PLACARD CONTENT: K162	002004 006100 950999	1
13	BAC27TEX0311		.DECAL- PLACARD CONTENT: K162	107107 121503 904949	1
25	MS27751-1		.RELAY- ELECTRICAL EQUIP NUMBER: K00162 K00435	107107 121503 904949	2
- 30	NAS1801-08-8		ATTACHING PARTS .SCREW	107107 121503 904949	8
35	MS27743-6		-----*----- .RELAY- ELECTRICAL EQUIP NUMBER: K00162 K00435	002004 006100 950999	2

MISSING ITEM NUMBERS NOT APPLICABLE

- ITEM NOT ILLUSTRATED

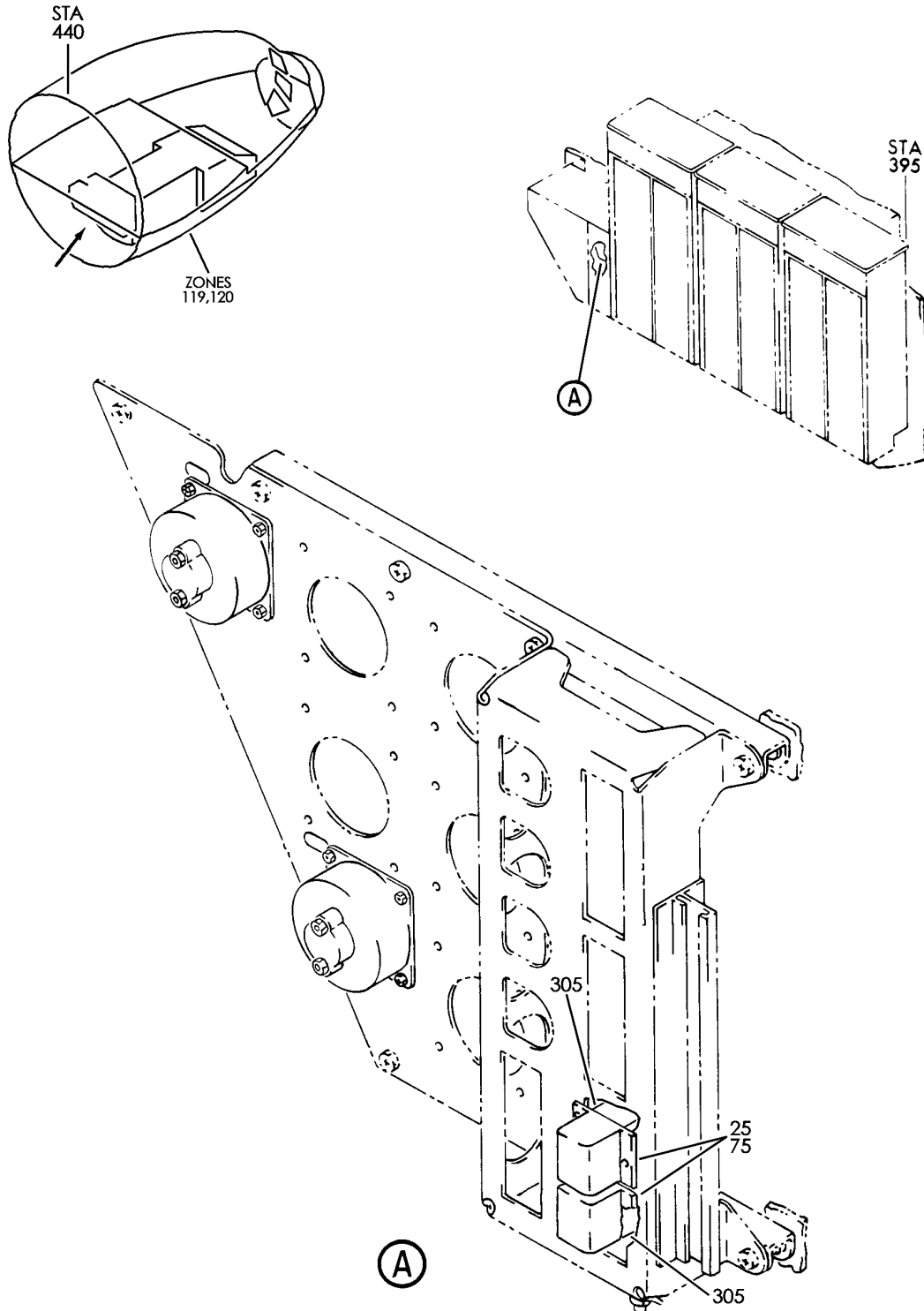
BRI

33-42-71-01

BOEING PROPRIETARY - Copyright © - Unpublished Work - See title page for details.

33-42-71
FIG. 01
PAGE 1
JAN 20/09

BOEING
757
PARTS CATALOG (MAINTENANCE)



Y 33427101A REV 227

PACKAGE ASSY-OPTION P34 APU/EXT PWR (LANDING, RUNWAY, TURNOFF AND TAXI LIGHTS ONLY)
FIGURE 1A

BRI
MAY 28/07

33-42-71-01A

33-42-71-01A
PAGE 0



757

PARTS CATALOG (MAINTENANCE)

FIG ITEM	PART NUMBER	1 2 3 4 5 6 7	NOMENCLATURE	EFFECT FROM TO	UNITS PER ASSY
1 A			PACKAGE ASSY-OPTION P34 APU/EXT PWR (LANDING, RUNWAY, TURNOFF AND TAXI LIGHTS ONLY)	101102 504903	
- 1	284N1316-1000		PACKAGE ASSY-OPTION P34 APU/EXT PWR (LANDING, RUNWAY, TURNOFF AND TAXI LIGHTS ONLY) FOR NHA/OTHER SYS DET SEE: 31-01-34-01	101102 504903	RF
25	MS27743-6		.RELAY- ELECTRICAL EQUIP NUMBER: K00162 K00435	101102 504903	2
- 300	286N1240-321		WIRE BUNDLE ASSY	504903	RF
- 300	286N1240-322		WIRE BUNDLE ASSY	101102	RF
305	S01057-8912		.SOCKET- SUPPLIER CODE: V35344 ELECTRICAL EQUIP NUMBER: D05092 D05094 WIRING DIAGRAM REF: 334212	101102 504903	2

MISSING ITEM NUMBERS NOT APPLICABLE

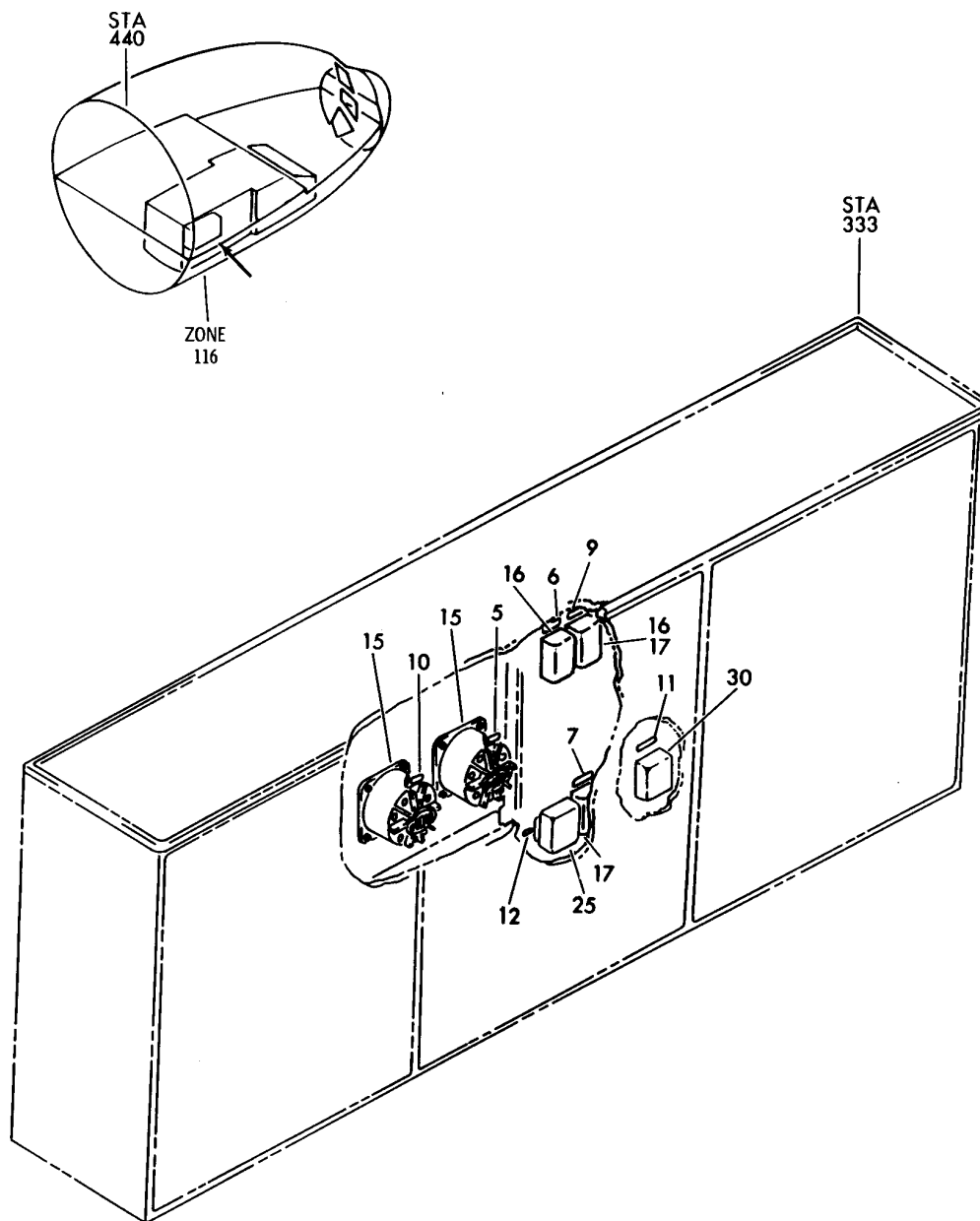
- ITEM NOT ILLUSTRATED

33-42-71-01A

33-42-71
FIG. 01A
PAGE 1
JAN 20/09

BRI

BOEING
757
PARTS CATALOG (MAINTENANCE)



Y 33427102 REV 138

SHIELD ASSY-P33 MISC ELEC EQPT (LIGHTS ONLY)
FIGURE 2

33-42-71-02

BRI
MAY 28/07

33-42-71-02
PAGE 0



757

PARTS CATALOG (MAINTENANCE)

FIG ITEM	PART NUMBER	1 2 3 4 5 6 7	NOMENCLATURE	EFFECT FROM TO	UNITS PER ASSY
2			SHIELD ASSY-P33 MISC ELEC EQPT (LIGHTS ONLY)	002004 006100 107107 121503 904999	
- 1	284N1318-1		SHIELD ASSY-P33 MISC ELEC EQPT (LIGHTS ONLY) VARIABLE DRAWING REF: 284N1318-5010 284N1318-5016 284N1318-5019 284N1318-5021 284N1318-5023 REWORKED BY SB: 24-0061 FOR NHA/OTHER SYS DET SEE: 31-01-33-03	002004 006100 107107 121503 904999	RF
6	BAC27NEX0157		.DECAL- PLACARD CONTENT: K10093	002004 006100 107107 950999	1
7	BAC27NEX0157		.DECAL- PLACARD CONTENT: K10093	121503 904949	1
9	BAC27TEX0161		.DECAL- PLACARD CONTENT: K161	002004 006100 107107 121503 904999	1
11	BAC27NEX2798		.DECAL- PLACARD CONTENT: K10727	950951	1
12	BAC27NEX1862		.DECAL- PLACARD CONTENT: K551	950999	1
16	MS27743-6		.RELAY- ELECTRICAL EQUIP NUMBER: K00161 K10093	002004 006100 107107 950999	2
17	MS27743-6		.RELAY- ELECTRICAL EQUIP NUMBER: K00161 K10093	121503 904949	2
25	MS27743-6		.RELAY- ELECTRICAL EQUIP NUMBER: K00551	950999	1
30	MS27743-6		.RELAY- ELECTRICAL EQUIP NUMBER: K10727	950951	1

MISSING ITEM NUMBERS NOT APPLICABLE

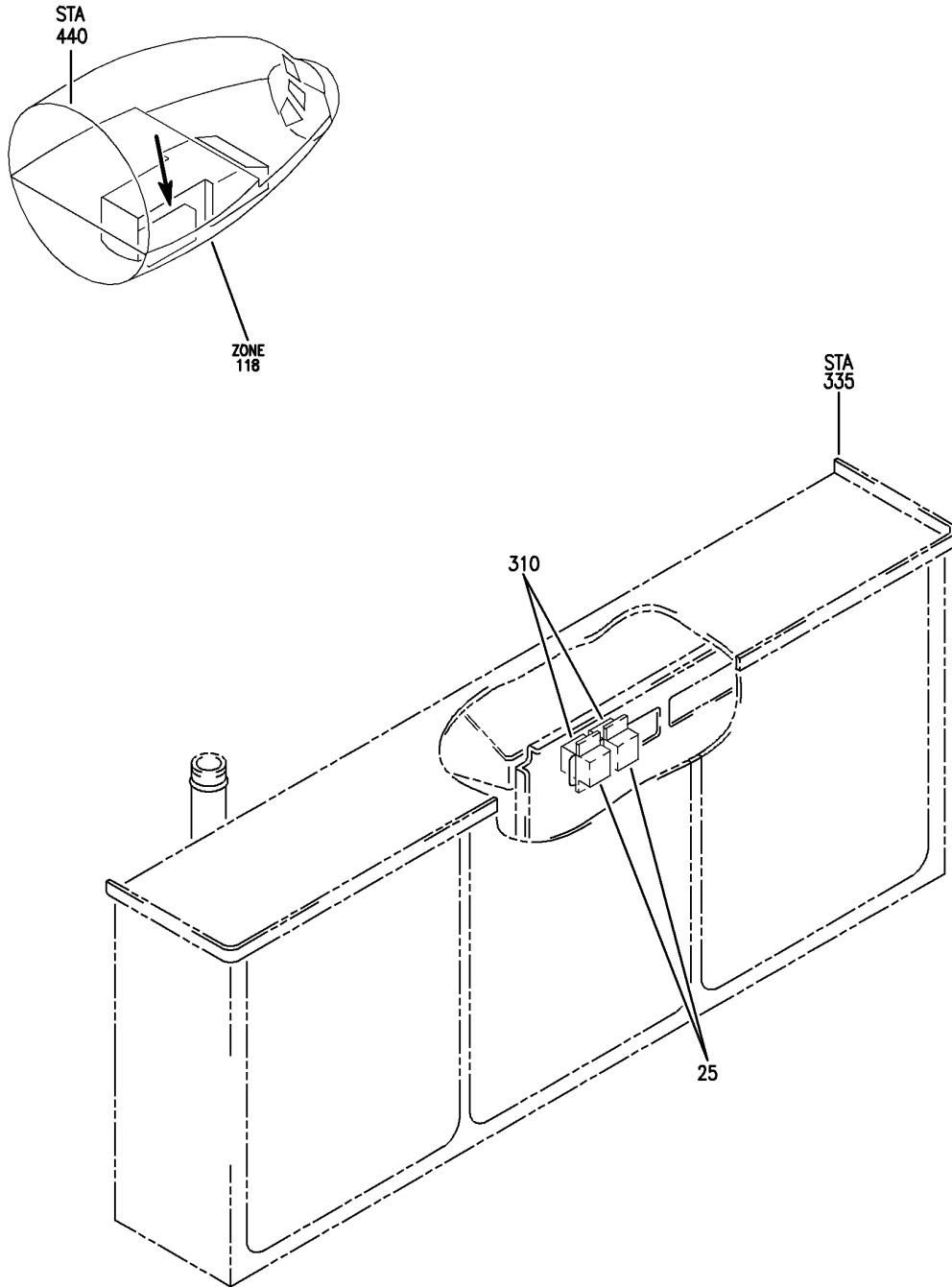
- ITEM NOT ILLUSTRATED

33-42-71-02

33-42-71
FIG. 02
PAGE 1
JAN 20/09

BRI

BOEING
757
PARTS CATALOG (MAINTENANCE)



Y 33427102A REV 234

PACKAGE ASSY-OPTION P33 MISC ELEC EQPT (LIGHTS ONLY)
FIGURE 2A

33-42-71-02A

BRI
MAY 28/07

33-42-71-02A
PAGE 0



757

PARTS CATALOG (MAINTENANCE)

FIG ITEM	PART NUMBER	1 2 3 4 5 6 7	NOMENCLATURE	EFFECT FROM TO	UNITS PER ASSY
2A			PACKAGE ASSY-OPTION P33 MISC ELEC EQPT (LIGHTS ONLY)	101102 108120 504903	
- 1	284N1318-1000		PACKAGE ASSY-OPTION P33 MISC ELEC EQPT (LIGHTS ONLY) FOR NHA/OTHER SYS DET SEE: 31-01-33-01	101102 108120 504903	RF
25	MS27743-6		.RELAY- ELECTRICAL EQUIP NUMBER: K00161 K10093	101102 108120 504903	2
- 300	286N1230-303		WIRE BUNDLE ASSY	101102	RF
- 305	286N1230-322		WIRE BUNDLE ASSY	504903	RF
- 305	286N1230-323		WIRE BUNDLE ASSY	108120	RF
310	S0-1057-8912		.SOCKET-RELAY SUPPLIER CODE: V35344 ELECTRICAL EQUIP NUMBER: D05100 D05102 WIRING DIAGRAM REF: 334211	101102 108120 504903	2

MISSING ITEM NUMBERS NOT APPLICABLE

- ITEM NOT ILLUSTRATED

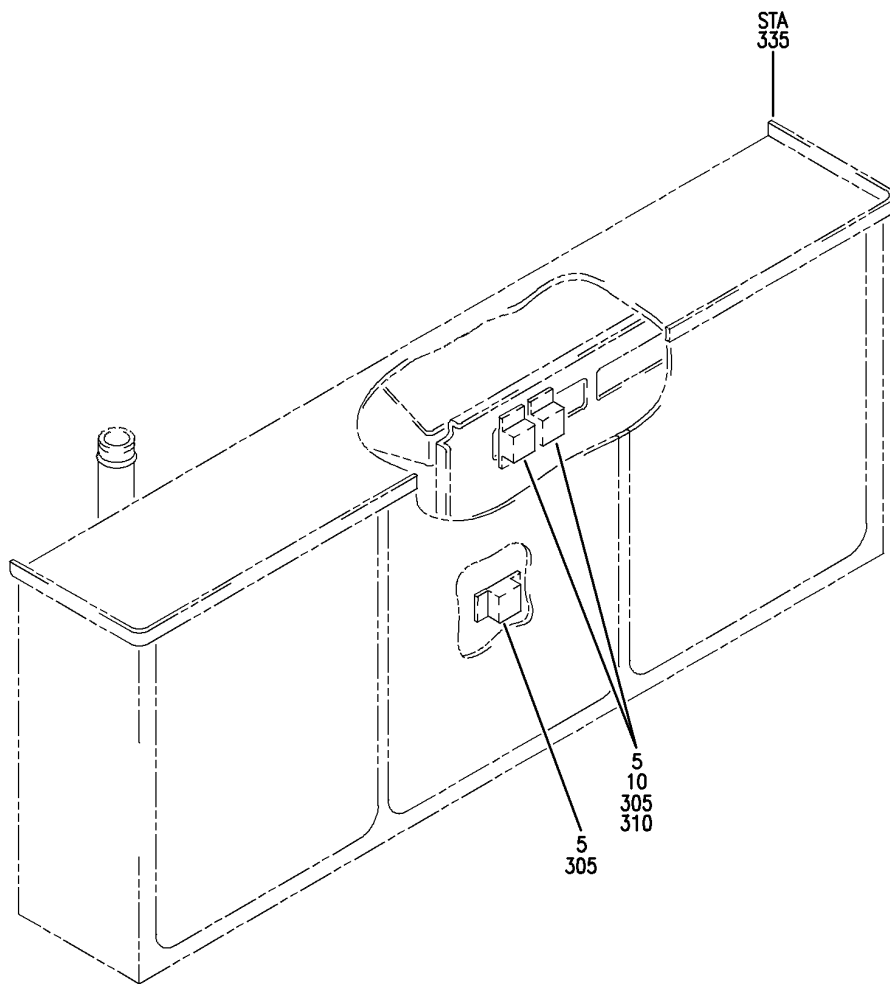
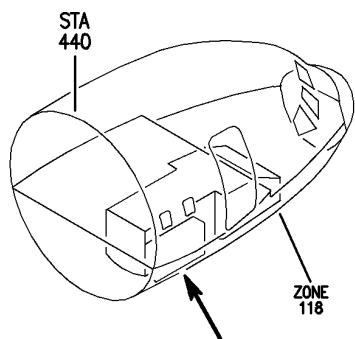
BRI

33-42-71-02A

BOEING PROPRIETARY - Copyright © - Unpublished Work - See title page for details.

33-42-71
FIG. 02A
PAGE 1
JAN 20/09

BOEING
757
PARTS CATALOG (MAINTENANCE)



Y 33427102B REV 237

SHIELD INSTL-P33 MISC ELEC EQPT (LIGHTS ONLY)
FIGURE 2B

33-42-71-02B

BRI
JAN 20/09

33-42-71-02B
PAGE 0



757

PARTS CATALOG (MAINTENANCE)

FIG ITEM	PART NUMBER	1 2 3 4 5 6 7	NOMENCLATURE	EFFECT FROM TO	UNITS PER ASSY
2B			SHIELD INSTL-P33 MISC ELEC EQPT (LIGHTS ONLY)	103106	
- 1	MODREF33173		SHIELD INSTL-P33 MISC ELEC EQPT (LIGHTS ONLY) MODULE NUMBER: 284N1318-107 REV B FOR OTHER SYS DETAILS SEE: 11-36-06-01B 24-53-71-03B 26-15-71-01B 27-51-71-01B 27-81-71-01B 28-21-71-01B 28-22-71-01B 28-26-71-01B 29-11-71-01B 29-21-71-03B 29-22-71-01B 30-31-71-03B 30-32-71-03B 31-01-33-10	103105	1
- 1	MODREF34797		SHIELD INSTL-P33 MISC ELEC EQPT (LIGHTS ONLY) MODULE NUMBER: 284N1318-107 REV C FOR OTHER SYS DETAILS SEE: 11-36-06-01B 24-53-71-03B 26-15-71-01B 27-51-71-01B 27-81-71-01B 28-21-71-01B 28-22-71-01B 28-26-71-01B 29-11-71-01B 29-21-71-03B 29-22-71-01B 30-31-71-03B 30-32-71-03B 31-01-33-10	106106	1
5	MS27743-6		.RELAY- ELECTRICAL EQUIP NUMBER: K00161 K10093 K00551	103106	3
- 300	286N1230-701		WIRE BUNDLE ASSY-	103106	RF

MISSING ITEM NUMBERS NOT APPLICABLE

- ITEM NOT ILLUSTRATED

33-42-71-02B

33-42-71
FIG. 02B
PAGE 1
JAN 20/09

BRI

BOEING PROPRIETARY - Copyright © - Unpublished Work - See title page for details.



757
PARTS CATALOG (MAINTENANCE)

FIG ITEM	PART NUMBER	1 2 3 4 5 6 7	NOMENCLATURE	EFFECT FROM TO	UNITS PER ASSY
2B 305	S0-1057-8912		. SOCKET- SUPPLIER CODE: V35344 ELECTRICAL EQUIP NUMBER: D05100 D05102 D05576 WIRING DIAGRAM REF: 334211 334231	103106	3

MISSING ITEM NUMBERS NOT APPLICABLE

- ITEM NOT ILLUSTRATED

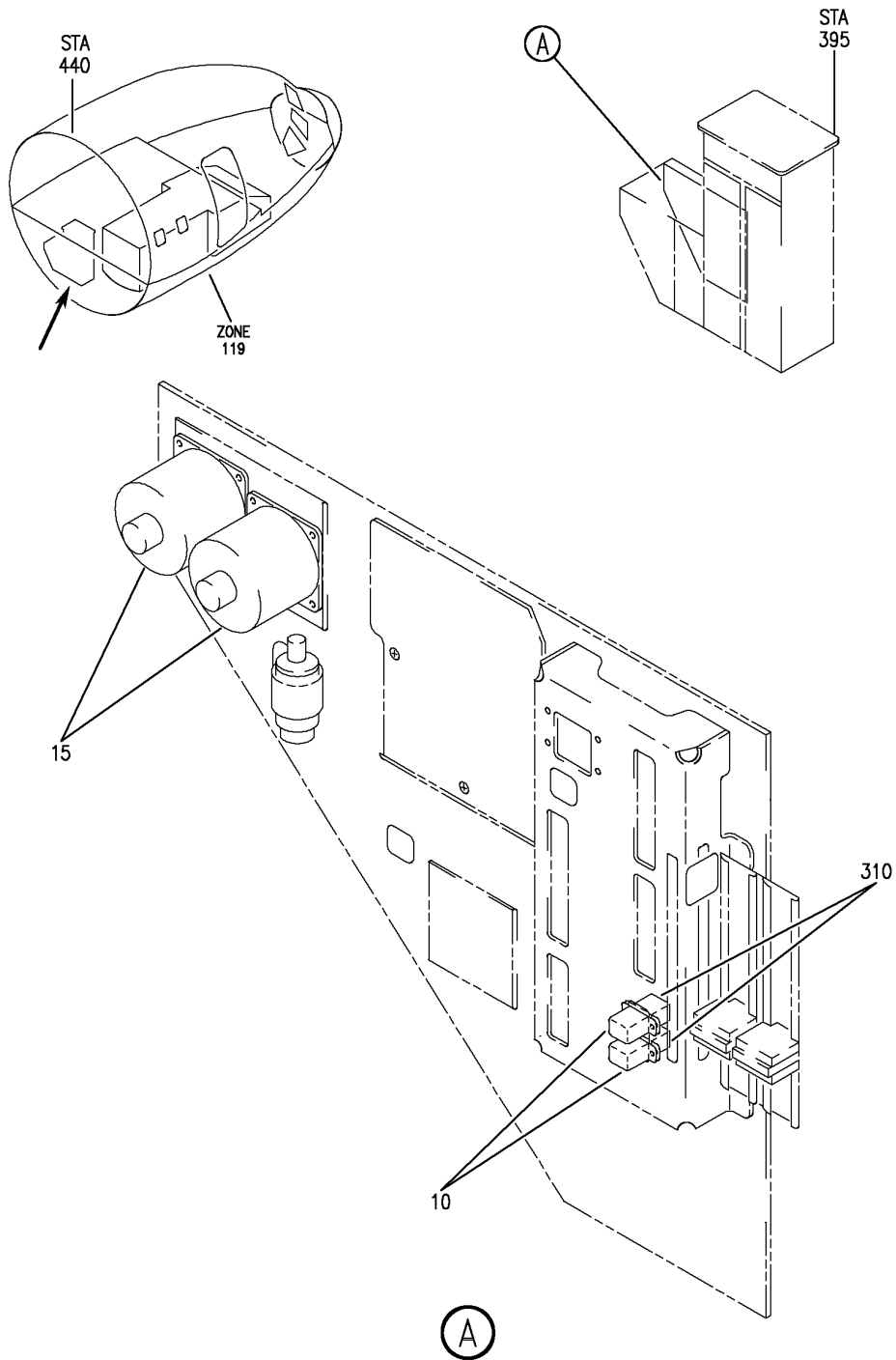
BRI

33-42-71-02B

BOEING PROPRIETARY - Copyright © - Unpublished Work - See title page for details.

33-42-71
FIG. 02B
PAGE 2
JAN 20/09

BOEING
757
PARTS CATALOG (MAINTENANCE)



Y 33427103 REV 331

PANEL ASSY-P34 APU/EXT PWR (LANDING, RUNWAY, TURNOFF TAXI LIGHTS ONLY)
FIGURE 3

BRI
JAN 20/09

33-42-71-03

33-42-71-03
PAGE 0



757

PARTS CATALOG (MAINTENANCE)

FIG ITEM	PART NUMBER	1 2 3 4 5 6 7	NOMENCLATURE	EFFECT FROM TO	UNITS PER ASSY
3			PANEL ASSY-P34 APU/EXT PWR (LANDING, RUNWAY, TURNOFF TAXI LIGHTS ONLY)	103106 108120	
- 2	284N1316-147		PANEL ASSY-P34 APU/EXT PWR (LANDING, RUNWAY, TURNOFF TAXI LIGHTS ONLY) FOR NHA/OTHER SYS DET SEE: 24-00-58-05C	108120	RF
- 5	MODREF31492		PANEL ASSY-P34 APU/EXT PWR (LANDING, RUNWAY, TURNOFF TAXI LIGHTS ONLY) MODULE NUMBER: 284N1316-207 REV A FOR OTHER SYS DETAILS SEE: 11-36-09-08 24-22-03-04 24-23-01-03 24-41-01-02 24-51-01-03 24-51-03-02 24-51-04-03 24-51-54-04 24-53-73-02 24-54-01-02 31-01-34-03 33-21-71-02 33-22-71-02 33-24-71-02 38-14-71-02	103105	1

MISSING ITEM NUMBERS NOT APPLICABLE

- ITEM NOT ILLUSTRATED

BRI

33-42-71-03

BOEING PROPRIETARY - Copyright © - Unpublished Work - See title page for details.

33-42-71
FIG. 03
PAGE 1
JAN 20/09



757

PARTS CATALOG (MAINTENANCE)

FIG ITEM	PART NUMBER	1 2 3 4 5 6 7	NOMENCLATURE	EFFECT FROM TO	UNITS PER ASSY
3 - 5	MODREF34794		PANEL ASSY-P34 APU/EXT PWR (LANDING, RUNWAY, TURNOFF TAXI LIGHTS ONLY) MODULE NUMBER: 284N1316-207 REV B FOR OTHER SYS DETAILS SEE: 11-36-09-08 24-22-03-04 24-23-01-03 24-41-01-02 24-51-01-03 24-51-03-02 24-51-04-03 24-51-54-04 24-53-73-02 24-54-01-02 31-01-34-03 33-21-71-02 33-22-71-02 33-24-71-02 38-14-71-02	106106	1
10	MS27743-6		.RELAY- ELECTRICAL EQUIP NUMBER: K00162 K00435	103106	2
15	MS27751-1		.RELAY- ELECTRICAL EQUIP NUMBER: K00162 K00435	108120	2
- 20	NAS1801-08-8		ATTACHING PARTS .SCREW	108120	8
- 302	286N1240-602		WIRE BUNDLE ASSY	103106	RF
310	S01057-8912		.SOCKET- SUPPLIER CODE: V35344 ELECTRICAL EQUIP NUMBER: D05092 D05094 WIRING DIAGRAM REF: 334212	103106	2

MISSING ITEM NUMBERS NOT APPLICABLE

- ITEM NOT ILLUSTRATED

33-42-71-03

33-42-71
FIG. 03
PAGE 2
JAN 20/09

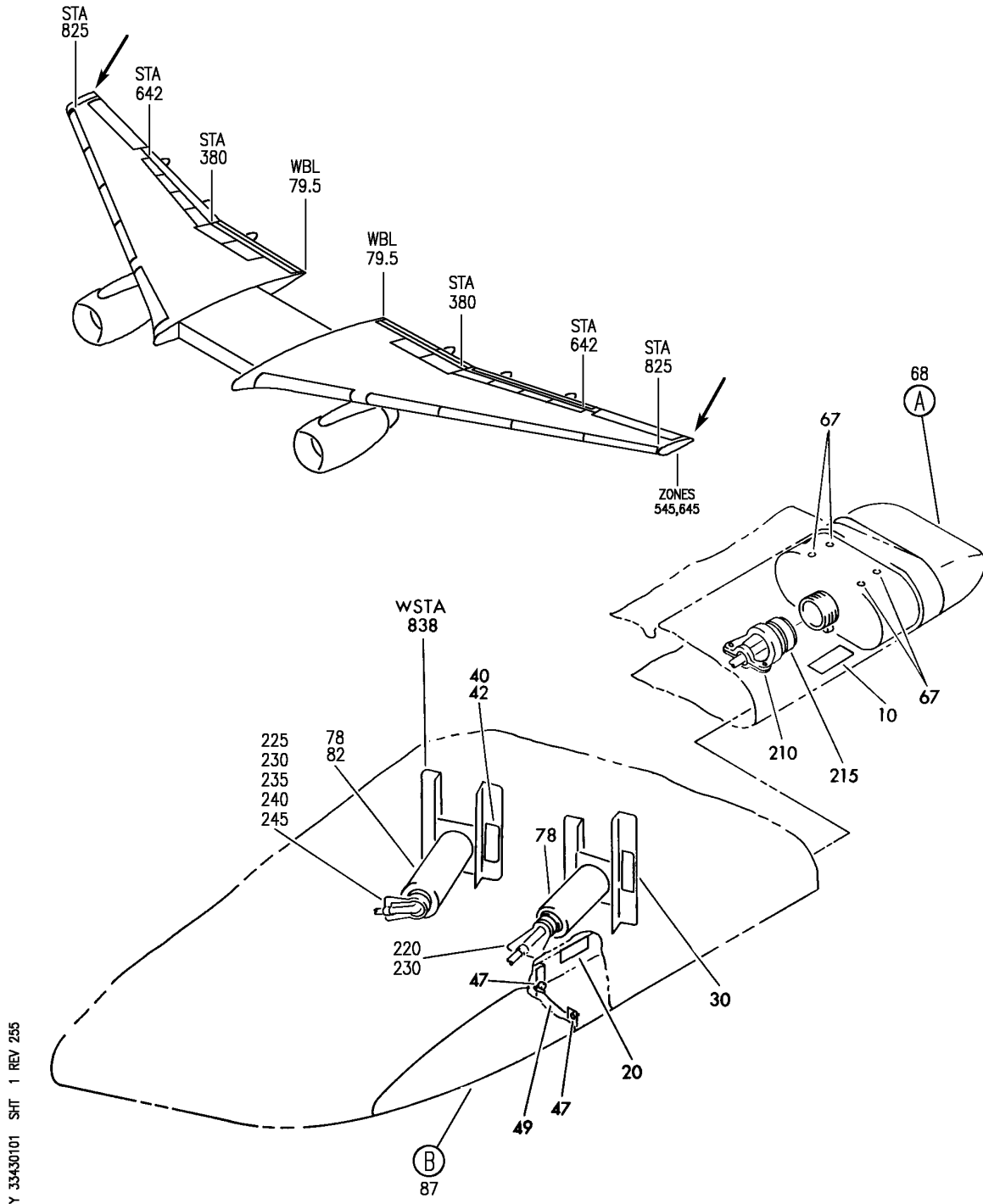
BRI

POSITION LIGHTS

BRI
MAY 28/07

33-43-00
SECTION TITLE
PAGE 1


BOEING
 757
PARTS CATALOG (MAINTENANCE)



Y 33430101 SHT 1 REV 255

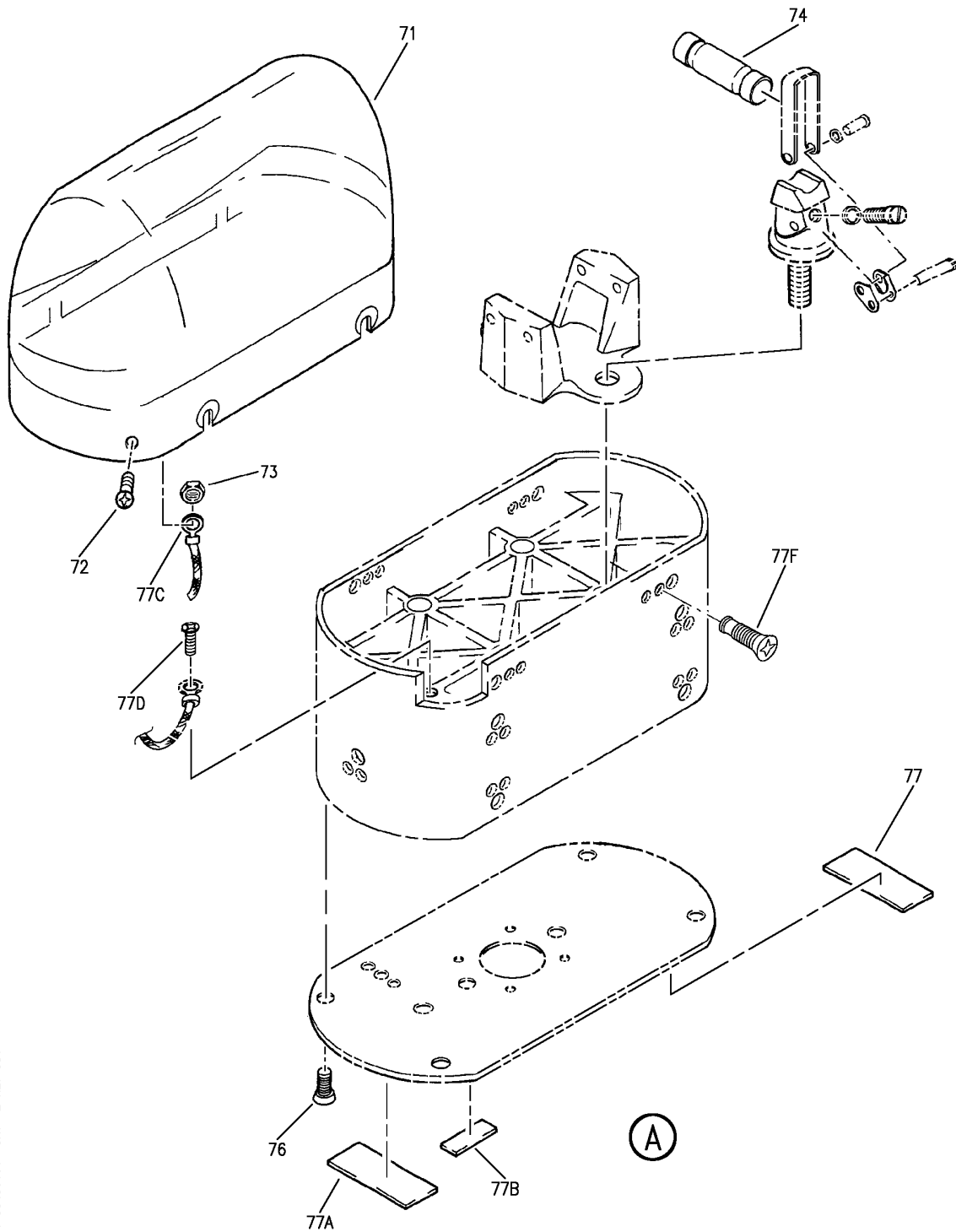
LIGHT INSTL-WING TIP POSITION
 FIGURE 1 (SHEET 1)

33-43-01-01

BRI
 MAY 28/07

33-43-01-01
 PAGE 0

BOEING
757
PARTS CATALOG (MAINTENANCE)



Y 33430101 SHT 2 REV 331

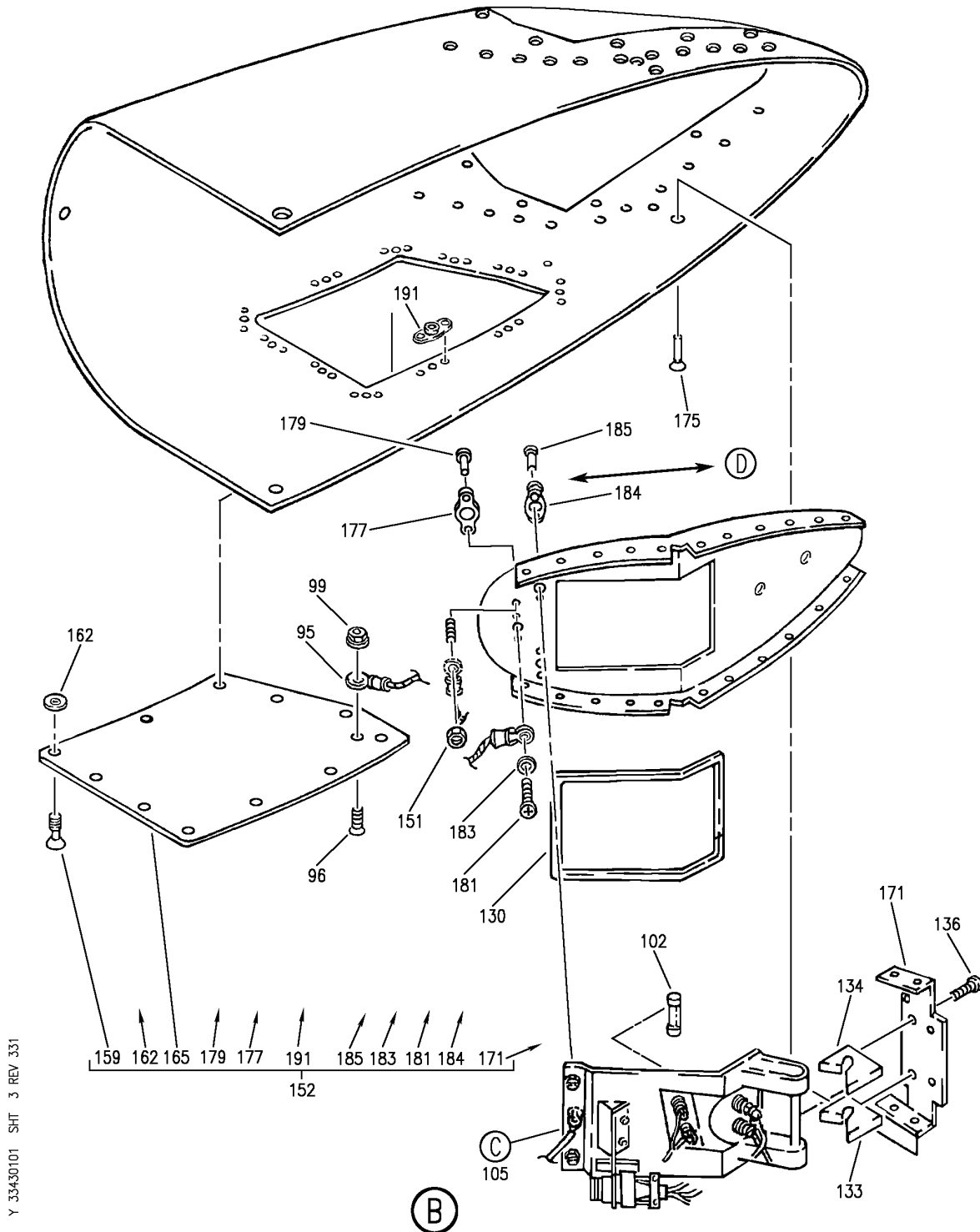
LIGHT INSTL-WING TIP POSITION
FIGURE 1 (SHEET 2)

33-43-01-01

BRI
JAN 20/09

33-43-01-01
PAGE 0A

BOEING
757
PARTS CATALOG (MAINTENANCE)



Y 33430101 SHT 3 REV 331

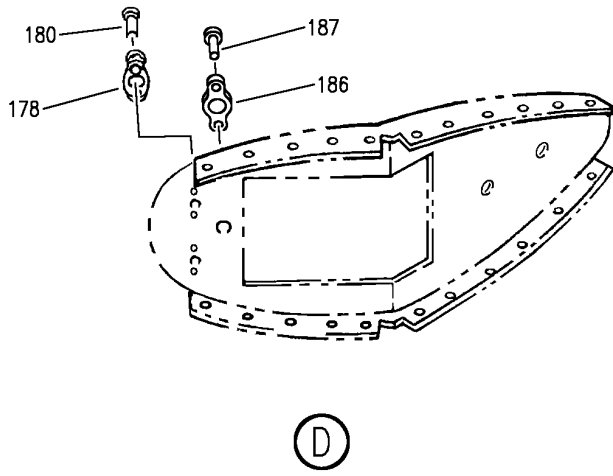
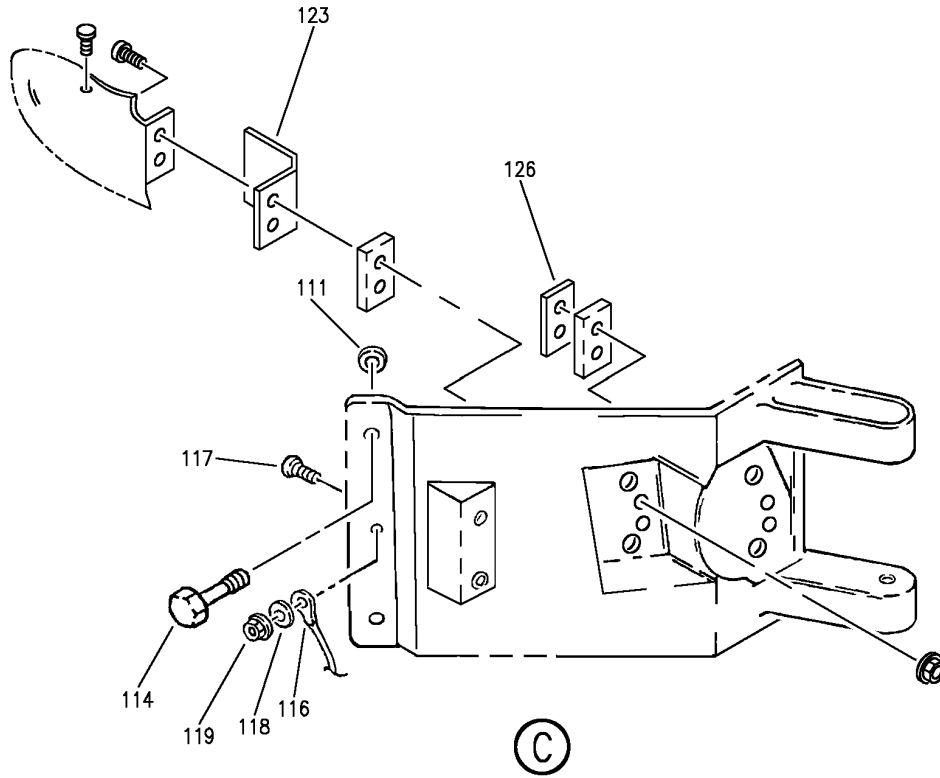
LIGHT INSTL-WING TIP POSITION
FIGURE 1 (SHEET 3)

33-43-01-01

BRI
JAN 20/09

33-43-01-01
PAGE 0B

BOEING
757
PARTS CATALOG (MAINTENANCE)



Y 33430101 SH1 4 REV 331

LIGHT INSTL-WING TIP POSITION
FIGURE 1 (SHEET 4)

33-43-01-01

BRI
JAN 20/09

33-43-01-01
PAGE 0C



757

PARTS CATALOG (MAINTENANCE)

FIG ITEM	PART NUMBER	1 2 3 4 5 6 7	NOMENCLATURE	EFFECT FROM TO	UNITS PER ASSY
1			LIGHT INSTL-WING TIP POSITION	002004 006999	
- 1	284N1112-3		LIGHT INSTL-WING TIP POSITION POSITION DATA: LH ACCESS PANEL NUMBER: 545AB FOR NHA SEE: 24-00-58-01A 24-00-58-05	002004 006102 107999	RF
- 1	MODREF10983		LIGHT INSTL-WING TIP POSITION MODULE NUMBER: 284N1112-3 REV A POSITION DATA: LH	103103	1
- 1	MODREF27688		LIGHT INSTL-WING TIP POSITION MODULE NUMBER: 284N1112-3 REV B POSITION DATA: LH	104106	1
- 5	284N1112-4		LIGHT INSTL-WING TIP POSITION POSITION DATA: RH FOR NHA SEE: 24-00-58-01A	002004 006100 107107 121503 904999	RF
- 5	284N1112-6		LIGHT INSTL-WING TIP POSITION POSITION DATA: RH ACCESS PANEL NUMBER: 645AB FOR NHA SEE: 24-00-58-05	101102 108120 504903	RF
- 5	MODREF10984		LIGHT INSTL-WING TIP POSITION MODULE NUMBER: 284N1112-6 REV A POSITION DATA: RH	103103	1
- 5	MODREF27689		LIGHT INSTL-WING TIP POSITION MODULE NUMBER: 284N1112-6 REV B POSITION DATA: RH	104106	1

MISSING ITEM NUMBERS NOT APPLICABLE

- ITEM NOT ILLUSTRATED

33-43-01-01

33-43-01
FIG. 01
PAGE 1
JAN 20/09

BRI



757

PARTS CATALOG (MAINTENANCE)

FIG ITEM	PART NUMBER	1 2 3 4 5 6 7	NOMENCLATURE	EFFECT FROM TO	UNITS PER ASSY
1	10 BAC27NEX0869		.DECAL- POSITION DATA: LH SIDE PLACARD CONTENT: L00016 LIGHT ASSY POSITION, LEFT WING REAR	002004 006999	1
-	15 BAC27NEX0878		.DECAL- POSITION DATA: RH SIDE PLACARD CONTENT: L00019 LIGHT ASSY POSITION, RIGHT WING REAR	002004 006999	1
	20 BAC27NEX0870		.DECAL- POSITION DATA: LH SIDE PLACARD CONTENT: L00017	002004 006999	1
-	25 BAC27NEX0877		.DECAL- POSITION DATA: RH SIDE PLACARD CONTENT: L00018	002004 006999	1
	42 BAC27NEX2037		.DECAL- POSITION DATA: LH SIDE PLACARD CONTENT: T10043 L-WING A POSITION LIGHT XFMR	002004 006999	1
-	46 BAC27NEX2038		.DECAL- POSITION DATA: RH SIDE PLACARD CONTENT: T10044 R-WING A POSITION LIGHT XFMR	002004 006100 107107 121503 904999	1
-	46 BAC27NEX2944		.DECAL- POSITION DATA: RH SIDE PLACARD CONTENT: T10044 R-WING A POSITION LIGHT XFMR	101106 108120 504903	1

MISSING ITEM NUMBERS NOT APPLICABLE

- ITEM NOT ILLUSTRATED

33-43-01-01

33-43-01
FIG. 01
PAGE 2
JAN 20/09

BRI



757

PARTS CATALOG (MAINTENANCE)

FIG ITEM	PART NUMBER	1 2 3 4 5 6 7	NOMENCLATURE	EFFECT FROM TO	UNITS PER ASSY
1 47	BRH10A3	.NUT	SUPPLIER CODE: V52828 SPECIFICATION NUMBER: BACN10JC3 OPTIONAL PART: H10-3BAC V15653 NS202101-02 V80539 RMLH9075-3W V72962 VN303A02 V92215 96-02 V80539 T6S1032J V11815	002004 006999	2
49	BACJ40A20-9	.JUMPER ASSY		002004 006999	1
67	BACB30NN3K3	.BOLT-		002004 006999	9
68	30-1660-5	.LIGHT ASSY-REAR POSITION	SUPPLIER CODE: V72914 SPECIFICATION NUMBER: S283T013-19 ELECTRICAL EQUIP NUMBER: L00016 L00019 COMPONENT MAINT MANUAL REF: 33-43-09	002004 006999	1
71	31-5463-1	..LENS ASSY-	SUPPLIER CODE: V72914 ATTACHING PARTS	002004 006999	1
72	MS24693C26	..SCREW		002004 006999	1
73	MS21043-06	..NUT		002004 006999	1
74	1978X	..LAMP-10V 100W QUARTZ	SUPPLIER CODE: V08806	002004 006999	2
- 75	31-5211-3	..CONNECTOR ASSY-	SUPPLIER CODE: V72914	002004 006999	1

MISSING ITEM NUMBERS NOT APPLICABLE

- ITEM NOT ILLUSTRATED

33-43-01-01

33-43-01
FIG. 01
PAGE 3
JAN 20/09

BRI



757

PARTS CATALOG (MAINTENANCE)

FIG ITEM	PART NUMBER	1 2 3 4 5 6 7	NOMENCLATURE	EFFECT FROM TO	UNITS PER ASSY
1			ATTACHING PARTS		
76	MS24693C25	..	SCREW	002004 006999	4
			-----*-----		
77	31-5477-1	..	PLATE-IDENT SUPPLIER CODE: V72914	002004 006999	1
77A	31-5440-1	..	PLATE- SUPPLIER CODE: V72914	002004 006999	1
77B	31-5464-1	..	PLATE- SUPPLIER CODE: V72914	002004 006999	1
77C	31-5206-1	..	LANYARD ASSY- SUPPLIER CODE: V72914	002004 006999	1
77D	MS51957-28	..	ATTACHING PARTS SCREW	002004 006999	1
			-----*-----		
- 77E	31-5209-11	.L	LIGHT SUBASSEMBLY- SUPPLIER CODE: V72914 COMPONENT MAINT MANUAL REF: 33-43-09	002004 006999	1
77F	60-3531-1	..	ATTACHING PARTS SCREW-PAN HEAD SUPPLIER CODE: V72914	002004 006999	1
			-----*-----		
82	FT1246	.T	TRANSFORMER- SUPPLIER CODE: V14752 ELECTRICAL EQUIP NUMBER: T10043 T10044	002004 006999	1
- 85	NAS1801-3-8	.S	ATTACHING PARTS SCREW	002004 006999	4
			-----*-----		

MISSING ITEM NUMBERS NOT APPLICABLE

- ITEM NOT ILLUSTRATED

33-43-01-01

33-43-01
FIG. 01
PAGE 4
JAN 20/09

BRI

BOEING PROPRIETARY - Copyright © - Unpublished Work - See title page for details.



757

PARTS CATALOG (MAINTENANCE)

FIG ITEM	PART NUMBER	1 2 3 4 5 6 7	NOMENCLATURE	EFFECT FROM TO	UNITS PER ASSY
1 87	30-1667-1		.LIGHT ASSY-FWD WING POSITION SUPPLIER CODE: V72914 POSITION DATA: LH SIDE SPECIFICATION NUMBER: S283T013-5 ELECTRICAL EQUIP NUMBER: L00017 COMPONENT MAINT MANUAL REF: 33-43-08	002004 006999	1
- 90	30-1667-2		.LIGHT ASSY-FWD WING POSITION SUPPLIER CODE: V72914 POSITION DATA: RH SIDE SPECIFICATION NUMBER: S283T013-6 ELECTRICAL EQUIP NUMBER: L00018 COMPONENT MAINT MANUAL REF: 33-43-08	002004 006999	1
- 93	BACB30NN3K4		ATTACHING PARTS .BOLT	002004 006999	60
95	31-5206-1		-----*----- ..LANYARD ASSY- SUPPLIER CODE: V72914 ATTACHING PARTS	002004 006999	1
96	MS24693C27		..SCREW	002004 006999	1
99	MS21043-06		..NUT	002004 006999	1
102	1978X		-----*----- ..LAMP-10V 100W SUPPLIER CODE: V08806	002004 006999	2
105	31-5268-1		..LIGHT SUBASSEMBLY- SUPPLIER CODE: V72914 POSITION DATA: LH SIDE CONFIG CHG DATA FROM A CMM: SUPSD BY 31-5268-3	002004 006999	1

MISSING ITEM NUMBERS NOT APPLICABLE

- ITEM NOT ILLUSTRATED

33-43-01-01

33-43-01
FIG. 01
PAGE 5
JAN 20/09

BRI



757

PARTS CATALOG (MAINTENANCE)

FIG ITEM	PART NUMBER	1 2 3 4 5 6 7	NOMENCLATURE	EFFECT FROM TO	UNITS PER ASSY
1					
105	31-5268-3		..LIGHT SUBASSEMBLY- SUPPLIER CODE: V72914 POSITION DATA: LH SIDE CONFIG CHG DATA FROM A CMM: SUPERSEDES 31-5268-1	002004 006999	1
- 108	31-5268-2		..LIGHT SUBASSEMBLY- SUPPLIER CODE: V72914 POSITION DATA: RH SIDE CONFIG CHG DATA FROM A CMM: SUPSD BY 31-5368-4	002004 006999	1
- 108	31-5268-4		..LIGHT SUBASSEMBLY- SUPPLIER CODE: V72914 POSITION DATA: RH SIDE CONFIG CHG DATA FROM A CMM: SUPERSEDES 31-5268-2	002004 006999	1
111	GH4		...GROMMET- SUPPLIER CODE: V72794	002004 006999	2
114	UH4T20		...STUD- SUPPLIER CODE: V72794	002004 006999	2
116	31-5206-3		...LANYARD ASSY- SUPPLIER CODE: V79214 ATTACHING PARTS	002004 006999	1
117	MS24693C4		...SCREW	002004 006999	1
118	MS15795-803		...WASHER	002004 006999	1
119	MS21043-04		...NUT	002004 006999	1
			-----*-----		
130	31-5274-1		..GASKET- SUPPLIER CODE: V72914	002004 006999	1
133	31-5260-2		..SUPPORT- SUPPLIER CODE: V72914 POSITION DATA: BOTTOM	002004 006999	1

MISSING ITEM NUMBERS NOT APPLICABLE

- ITEM NOT ILLUSTRATED

33-43-01-01

33-43-01
FIG. 01
PAGE 6
JAN 20/09

BRI



757

PARTS CATALOG (MAINTENANCE)

FIG ITEM	PART NUMBER	1 2 3 4 5 6 7	NOMENCLATURE	EFFECT FROM TO	UNITS PER ASSY
1					
134	31-5260-1	..	SUPPORT- SUPPLIER CODE: V72914 POSITION DATA: TOP ATTACHING PARTS	002004 006999	1
136	MS51957-43	..	SCREW	002004 006999	4
			-----*-----		
151	MS21043-04	..	NUT	002004 006999	1
152	31-5473-1	..	LENS ASSY- SUPPLIER CODE: V72914 POSITION DATA:	002004 006999	1
- 154	31-5473-2	..	LENS ASSY- SUPPLIER CODE: V72914 POSITION DATA: LH SIDE	002004 006999	1
- 155	31-5469-1	...	COVER ASSY- SUPPLIER CODE: V72914 POSITION DATA: LH SIDE	002004 006999	1
- 156	31-5469-2	...	COVER ASSY- SUPPLIER CODE: V72914 POSITION DATA: RH SIDE	002004 006999	1
159	DPY7900P10FA2	SCREW-10 X 0.410 IN. LG PHIL FL HD QUAD LEAD SUPPLIER CODE: V11139 CONFIG CHG DATA FROM A CMM: SUPSD BY DPY7900-10FA2	002004 006999	11
159	DPY7900-10FA2	SCREW-10 X 0.410 IN. LG PHIL FL HD QUAD LEAD SUPPLIER CODE: VOHDW7 CONFIG CHG DATA FROM A CMM: SUPERSEDES DPY7900P10FA2	002004 006999	11
162	31-5471-1	SPACER- SUPPLIER CODE: V72914	002004 006999	11

MISSING ITEM NUMBERS NOT APPLICABLE

- ITEM NOT ILLUSTRATED

33-43-01-01

33-43-01
FIG. 01
PAGE 7
JAN 20/09

BRI

BOEING PROPRIETARY - Copyright © - Unpublished Work - See title page for details.



757

PARTS CATALOG (MAINTENANCE)

FIG ITEM	PART NUMBER	1 2 3 4 5 6 7	NOMENCLATURE	EFFECT FROM TO	UNITS PER ASSY
1 165	31-5469-3	PLATE-COVER SUPPLIER CODE: V72914 POSITION DATA: LH SIDE	002004 006999	1
- 168	31-5469-4	PLATE-COVER SUPPLIER CODE: V72914 POSITION DATA: RH SIDE	002004 006999	1
171	31-5468-1	...	BRACKET- SUPPLIER CODE: V72914 POSITION DATA: L H	002004 006999	1
- 173	31-5468-2	...	BRACKET- SUPPLIER CODE: V72914 POSITION DATA: R H ATTACHING PARTS	002004 006999	1
175	MS24693C27	...	SCREW	002004 006999	4
177	URA4*.....	RECEPTACLE- GRIMES STOCK CODE FA5892 (V72914) SUPPLIER CODE: V72794 PRE SERVICE BULLETIN: SPB00092 V72914	002004 006999	1
178	MS21069-3	...	NUT- POST SERVICE BULLETIN: SPB00092 V72914	002004 006999	2
179	MS20426A3-3	...	RIVET ATTACHING PARTS	002004 006999	2
180	MS20426A3-3	...	RIVET	002004 006999	4
181	MS35207-263*.....	SCREW	002004 006999	1
183	AN960D10L	...	WASHER	002004 006999	2

MISSING ITEM NUMBERS NOT APPLICABLE

- ITEM NOT ILLUSTRATED

33-43-01-01

33-43-01
FIG. 01
PAGE 8
JAN 20/09

BRI

BOEING PROPRIETARY - Copyright © - Unpublished Work - See title page for details.



757

PARTS CATALOG (MAINTENANCE)

FIG ITEM	PART NUMBER	1 2 3 4 5 6 7	NOMENCLATURE	EFFECT FROM TO	UNITS PER ASSY
1					
184	MS21069-3	...	NUT- PRE SERVICE BULLETIN: SPB00092 V72914 ATTACHING PARTS	002004 006999	2
185	MS20426A3-3	...	RIVET-	002004 006999	4
186	URA4*	RECEPTACLE- GRIMES STOCK CODE FA5892 (V72914) SUPPLIER CODE: V72794 POST SERVICE BULLETIN: SPB00092 V72914	002004 006999	1
187	MS20426A3-3	...	RIVET	002004 006999	2
- 188	31-5473-4	...	LENS SUBASSY- SUPPLIER CODE: V72914 POSITION DATA: RH SIDE	002004 006999	1
- 189	31-5473-3	...	LENS SUBASSY- SUPPLIER CODE: V72914 POSITION DATA: LH SIDE	002004 006999	1
191	FA551	RECEPTACLE- SUPPLIER CODE: V79214 ATTACHING PARTS	002004 006999	11
- 192	MS20426A3-3	RIVET	002004 006999	22
- 200	286N3348-002*	WIRE BUNDLE ASSY-	002004 006100 107107 121503 904999	RF
- 200	286N3348-302		WIRE BUNDLE ASSY-	101102	RF
- 200	286N3348-304		WIRE BUNDLE ASSY	108120	RF
- 200	286N3348-702		WIRE BUNDLE ASSY	504903 103106	RF

MISSING ITEM NUMBERS NOT APPLICABLE

- ITEM NOT ILLUSTRATED

33-43-01-01

33-43-01
FIG. 01
PAGE 9
JAN 20/09

BRI



757

PARTS CATALOG (MAINTENANCE)

FIG ITEM	PART NUMBER	1 2 3 4 5 6 7	NOMENCLATURE	EFFECT FROM TO	UNITS PER ASSY
1 210	GS3417-14C		.CLAMP- SUPPLIER CODE: V06324 SPECIFICATION NUMBER: BACC10HF14 OPTIONAL PART: S2125-14-8 V07418 ELECTRICAL EQUIP NUMBER: D00022T D00036T WIRING DIAGRAM REF: 334311	002004 006102 107999	1
210	GS3417-14C		.CLAMP- SUPPLIER CODE: V06324 SPECIFICATION NUMBER: BACC10HF14 OPTIONAL PART: S2125-14-8 V07418 ELECTRICAL EQUIP NUMBER: D00028T D00030T WIRING DIAGRAM REF: 334312	002004 006102 107999	1
210	S3819-14-65		.CLAMP- SUPPLIER CODE: V07418 SPECIFICATION NUMBER: BACC10KD14 OPTIONAL PART: 620AS028NF14L V06324 ELECTRICAL EQUIP NUMBER: D00022T D00036T WIRING DIAGRAM REF: 334311	103106	1

MISSING ITEM NUMBERS NOT APPLICABLE

- ITEM NOT ILLUSTRATED

33-43-01-01

33-43-01
FIG. 01
PAGE 10
JAN 20/09

BRI



757

PARTS CATALOG (MAINTENANCE)

FIG ITEM	PART NUMBER	1 2 3 4 5 6 7	NOMENCLATURE	EFFECT FROM TO	UNITS PER ASSY
1 210	S3819-14-65	.	CLAMP- SUPPLIER CODE: V07418 SPECIFICATION NUMBER: BACC10KD14 OPTIONAL PART: 620AS028NF14L V06324 ELECTRICAL EQUIP NUMBER: D00028T D00030T WIRING DIAGRAM REF: 334312	103106	1
215	R071014A4SNL	.	CONNECTOR- SUPPLIER CODE: V41118 SPECIFICATION NUMBER: BACC63BP14A4SNL MISCELLANEOUS DATA: REPLACED BY BACC63BP14C4SN ELECTRICAL EQUIP NUMBER: D00022 D00036 WIRING DIAGRAM REF: 334311	002004 006999	1
215	R071014A4SNL	.	CONNECTOR- SUPPLIER CODE: V41118 SPECIFICATION NUMBER: BACC63BP14A4SNL MISCELLANEOUS DATA: REPLACED BY BACC63BP14C4SN ELECTRICAL EQUIP NUMBER: D00028 D00030 WIRING DIAGRAM REF: 334312	002004 006999	1

MISSING ITEM NUMBERS NOT APPLICABLE

- ITEM NOT ILLUSTRATED

BRI

33-43-01-01

BOEING PROPRIETARY - Copyright © - Unpublished Work - See title page for details.

33-43-01
FIG. 01
PAGE 11
JAN 20/09



757

PARTS CATALOG (MAINTENANCE)

FIG ITEM	PART NUMBER	1 2 3 4 5 6 7	NOMENCLATURE	EFFECT FROM TO	UNITS PER ASSY
1 240	GS3417-18C		.CLAMP- SUPPLIER CODE: V06324 SPECIFICATION NUMBER: BACC10HF18 OPTIONAL PART: S2125-18-8 V07418 ELECTRICAL EQUIP NUMBER: D07084T D07086T WIRING DIAGRAM REF: 334311 334312	002004 006102 107999	1
240	S3819-18-65		.CLAMP- SUPPLIER CODE: V07418 SPECIFICATION NUMBER: BACC10KD18 OPTIONAL PART: 620AS028NF18L V06324 ELECTRICAL EQUIP NUMBER: D07084T D07086T WIRING DIAGRAM REF: 334311 334312	103106	1
245	R071018A8SNL		.CONNECTOR- SUPPLIER CODE: V41118 SPECIFICATION NUMBER: BACC63BP18A8SNL ELECTRICAL EQUIP NUMBER: D07084 D07086 WIRING DIAGRAM REF: 334311 334312	002004 006102 107999	1
245	BACC63BP18A8SN		.CONNECTOR- ELECTRICAL EQUIP NUMBER: D07084 D07086 WIRING DIAGRAM REF: 334311 334312	103106	1

MISSING ITEM NUMBERS NOT APPLICABLE

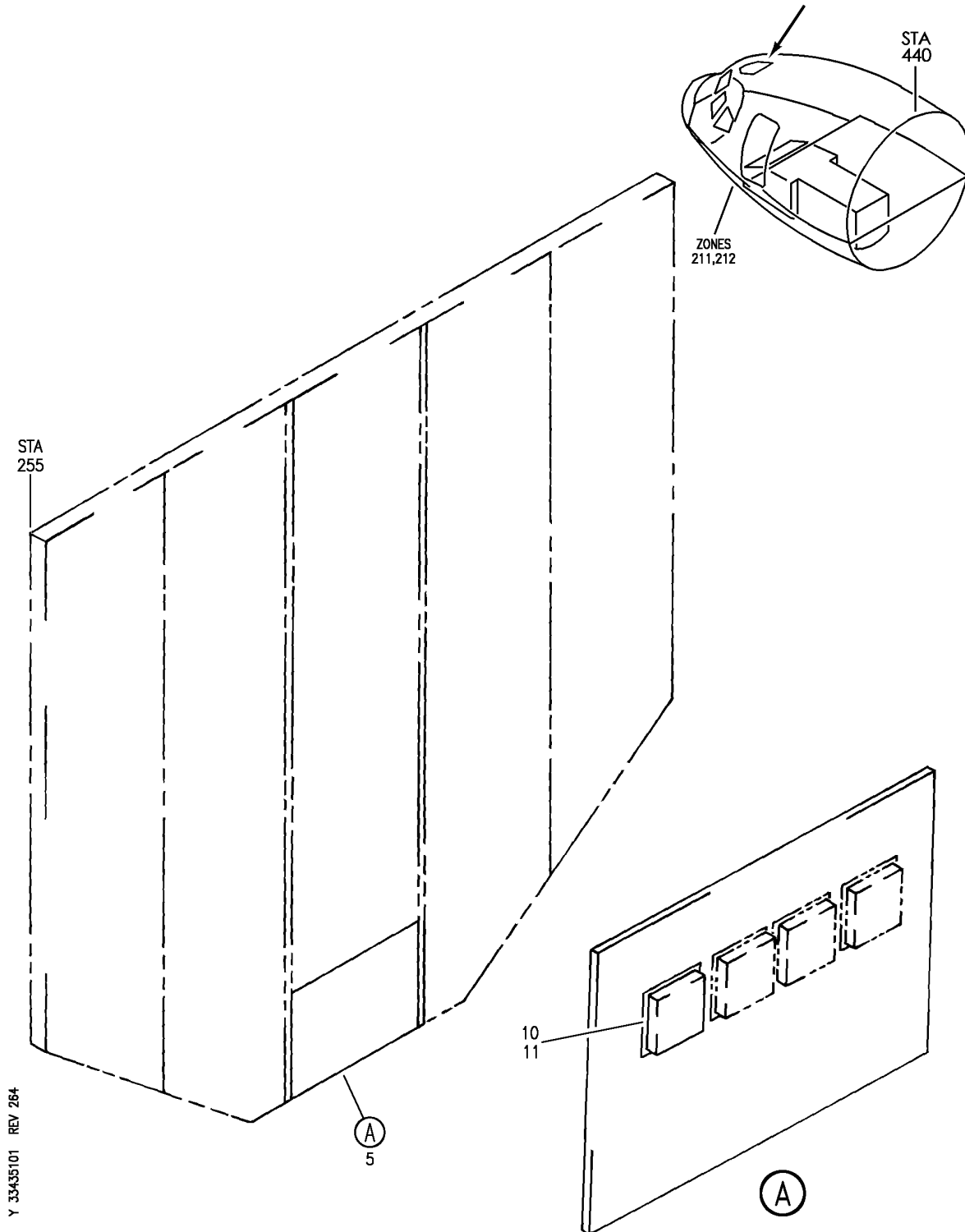
- ITEM NOT ILLUSTRATED

33-43-01-01

33-43-01
FIG. 01
PAGE 12
JAN 20/09

BRI

BOEING
757
PARTS CATALOG (MAINTENANCE)



Y 33435101 REV 264

PANEL INSTL-P5 OVHD (POSITION (NAVIGATION) LIGHTS ONLY)
FIGURE 1

33-43-51-01

BRI
MAY 28/07

33-43-51-01
PAGE 0



757

PARTS CATALOG (MAINTENANCE)

FIG ITEM	PART NUMBER	1 2 3 4 5 6 7	NOMENCLATURE	EFFECT FROM TO	UNITS PER ASSY
1			PANEL INSTL-P5 OVHD (POSITION (NAVIGATION) LIGHTS ONLY)	002004 006010 107107 121503 904999	
- 1	233N3101-1		PANEL INSTL-P5 OVHD (POSITION (NAVIGATION) LIGHTS ONLY) VARIABLE DRAWING REF: 233N3101-5005 233N3101-5025 233N3101-5041 233N3101-5042 233N3101-5045 FOR NHA/OTHER SYS DET SEE: 25-10-00-05A	002004 006010 107107 121503 904999	RF
5	233N3210-14		.PANEL ASSY-ANTI-COLLISION LIGHTING SUPPLIER CODE: V89954 ELECTRICAL EQUIP NUMBER: M10396 COMPONENT MAINT MANUAL REF: 33-44-71 QUALIFIED I/W DATA: 233N3210-13, -14, -15, -16 ARE ALL INTERCHANGEABLE EXCEPT TO CUSTOMER PREFERENCE	107107	RF
5	233N3210-15		.PANEL ASSY-ANTI-COLLISION LIGHTING SUPPLIER CODE: V89954 ELECTRICAL EQUIP NUMBER: M10396 COMPONENT MAINT MANUAL REF: 33-44-71 QUALIFIED I/W DATA: 233N3210-13 -14 -15 -16 ARE ALL INTERCHANGEABLE EXCEPT SUBJECT TO CUSTOMER PREFERENCE	121503 904949	RF

MISSING ITEM NUMBERS NOT APPLICABLE

- ITEM NOT ILLUSTRATED

33-43-51-01

33-43-51
FIG. 01
PAGE 1
JAN 20/09

BRI

 **BOEING**
757
PARTS CATALOG (MAINTENANCE)

FIG ITEM	PART NUMBER	1 2 3 4 5 6 7	NOMENCLATURE	EFFECT FROM TO	UNITS PER ASSY
1 5	233T3217-41		.PANEL ASSY-ANTI-COLLISION LIGHTING SUPPLIER CODE: V89954 ELECTRICAL EQUIP NUMBER: M00056 COMPONENT MAINT MANUAL REF: 33-44-72 QUALIFIED I/W DATA: 233T3217-40 -41 -42 ARE ALL INTERCHANGEABLE EXCEPT SUBJECT TO CUSTOMER PREFERENCE THE 233T3217-300 PANEL ASSY IS I/W THE 233T3217-41 PANEL ASSY T/W THE S233T100-6030 LIGHTPLATE.	002004 006010 950999	RF
10	BCREFA0503		..SWITCH ASSY-LIGHTED PUSH BUTTON IND SUPPLIER CODE: V81590 OVERLENGTH PART NUMBER: 433-673-1004-4012 SPECIFICATION NUMBER: S231T290-4012 MISCELLANEOUS DATA: WHEN REPLACING THE PUSHBUTTON SWITCH ASSY OR THE MASTER MODULE WITHIN, VERIFY THAT A CONFIG D MASTER MODULE P/N 13206-001 IS INSTALLED IN LIEU OF ANY EARLIER CONFIGURATION MASTER MODULES. FOR DETAILS SEE: 33-13-00-45A	121503 904949	1
10	851-30768-3012		..SWITCH ASSY-LIGHTED PUSH BUTTON IND ON SUPPLIER CODE: V96182 SPECIFICATION NUMBER: S231T290-3012 OPTIONAL PART: S231T290-5012 FOR DETAILS SEE: 33-13-00-35A	121503 904949	1

MISSING ITEM NUMBERS NOT APPLICABLE

— ITEM NOT ILLUSTRATED

BRI

33-43-51-01

BOEING PROPRIETARY - Copyright © - Unpublished Work - See title page for details.

33-43-51
FIG. 01
PAGE 2
JAN 20/09



757

PARTS CATALOG (MAINTENANCE)

FIG ITEM	PART NUMBER	1 2 3 4 5 6 7	NOMENCLATURE	EFFECT FROM TO	UNITS PER ASSY
1					
10	4336731004-4212	..	SWITCH ASSY-LIGHTED PUSH BUTTON IND ON SUPPLIER CODE: V81590 SPECIFICATION NUMBER: S231T290-4212	121503 904949	1
10	S231T290-5012	..	SWITCH ASSY-LIGHTED PUSH BUTTON IND OPTIONAL PART: 851-30768-3012 V96182	121503 904949	1
10	851-30768-2012	..	SWITCH ASSY-LIGHTED PUSH BUTTON IND ON SUPPLIER CODE: V96182 SPECIFICATION NUMBER: S231T290-2012 FOR DETAILS SEE: 33-13-00-25A	107107	1
10	4336731004-4212	..	SWITCH ASSY-LIGHTED PUSHBUTTON IND SUPPLIER CODE: V81590 SPECIFICATION NUMBER: S231T290-4212 POST SERVICE LETTER: 33-027	002004 006010 950999	1
10	BCREFA0503	..	SWITCH ASSY-LIGHTED PUSHBUTTON IND SUPPLIER CODE: V81590 OVERLENGTH PART NUMBER: 433-673-1004-4012 SPECIFICATION NUMBER: S231T290-4012 MISCELLANEOUS DATA: WHEN REPLACING THE PUSHBUTTON SWITCH ASSY OR THE MASTER MODULE WITHIN, VERIFY THAT A CONFIG D MASTER MODULE P/N 13206-001 IS INSTALLED IN LIEU OF ANY EARLIER CONFIGURATION MASTER MODULES. PRE SERVICE LETTER: 33-027 FOR DETAILS SEE: 33-13-00-45A	002004 006010 950999	1

MISSING ITEM NUMBERS NOT APPLICABLE

- ITEM NOT ILLUSTRATED

33-43-51-01

33-43-51
FIG. 01
PAGE 3
JAN 20/09

BRI



757

PARTS CATALOG (MAINTENANCE)

FIG ITEM	PART NUMBER	1 2 3 4 5 6 7	NOMENCLATURE	EFFECT FROM TO	UNITS PER ASSY
1	10 BCREFA7604		..SWITCH ASSY-LIGHTED PUSHBUTTON IND SUPPLIER CODE: V81590 OVERLENGTH PART NUMBER: 433-673-1001-1012 SPECIFICATION NUMBER: S231T290-1012 FOR DETAILS SEE: 33-13-00-15A	107107	1
	10 851-30768-3012		..SWITCH ASSY-LIGHTED PUSHBUTTON IND SUPPLIER CODE: V96182 SPECIFICATION NUMBER: S231T290-3012 FOR DETAILS SEE: 33-13-00-35A	107107	1
	11 BCREFA0503		..SWITCH ASSY-LIGHTED PUSHBUTTON IND SUPPLIER CODE: V81590 OVERLENGTH PART NUMBER: 433-673-1004-4012 SPECIFICATION NUMBER: S231T290-4012 MISCELLANEOUS DATA: WHEN REPLACING THE PUSHBUTTON SWITCH ASSY OR THE MASTER MODULE WITHIN, VERIFY THAT A CONFIG D MASTER MODULE P/N 13206-001 IS INSTALLED IN LIEU OF ANY EARLIER CONFIGURATION MASTER MODULES. FOR DETAILS SEE: 33-13-00-45A	107107	1
	11 S231T290-5012		..SWITCH ASSY-LIGHTED PUSHBUTTON IND	107107	1
	11 4336731004-4212		..SWITCH ASSY-LIGHTED PUSHBUTTON IND SUPPLIER CODE: V81590 SPECIFICATION NUMBER: S231T290-4212	107107	1

MISSING ITEM NUMBERS NOT APPLICABLE

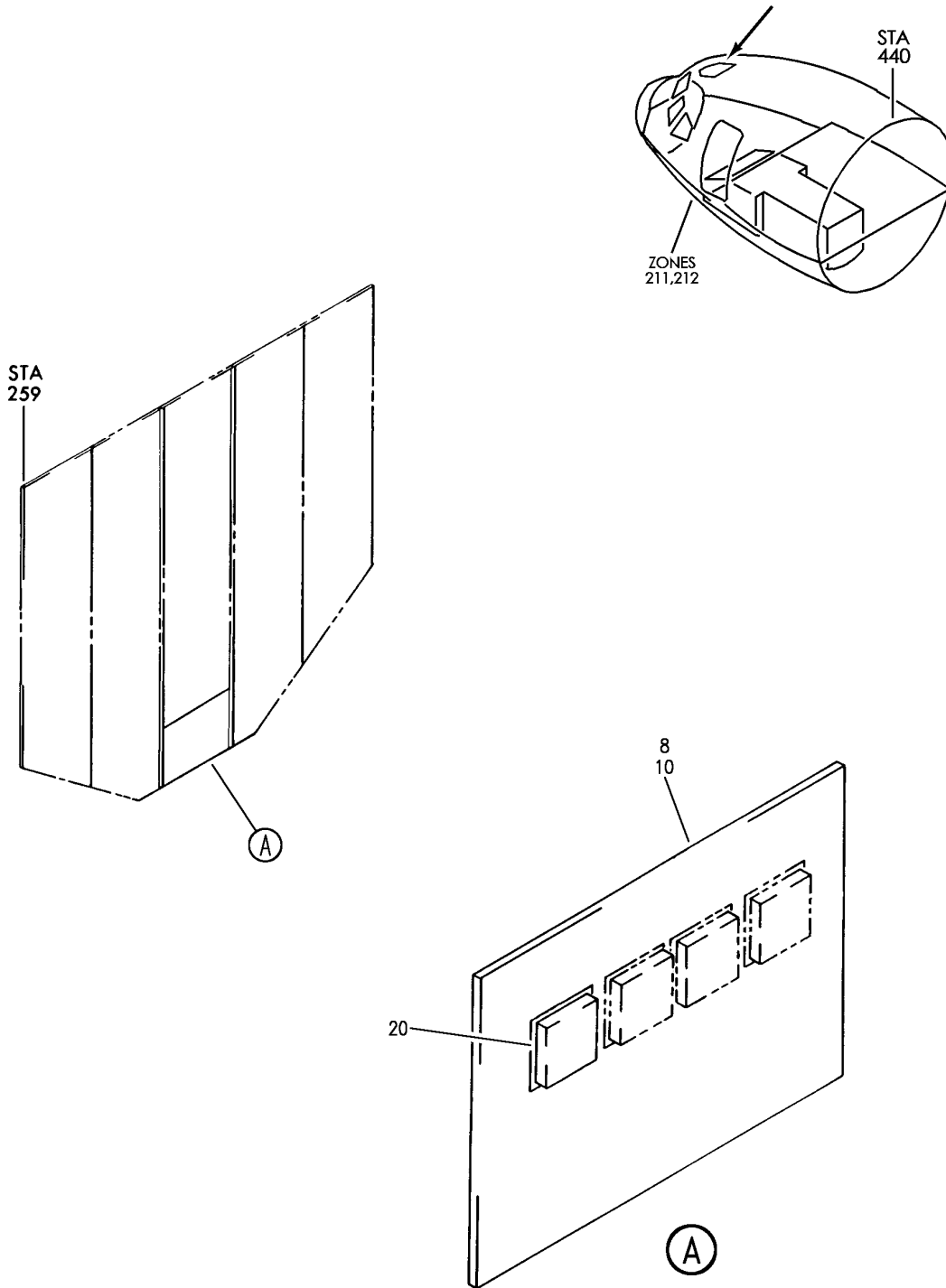
- ITEM NOT ILLUSTRATED

33-43-51-01

33-43-51
FIG. 01
PAGE 4
JAN 20/09

BRI

BOEING
757
PARTS CATALOG (MAINTENANCE)



Y 33435103 REV 264

PANEL INSTL-P5 OVHD (POSITION LIGHTS ONLY)
FIGURE 3

33-43-51-03

BRI
MAY 28/07

33-43-51-03
PAGE 0



757

PARTS CATALOG (MAINTENANCE)

FIG ITEM	PART NUMBER	1 2 3 4 5 6 7	NOMENCLATURE	EFFECT FROM TO	UNITS PER ASSY
3			PANEL INSTL-P5 OVHD (POSITION LIGHTS ONLY)	011100	
- 1	233N3101-1		PANEL INSTL-P5 OVHD (POSITION LIGHTS ONLY) VARIABLE DRAWING REF: 233N3101-5142 FOR NHA/OTHER SYS DET SEE: 25-10-00-05A	011100	RF
- 5	233T3217-300		.PANEL ASSY-ANTI-COLLISION LIGHTING SUPPLIER CODE: V89954 COMPONENT MAINT MANUAL REF: 33-44-72 QUALIFIED I/W DATA: THE 233T3217-300 PANEL ASSY IS I/W THE 233T3217-41 PANEL ASSY T/W THE S233T100-6030 LIGHTPLATE.	011100	RF
10	233T3217-41		..PANEL ASSY- SUPPLIER CODE: V89954 ELECTRICAL EQUIP NUMBER: M00056 COMPONENT MAINT MANUAL REF: 33-44-72 QUALIFIED I/W DATA: THE 233T3217-300 PANEL ASSY IS I/W THE 233T3217-41 PANEL ASSY T/W THE S233T100-6030 LIGHTPLATE.	011100	RF

MISSING ITEM NUMBERS NOT APPLICABLE

- ITEM NOT ILLUSTRATED

33-43-51-03

33-43-51
FIG. 03
PAGE 1
JAN 20/09

BRI



757

PARTS CATALOG (MAINTENANCE)

FIG ITEM	PART NUMBER	1 2 3 4 5 6 7	NOMENCLATURE	EFFECT FROM TO	UNITS PER ASSY
3 20	BCREFA0503		...SWITCH ASSY-LIGHTED PUSH BUTTON IND SUPPLIER CODE: V81590 OVERLENGTH PART NUMBER: 433-673-1004-4012 SPECIFICATION NUMBER: S231T290-4012 MISCELLANEOUS DATA: WHEN REPLACING THE PUSHBUTTON SWITCH ASSY OR THE MASTER MODULE WITHIN, VERIFY THAT A CONFIG D MASTER MODULE P/N 13206-001 IS INSTALLED IN LIEU OF ANY EARLIER CONFIGURATION MASTER MODULES. FOR DETAILS SEE: 33-13-00-45A	011100	1
20	4336731004-4212		...SWITCH ASSY-LIGHTED PUSHBUTTON IND SUPPLIER CODE: V81590 SPECIFICATION NUMBER: S231T290-4212	011100	1

MISSING ITEM NUMBERS NOT APPLICABLE

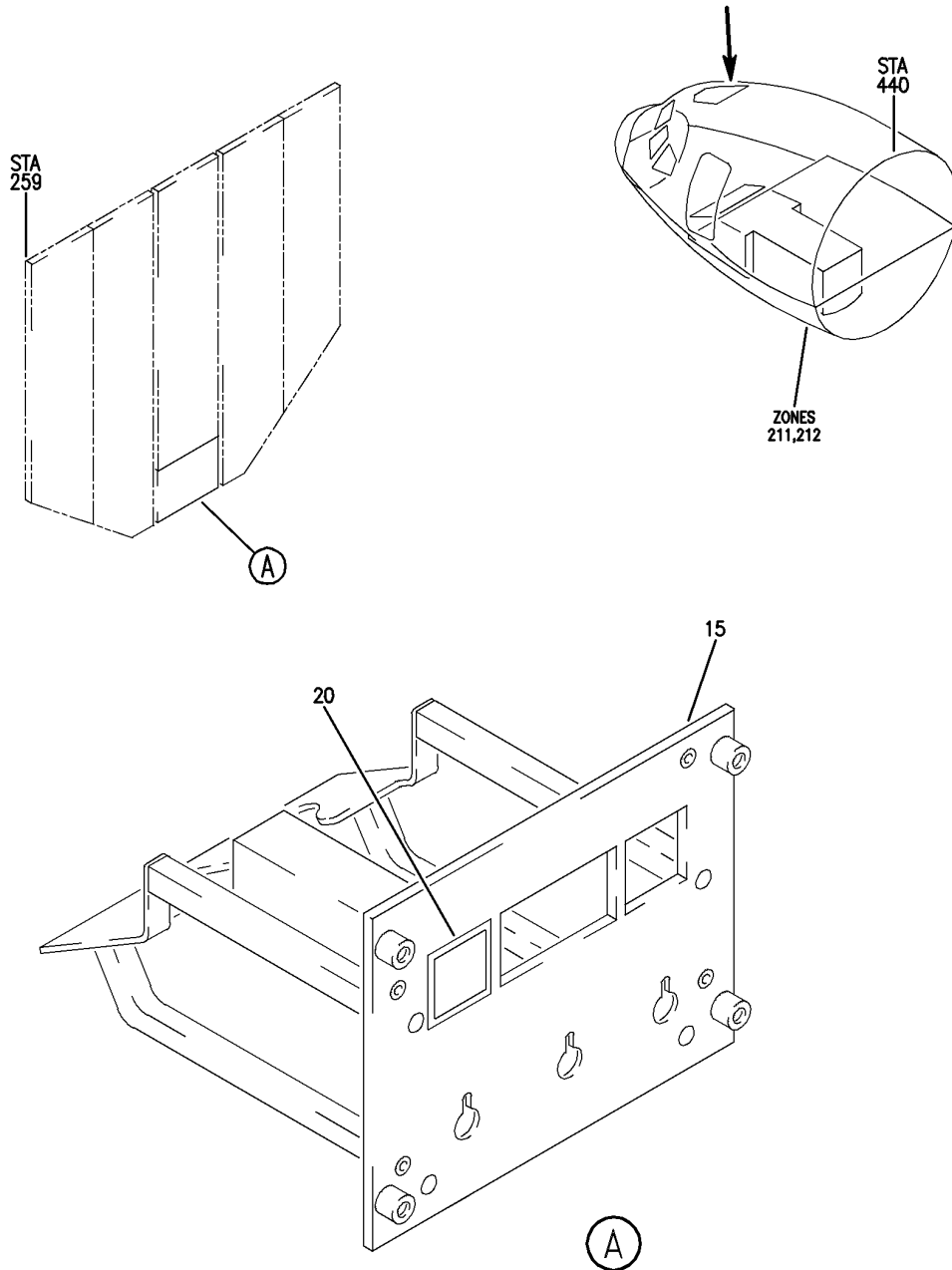
- ITEM NOT ILLUSTRATED

33-43-51-03

33-43-51
FIG. 03
PAGE 2
JAN 20/09

BRI

BOEING
757
PARTS CATALOG (MAINTENANCE)



Y 33435104 REV 237

PANEL INSTL-P5 OVHD (POSITION LIGHTS ONLY)
FIGURE 4

33-43-51-04

BRI
MAY 28/07

33-43-51-04
PAGE 0



757

PARTS CATALOG (MAINTENANCE)

FIG ITEM	PART NUMBER	1 2 3 4 5 6 7	NOMENCLATURE	EFFECT FROM TO	UNITS PER ASSY
4			PANEL INSTL-P5 OVHD (POSITION LIGHTS ONLY)	101106 108120 504903	
- 2	233N3103-132		PANEL INSTL-P5 OVHD (POSITION LIGHTS ONLY) FOR NHA/OTHER SYS DET SEE: 25-10-00-15E	101102	RF
- 2	233N3103-136		PANEL INSTL-P5 OVHD (POSITION LIGHTS ONLY) FOR NHA/OTHER SYS DET SEE: 25-10-00-15E	504903	RF
- 6	233N3103-59		PANEL INSTL-P5 OVHD (POSITION LIGHTS ONLY) FOR NHA/OTHER SYS DET SEE: 25-10-00-15E	108120	RF
- 8	MODREF170180		PANEL INSTL-P5 OVHD (POSITION LIGHTS ONLY) MODULE NUMBER: 233N3103-353 REV B FOR OTHER SYS DETAILS SEE: 11-31-10-12 21-25-55-03 21-31-01-02 21-33-51-03 21-51-54-03 21-58-19-10 21-58-51-03 21-61-04-03 21-65-51-01 22-21-01-04 22-24-51-02 23-24-01-01 23-32-00-11 23-42-02-02 23-71-05-02 24-11-52-05 24-22-01-03 24-31-01-10 24-31-03-09 24-33-04-01 24-41-51-04 24-51-62-01 26-18-51-04 27-21-53-02 27-41-55-01 27-61-51-03 27-62-52-02 28-22-51-02 28-41-04-01	106106	1

MISSING ITEM NUMBERS NOT APPLICABLE

- ITEM NOT ILLUSTRATED

33-43-51-04

33-43-51
FIG. 04
PAGE 1
JAN 20/09

BRI

 **BOEING**
757
PARTS CATALOG (MAINTENANCE)

FIG ITEM	PART NUMBER	1 2 3 4 5 6 7	NOMENCLATURE	EFFECT FROM TO	UNITS PER ASSY
4			28-41-51-03 29-11-02-03 29-11-05-04 29-11-52-07 29-21-54-03 29-31-00-01 29-32-51-03 29-33-52-03 30-11-51-03 30-21-51-03 30-31-51-02 30-32-51-01 30-33-51-02 30-41-51-03 30-42-51-03 31-12-11-84 31-12-11-84 A 32-42-52-03 33-11-03-03 33-11-51-17 33-13-01-65 33-13-02-03 33-16-51-03 33-24-51-02 33-41-52-04 33-42-01-04 33-42-02-04 33-42-52-04 33-44-51-05 33-45-53-03 33-51-08-05 34-21-02-01 35-21-51-04 36-11-04-01 36-21-00-01 36-21-02-05 36-22-51-03 49-41-00-02 49-52-00-01 49-70-00-01 52-51-51-03 52-71-51-02 73-21-52-02 74-31-51-05 75-32-00-01 80-11-09-02		
-	8	MODREF33760	PANEL INSTL-P5 OVHD (POSITION LIGHTS ONLY) MODULE NUMBER: MISSING ITEM NUMBERS NOT APPLICABLE	103103	1

- ITEM NOT ILLUSTRATED

BRI

33-43-51-04

BOEING PROPRIETARY - Copyright © - Unpublished Work - See title page for details.

33-43-51
FIG. 04
PAGE 2
JAN 20/09



757

PARTS CATALOG (MAINTENANCE)

FIG ITEM	PART NUMBER	1 2 3 4 5 6 7 NOMENCLATURE	EFFECT FROM TO	UNITS PER ASSY
4		233N3103-351 REV C FOR OTHER SYS DETAILS SEE : 11-31-10-12 21-25-55-03 21-31-01-02 21-33-51-03 21-51-54-03 21-58-19-10 21-58-51-03 21-61-04-03 21-65-51-01 22-21-01-04 22-24-51-02 23-24-01-01 23-32-00-11 23-42-02-02 23-71-05-02 24-11-52-05 24-22-01-03 24-31-01-10 24-31-03-09 24-33-04-01 24-41-51-04 24-51-62-01 26-18-51-04 27-21-53-02 27-41-55-01 27-61-51-03 27-62-52-02 28-22-51-02 28-41-04-01 28-41-51-03 29-11-02-03 29-11-05-04 29-11-52-07 29-21-54-03 29-31-00-01 29-32-51-03 29-33-52-03 30-11-51-03 30-21-51-03 30-31-51-02 30-32-51-01 30-33-51-02 30-41-51-03 30-42-51-03 31-12-11-91 31-12-11-91A 32-42-52-03 MISSING ITEM NUMBERS NOT APPLICABLE		

- ITEM NOT ILLUSTRATED

33-43-51-04

33-43-51
FIG. 04
PAGE 3
JAN 20/09

BRI



757

PARTS CATALOG (MAINTENANCE)

FIG ITEM	PART NUMBER	1 2 3 4 5 6 7	NOMENCLATURE	EFFECT FROM TO	UNITS PER ASSY
4			33-11-03-03 33-11-51-17 33-13-01-65 33-13-02-03 33-16-51-03 33-24-51-02 33-41-52-04 33-42-01-04 33-42-02-04 33-42-52-04 33-44-51-05 33-45-53-03 33-51-08-05 34-21-02-01 35-21-51-04 36-11-04-01 36-21-00-01 36-21-02-05 36-22-51-03 49-41-00-02 49-52-00-01 49-70-00-01 52-51-51-03 52-71-51-02 73-21-52-02 74-31-51-05 75-32-00-01 80-11-09-02		
- 8	MODREF34038		PANEL INSTL-P5 OVHD (POSITION LIGHTS ONLY) MODULE NUMBER: 233N3103-351 REV D FOR OTHER SYS DETAILS SEE: 11-31-10-12 21-25-55-03 21-31-01-02 21-33-51-03 21-51-54-03 21-58-19-10 21-58-51-03 21-61-04-03 21-65-51-01 22-21-01-04 22-24-51-02 23-24-01-01 23-32-00-11 23-42-02-02 23-71-05-02 24-11-52-05	104105	1

MISSING ITEM NUMBERS NOT APPLICABLE

- ITEM NOT ILLUSTRATED

33-43-51-04

33-43-51
 FIG. 04
 PAGE 4
 JAN 20/09

BRI



757

PARTS CATALOG (MAINTENANCE)

FIG ITEM	PART NUMBER	1 2 3 4 5 6 7	NOMENCLATURE	EFFECT FROM TO	UNITS PER ASSY
4			24-22-01-03 24-31-01-10 24-31-03-09 24-33-04-01 24-41-51-04 24-51-62-01 26-18-51-04 27-21-53-02 27-41-55-01 27-61-51-03 27-62-52-02 28-22-51-02 28-41-04-01 28-41-51-03 29-11-02-03 29-11-05-04 29-11-52-07 29-21-54-03 29-31-00-01 29-32-51-03 29-33-52-03 30-11-51-03 30-21-51-03 30-31-51-02 30-32-51-01 30-33-51-02 30-41-51-03 30-42-51-03 31-12-11-91 31-12-11-91 A 32-42-52-03 33-11-03-03 33-11-51-17 33-13-01-65 33-13-02-03 33-16-51-03 33-24-51-02 33-41-52-04 33-42-01-04 33-42-02-04 33-42-52-04 33-44-51-05 33-45-53-03 33-51-08-05 34-21-02-01 35-21-51-04 36-11-04-01 36-21-00-01 36-21-02-05		

MISSING ITEM NUMBERS NOT APPLICABLE

- ITEM NOT ILLUSTRATED

33-43-51-04

33-43-51
FIG. 04
PAGE 5
JAN 20/09

BRI



757

PARTS CATALOG (MAINTENANCE)

FIG ITEM	PART NUMBER	1 2 3 4 5 6 7	NOMENCLATURE	EFFECT FROM TO	UNITS PER ASSY
4			36-22-51-03 49-41-00-02 49-52-00-01 49-70-00-01 52-51-51-03 52-71-51-02 73-21-52-02 74-31-51-05 75-32-00-01 80-11-09-02		
- 13	233N3210-300	.	PANEL ASSY-ANTI-COLLISION LIGHTING SUPPLIER CODE: V89954 ELECTRICAL EQUIP NUMBER: M10396 COMPONENT MAINT MANUAL REF: 33-44-71 QUALIFIED I/W DATA: THE 233N3210-300 PANEL ASSY IS I/W THE 233N3210-16 PANEL ASSY T/W THE S233T100-6030 LIGHTPLATE	108120	RF
- 13	233T3217-300	.	PANEL ASSY-ANTI-COLLISION LIGHTING SUPPLIER CODE: V89954 ELECTRICAL EQUIP NUMBER: M00056 COMPONENT MAINT MANUAL REF: 33-44-72 QUALIFIED I/W DATA: THE 233T3217-300 PANEL ASSY IS I/W THE 233T3217-41 PANEL ASSY T/W THE S233T100-6030 LIGHTPLATE.	101106 504903	RF
15	233N3210-16	..	PANEL ASSY- SUPPLIER CODE: V89954 COMPONENT MAINT MANUAL REF: 33-44-71 QUALIFIED I/W DATA: THE 233N3210-300 PANEL ASSY IS I/W THE 233N3210-16 PANEL ASSY T/W THE S233T100-6030 LIGHTPLATE	108120	RF

MISSING ITEM NUMBERS NOT APPLICABLE

- ITEM NOT ILLUSTRATED

33-43-51-04

33-43-51
FIG. 04
PAGE 6
JAN 20/09

BRI



757

PARTS CATALOG (MAINTENANCE)

FIG ITEM	PART NUMBER	1 2 3 4 5 6 7	NOMENCLATURE	EFFECT FROM TO	UNITS PER ASSY
4 15	233T3217-41		.. PANEL ASSY- SUPPLIER CODE: V89954 COMPONENT MAINT MANUAL REF: 33-44-72 QUALIFIED I/W DATA: THE 233T3217-300 PANEL ASSY IS I/W THE 233T3217-41 PANEL ASSY T/W THE S233T100-6030 LIGHTPLATE.	101106 504903	RF
20	BCREFA0503		... SWITCH ASSY-LIGHTED PUSH BUTTON IND SUPPLIER CODE: V81590 OVERLENGTH PART NUMBER: 433-673-1004-4012 SPECIFICATION NUMBER: S231T290-4012 MISCELLANEOUS DATA: WHEN REPLACING THE PUSHBUTTON SWITCH ASSY OR THE MASTER MODULE WITHIN, VERIFY THAT A CONFIG D MASTER MODULE P/N 13206-001 IS INSTALLED IN LIEU OF ANY EARLIER CONFIGURATION MASTER MODULES. FOR DETAILS SEE: 33-13-00-45A	101106 504903	1
20	851-30768-3012		... SWITCH ASSY-LIGHTED PUSH BUTTON IND ON SUPPLIER CODE: V96182 SPECIFICATION NUMBER: S231T290-3012 FOR DETAILS SEE: 33-13-00-35A	108120	1
20	S231T290-5012		... SWITCH ASSY-LIGHTED PUSH BUTTON IND OPTIONAL PART: 4336731004-4212 V81590	108120	1

MISSING ITEM NUMBERS NOT APPLICABLE

- ITEM NOT ILLUSTRATED

33-43-51-04

33-43-51
FIG. 04
PAGE 7
JAN 20/09

BRI



757

PARTS CATALOG (MAINTENANCE)

FIG ITEM	PART NUMBER	1 2 3 4 5 6 7	NOMENCLATURE	EFFECT FROM TO	UNITS PER ASSY
4					
20	851-35100-5012	...	SWITCH ASSY-LIGHTED PUSH BUTTON IND SUPPLIER CODE: V96182 SPECIFICATION NUMBER: S231T290-5012 OPTIONAL PART: 4336731004-4212 V81590	108120	1
20	4336731004-4212	...	SWITCH ASSY-LIGHTED PUSH BUTTON IND SUPPLIER CODE: V81590 SPECIFICATION NUMBER: S231T290-4212	101106 504903	1
20	BCREFA0503	...	SWITCH ASSY-LIGHTED PUSHBUTTON IND SUPPLIER CODE: V81590 OVERLENGTH PART NUMBER: 433-673-1004-4012 SPECIFICATION NUMBER: S231T290-4012 MISCELLANEOUS DATA: WHEN REPLACING THE PUSHBUTTON SWITCH ASSY OR THE MASTER MODULE WITHIN, VERIFY THAT A CONFIG D MASTER MODULE P/N 13206-001 IS INSTALLED IN LIEU OF ANY EARLIER CONFIGURATION MASTER MODULES. FOR DETAILS SEE: 33-13-00-45A	108120	1
20	4336731004-4212	...	SWITCH ASSY-LIGHTED PUSHBUTTON IND SUPPLIER CODE: V81590 SPECIFICATION NUMBER: S231T290-4212 OPTIONAL PART: S231T290-5012 851-35100-5012 V96182	108120	1

MISSING ITEM NUMBERS NOT APPLICABLE

- ITEM NOT ILLUSTRATED

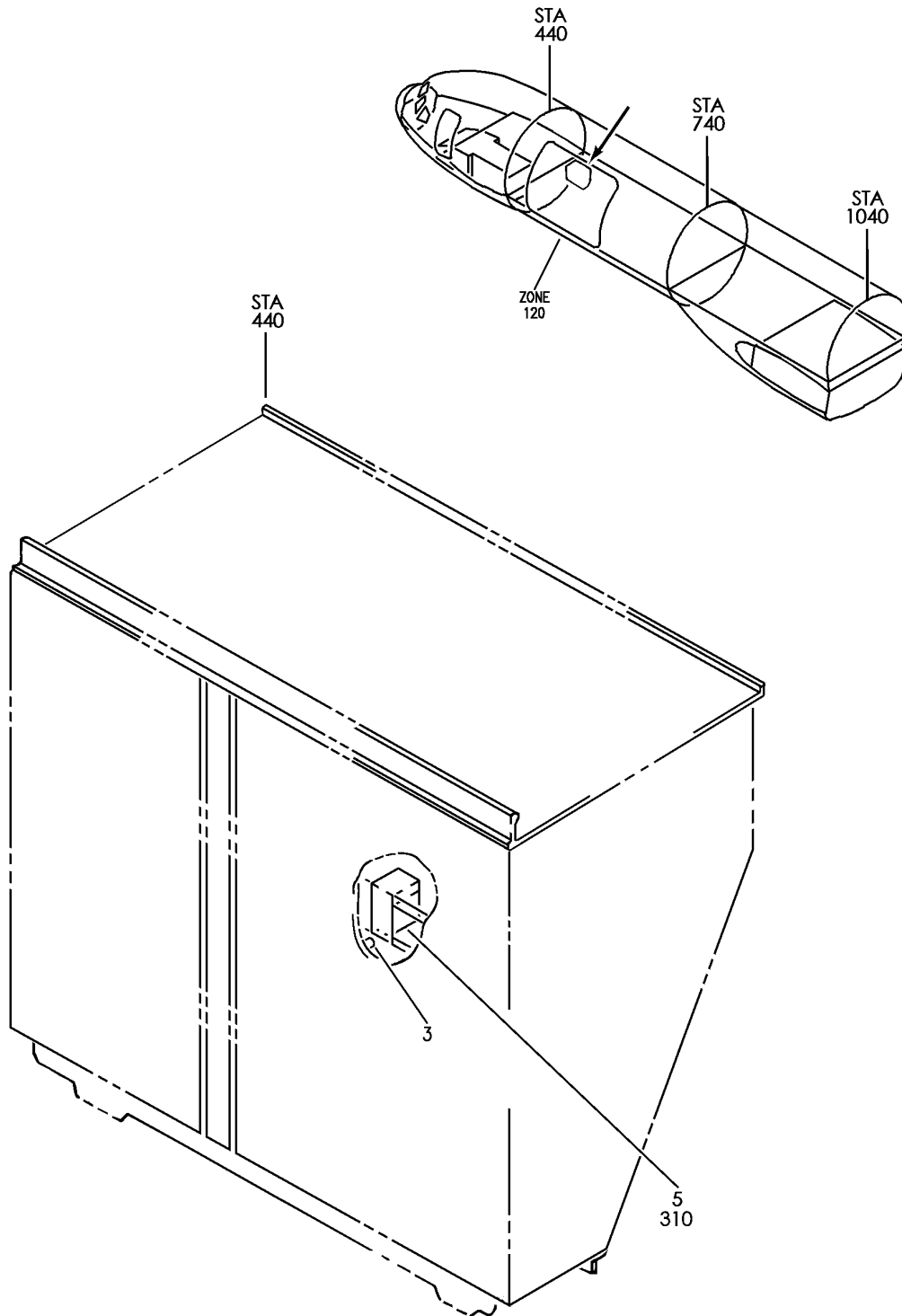
BRI

33-43-51-04

BOEING PROPRIETARY - Copyright © - Unpublished Work - See title page for details.

33-43-51
FIG. 04
PAGE 8
JAN 20/09

BOEING
757
PARTS CATALOG (MAINTENANCE)



Y 33435501B REV 273

PACKAGE ASSY-OPTION P37 R MISC RELAY (POSITION LIGHTS ONLY)
FIGURE 1B

33-43-55-01B

BRI
MAY 28/07

33-43-55-01B
PAGE 0



757

PARTS CATALOG (MAINTENANCE)

FIG ITEM	PART NUMBER	1 2 3 4 5 6 7	NOMENCLATURE	EFFECT FROM TO	UNITS PER ASSY
1B			PACKAGE ASSY-OPTION P37 R MISC RELAY (POSITION LIGHTS ONLY)	101102 504903	
- 1	284N1127-1043		PACKAGE ASSY-OPTION P37 R MISC RELAY (POSITION LIGHTS ONLY)	101102 504903	RF
	5 KAD9F005		MISCELLANEOUS DATA: 757-200 MINOR MODEL REWORKED BY ALERT SB: 27A0130 FOR NHA/OTHER SYS DET SEE: 31-01-37-02 .RELAY- SUPPLIER CODE: V58657 ELECTRICAL EQUIP NUMBER: K10799	101102 504903	1
- 300	286N1270-336		WIRE BUNDLE ASSY- REWORKED BY ALERT SB: 34A0222 27A0130	504903	RF
- 301	286N1270-361		WIRE BUNDLE ASSY- REWORKED BY ALERT SB: 34A0222 27A0130	101101	RF
- 301	286N1270-399		WIRE BUNDLE ASSY- REWORKED BY ALERT SB: 34A0222 27A0130	102102	RF
310	RSF116408		.SOCKET- SUPPLIER CODE: V58982 SPECIFICATION NUMBER: BACS16W3A OPTIONAL PART: 102-012-1 V09922 000300-1543 V05574 ELECTRICAL EQUIP NUMBER: D11272 WIRING DIAGRAM REF: 334311	101102 504903	1

MISSING ITEM NUMBERS NOT APPLICABLE

- ITEM NOT ILLUSTRATED

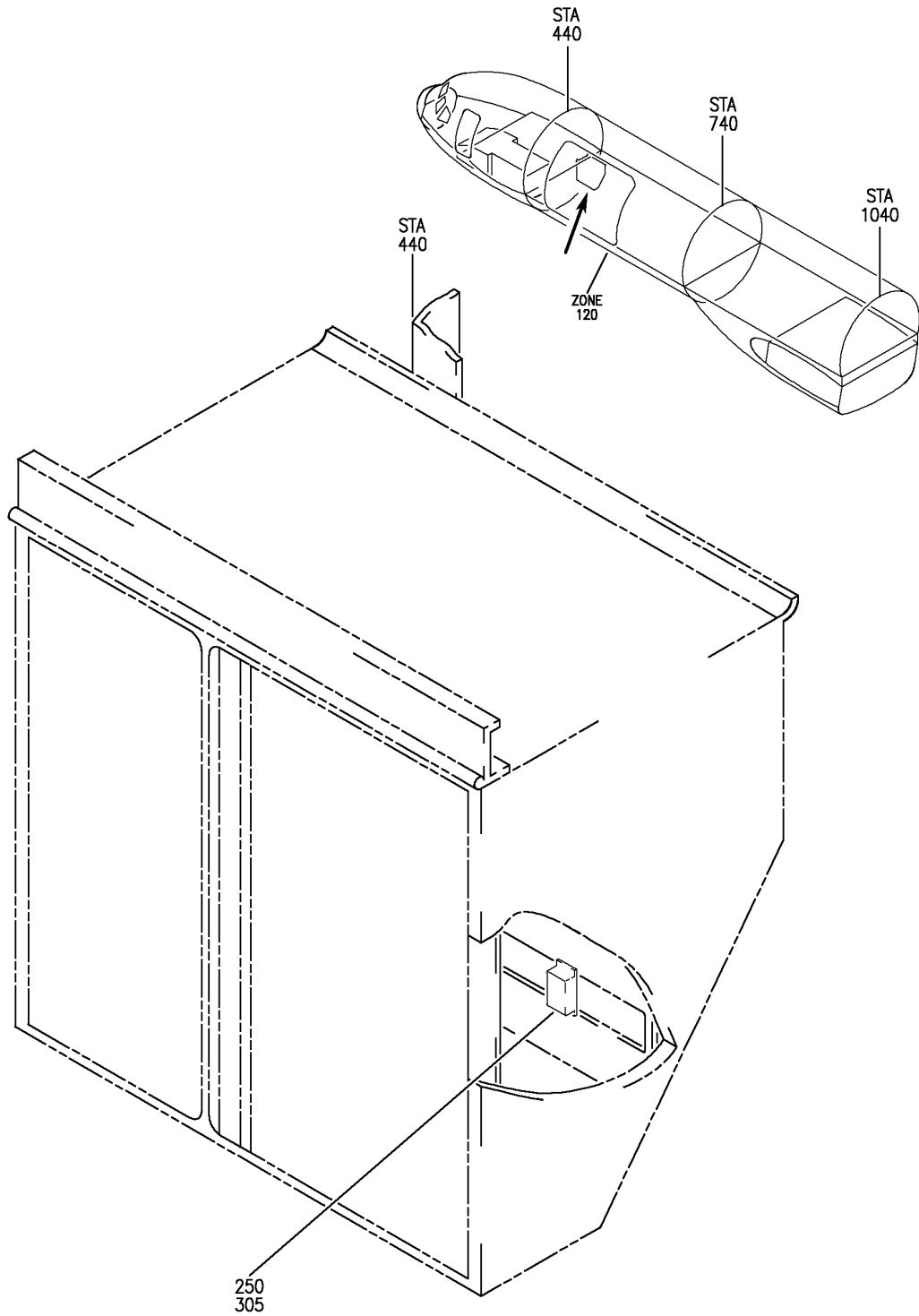
33-43-55-01B

33-43-55
FIG. 01B
PAGE 1
JAN 20/09

BRI

BOEING PROPRIETARY - Copyright © - Unpublished Work - See title page for details.

BOEING
757
PARTS CATALOG (MAINTENANCE)



Y 33435501D REV 250

PANEL INSTL-P37 R MISC RELAY (POSITION LIGHTS ONLY)
FIGURE 1D

33-43-55-01D

BRI
JAN 20/09

33-43-55-01D
PAGE 0

BOEING PROPRIETARY - Copyright © - Unpublished Work - See title page for details.



757

PARTS CATALOG (MAINTENANCE)

FIG ITEM	PART NUMBER	1 2 3 4 5 6 7	NOMENCLATURE	EFFECT FROM TO	UNITS PER ASSY
1 D			PANEL INSTL-P37 R MISC RELAY (POSITION LIGHTS ONLY)	103106 108120	
- 1	MODREF185037		PANEL INSTL-P37 R MISC RELAY (POSITION LIGHTS ONLY) MODULE NUMBER: 284N1127-169 REV D FOR OTHER SYS DETAILS SEE: 11-36-12-02A 21-25-71-02D 21-44-71-02D 21-45-31-01D 21-51-55-01D 21-58-71-02D 21-61-71-02D 23-31-51-05 24-21-51-05 24-51-01-02 24-51-02-03 24-51-58-02D 27-62-71-03D 28-22-71-03D 29-21-71-01D 30-11-71-02D 30-21-71-03D 30-31-71-02D 30-32-71-02D 30-33-71-02D 30-34-51-01D 31-01-37-10 31-31-71-02D 32-09-02-04D 32-42-71-02D 32-61-71-02D 33-51-71-01D 34-12-71-02D 34-25-50-01D 34-61-52-01D 35-21-71-02D 36-11-71-02D 38-15-71-02D 73-21-55-01D 74-31-71-02D 76-11-71-02D 77-12-71-01D 78-34-71-02D 78-36-71-02D 80-11-71-02D	106106	1
MISSING ITEM NUMBERS NOT APPLICABLE					

- ITEM NOT ILLUSTRATED

33-43-55-01D

33-43-55
FIG. 01D
PAGE 1
JAN 20/09

BRI



757

PARTS CATALOG (MAINTENANCE)

FIG ITEM	PART NUMBER	1 2 3 4 5 6 7	NOMENCLATURE	EFFECT FROM TO	UNITS PER ASSY
1D - 3	284N1127-118		PANEL INSTL-P37 R MISC RELAY (POSITION LIGHTS ONLY) FOR NHA/OTHER SYS DET SEE: 24-00-58-05C	108108	RF
- 4	284N1127-139		PANEL INSTL-P37 R MISC RELAY (POSITION LIGHTS ONLY) FOR NHA/OTHER SYS DET SEE: 24-00-58-05C	109120	RF

MISSING ITEM NUMBERS NOT APPLICABLE

- ITEM NOT ILLUSTRATED

BRI

33-43-55-01D

BOEING PROPRIETARY - Copyright © - Unpublished Work - See title page for details.

33-43-55
FIG. 01D
PAGE 2
JAN 20/09



757

PARTS CATALOG (MAINTENANCE)

FIG ITEM	PART NUMBER	1 2 3 4 5 6 7	NOMENCLATURE	EFFECT FROM TO	UNITS PER ASSY
1 D - 8	MODREF31945		PANEL INSTL-P37 R MISC RELAY (POSITION LIGHTS ONLY) MODULE NUMBER: 284N1127-169 REV B FOR OTHER SYS DETAILS SEE: 11-36-12-02A 21-25-71-02D 21-44-71-02D 21-45-31-01D 21-51-55-01D 21-58-71-02D 21-61-71-02D 23-31-51-05 24-21-51-05 24-51-01-02 24-51-02-03 24-51-58-02D 27-62-71-03D 28-22-71-03D 29-21-71-01D 30-11-71-02D 30-21-71-03D 30-31-71-02D 30-32-71-02D 30-33-71-02D 30-34-51-01D 31-01-37-10 31-31-71-02D 32-09-02-04D 32-42-71-02D 32-61-71-02D 33-51-71-01D 34-12-71-02D 34-25-50-01D 34-61-52-01D 35-21-71-02D 36-11-71-02D 38-15-71-02D 73-21-55-01D 74-31-71-02D 76-11-71-02D 77-12-71-01D 78-34-71-02D 78-36-71-02D 80-11-71-02D	103103	1

MISSING ITEM NUMBERS NOT APPLICABLE

- ITEM NOT ILLUSTRATED

BRI

33-43-55-01D

BOEING PROPRIETARY - Copyright © - Unpublished Work - See title page for details.

33-43-55
FIG. 01D
PAGE 3
JAN 20/09



757

PARTS CATALOG (MAINTENANCE)

FIG ITEM	PART NUMBER	1 2 3 4 5 6 7	NOMENCLATURE	EFFECT FROM TO	UNITS PER ASSY
1 D - 9	MODREF34305		PANEL INSTL-P37 R MISC RELAY (POSITION LIGHTS ONLY) MODULE NUMBER: 284N1127-169 REV C FOR OTHER SYS DETAILS SEE: 11-36-12-02A 21-25-71-02D 21-44-71-02D 21-45-31-01D 21-51-55-01D 21-58-71-02D 21-61-71-02D 23-31-51-05 24-21-51-05 24-51-01-02 24-51-02-03 24-51-58-02D 27-62-71-03D 28-22-71-03D 29-21-71-01D 30-11-71-02D 30-21-71-03D 30-31-71-02D 30-32-71-02D 30-33-71-02D 30-34-51-01D 31-01-37-10 31-31-71-02D 32-09-02-04D 32-42-71-02D 32-61-71-02D 33-51-71-01D 34-12-71-02D 34-25-50-01D 34-61-52-01D 35-21-71-02D 36-11-71-02D 38-15-71-02D 73-21-55-01D 74-31-71-02D 76-11-71-02D 77-12-71-01D 78-34-71-02D 78-36-71-02D 80-11-71-02D	104105	1

MISSING ITEM NUMBERS NOT APPLICABLE

- ITEM NOT ILLUSTRATED

33-43-55-01D

33-43-55
FIG. 01D
PAGE 4
JAN 20/09

BRI



757

PARTS CATALOG (MAINTENANCE)

FIG ITEM	PART NUMBER	1 2 3 4 5 6 7	NOMENCLATURE	EFFECT FROM TO	UNITS PER ASSY
1D 250	KAD9F005		.RELAY- SUPPLIER CODE: V58657 ELECTRICAL EQUIP NUMBER: K10799	103106 108120	1
- 300	286N1270-360		WIRE BUNDLE ASSY- REWORKED BY ALERT SB: 34A0222	108120	RF
- 302 305	286N1270-602 RSF116408		WIRE BUNDLE ASSY .SOCKET- SUPPLIER CODE: V58982 SPECIFICATION NUMBER: BACS16W3A OPTIONAL PART: 102-012-1 V09922 000300-1543 V05574 ELECTRICAL EQUIP NUMBER: D11272 WIRING DIAGRAM REF: 334311	103106 103106 108120	RF 1

MISSING ITEM NUMBERS NOT APPLICABLE

- ITEM NOT ILLUSTRATED

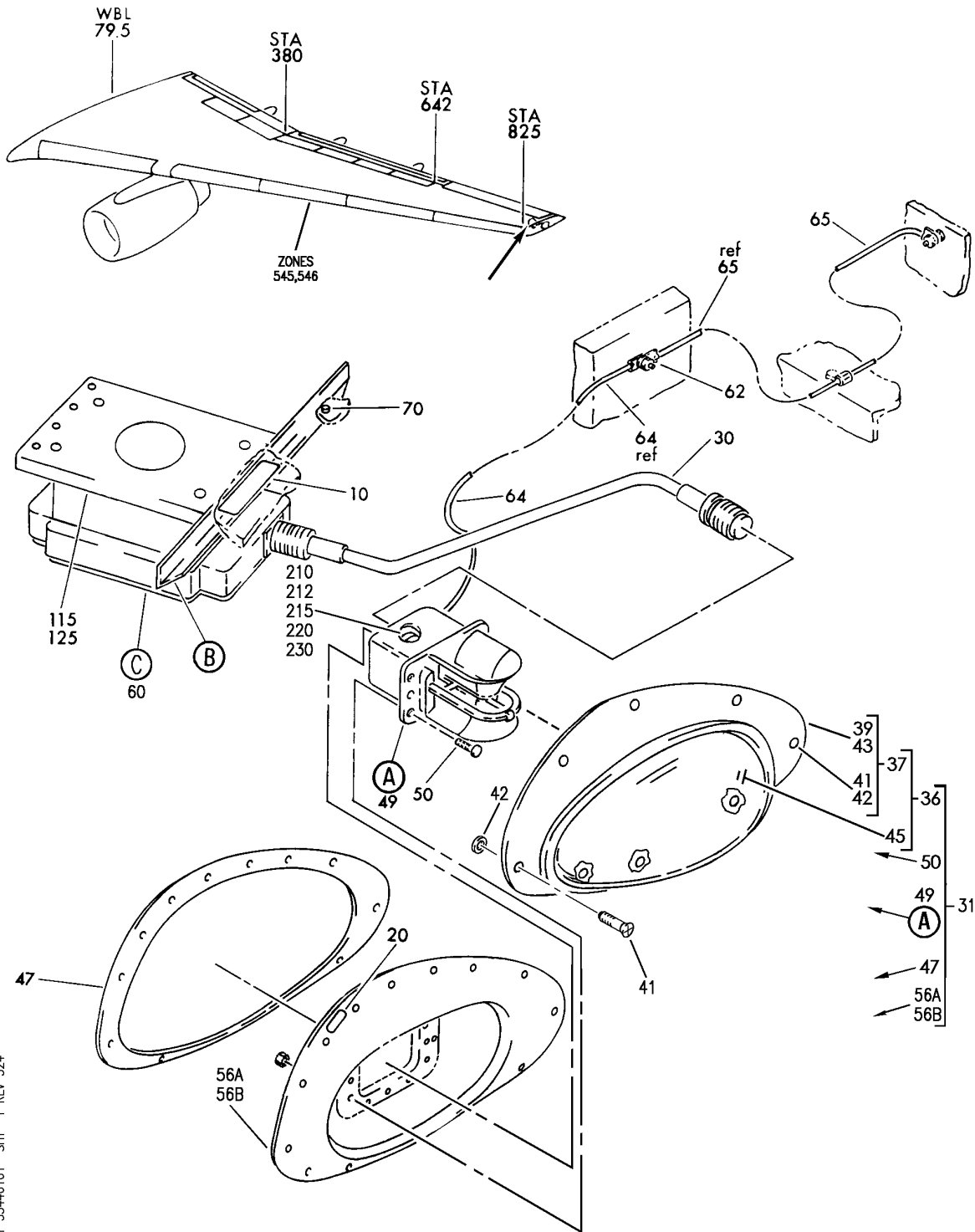
33-43-55-01D

33-43-55
FIG. 01D
PAGE 5
JAN 20/09

BRI

ANTI-COLLISION LIGHTS

BOEING
757
PARTS CATALOG (MAINTENANCE)



Y 33440101 SHT 1 REV 324

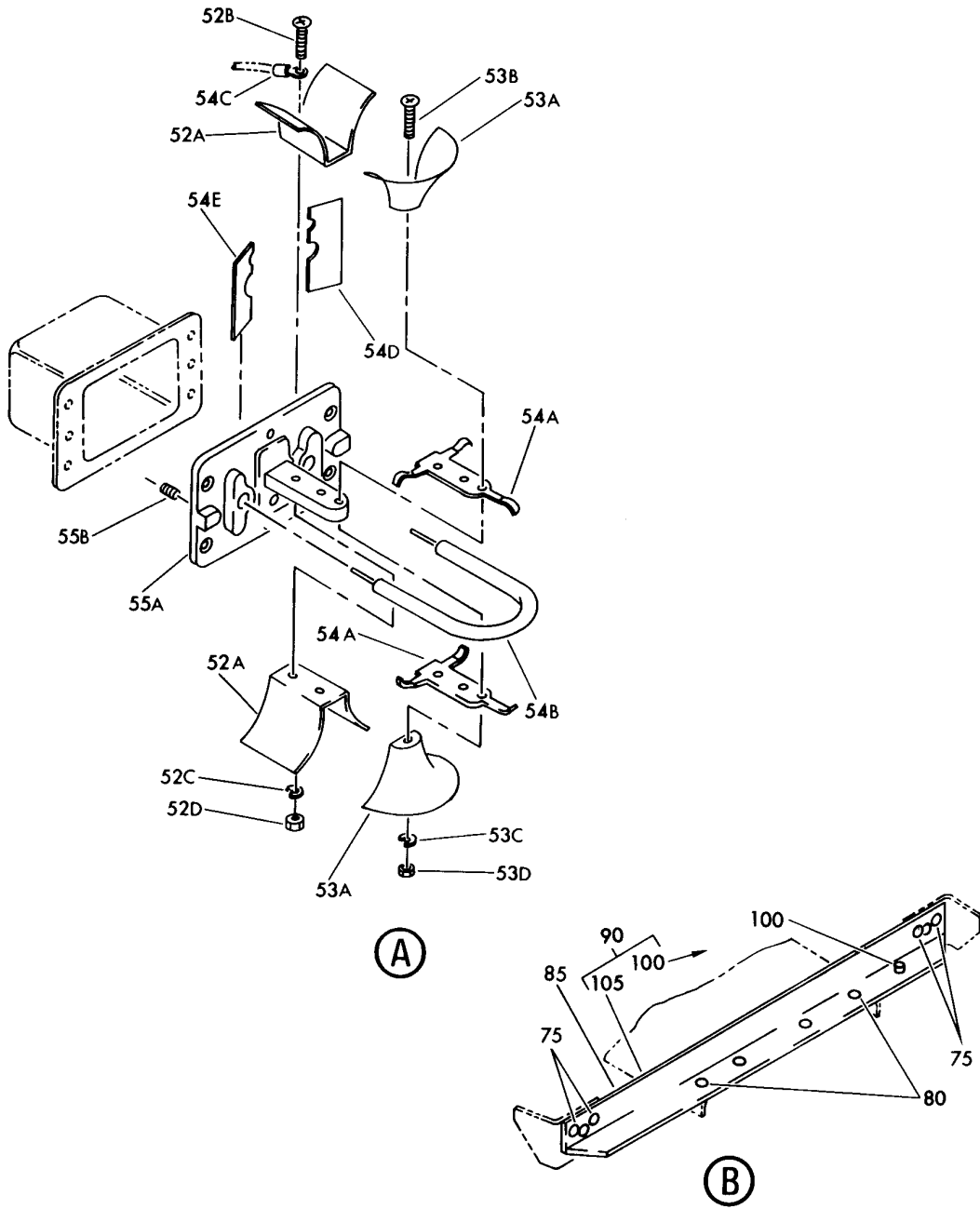
LIGHT INSTL-WING TIP ANTI-COLLISION
FIGURE 1 (SHEET 1)

33-44-01-01

BRI
SEP 20/08

33-44-01-01
PAGE 0

BOEING
757
PARTS CATALOG (MAINTENANCE)



Y 33440101 SHT 2 REV 113

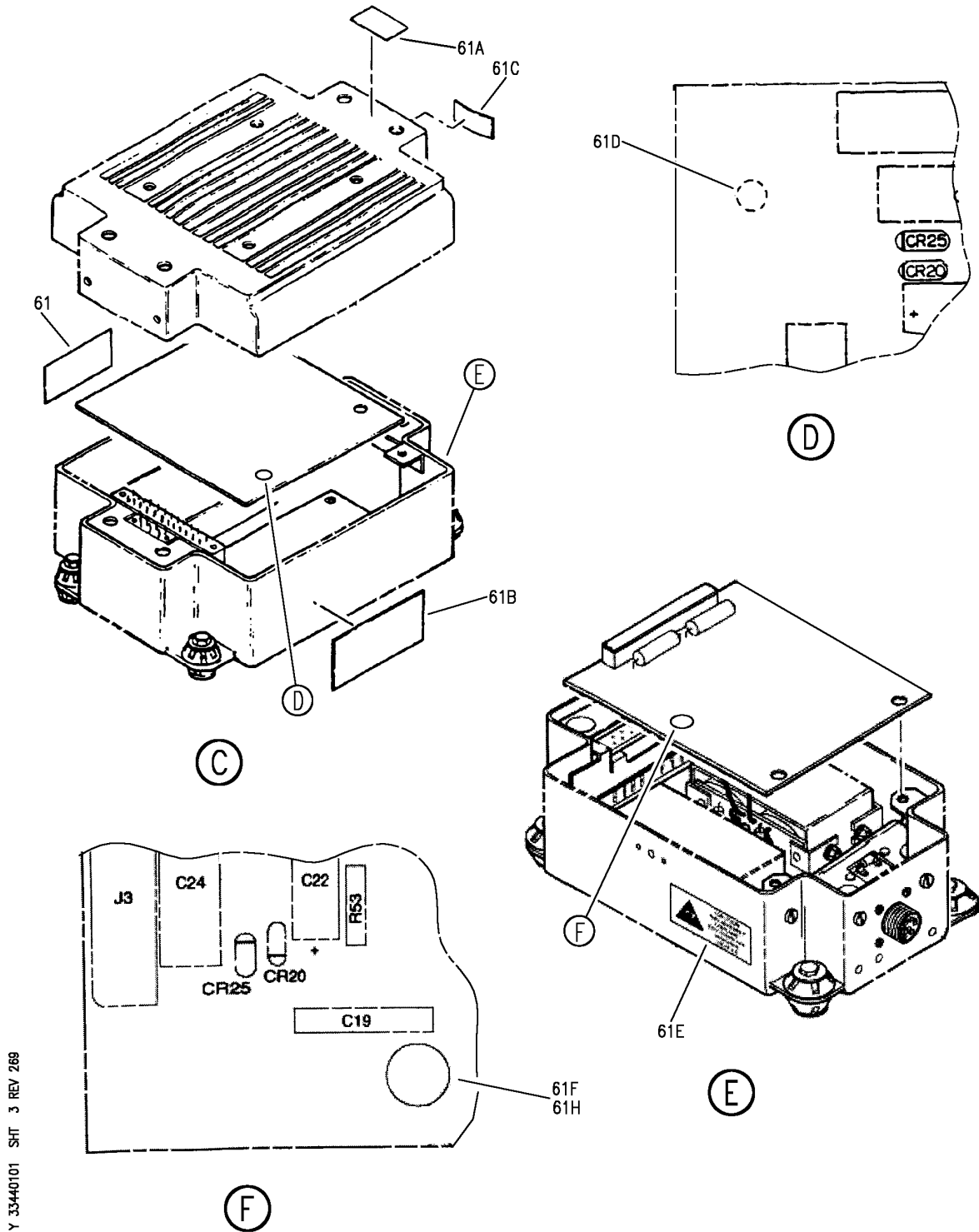
LIGHT INSTL-WING TIP ANTI-COLLISION
FIGURE 1 (SHEET 2)

33-44-01-01

BRI
MAY 28/07

33-44-01-01
PAGE 0A

BOEING
757
PARTS CATALOG (MAINTENANCE)



Y 33440101 SHT 3 REV 268

LIGHT INSTL-WING TIP ANTI-COLLISION
FIGURE 1 (SHEET 3)

33-44-01-01

BRI
MAY 28/07

33-44-01-01
PAGE 0B



757

PARTS CATALOG (MAINTENANCE)

FIG ITEM	PART NUMBER	1 2 3 4 5 6 7	NOMENCLATURE	EFFECT FROM TO	UNITS PER ASSY
1			LIGHT INSTL-WING TIP ANTI-COLLISION	002004 006999	
- 1	284N1113-3		LIGHT INSTL-WING TIP ANTI-COLLISION POSITION DATA: LH FOR NHA SEE: 24-00-58-01A	107107 904949 952952	RF
- 1	284N1113-5		LIGHT INSTL-WING TIP ANTI-COLLISION POSITION DATA: LH FOR NHA SEE: 24-00-58-01A	002004 006017 121503 950951 953999	RF
- 1	284N1113-7		LIGHT INSTL-WING TIP ANTI-COLLISION POSITION DATA: LH ACCESS PANEL NUMBER: 545BL FOR NHA SEE: 24-00-58-01A 24-00-58-05	018102 108120 504903	RF
- 1	MODREF10985		LIGHT INSTL-WING TIP ANTI-COLLISION MODULE NUMBER: 284N1113-7 REV A POSITION DATA: LH	103103	1
- 1	MODREF27690		LIGHT INSTL-WING TIP ANTI-COLLISION MODULE NUMBER: 284N1113-7 REV B POSITION DATA: LH	104106	1
- 5	284N1113-4		LIGHT INSTL-WING TIP ANTI-COLLISION POSITION DATA: RH FOR NHA SEE: 24-00-58-01A	107107 904949 952952	RF
- 5	284N1113-6		LIGHT INSTL-WING TIP ANTI-COLLISION POSITION DATA: RH FOR NHA SEE: 24-00-58-01A	002004 006017 121503 950951 953999	RF

MISSING ITEM NUMBERS NOT APPLICABLE

- ITEM NOT ILLUSTRATED

33-44-01-01

33-44-01
FIG. 01
PAGE 1
JAN 20/09

BRI



757

PARTS CATALOG (MAINTENANCE)

FIG ITEM	PART NUMBER	1 2 3 4 5 6 7	NOMENCLATURE	EFFECT FROM TO	UNITS PER ASSY
1					
- 5	284N1113-8		LIGHT INSTL-WING TIP ANTI-COLLISION POSITION DATA: RH ACCESS PANEL NUMBER: 645BR FOR NHA SEE: 24-00-58-01A 24-00-58-05	018102 108120 504903	RF
- 5	MODREF10986		LIGHT INSTL-WING TIP ANTI-COLLISION MODULE NUMBER: 284N1113-8 REV A POSITION DATA: RH	103103	1
- 5	MODREF27691		LIGHT INSTL-WING TIP ANTI-COLLISION MODULE NUMBER: 284N1113-8 REV B POSITION DATA: RH	104106	1
10	BAC27NEX0140		.DECAL- POSITION DATA: LH SIDE PLACARD CONTENT: M588 PWR SUPPLY ANTI-COLL LT. L-WING	002004 006999	1
- 15	BAC27NEX0141		.DECAL- POSITION DATA: RH SIDE PLACARD CONTENT: M589 PWR SUPPLY ANTI-COLL LT. R-WING	002004 006999	1
20	BAC27NEX0761		.MARKER-ALUMINUM FOIL POSITION DATA: LH SIDE PLACARD CONTENT: L20	002004 006999	1
- 22	BAC27XSTN2807		.MARKER-ALUMINUM FOIL PLACARD CONTENT: 545BL	018106 108120 504903	1
- 23	BAC27XSTN2855		.MARKER-ALUMINUM FOIL PLACARD CONTENT: 645BR	018106 108120 504903	1
- 25	BAC27NEX0762		.MARKER-ALUMINUM FOIL POSITION DATA: RH SIDE PLACARD CONTENT: L21	002004 006999	1

MISSING ITEM NUMBERS NOT APPLICABLE

- ITEM NOT ILLUSTRATED

33-44-01-01

33-44-01
FIG. 01
PAGE 2
JAN 20/09

BRI



757

PARTS CATALOG (MAINTENANCE)

FIG ITEM	PART NUMBER	1 2 3 4 5 6 7	NOMENCLATURE	EFFECT FROM TO	UNITS PER ASSY
1 30	60-3414-7		.CABLE ASSY-WING TIP SUPPLIER CODE: V72914 SPECIFICATION NUMBER: S283T012-14 COMPONENT MAINT MANUAL REF: 33-44-18 FOR DETAILS SEE: 33-44-52-01	002004 006999	1
31	30-1691-1		.LIGHT ASSY- SUPPLIER CODE: V72914 POSITION DATA: LH SIDE SPECIFICATION NUMBER: S283T012-11 ELECTRICAL EQUIP NUMBER: L00020 COMPONENT MAINT MANUAL REF: 33-44-15 OPTIONAL PART: 30-1691-3 V72914	002004 006999	1
31	30-1691-3		.LIGHT ASSY- SUPPLIER CODE: V72914 POSITION DATA: LH SIDE SPECIFICATION NUMBER: S283T012-31 ELECTRICAL EQUIP NUMBER: L00020 COMPONENT MAINT MANUAL REF: 33-44-15 OPTIONAL PART: 30-1691-1 V72914	002004 006999	1

MISSING ITEM NUMBERS NOT APPLICABLE

- ITEM NOT ILLUSTRATED

33-44-01-01

33-44-01
FIG. 01
PAGE 3
JAN 20/09

BRI



757

PARTS CATALOG (MAINTENANCE)

FIG ITEM	PART NUMBER	1 2 3 4 5 6 7	NOMENCLATURE	EFFECT FROM TO	UNITS PER ASSY
1					
- 32	30-1691-2		.LIGHT ASSY- SUPPLIER CODE: V72914 POSITION DATA: RH SIDE SPECIFICATION NUMBER: S283T012-12 ELECTRICAL EQUIP NUMBER: L00021 COMPONENT MAINT MANUAL REF: 33-44-15 OPTIONAL PART: 30-1691-4 V72914	002004 006999	1
- 32	30-1691-4		.LIGHT ASSY- SUPPLIER CODE: V72914 POSITION DATA: RH SIDE SPECIFICATION NUMBER: S283T012-32 ELECTRICAL EQUIP NUMBER: L00021 COMPONENT MAINT MANUAL REF: 33-44-15 OPTIONAL PART: 30-1691-2 V72914	002004 006999	1
- 33	BACB30NN3K5		ATTACHING PARTS .BOLT	002004 006999	8
			-----*-----		
36	31-5476-1		..LENS ASSY- SUPPLIER CODE: V72914 POSITION DATA: LH SIDE	002004 006999	1
- 36A	31-5476-2		..LENS ASSY- SUPPLIER CODE: V72914 POSITION DATA: RH SIDE	002004 006999	1
37	31-5474-1		...RETAINER ASSY- SUPPLIER CODE: V72914 USED ON: 31-5476-1	002004 006999	1

MISSING ITEM NUMBERS NOT APPLICABLE

- ITEM NOT ILLUSTRATED

33-44-01-01

33-44-01
FIG. 01
PAGE 4
JAN 20/09

BRI



757

PARTS CATALOG (MAINTENANCE)

FIG ITEM	PART NUMBER	1 2 3 4 5 6 7	NOMENCLATURE	EFFECT FROM TO	UNITS PER ASSY
1					
- 38	31-5474-2		...RETAINER ASSY- SUPPLIER CODE: V72914 USED ON: 31-5476-2	002004 006999	1
39	31-5474-7	RETAINER ASSY- SUPPLIER CODE: V72914 USED ON: 31-5474-1	002004 006999	1
- 40	31-5474-8	RETAINER ASSY- SUPPLIER CODE: V72914 USED ON: 31-5474-2 ATTACHING PARTS	002004 006999	1
41	60-3523-1	SCREW- SUPPLIER CODE: V72914	002004 006999	8
42	60-5001-1	WASHER-CAPTIVE SUPPLIER CODE: V72914	002004 006999	8
43	31-5474-5		-----*-----BLANK- SUPPLIER CODE: V72914 USED ON: 31-5474-7	002004 006999	1
- 44	31-5474-6	BLANK- SUPPLIER CODE: V72914 USED ON: 31-5474-8	002004 006999	1
45	25-1119-23		...LENS- SUPPLIER CODE: V72914	002004 006999	1
47	31-5455-1		..GASKET- SUPPLIER CODE: V72914 POSITION DATA: LH SIDE	002004 006999	1
- 47A	31-5455-2		..GASKET- SUPPLIER CODE: V72914 POSITION DATA: RH SIDE	002004 006999	1
49	31-5451-1		..LIGHT ASSY- SUPPLIER CODE: V72914	002004 006999	1

MISSING ITEM NUMBERS NOT APPLICABLE

- ITEM NOT ILLUSTRATED

33-44-01-01

33-44-01
FIG. 01
PAGE 5
JAN 20/09

BRI



757

PARTS CATALOG (MAINTENANCE)

FIG ITEM	PART NUMBER	1 2 3 4 5 6 7	NOMENCLATURE	EFFECT FROM TO	UNITS PER ASSY
1			ATTACHING PARTS		
50	MS24693C52	..	SCREW	002004 006999	4
			-----*-----		
- 51A	31-5450-1	...	LAMP ASSY- SUPPLIER CODE: V72914	002004 006999	1
			ATTACHING PARTS		
- 51B	MS24693C25	...	SCREW	002004 006999	2
			-----*-----		
52A	31-4661-1	...	REFLECTOR- SUPPLIER CODE: V72914	002004 006999	2
			ATTACHING PARTS		
52B	MS51957-31	...	SCREW	002004 006999	2
52C	MS35338-136	...	WASHER	002004 006999	2
52D	MS35649-264	...	NUT	002004 006999	2
			-----*-----		
53A	31-4653-1	...	REFLECTOR- SUPPLIER CODE: V72914	002004 006999	2
			ATTACHING PARTS		
53B	MS51957-31	...	SCREW	002004 006999	1
53C	MS35338-136	...	WASHER	002004 006999	1
53D	MS35649-264	...	NUT	002004 006999	1
			-----*-----		
54A	31-4649-1	...	RETAINER- SUPPLIER CODE: V72914	002004 006999	2
54B	55-0711-1	...	LAMP- SUPPLIER CODE: V72914	002004 006999	1
54C	MS25036-145	...	TERMINAL-	002004 006999	1
54D	31-4662-1	...	REFLECTOR- SUPPLIER CODE: V72914	002004 006999	1
54E	31-4662-2	...	REFLECTOR- SUPPLIER CODE: V72914	002004 006999	1

MISSING ITEM NUMBERS NOT APPLICABLE

- ITEM NOT ILLUSTRATED

33-44-01-01

33-44-01
FIG. 01
PAGE 6
JAN 20/09

BRI

BOEING PROPRIETARY - Copyright © - Unpublished Work - See title page for details.



757

PARTS CATALOG (MAINTENANCE)

FIG ITEM	PART NUMBER	1 2 3 4 5 6 7	NOMENCLATURE	EFFECT FROM TO	UNITS PER ASSY
1					
55A	31-5449-1	...	BASE ASSY- SUPPLIER CODE: V72914	002004 006999	1
55B	60-2527-1	INSERT- SUPPLIER CODE: V72914	002004 006999	2
56A	31-5475-3	..	BASE- SUPPLIER CODE: V72914 POSITION DATA: LH SIDE CONFIG CHG DATA FROM A CMM: SUPSD BY 31-5475-7	002004 006999	1
56B	31-5475-7	..	BASE- SUPPLIER CODE: V72914 POSITION DATA: LH SIDE CONFIG CHG DATA FROM A CMM: SUPERSEDES 31-5475-3	002004 006999	1
- 57A	31-5475-4	..	BASE- SUPPLIER CODE: V72914 POSITION DATA: RH SIDE CONFIG CHG DATA FROM A CMM: SUPSD BY 31-5475-8	002004 006999	1
- 57B	31-5475-8	..	BASE- SUPPLIER CODE: V72914 POSITION DATA: RH SIDE CONFIG CHG DATA FROM A CMM: SUPERSEDES 31-5475-4 ATTACHING PARTS	002004 006999	1
- 57C	BACB30NN3K5	..	BOLT	002004 006999	8
60	60-3368-5	..	POWER SUPPLY ASSY- SUPPLIER CODE: V72914 SPECIFICATION NUMBER: S283T012-22 ELECTRICAL EQUIP NUMBER: M00588 M00589 COMPONENT MAINT MANUAL REF: 33-44-20	002004 006999	1

MISSING ITEM NUMBERS NOT APPLICABLE

- ITEM NOT ILLUSTRATED

33-44-01-01

33-44-01
FIG. 01
PAGE 7
JAN 20/09

BRI



757

PARTS CATALOG (MAINTENANCE)

FIG ITEM	PART NUMBER	1 2 3 4 5 6 7	NOMENCLATURE	EFFECT FROM TO	UNITS PER ASSY
1 60	60-3368-7		.POWER SUPPLY ASSY- SUPPLIER CODE: V72914 FUNCTIONAL DESCRIPTION: THE POWER SUPPLY IS USED IN CONJUNCTION WITH AIRCRAFT NAVIGATIONAL LIGHTS; POWER SUPPLY FURNISHES 85 +5/-0 JOULES NOMINAL INPUT POWER AND A TRIGGER SOURCE TO ENERGIZE A STROBE LIGHT. SPECIFICATION NUMBER: S283T012-25 ELECTRICAL EQUIP NUMBER: M00588 M00589 COMPONENT MAINT MANUAL REF: 33-44-21	002004 006999	1
61	61-2296-1		.. LABEL- SUPPLIER CODE: V72914 USED ON: 60-3368-5	002004 006999	1
61A	61-2140-1		.. PLATE-IDENT SUPPLIER CODE: V72914 USED ON: 60-3368-5	002004 006999	1
61B	61-2141-3		.. PLATE-INSTRUCTION SUPPLIER CODE: V72914 USED ON: 60-3368-5	002004 006999	1
61C	61-2307-1		.. PLATE-INSTRUCTION SUPPLIER CODE: V72914 USED ON: 60-3368-5	002004 006999	1
61D	61-2297-1		.. LABEL- SUPPLIER CODE: V72914 USED ON: 60-3368-5	002004 006999	1

MISSING ITEM NUMBERS NOT APPLICABLE

- ITEM NOT ILLUSTRATED

33-44-01-01

33-44-01
FIG. 01
PAGE 8
JAN 20/09

BRI



757

PARTS CATALOG (MAINTENANCE)

FIG ITEM	PART NUMBER	1 2 3 4 5 6 7	NOMENCLATURE	EFFECT FROM TO	UNITS PER ASSY
1					
61E	61-2296-7	..	LABEL- SUPPLIER CODE: V72914 USED ON: 60-3368-7	002004 006999	1
61F	61-3927-1	..	LABEL- SUPPLIER CODE: V72914 USED ON: 60-3368-7	002004 006999	1
61H	60-3927-1	..	LABEL- SUPPLIER CODE: V72914 USED ON: 60-3368-7	002004 006999	1
62	BRH10A3	.NUT-	SUPPLIER CODE: V52828 SPECIFICATION NUMBER: BACN10JC3 OPTIONAL PART: H10-3BAC V15653 NS202101-02 V80539 RMLH9075-3W V72962 VN303A02 V92215 96-02 V80539 T6S1032J V11815	002004 006999	1
64	1002BB16	.JUMPER	SUPPLIER CODE: V1FF12 SPECIFICATION NUMBER: BACJ40A20-16 OPTIONAL PART: TJEJ40A20-16 V33483 740A20-16 V91812 RBEJ20-16 V1GK47	002004 006999	1

MISSING ITEM NUMBERS NOT APPLICABLE

- ITEM NOT ILLUSTRATED

BRI

33-44-01-01

BOEING PROPRIETARY - Copyright © - Unpublished Work - See title page for details.

33-44-01
FIG. 01
PAGE 9
JAN 20/09



757

PARTS CATALOG (MAINTENANCE)

FIG ITEM	PART NUMBER	1 2 3 4 5 6 7	NOMENCLATURE	EFFECT FROM TO	UNITS PER ASSY
1 65	1002BB32		. JUMPER SUPPLIER CODE: VIFF12 SPECIFICATION NUMBER: BACJ40A20-32 OPTIONAL PART: TJEJ40A20-32 V33483 740A20-32 V91812 RBEJ20-32 V1GK47	002004 006999	1
70	VNS1924CA2-8		. STUD- SUPPLIER CODE: V5M902 SPECIFICATION NUMBER: BACS53B1EA2 OPTIONAL PART: VNS1924CA3-2-8 V92215 USED WITH: 284N1121-2	002004 006017 107107 121503 904999	1
75	BACR15FT4AD		. RIVET- SIZE DETERMINED ON INSTL.	002004 006999	6
80	BACR15FT5AD		. RIVET- SIZE DETERMINED ON INSTL.	002004 006999	4
85	284N1121-2		. BRACKET- OPTIONAL PART: 284N1121-3 284N1121-4 USED WITH: BACS53B1EA2	002004 006017 107107 121503 904999	1
90	284N1121-3		. BRACKET ASSY- POSITION DATA: LH SIDE OPTIONAL PART: 284N1121-2	002004 006999	1
- 95	284N1121-4		. BRACKET ASSY- POSITION DATA: RH SIDE OPTIONAL PART: 284N1121-2	002004 006999	1

MISSING ITEM NUMBERS NOT APPLICABLE

- ITEM NOT ILLUSTRATED

33-44-01-01

33-44-01
FIG. 01
PAGE 10
JAN 20/09

BRI

BOEING PROPRIETARY - Copyright © - Unpublished Work - See title page for details.



757

PARTS CATALOG (MAINTENANCE)

FIG ITEM	PART NUMBER	1 2 3 4 5 6 7	NOMENCLATURE	EFFECT FROM TO	UNITS PER ASSY
1					
100	VNS1924CA2-8	..	STUD SUPPLIER CODE: V5M902 SPECIFICATION NUMBER: BACS53B1EA2 OPTIONAL PART: VNS1924CA3-2-8 V92215	002004 006999	1
105	284N1121-5	..	BRACKET- POSITION DATA: LH SIDE	002004 006999	1
- 110	284N1121-6	..	BRACKET- POSITION DATA: RH SIDE	002004 006999	1
115	284N1120-7	.BRACKET ASSY-	FUNCTIONAL REFERENCE: PLACARDS AND MARKINGS FOR DETAILS SEE 11-24-53-01 ATTACHING PARTS	018106 108120 504903	1
- 120	BACR15FT5D	.RIVET-	SIZE DETERMINED ON INSTL.	018106 108120 504903	8
		-----*-----			
125	284N1120-6	..	SUPPORT ASSY	018106 108120 504903	1
- 200	286N3326-004	WIRE BUNDLE ASSY-		002004 006100 107107 121503 904999	RF
- 200	286N3326-304	WIRE BUNDLE ASSY-		101101	RF
- 200	286N3326-318	WIRE BUNDLE ASSY		102102	RF
- 201	286N3326-321	WIRE BUNDLE ASSY		504903	RF
- 201	286N3326-323	WIRE BUNDLE ASSY-		108120	RF
- 202	286N8526-702	WIRE BUNDLE ASSY		103106	RF
- 205	286N3426-004	WIRE BUNDLE ASSY-		002004 006100 107107 121503 904999	RF
- 205	286N3426-303	WIRE BUNDLE ASSY-		101101	RF
- 205	286N3426-310	WIRE BUNDLE ASSY		102102	RF
- 206	286N3426-313	WIRE BUNDLE ASSY		504903	RF
- 206	286N3426-316	WIRE BUNDLE ASSY-		108120	RF
- 207	286N8626-703	WIRE BUNDLE ASSY		103106	RF

MISSING ITEM NUMBERS NOT APPLICABLE

- ITEM NOT ILLUSTRATED

33-44-01-01

33-44-01
FIG. 01
PAGE 11
JAN 20/09

BRI



757

PARTS CATALOG (MAINTENANCE)

FIG ITEM	PART NUMBER	1 2 3 4 5 6 7	NOMENCLATURE	EFFECT FROM TO	UNITS PER ASSY
1 210	GS3418-14CD		.CLAMP- SUPPLIER CODE: V06324 SPECIFICATION NUMBER: BACC10HG14 OPTIONAL PART: S2126-14-8 V07418 ELECTRICAL EQUIP NUMBER: D00018T D00020T WIRING DIAGRAM REF: 334421	002004 006102 107999	1
212	620AA028NF14L		.CLAMP- SUPPLIER CODE: V06324 SPECIFICATION NUMBER: BACC10KE14 OPTIONAL PART: S3820-14-65 V07418 ELECTRICAL EQUIP NUMBER: D00018T WIRING DIAGRAM REF: 334421	103106	1
- 214	620AA028NF14L		.CLAMP- SUPPLIER CODE: V06324 SPECIFICATION NUMBER: BACC10KE14 OPTIONAL PART: S3820-14-65 V07418 ELECTRICAL EQUIP NUMBER: D00020T WIRING DIAGRAM REF: 334421	103106	1

MISSING ITEM NUMBERS NOT APPLICABLE

- ITEM NOT ILLUSTRATED

33-44-01-01

33-44-01
FIG. 01
PAGE 12
JAN 20/09

BRI



757

PARTS CATALOG (MAINTENANCE)

FIG ITEM	PART NUMBER	1 2 3 4 5 6 7	NOMENCLATURE	EFFECT FROM TO	UNITS PER ASSY
1 220	R071014A7SNL		.CONNECTOR- SUPPLIER CODE: V41118 SPECIFICATION NUMBER: BACC63BP14A7SNL MISCELLANEOUS DATA: OPTIONAL PART NUMBERS: BACC63BP14A7SN (81205) BACC63BP14R7SN (81205) BACC63BP14R7SNL (81205) ELECTRICAL EQUIP NUMBER: D00018 WIRING DIAGRAM REF: 334421	002004 006999	1
- 225	R071014A7SNL		.CONNECTOR- SUPPLIER CODE: V41118 SPECIFICATION NUMBER: BACC63BP14A7SNL MISCELLANEOUS DATA: OPTIONAL PART NUMBERS: BACC63BP14A7SN (81205) BACC63BP14R7SN (81205) BACC63BP14R7SNL (81205) ELECTRICAL EQUIP NUMBER: D00020 WIRING DIAGRAM REF: 334421	002004 006999	1

MISSING ITEM NUMBERS NOT APPLICABLE

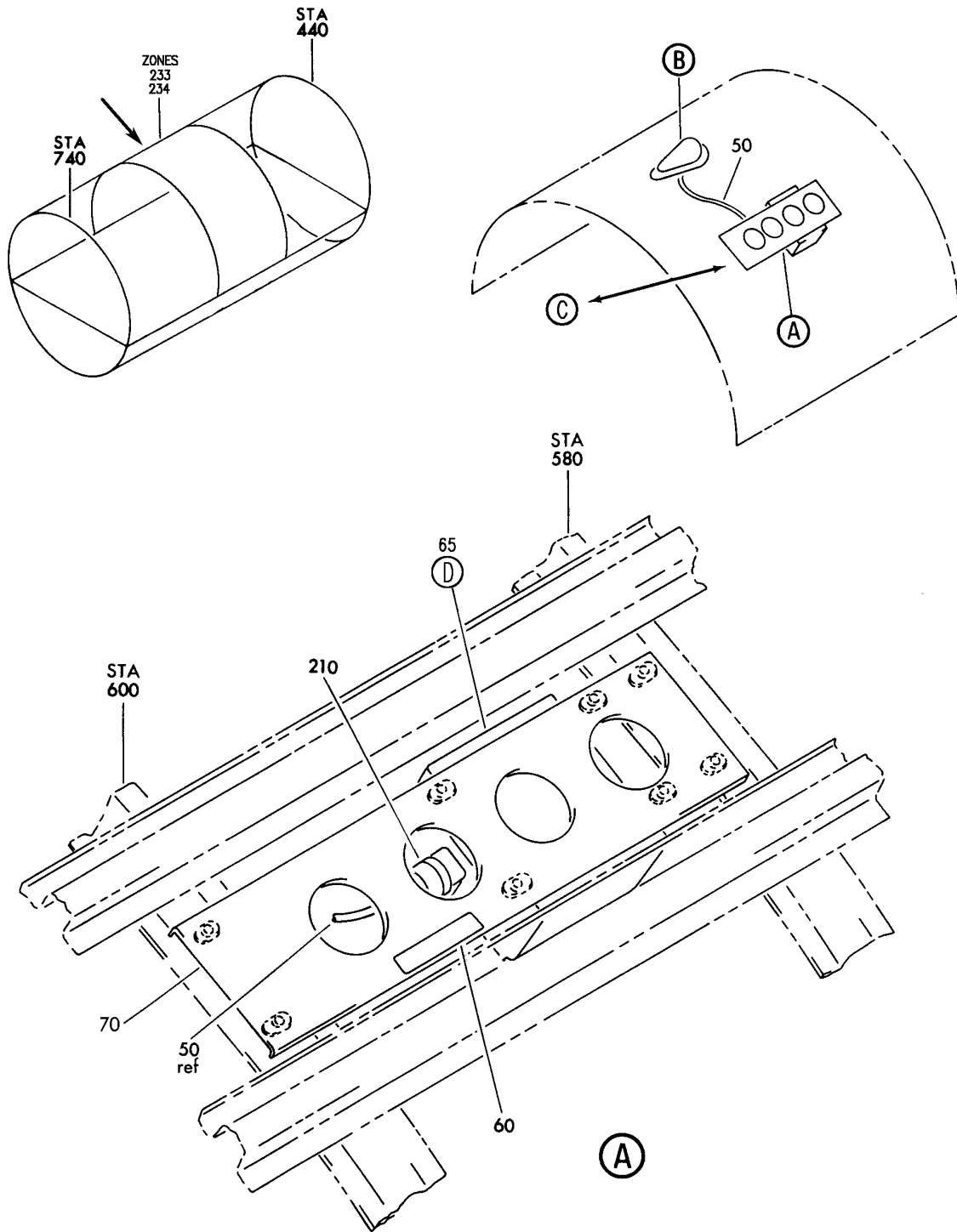
- ITEM NOT ILLUSTRATED

33-44-01-01

33-44-01
FIG. 01
PAGE 13
JAN 20/09

BRI

BOEING
757
PARTS CATALOG (MAINTENANCE)



Y 33440201 SHT 1 REV 269

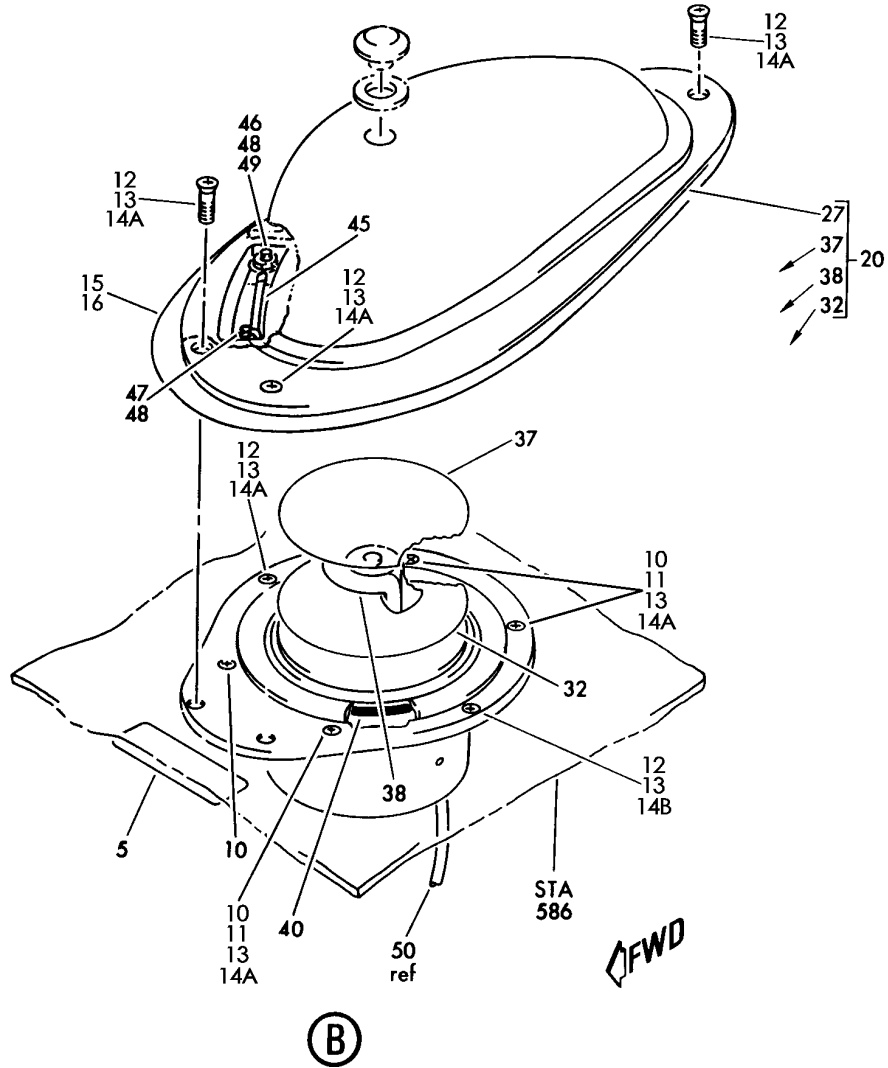
LIGHT AND POWER PACK INSTL-ANTI COLLISION UPR
FIGURE 1 (SHEET 1)

33-44-02-01

BRI
MAY 28/07

33-44-02-01
PAGE 0

BOEING
757
PARTS CATALOG (MAINTENANCE)



Y 33440201 SHT 2 REV 218

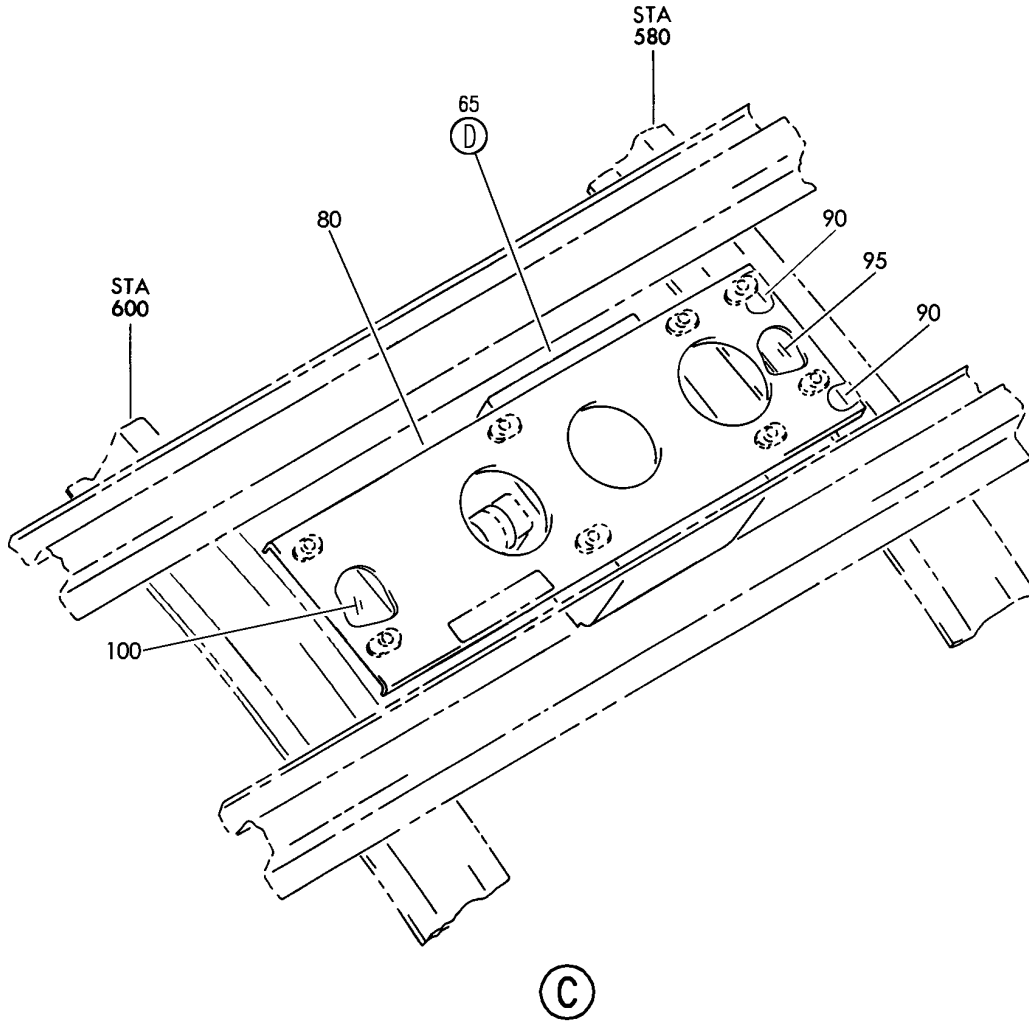
LIGHT AND POWER PACK INSTL-ANTI COLLISION UPR
FIGURE 1 (SHEET 2)

33-44-02-01

BRI
MAY 28/07

33-44-02-01
PAGE 0A

BOEING
757
PARTS CATALOG (MAINTENANCE)



Y 33440201 SH1 3 REV 269

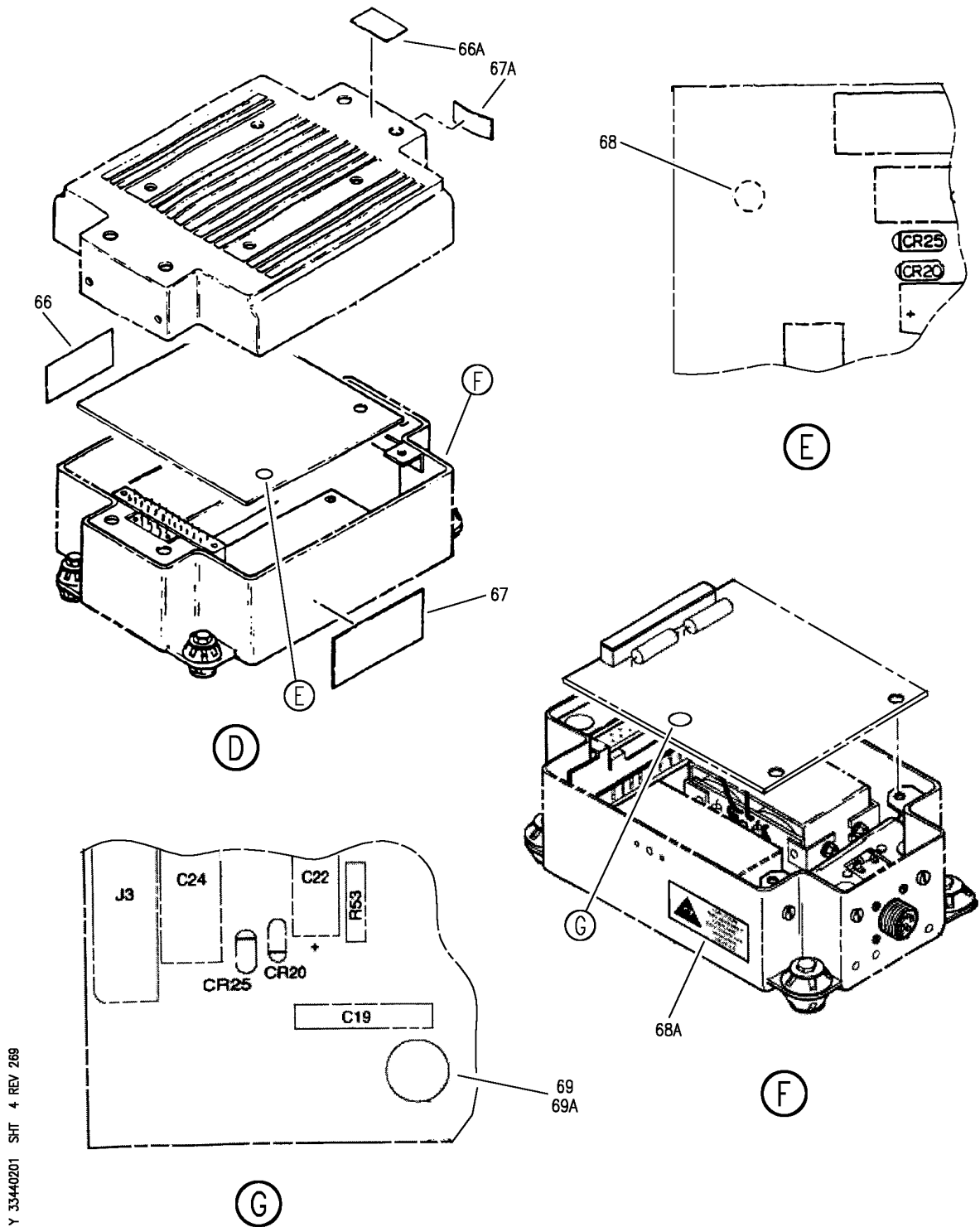
LIGHT AND POWER PACK INSTL-ANTI COLLISION UPR
FIGURE 1 (SHEET 3)

33-44-02-01

BRI
MAY 28/07

33-44-02-01
PAGE 0B

BOEING
757
PARTS CATALOG (MAINTENANCE)



Y 33440201 SH- 4 REV 269

LIGHT AND POWER PACK INSTL-ANTI COLLISION UPR
FIGURE 1 (SHEET 4)

33-44-02-01

BRI
MAY 28/07

33-44-02-01
PAGE 0C



757

PARTS CATALOG (MAINTENANCE)

FIG ITEM	PART NUMBER	1 2 3 4 5 6 7	NOMENCLATURE	EFFECT FROM TO	UNITS PER ASSY
1			LIGHT AND POWER PACK INSTL- ANTI COLLISION UPR	002004 006999	
- 1	284N1357-3		LIGHT INSTL-ANTI COLLISION STROBE POSITION DATA: UPR FOR NHA SEE: 24-00-58-01A	107107 904949 952952	RF
- 1	284N1357-8		LIGHT INSTL-ANTI COLLISION STROBE POSITION DATA: UPR FOR NHA SEE: 24-00-58-01A	002004 006017 121503 950951 953999	RF
- 1	284N1357-9		LIGHT INSTL-ANTI COLLISION STROBE POSITION DATA: UPR FOR NHA SEE: 24-00-58-01A	018100	RF
- 1	284N1357-12		LIGHT INSTL-ANTI COLLISION STROBE POSITION DATA: UPR FOR NHA SEE: 24-00-58-01A	101102 504903	RF
- 1	284N1357-14		LIGHT INSTL-ANTI-COLLISION STROBE POSITION DATA: UPR FOR NHA SEE: 24-00-58-05A	108120	RF
- 1	MODREF9923		LIGHT INSTL-ANTI-COLLISION STROBE MODULE NUMBER: 284N1357-14 REV A POSITION DATA: UPR	103106	1
5	BAC27NEL0010		.DECAL- PLACARD CONTENT: L00022 LIGHT ANTI-COLLISION UPR	002004 006999	1
10	BACB30LH3-12		.BOLT	107107 904949 952952	4

MISSING ITEM NUMBERS NOT APPLICABLE

- ITEM NOT ILLUSTRATED

33-44-02-01

33-44-02
FIG. 01
PAGE 1
JAN 20/09

BRI



757

PARTS CATALOG (MAINTENANCE)

FIG ITEM	PART NUMBER	1 2 3 4 5 6 7	NOMENCLATURE	EFFECT FROM TO	UNITS PER ASSY
1					
11	BACB30LH3-12	.BOLT-		002004 006017 121503 950951 953999	3
12	BACB30LH3-14	.BOLT-		002004 006017 107107 121503 904999	5
13	BACB30LH3-16	.BOLT-		018102 504903	8
14A	BACB30LH3-16	.BOLT		103106 108120	7
14B	BACB30LH3-10	.BOLT		103106 108120	1
15	284N1832-1	.SPACER-		107107 904949 952952	1
15	284N1832-2	.SPACER-		002004 006100 121503 950951 953999	1
16	284N1832-3	.SPACER-		101106 108120 504903	1
20	30-1526-3	.LIGHT ASSY-STROBE	SUPPLIER CODE: V72914 SPECIFICATION NUMBER: S283T012-10 ELECTRICAL EQUIP NUMBER: L00022 COMPONENT MAINT MANUAL REF: 33-44-19	002004 006999	1

MISSING ITEM NUMBERS NOT APPLICABLE

- ITEM NOT ILLUSTRATED

BRI

33-44-02-01

BOEING PROPRIETARY - Copyright © - Unpublished Work - See title page for details.

33-44-02
FIG. 01
PAGE 2
JAN 20/09



757

PARTS CATALOG (MAINTENANCE)

FIG ITEM	PART NUMBER	1 2 3 4 5 6 7	NOMENCLATURE	EFFECT FROM TO	UNITS PER ASSY
1					
20	30-1526-5		.LIGHT ASSY-STROBE SUPPLIER CODE: V72914 SPECIFICATION NUMBER: S283T012-23 ELECTRICAL EQUIP NUMBER: L00022 COMPONENT MAINT MANUAL REF: 33-44-19 OPTIONAL PART: 30-1526-7 V72914 30-1526-9 V72914	002004 006999	1
20	30-1526-7		.LIGHT ASSY-STROBE SUPPLIER CODE: V72914 SPECIFICATION NUMBER: S283T012-26 ELECTRICAL EQUIP NUMBER: L00022 COMPONENT MAINT MANUAL REF: 33-44-19 OPTIONAL PART: 30-1526-5 V72914 30-1526-9 V72914	002004 006999	1

MISSING ITEM NUMBERS NOT APPLICABLE

- ITEM NOT ILLUSTRATED

BRI

33-44-02-01

BOEING PROPRIETARY - Copyright © - Unpublished Work - See title page for details.

33-44-02
FIG. 01
PAGE 3
JAN 20/09



757

PARTS CATALOG (MAINTENANCE)

FIG ITEM	PART NUMBER	1 2 3 4 5 6 7	NOMENCLATURE	EFFECT FROM TO	UNITS PER ASSY
1 20	30-1526-9		.LIGHT ASSY-STROBE SUPPLIER CODE: V72914 FUNCTIONAL DESCRIPTION: THE STROBE LIGHTS ARE INSTALLED ON THE AIRCRAFT TO PROVIDE A FLASHING SOURCE OF HIGH INTENSITY ILLUMINATION TO INDICATE THE POSITION OF THE AIRCRAFT. SPECIFICATION NUMBER: S283T012-27 ELECTRICAL EQUIP NUMBER: L00022 COMPONENT MAINT MANUAL REF: 33-44-19 OPTIONAL PART: 30-1526-5 V72914 30-1526-7 V72914	002004 006999	1
27	31-5257-3		..LENS ASSY- SUPPLIER CODE: V72914	002004 006999	1
32	31-5270-1		..LIGHT ASSY- SUPPLIER CODE: V72914 USED ON: 30-1526-3	002004 006999	1
32	31-5270-3		..LIGHT ASSY- SUPPLIER CODE: V72914 USED ON: 30-1526-5	002004 006999	1
32	31-5270-5		..LIGHT ASSY- SUPPLIER CODE: V72914 USED ON: 30-1526-7	002004 006999	1
32	31-5270-7		..LIGHT ASSY- SUPPLIER CODE: V72914 USED ON: 30-1526-9	002004 006999	1
- 35	MS21043-6		...NUT-	002004 006999	2

MISSING ITEM NUMBERS NOT APPLICABLE

- ITEM NOT ILLUSTRATED

33-44-02-01

33-44-02
FIG. 01
PAGE 4
JAN 20/09

BRI

BOEING
757
PARTS CATALOG (MAINTENANCE)

FIG ITEM	PART NUMBER	1 2 3 4 5 6 7	NOMENCLATURE	EFFECT FROM TO	UNITS PER ASSY
1					
- 36	MS15795-814	...	WASHER-	002004 006999	2
37	31-5241-1	...	LAMP ASSY- SUPPLIER CODE: V72914	002004 006999	1
38	55-0681-7	LAMP- SUPPLIER CODE: V72914	002004 006999	1
40	MS29513-158	..	PACKING	002004 006999	1
45	BACJ40A20-2	.	JUMPER-	018106 108120 504903	1
			ATTACHING PARTS		
46	BACB30LH3U2	.	BOLT	018106 108120 504903	1
47	BACB30LH3U4	.	BOLT-	002004 006017 121503 950951 953999	1
47	NAS6703U8	.	BOLT-	018106 108120 504903	1
48	AN960C10L	.	WASHER-	002004 006017 121503 950951 953999	2
48	NAS1149C0332R	.	WASHER-	018106 108120 504903	2
49	MS21042L3	.	NUT	002004 006100 103106 108503 950951 953999	1
			-----*		

MISSING ITEM NUMBERS NOT APPLICABLE

- ITEM NOT ILLUSTRATED

BRI

33-44-02-01

BOEING PROPRIETARY - Copyright © - Unpublished Work - See title page for details.

33-44-02
FIG. 01
PAGE 5
JAN 20/09



757

PARTS CATALOG (MAINTENANCE)

FIG ITEM	PART NUMBER	1 2 3 4 5 6 7	NOMENCLATURE	EFFECT FROM TO	UNITS PER ASSY
1 50	60-3414-23		.CABLE ASSY- SUPPLIER CODE: V72914 POSITION DATA: UPR SPECIFICATION NUMBER: S283T012-30 COMPONENT MAINT MANUAL REF: 33-44-18 OPTIONAL PART: 60-3414-19 V72914 FOR DETAILS SEE: 33-44-52-01	002004 006999	1
50	60-3414-19		.CABLE ASSY- SUPPLIER CODE: V72914 POSITION DATA: UPR SPECIFICATION NUMBER: S283T012-24 COMPONENT MAINT MANUAL REF: 33-44-18 OPTIONAL PART: 60-3414-23 V72914 FOR DETAILS SEE: 33-44-52-01	002004 006999	1
- 55	284N1357-5		POWER PACK INSTL-ANTI COLLISION LT POSITION DATA: UPR FOR NHA SEE: 24-00-58-01A 24-00-58-05A	002004 006102 107999	RF
- 55	MODREF9925		POWER PACK INSTL-ANTI COLLISION LT MODULE NUMBER: 284N1357-5 REV A POSITION DATA: UPR	103106	1
60	BAC27NEL0007		.DECAL- PLACARD CONTENT: M00570 PWR SUPPLY ANTI-COLLISION LIGHT UPR	002004 006999	1

MISSING ITEM NUMBERS NOT APPLICABLE

- ITEM NOT ILLUSTRATED

33-44-02-01

33-44-02
FIG. 01
PAGE 6
JAN 20/09

BRI



757

PARTS CATALOG (MAINTENANCE)

FIG ITEM	PART NUMBER	1 2 3 4 5 6 7	NOMENCLATURE	EFFECT FROM TO	UNITS PER ASSY
1					
65	60-3368-7		.POWER SUPPLY ASSY- SUPPLIER CODE: V72914 FUNCTIONAL DESCRIPTION: THE POWER SUPPLY IS USED IN CONJUNCTION WITH AIRCRAFT NAVIGATIONAL LIGHT; POWER SUPPLY FURNISHES 85 +5/-0 JOULES NOMINAL INPUT POWER AND A TRIGGER SOURCE TO ENERGIZE A STROBE LIGHT. SPECIFICATION NUMBER: S283T012-25 ELECTRICAL EQUIP NUMBER: M00570 COMPONENT MAINT MANUAL REF: 33-44-21	002004 006999	1
65	60-3368-5		.POWER SUPPLY ASSY- SUPPLIER CODE: V72914 SPECIFICATION NUMBER: S283T012-22 ELECTRICAL EQUIP NUMBER: M00570 COMPONENT MAINT MANUAL REF: 33-44-20	002004 006999	1
66	61-2296-1		.. LABEL- SUPPLIER CODE: V72914 USED ON: 60-3368-5	002004 006999	1
66A	61-2140-1		.. PLATE-IDENT SUPPLIER CODE: V72914 USED ON: 60-3368-5	002004 006999	1
67	61-2141-3		.. PLATE-INSTRUCTION SUPPLIER CODE: V72914 USED ON: 60-3368-5	002004 006999	1
67A	61-2307-1		.. PLATE-INSTRUCTION SUPPLIER CODE: V72914 USED ON: 60-3368-5	002004 006999	1

MISSING ITEM NUMBERS NOT APPLICABLE

- ITEM NOT ILLUSTRATED

33-44-02-01

33-44-02
FIG. 01
PAGE 7
JAN 20/09

BRI



757

PARTS CATALOG (MAINTENANCE)

FIG ITEM	PART NUMBER	1 2 3 4 5 6 7	NOMENCLATURE	EFFECT FROM TO	UNITS PER ASSY
1					
68	61-2297-1		.. LABEL- SUPPLIER CODE: V72914 USED ON: 60-3368-5	002004 006999	1
68A	61-2296-7		.. LABEL- SUPPLIER CODE: V72914 USED ON: 60-3368-7	002004 006999	1
69	61-3927-1		.. LABEL- SUPPLIER CODE: V72914 USED ON: 60-3368-7	002004 006999	1
69A	60-3927-1		.. LABEL- SUPPLIER CODE: V72914 USED ON: 60-3368-7	002004 006999	1
70	284N1370-5		. BRACKET ASSY-	002004 006102 106999	1
- 75	NAS1801-3-6		ATTACHING PARTS . SCREW	002004 006102 106999	4
- 200	286N3672-002		-----*----- WIRE BUNDLE ASSY-ANTI COLLISION STROBE POSITION DATA: UPR	107107	RF
- 202	286N3672-034		WIRE BUNDLE ASSY-ANTI COLLISION STROBE POSITION DATA: UPR	121503 904949	RF
- 202	286N3672-046		WIRE BUNDLE ASSY-ANTI COLLISION STROBE POSITION DATA: UPR	952999	RF
- 202	286N3672-049		WIRE BUNDLE ASSY-ANTI COLLISION STROBE POSITION DATA: UPR	002004 006008 010010	RF
- 203	286N3672-054		WIRE BUNDLE ASSY-ANTI COLLISION STROBE POSITION DATA: UPR	950951	RF

MISSING ITEM NUMBERS NOT APPLICABLE

- ITEM NOT ILLUSTRATED

33-44-02-01

33-44-02
FIG. 01
PAGE 8
JAN 20/09

BRI



757

PARTS CATALOG (MAINTENANCE)

FIG ITEM	PART NUMBER	1 2 3 4 5 6 7	NOMENCLATURE	EFFECT FROM TO	UNITS PER ASSY
1					
- 204	286N3672-079		WIRE BUNDLE ASSY-ANTI COLLISION STROBE POSITION DATA: UPR	011100	RF
- 206	286N3672-106		WIRE BUNDLE ASSY-ANTI COLLISION STROBE POSITION DATA: UPR	009009	RF
- 206	286N3672-301		WIRE BUNDLE ASSY-ANTI COLLISION STROBE POSITION DATA: UPR	108120	RF
- 208	286N3672-325		WIRE BUNDLE ASSY	108120	RF
210	BACC45FS14A7S		.CONNECTOR- ELECTRICAL EQUIP NUMBER: D00040 WIRING DIAGRAM REF: 334411	002004 006100 107503 904999	1

MISSING ITEM NUMBERS NOT APPLICABLE

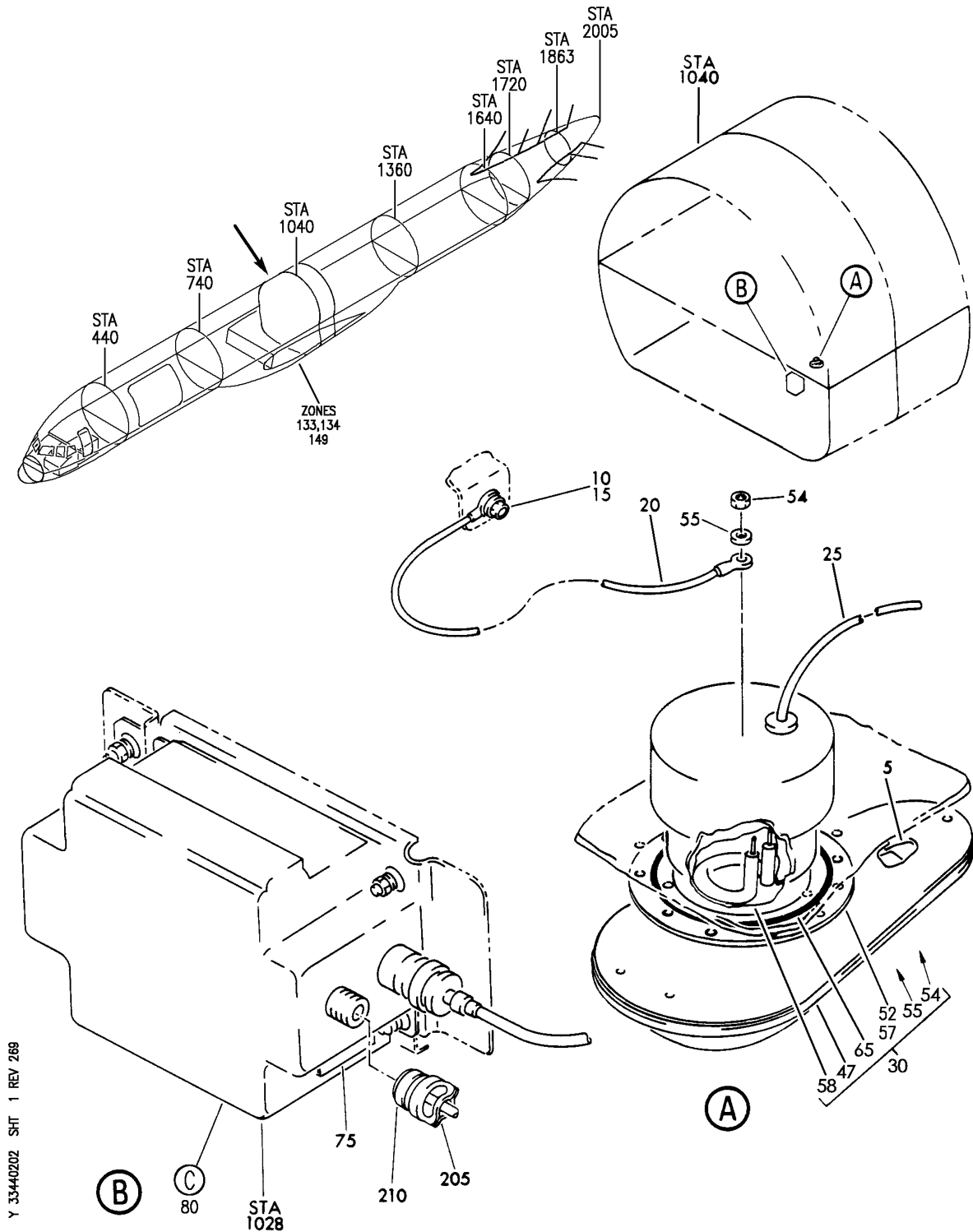
- ITEM NOT ILLUSTRATED

33-44-02-01

33-44-02
FIG. 01
PAGE 9
JAN 20/09

BRI

BOEING
757
PARTS CATALOG (MAINTENANCE)



Y 33440202 SHT 1 REV 269

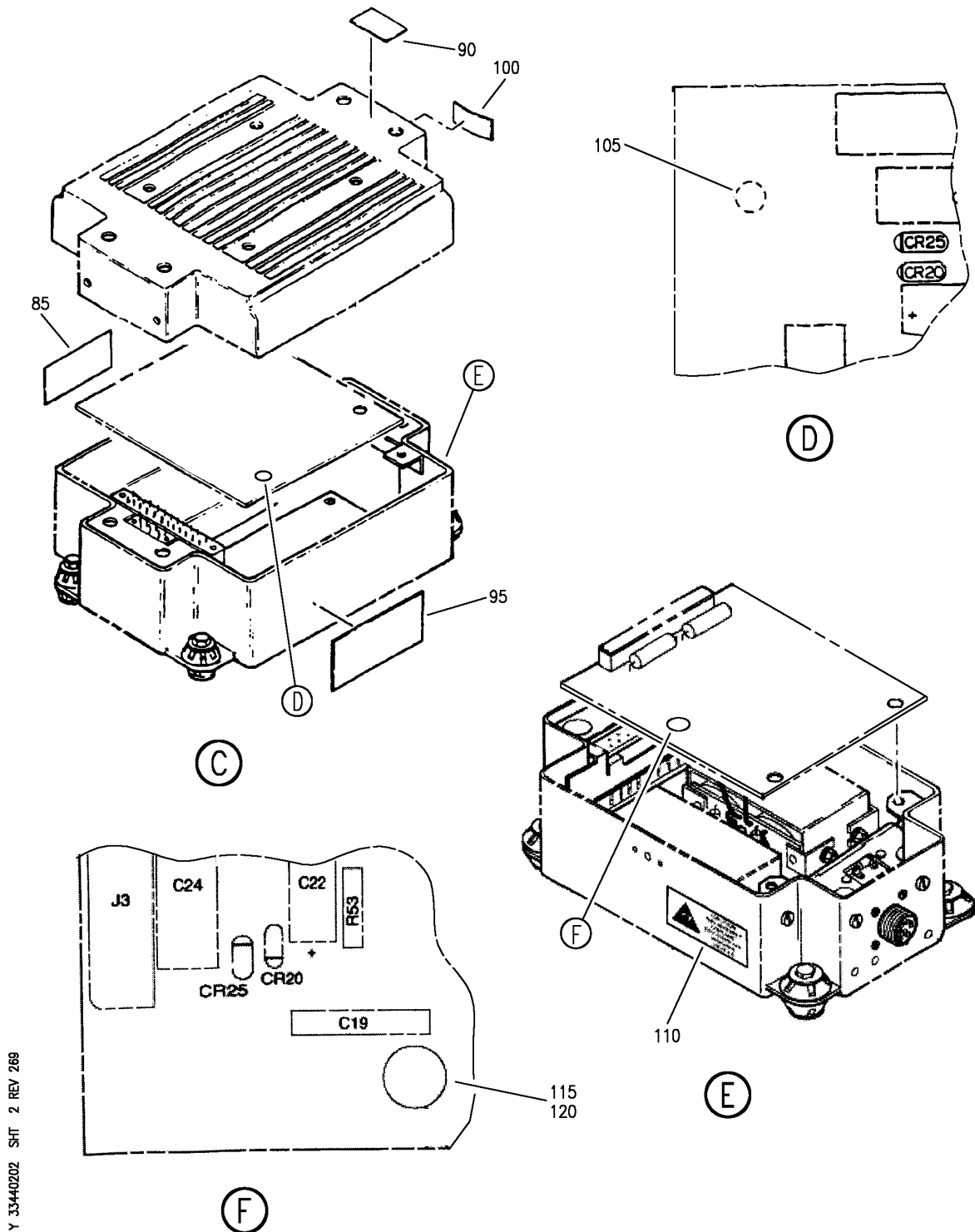
LIGHT AND POWER SUPPLY INSTL-ANTI COLLISION LWR
FIGURE 2 (SHEET 1)

33-44-02-02

BRI
MAY 28/07

33-44-02-02
PAGE 0

BOEING
757
PARTS CATALOG (MAINTENANCE)



Y 33440202 SH1 2 REV 269

LIGHT AND POWER SUPPLY INSTL-ANTI COLLISION LWR
FIGURE 2 (SHEET 2)

33-44-02-02

BRI
MAY 28/07

33-44-02-02
PAGE 0A



757

PARTS CATALOG (MAINTENANCE)

FIG ITEM	PART NUMBER	1 2 3 4 5 6 7	NOMENCLATURE	EFFECT FROM TO	UNITS PER ASSY
2			LIGHT AND POWER SUPPLY	002004	
			INSTL-ANTI COLLISION LWR	006999	
- 1	284N1442-3		LIGHT INSTL-ANTI COLLISION	002004	RF
			POSITION DATA:	006017	
			LWR	107107	
			FOR NHA SEE:	121503	
			24-00-58-01A	904999	
- 1	284N1442-5		LIGHT INSTL-ANTI COLLISION	018102	RF
			POSITION DATA:	108120	
			LWR	504903	
			FOR NHA SEE:		
			24-00-58-01A		
			24-00-58-05		
- 1	MODREF22584		LIGHT INSTL-ANTI COLLISION	103106	1
			MODULE NUMBER:		
			284N1442-6 REV A		
			POSITION DATA:		
			LWR		
5	BAC27NEL0315		.DECAL-	002004	1
			PLACARD CONTENT:	006999	
			L00023 LIGHT ANTI		
			COLLISION LOWER BODY		
10	AN960D10		.WASHER-	002004	1
				006017	
				107107	
				121503	
				904999	
10	NAS1149D0363H		.WASHER-	018106	1
				108120	
				504903	
15	BRH10A3		.NUT-	002004	1
			SUPPLIER CODE:	006017	
			V52828	107107	
			SPECIFICATION NUMBER:	121503	
			BACN10JC3	904999	
			OPTIONAL PART:		
			H10-3BAC		
			V15653		
			NS202101-02		
			V80539		
			RMLH9075-3W		
			V72962		
			VN303A02		
			V92215		
			96-02		
			V80539		
			T6S1032J		
			V11815		

MISSING ITEM NUMBERS NOT APPLICABLE

- ITEM NOT ILLUSTRATED

33-44-02-02

33-44-02
FIG. 02
PAGE 1
JAN 20/09

BRI



757

PARTS CATALOG (MAINTENANCE)

FIG ITEM	PART NUMBER	1 2 3 4 5 6 7	NOMENCLATURE	EFFECT FROM TO	UNITS PER ASSY
2	15 BRH10C3D		.NUT- SUPPLIER CODE: V52828 SPECIFICATION NUMBER: BACN10JC3CD OPTIONAL PART: T6C1032JCD V11815 NS202486-02 V80539 102LH9075-3W V72962 H51650-3BAC V15653	018106 108120 504903	1
	20 86647-12		.JUMPER ASSY- SUPPLIER CODE: V91812 SPECIFICATION NUMBER: BACJ40AC47-12 OPTIONAL PART: 100647-12 V1FF12 RBEJ40AC47-12 V1GK47	002004 006999	1
	25 60-3414-9		.CABLE ASSY- SUPPLIER CODE: V72914 POSITION DATA: LWR SPECIFICATION NUMBER: S283T012-15 COMPONENT MAINT MANUAL REF: 33-44-18 PRE ALERT SB: 33A0048 FOR DETAILS SEE: 33-44-52-01	002004 006102 107999	1

MISSING ITEM NUMBERS NOT APPLICABLE

- ITEM NOT ILLUSTRATED

33-44-02-02

33-44-02
FIG. 02
PAGE 2
JAN 20/09

BRI



757

PARTS CATALOG (MAINTENANCE)

FIG ITEM	PART NUMBER	1 2 3 4 5 6 7	NOMENCLATURE	EFFECT FROM TO	UNITS PER ASSY
2 25	60-3414-29		.CABLE ASSY- SUPPLIER CODE: V72914 POSITION DATA: LWR SPECIFICATION NUMBER: S283T012-35 COMPONENT MAINT MANUAL REF: 33-44-18 POST ALERT SB: 33A0048 FOR DETAILS SEE: 33-44-52-01	002004 006999	1
30	30-1526-3		.LIGHT ASSY- SUPPLIER CODE: V72914 SPECIFICATION NUMBER: S283T012-10 ELECTRICAL EQUIP NUMBER: L00023 COMPONENT MAINT MANUAL REF: 33-44-19	002004 006017 107107 121503 904999	1
30	30-1526-5		.LIGHT ASSY- SUPPLIER CODE: V72914 SPECIFICATION NUMBER: S283T012-23 ELECTRICAL EQUIP NUMBER: L00023 COMPONENT MAINT MANUAL REF: 33-44-19 OPTIONAL PART: 30-1526-7 V72914 30-1526-9 V72914	002004 006017 107107 121503 904999	1

MISSING ITEM NUMBERS NOT APPLICABLE

- ITEM NOT ILLUSTRATED

33-44-02-02

33-44-02
FIG. 02
PAGE 3
JAN 20/09

BRI



757

PARTS CATALOG (MAINTENANCE)

FIG ITEM	PART NUMBER	1 2 3 4 5 6 7	NOMENCLATURE	EFFECT FROM TO	UNITS PER ASSY
2 30	30-1526-7		.LIGHT ASSY- SUPPLIER CODE: V72914 SPECIFICATION NUMBER: S283T012-26 ELECTRICAL EQUIP NUMBER: L00023 COMPONENT MAINT MANUAL REF: 33-44-19 OPTIONAL PART: 30-1526-5 V72914 30-1526-9 V72914	002004 006017 107107 121503 904999	1
30	30-1526-9		.LIGHT ASSY- SUPPLIER CODE: V72914 FUNCTIONAL DESCRIPTION: THE STROBE LIGHTS ARE INSTALLED ON THE AIRCRAFT TO PROVIDE A FLASHING SOURCE OF HIGH INTENSITY ILLUMINATION TO INDICATE THE POSITION OF THE AIRCRAFT. SPECIFICATION NUMBER: S283T012-27 ELECTRICAL EQUIP NUMBER: L00023 COMPONENT MAINT MANUAL REF: 33-44-19 OPTIONAL PART: 30-1526-5 V27914 30-1526-7 V27914	002004 006503 505505 507999	1
30	30-1526-3		.LIGHT ASSY- SUPPLIER CODE: V72914 SPECIFICATION NUMBER: S283T012-10 ELECTRICAL EQUIP NUMBER: L00023 COMPONENT MAINT MANUAL REF: 33-44-19	504504 506506	1

MISSING ITEM NUMBERS NOT APPLICABLE

- ITEM NOT ILLUSTRATED

BRI

33-44-02-02

BOEING PROPRIETARY - Copyright © - Unpublished Work - See title page for details.

33-44-02
FIG. 02
PAGE 4
JAN 20/09



757

PARTS CATALOG (MAINTENANCE)

FIG ITEM	PART NUMBER	1 2 3 4 5 6 7	NOMENCLATURE	EFFECT FROM TO	UNITS PER ASSY
2 30	30-1526-5		.LIGHT ASSY- SUPPLIER CODE: V72914 SPECIFICATION NUMBER: S283T012-23 ELECTRICAL EQUIP NUMBER: L00023 COMPONENT MAINT MANUAL REF: 33-44-19 OPTIONAL PART: 30-1526-7 V72914 30-1526-9 V72914	504504 506506	1
30	30-1526-7		.LIGHT ASSY- SUPPLIER CODE: V72914 SPECIFICATION NUMBER: S283T012-26 ELECTRICAL EQUIP NUMBER: L00023 COMPONENT MAINT MANUAL REF: 33-44-19 OPTIONAL PART: 30-1526-5 V72914 30-1526-9 V72914	002004 006017 107107 121503 904999	1

MISSING ITEM NUMBERS NOT APPLICABLE

- ITEM NOT ILLUSTRATED

BRI

33-44-02-02

BOEING PROPRIETARY - Copyright © - Unpublished Work - See title page for details.

33-44-02
FIG. 02
PAGE 5
JAN 20/09



757

PARTS CATALOG (MAINTENANCE)

FIG ITEM	PART NUMBER	1 2 3 4 5 6 7	NOMENCLATURE	EFFECT FROM TO	UNITS PER ASSY
2 30	30-1526-9		.LIGHT ASSY- SUPPLIER CODE: V72914 FUNCTIONAL DESCRIPTION: THE STROBE LIGHTS ARE INSTALLED ON THE AIRCRAFT TO PROVIDE A FLASHING SOURCE OF HIGH INTENSITY ILLUMINATION TO INDICATE THE POSITION OF THE AIRCRAFT. SPECIFICATION NUMBER: S283T012-27 ELECTRICAL EQUIP NUMBER: L00023 COMPONENT MAINT MANUAL REF: 33-44-19 OPTIONAL PART: 30-1526-5 V27914 30-1526-7 V27914 ATTACHING PARTS	504504 506506	1
- 35	BACB30NN3K7		.BOLT-	002004 006999	9
47	31-5257-3		-----*----- ..LENS ASSY- SUPPLIER CODE: V72914	002004 006999	1
52	31-5270-1		..LIGHT ASSY- SUPPLIER CODE: V72914 USED ON: 30-1526-3	002004 006999	1
52	31-5270-3		..LIGHT ASSY- SUPPLIER CODE: V72914 USED ON: 30-1526-5	002004 006999	1
52	31-5270-5		..LIGHT ASSY- SUPPLIER CODE: V72914 USED ON: 30-1526-7	002004 006999	1

MISSING ITEM NUMBERS NOT APPLICABLE

- ITEM NOT ILLUSTRATED

33-44-02-02

33-44-02
FIG. 02
PAGE 6
JAN 20/09

BRI



757

PARTS CATALOG (MAINTENANCE)

FIG ITEM	PART NUMBER	1 2 3 4 5 6 7	NOMENCLATURE	EFFECT FROM TO	UNITS PER ASSY
2					
52	31-5270-7		..LIGHT ASSY- SUPPLIER CODE: V72914 USED ON: 30-1526-9	002004 006999	1
54	MS21043-6		...NUT-	002004 006999	2
55	MS15795-814		...WASHER-	002004 006999	2
57	31-5241-1		...LAMP ASSY- SUPPLIER CODE: V72914	002004 006999	1
58	55-0681-7	LAMP- SUPPLIER CODE: V72914	002004 006999	1
65	MS29513-158		..PACKING	002004 006999	1
- 70	284N1442-4		POWER SUPPLY INSTL-ANTI COLLISION LT POSITION DATA: LWR FOR NHA SEE: 24-00-58-01C 24-00-58-05	002004 006102 107999	RF
- 70	MODREF10422		POWER SUPPLY INSTL-ANTI COLLISION LT MODULE NUMBER: 284N1442-4 REV A POSITION DATA: LWR	103106	1
75	BAC27NEL0316		.DECAL- PLACARD CONTENT: M00571 POWER SUPPLY ANTI COLLISION LIGHT LWR	002004 006999	1

MISSING ITEM NUMBERS NOT APPLICABLE

- ITEM NOT ILLUSTRATED

33-44-02-02

33-44-02
FIG. 02
PAGE 7
JAN 20/09

BRI

BOEING PROPRIETARY - Copyright © - Unpublished Work - See title page for details.



757

PARTS CATALOG (MAINTENANCE)

FIG ITEM	PART NUMBER	1 2 3 4 5 6 7	NOMENCLATURE	EFFECT FROM TO	UNITS PER ASSY
2					
80	60-3368-7		.POWER SUPPLY ASSY- SUPPLIER CODE: V72914 FUNCTIONAL DESCRIPTION: THE POWER SUPPLY IS USED IN CONJUNCTION WITH AIRCRAFT NAVIGATIONAL LIGHT; POWER SUPPLY FURNISHES 85 +5/-0 JOULES NOMINAL INPUT POWER AND A TRIGGER SOURCE TO ENERGIZE A STROBE LIGHT. SPECIFICATION NUMBER: S283T012-25 ELECTRICAL EQUIP NUMBER: M00571 COMPONENT MAINT MANUAL REF: 33-44-21	002004 006999	1
80	60-3368-5		.POWER SUPPLY ASSY- SUPPLIER CODE: V72914 SPECIFICATION NUMBER: S283T012-22 ELECTRICAL EQUIP NUMBER: M00571 COMPONENT MAINT MANUAL REF: 33-44-20	002004 006999	1
85	61-2296-1		.. LABEL- SUPPLIER CODE: V72914 USED ON: 60-3368-5	002004 006999	1
90	61-2140-1		.. PLATE-IDENT SUPPLIER CODE: V72914 USED ON: 60-3368-5	002004 006999	1
95	61-2141-3		.. PLATE-INSTRUCTION SUPPLIER CODE: V72914 USED ON: 60-3368-5	002004 006999	1
100	61-2307-1		.. PLATE-INSTRUCTION SUPPLIER CODE: V72914 USED ON: 60-3368-5	002004 006999	1

MISSING ITEM NUMBERS NOT APPLICABLE

- ITEM NOT ILLUSTRATED

33-44-02-02

33-44-02
FIG. 02
PAGE 8
JAN 20/09

BRI



757

PARTS CATALOG (MAINTENANCE)

FIG ITEM	PART NUMBER	1 2 3 4 5 6 7	NOMENCLATURE	EFFECT FROM TO	UNITS PER ASSY
2 105	61-2297-1		.. LABEL- SUPPLIER CODE: V72914 USED ON: 60-3368-5	002004 006999	1
110	61-2296-7		.. LABEL- SUPPLIER CODE: V72914 USED ON: 60-3368-7	002004 006999	1
115	61-3927-1		.. LABEL- SUPPLIER CODE: V72914 USED ON: 60-3368-7	002004 006999	1
120	60-3927-1		.. LABEL- SUPPLIER CODE: V72914 USED ON: 60-3368-7	002004 006999	1
- 200	286N2506-012		WIRE BUNDLE ASSY-	107107 121503 904949	RF
- 200	286N2506-014		WIRE BUNDLE ASSY-	002004 006100 950999	RF
- 201 205	286N2506-601 GS3417-14C		WIRE BUNDLE ASSY .CLAMP- SUPPLIER CODE: V06324 SPECIFICATION NUMBER: BACC10HF14 OPTIONAL PART: S2125-14-8 V07418 ELECTRICAL EQUIP NUMBER: D00038T WIRING DIAGRAM REF: 334411	103106 002004 006100 107107 121503 904999	RF 1

MISSING ITEM NUMBERS NOT APPLICABLE

- ITEM NOT ILLUSTRATED

33-44-02-02

33-44-02
FIG. 02
PAGE 9
JAN 20/09

BRI



757

PARTS CATALOG (MAINTENANCE)

FIG ITEM	PART NUMBER	1 2 3 4 5 6 7	NOMENCLATURE	EFFECT FROM TO	UNITS PER ASSY
2 205	S3819-14-65	.	CLAMP- SUPPLIER CODE: V07418 SPECIFICATION NUMBER: BACC10KD14 OPTIONAL PART: 620AS028NF14L V06324 ELECTRICAL EQUIP NUMBER: D00038T WIRING DIAGRAM REF: 334411	103106	1
210	R071014R7SNL	.	CONNECTOR- SUPPLIER CODE: V41118 SPECIFICATION NUMBER: BACC63BP14R7SNL MISCELLANEOUS DATA: OPTIONAL PART NUMBERS: BACC63BP14R7SN (81205) BACC63BP14A7SN (81205) BACC63BP14A7SNL (81205) ELECTRICAL EQUIP NUMBER: D00038 WIRING DIAGRAM REF: 334411	002004 006100 107107 121503 904999	1
210	R071014A7SNL	.	CONNECTOR- SUPPLIER CODE: V41118 SPECIFICATION NUMBER: BACC63BP14A7SNL ELECTRICAL EQUIP NUMBER: D00038 WIRING DIAGRAM REF: 334411	103106	1

MISSING ITEM NUMBERS NOT APPLICABLE

- ITEM NOT ILLUSTRATED

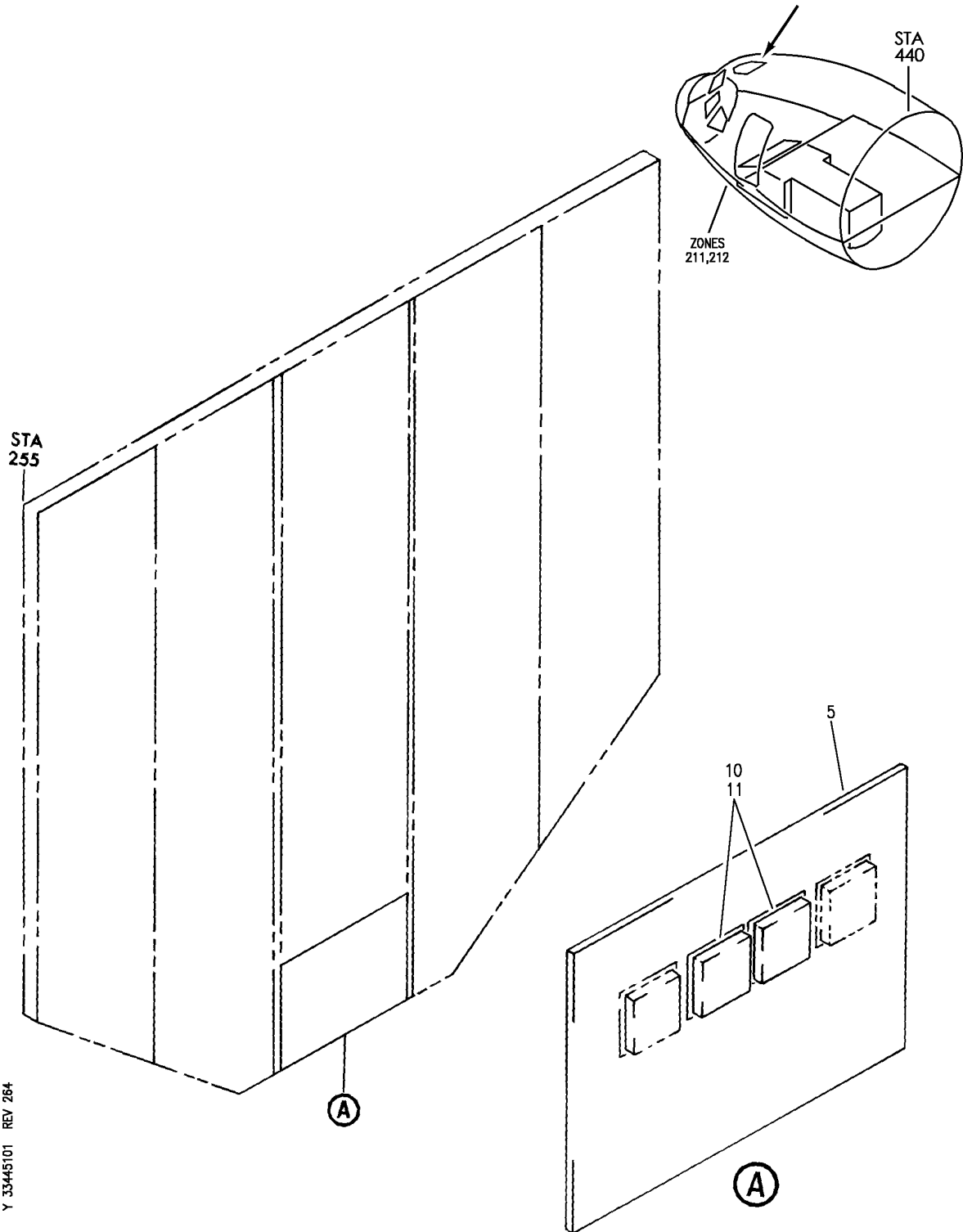
BRI

33-44-02-02

BOEING PROPRIETARY - Copyright © - Unpublished Work - See title page for details.

33-44-02
FIG. 02
PAGE 10
JAN 20/09

BOEING
757
PARTS CATALOG (MAINTENANCE)



Y 33445101 REV 264

PANEL INSTL-P5 OVHD (ANTI-COLLISION LIGHTS ONLY)
FIGURE 1

33-44-51-01

BRI
MAY 28/07

33-44-51-01
PAGE 0



**757
PARTS CATALOG (MAINTENANCE)**

FIG ITEM	PART NUMBER	1 2 3 4 5 6 7	NOMENCLATURE	EFFECT FROM TO	UNITS PER ASSY
1			PANEL INSTL-P5 OVHD (ANTI-COLLISION LIGHTS ONLY)	002004 006010 107107 121503 904999	
- 1	233N3101-1		PANEL INSTL-P5 OVHD (ANTI-COLLISION LIGHTS ONLY) VARIABLE DRAWING REF: 233N3101-5005 233N3101-5025 233N3101-5041 233N3101-5042 233N3101-5045 FOR NHA/OTHER SYS DET SEE: 25-10-00-05A	002004 006010 107107 121503 904999	RF
5	233N3210-14		.PANEL ASSY-ANTI-COLLISION LIGHTING SUPPLIER CODE: V89954 ELECTRICAL EQUIP NUMBER: M10396 COMPONENT MAINT MANUAL REF: 33-44-71 QUALIFIED I/W DATA: 233N3210-13 -14 -15 -16 ARE ALL INTERCHANGEABLE EXCEPT SUBJECT TO CUSTOMER PREFERENCE	107107	RF
5	233N3210-15		.PANEL ASSY-ANTI-COLLISION LIGHTING SUPPLIER CODE: V89954 ELECTRICAL EQUIP NUMBER: M10396 COMPONENT MAINT MANUAL REF: 33-44-71 QUALIFIED I/W DATA: 233N3210-13 -14 -15 -16 ARE ALL INTERCHANGEABLE EXCEPT SUBJECT TO CUSTOMER PREFERENCE	121503 904949	RF

MISSING ITEM NUMBERS NOT APPLICABLE

- ITEM NOT ILLUSTRATED

BRI

33-44-51-01

BOEING PROPRIETARY - Copyright © - Unpublished Work - See title page for details.

33-44-51
FIG. 01
PAGE 1
JAN 20/09



757

PARTS CATALOG (MAINTENANCE)

FIG ITEM	PART NUMBER	1 2 3 4 5 6 7	NOMENCLATURE	EFFECT FROM TO	UNITS PER ASSY
1	5 233T3217-41		.PANEL ASSY-ANTI-COLLISION LIGHTING SUPPLIER CODE: V89954 ELECTRICAL EQUIP NUMBER: M00056 COMPONENT MAINT MANUAL REF: 33-44-72 QUALIFIED I/W DATA: 233T3217-40 -41 -42 ARE ALL INTERCHANGEABLE EXCEPT SUBJECT TO CUSTOMER PREFERENCE THE 233T3217-300 PANEL ASSY IS I/W THE 233T3217-41 PANEL ASSY T/W THE S233T100-6030 LIGHTPLATE.	002004 006010 950999	RF
10	BCREFA0503		..SWITCH ASSY-LIGHTED PUSH BUTTON IND SUPPLIER CODE: V81590 OVERLENGTH PART NUMBER: 433-673-1004-4012 SPECIFICATION NUMBER: S231T290-4012 MISCELLANEOUS DATA: WHEN REPLACING THE PUSHBUTTON SWITCH ASSY OR THE MASTER MODULE WITHIN, VERIFY THAT A CONFIG D MASTER MODULE P/N 13206-001 IS INSTALLED IN LIEU OF ANY EARLIER CONFIGURATION MASTER MODULES. FOR DETAILS SEE: 33-13-00-45A	121503 904949	2
10	851-30768-2012		..SWITCH ASSY-LIGHTED PUSHBUTTON IND ON SUPPLIER CODE: V96182 SPECIFICATION NUMBER: S231T290-2012 FOR DETAILS SEE: 33-13-00-25A	107107	2

MISSING ITEM NUMBERS NOT APPLICABLE

- ITEM NOT ILLUSTRATED

33-44-51-01

33-44-51
FIG. 01
PAGE 2
JAN 20/09

BRI



757

PARTS CATALOG (MAINTENANCE)

FIG ITEM	PART NUMBER	1 2 3 4 5 6 7	NOMENCLATURE	EFFECT FROM TO	UNITS PER ASSY
1	10 851-30768-3012		..SWITCH ASSY-LIGHTED PUSH BUTTON IND ON SUPPLIER CODE: V96182 SPECIFICATION NUMBER: S231T290-3012 OPTIONAL PART: S231T290-5012 FOR DETAILS SEE: 33-13-00-35A	121503 904949	2
	10 4336731004-4212		..SWITCH ASSY-LIGHTED PUSH BUTTON IND ON SUPPLIER CODE: V81590 SPECIFICATION NUMBER: S231T290-4212	121503 904949	2
	10 S231T290-5012		..SWITCH ASSY-LIGHTED PUSH BUTTON IND OPTIONAL PART: 851-30768-3012 V96182	121503 904949	2
	10 BCREFA0503		..SWITCH ASSY-LIGHTED PUSHBUTTON IND SUPPLIER CODE: V81590 OVERLENGTH PART NUMBER: 433-673-1004-4012 SPECIFICATION NUMBER: S231T290-4012 MISCELLANEOUS DATA: WHEN REPLACING THE PUSHBUTTON SWITCH ASSY OR THE MASTER MODULE WITHIN, VERIFY THAT A CONFIG D MASTER MODULE P/N 13206-001 IS INSTALLED IN LIEU OF ANY EARLIER CONFIGURATION MASTER MODULES. PRE SERVICE LETTER: 33-027 FOR DETAILS SEE: 33-13-00-45A	002004 006010 950999	2

MISSING ITEM NUMBERS NOT APPLICABLE

- ITEM NOT ILLUSTRATED

33-44-51-01

33-44-51
FIG. 01
PAGE 3
JAN 20/09

BRI



757

PARTS CATALOG (MAINTENANCE)

FIG ITEM	PART NUMBER	1 2 3 4 5 6 7	NOMENCLATURE	EFFECT FROM TO	UNITS PER ASSY
1					
11	4336731004-4212	..	SWITCH ASSY-LIGHTED PUSHBUTTON IND SUPPLIER CODE: V81590 SPECIFICATION NUMBER: S231T290-4212 POST SERVICE LETTER: 33-027	002004 006010 950999	2
11	BCREF7604	..	SWITCH ASSY-LIGHTED PUSHBUTTON IND SUPPLIER CODE: V81590 OVERLENGTH PART NUMBER: 433-673-1001-1012 SPECIFICATION NUMBER: S231T290-1012 FOR DETAILS SEE: 33-13-00-15A	107107	2
11	BCREFA0503	..	SWITCH ASSY-LIGHTED PUSHBUTTON IND SUPPLIER CODE: V81590 OVERLENGTH PART NUMBER: 433-673-1004-4012 SPECIFICATION NUMBER: S231T290-4012 MISCELLANEOUS DATA: WHEN REPLACING THE PUSHBUTTON SWITCH ASSY OR THE MASTER MODULE WITHIN, VERIFY THAT A CONFIG D MASTER MODULE P/N 13206-001 IS INSTALLED IN LIEU OF ANY EARLIER CONFIGURATION MASTER MODULES. FOR DETAILS SEE: 33-13-00-45A	107107	2
11	851-30768-3012	..	SWITCH ASSY-LIGHTED PUSHBUTTON IND SUPPLIER CODE: V96182 SPECIFICATION NUMBER: S231T290-3012 FOR DETAILS SEE: 33-13-00-35A	107107	2
11	S231T290-5012	..	SWITCH ASSY-LIGHTED PUSHBUTTON IND	107107	2

MISSING ITEM NUMBERS NOT APPLICABLE

- ITEM NOT ILLUSTRATED

33-44-51-01

33-44-51
FIG. 01
PAGE 4
JAN 20/09

BRI



757

PARTS CATALOG (MAINTENANCE)

FIG ITEM	PART NUMBER	1 2 3 4 5 6 7	NOMENCLATURE	EFFECT FROM TO	UNITS PER ASSY
1 11	4336731004-4212		.. SWITCH ASSY-LIGHTED PUSHBUTTON IND SUPPLIER CODE: V81590 SPECIFICATION NUMBER: S231T290-4212	107107	2

MISSING ITEM NUMBERS NOT APPLICABLE

- ITEM NOT ILLUSTRATED

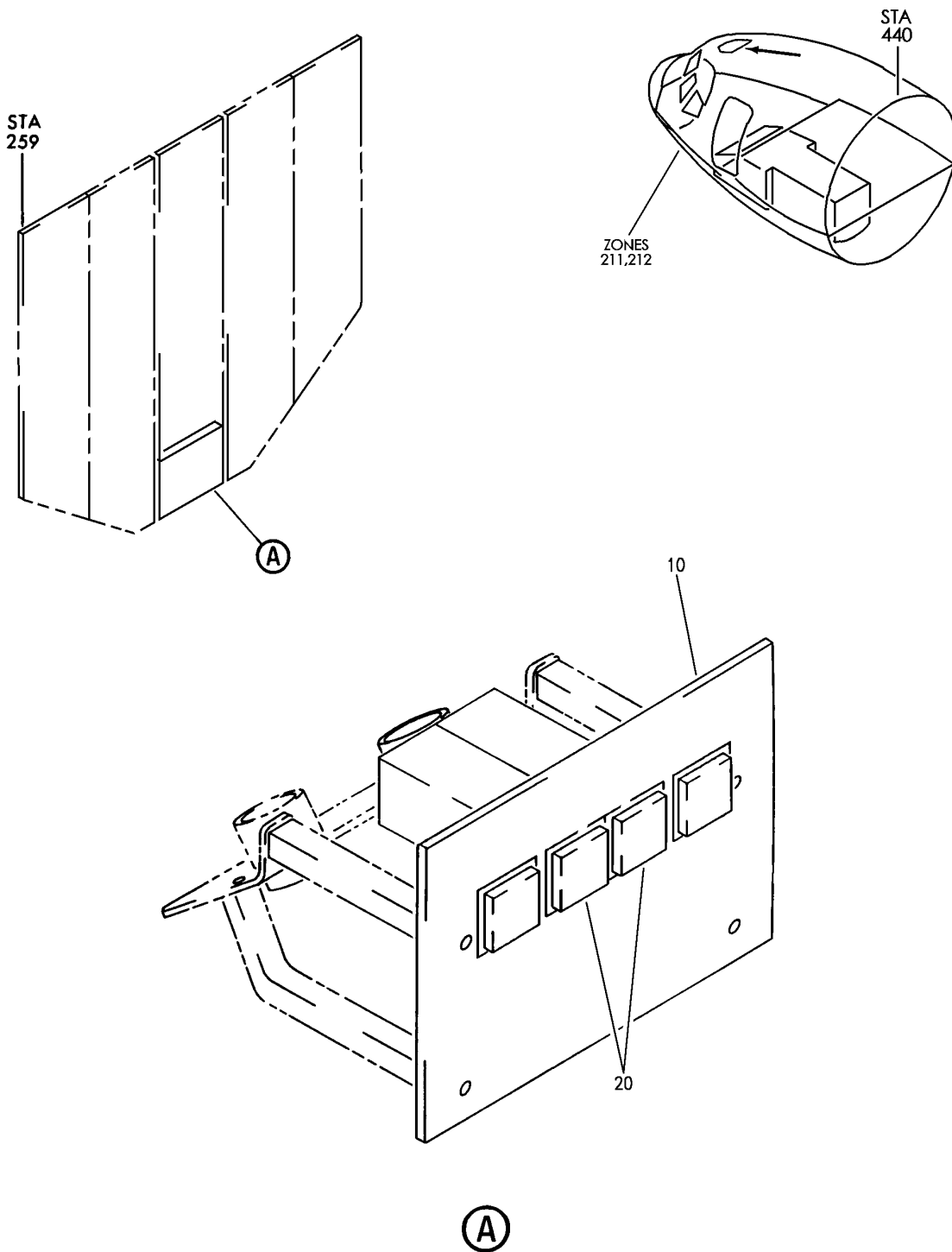
BRI

33-44-51-01

BOEING PROPRIETARY - Copyright © - Unpublished Work - See title page for details.

33-44-51
FIG. 01
PAGE 5
JAN 20/09

BOEING
757
PARTS CATALOG (MAINTENANCE)



Y 33445104 REV 264

PANEL INSTL-P5 OVHD (ANTI-COLLISION LIGHTS ONLY)
FIGURE 4

33-44-51-04

BRI
MAY 28/07

33-44-51-04
PAGE 0



757

PARTS CATALOG (MAINTENANCE)

FIG ITEM	PART NUMBER	1 2 3 4 5 6 7	NOMENCLATURE	EFFECT FROM TO	UNITS PER ASSY
4			PANEL INSTL-P5 OVHD (ANTI-COLLISION LIGHTS ONLY)	011100	
- 1	233N3101-1		PANEL INSTL-P5 OVHD (ANTI-COLLISION LIGHTS ONLY) VARIABLE DRAWING REF: 233N3101-5142 FOR NHA/OTHER SYS DET SEE: 25-10-00-05A	011100	RF
- 5	233T3217-300		.PANEL ASSY-ANTI-COLLISION LIGHTING SUPPLIER CODE: V89954 COMPONENT MAINT MANUAL REF: 33-44-72 QUALIFIED I/W DATA: THE 233T3217-300 PANEL ASSY IS I/W THE 233T3217-41 PANEL ASSY T/W THE S233T100-6030 LIGHTPLATE.	011100	RF
10	233T3217-41		..PANEL ASSY- SUPPLIER CODE: V89954 ELECTRICAL EQUIP NUMBER: M00056 COMPONENT MAINT MANUAL REF: 33-44-72 QUALIFIED I/W DATA: THE 233T3217-300 PANEL ASSY IS I/W THE 233T3217-41 PANEL ASSY T/W THE S233T100-6030 LIGHTPLATE.	011100	RF

MISSING ITEM NUMBERS NOT APPLICABLE

- ITEM NOT ILLUSTRATED

BRI

33-44-51-04

33-44-51
FIG. 04
PAGE 1
JAN 20/09



757

PARTS CATALOG (MAINTENANCE)

FIG ITEM	PART NUMBER	1 2 3 4 5 6 7	NOMENCLATURE	EFFECT FROM TO	UNITS PER ASSY
4 20	BCREFA0503		...SWITCH ASSY-LIGHTED PUSH BUTTON IND ON SUPPLIER CODE: V81590 OVERLENGTH PART NUMBER: 433-673-1004-4012 SPECIFICATION NUMBER: S231T290-4012 MISCELLANEOUS DATA: WHEN REPLACING THE PUSHBUTTON SWITCH ASSY OR THE MASTER MODULE WITHIN, VERIFY THAT A CONFIG D MASTER MODULE P/N 13206-001 IS INSTALLED IN LIEU OF ANY EARLIER CONFIGURATION MASTER MODULES. FOR DETAILS SEE: 33-13-00-45A	011100	2
20	4336731004-4212		...SWITCH ASSY-LIGHTED PUSH BUTTON IND ON SUPPLIER CODE: V81590 SPECIFICATION NUMBER: S231T290-4212 OPTIONAL PART: BCREFA0503 V81590	011100	2

MISSING ITEM NUMBERS NOT APPLICABLE

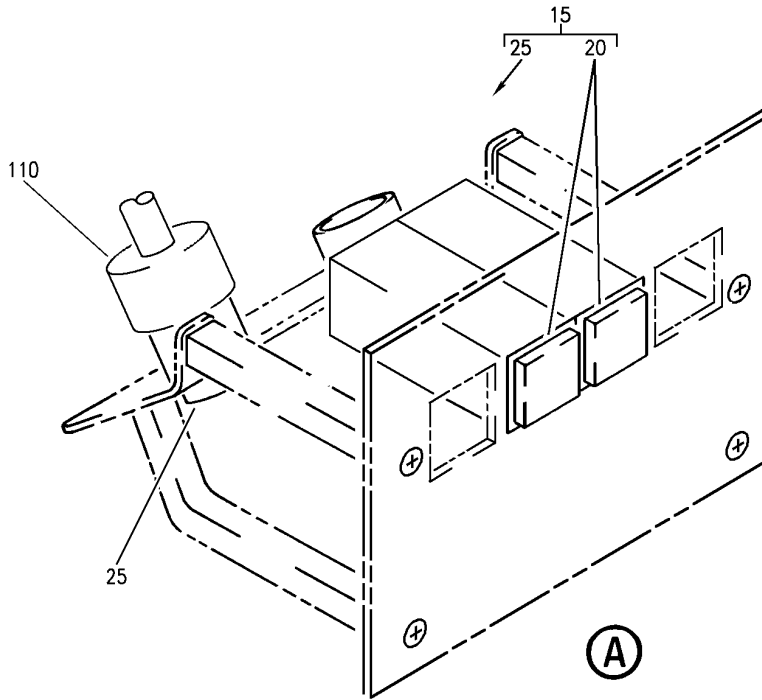
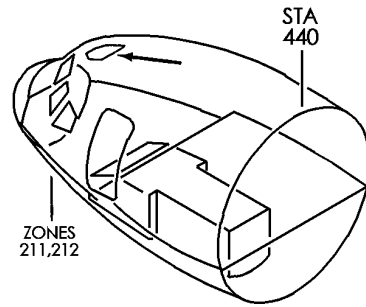
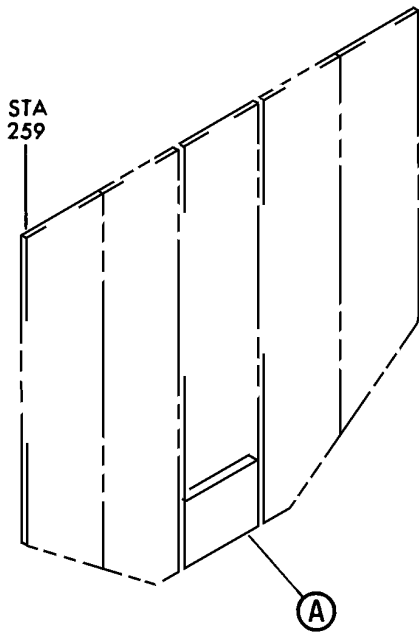
- ITEM NOT ILLUSTRATED

33-44-51-04

33-44-51
FIG. 04
PAGE 2
JAN 20/09

BRI

BOEING
757
PARTS CATALOG (MAINTENANCE)



Y 33445105 REV 251

PANEL INSTL-P5 OVHD (ANTI-COLLISION LIGHTS ONLY)
FIGURE 5

33-44-51-05

BRI
MAY 28/07

33-44-51-05
PAGE 0



757

PARTS CATALOG (MAINTENANCE)

FIG ITEM	PART NUMBER	1 2 3 4 5 6 7	NOMENCLATURE	EFFECT FROM TO	UNITS PER ASSY
5			PANEL INSTL-P5 OVHD (ANTI-COLLISION LIGHTS ONLY)	101106 108120 504903	
- 3	233N3103-132		PANEL INSTL-P5 OVHD (ANTI-COLLISION LIGHTS ONLY) FOR NHA/OTHER SYS DET SEE: 25-10-00-15E	101102	RF
- 3	233N3103-136		PANEL INSTL-P5 OVHD (ANTI-COLLISION LIGHTS ONLY) FOR NHA/OTHER SYS DET SEE: 25-10-00-15E	504903	RF
- 6	233N3103-59		PANEL INSTL-P5 OVHD (ANTI-COLLISION LIGHTS ONLY) FOR NHA/OTHER SYS DET SEE: 25-10-00-15E	108120	RF
- 8	MODREF170180		PANEL INSTL-P5 OVHD (ANTI-COLLISION LIGHTS ONLY) MODULE NUMBER: 233N3103-353 REV B FOR OTHER SYS DETAILS SEE: 11-31-10-12 21-25-55-03 21-31-01-02 21-33-51-03 21-51-54-03 21-58-19-10 21-58-51-03 21-61-04-03 21-65-51-01 22-21-01-04 22-24-51-02 23-24-01-01 23-32-00-11 23-42-02-02 23-71-05-02 24-11-52-05 24-22-01-03 24-31-01-10 24-31-03-09 24-33-04-01 24-41-51-04 24-51-62-01 26-18-51-04 27-21-53-02 27-41-55-01	106106	1

MISSING ITEM NUMBERS NOT APPLICABLE

- ITEM NOT ILLUSTRATED

BRI

33-44-51-05

BOEING PROPRIETARY - Copyright © - Unpublished Work - See title page for details.

33-44-51
FIG. 05
PAGE 1
JAN 20/09



757

PARTS CATALOG (MAINTENANCE)

FIG ITEM	PART NUMBER	1 2 3 4 5 6 7 NOMENCLATURE	EFFECT FROM TO	UNITS PER ASSY
5		27-61-51-03 27-62-52-02 28-22-51-02 28-41-04-01 28-41-51-03 29-11-02-03 29-11-05-04 29-11-52-07 29-21-54-03 29-31-00-01 29-32-51-03 29-33-52-03 30-11-51-03 30-21-51-03 30-31-51-02 30-32-51-01 30-33-51-02 30-41-51-03 30-42-51-03 31-12-11-84 31-12-11-84 A 32-42-52-03 33-11-03-03 33-11-51-17 33-13-01-65 33-13-02-03 33-16-51-03 33-24-51-02 33-41-52-04 33-42-01-04 33-42-02-04 33-42-52-04 33-43-51-04 33-45-53-03 33-51-08-05 34-21-02-01 35-21-51-04 36-11-04-01 36-21-00-01 36-21-02-05 36-22-51-03 49-41-00-02 49-52-00-01 49-70-00-01 52-51-51-03 52-71-51-02 73-21-52-02 74-31-51-05 75-32-00-01		

MISSING ITEM NUMBERS NOT APPLICABLE

- ITEM NOT ILLUSTRATED

33-44-51-05

33-44-51
FIG. 05
PAGE 2
JAN 20/09

BRI



757

PARTS CATALOG (MAINTENANCE)

FIG ITEM	PART NUMBER	1 2 3 4 5 6 7	NOMENCLATURE	EFFECT FROM TO	UNITS PER ASSY
5					
- 10	MODREF33760		80-11-09-02 PANEL INSTL-P5 OVHD (ANTI-COLLISION LIGHTS ONLY) MODULE NUMBER: 233N3103-351 REV C FOR OTHER SYS DETAILS SEE: 11-31-10-12 21-25-55-03 21-31-01-02 21-33-51-03 21-51-54-03 21-58-19-10 21-58-51-03 21-61-04-03 21-65-51-01 22-21-01-04 22-24-51-02 23-24-01-01 23-32-00-11 23-42-02-02 23-71-05-02 24-11-52-05 24-22-01-03 24-31-01-10 24-31-03-09 24-33-04-01 24-41-51-04 24-51-62-01 26-18-51-04 27-21-53-02 27-41-55-01 27-61-51-03 27-62-52-02 28-22-51-02 28-41-04-01 28-41-51-03 29-11-02-03 29-11-05-04 29-11-52-07 29-21-54-03 29-31-00-01 29-32-51-03 29-33-52-03 30-11-51-03 30-21-51-03 30-31-51-02 30-32-51-01 30-33-51-02	103103	1
MISSING ITEM NUMBERS NOT APPLICABLE					

- ITEM NOT ILLUSTRATED

33-44-51-05

33-44-51
FIG. 05
PAGE 3
JAN 20/09

BRI



757

PARTS CATALOG (MAINTENANCE)

FIG ITEM	PART NUMBER	1 2 3 4 5 6 7	NOMENCLATURE	EFFECT FROM TO	UNITS PER ASSY
5			30-41-51-03 30-42-51-03 31-12-11-91 31-12-11-91 A 32-42-52-03 33-11-03-03 33-11-51-17 33-13-01-65 33-13-02-03 33-16-51-03 33-24-51-02 33-41-52-04 33-42-01-04 33-42-02-04 33-42-52-04 33-43-51-04 33-45-53-03 33-51-08-05 34-21-02-01 35-21-51-04 36-11-04-01 36-21-00-01 36-21-02-05 36-22-51-03 49-41-00-02 49-52-00-01 49-70-00-01 52-51-51-03 52-71-51-02 73-21-52-02 74-31-51-05 75-32-00-01 80-11-09-02		
- 10	MODREF34038		PANEL INSTL-P5 OVHD (ANTI-COLLISION LIGHTS ONLY) MODULE NUMBER: 233N3103-351 REV D FOR OTHER SYS DETAILS SEE: 11-31-10-12 21-25-55-03 21-31-01-02 21-33-51-03 21-51-54-03 21-58-19-10 21-58-51-03 21-61-04-03 21-65-51-01 22-21-01-04	104105	1
MISSING ITEM NUMBERS NOT APPLICABLE					

- ITEM NOT ILLUSTRATED

33-44-51-05

33-44-51
 FIG. 05
 PAGE 4
 JAN 20/09

BRI



757

PARTS CATALOG (MAINTENANCE)

FIG ITEM	PART NUMBER	1 2 3 4 5 6 7	NOMENCLATURE	EFFECT FROM TO	UNITS PER ASSY
5			22-24-51-02 23-24-01-01 23-32-00-11 23-42-02-02 23-71-05-02 24-11-52-05 24-22-01-03 24-31-01-10 24-31-03-09 24-33-04-01 24-41-51-04 24-51-62-01 26-18-51-04 27-21-53-02 27-41-55-01 27-61-51-03 27-62-52-02 28-22-51-02 28-41-04-01 28-41-51-03 29-11-02-03 29-11-05-04 29-11-52-07 29-21-54-03 29-31-00-01 29-32-51-03 29-33-52-03 30-11-51-03 30-21-51-03 30-31-51-02 30-32-51-01 30-33-51-02 30-41-51-03 30-42-51-03 31-12-11-91 31-12-11-91 A 32-42-52-03 33-11-03-03 33-11-51-17 33-13-01-65 33-13-02-03 33-16-51-03 33-24-51-02 33-41-52-04 33-42-01-04 33-42-02-04 33-42-52-04 33-43-51-04 33-45-53-03		

MISSING ITEM NUMBERS NOT APPLICABLE

- ITEM NOT ILLUSTRATED

BRI

33-44-51-05

BOEING PROPRIETARY - Copyright © - Unpublished Work - See title page for details.

33-44-51
FIG. 05
PAGE 5
JAN 20/09



757

PARTS CATALOG (MAINTENANCE)

FIG ITEM	PART NUMBER	1 2 3 4 5 6 7	NOMENCLATURE	EFFECT FROM TO	UNITS PER ASSY
5			33-51-08-05 34-21-02-01 35-21-51-04 36-11-04-01 36-21-00-01 36-21-02-05 36-22-51-03 49-41-00-02 49-52-00-01 49-70-00-01 52-51-51-03 52-71-51-02 73-21-52-02 74-31-51-05 75-32-00-01 80-11-09-02		
- 13	233N3210-300		.PANEL ASSY-ANTI-COLLISION LIGHTING SUPPLIER CODE: V89954 ELECTRICAL EQUIP NUMBER: M10396 COMPONENT MAINT MANUAL REF: 33-44-71 QUALIFIED I/W DATA: THE 233N3210-300 PANEL ASSY IS I/W THE 233N3210-16 PANEL ASSY T/W THE S233T100-6030 LIGHTPLATE	108120	RF
- 13	233T3217-300		.PANEL ASSY-ANTI-COLLISION LIGHTING SUPPLIER CODE: V89954 ELECTRICAL EQUIP NUMBER: M00056 COMPONENT MAINT MANUAL REF: 33-44-72 QUALIFIED I/W DATA: THE 233T3217-300 PANEL ASSY IS I/W THE 233T3217-41 PANEL ASSY T/W THE S233T100-6030 LIGHTPLATE.	101106 504903	RF

MISSING ITEM NUMBERS NOT APPLICABLE

- ITEM NOT ILLUSTRATED

33-44-51-05

33-44-51
FIG. 05
PAGE 6
JAN 20/09

BRI



757

PARTS CATALOG (MAINTENANCE)

FIG ITEM	PART NUMBER	1 2 3 4 5 6 7	NOMENCLATURE	EFFECT FROM TO	UNITS PER ASSY
5 15	233N3210-16		..PANEL ASSY- SUPPLIER CODE: V89954 COMPONENT MAINT MANUAL REF: 33-44-71 QUALIFIED I/W DATA: THE 233N3210-300 PANEL ASSY IS I/W THE 233N3210-16 PANEL ASSY T/W THE S233T100-6030 LIGHTPLATE	108120	RF
15	233T3217-41		..PANEL ASSY- SUPPLIER CODE: V89954 COMPONENT MAINT MANUAL REF: 33-44-72 QUALIFIED I/W DATA: THE 233T3217-300 PANEL ASSY IS I/W THE 233T3217-41 PANEL ASSY T/W THE S233T100-6030 LIGHTPLATE.	101106 504903	RF
20	BCREFA0503		...SWITCH ASSY-LIGHTED PUSH BUTTON IND ON SUPPLIER CODE: V81590 OVERLENGTH PART NUMBER: 433-673-1004-4012 SPECIFICATION NUMBER: S231T290-4012 MISCELLANEOUS DATA: WHEN REPLACING THE PUSHBUTTON SWITCH ASSY OR THE MASTER MODULE WITHIN, VERIFY THAT A CONFIG D MASTER MODULE P/N 13206-001 IS INSTALLED IN LIEU OF ANY EARLIER CONFIGURATION MASTER MODULES. FOR DETAILS SEE: 33-13-00-45A	101106 504903	2
20	S231T290-5012		...SWITCH ASSY-LIGHTED PUSH BUTTON IND OPTIONAL PART: 4336731004-4212 V81590	108120	2

MISSING ITEM NUMBERS NOT APPLICABLE

- ITEM NOT ILLUSTRATED

33-44-51-05

33-44-51
FIG. 05
PAGE 7
JAN 20/09

BRI



757

PARTS CATALOG (MAINTENANCE)

FIG ITEM	PART NUMBER	1 2 3 4 5 6 7	NOMENCLATURE	EFFECT FROM TO	UNITS PER ASSY
5	20 4336731004-4212	...	SWITCH ASSY-LIGHTED PUSH BUTTON IND ON SUPPLIER CODE: V81590 SPECIFICATION NUMBER: S231T290-4212	101106 504903	2
	20 851-35100-5012	...	SWITCH ASSY-LIGHTED PUSH BUTTON IND ON SUPPLIER CODE: V96182 SPECIFICATION NUMBER: S231T290-5012 OPTIONAL PART: 4336731004-4212 V81590	108120	2
	20 4336731004-4212	...	SWITCH ASSY-LIGHTED PUSHBUTTON IND SUPPLIER CODE: V81590 SPECIFICATION NUMBER: S231T290-4212 OPTIONAL PART: S231T290-5012 851-35100-5012 V96182	108120	2
	20 BCREFA0503	...	SWITCH ASSY-LIGHTED PUSHBUTTON IND SUPPLIER CODE: V81590 OVERLENGTH PART NUMBER: 433-673-1004-4012 SPECIFICATION NUMBER: S231T290-4012 MISCELLANEOUS DATA: WHEN REPLACING THE PUSHBUTTON SWITCH ASSY OR THE MASTER MODULE WITHIN, VERIFY THAT A CONFIG D MASTER MODULE P/N 13206-001 IS INSTALLED IN LIEU OF ANY EARLIER CONFIGURATION MASTER MODULES. FOR DETAILS SEE: 33-13-00-45A	108120	2

MISSING ITEM NUMBERS NOT APPLICABLE

- ITEM NOT ILLUSTRATED

33-44-51-05

33-44-51
FIG. 05
PAGE 8
JAN 20/09

BRI



757

PARTS CATALOG (MAINTENANCE)

FIG ITEM	PART NUMBER	1 2 3 4 5 6 7	NOMENCLATURE	EFFECT FROM TO	UNITS PER ASSY
5					
20	851-30768-3012		...SWITCH ASSY-LIGHTED PUSHBUTTON IND SUPPLIER CODE: V96182 SPECIFICATION NUMBER: S231T290-3012 FOR DETAILS SEE: 33-13-00-35A	108120	2
25	BACC45FN20-25P6		...CONNECTOR	108120	1
25	BACC45FN16-24P9		...CONNECTOR	101106 504903	1
			ATTACHING PARTS		
- 30	NAS1801-04-5		...SCREW- OPTIONAL PART: BACS12HN04-5	101106 108120 504903	2
- 30	BACS12HN04-5		...SCREW- OPTIONAL PART: NAS1801-04-5	101106 108120 504903	2
- 35	K19798-04		...NUT SUPPLIER CODE: V15653 SPECIFICATION NUMBER: BACN10NW1 OPTIONAL PART: RMA4812-160-40 V72962 293162 V60119	101106 108120 504903	2
			-----*-----		
- 101	286N2064-341		WIRE BUNDLE ASSY	504903	RF
- 101	286N2064-342		WIRE BUNDLE ASSY	101102	RF
- 101	286N2064-343		WIRE BUNDLE ASSY	108120	RF
- 102	286N2064-701		WIRE BUNDLE ASSY	103106	RF
110	BACC45FT16A24S9		.CONNECTOR- ELECTRICAL EQUIP NUMBER: D03505 WIRING DIAGRAM REF: 334421	101106 504903	1
110	BACC45FT20A25S6		.CONNECTOR- ELECTRICAL EQUIP NUMBER: D03505 WIRING DIAGRAM REF: 334421	108120	1

MISSING ITEM NUMBERS NOT APPLICABLE

- ITEM NOT ILLUSTRATED

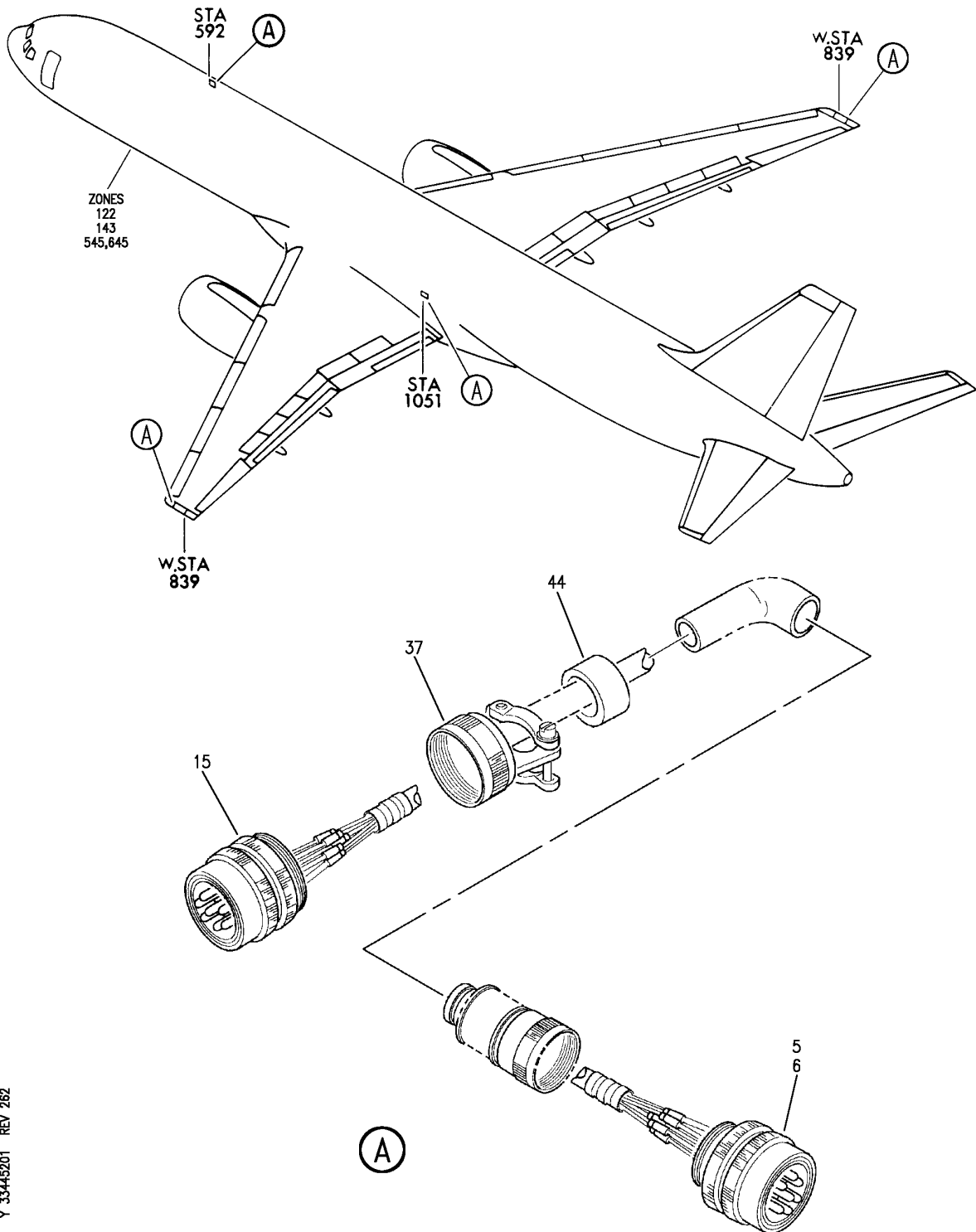
33-44-51-05

33-44-51
FIG. 05
PAGE 9
JAN 20/09

BRI

BOEING PROPRIETARY - Copyright © - Unpublished Work - See title page for details.

BOEING
757
PARTS CATALOG (MAINTENANCE)



Y 33445201 REV 262

CABLE ASSY-ANTI-COLLISION
FIGURE 1

33-44-52-01

BRI
MAY 28/07

33-44-52-01
PAGE 0



757

PARTS CATALOG (MAINTENANCE)

FIG ITEM	PART NUMBER	1 2 3 4 5 6 7	NOMENCLATURE	EFFECT FROM TO	UNITS PER ASSY
1			CABLE ASSY-ANTI-COLLISION	002004 006999	
- 1	60-3414-7		CABLE ASSY- SUPPLIER CODE: V72914 SPECIFICATION NUMBER: S283T012-14 COMPONENT MAINT MANUAL REF: 33-44-18 FOR NHA SEE: 33-44-01-01	002004 006999	RF
- 1	60-3414-23		CABLE ASSY- SUPPLIER CODE: V72914 POSITION DATA: UPR SPECIFICATION NUMBER: S283T012-30 COMPONENT MAINT MANUAL REF: 33-44-18 OPTIONAL PART: 60-3414-19 V72914 FOR NHA SEE: 33-44-02-01	002004 006999	RF
- 1	60-3414-19		CABLE ASSY- SUPPLIER CODE: V72914 POSITION DATA: UPR SPECIFICATION NUMBER: S283T012-24 COMPONENT MAINT MANUAL REF: 33-44-18 OPTIONAL PART: 60-3414-23 V72914 FOR NHA SEE: 33-44-02-01	002004 006999	RF

MISSING ITEM NUMBERS NOT APPLICABLE

- ITEM NOT ILLUSTRATED

33-44-52-01

33-44-52
FIG. 01
PAGE 1
SEP 20/08

BRI



757

PARTS CATALOG (MAINTENANCE)

FIG ITEM	PART NUMBER	1 2 3 4 5 6 7	NOMENCLATURE	EFFECT FROM TO	UNITS PER ASSY
1					
- 1	60-3414-9		CABLE ASSY- SUPPLIER CODE: V72914 POSITION DATA: LWR SPECIFICATION NUMBER: S283T012-15 COMPONENT MAINT MANUAL REF: 33-44-18 PRE ALERT SB: 33A0048 FOR NHA SEE: 33-44-02-02	002004 006102 107999	RF
- 1	60-3414-29		CABLE ASSY- SUPPLIER CODE: V72914 POSITION DATA: LWR SPECIFICATION NUMBER: S283T012-35 COMPONENT MAINT MANUAL REF: 33-44-18 POST ALERT SB: 33A0048 FOR NHA SEE: 33-44-02-02	002004 006999	RF
5	C03579		.CONNECTOR- SUPPLIER CODE: V72914 CONFIG CHG DATA FROM A CMM: SUPSD BY BACC63BP14A7SN MISCELLANEOUS DATA: BOEING SPEC NO. BACC63BP14R7PN USED ON: 60-3414-9	002004 006102 107999	1
5	BACC63BP14R7PNL		.CONNECTOR- CONFIG CHG DATA FROM A CMM: SUPSD BY BACC63BP14A7PN MISCELLANEOUS DATA: GRIMES SPEC NO. C03572 USED ON: 60-3414-7	002004 006999	1

MISSING ITEM NUMBERS NOT APPLICABLE

- ITEM NOT ILLUSTRATED

BRI

33-44-52-01

33-44-52
FIG. 01
PAGE 2
JAN 20/09



757

PARTS CATALOG (MAINTENANCE)

FIG ITEM	PART NUMBER	1 2 3 4 5 6 7	NOMENCLATURE	EFFECT FROM TO	UNITS PER ASSY
1	5 BACC63BP14R7PNL		.CONNECTOR- CONFIG CHG DATA FROM A CMM: SUPSD BY BACC63BP14A7PN MISCELLANEOUS DATA: GRIMES SPEC NO. C03572 USED ON: 60-3414-19 60-3414-23	002004 006999	1
	5 C03572		.CONNECTOR- SUPPLIER CODE: V72914 CONFIG CHG DATA FROM A CMM: SUPERSEDES BACC63BP14A7AN SUPSD BY BACC63BP14A7PN MISCELLANEOUS DATA: BOEING SPEC NO. BACC63BP14R7PN USED ON: 60-3414-7	002004 006999	1
	5 C03579		.CONNECTOR- SUPPLIER CODE: V72914 CONFIG CHG DATA FROM A CMM: SUPSD BY BACC63BP14A7SN MISCELLANEOUS DATA: BOEING SPEC NO. BACC63BP14R7PN USED ON: 60-3414-19 60-3414-23	002004 006999	1
	5 C03572		.CONNECTOR- SUPPLIER CODE: V72914 CONFIG CHG DATA FROM A CMM: SUPERSEDES BACC63BP14A7AN SUPSD BACC63BP14A7PN MISCELLANEOUS DATA: BOEING SPEC NO. BACC63BP14R7PN USED ON: 60-3414-19 60-3414-23 USED ON: 60-3414-19 60-3414-23	002004 006999	1

MISSING ITEM NUMBERS NOT APPLICABLE

- ITEM NOT ILLUSTRATED

33-44-52-01

33-44-52
FIG. 01
PAGE 3
SEP 20/08

BRI



757

PARTS CATALOG (MAINTENANCE)

FIG ITEM	PART NUMBER	1 2 3 4 5 6 7	NOMENCLATURE	EFFECT FROM TO	UNITS PER ASSY
1	5 C03579		.CONNECTOR- SUPPLIER CODE: V72914 CONFIG CHG DATA FROM A CMM: SUPSD BY BACC63BP14A7SN MISCELLANEOUS DATA: BOEING SPEC NO. BACC63BP14R7PN USED ON: 60-3414-7	002004 006999	1
	5 BACC63BP14A7SN		.CONNECTOR- CONFIG CHG DATA FROM A CMM: SUPERSEDES C03579 USED ON: 60-3414-19 60-3414-23	002004 006999	1
	5 BACC63BP14A7PN		.CONNECTOR- CONFIG CHG DATA FROM A CMM: SUPERSEDES C03572 USED ON: 60-3414-7	002004 006999	1
	5 BACC63BP14A7SN		.CONNECTOR- CONFIG CHG DATA FROM A CMM: SUPERSEDES C03579 USED ON: 60-3414-9 60-3414-29	002004 006999	1
	5 BACC63BP14R7PNL		.CONNECTOR- CONFIG CHG DATA FROM A CMM: SUPSD BY BACC63BP14A7PN MISCELLANEOUS DATA: GRIMES SPEC NO. C03572 USED ON: 60-3414-9	002004 006102 107999	1
	6 C03572		.CONNECTOR- SUPPLIER CODE: V72914 CONFIG CHG DATA FROM A CMM: SUPERSEDES BACC63BP14A7AN SUPSD BACC63BP14A7PN MISCELLANEOUS DATA: BOEING SPEC NO. BACC63BP14R7PN USED ON: 60-3414-9	002004 006102 107999	1

MISSING ITEM NUMBERS NOT APPLICABLE

- ITEM NOT ILLUSTRATED

33-44-52-01

33-44-52
FIG. 01
PAGE 4
JAN 20/09

BRI



757

PARTS CATALOG (MAINTENANCE)

FIG ITEM	PART NUMBER	1 2 3 4 5 6 7	NOMENCLATURE	EFFECT FROM TO	UNITS PER ASSY
1	6 BACC63BP14A7PN		.CONNECTOR- CONFIG CHG DATA FROM A CMM: SUPERSEDES BACC63BP14R7PNL SUPSD BY C03572 MISCELLANEOUS DATA: GRIMES SPEC NO. C03572 USED ON: 60-3414-7	002004 006999	1
	6 BACC63BP14A7PN		.CONNECTOR- CONFIG CHG DATA FROM A CMM: SUPERSEDES BACC63BP14R7PNL SUPSD BY C03572 MISCELLANEOUS DATA: GRIMES SPEC NO. C03572 USED ON: 60-3414-9	002004 006102 107999	1
	6 BACC63BP14A7PN		.CONNECTOR- CONFIG CHG DATA FROM A CMM: SUPERSEDES BACC63BP14R7PNL SUPSD BY C03572 MISCELLANEOUS DATA: GRIMES SPEC NO. C03572 USED ON: 60-3414-19 60-3414-23	002004 006999	1
	15 BACC63BP14A7PN		.CONNECTOR- USED ON: 60-3414-19 60-3414-23	002004 006999	1
	15 BACC63BP14A7SN		.CONNECTOR- USED ON: 60-3414-7	002004 006999	1
	15 BACC63BP14A7PN		.CONNECTOR- USED ON: 60-3414-9 60-3414-29	002004 006999	1

MISSING ITEM NUMBERS NOT APPLICABLE

- ITEM NOT ILLUSTRATED

33-44-52-01

33-44-52
FIG. 01
PAGE 5
JAN 20/09

BRI



757

PARTS CATALOG (MAINTENANCE)

FIG ITEM	PART NUMBER	1 2 3 4 5 6 7	NOMENCLATURE	EFFECT FROM TO	UNITS PER ASSY
1					
- 27	C0814		.BACKSHELL- SUPPLIER CODE: V72914 MISCELLANEOUS DATA: BOEING SPEC NO. BACC10HF14 USED ON: 60-3414-7	002004 006999	1
- 27	C08141		.BACKSHELL- SUPPLIER CODE: V72914 CONFIG CHG DATA FROM A CMM: SUPSD BY BACC10HG14 MISCELLANEOUS DATA: BOEING SPEC NO. BACC10HG14 USED ON: 60-3414-19 60-3414-23	002004 006999	1
- 27	55-2444-1		.BACKSHELL- SUPPLIER CODE: V72914 USED ON: 60-3414-29 POST SERVICE BULLETIN: 60-3414-33-SB02 V72914	002004 006102 107999	1
- 27	GS3417-14C		.CLAMP- SUPPLIER CODE: V06324 SPECIFICATION NUMBER: BACC10HF14 OPTIONAL PART: S2125-14-8 V07418 USED ON: 60-3414-7	002004 006999	1

MISSING ITEM NUMBERS NOT APPLICABLE

- ITEM NOT ILLUSTRATED

33-44-52-01

33-44-52
FIG. 01
PAGE 6
JAN 20/09

BRI



757

PARTS CATALOG (MAINTENANCE)

FIG ITEM	PART NUMBER	1 2 3 4 5 6 7	NOMENCLATURE	EFFECT FROM TO	UNITS PER ASSY
1					
- 27	GS3418-14CD		.CLAMP- SUPPLIER CODE: V06324 SPECIFICATION NUMBER: BACC10HG14 OPTIONAL PART: S2126-14-8 V07418 CONFIG CHG DATA FROM A CMM: SUPERSEDES C08141 USED ON: 60-3414-19 60-3414-23	002004 006999	1
- 27	C08141		.BACKSHELL- SUPPLIER CODE: V72914 CONFIG CHG DATA FROM A CMM: SUPSD BY BACC10HG14 MISCELLANEOUS DATA: BOEING SPEC NO. BACC10HG14 USED ON: 60-3414-9 PRE SERVICE BULLETIN: 60-3414-33-SB02 V72914	002004 006102 107999	1
- 27	GS3418-14CD		.CLAMP- SUPPLIER CODE: V06324 SPECIFICATION NUMBER: BACC10HG14 OPTIONAL PART: S2126-14-8 V07418 CONFIG CHG DATA FROM A CMM: SUPERSEDES C08141 USED ON: 60-3414-9	002004 006102 107999	1
- 30	M85049-24-9W		.BACKSHELL- USED ON: 60-3414-29	002004 006102 106999	1
- 35	MS51795-803		ATTACHING PARTS .WASHER- USED ON: 60-3414-29 -----*-----	002004 006102 106999	2

MISSING ITEM NUMBERS NOT APPLICABLE

- ITEM NOT ILLUSTRATED

33-44-52-01

33-44-52
FIG. 01
PAGE 7
JAN 20/09

BRI



757

PARTS CATALOG (MAINTENANCE)

FIG ITEM	PART NUMBER	1 2 3 4 5 6 7	NOMENCLATURE	EFFECT FROM TO	UNITS PER ASSY
1	37 GS3417-14C		.CLAMP- SUPPLIER CODE: V06324 SPECIFICATION NUMBER: BACC10HF14 OPTIONAL PART: S2125-14-8 V07418 USED ON: 60-3414-7	002004 006999	1
	37 GS3418-14CD		.CLAMP- SUPPLIER CODE: V06324 SPECIFICATION NUMBER: BACC10HG14 OPTIONAL PART: S2126-14-8 V07418 USED ON: 60-3414-9 60-3414-29	002004 006999	1
	37 GS3418-14CD		.CLAMP- SUPPLIER CODE: V06324 SPECIFICATION NUMBER: BACC10HG14 OPTIONAL PART: S2126-14-8 V07418 USED ON: 60-3414-19 60-3414-23	002004 006999	1
- 40	60-3378-1		.BUSHING-BACKSHELL SUPPLIER CODE: V72914 CONFIG CHG DATA FROM A CMM: SUPSD BY MS3420-6 USED ON: 60-3414-7	002004 006999	2
- 40	60-3378-1		.BUSHING-BACKSHELL SUPPLIER CODE: V72914 CONFIG CHG DATA FROM A CMM: SUPSD BY MS3420-6 USED ON: 60-3414-19 60-3414-23	002004 006999	2

MISSING ITEM NUMBERS NOT APPLICABLE

- ITEM NOT ILLUSTRATED

33-44-52-01

33-44-52
FIG. 01
PAGE 8
SEP 20/08

BRI



757

PARTS CATALOG (MAINTENANCE)

FIG ITEM	PART NUMBER	1 2 3 4 5 6 7	NOMENCLATURE	EFFECT FROM TO	UNITS PER ASSY
1					
- 40	60-3378-1		.BUSHING-BACKSHELL SUPPLIER CODE: V72914 CONFIG CHG DATA FROM A CMM: SUPSD BY MS3420-6 USED ON: 60-3414-9	002004 006102 107999	2
- 42	MS3420-6		.BUSHING-BACKSHELL CONFIG CHG DATA FROM A CMM: SUPERSEDES 60-3378-1 USED ON: 60-3414-7	002004 006999	2
- 42	MS3420-6		.BUSHING-BACKSHELL CONFIG CHG DATA FROM A CMM: SUPERSEDES 60-3378-1 USED ON: 60-3414-9 60-3414-29	002004 006999	2
- 42	MS3420-6		.BUSHING-BACKSHELL CONFIG CHG DATA FROM A CMM: SUPERSEDES 60-3378-1 USED ON: 60-3414-19 60-3414-23	002004 006999	2
44	MS3420-6		.BUSHING- USED ON: 60-3414-7	002004 006999	1
44	MS3420-6		.BUSHING- USED ON: 60-3414-9 60-3414-29	002004 006999	1
44	MS3420-6		.BUSHING- USED ON: 60-3414-19 60-3414-23	002004 006999	1
- 45	55-0957-5		.CABLE-SHIELDED 27 IN (686 MM) SUPPLIER CODE: V72914 USED ON: 60-3414-7	002004 006999	1
- 45	55-0957-5		.CABLE-SHIELDED 41 IN (1041 MM) SUPPLIER CODE: V72914 USED ON: 60-3414-19 60-3414-23	002004 006999	1

MISSING ITEM NUMBERS NOT APPLICABLE

- ITEM NOT ILLUSTRATED

33-44-52-01

33-44-52
FIG. 01
PAGE 9
JAN 20/09

BRI



757

PARTS CATALOG (MAINTENANCE)

FIG ITEM	PART NUMBER	1 2 3 4 5 6 7	NOMENCLATURE	EFFECT FROM TO	UNITS PER ASSY
1 - 45	55-0957-5		. CABLE-SHIELDED 55.5 IN (1410 MM) SUPPLIER CODE: V72914 USED ON: 60-3414-9 60-3414-29	002004 006999	1

MISSING ITEM NUMBERS NOT APPLICABLE

- ITEM NOT ILLUSTRATED

BRI

33-44-52-01

BOEING PROPRIETARY - Copyright © - Unpublished Work - See title page for details.

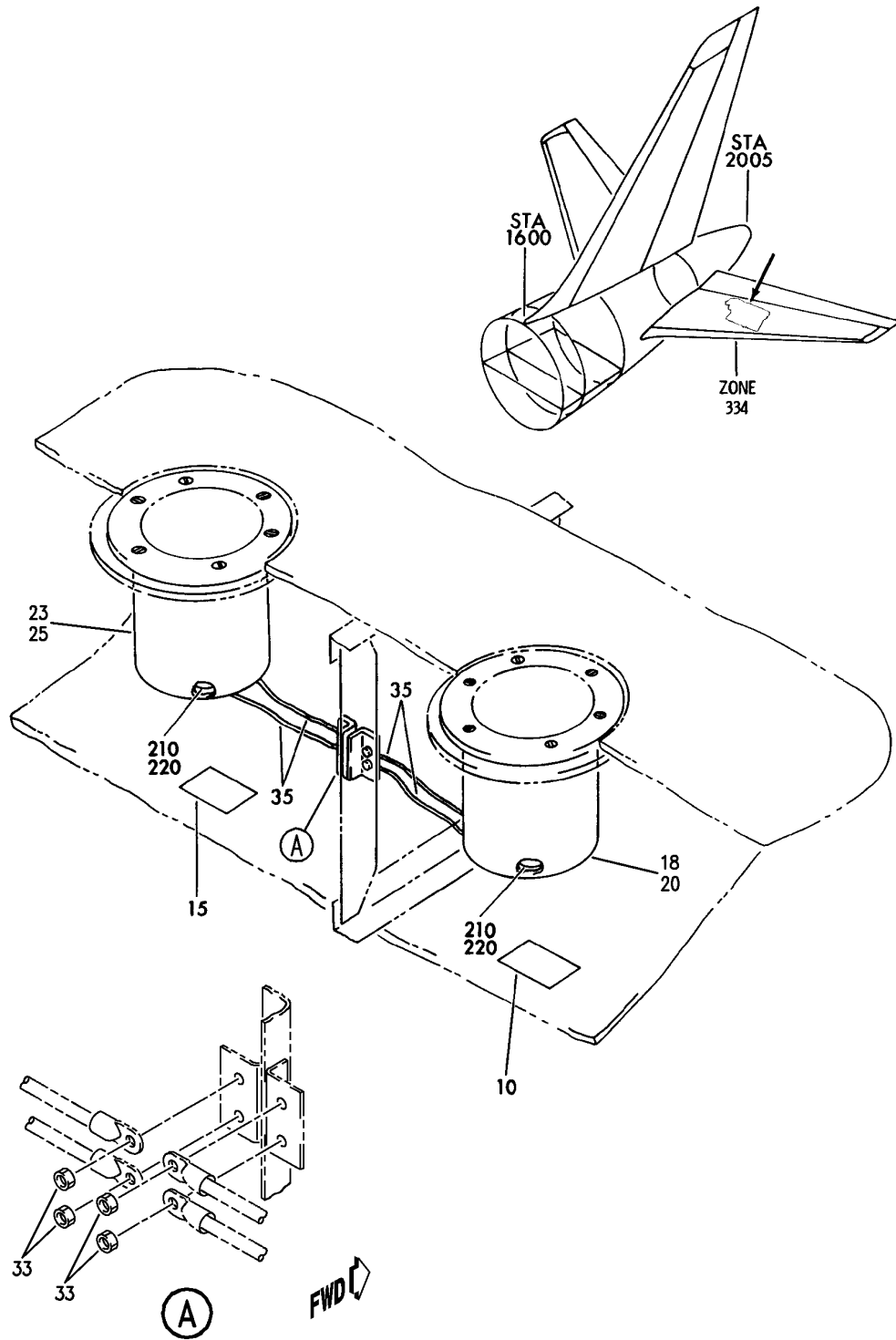
33-44-52
FIG. 01
PAGE 10
SEP 20/08

LOGO LIGHTS

BRI
MAY 28/07

33-45-00
SECTION TITLE
PAGE 1

BOEING
757
PARTS CATALOG (MAINTENANCE)



Y 33455101 REV 242

LIGHT INSTL-LOGO ILLUMINATION
FIGURE 1

33-45-51-01

BRI
MAY 28/07

33-45-51-01
PAGE 0



757

PARTS CATALOG (MAINTENANCE)

FIG ITEM	PART NUMBER	1 2 3 4 5 6 7	NOMENCLATURE	EFFECT FROM TO	UNITS PER ASSY
1			LIGHT INSTL-LOGO ILLUMINATION	002004 006999	
- 1	284N1801-1		LIGHT INSTL-LOGO ILLUMINATION POSITION DATA: LH FOR NHA SEE: 24-00-58-01A	107107 904949 952952	RF
- 1	284N1801-3		LIGHT INSTL-LOGO ILLUMINATION POSITION DATA: LH FOR NHA SEE: 24-00-58-01A	002004	RF
- 1	284N1801-5		LIGHT INSTL-LOGO ILLUMINATION POSITION DATA: LH FOR NHA SEE: 24-00-58-01A	121503	RF
- 1	284N1801-7		LIGHT INSTL-LOGO ILLUMINATION POSITION DATA: LH FOR NHA SEE: 24-00-58-01A	006100 950951 953999	RF
- 1	284N1801-9		LIGHT INSTL-LOGO ILLUMINATION POSITION DATA: LH FOR NHA SEE: 24-00-58-01A	101102 108120 504903	RF
- 1	MODREF9342		LIGHT INSTL-LOGO ILLUMINATION MODULE NUMBER: 284N1801-9 REV A POSITION DATA: LH	103103	1
- 1	MODREF30161		LIGHT INSTL-LOGO ILLUMINATION MODULE NUMBER: 284N1801-9 REV B POSITION DATA: LH	104106	1

MISSING ITEM NUMBERS NOT APPLICABLE

- ITEM NOT ILLUSTRATED

33-45-51-01

33-45-51
FIG. 01
PAGE 1
JAN 20/09

BRI



757

PARTS CATALOG (MAINTENANCE)

FIG ITEM	PART NUMBER	1 2 3 4 5 6 7	NOMENCLATURE	EFFECT FROM TO	UNITS PER ASSY
1					
- 5	284N1801-2		LIGHT INSTL-LOGO ILLUMINATION POSITION DATA: RH FOR NHA SEE: 24-00-58-01A	107107 904949 952952	RF
- 5	284N1801-4		LIGHT INSTL-LOGO ILLUMINATION POSITION DATA: RH FOR NHA SEE: 24-00-58-01A	002004	RF
- 5	284N1801-6		LIGHT INSTL-LOGO ILLUMINATION POSITION DATA: RH FOR NHA SEE: 24-00-58-01A	121503	RF
- 5	284N1801-8		LIGHT INSTL-LOGO ILLUMINATION POSITION DATA: RH FOR NHA SEE: 24-00-58-01A	006100 950951 953999	RF
- 5	284N1801-10		LIGHT INSTL-LOGO ILLUMINATION POSITION DATA: RH FOR NHA SEE: 24-00-58-01A	101102 108120 504903	RF
- 5	MODREF9341		LIGHT INSTL-LOGO ILLUMINATION MODULE NUMBER: 284N1801-10 REV A POSITION DATA: RH	103103	1
- 5	MODREF27780		LIGHT INSTL-LOGO ILLUMINATION MODULE NUMBER: 284N1801-10 REV B POSITION DATA: RH	104106	1
10	BAC27NEX1316		.DECAL- POSITION DATA: LH SIDE PLACARD CONTENT: L00422 LIGHT-LOGO LEFT OUTBOARD	002004 006999	1

MISSING ITEM NUMBERS NOT APPLICABLE

- ITEM NOT ILLUSTRATED

BRI

33-45-51-01

33-45-51
FIG. 01
PAGE 2
JAN 20/09



757

PARTS CATALOG (MAINTENANCE)

FIG ITEM	PART NUMBER	1 2 3 4 5 6 7	NOMENCLATURE	EFFECT FROM TO	UNITS PER ASSY
1					
- 12	BAC27NEX1318		.DECAL- POSITION DATA: RH SIDE PLACARD CONTENT: L00424 LIGHT-LOGO RIGHT OUTBOARD	002004 006999	1
15	BAC27NEX1315		.DECAL- POSITION DATA: LH SIDE PLACARD CONTENT: L00421 LIGHT-LOGO LEFT INBOARD	002004 006999	1
- 17	BAC27NEX1317		.DECAL-L00423 LIGHT-LOGO POSITION DATA: RH SIDE PLACARD CONTENT: L00423 LIGHT-LOGO RIGHT INBOARD	002004 006999	1
18	0104244-003		.LIGHT-LOGO SUPPLIER CODE: VOVDA9 POSITION DATA: OUTBD LH SIDE SPECIFICATION NUMBER: S283T008-35 ELECTRICAL EQUIP NUMBER: L00422 COMPONENT MAINT MANUAL REF: 33-45-01 QUALIFIED I/W DATA: 0104244-003 CAN BE USED ONLY IF 0104244-001 IS ALSO USED ON 284N1801-3 INSTALLATION, AND 0104244-002 AND 0104244-04 ARE USED ON 284N1801-4 INSTALLATION QUALIFIED OPTIONAL DATA: (S283T008-35 OPTIONAL TO S283T008-103. S283T008-35 CAN BE USED ONLY IF S283T008-33 IS ALSO USED ON INSTL -3, AND S283T008-34 AND S283T008-36 ARE USED ON INSTL -4.) FOR DETAILS SEE: 33-45-52-02	002004 006999	1

MISSING ITEM NUMBERS NOT APPLICABLE

- ITEM NOT ILLUSTRATED

33-45-51-01

33-45-51
FIG. 01
PAGE 3
JAN 20/09

BRI



757

PARTS CATALOG (MAINTENANCE)

FIG ITEM	PART NUMBER	1 2 3 4 5 6 7	NOMENCLATURE	EFFECT FROM TO	UNITS PER ASSY
1	18 284N1197-2		.LIGHT-LOGO POSITION DATA: OUTBD LH SIDE ELECTRICAL EQUIP NUMBER: L00422 OPTIONAL PART: 432252 VF0280	006100 950951 953999	1
	20 4300181		.LIGHT ASSY-LOGO SUPPLIER CODE: VF0280 POSITION DATA: OUTBD LH SIDE SPECIFICATION NUMBER: S283T008-103 ELECTRICAL EQUIP NUMBER: L00422 COMPONENT MAINT MANUAL REF: 33-45-70 QUALIFIED I/W DATA: 0104244-003 CAN BE USED ONLY IF 0104244-001 IS ALSO USED ON 284N1801-3 INSTALLATION, AND 0104244-002 AND 0104244-04 ARE USED ON 284N1801-4 INSTALLATION QUALIFIED OPTIONAL DATA: (S283T008-35 OPTIONAL TO S283T008-103. S283T008-35 CAN BE USED ONLY IF S283T008-33 IS ALSO USED ON INSTL -3, AND S283T008-34 AND S283T008-36 ARE USED ON INSTL -4.) FOR DETAILS SEE: 33-45-52-03	002004 006999	1

MISSING ITEM NUMBERS NOT APPLICABLE

- ITEM NOT ILLUSTRATED

33-45-51-01

33-45-51
FIG. 01
PAGE 4
JAN 20/09

BRI



757

PARTS CATALOG (MAINTENANCE)

FIG ITEM	PART NUMBER	1 2 3 4 5 6 7	NOMENCLATURE	EFFECT FROM TO	UNITS PER ASSY
1 20	4300181A		.LIGHT ASSY-LOGO SUPPLIER CODE: VF0280 POSITION DATA: OUTBD LH SIDE SPECIFICATION NUMBER: S283T008-107 ELECTRICAL EQUIP NUMBER: L00422 COMPONENT MAINT MANUAL REF: 33-45-70 FOR DETAILS SEE: 33-45-52-03	002004 006999	1
20	4322252		.LIGHT ASSY-LOGO SUPPLIER CODE: VF0280 POSITION DATA: OUTBD LH SIDE SPECIFICATION NUMBER: S283T008-111 ELECTRICAL EQUIP NUMBER: L00422 COMPONENT MAINT MANUAL REF: 33-45-70 OPTIONAL PART: 284N1197-2 FOR DETAILS SEE: 33-45-52-03	002004 006999	1

MISSING ITEM NUMBERS NOT APPLICABLE

- ITEM NOT ILLUSTRATED

BRI

33-45-51-01

BOEING PROPRIETARY - Copyright © - Unpublished Work - See title page for details.

33-45-51
FIG. 01
PAGE 5
JAN 20/09



757

PARTS CATALOG (MAINTENANCE)

FIG ITEM	PART NUMBER	1 2 3 4 5 6 7	NOMENCLATURE	EFFECT FROM TO	UNITS PER ASSY
1 20	4333318		.LIGHT ASSY-LOGO SUPPLIER CODE: VF0280 POSITION DATA: OUTBD LH SIDE SPECIFICATION NUMBER: S283N701-1 MISCELLANEOUS DATA: LOGO LIGHT SYSTEM DEACTIVATED BY UPS E.O. M-3340-7974. LIGHT MAY BE REPLACED BY COVERPLATE. FOR T001T099 SEE IPC 55-10-00-10. FOR C901C950, S601S699 SEE IPC 55-10-51-01. ELECTRICAL EQUIP NUMBER: L00422 COMPONENT MAINT MANUAL REF: 33-45-72 FOR DETAILS SEE: 33-45-52-03	002004 006999	1
20	4333318		.LIGHT ASSY-LOGO SUPPLIER CODE: VF0280 POSITION DATA: OUTBD LH SIDE SPECIFICATION NUMBER: S283N701-1 MISCELLANEOUS DATA: R/T 305826F ELECTRICAL EQUIP NUMBER: L00422 COMPONENT MAINT MANUAL REF: 33-45-72 LIAISON CHANGE PART NUMBER: 4333318 SPARES SUPPORT PART NUMBER: 4333318 FOR DETAILS SEE: 33-45-52-03	002004 006999	1

MISSING ITEM NUMBERS NOT APPLICABLE

- ITEM NOT ILLUSTRATED

BRI

33-45-51-01

BOEING PROPRIETARY - Copyright © - Unpublished Work - See title page for details.

33-45-51
FIG. 01
PAGE 6
JAN 20/09



757

PARTS CATALOG (MAINTENANCE)

FIG ITEM	PART NUMBER	1 2 3 4 5 6 7	NOMENCLATURE	EFFECT FROM TO	UNITS PER ASSY
1 20	4333318		.LIGHT ASSY-LOGO SUPPLIER CODE: VF0280 POSITION DATA: OUTBD LH SIDE SPECIFICATION NUMBER: S283N701-1 ELECTRICAL EQUIP NUMBER: L00422 COMPONENT MAINT MANUAL REF: 33-45-72 FOR DETAILS SEE: 33-45-52-03	002004 006999	1
- 21	0104244-004		.LIGHT-LOGO SUPPLIER CODE: VOVDA9 POSITION DATA: OUTBD RH SIDE SPECIFICATION NUMBER: S283T008-36 ELECTRICAL EQUIP NUMBER: L00424 COMPONENT MAINT MANUAL REF: 33-45-01 QUALIFIED I/W DATA: S283T008-36/0104244-004 OPTIONAL TO S283N701-2/ 4333332 IN SHIPSET ON EACH HORIZONTAL STABILIZER ONLY QUALIFIED OPTIONAL DATA: (S283T008-36 OPTIONAL TO S283T008-102. S283T008-36 CAN BE USED ONLY IF S283T008-34 IS ALSO USED ON INSTL -4, AND S283T008-33 AND S283T008-35 ARE USED ON INSTL -3.) FOR DETAILS SEE: 33-45-52-02	002004 006999	1
- 21	284N1197-1		.LIGHT-LOGO POSITION DATA: OUTBD RH SIDE ELECTRICAL EQUIP NUMBER: L00424 OPTIONAL PART: 4322245 VF0280	006100 950951 953999	1

MISSING ITEM NUMBERS NOT APPLICABLE

- ITEM NOT ILLUSTRATED

33-45-51-01

33-45-51
FIG. 01
PAGE 7
JAN 20/09

BRI



757

PARTS CATALOG (MAINTENANCE)

FIG ITEM	PART NUMBER	1 2 3 4 5 6 7	NOMENCLATURE	EFFECT FROM TO	UNITS PER ASSY
1 - 22	4300197		.LIGHT ASSY-LOGO SUPPLIER CODE: VF0280 POSITION DATA: OUTBD RH SIDE SPECIFICATION NUMBER: S283T008-102 ELECTRICAL EQUIP NUMBER: L00424 COMPONENT MAINT MANUAL REF: 33-45-70 QUALIFIED OPTIONAL DATA: (S283T008-36 OPTIONAL TO S283T008-102. S283T008-36 CAN BE USED ONLY IF S283T008-34 IS ALSO USED ON INSTL -4, AND S283T008-33 AND S283T008-35 ARE USED ON INSTL -3.) FOR DETAILS SEE: 33-45-52-03	002004 006999	1
- 22	4300197A		.LIGHT ASSY-LOGO SUPPLIER CODE: VF0280 POSITION DATA: OUTBD RH SIDE SPECIFICATION NUMBER: S283T008-106 ELECTRICAL EQUIP NUMBER: L00424 COMPONENT MAINT MANUAL REF: 33-45-70 FOR DETAILS SEE: 33-45-52-03	002004 006999	1

MISSING ITEM NUMBERS NOT APPLICABLE

- ITEM NOT ILLUSTRATED

33-45-51-01

33-45-51
FIG. 01
PAGE 8
SEP 20/08

BRI



757

PARTS CATALOG (MAINTENANCE)

FIG ITEM	PART NUMBER	1 2 3 4 5 6 7	NOMENCLATURE	EFFECT FROM TO	UNITS PER ASSY
1 - 22	4322245		.LIGHT ASSY-LOGO SUPPLIER CODE: VF0280 POSITION DATA: OUTBD RH SIDE SPECIFICATION NUMBER: S283T008-110 ELECTRICAL EQUIP NUMBER: L00424 COMPONENT MAINT MANUAL REF: 33-45-70 QUALIFIED I/W DATA: 4322268 TOGETHER WITH 4322245 IS REPLACED BY 433332 TOGETHER WITH 4333332 FULLY INTERCHANGEABLE PER SERVICE LETTER 757-33-014-A OPTIONAL PART: 284N1197-1 FOR DETAILS SEE: 33-45-52-03	002004 006999	1
- 22	4333332		.LIGHT ASSY-LOGO SUPPLIER CODE: VF0280 POSITION DATA: OUTBD RH SIDE SPECIFICATION NUMBER: S283N701-2 ELECTRICAL EQUIP NUMBER: L00424 COMPONENT MAINT MANUAL REF: 33-45-72 QUALIFIED I/W DATA: S283T008-36/0104244-004 OPTIONAL TO S283N701-2/ 4333332 IN SHIPSET ON EACH HORIZONTAL STABILIZER ONLY 4322268 TOGETHER WITH 4322245 IS REPLACED BY 4333325 TOGETHER WITH 4333332 FULLY INTERCHANGEABLE PER SERVICE LETTER 757-33-014-A FOR DETAILS SEE: 33-45-52-03	101106 108120 504903	1

MISSING ITEM NUMBERS NOT APPLICABLE

- ITEM NOT ILLUSTRATED

33-45-51-01

33-45-51
FIG. 01
PAGE 9
JAN 20/09

BRI



757

PARTS CATALOG (MAINTENANCE)

FIG ITEM	PART NUMBER	1 2 3 4 5 6 7	NOMENCLATURE	EFFECT FROM TO	UNITS PER ASSY
1 23	0104244-001		.LIGHT-LOGO SUPPLIER CODE: VOVDA9 POSITION DATA: INBD LH SIDE SPECIFICATION NUMBER: S283T008-33 ELECTRICAL EQUIP NUMBER: L00421 COMPONENT MAINT MANUAL REF: 33-45-01 QUALIFIED OPTIONAL DATA: (S283T008-33 OPTIONAL TO S283T008-105. S283T008-33 CAN BE USED ONLY IF S283T008-35 IS ALSO USED ON INSTL -3, AND S283T008-34 AND S283T008-36 ARE USED ON INSTL -4.) FOR DETAILS SEE: 33-45-52-01	002004 006999	1
23	284N1197-4		.LIGHT-LOGO POSITION DATA: INBD LH SIDE ELECTRICAL EQUIP NUMBER: L00421 OPTIONAL PART: 4322275 VF0280	006100 950951 953999	1

MISSING ITEM NUMBERS NOT APPLICABLE

- ITEM NOT ILLUSTRATED

BRI

33-45-51-01

BOEING PROPRIETARY - Copyright © - Unpublished Work - See title page for details.

33-45-51
FIG. 01
PAGE 10
JAN 20/09



757

PARTS CATALOG (MAINTENANCE)

FIG ITEM	PART NUMBER	1 2 3 4 5 6 7	NOMENCLATURE	EFFECT FROM TO	UNITS PER ASSY
1 25	4300167		.LIGHT ASSY-LOGO SUPPLIER CODE: VF0280 POSITION DATA: INBD LH SIDE SPECIFICATION NUMBER: S283T008-105 ELECTRICAL EQUIP NUMBER: L00421 COMPONENT MAINT MANUAL REF: 33-45-70 QUALIFIED OPTIONAL DATA: (S283T008-33 OPTIONAL TO S283T008-105. S283T008-33 CAN BE USED ONLY IF S283T008-35 IS ALSO USED ON INSTL -3, AND S283T008-34 AND S283T008-36 ARE USED ON INSTL -4.) FOR DETAILS SEE: 33-45-52-03	002004 006999	1
25	4318746		.LIGHT ASSY-LOGO SUPPLIER CODE: VF0280 POSITION DATA: INBD LH SIDE SPECIFICATION NUMBER: S283T008-109 ELECTRICAL EQUIP NUMBER: L00421 COMPONENT MAINT MANUAL REF: 33-45-70 FOR DETAILS SEE: 33-45-52-03	002004 006999	1

MISSING ITEM NUMBERS NOT APPLICABLE

- ITEM NOT ILLUSTRATED

33-45-51-01

33-45-51
FIG. 01
PAGE 11
SEP 20/08

BRI



757

PARTS CATALOG (MAINTENANCE)

FIG ITEM	PART NUMBER	1 2 3 4 5 6 7	NOMENCLATURE	EFFECT FROM TO	UNITS PER ASSY
1 25	4322275		.LIGHT ASSY-LOGO SUPPLIER CODE: VF0280 POSITION DATA: INBD LH SIDE SPECIFICATION NUMBER: S283T008-113 ELECTRICAL EQUIP NUMBER: L00421 COMPONENT MAINT MANUAL REF: 33-45-70 OPTIONAL PART: 284N1197-4 FOR DETAILS SEE: 33-45-52-03	002004 006999	1
25	4333302		.LIGHT ASSY-LOGO SUPPLIER CODE: VF0280 POSITION DATA: INBD LH SIDE SPECIFICATION NUMBER: S283N701-3 ELECTRICAL EQUIP NUMBER: L00421 COMPONENT MAINT MANUAL REF: 33-45-72 FOR DETAILS SEE: 33-45-52-03	002004 006999	1

MISSING ITEM NUMBERS NOT APPLICABLE

- ITEM NOT ILLUSTRATED

33-45-51-01

33-45-51
FIG. 01
PAGE 12
SEP 20/08

BRI



757

PARTS CATALOG (MAINTENANCE)

FIG ITEM	PART NUMBER	1 2 3 4 5 6 7	NOMENCLATURE	EFFECT FROM TO	UNITS PER ASSY
1					
- 26	0104244-002		.LIGHT-LOGO SUPPLIER CODE: VOVDA9 POSITION DATA: INBD RH SIDE SPECIFICATION NUMBER: S283T008-34 ELECTRICAL EQUIP NUMBER: L00423 COMPONENT MAINT MANUAL REF: 33-45-01 QUALIFIED OPTIONAL DATA: (S283T008-34 OPTIONAL TO S283T008-104. S283T008-34 CAN BE USED ONLY IF S283T008-36 IS ALSO USED ON INSTL -4, AND S283T008-33 AND S283T008-35 ARE USED ON INSTL -3.) FOR DETAILS SEE: 33-45-52-01	002004 006999	1
- 26	284N1197-3		.LIGHT-LOGO POSITION DATA: INBD RH SIDE ELECTRICAL EQUIP NUMBER: L00423 OPTIONAL PART: 4322268 VF0280	006100 950951 953999	1

MISSING ITEM NUMBERS NOT APPLICABLE

- ITEM NOT ILLUSTRATED

BRI

33-45-51-01

BOEING PROPRIETARY - Copyright © - Unpublished Work - See title page for details.

33-45-51
FIG. 01
PAGE 13
JAN 20/09



757

PARTS CATALOG (MAINTENANCE)

FIG ITEM	PART NUMBER	1 2 3 4 5 6 7	NOMENCLATURE	EFFECT FROM TO	UNITS PER ASSY
1 - 27	4300174		.LIGHT ASSY-LOGO SUPPLIER CODE: VF0280 POSITION DATA: INBD RH SIDE SPECIFICATION NUMBER: S283T008-104 ELECTRICAL EQUIP NUMBER: L00423 COMPONENT MAINT MANUAL REF: 33-45-70 QUALIFIED OPTIONAL DATA: (S283T008-34 OPTIONAL TO S283T008-104. S283T008-34 CAN BE USED ONLY IF S283T008-36 IS ALSO USED ON INSTL -4, AND S283T008-33 AND S283T008-35 ARE USED ON INSTL -3.) FOR DETAILS SEE: 33-45-52-03	002004 006999	1
- 27	4318769		.LIGHT ASSY-LOGO SUPPLIER CODE: VF0280 POSITION DATA: INBD RH SIDE SPECIFICATION NUMBER: S283T008-108 ELECTRICAL EQUIP NUMBER: L00423 COMPONENT MAINT MANUAL REF: 33-45-70 FOR DETAILS SEE: 33-45-52-03	002004 006999	1

MISSING ITEM NUMBERS NOT APPLICABLE

- ITEM NOT ILLUSTRATED

33-45-51-01

33-45-51
FIG. 01
PAGE 14
SEP 20/08

BRI



757

PARTS CATALOG (MAINTENANCE)

FIG ITEM	PART NUMBER	1 2 3 4 5 6 7	NOMENCLATURE	EFFECT FROM TO	UNITS PER ASSY
1 - 27	4322268		.LIGHT ASSY-LOGO SUPPLIER CODE: VF0280 POSITION DATA: INBD RH SIDE SPECIFICATION NUMBER: S283T008-112 SB DATA FROM A CMM: (POST SB 33-099) ELECTRICAL EQUIP NUMBER: L00423 COMPONENT MAINT MANUAL REF: 33-45-70 QUALIFIED I/W DATA: 4322268 TOGETHER WITH 4322245 IS REPLACED BY 4333325 TOGETHER WITH 4333332 FULLY INTERCHANGEABLE PER SERVICE LETTER 757-33-014-A OPTIONAL PART: 284N1197-3 FOR DETAILS SEE: 33-45-52-03	002004 006999	1
- 27	4333325		.LIGHT ASSY-LOGO SUPPLIER CODE: VF0280 POSITION DATA: INBD RH SIDE SPECIFICATION NUMBER: S283N701-4 ELECTRICAL EQUIP NUMBER: L00423 COMPONENT MAINT MANUAL REF: 33-45-72 QUALIFIED I/W DATA: 4322268 TOGETHER WITH 4322245 IS REPLACED BY 4333325 TOGETHER WITH 4333332 FULLY INTERCHANGEABLE PER SERVICE LETTER 757-33-014-A FOR DETAILS SEE: 33-45-52-03	101106 108120 504903	1

MISSING ITEM NUMBERS NOT APPLICABLE

- ITEM NOT ILLUSTRATED

33-45-51-01

33-45-51
FIG. 01
PAGE 15
JAN 20/09

BRI



757

PARTS CATALOG (MAINTENANCE)

FIG ITEM	PART NUMBER	1 2 3 4 5 6 7	NOMENCLATURE	EFFECT FROM TO	UNITS PER ASSY
1			ATTACHING PARTS		
- 30	BACB30NN3K3		.BOLT	002004 006999	12
			-----*-----		
33	BRH10A3		.NUT	002004	4
			SUPPLIER CODE:	107107	
			V52828	904949	
			SPECIFICATION NUMBER:	952952	
			BACN10JC3		
			OPTIONAL PART:		
			H10-3BAC		
			V15653		
			NS202101-02		
			V80539		
			RMLH9075-3W		
			V72962		
			VN303A02		
			V92215		
			96-02		
			V80539		
			T6S1032J		
			V11815		
33	MS21042L3		.NUT	006106 108903 950951 953999	4
35	1002BB16		.JUMPER	002004 006999	4
			SUPPLIER CODE:		
			V1FF12		
			SPECIFICATION NUMBER:		
			BACJ40A20-16		
			OPTIONAL PART:		
			TJEJ40A20-16		
			V33483		
			740A20-16		
			V91812		
			RBEJ20-16		
			V1GK47		
- 200	286N3204-001		WIRE BUNDLE ASSY-	002004 006100 107107 121503 904999	RF
- 200	286N3204-301		WIRE BUNDLE ASSY	101102 108120	RF
- 200	286N3204-304		WIRE BUNDLE ASSY	504903	RF

MISSING ITEM NUMBERS NOT APPLICABLE

- ITEM NOT ILLUSTRATED

33-45-51-01

33-45-51
FIG. 01
PAGE 16
JAN 20/09

BRI



757

PARTS CATALOG (MAINTENANCE)

FIG ITEM	PART NUMBER	1 2 3 4 5 6 7	NOMENCLATURE	EFFECT FROM TO	UNITS PER ASSY
1					
- 205	286N3206-001		WIRE BUNDLE ASSY-	002004 006100 107107 121503 904999	RF
- 205	286N3206-304		WIRE BUNDLE ASSY	504903	RF
- 205	286N3206-301		WIRE BUNDLE ASSY-	101102 108120	RF
210	GS3417-18C		.CLAMP- SUPPLIER CODE: V06324 SPECIFICATION NUMBER: BACC10HF18 OPTIONAL PART: S2125-18-8 V07418 ELECTRICAL EQUIP NUMBER: D04756T D04758T D04814T D04816T WIRING DIAGRAM REF: 334511	002004 006102 107999	2
220	R071018A8SNL		.CONNECTOR- SUPPLIER CODE: V41118 SPECIFICATION NUMBER: BACC63BP18A8SNL ELECTRICAL EQUIP NUMBER: D04756 D04758 D04814 D04816 WIRING DIAGRAM REF: 334511	002004 006102 107999	2

MISSING ITEM NUMBERS NOT APPLICABLE

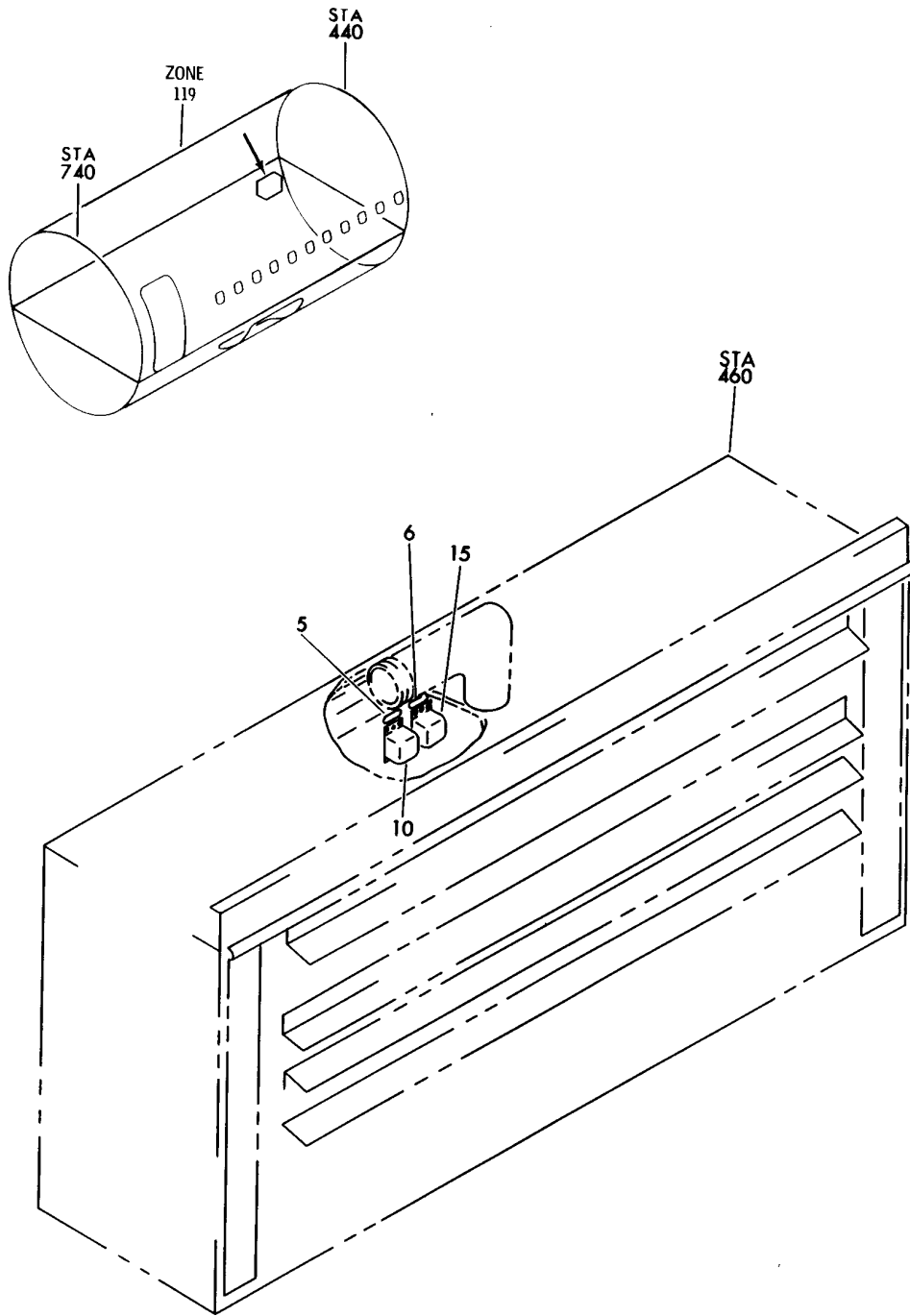
- ITEM NOT ILLUSTRATED

33-45-51-01

33-45-51
FIG. 01
PAGE 17
JAN 20/09

BRI

BOEING
757
PARTS CATALOG (MAINTENANCE)



Y 3345102 REV 138

PANEL ASSY- P70 MISC RELAY (LIGHTS ONLY)
FIGURE 2

33-45-51-02

BRI
MAY 28/07

33-45-51-02
PAGE 0



**757
PARTS CATALOG (MAINTENANCE)**

FIG ITEM	PART NUMBER	1 2 3 4 5 6 7	NOMENCLATURE	EFFECT FROM TO	UNITS PER ASSY
2			PANEL ASSY- P70 MISC RELAY (LIGHTS ONLY)	002004 006100 107107 121503 904949 952999	
- 1	284N1129-1		PANEL ASSY-P70 MISC RELAY (LIGHTS ONLY) VARIABLE DRAWING REF: 284N1129-5012 284N1129-5021 284N1129-5035 284N1129-5049 PRE AIRLINE MOD: E.O.3392R043 VALP FOR NHA/OTHER SYS DET SEE: 53-33-00-02	002004 006100 107107 121503 904949 952999	RF
5	BAC27NEX1586		.DECAL- PLACARD CONTENT: K10405	002004 006100 107107 121503 904949 952999	1
10	KAD9F005		.RELAY- SUPPLIER CODE: V58657 ELECTRICAL EQUIP NUMBER: K10405	002004 006100 107107 121503 904949 952999	1

MISSING ITEM NUMBERS NOT APPLICABLE

- ITEM NOT ILLUSTRATED

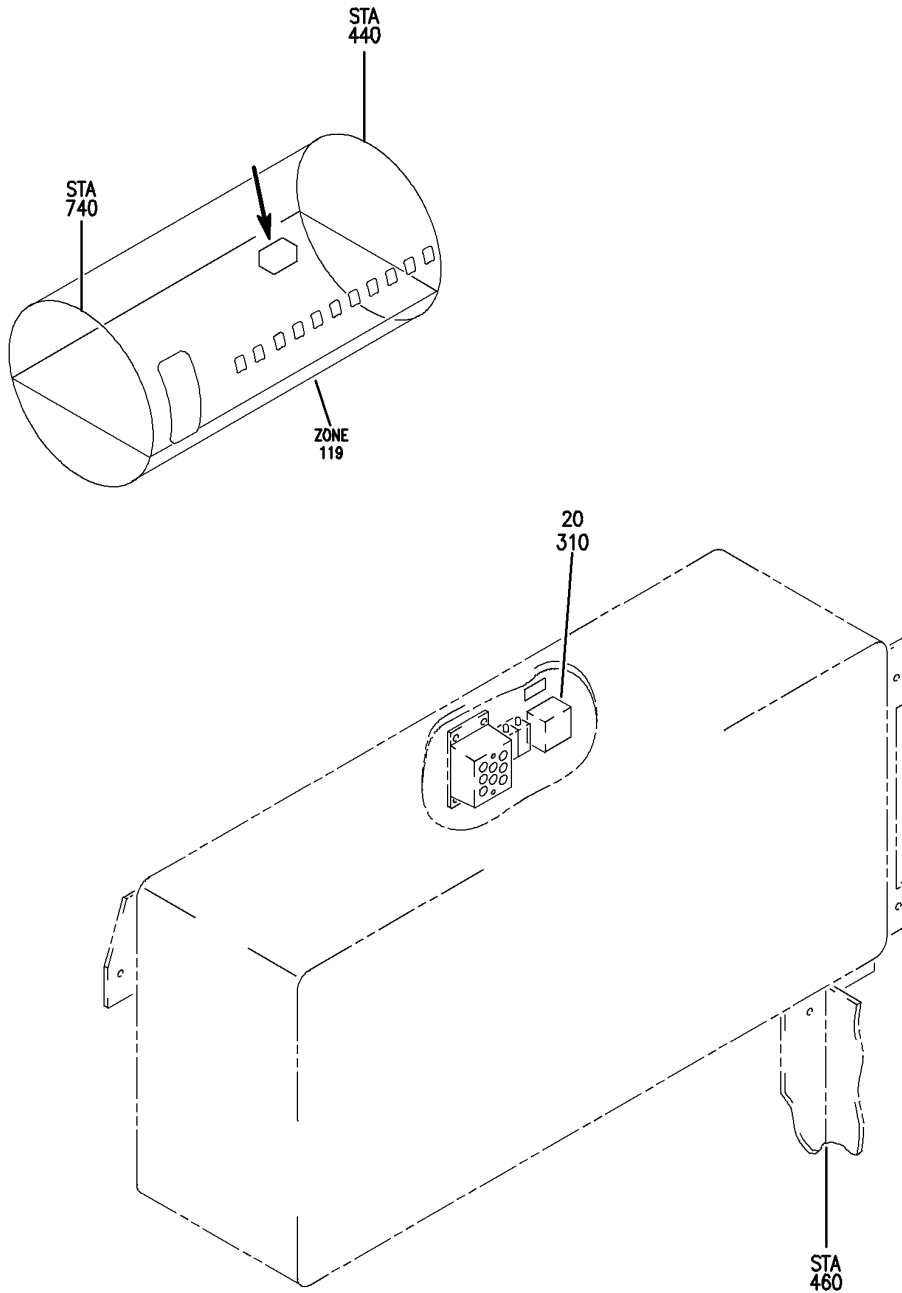
BRI

33-45-51-02

BOEING PROPRIETARY - Copyright © - Unpublished Work - See title page for details.

33-45-51
FIG. 02
PAGE 1
JAN 20/09

BOEING
757
PARTS CATALOG (MAINTENANCE)



Y 33455102A REV 225

PACKAGE ASSY-OPTION P70 MISC RELAY (LIGHTS ONLY)
FIGURE 2A

33-45-51-02A

BRI
MAY 28/07

BOEING PROPRIETARY - Copyright © - Unpublished Work - See title page for details.

33-45-51-02A
PAGE 0



757

PARTS CATALOG (MAINTENANCE)

FIG ITEM	PART NUMBER	1 2 3 4 5 6 7	NOMENCLATURE	EFFECT FROM TO	UNITS PER ASSY
2A			PACKAGE ASSY-OPTION P70 MISC RELAY (LIGHTS ONLY)	101102 504903	
- 1	284N1129-1002		PACKAGE ASSY-OPTION P70 MISC RELAY (LIGHTS ONLY) FOR NHA/OTHER SYS DET SEE: 31-01-70-01	101102 504903	RF
20	KAD9F005		.RELAY- SUPPLIER CODE: V58657 ELECTRICAL EQUIP NUMBER: K10405	101102 504903	1
- 300	286N1250-319		WIRE BUNDLE ASSY	504903	RF
- 300	286N1250-328		WIRE BUNDLE ASSY	101102	RF
310	BACS16W3		.SOCKET- ELECTRICAL EQUIP NUMBER: D04754 WIRING DIAGRAM REF: 334511	101102 504903	1

MISSING ITEM NUMBERS NOT APPLICABLE

- ITEM NOT ILLUSTRATED

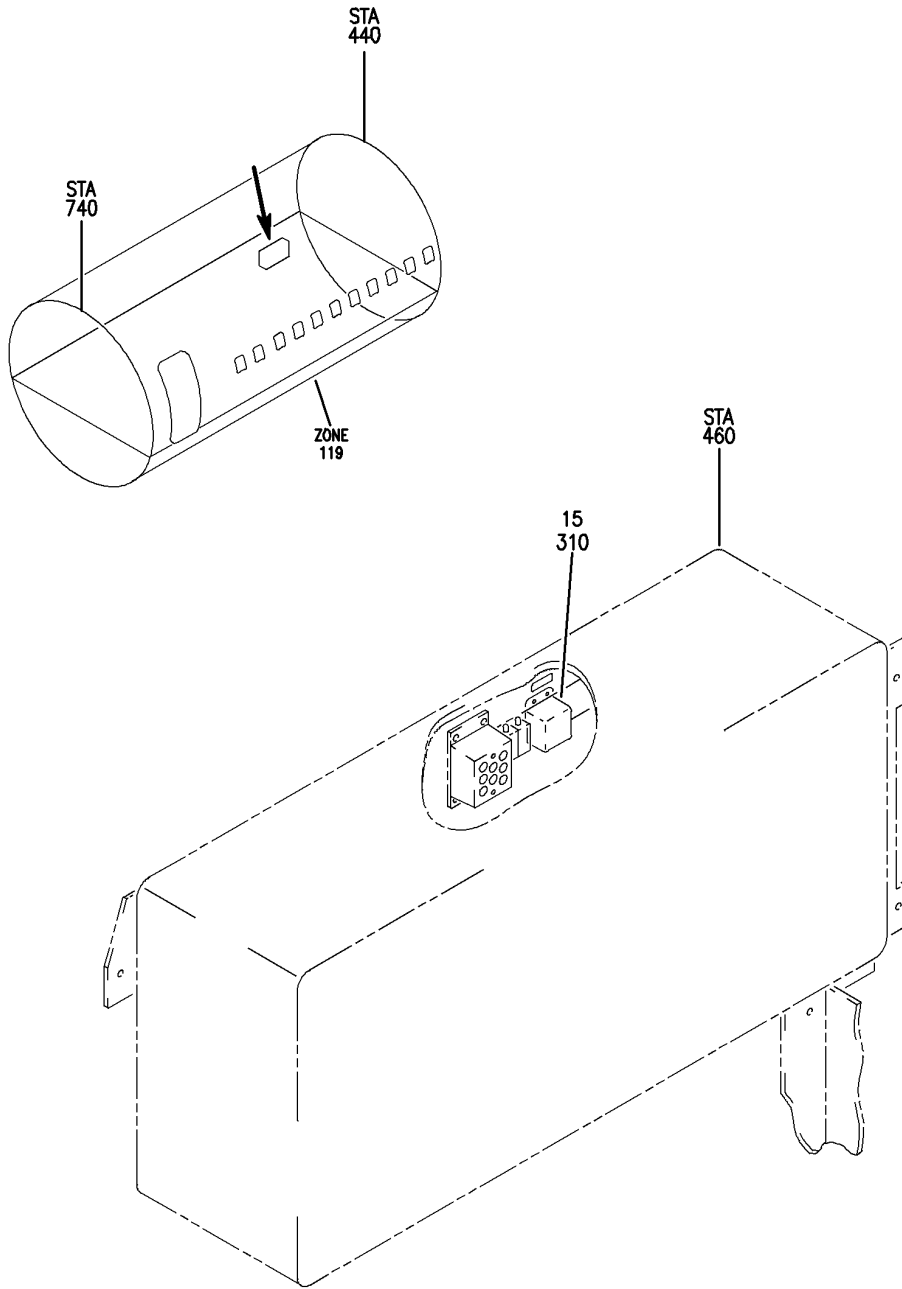
33-45-51-02A

33-45-51
FIG. 02A
PAGE 1
JAN 20/09

BRI

BOEING PROPRIETARY - Copyright © - Unpublished Work - See title page for details.

BOEING
757
PARTS CATALOG (MAINTENANCE)



Y 33455102B REV 227

PANEL ASSY- P70 MISC RELAY (LIGHTS ONLY)
FIGURE 2B

33-45-51-02B

BRI
JAN 20/09

33-45-51-02B
PAGE 0



**757
PARTS CATALOG (MAINTENANCE)**

FIG ITEM	PART NUMBER	1 2 3 4 5 6 7	NOMENCLATURE	EFFECT FROM TO	UNITS PER ASSY
2B			PANEL ASSY- P70 MISC RELAY (LIGHTS ONLY)	103106 108120	
- 2	284N1129-423		PANEL INSTL-P70 MISC RELAY (LIGHTS ONLY)	108120	RF
			FOR NHA/OTHER SYS DET SEE: 24-00-58-05C		
- 4	MODREF31428		PANEL INSTL-P70 MISC RELAY (LIGHTS ONLY)	103105	RF
			MODULE NUMBER: 284N1129-438 REV A		
			FOR OTHER SYS DETAILS SEE: 11-36-10-01B 21-25-71-03C 21-43-71-02B 21-44-71-03B 21-45-61-01 23-32-55-03B 24-51-02-07 24-51-04-01 24-51-60-04 24-53-71-04B 27-51-71-04B 28-25-71-04B 31-01-70-05		
- 4	MODREF170991		PANEL INSTL-P70 MISC RELAY (LIGHTS ONLY)	106106	RF
			MODULE NUMBER: 284N1129-438 REV C		
			FOR OTHER SYS DETAILS SEE: 11-36-10-01B 21-25-71-03C 21-43-71-02B 21-44-71-03B 21-45-61-01 23-32-55-03B 24-51-02-07 24-51-04-01 24-51-60-04 24-53-71-04B 27-51-71-04B 28-25-71-04B 31-01-70-05		
15	KAD9F005		.RELAY-	103106	1
			SUPPLIER CODE: V58657	108120	
			ELECTRICAL EQUIP NUMBER: K10405		
- 300	286N1250-335		WIRE BUNDLE ASSY-	108120	RF
- 301	286N1250-751		WIRE BUNDLE ASSY-	103106	RF

MISSING ITEM NUMBERS NOT APPLICABLE

- ITEM NOT ILLUSTRATED

33-45-51-02B

33-45-51
FIG. 02B
PAGE 1
JAN 20/09

BRI



757

PARTS CATALOG (MAINTENANCE)

FIG ITEM	PART NUMBER	1 2 3 4 5 6 7	NOMENCLATURE	EFFECT FROM TO	UNITS PER ASSY
2B 310	BACS16W3		. SOCKET- ELECTRICAL EQUIP NUMBER: D04754 WIRING DIAGRAM REF: 334511	103106 108120	1

MISSING ITEM NUMBERS NOT APPLICABLE

- ITEM NOT ILLUSTRATED

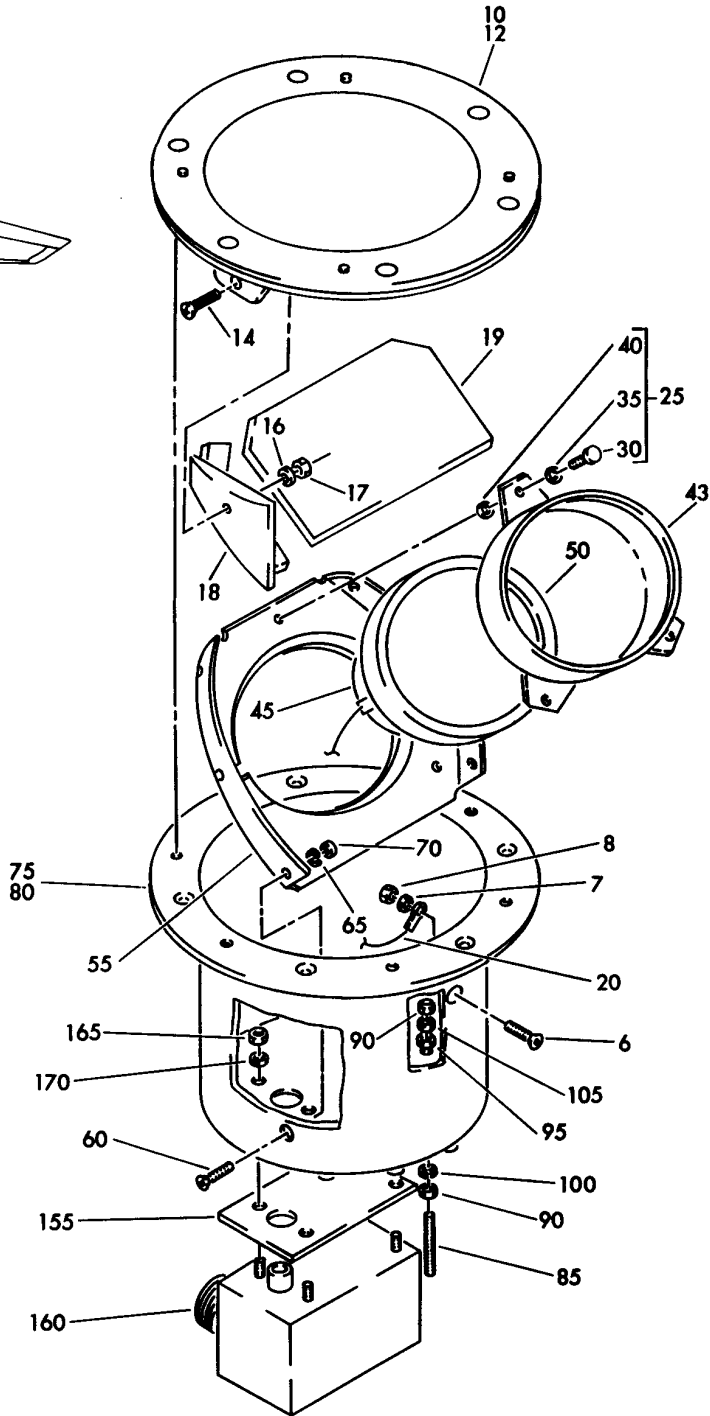
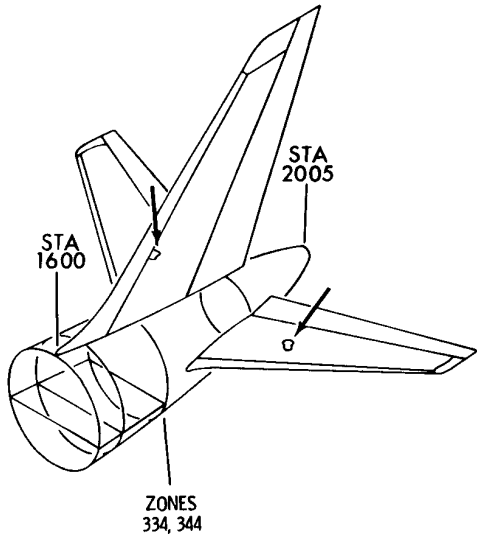
BRI

33-45-51-02B

BOEING PROPRIETARY - Copyright © - Unpublished Work - See title page for details.

33-45-51
FIG. 02B
PAGE 2
JAN 20/09

BOEING
757
PARTS CATALOG (MAINTENANCE)



Y 33455201 REV 117

LIGHT ASSY-LOGO (INBD)
FIGURE 1

33-45-52-01

BRI
MAY 28/07

33-45-52-01
PAGE 0

 **BOEING**
757
PARTS CATALOG (MAINTENANCE)

FIG ITEM	PART NUMBER	1 2 3 4 5 6 7	NOMENCLATURE	EFFECT FROM TO	UNITS PER ASSY
1			LIGHT ASSY-LOGO (INBD)	002004 006100 107107 121503 904999	
- 1	0104244-001		LIGHT-LOGO SUPPLIER CODE: VOVDA9 POSITION DATA: INBD LH SPECIFICATION NUMBER: S283T008-33 ELECTRICAL EQUIP NUMBER: L00421 COMPONENT MAINT MANUAL REF: 33-45-01 QUALIFIED OPTIONAL DATA: S283T008-33 OPTIONAL TO S283T008-105. S283T008-33 CAN BE USED ONLY IF S283T008-35 IS ALSO USED ON INSTL -3, AND S283T008-34 AND S283T008-36 ARE USED ON INSTL -4. FOR NHA SEE: 33-45-51-01	002004 006100 107107 121503 904999	RF
- 5	0104244-002		LIGHT-LOGO SUPPLIER CODE: VOVDA9 POSITION DATA: INBD RH SPECIFICATION NUMBER: S283T008-34 ELECTRICAL EQUIP NUMBER: L00423 COMPONENT MAINT MANUAL REF: 33-45-01 QUALIFIED OPTIONAL DATA: S283T008-34 OPTIONAL TO S283T008-104. S283T008-34 CAN BE USED ONLY IF S283T008-36 IS ALSO USED ON INSTL -4, AND S283T008-33 AND S283T008-35 ARE USED ON INSTL -3. FOR NHA SEE: 33-45-51-01	002004 006100 107107 121503 904999	RF

MISSING ITEM NUMBERS NOT APPLICABLE

- ITEM NOT ILLUSTRATED

BRI

33-45-52-01

33-45-52
FIG. 01
PAGE 1
JAN 20/09

BOEING
757
PARTS CATALOG (MAINTENANCE)

FIG ITEM	PART NUMBER	1 2 3 4 5 6 7	NOMENCLATURE	EFFECT FROM TO	UNITS PER ASSY
1	6 MS24693C26	.	SCREW	002004 006100 107107 121503 904999	1
	7 NAS620C6	.	WASHER	002004 006100 107107 121503 904999	1
	8 0104535-001	.	LOCKNUT- SUPPLIER CODE: VOVDA9	002004 006100 107107 121503 904999	1
	10 0104525-001	.	LENS ASSY-LOGO LIGHT SUPPLIER CODE: VOVDA9 POSITION DATA: LH SIDE	002004 006100 107107 121503 904999	1
-	12 0104525-002	.	LENS ASSY-LOGO LIGHT SUPPLIER CODE: VOVDA9 POSITION DATA: RH SIDE	002004 006100 107107 121503 904999	1
	14 0081147-051	..	SCREW- SUPPLIER CODE: V17744	002004 006100 107107 121503 904999	2
	16 0080145-012	..	WASHER- SUPPLIER CODE: V17744	002004 006100 107107 121503 904999	2
	17 0104535-003	..	LOCKNUT- SUPPLIER CODE: V17744	002004 006100 107107 121503 904999	2
	18 0104524-002	..	BRACKET- SUPPLIER CODE: V17744	002004 006100 107107 121503 904999	1

MISSING ITEM NUMBERS NOT APPLICABLE

- ITEM NOT ILLUSTRATED

BRI

33-45-52-01

BOEING PROPRIETARY - Copyright © - Unpublished Work - See title page for details.

33-45-52
FIG. 01
PAGE 2
JAN 20/09



757

PARTS CATALOG (MAINTENANCE)

FIG ITEM	PART NUMBER	1 2 3 4 5 6 7	NOMENCLATURE	EFFECT FROM TO	UNITS PER ASSY
1					
19	0104537-001	..	LENS- SUPPLIER CODE: V17744	002004 006100 107107 121503 904999	1
20	0104539-001	..	LANYARD ASSY- SUPPLIER CODE: VOVDA9	002004 006100 107107 121503 904999	1
25	0104260-001	.	RETAINER ASSY-LAMP SUPPLIER CODE: VOVDA9	002004 006100 107107 121503 904999	1
30	0104541-001	..	SCREW-CAPTIVE SUPPLIER CODE: V17744	002004 006100 107107 121503 904999	3
35	NAS620C6	..	WASHER	002004 006100 107107 121503 904999	3
40	0080145-003	..	WASHER- SUPPLIER CODE: V17744	002004 006100 107107 121503 904999	3
43	0104260-000	..	RETAINER-LAMP SUPPLIER CODE: V17744	002004 006100 107107 121503 904999	1
45	Q4631	.	LAMP- SUPPLIER CODE: V08806	002004 006100 107107 121503 904999	1
50	0104531-001	.	GASKET- SUPPLIER CODE: VOVDA9	002004 006100 107107 121503 904999	1

MISSING ITEM NUMBERS NOT APPLICABLE

- ITEM NOT ILLUSTRATED

33-45-52-01

33-45-52
FIG. 01
PAGE 3
JAN 20/09

BRI

BOEING PROPRIETARY - Copyright © - Unpublished Work - See title page for details.



757

PARTS CATALOG (MAINTENANCE)

FIG ITEM	PART NUMBER	1 2 3 4 5 6 7	NOMENCLATURE	EFFECT FROM TO	UNITS PER ASSY
1	55 0104259-001		.BRACKET ASSY-LAMP SUPPLIER CODE: VOVDA9	002004 006100 107107 121503 904999	1
	60 MS24693C26		ATTACHING PARTS .SCREW	002004 006100 107107 121503 904999	6
	65 0080145-009		.WASHER- SUPPLIER CODE: VOVDA9	002004 006100 107107 121503 904999	6
	70 0104535-001		.LOCKNUT- SUPPLIER CODE: VOVDA9	002004 006100 107107 121503 904999	6
	75 0104249-001		-----*----- .HOUSING- SUPPLIER CODE: VOVDA9 POSITION DATA: LH SIDE	002004 006100 107107 121503 904999	1
-	80 0104249-002		.HOUSING- SUPPLIER CODE: VOVDA9 POSITION DATA: RH SIDE	002004 006100 107107 121503 904999	1
	85 0104534-001		ATTACHING PARTS .STUD- SUPPLIER CODE: VOVDA9	002004 006100 107107 121503 904999	2
	90 0104535-002		.LOCKNUT- SUPPLIER CODE: VOVDA9	002004 006100 107107 121503 904999	4
	95 0080151-011		.WASHER- SUPPLIER CODE: VOVDA9	002004 006100 107107 121503 904999	4

MISSING ITEM NUMBERS NOT APPLICABLE

- ITEM NOT ILLUSTRATED

33-45-52-01

33-45-52
FIG. 01
PAGE 4
JAN 20/09

BRI



757

PARTS CATALOG (MAINTENANCE)

FIG ITEM	PART NUMBER	1 2 3 4 5 6 7	NOMENCLATURE	EFFECT FROM TO	UNITS PER ASSY
1					
100	0080181-026		. LOCKWASHER-SPLIT SUPPLIER CODE: VOVDA9	002004 006100 107107 121503 904999	2
105	0080309-006		. NUT- SUPPLIER CODE: VOVDA9	002004 006100 107107 121503 904999	2
			-----*-----		
- 125	0104547-001		. CAP-INSULATED WIRE SUPPLIER CODE: VOVDA9	002004 006100 107107 121503 904999	1
- 130	0104546-001		. TIE- SUPPLIER CODE: VOVDA9	002004 006100 107107 121503 904999	2
- 135	0104533-001		. RING-TERM. SUPPLIER CODE: VOVDA9	002004 006100 107107 121503 904999	3
- 140	0104545-001		. PLACARD-CONN. SUPPLIER CODE: VOVDA9	002004 006100 107107 121503 904999	1
- 145	0104544-001		. PLACARD-IDENT SUPPLIER CODE: VOVDA9 POSITION DATA: LH SIDE	002004 006100 107107 121503 904999	1
- 150	0104544-002		. PLACARD-IDENT SUPPLIER CODE: VOVDA9 POSITION DATA: RH SIDE	002004 006100 107107 121503 904999	1
155	0104532-001		. GASKET- SUPPLIER CODE: VOVDA9	002004 006100 107107 121503 904999	1

MISSING ITEM NUMBERS NOT APPLICABLE

- ITEM NOT ILLUSTRATED

33-45-52-01

33-45-52
FIG. 01
PAGE 5
JAN 20/09

BRI



757

PARTS CATALOG (MAINTENANCE)

FIG ITEM	PART NUMBER	1 2 3 4 5 6 7	NOMENCLATURE	EFFECT FROM TO	UNITS PER ASSY
1 160	0104217-001		.AUTOTRANSFORMER- SUPPLIER CODE: VOVDA9	002004 006100 107107 121503 904999	1
165	0080314-023		ATTACHING PARTS .NUT- SUPPLIER CODE: VOVDA9	002004 006100 107107 121503 904999	4
170	0080180-028		.LOCKWASHER-SPLIT SUPPLIER CODE: VOVDA9 -----*	002004 006100 107107 121503 904999	4

MISSING ITEM NUMBERS NOT APPLICABLE

- ITEM NOT ILLUSTRATED

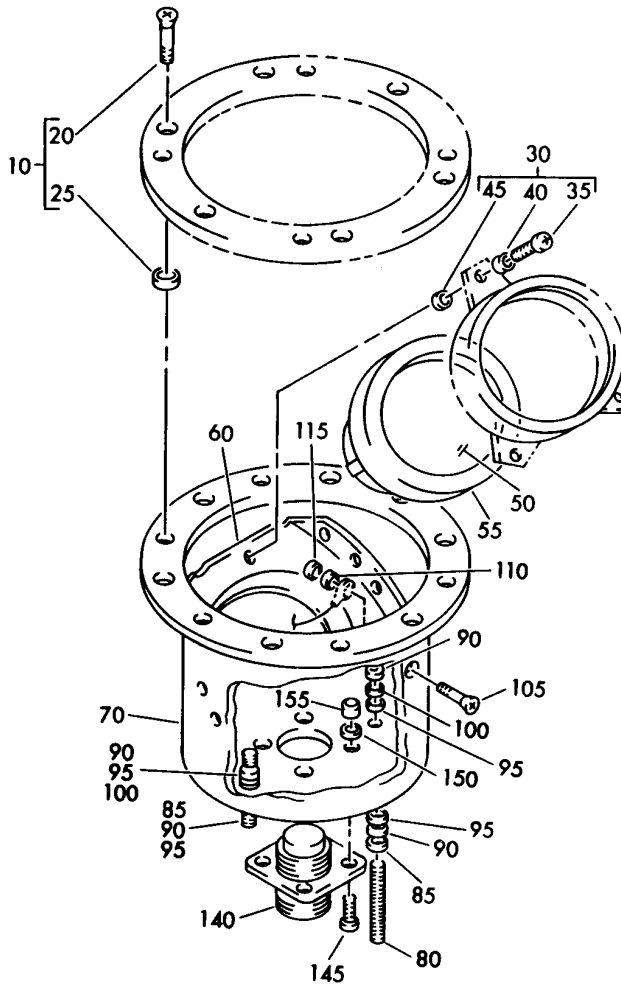
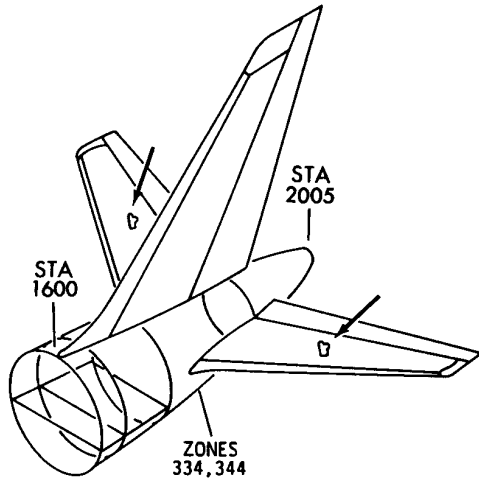
BRI

33-45-52-01

BOEING PROPRIETARY - Copyright © - Unpublished Work - See title page for details.

33-45-52
FIG. 01
PAGE 6
JAN 20/09

BOEING
757
PARTS CATALOG (MAINTENANCE)



Y 33455202 REV 155

LIGHT-OUTBD LOGO
FIGURE 2

33-45-52-02

BRI
MAY 28/07

33-45-52-02
PAGE 0



757

PARTS CATALOG (MAINTENANCE)

FIG ITEM	PART NUMBER	1 2 3 4 5 6 7	NOMENCLATURE	EFFECT FROM TO	UNITS PER ASSY
2			LIGHT-OUTBD LOGO	002004 006100 107107 121503 904999	
- 1	0104244-003		LIGHT-LOGO SUPPLIER CODE: VOVDA9 POSITION DATA: OUTBD LH SPECIFICATION NUMBER: S283T008-35 ELECTRICAL EQUIP NUMBER: L00422 COMPONENT MAINT MANUAL REF: 33-45-01 QUALIFIED I/W DATA: 0104244-003 CAN BE USED ONLY IF 0104244-001 IS ALSO USED ON 284N1801-3 INSTALLATION, AND 0104244-002 AND 0104244-04 ARE USED ON 284N1801-4 INSTALLATION QUALIFIED OPTIONAL DATA: S283T008-35 OPTIONAL TO S283T008-103. S283T008-35 CAN BE USED ONLY IF S283T008-33 IS ALSO USED ON INSTL -3, AND S283T008-34 AND S283T008-36 ARE USED ON INSTL -4. FOR NHA SEE: 33-45-51-01	002004 006100 107107 121503 904999	RF

MISSING ITEM NUMBERS NOT APPLICABLE

- ITEM NOT ILLUSTRATED

33-45-52-02

33-45-52
FIG. 02
PAGE 1
JAN 20/09

BRI



757

PARTS CATALOG (MAINTENANCE)

FIG ITEM	PART NUMBER	1 2 3 4 5 6 7	NOMENCLATURE	EFFECT FROM TO	UNITS PER ASSY
2 -	5 0104244-004		LIGHT-LOGO SUPPLIER CODE: VOVDA9 POSITION DATA: OUTBD RH SPECIFICATION NUMBER: S283T008-36 ELECTRICAL EQUIP NUMBER: L00424 COMPONENT MAINT MANUAL REF: 33-45-01 QUALIFIED I/W DATA: S283T008-36/0104244-004 OPTIONAL TO S283N701-2/ 4333332 IN SHIPSET ON EACH HORIZONTAL STABILIZER ONLY QUALIFIED OPTIONAL DATA: S283T008-36 OPTIONAL TO S283T008-102. S283T008-36 CAN BE USED ONLY IF S283T008-34 IS ALSO USED ON INSTL -4, AND S283T008-33 AND S283T008-35 ARE USED ON INSTL -3. FOR NHA SEE: 33-45-51-01	002004 006100 107107 121503 904999	RF
	10 0104525-003		. LENS ASSY-LOGO LIGHT SUPPLIER CODE: VOVDA9 POSITION DATA: LH SIDE	002004 006100 107107 121503 904999	1
-	15 0104525-004		. LENS ASSY-LOGO LIGHT SUPPLIER CODE: VOVDA9 POSITION DATA: RH SIDE	002004 006100 107107 121503 904999	1
	20 0104536-001		.. SCREW-CAPTIVE CLOSING SUPPLIER CODE: V17744	002004 006100 107107 121503 904999	6
	25 0080144-011		.. WASHER- SUPPLIER CODE: V17744	002004 006100 107107 121503 904999	6

MISSING ITEM NUMBERS NOT APPLICABLE

- ITEM NOT ILLUSTRATED

33-45-52-02

33-45-52
 FIG. 02
 PAGE 2
 JAN 20/09

BRI



757

PARTS CATALOG (MAINTENANCE)

FIG ITEM	PART NUMBER	1 2 3 4 5 6 7	NOMENCLATURE	EFFECT FROM TO	UNITS PER ASSY
2					
30	0104260-001		.RETAINER ASSY-LAMP SUPPLIER CODE: VOVDA9	002004 006100 107107 121503 904999	1
35	0104541-001		..SCREW-CAPTIVE SUPPLIER CODE: V17744	002004 006100 107107 121503 904999	3
40	NAS620C6		..WASHER	002004 006100 107107 121503 904999	3
45	0080145-003		..WASHER- SUPPLIER CODE: V17744	002004 006100 107107 121503 904999	3
50	Q4631		.LAMP- SUPPLIER CODE: V08806	002004 006100 107107 121503 904999	1
55	0104531-001		.GASKET- SUPPLIER CODE: VOVDA9	002004 006100 107107 121503 904999	1
60	0104259-003		.BRACKET ASSY-LAMP SUPPLIER CODE: VOVDA9 POSITION DATA: LH SIDE	002004 006100 107107 121503 904999	1
- 65	0104259-004		.BRACKET ASSY-LAMP SUPPLIER CODE: VOVDA9 POSITION DATA: RH SIDE	002004 006100 107107 121503 904999	1
70	0104249-003		.HOUSING- SUPPLIER CODE: VOVDA9 POSITION DATA: LH SIDE	002004 006100 107107 121503 904999	1

MISSING ITEM NUMBERS NOT APPLICABLE

- ITEM NOT ILLUSTRATED

33-45-52-02

33-45-52
FIG. 02
PAGE 3
JAN 20/09

BRI



757

PARTS CATALOG (MAINTENANCE)

FIG ITEM	PART NUMBER	1 2 3 4 5 6 7	NOMENCLATURE	EFFECT FROM TO	UNITS PER ASSY
2					
- 75	0104249-004		.HOUSING- SUPPLIER CODE: VOVDA9 POSITION DATA: RH SIDE ATTACHING PARTS	002004 006100 107107 121503 904999	1
80	0104534-001		.STUD- SUPPLIER CODE: VOVDA9	002004 006100 107107 121503 904999	2
85	0104535-002		.LOCKNUT- SUPPLIER CODE: VOVDA9	002004 006100 107107 121503 904999	4
90	0080181-026		.LOCKWASHER-SPLIT SUPPLIER CODE: VOVDA9	002004 006100 107107 121503 904999	2
95	0080151-011		.WASHER- SUPPLIER CODE: VOVDA9	002004 006100 107107 121503 904999	4
100	0080309-006		.NUT- SUPPLIER CODE: VOVDA9	002004 006100 107107 121503 904999	2
105	MS24693C26		-----*----- .SCREW	002004 006100 107107 121503 904999	1
110	NAS620C6		.WASHER	002004 006100 107107 121503 904999	1
115	0104535-001		.LOCKNUT- SUPPLIER CODE: VOVDA9	002004 006100 107107 121503 904999	1

MISSING ITEM NUMBERS NOT APPLICABLE

- ITEM NOT ILLUSTRATED

33-45-52-02

33-45-52
FIG. 02
PAGE 4
JAN 20/09

BRI



757

PARTS CATALOG (MAINTENANCE)

FIG ITEM	PART NUMBER	1 2 3 4 5 6 7	NOMENCLATURE	EFFECT FROM TO	UNITS PER ASSY
2					
- 120	0104533-001		.RING-TERM. SUPPLIER CODE: VOVDA9	002004 006100 107107 121503 904999	3
- 125	0104545-002		.PLACARD- SUPPLIER CODE: VOVDA9 PLACARD CONTENT: CONN.	002004 006100 107107 121503 904999	1
- 130	0104544-003		.PLACARD-IDENT SUPPLIER CODE: VOVDA9 POSITION DATA: LH SIDE	002004 006100 107107 121503 904999	1
- 135	0104544-004		.PLACARD-IDENT SUPPLIER CODE: VOVDA9 POSITION DATA: RH SIDE	002004 006100 107107 121503 904999	1
140	MS24264R18T8PN		.CONNECTOR	002004 006100 107107 121503 904999	1
145	MS51957-16		ATTACHING PARTS .SCREW	002004 006100 107107 121503 904999	4
150	NAS620C4		.WASHER	002004 006100 107107 121503 904999	8
155	0104535-004		.LOCKNUT- SUPPLIER CODE: VOVDA9 -----*-----	002004 006100 107107 121503 904999	4

MISSING ITEM NUMBERS NOT APPLICABLE

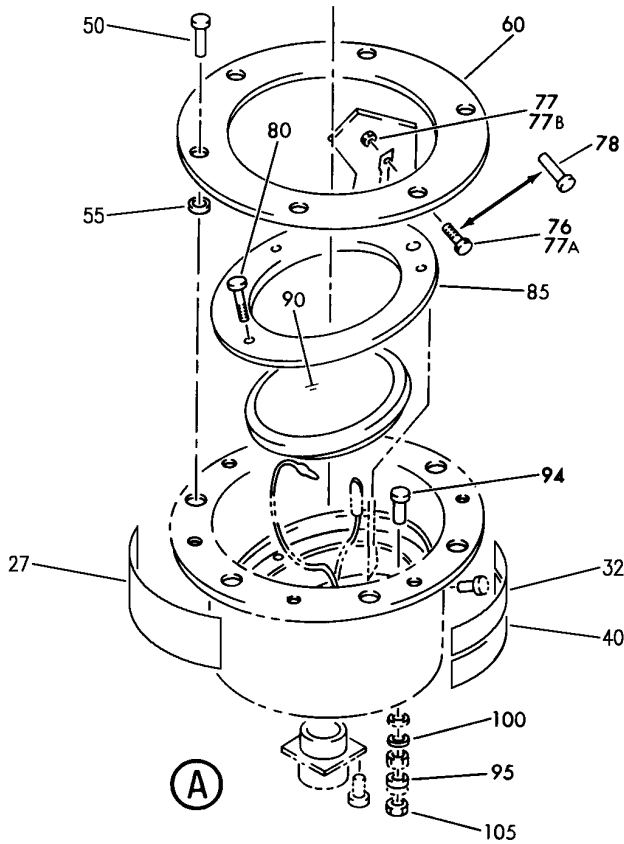
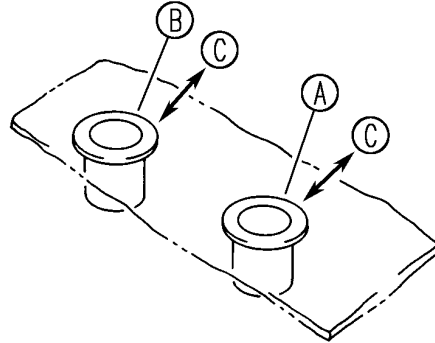
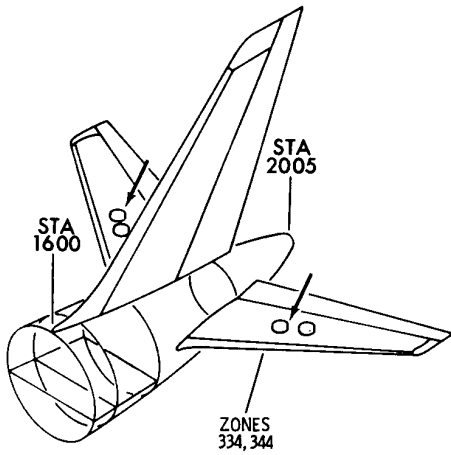
- ITEM NOT ILLUSTRATED

33-45-52-02

33-45-52
FIG. 02
PAGE 5
JAN 20/09

BRI

BOEING
757
PARTS CATALOG (MAINTENANCE)



Y 33455203 SH1 1 REV 299

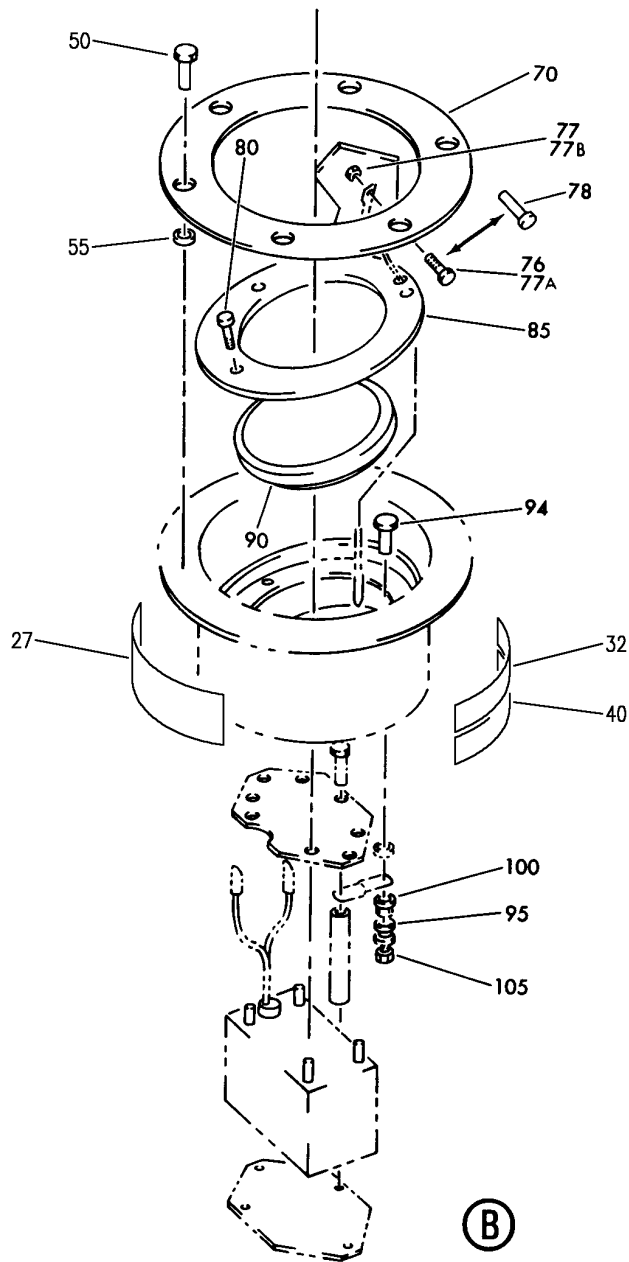
LIGHT ASSY-LOGO
FIGURE 3 (SHEET 1)

33-45-52-03

BRI
MAY 28/07

33-45-52-03
PAGE 0

BOEING
757
PARTS CATALOG (MAINTENANCE)



Y 33455203 SH1 2 REV 299

LIGHT ASSY-LOGO
FIGURE 3 (SHEET 2)

33-45-52-03

BRI
MAY 28/07

33-45-52-03
PAGE 0A



757

PARTS CATALOG (MAINTENANCE)

FIG ITEM	PART NUMBER	1 2 3 4 5 6 7	NOMENCLATURE	EFFECT FROM TO	UNITS PER ASSY
3			LIGHT ASSY-LOGO	002004 006999	
- 1	4322252		LIGHT ASSY-LOGO SUPPLIER CODE: VF0280 POSITION DATA: OUTBD LH SPECIFICATION NUMBER: S283T008-111 SB DATA FROM A CMM: POST SB 33-099 ELECTRICAL EQUIP NUMBER: L00422 COMPONENT MAINT MANUAL REF: 33-45-70 OPTIONAL PART: 284N1197-2 FOR NHA SEE: 33-45-51-01	002004 006999	RF
- 1	4300181		LIGHT ASSY-LOGO SUPPLIER CODE: VF0280 POSITION DATA: OUTBD LH SPECIFICATION NUMBER: S283T008-103 ELECTRICAL EQUIP NUMBER: L00422 COMPONENT MAINT MANUAL REF: 33-45-70 QUALIFIED I/W DATA: 0104244-003 CAN BE USED ONLY IF 0104244-001 IS ALSO USED ON 284N1801-3 INSTALLATION, AND 0104244-002 AND 010244-004 ARE USED ON 284N1801-4 INSTALLATION QUALIFIED OPTIONAL DATA: (S283T008-35 OPTIONAL TO S283T008-103. S283T008-35 CAN BE USED ONLY IF S283T008-33 IS ALSO USED ON INSTL -3, AND S283T008-34 AND S283T008-36 ARE USED ON INSTL -4.) FOR NHA SEE: 33-45-51-01	002004 006999	RF

MISSING ITEM NUMBERS NOT APPLICABLE

- ITEM NOT ILLUSTRATED

33-45-52-03

33-45-52
FIG. 03
PAGE 1
SEP 20/08

BRI



757

PARTS CATALOG (MAINTENANCE)

FIG ITEM	PART NUMBER	1 2 3 4 5 6 7	NOMENCLATURE	EFFECT FROM TO	UNITS PER ASSY
3 - 1	4300181A		LIGHT ASSY-LOGO SUPPLIER CODE: VF0280 POSITION DATA: OUTBD LH SPECIFICATION NUMBER: S283T008-107 ELECTRICAL EQUIP NUMBER: L00422 COMPONENT MAINT MANUAL REF: 33-45-70 FOR NHA SEE: 33-45-51-01	002004 006999	RF
- 1	4333318		LIGHT ASSY-LOGO SUPPLIER CODE: VF0280 POSITION DATA: OUTBD LH SPECIFICATION NUMBER: S283N701-1 MISCELLANEOUS DATA: LOGO LIGHT SYSTEM DEACTIVATED BY UPS E.O. M-3340-7974. LIGHT MAY BE REPLACED BY COVERPLATE. FOR T001T099 SEE IPC 55-10-00-10. FOR C901C950, S601S699 SEE IPC 55-10-51-01. ELECTRICAL EQUIP NUMBER: L00422 COMPONENT MAINT MANUAL REF: 33-45-72 FOR NHA SEE: 33-45-51-01	002004 006999	RF

MISSING ITEM NUMBERS NOT APPLICABLE

- ITEM NOT ILLUSTRATED

33-45-52-03

33-45-52
FIG. 03
PAGE 2
SEP 20/08

BRI



757

PARTS CATALOG (MAINTENANCE)

FIG ITEM	PART NUMBER	1 2 3 4 5 6 7	NOMENCLATURE	EFFECT FROM TO	UNITS PER ASSY
3 - 1	4333318		LIGHT ASSY-LOGO SUPPLIER CODE: VF0280 POSITION DATA: OUTBD LH SIDE SPECIFICATION NUMBER: S283N701-1 MISCELLANEOUS DATA: R/T 305826F ELECTRICAL EQUIP NUMBER: L00422 COMPONENT MAINT MANUAL REF: 33-45-72 LIAISON CHANGE PART NUMBER: 4333318 SPARES SUPPORT PART NUMBER: 4333318 FOR NHA SEE: 33-45-51-01	002004 006999	RF
- 1	4333318		LIGHT ASSY-LOGO SUPPLIER CODE: VF0280 POSITION DATA: OUTBD LH SPECIFICATION NUMBER: S283N701-1 ELECTRICAL EQUIP NUMBER: L00422 COMPONENT MAINT MANUAL REF: 33-45-72 FOR NHA SEE: 33-45-51-01	002004 006999	RF

MISSING ITEM NUMBERS NOT APPLICABLE

- ITEM NOT ILLUSTRATED

33-45-52-03

33-45-52
FIG. 03
PAGE 3
SEP 20/08

BRI



757

PARTS CATALOG (MAINTENANCE)

FIG ITEM	PART NUMBER	1 2 3 4 5 6 7	NOMENCLATURE	EFFECT FROM TO	UNITS PER ASSY
3 - 5	4322245		LIGHT ASSY-LOGO SUPPLIER CODE: VF0280 POSITION DATA: OUTBD RH SPECIFICATION NUMBER: S283T008-110 SB DATA FROM A CMM: POST SB 33-099 ELECTRICAL EQUIP NUMBER: L00424 COMPONENT MAINT MANUAL REF: 33-45-70 QUALIFIED I/W DATA: 4322268 TOGETHER WITH 4322245 IS REPLACED BY 433332 TOGETHER WITH 4333332 FULLY INTERCHANGEABLE PER SERVICE LETTER 757-33-014-A OPTIONAL PART: 284N1197-1 FOR NHA SEE: 33-45-51-01	002004 006999	RF
- 5	4300197		LIGHT ASSY-LOGO SUPPLIER CODE: VF0280 POSITION DATA: OUTBD RH SPECIFICATION NUMBER: S283T008-102 ELECTRICAL EQUIP NUMBER: L00424 COMPONENT MAINT MANUAL REF: 33-45-70 QUALIFIED OPTIONAL DATA: (S283T008-36 OPTIONAL TO S283T008-102. S283T008-36 CAN BE USED ONLY IF S283T008-34 IS ALSO USED ON INSTL -4, AND S283T008-33 AND S283T008-35 ARE USED ON INSTL -3.) FOR NHA SEE: 33-45-51-01	002004 006999	RF

MISSING ITEM NUMBERS NOT APPLICABLE

- ITEM NOT ILLUSTRATED

33-45-52-03

33-45-52
FIG. 03
PAGE 4
SEP 20/08

BRI



757

PARTS CATALOG (MAINTENANCE)

FIG ITEM	PART NUMBER	1 2 3 4 5 6 7	NOMENCLATURE	EFFECT FROM TO	UNITS PER ASSY
3 - 5	4300197A		LIGHT ASSY-LOGO SUPPLIER CODE: VF0280 POSITION DATA: OUTBD RH SPECIFICATION NUMBER: S283T008-106 ELECTRICAL EQUIP NUMBER: L00424 COMPONENT MAINT MANUAL REF: 33-45-70 FOR NHA SEE: 33-45-51-01	002004 006999	RF
- 5	4333332		LIGHT ASSY-LOGO SUPPLIER CODE: VF0280 POSITION DATA: OUTBD RH SPECIFICATION NUMBER: S283N701-2 ELECTRICAL EQUIP NUMBER: L00424 COMPONENT MAINT MANUAL REF: 33-45-72 QUALIFIED I/W DATA: S283T008-36/0104244-004 OPTIONAL TO S283N701-2/ 4333332 IN SHIPSET ON EACH HORIZONTAL STABILIZER ONLY 4322268 TOGETHER WITH 4322245 IS REPLACED BY 4333325 TOGETHER WITH 4333332 FULLY INTERCHANGEABLE PER SERVICE LETTER FOR NHA SEE: 33-45-51-01	101106 108120 504903	RF

MISSING ITEM NUMBERS NOT APPLICABLE

- ITEM NOT ILLUSTRATED

33-45-52-03

33-45-52
FIG. 03
PAGE 5
JAN 20/09

BRI



757

PARTS CATALOG (MAINTENANCE)

FIG ITEM	PART NUMBER	1 2 3 4 5 6 7	NOMENCLATURE	EFFECT FROM TO	UNITS PER ASSY
3 - 10	4322275		LIGHT ASSY-LOGO SUPPLIER CODE: VF0280 POSITION DATA: INBD LH SPECIFICATION NUMBER: S283T008-113 SB DATA FROM A CMM: POST SB 33-099 ELECTRICAL EQUIP NUMBER: L00421 COMPONENT MAINT MANUAL REF: 33-45-70 OPTIONAL PART: 284N1197-4 FOR NHA SEE: 33-45-51-01	002004 006999	RF
- 10	4300167		LIGHT ASSY-LOGO SUPPLIER CODE: VF0280 POSITION DATA: INBD LH SPECIFICATION NUMBER: S283T008-105 ELECTRICAL EQUIP NUMBER: L00421 COMPONENT MAINT MANUAL REF: 33-45-70 QUALIFIED OPTIONAL DATA: (S283T008-33 OPTIONAL TO S283T008-105. S283T008-33 CAN BE USED ONLY IF S283T008-35 IS ALSO USED ON INSTL -3, AND S283T008-34 AND S283T008-36 ARE USED ON INSTL -4.) FOR NHA SEE: 33-45-51-01	002004 006999	RF

MISSING ITEM NUMBERS NOT APPLICABLE

- ITEM NOT ILLUSTRATED

33-45-52-03

33-45-52
FIG. 03
PAGE 6
SEP 20/08

BRI



757

PARTS CATALOG (MAINTENANCE)

FIG ITEM	PART NUMBER	1 2 3 4 5 6 7	NOMENCLATURE	EFFECT FROM TO	UNITS PER ASSY
3					
- 10	4318746		LIGHT ASSY-LOGO SUPPLIER CODE: VF0280 POSITION DATA: INBD LH SPECIFICATION NUMBER: S283T008-109 ELECTRICAL EQUIP NUMBER: L00421 COMPONENT MAINT MANUAL REF: 33-45-70 FOR NHA SEE: 33-45-51-01	002004 006999	RF
- 10	4333302		LIGHT ASSY-LOGO SUPPLIER CODE: VF0280 POSITION DATA: INBD LH SPECIFICATION NUMBER: S283N701-3 ELECTRICAL EQUIP NUMBER: L00421 COMPONENT MAINT MANUAL REF: 33-45-72 FOR NHA SEE: 33-45-51-01	002004 006999	RF

MISSING ITEM NUMBERS NOT APPLICABLE

- ITEM NOT ILLUSTRATED

33-45-52-03

33-45-52
FIG. 03
PAGE 7
SEP 20/08

BRI



757

PARTS CATALOG (MAINTENANCE)

FIG ITEM	PART NUMBER	1 2 3 4 5 6 7	NOMENCLATURE	EFFECT FROM TO	UNITS PER ASSY
3 - 15	4322268		LIGHT ASSY-LOGO SUPPLIER CODE: VF0280 POSITION DATA: INBD RH SPECIFICATION NUMBER: S283T008-112 SB DATA FROM A CMM: POST SB 33-099 (POST SB 33-099) ELECTRICAL EQUIP NUMBER: L00423 COMPONENT MAINT MANUAL REF: 33-45-70 QUALIFIED I/W DATA: 4322268 TOGETHER WITH 4322245 IS REPLACED BY 4333325 TOGETHER WITH 4333332 FULLY INTERCHANGEABLE PER SERVICE LETTER 757-33-014-A OPTIONAL PART: 284N1197-3 FOR NHA SEE: 33-45-51-01	002004 006999	RF
- 15	4300174		LIGHT ASSY-LOGO SUPPLIER CODE: VF0280 POSITION DATA: INBD RH SPECIFICATION NUMBER: S283T008-104 ELECTRICAL EQUIP NUMBER: L00423 COMPONENT MAINT MANUAL REF: 33-45-70 QUALIFIED OPTIONAL DATA: (S283T008-34 OPTIONAL TO S283T008-104. S283T008-34 CAN BE USED ONLY IF S283T008-36 IS ALSO USED ON INSTL -4, AND S283T008-33 AND S283T008-35 ARE USED ON INSTL -3.) FOR NHA SEE: 33-45-51-01	002004 006999	RF

MISSING ITEM NUMBERS NOT APPLICABLE

- ITEM NOT ILLUSTRATED

33-45-52-03

33-45-52
FIG. 03
PAGE 8
SEP 20/08

BRI



**757
PARTS CATALOG (MAINTENANCE)**

FIG ITEM	PART NUMBER	1 2 3 4 5 6 7	NOMENCLATURE	EFFECT FROM TO	UNITS PER ASSY
3 - 15	4318769		LIGHT ASSY-LOGO SUPPLIER CODE: VF0280 POSITION DATA: INBD RH SPECIFICATION NUMBER: S283T008-108 ELECTRICAL EQUIP NUMBER: L00423 COMPONENT MAINT MANUAL REF: 33-45-70 FOR NHA SEE: 33-45-51-01	002004 006999	RF
- 15	4333325		LIGHT ASSY-LOGO SUPPLIER CODE: VF0280 POSITION DATA: INBD RH SPECIFICATION NUMBER: S283N701-4 ELECTRICAL EQUIP NUMBER: L00423 COMPONENT MAINT MANUAL REF: 33-45-72 QUALIFIED I/W DATA: 4322268 TOGETHER WITH 4322245 IS REPLACED BY 4333325 TOGETHER WITH 4333332 FULLY INTERCHANGEABLE PER SERVICE LETTER 757-33-014-A FOR NHA SEE: 33-45-51-01	101106 108120 504903	RF
25	4332842		. LABEL-WIRING DIAGRAM SUPPLIER CODE: VF0280 USED ON: 4333318 4333332	002004 006999	1
25	4333088		. LABEL-WIRING DIAGRAM SUPPLIER CODE: VF0280 USED ON: 4333302 4333325	002004 006999	1

MISSING ITEM NUMBERS NOT APPLICABLE

- ITEM NOT ILLUSTRATED

33-45-52-03

33-45-52
FIG. 03
PAGE 9
JAN 20/09

BRI



757

PARTS CATALOG (MAINTENANCE)

FIG ITEM	PART NUMBER	1 2 3 4 5 6 7	NOMENCLATURE	EFFECT FROM TO	UNITS PER ASSY
3					
27	4307636		.LABEL-WIRING DIAGRAM SUPPLIER CODE: VF0280 USED ON: 4322252 4300181 4300181A 4322245 4300197 4300197A	002004 006999	1
27	4307636		.LABEL-WIRING DIAGRAM SUPPLIER CODE: VF0280 USED ON: 4322275 4300167 4318746 4322268 4300174 4318769	002004 006999	1
30	4332805		.PLATE-NAME SUPPLIER CODE: VF0280 POSITION DATA: OUTBD L USED ON: 4333318	101106 108120 504903	1
30	4332828		.PLATE-NAME SUPPLIER CODE: VF0280 POSITION DATA: OUTBD R USED ON: 4333332	101106 108120 504903	1
30	4332799		.PLATE-NAME SUPPLIER CODE: VF0280 POSITION DATA: INBD L USED ON: 4333302	002004 006999	1
30	4332812		.PLATE-NAME SUPPLIER CODE: VF0280 POSITION DATA: INBD R USED ON: 4333325	101106 108120 504903	1

MISSING ITEM NUMBERS NOT APPLICABLE

- ITEM NOT ILLUSTRATED

33-45-52-03

33-45-52
FIG. 03
PAGE 10
JAN 20/09

BRI



757

PARTS CATALOG (MAINTENANCE)

FIG ITEM	PART NUMBER	1 2 3 4 5 6 7	NOMENCLATURE	EFFECT FROM TO	UNITS PER ASSY
3					
32	4307851		.PLATE-NAME SUPPLIER CODE: VF0280 POSITION DATA: OUTBD L USED ON: 4300181	002004 006999	1
32	4307867		.PLATE-NAME SUPPLIER CODE: VF0280 POSITION DATA: OUTBD R USED ON: 4300197	002004 006999	1
32	4307837		.PLATE-NAME SUPPLIER CODE: VF0280 POSITION DATA: INBD L USED ON: 4300167	002004 006999	1
32	4307844		.PLATE-NAME SUPPLIER CODE: VF0280 POSITION DATA: INBD R USED ON: 4300174	002004 006999	1
32	4319407		.PLATE-NAME SUPPLIER CODE: VF0280 POSITION DATA: OUTBD L USED ON: 4300181A	002004 006999	1
32	4319414		.PLATE-NAME SUPPLIER CODE: VF0280 POSITION DATA: OUTBD R USED ON: 4300197A	002004 006999	1
32	4319385		.PLATE-NAME SUPPLIER CODE: VF0280 POSITION DATA: INBD L USED ON: 4318746	002004 006999	1

MISSING ITEM NUMBERS NOT APPLICABLE

- ITEM NOT ILLUSTRATED

33-45-52-03

33-45-52
FIG. 03
PAGE 11
SEP 20/08

BRI



757

PARTS CATALOG (MAINTENANCE)

FIG ITEM	PART NUMBER	1 2 3 4 5 6 7	NOMENCLATURE	EFFECT FROM TO	UNITS PER ASSY
3					
32	4319392		.PLATE-NAME SUPPLIER CODE: VF0280 POSITION DATA: INBD R USED ON: 4318769	002004 006999	1
32	4322371		.PLATE-NAME SUPPLIER CODE: VF0280 POSITION DATA: OUTBD L SB DATA FROM A CMM: POST SB 33-099 USED ON: 4322252	002004 006999	1
32	4322364		.PLATE-NAME SUPPLIER CODE: VF0280 POSITION DATA: OUTBD R SB DATA FROM A CMM: POST SB 33-099 USED ON: 4322245	002004 006999	1
32	4322394		.PLATE-NAME SUPPLIER CODE: VF0280 POSITION DATA: INBD L SB DATA FROM A CMM: POST SB 33-099 USED ON: 4322275	002004 006999	1
32	4322387		.PLATE-NAME SUPPLIER CODE: VF0280 POSITION DATA: INBD R SB DATA FROM A CMM: POST SB 33-099 USED ON: 4322268	002004 006999	1

MISSING ITEM NUMBERS NOT APPLICABLE

- ITEM NOT ILLUSTRATED

33-45-52-03

33-45-52
FIG. 03
PAGE 12
SEP 20/08

BRI



757

PARTS CATALOG (MAINTENANCE)

FIG ITEM	PART NUMBER	1 2 3 4 5 6 7	NOMENCLATURE	EFFECT FROM TO	UNITS PER ASSY
3	35	4058126	. PLATE-AMENDMENT SUPPLIER CODE: VF0280 USED ON: 4333302 4333318 4333325 4333332	002004 006999	1
	40	4058126	. PLATE-AMENDMENT SUPPLIER CODE: VF0280 USED ON: 4300181 4300167 4300181A 4318746 4322252 4322275 4300197 4300174 4300197A 4318769 4322245 4322268	002004 006999	1
	50	4309197	. SCREW-CAPTIVE SUPPLIER CODE: VF0280 USED ON: 4300181 4300197 4300167 4300174 4300181A 4300197A 4318746 4318769 4322252 4322245 4322275 4322268	002004 006999	6

MISSING ITEM NUMBERS NOT APPLICABLE

- ITEM NOT ILLUSTRATED

33-45-52-03

33-45-52
FIG. 03
PAGE 13
SEP 20/08

BRI



757

PARTS CATALOG (MAINTENANCE)

FIG ITEM	PART NUMBER	1 2 3 4 5 6 7	NOMENCLATURE	EFFECT FROM TO	UNITS PER ASSY
3 55	4309203		.WASHER- SUPPLIER CODE: VF0280 USED ON: 4300181 4300197 4300167 4300174 4300181A 4300197A 4318746 4318769 4322252 4322245 4322275 4322268	002004 006999	6
60	4322334		.RETAINER-LENS SUPPLIER CODE: VF0280 POSITION DATA: OUTBD LH SIDE SB DATA FROM A CMM: POST SB 33-099 OPTIONAL PART: 4322334A VF0280 USED ON: 4322252	002004 006999	1
60	4322334A		.RETAINER-LENS SUPPLIER CODE: VF0280 POSITION DATA: OUTBD LH SIDE SB DATA FROM A CMM: POST SB 33-105 OPTIONAL PART: 4322334 VF0280 USED ON: 4322252	002004 006999	1
60	4306335		.RETAINER-LENS SUPPLIER CODE: VF0280 POSITION DATA: OUTBD LH SIDE USED ON: 4300181	002004 006999	1

MISSING ITEM NUMBERS NOT APPLICABLE

- ITEM NOT ILLUSTRATED

33-45-52-03

33-45-52
FIG. 03
PAGE 14
SEP 20/08

BRI



757

PARTS CATALOG (MAINTENANCE)

FIG ITEM	PART NUMBER	1 2 3 4 5 6 7	NOMENCLATURE	EFFECT FROM TO	UNITS PER ASSY
3 60	4319095		.RETAINER-LENS SUPPLIER CODE: VF0280 POSITION DATA: OUTBD LH SIDE USED ON: 4300181A	002004 006999	1
- 65	4322327		.RETAINER-LENS SUPPLIER CODE: VF0280 POSITION DATA: OUTBD RH SIDE SB DATA FROM A CMM: (POST SB 33-099) OPTIONAL PART: 4322327A VF0280 USED ON: 4322245	002004 006999	1
- 65	4322327A		.RETAINER-LENS SUPPLIER CODE: VF0280 POSITION DATA: OUTBD RH SIDE SB DATA FROM A CMM: POST SB 33-105 OPTIONAL PART: 4322327 VF0280 USED ON: 4322245	002004 006999	1
- 65	4306342		.RETAINER-LENS SUPPLIER CODE: VF0280 POSITION DATA: OUTBD RH SIDE USED ON: 4300197	002004 006999	1
- 65	4319101		.RETAINER-LENS SUPPLIER CODE: VF0280 POSITION DATA: OUTBD RH SIDE USED ON: 4300197A	002004 006999	1

MISSING ITEM NUMBERS NOT APPLICABLE

- ITEM NOT ILLUSTRATED

33-45-52-03

33-45-52
FIG. 03
PAGE 15
SEP 20/08

BRI

 **BOEING**
757
PARTS CATALOG (MAINTENANCE)

FIG ITEM	PART NUMBER	1 2 3 4 5 6 7	NOMENCLATURE	EFFECT FROM TO	UNITS PER ASSY
3					
70	4322357		.RETAINER-LENS SUPPLIER CODE: VF0280 POSITION DATA: INBD LH SIDE SB DATA FROM A CMM: POST SB 33-099 OPTIONAL PART: 4322357A VF0280 USED ON: 4322275	002004 006999	1
70	4322357A		.RETAINER-LENS SUPPLIER CODE: VF0280 POSITION DATA: OUTBD LH SIDE SB DATA FROM A CMM: POST SB 33-105 OPTIONAL PART: 4322357 VF0280 USED ON: 4322275	002004 006999	1
70	4306312		.RETAINER-LENS SUPPLIER CODE: VF0280 POSITION DATA: OUTBD LH SIDE USED ON: 4300167	002004 006999	1
70	4319072		.RETAINER-LENS SUPPLIER CODE: VF0280 POSITION DATA: INBD LH SIDE USED ON: 4318746	002004 006999	1

MISSING ITEM NUMBERS NOT APPLICABLE

— ITEM NOT ILLUSTRATED

BRI

33-45-52-03

BOEING PROPRIETARY - Copyright © - Unpublished Work - See title page for details.

33-45-52
FIG. 03
PAGE 16
SEP 20/08



757

PARTS CATALOG (MAINTENANCE)

FIG ITEM	PART NUMBER	1 2 3 4 5 6 7	NOMENCLATURE	EFFECT FROM TO	UNITS PER ASSY
3					
75	4322341		.RETAINER-LENS SUPPLIER CODE: VF0280 POSITION DATA: INBD RH SIDE SB DATA FROM A CMM: POST SB 33-099 OPTIONAL PART: 4322341A VF0280 USED ON: 4322268	002004 006999	1
75	4322341A		.RETAINER-LENS SUPPLIER CODE: VF0280 POSITION DATA: INBD RH SIDE SB DATA FROM A CMM: POST SB 33-105 OPTIONAL PART: 4322341 VF0280 USED ON: 4322268	002004 006999	1
75	4306328		.RETAINER-LENS SUPPLIER CODE: VF0280 POSITION DATA: INBD RH SIDE USED ON: 4300174	002004 006999	1
75	4319088		.RETAINER-LENS SUPPLIER CODE: VF0280 POSITION DATA: INBD RH SIDE USED ON: 4318769	002004 006999	1
- 76	4307554		..SEAL- SUPPLIER CODE: VF0280 USED ON: 4322327 4322327A	002004 006999	1

MISSING ITEM NUMBERS NOT APPLICABLE

- ITEM NOT ILLUSTRATED

33-45-52-03

33-45-52
FIG. 03
PAGE 17
SEP 20/08

BRI

BOEING PROPRIETARY - Copyright © - Unpublished Work - See title page for details.



757

PARTS CATALOG (MAINTENANCE)

FIG ITEM	PART NUMBER	1 2 3 4 5 6 7	NOMENCLATURE	EFFECT FROM TO	UNITS PER ASSY
3					
77A	NAS1801-04-5		.SCREW- USED ON: 4322252 4322245 4322275 4322268	002004 006999	1
77B	MS21042L04		.NUT- USED ON: 4322252 4322245 4322275 4322268	002004 006999	1
78	3074028		.RIVET- SUPPLIER CODE: VF0280 USED ON: 4300197 4300181 4318746 4318769	002004 006999	1
80	4307814		.SCREW-CAPTIVE SUPPLIER CODE: VF0280 USED ON: 4322245 4322252 4322268 4322275	002004 006999	3
80	4307814		.SCREW-CAPTIVE SUPPLIER CODE: VF0280 USED ON: 4300181 4300197 4318746 4318769	002004 006999	3
85	4307323		.RETAINER-FRONT LAMP SUPPLIER CODE: VF0280 USED ON: 4322245 4322252 4322268 4322275	002004 006999	1

MISSING ITEM NUMBERS NOT APPLICABLE

- ITEM NOT ILLUSTRATED

33-45-52-03

33-45-52
FIG. 03
PAGE 18
SEP 20/08

BRI

 **BOEING**
757
PARTS CATALOG (MAINTENANCE)

FIG ITEM	PART NUMBER	1 2 3 4 5 6 7	NOMENCLATURE	EFFECT FROM TO	UNITS PER ASSY
3					
85	4307323		.RETAINER-FRONT LAMP SUPPLIER CODE: VF0280 USED ON: 4300181 4300197 4318746 4318769	002004 006999	1
90	Q4631		.LAMP-INCANDESCENT SUPPLIER CODE: V08806 USED ON: 4322245 4322252 4322268 4322275	002004 006999	1
90	Q4631		.LAMP-INCANDESCENT SUPPLIER CODE: V08806 USED ON: 4300181 4300197 4318746 4318769	002004 006999	1
94	NAS1801-3-12		.SCREW- USED ON: 4322245 4322252 4322268 4322275	002004 006999	2
95	AN960-10L		.WASHER- USED ON: 4322245 4322252 4322268 4322275	002004 006999	4
95	AN960-10L		.WASHER- USED ON: 4300181 4300197 4318746 4318769	002004 006999	4
100	MS35338-43		.WASHER- USED ON: 4322245 4322252 4322268 4322275	002004 006999	4

MISSING ITEM NUMBERS NOT APPLICABLE

— ITEM NOT ILLUSTRATED

BRI

33-45-52-03

BOEING PROPRIETARY - Copyright © - Unpublished Work - See title page for details.

33-45-52
FIG. 03
PAGE 19
SEP 20/08



757

PARTS CATALOG (MAINTENANCE)

FIG ITEM	PART NUMBER	1 2 3 4 5 6 7	NOMENCLATURE	EFFECT FROM TO	UNITS PER ASSY
3					
100	MS35338-43		.WASHER- USED ON: 4300181 4300197 4318746 4318769	002004 006999	4
105	NAS509-3		.NUT- USED ON: 4322245 4322252 4322268 4322275	002004 006999	4
105	NAS509-3		.NUT- USED ON: 4300181 4300197 4318746 4318769	002004 006999	4
180	4332694		.RETAINER ASSY-LENS SUPPLIER CODE: VF0280 POSITION DATA: OUTBD LH SIDE USED ON: 4333318	002004 006999	1
- 185	4332769		.RETAINER ASSY-LENS SUPPLIER CODE: VF0280 POSITION DATA: OUTBD RH SIDE USED ON: 4333332	101106 108120 504903	1
- 190	4332716		.RETAINER ASSY-LENS SUPPLIER CODE: VF0280 POSITION DATA: INBD LH SIDE USED ON: 4333302	101106 108120 504903	1
- 195	4332739		.RETAINER ASSY-LENS SUPPLIER CODE: VF0280 POSITION DATA: INBD RH SIDE USED ON: 4333325	101106 108120 504903	1

MISSING ITEM NUMBERS NOT APPLICABLE

- ITEM NOT ILLUSTRATED

33-45-52-03

33-45-52
FIG. 03
PAGE 20
JAN 20/09

BRI



757

PARTS CATALOG (MAINTENANCE)

FIG ITEM	PART NUMBER	1 2 3 4 5 6 7	NOMENCLATURE	EFFECT FROM TO	UNITS PER ASSY
3			ATTACHING PARTS		
200	JGAG050UCD		.WASHER- SUPPLIER CODE: VF0110	002004 006999	2
205	NAS509-3		.NUT-	101106 108120 504903	2
			-----*-----		
210	4332783		. . GASKET- SUPPLIER CODE: VF0280 USED ON: 4332694 4332739	101106 108120 504903	1
- 215	4333348		. . GASKET- SUPPLIER CODE: VF0280 USED ON: 4332716 4332769	002004 006999	1
220	4309197		. SCREW-CAPTIVE SUPPLIER CODE: VF0280	002004 006999	6
225	863045-09		. RING-RETAINING SUPPLIER CODE: VF0349	002004 006999	6
230	HLX64621		. LAMP-INCANDESCENT SUPPLIER CODE: V017J3	002004 006999	1
235	NAS1801-04-3		. SCREW-	101106 108120 504903	1
240	AN960-4		. WASHER-	101106 108120 504903	1
245	MS35338-40		. WASHER-	101106 108120 504903	1
250	4326302		. STRAP ASSY-BONDING SUPPLIER CODE: VF0280	002004 006999	1
255	NAS1351C3-32		. SCREW-	101106 108120 504903	2
260	AN960-10L		. WASHER-	101106 108120 504903	2

MISSING ITEM NUMBERS NOT APPLICABLE

- ITEM NOT ILLUSTRATED

33-45-52-03

33-45-52
FIG. 03
PAGE 21
JAN 20/09

BRI



757

PARTS CATALOG (MAINTENANCE)

FIG ITEM	PART NUMBER	1 2 3 4 5 6 7	NOMENCLATURE	EFFECT FROM TO	UNITS PER ASSY
3					
265	4326161		.SHOCK ABSORBER- SUPPLIER CODE: VF0280	002004 006999	2
270	4331669		.SPRING-HELICAL, CPRSN SUPPLIER CODE: VF0280	002004 006999	2
275	NAS514P440-6P		.SCREW-	101106 108120 504903	1
280	AN960-4		.WASHER-	101106 108120 504903	1
285	MS21042L04		.NUT-	101106 108120 504903	1
290	NAS1352C08-20		.SCREW-CAP SOCKET HEAD	101106 108120 504903	1
295	AN960-8		.WASHER-	101106 108120 504903	1
300	4316441		.SHOCK ABSORBER- SUPPLIER CODE: VF0280	002004 006999	2
305	4316487		.TUBE- SUPPLIER CODE: VF0280	002004 006999	1
310	4332367		.STRAP ASSY-BONDING SUPPLIER CODE: VF0280	002004 006999	1
315	NAS514P440-5P		ATTACHING PARTS .SCREW-	101106 108120 504903	1
320	AN960-4		.WASHER-	101106 108120 504903	1
325	MS21042L04		.NUT-	101106 108120 504903	1
330	AJ3-30		-----*----- .STUD-TURNLOCK FASTENER SUPPLIER CODE: V72794	002004 006999	3
335	JONC3		.RING-RETAINING SUPPLIER CODE: VF0304	002004 006999	3

MISSING ITEM NUMBERS NOT APPLICABLE

- ITEM NOT ILLUSTRATED

33-45-52-03

33-45-52
FIG. 03
PAGE 22
JAN 20/09

BRI



757

PARTS CATALOG (MAINTENANCE)

FIG ITEM	PART NUMBER	1 2 3 4 5 6 7	NOMENCLATURE	EFFECT FROM TO	UNITS PER ASSY
3					
340	4335882		.RETAINER ASSY-MIRROR SUPPLIER CODE: VF0280	002004 006999	1
345	NAS509-3		.NUT-	101106 108120 504903	2
350	MS35338-43		.WASHER-	101106 108120 504903	2
355	AN960-10L		.WASHER-	101106 108120 504903	2
360	4326184		.COLUMN- SUPPLIER CODE: VF0280	002004 006999	2
365	NAS1801-3-6		.SCREW-	101106 108120 504903	1
370	MS35338-43		.WASHER-	101106 108120 504903	3
375	AN960-10L		.WASHER-	101106 108120 504903	3
380	MS21042L08		.NUT-	101106 108120 504903	4
385	AN960-8		.WASHER-	101106 108120 504903	6
390	4202893		.BUSHING-INSULATOR SUPPLIER CODE: VF0280	101106 108120 504903	2
395	4202908		.WASHER-INSULATOR SUPPLIER CODE: VF0280	002004 006999	2
400	NAS1801-08-12		.SCREW-	101106 108120 504903	2
405	50840		.TERMINAL-LUG SUPPLIER CODE: VF0286	002004 006999	4
410	MS24264R18T8PN		.CONNECTOR-	101106 108120 504903	1

MISSING ITEM NUMBERS NOT APPLICABLE

- ITEM NOT ILLUSTRATED

33-45-52-03

33-45-52
FIG. 03
PAGE 23
JAN 20/09

BRI

BOEING PROPRIETARY - Copyright © - Unpublished Work - See title page for details.



757

PARTS CATALOG (MAINTENANCE)

FIG ITEM	PART NUMBER	1 2 3 4 5 6 7	NOMENCLATURE	EFFECT FROM TO	UNITS PER ASSY
3			ATTACHING PARTS		
415	NAS1801-04-5		.SCREW-	101106 108120 504903	4
420	AN960-4		-----*----- .WASHER-	101106 108120 504903	4
425	MS21042L04		.NUT-	101106 108120 504903	4
430	4307465		.FILTER- SUPPLIER CODE: VF0280	002004 006999	3
435	4307458		.SUPPORT-FILTER SUPPLIER CODE: VF0280	002004 006999	1
440	AD44SB		ATTACHING PARTS .RIVET-BLIND SUPPLIER CODE: VK0017	002004 006999	2
445	4332835		-----*----- .COVER-PROTECTING SUPPLIER CODE: VF0280	002004 006999	1
450	3111317		.TRANSFORMER- SUPPLIER CODE: VF0280 USED ON: 4333318 4333332	101106 108120 504903	1
- 455	3111502		.TRANSFORMER- SUPPLIER CODE: VF0280 USED ON: 4333302 4333325	002004 006999	1
460	4326154		.GASKET- SUPPLIER CODE: VF0280	002004 006999	1
465	PG22		.HOLDER-LAMP SUPPLIER CODE: VD2021	002004 006999	1
470	NAS1801-04-5		ATTACHING PARTS .SCREW-	101106 108120 504903	2

MISSING ITEM NUMBERS NOT APPLICABLE

- ITEM NOT ILLUSTRATED

33-45-52-03

33-45-52
FIG. 03
PAGE 24
JAN 20/09

BRI

BOEING PROPRIETARY - Copyright © - Unpublished Work - See title page for details.



757

PARTS CATALOG (MAINTENANCE)

FIG ITEM	PART NUMBER	1 2 3 4 5 6 7	NOMENCLATURE	EFFECT FROM TO	UNITS PER ASSY
3					
475	MS35338-40	.	WASHER-	101106 108120 504903	2
480	AN960-4	.	WASHER-	101106 108120 504903	2
485	4326302	-----*-----	.STRAP ASSY-BONDING SUPPLIER CODE: VF0280 ATTACHING PARTS	002004 006999	1
490	NAS514P440-5P	.	SCREW-	101106 108120 504903	1
495	AN960-4	.	WASHER-	101106 108120 504903	1
500	MS21042L04	.	NUT-	101106 108120 504903	1
505	AJF93	-----*-----	.NUT-SELF-LOCKING, PLATE SUPPLIER CODE: VF0224 ATTACHING PARTS	002004 006999	2
510	TAPK33BS	.	RIVET- SUPPLIER CODE: VK0017	002004 006999	2
515	S3-200	-----*-----	.LOCKSPRING-TURNLOCK SUPPLIER CODE: VF0304 ATTACHING PARTS	002004 006999	3
520	TAPK33BS	.	RIVET- SUPPLIER CODE: VK0017	002004 006999	6
525	4326147	-----*-----	.RETAINER ASSY-ADJUSTMENT SUPPLIER CODE: VF0280	002004 006999	1
530	4326177	.	SPACER- SUPPLIER CODE: VF0280	101106 108120 504903	3
535	NAS1801-3-6	.	SCREW-	101106 108120 504903	3
540	MS35338-43	.	WASHER-	101106 108120 504903	3

MISSING ITEM NUMBERS NOT APPLICABLE

- ITEM NOT ILLUSTRATED

33-45-52-03

33-45-52
FIG. 03
PAGE 25
JAN 20/09

BRI

BOEING PROPRIETARY - Copyright © - Unpublished Work - See title page for details.



757

PARTS CATALOG (MAINTENANCE)

FIG ITEM	PART NUMBER	1 2 3 4 5 6 7	NOMENCLATURE	EFFECT FROM TO	UNITS PER ASSY
3					
545	AN960-10L	.	WASHER-	101106 108120 504903	3
550	MS21047-08	.	NUT-	101106 108120 504903	1
555	TAPD36BS		ATTACHING PARTS .RIVET-BLIND SUPPLIER CODE: VK0017 -----*-----	002004 006999	2
560	4332143	.	HOUSING- SUPPLIER CODE: VF0280 POSITION DATA: OUTBD L USED ON: 433318	101106 108120 504903	1
- 565	4332166	.	HOUSING- SUPPLIER CODE: VS5065 POSITION DATA: OUTBD R USED ON: 433332	101106 108120 504903	1
- 570	4332136	.	HOUSING- SUPPLIER CODE: VF0280 POSITION DATA: INBD L USED ON: 433302	002004 006999	1
- 575	4332159	.	HOUSING- SUPPLIER CODE: VF0280 POSITION DATA: INBD R USED ON: 433325	101106 108120 504903	1

MISSING ITEM NUMBERS NOT APPLICABLE

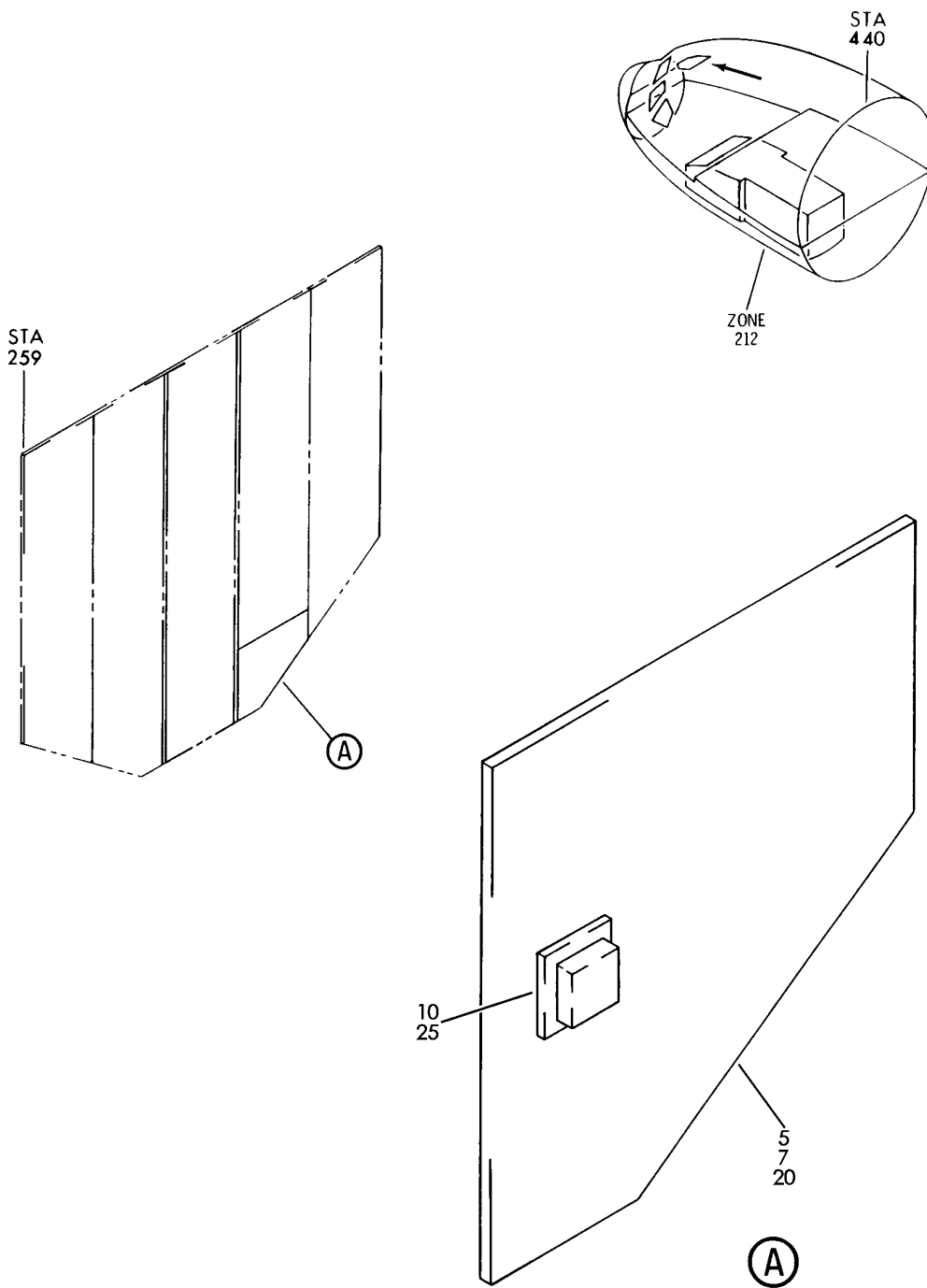
- ITEM NOT ILLUSTRATED

33-45-52-03

33-45-52
FIG. 03
PAGE 26
JAN 20/09

BRI

BOEING
757
PARTS CATALOG (MAINTENANCE)



Y 33455301 REV 237

PANEL INSTL-P5 OVHD (LOGO LIGHTS ONLY)

FIGURE 1

33-45-53-01

BRI
MAY 28/07

33-45-53-01
PAGE 0



757

PARTS CATALOG (MAINTENANCE)

FIG ITEM	PART NUMBER	1 2 3 4 5 6 7	NOMENCLATURE	EFFECT FROM TO	UNITS PER ASSY
1			PANEL INSTL-P5 OVHD (LOGO LIGHTS ONLY)	002004 006010 107107 121503 904999	
- 1	233N3101-1		PANEL INSTL-P5 OVHD (LOGO LIGHTS ONLY) VARIABLE DRAWING REF: 233N3101-5005 233N3101-5025 233N3101-5041 233N3101-5042 233N3101-5045 FOR NHA/OTHER SYS DET SEE: 25-10-00-05A	002004 006010 107107 121503 904999	RF
7	233N3221-60		.PANEL ASSY-LIGHTING CONT SUPPLIER CODE: V89954 POSITION DATA: R ELECTRICAL EQUIP NUMBER: M10057 COMPONENT MAINT MANUAL REF: 33-11-72	121503 904949	RF
7	233N3221-61		.PANEL ASSY-LIGHTING CONT SUPPLIER CODE: V89954 POSITION DATA: R ELECTRICAL EQUIP NUMBER: M10057 COMPONENT MAINT MANUAL REF: 33-11-72 QUALIFIED I/W DATA: 233N3221-302 PANEL ASSY IS I/W 233N3221-61 PANEL ASSY T/W S233T100-6039 LIGHTPLATE AND (3) RD241-119 KNOBS AND (1) BP248-127 KNOB	002004 006010 950999	RF
7	233N3221-83		.PANEL ASSY-LIGHTING CONT SUPPLIER CODE: V89954 POSITION DATA: R ELECTRICAL EQUIP NUMBER: M10057 COMPONENT MAINT MANUAL REF: 33-11-72	107107	RF

MISSING ITEM NUMBERS NOT APPLICABLE

- ITEM NOT ILLUSTRATED

33-45-53-01

33-45-53
FIG. 01
PAGE 1
JAN 20/09

BRI



757

PARTS CATALOG (MAINTENANCE)

FIG ITEM	PART NUMBER	1 2 3 4 5 6 7	NOMENCLATURE	EFFECT FROM TO	UNITS PER ASSY
1					
10	BCREF7604		..SWITCH ASSY-LIGHTED PUSH BUTTON IND ON SUPPLIER CODE: V81590 OVERLENGTH PART NUMBER: 433-673-1001-1012 SPECIFICATION NUMBER: S231T290-1012 FOR DETAILS SEE: 33-13-00-15A	107107	1
10	BCREFA0503		..SWITCH ASSY-LIGHTED PUSH BUTTON IND ON SUPPLIER CODE: V81590 OVERLENGTH PART NUMBER: 433-673-1004-4012 SPECIFICATION NUMBER: S231T290-4012 MISCELLANEOUS DATA: WHEN REPLACING THE PUSHBUTTON SWITCH ASSY OR THE MASTER MODULE WITHIN, VERIFY THAT A CONFIG D MASTER MODULE P/N 13206-001 IS INSTALLED IN LIEU OF ANY EARLIER CONFIGURATION MASTER MODULES. PRE SERVICE LETTER: 33-027 FOR DETAILS SEE: 33-13-00-45A	002004 006010 107107 121503 904999	1
10	851-30768-2012		..SWITCH ASSY-LIGHTED PUSHBUTTON IND ON SUPPLIER CODE: V96182 SPECIFICATION NUMBER: S231T290-2012 FOR DETAILS SEE: 33-13-00-25A	107107	1

MISSING ITEM NUMBERS NOT APPLICABLE

- ITEM NOT ILLUSTRATED

33-45-53-01

33-45-53
FIG. 01
PAGE 2
JAN 20/09

BRI



757

PARTS CATALOG (MAINTENANCE)

FIG ITEM	PART NUMBER	1 2 3 4 5 6 7	NOMENCLATURE	EFFECT FROM TO	UNITS PER ASSY
1					
10	851-30768-3012		..SWITCH ASSY-LIGHTED PUSH BUTTON IND ON SUPPLIER CODE: V96182 SPECIFICATION NUMBER: S231T290-3012 OPTIONAL PART: S231T290-5012 FOR DETAILS SEE: 33-13-00-35A	002004 006010 107107 121503 904999	1
10	S231T290-5012		..SWITCH ASSY-LIGHTED PUSH BUTTON IND OPTIONAL PART: 851-30768-3012 V96182	002004 006010 107107 121503 904999	1
10	4336731004-4212		..SWITCH ASSY-LIGHTED PUSH BUTTON IND ON SUPPLIER CODE: V81590 SPECIFICATION NUMBER: S231T290-4212 OPTIONAL PART: 851-35100-5012 V96182 POST SERVICE LETTER: 33-027	002004 006010 107107 121503 904999	1
10	851-35100-5012		..SWITCH ASSY-LIGHTED PUSH BUTTON IND ON SUPPLIER CODE: V96182 SPECIFICATION NUMBER: S231T290-5012 OPTIONAL PART: 4336731004-4212 V81590	002004 006010 950999	1

MISSING ITEM NUMBERS NOT APPLICABLE

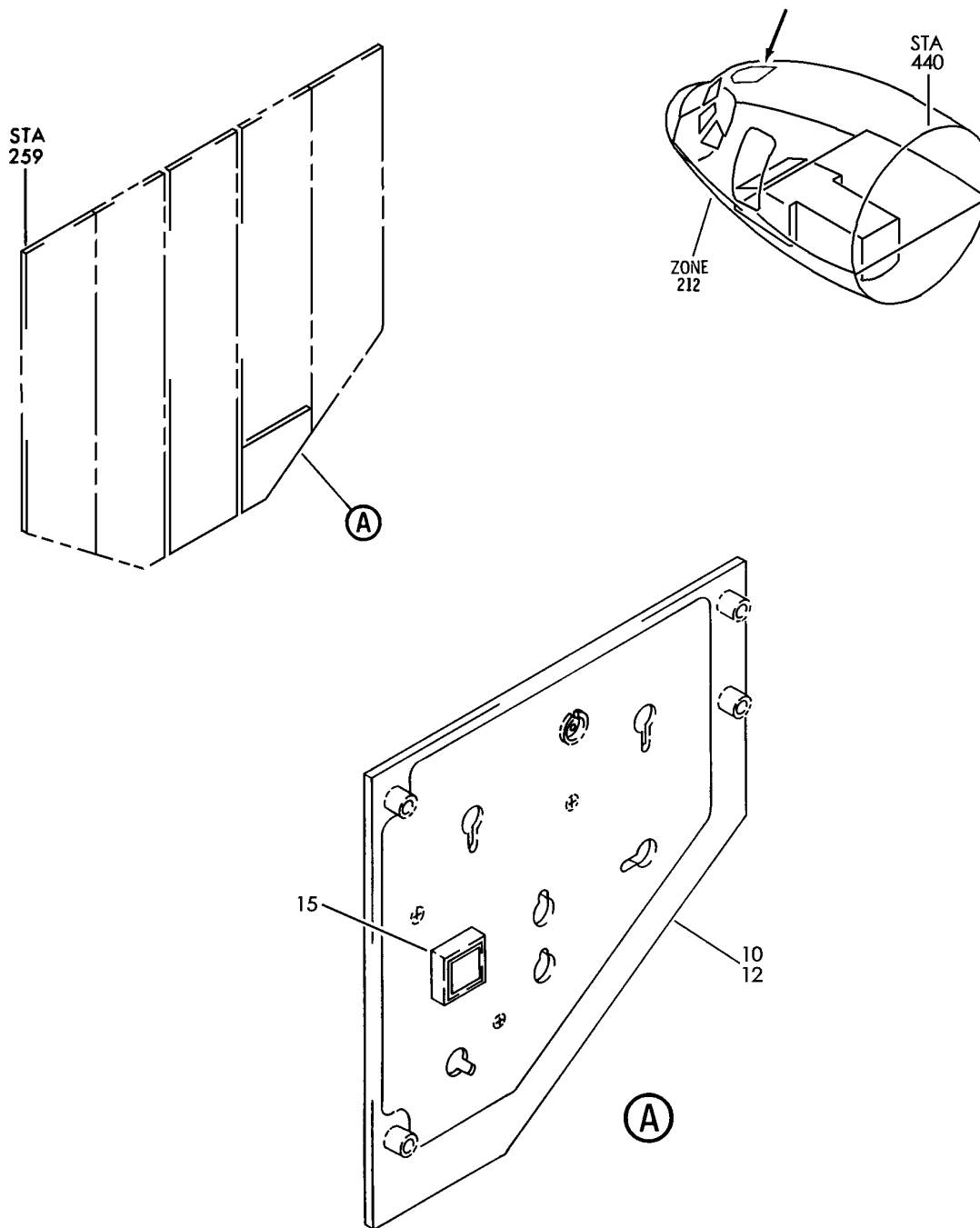
- ITEM NOT ILLUSTRATED

33-45-53-01

33-45-53
FIG. 01
PAGE 3
JAN 20/09

BRI

BOEING
757
PARTS CATALOG (MAINTENANCE)



Y 33455302 REV 219

PANEL INSTL-P5 OVHD (LOGO LIGHTS ONLY)
FIGURE 2

33-45-53-02

BRI
MAY 28/07

33-45-53-02
PAGE 0



757

PARTS CATALOG (MAINTENANCE)

FIG ITEM	PART NUMBER	1 2 3 4 5 6 7	NOMENCLATURE	EFFECT FROM TO	UNITS PER ASSY
2			PANEL INSTL-P5 OVHD (LOGO LIGHTS ONLY)	011100	
- 1	233N3101-1		PANEL INSTL-P5 OVHD (LOGO LIGHTS ONLY) VARIABLE DRAWING REF: 233N3101-5142 FOR NHA/OTHER SYS DET SEE: 25-10-00-05A	011100	RF
- 7	233N3221-302		.PANEL ASSY-LIGHTING CONT SUPPLIER CODE: V89954 POSITION DATA: R ELECTRICAL EQUIP NUMBER: M10057 COMPONENT MAINT MANUAL REF: 33-11-72 QUALIFIED I/W DATA: 233N3221-302 PANEL ASSY IS I/W 233N3221-61 PANEL ASSY T/W S233T100-6039 LIGHTPLATE AND (3) RD241-119 KNOBS AND (1) BP248-127 KNOB	011100	RF
12	233N3221-61		..PANEL ASSY- SUPPLIER CODE: V89954 ELECTRICAL EQUIP NUMBER: M10057 COMPONENT MAINT MANUAL REF: 33-11-72 QUALIFIED I/W DATA: 233N3221-302 PANEL ASSY IS I/W 233N3221-61 PANEL ASSY T/W S233T100-6039 LIGHTPLATE AND (3) RD241-119 KNOBS AND (1) BP248-127 KNOB	011100	RF

MISSING ITEM NUMBERS NOT APPLICABLE

- ITEM NOT ILLUSTRATED

BRI

33-45-53-02

BOEING PROPRIETARY - Copyright © - Unpublished Work - See title page for details.

33-45-53
FIG. 02
PAGE 1
JAN 20/09



757

PARTS CATALOG (MAINTENANCE)

FIG ITEM	PART NUMBER	1 2 3 4 5 6 7	NOMENCLATURE	EFFECT FROM TO	UNITS PER ASSY
2					
15	BCREFA0503		...SWITCH ASSY-LIGHTED PUSH BUTTON IND ON SUPPLIER CODE: V81590 OVERLENGTH PART NUMBER: 433-673-1004-4012 SPECIFICATION NUMBER: S231T290-4012 MISCELLANEOUS DATA: WHEN REPLACING THE PUSHBUTTON SWITCH ASSY OR THE MASTER MODULE WITHIN, VERIFY THAT A CONFIG D MASTER MODULE P/N 13206-001 IS INSTALLED IN LIEU OF ANY EARLIER CONFIGURATION MASTER MODULES. FOR DETAILS SEE: 33-13-00-45A	011100	1
15	851-30768-3012		...SWITCH ASSY-LIGHTED PUSH BUTTON IND ON SUPPLIER CODE: V96182 SPECIFICATION NUMBER: S231T290-3012 FOR DETAILS SEE: 33-13-00-35A	011100	1
15	S231T290-5012		...SWITCH ASSY-LIGHTED PUSH BUTTON IND	011100	1
15	4336731004-4212		...SWITCH ASSY-LIGHTED PUSH BUTTON IND ON SUPPLIER CODE: V81590 SPECIFICATION NUMBER: S231T290-4212 OPTIONAL PART: 851-35100-5012 V96182	011100	1
15	851-35100-5012		...SWITCH ASSY-LIGHTED PUSH BUTTON IND ON SUPPLIER CODE: V96182 SPECIFICATION NUMBER: S231T290-5012 OPTIONAL PART: 4336731004-4212 V81590	011100	1

MISSING ITEM NUMBERS NOT APPLICABLE

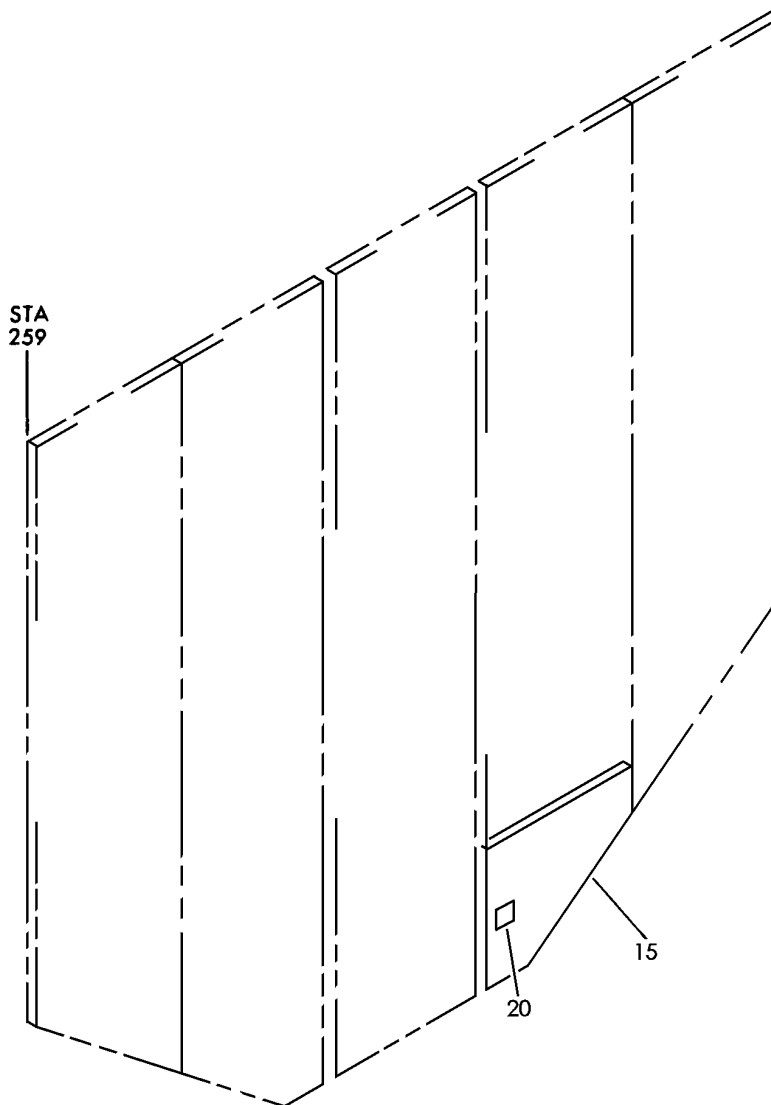
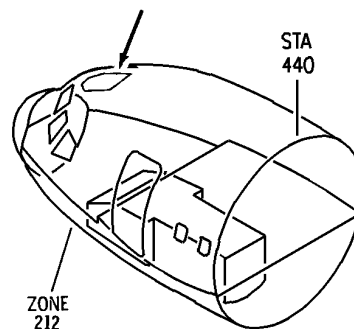
- ITEM NOT ILLUSTRATED

33-45-53-02

33-45-53
FIG. 02
PAGE 2
JAN 20/09

BRI

BOEING
757
PARTS CATALOG (MAINTENANCE)



Y 33455303 REV 219

PANEL INSTL-P5 OVHD (LOGO LIGHTS ONLY)

FIGURE 3

33-45-53-03

BRI
MAY 28/07

33-45-53-03
PAGE 0



757

PARTS CATALOG (MAINTENANCE)

FIG ITEM	PART NUMBER	1 2 3 4 5 6 7	NOMENCLATURE	EFFECT FROM TO	UNITS PER ASSY
3			PANEL INSTL-P5 OVHD (LOGO LIGHTS ONLY)	101106 108120 504903	
- 2	233N3103-132		PANEL INSTL-P5 OVHD (LOGO LIGHTS ONLY) FOR NHA/OTHER SYS DET SEE: 25-10-00-15E	101102	RF
- 3	233N3103-136		PANEL INSTL-P5 OVHD (LOGO LIGHTS ONLY) FOR NHA/OTHER SYS DET SEE: 25-10-00-15E	504903	RF
- 5	233N3103-59		PANEL INSTL-P5 OVHD (LOGO LIGHTS ONLY) FOR NHA/OTHER SYS DET SEE: 25-10-00-15E	108120	RF
- 7	MODREF170180		PANEL INSTL-P5 OVHD (LOGO LIGHTS ONLY) MODULE NUMBER: 233N3103-353 REV B FOR OTHER SYS DETAILS SEE: 11-31-10-12 21-25-55-03 21-31-01-02 21-33-51-03 21-51-54-03 21-58-19-10 21-58-51-03 21-61-04-03 21-65-51-01 22-21-01-04 22-24-51-02 23-32-00-11 23-42-02-02 23-71-05-02 24-11-52-05 24-22-01-03 24-31-01-10 24-31-03-09 24-33-04-01 24-41-51-04 24-51-62-01 26-18-51-04 27-21-53-02 27-41-55-01 27-61-51-03 27-62-52-02 28-22-51-02 28-41-04-01 28-41-51-03	106106	1

MISSING ITEM NUMBERS NOT APPLICABLE

- ITEM NOT ILLUSTRATED

33-45-53-03

33-45-53
FIG. 03
PAGE 1
JAN 20/09

BRI



757

PARTS CATALOG (MAINTENANCE)

FIG ITEM	PART NUMBER	1 2 3 4 5 6 7	NOMENCLATURE	EFFECT FROM TO	UNITS PER ASSY
3			29-11-02-03 29-11-05-04 29-11-52-07 29-21-54-03 29-31-00-01 29-32-51-03 29-33-52-03 30-11-51-03 30-21-51-03 30-31-51-02 30-32-51-01 30-33-51-02 30-41-51-03 30-42-51-03 31-12-11-84 31-12-11-84 A 32-42-52-03 33-11-03-03 33-11-51-17 33-13-01-65 33-13-02-03 33-16-51-03 33-24-51-02 33-41-52-04 33-42-01-04 33-42-02-04 33-42-52-04 33-43-51-04 33-44-51-05 33-51-08-05 34-21-02-01 35-21-51-04 36-11-04-01 36-21-00-01 36-21-02-05 36-22-51-03 49-41-00-02 49-52-00-01 49-70-00-01 52-51-51-03 52-71-51-02 73-21-52-02 74-31-51-05 75-32-00-01 80-11-09-02		
- 7	MODREF33760		PANEL INSTL-P5 OVHD (LOGO LIGHTS ONLY) MODULE NUMBER: 233N3103-351 REV C	103103	1
MISSING ITEM NUMBERS NOT APPLICABLE					

- ITEM NOT ILLUSTRATED

33-45-53-03

33-45-53
FIG. 03
PAGE 2
JAN 20/09

BRI



757

PARTS CATALOG (MAINTENANCE)

FIG ITEM	PART NUMBER	1 2 3 4 5 6 7	NOMENCLATURE	EFFECT FROM TO	UNITS PER ASSY
3			FOR OTHER SYS DETAILS SEE: 11-31-10-12 21-25-55-03 21-31-01-02 21-33-51-03 21-51-54-03 21-58-19-10 21-58-51-03 21-61-04-03 21-65-51-01 22-21-01-04 22-24-51-02 23-24-01-01 23-32-00-11 23-42-02-02 23-71-05-02 24-11-52-05 24-22-01-03 24-31-01-10 24-31-03-09 24-33-04-01 24-41-51-04 24-51-62-01 26-18-51-04 27-21-53-02 27-41-55-01 27-61-51-03 27-62-52-02 28-22-51-02 28-41-04-01 28-41-51-03 29-11-02-03 29-11-05-04 29-11-52-07 29-21-54-03 29-31-00-01 29-32-51-03 29-33-52-03 30-11-51-03 30-21-51-03 30-31-51-02 30-32-51-01 30-33-51-02 30-41-51-03 30-42-51-03 31-12-11-91 31-12-11-91A 32-42-52-03 33-11-03-03		

MISSING ITEM NUMBERS NOT APPLICABLE

- ITEM NOT ILLUSTRATED

33-45-53-03

33-45-53
FIG. 03
PAGE 3
JAN 20/09

BRI



757

PARTS CATALOG (MAINTENANCE)

FIG ITEM	PART NUMBER	1 2 3 4 5 6 7	NOMENCLATURE	EFFECT FROM TO	UNITS PER ASSY
3			33-11-51-17 33-13-01-65 33-13-02-03 33-16-51-03 33-24-51-02 33-41-52-04 33-42-01-04 33-42-02-04 33-42-52-04 33-43-51-04 33-44-51-05 33-51-08-05 34-21-02-01 35-21-51-04 36-11-04-01 36-21-00-01 36-21-02-05 36-22-51-03 49-41-00-02 49-52-00-01 49-70-00-01 52-51-51-03 52-71-51-02 73-21-52-02 74-31-51-05 75-32-00-01 80-11-09-02		
- 7	MODREF34038		PANEL INSTL-P5 OVHD (LOGO LIGHTS ONLY) MODULE NUMBER: 233N3103-351 REV D FOR OTHER SYS DETAILS SEE: 11-31-10-12 21-25-55-03 21-31-01-02 21-33-51-03 21-51-54-03 21-58-19-10 21-58-51-03 21-61-04-03 21-65-51-01 22-21-01-04 22-24-51-02 23-24-01-01 23-32-00-11 23-42-02-02 23-71-05-02 24-11-52-05 24-22-01-03	104105	1
MISSING ITEM NUMBERS NOT APPLICABLE					

- ITEM NOT ILLUSTRATED

33-45-53-03

33-45-53
 FIG. 03
 PAGE 4
 JAN 20/09

BRI



757

PARTS CATALOG (MAINTENANCE)

FIG ITEM	PART NUMBER	1 2 3 4 5 6 7	NOMENCLATURE	EFFECT FROM TO	UNITS PER ASSY
3			24-31-01-10 24-31-03-09 24-33-04-01 24-41-51-04 24-51-62-01 26-18-51-04 27-21-53-02 27-41-55-01 27-61-51-03 27-62-52-02 28-22-51-02 28-41-04-01 28-41-51-03 29-11-02-03 29-11-05-04 29-11-52-07 29-21-54-03 29-31-00-01 29-32-51-03 29-33-52-03 30-11-51-03 30-21-51-03 30-31-51-02 30-32-51-01 30-33-51-02 30-41-51-03 30-42-51-03 31-12-11-91 31-12-11-91 A 32-42-52-03 33-11-03-03 33-11-51-17 33-13-01-65 33-13-02-03 33-16-51-03 33-24-51-02 33-41-52-04 33-42-01-04 33-42-02-04 33-42-52-04 33-43-51-04 33-44-51-05 33-51-08-05 34-21-02-01 35-21-51-04 36-11-04-01 36-21-00-01 36-21-02-05 36-22-51-03		

MISSING ITEM NUMBERS NOT APPLICABLE

- ITEM NOT ILLUSTRATED

33-45-53-03

33-45-53
FIG. 03
PAGE 5
JAN 20/09

BRI

 **BOEING**
757
PARTS CATALOG (MAINTENANCE)

FIG ITEM	PART NUMBER	1 2 3 4 5 6 7	NOMENCLATURE	EFFECT FROM TO	UNITS PER ASSY
3			49-41-00-02 49-52-00-01 49-70-00-01 52-51-51-03 52-71-51-02 73-21-52-02 74-31-51-05 75-32-00-01 80-11-09-02		
- 10	233N3221-302		.PANEL ASSY-LIGHTING CONT SUPPLIER CODE: V89954 POSITION DATA: R ELECTRICAL EQUIP NUMBER: M10057 COMPONENT MAINT MANUAL REF: 33-11-72 QUALIFIED I/W DATA: 233N3221-302 PANEL ASSY IS I/W THE 233N3221-61 PANEL ASSY T/W S233T100-6039 LIGHTPLATE AND (3) RD241-119 KNOBS AND (1) BP248-127 KNOB	101102 108120 504903	RF
- 10	233N3221-326		.PANEL ASSY-LIGHTING CONT SUPPLIER CODE: V89954 POSITION DATA: R ELECTRICAL EQUIP NUMBER: M10057 COMPONENT MAINT MANUAL REF: 33-11-72	101106 108120 504903	RF
15	233N3221-61		..PANEL ASSY- SUPPLIER CODE: V89954 COMPONENT MAINT MANUAL REF: 33-11-72 QUALIFIED I/W DATA: 233N3221-302 PANEL ASSY IS I/W 233N3221-61 PANEL ASSY T/W S233T100-6039 LIGHTPLATE AND (3) RD241-119 KNOBS AND (1) BP248-127 KNOB USED ON: 233N3221-302	101102 108120 504903	RF

MISSING ITEM NUMBERS NOT APPLICABLE

- ITEM NOT ILLUSTRATED

BRI

33-45-53-03

BOEING PROPRIETARY - Copyright © - Unpublished Work - See title page for details.

33-45-53
FIG. 03
PAGE 6
JAN 20/09



757

PARTS CATALOG (MAINTENANCE)

FIG ITEM	PART NUMBER	1 2 3 4 5 6 7	NOMENCLATURE	EFFECT FROM TO	UNITS PER ASSY
3					
15	233N3221-110		.. PANEL ASSY- SUPPLIER CODE: V89954 COMPONENT MAINT MANUAL REF: 33-11-72 USED ON: 233N3221-326	101106 108120 504903	RF
20	851-30768-3012		... SWITCH ASSY-LIGHTED PUSH BUTTON IND ON SUPPLIER CODE: V96182 SPECIFICATION NUMBER: S231T290-3012 FOR DETAILS SEE: 33-13-00-35A	101106 108120 504903	1
20	S231T290-5012		... SWITCH ASSY-LIGHTED PUSH BUTTON IND	101106 108120 504903	1
20	851-35100-5012		... SWITCH ASSY-LIGHTED PUSH BUTTON IND SUPPLIER CODE: V96182 SPECIFICATION NUMBER: S231T290-5012 OPTIONAL PART: 4336731004-4212 V81590 USED ON: 233N3221-61	101102 108120 504903	1
20	BCREFA0503		... SWITCH ASSY-LIGHTED PUSH BUTTON IND ON SUPPLIER CODE: V81590 OVERLENGTH PART NUMBER: 433-673-1004-4012 SPECIFICATION NUMBER: S231T290-4012 MISCELLANEOUS DATA: WHEN REPLACING THE PUSHBUTTON SWITCH ASSY OR THE MASTER MODULE WITHIN, VERIFY THAT A CONFIG D MASTER MODULE P/N 13206-001 IS INSTALLED IN LIEU OF ANY EARLIER CONFIGURATION MASTER MODULES. FOR DETAILS SEE: 33-13-00-45A	101106 108120 504903	1

MISSING ITEM NUMBERS NOT APPLICABLE

- ITEM NOT ILLUSTRATED

33-45-53-03

33-45-53
FIG. 03
PAGE 7
JAN 20/09

BRI



757

PARTS CATALOG (MAINTENANCE)

FIG ITEM	PART NUMBER	1 2 3 4 5 6 7	NOMENCLATURE	EFFECT FROM TO	UNITS PER ASSY
3 20	4336731004-4212		...SWITCH ASSY-LIGHTED PUSH BUTTON IND SUPPLIER CODE: V81590 SPECIFICATION NUMBER: S231T290-4212 OPTIONAL PART: 851-35100-5012 V96182 USED ON: 233N3221-110	101106 108120 504903	1

MISSING ITEM NUMBERS NOT APPLICABLE

- ITEM NOT ILLUSTRATED

BRI

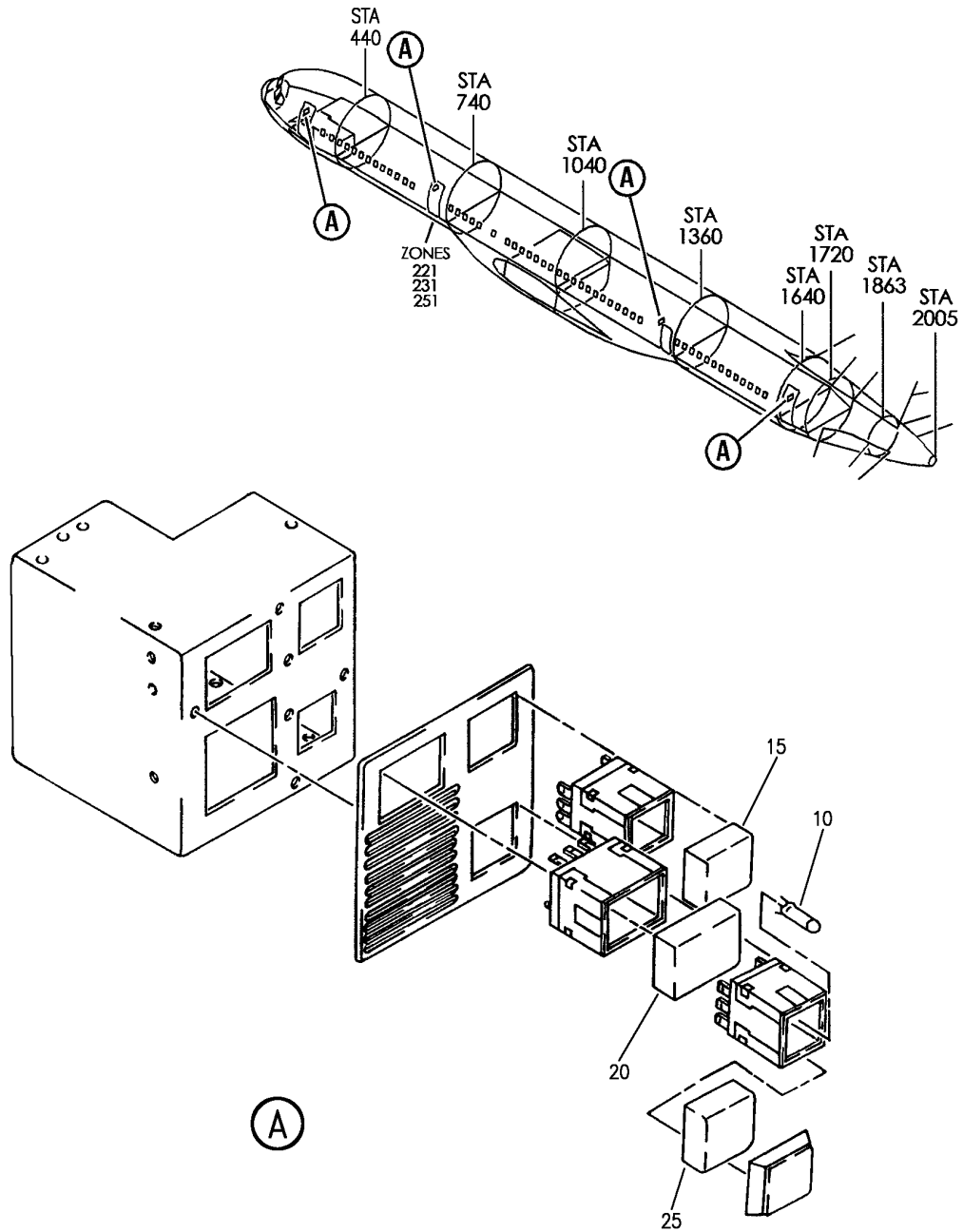
33-45-53-03

BOEING PROPRIETARY - Copyright © - Unpublished Work - See title page for details.

33-45-53
FIG. 03
PAGE 8
JAN 20/09

EMERGENCY LIGHTING

BOEING
757
PARTS CATALOG (MAINTENANCE)



Y 33505101 REV 297

PANEL ASSY-EMER EVACUATION ALARM (LIGHTS ONLY)
FIGURE 1

33-50-51-01

BRI
JAN 20/09

33-50-51-01
PAGE 0



757

PARTS CATALOG (MAINTENANCE)

FIG ITEM	PART NUMBER	1 2 3 4 5 6 7	NOMENCLATURE	EFFECT FROM TO	UNITS PER ASSY
1			PANEL ASSY-EMER EVACUATION ALARM (LIGHTS ONLY)	504903	
- 1	70-0240-1		PANEL ASSY-EMER EVACUATION ALARM (LIGHTS ONLY) SUPPLIER CODE: V72914 COMPONENT MAINT MANUAL REF: 33-10-51 FOR NHA/OTHER SYS DET SEE: 25-63-11-01	504903	RF
10	85		.BULB-28V, 0.4 AMP DS1, DS2, DS3 SUPPLIER CODE: V08805	504903	3
10	LP85		.BULB-28V, 0.4 AMP DS1, DS2, DS3 SUPPLIER CODE: V08806	504903	3
15	AML51H60A		.LENS-INDICATOR SUPPLIER CODE: V91929 OPTIONAL PART: AML51F60A V91929	504903	1
15	DA1311		.LENS-INDICATOR SUPPLIER CODE: V91929	504903	1
15	AML51F60A		.LENS-INDICATOR SUPPLIER CODE: V91929 OPTIONAL PART: AML51H60A V91929	504903	1
20	AML51C10W		.LENS-SWITCH SUPPLIER CODE: V91929	504903	1
20	SW814		.LENS-SWITCH SUPPLIER CODE: V91929	504903	1
25	AML51C50R		.LENS-SWITCH SUPPLIER CODE: V91929	504903	1
25	SW8141		.LENS-SWITCH SUPPLIER CODE: V91929	504903	1

MISSING ITEM NUMBERS NOT APPLICABLE

- ITEM NOT ILLUSTRATED

33-50-51-01

33-50-51
FIG. 01
PAGE 1
JAN 20/09

BRI

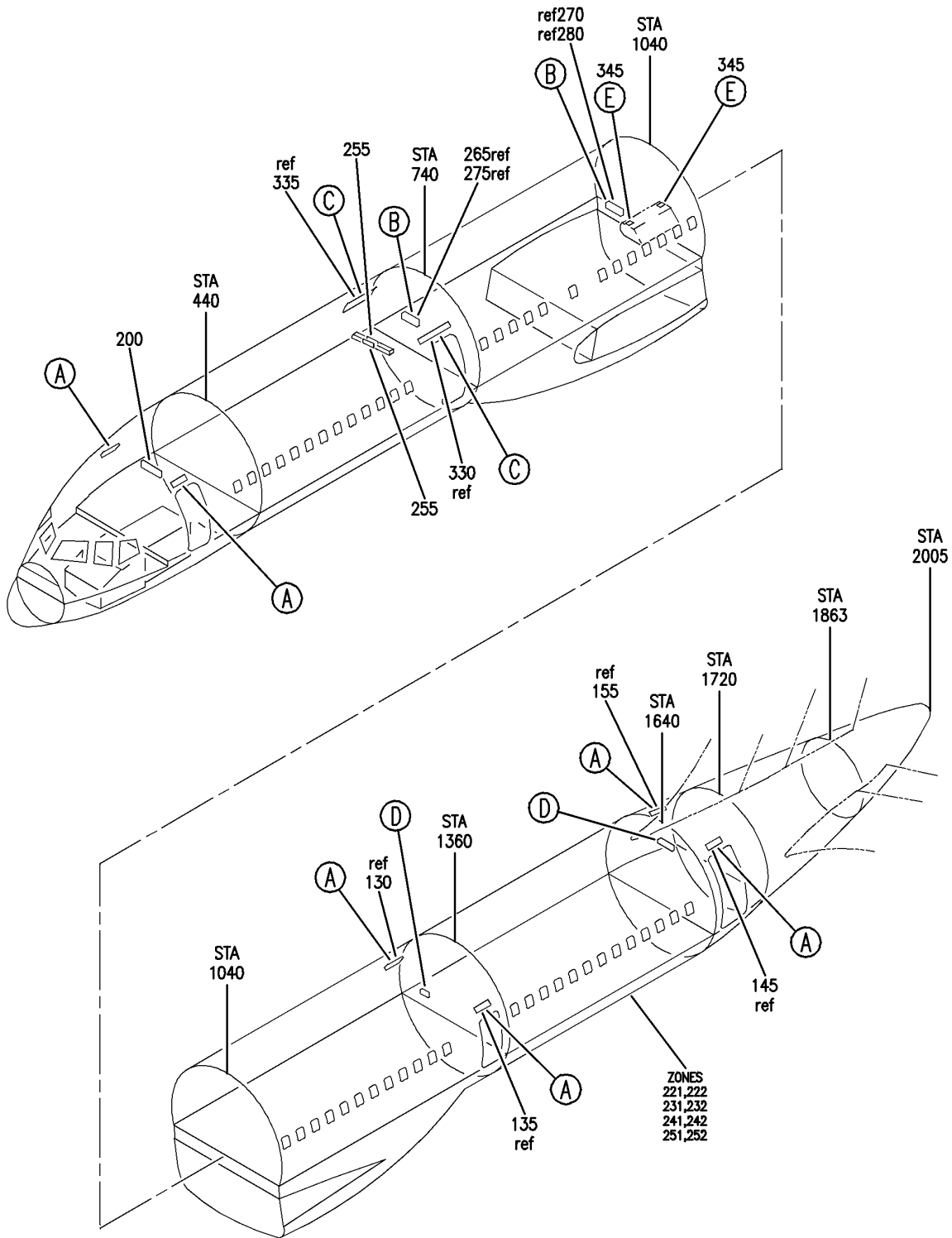
BOEING PROPRIETARY - Copyright © - Unpublished Work - See title page for details.

EMERGENCY LIGHTS

BRI
MAY 28/07

33-51-00
SECTION TITLE
PAGE 1

BOEING
757
PARTS CATALOG (MAINTENANCE)



Y 33510101 SHT 1 REV 226

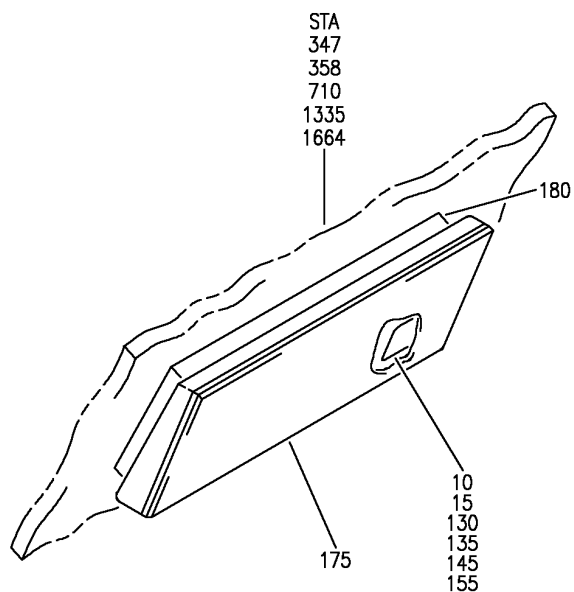
SIGN INSTL-LIGHTED
FIGURE 1 (SHEET 1)

33-51-01-01

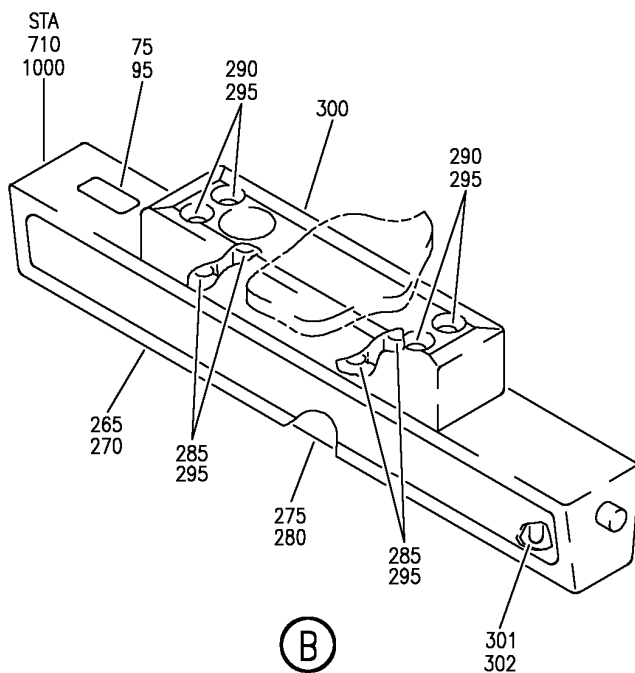
BRI
JAN 20/09

33-51-01-01
PAGE 0

BOEING
757
PARTS CATALOG (MAINTENANCE)



(A)



(B)

Y 33510101 SH1 2 REV 266

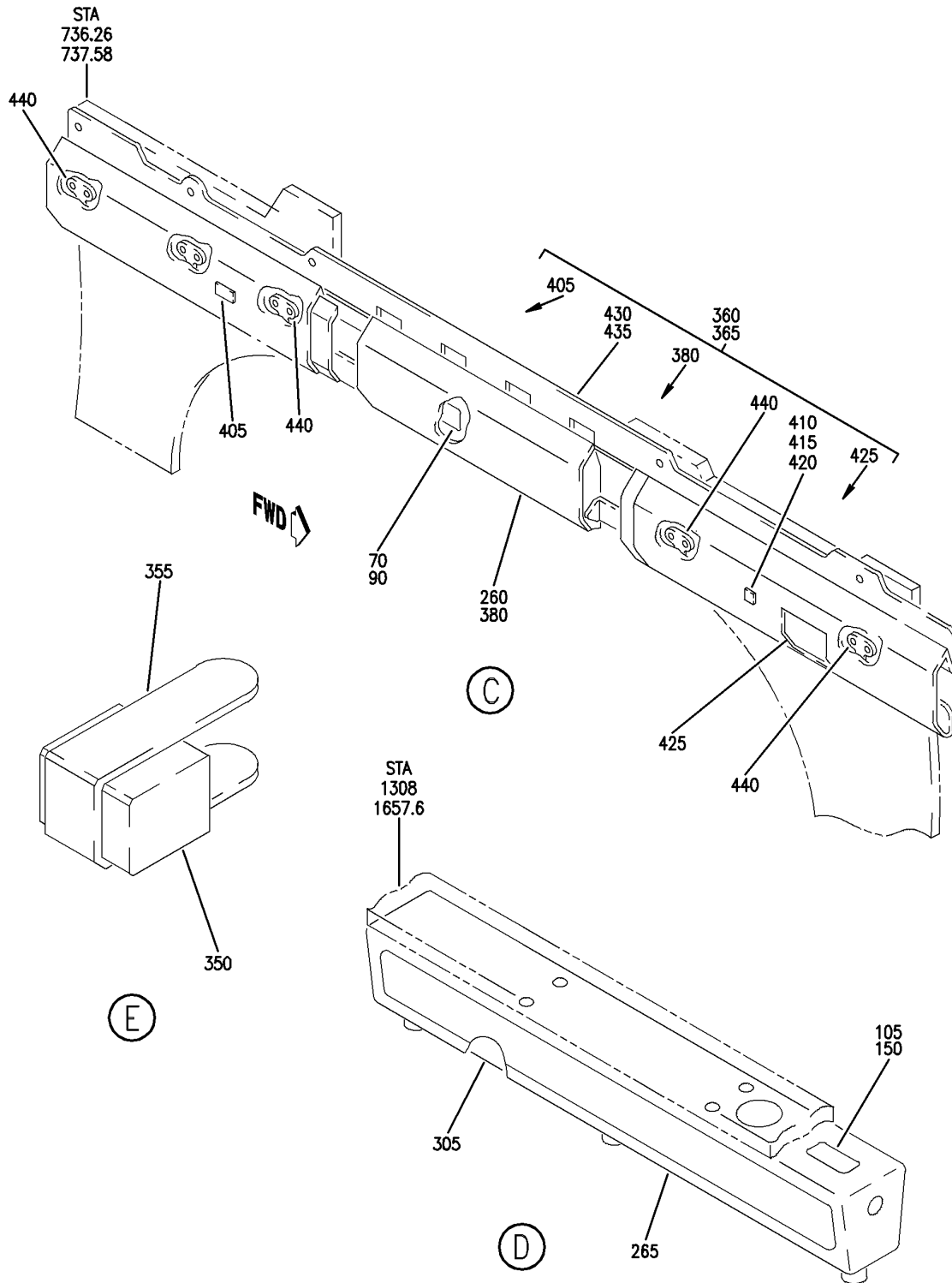
SIGN INSTL-LIGHTED
FIGURE 1 (SHEET 2)

33-51-01-01

BRI
JAN 20/09

33-51-01-01
PAGE 0A

BOEING
757
PARTS CATALOG (MAINTENANCE)



Y 33510101 SHT 3 REV 228

SIGN INSTL-LIGHTED
FIGURE 1 (SHEET 3)

33-51-01-01

BRI
JAN 20/09

33-51-01-01
PAGE 0B



757

PARTS CATALOG (MAINTENANCE)

FIG ITEM	PART NUMBER	1 2 3 4 5 6 7	NOMENCLATURE	EFFECT FROM TO	UNITS PER ASSY
1			SIGN INSTL-LIGHTED	108120	
- 1	417N5218-54SP		SIGN INSTL-LIGHTED (ELECTRICALLY ILLUMINATED EXIT SIGNS ONLY) FOR NHA/OTHER SYS DET SEE: 25-20-00-11	108120	RF
10	BAC27NPA0238		.MARKER-ALUMINUM FOIL POSITION DATA: STA 358.00 LH SIDE PLACARD CONTENT: L31 EXIT SIGN	108120	1
15	BAC27NPA0233		.MARKER-ALUMINUM FOIL POSITION DATA: STA 347.00 RH SIDE PLACARD CONTENT: L27 EXIT SIGN	108120	1
70	BAC27NPA0240		.MARKER-ALUMINUM FOIL POSITION DATA: STA 710.00 LH SIDE PLACARD CONTENT: L43 EXIT SIGN	108120	1
75	BAC27NPA0939		.MARKER-ALUMINUM FOIL POSITION DATA: STA 710 PLACARD CONTENT: M10253 EXIT SIGN/ ATTENDANT CALL LIGHTS	108120	1
90	BAC27NPA0234		.MARKER-ALUMINUM FOIL POSITION DATA: STA 710.00 RH SIDE PLACARD CONTENT: L37 EXIT SIGN	108120	1
95	BAC29PPS13814		.DECAL- POSITION DATA: STA 1000.00 PLACARD CONTENT: L809 EXIT SIGN	108120	1
105	BAC29PPS4289		.MARKER-ALUMINUM FOIL POSITION DATA: STA 1308 PLACARD CONTENT: M10680 EXIT SIGN	108120	1
130	BAC27NPA0235		.MARKER-ALUMINUM FOIL POSITION DATA: STA 1335 PLACARD CONTENT: L42 EXIT SIGN	108120	1

MISSING ITEM NUMBERS NOT APPLICABLE

- ITEM NOT ILLUSTRATED

33-51-01-01

33-51-01
FIG. 01
PAGE 1
JAN 20/09

BRI



757

PARTS CATALOG (MAINTENANCE)

FIG ITEM	PART NUMBER	1 2 3 4 5 6 7	NOMENCLATURE	EFFECT FROM TO	UNITS PER ASSY
1					
135	BAC27NPA0241		.MARKER-ALUMINUM FOIL POSITION DATA: STA 1335 PLACARD CONTENT: L52 EXIT SIGN	108120	1
145	BAC27NPA0242		.MARKER-ALUMINUM FOIL POSITION DATA: STA 1664 PLACARD CONTENT: L62 EXIT SIGN	108120	1
150	BAC27NPA0941		.MARKER-ALUMINUM FOIL POSITION DATA: STA 1657.60 PLACARD CONTENT: M10255 EXIT SIGN/ ATTENDANT CALL LIGHTS	108120	1
155	BAC27NPA0236		.MARKER-ALUMINUM FOIL POSITION DATA: STA 1664 PLACARD CONTENT: L57 EXIT SIGN	108120	1
175	10-1073-103K		.LENS-EXIT SIGN SUPPLIER CODE: V72914 SPECIFICATION NUMBER: S417N505-8005C OPTIONAL PART: 10-1073-103C V72914	108120	6
180	10-1073-1		.HOUSING-EXIT SIGN DOOR NO. 1, 3 AND 4 SUPPLIER CODE: V72914 SPECIFICATION NUMBER: S417N505-28 ELECTRICAL EQUIP NUMBER: L00027 L00031 L00049 L00052 L00057 L00062 COMPONENT MAINT MANUAL REF: 33-51-32 ATTACHING PARTS	108120	6
- 185	BACS12GU3K5		.SCREW	108120	12
- 190	NAS1149D0316J		.WASHER -----*-----	108120	12

MISSING ITEM NUMBERS NOT APPLICABLE

- ITEM NOT ILLUSTRATED

33-51-01-01

33-51-01
FIG. 01
PAGE 2
JAN 20/09

BRI



757

PARTS CATALOG (MAINTENANCE)

FIG ITEM	PART NUMBER	1 2 3 4 5 6 7	NOMENCLATURE	EFFECT FROM TO	UNITS PER ASSY
1					
195	OL3071BPEGPL	..	LAMP-5V .06 AMP (DS1 THRU DS21) SUPPLIER CODE: VS3774	108120	21
195	LPA010	..	LAMP- SUPPLIER CODE: V72914 OPTIONAL PART: OL3071BPEGPL VS3774	108120	21
200	10-1070-102	.L	LENS ASSY-INTERIOR ILLUMINATED EXIT SIGN SUPPLIER CODE: V72914 SPECIFICATION NUMBER: S417N505-1003 COMPONENT MAINT MANUAL REF: 33-51-29	108120	1
255	10-1270-111	.L	LENS-EXIT SIGN (ENGLISH/SPANISH) SUPPLIER CODE: V72914 SPECIFICATION NUMBER: S417N505-6509	108120	2
260	10-1072-103	.L	LENS-EXIT SIGN (ENGLISH/SPANISH) SUPPLIER CODE: V72914 SPECIFICATION NUMBER: S417N505-7005	108120	2
265	10-1076-103K	.L	LENS-EXIT SIGN SUPPLIER CODE: V72914 SPECIFICATION NUMBER: S417N505-2003C OPTIONAL PART: 10-1076-103C V72914	108120	3
270	10-1074-102K	.L	LENS-EXIT SIGN (ENGLISH/SPANISH) SUPPLIER CODE: V72914 SPECIFICATION NUMBER: S417N505-4002C	108120	1

MISSING ITEM NUMBERS NOT APPLICABLE

- ITEM NOT ILLUSTRATED

33-51-01-01

33-51-01
FIG. 01
PAGE 3
JAN 20/09

BRI

BOEING PROPRIETARY - Copyright © - Unpublished Work - See title page for details.



757

PARTS CATALOG (MAINTENANCE)

FIG ITEM	PART NUMBER	1 2 3 4 5 6 7	NOMENCLATURE	EFFECT FROM TO	UNITS PER ASSY
1 275	10-1076-59K		.HOUSING ASSY-EXIT SIGN SUPPLIER CODE: V72914 SPECIFICATION NUMBER: S417N505-132D ELECTRICAL EQUIP NUMBER: M10253 COMPONENT MAINT MANUAL REF: 33-51-56 FOR DETAILS SEE: 33-51-01-75	108120	1
280	10-1074-52K		.HOUSING ASSY-EXIT SIGN SUPPLIER CODE: V72914 SPECIFICATION NUMBER: S417N505-145A ELECTRICAL EQUIP NUMBER: L00809 COMPONENT MAINT MANUAL REF: 33-51-33 ATTACHING PARTS	108120	1
285	BACS12GU3K7		.SCREW	108120	8
290	NAS1801-3-12		.SCREW	108120	8
295	NAS1149D0316J		.WASHER	108120	16
300	65C32144-23SP		.SPACER ASSY -----*-----	108120	2
301	11-4664-1		..LAMP ASSY- SUPPLIER CODE: V72914	108120	2
302	OL3071BPEGPL		...LAMP-5V .06 AMP SUPPLIER CODE: VS3774 MISCELLANEOUS DATA: GRIMES PART NO. LP101	108120	15
302	LPA010		...LAMP- SUPPLIER CODE: V72914 OPTIONAL PART: OL3071BPEGPL VS3774	108120	15

MISSING ITEM NUMBERS NOT APPLICABLE

- ITEM NOT ILLUSTRATED

33-51-01-01

33-51-01
FIG. 01
PAGE 4
JAN 20/09

BRI



757

PARTS CATALOG (MAINTENANCE)

FIG ITEM	PART NUMBER	1 2 3 4 5 6 7	NOMENCLATURE	EFFECT FROM TO	UNITS PER ASSY
1 305	10-1076-55K		.HOUSING ASSY-EXIT SIGN SUPPLIER CODE: V72914 SPECIFICATION NUMBER: S417N505-124E ELECTRICAL EQUIP NUMBER: M10255 M10680 COMPONENT MAINT MANUAL REF: 33-51-56 FOR DETAILS SEE: 33-51-01-75 ATTACHING PARTS	108120	2
- 310	BACS12GU3K7		.SCREW	108120	8
- 315	NAS43DD3-8FC		.SPACER	108120	8
			-----*-----		
345	412N1145-109		.BRACKET ASSY	108120	2
350	412N1145-111		..BUMPER	108120	1
355	412N1145-110		..BRACKET	108120	1
360	417N5205-30B		.SIGN ASSY-EXIT POSITION DATA: LH	108120	1
365	417N5205-39A		.SIGN ASSY-EXIT POSITION DATA: RH ATTACHING PARTS	108120	1
- 370	NAS603-4P		.SCREW	108120	10
- 375	NAS1149D0363J		.WASHER	108120	10
			-----*-----		
380	10-1072-1		..HOUSING ASSY-EXIT SUPPLIER CODE: V72914 SPECIFICATION NUMBER: S417N505-27 ELECTRICAL EQUIP NUMBER: L00037 L00043 COMPONENT MAINT MANUAL REF: 33-51-31 ATTACHING PARTS	108120	1
- 385	NAS514P832-5		..SCREW	108120	6
- 390	AN960JD8L		..WASHER- POSITION DATA: FAR SIDE	108120	6
- 395	MS21042L08		..NUT- POSITION DATA: FAR SIDE -----*-----	108120	6

MISSING ITEM NUMBERS NOT APPLICABLE

- ITEM NOT ILLUSTRATED

33-51-01-01

33-51-01
FIG. 01
PAGE 5
JAN 20/09

BRI



757

PARTS CATALOG (MAINTENANCE)

FIG ITEM	PART NUMBER	1 2 3 4 5 6 7	NOMENCLATURE	EFFECT FROM TO	UNITS PER ASSY
1					
- 400	OL3071BPEGPL	...	LAMP-5V .06 AMP SUPPLIER CODE: VS3774 CONFIG CHG DATA FROM A CMM: SUPSDS OL3071PEPL	108120	1
- 400	LPA010	...	LAMP- SUPPLIER CODE: V72914 OPTIONAL PART: OL3071BPEGPL VS3774	108120	1
405	BCREF5985	..	LIGHT ASSY-IND SUPPLIER CODE: V81590 OVERLENGTH PART NUMBER: 250-650-0994-001	108120	1
410	2100-7	..	SWITCH ASSY- SUPPLIER CODE: V91929 POSITION DATA: LH SIDE	108120	1
- 413	85	...	BULB- SUPPLIER CODE: V08805	108120	1
415	2100-11	..	GUARD-SWITCH SUPPLIER CODE: V91929 POSITION DATA: LH SIDE OPTIONAL PART: AML76C10T01P V91929	108120	1
415	AML76C10T01P	..	GUARD-SWITCH SUPPLIER CODE: V91929 POSITION DATA: LH SIDE OPTIONAL PART: 2100-11 V91929	108120	1
420	2100-102	..	LENS- SUPPLIER CODE: V91929 POSITION DATA: LH SIDE	108120	1
425	417N5208-1	..	WINDOW-VIEW	108120	1
430	417N5206-25B	..	FRAME-SPRT POSITION DATA: LH SIDE	108120	1

MISSING ITEM NUMBERS NOT APPLICABLE

- ITEM NOT ILLUSTRATED

33-51-01-01

33-51-01
FIG. 01
PAGE 6
JAN 20/09

BRI

BOEING PROPRIETARY - Copyright © - Unpublished Work - See title page for details.



757

PARTS CATALOG (MAINTENANCE)

FIG ITEM	PART NUMBER	1 2 3 4 5 6 7	NOMENCLATURE	EFFECT FROM TO	UNITS PER ASSY
1					
435	417N5206-33A	. .	FRAME-SPRT POSITION DATA: RH SIDE	108120	1
440	417N5207-1	. CLIP	ATTACHING PARTS	108120	10
- 445	NAS603-4P	. SCREW		108120	20
- 450	NAS1149D0363J	. WASHER		108120	20
		-----*			

MISSING ITEM NUMBERS NOT APPLICABLE

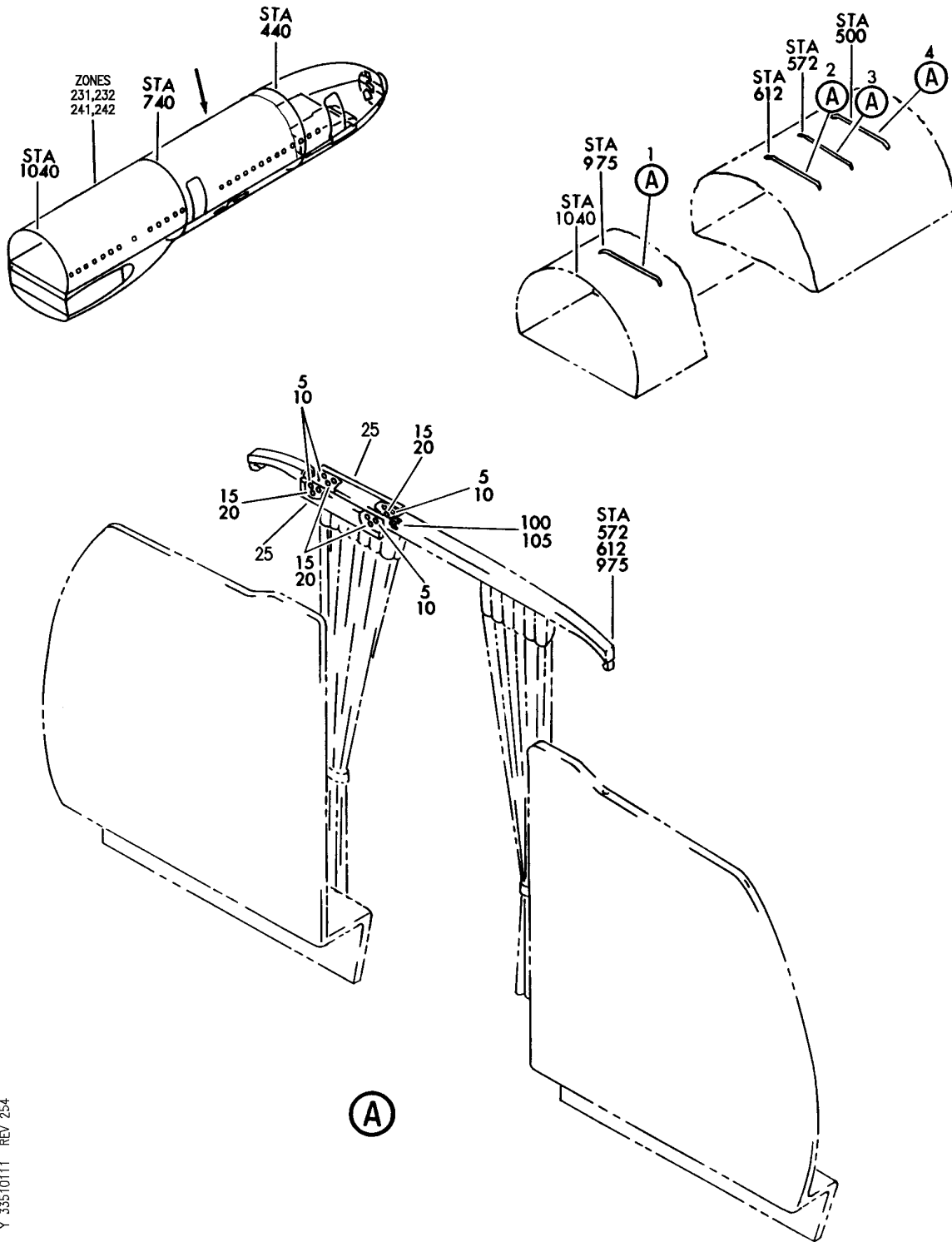
- ITEM NOT ILLUSTRATED

33-51-01-01

33-51-01
FIG. 01
PAGE 7
JAN 20/09

BRI

BOEING
757
PARTS CATALOG (MAINTENANCE)



Y 33510111 REV 254

SUPPORT AND HEADER ASSY-CURTAIN (LIGHTS ONLY)
FIGURE 11

33-51-01-11

BRI
JAN 20/09

33-51-01-11
PAGE 0



757

PARTS CATALOG (MAINTENANCE)

FIG ITEM	PART NUMBER	1 2 3 4 5 6 7	NOMENCLATURE	EFFECT FROM TO	UNITS PER ASSY
11			SUPPORT AND HEADER ASSY- CURTAIN (LIGHTS ONLY)	107120 950951	
1	413N3302-111A		HEADER ASSY-CURT. (LIGHTS ONLY) FOR NHA/OTHER SYS DET SEE: 25-24-74-04	950951	RF
3	413N3302-99SP		HEADER ASSY-LIGHT (LIGHTS ONLY) FOR NHA/OTHER SYS DET SEE: 25-24-74-02	107107	RF
3	413N3302-201SP		HEADER ASSY-CURT. (LIGHTS ONLY) FOR NHA/OTHER SYS DET SEE: 25-24-74-02	108120	RF
5	H111F365-080M		.INSERT- SUPPLIER CODE: V29372 OPTIONAL PART: BACN10JP3A	108120 950951	8
5	T8076S1032		.NUTPLATE- SUPPLIER CODE: V11815 SPECIFICATION NUMBER: BACN10JP3A OPTIONAL PART: MK1000-3BAC V15653 NS103197-02 V80539 RMA9201M3 V72962 VN202A1-02 V92215 BRM200A3 V52828 H111F365-080M V29372	950951	8
10	NAS514P1032-8		.SCREW	108120 950951	8
15	AN960JD10LL		.WASHER-	950951	4
20	MS21042L3		.NUT-	108120 950951	4

MISSING ITEM NUMBERS NOT APPLICABLE

- ITEM NOT ILLUSTRATED

33-51-01-11

33-51-01
FIG. 11
PAGE 1
JAN 20/09

BRI



757

PARTS CATALOG (MAINTENANCE)

FIG ITEM	PART NUMBER	1 2 3 4 5 6 7	NOMENCLATURE	EFFECT FROM TO	UNITS PER ASSY
11 22	10-1071-1		.HOUSING ASSY-EXIT SUPPLIER CODE: V72914 SPECIFICATION NUMBER: S417N505-26 COMPONENT MAINT MANUAL REF: 33-51-30 FOR DETAILS SEE: 33-51-01-90A	107107	1
25	10-1270-1		.SIGN ASSY-EXIT SUPPLIER CODE: V72914 SPECIFICATION NUMBER: S417N505-42 COMPONENT MAINT MANUAL REF: 33-51-40 FOR DETAILS SEE: 33-51-01-90E	108120 950951	2
- 27	BACS12CK3-5		.SCREW	107107	2
- 50	286N3532-033		WIRE BUNDLE ASSY-(LIGHTS ONLY)	107107	RF
100	48-7190		.CONNECTOR- SUPPLIER CODE: V02660 ELECTRICAL EQUIP NUMBER: D04546 WIRING DIAGRAM REF: 335112	107107	1
105	48-7191		.CONNECTOR- SUPPLIER CODE: V02660 ELECTRICAL EQUIP NUMBER: D04544 WIRING DIAGRAM REF: 335112	107107	1

MISSING ITEM NUMBERS NOT APPLICABLE

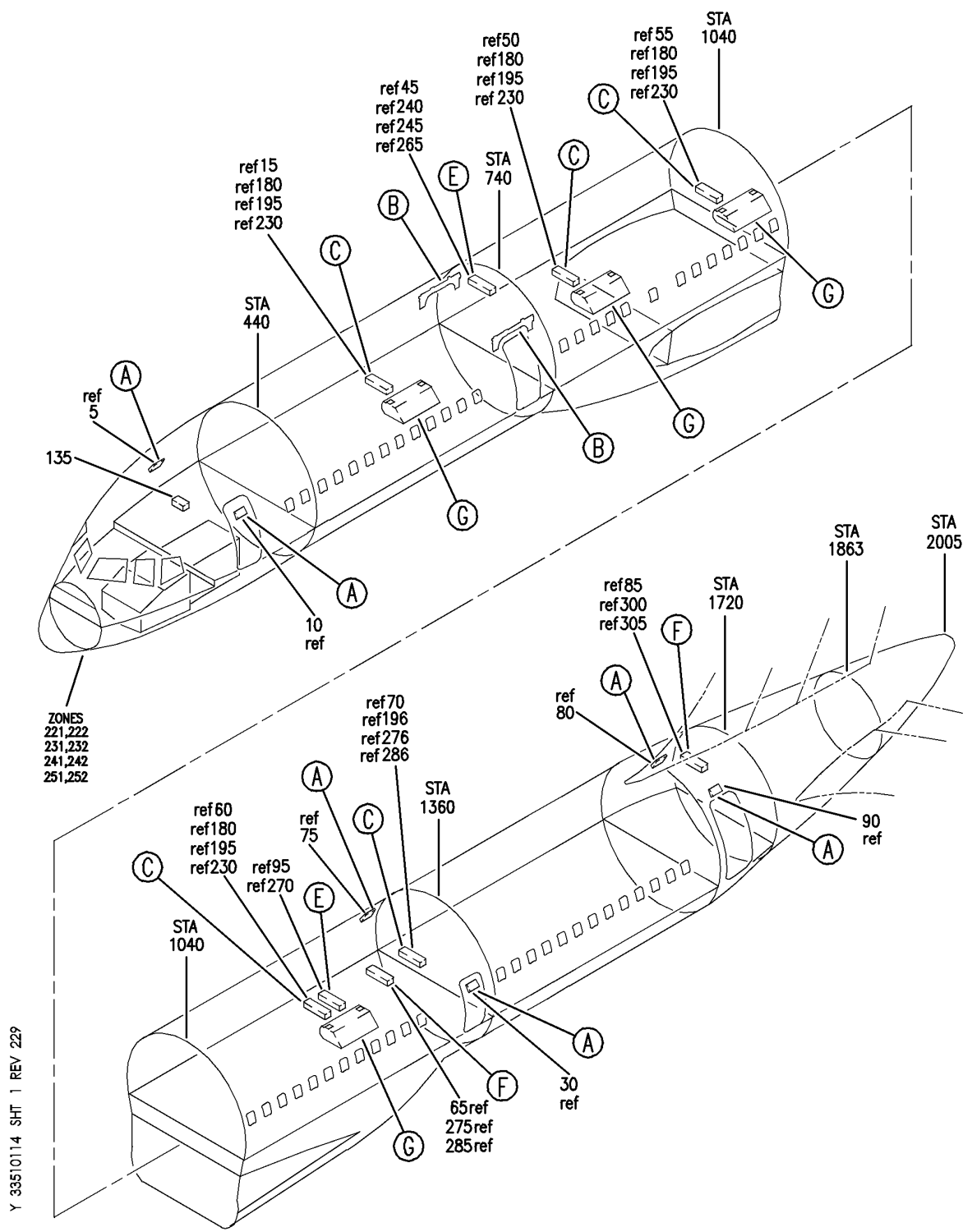
- ITEM NOT ILLUSTRATED

33-51-01-11

33-51-01
FIG. 11
PAGE 2
JAN 20/09

BRI

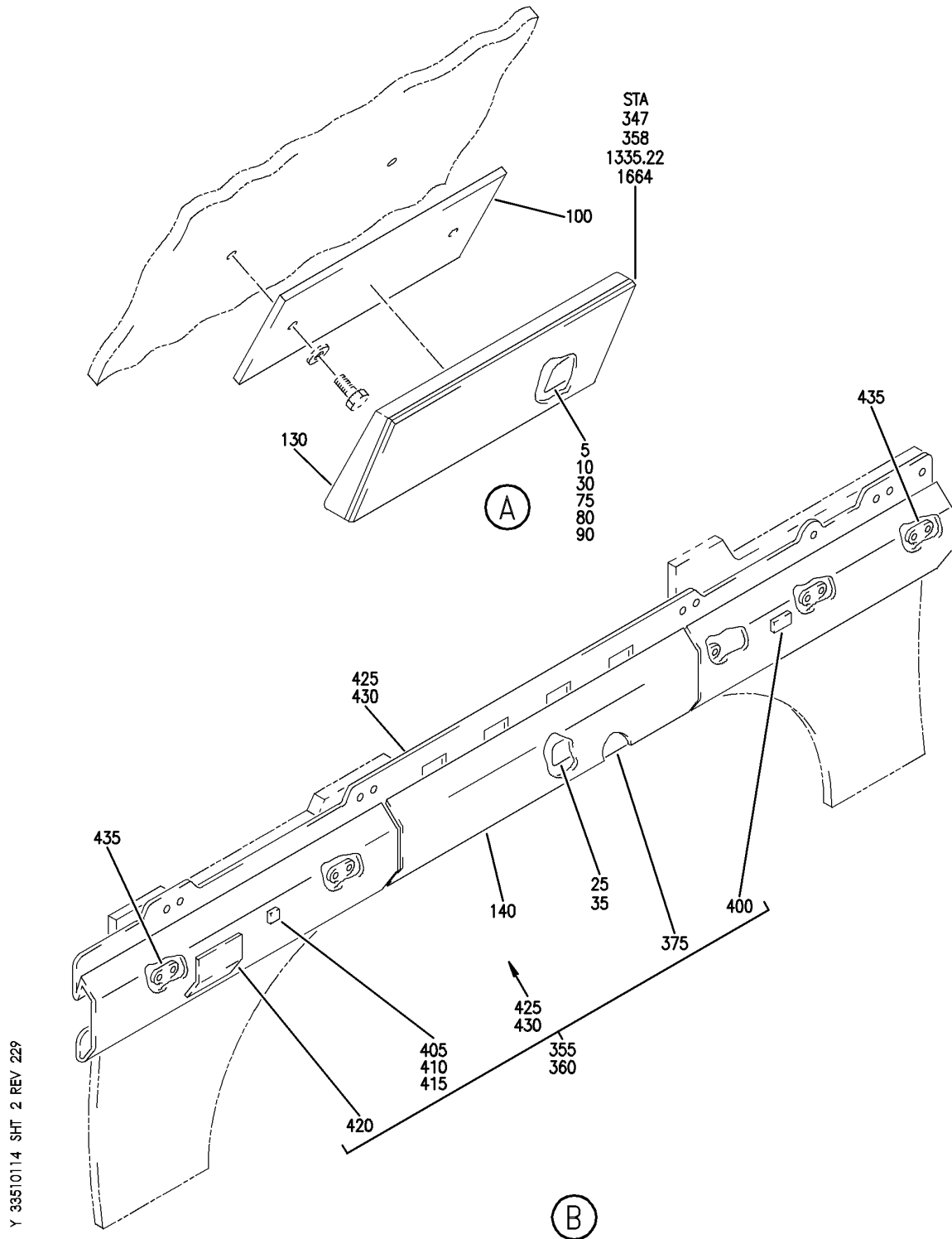

BOEING
 757
PARTS CATALOG (MAINTENANCE)



SIGN INSTL-LIGHTED (ELECTRICALLY ILLUMINATED EXIT SIGNS ONLY)
 FIGURE 14 (SHEET 1)

33-51-01-14

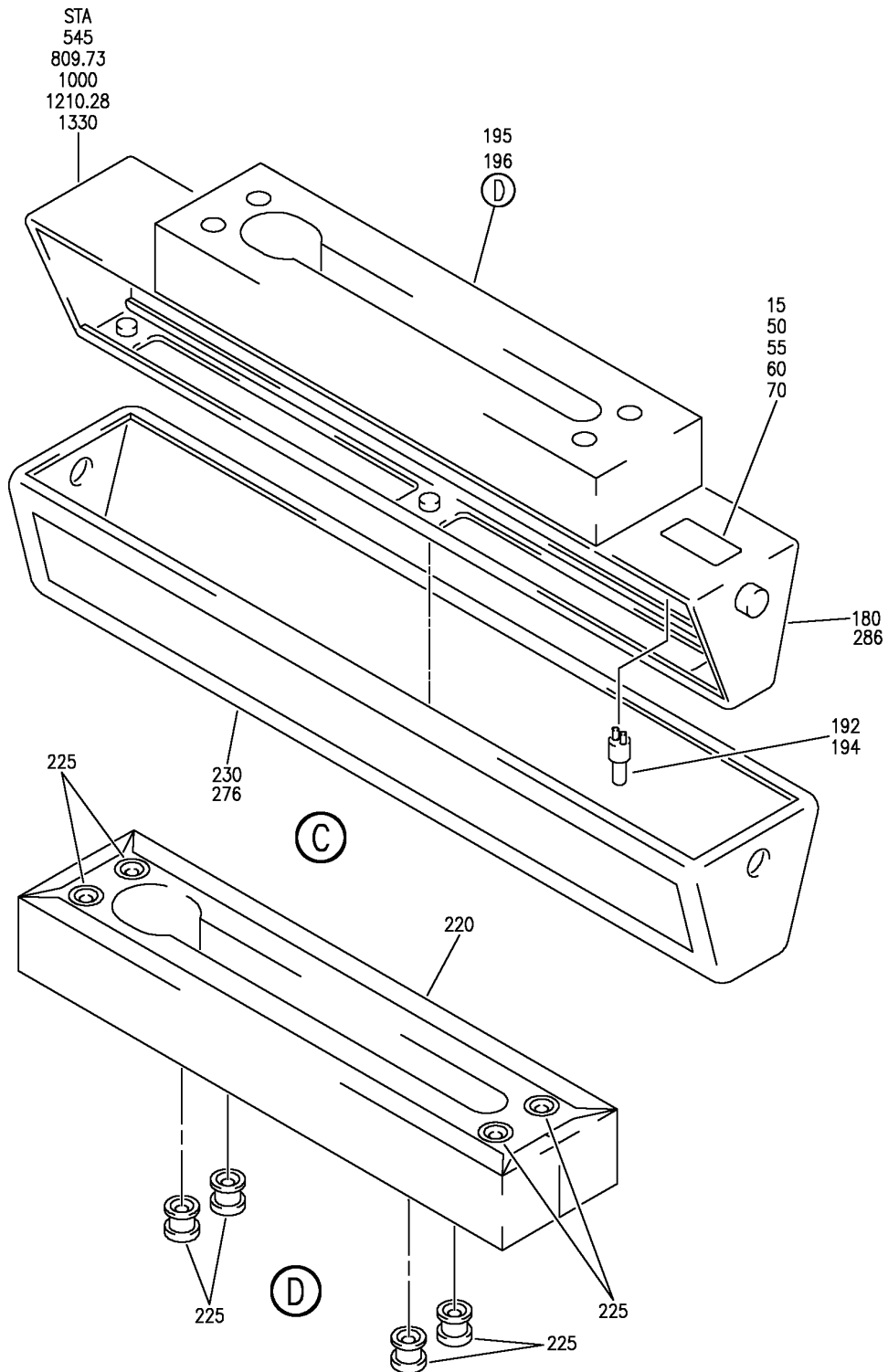
BOEING
757
PARTS CATALOG (MAINTENANCE)



SIGN INSTL-LIGHTED (ELECTRICALLY ILLUMINATED EXIT SIGNS ONLY)
FIGURE 14 (SHEET 2)

33-51-01-14

BOEING
757
PARTS CATALOG (MAINTENANCE)



Y 33510114 SH1 3 REV 266

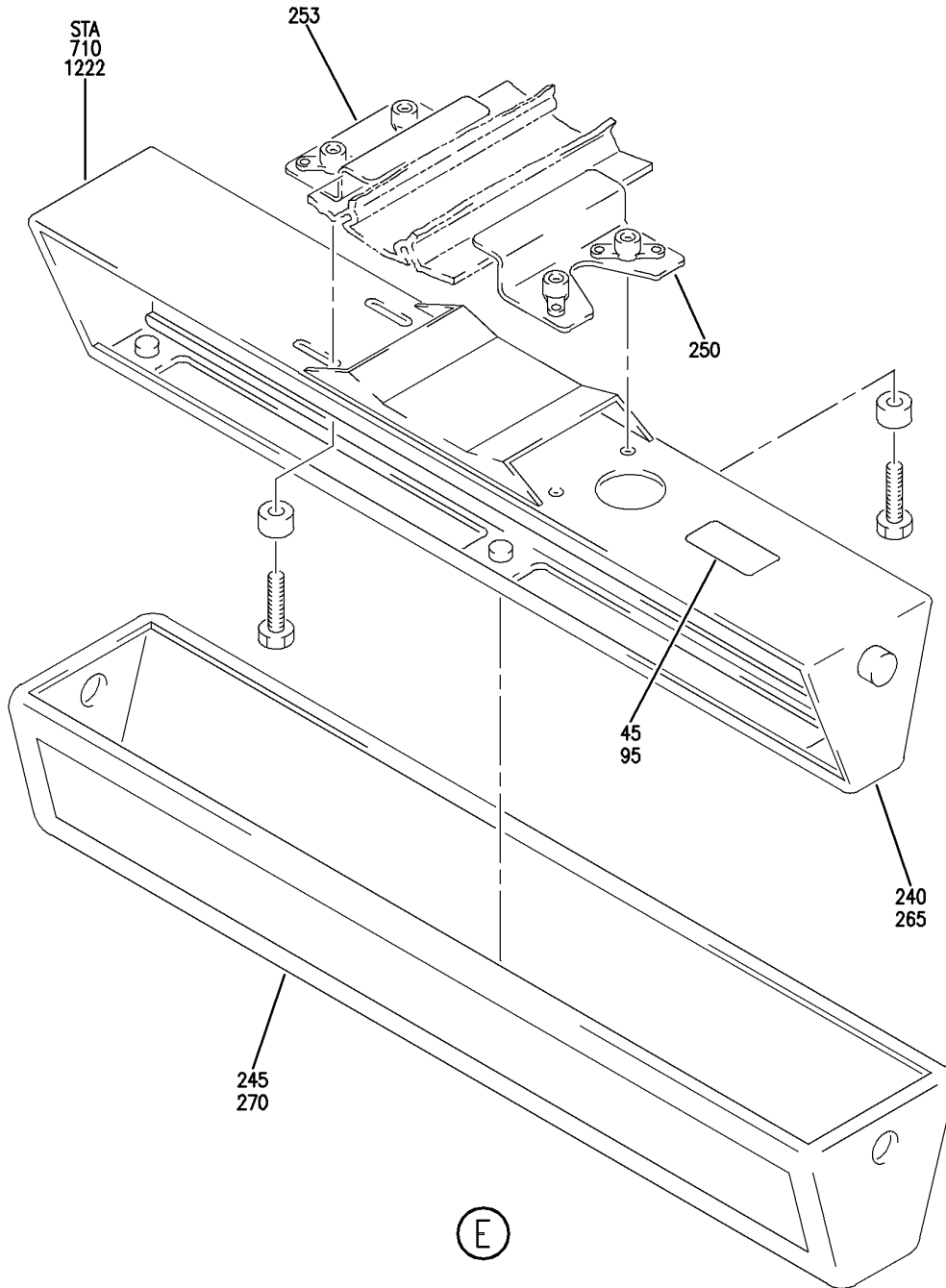
SIGN INSTL-LIGHTED (ELECTRICALLY ILLUMINATED EXIT SIGNS ONLY)
FIGURE 14 (SHEET 3)

33-51-01-14

BRI
JAN 20/09

33-51-01-14
PAGE 0B

BOEING
 757
 PARTS CATALOG (MAINTENANCE)



Y 33510114 SHT 4 REV 225

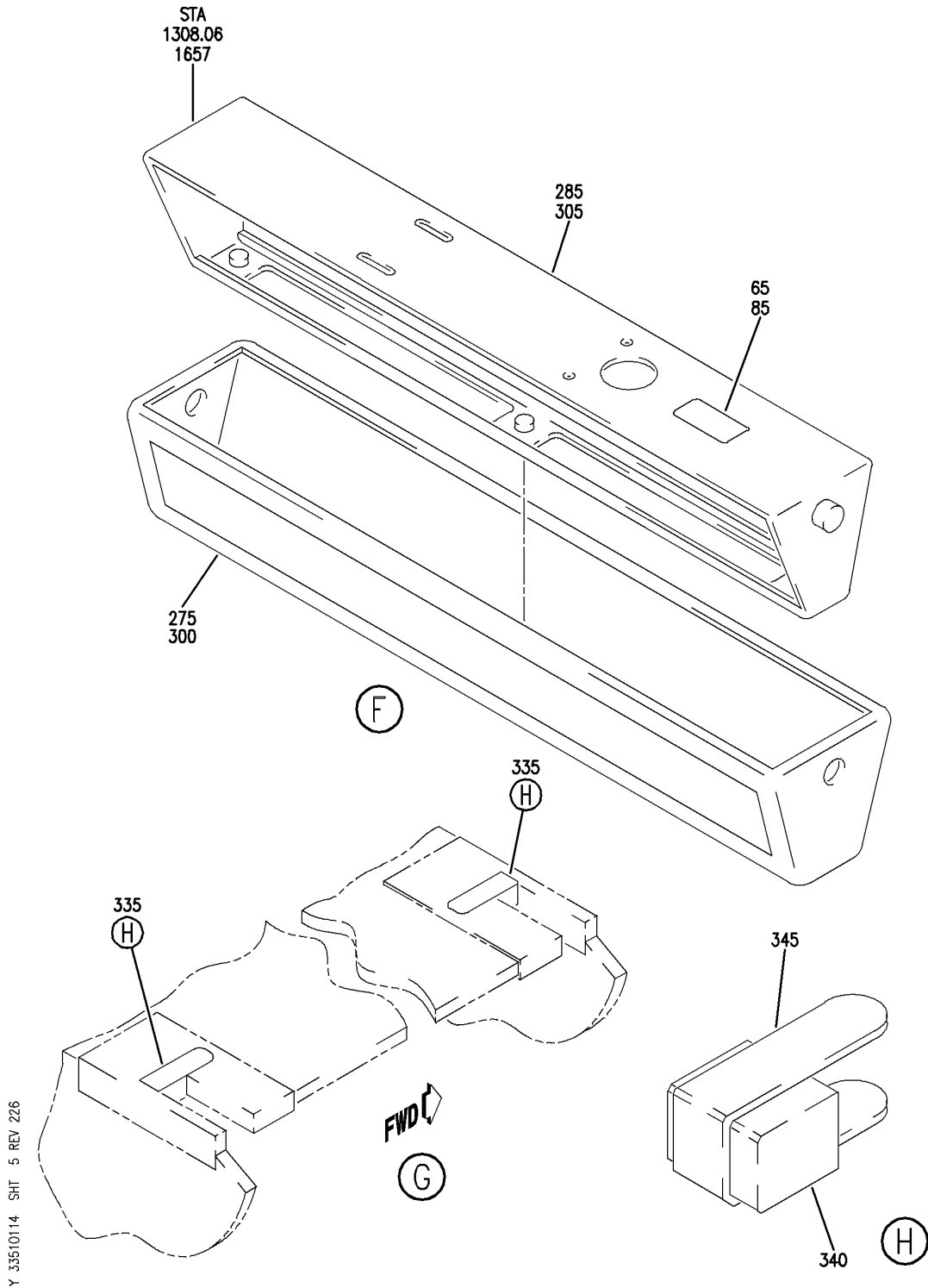
SIGN INSTL-LIGHTED (ELECTRICALLY ILLUMINATED EXIT SIGNS ONLY)
 FIGURE 14 (SHEET 4)

33-51-01-14

BRI
 JAN 20/09

33-51-01-14
 PAGE 0C

BOEING
757
PARTS CATALOG (MAINTENANCE)



SIGN INSTL-LIGHTED (ELECTRICALLY ILLUMINATED EXIT SIGNS ONLY)
FIGURE 14 (SHEET 5)

33-51-01-14

BRI
JAN 20/09

33-51-01-14
PAGE 0D



757

PARTS CATALOG (MAINTENANCE)

FIG ITEM	PART NUMBER	1 2 3 4 5 6 7	NOMENCLATURE	EFFECT FROM TO	UNITS PER ASSY
14			SIGN INSTL-LIGHTED (ELECTRICALLY ILLUMINATED EXIT SIGNS ONLY)	504903	
- 1	417N5218-47SP		SIGN INSTL-LIGHTED (ELECTRICALLY ILLUMINATED EXIT SIGNS ONLY) FOR NHA/OTHER SYS DET SEE: 25-20-00-11	504903	RF
5	BAC27NPA0233		.MARKER-ALUMINUM FOIL OVERDOOR EXIT-DOOR NO. 1 POSITION DATA: RH PLACARD CONTENT: L27 EXIT SIGN	504903	1
10	BAC27NPA0238		.MARKER-ALUMINUM FOIL OVERDOOR EXIT-DOOR NO. 1 POSITION DATA: LH PLACARD CONTENT: L31 EXIT SIGN	504903	1
25	BAC27NPA0240		.MARKER-ALUMINUM FOIL OVERDOOR EXIT-DOOR NO. 2 POSITION DATA: LH PLACARD CONTENT: L43 EXIT SIGN	504903	1
30	BAC27NPA0241		.MARKER-ALUMINUM FOIL PLACARD CONTENT: L52 EXIT SIGN	504903	1
35	BAC27NPA0234		.MARKER-ALUMINUM FOIL OVERDOOR EXIT-DOOR NO. 2 POSITION DATA: RH PLACARD CONTENT: L37 EXIT SIGN	504903	1
45	BAC27NPA0939		.MARKER-ALUMINUM FOIL EXIT LOCATOR, DOOR NO. 2 PLACARD CONTENT: M10253 EXIT SIGN/ATTENDANT CALL LIGHTS	504903	1
70	BAC27NPA0940		.MARKER-ALUMINUM FOIL PLACARD CONTENT: M10254 EXIT SIGN/ATTENDANT CALL LIGHTS	504903	1
75	BAC27NPA0235		.MARKER-ALUMINUM FOIL PLACARD CONTENT: L49 EXIT SIGN	504903	1

MISSING ITEM NUMBERS NOT APPLICABLE

- ITEM NOT ILLUSTRATED

33-51-01-14

33-51-01
FIG. 14
PAGE 1
JAN 20/09

BRI



757

PARTS CATALOG (MAINTENANCE)

FIG ITEM	PART NUMBER	1 2 3 4 5 6 7	NOMENCLATURE	EFFECT FROM TO	UNITS PER ASSY
14					
80	BAC27NPA0236		.MARKER-ALUMINUM FOIL OVERDOOR EXIT-DOOR NO. 4 POSITION DATA: RH PLACARD CONTENT: L57 EXIT SIGN	504903	1
85	BAC27NPA0941		.MARKER-ALUMINUM FOIL PLACARD CONTENT: M10255 EXIT SIGN/ATTENDANT CALL LIGHTS	504903	1
90	BAC27NPA0242		.MARKER-ALUMINUM FOIL OVERDOOR EXIT-DOOR NO. 4 POSITION DATA: LH PLACARD CONTENT: L62 EXIT SIGN	504903	1
95	BAC27NPA0243		.MARKER-ALUMINUM FOIL PLACARD CONTENT: L48 EXIT SIGN	504903	1
100	10-1073-1		.HOUSING-EXIT SIGN SUPPLIER CODE: V72914 SPECIFICATION NUMBER: S417N505-28 ELECTRICAL EQUIP NUMBER: L00027 L00031 L00049 L00052 L00057 L00062 COMPONENT MAINT MANUAL REF: 33-51-32 ATTACHING PARTS	504903	6
- 105	BACS12GU3K7		.SCREW	504903	AR
- 110	NAS1149D0316J		.WASHER	504903	AR
			-----*-----		
130	10-1073-101K		.LENS-EXIT SIGN SUPPLIER CODE: V72914 SPECIFICATION NUMBER: S417N505-8003K	504903	6

MISSING ITEM NUMBERS NOT APPLICABLE

- ITEM NOT ILLUSTRATED

33-51-01-14

33-51-01
FIG. 14
PAGE 2
JAN 20/09

BRI



757

PARTS CATALOG (MAINTENANCE)

FIG ITEM	PART NUMBER	1 2 3 4 5 6 7	NOMENCLATURE	EFFECT FROM TO	UNITS PER ASSY
14 135	10-1070-101		.LENS ASSY-INTERIOR ILLUMINATED EXIT SIGN SUPPLIER CODE: V72914 SPECIFICATION NUMBER: S417N505-1002 COMPONENT MAINT MANUAL REF: 33-51-29	504903	1
140	10-1072-101		.LENS-EXIT SIGN SUPPLIER CODE: V72914 SPECIFICATION NUMBER: S417N505-7003 COMPONENT MAINT MANUAL REF: 33-51-31	504903	2
196 240	65C32144-23SP 10-1076-57K		.SPACER ASSY .HOUSING ASSY- SUPPLIER CODE: V72914 SPECIFICATION NUMBER: S417N505-130C ELECTRICAL EQUIP NUMBER: M10253 COMPONENT MAINT MANUAL REF: 33-51-56 FOR DETAILS SEE: 33-51-01-75	504903 504903	1 1
245	10-1076-102K		.LENS-EXIT SIGN SUPPLIER CODE: V72914 SPECIFICATION NUMBER: S417N505-2002E	504903	1
250	417N5203-10		.BRACKET ASSY	504903	2
253	417N5203-11		.BRACKET ASSY ATTACHING PARTS	504903	2
- 255	BACS12GU3K7		.SCREW	504903	8
- 260	NAS43DD3-8FC		.SPACER	504903	8
265	10-1074-51K		-----*----- .HOUSING ASSY-EXIT SIGN SUPPLIER CODE: V72914 SPECIFICATION NUMBER: S417N505-125E ELECTRICAL EQUIP NUMBER: L00048 COMPONENT MAINT MANUAL REF: 33-51-33	504903	1

MISSING ITEM NUMBERS NOT APPLICABLE

- ITEM NOT ILLUSTRATED

33-51-01-14

33-51-01
FIG. 14
PAGE 3
JAN 20/09

BRI



757

PARTS CATALOG (MAINTENANCE)

FIG ITEM	PART NUMBER	1 2 3 4 5 6 7	NOMENCLATURE	EFFECT FROM TO	UNITS PER ASSY
14 270	10-1074-101K		.LENS-EXIT SIGN SUPPLIER CODE: V72914 SPECIFICATION NUMBER: S417N505-4001E	504903	1
276	10-1075-104K		.LENS-EXIT SIGN SUPPLIER CODE: V72914 SPECIFICATION NUMBER: S417N505-4504B	504903	1
286	10-1075-53K		.HOUSING ASSY-EXIT SIGN SUPPLIER CODE: V72914 SPECIFICATION NUMBER: S417N505-146B ELECTRICAL EQUIP NUMBER: M10254 COMPONENT MAINT MANUAL REF: 33-51-55 FOR DETAILS SEE: 33-51-01-90B ATTACHING PARTS	504903	1
- 290	NAS1801-3-8		.SCREW	504903	4
- 295	NAS1149D0316J		.WASHER	504903	4
			-----*-----		
300	10-1077-101K		.LENS- SUPPLIER CODE: V72914 SPECIFICATION NUMBER: S417N505-2501C	504903	1
305	10-1077-51K		.HOUSING ASSY-AISLE SUPPLIER CODE: V72914 SPECIFICATION NUMBER: S417N505-131C ELECTRICAL EQUIP NUMBER: M10255 COMPONENT MAINT MANUAL REF: 33-51-57 FOR DETAILS SEE: 33-51-01-90C ATTACHING PARTS	504903	1
- 310	BACS12GU3K7		.SCREW	504903	AR
- 315	NAS43DD3-8FC		.SPACER	504903	AR
			-----*-----		

MISSING ITEM NUMBERS NOT APPLICABLE

- ITEM NOT ILLUSTRATED

33-51-01-14

33-51-01
FIG. 14
PAGE 4
JAN 20/09

BRI



757

PARTS CATALOG (MAINTENANCE)

FIG ITEM	PART NUMBER	1 2 3 4 5 6 7	NOMENCLATURE	EFFECT FROM TO	UNITS PER ASSY
14					
355	417N5205-33E	.	SIGN ASSY-EXIT POSITION DATA: DOOR NO. 2 RH ELECTRICAL EQUIP NUMBER: L00037	504903	1
360	417N5205-42C	.	SIGN ASSY-EXIT POSITION DATA: DOOR NO. 2 LH ELECTRICAL EQUIP NUMBER: L00043	504903	1
- 365	NAS603-4P	.	SCREW	504903	10
- 370	NAS1149D0363J	.	WASHER	504903	10
			-----*-----		
375	10-1072-1	..	HOUSING ASSY-EXIT SIGN SUPPLIER CODE: V72914 SPECIFICATION NUMBER: S417N505-27 ELECTRICAL EQUIP NUMBER: L00037 L00043 COMPONENT MAINT MANUAL REF: 33-51-31 ATTACHING PARTS	504903	1
- 380	NAS514P832-5	..	SCREW	504903	6
- 385	NAS1149DN816J	..	WASHER- POSITION DATA: FARSIDE	504903	6
- 390	MS21042L08	..	NUT- POSITION DATA: FARSIDE	504903	6
			-----*-----		
- 395	OL3071BPEGPL	...	LAMP-5V .06 AMP SUPPLIER CODE: VS3774 CONFIG CHG DATA FROM A CMM: SUPSDS OL3071PEPL	504903	30
- 395	LPA010	...	LAMP- SUPPLIER CODE: V72914 OPTIONAL PART: OL3071BPEGPL VS3774	504903	30
400	BCREF5985	..	LIGHT ASSY-IND SUPPLIER CODE: V81590 OVERLENGTH PART NUMBER: 250-650-0994-001	504903	1

MISSING ITEM NUMBERS NOT APPLICABLE

- ITEM NOT ILLUSTRATED

33-51-01-14

33-51-01
FIG. 14
PAGE 5
JAN 20/09

BRI



757

PARTS CATALOG (MAINTENANCE)

FIG ITEM	PART NUMBER	1 2 3 4 5 6 7	NOMENCLATURE	EFFECT FROM TO	UNITS PER ASSY
14 405	2100-7		.. SWITCH ASSY- SUPPLIER CODE: V91929 POSITION DATA: LH SIDE	504903	1
- 407	85		... BULB- SUPPLIER CODE: V08805	504903	1
410	2100-11		.. GUARD-SWITCH SUPPLIER CODE: V91929 POSITION DATA: LH SIDE OPTIONAL PART: AML76C10T01P V91929	504903	1
410	AML76C10T01P		.. GUARD-SWITCH SUPPLIER CODE: V91929 POSITION DATA: LH SIDE OPTIONAL PART: 2100-11 V91929	504903	1
415	2100-102		.. LENS- SUPPLIER CODE: V91929 POSITION DATA: LH SIDE	504903	1
420	417N5208-1		.. WINDOW-VIEW	504903	1
425	417N5206-36C		.. FRAME-SPRT POSITION DATA: LH SIDE	504903	1
430	417N5206-28E		.. FRAME-SPRT POSITION DATA: RH SIDE	504903	1
435	417N5207-1		. CLIP ATTACHING PARTS	504903	10
- 440	NAS603-4P		. SCREW	504903	20
- 445	NAS1149D0363J		. WASHER	504903	20
			-----*-----		

MISSING ITEM NUMBERS NOT APPLICABLE

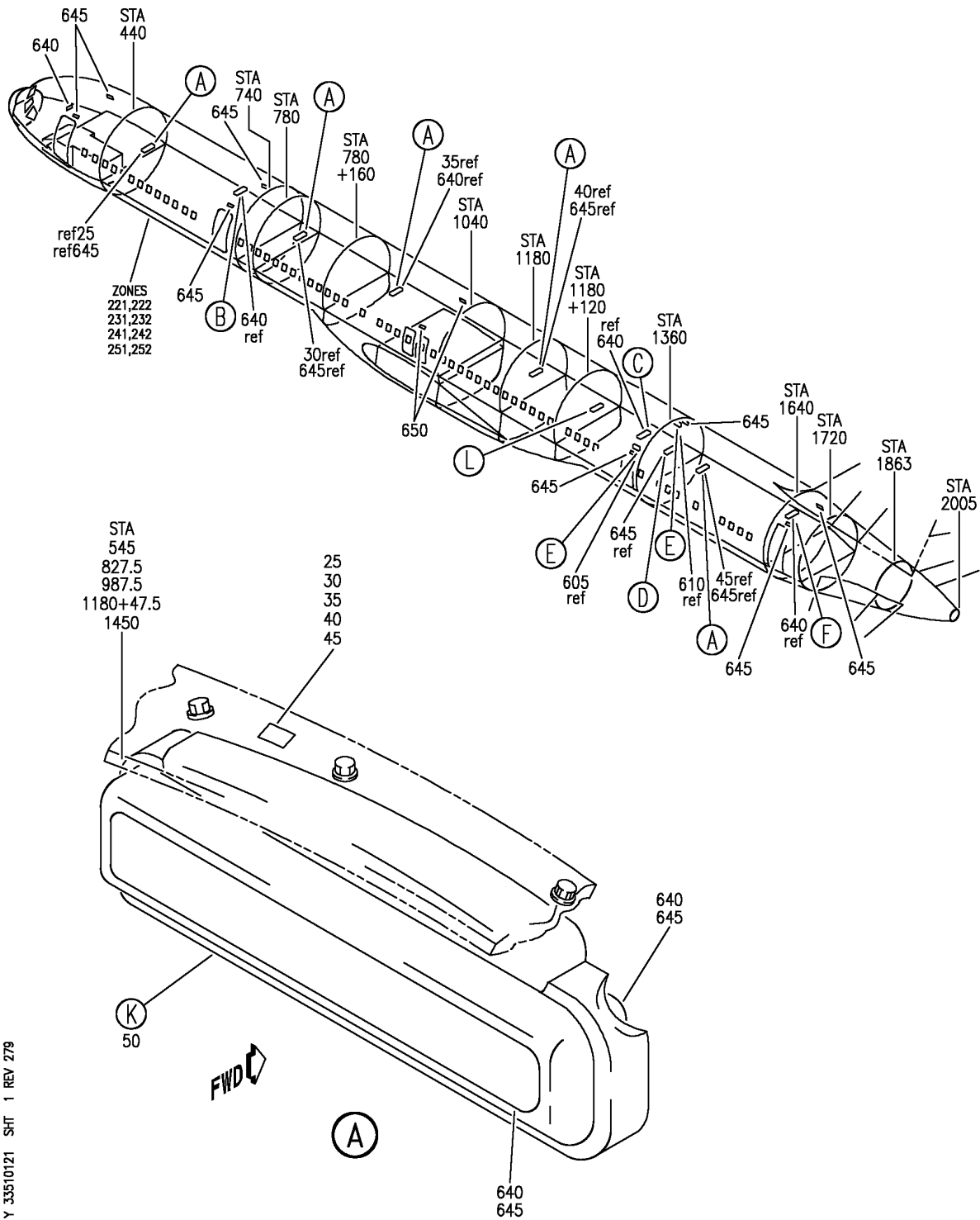
- ITEM NOT ILLUSTRATED

33-51-01-14

33-51-01
FIG. 14
PAGE 6
JAN 20/09

BRI

BOEING
757
PARTS CATALOG (MAINTENANCE)



Y 33510121 SH1 1 REV 279

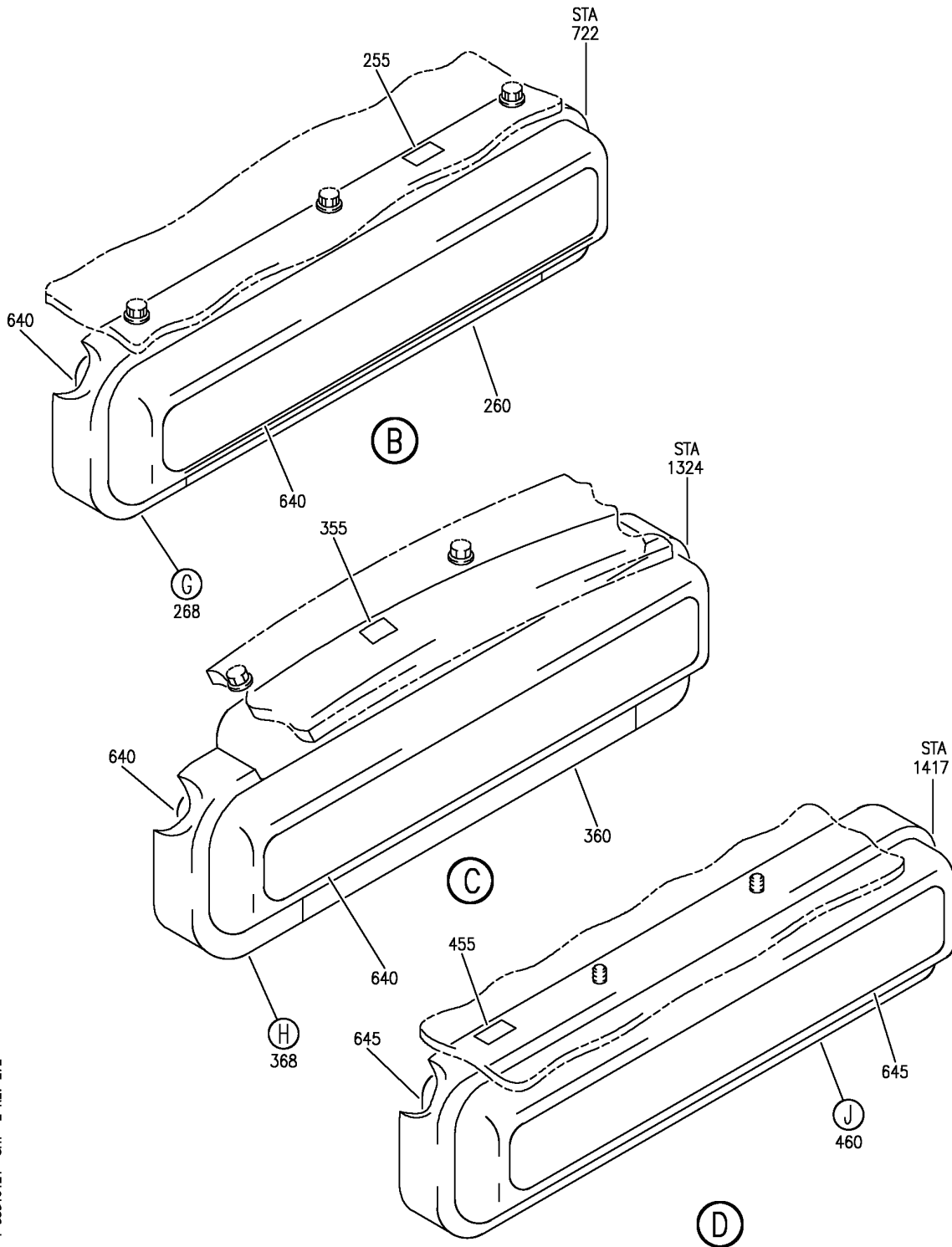
SIGN AND TOP KIT INSTL-LIGHTED OVHD CL STOWAGE BINS
FIGURE 21 (SHEET 1)

33-51-01-21

BRI
JAN 20/09

33-51-01-21
PAGE 0

BOEING
757
PARTS CATALOG (MAINTENANCE)



Y 33510121 SHT 2 REV 272

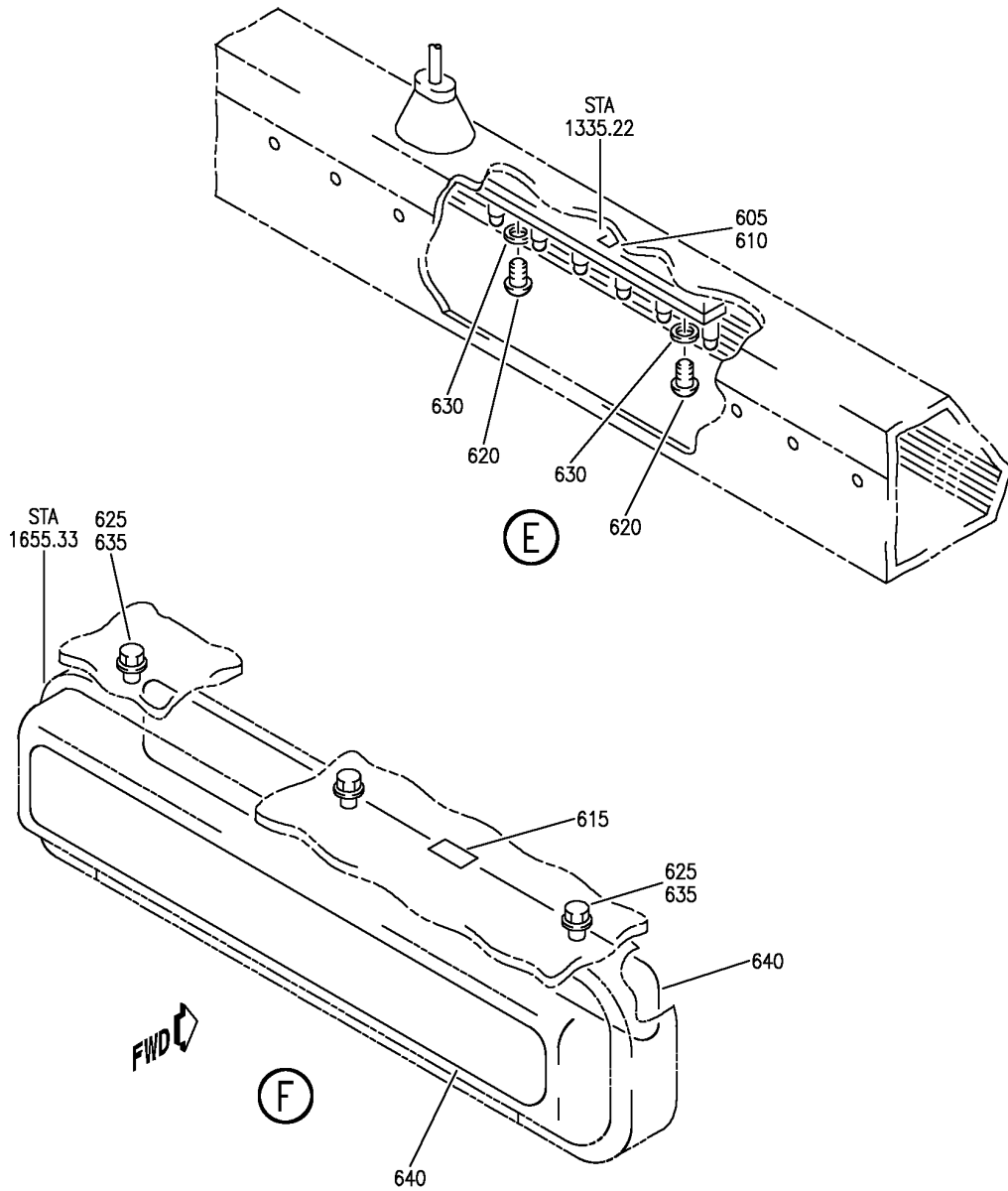
SIGN AND TOP KIT INSTL-LIGHTED OVHD CL STOWAGE BINS
FIGURE 21 (SHEET 2)

33-51-01-21

BRI
JAN 20/09

33-51-01-21
PAGE 0A

BOEING
757
PARTS CATALOG (MAINTENANCE)



Y 33510121 SH1 3 REV 272

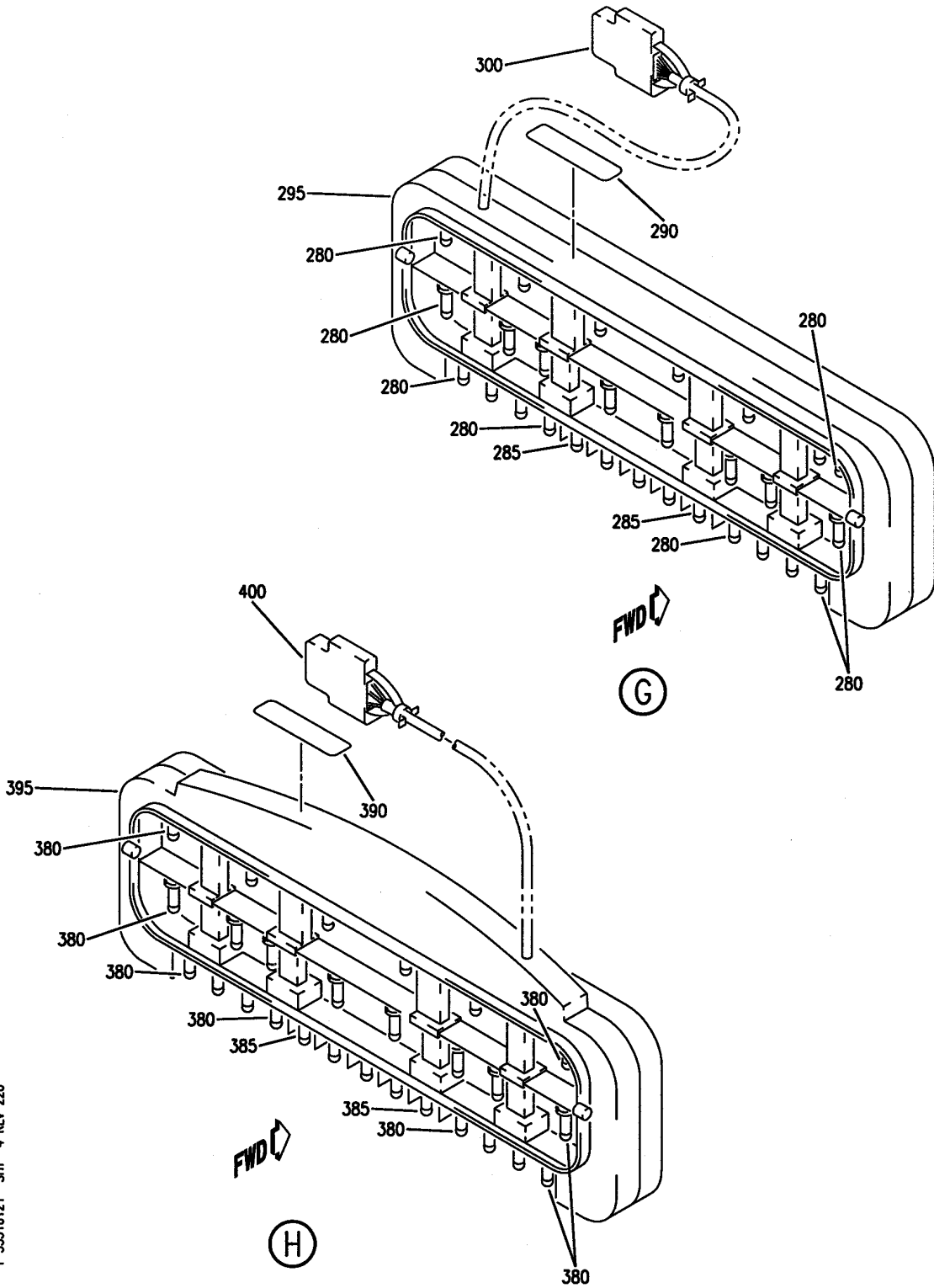
SIGN AND TOP KIT INSTL-LIGHTED OVHD CL STOWAGE BINS
FIGURE 21 (SHEET 3)

33-51-01-21

BRI
JAN 20/09

33-51-01-21
PAGE 0B

BOEING
757
PARTS CATALOG (MAINTENANCE)



Y 33510121 SHT 4 REV 220

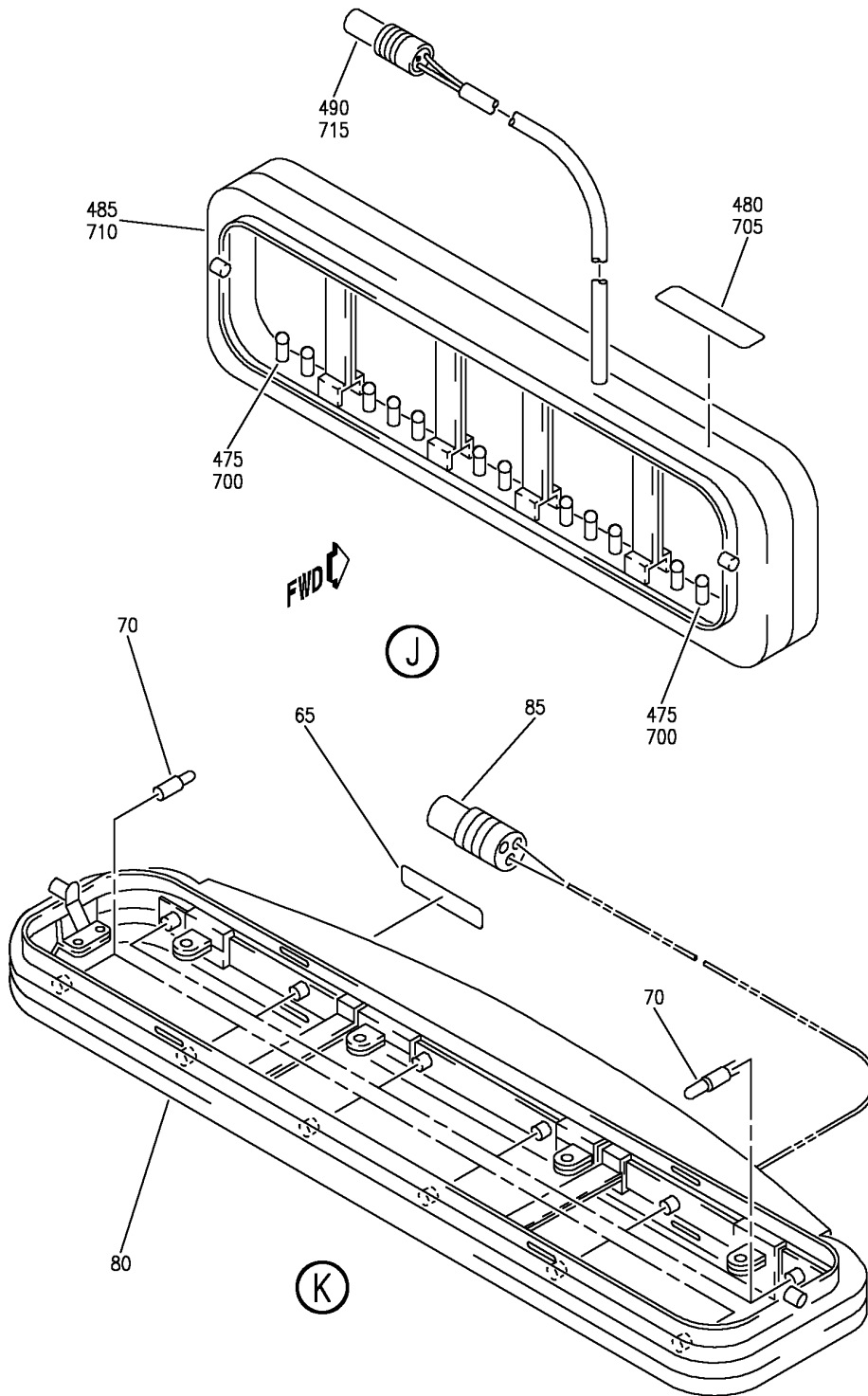
SIGN AND TOP KIT INSTL-LIGHTED OVHD CL STOWAGE BINS
FIGURE 21 (SHEET 4)

33-51-01-21

BRI
JAN 20/09

33-51-01-21
PAGE 0C

BOEING
757
PARTS CATALOG (MAINTENANCE)



Y 33510121 SHIT 5 REV 279

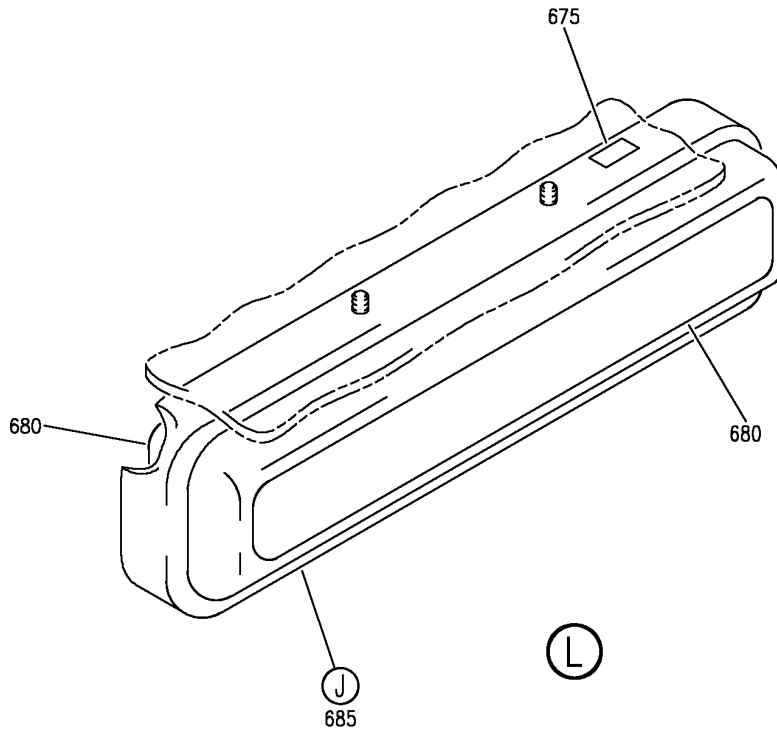
SIGN AND TOP KIT INSTL-LIGHTED OVHD CL STOWAGE BINS
FIGURE 21 (SHEET 5)

33-51-01-21

BRI
JAN 20/09

33-51-01-21
PAGE 0D

BOEING
757
PARTS CATALOG (MAINTENANCE)



Y 33510121 SHIT 6 REV 279

SIGN AND TOP KIT INSTL-LIGHTED OVHD CL STOWAGE BINS
FIGURE 21 (SHEET 6)

33-51-01-21

BRI
JAN 20/09

33-51-01-21
PAGE 0E



757

PARTS CATALOG (MAINTENANCE)

FIG ITEM	PART NUMBER	1 2 3 4 5 6 7	NOMENCLATURE	EFFECT FROM TO	UNITS PER ASSY
21			SIGN AND TOP KIT	103106	
- 350	MODREF18651		INSTL-LIGHTED OVHD CL STOWAGE BINS		
			SIGN INSTL-LIGHTED MODULE NUMBER: 417N5600-602 REV A POSITION DATA: STA 1324.0	103106	1
355	BAC27NPA1555		.MARKER- POSITION DATA: STA.1324.00 PLACARD CONTENT: M11632 EXIT SIGN/ ATTENDANT CALL LIGHTS	103106	1
360	82000-48801		.LENS ASSY-MASTER CALL LIGHT SUPPLIER CODE: VS5006 SPECIFICATION NUMBER: S479W220-2001 COMPONENT MAINT MANUAL REF: 33-24-03	103106	1
368	82000-57301		.HOUSING ASSY-EXIT SIGN SUPPLIER CODE: VS5006 SPECIFICATION NUMBER: S479W220-108 ELECTRICAL EQUIP NUMBER: M11632 COMPONENT MAINT MANUAL REF: 33-24-03	103106	1
- 370	BACS12GU3K9		ATTACHING PARTS .SCREW-	103106	3
- 375	NAS1149D0316J		.WASHER	103106	3
			-----*-----		
380	3071BPEGPL		..LAMP- SUPPLIER CODE: VS5006	103106	22
385	387BPGPL		..LAMP- SUPPLIER CODE: VS5006	103106	5
390	82102-57301		..PLATE-NAME SUPPLIER CODE: VS5006	103106	1
395	82001-57301		..HOUSING ASSY- SUPPLIER CODE: VS5006	103106	1

MISSING ITEM NUMBERS NOT APPLICABLE

- ITEM NOT ILLUSTRATED

33-51-01-21

33-51-01
FIG. 21
PAGE 1
JAN 20/09

BRI



757

PARTS CATALOG (MAINTENANCE)

FIG ITEM	PART NUMBER	1 2 3 4 5 6 7	NOMENCLATURE	EFFECT FROM TO	UNITS PER ASSY
21 400	ATM08RBV		. . . RECEPTACLE- SUPPLIER CODE: VOP9C6 SPECIFICATION NUMBER: S280W557-221	103106	1

MISSING ITEM NUMBERS NOT APPLICABLE

- ITEM NOT ILLUSTRATED

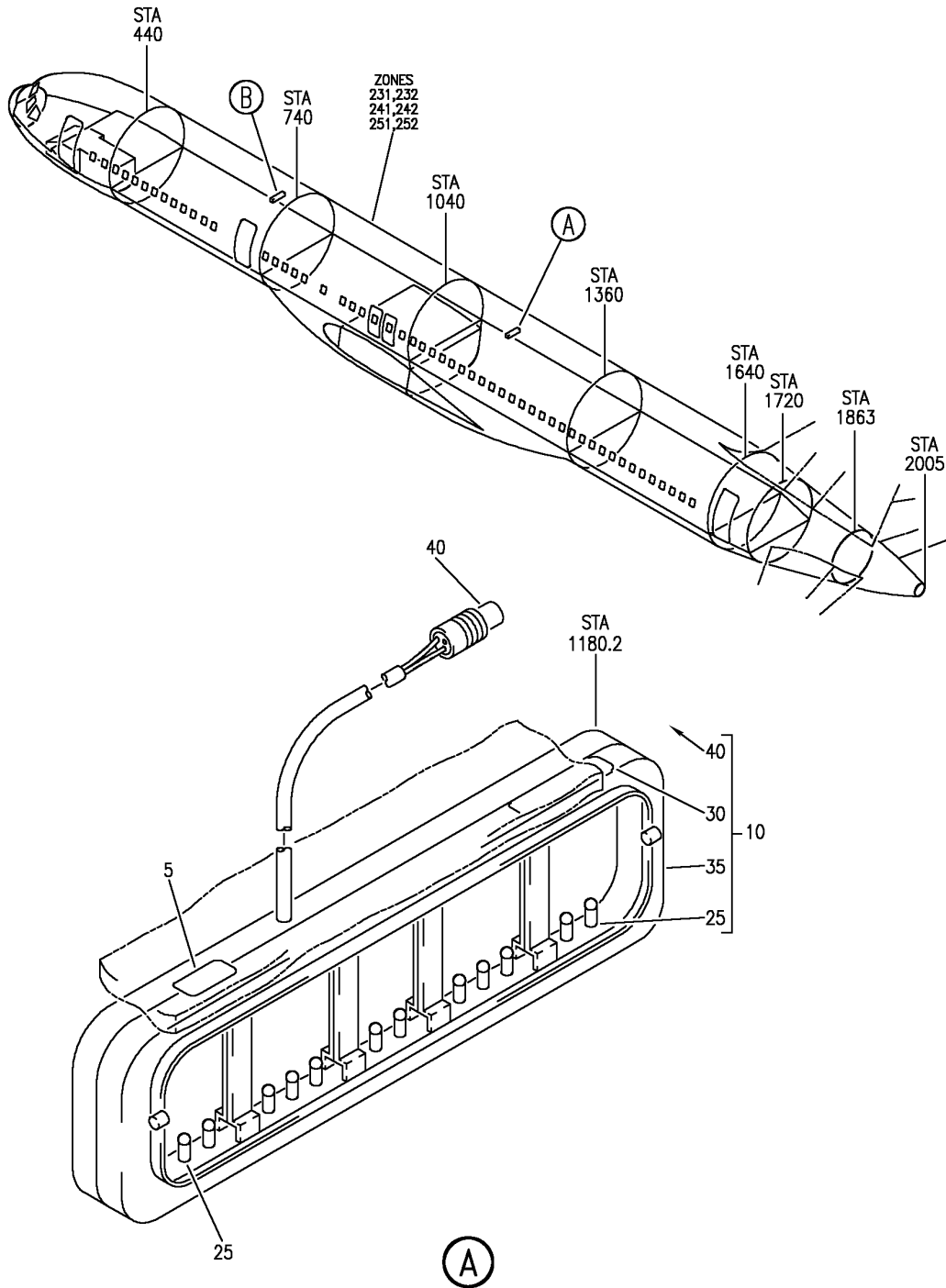
BRI

33-51-01-21

BOEING PROPRIETARY - Copyright © - Unpublished Work - See title page for details.

33-51-01
FIG. 21
PAGE 2
JAN 20/09

BOEING
757
PARTS CATALOG (MAINTENANCE)



Y 33510121A SHT 1 REV 249

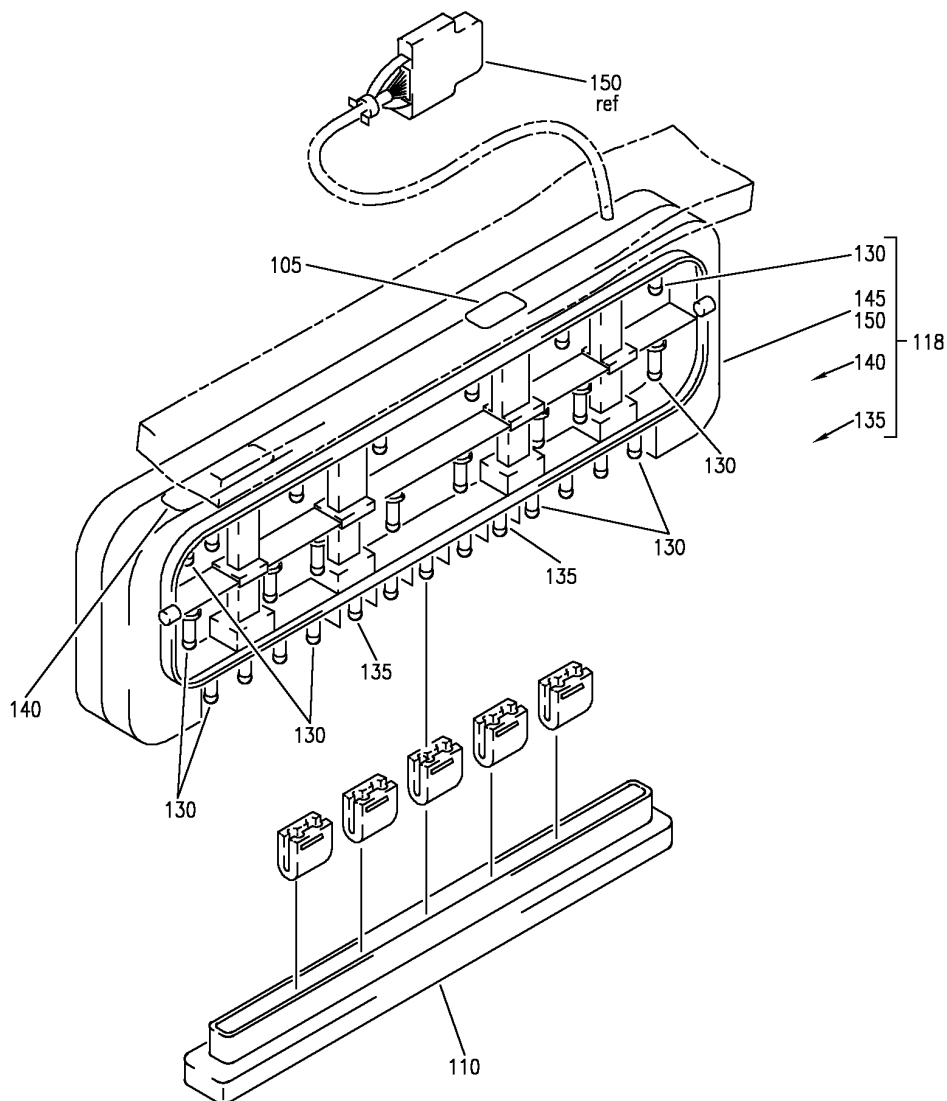
SIGN INSTL-LIGHTED
FIGURE 21A (SHEET 1)

33-51-01-21A

BRI
JAN 20/09

33-51-01-21A
PAGE 0

BOEING
757
PARTS CATALOG (MAINTENANCE)



(B)

Y 33510121A SHT 2 REV 272

SIGN INSTL-LIGHTED
FIGURE 21A (SHEET 2)

33-51-01-21A

BRI
JAN 20/09

33-51-01-21A
PAGE 0A

 **BOEING**
757
PARTS CATALOG (MAINTENANCE)

FIG ITEM	PART NUMBER	1 2 3 4 5 6 7	NOMENCLATURE	EFFECT FROM TO	UNITS PER ASSY
21A					
- 100	MODREF18655		SIGN INSTL-LIGHTED SIGN INSTL-LIGHTED MODULE NUMBER: 417N5600-610 REV A POSITION DATA: STA 700.0	103106 103106	1
105	BAC27NPA0939		.MARKER- M10253 CTR AISLE EXIT SIGN POSITION DATA: STA 700.0 DOOR 2 PLACARD CONTENT: M10253 EXIT SIGN/ ATTENDANT CALL LIGHTS	103106	1
110	82000-48801		.LENS ASSY-MASTER CALL LIGHT SUPPLIER CODE: VS5006 SPECIFICATION NUMBER: S479W220-2001 COMPONENT MAINT MANUAL REF: 33-24-03	103106	1
118	82000-57201		.HOUSING ASSY-EXIT SIGN SUPPLIER CODE: VS5006 SPECIFICATION NUMBER: S479W220-107 ELECTRICAL EQUIP NUMBER: M10253 COMPONENT MAINT MANUAL REF: 33-24-03 ATTACHING PARTS	103106	1
- 120	BACS12GU3K9		.SCREW-	103106	3
- 125	NAS1149D0316J		.WASHER	103106	3
			-----*-----		
130	3071BPEGPL		..LAMP- SUPPLIER CODE: VS5006	103106	23
135	387BPGPL		..LAMP- SUPPLIER CODE: VS5006	103106	5
140	82105-57201		..PLATE-NAME SUPPLIER CODE: VS5006	103106	1
145	82001-57201		..HOUSING ASSY- SUPPLIER CODE: VS5006	103106	1
150	S280W557-241		...CONNECTOR	103106	1

MISSING ITEM NUMBERS NOT APPLICABLE

- ITEM NOT ILLUSTRATED

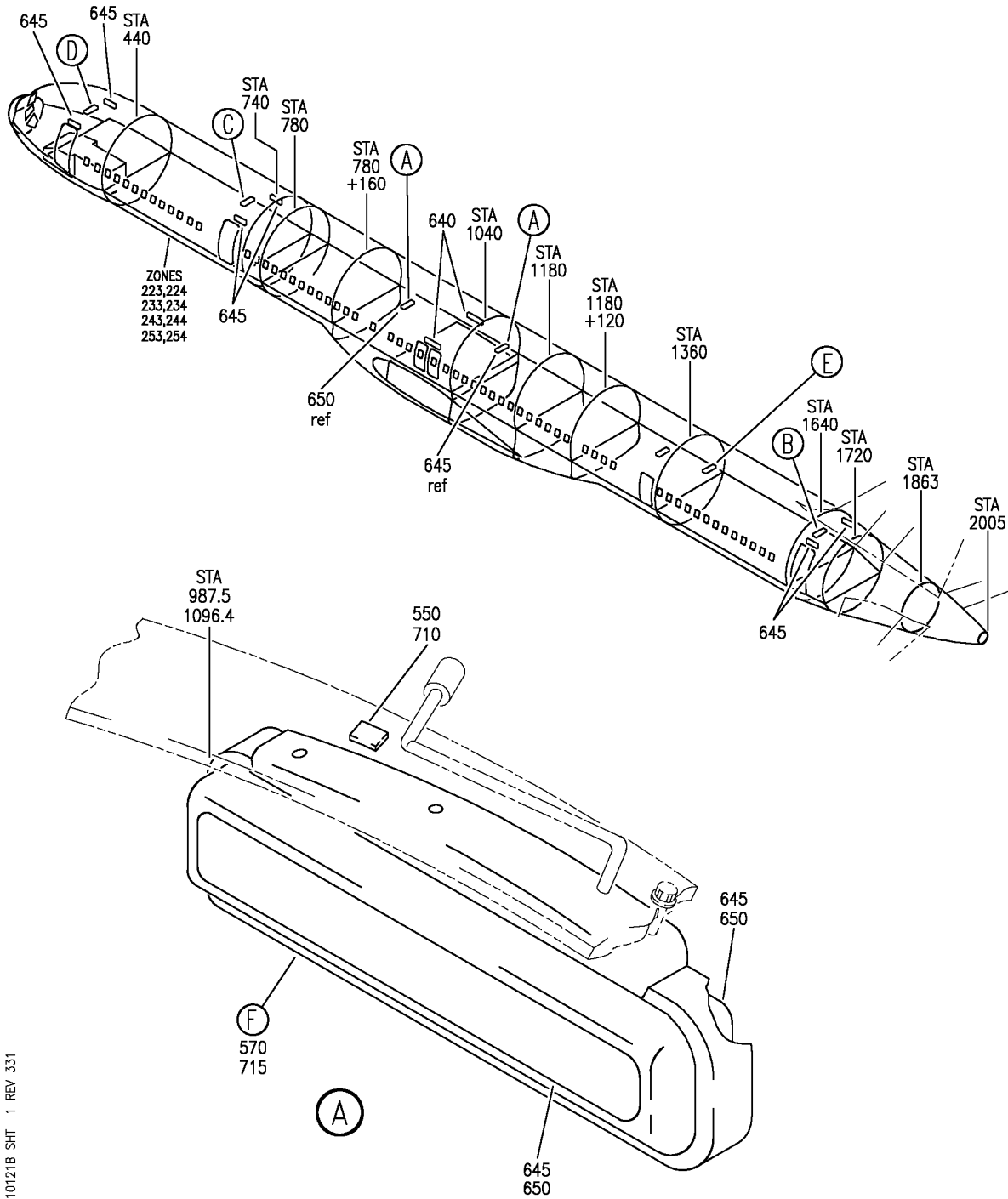
33-51-01-21A

33-51-01
FIG. 21A
PAGE 1
JAN 20/09

BRI

BOEING PROPRIETARY - Copyright © - Unpublished Work - See title page for details.

BOEING
757
PARTS CATALOG (MAINTENANCE)



Y 33510121B SHT 1 REV 331

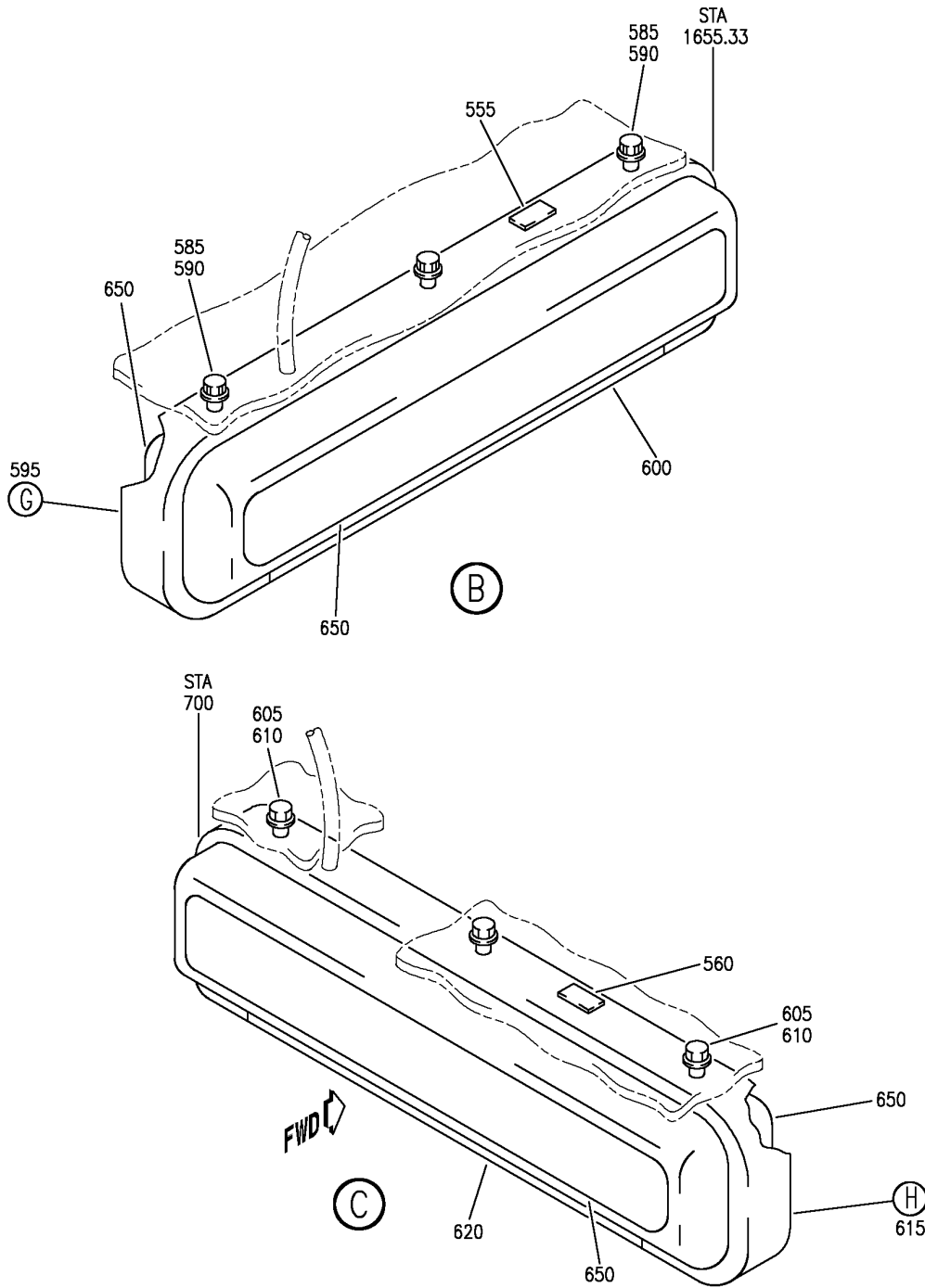
SIGN INSTL-LIGHTED
FIGURE 21B (SHEET 1)

33-51-01-21B

BRI
JAN 20/09

33-51-01-21B
PAGE 0

BOEING
757
PARTS CATALOG (MAINTENANCE)



Y 333510121B SHT 2 REV 331

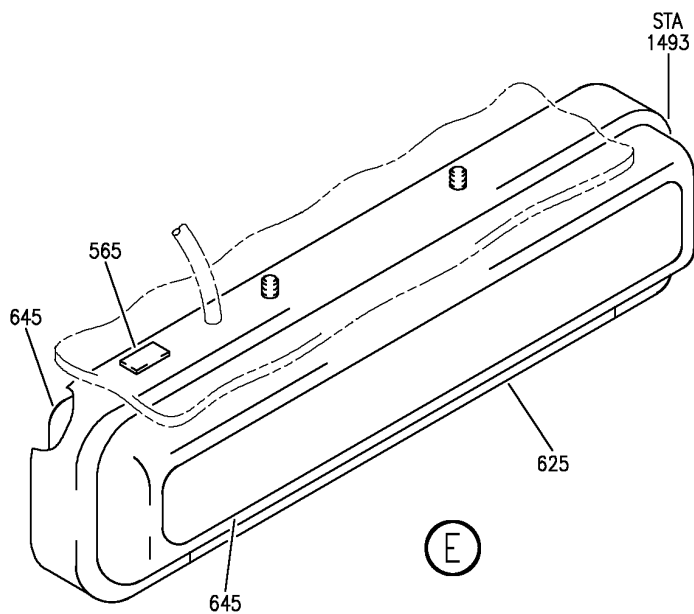
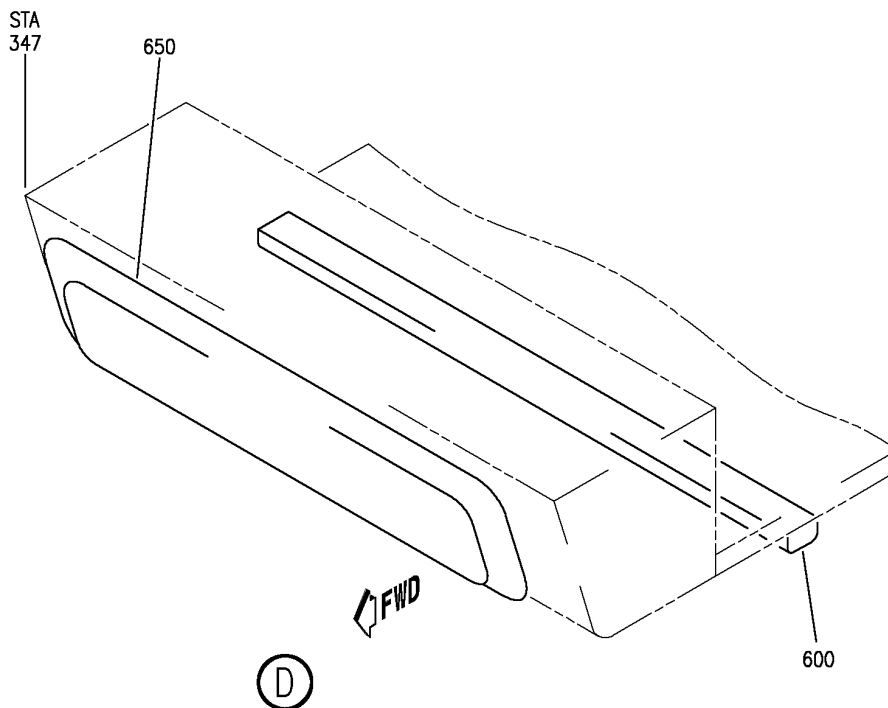
SIGN INSTL-LIGHTED
FIGURE 21B (SHEET 2)

33-51-01-21B

BRI
JAN 20/09

33-51-01-21B
PAGE 0A

BOEING
757
PARTS CATALOG (MAINTENANCE)



Y 33510121B SHT 3 REV 331

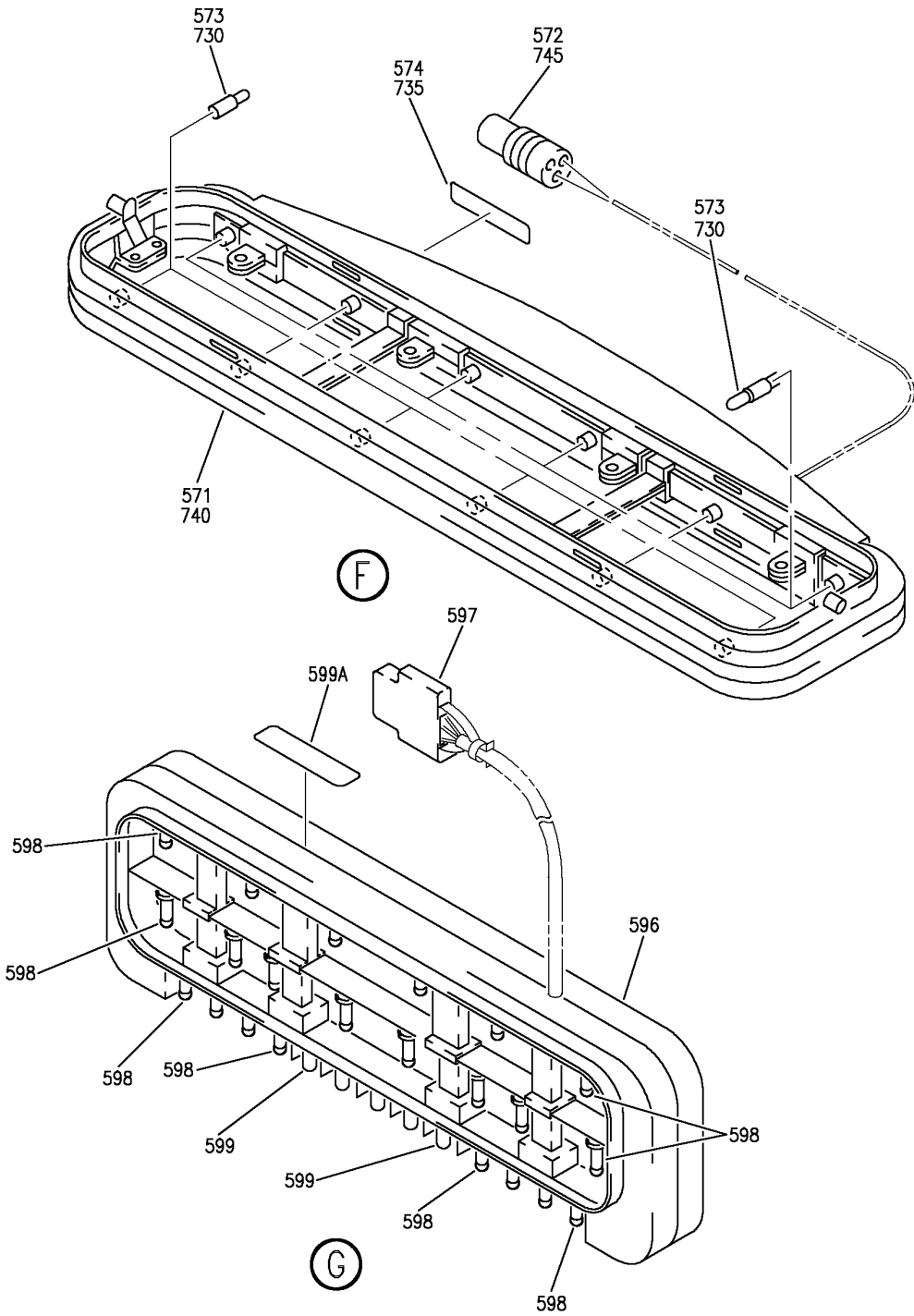
SIGN INSTL-LIGHTED
FIGURE 21B (SHEET 3)

33-51-01-21B

BRI
JAN 20/09

33-51-01-21B
PAGE 0B

BOEING
757
PARTS CATALOG (MAINTENANCE)



Y 33510121B SHT 4 REV 331

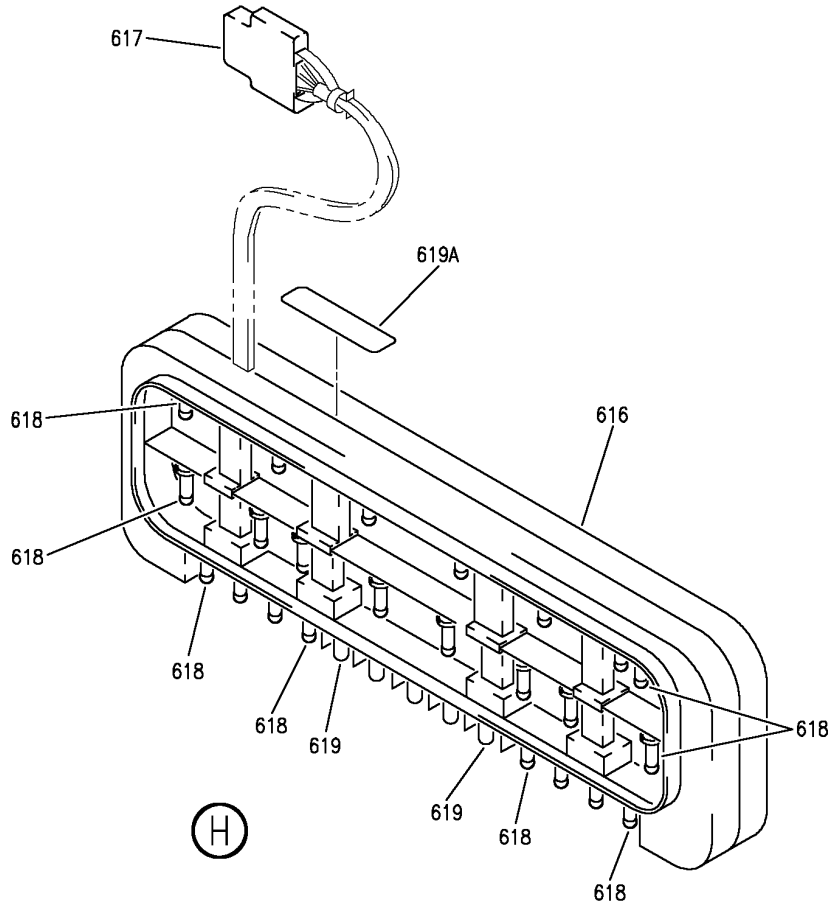
SIGN INSTL-LIGHTED
FIGURE 21B (SHEET 4)

33-51-01-21B

BRI
JAN 20/09

33-51-01-21B
PAGE 0C

BOEING
757
PARTS CATALOG (MAINTENANCE)



Y 33510121B SHT 5 REV 331

SIGN INSTL-LIGHTED
FIGURE 21B (SHEET 5)

33-51-01-21B

BRI
JAN 20/09

33-51-01-21B
PAGE 0D



757

PARTS CATALOG (MAINTENANCE)

FIG ITEM	PART NUMBER	1 2 3 4 5 6 7	NOMENCLATURE	EFFECT FROM TO	UNITS PER ASSY
21B					
- 705	MODREF24826		SIGN INSTL-LIGHTED SIGN INSTL-LIGHTED OVHD STWG END CAP MODULE NUMBER: 417N5600-613 REV B POSITION DATA: STA 1096.40	103106 103106	1
710	BAC27NEL1675		.MARKER- PLACARD CONTENT: L01157 EXIT SIGN	103106	1
715	82000-51801		.HOUSING ASSY-EXIT SIGN SUPPLIER CODE: VS5006 SPECIFICATION NUMBER: S479W220-106 ELECTRICAL EQUIP NUMBER: L01157 COMPONENT MAINT MANUAL REF: 33-24-03	103106	1
- 720	BACS12GU3K9		ATTACHING PARTS .SCREW	103106	2
- 725	NAS1149D0316J		.WASHER	103106	2
			-----*-----		
730	3071BPEGPL		..LAMP- SUPPLIER CODE: VS5006	103106	12
735	82101-51801		..PLATE-NAME SUPPLIER CODE: VS5006	103106	1
740	82001-51801		..HOUSING ASSY- SUPPLIER CODE: VS5006	103106	1
745	AMC03RA03B		...CONNECTOR- SUPPLIER CODE: V1035B	103106	1

MISSING ITEM NUMBERS NOT APPLICABLE

- ITEM NOT ILLUSTRATED

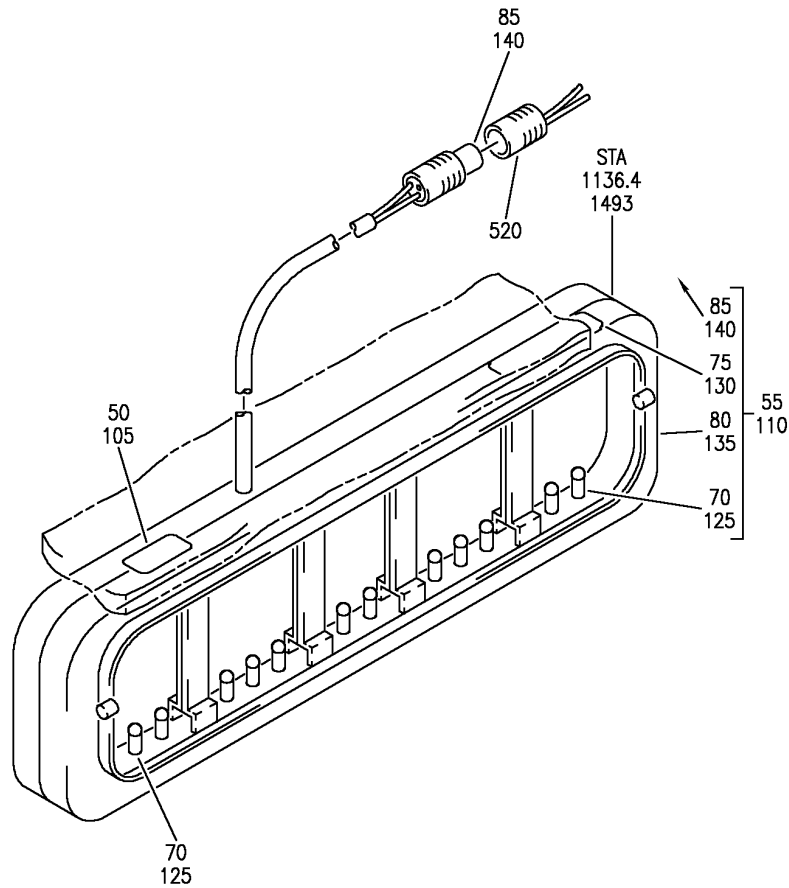
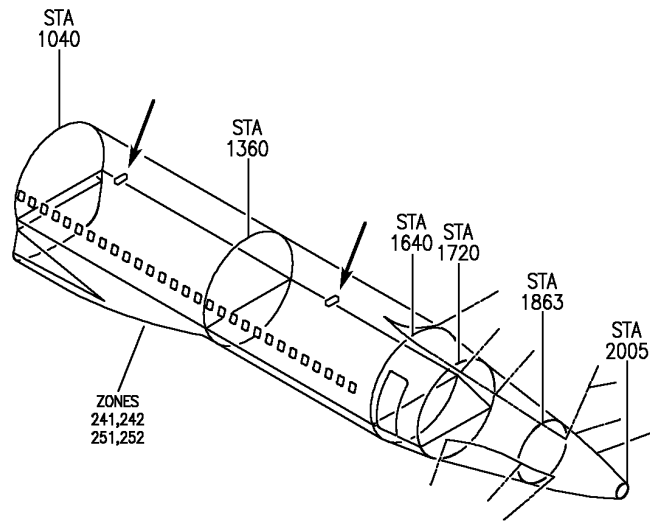
33-51-01-21B

33-51-01
FIG. 21B
PAGE 1
JAN 20/09

BRI

BOEING PROPRIETARY - Copyright © - Unpublished Work - See title page for details.

BOEING
757
PARTS CATALOG (MAINTENANCE)



Y 33510121D REV 249

SIGN INSTL-LIGHTED
 FIGURE 21D

33-51-01-21D

BRI
 JAN 20/09

33-51-01-21D
 PAGE 0



757

PARTS CATALOG (MAINTENANCE)

FIG ITEM	PART NUMBER	1 2 3 4 5 6 7	NOMENCLATURE	EFFECT FROM TO	UNITS PER ASSY
21D					
- 1	MODREF18656		SIGN INSTL-LIGHTED SIGN INSTL-LIGHTED EXIT SIGN, OVHD STOWAGE ENDCAP MODULE NUMBER: 417N5600-611 REV A POSITION DATA: STA 1493.0	103106 103106	1
50	BAC27NPA1491		.DECAL- OVHD, STOWAGE END CAP G POSITION DATA: STA 1493.00 PLACARD CONTENT: L1070 EXIT SIGN	103106	1
55	82000-51801		.HOUSING ASSY-EXIT SIGN SUPPLIER CODE: VS5006 SPECIFICATION NUMBER: S479W220-106 ELECTRICAL EQUIP NUMBER: L01070 COMPONENT MAINT MANUAL REF: 33-24-03	103106	1
- 60	BACS12GU3K9		ATTACHING PARTS .SCREW-	103106	2
- 65	NAS1149D0316J		.WASHER	103106	2
			-----*-----		
70	3071BPEGPL		..LAMP- SUPPLIER CODE: VS5006	103106	12
75	82101-51801		..PLATE-NAME SUPPLIER CODE: VS5006	103106	1
80	82001-51801		..HOUSING ASSY- SUPPLIER CODE: VS5006	103106	1
85	AMC02RA03B		...CONNECTOR- SUPPLIER CODE: V05574	103106	1

MISSING ITEM NUMBERS NOT APPLICABLE

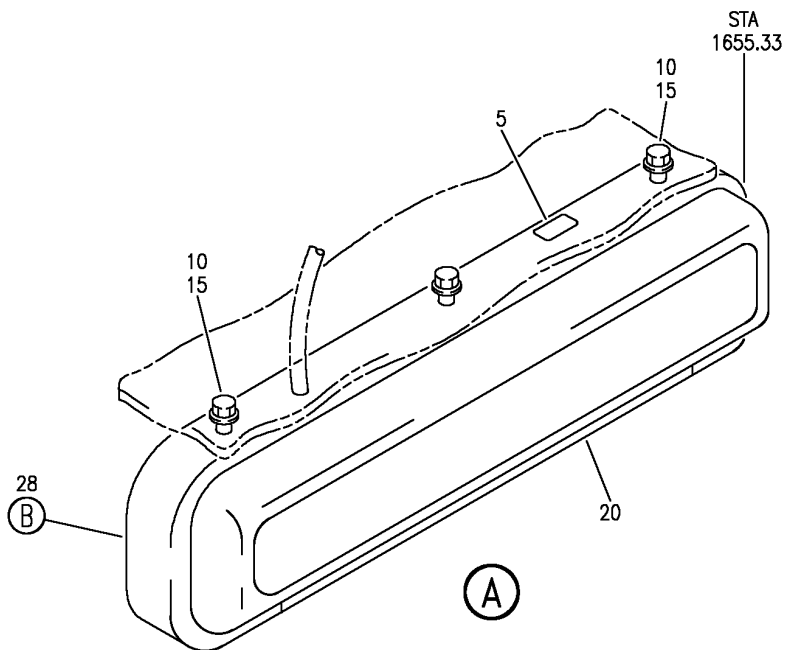
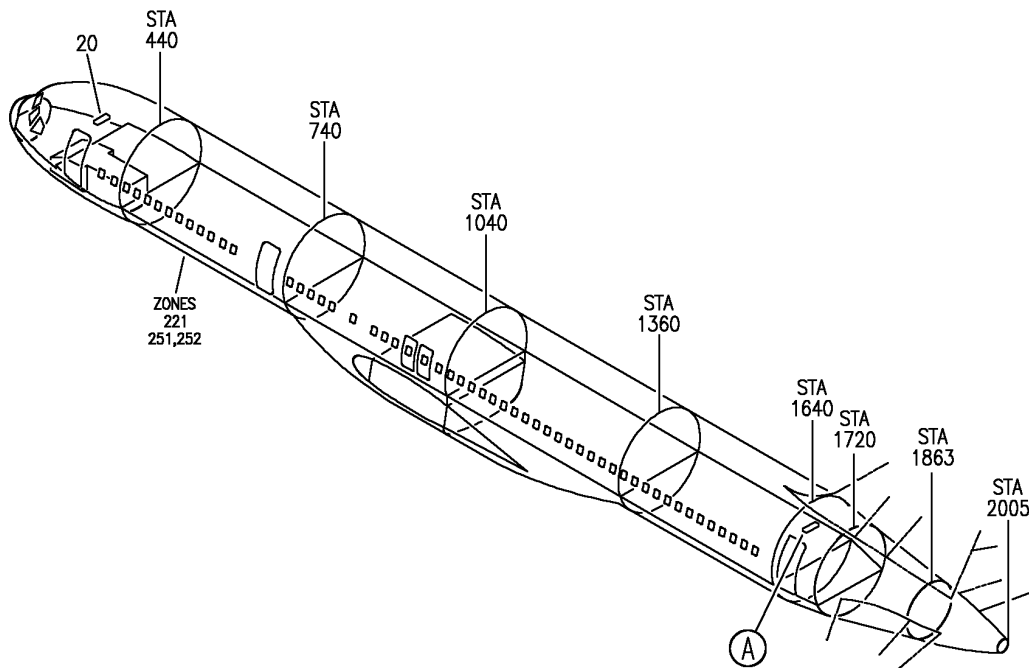
- ITEM NOT ILLUSTRATED

33-51-01-21D

33-51-01
FIG. 21D
PAGE 1
JAN 20/09

BRI

BOEING
757
PARTS CATALOG (MAINTENANCE)



Y 33510123 SH1 1 REV 272

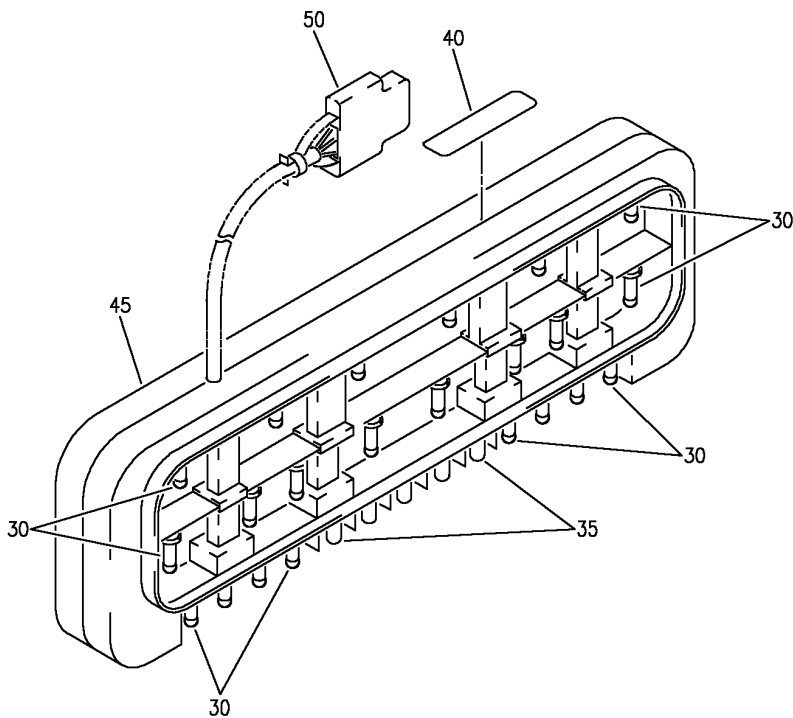
SIGN INSTL-LIGHTED
FIGURE 23 (SHEET 1)

33-51-01-23

BRI
JAN 20/09

33-51-01-23
PAGE 0

BOEING
757
PARTS CATALOG (MAINTENANCE)



(B)

Y 33510123 SH1 2 REV 272

SIGN INSTL-LIGHTED
FIGURE 23 (SHEET 2)

33-51-01-23

BRI
JAN 20/09

33-51-01-23
PAGE 0A



757

PARTS CATALOG (MAINTENANCE)

FIG ITEM	PART NUMBER	1 2 3 4 5 6 7	NOMENCLATURE	EFFECT FROM TO	UNITS PER ASSY
23					
- 1	MODREF18581		SIGN INSTL-LIGHTED SIGN INSTL-LIGHTED BASIC & STABLE 757-200 MODULE NUMBER: 417N5600-2 REV A	103106 103106	1
5	BAC27NPA0941		.MARKER-ALUMINUM FOIL POSITION DATA: DOOR NO. 4 LH PLACARD CONTENT: M10255 EXIT SIGN/ ATTENDANT CALL LIGHTS	103106	1
10	BACs12GU3K9		.SCREW-	103106	3
15	NAS1149D0316J		.WASHER	103106	3
20	82000-48801		.LENS ASSY-MASTER CALL LIGHT LENSES FOR EXIT SIGNS AT DOOR 1,2,3 AND 4 SUPPLIER CODE: VS5006 SPECIFICATION NUMBER: S479W220-2001 COMPONENT MAINT MANUAL REF: 33-24-03	103106	2
28	82000-48701		.HOUSING ASSY-EXIT SIGN SUPPLIER CODE: VS5006 SPECIFICATION NUMBER: S479W220-105 ELECTRICAL EQUIP NUMBER: M10255 COMPONENT MAINT MANUAL REF: 33-24-03	103106	1
30	3071BPEGPL		..LAMP- SUPPLIER CODE: VS5006	103106	22
35	387BPGPL		..LAMP- SUPPLIER CODE: VS5006	103106	5
40	81105-48701		..PLATE-NAME SUPPLIER CODE: VS5006	103106	1
45	82001-48701		..HOUSING ASSY- SUPPLIER CODE: VS5006	103106	1
50	ATM08RBV		...RECEPTACLE- SUPPLIER CODE: VOP9C6 SPECIFICATION NUMBER: S280W557-221	103106	1

MISSING ITEM NUMBERS NOT APPLICABLE

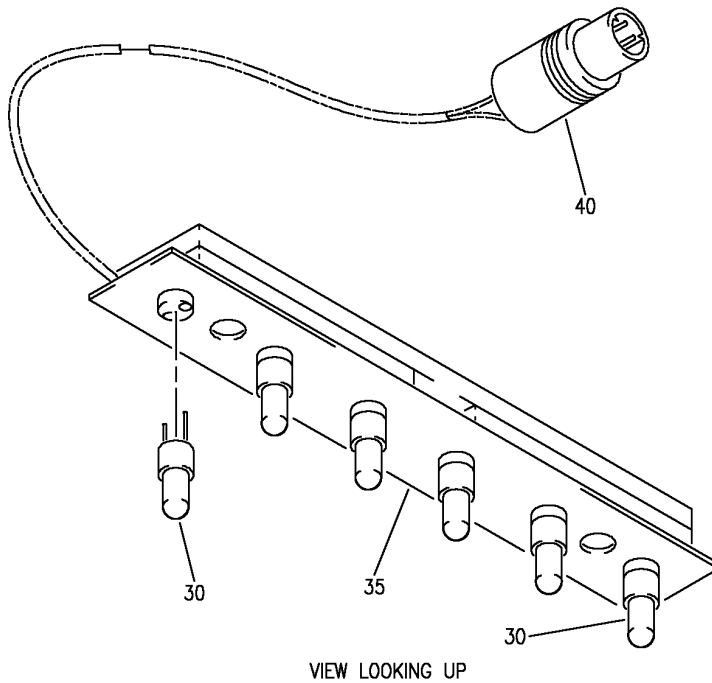
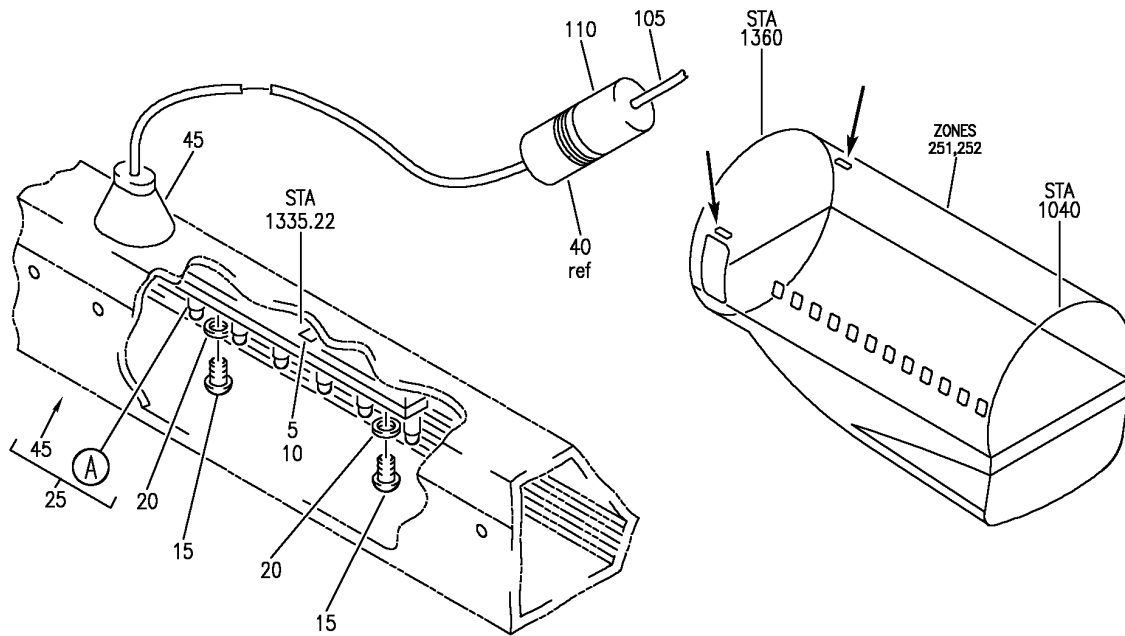
- ITEM NOT ILLUSTRATED

33-51-01-23

33-51-01
FIG. 23
PAGE 1
JAN 20/09

BRI

BOEING
757
PARTS CATALOG (MAINTENANCE)



Y 33510123A REV 262

SIGN INSTL-LIGHTED
FIGURE 23A

33-51-01-23A

BRI
JAN 20/09

33-51-01-23A
PAGE 0



757

PARTS CATALOG (MAINTENANCE)

FIG ITEM	PART NUMBER	1 2 3 4 5 6 7	NOMENCLATURE	EFFECT FROM TO	UNITS PER ASSY
23A					
- 1	MODREF34726		SIGN INSTL-LIGHTED SIGN INSTL-LIGHTED 757-200 4 DOOR CONFIGURATION MODULE NUMBER: 417N5600-4 REV B	103106 103106	1
5	BAC27NPA1416		.DECAL- POSITION DATA: LH PLACARD CONTENT: L895 DOOR 3, LH EMERGENCY LIGHT	103106	1
10	BAC27NPA1417		.DECAL- POSITION DATA: RH PLACARD CONTENT: L896 DOOR 3, RH EMERGENCY LIGHT	103106	1
15	BACS12CK3-4		.SCREW	103106	4
20	MS51859-6		.WASHER	103106	4
25	82000-57501		.FIXTURE ASSY-DOWN LIGHT NEW DOWN LIGHT FIXTURE FOR DOOR 3 IN A/C EXTRUSIONS SUPPLIER CODE: VS5006 SPECIFICATION NUMBER: S479W220-110 ELECTRICAL EQUIP NUMBER: L00895 L00896 COMPONENT MAINT MANUAL REF: 33-24-03	103106	2
30	3071BPEGPL		..LAMP- SUPPLIER CODE: VS5006	103106	6
35	82001-57501		..PCB ASSY- SUPPLIER CODE: VS5006	103106	1
40	AMC02RA03B		...CONNECTOR- SUPPLIER CODE: V05574	103106	1
45	417N5107-1		..GROMMET	103106	2
- 100	286N6456-601		WIRE BUNDLE ASSY- POSITION DATA: RH SIDE	103106	1
105	286N6356-602		WIRE BUNDLE ASSY- POSITION DATA: LH SIDE	103106	1

MISSING ITEM NUMBERS NOT APPLICABLE

- ITEM NOT ILLUSTRATED

33-51-01-23A

33-51-01
FIG. 23A
PAGE 1
JAN 20/09

BRI

BOEING PROPRIETARY - Copyright © - Unpublished Work - See title page for details.



757

PARTS CATALOG (MAINTENANCE)

FIG ITEM	PART NUMBER	1 2 3 4 5 6 7	NOMENCLATURE	EFFECT FROM TO	UNITS PER ASSY
23A 110	AMC02PA03B		.CAP- SUPPLIER CODE: V05574 ELECTRICAL EQUIP NUMBER: D10824 D10826 WIRING DIAGRAM REF: 335114	103106	1

MISSING ITEM NUMBERS NOT APPLICABLE

- ITEM NOT ILLUSTRATED

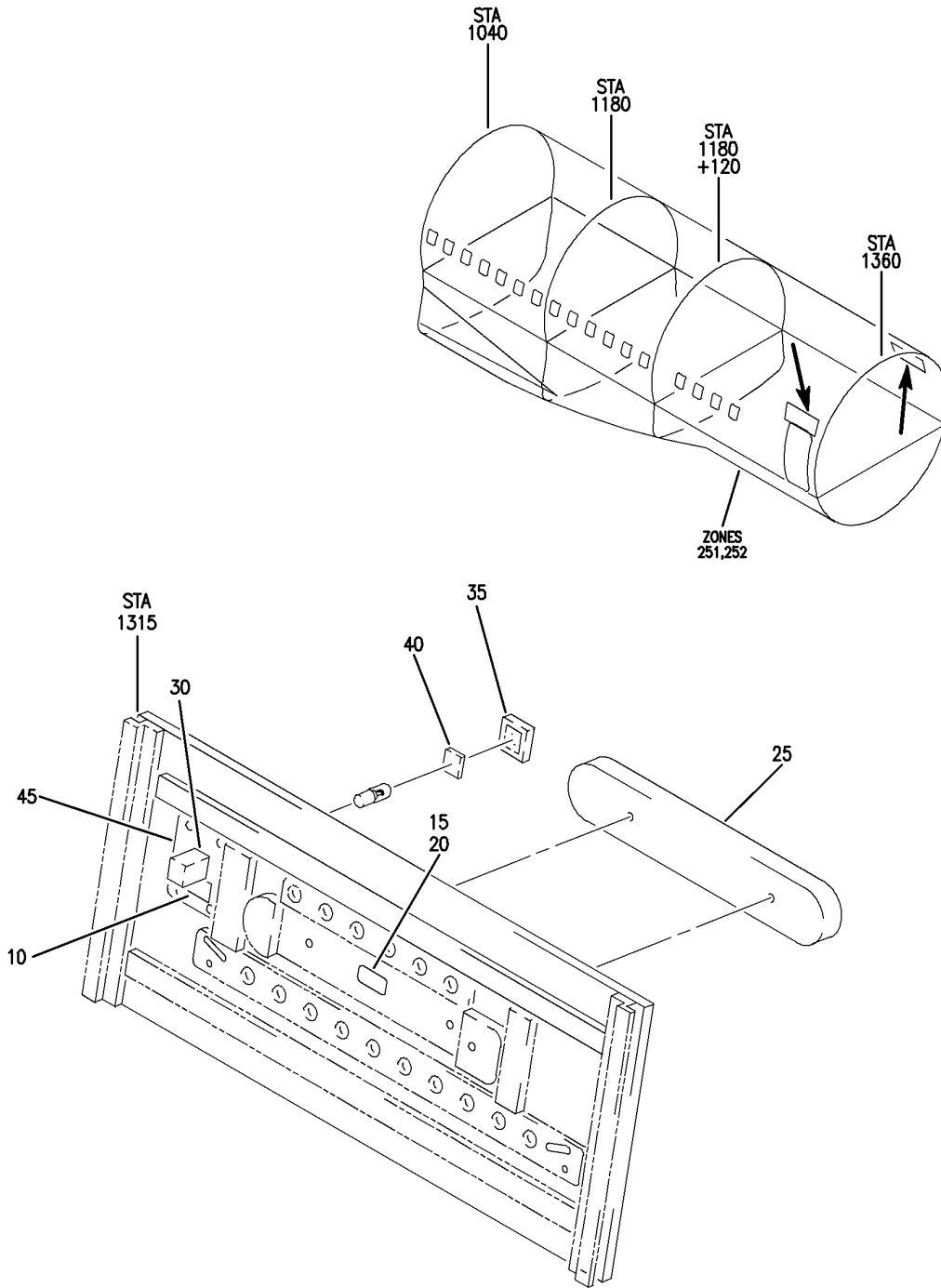
BRI

33-51-01-23A

BOEING PROPRIETARY - Copyright © - Unpublished Work - See title page for details.

33-51-01
FIG. 23A
PAGE 2
JAN 20/09

BOEING
757
PARTS CATALOG (MAINTENANCE)



Y. 33510125A REV. 239

PANEL ASSY-DOORWAY NO.3 LH AND RH HEADER (LIGHTS ONLY)
FIGURE 25A

33-51-01-25A

BRI
JAN 20/09

33-51-01-25A
PAGE 0



757

PARTS CATALOG (MAINTENANCE)

FIG ITEM	PART NUMBER	1 2 3 4 5 6 7	NOMENCLATURE	EFFECT FROM TO	UNITS PER ASSY
25A			PANEL ASSY-DOORWAY NO.3 LH AND RH HEADER (LIGHTS ONLY)	103106	
- 1	411N2361-613C		PANEL ASSY-DOORWAY NO.3 (LIGHTS ONLY) POSITION DATA: LH HEADER FOR NHA/OTHER SYS DET SEE: 25-21-06-31	103106	RF
- 5	411N2361-614C		PANEL ASSY-DOORWAY NO.3 (LIGHTS ONLY) POSITION DATA: RH HEADER FOR NHA/OTHER SYS DET SEE: 25-21-06-31	103106	RF
10	BAC27NEL0135		.MARKER-ALUMINUM FOIL POSITION DATA: LH SIDE PLACARD CONTENT: S10294 EMER TEST	103106	1
15	BAC27NPA0241		.MARKER-ALUMINUM FOIL POSITION DATA: LH SIDE PLACARD CONTENT: L52 EXIT SIGN	103106	1
20	BAC27NPA0235		.MARKER-ALUMINUM FOIL POSITION DATA: RH SIDE PLACARD CONTENT: L49 EXIT SIGN	103106	1
25	411N2135-1		.HOUSING ASSY-EXIT SIGN	103106	1
30	2100-7		.SWITCH ASSY- SUPPLIER CODE: V91929 POSITION DATA: LH SIDE ELECTRICAL EQUIP NUMBER: S10294	103106	1
- 33	85		..BULB- SUPPLIER CODE: V08805	103106	1
35	2100-11		.GUARD- SUPPLIER CODE: V91929 POSITION DATA: LH SIDE OPTIONAL PART: AML76C10T01P V91929	103106	1

MISSING ITEM NUMBERS NOT APPLICABLE

- ITEM NOT ILLUSTRATED

33-51-01-25A

33-51-01
FIG. 25A
PAGE 1
JAN 20/09

BRI

BOEING PROPRIETARY - Copyright © - Unpublished Work - See title page for details.



757

PARTS CATALOG (MAINTENANCE)

FIG ITEM	PART NUMBER	1 2 3 4 5 6 7	NOMENCLATURE	EFFECT FROM TO	UNITS PER ASSY
25A 35	AML76C10T01P		. GUARD- SUPPLIER CODE: V91929 POSITION DATA: LH SIDE OPTIONAL PART: 2100-11 V91929	103106	1
40	2100-102		. LENS- SUPPLIER CODE: V91929 POSITION DATA: LH SIDE	103106	1
45	411N2134-4		. LIGHT RETAINER- POSITION DATA: LH SIDE	103106	1

MISSING ITEM NUMBERS NOT APPLICABLE

- ITEM NOT ILLUSTRATED

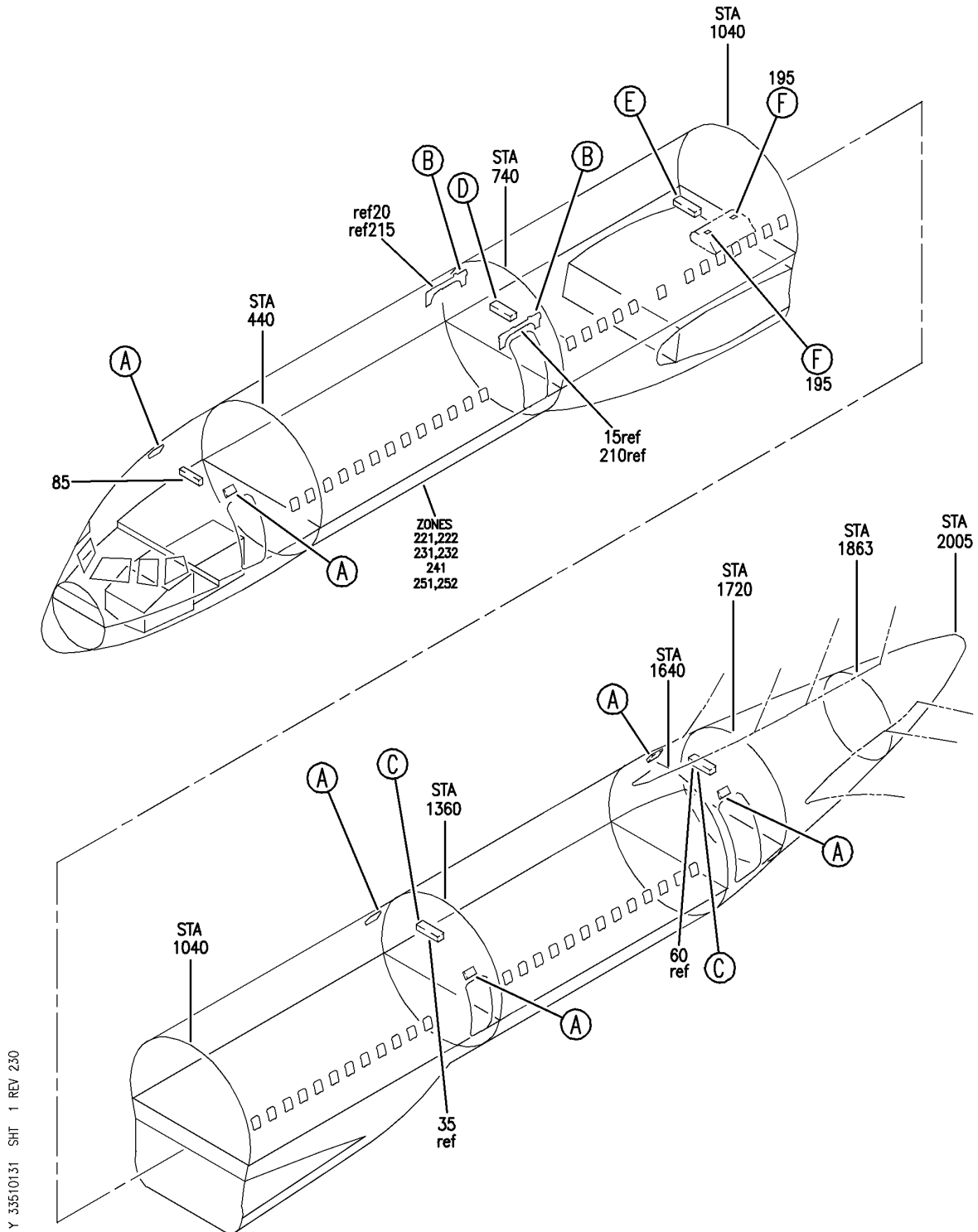
BRI

33-51-01-25A

BOEING PROPRIETARY - Copyright © - Unpublished Work - See title page for details.

33-51-01
FIG. 25A
PAGE 2
JAN 20/09

BOEING
757
PARTS CATALOG (MAINTENANCE)



Y 33510131 SH1 1 REV 230

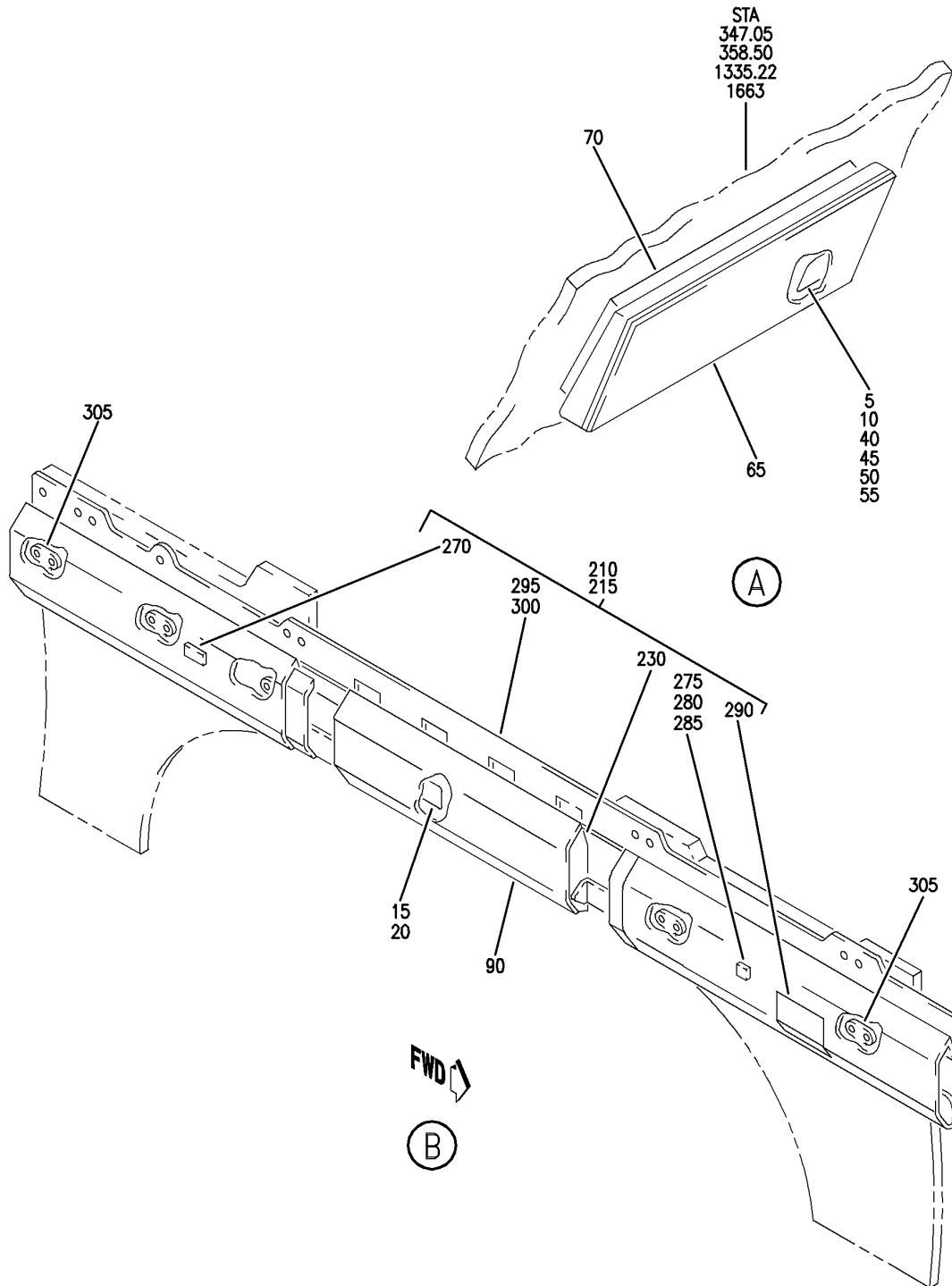
SIGN INSTL-BRI LIGHTED (ELECTRICALLY ILLUMINATED EXIT SIGNS ONLY)
FIGURE 31 (SHEET 1)

33-51-01-31

BRI
MAY 28/07

33-51-01-31
PAGE 0

BOEING
 757
 PARTS CATALOG (MAINTENANCE)



Y 33510131 SHT 2 REV 230

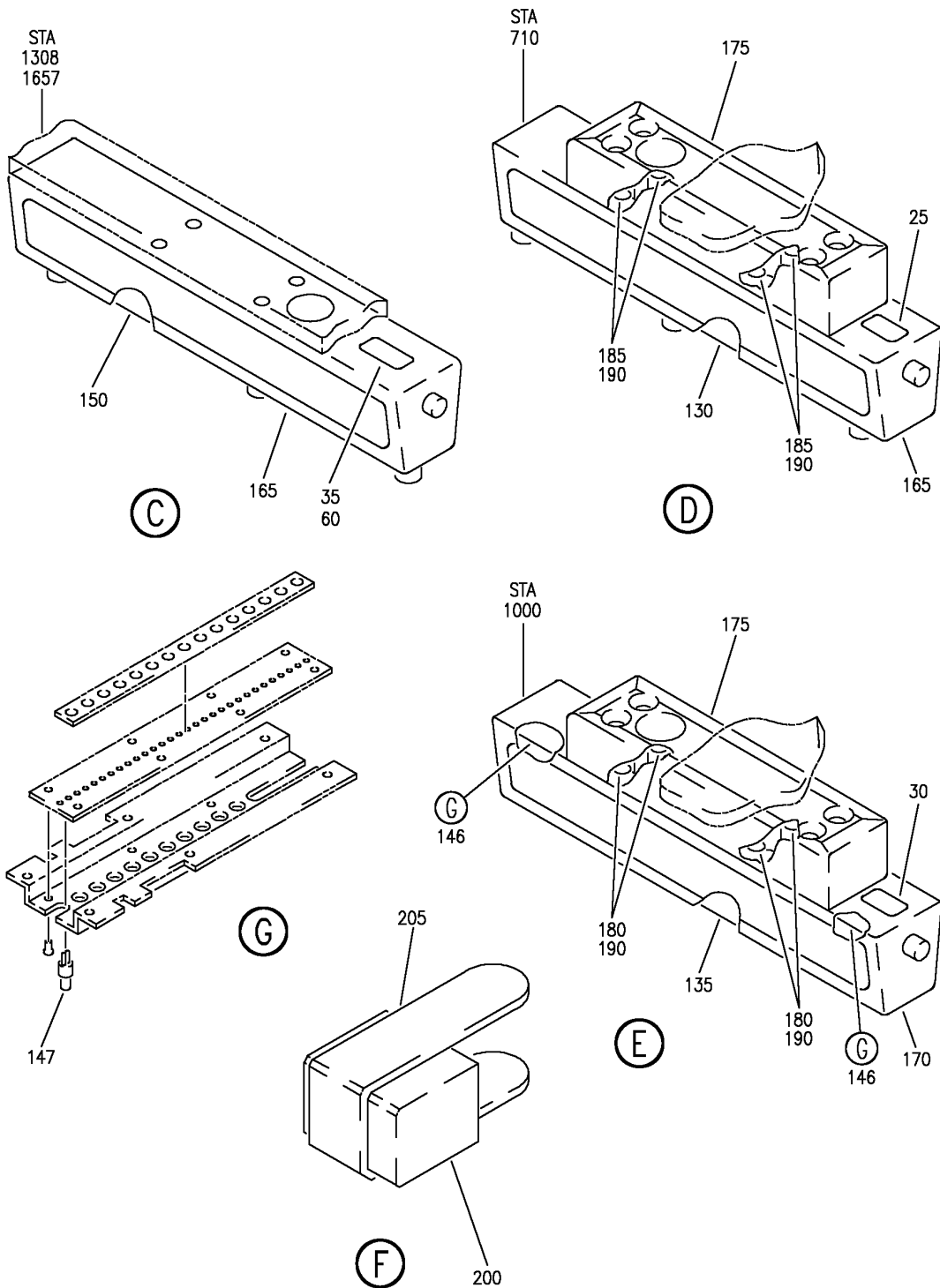
SIGN INSTL-BRI LIGHTED (ELECTRICALLY ILLUMINATED EXIT SIGNS ONLY)
 FIGURE 31 (SHEET 2)

33-51-01-31

BRI
 MAY 28/07

33-51-01-31
 PAGE 0A

BOEING
757
PARTS CATALOG (MAINTENANCE)



Y 33510131 SHT 3 REV 266

SIGN INSTL-BRI LIGHTED (ELECTRICALLY ILLUMINATED EXIT SIGNS ONLY)
FIGURE 31 (SHEET 3)

33-51-01-31

BRI
MAY 28/07

33-51-01-31
PAGE 0B



757

PARTS CATALOG (MAINTENANCE)

FIG ITEM	PART NUMBER	1 2 3 4 5 6 7	NOMENCLATURE	EFFECT FROM TO	UNITS PER ASSY
31			SIGN INSTL-BRI LIGHTED (ELECTRICALLY ILLUMINATED EXIT SIGNS ONLY)	101102	
- 1	417N5218-37SP		SIGN INSTL-BRI LIGHTED (ELECTRICALLY ILLUMINATED EXIT SIGNS ONLY) FOR NHA/OTHER SYS DET SEE: 25-20-00-11	101102	RF
5	BAC27NPA0238		.MARKER-ALUMINUM FOIL POSITION DATA: DOOR NO. 1 LH SIDE PLACARD CONTENT: L31 EXIT SIGN	101102	1
10	BAC27NPA0233		.MARKER-ALUMINUM FOIL POSITION DATA: DOOR NO. 1 RH SIDE PLACARD CONTENT: L27 EXIT SIGN	101102	1
15	BAC27NPA0240		.MARKER-ALUMINUM FOIL POSITION DATA: DOOR NO. 2 LH SIDE PLACARD CONTENT: L43 EXIT SIGN	101102	1
20	BAC27NPA0234		.MARKER-ALUMINUM FOIL POSITION DATA: DOOR NO. 2 RH SIDE PLACARD CONTENT: L37 EXIT SIGN	101102	1
25	BAC27NPA0939		.MARKER-ALUMINUM FOIL POSITION DATA: DOOR NO. 2 PLACARD CONTENT: M10253 EXIT SIGN/ ATTENDANT CALL LIGHTS	101102	1
30	BAC29PPS13814		.DECAL- POSITION DATA: STA 1000.00 PLACARD CONTENT: L809 EXIT SIGN	101102	1
35	BAC27NPA0940		.MARKER-ALUMINUM FOIL POSITION DATA: STA 1308.00 PLACARD CONTENT: M10254 EXIT SIGN/ ATTENDANT CALL LIGHTS	101102	1

MISSING ITEM NUMBERS NOT APPLICABLE

- ITEM NOT ILLUSTRATED

BRI

33-51-01-31

33-51-01
FIG. 31
PAGE 1
JAN 20/09



757

PARTS CATALOG (MAINTENANCE)

FIG ITEM	PART NUMBER	1 2 3 4 5 6 7	NOMENCLATURE	EFFECT FROM TO	UNITS PER ASSY
31					
40	BAC27NPA0241	.	MARKER-ALUMINUM FOIL POSITION DATA: STA 1335.22 LH SIDE PLACARD CONTENT: L52 EXIT SIGN	101102	1
45	BAC27NPA0235	.	MARKER-ALUMINUM FOIL POSITION DATA: STA 1335.22 RH SIDE PLACARD CONTENT: L49 EXIT SIGN	101102	1
50	BAC27NPA0242	.	MARKER-ALUMINUM FOIL POSITION DATA: DOOR NO. 4 LH SIDE PLACARD CONTENT: L62 EXIT SIGN	101102	1
55	BAC27NPA0236	.	MARKER-ALUMINUM FOIL POSITION DATA: DOOR NO. 4 RH SIDE PLACARD CONTENT: L57 EXIT SIGN	101102	1
60	BAC27NPA0941	.	MARKER-ALUMINUM FOIL POSITION DATA: STA 1657.00 PLACARD CONTENT: M10255 EXIT SIGN/ ATTENDANT CALL LIGHTS	101102	1
65	10-1073-101K	.	LENS-EXIT SIGN SUPPLIER CODE: V72914 SPECIFICATION NUMBER: S417N505-8003K	101102	6
70	10-1073-1	.	HOUSING-EXIT SIGN SUPPLIER CODE: V72914 POSITION DATA: DOOR 1, 3 AND 4 SPECIFICATION NUMBER: S417N505-28 ELECTRICAL EQUIP NUMBER: L00027 L00031 L00049 L00052 L00057 L00062 COMPONENT MAINT MANUAL REF: 33-51-32	101102	6
- 75	BACS12GU3K5	.	ATTACHING PARTS SCREW	101102	12

MISSING ITEM NUMBERS NOT APPLICABLE

- ITEM NOT ILLUSTRATED

33-51-01-31

33-51-01
FIG. 31
PAGE 2
JAN 20/09

BRI



757

PARTS CATALOG (MAINTENANCE)

FIG ITEM	PART NUMBER	1 2 3 4 5 6 7	NOMENCLATURE	EFFECT FROM TO	UNITS PER ASSY
31					
- 80	NAS1149D0316J		.WASHER -----*-----	101102	12
85	10-1070-101		.LENS ASSY-INTERIOR ILLUMINATED EXIT SIGN SUPPLIER CODE: V72914 SPECIFICATION NUMBER: S417N505-1002 COMPONENT MAINT MANUAL REF: 33-51-29	101102	1
90	10-1072-101		.LENS-EXIT SIGN SUPPLIER CODE: V72914 SPECIFICATION NUMBER: S417N505-7003 COMPONENT MAINT MANUAL REF: 33-51-31	101102	2
130	10-1076-59K		.HOUSING ASSY-EXIT SIGN AISLE SUPPLIER CODE: V72914 SPECIFICATION NUMBER: S417N505-132D ELECTRICAL EQUIP NUMBER: M10253 COMPONENT MAINT MANUAL REF: 33-51-56 FOR DETAILS SEE: 33-51-01-75	101102	1
135	10-1074-52K		.HOUSING ASSY-EXIT SIGN AISLE SUPPLIER CODE: V72914 SPECIFICATION NUMBER: S417N505-145A ELECTRICAL EQUIP NUMBER: L00809 COMPONENT MAINT MANUAL REF: 33-51-33 ATTACHING PARTS	101102	1
- 140	BACS12GU3K7		.SCREW	101102	AR
- 145	NAS1149D0316J		.WASHER -----*-----	101102	AR
146	11-4664-1		..LAMP ASSY- SUPPLIER CODE: V72914	101102	2

MISSING ITEM NUMBERS NOT APPLICABLE

- ITEM NOT ILLUSTRATED

33-51-01-31

33-51-01
FIG. 31
PAGE 3
JAN 20/09

BRI



757

PARTS CATALOG (MAINTENANCE)

FIG ITEM	PART NUMBER	1 2 3 4 5 6 7	NOMENCLATURE	EFFECT FROM TO	UNITS PER ASSY
31					
147	OL3071BPEGPL	...	LAMP-5V .06 AMP SUPPLIER CODE: VS3774 MISCELLANEOUS DATA: GRIMES PART NO. LP101	101102	15
147	LPA010	...	LAMP- SUPPLIER CODE: V72914 OPTIONAL PART: OL3071BPEGPL VS3774	101102	15
150	10-1076-55K	.	HOUSING ASSY-EXIT SIGN AISLE SUPPLIER CODE: V72914 SPECIFICATION NUMBER: S417N505-124E ELECTRICAL EQUIP NUMBER: M10680 M10255 COMPONENT MAINT MANUAL REF: 33-51-56 FOR DETAILS SEE: 33-51-01-75 ATTACHING PARTS	101102	2
- 155	BACS12GU3K7	.	SCREW	101102	AR
- 160	NAS43DD3-8FC	.	SPACER	101102	AR
			-----*-----		
165	10-1076-102K	.	LENS-EXIT SIGN SUPPLIER CODE: V72914 SPECIFICATION NUMBER: S417N505-2002E	101102	3
170	10-1074-101K	.	LENS-EXIT SIGN SUPPLIER CODE: V72914 SPECIFICATION NUMBER: S417N505-4001E	101102	1
175	65C32144-23SP	.	SPACER ASSY ATTACHING PARTS	101102	2
180	BACS12GU3K7	.	SCREW	101102	AR
185	NAS1801-3-12	.	SCREW	101102	AR
190	NAS1149D0316J	.	WASHER	101102	AR
			-----*-----		
195	412N1145-109	.	BRACKET ASSY	101102	2
200	412N1145-111	..	BUMPER	101102	1
205	412N1145-110	..	BRACKET	101102	1

MISSING ITEM NUMBERS NOT APPLICABLE

- ITEM NOT ILLUSTRATED

33-51-01-31

33-51-01
FIG. 31
PAGE 4
JAN 20/09

BRI



757

PARTS CATALOG (MAINTENANCE)

FIG ITEM	PART NUMBER	1 2 3 4 5 6 7	NOMENCLATURE	EFFECT FROM TO	UNITS PER ASSY
31					
210	417N5205-42C	.	SIGN ASSY-EXIT POSITION DATA: DOOR NO. 2 LH	101102	1
215	417N5205-33E	.	SIGN ASSY-EXIT POSITION DATA: DOOR NO. 2 RH ATTACHING PARTS	101102	1
- 220	NAS603-4P	.	SCREW	101102	AR
- 225	NAS1149D0363J	.	WASHER	101102	AR
			-----*-----		
230	10-1072-1	..	HOUSING ASSY-EXIT SIGN SUPPLIER CODE: V72914 SPECIFICATION NUMBER: S417N505-27 ELECTRICAL EQUIP NUMBER: L00037 L00043 COMPONENT MAINT MANUAL REF: 33-51-31 ATTACHING PARTS	101102	1
- 235	NAS514P832-5	..	SCREW- POSITION DATA: LH SIDE	101102	AR
- 240	NAS514P832-5	..	SCREW- POSITION DATA: RH SIDE	101102	6
- 245	NAS1149DN816J	..	WASHER- POSITION DATA: FAR SIDE, LH SIDE	101102	AR
- 250	NAS1149DN816J	..	WASHER- POSITION DATA: FAR SIDE, RH SIDE	101102	6
- 255	MS21042L08	..	NUT- POSITION DATA: FAR SIDE, LH SIDE	101102	AR
- 260	MS21042L08	..	NUT- POSITION DATA: FAR SIDE, RH SIDE	101102	6
			-----*-----		
- 265	OL3071BPEGPL	...	LAMP-5V .06 AMP SUPPLIER CODE: VS3774 CONFIG CHG DATA FROM A CMM: SUPSDS OL3071PEPL	101102	30

MISSING ITEM NUMBERS NOT APPLICABLE

- ITEM NOT ILLUSTRATED

33-51-01-31

33-51-01
FIG. 31
PAGE 5
JAN 20/09

BRI



757

PARTS CATALOG (MAINTENANCE)

FIG ITEM	PART NUMBER	1 2 3 4 5 6 7	NOMENCLATURE	EFFECT FROM TO	UNITS PER ASSY
31 - 265	LPA010	...	LAMP- SUPPLIER CODE: V72914 OPTIONAL PART: OL3071BPEGPL VS3774	101102	30
270	BCREF5985	..	LIGHT ASSY- SUPPLIER CODE: V81590 OVERLENGTH PART NUMBER: 250-650-0994-001	101102	1
275	2100-7	..	SWITCH ASSY- SUPPLIER CODE: V91929 POSITION DATA: LH SIDE	101102	1
- 277	85	...	BULB- SUPPLIER CODE: V08805	101102	1
280	2100-11	..	GUARD- SUPPLIER CODE: V91929 POSITION DATA: LH SIDE OPTIONAL PART: AML76C10T01P V91929	101102	1
280	AML76C10T01P	..	GUARD- SUPPLIER CODE: V91929 POSITION DATA: LH SIDE OPTIONAL PART: 2100-11 V91929	101102	1
285	2100-102	..	LENS- SUPPLIER CODE: V91929 POSITION DATA: LH SIDE	101102	1
290	417N5208-1	..	WINDOW-VIEW	101102	1
295	417N5206-36C	..	FRAME-SPRT POSITION DATA: LH SIDE	101102	1
300	417N5206-28E	..	FRAME-SPRT POSITION DATA: RH SIDE	101102	1
305	417N5207-1	.	CLIP	101102	10

MISSING ITEM NUMBERS NOT APPLICABLE

- ITEM NOT ILLUSTRATED

33-51-01-31

33-51-01
FIG. 31
PAGE 6
JAN 20/09

BRI



757

PARTS CATALOG (MAINTENANCE)

FIG ITEM	PART NUMBER	1 2 3 4 5 6 7	NOMENCLATURE	EFFECT FROM TO	UNITS PER ASSY
31			ATTACHING PARTS		
- 310	NAS603-4P		.SCREW	101102	AR
- 315	NAS1149D0363J		.WASHER	101102	AR
			-----*-----		
- 500	417N5218-49SP		SIGN INSTL-BRI LIGHTED KIT	101102	RF
			FOR NHA SEE: 25-20-00-10A		
- 505	AC33A		.SIGN-EXIT SELF ILLUMINATED	101102	2
			SUPPLIER CODE: V60640		
			SPECIFICATION NUMBER: S417T507-1		
			OPTIONAL PART: 120008		
			V60640		
			CANAC33A		
			V60640		
- 510	NAS603-8P		ATTACHING PARTS .SCREW	101102	6
			-----*-----		

MISSING ITEM NUMBERS NOT APPLICABLE

- ITEM NOT ILLUSTRATED

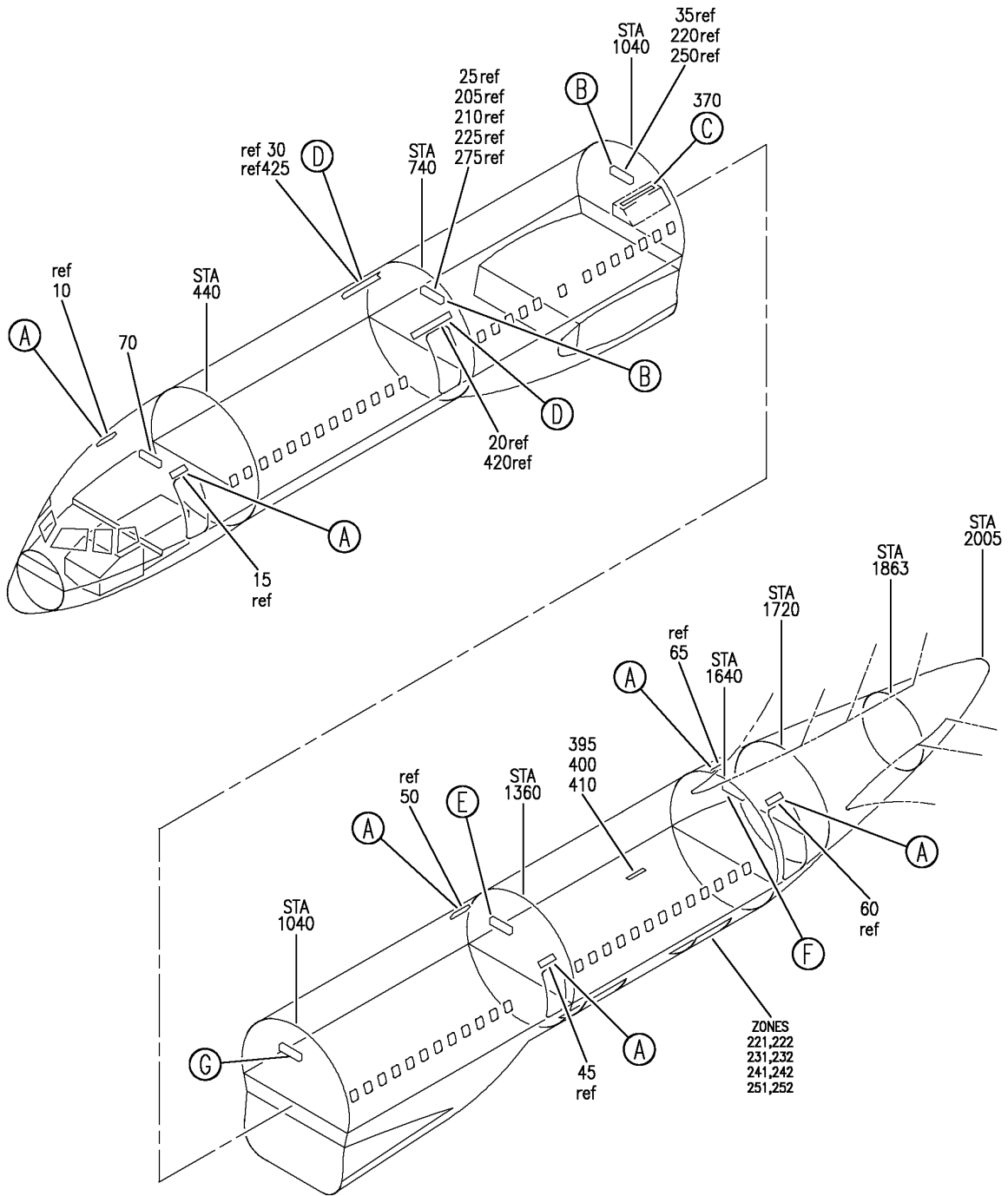
BRI

33-51-01-31

BOEING PROPRIETARY - Copyright © - Unpublished Work - See title page for details.

33-51-01
FIG. 31
PAGE 7
JAN 20/09

BOEING
757
PARTS CATALOG (MAINTENANCE)



Y 333510144 SH1 1 REV 331

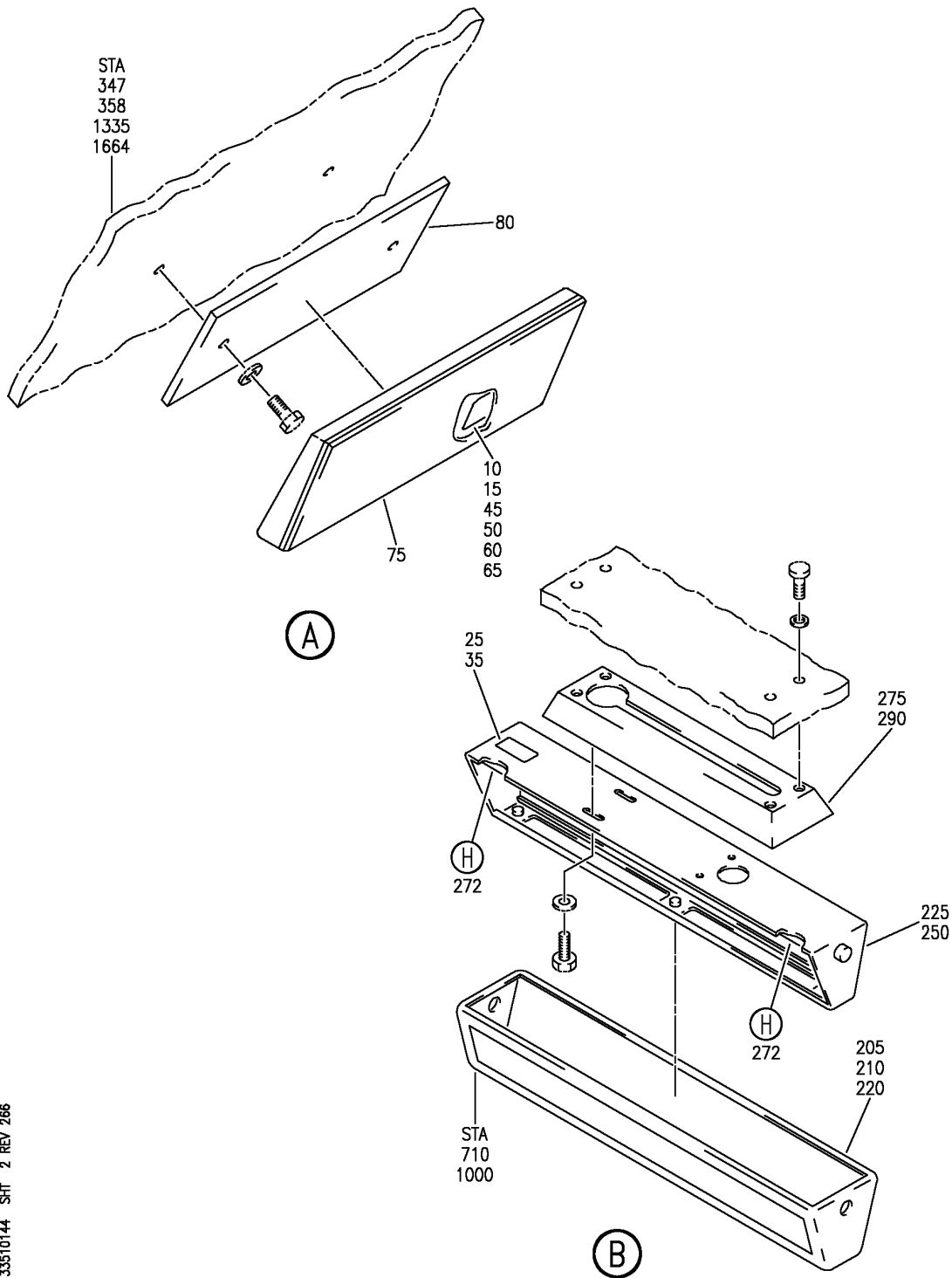
SIGN INSTL-LIGHTED
FIGURE 44 (SHEET 1)

33-51-01-44

BRI
JAN 20/09

33-51-01-44
PAGE 0

BOEING
757
PARTS CATALOG (MAINTENANCE)



Y 33510144 SH1 2 REV 266

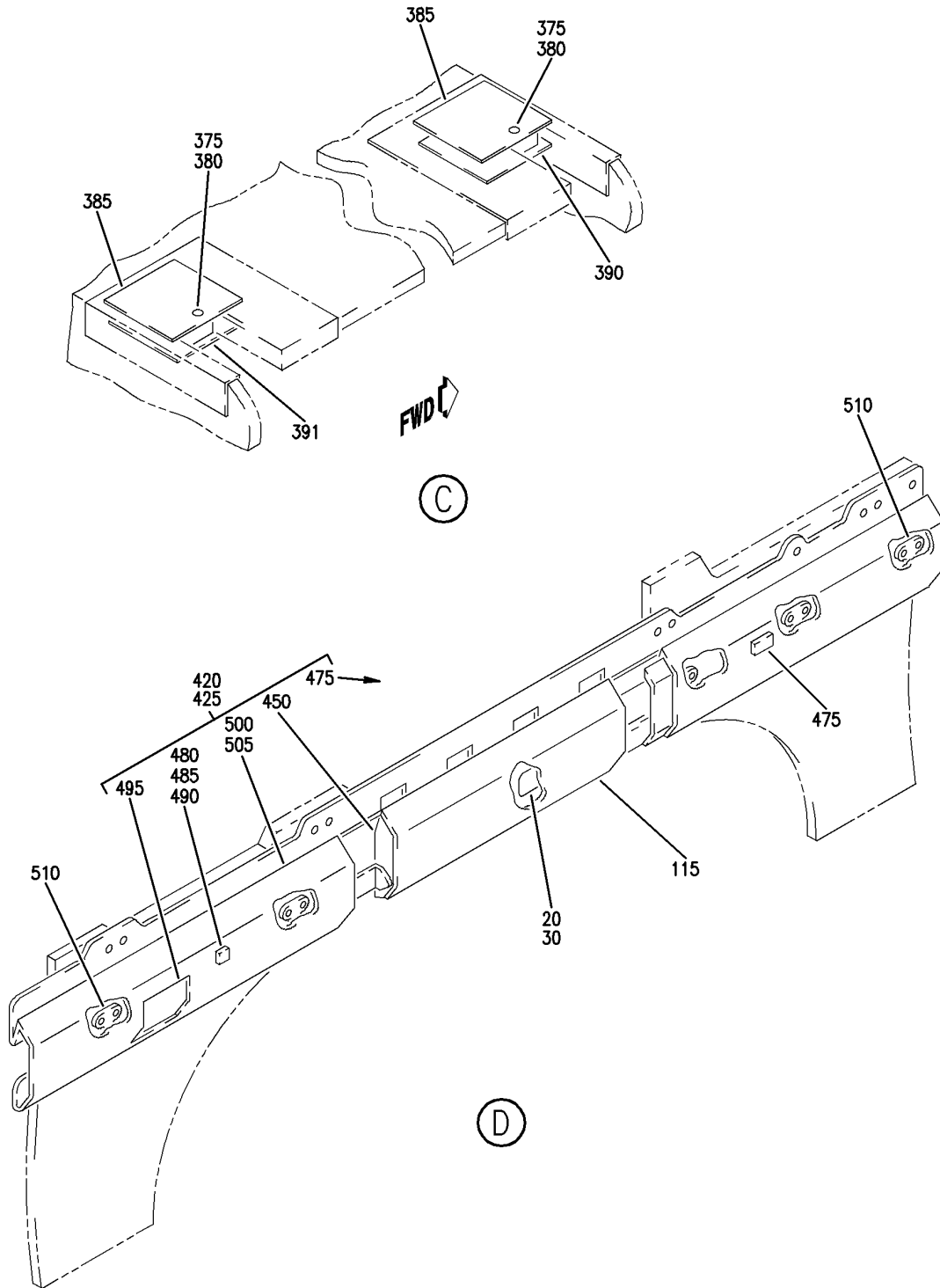
SIGN INSTL-LIGHTED
FIGURE 44 (SHEET 2)

33-51-01-44

BRI
MAY 28/07

33-51-01-44
PAGE 0A

BOEING
757
PARTS CATALOG (MAINTENANCE)



Y 33510144 SH1 3 REV 231

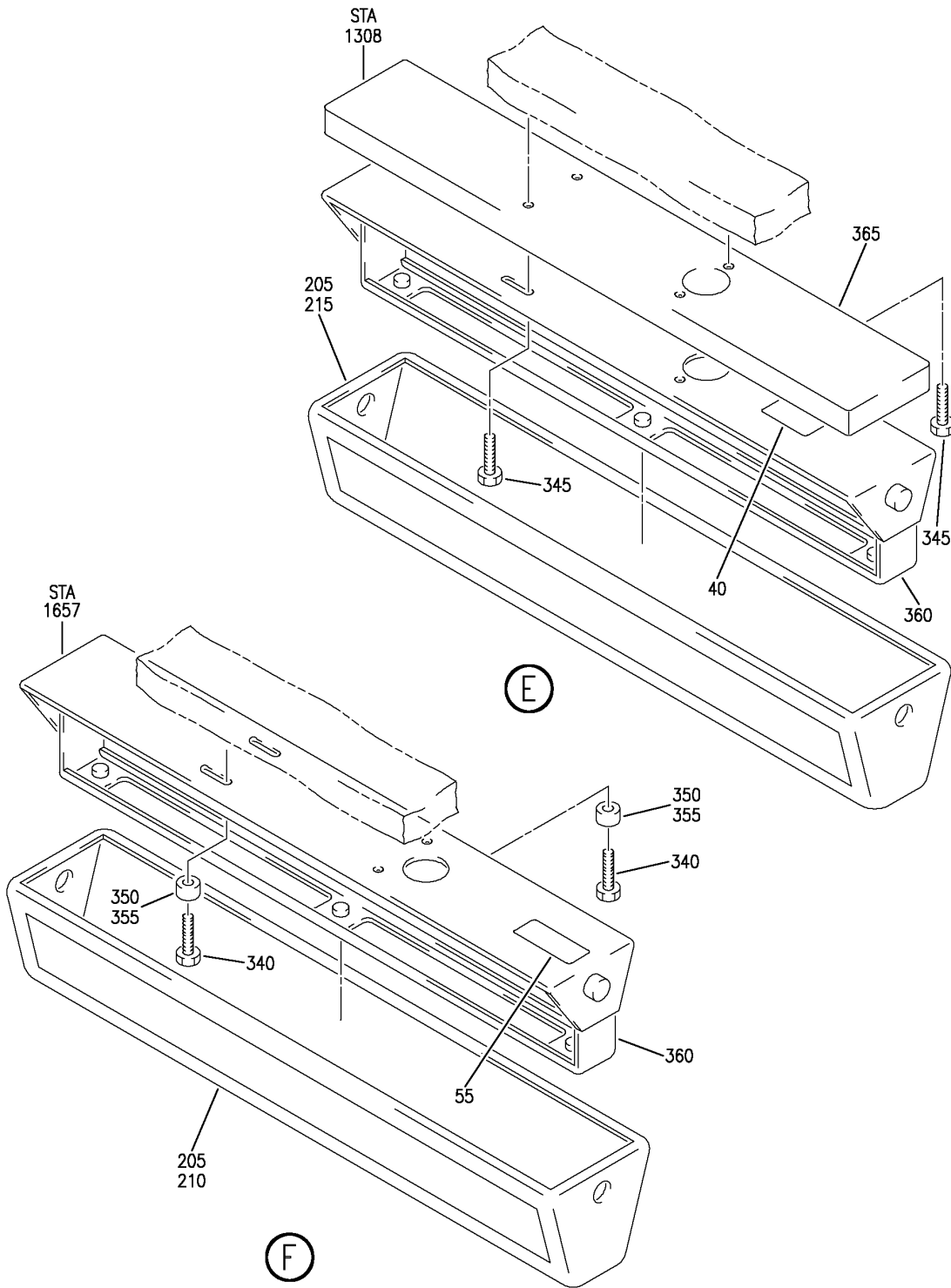
SIGN INSTL-LIGHTED
FIGURE 44 (SHEET 3)

33-51-01-44

BRI
MAY 28/07

33-51-01-44
PAGE 0B

BOEING
757
PARTS CATALOG (MAINTENANCE)



Y 33510144 SH1 4 REV 331

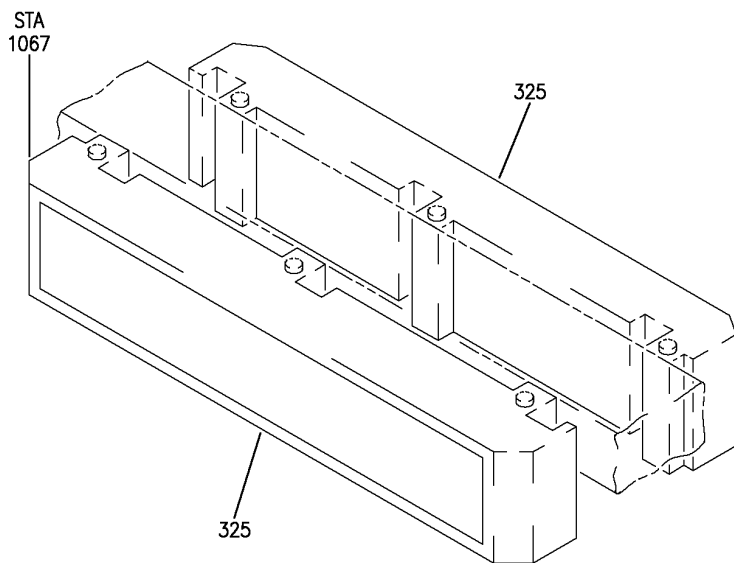
SIGN INSTL-LIGHTED
FIGURE 44 (SHEET 4)

33-51-01-44

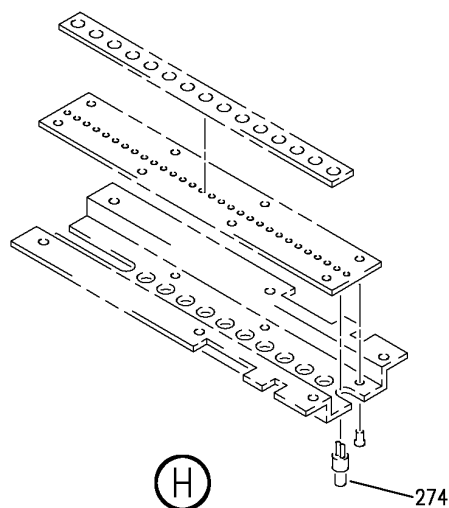
BRI
JAN 20/09

33-51-01-44
PAGE 0C

BOEING
757
PARTS CATALOG (MAINTENANCE)



(G)



(H)

Y 33510144 SHIT 5 REV 331

SIGN INSTL-LIGHTED
FIGURE 44 (SHEET 5)

33-51-01-44

BRI
JAN 20/09

33-51-01-44
PAGE 0D



757

PARTS CATALOG (MAINTENANCE)

FIG ITEM	PART NUMBER	1 2 3 4 5 6 7	NOMENCLATURE	EFFECT FROM TO	UNITS PER ASSY
44			SIGN INSTL-LIGHTED	011100	
- 1	417N5200-63		SIGN INSTL-BRI LIGHTED FOR NHA SEE: 25-20-00-01A	011100	RF
10	BAC27NPA0233		.MARKER-ALUMINUM FOIL OVERDOOR EXIT-DOOR NO. 1 POSITION DATA: RH PLACARD CONTENT: L27 EXIT SIGN	011100	1
15	BAC27NPA0238		.MARKER-ALUMINUM FOIL OVERDOOR EXIT-DOOR NO. 1 POSITION DATA: LH PLACARD CONTENT: L31 EXIT SIGN	011100	1
20	BAC27NPA0240		.MARKER-ALUMINUM FOIL PLACARD CONTENT: L43 EXIT SIGN	011100	1
25	BAC27NPA0939		.MARKER-ALUMINUM FOIL PLACARD CONTENT: M10253 EXIT SIGN/ATTENDANT CALL LIGHTS	011100	1
30	BAC27NPA0234		.MARKER-ALUMINUM FOIL PLACARD CONTENT: L37 EXIT SIGN	011100	1
35	BAC29PPS13814		.DECAL-VINYL POSITION DATA: STA 1000 PLACARD CONTENT: L809 EXIT SIGN	011100	1
40	BAC29PPS4289		.MARKER-ALUMINUM FOIL PLACARD CONTENT: M10680 EXIT SIGN	011100	1
45	BAC27NPA0241		.MARKER-ALUMINUM FOIL PLACARD CONTENT: L52 EXIT SIGN	011100	1
50	BAC27NPA0235		.MARKER-ALUMINUM FOIL PLACARD CONTENT: L49 EXIT SIGN	011100	1
55	BAC27NPA0941		.MARKER-ALUMINUM FOIL PLACARD CONTENT: M10255 EXIT SIGN/ATTENDANT CALL LIGHTS	011100	1

MISSING ITEM NUMBERS NOT APPLICABLE

- ITEM NOT ILLUSTRATED

33-51-01-44

33-51-01
FIG. 44
PAGE 1
JAN 20/09

BRI



757

PARTS CATALOG (MAINTENANCE)

FIG ITEM	PART NUMBER	1 2 3 4 5 6 7	NOMENCLATURE	EFFECT FROM TO	UNITS PER ASSY
44 60	BAC27NPA0242		.MARKER-ALUMINUM FOIL OVERDOOR EXIT-DOOR NO. 4 POSITION DATA: LH PLACARD CONTENT: L62 EXIT SIGN	011100	1
65	BAC27NPA0236		.MARKER-ALUMINUM FOIL OVERDOOR EXIT-DOOR NO. 4 POSITION DATA: RH PLACARD CONTENT: L57 EXIT SIGN	011100	1
70	10-1070-101		.LENS ASSY-INTERIOR ILLUMINATED EXIT SIGN SUPPLIER CODE: V72914 SPECIFICATION NUMBER: S417N505-1002 COMPONENT MAINT MANUAL REF: 33-51-29	011100	1
75	10-1073-101K		.LENS-EXIT SIGN SUPPLIER CODE: V72914 SPECIFICATION NUMBER: S417N505-8003K	011100	6
80	10-1073-1		.HOUSING-EXIT SIGN SUPPLIER CODE: V72914 SPECIFICATION NUMBER: S417N505-28 ELECTRICAL EQUIP NUMBER: L00027 L00031 L00049 L00052 L00062 COMPONENT MAINT MANUAL REF: 33-51-32 ATTACHING PARTS	011100	6
- 90	BACS12GU3K7		.SCREW	011100	AR
- 100	NAS1149D0316J		.WASHER	011100	AR
			-----*-----		
115	10-1072-101		.LENS-EXIT SIGN SUPPLIER CODE: V72914 SPECIFICATION NUMBER: S417N505-7003 COMPONENT MAINT MANUAL REF: 33-51-31	011100	2

MISSING ITEM NUMBERS NOT APPLICABLE

- ITEM NOT ILLUSTRATED

33-51-01-44

33-51-01
FIG. 44
PAGE 2
JAN 20/09

BRI

BOEING
757
PARTS CATALOG (MAINTENANCE)

FIG ITEM	PART NUMBER	1 2 3 4 5 6 7	NOMENCLATURE	EFFECT FROM TO	UNITS PER ASSY
44 205	10-1076-102K		.LENS-EXIT SIGN SUPPLIER CODE: V72914 SPECIFICATION NUMBER: S417N505-2002E	011100	3
220	10-1074-101K		.LENS-EXIT SIGN SUPPLIER CODE: V72914 SPECIFICATION NUMBER: S417N505-4001E	011100	1
225	10-1076-59K		.HOUSING ASSY-EXIT SIGN SUPPLIER CODE: V72914 SPECIFICATION NUMBER: S417N505-132D ELECTRICAL EQUIP NUMBER: M10253 COMPONENT MAINT MANUAL REF: 33-51-56 FOR DETAILS SEE: 33-51-01-75 ATTACHING PARTS	011100	1
- 235	BACS12GU3K7		.SCREW	011100	AR
- 245	NAS1149D0316J		.WASHER -----*-----	011100	AR
250	10-1074-52K		.HOUSING ASSY-EXIT SIGN SUPPLIER CODE: V72914 SPECIFICATION NUMBER: S417N505-145A ELECTRICAL EQUIP NUMBER: L00809 COMPONENT MAINT MANUAL REF: 33-51-33 ATTACHING PARTS	011100	1
- 255	BACS12GU3K7		.SCREW	011100	4
- 270	NAS1149D0316J		.WASHER -----*-----	011100	AR
272	11-4664-1		..LAMP ASSY- SUPPLIER CODE: V72914	011100	2
274	OL3071BPEGPL		...LAMP-5V .06 AMP SUPPLIER CODE: VS3774 MISCELLANEOUS DATA: GRIMES PART NO. LP101	011100	15

MISSING ITEM NUMBERS NOT APPLICABLE

- ITEM NOT ILLUSTRATED

33-51-01-44

33-51-01
FIG. 44
PAGE 3
JAN 20/09

BRI

BOEING PROPRIETARY - Copyright © - Unpublished Work - See title page for details.



757

PARTS CATALOG (MAINTENANCE)

FIG ITEM	PART NUMBER	1 2 3 4 5 6 7	NOMENCLATURE	EFFECT FROM TO	UNITS PER ASSY
44 274	LPA010		...LAMP- SUPPLIER CODE: V72914 OPTIONAL PART: OL3071BPEGPL VS3774	011100	15
290	65C32144-13SP		.SPACER ASSY ATTACHING PARTS	011100	2
- 310	NAS1801-3-12		.SCREW	011100	AR
- 320	NAS1149D0316J		.WASHER -----*-----	011100	AR
340	BACS12GU3K7		.SCREW	011100	AR
345	BACS12GUK22		.SCREW	011100	4
350	NAS43DD3-8FC		.SPACER	011100	4
360	10-1076-55K		.HOUSING ASSY-EXIT SIGN SUPPLIER CODE: V72914 SPECIFICATION NUMBER: S417N505-124E ELECTRICAL EQUIP NUMBER: M10255 M10680 COMPONENT MAINT MANUAL REF: 33-51-56 FOR DETAILS SEE: 33-51-01-75	011100	2
365	65C32144-17SP		.SPACER ASSY	011100	1
370	412N1160-1		.STOP INSTL-STOWAGE COMPT DOOR	011100	1
375	NAS603-12P		..SCREW	011100	2
380	AN960PD10L		..WASHER	011100	2
385	412N1145-106		..BRACKET ASSY- QUALIFIED OPTIONAL DATA: 412N1145-106 OPTIONAL TO 412N1145-76 TOGETHER WITH THE 412N1145-77 AND 412N1145-78	011100	2
385	412N1145-76		..BRACKET ASSY- QUALIFIED OPTIONAL DATA: 412N1145-106 OPTIONAL TO 412N1145-76 TOGETHER WITH THE 412N1145-77 AND 412N1145-78	011100	2
390	412N1145-77		..BRACKET ASSY- QUALIFIED OPTIONAL DATA: 412N1145-106 OPTIONAL TO 412N1145-76 TOGETHER WITH THE 412N1145-77 AND 412N1145-78	011100	1

MISSING ITEM NUMBERS NOT APPLICABLE

- ITEM NOT ILLUSTRATED

33-51-01-44

33-51-01
FIG. 44
PAGE 4
JAN 20/09

BRI



757

PARTS CATALOG (MAINTENANCE)

FIG ITEM	PART NUMBER	1 2 3 4 5 6 7	NOMENCLATURE	EFFECT FROM TO	UNITS PER ASSY
44 391	412N1145-78	..	BRACKET ASSY- QUALIFIED OPTIONAL DATA: 412N1145-106 OPTIONAL TO 412N1145-76 TOGETHER WITH THE 412N1145-77 AND 412N1145-78	011100	1
395	417N5215-3	.I	INVERTER INSTL- FOR DETAILS SEE: 33-52-00-22	011100	1
400	417N5216-9	.L	LIGHTING INSTL- FOR DETAILS SEE: 33-52-00-23	011100	1
420	417N5205-42SP	.S	SIGN ASSY-EXIT DOOR NO. 2 POSITION DATA: LH ELECTRICAL EQUIP NUMBER: L00043	011100	1
425	417N5205-33B	.S	SIGN ASSY-EXIT DOOR NO. 2 POSITION DATA: RH ELECTRICAL EQUIP NUMBER: L00037	011100	1
- 435	NAS603-4P	.S	ATTACHING PARTS SCREW	011100	AR
- 445	NAS1149D0363J	.W	WASHER	011100	AR
			-----*-----		
450	10-1072-1	..	HOUSING ASSY-EXIT SIGN SUPPLIER CODE: V72914 SPECIFICATION NUMBER: S417N505-27 COMPONENT MAINT MANUAL REF: 33-51-31 ATTACHING PARTS	011100	1
- 455	NAS514P832-5	..	SCREW	011100	6
- 460	NAS1149DN816J	..	WASHER	011100	6
- 465	MS21042L08	..	NUT	011100	6
			-----*-----		
- 470	OL3071BPEGPL	...	LAMP-5V .06 AMP SUPPLIER CODE: VS3774 CONFIG CHG DATA FROM A CMM: SUPSDS OL3071PEPL	011100	30

MISSING ITEM NUMBERS NOT APPLICABLE

- ITEM NOT ILLUSTRATED

33-51-01-44

33-51-01
FIG. 44
PAGE 5
JAN 20/09

BRI



757

PARTS CATALOG (MAINTENANCE)

FIG ITEM	PART NUMBER	1 2 3 4 5 6 7	NOMENCLATURE	EFFECT FROM TO	UNITS PER ASSY
44 - 470	LPA010	...	LAMP- SUPPLIER CODE: V72914 OPTIONAL PART: OL3071BPEGPL VS3774	011100	30
475	BCREF5985	..	LIGHT ASSY- SUPPLIER CODE: V81590 OVERLENGTH PART NUMBER: 250-650-0994-001	011100	1
480	2100-7	..	SWITCH ASSY- SUPPLIER CODE: V91929 POSITION DATA: LH SIDE	011100	1
- 483	85	...	BULB- SUPPLIER CODE: V08805	011100	1
485	2100-11	..	GUARD- SUPPLIER CODE: V91929 POSITION DATA: LH SIDE OPTIONAL PART: AML76C10T01P V91929	011100	1
485	AML76C10T01P	..	GUARD- SUPPLIER CODE: V91929 POSITION DATA: LH SIDE OPTIONAL PART: 2100-11 V91929	011100	1
490	2100-102	..	LENS- SUPPLIER CODE: V91929 POSITION DATA: LH SIDE	011100	1
495	417N5208-1	..	WINDOW-VIEW	011100	1
500	417N5206-36SP	..	FRAME-SPRT POSITION DATA: LH SIDE	011100	1
505	417N5206-28B	..	FRAME-SPRT POSITION DATA: RH SIDE	011100	1
510	417N5207-1	.	CLIP	011100	10

MISSING ITEM NUMBERS NOT APPLICABLE

- ITEM NOT ILLUSTRATED

33-51-01-44

33-51-01
FIG. 44
PAGE 6
JAN 20/09

BRI



**757
PARTS CATALOG (MAINTENANCE)**

FIG ITEM	PART NUMBER	1 2 3 4 5 6 7 NOMENCLATURE	EFFECT FROM TO	UNITS PER ASSY
44 - 520 - 530	NAS603-4P NAS1149D0363J	ATTACHING PARTS .SCREW .WASHER -----*-----	011100 011100	AR AR

MISSING ITEM NUMBERS NOT APPLICABLE

- ITEM NOT ILLUSTRATED

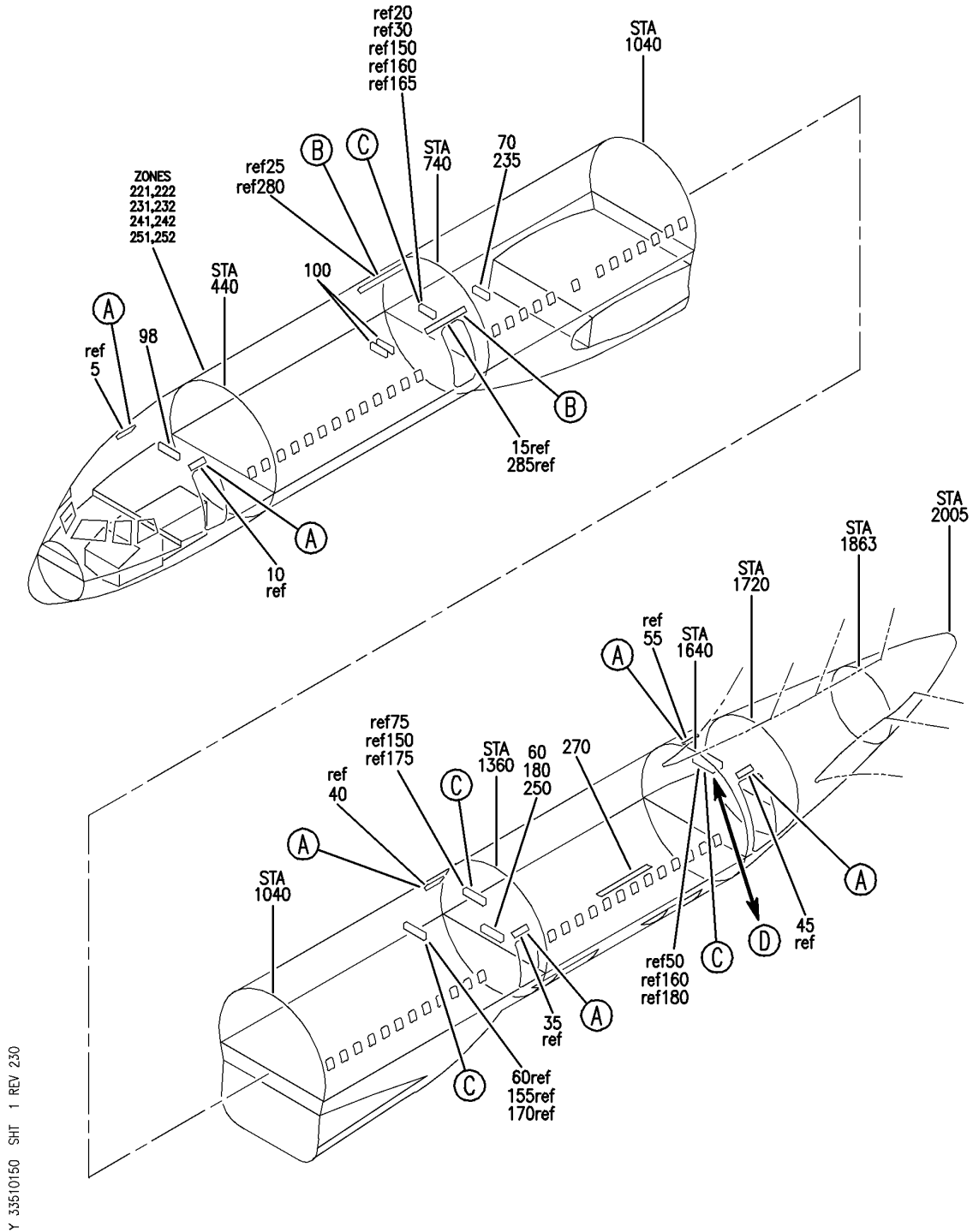
BRI

33-51-01-44

BOEING PROPRIETARY - Copyright © - Unpublished Work - See title page for details.

33-51-01
FIG. 44
PAGE 7
JAN 20/09

BOEING
757
PARTS CATALOG (MAINTENANCE)



Y 33510150 SH1 1 REV 230

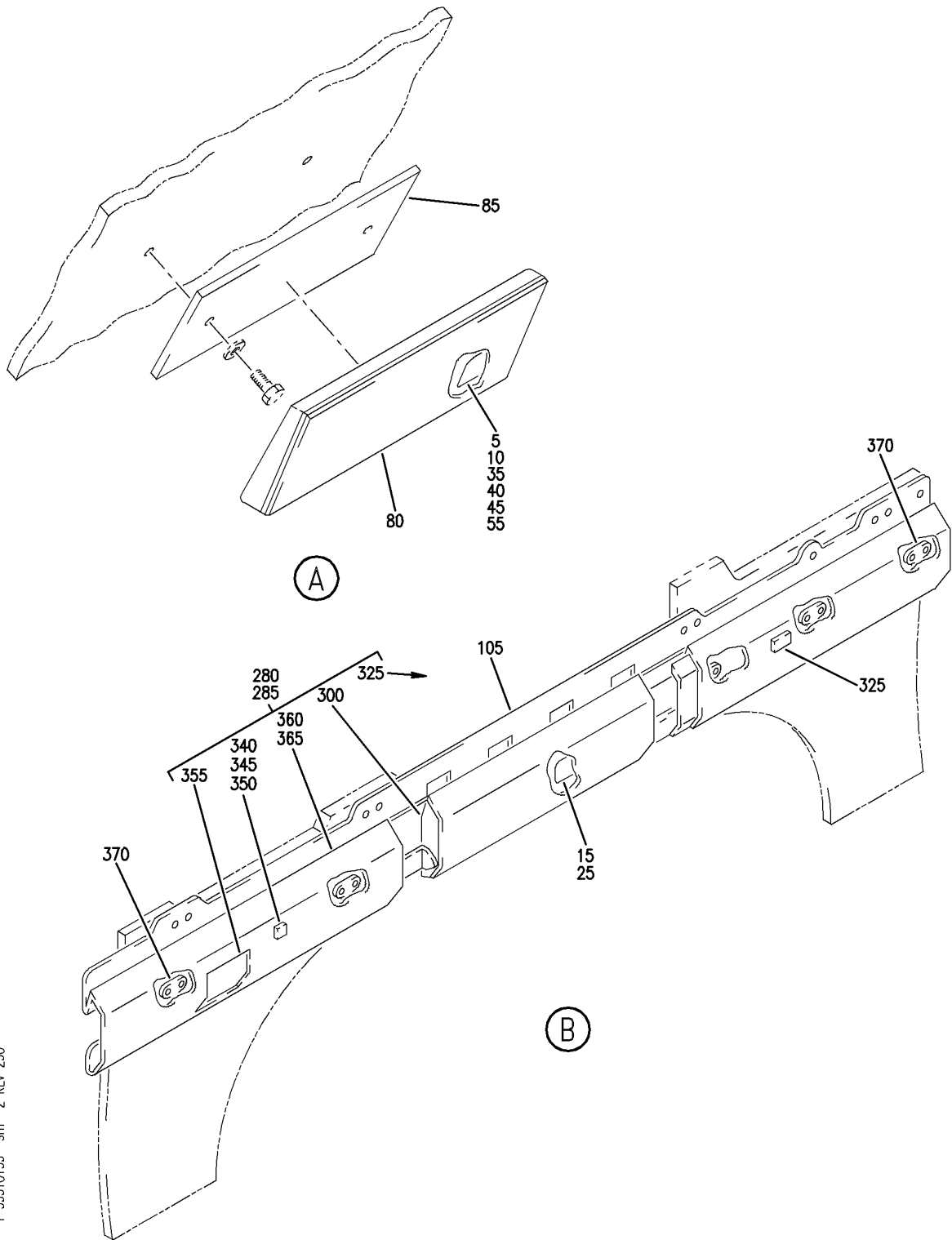
SIGN INSTL-LIGHTED
FIGURE 50 (SHEET 1)

33-51-01-50

BRI
JAN 20/09

33-51-01-50
PAGE 0

BOEING
757
PARTS CATALOG (MAINTENANCE)



Y 33510133 SH1 2 REV 230

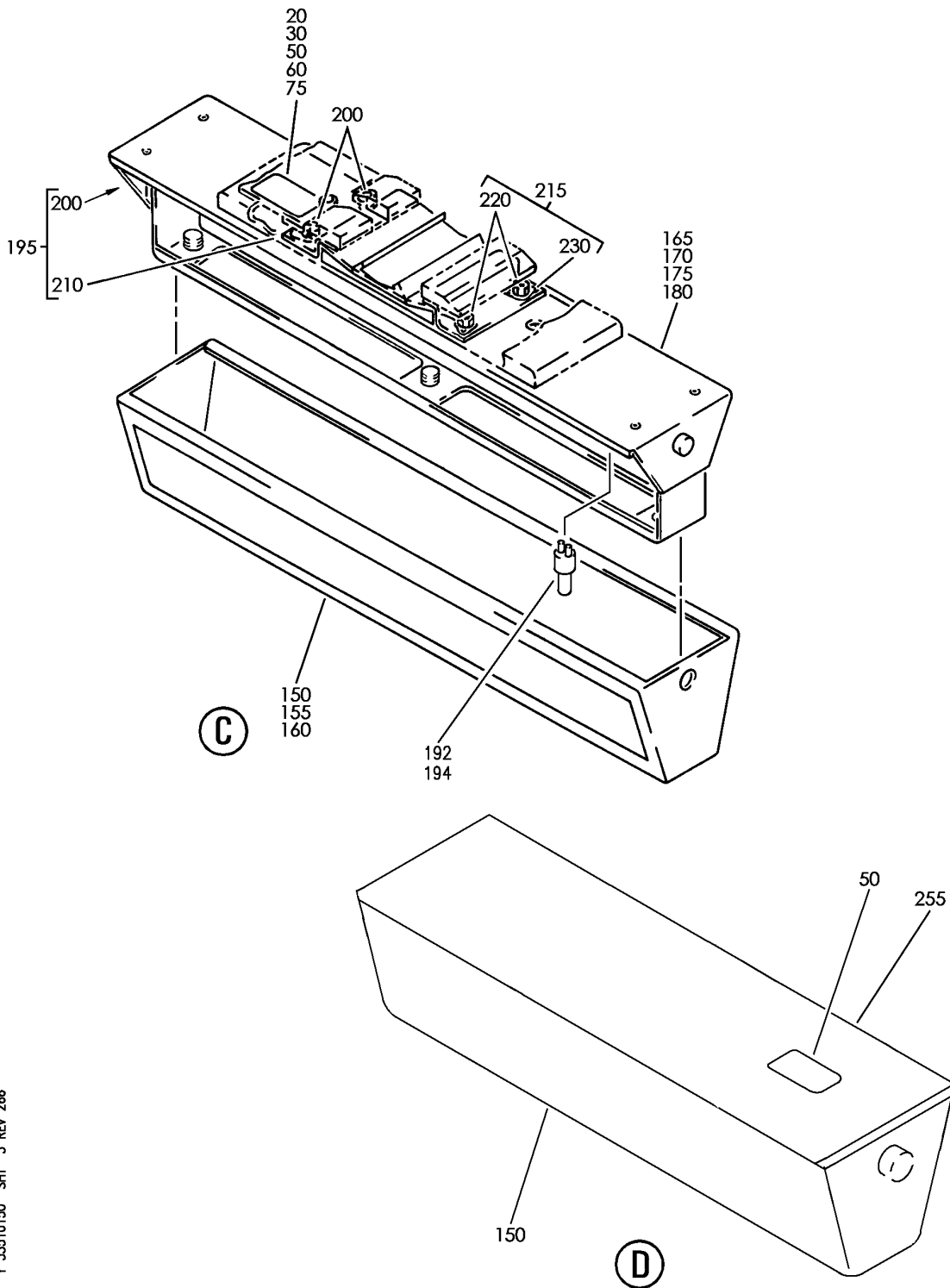
SIGN INSTL-LIGHTED
FIGURE 50 (SHEET 2)

33-51-01-50

BRI
JAN 20/09

33-51-01-50
PAGE 0A

BOEING
757
PARTS CATALOG (MAINTENANCE)



Y 33510150 SH1 3 REV 266

SIGN INSTL-LIGHTED
FIGURE 50 (SHEET 3)

33-51-01-50

BRI
JAN 20/09

33-51-01-50
PAGE 0B



757

PARTS CATALOG (MAINTENANCE)

FIG ITEM	PART NUMBER	1 2 3 4 5 6 7	NOMENCLATURE	EFFECT FROM TO	UNITS PER ASSY
50			SIGN INSTL-LIGHTED	952999	
- 1	417N5200-42		SIGN INSTL-GUN LIGHTED FOR NHA SEE: 25-20-00-01A	952999	RF
5	BAC27NPA0233		.MARKER-ALUMINUM FOIL OVERDOOR EXIT-DOOR NO. 1 POSITION DATA: RH PLACARD CONTENT: L27 EXIT SIGN	952999	1
10	BAC27NPA0238		.MARKER-ALUMINUM FOIL OVERDOOR EXIT-DOOR NO. 1 POSITION DATA: LH PLACARD CONTENT: L31 EXIT SIGN	952999	1
15	BAC27NPA0240		.MARKER-ALUMINUM FOIL OVERDOOR EXIT-DOOR NO. 2 POSITION DATA: LH PLACARD CONTENT: L43 EXIT SIGN	952999	1
25	BAC27NPA0234		.MARKER-ALUMINUM FOIL OVERDOOR EXIT-DOOR NO. 2 POSITION DATA: RH PLACARD CONTENT: L37 EXIT SIGN	952999	1
30	BAC27NPA0244		.MARKER-ALUMINUM FOIL PLACARD CONTENT: L36 EXIT SIGN/ATTENDANT CALL LIGHTS	952999	1
35	BAC27NPA0241		.MARKER-ALUMINUM FOIL PLACARD CONTENT: L52 EXIT SIGN	952999	1
40	BAC27NPA0235		.MARKER-ALUMINUM FOIL PLACARD CONTENT: L49 EXIT SIGN	952999	1
45	BAC27NPA0242		.MARKER-ALUMINUM FOIL OVERDOOR EXIT-DOOR NO. 4 POSITION DATA: LH PLACARD CONTENT: L62 EXIT SIGN	952999	1
50	BAC27NPA0941		.MARKER-ALUMINUM FOIL PLACARD CONTENT: M10255 EXIT SIGN/ ATTENDANT CALL LIGHTS	952999	1

MISSING ITEM NUMBERS NOT APPLICABLE

- ITEM NOT ILLUSTRATED

33-51-01-50

33-51-01
FIG. 50
PAGE 1
JAN 20/09

BRI

 **BOEING**
757
PARTS CATALOG (MAINTENANCE)

FIG ITEM	PART NUMBER	1 2 3 4 5 6 7	NOMENCLATURE	EFFECT FROM TO	UNITS PER ASSY
50					
55	BAC27NPA0236		.MARKER-ALUMINUM FOIL OVERDOOR EXIT-DOOR NO. 4 POSITION DATA: RH PLACARD CONTENT: L57 EXIT SIGN	952999	1
60	BAC29PPS4289		.MARKER-ALUMINUM FOIL POSITION DATA: STA 1308 PLACARD CONTENT: M10680 EXIT SIGN	952999	1
75	BAC27NPA0940		.MARKER-ALUMINUM FOIL PLACARD CONTENT: M10254 EXIT SIGN/ATTENDENT CALL LIGHTS	952999	1
80	10-1073-101K		.LENS-EXIT SIGN SUPPLIER CODE: V72914 SPECIFICATION NUMBER: S417N505-8003K	952999	6
85	10-1073-1		.HOUSING-EXIT SIGN SUPPLIER CODE: V72914 SPECIFICATION NUMBER: S417N505-28 ELECTRICAL EQUIP NUMBER: L00027 L00031 L00049 L00052 L00057 L00062 COMPONENT MAINT MANUAL REF: 33-51-32 ATTACHING PARTS	952999	6
- 90	NAS1801-3-7		.SCREW	952999	12
- 95	AN960JD10LL		.WASHER	952999	12
			-----*-----		
98	10-1070-117		.LENS ASSY-INTERIOR ILLUMINATED EXIT SIGN SUPPLIER CODE: V72914 SPECIFICATION NUMBER: S417N505-1017 COMPONENT MAINT MANUAL REF: 33-51-29	952999	1

MISSING ITEM NUMBERS NOT APPLICABLE

- ITEM NOT ILLUSTRATED

BRI

33-51-01-50

BOEING PROPRIETARY - Copyright © - Unpublished Work - See title page for details.

33-51-01
FIG. 50
PAGE 2
JAN 20/09



757

PARTS CATALOG (MAINTENANCE)

FIG ITEM	PART NUMBER	1 2 3 4 5 6 7	NOMENCLATURE	EFFECT FROM TO	UNITS PER ASSY
50 105	10-1072-101		.LENS-EXIT SIGN SUPPLIER CODE: V72914 SPECIFICATION NUMBER: S417N505-7003 ELECTRICAL EQUIP NUMBER: L00037 L00043 COMPONENT MAINT MANUAL REF: 33-51-31	952999	2
150	10-1076-102K		.LENS-EXIT SIGN SUPPLIER CODE: V72914 SPECIFICATION NUMBER: S417N505-2002E	952999	3
155	10-1074-101K		.LENS-EXIT SIGN SUPPLIER CODE: V72914 SPECIFICATION NUMBER: S417N505-4001E	952999	1
165	10-1076-51K		.HOUSING ASSY-EXIT SIGN SUPPLIER CODE: V72914 SPECIFICATION NUMBER: S417N505-122E ELECTRICAL EQUIP NUMBER: M10253 COMPONENT MAINT MANUAL REF: 33-51-56 FOR DETAILS SEE: 33-51-01-75	952999	1
170	10-1074-51K		.HOUSING ASSY-EXIT SIGN SUPPLIER CODE: V72914 SPECIFICATION NUMBER: S417N505-125E ELECTRICAL EQUIP NUMBER: L00048 COMPONENT MAINT MANUAL REF: 33-51-33	952999	1

MISSING ITEM NUMBERS NOT APPLICABLE

- ITEM NOT ILLUSTRATED

33-51-01-50

33-51-01
FIG. 50
PAGE 3
JAN 20/09

BRI



757

PARTS CATALOG (MAINTENANCE)

FIG ITEM	PART NUMBER	1 2 3 4 5 6 7	NOMENCLATURE	EFFECT FROM TO	UNITS PER ASSY
50 175	10-1076-53K		.HOUSING ASSY-EXIT SIGN SUPPLIER CODE: V72914 SPECIFICATION NUMBER: S417N505-123E ELECTRICAL EQUIP NUMBER: M10254 COMPONENT MAINT MANUAL REF: 33-51-56 FOR DETAILS SEE: 33-51-01-75 ATTACHING PARTS	952999	1
- 185	NAS1801-3-8		.SCREW	952999	16
- 190	NAS43DD3-9		.SPACER	952999	16
			-----*-----		
192	11-4664-1		..LAMP ASSY- SUPPLIER CODE: V72914 USED ON: 10-1074-51K	952999	2
194	OL3071BPEGPL		...LAMP-5V .06 AMP SUPPLIER CODE: VS3774 MISCELLANEOUS DATA: GRIMES PART NO. LP101	952999	15
194	LPA010		...LAMP- SUPPLIER CODE: V72914 OPTIONAL PART: OL3071BPEGPL VS3774	952999	15
195	417N5203-10		.BRACKET ASSY	952999	4
200	T8076S1032		..NUTPLATE SUPPLIER CODE: V11815 SPECIFICATION NUMBER: BACN10JP3A OPTIONAL PART: MK1000-3BAC V15653 NS103197-02 V80539 RMA9201M3 V72962 VN202A1-02 V92215 BRM200A3 V52828	952999	2

MISSING ITEM NUMBERS NOT APPLICABLE

- ITEM NOT ILLUSTRATED

33-51-01-50

33-51-01
FIG. 50
PAGE 4
JAN 20/09

BRI



757

PARTS CATALOG (MAINTENANCE)

FIG ITEM	PART NUMBER	1 2 3 4 5 6 7	NOMENCLATURE	EFFECT FROM TO	UNITS PER ASSY
50			ATTACHING PARTS		
- 205	BACR15CE3M	..	RIVET -----*-----	952999	2
210	417N5203-7	..	BRACKET	952999	1
215	417N5203-11	.B	BRACKET ASSY	952999	4
220	T8076S1032	..	NUTPLATE SUPPLIER CODE: V11815 SPECIFICATION NUMBER: BACN10JP3A OPTIONAL PART: MK1000-3BAC V15653 NS103197-02 V80539 RMA9201M3 V72962 VN202A1-02 V92215 BRM200A3 V52828	952999	2
- 225	BACR15CE3M	..	RIVET -----*-----	952999	2
230	417N5203-8	..	BRACKET	952999	1
255	10-1076-55K	.H	HOUSING ASSY-EXIT SIGN SUPPLIER CODE: V72914 SPECIFICATION NUMBER: S417N505-124E ELECTRICAL EQUIP NUMBER: M10680 M10255 COMPONENT MAINT MANUAL REF: 33-51-56 FOR DETAILS SEE: 33-51-01-75	952999	1
- 260	NAS1801-3-7	.S	SCREW	952999	4
- 265	NAS43DD3-8	.S	SPACER	952999	4
270	417N5210-51	.L	LIGHTING INSTL-EMER FLOOR PROXIMITY FOR DETAILS SEE: 33-52-00-02 33-52-20-02	952999	1
280	417N5205-33B	.S	SIGN ASSY-EXIT POSITION DATA: DOOR NO. 2	952999	1

MISSING ITEM NUMBERS NOT APPLICABLE

- ITEM NOT ILLUSTRATED

33-51-01-50

33-51-01
FIG. 50
PAGE 5
JAN 20/09

BRI



757

PARTS CATALOG (MAINTENANCE)

FIG ITEM	PART NUMBER	1 2 3 4 5 6 7	NOMENCLATURE	EFFECT FROM TO	UNITS PER ASSY
50 285	417N5205-34C	.	SIGN ASSY-EXIT POSITION DATA: DOOR NO. 2 ATTACHING PARTS	952999	1
- 290	NAS603-4P	.	SCREW	952999	10
- 295	NAS1149D0363J	.	WASHER	952999	10
			-----*-----		
300	10-1072-1	..	HOUSING ASSY-EXIT SIGN SUPPLIER CODE: V72914 SPECIFICATION NUMBER: S417N505-27 ELECTRICAL EQUIP NUMBER: L00037 L00043 COMPONENT MAINT MANUAL REF: 33-51-31 ATTACHING PARTS	952999	1
- 305	NAS514P832-5	..	SCREW	952999	6
- 310	NAS1149DN816J	..	WASHER	952999	6
- 315	MS21042L08	..	NUT	952999	6
			-----*-----		
- 320	OL3071BPEGPL	...	LAMP-5V .06 AMP SUPPLIER CODE: VS3774 CONFIG CHG DATA FROM A CMM: SUPSDS OL3071PEPL	952999	30
- 320	LPA010	...	LAMP- SUPPLIER CODE: V72914 OPTIONAL PART: OL3071BPEGPL VS3774	952999	30
325	BCREF5985	..	LIGHT ASSY- SUPPLIER CODE: V81590 OVERLENGTH PART NUMBER: 250-650-0994-001	952999	1
340	2100-7	..	SWITCH ASSY- SUPPLIER CODE: V91929 POSITION DATA: LH SIDE	952999	1
- 343	85	...	BULB- SUPPLIER CODE: V08805	952999	1

MISSING ITEM NUMBERS NOT APPLICABLE

- ITEM NOT ILLUSTRATED

33-51-01-50

33-51-01
FIG. 50
PAGE 6
JAN 20/09

BRI



757

PARTS CATALOG (MAINTENANCE)

FIG ITEM	PART NUMBER	1 2 3 4 5 6 7	NOMENCLATURE	EFFECT FROM TO	UNITS PER ASSY
50					
345	2100-11		.. GUARD- SUPPLIER CODE: V91929 POSITION DATA: LH SIDE OPTIONAL PART: AML76C10T01P V91929	952999	1
345	AML76C10T01P		.. GUARD- SUPPLIER CODE: V91929 POSITION DATA: LH SIDE OPTIONAL PART: 2100-11 V91929	952999	1
350	2100-102		.. LENS- SUPPLIER CODE: V91929 POSITION DATA: LH SIDE	952999	1
355	417N5208-1		.. WINDOW-VIEW	952999	1
360	417N5206-28B		.. FRAME-SPRT POSITION DATA: LH SIDE	952999	1
365	417N5206-29C		.. FRAME-SPRT POSITION DATA: RH SIDE	952999	1
370	417N5207-1		. CLIP ATTACHING PARTS	952999	10
- 375	NAS603-4P		. SCREW	952999	20
- 380	NAS1149D0363J		. WASHER	952999	20
			-----*-----		

MISSING ITEM NUMBERS NOT APPLICABLE

- ITEM NOT ILLUSTRATED

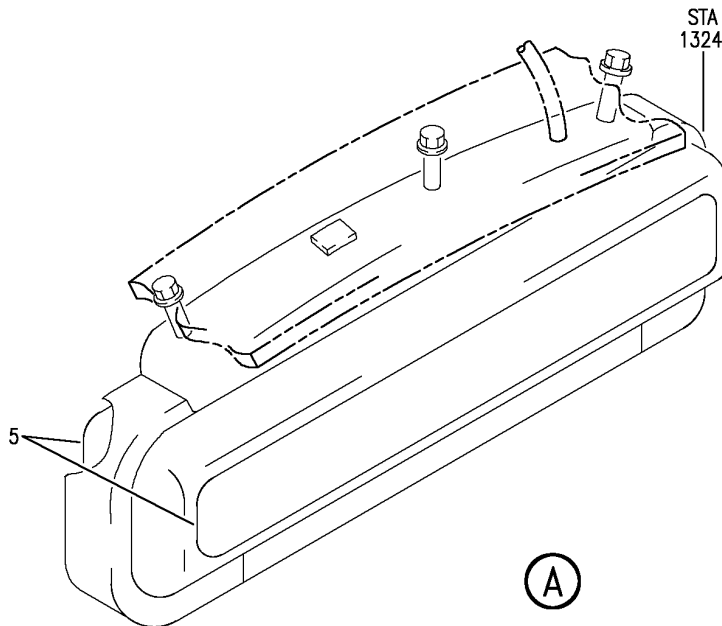
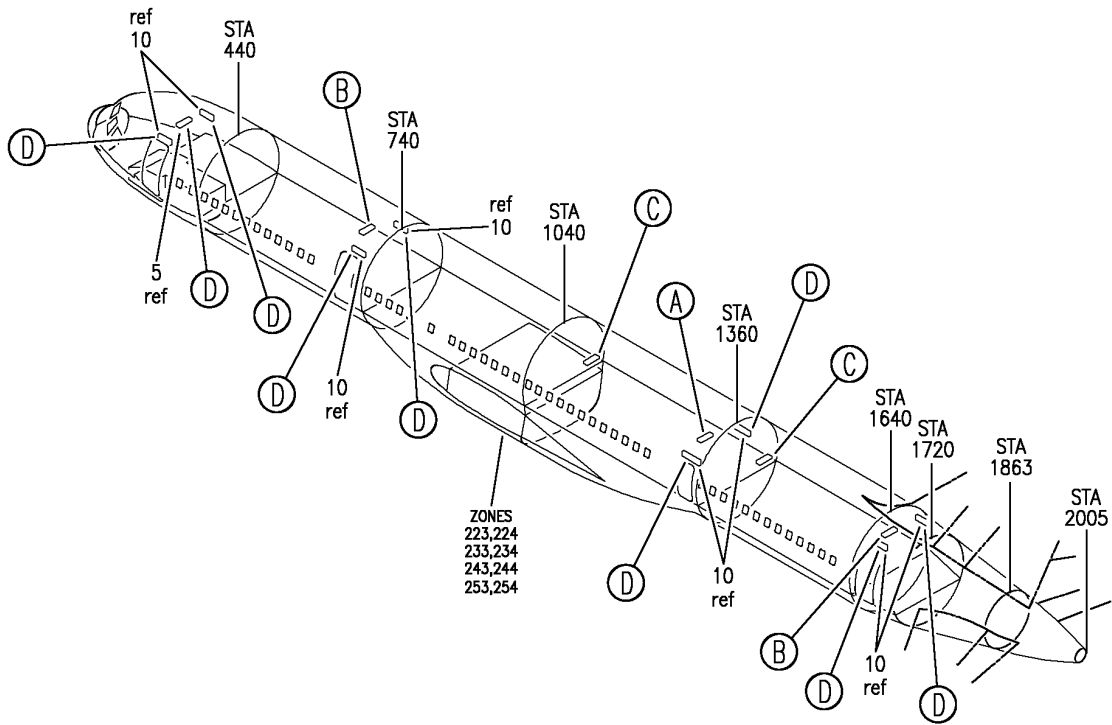
33-51-01-50

33-51-01
FIG. 50
PAGE 7
JAN 20/09

BRI

BOEING PROPRIETARY - Copyright © - Unpublished Work - See title page for details.

BOEING
757
PARTS CATALOG (MAINTENANCE)



Y 33510150C SHT 1 REV 257

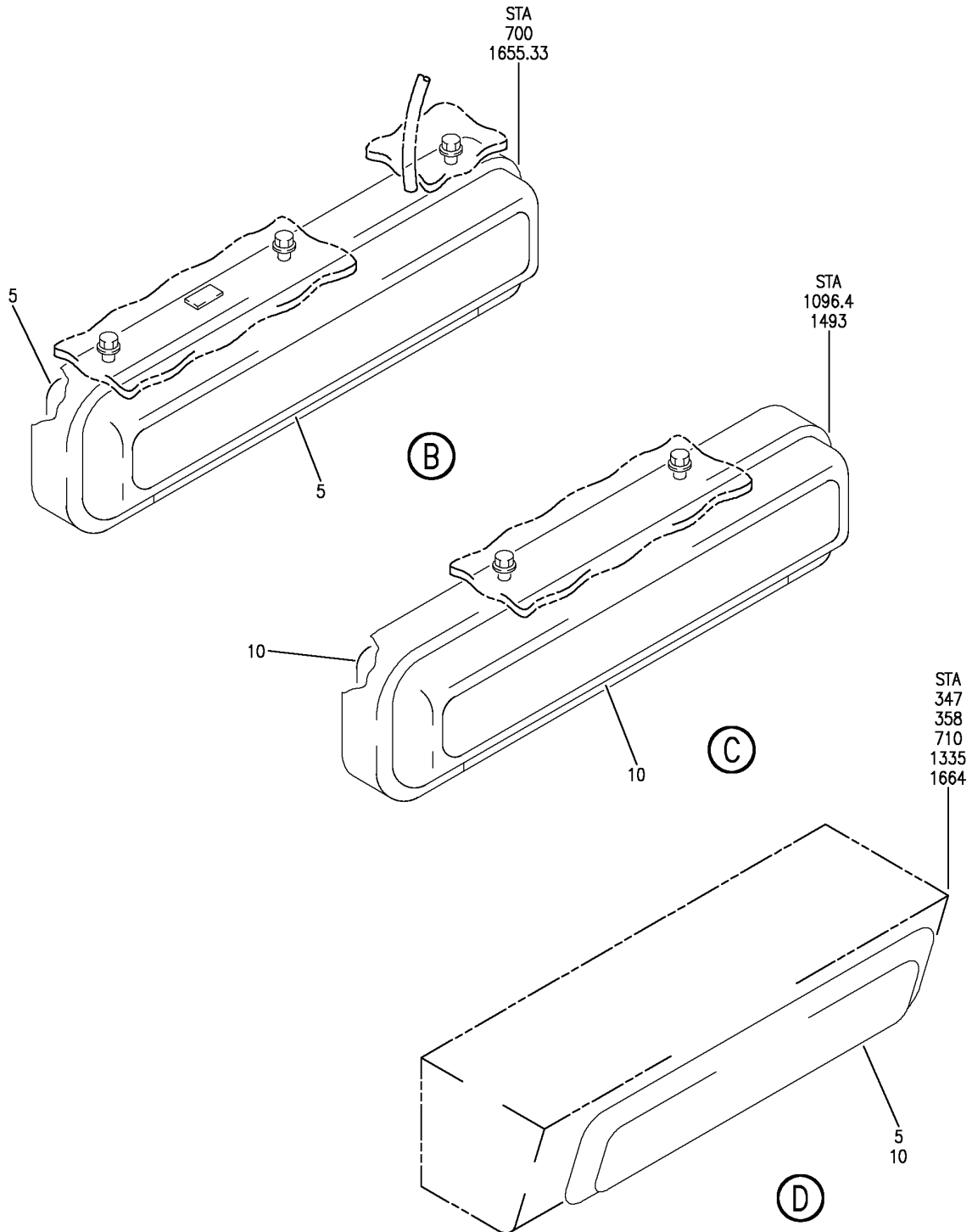
SIGN INSTL-LIGHTED
FIGURE 50C (SHEET 1)

33-51-01-50C

BRI
JAN 20/09

33-51-01-50C
PAGE 0

BOEING
757
PARTS CATALOG (MAINTENANCE)



Y 33510150C SHT 2 REV 257

SIGN INSTL-LIGHTED
FIGURE 50C (SHEET 2)

33-51-01-50C

BRI
JAN 20/09

33-51-01-50C
PAGE 0A

BOEING PROPRIETARY - Copyright © - Unpublished Work - See title page for details.



757

PARTS CATALOG (MAINTENANCE)

FIG ITEM	PART NUMBER	1 2 3 4 5 6 7	NOMENCLATURE	EFFECT FROM TO	UNITS PER ASSY
50C					
- 1	MODREF31637		SIGN INSTL-LIGHTED SIGN INSTL-LIGHTED MODULE NUMBER: 417N5600-1011 REV A	103106 103106	1
5	82000-37701		.HOUSING-EXIT SIGN ENGLISH WITH ARROWS SUPPLIER CODE: VS5006 SPECIFICATION NUMBER: S479W220-1001	103106	7
10	82000-37702		.LENS-EXIT SIGN ENGLISH WITH NO ARROWS SUPPLIER CODE: VS5006 SPECIFICATION NUMBER: S479W220-1002	103106	12

MISSING ITEM NUMBERS NOT APPLICABLE

- ITEM NOT ILLUSTRATED

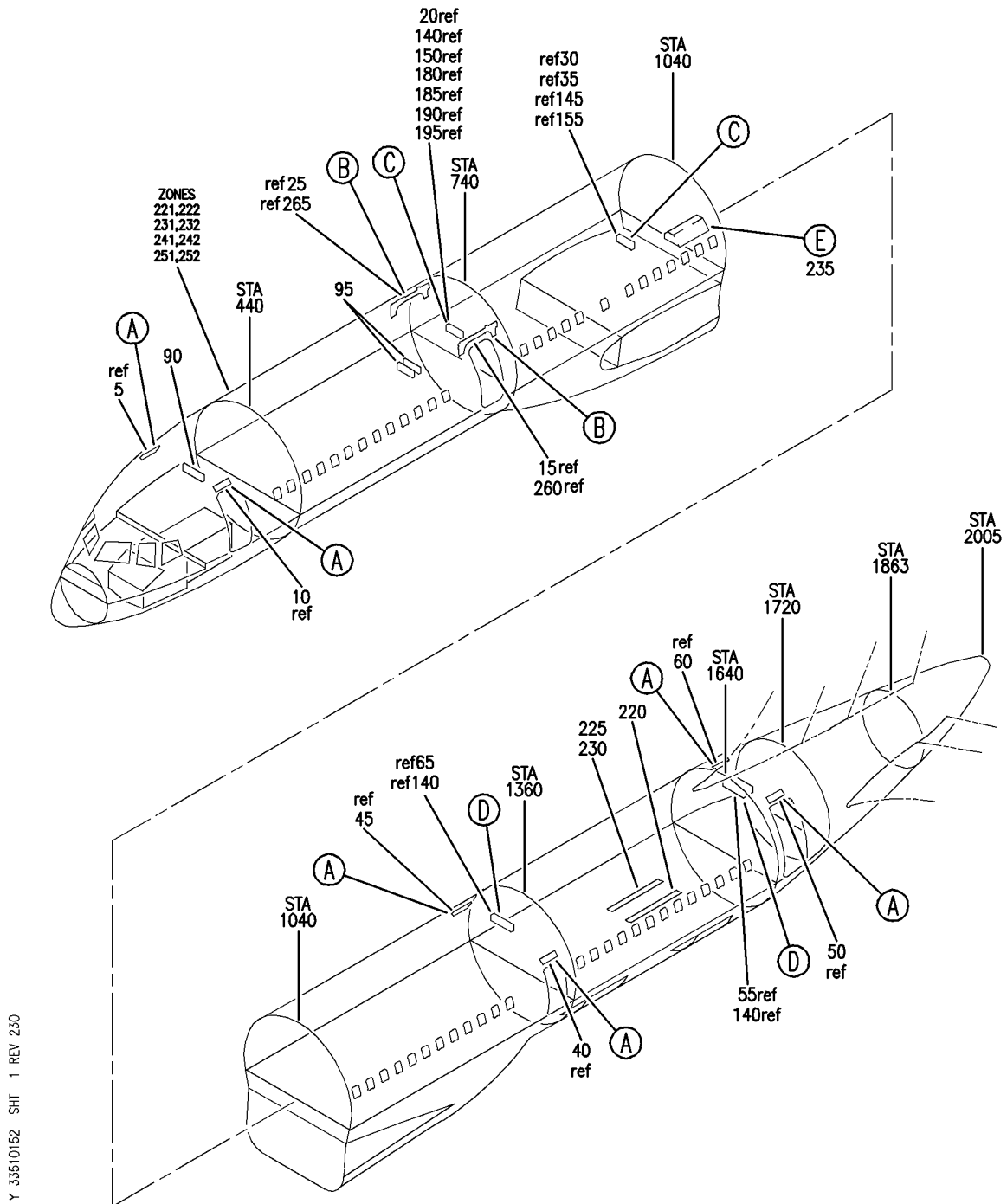
BRI

33-51-01-50C

BOEING PROPRIETARY - Copyright © - Unpublished Work - See title page for details.

33-51-01
FIG. 50C
PAGE 1
JAN 20/09

BOEING
757
PARTS CATALOG (MAINTENANCE)



Y 33510152 SH1 1 REV 230

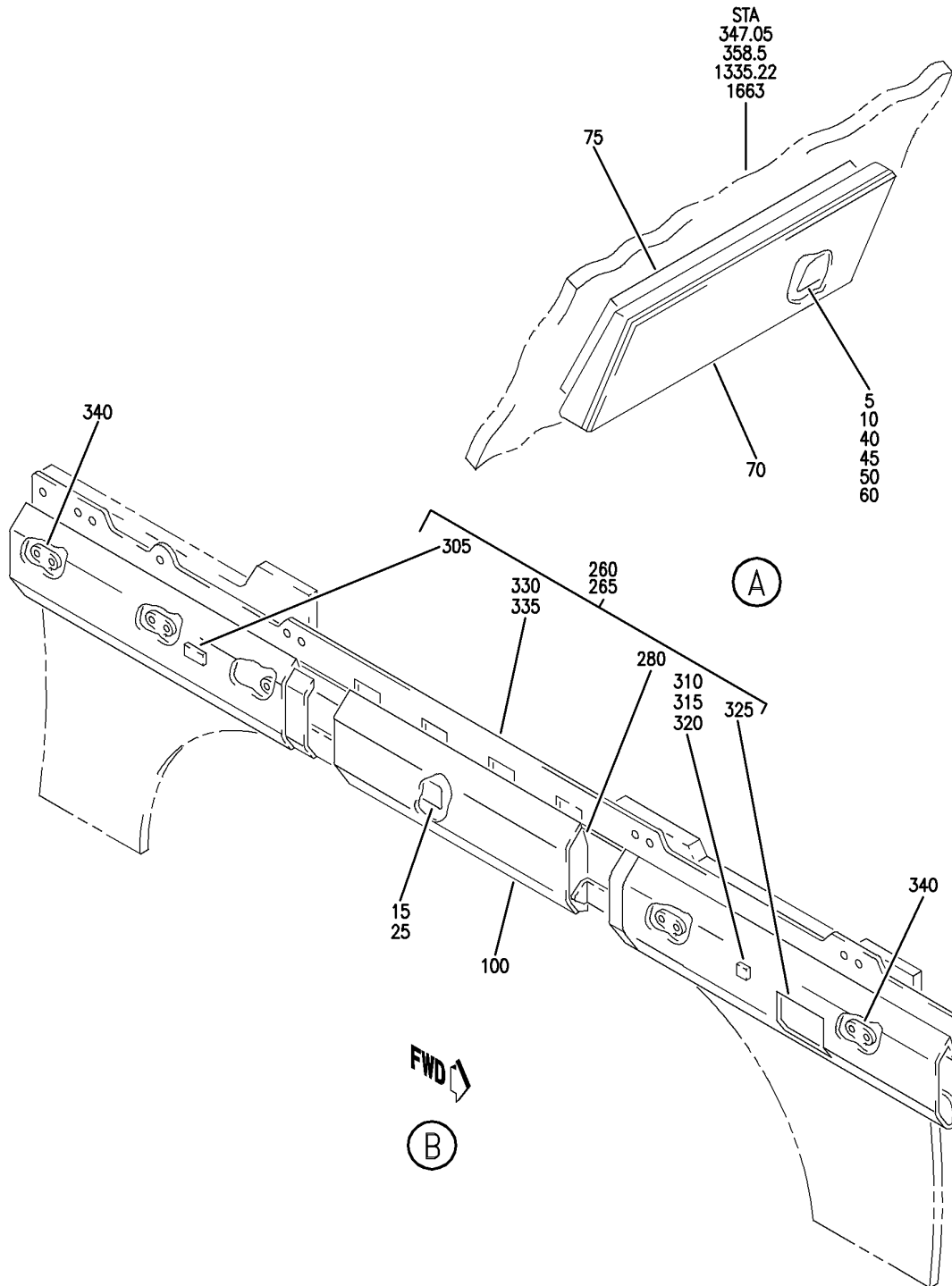
SIGN INSTL-LIGHTED
FIGURE 52 (SHEET 1)

33-51-01-52

BRI
MAY 28/07

33-51-01-52
PAGE 0

BOEING
757
PARTS CATALOG (MAINTENANCE)



Y 33510152 SHT 2 REV 230

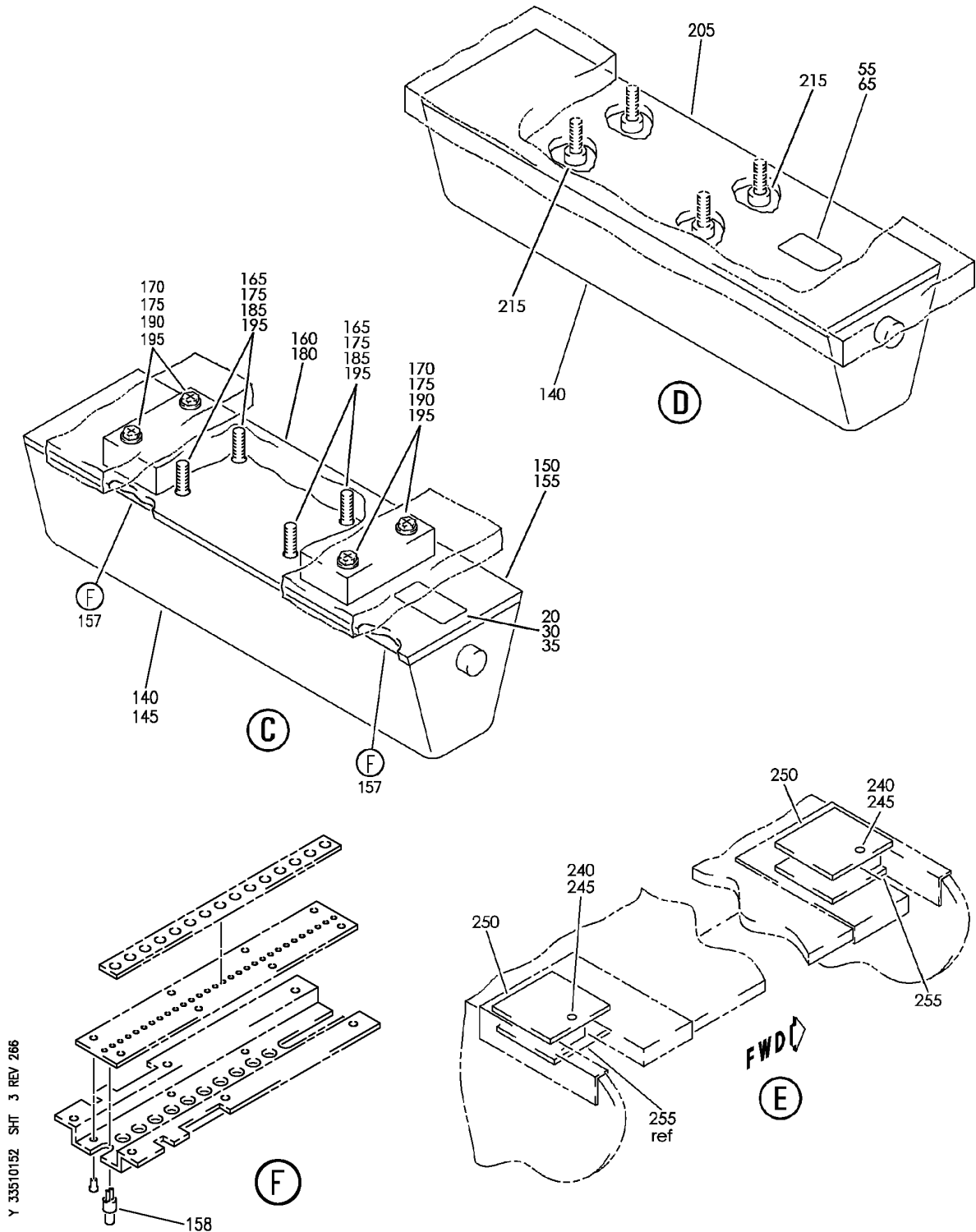
SIGN INSTL-LIGHTED
FIGURE 52 (SHEET 2)

33-51-01-52

BRI
MAY 28/07

33-51-01-52
PAGE 0A

BOEING
757
PARTS CATALOG (MAINTENANCE)



SIGN INSTL-LIGHTED
FIGURE 52 (SHEET 3)

33-51-01-52

BRI
MAY 28/07

33-51-01-52
PAGE 0B



757

PARTS CATALOG (MAINTENANCE)

FIG ITEM	PART NUMBER	1 2 3 4 5 6 7	NOMENCLATURE	EFFECT FROM TO	UNITS PER ASSY
52			SIGN INSTL-LIGHTED	002004 006010	
- 1	417N5200-44		LIGHT INSTL-BRI LIGHTED FOR NHA SEE: 25-20-00-01A	002004 006010	RF
5	BAC27NPA0233		.MARKER-ALUMINUM FOIL OVERDOOR EXIT-DOOR NO. 1 POSITION DATA: RH PLACARD CONTENT: L27 EXIT SIGN	002004 006010	1
10	BAC27NPA0238		.MARKER-ALUMINUM FOIL OVERDOOR EXIT-DOOR NO. 1 POSITION DATA: LH PLACARD CONTENT: L31 EXIT SIGN	002004 006010	1
15	BAC27NPA0240		.MARKER-ALUMINUM FOIL OVERDOOR EXIT-DOOR NO. 2 POSITION DATA: LH PLACARD CONTENT: L43 EXIT SIGN	002004 006010	1
20	BAC27NPA0939		.MARKER-ALUMINUM FOIL EXIT LOCATOR-DOOR NO. 2 PLACARD CONTENT: M10253 EXIT SIGN/ ATTENDANT CALL LIGHTS	002004 006010	1
25	BAC27NPA0234		.MARKER-ALUMINUM FOIL OVERDOOR EXIT-DOOR NO. 2 POSITION DATA: RH PLACARD CONTENT: L37 EXIT SIGN	002004 006010	1
30	BAC29PPS13814		.DECAL- POSITION DATA: STA 1000 PLACARD CONTENT: L809 EXIT SIGN	002004 006010	1
35	BAC27NPA0243		.MARKER-ALUMINUM FOIL PLACARD CONTENT: L48 EXIT SIGN	002004 006010	1
40	BAC27NPA0241		.MARKER-ALUMINUM FOIL PLACARD CONTENT: L52 EXIT SIGN	002004 006010	1
45	BAC27NPA0235		.MARKER-ALUMINUM FOIL PLACARD CONTENT: L49 EXIT SIGN	002004 006010	1

MISSING ITEM NUMBERS NOT APPLICABLE

- ITEM NOT ILLUSTRATED

33-51-01-52

33-51-01
FIG. 52
PAGE 1
SEP 20/08

BRI



757

PARTS CATALOG (MAINTENANCE)

FIG ITEM	PART NUMBER	1 2 3 4 5 6 7	NOMENCLATURE	EFFECT FROM TO	UNITS PER ASSY
52					
50	BAC27NPA0242		.MARKER-ALUMINUM FOIL OVERDOOR EXIT-DOOR NO. 4 POSITION DATA: LH PLACARD CONTENT: L62 EXIT SIGN	002004 006010	1
55	BAC27NPA0941		.MARKER-ALUMINUM FOIL PLACARD CONTENT: M10255 EXIT SIGN/ ATTENDANT CALL LIGHTS	002004 006010	1
60	BAC27NPA0236		.MARKER-ALUMINUM FOIL OVERDOOR EXIT-DOOR NO. 4 POSITION DATA: RH PLACARD CONTENT: L57 EXIT SIGN	002004 006010	1
65	BAC29PPS4289		.MARKER-ALUMINUM FOIL POSITION DATA: STA 1308 PLACARD CONTENT: M10680 EXIT SIGN	002004 006010	1
70	10-1073-101K		.LENS-EXIT SIGN SUPPLIER CODE: V72914 SPECIFICATION NUMBER: S417N505-8003K	002004 006010	6
75	10-1073-1		.HOUSING-EXIT SIGN SUPPLIER CODE: V72914 SPECIFICATION NUMBER: S417N505-28 ELECTRICAL EQUIP NUMBER: L00027 L00031 L00049 L00052 L00057 L00062 COMPONENT MAINT MANUAL REF: 33-51-32 ATTACHING PARTS	002004 006010	6
- 82	NAS1801-3-7		.SCREW	002004 006010	AR
- 86	AN960JD10LL		.WASHER	002004 006010	AR
			-----*-----		

MISSING ITEM NUMBERS NOT APPLICABLE

- ITEM NOT ILLUSTRATED

33-51-01-52

33-51-01
FIG. 52
PAGE 2
SEP 20/08

BRI

BOEING PROPRIETARY - Copyright © - Unpublished Work - See title page for details.



757

PARTS CATALOG (MAINTENANCE)

FIG ITEM	PART NUMBER	1 2 3 4 5 6 7	NOMENCLATURE	EFFECT FROM TO	UNITS PER ASSY
52 90	10-1070-101		.LENS ASSY-INTERIOR ILLUMINATED EXIT SIGN SUPPLIER CODE: V72914 SPECIFICATION NUMBER: S417N505-1002 COMPONENT MAINT MANUAL REF: 33-51-29	002004 006010	1
100	10-1072-101		.LENS-EXIT SIGN SUPPLIER CODE: V72914 SPECIFICATION NUMBER: S417N505-7003 ELECTRICAL EQUIP NUMBER: L00037 L00043 COMPONENT MAINT MANUAL REF: 33-51-31	002004 006010	2
140	10-1076-102K		.LENS-EXIT SIGN SUPPLIER CODE: V72914 SPECIFICATION NUMBER: S417N505-2002E	002004 006010	3
145	10-1074-101K		.LENS-EXIT SIGN SUPPLIER CODE: V72914 SPECIFICATION NUMBER: S417N505-4001E	002004 006010	1
150	10-1076-59K		.HOUSING ASSY-EXIT SIGN SUPPLIER CODE: V72914 SPECIFICATION NUMBER: S417N505-132D ELECTRICAL EQUIP NUMBER: M10253 COMPONENT MAINT MANUAL REF: 33-51-56 FOR DETAILS SEE: 33-51-01-75	002004 006010	1
155	10-1074-52K		.HOUSING ASSY-EXIT SIGN SUPPLIER CODE: V72914 SPECIFICATION NUMBER: S417N505-145A ELECTRICAL EQUIP NUMBER: L00809 COMPONENT MAINT MANUAL REF: 33-51-33	002004 006010	1

MISSING ITEM NUMBERS NOT APPLICABLE

- ITEM NOT ILLUSTRATED

33-51-01-52

33-51-01
FIG. 52
PAGE 3
SEP 20/08

BRI



757

PARTS CATALOG (MAINTENANCE)

FIG ITEM	PART NUMBER	1 2 3 4 5 6 7	NOMENCLATURE	EFFECT FROM TO	UNITS PER ASSY
52					
157	11-4664-1	..	LAMP ASSY- SUPPLIER CODE: V72914	002004 006010	2
158	OL3071BPEGPL	...	LAMP-5V .06 AMP SUPPLIER CODE: VS3774 MISCELLANEOUS DATA: GRIMES PART NO. LP101	002004 006010	15
158	LPA010	...	LAMP- SUPPLIER CODE: V72914 OPTIONAL PART: OL3071BPEGPL VS3774	002004 006010	15
160	65C32144-13SP	.	SPACER ASSY- OPTIONAL PART: 65C32144-9SP	002004 006010	2
160	65C32144-9SP	.	SPACER ASSY- OPTIONAL PART: 65C32144-13SP	002004 006010	2
165	NAS1801-3-12	.	SCREW	002004 006010	8
170	NAS1801-3-7	.	SCREW	002004 006010	8
175	AN960JD10LL	.	WASHER	002004 006010	16
205	10-1076-55K	-----*	HOUSING ASSY-EXIT SIGN SUPPLIER CODE: V72914 SPECIFICATION NUMBER: S417N505-124E ELECTRICAL EQUIP NUMBER: M10255 M10680 COMPONENT MAINT MANUAL REF: 33-51-56 FOR DETAILS SEE: 33-51-01-75 ATTACHING PARTS	002004 006010	2
- 210	NAS1801-3-7	.	SCREW	002004 006010	8
215	NAS43DD3-8	.	SPACER	002004 006010	8
		-----*			

MISSING ITEM NUMBERS NOT APPLICABLE

- ITEM NOT ILLUSTRATED

33-51-01-52

33-51-01
FIG. 52
PAGE 4
SEP 20/08

BRI

BOEING PROPRIETARY - Copyright © - Unpublished Work - See title page for details.



757

PARTS CATALOG (MAINTENANCE)

FIG ITEM	PART NUMBER	1 2 3 4 5 6 7	NOMENCLATURE	EFFECT FROM TO	UNITS PER ASSY
52					
225	417N5215-3	.	INVERTER INSTL- FOR DETAILS SEE: 33-52-00-22	002004 006010	1
230	417N5216-9	.	LIGHTING INSTL-EMER FLOOR PROXIMITY LSI SYS FOR DETAILS SEE: 33-52-00-23	002004 006010	1
235	412N1160-1	.	STOP INSTL-STOWAGE COMPT DOOR	002004 006010	1
240	NAS603-12P	..	SCREW	002004 006010	2
245	AN960PD10L	..	WASHER	002004 006010	2
250	412N1145-106	..	BRACKET ASSY- OPTIONAL PART: 412N1145-76 412N1145-77 412N1145-78	002004 006010	2
250	412N1145-76	..	BRACKET ASSY- OPTIONAL PART: 412N1145-106 412N1145-77 412N1145-78	002004 006010	2
250	412N1145-77	..	BRACKET ASSY- OPTIONAL PART: 412N1145-106 412N1145-76 412N1145-78	002004 006010	2
250	412N1145-78	..	BRACKET ASSY- OPTIONAL PART: 412N1145-106 412N1145-76 412N1145-77	002004 006010	2
255	412N1145-106	..	BRACKET ASSY- OPTIONAL PART: 412N1145-76 412N1145-77 412N1145-78	002004 006010	1
255	412N1145-76	..	BRACKET ASSY- OPTIONAL PART: 412N1145-106 412N1145-77 412N1145-78	002004 006010	1
255	412N1145-77	..	BRACKET ASSY- OPTIONAL PART: 412N1145-106 412N1145-76 412N1145-78	002004 006010	1

MISSING ITEM NUMBERS NOT APPLICABLE

- ITEM NOT ILLUSTRATED

33-51-01-52

33-51-01
FIG. 52
PAGE 5
SEP 20/08

BRI



757

PARTS CATALOG (MAINTENANCE)

FIG ITEM	PART NUMBER	1 2 3 4 5 6 7	NOMENCLATURE	EFFECT FROM TO	UNITS PER ASSY
52					
255	412N1145-78	..	BRACKET ASSY- OPTIONAL PART: 412N1145-106 412N1145-76 412N1145-77	002004 006010	1
260	417N5205-42B	.SIGN	ASSY-EXIT POSITION DATA: DOOR NO. 2 LH	002004 006010	1
265	417N5205-33B	.SIGN	ASSY-EXIT POSITION DATA: DOOR NO. 2 RH	002004 006010	1
- 270	NAS603-4P	.SCREW	ATTACHING PARTS	002004 006010	10
- 275	NAS1149D0363J	.WASHER		002004 006010	10
		-----*-----			
280	10-1072-1	..	HOUSING ASSY-EXIT SIGN SUPPLIER CODE: V72914 SPECIFICATION NUMBER: S417N505-27 COMPONENT MAINT MANUAL REF: 33-51-31 ATTACHING PARTS	002004 006010	1
- 285	NAS514P832-5	..	SCREW	002004 006010	6
- 290	NAS1149DN816J	..	WASHER	002004 006010	6
- 295	MS21042L08	..	NUT	002004 006010	6
		-----*-----			
- 300	OL3071BPEGPL	...	LAMP-5V .06 AMP SUPPLIER CODE: VS3774 CONFIG CHG DATA FROM A CMM: SUPSDS OL3071PEPL	002004 006010	30
- 300	LPA010	...	LAMP- SUPPLIER CODE: V72914 OPTIONAL PART: OL3071BPEGPL VS3774	002004 006010	30
305	BCREF5985	..	LIGHT ASSY- SUPPLIER CODE: V81590 OVERLENGTH PART NUMBER: 250-650-0994-001	002004 006010	1

MISSING ITEM NUMBERS NOT APPLICABLE

- ITEM NOT ILLUSTRATED

33-51-01-52

33-51-01
FIG. 52
PAGE 6
SEP 20/08

BRI



757

PARTS CATALOG (MAINTENANCE)

FIG ITEM	PART NUMBER	1 2 3 4 5 6 7	NOMENCLATURE	EFFECT FROM TO	UNITS PER ASSY
52					
310	2100-7		.. SWITCH ASSY- SUPPLIER CODE: V91929 POSITION DATA: LH SIDE	002004 006010	1
- 313	85		... BULB- SUPPLIER CODE: V08805	002004 006010	1
315	2100-11		.. GUARD- SUPPLIER CODE: V91929 POSITION DATA: LH SIDE OPTIONAL PART: AML76C10T01P V91929	002004 006010	1
315	AML76C10T01P		.. GUARD- SUPPLIER CODE: V91929 POSITION DATA: LH SIDE OPTIONAL PART: 2100-11 V91929	002004 006010	1
320	2100-102		.. LENS- SUPPLIER CODE: V91929 POSITION DATA: LH SIDE	002004 006010	1
325	417N5208-1		.. WINDOW-VIEW	002004 006010	1
330	417N5206-36B		.. FRAME-SPRT POSITION DATA: LH SIDE	002004 006010	1
335	417N5206-28B		.. FRAME-SPRT POSITION DATA: RH SIDE	002004 006010	1
340	417N5207-1		. CLIP	002004 006010	10
- 345	NAS603-4P		ATTACHING PARTS . SCREW	002004 006010	20
- 350	NAS1149D0363J		. WASHER	002004 006010	20
			-----*-----		

MISSING ITEM NUMBERS NOT APPLICABLE

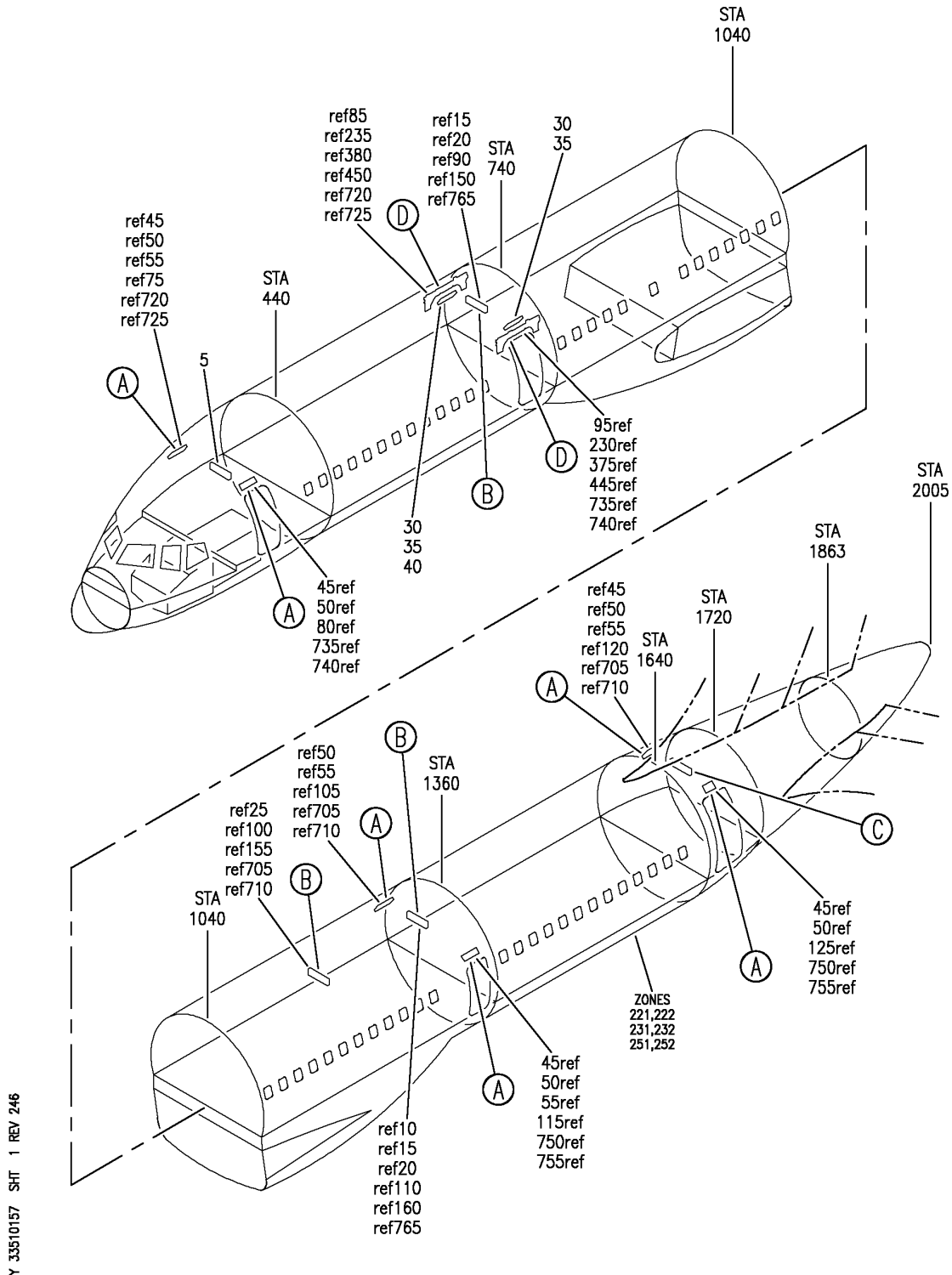
- ITEM NOT ILLUSTRATED

33-51-01-52

33-51-01
FIG. 52
PAGE 7
SEP 20/08

BRI

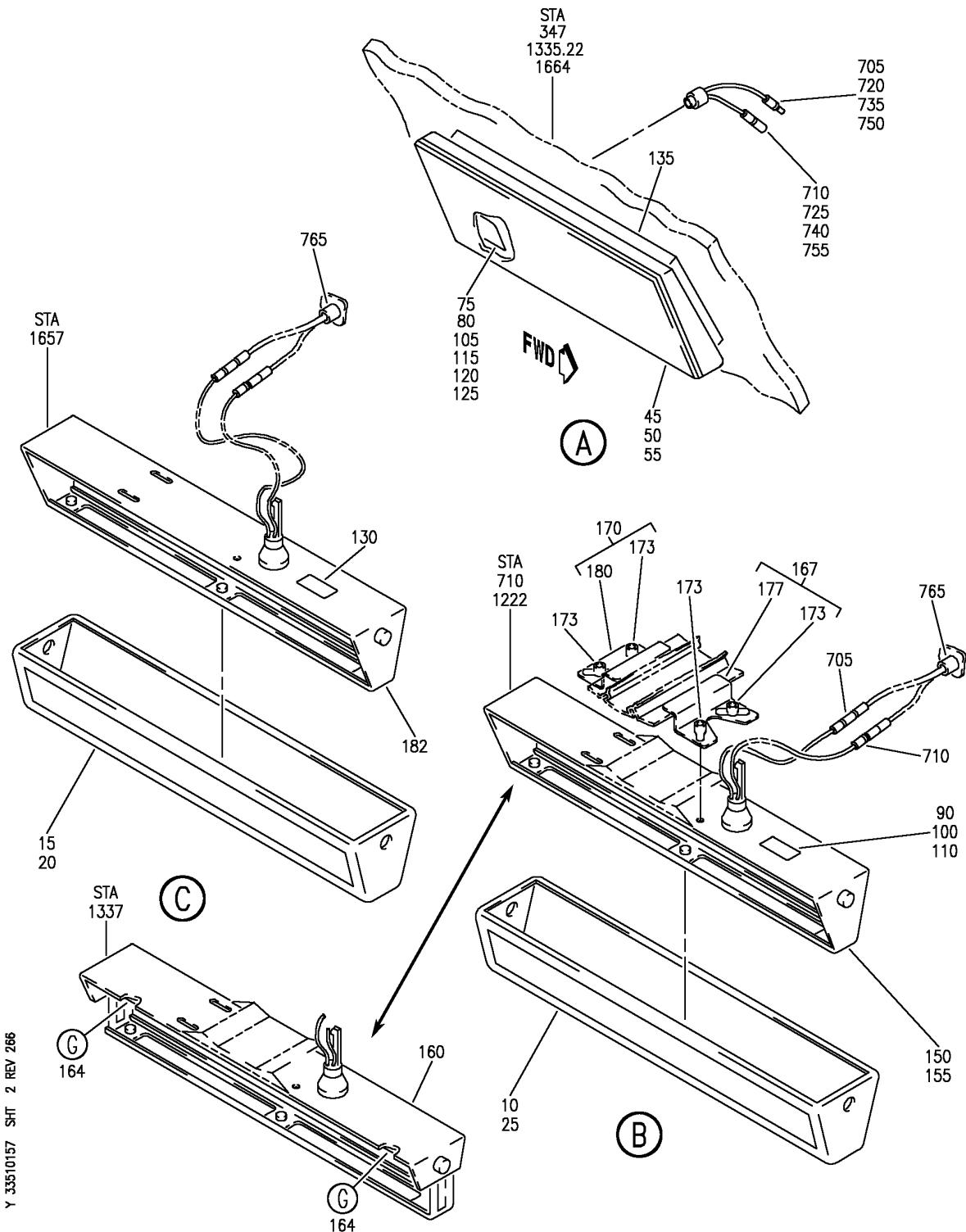
BOEING
757
PARTS CATALOG (MAINTENANCE)



SIGN INSTL-LIGHTED
FIGURE 57 (SHEET 1)

33-51-01-57

BOEING
757
PARTS CATALOG (MAINTENANCE)



Y 33510157 SHT 2 REV 266

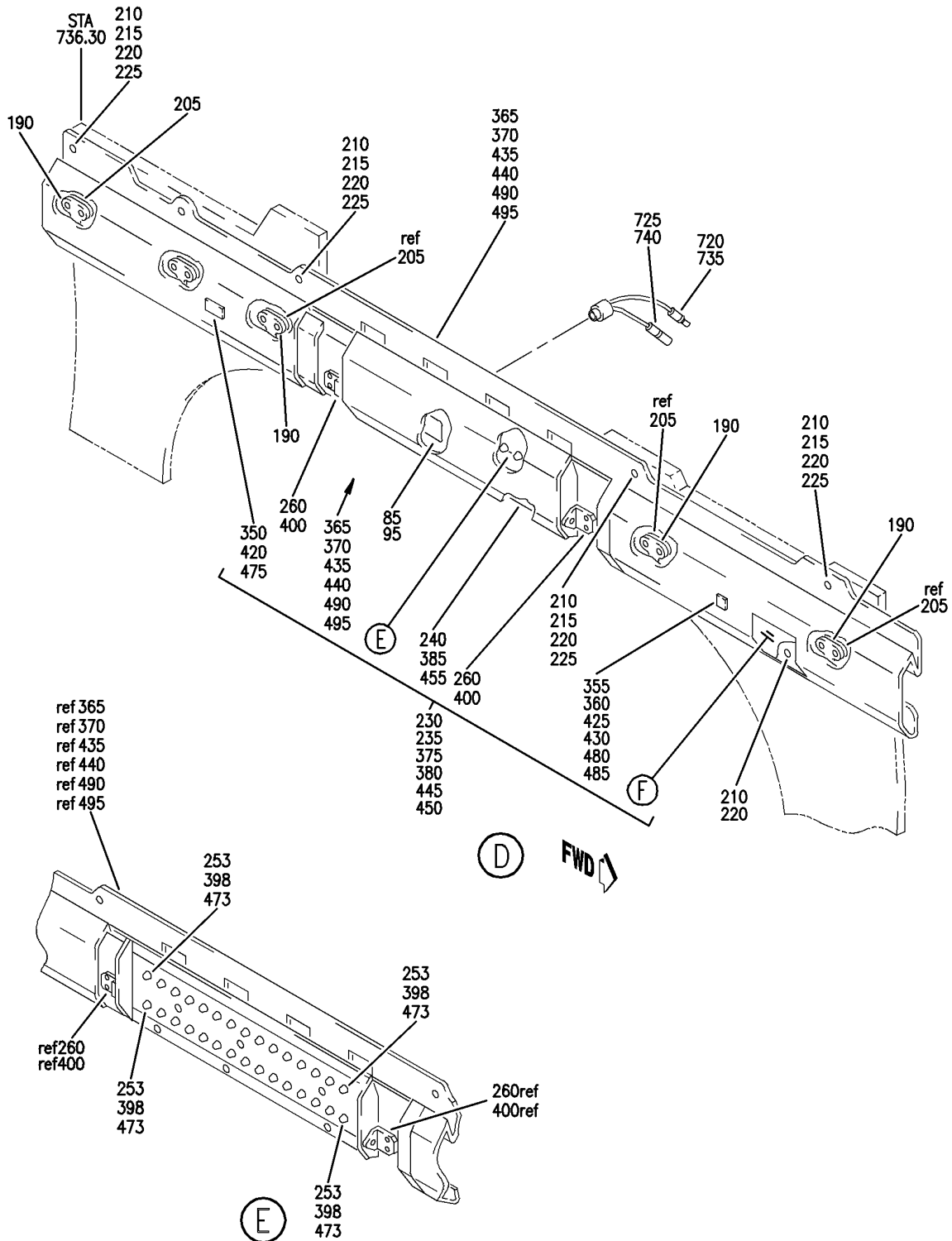
SIGN INSTL-LIGHTED
FIGURE 57 (SHEET 2)

33-51-01-57

BRI
JAN 20/09

33-51-01-57
PAGE 0A


BOEING
 757
PARTS CATALOG (MAINTENANCE)



Y 33510157 SHT 3 REV 226

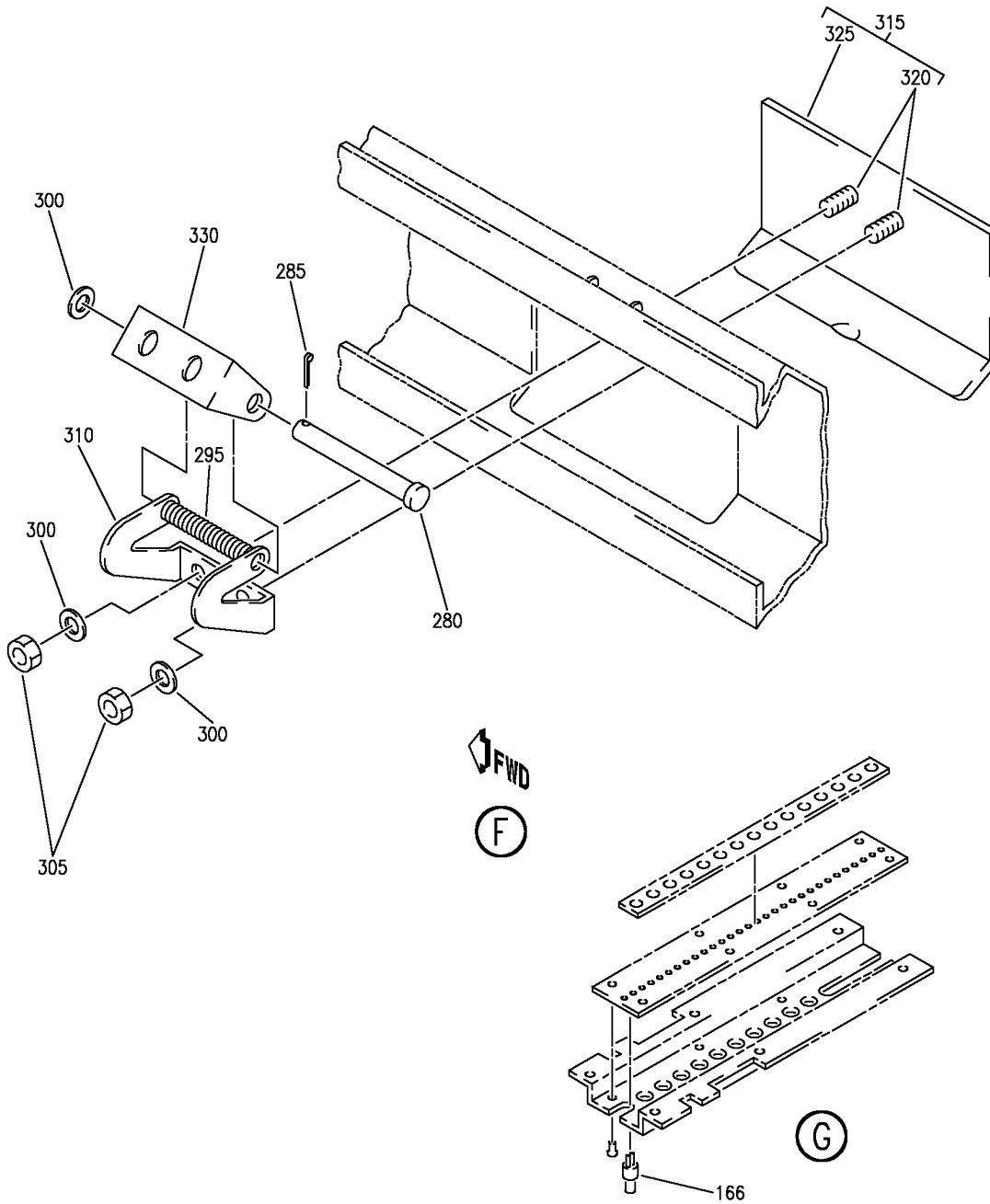
SIGN INSTL-LIGHTED
FIGURE 57 (SHEET 3)

33-51-01-57

BRI
JAN 20/09

33-51-01-57
PAGE 0B

BOEING
757
PARTS CATALOG (MAINTENANCE)



Y 33510157 SH1 4 REV 266

SIGN INSTL-LIGHTED
FIGURE 57 (SHEET 4)

33-51-01-57

BRI
JAN 20/09

33-51-01-57
PAGE 0C



757

PARTS CATALOG (MAINTENANCE)

FIG ITEM	PART NUMBER	1 2 3 4 5 6 7	NOMENCLATURE	EFFECT FROM TO	UNITS PER ASSY
57					
- 1	417N5200-7		SIGN INSTL-LIGHTED SIGN INSTL-LIGHTED FOR NHA SEE: 25-20-00-01E	107107 107107	RF
5	10-1070-101		.LENS ASSY-INTERIOR ILLUMINATED EXIT SIGN SUPPLIER CODE: V72914 SPECIFICATION NUMBER: S417N505-1002 COMPONENT MAINT MANUAL REF: 33-51-29	107107	1
10	10-1076-101B		.LENS-EXIT SIGN SUPPLIER CODE: V72914 SPECIFICATION NUMBER: S417N505-2001B	107107	1
15	10-1076-102B		.LENS-EXIT SIGN SUPPLIER CODE: V72914 SPECIFICATION NUMBER: S417N505-2002B	107107	3
25	10-1074-101B		.LENS-EXIT SIGN SUPPLIER CODE: V72914 SPECIFICATION NUMBER: S417N505-4001B	107107	1
30	10-1072-101		.LENS-EXIT SIGN SUPPLIER CODE: V72914 SPECIFICATION NUMBER: S417N505-7003 COMPONENT MAINT MANUAL REF: 33-51-31	107107	2
40	10-1072-102		.LENS-EXIT SIGN SUPPLIER CODE: V72914 SPECIFICATION NUMBER: S417N505-7004	107107	1
45	10-1073-101B		.LENS-EXIT SIGN SUPPLIER CODE: V72914 SPECIFICATION NUMBER: S417N505-8003B	107107	5
55	10-1073-102B		.LENS-EXIT SIGN SUPPLIER CODE: V72914 SPECIFICATION NUMBER: S417N505-8004B	107107	4

MISSING ITEM NUMBERS NOT APPLICABLE

- ITEM NOT ILLUSTRATED

33-51-01-57

33-51-01
FIG. 57
PAGE 1
JAN 20/09

BRI



757

PARTS CATALOG (MAINTENANCE)

FIG ITEM	PART NUMBER	1 2 3 4 5 6 7	NOMENCLATURE	EFFECT FROM TO	UNITS PER ASSY
57					
- 70	417N5204-4		.HOUSING INSTL-EXIT SIGN FOR DETAILS SEE: 33-51-05-15 33-51-11-11	107107	1
75	BAC27NPA0233		..MARKER-ALUMINUM FOIL PLACARD CONTENT: L27 EXIT SIGN	107107	1
80	BAC27NPA0238		..MARKER-ALUMINUM FOIL PLACARD CONTENT: L31 EXIT SIGN	107107	1
85	BAC27NPA0234		..MARKER-ALUMINUM FOIL PLACARD CONTENT: L37 EXIT SIGN	107107	1
90	BAC27NPA0939		..MARKER-ALUMINUM FOIL PLACARD CONTENT: M10253 EXIT SIGN/ ATTENDANT CALL LIGHTS	107107	1
95	BAC27NPA0240		..MARKER-ALUMINUM FOIL PLACARD CONTENT: L43 EXIT SIGN	107107	1
100	BAC27NPA0243		..MARKER-ALUMINUM FOIL PLACARD CONTENT: L48 EXIT SIGN	107107	1
105	BAC27NPA0235		..MARKER-ALUMINUM FOIL PLACARD CONTENT: L49 EXIT SIGN	107107	1
110	BAC27NPA0940		..MARKER-ALUMINUM FOIL PLACARD CONTENT: M10254 EXIT SIGN/ ATTENDANT CALL LIGHTS	107107	1
115	BAC27NPA0241		..MARKER-ALUMINUM FOIL PLACARD CONTENT: L52 EXIT SIGN	107107	1
120	BAC27NPA0236		..MARKER-ALUMINUM FOIL PLACARD CONTENT: L57 EXIT SIGN	107107	1
125	BAC27NPA0242		..MARKER-ALUMINUM FOIL PLACARD CONTENT: L62 EXIT SIGN	107107	1
130	BAC27NPA0941		..MARKER-ALUMINUM FOIL PLACARD CONTENT: M10255 EXIT SIGN/ ATTENDANT CALL LIGHTS	107107	1

MISSING ITEM NUMBERS NOT APPLICABLE

- ITEM NOT ILLUSTRATED

33-51-01-57

33-51-01
FIG. 57
PAGE 2
JAN 20/09

BRI

BOEING PROPRIETARY - Copyright © - Unpublished Work - See title page for details.



757

PARTS CATALOG (MAINTENANCE)

FIG ITEM	PART NUMBER	1 2 3 4 5 6 7	NOMENCLATURE	EFFECT FROM TO	UNITS PER ASSY
57 135	10-1073-1		..HOUSING-EXIT SIGN DOOR 1, 3 AND 4 SUPPLIER CODE: V72914 SPECIFICATION NUMBER: S417N505-28 ELECTRICAL EQUIP NUMBER: L00027 L00031 L00049 L00052 L00057 L00062 COMPONENT MAINT MANUAL REF: 33-51-32 ATTACHING PARTS	107107	6
- 140	BACS12CK3-7		..SCREW	107107	12
- 145	AN960JD10L		..WASHER -----*-----	107107	12
150	10-1076-51B		..HOUSING ASSY-EXIT SIGN AISLE SUPPLIER CODE: V72914 SPECIFICATION NUMBER: S417N505-122B ELECTRICAL EQUIP NUMBER: M10253 COMPONENT MAINT MANUAL REF: 33-51-56 FOR DETAILS SEE: 33-51-01-75	107107	1
150	10-1076-1B		..HOUSING ASSY-EXIT SIGN AISLE SUPPLIER CODE: V72914 SPECIFICATION NUMBER: S417N505-22B ELECTRICAL EQUIP NUMBER: M10253 COMPONENT MAINT MANUAL REF: 33-51-56 FOR DETAILS SEE: 33-51-01-75	107107	1

MISSING ITEM NUMBERS NOT APPLICABLE

- ITEM NOT ILLUSTRATED

33-51-01-57

33-51-01
FIG. 57
PAGE 3
JAN 20/09

BRI



757

PARTS CATALOG (MAINTENANCE)

FIG ITEM	PART NUMBER	1 2 3 4 5 6 7	NOMENCLATURE	EFFECT FROM TO	UNITS PER ASSY
57 155	10-1074-51B		..HOUSING ASSY-EXIT SIGN AISLE SUPPLIER CODE: V72914 SPECIFICATION NUMBER: S417N505-125B ELECTRICAL EQUIP NUMBER: L00048 COMPONENT MAINT MANUAL REF: 33-51-33	107107	1
155	10-1074-1B		..HOUSING ASSY-EXIT SIGN AISLE SUPPLIER CODE: V72914 SPECIFICATION NUMBER: S417N505-25B ELECTRICAL EQUIP NUMBER: L00048 COMPONENT MAINT MANUAL REF: 33-51-33	107107	1
160	10-1076-53B		..HOUSING ASSY-EXIT SIGN AISLE SUPPLIER CODE: V72914 SPECIFICATION NUMBER: S417N505-123B ELECTRICAL EQUIP NUMBER: M10254 COMPONENT MAINT MANUAL REF: 33-51-56 FOR DETAILS SEE: 33-51-01-75	107107	1
160	10-1076-3B		..HOUSING ASSY-EXIT SIGN AISLE SUPPLIER CODE: V72914 SPECIFICATION NUMBER: S417N505-23B ELECTRICAL EQUIP NUMBER: M10254 COMPONENT MAINT MANUAL REF: 33-51-56 FOR DETAILS SEE: 33-51-01-75	107107	1
- 161	NAS1801-3-8		..SCREW	107107	12
- 162	NAS43DD3-8		..SPACER	107107	12
			-----*-----		

MISSING ITEM NUMBERS NOT APPLICABLE

- ITEM NOT ILLUSTRATED

33-51-01-57

33-51-01
FIG. 57
PAGE 4
JAN 20/09

BRI



757

PARTS CATALOG (MAINTENANCE)

FIG ITEM	PART NUMBER	1 2 3 4 5 6 7	NOMENCLATURE	EFFECT FROM TO	UNITS PER ASSY
57 164	11-4664-1		...LAMP ASSY- SUPPLIER CODE: V72914 USED ON: 10-1074-51A 10-1074-51B 10-1074-51K 10-1074-1A 10-1074-1B	107107	2
166	OL3071BPEGPL	LAMP-5V .06 AMP SUPPLIER CODE: VS3774 MISCELLANEOUS DATA: GRIMES PART NO. LP101	107107	15
166	LPA010	LAMP- SUPPLIER CODE: V72914 OPTIONAL PART: OL3071BPEGPL VS3774	107107	15
167	417N5203-10		..BRACKET ASSY-MTG	107107	3
170	417N5203-11		..BRACKET ASSY-MTG	107107	3
173	T8076S1032		...NUTPLATE SUPPLIER CODE: V11815 SPECIFICATION NUMBER: BACN10JP3A OPTIONAL PART: MK1000-3BAC V15653 NS103197-02 V80539 RMA9201M3 V72962 VN202A1-02 V92215 BRM200A3 V52828	107107	2
- 175	BACR15CE3M		ATTACHING PARTS ...RIVET- SIZE DETERMINED ON INSTL. -----*-----	107107	4
177	417N5203-7		...BRACKET- USED ON: 417N5203-10	107107	1
180	417N5203-8		...BRACKET- USED ON: 417N5203-11	107107	1

MISSING ITEM NUMBERS NOT APPLICABLE

- ITEM NOT ILLUSTRATED

33-51-01-57

33-51-01
FIG. 57
PAGE 5
JAN 20/09

BRI



757

PARTS CATALOG (MAINTENANCE)

FIG ITEM	PART NUMBER	1 2 3 4 5 6 7	NOMENCLATURE	EFFECT FROM TO	UNITS PER ASSY
57 182	10-1076-55B		..HOUSING ASSY-EXIT SIGN AISLE SUPPLIER CODE: V72914 SPECIFICATION NUMBER: S417N505-124B ELECTRICAL EQUIP NUMBER: M10255 COMPONENT MAINT MANUAL REF: 33-51-56 FOR DETAILS SEE: 33-51-01-75	107107	1
182	10-1076-5B		..HOUSING ASSY-EXIT SIGN AISLE SUPPLIER CODE: V72914 SPECIFICATION NUMBER: S417N505-24B COMPONENT MAINT MANUAL REF: 33-51-56 FOR DETAILS SEE: 33-51-01-75	107107	1
- 185	NAS1801-3-8		..SCREW	107107	4
- 187	NAS43DD3-9		..SPACER -----*-----	107107	4
190	417N5207-1		..CLIP ATTACHING PARTS	107107	10
- 195	NAS603-4P		..SCREW	107107	20
- 200	AN960KD10		..WASHER -----*-----	107107	20
205	BACS40R018E018F		..SHIM	107107	AR
210	NAS603-4P		..SCREW	107107	12
220	AN960KD10		..WASHER	107107	12
375	417N5205-24SP		..SIGN ASSY-EXIT POSITION DATA: LH	107107	1
380	417N5205-25SP		..SIGN ASSY-EXIT POSITION DATA: RH	107107	1
385	10-1072-1		...HOUSING ASSY-EXIT SUPPLIER CODE: V72914 SPECIFICATION NUMBER: S417N505-27 COMPONENT MAINT MANUAL REF: 33-51-31	107107	1
- 390	NAS514P832-5		ATTACHING PARTS ...SCREW	107107	6

MISSING ITEM NUMBERS NOT APPLICABLE

- ITEM NOT ILLUSTRATED

33-51-01-57

33-51-01
FIG. 57
PAGE 6
JAN 20/09

BRI



757

PARTS CATALOG (MAINTENANCE)

FIG ITEM	PART NUMBER	1 2 3 4 5 6 7	NOMENCLATURE	EFFECT FROM TO	UNITS PER ASSY
57					
- 395	AN960JD8	...	WASHER	107107	6
- 396	MS21042L08	...	NUT	107107	6
			-----*-----		
398	OL3071BPEGPL	LAMP-5V .06 AMP SUPPLIER CODE: VS3774 CONFIG CHG DATA FROM A CMM: SUPSDS OL3071PEPL	107107	30
398	LPA010	LAMP- SUPPLIER CODE: V72914 OPTIONAL PART: OL3071BPEGPL VS3774	107107	30
400	417N5203-14	...	BRACKET ATTACHING PARTS	107107	2
- 405	NAS602-6P	...	SCREW	107107	4
- 410	AN960KD8	...	WASHER	107107	8
- 415	MS21042L08	...	NUT	107107	4
			-----*-----		
420	BCREF5985	...	LIGHT ASSY-IND SUPPLIER CODE: V81590 OVERLENGTH PART NUMBER: 250-650-0994-001	107107	1
425	2100-7	...	SWITCH ASSY- SUPPLIER CODE: V91929 POSITION DATA: LH SIDE	107107	1
- 427	85	BULB- SUPPLIER CODE: V08805	107107	1
430	2100-11	...	GUARD-SWITCH SUPPLIER CODE: V91929 POSITION DATA: LH SIDE	107107	1
430	AML76C10T01P	...	GUARD-SWITCH SUPPLIER CODE: V91929 POSITION DATA: LH SIDE	107107	1
435	417N5206-20SP	...	FRAME-SPRT POSITION DATA: LH SIDE	107107	1
440	417N5206-21SP	...	FRAME-SPRT POSITION DATA: RH SIDE	107107	1

MISSING ITEM NUMBERS NOT APPLICABLE

- ITEM NOT ILLUSTRATED

33-51-01-57

33-51-01
FIG. 57
PAGE 7
JAN 20/09

BRI



757

PARTS CATALOG (MAINTENANCE)

FIG ITEM	PART NUMBER	1 2 3 4 5 6 7	NOMENCLATURE	EFFECT FROM TO	UNITS PER ASSY
57 - 500	417N5210-15		.LIGHTING INSTL-EMER FLOOR PROXIMITY FOR DETAILS SEE: 33-52-20-02 33-52-00-09	107107	1
- 700 705	286N3634-020 48-7190		WIRE BUNDLE ASSY .CONNECTOR- SUPPLIER CODE: V02660 ELECTRICAL EQUIP NUMBER: D04566 D04602 D04606 WIRING DIAGRAM REF: 335115 335114	107107 107107	RF 3
710	48-7191		.CONNECTOR- SUPPLIER CODE: V02660 ELECTRICAL EQUIP NUMBER: D04564 D04600 D04604 WIRING DIAGRAM REF: 335115 335114	107107	3
- 715 720	286N3632-017 48-7190		WIRE BUNDLE ASSY .CONNECTOR- SUPPLIER CODE: V02660 ELECTRICAL EQUIP NUMBER: D04530 D04542 WIRING DIAGRAM REF: 335112 335113	107107 107107	RF 2
725	48-7191		.CONNECTOR- SUPPLIER CODE: V02660 ELECTRICAL EQUIP NUMBER: D04528 D04540 WIRING DIAGRAM REF: 335112 335113	107107	2
- 730	286N3532-033		WIRE BUNDLE ASSY	107107	RF

MISSING ITEM NUMBERS NOT APPLICABLE

- ITEM NOT ILLUSTRATED

33-51-01-57

33-51-01
FIG. 57
PAGE 8
JAN 20/09

BRI



757

PARTS CATALOG (MAINTENANCE)

FIG ITEM	PART NUMBER	1 2 3 4 5 6 7	NOMENCLATURE	EFFECT FROM TO	UNITS PER ASSY
57 735	48-7190		.CONNECTOR- SUPPLIER CODE: V02660 ELECTRICAL EQUIP NUMBER: D04534 D04550 WIRING DIAGRAM REF: 335112 335113	107107	2
740	48-7191		.CONNECTOR- SUPPLIER CODE: V02660 ELECTRICAL EQUIP NUMBER: D04532 D04548 WIRING DIAGRAM REF: 335112 335113	107107	2
- 745 750	286N3534-020 48-7190		WIRE BUNDLE ASSY .CONNECTOR- SUPPLIER CODE: V02660 ELECTRICAL EQUIP NUMBER: D04562 D04570 WIRING DIAGRAM REF: 335115 335114	107107 107107	RF 2
755	48-7191		.CONNECTOR- SUPPLIER CODE: V02660 ELECTRICAL EQUIP NUMBER: D04560 D04568 WIRING DIAGRAM REF: 335115 335114	107107	2
- 760 765	286N3672-002 BACC45FN12-12S		WIRE BUNDLE ASSY .CONNECTOR- ELECTRICAL EQUIP NUMBER: D04518 D04520 D04522 WIRING DIAGRAM REF: 335113 335114 335115	107107 107107	RF 3

MISSING ITEM NUMBERS NOT APPLICABLE

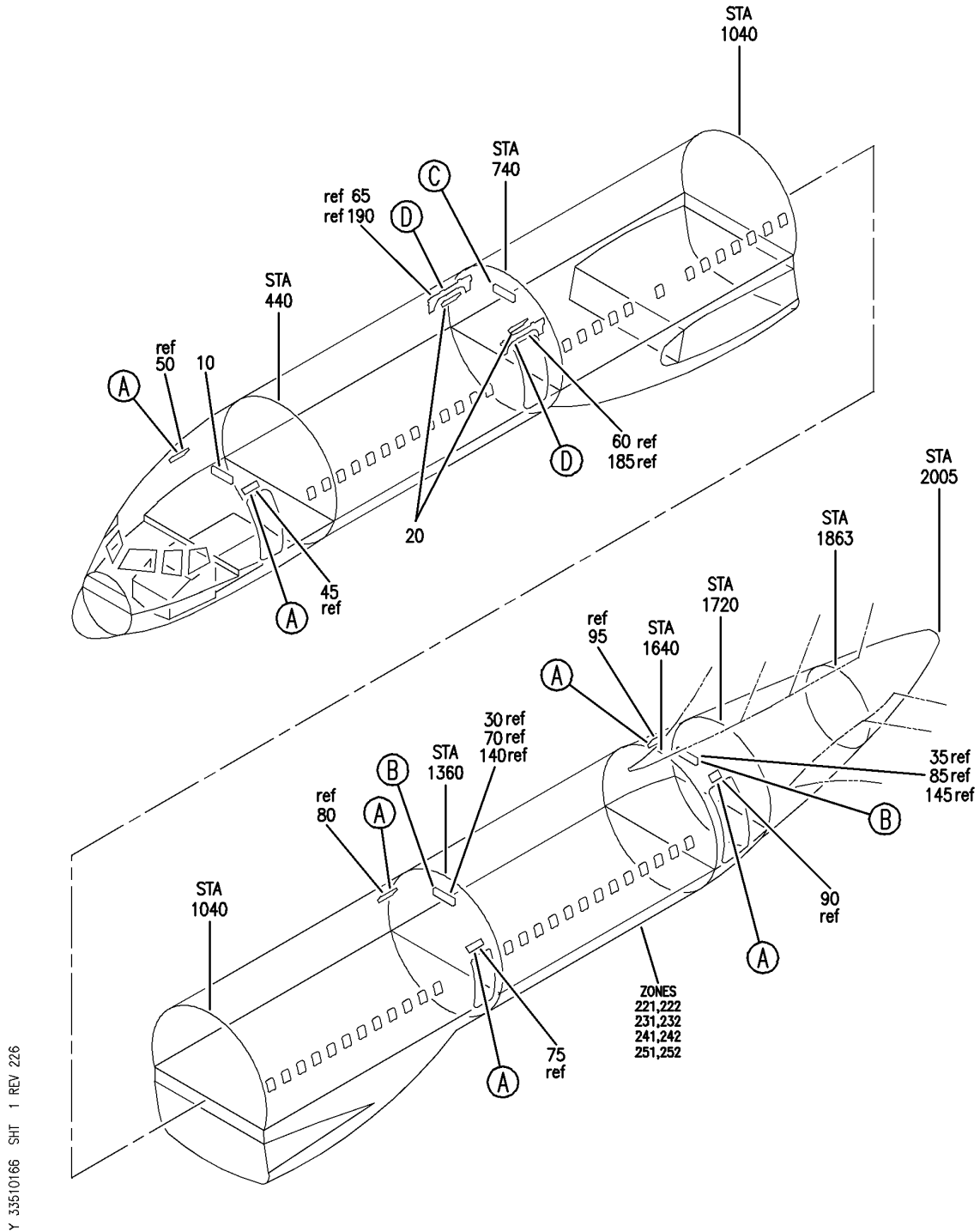
- ITEM NOT ILLUSTRATED

33-51-01-57

33-51-01
FIG. 57
PAGE 9
JAN 20/09

BRI

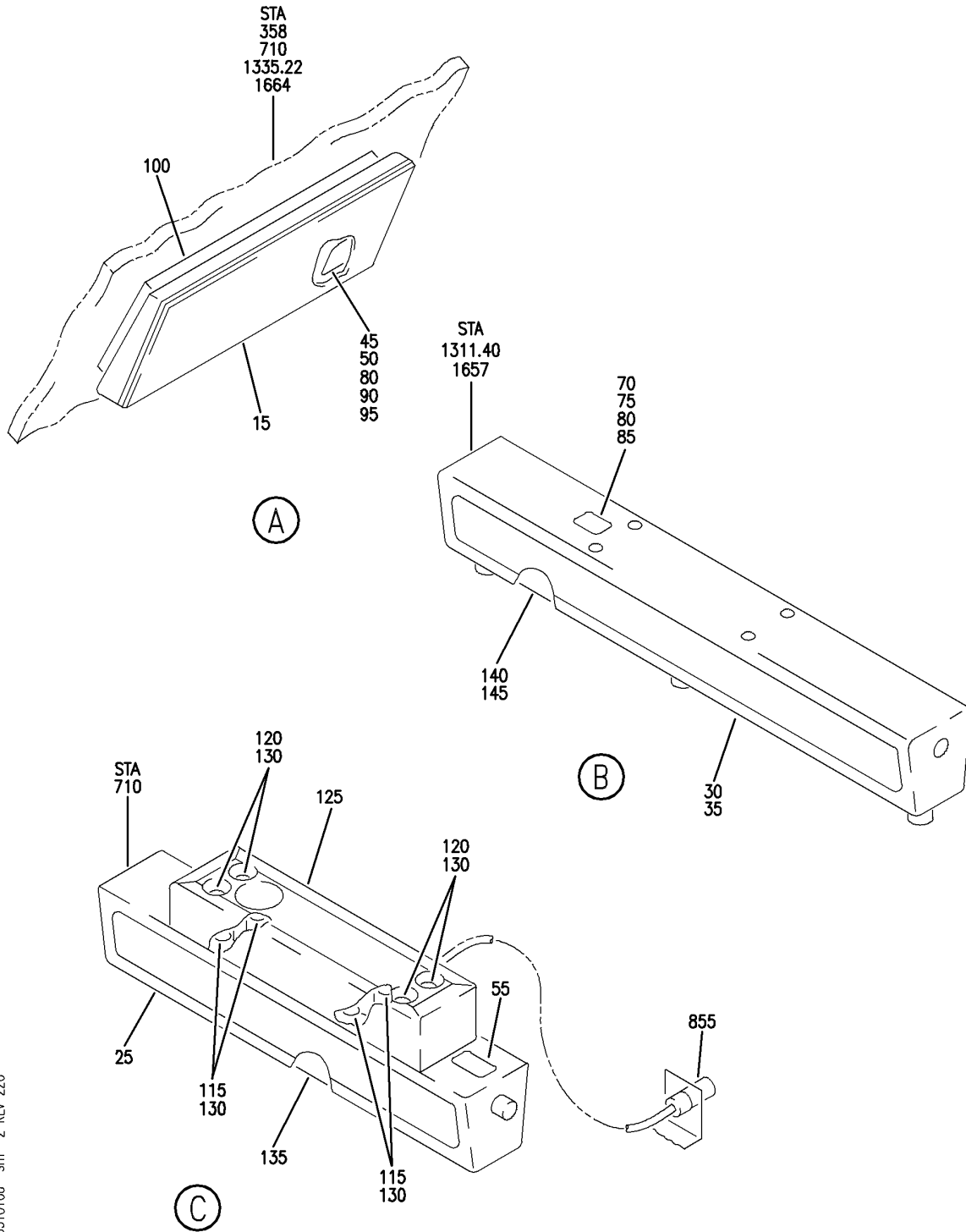
BOEING
757
PARTS CATALOG (MAINTENANCE)



SIGN INSTL-LIGHTED
FIGURE 66 (SHEET 1)

33-51-01-66

BOEING
757
PARTS CATALOG (MAINTENANCE)



Y. 33510166 SH1 2 REV 226

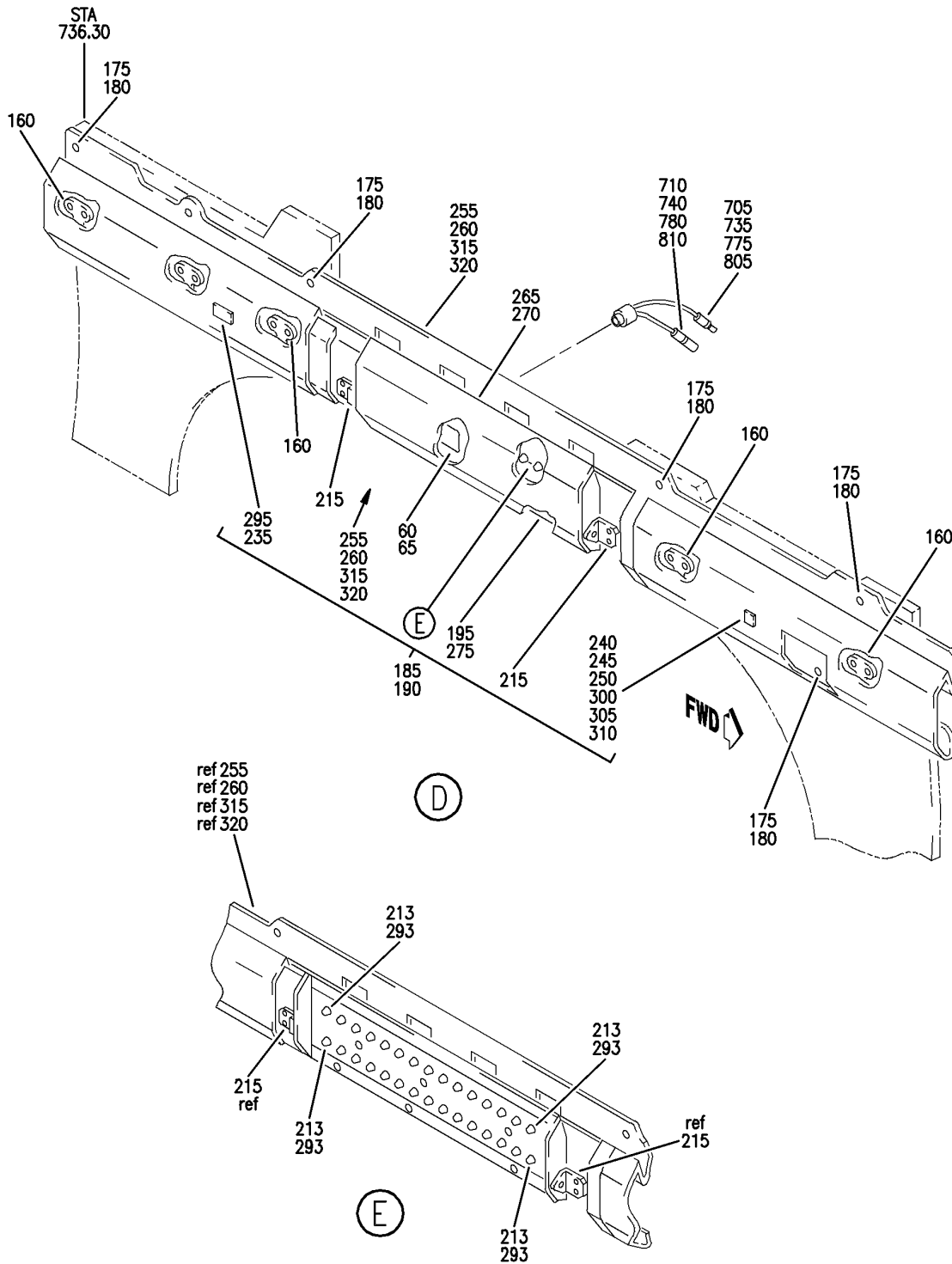
SIGN INSTL-LIGHTED
FIGURE 66 (SHEET 2)

33-51-01-66

BRI
MAY 28/07

33-51-01-66
PAGE 0A


BOEING
 757
PARTS CATALOG (MAINTENANCE)



Y 33510166 SHT 3 REV 226

SIGN INSTL-LIGHTED
FIGURE 66 (SHEET 3)

33-51-01-66

BRI
MAY 28/07

33-51-01-66
PAGE 0B



757

PARTS CATALOG (MAINTENANCE)

FIG ITEM	PART NUMBER	1 2 3 4 5 6 7	NOMENCLATURE	EFFECT FROM TO	UNITS PER ASSY
66			SIGN INSTL-LIGHTED	121503	
- 1	417N5200-23		SIGN INSTL-LIGHTED FOR NHA SEE: 25-20-00-01E	904949 121503 904949	RF
10	10-1070-102		.LENS ASSY-INTERIOR ILLUMINATED EXIT SIGN SUPPLIER CODE: V72914 SPECIFICATION NUMBER: S417N505-1003 COMPONENT MAINT MANUAL REF: 33-51-29	121503 904949	1
15	10-1073-103B		.LENS-EXIT SIGN SUPPLIER CODE: V72914 SPECIFICATION NUMBER: S417N505-8005B	121503 904949	6
20	10-1072-103		.LENS-EXIT SIGN SUPPLIER CODE: V72914 SPECIFICATION NUMBER: S417N505-7005	121503 904949	2
25	10-1076-103B		.LENS-EXIT SIGN SUPPLIER CODE: V72914 SPECIFICATION NUMBER: S417N505-2003B	121503 904949	1
30	10-1075-103B		.LENS-EXIT SIGN SUPPLIER CODE: V72914 SPECIFICATION NUMBER: S417N505-4503A	121503 904949	1
35	10-1077-102A		.LENS-EXIT SIGN SUPPLIER CODE: V72914 SPECIFICATION NUMBER: S417N505-2502A	121503 904949	1
- 40	417N5204-16		.HOUSING INSTL- FOR DETAILS SEE: 33-51-05-15 33-51-11-11	121503 904949	1
45	BAC27NPA0238		..MARKER-ALUMINUM FOIL POSITION DATA: DOOR NO. 1 LH PLACARD CONTENT: L31 EXIT SIGN	121503 904949	1

MISSING ITEM NUMBERS NOT APPLICABLE

- ITEM NOT ILLUSTRATED

33-51-01-66

33-51-01
FIG. 66
PAGE 1
JAN 20/09

BRI



757

PARTS CATALOG (MAINTENANCE)

FIG ITEM	PART NUMBER	1 2 3 4 5 6 7	NOMENCLATURE	EFFECT FROM TO	UNITS PER ASSY
66					
50	BAC27NPA0233	..	MARKER-ALUMINUM FOIL POSITION DATA: DOOR NO. 1 RH PLACARD CONTENT: L27 EXIT SIGN	121503 904949	1
55	BAC27NPA0939	..	MARKER-ALUMINUM FOIL POSITION DATA: DOOR NO. 2 PLACARD CONTENT: M10253 EXIT SIGN/ATTENDANT CALL LIGHTS	121503 904949	1
60	BAC27NPA0240	..	MARKER-ALUMINUM FOIL POSITION DATA: DOOR NO. 2 LH PLACARD CONTENT: L43 EXIT SIGN	121503 904949	1
65	BAC27NPA0234	..	MARKER-ALUMINUM FOIL POSITION DATA: DOOR NO. 2 RH PLACARD CONTENT: L37 EXIT SIGN	121503 904949	1
70	BAC29PPS4289	..	MARKER-ALUMINUM FOIL PLACARD CONTENT: M10680 EXIT SIGN	121503 904949	1
75	BAC27NPA0241	..	MARKER-ALUMINUM FOIL PLACARD CONTENT: L52 EXIT SIGN	121503 904949	1
80	BAC27NPA0235	..	MARKER-ALUMINUM FOIL PLACARD CONTENT: L49 EXIT SIGN	121503 904949	1
85	BAC27NPA0941	..	MARKER-ALUMINUM FOIL PLACARD CONTENT: M10255 EXIT SIGN/ATTENDANT CALL LIGHTS	121503 904949	1
90	BAC27NPA0242	..	MARKER-ALUMINUM FOIL POSITION DATA: DOOR NO. 4 RH PLACARD CONTENT: L62 EXIT SIGN	121503 904949	1
95	BAC27NPA0236	..	MARKER-ALUMINUM FOIL POSITION DATA: DOOR NO. 4 RH PLACARD CONTENT: L57 EXIT SIGN	121503 904949	1

MISSING ITEM NUMBERS NOT APPLICABLE

- ITEM NOT ILLUSTRATED

33-51-01-66

33-51-01
FIG. 66
PAGE 2
JAN 20/09

BRI



757

PARTS CATALOG (MAINTENANCE)

FIG ITEM	PART NUMBER	1 2 3 4 5 6 7	NOMENCLATURE	EFFECT FROM TO	UNITS PER ASSY
66 100	10-1073-1		..HOUSING-EXIT SIGN SUPPLIER CODE: V72914 SPECIFICATION NUMBER: S417N505-28 ELECTRICAL EQUIP NUMBER: L00027 L00031 L00049 L00052 L00057 L00062 COMPONENT MAINT MANUAL REF: 33-51-32 ATTACHING PARTS	121503 904949	6
- 105	NAS1801-3-7		..SCREW	121503 904949	AR
- 110	AN960JD10LL		..WASHER	121503 904949	AR
			-----*-----		
115	NAS1801-3-7		..SCREW	121503 904949	4
120	NAS1801-3-12		..SCREW	121503 904949	4
125	65C32144-9A		..SPACER ASSY- OPTIONAL PART: 65C32144-13SP	121503 904949	1
125	65C32144-13A		..SPACER ASSY- OPTIONAL PART: 65C32144-9A	121503 904949	1
130	AN960JD10LL		..WASHER	121503 904949	8
135	10-1076-61B		..HOUSING ASSY-EXIT SIGN SUPPLIER CODE: V72914 SPECIFICATION NUMBER: S417N505-147A COMPONENT MAINT MANUAL REF: 33-51-56 OPTIONAL PART: 417N5204-18A FOR DETAILS SEE: 33-51-01-75	121503 904949	1
135	417N5204-18A		..HOUSING ASSY-EXIT SIGN OPTIONAL PART: 10-1076-61B V72914	121503 904949	1

MISSING ITEM NUMBERS NOT APPLICABLE

- ITEM NOT ILLUSTRATED

33-51-01-66

33-51-01
FIG. 66
PAGE 3
JAN 20/09

BRI



757

PARTS CATALOG (MAINTENANCE)

FIG ITEM	PART NUMBER	1 2 3 4 5 6 7	NOMENCLATURE	EFFECT FROM TO	UNITS PER ASSY
66 140	10-1075-53		..HOUSING-EXIT SIGN SUPPLIER CODE: V72914 SPECIFICATION NUMBER: S417N505-146A COMPONENT MAINT MANUAL REF: 33-51-55 OPTIONAL PART: 417N5204-17A FOR DETAILS SEE: 33-51-01-90B	121503 904949	1
140	417N5204-17A		..HOUSING-EXIT SIGN OPTIONAL PART: 10-1075-53 V72914	121503 904949	1
145	10-1077-51B		..HOUSING ASSY-EXIT SIGN SUPPLIER CODE: V72914 SPECIFICATION NUMBER: S417N505-131B COMPONENT MAINT MANUAL REF: 33-51-57 FOR DETAILS SEE: 33-51-01-90C ATTACHING PARTS	121503 904949	1
- 150	NAS1801-3-8		..SCREW	121503 904949	8
- 155	NAS43DD3-9		..SPACER	121503 904949	8
			-----*-----		
160	417N5207-1		..CLIP	121503 904949	10
			ATTACHING PARTS		
- 165	NAS603-4P		..SCREW	121503 904949	20
- 170	AN960KD10		..WASHER	121503 904949	20
			-----*-----		
175	NAS603-4P		..SCREW	121503 904949	12
180	AN960KD10		..WASHER	121503 904949	12
265	417N5205-32SP		..SIGN ASSY-EXIT POSITION DATA: LH SIDE	904949	1
265	417N5205-42SP		..SIGN ASSY-EXIT POSITION DATA: LH SIDE	121503	1

MISSING ITEM NUMBERS NOT APPLICABLE

- ITEM NOT ILLUSTRATED

33-51-01-66

33-51-01
FIG. 66
PAGE 4
JAN 20/09

BRI



757

PARTS CATALOG (MAINTENANCE)

FIG ITEM	PART NUMBER	1 2 3 4 5 6 7	NOMENCLATURE	EFFECT FROM TO	UNITS PER ASSY
66					
270	417N5205-33SP	..	SIGN ASSY-EXIT POSITION DATA: RH SIDE	121503 904949	1
275	10-1072-1	...	HOUSING ASSY-EXIT SUPPLIER CODE: V72914 SPECIFICATION NUMBER: S417N505-27 COMPONENT MAINT MANUAL REF: 33-51-31 ATTACHING PARTS	121503 904949	1
- 280	NAS514P832-5	...	SCREW	121503 904949	6
- 285	AN960JD8L	...	WASHER	121503 904949	6
- 290	MS21042L08	...	NUT	121503 904949	6
			-----*-----		
293	OL3071BPEGPL	LAMP-5V .06 AMP SUPPLIER CODE: VS3774 CONFIG CHG DATA FROM A CMM: SUPSDS OL3071PEPL	121503 904949	30
293	LPA010	LAMP- SUPPLIER CODE: V72914 OPTIONAL PART: OL3071BPEGPL VS3774	121503 904949	30
295	BCREF5985	...	LIGHT ASSY-IND SUPPLIER CODE: V81590 OVERLENGTH PART NUMBER: 250-650-0994-001	121503 904949	1
300	2100-7	...	SWITCH ASSY- SUPPLIER CODE: V91929 POSITION DATA: LH SIDE	121503 904949	1
- 303	85	BULB- SUPPLIER CODE: V08805	121503 904949	1
305	2100-11	...	GUARD-SWITCH SUPPLIER CODE: V91929 POSITION DATA: LH SIDE	121503 904949	1

MISSING ITEM NUMBERS NOT APPLICABLE

- ITEM NOT ILLUSTRATED

33-51-01-66

33-51-01
FIG. 66
PAGE 5
JAN 20/09

BRI



757

PARTS CATALOG (MAINTENANCE)

FIG ITEM	PART NUMBER	1 2 3 4 5 6 7	NOMENCLATURE	EFFECT FROM TO	UNITS PER ASSY
66 305	AML76C10T01P	...	GUARD-SWITCH SUPPLIER CODE: V91929 POSITION DATA: LH SIDE	121503 904949	1
310	2100-102	...	LENS- SUPPLIER CODE: V91929 POSITION DATA: LH SIDE	121503 904949	1
315	417N5206-27SP	...	FRAME-SPRT POSITION DATA: LH SIDE	904949	1
315	417N5206-36SP	...	FRAME-SPRT POSITION DATA: LH SIDE	121503	1
320	417N5206-28SP	...	FRAME-SPRT POSITION DATA: RH SIDE	121503 904949	1
- 350	417N5210-43	.	LIGHTING INSTL-EMER FLOOR PROXIMITY FOR DETAILS SEE: 33-52-00-30 33-52-20-02	121503 904949	1
- 700	286N3634-028		WIRE BUNDLE ASSY	121503 904949	RF
705	48-7190	.	CONNECTOR- SUPPLIER CODE: V02660 ELECTRICAL EQUIP NUMBER: D04566 D04602 WIRING DIAGRAM REF: 335114 335115	121503 904949	2
710	48-7191	.	CONNECTOR- SUPPLIER CODE: V02660 ELECTRICAL EQUIP NUMBER: D04564 D04600 WIRING DIAGRAM REF: 335114 335115	121503 904949	2
- 730	286N3632-015		WIRE BUNDLE ASSY	121503 904949	RF

MISSING ITEM NUMBERS NOT APPLICABLE

- ITEM NOT ILLUSTRATED

33-51-01-66

33-51-01
FIG. 66
PAGE 6
JAN 20/09

BRI



757

PARTS CATALOG (MAINTENANCE)

FIG ITEM	PART NUMBER	1 2 3 4 5 6 7	NOMENCLATURE	EFFECT FROM TO	UNITS PER ASSY
66 735	48-7190		.CONNECTOR- SUPPLIER CODE: V02660 ELECTRICAL EQUIP NUMBER: D04530 D04542 WIRING DIAGRAM REF: 335112 335113	121503 904949	2
740	48-7191		.CONNECTOR- SUPPLIER CODE: V02660 ELECTRICAL EQUIP NUMBER: D04528 D04540 WIRING DIAGRAM REF: 335112 335113	121503 904949	2
- 770	286N3532-031		WIRE BUNDLE ASSY	121503 904949	RF
775	48-7190		.CONNECTOR- SUPPLIER CODE: V02660 ELECTRICAL EQUIP NUMBER: D04534 D04548 WIRING DIAGRAM REF: 335112 335113	121503 904949	2
780	48-7191		.CONNECTOR- SUPPLIER CODE: V02660 ELECTRICAL EQUIP NUMBER: D04532 D04548 WIRING DIAGRAM REF: 335112 335113	121503 904949	2
- 800	286N3534-018		WIRE BUNDLE ASSY	121503 904949	RF
805	48-7190		.CONNECTOR- SUPPLIER CODE: V02660 ELECTRICAL EQUIP NUMBER: D04562 D04570 WIRING DIAGRAM REF: 335114 335115	121503 904949	2

MISSING ITEM NUMBERS NOT APPLICABLE

- ITEM NOT ILLUSTRATED

33-51-01-66

33-51-01
FIG. 66
PAGE 7
JAN 20/09

BRI



**757
PARTS CATALOG (MAINTENANCE)**

FIG ITEM	PART NUMBER	1 2 3 4 5 6 7	NOMENCLATURE	EFFECT FROM TO	UNITS PER ASSY
66 810	48-7191		.CONNECTOR- SUPPLIER CODE: V02660 ELECTRICAL EQUIP NUMBER: D04560 D04568 WIRING DIAGRAM REF: 335114 335115	121503 904949	2
- 850	286N3672-034		WIRE BUNDLE ASSY	121503 904949	RF
855	BACC45FN12-12S		.CONNECTOR- ELECTRICAL EQUIP NUMBER: D04518 D04522 WIRING DIAGRAM REF: 335113 335115	121503 904949	2

MISSING ITEM NUMBERS NOT APPLICABLE

- ITEM NOT ILLUSTRATED

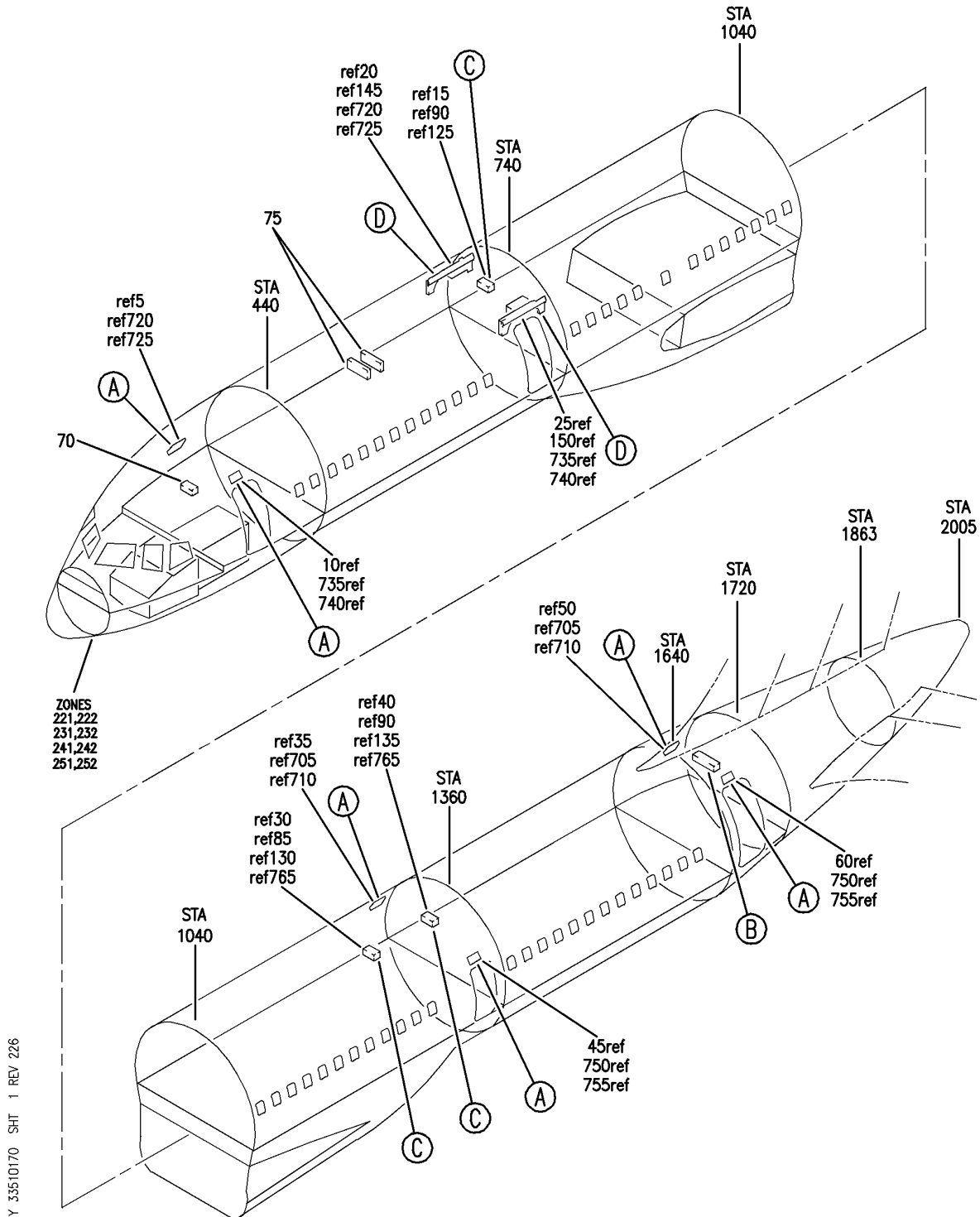
BRI

33-51-01-66

BOEING PROPRIETARY - Copyright © - Unpublished Work - See title page for details.

33-51-01
FIG. 66
PAGE 8
JAN 20/09

BOEING
757
PARTS CATALOG (MAINTENANCE)

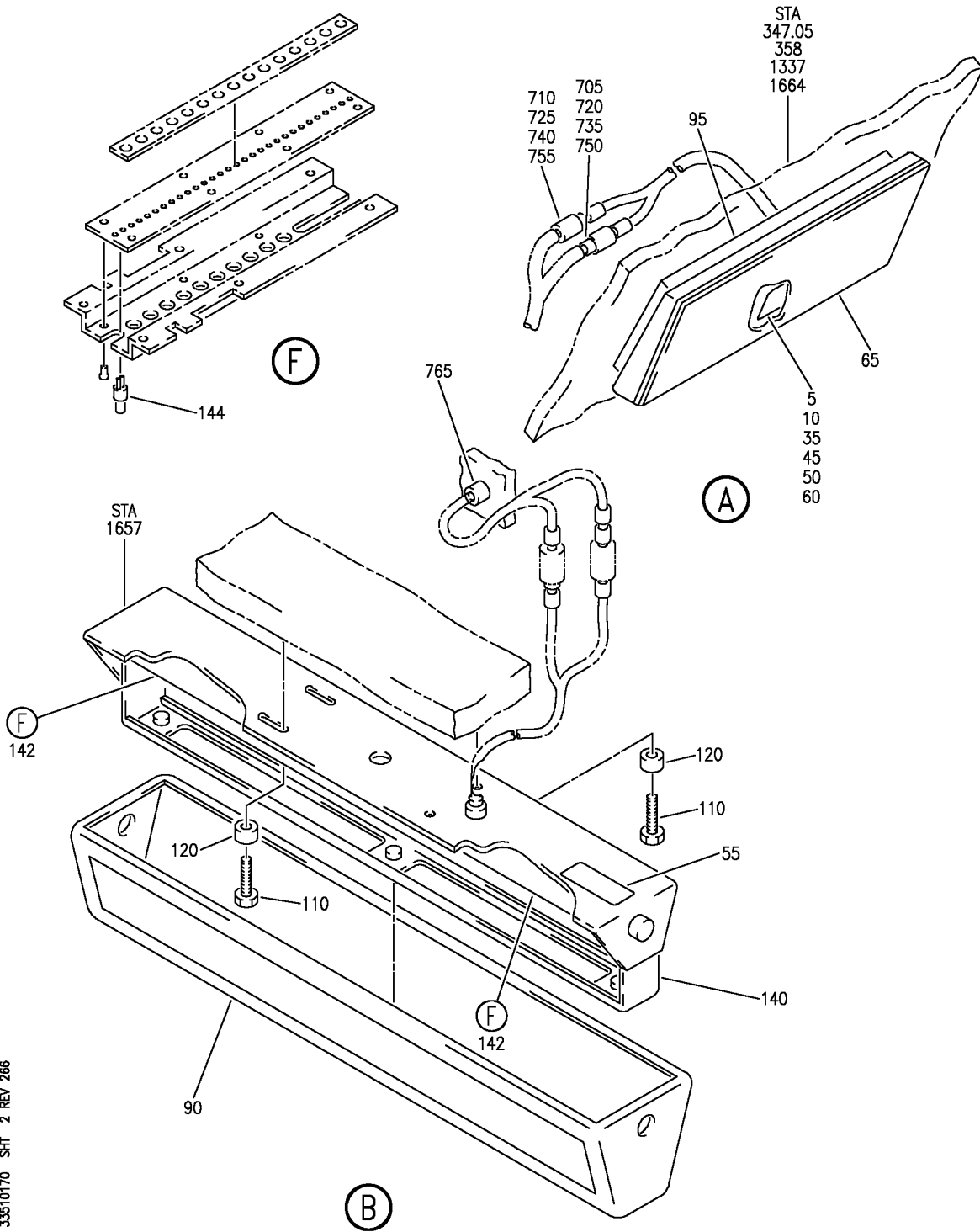


Y 33510170 SH 1 REV 226

SIGN INSTL-USAIR LIGHTED
FIGURE 70 (SHEET 1)

33-51-01-70

BOEING
757
PARTS CATALOG (MAINTENANCE)



Y 33510170 SHT 2 REV 266

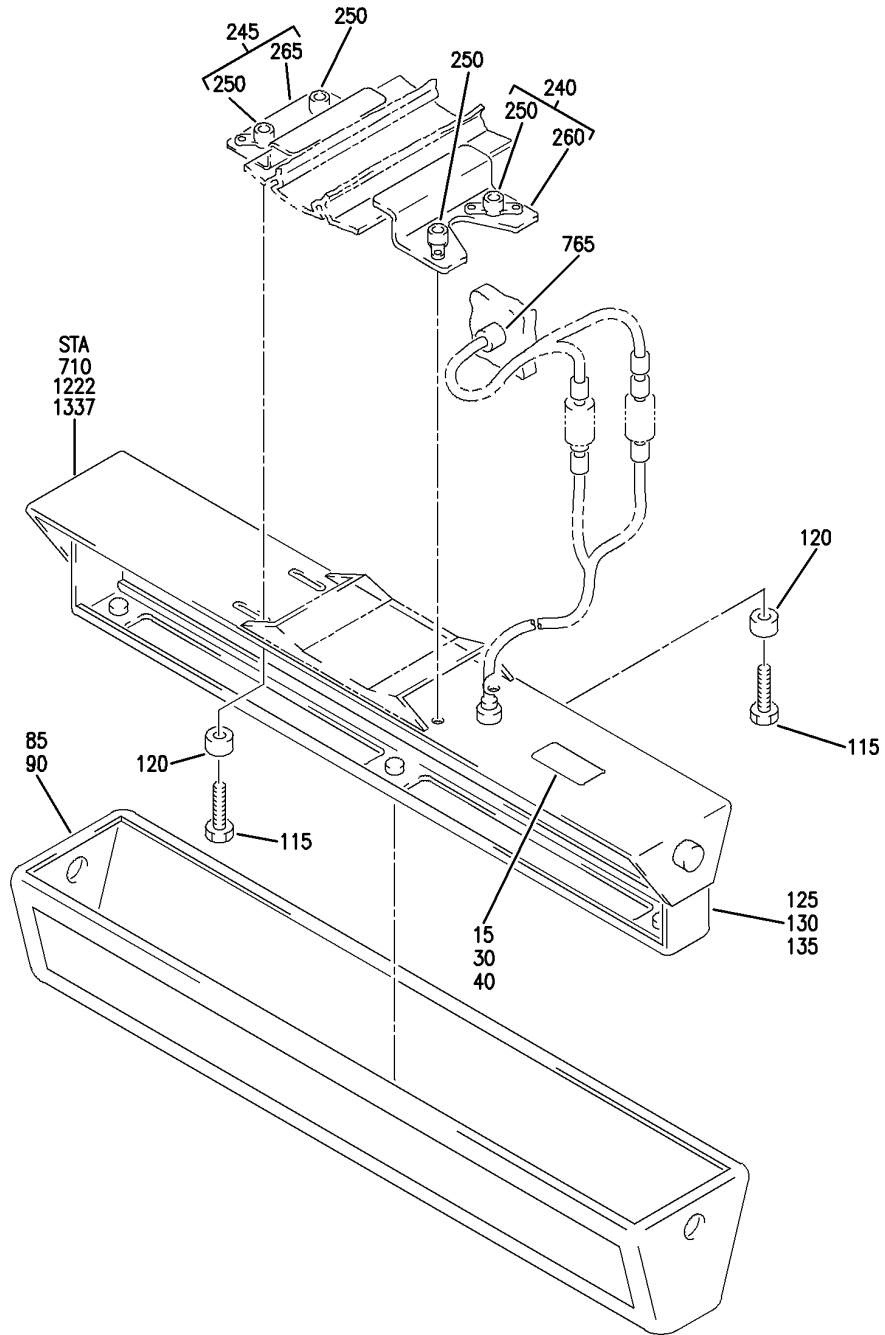
SIGN INSTL-USAIR LIGHTED
FIGURE 70 (SHEET 2)

33-51-01-70

BRI
JAN 20/09

33-51-01-70
PAGE 0A

BOEING
 757
 PARTS CATALOG (MAINTENANCE)



(C)

Y 33510170 SHT 3 REV 226

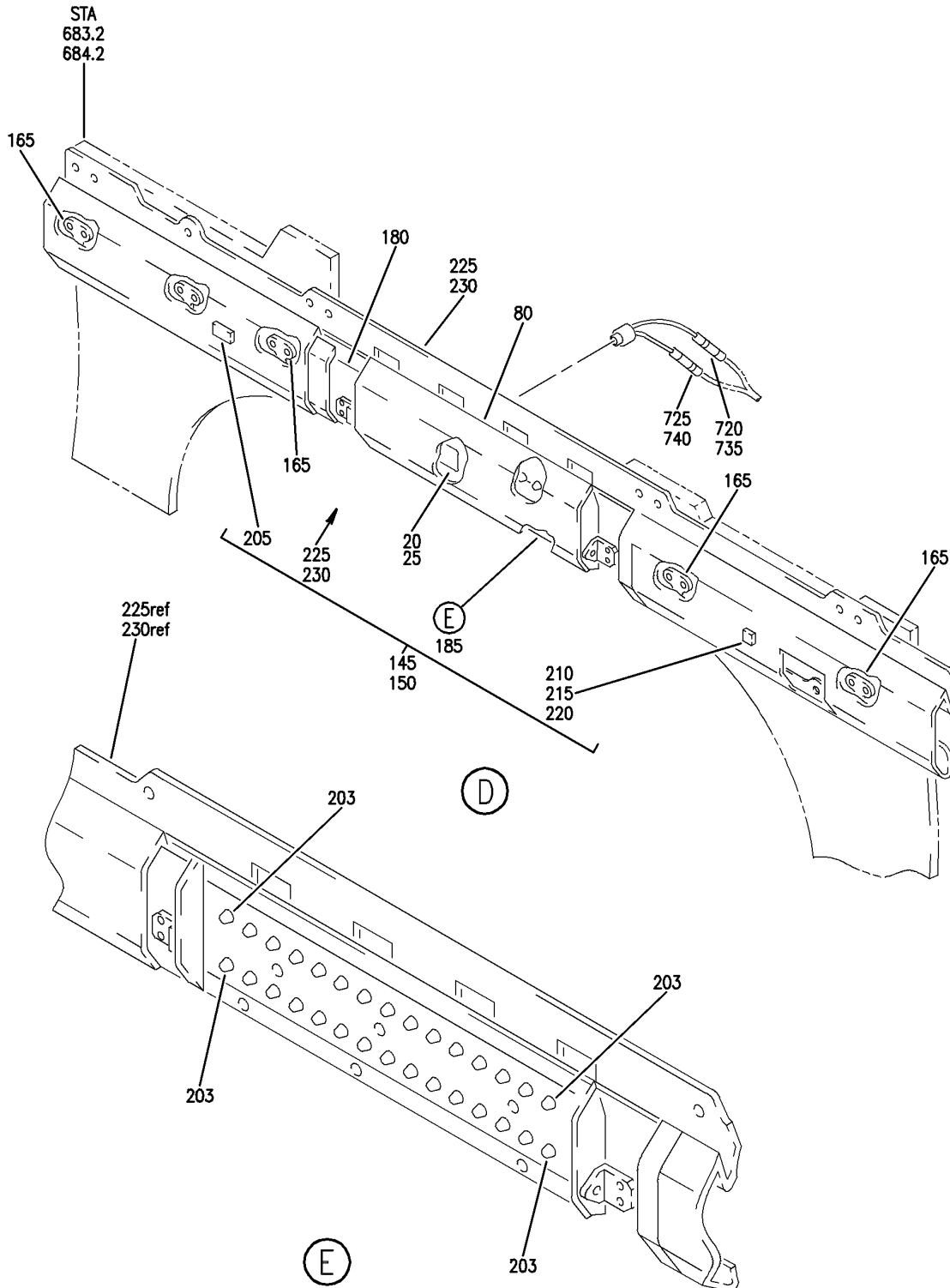
SIGN INSTL-USAIR LIGHTED
 FIGURE 70 (SHEET 3)

33-51-01-70

BRI
 JAN 20/09

33-51-01-70
 PAGE 0B

BOEING
757
PARTS CATALOG (MAINTENANCE)



Y 33510170 SH1 4 REV 226

SIGN INSTL-USAIR LIGHTED
FIGURE 70 (SHEET 4)

33-51-01-70

BRI
JAN 20/09

33-51-01-70
PAGE 0C



757

PARTS CATALOG (MAINTENANCE)

FIG ITEM	PART NUMBER	1 2 3 4 5 6 7	NOMENCLATURE	EFFECT FROM TO	UNITS PER ASSY
70					
- 1	417N5200-48		SIGN INSTL-USAIR LIGHTED SIGN INSTL-USAIR LIGHTED FOR NHA SEE: 25-20-00-01A	950951 950951	RF
5	BAC27NPA0233		.MARKER-ALUMINUM FOIL DOOR NO. 1 POSITION DATA: RH PLACARD CONTENT: L27 EXIT SIGN	950951	1
10	BAC27NPA0238		.MARKER-ALUMINUM FOIL DOOR NO. 1 POSITION DATA: LH PLACARD CONTENT: L31 EXIT SIGN	950951	1
15	BAC27NPA0244		.MARKER-ALUMINUM FOIL PLACARD CONTENT: L36 EXIT SIGN/ATTENDANT CALL LIGHTS	950951	1
20	BAC27NPA0234		.MARKER-ALUMINUM FOIL PLACARD CONTENT: L37 EXIT SIGN	950951	1
25	BAC27NPA0240		.MARKER-ALUMINUM FOIL PLACARD CONTENT: L43 EXIT SIGN	950951	1
30	BAC29PPS4289		.MARKER-ALUMINUM FOIL PLACARD CONTENT: M10680 EXIT SIGN	950951	1
35	BAC27NPA0235		.MARKER-ALUMINUM FOIL PLACARD CONTENT: L49 EXIT SIGN	950951	1
40	BAC27NPA0940		.MARKER-ALUMINUM FOIL PLACARD CONTENT: M10254 EXIT SIGN/ ATTENDANT CALL LIGHTS	950951	1
45	BAC27NPA0241		.MARKER-ALUMINUM FOIL PLACARD CONTENT: L52 EXIT SIGN	950951	1
50	BAC27NPA0236		.MARKER-ALUMINUM FOIL DOOR NO. 4 POSITION DATA: RH PLACARD CONTENT: L57 EXIT SIGN	950951	1
55	BAC27NPA0941		.MARKER-ALUMINUM FOIL PLACARD CONTENT: M10255 EXIT SIGN/ ATTENDANT CALL LIGHTS	950951	1

MISSING ITEM NUMBERS NOT APPLICABLE

- ITEM NOT ILLUSTRATED

33-51-01-70

33-51-01
FIG. 70
PAGE 1
JAN 20/09

BRI



757

PARTS CATALOG (MAINTENANCE)

FIG ITEM	PART NUMBER	1 2 3 4 5 6 7	NOMENCLATURE	EFFECT FROM TO	UNITS PER ASSY
70					
60	BAC27NPA0242		.MARKER-ALUMINUM FOIL DOOR NO. 4 POSITION DATA: LH PLACARD CONTENT: L62 EXIT SIGN	950951	1
65	10-1073-101K		.LENS-EXIT SIGN SUPPLIER CODE: V72914 SPECIFICATION NUMBER: S417N505-8003K	950951	6
70	10-1070-101		.LENS ASSY-INTERIOR ILLUMINATED EXIT SIGN SUPPLIER CODE: V72914 SPECIFICATION NUMBER: S417N505-1002 COMPONENT MAINT MANUAL REF: 33-51-29	950951	1
75	10-1270-102		.LENS-EXIT SIGN SUPPLIER CODE: V72914 SPECIFICATION NUMBER: S417N505-6502	950951	2
80	10-1072-101		.LENS-EXIT SIGN SUPPLIER CODE: V72914 SPECIFICATION NUMBER: S417N505-7003 COMPONENT MAINT MANUAL REF: 33-51-31	950951	2
85	10-1074-101K		.LENS-EXIT SIGN SUPPLIER CODE: V72914 SPECIFICATION NUMBER: S417N505-4001E	950951	1
90	10-1076-102K		.LENS-EXIT SIGN SUPPLIER CODE: V72914 SPECIFICATION NUMBER: S417N505-2002E	950951	3

MISSING ITEM NUMBERS NOT APPLICABLE

- ITEM NOT ILLUSTRATED

33-51-01-70

33-51-01
FIG. 70
PAGE 2
JAN 20/09

BRI



757

PARTS CATALOG (MAINTENANCE)

FIG ITEM	PART NUMBER	1 2 3 4 5 6 7	NOMENCLATURE	EFFECT FROM TO	UNITS PER ASSY
70 95	10-1073-1		.HOUSING-EXIT SUPPLIER CODE: V72914 SPECIFICATION NUMBER: S417N505-28 ELECTRICAL EQUIP NUMBER: L00027 L00031 L00049 L00052 L00057 L00062 COMPONENT MAINT MANUAL REF: 33-51-32 ATTACHING PARTS	950951	6
- 100	NAS1801-3-7		.SCREW	950951	AR
- 105	AN960JD10LL		.WASHER -----*-----	950951	AR
110	NAS1801-3-7		.SCREW	950951	AR
115	NAS1801-3-8		.SCREW	950951	AR
120	NAS43DD3-8FC		.SPACER	950951	AR
125	10-1076-51K		.HOUSING ASSY-EXIT SIGN SUPPLIER CODE: V72914 SPECIFICATION NUMBER: S417N505-122E ELECTRICAL EQUIP NUMBER: M10253 COMPONENT MAINT MANUAL REF: 33-51-56 FOR DETAILS SEE: 33-51-01-75	950951	1
130	10-1074-51K		.HOUSING ASSY-EXIT SIGN SUPPLIER CODE: V72914 SPECIFICATION NUMBER: S417N505-125E ELECTRICAL EQUIP NUMBER: L00048 COMPONENT MAINT MANUAL REF: 33-51-33	950951	1

MISSING ITEM NUMBERS NOT APPLICABLE

- ITEM NOT ILLUSTRATED

33-51-01-70

33-51-01
FIG. 70
PAGE 3
JAN 20/09

BRI



757

PARTS CATALOG (MAINTENANCE)

FIG ITEM	PART NUMBER	1 2 3 4 5 6 7	NOMENCLATURE	EFFECT FROM TO	UNITS PER ASSY
70 135	10-1076-53K		.HOUSING ASSY-EXIT SIGN SUPPLIER CODE: V72914 SPECIFICATION NUMBER: S417N505-123E ELECTRICAL EQUIP NUMBER: M10254 COMPONENT MAINT MANUAL REF: 33-51-56 FOR DETAILS SEE: 33-51-01-75	950951	1
140	10-1076-55K		.HOUSING ASSY-EXIT SIGN SUPPLIER CODE: V72914 SPECIFICATION NUMBER: S417N505-124E ELECTRICAL EQUIP NUMBER: M10255 COMPONENT MAINT MANUAL REF: 33-51-56 FOR DETAILS SEE: 33-51-01-75	950951	1
142	11-4664-1		..LAMP ASSY- SUPPLIER CODE: V72914 USED ON: 10-1074-51K	950951	2
144	OL3071BPEGPL		...LAMP-5V .06 AMP SUPPLIER CODE: VS3774 MISCELLANEOUS DATA: GRIMES PART NO. LP101	950951	15
144	LPA010		...LAMP- SUPPLIER CODE: V72914 OPTIONAL PART: OL3071BPEGPL VS3774	950951	15
145	417N5205-33E		.SIGN ASSY-EXIT	950951	1
150	417N5205-34G		.SIGN ASSY-EXIT ATTACHING PARTS	950951	1
- 155	NAS603-4P		.SCREW	950951	AR
- 160	NAS1149D0363J		.WASHER -----*-----	950951	AR
165	417N5207-1		.CLIP ATTACHING PARTS	950951	10
- 170	NAS603-4P		.SCREW	950951	AR

MISSING ITEM NUMBERS NOT APPLICABLE

- ITEM NOT ILLUSTRATED

33-51-01-70

33-51-01
FIG. 70
PAGE 4
JAN 20/09

BRI



757

PARTS CATALOG (MAINTENANCE)

FIG ITEM	PART NUMBER	1 2 3 4 5 6 7	NOMENCLATURE	EFFECT FROM TO	UNITS PER ASSY
70					
- 175	NAS1149D0363J	.	WASHER	950951	AR
		-----*			
180	BACS40R018E018F	.	SHIM	950951	AR
185	10-1072-1	..	HOUSING ASSY-EXIT	950951	1
			SUPPLIER CODE: V72914		
			SPECIFICATION NUMBER: S417N505-27		
			ELECTRICAL EQUIP NUMBER: L00037		
			L00043		
			COMPONENT MAINT MANUAL REF: 33-51-31		
			ATTACHING PARTS		
- 190	NAS514P832-5	..	SCREW	950951	6
- 195	AN960JD8L	..	WASHER	950951	6
- 200	MS21042L08	..	NUT	950951	6
		-----*			
203	OL3071BPEGPL	..	LAMP-5V .06 AMP	950951	30
			SUPPLIER CODE: VS3774		
			CONFIG CHG DATA FROM A CMM: SUPSDS OL3071PEPL		
203	LPA010	..	LAMP-	950951	30
			SUPPLIER CODE: V72914		
			OPTIONAL PART: OL3071BPEGPL		
			VS3774		
205	BCREF5985	..	LIGHT ASSY-INDICATOR	950951	1
			SUPPLIER CODE: V81590		
			OVERLENGTH PART NUMBER: 250-650-0994-001		
210	2100-7	..	SWITCH ASSY-	950951	1
			SUPPLIER CODE: V91929		
			POSITION DATA: LH SIDE		
- 213	85	...	BULB-	950951	1
			SUPPLIER CODE: V08805		
215	2100-11	..	GUARD-SWITCH	950951	1
			SUPPLIER CODE: V91929		
			POSITION DATA: LH SIDE		

MISSING ITEM NUMBERS NOT APPLICABLE

- ITEM NOT ILLUSTRATED

33-51-01-70

33-51-01
FIG. 70
PAGE 5
JAN 20/09

BRI



**757
PARTS CATALOG (MAINTENANCE)**

FIG ITEM	PART NUMBER	1 2 3 4 5 6 7	NOMENCLATURE	EFFECT FROM TO	UNITS PER ASSY
70					
215	AML76C10T01P	..	GUARD-SWITCH SUPPLIER CODE: V91929 POSITION DATA: LH SIDE	950951	1
220	2100-102	..	LENS- SUPPLIER CODE: V91929 POSITION DATA: LH SIDE	950951	1
225	417N5206-28SP	..	FRAME- POSITION DATA: RH	950951	1
230	417N5206-29SP	..	FRAME- POSITION DATA: LH	950951	1
240	417N5203-10	.	BRACKET ASSY-MTG	950951	3
245	417N5203-11	.	BRACKET ASSY-MTG	950951	3
250	T8076S1032	..	NUTPLATE SUPPLIER CODE: V11815 SPECIFICATION NUMBER: BACN10JP3A OPTIONAL PART: MK1000-3BAC V15653 NS103197-02 V80539 RMA9201M3 V72962 VN202A1-02 V92215 BRM200A3 V52828 ATTACHING PARTS	950951	2
- 255	BACR15CE3M	..	RIVET- SIZE DETERMINED ON INSTL. -----*-----	950951	4
260	417N5203-7	..	BRACKET- USED ON: 417N5203-10	950951	1
265	417N5203-8	..	BRACKET- USED ON: 417N5203-11	950951	1
- 700	286N3634-052		WIRE BUNDLE ASSY	950951	RF

MISSING ITEM NUMBERS NOT APPLICABLE

- ITEM NOT ILLUSTRATED

33-51-01-70

33-51-01
FIG. 70
PAGE 6
JAN 20/09

BRI

BOEING PROPRIETARY - Copyright © - Unpublished Work - See title page for details.



757

PARTS CATALOG (MAINTENANCE)

FIG ITEM	PART NUMBER	1 2 3 4 5 6 7	NOMENCLATURE	EFFECT FROM TO	UNITS PER ASSY
70 705	48-7190		.CONNECTOR- SUPPLIER CODE: V02660 ELECTRICAL EQUIP NUMBER: D04566 WIRING DIAGRAM REF: 335115	950951	1
710	48-7191		.CONNECTOR- SUPPLIER CODE: V02660 ELECTRICAL EQUIP NUMBER: D04564 WIRING DIAGRAM REF: 335115	950951	1
- 715 720	286N3632-051 48-7190		WIRE BUNDLE ASSY .CONNECTOR- SUPPLIER CODE: V02660 ELECTRICAL EQUIP NUMBER: D04530 D04542 WIRING DIAGRAM REF: 335112 335113	950951 950951	RF 2
725	48-7191		.CONNECTOR- SUPPLIER CODE: V02660 ELECTRICAL EQUIP NUMBER: D04528 D04540 WIRING DIAGRAM REF: 335112 335113	950951	2
- 730 735	286N3532-057 48-7190		WIRE BUNDLE ASSY .CONNECTOR- SUPPLIER CODE: V02660 ELECTRICAL EQUIP NUMBER: D04534 D04550 WIRING DIAGRAM REF: 335112 335113	950951 950951	RF 2

MISSING ITEM NUMBERS NOT APPLICABLE

- ITEM NOT ILLUSTRATED

33-51-01-70

33-51-01
FIG. 70
PAGE 7
JAN 20/09

BRI



757

PARTS CATALOG (MAINTENANCE)

FIG ITEM	PART NUMBER	1 2 3 4 5 6 7	NOMENCLATURE	EFFECT FROM TO	UNITS PER ASSY
70 740	48-7191		.CONNECTOR- SUPPLIER CODE: V02660 ELECTRICAL EQUIP NUMBER: D04532 D04548 WIRING DIAGRAM REF: 335112 335113	950951	2
- 745 750	286N3534-053 48-7190		WIRE BUNDLE ASSY .CONNECTOR- SUPPLIER CODE: V02660 ELECTRICAL EQUIP NUMBER: D04562 D04570 WIRING DIAGRAM REF: 335115 335114	950951 950951	RF 2
755	48-7191		.CONNECTOR- SUPPLIER CODE: V02660 ELECTRICAL EQUIP NUMBER: D04560 D04568 WIRING DIAGRAM REF: 335115 335114	950951	2
- 760 765	286N3672-054 BACC45FN12-12S		WIRE BUNDLE ASSY .CONNECTOR- ELECTRICAL EQUIP NUMBER: D04520 D04522 D07156 WIRING DIAGRAM REF: 335113 335115 335114	950951 950951	RF 3

MISSING ITEM NUMBERS NOT APPLICABLE

- ITEM NOT ILLUSTRATED

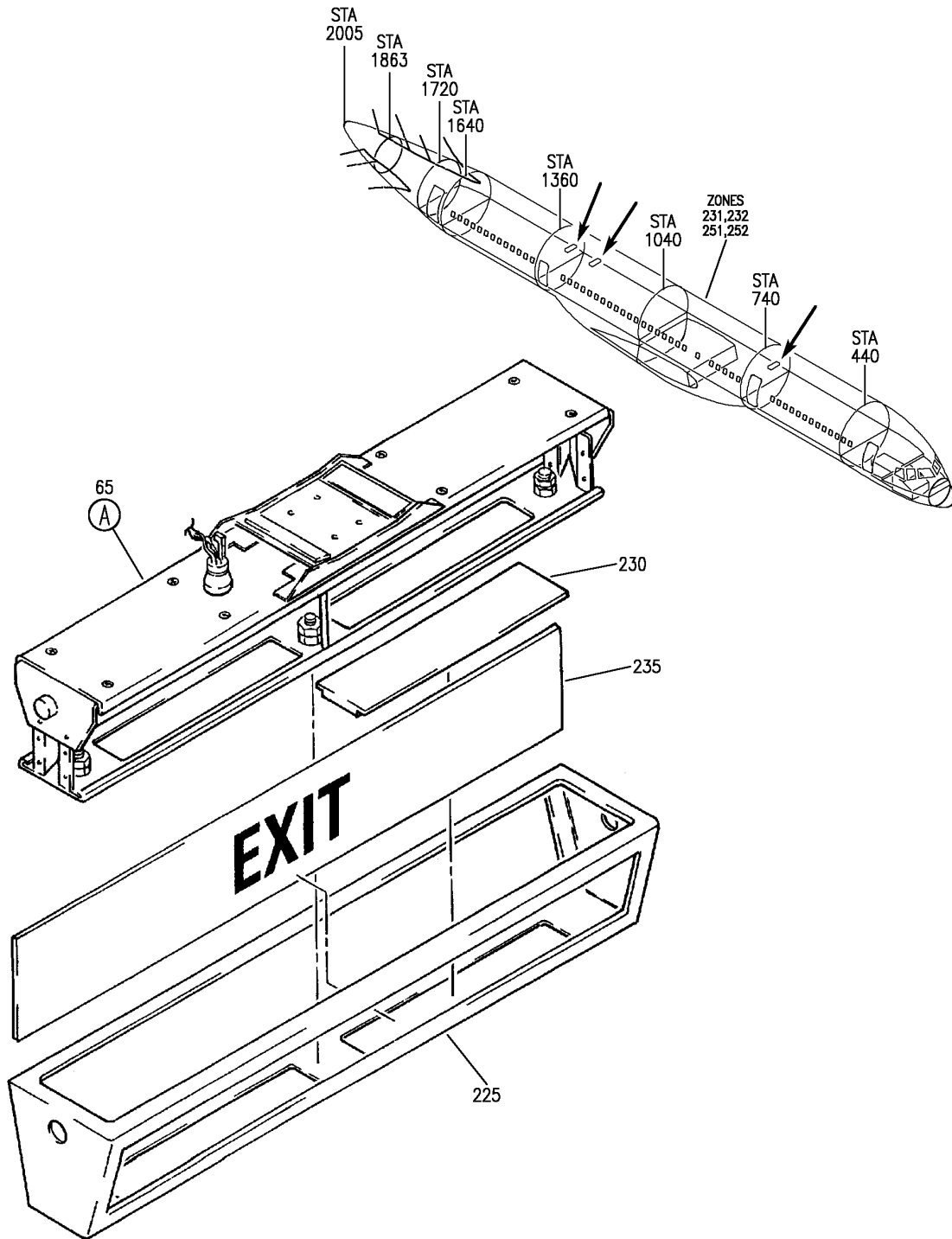
BRI

33-51-01-70

BOEING PROPRIETARY - Copyright © - Unpublished Work - See title page for details.

33-51-01
FIG. 70
PAGE 8
JAN 20/09

BOEING
757
PARTS CATALOG (MAINTENANCE)



Y 33510175 SH1 1 REV 255

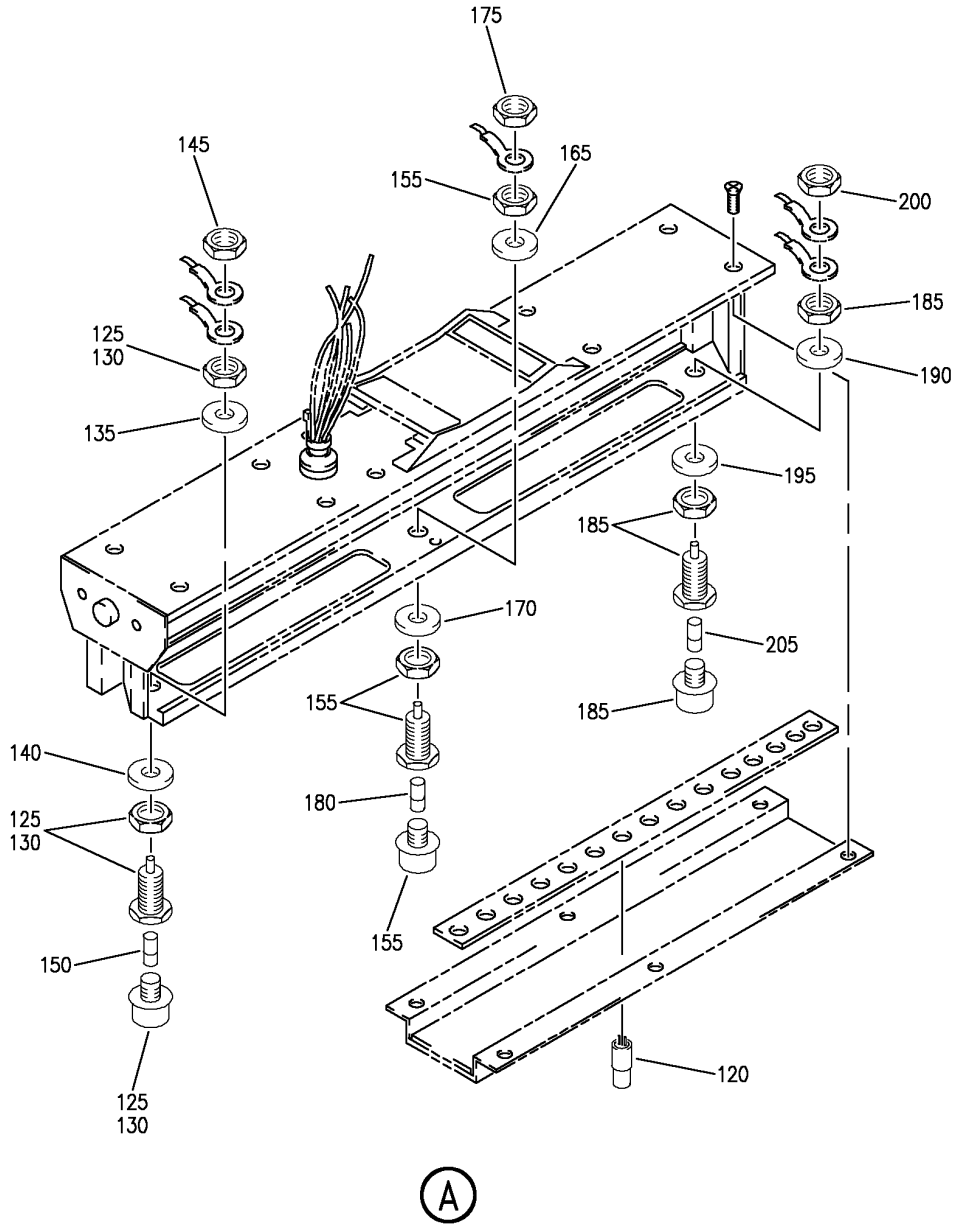
HOUSING ASSY-EXIT SIGN
FIGURE 75 (SHEET 1)

33-51-01-75

BRI
MAY 28/07

33-51-01-75
PAGE 0

BOEING
757
PARTS CATALOG (MAINTENANCE)



Y 33510175 SH1 2 REV 255

HOUSING ASSY-EXIT SIGN
FIGURE 75 (SHEET 2)

33-51-01-75

BRI
MAY 28/07

33-51-01-75
PAGE 0A



757

PARTS CATALOG (MAINTENANCE)

FIG ITEM	PART NUMBER	1 2 3 4 5 6 7	NOMENCLATURE	EFFECT FROM TO	UNITS PER ASSY
75			HOUSING ASSY-EXIT SIGN	002004 006102 107999	
- 1	10-1076-51K		HOUSING ASSY-EXIT SIGN SUPPLIER CODE: V72914 SPECIFICATION NUMBER: S417N505-122E ELECTRICAL EQUIP NUMBER: L00036 M10253 COMPONENT MAINT MANUAL REF: 33-51-56 FOR NHA SEE: 33-51-01-50 33-51-01-70	950999	RF
- 1	10-1076-57K		HOUSING ASSY-EXIT SIGN SUPPLIER CODE: V72914 SPECIFICATION NUMBER: S417N505-130C COMPONENT MAINT MANUAL REF: 33-51-56 FOR NHA SEE: 33-51-01-14	504903	RF
- 5	10-1076-59K		HOUSING ASSY-EXIT SIGN SUPPLIER CODE: V72914 SPECIFICATION NUMBER: S417N505-132D ELECTRICAL EQUIP NUMBER: M10253 COMPONENT MAINT MANUAL REF: 33-51-56 FOR NHA SEE: 33-51-01-01 33-51-01-31 33-51-01-44 33-51-01-52	002004 006102 108120	RF

R
R
R
R
R
R
R
R
R
R
R

MISSING ITEM NUMBERS NOT APPLICABLE

- ITEM NOT ILLUSTRATED

33-51-01-75

33-51-01
FIG. 75
PAGE 1
MAY 20/09

BRI


BOEING
 757
PARTS CATALOG (MAINTENANCE)

FIG ITEM	PART NUMBER	1 2 3 4 5 6 7	NOMENCLATURE	EFFECT FROM TO	UNITS PER ASSY
75 - 10	10-1076-53K		HOUSING ASSY-EXIT SIGN SUPPLIER CODE: V72914 SPECIFICATION NUMBER: S417N505-123E ELECTRICAL EQUIP NUMBER: M10254 COMPONENT MAINT MANUAL REF: 33-51-56 FOR NHA SEE: 33-51-01-50 33-51-01-70	950999	RF
- 15	10-1076-55B		HOUSING ASSY-EXIT SIGN SUPPLIER CODE: V72914 SPECIFICATION NUMBER: S417N505-124B ELECTRICAL EQUIP NUMBER: M10255 M10680 COMPONENT MAINT MANUAL REF: 33-51-56 FOR NHA SEE: 33-51-01-57 33-51-05-15	107107	RF
- 15	10-1076-55K		HOUSING ASSY-EXIT SIGN SUPPLIER CODE: V72914 SPECIFICATION NUMBER: S417N505-124E ELECTRICAL EQUIP NUMBER: M10255 COMPONENT MAINT MANUAL REF: 33-51-56 FOR NHA SEE: 33-51-01-01 33-51-01-31 33-51-01-44 33-51-01-50 33-51-01-52 33-51-01-70	002004 006102 108120 950999	RF

R
R
R
R
R
R
R
R
R
R
R
R
R
R

MISSING ITEM NUMBERS NOT APPLICABLE

- ITEM NOT ILLUSTRATED

33-51-01-75

33-51-01
 FIG. 75
 PAGE 2
 MAY 20/09

BRI



757

PARTS CATALOG (MAINTENANCE)

FIG ITEM	PART NUMBER	1 2 3 4 5 6 7	NOMENCLATURE	EFFECT FROM TO	UNITS PER ASSY
75 - 45	10-1075-53K		HOUSING ASSY-EXIT SIGN SUPPLIER CODE: V72914 SPECIFICATION NUMBER: S417N505-146B COMPONENT MAINT MANUAL REF: 33-51-34 FOR NHA SEE: 33-51-01-14	504903	RF
- 50	10-1076-1B		HOUSING ASSY-EXIT SIGN SUPPLIER CODE: V72914 SPECIFICATION NUMBER: S417N505-22B SB DATA FROM A CMM: SUPSD BY 10-1076-51B ELECTRICAL EQUIP NUMBER: M10253 COMPONENT MAINT MANUAL REF: 33-51-56 FOR NHA SEE: 33-51-01-57	107107	RF
- 50	10-1076-3B		HOUSING ASSY-EXIT SIGN SUPPLIER CODE: V72914 SPECIFICATION NUMBER: S417N505-23B SB DATA FROM A CMM: SUPSD BY 10-1076-53B ELECTRICAL EQUIP NUMBER: M10254 COMPONENT MAINT MANUAL REF: 33-51-56 FOR NHA SEE: 33-51-01-57	107107	RF
- 50	10-1076-5B		HOUSING ASSY-EXIT SIGN SUPPLIER CODE: V72914 SPECIFICATION NUMBER: S417N505-24B SB DATA FROM A CMM: SUPSD BY 10-1076-55B ELECTRICAL EQUIP NUMBER: M10255 COMPONENT MAINT MANUAL REF: 33-51-56 FOR NHA SEE: 33-51-01-57	107107	RF

MISSING ITEM NUMBERS NOT APPLICABLE

- ITEM NOT ILLUSTRATED

33-51-01-75

33-51-01
FIG. 75
PAGE 3
JAN 20/09

BRI



757

PARTS CATALOG (MAINTENANCE)

FIG ITEM	PART NUMBER	1 2 3 4 5 6 7	NOMENCLATURE	EFFECT FROM TO	UNITS PER ASSY
75 - 50	10-1076-51B		HOUSING ASSY-EXIT SIGN SUPPLIER CODE: V72914 SPECIFICATION NUMBER: S417N505-122B CONFIG CHG DATA FROM A CMM: SUPSDS 10-1076-1B ELECTRICAL EQUIP NUMBER: M10253 COMPONENT MAINT MANUAL REF: 33-51-56 FOR NHA SEE: 33-51-01-57 33-51-05-15	107107	RF
- 50	10-1076-53B		HOUSING ASSY-EXIT SIGN SUPPLIER CODE: V72914 SPECIFICATION NUMBER: S417N505-123B CONFIG CHG DATA FROM A CMM: SUPSDS 10-1076-3B ELECTRICAL EQUIP NUMBER: M10254 COMPONENT MAINT MANUAL REF: 33-51-56 FOR NHA SEE: 33-51-01-57 33-51-05-15	107107	RF
- 55	10-1076-61B		HOUSING ASSY-EXIT SIGN SUPPLIER CODE: V72914 SPECIFICATION NUMBER: S417N505-147A ELECTRICAL EQUIP NUMBER: M10253 COMPONENT MAINT MANUAL REF: 33-51-56 FOR NHA SEE: 33-51-01-66 33-51-05-15	121503 904949	RF
65	11-4652-1B		HOUSING ASSY- SUPPLIER CODE: V72914 USED ON: 10-1076-1B	107107	RF

MISSING ITEM NUMBERS NOT APPLICABLE

- ITEM NOT ILLUSTRATED

BRI

33-51-01-75

BOEING PROPRIETARY - Copyright © - Unpublished Work - See title page for details.

33-51-01
FIG. 75
PAGE 4
JAN 20/09



757

PARTS CATALOG (MAINTENANCE)

FIG ITEM	PART NUMBER	1 2 3 4 5 6 7	NOMENCLATURE	EFFECT FROM TO	UNITS PER ASSY
75					
65	11-4652-3B		.HOUSING ASSY- SUPPLIER CODE: V72914 USED ON: 10-1076-3B	107107	RF
65	11-4652-5B		.HOUSING ASSY- SUPPLIER CODE: V72914 USED ON: 10-1076-5B	107107	RF
65	11-4652-21B		.HOUSING ASSY- SUPPLIER CODE: V72914 USED ON: 10-1076-51B	107107	RF
65	11-4652-23B		.HOUSING ASSY- SUPPLIER CODE: V72914 USED ON: 10-1076-53B	107107	RF
- 75	11-4652-41K		.HOUSING ASSY- SUPPLIER CODE: V72914 USED ON: 10-1075-53K	504903	RF
- 100	11-4652-21K		.HOUSING ASSY- SUPPLIER CODE: V72914 USED ON: 10-1076-51K	950999	RF
- 100	11-4652-31K		.HOUSING ASSY- SUPPLIER CODE: V72914 USED ON: 10-1076-57K	504903	RF
- 105	11-4652-35K		.HOUSING ASSY- SUPPLIER CODE: V72914 USED ON: 10-1076-59K	002004 006102 108120	RF
- 110	11-4652-23K		.HOUSING ASSY- SUPPLIER CODE: V72914 USED ON: 10-1076-53K	950999	RF

MISSING ITEM NUMBERS NOT APPLICABLE

- ITEM NOT ILLUSTRATED

33-51-01-75

33-51-01
FIG. 75
PAGE 5
JAN 20/09

BRI



757

PARTS CATALOG (MAINTENANCE)

FIG ITEM	PART NUMBER	1 2 3 4 5 6 7	NOMENCLATURE	EFFECT FROM TO	UNITS PER ASSY
75					
- 115	11-4652-25B		.HOUSING ASSY- SUPPLIER CODE: V72914 USED ON: 10-1076-55B	107107	RF
- 115	11-4652-25K		.HOUSING ASSY- SUPPLIER CODE: V72914 USED ON: 10-1076-55K	002004 006102 108120 950999	RF
- 115	11-4652-43B		.HOUSING ASSY- SUPPLIER CODE: V72914 USED ON: 10-1076-61B	121503 904949	RF
120	OL3071BPEGPL		..LAMP-5.0V 0.06A DS1 THROUGH DS30 SUPPLIER CODE: VS3774	121949	30
120	OL3071BPEGPL		..LAMP-5.0V 0.06A DS1 THROUGH DS30 SUPPLIER CODE: VS3774	002004 006102 108120	30
120	OL3071BPEGPL		..LAMP-5.0V 0.06A DS1 THROUGH DS30 SUPPLIER CODE: VS3774	950999	30
120	OL3071BPEGPL		..LAMP-5.0V 0.06A DS1 THROUGH DS30 SUPPLIER CODE: VS3774	107107	30
125	855973-7L387		..DIALIGHT ASSY- SUPPLIER CODE: V08717 USED ON: 11-4652-15B 11-4652-21K 11-4652-23K 11-4652-25B 11-4652-25C 11-4652-25K 11-4652-29B 11-4652-35B 11-4652-35C 11-4652-35K	504903	1

MISSING ITEM NUMBERS NOT APPLICABLE

- ITEM NOT ILLUSTRATED

33-51-01-75

33-51-01
FIG. 75
PAGE 6
JAN 20/09

BRI



757

PARTS CATALOG (MAINTENANCE)

FIG ITEM	PART NUMBER	1 2 3 4 5 6 7	NOMENCLATURE	EFFECT FROM TO	UNITS PER ASSY
75 125	855973-7L387		..DIALIGHT ASSY- SUPPLIER CODE: V08717 USED ON: 11-4652-15B 11-4652-21K 11-4652-23K 11-4652-25B 11-4652-25C 11-4652-25K 11-4652-29B 11-4652-35B 11-4652-35C 11-4652-35K	002004 006102 108120 950999	1
130	855973-8L387		..DIALIGHT ASSY- SUPPLIER CODE: V08717 USED ON: 11-4652-31K 11-4652-43B	121949	1
130	855973-71-387		..DIALIGHT ASSY- SUPPLIER CODE: V08717 USED ON: 11-4652-3B 11-4652-5B 11-4652-5C 11-4652-21K 11-4652-23D 11-4652-23K 11-4652-25B 11-4652-25K 11-4652-25L 11-4652-25M 11-4652-35B 11-4652-35K	002004 006102 107120 950999	1
130	855973-71-387		..DIALIGHT ASSY- SUPPLIER CODE: V08717 USED ON: 11-4652-1B 11-4652-21B 11-4652-25C 11-4652-25P 11-4652-35C 11-4652-35P	107107	1

MISSING ITEM NUMBERS NOT APPLICABLE

- ITEM NOT ILLUSTRATED

33-51-01-75

33-51-01
FIG. 75
PAGE 7
JAN 20/09

BRI



757

PARTS CATALOG (MAINTENANCE)

FIG ITEM	PART NUMBER	1 2 3 4 5 6 7	NOMENCLATURE	EFFECT FROM TO	UNITS PER ASSY
75			ATTACHING PARTS		
135	60-0706-1		.. WASHER- SUPPLIER CODE: V72914	121949	1
135	60-0706-1		.. WASHER- SUPPLIER CODE: V72914	002004 006102 108120	1
135	60-0706-1		.. WASHER- SUPPLIER CODE: V72914	950999	1
135	60-0706-1		.. WASHER- SUPPLIER CODE: V72914	107107	1
140	855014		.. WASHER-INSULATOR SUPPLIER CODE: V08717	121949	1
140	855014		.. WASHER-INSULATOR SUPPLIER CODE: V08717	002004 006102 108120	1
140	855014		.. WASHER-INSULATOR SUPPLIER CODE: V08717	950999	1
140	855014		.. WASHER-INSULATOR SUPPLIER CODE: V08717	107107	1
145	855023		.. NUT-MACHINE SUPPLIER CODE: V08717	950999	1
145	855023		.. NUT-MACHINE SUPPLIER CODE: V08717	107107	1
145	855023		.. NUT-MACHINE SUPPLIER CODE: V08717	002004 006102 108120 950999	1
145	855023		.. NUT-MACHINE SUPPLIER CODE: V08717	121949	1
145	855023		.. NUT-MACHINE SUPPLIER CODE: V08717	002004 006102 108120	1
			-----*-----		
150	MS25237-387		... LAMP	121949	1
150	MS25237-387		... LAMP	002004 006102 108120	1
150	MS25237-387		... LAMP	950999	1
150	MS25237-387		... LAMP	107107	1

MISSING ITEM NUMBERS NOT APPLICABLE

- ITEM NOT ILLUSTRATED

33-51-01-75

33-51-01
FIG. 75
PAGE 8
JAN 20/09

BRI

BOEING PROPRIETARY - Copyright © - Unpublished Work - See title page for details.



757

PARTS CATALOG (MAINTENANCE)

FIG ITEM	PART NUMBER	1 2 3 4 5 6 7	NOMENCLATURE	EFFECT FROM TO	UNITS PER ASSY
75 155	855973-3L387		.. DIALIGHT ASSY- SUPPLIER CODE: V08717 USED ON: 11-4652-15B 11-4652-21K 11-4652-23K 11-4652-25B 11-4652-25C 11-4652-25K 11-4652-35B 11-4652-35C 11-4652-35K	002004 006102 107120 950999	1
155	855973-3L387		.. DIALIGHT ASSY- SUPPLIER CODE: V08717 USED ON: 11-4652-15B 11-4652-21K 11-4652-23K 11-4652-25B 11-4652-25C 11-4652-25K 11-4652-35B 11-4652-35C 11-4652-35K 11-4652-51K 11-4652-53K	107107	1
- 160	855973-7L387		.. DIALIGHT ASSY- SUPPLIER CODE: V08717 USED ON: 11-4652-29B 11-4652-31K 11-4652-41K	504903	1
- 160	855973-71-387		.. DIALIGHT ASSY- SUPPLIER CODE: V08717 USED ON: 11-4652-31K 11-4652-43B	121949	1
165	60-0706-3		ATTACHING PARTS .. WASHER- SUPPLIER CODE: V72914	121949	1
165	60-0706-3		.. WASHER- SUPPLIER CODE: V72914	002004 006102 108120	1

MISSING ITEM NUMBERS NOT APPLICABLE

- ITEM NOT ILLUSTRATED

33-51-01-75

33-51-01
FIG. 75
PAGE 9
JAN 20/09

BRI

BOEING PROPRIETARY - Copyright © - Unpublished Work - See title page for details.



757

PARTS CATALOG (MAINTENANCE)

FIG ITEM	PART NUMBER	1 2 3 4 5 6 7	NOMENCLATURE	EFFECT FROM TO	UNITS PER ASSY
75					
165	60-0706-3	..	WASHER- SUPPLIER CODE: V72914	950999	1
165	60-0706-3	..	WASHER- SUPPLIER CODE: V72914	107107	1
170	855014	..	WASHER-INSULATOR SUPPLIER CODE: V08717	121949	1
170	855014	..	WASHER-INSULATOR SUPPLIER CODE: V08717	002004 006102 108120	1
170	855014	..	WASHER-INSULATOR SUPPLIER CODE: V08717	950999	1
170	855014	..	WASHER-INSULATOR SUPPLIER CODE: V08717	107107	1
175	855023	..	NUT-MACHINE SUPPLIER CODE: V08717	950999	1
175	855023	..	NUT-MACHINE SUPPLIER CODE: V08717	107107	1
175	855023	..	NUT-MACHINE SUPPLIER CODE: V08717	002004 006102 108120 950999	1
175	855023	..	NUT-MACHINE SUPPLIER CODE: V08717	121949	1
175	855023	..	NUT-MACHINE SUPPLIER CODE: V08717	002004 006102 108120	1
			-----*-----		
180	MS25237-387	...	LAMP	121949	1
180	MS25237-387	...	LAMP	002004 006102 108120	1
180	MS25237-387	...	LAMP	950999	1
180	MS25237-387	...	LAMP	107107	1

MISSING ITEM NUMBERS NOT APPLICABLE

- ITEM NOT ILLUSTRATED

33-51-01-75

33-51-01
FIG. 75
PAGE 10
JAN 20/09

BRI

BOEING PROPRIETARY - Copyright © - Unpublished Work - See title page for details.



757

PARTS CATALOG (MAINTENANCE)

FIG ITEM	PART NUMBER	1 2 3 4 5 6 7	NOMENCLATURE	EFFECT FROM TO	UNITS PER ASSY
75 185	855973-8L387		.. DIALIGHT ASSY- SUPPLIER CODE: V08717 USED ON: 11-4652-15B 11-4652-21K 11-4652-23K 11-4652-25B 11-4652-25C 11-4652-25K 11-4652-31K 11-4652-35B 11-4652-35C 11-4652-35K	121949	1
185	855973-8L387		.. DIALIGHT ASSY- SUPPLIER CODE: V08717 USED ON: 11-4652-15B 11-4652-21K 11-4652-23K 11-4652-25B 11-4652-25C 11-4652-25K 11-4652-31K 11-4652-35B 11-4652-35C 11-4652-35K	002004 006102 108120	1
185	855973-8L387		.. DIALIGHT ASSY- SUPPLIER CODE: V08717 USED ON: 11-4652-15B 11-4652-21K 11-4652-23K 11-4652-25B 11-4652-25C 11-4652-25K 11-4652-31K 11-4652-35B 11-4652-35C 11-4652-35K	950999	1
185	855973-8L387		.. DIALIGHT ASSY- SUPPLIER CODE: V08717 USED ON: 11-4652-15B 11-4652-21K 11-4652-23K 11-4652-25B 11-4652-25C 11-4652-25K 11-4652-31K 11-4652-35B 11-4652-35C 11-4652-35K	107107	1
190	60-0706-1		ATTACHING PARTS .. WASHER- SUPPLIER CODE: V72914	121949	1

MISSING ITEM NUMBERS NOT APPLICABLE

- ITEM NOT ILLUSTRATED

33-51-01-75

33-51-01
FIG. 75
PAGE 11
JAN 20/09

BRI

BOEING PROPRIETARY - Copyright © - Unpublished Work - See title page for details.



757

PARTS CATALOG (MAINTENANCE)

FIG ITEM	PART NUMBER	1 2 3 4 5 6 7	NOMENCLATURE	EFFECT FROM TO	UNITS PER ASSY
75					
190	60-0706-1	..	WASHER- SUPPLIER CODE: V72914	002004 006102 108120	1
190	60-0706-1	..	WASHER- SUPPLIER CODE: V72914	950999	1
190	60-0706-1	..	WASHER- SUPPLIER CODE: V72914	107107	1
195	855014	..	WASHER-INSULATOR SUPPLIER CODE: V08717	121949	1
195	855014	..	WASHER-INSULATOR SUPPLIER CODE: V08717	002004 006102 108120	1
195	855014	..	WASHER-INSULATOR SUPPLIER CODE: V08717	950999	1
195	855014	..	WASHER-INSULATOR SUPPLIER CODE: V08717	107107	1
200	855023	..	NUT-MACHINE SUPPLIER CODE: V08717	950999	1
200	855023	..	NUT-MACHINE SUPPLIER CODE: V08717	107107	1
200	855023	..	NUT-MACHINE SUPPLIER CODE: V08717	002004 006102 108120 950999	1
200	855023	..	NUT-MACHINE SUPPLIER CODE: V08717	121949	1
200	855023	..	NUT-MACHINE SUPPLIER CODE: V08717	002004 006102 108120	1
205	MS25237-387	---	LAMP	121949	1
205	MS25237-387	---	LAMP	002004 006102 108120	1
205	MS25237-387	---	LAMP	950999	1
205	MS25237-387	---	LAMP	107107	1
225	11-4488-1B	.C	COVER ASSY- SUPPLIER CODE: V72914	107107 121503 904949	1

MISSING ITEM NUMBERS NOT APPLICABLE

- ITEM NOT ILLUSTRATED

33-51-01-75

33-51-01
FIG. 75
PAGE 12
JAN 20/09

BRI

BOEING PROPRIETARY - Copyright © - Unpublished Work - See title page for details.



757

PARTS CATALOG (MAINTENANCE)

FIG ITEM	PART NUMBER	1 2 3 4 5 6 7	NOMENCLATURE	EFFECT FROM TO	UNITS PER ASSY
75 225	11-4488-1K		.COVER ASSY- SUPPLIER CODE: V72914	002004 006102 108120 950999	1
230	25-1109-1		..LENS- SUPPLIER CODE: V72914 SPECIFICATION NUMBER: S417N508-12	002004 006102 107999	2
235	25-1136-1		..LENS- SUPPLIER CODE: V72914	002004 006102 107999	1
235	25-1136-3		..LENS- SUPPLIER CODE: V72914	002004 006102 107999	1
235	25-1136-7		..LENS- SUPPLIER CODE: V72914 USED ON: 11-4488-1B 11-4488-1K 11-4488-1M	002004 006102 107999	1
235	25-1136-11		..LENS- SUPPLIER CODE: V72914 USED ON: 11-4488-1B 11-4488-1K 11-4488-1M	002004 006102 107999	1
235	25-1136-14		..LENS- SUPPLIER CODE: V72914 USED ON: 11-4488-1B	107107 121503 904949	1
235	25-1136-15		..LENS- SUPPLIER CODE: V72914 USED ON: 11-4488-1B 11-4488-1M	107107 121503 904949	1
235	25-1136-16		..LENS- SUPPLIER CODE: V72914 USED ON: 11-4488-1B	107107 121503 904949	1

MISSING ITEM NUMBERS NOT APPLICABLE

- ITEM NOT ILLUSTRATED

33-51-01-75

33-51-01
FIG. 75
PAGE 13
JAN 20/09

BRI



757

PARTS CATALOG (MAINTENANCE)

FIG ITEM	PART NUMBER	1 2 3 4 5 6 7	NOMENCLATURE	EFFECT FROM TO	UNITS PER ASSY
75 235	25-1136-17	..	LENS- SUPPLIER CODE: V72914 USED ON: 11-4488-1B 11-4488-1K	002004 006102 107999	1
235	25-1136-18	..	LENS- SUPPLIER CODE: V72914 USED ON: 11-4488-1B	107107 121503 904949	1
235	25-1136-19	..	LENS- SUPPLIER CODE: V72914 USED ON: 11-4488-1B 11-4488-1K	002004 006102 107999	1
235	25-1136-20	..	LENS- SUPPLIER CODE: V72914	107107 121503 904949	1
235	25-1136-21	..	LENS- SUPPLIER CODE: V72914 USED ON: 11-4488-1B 11-4488-1K 11-4488-1M	002004 006102 107999	1
235	25-1136-23	..	LENS- SUPPLIER CODE: V72914 USED ON: 11-4488-1B 11-4488-1K 11-4488-1M	002004 006102 107999	1
235	25-1136-24	..	LENS- SUPPLIER CODE: V72914 USED ON: 11-4488-1B 11-4488-1K	002004 006102 107999	1
235	25-1136-25	..	LENS- SUPPLIER CODE: V72914 USED ON: 11-4488-1K 11-4488-1M	002004 006102 108120 504903 950999	1

MISSING ITEM NUMBERS NOT APPLICABLE

- ITEM NOT ILLUSTRATED

33-51-01-75

33-51-01
FIG. 75
PAGE 14
JAN 20/09

BRI



757

PARTS CATALOG (MAINTENANCE)

FIG ITEM	PART NUMBER	1 2 3 4 5 6 7	NOMENCLATURE	EFFECT FROM TO	UNITS PER ASSY
75					
235	25-1136-26	..	LENS- SUPPLIER CODE: V72914 USED ON: 11-4488-1K	002004 006102 108120 950999	1
235	25-1136-27	..	LENS- SUPPLIER CODE: V72914	002004 006102 107999	1
- 240	25-1136-28	..	LENS- SUPPLIER CODE: V72914	002004 006102 107999	1
- 240	25-1136-29	..	LENS- SUPPLIER CODE: V72914 USED ON: 11-4488-1B	107107 121503 904949	1
- 240	25-1136-31	..	LENS- SUPPLIER CODE: V72914 USED ON: 11-4488-1B	107107 121503 904949	1
- 240	25-1136-32	..	LENS- SUPPLIER CODE: V72914 USED ON: 11-4488-1B	107107 121503 904949	1
- 240	25-1136-34	..	LENS- SUPPLIER CODE: V72914 USED ON: 11-4488-1B 11-4488-1K	002004 006102 107999	1
- 240	25-1136-39	..	LENS- SUPPLIER CODE: V72914 USED ON: 11-4488-1B 11-4488-1K 11-4488-1M	002004 006102 107999	1
- 240	25-1136-40	..	LENS- SUPPLIER CODE: V72914 USED ON: 11-4488-1K	002004 006102 108120 950999	1
- 240	25-1136-41	..	LENS- SUPPLIER CODE: V72914 USED ON: 11-4488-1K	002004 006102 108120 950999	1

MISSING ITEM NUMBERS NOT APPLICABLE

- ITEM NOT ILLUSTRATED

33-51-01-75

33-51-01
FIG. 75
PAGE 15
JAN 20/09

BRI

BOEING PROPRIETARY - Copyright © - Unpublished Work - See title page for details.



757

PARTS CATALOG (MAINTENANCE)

FIG ITEM	PART NUMBER	1 2 3 4 5 6 7	NOMENCLATURE	EFFECT FROM TO	UNITS PER ASSY
75					
- 240	25-1136-42	..	LENS- SUPPLIER CODE: V72914 USED ON: 11-4488-1B	107107 121503 904949	1
- 240	25-1136-44	..	LENS- SUPPLIER CODE: V72914 USED ON: 11-4488-1K	002004 006102 108120 950999	1
- 240	25-1136-45	..	LENS- SUPPLIER CODE: V72914 USED ON: 11-4488-1B 11-4488-1K	002004 006102 107999	1
- 240	25-1136-49	..	LENS- SUPPLIER CODE: V72914 USED ON: 11-4488-1K 11-4488-1M	002004 006102 108120 504903 950999	1
- 240	25-1136-50	..	LENS- SUPPLIER CODE: V72914 USED ON: 11-4488-1B	107107 121503 904949	1
- 240	25-1136-51	..	LENS- SUPPLIER CODE: V72914 USED ON: 11-4488-1K	002004 006102 108120 950999	1
- 245	25-1136-54	..	LENS- SUPPLIER CODE: V72914 USED ON: 11-4488-1K	002004 006102 108120 950999	1
- 245	25-1136-55	..	LENS- SUPPLIER CODE: V72914 USED ON: 11-4488-1B 11-4488-1K 11-4488-1M	002004 006102 107999	1

MISSING ITEM NUMBERS NOT APPLICABLE

- ITEM NOT ILLUSTRATED

33-51-01-75

33-51-01
FIG. 75
PAGE 16
JAN 20/09

BRI



757

PARTS CATALOG (MAINTENANCE)

FIG ITEM	PART NUMBER	1 2 3 4 5 6 7	NOMENCLATURE	EFFECT FROM TO	UNITS PER ASSY
75					
- 245	25-1136-58	..	LENS- SUPPLIER CODE: V72914 USED ON: 11-4488-1B 11-4488-1M	107107 121503 904949	1
- 245	25-1136-60	..	LENS- SUPPLIER CODE: V72914 USED ON: 11-4488-1B 11-4488-1K	002004 006102 107999	1
- 245	25-1136-62	..	LENS- SUPPLIER CODE: V72914 USED ON: 11-4488-1K	002004 006102 108120 950999	1
- 245	25-1136-63	..	LENS- SUPPLIER CODE: V72914 USED ON: 11-4488-1K	002004 006102 108120 950999	1
- 245	25-1136-65	..	LENS- SUPPLIER CODE: V72914 USED ON: 11-4488-1K	002004 006102 108120 950999	1
- 245	25-1136-67	..	LENS- SUPPLIER CODE: V72914 USED ON: 11-4488-1K	002004 006102 108120 950999	1
- 245	25-1136-68	..	LENS- SUPPLIER CODE: V72914 USED ON: 11-4488-1K	002004 006102 108120 950999	1
- 245	25-1136-75	..	LENS- SUPPLIER CODE: V72914 USED ON: 11-4488-1K	002004 006102 108120 950999	1
- 245	25-1136-77	..	LENS- SUPPLIER CODE: V72914 USED ON: 11-4488-1K	002004 006102 108120 950999	1

MISSING ITEM NUMBERS NOT APPLICABLE

- ITEM NOT ILLUSTRATED

33-51-01-75

33-51-01
FIG. 75
PAGE 17
JAN 20/09

BRI



757

PARTS CATALOG (MAINTENANCE)

FIG ITEM	PART NUMBER	1 2 3 4 5 6 7	NOMENCLATURE	EFFECT FROM TO	UNITS PER ASSY
75					
- 245	25-1136-78	..	LENS- SUPPLIER CODE: V72914 USED ON: 11-4488-1K	002004 006102 108120 950999	1
- 245	25-1136-79	..	LENS- SUPPLIER CODE: V72914 USED ON: 11-4488-1K	002004 006102 108120 950999	1
- 245	25-1136-80	..	LENS- SUPPLIER CODE: V72914 USED ON: 11-4488-1K	002004 006102 108120 950999	1
- 245	25-1136-83	..	LENS- SUPPLIER CODE: V72914 USED ON: 11-4488-1K	002004 006102 108120 950999	1
- 250	25-1136-84	..	LENS- SUPPLIER CODE: V72914 USED ON: 11-4488-1K	002004 006102 108120 950999	1
- 250	25-1136-85	..	LENS- SUPPLIER CODE: V72914 USED ON: 11-4488-1K	002004 006102 108120 950999	1

MISSING ITEM NUMBERS NOT APPLICABLE

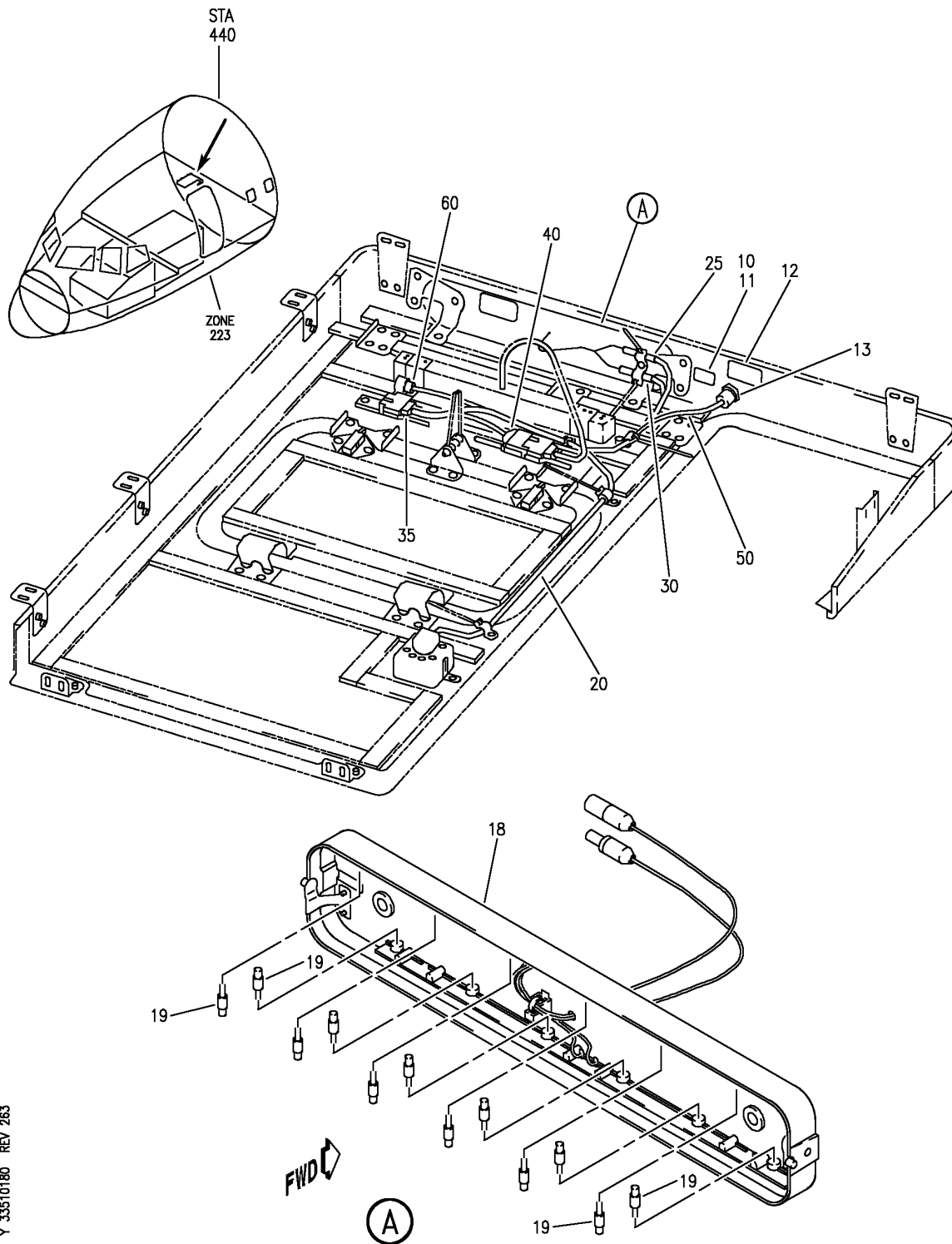
- ITEM NOT ILLUSTRATED

33-51-01-75

33-51-01
FIG. 75
PAGE 18
JAN 20/09

BRI

BOEING
757
PARTS CATALOG (MAINTENANCE)



Y 33510180 REV 263

CEILING ASSY-CLOSE OUT CENTERLINE AND OFFSET EXIT, DOOR 1 (EMERGENCY LIGHTS ONLY)
FIGURE 80

BRI
JAN 20/09

33-51-01-80

33-51-01-80
PAGE 0



757

PARTS CATALOG (MAINTENANCE)

FIG ITEM	PART NUMBER	1 2 3 4 5 6 7	NOMENCLATURE	EFFECT FROM TO	UNITS PER ASSY
80			CEILING ASSY-CLOSE OUT CENTERLINE AND OFFSET EXIT, DOOR 1 (EMERGENCY LIGHTS ONLY)	103106	
- 1	411N3510-8B		CEILING ASSY-CLOSE OUT OFFSET EXIT SIGN (EMERGENCY LIGHTS ONLY) POSITION DATA: DOOR 1 FOR NHA/OTHER SYS DET SEE: 25-22-02-69	103106	RF
10	BAC27NPA0237		.MARKER-ALUMINUM FOIL PLACARD CONTENT: L26 EXIT SIGN	103106	1
- 15	82000-36101		.HOUSING ASSY-EXIT SIGN SUPPLIER CODE: VS5006 SPECIFICATION NUMBER: S479W220-3 ELECTRICAL EQUIP NUMBER: L00026 COMPONENT MAINT MANUAL REF: 33-24-02	103106	1
18	82003-36101		..HOUSING ASSY- SUPPLIER CODE: VS5006	103106	1
19	3071BPEGPL		..LAMP- SUPPLIER CODE: VS5006	103106	12
20	286N0746-701		.WIRE BUNDLE ASSY	103106	1
25	48-7190		..CONNECTOR- SUPPLIER CODE: V02660 ELECTRICAL EQUIP NUMBER: D04526 WIRING DIAGRAM REF: 335112	103106	1
30	48-7191		..CONNECTOR- SUPPLIER CODE: V02660 ELECTRICAL EQUIP NUMBER: D04524 WIRING DIAGRAM REF: 335112	103106	1

MISSING ITEM NUMBERS NOT APPLICABLE

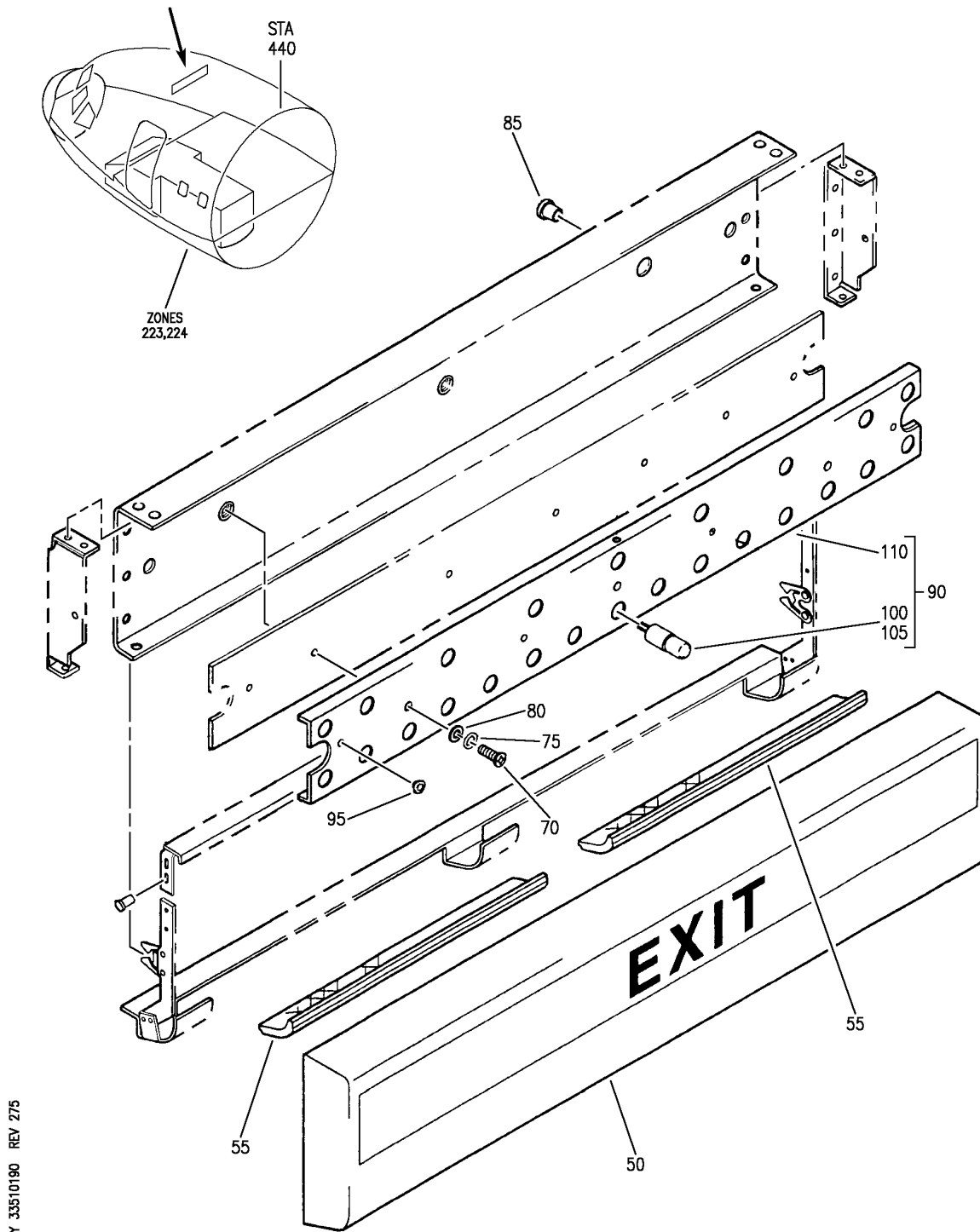
- ITEM NOT ILLUSTRATED

33-51-01-80

33-51-01
FIG. 80
PAGE 1
JAN 20/09

BRI

BOEING
757
PARTS CATALOG (MAINTENANCE)



Y 33510190 REV 275

HOUSING ASSY-INTERIOR ILLUMINATED EXIT SIGN
FIGURE 90

33-51-01-90

BRI
MAY 28/07

33-51-01-90
PAGE 0



757

PARTS CATALOG (MAINTENANCE)

FIG ITEM	PART NUMBER	1 2 3 4 5 6 7	NOMENCLATURE	EFFECT FROM TO	UNITS PER ASSY
90			HOUSING ASSY-INTERIOR ILLUMINATED EXIT SIGN	002004 006102 107503 904949 952999	
- 1	10-1070-1		HOUSING ASSY-INTERIOR ILLUMINATED EXIT SIGN SUPPLIER CODE: V72914 SPECIFICATION NUMBER: S417N505-21 COMPONENT MAINT MANUAL REF: 33-51-29 FOR NHA SEE: 33-51-05-10	002004 006102 107503 904949 952999	RF
50	25-1130-101		.LENS- SUPPLIER CODE: V72914	002004 006102 107503 904949 952999	1
55	25-1127-1		.LENS- SUPPLIER CODE: V72914	002004 006102 107503 904949 952999	2
- 60	11-4646-1		.HOUSING ASSY- SUPPLIER CODE: V72914	002004 006102 107503 904949 952999	1
- 65	11-4644-1		..LIGHT ASSY- SUPPLIER CODE: V72914	002004 006102 107503 904949 952999	1
70	MS35206-226		ATTACHING PARTS ..SCREW- OPTIONAL PART: MS35206-228	002004 006102 107503 904949 952999	3
70	MS35206-228		..SCREW- OPTIONAL PART: MS35206-226	002004 006102 107503 904949 952999	3

MISSING ITEM NUMBERS NOT APPLICABLE

- ITEM NOT ILLUSTRATED

33-51-01-90

33-51-01
FIG. 90
PAGE 1
JAN 20/09

BRI



757

PARTS CATALOG (MAINTENANCE)

FIG ITEM	PART NUMBER	1 2 3 4 5 6 7	NOMENCLATURE	EFFECT FROM TO	UNITS PER ASSY
90					
75	MS35338-41	..	WASHER	002004 006102 107503 904949 952999	3
80	AN960-6	..	WASHER	002004 006102 107503 904949 952999	3
85	SOA632-8	..	INSERT- SUPPLIER CODE: V46384 CONFIG CHG DATA FROM A CMM: SUPSD BY NS517	002004 006102 107503 904949 952999	3
85	NS517	..	INSERT- SUPPLIER CODE: V72914 CONFIG CHG DATA FROM A CMM: SUPSDS SOA632-8	002004 006102 107503 904949 952999	3
90	11-4623-1	...	LAMP ASSY- SUPPLIER CODE: V72914	002004 006102 107503 904949 952999	1
95	3168	...	ATTACHING PARTS EYELET- SUPPLIER CODE: V72914 CONFIG CHG DATA FROM A CMM: SUPSD BY EY230	002004 006102 107503 904949 952999	4
95	EY230	...	EYELET- SUPPLIER CODE: V72914 CONFIG CHG DATA FROM A CMM: SUPSDS 3168	002004 006102 107503 904949 952999	4
100	OL3071BPEGPL	LAMP- SUPPLIER CODE: VS3774 CONFIG CHG DATA FROM A CMM: SUPSD BY LPA010	002004 006102 107503 904949 952999	24

MISSING ITEM NUMBERS NOT APPLICABLE

- ITEM NOT ILLUSTRATED

33-51-01-90

33-51-01
FIG. 90
PAGE 2
JAN 20/09

BRI

BOEING PROPRIETARY - Copyright © - Unpublished Work - See title page for details.



757

PARTS CATALOG (MAINTENANCE)

FIG ITEM	PART NUMBER	1 2 3 4 5 6 7	NOMENCLATURE	EFFECT FROM TO	UNITS PER ASSY
90 105	LPA010	LAMP- SUPPLIER CODE: V72914 CONFIG CHG DATA FROM A CMM: SUPSDS OL3071BPEGPL OPTIONAL PART: OL3071BPEGPL VS3774	002004 006102 107503 904949 952999	24
110	11-4622-1	BOARD-PRINTED WIRING SUPPLIER CODE: V72914	002004 006102 107503 904949 952999	1

MISSING ITEM NUMBERS NOT APPLICABLE

- ITEM NOT ILLUSTRATED

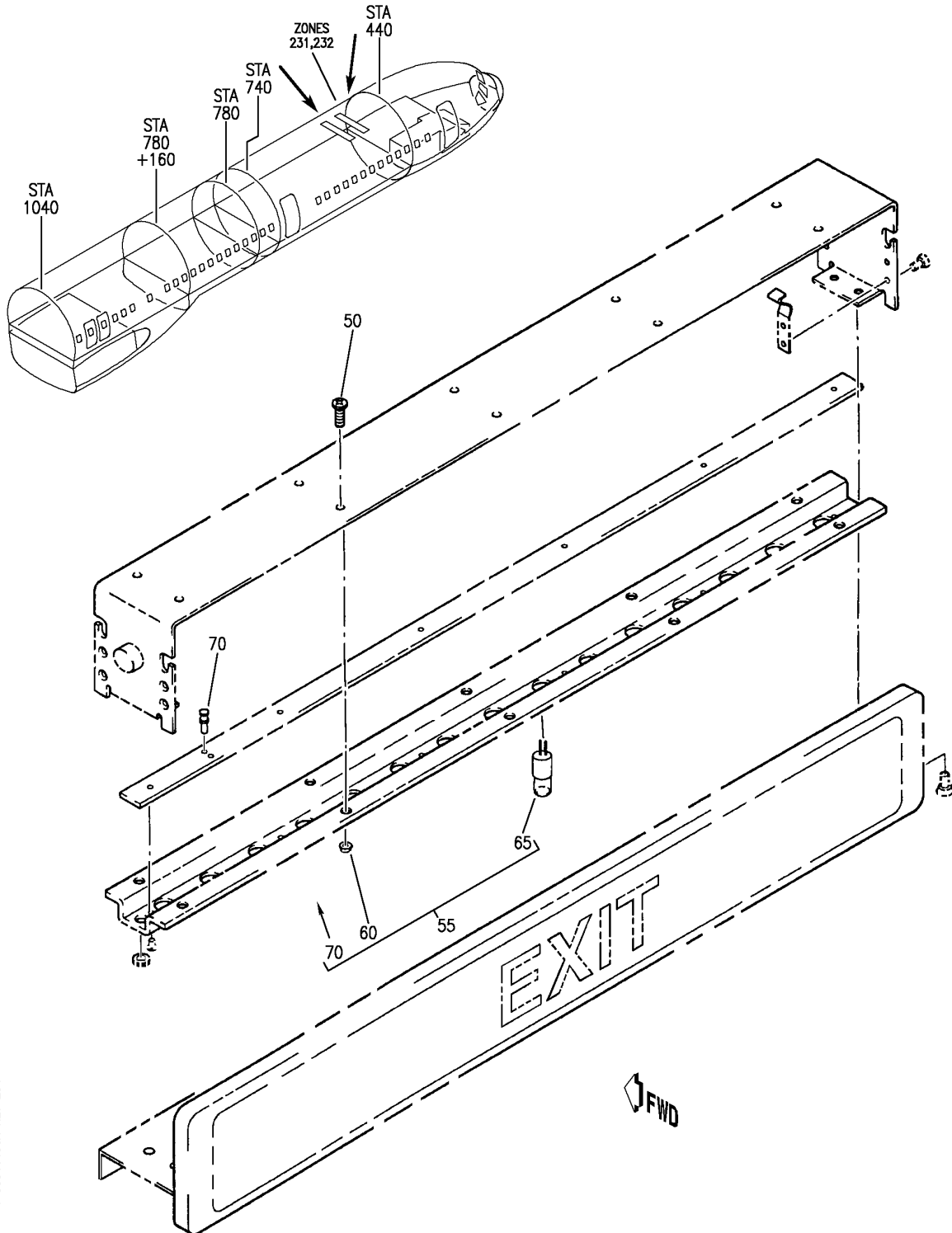
BRI

33-51-01-90

BOEING PROPRIETARY - Copyright © - Unpublished Work - See title page for details.

33-51-01
FIG. 90
PAGE 3
JAN 20/09

BOEING
757
PARTS CATALOG (MAINTENANCE)



Y 33510190A REV 254

HOUSING ASSY-EXIT SIGN INTERIOR ILLUMINATED
FIGURE 90A

33-51-01-90A

BRI
JAN 20/09

33-51-01-90A
PAGE 0



757

PARTS CATALOG (MAINTENANCE)

FIG ITEM	PART NUMBER	1 2 3 4 5 6 7	NOMENCLATURE	EFFECT FROM TO	UNITS PER ASSY
90A			HOUSING ASSY-EXIT SIGN INTERIOR ILLUMINATED	107107	
- 1	10-1071-1		HOUSING ASSY-EXIT SIGN INTERIOR ILLUMINATED SUPPLIER CODE: V72914 SPECIFICATION NUMBER: S417N505-26 COMPONENT MAINT MANUAL REF: 33-51-30 FOR NHA SEE: 33-51-01-11	107107	RF
50	NAS600-4		.SCREW	107107	10
55	11-4668-1		.LAMP ASSY- SUPPLIER CODE: V72914	107107	1
60	F22LHCFM1-40		..NUT- SUPPLIER CODE: V72962 CONFIG CHG DATA FROM A CMM: SUPSD BY M45937-6-3	107107	10
60	M45937-6-3		..NUT- CONFIG CHG DATA FROM A CMM: SUPERSEDES F22LHCFM1-40	107107	10
65	LPA010		..LAMP- SUPPLIER CODE: V72914 OPTIONAL PART: OL3071BPEGPL VS3774	107107	15
70	1D3-8A		..TERMINAL- SUPPLIER CODE: V86577 CONFIG CHG DATA FROM A CMM: SUPSD BY TE522	107107	2
70	TE522		..TERMINAL- SUPPLIER CODE: V72914 CONFIG CHG DATA FROM A CMM: SUPERSEDES 1D3-8A	107107	2

MISSING ITEM NUMBERS NOT APPLICABLE

- ITEM NOT ILLUSTRATED

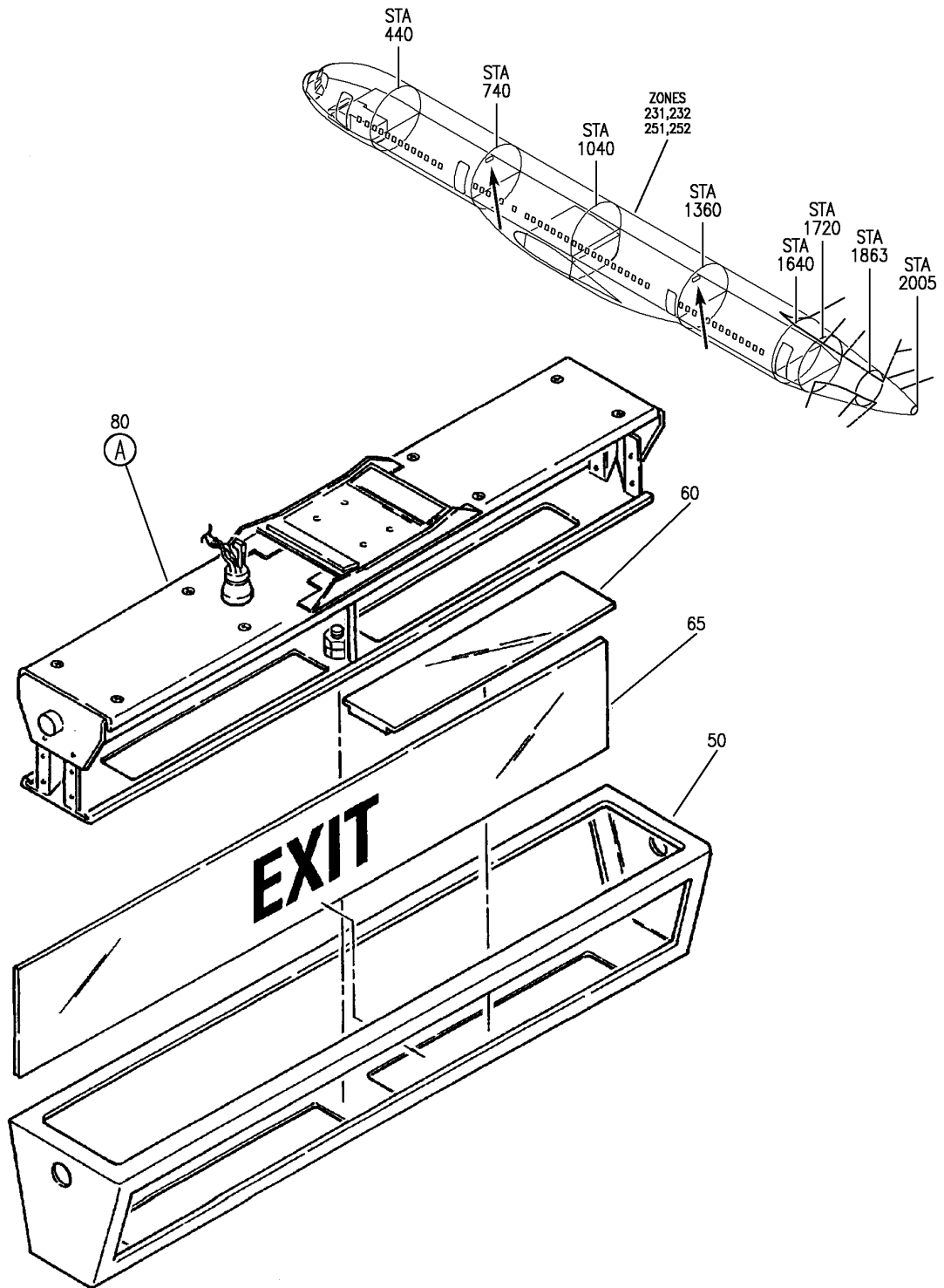
33-51-01-90A

33-51-01
FIG. 90A
PAGE 1
JAN 20/09

BRI

BOEING PROPRIETARY - Copyright © - Unpublished Work - See title page for details.

BOEING
757
PARTS CATALOG (MAINTENANCE)



Y 33510190B SHT 1 REV 254

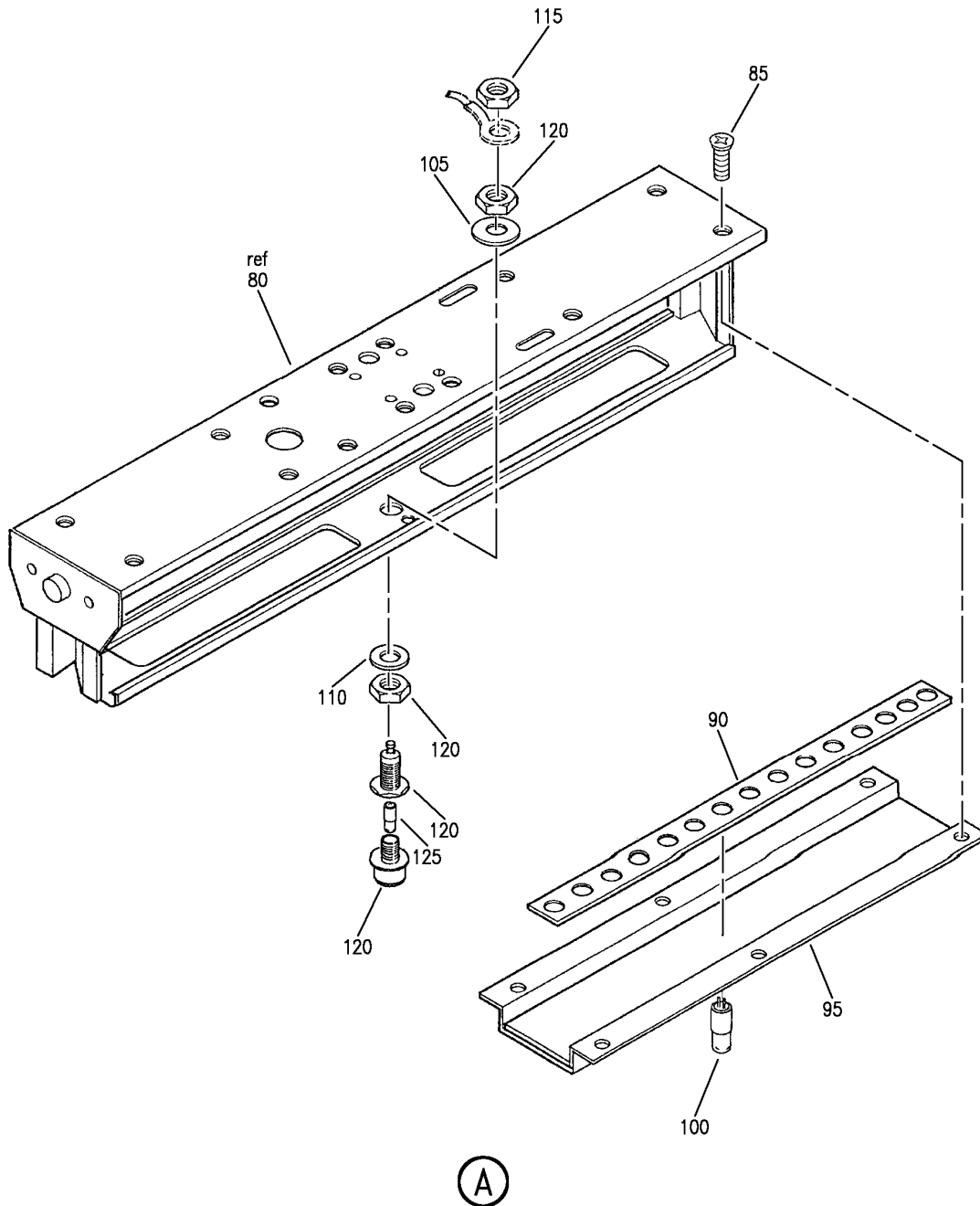
HOUSING ASSY-EXIT SIGN INTERIOR ILLUMINATED
FIGURE 90B (SHEET 1)

33-51-01-90B

BRI
MAY 28/07

33-51-01-90B
PAGE 0

BOEING
757
PARTS CATALOG (MAINTENANCE)



Y 33510190B SHT 2 REV 254

HOUSING ASSY-EXIT SIGN INTERIOR ILLUMINATED
FIGURE 90B (SHEET 2)

33-51-01-90B

BRI
MAY 28/07

33-51-01-90B
PAGE 0A

 **BOEING**
757
PARTS CATALOG (MAINTENANCE)

FIG ITEM	PART NUMBER	1 2 3 4 5 6 7	NOMENCLATURE	EFFECT FROM TO	UNITS PER ASSY
90B					
- 5	10-1075-53		HOUSING ASSY-EXIT SIGN INTERIOR ILLUMINATED HOUSING-EXIT SIGN INTERIOR ILLUMINATED SUPPLIER CODE: V72914 SPECIFICATION NUMBER: S417N505-146A ELECTRICAL EQUIP NUMBER: M10254 COMPONENT MAINT MANUAL REF: 33-51-55 FOR NHA SEE: 33-51-01-66 33-51-05-15	121949 121503 904949	RF
- 5	10-1075-53K		HOUSING ASSY-EXIT SIGN INTERIOR ILLUMINATED SUPPLIER CODE: V72914 SPECIFICATION NUMBER: S417N505-146B ELECTRICAL EQUIP NUMBER: M10254 COMPONENT MAINT MANUAL REF: 33-51-55 FOR NHA SEE: 33-51-01-14	504903	RF
- 55	11-4488-5K		.COVER ASSY- SUPPLIER CODE: V72914	121949	1
60	25-1109-1		..LENS- SUPPLIER CODE: V72914 SPECIFICATION NUMBER: S417N508-12	121949	2
- 70	25-1136-3		..LENS- SUPPLIER CODE: V72914	121949	1
80	11-4652-41K		.HOUSING ASSY- SUPPLIER CODE: V72914	121949	1
85	MS24693S3		..SCREW	121949	12
90	11-5508-1		..INSULATOR- SUPPLIER CODE: V72914	121949	1
95	11-4664-1		..LAMP ASSY- SUPPLIER CODE: V72914	121949	2

MISSING ITEM NUMBERS NOT APPLICABLE

- ITEM NOT ILLUSTRATED

33-51-01-90B

33-51-01
FIG. 90B
PAGE 1
MAY 20/09

BRI

BOEING PROPRIETARY - Copyright © - Unpublished Work - See title page for details.



757

PARTS CATALOG (MAINTENANCE)

FIG ITEM	PART NUMBER	1 2 3 4 5 6 7	NOMENCLATURE	EFFECT FROM TO	UNITS PER ASSY
90B 100	0L3071BPEGPL	...	LAMP-5V .06 AMP DS1 THRU DS30 SUPPLIER CODE: VS3774	121949	30
105	60-0706-3	..	WASHER- SUPPLIER CODE: V72914	121949	1
110	855014	..	WASHER-INSULATOR SUPPLIER CODE: V08717	121949	1
115	855023	..	NUT- SUPPLIER CODE: V08717	121949	1
120	855973-71-387	..	DIALIGHT ASSY- SUPPLIER CODE: V08717	121949	1
125	MS25237-387	...	LAMP	121949	1

MISSING ITEM NUMBERS NOT APPLICABLE

- ITEM NOT ILLUSTRATED

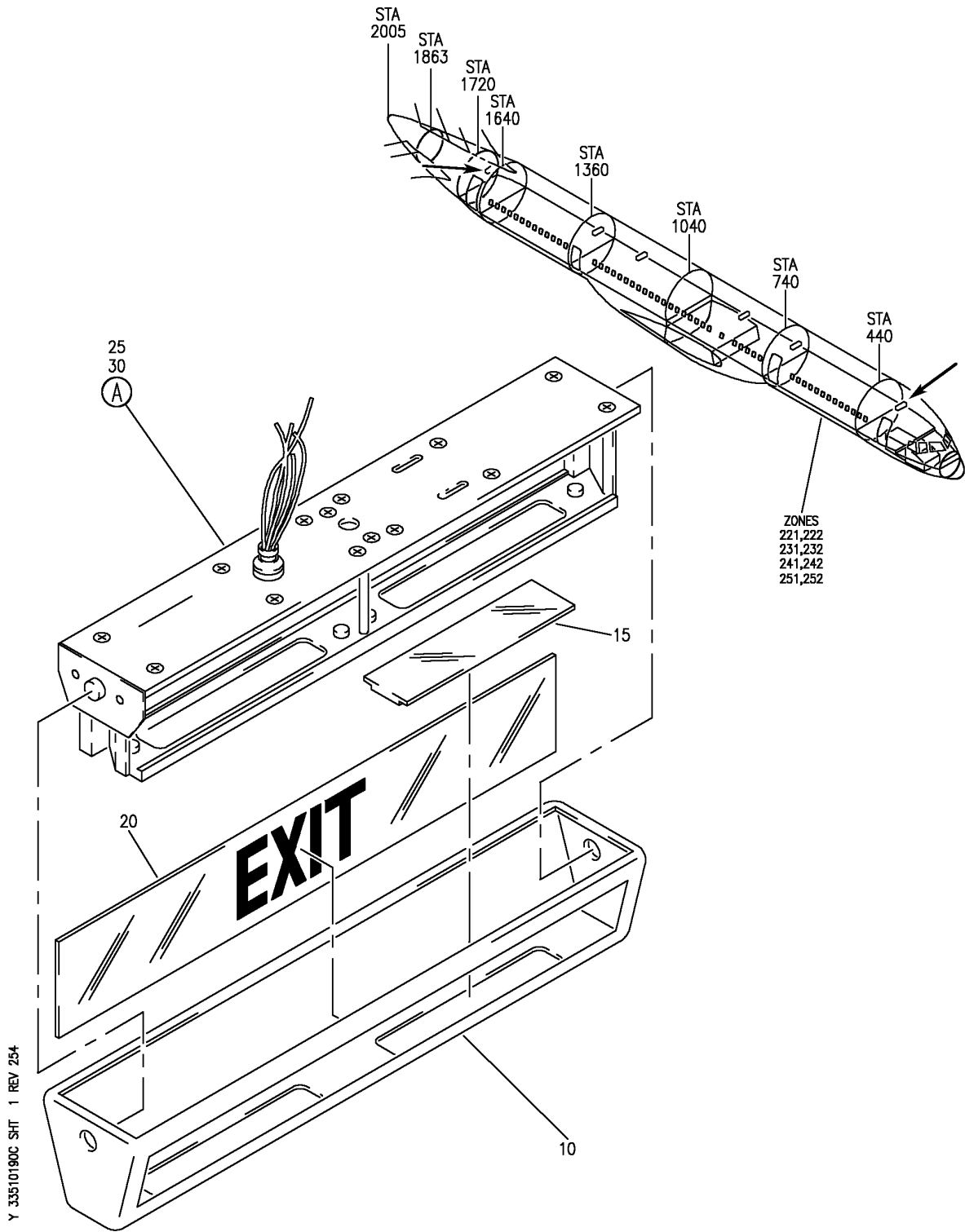
BRI

33-51-01-90B

BOEING PROPRIETARY - Copyright © - Unpublished Work - See title page for details.

33-51-01
FIG. 90B
PAGE 2
MAY 20/09

BOEING
757
PARTS CATALOG (MAINTENANCE)



Y 33510190C SHT 1 REV 254

HOUSING ASSY-EXIT SIGN INTERIOR ILLUMINATED
FIGURE 90C (SHEET 1)

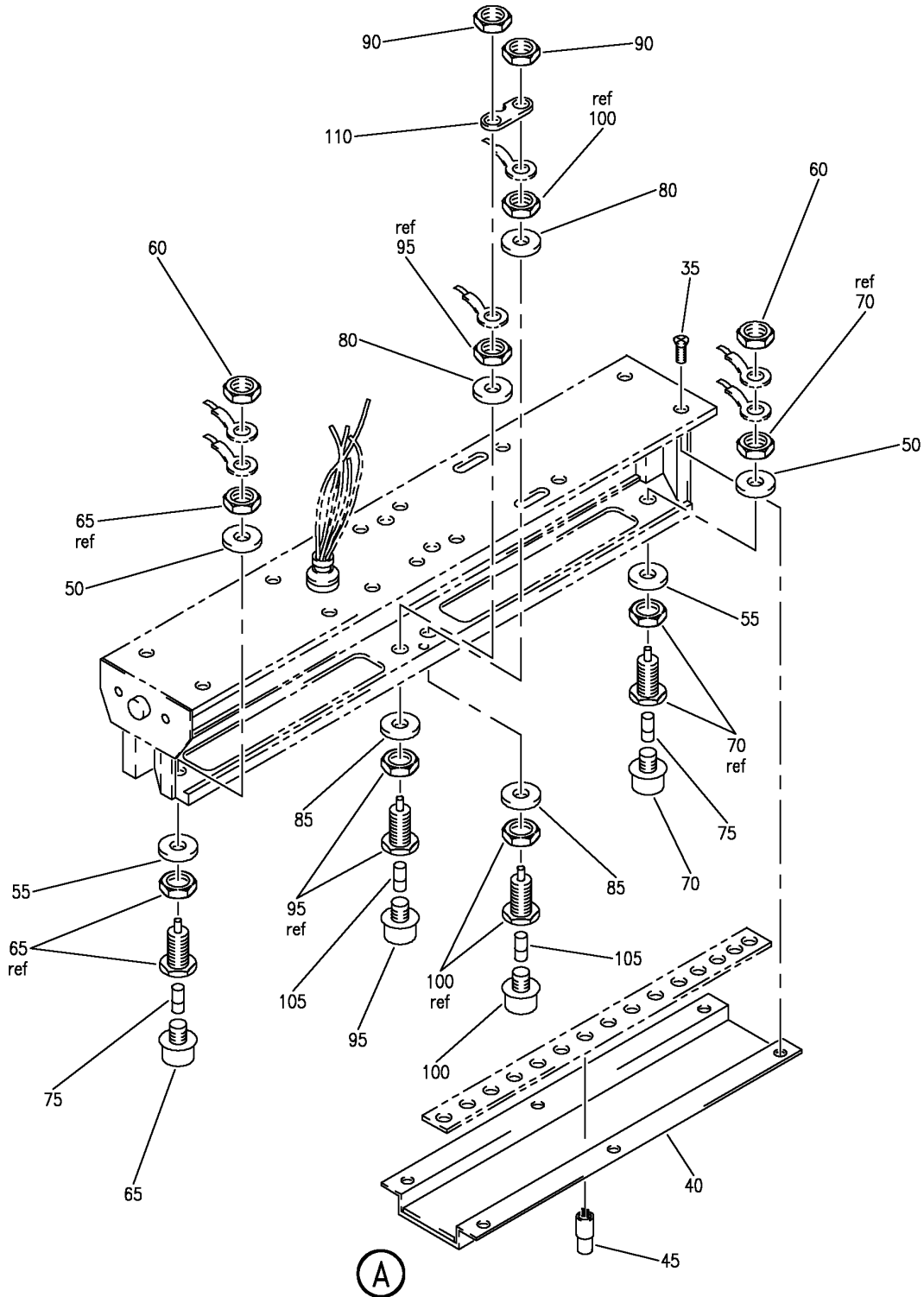
33-51-01-90C

BRI
JAN 20/09

33-51-01-90C
PAGE 0

BOEING PROPRIETARY - Copyright © - Unpublished Work - See title page for details.

BOEING
757
PARTS CATALOG (MAINTENANCE)



Y 33510190C SHT 2 REV 254

HOUSING ASSY-EXIT SIGN INTERIOR ILLUMINATED
FIGURE 90C (SHEET 2)

33-51-01-90C

BRI
JAN 20/09

33-51-01-90C
PAGE 0A



757

PARTS CATALOG (MAINTENANCE)

FIG ITEM	PART NUMBER	1 2 3 4 5 6 7	NOMENCLATURE	EFFECT FROM TO	UNITS PER ASSY
90C			HOUSING ASSY-EXIT SIGN INTERIOR ILLUMINATED	504903	
- 1	10-1077-51K		HOUSING ASSY-EXIT SIGN INTERIOR ILLUMINATED SUPPLIER CODE: V72914 SPECIFICATION NUMBER: S417N505-131C COMPONENT MAINT MANUAL REF: 33-51-57 FOR NHA SEE: 33-51-01-14	504903	RF
10	11-4488-7K		.COVER ASSY- SUPPLIER CODE: V72914	504903	1
15	25-1109-1		..LENS- SUPPLIER CODE: V72914 SPECIFICATION NUMBER: S417N508-12	504903	2
20	25-1136-3		..LENS- SUPPLIER CODE: V72914 OPTIONAL PART: 25-1136-40 V72914	504903	1
20	25-1136-40		..LENS- SUPPLIER CODE: V72914 OPTIONAL PART: 25-1136-3 V72914	504903	1
25	11-4652-33K		.HOUSING ASSY- SUPPLIER CODE: V72914	504903	1
35	MS24693S3		..SCREW	504903	12
40	11-4664-1		..LAMP ASSY- SUPPLIER CODE: V72914	504903	2
45	OL3071BPEGPL		...LAMP-5V .06 AMP DS1 THRU DS30 SUPPLIER CODE: VS3774	504903	30
50	60-0706-1		..WASHER- SUPPLIER CODE: V72914	504903	2
55	855014		..WASHER-INSULATOR SUPPLIER CODE: V08717	504903	2

MISSING ITEM NUMBERS NOT APPLICABLE

- ITEM NOT ILLUSTRATED

33-51-01-90C

33-51-01
FIG. 90C
PAGE 1
JAN 20/09

BRI



757

PARTS CATALOG (MAINTENANCE)

FIG ITEM	PART NUMBER	1 2 3 4 5 6 7	NOMENCLATURE	EFFECT FROM TO	UNITS PER ASSY
90C					
60	855023	..	NUT- SUPPLIER CODE: V08717	504903	2
65	855973-71-387	..	DIALIGHT ASSY- SUPPLIER CODE: V08717	504903	1
70	855973-8L387	..	DIALIGHT ASSY- SUPPLIER CODE: V08717	504903	1
75	MS25237-387	...	LAMP	504903	2
80	60-0706-3	..	WASHER- SUPPLIER CODE: V72914	504903	2
85	855014	..	WASHER-INSULATOR SUPPLIER CODE: V08717	504903	2
90	855023	..	NUT- SUPPLIER CODE: V08717	504903	2
95	855973-3L387	..	DIALIGHT ASSY- SUPPLIER CODE: V08717	504903	1
100	855973-3L387	..	DIALIGHT ASSY- SUPPLIER CODE: V08717	504903	1
105	MS25237-387	...	LAMP	504903	2
110	11-4804-1	..	PLATE-GROUNDING SUPPLIER CODE: V72914	504903	1

MISSING ITEM NUMBERS NOT APPLICABLE

- ITEM NOT ILLUSTRATED

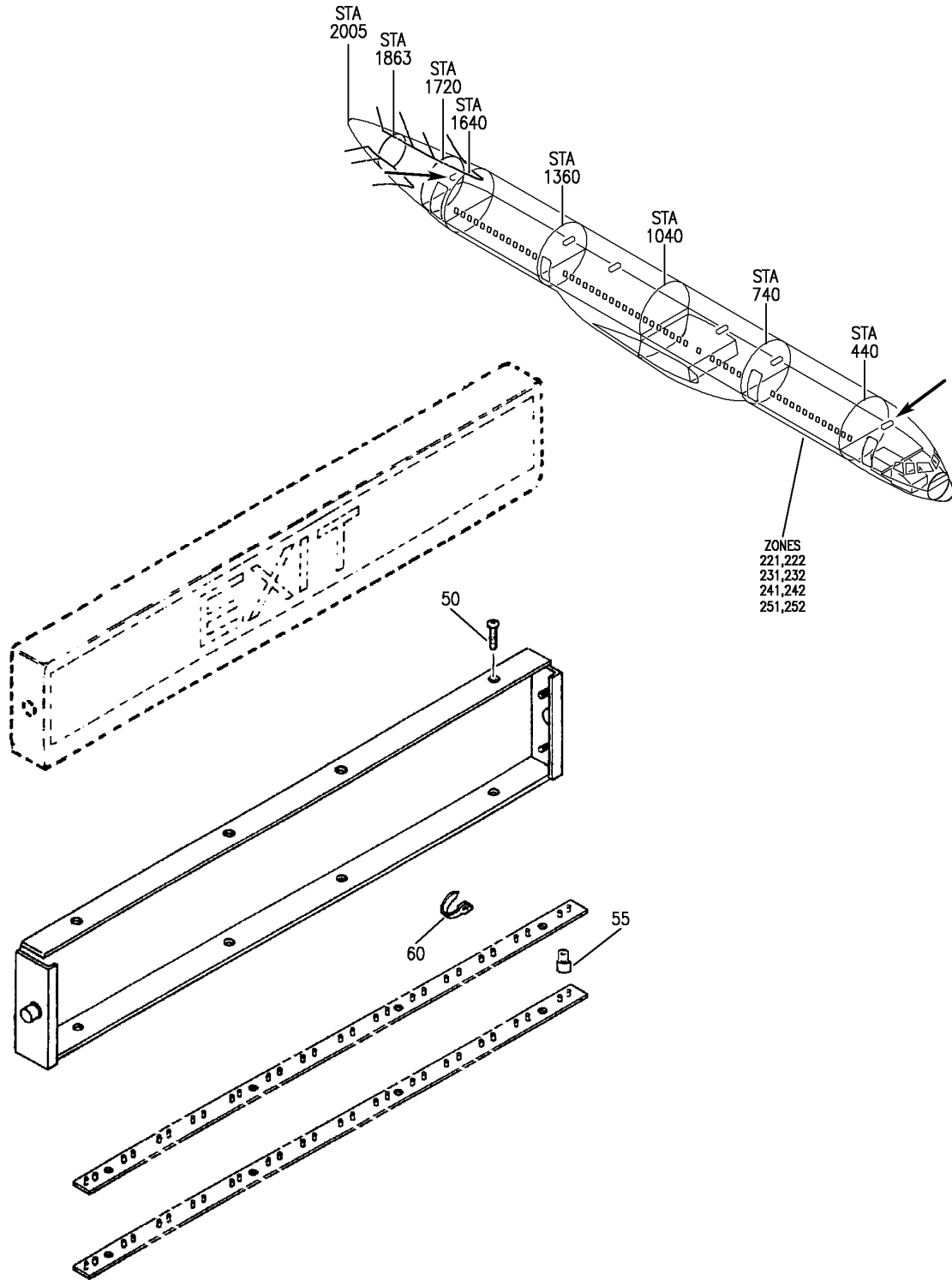
33-51-01-90C

33-51-01
FIG. 90C
PAGE 2
JAN 20/09

BRI

BOEING PROPRIETARY - Copyright © - Unpublished Work - See title page for details.

BOEING
757
PARTS CATALOG (MAINTENANCE)



Y 33510190E REV 254

SIGN ASSY-EXIT, INTERIOR ILLUMINATED
FIGURE 90E

33-51-01-90E

BRI
JAN 20/09

33-51-01-90E
PAGE 0



757

PARTS CATALOG (MAINTENANCE)

FIG ITEM	PART NUMBER	1 2 3 4 5 6 7	NOMENCLATURE	EFFECT FROM TO	UNITS PER ASSY
90E			SIGN ASSY-EXIT, INTERIOR ILLUMINATED	108120 950951	
- 1	10-1270-1		SIGN ASSY-EXIT, INTERIOR ILLUMINATED SUPPLIER CODE: V72914 SPECIFICATION NUMBER: S417N505-42 COMPONENT MAINT MANUAL REF: 33-51-40 FOR NHA SEE: 33-51-01-11	108120 950951	RF
50	MS24693C1		.SCREW	108120 950951	8
55	OL3071BPEGPL		.LAMP-5V, 0-06 AMP SUPPLIER CODE: VS3774	108120 950951	28
60	MS3367-4-9		.STRAP	108120 950951	1

MISSING ITEM NUMBERS NOT APPLICABLE

- ITEM NOT ILLUSTRATED

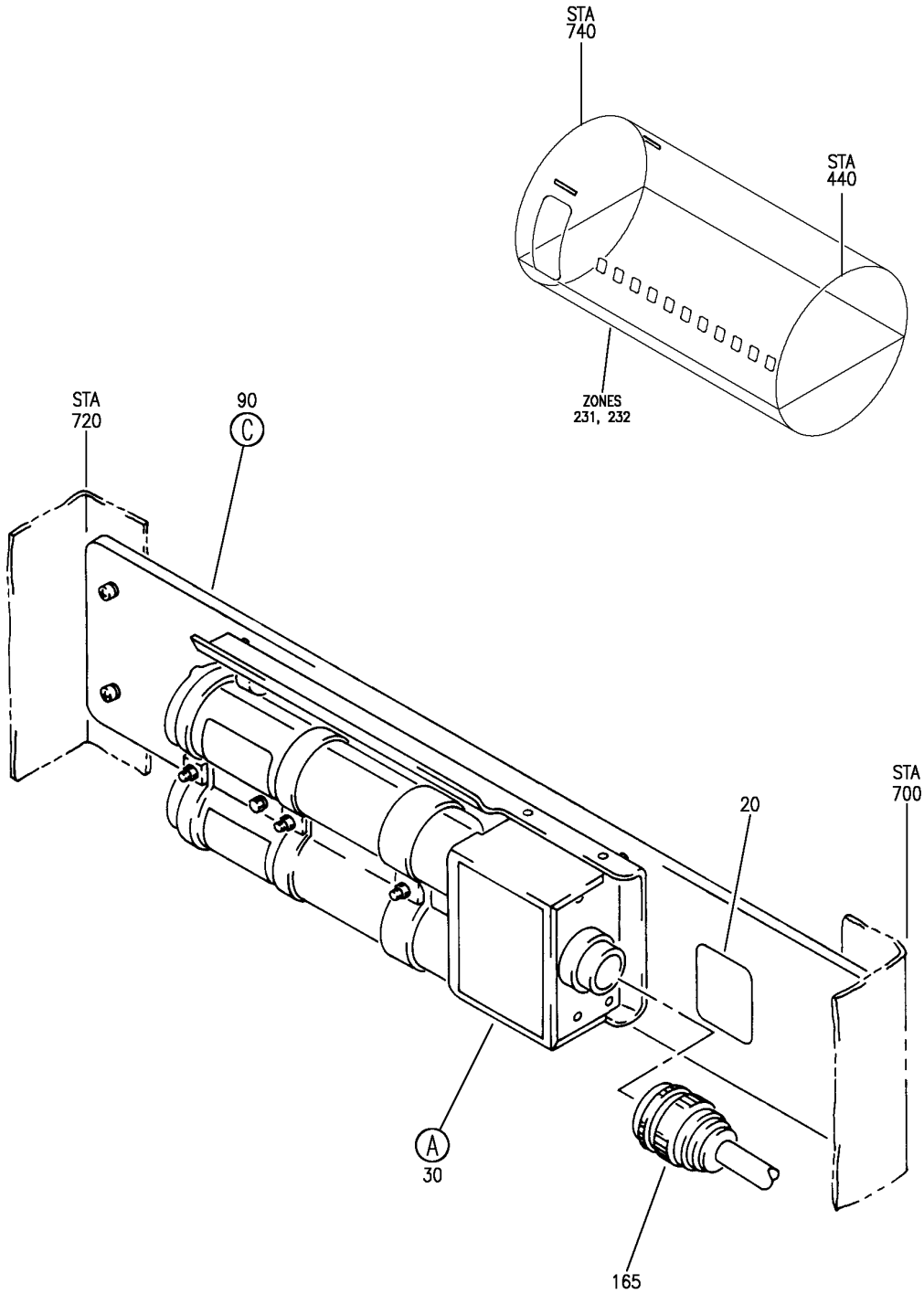
BRI

33-51-01-90E

BOEING PROPRIETARY - Copyright © - Unpublished Work - See title page for details.

33-51-01
FIG. 90E
PAGE 1
JAN 20/09

BOEING
757
PARTS CATALOG (MAINTENANCE)



Y 33510201 SHT 1 REV 252

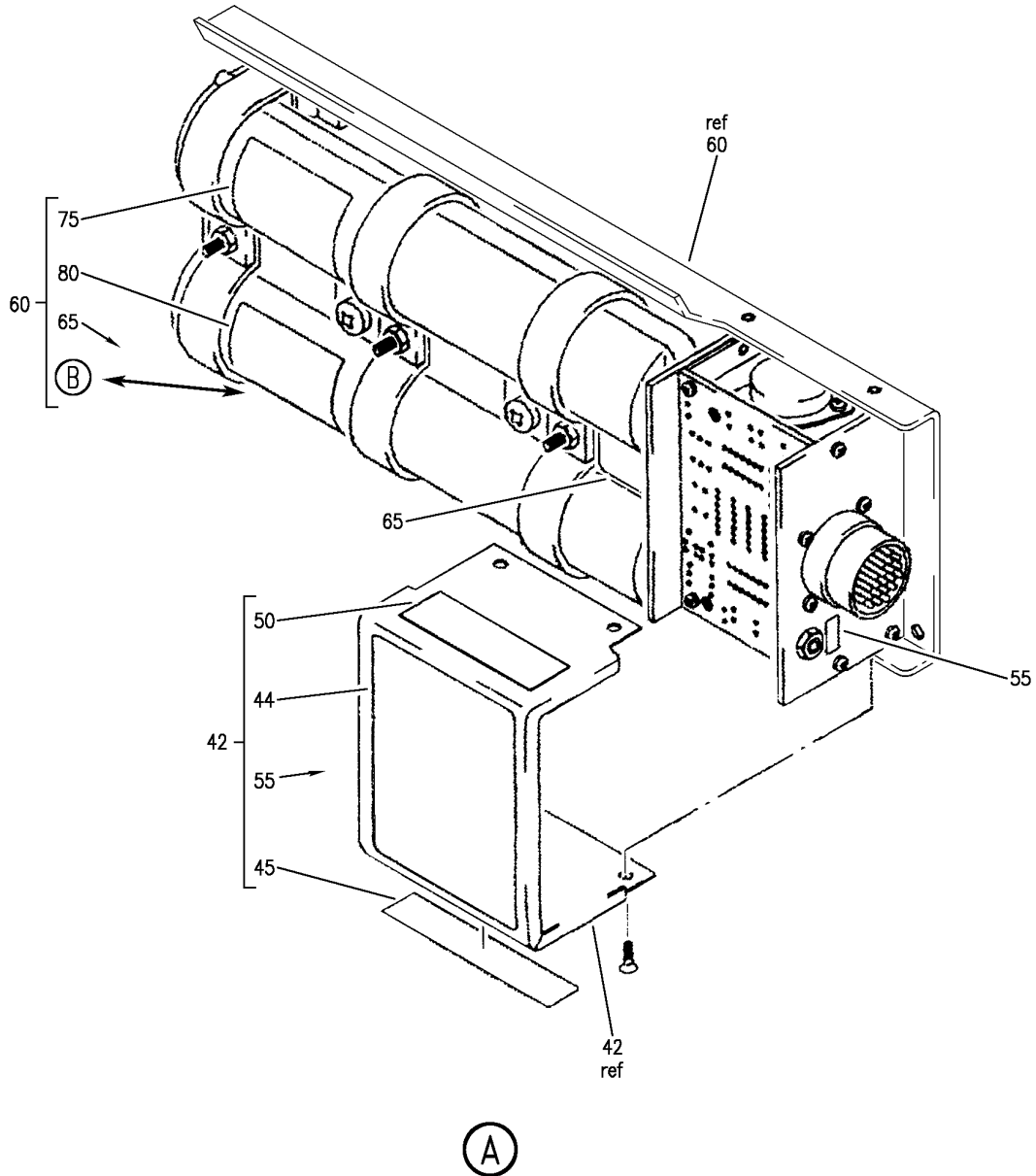
PACK INSTL-DOOR 2 EMER BATTERY LH AND RH
FIGURE 1 (SHEET 1)

33-51-02-01

BRI
MAY 28/07

33-51-02-01
PAGE 0

BOEING
757
PARTS CATALOG (MAINTENANCE)



Y 33510201 SH1 2 REV 252

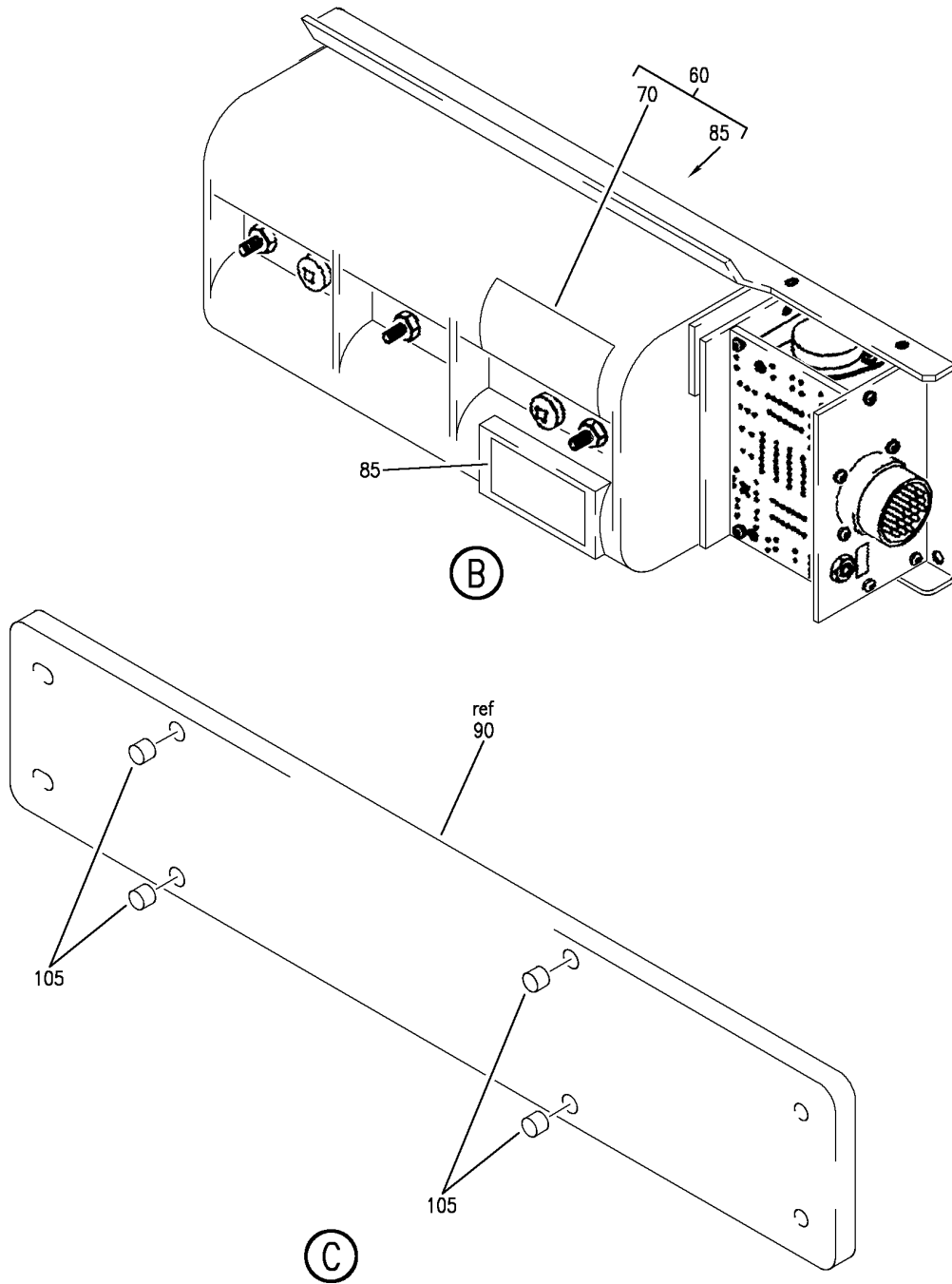
PACK INSTL-DOOR 2 EMER BATTERY LH AND RH
FIGURE 1 (SHEET 2)

33-51-02-01

BRI
MAY 28/07

33-51-02-01
PAGE 0A

BOEING
757
PARTS CATALOG (MAINTENANCE)



Y 33510201 SH1 3 REV 252

PACK INSTL-DOOR 2 EMER BATTERY LH AND RH
FIGURE 1 (SHEET 3)

33-51-02-01

BRI
MAY 28/07

33-51-02-01
PAGE 0B



757

PARTS CATALOG (MAINTENANCE)

FIG ITEM	PART NUMBER	1 2 3 4 5 6 7	NOMENCLATURE	EFFECT FROM TO	UNITS PER ASSY
1			PACK INSTL-DOOR 2 EMER BATTERY LH AND RH	002004 006102 107999	
- 1	417N5201-1		PACK INSTL-DOOR 2 EMER BATTERY POSITION DATA: LH FOR NHA SEE: 25-20-00-03A 25-20-00-08A	002004 006102 107999	RF
- 5	417N5201-2		PACK INSTL-DOOR 2 EMER BATTERY POSITION DATA: RH FOR NHA SEE: 25-20-00-03A 25-20-00-08A	002004 006102 107999	RF
20	BAC27NPA0231		.MARKER-ALUMINUM FOIL- POSITION DATA: LH PLACARD CONTENT: M733 EMERGENCY BATTERY PACK	002004 006102 107999	1
- 25	BAC27NPA0232		.MARKER-ALUMINUM FOIL- POSITION DATA: RH PLACARD CONTENT: M732 EMERGENCY BATTERY PACK	002004 006102 107999	1
30	BPS7-3		.BATTERY PACK ASSY-PWR SUPPLY SUPPLIER CODE: V1MXA1 FUNCTIONAL DESCRIPTION: PROVIDES DIRECT CURRENT POWER (DC) TO OPERATE EMERGENCY AIRCRAFT LIGHTS AND THE OFF-WING EMERGENCY ESCAPE SYSTEM SQUIB, SPECIFICATION NUMBER: S283T014-3 ELECTRICAL EQUIP NUMBER: M00732 M00733 COMPONENT MAINT MANUAL REF: 25-65-02	002004 006102 107999	1

MISSING ITEM NUMBERS NOT APPLICABLE

- ITEM NOT ILLUSTRATED

33-51-02-01

33-51-02
FIG. 01
PAGE 1
JAN 20/09

BRI



757

PARTS CATALOG (MAINTENANCE)

FIG ITEM	PART NUMBER	1 2 3 4 5 6 7	NOMENCLATURE	EFFECT FROM TO	UNITS PER ASSY
1			ATTACHING PARTS		
- 35	NAS602-4P		.SCREW-	002004 006102 107999	4
- 40	AN960PD8L		.WASHER-	002004 006102 107999	4
			-----*-----		
42	2012-1		..CHARGER ASSY-BATTERY SUPPLIER CODE: V1MXA1	002004 006102 107999	1
44	2018		...NAMEPLATE- SUPPLIER CODE: V1MXA1	002004 006102 107999	1
45	2028		...NAMEPLATE-ESD WARNING SUPPLIER CODE: V1MXA1	002004 006102 107999	1
50	2037		...LABEL-FAA-PMA SUPPLIER CODE: V1MXA1	002004 006102 107999	1
55	2025		...LABEL-TEST SWITCH SUPPLIER CODE: V1MXA1	002004 006102 107999	1
60	2013-1		..BATTERY ASSY- SUPPLIER CODE: V1MXA1 OPTIONAL PART: 2013-1A V1MXA1	002004 006102 107999	1
60	2013-1A		..BATTERY ASSY- SUPPLIER CODE: V60540 OPTIONAL PART: 2013-1 V1MXA1	002004 006102 107999	1
65	2032		...LABEL-REMOVAL WARNING SUPPLIER CODE: V1MXA1 USED ON: 2013-1	002004 006102 107999	1
70	2044		...LABEL-BATTERY HOLDER SUPPLIER CODE: V1MXA1 USED ON: 2013-1A	002004 006102 107999	1

MISSING ITEM NUMBERS NOT APPLICABLE

- ITEM NOT ILLUSTRATED

33-51-02-01

33-51-02
FIG. 01
PAGE 2
JAN 20/09

BRI

 **BOEING**
757
PARTS CATALOG (MAINTENANCE)

FIG ITEM	PART NUMBER	1 2 3 4 5 6 7	NOMENCLATURE	EFFECT FROM TO	UNITS PER ASSY
1					
75	2035		... LABEL-BAND WARNING SUPPLIER CODE: V1MXA1 USED ON: 2013-1	002004 006102 107999	1
80	2021		... NAMEPLATE-BATTERY HOLDER SUPPLIER CODE: V1MXA1 USED ON: 2013-1	002004 006102 107999	1
85	2045		... LABEL-BATTERY SUPPLIER CODE: V1MXA1 USED ON: 2013-1A	002004 006102 107999	1
90	417N5202-3		. PLATE ASSY-MTG OPTIONAL PART: 417N5202-11	002004 006102 107999	1
90	417N5202-11		. PLATE ASSY-MTG OPTIONAL PART: 417N5202-3	002004 006102 107999	1
- 95	NAS603-9P		ATTACHING PARTS . SCREW-	002004 006102 107999	4
- 100	AN960PD10L		. WASHER-	002004 006102 107999	4
			-----*-----		
105	SL618-08S		.. INSERT- SUPPLIER CODE: V97393	002004 006102 107999	4
- 150	286N3632-015		WIRE BUNDLE ASSY	121503 904949	RF
- 150	286N3632-017		WIRE BUNDLE ASSY	107107	RF
- 151	286N3632-030		WIRE BUNDLE ASSY	002004 006100 952952	RF
- 152	286N3632-047		WIRE BUNDLE ASSY	953999	RF
- 152	286N3632-051		WIRE BUNDLE ASSY	950951	RF
- 155	286N3632-308		WIRE BUNDLE ASSY	108120	RF
- 158	286N3532-031		WIRE BUNDLE ASSY	121503 904949	RF
- 158	286N3532-033		WIRE BUNDLE ASSY	107107	RF
- 159	286N3532-047		WIRE BUNDLE ASSY	002004 006100 952999	RF
- 159	286N3532-057		WIRE BUNDLE ASSY	950951	RF
- 160	286N3532-302		WIRE BUNDLE ASSY	108120	RF

MISSING ITEM NUMBERS NOT APPLICABLE

- ITEM NOT ILLUSTRATED

33-51-02-01

33-51-02
FIG. 01
PAGE 3
JAN 20/09

BRI



757

PARTS CATALOG (MAINTENANCE)

FIG ITEM	PART NUMBER	1 2 3 4 5 6 7	NOMENCLATURE	EFFECT FROM TO	UNITS PER ASSY
1 165	BACC45FT16A24S		.CONNECTOR- ELECTRICAL EQUIP NUMBER: D00070 D00072 WIRING DIAGRAM REF: 335113	002004 006102 107999	1

MISSING ITEM NUMBERS NOT APPLICABLE

- ITEM NOT ILLUSTRATED

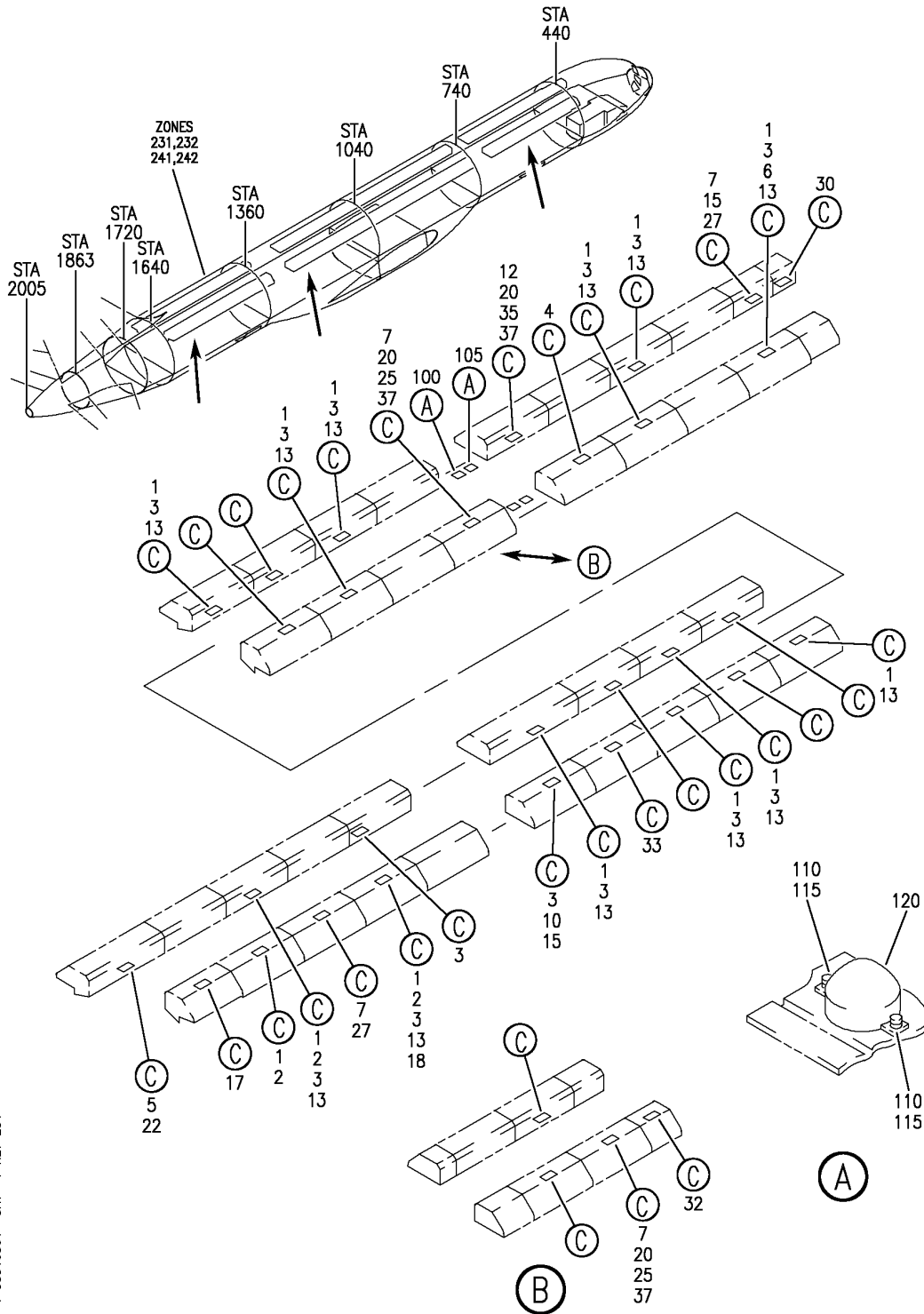
BRI

33-51-02-01

BOEING PROPRIETARY - Copyright © - Unpublished Work - See title page for details.

33-51-02
FIG. 01
PAGE 4
JAN 20/09


BOEING
 757
PARTS CATALOG (MAINTENANCE)



Y 33510501 SH1 1 REV 254

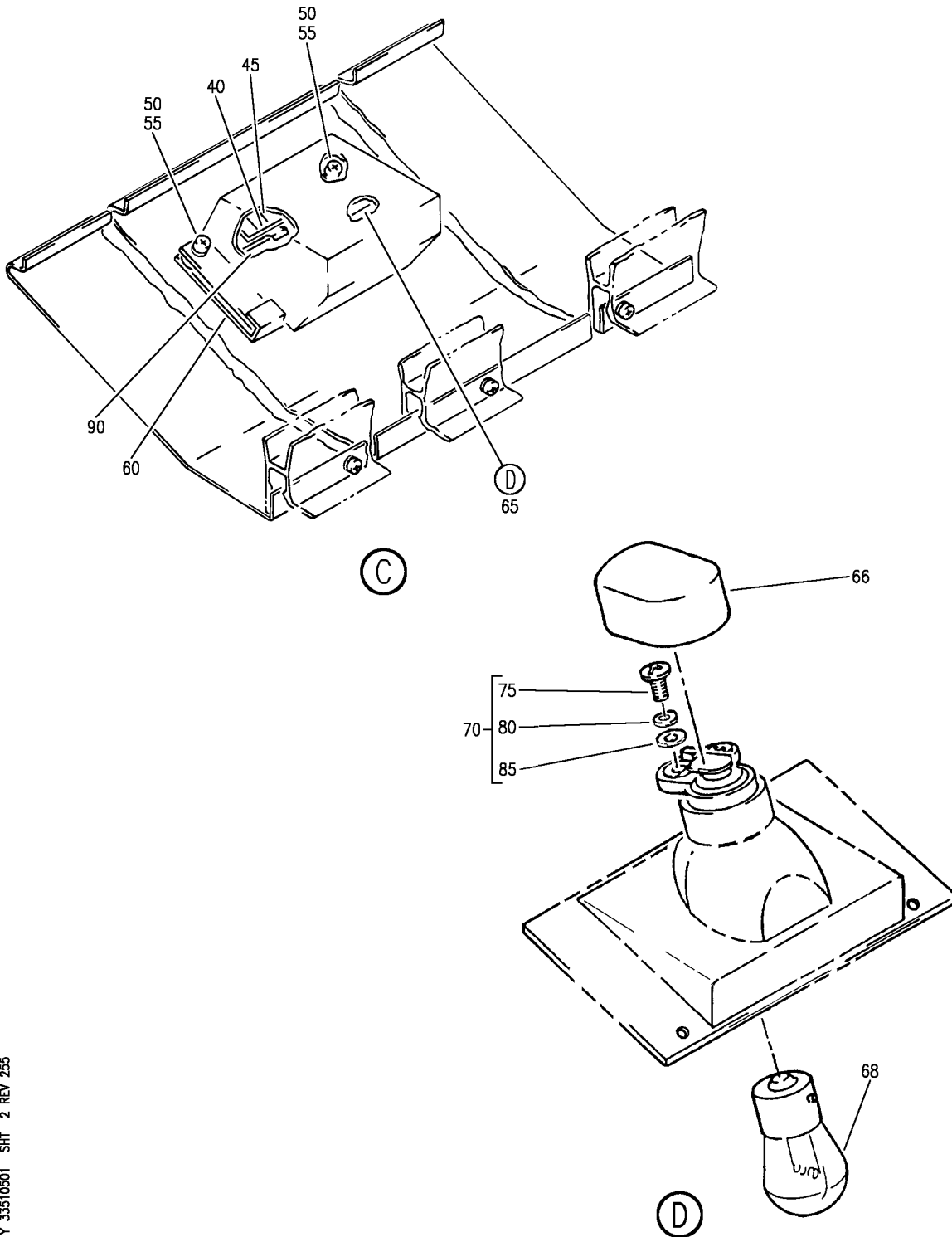
BULLNOSE AND END CAP ASSY-EMER EQPT (LIGHTS ONLY)
FIGURE 1 (SHEET 1)

33-51-05-01

BRI
JAN 20/09

33-51-05-01
 PAGE 0

BOEING
757
PARTS CATALOG (MAINTENANCE)



Y 33510501 SHT 2 REV 255

BULLNOSE AND END CAP ASSY-EMER EQPT (LIGHTS ONLY)
FIGURE 1 (SHEET 2)

33-51-05-01

BRI
JAN 20/09

33-51-05-01
PAGE 0A



757

PARTS CATALOG (MAINTENANCE)

FIG ITEM	PART NUMBER	1 2 3 4 5 6 7	NOMENCLATURE	EFFECT FROM TO	UNITS PER ASSY
1			BULLNOSE AND END CAP ASSY-EMER EQPT (LIGHTS ONLY)	107107	
1	412N1124-2SP		BULLNOSE ASSY-EMER EQPT (LIGHTS ONLY) FOR NHA/OTHER SYS DET SEE: 25-28-00-04B 25-28-00-05C 25-28-00-07A	107107	RF
5	412N1124-3SP		BULLNOSE ASSY-EMER EQPT (LIGHTS ONLY) FOR NHA/OTHER SYS DET SEE: 25-28-00-05C	107107	RF
10	412N1124-4SP		BULLNOSE ASSY-EMER EQPT (LIGHTS ONLY) FOR NHA/OTHER SYS DET SEE: 25-28-00-04B	107107	RF
20	412N1124-12SP		BULLNOSE ASSY-EMER EQPT (LIGHTS ONLY) FOR NHA/OTHER SYS DET SEE: 25-28-00-04B 25-28-00-07A	107107	RF
30	412N1124-18SP		BULLNOSE ASSY-EMER EQPT (LIGHTS ONLY) FOR NHA/OTHER SYS DET SEE: 25-28-00-07A	107107	RF
40	412N1125-1		.SPRING	107107	1
45	412N1125-2		.SPRING	107107	1
50	NAS600-3P		.SCREW-	107107	2
55	AN960PD4L		.WASHER-	107107	2
60	10-1042-4		.RETAINER- SUPPLIER CODE: V72914 SPECIFICATION NUMBER: S417N504-4 COMPONENT MAINT MANUAL REF: 33-21-46	107107	1
65	10-1042-1		.HOUSING ASSY-EMER SUPPLIER CODE: V72914 SPECIFICATION NUMBER: S417N504-1 COMPONENT MAINT MANUAL REF: 33-21-46 OPTIONAL PART: 10-1042-8 V72914	107107	1

MISSING ITEM NUMBERS NOT APPLICABLE

- ITEM NOT ILLUSTRATED

33-51-05-01

33-51-05
FIG. 01
PAGE 1
JAN 20/09

BRI

BOEING PROPRIETARY - Copyright © - Unpublished Work - See title page for details.

 **BOEING**
757
PARTS CATALOG (MAINTENANCE)

FIG ITEM	PART NUMBER	1 2 3 4 5 6 7	NOMENCLATURE	EFFECT FROM TO	UNITS PER ASSY
1					
65	10-1042-8	.	HOUSING ASSY-EMER SUPPLIER CODE: V72914 SPECIFICATION NUMBER: S417N504-8 COMPONENT MAINT MANUAL REF: 33-21-46 OPTIONAL PART: 10-1042-1 V72914	107107	1
66	11-3438-5	..	NIPPLE-CABLE SUPPLIER CODE: V72914	107107	1
68	1317	..	BULB- SUPPLIER CODE: V08806 MISCELLANEOUS DATA: GRIMES PART NO. GE1317 OPTIONAL PART: GE1317 V08806	107107	1
70	11-4428-1	..	HOUSING ASSY- SUPPLIER CODE: V72914 USED ON: 10-1042-1	107107	1
70	11-6590-1	..	HOUSING ASSY- SUPPLIER CODE: V72914 USED ON: 10-1042-8	107107	1
75	MS35206-228	...	SCREW- USED ON: 11-6590-1	107107	2
80	MS35338-41	...	WASHER- USED ON: 11-6590-1	107107	2
85	MS27183-5	...	WASHER- USED ON: 11-6590-1	107107	2

MISSING ITEM NUMBERS NOT APPLICABLE

— ITEM NOT ILLUSTRATED

BRI

33-51-05-01

BOEING PROPRIETARY - Copyright © - Unpublished Work - See title page for details.

33-51-05
FIG. 01
PAGE 2
JAN 20/09



757

PARTS CATALOG (MAINTENANCE)

FIG ITEM	PART NUMBER	1 2 3 4 5 6 7	NOMENCLATURE	EFFECT FROM TO	UNITS PER ASSY
1					
90	10-1042-5	. LENS-	SUPPLIER CODE: V72914 SPECIFICATION NUMBER: S417N504-5 COMPONENT MAINT MANUAL REF: 33-21-46 OPTIONAL PART: 10-1042-7 V72914	107107	1
90	10-1042-7	. LENS-	SUPPLIER CODE: V72914 SPECIFICATION NUMBER: S417N504-7 COMPONENT MAINT MANUAL REF: 33-21-46 OPTIONAL PART: 10-1042-5 V72914	107107	1
90	10-1042-10	. LENS-	SUPPLIER CODE: V72914 SPECIFICATION NUMBER: S417N504-10 COMPONENT MAINT MANUAL REF: 33-21-46	107107	1
100	412N1240-25SP	CAP ASSY-END (LIGHTS ONLY)	FOR NHA/OTHER SYS DET SEE: 25-28-00-05	107107	RF
105	412N1240-16SP	CAP ASSY-END (LIGHTS ONLY)	FOR NHA/OTHER SYS DET SEE: 25-28-00-05	107107	RF
110	NAS1801-3-4	. SCREW		107107	2
115	AN960PD10L	. WASHER		107107	2
120	S417N502-1	. LIGHT ASSY-ENTRY LT		107107	1

MISSING ITEM NUMBERS NOT APPLICABLE

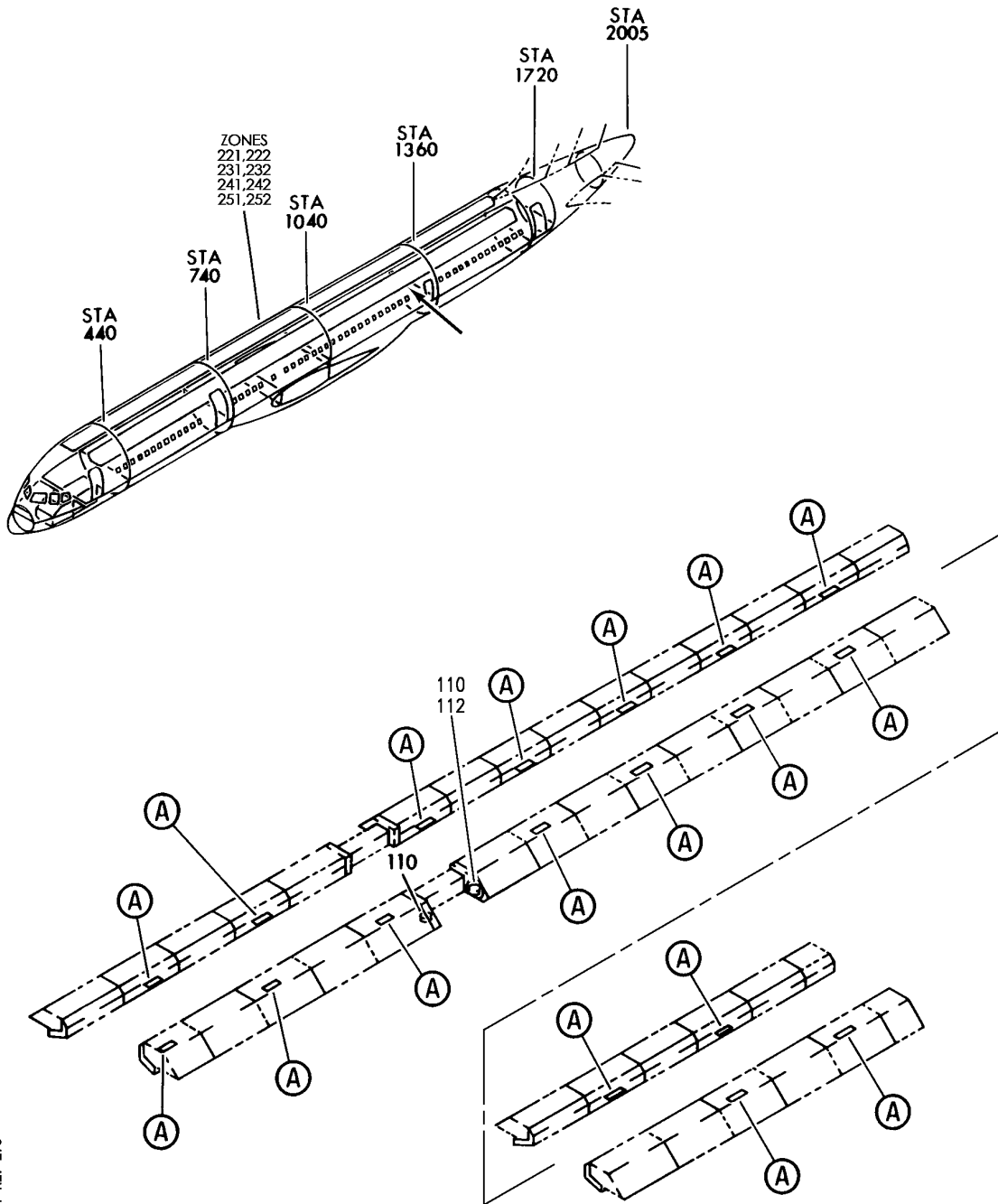
- ITEM NOT ILLUSTRATED

33-51-05-01

33-51-05
FIG. 01
PAGE 3
JAN 20/09

BRI

BOEING
757
PARTS CATALOG (MAINTENANCE)



Y 333510506 SHT 1 REV 270

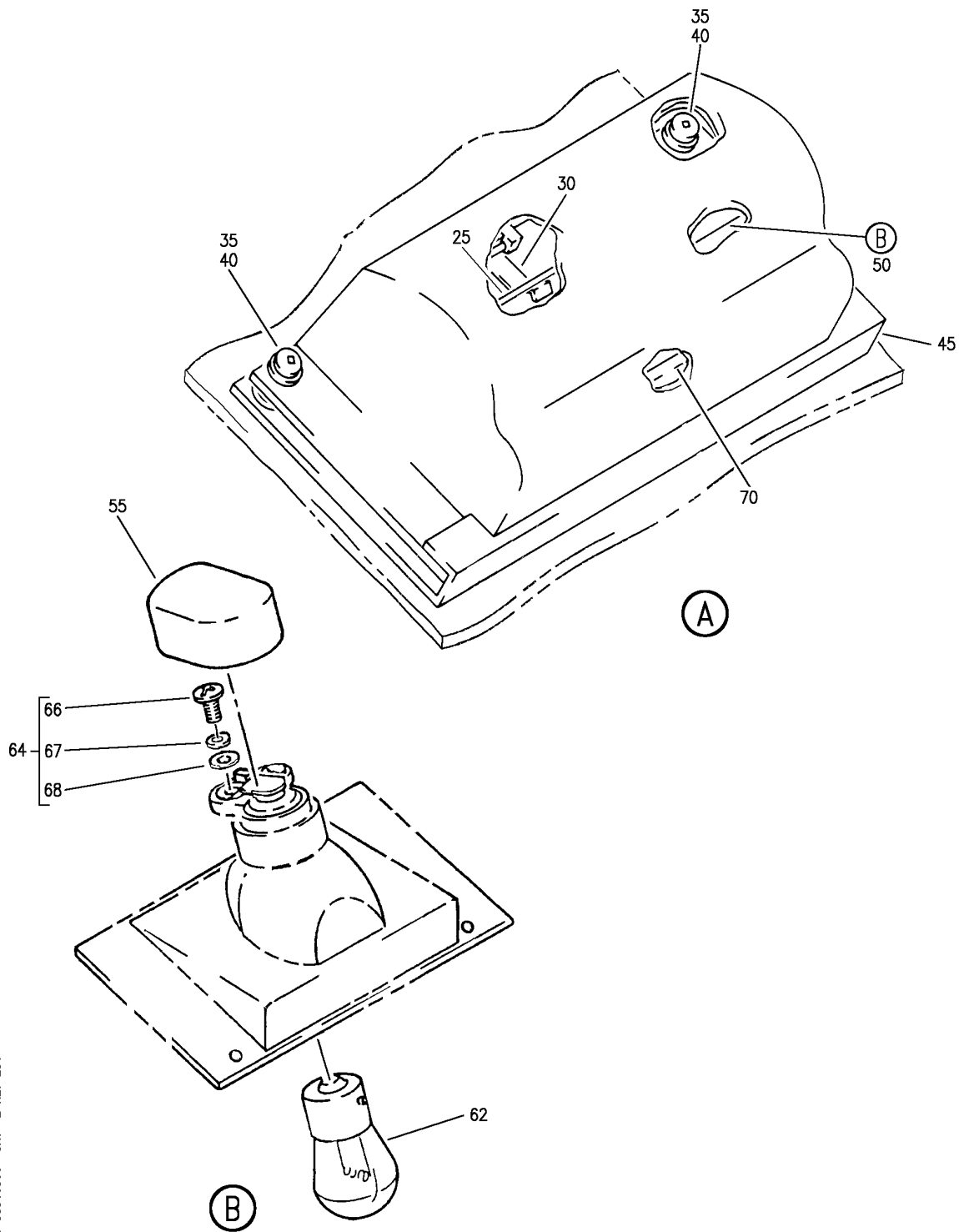
BULLNOSE AND CAP ASSY-EMER EQPT AND END NO. 2 DOORWAY (LIGHTS ONLY)
FIGURE 6 (SHEET 1)

33-51-05-06

BRI
MAY 28/07

33-51-05-06
PAGE 0

BOEING
757
PARTS CATALOG (MAINTENANCE)



Y 33510506 SH1 2 REV 254

BULLNOSE AND CAP ASSY-EMER EQPT AND END NO. 2 DOORWAY (LIGHTS ONLY)
FIGURE 6 (SHEET 2)

33-51-05-06

BRI
MAY 28/07

33-51-05-06
PAGE 0A



757

PARTS CATALOG (MAINTENANCE)

FIG ITEM	PART NUMBER	1 2 3 4 5 6 7	NOMENCLATURE	EFFECT FROM TO	UNITS PER ASSY
6			BULLNOSE AND CAP ASSY- EMER EQPT AND END NO. 2 DOORWAY (LIGHTS ONLY)	002004 006100 121503 904951	
- 1	412N1128-1SP		BULLNOSE ASSY-EMER EQPT (LIGHTS ONLY) FOR NHA/OTHER SYS DET SEE: 25-28-00-23A 25-28-00-23B 25-28-00-23C	904949	RF
R R R R R	- 1	412N1168-1SP	BULLNOSE ASSY-EMER EQPT (LIGHTS ONLY) FOR NHA/OTHER SYS DET SEE: 25-28-00-23A 25-28-00-23B 25-28-00-23C	904949	RF
-	5	412N1128-12SP	BULLNOSE ASSY-EMER EQPT (LIGHTS ONLY) FOR NHA/OTHER SYS DET SEE: 25-28-00-23A 25-28-00-23B	904949	RF
-	10	412N1128-14SP	BULLNOSE ASSY-EMER EQPT (LIGHTS ONLY) FOR NHA/OTHER SYS DET SEE: 25-28-00-23A	904949	RF
-	15	412N1128-2SP	BULLNOSE ASSY-EMER EQPT (LIGHTS ONLY) FOR NHA/OTHER SYS DET SEE: 25-28-00-23C	904949	RF
-	20	412N1128-3SP	BULLNOSE ASSY-EMER EQPT (LIGHTS ONLY) FOR NHA/OTHER SYS DET SEE: 25-28-00-23B	904949	RF
	25	412N1125-1	.SPRING	904949	1
	30	412N1125-2	.SPRING	904949	1
	35	NAS600-3P	.SCREW	904949	2
	40	AN960JD4L	.WASHER	904949	2
	45	10-1042-4	.RETAINER-	904949	1
			SUPPLIER CODE: V72914 SPECIFICATION NUMBER: S417N504-4 COMPONENT MAINT MANUAL REF: 33-21-46		

MISSING ITEM NUMBERS NOT APPLICABLE

- ITEM NOT ILLUSTRATED

33-51-05-06

33-51-05
FIG. 06
PAGE 1
MAY 20/09

BRI



757

PARTS CATALOG (MAINTENANCE)

FIG ITEM	PART NUMBER	1 2 3 4 5 6 7	NOMENCLATURE	EFFECT FROM TO	UNITS PER ASSY
6 50	10-1042-1		.HOUSING ASSY- SUPPLIER CODE: V72914 SPECIFICATION NUMBER: S417N504-1 COMPONENT MAINT MANUAL REF: 33-21-46 OPTIONAL PART: 10-1042-8 V72914	904949	1
50	10-1042-8		.HOUSING ASSY- SUPPLIER CODE: V72914 SPECIFICATION NUMBER: S417N504-8 COMPONENT MAINT MANUAL REF: 33-21-46 OPTIONAL PART: 10-1042-1 V72914	904949	1
55	11-3438-5		..NIPPLE-CABLE SUPPLIER CODE: V72914	904949	1
62	1317		..BULB- SUPPLIER CODE: V08806 MISCELLANEOUS DATA: GRIMES PART NO. GE1317 OPTIONAL PART: GE1317 V08806	904949	1
64	11-4428-1		..HOUSING ASSY- SUPPLIER CODE: V72914 USED ON: 10-1042-1	904949	1
64	11-6590-1		..HOUSING ASSY- SUPPLIER CODE: V72914 USED ON: 10-1042-8	904949	1
66	MS35206-228		...SCREW- USED ON: 11-6590-1	904949	2
67	MS35338-41		...WASHER- USED ON: 11-6590-1	904949	2

MISSING ITEM NUMBERS NOT APPLICABLE

- ITEM NOT ILLUSTRATED

33-51-05-06

33-51-05
FIG. 06
PAGE 2
MAY 20/09

BRI



757

PARTS CATALOG (MAINTENANCE)

FIG ITEM	PART NUMBER	1 2 3 4 5 6 7	NOMENCLATURE	EFFECT FROM TO	UNITS PER ASSY
6					
68	MS27183-5		...WASHER- USED ON: 11-6590-1	904949	2
70	10-1042-7		.LENS- SUPPLIER CODE: V72914 SPECIFICATION NUMBER: S417N504-7 COMPONENT MAINT MANUAL REF: 33-21-46 OPTIONAL PART: 10-1042-5 V72914	904949	1
70	10-1042-10		.LENS- SUPPLIER CODE: V72914 SPECIFICATION NUMBER: S417N504-10 COMPONENT MAINT MANUAL REF: 33-21-46	904949	1
70	10-1042-5		.LENS- SUPPLIER CODE: V72914 SPECIFICATION NUMBER: S417N504-5 COMPONENT MAINT MANUAL REF: 33-21-46 OPTIONAL PART: 10-1042-7 V72914	904949	1
- 75	286N0634-001		.WIRE BUNDLE ASSY- AISLE LT	904949	1
- 80	48-7191		..CONNECTOR- SUPPLIER CODE: V02660 ELECTRICAL EQUIP NUMBER: D07274 WIRING DIAGRAM REF: 335112	904949	1
- 85	48-7190		..CONNECTOR- SUPPLIER CODE: V02660 ELECTRICAL EQUIP NUMBER: D07276 WIRING DIAGRAM REF: 335112	904949	1

MISSING ITEM NUMBERS NOT APPLICABLE

- ITEM NOT ILLUSTRATED

33-51-05-06

33-51-05
FIG. 06
PAGE 3
MAY 20/09

BRI



757

PARTS CATALOG (MAINTENANCE)

FIG ITEM	PART NUMBER	1 2 3 4 5 6 7	NOMENCLATURE	EFFECT FROM TO	UNITS PER ASSY
6					
- 100	412N1240-119SP		CAP ASSY-END NO. 2 DOORWAY (LIGHTS ONLY) FOR NHA/OTHER SYS DET SEE: 25-28-00-23	904949	RF
- 100	412N1240-133SP		CAP ASSY-END NO. 2 DOORWAY (LIGHTS ONLY) FOR NHA/OTHER SYS DET SEE: 25-28-00-23	121503	RF
- 100	412N1240-165SP		CAP ASSY-END NO. 2 DOORWAY (LIGHTS ONLY) FOR NHA/OTHER SYS DET SEE: 25-28-00-72J	002004 006100	RF
- 105	412N1240-90SP		CAP ASSY-END NO. 2 DOORWAY (LIGHTS ONLY) FOR NHA/OTHER SYS DET SEE: 25-28-00-23	904949	RF
- 105	412N1240-148SP		CAP ASSY-END NO. 2 DOORWAY (LIGHTS ONLY) FOR NHA/OTHER SYS DET SEE: 25-28-00-23	121503	RF
- 105	412N1240-136SP		CAP ASSY-END NO. 2 DOORWAY (LIGHTS ONLY) FOR NHA/OTHER SYS DET SEE: 25-28-00-72Y 25-28-00-72J	002004 006100 950951	RF
110	S417N502-1		.LIGHT ASSY	002004 006100 121503 904951	1
- 115	NAS1801-3-4		ATTACHING PARTS .SCREW	002004 006100 121503 904951	2
- 120	AN960JD10L		.WASHER	002004 006100 121503 904951	2
			-----*		

MISSING ITEM NUMBERS NOT APPLICABLE

- ITEM NOT ILLUSTRATED

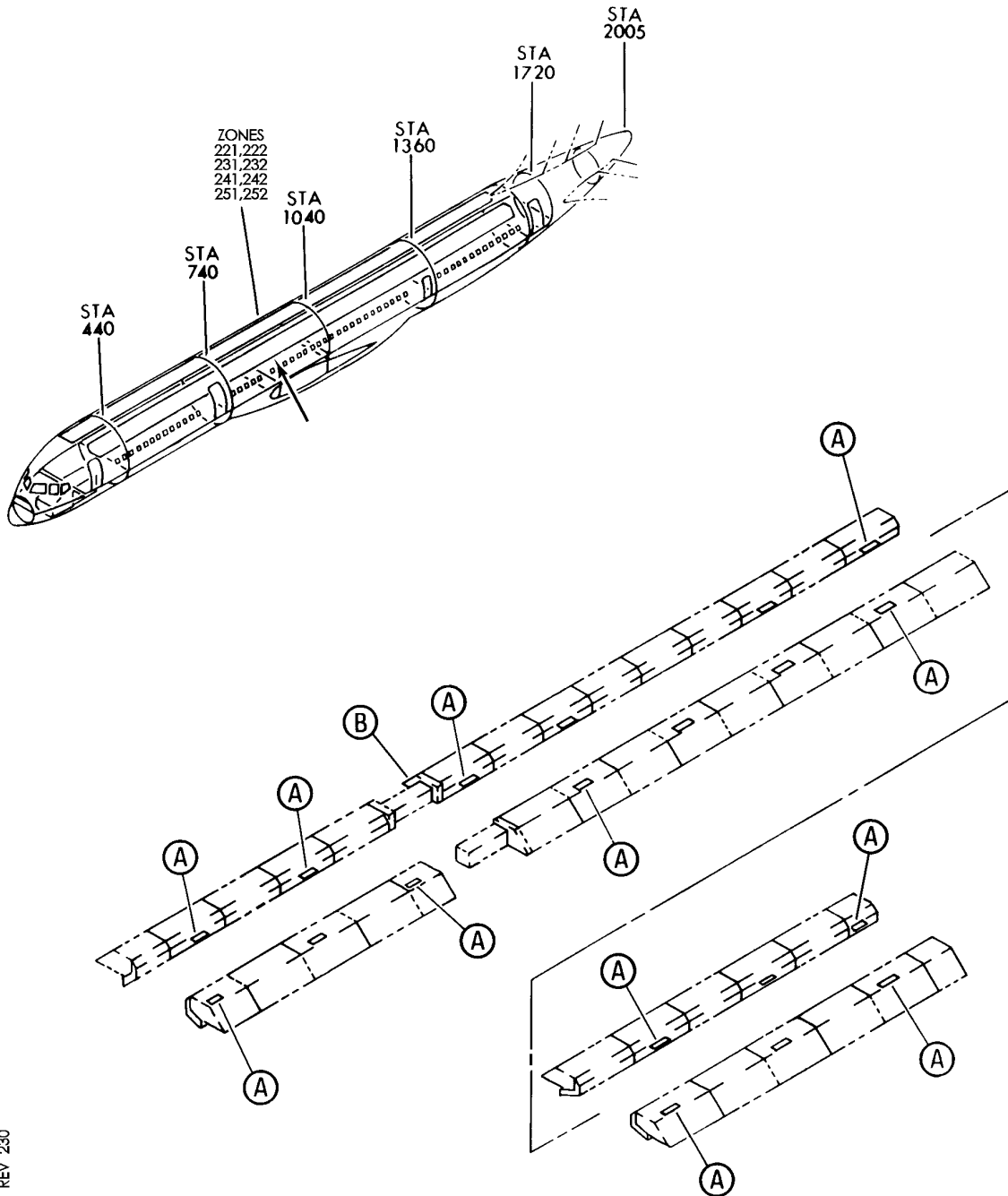
33-51-05-06

33-51-05
FIG. 06
PAGE 4
MAY 20/09

BRI

BOEING PROPRIETARY - Copyright © - Unpublished Work - See title page for details.

BOEING
757
PARTS CATALOG (MAINTENANCE)



Y 33510508 SHT 1 REV 230

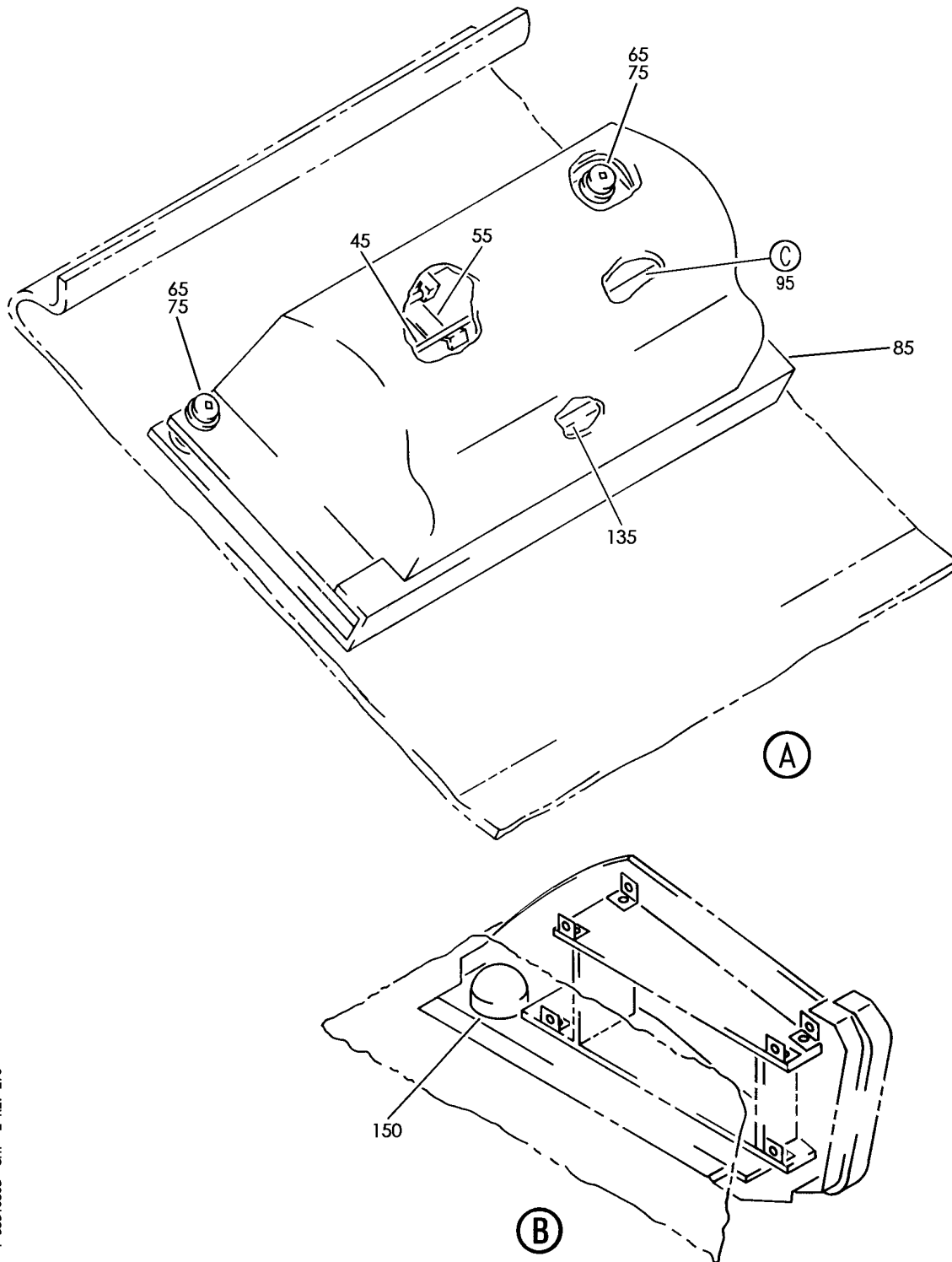
BULLNOSE AND CAP ASSY-EMER EQPT AND END NO. 2 DOORWAY (LIGHTS ONLY)
FIGURE 8 (SHEET 1)

33-51-05-08

BRI
JAN 20/09

33-51-05-08
PAGE 0

BOEING
757
PARTS CATALOG (MAINTENANCE)



Y 33510508 SH1 2 REV 270

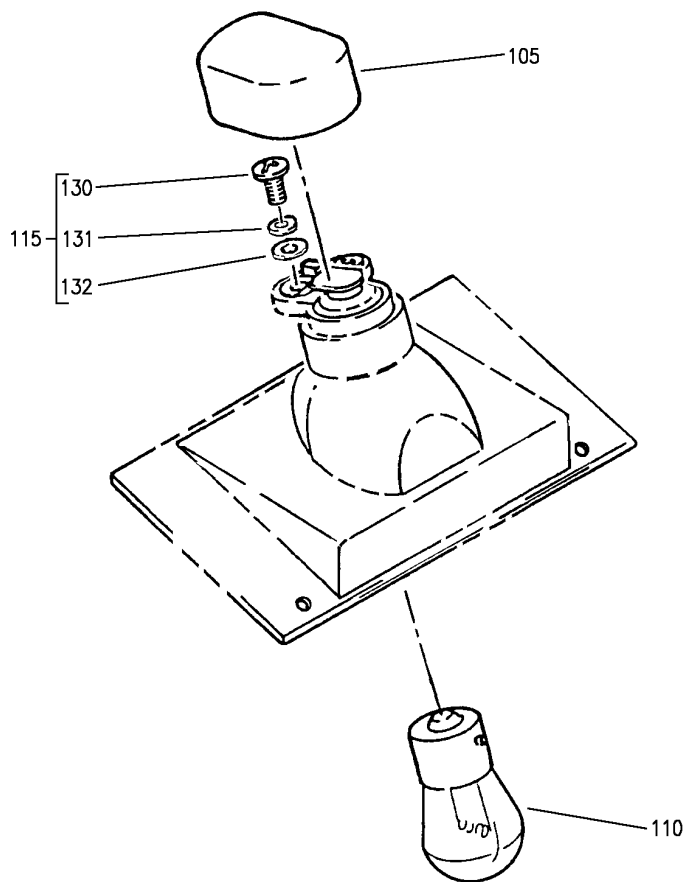
BULLNOSE AND CAP ASSY-EMER EQPT AND END NO. 2 DOORWAY (LIGHTS ONLY)
FIGURE 8 (SHEET 2)

33-51-05-08

BRI
JAN 20/09

33-51-05-08
PAGE 0A

BOEING
757
PARTS CATALOG (MAINTENANCE)



(C)

Y 33510508 SH1 3 REV 255

BULLNOSE AND CAP ASSY-EMER EQPT AND END NO. 2 DOORWAY (LIGHTS ONLY)
FIGURE 8 (SHEET 3)

BRI
JAN 20/09

33-51-05-08

33-51-05-08
PAGE 08



757

PARTS CATALOG (MAINTENANCE)

FIG ITEM	PART NUMBER	1 2 3 4 5 6 7	NOMENCLATURE	EFFECT FROM TO	UNITS PER ASSY
8			BULLNOSE AND CAP ASSY- EMER EQPT AND END NO. 2 DOORWAY (LIGHTS ONLY)	952999	
- 145	412N1240-132SP		CAP ASSY-END NO. 2 DOORWAY (LIGHTS ONLY) FOR NHA/OTHER SYS DET SEE: 25-28-00-72U	952999	RF
150	S417N502-1		.LIGHT ASSY ATTACHING PARTS	952999	1
- 155	NAS1801-3-4		.SCREW	952999	2
- 160	AN960JD10L		.WASHER	952999	2
			-----*-----		

MISSING ITEM NUMBERS NOT APPLICABLE

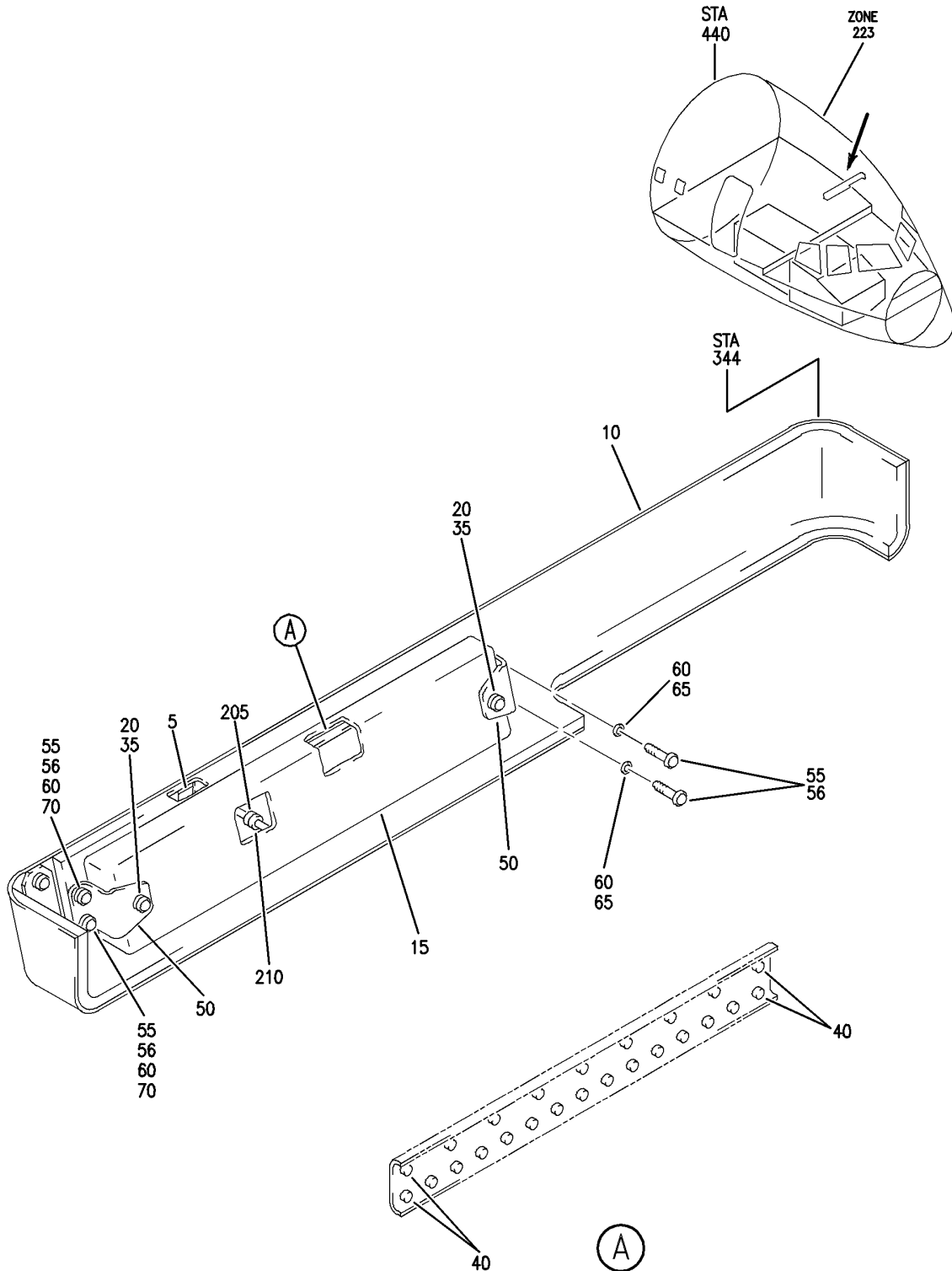
- ITEM NOT ILLUSTRATED

33-51-05-08

33-51-05
FIG. 08
PAGE 1
JAN 20/09

BRI

BOEING
757
PARTS CATALOG (MAINTENANCE)



Y 33510510 REV 222

BULLNOSE ASSY-CLG PNL (EMERGENCY LIGHTS ONLY)
FIGURE 10

33-51-05-10

BRI
MAY 28/07

33-51-05-10
PAGE 0



757

PARTS CATALOG (MAINTENANCE)

FIG ITEM	PART NUMBER	1 2 3 4 5 6 7	NOMENCLATURE	EFFECT FROM TO	UNITS PER ASSY
10			BULLNOSE ASSY-CLG PNL (EMERGENCY LIGHTS ONLY)	002004 006102 107999	
- 1	411N3270-56SP		BULLNOSE ASSY-CLG PNL (EMERGENCY LIGHTS ONLY) FOR NHA/OTHER SYS DET SEE: 25-22-02-29	107107	RF
- 1	411N3270-250AE		BULLNOSE ASSY-CLG PNL (EMERGENCY LIGHTS ONLY) FOR NHA/OTHER SYS DET SEE: 25-22-02-19F 25-22-02-11B	108120 504903	RF
- 1	411N3270-250N		BULLNOSE ASSY-CLG PNL (EMERGENCY LIGHTS ONLY) FOR NHA/OTHER SYS DET SEE: 25-22-02-11A 25-22-02-19E 25-22-02-52 25-22-02-58B	002004 006102 950999	RF
- 1	411N3270-250L		BULLNOSE ASSY-CLG PNL (EMERGENCY LIGHTS ONLY) FOR NHA/OTHER SYS DET SEE: 25-22-02-19	904949	RF
5	BAC27NPA0237		.MARKER-ALUMINUM FOIL-L26 EXIT SIGN	002004 006102 107503 904949 952999	1
10	411N3270-51SP		.COVER-	107107	1
10	411N3270-51BBWU		.COVER-	108120 504903	1
10	411N3270-51AAGG		.COVER-	002004 006102 904999	1
15	10-1070-1		.HOUSING ASSY-INTERIOR ILLUMINATED EXIT SIGN SUPPLIER CODE: V72914 SPECIFICATION NUMBER: S417N505-21 ELECTRICAL EQUIP NUMBER: L00026 COMPONENT MAINT MANUAL REF: 33-51-29 FOR DETAILS SEE: 33-51-01-90	002004 006102 107503 904949 952999	1

MISSING ITEM NUMBERS NOT APPLICABLE

- ITEM NOT ILLUSTRATED

33-51-05-10

33-51-05
FIG. 10
PAGE 1
JAN 20/09

BRI

BOEING
757
PARTS CATALOG (MAINTENANCE)

FIG ITEM	PART NUMBER	1 2 3 4 5 6 7	NOMENCLATURE	EFFECT FROM TO	UNITS PER ASSY
10			ATTACHING PARTS		
20	BACS12FA3K7		.SCREW- OPTIONAL PART: NAS1801-3-7	002004 006102 107503 904949 952999	2
20	NAS1801-3-7		.SCREW-	002004 006102 108120 504999	2
25	AN960PD10L		.WASHER-	002004 006102 107503 904949 952999	2
25	NAS1149D0316J		.WASHER-	002004 006102 108949 952999	2
35	NAS1149D0363J		.WASHER-	002004 006102 108949 952999	2
35	AN960KD10		.WASHER	002004 006102 107503 904949 952999	2
50	417N5202-9		-----*----- .BRACKET ASSY	002004 006102 107503 904949 952999	2
55	BACS12FA3K4		ATTACHING PARTS .SCREW- OPTIONAL PART: NAS1801-3-4	002004 006102 107503 904949 952999	4
55	NAS1801-3-4		.SCREW-	002004 006102 108120 504999	4

MISSING ITEM NUMBERS NOT APPLICABLE

— ITEM NOT ILLUSTRATED

BRI

33-51-05-10

BOEING PROPRIETARY - Copyright © - Unpublished Work - See title page for details.

33-51-05
FIG. 10
PAGE 2
JAN 20/09



757

PARTS CATALOG (MAINTENANCE)

FIG ITEM	PART NUMBER	1 2 3 4 5 6 7	NOMENCLATURE	EFFECT FROM TO	UNITS PER ASSY
10					
60	AN960PD10L	.	WASHER-	002004 006102 107503 904949 952999	4
65	NAS1149D0316K	-----*	.WASHER	002004 006102 108949 952999	2
70	NAS1149D0332J	.	WASHER	002004 006102 108949 952999	2
- 200	286N3632-015		WIRE BUNDLE ASSY-(EMERGENCY LIGHTS ONLY)	121503 904949	RF
- 200	286N3632-017		WIRE BUNDLE ASSY-(EMERGENCY LIGHTS ONLY)	107107	RF
- 201	286N3632-030		WIRE BUNDLE ASSY-(EMERGENCY LIGHTS ONLY)	002004 006100 952952	RF
- 202	286N3632-047		WIRE BUNDLE ASSY-(EMERGENCY LIGHTS ONLY)	953999	RF
- 202	286N3632-051		WIRE BUNDLE ASSY-(EMERGENCY LIGHTS ONLY)	950951	RF
205	48-7190	.	CONNECTOR- SUPPLIER CODE: V02660 ELECTRICAL EQUIP NUMBER: D04526 WIRING DIAGRAM REF: 335112	002004 006100 107107 121503 904949 952999	1
210	48-7191	.	CONNECTOR- SUPPLIER CODE: V02660 ELECTRICAL EQUIP NUMBER: D04524 WIRING DIAGRAM REF: 335112	002004 006100 107107 121503 904949 952999	1

MISSING ITEM NUMBERS NOT APPLICABLE

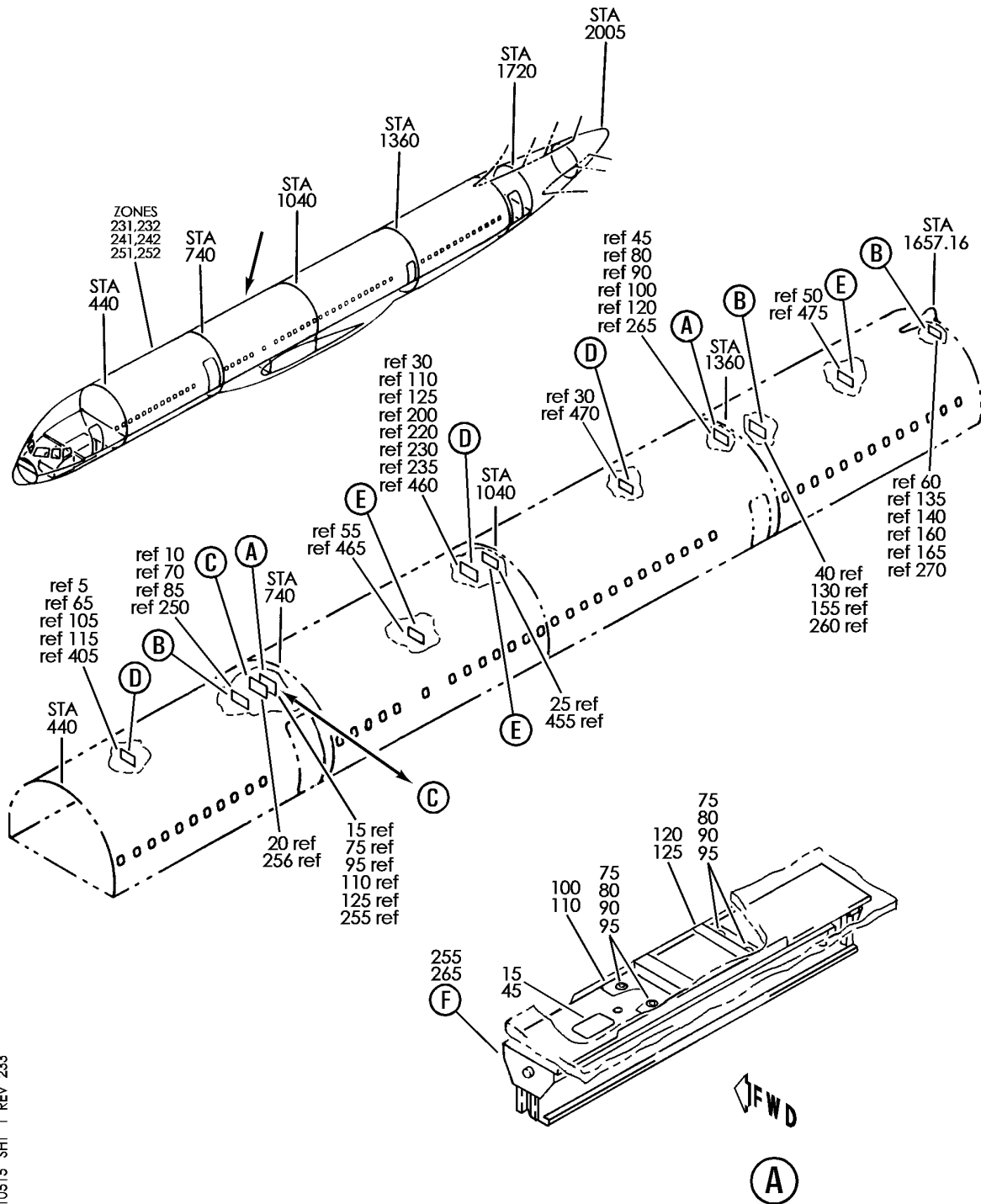
- ITEM NOT ILLUSTRATED

33-51-05-10

33-51-05
FIG. 10
PAGE 3
JAN 20/09

BRI

BOEING
757
PARTS CATALOG (MAINTENANCE)



Y 33510515 SHT 1 REV 233

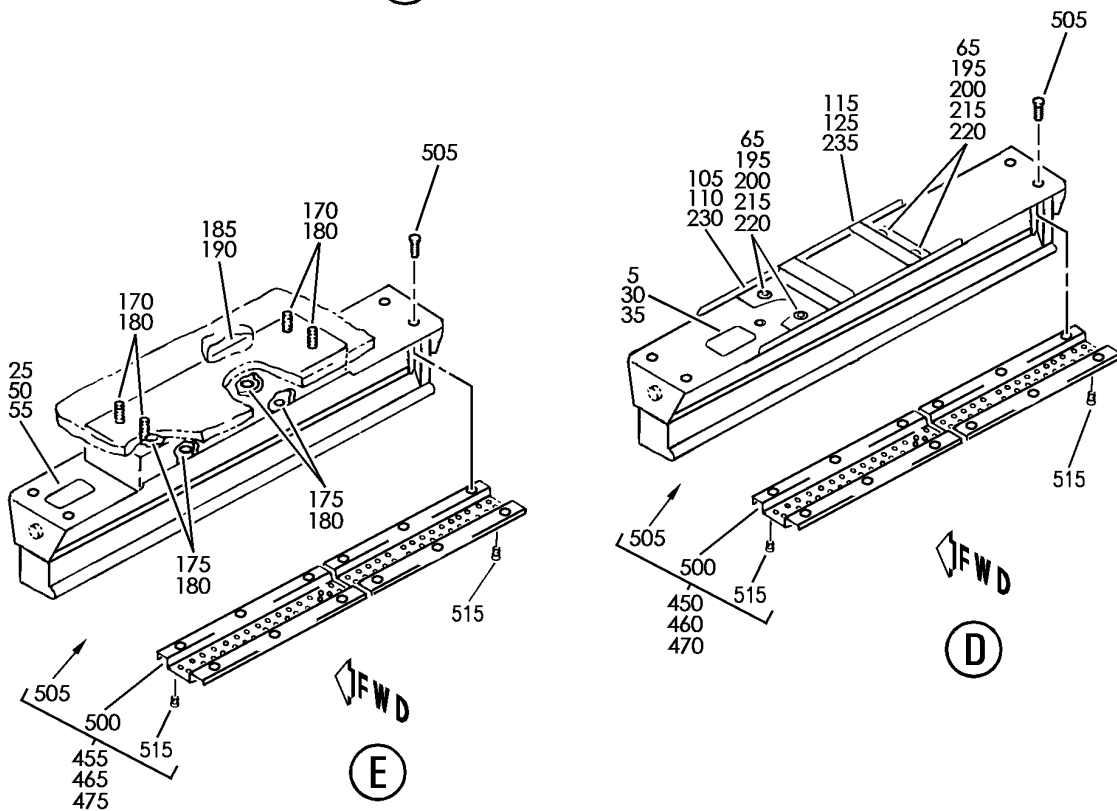
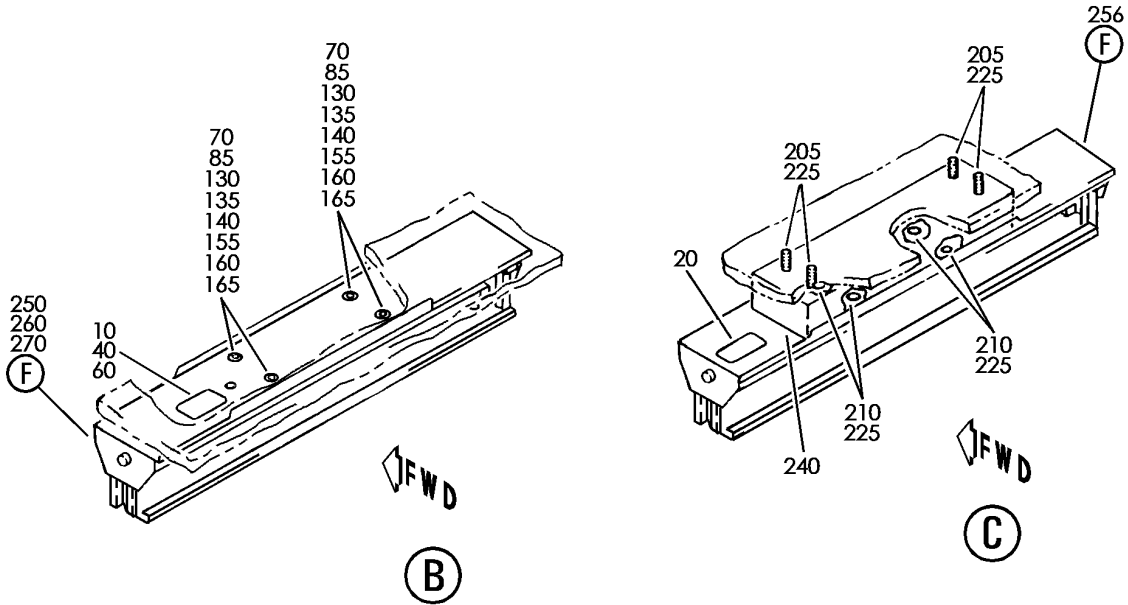
HOUSING INSTL-EXIT SIGN AISLE LIGHTS
FIGURE 15 (SHEET 1)

33-51-05-15

BRI
MAY 28/07

33-51-05-15
PAGE 0


BOEING
 757
PARTS CATALOG (MAINTENANCE)



Y 33510515 SHT 2 REV 266

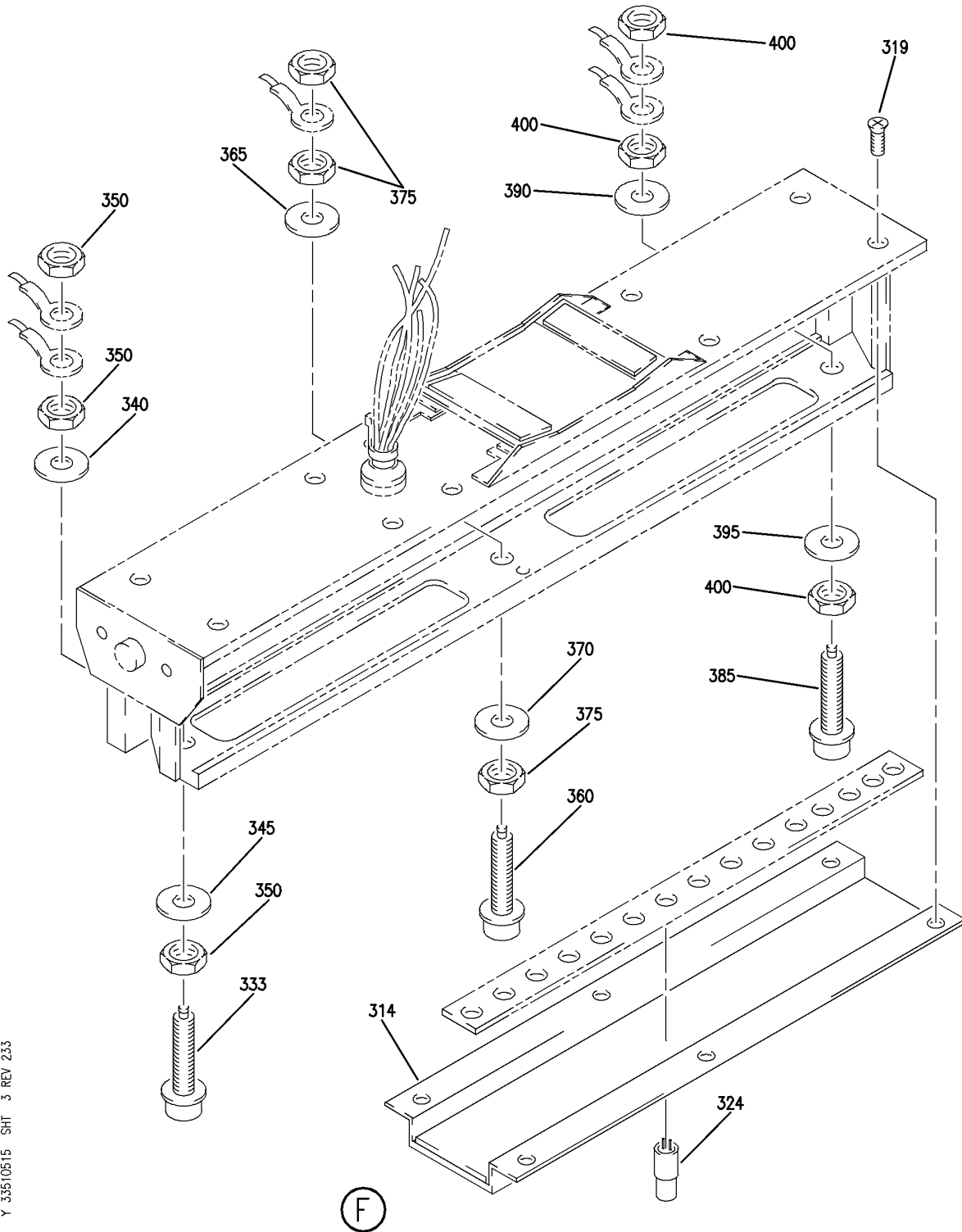
HOUSING INSTL-EXIT SIGN AISLE LIGHTS
FIGURE 15 (SHEET 2)

33-51-05-15

BRI
MAY 28/07

33-51-05-15
PAGE 0A

BOEING
757
PARTS CATALOG (MAINTENANCE)



Y 33510515 SHT 3 REV 233

HOUSING INSTL-EXIT SIGN AISLE LIGHTS
FIGURE 15 (SHEET 3)

33-51-05-15

BRI
MAY 28/07

33-51-05-15
PAGE 0B



757

PARTS CATALOG (MAINTENANCE)

FIG ITEM	PART NUMBER	1 2 3 4 5 6 7	NOMENCLATURE	EFFECT FROM TO	UNITS PER ASSY
15			HOUSING INSTL-EXIT SIGN AISLE LIGHTS	107107 121503 904949	
- 1	417N5204-4		HOUSING INSTL-EXIT SIGN (AISLE LIGHTS) FOR NHA/OTHER SYS DET SEE: 33-51-01-57	107107	RF
- 1	417N5204-16		HOUSING INSTL-EXIT SIGN (AISLE LIGHTS) FOR NHA/OTHER SYS DET SEE: 33-51-01-66	121503 904949	RF
15	BAC27NPA0939		.MARKER-ALUMINUM FOIL PLACARD CONTENT: M10253 EXIT SIGN/ATTENDANT CALL LIGHTS	107107	1
20	BAC27NPA0939		.MARKER-ALUMINUM FOIL PLACARD CONTENT: M10253 EXIT SIGN/ATTENDANT CALL LIGHTS	121503 904949	1
35	BAC27NPA0243		.MARKER-ALUMINUM FOIL PLACARD CONTENT: L48 EXIT SIGN	107107	1
40	BAC29PPS4289		.MARKER-ALUMINUM FOIL PLACARD CONTENT: M10680 EXIT SIGN	121503 904949	1
45	BAC27NPA0940		.MARKER-ALUMINUM FOIL PLACARD CONTENT: M10254 EXIT SIGN/ATTENDANT CALL LIGHTS	107107	1
60	BAC27NPA0941		.MARKER-ALUMINUM FOIL PLACARD CONTENT: M10255 EXIT SIGN/ATTENDANT CALL LIGHTS	107107 121503 904949	1
75	NAS1801-3-8		.SCREW	107107	4
80	NAS1801-3-8		.SCREW-	107107	8
90	NAS43DD3-8		.SPACER-	107107	8
95	NAS43DD3-8		.SPACER	107107	4
100	417N5203-10		.BRACKET ASSY-	107107	1
110	417N5203-10		.BRACKET ASSY-	107107	2
120	417N5203-11		.BRACKET ASSY-	107107	1
125	417N5203-11		.BRACKET ASSY-	107107	2
130	NAS1801-3-8		.SCREW	121503 904949	4

MISSING ITEM NUMBERS NOT APPLICABLE

- ITEM NOT ILLUSTRATED

33-51-05-15

33-51-05
FIG. 15
PAGE 1
JAN 20/09

BRI



757

PARTS CATALOG (MAINTENANCE)

FIG ITEM	PART NUMBER	1 2 3 4 5 6 7	NOMENCLATURE	EFFECT FROM TO	UNITS PER ASSY
15					
140	NAS1801-3-8	.	SCREW	107107 121503 904949	4
155	NAS43DD3-9	.	SPACER	121503 904949	4
160	NAS43DD3-9	.	SPACER	107107 121503 904949	4
195	NAS1801-3-8	.	SCREW	107107 121503 904949	4
205	NAS1801-3-12	.	SCREW-	121503 904949	4
210	NAS1801-3-7	.	SCREW	121503 904949	4
225	AN960JD10LL	.	WASHER-	121503 904949	8
240	65C32144-9SP	.	SPACER ASSY- OPTIONAL PART: 65C32144-13SP	121503 904949	1
240	65C32144-13SP	.	SPACER ASSY- OPTIONAL PART: 65C32144-9SP	121503 904949	1
255	10-1076-61B	.	HOUSING ASSY-EXIT SIGN SUPPLIER CODE: V72914 SPECIFICATION NUMBER: S417N505-147A ELECTRICAL EQUIP NUMBER: M10253 COMPONENT MAINT MANUAL REF: 33-51-56 OPTIONAL PART: 417N5204-18SP FOR DETAILS SEE: 33-51-01-75	121503 904949	1
255	417N5204-18A	.	HOUSING ASSY-EXIT SIGN ELECTRICAL EQUIP NUMBER: M10253 OPTIONAL PART: 10-1076-61B V72914	121503 904949	1

MISSING ITEM NUMBERS NOT APPLICABLE

- ITEM NOT ILLUSTRATED

33-51-05-15

33-51-05
FIG. 15
PAGE 2
JAN 20/09

BRI

BOEING PROPRIETARY - Copyright © - Unpublished Work - See title page for details.



757

PARTS CATALOG (MAINTENANCE)

FIG ITEM	PART NUMBER	1 2 3 4 5 6 7	NOMENCLATURE	EFFECT FROM TO	UNITS PER ASSY
15 256	10-1076-51B		.HOUSING ASSY-EXIT SIGN SUPPLIER CODE: V72914 SPECIFICATION NUMBER: S417N505-122B ELECTRICAL EQUIP NUMBER: M10253 COMPONENT MAINT MANUAL REF: 33-51-56 FOR DETAILS SEE: 33-51-01-75	107107	1
260	417N5204-17A		.HOUSING-EXIT SIGN ELECTRICAL EQUIP NUMBER: M10680 OPTIONAL PART: 10-1075-53 V72914	121503 904949	1
260	10-1075-53		.HOUSING-EXIT SIGN SUPPLIER CODE: V72914 SPECIFICATION NUMBER: S417N505-146A ELECTRICAL EQUIP NUMBER: M10680 COMPONENT MAINT MANUAL REF: 33-51-55 OPTIONAL PART: 417N5204-17SP FOR DETAILS SEE: 33-51-01-90B	121503 904949	1
265	10-1076-53B		.HOUSING ASSY-EXIT SIGN SUPPLIER CODE: V72914 SPECIFICATION NUMBER: S417N505-123B ELECTRICAL EQUIP NUMBER: M10254 COMPONENT MAINT MANUAL REF: 33-51-56 FOR DETAILS SEE: 33-51-01-75	107107	1

MISSING ITEM NUMBERS NOT APPLICABLE

- ITEM NOT ILLUSTRATED

33-51-05-15

33-51-05
FIG. 15
PAGE 3
JAN 20/09

BRI



757

PARTS CATALOG (MAINTENANCE)

FIG ITEM	PART NUMBER	1 2 3 4 5 6 7	NOMENCLATURE	EFFECT FROM TO	UNITS PER ASSY
15 270	10-1077-51B		.HOUSING ASSY-EXIT SIGN SUPPLIER CODE: V72914 SPECIFICATION NUMBER: S417N505-131B ELECTRICAL EQUIP NUMBER: M10255 COMPONENT MAINT MANUAL REF: 33-51-57 FOR DETAILS SEE: 33-51-01-90C	121503 904949	1
270	10-1076-55B		.HOUSING ASSY-EXIT SIGN SUPPLIER CODE: V72914 SPECIFICATION NUMBER: S417N505-124B ELECTRICAL EQUIP NUMBER: M10255 COMPONENT MAINT MANUAL REF: 33-51-56 FOR DETAILS SEE: 33-51-01-75	107107	1
314	11-4664-1		..LAMP ASSY- SUPPLIER CODE: V72914 ATTACHING PARTS	107107 121503 904949	2
319	MS24693S3		..SCREW-	107107 121503 904949	12
324	OL3071BPEGPL		-----*----- ...LAMP-5V .06 AMP DS1 THRU DS30 SUPPLIER CODE: VS3774	107107 121503 904949	30
333	855973-7L387		..DIALIGHT ASSY- SUPPLIER CODE: V08717 USED ON: 10-1076-55A 10-1077-1B 10-1077-51B	121503 904949	1

MISSING ITEM NUMBERS NOT APPLICABLE

- ITEM NOT ILLUSTRATED

33-51-05-15

33-51-05
FIG. 15
PAGE 4
MAY 20/09

BRI



757

PARTS CATALOG (MAINTENANCE)

FIG ITEM	PART NUMBER	1 2 3 4 5 6 7	NOMENCLATURE	EFFECT FROM TO	UNITS PER ASSY
15 333	855973-7L387		.. DIALIGHT ASSY- SUPPLIER CODE: V08717 USED ON: 10-1076-1A 10-1076-1B 10-1076-3A 10-1076-3B 10-1076-5A 10-1076-51A 10-1076-51B 10-1076-51D 10-1076-51K 10-1076-53A 10-1076-53B 10-1076-53D 10-1076-53K 10-1076-55A 10-1076-55B 10-1076-55C 10-1076-55D 10-1076-55K 10-1077-51B POST SERVICE BULLETIN: V72914	107107	1
333	855973-8L387		.. DIALIGHT ASSY- SUPPLIER CODE: V08717 USED ON: 10-1076-7B 10-1076-57B 10-1076-61B ATTACHING PARTS	121503 904949	1
340	60-0706-1		.. WASHER- SUPPLIER CODE: V72914	121503 904949	1
340	60-0706-1		.. WASHER- SUPPLIER CODE: V72914	107107	1
345	855014		.. WASHER-INSULATOR SUPPLIER CODE: V08717	121503 904949	1
345	855014		.. WASHER-INSULATOR SUPPLIER CODE: V08717	107107	1
350	855023		.. NUT-MACHINE SUPPLIER CODE: V08717	121503 904949	1

MISSING ITEM NUMBERS NOT APPLICABLE

- ITEM NOT ILLUSTRATED

33-51-05-15

33-51-05
FIG. 15
PAGE 5
JAN 20/09

BRI

BOEING PROPRIETARY - Copyright © - Unpublished Work - See title page for details.



**757
PARTS CATALOG (MAINTENANCE)**

FIG ITEM	PART NUMBER	1 2 3 4 5 6 7	NOMENCLATURE	EFFECT FROM TO	UNITS PER ASSY
15 350	855023		.. NUT-MACHINE SUPPLIER CODE: V08717 -----*-----	107107	1
- 355	MS25237-387		... LAMP-	121503 904949	1
- 355 360	MS25237-387 855973-3L387		... LAMP .. DIALIGHT ASSY- SUPPLIER CODE: V08717 USED ON: 10-1076-55A 10-1077-1B 10-1077-51B	107107 121503 904949	1 1
360	855973-3L387		.. DIALIGHT ASSY- SUPPLIER CODE: V08717 USED ON: 10-1076-1A 10-1076-1B 10-1076-3A 10-1076-3B 10-1076-5A 10-1076-5B 10-1076-51A 10-1076-51B 10-1076-51D 10-1076-51K 10-1076-53A 10-1076-53B 10-1076-53D 10-1076-53K 10-1076-55A 10-1076-55B 10-1076-55C 10-1076-55D 10-1076-55K 10-1076-65K 10-1076-67K 10-1077-51B	107107	1
360	855973-7L387		.. DIALIGHT ASSY- SUPPLIER CODE: V08717 USED ON: 10-1075-51B 10-1076-57B 10-1076-61B	121503 904949	1

MISSING ITEM NUMBERS NOT APPLICABLE

- ITEM NOT ILLUSTRATED

33-51-05-15

33-51-05
FIG. 15
PAGE 6
JAN 20/09

BRI



757

PARTS CATALOG (MAINTENANCE)

FIG ITEM	PART NUMBER	1 2 3 4 5 6 7	NOMENCLATURE	EFFECT FROM TO	UNITS PER ASSY
15			ATTACHING PARTS		
365	60-0706-3		.. WASHER- SUPPLIER CODE: V72914	107107 121503 904949	1
370	855014		.. WASHER-INSULATOR SUPPLIER CODE: V08717	107107 121503 904949	1
375	855023		.. NUT-MACHINE SUPPLIER CODE: V08717	107107 121503 904949	1
- 380	MS25237-387		-----*----- ... LAMP	107107 121503 904949	1
385	855973-8L387		.. DIALIGHT ASSY- SUPPLIER CODE: V08717 USED ON: 10-1076-55B 10-1076-55K 10-1076-59B 10-1076-59C 10-1076-59K 10-1077-1B 10-1077-51B 10-1077-53N 10-1077-59N	121503 904949	1

MISSING ITEM NUMBERS NOT APPLICABLE

- ITEM NOT ILLUSTRATED

33-51-05-15

33-51-05
FIG. 15
PAGE 7
JAN 20/09

BRI



757

PARTS CATALOG (MAINTENANCE)

FIG ITEM	PART NUMBER	1 2 3 4 5 6 7	NOMENCLATURE	EFFECT FROM TO	UNITS PER ASSY
15 385	855973-8L387		.. DIALIGHT ASSY- SUPPLIER CODE: V08717 USED ON: 10-1076-1A 10-1076-1B 10-1076-3A 10-1076-3B 10-1076-5A 10-1076-5B 10-1076-51A 10-1076-51B 10-1076-51D 10-1076-51K 10-1076-53A 10-1076-53B 10-1076-53D 10-1076-53K 10-1076-55A 10-1076-55B 10-1076-55C 10-1076-55D 10-1076-55K 10-1076-65K 10-1076-67K 10-1077-51B ATTACHING PARTS	107107	1
390	60-0706-1		.. WASHER- SUPPLIER CODE: V72914	121503 904949	1
390	60-0706-1		.. WASHER- SUPPLIER CODE: V72914	107107	1
395	855014		.. WASHER- SUPPLIER CODE: V08717	121503 904949	1
395	855014		.. WASHER- SUPPLIER CODE: V08717	107107	1
400	855023		.. NUT- SUPPLIER CODE: V08717	121503 904949	1
400	855023		.. NUT- SUPPLIER CODE: V08717	107107	1
- 405	MS25237-387		-----*----- ... LAMP-	121503 904949	1
- 405	MS25237-387		... LAMP	107107	1

MISSING ITEM NUMBERS NOT APPLICABLE

- ITEM NOT ILLUSTRATED

33-51-05-15

33-51-05
FIG. 15
PAGE 8
JAN 20/09

BRI



757

PARTS CATALOG (MAINTENANCE)

FIG ITEM	PART NUMBER	1 2 3 4 5 6 7	NOMENCLATURE	EFFECT FROM TO	UNITS PER ASSY
15 470	10-1074-51B		.HOUSING ASSY-EXIT SIGN SUPPLIER CODE: V72914 SPECIFICATION NUMBER: S417N505-125B ELECTRICAL EQUIP NUMBER: L00048 COMPONENT MAINT MANUAL REF: 33-51-33	107107	1
500	11-4664-1		..LAMP ASSY- SUPPLIER CODE: V72914 ATTACHING PARTS	107107	2
505	MS24693S3		..SCREW-	107107	12
515	OL3071BPEGPL		-----*----- ...LAMP-5V .06 AMP SUPPLIER CODE: VS3774 MISCELLANEOUS DATA: GRIMES PART NO. LP101	107107	15
515	LPA010		...LAMP- SUPPLIER CODE: V72914 OPTIONAL PART: OL3071BPEGPL VS3774	107107	15
- 701	286N3634-020		WIRE BUNDLE ASSY	107107	RF
- 701	286N3634-028		WIRE BUNDLE ASSY	121503 904949	RF
- 740	286N3532-031		WIRE BUNDLE ASSY	121503 904949	RF
- 740	286N3532-033		WIRE BUNDLE ASSY	107107	RF
755	48-7190		.CONNECTOR- SUPPLIER CODE: V02660 ELECTRICAL EQUIP NUMBER: D04606 WIRING DIAGRAM REF: 335114	107107 121503 904949	1
- 800	286N3672-002		WIRE BUNDLE ASSY-	107107	RF
- 801	286N3672-034		WIRE BUNDLE ASSY	121503 904949	RF

MISSING ITEM NUMBERS NOT APPLICABLE

- ITEM NOT ILLUSTRATED

33-51-05-15

33-51-05
FIG. 15
PAGE 9
JAN 20/09

BRI



757

PARTS CATALOG (MAINTENANCE)

FIG ITEM	PART NUMBER	1 2 3 4 5 6 7	NOMENCLATURE	EFFECT FROM TO	UNITS PER ASSY
15 810	BACC45FN12-12S		.CONNECTOR- ELECTRICAL EQUIP NUMBER: D04518 D04520 D04522 WIRING DIAGRAM REF: 335113 335114 335115	107107 121503 904949	3

MISSING ITEM NUMBERS NOT APPLICABLE

- ITEM NOT ILLUSTRATED

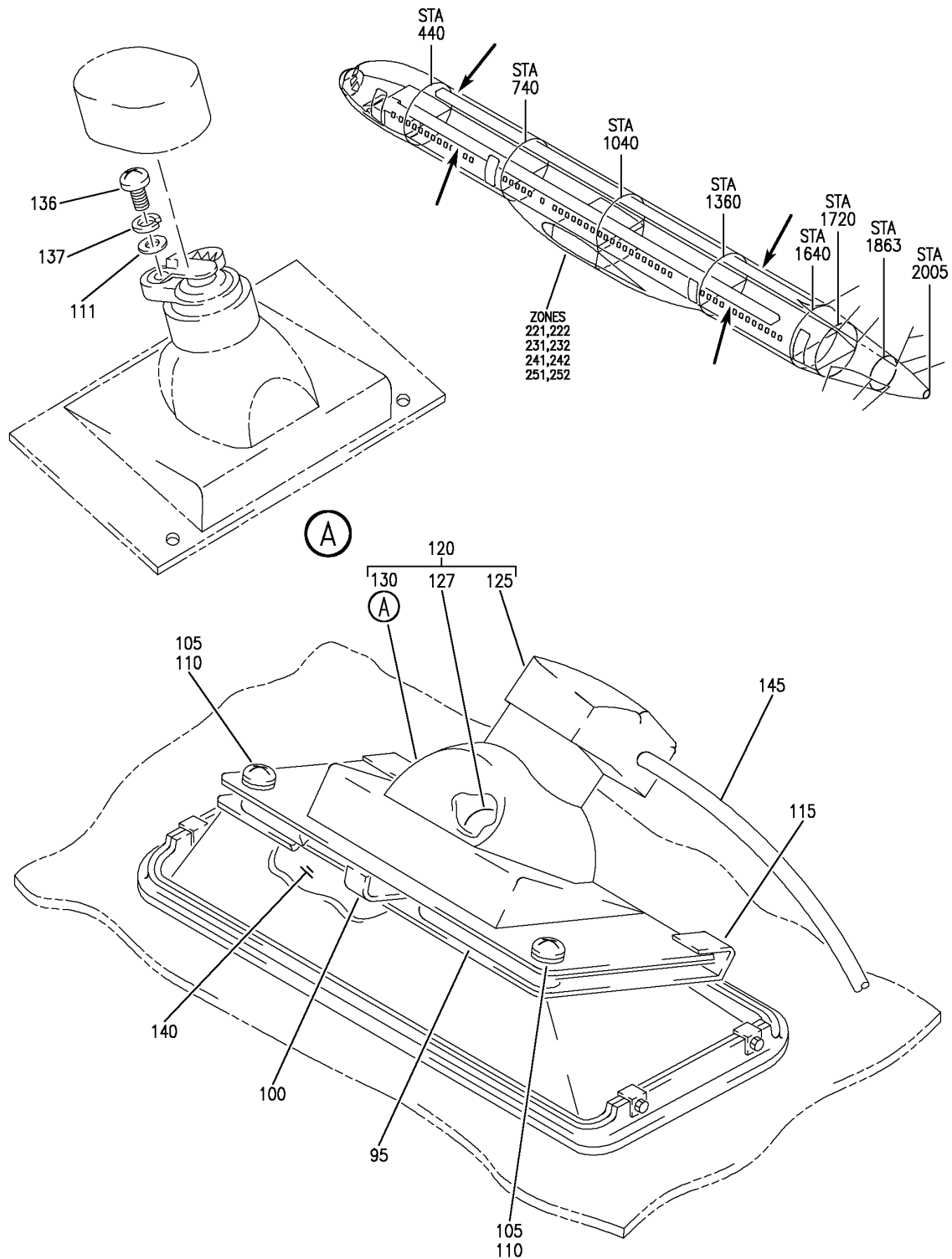
BRI

33-51-05-15

BOEING PROPRIETARY - Copyright © - Unpublished Work - See title page for details.

33-51-05
FIG. 15
PAGE 10
JAN 20/09

BOEING
757
PARTS CATALOG (MAINTENANCE)



Y 33510517 REV 254

BULLNOSE ASSY-EMER EQPT (LIGHTS ONLY)
FIGURE 17

33-51-05-17

BRI
MAY 28/07

33-51-05-17
PAGE 0



757

PARTS CATALOG (MAINTENANCE)

FIG ITEM	PART NUMBER	1 2 3 4 5 6 7	NOMENCLATURE	EFFECT FROM TO	UNITS PER ASSY
17			BULLNOSE ASSY-EMER EQPT (LIGHTS ONLY)	002004 006102 108903 950999	
- 1	412N1168-1SP		BULLNOSE ASSY-EMER EQPT (LIGHTS ONLY) FOR NHA/OTHER SYS DET SEE: 25-28-00-23A 25-28-00-23B 25-28-00-23C 25-28-00-33 25-28-00-50 25-28-00-50A 25-28-00-50B 25-28-00-57 25-28-00-59 25-28-00-72Y 25-28-00-72Z 25-28-00-73 25-28-00-72R 25-28-00-72T 25-28-00-72U 25-28-00-72J 25-28-00-72K 25-28-00-72L	002004 006102 108903 950999	RF
- 10	412N1168-11SP		BULLNOSE ASSY-EMER EQPT (LIGHTS ONLY) FOR NHA/OTHER SYS DET SEE: 25-28-00-72Y 25-28-00-72U	950999	RF
- 15	412N1168-12SP		BULLNOSE ASSY-EMER EQPT (LIGHTS ONLY) FOR NHA/OTHER SYS DET SEE: 25-28-00-23A 25-28-00-23B 25-28-00-33 25-28-00-50A 25-28-00-59 25-28-00-72Z 25-28-00-72R 25-28-00-72J 25-28-00-72K	002004 006102 108503 950999	RF
- 20	412N1168-14SP		BULLNOSE ASSY-EMER EQPT (LIGHTS ONLY) FOR NHA/OTHER SYS DET SEE: 25-28-00-23A 25-28-00-57	121903	RF

MISSING ITEM NUMBERS NOT APPLICABLE

- ITEM NOT ILLUSTRATED

33-51-05-17

33-51-05
FIG. 17
PAGE 1
JAN 20/09

BRI



757

PARTS CATALOG (MAINTENANCE)

FIG ITEM	PART NUMBER	1 2 3 4 5 6 7	NOMENCLATURE	EFFECT FROM TO	UNITS PER ASSY
17					
- 25	412N1168-2SP		BULLNOSE ASSY-EMER EQPT (LIGHTS ONLY) FOR NHA/OTHER SYS DET SEE: 25-28-00-23C 25-28-00-33 25-28-00-50B 25-28-00-57 25-28-00-59 25-28-00-73 25-28-00-72T 25-28-00-72L	002004 006102 108903 950999	RF
- 35	412N1168-3SP		BULLNOSE ASSY-EMER EQPT (LIGHTS ONLY) FOR NHA/OTHER SYS DET SEE: 25-28-00-23B 25-28-00-33 25-28-00-50 25-28-00-50A 25-28-00-57 25-28-00-59 25-28-00-72Z 25-28-00-72R 25-28-00-72U 25-28-00-72J 25-28-00-72K	002004 006102 108903 950999	RF
95	412N1125-1	.	SPRING	108120 950951	1
95	412N1125-1	.	SPRING	002004 006102 121503 952999	1
95	412N1125-1	.	SPRING	504903	1
100	412N1125-2	.	SPRING	108120 950951	1
100	412N1125-2	.	SPRING	002004 006102 121503 952999	1
100	412N1125-2	.	SPRING	504903	1
105	NAS600-3P	.	SCREW	108120 950951	2
105	NAS600-3P	.	SCREW	002004 006102 121503 952999	2
105	NAS600-3P	.	SCREW	504903	2
110	AN960JD4L	.	WASHER	108120 950951	2

MISSING ITEM NUMBERS NOT APPLICABLE

- ITEM NOT ILLUSTRATED

33-51-05-17

33-51-05
FIG. 17
PAGE 2
JAN 20/09

BRI



757

PARTS CATALOG (MAINTENANCE)

FIG ITEM	PART NUMBER	1 2 3 4 5 6 7	NOMENCLATURE	EFFECT FROM TO	UNITS PER ASSY
17					
110	AN960JD4L	.	WASHER	002004 006102 121503 952999	2
110	AN960JD4L	.	WASHER	504903	2
115	10-1042-4	.	RETAINER- SUPPLIER CODE: V72914 SPECIFICATION NUMBER: S417N504-4 COMPONENT MAINT MANUAL REF: 33-21-46	108120 950951	1
115	10-1042-4	.	RETAINER- SUPPLIER CODE: V72914 SPECIFICATION NUMBER: S417N504-4 COMPONENT MAINT MANUAL REF: 33-21-46	002004 006102 121503 952999	1
115	10-1042-4	.	RETAINER- SUPPLIER CODE: V72914 SPECIFICATION NUMBER: S417N504-4 COMPONENT MAINT MANUAL REF: 33-21-46	504903	1
- 117	412N1168-103	.	SUB KIT ASSY- OPTIONAL PART: 412N1168-104	504903	1
- 117	412N1168-103	.	SUB KIT ASSY- OPTIONAL PART: 412N1168-104	108120 950951	1
- 117	412N1168-103	.	SUB KIT ASSY- OPTIONAL PART: 412N1168-104	002004 006102 121503 952999	1
- 117	412N1168-104	.	SUB KIT ASSY- OPTIONAL PART: 412N1168-103	504903	1
- 117	412N1168-104	.	SUB KIT ASSY- OPTIONAL PART: 412N1168-103	108120 950951	1
- 117	412N1168-104	.	SUB KIT ASSY- OPTIONAL PART: 412N1168-103	002004 006102 121503 952999	1

MISSING ITEM NUMBERS NOT APPLICABLE

- ITEM NOT ILLUSTRATED

33-51-05-17

33-51-05
FIG. 17
PAGE 3
JAN 20/09

BRI

BOEING PROPRIETARY - Copyright © - Unpublished Work - See title page for details.



757

PARTS CATALOG (MAINTENANCE)

FIG ITEM	PART NUMBER	1 2 3 4 5 6 7	NOMENCLATURE	EFFECT FROM TO	UNITS PER ASSY
17 120	10-1042-8	..	HOUSING ASSY- SUPPLIER CODE: V72914 SPECIFICATION NUMBER: S417N504-8 COMPONENT MAINT MANUAL REF: 33-21-46	108120 950951	1
120	10-1042-8	..	HOUSING ASSY- SUPPLIER CODE: V72914 SPECIFICATION NUMBER: S417N504-8 COMPONENT MAINT MANUAL REF: 33-21-46	002004 006102 121503 952999	1
120	10-1042-8	..	HOUSING ASSY- SUPPLIER CODE: V72914 SPECIFICATION NUMBER: S417N504-8 COMPONENT MAINT MANUAL REF: 33-21-46	504903	1
120	10-1042-1	..	HOUSING ASSY- SUPPLIER CODE: V72914 SPECIFICATION NUMBER: S417N504-1 COMPONENT MAINT MANUAL REF: 33-21-46	504903	1
120	10-1042-1	..	HOUSING ASSY- SUPPLIER CODE: V72914 SPECIFICATION NUMBER: S417N504-1 COMPONENT MAINT MANUAL REF: 33-21-46	108120 950951	1
120	10-1042-1	..	HOUSING ASSY- SUPPLIER CODE: V72914 SPECIFICATION NUMBER: S417N504-1 COMPONENT MAINT MANUAL REF: 33-21-46	002004 006102 121503 952999	1
125	11-3438-5	...	NIPPLE-CABLE SUPPLIER CODE: V72914	108120 950951	1
125	11-3438-5	...	NIPPLE-CABLE SUPPLIER CODE: V72914	002004 006102 121503 952999	1

MISSING ITEM NUMBERS NOT APPLICABLE

- ITEM NOT ILLUSTRATED

33-51-05-17

33-51-05
FIG. 17
PAGE 4
JAN 20/09

BRI



757

PARTS CATALOG (MAINTENANCE)

FIG ITEM	PART NUMBER	1 2 3 4 5 6 7	NOMENCLATURE	EFFECT FROM TO	UNITS PER ASSY
17 125	11-3438-5		...NIPPLE-CABLE SUPPLIER CODE: V72914	504903	1
127	1317		...BULB- SUPPLIER CODE: V08806 MISCELLANEOUS DATA: GRIMES PART NO. GE1317 OPTIONAL PART: GE1317 V08806 ATTACHING PARTS	108120 950951	1
127	1317		...BULB- SUPPLIER CODE: V08806 MISCELLANEOUS DATA: GRIMES PART NO. GE1317 OPTIONAL PART: GE1317 V08806 ATTACHING PARTS	002004 006102 121503 952999	1
127	1317		-----*----- ...BULB- SUPPLIER CODE: V08806 MISCELLANEOUS DATA: GRIMES PART NO. GE1317 OPTIONAL PART: GE1317 V08806	504903	1
130	11-4428-1		...HOUSING ASSY- SUPPLIER CODE: V72914 USED ON: 10-1042-1	504903	1
130	11-4428-1		...HOUSING ASSY- SUPPLIER CODE: V72914 USED ON: 10-1042-1	108120 950951	1
130	11-4428-1		...HOUSING ASSY- SUPPLIER CODE: V72914 USED ON: 10-1042-1	002004 006102 121503 952999	1

MISSING ITEM NUMBERS NOT APPLICABLE

- ITEM NOT ILLUSTRATED

33-51-05-17

33-51-05
FIG. 17
PAGE 5
JAN 20/09

BRI



757

PARTS CATALOG (MAINTENANCE)

FIG ITEM	PART NUMBER	1 2 3 4 5 6 7	NOMENCLATURE	EFFECT FROM TO	UNITS PER ASSY
17					
130	11-6590-1	...	HOUSING ASSY- SUPPLIER CODE: V72914 USED ON: 10-1042-8	108120 950951	1
130	11-6590-1	...	HOUSING ASSY- SUPPLIER CODE: V72914 USED ON: 10-1042-8	002004 006102 121503 952999	1
130	11-6590-1	...	HOUSING ASSY- SUPPLIER CODE: V72914 USED ON: 10-1042-8	504903	1
136	MS35206-228	SCREW	108120 950951	2
136	MS35206-228	SCREW	002004 006102 121503 952999	2
136	MS35206-228	SCREW	504903	2
137	MS35338-41	WASHER	108120	2
137	MS35338-41	WASHER	950951 002004 006102 121503 952999	2
137	MS35338-41	WASHER	504903	2
138	MS27183-5	WASHER	108120	2
138	MS27183-5	WASHER	950951 002004 006102 121503 952999	2
138	MS27183-5	WASHER	504903	2
- 139	412N1168-105	.SUB	KIT ASSY- OPTIONAL PART: 412N1168-106	504903	1
- 139	412N1168-105	.SUB	KIT ASSY- OPTIONAL PART: 412N1168-106	108120 950951	1
- 139	412N1168-105	.SUB	KIT ASSY- OPTIONAL PART: 412N1168-106	002004 006102 121503 952999	1
- 139	412N1168-106	.SUB	KIT ASSY- OPTIONAL PART: 412N1168-105	504903	1

MISSING ITEM NUMBERS NOT APPLICABLE

- ITEM NOT ILLUSTRATED

33-51-05-17

33-51-05
FIG. 17
PAGE 6
JAN 20/09

BRI



757

PARTS CATALOG (MAINTENANCE)

FIG ITEM	PART NUMBER	1 2 3 4 5 6 7	NOMENCLATURE	EFFECT FROM TO	UNITS PER ASSY
17					
- 139	412N1168-106	.	SUB KIT ASSY- OPTIONAL PART: 412N1168-105	108120 950951	1
- 139	412N1168-106	.	SUB KIT ASSY- OPTIONAL PART: 412N1168-105	002004 006102 121503 952999	1
140	10-1042-7	..	LENS- SUPPLIER CODE: V72914 SPECIFICATION NUMBER: S417N504-7 COMPONENT MAINT MANUAL REF: 33-21-46	108120 950951	1
140	10-1042-7	..	LENS- SUPPLIER CODE: V72914 SPECIFICATION NUMBER: S417N504-7 COMPONENT MAINT MANUAL REF: 33-21-46 POST SERVICE LETTER: 33-10	002004 006102 121503 952999	1
140	10-1042-5	..	LENS- SUPPLIER CODE: V72914 SPECIFICATION NUMBER: S417N504-5 COMPONENT MAINT MANUAL REF: 33-21-46	108120 950951	1
140	10-1042-5	..	LENS- SUPPLIER CODE: V72914 SPECIFICATION NUMBER: S417N504-5 COMPONENT MAINT MANUAL REF: 33-21-46 PRE SERVICE LETTER: 33-10	002004 006102 121503 952999	1
140	10-1042-10	..	LENS- SUPPLIER CODE: V72914 SPECIFICATION NUMBER: S417N504-10 COMPONENT MAINT MANUAL REF: 33-21-46	108120 950951	1

MISSING ITEM NUMBERS NOT APPLICABLE

- ITEM NOT ILLUSTRATED

33-51-05-17

33-51-05
FIG. 17
PAGE 7
JAN 20/09

BRI



757

PARTS CATALOG (MAINTENANCE)

FIG ITEM	PART NUMBER	1 2 3 4 5 6 7	NOMENCLATURE	EFFECT FROM TO	UNITS PER ASSY
17 140	10-1042-10		.. LENS- SUPPLIER CODE: V72914 SPECIFICATION NUMBER: S417N504-10 COMPONENT MAINT MANUAL REF: 33-21-46	002004 006102 121503 952999	1
140	10-1042-7		.. LENS- SUPPLIER CODE: V72914 SPECIFICATION NUMBER: S417N504-7 COMPONENT MAINT MANUAL REF: 33-21-46	504903	1
140	10-1042-5		.. LENS- SUPPLIER CODE: V72914 SPECIFICATION NUMBER: S417N504-5 COMPONENT MAINT MANUAL REF: 33-21-46	504903	1
140	10-1042-10		.. LENS- SUPPLIER CODE: V72914 SPECIFICATION NUMBER: S417N504-10 COMPONENT MAINT MANUAL REF: 33-21-46	504903	1
145	288N0233-601		.WIRE BUNDLE ASSY- USED ON: 412N1168-1SP 412N1168-2SP 412N1168-3SP 412N1168-11SP 412N1168-14SP 412N1168-36SP 412N1168-4SP 412N1168-79SP	002004 006102 108503	1
145	288N0233-601		.WIRE BUNDLE ASSY- USED ON: 412N1168-1SP 412N1168-2SP 412N1168-3SP 412N1168-11SP 412N1168-36SP 412N1168-4SP 412N1168-10SP 412N1168-60SP 412N1168-20SP	002004 006100 950951	1

MISSING ITEM NUMBERS NOT APPLICABLE

- ITEM NOT ILLUSTRATED

33-51-05-17

33-51-05
FIG. 17
PAGE 8
JAN 20/09

BRI



757

PARTS CATALOG (MAINTENANCE)

FIG ITEM	PART NUMBER	1 2 3 4 5 6 7	NOMENCLATURE	EFFECT FROM TO	UNITS PER ASSY
17 145	288N0233-601		.WIRE BUNDLE ASSY- USED ON: 412N1168-1SP 412N1168-2SP 412N1168-3SP 412N1168-11SP 412N1168-36SP 412N1168-41SP 412N1168-81SP 412N1168-60SP 412N1168-38SP 412N1168-14SP 412N1168-74SP 412N1168-78SP 412N1168-82SP 412N1168-109L	504903 952999	1
145	288N0233-602		.WIRE BUNDLE ASSY- USED ON: 412N1168-12SP 412N1168-73SP 412N1168-109L	108120 950999	1
145	288N0233-602		.WIRE BUNDLE ASSY- USED ON: 412N1168-12SP	002004 006102 121503	1
- 150	286N0634-301		..WIRE BUNDLE ASSY	504903	1
- 150	286N0634-301		..WIRE BUNDLE ASSY	108120 950951	1
- 150	286N0634-301		..WIRE BUNDLE ASSY	002004 006102 121503 952999	1
- 155	48-7191		...CONNECTOR- SUPPLIER CODE: V02660 ELECTRICAL EQUIP NUMBER: D07274 WIRING DIAGRAM REF: 335113	504903	1
- 155	48-7191		...CONNECTOR- SUPPLIER CODE: V02660 ELECTRICAL EQUIP NUMBER: D07274 WIRING DIAGRAM REF: 335113	108120 950951	1

MISSING ITEM NUMBERS NOT APPLICABLE

- ITEM NOT ILLUSTRATED

33-51-05-17

33-51-05
FIG. 17
PAGE 9
JAN 20/09

BRI



757

PARTS CATALOG (MAINTENANCE)

FIG ITEM	PART NUMBER	1 2 3 4 5 6 7	NOMENCLATURE	EFFECT FROM TO	UNITS PER ASSY
17					
- 155	48-7191	...	CONNECTOR- SUPPLIER CODE: V02660 ELECTRICAL EQUIP NUMBER: D07274 WIRING DIAGRAM REF: 335113	002004 006102 121503 952999	1
- 160	48-7190	...	CONNECTOR- SUPPLIER CODE: V02660 ELECTRICAL EQUIP NUMBER: D07276 WIRING DIAGRAM REF: 335113	504903	1
- 160	48-7190	...	CONNECTOR- SUPPLIER CODE: V02660 ELECTRICAL EQUIP NUMBER: D07276 WIRING DIAGRAM REF: 335113	108120 950951	1
- 160	48-7190	...	CONNECTOR- SUPPLIER CODE: V02660 ELECTRICAL EQUIP NUMBER: D07276 WIRING DIAGRAM REF: 335113	002004 006102 121503 952999	1

MISSING ITEM NUMBERS NOT APPLICABLE

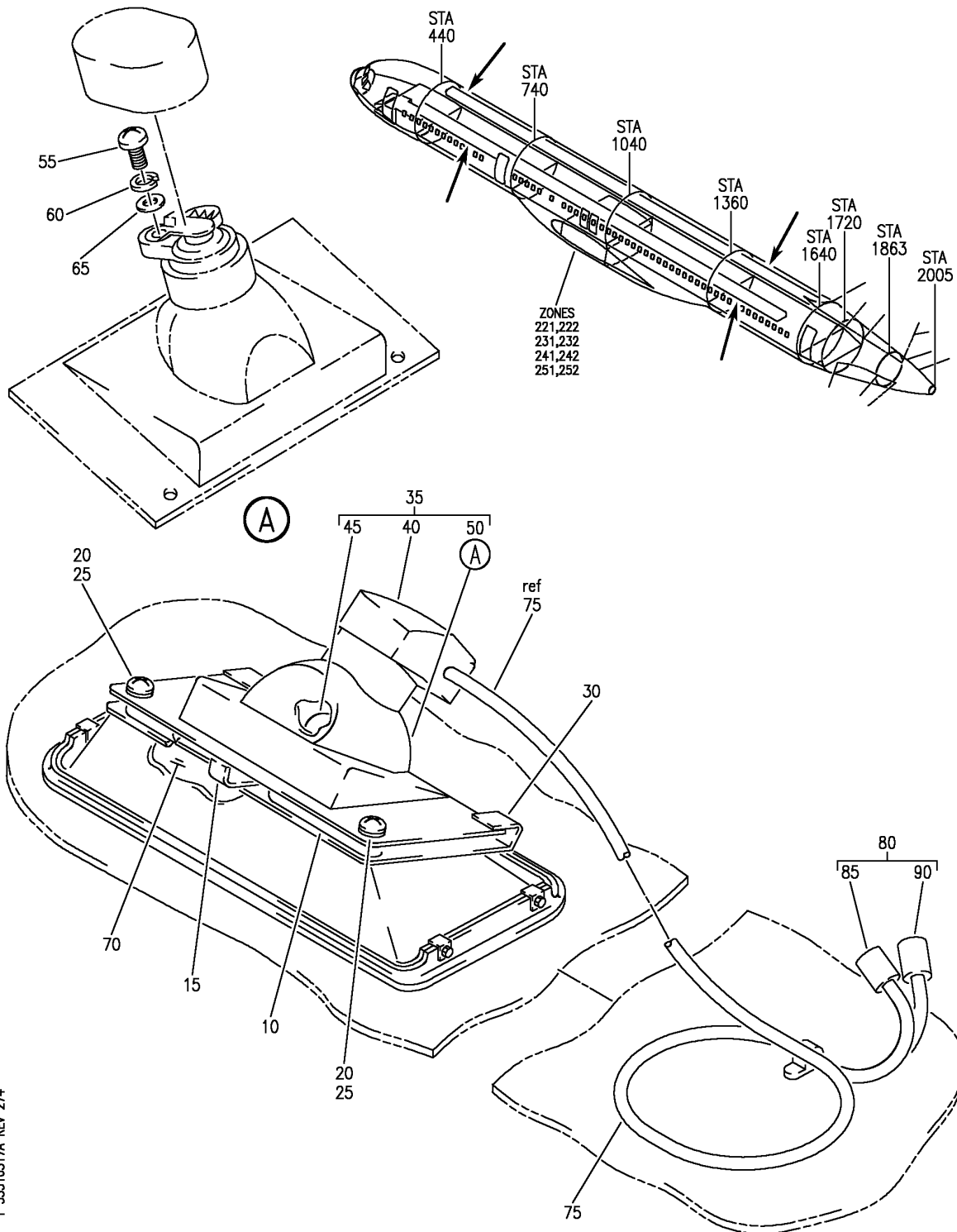
- ITEM NOT ILLUSTRATED

33-51-05-17

33-51-05
FIG. 17
PAGE 10
JAN 20/09

BRI

BOEING
757
PARTS CATALOG (MAINTENANCE)



Y 33510517A REV 274

BULLNOSE ASSY-EMER EQPT (LIGHTS ONLY)
FIGURE 17A

33-51-05-17A

BRI
JAN 20/09

33-51-05-17A
PAGE 0



757

PARTS CATALOG (MAINTENANCE)

FIG ITEM	PART NUMBER	1 2 3 4 5 6 7	NOMENCLATURE	EFFECT FROM TO	UNITS PER ASSY
17A			BULLNOSE ASSY-EMER EQPT (LIGHTS ONLY)	504903 950951	
- 1	412N1168-60SP		BULLNOSE ASSY-EMER EQPT (LIGHTS ONLY) FOR NHA/OTHER SYS DET SEE: 25-28-00-72Y	950951	RF
- 1	412N1168-81SP		BULLNOSE ASSY-EMER EQPT (LIGHTS ONLY) FOR NHA/OTHER SYS DET SEE: 25-28-00-57	504903	RF
- 5	412N1168-82SP		BULLNOSE ASSY-EMER EQPT (LIGHTS ONLY) FOR NHA/OTHER SYS DET SEE: 25-28-00-57	504903	RF
10	412N1125-1		.SPRING	950951	1
10	412N1125-1		.SPRING	504903	1
15	412N1125-2		.SPRING	950951	1
15	412N1125-2		.SPRING	504903	1
20	NAS600-3P		.SCREW	950951	2
20	NAS600-3P		.SCREW	504903	2
25	AN960JD4L		.WASHER	950951	2
25	AN960JD4L		.WASHER	504903	2
30	10-1042-4		.RETAINER- SUPPLIER CODE: V72914 SPECIFICATION NUMBER: S417N504-4 COMPONENT MAINT MANUAL REF: 33-21-46	950951	1
30	10-1042-4		.RETAINER- SUPPLIER CODE: V72914 SPECIFICATION NUMBER: S417N504-4 COMPONENT MAINT MANUAL REF: 33-21-46	504903	1
35	10-1042-8		.HOUSING ASSY- SUPPLIER CODE: V72914 SPECIFICATION NUMBER: S417N504-8 COMPONENT MAINT MANUAL REF: 33-21-46 OPTIONAL PART: 10-1042-1 V72914	950951	1

MISSING ITEM NUMBERS NOT APPLICABLE

- ITEM NOT ILLUSTRATED

33-51-05-17A

33-51-05
FIG. 17A
PAGE 1
JAN 20/09

BRI

BOEING PROPRIETARY - Copyright © - Unpublished Work - See title page for details.



757

PARTS CATALOG (MAINTENANCE)

FIG ITEM	PART NUMBER	1 2 3 4 5 6 7	NOMENCLATURE	EFFECT FROM TO	UNITS PER ASSY
17A 35	10-1042-8		.HOUSING ASSY- SUPPLIER CODE: V72914 SPECIFICATION NUMBER: S417N504-8 COMPONENT MAINT MANUAL REF: 33-21-46	504903	1
35	10-1042-1		.HOUSING ASSY- SUPPLIER CODE: V72914 SPECIFICATION NUMBER: S417N504-1 COMPONENT MAINT MANUAL REF: 33-21-46 OPTIONAL PART: 10-1042-8 V72914	950951	1
40	11-3438-5		..NIPPLE-CABLE SUPPLIER CODE: V72914	950951	1
40	11-3438-5		..NIPPLE-CABLE SUPPLIER CODE: V72914	504903	1
45	1317		ATTACHING PARTS ..BULB- SUPPLIER CODE: V08806 MISCELLANEOUS DATA: GRIMES PART NO. GE1317 OPTIONAL PART: GE1317 V08806	950951	1
45	1317		..BULB- SUPPLIER CODE: V08806 MISCELLANEOUS DATA: GRIMES PART NO. GE1317 OPTIONAL PART: GE1317 V08806	504903	1
50	11-4428-1		-----*----- ..HOUSING ASSY- SUPPLIER CODE: V72914 USED ON: 10-1042-1	950951	1

MISSING ITEM NUMBERS NOT APPLICABLE

- ITEM NOT ILLUSTRATED

33-51-05-17A

33-51-05
FIG. 17A
PAGE 2
JAN 20/09

BRI

BOEING PROPRIETARY - Copyright © - Unpublished Work - See title page for details.



757

PARTS CATALOG (MAINTENANCE)

FIG ITEM	PART NUMBER	1 2 3 4 5 6 7	NOMENCLATURE	EFFECT FROM TO	UNITS PER ASSY
17A					
50	11-6590-1	..	HOUSING ASSY- SUPPLIER CODE: V72914 USED ON: 10-1042-8	950951	1
50	11-6590-1	..	HOUSING ASSY- SUPPLIER CODE: V72914 USED ON: 10-1042-8	504903	1
55	MS35206-228	...	SCREW	950951	2
55	MS35206-228	...	SCREW	504903	2
60	MS35338-41	...	WASHER	950951	2
60	MS35338-41	...	WASHER	504903	2
65	MS27183-5	...	WASHER	950951	2
65	MS27183-5	...	WASHER	504903	2
70	10-1042-7	. LENS-	SUPPLIER CODE: V72914 SPECIFICATION NUMBER: S417N504-7 COMPONENT MAINT MANUAL REF: 33-21-46	950951	1
70	10-1042-5	. LENS-	SUPPLIER CODE: V72914 SPECIFICATION NUMBER: S417N504-5 COMPONENT MAINT MANUAL REF: 33-21-46	950951	1
70	10-1042-10	. LENS-	SUPPLIER CODE: V72914 SPECIFICATION NUMBER: S417N504-10 COMPONENT MAINT MANUAL REF: 33-21-46	950951	1
70	10-1042-7	. LENS-	SUPPLIER CODE: V72914 SPECIFICATION NUMBER: S417N504-7 COMPONENT MAINT MANUAL REF: 33-21-46	504903	1

MISSING ITEM NUMBERS NOT APPLICABLE

- ITEM NOT ILLUSTRATED

33-51-05-17A

33-51-05
FIG. 17A
PAGE 3
JAN 20/09

BRI

BOEING PROPRIETARY - Copyright © - Unpublished Work - See title page for details.



757

PARTS CATALOG (MAINTENANCE)

FIG ITEM	PART NUMBER	1 2 3 4 5 6 7	NOMENCLATURE	EFFECT FROM TO	UNITS PER ASSY
17A 70	10-1042-5	. LENS-	SUPPLIER CODE: V72914 SPECIFICATION NUMBER: S417N504-5 COMPONENT MAINT MANUAL REF: 33-21-46	504903	1
70	10-1042-5	. LENS-	SUPPLIER CODE: V72914 SPECIFICATION NUMBER: S417N504-5 COMPONENT MAINT MANUAL REF: 33-21-46 OPTIONAL PART: 10-1042-7 V72914	950951	1
70	10-1042-10	. LENS-	SUPPLIER CODE: V72914 SPECIFICATION NUMBER: S417N504-10 COMPONENT MAINT MANUAL REF: 33-21-46	504903	1
75	288N0233-601	. WIRE BUNDLE ASSY		950951	1
75	288N0233-602	. WIRE BUNDLE ASSY		950951	1
75	288N0233-601	. WIRE BUNDLE ASSY		504903	1
80	286N0634-301	.. WIRE BUNDLE ASSY		950951	1
80	286N0634-301	.. WIRE BUNDLE ASSY		504903	1
85	48-7191	... CONNECTOR-	SUPPLIER CODE: V02660 ELECTRICAL EQUIP NUMBER: D07274 WIRING DIAGRAM REF: 335113	950951	1
85	48-7191	... CONNECTOR-	SUPPLIER CODE: V02660 ELECTRICAL EQUIP NUMBER: D07274 WIRING DIAGRAM REF: 335113	504903	1

MISSING ITEM NUMBERS NOT APPLICABLE

- ITEM NOT ILLUSTRATED

33-51-05-17A

33-51-05
FIG. 17A
PAGE 4
JAN 20/09

BRI

BOEING PROPRIETARY - Copyright © - Unpublished Work - See title page for details.



**757
PARTS CATALOG (MAINTENANCE)**

FIG ITEM	PART NUMBER	1 2 3 4 5 6 7	NOMENCLATURE	EFFECT FROM TO	UNITS PER ASSY
17A 90	48-7190		...CONNECTOR- SUPPLIER CODE: V02660 ELECTRICAL EQUIP NUMBER: D07276 WIRING DIAGRAM REF: 335113	950951	1
90	48-7190		...CONNECTOR- SUPPLIER CODE: V02660 ELECTRICAL EQUIP NUMBER: D07276 WIRING DIAGRAM REF: 335113	504903	1

MISSING ITEM NUMBERS NOT APPLICABLE

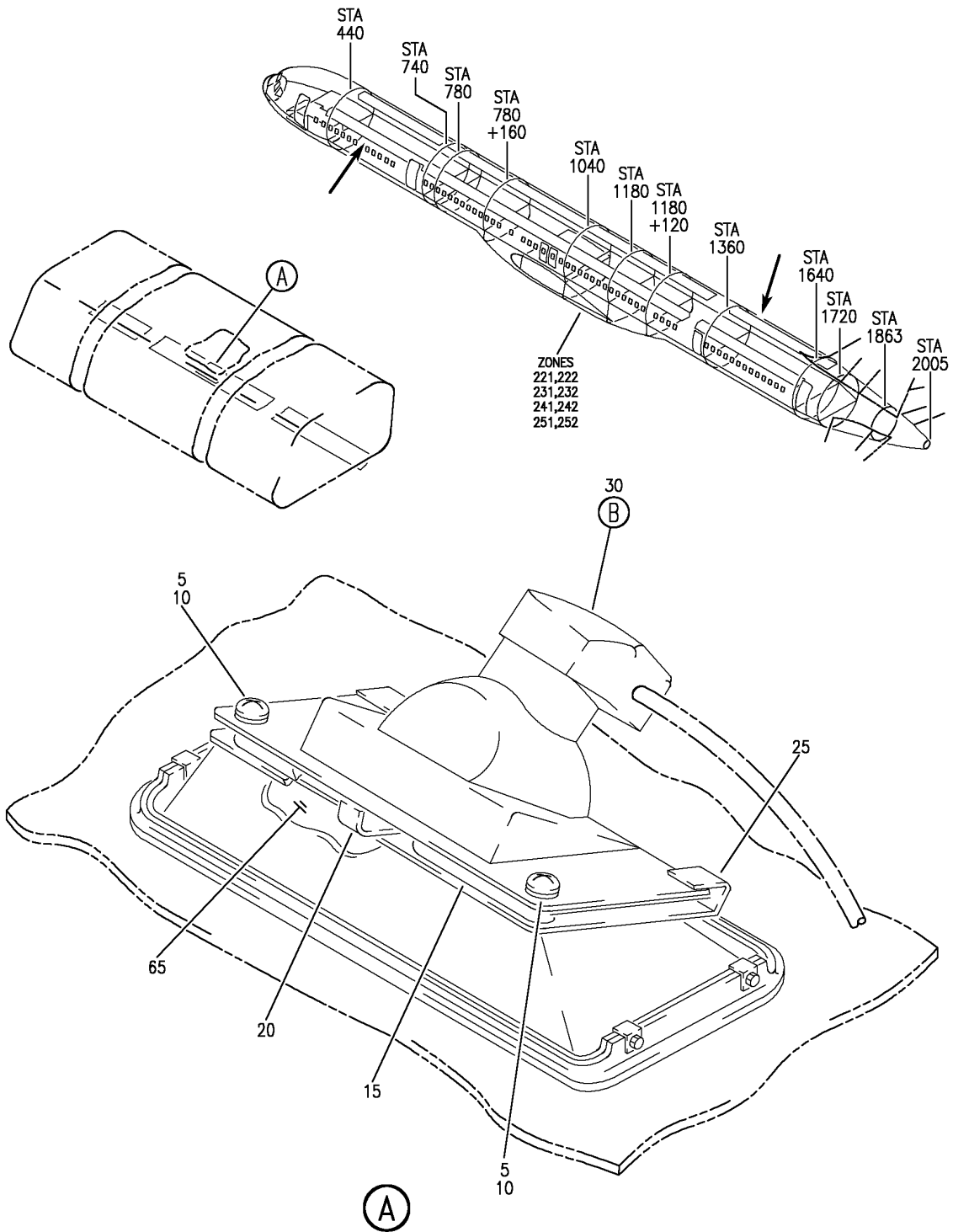
— ITEM NOT ILLUSTRATED

33-51-05-17A

33-51-05
FIG. 17A
PAGE 5
JAN 20/09

BRI

BOEING
757
PARTS CATALOG (MAINTENANCE)



Y 33510520 SHT 1 REV 254

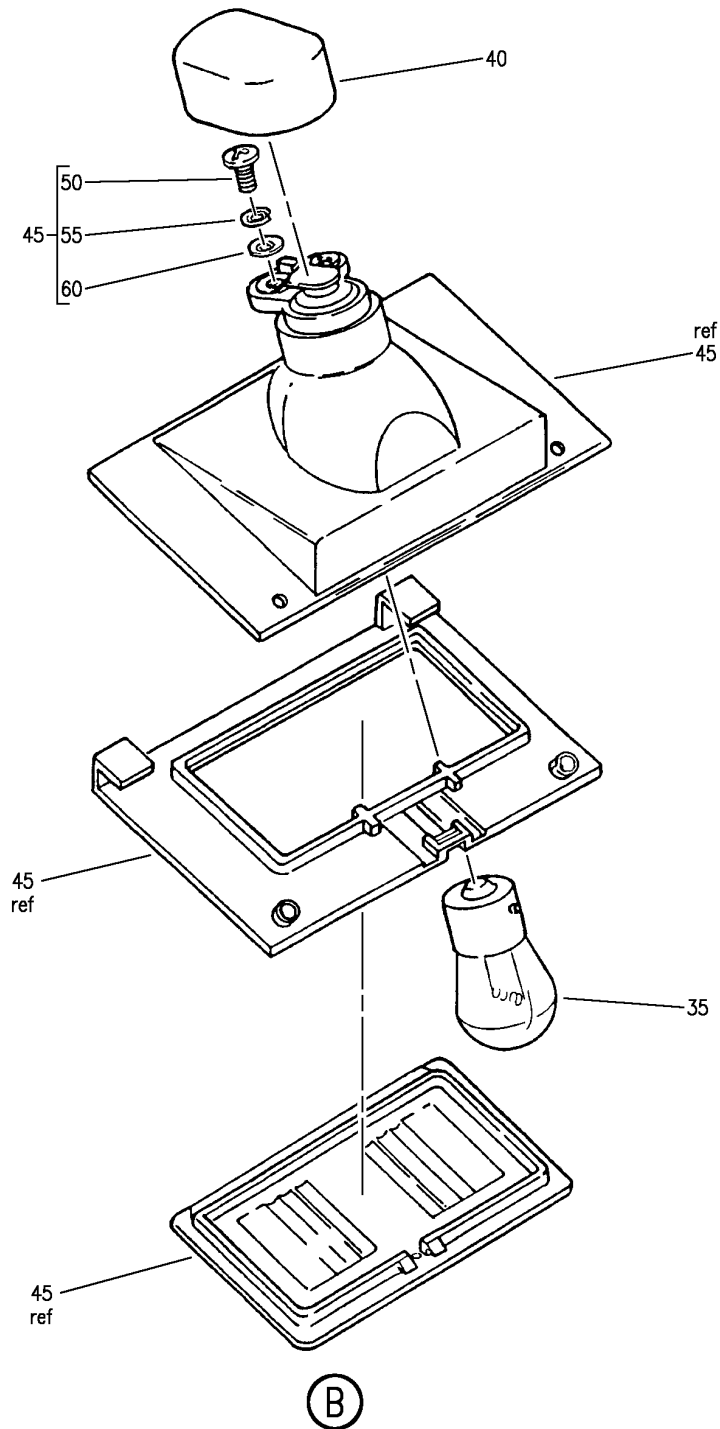
COVER ASSY-BULLNOSE 80 IN. (LIGHTS ONLY)
FIGURE 20 (SHEET 1)

33-51-05-20

BRI
JAN 20/09

33-51-05-20
PAGE 0

BOEING
757
PARTS CATALOG (MAINTENANCE)



Y 33510520 SH1 2 REV 254

COVER ASSY-BULLNOSE 80 IN. (LIGHTS ONLY)
FIGURE 20 (SHEET 2)

33-51-05-20

BRI
JAN 20/09

33-51-05-20
PAGE 0A



757

PARTS CATALOG (MAINTENANCE)

FIG ITEM	PART NUMBER	1 2 3 4 5 6 7	NOMENCLATURE	EFFECT FROM TO	UNITS PER ASSY
20			COVER ASSY-BULLNOSE 80 IN. (LIGHTS ONLY)	103106	
- 1	412A1607-30B		COVER ASSY-BULLNOSE 80 IN. BIG BIN WITH TEMP SENSOR AISLE LIGHT MDC ACCESS DR (LIGHTS ONLY) FOR NHA/OTHER SYS DET SEE: 25-28-02-53C	103106	RF
5	NAS600-3P	.	SCREW	103106	2
10	NAS1149DN416J	.	WASHER	103106	2
15	412N1125-1	.	SPRING	103106	1
20	412N1125-2	.	SPRING	103106	1
25	10-1042-4	.	RETAINER- SUPPLIER CODE: V72914 SPECIFICATION NUMBER: S417N504-4 COMPONENT MAINT MANUAL REF: 33-21-46	103106	1
30	10-1042-8	.	HOUSING ASSY- SUPPLIER CODE: V72914 SPECIFICATION NUMBER: S417N504-8 COMPONENT MAINT MANUAL REF: 33-21-46	103106	1
35	GE1317	..	LAMP- SUPPLIER CODE: V03508	103106	1
40	11-3438-5	..	NIPPLE-CABLE SUPPLIER CODE: V72914	103106	1
45	11-6590-1	..	HOUSING ASSY- SUPPLIER CODE: V72914	103106	1
50	MS35206-228	...	SCREW	103106	2
55	MS35338-41	...	WASHER	103106	2
60	MS27183-5	...	WASHER	103106	2
65	10-1042-10	.	LENS- SUPPLIER CODE: V72914 SPECIFICATION NUMBER: S417N504-10 COMPONENT MAINT MANUAL REF: 33-21-46	103106	1

MISSING ITEM NUMBERS NOT APPLICABLE

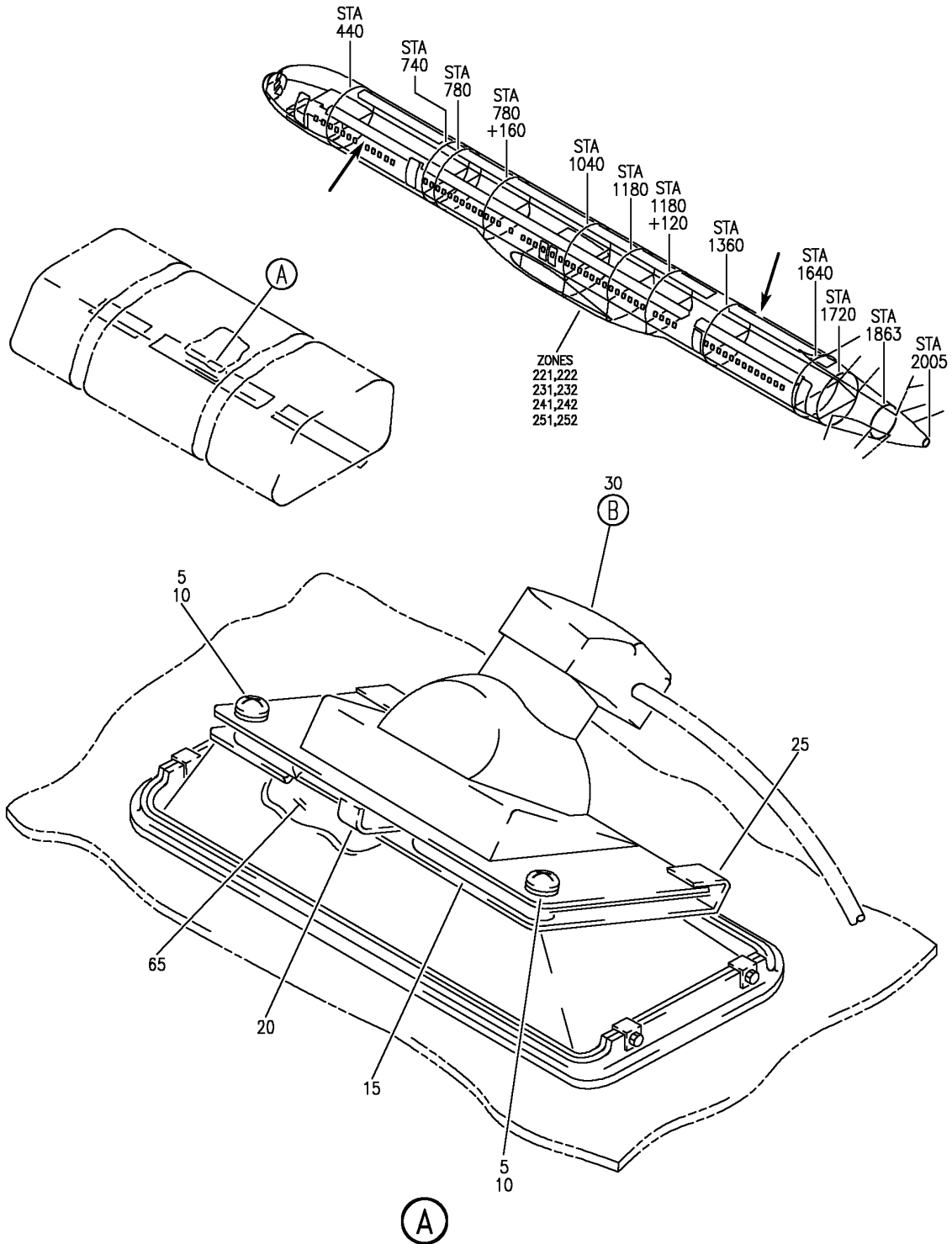
- ITEM NOT ILLUSTRATED

33-51-05-20

33-51-05
FIG. 20
PAGE 1
JAN 20/09

BRI

BOEING
757
PARTS CATALOG (MAINTENANCE)



Y 33510520A SHT 1 REV 254

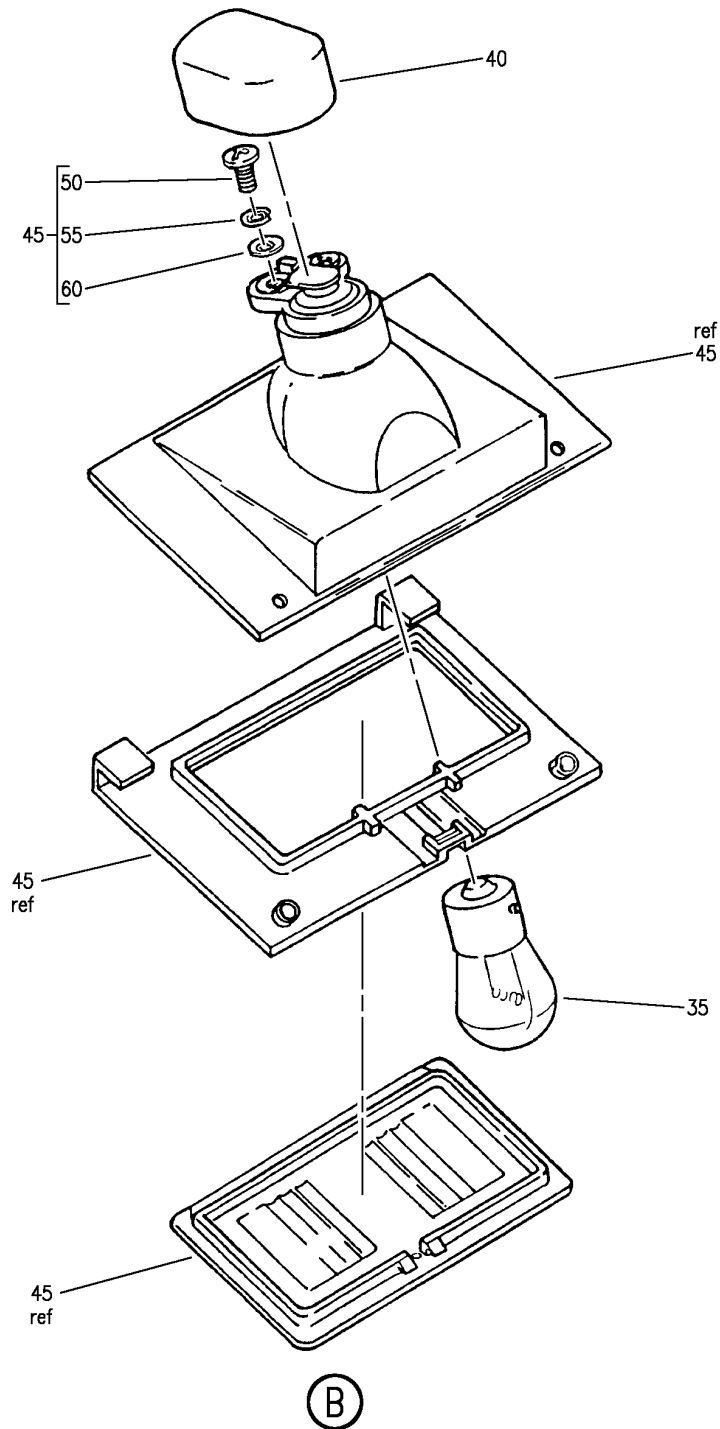
COVER ASSY-BULLNOSE 80 IN. (LIGHTS ONLY)
FIGURE 20A (SHEET 1)

33-51-05-20A

BRI
JAN 20/09

33-51-05-20A
PAGE 0

BOEING
757
PARTS CATALOG (MAINTENANCE)



Y 33510520A SHT 2 REV 254

COVER ASSY-BULLNOSE 80 IN. (LIGHTS ONLY)
FIGURE 20A (SHEET 2)

33-51-05-20A

BRI
JAN 20/09

33-51-05-20A
PAGE 0A



757

PARTS CATALOG (MAINTENANCE)

FIG ITEM	PART NUMBER	1 2 3 4 5 6 7	NOMENCLATURE	EFFECT FROM TO	UNITS PER ASSY
20A			COVER ASSY-BULLNOSE 80 IN. (LIGHTS ONLY)	103106	
- 1	412A1607-1B		COVER ASSY-BULLNOSE 80 IN. BIG BIN WITH EMER AISLE LT (LIGHTS ONLY) FOR NHA/OTHER SYS DET SEE: 25-28-02-53 25-28-02-53A 25-28-02-53B	103106	RF
- 2	412A1607-21B		COVER ASSY-BULLNOSE 80 IN. BIG BIN WITH EMER AISLE LIGHT MCD RAIL ACCESS DR (LIGHTS ONLY) POSITION DATA: LH FOR NHA/OTHER SYS DET SEE: 25-28-02-53 25-28-02-80A	103106	RF
- 3	412A1607-22B		COVER ASSY-BULLNOSE 80 IN. BIG BIN WITH EMER AISLE LIGHT MCD RAIL ACCESS DR (LIGHTS ONLY) POSITION DATA: RH FOR NHA/OTHER SYS DET SEE: 25-28-02-53A 25-28-02-80B	103106	RF
5	BACS12CK04-3		.SCREW- OPTIONAL PART: NAS600-3P USED ON: 412A1607-1B	103106	2
5	NAS600-3P		.SCREW- OPTIONAL PART: BACS12CK04-3 USED ON: 412A1607-1B	103106	2
5	NAS600-3P		.SCREW- USED ON: 412A1607-21B 412A1607-22B	103106	2
10	NAS1149DN416J		.WASHER	103106	2
15	412N1125-1		.SPRING	103106	1
20	412N1125-2		.SPRING	103106	1

MISSING ITEM NUMBERS NOT APPLICABLE

- ITEM NOT ILLUSTRATED

33-51-05-20A

33-51-05
FIG. 20A
PAGE 1
JAN 20/09

BRI

BOEING PROPRIETARY - Copyright © - Unpublished Work - See title page for details.



757

PARTS CATALOG (MAINTENANCE)

FIG ITEM	PART NUMBER	1 2 3 4 5 6 7	NOMENCLATURE	EFFECT FROM TO	UNITS PER ASSY
20A 25	10-1042-4	.	RETAINER- SUPPLIER CODE: V72914 SPECIFICATION NUMBER: S417N504-4 COMPONENT MAINT MANUAL REF: 33-21-46	103106	1
30	10-1042-8	.	HOUSING ASSY- SUPPLIER CODE: V72914 SPECIFICATION NUMBER: S417N504-8 COMPONENT MAINT MANUAL REF: 33-21-46	103106	1
35	GE1317	..	LAMP- SUPPLIER CODE: V03508	103106	1
40	11-3438-5	..	NIPPLE-CABLE SUPPLIER CODE: V72914	103106	1
45	11-6590-1	..	HOUSING ASSY- SUPPLIER CODE: V72914	103106	1
50	MS35206-228	...	SCREW	103106	2
55	MS35338-41	...	WASHER	103106	2
60	MS27183-5	...	WASHER	103106	2
65	10-1042-10	.	LENS- SUPPLIER CODE: V72914 SPECIFICATION NUMBER: S417N504-10 COMPONENT MAINT MANUAL REF: 33-21-46	103106	1

MISSING ITEM NUMBERS NOT APPLICABLE

- ITEM NOT ILLUSTRATED

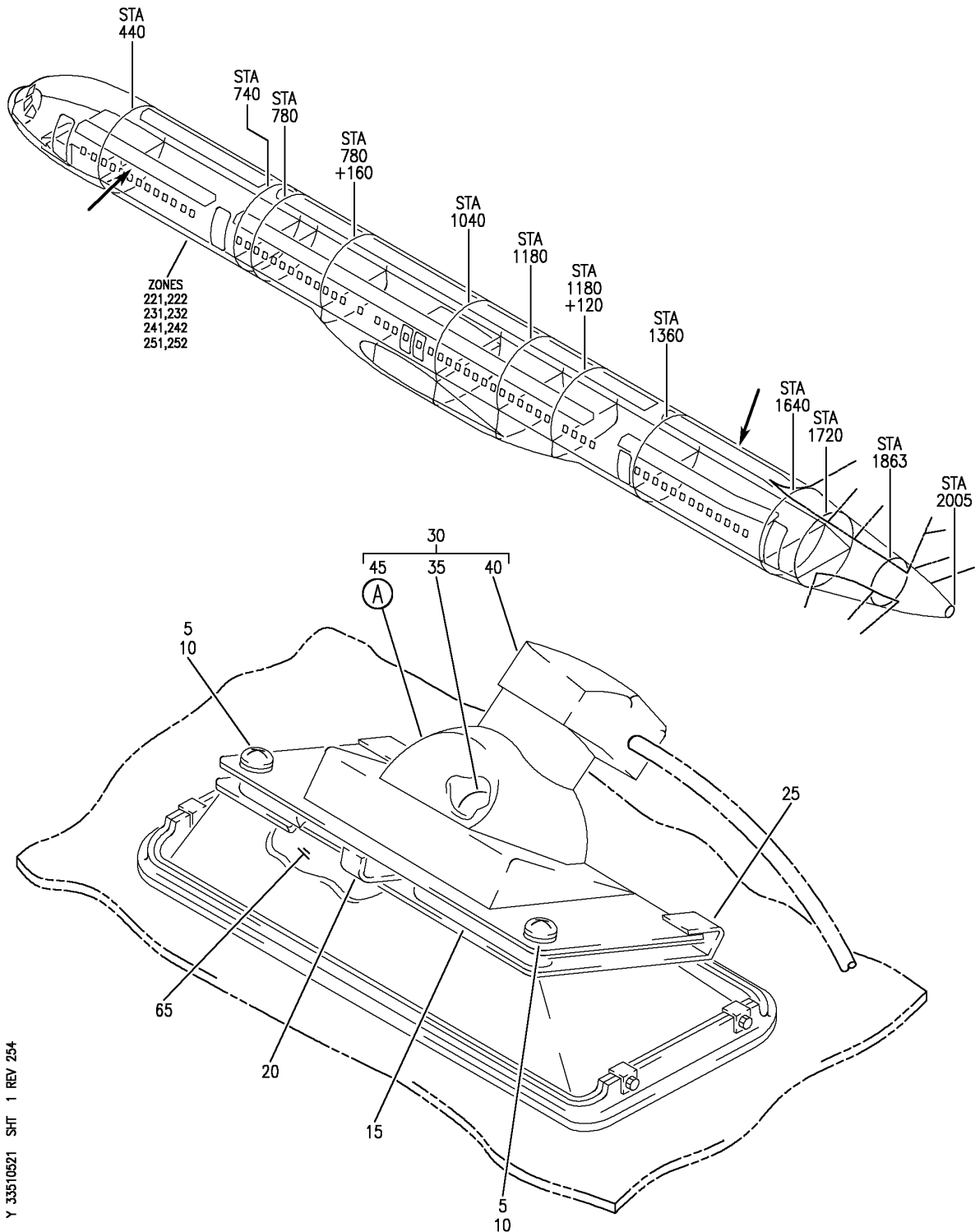
33-51-05-20A

33-51-05
FIG. 20A
PAGE 2
JAN 20/09

BRI

BOEING PROPRIETARY - Copyright © - Unpublished Work - See title page for details.

BOEING
757
PARTS CATALOG (MAINTENANCE)



Y 33510521 SH1 1 REV 254

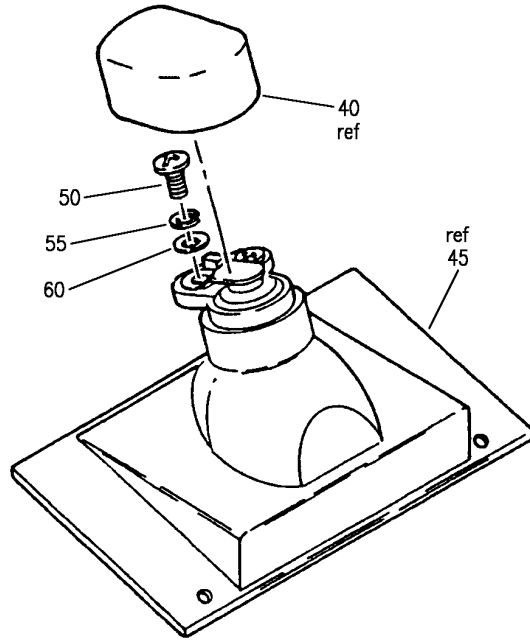
COVER ASSY-BULLNOSE 57 IN. (LIGHTS ONLY)
FIGURE 21 (SHEET 1)

33-51-05-21

BRI
JAN 20/09

33-51-05-21
PAGE 0

BOEING
757
PARTS CATALOG (MAINTENANCE)



Y 33510521 SHT 2 REV 254

COVER ASSY-BULLNOSE 57 IN. (LIGHTS ONLY)
FIGURE 21 (SHEET 2)

33-51-05-21

BRI
JAN 20/09

33-51-05-21
PAGE 0A



757

PARTS CATALOG (MAINTENANCE)

FIG ITEM	PART NUMBER	1 2 3 4 5 6 7	NOMENCLATURE	EFFECT FROM TO	UNITS PER ASSY
21			COVER ASSY-BULLNOSE 57 IN. (LIGHTS ONLY)	103106	
- 1	412A1607-9B		COVER ASSY-BULLNOSE 57 IN. BIG BIN EMER AISLE LIGHT (LIGHTS ONLY) FOR NHA/OTHER SYS DET SEE: 25-28-02-63B	103106	RF
5	BACS12CK04-3		.SCREW- OPTIONAL PART: NAS600-3P	103106	2
5	NAS600-3P		.SCREW- OPTIONAL PART: BACS12CK04-3	103106	2
10	NAS1149DN416J		.WASHER	103106	2
15	412N1125-1		.SPRING	103106	1
20	412N1125-2		.SPRING	103106	1
25	10-1042-4		.RETAINER- SUPPLIER CODE: V72914 SPECIFICATION NUMBER: S417N504-4 COMPONENT MAINT MANUAL REF: 33-21-46	103106	1
30	10-1042-8		.HOUSING ASSY- SUPPLIER CODE: V72914 SPECIFICATION NUMBER: S417N504-8 COMPONENT MAINT MANUAL REF: 33-21-46	103106	1
35	GE1317		..LAMP- SUPPLIER CODE: V03508	103106	1
40	11-3438-5		..NIPPLE-CABLE SUPPLIER CODE: V72914	103106	1
45	11-6590-1		..HOUSING ASSY- SUPPLIER CODE: V72914	103106	1
50	MS35206-228		...SCREW	103106	2
55	MS35338-41		...WASHER	103106	2
60	MS27183-5		...WASHER	103106	2
65	10-1042-10		.LENS- SUPPLIER CODE: V72914 SPECIFICATION NUMBER: S417N504-10 COMPONENT MAINT MANUAL REF: 33-21-46	103106	1

MISSING ITEM NUMBERS NOT APPLICABLE

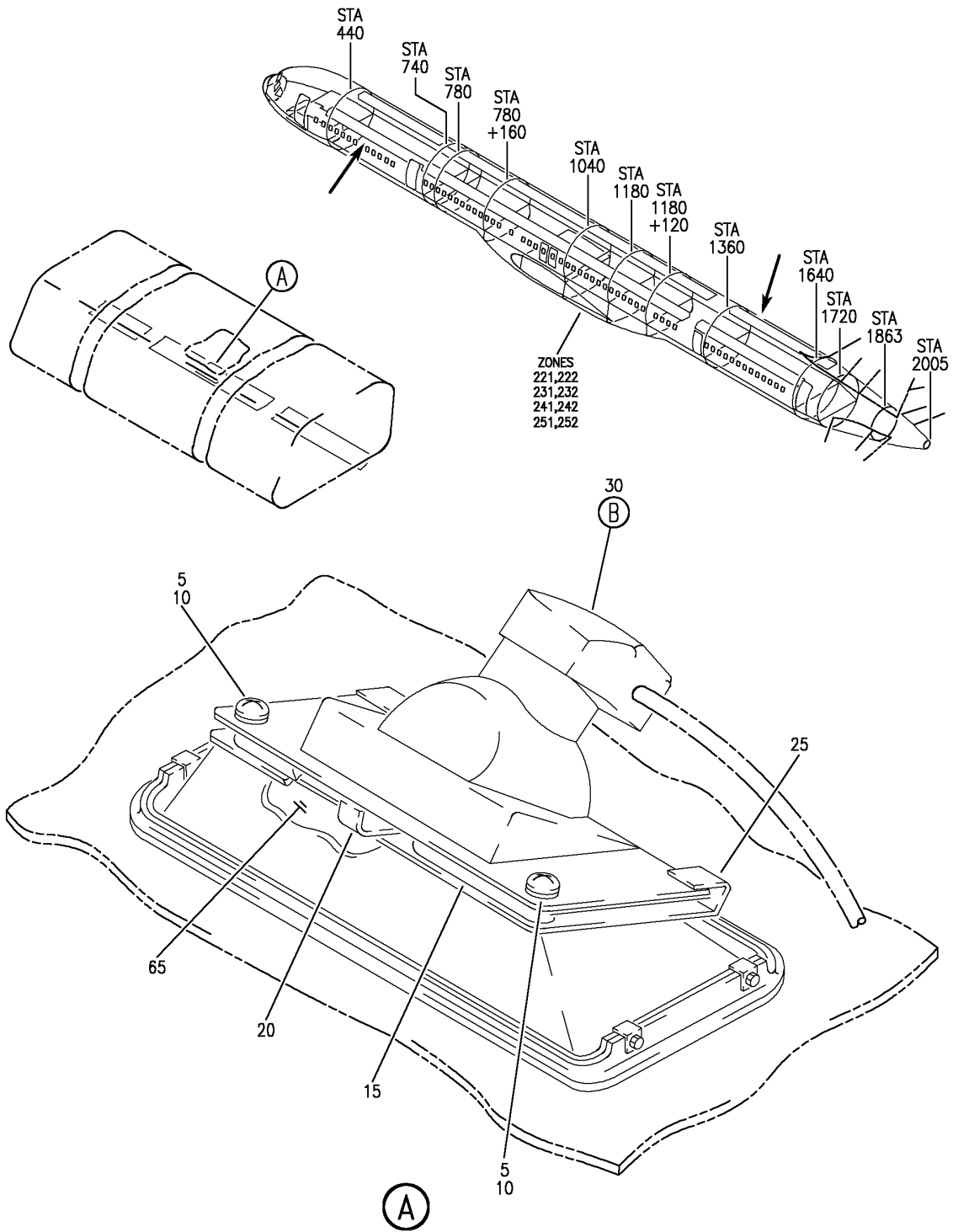
- ITEM NOT ILLUSTRATED

33-51-05-21

33-51-05
FIG. 21
PAGE 1
JAN 20/09

BRI

BOEING
757
PARTS CATALOG (MAINTENANCE)



Y 33510522 SHT 1 REV 254

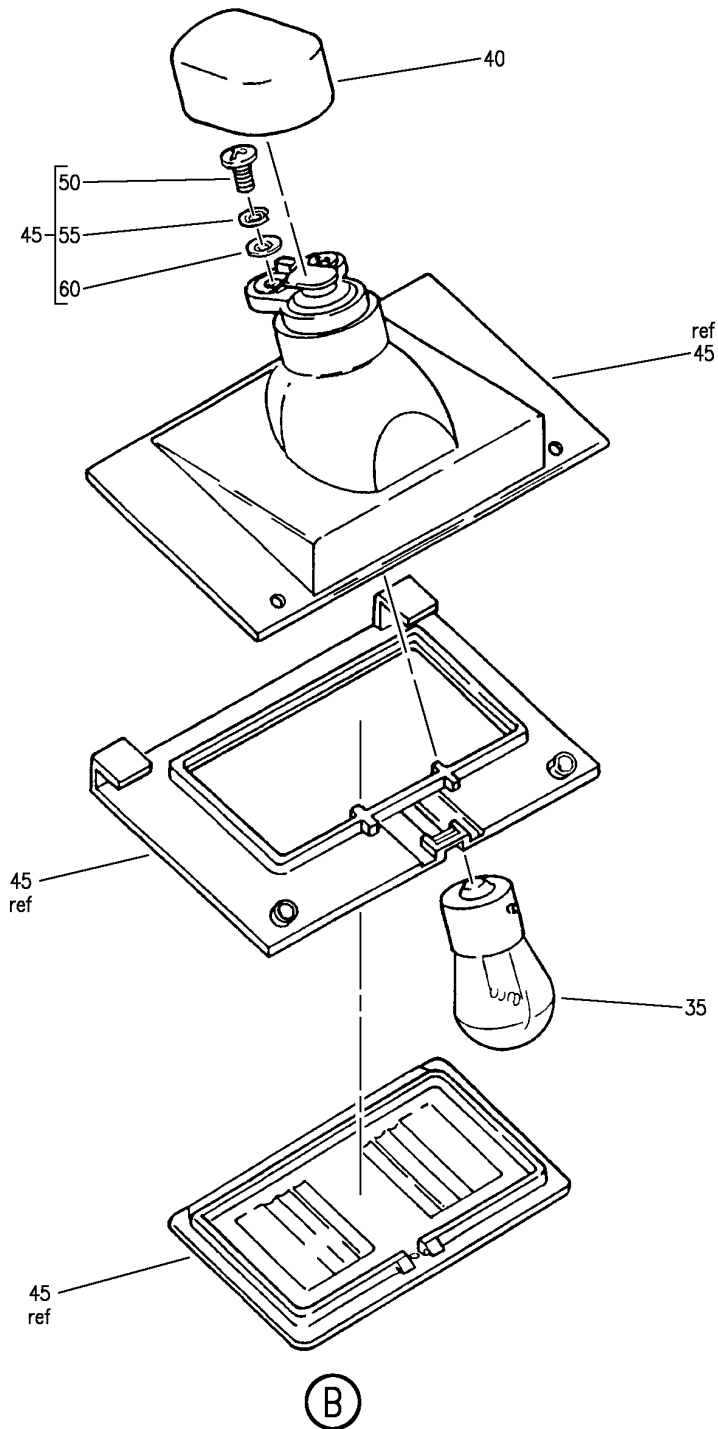
COVER ASSY-BULLNOSE 35 IN. (LIGHTS ONLY)
FIGURE 22 (SHEET 1)

33-51-05-22

BRI
JAN 20/09

33-51-05-22
PAGE 0

BOEING
757
PARTS CATALOG (MAINTENANCE)



Y 33510522 SH1 2 REV 254

COVER ASSY-BULLNOSE 35 IN. (LIGHTS ONLY)
FIGURE 22 (SHEET 2)

33-51-05-22

BRI
JAN 20/09

33-51-05-22
PAGE 0A



757

PARTS CATALOG (MAINTENANCE)

FIG ITEM	PART NUMBER	1 2 3 4 5 6 7	NOMENCLATURE	EFFECT FROM TO	UNITS PER ASSY
22			COVER ASSY-BULLNOSE 35 IN. (LIGHTS ONLY)	103106	
- 1	412A1607-12B		COVER ASSY-BULLNOSE 35 IN. BIG BIN EMER AISLE LIGHT (LIGHTS ONLY) FOR NHA/OTHER SYS DET SEE: 25-28-02-35J	103106	RF
5	BACS12CK04-3		.SCREW- OPTIONAL PART: NAS600-3P	103106	2
5	NAS600-3P		.SCREW- OPTIONAL PART: BACS12CK04-3	103106	2
10	NAS1149DN416J		.WASHER	103106	2
15	412N1125-1		.SPRING	103106	1
20	412N1125-2		.SPRING	103106	1
25	10-1042-4		.RETAINER- SUPPLIER CODE: V72914 SPECIFICATION NUMBER: S417N504-4 COMPONENT MAINT MANUAL REF: 33-21-46	103106	1
30	10-1042-8		.HOUSING ASSY- SUPPLIER CODE: V72914 SPECIFICATION NUMBER: S417N504-8 COMPONENT MAINT MANUAL REF: 33-21-46	103106	1
35	GE1317		..LAMP- SUPPLIER CODE: V03508	103106	1
40	11-3438-5		..NIPPLE-CABLE SUPPLIER CODE: V72914	103106	1
45	11-6590-1		..HOUSING ASSY- SUPPLIER CODE: V72914	103106	1
50	MS35206-228		...SCREW	103106	2
55	MS35338-41		...WASHER	103106	2
60	MS27183-5		...WASHER	103106	2
65	10-1042-10		.LENS- SUPPLIER CODE: V72914 SPECIFICATION NUMBER: S417N504-10 COMPONENT MAINT MANUAL REF: 33-21-46	103106	1

MISSING ITEM NUMBERS NOT APPLICABLE

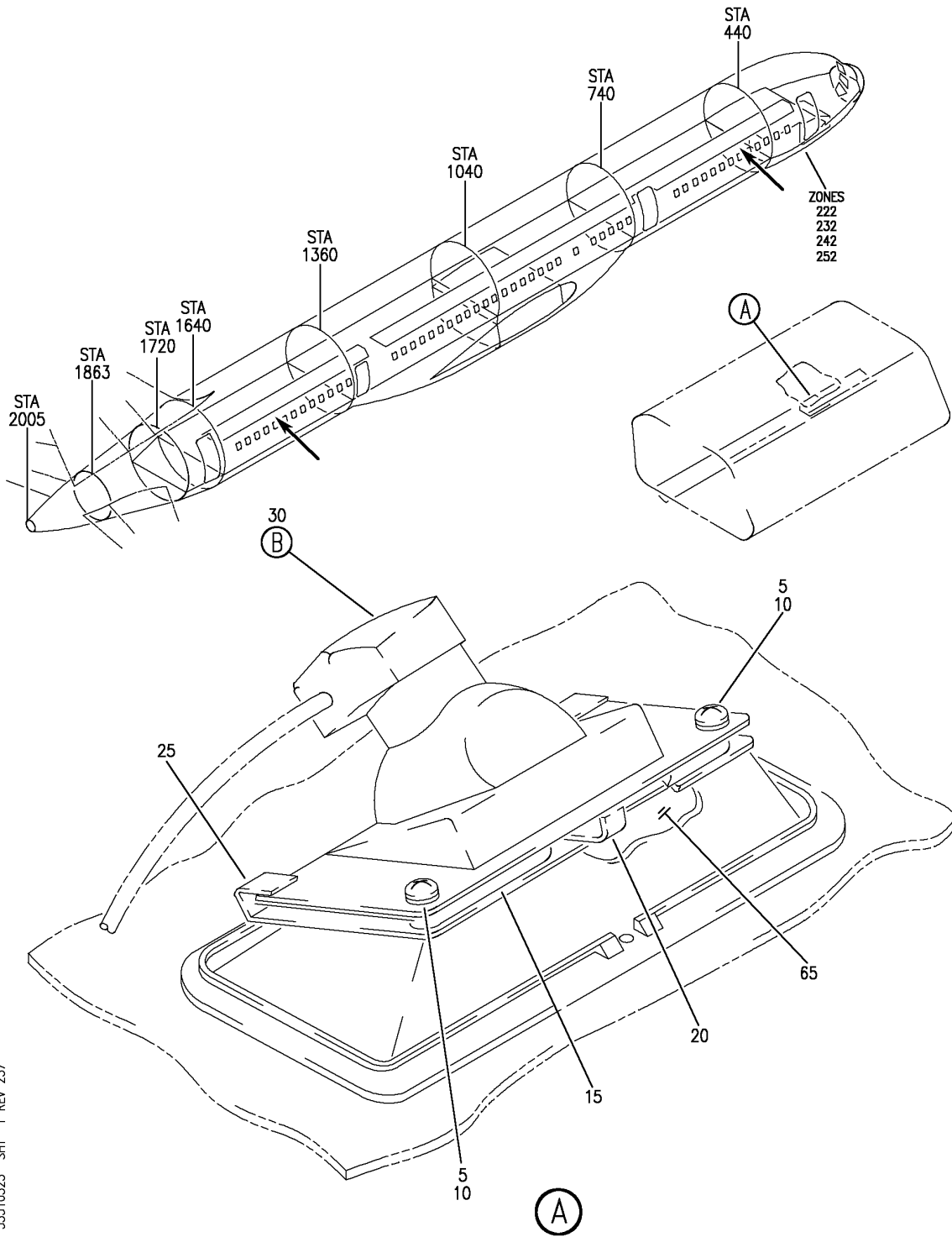
- ITEM NOT ILLUSTRATED

33-51-05-22

33-51-05
FIG. 22
PAGE 1
JAN 20/09

BRI

BOEING
757
PARTS CATALOG (MAINTENANCE)



Y 33510523 SHT 1 REV 257

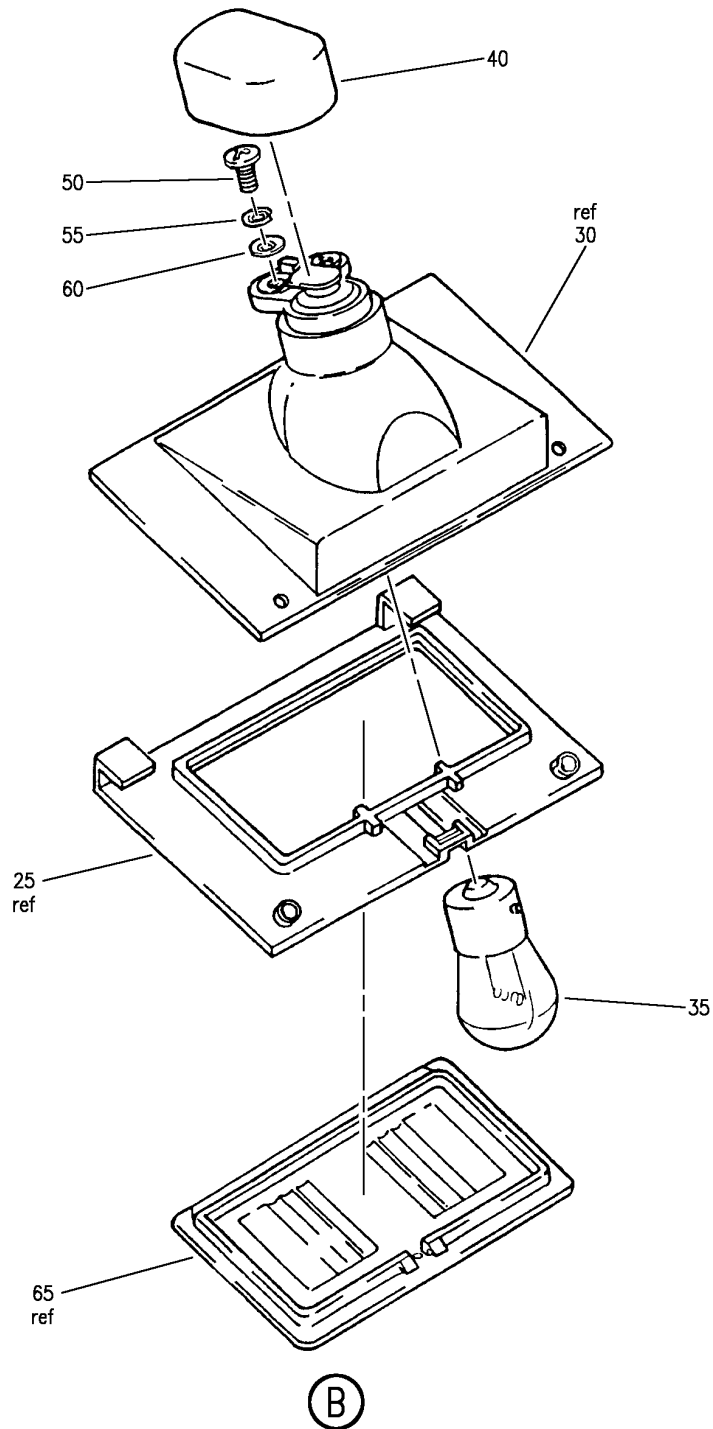
COVER ASSY-BULLNOSE 40 IN. WITH AISLE LIGHT (LIGHTS ONLY)
FIGURE 23 (SHEET 1)

33-51-05-23

BRI
JAN 20/09

33-51-05-23
PAGE 0

BOEING
757
PARTS CATALOG (MAINTENANCE)



Y 33510523 SH1 2 REV 257

COVER ASSY-BULLNOSE 40 IN. WITH AISLE LIGHT (LIGHTS ONLY)
FIGURE 23 (SHEET 2)

33-51-05-23

BRI
JAN 20/09

33-51-05-23
PAGE 0A



757

PARTS CATALOG (MAINTENANCE)

FIG ITEM	PART NUMBER	1 2 3 4 5 6 7	NOMENCLATURE	EFFECT FROM TO	UNITS PER ASSY
23			COVER ASSY-BULLNOSE 40 IN. WITH AISLE LIGHT (LIGHTS ONLY)	103106	
- 1	412A1607-27B		COVER ASSY-BULLNOSE 40 IN. WITH AISLE LIGHT (LIGHTS ONLY) FOR NHA/OTHER SYS DET SEE: 25-28-02-40L	103106	RF
5	NAS600-3P	.	SCREW	103106	2
10	NAS1149DN416J	.	WASHER	103106	2
15	412N1125-1	.	SPRING	103106	1
20	412N1125-2	.	SPRING	103106	1
25	10-1042-4	.	RETAINER- SUPPLIER CODE: V72914 SPECIFICATION NUMBER: S417N504-4 COMPONENT MAINT MANUAL REF: 33-21-46	103106	1
30	10-1042-8	.	HOUSING ASSY- SUPPLIER CODE: V72914 SPECIFICATION NUMBER: S417N504-8 COMPONENT MAINT MANUAL REF: 33-21-46	103106	1
35	GE1317	..	LAMP- SUPPLIER CODE: V03508	103106	1
40	11-3438-5	..	NIPPLE-CABLE SUPPLIER CODE: V72914	103106	1
- 45	11-6590-1	..	HOUSING ASSY- SUPPLIER CODE: V72914	103106	1
50	MS35206-228	...	SCREW	103106	2
55	MS35338-41	...	WASHER	103106	2
60	MS27183-5	...	WASHER	103106	2
65	10-1042-10	.	LENS- SUPPLIER CODE: V72914 SPECIFICATION NUMBER: S417N504-10 COMPONENT MAINT MANUAL REF: 33-21-46	103106	1

MISSING ITEM NUMBERS NOT APPLICABLE

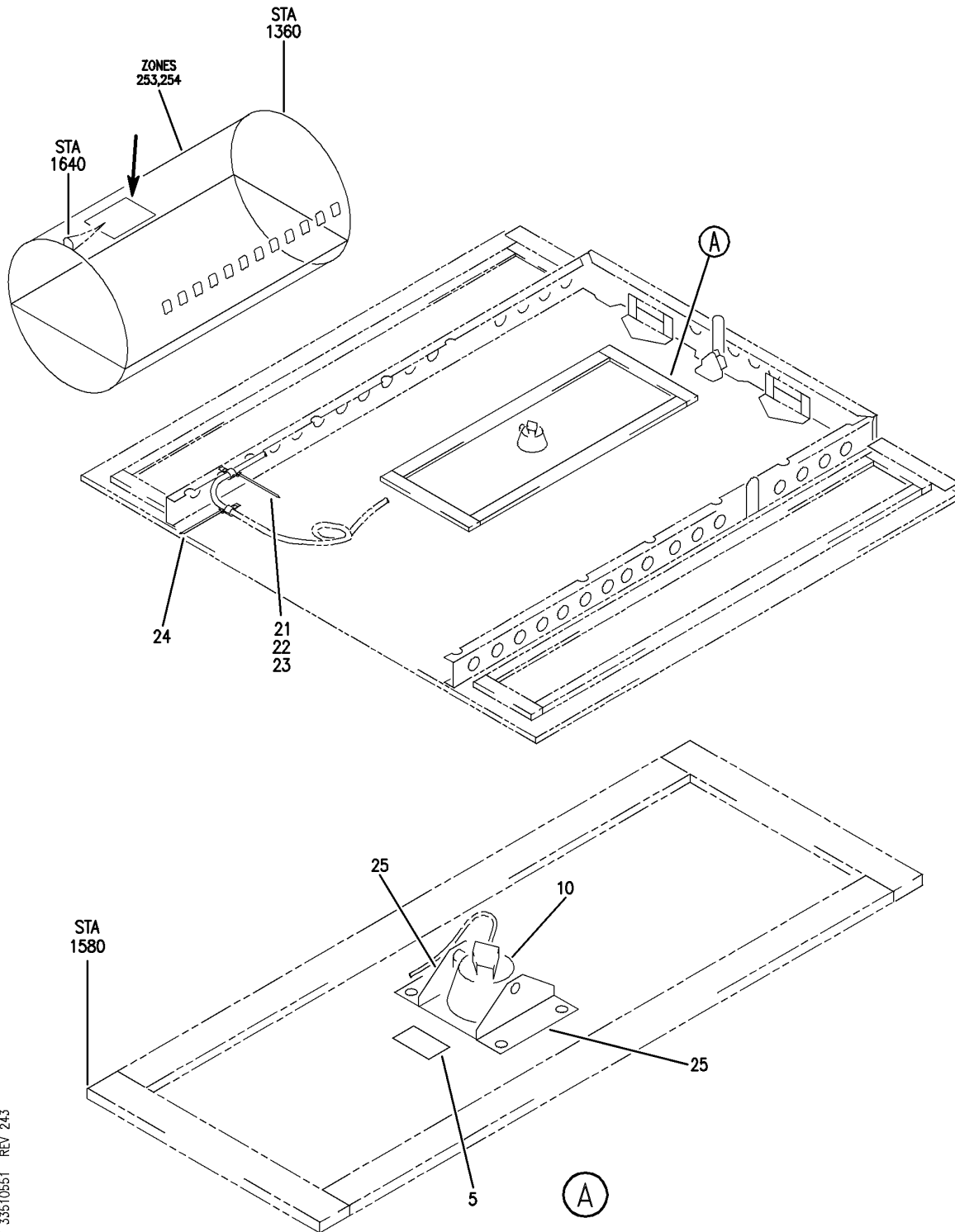
- ITEM NOT ILLUSTRATED

33-51-05-23

33-51-05
FIG. 23
PAGE 1
JAN 20/09

BRI

BOEING
757
PARTS CATALOG (MAINTENANCE)



Y 33510551 REV 243

CEILING ASSY-FWD HORSESHOE DOOR 4 LOWERED (EMERGENCY AISLE LIGHT ONLY)
FIGURE 51

33-51-05-51

BRI
JAN 20/09

33-51-05-51
PAGE 0



757

PARTS CATALOG (MAINTENANCE)

FIG ITEM	PART NUMBER	1 2 3 4 5 6 7	NOMENCLATURE	EFFECT FROM TO	UNITS PER ASSY
51			CEILING ASSY-FWD HORSESHOE DOOR 4 LOWERED (EMERGENCY AISLE LIGHT ONLY)	103106	
- 1	411N3930-18B		CEILING ASSY-HORSESHOE DOOR 4 LOWERED (EMERGENCY AISLE LIGHT ONLY)	103106	RF
			POSITION DATA: FWD FOR NHA/OTHER SYS DET SEE: 25-22-02-71A		
5	BAC27TPPS6601		.MARKER- PLACARD CONTENT: L1120 EMERGENCY AISLE LIGHT	103106	1
10	0105924-005		.LIGHT-EMERGENCY SUPPLIER CODE: VOVDA9 SPECIFICATION NUMBER: S417U006-6 FOR DETAILS SEE: 33-51-51-55	103106	1
			ATTACHING PARTS		
- 15	BACS12HN06-8		.SCREW-	103106	2
- 20	NAS1149DN632J		.WASHER	103106	2
			-----*-----		
21	PLT1-5IM		.STRAP SUPPLIER CODE: V06383 SPECIFICATION NUMBER: BACS38K5 OPTIONAL PART: T03R0 V53421	103106	1
22	287T0011-1		.CLAMP-OLYMPIC	103106	1
23	BACS12FA3K9		.SCREW	103106	1
25	417U5120-1		.BRACKET	103106	2
			ATTACHING PARTS		
- 30	BACS12FA3K5		.SCREW	103106	4
			-----*-----		

MISSING ITEM NUMBERS NOT APPLICABLE

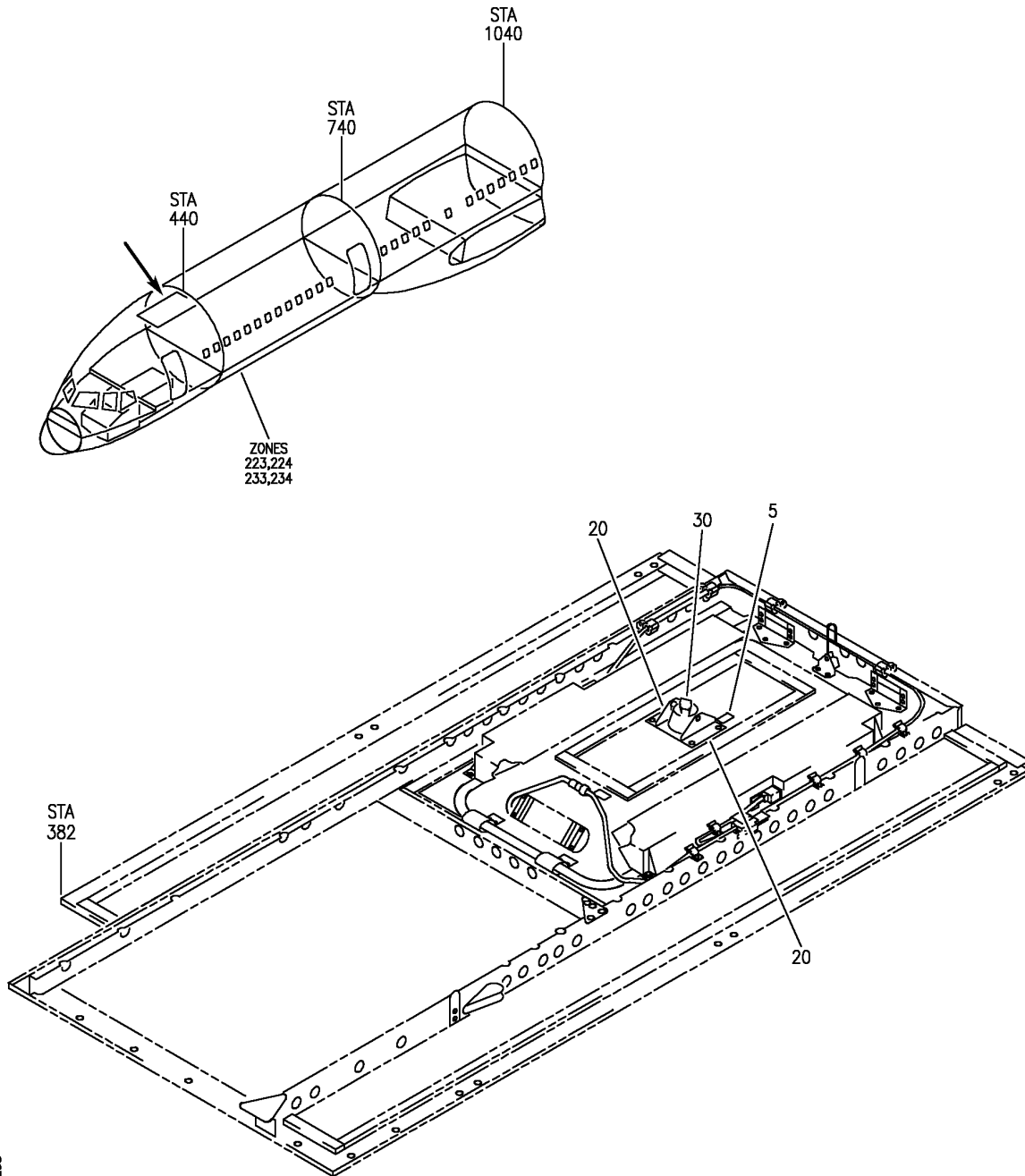
- ITEM NOT ILLUSTRATED

33-51-05-51

33-51-05
FIG. 51
PAGE 1
JAN 20/09

BRI

BOEING
757
PARTS CATALOG (MAINTENANCE)



Y 33510551A REV 258

CEILING ASSY DOOR 1 HORSESHOE (EMERGENCY AISLE LIGHT ONLY)
FIGURE 51A

BRI
JAN 20/09

33-51-05-51A

33-51-05-51A
PAGE 0

BOEING PROPRIETARY - Copyright © - Unpublished Work - See title page for details.



757

PARTS CATALOG (MAINTENANCE)

FIG ITEM	PART NUMBER	1 2 3 4 5 6 7	NOMENCLATURE	EFFECT FROM TO	UNITS PER ASSY
51A			CEILING ASSY DOOR 1 HORSESHOE (EMERGENCY AISLE LIGHT ONLY)	103106	
- 1	411N3530-15B		CEILING ASSY-DOOR 1 HORSESHOE (EMERGENCY AISLE LIGHT ONLY) FOR NHA/OTHER SYS DET SEE: 25-22-02-69F	103106	RF
	5 BAC27TPPS6598		.MARKER- PLACARD CONTENT: L1117 EMERGENCY AISLE LIGHT	103106	1
	20 417U5120-1		.BRACKET ATTACHING PARTS	103106	2
- 25	BACS12FA3K5		.SCREW	103106	4
	30 0105924-005		.LIGHT-EMERGENCY SUPPLIER CODE: VOVDA9 SPECIFICATION NUMBER: S417U006-6 ELECTRICAL EQUIP NUMBER: L01117 FOR DETAILS SEE: 33-51-51-55 ATTACHING PARTS	103106	1
- 35	NAS1801-06-8		.SCREW	103106	2
- 40	NAS1149DN632J		.WASHER	103106	2
			-----*-----		

MISSING ITEM NUMBERS NOT APPLICABLE

- ITEM NOT ILLUSTRATED

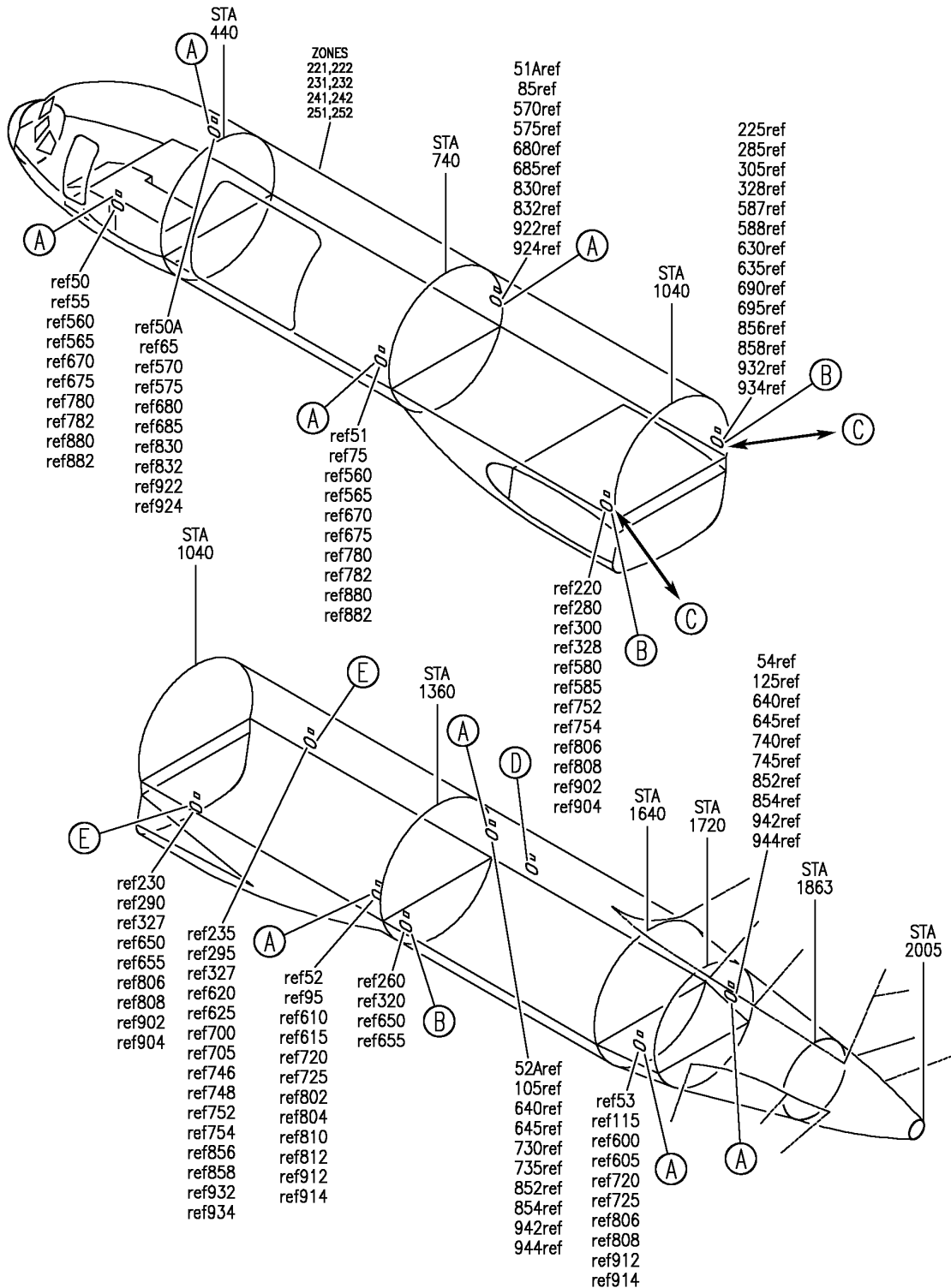
33-51-05-51A

33-51-05
FIG. 51A
PAGE 1
JAN 20/09

BRI

BOEING PROPRIETARY - Copyright © - Unpublished Work - See title page for details.

BOEING
757
PARTS CATALOG (MAINTENANCE)



Y 33510605 SH1 1 REV 269

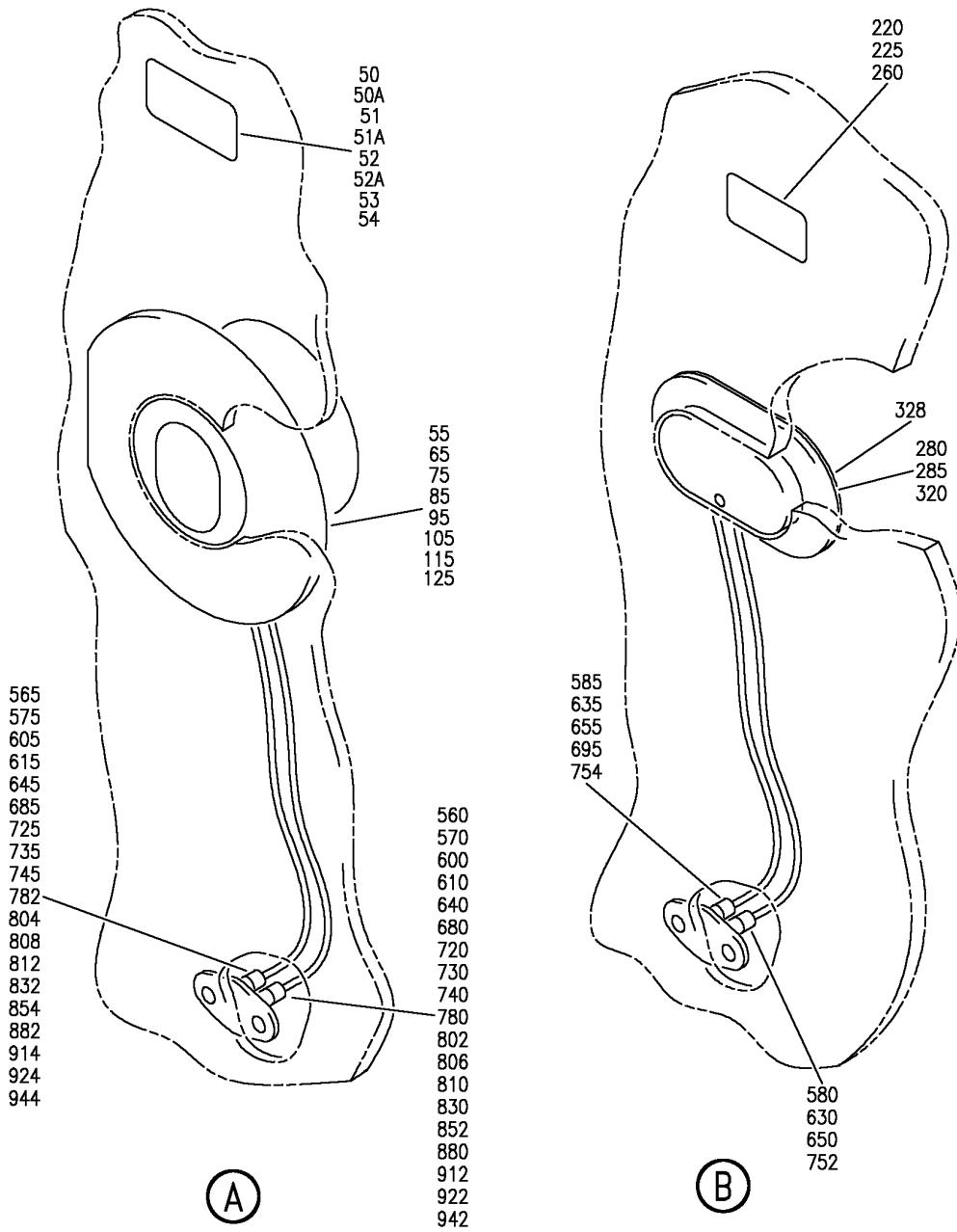
LIGHT INSTL-EVACUATION SLIDES L AND R
FIGURE 5 (SHEET 1)

33-51-06-05

BRI
MAY 28/07

33-51-06-05
PAGE 0

BOEING
757
PARTS CATALOG (MAINTENANCE)



Y 33510605 SH1 2 REV 269

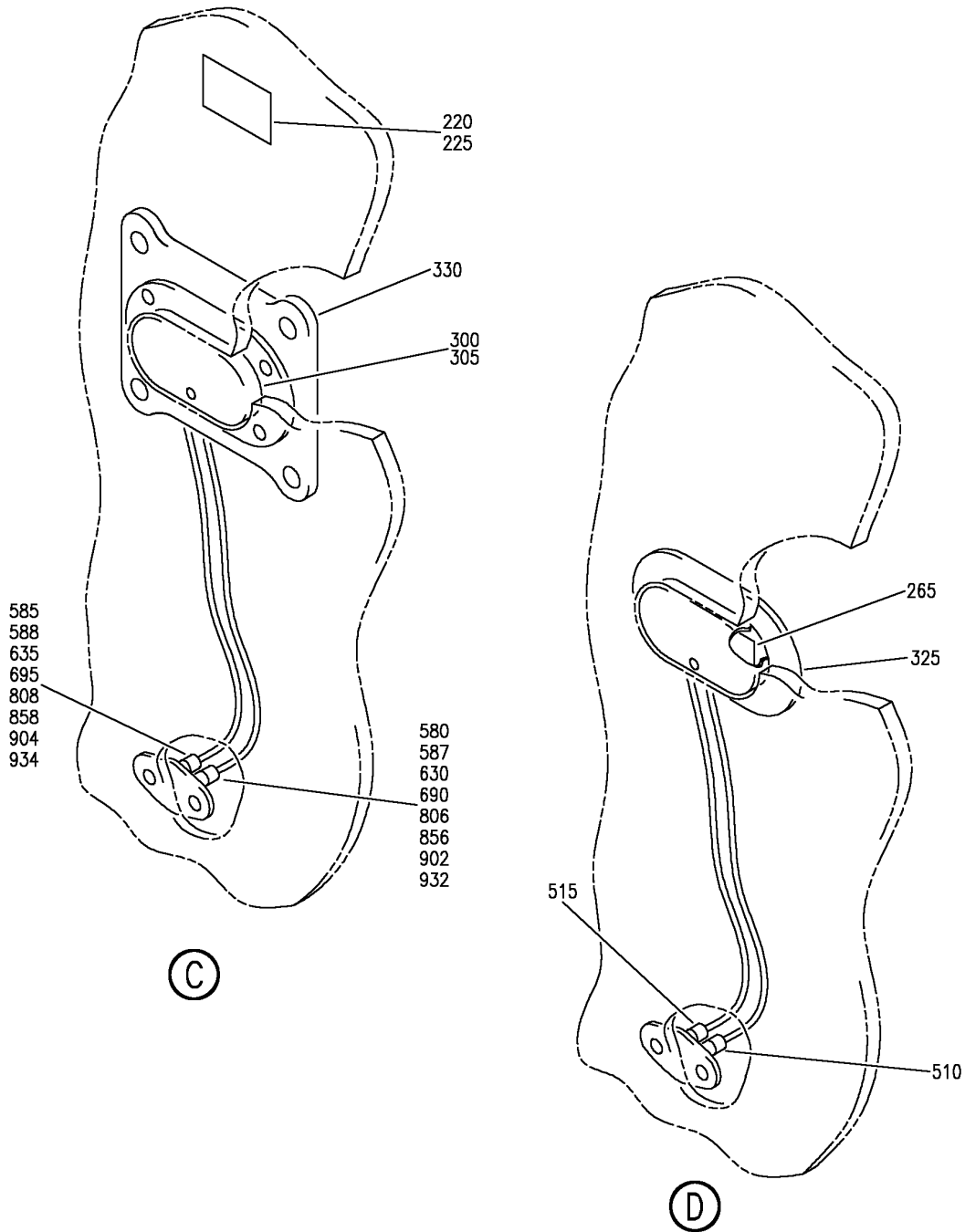
LIGHT INSTL-EVACUATION SLIDES L AND R
FIGURE 5 (SHEET 2)

33-51-06-05

BRI
MAY 28/07

33-51-06-05
PAGE 0A

BOEING
757
PARTS CATALOG (MAINTENANCE)



Y 33510605 SH1 3 REV 269

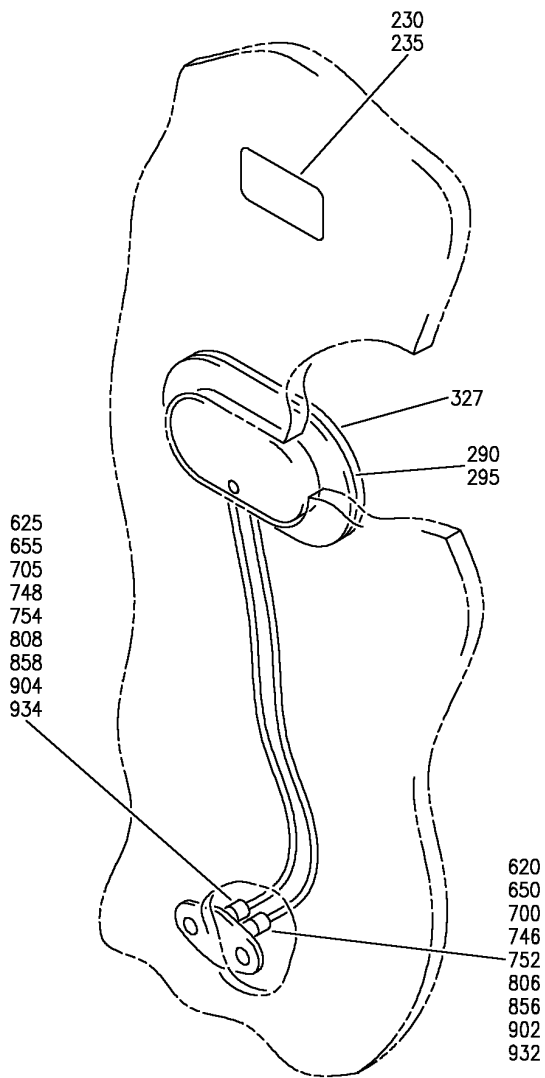
LIGHT INSTL-EVACUATION SLIDES L AND R
FIGURE 5 (SHEET 3)

33-51-06-05

BRI
MAY 28/07

33-51-06-05
PAGE 0B

BOEING
757
PARTS CATALOG (MAINTENANCE)



Y 33510605 SH1 4 REV 269

(E)

LIGHT INSTL-EVACUATION SLIDES L AND R
FIGURE 5 (SHEET 4)

33-51-06-05

BRI
MAY 28/07

33-51-06-05
PAGE 0C



757

PARTS CATALOG (MAINTENANCE)

FIG ITEM	PART NUMBER	1 2 3 4 5 6 7	NOMENCLATURE	EFFECT FROM TO	UNITS PER ASSY
5			LIGHT INSTL-EVACUATION SLIDES L AND R	002004 006999	
- 1	284N1402-25		LIGHT INSTL-NO. 1 PASS. DOOR EMER SLIDE POSITION DATA: L SIDE FWD FOR NHA SEE: 24-00-58-01A 24-00-58-05A	002004 006102 107999	RF
- 1	MODREF10120		LIGHT INSTL-NO. 1 PASS. DOOR EMER SLIDE MODULE NUMBER: 284N1402-25 REV A POSITION DATA: L SIDE FWD	103103	1
- 1	MODREF27711		LIGHT INSTL-NO. 1 PASS. DOOR EMER SLIDE MODULE NUMBER: 284N1402-25 REV B POSITION DATA: L SIDE FWD	104106	1
- 5	284N1402-26		LIGHT INSTL-NO. 1 PASS. DOOR EMER SLIDE POSITION DATA: R SIDE FWD FOR NHA SEE: 24-00-58-01A 24-00-58-05A	002004 006102 107999	RF
- 5	MODREF10121		LIGHT INSTL-NO. 1 PASS. DOOR EMER SLIDE MODULE NUMBER: 284N1402-26 REV A POSITION DATA: R SIDE FWD	103103	1
- 5	MODREF27712		LIGHT INSTL-NO. 1 PASS. DOOR EMER SLIDE MODULE NUMBER: 284N1402-26 REV B POSITION DATA: R SIDE FWD	104106	1
- 10	284N1402-27		LIGHT INSTL-NO. 2 ENTRY AND SVCE DOOR POSITION DATA: L SIDE FWD FOR NHA SEE: 24-00-58-01A 24-00-58-05A	002004 006102 107999	RF

MISSING ITEM NUMBERS NOT APPLICABLE

- ITEM NOT ILLUSTRATED

33-51-06-05

33-51-06
FIG. 05
PAGE 1
JAN 20/09

BRI



757

PARTS CATALOG (MAINTENANCE)

FIG ITEM	PART NUMBER	1 2 3 4 5 6 7	NOMENCLATURE	EFFECT FROM TO	UNITS PER ASSY
5					
- 10	MODREF27713		LIGHT INSTL-NO. 2 ENTRY AND SVCE DOOR MODULE NUMBER: 284N1402-27 REV B POSITION DATA: L SIDE FWD	103106	1
- 15	284N1402-28		LIGHT INSTL-NO. 2 ENTRY AND SVCE DOOR POSITION DATA: R SIDE FWD FOR NHA SEE: 24-00-58-01A 24-00-58-05A	002004 006102 107999	RF
- 15	MODREF27714		LIGHT INSTL-NO. 2 ENTRY AND SVCE DOOR MODULE NUMBER: 284N1402-28 REV B POSITION DATA: R SIDE FWD	103106	1
- 20	284N1402-29		LIGHT INSTL-NO. 3 EMER DOOR EMER SLIDE POSITION DATA: L SIDE FOR NHA SEE: 24-00-58-01A 24-00-58-05A	002004 006102 107999	RF
- 20	MODREF10124		LIGHT INSTL-NO. 3 EMER DOOR EMER SLIDE MODULE NUMBER: 284N1402-29 REV A POSITION DATA: L SIDE	103103	1
- 20	MODREF27715		LIGHT INSTL-NO. 3 EMER DOOR EMER SLIDE MODULE NUMBER: 284N1402-29 REV B POSITION DATA: L SIDE	104106	1
- 25	284N1402-30		LIGHT INSTL-NO. 3 EMER DOOR EMER SLIDE POSITION DATA: R SIDE FOR NHA SEE: 24-00-58-01A 24-00-58-05A	002004 006102 107999	RF

MISSING ITEM NUMBERS NOT APPLICABLE

- ITEM NOT ILLUSTRATED

33-51-06-05

33-51-06
FIG. 05
PAGE 2
JAN 20/09

BRI



757

PARTS CATALOG (MAINTENANCE)

FIG ITEM	PART NUMBER	1 2 3 4 5 6 7	NOMENCLATURE	EFFECT FROM TO	UNITS PER ASSY
5					
- 25	MODREF10125		LIGHT INSTL-NO. 3 EMER DOOR EMER SLIDE MODULE NUMBER: 284N1402-30 REV A POSITION DATA: R SIDE	103103	1
- 25	MODREF27716		LIGHT INSTL-NO. 3 EMER DOOR EMER SLIDE MODULE NUMBER: 284N1402-30 REV B POSITION DATA: R SIDE	104106	1
- 30	284N1402-23		LIGHT INSTL-NO. 4 PASS. DOOR EMER SLIDE POSITION DATA: L SIDE FOR NHA SEE: 24-00-58-01A	002004 006009 107107 121503 904949 952999	RF
- 30	284N1402-33		LIGHT INSTL-NO. 4 PASS. DOOR EMER SLIDE POSITION DATA: L SIDE FOR NHA SEE: 24-00-58-01A 24-00-58-05A	010102 108120 504903 950951	RF
- 30	MODREF10128		LIGHT INSTL-NO. 4 PASS. DOOR EMER SLIDE MODULE NUMBER: 284N1402-33 REV A POSITION DATA: L SIDE	103103	1
- 30	MODREF27719		LIGHT INSTL-NO. 4 PASS. DOOR EMER SLIDE MODULE NUMBER: 284N1402-33 REV B POSITION DATA: L SIDE	104106	1
- 35	284N1402-24		LIGHT INSTL-NO. 4 PASS. DOOR EMER SLIDE POSITION DATA: R SIDE FOR NHA SEE: 24-00-58-01A	002004 006009 107107 121503 904949 952999	RF

MISSING ITEM NUMBERS NOT APPLICABLE

- ITEM NOT ILLUSTRATED

33-51-06-05

33-51-06
FIG. 05
PAGE 3
JAN 20/09

BRI



757

PARTS CATALOG (MAINTENANCE)

FIG ITEM	PART NUMBER	1 2 3 4 5 6 7	NOMENCLATURE	EFFECT FROM TO	UNITS PER ASSY
5					
- 35	284N1402-34		LIGHT INSTL-NO. 4 PASS. DOOR EMER SLIDE POSITION DATA: R SIDE FOR NHA SEE: 24-00-58-01A 24-00-58-05A	010102 108120 504903 950951	RF
- 35	MODREF10129		LIGHT INSTL-NO. 4 PASS. DOOR EMER SLIDE MODULE NUMBER: 284N1402-34 REV A POSITION DATA: R SIDE	103103	1
- 35	MODREF27720		LIGHT INSTL-NO. 4 PASS. DOOR EMER SLIDE MODULE NUMBER: 284N1402-34 REV B POSITION DATA: R SIDE	104106	1
50	BAC27NEX0032		.MARKER-ALUMINUM FOIL PLACARD CONTENT: L25 EMERGENCY SLIDE LIGHT NO. 1 DOOR LEFT USED ON: 284N1402-1 284N1402-25 MODREF10120 MODREF27711	002004 006999	1
50A	BAC27NEX0034		.MARKER-ALUMINUM FOIL PLACARD CONTENT: L30 EMERGENCY SLIDE LIGHT NO. 1 DOOR RIGHT USED ON: 284N1402-2 284N1402-26 MODREF10121 MODREF27712	002004 006999	1
51	BAC27NEX0035		.MARKER-ALUMINUM FOIL PLACARD CONTENT: L35 EMERGENCY SLIDE LIGHT NO. 2 DOOR LEFT USED ON: 284N1402-3 284N1402-27 MODREF10122 MODREF27713	002004 006999	1

MISSING ITEM NUMBERS NOT APPLICABLE

- ITEM NOT ILLUSTRATED

33-51-06-05

33-51-06
FIG. 05
PAGE 4
JAN 20/09

BRI



757

PARTS CATALOG (MAINTENANCE)

FIG ITEM	PART NUMBER	1 2 3 4 5 6 7	NOMENCLATURE	EFFECT FROM TO	UNITS PER ASSY
5 51A	BAC27NEX0036		.MARKER-ALUMINUM FOIL PLACARD CONTENT: L41 EMERGENCY SLIDE LIGHT NO. 2 DOOR RIGHT USED ON: 284N1402-4 284N1402-28 MODREF10123 MODREF27714	002004 006999	1
52	BAC27NEX0037		.MARKER-ALUMINUM FOIL PLACARD CONTENT: L47 EMERGENCY SLIDE LIGHT NO. 3 DOOR LEFT USED ON: 284N1402-5 284N1402-29 MODREF10124 MODREF27715	002004 006999	1
52A	BAC27NEX0038		.MARKER-ALUMINUM FOIL PLACARD CONTENT: L50 EMERGENCY SLIDE LIGHT NO. 3 DOOR RIGHT USED ON: 284N1402-6 284N1402-30 MODREF10125 MODREF27716	002004 006999	1
53	BAC27NEX0039		.MARKER-ALUMINUM FOIL PLACARD CONTENT: L56 EMERGENCY SLIDE LIGHT NO. 4 DOOR LEFT USED ON: 284N1402-7 284N1402-23 284N1402-33 MODREF10128 MODREF27719	002004 006999	1
54	BAC27NEX0040		.MARKER-ALUMINUM FOIL PLACARD CONTENT: L60 EMERGENCY SLIDE LIGHT NO. 4 DOOR RIGHT USED ON: 284N1402-8 284N1402-24 284N1402-34 MODREF10129 MODREF27720	002004 006999	1

MISSING ITEM NUMBERS NOT APPLICABLE

- ITEM NOT ILLUSTRATED

33-51-06-05

33-51-06
FIG. 05
PAGE 5
JAN 20/09

BRI



757

PARTS CATALOG (MAINTENANCE)

FIG ITEM	PART NUMBER	1 2 3 4 5 6 7	NOMENCLATURE	EFFECT FROM TO	UNITS PER ASSY
5 55	30-1669-1		.LIGHT ASSY-DOOR GRD ILLUMINATION SLIDE SUPPLIER CODE: V72914 POSITION DATA: FWD SPECIFICATION NUMBER: S283T008-23 ELECTRICAL EQUIP NUMBER: L00025 COMPONENT MAINT MANUAL REF: 33-51-21 USED ON: 284N1402-1 FOR DETAILS SEE: 33-51-06-51	002004 006999	1
55	30-2041-1		.LIGHT ASSY-DOOR GRD ILLUMINATION SLIDE SUPPLIER CODE: V72914 POSITION DATA: FWD SPECIFICATION NUMBER: S283T008-39 ELECTRICAL EQUIP NUMBER: L00025 COMPONENT MAINT MANUAL REF: 33-51-43 OPTIONAL PART: 30-2041-3 V72914 USED ON: 284N1402-25 MODREF10120 MODREF27711 FOR DETAILS SEE: 33-51-06-51	002004 006999	1

MISSING ITEM NUMBERS NOT APPLICABLE

- ITEM NOT ILLUSTRATED

33-51-06-05

33-51-06
FIG. 05
PAGE 6
JAN 20/09

BRI



757

PARTS CATALOG (MAINTENANCE)

FIG ITEM	PART NUMBER	1 2 3 4 5 6 7	NOMENCLATURE	EFFECT FROM TO	UNITS PER ASSY
5 55	30-2041-3		.LIGHT ASSY-DOOR GRD ILLUMINATION SLIDE SUPPLIER CODE: V72914 POSITION DATA: FWD SPECIFICATION NUMBER: S283T008-61 ELECTRICAL EQUIP NUMBER: L00025 COMPONENT MAINT MANUAL REF: 33-51-43 OPTIONAL PART: 30-2041-1 V72914 USED ON: 284N1402-25 MODREF10120 MODREF27711 FOR DETAILS SEE: 33-51-06-51	002004 006999	1
65	30-1669-2		.LIGHT ASSY-DOOR GRD ILLUMINATION SLIDE SUPPLIER CODE: V72914 POSITION DATA: FWD SPECIFICATION NUMBER: S283T008-24 ELECTRICAL EQUIP NUMBER: L00030 COMPONENT MAINT MANUAL REF: 33-51-21 USED ON: 284N1402-2 FOR DETAILS SEE: 33-51-06-51	002004 006999	1

MISSING ITEM NUMBERS NOT APPLICABLE

- ITEM NOT ILLUSTRATED

33-51-06-05

33-51-06
FIG. 05
PAGE 7
JAN 20/09

BRI



757

PARTS CATALOG (MAINTENANCE)

FIG ITEM	PART NUMBER	1 2 3 4 5 6 7	NOMENCLATURE	EFFECT FROM TO	UNITS PER ASSY
5 65	30-2041-2		.LIGHT ASSY-DOOR GRD ILLUMINATION SLIDE SUPPLIER CODE: V72914 POSITION DATA: FWD SPECIFICATION NUMBER: S283T008-40 ELECTRICAL EQUIP NUMBER: L00030 COMPONENT MAINT MANUAL REF: 33-51-43 OPTIONAL PART: 30-2041-4 V72914 USED ON: 284N1402-26 MODREF10121 MODREF27712 FOR DETAILS SEE: 33-51-06-51	002004 006999	1
65	30-2041-4		.LIGHT ASSY-DOOR GRD ILLUMINATION SLIDE SUPPLIER CODE: V72914 POSITION DATA: FWD SPECIFICATION NUMBER: S283T008-62 ELECTRICAL EQUIP NUMBER: L00030 COMPONENT MAINT MANUAL REF: 33-51-43 OPTIONAL PART: 30-2041-2 V72914 USED ON: 284N1402-26 MODREF10121 MODREF27712 FOR DETAILS SEE: 33-51-06-51	002004 006999	1

MISSING ITEM NUMBERS NOT APPLICABLE

- ITEM NOT ILLUSTRATED

33-51-06-05

33-51-06
FIG. 05
PAGE 8
JAN 20/09

BRI



757

PARTS CATALOG (MAINTENANCE)

FIG ITEM	PART NUMBER	1 2 3 4 5 6 7	NOMENCLATURE	EFFECT FROM TO	UNITS PER ASSY
5 75	30-1670-1		.LIGHT ASSY-DOOR GRD ILLUMINATION SLIDE SUPPLIER CODE: V72914 POSITION DATA: CTR SPECIFICATION NUMBER: S283T008-25 ELECTRICAL EQUIP NUMBER: L00035 COMPONENT MAINT MANUAL REF: 33-51-24 USED ON: 284N1402-3 FOR DETAILS SEE: 33-51-06-51	002004 006999	1
75	30-2042-1		.LIGHT ASSY-DOOR GRD ILLUMINATION SLIDE SUPPLIER CODE: V72914 POSITION DATA: CTR SPECIFICATION NUMBER: S283T008-55 ELECTRICAL EQUIP NUMBER: L00035 COMPONENT MAINT MANUAL REF: 33-51-44 OPTIONAL PART: 30-2042-3 V72914 USED ON: 284N1402-27 MODREF10122 MODREF27713 FOR DETAILS SEE: 33-51-06-51	002004 006999	1

MISSING ITEM NUMBERS NOT APPLICABLE

- ITEM NOT ILLUSTRATED

33-51-06-05

33-51-06
FIG. 05
PAGE 9
JAN 20/09

BRI



757

PARTS CATALOG (MAINTENANCE)

FIG ITEM	PART NUMBER	1 2 3 4 5 6 7	NOMENCLATURE	EFFECT FROM TO	UNITS PER ASSY
5 75	30-2042-3		.LIGHT ASSY-DOOR GRD ILLUMINATION SLIDE SUPPLIER CODE: V72914 POSITION DATA: FWD SPECIFICATION NUMBER: S283T008-65 ELECTRICAL EQUIP NUMBER: L00035 COMPONENT MAINT MANUAL REF: 33-51-44 OPTIONAL PART: 30-2042-1 V72914 USED ON: 284N1402-27 MODREF10122 MODREF27713 FOR DETAILS SEE: 33-51-06-51	002004 006999	1
85	30-1670-2		.LIGHT ASSY-DOOR GRD ILLUMINATION SLIDE SUPPLIER CODE: V72914 POSITION DATA: CTR SPECIFICATION NUMBER: S283T008-26 ELECTRICAL EQUIP NUMBER: L00041 COMPONENT MAINT MANUAL REF: 33-51-24 USED ON: 284N1402-4 FOR DETAILS SEE: 33-51-06-51	002004 006999	1

MISSING ITEM NUMBERS NOT APPLICABLE

- ITEM NOT ILLUSTRATED

33-51-06-05

33-51-06
FIG. 05
PAGE 10
JAN 20/09

BRI



757

PARTS CATALOG (MAINTENANCE)

FIG ITEM	PART NUMBER	1 2 3 4 5 6 7	NOMENCLATURE	EFFECT FROM TO	UNITS PER ASSY
5 85	30-2042-2		.LIGHT ASSY-DOOR GRD ILLUMINATION SLIDE SUPPLIER CODE: V72914 POSITION DATA: CTR SPECIFICATION NUMBER: S283T008-54 ELECTRICAL EQUIP NUMBER: L00041 COMPONENT MAINT MANUAL REF: 33-51-44 OPTIONAL PART: 30-2042-4 V72914 USED ON: 284N1402-28 MODREF10123 MODREF27714 FOR DETAILS SEE: 33-51-06-51	002004 006999	1
85	30-2042-4		.LIGHT ASSY-DOOR GRD ILLUMINATION SLIDE SUPPLIER CODE: V72914 POSITION DATA: FWD SPECIFICATION NUMBER: S283T008-64 ELECTRICAL EQUIP NUMBER: L00041 COMPONENT MAINT MANUAL REF: 33-51-44 OPTIONAL PART: 30-2042-2 V72914 USED ON: 284N1402-28 MODREF10123 MODREF27714 FOR DETAILS SEE: 33-51-06-51	002004 006999	1

MISSING ITEM NUMBERS NOT APPLICABLE

- ITEM NOT ILLUSTRATED

33-51-06-05

33-51-06
FIG. 05
PAGE 11
JAN 20/09

BRI



757

PARTS CATALOG (MAINTENANCE)

FIG ITEM	PART NUMBER	1 2 3 4 5 6 7	NOMENCLATURE	EFFECT FROM TO	UNITS PER ASSY
5 95	30-1671-1		.LIGHT ASSY-EMER DOOR GRD ILLUMINATION SLIDE SUPPLIER CODE: V72914 SPECIFICATION NUMBER: S283T008-27 ELECTRICAL EQUIP NUMBER: L00047 COMPONENT MAINT MANUAL REF: 33-51-23 USED ON: 284N1402-5 FOR DETAILS SEE: 33-51-06-51	002004 006999	1
95	30-2043-1		.LIGHT ASSY-EMER DOOR GRD ILLUMINATION SLIDE SUPPLIER CODE: V72914 SPECIFICATION NUMBER: S283T008-57 ELECTRICAL EQUIP NUMBER: L00047 COMPONENT MAINT MANUAL REF: 33-51-45 OPTIONAL PART: 30-2043-3 V72914 USED ON: 284N1402-29 MODREF10124 MODREF27715 FOR DETAILS SEE: 33-51-06-51	002004 006999	1

MISSING ITEM NUMBERS NOT APPLICABLE

- ITEM NOT ILLUSTRATED

33-51-06-05

33-51-06
FIG. 05
PAGE 12
JAN 20/09

BRI



757

PARTS CATALOG (MAINTENANCE)

FIG ITEM	PART NUMBER	1 2 3 4 5 6 7	NOMENCLATURE	EFFECT FROM TO	UNITS PER ASSY
5 95	30-2043-3		.LIGHT ASSY-DOOR GRD ILLUMINATION SLIDE SUPPLIER CODE: V72914 POSITION DATA: FWD SPECIFICATION NUMBER: S283T008-67 ELECTRICAL EQUIP NUMBER: L00047 COMPONENT MAINT MANUAL REF: 33-51-45 OPTIONAL PART: 30-2043-1 V72914 USED ON: 284N1402-29 MODREF10124 MODREF27715 FOR DETAILS SEE: 33-51-06-51	002004 006999	1
105	30-1671-2		.LIGHT ASSY-EMER DOOR GRD ILLUMINATION SLIDE SUPPLIER CODE: V72914 SPECIFICATION NUMBER: S283T008-28 ELECTRICAL EQUIP NUMBER: L00050 COMPONENT MAINT MANUAL REF: 33-51-22 USED ON: 284N1402-6 FOR DETAILS SEE: 33-51-06-51	002004 006999	1

MISSING ITEM NUMBERS NOT APPLICABLE

- ITEM NOT ILLUSTRATED

33-51-06-05

33-51-06
FIG. 05
PAGE 13
JAN 20/09

BRI



757

PARTS CATALOG (MAINTENANCE)

FIG ITEM	PART NUMBER	1 2 3 4 5 6 7	NOMENCLATURE	EFFECT FROM TO	UNITS PER ASSY
5 105	30-2043-2		.LIGHT ASSY-EMER DOOR GRD ILLUMINATION SLIDE SUPPLIER CODE: V72914 SPECIFICATION NUMBER: S283T008-56 ELECTRICAL EQUIP NUMBER: L00050 COMPONENT MAINT MANUAL REF: 33-51-45 OPTIONAL PART: 30-2043-4 V72914 USED ON: 284N1402-30 FOR DETAILS SEE: 33-51-06-51	002004 006999	1
105	30-2043-4		.LIGHT ASSY-DOOR GRD ILLUMINATION SLIDE SUPPLIER CODE: V72914 POSITION DATA: FWD SPECIFICATION NUMBER: S283T008-66 ELECTRICAL EQUIP NUMBER: L00050 COMPONENT MAINT MANUAL REF: 33-51-45 OPTIONAL PART: 30-2043-2 V72914 USED ON: 284N1402-30 FOR DETAILS SEE: 33-51-06-51	002004 006999	1

MISSING ITEM NUMBERS NOT APPLICABLE

- ITEM NOT ILLUSTRATED

33-51-06-05

33-51-06
FIG. 05
PAGE 14
JAN 20/09

BRI



757

PARTS CATALOG (MAINTENANCE)

FIG ITEM	PART NUMBER	1 2 3 4 5 6 7	NOMENCLATURE	EFFECT FROM TO	UNITS PER ASSY
5 115	30-1672-1		.LIGHT ASSY-DOOR GRD ILLUMINATION SLIDE SUPPLIER CODE: V72914 POSITION DATA: AFT SPECIFICATION NUMBER: S283T008-29 ELECTRICAL EQUIP NUMBER: L00056 COMPONENT MAINT MANUAL REF: 33-51-22 USED ON: 284N1402-7 FOR DETAILS SEE: 33-51-06-51	002004 006009 107107 121503 904949 952999	1
115	30-2044-1		.LIGHT ASSY-DOOR GRD ILLUMINATION SLIDE SUPPLIER CODE: V72914 POSITION DATA: AFT SPECIFICATION NUMBER: S283T008-37 ELECTRICAL EQUIP NUMBER: L00056 COMPONENT MAINT MANUAL REF: 33-51-42 OPTIONAL PART: 30-2044-3 V72914 USED ON: 284N1402-23 FOR DETAILS SEE: 33-51-06-51	002004 006009 107107 121503 904949 952999	1

MISSING ITEM NUMBERS NOT APPLICABLE

- ITEM NOT ILLUSTRATED

33-51-06-05

33-51-06
FIG. 05
PAGE 15
JAN 20/09

BRI

 **BOEING**
757
PARTS CATALOG (MAINTENANCE)

FIG ITEM	PART NUMBER	1 2 3 4 5 6 7	NOMENCLATURE	EFFECT FROM TO	UNITS PER ASSY
5 115	30-2044-3		.LIGHT ASSY-DOOR GRD ILLUMINATION SLIDE SUPPLIER CODE: V72914 POSITION DATA: FWD SPECIFICATION NUMBER: S283T008-59 ELECTRICAL EQUIP NUMBER: L00056 COMPONENT MAINT MANUAL REF: 33-51-42 OPTIONAL PART: 30-2044-1 V72914 USED ON: 284N1402-23 FOR DETAILS SEE: 33-51-06-51	002004 006009 107107 121503 904949 952999	1
115	30-2044-5		.LIGHT ASSY-DOOR GRD ILLUMINATION SLIDE SUPPLIER CODE: V72914 POSITION DATA: FWD SPECIFICATION NUMBER: S283T008-115 ELECTRICAL EQUIP NUMBER: L00056 COMPONENT MAINT MANUAL REF: 33-51-42 USED ON: 284N1402-33 MODREF10128 MODREF27719 FOR DETAILS SEE: 33-51-06-51	010106 108120 504903 950951	1

MISSING ITEM NUMBERS NOT APPLICABLE

— ITEM NOT ILLUSTRATED

BRI

33-51-06-05

BOEING PROPRIETARY - Copyright © - Unpublished Work - See title page for details.

33-51-06
FIG. 05
PAGE 16
JAN 20/09



757

PARTS CATALOG (MAINTENANCE)

FIG ITEM	PART NUMBER	1 2 3 4 5 6 7	NOMENCLATURE	EFFECT FROM TO	UNITS PER ASSY
5 125	30-1672-2		.LIGHT ASSY-DOOR GRD ILLUMINATION SLIDE SUPPLIER CODE: V72914 POSITION DATA: AFT SPECIFICATION NUMBER: S283T008-30 ELECTRICAL EQUIP NUMBER: L00060 COMPONENT MAINT MANUAL REF: 33-51-22 USED ON: 284N1402-8 FOR DETAILS SEE: 33-51-06-51	002004 006009 107107 121503 904949 952999	1
125	30-2044-4		.LIGHT ASSY-DOOR GRD ILLUMINATION SLIDE SUPPLIER CODE: V72914 POSITION DATA: FWD SPECIFICATION NUMBER: S283T008-60 ELECTRICAL EQUIP NUMBER: L00060 COMPONENT MAINT MANUAL REF: 33-51-42 OPTIONAL PART: 30-2044-2 V72914 USED ON: 284N1402-24 FOR DETAILS SEE: 33-51-06-51	002004 006009 107107 121503 904949 952999	1

MISSING ITEM NUMBERS NOT APPLICABLE

- ITEM NOT ILLUSTRATED

BRI

33-51-06-05

BOEING PROPRIETARY - Copyright © - Unpublished Work - See title page for details.

33-51-06
FIG. 05
PAGE 17
JAN 20/09



757

PARTS CATALOG (MAINTENANCE)

FIG ITEM	PART NUMBER	1 2 3 4 5 6 7	NOMENCLATURE	EFFECT FROM TO	UNITS PER ASSY
5 125	30-2044-2		.LIGHT ASSY-DOOR GRD ILLUMINATION SLIDE SUPPLIER CODE: V72914 POSITION DATA: AFT SPECIFICATION NUMBER: S283T008-38 ELECTRICAL EQUIP NUMBER: L00060 COMPONENT MAINT MANUAL REF: 33-51-42 OPTIONAL PART: 30-2044-4 V72914 USED ON: 284N1402-24 FOR DETAILS SEE: 33-51-06-51	002004 006009 107107 121503 904949 952999	1
125	30-2044-6		.LIGHT ASSY-DOOR GRD ILLUMINATION SLIDE SUPPLIER CODE: V72914 POSITION DATA: FWD SPECIFICATION NUMBER: S283T008-114 ELECTRICAL EQUIP NUMBER: L00060 COMPONENT MAINT MANUAL REF: 33-51-42 USED ON: 284N1402-34 MODREF10129 MODREF27720 FOR DETAILS SEE: 33-51-06-51	010106 108120 504903 950951	1
- 551	286N3532-031		WIRE BUNDLE ASSY	121503 904949	RF
- 551	286N3532-033		WIRE BUNDLE ASSY	107107	RF
- 552	286N3532-047		WIRE BUNDLE ASSY	002004 006100 952999	RF
- 552	286N3532-057		WIRE BUNDLE ASSY	950951	RF
- 555	286N3532-328		WIRE BUNDLE ASSY	101102	RF
- 556	286N3532-331		WIRE BUNDLE ASSY-	504903	RF
- 556	286N3532-343		WIRE BUNDLE ASSY-	108120	RF

MISSING ITEM NUMBERS NOT APPLICABLE

- ITEM NOT ILLUSTRATED

33-51-06-05

33-51-06
FIG. 05
PAGE 18
JAN 20/09

BRI



757

PARTS CATALOG (MAINTENANCE)

FIG ITEM	PART NUMBER	1 2 3 4 5 6 7	NOMENCLATURE	EFFECT FROM TO	UNITS PER ASSY
5 560	48-7190		.CONNECTOR- SUPPLIER CODE: V02660 ELECTRICAL EQUIP NUMBER: D04470 D04478 WIRING DIAGRAM REF: 335112 335113	002004 006102 107999	2
565	48-7191		.CONNECTOR- SUPPLIER CODE: V02660 ELECTRICAL EQUIP NUMBER: D04472 D04480 WIRING DIAGRAM REF: 335112 335113	002004 006102 107999	2
- 590	286N3534-018		WIRE BUNDLE ASSY	121503 904949	RF
- 591	286N3534-020		WIRE BUNDLE ASSY	107107	RF
- 591	286N3534-034		WIRE BUNDLE ASSY-	002004 006008 010010 952999	RF
- 592	286N3534-053		WIRE BUNDLE ASSY	950951	RF
- 592	286N3534-055		WIRE BUNDLE ASSY	011100	RF
- 592	286N3534-058		WIRE BUNDLE ASSY	009009	RF
- 594	286N3534-323		WIRE BUNDLE ASSY	101102	RF
- 595	286N3534-331		WIRE BUNDLE ASSY	504903	RF
- 596	286N3534-345		WIRE BUNDLE ASSY-	108120	RF
600	48-7190		.CONNECTOR- SUPPLIER CODE: V02660 ELECTRICAL EQUIP NUMBER: D04502 WIRING DIAGRAM REF: 335115	002004 006102 107999	1
605	48-7191		.CONNECTOR- SUPPLIER CODE: V02660 ELECTRICAL EQUIP NUMBER: D04504 WIRING DIAGRAM REF: 335115	002004 006102 107999	1

MISSING ITEM NUMBERS NOT APPLICABLE

- ITEM NOT ILLUSTRATED

33-51-06-05

33-51-06
FIG. 05
PAGE 19
JAN 20/09

BRI



757

PARTS CATALOG (MAINTENANCE)

FIG ITEM	PART NUMBER	1 2 3 4 5 6 7	NOMENCLATURE	EFFECT FROM TO	UNITS PER ASSY
5					
610	48-7190		.CONNECTOR- SUPPLIER CODE: V02660 ELECTRICAL EQUIP NUMBER: D04486 WIRING DIAGRAM REF: 335114	002004 006102 107999	1
615	48-7191		.CONNECTOR- SUPPLIER CODE: V02660 ELECTRICAL EQUIP NUMBER: D04488 WIRING DIAGRAM REF: 335114	002004 006102 107999	1
- 660	286N3632-015		WIRE BUNDLE ASSY	121503 904949	RF
- 660	286N3632-017		WIRE BUNDLE ASSY	107107	RF
- 661	286N3632-030		WIRE BUNDLE ASSY	002004 006100 952952	RF
- 662	286N3632-047		WIRE BUNDLE ASSY	953999	RF
- 662	286N3632-051		WIRE BUNDLE ASSY	950951	RF
- 665	286N3632-319		WIRE BUNDLE ASSY-	101102	RF
- 666	286N3632-329		WIRE BUNDLE ASSY	504903	RF
680	48-7190		.CONNECTOR- SUPPLIER CODE: V02660 ELECTRICAL EQUIP NUMBER: D04474 D04482 WIRING DIAGRAM REF: 335112 335113	002004 006102 107999	2
685	48-7191		.CONNECTOR- SUPPLIER CODE: V02660 ELECTRICAL EQUIP NUMBER: D04476 D04484 WIRING DIAGRAM REF: 335112 335113	002004 006102 107999	2
- 711	286N3634-020		WIRE BUNDLE ASSY	107107	RF
- 711	286N3634-028		WIRE BUNDLE ASSY	121503 904949	RF
- 712	286N3634-044		WIRE BUNDLE ASSY	002004 006008 010010 952999	RF

MISSING ITEM NUMBERS NOT APPLICABLE

- ITEM NOT ILLUSTRATED

33-51-06-05

33-51-06
FIG. 05
PAGE 20
JAN 20/09

BRI



757

PARTS CATALOG (MAINTENANCE)

FIG ITEM	PART NUMBER	1 2 3 4 5 6 7	NOMENCLATURE	EFFECT FROM TO	UNITS PER ASSY
5					
- 712	286N3634-052		WIRE BUNDLE ASSY	950951	RF
- 713	286N3634-060		WIRE BUNDLE ASSY	011100	RF
- 714	286N3634-088		WIRE BUNDLE ASSY	009009	RF
- 716	286N3634-329		WIRE BUNDLE ASSY-	101102	RF
- 717	286N3634-336		WIRE BUNDLE ASSY	504903	RF
- 718	286N3634-353		WIRE BUNDLE ASSY-	108120	RF
730	48-7190		.CONNECTOR-	002004	1
			SUPPLIER CODE:	006102	
			V02660	107999	
			ELECTRICAL EQUIP NUMBER:		
			D04490		
			WIRING DIAGRAM REF:		
			335114		
			335115		
735	48-7191		.CONNECTOR-	002004	1
			SUPPLIER CODE:	006102	
			V02660	107999	
			ELECTRICAL EQUIP NUMBER:		
			D04492		
			WIRING DIAGRAM REF:		
			335114		
740	48-7190		.CONNECTOR-	002004	1
			SUPPLIER CODE:	006102	
			V02660	107999	
			ELECTRICAL EQUIP NUMBER:		
			D04506		
			WIRING DIAGRAM REF:		
			335115		
745	48-7191		.CONNECTOR-	002004	1
			SUPPLIER CODE:	006102	
			V02660	107999	
			ELECTRICAL EQUIP NUMBER:		
			D04508		
			WIRING DIAGRAM REF:		
			335115		
- 875	286N6352-701		WIRE BUNDLE ASSY	103106	RF
880	48-7190		.CONNECTOR-	103106	2
			SUPPLIER CODE:		
			V02660		
			ELECTRICAL EQUIP NUMBER:		
			D04470		
			D04478		
			WIRING DIAGRAM REF:		
			335112		
			335113		

MISSING ITEM NUMBERS NOT APPLICABLE

- ITEM NOT ILLUSTRATED

BRI

33-51-06-05

33-51-06
FIG. 05
PAGE 21
JAN 20/09



757

PARTS CATALOG (MAINTENANCE)

FIG ITEM	PART NUMBER	1 2 3 4 5 6 7	NOMENCLATURE	EFFECT FROM TO	UNITS PER ASSY
5 882	48-7191		.CONNECTOR- SUPPLIER CODE: V02660 ELECTRICAL EQUIP NUMBER: D04472 D04480 WIRING DIAGRAM REF: 335112 335113	103106	2
- 910 912	286N6356-602 48-7190		WIRE BUNDLE ASSY .CONNECTOR- SUPPLIER CODE: V02660 ELECTRICAL EQUIP NUMBER: D04486 D04502 WIRING DIAGRAM REF: 335115	103106 103106	RF 2
914	48-7191		.CONNECTOR- SUPPLIER CODE: V02660 ELECTRICAL EQUIP NUMBER: D04488 D04504 WIRING DIAGRAM REF: 335115	103106	2
- 920 922	286N6452-601 48-7190		WIRE BUNDLE ASSY .CONNECTOR- SUPPLIER CODE: V02660 ELECTRICAL EQUIP NUMBER: D04474 D04482 WIRING DIAGRAM REF: 335112	103106 103106	RF 2
924	48-7191		.CONNECTOR- SUPPLIER CODE: V02660 ELECTRICAL EQUIP NUMBER: D04476 D04484 WIRING DIAGRAM REF: 335112	103106	2
- 940	286N6456-601		WIRE BUNDLE ASSY	103106	RF

MISSING ITEM NUMBERS NOT APPLICABLE

- ITEM NOT ILLUSTRATED

33-51-06-05

33-51-06
FIG. 05
PAGE 22
JAN 20/09

BRI



757

PARTS CATALOG (MAINTENANCE)

FIG ITEM	PART NUMBER	1 2 3 4 5 6 7	NOMENCLATURE	EFFECT FROM TO	UNITS PER ASSY
5 942	48-7190		.CONNECTOR- SUPPLIER CODE: V02660 ELECTRICAL EQUIP NUMBER: D04490 D04506 WIRING DIAGRAM REF: 335114 335115	103106	2
944	48-7191		.CONNECTOR- SUPPLIER CODE: V02660 ELECTRICAL EQUIP NUMBER: D04492 D04508 WIRING DIAGRAM REF: 335114 335115	103106	2

MISSING ITEM NUMBERS NOT APPLICABLE

- ITEM NOT ILLUSTRATED

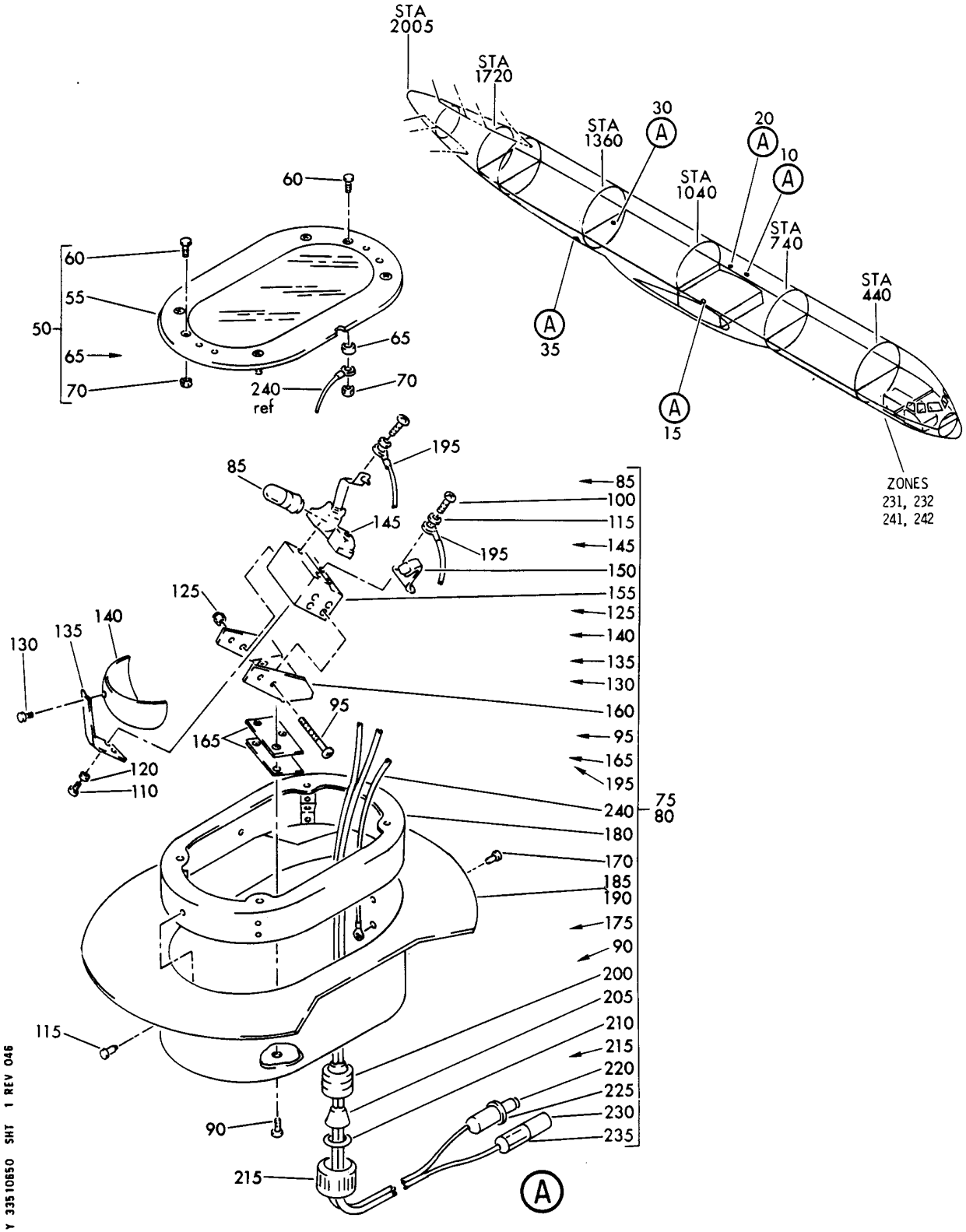
BRI

33-51-06-05

BOEING PROPRIETARY - Copyright © - Unpublished Work - See title page for details.

33-51-06
FIG. 05
PAGE 23
JAN 20/09

BOEING
757
PARTS CATALOG (MAINTENANCE)



LIGHT ASSY-WING ILLUMINATION
FIGURE 50

33-51-06-50



757

PARTS CATALOG (MAINTENANCE)

FIG ITEM	PART NUMBER	1 2 3 4 5 6 7	NOMENCLATURE	EFFECT FROM TO	UNITS PER ASSY
50			LIGHT ASSY-WING ILLUMINATION	103106	
10	81000-17219		LIGHT ASSY-EMER ILLUMINATION SUPPLIER CODE: VS5006 POSITION DATA: L MID WING SPECIFICATION NUMBER: S283N002-23 ELECTRICAL EQUIP NUMBER: L00560 COMPONENT MAINT MANUAL REF: 33-51-01	103106	RF
15	81000-17220		LIGHT ASSY-EMER ILLUMINATION SUPPLIER CODE: VS5006 POSITION DATA: R MID WING SPECIFICATION NUMBER: S283N002-24 ELECTRICAL EQUIP NUMBER: L00561 COMPONENT MAINT MANUAL REF: 33-51-01	103106	RF
20	81000-17209		LIGHT ASSY-EMER ILLUMINATION SUPPLIER CODE: VS5006 POSITION DATA: L AFT WING SPECIFICATION NUMBER: S283N002-13 ELECTRICAL EQUIP NUMBER: L00562 COMPONENT MAINT MANUAL REF: 33-51-01 OPTIONAL PART: 81000-17215 VS5006	103106	RF

MISSING ITEM NUMBERS NOT APPLICABLE

- ITEM NOT ILLUSTRATED

33-51-06-50

33-51-06
FIG. 50
PAGE 1
JAN 20/09

BRI



757

PARTS CATALOG (MAINTENANCE)

FIG ITEM	PART NUMBER	1 2 3 4 5 6 7	NOMENCLATURE	EFFECT FROM TO	UNITS PER ASSY
50 20	81000-17215		LIGHT ASSY-EMER ILLUMINATION SUPPLIER CODE: VS5006 POSITION DATA: R AFT WING SPECIFICATION NUMBER: S283N002-19 ELECTRICAL EQUIP NUMBER: L00562 COMPONENT MAINT MANUAL REF: 33-51-01 OPTIONAL PART: 81000-17209 VS5006	103106	RF
25	81000-17210		LIGHT ASSY-EMER ILLUMINATION SUPPLIER CODE: VS5006 POSITION DATA: R AFT WING SPECIFICATION NUMBER: S283N002-14 ELECTRICAL EQUIP NUMBER: L00563 COMPONENT MAINT MANUAL REF: 33-51-01 OPTIONAL PART: 81000-17216 VS5006	103106	RF
25	81000-17216		LIGHT ASSY-EMER ILLUMINATION SUPPLIER CODE: VS5006 POSITION DATA: R AFT WING SPECIFICATION NUMBER: S283N002-20 ELECTRICAL EQUIP NUMBER: L00563 COMPONENT MAINT MANUAL REF: 33-51-01 OPTIONAL PART: 81000-17210 VS5006	103106	RF

MISSING ITEM NUMBERS NOT APPLICABLE

- ITEM NOT ILLUSTRATED

33-51-06-50

33-51-06
FIG. 50
PAGE 2
JAN 20/09

BRI



757

PARTS CATALOG (MAINTENANCE)

FIG ITEM	PART NUMBER	1 2 3 4 5 6 7	NOMENCLATURE	EFFECT FROM TO	UNITS PER ASSY
50					
30	81000-17211		LIGHT ASSY-SLIDE ILLUMINATION SUPPLIER CODE: VS5006 POSITION DATA: L AFT OFF WING SPECIFICATION NUMBER: S283N002-15 ELECTRICAL EQUIP NUMBER: L00568 COMPONENT MAINT MANUAL REF: 33-51-01 OPTIONAL PART: 81000-17217 VS5006	103106	RF
30	81000-17217		LIGHT ASSY-SLIDE ILLUMINATION SUPPLIER CODE: VS5006 POSITION DATA: L AFT OFF WING SPECIFICATION NUMBER: S283N002-21 ELECTRICAL EQUIP NUMBER: L00568 COMPONENT MAINT MANUAL REF: 33-51-01 OPTIONAL PART: 81000-17211 VS5006	103106	RF
35	81000-17212		LIGHT ASSY-SLIDE ILLUMINATION SUPPLIER CODE: VS5006 POSITION DATA: R AFT OFF WING SPECIFICATION NUMBER: S283N002-16 ELECTRICAL EQUIP NUMBER: L00569 COMPONENT MAINT MANUAL REF: 33-51-01 OPTIONAL PART: 81000-17218 VS5006	103106	RF

MISSING ITEM NUMBERS NOT APPLICABLE

- ITEM NOT ILLUSTRATED

33-51-06-50

33-51-06
FIG. 50
PAGE 3
JAN 20/09

BRI



757

PARTS CATALOG (MAINTENANCE)

FIG ITEM	PART NUMBER	1 2 3 4 5 6 7	NOMENCLATURE	EFFECT FROM TO	UNITS PER ASSY
50					
35	81000-17218		LIGHT ASSY-SLIDE ILLUMINATION SUPPLIER CODE: VS5006 POSITION DATA: R AFT OFF WING SPECIFICATION NUMBER: S283N002-22 ELECTRICAL EQUIP NUMBER: L00569 COMPONENT MAINT MANUAL REF: 33-51-01 OPTIONAL PART: 81000-17212 VS5006	103106	RF
50	81007-17201		.COVER ASSY- SUPPLIER CODE: VS5006	103106	1
55	81011-17201		..LENS ASSY- SUPPLIER CODE: VS5006 ATTACHING PARTS	103106	1
60	MS24693C6		..SCREW	103106	2
65	81108-17301		..SPACER- SUPPLIER CODE: VS5006	103106	1
70	MS21042-04		..NUT	103106	2
75	81008-17209		.HOUSING ASSY- SUPPLIER CODE: VS5006 USED ON: 81000-17209	103106	1
75	81008-17203		.HOUSING ASSY- SUPPLIER CODE: VS5006 USED ON: 81000-17203	103106	1
75	81008-17211		.HOUSING ASSY- SUPPLIER CODE: VS5006 USED ON: 81000-17211	103106	1
75	81008-17213		.HOUSING ASSY- SUPPLIER CODE: VS5006 USED ON: 81000-17213	103106	1

MISSING ITEM NUMBERS NOT APPLICABLE

- ITEM NOT ILLUSTRATED

33-51-06-50

33-51-06
FIG. 50
PAGE 4
JAN 20/09

BRI



757

PARTS CATALOG (MAINTENANCE)

FIG ITEM	PART NUMBER	1 2 3 4 5 6 7	NOMENCLATURE	EFFECT FROM TO	UNITS PER ASSY
50					
75	81008-17219		.HOUSING ASSY- SUPPLIER CODE: VS5006 USED ON: 81000-17219	103106	1
75	81008-17215		.HOUSING ASSY- SUPPLIER CODE: VS5006 USED ON: 81000-17215	103106	1
75	81008-17217		.HOUSING ASSY- SUPPLIER CODE: VS5006 USED ON: 81000-17217	103106	1
80	81008-17210		.HOUSING ASSY- SUPPLIER CODE: VS5006 USED ON: 81000-17210	103106	1
80	81008-17204		.HOUSING ASSY- SUPPLIER CODE: VS5006 USED ON: 81000-17204	103106	1
80	81008-17212		.HOUSING ASSY- SUPPLIER CODE: VS5006 USED ON: 81000-17212	103106	1
80	81008-17214		.HOUSING ASSY- SUPPLIER CODE: VS5006 USED ON: 81000-17214	103106	1
80	81008-17220		.HOUSING ASSY- SUPPLIER CODE: VS5006 USED ON: 81000-17220	103106	1
80	81008-17216		.HOUSING ASSY- SUPPLIER CODE: VS5006 USED ON: 81000-17216	103106	1

MISSING ITEM NUMBERS NOT APPLICABLE

- ITEM NOT ILLUSTRATED

33-51-06-50

33-51-06
FIG. 50
PAGE 5
JAN 20/09

BRI

BOEING PROPRIETARY - Copyright © - Unpublished Work - See title page for details.



757

PARTS CATALOG (MAINTENANCE)

FIG ITEM	PART NUMBER	1 2 3 4 5 6 7	NOMENCLATURE	EFFECT FROM TO	UNITS PER ASSY
50					
80	81008-17218		.HOUSING ASSY- SUPPLIER CODE: VS5006 USED ON: 81000-17218	103106	1
85	767		..LAMP- SUPPLIER CODE: V08806	103106	1
90	MS51957-27		..SCREW- USED ON: 81008-17209 81008-17210 81008-17211 81008-17212 81008-17215 81008-17216 81008-17217 81008-17220	103106	3
90	MS51957-30		..SCREW- USED ON: 81008-17203 81008-17204 81008-17213 81008-17214 81008-17219 81008-17220	103106	3
95	MS51957-38		..SCREW	103106	2
100	MS51957-14		..SCREW	103106	2
105	MS51957-13		..SCREW	103106	2
110	MS51957-13		..SCREW- USED ON: 81008-17203 81008-17204 81008-17211 81008-17212	103106	2
115	MS35338-135		..WASHER	103106	4
120	MS35338-135		..WASHER- USED ON: 81008-17203 81008-17204 81008-17211 81008-17212	103106	2
125	MS21042L06		..NUT	103106	2

MISSING ITEM NUMBERS NOT APPLICABLE

- ITEM NOT ILLUSTRATED

33-51-06-50

33-51-06
FIG. 50
PAGE 6
JAN 20/09

BRI

BOEING PROPRIETARY - Copyright © - Unpublished Work - See title page for details.



757

PARTS CATALOG (MAINTENANCE)

FIG ITEM	PART NUMBER	1 2 3 4 5 6 7	NOMENCLATURE	EFFECT FROM TO	UNITS PER ASSY
50 130	MS20470AD3-3		.. RIVET- USED ON: 81008-17203 81008-17204 81008-17211 81008-17212 81008-17213 81008-17214 81008-17217 81008-17218 81008-17219 81008-17220	103106	1
135	81116-17201		.. BRACKET- SUPPLIER CODE: VS5006 USED ON: 81008-17203 81008-17204 81008-17211 81008-17212 81008-17213 81008-17214 81008-17217 81008-17218 81008-17219 81008-17220	103106	1
140	81115-17201		.. REFLECTOR- SUPPLIER CODE: VS5006 USED ON: 81008-17203 81008-17204 81008-17211 81008-17212 81008-17213 81008-17214 81008-17217 81008-17218 81008-17219 81008-17220	103106	1
145	81005-17201		.. SOCKET ASSY- SUPPLIER CODE: VS5006	103106	1
150	81114-17201		.. CONTACT- SUPPLIER CODE: VS5006	103106	1

MISSING ITEM NUMBERS NOT APPLICABLE

- ITEM NOT ILLUSTRATED

33-51-06-50

33-51-06
FIG. 50
PAGE 7
JAN 20/09

BRI



**757
PARTS CATALOG (MAINTENANCE)**

FIG ITEM	PART NUMBER	1 2 3 4 5 6 7	NOMENCLATURE	EFFECT FROM TO	UNITS PER ASSY
50 155	81117-17201		.. INSULATOR- SUPPLIER CODE: VS5006 USED ON: 81008-17203 81008-17204 81008-17211 81008-17212 81008-17213 81008-17214 81008-17217 81008-17218 81008-17219 81008-17220	103106	1
155	81117-17202		.. INSULATOR- SUPPLIER CODE: VS5006 USED ON: 81008-17209 81008-17210 81008-17215 81008-17216	103106	1
160	81009-17206		.. BRACKET ASSY- SUPPLIER CODE: VS5006 USED ON: 81008-17211 81008-17212 81008-17217 81008-17218	103106	1
160	81009-17202		.. BRACKET ASSY- SUPPLIER CODE: VS5006 USED ON: 81008-17203 81008-17204 81008-17213 81008-17214 81008-17219 81008-17220	103106	1
160	81009-17203		.. BRACKET ASSY- SUPPLIER CODE: VS5006 USED ON: 81008-17209 81008-17210 81008-17215 81008-17216	103106	1

MISSING ITEM NUMBERS NOT APPLICABLE

— ITEM NOT ILLUSTRATED

33-51-06-50

33-51-06
FIG. 50
PAGE 8
JAN 20/09

BRI



757

PARTS CATALOG (MAINTENANCE)

FIG ITEM	PART NUMBER	1 2 3 4 5 6 7	NOMENCLATURE	EFFECT FROM TO	UNITS PER ASSY
50 165	81119-17201		.. SPACER- SUPPLIER CODE: VS5006 USED ON: 81008-17203 81008-17204 81008-17213 81008-17214	103106	1
170	89517-00130		.. RIVET- SUPPLIER CODE: VS5006	103106	1
175	89517-00131		.. RIVET- SUPPLIER CODE: VS5006	103106	4
180	81010-17201		.. PLATE ASSY-MTG SUPPLIER CODE: VS5006	103106	1
185	81107-17209		.. HOUSING- SUPPLIER CODE: VS5006 USED ON: 81008-17209	103106	1
185	81107-17203		.. HOUSING- SUPPLIER CODE: VS5006 USED ON: 81008-17203	103106	1
185	81107-17211		.. HOUSING- SUPPLIER CODE: VS5006 USED ON: 81008-17211	103106	1
185	81107-17213		.. HOUSING- SUPPLIER CODE: VS5006 USED ON: 81008-17213	103106	1
185	81107-17219		.. HOUSING- SUPPLIER CODE: VS5006 USED ON: 81008-17219	103106	1
185	81107-17215		.. HOUSING- SUPPLIER CODE: VS5006 USED ON: 81008-17215	103106	1

MISSING ITEM NUMBERS NOT APPLICABLE

- ITEM NOT ILLUSTRATED

33-51-06-50

33-51-06
FIG. 50
PAGE 9
JAN 20/09

BRI

BOEING PROPRIETARY - Copyright © - Unpublished Work - See title page for details.



757

PARTS CATALOG (MAINTENANCE)

FIG ITEM	PART NUMBER	1 2 3 4 5 6 7	NOMENCLATURE	EFFECT FROM TO	UNITS PER ASSY
50 185	81107-17217		..HOUSING- SUPPLIER CODE: VS5006 USED ON: 81008-17217	103106	1
190	81107-17210		..HOUSING- SUPPLIER CODE: VS5006 USED ON: 81008-17210	103106	1
190	81107-17204		..HOUSING- SUPPLIER CODE: VS5006 USED ON: 81008-17204	103106	1
190	81107-17212		..HOUSING- SUPPLIER CODE: VS5006 USED ON: 81008-17212	103106	1
190	81107-17214		..HOUSING- SUPPLIER CODE: VS5006 USED ON: 81008-17214	103106	1
190	81107-17220		..HOUSING- SUPPLIER CODE: VS5006 USED ON: 81008-17220	103106	1
190	81107-17216		..HOUSING- SUPPLIER CODE: VS5006 USED ON: 81008-17216	103106	1
190	81107-17218		..HOUSING- SUPPLIER CODE: VS5006 USED ON: 81008-17218	103106	1
195	323758		..TERMINAL- SUPPLIER CODE: V00779	103106	2
200	81108-17201		..ADAPTER- SUPPLIER CODE: VS5006	103106	1
205	81109-17201		..BUSHING- SUPPLIER CODE: VS5006	103106	1

MISSING ITEM NUMBERS NOT APPLICABLE

- ITEM NOT ILLUSTRATED

33-51-06-50

33-51-06
FIG. 50
PAGE 10
JAN 20/09

BRI



757

PARTS CATALOG (MAINTENANCE)

FIG ITEM	PART NUMBER	1 2 3 4 5 6 7	NOMENCLATURE	EFFECT FROM TO	UNITS PER ASSY
50					
210	81110-17201		.. WASHER- SUPPLIER CODE: VS5006	103106	1
215	AN3054-3		.. NUT	103106	1
220	MS24254-16P		.. CONTACT	103106	1
225	48-7190		.. CONNECTOR- SUPPLIER CODE: V02660	103106	1
230	MS24255-16S		.. CONTACT	103106	1
235	48-7191		.. CONNECTOR- SUPPLIER CODE: V02660	103106	1
240	81002-17201		.. WIRE ASSY- SUPPLIER CODE: VS5006	103106	1

MISSING ITEM NUMBERS NOT APPLICABLE

- ITEM NOT ILLUSTRATED

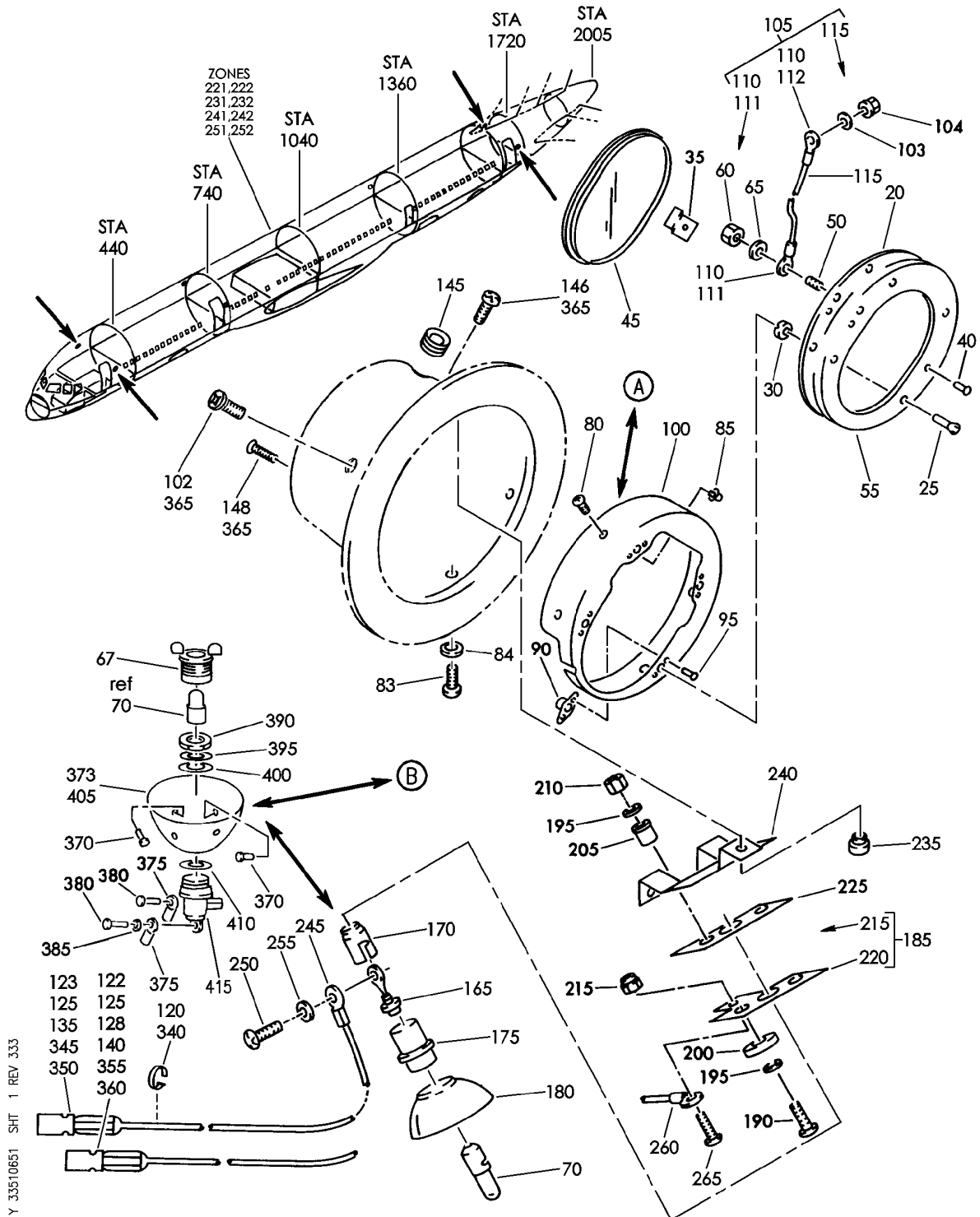
33-51-06-50

33-51-06
FIG. 50
PAGE 11
JAN 20/09

BRI

BOEING PROPRIETARY - Copyright © - Unpublished Work - See title page for details.

BOEING
757
PARTS CATALOG (MAINTENANCE)



Y 33510651 SHT 1 REV 333

LIGHT ASSY-FWD, CTR, AFT AND EMER DOOR GND ILLUM SLIDE
FIGURE 51 (SHEET 1)

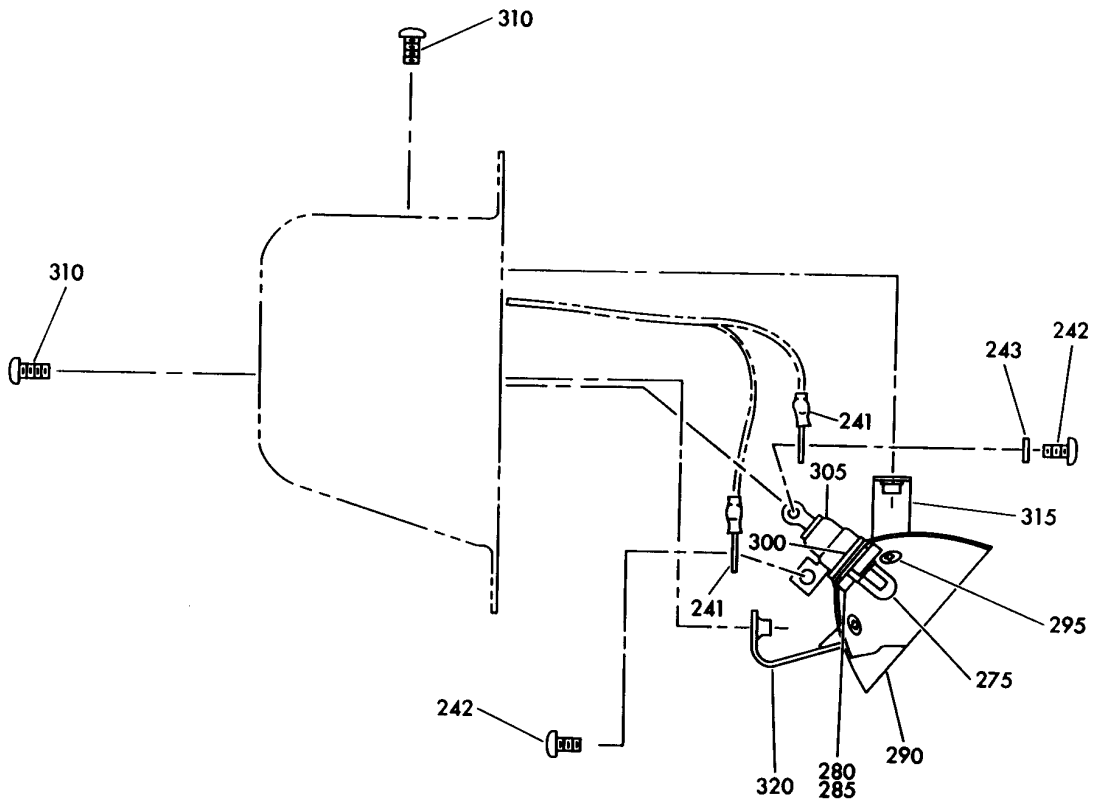
33-51-06-51

BRI
MAY 20/09

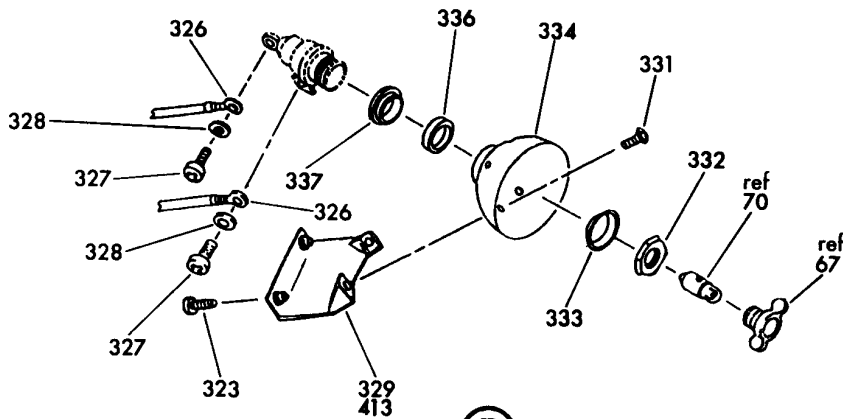
33-51-06-51
PAGE 0

BOEING PROPRIETARY - Copyright © - Unpublished Work - See title page for details.

BOEING
757
PARTS CATALOG (MAINTENANCE)



(A)



(B)

Y 33510651 SHT 2 REV 115

LIGHT ASSY-FWD, CTR, AFT AND EMER DOOR GND ILLUM SLIDE
FIGURE 51 (SHEET 2)

33-51-06-51

BRI
MAY 28/07

33-51-06-51
PAGE 0A



757

PARTS CATALOG (MAINTENANCE)

FIG ITEM	PART NUMBER	1 2 3 4 5 6 7	NOMENCLATURE	EFFECT FROM TO	UNITS PER ASSY
51			LIGHT ASSY-FWD, CTR, AFT AND EMER DOOR GND ILLUM SLIDE	002004 006999	
- 1	30-1669-1		LIGHT ASSY-DOOR GRD ILLUM SLIDE SUPPLIER CODE: V72914 POSITION DATA: FWD SPECIFICATION NUMBER: S283T008-23 COMPONENT MAINT MANUAL REF: 33-51-21 FOR NHA SEE: 33-51-06-05	002004 006999	RF
- 1	30-2041-3		LIGHT ASSY-DOOR GRD ILLUM SLIDE SUPPLIER CODE: V72914 POSITION DATA: FWD SPECIFICATION NUMBER: S283T008-61 COMPONENT MAINT MANUAL REF: 33-51-43 OPTIONAL PART: 30-2041-1 V72914 FOR NHA SEE: 33-51-06-05	002004 006999	RF
- 1	30-2041-1		LIGHT ASSY-DOOR GRD ILLUM SLIDE SUPPLIER CODE: V72914 POSITION DATA: FWD SPECIFICATION NUMBER: S283T008-39 COMPONENT MAINT MANUAL REF: 33-51-43 OPTIONAL PART: 30-2041-3 V72914 FOR NHA SEE: 33-51-06-05	002004 006999	RF

MISSING ITEM NUMBERS NOT APPLICABLE

- ITEM NOT ILLUSTRATED

33-51-06-51

33-51-06
FIG. 51
PAGE 1
SEP 20/08

BRI



757

PARTS CATALOG (MAINTENANCE)

FIG ITEM	PART NUMBER	1 2 3 4 5 6 7	NOMENCLATURE	EFFECT FROM TO	UNITS PER ASSY
51 - 2	30-1669-2		LIGHT ASSY-DOOR GRD ILLUM SLIDE SUPPLIER CODE: V72914 POSITION DATA: FWD SPECIFICATION NUMBER: S283T008-24 COMPONENT MAINT MANUAL REF: 33-51-21 FOR NHA SEE: 33-51-06-05	002004 006999	RF
- 2	30-2041-4		LIGHT ASSY-DOOR GRD ILLUM SLIDE SUPPLIER CODE: V72914 POSITION DATA: FWD SPECIFICATION NUMBER: S283T008-62 COMPONENT MAINT MANUAL REF: 33-51-43 OPTIONAL PART: 30-2041-2 V72914 FOR NHA SEE: 33-51-06-05	002004 006999	RF
- 2	30-2041-2		LIGHT ASSY-DOOR GRD ILLUM SLIDE SUPPLIER CODE: V72914 POSITION DATA: FWD SPECIFICATION NUMBER: S283T008-40 COMPONENT MAINT MANUAL REF: 33-51-43 OPTIONAL PART: 30-2041-4 V72914 FOR NHA SEE: 33-51-06-05	002004 006999	RF

MISSING ITEM NUMBERS NOT APPLICABLE

- ITEM NOT ILLUSTRATED

33-51-06-51

33-51-06
FIG. 51
PAGE 2
SEP 20/08

BRI



757

PARTS CATALOG (MAINTENANCE)

FIG ITEM	PART NUMBER	1 2 3 4 5 6 7	NOMENCLATURE	EFFECT FROM TO	UNITS PER ASSY
51 - 4	30-1670-1		LIGHT ASSY-DOOR GRD ILLUM SLIDE SUPPLIER CODE: V72914 POSITION DATA: CTR SPECIFICATION NUMBER: S283T008-25 COMPONENT MAINT MANUAL REF: 33-51-24 FOR NHA SEE: 33-51-06-05	002004 006999	RF
- 4	30-2042-3		LIGHT ASSY-DOOR GRD ILLUM SLIDE SUPPLIER CODE: V72914 POSITION DATA: CTR SPECIFICATION NUMBER: S283T008-65 COMPONENT MAINT MANUAL REF: 33-51-44 OPTIONAL PART: 30-2042-1 V72914 FOR NHA SEE: 33-51-06-05	002004 006999	RF
- 4	30-2042-1		LIGHT ASSY-DOOR GRD ILLUM SLIDE SUPPLIER CODE: V72914 POSITION DATA: CTR SPECIFICATION NUMBER: S283T008-55 COMPONENT MAINT MANUAL REF: 33-51-44 OPTIONAL PART: 30-2042-3 V72914 FOR NHA SEE: 33-51-06-05	002004 006999	RF

MISSING ITEM NUMBERS NOT APPLICABLE

- ITEM NOT ILLUSTRATED

33-51-06-51

33-51-06
FIG. 51
PAGE 3
SEP 20/08

BRI



757

PARTS CATALOG (MAINTENANCE)

FIG ITEM	PART NUMBER	1 2 3 4 5 6 7	NOMENCLATURE	EFFECT FROM TO	UNITS PER ASSY
51 - 5	30-2042-4		LIGHT ASSY-DOOR GRD ILLUM SLIDE SUPPLIER CODE: V72914 POSITION DATA: CTR SPECIFICATION NUMBER: S283T008-64 COMPONENT MAINT MANUAL REF: 33-51-44 OPTIONAL PART: 30-2042-2 V72914 FOR NHA SEE: 33-51-06-05	002004 006999	RF
- 5	30-1670-2		LIGHT ASSY-DOOR GRD ILLUM SLIDE SUPPLIER CODE: V72914 POSITION DATA: CTR SPECIFICATION NUMBER: S283T008-26 COMPONENT MAINT MANUAL REF: 33-51-24 FOR NHA SEE: 33-51-06-05	002004 006999	RF
- 5	30-2042-2		LIGHT ASSY-DOOR GRD ILLUM SLIDE SUPPLIER CODE: V72914 POSITION DATA: CTR SPECIFICATION NUMBER: S283T008-54 COMPONENT MAINT MANUAL REF: 33-51-44 OPTIONAL PART: 30-2042-4 V72914 FOR NHA SEE: 33-51-06-05	002004 006999	RF

MISSING ITEM NUMBERS NOT APPLICABLE

- ITEM NOT ILLUSTRATED

33-51-06-51

33-51-06
FIG. 51
PAGE 4
SEP 20/08

BRI



757

PARTS CATALOG (MAINTENANCE)

FIG ITEM	PART NUMBER	1 2 3 4 5 6 7	NOMENCLATURE	EFFECT FROM TO	UNITS PER ASSY
51 - 7	30-1671-1		LIGHT ASSY-EMER DOOR GRD ILLUM SLIDE SUPPLIER CODE: V72914 SPECIFICATION NUMBER: S283T008-27 COMPONENT MAINT MANUAL REF: 33-51-23 FOR NHA SEE: 33-51-06-05	002004 006999	RF
- 7	30-2043-3		LIGHT ASSY-EMER DOOR GRD ILLUM SLIDE SUPPLIER CODE: V72914 SPECIFICATION NUMBER: S283T008-67 COMPONENT MAINT MANUAL REF: 33-51-45 OPTIONAL PART: 30-2043-1 V72914 FOR NHA SEE: 33-51-06-05	002004 006999	RF
- 7	30-2043-1		LIGHT ASSY-EMER DOOR GRD ILLUM SLIDE SUPPLIER CODE: V72914 SPECIFICATION NUMBER: S283T008-57 COMPONENT MAINT MANUAL REF: 33-51-45 OPTIONAL PART: 30-2043-3 V72914 FOR NHA SEE: 33-51-06-05	002004 006999	RF
- 8	30-1671-2		LIGHT ASSY-EMER DOOR GRD ILLUM SLIDE SUPPLIER CODE: V72914 SPECIFICATION NUMBER: S283T008-28 COMPONENT MAINT MANUAL REF: 33-51-22 FOR NHA SEE: 33-51-06-05	002004 006999	RF

MISSING ITEM NUMBERS NOT APPLICABLE

- ITEM NOT ILLUSTRATED

33-51-06-51

33-51-06
FIG. 51
PAGE 5
SEP 20/08

BRI



757

PARTS CATALOG (MAINTENANCE)

FIG ITEM	PART NUMBER	1 2 3 4 5 6 7	NOMENCLATURE	EFFECT FROM TO	UNITS PER ASSY
51 - 8	30-2043-4		LIGHT ASSY-EMER DOOR GRD ILLUM SLIDE SUPPLIER CODE: V72914 SPECIFICATION NUMBER: S283T008-66 COMPONENT MAINT MANUAL REF: 33-51-45 OPTIONAL PART: 30-2043-2 V72914 FOR NHA SEE: 33-51-06-05	002004 006999	RF
- 8	30-2043-2		LIGHT ASSY-EMER DOOR GRD ILLUM SLIDE SUPPLIER CODE: V72914 SPECIFICATION NUMBER: S283T008-56 COMPONENT MAINT MANUAL REF: 33-51-45 OPTIONAL PART: 30-2043-4 V72914 FOR NHA SEE: 33-51-06-05	002004 006999	RF
- 10	30-1672-1		LIGHT ASSY-DOOR GRD ILLUM SLIDE SUPPLIER CODE: V72914 POSITION DATA: AFT SPECIFICATION NUMBER: S283T008-29 COMPONENT MAINT MANUAL REF: 33-51-22 FOR NHA SEE: 33-51-06-05	002004 006999	RF

MISSING ITEM NUMBERS NOT APPLICABLE

- ITEM NOT ILLUSTRATED

33-51-06-51

33-51-06
FIG. 51
PAGE 6
SEP 20/08

BRI



757

PARTS CATALOG (MAINTENANCE)

FIG ITEM	PART NUMBER	1 2 3 4 5 6 7	NOMENCLATURE	EFFECT FROM TO	UNITS PER ASSY
51 - 10	30-2044-3		LIGHT ASSY-DOOR GRD ILLUM SLIDE SUPPLIER CODE: V72914 POSITION DATA: AFT SPECIFICATION NUMBER: S283T008-59 COMPONENT MAINT MANUAL REF: 33-51-42 OPTIONAL PART: 30-2044-1 V72914 FOR NHA SEE: 33-51-06-05	002004 006999	RF
- 10	30-2044-1		LIGHT ASSY-DOOR GRD ILLUM SLIDE SUPPLIER CODE: V72914 POSITION DATA: AFT SPECIFICATION NUMBER: S283T008-37 COMPONENT MAINT MANUAL REF: 33-51-42 OPTIONAL PART: 30-2044-3 V72914 FOR NHA SEE: 33-51-06-05	002004 006999	RF
- 10	30-2044-5		LIGHT ASSY-DOOR GRD ILLUM SLIDE SUPPLIER CODE: V72914 POSITION DATA: AFT SPECIFICATION NUMBER: S283T008-115 ELECTRICAL EQUIP NUMBER: L0056 COMPONENT MAINT MANUAL REF: 33-51-42 FOR NHA SEE: 33-51-06-05	010106 108120 504903 950951	RF

MISSING ITEM NUMBERS NOT APPLICABLE

- ITEM NOT ILLUSTRATED

33-51-06-51

33-51-06
FIG. 51
PAGE 7
JAN 20/09

BRI



757

PARTS CATALOG (MAINTENANCE)

FIG ITEM	PART NUMBER	1 2 3 4 5 6 7	NOMENCLATURE	EFFECT FROM TO	UNITS PER ASSY
51 - 11	30-1672-2		LIGHT ASSY-DOOR GRD ILLUM SLIDE SUPPLIER CODE: V72914 POSITION DATA: AFT SPECIFICATION NUMBER: S283T008-30 COMPONENT MAINT MANUAL REF: 33-51-22 FOR NHA SEE: 33-51-06-05	002004 006999	RF
- 11	30-2044-4		LIGHT ASSY-DOOR GRD ILLUM SLIDE SUPPLIER CODE: V72914 POSITION DATA: AFT SPECIFICATION NUMBER: S283T008-60 COMPONENT MAINT MANUAL REF: 33-51-42 OPTIONAL PART: 30-2044-2 V72914 FOR NHA SEE: 33-51-06-05	002004 006999	RF
- 11	30-2044-2		LIGHT ASSY-DOOR GRD ILLUM SLIDE SUPPLIER CODE: V72914 POSITION DATA: AFT SPECIFICATION NUMBER: S283T008-38 COMPONENT MAINT MANUAL REF: 33-51-42 OPTIONAL PART: 30-2044-4 V72914 FOR NHA SEE: 33-51-06-05	002004 006999	RF

MISSING ITEM NUMBERS NOT APPLICABLE

- ITEM NOT ILLUSTRATED

33-51-06-51

33-51-06
FIG. 51
PAGE 8
SEP 20/08

BRI



757

PARTS CATALOG (MAINTENANCE)

FIG ITEM	PART NUMBER	1 2 3 4 5 6 7	NOMENCLATURE	EFFECT FROM TO	UNITS PER ASSY
51					
- 11	30-2044-6		LIGHT ASSY-DOOR GRD ILLUM SLIDE SUPPLIER CODE: V72914 POSITION DATA: AFT SPECIFICATION NUMBER: S283T008-114 ELECTRICAL EQUIP NUMBER: L0060 COMPONENT MAINT MANUAL REF: 33-51-42 FOR NHA SEE: 33-51-06-05	010106 108120 504903 950951	RF
- 15	31-5507-1		.LENS ASSY- SUPPLIER CODE: V72914 USED ON: 30-1669-1 30-2041-1 30-2041-3	002004 006999	1
- 15	31-5507-2		.LENS ASSY- SUPPLIER CODE: V72914 USED ON: 30-1669-2 30-2041-2 30-2041-4	002004 006999	1
- 15	31-5507-3		.LENS ASSY- SUPPLIER CODE: V72914 USED ON: 30-1670-1 30-2042-1 30-2042-3	002004 006999	1
- 15	31-5507-4		.LENS ASSY- SUPPLIER CODE: V72914 USED ON: 30-1670-2 30-2042-2 30-2042-4	002004 006999	1

MISSING ITEM NUMBERS NOT APPLICABLE

- ITEM NOT ILLUSTRATED

33-51-06-51

33-51-06
FIG. 51
PAGE 9
JAN 20/09

BRI



757

PARTS CATALOG (MAINTENANCE)

FIG ITEM	PART NUMBER	1 2 3 4 5 6 7	NOMENCLATURE	EFFECT FROM TO	UNITS PER ASSY
51					
- 15	31-5507-5		.LENS ASSY- SUPPLIER CODE: V72914 USED ON: 30-1671-1 30-2043-1 30-2043-3 30-2044-1 30-2044-3	002004 006999	1
- 15	31-5507-6		.LENS ASSY- SUPPLIER CODE: V72914 USED ON: 30-1671-2 30-2043-2 30-2043-4 30-2044-2 30-2044-4	002004 006999	1
- 15	31-5507-7		.LENS ASSY- SUPPLIER CODE: V72914 USED ON: 30-1672-1 30-2040-1	002004 006999	1
- 15	31-5507-8		.LENS ASSY- SUPPLIER CODE: V72914 USED ON: 30-1672-2 30-2040-2	002004 006999	1
- 15	31-5507-13		.LENS ASSY- SUPPLIER CODE: V72914 USED ON: 30-2044-5	010106 108120 504903 950951	1
- 16	31-5507-14		.LENS ASSY- SUPPLIER CODE: V72914 USED ON: 30-2044-6	010106 108120 504903 950951	1
- 17	MS27183-5		ATTACHING PARTS .WASHER	010106 108120 504903 950951	1

MISSING ITEM NUMBERS NOT APPLICABLE

- ITEM NOT ILLUSTRATED

33-51-06-51

33-51-06
FIG. 51
PAGE 10
JAN 20/09

BRI

BOEING
757
PARTS CATALOG (MAINTENANCE)

FIG ITEM	PART NUMBER	1 2 3 4 5 6 7	NOMENCLATURE	EFFECT FROM TO	UNITS PER ASSY
51 - 18	MS21042-06	.	NUT	010106 108120 504903 950951	1
20	31-5231-3	-----*----- ..	GASKET- SUPPLIER CODE: V72914 USED ON: 31-5507-1 31-5507-2 31-5507-3 31-5507-4 31-5507-7 31-5507-8	002004 006999	1
20	31-5231-3	..	GASKET- SUPPLIER CODE: V72914 USED ON: 31-5507-5 31-5507-6 31-5507-13 31-5507-14	002004 006999	1
25	60-3500-9	..	SCREW-MACHINE SUPPLIER CODE: V72914 USED ON: 31-5507-1 31-5507-2 31-5507-3 31-5507-4 31-5507-7 31-5507-8	002004 006999	4
25	60-3500-9	..	SCREW-MACHINE SUPPLIER CODE: V72914 CONFIG CHG DATA FROM A CMM: SUPSD BY 60-3500-3 USED ON: 31-5507-5 31-5507-6 31-5507-13 31-5507-14	002004 006009 107107 121503 904949 952999	4

MISSING ITEM NUMBERS NOT APPLICABLE

- ITEM NOT ILLUSTRATED

BRI

33-51-06-51

BOEING PROPRIETARY - Copyright © - Unpublished Work - See title page for details.

33-51-06
FIG. 51
PAGE 11
JAN 20/09



757

PARTS CATALOG (MAINTENANCE)

FIG ITEM	PART NUMBER	1 2 3 4 5 6 7	NOMENCLATURE	EFFECT FROM TO	UNITS PER ASSY
51 25	60-3500-3		.. SCREW-MACHINE SUPPLIER CODE: V72914 CONFIG CHG DATA FROM A CMM: SUPERSEDES 60-3500-9 USED ON: 31-5507-5 31-5507-6 31-5507-13 31-5507-14	002004 006009 107107 121503 904949 952999	4
30	31-5500-1		.. SPACER- SUPPLIER CODE: V72914 USED ON: 31-5507-1 31-5507-2 31-5507-3 31-5507-4 31-5507-7 31-5507-8	002004 006999	4
30	31-5500-1		.. SPACER- SUPPLIER CODE: V72914 USED ON: 31-5507-5 31-5507-6 31-5507-13	002004 006999	4
35	60-1255-5		.. CLIP- SUPPLIER CODE: V72914 USED ON: 31-5507-1 31-5507-2 31-5507-3 31-5507-4 31-5507-7 31-5507-8	002004 006999	2
35	60-1255-5		.. CLIP- SUPPLIER CODE: V72914 USED ON: 31-5507-5 31-5507-6 31-5507-13	002004 006999	2
40	MS20426A3-5		ATTACHING PARTS .. RIVET	002004 006999	2

MISSING ITEM NUMBERS NOT APPLICABLE

- ITEM NOT ILLUSTRATED

33-51-06-51

33-51-06
FIG. 51
PAGE 12
JAN 20/09

BRI

 **BOEING**
757
PARTS CATALOG (MAINTENANCE)

FIG ITEM	PART NUMBER	1 2 3 4 5 6 7	NOMENCLATURE	EFFECT FROM TO	UNITS PER ASSY
51					
40	MS20426A3-5	..	RIVET	002004 006999	2
			-----*-----		
45	25-1126-23	..	LENS- SUPPLIER CODE: V72914 USED ON: 31-5507-1 31-5507-2 31-5507-3 31-5507-4 31-5507-7 31-5507-8	002004 006999	1
45	25-1126-23	..	LENS- SUPPLIER CODE: V72914 USED ON: 31-5507-5 31-5507-6 31-5507-13	002004 006999	1
50	FH632-8C	..	STUD- SUPPLIER CODE: V46384 USED ON: 31-5507-1 31-5507-2 31-5507-3 31-5507-4 31-5507-7 31-5507-8	002004 006999	1
50	FH632-8C	..	STUD- SUPPLIER CODE: V46384 USED ON: 31-5507-5 31-5507-6 31-5507-13	002004 006999	1
55	31-5503-1	..	RETAINER- SUPPLIER CODE: V72914 USED ON: 31-5507-1	002004 006999	1
55	31-5503-2	..	RETAINER- SUPPLIER CODE: V72914 USED ON: 31-5507-2	002004 006999	1

MISSING ITEM NUMBERS NOT APPLICABLE

— ITEM NOT ILLUSTRATED

BRI

33-51-06-51

BOEING PROPRIETARY - Copyright © - Unpublished Work - See title page for details.

33-51-06
FIG. 51
PAGE 13
JAN 20/09



757

PARTS CATALOG (MAINTENANCE)

FIG ITEM	PART NUMBER	1 2 3 4 5 6 7	NOMENCLATURE	EFFECT FROM TO	UNITS PER ASSY
51					
55	31-5503-3		..RETAINER- SUPPLIER CODE: V72914 USED ON: 31-5507-3	002004 006999	1
55	31-5503-4		..RETAINER- SUPPLIER CODE: V72914 USED ON: 31-5507-4	002004 006999	1
55	31-5503-5		..RETAINER- SUPPLIER CODE: V72914 USED ON: 31-5507-5	002004 006999	1
55	31-5503-6		..RETAINER- SUPPLIER CODE: V72914 USED ON: 31-5507-6	002004 006999	1
55	31-5503-7		..RETAINER- SUPPLIER CODE: V72914 USED ON: 31-5507-7	002004 006009 107107 121503 904949 952999	1
55	31-5503-8		..RETAINER- SUPPLIER CODE: V72914 USED ON: 31-5507-8	002004 006009 107107 121503 904949 952999	1
55	31-5503-21		..RETAINER- SUPPLIER CODE: V72914 USED ON: 31-5507-7	010106 108120 504903 950951	1
55	31-5503-22		..RETAINER- SUPPLIER CODE: V72914 USED ON: 31-5507-8	010106 108120 504903 950951	1
60	MS21042-06		.NUT-	002004 006999	1
65	MS27183-5		.WASHER-	002004 006999	1

MISSING ITEM NUMBERS NOT APPLICABLE

- ITEM NOT ILLUSTRATED

33-51-06-51

33-51-06
FIG. 51
PAGE 14
JAN 20/09

BRI



757

PARTS CATALOG (MAINTENANCE)

FIG ITEM	PART NUMBER	1 2 3 4 5 6 7	NOMENCLATURE	EFFECT FROM TO	UNITS PER ASSY
51 67	31-6648-1		. LAMPHOLDER- SUPPLIER CODE: V72914 USED ON: 30-2044-3 30-2044-4 30-2044-5 30-2041-3 30-2041-4 30-2042-1 30-2042-2 30-2042-3 30-2042-4 30-2043-1 30-2043-2 30-2043-3 30-2043-4 USED ON: 30-2044-1 30-2044-2 30-2041-1 30-2041-2	002004 006999	2
70	767		. LAMP-6VDC 2AMP SUPPLIER CODE: V08806 USED ON: 30-1669-1 30-1669-2 30-1670-1 30-1670-2 30-2042-1 30-2042-2 30-2042-3 30-2042-4 USED ON: 30-2041-1 30-2041-2 30-2041-3 30-2041-4	002004 006999	1

MISSING ITEM NUMBERS NOT APPLICABLE

- ITEM NOT ILLUSTRATED

BRI

33-51-06-51

BOEING PROPRIETARY - Copyright © - Unpublished Work - See title page for details.

33-51-06
FIG. 51
PAGE 15
SEP 20/08



757

PARTS CATALOG (MAINTENANCE)

FIG ITEM	PART NUMBER	1 2 3 4 5 6 7	NOMENCLATURE	EFFECT FROM TO	UNITS PER ASSY
51					
70	767		.LAMP-6VDC 2AMP SUPPLIER CODE: V08806 USED ON: 30-1671-1 30-1671-2 30-2043-1 30-2043-2 30-2043-3 30-2043-4 30-2044-1 30-2044-2 30-2044-3 30-2044-4 30-2044-5	002004 006999	1
70	767		.LAMP-6VDC 2AMP SUPPLIER CODE: V08806 USED ON: 30-1672-1 30-1672-2	002004 006999	1
- 71	31-5508-1		.LIGHT SUBASSEMBLY- SUPPLIER CODE: V72914 USED ON: 30-1669-1	002004 006999	1
- 71	31-6699-7		.LIGHT SUBASSEMBLY- SUPPLIER CODE: V72914 USED ON: 30-2041-1	002004 006999	1
- 71	31-6699-21		.LIGHT SUBASSEMBLY- SUPPLIER CODE: V72914 USED ON: 30-2041-3	002004 006999	1
- 72	31-5508-2		.LIGHT SUBASSEMBLY- SUPPLIER CODE: V72914 USED ON: 30-1669-2	002004 006999	1
- 72	31-6699-8		.LIGHT SUBASSEMBLY- SUPPLIER CODE: V72914 USED ON: 30-2041-2	002004 006999	1

MISSING ITEM NUMBERS NOT APPLICABLE

- ITEM NOT ILLUSTRATED

33-51-06-51

33-51-06
FIG. 51
PAGE 16
SEP 20/08

BRI



757

PARTS CATALOG (MAINTENANCE)

FIG ITEM	PART NUMBER	1 2 3 4 5 6 7	NOMENCLATURE	EFFECT FROM TO	UNITS PER ASSY
51					
- 72	31-6699-22		.LIGHT SUBASSEMBLY- SUPPLIER CODE: V72914 USED ON: 30-2041-4	002004 006999	1
- 73	31-5508-3		.LIGHT SUBASSEMBLY- SUPPLIER CODE: V72914 USED ON: 30-1670-1	002004 006999	1
- 73	31-6699-5		.LIGHT SUBASSEMBLY- SUPPLIER CODE: V72914 USED ON: 30-2042-1	002004 006999	1
- 73	31-6699-19		.LIGHT SUBASSEMBLY- SUPPLIER CODE: V72914 USED ON: 30-2042-3	002004 006999	1
- 74	31-5508-4		.LIGHT SUBASSEMBLY- SUPPLIER CODE: V72914 USED ON: 30-1670-2	002004 006999	1
- 74	31-6699-6		.LIGHT SUBASSEMBLY- SUPPLIER CODE: V72914 USED ON: 30-2042-2	002004 006999	1
- 74	31-6699-20		.LIGHT SUBASSEMBLY- SUPPLIER CODE: V72914 USED ON: 30-2042-4	002004 006999	1
- 75	31-5508-5		.LIGHT SUBASSEMBLY- SUPPLIER CODE: V72914 USED ON: 30-1671-1	002004 006100 107107 121503 904999	1
- 75	31-6699-1		.LIGHT SUBASSEMBLY- SUPPLIER CODE: V72914 USED ON: 30-2044-1	002004 006999	1

MISSING ITEM NUMBERS NOT APPLICABLE

- ITEM NOT ILLUSTRATED

33-51-06-51

33-51-06
FIG. 51
PAGE 17
JAN 20/09

BRI



757

PARTS CATALOG (MAINTENANCE)

FIG ITEM	PART NUMBER	1 2 3 4 5 6 7	NOMENCLATURE	EFFECT FROM TO	UNITS PER ASSY
51					
- 75	31-6699-15		.LIGHT SUBASSEMBLY- SUPPLIER CODE: V72914 USED ON: 30-2044-3	002004 006999	1
- 75	31-6699-3		.LIGHT SUBASSEMBLY- SUPPLIER CODE: V72914 USED ON: 30-2043-1	002004 006100 107107 121503 904999	1
- 75	31-6699-17		.LIGHT SUBASSEMBLY- SUPPLIER CODE: V72914 USED ON: 30-2043-3	002004 006100 107107 121503 904999	1
- 76	31-5508-6		.LIGHT SUBASSEMBLY- SUPPLIER CODE: V72914 USED ON: 30-1671-2	002004 006100 107107 121503 904999	1
- 76	31-6699-2		.LIGHT SUBASSEMBLY- SUPPLIER CODE: V72914 USED ON: 30-2044-2	002004 006999	1
- 76	31-6699-16		.LIGHT SUBASSEMBLY- SUPPLIER CODE: V72914 USED ON: 30-2044-4	002004 006100 107107 121503 904999	1
- 76	31-6699-4		.LIGHT SUBASSEMBLY- SUPPLIER CODE: V72914 USED ON: 30-2043-2	002004 006100 107107 121503 904999	1
- 76	31-6699-18		.LIGHT SUBASSEMBLY- SUPPLIER CODE: V72914 USED ON: 30-2043-4	002004 006100 107107 121503 904999	1
- 77	31-5508-7		.LIGHT SUBASSEMBLY- SUPPLIER CODE: V72914 USED ON: 30-1672-1 30-2040-1	002004 006999	1

MISSING ITEM NUMBERS NOT APPLICABLE

- ITEM NOT ILLUSTRATED

33-51-06-51

33-51-06
FIG. 51
PAGE 18
JAN 20/09

BRI



757

PARTS CATALOG (MAINTENANCE)

FIG ITEM	PART NUMBER	1 2 3 4 5 6 7	NOMENCLATURE	EFFECT FROM TO	UNITS PER ASSY
51					
- 79	31-5508-8		.LIGHT SUBASSEMBLY- SUPPLIER CODE: V72914 USED ON: 30-1672-2 30-2040-2	002004 006999	1
80	MS35206-214		..SCREW-	002004 006999	4
80	MS35206-214		..SCREW	002004 006999	4
83	MS35206-241		..SCREW- USED ON: 31-6699-1 31-6699-2 31-6699-3 31-6699-4 31-6699-5 31-6699-6 31-6699-7 31-6699-8 31-6699-15 31-6699-16 31-6699-17 31-6699-18 31-6699-19 31-6699-20 31-6699-21 31-6699-22	002004 006999	1
84	MS35338-42		..WASHER- USED ON: 31-6699-1 31-6699-2 31-6699-3 31-6699-4 31-6699-5 31-6699-6 31-6699-7 31-6699-8 31-6699-15 31-6699-16 31-6699-17 31-6699-18 31-6699-19 31-6699-20 31-6699-21 31-6699-22	002004 006999	1

MISSING ITEM NUMBERS NOT APPLICABLE

- ITEM NOT ILLUSTRATED

33-51-06-51

33-51-06
FIG. 51
PAGE 19
SEP 20/08

BRI



757

PARTS CATALOG (MAINTENANCE)

FIG ITEM	PART NUMBER	1 2 3 4 5 6 7	NOMENCLATURE	EFFECT FROM TO	UNITS PER ASSY
51					
85	F22LHCFM40	..	NUT-CLINCH SUPPLIER CODE: V72962 USED ON: 31-5508-1 31-5508-2	002004 006999	4
85	F22LHCFM1-40	..	NUT-CLINCH SUPPLIER CODE: V72962 USED ON: 31-5508-3 31-5508-4 31-5508-7 31-5508-8	002004 006999	4
85	F22LHCFM1-40	..	NUT-CLINCH SUPPLIER CODE: V72962 USED ON: 31-5508-5 31-5508-6 31-6699-1 31-6699-2 31-6699-3 31-6699-4 31-6699-15 31-6699-16 31-6699-17 31-6699-18	002004 006999	4
90	MK1300-06	..	NUT-ANCHOR SUPPLIER CODE: V15653	002004 006999	4
90	MK1300-06	..	NUT-ANCHOR SUPPLIER CODE: V15653	002004 006999	4
95	MS20426A2-3	..	ATTACHING PARTS RIVET-	002004 006999	8
95	MS20426A2-3	..	RIVET	002004 006999	8
100	31-5505-9	..	-----*----- SUPPORT- SUPPLIER CODE: V72914 USED ON: 31-5508-1	002004 006999	1

MISSING ITEM NUMBERS NOT APPLICABLE

- ITEM NOT ILLUSTRATED

33-51-06-51

33-51-06
FIG. 51
PAGE 20
SEP 20/08

BRI



757

PARTS CATALOG (MAINTENANCE)

FIG ITEM	PART NUMBER	1 2 3 4 5 6 7	NOMENCLATURE	EFFECT FROM TO	UNITS PER ASSY
51 100	31-5505-10		.. SUPPORT- SUPPLIER CODE: V72914 USED ON: 31-5508-2	002004 006999	1
100	31-5505-11		.. SUPPORT- SUPPLIER CODE: V72914 USED ON: 31-5508-3 31-6699-5 31-6699-7 31-6699-19 31-6699-21	002004 006999	1
100	31-5505-12		.. SUPPORT- SUPPLIER CODE: V72914 USED ON: 31-5508-4 31-6699-6 31-6699-8 31-6699-20 31-6699-22	002004 006999	1
100	31-5505-13		.. SUPPORT- SUPPLIER CODE: V72914 USED ON: 31-5508-5 31-6699-1 31-6699-3 31-6699-15 31-6699-17	002004 006999	1
100	31-5505-14		.. SUPPORT- SUPPLIER CODE: V72914 USED ON: 31-5508-6 31-6699-2 31-6699-4 31-6699-16 31-6699-18	002004 006999	1
100	31-5505-15		.. SUPPORT- SUPPLIER CODE: V72914 USED ON: 31-5508-7	002004 006999	1

MISSING ITEM NUMBERS NOT APPLICABLE

- ITEM NOT ILLUSTRATED

33-51-06-51

33-51-06
FIG. 51
PAGE 21
SEP 20/08

BRI



757

PARTS CATALOG (MAINTENANCE)

FIG ITEM	PART NUMBER	1 2 3 4 5 6 7	NOMENCLATURE	EFFECT FROM TO	UNITS PER ASSY
51					
100	31-5505-16	..	SUPPORT- SUPPLIER CODE: V72914 USED ON: 31-5508-8	002004 006999	1
102	MS35206-227	..	SCREW-	002004 006999	1
102	MS35206-227	..	SCREW	002004 006999	1
103	MS27183-5	..	WASHER-	002004 006999	1
103	MS27183-5	..	WASHER	002004 006999	1
104	MS21042-06	..	NUT-	002004 006999	1
104	MS21042-06	..	NUT	002004 006999	1
105	31-5206-7	..	LANYARD ASSY- SUPPLIER CODE: V72914	002004 006999	1
105	31-5206-7	..	LANYARD ASSY- SUPPLIER CODE: V72914	002004 006999	1
110	36151	...	LUG- SUPPLIER CODE: V00779	002004 006999	2
110	36151	...	LUG- SUPPLIER CODE: V00779	002004 006999	2
111	MS25036-103	...	TERMINAL	002004 006999	1
111	MS25036-103	...	TERMINAL	002004 006100 107107 121503 904999	1
112	MS25036-149	...	TERMINAL	002004 006999	1
112	MS25036-149	...	TERMINAL	002004 006100 107107 121503 904999	1
115	60-3513-1	...	ROPE-WIRE SUPPLIER CODE: V72914	002004 006999	1
115	60-3513-3	...	ROPE-WIRE SUPPLIER CODE: V72914	002004 006999	1

MISSING ITEM NUMBERS NOT APPLICABLE

- ITEM NOT ILLUSTRATED

33-51-06-51

33-51-06
FIG. 51
PAGE 22
JAN 20/09

BRI



757

PARTS CATALOG (MAINTENANCE)

FIG ITEM	PART NUMBER	1 2 3 4 5 6 7	NOMENCLATURE	EFFECT FROM TO	UNITS PER ASSY
51 115	60-3513-3		... ROPE-WIRE SUPPLIER CODE: V72914	002004 006100 107107 121503 904999	1
120	MS3367-1-9		.. STRAP- USED ON: 31-5508-1 31-5508-2 31-5508-3 31-5508-4 31-5508-7 31-5508-8 31-6699-5 31-6699-6 31-6699-7 31-6699-8 31-6699-19 31-6699-20 31-6699-21 31-6699-22	002004 006999	2
120	MS3367-1-9		.. STRAP- USED ON: 31-5508-5 31-5508-6	002004 006100 107107 121503 904999	2
125	48-7191		.. CONNECTOR- SUPPLIER CODE: V02660 USED ON: 31-5508-1 31-5508-2	002004 006999	2
125	YHMM18-2		.. CONNECTOR- SUPPLIER CODE: V09922 USED ON: 31-5508-3 31-5508-4	002004 006999	2
125	YHMM18-2		.. CONNECTOR- SUPPLIER CODE: V09922 USED ON: 31-5508-5 31-5508-6	002004 006100 107107 121503 904999	2

MISSING ITEM NUMBERS NOT APPLICABLE

- ITEM NOT ILLUSTRATED

33-51-06-51

33-51-06
FIG. 51
PAGE 23
JAN 20/09

BRI

BOEING PROPRIETARY - Copyright © - Unpublished Work - See title page for details.



757

PARTS CATALOG (MAINTENANCE)

FIG ITEM	PART NUMBER	1 2 3 4 5 6 7	NOMENCLATURE	EFFECT FROM TO	UNITS PER ASSY
51 125	48-7191		.. CONNECTOR- SUPPLIER CODE: V02660 USED ON: 31-5508-7 31-5508-8	002004 006999	2
128	48-7191		.. CONNECTOR- SUPPLIER CODE: V02660 USED ON: 31-6699-5 31-6699-6	002004 006999	1
- 130	48-7190		.. CONNECTOR- SUPPLIER CODE: V02660 USED ON: 31-5508-1 31-5508-2 31-5508-7 31-5508-8 31-6699-5 31-6699-6 31-6699-7 31-6699-8 31-6699-19 31-6699-20 31-6699-21 31-6699-22	002004 006999	1
135	48-1825-02		.. PIN- SUPPLIER CODE: V02660 USED ON: 31-5508-1 31-5508-2	002004 006999	1
135	CLRM16M15F74		.. PIN- SUPPLIER CODE: V09922 USED ON: 31-5508-3 31-5508-4	002004 006999	1
135	CLRM16M15F74		.. PIN- SUPPLIER CODE: V09922 USED ON: 31-5508-5 31-5508-6	002004 006100 107107 121503 904999	1

MISSING ITEM NUMBERS NOT APPLICABLE

- ITEM NOT ILLUSTRATED

33-51-06-51

33-51-06
FIG. 51
PAGE 24
JAN 20/09

BRI



757

PARTS CATALOG (MAINTENANCE)

FIG ITEM	PART NUMBER	1 2 3 4 5 6 7	NOMENCLATURE	EFFECT FROM TO	UNITS PER ASSY
51 135	48-1825-02	..	PIN- SUPPLIER CODE: V02660 USED ON: 31-5508-7 31-5508-8	002004 006999	1
135	48-1825-02	..	PIN- SUPPLIER CODE: V02660 USED ON: 31-6699-5 31-6699-6	002004 006999	1
140	BCREF2351	..	SOCKET- SUPPLIER CODE: V02660 OVERLENGTH PART NUMBER: 248-136-16005-02 USED ON: 31-5508-1 31-5508-2	002004 006999	1
140	CLRC16M15F74	..	SOCKET- SUPPLIER CODE: V09922 USED ON: 31-5508-3 31-5508-4	002004 006999	1
140	CLRC16M15F74	..	SOCKET- SUPPLIER CODE: V09922 USED ON: 31-5508-5 31-5508-6	002004 006100 107107 121503 904999	1
140	BCREF2351	..	SOCKET- SUPPLIER CODE: V02660 OVERLENGTH PART NUMBER: 248-136-16005-02 USED ON: 31-5508-7 31-5508-8	002004 006999	1

MISSING ITEM NUMBERS NOT APPLICABLE

- ITEM NOT ILLUSTRATED

33-51-06-51

33-51-06
FIG. 51
PAGE 25
JAN 20/09

BRI



757

PARTS CATALOG (MAINTENANCE)

FIG ITEM	PART NUMBER	1 2 3 4 5 6 7	NOMENCLATURE	EFFECT FROM TO	UNITS PER ASSY
51 140	248-136-1600S02		.. SOCKET- SUPPLIER CODE: V02660 USED ON: 31-6699-5 31-6699-6 31-6699-7 31-6699-8 31-6699-19 31-6699-20 31-6699-21 31-6699-22	002004 006999	1
145	SR3P4		.. STRAIN RELIEF- SUPPLIER CODE: V28520 USED ON: 31-5508-1 31-5508-2 31-5508-3 31-5508-4 31-6699-5 31-6699-6 31-6699-7 31-6699-8 31-6699-19 31-6699-20 31-6699-21 31-6699-22	002004 006999	1
145	SR3P4		.. STRAIN RELIEF- SUPPLIER CODE: V28520 USED ON: 31-5508-5 31-5508-6 31-6699-1 31-6699-2 31-6699-3 31-6699-4 31-6699-15 31-6699-16 31-6699-17 31-6699-18	002004 006999	1
145	SR3P4		.. STRAIN RELIEF- SUPPLIER CODE: V28520 USED ON: 31-5508-7 31-5508-8	002004 006999	1

MISSING ITEM NUMBERS NOT APPLICABLE

- ITEM NOT ILLUSTRATED

33-51-06-51

33-51-06
FIG. 51
PAGE 26
JAN 20/09

BRI

 **BOEING**
757
PARTS CATALOG (MAINTENANCE)

FIG ITEM	PART NUMBER	1 2 3 4 5 6 7	NOMENCLATURE	EFFECT FROM TO	UNITS PER ASSY
51 146	MS35206-227	..	SCREW- USED ON: 31-5508-1 31-5508-2	002004 006999	1
146	MS35206-227	..	SCREW- USED ON: 31-5508-3 31-5508-4 31-5508-7 31-5508-8	002004 006999	1
146	MS35206-227	..	SCREW- USED ON: 31-5508-5 31-5508-6	002004 006100 107107 121503 904999	1
148	MS24693S25	..	SCREW- USED ON: 31-5508-1 31-5508-2	002004 006999	1
148	MS24693S25	..	SCREW- USED ON: 31-5508-3 31-5508-4 31-5508-7 31-5508-8	002004 006999	1
148	MS24693S25	..	SCREW- USED ON: 31-5508-5 31-5508-6	002004 006100 107107 121503 904999	1
- 150	31-5506-1	..	REFLECTOR ASSY- SUPPLIER CODE: V72914 USED ON: 31-5508-1 31-5508-2	002004 006999	1
- 150	31-5506-3	..	REFLECTOR ASSY- SUPPLIER CODE: V72914 USED ON: 31-5508-3 31-5508-4	002004 006999	1
- 150	31-5506-5	..	REFLECTOR ASSY- SUPPLIER CODE: V72914 USED ON: 31-5508-5 31-5508-6	002004 006100 107107 121503 904999	1

MISSING ITEM NUMBERS NOT APPLICABLE

- ITEM NOT ILLUSTRATED

BRI

33-51-06-51

BOEING PROPRIETARY - Copyright © - Unpublished Work - See title page for details.

33-51-06
FIG. 51
PAGE 27
JAN 20/09



757

PARTS CATALOG (MAINTENANCE)

FIG ITEM	PART NUMBER	1 2 3 4 5 6 7	NOMENCLATURE	EFFECT FROM TO	UNITS PER ASSY
51					
- 150	31-5506-7		.. REFLECTOR ASSY- SUPPLIER CODE: V72914 USED ON: 31-5508-7 31-5508-8	002004 006999	1
- 160	31-4964-5		... LAMPHOLDER ASSY- SUPPLIER CODE: V72914 USED ON: 31-5506-1	002004 006999	1
- 160	31-4964-1		... LAMPHOLDER ASSY- SUPPLIER CODE: V72914 USED ON: 31-5506-3 31-5506-7	002004 006999	1
- 160	31-4964-1		... LAMPHOLDER ASSY- SUPPLIER CODE: V72914 USED ON: 31-5506-5	002004 006100 107107 121503 904999	1
165	A5384-10	 TERMINAL ASSY- SUPPLIER CODE: V72914 USED ON: 31-4964-5	002004 006999	1
165	A5384-8	 TERMINAL ASSY- SUPPLIER CODE: V72914 USED ON: 31-4964-1	002004 006999	1
165	A5384-8	 TERMINAL ASSY- SUPPLIER CODE: V72914 USED ON: 31-4964-1	002004 006100 107107 121503 904999	1
170	31-5236-7	 LAMPHOLDER- SUPPLIER CODE: V72914 USED ON: 31-4964-5	002004 006999	1
170	31-5236-3	 LAMPHOLDER- SUPPLIER CODE: V72914 USED ON: 31-4964-1	002004 006999	1

MISSING ITEM NUMBERS NOT APPLICABLE

- ITEM NOT ILLUSTRATED

33-51-06-51

33-51-06
FIG. 51
PAGE 28
JAN 20/09

BRI



757

PARTS CATALOG (MAINTENANCE)

FIG ITEM	PART NUMBER	1 2 3 4 5 6 7	NOMENCLATURE	EFFECT FROM TO	UNITS PER ASSY
51 170	31-5236-3	LAMPHOLDER- SUPPLIER CODE: V72914 USED ON: 31-4964-1	002004 006100 107107 121503 904999	1
175	60-3785-1	...	FERRULE- SUPPLIER CODE: V72914 USED ON: 31-5506-1	002004 006999	1
175	11-0216-21	...	FERRULE- SUPPLIER CODE: V72914 USED ON: 31-5506-3 31-5506-7	002004 006999	1
175	11-0216-21	...	FERRULE- SUPPLIER CODE: V72914 USED ON: 31-5506-5	002004 006100 107107 121503 904999	1
180	31-5502-1	...	REFLECTOR- SUPPLIER CODE: V72914 USED ON: 31-5506-1 31-5506-3 31-5506-7	002004 006999	1
180	31-5502-1	...	REFLECTOR- SUPPLIER CODE: V72914 USED ON: 31-5506-5	002004 006100 107107 121503 904999	1
- 185	31-4960-1	...	PLATE ASSY- SUPPLIER CODE: V72914 USED ON: 31-5506-1 31-5506-3 31-5506-7	002004 006999	1
- 185	31-4960-1	...	PLATE ASSY- SUPPLIER CODE: V72914 USED ON: 31-5506-5	002004 006100 107107 121503 904999	1

MISSING ITEM NUMBERS NOT APPLICABLE

- ITEM NOT ILLUSTRATED

33-51-06-51

33-51-06
FIG. 51
PAGE 29
JAN 20/09

BRI



757

PARTS CATALOG (MAINTENANCE)

FIG ITEM	PART NUMBER	1 2 3 4 5 6 7	NOMENCLATURE	EFFECT FROM TO	UNITS PER ASSY
51			ATTACHING PARTS		
190	MS51957-17	...	SCREW- USED ON: 31-5506-1 31-5506-3 31-5506-7	002004 006999	2
190	MS51957-17	...	SCREW- USED ON: 31-5506-5	002004 006100 107107 121503 904999	2
195	MS15795-804	...	WASHER- USED ON: 31-5506-1 31-5506-3 31-5506-7	002004 006999	4
195	MS15795-804	...	WASHER- USED ON: 31-5506-5	002004 006100 107107 121503 904999	4
200	60-0437-1	...	INSULATOR- SUPPLIER CODE: V72914	002004 006999	2
200	60-0437-1	...	INSULATOR- SUPPLIER CODE: V72914	002004 006100 107107 121503 904999	2
205	60-2264-3	...	INSULATOR- SUPPLIER CODE: V72914	002004 006999	2
205	60-2264-3	...	INSULATOR- SUPPLIER CODE: V72914	002004 006100 107107 121503 904999	2
210	NAS1291C04M	...	NUT	002004 006999	2
210	NAS1291C04M	...	NUT	002004 006100 107107 121503 904999	2
215	F12LHCFM62	-----*NUT-CLINCH SUPPLIER CODE: V72962	002004 006999	1

MISSING ITEM NUMBERS NOT APPLICABLE

- ITEM NOT ILLUSTRATED

33-51-06-51

33-51-06
FIG. 51
PAGE 30
JAN 20/09

BRI



757

PARTS CATALOG (MAINTENANCE)

FIG ITEM	PART NUMBER	1 2 3 4 5 6 7	NOMENCLATURE	EFFECT FROM TO	UNITS PER ASSY
51					
215	F12LHCFM2-62	NUT-CLINCH SUPPLIER CODE: V72962	002004 006999	1
215	F12LHCFM2-62	NUT-CLINCH SUPPLIER CODE: V72962	002004 006100 107107 121503 904999	1
220	31-4960-3	PLATE- SUPPLIER CODE: V72914	002004 006999	1
220	31-4960-3	PLATE- SUPPLIER CODE: V72914	002004 006100 107107 121503 904999	1
225	60-3400-1	...	INSULATOR- SUPPLIER CODE: V72914	002004 006999	3
225	60-3400-1	...	INSULATOR- SUPPLIER CODE: V72914 USED ON: 31-5506-5	002004 006100 107107 121503 904999	3
- 230	31-5504-1	...	BRACKET ASSY- SUPPLIER CODE: V72914 USED ON: 31-5506-1	002004 006999	1
- 230	31-5504-3	...	BRACKET ASSY- SUPPLIER CODE: V72914 USED ON: 31-5506-3	002004 006999	1
- 230	31-5504-5	...	BRACKET ASSY- SUPPLIER CODE: V72914 USED ON: 31-5506-5	002004 006100 107107 121503 904999	1
- 230	31-5504-7	...	BRACKET ASSY- SUPPLIER CODE: V72914 USED ON: 31-5506-7	002004 006999	1
235	F12LHCFM62	NUT-CLINCH SUPPLIER CODE: V72962 USED ON: 31-5504-1	002004 006999	3

MISSING ITEM NUMBERS NOT APPLICABLE

- ITEM NOT ILLUSTRATED

33-51-06-51

33-51-06
FIG. 51
PAGE 31
JAN 20/09

BRI



757

PARTS CATALOG (MAINTENANCE)

FIG ITEM	PART NUMBER	1 2 3 4 5 6 7	NOMENCLATURE	EFFECT FROM TO	UNITS PER ASSY
51 235	F12LHCFM2-62	NUT-CLINCH SUPPLIER CODE: V72962 USED ON: 31-5504-3 31-5504-7	002004 006999	3
235	F12LHCFM2-62	NUT-CLINCH SUPPLIER CODE: V72962	002004 006100 107107 121503 904999	3
240	31-5504-9	BRACKET- SUPPLIER CODE: V72914 USED ON: 31-5504-1	002004 006999	1
240	31-5504-11	BRACKET- SUPPLIER CODE: V72914 USED ON: 31-5504-3	002004 006999	1
240	31-5504-13	BRACKET- SUPPLIER CODE: V72914 USED ON: 31-5504-5	002004 006100 107107 121503 904999	1
240	31-5504-15	BRACKET- SUPPLIER CODE: V72914 USED ON: 31-5504-7	002004 006999	1
245	36151	..	LUG- SUPPLIER CODE: V00779 USED ON: 31-5508-1 31-5508-2 31-5508-3 31-5508-4	002004 006999	1
245	36151	..	LUG- SUPPLIER CODE: V00779 USED ON: 31-5508-5 31-5508-6	002004 006100 107107 121503 904999	1

MISSING ITEM NUMBERS NOT APPLICABLE

- ITEM NOT ILLUSTRATED

33-51-06-51

33-51-06
FIG. 51
PAGE 32
JAN 20/09

BRI



757

PARTS CATALOG (MAINTENANCE)

FIG ITEM	PART NUMBER	1 2 3 4 5 6 7	NOMENCLATURE	EFFECT FROM TO	UNITS PER ASSY
51 245	36151		.. LUG- SUPPLIER CODE: V00779 USED ON: 31-5508-7 31-5508-8 ATTACHING PARTS	002004 006999	1
250	LL57D62P4		.. SCREW-MACHINE 6-32 X 1/4 IN. LG PHIL PAN HD, STL SUPPLIER CODE: V03038	002004 006999	1
250	LL57D62P4		.. SCREW-MACHINE 6-32 X 1/4 IN. LG PHIL PAN HD, STL SUPPLIER CODE: V03038	002004 006100 107107 121503 904999	1
255	NAS620-6		.. WASHER	002004 006999	1
255	NAS620-6		.. WASHER	002004 006100 107107 121503 904999	1
			-----*-----		
260	36151		.. LUG- SUPPLIER CODE: V00779 USED ON: 31-5508-1 31-5508-2 31-5508-3 31-5508-4	002004 006999	1
260	36151		.. LUG- SUPPLIER CODE: V00779 USED ON: 31-5508-5 31-5508-6	002004 006100 107107 121503 904999	1
260	36151		.. LUG- SUPPLIER CODE: V00779 USED ON: 31-5508-7 31-5508-8	002004 006999	1

MISSING ITEM NUMBERS NOT APPLICABLE

- ITEM NOT ILLUSTRATED

33-51-06-51

33-51-06
FIG. 51
PAGE 33
JAN 20/09

BRI

BOEING PROPRIETARY - Copyright © - Unpublished Work - See title page for details.



757

PARTS CATALOG (MAINTENANCE)

FIG ITEM	PART NUMBER	1 2 3 4 5 6 7	NOMENCLATURE	EFFECT FROM TO	UNITS PER ASSY
51 265	MS35206-227	..	SCREW- USED ON: 31-5508-1 31-5508-2 31-5508-3 31-5508-4 31-5508-7 31-5508-8	002004 006999	1
265	MS35206-227	..	SCREW- USED ON: 31-5508-5 31-5508-6	002004 006100 107107 121503 904999	1
323	MS35206-227	..	SCREW	002004 006999	3
- 324	31-6698-5	..	REFLECTOR ASSY- SUPPLIER CODE: V72914 USED ON: 31-6699-5 31-6699-6 31-6699-7 31-6699-8 31-6699-19 31-6699-20 31-6699-21 31-6699-22	002004 006999	1
326	36151	...	LUG- SUPPLIER CODE: V00779 ATTACHING PARTS	002004 006999	2
327	MS35206-226	...	SCREW	002004 006999	2
328	MS35338-41	...	WASHER	002004 006999	1
329	31-6730-1	..	BRACKET ASSY- SUPPLIER CODE: V72914 ATTACHING PARTS	002004 006999	1
331	MS24693S2	...	SCREW	002004 006999	2
332	31-6649-1	...	NUT- SUPPLIER CODE: V72914	002004 006999	1
333	60-2369-7	...	INSULATOR- SUPPLIER CODE: V72914	002004 006999	1

MISSING ITEM NUMBERS NOT APPLICABLE

- ITEM NOT ILLUSTRATED

33-51-06-51

33-51-06
FIG. 51
PAGE 34
JAN 20/09

BRI



757

PARTS CATALOG (MAINTENANCE)

FIG ITEM	PART NUMBER	1 2 3 4 5 6 7	NOMENCLATURE	EFFECT FROM TO	UNITS PER ASSY
51					
334	31-6701-1		... REFLECTOR- SUPPLIER CODE: V72914	002004 006999	1
336	31-6645-1		... INSULATOR- SUPPLIER CODE: V72914	002004 006999	1
337	31-6646-1		... INSULATOR- SUPPLIER CODE: V72914	002004 006999	1
340	MS3367-1-9		.. STRAP- USED ON: 31-6699-1 31-6699-2 31-6699-3 31-6699-4 31-6699-15 31-6699-16 31-6699-17 31-6699-18	002004 006999	2
345	48-7191		.. RECEPTACLE- SUPPLIER CODE: V02660 USED ON: 31-6699-1 31-6699-2 31-6699-3 31-6699-4 31-6699-15 31-6699-16 31-6699-17 31-6699-18	002004 006999	1
350	248-136-1600S02		.. SOCKET- SUPPLIER CODE: V02660 USED ON: 31-6699-1 31-6699-2 31-6699-3 31-6699-4 31-6699-15 31-6699-16 31-6699-17 31-6699-18	002004 006999	1

MISSING ITEM NUMBERS NOT APPLICABLE

- ITEM NOT ILLUSTRATED

33-51-06-51

33-51-06
FIG. 51
PAGE 35
JAN 20/09

BRI

BOEING PROPRIETARY - Copyright © - Unpublished Work - See title page for details.



757

PARTS CATALOG (MAINTENANCE)

FIG ITEM	PART NUMBER	1 2 3 4 5 6 7	NOMENCLATURE	EFFECT FROM TO	UNITS PER ASSY
51 355	48-7190		.. CONNECTOR- SUPPLIER CODE: V02660 USED ON: 31-6699-1 31-6699-2 31-6699-3 31-6699-4 31-6699-15 31-6699-16 31-6699-17 31-6699-18	002004 006999	1
360	48-1825-02		.. PIN- SUPPLIER CODE: V02660 USED ON: 31-6699-1 31-6699-2 31-6699-3 31-6699-4 31-6699-15 31-6699-16 31-6699-17 31-6699-18	002004 006999	1
365	MS35206-227		.. SCREW- USED ON: 31-6699-1 31-6699-2 31-6699-15 31-6699-16	002004 006999	3
370	MS24693S2		.. SCREW- USED ON: 31-6699-1 31-6699-2 31-6699-15 31-6699-16	002004 006999	4
373	31-6698-1		.. REFLECTOR ASSY- SUPPLIER CODE: V72914 USED ON: 31-6699-1 31-6699-2 31-6699-15 31-6699-16	002004 006999	1

MISSING ITEM NUMBERS NOT APPLICABLE

- ITEM NOT ILLUSTRATED

33-51-06-51

33-51-06
FIG. 51
PAGE 36
JAN 20/09

BRI



757

PARTS CATALOG (MAINTENANCE)

FIG ITEM	PART NUMBER	1 2 3 4 5 6 7	NOMENCLATURE	EFFECT FROM TO	UNITS PER ASSY
51					
373	31-6698-3		.. REFLECTOR ASSY- SUPPLIER CODE: V72914 USED ON: 31-6699-3 31-6699-4 31-6699-17 31-6699-18	002004 006100 107107 121503 904999	1
375	36151		... LUG- SUPPLIER CODE: V00779 ATTACHING PARTS	002004 006999	2
380	SC577		... SCREW- SUPPLIER CODE: V72914 CONFIG CHG DATA FROM A CMM: SUPSD BY MS35206-226	002004 006999	2
380	MS35206-226		... SCREW- CONFIG CHG DATA FROM A CMM: SUPERSEDES SC557 USED ON: 31-6698-1	002004 006999	2
380	MS35206-226		... SCREW- USED ON: 31-6698-3	002004 006100 107107 121503 904999	2
385	NAS620-6		... WASHER- CONFIG CHG DATA FROM A CMM: SUPSD BY MS35338-41	002004 006999	1
385	MS35338-41		... WASHER- CONFIG CHG DATA FROM A CMM: SUPERSEDES NAS620-6 USED ON: 31-6698-1	002004 006999	1
385	MS35338-41		... WASHER- USED ON: 31-6698-3	002004 006100 107107 121503 904999	1
			-----*-----		
390	31-6649-1		... NUT- SUPPLIER CODE: V72914	002004 006999	1
395	60-2369-7		... INSULATOR- SUPPLIER CODE: V72914 USED ON: 31-6698-3	002004 006100 107107 121503 904999	3

MISSING ITEM NUMBERS NOT APPLICABLE

- ITEM NOT ILLUSTRATED

33-51-06-51

33-51-06
FIG. 51
PAGE 37
JAN 20/09

BRI

BOEING PROPRIETARY - Copyright © - Unpublished Work - See title page for details.



757

PARTS CATALOG (MAINTENANCE)

FIG ITEM	PART NUMBER	1 2 3 4 5 6 7	NOMENCLATURE	EFFECT FROM TO	UNITS PER ASSY
51					
395	60-2369-1	...	INSULATOR- SUPPLIER CODE: V72914	002004 006999	3
400	31-6645-1	...	INSULATOR- SUPPLIER CODE: V72914	002004 006999	1
405	31-6701-1	...	REFLECTOR- SUPPLIER CODE: V72914	002004 006999	1
410	31-6646-1	...	INSULATOR- SUPPLIER CODE: V72914	002004 006999	1
413	31-6629-3	...	BRACKET- SUPPLIER CODE: V72914	002004 006999	1
413	31-6703-3	...	BRACKET- SUPPLIER CODE: V72914	002004 006100 107107 121503 904999	1
415	31-6697-1	...	FERRULE ASSY- SUPPLIER CODE: V72914	002004 006999	1
- 430	31-5501-17	..	HOUSING- SUPPLIER CODE: V72914 USED ON: 31-6699-1	002004 006999	1
- 430	31-5501-18	..	HOUSING- SUPPLIER CODE: V72914 USED ON: 31-6699-2	002004 006999	1
- 430	31-5501-21	..	HOUSING- SUPPLIER CODE: V72914 USED ON: 31-6699-15	002004 006999	1
- 430	31-5501-22	..	HOUSING- SUPPLIER CODE: V72914 USED ON: 31-6699-16	002004 006999	1

R
R
R

MISSING ITEM NUMBERS NOT APPLICABLE

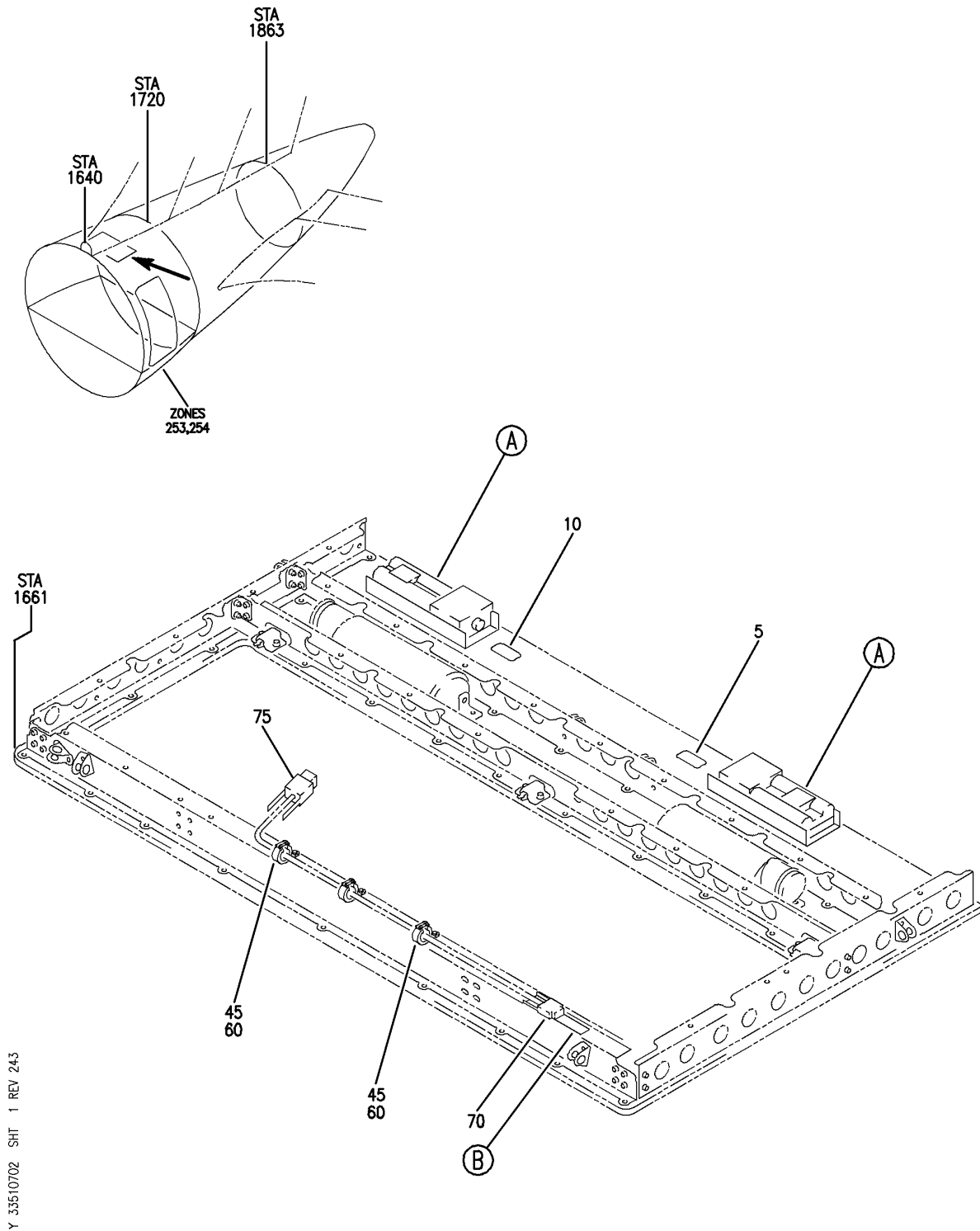
- ITEM NOT ILLUSTRATED

33-51-06-51

33-51-06
FIG. 51
PAGE 38
MAY 20/09

BRI

BOEING
757
PARTS CATALOG (MAINTENANCE)



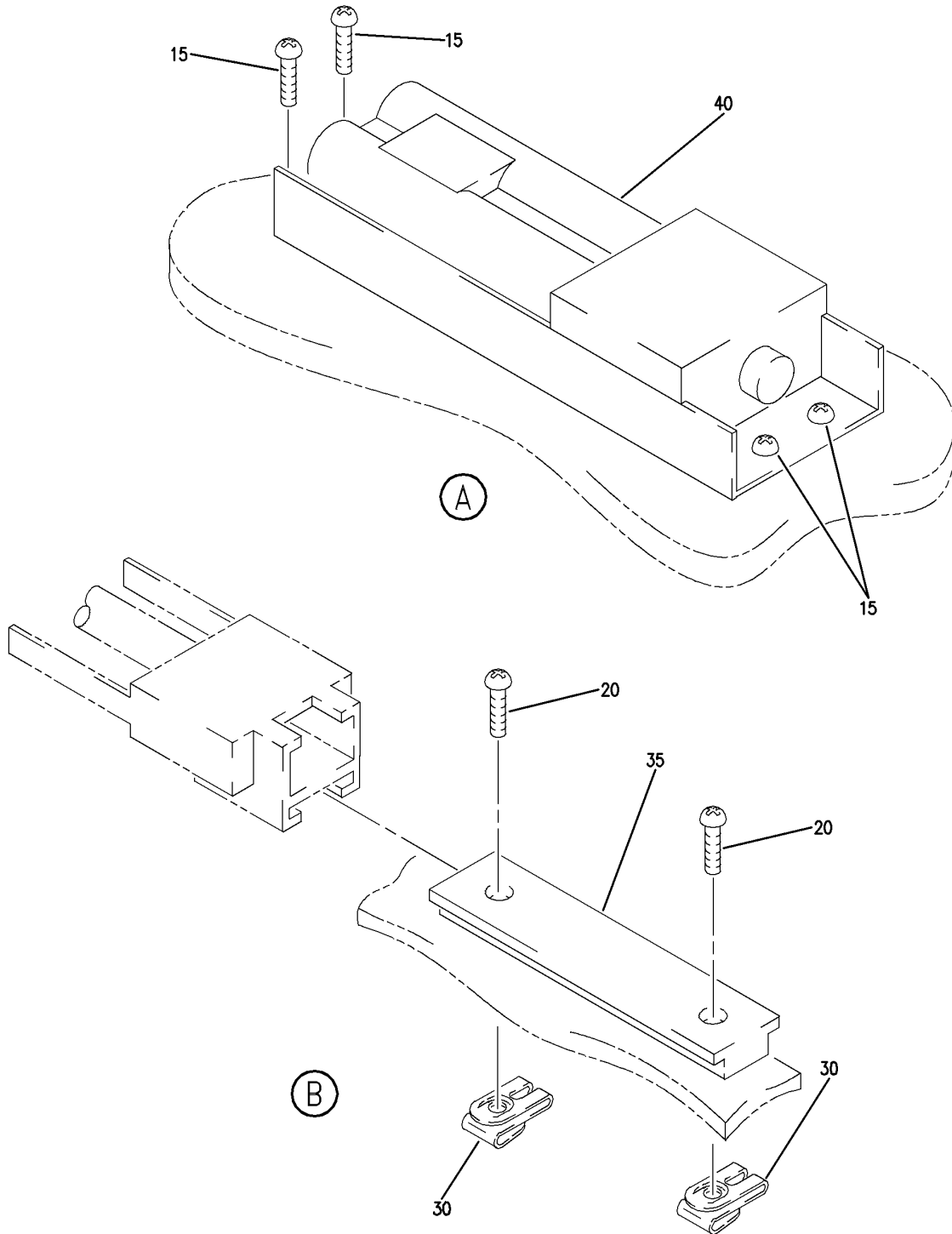
CEILING ASSY-ENTRY DR 4 (LIGHTS ONLY)
FIGURE 2 (SHEET 1)

33-51-07-02

BRI
JAN 20/09

33-51-07-02
PAGE 0

BOEING
757
PARTS CATALOG (MAINTENANCE)



Y 33510702 SHT 2 REV 229

CEILING ASSY-ENTRY DR 4 (LIGHTS ONLY)
FIGURE 2 (SHEET 2)

33-51-07-02

BRI
JAN 20/09

33-51-07-02
PAGE 0A



757

PARTS CATALOG (MAINTENANCE)

FIG ITEM	PART NUMBER	1 2 3 4 5 6 7	NOMENCLATURE	EFFECT FROM TO	UNITS PER ASSY
2			CEILING ASSY-ENTRY DR 4 (LIGHTS ONLY)	103106	
- 1	411N3920-18B		CEILING ASSY-ENTRY DR 4 (LIGHTS ONLY) FOR NHA/OTHER SYS DET SEE: 25-22-02-70A	103106	RF
	5 BAC27NPA0281		.MARKER-ALUMINUM FOIL PLACARD CONTENT: BATTERY PACK ELECTRICAL EQUIP NUMBER: M00736	103106	1
	10 BAC27NPA0282		.MARKER-ALUMINUM FOIL PLACARD CONTENT: BATTERY PACK ELECTRICAL EQUIP NUMBER: M00737	103106	1
	15 BACS12FA3K5		.SCREW-	103106	8
	20 BACS12GU3K8		.SCREW	103106	2
	30 BRC600-10-3		.NUT SUPPLIER CODE: V52828 SPECIFICATION NUMBER: BACN10YD2 OPTIONAL PART: 130121 V60119	103106	2
	35 BACT44E1S		.CONNECTOR-ELECTRICAL CONNECTION	103106	1
	40 D717-02-001		.POWER SUPPLY- SUPPLIER CODE: VK0673 FUNCTIONAL DESCRIPTION: PROVIDES POWER FOR EMERGENCY LIGHTING SPECIFICATION NUMBER: S283W603-2 ELECTRICAL EQUIP NUMBER: M00736 M00767 COMPONENT MAINT MANUAL REF: 24-35-01 FOR DETAILS SEE: 33-51-07-50	103106	2
	45 287T0011-1		.CLAMP	103106	3
-	50 BACS12FA3K8		ATTACHING PARTS .SCREW	103106	3

MISSING ITEM NUMBERS NOT APPLICABLE

- ITEM NOT ILLUSTRATED

33-51-07-02

33-51-07
FIG. 02
PAGE 1
JAN 20/09

BRI



757

PARTS CATALOG (MAINTENANCE)

FIG ITEM	PART NUMBER	1 2 3 4 5 6 7	NOMENCLATURE	EFFECT FROM TO	UNITS PER ASSY
2 - 55	BRC600-10-3		.NUT SUPPLIER CODE: V52828 SPECIFICATION NUMBER: BACN10YD2 OPTIONAL PART: 130121 V60119 -----*-----	103106	3
60	PLT1-5IM		.STRAP SUPPLIER CODE: V06383 SPECIFICATION NUMBER: BACS38K5 OPTIONAL PART: T03R0 V53421	103106	3
- 65	286N0766-701		.WIRE BUNDLE ASSY	103106	1
70	BACC65AK221P		..RECEPTACLE- ELECTRICAL EQUIP NUMBER: D42734J WIRING DIAGRAM REF: 332731	103106	1
75	BACC65AJ121S		..PLUG- ELECTRICAL EQUIP NUMBER: D10536 WIRING DIAGRAM REF: 332731	103106	1

MISSING ITEM NUMBERS NOT APPLICABLE

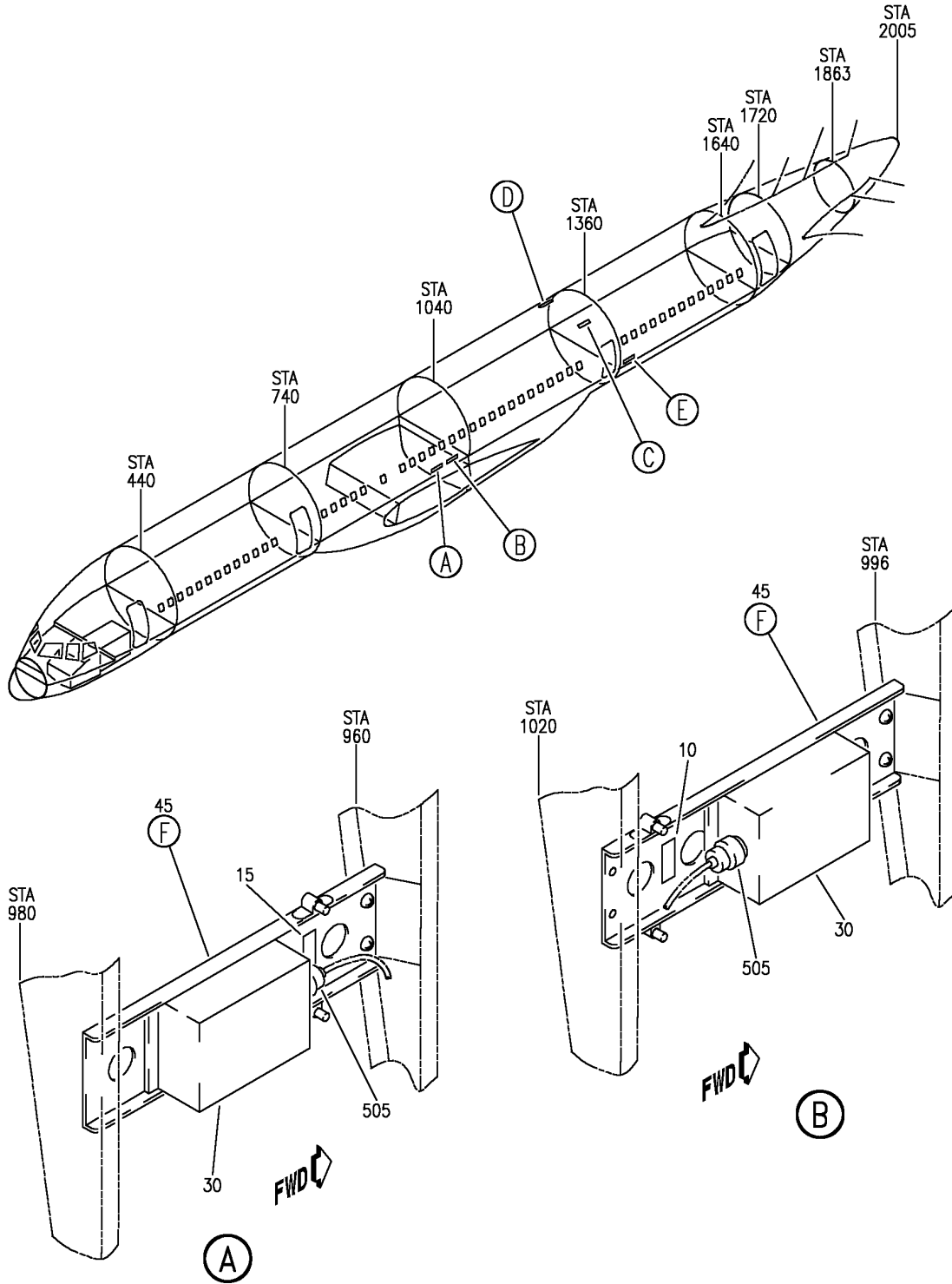
- ITEM NOT ILLUSTRATED

33-51-07-02

33-51-07
FIG. 02
PAGE 2
JAN 20/09

BRI

BOEING
757
PARTS CATALOG (MAINTENANCE)



Y 33510703A SHT 1 REV 262

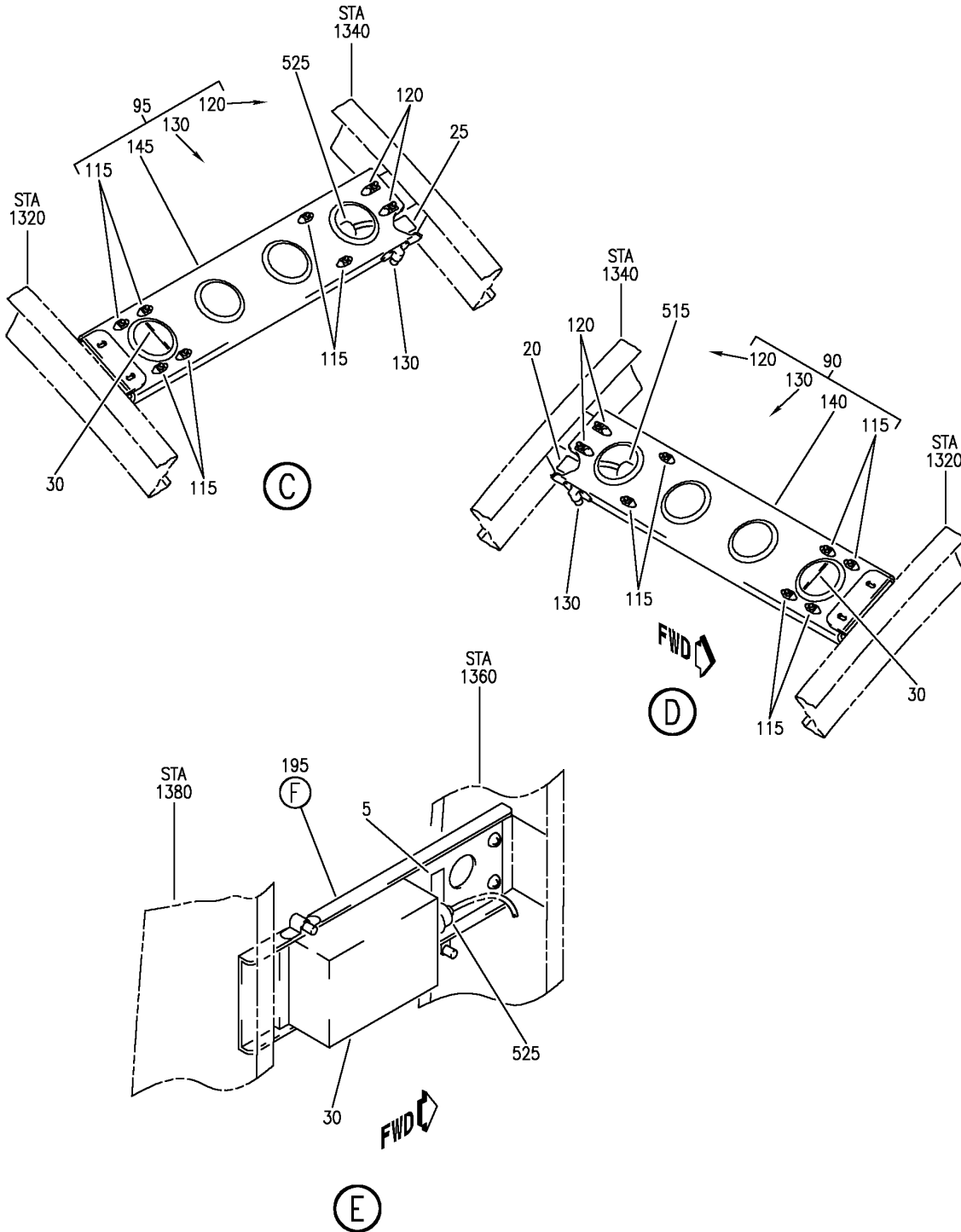
PACK INSTL-BATTERY
FIGURE 3A (SHEET 1)

33-51-07-03A

BRI
JAN 20/09

33-51-07-03A
PAGE 0

BOEING
757
PARTS CATALOG (MAINTENANCE)



Y 33510703A SHT 2 REV 267

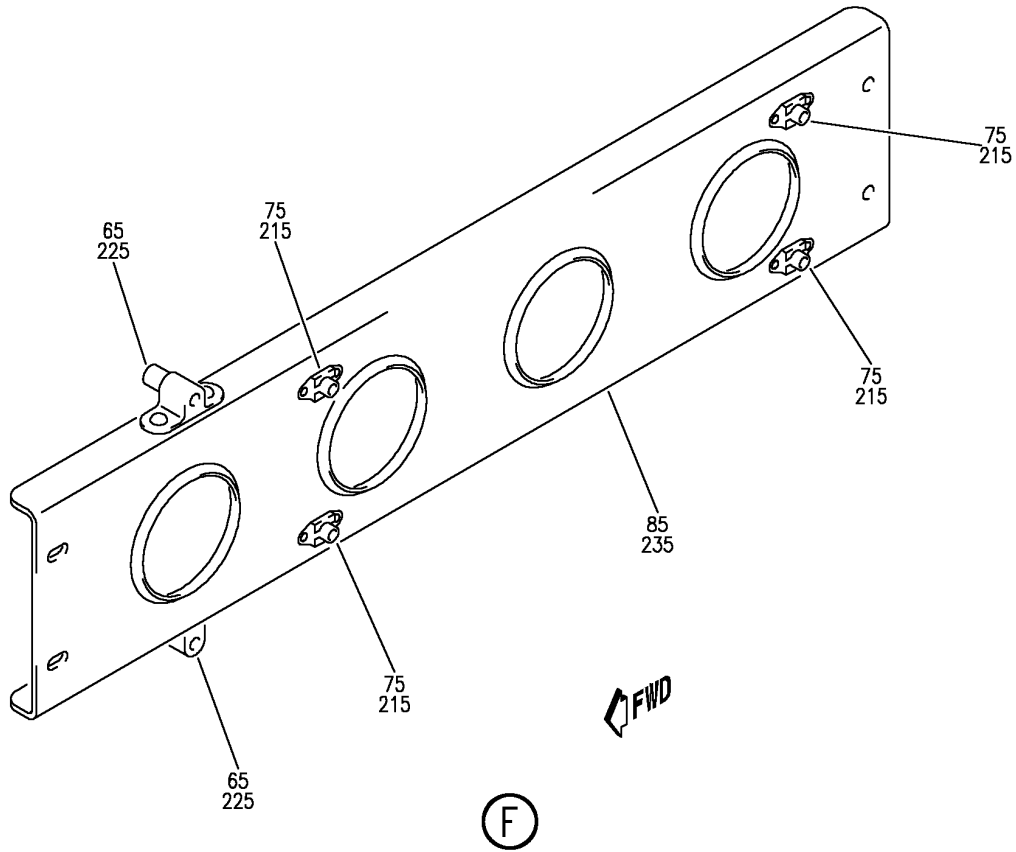
PACK INSTL-BATTERY
FIGURE 3A (SHEET 2)

33-51-07-03A

BRI
JAN 20/09

33-51-07-03A
PAGE 0A

BOEING
757
PARTS CATALOG (MAINTENANCE)



Y 33510703A SHT 3 REV 267

PACK INSTL-BATTERY
FIGURE 3A (SHEET 3)

33-51-07-03A

BRI
JAN 20/09

33-51-07-03A
PAGE 0B



757

PARTS CATALOG (MAINTENANCE)

FIG ITEM	PART NUMBER	1 2 3 4 5 6 7	NOMENCLATURE	EFFECT FROM TO	UNITS PER ASSY
3A					
- 1	MODREF70968		PACK INSTL-BATTERY PACK INSTL-BATTERY MODULE NUMBER: 417N5900-202 REV C	103106 103106	1
5	BAC27NPA1489		.MARKER- PLACARD CONTENT: M11490 EMERGENCY BATTERY PACK	103106	1
10	BAC27NPA1434		.MARKER- PLACARD CONTENT: M11383 EMERGENCY BATTERY PACK	103106	1
15	BAC27NPA1486		.MARKER- PLACARD CONTENT: M11487 EMERGENCY BATTERY PACK	103106	1
20	BAC27NPA1540		.MARKER- PLACARD CONTENT: M11081 EMERGENCY BATTERY PACK	103106	1
25	BAC27NPA1541		.MARKER- PLACARD CONTENT: M11082 EMERGENCY BATTERY PACK	103106	1
30	D717-02-001		.POWER SUPPLY-EMER SUPPLIER CODE: VK0673 FUNCTIONAL DESCRIPTION: PROVIDES POWER FOR EMERGENCY LIGHTING SPECIFICATION NUMBER: S283W603-2 ELECTRICAL EQUIP NUMBER: M11490 M11081 M11082 M11383 M11487 COMPONENT MAINT MANUAL REF: 24-35-01 FOR DETAILS SEE: 33-51-07-50 ATTACHING PARTS	103106	5
- 35	BACB30NT3K3		.BOLT	103106	20
- 40	NAS620A10L		.WASHER	103106	20
			-----*-----		
45	65C27367-21		.BRACKET ASSY ATTACHING PARTS	103106	2
- 50	BACB30NT3K4		.BOLT	103106	8

MISSING ITEM NUMBERS NOT APPLICABLE

- ITEM NOT ILLUSTRATED

33-51-07-03A

33-51-07
FIG. 03A
PAGE 1
JAN 20/09

BRI

BOEING PROPRIETARY - Copyright © - Unpublished Work - See title page for details.



757

PARTS CATALOG (MAINTENANCE)

FIG ITEM	PART NUMBER	1 2 3 4 5 6 7	NOMENCLATURE	EFFECT FROM TO	UNITS PER ASSY
3A					
- 55	NAS1149F0332P	.	WASHER	103106	8
- 60	BACW10J3	.	WASHER	103106	8
		-----*			
65	BACN10GH3A4	..	NUTPLATE	103106	2
			ATTACHING PARTS		
- 70	NAS1398D4A2	..	RIVET-	103106	4
			OPTIONAL PART:		
			MS20604B4W2		
			BACR15BB4AD3C		
- 70	MS20604B4W2	..	RIVET-	103106	4
			OPTIONAL PART:		
			NAS1398D4A2		
			BACR15BB4AD3C		
- 70	BACR15BB4AD3C	..	RIVET-	103106	4
			OPTIONAL PART:		
			MS20604B4W2		
			NAS1398D4A2		
		-----*			
75	BRF200C3D	..	NUTPLATE	103106	4
			SUPPLIER CODE:		
			V52828		
			SPECIFICATION NUMBER:		
			BACN10JR3CFD		
			OPTIONAL PART:		
			K51602-3BAC		
			V15653		
			NS202476-02		
			V80539		
			102F9201-3		
			V72962		
			T8092C1032CD		
			V11815		
			ATTACHING PARTS		
- 80	BACR15BA3AD3	..	RIVET	103106	8
		-----*			
85	65C27367-22	..	BRACKET	103106	1
90	65C27367-37	.	BRACKET ASSY	103106	1
95	65C27367-38	.	BRACKET ASSY	103106	1
			ATTACHING PARTS		
- 100	BACB30NT3K4	.	BOLT	103106	8
- 105	NAS1149F0332P	.	WASHER	103106	8
- 110	BACW10J3	.	WASHER	103106	8
		-----*			

MISSING ITEM NUMBERS NOT APPLICABLE

- ITEM NOT ILLUSTRATED

33-51-07-03A

33-51-07
FIG. 03A
PAGE 2
JAN 20/09

BRI

BOEING PROPRIETARY - Copyright © - Unpublished Work - See title page for details.

 **BOEING**
757
PARTS CATALOG (MAINTENANCE)

FIG ITEM	PART NUMBER	1 2 3 4 5 6 7	NOMENCLATURE	EFFECT FROM TO	UNITS PER ASSY
3A 115	BRF200C3D	..	NUTPLATE SUPPLIER CODE: V52828 SPECIFICATION NUMBER: BACN10JR3CFD OPTIONAL PART: K51602-3BAC V15653 NS202476-02 V80539 102F9201-3 V72962 T8092C1032CD V11815	103106	6
120	BRFR120C3-2D	..	NUTPLATE SUPPLIER CODE: V52828 SPECIFICATION NUMBER: BACN10KE3E2CD OPTIONAL PART: 102F9216-2-3 V72962 F51751-3-2CD V15653 NS202494-02-2 V80539	103106	2
- 125	BACR15BA3AD2C	..	ATTACHING PARTS RIVET -----*-----	103106	16
130	BACN10GH3A4	..	NUTPLATE ATTACHING PARTS	103106	1
- 135	NAS1398D4A2	..	RIVET- SIZE DETERMINED ON INSTL. OPTIONAL PART: BACR15BB4AD3C	103106	2
- 135	BACR15BB4AD3C	..	RIVET- OPTIONAL PART: NAS1398D4A2 -----*-----	103106	2
140	65C27367-35	..	BRACKET- USED ON: 65C27367-37	103106	1
145	65C27367-36	..	BRACKET- USED ON: 65C27367-38	103106	1
195	65C27367-28	.	BRACKET ASSY ATTACHING PARTS	103106	1
- 200	BACB30NT3K4	.	BOLT	103106	4
- 205	NAS1149F0332P	.	WASHER	103106	4

MISSING ITEM NUMBERS NOT APPLICABLE

- ITEM NOT ILLUSTRATED

33-51-07-03A

33-51-07
FIG. 03A
PAGE 3
JAN 20/09

BRI

BOEING PROPRIETARY - Copyright © - Unpublished Work - See title page for details.



757

PARTS CATALOG (MAINTENANCE)

FIG ITEM	PART NUMBER	1 2 3 4 5 6 7	NOMENCLATURE	EFFECT FROM TO	UNITS PER ASSY
3A					
- 210	BACW10J3		.WASHER -----*-----	103106	4
215	BRF200C3D		..NUTPLATE SUPPLIER CODE: V52828 SPECIFICATION NUMBER: BACN10JR3CFD OPTIONAL PART: K51602-3BAC V15653 NS202476-02 V80539 102F9201-3 V72962 T8092C1032CD V11815 ATTACHING PARTS	103106	4
- 220	BACR15BA3AD3C		..RIVET -----*-----	103106	8
225	BACN10GH3A4		..NUTPLATE ATTACHING PARTS	103106	2
- 230	NAS1398D4A2		..RIVET -----*-----	103106	4
235	65C27367-29		..BRACKET	103106	1
- 500	286N6354-602		WIRE BUNDLE ASSY- POSITION DATA: MID L	103106	1
505	BACC45FT16A24S		.CONNECTOR- ELECTRICAL EQUIP NUMBER: D08892 D11862 WIRING DIAGRAM REF: 335113 335114	103106	2
- 510	286N6456-601		WIRE BUNDLE ASSY- POSITION DATA: AFT R	103106	1
515	BACC45FT16A24S		.CONNECTOR- ELECTRICAL EQUIP NUMBER: D08286 WIRING DIAGRAM REF: 335114	103106	1
- 520	286N6356-602		WIRE BUNDLE ASSY- POSITION DATA: AFT L	103106	1

MISSING ITEM NUMBERS NOT APPLICABLE

- ITEM NOT ILLUSTRATED

33-51-07-03A

33-51-07
FIG. 03A
PAGE 4
JAN 20/09

BRI

BOEING PROPRIETARY - Copyright © - Unpublished Work - See title page for details.



757

PARTS CATALOG (MAINTENANCE)

FIG ITEM	PART NUMBER	1 2 3 4 5 6 7	NOMENCLATURE	EFFECT FROM TO	UNITS PER ASSY
3A 525	BACC45FT16A24S		.CONNECTOR- ELECTRICAL EQUIP NUMBER: D08288 D10870 WIRING DIAGRAM REF: 335114 335111	103106	2

MISSING ITEM NUMBERS NOT APPLICABLE

- ITEM NOT ILLUSTRATED

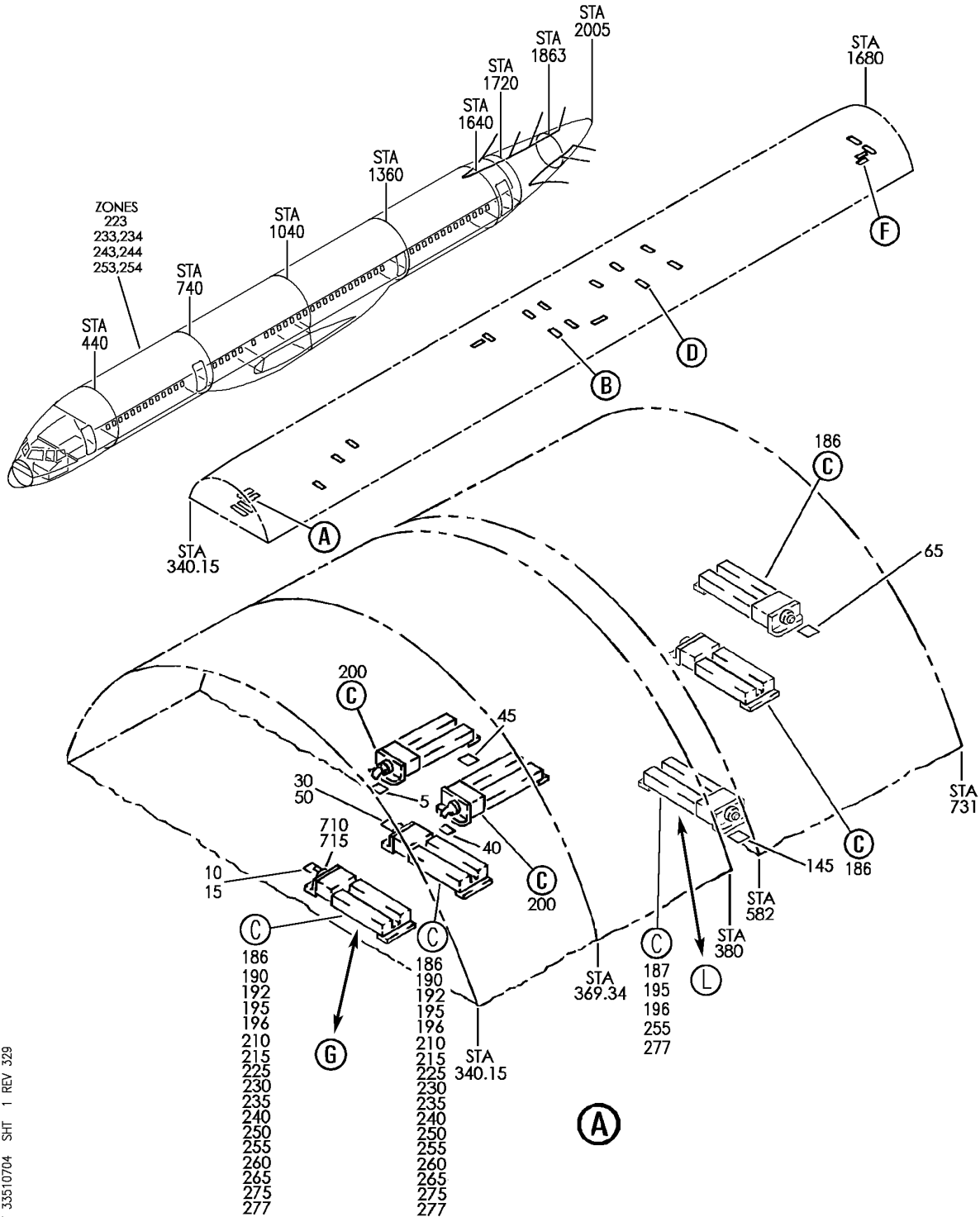
BRI

33-51-07-03A

BOEING PROPRIETARY - Copyright © - Unpublished Work - See title page for details.

33-51-07
FIG. 03A
PAGE 5
JAN 20/09

BOEING
757
PARTS CATALOG (MAINTENANCE)



Y 33510704 SHT 1 REV 329

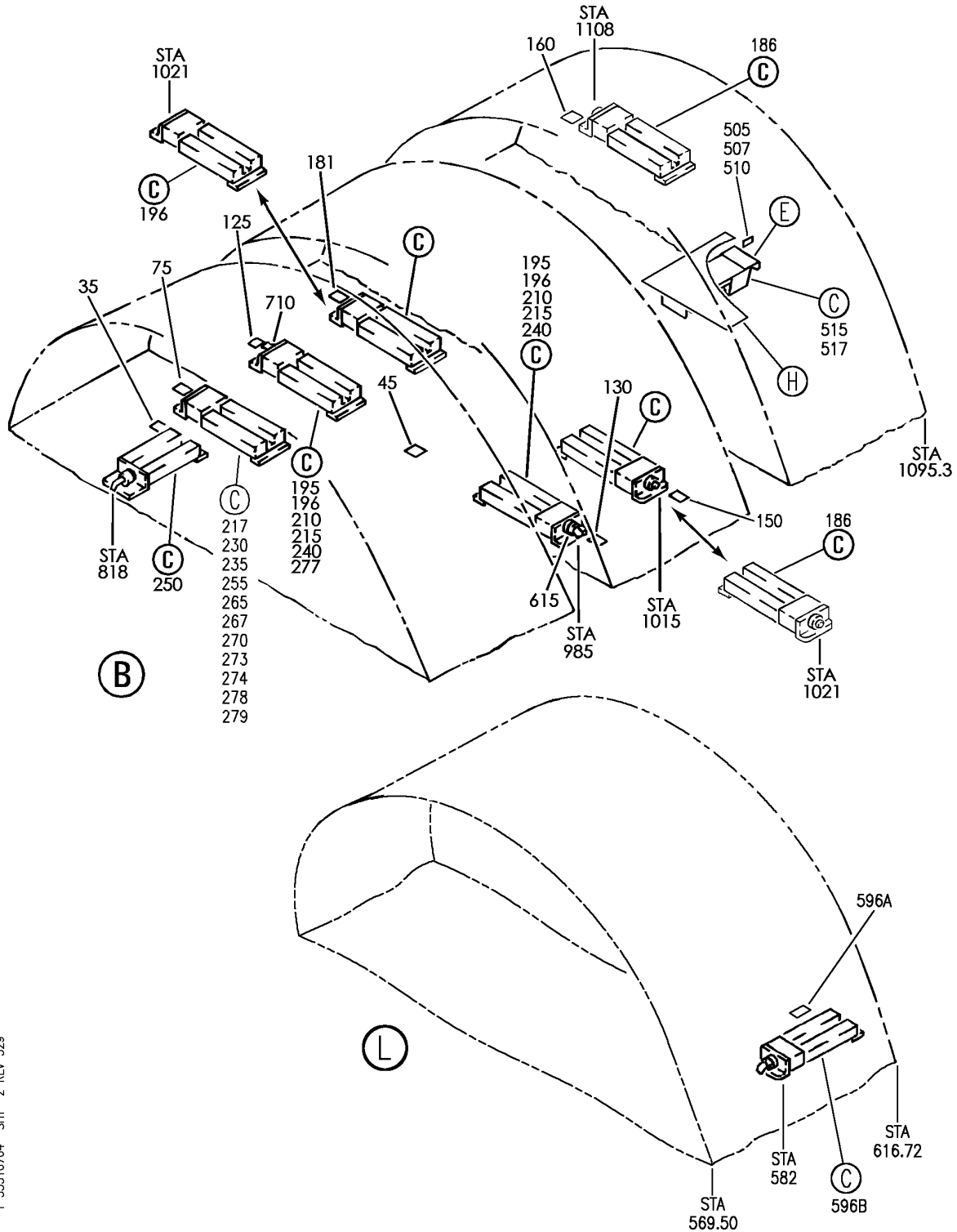
PACK INSTL-757 200 LOWERED CLG EMER BATTERY FWD AND AFT
FIGURE 4 (SHEET 1)

33-51-07-04

BRI
JAN 20/09

33-51-07-04
PAGE 0

BOEING
757
PARTS CATALOG (MAINTENANCE)



Y 333510704 SHT 2 REV 329

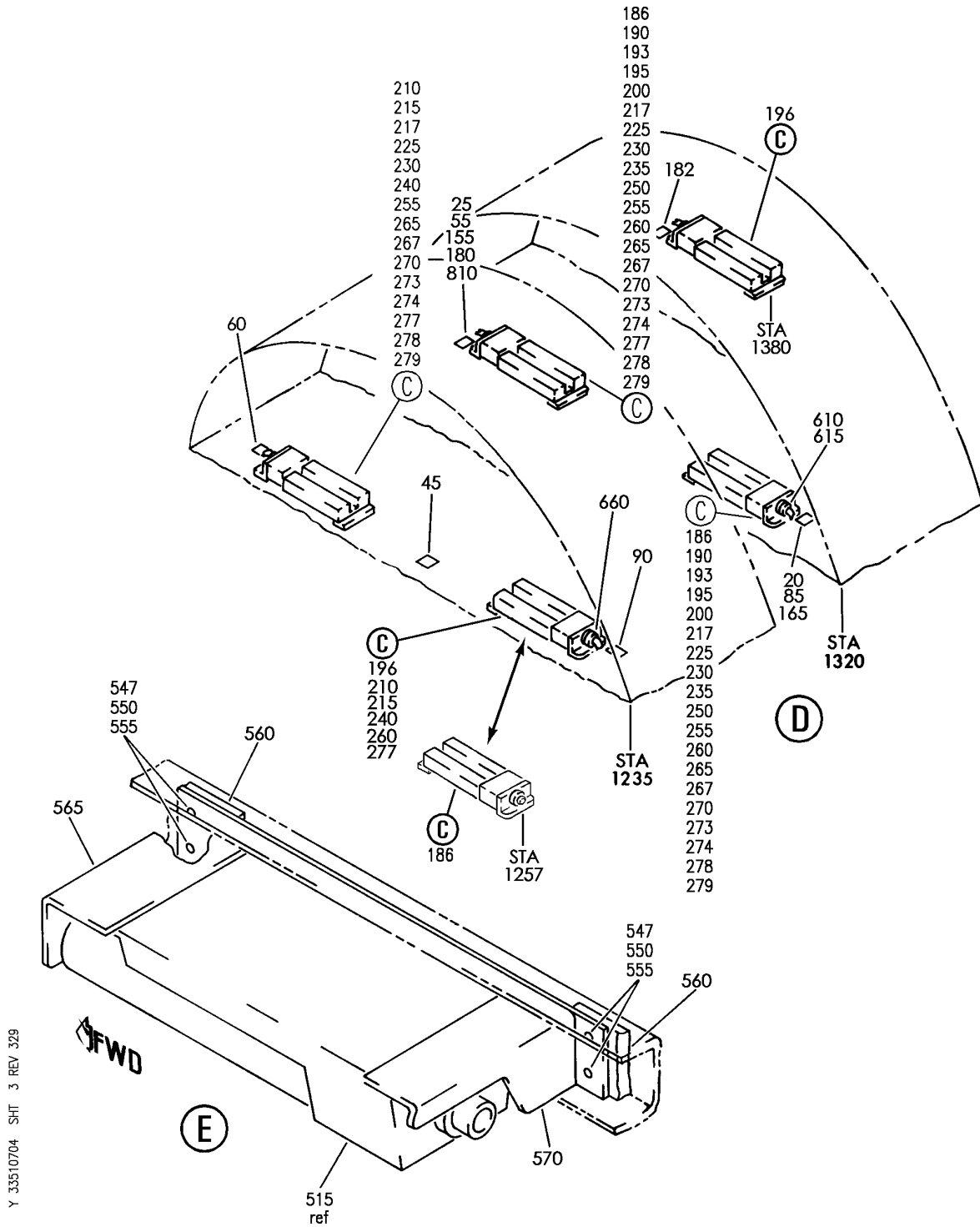
PACK INSTL-757 200 LOWERED CLG EMER BATTERY FWD AND AFT
FIGURE 4 (SHEET 2)

33-51-07-04

BRI
JAN 20/09

33-51-07-04
PAGE 0A

BOEING
757
PARTS CATALOG (MAINTENANCE)



Y 333510704 SHT 3 REV 329

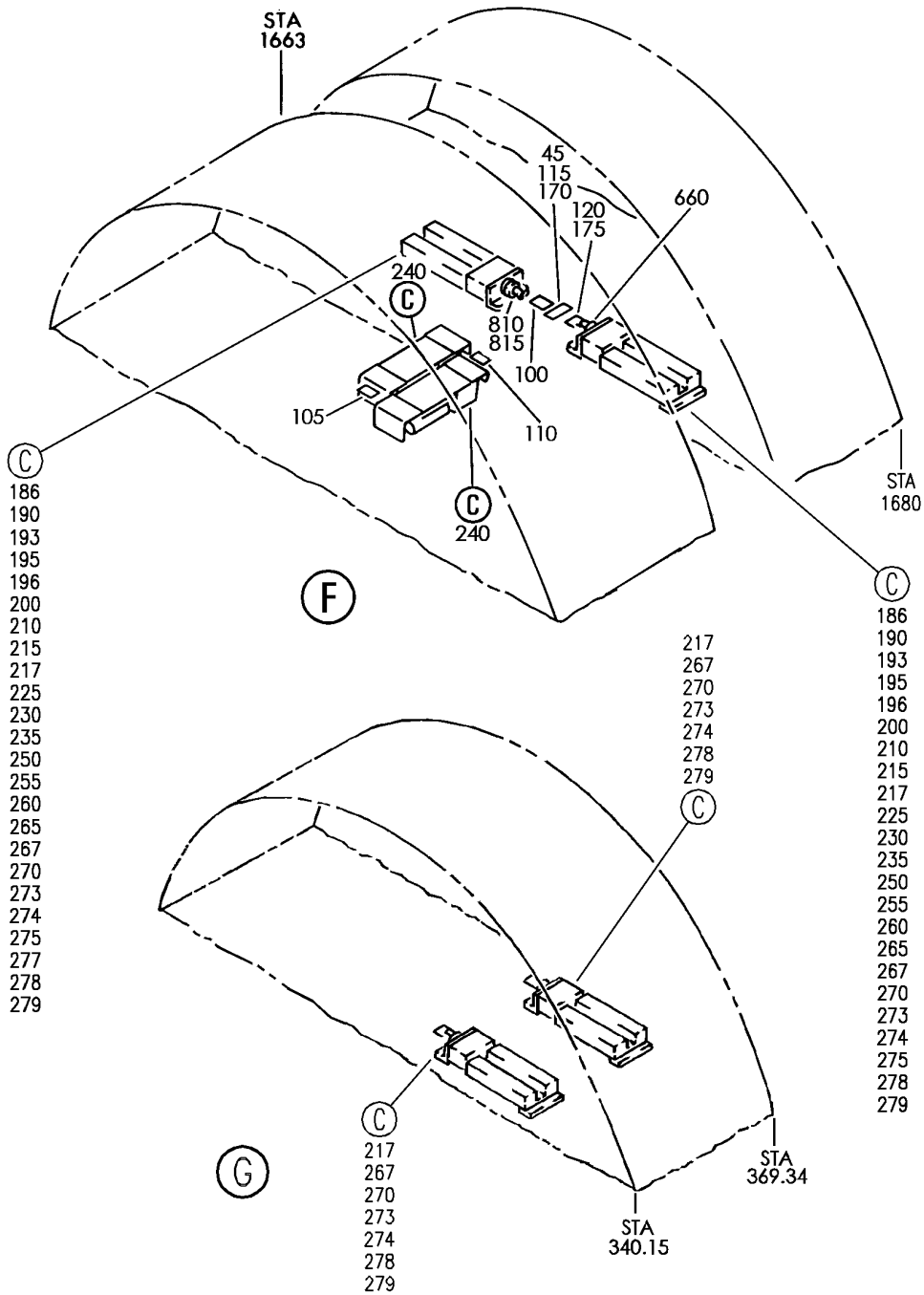
PACK INSTL-757 200 LOWERED CLG EMER BATTERY FWD AND AFT
FIGURE 4 (SHEET 3)

33-51-07-04

BRI
JAN 20/09

33-51-07-04
PAGE 0B

BOEING
757
PARTS CATALOG (MAINTENANCE)



Y 33510704 SH-T 4 REV 329

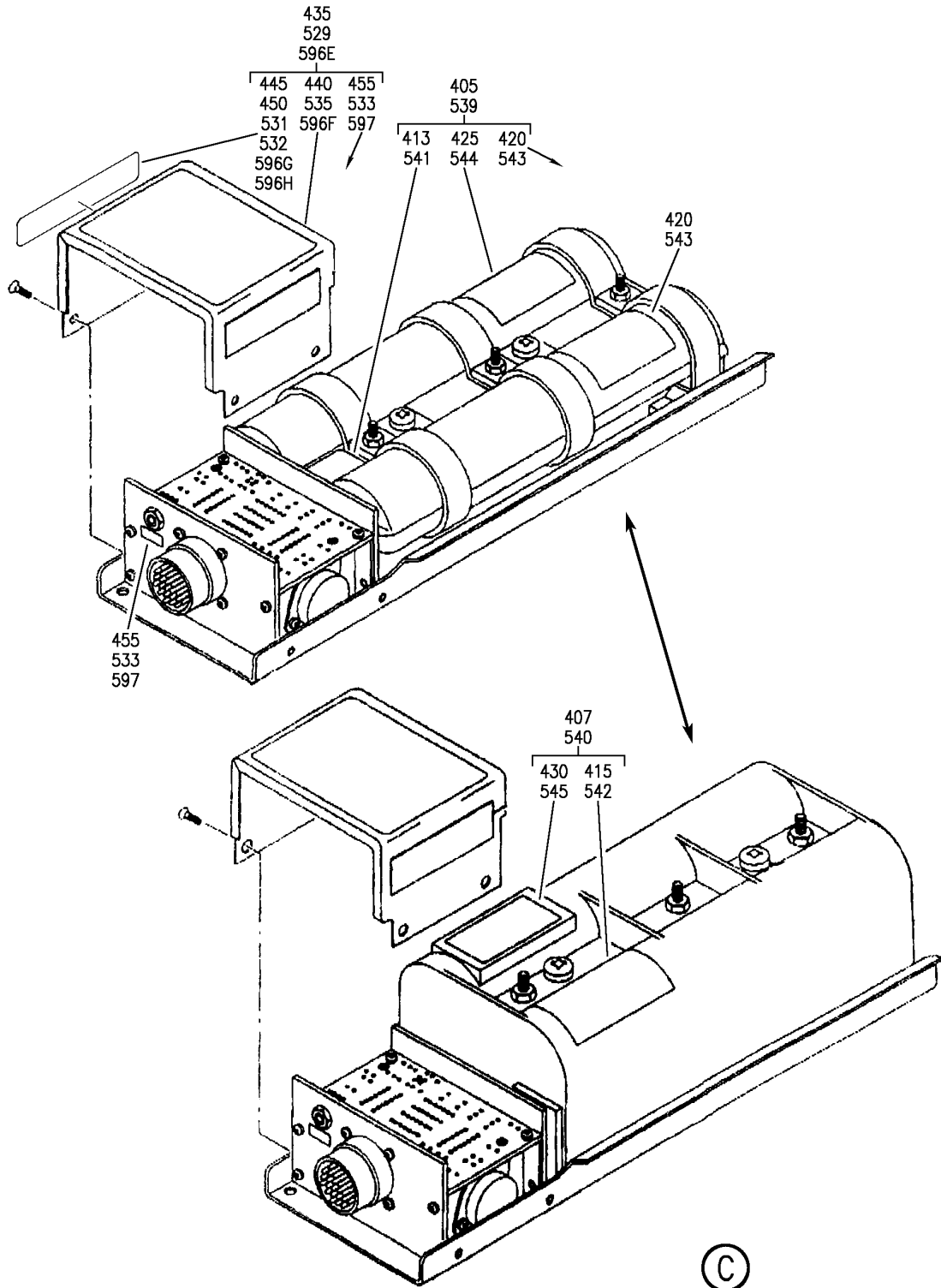
PACK INSTL-757 200 LOWERED CLG EMER BATTERY FWD AND AFT
FIGURE 4 (SHEET 4)

33-51-07-04

BRI
JAN 20/09

33-51-07-04
PAGE 0C

BOEING
757
PARTS CATALOG (MAINTENANCE)



Y 33510704 SH 5 REV 296

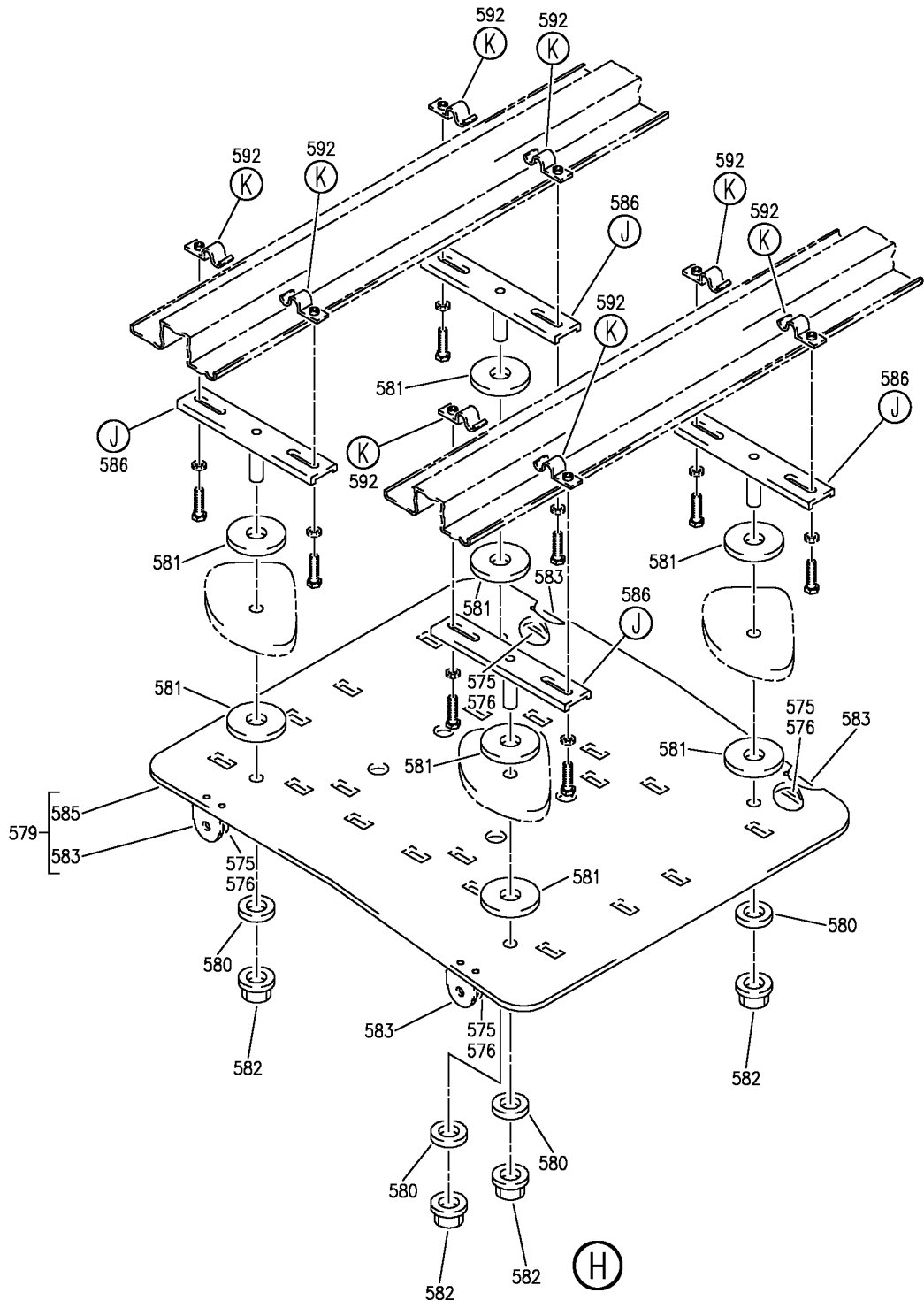
PACK INSTL-757 200 LOWERED CLG EMER BATTERY FWD AND AFT
FIGURE 4 (SHEET 5)

33-51-07-04

BRI
MAY 28/07

33-51-07-04
PAGE 0D

BOEING
757
PARTS CATALOG (MAINTENANCE)



Y 33510704 SH-T 6 REV 266

PACK INSTL-757 200 LOWERED CLG EMER BATTERY FWD AND AFT
FIGURE 4 (SHEET 6)

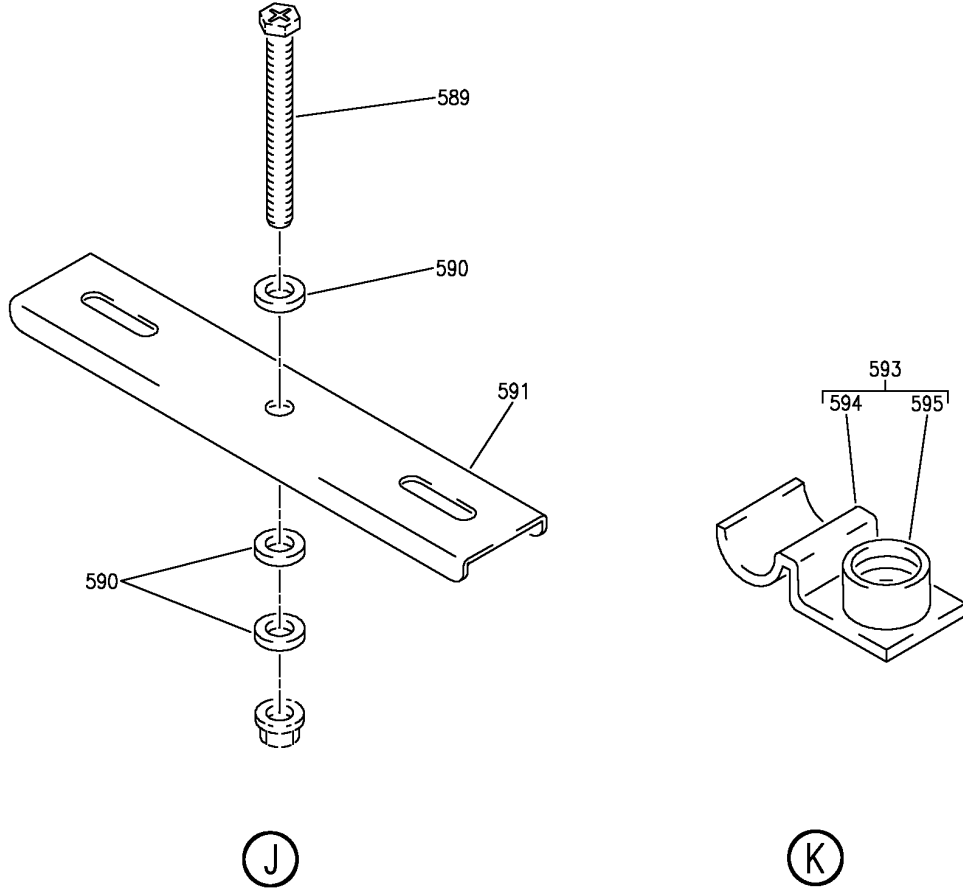
33-51-07-04

BRI
MAY 28/07

33-51-07-04
PAGE 0E

BOEING PROPRIETARY - Copyright © - Unpublished Work - See title page for details.

BOEING
757
PARTS CATALOG (MAINTENANCE)



Y 33510704 SH1 7 REV 266

PACK INSTL-757 200 LOWERED CLG EMER BATTERY FWD AND AFT
FIGURE 4 (SHEET 7)

BRI
MAY 28/07

33-51-07-04

33-51-07-04
PAGE OF

BOEING PROPRIETARY - Copyright © - Unpublished Work - See title page for details.



757

PARTS CATALOG (MAINTENANCE)

FIG ITEM	PART NUMBER	1 2 3 4 5 6 7	NOMENCLATURE	EFFECT FROM TO	UNITS PER ASSY
4			PACK INSTL-757 200 LOWERED CLG EMER BATTERY FWD AND AFT	002004 006102 107999	
- 1	417N5201-10		PACK INSTL-LOWERED CLG EMER BATTERY POSITION DATA: FWD AND AFT FOR NHA SEE: 25-20-00-01E	107107 121503 904949	RF
- 1	417N5201-14		PACK INSTL-LOWERED CLG EMER BATTERY POSITION DATA: FWD AND AFT FOR NHA SEE: 25-20-00-01A 25-20-00-11	002004 006010 101102 108120 950952	RF
- 1	417N5201-17		PACK INSTL-LOWERED CLG EMER BATTERY POSITION DATA: FWD AND AFT FOR NHA SEE: 25-20-00-01A	953999	RF
- 1	417N5201-20		PACK INSTL-LOWERED CLG EMER BATTERY POSITION DATA: FWD AND AFT FOR NHA SEE: 25-20-00-01A	011100	RF
- 2	417N5201-25		PACK INSTL-LOWERED CLG EMER BATTERY POSITION DATA: FWD AND AFT FOR NHA SEE: 25-20-00-11	504903	RF
10	BAC27NPA0277		.MARKER-ALUMINUM FOIL PLACARD CONTENT: M730 EMERGENCY BATTERY PACK	002004 006010 101102 107999	1
15	BAC27NPA0277		.MARKER-ALUMINUM FOIL PLACARD CONTENT: M730 EMERGENCY BATTERY PACK	011100	1
30	BAC27NPA0278		.MARKER-ALUMINUM FOIL PLACARD CONTENT: M731 EMERGENCY BATTERY PACK	011100	1

MISSING ITEM NUMBERS NOT APPLICABLE

- ITEM NOT ILLUSTRATED

33-51-07-04

33-51-07
FIG. 04
PAGE 1
JAN 20/09

BRI



757

PARTS CATALOG (MAINTENANCE)

FIG ITEM	PART NUMBER	1 2 3 4 5 6 7	NOMENCLATURE	EFFECT FROM TO	UNITS PER ASSY
4					
50	BAC27NPA0278	.	MARKER-ALUMINUM FOIL PLACARD CONTENT: M731 EMERGENCY BATTERY PACK	002004 006010 101102 107999	1
55	BAC27NPA0279	.	MARKER-ALUMINUM FOIL PLACARD CONTENT: M734 EMERGENCY BATTERY PACK	002004 006010 101102 107503 904999	1
60	BAC29PPS4787	.	MARKER-ALUMINUM FOIL PLACARD CONTENT: M10699	002004 006010 101102 108120 504903 950952	1
75	BAC29PPS16069	.	MARKER-ALUMINUM FOIL PLACARD CONTENT: M10919 BATTERY POWER SUPPLY	002004 006102 108120 504903 950952	1
85	BAC27NPA0280	.	MARKER-ALUMINUM FOIL PLACARD CONTENT: M735 EMERGENCY BATTERY PACK	002004 006010 101102 107503 904999	1
95	BAC29PPS4787	.	MARKER-ALUMINUM FOIL PLACARD CONTENT: M10699	011100	1
100	BAC27NPA0281	.	MARKER-ALUMINUM FOIL PLACARD CONTENT: M736 EMERGENCY BATTERY PACK	002004 006010 101102 107999	1
115	BAC27NEL1148	.	MARKER-ALUMINUM FOIL PLACARD CONTENT: M11030 BATTERY POWER SUPPLY	953999	1
120	BAC27NPA0282	.	MARKER-ALUMINUM FOIL PLACARD CONTENT: M737 EMERGENCY BATTERY PACK	002004 006010 101102 107999	1
155	BAC27NPA0279	.	MARKER-ALUMINUM FOIL PLACARD CONTENT: M734 EMERGENCY BATTERY PACK	011100 504903	1
165	BAC27NPA0280	.	MARKER-ALUMINUM FOIL PLACARD CONTENT: M735 EMERGENCY BATTERY PACK	011100 504903	1

MISSING ITEM NUMBERS NOT APPLICABLE

- ITEM NOT ILLUSTRATED

33-51-07-04

33-51-07
FIG. 04
PAGE 2
JAN 20/09

BRI

BOEING PROPRIETARY - Copyright © - Unpublished Work - See title page for details.



757

PARTS CATALOG (MAINTENANCE)

FIG ITEM	PART NUMBER	1 2 3 4 5 6 7	NOMENCLATURE	EFFECT FROM TO	UNITS PER ASSY
4	170	BAC27NPA0281	.MARKER-ALUMINUM FOIL PLACARD CONTENT: M736 EMERGENCY BATTERY PACK	011100	1
	175	BAC27NPA0282	.MARKER-ALUMINUM FOIL PLACARD CONTENT: M737 EMERGENCY BATTERY PACK	011100	1
	225	BPS7-3	.BATTERY PACK ASSY-PWR SUPPLY SUPPLIER CODE: V1MXA1 FUNCTIONAL DESCRIPTION: PROVIDES DIRECT CURRENT POWER (DC) TO OPERATE EMERGENCY AIRCRAFT LIGHTS AND THE OFF-WING EMERGENCY ESCAPE SYSTEM SQUIB. SPECIFICATION NUMBER: S283T014-3 ELECTRICAL EQUIP NUMBER: M00730 M00731 M00734 M00735 M00736 M00737 M10699 COMPONENT MAINT MANUAL REF: 25-65-02	107107 121503 904949	7

MISSING ITEM NUMBERS NOT APPLICABLE

- ITEM NOT ILLUSTRATED

33-51-07-04

33-51-07
FIG. 04
PAGE 3
JAN 20/09

BRI



757

PARTS CATALOG (MAINTENANCE)

FIG ITEM	PART NUMBER	1 2 3 4 5 6 7	NOMENCLATURE	EFFECT FROM TO	UNITS PER ASSY
4 235	BPS7-3		.BATTERY PACK ASSY-PWR SUPPLY SUPPLIER CODE: V1MXA1 FUNCTIONAL DESCRIPTION: PROVIDES DIRECT CURRENT POWER (DC) TO OPERATE EMERGENCY AIRCRAFT LIGHTS AND THE OFF-WING EMERGENCY ESCAPE SYSTEM SQUIB. SPECIFICATION NUMBER: S283T014-3 ELECTRICAL EQUIP NUMBER: M00730 M00731 M00734 M00735 M00736 M00737 M10699 M11030 COMPONENT MAINT MANUAL REF: 25-65-02	953999	8
267	BPS7-3		.BATTERY PACK ASSY-PWR SUPPLY SUPPLIER CODE: V1MXA1 FUNCTIONAL DESCRIPTION: PROVIDES DIRECT CURRENT POWER (DC) TO OPERATE EMERGENCY AIRCRAFT LIGHTS AND THE OFF-WING EMERGENCY ESCAPE SYSTEM SQUIB. SPECIFICATION NUMBER: S283T014-3 ELECTRICAL EQUIP NUMBER: M00730 M00731 M00734 M00735 M00736 M00737 M10699 M10919 COMPONENT MAINT MANUAL REF: 25-65-02	504903	8

MISSING ITEM NUMBERS NOT APPLICABLE

- ITEM NOT ILLUSTRATED

33-51-07-04

33-51-07
FIG. 04
PAGE 4
JAN 20/09

BRI



757

PARTS CATALOG (MAINTENANCE)

FIG ITEM	PART NUMBER	1 2 3 4 5 6 7	NOMENCLATURE	EFFECT FROM TO	UNITS PER ASSY
4 270	BPS7-3		.BATTERY PACK ASSY-PWR SUPPLY SUPPLIER CODE: V1MXA1 FUNCTIONAL DESCRIPTION: PROVIDES DIRECT CURRENT POWER (DC) TO OPERATE EMERGENCY AIRCRAFT LIGHTS AND THE OFF-WING EMERGENCY ESCAPE SYSTEM SQUIB. SPECIFICATION NUMBER: S283T014-3 ELECTRICAL EQUIP NUMBER: M00730 M00731 M00736 M00737 M10919 M10699 M11081 M11082 COMPONENT MAINT MANUAL REF: 25-65-02	011100	8
278	BPS7-3		.BATTERY PACK ASSY-PWR SUPPLY SUPPLIER CODE: V1MXA1 FUNCTIONAL DESCRIPTION: PROVIDES DIRECT CURRENT POWER (DC) TO OPERATE EMERGENCY AIRCRAFT LIGHTS AND THE OFF-WING EMERGENCY ESCAPE SYSTEM SQUIB. SPECIFICATION NUMBER: S283T014-3 ELECTRICAL EQUIP NUMBER: M00730 M00731 M00735 M00736 M00737 M00734 M10699 M10919 COMPONENT MAINT MANUAL REF: 25-65-02	002004 006010 101102 108120 950952	8

MISSING ITEM NUMBERS NOT APPLICABLE

- ITEM NOT ILLUSTRATED

33-51-07-04

33-51-07
FIG. 04
PAGE 5
JAN 20/09

BRI



757

PARTS CATALOG (MAINTENANCE)

FIG ITEM	PART NUMBER	1 2 3 4 5 6 7	NOMENCLATURE	EFFECT FROM TO	UNITS PER ASSY
4			ATTACHING PARTS		
- 285	BACS12FA08K5		.SCREW-	107107 121503 904949	28
- 300	BACS12FA08K5		.SCREW	002004 006010 108120 950951 953999	32
- 315	BACS12FA08K5		.SCREW	011100 504903	32
- 330	BACS12FA08K5		.SCREW	011100	4
- 350	AN960KD8L		.WASHER-	107107 121503 904949	28
- 370	AN960JD8L		.WASHER-	002004 006010 108120 950951	32
- 370	NAS1149DN816J		.WASHER	504903	32
- 385	NAS1149DN816J		.WASHER	011100	28
- 395	NAS1149DN816J		.WASHER	011100	4
			-----*-----		
405	2013-1		..BATTERY ASSY- SUPPLIER CODE: V1MXA1 OPTIONAL PART: 2013-1A V1MXA1	107107 121503 904949	1
405	2013-1		..BATTERY ASSY- SUPPLIER CODE: V1MXA1 OPTIONAL PART: 2013-1A V1MXA1	002004 006010 504903 950952	1
407	2013-1A		..BATTERY ASSY- SUPPLIER CODE: V60540 OPTIONAL PART: 2013-1 V1MXA1	107107 121503 904949	1
407	2013-1A		..BATTERY ASSY- SUPPLIER CODE: V60540 OPTIONAL PART: 2013-1 V1MXA1	002004 006010 504903 950952	1

MISSING ITEM NUMBERS NOT APPLICABLE

- ITEM NOT ILLUSTRATED

33-51-07-04

33-51-07
FIG. 04
PAGE 6
JAN 20/09

BRI

BOEING PROPRIETARY - Copyright © - Unpublished Work - See title page for details.



757

PARTS CATALOG (MAINTENANCE)

FIG ITEM	PART NUMBER	1 2 3 4 5 6 7	NOMENCLATURE	EFFECT FROM TO	UNITS PER ASSY
4					
413	2032		... LABEL-REMOVAL WARNING SUPPLIER CODE: V1MXA1 USED ON: 2013-1	107107 121503 904949	1
413	2032		... LABEL-REMOVAL WARNING SUPPLIER CODE: V1MXA1 USED ON: 2013-1	002004 006010 504903 950952	1
415	2044		... LABEL-BATTERY HOLDER SUPPLIER CODE: V1MXA1 USED ON: 2013-1A	107107 121503 904949	1
415	2044		... LABEL-BATTERY HOLDER SUPPLIER CODE: V1MXA1 USED ON: 2013-1A	002004 006010 504903 950952	1
420	2035		... LABEL-BAND WARNING SUPPLIER CODE: V1MXA1 USED ON: 2013-1	107107 121503 904949	1
420	2035		... LABEL-BAND WARNING SUPPLIER CODE: V1MXA1 USED ON: 2013-1	002004 006010 504903 950952	1
425	2021		... NAMEPLATE-BATTERY HOLDER SUPPLIER CODE: V1MXA1 USED ON: 2013-1	107107 121503 904949	1
425	2021		... NAMEPLATE-BATTERY HOLDER SUPPLIER CODE: V1MXA1 USED ON: 2013-1	002004 006010 504903 950952	1
430	2045		... LABEL-BATTERY SUPPLIER CODE: V1MXA1 USED ON: 2013-1A	107107 121503 904949	1

MISSING ITEM NUMBERS NOT APPLICABLE

- ITEM NOT ILLUSTRATED

33-51-07-04

33-51-07
FIG. 04
PAGE 7
JAN 20/09

BRI



757

PARTS CATALOG (MAINTENANCE)

FIG ITEM	PART NUMBER	1 2 3 4 5 6 7	NOMENCLATURE	EFFECT FROM TO	UNITS PER ASSY
4					
430	2045		... LABEL-BATTERY SUPPLIER CODE: V1MXA1 USED ON: 2013-1A	002004 006010 504903 950952	1
435	2012-1		.. CHARGER ASSY- SUPPLIER CODE: V60540	107107 121503 904949	1
435	2012-1		.. CHARGER ASSY- SUPPLIER CODE: V60540	011100 504903 953999	1
435	2012-1		.. CHARGER ASSY- SUPPLIER CODE: V60540	002004 006100 108120 950952	1
440	2018		... NAMEPLATE- SUPPLIER CODE: V1MXA1	107107 121503 904949	1
440	2018		... NAMEPLATE- SUPPLIER CODE: V1MXA1	011100 504903 953999	1
440	2018		... NAMEPLATE- SUPPLIER CODE: V1MXA1	002004 006100 108120 950952	1
445	2028		... NAMEPLATE-ESD WARNING SUPPLIER CODE: V1MXA1	107107 121503 904949	1
445	2028		... NAMEPLATE-ESD WARNING SUPPLIER CODE: V1MXA1	011100 504903 953999	1
445	2028		... NAMEPLATE-ESD WARNING SUPPLIER CODE: V1MXA1	002004 006100 108120 950952	1
450	2037		... LABEL-FAA-PMA SUPPLIER CODE: V1MXA1	107107 121503 904949	1
450	2037		... LABEL-FAA-PMA SUPPLIER CODE: V1MXA1	011100 504903 953999	1
450	2037		... LABEL-FAA-PMA SUPPLIER CODE: V1MXA1	002004 006100 108120 950952	1
455	2025		... LABEL-TEST SWITCH SUPPLIER CODE: V1MXA1	011100 504903 953999	1

MISSING ITEM NUMBERS NOT APPLICABLE

- ITEM NOT ILLUSTRATED

33-51-07-04

33-51-07
FIG. 04
PAGE 8
JAN 20/09

BRI

BOEING PROPRIETARY - Copyright © - Unpublished Work - See title page for details.



757

PARTS CATALOG (MAINTENANCE)

FIG ITEM	PART NUMBER	1 2 3 4 5 6 7	NOMENCLATURE	EFFECT FROM TO	UNITS PER ASSY
4					
455	2025		...LABEL-TEST SWITCH SUPPLIER CODE: V1MXA1	107107 121503 904949	1
455	2025		...LABEL-TEST SWITCH SUPPLIER CODE: V1MXA1	002004 006100 108120 950952	1
- 601	286N3532-031		WIRE BUNDLE ASSY	121503 904949	RF
- 601	286N3532-033		WIRE BUNDLE ASSY	107107	RF
- 602	286N3532-047		WIRE BUNDLE ASSY	002004 006100 952999	RF
- 602	286N3532-057		WIRE BUNDLE ASSY	950951	RF
610	BACC45FT16A24S		.CONNECTOR- ELECTRICAL EQUIP NUMBER: D00068 WIRING DIAGRAM REF: 335112	002004 006100 107107 121503 904999	1
- 650	286N3534-018		WIRE BUNDLE ASSY	121503 904949	RF
- 651	286N3534-020		WIRE BUNDLE ASSY	107107	RF
- 651	286N3534-034		WIRE BUNDLE ASSY	002004 006008 010010 952999	RF
- 652	286N3534-053		WIRE BUNDLE ASSY	950951	RF
- 652	286N3534-055		WIRE BUNDLE ASSY	011100	RF
- 652	286N3534-058		WIRE BUNDLE ASSY	009009	RF
- 653	286N3534-301		WIRE BUNDLE ASSY	108120	RF
660	BACC45FT16A24S		.CONNECTOR- ELECTRICAL EQUIP NUMBER: D00076 D00080 WIRING DIAGRAM REF: 335114 335115	002004 006100 107503 904999	2
- 700	286N3632-015		WIRE BUNDLE ASSY	121503 904949	RF
- 700	286N3632-017		WIRE BUNDLE ASSY	107107	RF
- 701	286N3632-030		WIRE BUNDLE ASSY	002004 006100 952952	RF
- 702	286N3632-047		WIRE BUNDLE ASSY	953999	RF
- 702	286N3632-051		WIRE BUNDLE ASSY	950951	RF

MISSING ITEM NUMBERS NOT APPLICABLE

- ITEM NOT ILLUSTRATED

BRI

33-51-07-04

33-51-07
FIG. 04
PAGE 9
JAN 20/09



757

PARTS CATALOG (MAINTENANCE)

FIG ITEM	PART NUMBER	1 2 3 4 5 6 7	NOMENCLATURE	EFFECT FROM TO	UNITS PER ASSY
4					
710	BACC45FT16A24S		.CONNECTOR- ELECTRICAL EQUIP NUMBER: D00066 D05472 WIRING DIAGRAM REF: 335112 335113	002004 006100 107107 121503 904999	2
- 801	286N3634-020		WIRE BUNDLE ASSY	107107	RF
- 801	286N3634-028		WIRE BUNDLE ASSY	121503	RF
- 802	286N3634-044		WIRE BUNDLE ASSY	904949 002004 006008 010010 952999	RF
- 802	286N3634-052		WIRE BUNDLE ASSY	950951	RF
- 803	286N3634-060		WIRE BUNDLE ASSY	011100	RF
- 804	286N3634-088		WIRE BUNDLE ASSY	009009	RF
- 805	286N3634-309		WIRE BUNDLE ASSY	108120	RF
810	BACC45FT16A24S		.CONNECTOR- ELECTRICAL EQUIP NUMBER: D00074 D00078 WIRING DIAGRAM REF: 335114 335115	002004 006010 107503 904999	2
815	BACC45FT16A24S		.CONNECTOR- ELECTRICAL EQUIP NUMBER: D00078 WIRING DIAGRAM REF: 335115	011100	1

MISSING ITEM NUMBERS NOT APPLICABLE

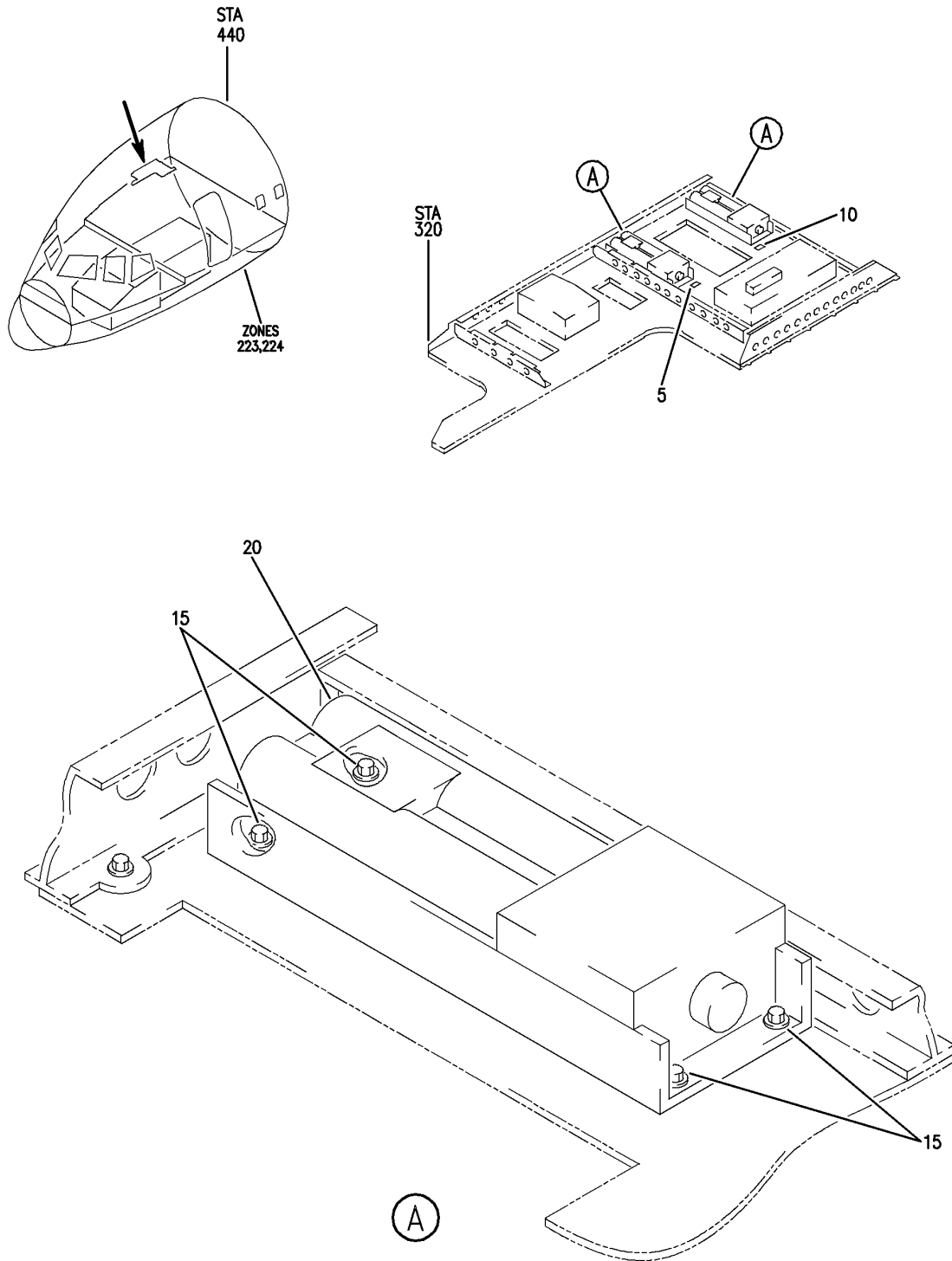
- ITEM NOT ILLUSTRATED

33-51-07-04

33-51-07
FIG. 04
PAGE 10
JAN 20/09

BRI

BOEING
757
PARTS CATALOG (MAINTENANCE)



Y 33510705 REV 226

CEILING ASSY-ENTRY DOOR 1 (POWER SUPPLY ONLY)
FIGURE 5

33-51-07-05

BRI
JAN 20/09

33-51-07-05
PAGE 0



757

PARTS CATALOG (MAINTENANCE)

FIG ITEM	PART NUMBER	1 2 3 4 5 6 7	NOMENCLATURE	EFFECT FROM TO	UNITS PER ASSY
5			CEILING ASSY-ENTRY DOOR 1 (POWER SUPPLY ONLY)	103106	
- 1	411N3520-28B		CEILING ASSY-ENTRY (POWER SUPPLY ONLY) POSITION DATA: DOOR 1 FOR NHA/OTHER SYS DET SEE: 25-22-02-69A	103106	RF
5	BAC27NPA0277		.MARKER-ALUMINUM FOIL PLACARD CONTENT: M730 EMERGENCY BATTERY PACK ELECTRICAL EQUIP NUMBER: M00730	103106	1
10	BAC27NPA0278		.MARKER-ALUMINUM FOIL PLACARD CONTENT: M731 EMERGENCY BATTERY PACK ELECTRICAL EQUIP NUMBER: M00731	103106	1
15	BACS12FA3K5		.SCREW	103106	8
20	D717-02-001		.POWER SUPPLY-EMER SUPPLIER CODE: VK0673 FUNCTIONAL DESCRIPTION: PROVIDES POWER FOR EMERGENCY LIGHTING SPECIFICATION NUMBER: S283W603-2 ELECTRICAL EQUIP NUMBER: M00730 M00731 COMPONENT MAINT MANUAL REF: 24-35-01 FOR DETAILS SEE: 33-51-07-50	103106	2

MISSING ITEM NUMBERS NOT APPLICABLE

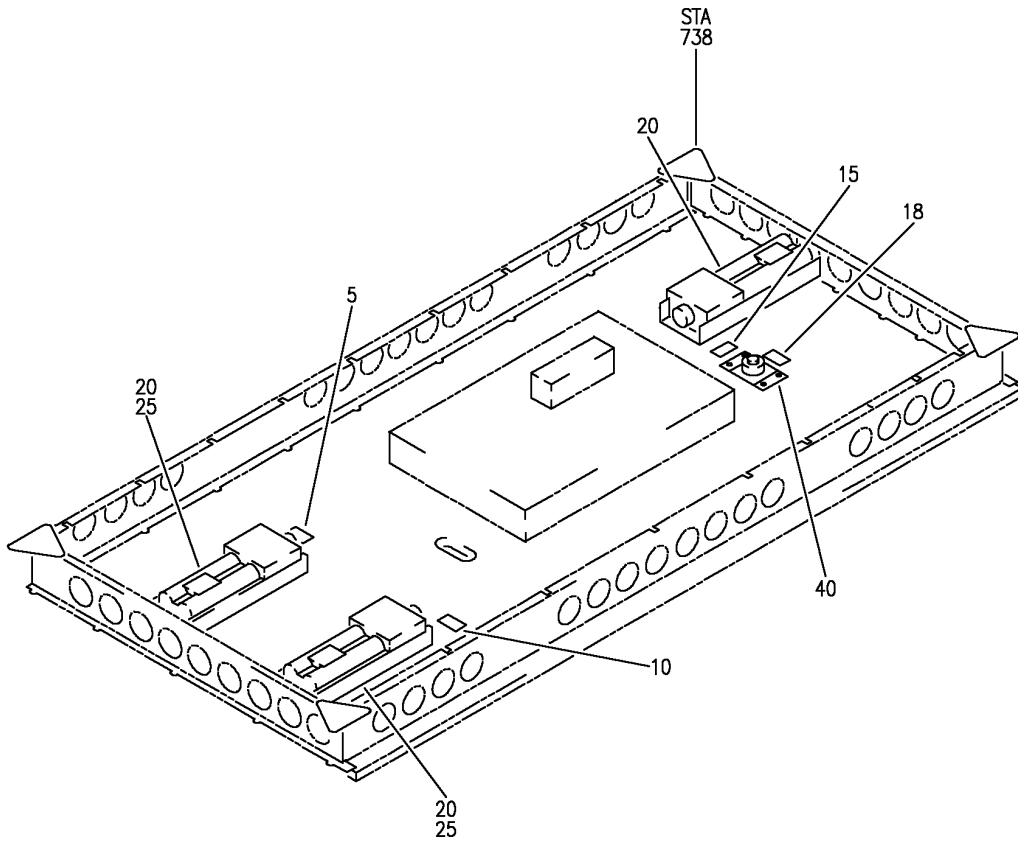
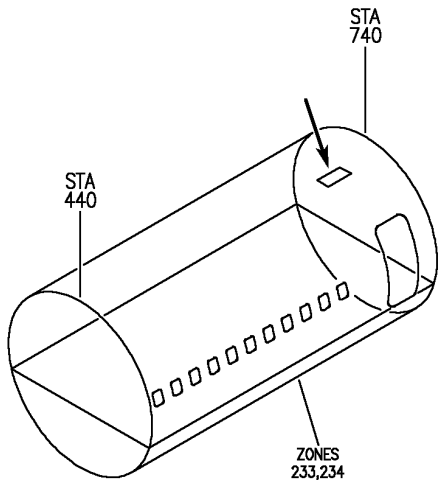
- ITEM NOT ILLUSTRATED

33-51-07-05

33-51-07
FIG. 05
PAGE 1
JAN 20/09

BRI

BOEING
757
PARTS CATALOG (MAINTENANCE)



Y 33510706 REV 264

CEILING ASSY-ENTRY DOOR 2 (POWER SUPPLY ONLY)
FIGURE 6

33-51-07-06

BRI
JAN 20/09

33-51-07-06
PAGE 0



757

PARTS CATALOG (MAINTENANCE)

FIG ITEM	PART NUMBER	1 2 3 4 5 6 7	NOMENCLATURE	EFFECT FROM TO	UNITS PER ASSY
6			CEILING ASSY-ENTRY DOOR 2 (POWER SUPPLY ONLY)	103106	
- 1	411N3620-34B		CEILING ASSY-ENTRY DOOR 2 (POWER SUPPLY ONLY) FOR NHA/OTHER SYS DET SEE: 25-22-02-40R	103106	RF
5	BAC27NPA1538		.MARKER- PLACARD CONTENT: M11612 EMERGENCY BATTERY PACK	103106	1
10	BAC27NPA1539		.MARKER- PLACARD CONTENT: M11613 EMERGENCY BATTERY PACK	103106	1
15	BAC27NPA1485		.MARKER- PLACARD CONTENT: M11486 EMERGENCY BATTERY PACK	103106	1
18	BAC27TPPS6915		.MARKER- PLACARD CONTENT: L1133 EMERGENCY AISLE LIGHT	103106	1
20	D717-02-001		.POWER SUPPLY-EMER SUPPLIER CODE: VK0673 FUNCTIONAL DESCRIPTION: PROVIDES POWER FOR EMERGENCY LIGHTING SPECIFICATION NUMBER: S283W603-2 ELECTRICAL EQUIP NUMBER: M11486 M00732 M00733 COMPONENT MAINT MANUAL REF: 24-35-01 FOR DETAILS SEE: 33-51-07-50	103106	3
- 30	BACS12FA3K5		ATTACHING PARTS .SCREW	103106	12
40	0105924-005		-----*----- .LIGHT-EMERGENCY SUPPLIER CODE: VOVDA9 SPECIFICATION NUMBER: S417U006-6 FOR DETAILS SEE: 33-51-51-55	103106	1

MISSING ITEM NUMBERS NOT APPLICABLE

- ITEM NOT ILLUSTRATED

33-51-07-06

33-51-07
FIG. 06
PAGE 1
JAN 20/09

BRI



757

PARTS CATALOG (MAINTENANCE)

FIG ITEM	PART NUMBER	1 2 3 4 5 6 7	NOMENCLATURE	EFFECT FROM TO	UNITS PER ASSY
6			ATTACHING PARTS		
- 45	BACS12HN06-8		.SCREW-	103106	2
- 50	NAS1149DN632J		.WASHER	103106	2
			-----*-----		

MISSING ITEM NUMBERS NOT APPLICABLE

- ITEM NOT ILLUSTRATED

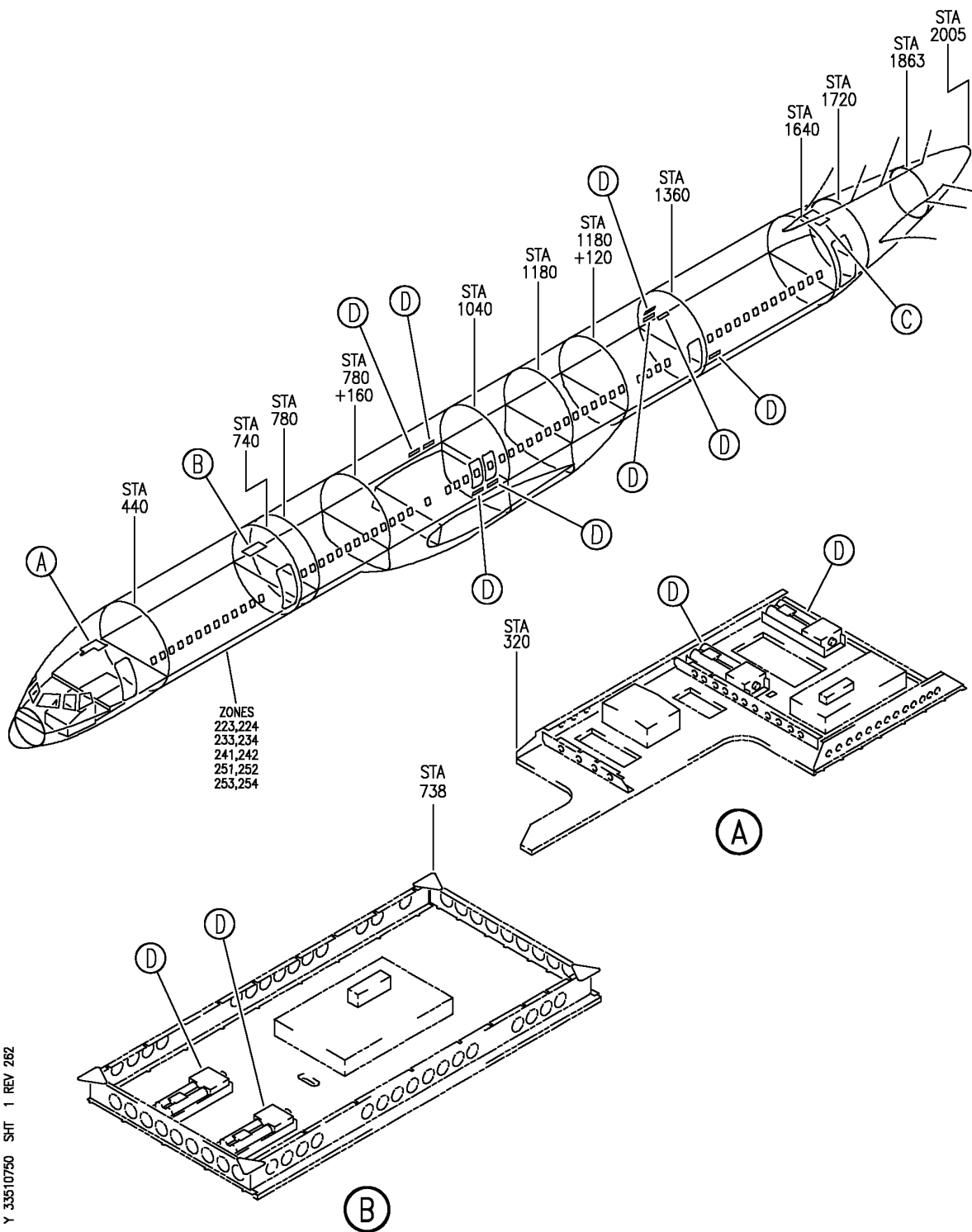
BRI

33-51-07-06

BOEING PROPRIETARY - Copyright © - Unpublished Work - See title page for details.

33-51-07
FIG. 06
PAGE 2
JAN 20/09

BOEING
757
PARTS CATALOG (MAINTENANCE)



Y 33510750 SHT 1 REV 262

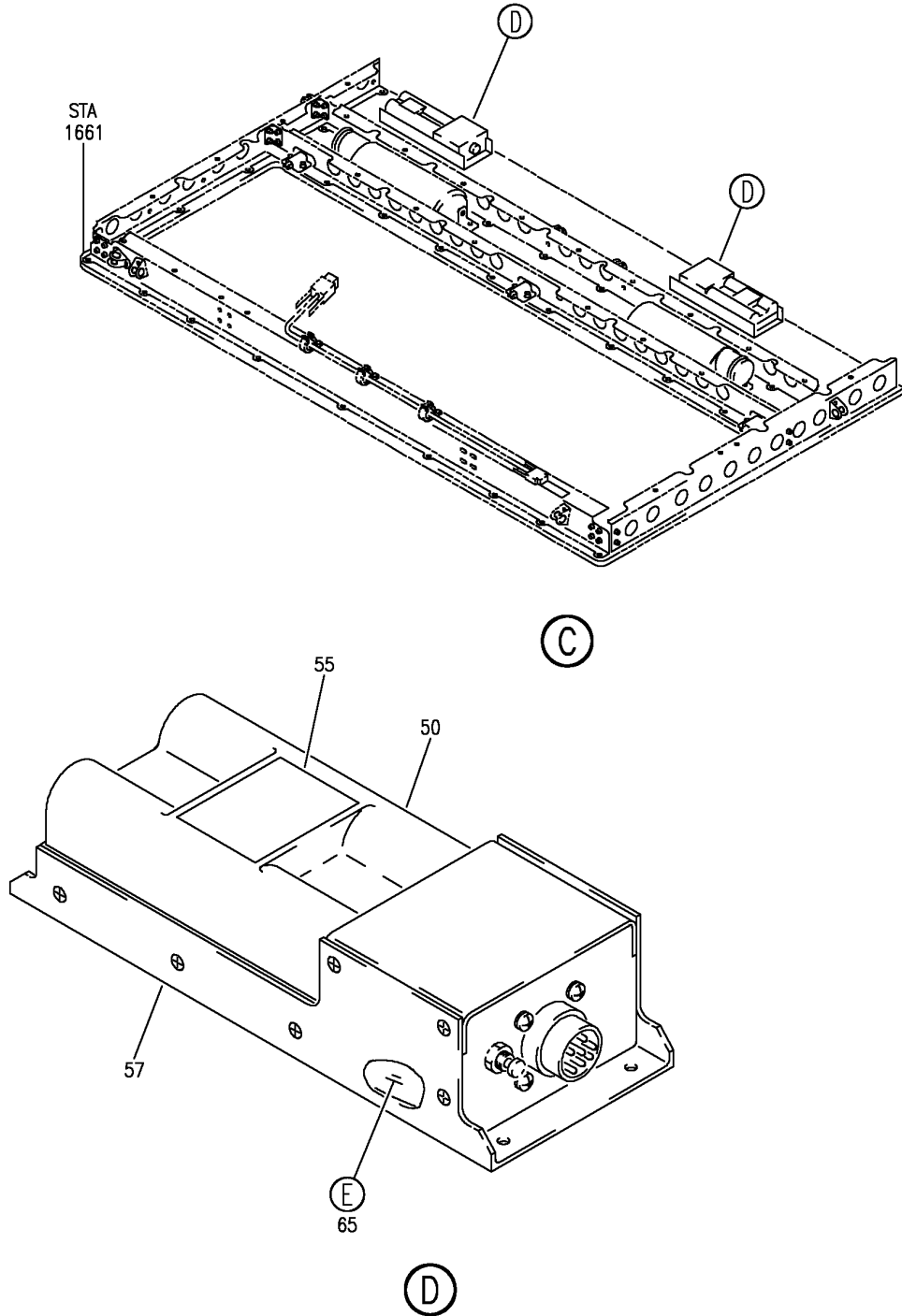
POWER SUPPLY-EMER
FIGURE 50 (SHEET 1)

33-51-07-50

BRI
JAN 20/09

33-51-07-50
PAGE 0

BOEING
757
PARTS CATALOG (MAINTENANCE)



Y 33510750 SHT 2 REV 264

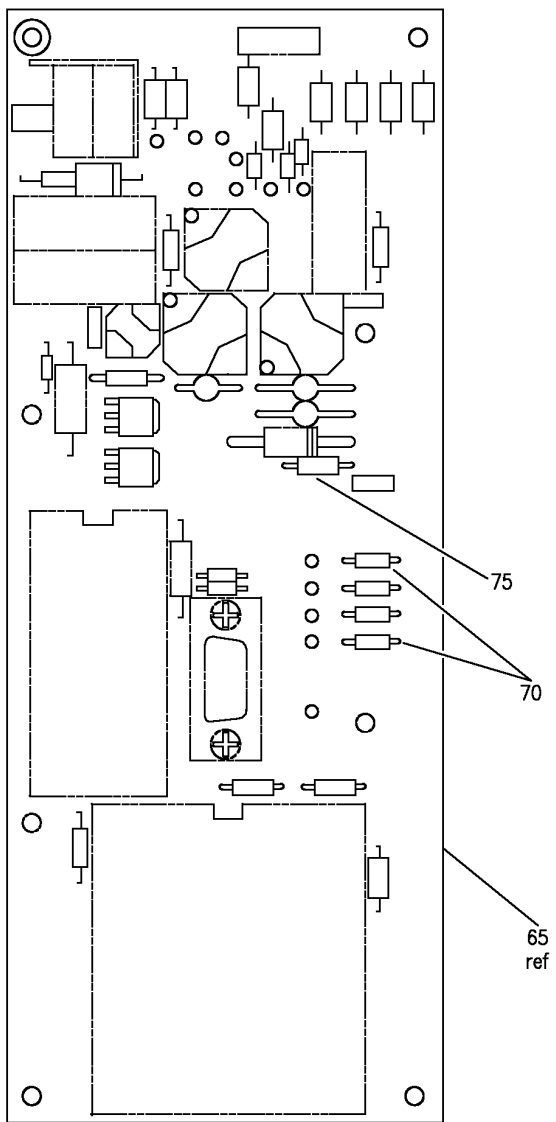
POWER SUPPLY-EMER
FIGURE 50 (SHEET 2)

33-51-07-50

BRI
JAN 20/09

33-51-07-50
PAGE 0A

BOEING
757
PARTS CATALOG (MAINTENANCE)



(E)

Y 33510750 SHT 3 REV 264

POWER SUPPLY-EMER
FIGURE 50 (SHEET 3)

33-51-07-50

BRI
JAN 20/09

33-51-07-50
PAGE 0B



757

PARTS CATALOG (MAINTENANCE)

FIG ITEM	PART NUMBER	1 2 3 4 5 6 7	NOMENCLATURE	EFFECT FROM TO	UNITS PER ASSY
50			POWER SUPPLY-EMER	103106	
- 1	D717-02-001		POWER SUPPLY-EMER SUPPLIER CODE: VK0673 FUNCTIONAL DESCRIPTION: PROVIDES POWER FOR EMERGENCY LIGHTING SPECIFICATION NUMBER: S283W603-2 ELECTRICAL EQUIP NUMBER: M11490 M11081 M11082 M11383 M00730 M00731 M00732 M00733 M00736 M00737 M11486 M11487 COMPONENT MAINT MANUAL REF: 24-35-01 FOR NHA SEE: 33-51-07-02 33-51-07-03A 33-51-07-05 33-51-07-06	103106	RF
50	D717-01-100		.PACK ASSY-BATTERY SUPPLIER CODE: VK0673	103106	1
55	B717-01-125		..LABEL- SUPPLIER CODE: VK0673	103106	1
57	D717-02-030		.CHARGER ASSY- SUPPLIER CODE: VK0673	103106	1
- 60	CEC16		.CAP- SUPPLIER CODE: V99017	103106	1
65	D717-01-020		.PANEL ASSY-A SUPPLIER CODE: VK0673	103106	1
70	B215-06		..FUSE-5A, F1 TO F4 SUPPLIER CODE: VK0673	103106	4

MISSING ITEM NUMBERS NOT APPLICABLE

- ITEM NOT ILLUSTRATED

33-51-07-50

33-51-07
FIG. 50
PAGE 1
JAN 20/09

BRI



757
PARTS CATALOG (MAINTENANCE)

FIG ITEM	PART NUMBER	1 2 3 4 5 6 7	NOMENCLATURE	EFFECT FROM TO	UNITS PER ASSY
50 75	215-005		.. FUSE-5A, F5 SUPPLIER CODE: VK8473	103106	1

MISSING ITEM NUMBERS NOT APPLICABLE

- ITEM NOT ILLUSTRATED

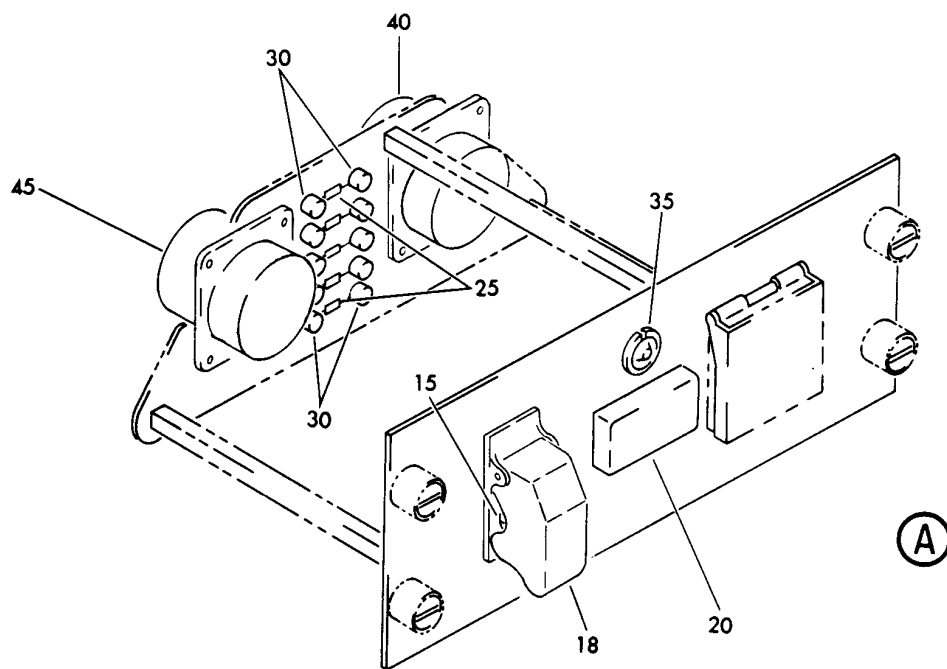
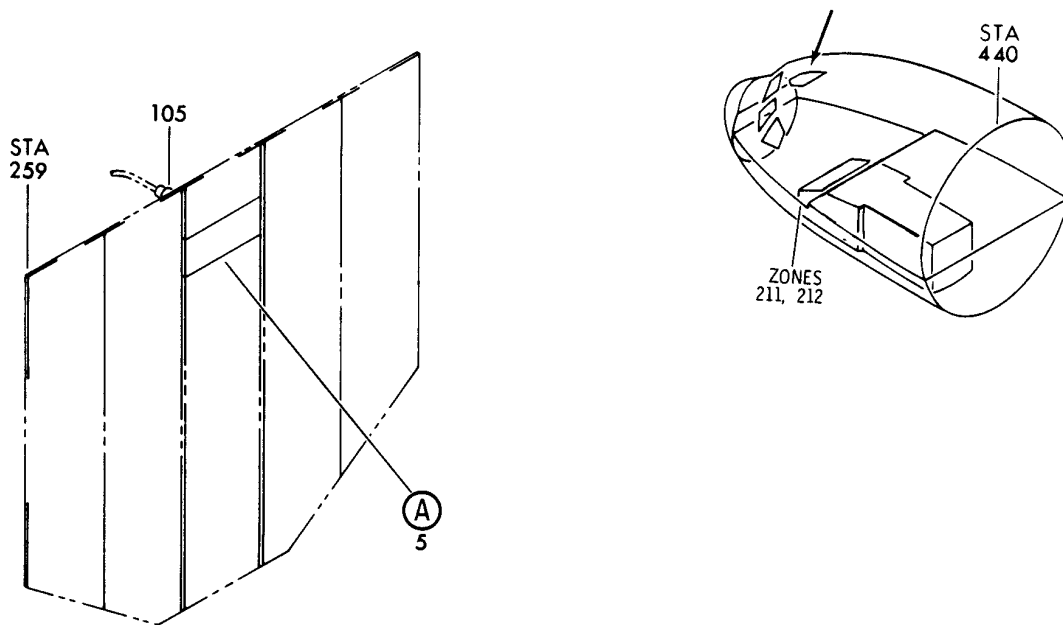
BRI

33-51-07-50

BOEING PROPRIETARY - Copyright © - Unpublished Work - See title page for details.

33-51-07
FIG. 50
PAGE 2
JAN 20/09

BOEING
757
PARTS CATALOG (MAINTENANCE)



Y 33510801 SHT 1 REV 067

PANEL INSTL-P5 OVERHEAD (EMERGENCY LIGHTING ONLY)
FIGURE 1

33-51-08-01

BRI
MAY 28/07

33-51-08-01
PAGE 0



757

PARTS CATALOG (MAINTENANCE)

FIG ITEM	PART NUMBER	1 2 3 4 5 6 7	NOMENCLATURE	EFFECT FROM TO	UNITS PER ASSY
1			PANEL INSTL-P5 OVERHEAD (EMERGENCY LIGHTING ONLY)	002004 006010 107107 121503 904999	
- 1	233N3101-1		PANEL INSTL-P5 OVERHEAD (EMERGENCY LIGHTING ONLY) VARIABLE DRAWING REF: 233N3101-5005 233N3101-5025 233N3101-5041 233N3101-5042 233N3101-5045 FOR NHA/OTHER SYS DET SEE: 25-10-00-05A	002004 006010 107107 121503 904999	RF
5	233T3210-25		.PANEL ASSY-EMER LIGHTS/PASS OXY SUPPLIER CODE: V89954 ELECTRICAL EQUIP NUMBER: M00043 COMPONENT MAINT MANUAL REF: 33-51-03 QUALIFIED I/W DATA: 233T3210-22, -25, -28, -29, -30 ARE ALL INTERCHANGEABLE EXCEPT SUBJECT TO CUSTOMER PREFERENCE 233T3210-22, -25, -28, -29, -30 ARE ALL INTERCHNAGEABLE EXCEPT SUBJECT TO CUSTOMER PREFERENCE 233T3210-22, -25, -28, -29, -30 ARE ALL INTERCHANGEABLE EXCEPT SUBJECT TO CUSTOMER PREFERENCE PRE ALERT SB: 33A0044	107107	RF

MISSING ITEM NUMBERS NOT APPLICABLE

- ITEM NOT ILLUSTRATED

33-51-08-01

33-51-08
FIG. 01
PAGE 1
JAN 20/09

BRI



757

PARTS CATALOG (MAINTENANCE)

FIG ITEM	PART NUMBER	1 2 3 4 5 6 7	NOMENCLATURE	EFFECT FROM TO	UNITS PER ASSY
1	5 233T3210-28		.PANEL ASSY-EMER LIGHTS/PASS OXY SUPPLIER CODE: V89954 ELECTRICAL EQUIP NUMBER: M00043 COMPONENT MAINT MANUAL REF: 33-51-03 QUALIFIED I/W DATA: 233T3210-22 -25 -28 -29 -30 ARE ALL INTERCHANGEABLE EXCEPT SUBJECT TO CUSTOMER PREFERENCE 233T3210-22 -25 -28 -29 -30 ARE ALL INTERCHANGEABLE EXCEPT SUBJECT TO CUSTOMER 233T3210-38 T/W S233T100-6065 CAN REPLACE OR BE REPLACED BY 233T3210-28 T/W S233T100-1077 SUBJECT TO CUSTOMER PREFERENCE OF HAVING OR NOT HAVING SWITCH GUARD PRE ALERT SB: 33A0044	002004 006010 950999	RF
	5 233T3210-30		.PANEL ASSY-EMER LIGHTS/PASS OXY SUPPLIER CODE: V89954 ELECTRICAL EQUIP NUMBER: M00043 COMPONENT MAINT MANUAL REF: 33-51-03 QUALIFIED I/W DATA: 233T3210-22 -25 -28 -29 -30 ARE ALL INTERCHANGEABLE EXCEPT SUBJECT TO CUSTOMER PREFERENCE PRE ALERT SB: 33A0044R1	121503 904949	RF

MISSING ITEM NUMBERS NOT APPLICABLE

- ITEM NOT ILLUSTRATED

33-51-08-01

33-51-08
FIG. 01
PAGE 2
JAN 20/09

BRI



757

PARTS CATALOG (MAINTENANCE)

FIG ITEM	PART NUMBER	1 2 3 4 5 6 7	NOMENCLATURE	EFFECT FROM TO	UNITS PER ASSY
1					
5	233T3210-1028		.PANEL ASSY-EMER LIGHTS/PASS OXY SUPPLIER CODE: V89954 ELECTRICAL EQUIP NUMBER: M00043 COMPONENT MAINT MANUAL REF: 33-51-03 POST ALERT SB: 33A0044	002004 006010 950999	RF
5	233T3210-1025		.PANEL ASSY-EMER LIGHTS/PASS OXY SUPPLIER CODE: V89954 ELECTRICAL EQUIP NUMBER: M00043 COMPONENT MAINT MANUAL REF: 33-51-03 POST ALERT SB: 33A0044	107107	RF
5	233T3210-1030		.PANEL ASSY-EMER LIGHTS/PASS OXY SUPPLIER CODE: V89954 ELECTRICAL EQUIP NUMBER: M00043 COMPONENT MAINT MANUAL REF: 33-51-03 POST ALERT SB: 33A0044	121503 904949	RF
5	233T3210-42		.PANEL ASSY-EMER LIGHTS/PASS OXY SUPPLIER CODE: V89954 ELECTRICAL EQUIP NUMBER: M00043 COMPONENT MAINT MANUAL REF: 33-51-03 POST ALERT SB: 33A0044R1	002004 006010 950999	RF
15	68AT34-1		..SWITCH-TG SUPPLIER CODE: V91929	002004 006010 107107 121503 904999	1
18	402-112		..GUARD- SUPPLIER CODE: V33463	002004 006010 107107 121503 904999	1

MISSING ITEM NUMBERS NOT APPLICABLE

- ITEM NOT ILLUSTRATED

33-51-08-01

33-51-08
FIG. 01
PAGE 3
JAN 20/09

BRI



757

PARTS CATALOG (MAINTENANCE)

FIG ITEM	PART NUMBER	1 2 3 4 5 6 7	NOMENCLATURE	EFFECT FROM TO	UNITS PER ASSY
1 20	BCREF8550		..LIGHT ASSY-UNARMED IND SUPPLIER CODE: V81590 OVERLENGTH PART NUMBER: 434-674-1031-2113 SPECIFICATION NUMBER: S231T300-2113 OPTIONAL PART: BCREF6199 V81590 FOR DETAILS SEE: 33-14-70-02	002004 006010 121503 904999	1
20	BCREF8550		..LIGHT ASSY-UNARMED IND SUPPLIER CODE: V81590 OVERLENGTH PART NUMBER: 434-674-1031-2113 SPECIFICATION NUMBER: S231T300-2113 QUALIFIED OPTIONAL DATA: S231T300-1113 WITH WHITE DOT IDENTIFIER ON CAP ASSY IS OPTIONAL TO S231T300-2113 FOR DETAILS SEE: 33-14-70-02	107107	1
20	BCREF6199		..LIGHT ASSY-UNARMED IND SUPPLIER CODE: V81590 OVERLENGTH PART NUMBER: 434-674-1005-1113 SPECIFICATION NUMBER: S231T300-1113 OPTIONAL PART: BCREF8550 V81590 FOR DETAILS SEE: 33-14-70-02	002004 006010 121503 904999	1

MISSING ITEM NUMBERS NOT APPLICABLE

- ITEM NOT ILLUSTRATED

33-51-08-01

33-51-08
FIG. 01
PAGE 4
JAN 20/09

BRI



**757
PARTS CATALOG (MAINTENANCE)**

FIG ITEM	PART NUMBER	1 2 3 4 5 6 7	NOMENCLATURE	EFFECT FROM TO	UNITS PER ASSY
1	20 BCRE6199		..LIGHT ASSY-UNARMED IND SUPPLIER CODE: V81590 OVERLENGTH PART NUMBER: 434-674-1005-1113 SPECIFICATION NUMBER: S231T300-1113 QUALIFIED OPTIONAL DATA: S231T300-1113 WITH WHITE DOT IDENTIFIER ON CAP ASSY IS OPTIONAL TO S231T300-2113 FOR DETAILS SEE: 33-14-70-02	107107	1
	25 JANTX1N5618		..DIODE	002004 006010 107107 121503 904999	5
	30 4443B9		..TERMINAL- SUPPLIER CODE: V88245	002004 006010 107107 121503 904999	10
	35 800000121-1		..CONNECTOR- SUPPLIER CODE: V05617	002004 006010 107107 121503 904999	1
	40 BACC45FN12-12P7		..CONNECTOR	002004 006010 107107 121503 904999	1
	45 BACC45FN16-24P		..CONNECTOR	002004 006010 107107 121503 904999	1
-	50 NAS1801-04-5		ATTACHING PARTS ..SCREW	002004 006010 107107 121503 904999	4

MISSING ITEM NUMBERS NOT APPLICABLE

- ITEM NOT ILLUSTRATED

33-51-08-01

33-51-08
FIG. 01
PAGE 5
JAN 20/09

BRI

BOEING PROPRIETARY - Copyright © - Unpublished Work - See title page for details.



757

PARTS CATALOG (MAINTENANCE)

FIG ITEM	PART NUMBER	1 2 3 4 5 6 7	NOMENCLATURE	EFFECT FROM TO	UNITS PER ASSY
1					
- 55	K19798-04	. .	NUT SUPPLIER CODE: V15653 SPECIFICATION NUMBER: BACN10NW1 OPTIONAL PART: RMA4812-160-40 V72962 293162 V60119	002004 006010 107107 121503 904999	4
- 100	286N2070-003		WIRE BUNDLE ASSY- (EMERGENCY LIGHTING ONLY)	121503 904949	RF
- 100	286N2070-004		WIRE BUNDLE ASSY- (EMERGENCY LIGHTING ONLY)	107107	RF
- 100	286N2070-005		WIRE BUNDLE ASSY- (EMERGENCY LIGHTING ONLY)	002004 006010 950999	RF
105	BACC45FT16A24S	. .	CONNECTOR- ELECTRICAL EQUIP NUMBER: D04800 WIRING DIAGRAM REF: 335111	002004 006010 107107 121503 904999	1

MISSING ITEM NUMBERS NOT APPLICABLE

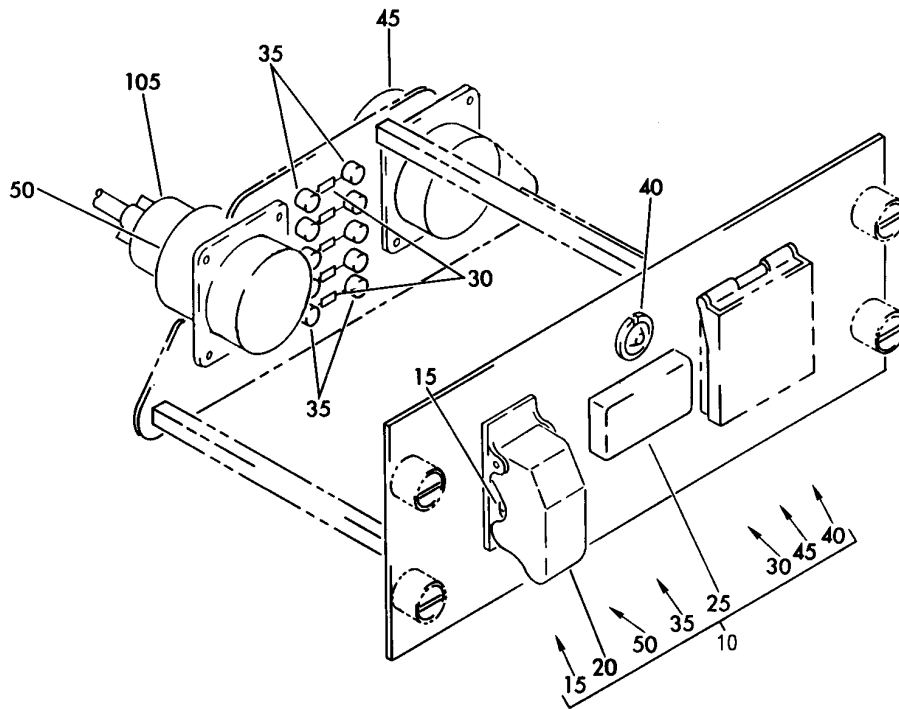
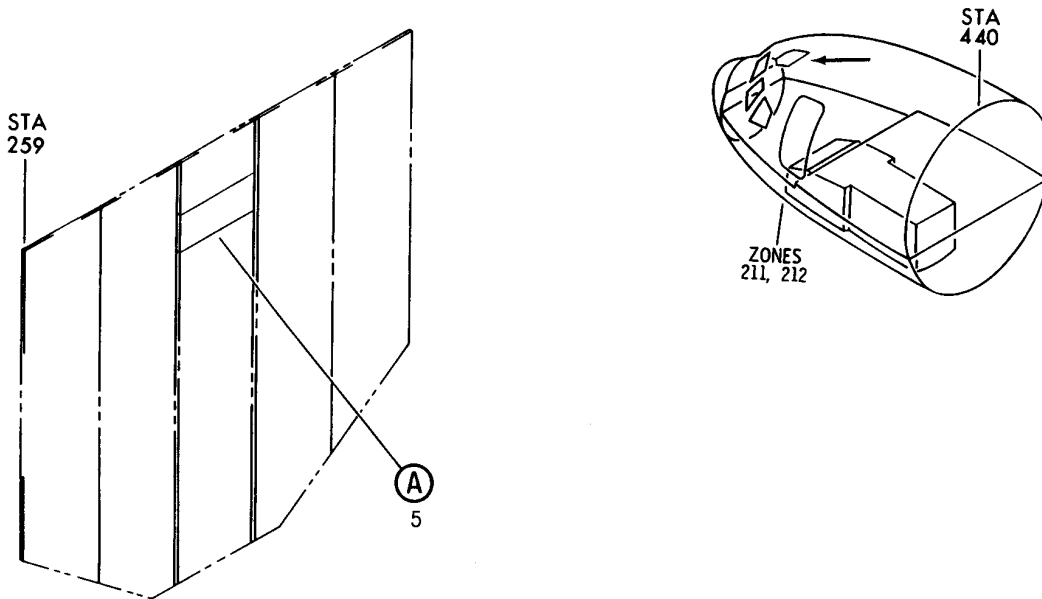
- ITEM NOT ILLUSTRATED

33-51-08-01

33-51-08
FIG. 01
PAGE 6
JAN 20/09

BRI

BOEING
757
PARTS CATALOG (MAINTENANCE)



(A)

Y 33510803 REV 323

PANEL INSTL-P5 OVHD (EMERGENCY LIGHTING ONLY)
FIGURE 3

33-51-08-03

BRI
MAY 20/08

33-51-08-03
PAGE 0



757

PARTS CATALOG (MAINTENANCE)

FIG ITEM	PART NUMBER	1 2 3 4 5 6 7	NOMENCLATURE	EFFECT FROM TO	UNITS PER ASSY
3			PANEL INSTL-P5 OVHD (EMERGENCY LIGHTING ONLY)	011100	
- 1	233N3101-1		PANEL INSTL-P5 OVHD (EMERGENCY LIGHTING ONLY) VARIABLE DRAWING REF: 233N3101-5142 FOR NHA/OTHER SYS DET SEE: 25-10-00-05A	011100	RF
5	233T3210-300		.PANEL ASSY-EMER LIGHT/PASS OXY SUPPLIER CODE: V89954 ELECTRICAL EQUIP NUMBER: M00043 COMPONENT MAINT MANUAL REF: 33-51-03 QUALIFIED I/W DATA: THE 233T3210-300 PANEL ASSY IS I/W THE 233T3210-28 PANEL ASSY T/W THE S233T100-1077 LIGHTPLATE. PRE ALERT SB: 33A0044	011100	RF
5	233T3210-1300		.PANEL ASSY-EMER LIGHT/PASS OXY SUPPLIER CODE: V89954 ELECTRICAL EQUIP NUMBER: M00043 COMPONENT MAINT MANUAL REF: 33-51-03 POST ALERT SB: 33A0044	011100	RF
5	233T3210-306		.PANEL ASSY-EMER LIGHT/PASS OXY SUPPLIER CODE: V89954 ELECTRICAL EQUIP NUMBER: M00043 COMPONENT MAINT MANUAL REF: 33-51-03	011100	RF

MISSING ITEM NUMBERS NOT APPLICABLE

- ITEM NOT ILLUSTRATED

BRI

33-51-08-03

BOEING PROPRIETARY - Copyright © - Unpublished Work - See title page for details.

33-51-08
FIG. 03
PAGE 1
JAN 20/09



757

PARTS CATALOG (MAINTENANCE)

FIG ITEM	PART NUMBER	1 2 3 4 5 6 7	NOMENCLATURE	EFFECT FROM TO	UNITS PER ASSY
3					
10	233T3210-28	..	PANEL ASSY- SUPPLIER CODE: V89954 COMPONENT MAINT MANUAL REF: 33-51-03 QUALIFIED I/W DATA: THE 233T3210-300 PANEL ASSY IS I/W THE 233T3210-28 PANEL ASSY T/W THE S233T100-1077 LIGHTPLATE. USED ON: 233T3210-300 PRE ALERT SB: 33A0044	011100	1
10	233T3210-1028	..	PANEL ASSY- SUPPLIER CODE: V89954 ELECTRICAL EQUIP NUMBER: M00043 COMPONENT MAINT MANUAL REF: 33-51-03 POST ALERT SB: 33A0044	011100	1
10	233T3210-42	..	PANEL ASSY- SUPPLIER CODE: V89954 COMPONENT MAINT MANUAL REF: 33-51-03 USED ON: 233T3210-306	011100	1
15	68AT34-1	...	SWITCH-TG SUPPLIER CODE: V91929	011100	1
20	402-112	...	GUARD- SUPPLIER CODE: V33463	011100	1

MISSING ITEM NUMBERS NOT APPLICABLE

- ITEM NOT ILLUSTRATED

33-51-08-03

33-51-08
FIG. 03
PAGE 2
JAN 20/09

BRI



757

PARTS CATALOG (MAINTENANCE)

FIG ITEM	PART NUMBER	1 2 3 4 5 6 7	NOMENCLATURE	EFFECT FROM TO	UNITS PER ASSY
3 25	BCREF8550		...LIGHT ASSY-UNARMED IND SUPPLIER CODE: V81590 OVERLENGTH PART NUMBER: 434-674-1031-2113 SPECIFICATION NUMBER: S231T300-2113 OPTIONAL PART: BCREF6199 V81590 USED ON: 233T3210-28 233T3210-29 233T3210-38 233T3210-1028 233T3210-1038 FOR DETAILS SEE: 33-14-70-02	011100	1
25	BCREF6199		...LIGHT ASSY-UNARMED IND SUPPLIER CODE: V81590 OVERLENGTH PART NUMBER: 434-674-1005-1113 SPECIFICATION NUMBER: S231T300-1113 OPTIONAL PART: BCREF8550 V81590 USED ON: 233T3210-28 233T3210-29 233T3210-38 233T3210-1028 233T3210-1038 FOR DETAILS SEE: 33-14-70-02	011100	1
25	BCREF8550		...LIGHT ASSY-UNARMED IND SUPPLIER CODE: V81590 OVERLENGTH PART NUMBER: 434-674-1031-2113 SPECIFICATION NUMBER: S231T300-2113 USED ON: 233T3210-42 FOR DETAILS SEE: 33-14-70-02	011100	1
30	JANTX1N5618		...DIODE	011100	5

MISSING ITEM NUMBERS NOT APPLICABLE

- ITEM NOT ILLUSTRATED

33-51-08-03

33-51-08
FIG. 03
PAGE 3
JAN 20/09

BRI

BOEING PROPRIETARY - Copyright © - Unpublished Work - See title page for details.



757

PARTS CATALOG (MAINTENANCE)

FIG ITEM	PART NUMBER	1 2 3 4 5 6 7	NOMENCLATURE	EFFECT FROM TO	UNITS PER ASSY
3					
35	4443B9		... TERMINAL- SUPPLIER CODE: V88245	011100	10
40	800000121-1		... CONNECTOR- SUPPLIER CODE: V05617	011100	1
45	BACC45FN12-12P7		... CONNECTOR	011100	1
50	BACC45FN16-24P		... CONNECTOR	011100	1
- 55	NAS1801-04-5		... SCREW- USED ON: 233T3210-28 233T3210-29 233T3210-38 233T3210-1028 233T3210-1038	011100	4
- 55	BACS12CK04U5		... SCREW- USED ON: 233T3210-42	011100	2
- 60	K19798-04		... NUT SUPPLIER CODE: V15653 SPECIFICATION NUMBER: BACN10NW1 OPTIONAL PART: RMA4812-160-40 V72962 293162 V60119	011100	4
- 100	286N2070-005		-----*----- WIRE BUNDLE ASSY-	011100	RF
105	BACC45FT16A24S		.CONNECTOR- ELECTRICAL EQUIP NUMBER: D04800 WIRING DIAGRAM REF: 335111	011100	1

MISSING ITEM NUMBERS NOT APPLICABLE

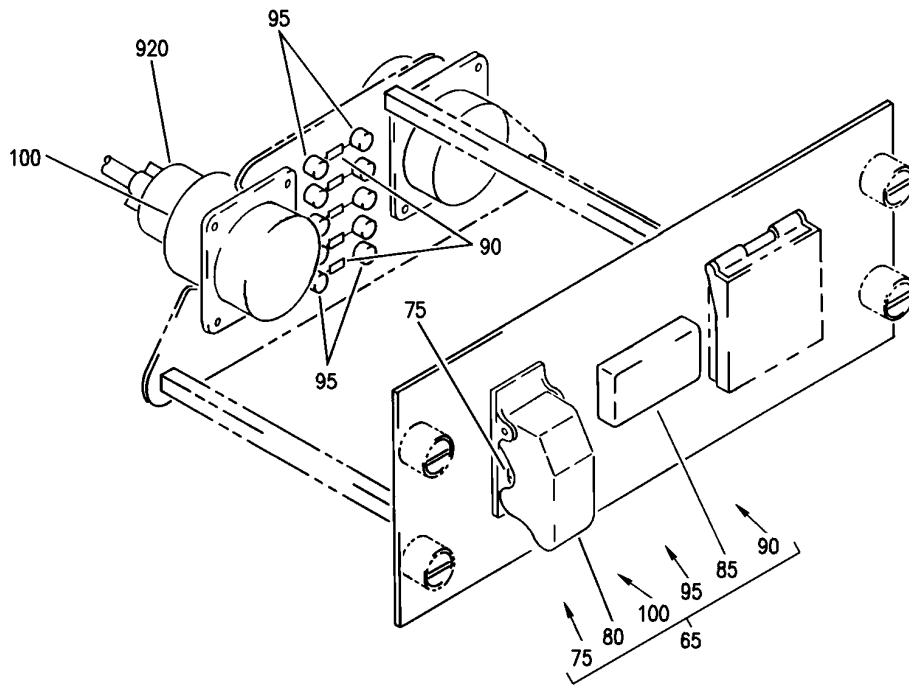
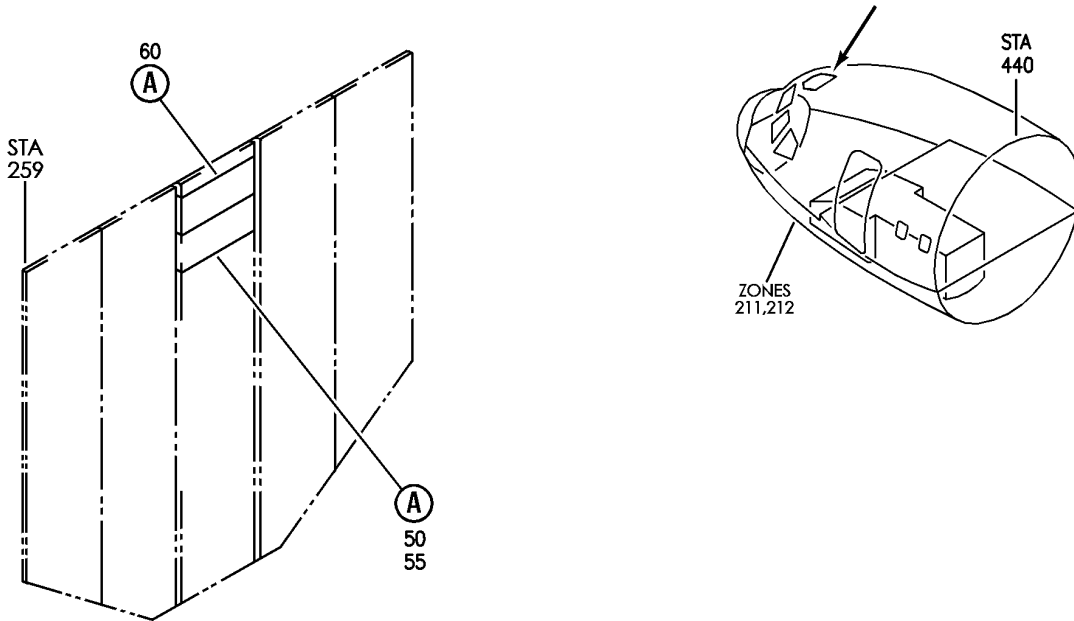
- ITEM NOT ILLUSTRATED

33-51-08-03

33-51-08
FIG. 03
PAGE 4
JAN 20/09

BRI

BOEING
757
PARTS CATALOG (MAINTENANCE)



(A)

Y 33510805 REV 253

PANEL INSTL-P5 OVHD (EMERGENCY LIGHTING ONLY)
FIGURE 5

33-51-08-05

BRI
MAY 28/07

33-51-08-05
PAGE 0



**757
PARTS CATALOG (MAINTENANCE)**

FIG ITEM	PART NUMBER	1 2 3 4 5 6 7	NOMENCLATURE	EFFECT FROM TO	UNITS PER ASSY
5			PANEL INSTL-P5 OVHD (EMERGENCY LIGHTING ONLY)	101106 108120 504903	
- 3	233N3103-132		PANEL INSTL-P5 OVHD (EMERGENCY LIGHTING ONLY) FOR NHA/OTHER SYS DET SEE: 25-10-00-15E	101102	RF
- 3	233N3103-136		PANEL INSTL-P5 OVHD (EMERGENCY LIGHTING ONLY) FOR NHA/OTHER SYS DET SEE: 25-10-00-15E	504903	RF
- 6	233N3103-59		PANEL INSTL-P5 OVHD (EMERGENCY LIGHTING ONLY) FOR NHA/OTHER SYS DET SEE: 25-10-00-15E	108120	RF
- 7	MODREF33760		PANEL INSTL-P5 OVHD (EMERGENCY LIGHTING ONLY) MODULE NUMBER: 233N3103-351 REV C FOR OTHER SYS DETAILS SEE: 11-31-10-12 21-25-55-03 21-31-01-02 21-33-51-03 21-51-54-03 21-58-19-10 21-58-51-03 21-61-04-03 21-65-51-01 22-21-01-04 22-24-51-02 23-24-01-01 23-32-00-11 23-42-02-02 23-71-05-02 24-11-52-05 24-22-01-03 24-31-01-10 24-31-03-09 24-33-04-01 24-41-51-04 24-51-62-01 26-18-51-04 27-21-53-02 27-41-55-01 27-61-51-03 27-62-52-02 28-22-51-02 28-41-04-01	103103	1

MISSING ITEM NUMBERS NOT APPLICABLE

- ITEM NOT ILLUSTRATED

33-51-08-05

33-51-08
FIG. 05
PAGE 1
JAN 20/09

BRI



757

PARTS CATALOG (MAINTENANCE)

FIG ITEM	PART NUMBER	1 2 3 4 5 6 7	NOMENCLATURE	EFFECT FROM TO	UNITS PER ASSY
5			28-41-51-03 29-11-02-03 29-11-05-04 29-11-52-07 29-21-54-03 29-31-00-01 29-32-51-03 29-33-52-03 30-11-51-03 30-21-51-03 30-31-51-02 30-32-51-01 30-33-51-02 30-41-51-03 30-42-51-03 31-12-11-91 31-12-11-91 A 32-42-52-03 33-11-03-03 33-11-51-17 33-13-01-65 33-13-02-03 33-16-51-03 33-24-51-02 33-41-52-04 33-42-01-04 33-42-02-04 33-42-52-04 33-43-51-04 33-44-51-05 33-45-53-03 34-21-02-01 35-21-51-04 36-11-04-01 36-21-00-01 36-21-02-05 36-22-51-03 49-41-00-02 49-52-00-01 49-70-00-01 52-51-51-03 52-71-51-02 73-21-52-02 74-31-51-05 75-32-00-01 80-11-09-02		
- 7	MODREF34038		PANEL INSTL-P5 OVHD (EMERGENCY LIGHTING ONLY) MODULE NUMBER: MISSING ITEM NUMBERS NOT APPLICABLE	104105	1

- ITEM NOT ILLUSTRATED

33-51-08-05

33-51-08
 FIG. 05
 PAGE 2
 JAN 20/09

BRI



757

PARTS CATALOG (MAINTENANCE)

FIG ITEM	PART NUMBER	1 2 3 4 5 6 7 NOMENCLATURE	EFFECT FROM TO	UNITS PER ASSY
5		233N3103-351 REV D FOR OTHER SYS DETAILS SEE : 11-31-10-12 21-25-55-03 21-31-01-02 21-33-51-03 21-51-54-03 21-58-19-10 21-58-51-03 21-61-04-03 21-65-51-01 22-21-01-04 22-24-51-02 23-24-01-01 23-32-00-11 23-42-02-02 23-71-05-02 24-11-52-05 24-22-01-03 24-31-01-10 24-31-03-09 24-33-04-01 24-41-51-04 24-51-62-01 26-18-51-04 27-21-53-02 27-41-55-01 27-61-51-03 27-62-52-02 28-22-51-02 28-41-04-01 28-41-51-03 29-11-02-03 29-11-05-04 29-11-52-07 29-21-54-03 29-31-00-01 29-32-51-03 29-33-52-03 30-11-51-03 30-21-51-03 30-31-51-02 30-32-51-01 30-33-51-02 30-41-51-03 30-42-51-03 31-12-11-91 31-12-11-91A 32-42-52-03 MISSING ITEM NUMBERS NOT APPLICABLE		

- ITEM NOT ILLUSTRATED

33-51-08-05

33-51-08
FIG. 05
PAGE 3
JAN 20/09

BRI



757

PARTS CATALOG (MAINTENANCE)

FIG ITEM	PART NUMBER	1 2 3 4 5 6 7	NOMENCLATURE	EFFECT FROM TO	UNITS PER ASSY
5			33-11-03-03 33-11-51-17 33-13-01-65 33-13-02-03 33-16-51-03 33-24-51-02 33-41-52-04 33-42-01-04 33-42-02-04 33-42-52-04 33-43-51-04 33-44-51-05 33-45-53-03 34-21-02-01 35-21-51-04 36-11-04-01 36-21-00-01 36-21-02-05 36-22-51-03 49-41-00-02 49-52-00-01 49-70-00-01 52-51-51-03 52-71-51-02 73-21-52-02 74-31-51-05 75-32-00-01 80-11-09-02		
- 9	MODREF170180		PANEL INSTL-P5 OVHD (EMERGENCY LIGHTING ONLY) MODULE NUMBER: 233N3103-353 REV B FOR OTHER SYS DETAILS SEE: 11-31-10-12 21-25-55-03 21-31-01-02 21-33-51-03 21-51-54-03 21-58-19-10 21-58-51-03 21-61-04-03 21-65-51-01 22-21-01-04 22-24-51-02 23-24-01-01 23-32-00-11 23-42-02-02 23-71-05-02 24-11-52-05	106106	1
MISSING ITEM NUMBERS NOT APPLICABLE					

- ITEM NOT ILLUSTRATED

33-51-08-05

33-51-08
 FIG. 05
 PAGE 4
 JAN 20/09

BRI



757

PARTS CATALOG (MAINTENANCE)

FIG ITEM	PART NUMBER	1 2 3 4 5 6 7 NOMENCLATURE	EFFECT FROM TO	UNITS PER ASSY
5		24-22-01-03 24-31-01-10 24-31-03-09 24-33-04-01 24-41-51-04 24-51-62-01 26-18-51-04 27-21-53-02 27-41-55-01 27-61-51-03 27-62-52-02 28-22-51-02 28-41-04-01 28-41-51-03 29-11-02-03 29-11-05-04 29-11-52-07 29-21-54-03 29-31-00-01 29-32-51-03 29-33-52-03 30-11-51-03 30-21-51-03 30-31-51-02 30-32-51-01 30-33-51-02 30-41-51-03 30-42-51-03 31-12-11-84 31-12-11-84 A 32-42-52-03 33-11-03-03 33-11-51-17 33-13-01-65 33-13-02-03 33-16-51-03 33-24-51-02 33-41-52-04 33-42-01-04 33-42-02-04 33-42-52-04 33-43-51-04 33-44-51-05 33-45-53-03 34-21-02-01 35-21-51-04 36-11-04-01 36-21-00-01 36-21-02-05		

MISSING ITEM NUMBERS NOT APPLICABLE

- ITEM NOT ILLUSTRATED

33-51-08-05

33-51-08
FIG. 05
PAGE 5
JAN 20/09

BRI



757

PARTS CATALOG (MAINTENANCE)

FIG ITEM	PART NUMBER	1 2 3 4 5 6 7	NOMENCLATURE	EFFECT FROM TO	UNITS PER ASSY
5			36-22-51-03 49-41-00-02 49-52-00-01 49-70-00-01 52-51-51-03 52-71-51-02 73-21-52-02 74-31-51-05 75-32-00-01 80-11-09-02		
55	233T3210-300		.PANEL ASSY-EMER LIGHTS/PASS OXY SUPPLIER CODE: V89954 ELECTRICAL EQUIP NUMBER: M00043 COMPONENT MAINT MANUAL REF: 33-51-03 QUALIFIED I/W DATA: THE 233T3210-300 PANEL ASSY IS I/W THE 233T3210-28 PANEL ASSY T/W THE S233T100-1077 LIGHTPLATE. PRE ALERT SB: 33A0044	101102 108120 504903	RF
55	233T3210-1300		.PANEL ASSY-EMER LIGHTS/PASS OXY SUPPLIER CODE: V89954 ELECTRICAL EQUIP NUMBER: M00043 COMPONENT MAINT MANUAL REF: 33-51-03 POST ALERT SB: 33A0044	101102 108120 504903	RF
55	233T3210-306		.PANEL ASSY-EMER LIGHTS/PASS OXY SUPPLIER CODE: V89954 ELECTRICAL EQUIP NUMBER: M00043 COMPONENT MAINT MANUAL REF: 33-51-03	101106 108120 504903	RF

MISSING ITEM NUMBERS NOT APPLICABLE

- ITEM NOT ILLUSTRATED

33-51-08-05

33-51-08
FIG. 05
PAGE 6
JAN 20/09

BRI



757

PARTS CATALOG (MAINTENANCE)

FIG ITEM	PART NUMBER	1 2 3 4 5 6 7	NOMENCLATURE	EFFECT FROM TO	UNITS PER ASSY
5 65	233T3210-28		..PANEL ASSY- SUPPLIER CODE: V89954 COMPONENT MAINT MANUAL REF: 33-51-03 QUALIFIED I/W DATA: THE 233T3210-300 PANEL ASSY IS I/W THE 233T3210-28 PANEL ASSY T/W THE S233T100-1077 LIGHTPLATE. 233T3210-305 CAN REPLACE OR BE REPLACED BY 233T3210-28 T/W S233T100-1077 SUBJECT TO CUSTOMER PREFERENCE OF HAVING OR NOT HAVING SWITCH GUARD USED ON: 233T3210-300 PRE ALERT SB: 33A0044	101102 108120 504903	1
65	233T3210-42		..PANEL ASSY- SUPPLIER CODE: V89954 USED ON: 233T3210-306	101106 108120 504903	1
65	233T3210-1028		..PANEL ASSY- SUPPLIER CODE: V89954 COMPONENT MAINT MANUAL REF: 33-51-03 USED ON: 233T3210-1300 POST ALERT SB: 33A0044	101102 108120 504903	1
75	68AT34-1		...SWITCH-TG SUPPLIER CODE: V91929	101106 108120 504903	1
80	402-112		...GUARD- SUPPLIER CODE: V33463	101106 108120 504903	1

MISSING ITEM NUMBERS NOT APPLICABLE

- ITEM NOT ILLUSTRATED

33-51-08-05

33-51-08
FIG. 05
PAGE 7
JAN 20/09

BRI



757

PARTS CATALOG (MAINTENANCE)

FIG ITEM	PART NUMBER	1 2 3 4 5 6 7	NOMENCLATURE	EFFECT FROM TO	UNITS PER ASSY
5 85	BCREF8550		...LIGHT ASSY-UNARMED IND SUPPLIER CODE: V81590 OVERLENGTH PART NUMBER: 434-674-1031-2113 SPECIFICATION NUMBER: S231T300-2113 OPTIONAL PART: BCREF6199 V81590 USED ON: 233T3210-28 233T3210-37 233T3210-38 233T3210-1028 233T3210-1037 FOR DETAILS SEE: 33-14-70-02	101102 108120 504903	1
85	BCREF6199		...LIGHT ASSY-UNARMED IND SUPPLIER CODE: V81590 OVERLENGTH PART NUMBER: 434-674-1005-1113 SPECIFICATION NUMBER: S231T300-1113 OPTIONAL PART: BCREF8550 V81590 USED ON: 233T3210-28 233T3210-38 233T3210-1028 FOR DETAILS SEE: 33-14-70-02	101102 108120 504903	1
85	BCREF8550		...LIGHT ASSY-UNARMED IND SUPPLIER CODE: V81590 OVERLENGTH PART NUMBER: 434-674-1031-2113 SPECIFICATION NUMBER: S231T300-2113 USED ON: 233T3210-42 FOR DETAILS SEE: 33-14-70-02	101106 108120 504903	1
90	JANTX1N5618		...DIODE	101106 108120 504903	5

MISSING ITEM NUMBERS NOT APPLICABLE

- ITEM NOT ILLUSTRATED

33-51-08-05

33-51-08
FIG. 05
PAGE 8
JAN 20/09

BRI



757

PARTS CATALOG (MAINTENANCE)

FIG ITEM	PART NUMBER	1 2 3 4 5 6 7	NOMENCLATURE	EFFECT FROM TO	UNITS PER ASSY
5					
95	4443B9		... TERMINAL- SUPPLIER CODE: V88245	101106 108120 504903	10
100	BACC45FN16-24P		... CONNECTOR	101106 108120 504903	1
			ATTACHING PARTS		
- 105	NAS1801-04-5		... SCREW- USED ON: 233T3210-28 233T3210-37 233T3210-38 233T3210-1028 233T3210-1037	101102 108120 504903	2
- 105	BACS12CK04U5		... SCREW- USED ON: 233T3210-42	101106 108120 504903	2
- 110	K19798-04		... NUT SUPPLIER CODE: V15653 SPECIFICATION NUMBER: BACN10NW1 OPTIONAL PART: RMA4812-160-40 V72962 293162 V60119	101106 108120 504903	2
			-----*-----		
- 901	286N2070-335		WIRE BUNDLE ASSY	101102	RF
- 901	286N2070-337		WIRE BUNDLE ASSY	108120	RF
- 902	286N2070-340		WIRE BUNDLE ASSY	504903	RF
- 905	286N2070-601		WIRE BUNDLE ASSY	103106	RF
920	BACC45FT16A24S		.CONNECTOR- ELECTRICAL EQUIP NUMBER: D04800 WIRING DIAGRAM REF: 335111	101106 108120 504903	1

MISSING ITEM NUMBERS NOT APPLICABLE

- ITEM NOT ILLUSTRATED

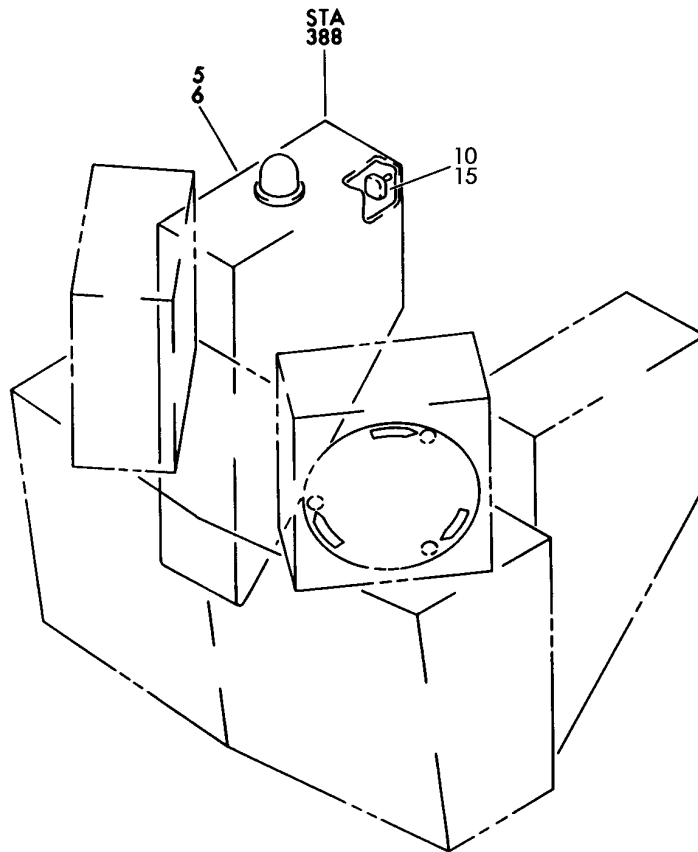
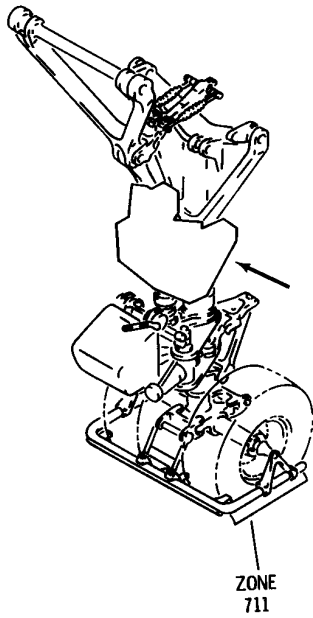
33-51-08-05

33-51-08
FIG. 05
PAGE 9
JAN 20/09

BRI

BOEING PROPRIETARY - Copyright © - Unpublished Work - See title page for details.

BOEING
757
PARTS CATALOG (MAINTENANCE)



Y 33510901 REV 233

PANEL INSTL-P62 AND P63 NLG LDG AND TURNOFF LTS (EMERGENCY LIGHTS ONLY)

FIGURE 1

33-51-09-01

BRI
MAY 28/07

33-51-09-01
PAGE 0



757

PARTS CATALOG (MAINTENANCE)

FIG ITEM	PART NUMBER	1 2 3 4 5 6 7	NOMENCLATURE	EFFECT FROM TO	UNITS PER ASSY
1			PANEL INSTL-P62 AND P63 NLG LDG AND TURNOFF LTS (EMERGENCY LIGHTS ONLY)	002004 006017 107107 121503 904999	
- 2	284N1761-30		PANEL INSTL-P62 AND P63 NLG LDG AND TURNOFF LTS (EMERGENCY LIGHTS ONLY) FOR NHA/OTHER SYS DET SEE: 24-00-58-01C	107107	RF
- 2	284N1761-31		PANEL INSTL-P62 AND P63 NLG LDG AND TURNOFF LTS (EMERGENCY LIGHTS ONLY) FOR NHA/OTHER SYS DET SEE: 24-00-58-01C	904949	RF
- 2	284N1761-34		PANEL INSTL-P62 AND P63 NLG LDG AND TURNOFF LTS (EMERGENCY LIGHTS ONLY) FOR NHA/OTHER SYS DET SEE: 24-00-58-01C	952952	RF
- 2	284N1761-38		PANEL INSTL-P62 AND P63 NLG LDG AND TURNOFF LTS (EMERGENCY LIGHTS ONLY) FOR NHA/OTHER SYS DET SEE: 24-00-58-01C	002004	RF
- 2	284N1761-42		PANEL INSTL-P62 AND P63 NLG LDG AND TURNOFF LTS (EMERGENCY LIGHTS ONLY) FOR NHA/OTHER SYS DET SEE: 24-00-58-01C	121503	RF
- 3	284N1761-48		PANEL INSTL-P62 AND P63 NLG LDG AND TURNOFF LTS (EMERGENCY LIGHTS ONLY) FOR NHA/OTHER SYS DET SEE: 24-00-58-01C	006017	RF
- 3	284N1761-54		PANEL INSTL-P62 AND P63 NLG LDG AND TURNOFF LTS (EMERGENCY LIGHTS ONLY) FOR NHA/OTHER SYS DET SEE: 24-00-58-01C	006017 950951 953999	RF
- 3	284N1761-57		PANEL INSTL-P62 AND P63 NLG LDG AND TURNOFF LTS (EMERGENCY LIGHTS ONLY) FOR NHA/OTHER SYS DET SEE: 24-00-58-01C	950951	RF
5	284N1758-20		.HOUSING ASSY-P62 CONT PNL POSITION DATA: RH	002004 952952	RF

MISSING ITEM NUMBERS NOT APPLICABLE

- ITEM NOT ILLUSTRATED

33-51-09-01

33-51-09
FIG. 01
PAGE 1
JAN 20/09

BRI



757

PARTS CATALOG (MAINTENANCE)

FIG ITEM	PART NUMBER	1 2 3 4 5 6 7	NOMENCLATURE	EFFECT FROM TO	UNITS PER ASSY
1					
5	284N1758-22		.HOUSING ASSY-P62 CONT PNL POSITION DATA: RH	107107	RF
5	284N1758-23		.HOUSING ASSY-P62 CONT PNL POSITION DATA: RH	121503 904949	RF
6	284N1758-35		.HOUSING ASSY-P62 CONT PNL POSITION DATA: RH	006017 950951 953999	RF
10	MS25308-302		..SWITCH- ELECTRICAL EQUIP NUMBER: S10035	002004 006017 107107 121503 904999	1

MISSING ITEM NUMBERS NOT APPLICABLE

- ITEM NOT ILLUSTRATED

BRI

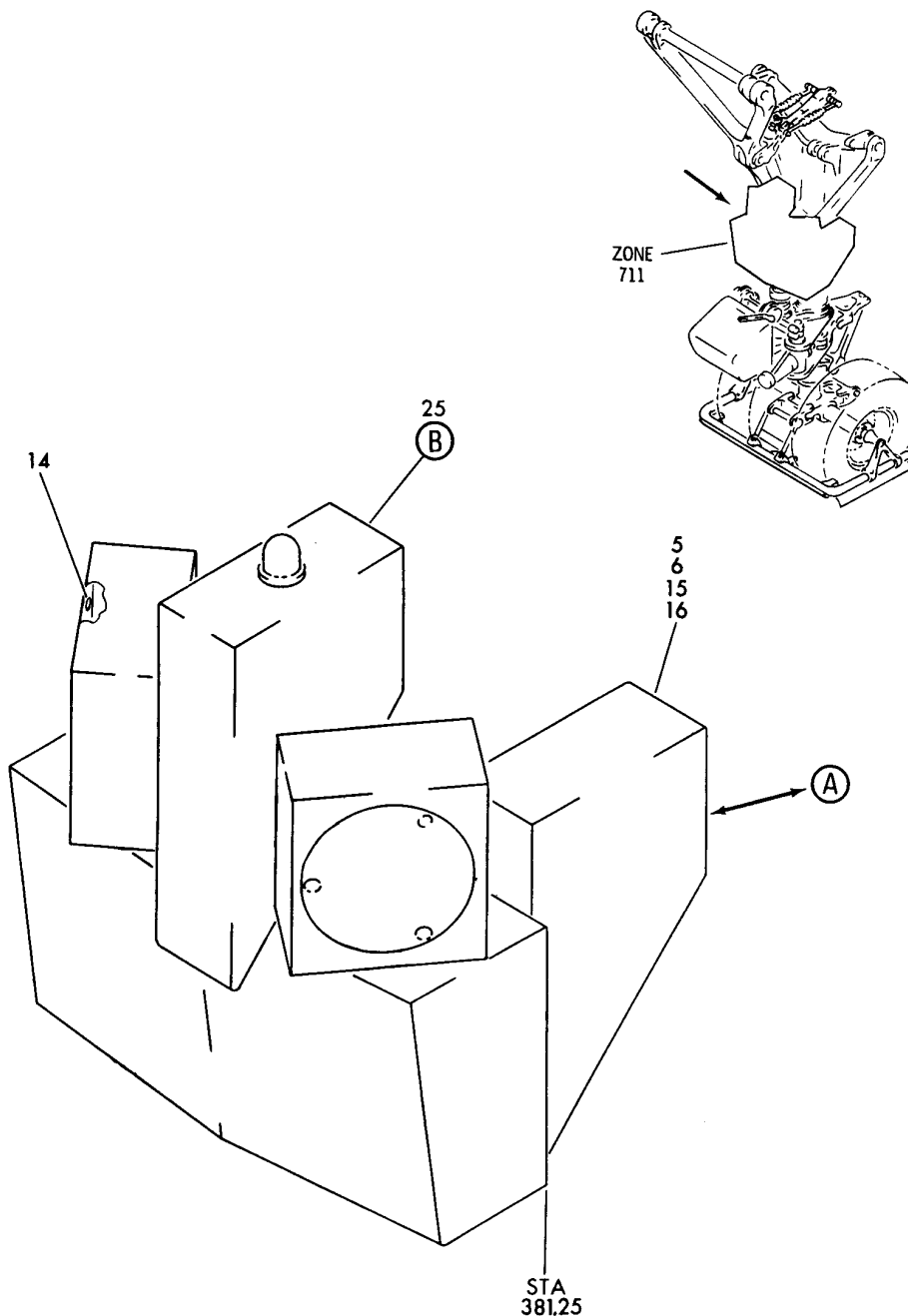
33-51-09-01

BOEING PROPRIETARY - Copyright © - Unpublished Work - See title page for details.

33-51-09
FIG. 01
PAGE 2
JAN 20/09

BOEING
757
PARTS CATALOG (MAINTENANCE)

Y 33510902 SHT 1 REV 189



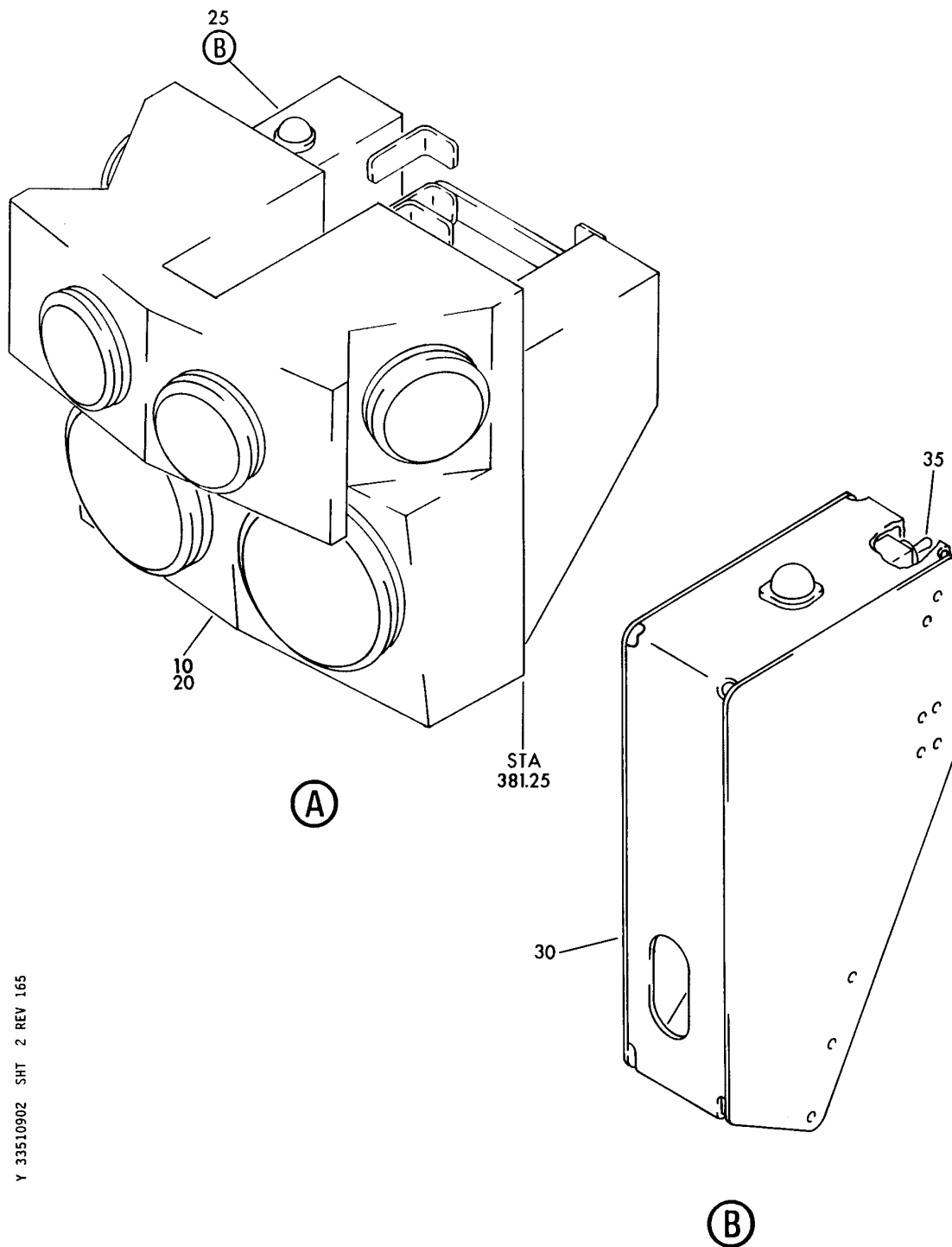
PANEL INSTL-P62 AND P63 NLG LDG AND TURNOFF LTS (EMERGENCY LIGHTS ONLY)
FIGURE 2 (SHEET 1)

BRI
MAY 28/07

33-51-09-02

33-51-09-02
PAGE 0

BOEING
757
PARTS CATALOG (MAINTENANCE)



Y 33510902 SHT 2 REV 165

PANEL INSTL-P62 AND P63 NLG LDG AND TURNOFF LTS (EMERGENCY LIGHTS ONLY)
FIGURE 2 (SHEET 2)

33-51-09-02

BRI
MAY 28/07

33-51-09-02
PAGE 0A



757

PARTS CATALOG (MAINTENANCE)

FIG ITEM	PART NUMBER	1 2 3 4 5 6 7	NOMENCLATURE	EFFECT FROM TO	UNITS PER ASSY
2			PANEL INSTL-P62 AND P63 NLG LDG AND TURNOFF LTS (EMERGENCY LIGHTS ONLY)	018101	
- 1	284N1761-60		PANEL INSTL-P62 AND P63 NLG LDG AND TURNOFF LTS (EMERGENCY LIGHTS ONLY) FOR NHA/OTHER SYS DET SEE: 24-00-58-01C	018100	RF
- 2	284N1761-90		PANEL INSTL-P62 AND P63 NLG LDG AND TURNOFF LTS (EMERGENCY LIGHTS ONLY) FOR NHA/OTHER SYS DET SEE: 24-00-58-05E	101101	RF
5	284N1209-2		.PANEL ASSY-P62 AND P63, NLG, LDG AND TURNOFF LTS	018100	RF
15	284N1209-13		..HOUSING ASSY	018100	RF
35	MS25308-302	SWITCH- ELECTRICAL EQUIP NUMBER: S10035	018100	1

MISSING ITEM NUMBERS NOT APPLICABLE

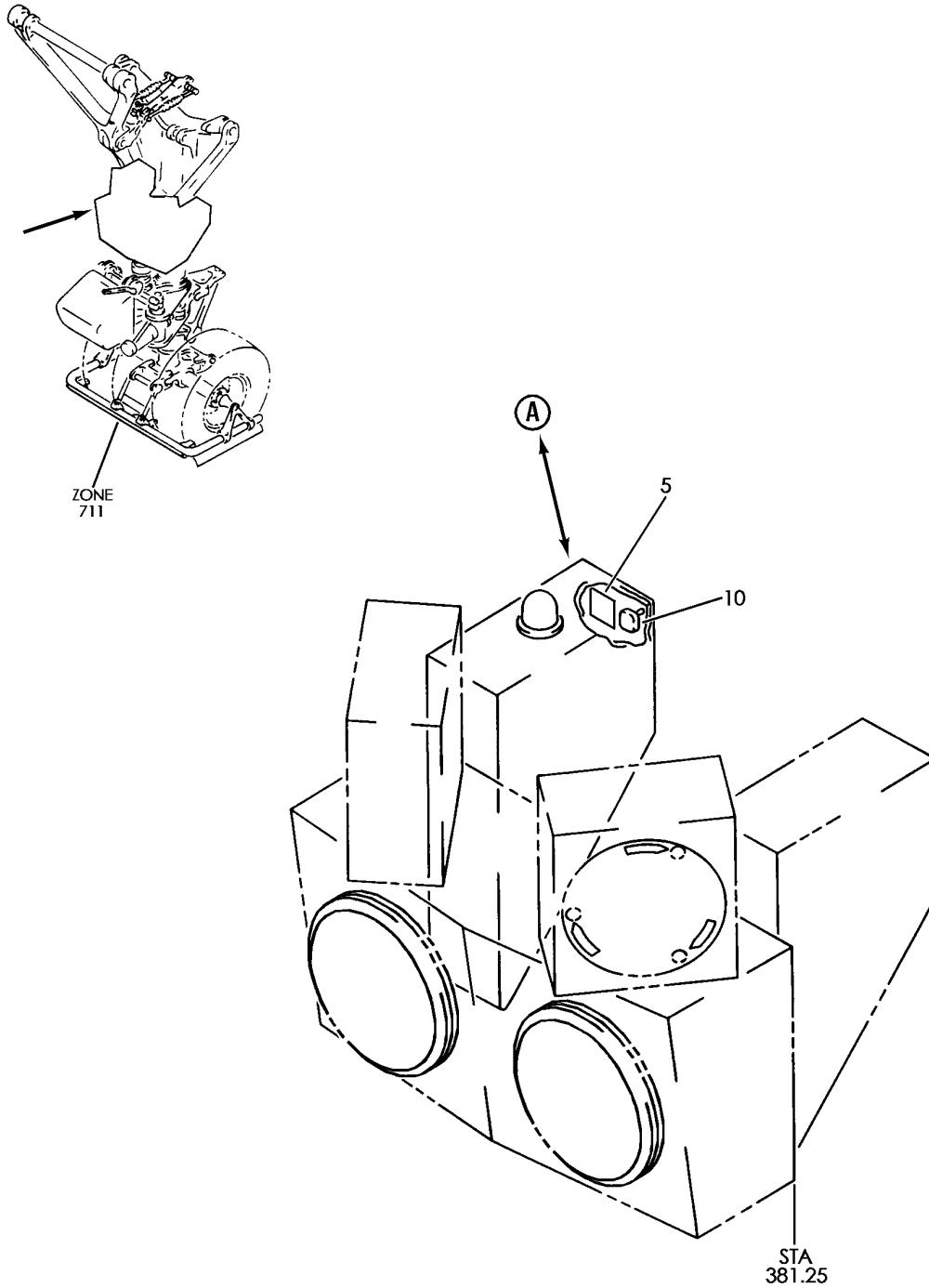
- ITEM NOT ILLUSTRATED

33-51-09-02

33-51-09
FIG. 02
PAGE 1
JAN 20/09

BRI

BOEING
757
PARTS CATALOG (MAINTENANCE)



Y 33510902B SHT 1 REV 22Z

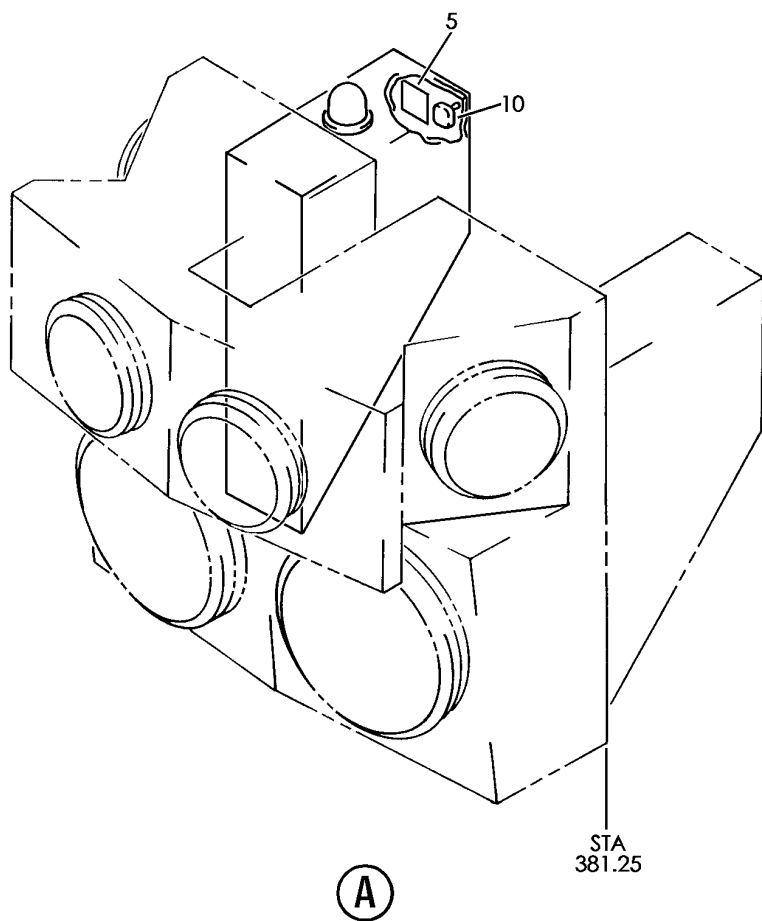
PANEL ASSY-P62 AND P63 NLG LDG AND TURNOFF LTS (EMERGENCY LIGHTS ONLY)
FIGURE 2B (SHEET 1)

BRI
MAY 28/07

33-51-09-02B

33-51-09-02B
PAGE 0

BOEING
757
PARTS CATALOG (MAINTENANCE)



Y 33510902B SHT 2 REV 22Z

PANEL ASSY-P62 AND P63 NLG LDG AND TURNOFF LTS (EMERGENCY LIGHTS ONLY)
FIGURE 2B (SHEET 2)

BRI
MAY 28/07

33-51-09-02B

33-51-09-02B
PAGE 0A



757

PARTS CATALOG (MAINTENANCE)

FIG ITEM	PART NUMBER	1 2 3 4 5 6 7	NOMENCLATURE	EFFECT FROM TO	UNITS PER ASSY
2B			PANEL ASSY-P62 AND P63 NLG LDG AND TURNOFF LTS (EMERGENCY LIGHTS ONLY)	102106 108120 504903	
- 1	284N1209-103		PANEL ASSY-P62 AND P63, NLG LDG AND TURNOFF LTS (EMERGENCY LIGHTS ONLY) FOR NHA/OTHER SYS DET SEE: 33-42-04-01	102102	RF
- 1	284N1209-108		PANEL ASSY-P62 AND P63, NLG LDG AND TURNOFF LTS (EMERGENCY LIGHTS ONLY) FOR NHA/OTHER SYS DET SEE: 33-42-04-01	504903	RF
- 2	284N1209-134		PANEL ASSY-P62 AND P63 NLG LDG AND TURNOFF LTS (EMERGENCY LIGHTS ONLY) FOR NHA/OTHER SYS DET SEE: 33-42-04-01	108120	RF
- 3	284N1209-140		PANEL ASSY-P62 AND P63, NLG LDG AND TURNOFF LTS (EMERGENCY LIGHTS ONLY) FOR NHA/OTHER SYS DET SEE: 33-42-04-01	103106	RF
5	BAC27NEL0925		.MARKER-ALUMINUM FOIL PLACARD CONTENT: MOM ON S10035 EMER LT TEST SW OFF	102106 108120 504903	RF
10	MS25308-302		.SWITCH- ELECTRICAL EQUIP NUMBER: S10035	102106 108120 504903	1

MISSING ITEM NUMBERS NOT APPLICABLE

- ITEM NOT ILLUSTRATED

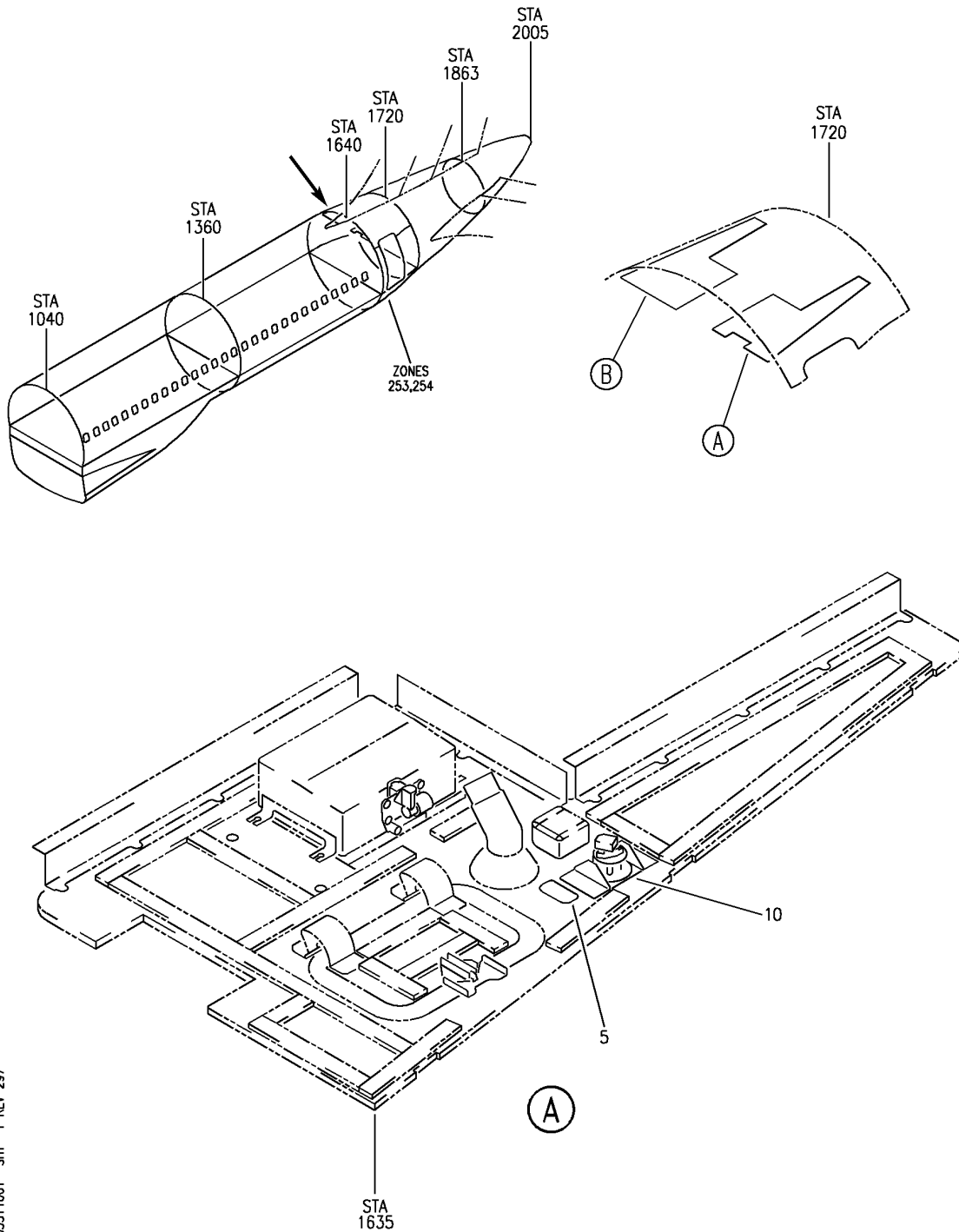
33-51-09-02B

33-51-09
FIG. 02B
PAGE 1
JAN 20/09

BRI

BOEING PROPRIETARY - Copyright © - Unpublished Work - See title page for details.

BOEING
757
PARTS CATALOG (MAINTENANCE)



Y 33511001 SHT 1 REV 297

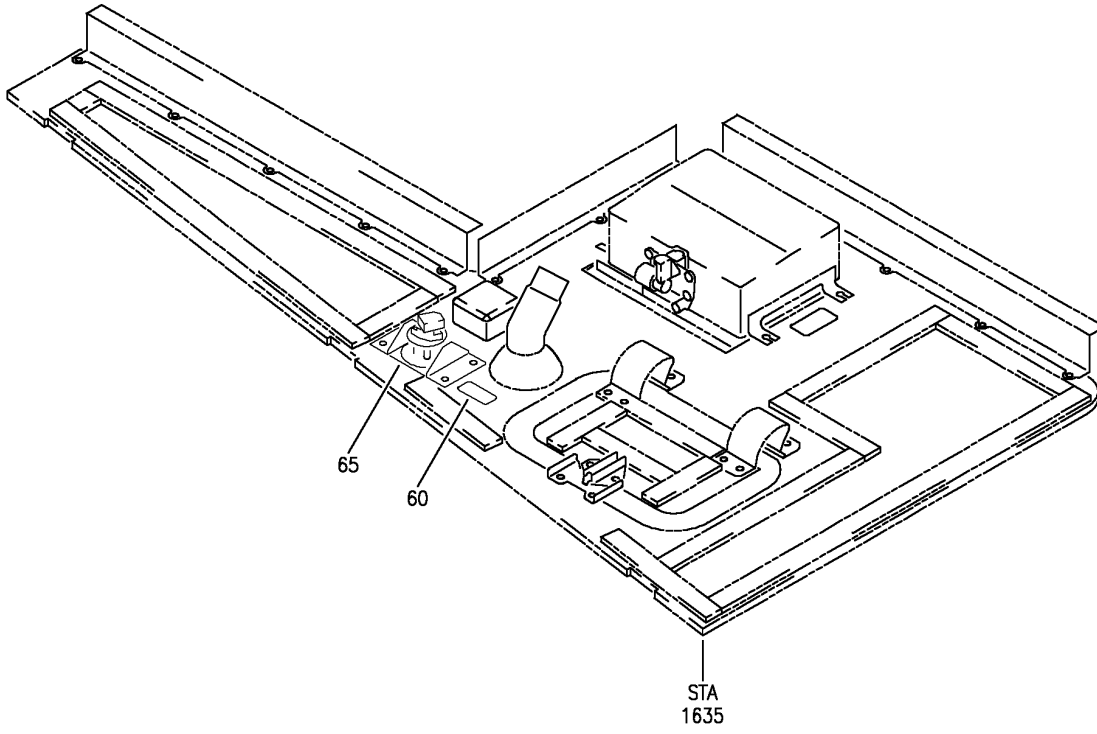
CEILING ASSY-ENTRY DOOR 4 LOWERED (AFT ATTENDANT'S PANEL ONLY)
FIGURE 1 (SHEET 1)

33-51-10-01

BRI
JAN 20/09

33-51-10-01
PAGE 0

BOEING
757
PARTS CATALOG (MAINTENANCE)



Y 33511001 SH1 2 REV 259

CEILING ASSY-ENTRY DOOR 4 LOWERED (AFT ATTENDANT'S PANEL ONLY)
FIGURE 1 (SHEET 2)

33-51-10-01

BRI
JAN 20/09

33-51-10-01
PAGE 0A



**757
PARTS CATALOG (MAINTENANCE)**

FIG ITEM	PART NUMBER	1 2 3 4 5 6 7	NOMENCLATURE	EFFECT FROM TO	UNITS PER ASSY
1			CEILING ASSY-ENTRY DOOR 4 LOWERED (AFT ATTENDANT'S PANEL ONLY)	103106	
- 1	411N3920-15B		CEILING ASSY-ENTRY DOOR 4 LOWERED (AFT ATTENDANT'S PANEL ONLY)	103106	RF
			POSITION DATA: LH FOR NHA/OTHER SYS DET SEE: 25-22-02-70D		
	5 BAC27NPA1418		.MARKER- PLACARD CONTENT: DOOR 4, LH EMERGENCY LIGHT ELECTRICAL EQUIP NUMBER: L00897	103106	1
			.LIGHT- SUPPLIER CODE: VOVDA9 SPECIFICATION NUMBER: S417U006-6 ELECTRICAL EQUIP NUMBER: L00897 FOR DETAILS SEE: 33-51-51-55		
	10 0105924-005		ATTACHING PARTS	103106	1
- 15	NAS1801-06-8		.SCREW	103106	2
- 20	NAS1149DN632J		.WASHER	103106	2
			-----*-----		
- 50	411N3920-36B		CEILING ASSY-ENTRY DOOR 4 LOWERED (AFT ATTENDANT'S PANEL ONLY)	103106	RF
			POSITION DATA: RH FOR NHA/OTHER SYS DET SEE: 25-22-02-70D		
	60 BAC27NPA1419		.MARKER- PLACARD CONTENT: DOOR 4, LH EMERGENCY LIGHT ELECTRICAL EQUIP NUMBER: L00897	103106	1

MISSING ITEM NUMBERS NOT APPLICABLE

- ITEM NOT ILLUSTRATED

33-51-10-01

33-51-10
FIG. 01
PAGE 1
JAN 20/09

BRI



**757
PARTS CATALOG (MAINTENANCE)**

FIG ITEM	PART NUMBER	1 2 3 4 5 6 7	NOMENCLATURE	EFFECT FROM TO	UNITS PER ASSY
1 65	0105924-005		.LIGHT-EMER ATT WORK SUPPLIER CODE: VOVDA9 SPECIFICATION NUMBER: S417U006-6 ELECTRICAL EQUIP NUMBER: L00897 FOR DETAILS SEE: 33-51-51-55 ATTACHING PARTS	103106	1
- 70	NAS1801-06-8		.SCREW	103106	2
- 75	NAS1149DN632J		.WASHER -----*-----	103106	2

MISSING ITEM NUMBERS NOT APPLICABLE

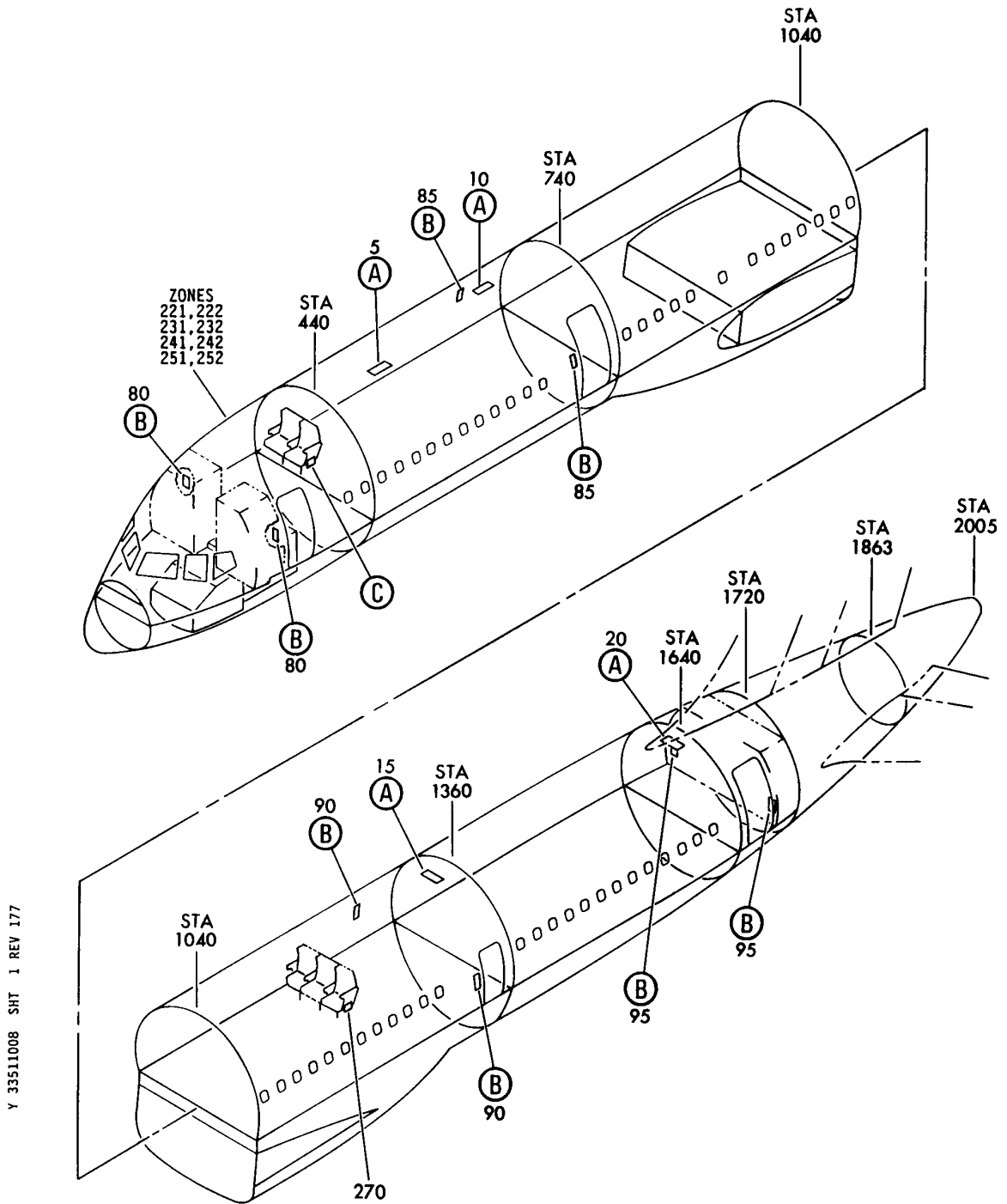
- ITEM NOT ILLUSTRATED

33-51-10-01

33-51-10
FIG. 01
PAGE 2
JAN 20/09

BRI

BOEING
757
PARTS CATALOG (MAINTENANCE)



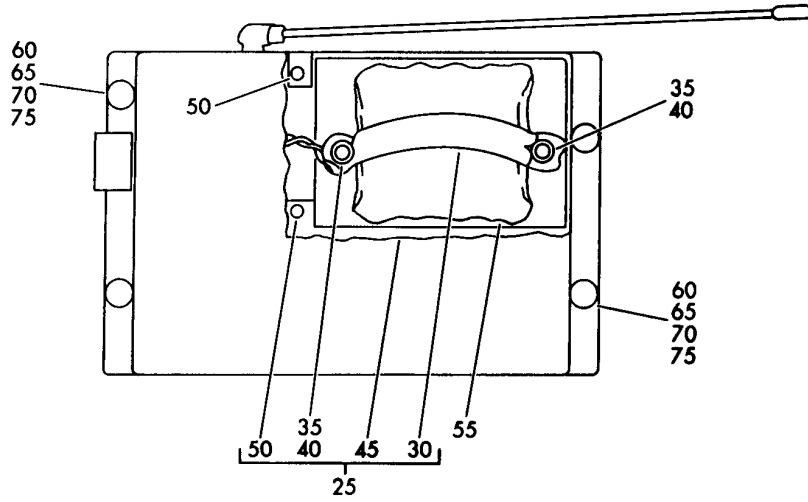
LIGHTING INSTL-EMER ESCAPE PATH
FIGURE 8 (SHEET 1)

33-51-10-08

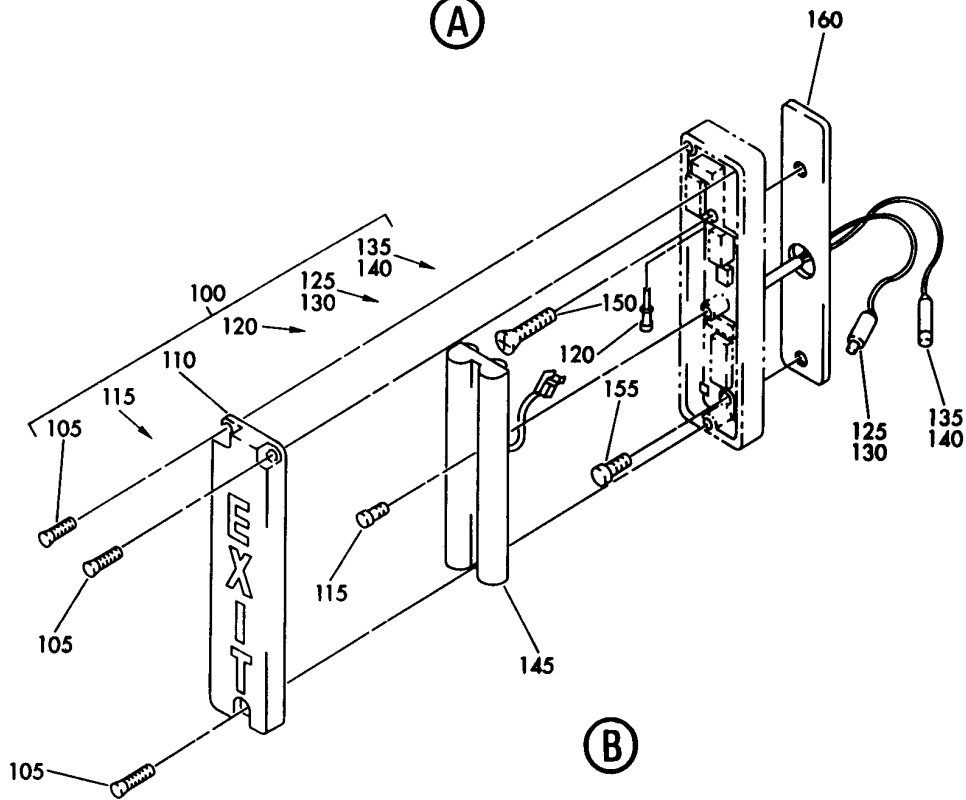
BRI
JAN 20/09

33-51-10-08
PAGE 0

BOEING
757
PARTS CATALOG (MAINTENANCE)



(A)



Y 33511008 SHT 2 REV 177

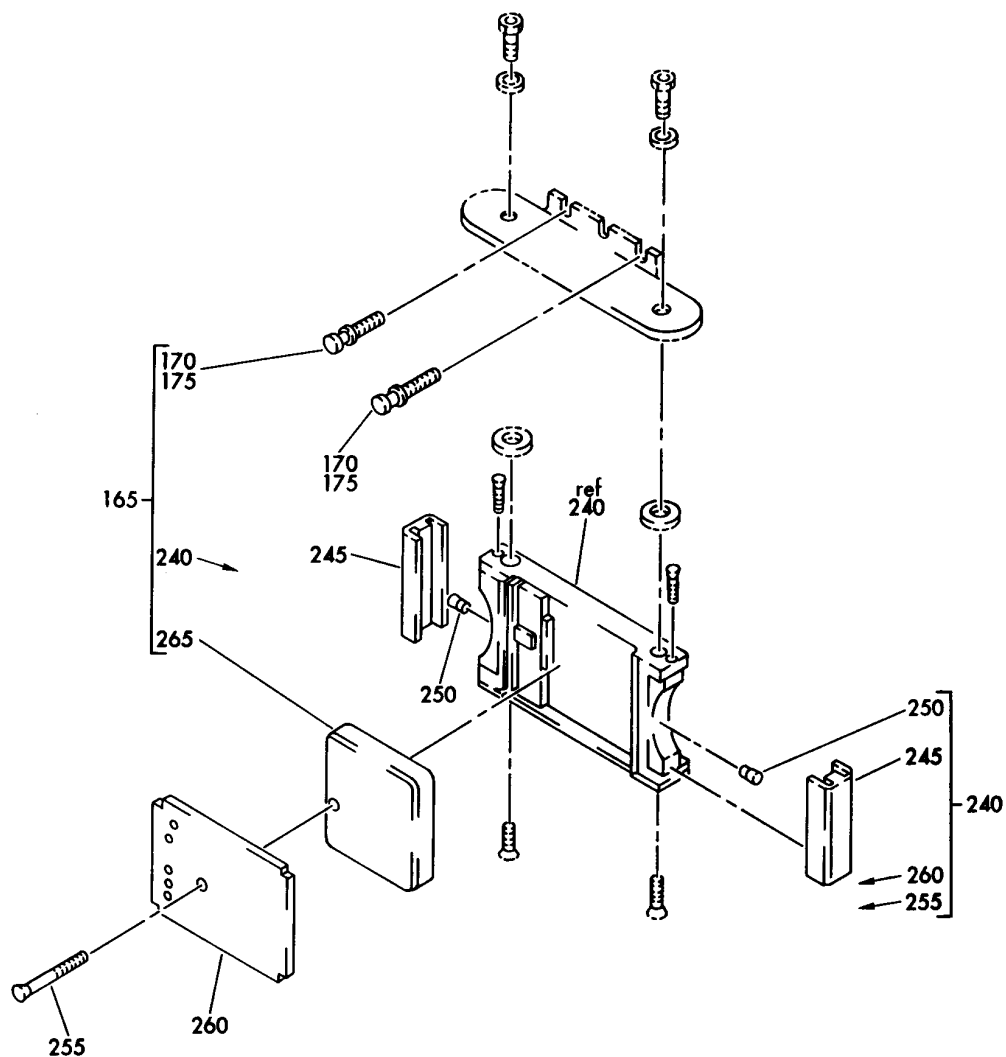
LIGHTING INSTL-EMER ESCAPE PATH
FIGURE 8 (SHEET 2)

33-51-10-08

BRI
JAN 20/09

33-51-10-08
PAGE 0A

BOEING
757
PARTS CATALOG (MAINTENANCE)



Y 33511008 SHT 3 REV 177

(C)

LIGHTING INSTL-EMER ESCAPE PATH
FIGURE 8 (SHEET 3)

33-51-10-08

BRI
JAN 20/09

33-51-10-08
PAGE 0B



757

PARTS CATALOG (MAINTENANCE)

FIG ITEM	PART NUMBER	1 2 3 4 5 6 7	NOMENCLATURE	EFFECT FROM TO	UNITS PER ASSY
8			LIGHTING INSTL-EMER ESCAPE PATH	950951	
- 1	1-100-2388		LIGHTING INSTL-EMER ESCAPE PATH SUPPLIER CODE: V1DP34 POST AIRLINE MOD: PCR63 VALP PRE AIRLINE MOD: E03393R029 VALP	950951	1
5	1-100-2398		.MODULE INSTL-CONT SUPPLIER CODE: V1DP34 POSITION DATA: STA 492	950951	1
10	1-100-2397		.MODULE INSTL-CONT SUPPLIER CODE: V1DP34 POSITION DATA: STA 714	950951	1
15	1-100-2396		.MODULE INSTL-CONT SUPPLIER CODE: V1DP34 POSITION DATA: STA 1310	950951	1
20	1-100-2395		.MODULE INSTL-CONT SUPPLIER CODE: V1DP34 POSITION DATA: STA 1620	950951	1
25	87-3-2031-9-3		..MODULE ASSY- SUPPLIER CODE: VK6807	950951	1
30	87-1-1077		...STRAP-BATTERY SUPPLIER CODE: VK6807	950951	1
35	AN515PB43		...SCREW	950951	2
40	AN960-4		...WASHER	950951	2
45	86-1-1004-3		...COVER- SUPPLIER CODE: VK6807	950951	1
50	NAS601-7		...SCREW	950951	2

MISSING ITEM NUMBERS NOT APPLICABLE

- ITEM NOT ILLUSTRATED

33-51-10-08

33-51-10
FIG. 08
PAGE 1
JAN 20/09

BRI

BOEING PROPRIETARY - Copyright © - Unpublished Work - See title page for details.



757

PARTS CATALOG (MAINTENANCE)

FIG ITEM	PART NUMBER	1 2 3 4 5 6 7	NOMENCLATURE	EFFECT FROM TO	UNITS PER ASSY
8					
55	86-2-1015-1	..	BATTERY-PACK SUPPLIER CODE: VK6807	950951	1
60	NAS602-6	..	SCREW- POSITION DATA: STA 492, 1310 AND 1620	950951	4
60	NAS602-32	..	SCREW- POSITION DATA: STA 714	950951	4
65	NAS43DD3-96	..	SPACER- POSITION DATA: STA 714	950951	4
70	NAS620-10	..	WASHER- POSITION DATA: STA 714	950951	4
75	NAS1836-08-07	..	INSERT- POSITION DATA: STA 714 OPTIONAL PART: SL607-08-4S V97393	950951	4
75	SL607-08-4S	..	INSERT- SUPPLIER CODE: V97393 POSITION DATA: STA 714 OPTIONAL PART: NAS1836-08-07	950951	4
- 78	86-1-1062	..	PLATE-MTG SUPPLIER CODE: VK6807	950951	1
80	1-100-2412	.I	IDENTIFIER INSTL-EXIT L1 AND R1 SUPPLIER CODE: V1DP34	950951	2
- 81	97-1-1106	..	COVER-SHIELD R1 DOOR SUPPLIER CODE: V1DP34 POST AIRLINE MOD: E.O.33R01222 VALP	950951	1
85	1-100-2413	.I	IDENTIFIER INSTL-EXIT L2 AND R2 SUPPLIER CODE: V1DP34	950951	2

MISSING ITEM NUMBERS NOT APPLICABLE

- ITEM NOT ILLUSTRATED

33-51-10-08

33-51-10
FIG. 08
PAGE 2
JAN 20/09

BRI

BOEING PROPRIETARY - Copyright © - Unpublished Work - See title page for details.



757

PARTS CATALOG (MAINTENANCE)

FIG ITEM	PART NUMBER	1 2 3 4 5 6 7	NOMENCLATURE	EFFECT FROM TO	UNITS PER ASSY
8					
90	1-100-2414	.	IDENTIFIER INSTL-EXIT L3 AND R3 SUPPLIER CODE: V1DP34	950951	2
95	1-100-2415	.	IDENTIFIER INSTL-EXIT L4 AND R4 SUPPLIER CODE: V1DP34	950951	2
- 96	97-1-1106	..	COVER-SHIELD SUPPLIER CODE: V1DP34 POST AIRLINE MOD: E.O.33R0122 VALP	950951	2
100	87-3-1002-51-1	..	IDENTIFIER ASSY- SUPPLIER CODE: VK6807	950951	1
105	NAS601-8P	...	SCREW	950951	3
110	92-1-1055	...	LENS- SUPPLIER CODE: VK6807	950951	1
115	MS3614-14	...	SCREW	950951	1
120	2078	...	LAMP-HALOGEN SUPPLIER CODE: VK6807	950951	1
125	48-7190	...	CONNECTOR- SUPPLIER CODE: V02660	950951	1
130	M39029-31-229	...	CONTACT-SOCKET	950951	1
135	48-7191	...	CONNECTOR- SUPPLIER CODE: V02660	950951	1
140	M39029-32-248	...	PIN-SOCKET	950951	1
145	92-2-1009	..	PACK-BATTERY SUPPLIER CODE: VK6807	950951	1
150	MS24693S275	..	SCREW	950951	1
155	AN501C10R6	..	SCREW	950951	1
160	93-1-1012	..	PLATE- SUPPLIER CODE: VK6807 POSITION DATA: BACK	950951	1
165	1-100-2394	.	LIGHT INSTL-F/C AISLE RUMBOLD INSTL SUPPLIER CODE: V1DP34	950951	1
170	NAS603-8	..	SCREW	950951	2
175	NAS620-10	..	WASHER	950951	2

MISSING ITEM NUMBERS NOT APPLICABLE

- ITEM NOT ILLUSTRATED

33-51-10-08

33-51-10
FIG. 08
PAGE 3
JAN 20/09

BRI



757

PARTS CATALOG (MAINTENANCE)

FIG ITEM	PART NUMBER	1 2 3 4 5 6 7	NOMENCLATURE	EFFECT FROM TO	UNITS PER ASSY
8					
- 210	92-3-1016-1-1	..	BRACKET ASSY-SEAT SUPPLIER CODE: VK6807	950951	1
- 215	92-1-1064	..	CLAMP-TOP STEP SUPPLIER CODE: VK6807	950951	1
- 220	MS2469S50	..	SCREW	950951	2
- 225	AN960-10	..	WASHER	950951	2
- 230	AN960-8	..	WASHER	950951	2
- 235	NAS679C08	..	LOCKNUT	950951	2
240	87-3-1001-5-1	..	LIGHT ASSY- SUPPLIER CODE: VK6807	950951	1
245	86-1-1010	...	LENS- SUPPLIER CODE: VK6807	950951	2
250	2009	...	LAMP- SUPPLIER CODE: VK6807	950951	2
255	AN507-4R20	...	SCREW	950951	1
260	92-1-1054	...	COVER-BATTERY SUPPLIER CODE: VK6807	950951	1
265	86-2-1006-6	..	BATTERY- SUPPLIER CODE: VK6807	950951	1
270	1-100-2411	.L	LIGHT INSTL-COACH AISLE PTC INSTL SUPPLIER CODE: V1DP34	950951	1
- 280	NAS602-16	..	SCREW	950951	2
- 285	AN960-8	..	WASHER	950951	2
- 295	92-3-1013-1-1	..	BRACKET ASSY-SEAT SUPPLIER CODE: VK6807	950951	1

MISSING ITEM NUMBERS NOT APPLICABLE

- ITEM NOT ILLUSTRATED

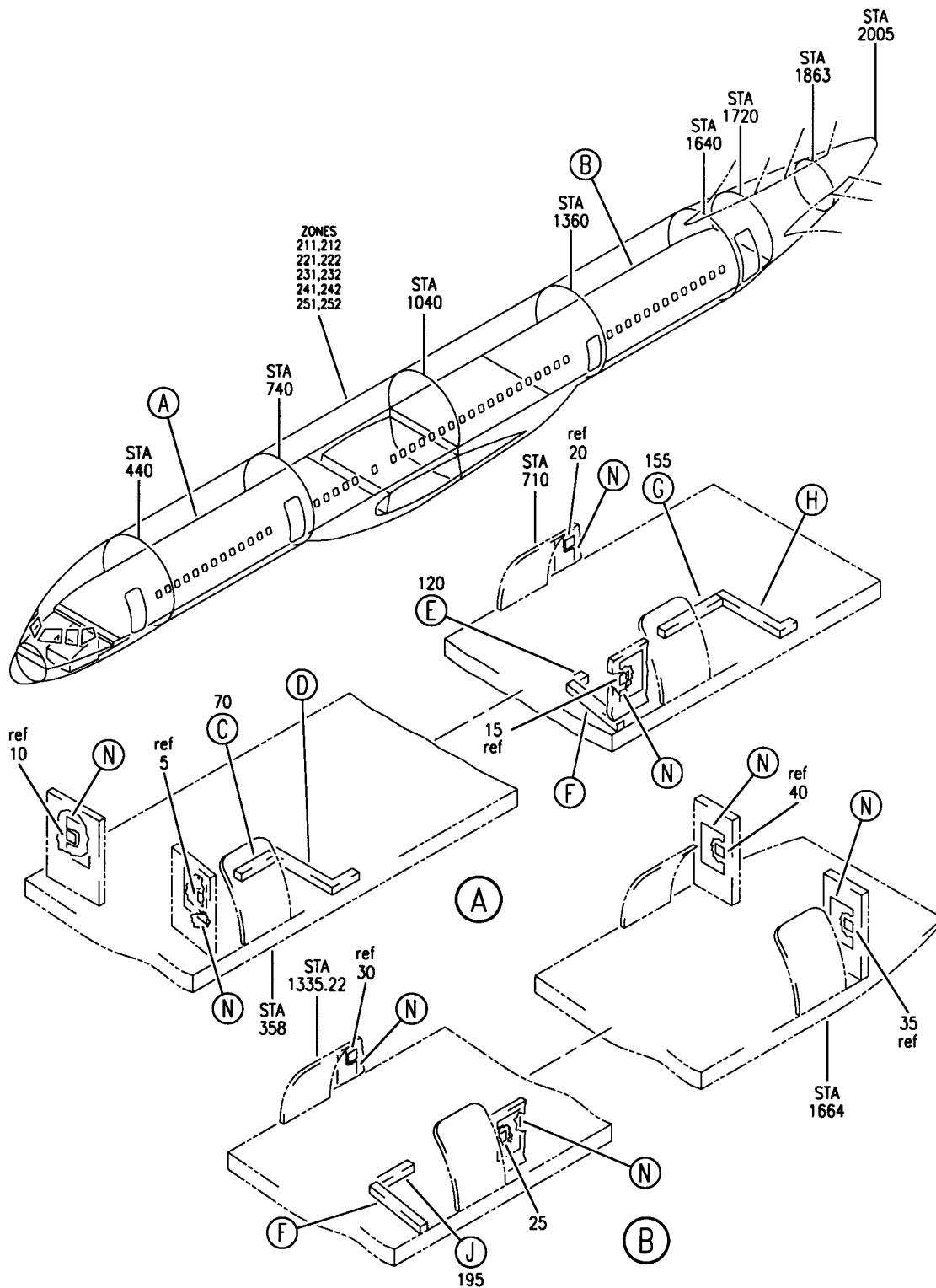
BRI

33-51-10-08

BOEING PROPRIETARY - Copyright © - Unpublished Work - See title page for details.

33-51-10
FIG. 08
PAGE 4
JAN 20/09

BOEING
757
PARTS CATALOG (MAINTENANCE)



Y 3351104 SHT 1 REV 202

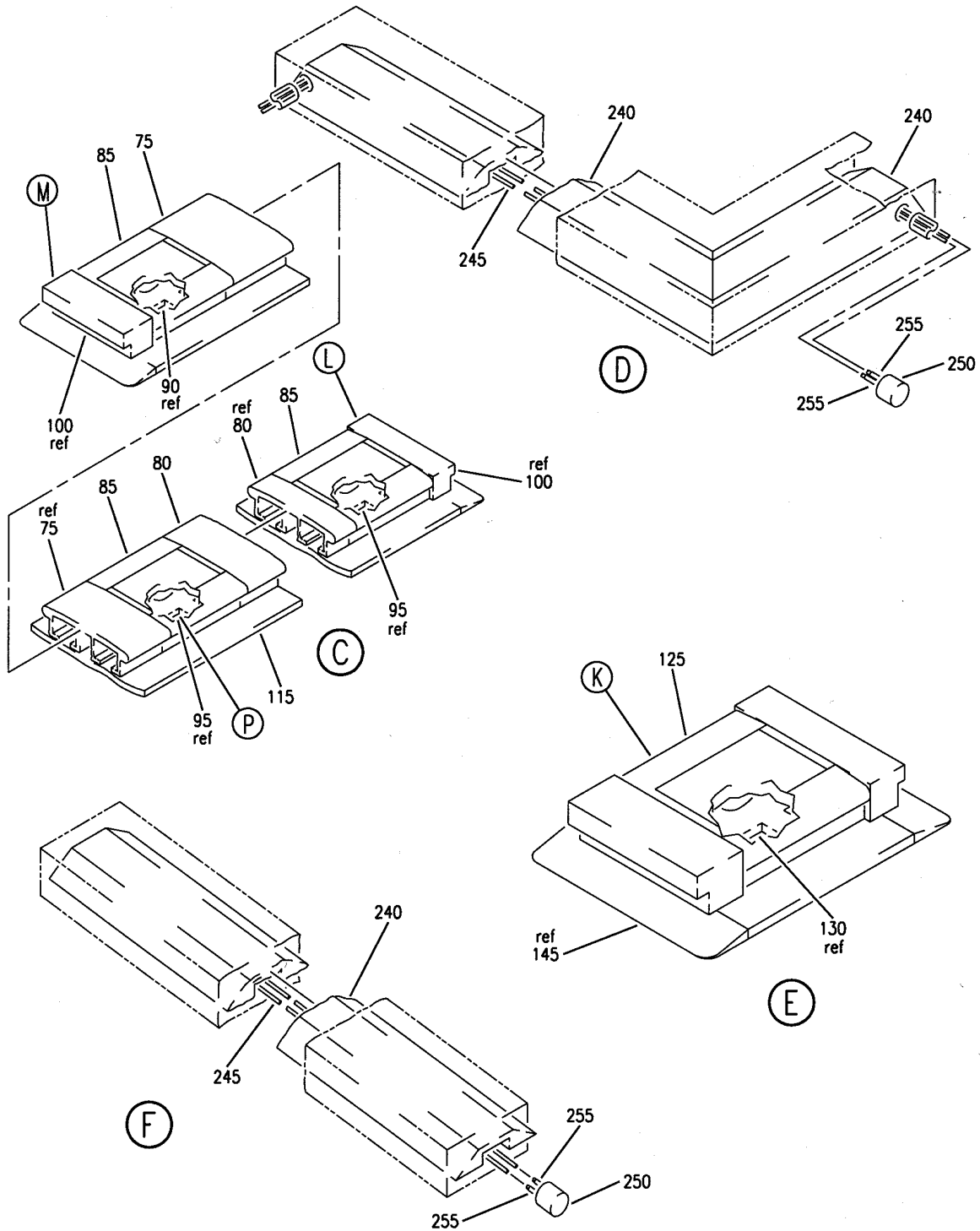
EMERGENCY LIGHTING INSTL-SEAT MOUNTED (BAB)
FIGURE 4 (SHEET 1)

33-51-11-04

BRI
JAN 20/09

33-51-11-04
PAGE 0

BOEING
757
PARTS CATALOG (MAINTENANCE)



Y 33511104 SHT 2 REV 214

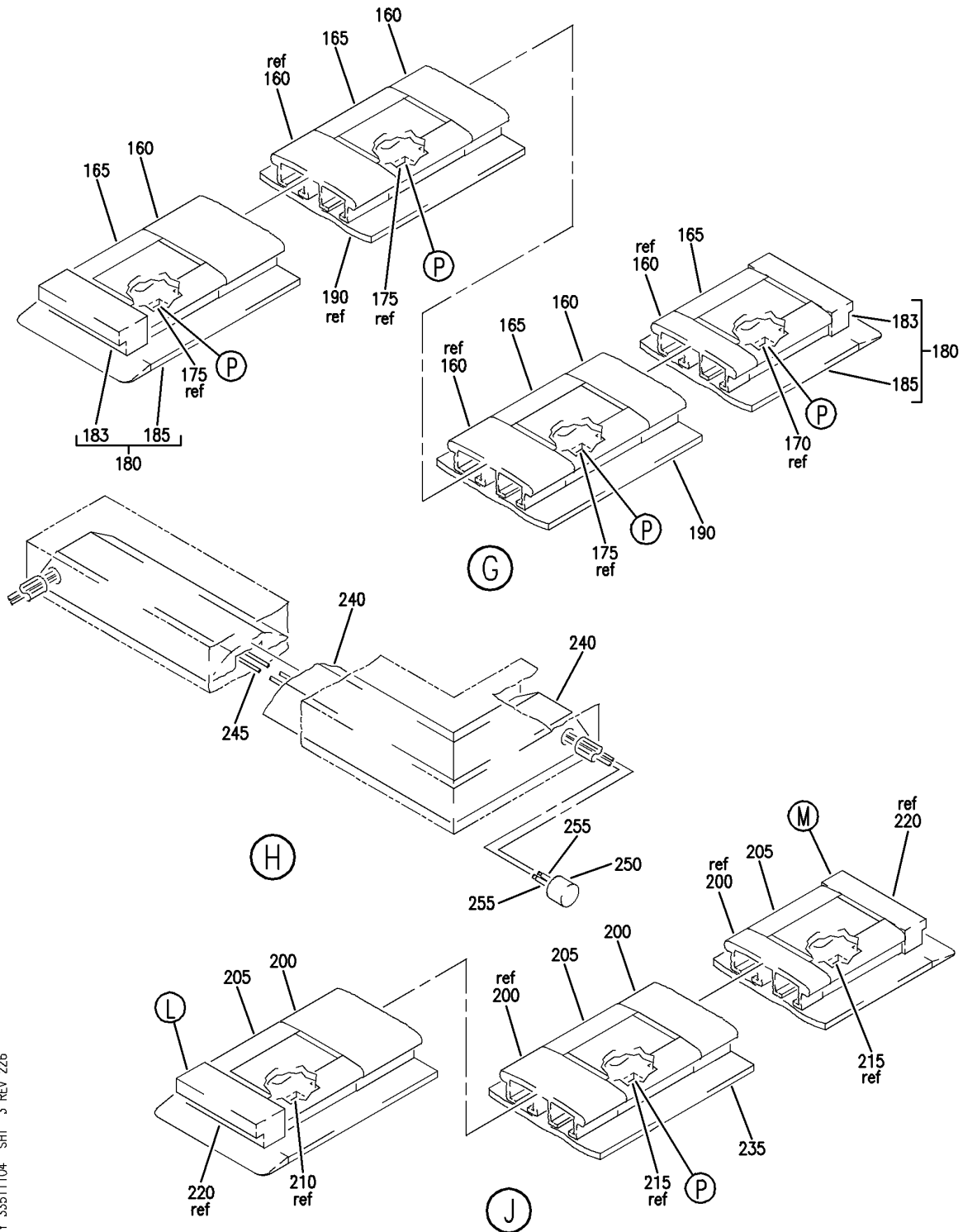
EMERGENCY LIGHTING INSTL-SEAT MOUNTED (BAB)
FIGURE 4 (SHEET 2)

33-51-11-04

BRI
JAN 20/09

33-51-11-04
PAGE 0A

BOEING
757
PARTS CATALOG (MAINTENANCE)



Y 33511104 SHT 3 REV 226

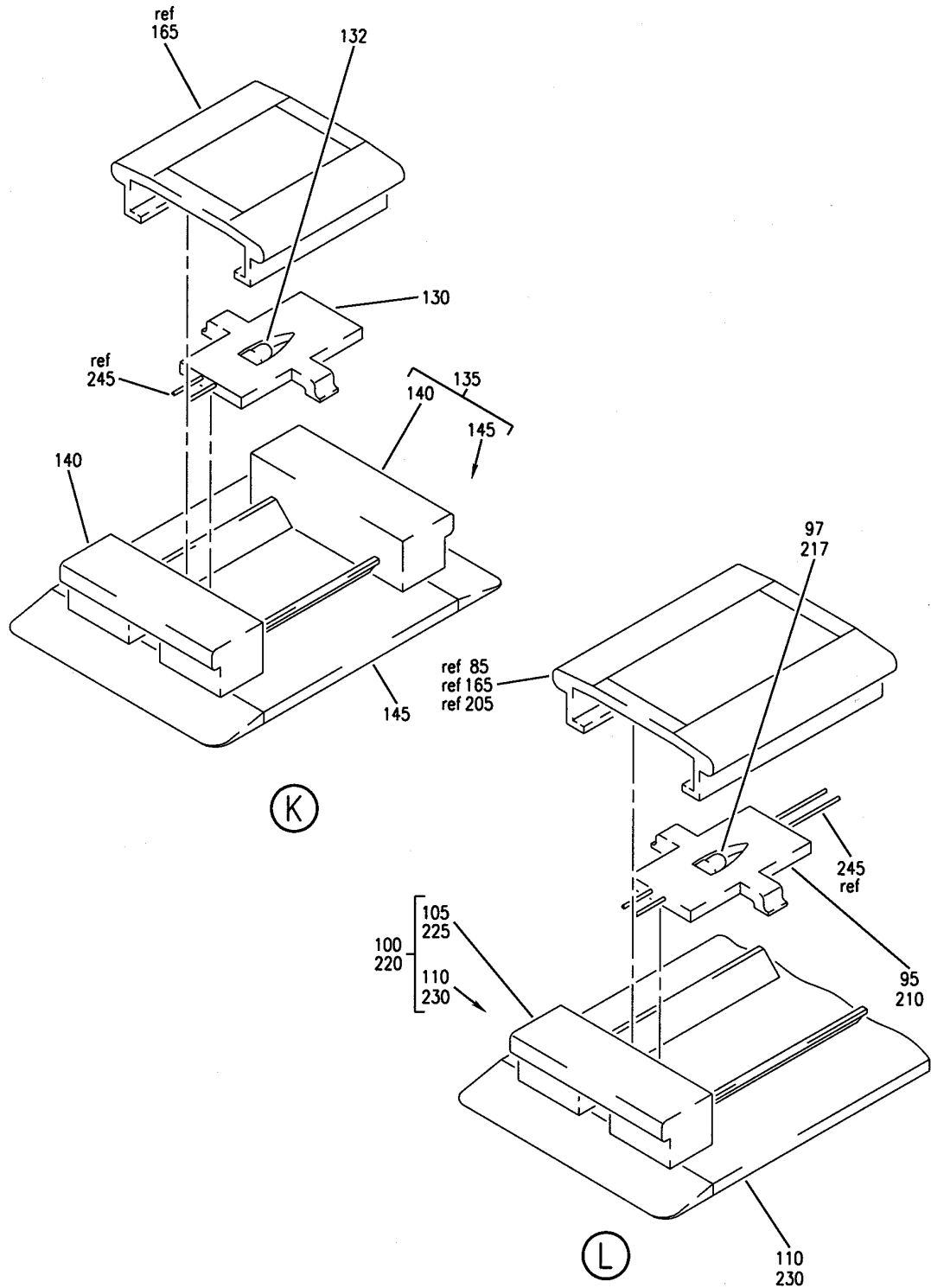
EMERGENCY LIGHTING INSTL-SEAT MOUNTED (BAB)
FIGURE 4 (SHEET 3)

33-51-11-04

BRI
JAN 20/09

33-51-11-04
PAGE 0B

BOEING
757
PARTS CATALOG (MAINTENANCE)



Y 33511104 SH 4 REV 214

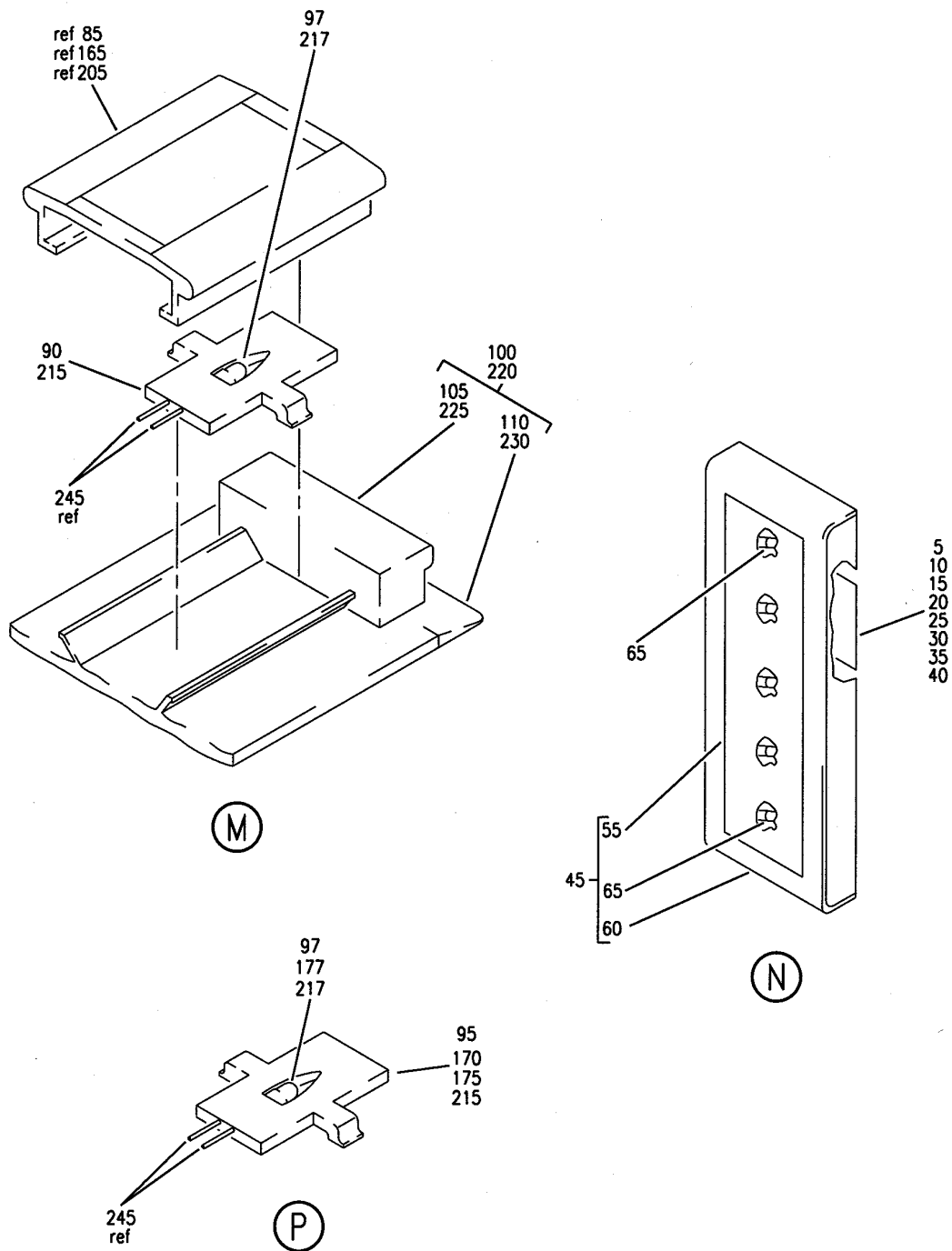
EMERGENCY LIGHTING INSTL-SEAT MOUNTED (BAB)
FIGURE 4 (SHEET 4)

33-51-11-04

BRI
JAN 20/09

33-51-11-04
PAGE 0C

BOEING
757
PARTS CATALOG (MAINTENANCE)



Y 33511104 SH1 5 REV 214

EMERGENCY LIGHTING INSTL-SEAT MOUNTED (BAB)
FIGURE 4 (SHEET 5)

33-51-11-04

BRI
JAN 20/09

33-51-11-04
PAGE 0D



757

PARTS CATALOG (MAINTENANCE)

FIG ITEM	PART NUMBER	1 2 3 4 5 6 7	NOMENCLATURE	EFFECT FROM TO	UNITS PER ASSY
4			EMERGENCY LIGHTING INSTL- SEAT MOUNTED (BAB)	504903	
- 1	417N5220-5SP		LIGHTING INSTL-EMERGENCY SEAT MOUNTED NWA FOR NHA SEE: 25-20-00-11	504903	RF
5	BAC29PPS4771		.MARKER-ALUMINUM FOIL EXIT IND. LAVATORY A POSITION DATA: STA 332.50 LH SIDE PLACARD CONTENT: L630	504903	1
10	BAC29PPS4770		.MARKER-ALUMINUM FOIL EXIT IND. POSITION DATA: DOOR NO.1 CLOSET STA 318.00 RH SIDE PLACARD CONTENT: L629	504903	1
15	BAC29PPS4773		.MARKER-ALUMINUM FOIL EXIT IND. POSITION DATA: DOOR NO.2 FWD STA 686.82 LH SIDE PLACARD CONTENT: L632	504903	1
20	BAC29PPS4772		.MARKER-ALUMINUM FOIL EXIT IND. POSITION DATA: DOOR NO.2 AFT STA 732.38 RH SIDE PLACARD CONTENT: L631	504903	1
25	BAC29PPS4781		.MARKER-ALUMINUM FOIL EXIT IND. POSITION DATA: DOOR NO.2 FWD STA 1320.06 LH SIDE PLACARD CONTENT: L640	504903	1
30	BAC29PPS4780		.MARKER-ALUMINUM FOIL EXIT IND. POSITION DATA: DOOR NO.2 AFT R/S STA 1325.80 PLACARD CONTENT: L639	504903	1

MISSING ITEM NUMBERS NOT APPLICABLE

- ITEM NOT ILLUSTRATED

33-51-11-04

33-51-11
FIG. 04
PAGE 1
JAN 20/09

BRI



757

PARTS CATALOG (MAINTENANCE)

FIG ITEM	PART NUMBER	1 2 3 4 5 6 7	NOMENCLATURE	EFFECT FROM TO	UNITS PER ASSY
4	35 BAC29PPS4779		.MARKER-ALUMINUM FOIL EXIT IND. GALLEY NO. 4 POSITION DATA: STA 1684.00 LH SIDE PLACARD CONTENT: L638	504903	1
	40 BAC29PPS4778		.MARKER-ALUMINUM FOIL EXIT IND. GALLEY NO. 4 POSITION DATA: STA 1684.00 RH SIDE PLACARD CONTENT: L637	504903	1
	45 702409-1001		.INDICATOR ASSY-EXIT COVER SUPPLIER CODE: V55438 SPECIFICATION NUMBER: S417N510-1001 ELECTRICAL EQUIP NUMBER: L00629 L00630 L00631 L00632 L00637 L00638 L00639 L00640	504903	8
-	50 NAS603-6P		ATTACHING PARTS .SCREW -----*-----	504903	AR
	55 BAC29PPS4963		..PLACARD- PLACARD CONTENT: EXIT	504903	1
	60 207377-1001		..LENS ASSY- SUPPLIER CODE: V19565	504903	1
	65 0L3071BPEGPL		..LAMP-5V, FILAMENT SUPPLIER CODE: VS3774	504903	5
	70 417A5703-1304BJ		.LIGHT ASSY- ELECTRICAL EQUIP NUMBER: M10764	504903	1
	75 417A5701-135BJ		..COVER-	504903	1
	80 417A5701-140BJ		..COVER-TRACK	504903	1

MISSING ITEM NUMBERS NOT APPLICABLE

- ITEM NOT ILLUSTRATED

33-51-11-04

33-51-11
FIG. 04
PAGE 2
JAN 20/09

BRI



757

PARTS CATALOG (MAINTENANCE)

FIG ITEM	PART NUMBER	1 2 3 4 5 6 7	NOMENCLATURE	EFFECT FROM TO	UNITS PER ASSY
4					
85	81000-22701	..	LENS- SUPPLIER CODE: VS5006 SPECIFICATION NUMBER: S417N509-2	504903	3
90	81000-22602	..	LIGHT ASSY- SUPPLIER CODE: VS5006 SPECIFICATION NUMBER: S417N509-11	504903	1
95	81000-22607	..	LIGHT ASSY- SUPPLIER CODE: VS5006 SPECIFICATION NUMBER: S417N509-14	504903	2
97	3071BPEGPL	...	LAMP- SUPPLIER CODE: VS5006	504903	1
100	417A5704-3BJ	..	ENDCAP ASSY-	504903	2
105	417N5212-1SP	...	CAP-END	504903	1
110	417A5704-109SP	...	TRACK-BASE	504903	1
115	417A5702-118B	..	TRACK-BASE	504903	1
120	417A5703-1100BJ	.L	LIGHT ASSY- ELECTRICAL EQUIP NUMBER: M10765	504903	1
125	81000-22701	..	LENS- SUPPLIER CODE: VS5006 SPECIFICATION NUMBER: S417N509-2	504903	1
130	81000-22602	..	LIGHT ASSY- SUPPLIER CODE: VS5006 SPECIFICATION NUMBER: S417N509-11	504903	1
132	3071BPEGPL	...	LAMP- SUPPLIER CODE: VS5006	504903	1
135	417A5704-1BJ	..	ENDCAP ASSY-	504903	1
140	417N5212-1BJ	...	CAP-END	504903	2
145	417A5704-26B	...	TRACK-BASE	504903	1
150	65C32046-39	..	SLEEVING- SUPPLIER CODE: V81205	504903	1
155	417N5703-1400BJ	.L	LIGHT ASSY- ELECTRICAL EQUIP NUMBER: M10762	504903	1
160	417A5701-155BJ	..	COVER-	504903	3

MISSING ITEM NUMBERS NOT APPLICABLE

- ITEM NOT ILLUSTRATED

BRI

33-51-11-04

BOEING PROPRIETARY - Copyright © - Unpublished Work - See title page for details.

33-51-11
FIG. 04
PAGE 3
JAN 20/09



757

PARTS CATALOG (MAINTENANCE)

FIG ITEM	PART NUMBER	1 2 3 4 5 6 7	NOMENCLATURE	EFFECT FROM TO	UNITS PER ASSY
4					
165	81000-22701	..	LENS- SUPPLIER CODE: VS5006 SPECIFICATION NUMBER: S417N509-2	504903	4
170	81000-22602	..	LIGHT ASSY- SUPPLIER CODE: VS5006 SPECIFICATION NUMBER: S417N509-11	504903	1
175	81000-22608	..	LIGHT ASSY- SUPPLIER CODE: VS5006 SPECIFICATION NUMBER: S417N509-15	504903	3
177	3071BPEGPL	...	LAMP- SUPPLIER CODE: VS5006	504903	1
180	417A5704-7BJ	..	ENDCAP ASSY-	504903	2
183	417N5212-1SP	...	CAP	504903	1
185	417A5704-99SP	...	TRACK-BASE	504903	1
190	417A5702-348B	..	TRACK-BASE	504903	1
195	417A5703-1303BJ	.	LIGHT ASSY- ELECTRICAL EQUIP NUMBER: M10764	504903	1
200	417A5701-145BJ	..	COVER-	504903	2
205	81000-22701	..	LENS- SUPPLIER CODE: VS5006 SPECIFICATION NUMBER: S417N509-2	504903	3
210	81000-22602	..	LIGHT ASSY- SUPPLIER CODE: VS5006 SPECIFICATION NUMBER: S417N509-11	504903	1
215	81000-22607	..	LIGHT ASSY- SUPPLIER CODE: VS5006 SPECIFICATION NUMBER: S417N509-14	504903	2
217	3071BPEGPL	...	LAMP- SUPPLIER CODE: VS5006	504903	1
220	417A5704-3BJ	..	ENDCAP ASSY-	504903	2
225	417N5212-1SP	...	CAP	504903	1
230	417A5704-109SP	...	TRACK-BASE	504903	1
235	417A5702-133B	..	TRACK-BASE	504903	1
240	417N5210-60	.	COVER-WIRE	504903	AR

MISSING ITEM NUMBERS NOT APPLICABLE

- ITEM NOT ILLUSTRATED

33-51-11-04

33-51-11
FIG. 04
PAGE 4
JAN 20/09

BRI



757

PARTS CATALOG (MAINTENANCE)

FIG ITEM	PART NUMBER	1 2 3 4 5 6 7	NOMENCLATURE	EFFECT FROM TO	UNITS PER ASSY
4					
245	417N5214-117		.WIRE BUNDLE ASSY- SUPPLIER CODE: V89954	504903	4
250	AMC02RA03R		..CONNECTOR- SUPPLIER CODE: V05574	504903	1
255	60888-4		..RECEPTACLE-PIN SUPPLIER CODE: V00779 OPTIONAL PART: 60983-3 V00779 60789-2 V00779	504903	2
255	60983-3		..RECEPTACLE-PIN SUPPLIER CODE: V00779 OPTIONAL PART: 60888-4 V00779 60789-2 V00779	504903	2
255	60789-2		..RECEPTACLE-PIN SUPPLIER CODE: V00779 OPTIONAL PART: 60888-4 V00779 60983-3 V00779	504903	2

MISSING ITEM NUMBERS NOT APPLICABLE

- ITEM NOT ILLUSTRATED

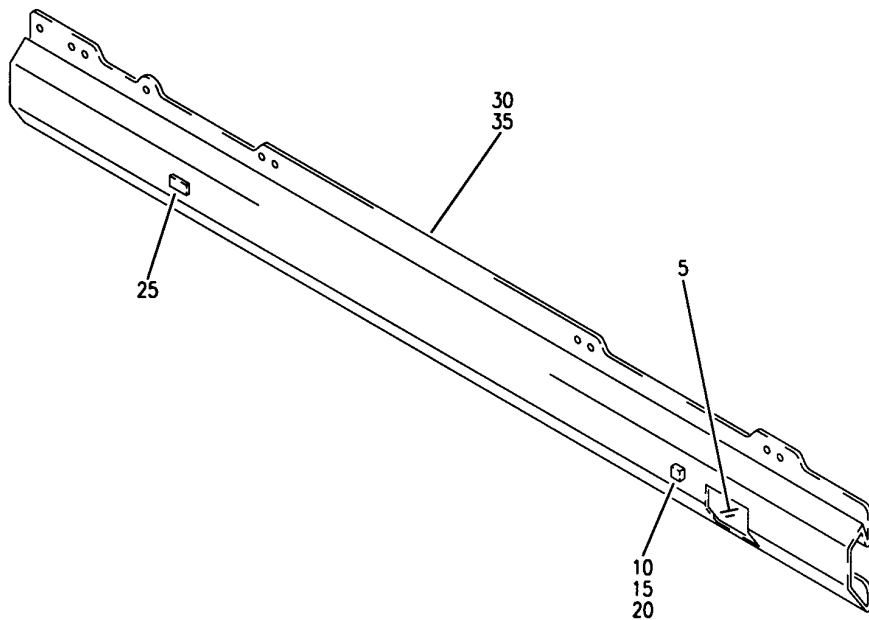
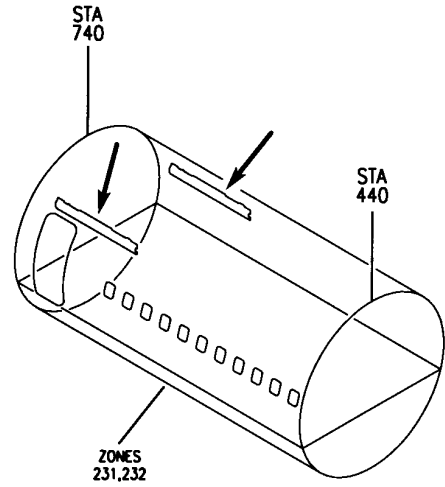
BRI

33-51-11-04

BOEING PROPRIETARY - Copyright © - Unpublished Work - See title page for details.

33-51-11
FIG. 04
PAGE 5
JAN 20/09

BOEING
757
PARTS CATALOG (MAINTENANCE)



Y 33511105 REV 201

SIGN ASSY -EXIT NO. 2 DOORWAY
FIGURE 5

33-51-11-05

BRI
JAN 20/09

33-51-11-05
PAGE 0



757

PARTS CATALOG (MAINTENANCE)

FIG ITEM	PART NUMBER	1 2 3 4 5 6 7	NOMENCLATURE	EFFECT FROM TO	UNITS PER ASSY
5			SIGN ASSY -EXIT NO. 2 DOORWAY	103106	
- 1	417N5205-57B		SIGN ASSY-EXIT POSITION DATA: LH SIDE ELECTRICAL EQUIP NUMBER: L00043 FOR NHA SEE: 33-51-51-35	103106	RF
- 2	417N5205-56B		SIGN ASSY-EXIT POSITION DATA: RH SIDE FOR NHA SEE: 33-51-51-35	103106	RF
5	417N5208-1		.WINDOW-VIEW	103106	1
10	2100-102		.LENS- SUPPLIER CODE: V91929 POSITION DATA: LH SIDE	103106	1
15	2100-7		.SWITCH ASSY- SUPPLIER CODE: V91929 POSITION DATA: LH SIDE ELECTRICAL EQUIP NUMBER: S10293	103106	1
- 17	85		..BULB- SUPPLIER CODE: V08805	103106	1
20	2100-11		.GUARD-SWITCH SUPPLIER CODE: V91929 POSITION DATA: LH SIDE OPTIONAL PART: AML76C10T01P V91929	103106	1
20	AML76C10T01P		.GUARD-SWITCH SUPPLIER CODE: V91929 POSITION DATA: LH SIDE OPTIONAL PART: 2100-11 V91929	103106	1

MISSING ITEM NUMBERS NOT APPLICABLE

- ITEM NOT ILLUSTRATED

33-51-11-05

33-51-11
FIG. 05
PAGE 1
JAN 20/09

BRI



757

PARTS CATALOG (MAINTENANCE)

FIG ITEM	PART NUMBER	1 2 3 4 5 6 7	NOMENCLATURE	EFFECT FROM TO	UNITS PER ASSY
5					
25	BCREF5985		.LIGHT ASSY- SUPPLIER CODE: V81590 OVERLENGTH PART NUMBER: 250-650-0994-001	103106	1
30	417N5206-51B		.SUPPORT-FRAME POSITION DATA: LH SIDE	103106	1
35	417N5206-52B		.SUPPORT-FRAME POSITION DATA: RH SIDE	103106	1

MISSING ITEM NUMBERS NOT APPLICABLE

- ITEM NOT ILLUSTRATED

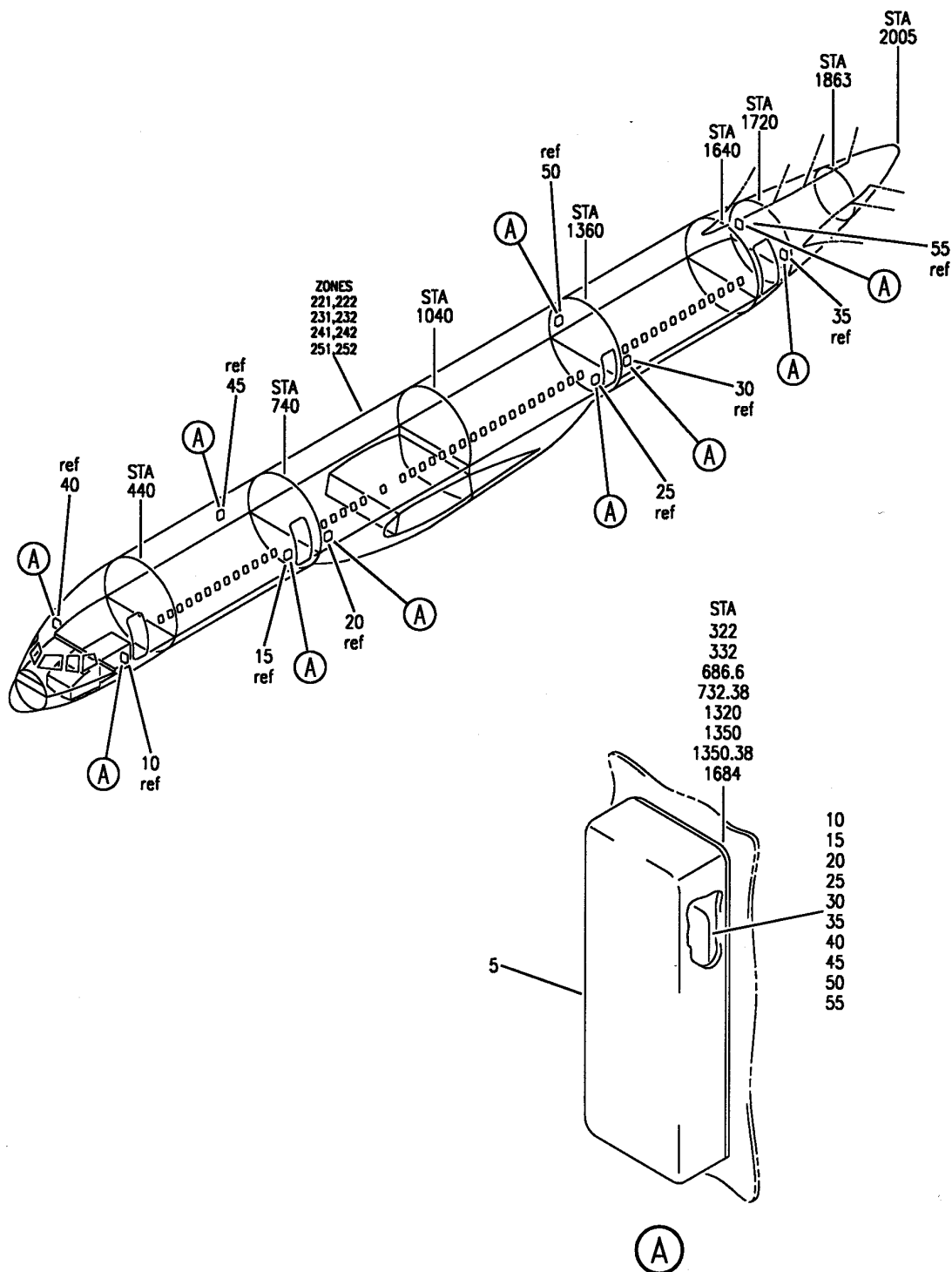
BRI

33-51-11-05

BOEING PROPRIETARY - Copyright © - Unpublished Work - See title page for details.

33-51-11
FIG. 05
PAGE 2
JAN 20/09

BOEING
757
PARTS CATALOG (MAINTENANCE)



Y 3351107A REV 220

LIGHTING INSTL-EMER SEAT MOUNTED
FIGURE 7A

33-51-11-07A

BRI
JAN 20/09

33-51-11-07A
PAGE 0



757

PARTS CATALOG (MAINTENANCE)

FIG ITEM	PART NUMBER	1 2 3 4 5 6 7	NOMENCLATURE	EFFECT FROM TO	UNITS PER ASSY
7A			LIGHTING INSTL-EMER SEAT MOUNTED	108120	
- 2	417N5220-14		LIGHTING INSTL-EMER SEAT MOUNTED (ILF)	108120	RF
			FOR NHA SEE: 25-20-00-11		
5	702409-1007		.INDICATOR ASSY-EXIT (MULTI LANGUAGE)	108120	10
			SUPPLIER CODE: V55438		
			SPECIFICATION NUMBER: S417N510-1007		
			ELECTRICAL EQUIP NUMBER: L00629 L00630 L00632 L00637 L00638 L00639 L00640 L00865 L00866 L00868		
10	BAC29PPS4771		.MARKER-ALUMINUM FOIL POSITION DATA: FWD LH STA 332.00	108120	1
			PLACARD CONTENT: L630		
15	BAC29PPS4773		.MARKER-ALUMINUM FOIL POSITION DATA: LH FWD STA 686.60	108120	1
			PLACARD CONTENT: L632		
20	BAC27NEL1172		.MARKER- POSITION DATA: LH FWD STA 732.38	108120	1
			PLACARD CONTENT: L865		
25	BAC29PPS4781		.MARKER-ALUMINUM FOIL POSITION DATA: LH FWD STA 1320.00	108120	1
			PLACARD CONTENT: L640		
30	BAC27NEL1174		.MARKER- POSITION DATA: LH FWD STA 1350.00	108120	1
			PLACARD CONTENT: L868		

MISSING ITEM NUMBERS NOT APPLICABLE

- ITEM NOT ILLUSTRATED

33-51-11-07A

33-51-11
FIG. 07A
PAGE 1
JAN 20/09

BRI

BOEING PROPRIETARY - Copyright © - Unpublished Work - See title page for details.



757

PARTS CATALOG (MAINTENANCE)

FIG ITEM	PART NUMBER	1 2 3 4 5 6 7	NOMENCLATURE	EFFECT FROM TO	UNITS PER ASSY
7A					
35	BAC29PPS4779		.MARKER-ALUMINUM FOIL POSITION DATA: LH STA 1684.00 PLACARD CONTENT: L638	108120	1
40	BAC29PPS4770		.MARKER-ALUMINUM FOIL POSITION DATA: FWD RH STA 322.00 PLACARD CONTENT: L629	108120	1
45	BAC27NEL1173		.DECAL- POSITION DATA: RH AFT STA 686.60 PLACARD CONTENT: L866	108120	1
50	BAC29PPS4780		.MARKER-ALUMINUM FOIL POSITION DATA: RH AFT STA 1350.38 PLACARD CONTENT: L639	108120	1
55	BAC29PPS4778		.MARKER-ALUMINUM FOIL POSITION DATA: RH STA 1684.00 PLACARD CONTENT: L637	108120	1
- 60	NAS603-6P		ATTACHING PARTS .SCREW -----*-----	108120	20

MISSING ITEM NUMBERS NOT APPLICABLE

- ITEM NOT ILLUSTRATED

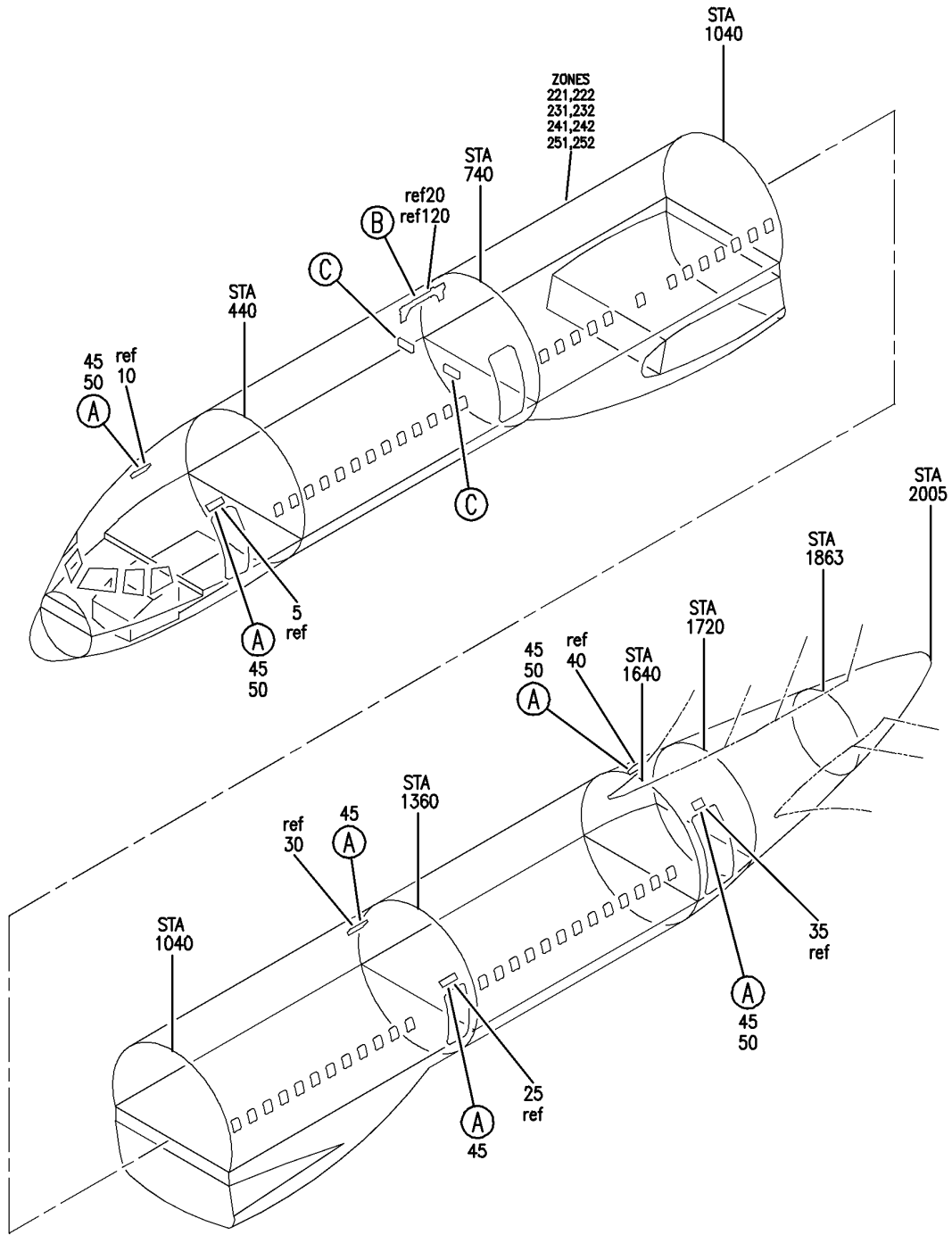
33-51-11-07A

33-51-11
FIG. 07A
PAGE 2
JAN 20/09

BRI

BOEING PROPRIETARY - Copyright © - Unpublished Work - See title page for details.

BOEING
757
PARTS CATALOG (MAINTENANCE)



Y 33511111 SHT 1 REV 233

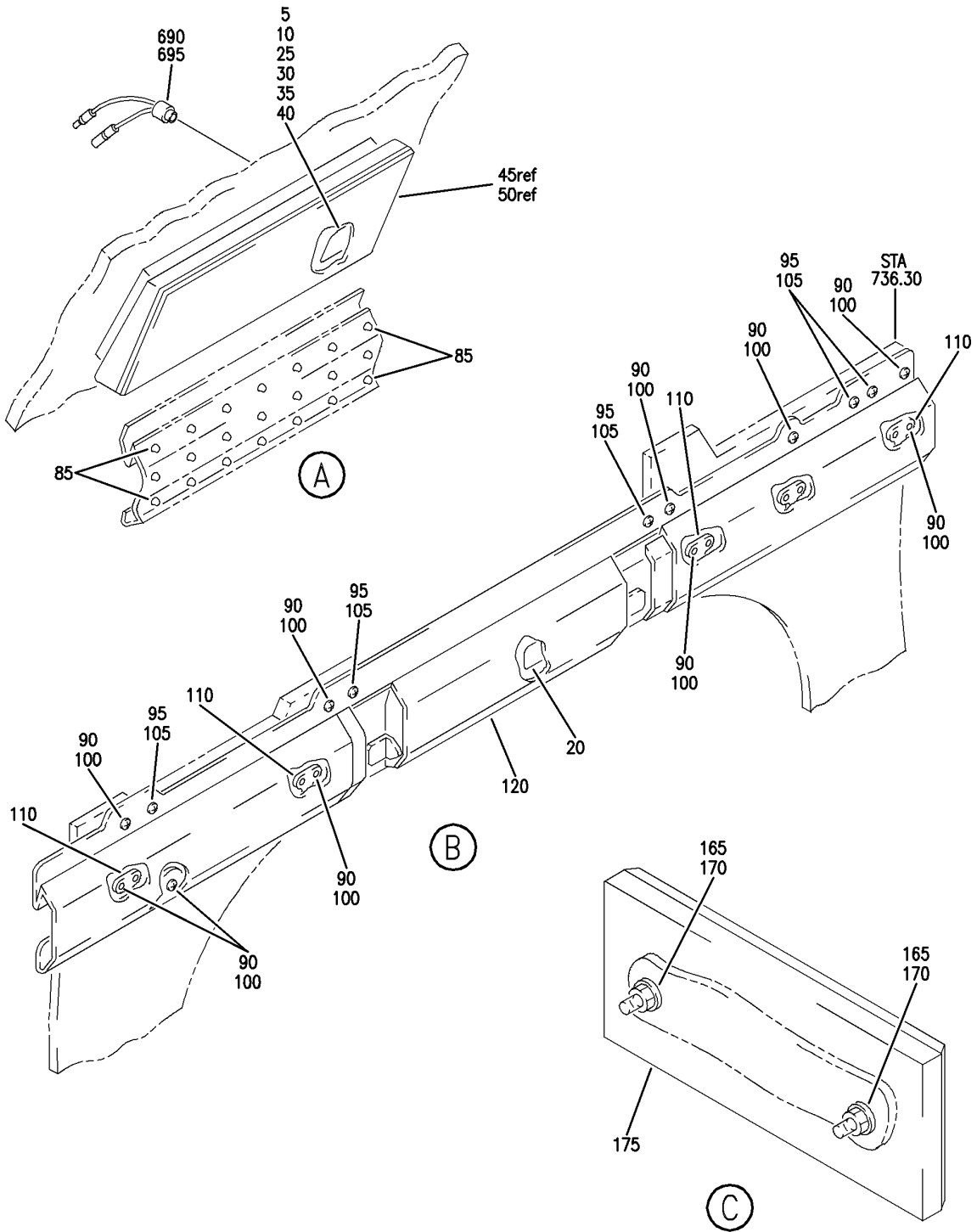
HOUSING INSTL-EXIT SIGN (EXIT LIGHTS)
FIGURE 11 (SHEET 1)

33-51-11-11

BRI
MAY 28/07

33-51-11-11
PAGE 0

BOEING
757
PARTS CATALOG (MAINTENANCE)



Y 33511111 SHT 2 REV 233

HOUSING INSTL-EXIT SIGN (EXIT LIGHTS)
FIGURE 11 (SHEET 2)

33-51-11-11

BRI
MAY 28/07

33-51-11-11
PAGE 0A



757

PARTS CATALOG (MAINTENANCE)

FIG ITEM	PART NUMBER	1 2 3 4 5 6 7	NOMENCLATURE	EFFECT FROM TO	UNITS PER ASSY
11			HOUSING INSTL-EXIT SIGN (EXIT LIGHTS)	107107 121503 904949	
- 1	417N5204-4		HOUSING INSTL-EXIT SIGN FOR NHA/OTHER SYS DET SEE: 33-51-01-57	107107	RF
- 1	417N5204-16		HOUSING INSTL-EXIT SIGN FOR NHA/OTHER SYS DET SEE: 33-51-01-66	121503 904949	RF
5	BAC27NPA0238		.MARKER-ALUMINUM FOIL PLACARD CONTENT: L31 EXIT SIGN	107107 121503 904949	1
10	BAC27NPA0233		.MARKER-ALUMINUM FOIL PLACARD CONTENT: L27 EXIT SIGN	107107 121503 904949	1
15	BAC27NPA0240		.MARKER-ALUMINUM FOIL PLACARD CONTENT: L43 EXIT SIGN	107107 121503 904949	1
20	BAC27NPA0234		.MARKER-ALUMINUM FOIL PLACARD CONTENT: L37 EXIT SIGN	107107 121503 904949	1
25	BAC27NPA0241		.MARKER-ALUMINUM FOIL PLACARD CONTENT: L52 EXIT SIGN	107107 121503 904949	1
30	BAC27NPA0235		.MARKER-ALUMINUM FOIL PLACARD CONTENT: L49 EXIT SIGN	107107 121503 904949	1
35	BAC27NPA0242		.MARKER-ALUMINUM FOIL PLACARD CONTENT: L62 EXIT SIGN	107107 121503 904949	1
40	BAC27NPA0236		.MARKER-ALUMINUM FOIL POSITION DATA: L57 EXIT SIGN	107107 121503 904949	1
45	10-1073-1		.HOUSING-EXIT SUPPLIER CODE: V72914 SPECIFICATION NUMBER: S417N505-28 ELECTRICAL EQUIP NUMBER: L00027 L00031 L00049 L00052 L00057 L00062 COMPONENT MAINT MANUAL REF: 33-51-32	107107 121503 904949	6
- 55	BACS12CK3-7		ATTACHING PARTS .SCREW	107107	12

MISSING ITEM NUMBERS NOT APPLICABLE

- ITEM NOT ILLUSTRATED

33-51-11-11

33-51-11
FIG. 11
PAGE 1
JAN 20/09

BRI



757

PARTS CATALOG (MAINTENANCE)

FIG ITEM	PART NUMBER	1 2 3 4 5 6 7	NOMENCLATURE	EFFECT FROM TO	UNITS PER ASSY
11					
- 55	NAS1801-3-7	.	SCREW	121503 904949	12
- 75	AN960JD10L	.	WASHER	107107	12
- 75	AN960JD10LL	.	WASHER	121503 904949	12
			-----*-----		
85	OL3071BPEGPL	..	LAMP-5V .06 AMP DS1 THRU DS21 SUPPLIER CODE: VS3774	107107 121503 904949	21
90	NAS603-4P	.	SCREW	107107 121503 904949	32
100	AN960KD10	.	WASHER	107107	32
100	AN960JD10L	.	WASHER	121503 904949	32
110	417N5207-1	.	CLIP	107107 121503 904949	10
120	417N5205-25SP	.	SIGN ASSY-EXIT	107107	1
120	417N5205-33SP	.	SIGN ASSY-EXIT	121503 904949	1
- 600	286N3632-015		WIRE BUNDLE ASSY	121503 904949	RF
- 600	286N3632-017		WIRE BUNDLE ASSY	107107	RF
- 621	286N3532-031		WIRE BUNDLE ASSY	121503 904949	RF
- 621	286N3532-033		WIRE BUNDLE ASSY	107107	RF
- 651	286N3634-020		WIRE BUNDLE ASSY	107107	RF
- 651	286N3634-028		WIRE BUNDLE ASSY	121503 904949	RF
- 653	286N3634-305		WIRE BUNDLE ASSY	121503 904949	RF
- 680	286N3534-018		WIRE BUNDLE ASSY	121503 904949	RF
- 681	286N3534-020		WIRE BUNDLE ASSY	107107	RF
- 682	286N3534-046		WIRE BUNDLE ASSY	121503 904949	RF
- 682	286N3534-304		WIRE BUNDLE ASSY	121503 904949	RF

MISSING ITEM NUMBERS NOT APPLICABLE

- ITEM NOT ILLUSTRATED

33-51-11-11

33-51-11
FIG. 11
PAGE 2
JAN 20/09

BRI



757

PARTS CATALOG (MAINTENANCE)

FIG ITEM	PART NUMBER	1 2 3 4 5 6 7	NOMENCLATURE	EFFECT FROM TO	UNITS PER ASSY
11 690	48-7190		.CONNECTOR- SUPPLIER CODE: V02660 ELECTRICAL EQUIP NUMBER: D04530 D04534 D04542 D04550 D04566 D04570 WIRING DIAGRAM REF: 335112 335113 335114 335115	107107 121503 904949	2
690	48-7190		.CONNECTOR- SUPPLIER CODE: V02660 ELECTRICAL EQUIP NUMBER: D04562 D04602 WIRING DIAGRAM REF: 335114	107107 121503 904949	2
695	48-7191		.CONNECTOR- SUPPLIER CODE: V02660 ELECTRICAL EQUIP NUMBER: D04528 D04532 D04540 D04548 D04564 D04568 WIRING DIAGRAM REF: 335112 335113 335114 335115	107107 121503 904949	2
695	48-7191		.CONNECTOR- SUPPLIER CODE: V02660 WIRING DIAGRAM REF: 335114	107107 121503 904949	2

MISSING ITEM NUMBERS NOT APPLICABLE

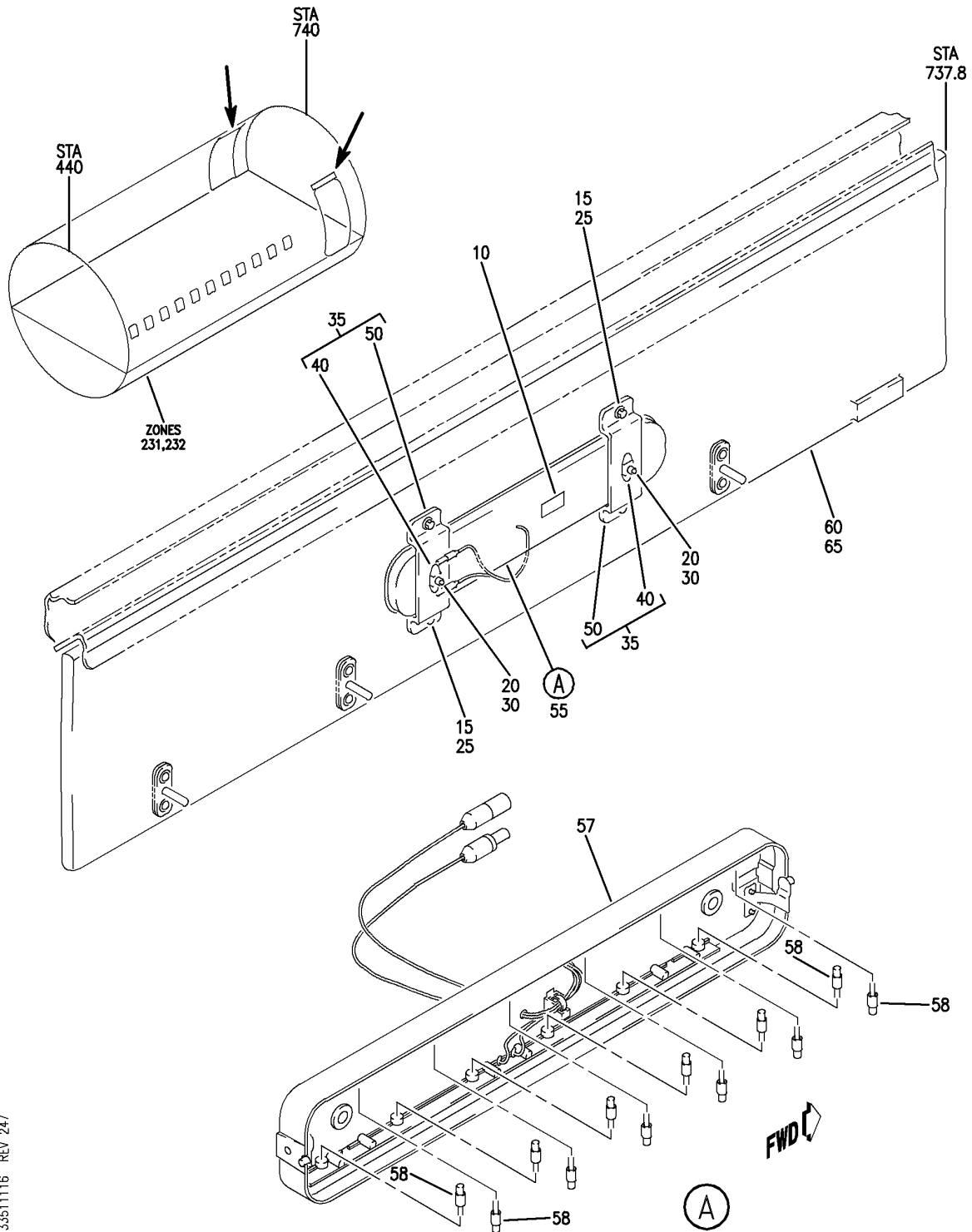
- ITEM NOT ILLUSTRATED

33-51-11-11

33-51-11
FIG. 11
PAGE 3
JAN 20/09

BRI

BOEING
757
PARTS CATALOG (MAINTENANCE)



Y 33511116 REV 247

PANEL ASSY-DOORWAY NO. 2 (LIGHTS ONLY)
FIGURE 16

33-51-11-16

BRI
JAN 20/09

33-51-11-16
PAGE 0



757

PARTS CATALOG (MAINTENANCE)

FIG ITEM	PART NUMBER	1 2 3 4 5 6 7	NOMENCLATURE	EFFECT FROM TO	UNITS PER ASSY
16			PANEL ASSY-DOORWAY NO. 2 (LIGHTS ONLY)	103106	
- 1	411N2333-401B		PANEL ASSY-DOORWAY NO. 2 (LIGHT ONLY) POSITION DATA: HEADER LH FOR NHA/OTHER SYS DET SEE: 25-21-06-11A	103106	RF
- 5	411N2333-382B		PANEL ASSY-DOORWAY NO. 2 (LIGHT ONLY) POSITION DATA: HEADER RH FOR NHA/OTHER SYS DET SEE: 25-21-06-11B	103106	RF
10	BAC27NPA0240		.MARKER-ALUMINUM FOIL PLACARD CONTENT: L43 EXIT SIGN	103106	1
15	BACS12GU3K4		.SCREW	103106	4
20	BACS12FA3K7		.SCREW	103106	2
25	NAS1149D0363J		ATTACHING PARTS .WASHER	103106	4
			-----*-----		
30	BACW10P63AL		.WASHER	103106	2
35	411A2229-205		.BRACKET ASSY-SUPPORT	103106	2
40	BRF200C3D		..NUTPLATE SUPPLIER CODE: V52828 SPECIFICATION NUMBER: BACN10JR3CFD OPTIONAL PART: K51602-3BAC V15653 NS202476-02 V80539 102F9201-3 V72962 T8092C1032CD V11815 ATTACHING PARTS	103106	1
- 45	BACR15BA3AD		..RIVET- SIZE DETERMINED ON INSTL. -----*-----	103106	2
50	411A2229-206		..BRACKET	103106	1

MISSING ITEM NUMBERS NOT APPLICABLE

- ITEM NOT ILLUSTRATED

33-51-11-16

33-51-11
FIG. 16
PAGE 1
JAN 20/09

BRI

BOEING PROPRIETARY - Copyright © - Unpublished Work - See title page for details.



757

PARTS CATALOG (MAINTENANCE)

FIG ITEM	PART NUMBER	1 2 3 4 5 6 7	NOMENCLATURE	EFFECT FROM TO	UNITS PER ASSY
16					
55	82000-36101		.HOUSING ASSY-EXIT SIGN SUPPLIER CODE: VS5006 SPECIFICATION NUMBER: S479W220-3 COMPONENT MAINT MANUAL REF: 33-24-02	103106	1
57	82003-36101		..HOUSING ASSY- SUPPLIER CODE: VS5006	103106	1
58	3071BPEGPL		..LAMP- SUPPLIER CODE: VS5006	103106	12
60	411N2334-364B		.PANEL ASSY-BASIC POSITION DATA: LH SIDE	103106	RF
65	411N2334-356B		.PANEL ASSY-BASIC POSITION DATA: RH SIDE	103106	RF

MISSING ITEM NUMBERS NOT APPLICABLE

- ITEM NOT ILLUSTRATED

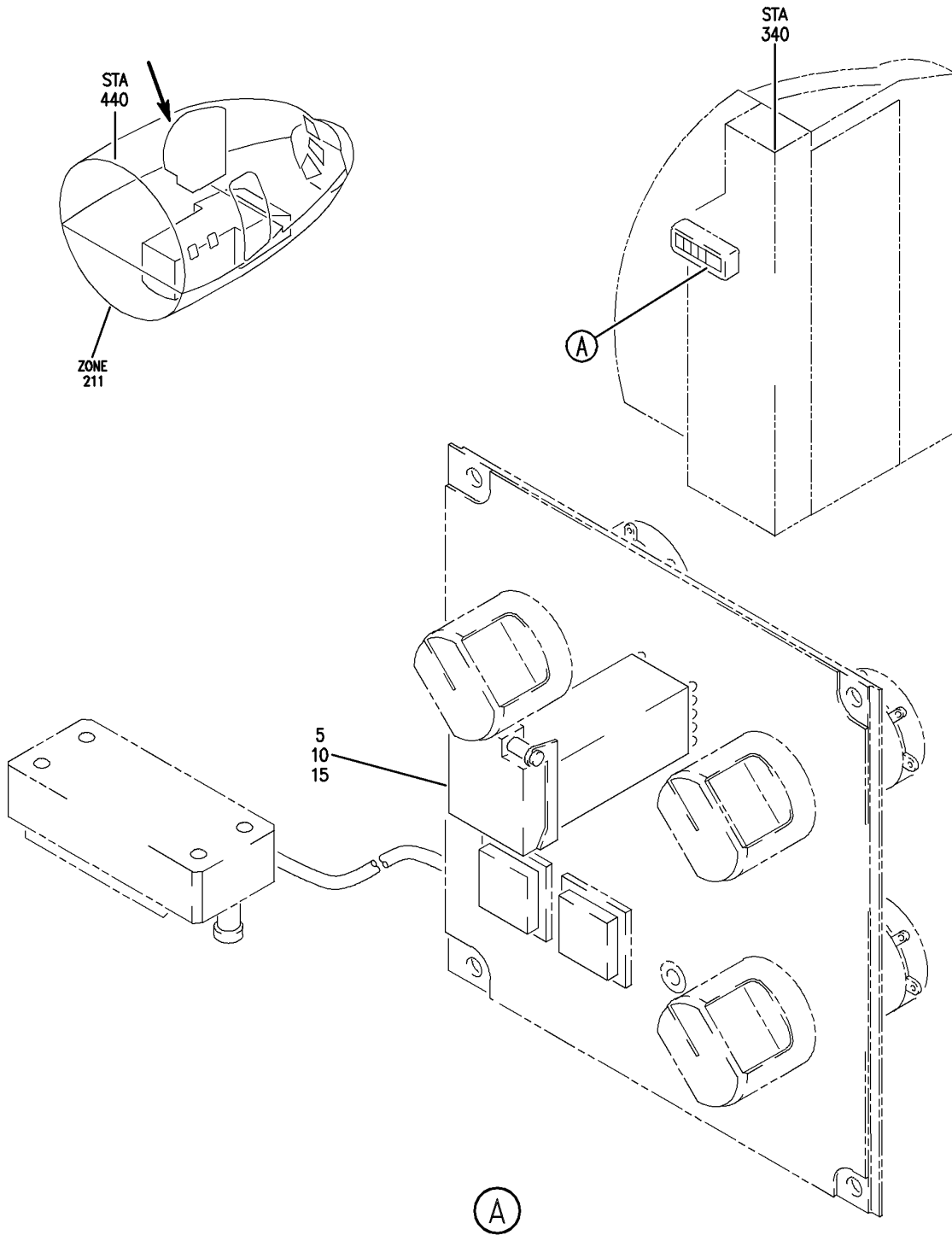
BRI

33-51-11-16

BOEING PROPRIETARY - Copyright © - Unpublished Work - See title page for details.

33-51-11
FIG. 16
PAGE 2
JAN 20/09

BOEING
757
PARTS CATALOG (MAINTENANCE)



Y 33515010 REV 258

MODULE ASSY-FWD LIGHTING WITH EMER EXIT LT, ATTENDANT PNL (EMERGENCY EXIT LIGHTS ONLY)
FIGURE 10

BRI
JAN 20/09

33-51-50-10

33-51-50-10
PAGE 0



757

PARTS CATALOG (MAINTENANCE)

FIG ITEM	PART NUMBER	1 2 3 4 5 6 7	NOMENCLATURE	EFFECT FROM TO	UNITS PER ASSY
10			MODULE ASSY-FWD LIGHTING WITH EMER EXIT LT, ATTENDANT PNL (EMERGENCY EXIT LIGHTS ONLY)	103106	
1	285A1710-17		MODULE ASSY-FWD LIGHTING WITH EMER EXIT LT, ATTENDANT PNL (EMERGENCY EXIT LIGHTS ONLY) SUPPLIER CODE: V89954 COMPONENT MAINT MANUAL REF: 33-11-05 FOR NHA/OTHER SYS DET SEE: 31-17-11-05	103106	RF
5	2100-101		.LENS-WHITE NO LEGEND, RED INSERT SUPPLIER CODE: V91929	103106	1
10	2100-11		.GUARD-SWITCH SUPPLIER CODE: V91929	103106	1
10	AML76C10T01P		.GUARD-SWITCH SUPPLIER CODE: V91929	103106	1
15	2100-13		.SWITCH ASSY-4 POLE ALT SUPPLIER CODE: V91929 ELECTRICAL EQUIP NUMBER: S00006	103106	1

MISSING ITEM NUMBERS NOT APPLICABLE

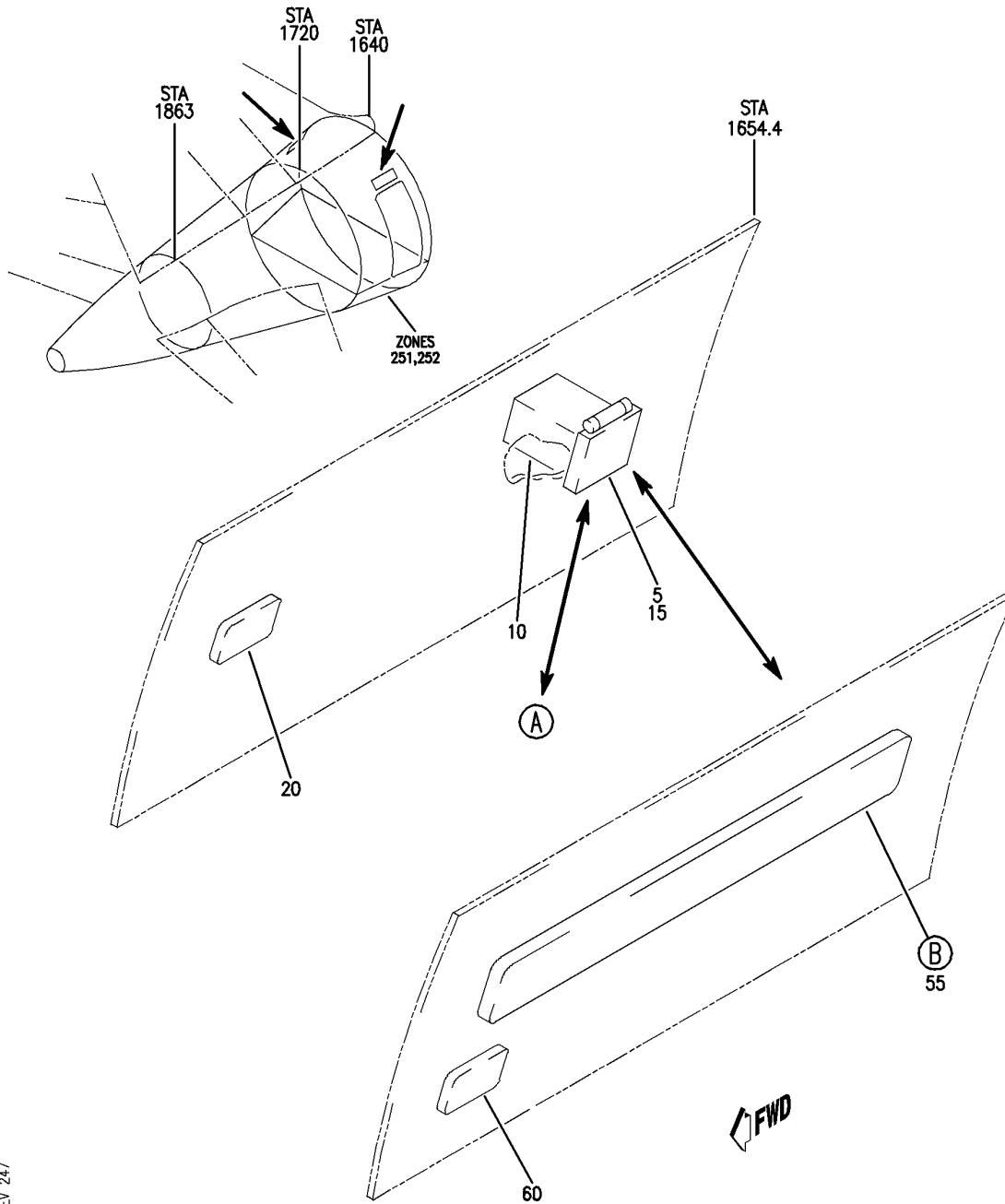
- ITEM NOT ILLUSTRATED

33-51-50-10

33-51-50
FIG. 10
PAGE 1
JAN 20/09

BRI

BOEING
757
PARTS CATALOG (MAINTENANCE)



Y 33515128 SHT 1 REV 247

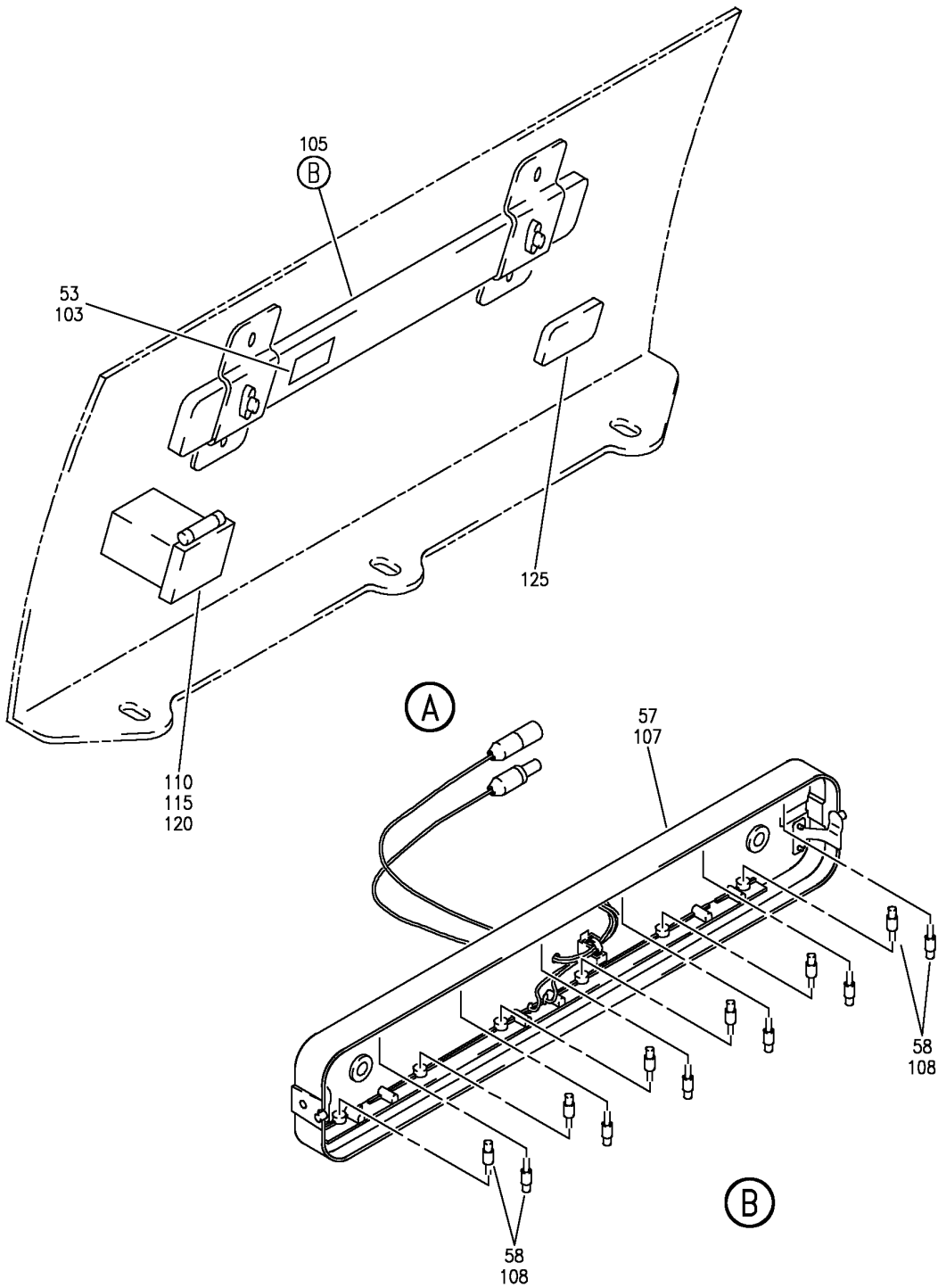
PANEL ASSY DOORWAY NO. 4 L (LIGHT ONLY)
FIGURE 28 (SHEET 1)

33-51-51-28

BRI
JAN 20/09

33-51-51-28
PAGE 0

BOEING
757
PARTS CATALOG (MAINTENANCE)



Y 33515128 SH1 2 REV 267

PANEL ASSY DOORWAY NO. 4 L (LIGHT ONLY)
FIGURE 28 (SHEET 2)

33-51-51-28

BRI
JAN 20/09

33-51-51-28
PAGE 0A

 **BOEING**
757
PARTS CATALOG (MAINTENANCE)

FIG ITEM	PART NUMBER	1 2 3 4 5 6 7	NOMENCLATURE	EFFECT FROM TO	UNITS PER ASSY
28			PANEL ASSY DOORWAY NO. 4 L (LIGHT ONLY)	103106 504903	
- 1	411N2353-79SP		PANEL ASSY-DOORWAY NO. 4 L (LIGHTS ONLY) FOR NHA/ADDITIONAL DET SEE: 25-21-06-51A 25-21-06-52	504903	RF
5	2100-11		.GUARD-SWITCH SUPPLIER CODE: V91929 ELECTRICAL EQUIP NUMBER: S10294U OPTIONAL PART: AML76C10T01P V91929	504903	1
5	AML76C10T01P		.GUARD-SWITCH SUPPLIER CODE: V91929 ELECTRICAL EQUIP NUMBER: S10294U OPTIONAL PART: 2100-11 V91929	504903	1
10	2100-7		.SWITCH ASSY- SUPPLIER CODE: V91929 ELECTRICAL EQUIP NUMBER: S10294	504903	1
- 12	85		..BULB- SUPPLIER CODE: V08805	504903	1
15	2100-102		.LENS-SWITCH SUPPLIER CODE: V91929	504903	1
20	BCREF5985		.LIGHT ASSY- SUPPLIER CODE: V81590 OVERLENGTH PART NUMBER: 250-650-0994-001 ELECTRICAL EQUIP NUMBER: L00407 L00408	504903	1
- 50	411N2353-80SP		PANEL ASSY-DOORWAY NO. 4 R (LIGHTS ONLY) POSITION DATA: CENTER, UPPER FOR NHA/ADDITIONAL DET SEE: 25-21-06-51B 25-21-06-52A	504903	RF

MISSING ITEM NUMBERS NOT APPLICABLE

- ITEM NOT ILLUSTRATED

BRI

33-51-51-28

BOEING PROPRIETARY - Copyright © - Unpublished Work - See title page for details.

33-51-51
FIG. 28
PAGE 1
JAN 20/09



757

PARTS CATALOG (MAINTENANCE)

FIG ITEM	PART NUMBER	1 2 3 4 5 6 7	NOMENCLATURE	EFFECT FROM TO	UNITS PER ASSY
28					
- 51	411N2353-301C		PANEL ASSY- R (LIGHTS ONLY) POSITION DATA: CENTER, UPPER FOR NHA/ADDITIONAL DET SEE: 25-21-06-51F	103106	RF
53	BAC27NPA0236		.MARKER-ALUMINUM FOIL PLACARD CONTENT: L57 EXIT SIGN	103106	1
55	82000-36101		.HOUSING ASSY-EXIT SIGN SUPPLIER CODE: VS5006 SPECIFICATION NUMBER: S479W220-3 COMPONENT MAINT MANUAL REF: 33-24-02	103106	1
55	82000-36101		.HOUSING ASSY-EXIT SIGN SUPPLIER CODE: VS5006 SPECIFICATION NUMBER: S479W220-3 COMPONENT MAINT MANUAL REF: 33-24-02	504903	1
57	82003-36101		..HOUSING ASSY- SUPPLIER CODE: VS5006	103106	1
57	82003-36101		..HOUSING ASSY- SUPPLIER CODE: VS5006	504903	1
58	3071BPEGPL		..LAMP- SUPPLIER CODE: VS5006	103106	12
58	3071BPEGPL		..LAMP- SUPPLIER CODE: VS5006	504903	12
60	BCREF5985		.LIGHT ASSY- SUPPLIER CODE: V81590 OVERLENGTH PART NUMBER: 250-650-0994-001 ELECTRICAL EQUIP NUMBER: L00407 L00408	103106	1

MISSING ITEM NUMBERS NOT APPLICABLE

- ITEM NOT ILLUSTRATED

33-51-51-28

33-51-51
FIG. 28
PAGE 2
JAN 20/09

BRI

BOEING PROPRIETARY - Copyright © - Unpublished Work - See title page for details.



757

PARTS CATALOG (MAINTENANCE)

FIG ITEM	PART NUMBER	1 2 3 4 5 6 7	NOMENCLATURE	EFFECT FROM TO	UNITS PER ASSY
28 60	BCREF5985		.LIGHT ASSY- SUPPLIER CODE: V81590 OVERLENGTH PART NUMBER: 250-650-0994-001 ELECTRICAL EQUIP NUMBER: L00407 L00408	504903	1
- 100	411N2353-300C		PANEL ASSY- (LIGHTS ONLY) POSITION DATA: CENTER, UPPER, LH SIDE DOOR FOR NHA/ADDITIONAL DET SEE: 25-21-06-51E	103106	RF
103	BAC27NPA0242		.MARKER-ALUMINUMN FOIL PLACARD CONTENT: L62 EXIT SIGN	103106	1
105	82000-36101		.HOUSING ASSY-EXIT SIGN SUPPLIER CODE: VS5006 SPECIFICATION NUMBER: S479W220-3 COMPONENT MAINT MANUAL REF: 33-24-02	103106	1
107	82003-36101		..HOUSING ASSY- SUPPLIER CODE: VS5006	103106	1
108	3071BPEGPL		..LAMP- SUPPLIER CODE: VS5006	103106	12
110	2100-11		.GUARD-SWITCH SUPPLIER CODE: V91929 ELECTRICAL EQUIP NUMBER: S10294U OPTIONAL PART: AML76C10T01P V91929	103106	1
110	AML76C10T01P		.GUARD-SWITCH SUPPLIER CODE: V91929 OPTIONAL PART: 2100-11 V91929	103106	1
115	2100-102		.LENS- SUPPLIER CODE: V91929	103106	1

MISSING ITEM NUMBERS NOT APPLICABLE

- ITEM NOT ILLUSTRATED

33-51-51-28

33-51-51
FIG. 28
PAGE 3
JAN 20/09

BRI



757

PARTS CATALOG (MAINTENANCE)

FIG ITEM	PART NUMBER	1 2 3 4 5 6 7	NOMENCLATURE	EFFECT FROM TO	UNITS PER ASSY
28 120	2100-7		.SWITCH ASSY- SUPPLIER CODE: V91929 ELECTRICAL EQUIP NUMBER: S10294	103106	1
- 123	85		..BULB- SUPPLIER CODE: V08805	103106	1
125	BCREF5985		.LIGHT ASSY- SUPPLIER CODE: V81590 OVERLENGTH PART NUMBER: 250-650-0994-001 ELECTRICAL EQUIP NUMBER: L00407 L00408	103106	1

MISSING ITEM NUMBERS NOT APPLICABLE

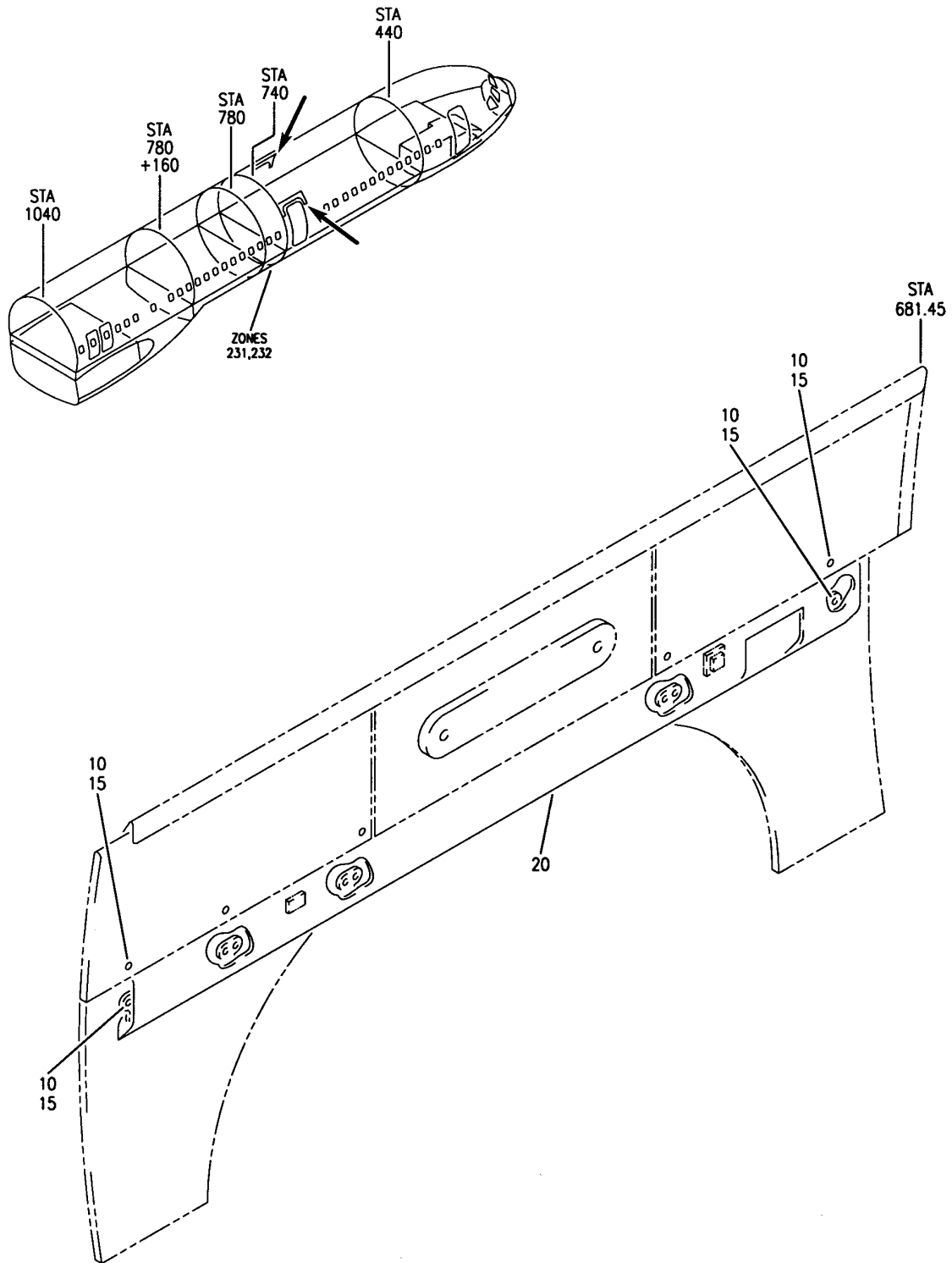
- ITEM NOT ILLUSTRATED

33-51-51-28

33-51-51
FIG. 28
PAGE 4
JAN 20/09

BRI

BOEING
757
PARTS CATALOG (MAINTENANCE)



Y 33515135 REV 210

SIGN INSTL-LIGHTED
FIGURE 35

33-51-51-35

BRI
JAN 20/09

33-51-51-35
PAGE 0



757

PARTS CATALOG (MAINTENANCE)

FIG ITEM	PART NUMBER	1 2 3 4 5 6 7	NOMENCLATURE	EFFECT FROM TO	UNITS PER ASSY
35					
- 1	MODREF18580		SIGN INSTL-LIGHTED SIGN INSTL-LIGHTED SHROUD MODULE NUMBER: 417N5600-107B REV A POSITION DATA: STA 709.7 DOOR 2 LH	103106 103103	1
- 1	MODREF29319		SIGN INSTL-LIGHTED SHROUD MODULE NUMBER: 417N5600-107B REV B POSITION DATA: STA 709.7 DOOR 2 LH	104106	1
- 5	MODREF18579		SIGN INSTL-LIGHTED SHROUD MODULE NUMBER: 417N5600-106B REV A POSITION DATA: STA 709.7 DOOR 2 LH	103103	1
- 5	MODREF29318		SIGN INSTL-LIGHTED SHROUD MODULE NUMBER: 417N5600-106B REV B POSITION DATA: STA 709.7 DOOR 2 RH	104106	1
20	417N5205-57B		.SIGN ASSY-EXIT POSITION DATA: LH SIDE ELECTRICAL EQUIP NUMBER: L00043 FOR DETAILS SEE: 33-51-11-05	103106	1
- 25	417N5205-56B		.SIGN ASSY-EXIT POSITION DATA: RH SIDE ELECTRICAL EQUIP NUMBER: L00406 FOR DETAILS SEE: 33-51-11-05	103106	1

MISSING ITEM NUMBERS NOT APPLICABLE

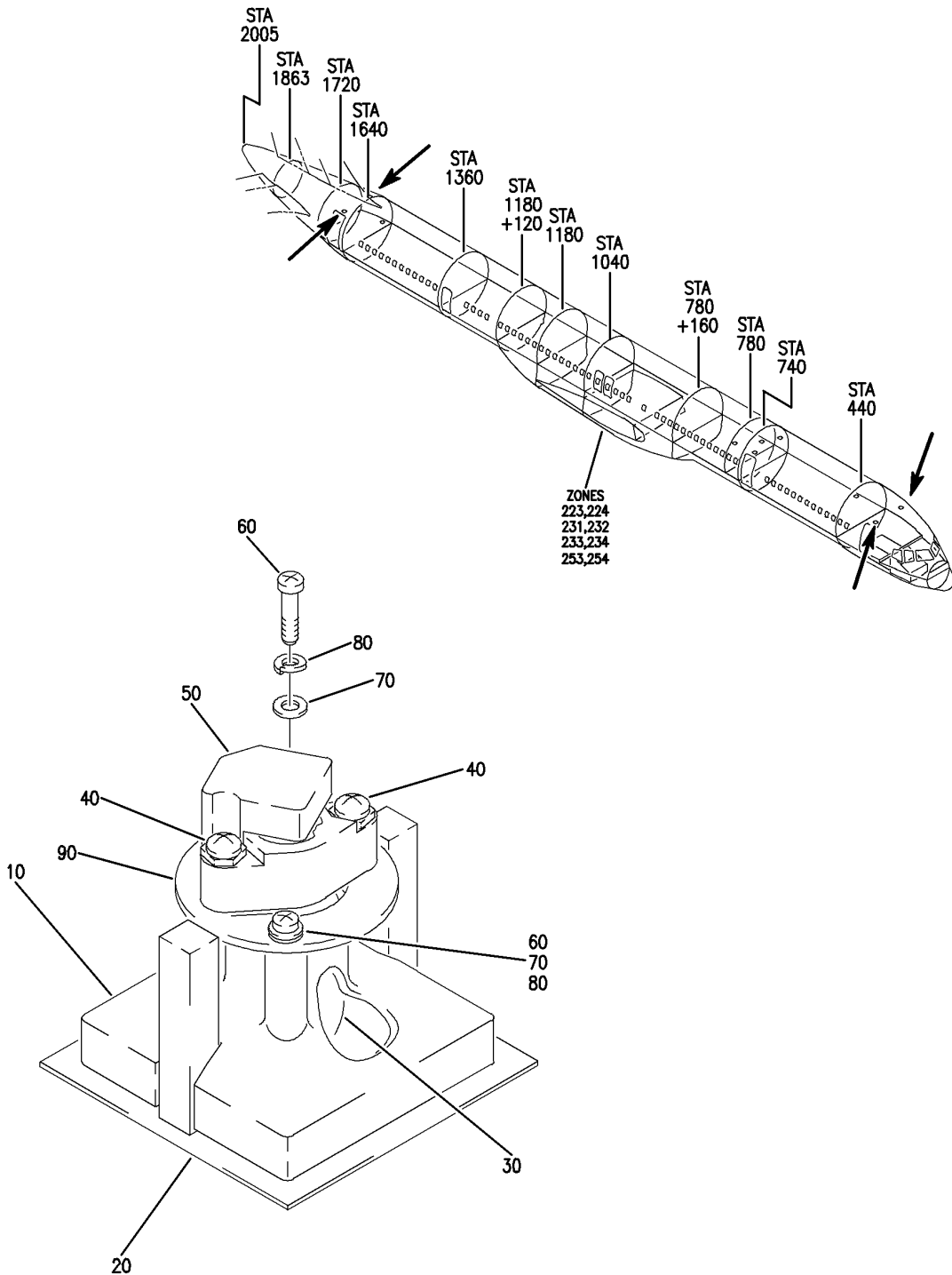
- ITEM NOT ILLUSTRATED

33-51-51-35

33-51-51
FIG. 35
PAGE 1
JAN 20/09

BRI

BOEING
757
PARTS CATALOG (MAINTENANCE)



Y 33515155 REV 243

LIGHT ASSY-EMERGENCY
FIGURE 55

33-51-51-55

BRI
JAN 20/09

33-51-51-55
PAGE 0



757

PARTS CATALOG (MAINTENANCE)

FIG ITEM	PART NUMBER	1 2 3 4 5 6 7	NOMENCLATURE	EFFECT FROM TO	UNITS PER ASSY
55			LIGHT ASSY-EMERGENCY	103106	
- 1	0105924-005		LIGHT-EMERGENCY SUPPLIER CODE: VOVDA9 SPECIFICATION NUMBER: S417U006-6 FOR NHA SEE: 33-22-05-03 33-22-05-03A 33-26-52-81A 33-26-52-81C 33-51-05-51 33-51-05-51A 33-51-07-06 33-51-10-01 33-51-52-02	103106	RF
10	0105925-001		.HOUSING-REFLECTOR SUPPLIER CODE: VOVDA9	103106	1
20	0105927-007		.LENS-BEZEL SUPPLIER CODE: VOVDA9	103106	1
30	P78749-001		.LAMP-1317 SUPPLIER CODE: VOVDA9	103106	1
40	0106053-001		.SCREW- SUPPLIER CODE: VOVDA9	103106	2
50	0105938-001		.SHIELD-TERMINAL SUPPLIER CODE: VOVDA9	103106	1
60	0061172-213		.SCREW- SUPPLIER CODE: VOVDA9	103106	2
70	0080150-004		.WASHER-FLAT SUPPLIER CODE: VOVDA9	103106	2
80	0080180-010		.WASHER-LOCK SUPPLIER CODE: VOVDA9	103106	2
90	0105970-001		.BRACKET-SOCKET SUPPLIER CODE: VOVDA9	103106	1

MISSING ITEM NUMBERS NOT APPLICABLE

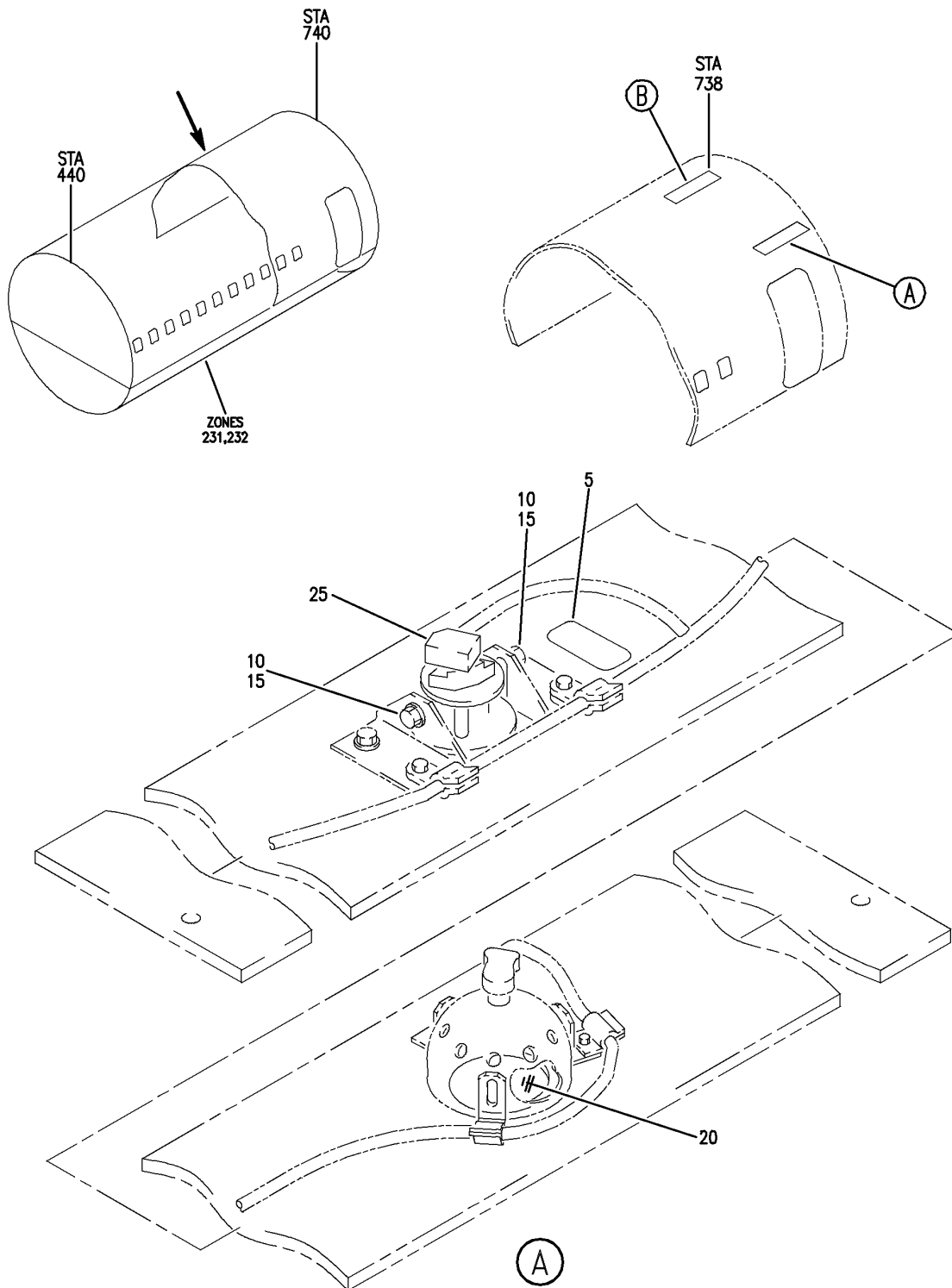
- ITEM NOT ILLUSTRATED

33-51-51-55

33-51-51
FIG. 55
PAGE 1
JAN 20/09

BRI

BOEING
757
PARTS CATALOG (MAINTENANCE)



Y 33515202 SH1 1 REV 239

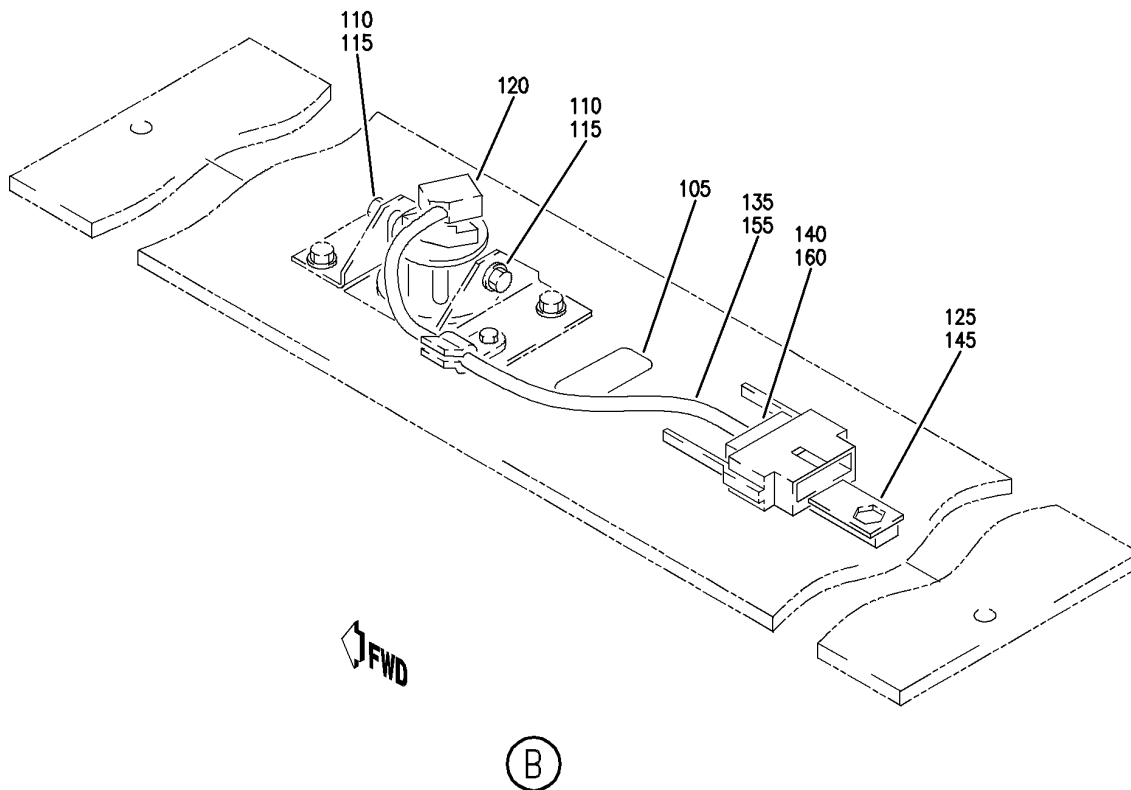
CEILING ASSY-ENTRY DOOR 2, LWD (EMERGENCY LIGHTS ONLY)
FIGURE 2 (SHEET 1)

33-51-52-02

BRI
JAN 20/09

33-51-52-02
PAGE 0

BOEING
757
PARTS CATALOG (MAINTENANCE)



Y. 33515202 SH1 2 REV 244

CEILING ASSY-ENTRY DOOR 2, LWD (EMERGENCY LIGHTS ONLY)
FIGURE 2 (SHEET 2)

33-51-52-02

BRI
JAN 20/09

33-51-52-02
PAGE 0A



757

PARTS CATALOG (MAINTENANCE)

FIG ITEM	PART NUMBER	1 2 3 4 5 6 7	NOMENCLATURE	EFFECT FROM TO	UNITS PER ASSY
2			CEILING ASSY-ENTRY DOOR 2, LWD (EMERGENCY LIGHTS ONLY)	103106	
- 1	411N3620-72B		CEILING ASSY-ENTRY (LIGHTS ONLY) POSITION DATA: DOOR 2 FOR NHA/OTHER SYS DET SEE: 25-22-02-40E	103106	RF
5	BAC27NPA1414		.MARKER- PLACARD CONTENT: DOOR 2, LH EMERGENCY LIGHT ELECTRICAL EQUIP NUMBER: L00893	103106	1
10	NAS1801-06-8		.SCREW	103106	2
15	NAS1149DN632J		.WASHER	103106	2
20	11-4269-1E		.BEZEL ASSY- SUPPLIER CODE: V72914 SPECIFICATION NUMBER: S417N502-9E	103106	1
25	0105924-005		.LIGHT-EMERGENCY DOWN SUPPLIER CODE: VOVDA9 SPECIFICATION NUMBER: S417U006-6 ELECTRICAL EQUIP NUMBER: L00893 FOR DETAILS SEE: 33-51-51-55	103106	1
- 100	411N3620-71B		CEILING ASSY-DOOR 2 ENTRY (EMERGENCY LIGHTS ONLY) FOR NHA/OTHER SYS DET SEE: 25-22-02-40F	103106	RF
105	BAC27NPA1415		.MARKER- PLACARD CONTENT: DOOR 2, RH EMERGENCY LIGHT ELECTRICAL EQUIP NUMBER: L00894	103106	1
110	NAS1801-06-8		.SCREW	103106	2
115	NAS1149DN632J		.WASHER	103106	2

MISSING ITEM NUMBERS NOT APPLICABLE

- ITEM NOT ILLUSTRATED

33-51-52-02

33-51-52
FIG. 02
PAGE 1
JAN 20/09

BRI



757

PARTS CATALOG (MAINTENANCE)

FIG ITEM	PART NUMBER	1 2 3 4 5 6 7	NOMENCLATURE	EFFECT FROM TO	UNITS PER ASSY
2 120	0105924-005		.LIGHT-EMERGENCY DOWN SUPPLIER CODE: VOVDA9 SPECIFICATION NUMBER: S417U006-6 FOR DETAILS SEE: 33-51-51-55	103106	1
145	BACT44E1S		.CONNECTOR ATTACHING PARTS	103106	1
- 150	BACS12GU3K5		.SCREW -----*-----	103106	2
155	286N0776-701		.WIRE BUNDLE ASSY-	103106	1
160	BACC65AK221P		..RECEPTACLE- ELECTRICAL EQUIP NUMBER: D42790J WIRING DIAGRAM REF: 335113	103106	1

MISSING ITEM NUMBERS NOT APPLICABLE

- ITEM NOT ILLUSTRATED

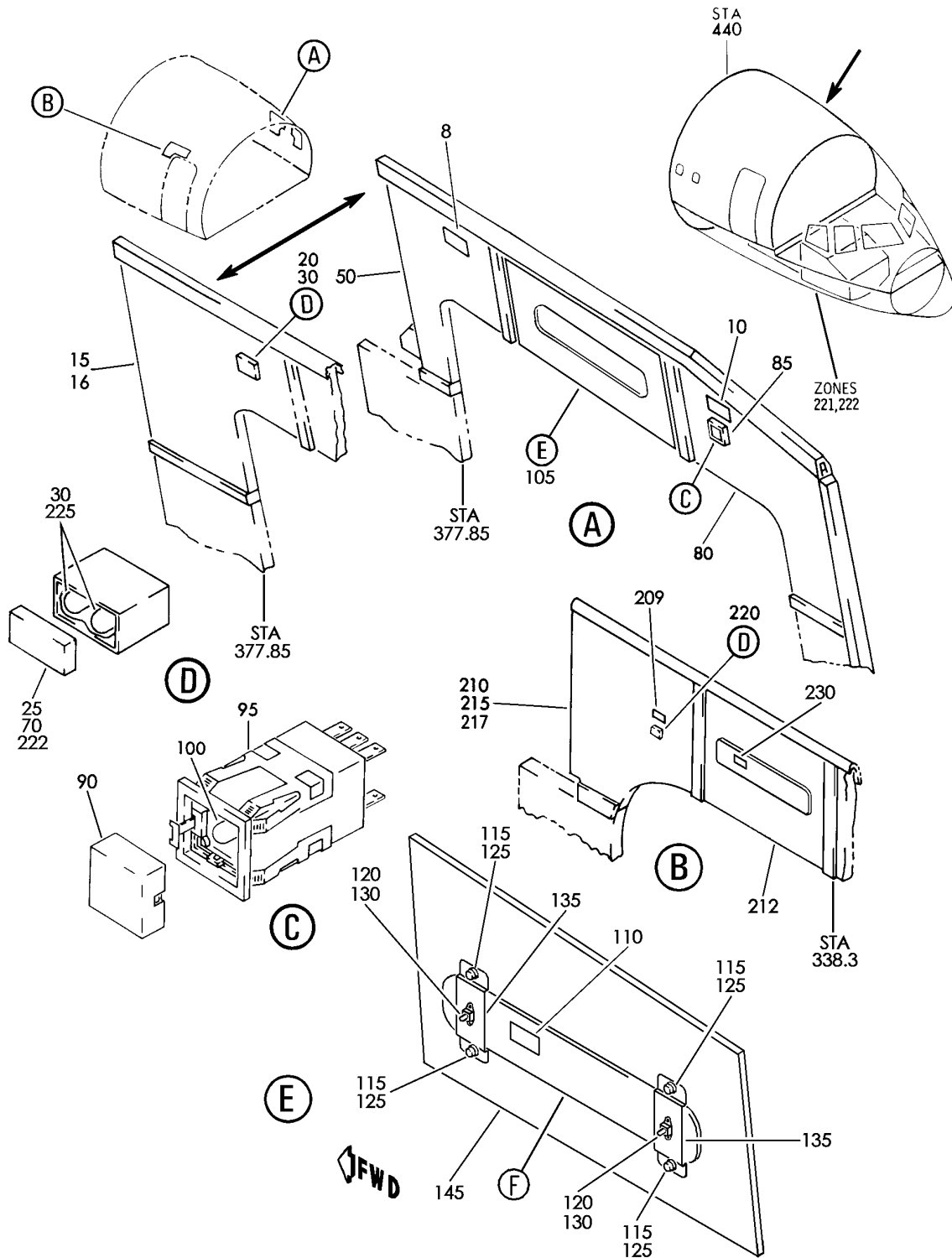
BRI

33-51-52-02

BOEING PROPRIETARY - Copyright © - Unpublished Work - See title page for details.

33-51-52
FIG. 02
PAGE 2
JAN 20/09

BOEING
757
PARTS CATALOG (MAINTENANCE)



Y 33515301 SHT 1 REV 247

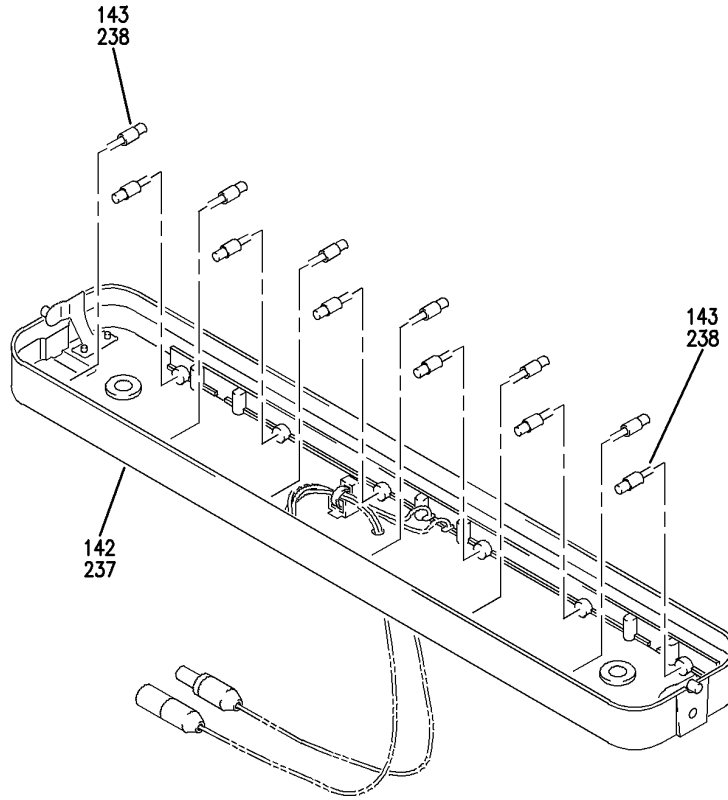
LINING INSTL-DOORWAY NO. 1 (LIGHTS ONLY)
FIGURE 1 (SHEET 1)

33-51-53-01

BRI
MAY 28/07

33-51-53-01
PAGE 0

BOEING
757
PARTS CATALOG (MAINTENANCE)



(F)

Y 33515301 SHT 2 REV 247

LINING INSTL-DOORWAY NO. 1 (LIGHTS ONLY)
FIGURE 1 (SHEET 2)

33-51-53-01

BRI
MAY 28/07

33-51-53-01
PAGE 0A



757

PARTS CATALOG (MAINTENANCE)

FIG ITEM	PART NUMBER	1 2 3 4 5 6 7	NOMENCLATURE	EFFECT FROM TO	UNITS PER ASSY
1			LINING INSTL-DOORWAY NO. 1 (LIGHTS ONLY)	002004 006999	
- 1	411N2310-6		LINING INSTL-DOORWAY NO. 1 (LIGHTS ONLY) POSITION DATA: LH FOR NHA/OTHER SYS DET SEE: 25-21-00-01	107107	RF
- 2	411N2310-28		LINING INSTL-DOORWAY NO. 1 (LIGHTS ONLY) POSITION DATA: LH FOR NHA/OTHER SYS DET SEE: 25-21-00-01	121503 904949	RF
- 2	411N2310-33		LINING INSTL-DOORWAY NO. 1 (LIGHTS ONLY) POSITION DATA: LH FOR NHA/OTHER SYS DET SEE: 25-21-00-01	952999	RF
- 2	411N2310-39		LINING INSTL-DOORWAY NO. 1 (LIGHTS ONLY) POSITION DATA: LH FOR NHA/OTHER SYS DET SEE: 25-21-00-01	002004	RF
- 3	411N2310-55		LINING INSTL-DOORWAY NO. 1 (LIGHTS ONLY) POSITION DATA: LH FOR NHA/OTHER SYS DET SEE: 25-21-00-01	006100 950951	RF
8	BAC27NEL0137		.MARKER-ALUMINUM FOIL- PLACARD CONTENT: L00403 LIGHT	002004 006100 103999	1
10	BAC27NEL0133		.MARKER-ALUMINUM FOIL- PLACARD CONTENT: S10292 EMER TEST	002004 006100 103999	1
15	411N2331-134SP		.PANEL ASSY-LIGHTS ONLY	107107	RF
15	411N2313-12SP		.PANEL ASSY-LIGHTS ONLY	121503 904949	RF
15	411N2331-311SP		.PANEL ASSY-	103106	RF
15	411N2313-11SP		.PANEL ASSY-	952999	RF
15	411N2313-33SP		.PANEL ASSY-	002004	RF
15	411N2313-47SP		.PANEL ASSY-	006100 950951	RF

MISSING ITEM NUMBERS NOT APPLICABLE

- ITEM NOT ILLUSTRATED

33-51-53-01

33-51-53
FIG. 01
PAGE 1
JAN 20/09

BRI



757

PARTS CATALOG (MAINTENANCE)

FIG ITEM	PART NUMBER	1 2 3 4 5 6 7	NOMENCLATURE	EFFECT FROM TO	UNITS PER ASSY
1					
25	650-0994-001	...	LENS CAP ASSY- SUPPLIER CODE: V81590	002004 006100 103107 121503 904949 952999 950951	1
25	650-0994-001	...	LENS CAP ASSY- SUPPLIER CODE: V81590		1
80	411N2331-113SP	.	PANEL ASSY-	103107	RF
80	411N2313-10SP	.	PANEL ASSY-	121503 904949 952999	RF
80	411N2313-21SP	.	PANEL ASSY- REWORKED BY RAPID REVISION: RR92034-10	002004 006100 108120 950951	RF
85	2100-11	..	GUARD- SUPPLIER CODE: V91929	002004 006100 103999	1
85	AML76C10T01P	..	GUARD- SUPPLIER CODE: V91929	002004 006100 103999	1
90	2100-102	..	LENS- SUPPLIER CODE: V91929	002004 006100 103999	1
95	2100-7	..	SWITCH ASSY- SUPPLIER CODE: V91929 ELECTRICAL EQUIP NUMBER: S10292	002004 006100 103999	1
100	85	...	BULB- SUPPLIER CODE: V08805	002004 006100 103999	1
- 200	411N2320-9		LINING INSTL-DOORWAY NO. 1 (LIGHTS ONLY) POSITION DATA: RH FOR NHA/OTHER SYS DET SEE: 25-21-00-01	107107	RF
- 201	411N2320-38		LINING INSTL-DOORWAY NO. 1 (LIGHTS ONLY) POSITION DATA: RH FOR NHA/OTHER SYS DET SEE: 25-21-00-01	952952	RF

MISSING ITEM NUMBERS NOT APPLICABLE

- ITEM NOT ILLUSTRATED

33-51-53-01

33-51-53
FIG. 01
PAGE 2
JAN 20/09

BRI

 **BOEING**
757
PARTS CATALOG (MAINTENANCE)

FIG ITEM	PART NUMBER	1 2 3 4 5 6 7	NOMENCLATURE	EFFECT FROM TO	UNITS PER ASSY
1					
- 201	411N2320-39		LINING INSTL-DOORWAY NO. 1 (LIGHTS ONLY) POSITION DATA: RH FOR NHA/OTHER SYS DET SEE: 25-21-00-01	904949	RF
- 201	411N2320-48		LINING INSTL-DOORWAY NO. 1 (LIGHTS ONLY) POSITION DATA: RH FOR NHA/OTHER SYS DET SEE: 25-21-00-01	002004 006100	RF
- 201	411N2320-63		LINING INSTL-DOORWAY NO. 1 (LIGHTS ONLY) POSITION DATA: RH FOR NHA/OTHER SYS DET SEE: 25-21-00-01	950951	RF
- 202	411N2320-56		LINING INSTL-DOORWAY NO. 1 (LIGHTS ONLY) POSITION DATA: RH FOR NHA/OTHER SYS DET SEE: 25-21-00-01	953999	RF
- 202	411N2320-57		LINING INSTL-DOORWAY NO. 1 (LIGHTS ONLY) POSITION DATA: RH FOR NHA/OTHER SYS DET SEE: 25-21-00-01	121503	RF
- 204	411N2320-312SP		LINING INSTL-DOORWAY NO. 1 (LIGHTS ONLY) POSITION DATA: RH FOR NHA/OTHER SYS DET SEE: 25-20-00-07	108120	RF
- 204	411N2320-311SP		LINING INSTL-DOORWAY NO. 1 (LIGHTS ONLY) POSITION DATA: RH FOR NHA/OTHER SYS DET SEE: 25-20-00-07	504903	RF
- 204	411N2320-302SP		LINING INSTL-DOORWAY NO. 1 (LIGHTS ONLY) POSITION DATA: RH FOR NHA/OTHER SYS DET SEE: 25-20-00-07	101102	RF

MISSING ITEM NUMBERS NOT APPLICABLE

- ITEM NOT ILLUSTRATED

BRI

33-51-53-01

BOEING PROPRIETARY - Copyright © - Unpublished Work - See title page for details.

33-51-53
FIG. 01
PAGE 3
JAN 20/09



757

PARTS CATALOG (MAINTENANCE)

FIG ITEM	PART NUMBER	1 2 3 4 5 6 7	NOMENCLATURE	EFFECT FROM TO	UNITS PER ASSY
1					
209	BAC27NEL0138		.MARKER-ALUMINUM FOIL PLACARD CONTENT: L00404 LIGHT	002004 006999	1
210	411N2331-121SP		.PANEL ASSY-	107107	RF
210	411N2331-227SP		.PANEL ASSY-	107107	RF
210	411N2323-15SP		.PANEL ASSY-	121503 904949 952952	RF
212	411N2324-18SP		.PANEL ASSY	002004 006102 108503 904999	RF
215	411N2323-23SP		.PANEL ASSY- FOR OTHER SYS DETAILS SEE: 25-21-06-40B	002004 006102 108120 950951	RF
215	411N2323-41SP		.PANEL ASSY-	953999	RF
215	411N2323-202SP		.PANEL ASSY-	504903	RF
220	BCREF5985		..LIGHT ASSY- SUPPLIER CODE: V81590 OVERLENGTH PART NUMBER: 250-650-0994-001 ELECTRICAL EQUIP NUMBER: L00404	002004 006999	1
222	650-0994-001		...LENS CAP ASSY- SUPPLIER CODE: V81590	002004 006999	1
225	387		...BULB- SUPPLIER CODE: V08806	002004 006999	2

MISSING ITEM NUMBERS NOT APPLICABLE

- ITEM NOT ILLUSTRATED

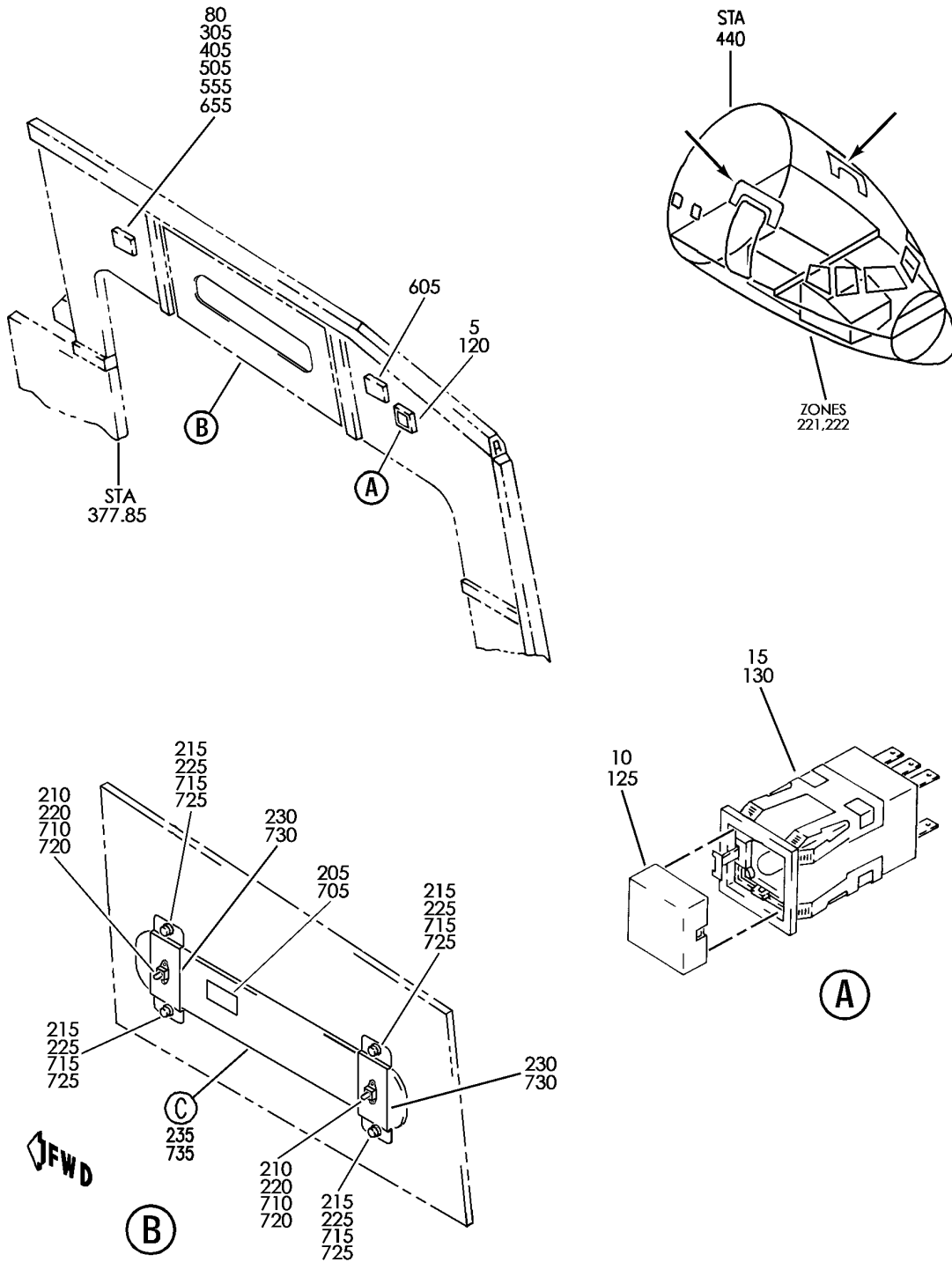
33-51-53-01

33-51-53
FIG. 01
PAGE 4
JAN 20/09

BRI

BOEING PROPRIETARY - Copyright © - Unpublished Work - See title page for details.

BOEING
757
PARTS CATALOG (MAINTENANCE)



Y 33515301A SH1 1 REV 247

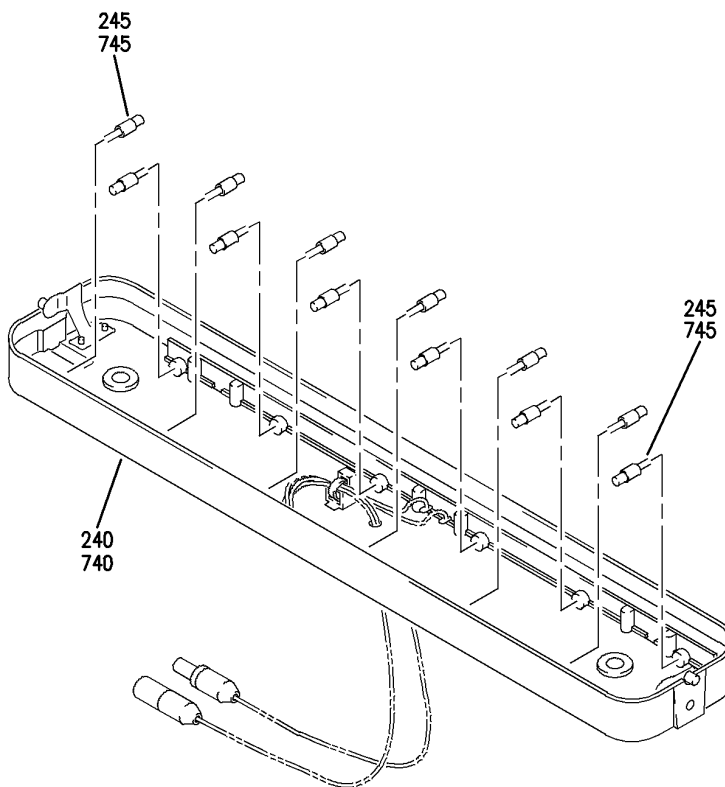
PANEL ASSY-DOORWAY NO. 1 CTR AND FWD AND AFT UPR (LIGHTS ONLY)
FIGURE 1A (SHEET 1)

33-51-53-01A

BRI
MAY 28/07

33-51-53-01A
PAGE 0

BOEING
757
PARTS CATALOG (MAINTENANCE)



(C)

Y 33515301A SH1 2 REV 247

PANEL ASSY-DOORWAY NO. 1 CTR AND FWD AND AFT UPR (LIGHTS ONLY)
FIGURE 1A (SHEET 2)

BRI
MAY 28/07

33-51-53-01A

33-51-53-01A
PAGE 0A

BOEING PROPRIETARY - Copyright © - Unpublished Work - See title page for details.



757

PARTS CATALOG (MAINTENANCE)

FIG ITEM	PART NUMBER	1 2 3 4 5 6 7	NOMENCLATURE	EFFECT FROM TO	UNITS PER ASSY
1 A			PANEL ASSY-DOORWAY NO. 1 CTR AND FWD AND AFT UPR (LIGHTS ONLY)	102102 108120 504903	
- 1	411N2313-21SP		PANEL ASSY-DOORWAY NO. 1 (LIGHTS ONLY) POSITION DATA: FWD UPR LH FOR NHA/ADDITIONAL DET SEE: 25-21-06-49	102102 108120	RF
5	2100-11		.GUARD-SWITCH SUPPLIER CODE: V91929 ELECTRICAL EQUIP NUMBER: S10292U	102102 108120	1
5	AML76C10T01P		.GUARD-SWITCH SUPPLIER CODE: V91929	102102 108120	1
10	2100-102		.LENS- SUPPLIER CODE: V91929	102102 108120	1
15	2100-7		.SWITCH ASSY- SUPPLIER CODE: V91929 ELECTRICAL EQUIP NUMBER: S10292	102102 108120	1
- 20	85		..BULB- SUPPLIER CODE: V08805	102102 108120	1
- 75	411N2313-202SP		PANEL ASSY-DOORWAY NO. 1 (LIGHTS ONLY) POSITION DATA: FWD UPR LH	108120	RF
80	BCREF5985		.LIGHT ASSY- SUPPLIER CODE: V81590 OVERLENGTH PART NUMBER: 250-650-0994-001 ELECTRICAL EQUIP NUMBER: L00403	108120	1
- 115	411N2313-305SP		PANEL ASSY-DOORWAY NO. 1 (LIGHTS ONLY) POSITION DATA: FWD UPR LH FOR NHA/ADDITIONAL DET SEE: 25-21-06-48	504903	RF

MISSING ITEM NUMBERS NOT APPLICABLE

- ITEM NOT ILLUSTRATED

33-51-53-01A

33-51-53
FIG. 01A
PAGE 1
JAN 20/09

BRI

BOEING PROPRIETARY - Copyright © - Unpublished Work - See title page for details.



757

PARTS CATALOG (MAINTENANCE)

FIG ITEM	PART NUMBER	1 2 3 4 5 6 7	NOMENCLATURE	EFFECT FROM TO	UNITS PER ASSY
1A 120	2100-11		.GUARD-SWITCH SUPPLIER CODE: V91929 ELECTRICAL EQUIP NUMBER: S10292U OPTIONAL PART: AML76C10T01P V91929	504903	1
120	AML76C10T01P		.GUARD-SWITCH SUPPLIER CODE: V91929 OPTIONAL PART: 2100-11 V91929	504903	1
125	2100-102		.LENS- SUPPLIER CODE: V91929	504903	1
130	2100-7		.SWITCH ASSY- SUPPLIER CODE: V91929 ELECTRICAL EQUIP NUMBER: S10292	504903	1
- 133	85		..BULB- SUPPLIER CODE: V08805	504903	1
- 300	411N2313-47SP		PANEL ASSY-DOORWAY NO. 1 (LIGHTS ONLY) POSITION DATA: AFT UPR LH FOR NHA/ADDITIONAL DET SEE: 25-21-06-49	102102 108120	RF
305	BCREF5985		.LIGHT ASSY- SUPPLIER CODE: V81590 OVERLENGTH PART NUMBER: 250-650-0994-001 ELECTRICAL EQUIP NUMBER: L00403	102102 108120	1
- 550	411N2313-38SP		PANEL ASSY-DOORWAY NO. 1 (LIGHTS ONLY) POSITION DATA: AFT UPR LH FOR NHA/ADDITIONAL DET SEE: 25-21-06-48	504903	RF

MISSING ITEM NUMBERS NOT APPLICABLE

- ITEM NOT ILLUSTRATED

33-51-53-01A

33-51-53
FIG. 01A
PAGE 2
JAN 20/09

BRI

BOEING PROPRIETARY - Copyright © - Unpublished Work - See title page for details.



757

PARTS CATALOG (MAINTENANCE)

FIG ITEM	PART NUMBER	1 2 3 4 5 6 7	NOMENCLATURE	EFFECT FROM TO	UNITS PER ASSY
1 A 555	BCREF5985		.LIGHT ASSY- SUPPLIER CODE: V81590 OVERLENGTH PART NUMBER: 250-650-0994-001 ELECTRICAL EQUIP NUMBER: L00403	504903	1

MISSING ITEM NUMBERS NOT APPLICABLE

- ITEM NOT ILLUSTRATED

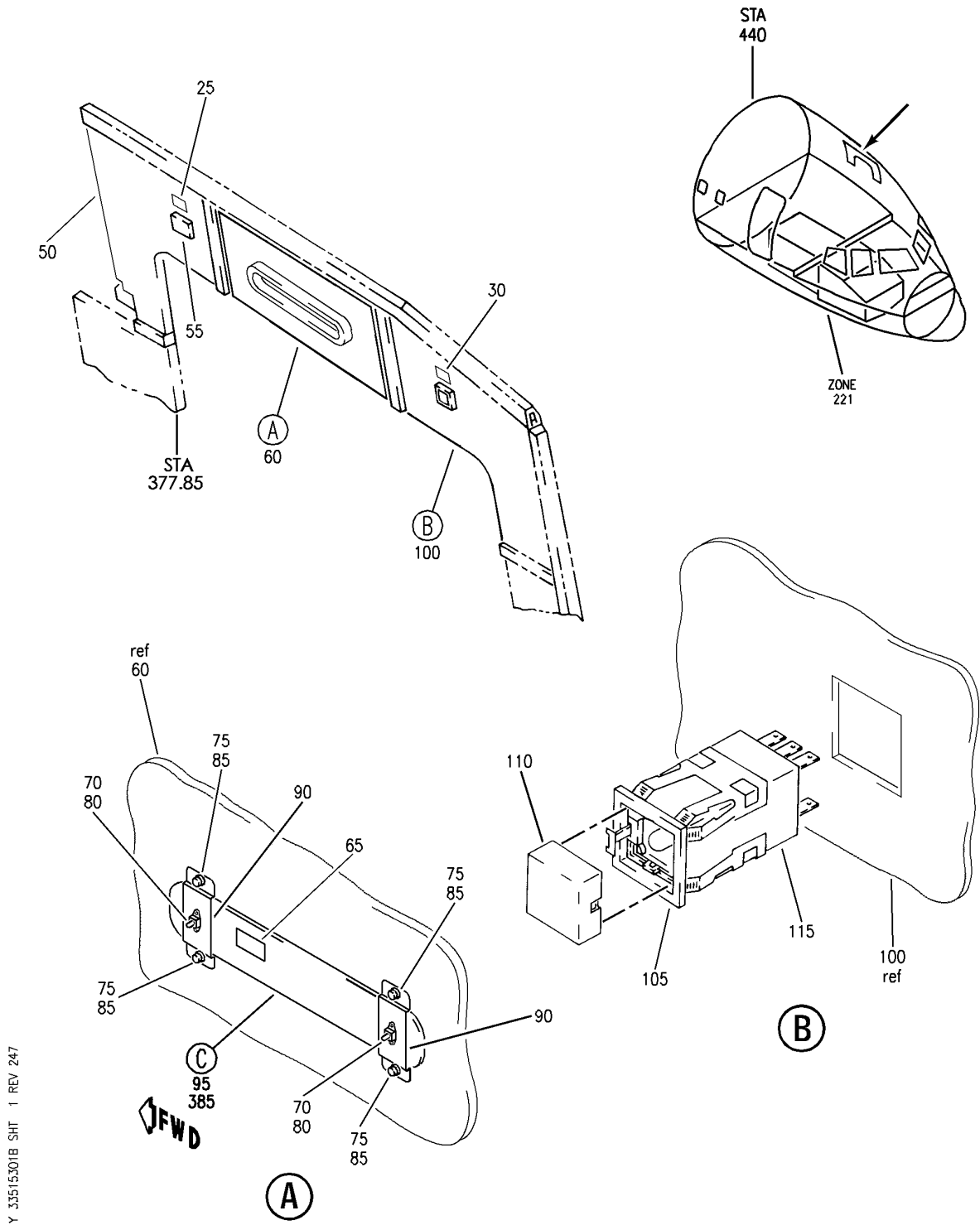
BRI

33-51-53-01A

BOEING PROPRIETARY - Copyright © - Unpublished Work - See title page for details.

33-51-53
FIG. 01A
PAGE 3
JAN 20/09

BOEING
757
PARTS CATALOG (MAINTENANCE)



Y 33515301B SHT 1 REV 247

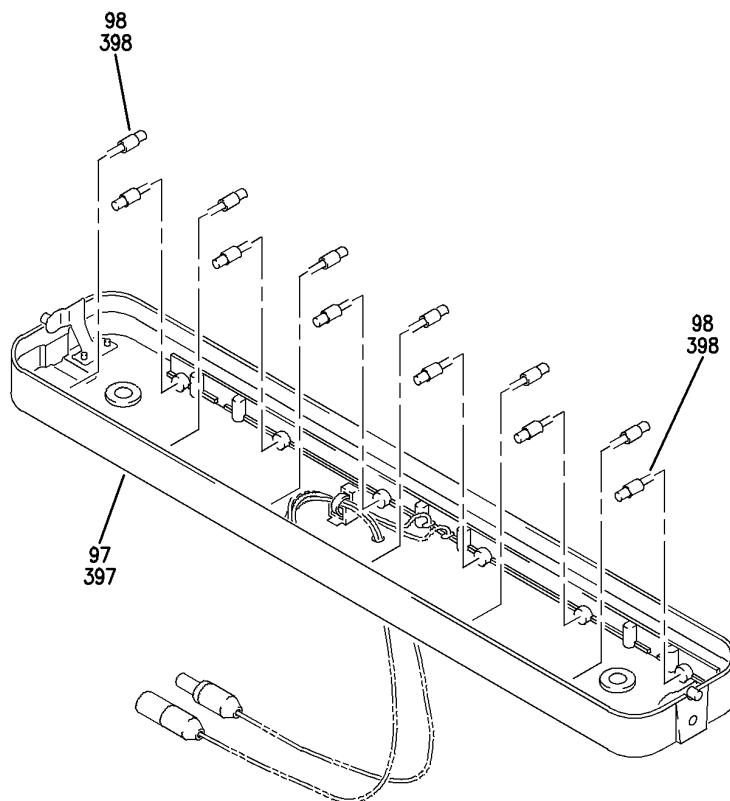
LINING INSTL-DOORWAY NO. 1 LH AND RH (LIGHTS ONLY)
FIGURE 1B (SHEET 1)

33-51-53-01B

BRI
JAN 20/09

33-51-53-01B
PAGE 0

BOEING
757
PARTS CATALOG (MAINTENANCE)



(C)

Y 33515301B SHT 2 REV 247

LINING INSTL-DOORWAY NO. 1 LH AND RH (LIGHTS ONLY)
FIGURE 1B (SHEET 2)

33-51-53-01B

BRI
JAN 20/09

33-51-53-01B
PAGE 0A

BOEING PROPRIETARY - Copyright © - Unpublished Work - See title page for details.



757

PARTS CATALOG (MAINTENANCE)

FIG ITEM	PART NUMBER	1 2 3 4 5 6 7	NOMENCLATURE	EFFECT FROM TO	UNITS PER ASSY
1B			LINING INSTL-DOORWAY NO. 1 LH AND RH (LIGHTS ONLY)	103106	
- 1	MODREF15602		LINING INSTL-DOORWAY NO. 1 (LIGHTS ONLY) MODULE NUMBER: 411N2310-407B REV A POSITION DATA: LH FOR OTHER SYS DETAILS SEE: 25-21-06-42	103103	1
- 1	MODREF28448		LINING INSTL-DOORWAY NO. 1 (LIGHTS ONLY) MODULE NUMBER: 411N2310-407B REV B POSITION DATA: LH FOR OTHER SYS DETAILS SEE: 25-21-06-42	104106	1
25	BAC27NEL0137		.MARKER-ALUMINUM FOIL POSITION DATA: FAR SIDE PLACARD CONTENT: L00403 LIGHT	103106	1
30	BAC27NEL0133		.MARKER-ALUMINUM FOIL POSITION DATA: FAR SIDE PLACARD CONTENT: S10292 EMER TEST	103106	1
50	411N2313-312B		.PANEL ASSY- POSITION DATA: AFT UPR	103106	RF
55	BCREF5985		..LIGHT ASSY- SUPPLIER CODE: V81590 OVERLENGTH PART NUMBER: 250-650-0994-001 ELECTRICAL EQUIP NUMBER: L00403	103106	1
60	411N2313-300C		.PANEL ASSY- POSITION DATA: CTR LH	103106	RF
65	BAC27NPA0238		..MARKER-ALUMINUM FOIL PLACARD CONTENT: L31 EXIT SIGN	103106	1
70	BAC12FA3K7		..SCREW	103106	AR
75	NAS1801-3-4		..SCREW	103106	AR
80	BACW10P63AL		..WASHER	103106	AR
85	NAS1149D0363J		..WASHER	103106	AR
90	411A2229-205		..BRACKET ASSY	103106	2

MISSING ITEM NUMBERS NOT APPLICABLE

- ITEM NOT ILLUSTRATED

33-51-53-01B

33-51-53
FIG. 01B
PAGE 1
JAN 20/09

BRI

BOEING PROPRIETARY - Copyright © - Unpublished Work - See title page for details.



757

PARTS CATALOG (MAINTENANCE)

FIG ITEM	PART NUMBER	1 2 3 4 5 6 7	NOMENCLATURE	EFFECT FROM TO	UNITS PER ASSY
1B					
95	82000-36101	..	HOUSING ASSY-EXIT SIGN SUPPLIER CODE: VS5006 SPECIFICATION NUMBER: S479W220-3 COMPONENT MAINT MANUAL REF: 33-24-02	103106	1
97	82003-36101	...	HOUSING ASSY- SUPPLIER CODE: VS5006	103106	1
98	3071BPEGPL	...	LAMP- SUPPLIER CODE: VS5006	103106	12
100	411N2313-306C	.	PANEL ASSY- POSITION DATA: FWD UPR LH	103106	RF
105	2100-11	..	GUARD-SWITCH SUPPLIER CODE: V91929 ELECTRICAL EQUIP NUMBER: S10292U OPTIONAL PART: AML76C10T01P V91929	103106	1
105	AML76C10T01P	..	GUARD-SWITCH SUPPLIER CODE: V91929 OPTIONAL PART: 2100-11 V91929	103106	1
110	2100-102	..	LENS- SUPPLIER CODE: V91929	103106	1
115	2100-7	..	SWITCH ASSY- SUPPLIER CODE: V91929 ELECTRICAL EQUIP NUMBER: S10292	103106	1
- 120	85	...	BULB- SUPPLIER CODE: V08805	103106	1
- 305	MODREF15615		LINING INSTL-DOORWAY NO.1 (LIGHTS ONLY) MODULE NUMBER: 411N2320-315C REV A POSITION DATA: RH FOR OTHER SYS DETAILS SEE: 25-21-06-42A	103103	1

MISSING ITEM NUMBERS NOT APPLICABLE

- ITEM NOT ILLUSTRATED

33-51-53-01B

33-51-53
FIG. 01B
PAGE 2
JAN 20/09

BRI

BOEING PROPRIETARY - Copyright © - Unpublished Work - See title page for details.



757

PARTS CATALOG (MAINTENANCE)

FIG ITEM	PART NUMBER	1 2 3 4 5 6 7	NOMENCLATURE	EFFECT FROM TO	UNITS PER ASSY
1B - 305	MODREF28451		LINING INSTL-DOORWAY NO.1 (LIGHTS ONLY) MODULE NUMBER: 411N2320-315C REV B POSITION DATA: RH FOR OTHER SYS DETAILS SEE: 25-21-06-42A	104106	1
325	BAC27NEL0138		.MARKER-ALUMINUM FOIL PLACARD CONTENT: L00404 LIGHT	103106	1
340	411N2323-302C		.PANEL ASSY- POSITION DATA: AFT UPR	103106	RF
345	BCREF5985		..LIGHT ASSY- SUPPLIER CODE: V81590 OVERLENGTH PART NUMBER: 250-650-0994-001 ELECTRICAL EQUIP NUMBER: L00404	103106	1
- 350	411N2323-300C		.PANEL ASSY- POSITION DATA: CTR	103106	RF
355	BAC27NPA0233		..MARKER-ALUMINUM FOIL PLACARD CONTENT: L27 EXIT SIGN	103106	1
360	BACs12FA3K7		..SCREW	103106	AR
365	NAS1801-3-4		..SCREW	103106	AR
370	BACW10P63AL		..WASHER	103106	AR
375	NAS1149D0363J		..WASHER	103106	AR
380	411A2229-205		..BRACKET ASSY	103106	2
385	82000-36101		..HOUSING ASSY-EXIT SIGN SUPPLIER CODE: VS5006 SPECIFICATION NUMBER: S479W220-3 COMPONENT MAINT MANUAL REF: 33-24-02	103106	1
397	82003-36101		...HOUSING ASSY- SUPPLIER CODE: VS5006	103106	1
398	3071BPEGPL		...LAMP- SUPPLIER CODE: VS5006	103106	12

MISSING ITEM NUMBERS NOT APPLICABLE

- ITEM NOT ILLUSTRATED

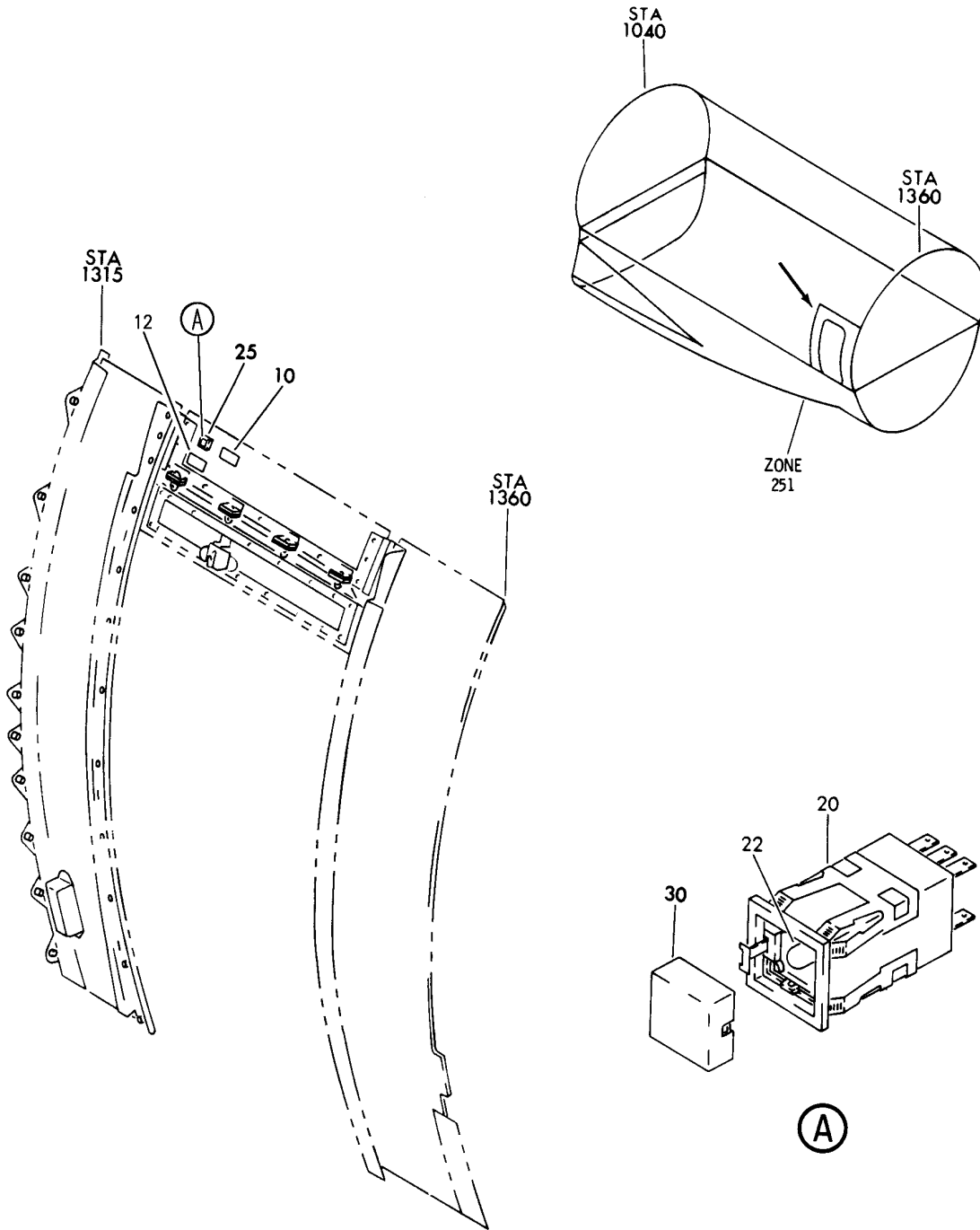
33-51-53-01B

33-51-53
FIG. 01B
PAGE 3
JAN 20/09

BRI

BOEING PROPRIETARY - Copyright © - Unpublished Work - See title page for details.

BOEING
757
PARTS CATALOG (MAINTENANCE)



Y 33515303 REV 290

LINING INSTL-DOORWAY NO. 3 (LIGHTS ONLY)
FIGURE 3

33-51-53-03

BRI
MAY 28/07

33-51-53-03
PAGE 0



757

PARTS CATALOG (MAINTENANCE)

FIG ITEM	PART NUMBER	1 2 3 4 5 6 7	NOMENCLATURE	EFFECT FROM TO	UNITS PER ASSY
3			LINING INSTL-DOORWAY NO. 3 (LIGHTS ONLY)	002004 006102 107503 904999 107107	
- 1	411N2360-37		LINING INSTL-DOORWAY NO. 3 (LIGHTS ONLY) POSITION DATA: L FOR NHA/OTHER SYS DET SEE: 25-21-00-01		RF
- 2	411N2360-50		LINING INSTL-DOORWAY NO. 3 (LIGHTS ONLY) POSITION DATA: L FOR NHA/OTHER SYS DET SEE: 25-21-00-01	904949	RF
- 2	411N2360-61		LINING INSTL-DOORWAY NO. 3 (LIGHTS ONLY) POSITION DATA: L FOR NHA/OTHER SYS DET SEE: 25-21-00-01	121503	RF
- 2	411N2360-55		LINING INSTL-DOORWAY NO. 3 (LIGHTS ONLY) POSITION DATA: L FOR NHA/OTHER SYS DET SEE: 25-21-00-01	002004 006100 950951	RF
- 2	411N2360-69		LINING INSTL-DOORWAY NO. 3 (LIGHTS ONLY) POSITION DATA: L FOR NHA/OTHER SYS DET SEE: 25-21-00-01	952999	RF
- 4	411N2360-426SP		LINING INSTL-DOORWAY NO. 3 (LIGHTS ONLY) POSITION DATA: LH FOR NHA/OTHER SYS DET SEE: 25-20-00-07	108120	RF
- 4	411N2360-407SP		LINING INSTL-DOORWAY NO. 3 (LIGHTS ONLY) POSITION DATA: LH FOR NHA/OTHER SYS DET SEE: 25-20-00-07	101102	RF
10	BAC27NEL0135		.MARKER-ALUMINUM FOIL PLACARD CONTENT: S10294 EMER TEST	002004 006102 904949	1

MISSING ITEM NUMBERS NOT APPLICABLE

- ITEM NOT ILLUSTRATED

33-51-53-03

33-51-53
FIG. 03
PAGE 1
JAN 20/09

BRI



757

PARTS CATALOG (MAINTENANCE)

FIG ITEM	PART NUMBER	1 2 3 4 5 6 7	NOMENCLATURE	EFFECT FROM TO	UNITS PER ASSY
3					
12	BAC27NEL0135		.MARKER-ALUMINUM FOIL PLACARD CONTENT: S10294 EMER TEST POST SERVICE BULLETIN: 25-0237R2	107503 950999	1
- 15	411N2361-60SP		.PANEL ASSY-	904949	RF
- 15	411N2361-89SP		.PANEL ASSY- REWORKED BY RAPID REVISION: RR92034-10 FOR OTHER SYS DETAILS SEE: 25-21-06-32	002004 006102	RF
- 15	411N2361-309D		.PANEL ASSY-HEADER POSITION DATA: LH SIDE POST SERVICE BULLETIN: 25-0237R1	950951	RF
- 15	411N2361-309C		.PANEL ASSY-HEADER POSITION DATA: LH SIDE POST SERVICE BULLETIN: 25-0237R2	108120 952999	RF
- 15	411N2361-309B		.PANEL ASSY-HEADER POSITION DATA: LH SIDE POST SERVICE BULLETIN: 25-0237R1	121503	RF
20	2100-7		..SWITCH ASSY- SUPPLIER CODE: V91929 ELECTRICAL EQUIP NUMBER: S10294	002004 006102 107503 904999	1
22	85		...BULB- SUPPLIER CODE: V08805	002004 006102 107503 904999	1
25	2100-11		.. GUARD- SUPPLIER CODE: V91929 OPTIONAL PART: AML76C10T01P V91929	002004 006102 107503 904999	1
25	AML76C10T01P		.. GUARD- SUPPLIER CODE: V91929 OPTIONAL PART: 2100-11 V91929	002004 006102 107503 904999	1

MISSING ITEM NUMBERS NOT APPLICABLE

- ITEM NOT ILLUSTRATED

33-51-53-03

33-51-53
FIG. 03
PAGE 2
JAN 20/09

BRI



757

PARTS CATALOG (MAINTENANCE)

FIG ITEM	PART NUMBER	1 2 3 4 5 6 7	NOMENCLATURE	EFFECT FROM TO	UNITS PER ASSY
3 30	2100-102		. . LENS- SUPPLIER CODE : V91929	002004 006102 107503 904999	1

MISSING ITEM NUMBERS NOT APPLICABLE

- ITEM NOT ILLUSTRATED

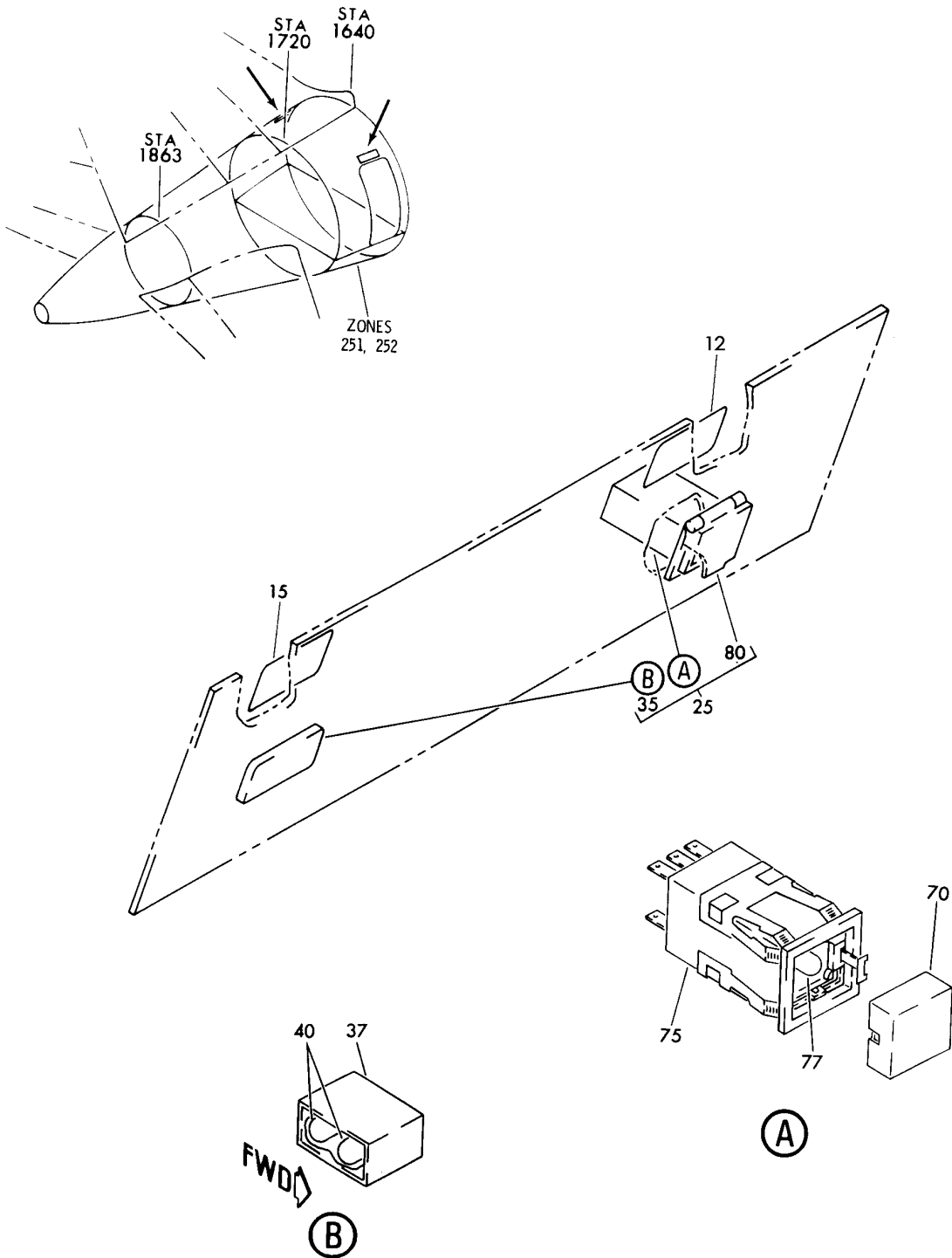
BRI

33-51-53-03

BOEING PROPRIETARY - Copyright © - Unpublished Work - See title page for details.

33-51-53
FIG. 03
PAGE 3
JAN 20/09

BOEING
757
PARTS CATALOG (MAINTENANCE)



Y 33515304 REV 245

LINING INSTL-DOORWAY NO. 4 (LIGHTS ONLY)
FIGURE 4

33-51-53-04

BRI
MAY 28/07

33-51-53-04
PAGE 0



757

PARTS CATALOG (MAINTENANCE)

FIG ITEM	PART NUMBER	1 2 3 4 5 6 7	NOMENCLATURE	EFFECT FROM TO	UNITS PER ASSY
4			LINING INSTL-DOORWAY NO. 4 (LIGHTS ONLY)	002004 006102 107999	
- 1	411N2350-9		LINING INSTL-DOORWAY NO. 4 L (LIGHTS ONLY) FOR NHA/OTHER SYS DET SEE: 25-21-00-01	107107	RF
- 1	411N2350-45		LINING INSTL-DOORWAY NO. 4 L (LIGHTS ONLY) FOR NHA/OTHER SYS DET SEE: 25-21-00-01	904949	RF
- 2	411N2350-65		LINING INSTL-DOORWAY NO. 4 L (LIGHTS ONLY) FOR NHA/OTHER SYS DET SEE: 25-21-00-01	002004 006011 950951	RF
- 2	411N2350-69		LINING INSTL-DOORWAY NO. 4 L (LIGHTS ONLY) FOR NHA/OTHER SYS DET SEE: 25-21-00-01	952952	RF
- 2	411N2350-85		LINING INSTL-DOORWAY NO. 4 L (LIGHTS ONLY) FOR NHA/OTHER SYS DET SEE: 25-21-00-01	121503	RF
- 2	411N2350-90		LINING INSTL-DOORWAY NO. 4 L (LIGHTS ONLY) FOR NHA/OTHER SYS DET SEE: 25-21-00-01	953999	RF
- 3	411N2350-143		LINING INSTL-DOORWAY NO. 4 L (LIGHTS ONLY) FOR NHA/OTHER SYS DET SEE: 25-21-00-01	012100	RF
- 4	411N2350-302SP		LINING INSTL-DOORWAY NO. 4 (LIGHTS ONLY) POSITION DATA: LH SIDE FOR NHA/OTHER SYS DET SEE: 25-20-00-07	101102 108120	RF
- 5	411N2350-10		LINING INSTL-DOORWAY NO. 4 R (LIGHTS ONLY) FOR NHA/OTHER SYS DET SEE: 25-21-00-01	107107	RF
- 5	411N2350-35		LINING INSTL-DOORWAY NO. 4 R (LIGHTS ONLY) FOR NHA/OTHER SYS DET SEE: 25-21-00-01	904949	RF
- 6	411N2350-66		LINING INSTL-DOORWAY NO. 4 R (LIGHTS ONLY) FOR NHA/OTHER SYS DET SEE: 25-21-00-01	002004 006011 950951	RF

MISSING ITEM NUMBERS NOT APPLICABLE

- ITEM NOT ILLUSTRATED

33-51-53-04

33-51-53
FIG. 04
PAGE 1
JAN 20/09

BRI



757

PARTS CATALOG (MAINTENANCE)

FIG ITEM	PART NUMBER	1 2 3 4 5 6 7	NOMENCLATURE	EFFECT FROM TO	UNITS PER ASSY
4					
- 6	411N2350-70		LINING INSTL-DOORWAY NO. 4 R (LIGHTS ONLY) FOR NHA/OTHER SYS DET SEE: 25-21-00-01	952952	RF
- 6	411N2350-84		LINING INSTL-DOORWAY NO. 4 R (LIGHTS ONLY) FOR NHA/OTHER SYS DET SEE: 25-21-00-01	121503	RF
- 6	411N2350-91		LINING INSTL-DOORWAY NO. 4 R (LIGHTS ONLY) FOR NHA/OTHER SYS DET SEE: 25-21-00-01	953999	RF
- 7	411N2350-144		LINING INSTL-DOORWAY NO. 4 R (LIGHTS ONLY) FOR NHA/OTHER SYS DET SEE: 25-21-00-01	012100	RF
- 8	411N2350-303SP		LINING INSTL-DOORWAY NO. 4 (LIGHTS ONLY) POSITION DATA: RH SIDE FOR NHA/OTHER SYS DET SEE: 25-20-00-07	101102 108120	RF
12	BAC27NEL0136		.MARKER-ALUMINUM FOIL POSITION DATA: LH SIDE PLACARD CONTENT: S10295 EMER TEST	002004 006102 107999	1
15	BAC27NEL0141		.MARKER-ALUMINUM FOIL POSITION DATA: LH SIDE PLACARD CONTENT: L00407 LIGHT	002004 006102 107999	1
- 20	BAC27NEL0142		.MARKER-ALUMINUM FOIL POSITION DATA: RH SIDE PLACARD CONTENT: L00408 LIGHT	002004 006102 107503 904999	1
25	411N2331-51SP		.PANEL ASSY- POSITION DATA: LH SIDE	107107	RF
25	411N2353-10SP		.PANEL ASSY- POSITION DATA: LH SIDE	904949 952952	RF
25	411N2353-79SP		.PANEL ASSY- POSITION DATA: LH SIDE REWORKED BY RAPID REVISION: RR92034-10	002004 006102 108903 950951 953999	RF

MISSING ITEM NUMBERS NOT APPLICABLE

- ITEM NOT ILLUSTRATED

33-51-53-04

33-51-53
FIG. 04
PAGE 2
JAN 20/09

BRI



757

PARTS CATALOG (MAINTENANCE)

FIG ITEM	PART NUMBER	1 2 3 4 5 6 7	NOMENCLATURE	EFFECT FROM TO	UNITS PER ASSY
4					
- 30	411N2331-52SP		.PANEL ASSY- POSITION DATA: RH SIDE	107107	RF
- 30	411N2353-5SP		.PANEL ASSY- POSITION DATA: RH SIDE	904949 952952	RF
- 30	411N2353-80SP		.PANEL ASSY- POSITION DATA: RH SIDE	002004 006102 108503 950951 953999	RF
35	BCREF5985		..LIGHT ASSY- SUPPLIER CODE: V81590 OVERLENGTH PART NUMBER: 250-650-0994-001 ELECTRICAL EQUIP NUMBER: L00407 L00408	002004 006102 107503 904999	1
35	BCREF5985		..LIGHT ASSY- SUPPLIER CODE: V81590 POSITION DATA: LH SIDE OVERLENGTH PART NUMBER: 250-650-0994-001 ELECTRICAL EQUIP NUMBER: L00407	101102 108120 504903	1
37	650-0994-001		...LENS CAP ASSY- SUPPLIER CODE: V81590	002004 006102 107503 904999	1
37	650-0994-001		...LENS CAP ASSY- SUPPLIER CODE: V81590	101102 108120 504903	1
40	387		...BULB- SUPPLIER CODE: V08806	002004 006102 107503 904999	2
40	387		...BULB- SUPPLIER CODE: V08806 POSITION DATA: LH SIDE	101102 108120 504903	2
70	2100-102		..LENS-SWITCH SUPPLIER CODE: V91929 POSITION DATA: LH SIDE	002004 006102 107999	1

MISSING ITEM NUMBERS NOT APPLICABLE

- ITEM NOT ILLUSTRATED

33-51-53-04

33-51-53
FIG. 04
PAGE 3
JAN 20/09

BRI



757

PARTS CATALOG (MAINTENANCE)

FIG ITEM	PART NUMBER	1 2 3 4 5 6 7	NOMENCLATURE	EFFECT FROM TO	UNITS PER ASSY
4					
75	2100-7		.. SWITCH ASSY- SUPPLIER CODE: V91929 POSITION DATA: LH SIDE ELECTRICAL EQUIP NUMBER: S10295	002004 006102 107999	1
77	85		... BULB- SUPPLIER CODE: V08805	002004 006102 107999	1
80	2100-11		.. GUARD- SUPPLIER CODE: V91929 POSITION DATA: LH SIDE FOR SPARES PROCURE: AML7610T01P V91929	002004 006102 107999	1

MISSING ITEM NUMBERS NOT APPLICABLE

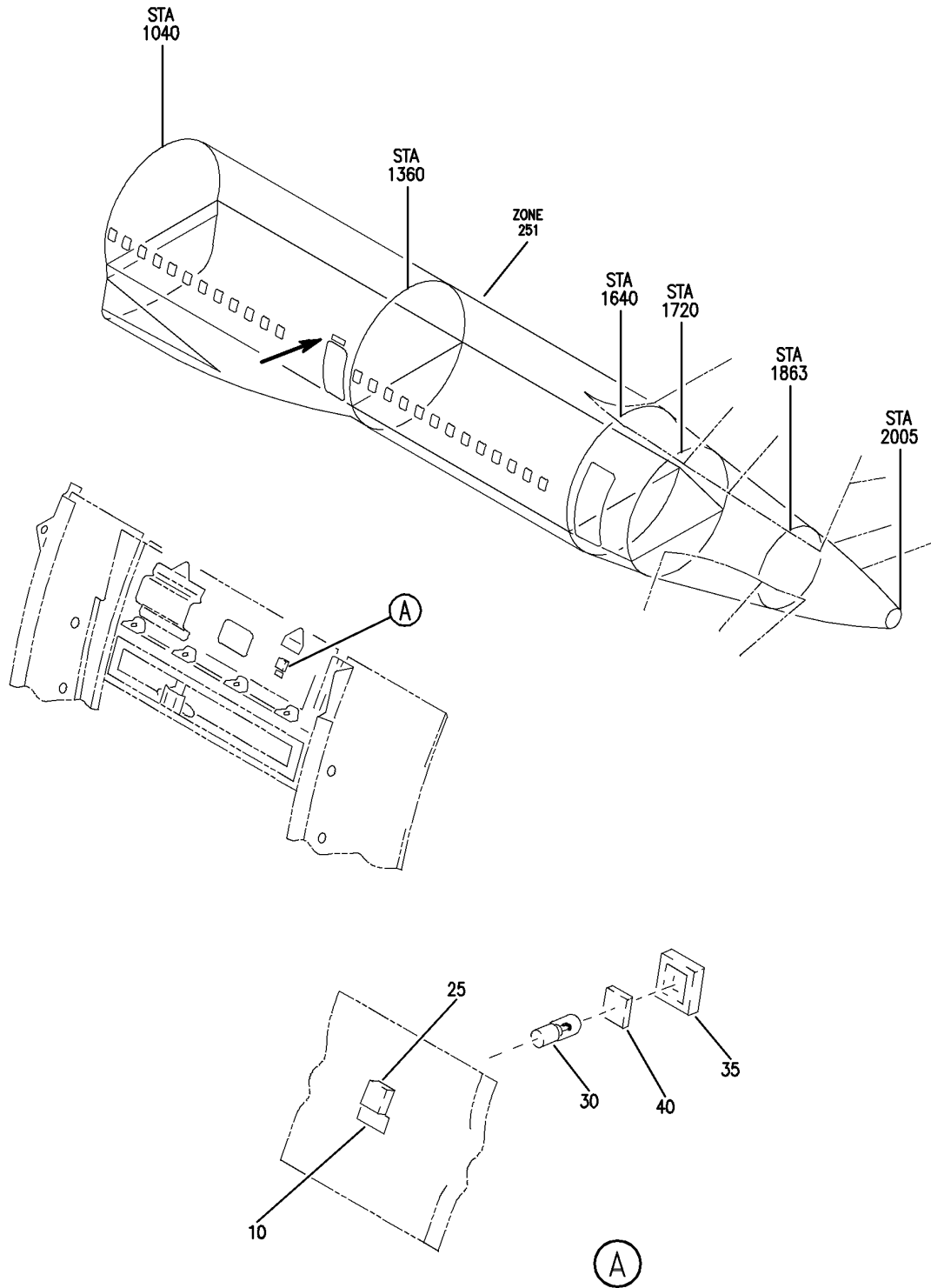
- ITEM NOT ILLUSTRATED

33-51-53-04

33-51-53
FIG. 04
PAGE 4
JAN 20/09

BRI

BOEING
757
PARTS CATALOG (MAINTENANCE)



Y 33515305 REV 259

LINING INSTL-DOORWAY NO. 3 L (LIGHTS ONLY)
FIGURE 5

33-51-53-05

BRI
JAN 20/09

33-51-53-05
PAGE 0



757

PARTS CATALOG (MAINTENANCE)

FIG ITEM	PART NUMBER	1 2 3 4 5 6 7	NOMENCLATURE	EFFECT FROM TO	UNITS PER ASSY
5			LINING INSTL-DOORWAY NO. 3 L (LIGHTS ONLY)	504903	
- 1	411N2360-419SP		LINING INSTL-DOORWAY NO. 3 (LIGHTS ONLY) POSITION DATA: L FOR NHA/OTHER SYS DET SEE: 25-20-00-07	504903	RF
10	BAC27NEL0135		.MARKER-ALUMINUM FOIL PLACARD CONTENT: S10294 EMER TEST	504903	1
- 20	411N2361-313B		.PANEL ASSY- POST SERVICE BULLETIN: 25-0237R2 FOR OTHER SYS DETAILS SEE: 25-21-06-32	504903	RF
25	2100-7		..SWITCH ASSY- SUPPLIER CODE: V91929 ELECTRICAL EQUIP NUMBER: S10295 WIRING DIAGRAM REF: 335115	504903	1
30	85		...BULB- SUPPLIER CODE: V08805	504903	1
35	2100-11		..GUARD- SUPPLIER CODE: V91929 OPTIONAL PART: AML76C10T01P V91929	504903	1
35	AML76C10T01P		..GUARD- SUPPLIER CODE: V91929 OPTIONAL PART: 2100-11 V91929	504903	1
40	2100-102		..LENS- SUPPLIER CODE: V91929	504903	1

MISSING ITEM NUMBERS NOT APPLICABLE

- ITEM NOT ILLUSTRATED

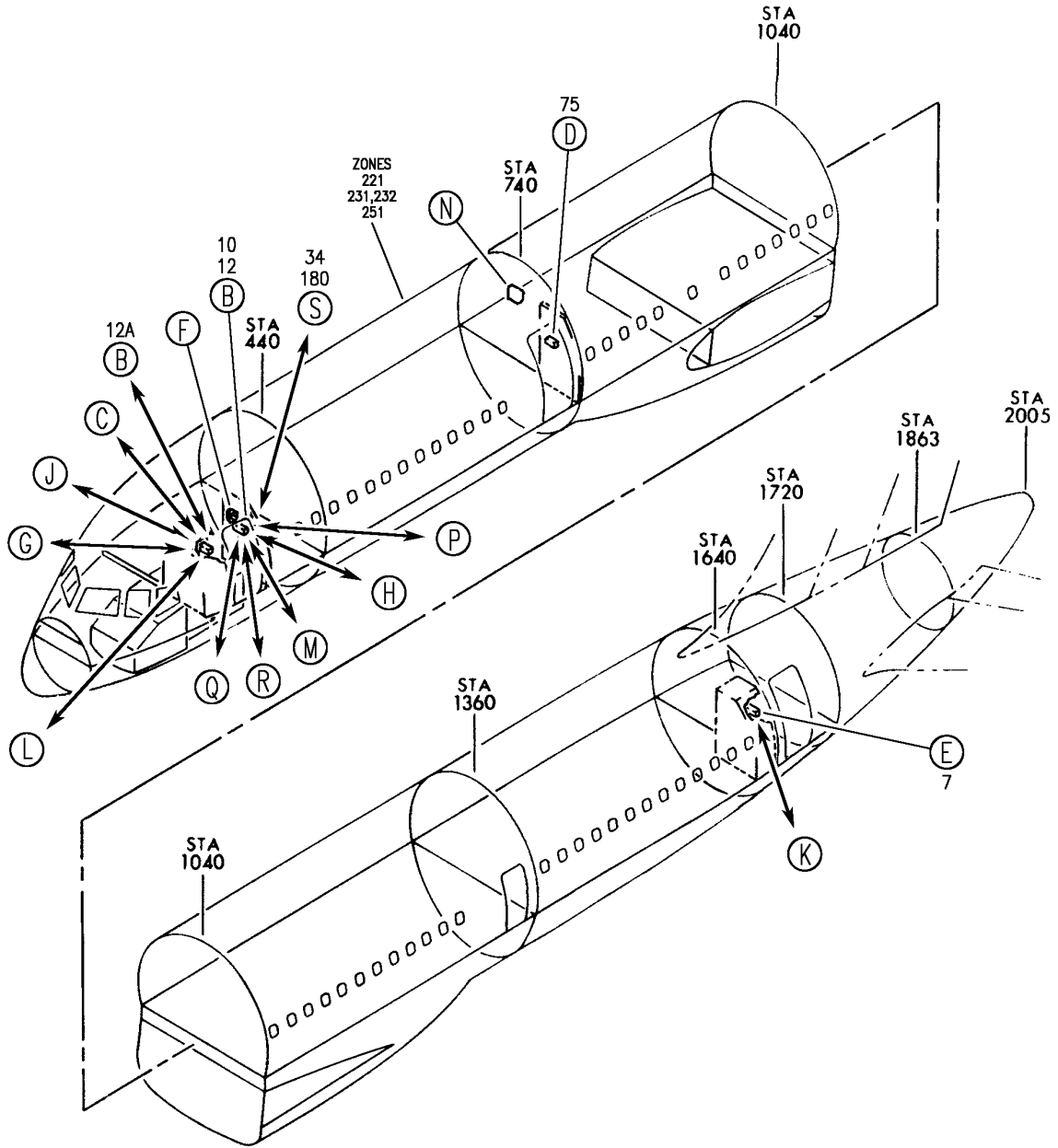
33-51-53-05

33-51-53
FIG. 05
PAGE 1
JAN 20/09

BRI

BOEING PROPRIETARY - Copyright © - Unpublished Work - See title page for details.

BOEING
757
PARTS CATALOG (MAINTENANCE)



Y 33515401 SHT 1 REV 301

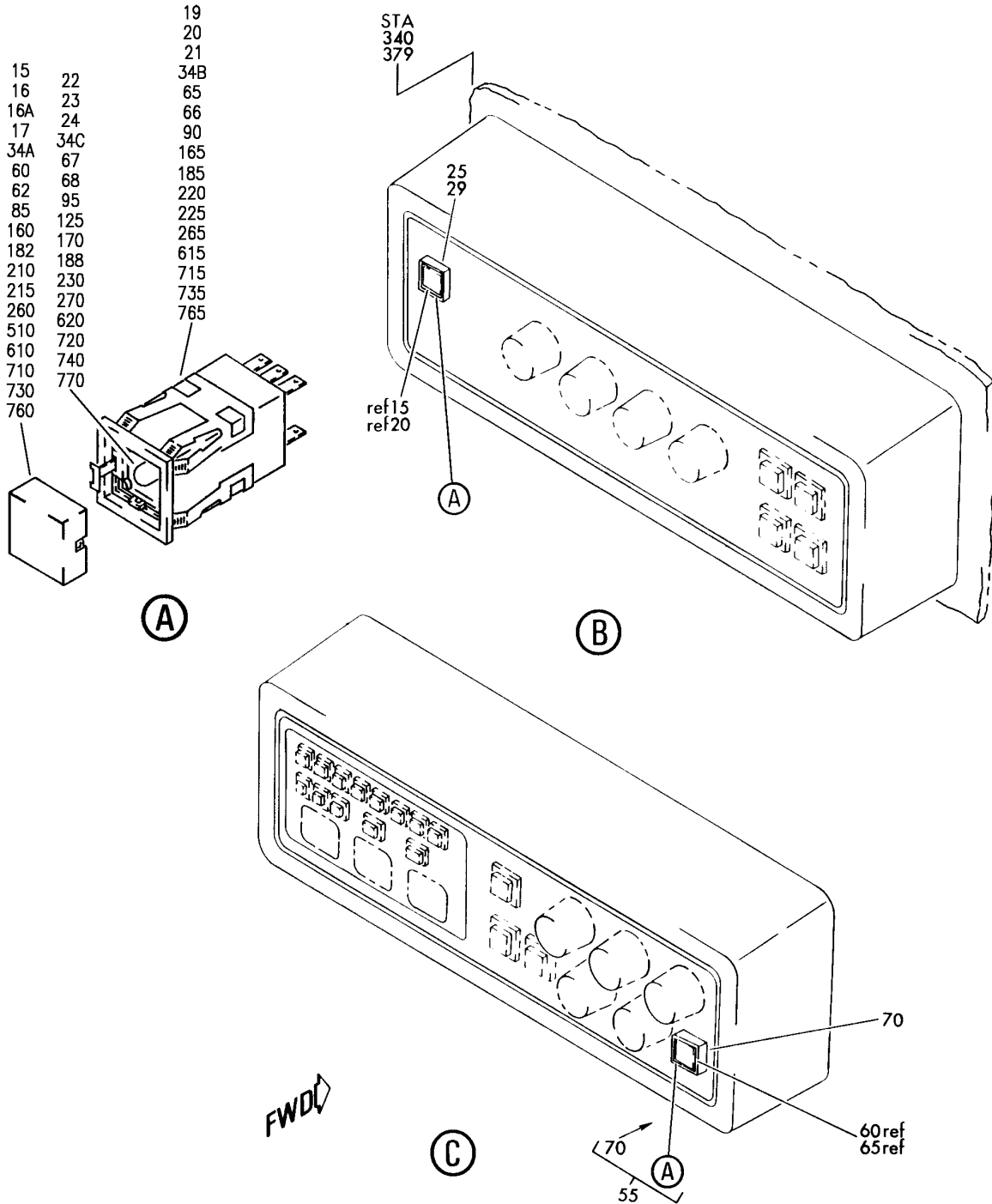
PANEL INSTL-ATTENDANT (EMERGENCY LIGHTS ONLY)
FIGURE 1 (SHEET 1)

33-51-54-01

BRI
MAY 28/07

33-51-54-01
PAGE 0

BOEING
757
PARTS CATALOG (MAINTENANCE)



Y 33515401 SHT 2 REV 301

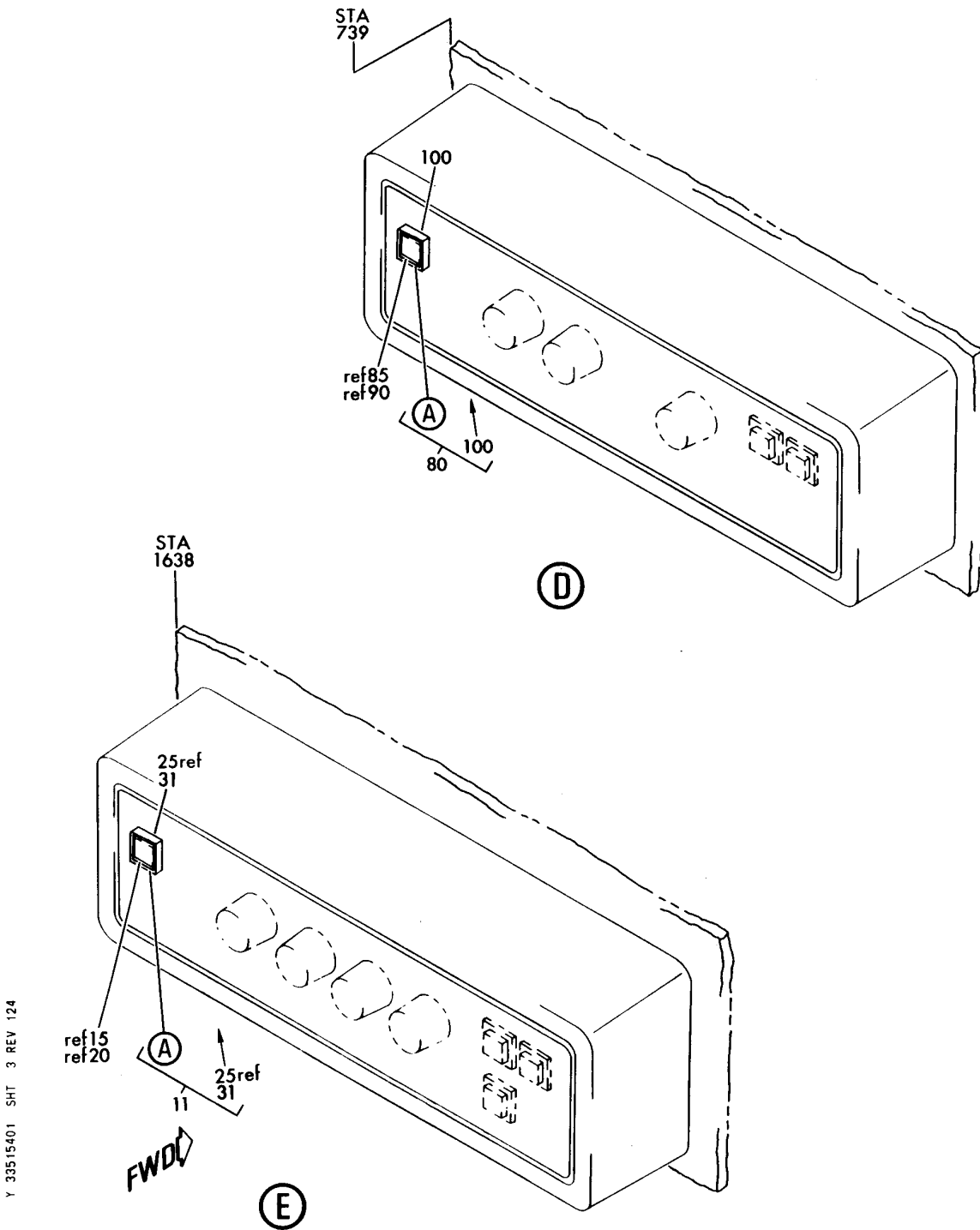
PANEL INSTL-ATTENDANT (EMERGENCY LIGHTS ONLY)
FIGURE 1 (SHEET 2)

33-51-54-01

BRI
MAY 28/07

33-51-54-01
PAGE 0A

BOEING
757
PARTS CATALOG (MAINTENANCE)



Y 33515401 SHT 3 REV 124

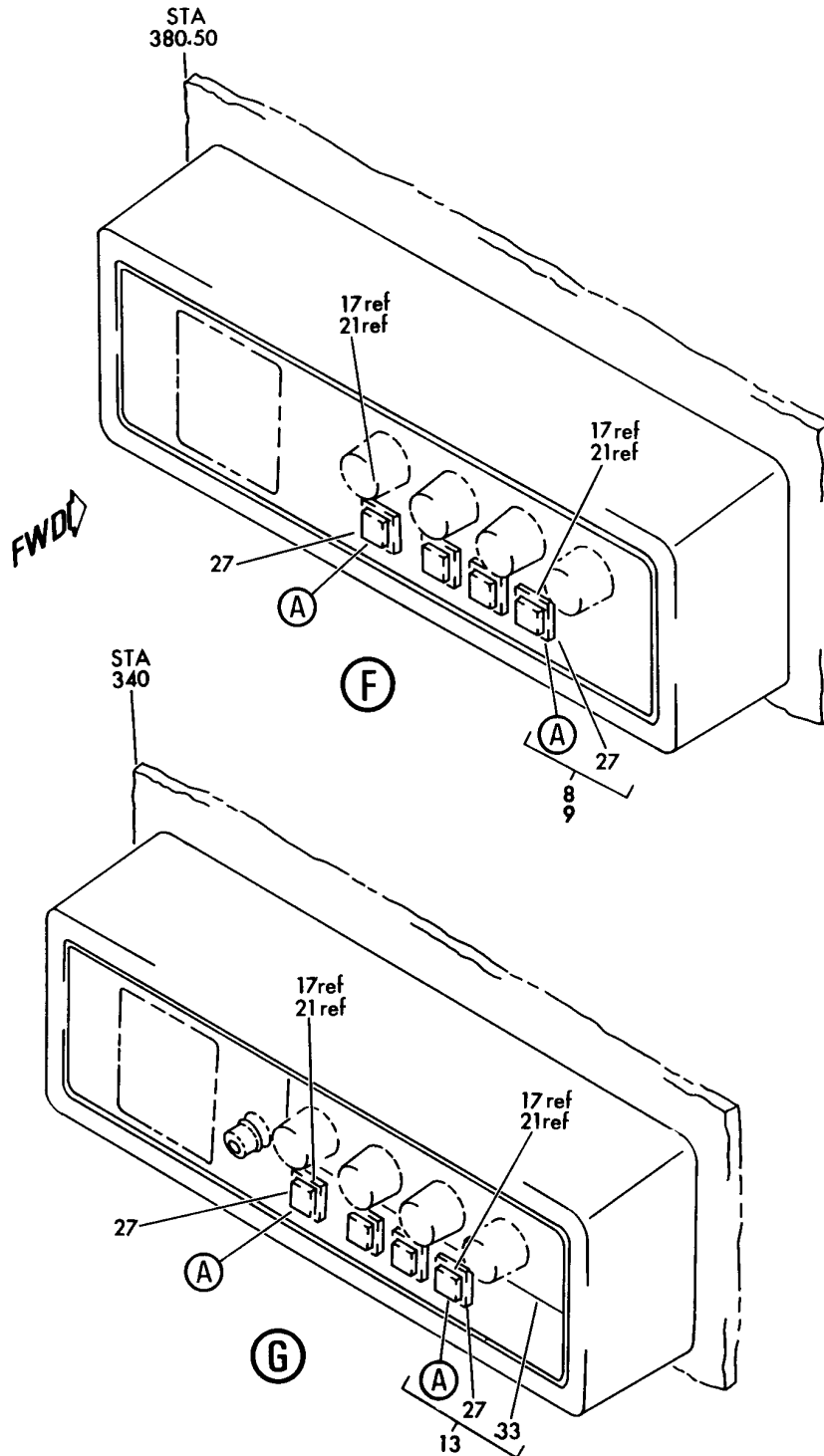
PANEL INSTL-ATTENDANT (EMERGENCY LIGHTS ONLY)
FIGURE 1 (SHEET 3)

33-51-54-01

BRI
MAY 28/07

33-51-54-01
PAGE 0B

BOEING
757
PARTS CATALOG (MAINTENANCE)



Y 33515401 SHT 4 REV 155

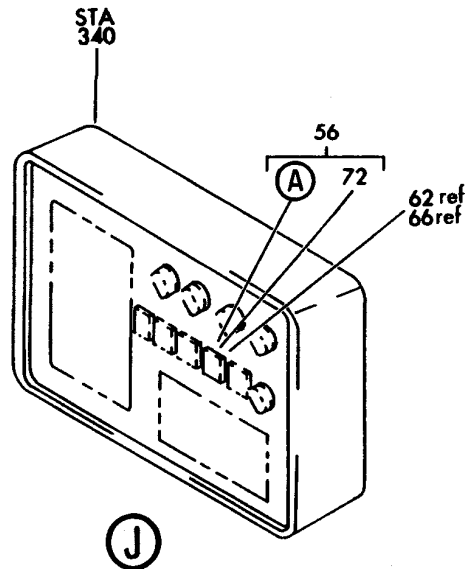
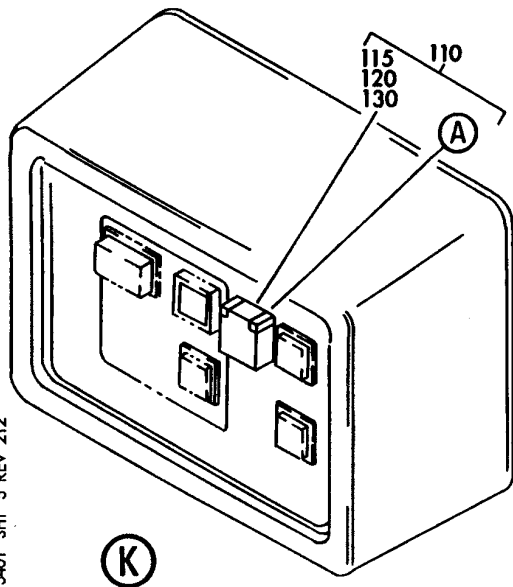
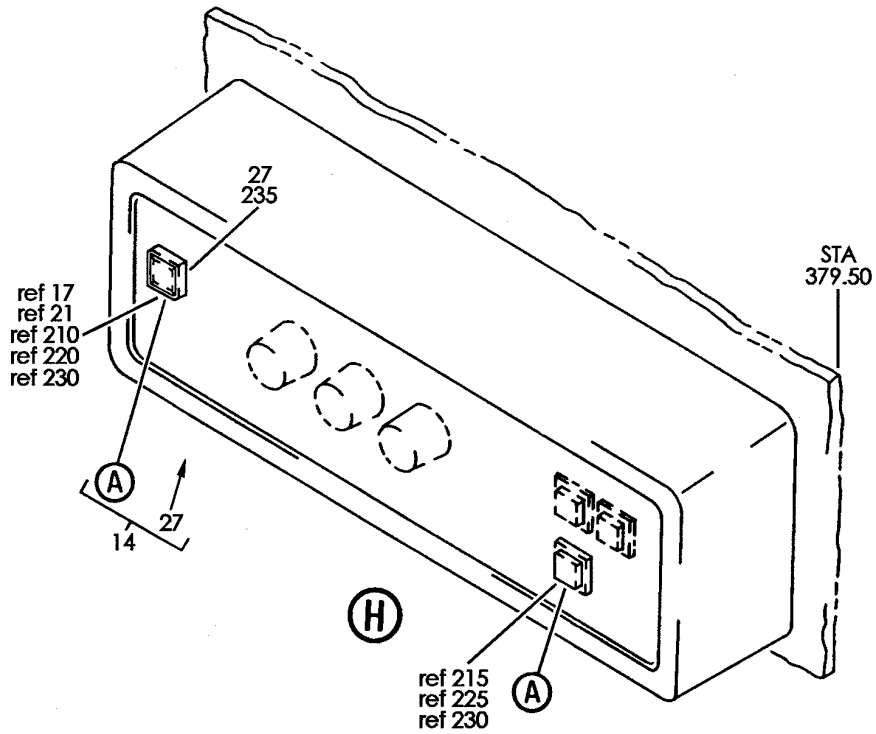
PANEL INSTL-ATTENDANT (EMERGENCY LIGHTS ONLY)
FIGURE 1 (SHEET 4)

33-51-54-01

BRI
MAY 28/07

33-51-54-01
PAGE 0C

BOEING
757
PARTS CATALOG (MAINTENANCE)



Y 33515401 SH1 5 REV 212

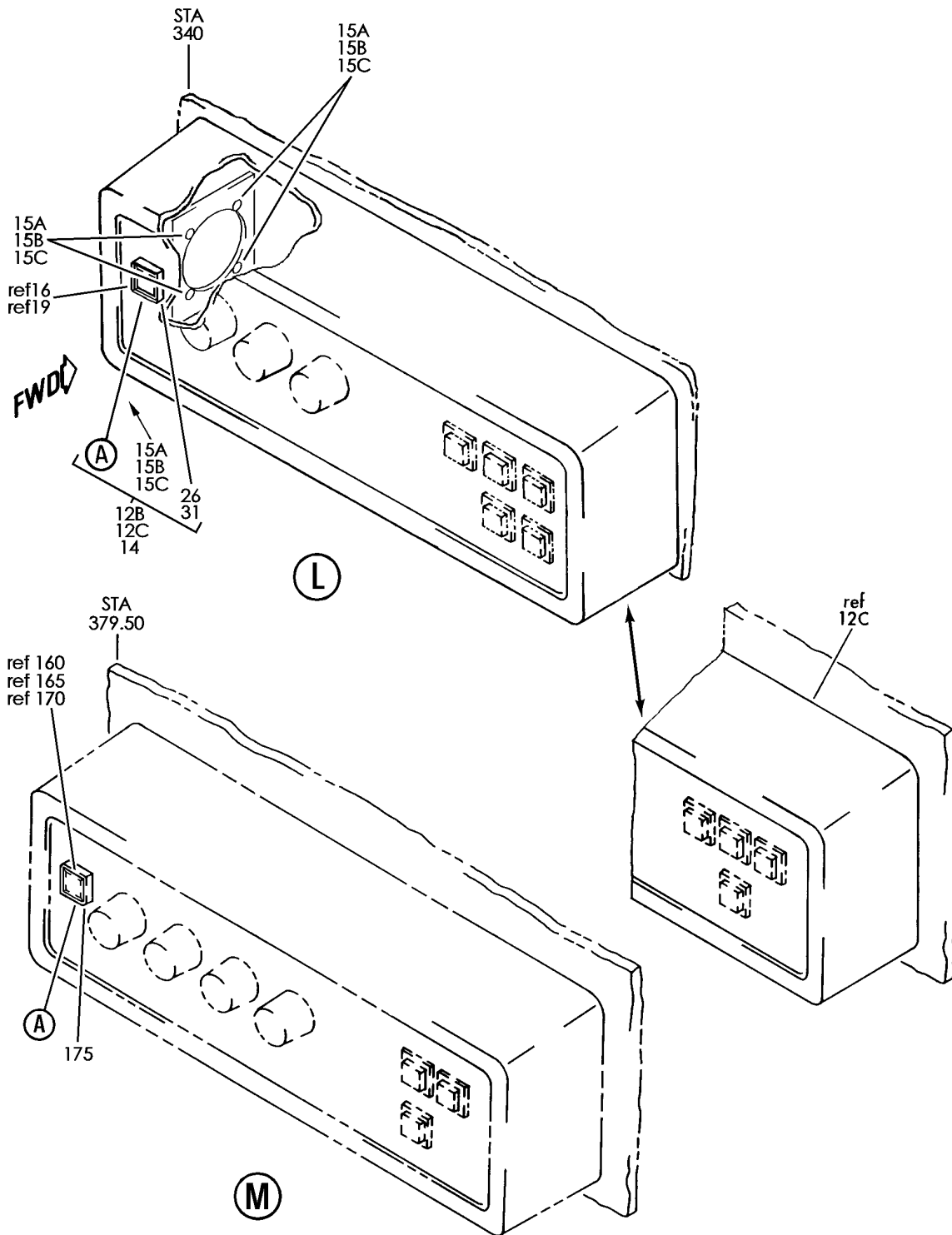
PANEL INSTL-ATTENDANT (EMERGENCY LIGHTS ONLY)
FIGURE 1 (SHEET 5)

33-51-54-01

BRI
MAY 28/07

33-51-54-01
PAGE 0D


BOEING
 757
PARTS CATALOG (MAINTENANCE)



Y 33515401 SHT 6 REV 331

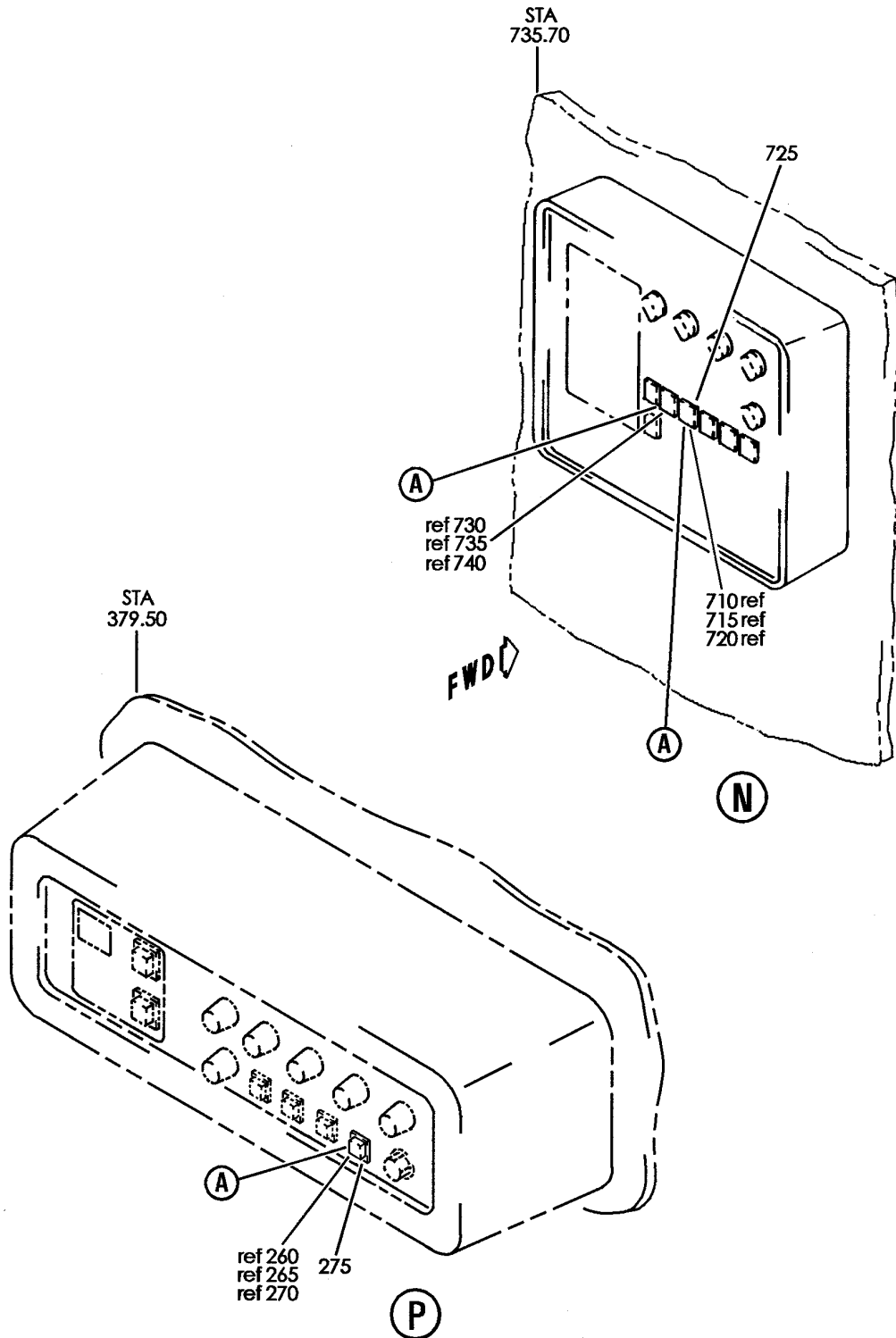
PANEL INSTL-ATTENDANT (EMERGENCY LIGHTS ONLY)
 FIGURE 1 (SHEET 6)

33-51-54-01

BRI
 JAN 20/09

33-51-54-01
 PAGE 0E

BOEING
757
PARTS CATALOG (MAINTENANCE)



Y 33515401 SHT 7 REV 212

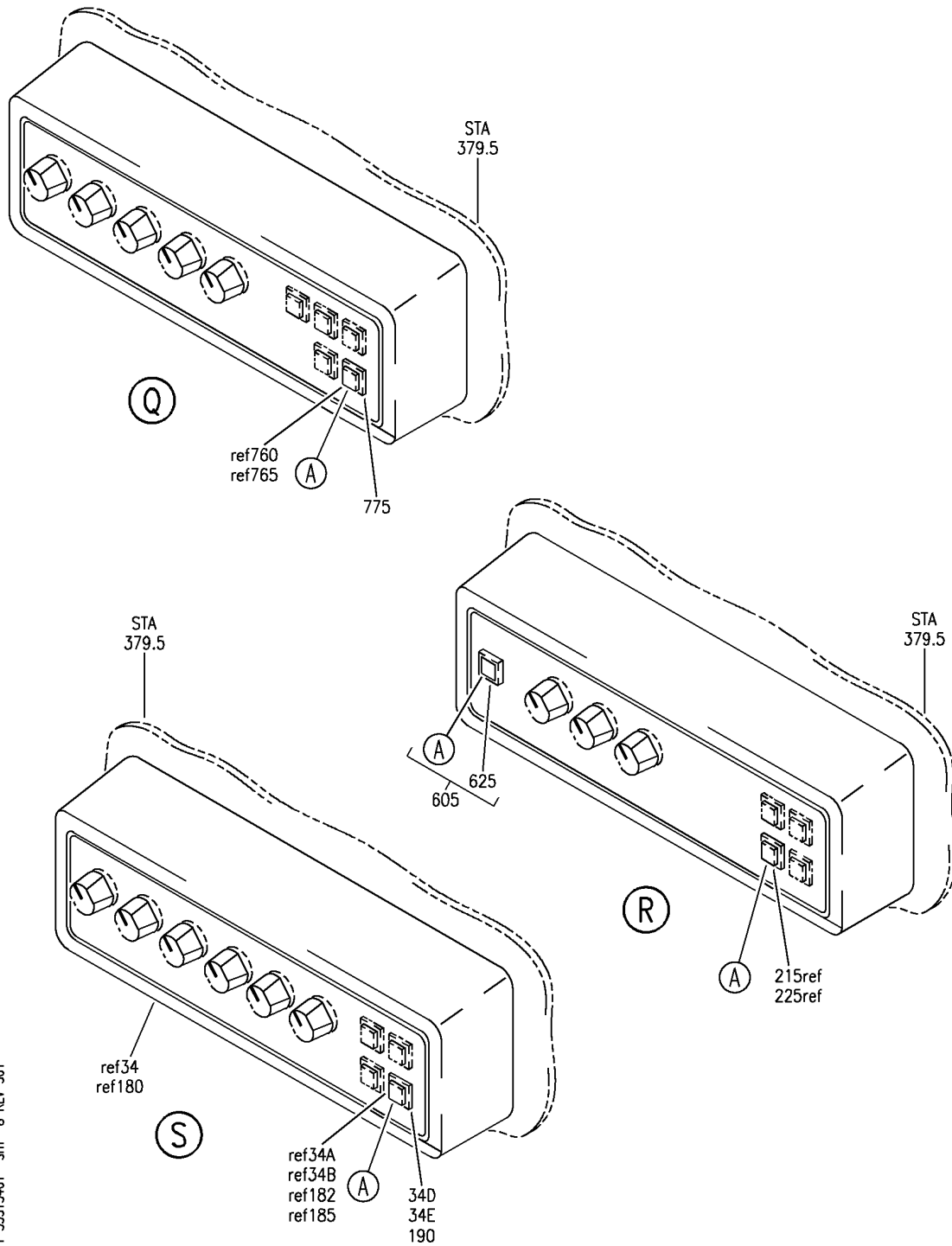
PANEL INSTL-ATTENDANT (EMERGENCY LIGHTS ONLY)
FIGURE 1 (SHEET 7)

33-51-54-01

BRI
MAY 28/07

33-51-54-01
PAGE OF

BOEING
757
PARTS CATALOG (MAINTENANCE)



Y 33515401 SHT 8 REV 301

PANEL INSTL-ATTENDANT (EMERGENCY LIGHTS ONLY)
FIGURE 1 (SHEET 8)

33-51-54-01

BRI
MAY 28/07

33-51-54-01
PAGE 06



757

PARTS CATALOG (MAINTENANCE)

FIG ITEM	PART NUMBER	1 2 3 4 5 6 7	NOMENCLATURE	EFFECT FROM TO	UNITS PER ASSY
1			PANEL INSTL-ATTENDANT (EMERGENCY LIGHTS ONLY)	002004 006102 107949 952999	
- 1	417N6001-62		PANEL INSTL-ATTENDANT (EMERGENCY LIGHTS ONLY) POSITION DATA: STA 340 DOOR NO. 1 LH FOR NHA/OTHER SYS DET SEE: 25-20-00-01A	002004 006100	RF
- 1	417N6001-242SP		PANEL INSTL-ATTENDANT DOOR NO. 1 (EMERGENCY LIGHT ONLY) POSITION DATA: STA 340 LH FOR NHA/OTHER SYS DET SEE: 25-20-00-07E	101101	RF
- 1	417N6001-246SP		PANEL INSTL-ATTENDANT DOOR NO. 1 (EMERGENCY LIGHTS ONLY) POSITION DATA: STA 340 LH FOR NHA/OTHER SYS DET SEE: 25-20-00-07E	102102	RF
- 5	417N6001-4		PANEL INSTL-ATTENDANT (EMERGENCY LIGHTS ONLY) POSITION DATA: STA 379.20 FOR NHA/OTHER SYS DET SEE: 25-20-00-01E	107107	RF
- 5	417N6001-56		PANEL INSTL-ATTENDANT (EMERGENCY LIGHTS ONLY) POSITION DATA: STA 379.50 FOR NHA/OTHER SYS DET SEE: 25-20-00-01A	952999	RF
9	417N6002-54SP		.PANEL ASSY- SUPPLIER CODE: V89954 COMPONENT MAINT MANUAL REF: 33-22-51 OPTIONAL PART: 417N6002-125SP V89954	002004 006100	RF

MISSING ITEM NUMBERS NOT APPLICABLE

- ITEM NOT ILLUSTRATED

33-51-54-01

33-51-54
FIG. 01
PAGE 1
JAN 20/09

BRI



757

PARTS CATALOG (MAINTENANCE)

FIG ITEM	PART NUMBER	1 2 3 4 5 6 7	NOMENCLATURE	EFFECT FROM TO	UNITS PER ASSY
1					
9	417N6002-125SP		.PANEL ASSY- SUPPLIER CODE: V89954 COMPONENT MAINT MANUAL REF: 33-22-51 OPTIONAL PART: 417N6002-54SP V89954	101101	RF
9	417N6002-135SP		.PANEL ASSY- SUPPLIER CODE: V89954 COMPONENT MAINT MANUAL REF: 33-22-51	102102	RF
10	417N6002-4SP		.PANEL ASSY- SUPPLIER CODE: V89954 COMPONENT MAINT MANUAL REF: 33-22-51	107107	RF
16A	2100-101		..LENS-SWITCH SUPPLIER CODE: V91929	107107 952999	1
17	2100-101		..LENS-SWITCH SUPPLIER CODE: V91929	002004 006102	1
20	2100-13		..SWITCH ASSY-LIGHTED PUSH BUTTON SUPPLIER CODE: V91929 ELECTRICAL EQUIP NUMBER: S10297	107107 952999	1
20	2100-13		..SWITCH ASSY-LIGHTED PUSH BUTTON SUPPLIER CODE: V91929 ELECTRICAL EQUIP NUMBER: S10297	002004 006102	1
22	85		...BULB- SUPPLIER CODE: V08805	107107 952999	1
22	85		...BULB- SUPPLIER CODE: V08805	002004 006102	1
25	2100-11		..GUARD-SWITCH SUPPLIER CODE: V91929	107107 952999	1
25	2100-11		..GUARD-SWITCH SUPPLIER CODE: V91929	002004 006100	1

MISSING ITEM NUMBERS NOT APPLICABLE

- ITEM NOT ILLUSTRATED

33-51-54-01

33-51-54
FIG. 01
PAGE 2
JAN 20/09

BRI



757

PARTS CATALOG (MAINTENANCE)

FIG ITEM	PART NUMBER	1 2 3 4 5 6 7	NOMENCLATURE	EFFECT FROM TO	UNITS PER ASSY
1					
25	AML76C10T01P	..	GUARD-SWITCH SUPPLIER CODE: V91929	002004 006100	1
26	2100-11	..	GUARD-SWITCH SUPPLIER CODE: V91929	101102	1
26	AML76C10T01P	..	GUARD-SWITCH SUPPLIER CODE: V91929	101102	1
- 35	286N0504-001	..	WIRE BUNDLE-	107107	1
- 36	286N0504-033	..	WIRE BUNDLE	002004 006100	1
- 36	286N0504-031	..	WIRE BUNDLE-	952999	1
- 50	417N6001-30		PANEL INSTL-ATTENDANT (EMERGENCY LIGHTS ONLY) POSITION DATA: STA 340 FOR NHA/OTHER SYS DET SEE: 25-20-00-01E	121503 904949	RF
- 50	417N6001-209SP		PANEL INSTL-ATTENDANT (EMERGENCY LIGHTS ONLY) POSITION DATA: STA 340 FOR NHA/OTHER SYS DET SEE: 25-20-00-07E	504903	RF
55	417N6002-31SP	.PANEL ASSY-	SUPPLIER CODE: V89954 COMPONENT MAINT MANUAL REF: 33-22-51	121503 904949	RF
56	417N6002-74SP	.PANEL ASSY-	SUPPLIER CODE: V89954 COMPONENT MAINT MANUAL REF: 33-22-51	504903	RF
60	2100-101	..	LENS-SWITCH SUPPLIER CODE: V91929	121503 904949	1
62	2100-101	..	LENS-SWITCH SUPPLIER CODE: V91929	504903	1
65	2100-13	..	SWITCH ASSY-LIGHTED PUSH BUTTON SUPPLIER CODE: V91929 ELECTRICAL EQUIP NUMBER: S10297	121503 904949	1

MISSING ITEM NUMBERS NOT APPLICABLE

- ITEM NOT ILLUSTRATED

33-51-54-01

33-51-54
FIG. 01
PAGE 3
JAN 20/09

BRI



757

PARTS CATALOG (MAINTENANCE)

FIG ITEM	PART NUMBER	1 2 3 4 5 6 7	NOMENCLATURE	EFFECT FROM TO	UNITS PER ASSY
1					
66	2100-13		..SWITCH ASSY-LIGHTED PUSH BUTTON SUPPLIER CODE: V91929 ELECTRICAL EQUIP NUMBER: S10297	504903	1
67	85		...BULB- SUPPLIER CODE: V08805	121503 904949	1
68	85		...BULB- SUPPLIER CODE: V08805	504903	1
70	2100-11		..GUARD-SWITCH SUPPLIER CODE: V91929	121503 904949	1
70	AML76C10T01P		..GUARD-SWITCH SUPPLIER CODE: V91929	121503 904949	1
72	2100-11		..GUARD-SWITCH SUPPLIER CODE: V91929	504903	1
72	AML76C10T01P		..GUARD-SWITCH SUPPLIER CODE: V91929	504903	1
- 750	417N6001-143B		PANEL INSTL-ATTENDANT DOOR NO. 1 (EMERGENCY LIGHTS ONLY) POSITION DATA: STA 380.50 LH FOR NHA/OTHER SYS DET SEE: 25-20-00-07E	108120	RF
- 755	417N6002-95SP		.PANEL ASSY- SUPPLIER CODE: V89954 ELECTRICAL EQUIP NUMBER: P00021 COMPONENT MAINT MANUAL REF: 33-22-51	108120	RF
760	2100-101		..LENS-SWITCH SUPPLIER CODE: V91929	108120	1
765	2100-13		..SWITCH ASSY-LIGHTED PUSH BUTTON SUPPLIER CODE: V91929 ELECTRICAL EQUIP NUMBER: S10297	108120	1

MISSING ITEM NUMBERS NOT APPLICABLE

- ITEM NOT ILLUSTRATED

33-51-54-01

33-51-54
FIG. 01
PAGE 4
JAN 20/09

BRI



757

PARTS CATALOG (MAINTENANCE)

FIG ITEM	PART NUMBER	1 2 3 4 5 6 7	NOMENCLATURE	EFFECT FROM TO	UNITS PER ASSY
1 770	85		...BULB- SUPPLIER CODE: V08805	108120	1
775	2100-11		..GUARD-SWITCH SUPPLIER CODE: V91929 OPTIONAL PART: AML76C10T01P V91929	108120	1
775	AML76C10T01P		..GUARD-SWITCH SUPPLIER CODE: V91929 OPTIONAL PART: 2100-11 V91929	108120	1

MISSING ITEM NUMBERS NOT APPLICABLE

- ITEM NOT ILLUSTRATED

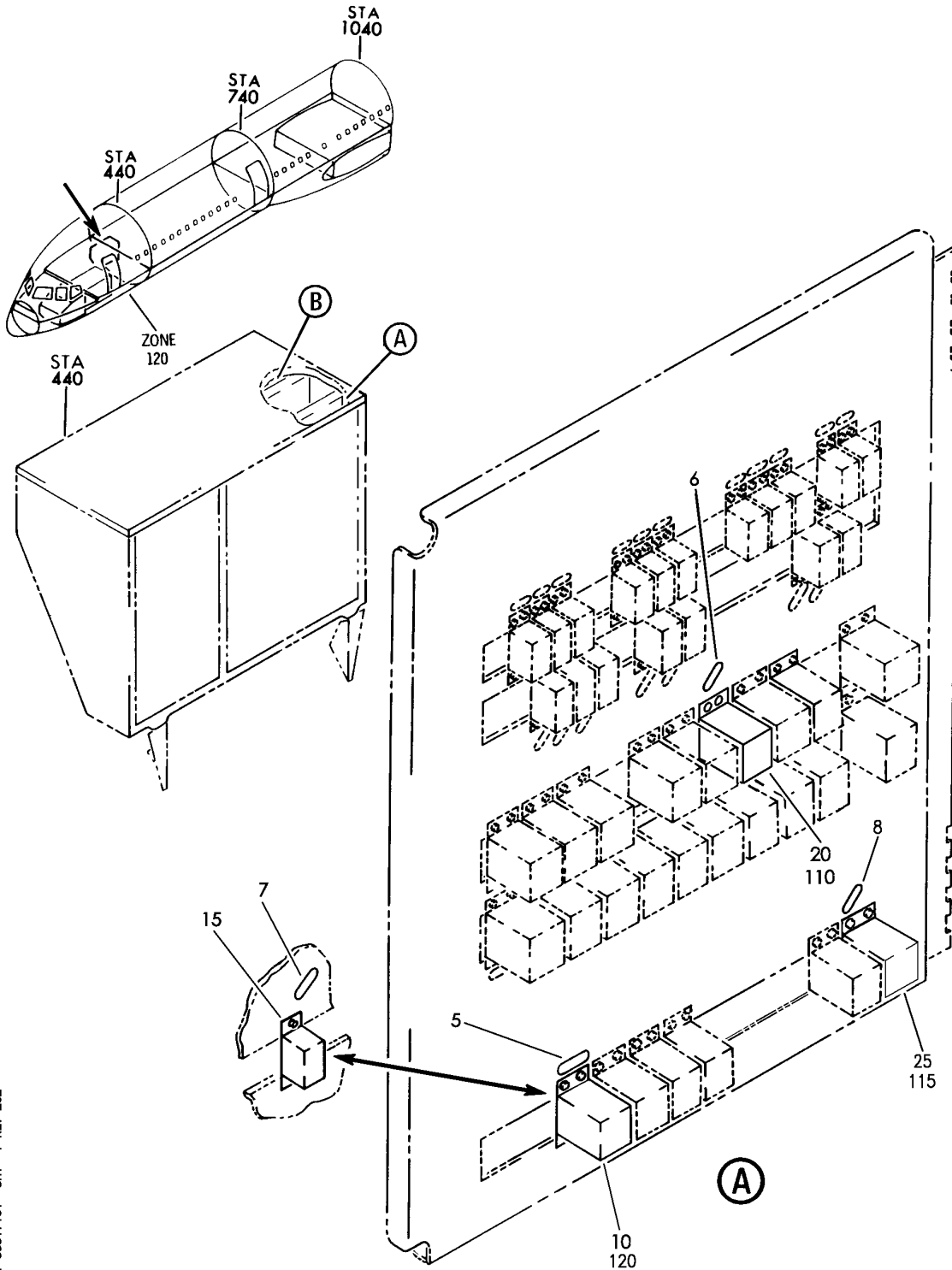
BRI

33-51-54-01

BOEING PROPRIETARY - Copyright © - Unpublished Work - See title page for details.

33-51-54
FIG. 01
PAGE 5
JAN 20/09

BOEING
757
PARTS CATALOG (MAINTENANCE)



Y 33517101 SHT 1 REV 262

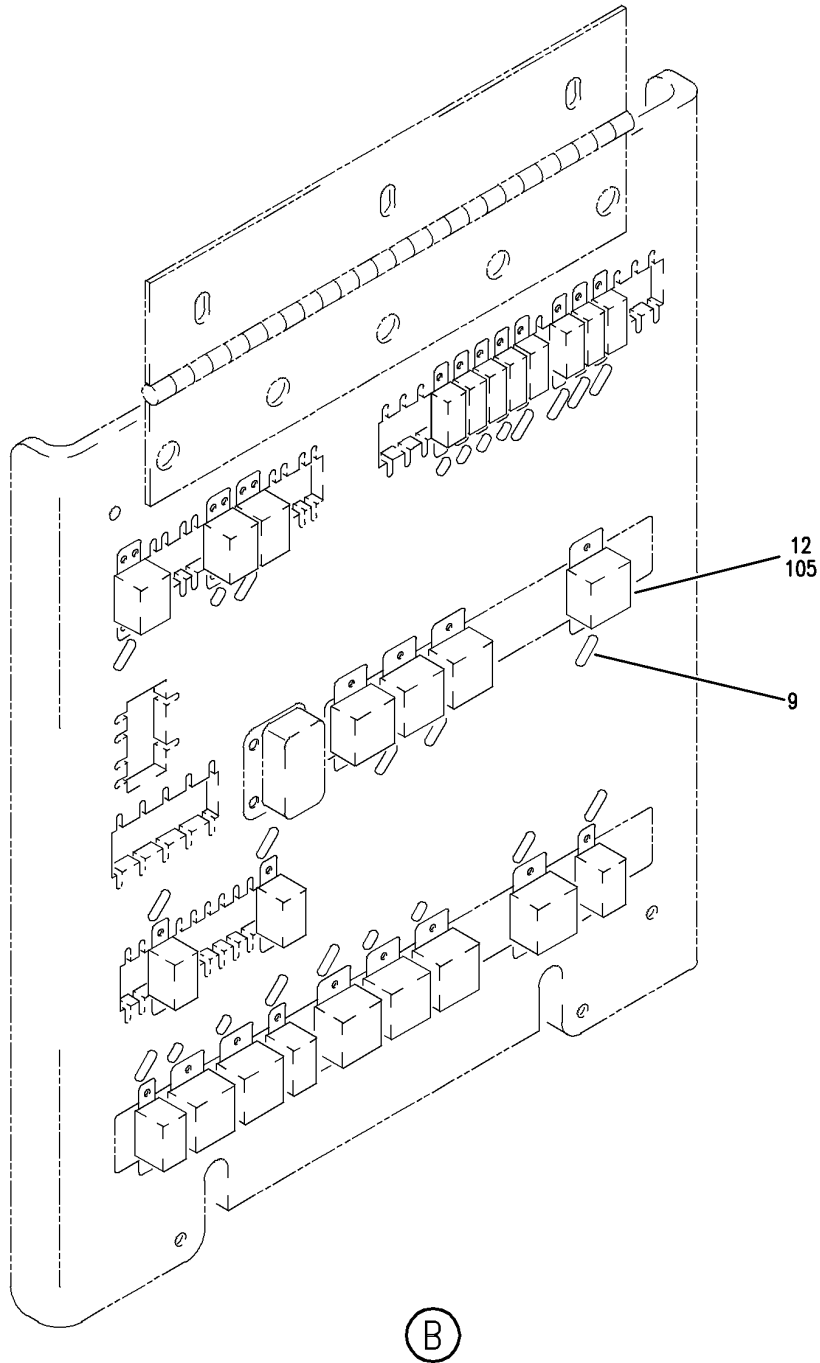
P37 MISC RELAY R (EMERGENCY LIGHTS ONLY)
FIGURE 1 (SHEET 1)

33-51-71-01

BRI
MAY 28/07

33-51-71-01
PAGE 0

BOEING
757
PARTS CATALOG (MAINTENANCE)



Y 33517101 SHT 2 REV 232

P37 MISC RELAY R (EMERGENCY LIGHTS ONLY)
FIGURE 1 (SHEET 2)

33-51-71-01

BRI
MAY 28/07

33-51-71-01
PAGE 0A



757

PARTS CATALOG (MAINTENANCE)

FIG ITEM	PART NUMBER	1 2 3 4 5 6 7	NOMENCLATURE	EFFECT FROM TO	UNITS PER ASSY
1			P37 MISC RELAY R (EMERGENCY LIGHTS ONLY)	002004 006100 107107 121503 904949 952999	
- 1	284N1127-1		PANEL ASSY-P37 MISC RELAY (EMERGENCY LIGHTS ONLY) POSITION DATA: R VARIABLE DRAWING REF: 284N1127-5039 284N1127-5063 284N1127-5064 POST SERVICE BULLETIN: 24-0048 REWORKED BY SB: 33-0039 34-0200 REWORKED BY ALERT SB: 27A0130 FOR NHA/OTHER SYS DET SEE: 31-01-37-01B	002004 006100 107107 121503 904949 952999	RF
5	BAC27NEX2084		.DECAL- PLACARD CONTENT: K10570 POST SERVICE BULLETIN: 24-0048	107107	1
6	BAC27NEX3065		.DECAL- PLACARD CONTENT: K10799 POST SERVICE BULLETIN: 33-0039	002004	1
7	BAC27NEX2084		.DECAL- PLACARD CONTENT: K10570	002004 006100 121503 904949 952999	1
9	BAC27NEX3065		.DECAL- PLACARD CONTENT: K10799 POST SERVICE BULLETIN: 33-0039	006100	1

MISSING ITEM NUMBERS NOT APPLICABLE

- ITEM NOT ILLUSTRATED

33-51-71-01

33-51-71
FIG. 01
PAGE 1
JAN 20/09

BRI



757

PARTS CATALOG (MAINTENANCE)

FIG ITEM	PART NUMBER	1 2 3 4 5 6 7	NOMENCLATURE	EFFECT FROM TO	UNITS PER ASSY
1	10 KAX9E004		.RELAY- SUPPLIER CODE: V58657 ELECTRICAL EQUIP NUMBER: K10570 POST SERVICE BULLETIN: 24-0048	002004 006100 107107 121503 904949 952999	1
	12 KAD9F005		.RELAY- SUPPLIER CODE: V58657 ELECTRICAL EQUIP NUMBER: K10799 WIRING DIAGRAM REF: 334311 POST SERVICE BULLETIN: 33-0039	006100	1
	20 KAD9F005		.RELAY- SUPPLIER CODE: V58657 ELECTRICAL EQUIP NUMBER: K10799 WIRING DIAGRAM REF: 334311 POST SERVICE BULLETIN: 33-0039	002004	1
- 100	286N1270-005		WIRE BUNDLE ASSY- REWORKED BY SB: 33-0039 REWORKED BY ALERT SB: 27A0130	002004 006100	RF
- 100	286N1270-002		WIRE BUNDLE ASSY- REWORKED BY ALERT SB: 34A0222 27A0130	121503 904949	RF
- 102	280N3292-10101		.TAPE-CONNECTOR I.D. POST SERVICE BULLETIN: 33-0039	002004 006100	1

MISSING ITEM NUMBERS NOT APPLICABLE

- ITEM NOT ILLUSTRATED

33-51-71-01

33-51-71
FIG. 01
PAGE 2
JAN 20/09

BRI



757

PARTS CATALOG (MAINTENANCE)

FIG ITEM	PART NUMBER	1 2 3 4 5 6 7	NOMENCLATURE	EFFECT FROM TO	UNITS PER ASSY
1 105	RSF116408		.SOCKET- SUPPLIER CODE: V58982 SPECIFICATION NUMBER: BACS16W3A OPTIONAL PART: 102-012-1 V09922 000300-1543 V05574 ELECTRICAL EQUIP NUMBER: D11272 WIRING DIAGRAM REF: 334311 POST SERVICE BULLETIN: 33-0039 REWORKED BY SB: 33-0039	006100	1
110	RSF116408		.SOCKET- SUPPLIER CODE: V58982 SPECIFICATION NUMBER: BACS16W3A OPTIONAL PART: 102-012-1 V09922 000300-1543 V05574 ELECTRICAL EQUIP NUMBER: D11272 WIRING DIAGRAM REF: 334311 POST SERVICE BULLETIN: 33-0039	002004	1
120	RSF116404		.SOCKET- SUPPLIER CODE: V58982 SPECIFICATION NUMBER: BACS16W2A OPTIONAL PART: 102-011-1 V09922 000300-1542 V05574 ELECTRICAL EQUIP NUMBER: D07080 WIRING DIAGRAM REF: 335111	002004 006100 107107 121503 904949 952999	1

MISSING ITEM NUMBERS NOT APPLICABLE

- ITEM NOT ILLUSTRATED

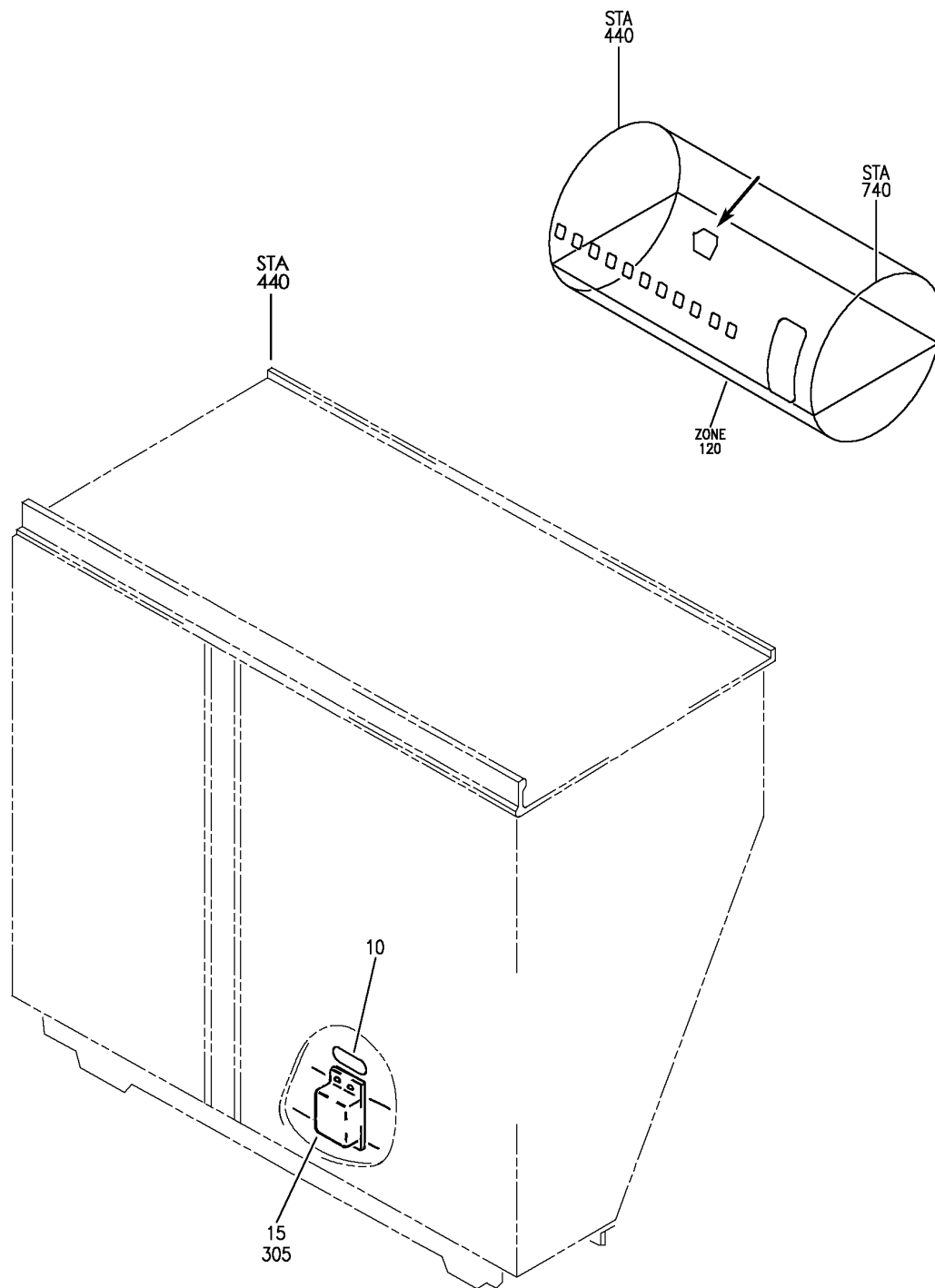
BRI

33-51-71-01

BOEING PROPRIETARY - Copyright © - Unpublished Work - See title page for details.

33-51-71
FIG. 01
PAGE 3
JAN 20/09

BOEING
757
PARTS CATALOG (MAINTENANCE)



Y 33517101B REV 281

PANEL INSTL AND PACKAGE ASSY-OPTION P37 MISC RELAY (EMERGENCY LIGHTS ONLY)
FIGURE 1B

BRI
MAY 28/07

33-51-71-01B

33-51-71-01B
PAGE 0



757

PARTS CATALOG (MAINTENANCE)

FIG ITEM	PART NUMBER	1 2 3 4 5 6 7	NOMENCLATURE	EFFECT FROM TO	UNITS PER ASSY
1B			PANEL INSTL AND PACKAGE ASSY-OPTION P37 MISC RELAY (EMERGENCY LIGHTS ONLY)	101102	
- 1	284N1127-1002		PACKAGE ASSY-OPTION P37 MISC RELAY (EMERGENCY LIGHTS ONLY)	101102	RF
15	KAX9E004		MISCELLANEOUS DATA: ETOPS REWORKED BY ALERT SB: 27A0130 FOR NHA SEE: 31-01-37-02 .RELAY- SUPPLIER CODE: V58657 ELECTRICAL EQUIP NUMBER: K10570	101102	1
- 301	286N1270-361		WIRE BUNDLE ASSY- REWORKED BY ALERT SB: 34A0222 27A0130	101101	RF
- 301	286N1270-399		WIRE BUNDLE ASSY- REWORKED BY ALERT SB: 34A0222 27A0130	102102	RF
305	RSF116404		.SOCKET- SUPPLIER CODE: V58982 SPECIFICATION NUMBER: BACS16W2A OPTIONAL PART: 102-011-1 V09922 000300-1542 V05574 ELECTRICAL EQUIP NUMBER: D07080 WIRING DIAGRAM REF: 335111	101102	1

MISSING ITEM NUMBERS NOT APPLICABLE

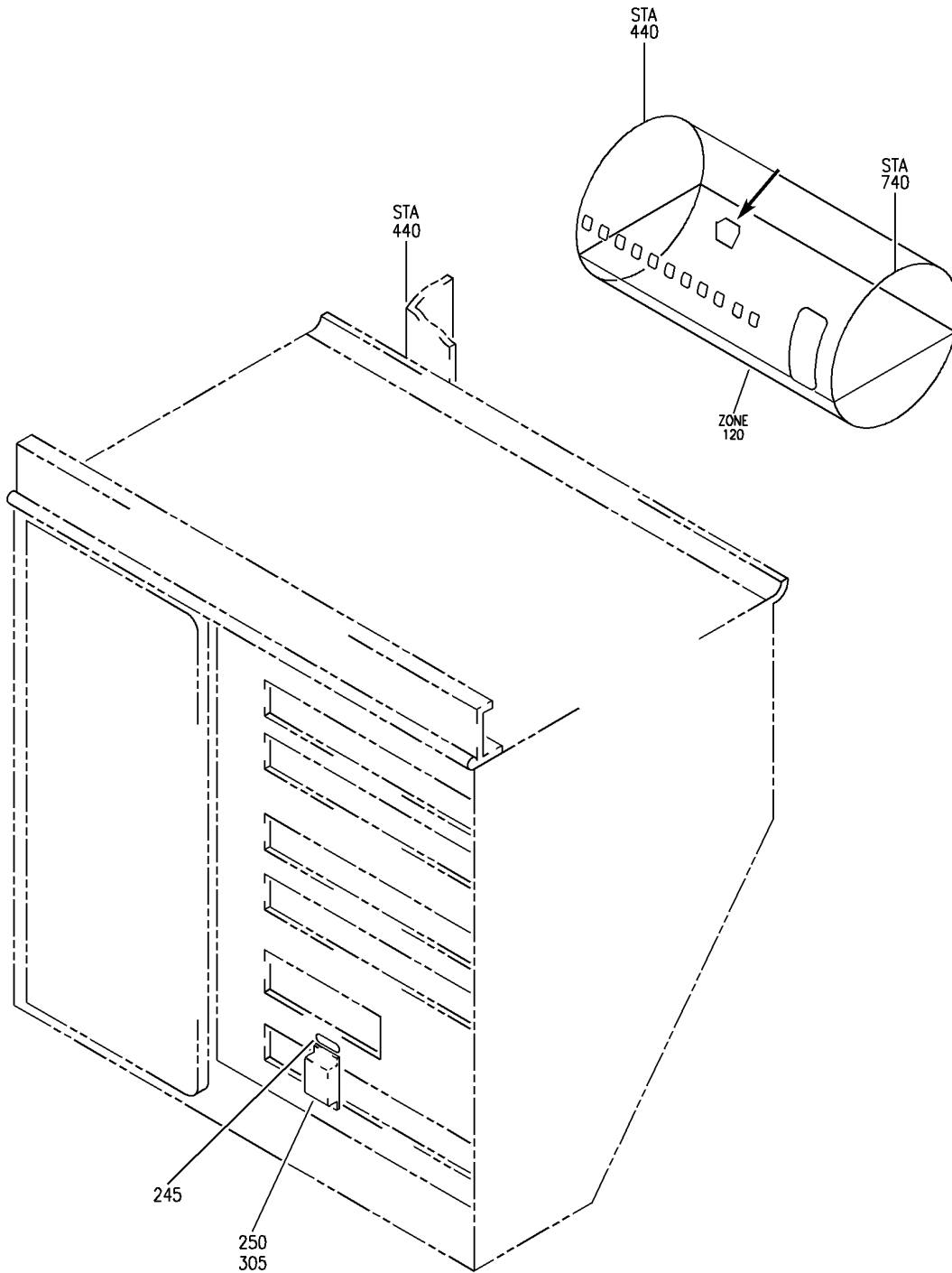
- ITEM NOT ILLUSTRATED

33-51-71-01B

33-51-71
FIG. 01B
PAGE 1
JAN 20/09

BRI

BOEING
757
PARTS CATALOG (MAINTENANCE)



Y 33517101D REV 281

PANEL INSTL-P37 R MISC RELAY (EMERGENCY LIGHTS ONLY)
FIGURE 1D

33-51-71-01D

BRI
JAN 20/09

33-51-71-01D
PAGE 0



757

PARTS CATALOG (MAINTENANCE)

FIG ITEM	PART NUMBER	1 2 3 4 5 6 7	NOMENCLATURE	EFFECT FROM TO	UNITS PER ASSY
1 D			PANEL INSTL-P37 R MISC RELAY (EMERGENCY LIGHTS ONLY)	103106 108120	
- 2	284N1127-118		PANEL INSTL-P37 R MISC RELAY (EMERGENCY LIGHTS ONLY) FOR NHA/OTHER SYS DET SEE: 24-00-58-05C	108108	RF
- 3	284N1127-139		PANEL INSTL-P37 R MISC RELAY (EMERGENCY LIGHTS ONLY) FOR NHA/OTHER SYS DET SEE: 24-00-58-05C	109120	RF

MISSING ITEM NUMBERS NOT APPLICABLE

- ITEM NOT ILLUSTRATED

BRI

33-51-71-01D

BOEING PROPRIETARY - Copyright © - Unpublished Work - See title page for details.

33-51-71
FIG. 01D
PAGE 1
JAN 20/09



757

PARTS CATALOG (MAINTENANCE)

FIG ITEM	PART NUMBER	1 2 3 4 5 6 7	NOMENCLATURE	EFFECT FROM TO	UNITS PER ASSY
1 D - 4	MODREF185037		PANEL INSTL-P37 R MISC RELAY (EMERGENCY LIGHTS ONLY) MODULE NUMBER: 284N1127-169 REV D FOR OTHER SYS DETAILS SEE: 11-36-12-02A 21-25-71-02D 21-44-71-02D 21-45-31-01D 21-51-55-01D 21-58-71-02D 21-61-71-02D 23-31-51-05 24-21-51-05 24-51-01-02 24-51-02-03 24-51-58-02D 27-62-71-03D 28-22-71-03D 29-21-71-01D 30-11-71-02D 30-21-71-03D 30-31-71-02D 30-32-71-02D 30-33-71-02D 30-34-51-01D 31-01-37-10 31-31-71-02D 32-09-02-04D 32-42-71-02D 32-61-71-02D 33-43-55-01D 34-12-71-02D 34-25-50-01D 34-61-52-01D 35-21-71-02D 36-11-71-02D 38-15-71-02D 73-21-55-01D 74-31-71-02D 76-11-71-02D 77-12-71-01D 78-34-71-02D 78-36-71-02D 80-11-71-02D	106106	1

MISSING ITEM NUMBERS NOT APPLICABLE

- ITEM NOT ILLUSTRATED

BRI

33-51-71-01D

BOEING PROPRIETARY - Copyright © - Unpublished Work - See title page for details.

33-51-71
FIG. 01D
PAGE 2
JAN 20/09



757

PARTS CATALOG (MAINTENANCE)

FIG ITEM	PART NUMBER	1 2 3 4 5 6 7	NOMENCLATURE	EFFECT FROM TO	UNITS PER ASSY
1 D - 5	MODREF31945		PANEL INSTL-P37 R MISC RELAY (EMERGENCY LIGHTS ONLY) MODULE NUMBER: 284N1127-169 REV B FOR OTHER SYS DETAILS SEE: 11-36-12-02A 21-25-71-02D 21-44-71-02D 21-45-31-01D 21-51-55-01D 21-58-71-02D 21-61-71-02D 23-31-51-05 24-21-51-05 24-51-01-02 24-51-02-03 24-51-58-02D 27-62-71-03D 28-22-71-03D 29-21-71-01D 30-11-71-02D 30-21-71-03D 30-31-71-02D 30-32-71-02D 30-33-71-02D 30-34-51-01D 31-01-37-10 31-31-71-02D 32-09-02-04D 32-42-71-02D 32-61-71-02D 33-43-55-01D 34-12-71-02D 34-25-50-01D 34-61-52-01D 35-21-71-02D 36-11-71-02D 38-15-71-02D 73-21-55-01D 74-31-71-02D 76-11-71-02D 77-12-71-01D 78-34-71-02D 78-36-71-02D 80-11-71-02D	103103	1

MISSING ITEM NUMBERS NOT APPLICABLE

- ITEM NOT ILLUSTRATED

BRI

33-51-71-01D

BOEING PROPRIETARY - Copyright © - Unpublished Work - See title page for details.

33-51-71
FIG. 01D
PAGE 3
JAN 20/09



757

PARTS CATALOG (MAINTENANCE)

FIG ITEM	PART NUMBER	1 2 3 4 5 6 7	NOMENCLATURE	EFFECT FROM TO	UNITS PER ASSY
1 D - 7	MODREF34305		PANEL INSTL-P37 R MISC RELAY (EMERGENCY LIGHTS ONLY) MODULE NUMBER: 284N1127-169 REV C FOR OTHER SYS DETAILS SEE: 11-36-12-02A 21-25-71-02D 21-44-71-02D 21-45-31-01D 21-51-55-01D 21-58-71-02D 21-61-71-02D 23-31-51-05 24-21-51-05 24-51-01-02 24-51-02-03 24-51-58-02D 27-62-71-03D 28-22-71-03D 29-21-71-01D 30-11-71-02D 30-21-71-03D 30-31-71-02D 30-32-71-02D 30-33-71-02D 30-34-51-01D 31-01-37-10 31-31-71-02D 32-09-02-04D 32-42-71-02D 32-61-71-02D 33-43-55-01D 34-12-71-02D 34-25-50-01D 34-61-52-01D 35-21-71-02D 36-11-71-02D 38-15-71-02D 73-21-55-01D 74-31-71-02D 76-11-71-02D 77-12-71-01D 78-34-71-02D 78-36-71-02D 80-11-71-02D	104105	1

MISSING ITEM NUMBERS NOT APPLICABLE

- ITEM NOT ILLUSTRATED

33-51-71-01D

33-51-71
FIG. 01D
PAGE 4
JAN 20/09

BRI



757

PARTS CATALOG (MAINTENANCE)

FIG ITEM	PART NUMBER	1 2 3 4 5 6 7	NOMENCLATURE	EFFECT FROM TO	UNITS PER ASSY
1D 250	KAX9E004		.RELAY- SUPPLIER CODE: V58657 ELECTRICAL EQUIP NUMBER: K10570	103106 108120	1
- 300	286N1270-360		WIRE BUNDLE ASSY- REWORKED BY ALERT SB: 34A0222	108120	RF
- 302 305	286N1270-602 RSF116404		WIRE BUNDLE ASSY .SOCKET- SUPPLIER CODE: V58982 SPECIFICATION NUMBER: BACS16W2A OPTIONAL PART: 102-011-1 V09922 000300-1542 V05574 ELECTRICAL EQUIP NUMBER: D07080 WIRING DIAGRAM REF: 335111	103106 103106 108120	RF 1

MISSING ITEM NUMBERS NOT APPLICABLE

- ITEM NOT ILLUSTRATED

33-51-71-01D

33-51-71
FIG. 01D
PAGE 5
JAN 20/09

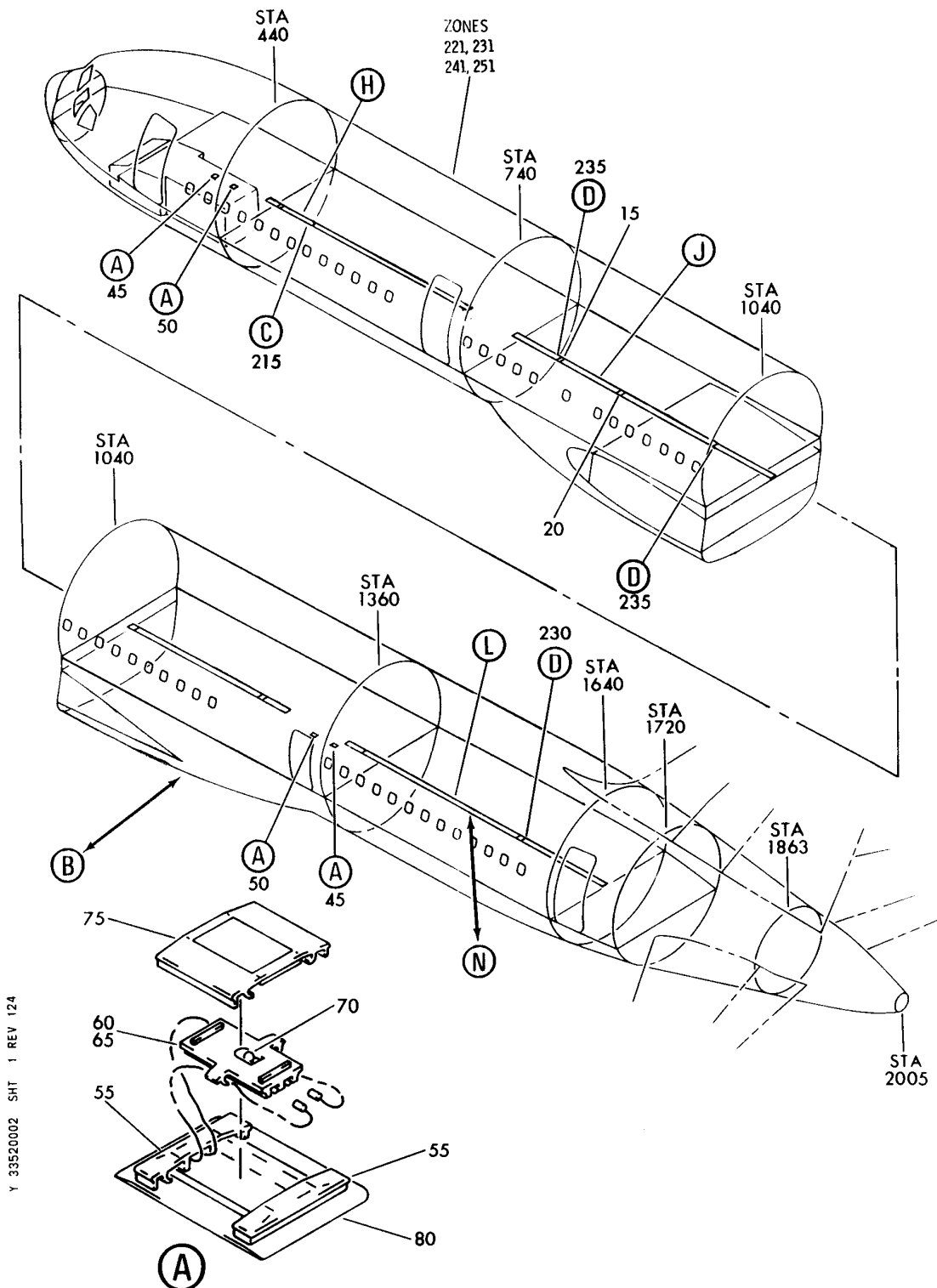
BRI

FLOOR PROXIMITY LIGHTING SYSTEM

BRI
MAY 28/07

33-52-00
SECTION TITLE
PAGE 1

BOEING
757
PARTS CATALOG (MAINTENANCE)



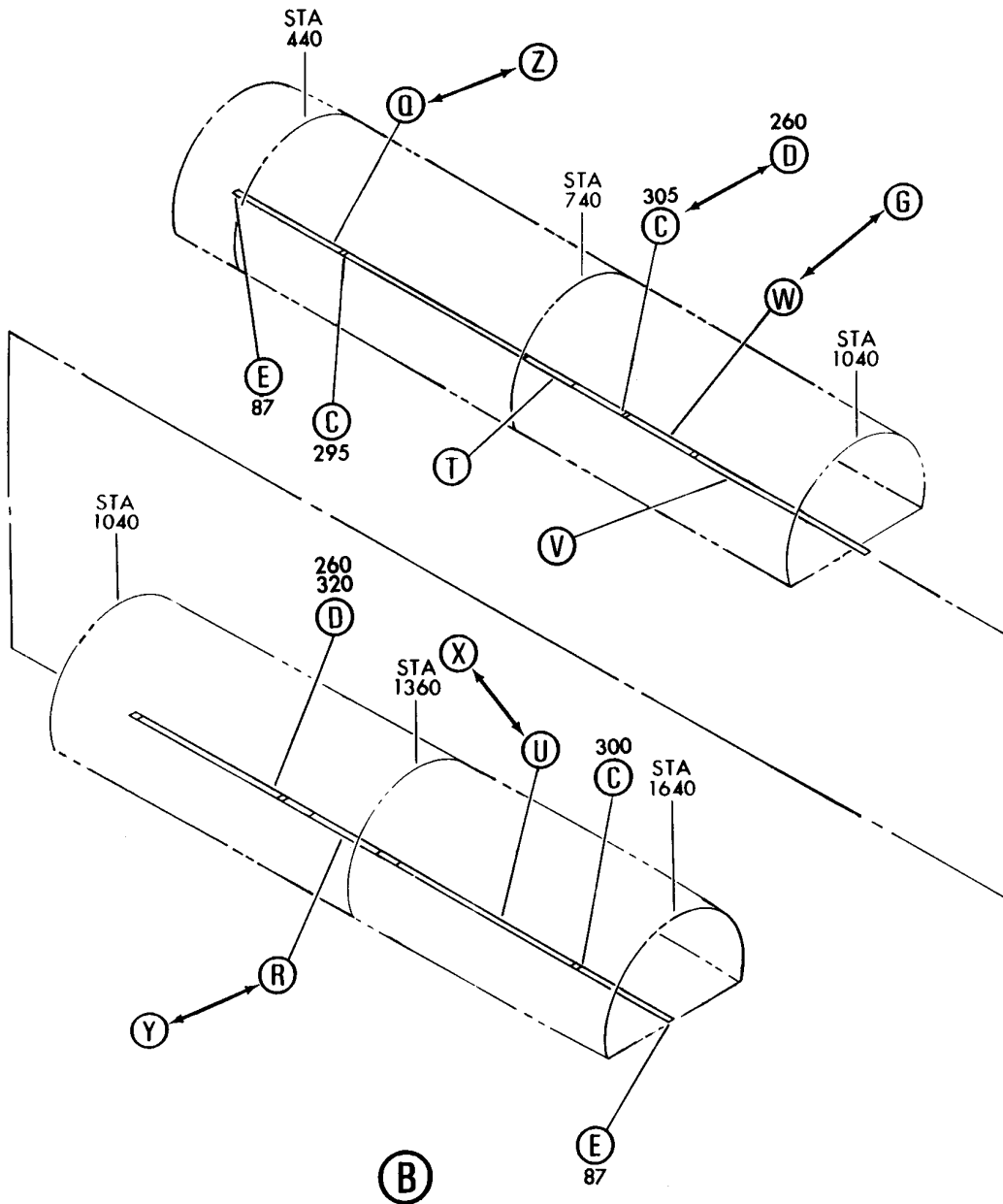
LIGHTING INSTL-EMER FLOOR PROXIMITY
FIGURE 2 (SHEET 1)

33-52-00-02

BRI
JAN 20/09

33-52-00-02
PAGE 0

BOEING
757
PARTS CATALOG (MAINTENANCE)



Y 33520002 SHT 2 REV 124

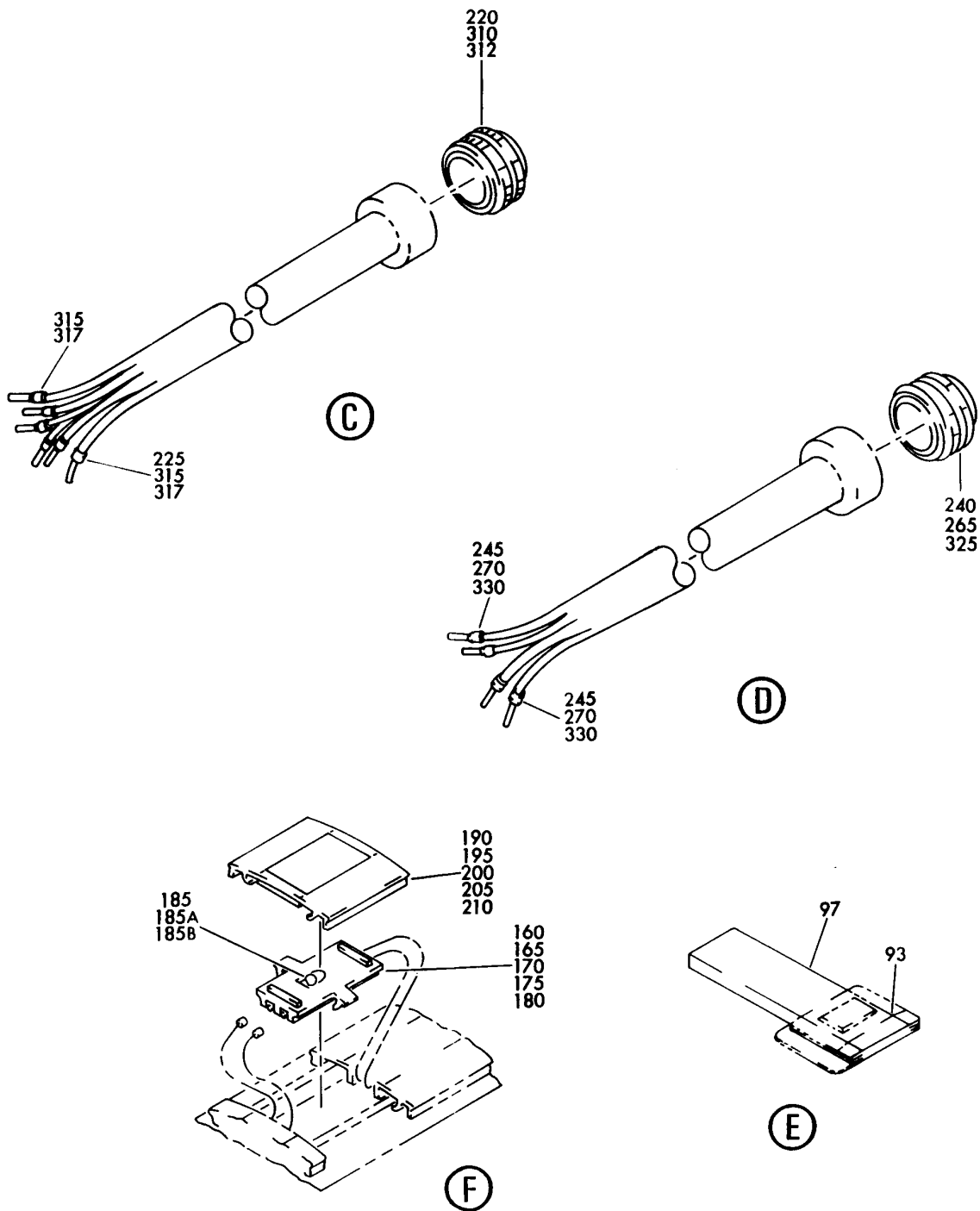
LIGHTING INSTL-EMER FLOOR PROXIMITY
FIGURE 2 (SHEET 2)

33-52-00-02

BRI
JAN 20/09

33-52-00-02
PAGE 0A

BOEING
757
PARTS CATALOG (MAINTENANCE)



Y 33520002 SHT 3 REV 124

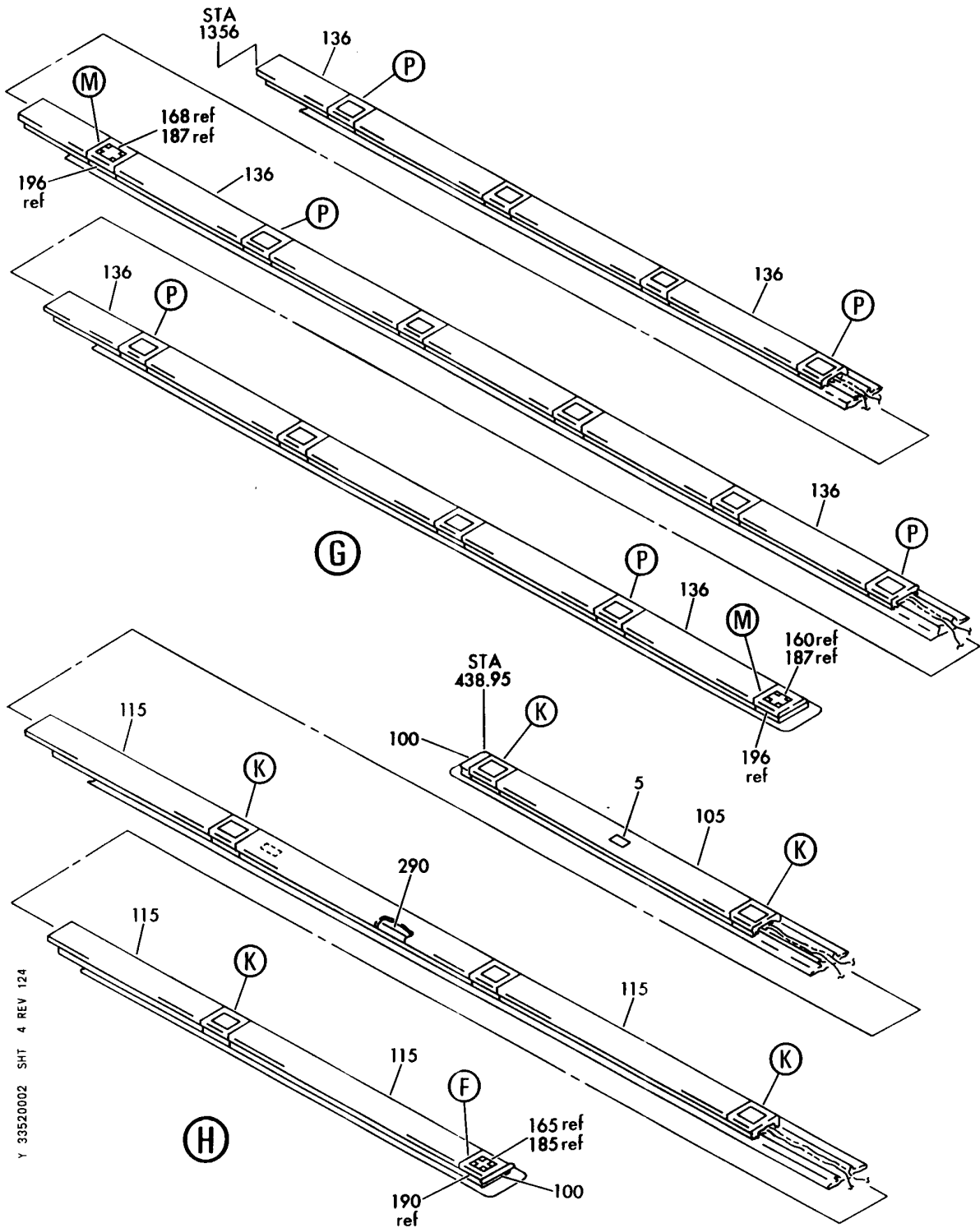
LIGHTING INSTL-EMER FLOOR PROXIMITY
FIGURE 2 (SHEET 3)

33-52-00-02

BRI
JAN 20/09

33-52-00-02
PAGE 0B


BOEING
 757
PARTS CATALOG (MAINTENANCE)



Y 33520002 SHT 4 REV 124

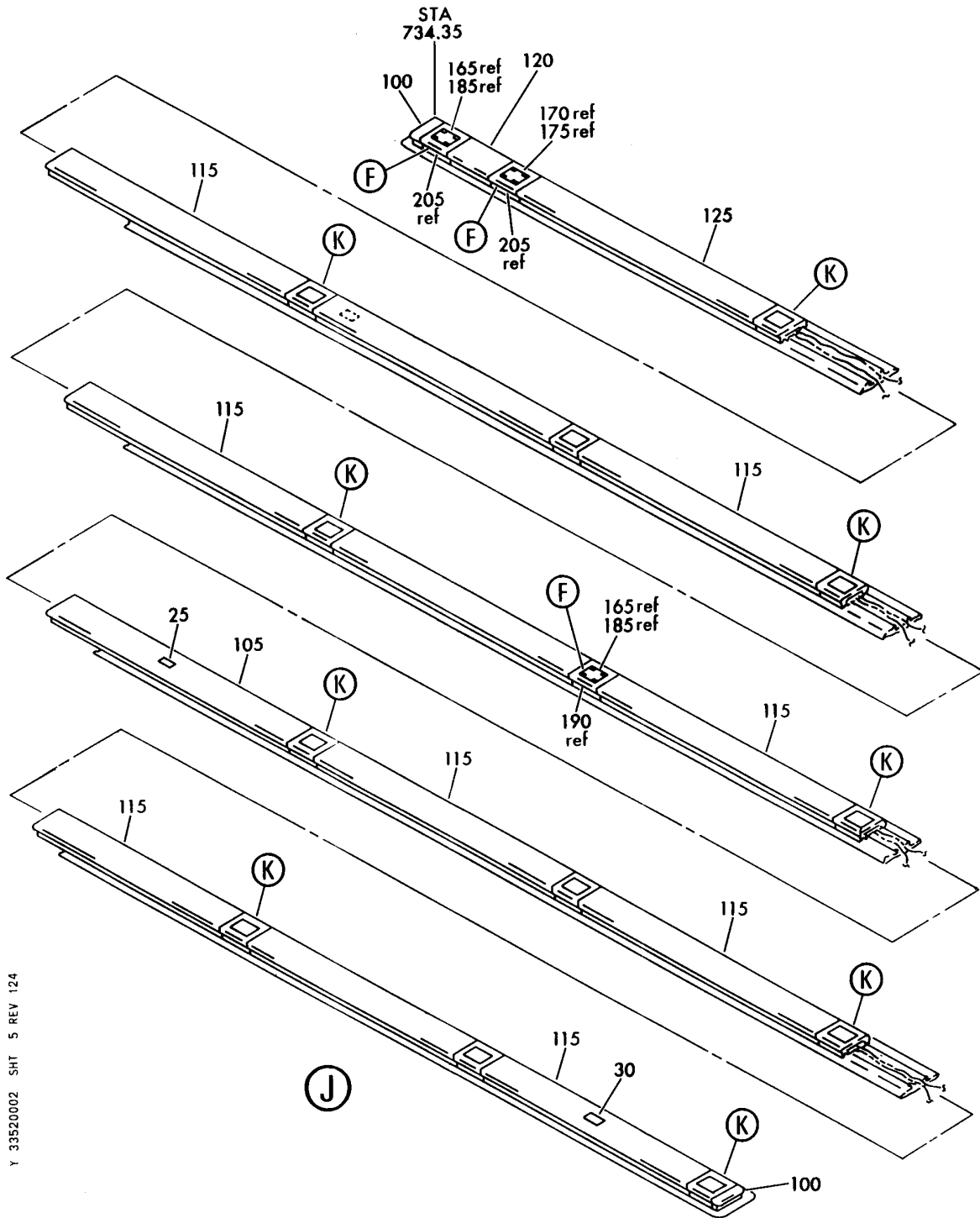
LIGHTING INSTL-EMER FLOOR PROXIMITY
 FIGURE 2 (SHEET 4)

33-52-00-02

BRI
JAN 20/09

33-52-00-02
 PAGE 0C

BOEING
757
PARTS CATALOG (MAINTENANCE)



Y 33520002 SHT 5 REV 124

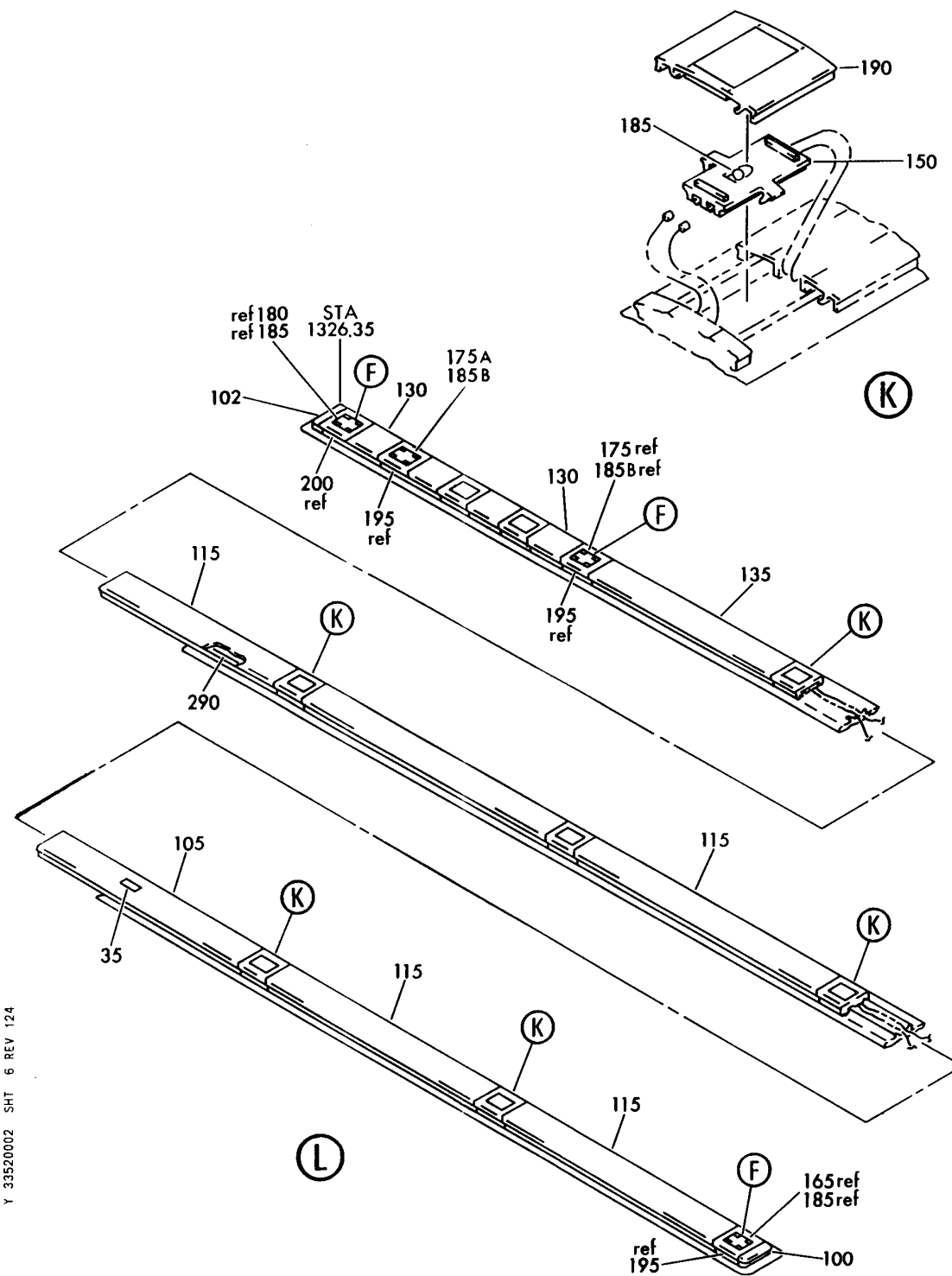
LIGHTING INSTL-EMER FLOOR PROXIMITY
FIGURE 2 (SHEET 5)

33-52-00-02

BRI
JAN 20/09

33-52-00-02
PAGE 0D

BOEING
757
PARTS CATALOG (MAINTENANCE)



Y 33520002 SHT 6 REV 124

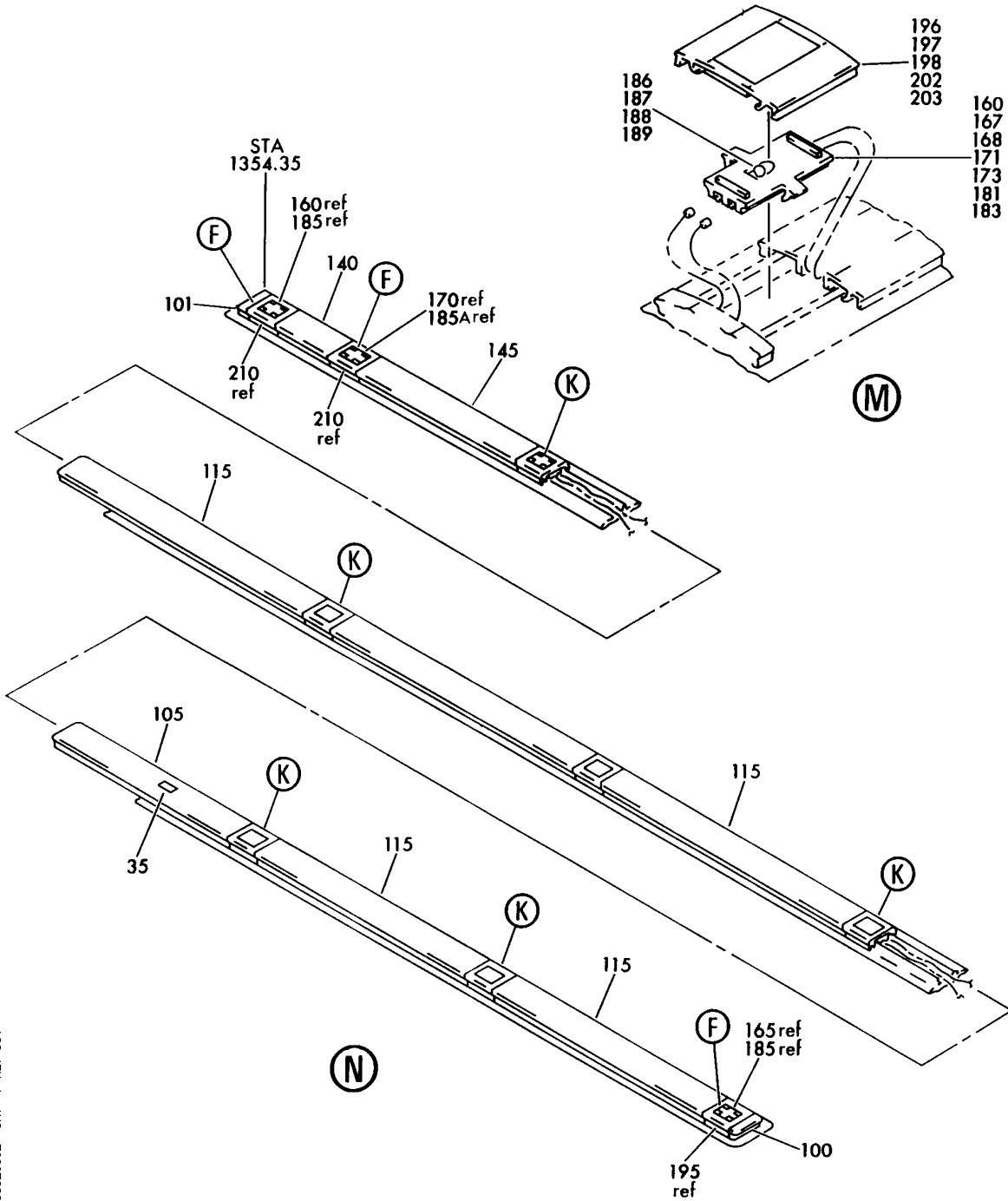
LIGHTING INSTL-EMER FLOOR PROXIMITY
FIGURE 2 (SHEET 6)

33-52-00-02

BRI
JAN 20/09

33-52-00-02
PAGE 0E


BOEING
 757
PARTS CATALOG (MAINTENANCE)



Y 33520002 SH7 7 REV 331

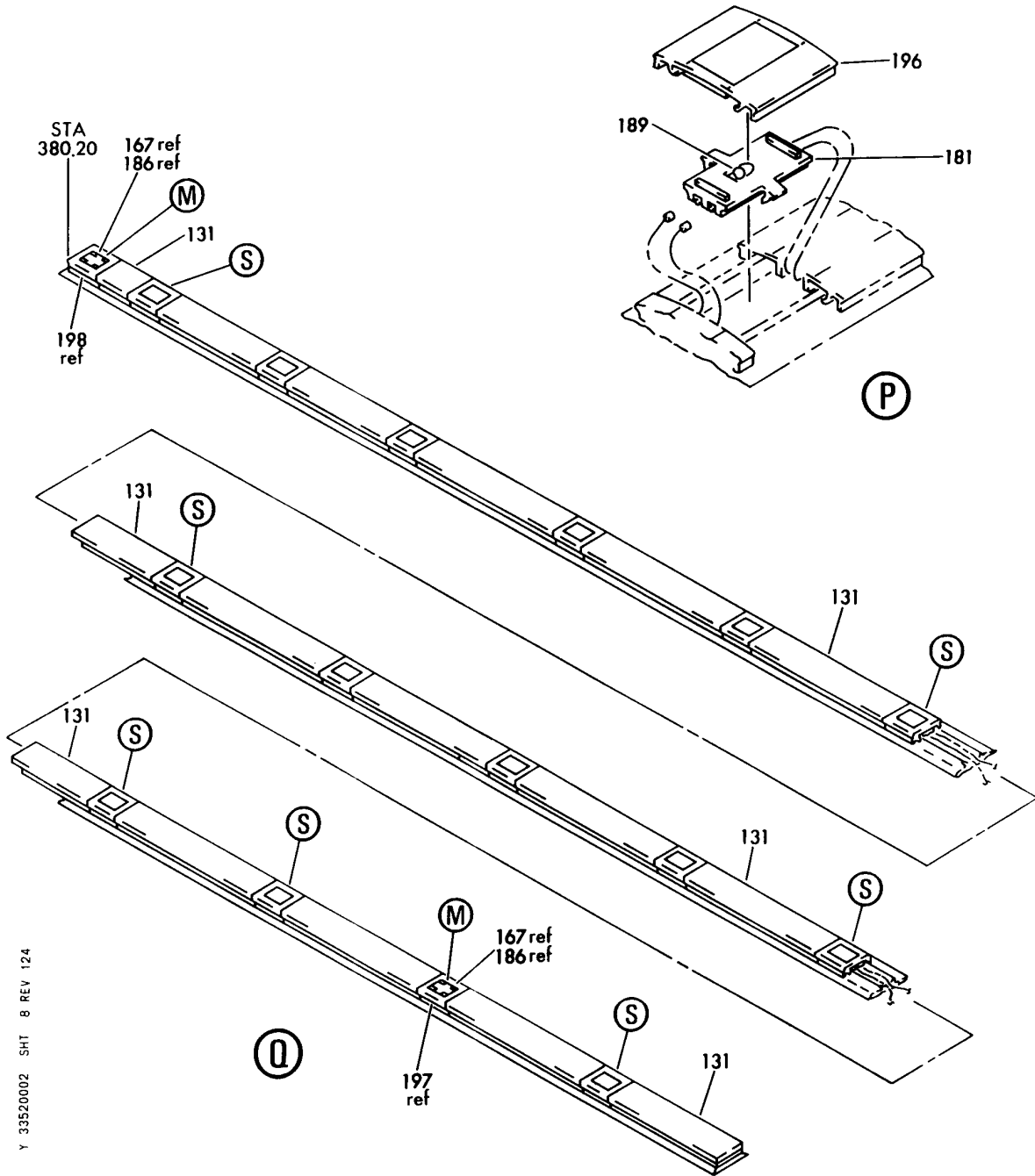
LIGHTING INSTL-EMER FLOOR PROXIMITY
 FIGURE 2 (SHEET 7)

33-52-00-02

BRI
JAN 20/09

33-52-00-02
 PAGE OF

BOEING
757
PARTS CATALOG (MAINTENANCE)



Y 33520002 SHT 8 REV 124

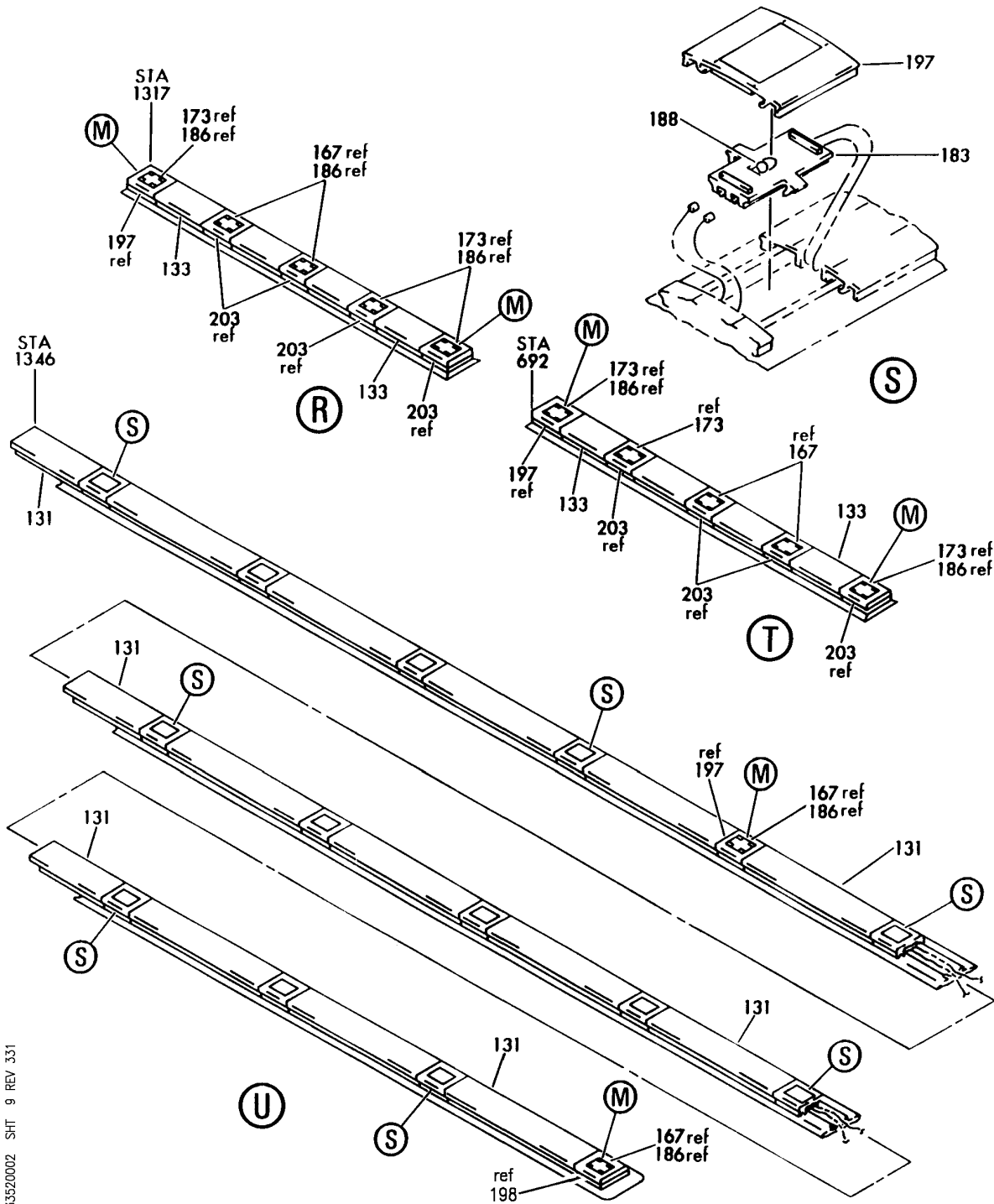
LIGHTING INSTL-EMER FLOOR PROXIMITY
FIGURE 2 (SHEET 8)

33-52-00-02

BRI
JAN 20/09

33-52-00-02
PAGE 06

BOEING
757
PARTS CATALOG (MAINTENANCE)



Y 33520002 SHT 9 REV 331

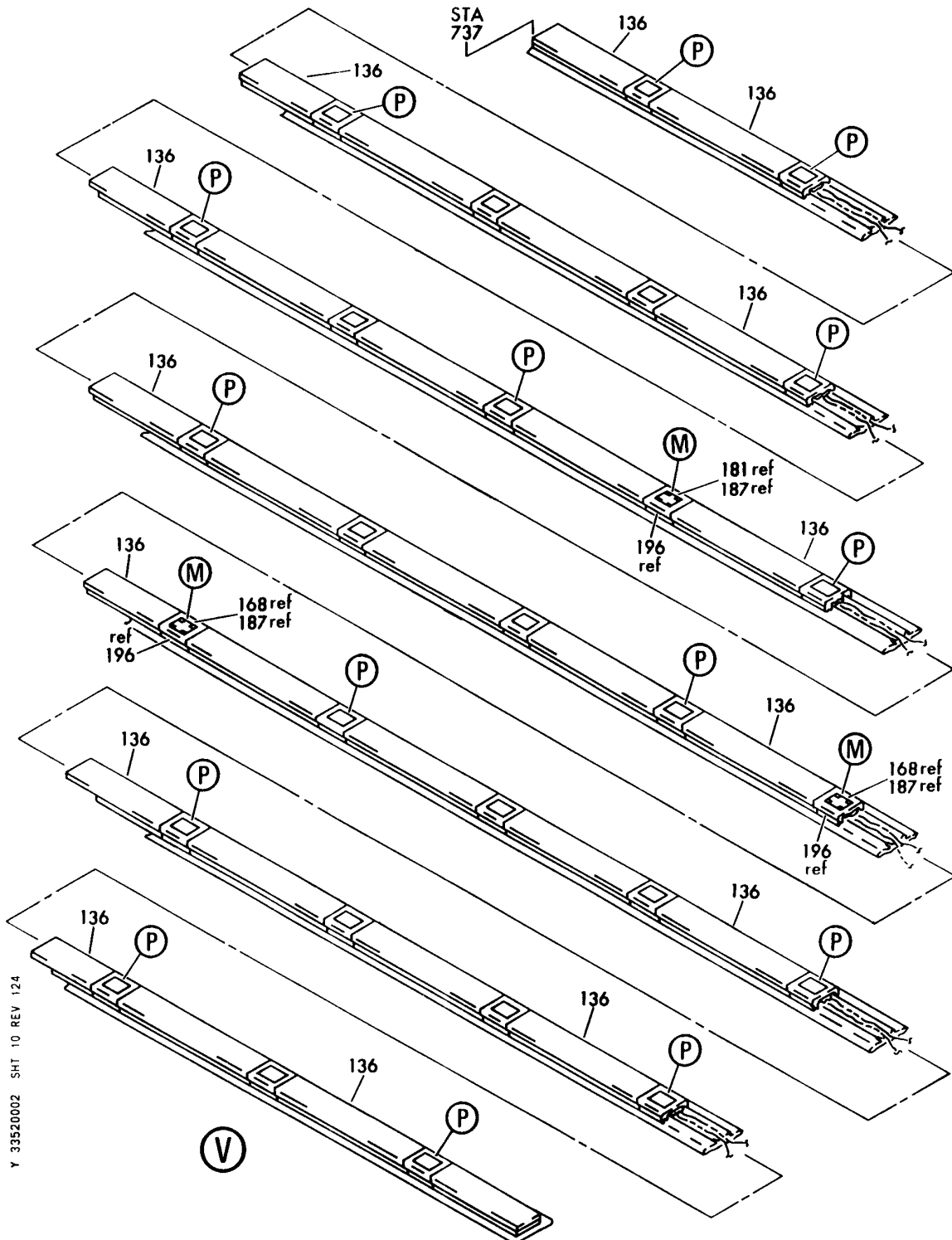
LIGHTING INSTL-EMER FLOOR PROXIMITY
FIGURE 2 (SHEET 9)

33-52-00-02

BRI
JAN 20/09

33-52-00-02
PAGE 0H

BOEING
757
PARTS CATALOG (MAINTENANCE)



Y 33520002 SHT 10 REV 124

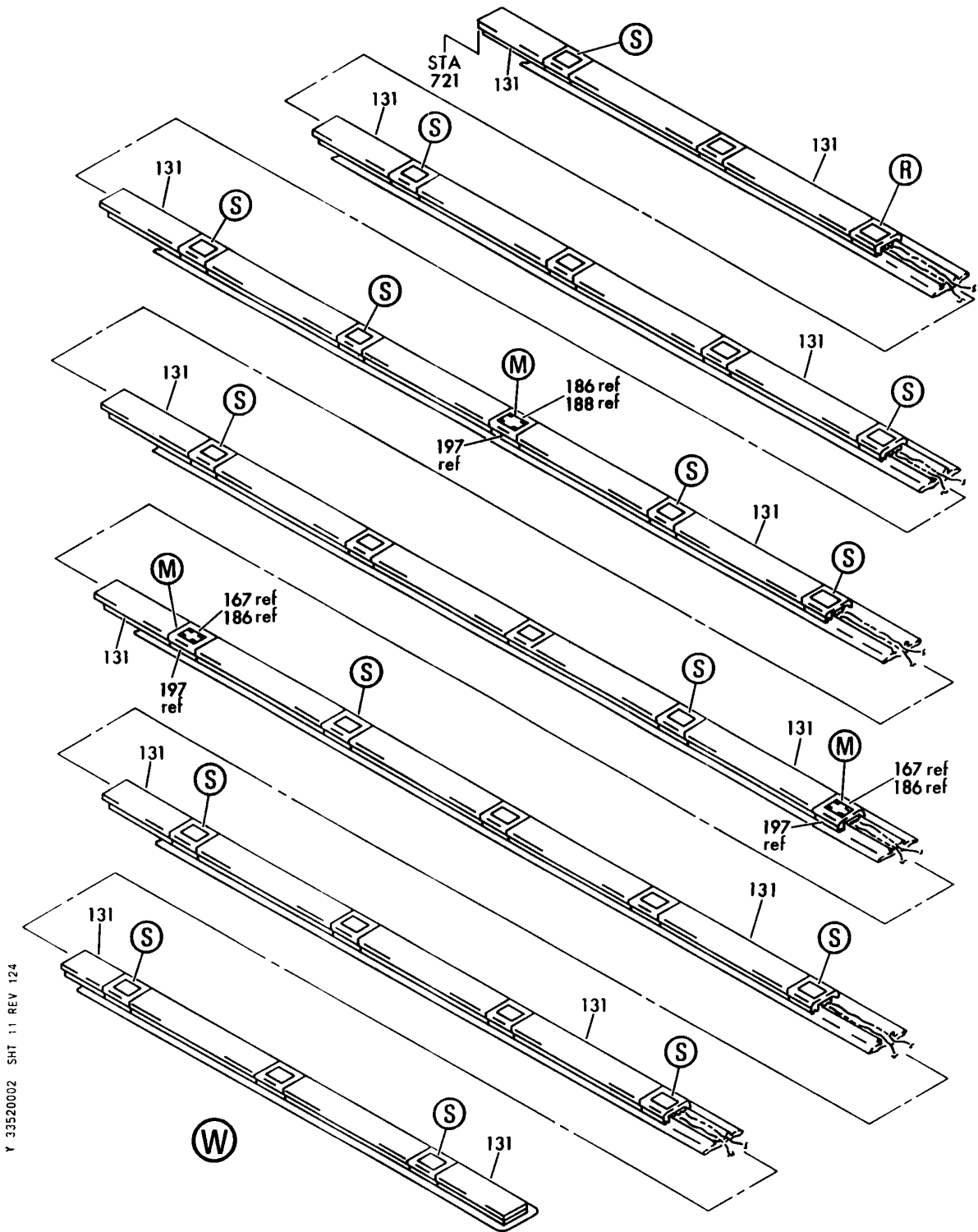
LIGHTING INSTL-EMER FLOOR PROXIMITY
FIGURE 2 (SHEET 10)

33-52-00-02

BRI
JAN 20/09

33-52-00-02
PAGE 01

BOEING
757
PARTS CATALOG (MAINTENANCE)



Y 33520002 SHT 11 REV 124

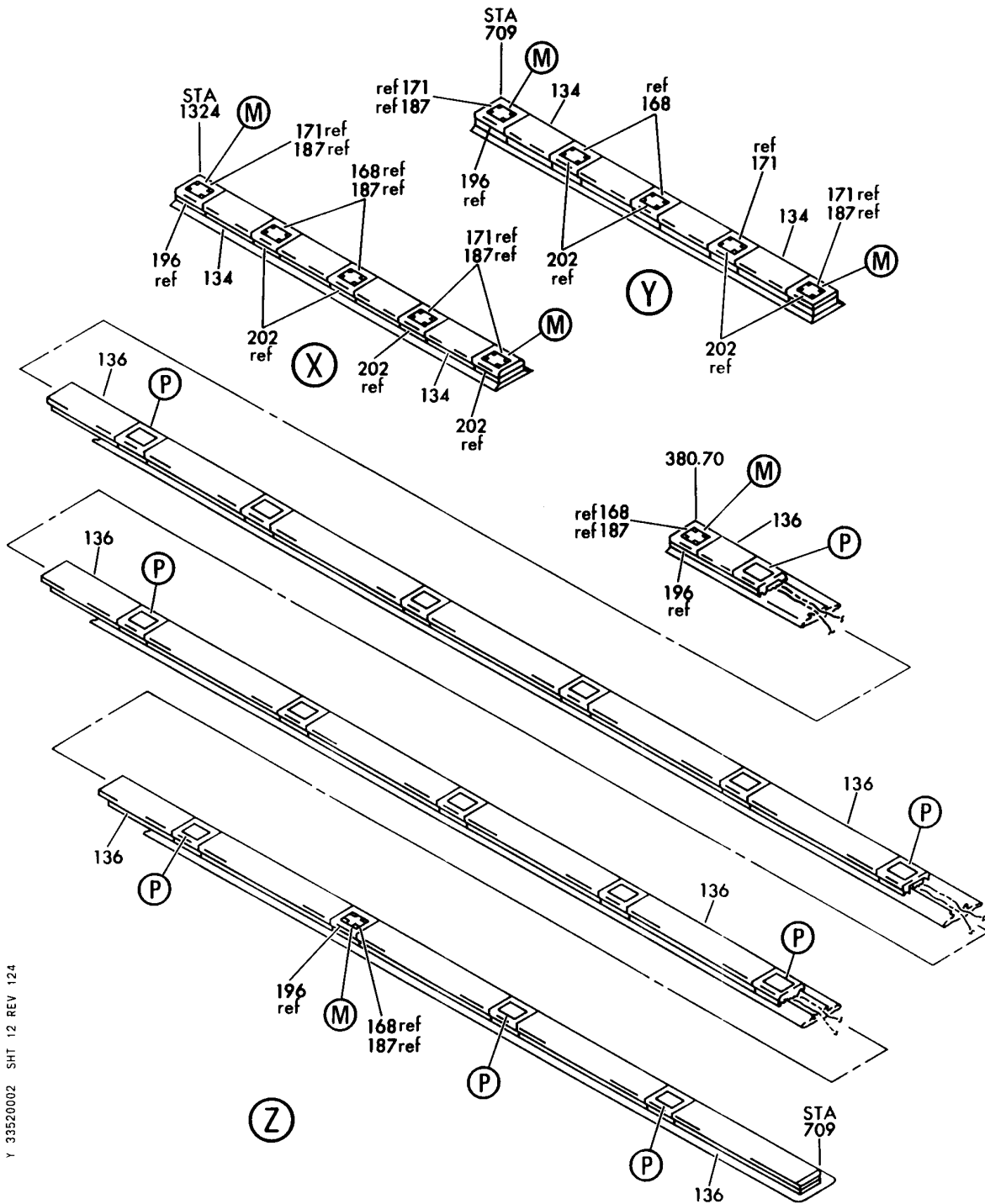
LIGHTING INSTL-EMER FLOOR PROXIMITY
FIGURE 2 (SHEET 11)

33-52-00-02

BRI
JAN 20/09

33-52-00-02
PAGE 0J


BOEING
 757
PARTS CATALOG (MAINTENANCE)



Y 33520002 SHT 12 REV 124

LIGHTING INSTL-EMER FLOOR PROXIMITY
 FIGURE 2 (SHEET 12)

33-52-00-02

BRI
JAN 20/09

33-52-00-02
 PAGE OK



757

PARTS CATALOG (MAINTENANCE)

FIG ITEM	PART NUMBER	1 2 3 4 5 6 7	NOMENCLATURE	EFFECT FROM TO	UNITS PER ASSY
2			LIGHTING INSTL-EMER FLOOR PROXIMITY	504903 952999	
- 1	417N5210-51		LIGHTING INSTL-EMER FLOOR PROXIMITY FOR NHA/ADDITIONAL DET SEE: 33-51-01-50	952999	RF
10	BAC29PPS8619		.MARKER-ALUMINUM FOIL- PLACARD CONTENT: M10764	952999	1
15	BAC29PPS8618		.MARKER-ALUMINUM FOIL- PLACARD CONTENT: M10763	952999	1
30	BAC29PPS8617		.MARKER-ALUMINUM FOIL- PLACARD CONTENT: M10762	952999	1
40	BAC29PPS8620		.MARKER-ALUMINUM FOIL- PLACARD CONTENT: M10765	952999	1
87	65C33850-1SP		.CAP ASSY-END	952999	2
93	417N5212-1H		..CAP-	952999	1
97	65C33850-2SP		..TRACK	952999	1
131	417N5213-41SP		.COVER	952999	61
133	417N5213-30SP		.COVER	952999	8
167	81000-22602		.LIGHT ASSY- SUPPLIER CODE: VS5006 SPECIFICATION NUMBER: S417N509-11	952999	10
173	81000-22605		.LIGHT ASSY- SUPPLIER CODE: VS5006 SPECIFICATION NUMBER: S417N509-12	952999	6
183	81000-22607		.LIGHT ASSY- SUPPLIER CODE: VS5006 SPECIFICATION NUMBER: S417N509-14	952999	54
186	3071BPEGPL		..LAMP- SUPPLIER CODE: VS5006	952999	1
188	3071BPEGPL		..LAMP- SUPPLIER CODE: VS5006	952999	1
197	81000-22701		.LENS- SUPPLIER CODE: VS5006 SPECIFICATION NUMBER: S417N509-2	952999	60

MISSING ITEM NUMBERS NOT APPLICABLE

- ITEM NOT ILLUSTRATED

33-52-00-02

33-52-00
FIG. 02
PAGE 1
JAN 20/09

BRI



757

PARTS CATALOG (MAINTENANCE)

FIG ITEM	PART NUMBER	1 2 3 4 5 6 7	NOMENCLATURE	EFFECT FROM TO	UNITS PER ASSY
2 198	81000-22701		.LENS- SUPPLIER CODE: VS5006 SPECIFICATION NUMBER: S417N509-2	504903 952999	2
203	81000-22704		.LENS- SUPPLIER CODE: VS5006 SPECIFICATION NUMBER: S417N509-6	952999	8
260	417N5214-98		.WIRE BUNDLE ASSY- SUPPLIER CODE: V89954	952999	2
265	BACC45FT12A12P		..CONNECTOR	952999	1
270	60888-4		..RECEPTACLE-PIN SUPPLIER CODE: V00779 OPTIONAL PART: 60983-3 V00779 60789-2 V00779	952999	4
270	60983-3		..RECEPTACLE-PIN SUPPLIER CODE: V00779 OPTIONAL PART: 60888-4 V00779 60789-2 V00779	952999	4
270	60789-2		..RECEPTACLE-PIN SUPPLIER CODE: V00779 OPTIONAL PART: 60888-4 V00779 60983-3 V00779	952999	4
290	417N5210-6SP		.TRACK	952999	AR
295	417N5214-42		.WIRE BUNDLE ASSY- SUPPLIER CODE: V89954	952999	1
300	417N5214-43		.WIRE BUNDLE ASSY- SUPPLIER CODE: V89954	952999	1
310	BACC45FT12A12P		..CONNECTOR	952999	1

MISSING ITEM NUMBERS NOT APPLICABLE

- ITEM NOT ILLUSTRATED

33-52-00-02

33-52-00
FIG. 02
PAGE 2
JAN 20/09

BRI



757

PARTS CATALOG (MAINTENANCE)

FIG ITEM	PART NUMBER	1 2 3 4 5 6 7	NOMENCLATURE	EFFECT FROM TO	UNITS PER ASSY
2 315	60888-4		.. RECEPTACLE-PIN SUPPLIER CODE: V00779 OPTIONAL PART: 60983-3 V00779 60789-2 V00779	952999	6
315	60983-3		.. RECEPTACLE-PIN SUPPLIER CODE: V00779 OPTIONAL PART: 60888-4 V00779 60789-2 V00779	952999	6
315	60789-2		.. RECEPTACLE-PIN SUPPLIER CODE: V00779 OPTIONAL PART: 60888-4 V00779 60983-3 V00779	952999	6

MISSING ITEM NUMBERS NOT APPLICABLE

- ITEM NOT ILLUSTRATED

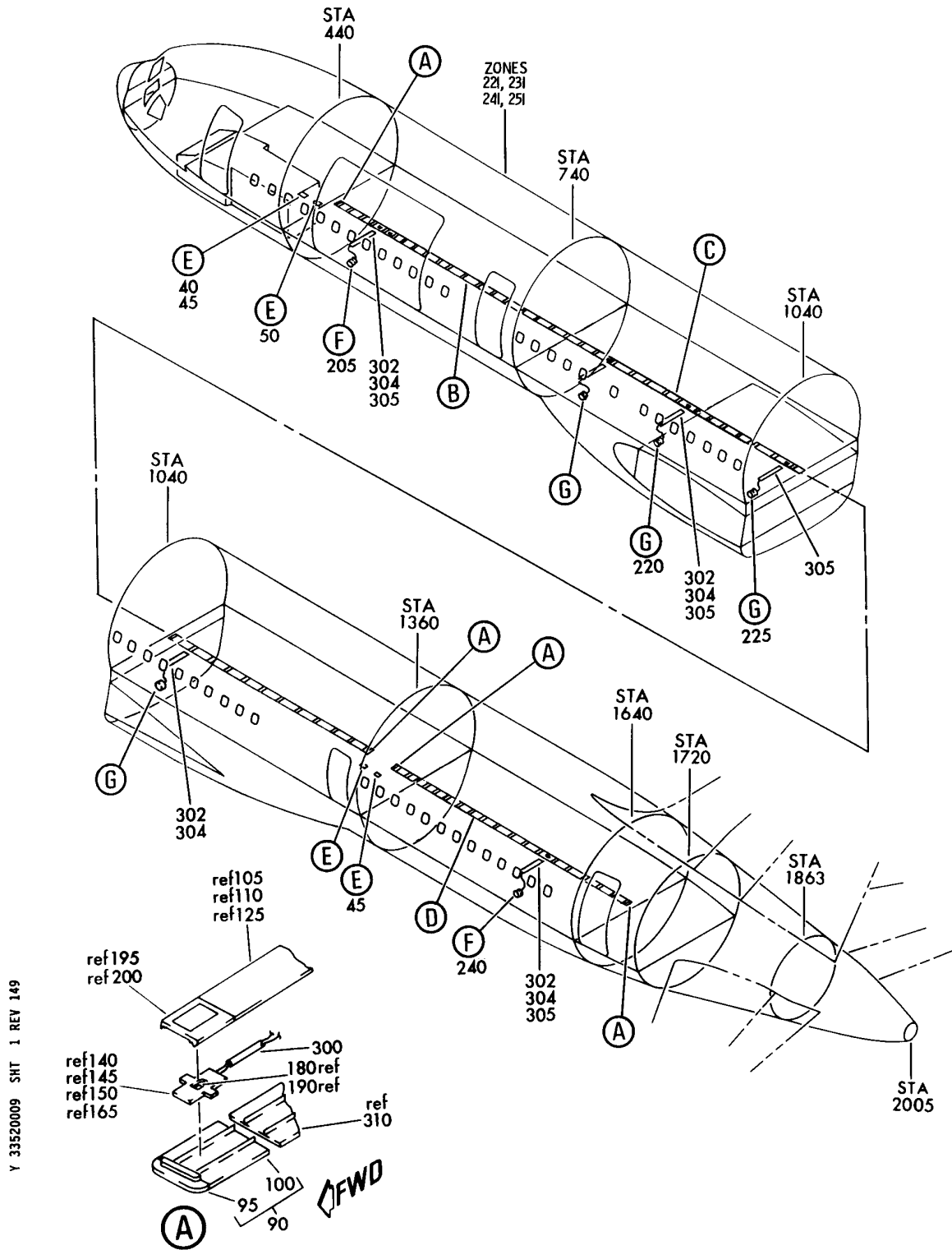
BRI

33-52-00-02

BOEING PROPRIETARY - Copyright © - Unpublished Work - See title page for details.

33-52-00
FIG. 02
PAGE 3
JAN 20/09

BOEING
757
PARTS CATALOG (MAINTENANCE)

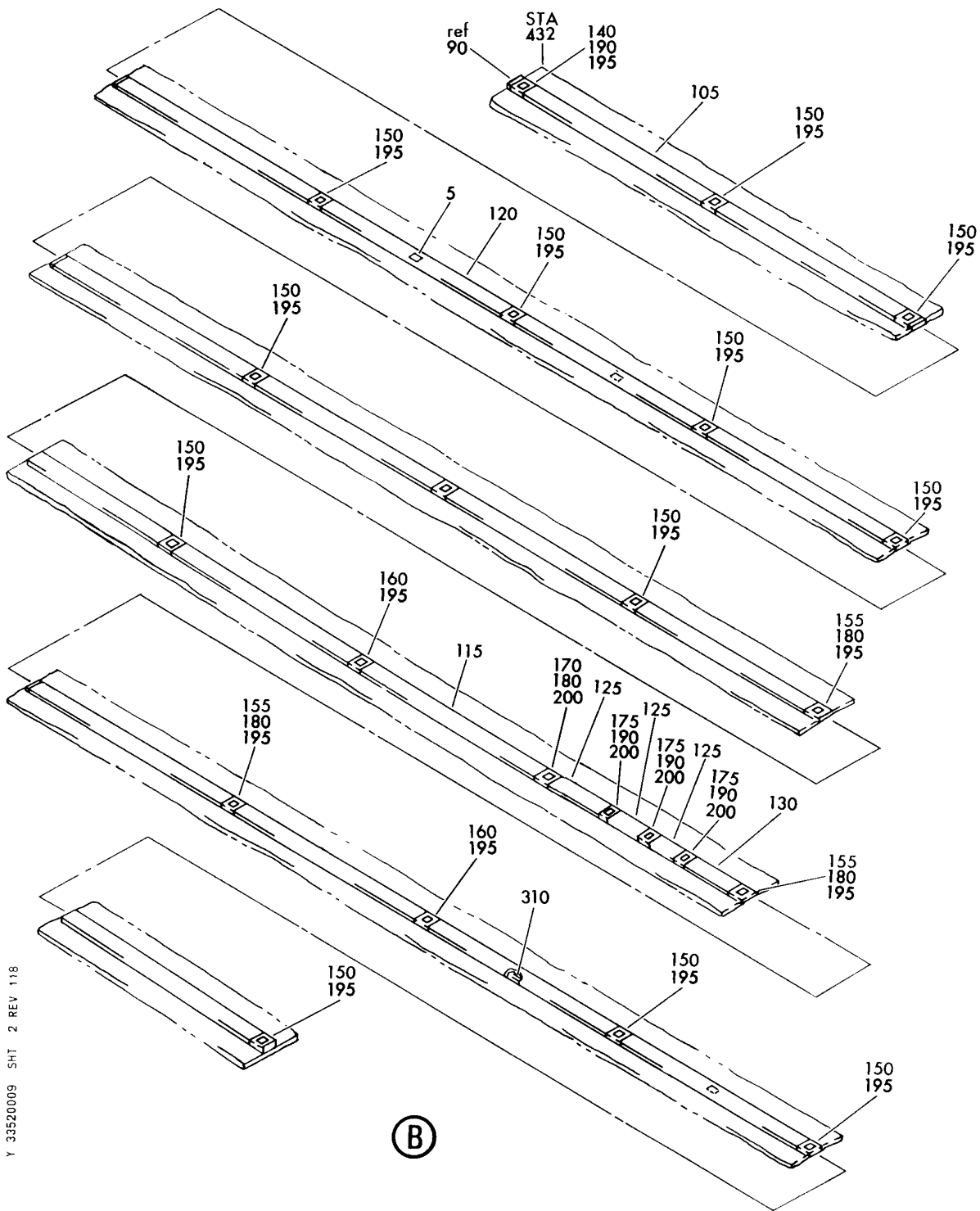


LIGHTING INSTL-EMER FLOOR PROXIMITY
FIGURE 9 (SHEET 1)

33-52-00-09



757
PARTS CATALOG (MAINTENANCE)



Y 33520009 SH1 2 REV 118

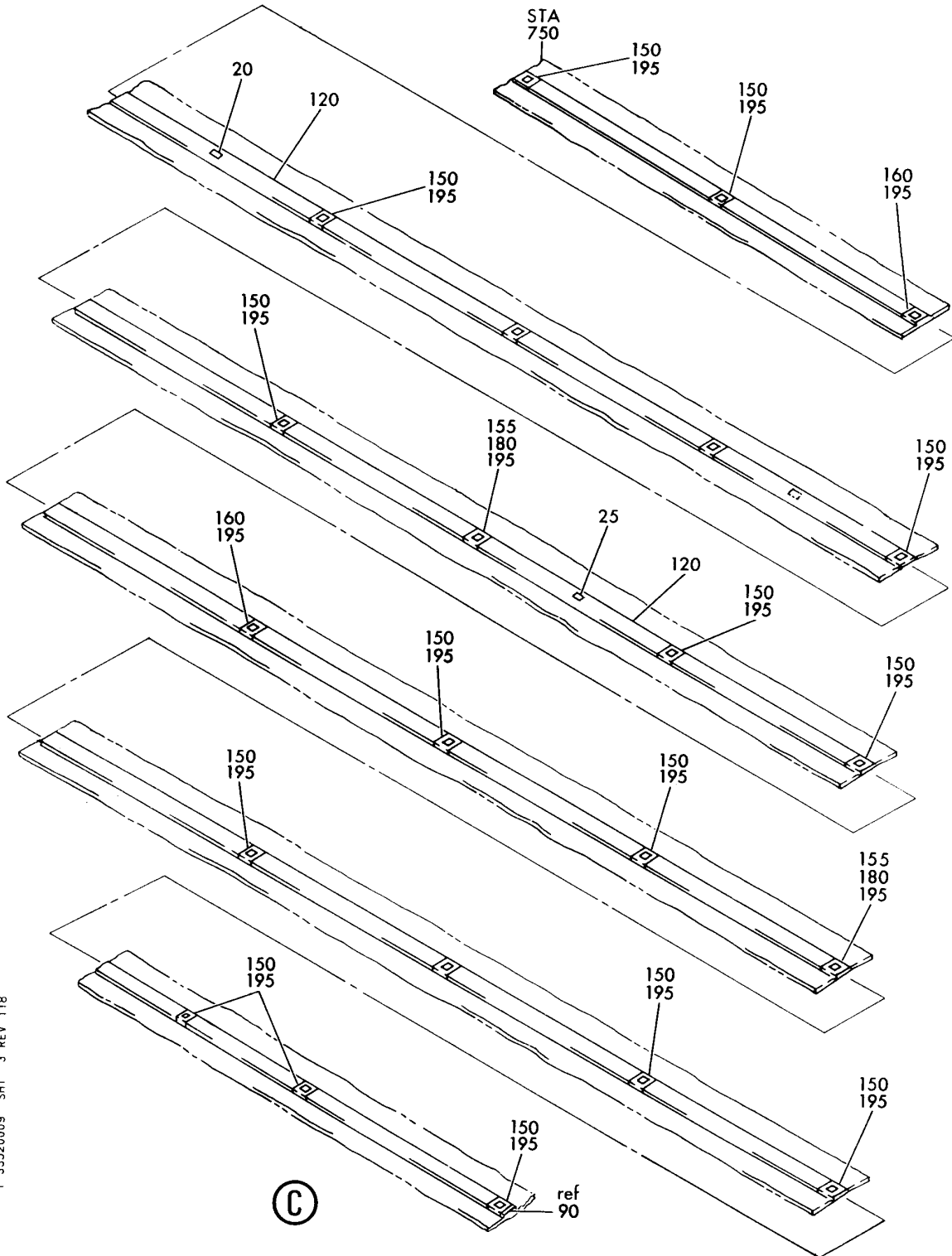
LIGHTING INSTL-EMER FLOOR PROXIMITY
FIGURE 9 (SHEET 2)

33-52-00-09

BRI
JAN 20/09

33-52-00-09
PAGE 0A

BOEING
757
PARTS CATALOG (MAINTENANCE)



Y 3352009 SHT 3 REV 118

Ⓒ

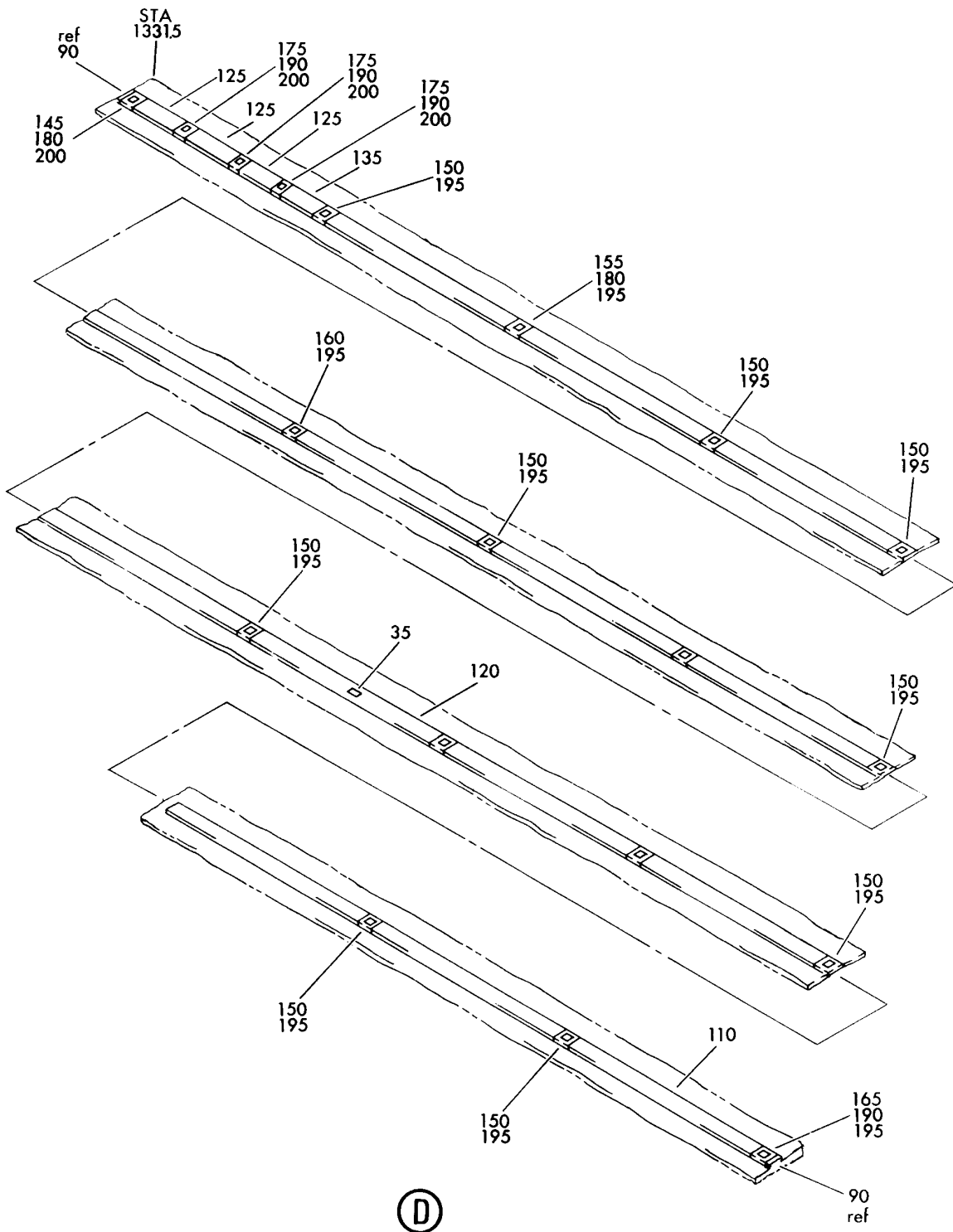
LIGHTING INSTL-EMER FLOOR PROXIMITY
FIGURE 9 (SHEET 3)

33-52-00-09

BRI
JAN 20/09

33-52-00-09
PAGE 0B

BOEING
757
PARTS CATALOG (MAINTENANCE)



Y 33520009 SHT 4 REV 118

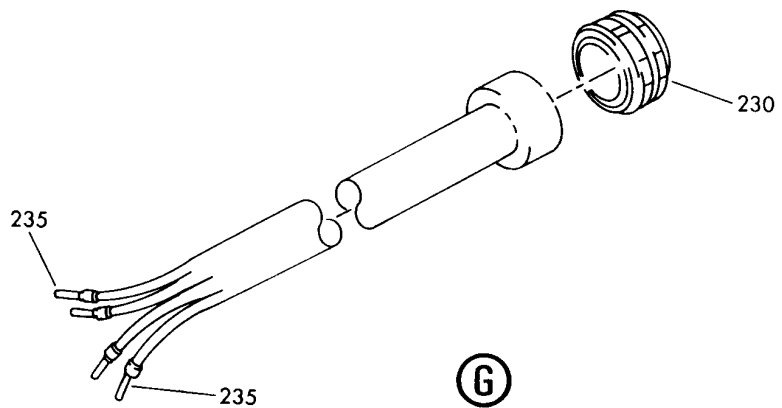
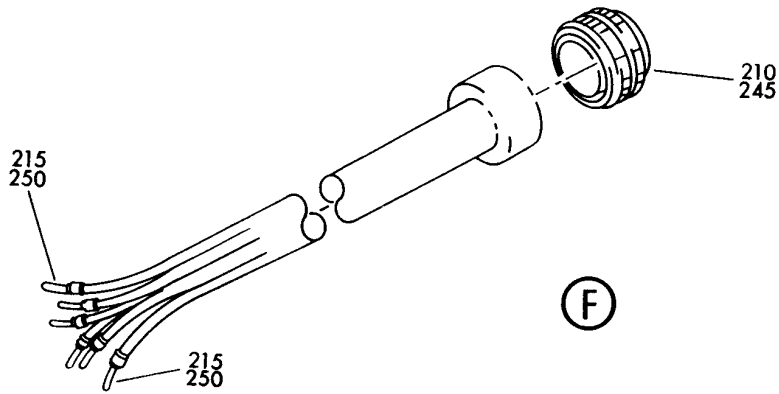
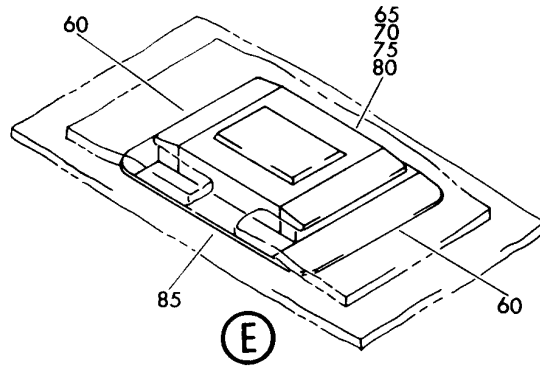
LIGHTING INSTL-EMER FLOOR PROXIMITY
FIGURE 9 (SHEET 4)

33-52-00-09

BRI
JAN 20/09

33-52-00-09
PAGE 0C

BOEING
757
PARTS CATALOG (MAINTENANCE)



Y 33520009 SH1 5 REV 118

LIGHTING INSTL-EMER FLOOR PROXIMITY
FIGURE 9 (SHEET 5)

33-52-00-09

BRI
JAN 20/09

33-52-00-09
PAGE 0D



757

PARTS CATALOG (MAINTENANCE)

FIG ITEM	PART NUMBER	1 2 3 4 5 6 7	NOMENCLATURE	EFFECT FROM TO	UNITS PER ASSY
9			LIGHTING INSTL-EMER FLOOR PROXIMITY	107107	
- 1	417N5210-15		LIGHTING INSTL-EMER FLOOR PROXIMTY FOR NHA/ADDITIONAL DET SEE: 33-51-01-57	107107	RF
5	BAC29PPS4834		.MARKER-ALUMINUM FOIL- PLACARD CONTENT: M10702	107107	1
20	BAC29PPS4786		.MARKER-ALUMINUM FOIL- PLACARD CONTENT: M10698	107107	1
25	BAC29PPS4785		.MARKER-ALUMINUM FOIL- PLACARD CONTENT: M10697	107107	1
35	BAC29PPS4788		.MARKER-ALUMINUM FOIL- PLACARD CONTENT: M10700	107107	1
40	417N5211-1SP		.LIGHT ASSY	107107	1
45	417N5211-1SP		.LIGHT ASSY	107107	2
50	417N5211-3SP		.LIGHT ASSY	107107	1
60	417N5212-1SP		..CAP-END	107107	2
65	81000-22602		..LIGHT ASSY- SUPPLIER CODE: VS5006 SPECIFICATION NUMBER: S417N509-11 USED ON: 417N5211-1SP	107107	1
70	81000-22601		..LIGHT ASSY- SUPPLIER CODE: VS5006 SPECIFICATION NUMBER: S417N509-1 USED ON: 417N5211-3SP	107107	1
75	3071BPEGPL		...LAMP- SUPPLIER CODE: VS5006	107107	1
80	81000-22701		..LENS- SUPPLIER CODE: VS5006 SPECIFICATION NUMBER: S417N509-2	107107	1
85	417N5211-2SP		..TRACK	107107	1
90	417N5212-1SP		.CAP-END	107107	4
105	417N5213-40SP		.COVER	107107	2
110	417N5213-41SP		.COVER-	107107	1
115	417N5213-10SP		.COVER	107107	1

MISSING ITEM NUMBERS NOT APPLICABLE

- ITEM NOT ILLUSTRATED

33-52-00-09

33-52-00
FIG. 09
PAGE 1
JAN 20/09

BRI



757

PARTS CATALOG (MAINTENANCE)

FIG ITEM	PART NUMBER	1 2 3 4 5 6 7	NOMENCLATURE	EFFECT FROM TO	UNITS PER ASSY
9					
120	417N5213-35SP	.	COVER	107107	4
125	417N5213-30SP	.	COVER	107107	6
130	417N5213-40SP	.	COVER	107107	1
135	417N5213-31SP	.	COVER	107107	1
140	81000-22601	.	LIGHT ASSY- SUPPLIER CODE: VS5006 SPECIFICATION NUMBER: S417N509-1	107107	1
145	81000-22601	.	LIGHT ASSY- SUPPLIER CODE: VS5006 SPECIFICATION NUMBER: S417N509-1	107107	1
150	81000-22607	.	LIGHT ASSY- SUPPLIER CODE: VS5006 SPECIFICATION NUMBER: S417N509-14	107107	43
155	81000-22602	.	LIGHT ASSY- SUPPLIER CODE: VS5006 SPECIFICATION NUMBER: S417N509-11	107107	6
160	81000-22607	.	LIGHT ASSY- SUPPLIER CODE: VS5006 SPECIFICATION NUMBER: S417N509-14	107107	5
165	81000-22602	.	LIGHT ASSY- SUPPLIER CODE: VS5006 SPECIFICATION NUMBER: S417N509-11	107107	1
170	81000-22605	.	LIGHT ASSY- SUPPLIER CODE: VS5006 SPECIFICATION NUMBER: S417N509-12	107107	1
175	81000-22605	.	LIGHT ASSY- SUPPLIER CODE: VS5006 SPECIFICATION NUMBER: S417N509-12	107107	6

MISSING ITEM NUMBERS NOT APPLICABLE

- ITEM NOT ILLUSTRATED

33-52-00-09

33-52-00
FIG. 09
PAGE 2
JAN 20/09

BRI



757

PARTS CATALOG (MAINTENANCE)

FIG ITEM	PART NUMBER	1 2 3 4 5 6 7	NOMENCLATURE	EFFECT FROM TO	UNITS PER ASSY
9 180	3071BPEGPL	..	LAMP- SUPPLIER CODE: VS5006 USED ON: 81000-22601 81000-22602 81000-22605	107107	1
190	3071BPEGPL	..	LAMP- SUPPLIER CODE: VS5006 USED ON: 81000-22601 81000-22602 81000-22605	107107	1
195	81000-22701	.LENS-	SUPPLIER CODE: VS5006 SPECIFICATION NUMBER: S417N509-2	107107	56
200	81000-22704	.LENS-	SUPPLIER CODE: VS5006 SPECIFICATION NUMBER: S417N509-6	107107	8
220	417N5214-4	.WIRE BUNDLE ASSY-	SUPPLIER CODE: V89954	107107	1
225	417N5214-3	.WIRE BUNDLE ASSY-	SUPPLIER CODE: V89954	107107	1
230	BACC45FT12A12P	..	CONNECTOR	107107	1
235	60888-4	..	RECEPTACLE-PIN SUPPLIER CODE: V00779 OPTIONAL PART: 60983-3 V00779	107107	4
235	60983-3	..	RECEPTACLE-PIN SUPPLIER CODE: V00779 OPTIONAL PART: 60888-4 V00779	107107	4
240	417N5214-1	.WIRE BUNDLE ASSY-	SUPPLIER CODE: V89954	107107	1
245	BACC45FT12A12P	..	CONNECTOR	107107	1

MISSING ITEM NUMBERS NOT APPLICABLE

- ITEM NOT ILLUSTRATED

33-52-00-09

33-52-00
FIG. 09
PAGE 3
JAN 20/09

BRI

BOEING PROPRIETARY - Copyright © - Unpublished Work - See title page for details.



757

PARTS CATALOG (MAINTENANCE)

FIG ITEM	PART NUMBER	1 2 3 4 5 6 7	NOMENCLATURE	EFFECT FROM TO	UNITS PER ASSY
9 250	60888-4	. .	RECEPTACLE-PIN SUPPLIER CODE: V00779 OPTIONAL PART: 60983-3 V00779	107107	6
250	60983-3	. .	RECEPTACLE-PIN SUPPLIER CODE: V00779 OPTIONAL PART: 60888-4 V00779	107107	6
310	417N5210-6SP	. TRACK-		107107	AR

MISSING ITEM NUMBERS NOT APPLICABLE

- ITEM NOT ILLUSTRATED

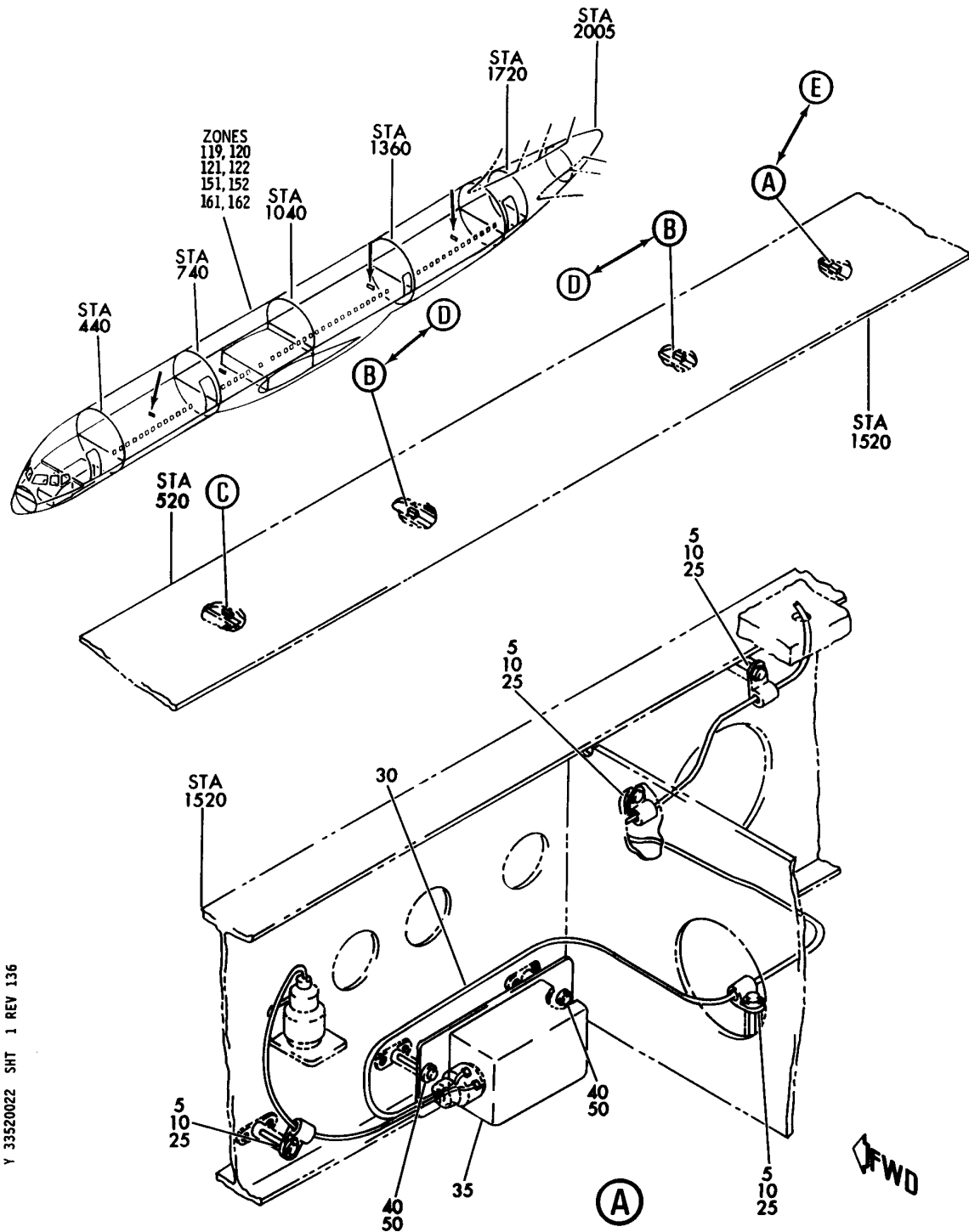
BRI

33-52-00-09

BOEING PROPRIETARY - Copyright © - Unpublished Work - See title page for details.

33-52-00
FIG. 09
PAGE 4
JAN 20/09

BOEING
757
PARTS CATALOG (MAINTENANCE)



Y 33520022 SHT 1 REV 136

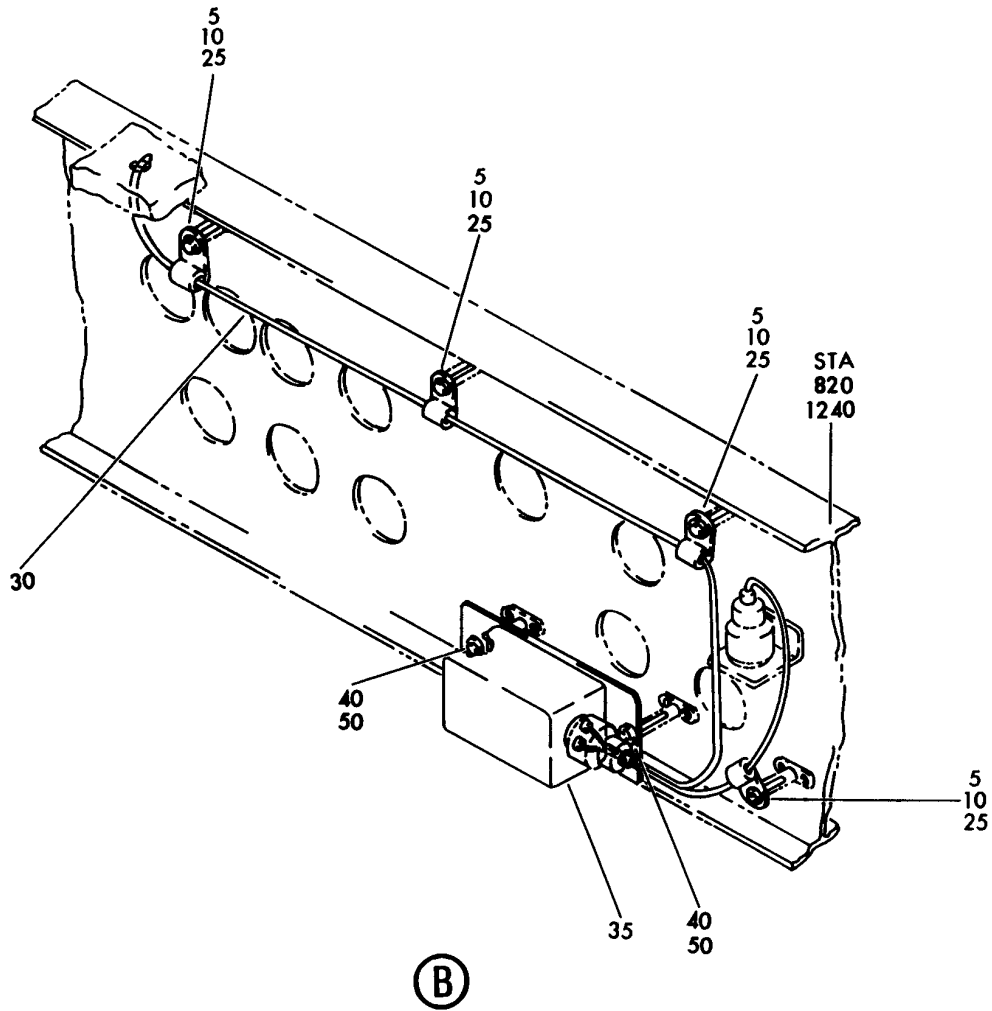
INVERTER INSTL-LSI SYS
FIGURE 22 (SHEET 1)

33-52-00-22

BRI
MAY 28/07

33-52-00-22
PAGE 0

BOEING
757
PARTS CATALOG (MAINTENANCE)



Y 33520022 SHT 2 REV 126

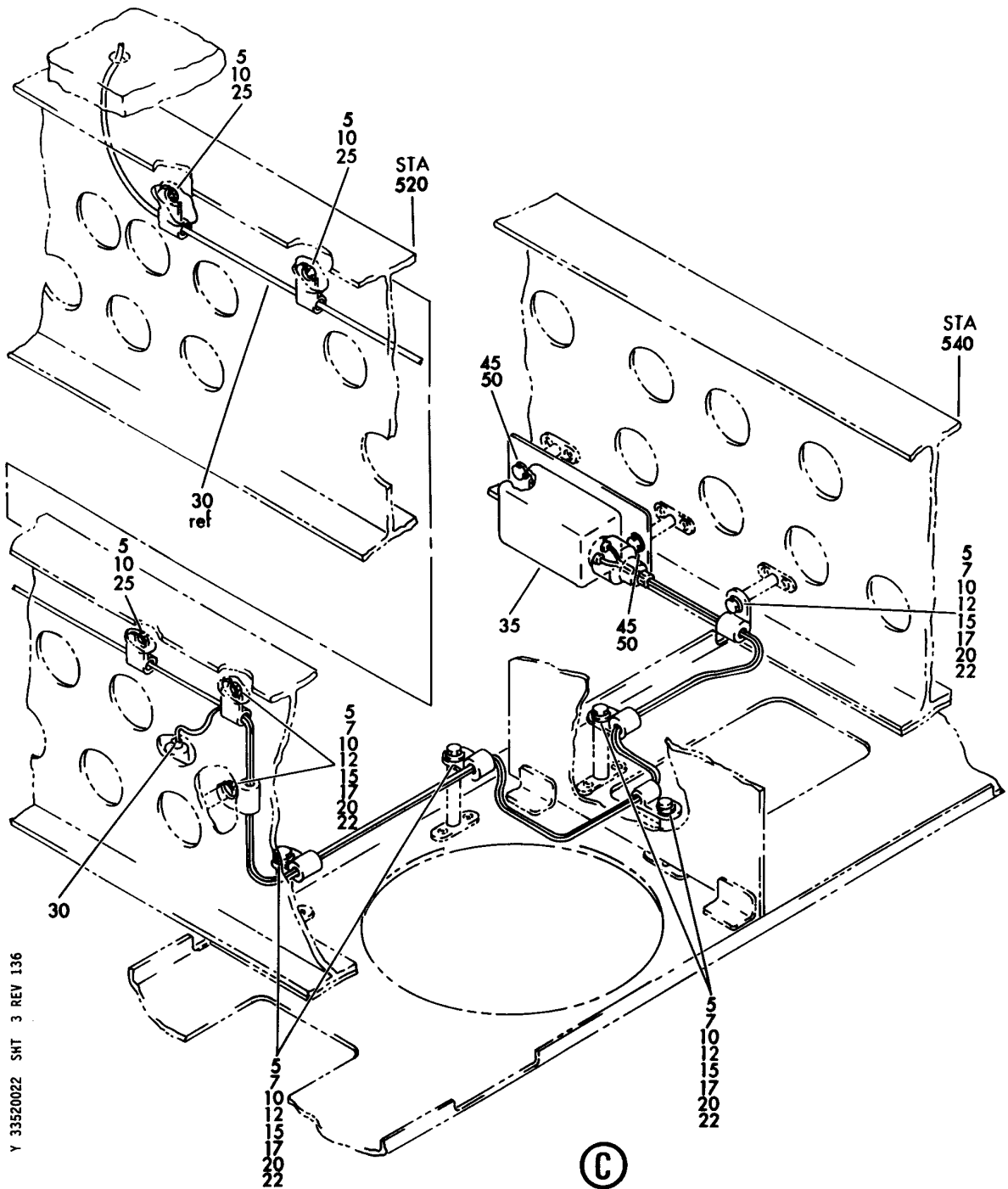
INVERTER INSTL-LSI SYS
FIGURE 22 (SHEET 2)

33-52-00-22

BRI
MAY 28/07

33-52-00-22
PAGE 0A

BOEING
757
PARTS CATALOG (MAINTENANCE)



Y 33520022 SMT 3 REV 136

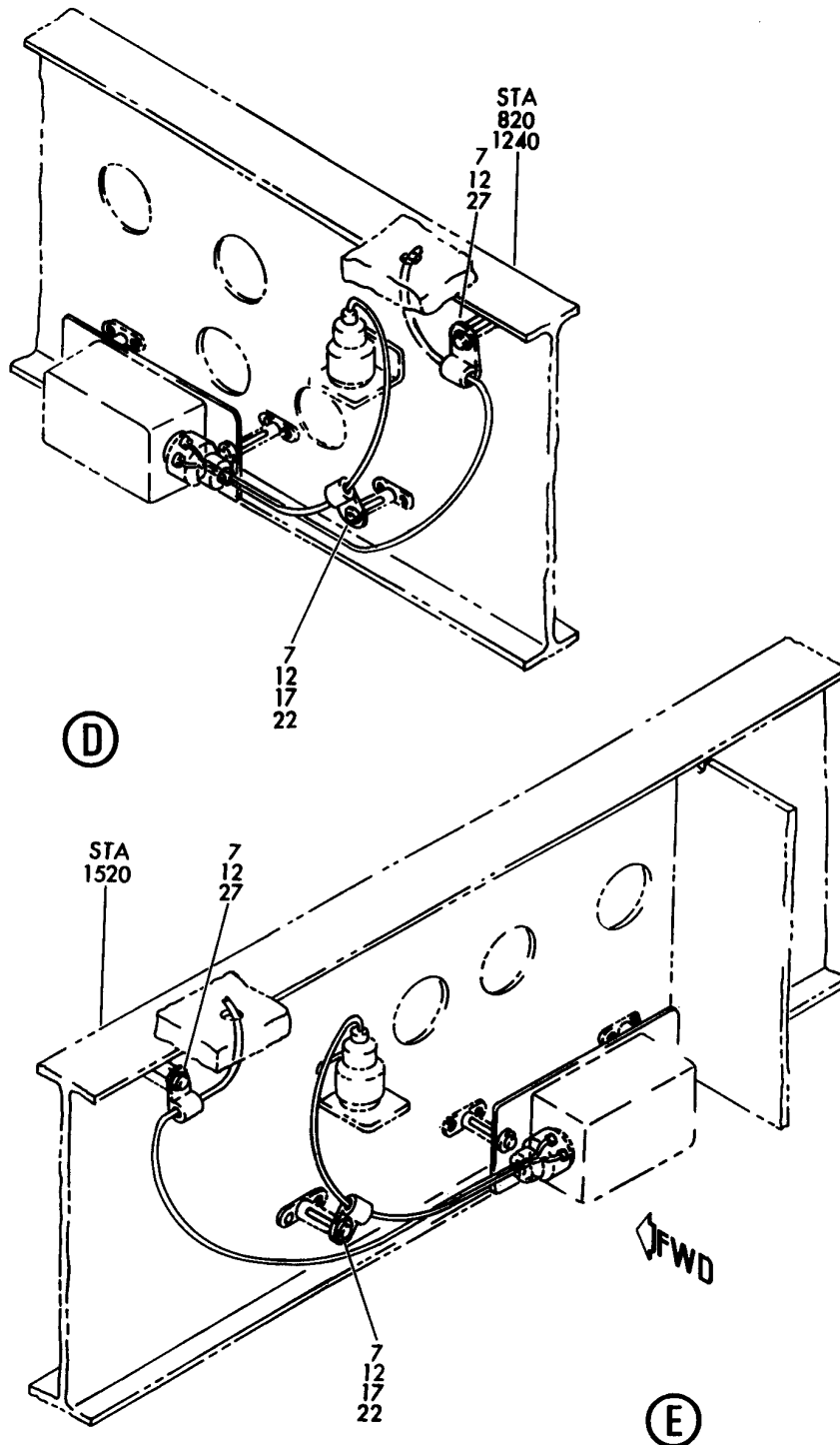
INVERTER INSTL-LSI SYS
FIGURE 22 (SHEET 3)

33-52-00-22

BRI
MAY 28/07

33-52-00-22
PAGE 0B

BOEING
757
PARTS CATALOG (MAINTENANCE)



Y 33520022 SHT 4 REV 136

INVERTER INSTL-LSI SYS
FIGURE 22 (SHEET 4)

33-52-00-22

BRI
MAY 28/07

33-52-00-22
PAGE 0C



757

PARTS CATALOG (MAINTENANCE)

FIG ITEM	PART NUMBER	1 2 3 4 5 6 7	NOMENCLATURE	EFFECT FROM TO	UNITS PER ASSY
22			INVERTER INSTL-LSI SYS	002004 006102	
- 1	417N5215-3		INVERTER INSTL-LSI SYS FOR NHA SEE: 33-51-01-44 33-51-01-52 25-20-00-11	002004 006101	RF
- 1	417N5215-8		INVERTER INSTL-LSI SYS FOR NHA SEE: 25-20-00-11	102102	RF
5	NAS1801-3-11		.SCREW	002004 006100 102102	22
10	AN960JD10LL		.WASHER	002004 006100 102102	22
15	N2088		.PLUG SUPPLIER CODE: V75345 SPECIFICATION NUMBER: BACP20BA1 OPTIONAL PART: SZ7105 V95272 4841 V84914	002004 006100 102102	7
20	BACC10DK5		.CLAMP	002004 006100 102102	7
25	BACC10DK3		.CLAMP	002004 006100 102102	15
30	6670-2		.HARNES-CABLE SUPPLIER CODE: V32890	002004 006100 102102	4
35	5925-7		.INVERTER ASSY- SUPPLIER CODE: V32890	002004 006100 102102	4
35	5925-8		.INVERTER ASSY- SUPPLIER CODE: V32890	102102	4
40	NAS1801-3-11		ATTACHING PARTS .SCREW	002004 006100 102102	6
45	NAS1801-3-6		.SCREW	002004 006100 102102	2

MISSING ITEM NUMBERS NOT APPLICABLE

- ITEM NOT ILLUSTRATED

33-52-00-22

33-52-00
FIG. 22
PAGE 1
JAN 20/09

BRI



757

PARTS CATALOG (MAINTENANCE)

FIG ITEM	PART NUMBER	1 2 3 4 5 6 7	NOMENCLATURE	EFFECT FROM TO	UNITS PER ASSY
22 50	AN960JD10LL		. WASHER -----*-----	002004 006100 102102	8

MISSING ITEM NUMBERS NOT APPLICABLE

— ITEM NOT ILLUSTRATED

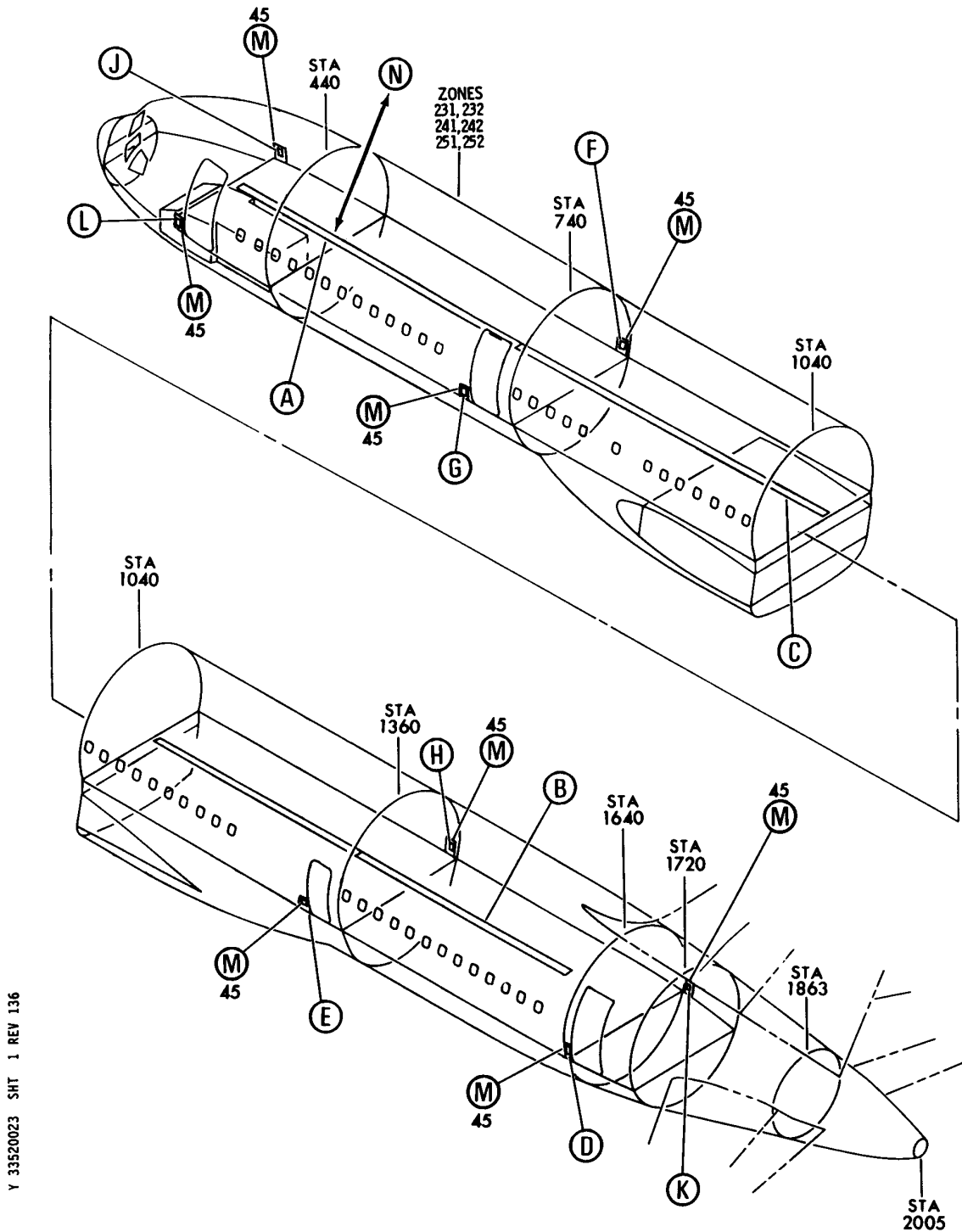
BRI

33-52-00-22

BOEING PROPRIETARY - Copyright © - Unpublished Work - See title page for details.

33-52-00
FIG. 22
PAGE 2
JAN 20/09

BOEING
757
PARTS CATALOG (MAINTENANCE)



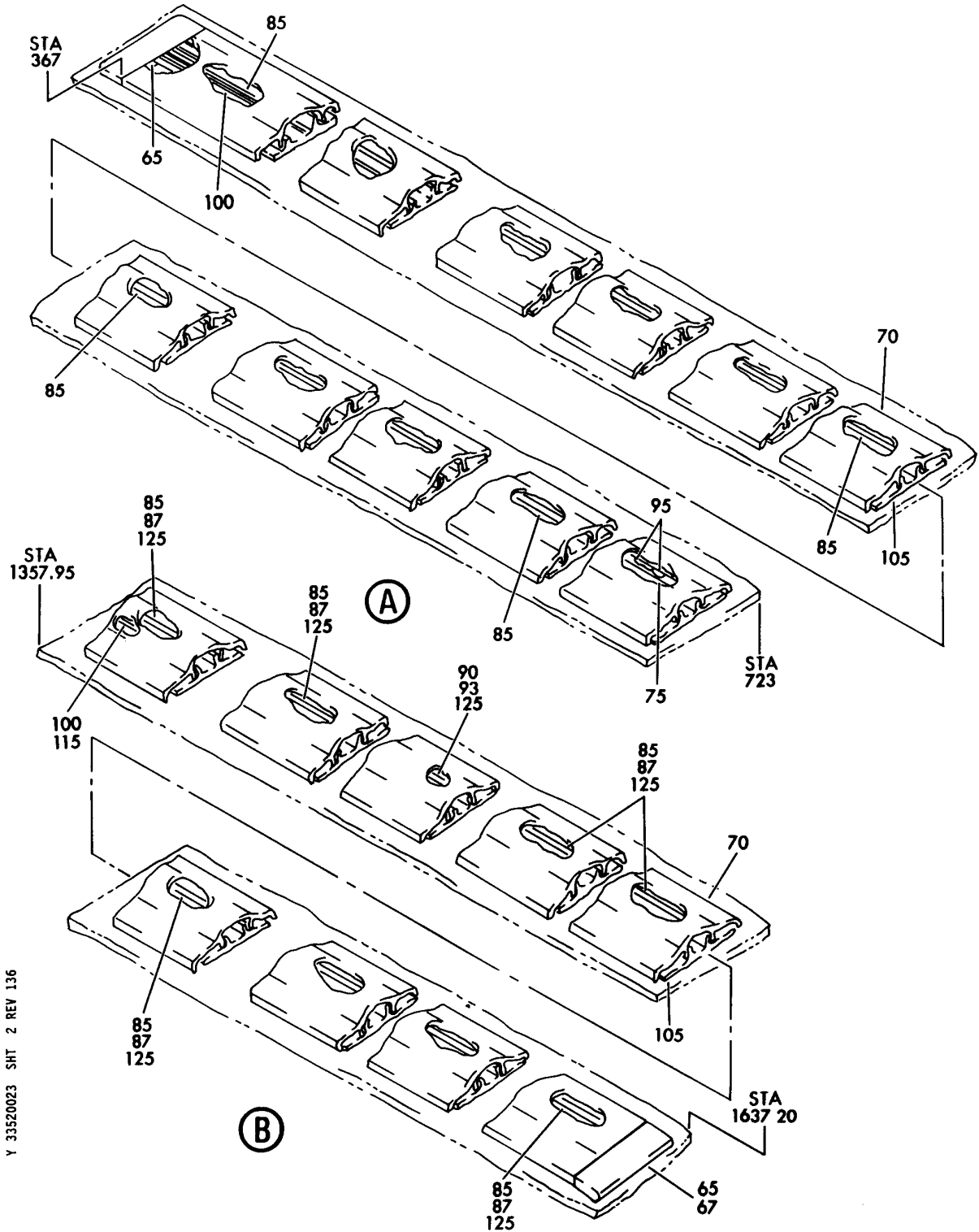
LIGHTING INSTL-EMER FLOOR PROXIMITY-LSI SYS
FIGURE 23 (SHEET 1)

33-52-00-23

BRI
MAY 28/07

33-52-00-23
PAGE 0

BOEING
757
PARTS CATALOG (MAINTENANCE)



Y 33520023 SHT 2 REV 136

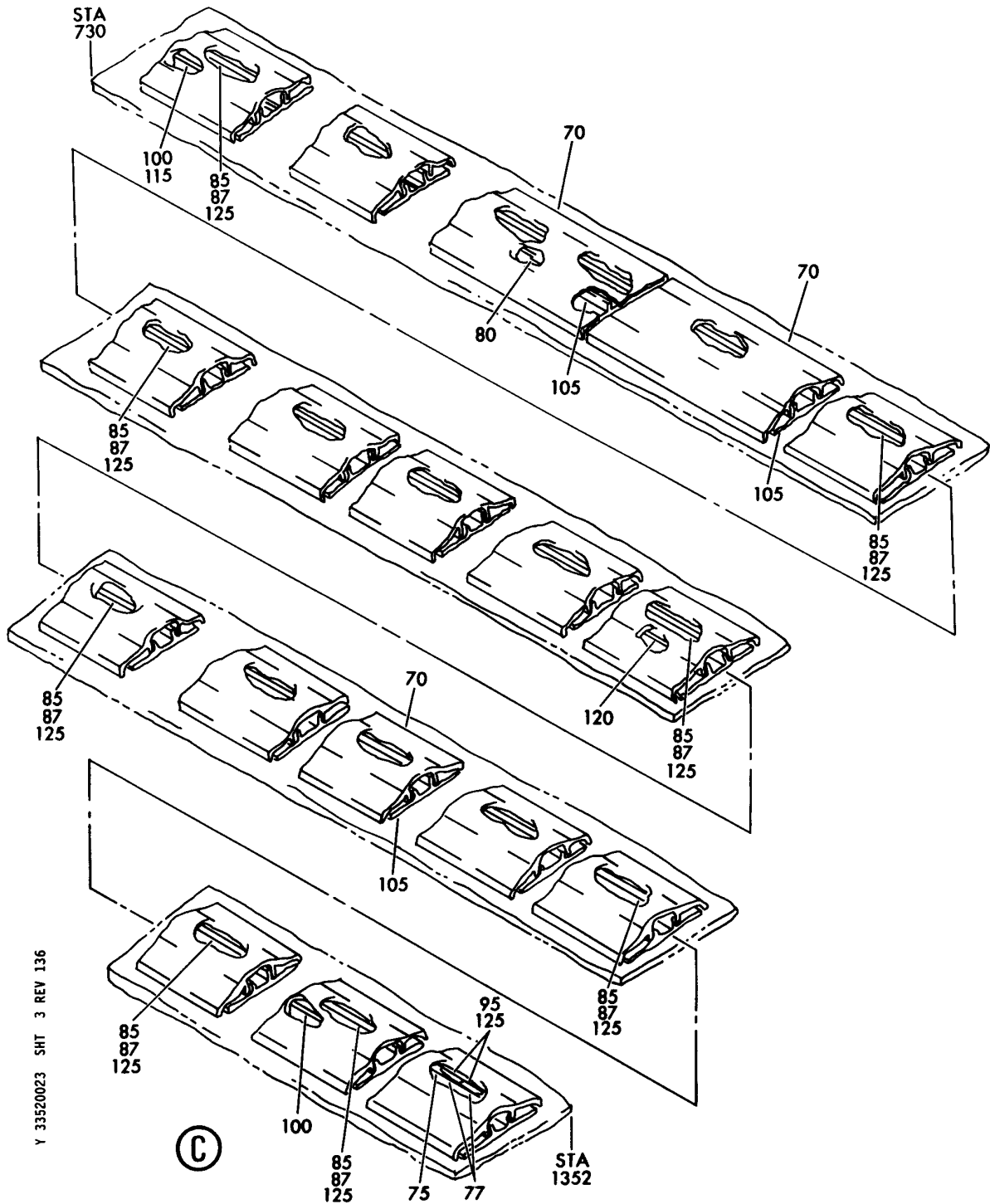
LIGHTING INSTL-EMER FLOOR PROXIMITY-LSI SYS
FIGURE 23 (SHEET 2)

33-52-00-23

BRI
MAY 28/07

33-52-00-23
PAGE 0A

BOEING
757
PARTS CATALOG (MAINTENANCE)



Y 33520023 SHT 3 REV 136

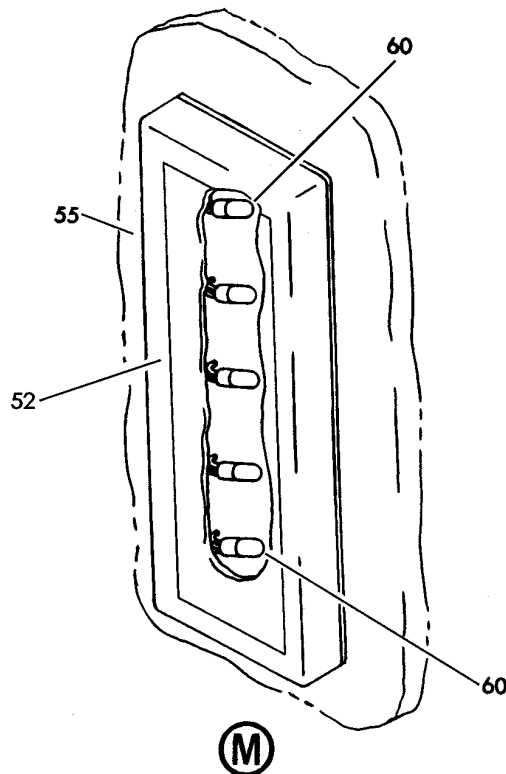
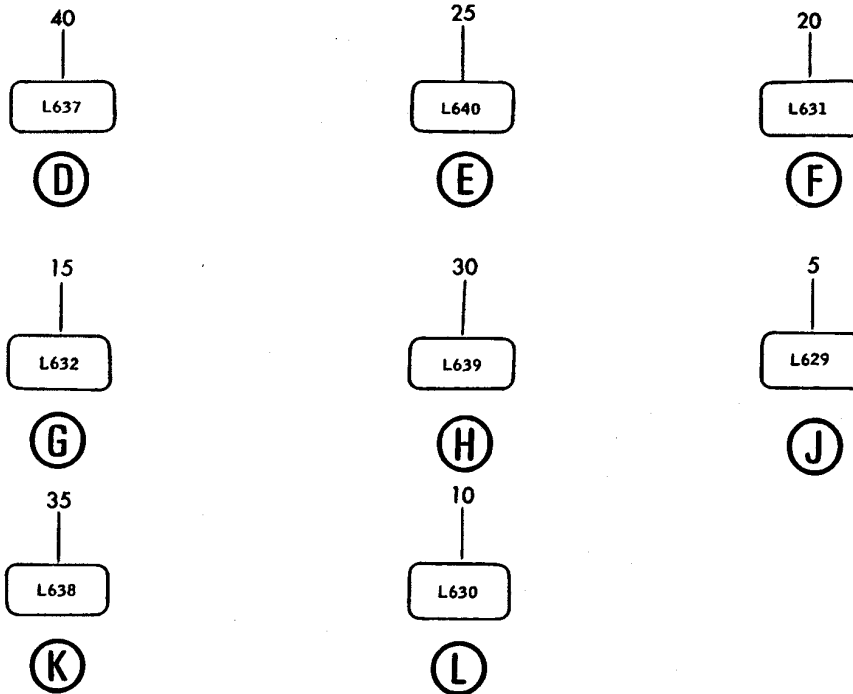
LIGHTING INSTL-EMER FLOOR PROXIMITY-LSI SYS
FIGURE 23 (SHEET 3)

33-52-00-23

BRI
MAY 28/07

33-52-00-23
PAGE 0B

BOEING
757
PARTS CATALOG (MAINTENANCE)



Y 33520023 SHT 4 REV 214

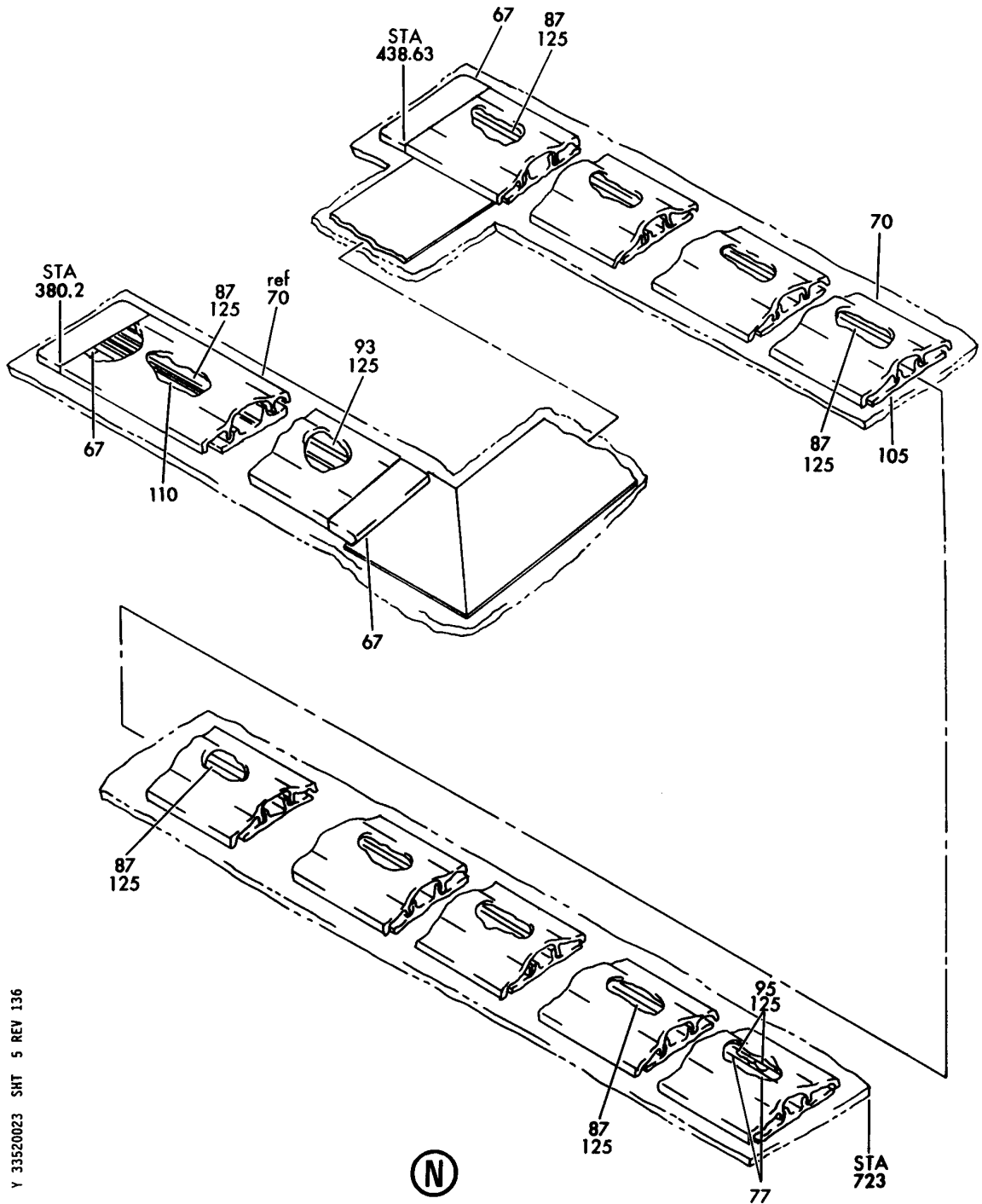
LIGHTING INSTL-EMER FLOOR PROXIMITY-LSI SYS
FIGURE 23 (SHEET 4)

33-52-00-23

BRI
MAY 28/07

33-52-00-23
PAGE 0C

BOEING
757
PARTS CATALOG (MAINTENANCE)



Y 33520023 SHT 5 REV 136

LIGHTING INSTL-EMER FLOOR PROXIMITY-LSI SYS
FIGURE 23 (SHEET 5)

33-52-00-23

BRI
MAY 28/07

33-52-00-23
PAGE 0D



757

PARTS CATALOG (MAINTENANCE)

FIG ITEM	PART NUMBER	1 2 3 4 5 6 7	NOMENCLATURE	EFFECT FROM TO	UNITS PER ASSY
23			LIGHTING INSTL-EMER FLOOR PROXIMITY-LSI SYS	002004 006102	
- 1	417N5216-9		LIGHTING INSTL-EMER FLOOR PROXIMITY-LSI SYS FOR NHA SEE: 33-51-01-44 33-51-01-52 25-20-00-11	002004 006101	RF
- 1	417N5216-30		LIGHTING INSTL-EMER FLOOR PROXIMITY-LSI SYS FOR NHA SEE: 25-20-00-11	102102	RF
5	BAC29PPS4770		.MARKER-ALUMINUM FOIL PLACARD CONTENT: L629	002004 006102	1
10	BAC29PPS4771		.MARKER-ALUMINUM FOIL PLACARD CONTENT: L630	002004 006102	1
15	BAC29PPS4773		.MARKER-ALUMINUM FOIL POSITION DATA: L632	002004 006102	1
20	BAC29PPS4772		.MARKER-ALUMINUM FOIL PLACARD CONTENT: L631	002004 006102	1
25	BAC29PPS4781		.MARKER-ALUMINUM FOIL PLACARD CONTENT: L640	002004 006102	1
30	BAC29PPS4780		.MARKER-ALUMINUM FOIL PLACARD CONTENT: L639	002004 006102	1
35	BAC29PPS4778		.MARKER-ALUMINUM FOIL PLACARD CONTENT: L638	002004 006102	1
40	BAC29PPS4779		.MARKER-ALUMINUM FOIL PLACARD CONTENT: L637	002004 006102	1
45	702409-1001		.INDICATOR ASSY-EXIT IND SUPPLIER CODE: V55438 SPECIFICATION NUMBER: S417N510-1001 ATTACHING PARTS	002004 006102	8
- 50	NAS603-6P		.SCREW	002004 006102	16
52	BAC29PPS4963		-----*----- .. PLACARD- PLACARD CONTENT: EXIT	002004 006102	1

MISSING ITEM NUMBERS NOT APPLICABLE

- ITEM NOT ILLUSTRATED

33-52-00-23

33-52-00
FIG. 23
PAGE 1
JAN 20/09

BRI



757

PARTS CATALOG (MAINTENANCE)

FIG ITEM	PART NUMBER	1 2 3 4 5 6 7	NOMENCLATURE	EFFECT FROM TO	UNITS PER ASSY
23					
55	207377-1001		.. LENS ASSY- SUPPLIER CODE: V19565	002004 006102	1
60	0L3071BPEGPL		.. LAMP-5V, FILAMENT SUPPLIER CODE: VS3774	002004 006102	5
65	6144-1		. CAP-END SUPPLIER CODE: V32890	002004 006102	2
70	5872-1		. HOUSING-TOP LAMP SUPPLIER CODE: V32890	002004 006102	5
75	5835-1		. OVERLAY-ORANGE SUPPLIER CODE: V32890	002004 006102	2
80	6012-1		. COVER- SUPPLIER CODE: V32890	002004 006102	1
85	36262-4		. LAMP ASSY-3 SEGMENT EEL SUPPLIER CODE: V32890 FOR DETAILS SEE: 33-52-00-55	002004 006102	36
90	36367-4		. LAMP- SUPPLIER CODE: V32890	002004 006102	1
95	36492-1		. LAMP-FLEX SUPPLIER CODE: V32890	002004 006102	4
100	6464-9		. CABLE-STRAIGHT SUPPLIER CODE: V32890	002004 006102	4
105	5873-1		. TRACK-BASE SUPPLIER CODE: V32890	002004 006102	5

MISSING ITEM NUMBERS NOT APPLICABLE

- ITEM NOT ILLUSTRATED

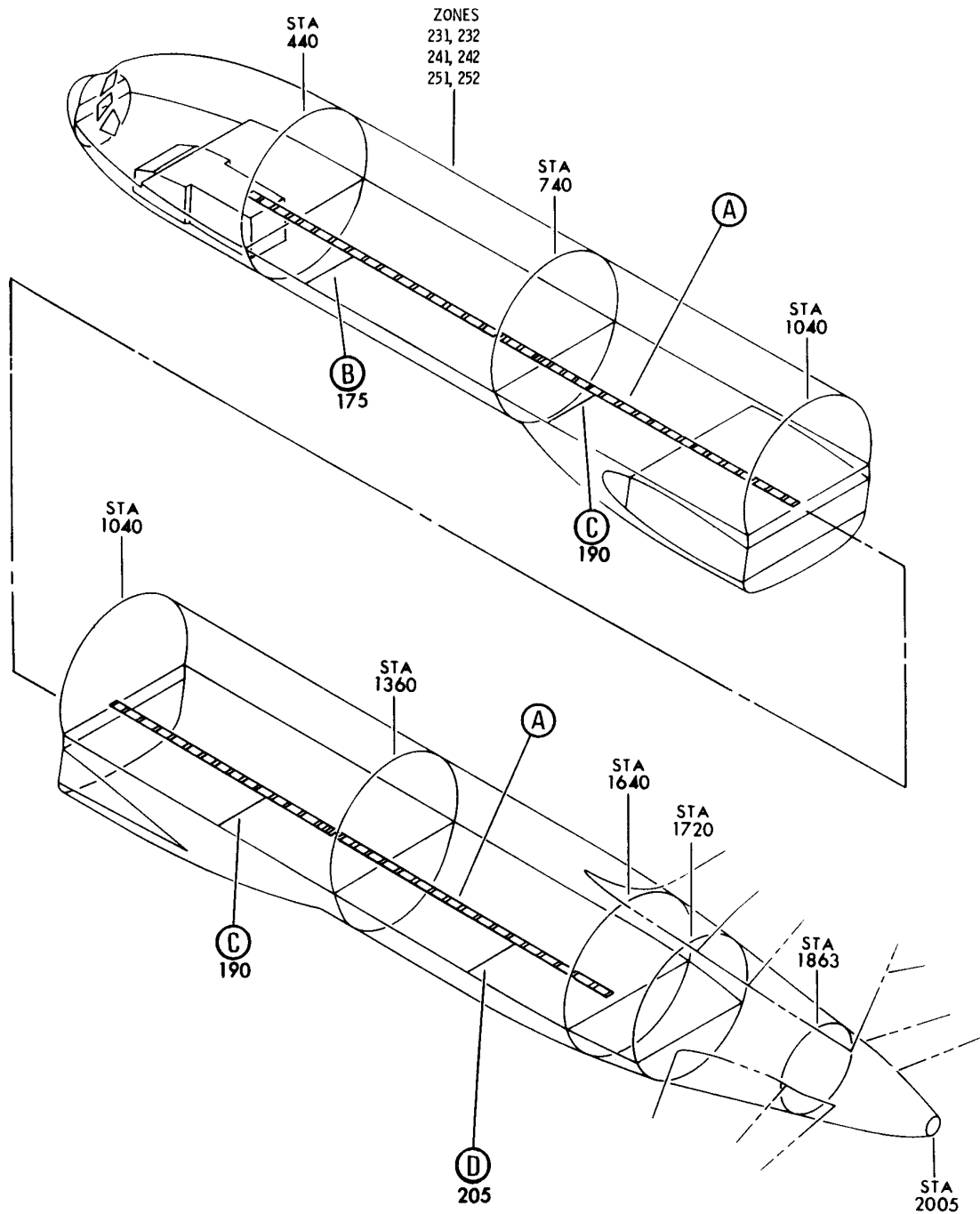
33-52-00-23

33-52-00
FIG. 23
PAGE 2
JAN 20/09

BRI

BOEING PROPRIETARY - Copyright © - Unpublished Work - See title page for details.

BOEING
757
PARTS CATALOG (MAINTENANCE)



Y 33520030 SHT 1 REV 117

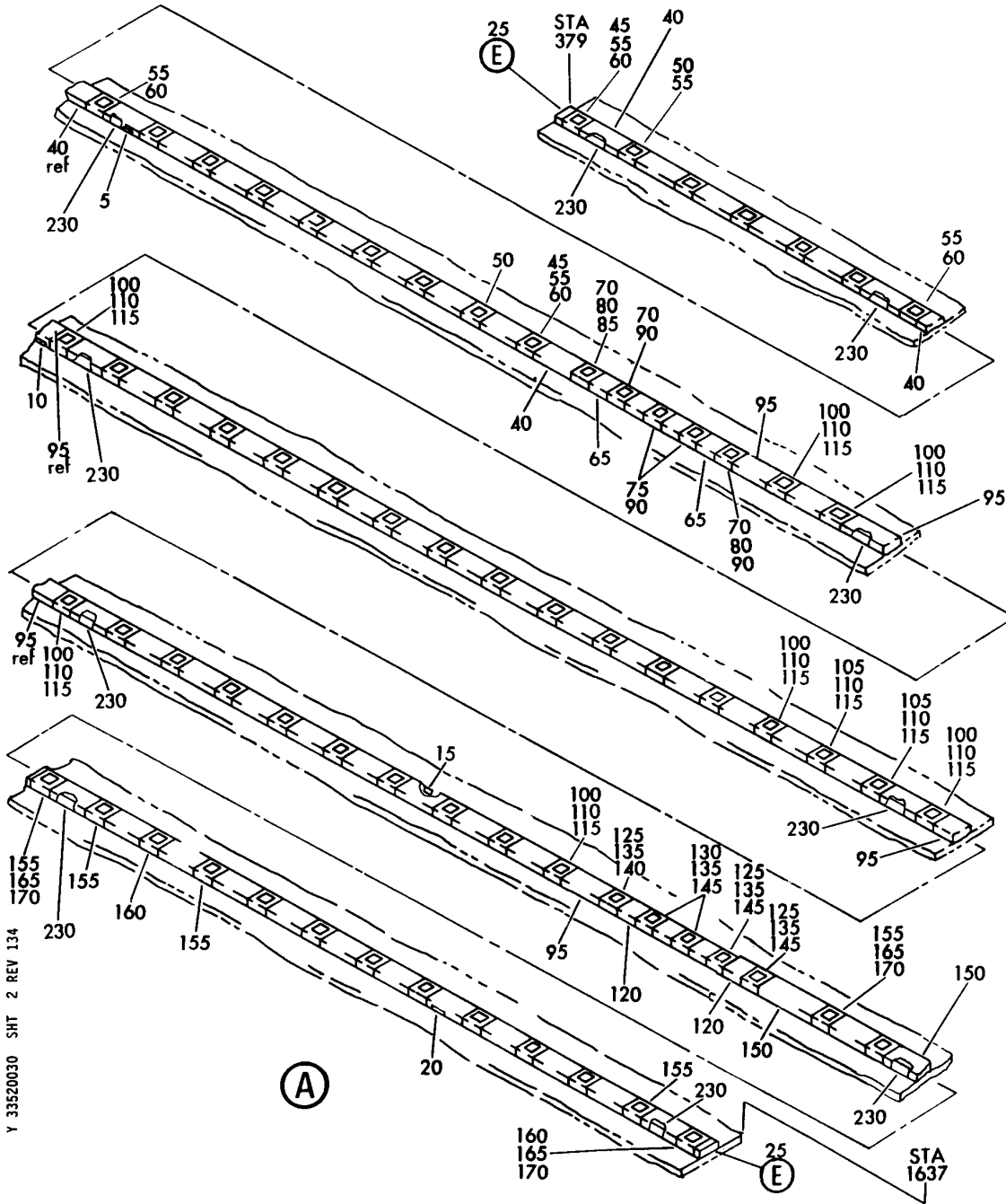
LIGHTING INSTL-EMER FLOOR PROXIMITY
FIGURE 30 (SHEET 1)

33-52-00-30

BRI
MAY 28/07

33-52-00-30
PAGE 0

BOEING
757
PARTS CATALOG (MAINTENANCE)



Y 33520030 SHT 2 REV 134

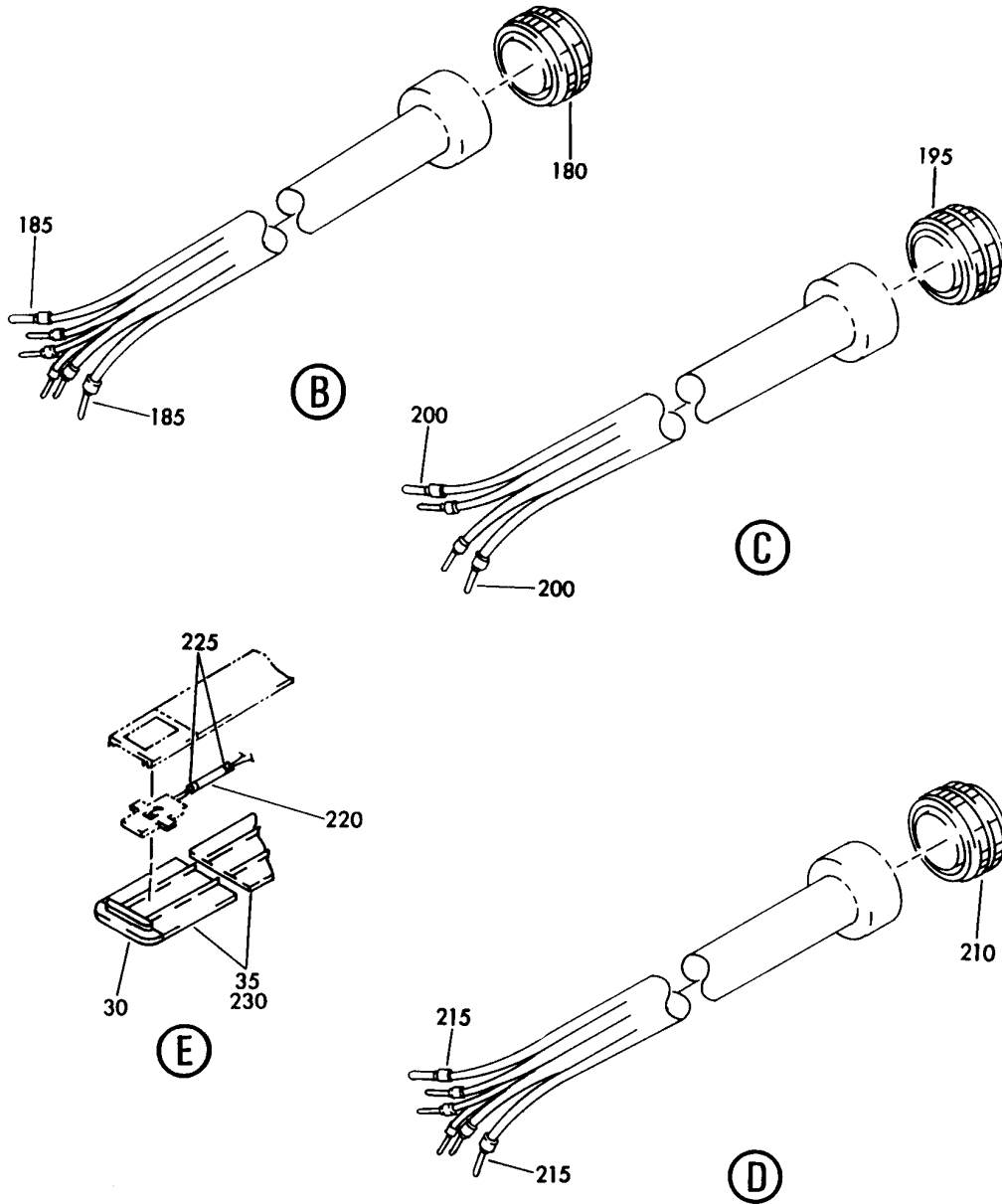
LIGHTING INSTL-EMER FLOOR PROXIMITY
FIGURE 30 (SHEET 2)

33-52-00-30

BRI
MAY 28/07

33-52-00-30
PAGE 0A

BOEING
757
PARTS CATALOG (MAINTENANCE)



Y 33520030 SHT 3 REV 117

LIGHTING INSTL-EMER FLOOR PROXIMITY
FIGURE 30 (SHEET 3)

33-52-00-30

BRI
MAY 28/07

33-52-00-30
PAGE 0B



757

PARTS CATALOG (MAINTENANCE)

FIG ITEM	PART NUMBER	1 2 3 4 5 6 7	NOMENCLATURE	EFFECT FROM TO	UNITS PER ASSY
30			LIGHTING INSTL-EMER FLOOR PROXIMITY	121503 904949	
- 1	417N5210-43		LIGHTING INSTL-EMER FLOOR PROXIMITY ILF FOR NHA/ADDITIONAL DET SEE: 33-51-01-66	121503 904949	RF
5	BAC29PPS8619		.MARKER-ALUMINUM FOIL	121503 904949	1
10	BAC29PPS8618		.MARKER-ALUMINUM FOIL	121503 904949	1
15	BAC29PPS8617		.MARKER-ALUMINUM FOIL	121503 904949	1
20	BAC29PPS8620		.MARKER-ALUMINUM FOIL	121503 904949	1
25	65C33850-1SP		.CAP ASSY-END	121503 904949	2
30	417N5212-1H		..CAP-	121503 904949	1
35	65C33850-2SP		..TRACK	121503 904949	1
40	417N5213-41SP		.COVER- POSITION DATA: STA 379.20 TO 692.00	121503 904949	16
45	81000-22602		.LIGHT ASSY- SUPPLIER CODE: VS5006 POSITION DATA: STA 379.20 TO 652.00 SPECIFICATION NUMBER: S417N509-11 ELECTRICAL EQUIP NUMBER: M10764	121503 904949	2
50	81000-22607		.LIGHT ASSY- SUPPLIER CODE: VS5006 POSITION DATA: STA 392.00 TO 672.00 SPECIFICATION NUMBER: S417N509-14 ELECTRICAL EQUIP NUMBER: M10764	121503 904949	14
55	3071BPEGPL		..LAMP- SUPPLIER CODE: VS5006	121503 904949	1

MISSING ITEM NUMBERS NOT APPLICABLE

- ITEM NOT ILLUSTRATED

33-52-00-30

33-52-00
FIG. 30
PAGE 1
JAN 20/09

BRI



757

PARTS CATALOG (MAINTENANCE)

FIG ITEM	PART NUMBER	1 2 3 4 5 6 7	NOMENCLATURE	EFFECT FROM TO	UNITS PER ASSY
30					
60	81000-22701		.LENS- SUPPLIER CODE: VS5006 POSITION DATA: STA 379.20 TO 672.00 SPECIFICATION NUMBER: S417N509-2	121503 904949	16
65	417N5213-30SP		.COVER- POSITION DATA: STA 692.20 TO 720.00	121503 904949	4
70	81000-22605		.LIGHT ASSY- SUPPLIER CODE: VS5006 POSITION DATA: STA 692.00, 699.00 & 720.00 SPECIFICATION NUMBER: S417N509-12 ELECTRICAL EQUIP NUMBER: M10763 M10764 M10762	121503 904949	3
75	81000-22602		.LIGHT ASSY- SUPPLIER CODE: VS5006 POSITION DATA: STA 706.00 & 713.00 SPECIFICATION NUMBER: S417N509-11 ELECTRICAL EQUIP NUMBER: M10764 M10763	121503 904949	2
80	3071BPEGPL		..LAMP- SUPPLIER CODE: VS5006	121503 904949	1
85	81000-22701		.LENS- SUPPLIER CODE: VS5006 POSITION DATA: STA 692.00 SPECIFICATION NUMBER: S417N509-2	121503 904949	1
90	81000-22704		.LENS- SUPPLIER CODE: VS5006 POSITION DATA: STA 699.00 TO 720.00 SPECIFICATION NUMBER: S417N509-6	121503 904949	4

MISSING ITEM NUMBERS NOT APPLICABLE

- ITEM NOT ILLUSTRATED

33-52-00-30

33-52-00
FIG. 30
PAGE 2
JAN 20/09

BRI



757

PARTS CATALOG (MAINTENANCE)

FIG ITEM	PART NUMBER	1 2 3 4 5 6 7	NOMENCLATURE	EFFECT FROM TO	UNITS PER ASSY
30					
95	417N5213-41SP	.COVER-	POSITION DATA: STA 720.20 TO 1317.80	121503 904949	30
100	81000-22607	.LIGHT ASSY-	SUPPLIER CODE: VS5006 POSITION DATA: STA 737.80 TO 1297.80 SPECIFICATION NUMBER: S417N509-14 ELECTRICAL EQUIP NUMBER: M10763 M10762	121503 904949	27
105	81000-22602	.LIGHT ASSY-	SUPPLIER CODE: VS5006 POSITION DATA: STA 1057.80 & 1077.80 SPECIFICATION NUMBER: S417N509-11 ELECTRICAL EQUIP NUMBER: M10763 M10762	121503 904949	2
110	3071BPEGPL	..LAMP-	SUPPLIER CODE: VS5006	121503 904949	1
115	81000-22701	.LENS-	SUPPLIER CODE: VS5006 POSITION DATA: STA 737.80 TO 1297.80 SPECIFICATION NUMBER: S417N509-2	121503 904949	29
120	417N5213-30SP	.COVER-	POSITION DATA: STA 1317.80 TO 1345.00	121503 904949	4
125	81000-22605	.LIGHT ASSY-	SUPPLIER CODE: VS5006 POSITION DATA: STA 1317.80, 1338.80 & 1345.80 SPECIFICATION NUMBER: S417N509-12 ELECTRICAL EQUIP NUMBER: M10764 M10765	121503 904949	3

MISSING ITEM NUMBERS NOT APPLICABLE

- ITEM NOT ILLUSTRATED

33-52-00-30

33-52-00
FIG. 30
PAGE 3
JAN 20/09

BRI



757

PARTS CATALOG (MAINTENANCE)

FIG ITEM	PART NUMBER	1 2 3 4 5 6 7	NOMENCLATURE	EFFECT FROM TO	UNITS PER ASSY
30					
130	81000-22602		.LIGHT ASSY- SUPPLIER CODE: VS5006 POSITION DATA: STA 1324.80 & 1331.80 SPECIFICATION NUMBER: S417N509-11 ELECTRICAL EQUIP NUMBER: M10762 M10765	121503 904949	2
135	3071BPEGPL		..LAMP- SUPPLIER CODE: VS5006	121503 904949	1
140	81000-22701		.LENS- SUPPLIER CODE: VS5006 POSITION DATA: STA 1317.80 SPECIFICATION NUMBER: S417N509-2	121503 904949	1
145	81000-22704		.LENS- SUPPLIER CODE: VS5006 POSITION DATA: STA 1324.80 TO 1345.80 SPECIFICATION NUMBER: S417N509-6	121503 904949	4
150	417N5213-41SP		.COVER- POSITION DATA: STA 1338.80 TO 1634.70	121503 904949	15
155	81000-22607		.LIGHT ASSY- SUPPLIER CODE: VS5006 POSITION DATA: STA 1356.00 TO 1616.00 SPECIFICATION NUMBER: S417N509-14 ELECTRICAL EQUIP NUMBER: M10765	121503 904949	13
160	81000-22602		.LIGHT ASSY- SUPPLIER CODE: VS5006 POSITION DATA: STA 1436.00 & 1636.00 SPECIFICATION NUMBER: S417N509-11 ELECTRICAL EQUIP NUMBER: M10765	121503 904949	2

MISSING ITEM NUMBERS NOT APPLICABLE

- ITEM NOT ILLUSTRATED

33-52-00-30

33-52-00
FIG. 30
PAGE 4
JAN 20/09

BRI



757

PARTS CATALOG (MAINTENANCE)

FIG ITEM	PART NUMBER	1 2 3 4 5 6 7	NOMENCLATURE	EFFECT FROM TO	UNITS PER ASSY
30					
165	3071BPEGPL	..	LAMP- SUPPLIER CODE: VS5006	121503 904949	1
170	81000-22701	.L	LENS- SUPPLIER CODE: VS5006 POSITION DATA: STA 1356.00 TO 1636.20 SPECIFICATION NUMBER: S417N509-2	121503 904949	15
175	417N5214-42	.W	WIRE BUNDLE ASSY- SUPPLIER CODE: V89954 POSITION DATA: STA 522.00	121503 904949	1
180	BACC45FT12A12P	..	CONNECTOR	121503 904949	1
185	60888-4	..	RECEPTACLE-PIN SUPPLIER CODE: V00779 OPTIONAL PART: 60983-3 V00779 60789-2 V00779	121503 904949	6
185	60983-3	..	RECEPTACLE-PIN SUPPLIER CODE: V00779 OPTIONAL PART: 60888-4 V00779 60789-2 V00779	121503 904949	6
185	60789-2	..	RECEPTACLE-PIN SUPPLIER CODE: V00779 OPTIONAL PART: 60888-4 V00779 60983-3 V00779	121503 904949	6
190	417N5214-68	.W	WIRE BUNDLE ASSY- SUPPLIER CODE: V89954 POSITION DATA: STA 818.00 & 1238.00	904949	2

MISSING ITEM NUMBERS NOT APPLICABLE

- ITEM NOT ILLUSTRATED

33-52-00-30

33-52-00
FIG. 30
PAGE 5
JAN 20/09

BRI



757

PARTS CATALOG (MAINTENANCE)

FIG ITEM	PART NUMBER	1 2 3 4 5 6 7	NOMENCLATURE	EFFECT FROM TO	UNITS PER ASSY
30					
190	417N5214-98		.WIRE BUNDLE ASSY- SUPPLIER CODE: V89954 POSITION DATA: STA 818.00 & 1238.00	121503	2
195	BACC45FT12A12P		..CONNECTOR	121503 904949	1
200	60888-4		..RECEPTACLE-PIN SUPPLIER CODE: V00779 OPTIONAL PART: 60983-3 V00779 60789-2 V00779	121503 904949	4
200	60983-3		..RECEPTACLE-PIN SUPPLIER CODE: V00779 OPTIONAL PART: 60888-4 V00779 60789-2 V00779	121503 904949	4
200	60789-2		..RECEPTACLE-PIN SUPPLIER CODE: V00779 OPTIONAL PART: 60888-4 V00779 60983-3 V00779	121503 904949	4
205	417N5214-43		.WIRE BUNDLE ASSY- SUPPLIER CODE: V89954 POSITION DATA: STA 1522.00	121503 904949	1
210	BACC45FT12A12P		..CONNECTOR	121503 904949	1
215	60888-4		..RECEPTACLE-PIN SUPPLIER CODE: V00779 OPTIONAL PART: 60983-3 V00779 60789-2 V00779	121503 904949	6

MISSING ITEM NUMBERS NOT APPLICABLE

- ITEM NOT ILLUSTRATED

33-52-00-30

33-52-00
FIG. 30
PAGE 6
JAN 20/09

BRI

BOEING PROPRIETARY - Copyright © - Unpublished Work - See title page for details.



757

PARTS CATALOG (MAINTENANCE)

FIG ITEM	PART NUMBER	1 2 3 4 5 6 7	NOMENCLATURE	EFFECT FROM TO	UNITS PER ASSY
30 215	60983-3		..RECEPTACLE-PIN SUPPLIER CODE: V00779 OPTIONAL PART: 60888-4 V00779 60789-2 V00779	121503 904949	6
215	60789-2		..RECEPTACLE-PIN SUPPLIER CODE: V00779 OPTIONAL PART: 60888-4 V00779 60983-3 V00779	121503 904949	6
220	417N5210-19		.SLEEVE- SUPPLIER CODE: V06090 QUALIFIED OPTIONAL DATA: (417N5210-19 OPTIONAL TO 417N5210-44 PLUS (2) MS3367-2-9 ON S417N509-1 AND S417N509-14 ONLY)	121503 904949	AR
220	417N5210-44		.SLEEVE- QUALIFIED OPTIONAL DATA: (417N5210-19 OPTIONAL TO 417N5210-44 PLUS (2) MS3367-2-9 ON S417N509-1 AND S417N509-14 ONLY)	121503 904949	AR
225	MS3367-2-9		.STRAP- QUALIFIED OPTIONAL DATA: (417N5210-19 OPTIONAL TO 417N5210-44 PLUS (2) MS3367-2-9 ON S417N509-1 AND S417N509-14 ONLY)	121503 904949	AR
230	417N5210-6SP		.TRACK-	121503 904949	12

MISSING ITEM NUMBERS NOT APPLICABLE

- ITEM NOT ILLUSTRATED

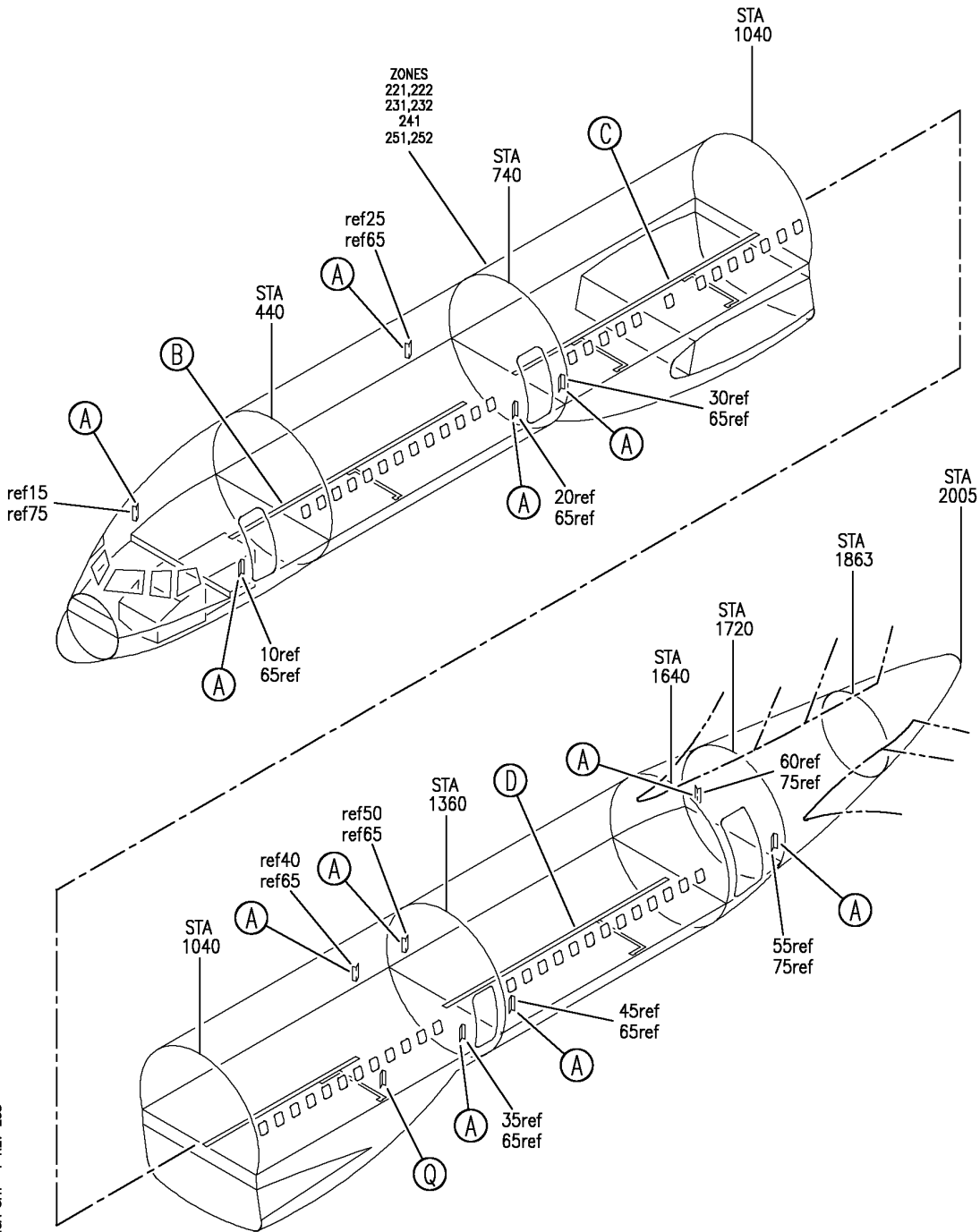
33-52-00-30

33-52-00
FIG. 30
PAGE 7
JAN 20/09

BRI

BOEING PROPRIETARY - Copyright © - Unpublished Work - See title page for details.

BOEING
757
PARTS CATALOG (MAINTENANCE)



Y 33520045A SHT 1 REV 258

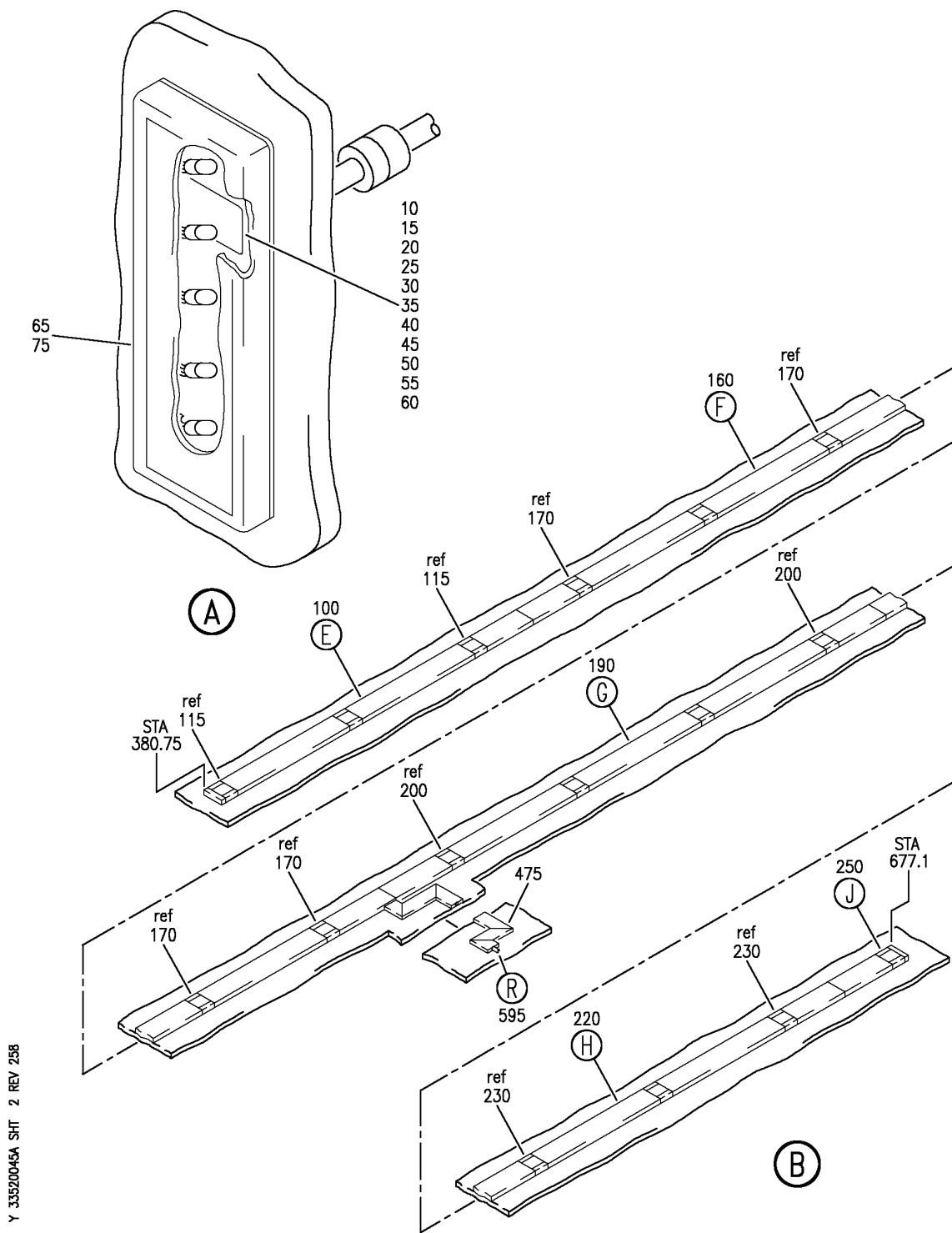
LIGHTING INSTL-757 200 EMER, FLOOR PROXIMITY 4 DOOR
FIGURE 45A (SHEET 1)

33-52-00-45A

BRI
JAN 20/09

33-52-00-45A
PAGE 0


BOEING
 757
PARTS CATALOG (MAINTENANCE)



Y 33520045A SHT 2 REV 258

LIGHTING INSTL-757 200 EMER, FLOOR PROXIMITY 4 DOOR
FIGURE 45A (SHEET 2)

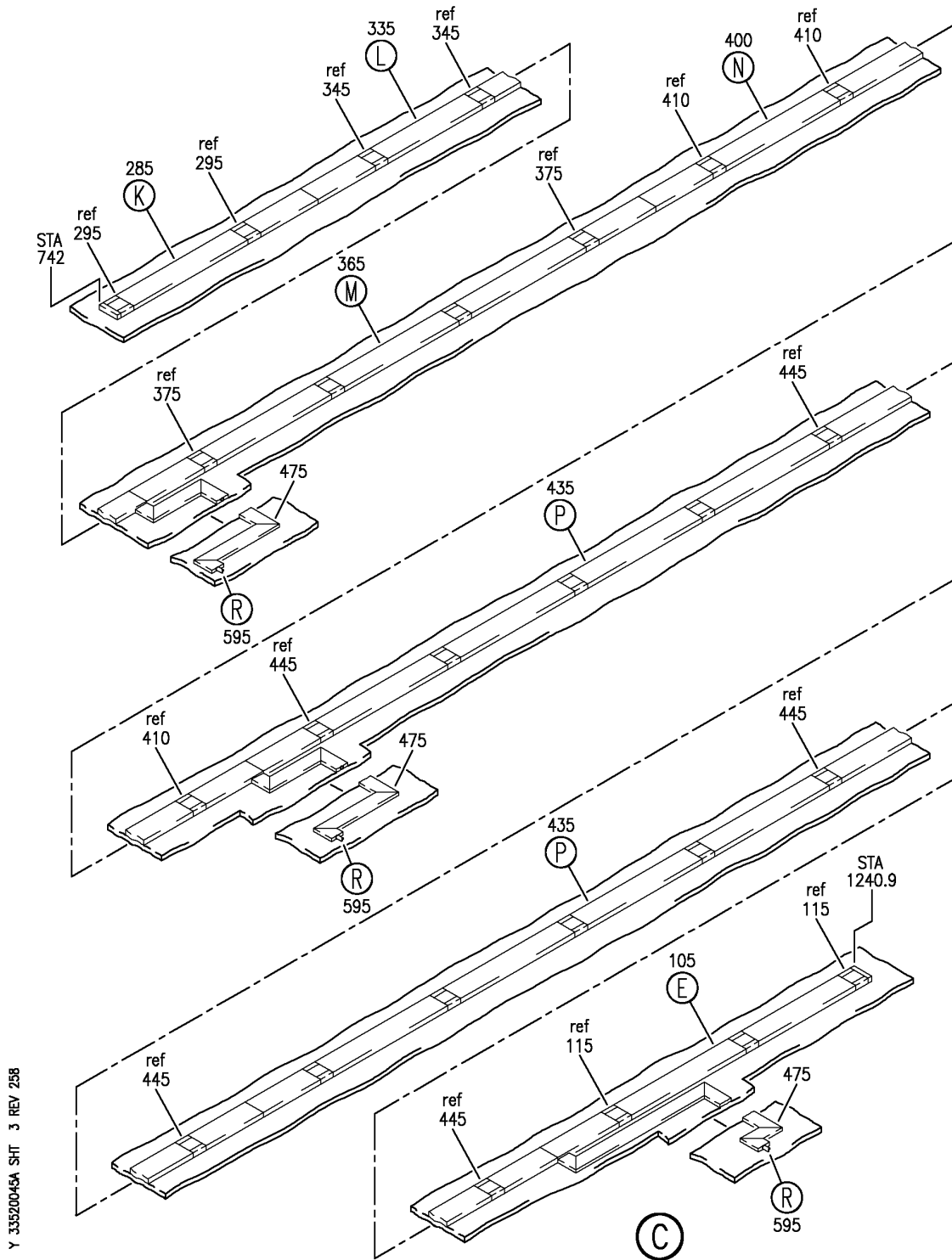
33-52-00-45A

BRI
JAN 20/09

33-52-00-45A
PAGE 0A

BOEING PROPRIETARY - Copyright © - Unpublished Work - See title page for details.

BOEING
757
PARTS CATALOG (MAINTENANCE)



Y 33520045A SHT. 3 REV. 258

LIGHTING INSTL-757 200 EMER, FLOOR PROXIMITY 4 DOOR
FIGURE 45A (SHEET 3)

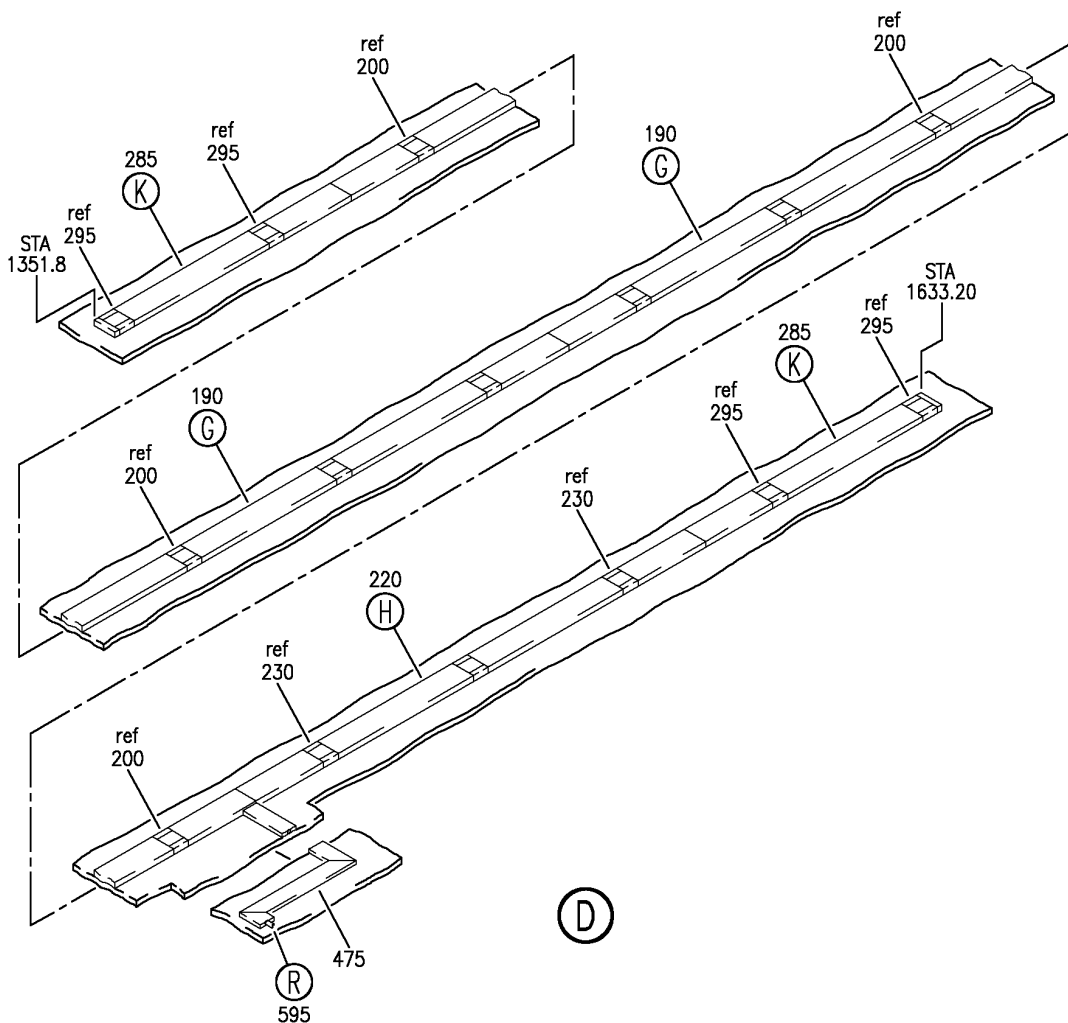
33-52-00-45A

BRI
JAN 20/09

33-52-00-45A
PAGE 0B

BOEING PROPRIETARY - Copyright © - Unpublished Work - See title page for details.

BOEING
757
PARTS CATALOG (MAINTENANCE)



Y 33520045A SHT 4 REV 258

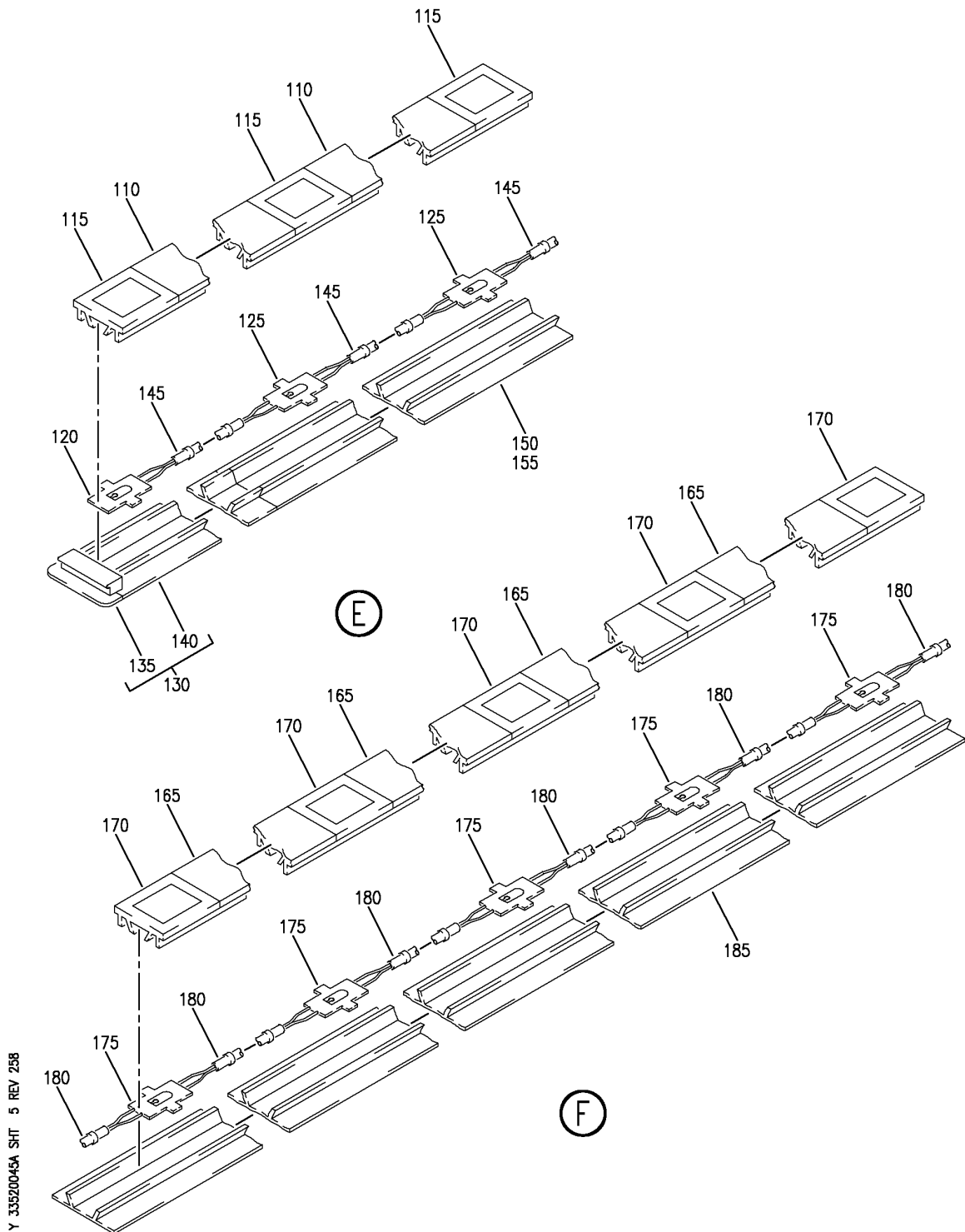
LIGHTING INSTL-757 200 EMER, FLOOR PROXIMITY 4 DOOR
FIGURE 45A (SHEET 4)

33-52-00-45A

BRI
JAN 20/09

33-52-00-45A
PAGE 0C

BOEING
757
PARTS CATALOG (MAINTENANCE)



Y 33520045A SHT 5 REV 258

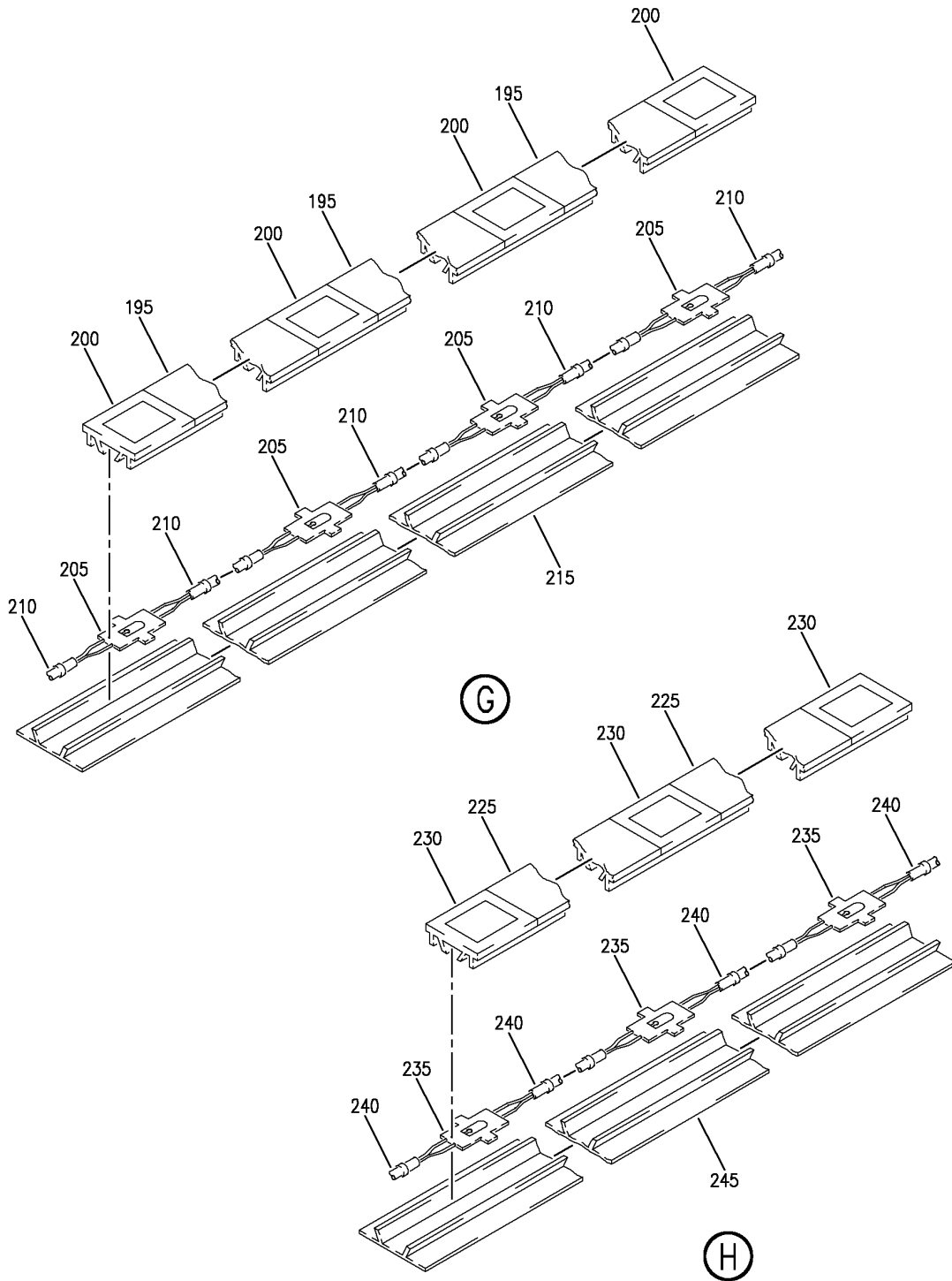
LIGHTING INSTL-757 200 EMER, FLOOR PROXIMITY 4 DOOR
FIGURE 45A (SHEET 5)

33-52-00-45A

BRI
JAN 20/09

33-52-00-45A
PAGE 0D

BOEING
757
PARTS CATALOG (MAINTENANCE)



Y 33520045A SHT 6 REV 258

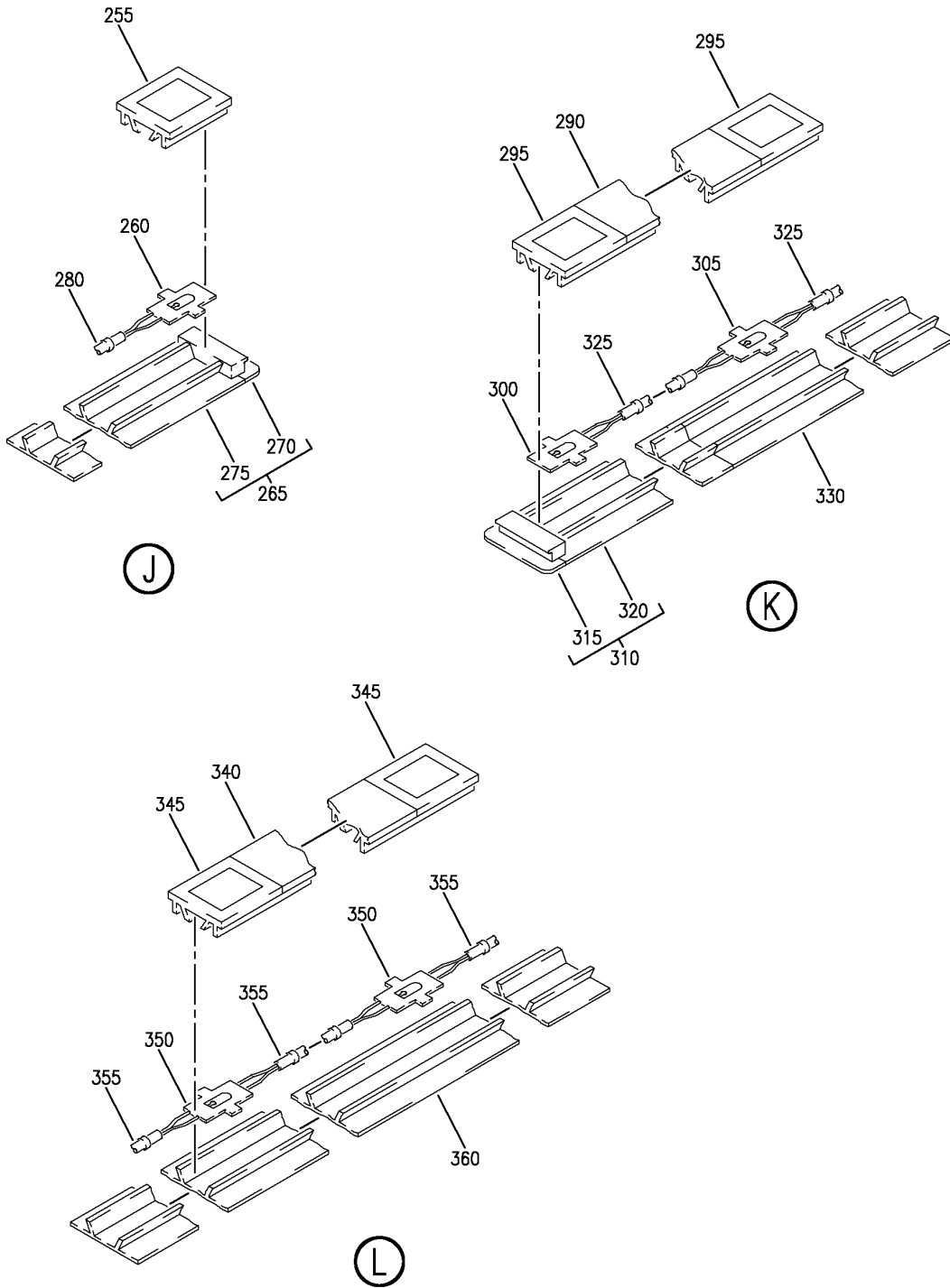
LIGHTING INSTL-757 200 EMER, FLOOR PROXIMITY 4 DOOR
FIGURE 45A (SHEET 6)

33-52-00-45A

BRI
JAN 20/09

33-52-00-45A
PAGE 0E

BOEING
757
PARTS CATALOG (MAINTENANCE)



Y 33520045A SHT 7 REV 258

LIGHTING INSTL-757 200 EMER, FLOOR PROXIMITY 4 DOOR
FIGURE 45A (SHEET 7)

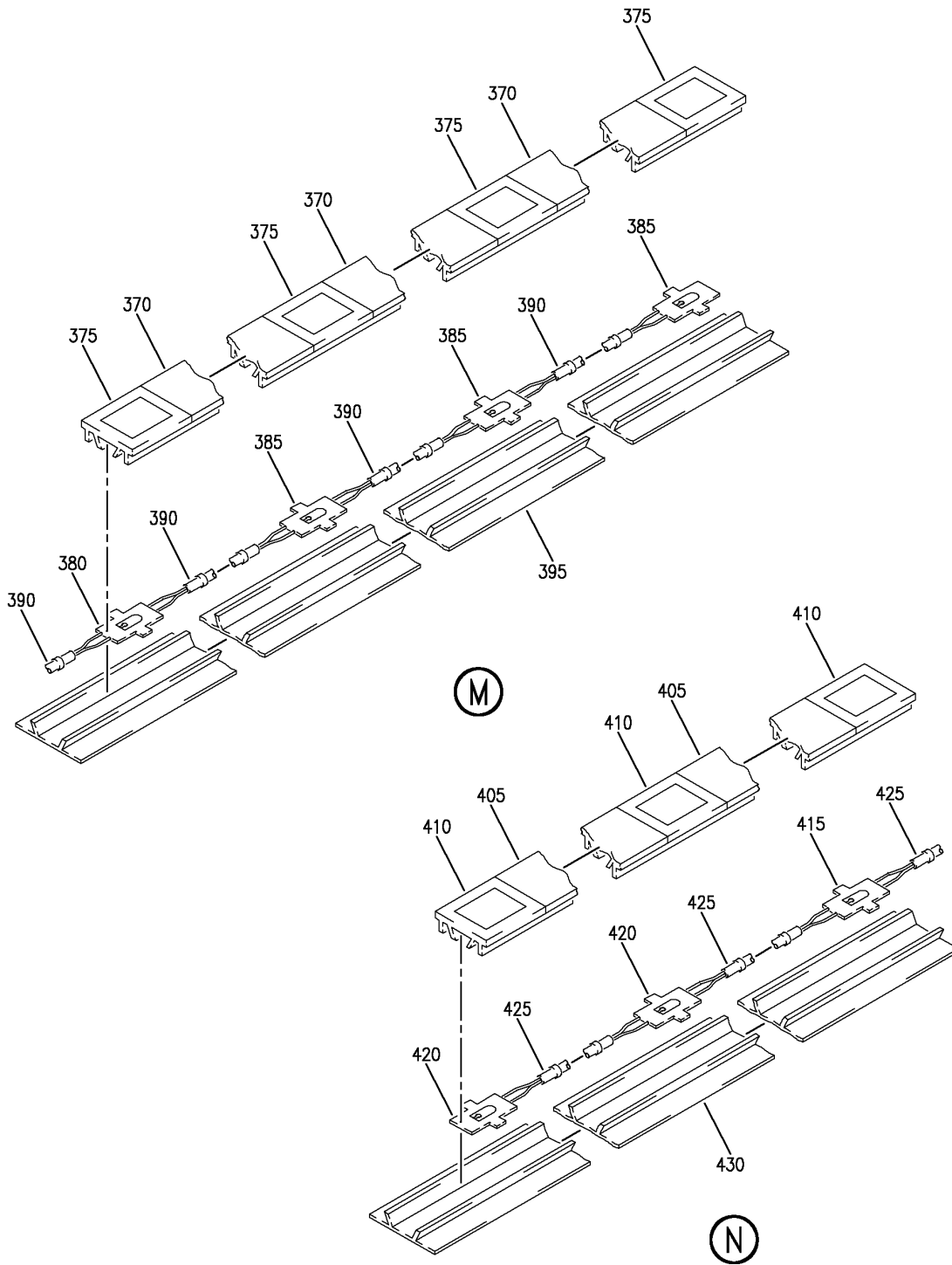
33-52-00-45A

BRI
JAN 20/09

33-52-00-45A
PAGE OF

BOEING PROPRIETARY - Copyright © - Unpublished Work - See title page for details.

BOEING
757
PARTS CATALOG (MAINTENANCE)



Y 33520045A SHT 8 REV 258

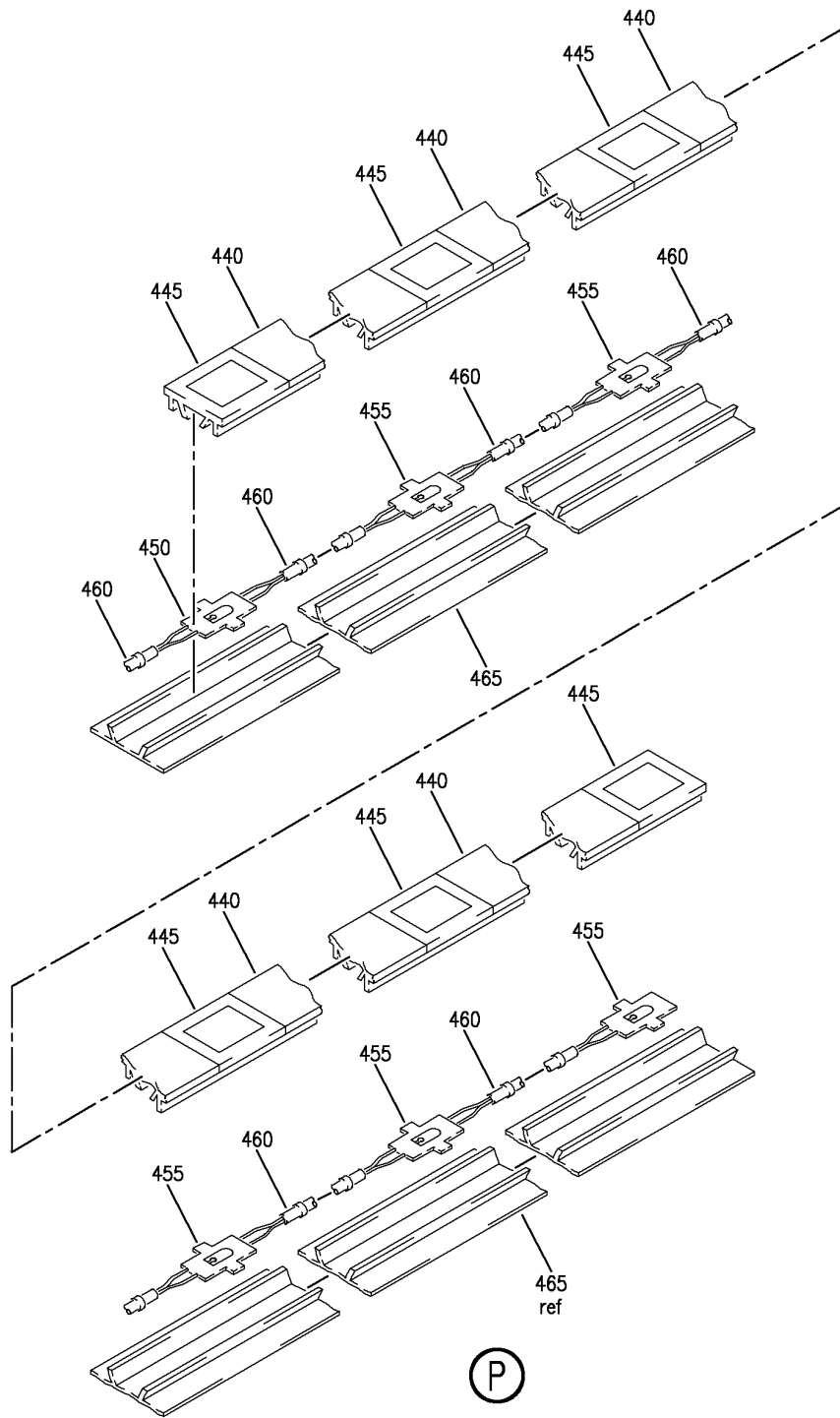
LIGHTING INSTL-757 200 EMER, FLOOR PROXIMITY 4 DOOR
FIGURE 45A (SHEET 8)

33-52-00-45A

BRI
JAN 20/09

33-52-00-45A
PAGE 08

BOEING
757
PARTS CATALOG (MAINTENANCE)



Y 33520045A SHT 9 REV 258

LIGHTING INSTL-757 200 EMER, FLOOR PROXIMITY 4 DOOR
FIGURE 45A (SHEET 9)

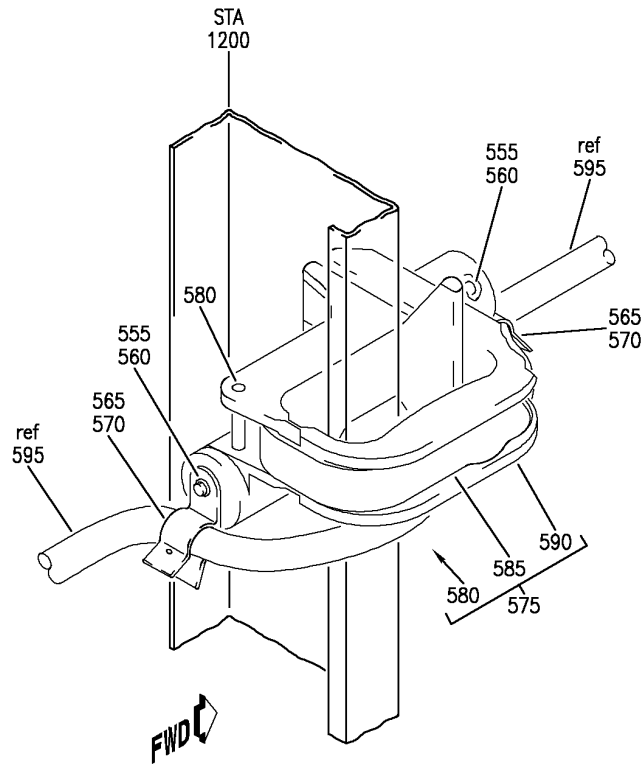
33-52-00-45A

BRI
JAN 20/09

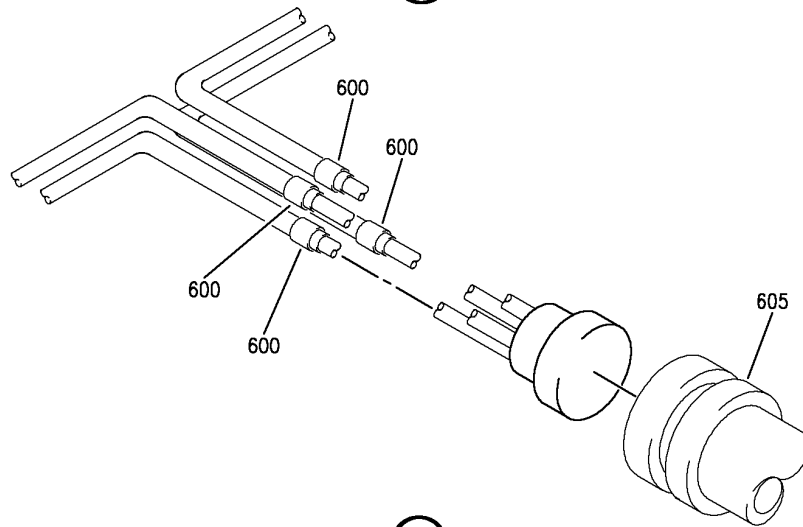
33-52-00-45A
PAGE 0H

BOEING PROPRIETARY - Copyright © - Unpublished Work - See title page for details.

BOEING
757
PARTS CATALOG (MAINTENANCE)



Q



R

Y 33520045A SHT 10 REV 258

LIGHTING INSTL-757 200 EMER, FLOOR PROXIMITY 4 DOOR
FIGURE 45A (SHEET 10)

33-52-00-45A

BRI
JAN 20/09

33-52-00-45A
PAGE 01

BOEING PROPRIETARY - Copyright © - Unpublished Work - See title page for details.



757

PARTS CATALOG (MAINTENANCE)

FIG ITEM	PART NUMBER	1 2 3 4 5 6 7	NOMENCLATURE	EFFECT FROM TO	UNITS PER ASSY
45A			LIGHTING INSTL-757 200 EMER, FLOOR PROXIMITY 4 DOOR	103106	
- 1	MODREF34348		LIGHTING INSTL-EMER, FLOOR PROXIMITY MODULE NUMBER: 417N5700-201B REV B	103106	1
10	BAC29PPS4771		.MARKER-ALUMINUM FOIL POSITION DATA: FWD LAV A PLACARD CONTENT: L630	103106	1
15	BAC29PPS4770		.MARKER-ALUMINUM FOIL POSITION DATA: GALLEY 1 RH PLACARD CONTENT: L629	103106	1
20	BAC29PPS4773		.MARKER-ALUMINUM FOIL POSITION DATA: DOOR 2 LH FWD PLACARD CONTENT: L632	103106	1
25	BAC27NEL1173		.DECAL-VINYL POSITION DATA: DOOR 2 LH FWD PLACARD CONTENT: L866	103106	1
30	BAC27NEL1172		.MARKER-VINYL POSITION DATA: DOOR 2 LH AFT PLACARD CONTENT: L865	103106	1
35	BAC29PPS4781		.MARKER-ALUMINUM FOIL POSITION DATA: DOOR 3 LH FWD PLACARD CONTENT: L640	103106	1
40	BAC27NEL1175		.DECAL-VINYL POSITION DATA: DOOR 3 RH FWD PLACARD CONTENT: L868	103106	1
45	BAC27NEL1174		.MARKER-VINYL POSITION DATA: DOOR 3 LH AFT PLACARD CONTENT: L867	103106	1

MISSING ITEM NUMBERS NOT APPLICABLE

- ITEM NOT ILLUSTRATED

33-52-00-45A

33-52-00
FIG. 45A
PAGE 1
JAN 20/09

BRI

BOEING PROPRIETARY - Copyright © - Unpublished Work - See title page for details.



757

PARTS CATALOG (MAINTENANCE)

FIG ITEM	PART NUMBER	1 2 3 4 5 6 7	NOMENCLATURE	EFFECT FROM TO	UNITS PER ASSY
45A 50	BAC29PPS4780		.MARKER-ALUMINUM FOIL POSITION DATA: DOOR 3 RH AFT PLACARD CONTENT: L639	103106	1
55	BAC29PPS4779		.MARKER-ALUMINUM FOIL POSITION DATA: GALLEY 4 LH PLACARD CONTENT: L638	103106	1
60	BAC29PPS4778		.MARKER-ALUMINUM FOIL POSITION DATA: GALLEY 4 RH PLACARD CONTENT: L637	103106	1
65	702409-1001		.INDICATOR ASSY-EXIT IND SUPPLIER CODE: V55438 SPECIFICATION NUMBER: S417N510-1001 ELECTRICAL EQUIP NUMBER: L00630 L00632 L00639 L00640 L00865 L00866 L00867 L00868	103106	8
- 70	BACS12HJ3K9		ATTACHING PARTS .SCREW -----*-----	103106	16
75	702409-1001		.INDICATOR ASSY-EXIT IND SUPPLIER CODE: V55438 SPECIFICATION NUMBER: S417N510-1001 ELECTRICAL EQUIP NUMBER: L00629 L00637 L00638	103106	3
- 80	BACS12HJ3K8		ATTACHING PARTS .SCREW -----*-----	103106	6
100	417A5703-3304HJ		.LIGHT ASSY- ELECTRICAL EQUIP NUMBER: M10764	103106	1

MISSING ITEM NUMBERS NOT APPLICABLE

- ITEM NOT ILLUSTRATED

33-52-00-45A

33-52-00
FIG. 45A
PAGE 2
JAN 20/09

BRI

BOEING PROPRIETARY - Copyright © - Unpublished Work - See title page for details.



757

PARTS CATALOG (MAINTENANCE)

FIG ITEM	PART NUMBER	1 2 3 4 5 6 7	NOMENCLATURE	EFFECT FROM TO	UNITS PER ASSY
45A 105	417A5703-3311HJ	.LIGHT ASSY-	ELECTRICAL EQUIP NUMBER: M10762	103106	1
110	417A5701-180HJ	..COVER-TRACK		103106	2
115	81000-22701	..LENS-	SUPPLIER CODE: VS5006 SPECIFICATION NUMBER: S417N509-2	103106	3
120	81000-22602	..LIGHT ASSY-NO PIGTAIL	SUPPLIER CODE: VS5006 SPECIFICATION NUMBER: S417N509-11	103106	1
125	81000-22608	..LIGHT ASSY-24 IN. PIGTAIL	SUPPLIER CODE: VS5006 SPECIFICATION NUMBER: S417N509-15	103106	2
130	417A5704-2HJ	..ENDCAP ASSY		103106	1
135	417N5212-1HJ	...CAP-END		103106	1
140	417A5704-59B	...TRACK		103106	1
145	65C32046-39	..SLEEVING-	SUPPLIER CODE: V81205	103106	AR
150	417A5702-408B	..TRACK-BASE	USED ON: 417A5703-3304HJ	103106	1
155	417A5702-413B	..TRACK-BASE	USED ON: 417A5703-3311HJ	103106	1
160	417A5703-2500HJ	.LIGHT ASSY-	ELECTRICAL EQUIP NUMBER: M10764	103106	1
165	417A5701-180HJ	..COVER-TRACK		103106	4
170	81000-22701	..LENS-	SUPPLIER CODE: VS5006 SPECIFICATION NUMBER: S417N509-2	103106	5
175	81000-22608	..LIGHT ASSY-24 IN. PIGTAIL	SUPPLIER CODE: VS5006 SPECIFICATION NUMBER: S417N509-15	103106	5
180	65C32046-39	..SLEEVING-	SUPPLIER CODE: V81205	103106	AR
185	417A5702-3998B	..TRACK-BASE		103106	1

MISSING ITEM NUMBERS NOT APPLICABLE

- ITEM NOT ILLUSTRATED

33-52-00-45A

33-52-00
FIG. 45A
PAGE 3
JAN 20/09

BRI

BOEING PROPRIETARY - Copyright © - Unpublished Work - See title page for details.



757

PARTS CATALOG (MAINTENANCE)

FIG ITEM	PART NUMBER	1 2 3 4 5 6 7	NOMENCLATURE	EFFECT FROM TO	UNITS PER ASSY
45A 190	417A5703-2400HJ		.LIGHT ASSY- ELECTRICAL EQUIP NUMBER: M10764 M10832 M10832	103106	3
195	417A5701-180HJ		..COVER-TRACK	103106	3
200	81000-22701		..LENS- SUPPLIER CODE: VS5006 SPECIFICATION NUMBER: S417N509-2	103106	4
205	81000-22608		..LIGHT ASSY-24 IN. PIGTAIL SUPPLIER CODE: VS5006 SPECIFICATION NUMBER: S417N509-15	103106	4
210	65C32046-39		..SLEEVING- SUPPLIER CODE: V81205	103106	AR
215	417A5702-798B		..TRACK-BASE	103106	1
220	417A5703-2300HJ		.LIGHT ASSY- ELECTRICAL EQUIP NUMBER: M10764	103106	2
225	417A5701-180HJ		..COVER-TRACK	103106	2
230	81000-22701		..LENS- SUPPLIER CODE: VS5006 SPECIFICATION NUMBER: S417N509-2	103106	3
235	81000-22608		..LIGHT ASSY-24 IN. PIGTAIL SUPPLIER CODE: VS5006 SPECIFICATION NUMBER: S417N509-15	103106	3
240	65C32046-39		..SLEEVING- SUPPLIER CODE: V81205	103106	AR
245	417A5702-598B		..TRACK-BASE	103106	1
250	417A5703-3103HJ		.LIGHT ASSY- ELECTRICAL EQUIP NUMBER: M10764	103106	1
255	81000-22701		..LENS- SUPPLIER CODE: VS5006 SPECIFICATION NUMBER: S417N509-2	103106	1

MISSING ITEM NUMBERS NOT APPLICABLE

- ITEM NOT ILLUSTRATED

33-52-00-45A

33-52-00
FIG. 45A
PAGE 4
JAN 20/09

BRI

BOEING PROPRIETARY - Copyright © - Unpublished Work - See title page for details.



757

PARTS CATALOG (MAINTENANCE)

FIG ITEM	PART NUMBER	1 2 3 4 5 6 7	NOMENCLATURE	EFFECT FROM TO	UNITS PER ASSY
45A 260	81000-22602	..	LIGHT ASSY-NO PIGTAIL SUPPLIER CODE: VS5006 SPECIFICATION NUMBER: S417N509-11	103106	1
265	417A5704-4HJ	..	ENDCAP ASSY	103106	1
270	417N5212-1HJ	...	CAP-END	103106	1
275	417A5704-79B	...	TRACK	103106	1
280	65C32046-39	..	SLEEVING- SUPPLIER CODE: V81205	103106	AR
285	417A5703-3205HJ	.L	LIGHT ASSY- ELECTRICAL EQUIP NUMBER: M10763 M10832 M10832	103106	3
290	417A5701-180HJ	..	COVER-TRACK	103106	1
295	81000-22701	..	LENS- SUPPLIER CODE: VS5006 SPECIFICATION NUMBER: S417N509-2	103106	2
300	81000-22602	..	LIGHT ASSY-NO PIGTAIL SUPPLIER CODE: VS5006 SPECIFICATION NUMBER: S417N509-11	103106	1
305	81000-22608	..	LIGHT ASSY-24 IN. PIGTAIL SUPPLIER CODE: VS5006 SPECIFICATION NUMBER: S417N509-15	103106	1
310	417A5704-2HJ	..	ENDCAP ASSY	103106	1
315	417N5212-1HJ	...	CAP-END	103106	1
320	417A5704-59B	...	TRACK	103106	1
325	65C32046-39	..	SLEEVING- SUPPLIER CODE: V81205	103106	AR
330	417A5702-238B	..	TRACK-BASE	103106	1
335	417A5703-2200HJ	.L	LIGHT ASSY- ELECTRICAL EQUIP NUMBER: M10763	103106	1
340	417A5701-180HJ	..	COVER-TRACK	103106	1
345	81000-22701	..	LENS- SUPPLIER CODE: VS5006 SPECIFICATION NUMBER: S417N509-2	103106	2

MISSING ITEM NUMBERS NOT APPLICABLE

- ITEM NOT ILLUSTRATED

33-52-00-45A

33-52-00
FIG. 45A
PAGE 5
JAN 20/09

BRI

BOEING PROPRIETARY - Copyright © - Unpublished Work - See title page for details.



757

PARTS CATALOG (MAINTENANCE)

FIG ITEM	PART NUMBER	1 2 3 4 5 6 7	NOMENCLATURE	EFFECT FROM TO	UNITS PER ASSY
45A 350	81000-22608		..LIGHT ASSY-24 IN. PIGTAIL SUPPLIER CODE: VS5006 SPECIFICATION NUMBER: S417N509-15	103106	2
355	65C32046-39		..SLEEVING- SUPPLIER CODE: V81205	103106	AR
360	417A5702-398B		..TRACK-BASE	103106	1
365	417A5703-2405HJ		.LIGHT ASSY- ELECTRICAL EQUIP NUMBER: M10763	103106	1
370	417A5701-180HJ		..COVER-TRACK	103106	3
375	81000-22701		..LENS- SUPPLIER CODE: VS5006 SPECIFICATION NUMBER: S417N509-2	103106	4
380	81000-22602		..LIGHT ASSY-NO PIGTAIL SUPPLIER CODE: VS5006 SPECIFICATION NUMBER: S417N509-11	103106	1
385	81000-22608		..LIGHT ASSY-24 IN. PIGTAIL SUPPLIER CODE: VS5006 SPECIFICATION NUMBER: S417N509-15	103106	3
390	65C32046-39		..SLEEVING- SUPPLIER CODE: V81205	103106	AR
395	417A5702-798B		..TRACK-BASE	103106	1
400	417A5703-2304HJ		.LIGHT ASSY- ELECTRICAL EQUIP NUMBER: M11485	103106	1
405	417A5701-180HJ		..COVER-TRACK	103106	2
410	81000-22701		..LENS- SUPPLIER CODE: VS5006 SPECIFICATION NUMBER: S417N509-2	103106	3
415	81000-22602		..LIGHT ASSY-NO PIGTAIL SUPPLIER CODE: VS5006 SPECIFICATION NUMBER: S417N509-11	103106	1

MISSING ITEM NUMBERS NOT APPLICABLE

- ITEM NOT ILLUSTRATED

33-52-00-45A

33-52-00
FIG. 45A
PAGE 6
JAN 20/09

BRI

BOEING PROPRIETARY - Copyright © - Unpublished Work - See title page for details.



757

PARTS CATALOG (MAINTENANCE)

FIG ITEM	PART NUMBER	1 2 3 4 5 6 7	NOMENCLATURE	EFFECT FROM TO	UNITS PER ASSY
45A 420	81000-22608		..LIGHT ASSY-24 IN. PIGTAIL SUPPLIER CODE: VS5006 SPECIFICATION NUMBER: S417N509-15	103106	2
425	65C32046-39		..SLEEVING- SUPPLIER CODE: V81205	103106	AR
430	417A5702-598B		..TRACK-BASE	103106	1
435	417A5703-2606HJ		.LIGHT ASSY- ELECTRICAL EQUIP NUMBER: M10762 M11485	103106	2
440	417A5701-180HJ		..COVER-TRACK	103106	5
445	81000-22701		..LENS- SUPPLIER CODE: VS5006 SPECIFICATION NUMBER: S417N509-2	103106	6
450	81000-22602		..LIGHT ASSY-NO PIGTAIL SUPPLIER CODE: VS5006 SPECIFICATION NUMBER: S417N509-11	103106	1
455	81000-22608		..LIGHT ASSY-24 IN. PIGTAIL SUPPLIER CODE: VS5006 SPECIFICATION NUMBER: S417N509-15	103106	5
460	65C32046-39		..SLEEVING- SUPPLIER CODE: V81205	103106	AR
465	417A5702-1198B		..TRACK-BASE	103106	1
- 470	417N5700-3		.SLEEVING	103106	AR
475	417N5700-1		.COVER-WIRE	103106	AR
- 480	417A5701-180HJ		.COVER-TRACK	103106	14
- 550	MODREF33259		LIGHTING INSTL-EMER, FLOOR PROXIMITY MODULE NUMBER: 417N5700-202 REV A	103106	1
555	BACS12GU3K8		.SCREW	103106	2
560	NAS1149D0316J		.WASHER	103106	2
565	BACS38K		.STRAP	103106	2
570	287T0011-1		.CLAMP	103106	2
575	411A4902-6		.CLIP ASSY-RTNR	103106	1
580	MS16562-194		..PIN	103106	1
585	411A4902-8		..SPRING	103106	1
590	411A4902-3		..RETAINER	103106	1

MISSING ITEM NUMBERS NOT APPLICABLE

- ITEM NOT ILLUSTRATED

33-52-00-45A

33-52-00
FIG. 45A
PAGE 7
JAN 20/09

BRI

BOEING PROPRIETARY - Copyright © - Unpublished Work - See title page for details.



757

PARTS CATALOG (MAINTENANCE)

FIG ITEM	PART NUMBER	1 2 3 4 5 6 7	NOMENCLATURE	EFFECT FROM TO	UNITS PER ASSY
45A 595	417N5214-125		.WIRE BUNDLE ASSY- SUPPLIER CODE: V89954 ELECTRICAL EQUIP NUMBER: M10764 M10763 M11485 M10762 M10832	103106	5
600	60888-4		..RECEPTACLE-PIN SUPPLIER CODE: V00779 OPTIONAL PART: 60983-3 V00779 60789-2 V00779	103106	4
600	60983-3		..RECEPTACLE-PIN SUPPLIER CODE: V00779 OPTIONAL PART: 60888-4 V00779 60789-2 V00779	103106	4
600	60789-2		..RECEPTACLE-PIN SUPPLIER CODE: V00779 OPTIONAL PART: 60888-4 V00779 60983-3 V00779	103106	4
605	BACC45FT10A5P		..CONNECTOR	103106	1

MISSING ITEM NUMBERS NOT APPLICABLE

- ITEM NOT ILLUSTRATED

33-52-00-45A

33-52-00
FIG. 45A
PAGE 8
JAN 20/09

BRI

BOEING PROPRIETARY - Copyright © - Unpublished Work - See title page for details.



757

PARTS CATALOG (MAINTENANCE)

FIG ITEM	PART NUMBER	1 2 3 4 5 6 7	NOMENCLATURE	EFFECT FROM TO	UNITS PER ASSY
55			LAMP ASSY-EMERGENCY FLOOR PROXIMITY	002004 006100	
- 1	36262-4		LAMP ASSY-3 SEGMENT EEL SUPPLIER CODE: V32890 FOR NHA SEE: 33-52-00-23	002004 006100	RF
10	60228		.CONNECTOR- SUPPLIER CODE: V32890	002004 006100	1
15	45160		.WIRING HARNESS-STICKER SUPPLIER CODE: V32890 PLACARD CONTENT: GCB	002004 006100	3
20	60150		.TAPE- SUPPLIER CODE: V32890	002004 006100	AR
25	60232		.TAPE-2 SIDED SUPPLIER CODE: V32890	002004 006100	1

MISSING ITEM NUMBERS NOT APPLICABLE

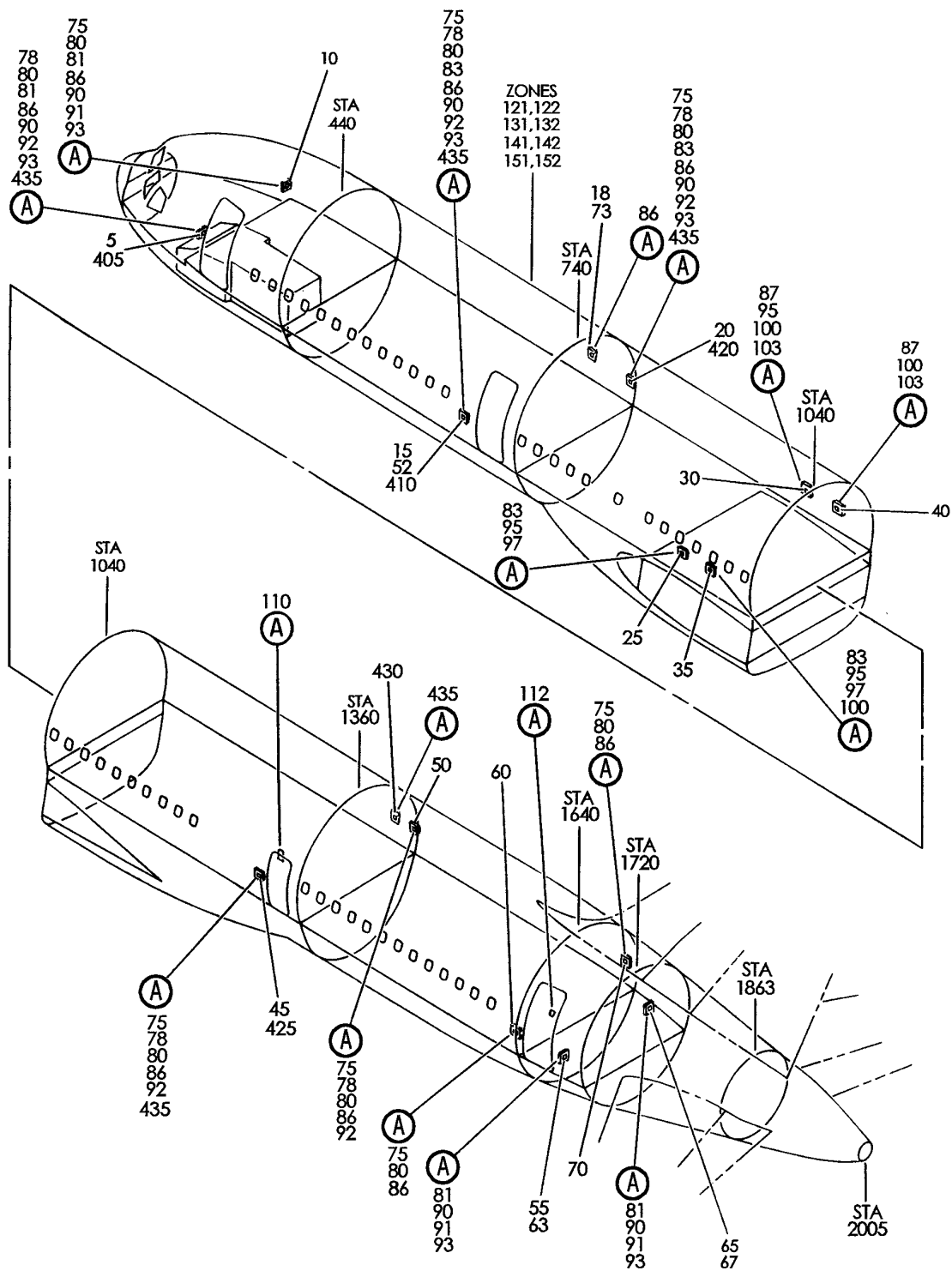
- ITEM NOT ILLUSTRATED

33-52-00-55

33-52-00
FIG. 55
PAGE 1
JAN 20/09

BRI

BOEING
757
PARTS CATALOG (MAINTENANCE)



Y 33522002 SHT 1 REV 331

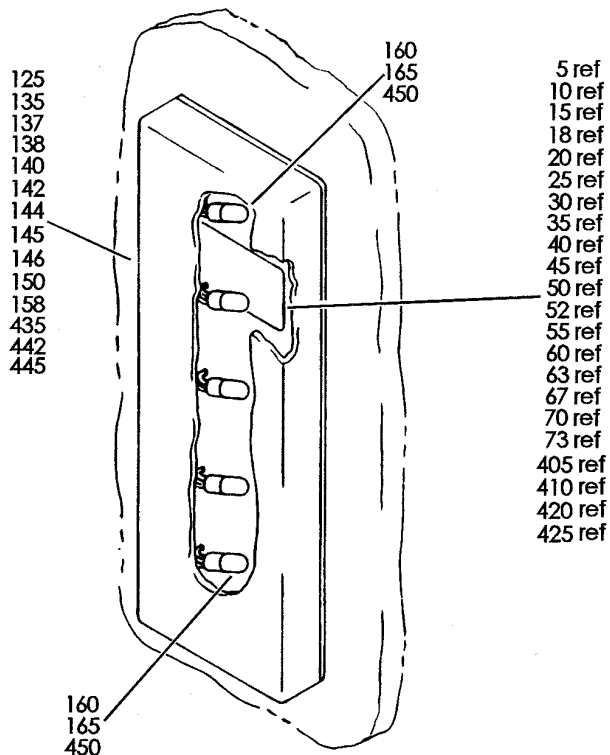
LIGHTING INSTL-EMER FLOOR PROXIMITY (EXIT LIGHTS ONLY)
FIGURE 2 (SHEET 1)

33-52-20-02

BRI
JAN 20/09

33-52-20-02
PAGE 0

BOEING
757
PARTS CATALOG (MAINTENANCE)



(A)

Y 33522002 SHT 2 REV 215

LIGHTING INSTL-EMER FLOOR PROXIMITY (EXIT LIGHTS ONLY)
FIGURE 2 (SHEET 2)

33-52-20-02

BRI
MAY 28/07

33-52-20-02
PAGE 0A



757

PARTS CATALOG (MAINTENANCE)

FIG ITEM	PART NUMBER	1 2 3 4 5 6 7	NOMENCLATURE	EFFECT FROM TO	UNITS PER ASSY
2			LIGHTING INSTL-EMER FLOOR PROXIMITY (EXIT LIGHTS ONLY)	107107 121503 904949 952999	
- 1	417N5210-15		LIGHTING INSTL-EMER FLOOR PROXIMITY (EXIT LIGHTS ONLY) FOR NHA/ADDITIONAL DET SEE: 33-51-01-57	107107	RF
- 2	417N5210-43		LIGHTING INSTL-EMER FLOOR PROXIMITY (EXIT LIGHTS ONLY) FOR NHA/ADDITIONAL DET SEE: 33-51-01-66	121503 904949	RF
- 3	417N5210-51		LIGHTING INSTL-EMER FLOOR PROXIMITY (EXIT LIGHTS ONLY) FOR NHA/ADDITIONAL DET SEE: 33-51-01-50	952999	RF
5	BAC29PPS4771		.MARKER-ALUMINUM FOIL PLACARD CONTENT: L630	107107 121503 904949 952999	1
10	BAC29PPS4770		.MARKER-ALUMINUM FOIL PLACARD CONTENT: L629	107107 121503 904949 952999	1
15	BAC29PPS4773		.MARKER-ALUMINUM FOIL PLACARD CONTENT: L632	107107 121503 904949 952999	1
20	BAC29PPS4772		.MARKER-ALUMINUM FOIL PLACARD CONTENT: L631	107107 121503 904949 952999	1
45	BAC29PPS4781		.MARKER-ALUMINUM FOIL PLACARD CONTENT: L640	107107 121503 904949 952999	1
50	BAC29PPS4780		.MARKER-ALUMINUM FOIL PLACARD CONTENT: L639	107107 121503 904949 952999	1
55	BAC29PPS4779		.MARKER-ALUMINUM FOIL PLACARD CONTENT: L638	107107 121503 904949 952999	1

MISSING ITEM NUMBERS NOT APPLICABLE

- ITEM NOT ILLUSTRATED

33-52-20-02

33-52-20
FIG. 02
PAGE 1
JAN 20/09

BRI



757

PARTS CATALOG (MAINTENANCE)

FIG ITEM	PART NUMBER	1 2 3 4 5 6 7	NOMENCLATURE	EFFECT FROM TO	UNITS PER ASSY
2					
65	BAC29PPS4778		.MARKER-ALUMINUM FOIL PLACARD CONTENT: L637	107107 121503 904949 952999	1
75	702409-1001		.INDICATOR ASSY-EXIT IND SUPPLIER CODE: V55438 SPECIFICATION NUMBER: S417N510-1001	107107	8
91	702409-1001		.INDICATOR ASSY-EXIT IND SUPPLIER CODE: V55438 SPECIFICATION NUMBER: S417N510-1001	952999	3
91	702409-1007		.INDICATOR ASSY-EXIT IND SUPPLIER CODE: V55438 SPECIFICATION NUMBER: S417N510-1007	121503 904949	3
92	702409-1001		.INDICATOR ASSY-EXIT IND SUPPLIER CODE: V55438 SPECIFICATION NUMBER: S417N510-1001	952999	5
92	702409-1007		.INDICATOR ASSY-EXIT IND SUPPLIER CODE: V55438 SPECIFICATION NUMBER: S417N510-1007	121503 904949	5
- 115	NAS603-6P		.SCREW	107107	60
- 119	NAS603-6P		.SCREW-	121503 904949 952999	16
			-----*-----		
125	207377-1001		..LENS ASSY- SUPPLIER CODE: V19565 USED ON: 702409-1001	107107 952999	1
160	OL3017BPEGPL		..LAMP-FILAMENT SUPPLIER CODE: V19565	107107 952999	5

MISSING ITEM NUMBERS NOT APPLICABLE

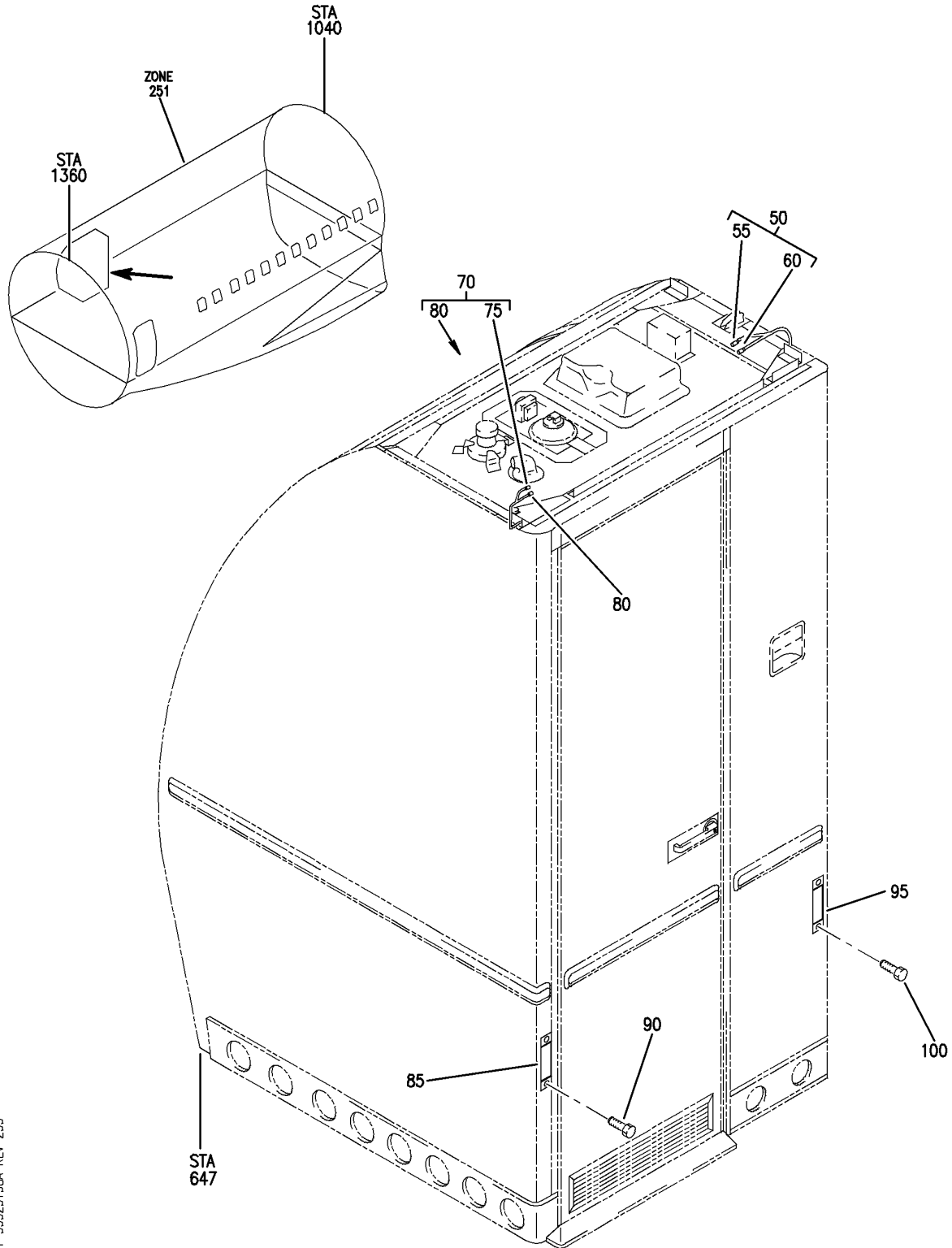
- ITEM NOT ILLUSTRATED

33-52-20-02

33-52-20
FIG. 02
PAGE 2
JAN 20/09

BRI

BOEING
757
PARTS CATALOG (MAINTENANCE)



Y 33525150A REV 233

MODULE ASSY-LAV C (LIGHTS ONLY)
FIGURE 50A

33-52-51-50A

BRI
JAN 20/09

33-52-51-50A
PAGE 0



757

PARTS CATALOG (MAINTENANCE)

FIG ITEM	PART NUMBER	1 2 3 4 5 6 7	NOMENCLATURE	EFFECT FROM TO	UNITS PER ASSY
50A			MODULE ASSY-LAV C (LIGHTS ONLY)	108120	
- 1	D75D0C035-111		MODULE ASSY-LAV C (LIGHTS ONLY) SUPPLIER CODE: VS5825 SPECIFICATION NUMBER: S417N101-2637A ELECTRICAL EQUIP NUMBER: M10014 COMPONENT MAINT MANUAL REF: 25-40-62 FOR NHA/OTHER SYS DET SEE: 25-41-03-20A	108120	RF
50	D75D95106-902		.HARNES ASSY-LT SUPPLIER CODE: VS5825	108120	1
55	48-7190		..CONNECTOR-P39, P44 SUPPLIER CODE: V02660	108120	2
60	48-7191		..CONNECTOR-J40, J43 SUPPLIER CODE: V02660	108120	2
70	D75D95107-901		.HARNES ASSY-LT SUPPLIER CODE: VS5825	108120	1
75	48-7190		..CONNECTOR-P37, P42 SUPPLIER CODE: V02660	108120	2
80	48-7191		..CONNECTOR-P38, J41 SUPPLIER CODE: V02660	108120	2
85	D75D95092-111		.LIGHT ASSY-PROXIMITY SUPPLIER CODE: VS5825	108120	1
90	NAS514P632-4		ATTACHING PARTS .SCREW -----*-----	108120	2
95	D75D95091-111		.LIGHT ASSY-PROXIMITY SUPPLIER CODE: VS5825	108120	1
100	NAS514P632-4		ATTACHING PARTS .SCREW -----*-----	108120	2
- 105	D75D80150-916		..GROMMET- SUPPLIER CODE: VS5825	108120	1

MISSING ITEM NUMBERS NOT APPLICABLE

- ITEM NOT ILLUSTRATED

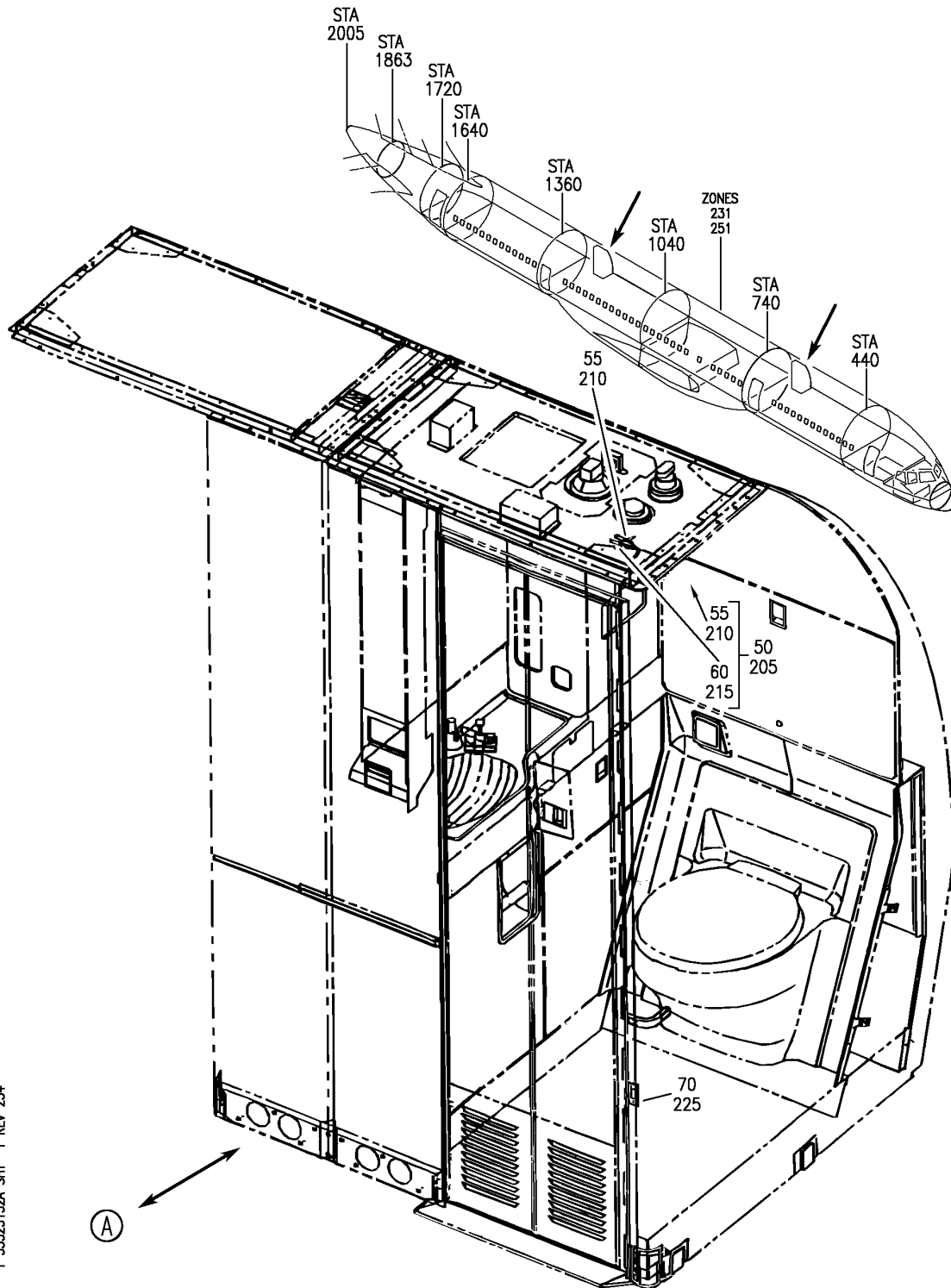
33-52-51-50A

33-52-51
FIG. 50A
PAGE 1
JAN 20/09

BRI

BOEING PROPRIETARY - Copyright © - Unpublished Work - See title page for details.

BOEING
757
PARTS CATALOG (MAINTENANCE)



Y 33525152A SHT 1 REV 254

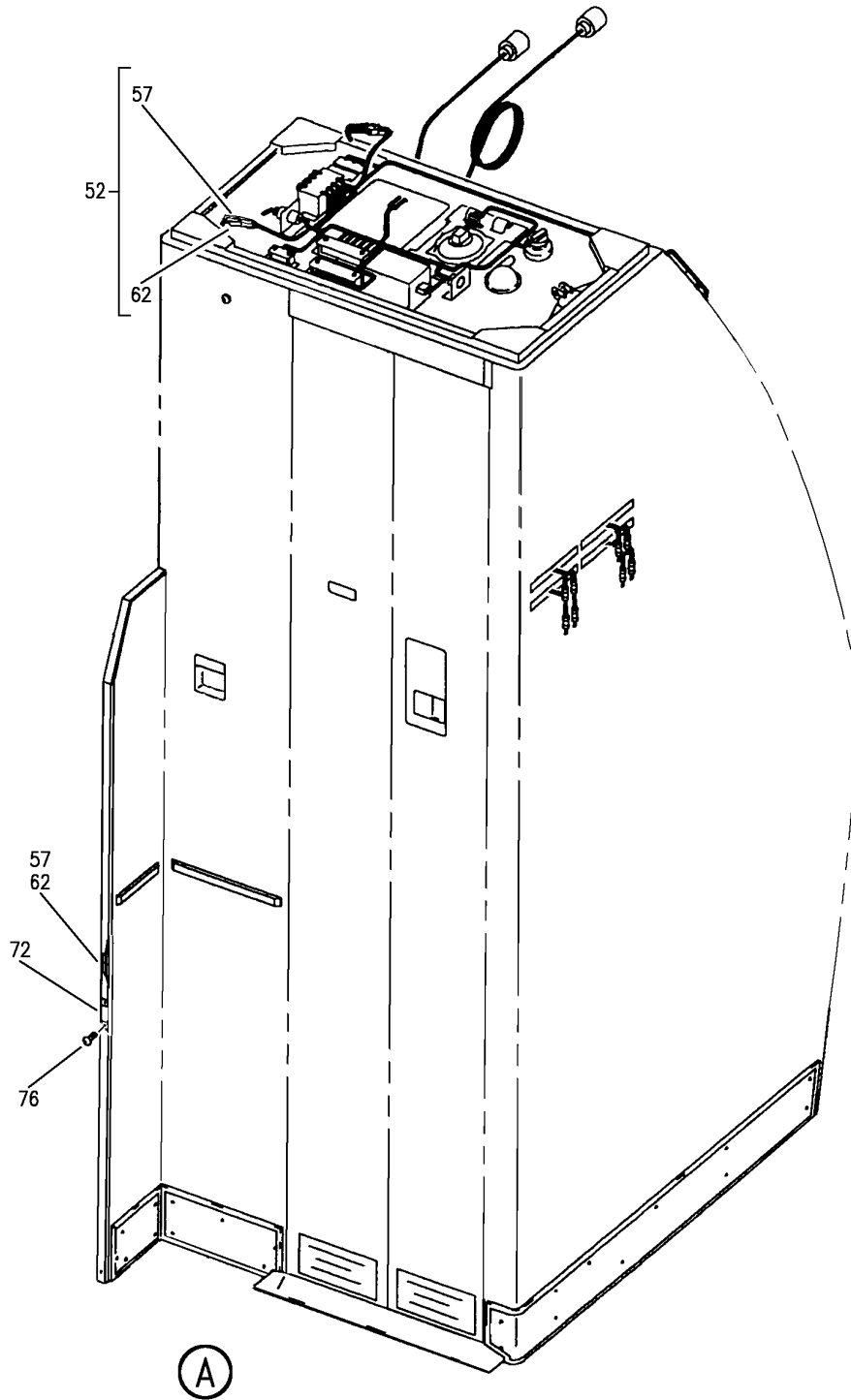
MODULE ASSY-LAV (FLOOR PROXIMITY LIGHTING ONLY)
FIGURE 52A (SHEET 1)

33-52-51-52A

BRI
JAN 20/09

33-52-51-52A
PAGE 0

BOEING
757
PARTS CATALOG (MAINTENANCE)



Y 33525152A SHT 2 REV 254

MODULE ASSY-LAV (FLOOR PROXIMITY LIGHTING ONLY)
FIGURE 52A (SHEET 2)

33-52-51-52A

BRI
JAN 20/09

33-52-51-52A
PAGE 0A



757

PARTS CATALOG (MAINTENANCE)

FIG ITEM	PART NUMBER	1 2 3 4 5 6 7	NOMENCLATURE	EFFECT FROM TO	UNITS PER ASSY
52A			MODULE ASSY-LAV (FLOOR PROXIMITY LIGHTING ONLY)	108120	
- 1	D75D0S025-111		MODULE ASSY-LAV S (FLOOR PROXIMITY LIGHTING ONLY) SUPPLIER CODE: VS5825 SPECIFICATION NUMBER: S417N101-8628A COMPONENT MAINT MANUAL REF: 25-40-62 FOR NHA/OTHER SYS DET SEE: 25-41-03-20A	108120	RF
52	D75D95107-902		.HARNES ASSY-LIGHT SUPPLIER CODE: VS5825	108120	1
57	48-7190		..CONNECTOR- SUPPLIER CODE: V02660 ELECTRICAL EQUIP NUMBER: P00042 P00037	108120	2
62	48-7191		..CONNECTOR- SUPPLIER CODE: V02660 ELECTRICAL EQUIP NUMBER: J00041 J00038	108120	2
72	D75D95092-111		.LIGHT ASSY- SUPPLIER CODE: VS5825	108120	1
76	NAS514P632-4		ATTACHING PARTS .SCREW	108120	2
- 80	D75D80150-111		-----*----- .GROMMET- SUPPLIER CODE: VS5825	108120	3

MISSING ITEM NUMBERS NOT APPLICABLE

- ITEM NOT ILLUSTRATED

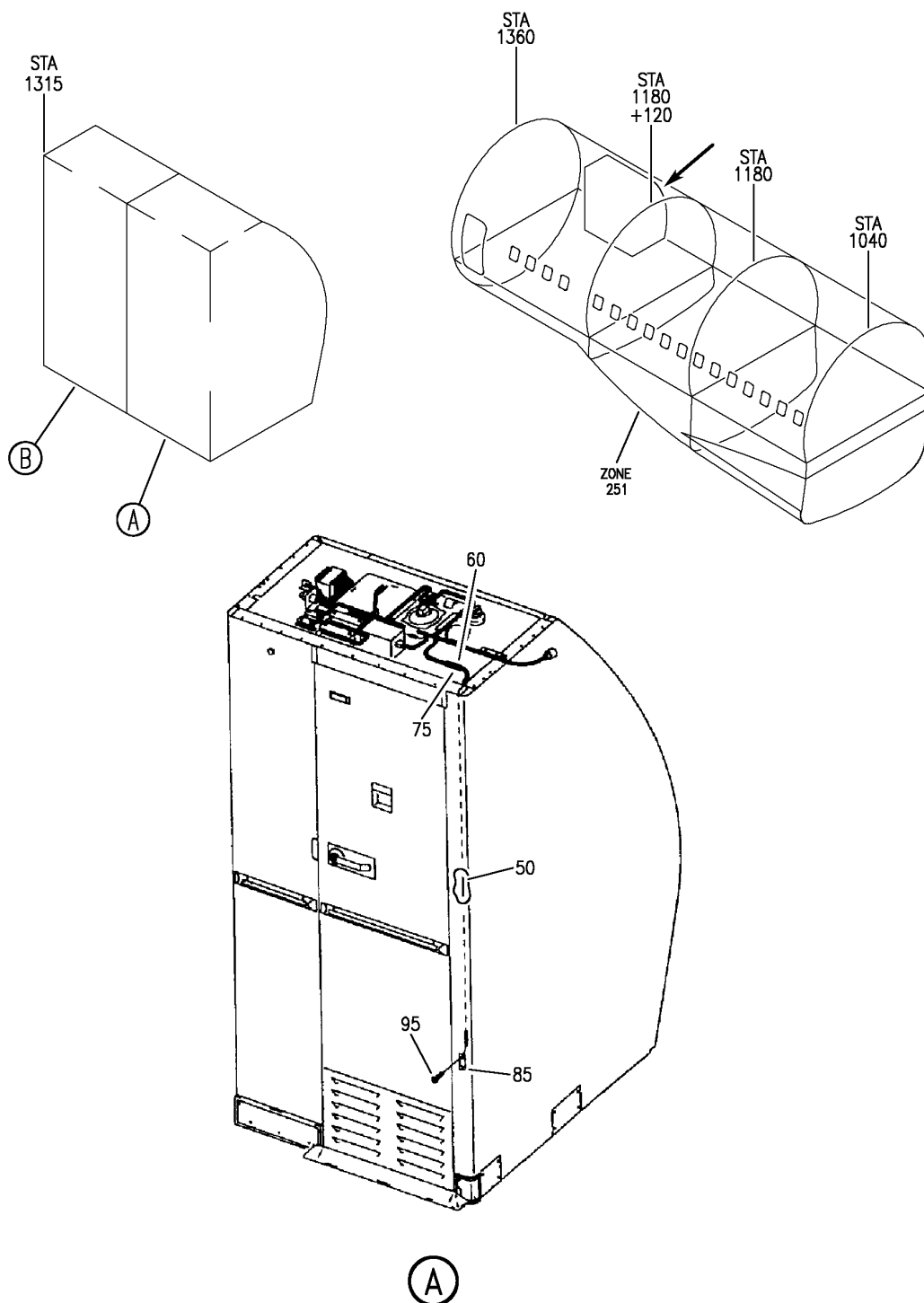
33-52-51-52A

33-52-51
FIG. 52A
PAGE 1
JAN 20/09

BRI

BOEING PROPRIETARY - Copyright © - Unpublished Work - See title page for details.

BOEING
757
PARTS CATALOG (MAINTENANCE)



Y 33525153A SHT 1 REV 256

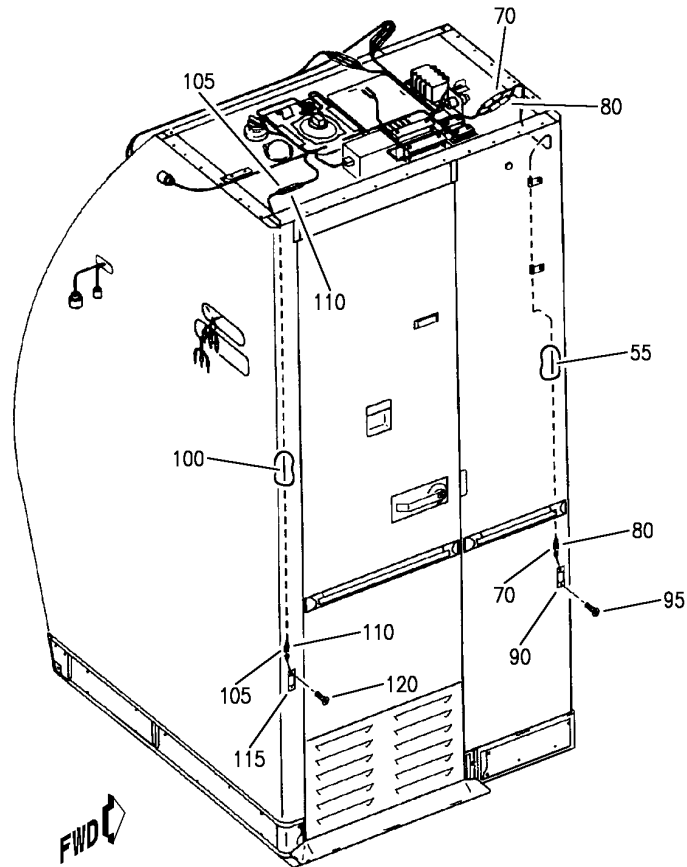
MODULE ASSY-LAV B AND C (FLOOR PROXIMITY LIGHTING ONLY)
FIGURE 53A (SHEET 1)

33-52-51-53A

BRI
JAN 20/09

33-52-51-53A
PAGE 0

BOEING
757
PARTS CATALOG (MAINTENANCE)



(B)

Y 33525153A SHT 2 REV 256

MODULE ASSY-LAV B AND C (FLOOR PROXIMITY LIGHTING ONLY)
FIGURE 53A (SHEET 2)

33-52-51-53A

BRI
JAN 20/09

33-52-51-53A
PAGE 0A

BOEING PROPRIETARY - Copyright © - Unpublished Work - See title page for details.



757

PARTS CATALOG (MAINTENANCE)

FIG ITEM	PART NUMBER	1 2 3 4 5 6 7	NOMENCLATURE	EFFECT FROM TO	UNITS PER ASSY
53A			MODULE ASSY-LAV B AND C (FLOOR PROXIMITY LIGHTING ONLY)	103106	
- 1	D71D0B007-111		MODULE ASSY-LAV B (FLOOR PROXIMITY LIGHTING ONLY) SUPPLIER CODE: VS5825 SPECIFICATION NUMBER: S417N104-2207A ELECTRICAL EQUIP NUMBER: M10013 COMPONENT MAINT MANUAL REF: 25-44-10 FOR NHA/OTHER SYS DET SEE: 25-41-03-07K	103106	RF
- 5	D71D0C009-111		MODULE ASSY-LAV C (FLOOR PROXIMITY LIGHTING ONLY) SUPPLIER CODE: VS5825 SPECIFICATION NUMBER: S417N104-2609A ELECTRICAL EQUIP NUMBER: M10014 COMPONENT MAINT MANUAL REF: 25-44-10 FOR NHA/OTHER SYS DET SEE: 25-41-03-07K	103106	RF
50	D75D95107-903		.HARNES ASSY-LIGHT LAV B SUPPLIER CODE: VS5825	103106	1
60	48-7190		..CONNECTOR-P37, P42 LAV B SUPPLIER CODE: V02660	103106	2
75	48-7191		..CONNECTOR-J38, J41 LAV B SUPPLIER CODE: V02660	103106	2
85	D75D95092-111		.LIGHT ASSY-PROXIMITY LAV B SUPPLIER CODE: VS5825	103106	1
100	D75D95107-903		.HARNES ASSY-LIGHT LAV C SUPPLIER CODE: VS5825	103106	1

MISSING ITEM NUMBERS NOT APPLICABLE

- ITEM NOT ILLUSTRATED

33-52-51-53A

33-52-51
FIG. 53A
PAGE 1
JAN 20/09

BRI

BOEING PROPRIETARY - Copyright © - Unpublished Work - See title page for details.



757

PARTS CATALOG (MAINTENANCE)

FIG ITEM	PART NUMBER	1 2 3 4 5 6 7	NOMENCLATURE	EFFECT FROM TO	UNITS PER ASSY
53A 105	48-7190		. . CONNECTOR-P37, P42 SUPPLIER CODE: V02660	103106	2
110	48-7191		. . CONNECTOR-J38, J41 SUPPLIER CODE: V02660	103106	2
115	D75D95091-111		. LIGHT ASSY-PROXIMITY LAV C SUPPLIER CODE: VS5825	103106	1
120	NAS514P632-4		ATTACHING PARTS . SCREW -----*-----	103106	2

MISSING ITEM NUMBERS NOT APPLICABLE

- ITEM NOT ILLUSTRATED

33-52-51-53A

33-52-51
FIG. 53A
PAGE 2
JAN 20/09

BRI

BOEING PROPRIETARY - Copyright © - Unpublished Work - See title page for details.