



**757-204/236**  
**ILLUSTRATED PARTS CATALOGUE**

**CHAPTER 34 – NAVIGATION**

**THOMSONFLY CUSTOMISATIONS**

# 757-204/236

PUBLICATION REVISION  
ILLUSTRATED PARTS CATALOGUE

CHAPTER 34 – NAVIGATION

EFFECTIVE PAGES

CH-SECT-UNIT-FIG	PAGE NO.	DATE
* 34 CONTENTS	1	APR 07
34-13-01-01	1	JUN 03
34-22-02-01	0A	MAY 02
34-22-02-01	2A	MAY 02
34-45-51-01	1	MAY 02
34-45-51-01	2	MAY 02
34-45-51-01B	1	MAY 02
34-46-01-01	0A	MAY 02
34-46-01-01	0B	MAY 02
34-46-01-01	4A	MAY 02
34-46-01-01	5A	MAY 02
34-46-02-01	0	MAY 02
34-46-02-01	1	MAY 02
34-46-02-01	2	MAY 02
34-46-51-01	0A	MAY 02
34-46-51-01	5	MAY 02
34-46-51-02	0A	MAY 02
34-46-51-02	0B	MAY 02
34-46-51-02	14	MAY 02
* 34-53-01-01	1	APR 07
* 34-53-01-01B	1	APR 07
* 34-53-02-01	0	APR 07
* 34-53-02-01	1	APR 07
* 34-53-02-02	0	APR 07
* 34-53-02-02	1	APR 07
* 34-53-02-50J	1	APR 07

CH-SECT-UNIT-FIG	PAGE NO.	DATE

\* INDICATES PAGES CHANGED OR ADDED BY THE CURRENT REVISION

# 757-204/236

PUBLICATION REVISION  
ILLUSTRATED PARTS CATALOGUE

## CHAPTER 34 – NAVIGATION

### TABLE OF CONTENTS

<u>SUBJECT</u>	<u>CHAPTER SECTION UNIT</u>	<u>FIGURE</u>
AIR DATA STANDBY INSTRUMENTS	34-13-00	
PANEL INSTL – CAPT AND FIRST OFFICER FWD (ALTIMETER ONLY)	34-13-01	01
FLIGHT INSTRUMENT SYSTEM	34-22-00	
PANEL INSTL – P8,P9,P10 ELECTRONICS (FLIGHT INSTRUMENT SYSTEM ONLY)	34-22-02	01
TRAFFIC ALERT AND COLLISION AVOIDANCE SYSTEM (TCAS)	34-45-00	
EQUIPMENT INSTL – MAIN ELECTRONICS EQPT CTR (TCAS SYSTEM ONLY)	34-45-51	01
EQUIPMENT INSTL – MAIN ELECTRONICS EQPT CTR TCAS SYSTEM ONLY)	34-45-51	01B
ENHANCED GROUND PROXIMITY WARNING SYSTEM (EGPWS)	34-46-00	
EQUIPMENT INSTL – MAIN ELECTRONICS EQPT. (GROUND PROXIMITY WARNING SYSTEM ONLY)	34-46-01	01
ANTENNA INSTL – GPS (GROUND PROXIMITY WARNING SYSTEM ONLY)	34-46-02	01
PANEL INSTL – CAPT AND FIRST OFFICER FWD (GROUND PROXIMITY WARNING SYSTEM ONLY)	34-46-51	01
PANEL INSTL – CAPT AND FIRST OFFICER FWD AND P1-3 AND P3-1 (GROUND PROXIMITY WARNING SYSTEM ONLY)	34-46-51	02
A AIR TRAFFIC CONTROL (ATC) MODE S TRANSPONDER SYSTEM	34-53-00	
A     EQUIPMENT INSTL – MAIN ELECTRONICS EQPT CTR (ATC SYSTEM ONLY)	34-53-01	01
A     EQUIPMENT INSTL – MAIN ELECTRONICS EQPT CTR (ATC SYSTEM ONLY)	34-53-01	01B
A     PANEL INSTL – P8 ELECTRONICS (ATC SYSTEM ONLY)	34-53-02	01
A     PANEL INSTL – P8, P9, P10 ELECTRONICS (ATC SYSTEM ONLY)	34-53-02	02
A     PANEL INSTL – DUAL AIR TRAFFIC CONT (NAVIGATION ONLY)	34-53-02	50J



# 757-204/236

PUBLICATION REVISION  
ILLUSTRATED PARTS CATALOGUE

FIG.	ITEM	PART NUMBER	DESCRIPTION	EFFECT FROM -TO	UNITS PER ASSY
1			AIR DATA STANDBY INSTRUMENTS PANEL INSTL – CAPT AND FIRST OFFICER FWD (ALTIMETER ONLY)  <u>MOD/757/1000 ISSUE: 1A</u> DOI No. 909		RF
*	100	4039892-904	. INDICATOR ASSY-ALTM RPL BY 4039892-907	901999	2
*	100	4039892-907	. INDICATOR ASSY-ALTM RPLS 4039892-904	901999	2

\* Not Illustrated

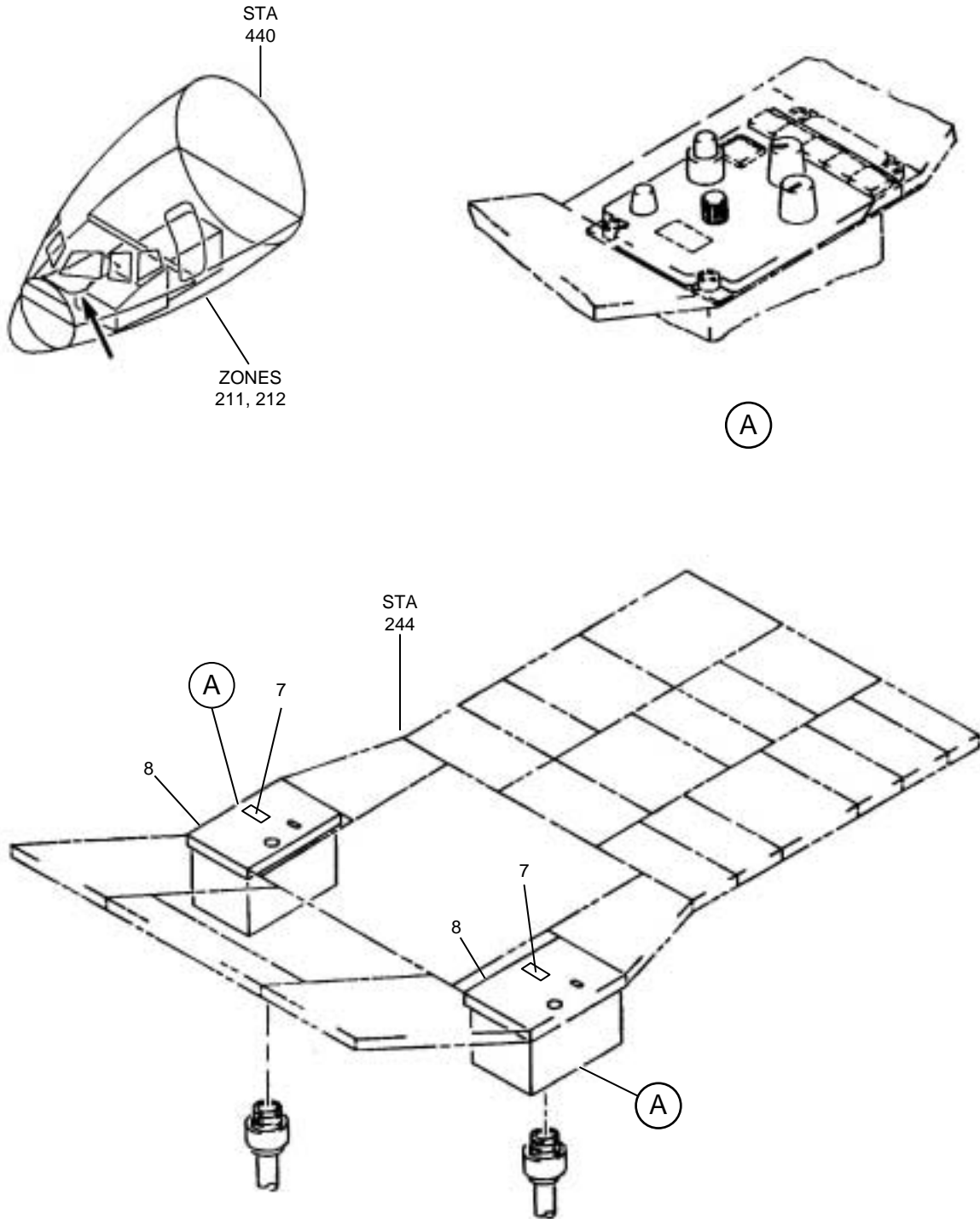
## 34-13-01-01

REV. NO: 33  
DATE: JUN 03

34-13-01  
FIG. 1  
PAGE 1



Supplement To 34-22-02-01. Insert In Front Of Page 0.



PANEL INSTL-P8, P9, P10 ELECTRONICS (FLIGHT INSTRUMENT SYSTEM ONLY)  
FIGURE 1A

PWS757-011

FIG. ITEM	PART NUMBER	1 2 3 4 5 6 7	NOMENCLATURE	EFFECT FROM TO	UNITS PER ASSY	
Supplement To 34-22-02-01.		Insert In Front Of Page 2.				
1	7	34-M757-107-1	<ul style="list-style-type: none"> <li>• DECAL</li> <li>SUPPLIER CODE: V1UHX1</li> <li>PLACARD CONTENT: WXR/TERR ADDED PER HONEYWELL STC ST00381SE</li> </ul>	002004 006013 016018	1	
	8	34-M757-107-3	<ul style="list-style-type: none"> <li>• DECAL</li> <li>SUPPLIER CODE: V1UHX1</li> <li>PLACARD CONTENT: THIS PANEL HAS BEEN MODIFIED IN ACCORDANCE WITH AEI DRAWING 34-757-107. DO NOT REPLACE WITH STANDARD PART IF EGPWS INSTALLED ADDED PER HONEYWELL STC ST00381SE -----*-----</li> </ul>	002004 006013 016018	1	

- ITEM NOT ILLUSTRATED



# 757-204/236

PUBLICATION REVISION

## ILLUSTRATED PARTS CATALOGUE

FIG. ITEM	PART NUMBER	DESCRIPTION	EFFECT FROM -TO	UNITS PER ASSY
01		EQUIPMENT INSTL – MAIN ELECTRONICS EQPT CTR E1 – E2 (EQUIPMENT / FURNISHINGS ONLY)  <u>MOD/757/1238 ISSUE:2</u>		RF
01 -	-	INSTN OF HONEYWELL TCAS II, CHANGE 7 COMPLIANT COMPUTERS	001 - 003	RF
* 10	4066010-904	. COMPUTER – TCAS (RPL BY 4066010-910).		1
* 10	4066010-910	. COMPUTER – TCAS (RPLS 4066010-904).		1

\* Not Illustrated

# 34-45-51-01



# 757-204/236

PUBLICATION REVISION

## ILLUSTRATED PARTS CATALOGUE

FIG. ITEM	PART NUMBER	DESCRIPTION	EFFECT FROM -TO	UNITS PER ASSY
01		EQUIPMENT INSTL – MAIN ELECTRONICS EQPT CTR E1 – E2 (EQUIPMENT / FURNISHINGS ONLY)  <u>MOD/757/1238 ISSUE:2</u>		RF
01 -	-	INSTN OF HONEYWELL TCAS II, CHANGE 7 COMPLIANT COMPUTERS	001 - 099	RF
* 15	4066010-904	. COMPUTER – TCAS (RPL BY 4066010-910).		1
* 15	4066010-910	. COMPUTER – TCAS (RPLS 4066010-904).		1

\* Not Illustrated



# 757-204/236

PUBLICATION REVISION

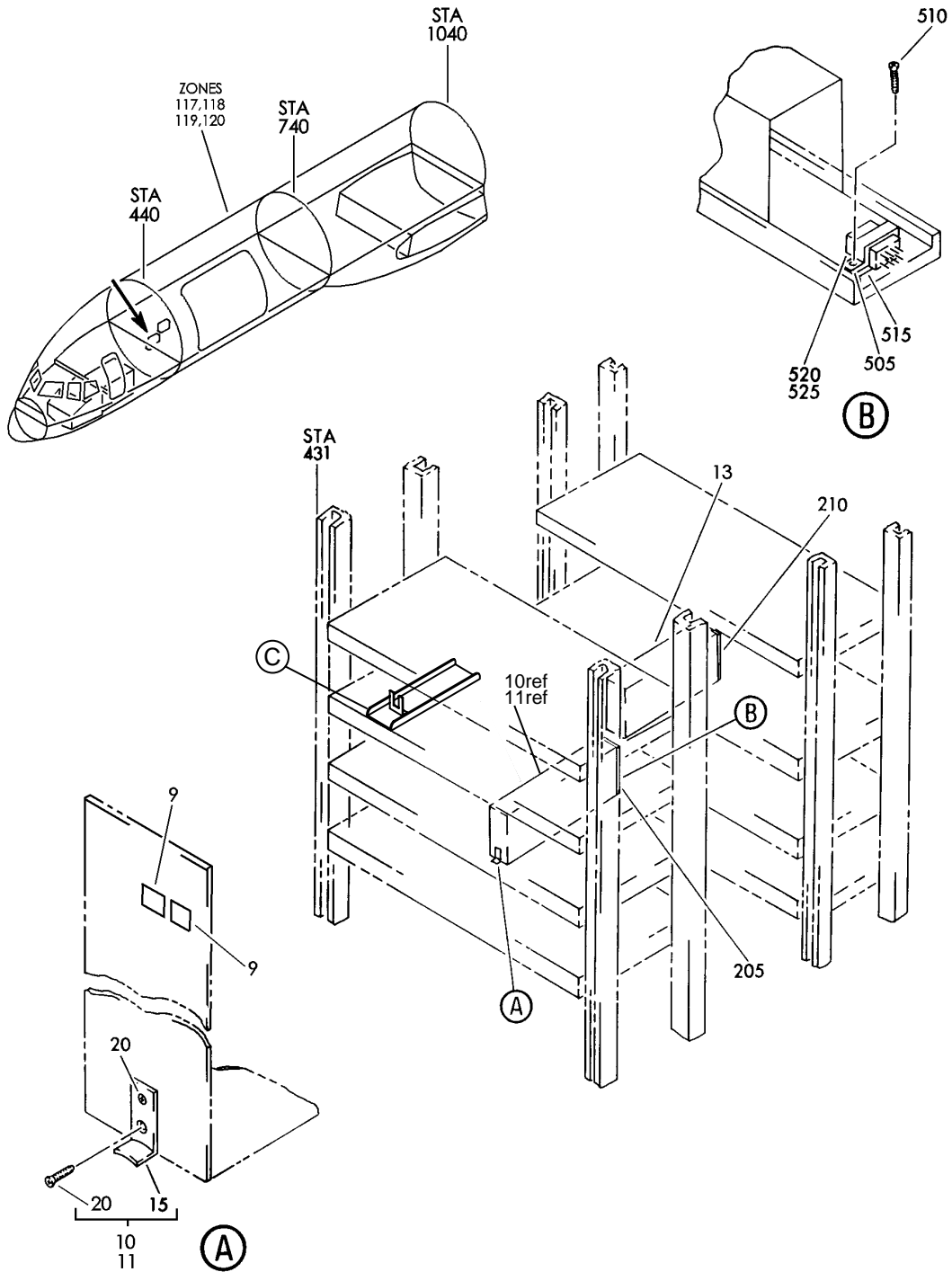
## ILLUSTRATED PARTS CATALOGUE

FIG. ITEM	PART NUMBER	DESCRIPTION	EFFECT FROM -TO	UNITS PER ASSY
01B		EQUIPMENT INSTL – MAIN ELECTRONICS EQPT CTR E1 – E2 (EQUIPMENT / FURNISHINGS ONLY)  <u>MOD/757/1238 ISSUE:2</u>		RF
01B -	-	INSTN OF HONEYWELL TCAS II, CHANGE 7 COMPLIANT COMPUTERS	101 - 899	RF
* 10	4066010-904	. COMPUTER – TCAS (RPL BY 4066010-910).		1
* 10	4066010-910	. COMPUTER – TCAS (RPLS 4066010-904).		1

\* Not Illustrated

# 34-45-51-01B

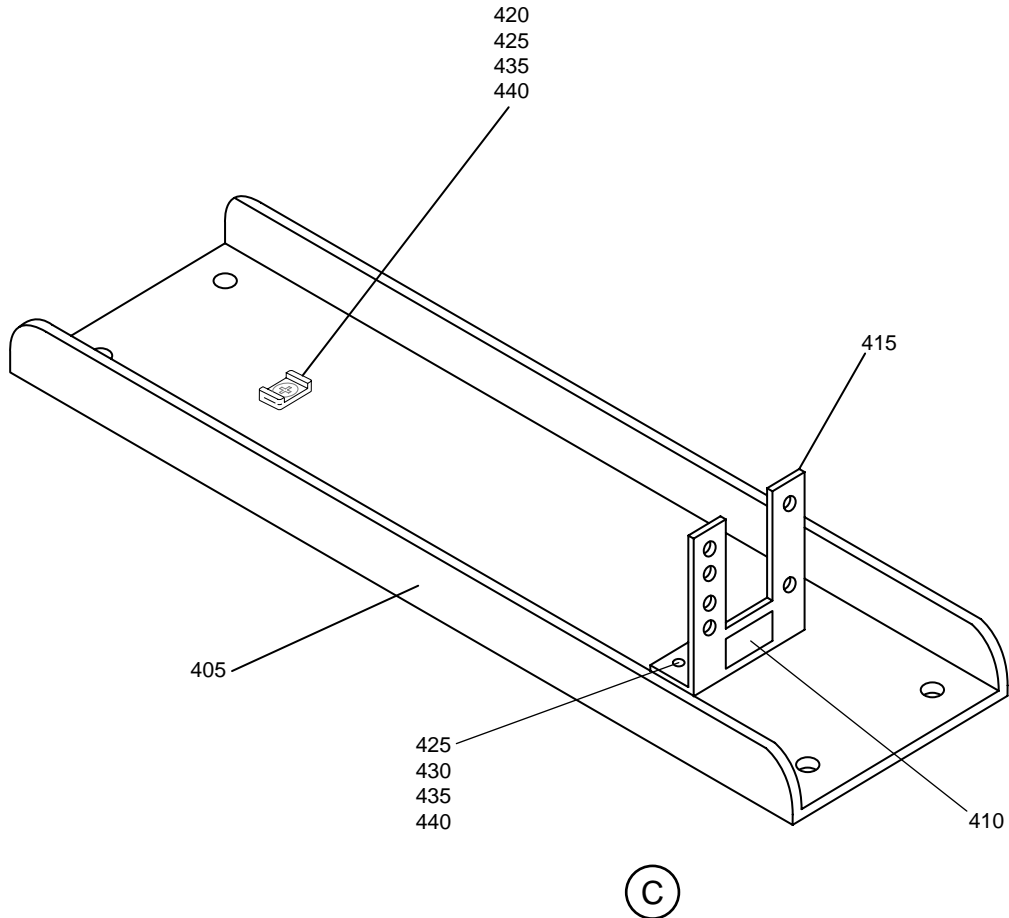
Supplement To 34-46-01-01. Insert In Front Of Page 0.



EQUIPMENT INSTL-MAIN ELECTRONIC EQUIP. CTR (GROUND PROXIMITY WARNING SYSTEM ONLY)  
FIGURE 1 (SHEET 1)

PWS757-033

Supplement To 34-46-01-01. Insert Behind New Page 0A.



PWS757-002

EQUIPMENT INSTL-MAIN ELECTRONIC EQUIP. CTR (GROUND PROXIMITY WARNING SYSTEM ONLY)  
FIGURE 1A (SHEET 2)

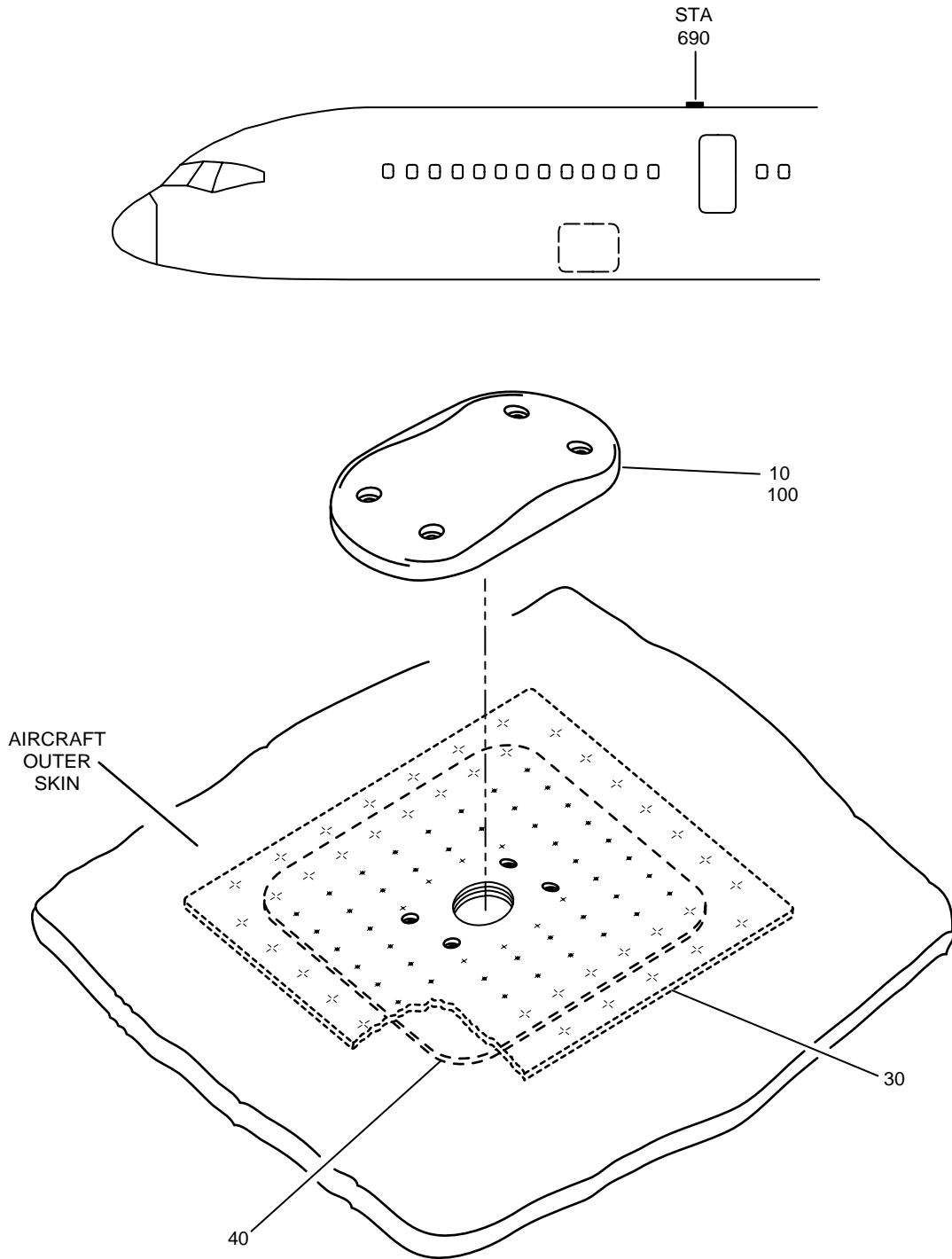
FIG. ITEM	PART NUMBER	1 2 3 4 5 6 7	NOMENCLATURE	EFFECT FROM TO	UNITS PER ASSY
Supplement To 34-46-01-01.					
1 10	965-0976-020		Insert In Front Of Page 4.  • COMPUTER ASSY-MKV EGPWC SUPPLIER CODE: V97896 ELECTRICAL EQUIPMENT NUMBER: M00147 COMPONENT MAINT MANUAL REF: 34-45-27 ADDED PER HONEYWELL STC ST00381SE -----*-----	002004 006013 016018	1

- ITEM NOT ILLUSTRATED



FIG. ITEM	PART NUMBER	1 2 3 4 5 6 7	NOMENCLATURE	EFFECT FROM TO	UNITS PER ASSY	
Supplement To 34-46-01-01.		Insert In Front Of Page 5.				
1 400	34-M757-110-1		<ul style="list-style-type: none"> <li>• TRAY ASSY-RELAY BRACKET</li> <li>SUPPLIER CODE: V1UHX1</li> <li>ADDED PER HONEYWELL STC ST00381SE</li> </ul>	002004 006013 016018	1	
410	34-M757-110-9		<ul style="list-style-type: none"> <li>•• DECAL</li> <li>PLACARD CONTENT: K9500, K9501 EGPWS DISPLAY</li> <li>ADDED PER HONEYWELL STC ST00381SE</li> </ul>	002004 006013 016018	1	
415	34-M757-110-5		<ul style="list-style-type: none"> <li>•• BRACKET RELAY</li> <li>ADDED PER HONEYWELL STC ST00381SE</li> </ul>	002004 006013 016018	1	
420	TM358-C		<ul style="list-style-type: none"> <li>•• TY-PAD</li> <li>ADDED PER HONEYWELL STC ST00381SE</li> <li>ATTACHING PARTS</li> </ul>	002004 006013 016018	1	
-425	MS35206-24S		<ul style="list-style-type: none"> <li>•• SCREW</li> </ul>	002004 006013 016018	3	
-430	NAS1149FN816P		<ul style="list-style-type: none"> <li>•• WASHER</li> </ul>	002004 006013 016018	2	
-435	MS21075L08		<ul style="list-style-type: none"> <li>•• NUTPLATE</li> </ul>	002004 006013 016018	3	
-440	NAS1097AD3-6		<ul style="list-style-type: none"> <li>•• RIVET</li> </ul>	002004 006013 016018	6	
-450	M12883/40-17		<ul style="list-style-type: none"> <li>• SOCKET-RELAY</li> <li>ELECTRICAL EQUIPMENT NUMBER: D9601 D9602</li> <li>QUALIFIED I/W DATA: M12883/40-17 I/W BACS16W1A</li> <li>ADDED PER HONEYWELL STC ST00381SE</li> </ul>	002004 006013 016018	2	
-455	M83536-16-022M		<ul style="list-style-type: none"> <li>• RELAY-</li> <li>ELECTRICAL EQUIPMENT NUMBER: K9500 K9501</li> <li>ADDED PER HONEYWELL STC ST00381SE</li> </ul>	002004 006013 016018	2	
-500	34-757-185-7		<ul style="list-style-type: none"> <li>• WIRE BUNDLE ASSY-</li> <li>D9601, D9602</li> <li>ADDED PER HONEYWELL STC ST00381SE</li> </ul>	002004 006013 016018	1	

- ITEM NOT ILLUSTRATED



ANTENNA INSTL - GPS (GROUND PROXIMITY WARNING SYSTEM ONLY)  
FIGURE 1

PWS757-019

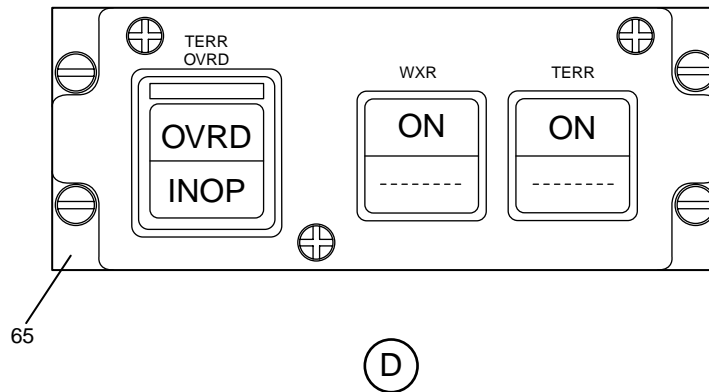
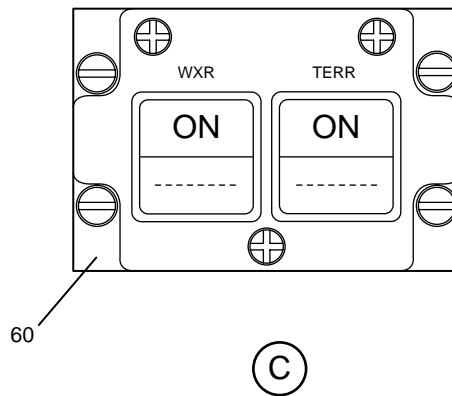
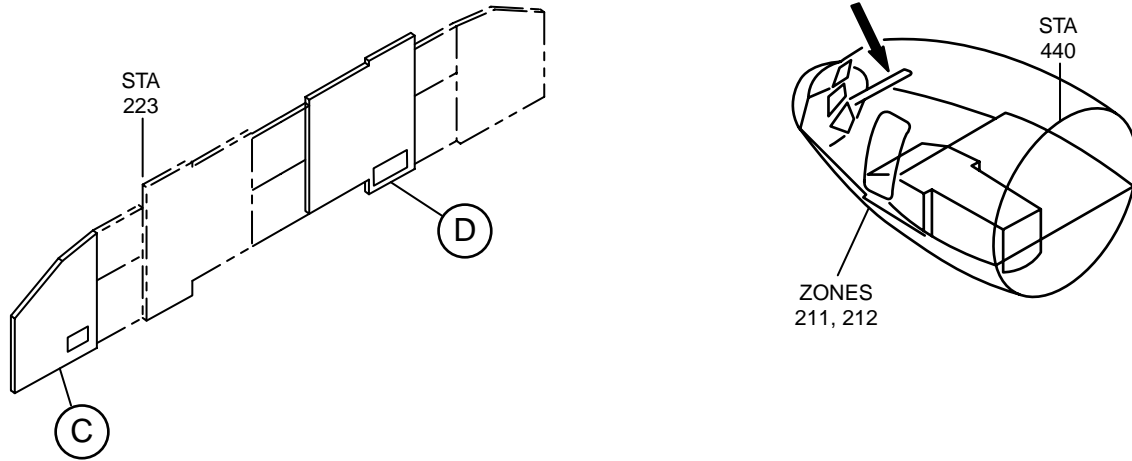
FIG. ITEM	PART NUMBER	1 2 3 4 5 6 7	NOMENCLATURE	EFFECT FROM TO	UNITS PER ASSY
1	34-M757-108-1		ANTENNA INSTL-GPS (GROUND PROXIMITY WARNING ONLY FOR AIRCRAFT WITHOUT O.E.M GPS ANTENNA PROVISIONS) ADDED PER HONEYWELL STC ST00381SE	002004	RF
10	S67-1575-133		• ANTENNA 743A GPS SUPPLIER CODE: V0JE34 ELECTRICAL EQUIPMENT NUMBER: M91248	002004	1
- 15	MS28775-143		• PACKING-PREFORMED	002004	1
- 20	34-757-184-15		• DECAL PLACARD CONTENT: M91248 GPS ANT ATTACHING PARTS	002004	1
- 25	NAS514P1032-14P		•• SCREW -----*-----	002004	4
30	34-M757-108-5		• PLATE-DOUBLER ATTACHING PARTS	002004	1
- 35	NAS1097AD4-5		•• RIVET -----*-----	002004	75
40	34-M757-108-3		• PLATE-TRIPLER ASSEMBLY ATTACHING PARTS	002004	1
- 45	NAS1097AD4-6		•• RIVET -----*-----	002004	75
	34-M757-108-9		ANTENNA INSTL-GPS (GROUND PROXIMITY WARNING ONLY FOR AIRCRAFT WITH) O.E.M GPS ANTENNA PROVISIONS) ADDED PER HONEYWELL STC ST00381SE	006013 016018	RF
100	S67-1575-133		• ANTENNA 743A GPS SUPPLIER CODE: V0JE34 ELECTRICAL EQUIPMENT NUMBER: M91248	006013 016018	1
- 115	MS28775-143		• PACKING-PREFORMED	006013 016018	1
- 120	34-757-184-15		• DECAL PLACARD CONTENT: M91248 GPS ANT ATTACHING PARTS	006013 016018	1
- 125	NAS514P1032-14P		•• SCREW	006013 016018	4
- 130	NAS1473C3		•• NUTPLATE	006013 016018	4
- 135	MS20426AD3-4		•• RIVET -----*-----	006013 016018	8

- ITEM NOT ILLUSTRATED

FIG. ITEM	PART NUMBER	1 2 3 4 5 6 7	NOMENCLATURE	EFFECT FROM TO	UNITS PER ASSY
1	-200	34-757-185-3	• WIRE BUNDLE ASSY-  ADDED PER HONEYWELL STC ST00381SE	006013 016018	1
	-210	34-757-184-13	• DECAL- PLACARD CONTENT: D9700 ADDED PER HONEYWELL STC ST00381SE	006013 016018	1
	-220	M39012/30-0503	•• CONNECTOR- ELECTRICAL EQUIPMENT NUMBER: D9700 QUALIFIED I/W DATA: M39012/30-0503 I/W KA-59-296 ADDED PER HONEYWELL STC ST00381SE -----*-----	006013 016018	1

- ITEM NOT ILLUSTRATED

Supplement To 34-46-51-02. Insert In Front Of Page 0.



PANEL INSTL-CAPT AND FIRST OFFICER FWD (GROUND PROXIMITY WARNING SYSTEM ONLY)  
FIGURE 1A

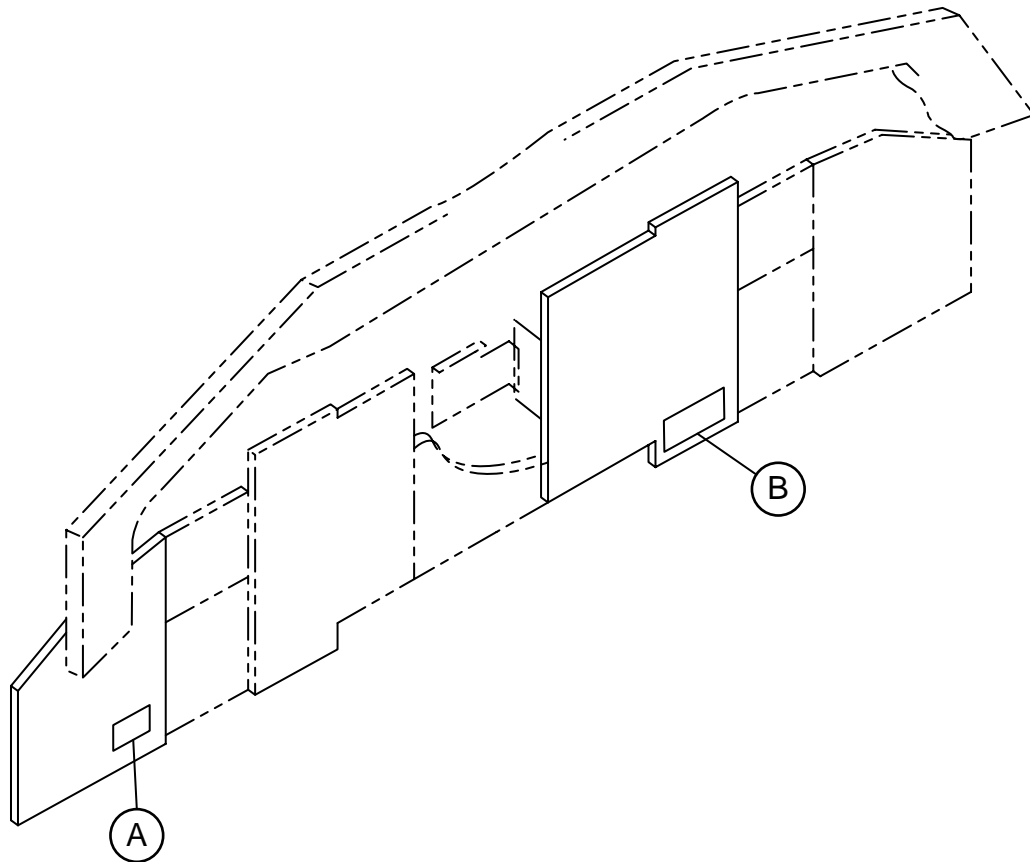
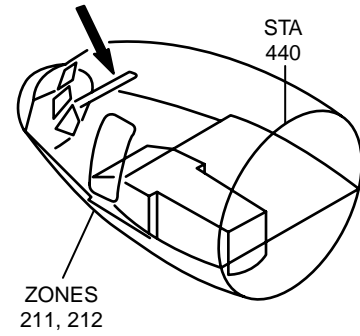
CAR300-014

FIG. ITEM	PART NUMBER	1 2 3 4 5 6 7	NOMENCLATURE	EFFECT FROM TO	UNITS PER ASSY	
Supplement To 34-46-51-02.		Insert New Page 5 Behind Existing Page 4.				
1 60	24013-001		<ul style="list-style-type: none"> <li>• PANEL EGPWS ASSEMBLY</li> <li>SUPPLIER CODE: V75397</li> <li>ELECTRICAL EQUIPMENT NUMBER: M9500</li> <li>COMPONENT MAINTENANCE MANUAL: PS24013</li> <li>ADDED PER HONEYWELL STC ST00381SE</li> </ul>	002004 006010	1	
	70 24014-001		<ul style="list-style-type: none"> <li>• PANEL EGPWS ASSEMBLY</li> <li>SUPPLIER CODE: V75397</li> <li>ELECTRICAL EQUIPMENT NUMBER: M9501</li> <li>COMPONENT MAINTENANCE MANUAL: PS24014</li> <li>ADDED PER HONEYWELL STC ST00381SE</li> <li>-----*-----</li> </ul>	002004 006010	1	
	- 80 34-757-185-9		<ul style="list-style-type: none"> <li>• WIRE BUNDLE ASSY-</li> <li>D9800P</li> <li>ADDED PER HONEYWELL STC ST00381SE</li> </ul>	002004 006010	1	
	- 85 BACC45FT16-24SN		<ul style="list-style-type: none"> <li>•• CONNECTOR-</li> <li>ELECTRICAL EQUIPMENT NUMBER: D9800P</li> <li>QUALIFIED I/W DATA: BACC45FT16-24SN I/W MS24266R16B24SN</li> <li>ADDED PER HONEYWELL STC ST00381SE</li> </ul>	002004 006010	1	
	- 90 34-757-185-11		<ul style="list-style-type: none"> <li>• WIRE BUNDLE ASSY-</li> <li>D9801P</li> <li>ADDED PER HONEYWELL STC ST00381SE</li> </ul>	002004 006010	1	
	- 95 BACC45FT16-24SN		<ul style="list-style-type: none"> <li>•• CONNECTOR-</li> <li>ELECTRICAL EQUIPMENT NUMBER: D9801P</li> <li>QUALIFIED I/W DATA: BACC45FT16-24SN I/W MS24266R16B24SN</li> <li>ADDED PER HONEYWELL STC ST00381SE</li> <li>-----*-----</li> </ul>	002004 006010	1	

- ITEM NOT ILLUSTRATED

# 34-46-51-01

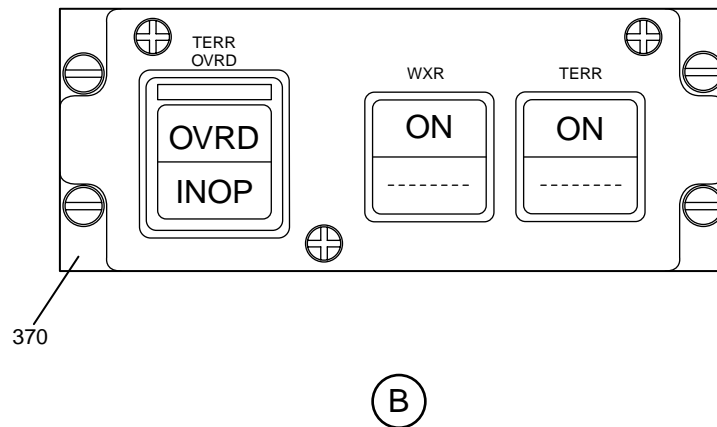
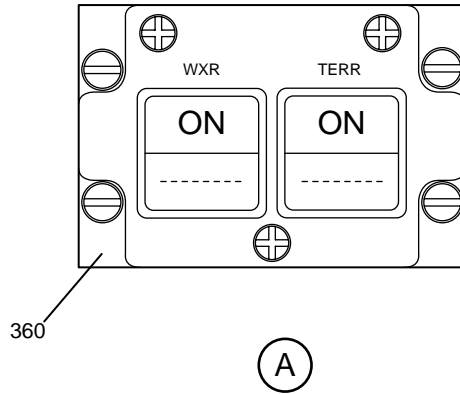
Supplement To 34-46-51-02. Insert In Front Of Page 0.



PANEL INSTL-CAPT AND FIRST OFFICER FWD AND P1-3 AND P3-1 (GROUND PROXIMITY WARNING SYSTEM ONLY)  
FIGURE 2A

PWS757-016

Supplement To 34-46-51-02. Insert Behind Page 0A.



PWS757-018

PANEL INSTL-CAPT AND FIRST OFFICER FWD AND P1-3 AND P3-1 (GROUND PROXIMITY WARNING SYSTEM ONLY)  
FIGURE 2B

**34-46-51-02**



FIG. ITEM	PART NUMBER	1 2 3 4 5 6 7	NOMENCLATURE	EFFECT FROM TO	UNITS PER ASSY	
Supplement To 34-46-51-02.		Insert New Page 14 Behind Existing Page 13.				
2 360	24013-001		<ul style="list-style-type: none"> <li>• PANEL EGPWS ASSEMBLY</li> <li>SUPPLIER CODE: V75397</li> <li>ELECTRICAL EQUIPMENT NUMBER: M9500</li> <li>COMPONENT MAINTENANCE MANUAL: PS24013</li> <li>ADDED PER HONEYWELL STC ST00381SE</li> </ul>	011013 016018	1	
370	24014-001		<ul style="list-style-type: none"> <li>• PANEL EGPWS ASSEMBLY</li> <li>SUPPLIER CODE: V75397</li> <li>ELECTRICAL EQUIPMENT NUMBER: M9501</li> <li>COMPONENT MAINTENANCE MANUAL: PS24014</li> <li>ADDED PER HONEYWELL STC ST00381SE</li> <li>-----*-----</li> </ul>	011013 016018	1	
-380	34-757-185-9		<ul style="list-style-type: none"> <li>• WIRE BUNDLE ASSY-</li> <li>ADDED PER HONEYWELL STC ST00381SE</li> </ul>	011013 016018	1	
-385	BACC45FT16-24SN		<ul style="list-style-type: none"> <li>•• CONNECTOR-</li> <li>ELECTRICAL EQUIPMENT NUMBER: D9800P</li> <li>QUALIFIED I/W DATA: BACC45FT16-24SN I/W MS24266R16B24SN</li> <li>ADDED PER HONEYWELL STC ST00381SE</li> </ul>	011013 016018	1	
-390	34-757-185-11		<ul style="list-style-type: none"> <li>• WIRE BUNDLE ASSY-</li> <li>ADDED PER HONEYWELL STC ST00381SE</li> </ul>	011013 016018	1	
-395	BACC45FT16-24SN		<ul style="list-style-type: none"> <li>•• CONNECTOR-</li> <li>ELECTRICAL EQUIPMENT NUMBER: D9801P</li> <li>QUALIFIED I/W DATA: BACC45FT16-24SN I/W MS24266R16B24SN</li> <li>ADDED PER HONEYWELL STC ST00381SE</li> <li>-----*-----</li> </ul>	011013 016018	1	

- ITEM NOT ILLUSTRATED

# 757-204/236

PUBLICATION REVISION  
ILLUSTRATED PARTS CATALOGUE

FIG. ITEM	PART NUMBER	DESCRIPTION	EFFECT FROM -TO	UNITS PER ASSY
01		EQUIPMENT INSTL – MAIN ELECTRONICS EQPT CTR (ATC SYSTEM ONLY)  <u>TEO 757SA4839NM</u>		RF
01 95	7517800-10002	. TRANSPONDER ASSY – AIR TRAFFIC CONTROL <b>(PRE MOD TEO 7571316)</b> <b>(PRE MOD TEO 757SA4839NM)</b>	002 099	2
95	7517800-10005	. TRANSPONDER ASSY – MODE 'S' <b>(POST MOD TEO 7571316 &amp; TEO 757SA4839NM)</b>  * * *	002 099	2

\* Not Illustrated

## 34-53-01-01

# 757-204/236

PUBLICATION REVISION  
ILLUSTRATED PARTS CATALOGUE

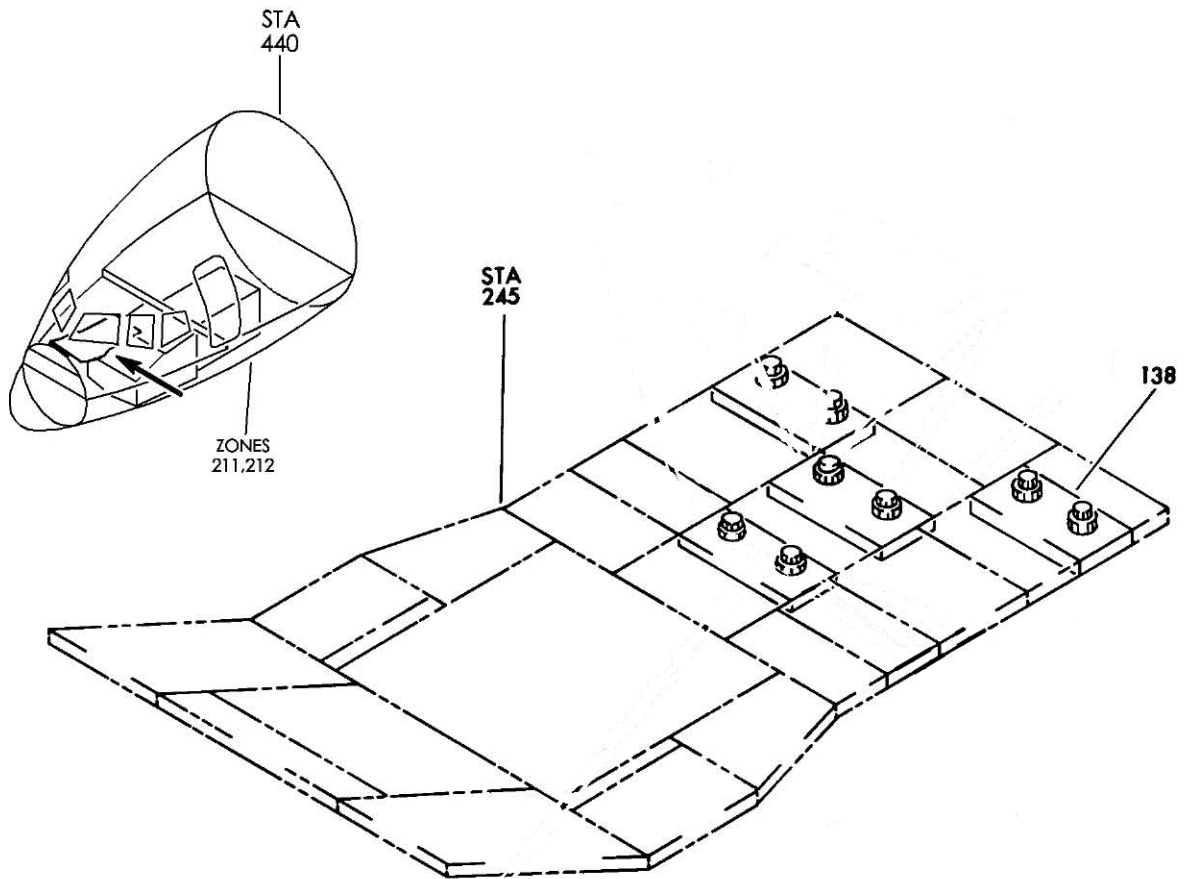
FIG. ITEM	PART NUMBER	DESCRIPTION	EFFECT FROM -TO	UNITS PER ASSY
01B		EQUIPMENT INSTL – MAIN ELECTRONICS EQPT CTR (ATC SYSTEM ONLY)  <u>TEO 757SA4839NM</u>		RF
01B 10	7517800-10002	. TRANSPONDER ASSY – AIR TRAFFIC CONTROL <b>(PRE MOD TEO 7571316)</b> <b>(PRE MOD TEO 757SA4839NM)</b>	101 899	RF
10	7517800-10005	. TRANSPONDER ASSY – MODE 'S' <b>(POST MOD TEO 7571316 &amp; TEO 757SA4839NM)</b>  * * *	101 899	RF

\* Not Illustrated

## 34-53-01-01B

# 757-204/236

PUBLICATION REVISION  
ILLUSTRATED PARTS CATALOGUE



PANEL INSTL - P8 ELECTRONIC (AIR TRAFFIC CONTROL SYSTEM ONLY)  
FIGURE 1 (SHEET 1)

## 34-53-02-01

# 757-204/236

PUBLICATION REVISION  
ILLUSTRATED PARTS CATALOGUE

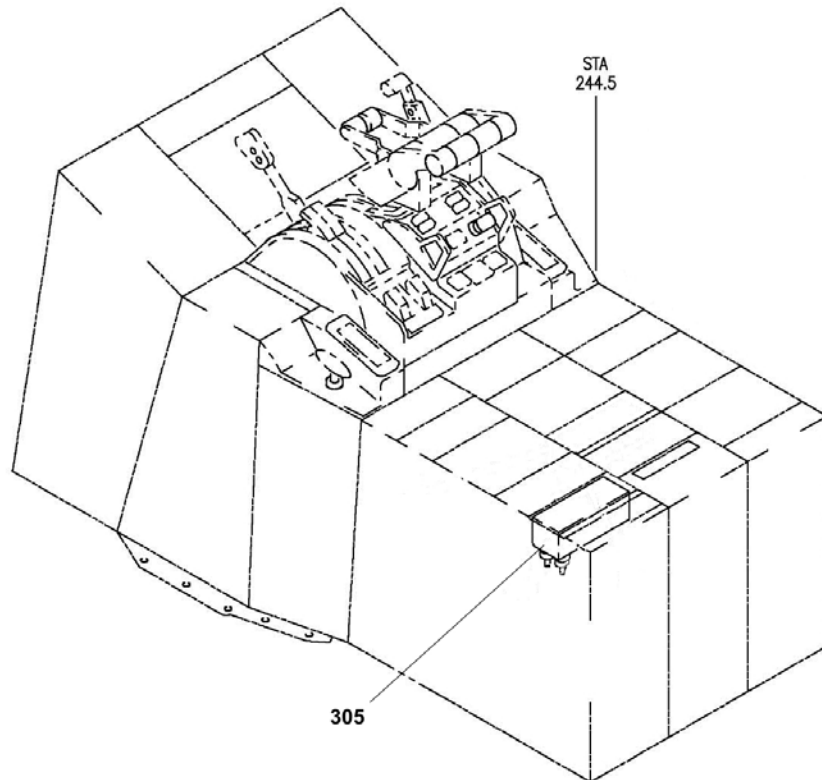
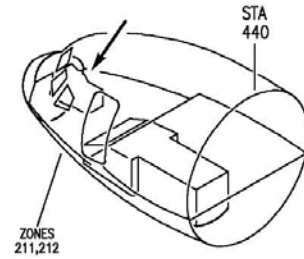
FIG. ITEM	PART NUMBER	DESCRIPTION	EFFECT FROM -TO	UNITS PER ASSY
01		PANEL INSTL - ELECTRONICS (ATC SYSTEM ONLY)  <u>TEO 757SA4839NM</u>		RF
01	138	G6992-12 . PANEL ASSY – AIR TRAFFIC CONTROL (PRE MOD TEO 757SA4839NM)	002 099	1
	138	G7490-42 . PANEL ASSY – ID/ATC /TCAS (POST MOD TEO 757SA4839NM)  * * * *	002 099	1
MISSING ITEM No. NOT APPLICABLE				

\* Not Illustrated

## 34-53-02-01

# 757-204/236

PUBLICATION REVISION  
ILLUSTRATED PARTS CATALOGUE



PANEL INSTL – P8, P9, P10 ELECTRONICS (ATC SYSTEM ONLY)  
FIGURE 2 (SHEET 1)

## 34-53-02-02

# 757-204/236

PUBLICATION REVISION  
ILLUSTRATED PARTS CATALOGUE

FIG. ITEM	PART NUMBER	DESCRIPTION	EFFECT FROM -TO	UNITS PER ASSY
02		PANEL INSTL - ELECTRONICS (ATC SYSTEM ONLY)  <u>TEO 757SA4839NM</u>		RF
02	305	G6992-12 . PANEL ASSY – DUAL AIR TRAFFIC CONTROL (PRE MOD TEO 757SA4839NM)	101 899	1
	305	G7490-42 . PANEL ASSY – ID/ATC /TCAS (POST MOD TEO 757SA4839NM)  * * * *	101 899	1
MISSING ITEM No. NOT APPLICABLE				

\* Not Illustrated

## 34-53-02-02

# 757-204/236

PUBLICATION REVISION  
ILLUSTRATED PARTS CATALOGUE

FIG. ITEM	PART NUMBER	DESCRIPTION	EFFECT FROM -TO	UNITS PER ASSY
01		PANEL ASSY – DUAL AIR TRAFFIC CONT (NAVIGATION ONLY)  TEO 757SA4839NM		RF
01 * 10	G6992-12	. PANEL ASSY – AIR TRAFFIC CONTROL (PRE MOD TEO 757SA4839NM)	002 899	RF
* 10	G7490-42	. PANEL ASSY – ID/ATC /TCAS (POST MOD TEO 757SA4839NM)  * * * *	002 899	RF
MISSING ITEM No. NOT APPLICABLE				

\* Not Illustrated

## 34-53-02-50J



757 Illustrated Parts Catalog (D6-49286-ATZ)  
 First Choice Airways Customisations Index  
 Chapter 34

-	-	NB322	NT404	NT406	NA443	NT245	NT246	NJ001	NJ002	NJ003	NJ004	NT405	NT407	NB506	NB507	NA346	NB329	NA352
Mod no.	Title	G-CPEP	G-CPEU	G-CPEV	G-OOOC	G-OOBA	G-OOBB	G-OOBC	G-OOBD	G-OOBE	G-OOBF	G-OOBG	G-OOBH	G-OOBI	G-OOBJ	G-OOOK	GOOOX	GOOOZ
BA T/R 34-502	MID 34C185 fits a memory ring and four white bugs to the standby airspeed indicator	-	-	-	-	-	-	-	-	-	-	-	-	-	-	-	-	✓
BA T/R 34-504	Installation of TCAS, MOD 34F298 refers	-	-	-	-	-	-	-	-	-	-	-	-	-	-	-	-	✓
BA T/R 34-505	Installation of TCAS, MOD 34F298 refers	-	-	-	-	-	-	-	-	-	-	-	-	-	-	-	-	✓
BA T/R 34-506	Installation of TCAS, MOD 34F298 refers and TCAS processor upgraded, MOD 34G051 refers	-	-	-	-	-	-	-	-	-	-	-	-	-	-	-	-	✓
BA T/R 34-564	To amend the IPC to reflect the use of the British standard Standby Air Speed Indicator, P/N A3615710070	✓	-	-	-	-	-	-	-	-	-	-	-	-	-	-	-	-
BA T/R 34-564	Main instrument panels reworked to standadise to BA Fleet	✓	-	-	-	-	-	-	-	-	-	-	-	-	-	-	-	-
BA T/R 34-566	To Install the BA standards ASI. Mod 34G223 refers	✓	-	-	-	-	-	-	-	-	-	-	-	-	-	-	-	-
BA T/R 34-567	To Install the BA standards ASI. Mod 34G223 refers	✓	-	-	-	-	-	-	-	-	-	-	-	-	-	-	-	-
BA T/R 34-568	EFIS reconfiguration to BA standard. Mod 34G227 refers	✓	-	-	-	-	-	-	-	-	-	-	-	-	-	-	-	-
BA T/R 34-577	To reflect Air Data Computer fit and changeability for RVSM operations	✓	-	-	-	-	-	-	-	-	-	-	-	-	-	-	-	-
BA T/R 34-582	Introduction of FM Immune VOR Receivers on NB322	✓	-	-	-	-	-	-	-	-	-	-	-	-	-	-	-	-
BA T/R 34-583	Introduction of FM Immune ILS Receivers on NB322	✓	-	-	-	-	-	-	-	-	-	-	-	-	-	-	-	-
BA T/R 34-599	EOC-VAR-034G561 Introduces new Operational Software and returns the FMC to its base part number	✓	-	-	-	-	-	-	-	-	-	-	-	-	-	-	-	-
BA T/R 34-600	EOC-VAR-034G561 Introduces new Operational Software and returns the FMC to its base part number	✓	-	-	-	-	-	-	-	-	-	-	-	-	-	-	-	-
MON-757-34-1353	Mode 'S' transponder	-	-	-	✓	-	-	-	-	-	-	-	-	-	-	-	-	-
MON-757-34-1400	Installation of TCAS II	-	-	-	✓	-	-	-	-	-	-	-	-	-	-	-	-	-
MON-757-34-1640	Mode 'S' transponder replacement	-	-	-	-	-	-	-	-	-	-	-	-	-	-	-	✓	-
MON-757-34-1643	Connector	-	-	-	✓	-	-	-	-	-	-	-	-	-	-	-	✓	-
MON-757-34-1753	Transponder replacement and control panel installation	-	-	-	-	-	-	-	-	-	-	-	-	-	-	-	✓	-
MON-757-34-1760	Installation of TCAS II	-	-	-	-	-	-	-	-	-	-	-	-	-	-	-	✓	-
MON-757-34-1800	Installation of TCAS II	-	-	-	-	-	-	-	-	-	-	-	-	-	-	-	✓	-
AES-757-165	Introduce AES Mod Supplemnt for EGPWS	✓	-	-	✓	-	-	-	-	-	-	-	-	-	-	✓	✓	✓
AES-757-265	Review and Approval of Entry into Service Modicfications	-	-	-	-	-	-	-	-	-	✓	-	-	-	-	-	-	-
AES-757-434	Introduction of Enhanced Mode-S Transponder	✓	✓	✓	✓	✓	✓	✓	✓	✓	-	✓	✓	✓	✓	✓	✓	✓
AES-757-308	Activation of Inertial Reference System 1995 Magnetic Variation (MAGVAR) Table Function	-	-	-	✓	-	-	-	-	-	-	-	-	✓	✓	✓	✓	✓
AES-757-246	ACAS II Compliant TCAS	-	-	-	-	-	-	-	-	-	-	✓	✓	-	-	-	-	-



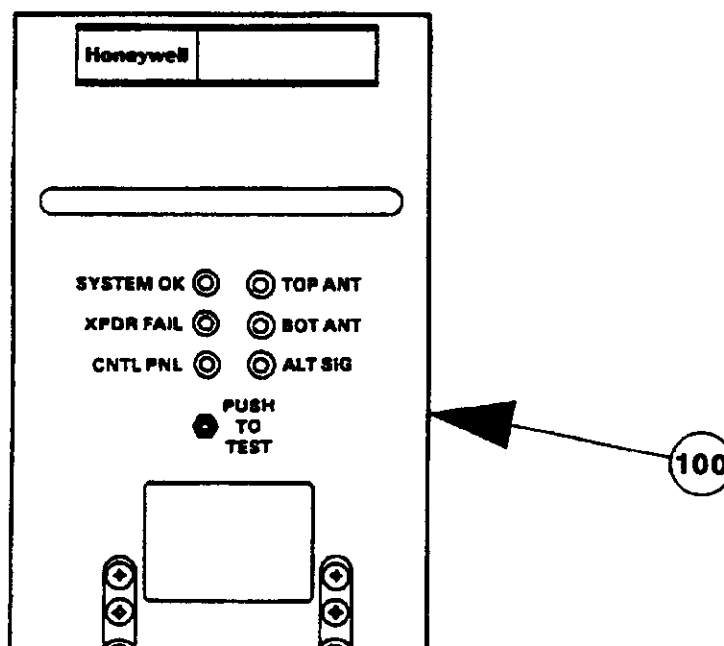
# Monarch *BOEING 757*

AIR 2000

757-28A

PARTS CATALOGUE

CHAPTER 34 - NAVIGATION



## MODE 'S' TRANSPONDER

EFFECTIVITY

G-000A, G-000B & G-000C

Modification MON/757/34/1353

34-53-01

Fig 1

Page MON 0A

10.11.93

# Monarch *BOEING 757*

AIR 2000

757-28A

PARTS CATALOGUE

CHAPTER 34 - NAVIGATION

FIG.	ITEM	PART NUMBER	DESCRIPTION	QTY PER AIRCRAFT
1	100	622-7878-201	TRANSPONDER	2
	-	E10434	MOUNTING TRAY - 4MCU	2
	-	402-188-3	ANTENNA SWITCH	2
	-	284N1881-1	BRACKET	2
	-	BACR15BA5AD(?)	RIVET	12
	-	NAS1801-3-10	SCREW	14
	-	NAS14P832-7	SCREW	6
	-	NAS1801-08-25	SCREW	4
	-	MS21042L3	NUT	14
	-	MS21042L08	NUT	10
	-	AN960PD10L	WASHER	14
	-	AN960PD8L	WASHER	10
	-	BAC27NEX2370	DECAL	1
	-	BAC27NEX2371	DECAL	1

**ACTIVITY**

G-000A, G-000B & G-000C

Modification MON/757/34/1353

**34-53-01**

Fig 1

Page MON 2A

10.11.93

# Monarch *BOEING 757*

AIR 2000

757-28A

PARTS CATALOGUE

CHAPTER 34 - NAVIGATION

FIG.	ITEM	PART NUMBER	DESCRIPTION	QTY PER AIRCRAFT
1	150	G6992-12	CONTROL PANEL	1

ACTIVITY

G-000A, G-000B & G-000C

Modification MON/757/34/1353

34-53-02

Fig 1

Page MON 2

10.11.93

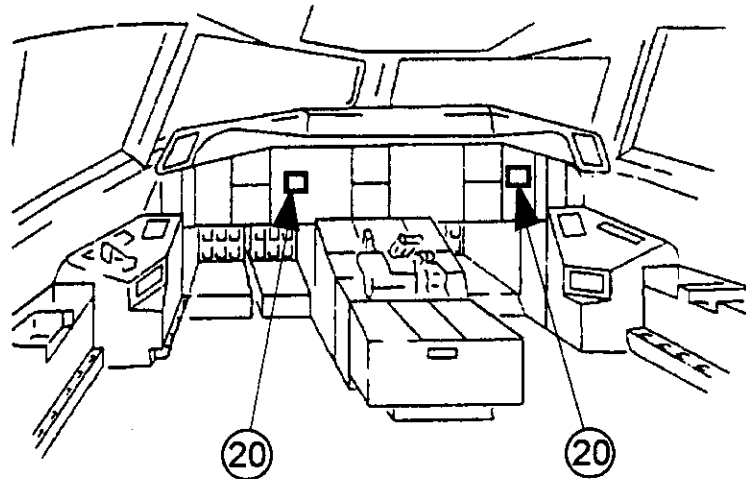
# Monarch *BOEING 757*

AIR 2000

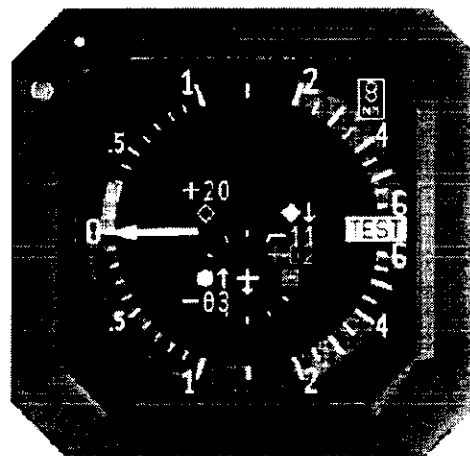
757-28A

PARTS CATALOGUE

CHAPTER 34 - NAVIGATION



Flight Compartment - VSI Positions



TCAS II Vertical Speed Indicator

Figure 1

## EFFECTIVITY

G-000A, G-000B & G-000C

Modification MON/757/34/1400

34-22-05

Fig 1

Page MON 0

10.11.93

# Monarch *BOEING 757*

AIR 2000

757-28A

PARTS CATALOGUE

CHAPTER 34 - NAVIGATION

FIG.	ITEM	PART NUMBER	DESCRIPTION	QTY PER AIRCRAFT
1	20	457400RU1311	VERTICAL SPEED INDICATOR (REPLACEMENT OF EXISTING PART No. 4039893-902)	2
--	--	BACC45FT20B41-S6	CONNECTOR (REPLACEMENT OF EXISTING PART No. MS24266R18B13SN)	2
--	--	GTR01C20	BACKSHELL	2
--	--	AN814-5D	PLUG (USED TO BLANK PNEUMATIC INLET PORT)	2
--	--	BACP11K5	'O' RING (USED TO BLANK PNEUMATIC INLET PORT)	2

## EFFECTIVITY

G-000A, G-000B & G-000C

Modification MON/757/34/1400

34-22-05

Fig 1

Page MON 3

10.11.93

# Monarch *BOEING 757*

AIR 2000

757-28A

PARTS CATALOGUE

CHAPTER 34 - NAVIGATION

TCAS II SYSTEM INSTALLATION

EFFECTIVITY

G-000A, G-000B & G-000C

Modification MON/757/34/1400

34-45-00  
SECTION TITLE  
10.11.93



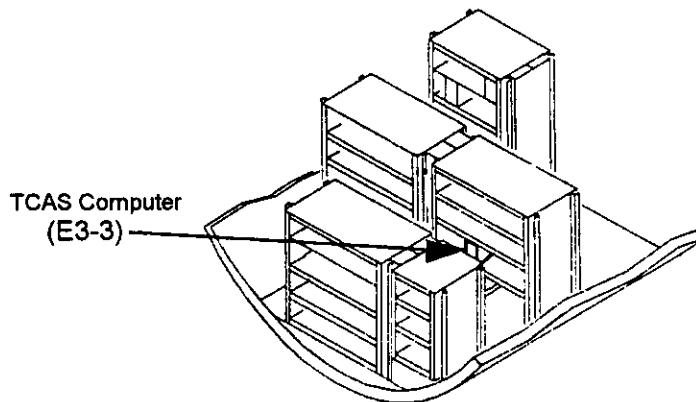
# Monarch *BOEING 757*

AIR 2000

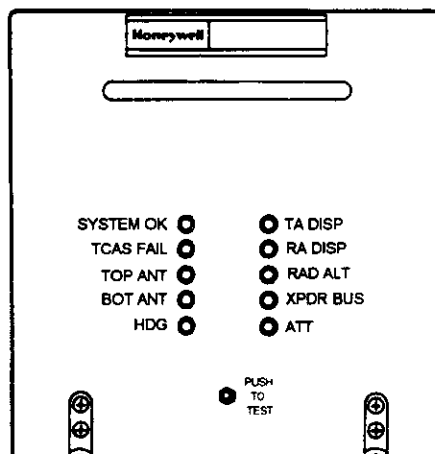
757-28A

PARTS CATALOGUE

CHAPTER 34 - NAVIGATION



MAIN EQUIPMENT CENTRE



TCAS Computer

TCAS II Computer Unit Installation  
Figure 5

## EFFECTIVITY

G-000A, G-000B & G-000C

Modification MON/757/34/1400

34-45-00

Fig 5

Page MON 0

10.11.93

# Monarch *BOEING 757*

AIR 2000

757-28A

## PARTS CATALOGUE

### CHAPTER 34 - NAVIGATION

FIG.	ITEM	PART NUMBER	DESCRIPTION	QTY PER AIRCRAFT
5	--	4066010-903	TCAS COMPUTER UNIT (INSTALLED AT SHELF E3-3)	1
	--	285T0034-26	MODULE AURAL WARNING/ SIREN	2
	--	YHLZ16-8	TERMINAL BLOCK	2
	--	YHLZ16-4	TERMINAL BLOCK	1
	--	BACC69A1	LOCKING BLOCK	2
	--	E10436	6MCU TRAY (LOCATED AT SHELF E3-3)	1
	--	445717-4	ARINC CONNECTOR	1
	--	MS51957-28	SCREW	4
	--	MON-34-45-501-01	COAX ADAPTER PLATE	10
	--	MON-DECAL-0240	DECAL (D9089P)	1
	--	MON-DECAL-0241	DECAL (D9082P)	1
	--	MON-DECAL-0242	DECAL (D9083P)	1

#### EFFECTIVITY

G-000A, G-000B & G-000C

Modification MON/757/34/1400

34-45-00

Fig 5

Page MON 1

10.11.93

# Monarch *BOEING 757*

AIR 2000

757-28A

## PARTS CATALOGUE

### CHAPTER 34 - NAVIGATION

FIG.	ITEM	PART NUMBER	DESCRIPTION	QTY PER AIRCRAFT
5	--	MON-DECAL-0243	DECAL (D9088P)	2
	--	MON-DECAL-0244	DECAL (D9084P)	1
	--	MON-DECAL-0245	DECAL (D9086P)	1
	--	MON-DECAL-0246	DECAL (D9085P)	1
	--	MON-DECAL-0306	DECAL (D9091)	1
	--	MON-DECAL-0307	DECAL (D9081)	1
	--	MON-DECAL-0248	DECAL (D9111P)	1
	--	MON-DECAL-0228	DECAL	1
	--	MON-DECAL-0223	DECAL	1

#### EFFECTIVITY

G-000A, G-000B & G-000C

Modification MON/757/34/1400

34-45-00

Fig 5

Page MON 2

10.11.93

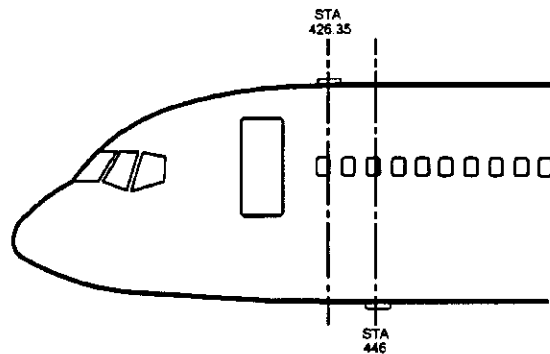
# Monarch *BOEING 757*

AIR 2000

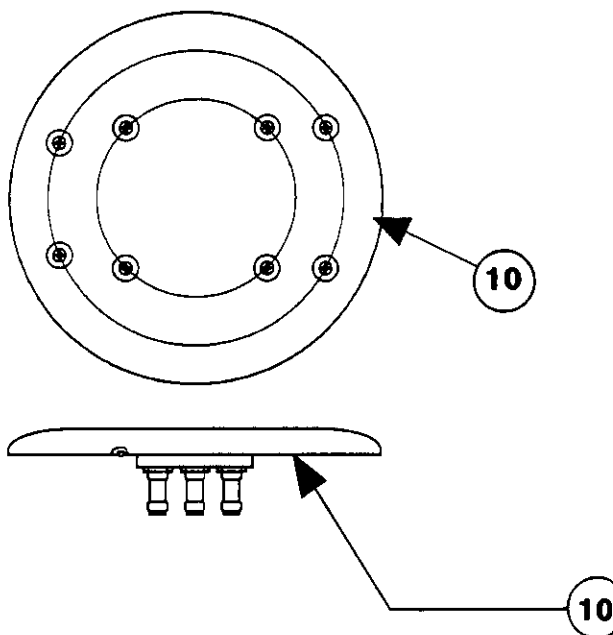
757-28A

PARTS CATALOGUE

CHAPTER 34 - NAVIGATION



Antenna Positions



TCAS II Antenna Installation

Figure 1

**EFFECTIVITY**

G-000A, G-000B & G-000C

Modification MON/757/34/1400

34-45-02

Fig 1

Page MON 0

10.11.93

# Monarch *BOEING 757*

AIR 2000

757-28A

PARTS CATALOGUE

CHAPTER 34 - NAVIGATION

FIG.	ITEM	PART NUMBER	DESCRIPTION	QTY PER AIRCRAFT
1	10	7514081-901	ANTENNA - DIRECTIONAL	2
	--	NAS623-3-11	SCREW	4
	--	NAS623-3-14	SCREW	4

## EFFECTIVITY

G-000A, G-000B & G-000C

Modification MON/757/34/1400

34-45-02

Fig 1

Page MON 1

10.11.93

# Monarch *BOEING 757*

AIR 2000

757-28A

PARTS CATALOGUE

CHAPTER 34 - NAVIGATION

FIG.	ITEM	PART NUMBER	DESCRIPTION	QTY PER AIRCRAFT
1	-	BACC45FT22-55PN	Connector	2
	-	BACC45FT22-55SN	Connector	2

## EFFECTIVITY

G-000A, G-000B & G-000C.

MODIFICATION MON/757/34/1643.

34-53-01

FIG 1

PAGE MON 2

21.1.93

# Monarch *BOEING 757*

AIR 2000

757-2Y0

PARTS CATALOGUE

CHAPTER 34 - NAVIGATION

FIG.	ITEM	PART NUMBER	DESCRIPTION	QTY PER AIRCRAFT
1	140	G6992-12	CONTROL PANEL (REPLACEMENT OF EXISTING PART No. 622-8594-001)	1

## EFFECTIVITY

G-000U & G-000X

Modification MON/757/34/1640  
MON/757/34/1753

34-53-02

Fig 1

Page MON 2

22.11.93

# Monarch *BOEING 757*

AIR 2000

757-2Y0

PARTS CATALOGUE

CHAPTER 34 - NAVIGATION

FIG.	ITEM	PART NUMBER	DESCRIPTION	QTY PER AIRCRAFT
1	140	G6992-12	CONTROL PANEL (REPLACEMENT OF EXISTING PART No. 622-8594-001)	1

## EFFECTIVITY

G-000U & G-000X

Modification MON/757/34/1640  
MON/757/34/1753

34-53-02

Fig 1  
Page MON 2  
22.11.93



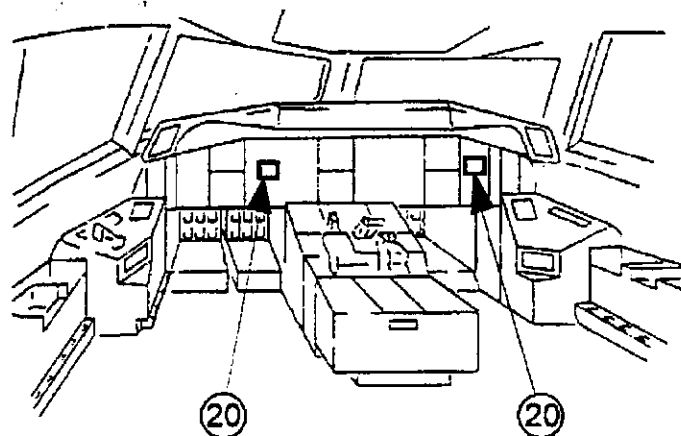
# Monarch **BOEING 757**

AIR 2000

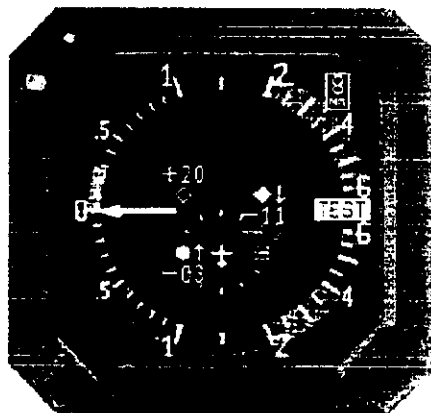
757-2Y0

PARTS CATALOGUE

CHAPTER 34 - NAVIGATION



Flight Compartment - VSI Positions



TCAS II Vertical Speed Indicator  
Figure 1

## EFFECTIVITY

G-000U & G-000X

Modification MON/757/34/1760  
MON/757/34/1800

34-22-05

Fig 1

Page MON 0

22.11.93

# Monarch *BOEING 757*

AIR 2000

757-2Y0

PARTS CATALOGUE

CHAPTER 34 - NAVIGATION

FIG.	ITEM	PART NUMBER	DESCRIPTION	QTY PER AIRCRAFT
1	20	457400UA1311	VERTICAL SPEED INDICATOR (REPLACEMENT OF EXISTING PART No. 4039893-902)	2
	--	BACC45FT20B41-S6	CONNECTOR (REPLACEMENT OF EXISTING PART No. MS24266R18B13SN)	2
	--	GTR01C20	BACKSHELL	2
	--	AN814-5D	PLUG (USED TO BLANK PNEUMATIC INLET PORT)	2
	--	BACP11K5	'O' RING (USED TO BLANK PNEUMATIC INLET PORT)	2

EFFECTIVITY

G-000U & G-000X

Modification MON/757/34/1760  
MON/757/34/1800

34-22-05

Fig 1

Page MON 3

22.11.93

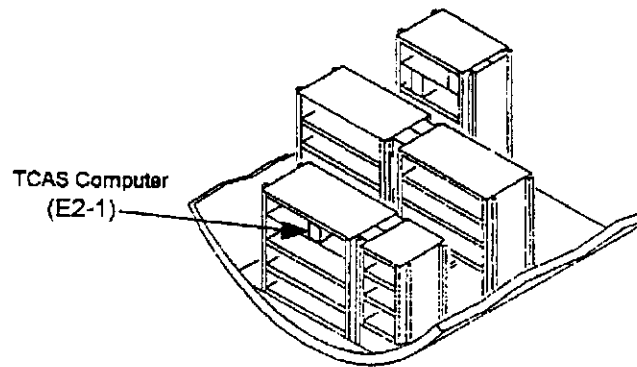
# Monarch *BOEING 757*

AIR 2000

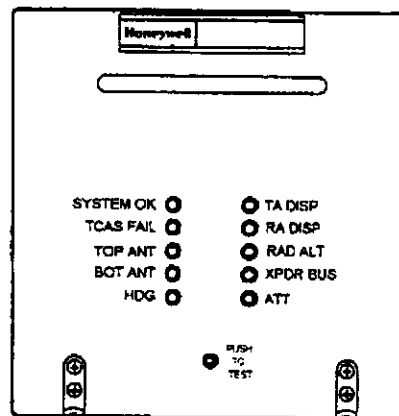
757-2Y0

PARTS CATALOGUE

CHAPTER 34 - NAVIGATION



MAIN EQUIPMENT CENTRE



TCAS Computer

TCAS II Computer Unit Installation  
Figure 5

## EFFECTIVITY

G-000U & G-000X

Modification MON/757/34/1760  
MON/757/34/1800

34-45-00

Fig 5

Page MON 0

22.11.93

# Monarch *BOEING 757*

AIR 2000

757-2Y0

PARTS CATALOGUE

CHAPTER 34 - NAVIGATION

FIG.	ITEM	PART NUMBER	DESCRIPTION	QTY PER AIRCRAFT
5	5	4066010-903	TCAS COMPUTER UNIT (INSTALLED AT SHELF E2-1)	1
	--	285T0034-26	MODULE AURAL WARNING/ SIREN	2
	--	BACM15C3C	TERMINAL BLOCK	2
	--	BACM15C3B	TERMINAL BLOCK	1
	--	BACC69A1	LOCKING BLOCK	2

EFFECTIVITY

G-000U & G-000X

Modification MON/757/34/1760  
MON/757/34/1800

34-45-00

Fig 5

Page MON 1

22.11.93

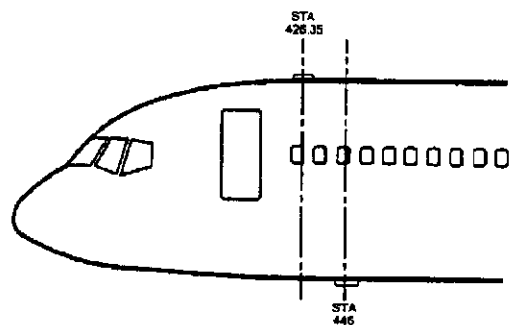
# Monarch *BOEING 757*

AIR 2000

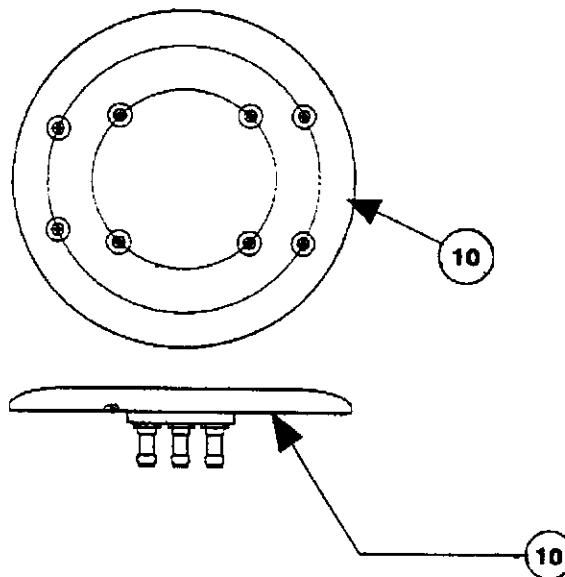
757-2Y0

PARTS CATALOGUE

CHAPTER 34 - NAVIGATION



Antenna Positions



TCAS II Antenna Installation  
Figure 1

**EFFECTIVITY**

G-000U & G-000X

Modification MON/757/34/1760  
MON/757/34/1800

34-45-02

Fig 1

Page MON 0

22.11.93

# Monarch *BOEING 757*

AIR 2000

757-2Y0

PARTS CATALOGUE

CHAPTER 34 - NAVIGATION

FIG.	ITEM	PART NUMBER	DESCRIPTION	QTY PER AIRCRAFT
1	10	7514081-901	ANTENNA - DIRECTIONAL	2
	--	NAS623-3-11	SCREW	4
	--	NAS623-3-14	SCREW	4

EFFECTIVITY

G-000U & G-000X

Modification MON/757/34/1760  
MON/757/34/1800

34-45-02

Fig 1  
Page MON 1  
22.11.93

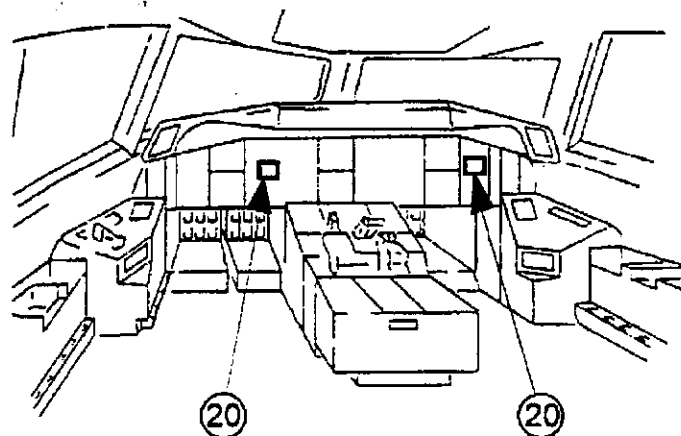
# Monarch **BOEING 757**

AIR 2000

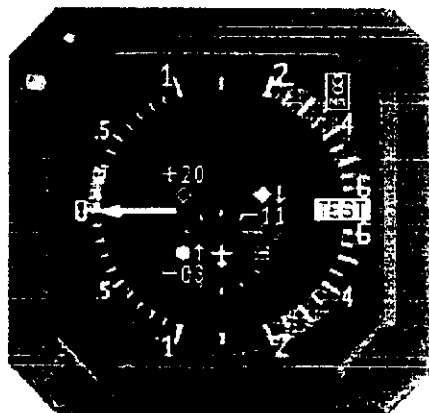
757-2Y0

PARTS CATALOGUE

CHAPTER 34 - NAVIGATION



Flight Compartment - VSI Positions



TCAS II Vertical Speed Indicator  
Figure 1

## EFFECTIVITY

G-000U & G-000X

Modification MON/757/34/1760  
MON/757/34/1800

34-22-05

Fig 1

Page MON 0  
22.11.93

# Monarch *BOEING 757*

AIR 2000

757-2Y0

PARTS CATALOGUE

CHAPTER 34 - NAVIGATION

FIG.	ITEM	PART NUMBER	DESCRIPTION	QTY PER AIRCRAFT
1	20	457400UA1311	VERTICAL SPEED INDICATOR (REPLACEMENT OF EXISTING PART No. 4039893-902)	2
	--	BACC45FT20B41-S6	CONNECTOR (REPLACEMENT OF EXISTING PART No. MS24266R18B13SN)	2
	--	GTR01C20	BACKSHELL	2
	--	AN814-5D	PLUG (USED TO BLANK PNEUMATIC INLET PORT)	2
	--	BACP11K5	'O' RING (USED TO BLANK PNEUMATIC INLET PORT)	2

EFFECTIVITY

G-000U & G-000X

Modification MON/757/34/1760  
MON/757/34/1800

34-22-05

Fig 1

Page MON 3

22.11.93



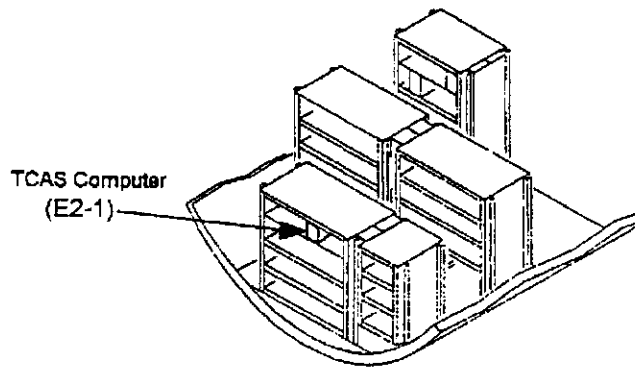
# Monarch *BOEING 757*

AIR 2000

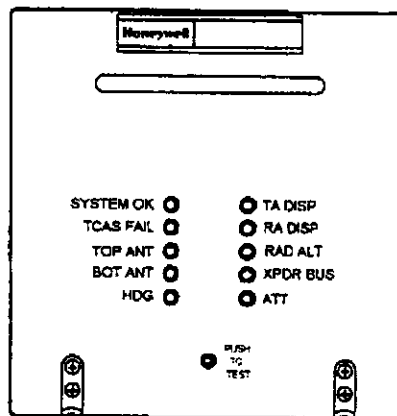
757-2Y0

PARTS CATALOGUE

CHAPTER 34 - NAVIGATION



MAIN EQUIPMENT CENTRE



TCAS Computer

TCAS II Computer Unit Installation  
Figure 5

## EFFECTIVITY

G-000U & G-000X

Modification MON/757/34/1760  
MON/757/34/1800

34-45-00

Fig 5

Page MON 0

22.11.93

# Monarch *BOEING 757*

AIR 2000

757-2Y0

PARTS CATALOGUE

CHAPTER 34 - NAVIGATION

FIG.	ITEM	PART NUMBER	DESCRIPTION	QTY PER AIRCRAFT
5	5	4066010-903	TCAS COMPUTER UNIT (INSTALLED AT SHELF E2-1)	1
	--	285T0034-26	MODULE AURAL WARNING/ SIREN	2
	--	BACM15C3C	TERMINAL BLOCK	2
	--	BACM15C3B	TERMINAL BLOCK	1
	--	BACC69A1	LOCKING BLOCK	2

EFFECTIVITY

G-000U & G-000X

Modification MON/757/34/1760  
MON/757/34/1800

34-45-00

Fig 5

Page MON 1

22.11.93

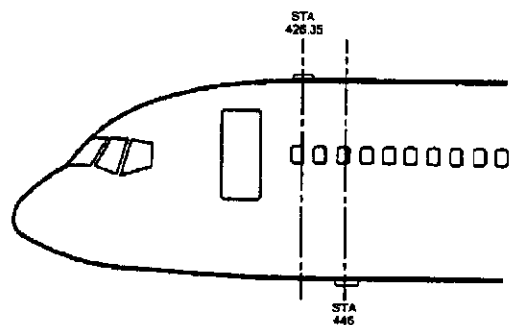
# Monarch *BOEING 757*

AIR 2000

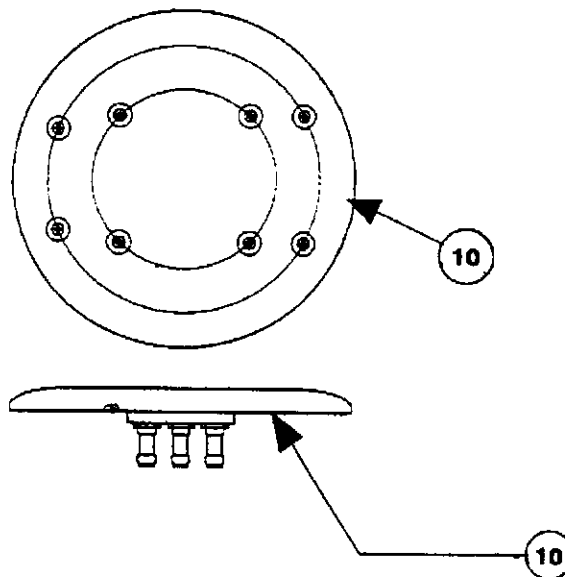
757-2Y0

PARTS CATALOGUE

CHAPTER 34 - NAVIGATION



Antenna Positions



TCAS II Antenna Installation  
Figure 1

**EFFECTIVITY**

G-000U & G-000X

Modification MON/757/34/1760  
MON/757/34/1800

34-45-02

Fig 1

Page MON 0

22.11.93

# Monarch *BOEING 757*

AIR 2000

757-2Y0

PARTS CATALOGUE

CHAPTER 34 - NAVIGATION

FIG.	ITEM	PART NUMBER	DESCRIPTION	QTY PER AIRCRAFT
1	10	7514081-901	ANTENNA - DIRECTIONAL	2
	--	NAS623-3-11	SCREW	4
	--	NAS623-3-14	SCREW	4

EFFECTIVITY

G-000U & G-000X

Modification MON/757/34/1760  
MON/757/34/1800

34-45-02

Fig 1  
Page MON 1  
22.11.93

B757 MANUAL SUPPLEMENT - ATP.2860

SECTION 2 CHAPTER 34

CONTROL PAGE ISSUE 3

- A. File the attached Temporary Revisions/Alerts in the Manual supplement in ATA Chapter/Section/Subject/Page sequence.
- B. File this control page in front of the chapter TRs/Alerts.
- C. The following list shows active TRs/Alerts together with TRs/Alerts added by this control page.

Chapter Section Subject	Page	TR/Alert No.
34-13-01-01	1	BA.34-502
34-45-01-01	1	* BA.34-506
34-53-01-01	1	BA.34-505
34-53-02-01	1	BA.34-504

- D Remove and Destroy the following TR's/Alerts:

34-45-01-01	1	BA.34-503
-------------	---	-----------

\* - TR's/Alerts issued with this control page

**ATP  
TEMPORARY  
REVISION**

**NA351 & NA352**

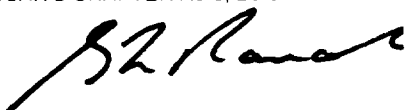
TR Page 1 of 1

BOEING 757

4 March 1993

ILLUSTRATED PARTS CATALOGUE

THIS TEMPORARY REVISION IS ISSUED BY BRITISH AIRWAYS TECHNICAL SERVICES AND COMPLIES WITH BCAR'S CHAPTER A5-3, B5-3 AND/OR TSS NO.0.2 AS REQUIRED. CAA DESIGN APPROVAL NO. DAI/8566/78



FOR CHIEF ENGINEER TECHNICAL SERVICES

TEMPORARY REVISION No 34-502

Manual Reference 34-13-01-01 Page 1

REASON FOR REVISION

Mod 34C185 fits a Memory Ring and four White Bugs to the Standby Airspeed Indicator. Airplane G-BUDZ added

ACTION

The Part Number of the Standby Airspeed Indicator is changed

Fig	Item	Part Number	Nomenclature	Effect	Qty
			1234567		
1	15	A3615710070/BA	.INDICATOR - STANDBY AIRSPEED 120 with Ring and Bugs fitted after Mod 34C185		1
			ATTACHING PARTS		
	15A	800-345-01	..MEMORY INDEX RING		1
	15B	400-6(WHITE)	..WHITE BUGS		4
	15C	4-60687	..BUG RING SCREWS (3-56 UNF)		2

Originator: MARK BONNICK  
Reference: 34C185  
Workbook: 34-84 CV

34-13-01-01  
Page 1

**ATP**  
**TEMPORARY**  
**REVISION**

**A/C NA351 & NA352**

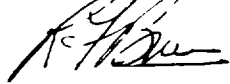
TR Page 1 of 2

B 757

15 August 1994

ILLUSTRATED PARTS CATALOGUE

THIS TEMPORARY REVISION IS ISSUED BY BRITISH AIRWAYS TECHNICAL SERVICES AND COMPLIES WITH BCAR'S CHAPTER A5.3, B5-3 AND/OR TSS NO.0.2 AS REQUIRED. CAA DESIGN APPROVAL NO.DAI/8566/78



FOR CHIEF ENGINEER TECHNICAL SERVICES

TEMPORARY REVISION No. 34-506

Manual Reference 34-45-01-01, page 1

REASON FOR REVISION:

Installation of TCAS, Mod 34F298 refers and, TCAS Processor upgraded, Mod 34G051 refers.

ACTION:

This TR replaces TR 34-503.

The following LRU'S and attaching parts have been added by mod action.

Fig. Item	Part Number	Nomenclature 1234567	Effect from to	Units
1 -	0-97767	GA TCAS MODE INSTALL	120121	
1	066-50000-0107	. TCAS PROCESSOR (V27914)	"	1
1	066-50000-0108	. TCAS PROCESSOR replaces P/N 066-50000-0107 after Mod 34G051	"	1
3	071-50001-8102	. TCAS ANTENNAS ANT 81A (V27914) Top Sta. 426 Bottom Sta. 446	"	2
-3A	NAS1601-153	.. O. RING	"	2
-3B	BACB30NT3K10	.. ANTENNA FIXING SCREWS	"	AR
-3C	676-3291-002	.. PRESS. PLUGS for mounting holes	"	AR
6	071-01503-1501	. MODE S/TCAS DUAL CONTROL PANEL (V27914)	"	1

Originator: A Rose & J Webster

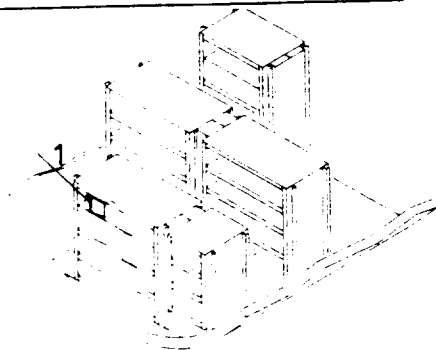
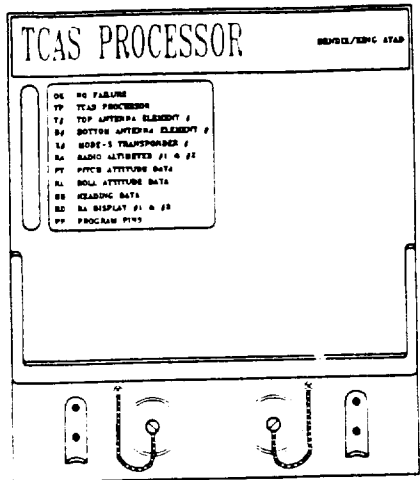
Reference: MOD 34G051 & 34F298 34-45-01-01

Workbook: CV 34-120 & 34-109 Page 1

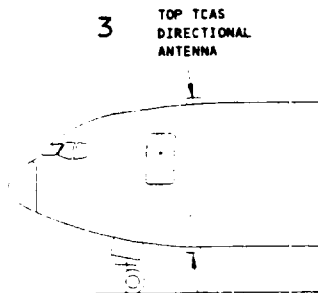
# A/C NA351 & NA352

B757

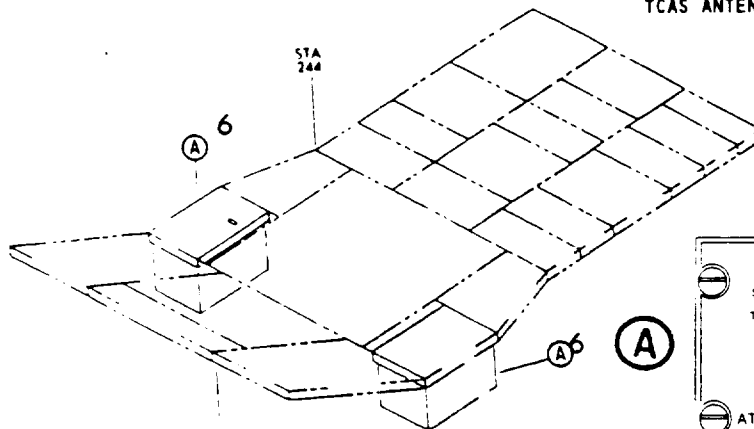
## ILLUSTRATED PARTS CATALOGUE TEMPORARY REVISION No. 34-506 (Cont'd)



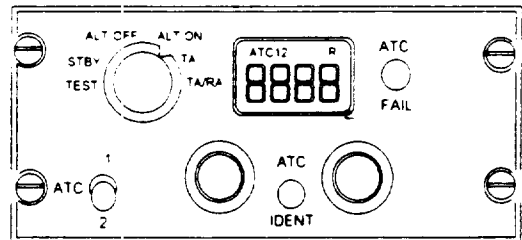
MAIN EQUIPMENT CENTER



BOTTOM TCAS DIRECTIONAL ANTENNA 3  
TCAS ANTENNAS



PANEL INSTL-P8



-1501

FIG. 1



**ATP  
TEMPORARY  
REVISION**

**A/C NA351 & NA352**

TR Page 1 of 1

B 757

4 January 1994

**ILLUSTRATED PARTS CATALOGUE**

THIS TEMPORARY REVISION IS ISSUED BY BRITISH AIRWAYS TECHNICAL SERVICES AND COMPLIES WITH  
BCAR'S CHAPTER A5-3, B5-3 AND/OR TSS NO.0.2 AS REQUIRED. CAA DESIGN APPROVAL NO.DAI/8566/78



FOR CHIEF ENGINEER TECHNICAL SERVICES

TEMPORARY REVISION No. 34-505

Manual Reference 34-53-01-01, page 1

**REASON FOR REVISION:**

Installation of TCAS, Mod 34F298 refers.

**ACTION:**

The following LRU has been added by mod action.

Fig. Item	Part Number	Nomenclature 1234567	Effect from to	Units
1 -	0-97767	GA TCAS MODE INSTALL	120121	
10	066-01127-1301	. TRANSPONDER MODE S (V27914) alt No 066-01127-1101 replaces 066-01127-0000 after Mod 34F298	"	2

Originator: D.J.WEBSTER  
Reference: MOD 34F298  
Workbook: CV 34-103

34-53-01-01  
Page 1

**ATP  
TEMPORARY  
REVISION**

**A/C NA351 & NA352**

TR Page 1 of 1

B 757

4 January 1994

ILLUSTRATED PARTS CATALOGUE

THIS TEMPORARY REVISION IS ISSUED BY BRITISH AIRWAYS TECHNICAL SERVICES AND COMPLIES WITH BCAR'S CHAPTER A5-3, B5-3 AND/OR TSS NO.0.2 AS REQUIRED. CAA DESIGN APPROVAL NO.DAI/8566/78

 FOR CHIEF ENGINEER TECHNICAL SERVICES

TEMPORARY REVISION No. 34-504

Manual Reference 34-53-02-01, page 1

REASON FOR REVISION:

Installation of TCAS, Mod 34F298 refers.

ACTION:

The following LRU has been added by mod action.

Fig. Item	Part Number	Nomenclature 1234567	Effect from to	Units
1 -	0-97767	GA TCAS MODE INSTALL	120121	
140	071-01503-2301	. MODE S/TCAS DUAL CONTROL PANEL (V27914) replaces 071-0178-0002 after Mod 34F298	"	1

Originator: D.J.WEBSTER  
Reference: MOD 34F298  
Workbook: CV 34-103

34-53-02-01  
Page 1

**B757 MANUAL SUPPLEMENT - ATP 3510  
SECTION 2 CHAPTER 34  
CONTROL PAGE ISSUE 6**

- A. File the attached Temporary Revision/Alerts in the Manual Supplement in ATA Chapter/Section/Subject/Page sequence
- B. File this Control Page in front of the Chapter TRs/Alerts.
- C. The following list shows active TRs/Alerts together with TRs/Alerts added by this control page.

Chapter Section Subject	Page	TR/Alert No.
34-12-01-01	1	34-577
34-13-01-01	1	34-564
34-13-01-01	1	34-566
34-22-02-01	1	34-568
34-22-05-01	1	34-565
34-31-01-01	3	34-583
34-45-51-01	1	34-587
34-46-01-01	1	34-567
34-51-01-01	1	34-582
34-61-01-01	4	* 34-599
34-61-01-01	7	* 34-600

- D. Remove and Destroy the following TRs/Alerts:

34-61-01-01	1	34-570
34-61-01-01	1	34-572

\* Indicates TRs/Alerts issued with this control page

**ATP  
TEMPORARY  
REVISION**

**NB322**

B757

TR Page 1 of 2

17 June, 1997

ILLUSTRATED PARTS CATALOGUE  
TEMPORARY REVISION No. 34-577

THIS TEMPORARY REVISION IS ISSUED BY BRITISH AIRWAYS QUALITY AND TECHNICAL SERVICES AND COMPLIES WITH BCAR'S CHAPTER A5-3, B5-3 AND/OR TSS No. 0-2 AS REQUIRED. CAA DESIGN APPROVAL No. DAI/8566/78.

For CHIEF ENGINEER QUALITY AND TECHNICAL SERVICES.

Manual Reference 34-12-01-01 Page 1

REASON FOR REVISION

To reflect Air Data Computer fit and interchangeability for RVSM operations.

ACTION

Please read the following for Air Data Computer fit and interchangeability for RVSM operations:-

Originator: D TREEVES  
Reference: 757/W/MCR/DT/970383  
Workbook: CV 34-200

34-12-01-01  
Page 1

# NB322

B757

## ILLUSTRATED PARTS CATALOGUE

TEMPORARY REVISION No. 34-577 (Cont'd)

FIG.	ITEM	PART NUMBER	NOMENCLATURE	EFFECT FROM TO	UNITS PER ASSY
1	10	4040800-902	COMPUTER ASSY- SPEC S242T210-202 (M00100, M00101) REF CMM 34-12-14 NOT RVSM APPROVED. PRE MOD 34G180 PT C A/C ONLY. S242T210-202 IS INTERCHANGEABLE AND INTERMIXABLE WITH S242T210-204 AND -206. NOT INTERMIXABLE WITH S242T210-211 AND -212.	002003 115115	2
	10	4040800-904	COMPUTER ASSY- SPEC S242T210-204 (M00100, M00101) REF CMM 34-12-14 NOT RVSM APPROVED. PRE MOD 34G180 PT C A/C ONLY. S242T210-204 IS INTERCHANGEABLE AND INTERMIXABLE WITH S242T210-206 AND -202. NOT INTERMIXABLE WITH S242T210-211 AND -212.	002003 115115	2
	10	4040800-906	COMPUTER ASSY- SPEC S242T210-206 (M00100, M00101) REF CMM 34-12-14 NOT RVSM APPROVED. PRE MOD 34G180 PT C A/C ONLY. S242T210-206 IS INTERCHANGEABLE AND INTERMIXABLE WITH S242T210-204 AND -202. NOT INTERMIXABLE WITH S242T210-211 AND -212.	002003 115115	2
	10	4040800-911	COMPUTER ASSY- SPEC S242T210-211 (M00100, M00101) REF CMM 34-12-18 REQUIRED FOR RVSM (POST MOD 34G180 PT C). MAY REPLACE S242T210-202, -204, -206. NOT INTERMIXABLE WITH -202, -204 AND -206 UNITS. S242T210-211 IS INTERCHANGEABLE AND INTERMIXABLE WITH S242T210-212.	002003 115115	2
	10	4040800-912	COMPUTER ASSY- SPEC S242T210-212 (M00100, M00101) REF CMM 34-12-18 REQUIRED FOR RVSM (POST MOD 34G180 PT C). MAY REPLACE S242T210-202, -204, -206. NOT INTERMIXABLE WITH -202, -204 AND -206 UNITS. S242T210-212 IS INTERCHANGEABLE AND INTERMIXABLE WITH S242T210-211.	002003 115115	2

**ATP  
TEMPORARY  
REVISION**

**BRITISH AIRWAYS**

**B757 PEP**

TR Page 1 of 1

28 July, 1997

ILLUSTRATED PARTS CATALOGUE

TEMPORARY REVISION No. 34-564

THIS TEMPORARY REVISION IS ISSUED BY BRITISH AIRWAYS ENGINEERING (TECHNICAL INFORMATION SERVICES, G2, TBA, S401, P. O. BOX 10, HEATHROW AIRPORT, HOUNSLOW, MIDDLESEX TW6 2JA) AND COMPLIES WITH BCAR'S CHAPTER A5-3, B5-3 AND/OR TSS No. 0-2 AS REQUIRED. CAA DESIGN APPROVAL No. DAI/8566/78.

For CHIEF ENGINEER QUALITY

Manual Reference 34-13-01-01 Page 1

**REASON FOR REVISION**

To amend the IPC to reflect the use of the British standard Standby Air Speed Indicator, P/N A3615710070

**ACTION**

Fig Item	Part Number	Nomenclature	Effect	Units/ Assy
1 -15	A3615710070	.INDICATOR-STBY AIRSPEED (V89944) (SPEC S231T112-4) (N00022) (REF CMM 34-13-04)	002002 115999	1

Reference: ESA.RJK.23077.419.104

34-13-01-01

Originator: Richard Kinnell

Workbook: CV 34-211

Page 1

←

**ATP  
TEMPORARY  
REVISION**

**BRITISH AIRWAYS**

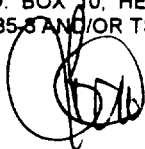
**B757 (NB322)**

TR Page 1 of 1  
24 August, 1997

**ILLUSTRATED PARTS CATALOGUE**

TEMPORARY REVISION No. 34-566

THIS TEMPORARY REVISION IS ISSUED BY BRITISH AIRWAYS ENGINEERING (TECHNICAL INFORMATION SERVICES, G2, TBA, S401, P. O. BOX 10, HEATHROW AIRPORT, HOUNSLOW, MIDDLESEX TW6 2JA) AND COMPLIES WITH BCAR'S CHAPTER A5-3, B5-3 AND/OR TSS No. 0-2 AS REQUIRED. CAA DESIGN APPROVAL No. DAI/8566/78.



For CHIEF ENGINEER QUALITY AND TRAINING

Manual Reference 34-13-01-01 Page 1

**REASON FOR REVISION**

To install the BA standard ASI. Mod 34G223 refers.

**ACTION**

Fig Item	Part Number	Nomenclature	Effect	Units/ Assy
01 15	A3615710070BA	.INDICATOR-STBY AIRSPEED (N0022) replaces P/N A3615710067 after Mod 34G223	002002	1

Originator: RICHARD KINNELL  
Reference: 34G223  
Workbook: CV 34-205

34-13-01-01  
Page 1

**ATP  
TEMPORARY  
REVISION**

**BRITISH AIRWAYS**

**B757 (NB322)**

TR Page 1 of 1

24 August, 1997

ILLUSTRATED PARTS CATALOGUE

TEMPORARY REVISION No. 34-568

THIS TEMPORARY REVISION IS ISSUED BY BRITISH AIRWAYS ENGINEERING (TECHNICAL INFORMATION SERVICES, G2, TBA, S401, P. O. BOX 10, HEATHROW AIRPORT, HOUNSLOW, MIDDLESEX TW6 2JA) AND COMPLIES WITH BCAR'S CHAPTER A5-3, B5-3 AND/OR TSS No. 0-2 AS REQUIRED. CAA DESIGN APPROVAL No. DAI/8566/78.



For CHIEF ENGINEER QUALITY AND TRAINING

Manual Reference 34-22-02-01 Page 1

REASON FOR REVISION

EFIS reconfiguration to BA standard.. Mod 34G227 refers.

ACTION

Fig	Item	Part Number	Nomenclature	Effect	Units/ Assy
1	5	622-5048-344	.PANEL ASSY -ELECTRONIC FLIGHT INSTR CONT (M00093, M00094) replaces 622-5048-341 after Mod 34G227	002002	2

Originator: A GRAHAM  
Reference: 34G227  
Workbook: CV 34-202

34-22-02-01  
Page 1



**ATP  
TEMPORARY  
REVISION**

**BRITISH AIRWAYS**

**B757 NB322**

TR Page 1 of 1

21 August, 1997

ILLUSTRATED PARTS CATALOGUE

TEMPORARY REVISION No. 34-565

THIS TEMPORARY REVISION IS ISSUED BY BRITISH AIRWAYS ENGINEERING (TECHNICAL INFORMATION SERVICES, G2, TBA, S401, P. O. BOX 10, HEATHROW AIRPORT, HOUNSLOW, MIDDLESEX TW6 2JA) AND COMPLIES WITH BCAR'S CHAPTER A5-3, B5-3 AND/OR TSS No. 0-2 AS REQUIRED. CAA DESIGN APPROVAL No. DAI/8566/78.

For CHIEF ENGINEER QUALITY AND TRAINING

Manual Reference 34-22-05-01 Page 1

REASON FOR REVISION

Main instrument panels reworked to standardise to BA Fleet.

ACTION

Fig Item	Part Number	Nomenclature	Effect	Units/ Assy
01 25	622-5990-302	.INDICATOR ASSY-DUAL/DME REPLACES P/N 622-5001-109 AFTER MOD 39G001.	002002	2

Originator: C L ANSTEY  
Reference: 39G001  
Workbook: CV 39-12

34-22-05-01  
Page 1

**ATP  
TEMPORARY  
REVISION**

**A/C G-CPEP (NB322)**

B757-200

TR Page 1 of 1

31 July, 2000

ILLUSTRATED PARTS CATALOGUE

TEMPORARY REVISION No. 34-583

THIS TEMPORARY REVISION IS ISSUED BY BRITISH AIRWAYS ENGINEERING (TECHNICAL INFORMATION SERVICES, G2, TBA, S401, P. O. BOX 10, HEATHROW AIRPORT, HOUNSLOW, MIDDLESEX TW6 2JA).  
CAA DESIGN APPROVAL No. DAI/8566/78.

Manual Reference 34-31-01-01 Page 3

REASON FOR REVISION

Introduction of FM Immune ILS Receivers on G-CPEP.

Fig Item	Part Number	Nomenclature	Effect	Units/ Assy
1 50	622-5221-102	.RECEIVER (CUSTOMER FURNISHED) SUPPLIER CODE: V4V792 ELECTRICAL EQUIPMENT NUMBER: M00156 M00157 M00158 COMPONENT MAINT MANUAL REF: 34-36-70 (PRE EOC-757-034G207)	002002	2
50	822-0298-001	.RECEIVER-FM IMMUNE ELECTRICAL EQUIPMENT NUMBER: M00156 M00157 M00158 COMPONENT MAINT MANUAL REF: 34-36-70 (POST EOC-757-034G207)	002002	2

Originator: H. Wate  
Reference: EOC-757-034G207  
Workbook: JS 34-101

34-31-01-01  
Page 3



**ATP  
TEMPORARY  
REVISION**

**A/C NB322**

B757-200

TR Page 1 of 1  
22 August, 2000

ILLUSTRATED PARTS CATALOGUE

TEMPORARY REVISION No. 34-587

THIS TEMPORARY REVISION IS ISSUED BY BRITISH AIRWAYS ENGINEERING (TECHNICAL INFORMATION SERVICES, G2, TBA, S401, P. O. BOX 10, HEATHROW AIRPORT, HOUNSLOW, MIDDLESEX TW6 2JA).  
CAA DESIGN APPROVAL No. DAI/8566/78.

Manual Reference 34-45-51-01 Page 1

REASON FOR REVISION

Installation of change 7 Software updated TCAS Computer.

ACTION

Read the following for Change 7 TCAS Computers:

Fig Item	Part Number	Nomenclature	Effect	Units/ Assy
1 16	7517900-10003	.UNIT-TCAS COMPUTER SUPPLIER CODE: V55939 ELECTRICAL EQUIPMENT NUMBER: M10819 COMPONENT MAINT MANUAL (POST EOC-VAR-034G465)	002002	1

Originator: A.D. Ellis  
Reference: EOC-VAR-034G465  
Workbook: JS 34-100

34-45-51-01  
Page 1



**ATP  
TEMPORARY  
REVISION**

**BRITISH AIRWAYS**

**B757 (NB322)**

TR Page 1 of 1

24 August, 1997

ILLUSTRATED PARTS CATALOGUE

TEMPORARY REVISION No. 34-567

THIS TEMPORARY REVISION IS ISSUED BY BRITISH AIRWAYS ENGINEERING (TECHNICAL INFORMATION SERVICES, G2, TBA, S401, P. O. BOX 19, HEATHROW AIRPORT, HOUNSLOW, MIDDLESEX TW6 2JA) AND COMPLIES WITH BCAR'S CHAPTER A5-3, B5-3 AND/OR TSS No. 0-2 AS REQUIRED. CAA DESIGN APPROVAL No. DA1/8566/78.



For CHIEF ENGINEER QUALITY AND TRAINING

Manual Reference 34-46-01-01 Page 1

REASON FOR REVISION

To install the BA standard ASI. Mod 34G223 refers.

ACTION

Fig	Item	Part Number	Nomenclature	Effect	Units/ Assy
01	10	965-0648-009	. COMPUTER ASSY GPWS (M00147) replaces P/Ns from 965-0648-003, & 965-0648-003BA04 to 965-0648-008 & 965-0648-008BA04 after Mod 34G122	002002	1

Originator: S GRAHAM  
Reference: 34G122  
Workbook: CV 34-203

34-46-01-01  
Page 1

**ATP  
TEMPORARY  
REVISION**

**A/C G-CPEP (NB322)**

B757-200

TR Page 1 of 1

31 July, 2000

ILLUSTRATED PARTS CATALOGUE

TEMPORARY REVISION No. 34-582

THIS TEMPORARY REVISION IS ISSUED BY BRITISH AIRWAYS ENGINEERING (TECHNICAL INFORMATION SERVICES, G2, TBA, S401, P. O. BOX 10, HEATHROW AIRPORT, HOUNSLOW, MIDDLESEX TW6 2JA).  
CAA DESIGN APPROVAL No. DAI/8566/78.

Manual Reference 34-51-01-01 Page 1

REASON FOR REVISION

Introduction of FM Immune VOR Receivers on G-CPEP.

Fig Item	Part Number	Nomenclature	Effect	Units/ Assy
1 10	622-5220-103	.RECEIVER (CUSTOMER FURNISHED) SUPPLIER CODE: V4V792 ELECTRICAL EQUIPMENT NUMBER: M00186 M00187 COMPONENT MAINT MANUAL REF: 34-55-70 (PRE EOC-757-034G207)	002002	2
10	822-0297-001	.RECEIVER-FM IMMUNE ELECTRICAL EQUIPMENT NUMBER: M00186 M00187 COMPONENT MAINT MANUAL REF: 34-55-70 (POST EOC-757-034G207)	002002	2
10	822-0726-103	.RECEIVER-FM IMMUNE ELECTRICAL EQUIPMENT NUMBER: M00186 M00187 COMPONENT MAINT MANUAL REF: 34-55-70 (POST EOC-757-034G207) <b>NOTE: PART NUMBER 822-0726-103 MUST BE FITTED AS A SHIPPED SET AND NOT MIXED WITH OTHER PART NUMBERS.</b>	002002	2

Originator: H. Wate  
Reference: EOC-757-034G207  
Workbook: JS 34-101

34-51-01-01  
Page 1



**ATP  
TEMPORARY  
REVISION**

**A/C NB322 (G-CPEP)**

B757-200

TR Page 1 of 1  
19 January, 2001

**ILLUSTRATED PARTS CATALOGUE**

**TEMPORARY REVISION No. 34-599**

THIS TEMPORARY REVISION IS ISSUED BY BRITISH AIRWAYS ENGINEERING (TECHNICAL INFORMATION SERVICES, G2, TBA, S401, P. O. BOX 10, HEATHROW AIRPORT, HOUNSLOW, MIDDLESEX TW6 2JA).  
CAA DESIGN APPROVAL No. DAI/8566/78.

Manual Reference 34-61-01-01 Page 4

**REASON FOR REVISION**

EOC-VAR-034G561 introduces new Operational Software and returns the FMC to it's base part number.

**Action**

Please refer to the following revised IPC:

Fig	Item	Part Number	Nomenclature	Effect	Units/ Assy
1	11	4052506-941	.COMPUTER ASSY-FLIGHT MANAGEMENT SUPPLIER CODE: V58960 POSITION DATA: L AND R SPECIFICATION NUMBER: S242T102-451 ELECTRICAL EQUIPMENT NUMBER: M00134 M00135 COMPONENT MAINT MANUAL REF: 34-61-39 POST AIRLINE MOD: EOC-VAR-034G561	002002	2

Originator: T. D'Arcy  
Reference: 6440  
Workbook: JS 34-115

34-61-01-01  
Page 4

←

**ATP  
TEMPORARY  
REVISION**

**A/C NB322 (G-CPEP)**

B757-200

TR Page 1 of 1  
19 January, 2001

**ILLUSTRATED PARTS CATALOGUE**

**TEMPORARY REVISION No. 34-600**

THIS TEMPORARY REVISION IS ISSUED BY BRITISH AIRWAYS ENGINEERING (TECHNICAL INFORMATION SERVICES, G2, TBA, S401, P. O. BOX 10, HEATHROW AIRPORT, HOUNSLOW, MIDDLESEX TW6 2JA).  
CAA DESIGN APPROVAL No. DAI/8566/78.

Manual Reference 34-61-01-01 Page 7

**REASON FOR REVISION**

EOC-VAR-034G561 introduces new Operational Software and returns the FMC to it's base part number.

**Action**

Please refer to the following revised IPC:

Fig Item	Part Number	Nomenclature	Effect	Units/ Assy
1 -55	PS4052970-956	.SOFTWARE-FMCS SUPPLIER CODE: V58960 MISCELLANEOUS DATA: DISKETTE QUANTITY: 1 DISK USED WITH 4052506-941 POST AIRLINE MOD: EOC-VAR-034G561	002002	2

Originator: T. D'Arcy  
Reference: 6440  
Workbook: JS 34-115

34-61-01-01  
Page 7

←



www.aesglobal.com

JAR21 APPR: CAA.JA.02304

MODIFICATION TITLE:  
REVIEW AND APPROVAL OF ENTRY IN  
SERVICE MODIFICATIONS

MODIFICATION No.  
**AES-757-265**  
**PART A – K ISSUE 1**  
**Page 1 of 11**

A/C TYPE.: A/C VARIANT: A/C REG:.. A/C SERIAL No.:  
B757 B757-28A G-OOBF 33101

Retro. Action:  
**SEE SHT. YES/NO**

Certificate of Airworthiness Category:  
**PUBLIC TRANSPORT - PASSENGER**

Classification:  
**MAJOR/MINOR**

**Project No.: 0261**

Performance Group: **TURBINE JET**

ATA: 23, 34

Reason for Modification:  
TO SUIT THE OPERATOR'S REQUIREMENTS PRIOR TO ENTRY INTO SERVICE

Reports:  
NONE

WEIGHT CHANGE  
**SEE SECTION 5.5.1**

ELECTRICAL LOAD  
**SEE SECTION 5.5.2**

NOISE  
**SEE SECTION 5.3**

DOCUMENTS  
**SEE SECTION 11.0**

**CERTIFICATE OF DESIGN**

I hereby certify that this modification defines all the changes associated with this certificate.

The technical information contained in this document has been approved under the authority of  
JAA Design Organisation Approval No CAA.JA.02304

I further certify that, with the exceptions listed below, the design of this modification complies with the requirements specified by the  
CAA as the certification basis for this type of aircraft and with any additional requirements notified by the CAA in respect of the  
particular modification.

**EXCEPTIONS**

NONE

**APPROVAL STATUS**  
**COMPLETE/INCOMPLETE (see section 10)**

**CAA STC No.: NOT APPLICABLE**

**JAA STC No.: NOT APPLICABLE**

ISSUE	1						
DRN No.	0714						
APPROVAL DATE	MAE 19.04.04						

ISSUE	RAISE ISSUE DETAIL						SHEETS AFFECTED

ISSUE	DATE	COMPILED	CVE / APP STRUCTURES	CVE / APP DESIGN	CVE / APP SYSTEMS	DOCUMENTS AFFECTED	SEE SHT
1	15.04.04	S SHAW	M EVANS	A DOLBY	N/A	MMEL MAINT MANUAL WDM REPAIR MANUAL FLIGHT MANUAL CREW MANUAL MAINT. SCHEDULE PART CATALOGUE*	8
						* OPERATORS RESPONSIBILITY	



**DETAILS OF MODIFICATION**

**1.0 Introduction**

- 1.1 This modification validates various First Choice Airways Engineering Orders (EO's) for embodiment on the subject aircraft prior to Entry into Service (EIS). Validation of the documents is in accordance with JAR 21 procedures.
- 1.2 The modification is split in associated parts as follows to allow progressive embodiment.

Part	Description	Associated Documentation
A	PASSENGER SEAT CONFIGURATION (233 PAX)	0441-252-757
B	TECH LOG STOWAGE (EXISTING MONARCH MODIFICATION)	ATT-757-1060 DOI-195
C	MOBILE PHONE STOWAGE	EO757-25-067
D	SOAP DISPENSER RETAINING PLATE	EO757-25-178
E	INSTLN OF SPRING CLIP	EO757-25-119
F	INTRODUCTION OF OIL CAN STOWAGE IN FLIGHT DECK	EO757-25-120R3
G	MOD'N TO ATTACHMENT OF ENTRYWAY PRISM SHROUDS	EO757-25-100
H	INSTL'N OF STOPWATCH (EXISTING MONARCH MODIFICATION)	ATT/757/1248
I	INSTALLATION OF THERAPEUTIC OXYGEN PLINTH	FLS/B757/1152PTB
J	EMERGENCY EQUIPMENT EXPIRY DATE LABELS	GEN/25/007
K	TOILET DECALS	EO757-11-017

## 2.0 Modification Definition

### 2.1 Modification AES-757-149 – Part A – Passenger Seat Configuration (233 PAX)

2.1.1 Boeing configuration LOPA-5724-3021 Rev R and Weber Aircraft LOPA 117680 Rev D refers to the seats installed and installation positions at build.

2.1.2 Existing AES drawing 0441-252-757 combines seat part numbers and locations together onto a drawing standard commensurate with the format used by the operator. The drawing is raised in issue to incorporate G-OOBF

2.1.3 The documentation provides means to control future removal / installation during maintenance inputs.

### 2.2 PART B – TECH LOG STOWAGE

2.2.1 An aluminium alloy constructed technical log stowage is introduced to the aft face of the centre pedestal. The stowage is designed by Monarch Aircraft engineering as per drg KD01-158. Supplemental AES Design Office Instruction (DOI-195) attaches upper restraining straps and a contents placard. The location of the tech log stowage is as indicated on the reference documentation ATT/757/1060 & DOI195.

### 2.3 PART C – INTRODUCTION OF A LOCKABLE MOBILE PHONE STOWAGE

2.3.1 An aluminium alloy constructed, lockable mobile phone stowage is introduced to the forward face of the Galley 1A within the Flightdeck to store and protect a mobile phone with its battery removed. The stowage is designed and manufactured by MGR Foamtex (DAI/9138/88).

### 2.4 PART D – INSTALLATION OF SOAP DISPENSER (LAVATORY)

2.4.1 A Soap Dispensing retaining plate assembly is introduced to lavatories within the subject aircraft. The soap dispenser plate is installed to provide a secure means of soap dispenser attachment to the lavatory sink.

### 2.5 PART E – INSTALLATION OF SPRING CLIP ON FIRST OFFICERS P3-1 PANEL

2.5.1 An operator supplied spring clip is secured to the First Officer's P3-1 panel to hold a take off /landing card. The location of the spring clip is identified in the engineering order.

### 2.6 PART F – INTRODUCTION OF OIL CAN STOWAGE IN FLIGHTDECK

2.6.1 A closed lid oil can stowage is secured to the flight deck floor forward of STA 297 outboard of the 2<sup>nd</sup> observers seat. The attachment method and location of fasteners has been reviewed and found acceptable.

2.7 PART G – MOD'N TO ATTACHMENT OF ENTRYWAY PRISM SHROUDS

2.7.1 The method of attachment of the entry and service door prism shrouds is improved. The existing velcro attachment method is replaced using a screw and insert arrangement.

2.8 PART H – INSTALLATION OF STOPWATCH

2.8.1 A Commercial audible stopwatch is fitted to the Flightdeck via a small formed bracket to assist in various exercises such as (fuel cross feed pump timings etc). The bracket location indicated on the reference Monarch modification (ATT-757-1248REVC) is not suitable, and is to be installed as indicated on AES DRG 0701-256-757.

2.9 PART I – INSTALLATION OF THERAPEUTIC OXYGEN PLINTH

2.9.1 A lightweight composite panel is to be introduced in the Overhead Stowage compartments (OHSC) at STA 1547. The panel to be used for securing medical oxygen bottles in flight. Appropriate placarding is introduced to the stowage compartment.

2.10 PART J – EMERGENCY EQUIPMENT EXPIRY DATE LABELS

2.10.1 Replacement improved expiry date labels are introduced to items of emergency equipment referenced in GEN/25/007 to overcome unnecessary replacement of equipment due to unreliable labelling. The labels do not affect operation of the units themselves.

2.11 PART K – TOILET DECALS

2.11.1 A 'SMOKING IN THE TOILET IS STRICTLY FORBIDDEN' placard is introduced in a prominent position in all lavatories on the operator's aircraft.

3.0 Approval Procedures

3.1 This modification certification/approval/validation has been carried out in accordance with JAR 21.

**4.0 Basis of Certification/Validation/Approval**

**4.1 CAA Certification/Validation/Approval Basis For The Aircraft/Modification**

4.1.1 The certification basis of the aircraft type is FAR25, UK Type Certificate Data Sheet FA28 Issue 5 refers.

4.1.2 The following JAR design requirements (change 16) are addressed within this modification, which meet or exceed the requirements of the aircraft type.

Requirement	Description
JAR 25.1541	Markings and Placards - General
JAR 25.1561	Safety Equipment

With respect to previously approved minor changes introduced for the subject aircraft:-

JAR 25 Subpart C – Structures  
JAR 25 Subpart D – Design and construction.

Which provides the basis for review and introduction on a non-hazard basis.

**4.2 Design Requirements For Certificate Of Airworthiness**

4.2.1 Not Applicable

**4.3 Environmental Requirements**

4.3.1 The aircraft noise requirements are detailed in CAA Noise Certificate No. 58 & 77, UK TCDS FA28 refers.

**4.4 Design Requirements Associated With operational Approvals**

4.4.1 UK CAA Specification Numbers and Airworthiness Notices:

CAA AWN No 86	Fire Precautions – Aircraft Toilets
CAA ANO Article 66	Smoking in Aircraft

5.0 **Compliance with the Basis of Certification/Validation/Approval**

5.1 **Compliance with the Certification/Validation/Basis for the Aircraft/Modification**

5.1.1 Embodiment of this modification does not affect the certification basis of the aircraft.

5.1.2 **JAR 25.301 through JAR 25.333, 25.337, 25.341, 25.561 and 25.789.**

AES-757-265 Part B though Part I. The means of installing equipment to the airplane are common to build standards employed by the aircraft constructor. The overall change in furnishings gross weight attributed by the addition of items is negligible. Items of mass introduced herein satisfy loading conditions attributed to emergency landing and flight inertia.

**JAR 25.601, 25.605 and 25.607.**

AES-757-265 Part B though Part I. Items of equipment introduced utilize aerospace materials, fasteners and fabrication methods. Continued compliance with these requirements is maintained.

5.1.3 **AES-757-265 PT B:** The technical log stowage is introduced on a non hazard basis. Emergency egress is unaffected. Restraint straps are introduced to prevent unwanted vertical movement of the contents. The stowage is placarded for 'Technical Log Stowage only' satisfying the requirements of JAR25.1561

5.1.4 **AES-757-265 PT C:** The Mobile phone stowage has been previously approved without any limitations, conditions or exemptions by UK CAA via Minor Mod No 9/218/M/5139 dated 22 Sept 1997. The additional weight increase attributed introduction of the stowage is within the gross allowable weight of items installed on the forward face of the G1A.

5.1.5 **AES-757-265 PT D:** The soap dispenser is installed securely to the lavatory sink. Engineering Order EO757-25-178 has been previously approved without any limitations, conditions or exemptions via UK CAA Minor Modification No 9/218/M/5360. The additional weight attributed by the introduction of the stopwatches is considered negligible.

- 5.1.6 **AES-757-265 PT E:** The spring clip is secured to the P3-1 Panel to hold the landing / take off card. Engineering Order EO757-25-119 has been previously approved without any limitations, conditions or exemptions via UK CAA Minor Mod No 9/218/M/5285. The additional weight attributed by the introduction of the stopwatches is considered negligible.
- 5.1.7 **AES-757-265 PT F:** The enclosed oil can stowage is secured to the flight deck floor. The installation is similar to existing Engineering Order EO757-25-120 which has been previously approved without any limitations, conditions or exemptions via UK CAA Minor Modification No 9/218/M/5286. Appropriate placards are installed [gross weight is approx 12lbs].
- 5.1.8 **AES-757-265 PT G:** The alternative method of attachment of the door entry prisms is an improvement over existing 'velcro' method currently installed. Engineering Order EO757-25-100 has been previously approved without any limitations, conditions or exemptions via UK CAA Minor Modification No 9/218/M/5231
- 5.1.9 **AES-757-265 PT H:** The operator supplied stopwatches are installed outboard of the Captain and First Officer adjacent to the respective oxygen mask stowage units. The units weight less than 0.1lb and are introduced on a non hazard basis. Monarch Modification ATT/757/1248 has been previously approved via UK CAA Minor Mod No 9/217/6459. The additional weight attributed by the introduction of the stopwatches is considered negligible.
- 5.1.10 **AES-757-265 PT I:** The Therapeutic Oxygen Plinth is installed in the OHSC at STA 1547. The basic Plinth weight is 2.2 lbs. With the inflight medical oxygen installed the weight increases to 25.4 lbs. Suitable placarding is installed on the OHSC informing of max stowage weight.
- 5.1.11 **AES-757-265 PT J:** Expiry date labels are introduced to items of emergency equipment that are "lifer". The parts are introduced on a non-hazard basis.
- 5.1.11 **AES-757-265 PT K:** Additional placards installed within each lavatory compartment indicating "Smoking In The Toilets Is Strictly Forbidden" are introduced to further provide compliance with requirements of CAA AWN 83 and CAA Air Navigation Order Article 66.

**5.2 Compliance With Design Requirements For Certificate Of Airworthiness**

5.2.1 Not Applicable.

**5.3 Compliance with Environmental Requirements**

5.3.1 Embodiment of this modification does not affect the existing noise certificate.

**5.4 Compliance with Design Requirements Associated with Operational Approvals**

5.4.1 Not Applicable

**5.5 Required (Amendments to) Manuals and other Documents Including Mandatory Placards.**

5.5.1 Weight: Embodiment of this modification results in a negligible weight increase.

5.5.2 Electrical Load Demand: Embodiment of this modification does not effect the load demand. Emergency flight and battery discharge times are unaffected.

5.5.3 The Aircraft Flight Manual (AFM), Wiring Diagram Manual (WDM) and the Aircraft maintenance manual (AMM) is not affected by this modification.

5.5.4 A supplement to the existing Illustrated Parts Catalogue (IPC) may be produced or this data appended to the existing manuals.

**6.0 Conditions Affecting This Approval**

6.1 The compatibility of this modification with other previously approved modifications installed on the particular aircraft, must be verified by the installer. Where the potential for interactions between modifications exists, the advice of the Design Organisation/CAA shall be sought.

**7.0 Continued Airworthiness**

7.1 The influence of the modification on Airworthiness Directive, Service Bulletin eligibility and other data must be considered and the publications monitored accordingly. The maintenance schedule for the aircraft should include reference to this material additional to the original design. Co-ordination is the responsibility of the operator.

**8.0 Survey**

8.1 No further survey required.

9.0 **Authorisation of Release to Service**

9.1 In addition to the actions required by the procedures for release to service following maintenance or modification, the following actions must be completed prior to signing the Certificate of Release to Service:

- a) All actions and ground test procedures specified by the modification instructions must be completed satisfactorily.
- b) It must be verified that the documents or amendments to documents, above are as specified, including any changes specified under Section 8 above.

10.0 **Approval**

10.1 This Minor modification AES-757-265 (MCA-AES-757-265) and related instructions has been approved under the authority of JAA Design Organisation Approval no. CAA.JA.02304.

11. **Documents Required**

11.1 **New Drawings Introduced**

NONE

11.2 **Existing Drawings Also Required**

NONE

11.3 **Reports/Documents**

**AES-757-265 PART A [233 PAX Config]**

<u>Document Number</u>	<u>Issue</u>	<u>Title</u>	<u>EFF'</u>
0441-252-757*	2	233 PAX CONFIGURATION B757-28A	G-OOBF

\* Originally Issued Via Mod Summary AES-757-149

**AES-757-265 PART B [TECH LOG STOWAGE INSTL'N]**

<u>Document Number</u>	<u>Issue</u>	<u>Title</u>	<u>EFF'</u>
ATT/757/1060	1	ADDITIONAL OF TECH LOG STOWAGE	G-OOBF
DOI-195		APPLY RESTRAINT AND PLACARDING FOR STOWAGE	



**AES-757-265 PART C [LOCKABLE MOBILE PHONE STOWAGE]**

<u>Document Number</u>	<u>Issue</u>	<u>Title</u>	<u>EFF'</u>
EO757-25-067	1	STOWAGE INSTALLATION FOR MOBILE PHONE	G-OOBF
0701-256-757 *	1	EQUIPMENT INSTALLATION FLIGHTDECK	

\* Originally introduced via modification AES\*757-248

**AES-757-265 PART D [INSTL'N SOAP DISPENSER (LAVATORY)]**

<u>Document Number</u>	<u>Issue</u>	<u>Title</u>	<u>EFF'</u>
EO757-25-178R1	1	INSTALLATION OF SOAP DISPENSER HOLDERS	G-OOBF

**AES-757-247 PART E [INSTL'N SPRING CLIP OB F/O P3-1]**

<u>Document Number</u>	<u>Issue</u>	<u>Title</u>	<u>EFF'</u>
EO757-25-119R3	3	INTRODUCTION OF SPRING CLIP TO HOLD TAKE OFF/LANDING CARD	G-OOBF

**AES-757-265 PART F [INTRODUCTION OF OIL CAN STOWAGE IN FLIGHTDECK]**

<u>Document Number</u>	<u>Issue</u>	<u>Title</u>	<u>EFF'</u>
EO757-25-120R3	R3	INTRODUCTION OF FLIGHT DECK OIL CAN STOWAGE	G-OOBF
0754-256-757 *	1	FLIGHT DECK OIL CAN STOWAGE	G-OOBF

\* Originally introduced via modification AES-757-247

**AES-757-265 PART G [MOD'N TO ATTACHMENT OF ENTRYWAY PRISM SHROUDS]**

<u>Document Number</u>	<u>Issue</u>	<u>Title</u>	<u>EFF'</u>
EO757-25-100	1	MODIFICATION TO ATTACHMENT OF ENTRY & SERVICE DOOR PRISM SHROUDS	G-OOBF

**AES-757-265 PART H [INSTALLATION OF STOPWATCH]**

<u>Document Number</u>	<u>Issue</u>	<u>Title</u>	<u>EFF'</u>
0701-256-757 *	1	EQUIPMENT INSTALLATION FLIGHTDECK	G-OOBF
ATT/757/1248	C	INSTALLATION OF STOP WATCH TO FLIGHTDECK	

\* Originally introduced via modification AES\*757-248

**AES-757-265 PART I [THERAPEUTIC OXYGEN PLINTH INSTLN]**

<u>Document Number</u>	<u>Issue</u>	<u>Title</u>	<u>EFF'</u>
FLS/B757/1152 PTB	INIT ISSUE	INTRODUCTION OF SABRE ELITE OXYGEN PROVISIONS	G-OOBF

**AES-757-265 PART J [EMERGENCY EQUIPMENT EXPIRY LABELS]**

<u>Document Number</u>	<u>Issue</u>	<u>Title</u>	<u>EFF'</u>
GEN/25/007	2	EMERGENCY EQUIPMENT EXPIRY LABELS	G-OOBF

**AES-757-265 PART K [INSTLN NO SMOKING PLACARDS]**

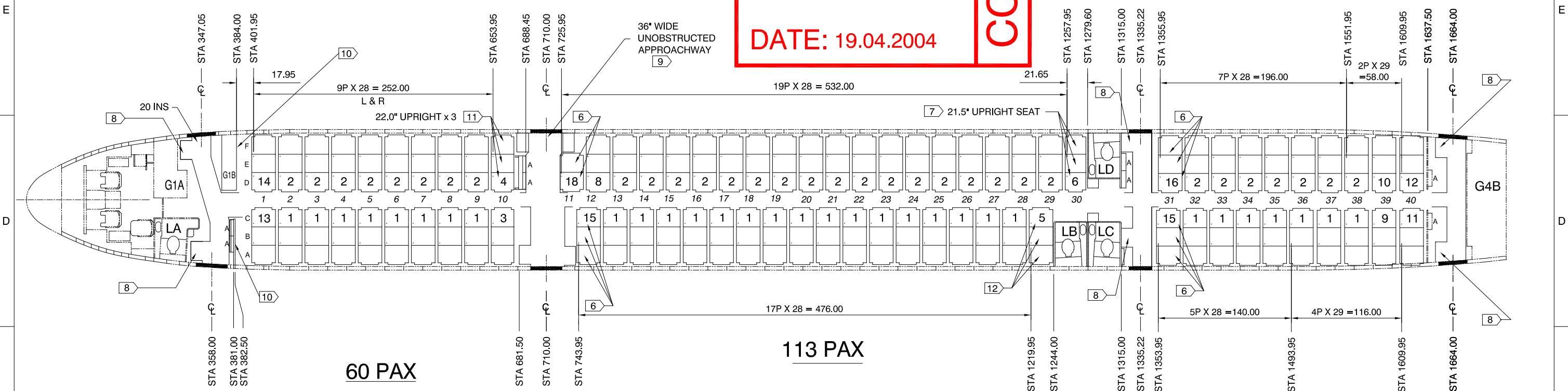
<u>Document Number</u>	<u>Issue</u>	<u>Title</u>	<u>EFF'</u>
EO757-11-017	INIT ISSUE	TO INTRODUCE 'SMOKING IN THE TOILETS IS STRICTLY FORBIDDEN' PLACARDS	G-OOBF

0441-252-757

SHEET 1 OF 2 SHEETS  
DRAWING SIMILAR TO  
N/A

**AES LTD**  
**OFFICIAL ISSUE**  
**DATE: 19.04.2004**  
**COPY**

REVISIONS				
DRG ISS No.	RELEASE DOC.	ISSUE DATE:	DRG CHANGE	APP BY:
1	0345	MAR 2003	NEW	M A E
2	0714	APRIL 2004	DCN 0251	MAE

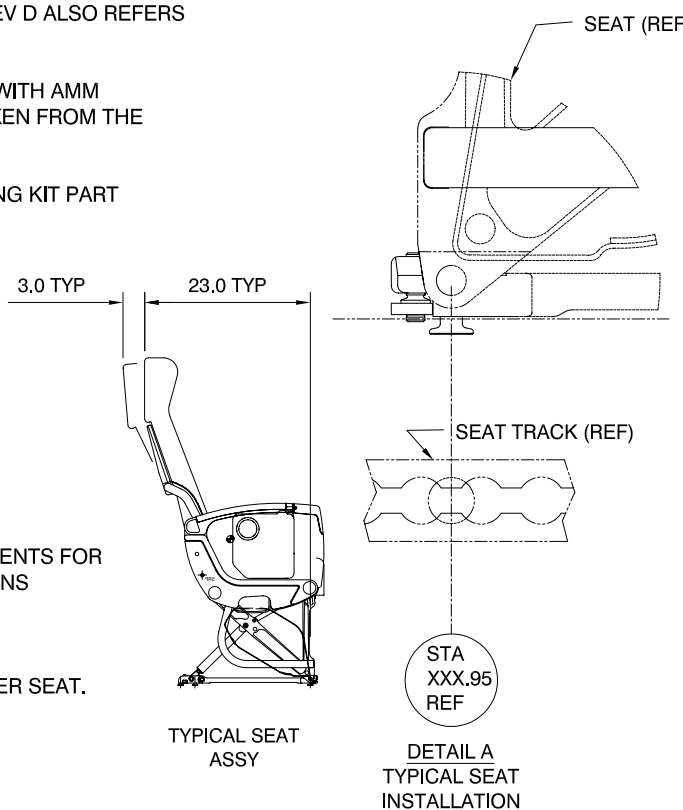


**1 INSTL'N -001 (233 PAX @ 28/29" PITCH)**

233 PAX CONFIGURATION (INSL-000)

NOTES:

- 1 THIS DRAWING IS TO BE READ IN CONJUNCTION WITH MODIFICATION NUMBER AES-757-149 AND EMBODIMENT INSTRUCTIONS MEI-149 (FOR G-OOBC/BD/BE) & AES-757-256 FOR G-OOBF. (BOEING DRG LOPA-5721-3021 REV R & WEBER DRG 117680 REV D ALSO REFERS AT TIME OF DELIVERY).
- 2 REMOVE & INSTALL ALL PASSENGER SEATS IN ACCORDANCE WITH AMM CH. 25-25-01-201. THE STATION NUMBERS INDICATED ARE TAKEN FROM THE CENTERLINE OF THE FRONT FOOT-STUD. SEE DETAIL A.
- 3 REPLACE OVERHEAD SEAT ROW NUMBERS AS INDICATED USING KIT PART NUMBER A2000-455FS IF REQUIRED.
- 4 VERIFY PASSENGER SERVICE UNITS (PSU'S) ARE POSITIONED THAT THE OXYGEN MASK DROP LIMITS ARE WITHIN THOSE SHOWN IN AMM CH. 25-23-01.
- 5 VERIFY CONTINUED COMPLIANCE WITH CAA AWN 64 IS MAINTAINED AT ALL PASSENGER SEAT PLACES.
- 6 NO BREAK FORWARD
- 7 NO RECLINE
- 8 SPACE AVAILABLE AT EXIT SATISFIES REGULATORY REQUIREMENTS FOR 20 INCH EXIT AISLE PLUS ATTENDANCE SPACE 12.0 INS X 20.0 INS
- 9 THE CAA/JAR/FAR REQUIREMENT IS A MINIMUM DIMENSION OF 36 INS BETWEEN AFT FACE OF DOUBLE ATTENDANT SEAT TO THE FWD CUSHION EDGE OF THE DOUBLE PASSENGER SEAT.
- 10 DELETHALISATION PAD FITTED TO: AFT FACE OF THE 1L WINBREAK. AFT FACE OF GALLEY G1B.
- 11 1.0° RECLINE ON INBOARD AND CENTRE SEAT PLACE.
- 12 2.0° RECLINE ON ALL THREE SEAT PLACES.



**ABBREVIATIONS**

- DBL DOUBLE
- TPL TRIPLE
- STD STANDARD
- HCAP HANDICAP
- NRW NARROW
- NRWO NARROW OUTBOARD PAX PLACE
- NRT NO REAR TABLES
- SPB SPECIAL BACK
- NRO NO RECLINE OUTBOARD PAX PLACE
- 2.0R 2.0 RECLINE
- IAT IN ARM TRAY
- IATO IN ARM TRAY OUTBOARD PAX PLACE
- NBF NO BREAK FORWARD
- RE REDUCED ENVELOPE
- NNT NARROW NO TABLES
- NO NARROW OUTBOARD
- NB NO BREAKOVER
- NR NO RECLINE
- RCL RECLINE
- LKT LOCKOUT TABLES

No.	MAP OFF	REF	ITEM No.	PART NUMBER	ITEM ISS	KEYWORD / DESCRIPTION	MATERIAL	SPECIFICATION	WIDTH	EST WT (KG)	ALL
1		18		117683-002		SEAT ASSY - DBL IAT NBF (40.43)			40.43"		
1		17									
2		16		117682-004		SEAT ASSY - TPL IAT, NB (59.60)			59.6"		
1		15		117682-003		SEAT ASSY - TPL IAT NB (59.60)			59.6"		
1		14		117682-002		SEAT ASSY - TPL IAT (59.60)			59.6"		
1		13		117682-001		SEAT ASSY - TPL IAT (59.60)			59.6"		
1		12		117681-016		SEAT ASSY - TPL STD HCAP NNT SPB			57.11"		
1		11		117681-015		SEAT ASSY - TPL STD HCAP NNT SPB			57.11"		
1		10		117681-014		SEAT ASSY - TPL STD HCAP NO (57.11)			58.77"		
1		9		117681-013		SEAT ASSY - TPL STD HCAP NO(58.77)			58.77"		
1		8		117681-012		SEAT ASSY - TPL IATO NB STD HCAP			59.6"		
1		7									
1		6		117681-010		SEAT ASSY - TPL STD NT SPB HCAP			59.6"		
1		5		117681-007		SEAT ASSY - TPL STD 2° RCL SPB HCAP			59.6"		
1		4		117681-006		SEAT ASSY - TPL STD LKT HCAP(59.60)			59.6"		
1		3		117681-003		SEAT ASSY - TPL STD HCAP LKT (59.60)			59.6"		
32		2		117681-002		SEAT ASSY - TPL STD HCAP(59.60)			59.6"		
31		1		117681-001		SEAT ASSY - TPL STD HCAP(59.60)			59.6"		
		0		-000	1	233Y PAX INSTALLATION					

0441-252-757-000 PART NUMBER	DRAWN BY: <b>L. DONALD</b>	DATE: <b>MAR, 03</b>	MODIFICATION No: <b>AES-757-149 / 265</b>
	CHECKED BY: <b>A M D</b>	SCALE: <b>1:105 AT A3 U.O.S.</b>	BCAR APP.: AD/1833/01
	STRESS: <b>M A E</b>	LIMITS: <b>±.25 U.O.S.</b>	THIRD ANGLE PROJECTION:
	APPROVED: <b>A M D</b>	SURFACE FINISH:	DIMENSIONS IN: <b>INCHES</b>
TITLE: <b>233 PAX CONFIGURATION B757-28A - (G-OOBC/BD/BE/BF)</b>			

©2003 ALL RIGHTS RESERVED. THE INFORMATION CONTAINED HEREIN IS PROPRIETARY TO AEROSPACE ENGINEERING SOLUTIONS LIMITED AND SHALL NOT BE REPRODUCED OR DISCLOSED WITHOUT THE OWNERS WRITTEN PERMISSION.

PT No	NHA	No. OFF	EFFECTIVITY
-001	AES-757-149	1	B757-28A (G-OOBC/D/E)
-001	AES-757-265	1	B757-28A (G-OOBF)

0441-252-757

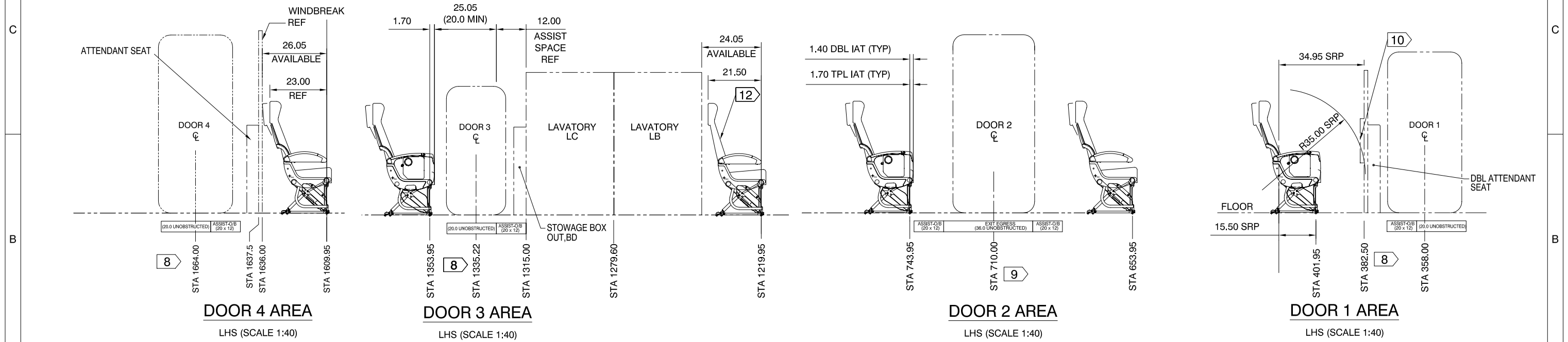
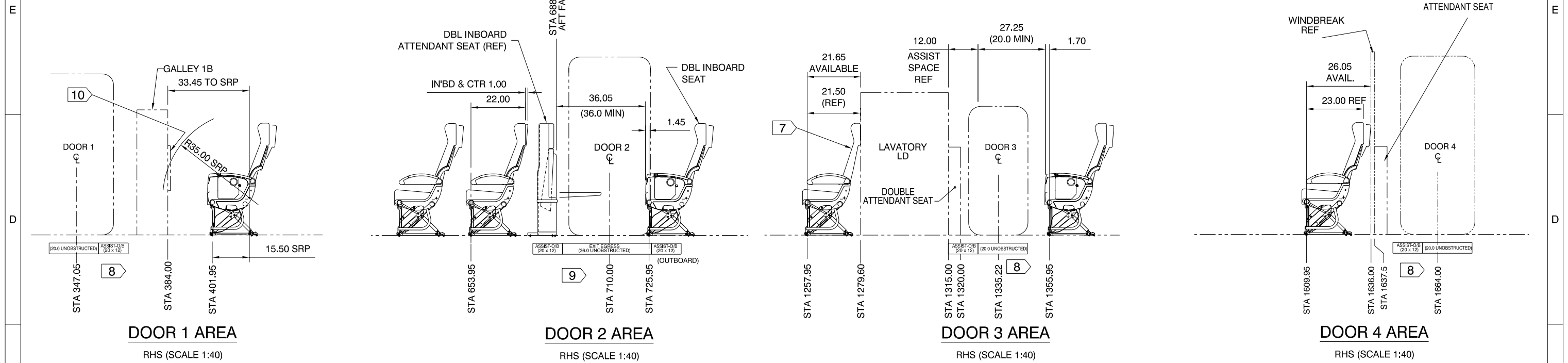
SHEET 1 OF 2 SHEETS

0441-252-757

SHEET 2 OF 2 SHEETS  
DRAWING SIMILAR TO  
N/A

REVISIONS

DRG ISS No.	RELEASE DOC.	ISSUE DATE:	DRG CHANGE	APP BY:
1	0345	MAR 2003	NEW	M A E
2	0714	APRIL 2004	DCN 0251	MAE



**AES LTD**  
**OFFICIAL ISSUE**  
**DATE: 19.04.2004**  
**COPY**

No. OFF	MAP REF	ITEM No.	PART NUMBER	ITEM ISS	SEE SHEET 1 KEYWORD / DESCRIPTION	MATERIAL	SPECIFICATION	WIDTH	EST WT (KG)
1	ISS				DRAWN BY: L. DONALD DATE: MAR, 03 MODIFICATION No: AES-757-149 / 265 CHECKED BY: A M D SCALE: 1:40 AT A3 U.O.S. STRESS: M A E LIMITS: ±.25 U.O.S. APPROVED: A M D SURFACE FINISH: DIMENSIONS IN: INCHES TITLE: 233 PAX CONFIGURATION B757-236 - (G-OOBC/BD/BE/BF)	1.5	40		
						OR REMARKS <b>aes</b> ©2003 ALL RIGHTS RESERVED. THE INFORMATION CONTAINED HEREIN IS PROPRIETARY TO AEROSPACE ENGINEERING SOLUTIONS LIMITED AND SHALL NOT BE REPRODUCED OR DISCLOSED WITHOUT THE OWNERS WRITTEN PERMISSION. aerospace engineering solutions			
						PT No	NHA	No. OFF	EFFECTIVITY
						-001	AES-757-149	1	B757-28A (G-OOBC/D/E)
						-001	AES-757-265	1	B757-28A (G-OOBF)
						<b>0441-252-757</b> SHEET 2 OF 2 SHEETS			

# Monarch Aircraft Engineering Ltd

## MODIFICATION SHEET

TITLE ADDITION OF NEW TECH LOG STOWAGE.		MOD. No. ATT/757/1060
A/C TYPE BOEING 757-200		SHEET 1 OF 1 SHEETS
COMPONENT/ SYSTEM	FLIGHT DECK	CLASS <del>MAJOR</del> MINOR
A/C AFFECTED G-000A AND SUBS.		DISTRIBUTION
REASON FOR MODIFICATION CUSTOMER REQUEST.		PLANNING ✓ CI-7 CAA (LOCAL) ✓ CI-7 CAA (REDHILL) OPS DIRECTOR Q.C. MANAGER PRODUCTION MANAGER COMM MANAGER CUSTOMER

DESCRIPTION

A NEW TECHNICAL LOG STOWAGE IS TO BE MANUFACTURED FROM 2024.T3 0.04" THICK, AS SHOWN ON DRAWING KD-01-158, AND ATTACHED TO THE AFT FACE OF THE PB ELECTRICAL PANEL.

THE TOP OF THE STOWAGE IS TO BE 0.5" BELOW THE TOP EDGE OF THE GUARD RAIL AND ATTACHED THROUGH THE RAIL USING NAS 514-3 SCREWS AND BACN10JC3 NUTS. THE LOWER ATTACHMENT BRACKETS (SHOWN ON KD-01-158) SHOULD BE RIVETED TO THE PB PANEL.

**CARRY OUT ADDITIONAL INSTRUCTIONS PER AES DOI-195**

DRAWINGS REQD.

MONARCH DRAWING KD-01-158 ISSUE B,

DRAWINGS REDUNDANT/ASSOCIATED DOCUMENTS	WEIGHT CHANGE
	+ Kgs NEGLIGIBLE
	@ STN. _____
	- lbs

AUTHORISED BY

Signature *[Signature]*

COMPILED	CHECKED	APP. STRESS	APP. DESIGN	APP. No.	A.A.N.
G. TAYLOR				DAI.	9/21/6331

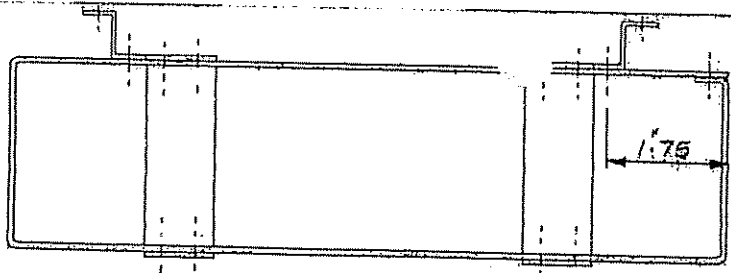
ISS.	A	
	INITIAL	
DATE	18.7.88	

**THIS DOCUMENT HAS BEEN APPROVED BY A.E.S.LTD**

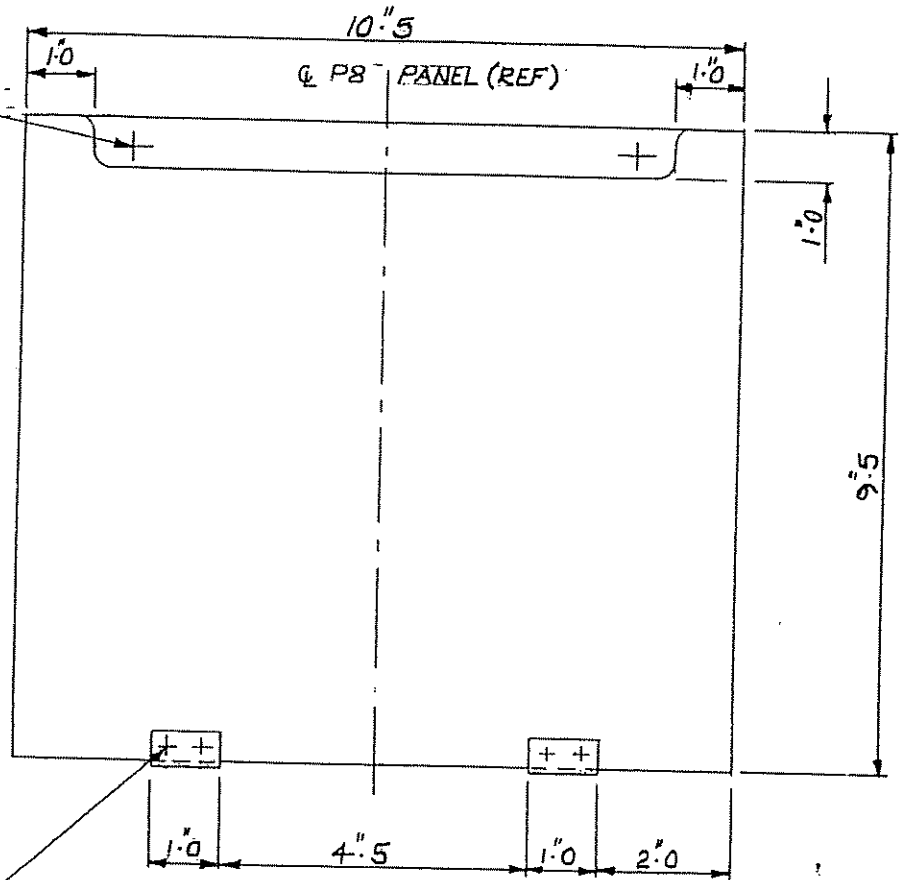
**JAR21 APP: CAA.JA.02304**

**UNDER COVER OF MODIFICATION AES-757-265**

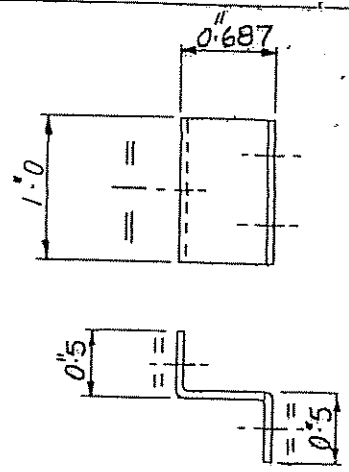
- AFFECTED DOCUMENTS
- |                       |                         |                        |                           |
|-----------------------|-------------------------|------------------------|---------------------------|
| 1. Maintenance Manual | 4. Crew Manual          | 7. Flight Manual       | 9. Operations Manual      |
| 2. Overhaul Manual    | 5. Parts Catalogue      | 8. Elec. Load Analysis | 10. Wiring Diagram Manual |
| 3. Repair Manual      | 6. Maintenance Schedule | 11. Weight Schedule    |                           |



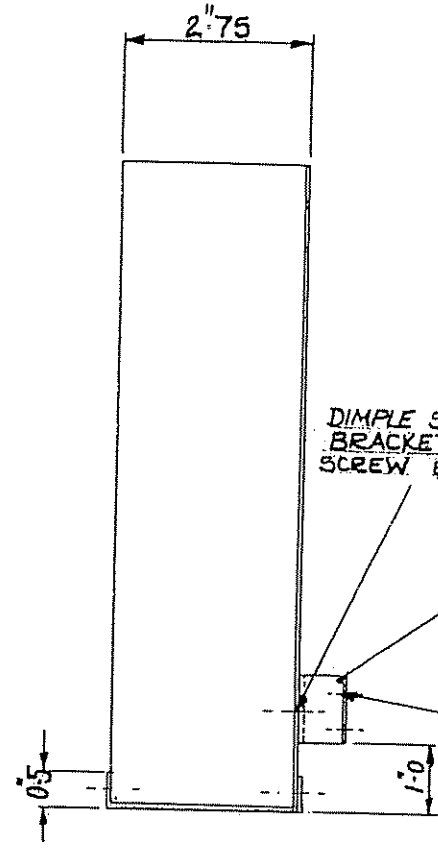
DRILL 0.375  
DIMPLE HOLES



ATTACH BASE USING 1/8" DIA RIVETS.



DETAIL A



DIMPLE STORAGE AND ATTACH TO  
BRACKET USING NAS514-3  
SCREW & BACN10UB3 ANCHOR NUT.  
(SCREW TO BE ON INSIDE)

SEE DETAIL "A"

DRILL No.30 (2 OFF)

**NOTE:** MANUFACTURE MANUAL STORAGE & BRACKET FROM  
2024-T3, 0.04" thick OR SIMILAR SUITABLE MATERIAL.  
SPRAY PAINT TO MATCH FLIGHT DECK PB PANEL.  
FOLD TOP EDGES OF STORAGE TO FORM BEADING.

DRAWN. G. TAYLOR	DATE. 24-6-88	CHECKED.	MOD No. ATT/757/1060	PAGE.	ATA No.	TITLE. TECH. LOG. STORAGE FOR A1E 2000
THAMES GRAPHIC CENTRE LTD.				MONARCH AIRCRAFT ENGINEERING LTD.		DRG No. KD 01-158
					EFFECTIVITY. BOEING 757-200	ISSUE B

**MOD No. AES-757-265**

**DESIGN ORGANISATION INSTRUCTION**

<b>APPLICABILITY:</b> G-OOBF & SUBS	<b>AFFECTED DOCUMENT:</b> MOD SUMMARY
<b>ORIGIN OF QUERY</b> AES DESIGN	<b>AUTHORITY</b> DESIGN
<b>REASON:</b> APPLY RESTRAINT AND PLACARDING FOR STOWAGE	
<p><b>THIS DOI PROVIDES SUPPLEMENTAL INSTRUCTIONS TO AFFIX A DECAL AND RESTRAINT STRAPS TO THE OPERATOR'S TECHNICAL LOG STOWAGE.</b></p> <p>AN EXISTING MONARCH MODIFICATION (ATT/757/1060) INTRODUCES A TECH LOG STOWAGE TO THE AFT FACE OF THE CENTRE CONSOLE.</p> <p>1 AFFIX 4 SELF ADHESIVE VELCRO STRAPS (5" x 1") (P/No 806LOOP1INCHSA) TO THE FORWARD AND AFT FACE OF THE TECH LOG STOWAGE IN THE APPROXIMATE POSITIONS SHOWN ON FIGURE 1.</p> <p>2 CUT 2 STRIPS OF VELCRO (1" WIDE, LENGTH TO SUIT, P/No 806HOOK1INCH, WITH 1" WEBBING (P/No P6/A6/0321) STITCHED TO VISIBLE SIDE) TO WRAP AROUND THE TOP OF THE STOWAGE MATING WITH THE LOOP VELCRO INSTALLED ON BOTH SIDES. LEAVE SUFFICIENT SLACK ON THE AFT SIDE TO ENABLE REMOVAL OF THE STRAPS BY WAY OF A STITCHED 2" LOOP IN THE WEBBING. WHEN DETERMINING THE LENGTH OF THE STRAP THE TECH LOG SHOULD BE SLAVE FITTED TO ENSURE SUFFICIENT OVERLAP OF VELCRO.</p> <p>3 WITH THE STOWAGE IS INSTALLED IN POSITION, THE FORWARD STRAPS WILL BE SANDWICHED BETWEEN THE CONSOLE RIM AND STOWAGE ITSELF PREVENTING REMOVAL OF THE STRAP FROM THIS SIDE. WHEN INSTALLED ENSURE THE TECH LOG STOWAGE IS SECURE IN POSITION.</p> <p>4 AFFIX PLACARD P/No A2000-733 "<b>TECHNICAL LOG STOWAGE ONLY</b>" TO THE REAR SIDE OF THE STOWAGE IN THE APPROXIMATE POSITION SHOWN ON FIGURE 1.</p> <p>5 END</p> <p>(NOTE: FIGURE 1 IS SHOWN ON SHEET 2 OF THIS DOI)</p>	

DISTRIBUTION	
PRINTS:	K HUNTER

COMPILED BY:	A DOLBY
APPROVED BY:	
AVIONICS / STRESS:	
DATE:	



**MOD No. AES-757-265**

**DESIGN ORGANISATION INSTRUCTION**

<b>APPLICABILITY:</b> G-OOBF & SUBS	<b>AFFECTED DOCUMENT:</b> MOD SUMMARY
<b>ORIGIN OF QUERY</b> AES DESIGN	<b>AUTHORITY</b> DESIGN
<b>REASON:</b> APPLY RESTRAINT AND PLACARDING FOR STOWAGE	
<p>5.00 TYP</p> <p>A2000-733</p> <p>TECHNICAL LOG STOWAGE ONLY</p> <p>ATTACH A 5" LENGTH VELCRO (P/N 806LOOP1INCHSA) TO THE FWD AND AFT FACE OF THE STOWAGE - 4 PLACES</p> <p>ATTACH A LENGTH VELCRO (P/N 806HOOK1INCH) WITH WEBBING STITCHED TO VISIBILE SIDE, TO STRAP OVER THE STOWAGE AND ATTACH TO THE LOOP VELCRO ON BOTH FRONT AND BACK OF STOWAGE.</p> <p><b>VIEW LOOKING FORWARD ON CENTRE CONSOLE</b></p> <p><b>FIGURE 1</b></p>	

<b>DISTRIBUTION</b>	
PRINTS:	K HUNTER

<b>COMPILED BY:</b>	A DOLBY
<b>APPROVED BY:</b>	
<b>AVIONIGS / STRESS:</b>	
<b>DATE:</b>	





**ENGINEERING DEPARTMENT  
ENGINEERING ORDER**

Number: EO757-25-067	Date: 11/07/97
Title: <b>STOWAGE INSTALLATION FOR MOBILE PHONE.</b>	
Paragraphs: 1. Classification 2. Authorization 3. Originator 4. Description 5. Reason for Revision 6. Effectivity 7. Timescale 8. Manuals/Docs/AFM 9. Wt & Bal 10. Manhour Estimate	
1.	OPTIONAL
2.	CAA Minor Mod No. 9/218/M/5139, dated 22 Sep 97.
3.	TECHSERV.PA
4.	A lockable stowage unit is installed in the flight deck to store and protect a mobile phone, with its battery removed. The mobile phone is provided by the Flight Operations Department for ground use only.
5.	Initial Issue
6.	B757 Fleet
7.	Next Hangar visit
8.	IPC
9.	Negligible
10.	2.0 Manhours

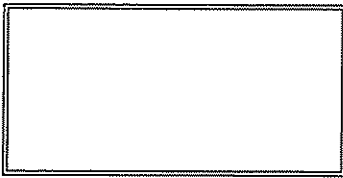
**LOCATION AND INSTALLATION OF MOBILE  
PHONE STOWAGE TO BE IN ACCORDANCE WITH  
AES DRAWING:**

**0701-256-757**

Form No: ATT/TS/201  
Issue No: 3  
Date: 13.05.97

Page 1 of 5

This document is copyright © Air 2000 Ltd Engineering Department, and shall not be copied, reproduced, communicated or re-sold without the prior written permission of Air 2000 Ltd



**ENGINEERING DEPARTMENT**  
**ENGINEERING ORDER WORK SHEET**

Number: EO757-25-067

Date: 11/07/97

Item	Description	Mech	Insp
1.	<p>Position the Mobile Phone Stowage Unit, P/N 212-01-001, on the fwd face of the bulkhead as shown in Figure 1. It is permissible to adjust the dimensions slightly from those shown in Figure 1 if required to avoid conflict with the crash axe. Orientate the Phone Stowage such that the lock faces the cockpit aisle. Mark off the four fastener locations.</p> <p>Note: The combination to open the lock is "757".</p>		
2.	<p>At the four fastener locations determined in step 1, install threaded inserts, P/N SL607-3-7S, refer to BAC5583 for procedures.</p>		
3.	<p>Attach the Mobile phone stowage to the bulkhead such that the lock faces the cockpit aisle, using the hardware provided - see the materials list</p>		
4.	<p>If a mobile phone has already been allocated to the aircraft (it may be stored in the tool box), then install the phone in the new stowage and lock the stowage.</p>		
5.	<p>Certificate of Release to Service in respect of <b>EO757-25-067</b>: Certifies that the work specified except as otherwise specified was carried out in accordance with JAR-145 and in respect to that work the aircraft/aircraft component is considered ready for release to service.</p> <p>SIGN: AUTH:</p> <p>NAME: DATE:</p>		



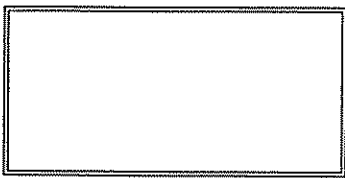
**ENGINEERING DEPARTMENT  
MATERIALS & TOOLING REQUIREMENT**

Number: EO757-25-067

Date: 11/07/97

Task Kit No: EO757-25-067-1		A/C:		Due Date:
Part Number	Description	Qty Per Aircraft	Batch Number	Comments
212-01-001	Mobile Phone Stowage Unit	1		Supplied by The MGR Group
SL607-3-7S	Threaded Insert	4		
NAS603-6P	Screw	4		
AN960-10	Washer	4		
Epibond 1559AB	Adhesive	A/R		

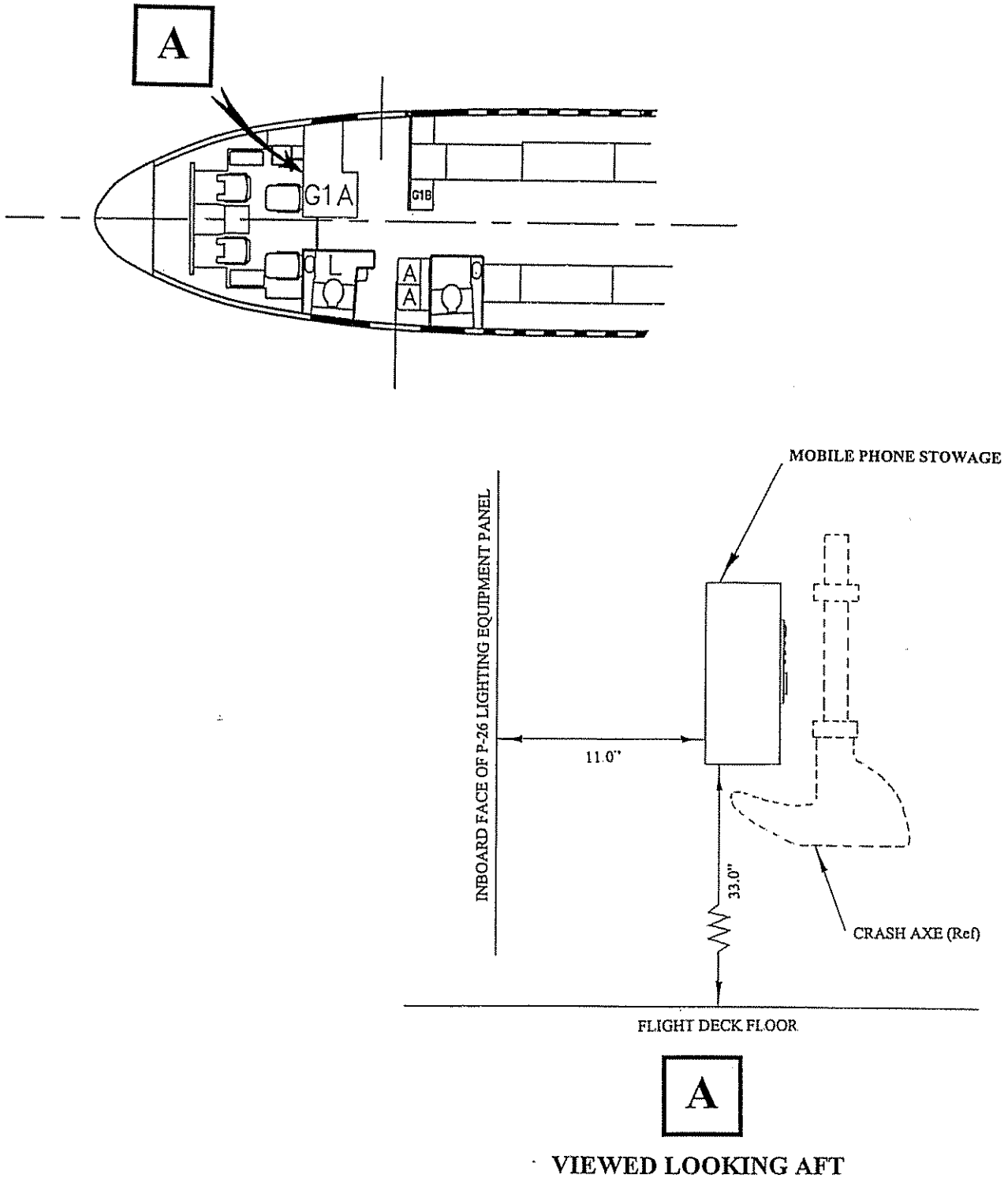
Goods Complete:.....(Date)    Location:.....    Signed:.....(Stores)



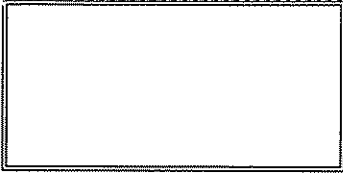
**ENGINEERING DEPARTMENT  
ENGINEERING ORDER CONTINUATION SHEET**

Number: EO757-25-067

Date: 11/07/97



**Figure 1 - Mobile Phone Stowage Location.**



**ENGINEERING DEPARTMENT  
ENGINEERING ORDER QUERY FORM**

**Number:** EO757-25-067

**Date:** 11/07/97

Use this form to highlight any queries or comments you have about this engineering order. If your query is urgent, then please bring the completed form to the attention of the Air 2000 Liaison Engineer.

Aircraft Registration:	Date:
Your Name:	Position:
Maintenance Organisation:	Location:
Telephone Number:	Fax Number:
Comments	

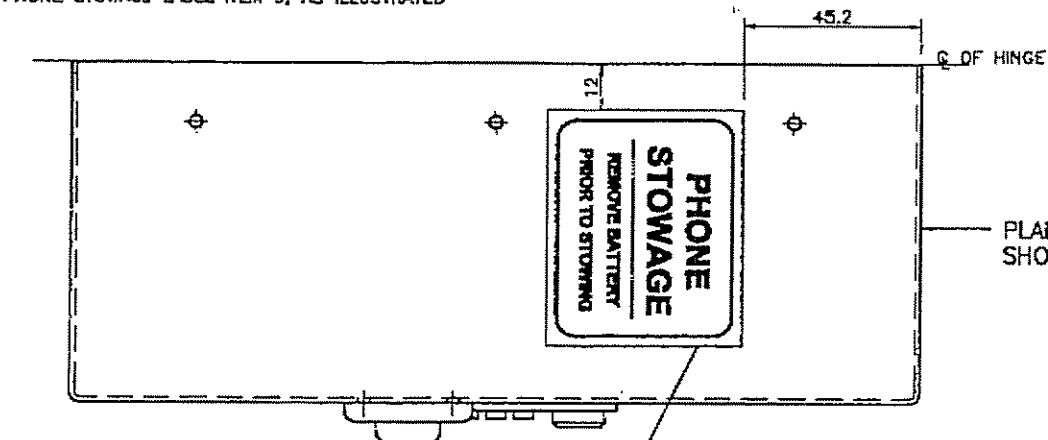
**For Air 2000 Use Only**

Originator: TECHSERV.PA
Action:

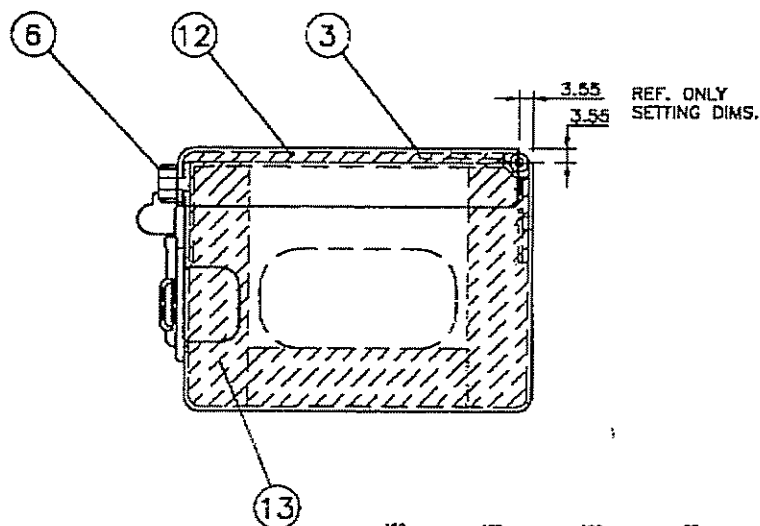
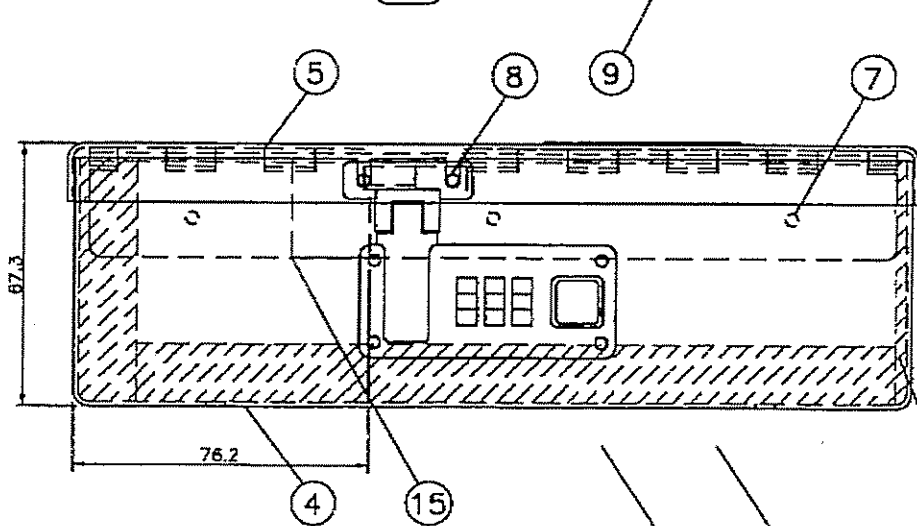
THIRD ANGLE PROJECTION

NOTES:  
 ATTACH HINGE ITEM 3 TO THE INSIDE OF THE BOX ITEM 4. LINE UP HOLES ON BACK EDGE & INSERT RIVETS, ITEM 7, FROM THE OUTSIDE OF THE BOX. ATTACH OTHER SIDE OF HINGE TO FLAT EDGE ON INSIDE OF DOOR, AS ILLUSTRATED, LINING UP THE HOLES AND INSERTING RIVETS INTO HOLES FROM OUTSIDE OF LID.  
 USING A 2 PART PRIMER, ITEM 10, PRIME BOX AND LID, DRYING TIME FOR THIS IS APPROXIMATELY 2 HOURS. AFTER DRYING, USE 2 PART MATT BLACK PAINT ITEM 11  
 ATTACH CLASP TO DOOR, LINING UP HOLES AND FIXING WITH RIVETS, ITEM 8.  
 FIX COMBINATION LOCK, ITEM 6 TO BOX USING RIVETS ITEM 7.  
 BOND IN TAPE, ITEM 15, AND INTERNAL LININGS ITEMS 12 & 13 ENSURING THAT THE TAPE IS 1" UNDER THE PLASTAZOTE AS INDICATED, USING ITEM 14 TO SECURE.  
 ATTACH PHONE STORAGE LABEL ITEM 9, AS ILLUSTRATED

Item	Dwg. No.	Issue	Description	Remarks	No. Off
1	212-01-100	A	MOBILE PHONE STORAGE BOX DEVELOPMENT	--	1
2	212-01-101	A	DOOR PANEL DEVELOPED VIEW	--	1
3	212-01-102	A	HINGE	--	1
4	212-01-103	A	MOBILE PHONE STORAGE BOX	--	1
5	212-01-104	A	STOWAGE BOX DOOR	--	1
6			COMBINATION LOCK - FRANZEN SOLINGEN	2013/2011 NT NT	1
7			1/8"x5/16" LONG SNAP HD.SOLID RIVETS BLK	SP77-405	10
8			1/8"x 3/8" LONG SNAP HD.SOLID RIVETS BLK.	SP77-406	2
9	100-01-165	A	PHONE STORAGE LABEL		1
10			PRIMER CODE No. 98/SAP3 & SAR3	TRIMITE	A/R
11			PAINT MATT BLACK ACRYLIC CODE No. B401/	AE262 TRIMITE	A/R
12			PLASTAZOTE 3mm	--	A/R
13			PLASTAZOTE 15mm	--	A/R
14			ADHESIVE	FASTBOND 10	OR AB3
15			1" x 5 1/2" LG .BLACK WEBBING	BUTONA	1



PLAN VIEW OF LID ONLY  
 SHOWING POSITION OF LABEL



ATTN Peter Allen  
 0161 489 2339

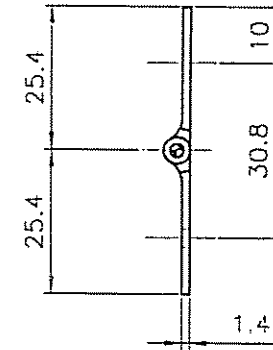
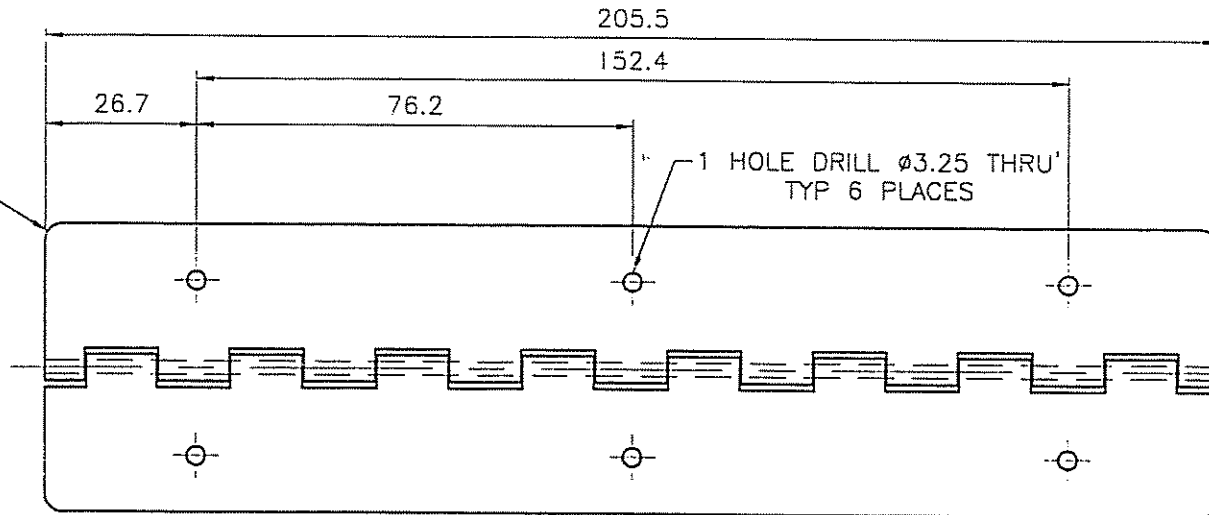
TOTAL P.01


	REMOVE ALL BURRS & SHARP EDGES	LIMITS (UNLESS STATED)	DRAWN	LSHEPSTONE	No. OFF PER ASSY
	ALL DIMENSIONS APPLY PRIOR TO PLATING	0.0 ±0.5 0.0 ±0.25 0.00 ±0.12 ANGLES ±1/4°	CHECKED		MOD No.
ALL DIMENSIONS	CONFIDENTIAL THIS DRAWING & DESIGN IS THE PROPERTY OF MGR GROUP LTD & MUST NOT BE COPIED, REPRODUCED		APPROD.		USED ON 212-01
			DATE	8.8.97	STRESS APP'D
			SCALE	1:1	
			MOBILE PHONE STOWAGE BOX		DRAWING NO
					212-01-001 A

P.01/01  
 10 01614892339

THIRD ANGLE PROJECTION

R3 (TYP)  
BOTH SIDES



PROVISIONAL  
COPY

NOTES:

1 MATERIAL: AL. ALLOY PART No. MS20001-6.

150 125 100 75 50 25

Iss	Description	Date	Sign



UNIT 10,  
JEFFERSON WAY,  
THAME, OXON.  
ENGLAND. OX9 3SZ.  
TEL 01844 260444  
FAX 01844 260157

REMOVE ALL  
BURRS &  
SHARP EDGES

ALL DIMENSIONS  
APPLY PRIOR  
TO PLATING

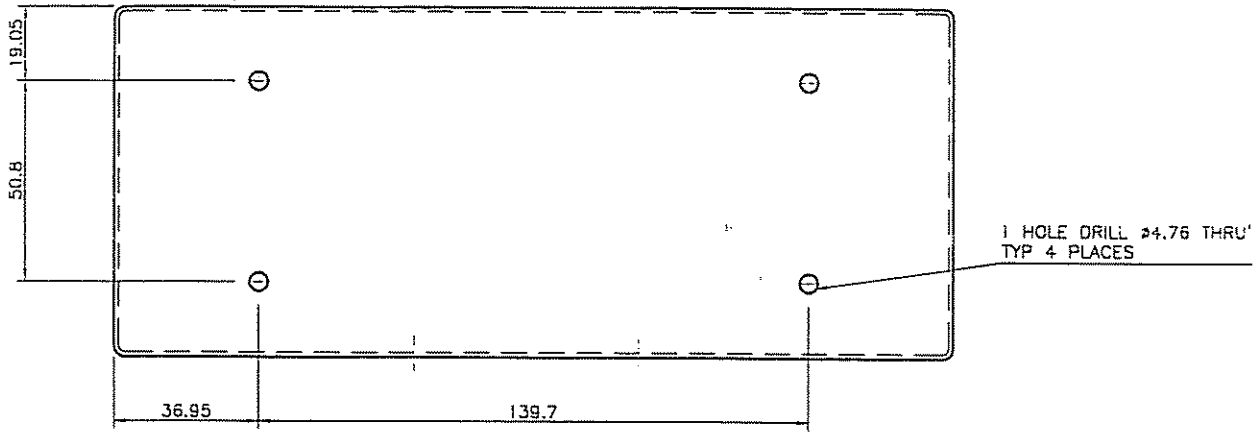
ALL DIMENSIONS  
IN MILLIMETRES  
UNLESS STATED

LIMITS (UNLESS STATED)  
0. ±0.5  
0.0 ±0.25  
0.00 ±0.12  
ANGLES ±1/4°

CONFIDENTIAL  
THIS DRAWING & DESIGN IS  
THE PROPERTY OF MGR  
Ltd. & MUST NOT BE COPIED,  
REPRODUCED OR SHOWN TO  
THIRD PARTIES WITHOUT PRIOR  
WRITTEN PERMISSION

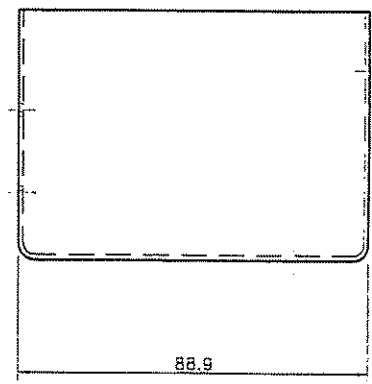
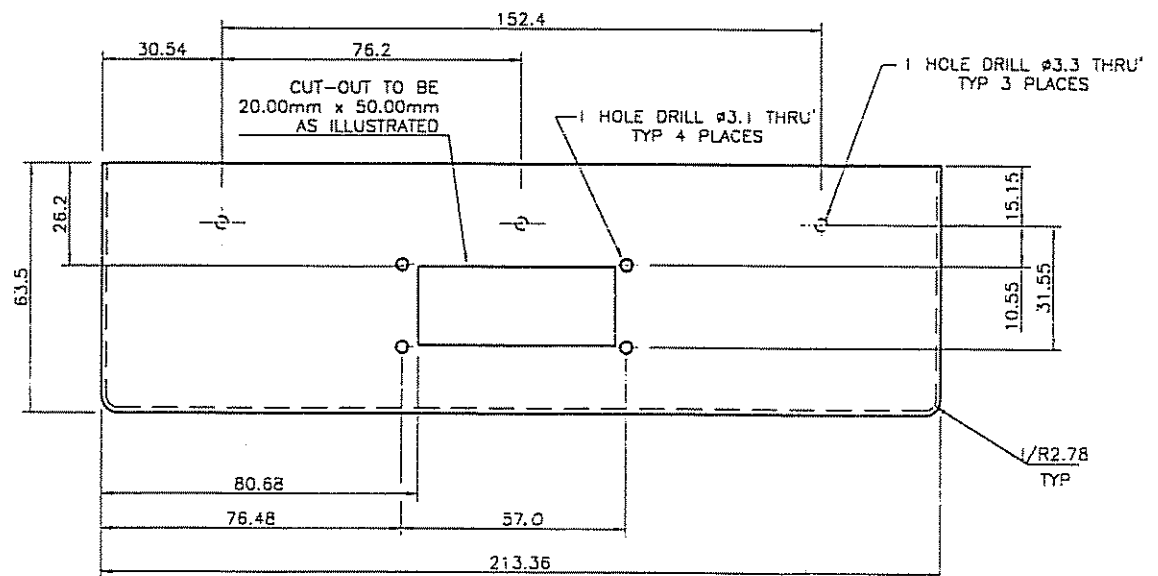
DRAWN	L.SHEPSTONE	No. OFF PER ASSY	1
CHECKED		MOD No.	
APPR'D.		USED ON	212-01-001
DATE	7.8.97	STRESS APP'D	
SCALE	1:1	TITLE	HINGE
		DRAWING NO	212-01-102
		ISS.	A

THIRD ANGLE PROJECTION



PROVISIONAL COPY

- NOTES:
1. MATERIAL: AL. ALLOY L113-T6 1.2mm THK.
  2. REMOVE ALL BURRS AND SHARP EDGES.
  3. ONCE FORMED ALL EDGES TO BE BUTT WELDED AND DRESSED AFTER WELDING.



Rev	Description	Date	By

**MGR**  
MOBILE PHONE STOWAGE BOX

UNIT 10,  
 JEFFERSON WAY,  
 THAME, OXON.  
 ENGLAND, OX9 3JZ.  
 TEL 01844 260444

REMOVE ALL BURRS & SHARP EDGES

ALL DIMENSIONS APPLY PRIOR TO PLATING

ALL DIMENSIONS IN MILLIMETRES UNLESS STATED

LIMITS (UNLESS STATED)

0.	±0.5
0.0	±0.25
0.00	±0.12
ANGLES	±1/4°

THIS DRAWING & DESIGN IS THE PROPERTY OF McCarR Ltd. & MUST NOT BE COPIED, REPRODUCED OR SHOWN TO THIRD PARTIES WITHOUT WRITTEN PERMISSION

DRAWN L. SHEPSTONE

CHECKED

APPRD.

DATE 7.8.97

SCALE 1:1

MOBILE PHONE STOWAGE BOX

No. OFF PER ASSY

MOD No.

USED 212-01-001

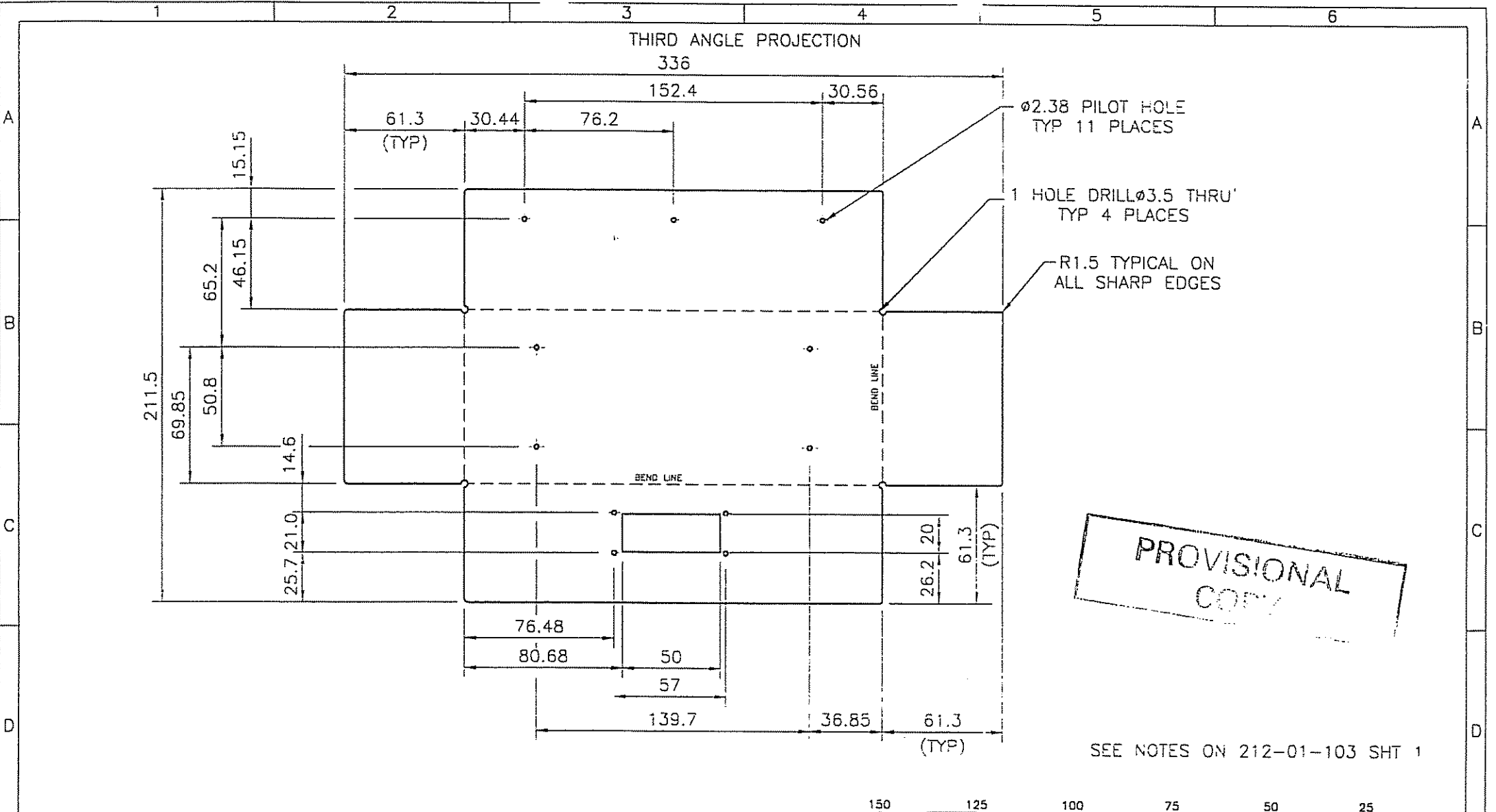
STRESS APP'D

DRAWING NO 212-01-103

ISS. A







PROVISIONAL COPY

SEE NOTES ON 212-01-103 SHT 1



Iss.	Description	Date	Sig.



UNIT 10,  
JEFFERSON WAY,  
THAME, OXON.  
ENGLAND. OX9 3SZ.  
TEL 01844 260444  
FAX 01844 260157

REMOVE ALL  
BURRS &  
SHARP EDGES

ALL DIMENSIONS  
APPLY PRIOR  
TO PLATING

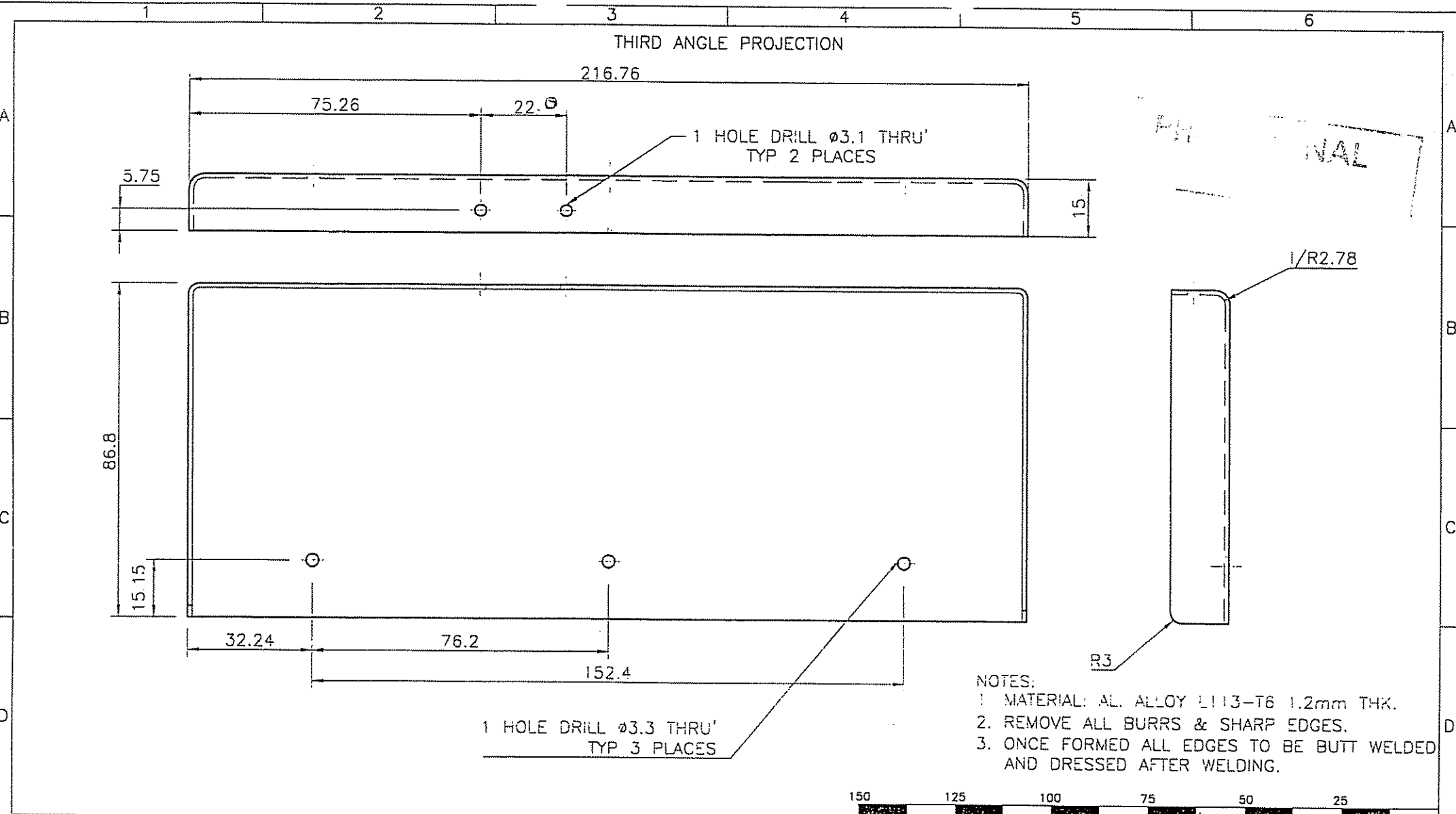
ALL DIMENSIONS  
IN MILLIMETRES  
UNLESS STATED

LIMITS (UNLESS STATED)

0.	$\pm 0.5$
0.0	$\pm 0.25$
0.00	$\pm 0.12$
ANGLES	$\pm 1/4'$

CONFIDENTIAL  
THIS DRAWING & DESIGN IS  
THE PROPERTY OF McGeRik  
Ltd. & MUST NOT BE COPIED,  
REPRODUCED OR SHOWN TO  
THIRD PARTIES WITHOUT PRIOR  
WRITTEN PERMISSION

DRAWN	L.SHEPSTONE	No. OFF PER ASSY	1
CHECKED		MOD No.	
APPR'D.		USED ON	212-01-001
DATE	12.8.97	STRESS APP'D	
SCALE	2:1		
TITLE MOBILE PHONE STOWAGE BOX (DEVELOPMENT)		DRAWING NO	ISS.
PROJECT 212-01		212-01-103	A
A3 SHEET 2 OF 2			



CONFIDENTIAL

- NOTES:
1. MATERIAL: AL. ALLOY L113-T6 1.2mm THK.
  2. REMOVE ALL BURRS & SHARP EDGES.
  3. ONCE FORMED ALL EDGES TO BE BUTT WELDED AND DRESSED AFTER WELDING.

Iss.	Description	Date	Sig.



UNIT 10,  
JEFFERSON WAY,  
THAME, OXON.  
ENGLAND, OX9 3SZ.  
TEL 01844 260444  
FAX 01844 260157

REMOVE ALL  
BURRS &  
SHARP EDGES

ALL DIMENSIONS  
APPLY PRIOR  
TO PLATING

ALL DIMENSIONS  
IN MILLIMETRES  
UNLESS STATED

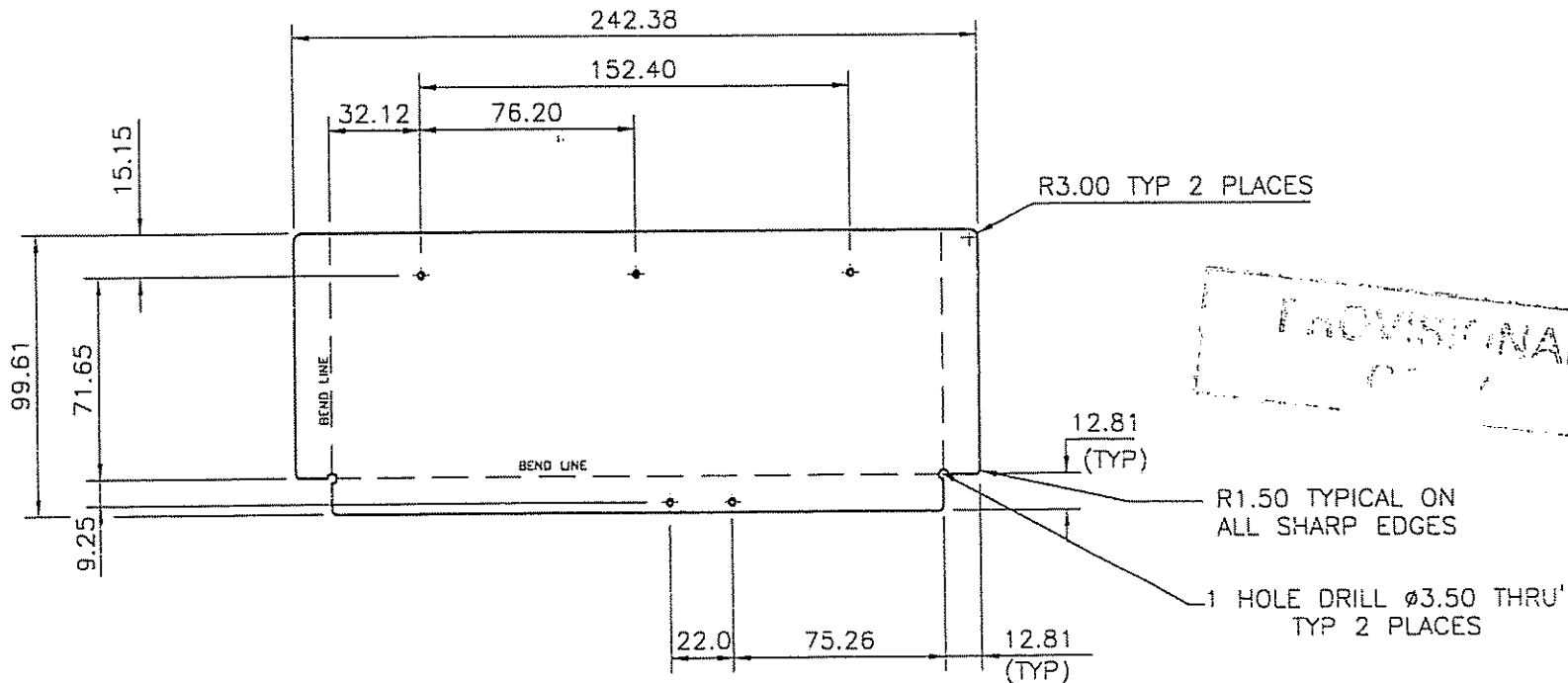
LIMITS (UNLESS STATED)

0.	±0.5
0.0	±0.25
0.00	±0.12
ANGLES	±1/4°

CONFIDENTIAL  
THIS DRAWING & DESIGN IS  
THE PROPERTY OF McGeRik  
Ltd. & MUST NOT BE COPIED,  
REPRODUCED OR SHOWN TO  
THIRD PARTIES WITHOUT PRIOR  
WRITTEN PERMISSION

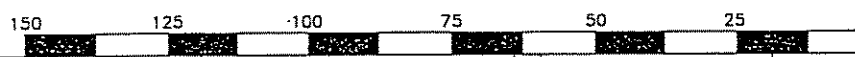
DRAWN	L.SHEPSTONE	No. OFF PER ASSY	1
CHECKED		MOD No.	
APPR'D.		USED ON	212-01-001
DATE	7.8.97	STRESS APP'D	
SCALE	1:1	DRAWING NO	212-01-104
TITLE	STOWAGE BOX DOOR	ISS.	A

THIRD ANGLE PROJECTION



PROVISIONAL

SEE NOTES ON DRG. No. 212-01-104 SHT 1



Iss	Description	Date	Sig.



UNIT 10,  
JEFFERSON WAY,  
THAME, OXON.  
ENGLAND. OX9 3SZ.  
TEL 01844 260444  
FAX 01844 260157

REMOVE ALL  
BURRS &  
SHARP EDGES

ALL DIMENSIONS  
APPLY PRIOR  
TO PLATING

ALL DIMENSIONS  
IN MILLIMETRES  
UNLESS STATED

LIMITS (UNLESS STATED)  
0. ±0.5  
0.0 ±0.25  
0.00 ±0.12  
ANGLES ±1/4'

CONFIDENTIAL  
THIS DRAWING & DESIGN IS  
THE PROPERTY OF McGeRik  
Ltd. & MUST NOT BE COPIED,  
REPRODUCED OR SHOWN TO  
THIRD PARTIES WITHOUT PRIOR  
WRITTEN PERMISSION

DRAWN	L. SHEPSTONE	No. OFF PER ASSY	1
CHECKED		MOD No.	
APPR'D.		USED ON	212-01-001
DATE	31.7.97	STRESS APP'D	
SCALE	2:1		
TITLE DOOR PANEL DEVELOPED VIEW		DRAWING NO	ISS.
		212-01-104	A
PROJECT	212-01	A3 SHEET	2 OF 2

# APPROVAL OF MINOR MODIFICATION

To:



Serial No: 9/218/M/S139

Office of Issue: Manchester

Aircraft Type:  <i>B757-200</i>	Aircraft Registration: <i>G-000A</i> Construction No: <i>S/N 23767</i>	Applicant's Modification No: <i>E0757-25-067</i> Issue No: <i>REV 0</i>
---------------------------------------	---	--

Details of Modification:

*A LOCKABLE STOWAGE UNIT IS INSTALLED IN THE FLIGHT DECK TO STORE AND PROTECT A MOBILE PHONE WITH ITS BATTERY REMOVED.*

Suitable for installation in this aircraft \*only/\*and any other aircraft

Limitations, Conditions or Exemptions  
*NIL*

Amendments in accordance with BCAR, Section A and B (as amended), as appropriate, are required to the following documents:\*

<del>Weight and C of G Schedule</del>	<del>Repair Manual</del>
<del>Flight Manual</del>	<del>Maintenance Schedule</del>
<del>Maintenance Manual</del>	<del>Crew Manual</del>
<del>Overhaul Manual</del>	<del>Electrical Load Analysis</del>

The above modification is approved and may be embodied subject to compliance with British Civil Airworthiness Requirements.

Signed:

Name: *I.A. WYLES*

Date: *22 September 1997*

\* (Delete as appropriate)  
AD261  
260493

cc: Aircraft Projects Department, 2E  
Applications and Certification Section, 2W  
File Copy

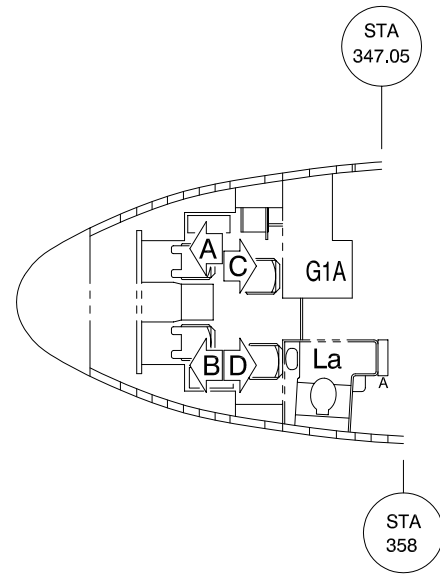
£
Received by:
Date:
Receipt No:

0701-256-757

SHEET 1 OF 3 SHEETS  
DRAWING SIMILAR TO  
N/A

REVISIONS

DRG ISS No.	RELEASE DOC.	ISSUE DATE:	DRG CHANGE	APP BY:
1	0658	MAR 2004	NEW	M A E



**AES LTD**  
**OFFICIAL ISSUE**  
**DATE: 18.03.04**  
**COPY**

**1** EQUIPMENT INSTALATION (FLIGHTDECK) **1**

NOTES:

- 1** THIS DRG INSTALLS ITEMS OF EQUIPMENT WITHIN THE FLIGHTDECK
- 2** WHEN RELOCATING EXISTING EQUIPMENT RETAIN / SALVAGE EXISTING FASTENERS AND RE-USE WHERE POSSIBLE.
- 3** INSTALL ALL INSERTS IN DIA 0.452/0.457 x 0.35 DEEP. BOND IN POSITION USING ARALDITE 420A/B. STORE, MIX AND APPLY ADHESIVE IAW MANUFACTURERES DATA SHEETS. ENSURE AREAS TO BE BONDED ARE FREE OF DIRT AND GREASE.
- 4** ATTACH PLACARD IN APPROXIMATE POSITION SHOWN.
- 5** PROTECTIVE TREATMENT: APPLY ALOCROME 1200 PER SRM STANDARD PRACTICE. FINISH: PRIME AND PAINT TO MATCH AREA WHERE EQUIPEMENT IS INSTALLED.
- 6** USE THIS EXISTING HOLE AS LOCATING POINT.
- 7** INSTALL MOBILE PHONE STOWAGE P/N 212-01-001 IN ACCORDANCE WITH OPERATOR E.O 757-25-067 AT THE LOCATION SHOWN ON SHEET 2.
- 8** STOPWATCH: INSTALL STOPWATCH P/N 343-420 IN ACCORDANCE WITH OPERATOR E.O. ATT/757/1248 WITH THE FOLLOWING EXCEPTIONS. LOCATION OF STOPWATCH TO BE INDICATED AS ON SHEET 3. (2 PLACES)
- 9** TOOLBOX: INSTALL CREW TOOLBOX ON THE FORWARD FACE OF GALLEY 1A IN ACCORDANCE WITH MODIFICATION MON/757/25/1367 WITH THE FOLLOWING EXCEPTIONS: LOCATION OF STOWAGE TO BE AS INDICATED ON SHEET 2.
- 10** USE BRACKETRY SUPPLIED WITH EQUIPMENT AS TEMPLATE FOR HOLE PATTERN
- 11** INSTALL ALL INSERTS IN DIA 0.452/0.457 X 0.21" DEEP. BOND IN POSITION USING ARALDITE 420A/B. STORE, MIX AND APPLY ADHESIVE IAW MANUFACTURERES DATA SHEETS. ENSURE AREAS TO BE BONDED ARE FREE OF DIRT AND GREASE.

REF	ITEM No.	PART NUMBER	ITEM ISS	KEYWORD / DESCRIPTION	MATERIAL	SPECIFICATION	DIMENSIONS	EST WEIGHT	REMARKS
	105	0701-256-757-105	1	PLATE	AL ALLOY	2024-T3, QQ-A-250/5	*.063 THK		
1	79	806HOOK1INCHSA		FR QUALITY VELCRO 1" HOOK		COLOUR: GREY			
1	77	806LOOP1INCHSA		FR QUALITY VELCRO 1" LOOP		COLOUR: GREY			
4	75	NAS1836-3-07		INSERT, 10/32 0.21" LG					
1	73	69B41608-7		STRAP					
1	71	69B41608-6		STRAP					
1	69	NAS43DD6-62		SPACER					
1	67	NAS43DD4-62		SPACER					
4	65	NAS43DD3-14		SPACER					
2	63	BACW10P168L		WASHER					
2	61	BACS12ER3K5		SCREW 3/16					
1	59	BACS12GU3K20		SCREW 3/16					
4	57	BACS12GU3K8		SCREW 3/16					
1	53	A2000-109		PLACARD FIRE EXT (SYMBOLIC)					
1	51	A2000-250		PLACARD ELT					
2	49	A2000-319		PLACARD SMOKEHOOD					
1	47	A2000-113		PLACARD ARROW					
2	REF 43	E0767-25-097-001		STOPWATCH BRACKET (OPP SUPPLIED)		(REF MOD ATT/757-1248)			
20	41	AN960C10		WASHER NO 10		NAS1149C0383R			
1	37	232N4704-117		SPARE BULB STOWAGE					
24	35	NAS603-6P		SCREW, 10-32, 3/8" LG					
9	33	NAS1149D0316J		WASHER					
30	31	NAS1836-3-11		INSERT, 10-32, 11/32" LG		ALTERNATIVE SL607-3-6			
A/R	29	ARALDITE 420A/B		ADHESIVE					
1	REF 25	551-508-757		TOOLBOX (OPERATOR SUPPLIED)				7.5 LBS	
1	REF 23	212-01-001		MOBILE PHONE STOWAGE		(MGR SUPPLY, REF E0757-25-067)			
2	REF 21	343-420		STOPWATCH		(COML SUPPLY)			
1	19	BA50102-3		BRACKET FIRE EXT.					
1	17	BA51015-3		BCF FIRE EXTINGUISHER		ALT BA51015G3, ALT BA51015S3		4.4 LBS	
1	15	232T4102-2		CRASH AXE COVER ASSY		BOEING			
1	13	42D8331-443		CRASH AXE				2.2 LBS	
1	11	A0861		ELT MOUNTING BRACKET		H R SMITH			
1	9	500-12Y		ELT		H R SMITH		1.3 LBS	
2	7	P2-07-0001-201		TORCH		ALT P/N P2-07-0001-212		1.5 LBS	
2	5	E28183-04		BRACKET SMOKEHOOD					
2	3	E28180-10		SMOKEHOOD				6.6 LBS	

No. OFF	MAP REF	ITEM No.	PART NUMBER	ITEM ISS	KEYWORD / DESCRIPTION	MATERIAL	SPECIFICATION	DIMENSIONS	EST WEIGHT	REMARKS
				-001	1	EQUIPMENT INSTALLATION				ALL
A/D	HAND	DRAWN BY:		DATE:	MODIFICATION No:					
1	ISS	B MANDALIA		MAR 2004	AES-757-248					
		CHECKED BY:		SCALE:	JAA APP.: CAA.JA.02304					
		S SHAW		1:100 AT A3 U.O.S.						
		STRESS:		LIMITS:	THIRD ANGLE PROJECTION:					
		M EVANS		N/A						
		APPROVED:		SURFACE FINISH:	DIMENSIONS IN:					
		A DOLBY		N/A	INCHES					
TITLE:						EQUIPMENT INSTALLATION FLIGHTDECK				

0701-256-757-001

©2004 ALL RIGHTS RESERVED. THE INFORMATION CONTAINED HEREIN IS PROPRIETARY TO AEROSPACE ENGINEERING SOLUTIONS LIMITED AND SHALL NOT BE REPRODUCED OR DISCLOSED WITHOUT THE OWNERS WRITTEN PERMISSION.

PT No	NHA	No. OFF	EFFECTIVITY
-001	AES-757-248	1	B757-200 FLEET

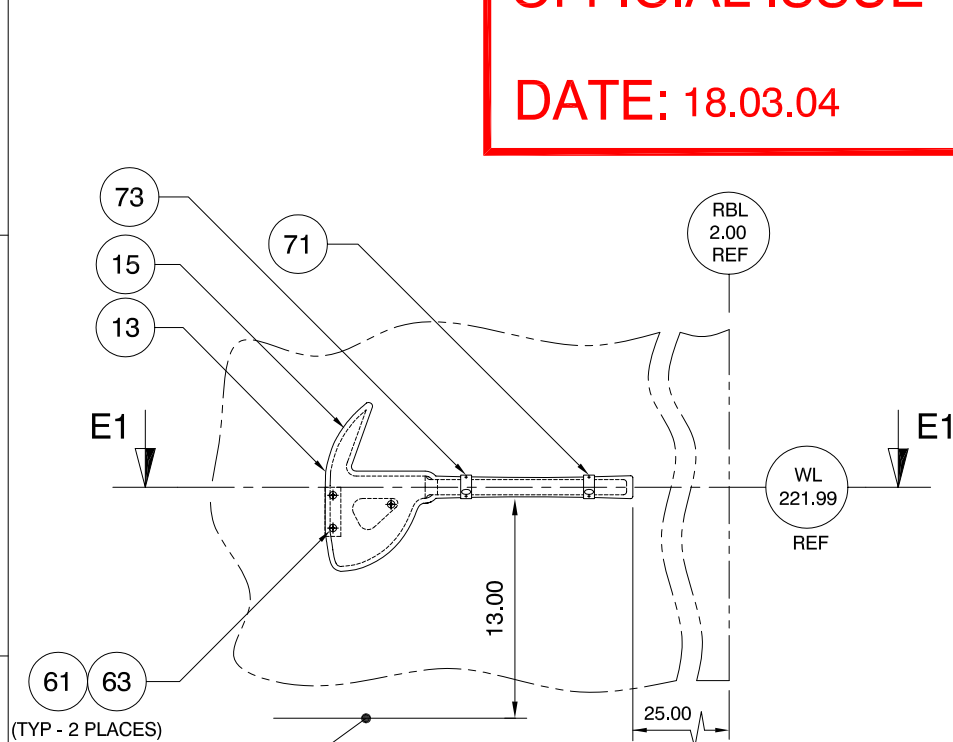
**0701-256-757**  
SHEET 1 OF 3 SHEETS

0701-256-757

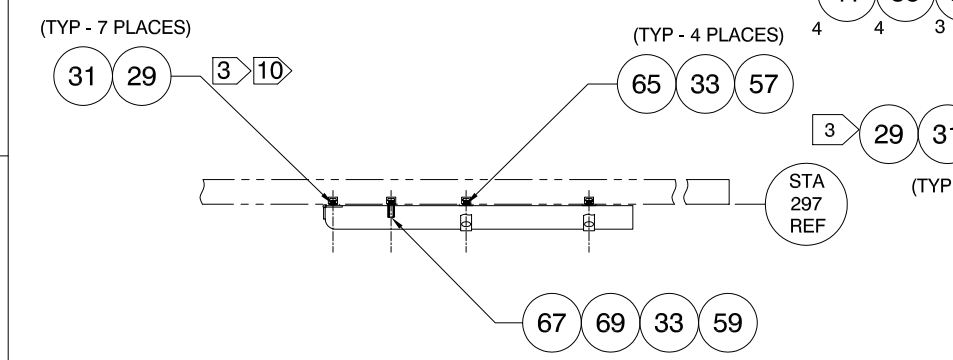
SHEET 2 OF 3 SHEETS  
DRAWING SIMILAR TO  
N/A

**AES LTD**  
**OFFICIAL ISSUE**  
**DATE: 18.03.04**  
**COPY**

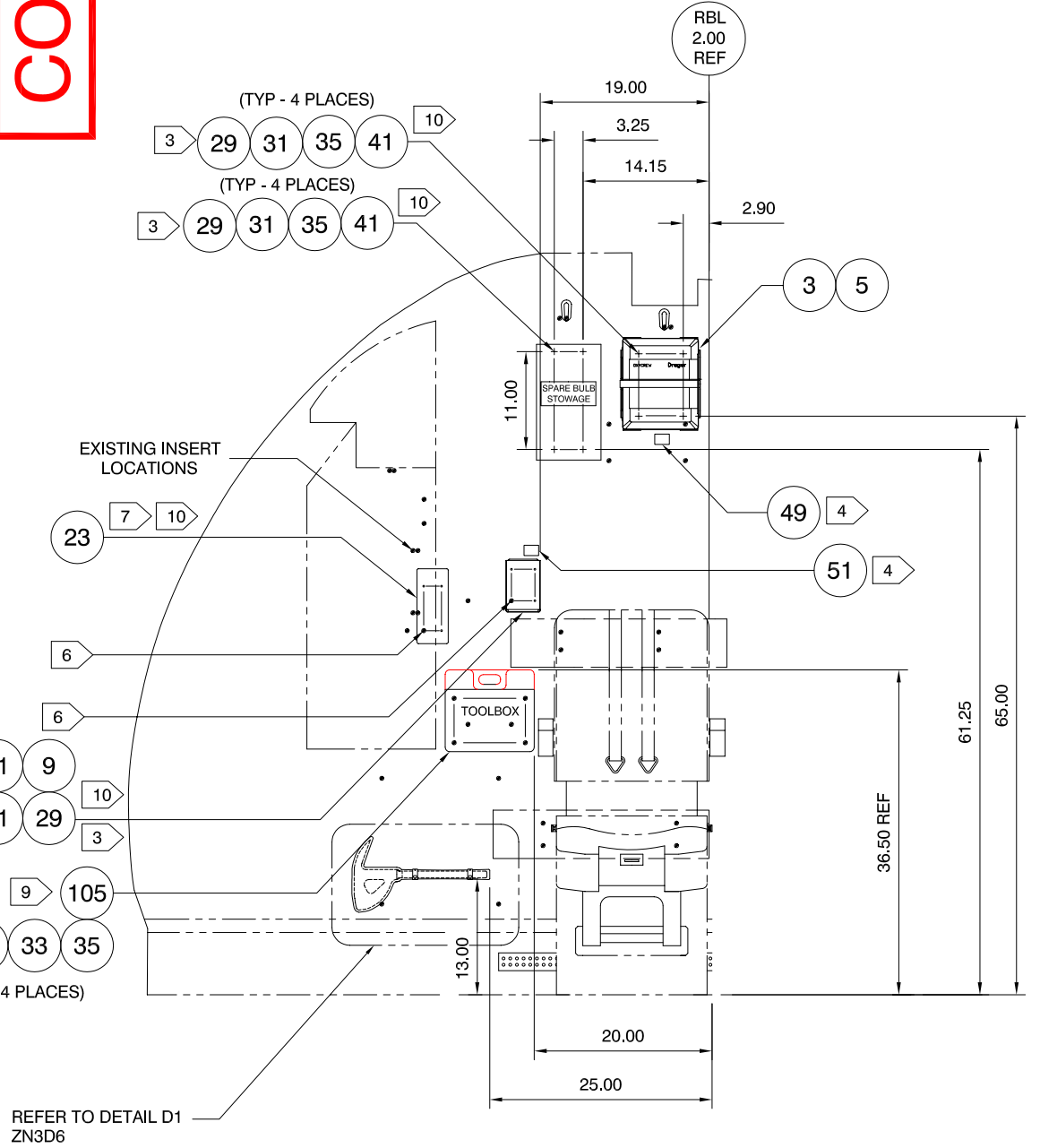
REVISIONS				
DRG ISS No.	RELEASE DOC.	ISSUE DATE:	DRG CHANGE	APP BY:
1	0658	MAR 2004	NEW	M A E



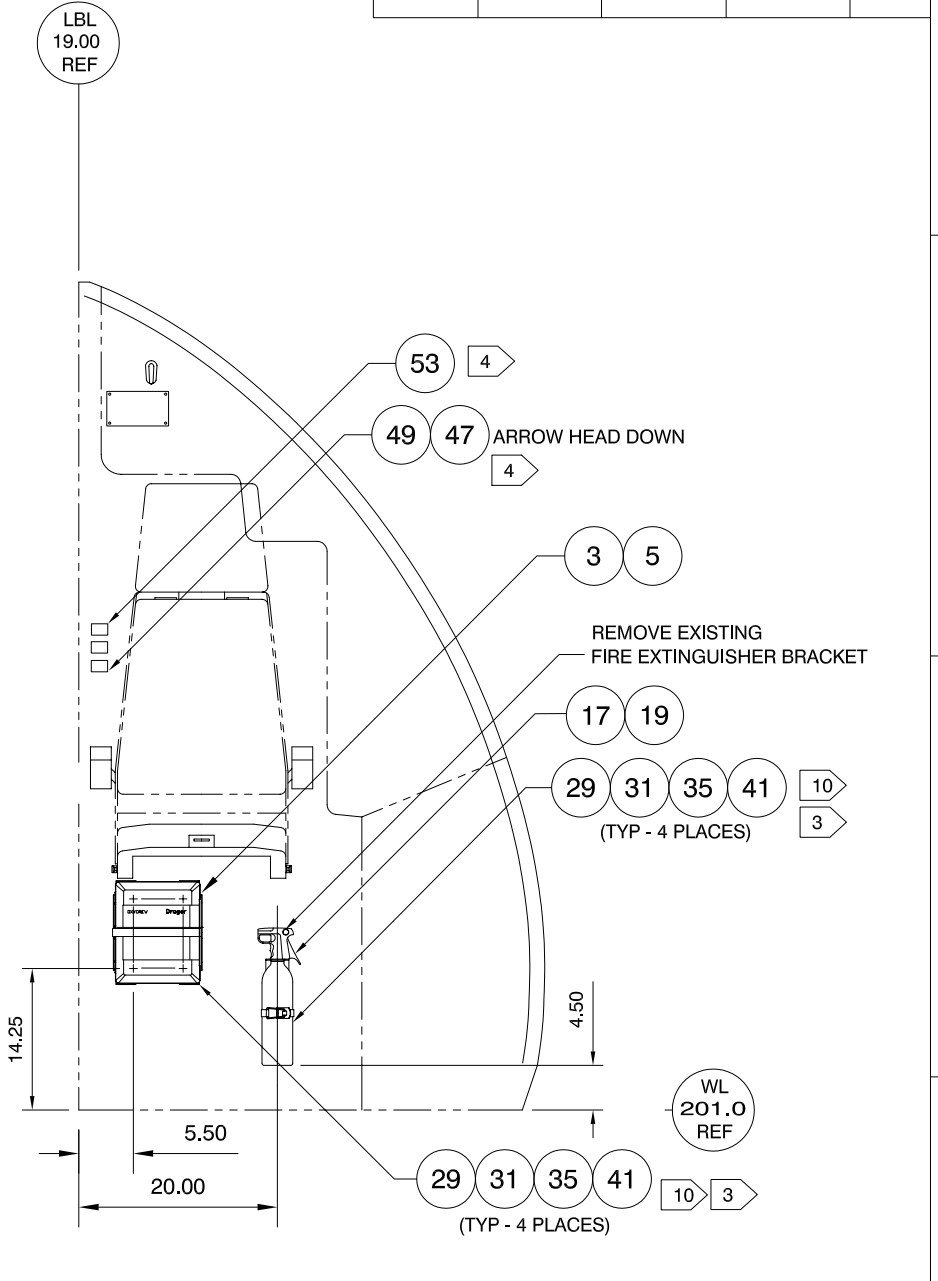
**DETAIL D1**  
**FLIGHT DECK CRASH**  
**AXE INSTL'N**  
**SCALE 1:10**



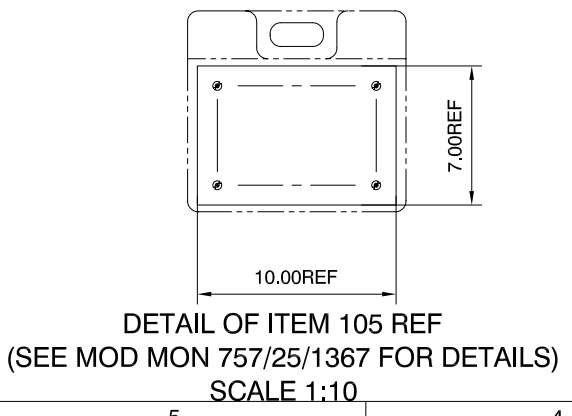
**CRASH AXE**  
**INSERT PATTERN**  
**SCALE 1:5**



**VIEW ON ARROW 'C'**  
**FLIGHTDECK RH BULKHEAD**  
**SCALE 1:20**  
**VIEW LOOKING AFT**



**VIEW ON ARROW 'D'**  
**FLIGHTDECK LH BULKHEAD**  
**SCALE 1:20**  
**VIEW LOOKING AFT**



**DETAIL OF ITEM 105 REF**  
**(SEE MOD MON 757/25/1367 FOR DETAILS)**  
**SCALE 1:10**

MAP REF	ITEM No.	PART NUMBER	ITEM ISS	KEYWORD / DESCRIPTION	MATERIAL	SPECIFICATION	DIMENSIONS	TREATMENT
1	B MANDALIA		MAR 2004	MODIFICATION No: AES-757-248				
	S SHAW		SCALE: 1:10 AT A3 U.O.S.	JAA APP.: CAA.JA.02304				
	M EVANS		LIMITS: ±.020 U.O.S.	THIRD ANGLE PROJECTION:				
	A DOLBY		SURFACE FINISH: N/A	DIMENSIONS IN: INCHES				
TITLE: <b>EQUIPMENT INSTALLATION FLIGHTDECK</b>								

PT No	NHA	No. OFF	EFFECTIVITY
-001	NHA	1	B757-200 FLEET

<b>0701-256-757</b>			
SHEET 2 OF 3 SHEETS			

0701-256-757

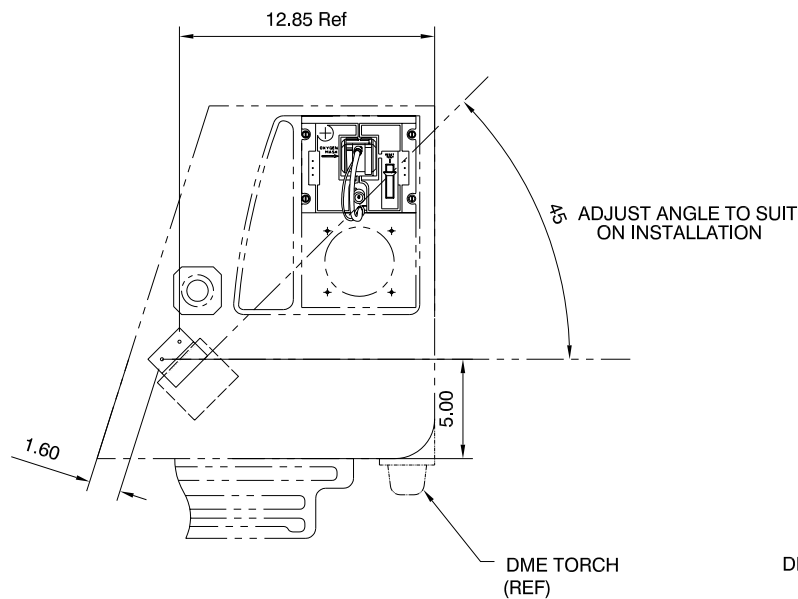
SHEET 3 OF 3 SHEETS

DRAWING SIMILAR TO

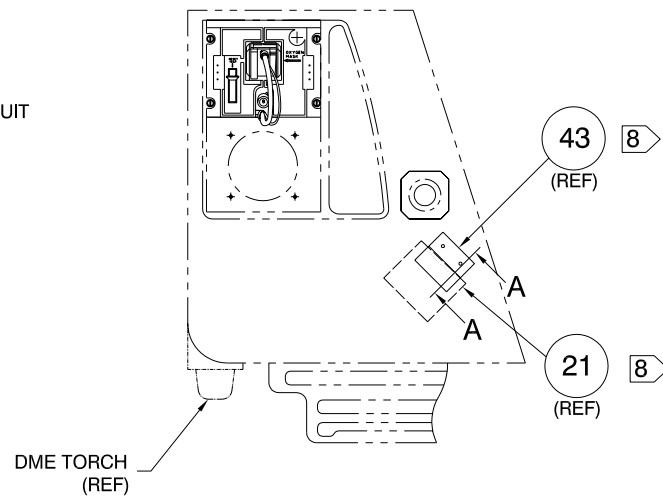
N/A

REVISIONS

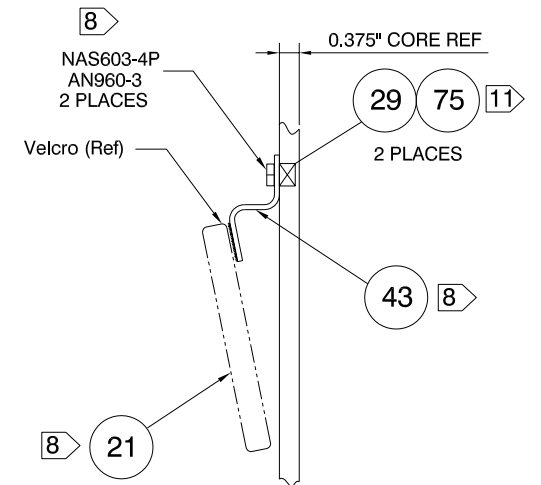
DRG ISS No.	RELEASE DOC.	ISSUE DATE:	DRG CHANGE	APP BY:
1	0658	MAR 2004	NEW	M A E



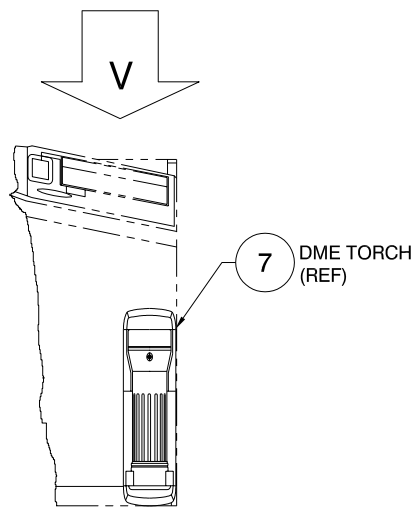
VIEW ON ARROW 'V'  
FLIGHTDECK LH



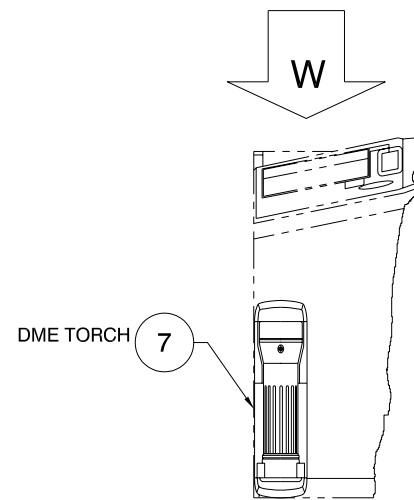
VIEW ON ARROW 'W'  
FLIGHTDECK RH  
(DIMENSIONS OPPOSITE TO LHS)



SECTION A - A  
STOPWATCH BRKT INSTL  
RH SIDE SHOWN - LH SIDE OPPOSITE  
SCALE 1:1



VIEW ON ARROW 'B'  
FLIGHTDECK LH  
SCALE 1:10



VIEW ON ARROW 'A'  
FLIGHTDECK RH  
SCALE 1:10

**AES LTD**  
**OFFICIAL ISSUE**  
**DATE: 18.03.04**  
**COPY**

MAP REF	ITEM No.	PART NUMBER	ITEM ISS	KEYWORD / DESCRIPTION	MATERIAL	SPECIFICATION	DIMENSIONS	TREATMENT	OR REMARKS
1				SEE SHEET 1					
0701-256-757-001	DRAWN BY: <b>B MANDALIA</b>		DATE: <b>MAR 2004</b>		MODIFICATION No: <b>AES-757-248</b>				
	CHECKED BY: <b>S SHAW</b>		SCALE: <b>1:10 AT A3 U.O.S.</b>		JAA APP.: <b>CAA.JA.02304</b>				
	STRESS: <b>M EVANS</b>		LIMITS: <b>±.020 U.O.S.</b>		THIRD ANGLE PROJECTION:				
	APPROVED: <b>A DOLBY</b>		SURFACE FINISH: <b>N/A</b>		DIMENSIONS IN: <b>INCHES</b>				
TITLE: <b>EQUIPMENT INSTALLATION] FLIGHTDECK</b>									
<small>©2004 ALL RIGHTS RESERVED. THE INFORMATION CONTAINED HEREIN IS PROPRIETARY TO AEROSPACE ENGINEERING SOLUTIONS LIMITED AND SHALL NOT BE REPRODUCED OR DISCLOSED WITHOUT THE OWNERS WRITTEN PERMISSION.</small>									
PT No		NHA		No. OFF		EFFECTIVITY			
SEE SHEET 1									
<b>0701-256-757</b> SHEET 3 OF 3 SHEETS									

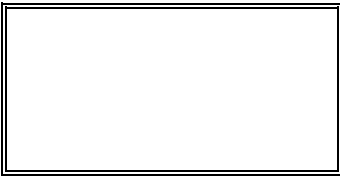


**ENGINEERING DEPARTMENT  
ENGINEERING ORDER**

Number: EO757-25-178R1	Date: 16/03/04
Title: Installation of Soap Dispenser Holders	
Paragraphs: 1. Classification 2. Authorization 3. Originator 4. Description 5. Reason for Revision 6. Effectivity 7. Timescale 8. Manuals/Docs/AFM 9. Wt & Bal 10. Manhour Estimate	
1.	Recommended
2.	CAA Minor Modification No. 9/218M/5360
3.	FLEETPRO/HH
4.	B757 Interior Modification
5.	Raised in issue to accommodate specific installation to NT405 & NT407
6.	B757's
7.	As required.
8.	AMM 20-30-00, 38-11-04, 51-30-00.
9.	Negligible
10.	1 Hour per Aircraft.

**THIS DOCUMENT HAS BEEN  
APPROVED BY  
A.E.S.LTD  
JAR21 APP: CAA.JA.02304  
UNDER COVER OF MODIFICATION  
AES-757-265**



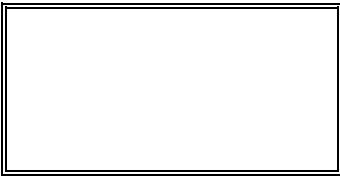


**ENGINEERING DEPARTMENT  
ENGINEERING ORDER WORK SHEET**

**Number:** EO757-25-178R1

**Date:** 16/03/04

Item	Description	Mech	Insp
1.	Gain access to all aircraft lavatories and referring to Engineering Work Sheet Figure 1 (Page 3) remove existing Soap Dispenser Holders and discard.  NB: Any existing redundant holes will require repair scheme, this should requested via attached AES Query Note (Page 5).		
2.	Referring to Engineering Work Sheet Figure 2 (Page 4) install (Celeste) Soap Dispenser Holders as indicated.  Apply PR 1436 as Interfay between washer upper face and sink as per AMM 51-30-00 and 20-30-01.		
3.	Intentionally Left Blank.		
4.	Intentionally Left Blank.		
5.	Intentionally Left Blank.		
6.	Intentionally Left Blank.		
7.	Certificate of Release to Service in respect of <b>EO757-25-178</b> : Certifies that the work specified except as otherwise specified was carried out in accordance with JAR-145 and in respect to that work the aircraft/aircraft component is considered ready for release to service.  SIGN: _____ AUTH: _____  NAME: _____ DATE: _____		



**ENGINEERING DEPARTMENT  
ENGINEERING ORDER WORK SHEET**

Number: EO757-25-178R1

Date: 16/03/04

**Figure 1: Removal of Existing Soap Dispenser Holders**



LAV



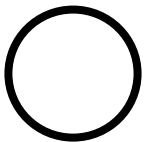
LAV F



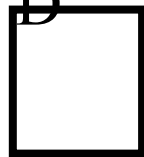
LAV C



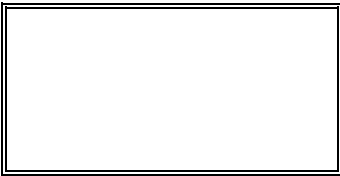
LAV D



**Remove Existing and  
Install New (Celetse) Holders**



**Remove Existing and Repair as  
Required.**

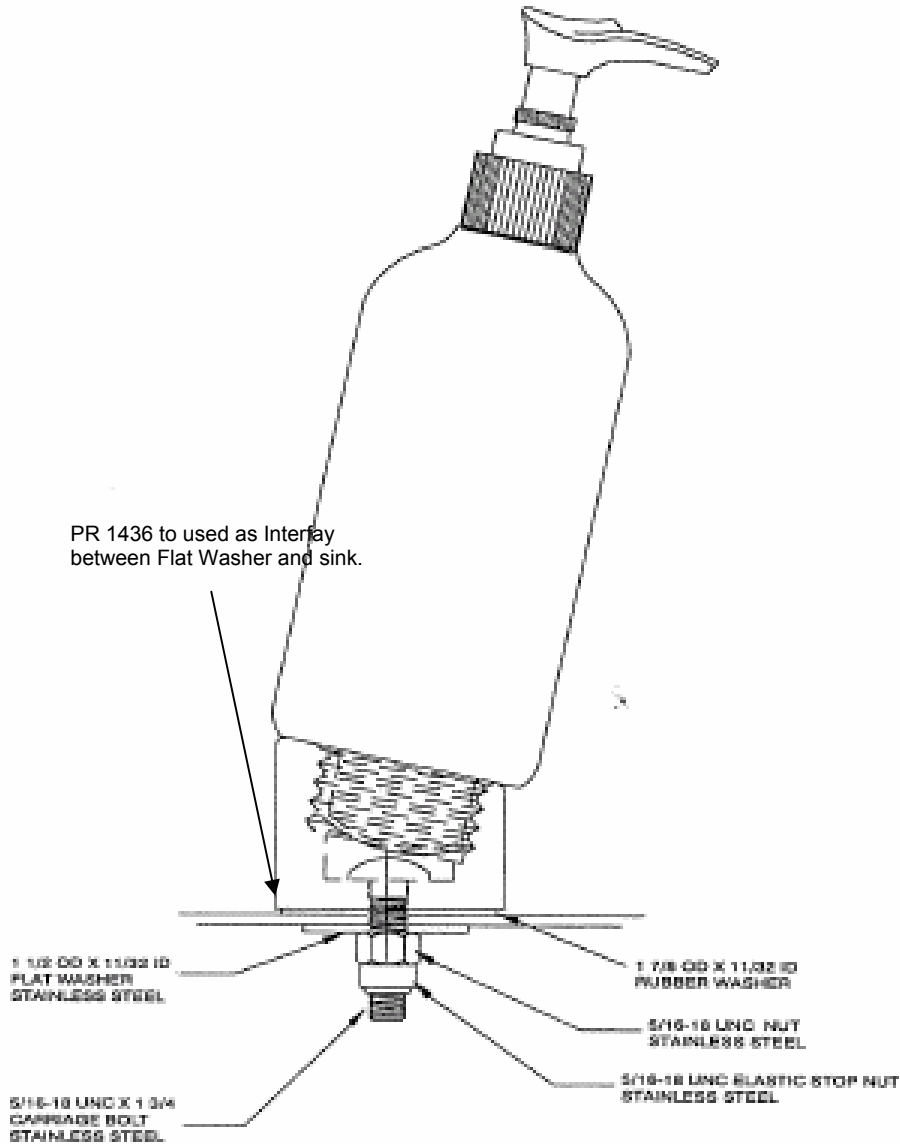


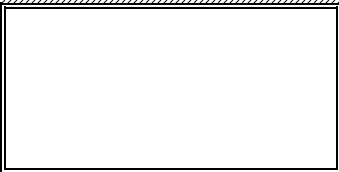
**ENGINEERING DEPARTMENT  
ENGINEERING ORDER WORK SHEET**

Number: EO757-25-178R1

Date: 16/03/04

**Figure 2: Installation of (Celeste) Soap Dispenser Holders**





## ENGINEERING DEPARTMENT ENGINEERING ORDER QUERY FORM

**Number:** EO757-25-178R1

**Date:** 16/03/04

Use this form to highlight any queries or comments you have about this engineering order. If your query is urgent, then please bring the completed form to the attention of the Air 2000 Liaison Engineer.

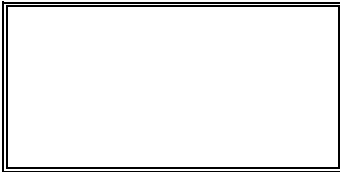
Aircraft Registration:	Date:
Your Name:	Position:
Maintenance Organisation:	Location:
Telephone Number:	Fax Number:

Comments

### For Air 2000 Use Only

Originator: FLEETPRO/HH

Action:



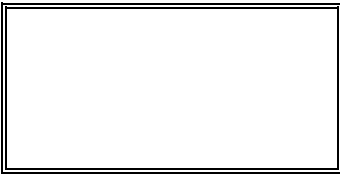
**ENGINEERING DEPARTMENT  
MATERIALS & TOOLING REQUIREMENT**

**Number:** EO757-25-178R1

**Date:** 16/03/04

Task Kit No: <b>EO757-25-178R1-1</b>		A/C:		Due Date:
Part Number	Description	Qty Per Aircraft	Batch Number	Comments
TR BASE125	Soap Dispenser Holder	4		Commercial Item
No Part Number	5/16 – 18 UNC Stop Nut	4		Commercial Item
No Part Number	5/16 – 18 UNC Stainless Steel Nut	4		Commercial Item
No Part Number	5/16 – 18 UNC Bolt	4		Commercial Item
No Part Number	Stainless Steel Washer	4		Commercial Item
No Part Number	1/16 Thick Rubber Washer	4		Commercial Item
PR 1436	Interfay Sealant	A/R		Alternative Sealant: PR 1422

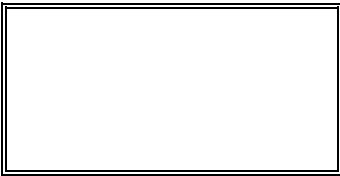
Goods Complete:.....(Date)      Location:.....      Signed:.....(Stores)



**ENGINEERING DEPARTMENT  
ENGINEERING ORDER**

Number: <b>EO757-25-119R3</b>	Date: 09/05/03
Title: <b>INTRODUCTION OF SPRING CLIP TO HOLD TAKE OFF/LANDING CARD</b>	
Paragraphs: 1. Classification 2. Authorization 3. Originator 4. Description 5. Reason for Revision 6. Effectivity 7. Timescale 8. Manuals/Docs/AFM 9. Wt & Bal 10. Manhour Estimate	
1.	RECOMMENDED.
2.	CAA Minor Modification Approval Number: 9\218\M\5285
3.	Fleet Projects HH
4.	THIS ENGINEERING ORDER IS RAISED TO INTRODUCE A SPRING CLIP ON THE F/O'S FLIGHT INSTRUMENT PANEL TO HOLD A TAKE-OFF/LANDING CARD. THIS EO IS BASED UPON MAEL MOD MON 757-674 (APP No 9/217/2225) AND AIR 2000 EO767-25-099 (APP No 9/218/M/5227).
5.	Re Issued to Utilize AES supplied data
6.	B757 Fleet
7.	AS REQUIRED.
8.	IPC.
9.	NEG.
10.	1.5 MANHOURS.

THIS DOCUMENT HAS BEEN  
 APPROVED BY  
**A.E.S.LTD**  
**JAR21 APP: CAA.JA.02304**  
 UNDER COVER OF MODIFICATION  
 AES-757-265

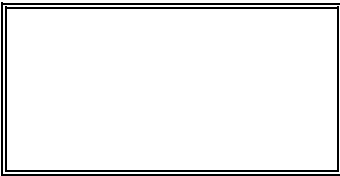


**ENGINEERING DEPARTMENT  
ENGINEERING ORDER WORK SHEET**

**Number:** EO757-25-119R3

**Date:** 16/03/04

Item	Description	Mech	Insp
1.	Referring to Chapter 91 of the Wiring Diagram Manual, identify Panel P3-1, and work in conjunction with figure 1 of this EO, carry out the following tasks.  A. Trim Spring Clip to Dimensions shown and de-burr. B. Position Spring Clip as indicated to existing ASI C. Gain access to the rear of Instrument Panel P3-1, <u>and taking suitable precautions</u> , drill 2 off 0.230" Dia. holes in the P3-1 Instrument Panel, and de-burr. D. Manufacture Nut Plate Assembly. E. Bond Nut Plate Assembly to Rear of Instrument Panel as indicated. F. Install Spring Clip using 2 x NAS603-24 Screws.		
2.	Certificate of Release to Service in respect of <b>EO757-25-119R1</b> : Certifies that the work specified except as otherwise specified was carried out in accordance with JAR-145 and in respect to that work the aircraft/aircraft component is considered ready for release to service.  SIGN: AUTH:  NAME: DATE:		

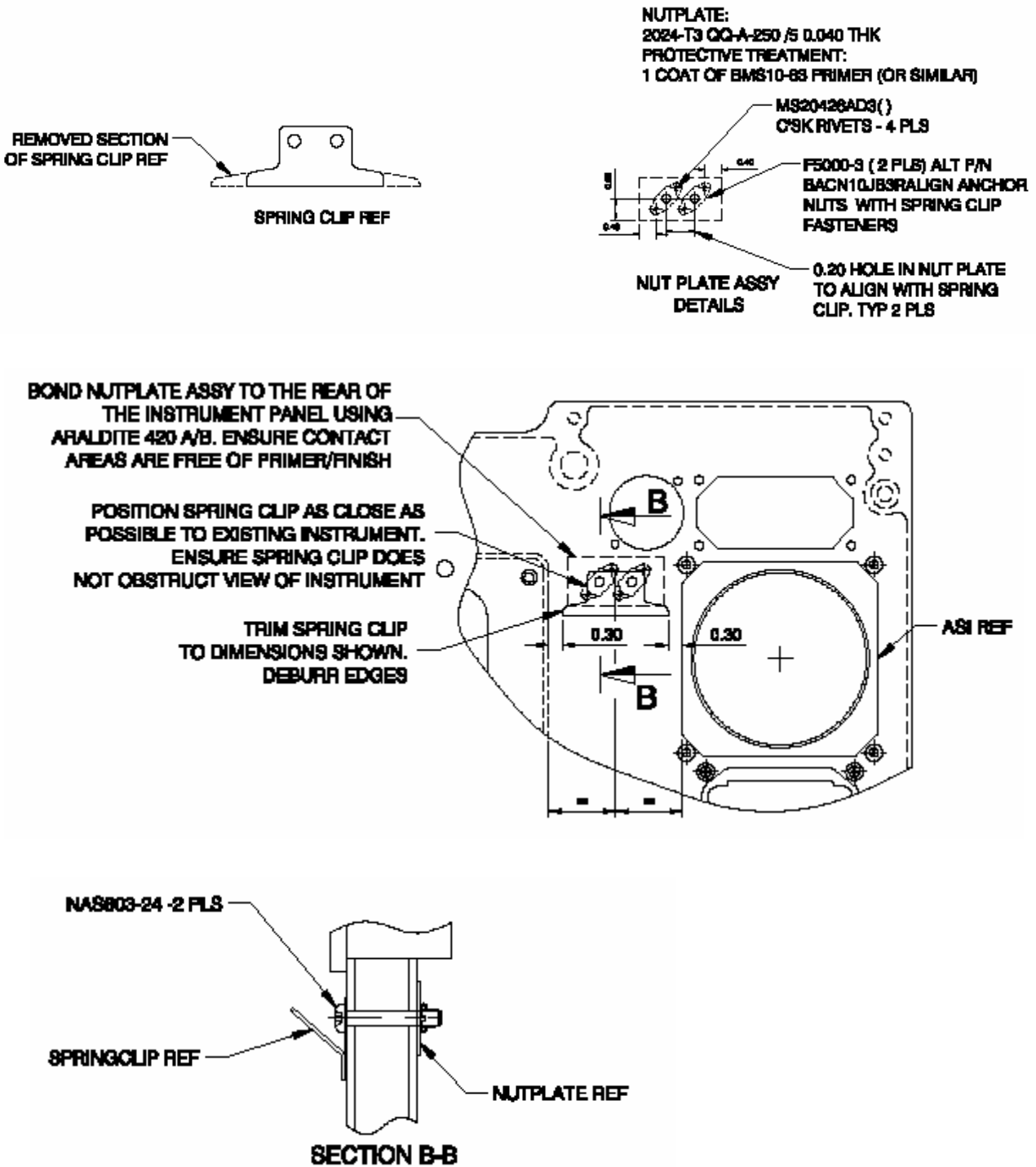


## ENGINEERING DEPARTMENT ENGINEERING ORDER WORK SHEET

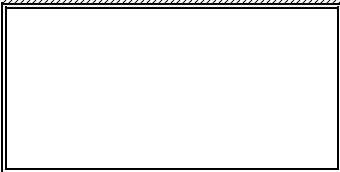
Number: EO757-25-119R3

Date: 16/03/04

Figure 1.







## ENGINEERING DEPARTMENT ENGINEERING ORDER QUERY FORM

**Number:** EO757-25-119R3

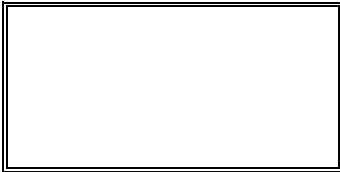
**Date:** 16/03/04

Use this form to highlight any queries or comments you have about this engineering order. If your query is urgent, then please bring the completed form to the attention of the Air 2000 Liaison Engineer.

Aircraft Registration:	Date:
Your Name:	Position:
Maintenance Organisation:	Location:
Telephone Number:	Fax Number:
Comments	

**For Air 2000 Use Only**

Originator: Fleet Projects HH
Action:



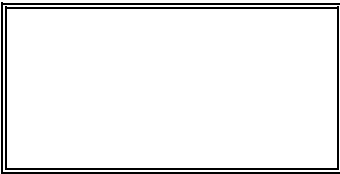
**ENGINEERING DEPARTMENT  
MATERIALS & TOOLING REQUIREMENT**

**Number:** EO757-25-119R3

**Date:** 16/03/04

Task Kit No: <b>EO757-25-119R3-1</b>		A/C:		Due Date:
Part Number	Description	Qty Per Aircraft	Batch Number	Comments
70534	SPRING CLIP	1		Alternative: 5035-02-0081
NAS603-24	SCREW	2		
NPN	Nut Plate	1		Local Manufacture

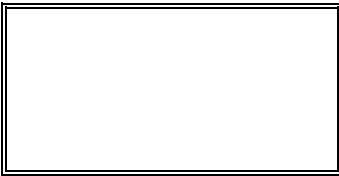
Goods Complete:.....(Date)      Location:.....      Signed:.....(Stores)



**ENGINEERING DEPARTMENT  
ENGINEERING ORDER**

Number: <b>EO757-25-120R3</b>	Date: 11/03/2004
Title: <b>INTRODUCTION OF FLIGHT DECK OIL CAN STOWAGE</b>	
Paragraphs: 1. Classification 2. Authorization 3. Originator 4. Description 5. Reason for Revision 6. Effectivity 7. Timescale 8. Manuals/Docs/AFM 9. Wt & Bal 10. Manhour Estimate	
1.	RECOMMENDED.
2.	CAA Approval No: 9/218/M/5286
3.	<b>TECHSERVE HH</b>
4.	THIS ENGINEERING ORDER IS RAISED TO INTRODUCE AN ENCLOSED FLIGHT DECK OIL CAN STOWAGE ATTACHED TO THE FLIGHT DECK FLOOR OUTBOARD OF THE 2 <sup>ND</sup> OBSERVERS SEAT. THIS EO IS BASED UPON MAEL MOD ATT-757-996 (APP No 9/217/6219) AND AIR 2000 EO320-25-093 (APP No 9/218/M5230).
5.	Issue – EO raised to incorporate installation drawing 0754-256-757.
6.	B757 FLEET.
7.	AS REQUIRED.
8.	IPC.
9.	NEG.
10.	4 MANHOURS.

**THIS DOCUMENT HAS BEEN  
 APPROVED BY  
 A.E.S.LTD  
 JAR21 APP: CAA.JA.02304  
 UNDER COVER OF MODIFICATION  
 AES-757-265**

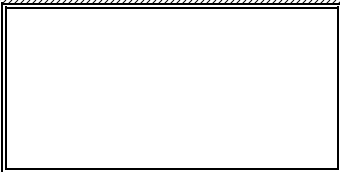


**ENGINEERING DEPARTMENT  
ENGINEERING ORDER CONTINUATION SHEET**

**Number: EO757-25-120R3**

**Date: 11/03/2004**

Item	Description	Mech	Insp
1.	With reference to AES drawing 0754-256-757, identify the Flight Deck location for the oil can stowage and remove rivets in existing structure as required in accordance with SRM 51-40-02.		
2.	Manufacture angles and packers as required, temporarily assemble angles packers and oil can stowage in position and with the lid opening towards the rear bulkhead. Ensure that the lid opens fully towards the rear bulkhead without obstruction, and closes and fastens satisfactorily.		
3.	Wet assemble angles and packers to floor structure as per SRM 51-21-05 and 51-40-02.  Re-protect and repaint exposed surfaces as per SRM 51-20-01 and 51-21-01.		
4.	Install the oil can stowage using items 15 and 23.		
5.	Certificate of Release to Service in respect of EO757-25-120R2: Certifies that the work specified except as otherwise specified was carried out in accordance with JAR-145 and in respect to that work the aircraft/aircraft component is considered ready for release to service.  SIGN:    AUTH:  NAME:    DATE:		



## ENGINEERING DEPARTMENT ENGINEERING ORDER QUERY FORM

**Number: EO757-25-120R3**

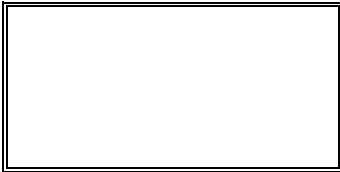
**Date: 11/03/2004**

Use this form to highlight any queries or comments you have about this engineering order. If your query is urgent, then please bring the completed form to the attention of the Air 2000 Liaison Engineer.

Aircraft Registration:	Date:
Your Name:	Position:
Maintenance Organisation:	Location:
Telephone Number:	Fax Number:
Comments	

**For Air 2000 Use Only**

Originator: TECHNICAL
Action:



**ENGINEERING DEPARTMENT  
MATERIALS & TOOLING REQUIREMENT**

**Number: EO757-25-120R3**

**Date: 11/03/2004**

Task Kit No: EO757-25-120R3-1		A/C:		Due Date:
Part Number	Description	Qty Per Aircraft	Batch Number	Comments
E0320-25-093-001	STOWAGE	1		ALT – KD01-156
0754-256-757-005	ANGLE ASSEMBLY	2		Local Manufacture
0754-256-757-011	PACKER	1		Local Manufacture
0754-256-757-013	PACKER	1		Local Manufacture
NAS623-3-2	SCREW	4		
BACN10JB3R	ANCHOR NUT	4		
BACR15FT5D	RIVET	13		
NAS1149D0363J	WASHER	4		

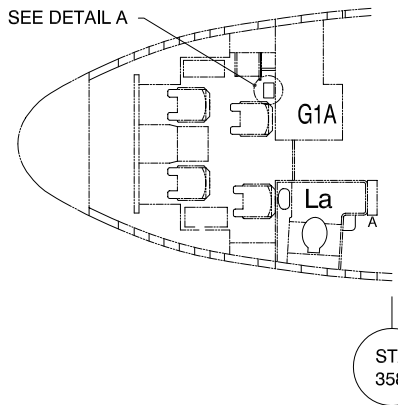
Goods Complete:.....(Date)      Location:.....      Signed:.....(Stores)

0754-256-757

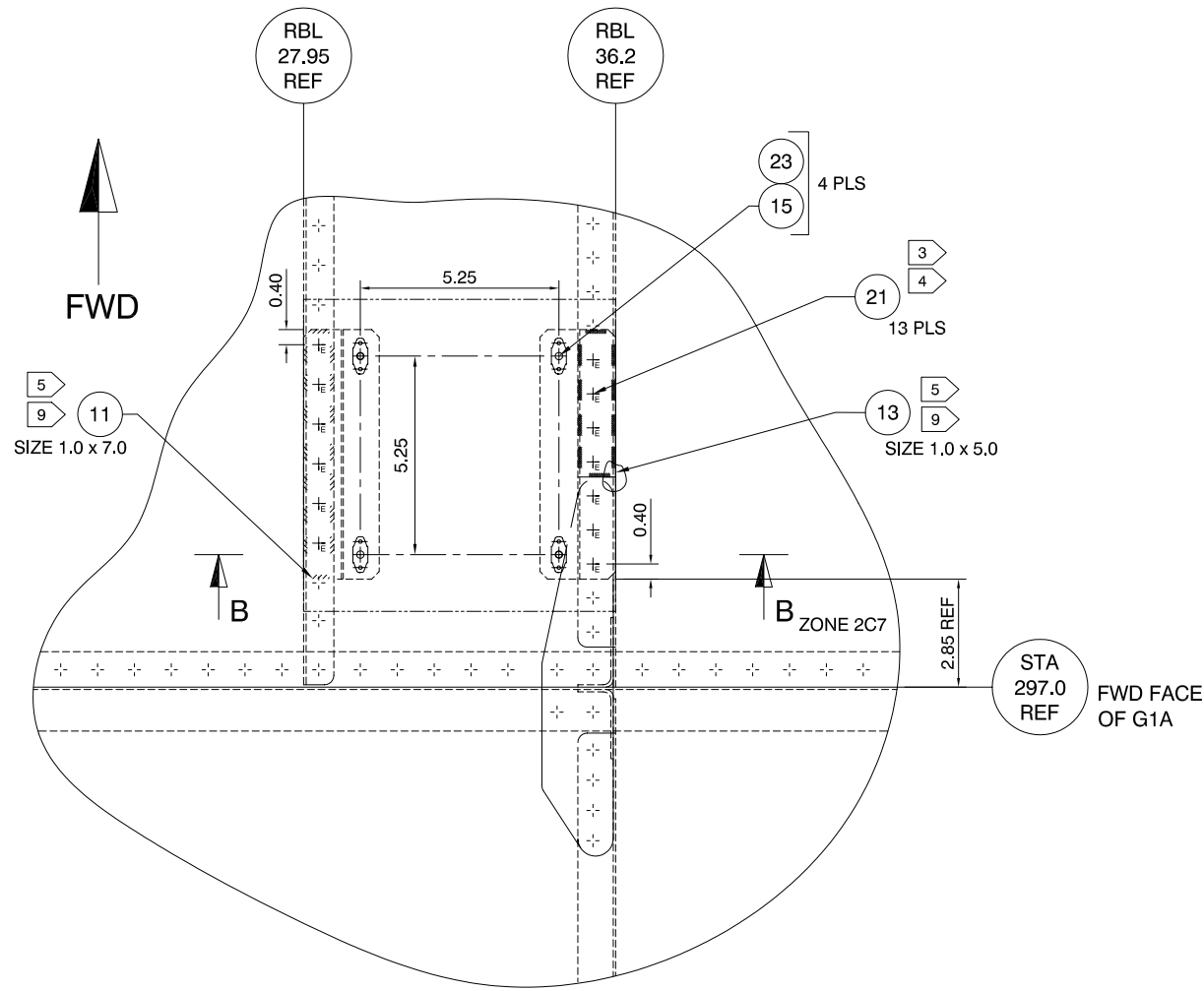
SHEET 1 OF 2 SHEETS  
DRAWING SIMILAR TO  
N/A

REVISIONS

DRG ISS No.	RELEASE DOC.	ISSUE DATE:	DRG CHANGE	APP BY:
1	0613	MAR 2004	NEW	MAE



**1 OIL CAN STOWAGE INSTALLATION (FLIGHT DECK) N.T.S**



**DETAIL A**  
VIEW LOOKING DOWN ON FLIGHT DECK  
ROTATED 90° CW  
SCALE 1:5

NOTES:

- 1 THIS DRG SHOWS THE INSTALLATION OF THE OPERATORS 'OIL CAN STOWAGE' AND IS READ INCONJUNCTION WITH F.C.A EO757-25--120R3 ( OR LATER REVISION).
- 2 WET ASSEMBLE WITH BMS 5-95 AS PER SRM.
- 3 INSTALL RIVET BURRS AS PER SRM PRIOR TO INSTALLATION OF FASTENERS. TYP 13 PLS.
- 4 INSTALL RIVETS IN EXISTING FASTENER LOCATIONS AS PER SRM. TYP 13 PLS.
- 5 LENGTH OF PACKER TO BE DETERMINED UPON INSTALLATION. MIN EDGE DISTANCE TO BE 2D.
- 6 LENGTH OF 'ZEE' ANGLE TO BE CONFIRMED ON INSTALLATION. MAINTAIN 5.25 PITCH BETWEEN ANCHOR NUTS. THE CENTRE OF THE ANCHOR NUTS TO BE 0.70 FROM THE EDGE OF THE 'ZEE' MAINTAIN 2D EDGE DISTANCE FOR THE ATTACHING RIVETS.
- 7 4 HOLES Ø0.20 IN THE BASE OF THE OIL CAN STOWAGE. ENSURE HOLES ALIGN WITH THE 'ZEE' ANGLES.
- 8 FINISH: ALOCROM 1200 + 1 COAT OF BMS 10-83 PRIMER + 1 COAT TO MATCH COCKPIT FLOOR.
- 9 FINISH: ALOCROM 1200
- 10 PART MARK IN BLACK USING INDELIBLE INK. SHOW MANUFACTURER, DATE, PART NUMBER AND THE LETTERS EPA.

**AES LTD**  
**OFFICIAL ISSUE**  
**DATE: 17.03.04**

COPY

No. OFF	No. OFF	MAP REF	ITEM No.	PART NUMBER	ITEM ISS	KEYWORD / DESCRIPTION	MATERIAL	SPECIFICATION	WIDTH	EST WEIGHT
1	25			KD01-156 REF		OIL CAN				
4	23			NAS1149D0363J		WASHER				
13	21			BACR15FT5D()		5/32 RIVET				
4	19			MS20426AD3()		3/32 CSK RIVET				
2	17			BACN10JB3R		ANCHOR NUT				
4	15			NAS623-3-2		SCREW				
1	13			-013	1	PACKER		▲2024-T3, QQ-A-250/5 0.125 THK		9
1	11			-011	1	PACKER		▲2024-T3, QQ-A-250/5 0.125 THK		9
1	9			-009	1	ZEE		▲2024-T3, QQ-A-250/5 0.050 THK		8
	7									
2	5			-005	1	ZEE ASSY				
	3									
	1			-001	1	OIL CAN STOWAGE INSTALLATION				

0754-256-757-005	DRAWN BY: <b>S SHAW</b>	DATE: <b>MAR 2004</b>	MODIFICATION No: <b>AES-757-247</b>
	CHECKED BY: <b>A D B</b>	SCALE: <b>1:6 AT A3</b> U.O.S.	JAA. APP.: CAA.JA.02304
	STRESS: <b>M A E</b>	LIMITS: <b>±0.10</b> U.O.S.	THIRD ANGLE PROJECTION: 
	APPROVED: <b>M A E</b>	SURFACE FINISH: <b>N/A</b>	DIMENSIONS IN: <b>INCHES</b>
	TITLE: <b>FLIGHT DECK OIL CAN STOWAGE</b>		

aes

0754-256-757

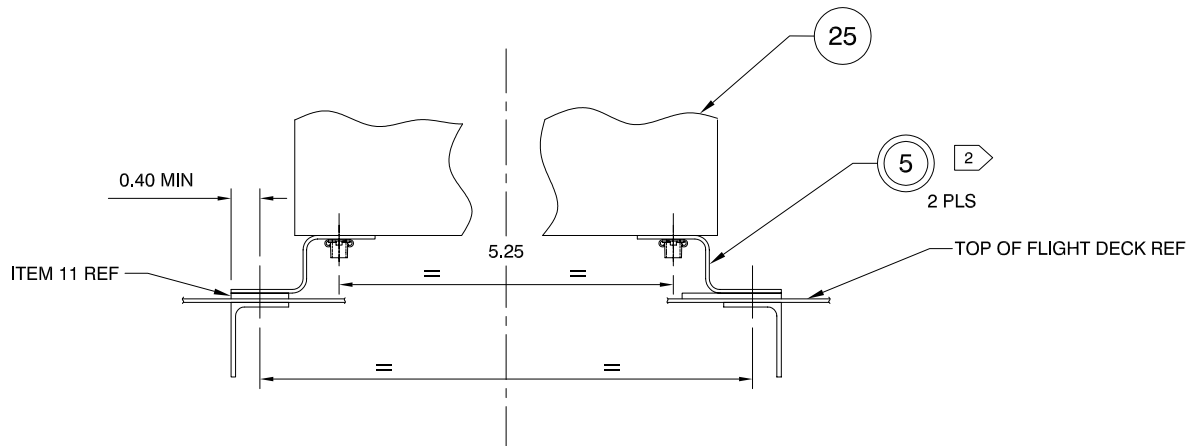
SHEET 1 OF 2 SHEETS

0754-256-757

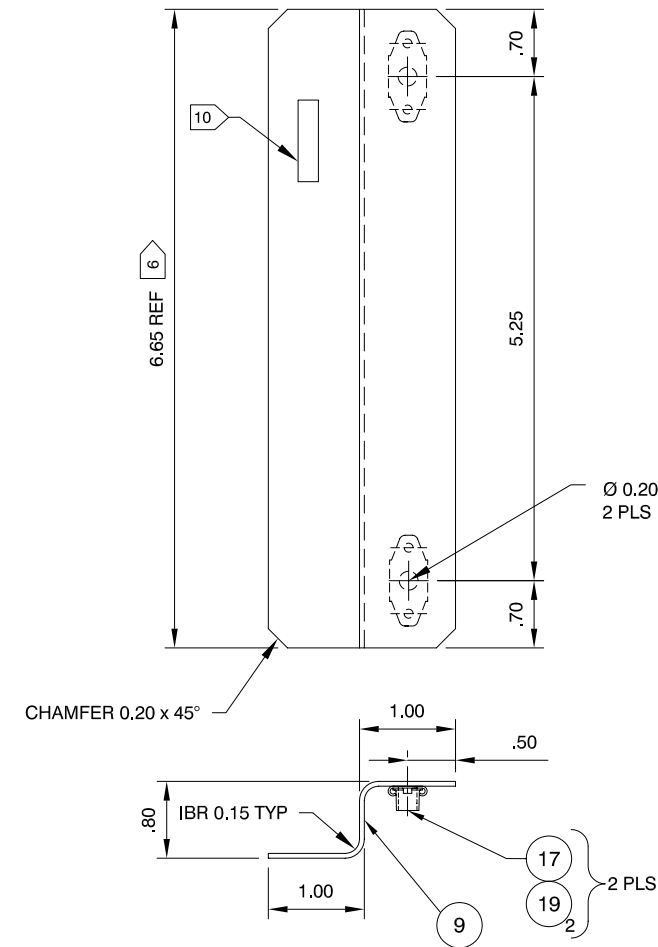
SHEET 2 OF 2 SHEETS  
DRAWING SIMILAR TO  
N/A

REVISIONS

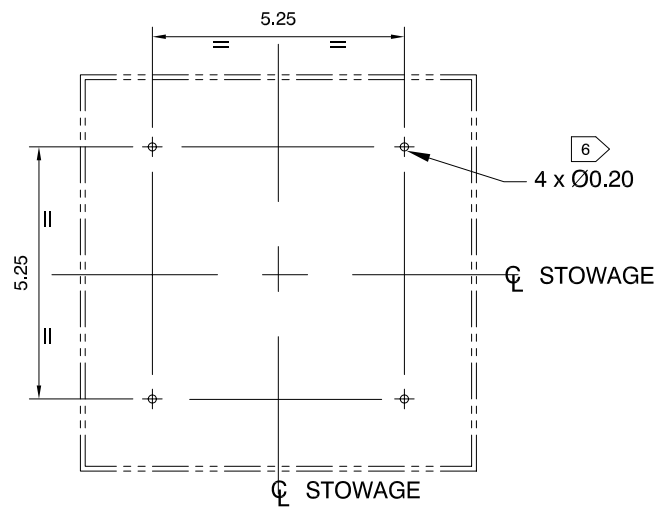
DRG ISS No.	RELEASE DOC.	ISSUE DATE:	DRG CHANGE	APP BY:
1	0613	MAR 2004	NEW	M A E



SECTION B - B  
ZONE 1B5  
SCALE 1:4



DETAIL OF ASSY 5  
(2 OFF REQUIRED)  
SCALE 1:2



FOOTPRINT OF OIL CAN STOWAGE

**AES LTD**  
**OFFICIAL ISSUE**  
**DATE: 17.03.04**  
**COPY**

No. OFF		MAP REF	ITEM No.	PART NUMBER	ITEM ISS	KEYWORD / DESCRIPTION	MATERIAL	SPECIFICATION	WIDTH	EST WEIGHT	OR REMARKS
1	1	ISS				SEE SHT 1					
DRAWN BY:		S SHAW		DATE:		MAR 2004	MODIFICATION No:		AES-757-247		
CHECKED BY:		A D B		SCALE:		1:6 AT A3 U.O.S.	JAA. APP.: CAA.JA.02304				
STRESS:		M A E		LIMITS:		±0.10 U.O.S.	THIRD ANGLE PROJECTION:				
APPROVED:		M A E		SURFACE FINISH:		N/A	DIMENSIONS IN:		INCHES		
TITLE:		FLIGHT DECK OIL CAN STOWAGE									
PART NUMBER		0754-256-757-001									
MATERIAL		757 FCA SERIES FLEET									
SPECIFICATION		NHA									
WIDTH											
EST WEIGHT											
OR REMARKS		<p>©2004 ALL RIGHTS RESERVED. THE INFORMATION CONTAINED HEREIN IS PROPRIETARY TO AEROSPACE ENGINEERING SOLUTIONS LIMITED AND SHALL NOT BE REPRODUCED OR DISCLOSED WITHOUT THE OWNERS WRITTEN PERMISSION.</p> <p><b>aes</b> aerospace engineering solutions</p>									
PT No		NHA		No. OFF		EFFECTIVITY					
0754-256-757		SHEET 2 OF 2 SHEETS									





**ENGINEERING DEPARTMENT  
ENGINEERING ORDER**

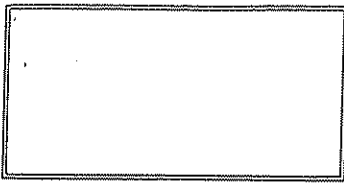
Number: EO757-25-100	Date: 20-10-99
Title: <b>MODIFICATION TO ATTACHMENT OF ENTRY &amp; SERVICE DOOR PRISM SHROUDS</b>	
Paragraphs: 1 Classification 2 Authorization 3 Originator 4 Description 5 Reason for Revision 6 Effectivity 7 Timescale 8 Manuals/Docs/AFM 9 Wt & Bal 10. Manhour Estimate	
1.	RECOMMENDED
2.	CAA MINOR MOD APPROVAL NO. 9/218/M/5231
3.	TECHNICAL SERVICES AC
4.	This EO modifies the attachment method of the entry and service door prism shrouds, from velcro to screw attachment.
5.	NEW
6.	B757 AIRCRAFT IN THE AIR 2000 FLEET
7.	AT NEXT OPPORTUNITY
8.	NONE
9.	NEGLIGEABLE
10.	16.0 Hours

**THIS DOCUMENT HAS BEEN  
APPROVED BY  
A.E.S.LTD  
JAR21 APP: CAA.JA.02304  
UNDER COVER OF MODIFICATION  
AES-757-247**

Form No: ATT/TS/201  
Issue No: 3  
Date: 13 05 97

Page 1 of 5

This document is copyright © Air 2000 Ltd Engineering Department. and shall not be copied, reproduced, communicated or re-sold without the prior written permission of Air 2000 Ltd

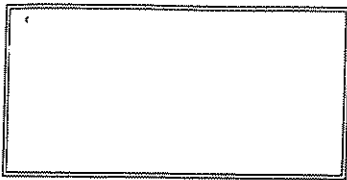


## ENGINEERING DEPARTMENT ENGINEERING ORDER WORK SHEET

Number: EO757-25-100

Date: 20-10-99

Item	Description	Mech	Insp
1.	With ref. to Figure 1, and IPC 52-11-00 locate position of reveal assy prism's at doors 1L, 2L, 3L, 4L entry doors, and 1R, 2R, 3R, 4R service doors.		
2.	Remove prism reveal assy from door trim at 1L, and remove all evidence of velcro from both the prism, and door trim. Mark out and drill 4-off attachment holes in prism IAW dimensions in figure 1.		
3.	Position reveal assy prism back into it's installed position, and spot drill through prism attachment holes onto door trim.		
4.	Drill and counterbore door trim 7/16" to accommodate inserts. Pot inserts Pt no NAS1846-3-04, 4-off, IAW BAC5583, using Redux 420. Allow to cure.		
5.	Install sealing strip (adhesive) to inside attachment face of the prism. Punch 1/4" holes in seal at attachment points.		
6.	Install reveal assy prism at door 1L, using screws BACS12FA3K8, torque to 20lbs" MAX, touch up paint, heads of screws to door trim colour finish.		
7.	Complete items 2, 3, 4, 5 and 6 for door at 2L.		
8.	Complete items 2, 3, 4, 5 and 6 for door at 3L.		
9.	Complete items 2, 3, 4, 5 and 6 for door at 4L.		
10.	Complete items 2, 3, 4, 5 and 6 for door at 1R.		
11.	Complete items 2, 3, 4, 5 and 6 for door at 2R.		
12.	Complete items 2, 3, 4, 5 and 6 for door at 3R.		
13.	Complete items 2, 3, 4, 5 and 6 for door at 4R.		
14.	<p>Certificate of Release to Service in respect of EO757-25-100:  Certifies that the work specified except as otherwise specified was carried out in accordance with JAR-145 and in respect to that work the aircraft/aircraft component is considered ready for release to service</p> <p>SIGN: _____ AUTH: _____  NAME: _____ DATE: _____</p>		



## ENGINEERING DEPARTMENT ENGINEERING ORDER CONTINUATION SHEET

Number: EO757-25-100

Date: 20-10-99

**FIGURE 1.**

**NOTES**

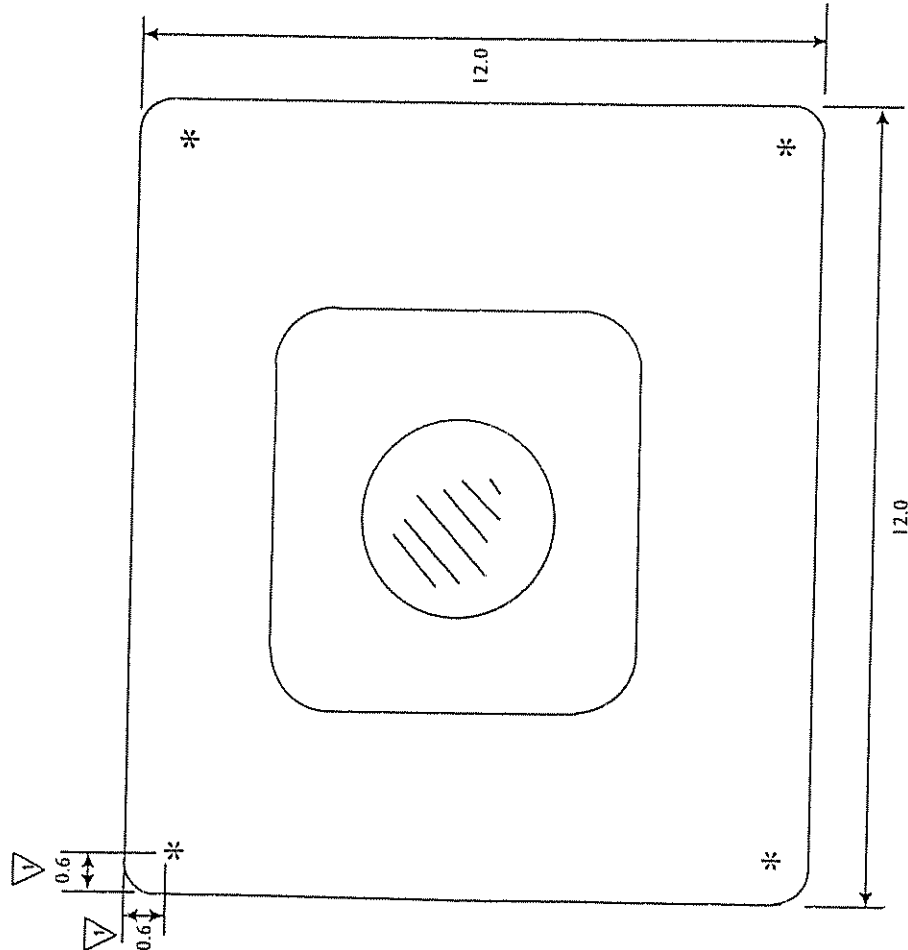
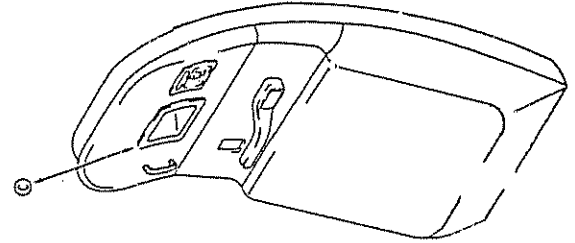
\*- 4 X HOLES IN PRISM, DRILL #10 HOLE SIZE.

DRILL DOOR TRIM & C/BORE 7/16" POT INSERTS P1 No NAS1846-3-04 USING REDUX 420 OR EQUIV.

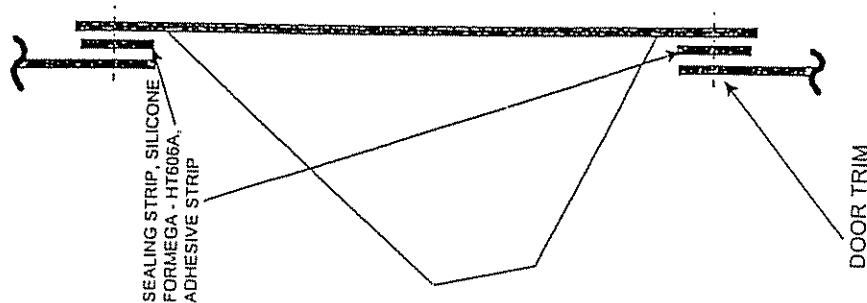
SECURE PRISM TO DOOR TRIM USING SCREW P1 No BACS 12FA3KB TO TO 20LBS\* MAX.

PAINT HEADS OF SCREWS TO INTERIOR DOOR TRIM COLOUR FINISH.

▽ VARIATION OF THIS MEASUREMENT MAY REQUIRE + 0.2". CAN BE DETERMINED BY ACTUAL DOOR TRIM CUTOUT.



VIEW ON ARROW 'C' TYPL ALL ENTR.' AND SERVICE DOORS



Form No: ATT/TS/201  
Issue No: 3  
Date: 13 05 97



## ENGINEERING DEPARTMENT ENGINEERING ORDER QUERY FORM

Number: EO757-25-100

Date: 20-10-99

Use this form to highlight any queries or comments you have about this engineering order. If your query is urgent, then please bring the completed form to the attention of the Air 2000 Liaison Engineer.

Aircraft Registration:	Date:
Your Name:	Position:
Maintenance Organisation:	Location:
Telephone Number:	Fax Number:
Comments	

For Air 2000 Use Only

Originator: AC
Action:

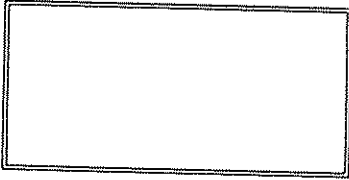
Form No: AT1/TS/201

Issue No: 3

Date: 13 05 97

Page 4 of 5

This document is copyright © Air 2000 Ltd Engineering Department, and shall not be copied, reproduced, communicated or re-sold without the prior written permission of Air 2000 Ltd



**ENGINEERING DEPARTMENT  
MATERIALS & TOOLING REQUIREMENT**

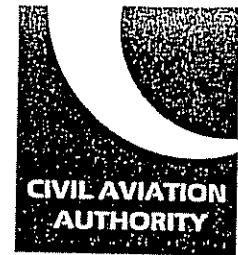
Number: EO757-25-100

Date: 20-10-99

Task Kit No: EO757-25-100-1		A/C:		Due Date:
Part Number	Description	Qty Per Aircraft	Batch Number	Comments
NAS1836-3-07	Insert	32		Or approved alternative
BACS12FA3K8	Screw	32		Or approved alternative
BMS8-283-DTY1	Sealing Strip	A/R		Or approved alternative

Goods Complete:.....(Date)      Location:.....      Signed:.....(Stores)

APPROVAL OF MINOR MODIFICATION



To: Air 2000 Ltd  
 6th Floor, Tower Block  
 Manchester Airport  
 Manchester  
 M90 2EP

Modification Approval No: 9/218/M/5231

Office of Issue: Manchester

Aircraft Type:  <b>BOEING 757</b>	Aircraft Registration: <b>B757 FLEET</b>  Serial No:	Applicant's Modification No: <b>E0757-25-100</b>  Issue No: <b>1</b>								
Details of Modification: <b>To change the method of attachment of the entry and service door prism shrouds from velcro to screw and insert.</b>										
Suitable for installation in this aircraft and <b>ANY OTHER B757-200 OPERATED BY AIR 2000 LTD</b>										
Limitations, Conditions or Exemptions <b>N/A</b>										
ments in accordance with BCAR, Section A and B, as appropriate, are required to the following documents: <table border="0" style="width: 100%;"> <tr> <td>Weight and C of G Schedule</td> <td>Repair Manual</td> </tr> <tr> <td>Flight Manual</td> <td>Maintenance Schedule</td> </tr> <tr> <td>Maintenance Manual</td> <td>Crew Manual</td> </tr> <tr> <td>Overhaul Manual</td> <td>Electrical Load Analysis</td> </tr> </table>			Weight and C of G Schedule	Repair Manual	Flight Manual	Maintenance Schedule	Maintenance Manual	Crew Manual	Overhaul Manual	Electrical Load Analysis
Weight and C of G Schedule	Repair Manual									
Flight Manual	Maintenance Schedule									
Maintenance Manual	Crew Manual									
Overhaul Manual	Electrical Load Analysis									

The above modification is approved and may be embodied subject to compliance with British Civil Airworthiness Requirements.

Signed:

Name: **I A Wyles**

Date: **21 October 1999**

*\*(Delete as appropriate)*

cc: Aircraft Projects Department, 2E  
 Applications and Certification Section, 2W  
 File Copy

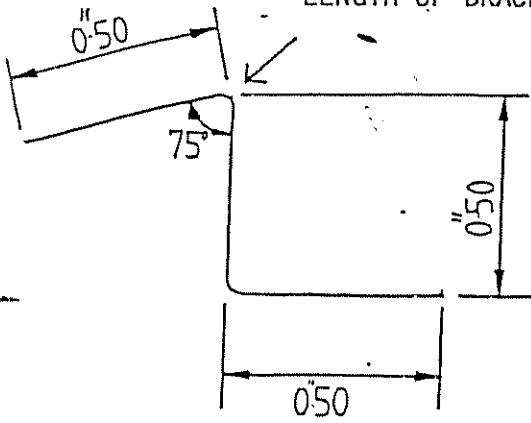
£ 63.00  Received by: C WELSH  Date: 21/10/1999  Receipt No. 267422
---

## MODIFICATION SHEET

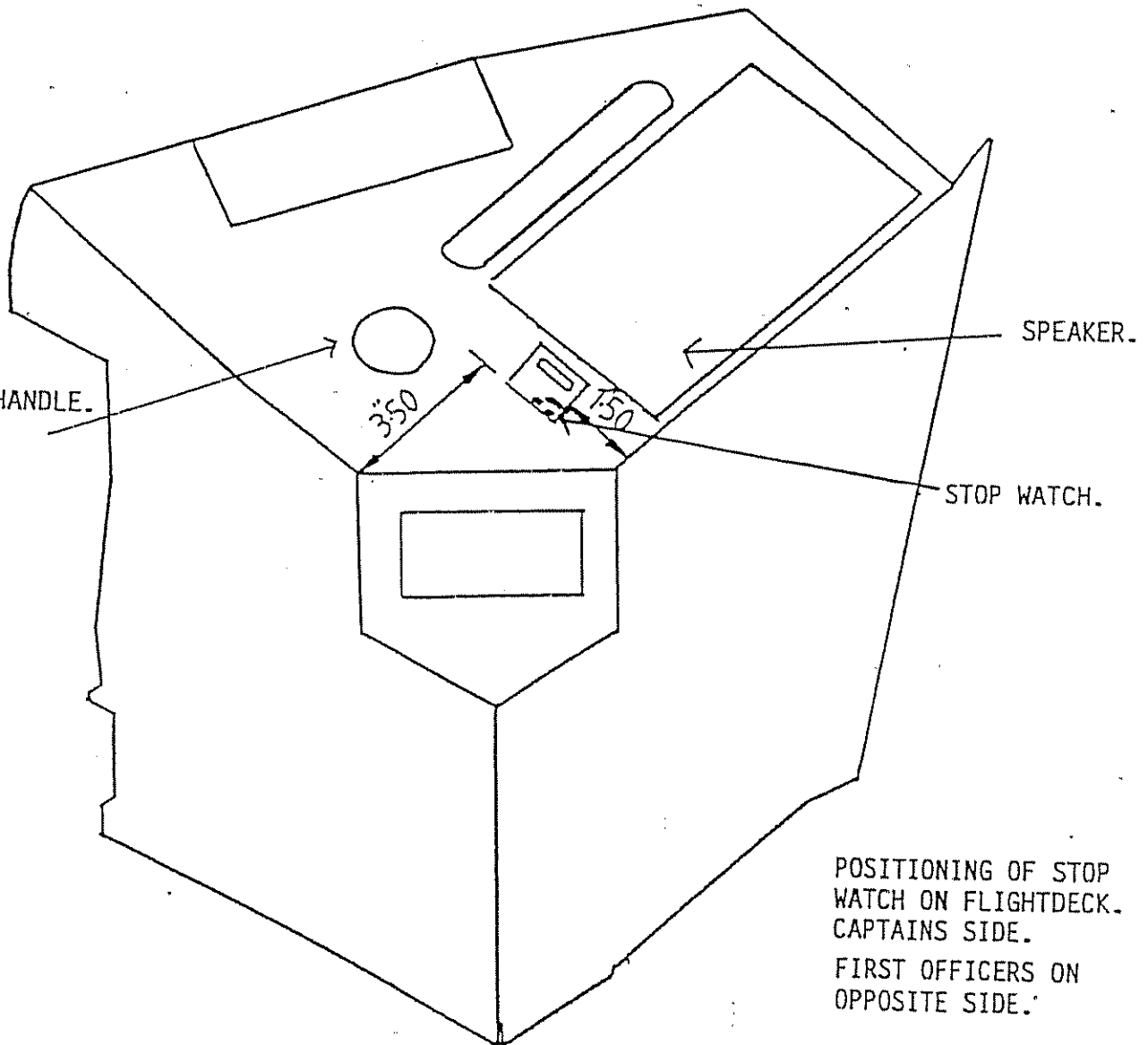
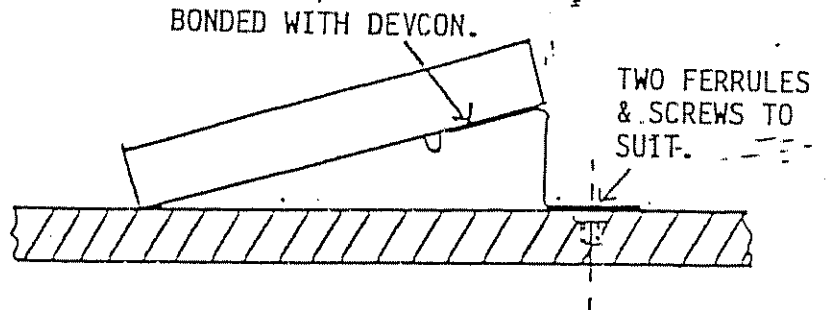
TITLE INSTALLATION OF STOP WATCH TO FLIGHTDECK.		MOD. No: ATT/757/1248	
A/C TYPE BOE 757-200		COMPONENT/ SYSTEM 25/FLIGHTDECK	SHEET 1 OF 2 SHEETS
A/C AFFECTED AIR 2000 FLEET.		CLASS MINOR	MAJOR MINOR
REASON FOR MODIFICATION  CUSTOMER REQUEST.		DISTRIBUTION  PLANNING CAA (LOCAL) CAA (REDHILL) OPS DIRECTOR O.C. MANAGER PRODUCTION MANAGER COMM MANAGER CUSTOMER	
DESCRIPTION  <del>MANUFACTURE BRACKET TO INSTALL STOP WATCH ONTO TRIM IN FLIGHTDECK. CAPTAINS SIDE, INSTALL AS PER SHEET 2.</del>  STOPWATCH IS A COMMERCIAL ITEM SUPPLIED BY AIR 2000.  MANUFACTURE TWO BRACKETS TO INSTALL TWO STOP WATCHES ONTO TRIM IN THE FLIGHT DECK, CAPTAINS AND FIRST OFFICERS SIDE AND INSTALL AS PER SHEET 2.  STOPWATCH PART N° 343-240. SPARE BATTERY PART N° SR44. ] RADIO SPARES LTD.			
LOCATION AND INSTALLATION OF STOPWATCHES TO BE IN ACCORDANCE WITH AES DRAWING:  <b>0701-256-757</b>			
DRAWINGS RECD.			
DRAWINGS REDUNDANT/ASSOCIATED DOCUMENTS		WEIGHT CHANGE + Kgs - lbs @ STN.....	
AUTHORISED BY  Signature <i>[Signature]</i>			
COMPILED R MATHER	CHECKED <i>[Signature]</i>	APP. STRESS	APP. DESIGN APP. No. DA1. A.A.N. 9/217/6459
ISS.	A	B	C
	INITIAL	ADDITION TO FIRST OFFICERS SIDE. REWORDED.	STOPWATCH PART N° ADDED.
DATE	17.10.89	15.12.89	22.12.89
AFFECTED DOCUMENTS			
1. Maintenance Manual	4. Crew Manual	7. Flight Manual	9. Operations Manual
2. Overhaul Manual	5. Parts Catalogue	8. Elec. Load Analysis	10. Wiring Diagram Manual
3. Repair Manual	6. Maintenance Schedule	11. Weight Schedule	

# MODIFICATION CONTINUATION SHEET

LENGTH OF BRACKET 2"25.



BRACKET MATERIAL - 2024-T3-18G.



POSITIONING OF STOP WATCH ON FLIGHTDECK. CAPTAINS SIDE. FIRST OFFICERS ON OPPOSITE SIDE.

COMPILED	CHECKED	CAA. APP.	DATE	MODIFICATION No. ATT/757/1248
R MATHER				



# Civil Aviation Authority

Safety Regulation Group

\*To: Applicant  
 Avionic/Electrical Section (Survey)  
 Surveyor  
 Aircraft Projects Department  
 Flight Manuals Section  
 Applications & Certification Section

## MINOR MODIFICATION

Serial No. 9/217/6459

Aircraft Type  BOEING 757-200  Regn Marks  AIR 2000 FLEET	Name and Address of Applicant  MONARCH AIRCRAFT ENGINEERING LUTON AIRPORT LUTON, BEDS	Applicant's Modification No  ATT/757/1248  Issue No  A
Original Drawings affected/Issue Nos	New Drawings to be raised by	New Drawings introduced/Issue Nos  SEE SHEET 2 OF MOD

### Details of Modification

A COMMERCIAL AUDIBLE STOPWATCH IS FITTED TO THE F/DECK VIA A SMALL BRACKET, THIS IS TO ASSIST IN VARIOUS EXERCISES SUCH AS (FUEL CROSS FEED PUMP TIMINGS, ETC.)

*(Details to be continued overleaf if necessary)*

Suitable for installation in this aircraft ~~only~~ and any other BOEING 757-200 aircraft

Limitations, Conditions, or Exemptions

Amendments in accordance with BCAR, Section A, Chapter A5-1, A6-1, A6-2, A6-4 or A6-7, as appropriate, are required to the following:

W ~~XXXXXXXXXXXXXXXXXXXX~~  
 F ~~XXXXXXXXXXXXXXXXXXXX~~  
 M ~~XXXXXXXXXXXXXXXXXXXX~~  
 O ~~XXXXXXXXXXXXXXXXXXXX~~

~~XXXXXXXXXXXX~~  
~~XXXXXXXXXXXX~~  
~~XXXXXXXXXXXX~~  
~~XXXXXXXXXXXX~~

The above modification is approved and may be embodied subject to compliance with British Civil Airworthiness Requirements, Chapter A4-1.

Date 8 November 1989

*V. P. England*  
 For the Civil Aviation Authority



# MODIFICATION

FLS 1076  
Issue 3  
20.06.02

<b>TITLE</b>	Introduction of Sabre Elite Medical Oxygen	<b>MOD NO</b>	<b>SHEET NO</b>	<b>ATA</b>
		FLS/B757/1152	Sheet 1 of 5	25
		<b>CAA CLASS</b> Minor		
<b>Aircraft Type</b>	<b>Variant</b>	<b>Registration(s)</b>	<b>Serial No (s)</b>	
B757	ALL	AIR 2000 FLEET	N/A	

**Originating W/O**    DES00128

**REASON/BACKGROUND FOR MODIFICATION**  
CUSTOMER REQUEST

**DESCRIPTION OF THE CHANGE**

Customer

Air 2000

Description

This modification introduces 3 x 2 Litre medical oxygen bottles which will be stored in the overhead luggage bin at seat row 37.

<b>DRAWINGS INTRODUCED</b>	<b>DRAWINGS REDUNDANT/AFFECTED</b>
82-25-1129 (For Installation only) 73-25-1044 (For manufacture only)	NONE

<b>ASSOCIATED DOCUMENTS/REPORTS</b>	<b>DOCUMENTS</b>	<b>AFFECTED YES/NO</b>
	PARTS CATALOGUE MAINTENANCE MANUAL FLIGHT MANUAL CREW MANUAL O/HAUL MANUAL MAINTNENANCE SCHEDULE REPAIR MANUAL MINIMUM EQUIPMENT LIST ELECTRICAL LOAD ANALYSIS WEIGHT SCHEDULE WIRING DIAGRAM MANUAL	YES NO NO NO NO NO NO NO NO NO NO NO

<b>ISSUE</b>	<b>COMPILED</b>	<b>CHECKED</b>	<b>APP. STRESS</b>	<b>APP. AVIONIC</b>	<b>DATE</b>
1	J.Burton	N.Jones	J.Burton	T.A.McGuirk	20.02.03
2	J.Burton	N.Jones	J.Burton	T.A.McGuirk	30.04.03

\* Delete as appropriate



# MODIFICATION REVISION SHEET

FLS 1076  
Issue 3  
20.06.02

**MOD NO**  
FLS/B757/1152

**SHEET NO**  
Page 2 of 5

## DESIGN CERTIFICATE

\* Delete block as appropriate

\* CAA APPROVAL DAI/9627/97

I certify that , except for the differences resulting from the modification(s) described herein, the design of the aircraft as designated on sheet one of this Modification Sheet, has not been changed in any way.

I further certify that, with exceptions listed below, the design of the modification to this aircraft complies with the relevant CAA requirements.

~~\* NON UK CAA APPROVED MODIFICATION~~

~~I certify that , except for the differences resulting from the modification(s) described herein, the design of the aircraft as designated on sheet one of this Modification Sheet, has not been changed in any way.~~

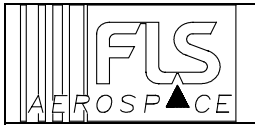
~~I further certify that, with exceptions listed below, the design of the modification to this aircraft complies with the relevant requirements, but may not be considered as UK CAA approved.~~

## EXCEPTIONS

**Electronic Version – Master mod held on file by FLS Aerospace Ltd, Stansted.**

Issue	Date	Raised Issue Details	Sheet(s) Affected	Checked By	Approved By
1	20/2/03	Initial Issue	All	N.Jones	J.Burton
2	30/4/03	Additional note on page 5.	5	N.Jones	J.Burton

FLS AEROSPACE LTD OWN THE COPYRIGHT OF THIS MODIFICATION WHICH IS SUPPLIED ON THE EXPRESS CONDITION THAT IT IS NOT REPRODUCED, NOR USED FOR ANY PUPOSE OTHER THAN THAT FOR WHICH IT IS SUPPLIED AND IS NOT COMMUNICATED TO ANY OTHER PERSON WITHOUT THE PERMISSION OF FLS AEROSPACE LTD.



# MODIFICATION CONTINUATION SHEET

FLS 1076  
Issue 3  
20.06.02

<b>DETAILS OF MODIFICATION</b>	<b>MOD NO</b>	<b>SHEET NO</b>
	FLS/B757/1152	Page 3 of 5

## Background

To meet Air 2000 operational requirements, and the need to carry medical oxygen on board for specific passenger use. The oxygen will be contained within a purpose made carry-on bag and fastened to the light-weight stowage by means of quick release webbing straps.

The carry-on bag will be installed on the aircraft prior to the specific flight and removed on the flight termination.

**This modification covers the stowage and security of the carry-on medical oxygen only. Air 2000 Staff Safety Notice # 2 will cover the actual usage and safety during the flight.**

## Description of Modification

This modification introduces a light-weight composite stowage and retaining straps containing 3 x 2litre oxygen bottles that will be stored in an overhead bin.

The modification will be in two parts :

Part A Manufacture.

Part B Installation.

## Drawings Introduced

82-25-1129                      Installation  
73-25-1044                      Manufacture

## Drawings Redundant/Affected

None

## Effectivity

All a/c in the Air 2000 B757 Fleet.

## Materials Required for Manufacture (Part A)

<u>Description</u>	<u>Part Number</u>	<u>Qty</u>	<u>Supplier</u>
Insert	SL601-3-3S	8	FLSA
Screw Machine	NAS514P1032-7	8	FLSA
Loop	43977-10	4	FLSA
Insert	SL603-3-500	6	FLSA
Composite Sheet	Gillfab 5072	1.8 Sq Ft (20x13x.5 ins)	FLSA
Webbing Black	FGWKN54BLK	4 Ft X 1.0 ins)	FLSA
Buckle Assy	90-001	2	FLSA
Adhesive	Epibond 1559 A/B	1 kit	FLSA
Paint White	404-12DA12-14	As reqd	FLSA
Edge Filler	Redux 255	1kit	FLSA

## Parts Required for Installation kits (Part B)

FLS-B757-1152-1 Kit comprises of:		QTY 18 a/c	
Screw machine	NAS603-14P	6	FLSA
Washer	NAS1252-10L	6	FLSA
Plate Mounting	73-25-1044-1	1	FLSA
Belt Assy	73-25-1044-2	2	FLSA

--



# MODIFICATION CONTINUATION SHEET

FLS 1076  
Issue 3  
20.06.02

DETAILS OF MODIFICATION	MOD NO	SHEET NO
	FLS/B757/1152	Page 4 of 5

Label	A2000-707	1	Air 2000 Ltd*
Insert	NAS1836-3-9	6	FLSA
FLS-B757-1152-2 Kit comprises of:		QTY 3 a/c	
Screw machine	NAS603-14P	6	FLSA
Washer	NAS1252-10L	6	FLSA
Plate Mounting	73-25-1044-1	1	FLSA
Belt Assy	73-25-1044-2	2	FLSA
Label	A2000-708	1	Air 2000 Ltd**
Insert	NAS1836-3-9	6	FLSA

\* For use on a/c without wheelchairs.

\*\* For use on a/c with wheelchairs.

**Note: The Belt Assy P/N 73-25-1044-2 forms part of the P/N 73-25-1044-1 Plate Mounting Assy, but may be ordered separately for spares.**

### Equipment to be Introduced

Sabre Elite Medical Oxygen Kit.

### Equipment to be Removed

None

### Continued Airworthiness

The Sabre Elite Medical Oxygen kit will be maintained and operated in accordance with the manufacturers instructions.

### Certification Basis

The Certification basis applied to this modification is un-changed from that applied to the aircraft when originally type certified.

### Compliance Requirements

JAR 25. 561 General and AJC 25.787(b). JAR 1541 (Placards)

### Approval Details

The composite mounting plate conforms to FAR/JAR Appendix F Parts I,IV and V.

The carry on bag containing the medical oxygen kit conforms to CAA Spec 8. Reference Report "Material Details for Air 2000 Elite cylinder bag. H.Fine & Son Ltd,Wembley Middlesex. Dated 04/11/02.

The medical oxygen kit is approved by CAA Aircraft Equipment No.SA01313.

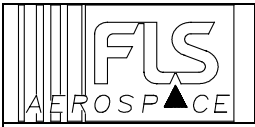
### Additional Information

None

### Weight and Balance

2.2lbs (1Kg) @ Sta.1547 (Stowage only)

24.2lbs (11 Kgs) @ Sta.1547



# MODIFICATION CONTINUATION SHEET

FLS 1076  
Issue 3  
20.06.02

DETAILS OF MODIFICATION	MOD NO	SHEET NO
	FLS/B757/1152	Page 5 of 5

## Electrical Load Analysis

Not affected

## GENERAL AIRFRAME INSTRUCTIONS

All operations are to be carried out iaw Airframe Standard Practices and the SRM.

## Accomplishment Instructions

### Part A (Manufacture)

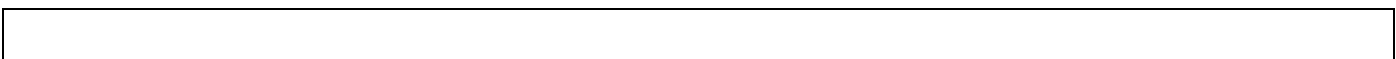
1. Refer to drawing 73-25-1044 and manufacture the P/N 73-25-1044-1 Mounting Plate assembly and P/N 73-25-1044-2 belt assemblies.
2. Identify the mounting plate assembly with part number 73-25-1044-1 ,using indelible ink on the under side.

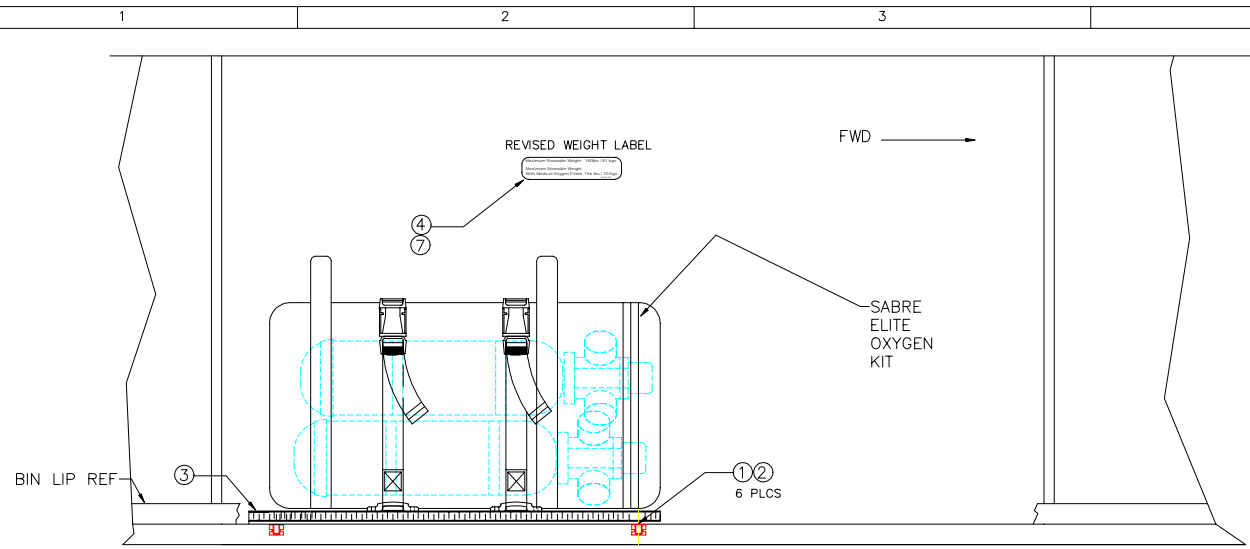
### Part B Installation

Obtain Kit p/no. FLS-B757-1152-1 (For a/c without a wheelchair fitted) or Kit p/no. FLS-B757-1152-2 (For a/c with a wheelchair fitted).

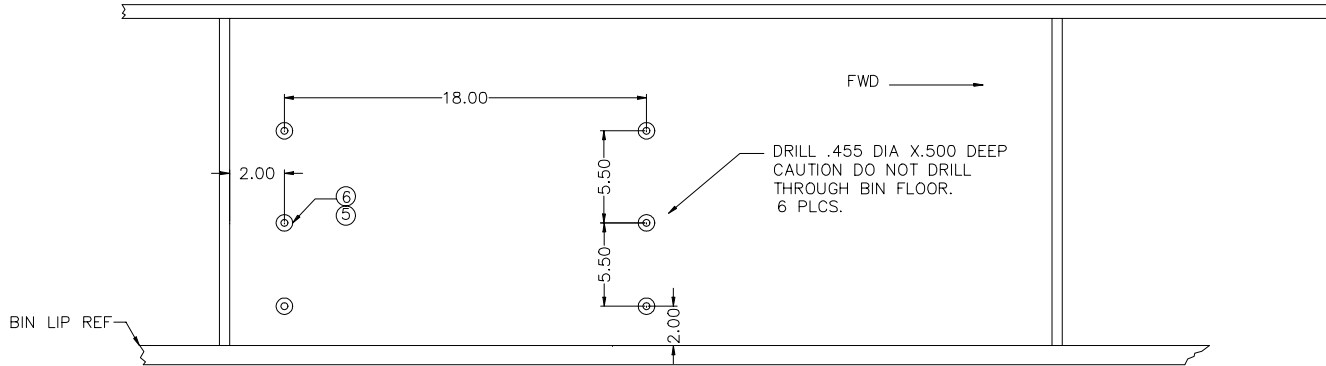
1. Refer to drawing 82-25-1129 and plot the position of the potted inserts in the noted overhead luggage bin.
2. Drill off as indicated and pot p/no.NAS1836-3-9 inserts with adhesive p/no Epibond 1559 A/B.
3. Install stowage assembly on previously installed inserts with supplied screws and washers.
4. Remove existing stowage allowable weight label and replace with P/N A2000-707 where a wheelchair is not installed and P/N A2000-708 where a wheelchair is installed.

Note :The mounting plate P/N 73-25-1044-1 is installed in the second double overhead bin from the rear of the aircraft above Row 37 LH.





VIEW LOOKING OUTBOARD LH - BIN DOOR NOT SHOWN FOR CLARITY



PLAN VIEW OF INSERT POSITIONS IN OVERHEAD BIN FLOOR

NOTE: INSTALL MOUNTING PLATE P/N 73-25-1044-1 IN THE SECOND DOUBLE BIN FROM THE REAR OF THE AIRCRAFT ON THE LH SIDE ABOVE ROW 37.

REFER TO FLS MOD FLS/B757/1152

1		ISSUE
J.BURTON	J.BURTON	DRAWN
N.JONES	N.JONES	CHECKED
J.BURTON	J.BURTON	STRESS
J.BURTON	J.BURTON	APPROVED
30/04/03	19/02/03	DATE
REVISED POSITION OF MOUNTING PLATE.		CHANGES

electronic version - master drawing held on file by fls aerospace ltd,stansted,essex,uk.

GENERAL NOTES:

- POT INSERTS IN ACCORDANCE SHUR-LOK DATA SHEET SLD600.
- MIX ADHESIVE IN ACCORDANCE THE MANUFACTURES INSTRUCTIONS.

7	A2000-708	WEIGHT LABEL	WITH WHEELCHAIR					1	
6	NAS 1836-3-9	SHUR-LOK INSERT						6	
5	1559 A/B	EPIBOND ADHESIVE						AR	
4	A2000-707	WEIGHT LABEL	WITHOUT WHEELCHAIR					1	
3	73-25-1044-1	PLATE MOUNTING						1	
2	NAS1252-10L	WASHER AL.AL						6	
1	NAS603-14P	SCREW MACHINE						6	
REF	MAP REF	PART NUMBER	DESCRIPTION	ISSUE	MATERIAL	SPEC	P.T.	UNIT	QTY.

ALL DIMENSIONS IN INCHES/MILLIMETERS	UNSPECIFIED SURFACE FINISH N/A	LIMITS ±.01	REMOVE SHARP EDGES		MACHINE ALL OVER WHERE MARKED <input checked="" type="checkbox"/>	CAA APPROVAL DAI-9627-97	SCALE	NTS
<small>© FLS AEROSPACE LTD OWN THE COPYRIGHT OF THIS DRAWING WHICH IS SUPPLIED ON THE EXPRESS CONDITION THAT IT IS NOT REPRODUCED, NOR USED FOR ANY PURPOSE OTHER THAN THAT FOR WHICH IT IS SUPPLIED AND IS NOT COMMUNICATED TO ANY OTHER PERSON WITHOUT THE PERMISSION OF FLS AEROSPACE LTD.</small>					THIRD ANGLE PROJECTION			
ASSEMBLED ON AIR2000 B757 FLEET.	TITLE	SABRE ELITE OXYGEN STOWAGE			DRAWING NUMBER	82-25-1129		



**ENGINEERING DEPARTMENT  
TECHNICAL INSTRUCTION**

No: GEN/25/007	Date: 13/03/2002	Issue: 2
----------------	------------------	----------

**SUBJECT: EMERGENCY EQUIPMENT EXPIRY LABELS**

Air 2000 now has its own generic emergency equipment expiry date label. This label (A2000-637) will replace the buff labels that are currently in use. The buff labels have proven to be unreliable in service and have led to many instances of serviceable equipment being replaced unnecessarily

The cabin crew, prior to each flight, checks the expiry date of all of the safety equipment on board the aircraft, therefore this information must be readily available. Due to the tight turnround times, the labels must be affixed to the equipment in a known location. This will ensure that no matter what type of aircraft is being operated, the cabin crew will know where to look for the label.

The diagrams attached to this T.I. illustrate only certain types of safety equipment, namely the Oxygen Bottles, BCF Fire Extinguishers, First Aid Kits, SARBE Beacons and the Drager Smokehoods. Other safety equipment such as Lifejackets and Flotation Cots are not affected (this is due to no "in service" problems being reported with the manufacturers expiry labels used on this type of equipment).

For anyone applying the new label (A2000-637) to any type of equipment, it is essential that the area is clean and grease free. In the case of the Oxygen Bottles and the BCF Fire Extinguishers a loop-lock tag (Part No A20226) is first attached as shown in the diagram. The Expiry label itself is self-adhesive and designed to be written on using Biro. Best results are achieved if the expiry date is written on the label prior to being fixed onto the item. The newly applied date then takes approximately 45 seconds to be fully dry, enabling the label to be pressed into place without smudging.

The buff baggage tag expiry date labels will be replaced on an attrition basis, this will mean that for a while both systems will be in use on the Air 2000 fleet.

COMPILED BY: <i>S OWEN</i>	APPROVED BY: <i>S Owen</i> 
DATE: <i>14-3-2002</i>	DATE: <i>14-3-2002</i>

Form No: ATT/QA/209  
Issue No: 2  
Date 13.05.97

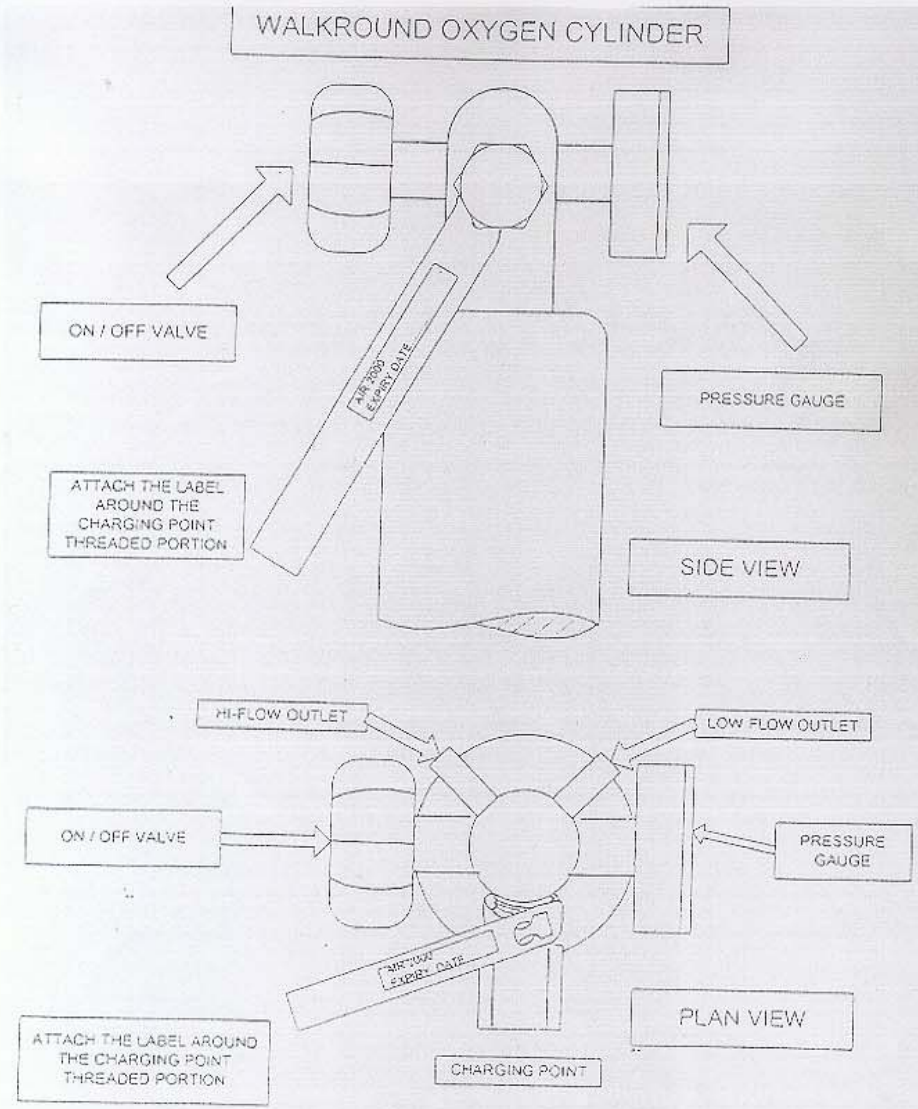
Page 1 of 7

**THIS DOCUMENT HAS BEEN  
APPROVED BY  
A.E.S.LTD  
JAR21 APP: CAA.JA.02304  
UNDER COVER OF MODIFICATION  
AES-757-265**



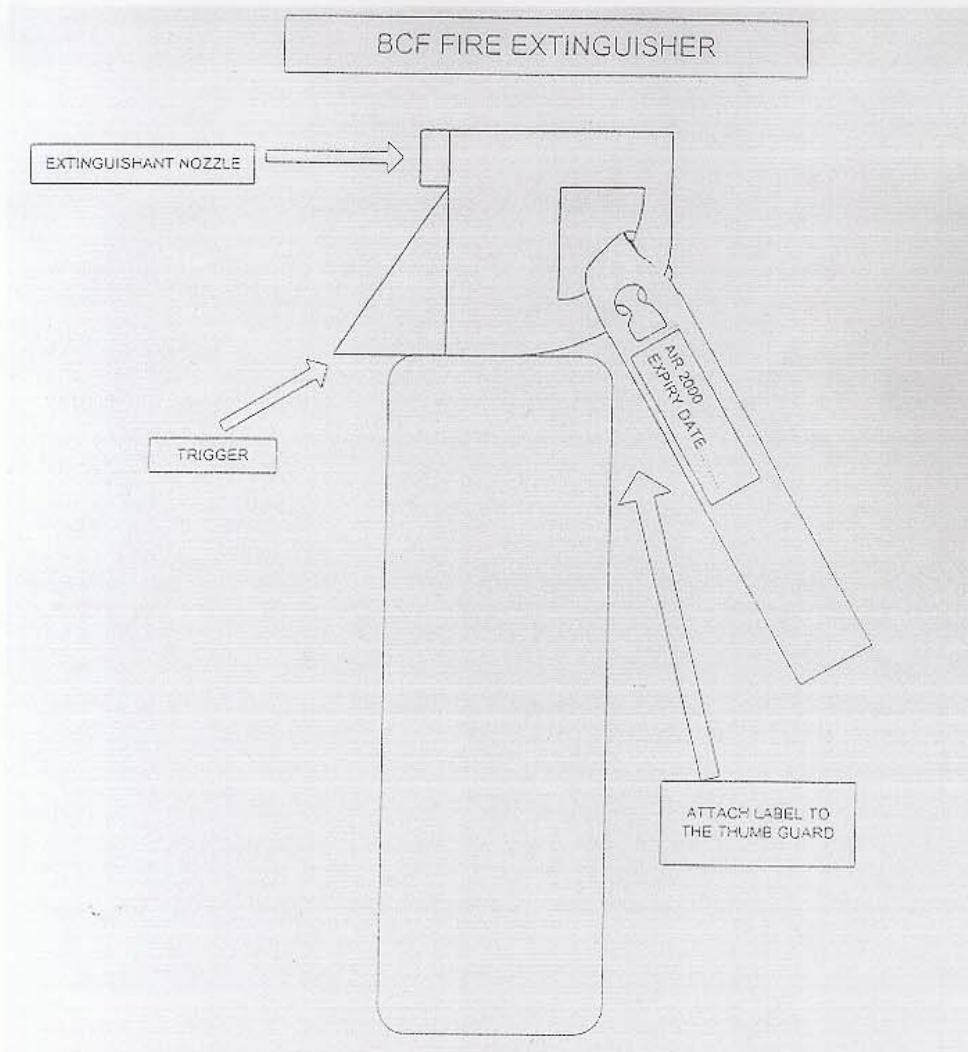
**ENGINEERING DEPARTMENT  
TECHNICAL INSTRUCTION**

No: GEN/25/007	Date: 13/03/2002	Issue: 2
----------------	------------------	----------



**ENGINEERING DEPARTMENT  
TECHNICAL INSTRUCTION**

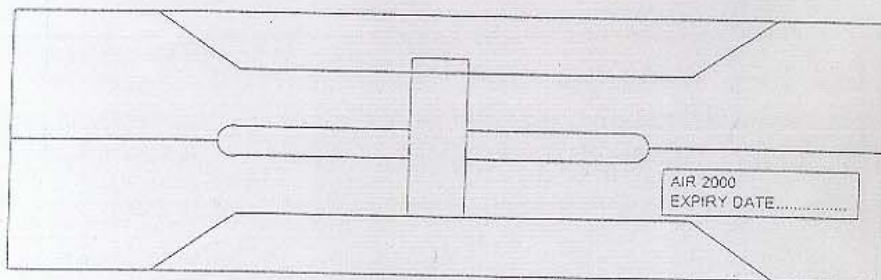
No: GEN/25/007	Date: 13/03/2002	Issue: 2
----------------	------------------	----------



**ENGINEERING DEPARTMENT  
TECHNICAL INSTRUCTION**

No: GEN/25/007	Date: 13/03/2002	Issue: 2
----------------	------------------	----------

DRAGER SMOKEHOOD

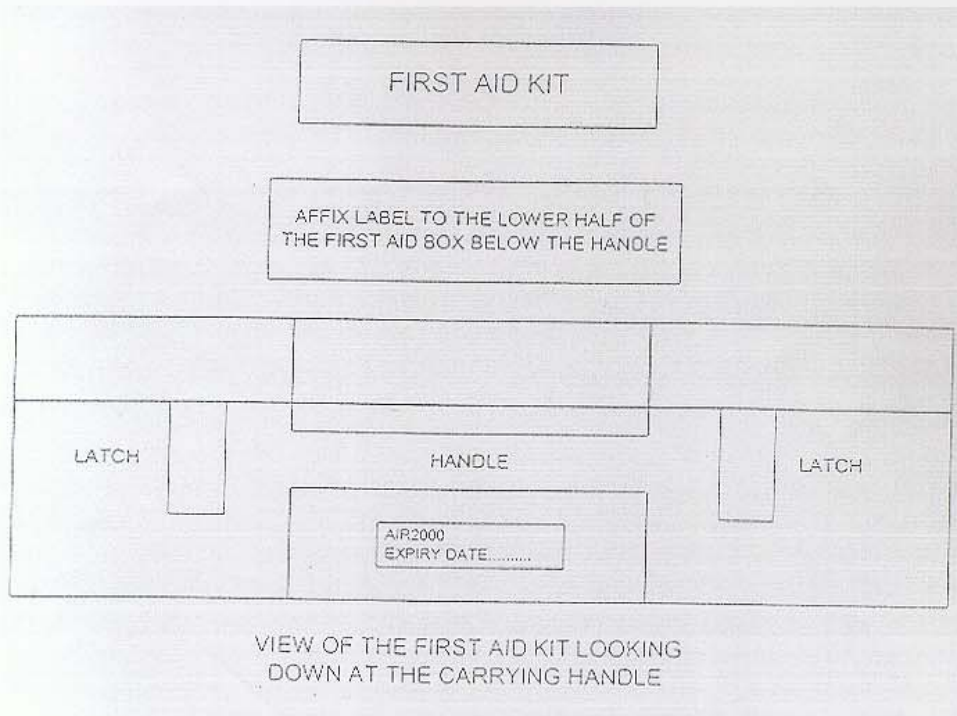


TOP VIEW OF THE  
SMOKEHOOD LOOKING DOWN

PLACE THE LABEL SO AS NOT TO OBSTRUCT THE VIEWING WINDOW  
THE EXPIRY DATE SHOULD BE TEN YEARS AFTER THE DATE OF MANUFACTURE. THIS INFORMATION  
IS ON THE SILVER LABEL LOCATED ON THE SIDE OF THE UNIT.

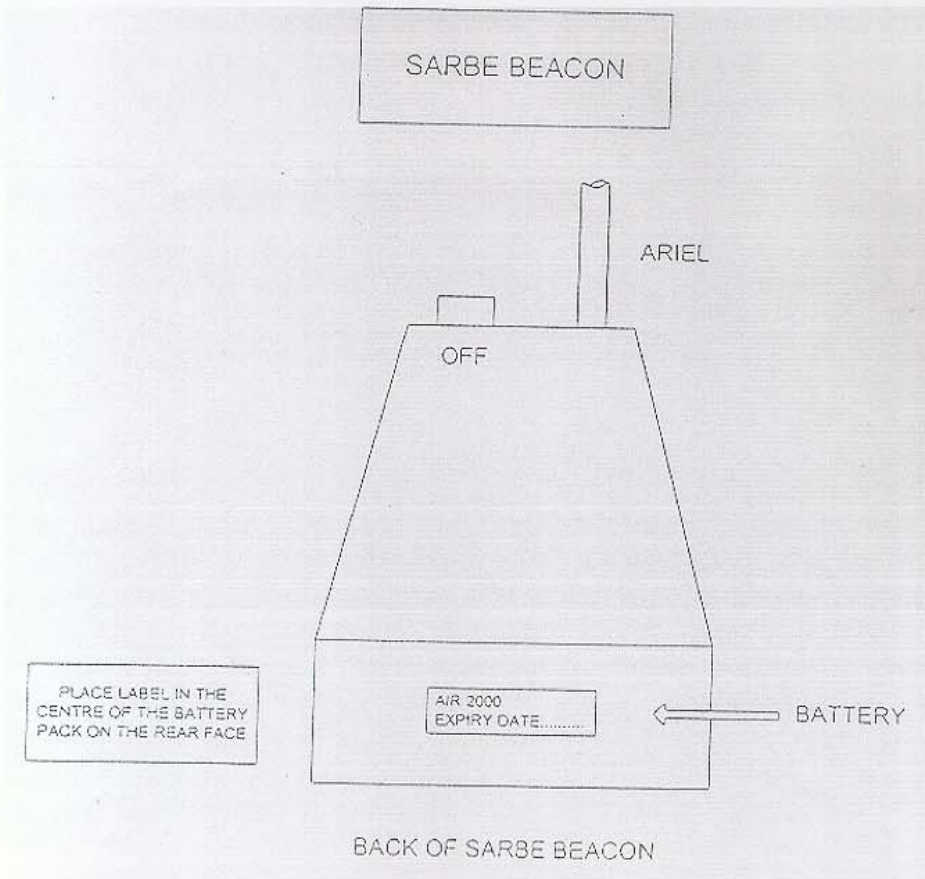
**ENGINEERING DEPARTMENT  
TECHNICAL INSTRUCTION**

No: GEN/25/007	Date: 13/03/2002	Issue: 2
----------------	------------------	----------



**ENGINEERING DEPARTMENT  
TECHNICAL INSTRUCTION**

No: GEN/25/007	Date: 13/03/2002	Issue: 2
----------------	------------------	----------

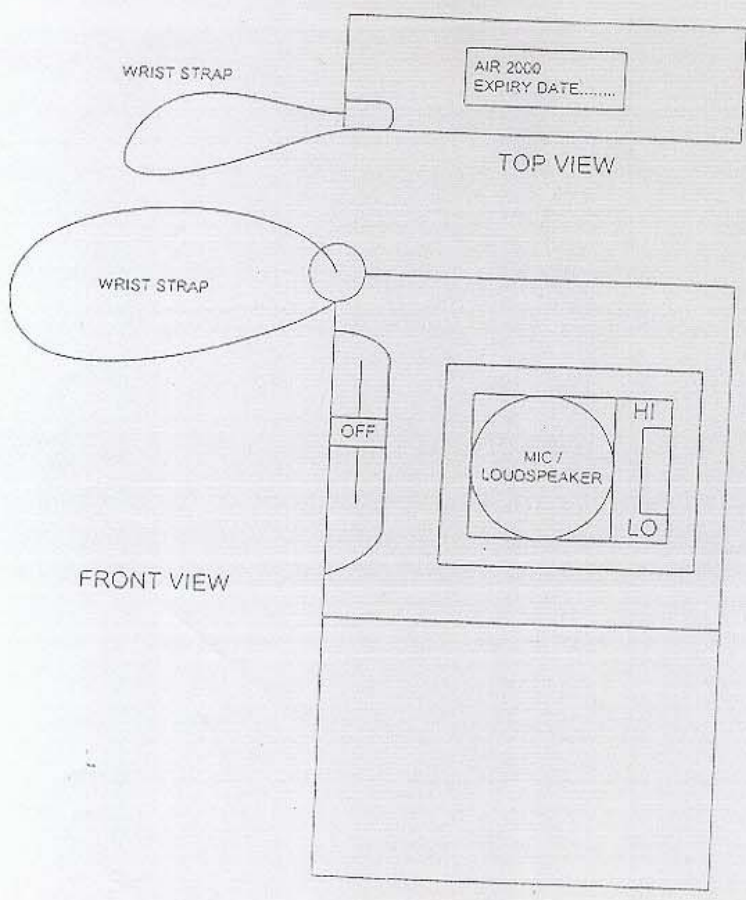




**ENGINEERING DEPARTMENT  
TECHNICAL INSTRUCTION**

No: GEN/25/007	Date: 13/03/2002	Issue: 2
----------------	------------------	----------

NEW TYPE OF SARBE BEACON



# **AIR 2000**

## **ENGINEERING DEPARTMENT**

### **ENGINEERING ORDER**

Aircraft Regn:	
Number: <b>EO757-11-017</b>	Date: 22-05-96
Title: <b>TO INTRODUCE "SMOKING IN THE TOILET IS STRICTLY FORBIDDEN" PLACARDS</b>	
PARAGRAPHS: 1.Classification 2.Authorisation 3.Originator 4.Description 5. Reason for Revision 6.Effectivity 7.Timescale 8.Manuals/Docs/FM 9.Wt & Bal 10.Manhour Est.	
1.	RECOMMENDED
2.	CAA AD261 S/N: 9/218/M/5084 - ISS 2
3.	TECHNICAL SERVICES GL
4.	ISSUE 1 OF THIS ENGINEERING ORDER INTRODUCES A "SMOKING IN THE TOILET IS STRICTLY FORBIDDEN" PLACARD INTO EACH TOILET COMPARTMENT.
5.	ORIGINAL ISSUE
6.	AIR 2000 B757 FLEET
7.	TBD
8.	I.P.C.
9.	NEG.
10.	1.0 MANHOUR

**THIS DOCUMENT HAS BEEN  
APPROVED BY  
A.E.S.LTD  
JAR21 APP: CAA.JA.02304  
UNDER COVER OF MODIFICATION  
AES-757-265**

Form No: ATT/TS/201  
Issue No: 2  
Date: 20.10.94

Page 1 of 5

**ENGINEERING DEPARTMENT****Engineering Order Worksheet**

Number: EO757-11-017

Date: 22-05-96

Item	Description	Mech	Insp
1	<p>Carry out the following at each of the <u>four</u> toilet compartments:</p> <p>With reference to Sketch 1. Adhere to the curved sidewall panel at approximately head height, the new placard P/N ATT-TS-P-248 ("SMOKING IN THE TOILET IS STRICTLY FORBIDDEN"). Locate the new placard centrally across the panel width and 26" up from the panel bottom edge (top of the drop down access panel).</p>		
2	<p>Certificate of Release to Service: Certifies that the work specified except as otherwise specified was carried out in accordance with JAR-145 and in respect to that work the aircraft/aircraft component is considered ready for release to service</p> <p>SIGN:                                  AUTH:</p> <p>NAME:                                  DATE:</p>		

Form No:          ATT/TS/201  
Issue No:          2  
Date:                20.10.94

Page 2 of 5

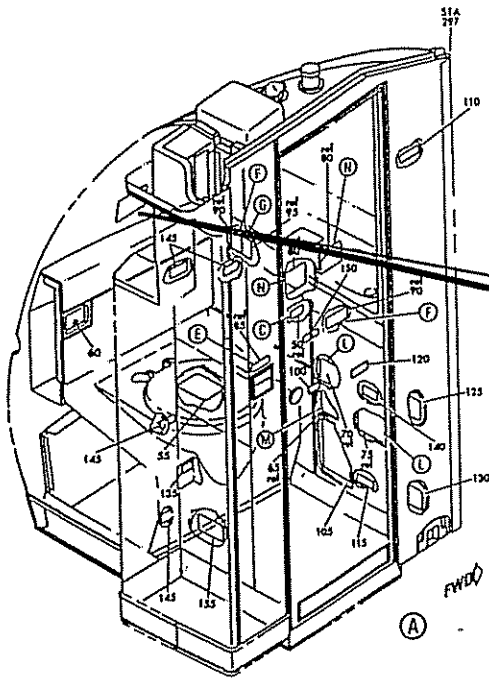


## ENGINEERING DEPARTMENT

### Engineering Order Continuation Sheet

Number: EO757-11-017

Date: 22-05-96



26"

SMOKING IN THE TOILET  
IS STRICTLY FORBIDDEN

ANY PASSENGER FOUND TO BE SMOKING  
IN THE TOILET OR TAMPERING WITH THE  
SMOKE DETECTOR MAY BE PROSECUTED

MAXIMUM PENALTY £5,000

(DROP DOWN ACCESS PANEL - REF)

NOT TO SCALE

SKETCH 1

Form No: ATT/TS/201  
Issue No: 2  
Date: 20.10.94

## ENGINEERING DEPARTMENT

### Engineering Order Materials and Tools Requirement

Task Kit No: EO757-11-017-1		A/C:		Due Date:
Part Number	Description	Qty	Batch No.	Comments
ATT-TS-P-248	PLACARD	4		

Kit Despatched: .....(Date)

Signed: .....(Stores)

Form No: ATT/TS/201  
 Issue No: 2  
 Date: 20.10.94

## **ENGINEERING DEPARTMENT**

### **Engineering Order Query Form**

**Number: EO757-11-017**

**Date: 22-05-96**

Use this form to highlight any queries or comments you have about this engineering order. If your query is urgent, then please bring the completed form to the attention of the Air 2000 Liaison Engineer.

Aircraft Registration:	Today's Date:
Your Name:	Position:
Maintenance Organisation:	Location:
Telephone Number:	Fax Number:
Comments	

#### **For Air 2000 Use Only**

Department:
Action:

Form No:       ATT/TS/201  
Issue No:       2  
Date:           20.10.94

# APPROVAL OF MINOR MODIFICATION

To: **Air 2000 Limited**  
**6th Floor, Tower Block**  
**Manchester Airport**  
**Manchester**  
**M90 2EP**



Modification Approval No: **9/218/M/5084 - Issue 2** Office of Issue: **MANCHESTER**

Aircraft Type:  <b>B757-236</b>	Aircraft Registration: <b>G-OOOT</b>  Serial No: <b>24793</b>	Applicant's Modification No: <b>EO757-26-011</b>  Issue No: <b>1</b>								
Details of Modification:  <b>Introduce commercial smoke detectors in to lavatories (in addition to existing systems) and to install placards in the lavatories.</b>  <b>This modification has been raised to Issue 2 to add the installation of the placards.</b>  <p style="text-align: center;">(EO757-11-017) + (EO320-11-018)</p>										
Suitable for installation in this aircraft and any other Air 2000 owned aircraft										
Limitations, Conditions or Exemptions <b>Nil</b>										
Amendments in accordance with BCAR, Section A and B, as appropriate, are required to the following documents: *  <table style="width: 100%; border: none;"> <tr> <td style="width: 50%;">Weight and C of G Schedule</td> <td style="width: 50%;">Repair Manual</td> </tr> <tr> <td>Flight Manual</td> <td>Maintenance Schedule</td> </tr> <tr> <td>Maintenance Manual</td> <td>Crew Manual</td> </tr> <tr> <td>Overhaul Manual</td> <td>Electrical Load Analysis</td> </tr> </table>			Weight and C of G Schedule	Repair Manual	Flight Manual	Maintenance Schedule	Maintenance Manual	Crew Manual	Overhaul Manual	Electrical Load Analysis
Weight and C of G Schedule	Repair Manual									
Flight Manual	Maintenance Schedule									
Maintenance Manual	Crew Manual									
Overhaul Manual	Electrical Load Analysis									

The above modification is approved and may be embodied subject to compliance with British Civil Airworthiness Requirements.

Signed:   
 Name: **H F Dabrowski**

Date: **28 August 1996**

\* (Delete as appropriate)

cc: Aircraft Projects Department, 2E  
 Applications and Certification Section, 2W  
 File Copy

£ n/a
Received by:
Date:
Receipt No:



www.aesglobal.com

EASA21 APPR: EASA.21J.036

**MODIFICATION TITLE:**  
 ACTIVATION OF INERTIAL REFERENCE  
 SYSTEM 1995 MAGNETIC VARIATION  
 (MAGVAR) TABLE FUNCTION

**MODIFICATION No.**  
**AES-757-308**  
**ISSUE 2**  
**Page 1 of 7**

**A/C TYPE:.**    **A/C VARIANT:**    **A/C REG:.**    **A/C SERIAL No.:**  
 SEE SECTION 2.2

**Retro. Action:**  
**SEE SHT.    YES/NO**

**Certificate of Airworthiness Category:**  
**PUBLIC TRANSPORT - PASSENGER**

**Classification:**  
**MAJOR/MINOR**

**Project No.:    0271 / 0339**

**Performance Group: TURBINE JET**

**ATA: 34**

**Reason for Modification:**  
 TO MEET THE OPERATOR'S (FIRST CHOICE AIRWAYS)  
 REQUIREMENTS

**Reports:**  
 NONE

**WEIGHT CHANGE**  
**SEE SECTION 5.5.1**

**ELECTRICAL LOAD**  
**SEE SECTION 5.5.2**

**NOISE**  
**SEE SECTION 5.3**

**DOCUMENTS**  
**SEE SECTION 11.0**

**CERTIFICATE OF DESIGN**

I hereby certify that this modification defines all the changes associated with this certificate.

The technical information contained in this document has been approved under the authority of  
 EASA Design Organisation Approval No EASA.21J.036

I further certify that, with the exceptions listed below, the design of this modification complies with the requirements specified by the Agency as the certification basis for this type of aircraft and with any additional requirements notified by the Agency in respect of the particular modification.

**EXCEPTIONS**

NONE

**APPROVAL STATUS**  
**COMPLETE/INCOMPLETE (see section 10)**

**CAA STC No.:** \_\_\_\_\_ **NOT APPLICABLE**

**EASA STC No.:** **NOT APPLICABLE**

ISSUE	1	2				
DRN No.	0760	0976				
APPROVAL DATE	M A E 20.05.04	M A E 21.10.04				

ISSUE	RAISE ISSUE DETAIL					SHEETS AFFECTED	
2	MODIFICATION APPROVED AND REVIEWED PER EASA PART 21. MODIFICATION RAISED IN ISSUE TO REFLECT ADDITIONAL A/C EFFECTIVITES. PARA 2.2 ADDED. PARA 11.1 AND 11.3 AMENDED TO INTRODUCE ADDITIONAL DOCUMENTS. ALL CHANGES HIGHLIGHTED WITH VERTICAL MARGINAL LINES.					ALL 2 2 6	
ISSUE	DATE	COMPILED	CVE / APP STRUCTURES	CVE / APP DESIGN	CVE / APP SYSTEMS	DOCUMENTS AFFECTED	SEE SHT
1	13.05.04	M IRVINE	M EVANS	A DOLBY	A HEISSIG	MMEL MAINT MANUAL	4
2	11.10.04	T HAWKINS	M EVANS	A DOLBY	A HEISSIG	WDM* REPAIR MANUAL	
						FLIGHT MANUAL CREW MANUAL	4
						MAINT. SCHEDULE PART CATALOGUE*	

						* OPERATORS RESPONSIBILITY
--	--	--	--	--	--	-------------------------------

**DETAILS OF MODIFICATION**

**1.0 Introduction**

- 1.1 This modification introduces upgraded Inertial Reference Units (IRU's) and activates updated magnetic variation tables within the IRU's via analogue pin programming to maintain the required accuracy of the IRU output parameters.
- 1.2 The updated MAGVAR table option provides valid magnetic heading and magnetic track between North 73 degrees and South 60 degrees latitude.

**2.0 Modification Definition**

**2.1 General:**

- 2.1.1 The existing Left, Right and Centre Honeywell IRU's (P/N HG1050AD04 and 05) located in the E/E bay shelf E2-4 are replaced with upgraded Honeywell IRU's (P/N HG1050AD09 – Boeing P/N S242T101-111).
- 2.1.2 Analogue program pins are grounded on the back of each IRU connector to activate the updated Magnetic Variation table function. For detailed background information refer to Boeing Service Letter 757-SL-34-086. Refer to AES wiring diagrams 0822-342-757 (G-OOBI and G-OOBJ) and 0997-342-757(all other effectivities) for wiring details.

**2.2 Aircraft Effectivities:**

A/C TYPE:.	A/C VARIANT:.	A/C REG:.	A/C SERIAL No:.
B757	2B7	G-OOBI	27146 (NB506)
B757	2B7	G-OOBJ	27147 (NB507)
B757	28A	G-OOOC (C-FTDV)	24017 (NA443)
B757	23A	G-OOOG	24292 (NB134)
B757	236	G-OOOK	25054 (NA346)
B757	2YO	G-OOOX	26158 (NB329)
B757	236	G-OOOZ	25593 (NA352)

**3.0 Approval Procedures**

- 3.1 This modification certification/approval/validation has been carried out in accordance with JAR 21 (Issue 1).

3.2 This modification certification/approval/validation has been carried out in accordance with Part 21 (Issue 2).

#### 4.0 **Basis of Certification/Validation/Approval**

##### 4.1 **CAA Certification/Validation/Approval Basis For The Aircraft/Modification**

4.1.1 FOR –200 A/C: The certification basis of the aircraft type is FAR 25 Amendment 25-1 through 25-45. UK Type Certificate Data Sheet FA28 issue 5 and FAA TCDS A2NM refer.

4.1.2 The following current design requirements per JAR25 Change 16 are addressed within this modification, which exceed the requirements of the type certification basis.

<b>Requirement</b>	<b>Description</b>
JAR/FAR 25.869 (a)(4)	Fire protection: systems
JAR/FAR 25.1301	Function and installation
JAR/FAR 25.1309	Equipment, systems and installations
JAR/FAR 25.1353	Electrical equipment and installations

##### 4.2 **Design Requirements For Certificate Of Airworthiness**

4.2.1 Not Applicable

##### 4.3 **Environmental Requirements**

4.3.1. The aircraft noise requirements are detailed in CAA Noise Type Certificate No. 58 & 77, UK TCDS FA28 refers.

##### 4.4 **Design Requirements Associated With operational Approvals**

4.4.1 Not Applicable

#### 5.0 **Compliance with the Basis of Certification/Validation/Approval**

##### 5.1 **Compliance with the Certification/Validation/Approval Basis for the Aircraft/Modification.**

5.1.1. Embodiment of this modification does not affect the certification basis of the aircraft.

5.1.2 The upgraded IRU's installed by this modification are approved for use on the aircraft type. Boeing Service Letter 757-SL-34-086 dated April 1994 refers.



5.1.3 **JAR/FAR25.869(a)(4):** All wire used is of a type approved by the constructor for use on the aircraft type. Ref SWPM D6-54446.

5.1.4 **JAR/FAR25.1301, 25.1309:** The functionality of the IRS systems certified at build remains unaffected. The activation of the updated Magvar tables within the IRU's form part of a Honeywell upgrade package within the new part numbers and provides the required accuracy for magnetic heading and magnetic track (between North 73 degrees and South 60 degrees latitude) through the year 2005. Boeing Service Letter 757-SL-34-086 refers.

5.1.5 **JAR/FAR25.1353:** All wiring is installed in accordance with the manufacturer's standard practices. The original certification basis of the installed IRS systems remains unaffected by this modification.

## 5.2 Compliance With Design Requirements For Certificate Of Airworthiness

5.2.1 Not Applicable.

## 5.3 Compliance with Environmental Requirements

5.3.1 Embodiment of this modification does not affect the existing noise certificate.

## 5.4 Compliance with Design Requirements Associated with Operational Approvals

5.4.1 Not Applicable.

## 5.5 Required (Amendments to) Manuals and other Documents Including Mandatory Placards.

### 5.5.1 Weight

5.5.1.1 There is no significant weight change as a result of this modification.

### 5.5.2 Electrical Load Analysis

5.5.2.1 There is no significant change to the electrical load demand on the as a result of this modification. The aircraft maintains positive reserves of electrical power. The emergency flight and battery discharge times remain unaffected.

### 5.5.3 Manuals

5.5.3.1 Wiring Diagram Manual (WDM) and Illustrated Parts Catalogue (IPC) Supplemental sheets can be produced at the operator's discretion or data

contained in this modification appended to the existing manuals.

5.5.3.2 Post this modification only the following NavPUP IRU's can be installed or are interchangeable:

<u>Boeing P/N</u>	<u>Honeywell P/N</u>
S242T101-110	HG1050AC09
S242T101-111	HG1050AD09
S242T101-112	HG1050AE09

5.5.4 The Aircraft flight Manual is not affected by this modification.

5.5.5 Minimum Equipment List (MEL)

The MEL is not affected by this modification.

5.5.6 SFAR 88 Compliance

This modification does not affect compliance with SFAR 88 as certified by the constructor at build.

5.5.7 Post modification testing is accomplished to verify activation of the MAGVAR table function. Refer to MEI-404 for details (G-OOBI/G-OOBJ)

5.5.8 Post modification testing is accomplished to verify activation of the MAGVAR table function. Refer to MEI-485 for details (all other effectivities)

## 6.0 Conditions Affecting This Approval

6.1 The compatibility of this modification with other previously approved modifications installed on the particular aircraft, must be verified by the installer. Where the potential for interactions between modifications exists, the advice of the Design Organisation/CAA shall be sought.

6.2 This modification and the associated wiring changes only enable the updated MAGVAR tables for routes up to North 73 degrees or South 60 degrees latitude.

## 7.0 Continued Airworthiness

7.1 The influence of the modification on Airworthiness Directive, Service Bulletin eligibility and other data must be considered and the publications monitored accordingly. The maintenance schedule for the aircraft should include reference to this material additional

to the original design. Co-ordination is the responsibility of the operator.

**8.0 Survey**

8.1 No further survey required.

**9.0 Authorisation of Release to Service**

9.1 In addition to the actions required by the procedures for release to service following maintenance or modification, the following actions must be completed prior to signing the Certificate of Release to Service:

- a) All actions and ground test procedures specified by the modification instructions must be completed satisfactorily.
- b) It must be verified that the documents or amendments to documents, above are as specified, including any changes specified under Section 8 above.

**10.0 Approval**

10.1 This Minor modification AES-757-308 (MCA-AES-757-308) and related instructions has been approved under the authority of JAA Design Organisation Approval no. CAA.JA.02304 (Issue 1).

10.2 This Minor modification AES-757-308 (MCA-AES-757-308) and related instructions has been approved under the authority of EASA Design Organisation Approval no. EASA.21J.00036 (Issue 2).

**11. Documents Required**

**11.1 New Drawings Introduced**

<u>Drawing Number</u>	<u>Issue</u>	<u>Title</u>	<u>Effectivity</u>
0822-342-757	2	W/D: IRU MAGVAR TABLE ACTIVATION	G-OOBI, G-OOBJ
0997-342-757	1	W/D: IRU MAGVAR TABLE ACTIVATION	G-OOOC {C-FTDV}, G-OOOG, G-OOOK, G-OOOX, G-OOOZ

**11.2 Existing Drawings Also Required**

<u>Drawing Number</u>	<u>Issue</u>	<u>Title</u>	<u>Effectivity</u>
-----------------------	--------------	--------------	--------------------

NONE

**11.3 Reports/Documents**

<u>Document Number</u>	<u>Issue</u>	<u>Title</u>	<u>Effectivity</u>
------------------------	--------------	--------------	--------------------

MEI-404	2	ACTIVATION OF IRS 1995 MAGNETIC VARIATION (MAGVAR) TABLE FUNCTION	G-OOBI, G-OOBJ
MEI-485	1	ACTIVATION OF IRS 1995 MAGNETIC VARIATION (MAGVAR) TABLE FUNCTION	G-OOOC {C-FTDV}, G-OOOG, G-OOOK, G-OOOX, G-OOOZ

11.4 Query Notes

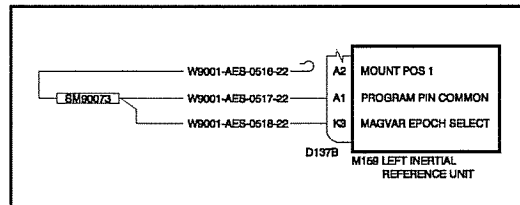
<u>Query Note</u>	<u>Issue</u>	<u>Title</u>	<u>Status</u>
QN-AES-757-308-01	1	INCORRECT MAGVAR PIN PROGRAMMING ON LEFT, RIGHT AND CENTRAL INERTIAL REFERENCE UNITS (G-OOBI/G-OOBJ)	EMBODIED

0822-342-757

SHEET 1 OF 3 SHEETS

REVISIONS				
DRG ISS No.	RELEASE DOC.	ISSUE DATE:	DRG CHANGE	APP BY:
1	DRN 0780	MAY 2004	NEW	ALH
2	DRN 0978	OCT 2004	DCN 0315	ALH

QUERY NOTE: QN-AES-757-308-01 EMBODIED



**AES LTD**  
**OFFICIAL ISSUE**  
 DATE: 14.10.2004

COPY

008-007

LEFT IRS - MAGVAR TABLE  
ACTIVATION

34-21-11  
PAGE 1A  
OCT / 2004

34-21-11  
PAGE 1A  
OCT / 2004

MODIFICATION No: <b>AES-757-308</b>		BCAR APPROVAL: AD/1833/01 PART21 APPR: EASA.21J.00036		<b>aes</b> <small>ALL RIGHTS RESERVED. THE INFORMATION CONTAINED HEREIN IS PROPRIETARY TO AIRBUS SPACE TRANSPORTATION LTD AND SHALL NOT BE REPRODUCED OR DISCLOSED WITHOUT THE EXPRESS WRITTEN PERMISSION.</small>
DRAWN BY: <b>M IRVINE</b>	DATE: <b>12.05.04</b>			
CHECKED BY: <b>A HEISSIG</b>	DATE: <b>14.10.04</b>			NHA
APPROVED: <b>A HEISSIG</b>	DATE: <b>14.10.04</b>			AES-757-308
TITLE: <b>W/D: IRU MAGVAR TABLE ACTIVATION</b>				EFFECTIVITY G-00BI G-00BJ
<b>0822-342-757</b>				
SHEET 1 OF 3 SHEETS				

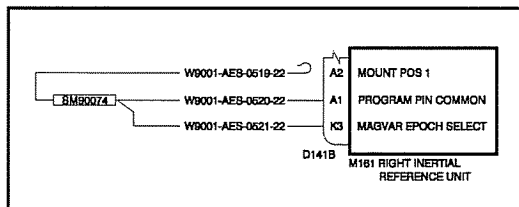
0822-342-757

SHEET 2 OF 3 SHEETS

REVISIONS

DRG ISS No.	RELEASE DOC.	ISSUE DATE:	DRG CHANGE	APP BY:
1	DRN 0760	MAY 2004	NEW	ALH
2	DRN 0978	OCT 2004	DCN 0315	ALH

QUERY NOTE: QN-AES-757-308-01 EMBODIED



EX-4 SHELF

**AES LTD**  
**OFFICIAL ISSUE**  
 DATE: 14.10.2004

COPY

008-007      **RIGHT IRS - MAGVAR TABLE  
ACTIVATION**

34-21-21  
PAGE 1A  
OCT / 2004

34-21-21  
PAGE 1A  
OCT / 2004

MODIFICATION No: <b>AES-757-308</b>		BCAR APPROVAL: AD/1833/01 PART21 APPR: EASA.21J.00036		<b>aes</b> <small>ALL RIGHTS RESERVED. THE INFORMATION CONTAINED HEREIN IS PROPRIETARY TO AEROSPACE ENGINEERING SOLUTIONS LTD AND SHALL NOT BE REPRODUCED OR DISCLOSED WITHOUT THE OWNER'S WRITTEN PERMISSION.</small>
DRAWN BY: <b>M IRVINE</b>	DATE: <b>12.05.04</b>			
CHECKED BY: <b>A HEISSIG</b>	DATE: <b>14.10.04</b>			NHA
APPROVED: <b>A HEISSIG</b>	DATE: <b>14.10.04</b>			AES-757-308
TITLE: <b>W/D: IRU MAGVAR TABLE ACTIVATION</b>				EFFECTIVITY G-00BI G-00BJ
				0822-342-757
				SHEET 2 OF 3 SHEETS

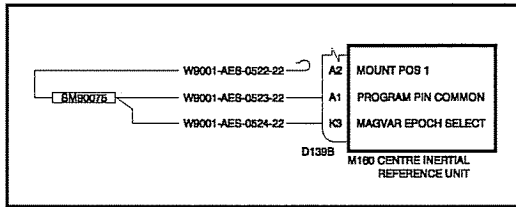
0822-342-757

SHEET 3 OF 3 SHEETS

REVISIONS

DRG ISS No.	RELEASE DOC.	ISSUE DATE:	DRG CHANGE	APP BY:
1	DRN 0780	MAY 2004	NEW	ALH
2	DRN 0978	OCT 2004	DCN 0315	ALH

QUERY NOTE: QN-AES-757-308-01 EMBODIED




AES LTD  
 OFFICIAL ISSUE  
 DATE: 14.10.2004  
 COPY

008-007 CENTRE IRS - MAGVAR TABLE ACTIVATION

34-21-31  
 PAGE 1A  
 OCT / 2004

34-21-31  
 PAGE 1A  
 OCT / 2004

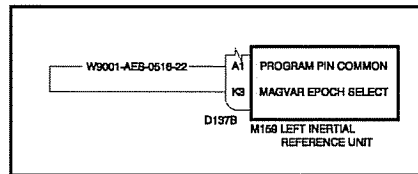
MODIFICATION No: AES-757-308	BCAR APPROVAL: AD/1833/01 PART21 APPR: EASA.21J.00036	 <small>©AES ALL RIGHTS RESERVED. THE INFORMATION CONTAINED HEREIN IS PROPRIETARY TO AIRBUS SPACE ENGINEERING SOLUTIONS LTD AND SHALL NOT BE REPRODUCED OR DISCLOSED WITHOUT THE OWNER'S WRITTEN PERMISSION.</small>	
DRAWN BY: M IRVINE	DATE: 12.05.04	NHA	EFFECTIVITY
CHECKED BY: A HEISSIG	DATE: 14.10.04	AES-757-308	G-0081 G-008J
APPROVED: A HEISSIG	DATE: 14.10.04		
TITLE: W/D: IRU MAGVAR TABLE ACTIVATION		0822-342-757	
SHEET 3 OF 3 SHEETS			

0997-342-757

SHEET 1 OF 3 SHEETS

REVISIONS

DRG ISS No.	RELEASE DOC.	ISSUE DATE:	DRG CHANGE	APP BY:
1	DRN 0976	OCT 2004	NEW	ALH



AES LTD  
 OFFICIAL ISSUE  
 DATE: 14.10.2004


COPY

003-005, 009, 115-503

LEFT IRS - MAGVAR TABLE ACTIVATION

34-21-11  
 PAGE 1A  
 OCT / 2004

34-21-11  
 PAGE 1A  
 OCT / 2004

MODIFICATION No: AES-757-308	BCAR APPROVAL: AD/1833/01 JAR21 APPR: CAA/JA.02304	 <small>©AES ALL RIGHTS RESERVED. THE INFORMATION CONTAINED HEREIN IS PROPRIETARY TO AEROSPACE ENGINEERING SOLUTIONS LTD AND SHALL NOT BE REPRODUCED OR DISSEMINATED WITHOUT THE OWNERS WRITTEN PERMISSION.</small>	
DRAWN BY: T HAWKINS	DATE: 11.10.04	NHA	EFFECTIVITY
CHECKED BY: A HEISSIG	DATE: 14.10.04	AES-757-308	SEE MOD
APPROVED: A HEISSIG	DATE: 14.10.04		
TITLE: W/D: IRU MAGVAR TABLE ACTIVATION		0997-342-757	
		SHEET 1 OF 3 SHEETS	

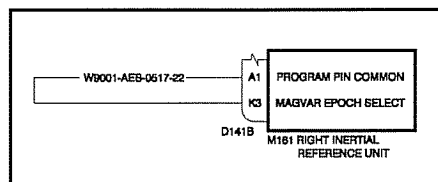


0997-342-757

SHEET 2 OF 3 SHEETS

REVISIONS

DRG ISS No.	RELEASE DOC.	ISSUE DATE:	DRG CHANGE	APP BY:
1	DRN 0976	OCT 2004	NEW	ALH



E2-4 SHELF

**AES LTD**  
**OFFICIAL ISSUE**  
**DATE: 14.10.2004**

**COPY**

003-005, 009, 115-503

**RIGHT IRS - MAGVAR TABLE  
ACTIVATION**

34-21-21  
PAGE 1A  
OCT / 2004

34-21-21  
PAGE 1A  
OCT / 2004

MODIFICATION No: <b>AES-757-308</b>		BCAR APPROVAL: AD/1838/01 JAR21 APPR: CAA/JA.02304		<b>aes</b> NHA	EFFECTIVITY SEE MOD
DRAWN BY: T HAWKINS		DATE: 11.10.04			
CHECKED BY: A HEISSIG		DATE: 14.10.04		0997-342-757	
APPROVED: A HEISSIG		DATE: 14.10.04			
TITLE: <b>W/D: IRU MAGVAR TABLE ACTIVATION</b>				SHEET 2 OF 3 SHEETS	

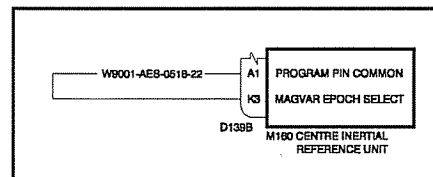
WHERE ALL RIGHTS RESERVED. THIS INFORMATION CONTAINED HEREIN IS PROPRIETARY TO AEROSPACIAL ENGINEERING SOLUTIONS LTD AND SHALL NOT BE REPRODUCED OR DISCLOSED WITHOUT THE OWNERS WRITTEN PERMISSION.

0997-342-757

SHEET 3 OF 3 SHEETS

REVISIONS

DRG ISS No.	RELEASE DOC.	ISSUE DATE:	DRG CHANGE	APP BY:
1	DRN 0978	OCT 2004	NEW	ALH



E2-4 SHELF

**AES LTD**  
**OFFICIAL ISSUE**  
**DATE: 14.10.2004**


**COPY**

003-005, 009, 115-503

**CENTRE IRS - MAGVAR TABLE  
 ACTIVATION**

34-21-31  
 PAGE 1A  
 OCT / 2004

34-21-31  
 PAGE 1A  
 OCT / 2004

MODIFICATION No: <b>AES-757-308</b>	BCAR APPROVAL: AD/1833/01 JAR21 APPR: CAA/JA.02304	 <p><small>©2004 ALL RIGHTS RESERVED. THE INFORMATION CONTAINED HEREIN IS PROPRIETARY TO AIRSPACE ENGINEERING SOLUTIONS LTD AND SHALL NOT BE REPRODUCED OR DISCLOSED WITHOUT THE OWNERS WRITTEN PERMISSION.</small></p>	
DRAWN BY: <b>T HAWKINS</b>	DATE: <b>11.10.04</b>		NHA
CHECKED BY: <b>A HEISSIG</b>	DATE: <b>14.10.04</b>		EFFECTIVITY
APPROVED: <b>A HEISSIG</b>	DATE: <b>14.10.04</b>		AES-757-308 SEE MOD
TITLE: <b>W/D: IRU MAGVAR TABLE ACTIVATION</b>		<b>0997-342-757</b>	
		SHEET 3 OF 3 SHEETS	

8

7

6

5

4

3

2

1



www.aesglobal.com  
 TEL: 44 (0)1279 818010  
 FAX:44 (0)1279 647683

AES Limited  
 28 Golds Nurseries Business Park  
 Elsenham  
 Essex  
 CM22 6JX

# MEI-404

ISSUE 2, OCT 2004

Page 1 of 22

## MODIFICATION EMBODIMENT INSTRUCTIONS

### A. TITLE PAGE

TITLE: ACTIVATION OF IRS 1995 MAGNETIC VARIATION (MAGVAR) TABLE FUNCTION

DATE COMPILED: OCT 2004

MODIFICATION NO.: AES-757-308

PROJECT NO.: 0271

EFFECTIVITY: A/C TYPE REG. INDICATE AS APPLICABLE SERIAL NO.

B757-2B7	G-OOBI		27146
B757-2B7	G-OOBJ		27147

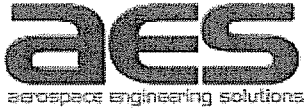
**This document is issued for production engineering purposes.**

**The definitive design requirements are shown in mod AES-757-308, the contents of which override information contained in this MEI.**

**Differences resulting from existing repairs, variation in build standard or corrosion to be reported to AES Ltd Design Department.**

**Manufacturing processes and inspection and installation procedures are the responsibility of FIRST CHOICE AIRLINES LTD.**

ISSUE	1	2	3	4	5	6
DRN:	0760	0976				
DATE	13.05.04	12.10.04				
COMPILED BY:	M IRVINE	T HAWKINS				
CHECKED BY:	R KENNY	A HEISSIG				
DESIGN APP:	A HEISSIG	A HEISSIG				



www.aesglobal.com  
TEL: 44 (0)1279 818010  
FAX:44 (0)1279 647683

AES Limited  
28 Golds Nurseries Business Park  
Elsenham  
Essex  
CM22 6JX

**MEI-404**

ISSUE 2, OCT 2004

Page 2 of 22

## MODIFICATION EMBODIMENT INSTRUCTIONS

---

### B. REVISION DETAILS

WRITE BELOW A BRIEF SUMMARY OF THE CHANGES WHICH HAVE BEEN INTRODUCED AT THE STATED REVISION:

ISSUE	DESCRIPTION
1	NEW ISSUE
2	DOCUMENT RAISED IN ISSUE TO INCORPORATE CHANGED K SECTIONS DUE TO EMBODIMENT OF QUERY NOTE QN-AES-757-308-01 ON X-REF DWG 0822-342-757

SECTIONS D2.2, D2.3 & D2.4 CHANGED TO INCORPORATE EMBODIMENT OF QUERY NOTE QN-AES-757-308-01

NO RETROSPECTIVE ACTION REQUIRED



www.aesglobal.com  
TEL: 44 (0)1279 818010  
FAX:44 (0)1279 647683

AES Limited  
28 Golds Nurseries Business Park  
Elsenham  
Essex  
CM22 6JX

# MEI-404

ISSUE 2, OCT 2004

Page 3 of 22

## MODIFICATION EMBODIMENT INSTRUCTIONS

---

### C. CONTENTS

A.	TITLE PAGE.....	1
B.	REVISION DETAILS.....	2
C.	CONTENTS.....	3
D1.	ACCOMPLISHMENT INSTRUCTIONS – SHELF E2-4 REWORK.....	4
D2.	ACCOMPLISHMENT INSTRUCTIONS – FUNCTION TEST.....	7
E.	DOCUMENTS REQUIRED.....	11
F.	SPECIAL TOOLS REQUIRED.....	12
G.	ESTIMATED TIME REQUIRED.....	12
H.	PARTS PRE-LOAD LIST.....	13
I.	PARTS REMOVED LIST.....	14
J.	WIRE LIST.....	15
K.	WIRING DIAGRAMS.....	16
L.	MEI - REPORT SHEET.....	20
	APPENDIX A - FIRST CHOICEAIRLINES RE-CERTIFICATION CONTROL SHEET.....	21
	QUERY NOTE BLANK.....	22



www.aesglobal.com  
 TEL: 44 (0)1279 818010  
 FAX:44 (0)1279 647683

AES Limited  
 28 Golds Nurseries Business Park  
 Elsenham  
 Essex  
 CM22 6JX

# MEI-404

ISSUE 2, OCT 2004

Page 4 of 22

## MODIFICATION EMBODIMENT INSTRUCTIONS

### D1. ACCOMPLISHMENT INSTRUCTIONS – SHELF E2-4 REWORK

INDICATE  
 A/C REG:

#### CERTIFICATE OF RELEASE TO SERVICE:

Certifies that the work specified, except as otherwise stated, was carried out in accordance with J.A.R. 145 and in respect to that work the aircraft/aircraft component is considered ready for Release to Service.

	MECH SIG.	INSP STAMP
<b>[All instructions stated within this section of the embodiment instructions are to be carried out in accordance with the relevant sections of the Aircraft Maintenance and Structural Repair Manual]</b>	N/A	N/A
<b>NOTE: All equipment Serial Numbers are to be recorded for removal on all First Choice MEI's paperwork.</b>	N/A	N/A
D1.1 Remove electrical power from the airplane per 24-22-00 P201.  Open these circuit breakers (as applicable) on the main power distribution panel, P6, and attach DO-NOT-CLOSE tags:  (a) 6D3, IRS L (b) 6D4, IRS C (c) 6D5, IRS R  Open these circuit breakers (as applicable) on the overhead circuit breaker panel, P11, and attach DO-NOT-CLOSE tags:  (a) 11F1, IRS LEFT (b) 11F21, IRS CENTRE (c) 11F22, IRS RIGHT		



www.aesglobal.com  
 TEL: 44 (0)1279 818010  
 FAX:44 (0)1279 647683

AES Limited  
 28 Golds Nurseries Business Park  
 Elsenham  
 Essex  
 CM22 6JX

**MEI-404**

ISSUE 2, OCT 2004

Page 5 of 22

## MODIFICATION EMBODIMENT INSTRUCTIONS

**D1. ACCOMPLISHMENT INSTRUCTIONS – SHELF E2-4 REWORK**

**INDICATE  
A/C REG:**

**CERTIFICATE OF RELEASE TO SERVICE:**

Certifies that the work specified, except as otherwise stated, was carried out in accordance with J.A.R. 145 and in respect to that work the aircraft/aircraft component is considered ready for Release to Service.

	MECH SIG.	INSP STAMP																
<b>[All instructions stated within this section of the embodiment instructions are to be carried out in accordance with the relevant sections of the Aircraft Maintenance and Structural Repair Manual]</b>	N/A	N/A																
<b>NOTE: All equipment Serial Numbers are to be recorded for removal on all First Choice MEI's paperwork.</b>	N/A	N/A																
<p>D1.2 Gain access to E/E bay shelf E2-4. The following units may be removed to gain better access to the back of the rack. Route shelf to workshop for rework.</p> <p>E2-4</p> <table style="width: 100%; border-collapse: collapse;"> <thead> <tr> <th style="text-align: left;"><u>IDENT</u></th> <th style="text-align: left;"><u>DESCRIPTION</u></th> <th style="text-align: left;"><u>REMOVAL</u></th> <th style="text-align: left;"><u>SERIAL NO.</u></th> </tr> </thead> <tbody> <tr> <td>M161</td> <td>IRU R</td> <td>34-21-01 P401</td> <td>_____</td> </tr> <tr> <td>M160</td> <td>IRU C</td> <td>34-21-01 P401</td> <td>_____</td> </tr> <tr> <td>M159</td> <td>IRU L</td> <td>34-21-01 P401</td> <td>_____</td> </tr> </tbody> </table> <p>Remove E2-4 rack if required for access.</p> <p>Inspect removed IRU's for serviceability, tag and route to First Choice stores for upgrade.</p>	<u>IDENT</u>	<u>DESCRIPTION</u>	<u>REMOVAL</u>	<u>SERIAL NO.</u>	M161	IRU R	34-21-01 P401	_____	M160	IRU C	34-21-01 P401	_____	M159	IRU L	34-21-01 P401	_____		
<u>IDENT</u>	<u>DESCRIPTION</u>	<u>REMOVAL</u>	<u>SERIAL NO.</u>															
M161	IRU R	34-21-01 P401	_____															
M160	IRU C	34-21-01 P401	_____															
M159	IRU L	34-21-01 P401	_____															
<p>D1.3 <u>Ref AES Drawing 0822-342-757 &amp; MEI Section K1:</u></p> <p>Carry out wiring changes to Left IRU I.A.W reference drawing and applicable MEI section.</p> <p>Route new wiring along existing routes.</p> <p>Carry out IR and OR checks on all new and disturbed wiring.</p>																		



www.aesglobal.com  
 TEL: 44 (0)1279 818010  
 FAX:44 (0)1279 647683

AES Limited  
 28 Golds Nurseries Business Park  
 Elsenham  
 Essex  
 CM22 6JX

**MEI-404**

ISSUE 2, OCT 2004

Page 6 of 22

## MODIFICATION EMBODIMENT INSTRUCTIONS

**D1. ACCOMPLISHMENT INSTRUCTIONS – SHELF E2-4 REWORK**

**INDICATE  
A/C REG:**

<b>CERTIFICATE OF RELEASE TO SERVICE:</b>														
<p>Certifies that the work specified, except as otherwise stated, was carried out in accordance with J.A.R. 145 and in respect to that work the aircraft/aircraft component is considered ready for Release to Service.</p>														
	<b>MECH SIG.</b>	<b>INSP STAMP</b>												
<b>[All instructions stated within this section of the embodiment instructions are to be carried out in accordance with the relevant sections of the Aircraft Maintenance and Structural Repair Manual]</b>	N/A	N/A												
<b>NOTE: All equipment Serial Numbers are to be recorded for removal on all First Choice MEI's paperwork.</b>	N/A	N/A												
<p>D1.4      <u>Ref AES Drawing 0822-342-757 &amp; MEI Section K2:</u></p> <p>Carry out wiring changes to Right IRU I.A.W reference drawing and applicable MEI section.</p> <p>Route new wiring along existing routes.</p> <p>Carry out IR and OR checks on all new and disturbed wiring.</p>														
<p>D1.5      <u>Ref AES Drawing 0822-342-757 &amp; MEI Section K3:</u></p> <p>Carry out wiring changes to Centre IRU I.A.W reference drawing and applicable MEI section.</p> <p>Route new wiring along existing routes.</p> <p>Carry out IR and OR checks on all new and disturbed wiring.</p>														
<p>D1.6      Install new IRU P/N HG1050AD09 (Boeing P/N S242T101-111) as follows:</p> <p style="margin-left: 40px;">E2-4</p> <table style="margin-left: 40px; border-collapse: collapse;"> <thead> <tr> <th style="text-align: left; border-bottom: 1px solid black;"><u>IDENT</u></th> <th style="text-align: left; border-bottom: 1px solid black;"><u>DESCRIPTION</u></th> <th style="text-align: left; border-bottom: 1px solid black;"><u>REMOVAL</u></th> </tr> </thead> <tbody> <tr> <td>M161</td> <td>IRU R</td> <td>34-21-01 P401</td> </tr> <tr> <td>M160</td> <td>IRU C</td> <td>34-21-01 P401</td> </tr> <tr> <td>M159</td> <td>IRU L</td> <td>34-21-01 P401</td> </tr> </tbody> </table>	<u>IDENT</u>	<u>DESCRIPTION</u>	<u>REMOVAL</u>	M161	IRU R	34-21-01 P401	M160	IRU C	34-21-01 P401	M159	IRU L	34-21-01 P401		
<u>IDENT</u>	<u>DESCRIPTION</u>	<u>REMOVAL</u>												
M161	IRU R	34-21-01 P401												
M160	IRU C	34-21-01 P401												
M159	IRU L	34-21-01 P401												
END														





www.aesglobal.com  
TEL: 44 (0)1279 818010  
FAX:44 (0)1279 647683

AES Limited  
28 Golds Nurseries Business Park  
Elsenham  
Essex  
CM22 6JX

# MEI-404

ISSUE 2, OCT 2004

Page 7 of 22

## MODIFICATION EMBODIMENT INSTRUCTIONS

### D2. ACCOMPLISHMENT INSTRUCTIONS – FUNCTION TEST

INDICATE  
A/C REG:

#### CERTIFICATE OF RELEASE TO SERVICE:

Certifies that the work specified, except as otherwise stated, was carried out in accordance with J.A.R. 145 and in respect to that work the aircraft/aircraft component is considered ready for Release to Service.

	MECH SIG.	INSP STAMP
<b>[All instructions stated within this section of the embodiment instructions are to be carried out in accordance with the relevant sections of the Aircraft Maintenance and Structural Repair Manual]</b>	N/A	N/A
<b>NOTE: All equipment Serial Numbers, Batch Numbers and locations are to be recorded for installation on all First Choice MEI's.</b>	N/A	N/A
D2.1 Carry out an operational test of the Inertial Reference units (IRS) as given in B757 AMM 34-21-00 p/block 501.		



www.aesglobal.com  
 TEL: 44 (0)1279 818010  
 FAX:44 (0)1279 647683

AES Limited  
 28 Golds Nurseries Business Park  
 Elsenham  
 Essex  
 CM22 6JX

# MEI-404

ISSUE 2, OCT 2004

Page 8 of 22

## MODIFICATION EMBODIMENT INSTRUCTIONS

### D2. ACCOMPLISHMENT INSTRUCTIONS – FUNCTION TEST

INDICATE  
 A/C REG:

#### CERTIFICATE OF RELEASE TO SERVICE:

Certifies that the work specified, except as otherwise stated, was carried out in accordance with J.A.R. 145 and in respect to that work the aircraft/aircraft component is considered ready for Release to Service.

	MECH SIG.	INSP STAMP															
<b>[All instructions stated within this section of the embodiment instructions are to be carried out in accordance with the relevant sections of the Aircraft Maintenance and Structural Repair Manual]</b>	N/A	N/A															
<b>NOTE: All equipment Serial Numbers, Batch Numbers and locations are to be recorded for installation on all First Choice MEI's.</b>	N/A	N/A															
D2.2 Carry out the orientation and MAGVAR program pin interface test as follows:  NOTE: The IRU's must be operating in the ALIGN or NAV mode.  <u>LEFT IRU:</u>  1. Connect an ARINC bus analyzer to the Left IRU digital output bus, terminal block TB221, burndys Z79 (A) and Z80 (B) at the E2-4 shelf.  2. Make sure that the ARINC 429 Label 271 bit states are as shown below:  <table border="1" data-bbox="349 1384 1034 1722"> <thead> <tr> <th>BIT</th> <th>STATE</th> <th>NOMENCLATURE</th> </tr> </thead> <tbody> <tr> <td>11</td> <td>0</td> <td>MAGVAR COVERAGE SELECT</td> </tr> <tr> <td>12</td> <td>1</td> <td>MAGVAR EPOCH SELECT</td> </tr> <tr> <td>13</td> <td>0</td> <td>MOUNT POS 1</td> </tr> <tr> <td>14</td> <td>0</td> <td>MOUNT POS 2</td> </tr> </tbody> </table>	BIT	STATE	NOMENCLATURE	11	0	MAGVAR COVERAGE SELECT	12	1	MAGVAR EPOCH SELECT	13	0	MOUNT POS 1	14	0	MOUNT POS 2		
BIT	STATE	NOMENCLATURE															
11	0	MAGVAR COVERAGE SELECT															
12	1	MAGVAR EPOCH SELECT															
13	0	MOUNT POS 1															
14	0	MOUNT POS 2															



www.aesglobal.com  
 TEL: 44 (0)1279 818010  
 FAX:44 (0)1279 647683

AES Limited  
 28 Golds Nurseries Business Park  
 Elsenham  
 Essex  
 CM22 6JX

# MEI-404

ISSUE 2, OCT 2004

Page 9 of 22

## MODIFICATION EMBODIMENT INSTRUCTIONS

### D2. ACCOMPLISHMENT INSTRUCTIONS – FUNCTION TEST

INDICATE  
 A/C REG:

CERTIFICATE OF RELEASE TO SERVICE:		MECH SIG.	INSP STAMP															
<p>Certifies that the work specified, except as otherwise stated, was carried out in accordance with J.A.R. 145 and in respect to that work the aircraft/aircraft component is considered ready for Release to Service.</p>																		
<p><b>[All instructions stated within this section of the embodiment instructions are to be carried out in accordance with the relevant sections of the Aircraft Maintenance and Structural Repair Manual]</b></p>		N/A	N/A															
<p><b>NOTE: All equipment Serial Numbers, Batch Numbers and locations are to be recorded for installation on all First Choice MEI's.</b></p>		N/A	N/A															
D2.3	<p><u>RIGHT IRU:</u></p> <ol style="list-style-type: none"> <li>Connect an ARINC bus analyzer to the Right IRU digital output bus, terminal block TB221, burndys Z15 (A) and Z16 (B) at the E2-4 shelf.</li> <li>Make sure that the ARINC 429 Label 271 bit states are as shown below:</li> </ol> <table border="1" style="margin-left: 40px;"> <thead> <tr> <th>BIT</th> <th>STATE</th> <th>NOMENCLATURE</th> </tr> </thead> <tbody> <tr> <td>11</td> <td>0</td> <td>MAGVAR COVERAGE SELECT</td> </tr> <tr> <td>12</td> <td>1</td> <td>MAGVAR EPOCH SELECT</td> </tr> <tr> <td>13</td> <td>0</td> <td>MOUNT POS 1</td> </tr> <tr> <td>14</td> <td>0</td> <td>MOUNT POS 2</td> </tr> </tbody> </table>	BIT	STATE	NOMENCLATURE	11	0	MAGVAR COVERAGE SELECT	12	1	MAGVAR EPOCH SELECT	13	0	MOUNT POS 1	14	0	MOUNT POS 2		
BIT	STATE	NOMENCLATURE																
11	0	MAGVAR COVERAGE SELECT																
12	1	MAGVAR EPOCH SELECT																
13	0	MOUNT POS 1																
14	0	MOUNT POS 2																



www.aesglobal.com  
 TEL: 44 (0)1279 818010  
 FAX:44 (0)1279 647683

AES Limited  
 28 Golds Nurseries Business Park  
 Elsenham  
 Essex  
 CM22 6JX

# MEI-404

ISSUE 2, OCT 2004

Page 10 of 22

## MODIFICATION EMBODIMENT INSTRUCTIONS

### D2. ACCOMPLISHMENT INSTRUCTIONS – FUNCTION TEST

INDICATE  
 A/C REG:

#### CERTIFICATE OF RELEASE TO SERVICE:

Certifies that the work specified, except as otherwise stated, was carried out in accordance with J.A.R. 145 and in respect to that work the aircraft/aircraft component is considered ready for Release to Service.

	MECH SIG.	INSP STAMP															
<b>[All instructions stated within this section of the embodiment instructions are to be carried out in accordance with the relevant sections of the Aircraft Maintenance and Structural Repair Manual]</b>	N/A	N/A															
<b>NOTE: All equipment Serial Numbers, Batch Numbers and locations are to be recorded for installation on all First Choice MEI's.</b>	N/A	N/A															
D2.4 <u>CENTRE IRU:</u>  1. Connect an ARINC bus analyzer to the Right IRU digital output bus, terminal block TB221, burndys Z47 (A) and Z48 (B) at the E2-4 shelf.  2. Make sure that the ARINC 429 Label 271 bit states are as shown below:  <table border="1" style="margin-left: 40px;"> <thead> <tr> <th>BIT</th> <th>STATE</th> <th>NOMENCLATURE</th> </tr> </thead> <tbody> <tr> <td>11</td> <td>0</td> <td>MAGVAR COVERAGE SELECT</td> </tr> <tr> <td>12</td> <td>1</td> <td>MAGVAR EPOCH SELECT</td> </tr> <tr> <td>13</td> <td>0</td> <td>MOUNT POS 1</td> </tr> <tr> <td>14</td> <td>0</td> <td>MOUNT POS 2</td> </tr> </tbody> </table>	BIT	STATE	NOMENCLATURE	11	0	MAGVAR COVERAGE SELECT	12	1	MAGVAR EPOCH SELECT	13	0	MOUNT POS 1	14	0	MOUNT POS 2		
BIT	STATE	NOMENCLATURE															
11	0	MAGVAR COVERAGE SELECT															
12	1	MAGVAR EPOCH SELECT															
13	0	MOUNT POS 1															
14	0	MOUNT POS 2															
D2.5 Remove electrical power if not required. Put the aircraft back to a serviceable condition.																	
END																	



www.aesglobal.com  
TEL: 44 (0)1279 818010  
FAX:44 (0)1279 647683

AES Limited  
28 Golds Nurseries Business Park  
Elsenham  
Essex  
CM22 6JX

**MEI-404**

ISSUE 2, OCT 2004

Page 11 of 22

## MODIFICATION EMBODIMENT INSTRUCTIONS

---

### E. DOCUMENTS REQUIRED

THE FOLLOWING DOCUMENTS ARE REQUIRED FOR EMBODIMENT OF MODIFICATION AES-757-308. **NOTE: REFER TO MODIFICATION SHEET FOR LATEST DRAWING ISSUE.**

The following existing drawings/documents are required for embodiment:

<u>Drawing No</u>	<u>Title</u>	<u>SOURCE</u>
0822-342-757	W/D: IRU MAGVAR TABLE ACTIVATION	AES



www.aesglobal.com  
TEL: 44 (0)1279 818010  
FAX:44 (0)1279 647683

AES Limited  
28 Golds Nurseries Business Park  
Elsenham  
Essex  
CM22 6JX

**MEI-404**

ISSUE 2, OCT 2004

Page 12 of 22

## MODIFICATION EMBODIMENT INSTRUCTIONS

---

### F. SPECIAL TOOLS REQUIRED

<u>PART NUMBER</u>	<u>DESCRIPTION</u>	<u>VENDOR</u>	<u>COMMENTS</u>
--------------------	--------------------	---------------	-----------------

NONE

### G. ESTIMATED TIME REQUIRED

It is estimated that this modification will take approximately 20 man-hours.

This is based on the direct labour cost to do the work. The estimated assume that the work will be done by experienced personal, and may need to be revised upwards to suit operators' circumstances. The estimates do not include the time to prepare, plan or inspect the work. Manufacture and procurement of parts and tools' drying time for paints sealants, etc and general administration work are also not included.



AES Limited  
Unit 28, Golds Nursery  
Business Park  
Elsenham  
Essex

**MEI-404**

ISSUE 2, OCT 2004

Page 13 of 22

[www.aesglobal.com](http://www.aesglobal.com)

TEL: 44 (0)1279 818010

FAX: 44 (0)1279 647683

## MODIFICATION EMBODIMENT INSTRUCTIONS

### H. PARTS PRE-LOAD LIST

KIT NUMBER MEI-404 (MOD. NUMBER: AES-757-308)

ITEM NO	PART NUMBER	QTY RQD	DESCRIPTION	USED ON	ADD/ REMOVE/ REWORK	REMARKS / VENDOR	ALT PART NUMBER	OWNER	REVISION
1	HG1050AD09	3	INERTIA REFERENCE UNIT	SHELF E2-4	ADD	HONEYWELL	S242T101-111	FCA	1
2	BACC47EF1	9	CONTACT - PIN	MEI-404	ADD	BOEING SPEC		FCA	1
3	D436-37	3	SPLICE	MEI-404	ADD	OR EQUIVALENT		FCA	1
4	BMS13-60T01C01G022	9FT	WIRE SINGLE CORE 22AWG	MEI-404	ADD	BOEING SPEC		FCA	1
5	RT-876	3	THERMOFIT SLEEVING 1/8" DIA., 2" LENGTH, YELLOW	MEI-404	ADD	RAYCHEM		FCA	2



AES Limited  
Unit 28, Golds Nursery  
Business Park  
Elsenham  
Essex

**MEI-404**

ISSUE 2, OCT 2004

Page 14 of 22

[www.aesglobal.com](http://www.aesglobal.com)

TEL: 44 (0)1279 818010

FAX: 44 (0)1279 647683

## MODIFICATION EMBODIMENT INSTRUCTIONS

---

### I. PARTS REMOVED LIST

KIT NUMBER MEI-404 (MOD. NUMBER: AES-757-308)

ITEM NO	PART NUMBER	QTY RQD	DESCRIPTION	USED ON	ADD/ REMOVE/ REWORK	REMARKS / VENDOR	ALT PART NUMBER	OWNER	REVISION
1	HG1050AD05	1	INERTIAL REFERENCE UNIT	SHELF E2-4	REMOVE	UPGRADE TO HG1050AD09	N/A	FCA	1
2	HG1050AD04	2	INERTIAL REFERENCE UNIT	SHELF E2-4	REMOVE	UPGRADE TO HG1050AD09	N/A	FCA	1





AES Limited  
Unit 28, Golds Nursery  
Business Park  
Elsenham  
Essex

**MEI-404**

ISSUE 2, OCT 2004

Page 15 of 22

[www.aesglobal.com](http://www.aesglobal.com)

TEL: 44 (0)1279 818010

FAX: 44 (0)1279 647683

## MODIFICATION EMBODIMENT INSTRUCTIONS

### J. WIRE LIST

WIRE IDENT	WIRE TYPE	GAUGE (AWG)	BOEING CODE	LENGTH (FT)	DWG USED ON
W9001-AES-0516-22	BMS13-60T01C01G022	22	GA	1FT	0822-342-757
W9001-AES-0517-22	BMS13-60T01C01G022	22	GA	1FT	0822-342-757
W9001-AES-0518-22	BMS13-60T01C01G022	22	GA	1FT	0822-342-757
W9001-AES-0519-22	BMS13-60T01C01G022	22	GA	1FT	0822-342-757
W9001-AES-0520-22	BMS13-60T01C01G022	22	GA	1FT	0822-342-757
W9001-AES-0521-22	BMS13-60T01C01G022	22	GA	1FT	0822-342-757
W9001-AES-0522-22	BMS13-60T01C01G022	22	GA	1FT	0822-342-757
W9001-AES-0523-22	BMS13-60T01C01G022	22	GA	1FT	0822-342-757
W9001-AES-0524-22	BMS13-60T01C01G022	22	GA	1FT	0822-342-757




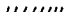


## MODIFICATION EMBODIMENT INSTRUCTIONS

---

### K. WIRING DIAGRAMS

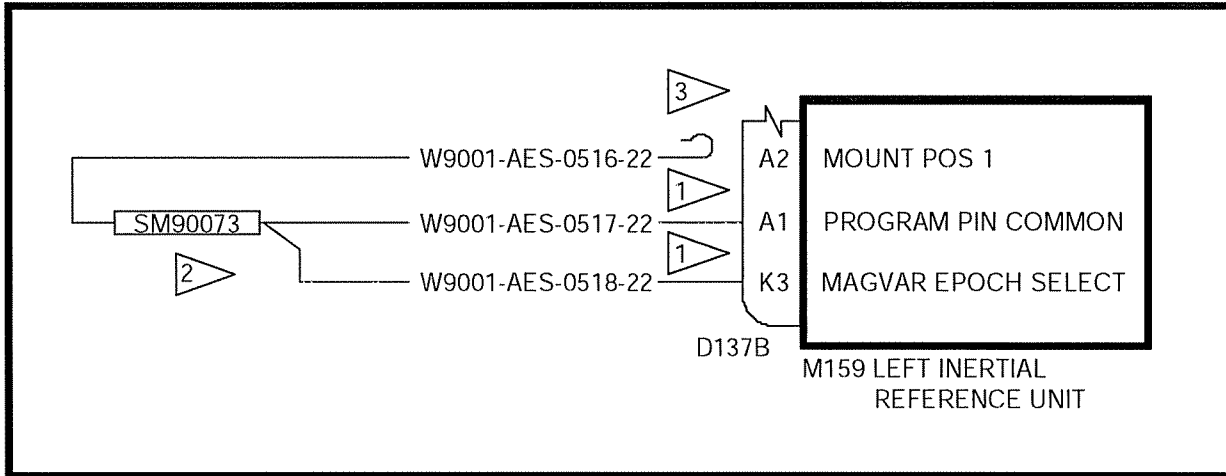
#### GENERAL NOTES:

1. ASSEMBLE ELECTRICAL CONNECTORS AND TERMINATIONS PER THE APPLICABLE SECTION OF CHAPTER 20, STANDARD WIRING MANUAL, DOCUMENT D6-54446.
2. ROUTE ALL WIRES PER EXISTING WIRE BUNDLE ROUTES.
3. ALL CABLE SHIELD GROUNDING WIRES ARE 20AWG UNLESS OTHERWISE STATED.
4. EQUIVALENT COLOUR CABLE TIES MAY BE USED IN LIEU OF LACING TAPE IF REQUIRED (e.g. TY25M - WHITE).
5. UNLESS OTHERWISE STATED DIAGRAMS IN THIS SECTION ARE EFFECTIVE FOR ALL APPLICABLE AIRCRAFT AS DETAILED IN REFERENCE MODIFICATION.

LEGEND USED ON WIRING DIAGRAMS	
	NEW WIRE
	NEW ROUTE OF EXISTING WIRE
	EXISTING WIRE
	DELETED WIRE OR FORMER ROUTE OF EXISTING WIRE
	CAPPED WIRE
	PART CODE - DENOTES PART REQUIREMENT # = NUMERALS

## MODIFICATION EMBODIMENT INSTRUCTIONS

### K1 LEFT IRU WIRING REWORK

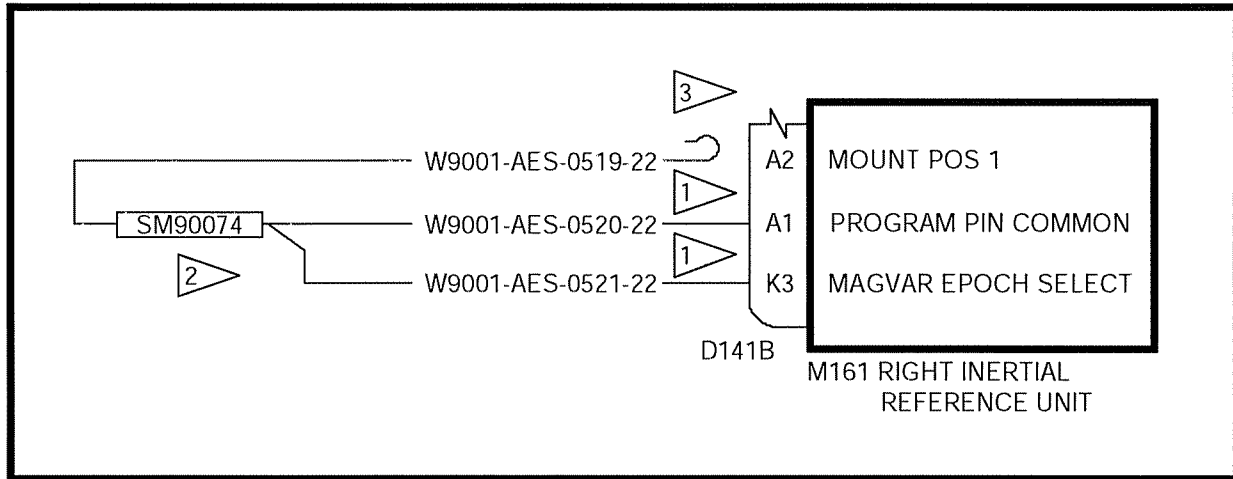


E2-4 SHELF

FLAG NOTE No.	PART No.	QTY	DESCRIPTION	NOTES
1	BACC47EF1	2	CONTACT PINS	
2	D436-37	1	SPLICE	
3	RT-876	1	THERMOFIT SLEEVING 1/8" DIA., 2" LENGTH, YELLOW (REF 20-10-11)	

## MODIFICATION EMBODIMENT INSTRUCTIONS

### K2 RIGHT IRU WIRING REWORK

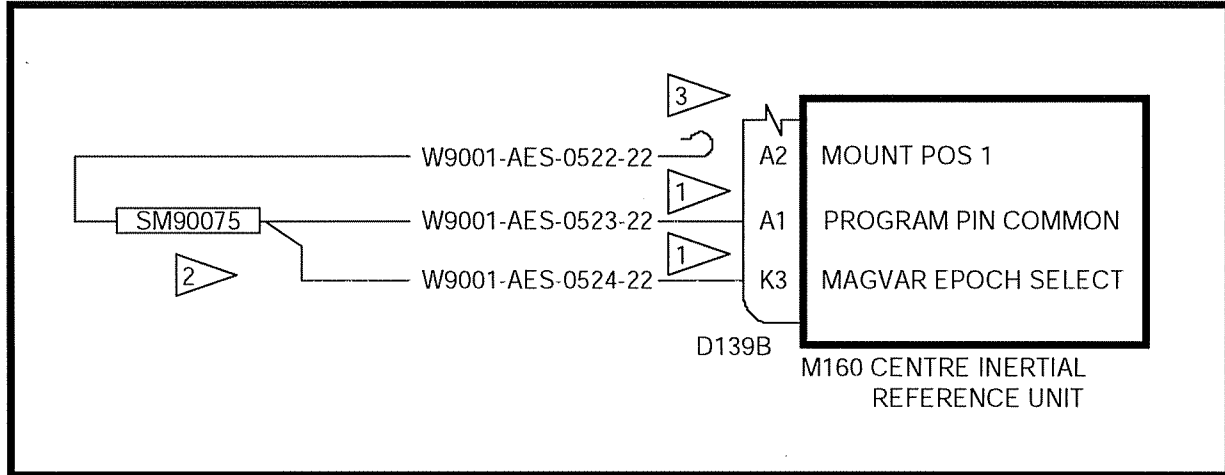


E2-4 SHELF

FLAG NOTE No.	PART No.	QTY	DESCRIPTION	NOTES
1	BACC47EF1	2	CONTACT PINS	
2	D436-37	1	SPLICE	
3	RT-876	1	THERMOFIT SLEEVING 1/8" DIA., 2" LENGTH, YELLOW (REF 20-10-11)	

**MODIFICATION EMBODIMENT INSTRUCTIONS**

**K3 CENTRE IRU WIRING REWORK**



E2-4 SHELF

FLAG NOTE No.	PART No.	QTY	DESCRIPTION	NOTES
1	BACC47EF1	2	CONTACT PINS	
2	D436-37	1	SPLICE	
3	RT-876	1	THERMOFIT SLEEVING 1/8" DIA., 2" LENGTH, YELLOW (REF 20-10-11)	



AES Limited  
Unit 28, Golds Nursery  
Business Park  
Elsenham  
Essex

**MEI-404**

ISSUE 2, OCT 2004

Page 20 of 22

[www.aesglobal.com](http://www.aesglobal.com)

TEL: 44 (0)1279 818010

FAX: 44 (0)1279 647683

## MODIFICATION EMBODIMENT INSTRUCTIONS

---

### L. MEI - REPORT SHEET

THE MEI REPORT SHEET IS PROVIDED FOR THE PURPOSE OF COMMUNICATING TO AES DESIGN OFFICE ANY IMPROVEMENTS / SUGGESTIONS ARISING FROM THE EMBODIMENT OF THE MODIFICATION.

<b>REPORT SHEET</b>	MEI No: MEI-404 MOD No: AES-757-308
AIRCRAFT TYPE:	
REGISTRATION AND SERIAL NUMBER:	
LOCATION:	
COMMENTS:	
PREPARED BY / DATE: _____	



www.aesglobal.com  
TEL: 44 (0)1279 818010  
FAX: 44 (0)1279 647683

AES Limited  
Unit 28, Golds Nursery  
Business Park  
Elsenham  
Essex

**MEI-404**

ISSUE 2, OCT 2004

Page 21 of 22

## MODIFICATION EMBODIMENT INSTRUCTIONS

---

<b>APPENDIX A</b>	<b>FIRST CHOICE AIRLINES RE-CERTIFICATION CONTROL SHEET</b>	<b>A/C REG.</b>
-------------------	---	-----------------

---

(This sheet must be faxed on completion to first Choice Airlines Projects dept Fax No 0161 489 0238)

PART NUMBER	DESCRIPTION	SERIAL NO.	LOCATION	QTY.	COMMENTS I.E. SERVICEABLE / UNSERVICEABLE	DATE / INSPECTION STAMP



www.aesglobal.com  
 TEL: 44 (0)1279 818010  
 FAX:44 (0)1279 647683

AES Limited  
 28 Golds Nurseries Business Park  
 Elsenham  
 Essex  
 CM22 6JX

# MEI-485

ISSUE 1, OCTOBER 2004

Page 1 of 25

## MODIFICATION EMBODIMENT INSTRUCTIONS

---

### A. TITLE PAGE

TITLE: ACTIVATION OF IRS 1995 MAGNETIC VARIATION (MAGVAR) TABLE FUNCTION

DATE COMPILED: 12.10.2004

MODIFICATION NO.: AES-757-308

PROJECT NO.: 0339

EFFECTIVITY: A/C TYPE REG. INDICATE AS SERIAL NO.  
 APPLICABLE

SEE SECTION D0. FOR AIRCRAFT EFFECTIVITIES

**This document is issued for production engineering purposes.**

**The definitive design requirements are shown in mod AES-757-308, the contents of which override information contained in this MEI.**

**Differences resulting from existing repairs, variation in build standard or corrosion to be reported to AES Ltd Design Department.**

**Manufacturing processes and inspection and installation procedures are the responsibility of FIRST CHOICE AIRWAYS LTD.**

ISSUE	1	2	3	4	5	6
DRN:	0976					
DATE	12.10.04					
COMPILED BY:	TJH					
CHECKED BY:	A HEISSIG					
DESIGN APP:	A HEISSIG					





www.aesglobal.com  
TEL: 44 (0)1279 818010  
FAX:44 (0)1279 647683

AES Limited  
28 Golds Nurseries Business Park  
Elsenham  
Essex  
CM22 6JX

**MEI-485**  
ISSUE 1, OCTOBER 2004  
Page 2 of 25

## MODIFICATION EMBODIMENT INSTRUCTIONS

---

### B. REVISION DETAILS

WRITE BELOW A BRIEF SUMMARY OF THE CHANGES WHICH HAVE BEEN INTRODUCED AT THE STATED REVISION:

ISSUE	DESCRIPTION
1	NEW ISSUE



www.aesglobal.com  
TEL: 44 (0)1279 818010  
FAX:44 (0)1279 647683

AES Limited  
28 Golds Nurseries Business Park  
Elsenham  
Essex  
CM22 6JX

**MEI-485**  
ISSUE 1, OCTOBER 2004  
Page 3 of 25

## MODIFICATION EMBODIMENT INSTRUCTIONS

---

### C. CONTENTS

A.	TITLE PAGE.....	1
B.	REVISION DETAILS.....	2
C.	CONTENTS.....	3
D0.	AIRCRAFT EFFECTIVITIES .....	4
D1.	ACCOMPLISHMENT INSTRUCTIONS – PREPARATION .....	5
D2.	ACCOMPLISHMENT INSTRUCTIONS – LEFT IRU REWORK .....	7
D3.	ACCOMPLISHMENT INSTRUCTIONS – RIGHT IRU REWORK .....	8
D4.	ACCOMPLISHMENT INSTRUCTIONS – CENTRE IRU REWORK.....	9
D5.	ACCOMPLISHMENT INSTRUCTIONS – FUNCTION TEST .....	10
E.	DOCUMENTS REQUIRED .....	14
F.	SPECIAL TOOLS REQUIRED .....	15
G.	ESTIMATED TIME REQUIRED .....	15
H.	PARTS REQUIRED LIST .....	16
I.	PARTS REMOVED LIST .....	17
J.	WIRE LIST .....	18
K.	WIRING DIAGRAMS.....	19
L.	MEI - REPORT SHEET .....	23
	APPENDIX A - FIRST CHOICE AIRWAYS RE-CERTIFICATION CONTROL SHEET.....	24
	QUERY NOTE.....	25



www.aesglobal.com  
TEL: 44 (0)1279 818010  
FAX:44 (0)1279 647683

AES Limited  
28 Golds Nurseries Business Park  
Elsenham  
Essex  
CM22 6JX

# MEI-485

ISSUE 1, OCTOBER 2004

Page 4 of 25

## MODIFICATION EMBODIMENT INSTRUCTIONS

---

<b>D0. AIRCRAFT EFFECTIVITIES</b>
-----------------------------------

AIRCRAFT REGISTRATION	AIRCRAFT TYPE	AIRCRAFT SERIAL NUMBER	AIRCRAFT VARIABLE NUMBER
G-OOOC (C-FTDV)	B757-28A	24017	NA443
G-OOOG	B757-23A	24292	NB134
G-OOOK	B757-236	25054	NA346
G-OOOX	B757-2YO	26158	NB329
G-OOOZ	B757-236	25593	NA352



www.aesglobal.com  
 TEL: 44 (0)1279 818010  
 FAX:44 (0)1279 647683

AES Limited  
 28 Golds Nurseries Business Park  
 Elsenham  
 Essex  
 CM22 6JX

# MEI-485

ISSUE 1, OCTOBER 2004

Page 5 of 25

## MODIFICATION EMBODIMENT INSTRUCTIONS

### D1. ACCOMPLISHMENT INSTRUCTIONS – PREPARATION

INDICATE  
 A/C REG:

#### CERTIFICATE OF RELEASE TO SERVICE:

Certifies that the work specified, except as otherwise stated, was carried out in accordance with J.A.R. 145 and in respect to that work the aircraft/aircraft component is considered ready for Release to Service.

	MECH SIG.	INSP STAMP
<b>[All instructions stated within this section of the embodiment instructions are to be carried out in accordance with the relevant sections of the Aircraft Maintenance and Structural Repair Manual]</b>	N/A	N/A
D1.1 Remove electrical power from the airplane per 24-22-00 P201.  Open these circuit breakers (as applicable) on the main power distribution panel, P6, and attach DO-NOT-CLOSE tags:  (a) 6D3, IRS L (b) 6D4, IRS C (c) 6D5, IRS R  Open these circuit breakers (as applicable) on the overhead circuit breaker panel, P11, and attach DO-NOT-CLOSE tags:  (a) 11F1, IRS L (b) 11F21, IRS C (c) 11F22, IRS R		



www.aesglobal.com  
 TEL: 44 (0)1279 818010  
 FAX:44 (0)1279 647683

AES Limited  
 28 Golds Nurseries Business Park  
 Elsenham  
 Essex  
 CM22 6JX

**MEI-485**  
 ISSUE 1, OCTOBER 2004  
 Page 6 of 25

## MODIFICATION EMBODIMENT INSTRUCTIONS

### D1. ACCOMPLISHMENT INSTRUCTIONS – PREPARATION

INDICATE  
A/C REG:

**CERTIFICATE OF RELEASE TO SERVICE:**

Certifies that the work specified, except as otherwise stated, was carried out in accordance with J.A.R. 145 and in respect to that work the aircraft/aircraft component is considered ready for Release to Service.

	MECH SIG.	INSP STAMP																				
<p><b>[All instructions stated within this section of the embodiment instructions are to be carried out in accordance with the relevant sections of the Aircraft Maintenance and Structural Repair Manual]</b></p>	N/A	N/A																				
<p>D1.2 Gain access to E/E bay shelf E2-4. Remove the following units and route shelf to workshop for rework.</p> <table border="1" style="width: 100%; margin-top: 10px;"> <thead> <tr> <th colspan="4" style="text-align: left;">E2-4</th> </tr> <tr> <th style="width: 10%;">IDENT</th> <th style="width: 20%;">DESCRIPTION</th> <th style="width: 20%;">REMOVAL</th> <th style="width: 50%;">SERIAL NO.</th> </tr> </thead> <tbody> <tr> <td>M161</td> <td>IRU R</td> <td>34-21-01 P401</td> <td>_____</td> </tr> <tr> <td>M160</td> <td>IRU C</td> <td>34-21-01 P401</td> <td>_____</td> </tr> <tr> <td>M159</td> <td>IRU L</td> <td>34-21-01 P401</td> <td>_____</td> </tr> </tbody> </table>	E2-4				IDENT	DESCRIPTION	REMOVAL	SERIAL NO.	M161	IRU R	34-21-01 P401	_____	M160	IRU C	34-21-01 P401	_____	M159	IRU L	34-21-01 P401	_____		
E2-4																						
IDENT	DESCRIPTION	REMOVAL	SERIAL NO.																			
M161	IRU R	34-21-01 P401	_____																			
M160	IRU C	34-21-01 P401	_____																			
M159	IRU L	34-21-01 P401	_____																			
END																						



www.aesglobal.com  
 TEL: 44 (0)1279 818010  
 FAX:44 (0)1279 647683

AES Limited  
 28 Golds Nurseries Business Park  
 Elsenham  
 Essex  
 CM22 6JX

# MEI-485

ISSUE 1, OCTOBER 2004

Page 7 of 25

## MODIFICATION EMBODIMENT INSTRUCTIONS

### D2. ACCOMPLISHMENT INSTRUCTIONS – LEFT IRU REWORK

INDICATE  
 A/C REG:

#### CERTIFICATE OF RELEASE TO SERVICE:

Certifies that the work specified, except as otherwise stated, was carried out in accordance with J.A.R. 145 and in respect to that work the aircraft/aircraft component is considered ready for Release to Service.

	MECH SIG.	INSP STAMP
<b>[All instructions stated within this section of the embodiment instructions are to be carried out in accordance with the relevant sections of the Aircraft Maintenance and Structural Repair Manual]</b>	N/A	N/A
D2.1 Remove Left IRU M159 from E2-4 shelf. Inspect removed IRU for serviceability, tag and route to First Choice stores  Part Number of removed IRU: _____  Serial Number of removed IRU: _____		
D2.2 <u>Ref AES Drawing 0997-342-757 &amp; MEI Section K1:</u>  Install new Left IRU, P/N HG1050AD09 (Boeing P/N S242T101-111) in vacated position, and ident new IRU as M159.		
D2.3 <u>Ref AES Drawing 0997-342-757 &amp; MEI Section K1:</u>  Carry out wiring changes to Left IRU I.A.W reference drawing and applicable MEI section.  Route new wiring along existing routes.  Carry out IR and OR checks on all new and disturbed wiring.		
END		



www.aesglobal.com  
 TEL: 44 (0)1279 818010  
 FAX:44 (0)1279 647683

AES Limited  
 28 Golds Nurseries Business Park  
 Elsenham  
 Essex  
 CM22 6JX

# MEI-485

ISSUE 1, OCTOBER 2004

Page 8 of 25

## MODIFICATION EMBODIMENT INSTRUCTIONS

### D3. ACCOMPLISHMENT INSTRUCTIONS – RIGHT IRU REWORK

INDICATE  
 A/C REG:

CERTIFICATE OF RELEASE TO SERVICE:		
<p>Certifies that the work specified, except as otherwise stated, was carried out in accordance with J.A.R. 145 and in respect to that work the aircraft/aircraft component is considered ready for Release to Service.</p>		
	MECH SIG.	INSP STAMP
<p><b>[All instructions stated within this section of the embodiment instructions are to be carried out in accordance with the relevant sections of the Aircraft Maintenance and Structural Repair Manual]</b></p>	N/A	N/A
<p>D3.1 Remove Right IRU M161 from E2-4 shelf. Inspect removed IRU for serviceability, tag and route to First Choice stores</p> <p>Part Number of removed IRU: _____</p> <p>Serial Number of removed IRU: _____</p>		
<p>D3.2 <u>Ref AES Drawing 0997-342-757 &amp; MEI Section K2:</u></p> <p>Install new Right IRU, P/N HG1050AD09 (Boeing P/N S242T101-111) in vacated position, and ident new IRU as M161.</p>		
<p>D3.3 <u>Ref AES Drawing 0997-342-757 &amp; MEI Section K2:</u></p> <p>Carry out wiring changes to Right IRU I.A.W reference drawing and applicable MEI section.</p> <p>Route new wiring along existing routes.</p> <p>Carry out IR and OR checks on all new and disturbed wiring.</p>		
<p>END</p>		



www.aesglobal.com  
 TEL: 44 (0)1279 818010  
 FAX:44 (0)1279 647683

AES Limited  
 28 Golds Nurseries Business Park  
 Elsenham  
 Essex  
 CM22 6JX

# MEI-485

ISSUE 1, OCTOBER 2004

Page 9 of 25

## MODIFICATION EMBODIMENT INSTRUCTIONS

### D4. ACCOMPLISHMENT INSTRUCTIONS – CENTRE IRU REWORK

INDICATE  
 A/C REG:

#### CERTIFICATE OF RELEASE TO SERVICE:

Certifies that the work specified, except as otherwise stated, was carried out in accordance with J.A.R. 145 and in respect to that work the aircraft/aircraft component is considered ready for Release to Service.

	MECH SIG.	INSP STAMP
<b>[All instructions stated within this section of the embodiment instructions are to be carried out in accordance with the relevant sections of the Aircraft Maintenance and Structural Repair Manual]</b>	N/A	N/A
D4.1 Remove Centre IRU M160 from E2-4 shelf. Inspect removed IRU for serviceability, tag and route to First Choice stores  Part Number of removed IRU: _____  Serial Number of removed IRU: _____		
D4.2 <u>Ref AES Drawing 0997-342-757 &amp; MEI Section K3:</u>  Install new Centre IRU, P/N HG1050AD09 (Boeing P/N S242T101-111) in vacated position, and ident new IRU as M160.		
D4.3 <u>Ref AES Drawing 0997-342-757 &amp; MEI Section K3:</u>  Carry out wiring changes to Centre IRU I.A.W reference drawing and applicable MEI section.  Route new wiring along existing routes.  Carry out IR and OR checks on all new and disturbed wiring.		
END		





www.aesglobal.com  
 TEL: 44 (0)1279 818010  
 FAX:44 (0)1279 647683

AES Limited  
 28 Golds Nurseries Business Park  
 Elsenham  
 Essex  
 CM22 6JX

# MEI-485

ISSUE 1, OCTOBER 2004

Page 10 of 25

## MODIFICATION EMBODIMENT INSTRUCTIONS

### D5. ACCOMPLISHMENT INSTRUCTIONS – FUNCTION TEST & CLOSE-UP

INDICATE  
A/C REG:

#### CERTIFICATE OF RELEASE TO SERVICE:

Certifies that the work specified, except as otherwise stated, was carried out in accordance with J.A.R. 145 and in respect to that work the aircraft/aircraft component is considered ready for Release to Service.

		MECH SIG.	INSP STAMP															
<b>[All instructions stated within this section of the embodiment instructions are to be carried out in accordance with the relevant sections of the Aircraft Maintenance and Structural Repair Manual]</b>		N/A	N/A															
D5.1	Re-install E/E rack E2-4 to avionics bay.																	
D5.2	Carry out an operational test of the Inertial Reference units (IRS) as given in B757 AMM 34-21-00 p/block 501.																	
D5.3	<p>Carry out the orientation and MAGVAR program pin interface test as follows:</p> <p>NOTE: The IRU's must be operating in the ALIGN or NAV mode.</p> <p><u>LEFT IRU:</u></p> <ol style="list-style-type: none"> <li>1. Connect an ARINC bus analyzer to the Left IRU digital output bus, terminal block TB221, burndys Z79 (A) and Z80 (B) at the E2-4 shelf.</li> <li>2. Make sure that the ARINC 429 Label 271 bit states are as shown below:</li> </ol> <table border="1" data-bbox="351 1478 1037 1814"> <thead> <tr> <th>BIT</th> <th>STATE</th> <th>NOMENCLATURE</th> </tr> </thead> <tbody> <tr> <td>11</td> <td>0</td> <td>MAGVAR COVERAGE SELECT</td> </tr> <tr> <td>12</td> <td>1</td> <td>MAGVAR EPOCH SELECT</td> </tr> <tr> <td>13</td> <td>0</td> <td>MOUNT POS 1</td> </tr> <tr> <td>14</td> <td>0</td> <td>MOUNT POS 2</td> </tr> </tbody> </table>	BIT	STATE	NOMENCLATURE	11	0	MAGVAR COVERAGE SELECT	12	1	MAGVAR EPOCH SELECT	13	0	MOUNT POS 1	14	0	MOUNT POS 2		
BIT	STATE	NOMENCLATURE																
11	0	MAGVAR COVERAGE SELECT																
12	1	MAGVAR EPOCH SELECT																
13	0	MOUNT POS 1																
14	0	MOUNT POS 2																



www.aesglobal.com  
 TEL: 44 (0)1279 818010  
 FAX:44 (0)1279 647683

AES Limited  
 28 Golds Nurseries Business Park  
 Elsenham  
 Essex  
 CM22 6JX

**MEI-485**

ISSUE 1, OCTOBER 2004

Page 11 of 25

## MODIFICATION EMBODIMENT INSTRUCTIONS

**D5. ACCOMPLISHMENT INSTRUCTIONS – FUNCTION TEST & CLOSE-UP**

**INDICATE A/C REG:**

**CERTIFICATE OF RELEASE TO SERVICE:**

Certifies that the work specified, except as otherwise stated, was carried out in accordance with J.A.R. 145 and in respect to that work the aircraft/aircraft component is considered ready for Release to Service.

	MECH SIG.	INSP STAMP															
<b>[All instructions stated within this section of the embodiment instructions are to be carried out in accordance with the relevant sections of the Aircraft Maintenance and Structural Repair Manual]</b>	N/A	N/A															
D5.4 <u>RIGHT IRU:</u>  1. Connect an ARINC bus analyzer to the Right IRU digital output bus, terminal block TB221, burndys Z15 (A) and Z16 (B) at the E2-4 shelf.  2. Make sure that the ARINC 429 Label 271 bit states are as shown below:  <table border="1" style="margin-left: 40px; border-collapse: collapse; text-align: center;"> <thead> <tr> <th style="width: 15%;">BIT</th> <th style="width: 15%;">STATE</th> <th style="width: 70%;">NOMENCLATURE</th> </tr> </thead> <tbody> <tr> <td>11</td> <td>0</td> <td>MAGVAR COVERAGE SELECT</td> </tr> <tr> <td>12</td> <td>1</td> <td>MAGVAR EPOCH SELECT</td> </tr> <tr> <td>13</td> <td>0</td> <td>MOUNT POS 1</td> </tr> <tr> <td>14</td> <td>0</td> <td>MOUNT POS 2</td> </tr> </tbody> </table>	BIT	STATE	NOMENCLATURE	11	0	MAGVAR COVERAGE SELECT	12	1	MAGVAR EPOCH SELECT	13	0	MOUNT POS 1	14	0	MOUNT POS 2		
BIT	STATE	NOMENCLATURE															
11	0	MAGVAR COVERAGE SELECT															
12	1	MAGVAR EPOCH SELECT															
13	0	MOUNT POS 1															
14	0	MOUNT POS 2															



www.aesglobal.com  
 TEL: 44 (0)1279 818010  
 FAX:44 (0)1279 647683

AES Limited  
 28 Golds Nurseries Business Park  
 Elsenham  
 Essex  
 CM22 6JX

**MEI-485**

ISSUE 1, OCTOBER 2004

Page 12 of 25

## MODIFICATION EMBODIMENT INSTRUCTIONS

**D5. ACCOMPLISHMENT INSTRUCTIONS – FUNCTION TEST & CLOSE-UP**

**INDICATE A/C REG:**

**CERTIFICATE OF RELEASE TO SERVICE:**

Certifies that the work specified, except as otherwise stated, was carried out in accordance with J.A.R. 145 and in respect to that work the aircraft/aircraft component is considered ready for Release to Service.

	MECH SIG.	INSP STAMP															
<b>[All instructions stated within this section of the embodiment instructions are to be carried out in accordance with the relevant sections of the Aircraft Maintenance and Structural Repair Manual]</b>	N/A	N/A															
D5.5 <u>CENTRE IRU:</u>  1. Connect an ARINC bus analyzer to the Right IRU digital output bus, terminal block TB221, burmdys Z47 (A) and Z48 (B) at the E2-4 shelf.  2. Make sure that the ARINC 429 Label 271 bit states are as shown below:  <table border="1" style="margin-left: 40px; border-collapse: collapse; text-align: center;"> <thead> <tr> <th style="width: 10%;">BIT</th> <th style="width: 10%;">STATE</th> <th style="width: 80%;">NOMENCLATURE</th> </tr> </thead> <tbody> <tr> <td>11</td> <td>0</td> <td>MAGVAR COVERAGE SELECT</td> </tr> <tr> <td>12</td> <td>1</td> <td>MAGVAR EPOCH SELECT</td> </tr> <tr> <td>13</td> <td>0</td> <td>MOUNT POS 1</td> </tr> <tr> <td>14</td> <td>0</td> <td>MOUNT POS 2</td> </tr> </tbody> </table>	BIT	STATE	NOMENCLATURE	11	0	MAGVAR COVERAGE SELECT	12	1	MAGVAR EPOCH SELECT	13	0	MOUNT POS 1	14	0	MOUNT POS 2		
BIT	STATE	NOMENCLATURE															
11	0	MAGVAR COVERAGE SELECT															
12	1	MAGVAR EPOCH SELECT															
13	0	MOUNT POS 1															
14	0	MOUNT POS 2															



www.aesglobal.com  
 TEL: 44 (0)1279 818010  
 FAX:44 (0)1279 647683

AES Limited  
 28 Golds Nurseries Business Park  
 Elsenham  
 Essex  
 CM22 6JX

**MEI-485**

ISSUE 1, OCTOBER 2004

Page 13 of 25

## MODIFICATION EMBODIMENT INSTRUCTIONS

**D5. ACCOMPLISHMENT INSTRUCTIONS – FUNCTION TEST & CLOSE-UP**

**INDICATE A/C REG:**

**CERTIFICATE OF RELEASE TO SERVICE:**

Certifies that the work specified, except as otherwise stated, was carried out in accordance with J.A.R. 145 and in respect to that work the aircraft/aircraft component is considered ready for Release to Service.

	MECH SIG.	INSP STAMP
<b>[All instructions stated within this section of the embodiment instructions are to be carried out in accordance with the relevant sections of the Aircraft Maintenance and Structural Repair Manual]</b>	N/A	N/A
D5.6 Close the following circuit breakers on the main power distribution panel, P6, and remove DO-NOT-CLOSE tags:  (a) 6D3, IRS L (b) 6D4, IRS C (c) 6D5, IRS R  Close the following circuit breakers on the main power distribution panel, P11, and remove DO-NOT-CLOSE tags:  (a) 11F1, IRS L (b) 11F21, IRS C (c) 11F22, IRS R		
END		



www.aesglobal.com  
TEL: 44 (0)1279 818010  
FAX:44 (0)1279 647683

AES Limited  
28 Golds Nurseries Business Park  
Elsenham  
Essex  
CM22 6JX

**MEI-485**

ISSUE 1, OCTOBER 2004

Page 14 of 25

## MODIFICATION EMBODIMENT INSTRUCTIONS

---

### E. DOCUMENTS REQUIRED

THE FOLLOWING DOCUMENTS ARE REQUIRED FOR EMBODIMENT OF MODIFICATION AES-757-308. **NOTE: REFER TO MODIFICATION SHEET FOR LATEST DRAWING ISSUE.**

The following existing drawings/documents are required for embodiment:

<u>Drawing No</u>	<u>Title</u>	<u>SOURCE</u>
0997-342-757	W/D: IRU MAGVAR TABLE ACTIVATION	AES



www.aesglobal.com  
TEL: 44 (0)1279 818010  
FAX:44 (0)1279 647683

AES Limited  
28 Golds Nurseries Business Park  
Elsenham  
Essex  
CM22 6JX

**MEI-485**  
ISSUE 1, OCTOBER 2004  
Page 15 of 25

## MODIFICATION EMBODIMENT INSTRUCTIONS

---

### F. SPECIAL TOOLS REQUIRED

<u>PART NUMBER</u>	<u>DESCRIPTION</u>	<u>VENDOR</u>	<u>COMMENTS</u>
		NONE	

### G. ESTIMATED TIME REQUIRED

It is estimated that this modification will take approximately 20 man-hours.

This is based on the direct labour cost to do the work. The estimated assume that the work will be done by experienced personal, and may need to be revised upwards to suit operators' circumstances. The estimates do not include the time to prepare, plan or inspect the work. Manufacture and procurement of parts and tools' drying time for paints sealants, etc and general administration work are also not included.



AES Limited  
Unit 28, Golds Nursery  
Business Park  
Elsenham  
Essex

**MEI-485**  
ISSUE 1, OCTOBER 2004  
Page 16 of 25

[www.aesglobal.com](http://www.aesglobal.com)  
TEL: 44 (0)1279 818010  
FAX: 44 (0)1279 647683

## MODIFICATION EMBODIMENT INSTRUCTIONS

### H. PARTS REQUIRED LIST KIT NUMBER MEI-485 (MOD. NUMBER: AES-757-308)

ITEM NO	PART NUMBER	QTY RQD	DESCRIPTION	USED ON	ADD/	REMARKS / VENDOR	ALT PART NUMBER	OWNER	REVISION
1	HG1050AD09	3	INERTIA REFERENCE UNIT	SHELF E2-4	ADD	HONEYWELL	S242T101-111	FCA	1
2	BACC47EF1	6	CONTACT - PIN	MEI-485	ADD	BOEING SPEC		FCA	1
3	BMS13-60T01C01G022	3FT	WIRE SINGLE CORE 22AWG	MEI-485	ADD	BOEING SPEC		FCA	1



AES Limited  
Unit 28, Golds Nursery  
Business Park  
Elsenham  
Essex

**MEI-485**  
ISSUE 1, OCTOBER 2004  
Page 17 of 25

[www.aesglobal.com](http://www.aesglobal.com)

TEL: 44 (0)1279 818010

FAX: 44 (0)1279 647683

## MODIFICATION EMBODIMENT INSTRUCTIONS

### I. PARTS REMOVED LIST

ITEM NO	PART NUMBER	QTY RQD	DESCRIPTION	USED ON	ADD/ REMOVE/ REWORK	REMARKS / VENDOR	ALT PART NUMBER	OWNER	REVISION
1	HG1050AD05 or HG1050AD04 or HG1050AC04	3	INERTIAL REFERENCE UNIT	SHELF E2-4	REMOVE	(G-OOOC {C-FTDV}, G-OOOG, G-OOOK, G-OOOX, G-OOOZ)	N/A	FCA	1





AES Limited  
Unit 28, Golds Nursery  
Business Park  
Elsenham  
Essex

**MEI-485**

ISSUE 1, OCTOBER 2004

Page 18 of 25

[www.aesglobal.com](http://www.aesglobal.com)

TEL: 44 (0)1279 818010

FAX: 44 (0)1279 647683

## MODIFICATION EMBODIMENT INSTRUCTIONS

---

### J. WIRE LIST

WIRE IDENT	WIRE CODE	GAUGE	LENGTH	WIRE TYPE	USED ON
W9001-AES-0516-22	GA	22	1FT	BMS13-60T01C01G022	0997-342-757
W9001-AES-0517-22	GA	22	1FT	BMS13-60T01C01G022	0997-342-757
W9001-AES-0518-22	GA	22	1FT	BMS13-60T01C01G022	0997-342-757






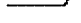
## MODIFICATION EMBODIMENT INSTRUCTIONS

---

### K. WIRING DIAGRAMS

#### GENERAL NOTES:

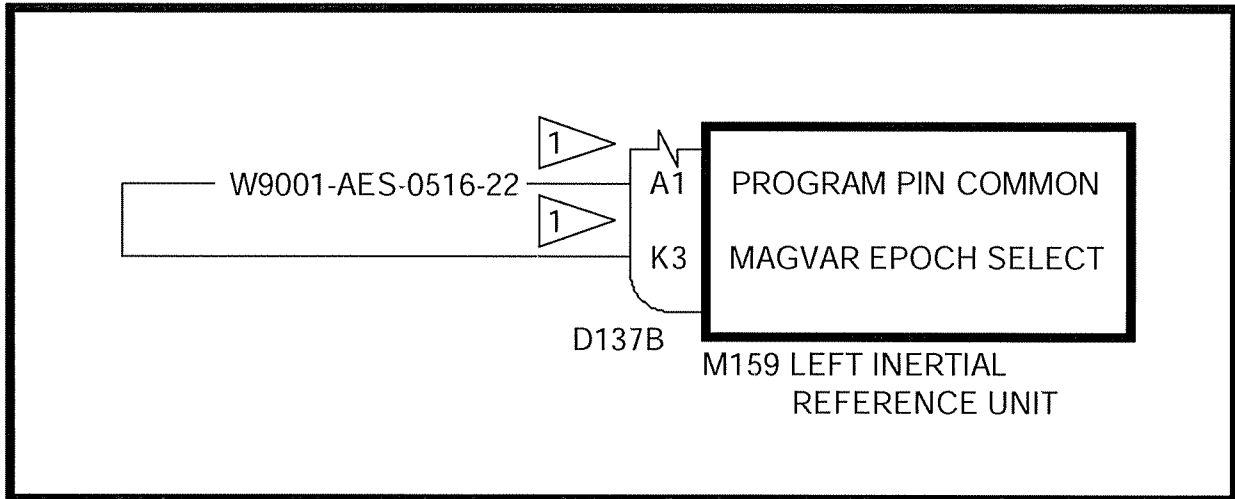
1. ASSEMBLE ELECTRICAL CONNECTORS AND TERMINATIONS PER THE APPLICABLE SECTION OF CHAPTER 20, STANDARD WIRING MANUAL, DOCUMENT D6-54446.
2. ROUTE ALL WIRES PER EXISTING WIRE BUNDLE ROUTES.
3. ALL CABLE SHIELD GROUNDING WIRES ARE 20AWG UNLESS OTHERWISE STATED.
4. EQUIVALENT COLOUR CABLE TIES MAY BE USED IN LIEU OF LACING TAPE IF REQUIRED (e.g. TY25M - WHITE).
5. UNLESS OTHERWISE STATED DIAGRAMS IN THIS SECTION ARE EFFECTIVE FOR ALL APPLICABLE AIRCRAFT AS DETAILED IN REFERENCE MODIFICATION.

LEGEND USED ON WIRING DIAGRAMS	
	NEW WIRE
	NEW ROUTE OF EXISTING WIRE
	EXISTING WIRE
	DELETED WIRE OR FORMER ROUTE OF EXISTING WIRE
	CAPPED WIRE
	PART CODE - DENOTES PART REQUIREMENT # = NUMERALS

## MODIFICATION EMBODIMENT INSTRUCTIONS

---

### K1. LEFT IRU WIRING REWORK

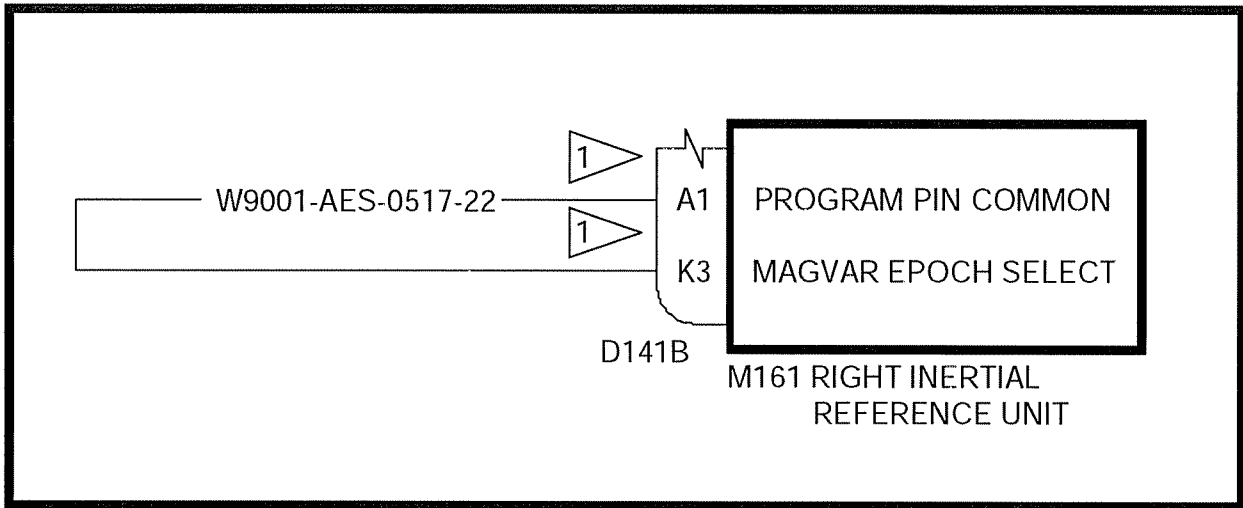


E2-4 SHELF

FLAG NOTE No.	PART No.	QTY	DESCRIPTION	NOTES
1	BACC47EF1	2	CONTACT PINS	

**MODIFICATION EMBODIMENT INSTRUCTIONS**

**K2. RIGHT IRU WIRING REWORK**



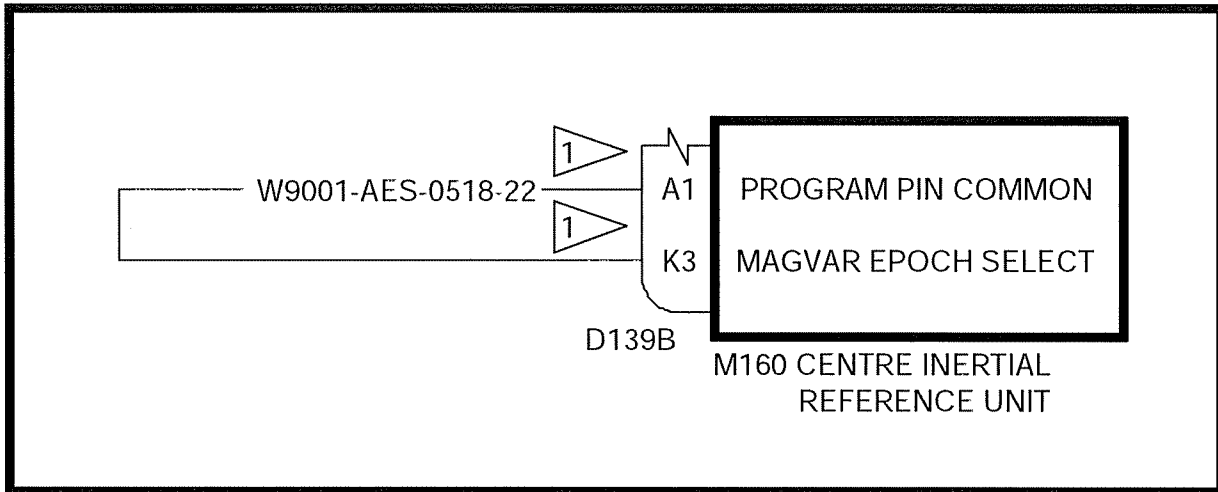
E2-4 SHELF

FLAG NOTE No.	PART No.	QTY	DESCRIPTION	NOTES
1	BACC47EF1	2	CONTACT PINS	

## MODIFICATION EMBODIMENT INSTRUCTIONS

---

### K3. CENTRE IRU WIRING REWORK



E2-4 SHELF

FLAG NOTE No.	PART No.	QTY	DESCRIPTION	NOTES
1	BACC47EF1	2	CONTACT PINS	



AES Limited  
Unit 28, Golds Nursery  
Business Park  
Elsenham  
Essex

**MEI-485**

ISSUE 1, OCTOBER 2004

Page 23 of 25

[www.aesglobal.com](http://www.aesglobal.com)

TEL: 44 (0)1279 818010

FAX: 44 (0)1279 647683

## MODIFICATION EMBODIMENT INSTRUCTIONS

---

### L. MEI - REPORT SHEET

THE MEI REPORT SHEET IS PROVIDED FOR THE PURPOSE OF COMMUNICATING TO AES DESIGN OFFICE ANY IMPROVEMENTS / SUGGESTIONS ARISING FROM THE EMBODIMENT OF THE MODIFICATION.

<b>REPORT SHEET</b>	MEI No: MEI-485 MOD No: AES-757-308
AIRCRAFT TYPE:	
REGISTRATION AND SERIAL NUMBER:	
LOCATION:	
COMMENTS:	
PREPARED BY / DATE: _____	



www.aesglobal.com  
TEL: 44 (0)1279 818010  
FAX: 44 (0)1279 647683

AES Limited  
Unit 28, Golds Nursery  
Business Park  
Elsenham  
Essex

**MEI-485**  
ISSUE 1, OCTOBER 2004  
Page 24 of 25

## MODIFICATION EMBODIMENT INSTRUCTIONS

---

APPENDIX A	FIRST CHOICE AIRLINES RE-CERTIFICATION CONTROL SHEET	A/C REG.
------------	--	----------

---

PART NUMBER	DESCRIPTION	SERIAL NO.	LOCATION	QTY.	COMMENTS I.E. SERVICEABLE / UNSERVICEABLE	DATE / INSPECTION STAMP

---

**PUBLICATION REVISION**

**AES Limited Supplement  
To  
FIRST CHOICE AIRWAYS Ltd  
Aircraft Technical Publications**

**TRANSMITTAL SHEET**

THE TECHNICAL CONTENT OF THIS DOCUMENT IS APPROVED UNDER THE AUTHORITY  
OF EASA, DOA No **EASA.21J.00036**

TRANSMITTAL SHEET	<b>003</b>
DRN No.	<b>0935</b>
COMPILED	<b>T HAWKINS</b>
APPROVAL DATE	<b>29-11-04</b>
CVE / APP STRUCTURES	<b>M EVANS</b>
CVE / APP DESIGN	<b>A DOLBY</b>
CVE / APP SYSTEMS	<b>A HEISSIG</b>

Effectivity: See specific ATA sections for applicable effectivities.

Reason for Issue: To introduce AES Limited Supplements for Modification No. AES-757-165.

Procedure: Carry out the supplement insertion procedure detailed on the attached sheet.

**IMPORTANT:** Embodiment of the revision must be recorded on the Customisations Index at the front of each manual.

[Note: Refer to file copy for original signatures]



---

Procedure:

**Chapter 34 - Navigation**

Effectivity: S/N 23822 (NA442), 24017 (NA443).

Insert the attached AES supplements in manual D633N116 757-28A AMM in applicable ATA Chapter under First Choice Airways Customisation.

Effectivity: S/N 24292 (NB134).

Insert the attached AES supplements in manual D633N122 757-23A AMM in applicable ATA Chapter under First Choice Airways Customisation.

Effectivity: S/N 28203 (NT232).

Insert the attached AES supplements in manual D633N123 757-28A AMM in applicable ATA Chapter under First Choice Airways Customisation.

Effectivity: S/N 25054 (NA346), 25268 (NB322), 26158 (NB329).

Insert the attached AES supplements in manual D633N132 757-2YO / 757-236 AMM in applicable ATA Chapter under First Choice Airways Customisation.

Effectivity: S/N 25593 (NA352).

Insert the attached AES supplements in manual D633N137 757-236 AMM in applicable ATA Chapter under First Choice Airways Customisation.

Effectivity: S/N 27146 (NB506), 27147 (NB507).

Insert the attached AES supplements in manual D633N141 757-2B7 AMM in applicable ATA Chapter under First Choice Airways Customisation.



[www.aesglobal.com](http://www.aesglobal.com)  
TEL: 44 (0)1279 818010  
FAX: 44 (0)1279 647683

Unit 28, Golds Nurseries  
Business Park  
Elsenham  
Essex  
CM22 6JX

**TRANSMITTAL  
SHEET  
OCT 2004  
Page 3 of 3**

---

Effectivity: S/N 25054 (NA346), 26158 (NB329), 25268 (NB322), 24292 (NB134),  
23822 (NA442), 24017 (NA443), 25593 (NA352).

Insert the attached AES supplements in manual D6-49286-ATZ-Consolidated  
IPC in applicable ATA Chapter under First Choice Airways Customisation.

34-22-02-01  
34-22-02-01A  
34-46-01-01  
34-46-02-01  
34-46-03-01  
34-46-05-01  
34-46-06-01

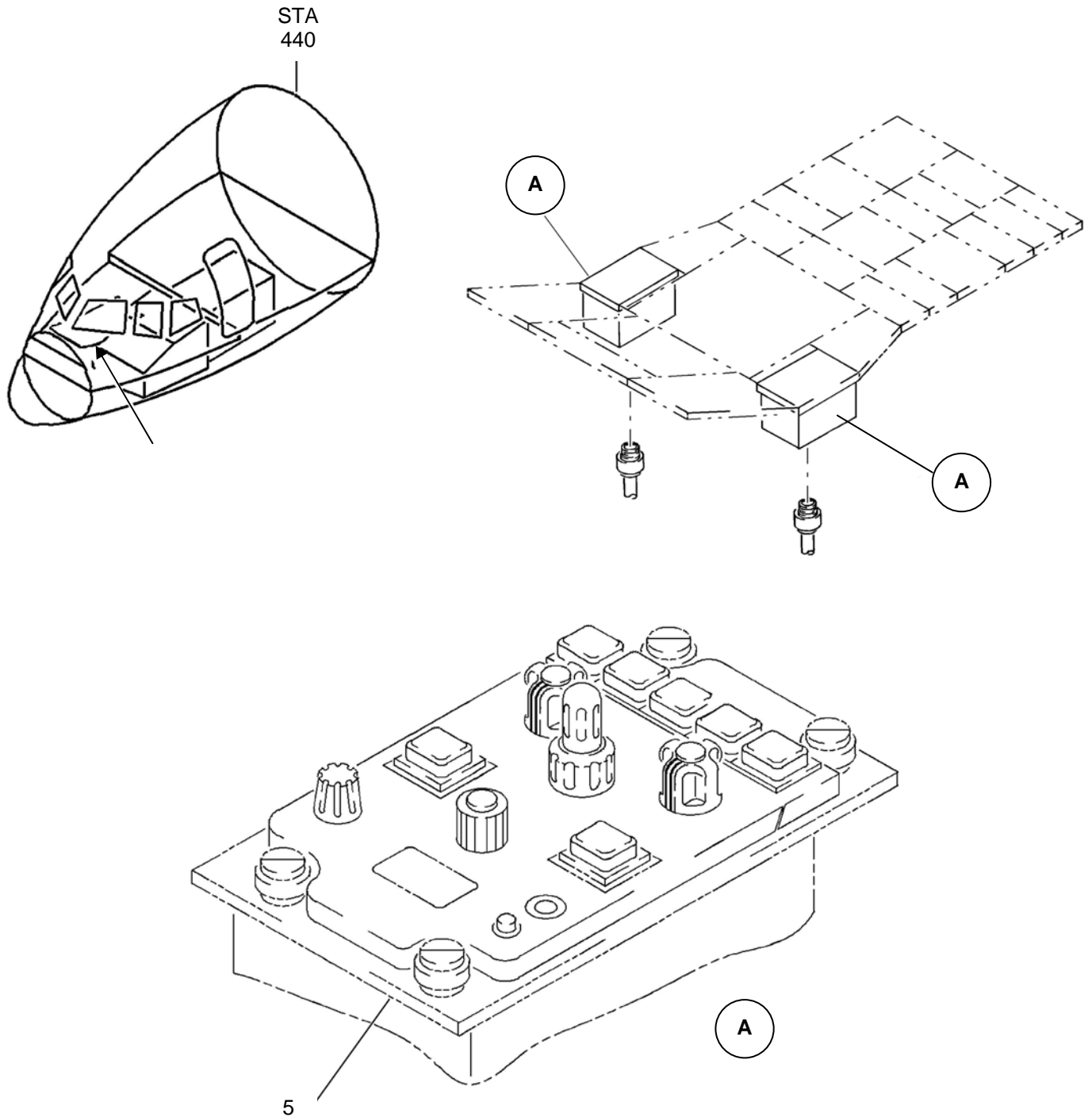
# BOEING 757

FIRST CHOICE AIRWAYS



D6-49286-ATZ

## PARTS CATALOG (MAINTENANCE)



PANEL INSTL-P8, P9, P10 ELECTRONICS  
(ALTITUDE AND DIRECTION ONLY)

# BOEING 757

FIRST CHOICE AIRWAYS



D6-49286-ATZ

## PARTS CATALOG (MAINTENANCE)

### INTRODUCTION OF ENHANCED GROUND PROXIMITY WARNING SYSTEM EGPWS

### MODIFICATION AES-757-165-PT-A

<u>FIG</u> <u>ITEM</u>	<u>PART NUMBER</u>	<u>NOMENCLATURE</u>	<u>EFFECT</u> <u>FROM TO</u>	<u>UNITS</u> <u>PER</u> <u>ASSY</u>
01A		PANEL INSTL-P8, P9, P10 ELECTRONICS (ALTITUDE AND DIRECTION ONLY) FIGURE 01A (SHEET 1)	002 006 009 010100 115120 121503 952999	RF
5	622-5048-381	<b><u>MODIFICATION AES-757-165-PT-A</u></b>  PANEL ASSY – EFIS CONT	002 006 009 010100 115120 121503 952999	2

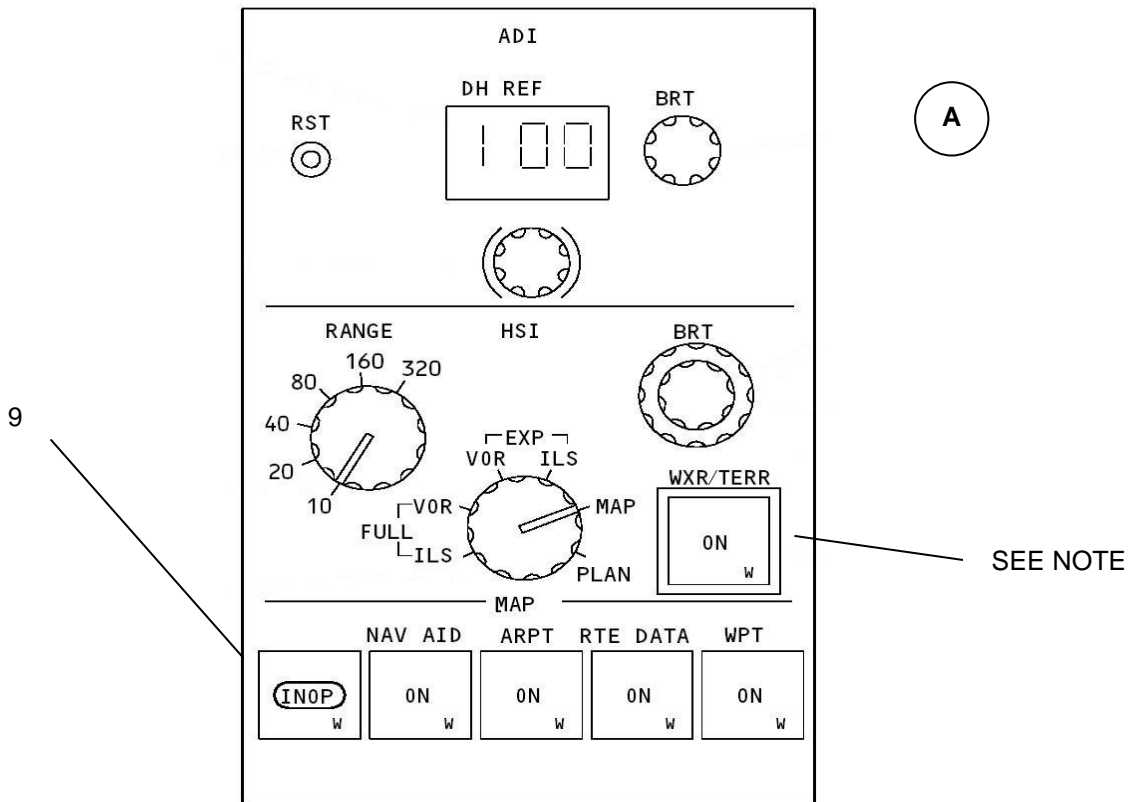
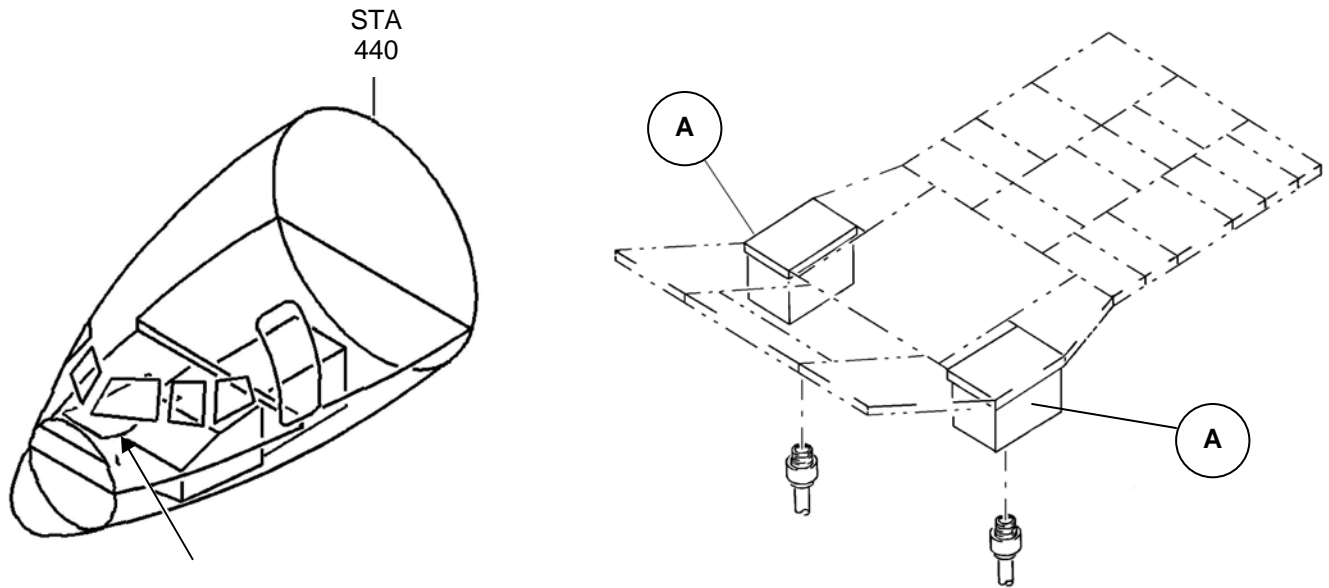
# BOEING 757

FIRST CHOICE AIRWAYS

D6-49286-ATZ



## PARTS CATALOG (MAINTENANCE)



NOTE: PANEL RE-ENGRAVED TO SHOW 'WXR/TERR'

PANEL INSTL-P8, P9, P10 ELECTRONICS (ALTITUDE AND DIRECTION ONLY)

# 34-22-02-01B

# BOEING 757

FIRST CHOICE AIRWAYS



D6-49286-ATZ

## PARTS CATALOG (MAINTENANCE)

### INTRODUCTION OF ENHANCED GROUND PROXIMITY WARNING SYSTEM EGPWS

### MODIFICATION AES-757-165-PT-B

<u>FIG</u> <u>ITEM</u>	<u>PART NUMBER</u>	<u>NOMENCLATURE</u>	<u>EFFECT</u> <u>FROM TO</u>	<u>UNITS</u> <u>PER</u> <u>ASSY</u>
01B		PANEL INSTL-P8, P9, P10 ELECTRONICS (ALTITUDE AND DIRECTION ONLY) FIGURE 01B (SHEET 1)  <b><u>MODIFICATION AES-757-165-PT-B</u></b>	001 003 004005	RF
9	622-5048-344 (AES-757-165)	PANEL ASSY – EFIS CONT SUPPLIER CODE: V4V792 SPECIFICATION NUMBER: S242T404-344 ELECTRICAL EQUIP NUMBER: M00093 M00094 WIRING DIAGRAM REF: 342214 342224 COMPONENT MAINT MANUAL REF: 34-22-72	001 003 004005	2

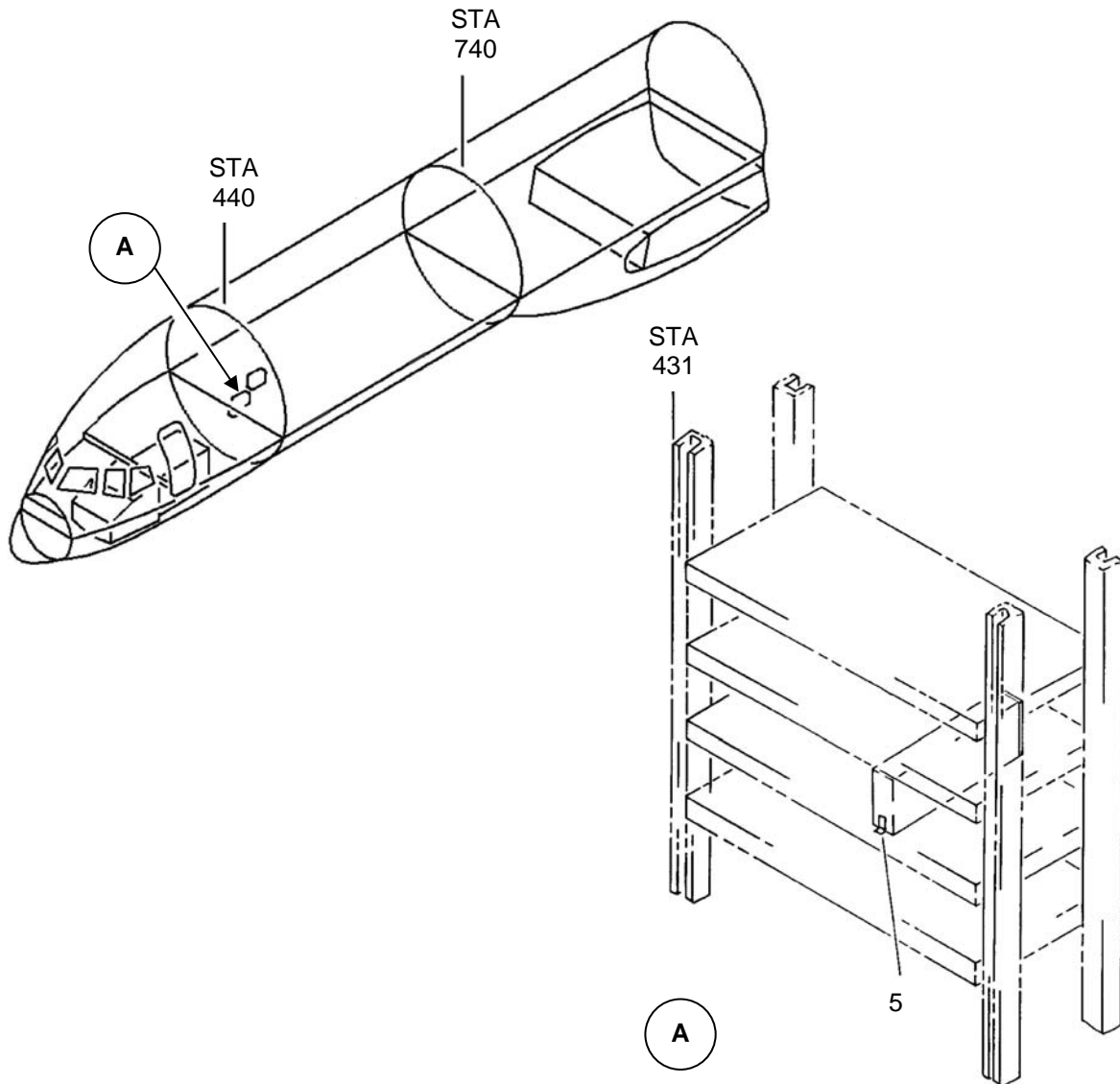
# BOEING 757

FIRST CHOICE AIRWAYS

D6-49286-ATZ



## PARTS CATALOG (MAINTENANCE)



EQUIPMENT INSTL-MAIN ELECTRONIC EQUIP. CTR  
(ENHANCED GROUND PROXIMITY WARNING SYSTEM ONLY)

# BOEING 757

FIRST CHOICE AIRWAYS

D6-49286-ATZ



## PARTS CATALOG (MAINTENANCE)

### INTRODUCTION OF ENHANCED GROUND PROXIMITY WARNING SYSTEM EGPWS

### MODIFICATION AES-757-165-PT-A & B

<u>FIG</u> <u>ITEM</u>	<u>PART NUMBER</u>	<u>NOMENCLATURE</u>	<u>EFFECT</u> <u>FROM TO</u>	<u>UNITS</u> <u>PER</u> <u>ASSY</u>
01		EQUIPMENT INSTL-MAIN ELECTRONIC EQUIP. CTR (ENHANCED GROUND PROXIMITY WARNING SYSTEM ONLY) FIGURE 01 (SHEET 1)	001 002 003 004005 006 009 010100 115120 121503 952999	RF
5	965-0976-020-212-212	<b><u>MODIFICATION AES-757-165-PT-A &amp; B</u></b>  .COMPUTER ASSY – GND PROXIMITY COMPONENT MAINT MANUAL REF: 34-45-36	001 002 003 004005 006 009 010100 115120 121503 952999	1



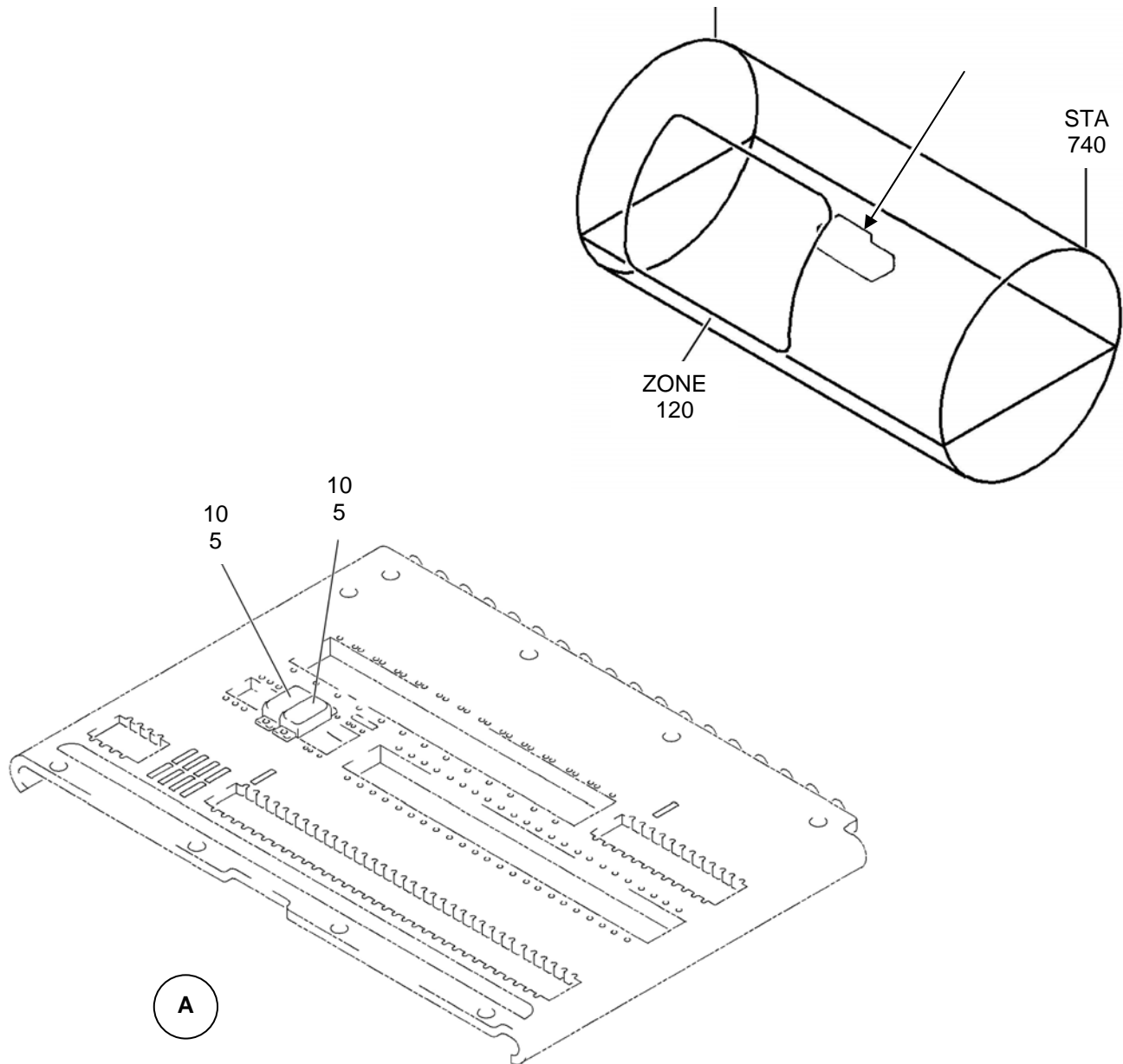
# BOEING 757

FIRST CHOICE AIRWAYS



D6-49286-ATZ

## PARTS CATALOG (MAINTENANCE)



PANEL ASSY-P36 MISC RELAY  
(FLIGHT INSTRUMENT SYSTEM ONLY)

# BOEING 757

FIRST CHOICE AIRWAYS



D6-49286-ATZ

## PARTS CATALOG (MAINTENANCE)

### INTRODUCTION OF ENHANCED GROUND PROXIMITY WARNING SYSTEM EGPWS

### MODIFICATION AES-757-165-PT-A & B

<u>FIG</u> <u>ITEM</u>	<u>PART NUMBER</u>	<u>NOMENCLATURE</u>	<u>EFFECT</u> <u>FROM TO</u>	<u>UNITS</u> <u>PER</u> <u>ASSY</u>
01		PANEL ASSY-P36 MISC RELAY (FLIGHT INSTRUMENT SYSTEM ONLY) FIGURE 01 (SHEET 1)	001 002 003 004005 006 009 010100 115120 121503 952999	
<b><u>MODIFICATION AES-757-165-PT-A &amp; B</u></b>				
5	BACR13CD2	RELAY	001 002 003 004005 006 009 010100 115120 121503 952999	2
10	BACS16AG1	SOCKET	001 002 003 004005 006 009 010100 115120 121503 952999	2

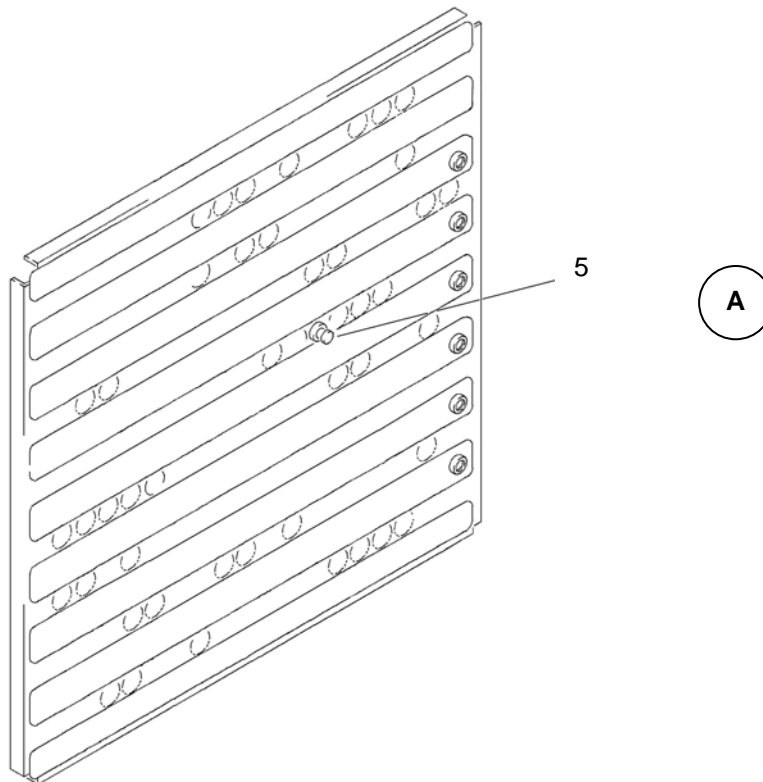
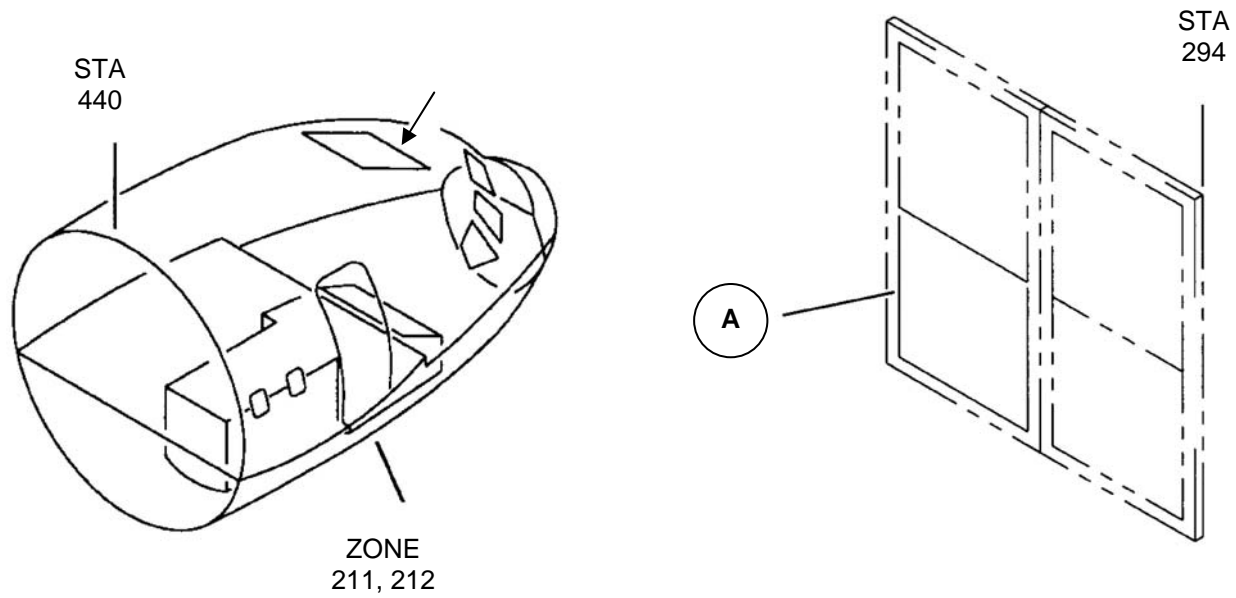
# BOEING 757

FIRST CHOICE AIRWAYS

D6-49286-ATZ



## PARTS CATALOG (MAINTENANCE)



CIRCUIT BREAKER INSTL-P11-1  
(ROW E, POSN 12)

# BOEING 757

FIRST CHOICE AIRWAYS

D6-49286-ATZ



## PARTS CATALOG (MAINTENANCE)

### INTRODUCTION OF ENHANCED GROUND PROXIMITY WARNING SYSTEM EGPWS

### MODIFICATION AES-757-165-PT-A & B

<u>FIG</u> <u>ITEM</u>	<u>PART NUMBER</u>	<u>NOMENCLATURE</u>	<u>EFFECT</u> <u>FROM TO</u>	<u>UNITS</u> <u>PER</u> <u>ASSY</u>
01		CIRCUIT BREAKER INSTL-P11-1 (ROW E, POSN 12) FIGURE 01 (SHEET 1)	001 002 003 004005 006 009 010100 115120 121503 952999	RF
		<b><u>MODIFICATION AES-757-165-PT-A &amp; B</u></b>		
5	BACC18AD2	.CIRCUIT BREAKER	001 002 003 004005 006 009 010100 115120 121503 952999	1

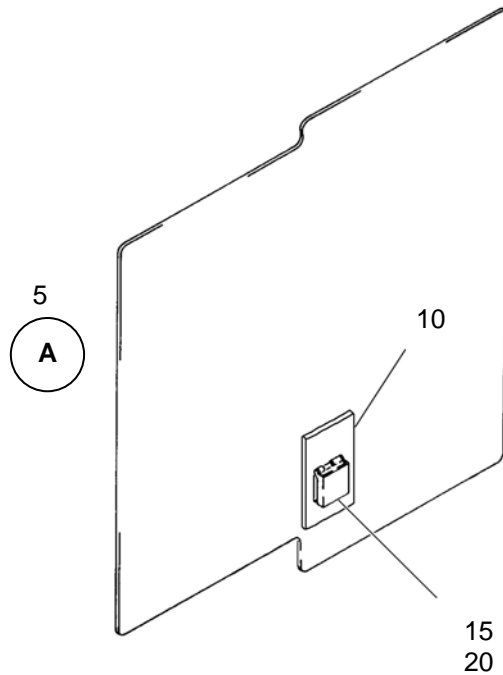
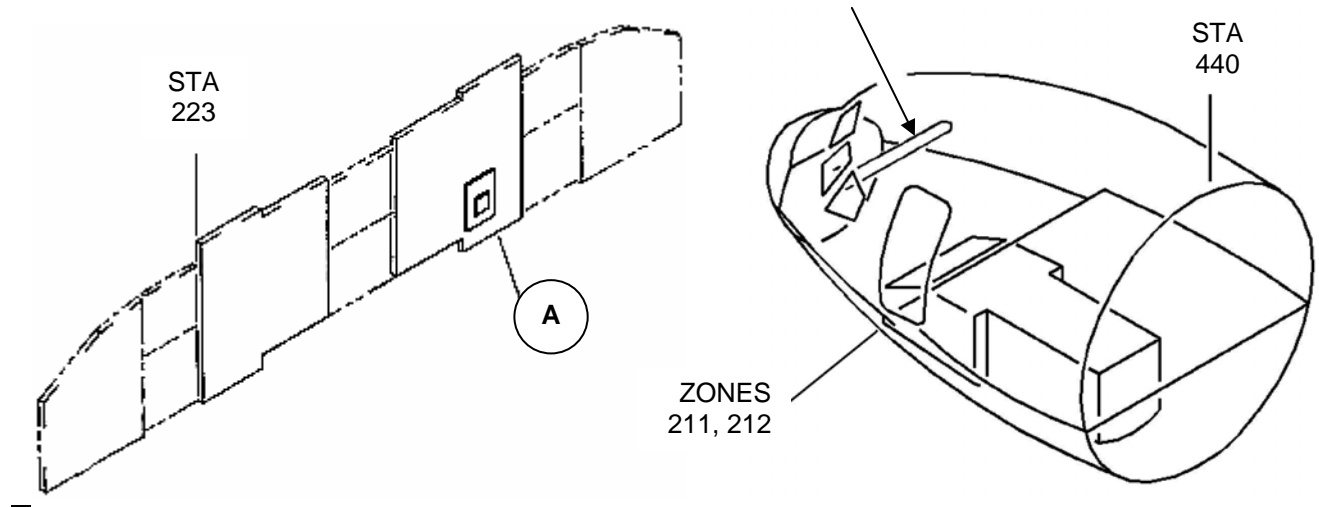
# BOEING 757

FIRST CHOICE AIRWAYS



D6-49286-ATZ

## PARTS CATALOG (MAINTENANCE)



PANEL INSTL-CAPT FWD  
(ENHANCED GROUND PROXIMITY WARNING SYSTEM ONLY)

# BOEING 757

FIRST CHOICE AIRWAYS



D6-49286-ATZ

## PARTS CATALOG (MAINTENANCE)

### INTRODUCTION OF ENHANCED GROUND PROXIMITY WARNING SYSTEM EGPWS

#### MODIFICATION AES-757-165-PT-A

<u>FIG</u> <u>ITEM</u>	<u>PART NUMBER</u>	<u>NOMENCLATURE</u>	<u>EFFECT</u> <u>FROM TO</u>	<u>UNITS</u> <u>PER</u> <u>ASSY</u>
01A		PANEL INSTL-CAPT FWD (ENHANCED GROUND PROXIMITY WARNING SYSTEM ONLY) FIGURE 01A (SHEET 1)	002 006 009 010100 115120 121503 952999	RF
<b><u>MODIFICATION AES-757-165-PT-A</u></b>				
- 2	0555-346-757-001	TERRAIN OVERRIDE SWITCH INSTALLATION (P3-1)	002 006 009 010100 115120 121503 952999	RF
5	0555-346-757-001	.TERRAIN OVERRIDE SWITCH INSTALLATION (P3-1)	002 006 009 010100 115120 121503 952999	RF
10	0571-344-757-001	..ILLUMINATED PANEL	002 006 009 010100 115120 121503 952999	1
15	433-673-1006-6120	..LIGHTED PUSH BUTTON 'TERR OVRD'	002 006 009 010100 115120 121503 952999	1

# BOEING 757

FIRST CHOICE AIRWAYS



D6-49286-ATZ

## PARTS CATALOG (MAINTENANCE)

<u>FIG ITEM</u>	<u>PART NUMBER</u>	<u>NOMENCLATURE</u>	<u>EFFECT FROM TO</u>	<u>UNITS PER ASSY</u>
20	433-100-002	..SWITCH GUARD	002 006 009 010100 115120 121503 952999	1

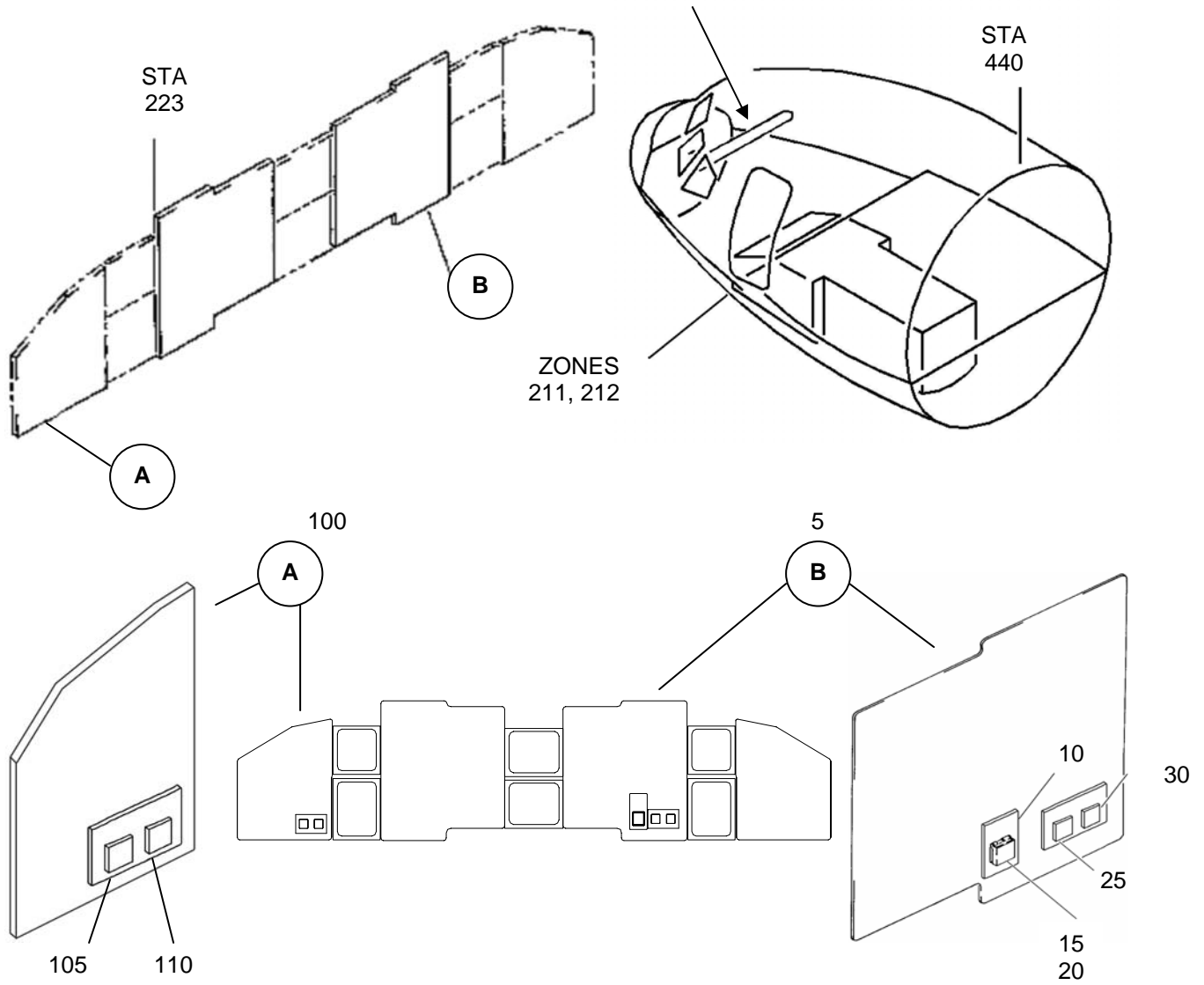
# BOEING 757

FIRST CHOICE AIRWAYS

D6-49286-ATZ



## PARTS CATALOG (MAINTENANCE)



PANEL INSTL-CAPT AND FIRST OFFICER FWD  
(ENHANCED GROUND PROXIMITY WARNING SYSTEM ONLY)



# BOEING 757

FIRST CHOICE AIRWAYS



D6-49286-ATZ

## PARTS CATALOG (MAINTENANCE)

### INTRODUCTION OF ENHANCED GROUND PROXIMITY WARNING SYSTEM EGPWS

### MODIFICATION AES-757-165-PT-B

<u>FIG</u> <u>ITEM</u>	<u>PART NUMBER</u>	<u>NOMENCLATURE</u>	<u>EFFECT</u> <u>FROM TO</u>	<u>UNITS</u> <u>PER</u> <u>ASSY</u>
01B		PANEL INSTL-CAPT AND FIRST OFFICER FWD (ENHANCED GROUND PROXIMITY WARNING SYSTEM ONLY) FIGURE 01B (SHEET 1)  <b><u>MODIFICATION AES-757-165-PT-B</u></b>	001 003 004005	RF
- 2	0614-346-757-001	INSTALLATION OF EGPWS SWITCHES – FLIGHT DECK	001 003 004005	RF
5	0614-346-757-009	.PANEL ASSY P3-1	001 003 004005	RF
10	0571-344-757-001	..ILLUMINATED PANEL	001 003 004005	1
15	433-673-1006-6120	..LIGHTED PUSH BUTTON 'TERR OVRD'	001 003 004005	1
20	433-100-002	..SWITCH GUARD	001 003 004005	1
25	433-673-1006-6126	..SWITCH – LIGHTED PUSH BUTTON 'WXR'	001 003 004005	1
30	433-673-1006-6119	..SWITCH – LIGHTED PUSH BUTTON 'TERR'	001 003 004005	1

- ITEM NOT ILLUSTRATED

# BOEING 757

FIRST CHOICE AIRWAYS



D6-49286-ATZ

## PARTS CATALOG (MAINTENANCE)

<u>FIG</u> <u>ITEM</u>	<u>PART NUMBER</u>	<u>NOMENCLATURE</u>	<u>EFFECT</u> <u>FROM TO</u>	<u>UNITS</u> <u>PER</u> <u>ASSY</u>
- 100	0614-346-757-011	.PANEL ASSY P1-1	001 003 004005	RF
105	433-673-1006-6126	..SWITCH – LIGHTED PUSH BUTTON 'WXR'	001 003 004005	1
110	433-673-1006-6119	..SWITCH – LIGHTED PUSH BUTTON 'TERR'	001 003 004005	1

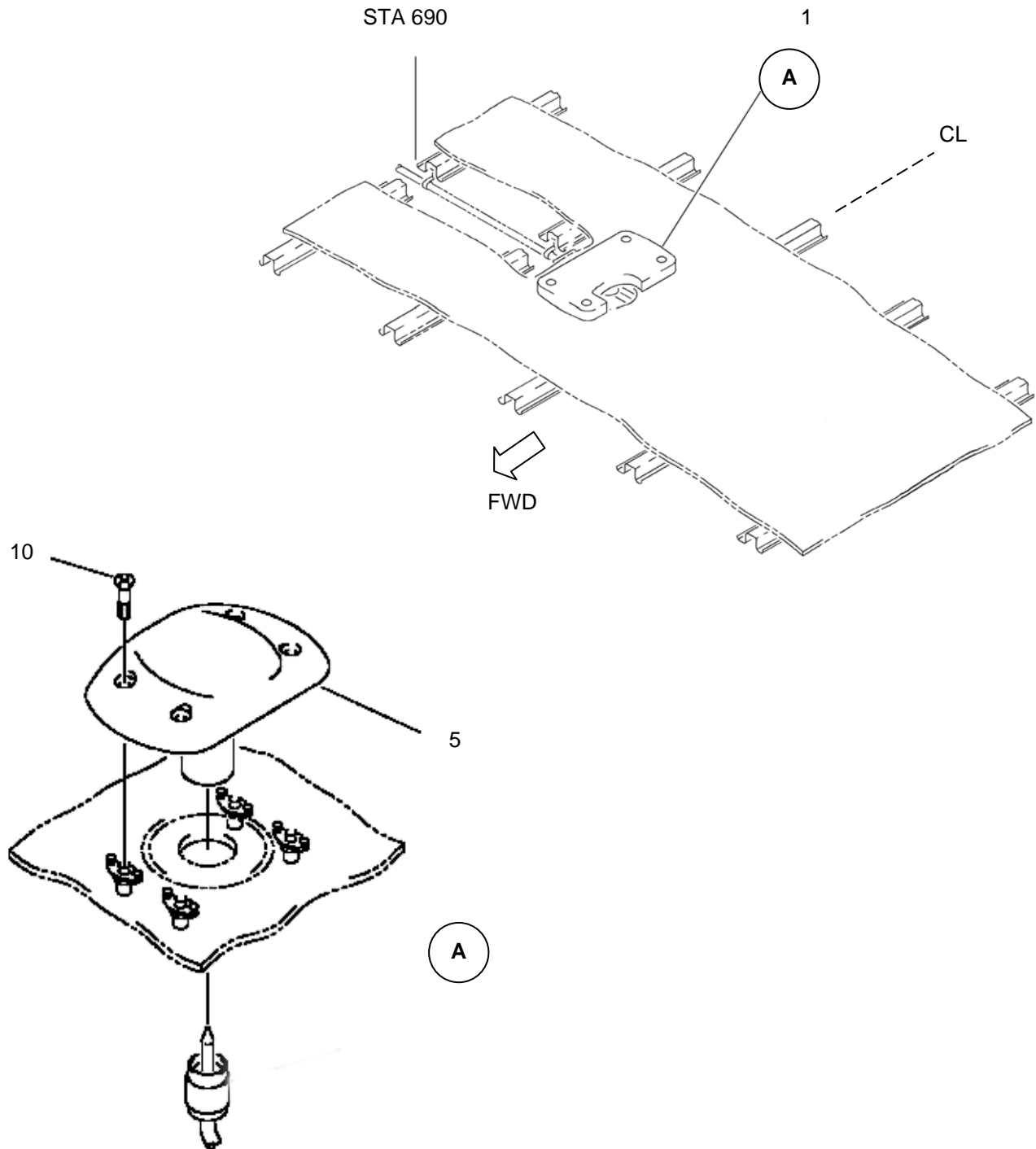
# BOEING 757

FIRST CHOICE AIRWAYS



D6-49286-ATZ

## PARTS CATALOG (MAINTENANCE)



GPS ANTENNA INSTL'N

# 34-58-01-01A

# BOEING 757

FIRST CHOICE AIRWAYS



D6-49286-ATZ

## PARTS CATALOG (MAINTENANCE)

### INTRODUCTION OF ENHANCED GROUND PROXIMITY WARNING SYSTEM EGPWS

### MODIFICATION AES-757-165-PT-A & B

<u>FIG</u> <u>ITEM</u>	<u>PART NUMBER</u>	<u>NOMENCLATURE</u>	<u>EFFECT</u> <u>FROM TO</u>	<u>UNITS</u> <u>PER</u> <u>ASSY</u>
01A		GPS ANTENNA INSTL'N (AES-757-081) FIGURE 01 (SHEET 1)	001 002 003 004005 006 009 010100 115120 121503 952999	RF
<b><u>MODIFICATION AES-757-165-PT-A &amp; B</u></b>				
1	0569-346-757-001	GPS ANTENNA INSTL'N (STA 690)	009	RF
1	0569-346-757-003	GPS ANTENNA INSTL'N (STA 690)	001 003 004005 007008 115120 121503 952999	RF
1	0569-346-757-005	GPS ANTENNA INSTL'N (STA 690)	002 006 010100	RF
5	S67-1575-133	.GPS ANTENNA SPECIFICATION NUMBER S242T104-102	001 002 003 004005 006 009 010100 115120 121503 952999	1

# BOEING 757

FIRST CHOICE AIRWAYS



D6-49286-ATZ

## PARTS CATALOG (MAINTENANCE)

<u>FIG</u> <u>ITEM</u>	<u>PART NUMBER</u>	<u>NOMENCLATURE</u>	<u>EFFECT</u> <u>FROM TO</u>	<u>UNITS</u> <u>PER</u> <u>ASSY</u>
10	BACB30LU3-8	.BOLT	001 002 003 004005 006 009 010100 115120 121503 952999	4

**AES Limited**

**PUBLICATION REVISION**

Document No. AES-TP-0030

**TRANSMITTAL SHEET**  
 THE TECHNICAL INFORMATION CONTAINED IN THIS DOCUMENT  
 HAS BEEN APPROVED UNDER THE AUTHORITY OF  
 EASA DESIGN ORGANISATION APPROVAL No. EASA.21J.036

**Project No.: 0908**

**DRN: 2502**

**Revision No.: Issue 1**

**Reason for Issue:** To introduce a supplement to the Aircraft Illustrated Parts Catalog to cover the introduction of an ACAS II compliant TCAS computer under cover of AES modification AES-757-246.

**AIRCRAFT TECHNICAL PUBLICATION SUPPLEMENT - CERTIFICATION**

Manual & Chapter	Prepared by	Responsible for design	Date	Customer Verification Engineer / Approval		
				Stress	Design	Systems
IPC 34-45	T N Gaunt	<i>[Signature]</i>	20/9/07	<i>[Signature]</i>	<i>[Signature]</i>	<i>[Signature]</i>

**EFFECTIVITY**

29942 (NT405), 29944 (NT407),

**TRANSMITTAL**

## **INTRODUCTION - GENERAL**

- 1 This modification introduces an ACAS II compliant TCAS computer to the subject aircraft.
- 2 The only technical publication which is affected and which should be used with this supplement is the Aircraft Illustrated Parts Catalogue.
- 3 Aircraft applicability and effectivity codes are given in the table below.

Registration	Manufacturer's Serial Number (MSN)	Variable Number	Customer Effectivity Code
<b>G-OOBG</b>	<b>24492</b>	<b>NT405</b>	<b>505</b>
<b>G-OOBH</b>	<b>29944</b>	<b>NT407</b>	<b>507</b>

### **EFFECTIVITY**

29942 (NT405), 29944 (NT407),

## **TRANSMITTAL**

**AIRCRAFT ILLUSTRATED PARTS CATALOG**

**LIST OF EFFECTIVE PAGES**

CHAP-SECT-UNIT	PAGE No.	DATE	CHAP-SECT-UNIT	PAGE No.	DATE
EFFECTIVE PAGES	i	Sep 27/2007			
REVISIONS	ii	Sep 27/2007			
INTRODUCTION	iii	Sep 27/2007			
CONTENTS	iv	Sep 27/2007			
34-54-01	1	Sep 27/2007			
34-54-01	2	Sep 27/2007			
34-54-01	3	Sep 27/2007			
34-54--01	4	Sep 27/2007			
34-54-02	1	Sep 27/2007			
34-54-02	2	Sep 27/2007			
34-54-02	3	Sep 27/2007			
34-54-02	4	Sep 27/2007			

**EFFECTIVITY**

29942 (NT405), 29944 (NT407),

**IPC SUPP--LEP**



## AIRCRAFT ILLUSTRATED PARTS CATALOG

## RECORD OF REVISIONS

REV No.	INSERTION DATE	BY	REV No.	INSERTION DATE	BY	REV No.	INSERTION DATE	BY

**EFFECTIVITY**  
29942 (NT405), 29944 (NT407),**IPC SUPP--REV**

**AIRCRAFT ILLUSTRATED PARTS CATALOG**

**INTRODUCTION**

- 1 This section supplements the manufacturer's aircraft illustrated parts catalog.
- 2 Aircraft applicability and effectivity codes are given in the table below (in customer effectivity code order).

Registration	Manufacturer's Serial Number (MSN)	Variable Number	Customer Effectivity Code
G-OOBG	29942	NT405	505
G-OOBH	29944	NT407	507

**EFFECTIVITY**

29942 (NT405), 29944 (NT407),

**IPC SUPP--INTRO**

**AIRCRAFT ILLUSTRATED PARTS CATALOG**  
**TABLE OF CONTENTS**

SUBJECT	CHAPTER SECTION UNIT	PAGEBLOCK
TCAS COMPUTER	34-45-51	1

**EFFECTIVITY**  
29942 (NT405), 29944 (NT407),

**IPC SUPP--TOC**

TCAS COMPUTER

INTRODUCTION

- 1 This document supplements this pageblock of the aircraft illustrated parts catalog

**EFFECTIVITY**  
29942 (NT405), 29944 (NT407),

**IPC SUPP 34-45-51**

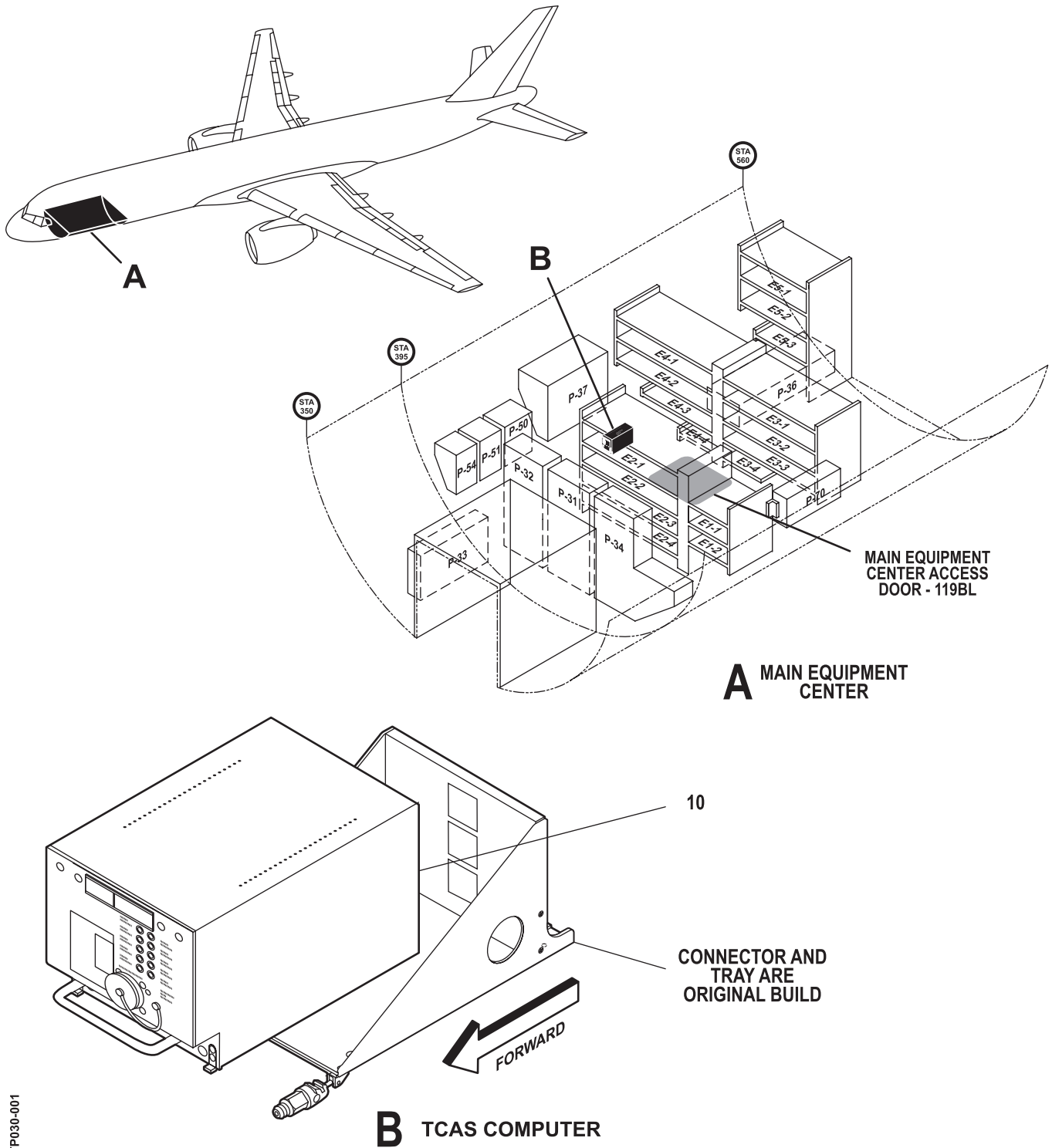


Fig 1 TCAS computer

**EFFECTIVITY**

29942 (NT405), 29944 (NT407),

**IPC SUPP 34-45-51**

FIG ITEM	PART NO.	NOMENCLATURE 1 2 3 4 5 6 7	EFF.		QTY
			FROM	TO	
1		EQUIPMENT INSTL – MAIN ELECTRONICS EQUIPMENT CENTER (ATC SYSTEM ONLY)			
10	7517900-10003	. C O M P U T E R - T C A S (CUSTOMER FURNISHED) SUPPLIER CODE: V1WYD3 FUNCTIONAL DESCRIPTION: DETERMINES THE TRAJECTORY OF OTHER AIRCRAFT EQUIPPED WITH ATC/MODE C OR S TRANSPONDERS TO PROVIDE WARNING OF POTENTIAL COLLISION HAZARDS AND PROVIDE GUIDANCE FOR OPTIMUM VERTICAL AVOIDANCE MANEUVER. ELECTRICAL EQUIP NUMBER: M10819 COMPONENT MAINT MANUAL REF: 34-43-11 DIRECTLY INTERCHANGABLE WITH PART No: 7517900-10004	505505 507507		1

- Not illustrated

**EFFECTIVITY**

29942 (NT405), 29944 (NT407),

INTENTIONALLY LEFT BLANK

**EFFECTIVITY**  
29942 (NT405), 29944 (NT407),

**IPC SUPP 34-45-51**

**AES Limited**

**PUBLICATION REVISION**

**Document No. AES-TP-0031**

**TRANSMITTAL SHEET**  
 THE TECHNICAL INFORMATION CONTAINED IN THIS DOCUMENT  
 HAS BEEN APPROVED UNDER THE AUTHORITY OF  
 EASA DESIGN ORGANISATION APPROVAL No. EASA.21J.036

**Project No.: 0909**

**DRN: 2517**

**Revision No.: Issue 1**

**Reason for Issue:** To introduce supplements to the aircraft technical publications listed in the introduction. This is the Introduction of an enhanced mode S transponder under cover of AES modifications AES-757-300, AES-757-345 and AES-757-434 .

**AIRCRAFT TECHNICAL PUBLICATION SUPPLEMENT - CERTIFICATION**

Manual & Chapter	Prepared by	Responsible for design	Date	Compliance Verification Engineer / Approval		
				Stress	Design	Systems
Aircraft Maintenance Manual <b>34-53</b>	T N Gaunt	<i>[Signature]</i>	1/10/07	<i>[Signature]</i>	<i>[Signature]</i>	<i>[Signature]</i>
Illustrated Parts Catalog <b>34-53</b>	T N Gaunt	<i>[Signature]</i>	1/10/07	<i>[Signature]</i>	<i>[Signature]</i>	<i>[Signature]</i>
Wiring Diagram Manual <b>34-53</b>	T N Gaunt	<i>[Signature]</i>	1/10/07	<i>[Signature]</i>	<i>[Signature]</i>	<i>[Signature]</i>

**EFFECTIVITY**

24017 (NA443), 24292 (NT405), 25054 (NA346), 25268 (NB322), 25593 (NA352), 26158 (NB329), 27146 (NB506), 27147 (NB507), 28203 (NT232), 29941 (NT404), 29942 (NT405), 29943 (NT406), 29944 (NT407), 32446 (NT245), 32447 (NT246), 33098 (NJ001), 33099 (NJ002), 33100 (NJ003)

**TRANSMITTAL**



## INTRODUCTION - GENERAL

- 1 This modification introduces an enhanced mode S transponder to the subject aircraft. This technical publication supplement describes the installed equipment, and gives the removal, installation and test procedures for the equipment.
  
- 2 The only technical publications which are affected and which should be used with this supplement are the:
  - Aircraft maintenance manual
  - Wiring diagram manual
  - Illustrated parts catalogue.
  
- 3 Aircraft effectivity details are given in the table below.

Manufacturer's Serial Number (MSN)	Registration	Variable Number	Customer Effectivity Code
24017	C-FTDV	NA443	003
24292	G-OOOG	NT405	004
25054	G-OOOK	NA346	115
25268	G-CPEP	NB322	952
25593	G-OOOZ	NA352	121
26158	G-000X	NB329	009
27146	G-OOBI	NB506	006
27147	G-OOBJ	NB507	002
28203	G-OOOY	NT232	010
29941	G-CPEU	NT404	504
29942	G-OOBG	NT405	505
29943	G-CPEV	NT406	506
29944	G-OOBH	NT407	507
32446	G-OOBA	NT245	950
32447	C-GTBB	NT246	951
33098	G-OOBC	NJ001	098
33099	G-OOBD	NJ002	099
33100	G-OOBE	NJ003	100

### EFFECTIVITY

24017 (NA443), 24292 (NT405), 25054 (NA346), 25268 (NB322), 25593 (NA352), 26158 (NB329), 27146 (NB506), 27147 (NB507), 28203 (NT232), 29941 (NT404), 29942 (NT405), 29943 (NT406), 29944 (NT407), 32446 (NT245), 32447 (NT246), 33098 (NJ001), 33099 (NJ002), 33100 (NJ003)

## TRANSMITTAL

**AIRCRAFT ILLUSTRATED PARTS CATALOG**

**LIST OF EFFECTIVE PAGES**

CHAP-SECT-UNIT	PAGE No.	DATE	CHAP-SECT-UNIT	PAGE No.	DATE
EFFECTIVE PAGES	i	Oct 04/2007			
REVISIONS	ii	Oct 04/2007			
INTRODUCTION	iii	Oct 04/2007			
CONTENTS	iv	Oct 04/2007			
34-53-01	1	Oct 04/2007			
34-53-01	2	Oct 04/2007			
34-53-01	3	Oct 04/2007			
34-53--01	4	Oct 04/2007			
34-53-02	1	Oct 04/2007			
34-53-02	2	Oct 04/2007			
34-53-02	3	Oct 04/2007			
34-53-02	4	Oct 04/2007			

**EFFECTIVITY**

24017 (NA443), 24292 (NT405), 25054 (NA346), 25268 (NB322), 25593 (NA352), 26158 (NB329), 27146 (NB506), 27147 (NB507), 28203 (NT232), 29941 (NT404), 29942 (NT405), 29943 (NT406), 29944 (NT407), 32446 (NT245), 32447 (NT246), 33098 (NJ001), 33099 (NJ002), 33100 (NJ003)

**IPC SUPP--LEP**

**Boeing 757-200**

**First Choice Airways**

AES modifications AES-757-300,  
AES-757-345 and AES-757-434

**ILLUSTRATED PARTS CATALOG**

*Technical Publications Supplement AES-TP-031*

**INTRODUCTION OF AN ENHANCED MODE S  
TRANSPONDER**



AIRCRAFT ILLUSTRATED PARTS CATALOG

RECORD OF REVISIONS

REV No.	INSERTION DATE	BY	REV No.	INSERTION DATE	BY	REV No.	INSERTION DATE	BY

**EFFECTIVITY**

24017 (NA443), 24292 (NT405), 25054 (NA346), 25268 (NB322), 25593 (NA352), 26158 (NB329), 27146 (NB506), 27147 (NB507), 28203 (NT232), 29941 (NT404), 29942 (NT405), 29943 (NT406), 29944 (NT407), 32446 (NT245), 32447 (NT246), 33098 (NJ001), 33099 (NJ002), 33100 (NJ003)

**IPC SUPP--REV**

**AIRCRAFT ILLUSTRATED PARTS CATALOG**

**INTRODUCTION**

- 1 This section supplements the manufacturer's aircraft illustrated parts catalog.
- 2 Aircraft effectivity details are given in the table below.

Manufacturer's Serial Number (MSN)	Registration	Variable Number	Customer Effectivity Code
24017	C-FTDV	NA443	003
24292	G-OOOG	NT405	004
25054	G-OOOK	NA346	115
25268	G-CPEP	NB322	952
25593	G-OOOZ	NA352	121
26158	G-000X	NB329	009
27146	G-OOBI	NB506	006
27147	G-OOBJ	NB507	002
28203	G-OOOY	NT232	010
29941	G-CPEU	NT404	504
29942	G-OOBG	NT405	505
29943	G-CPEV	NT406	506
29944	G-OOBH	NT407	507
32446	G-OOBA	NT245	950
32447	C-GTBB	NT246	951
33098	G-OOBC	NJ001	098
33099	G-OOBD	NJ002	099
33100	G-OOBE	NJ003	100

**EFFECTIVITY**

24017 (NA443), 24292 (NT405), 25054 (NA346), 25268 (NB322), 25593 (NA352), 26158 (NB329), 27146 (NB506), 27147 (NB507), 28203 (NT232), 29941 (NT404), 29942 (NT405), 29943 (NT406), 29944 (NT407), 32446 (NT245), 32447 (NT246), 33098 (NJ001), 33099 (NJ002), 33100 (NJ003)

**IPC SUPP--INTRO**

**AIRCRAFT ILLUSTRATED PARTS CATALOG**

**TABLE OF CONTENTS**

SUBJECT	CHAPTER SECTION UNIT	PAGEBLOCK
TRANSPONDER	34-53-01	1
ATC CONTROL PANEL	34-53-02	1

**EFFECTIVITY**

<p>24017 (NA443), 24292 (NT405), 25054 (NA346), 25268 (NB322), 25593 (NA352), 26158 (NB329), 27146 (NB506), 27147 (NB507), 28203 (NT232), 29941 (NT404), 29942 (NT405), 29943 (NT406), 29944 (NT407), 32446 (NT245), 32447 (NT246), 33098 (NJ001), 33099 (NJ002), 33100 (NJ003)</p>
---

**IPC SUPP--TOC**

TRANSPONDER

INTRODUCTION

- 1 This document supplements this pageblock of the aircraft illustrated parts catalog

**EFFECTIVITY**

24017 (NA443), 24292 (NT405), 25054 (NA346), 25268 (NB322), 25593 (NA352), 26158 (NB329), 27146 (NB506), 27147 (NB507), 28203 (NT232), 29941 (NT404), 29942 (NT405), 29943 (NT406), 29944 (NT407), 32446 (NT245), 32447 (NT246), 33098 (NJ001), 33099 (NJ002), 33100 (NJ003)

**IPC SUPP 34-53-01**

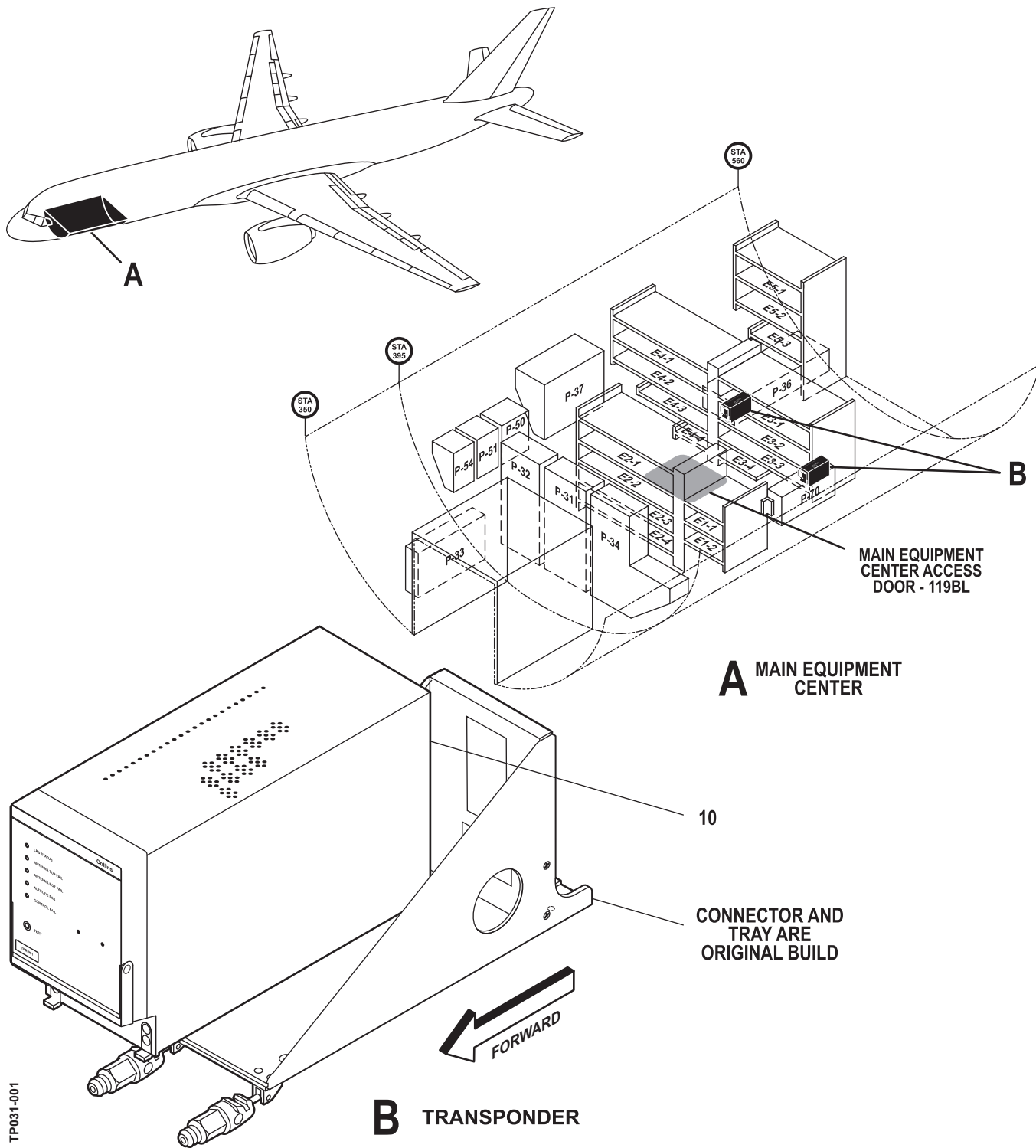


Fig 1 Transponder installation

**EFFECTIVITY**

24017 (NA443), 24292 (NT405), 25054 (NA346), 25268 (NB322), 25593 (NA352), 26158 (NB329), 27146 (NB506), 27147 (NB507), 28203 (NT232), 29941 (NT404), 29942 (NT405), 29943 (NT406), 29944 (NT407), 32446 (NT245), 32447 (NT246), 33098 (NJ001), 33099 (NJ002), 33100 (NJ003)

**Boeing 757-200**

**First Choice Airways**

*AES modifications AES-757-300,  
AES-757-345 and AES-757-434*

**ILLUSTRATED PARTS CATALOG**

*Technical Publications Supplement AES-TP-031*

**INTRODUCTION OF AN ENHANCED MODE S  
TRANSPONDER**



FIG ITEM	PART NO.	NOMENCLATURE 1 2 3 4 5 6 7	EFF.	QTY
			FROM TO	
1		EQUIPMENT INSTL – MAIN ELECTRONICS EQUIPMENT CENTER (ATC SYSTEM ONLY)		
10	822-1338-003	. TRANSPONDER SUPPLIER CODE: V4V792 ROCKWELL COLLINS AIR TRANSPORT DIV ELECTRICAL EQUIPMENT NUMBER: M10141 M10142 COMPONENT MAINTENANCE MANUAL: 34-50-97	002002 003003 004005 006006 009009 010100 101104 115120 121503 504504 505505 506506 507949 950950 951951 952999	2

- Not illustrated

**EFFECTIVITY**

24017 (NA443), 24292 (NT405), 25054 (NA346), 25268 (NB322), 25593 (NA352), 26158 (NB329), 27146 (NB506), 27147 (NB507), 28203 (NT232), 29941 (NT404), 29942 (NT405), 29943 (NT406), 29944 (NT407), 32446 (NT245), 32447 (NT246), 33098 (NJ001), 33099 (NJ002), 33100 (NJ003)

**IPC SUPP 34-53-01**



**Boeing 757-200**

**First Choice Airways**

*AES modifications AES-757-300,  
AES-757-345 and AES-757-434*

**ILLUSTRATED PARTS CATALOG**

*Technical Publications Supplement AES-TP-031*

**INTRODUCTION OF AN ENHANCED MODE S  
TRANSPONDER**



INTENTIONALLY LEFT BLANK

**EFFECTIVITY**

24017 (NA443), 24292 (NT405), 25054 (NA346), 25268 (NB322), 25593 (NA352), 26158 (NB329), 27146 (NB506), 27147 (NB507), 28203 (NT232), 29941 (NT404), 29942 (NT405), 29943 (NT406), 29944 (NT407), 32446 (NT245), 32447 (NT246), 33098 (NJ001), 33099 (NJ002), 33100 (NJ003)

**IPC SUPP 34-53-01**

Page 4  
Sep 27/2007

**AIR TRAFFIC CONTROL PANEL**

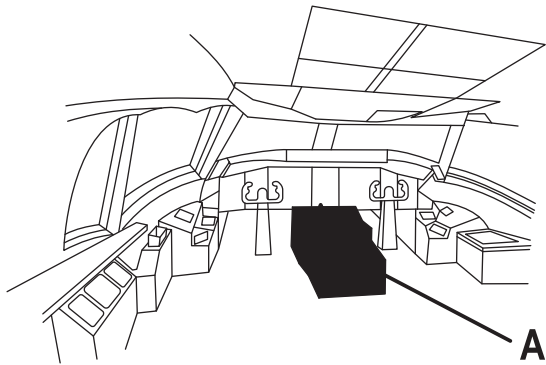
**INTRODUCTION**

- 1 This document supplements this pageblock of the aircraft illustrated parts catalog

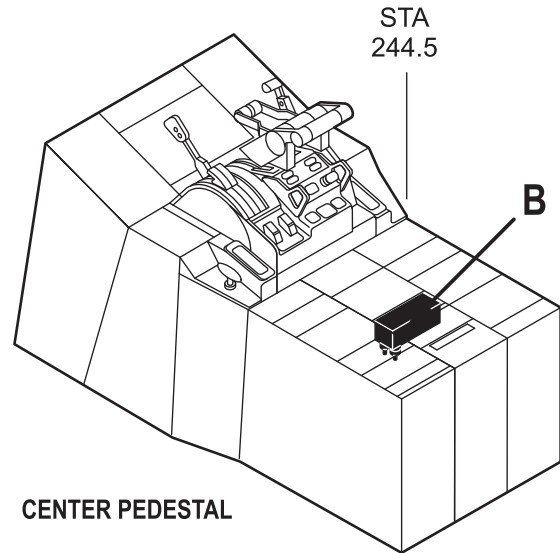
**EFFECTIVITY**

24017 (NA443), 24292 (NT405), 25054 (NA346), 25268 (NB322), 25593 (NA352), 26158 (NB329), 27146 (NB506), 27147 (NB507), 28203 (NT232), 29941 (NT404), 29942 (NT405), 29943 (NT406), 29944 (NT407), 32446 (NT245), 32447 (NT246), 33098 (NJ001), 33099 (NJ002), 33100 (NJ003)

**IPC SUPP 34-53-02**



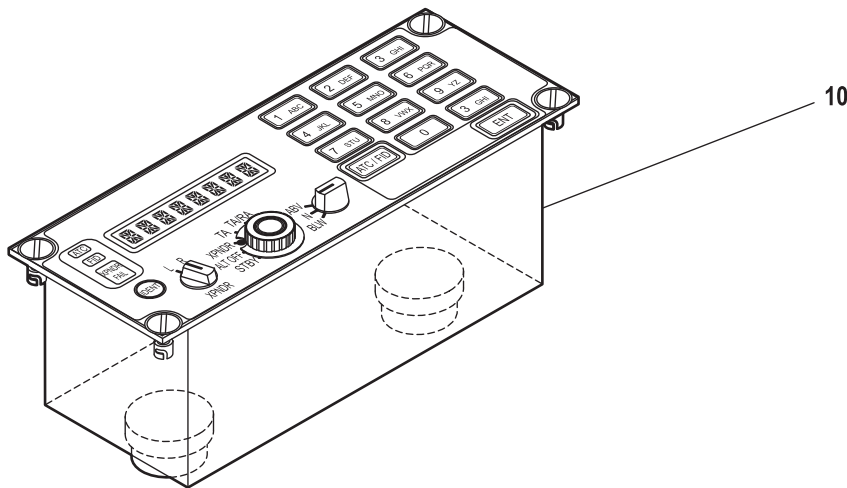
**A**



STA  
244.5

**B**

**A** CENTER PEDESTAL



10

**B** ATC CONTROL PANEL

TP031-004

Fig 1 Air traffic control panel - location

**EFFECTIVITY**

24017 (NA443), 24292 (NT405), 25054 (NA346), 25268 (NB322), 25593 (NA352), 26158 (NB329), 27146 (NB506), 27147 (NB507), 28203 (NT232), 29941 (NT404), 29942 (NT405), 29943 (NT406), 29944 (NT407), 32446 (NT245), 32447 (NT246), 33098 (NJ001), 33099 (NJ002), 33100 (NJ003)

FIG ITEM	PART NO.	NOMENCLATURE 1 2 3 4 5 6 7	EFF.	QTY
			FROM TO	
01		PANEL INSTL – P8 ELECTRONIC (ATC SYSTEM ONLY)		
10	G7490-42	. PANEL ASSY – AIR TRAFFIC CONT SUPPLIER CODE: V99837 GABLES ENGINEERING ELECTRICAL EQUIPMENT NUMBER: M10140 COMPONENT MAINTENANCE MANUAL: 34-50-99	002002 003003 004005 006006 009009 010100 101104 115120 121503 504504 505505 506506 507949 950950 951951 952999	1

- Not illustrated

**EFFECTIVITY**

24017 (NA443), 24292 (NT405), 25054 (NA346), 25268 (NB322), 25593  
(NA352), 26158 (NB329), 27146 (NB506), 27147 (NB507), 28203  
(NT232), 29941 (NT404), 29942 (NT405), 29943 (NT406), 29944  
(NT407), 32446 (NT245), 32447 (NT246), 33098 (NJ001), 33099  
(NJ002), 33100 (NJ003)

# Boeing 757-200

First Choice Airways

AES modifications AES-757-300,  
AES-757-345 and AES-757-434

# ILLUSTRATED PARTS CATALOG

Technical Publications Supplement AES-TP-031

INTRODUCTION OF AN ENHANCED MODE S  
TRANSPONDER



INTENTIONALLY LEFT BLANK

## EFFECTIVITY

24017 (NA443), 24292 (NT405), 25054 (NA346), 25268 (NB322), 25593 (NA352), 26158 (NB329), 27146 (NB506), 27147 (NB507), 28203 (NT232), 29941 (NT404), 29942 (NT405), 29943 (NT406), 29944 (NT407), 32446 (NT245), 32447 (NT246), 33098 (NJ001), 33099 (NJ002), 33100 (NJ003)

## IPC SUPP 34-53-02

Page 4  
Oct 04/2007

**AES Limited**

**PUBLICATION REVISION**

Document No. AES-TP-0035

**TRANSMITTAL SHEET**

THE TECHNICAL INFORMATION CONTAINED IN THIS DOCUMENT  
 HAS BEEN APPROVED UNDER THE AUTHORITY OF  
 EASA DESIGN ORGANISATION APPROVAL No. EASA.21J.036

**Project No.: 0913**  
**DRN: 2523**  
**Issue: 1**

**Reason for Issue:** To introduce supplements to the aircraft technical publications listed in the introduction of this transmittal.

This is the Introduction of VOR/ILS equipment to meet FM immunity standards under cover of AES modification AES-757-302.

**AIRCRAFT TECHNICAL PUBLICATION SUPPLEMENT - CERTIFICATION**

Manual & Chapter	Prepared by	Responsible for design	Date	Customer Verification Engineer / Approval		
				Stress	Design	Systems
Illustrated Parts Catalog <b>34-31</b>	T N Gaunt	<i>[Signature]</i>	28-9-07	<i>[Signature]</i>	<i>[Signature]</i>	<i>[Signature]</i>
Illustrated Parts Catalog <b>34-51</b>	T N Gaunt	<i>[Signature]</i>	28-09-07	<i>[Signature]</i>	<i>[Signature]</i>	<i>[Signature]</i>

**EFFECTIVITY**

26146 (NB506), 27147 (NB507)

**TRANSMITTAL**

## INTRODUCTION - GENERAL

- 1 This modification covers the Introduction of VOR/ILS equipment to meet FM immunity standards to the subject aircraft.
- 2 The only technical publication which is affected and which should be used with this supplement is the illustrated parts catalogue.
- 3 Aircraft effectivity details are given in the table below.

Manufacturer's Serial Number (MSN)	Registration	Variable Number	Customer Effectivity Code
27146	G-OOBI	NB506	006
27147	G-OOBJ	NB507	002

### EFFECTIVITY

26146 (NB506), 27147 (NB507)

### TRANSMITTAL

**AIRCRAFT ILLUSTRATED PARTS CATALOG**  
**LIST OF EFFECTIVE PAGES**

CHAP-SECT-UNIT	PAGE No.	DATE	CHAP-SECT-UNIT	PAGE No.	DATE
EFFECTIVE PAGES	i	Sep 27/2007			
REVISIONS	ii	Sep 27/2007			
INTRODUCTION	iii	Sep 27/2007			
CONTENTS	iv	Sep 27/2007			
34-31-01	1	Sep 27/2007			
34-31-01	2	Sep 27/2007			
34-31-01	3	Sep 27/2007			
34-31-01	4	Sep 27/2007			
34-51-01	1	Sep 27/2007			
34-51-01	2	Sep 27/2007			
34-51-01	3	Sep 27/2007			
34-51-01	4	Sep 27/2007			

**EFFECTIVITY**  
 26146 (NB506), 27147 (NB507)

**IPC SUPP--LEP**





**AIRCRAFT ILLUSTRATED PARTS CATALOG**  
**RECORD OF REVISIONS**

REV No.	INSERTION DATE	BY	REV No.	INSERTION DATE	BY	REV No.	INSERTION DATE	BY

**EFFECTIVITY**  
26146 (NB506), 27147 (NB507)

**AIRCRAFT ILLUSTRATED PARTS CATALOG**

**INTRODUCTION**

- 1 This section supplements the manufacturer's aircraft illustrated parts catalog.
- 2 Aircraft effectivity details are given in the table below.

Manufacturer's Serial Number (MSN)	Registration	Variable Number	Customer Effectivity Code
27146	G-OOBI	NB506	006
27147	G-OOBJ	NB507	002

**EFFECTIVITY**

26146 (NB506), 27147 (NB507)

**IPC SUPP--INTRO**

AIRCRAFT ILLUSTRATED PARTS CATALOG  
TABLE OF CONTENTS

SUBJECT	CHAPTER SECTION UNIT	PAGEBLOCK
ILS RECEIVER	34-31-01	1
VOR RECEIVER	34-51-01	1

**EFFECTIVITY**  
26146 (NB506), 27147 (NB507)

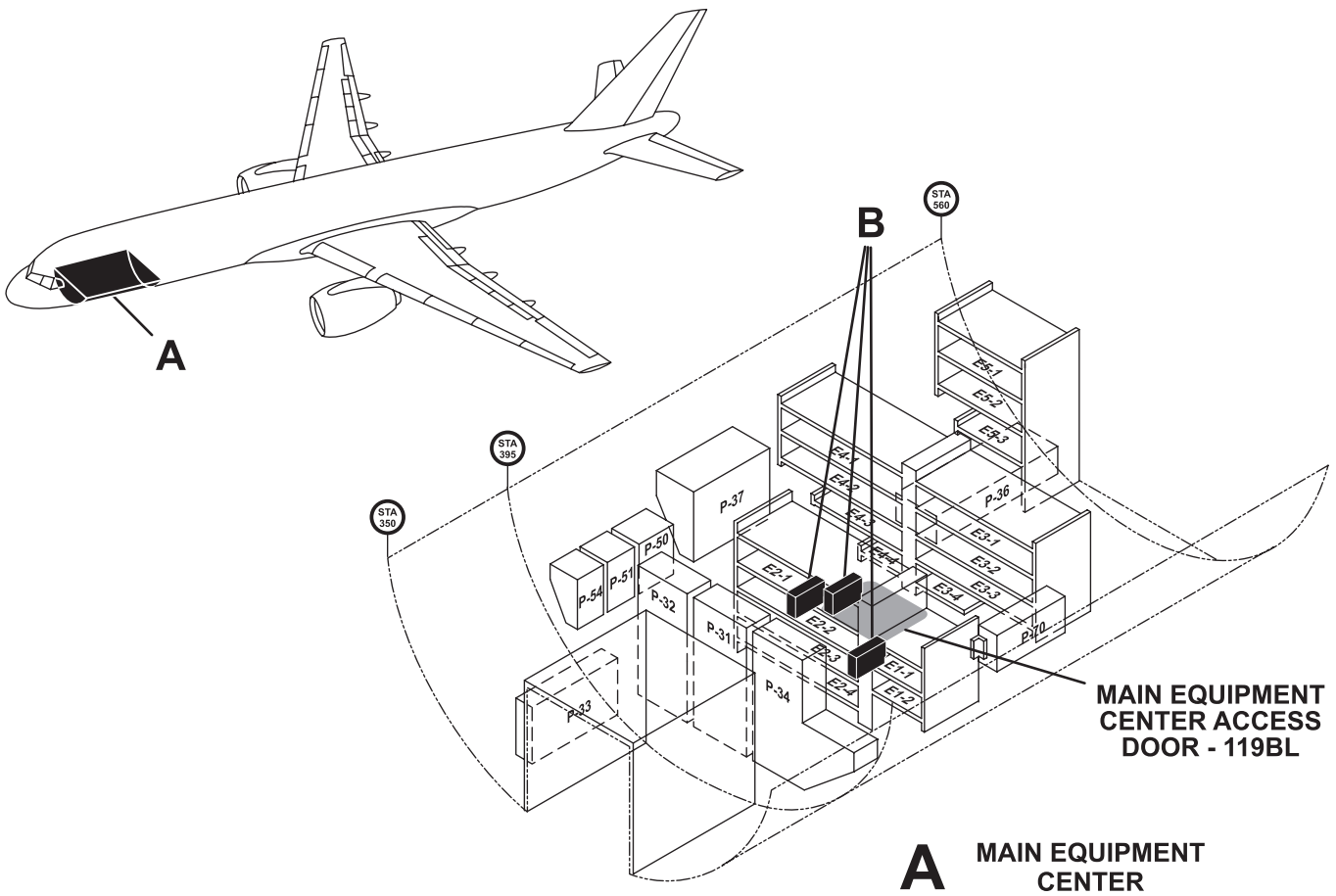
ILS RECEIVER

INTRODUCTION

- 1 This document supplements this pageblock of the aircraft illustrated parts catalog.

**EFFECTIVITY**  
26146 (NB506), 27147 (NB507)

**IPC SUPP 34-31-01**



TP35-001

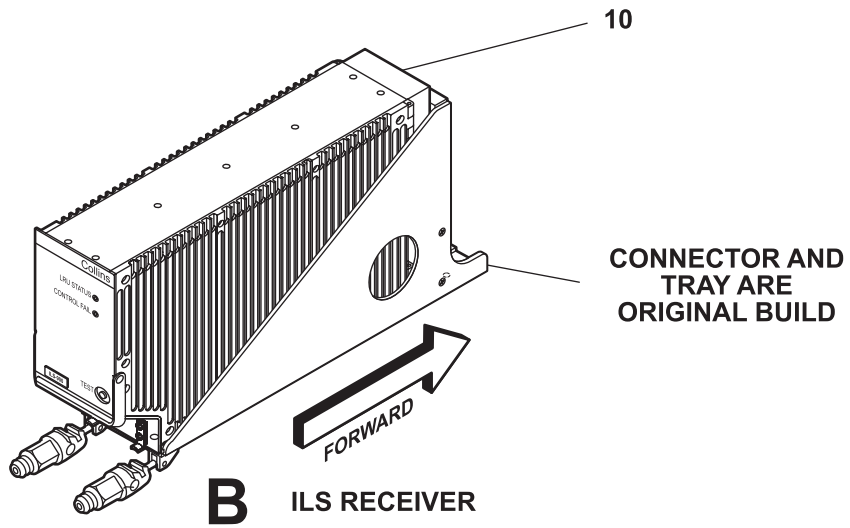


Fig 1 ILS receiver installation

**EFFECTIVITY**  
26146 (NB506), 27147 (NB507)

FIG ITEM	PART NO.	NOMENCLATURE							EFF. FROM TO	QTY PER ASSY
		1	2	3	4	5	6	7		
1 -  10	822-0298-001	. RECEIVER ASSY - INSTRUMENT LANDING SYSTEM (ILS) - (CUSTOMER FURNISHED) SUPPLIER CODE: V4V792 ELECTRICAL EQUIP NUMBER: M00156 M00157 M00158 COMPONENT MAINT MANUAL REF: 34-36-90 ADDITIONAL DATA: 822-0298-001 MEETS ICAO ANNEX 10 FM IMMUNITY REQUIREMENTS							002002 006006	3

- Not illustrated

**EFFECTIVITY**  
 26146 (NB506), 27147 (NB507)

**IPC SUPP 34-31-01**

INTENTIONALLY LEFT BLANK

**EFFECTIVITY**  
26146 (NB506), 27147 (NB507)

**IPC SUPP 34-31-01**

Page 4  
Sep 27/2007

VOR RECEIVER

INTRODUCTION

- 1 This document supplements this pageblock of the aircraft illustrated parts catalog.

**EFFECTIVITY**  
26146 (NB506), 27147 (NB507)

**IPC SUPP 34-51-01**

Page 1  
Sep 27/2007



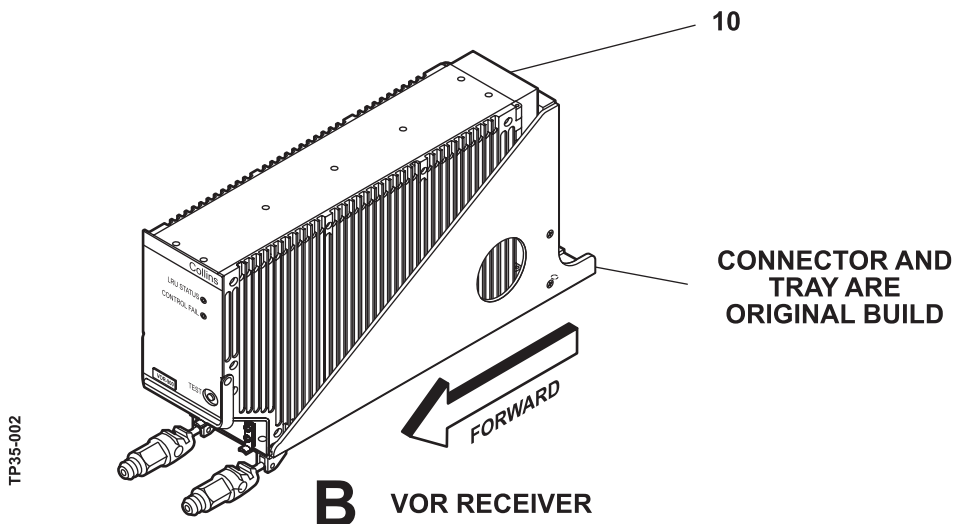
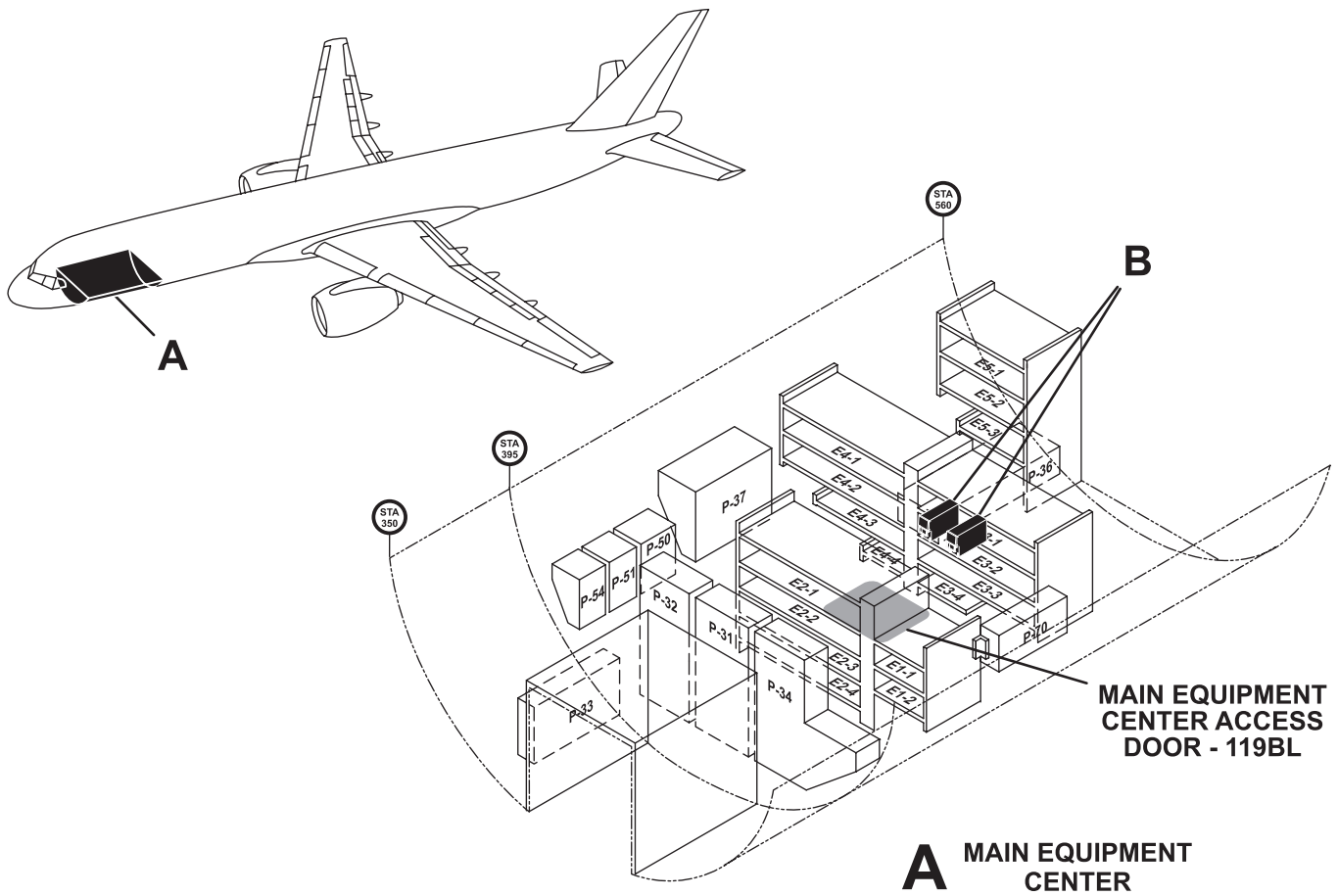


Fig 1 VOR receiver installation

EFFECTIVITY

26146 (NB506), 27147 (NB507)

**IPC SUPP 34-51-01**

FIG ITEM	PART NO.	NOMENCLATURE							EFF. FROM TO	QTY PER ASSY
		1	2	3	4	5	6	7		
1 -  10	822-0297-001	. RECEIVER ASSY - VHF OMNI DIRECTIONAL RADIO (VOR) - (CUSTOMER FURNISHED) SUPPLIER CODE: V4V792 FUNCTIONAL DESCRIPTION: AIDS NAVIGATION BY PROVIDING POSITION FIXING, COURSE AND BEARING INFORMATION RELATIVE TO GROUND TRANSMITTER STATIONS. ELECTRICAL EQUIP NUMBER: M00186 M00187 COMPONENT MAINT MANUAL REF: 34-55-93 ADDITIONAL DATA: 822-0297-001 MEETS ICAO ANNEX 10 FM IMMUNITY REQUIREMENTS.							002002 006006	2

- Not illustrated

**EFFECTIVITY**  
 26146 (NB506), 27147 (NB507)

**IPC SUPP 34-51-01**

INTENTIONALLY LEFT BLANK

**EFFECTIVITY**  
26146 (NB506), 27147 (NB507)

**IPC SUPP 34-51-01**

Page 4  
Sep 27/2007



**757**  
**PARTS CATALOG (MAINTENANCE)**

CH-SECT-UNIT-FIG	PAGE NO.	DATE	CH-SECT-UNIT-FIG	PAGE NO.	DATE
*34	1	MAY 20/09	34-11-01- 1	5	JAN 20/09
*34	2	MAY 20/09	34-11-01- 1	6	JAN 20/09
*34	3	MAY 20/09	34-11-01- 2	0	JAN 20/09
*34	4	MAY 20/09	34-11-01- 2	0A	JAN 20/09
*34	5	MAY 20/09	34-11-01- 2	1	JAN 20/09
*34	6	MAY 20/09	34-11-01- 2	2	JAN 20/09
*34	7	MAY 20/09	34-11-01- 2	3	JAN 20/09
*34	8	MAY 20/09	34-11-01- 2	4	JAN 20/09
*34	9	MAY 20/09	34-11-03- 1	0	MAY 28/07
*34	10	MAY 20/09	34-11-03- 1	1	JAN 20/09
*34	11	MAY 20/09	34-11-03- 5	0	MAY 28/07
*34	12	MAY 20/09	34-11-03- 5	1	JAN 20/09
*34	13	MAY 20/09	34-11-51- 4	0	MAY 28/07
*34	14	MAY 20/09	34-11-51- 4	1	JAN 20/09
*34	15	MAY 20/09	34-11-51- 4	2	JAN 20/09
*34	16	MAY 20/09	34-11-51- 4	3	JAN 20/09
*34	17	MAY 20/09	34-11-51- 4	4	JAN 20/09
*34	18	MAY 20/09	34-11-51- 4	5	JAN 20/09
*34	19	MAY 20/09	34-11-51- 4A	0	MAY 28/07
34-11-00	1	MAY 28/07	34-11-51- 4A	1	JAN 20/09
34-11-00- 1	0	JAN 20/09	34-11-51- 4A	2	JAN 20/09
34-11-00- 1	0A	JAN 20/09	34-11-51- 4A	3	JAN 20/09
34-11-00- 1	0B	JAN 20/09	34-11-51- 6	0	MAY 28/07
34-11-00- 1	0C	JAN 20/09	34-11-51- 6	0A	MAY 28/07
34-11-00- 1	0D	JAN 20/09	34-11-51- 6	0B	MAY 28/07
34-11-00- 1	0E	JAN 20/09	34-11-51- 6	0C	MAY 28/07
34-11-00- 1	1	JAN 20/09	34-11-51- 6	0D	MAY 28/07
34-11-00- 1	2	JAN 20/09	34-11-51- 6	0E	MAY 28/07
34-11-00- 1	3	JAN 20/09	34-11-51- 6	1	JAN 20/09
34-11-00- 1A	0	JAN 20/09	34-11-51- 6	2	JAN 20/09
34-11-00- 1A	0A	JAN 20/09	34-11-51- 6	3	JAN 20/09
34-11-00- 1A	0B	JAN 20/09	34-11-51- 6	4	JAN 20/09
34-11-00- 1A	0C	JAN 20/09	34-11-51- 6	5	JAN 20/09
34-11-00- 1A	0D	JAN 20/09	34-11-51- 6	6	JAN 20/09
34-11-00- 1A	0E	JAN 20/09	34-11-51- 6	7	JAN 20/09
34-11-00- 1A	1	JAN 20/09	34-11-51- 6	8	JAN 20/09
34-11-00- 1A	2	JAN 20/09	34-11-51- 6	9	JAN 20/09
34-11-00- 1A	3	JAN 20/09	34-11-51- 6	10	JAN 20/09
34-11-00- 1A	4	JAN 20/09	34-11-51- 6	11	JAN 20/09
34-11-00- 1A	5	JAN 20/09	34-11-51- 6	12	JAN 20/09
34-11-00- 1A	6	JAN 20/09	34-11-51- 6	13	JAN 20/09
34-11-00- 1A	7	JAN 20/09	34-11-51- 6	14	JAN 20/09
34-11-00- 1A	8	JAN 20/09	34-11-51- 6	15	JAN 20/09
34-11-00- 1A	9	JAN 20/09	34-11-51- 6	16	JAN 20/09
34-11-00- 1A	10	JAN 20/09	34-11-51- 6C	0	MAY 28/07
34-11-01- 1	0	MAY 28/07	34-11-51- 6C	0A	MAY 28/07
34-11-01- 1	0A	MAY 28/07	34-11-51- 6C	0B	MAY 28/07
34-11-01- 1	1	JAN 20/09	34-11-51- 6C	0C	MAY 28/07
34-11-01- 1	2	JAN 20/09	34-11-51- 6C	0D	MAY 28/07
34-11-01- 1	3	JAN 20/09	34-11-51- 6C	0E	MAY 28/07
34-11-01- 1	4	JAN 20/09	34-11-51- 6C	0F	MAY 28/07

\* THE ASTERISK INDICATES PAGES CHANGED OR ADDED BY THE CURRENT REVISION



757

PARTS CATALOG (MAINTENANCE)

CH-SECT-UNIT-FIG	PAGE NO.	DATE
34-11-51- 6C	0G	MAY 28/07
34-11-51- 6C	0H	MAY 28/07
34-11-51- 6C	0I	MAY 28/07
34-11-51- 6C	0J	MAY 28/07
34-11-51- 6C	0K	MAY 28/07
34-11-51- 6C	0L	MAY 28/07
34-11-51- 6C	1	JAN 20/09
34-11-51- 6C	2	JAN 20/09
34-11-51- 6C	3	JAN 20/09
34-11-51- 6C	4	JAN 20/09
34-11-51- 6C	5	JAN 20/09
34-11-51- 6C	6	JAN 20/09
34-11-51- 6C	7	JAN 20/09
34-11-51- 6C	8	JAN 20/09
34-11-51- 6C	9	JAN 20/09
34-11-51- 6C	10	JAN 20/09
34-11-51- 6C	11	JAN 20/09
34-11-51- 6C	12	JAN 20/09
34-11-51- 6D	0	MAY 28/07
34-11-51- 6D	0A	MAY 28/07
34-11-51- 6D	0B	MAY 28/07
34-11-51- 6D	0C	MAY 28/07
34-11-51- 6D	0D	MAY 28/07
34-11-51- 6D	0E	MAY 28/07
34-11-51- 6D	0F	MAY 28/07
34-11-51- 6D	0G	MAY 28/07
34-11-51- 6D	0H	MAY 28/07
34-11-51- 6D	0I	MAY 28/07
34-11-51- 6D	0J	MAY 28/07
34-11-51- 6D	0K	MAY 28/07
34-11-51- 6D	1	JAN 20/09
34-11-51- 6D	2	JAN 20/09
34-11-51- 6D	3	JAN 20/09
34-11-51- 6D	4	JAN 20/09
34-11-51- 6D	5	JAN 20/09
34-11-51- 6D	6	JAN 20/09
34-11-51- 6D	7	JAN 20/09
34-11-51- 6D	8	JAN 20/09
34-11-51- 6D	9	JAN 20/09
34-11-51- 6D	10	JAN 20/09
34-11-51- 6D	11	JAN 20/09
34-11-51- 6D	12	JAN 20/09
34-11-51- 7	0	MAY 28/07
34-11-51- 7	0A	MAY 28/07
34-11-51- 7	0B	MAY 28/07
34-11-51- 7	0C	MAY 28/07
34-11-51- 7	0D	MAY 28/07
34-11-51- 7	0E	MAY 28/07
34-11-51- 7	0F	MAY 28/07
34-11-51- 7	0G	MAY 28/07
34-11-51- 7	0H	MAY 28/07

CH-SECT-UNIT-FIG	PAGE NO.	DATE
34-11-51- 7	1	JAN 20/09
34-11-51- 7	2	JAN 20/09
34-11-51- 7	3	JAN 20/09
34-11-51- 7	4	JAN 20/09
34-11-51- 7	5	JAN 20/09
34-11-51- 7	6	JAN 20/09
34-11-51- 7	7	JAN 20/09
34-11-51- 7	8	JAN 20/09
34-11-51- 7	9	JAN 20/09
34-11-51- 7	10	JAN 20/09
34-11-51- 7	11	JAN 20/09
34-11-51- 7	12	JAN 20/09
34-11-51- 7	13	JAN 20/09
34-11-51- 7	14	JAN 20/09
34-11-51- 7	15	JAN 20/09
34-11-51- 7	16	JAN 20/09
34-11-51- 7	17	JAN 20/09
34-11-51- 7	18	JAN 20/09
34-11-51- 7B	0	MAY 28/07
34-11-51- 7B	0A	MAY 28/07
34-11-51- 7B	0B	MAY 28/07
34-11-51- 7B	0C	MAY 28/07
34-11-51- 7B	0D	MAY 28/07
34-11-51- 7B	0E	MAY 28/07
34-11-51- 7B	0F	MAY 28/07
34-11-51- 7B	0G	MAY 28/07
34-11-51- 7B	1	JAN 20/09
34-11-51- 7B	2	JAN 20/09
34-11-51- 7B	3	JAN 20/09
34-11-51- 7B	4	JAN 20/09
34-11-51- 7B	5	JAN 20/09
34-11-51- 7B	6	JAN 20/09
34-11-51- 7B	7	JAN 20/09
34-11-51- 7B	8	JAN 20/09
34-11-51- 7B	9	JAN 20/09
34-11-51- 7B	10	JAN 20/09
34-11-51- 7B	11	JAN 20/09
34-11-51- 7B	12	JAN 20/09
34-11-51- 7B	13	JAN 20/09
34-11-51- 7B	14	JAN 20/09
34-11-51- 7B	15	JAN 20/09
34-11-51- 7B	16	JAN 20/09
34-11-51- 7B	17	JAN 20/09
34-11-51- 8	0	MAY 28/07
34-11-51- 8	0A	MAY 28/07
34-11-51- 8	0B	MAY 28/07
34-11-51- 8	0C	MAY 28/07
34-11-51- 8	0D	MAY 28/07
34-11-51- 8	0E	MAY 28/07
34-11-51- 8	0F	MAY 28/07
34-11-51- 8	0G	MAY 28/07

\* THE ASTERISK INDICATES PAGES CHANGED OR ADDED BY THE CURRENT REVISION


**BOEING**  
 757  
**PARTS CATALOG (MAINTENANCE)**

CH-SECT-UNIT-FIG	PAGE NO.	DATE	CH-SECT-UNIT-FIG	PAGE NO.	DATE
34-11-51- 8	0H	MAY 28/07	34-11-51-10A	10	JAN 20/09
34-11-51- 8	1	JAN 20/09	34-11-51-11	0	MAY 28/07
34-11-51- 8	2	JAN 20/09	*34-11-51-11	1	MAY 20/09
34-11-51- 8	3	JAN 20/09	34-11-51-55	0	JAN 20/09
34-11-51- 8	4	JAN 20/09	34-11-51-55	0A	JAN 20/09
34-11-51- 8	5	JAN 20/09	34-11-51-55	1	JAN 20/09
34-11-51- 8	6	JAN 20/09	34-11-51-55	2	JAN 20/09
34-11-51- 8	7	JAN 20/09	34-11-51-55	3	JAN 20/09
34-11-51- 8	8	JAN 20/09	34-12-00	1	MAY 28/07
34-11-51- 8	9	JAN 20/09	34-12-01- 1	0	MAY 28/07
34-11-51- 8	10	JAN 20/09	34-12-01- 1	0A	MAY 28/07
34-11-51- 8	11	JAN 20/09	34-12-01- 1	0B	MAY 28/07
34-11-51- 8B	0	MAY 28/07	34-12-01- 1	1	JAN 20/09
34-11-51- 8B	0A	MAY 28/07	34-12-01- 1	2	JAN 20/09
34-11-51- 8B	0B	MAY 28/07	34-12-01- 1	3	JAN 20/09
34-11-51- 8B	0C	MAY 28/07	34-12-01- 1	4	JAN 20/09
34-11-51- 8B	0D	MAY 28/07	34-12-01- 1	5	JAN 20/09
34-11-51- 8B	0E	MAY 28/07	34-12-01- 1	6	JAN 20/09
34-11-51- 8B	1	JAN 20/09	34-12-01- 1	7	JAN 20/09
34-11-51- 8B	2	JAN 20/09	34-12-01- 1	8	JAN 20/09
34-11-51- 8B	3	JAN 20/09	34-12-01- 1	9	JAN 20/09
34-11-51- 8B	4	JAN 20/09	34-12-01- 1	10	JAN 20/09
34-11-51- 8B	5	JAN 20/09	34-12-01- 1	11	JAN 20/09
34-11-51- 8B	6	JAN 20/09	34-12-01- 1	12	JAN 20/09
34-11-51- 8B	7	JAN 20/09	34-12-01- 1	13	JAN 20/09
34-11-51- 8B	8	JAN 20/09	34-12-01- 1	14	JAN 20/09
34-11-51- 8B	9	JAN 20/09	34-12-01- 1	15	JAN 20/09
34-11-51- 8B	10	JAN 20/09	34-12-01- 1	16	JAN 20/09
34-11-51- 8B	11	JAN 20/09	34-12-01- 1	17	JAN 20/09
34-11-51- 9	0	MAY 28/07	34-12-01- 1	18	JAN 20/09
34-11-51- 9	1	JAN 20/09	34-12-01- 1B	0	MAY 28/07
34-11-51- 9	2	JAN 20/09	34-12-01- 1B	0A	MAY 28/07
34-11-51-10	0	MAY 28/07	34-12-01- 1B	0B	MAY 28/07
34-11-51-10	1	JAN 20/09	34-12-01- 1B	1	JAN 20/09
34-11-51-10	2	JAN 20/09	34-12-01- 1B	2	JAN 20/09
34-11-51-10	3	JAN 20/09	34-12-01- 1B	3	JAN 20/09
34-11-51-10	4	JAN 20/09	34-12-01- 1B	4	JAN 20/09
34-11-51-10	5	JAN 20/09	34-12-01- 1B	5	JAN 20/09
34-11-51-10	6	JAN 20/09	34-12-01- 1B	6	JAN 20/09
34-11-51-10	7	JAN 20/09	34-12-01- 1B	7	JAN 20/09
34-11-51-10A	0	MAY 28/07	34-12-01- 1B	8	JAN 20/09
34-11-51-10A	0A	MAY 28/07	34-12-01- 1B	9	JAN 20/09
34-11-51-10A	1	JAN 20/09	34-12-01- 1B	10	JAN 20/09
34-11-51-10A	2	JAN 20/09	34-12-01- 3	0	MAY 28/07
34-11-51-10A	3	JAN 20/09	34-12-01- 3	1	JAN 20/09
34-11-51-10A	4	JAN 20/09	34-12-01- 3	2	JAN 20/09
34-11-51-10A	5	JAN 20/09	34-12-01- 3	3	JAN 20/09
34-11-51-10A	6	JAN 20/09	34-12-01- 3	4	JAN 20/09
34-11-51-10A	7	JAN 20/09	34-12-01- 3	5	JAN 20/09
34-11-51-10A	8	JAN 20/09	34-12-01- 3	6	JAN 20/09
34-11-51-10A	9	JAN 20/09	34-12-01- 3	7	JAN 20/09

\* THE ASTERISK INDICATES PAGES CHANGED OR ADDED BY THE CURRENT REVISION

BRI  
MAY 20/09

34 - LIST OF EFFECTIVE PAGES  
PAGE 3



**757**  
**PARTS CATALOG (MAINTENANCE)**

CH-SECT-UNIT-FIG	PAGE NO.	DATE	CH-SECT-UNIT-FIG	PAGE NO.	DATE
34-12-01- 3	8	JAN 20/09	34-12-51- 3	0	MAY 28/07
34-12-01- 4	0	MAY 20/08	34-12-51- 3	0A	MAY 28/07
34-12-01- 4	1	JAN 20/09	34-12-51- 3	0B	MAY 28/07
34-12-01- 4	2	JAN 20/09	34-12-51- 3	0C	MAY 28/07
34-12-01- 4	3	JAN 20/09	34-12-51- 3	0D	MAY 28/07
34-12-01- 4	4	JAN 20/09	34-12-51- 3	0E	MAY 28/07
34-12-01- 4	5	JAN 20/09	34-12-51- 3	1	JAN 20/09
34-12-01- 4	6	JAN 20/09	34-12-51- 3	2	JAN 20/09
34-12-01- 4	7	JAN 20/09	34-12-51- 3	3	JAN 20/09
34-12-01- 5	0	SEP 20/08	34-12-51- 3	4	JAN 20/09
34-12-01- 5	1	JAN 20/09	34-12-51- 3	5	JAN 20/09
34-12-01- 5	2	JAN 20/09	34-12-51- 3	6	JAN 20/09
34-12-01- 5	3	JAN 20/09	34-12-51- 3	7	JAN 20/09
34-12-01- 5	4	JAN 20/09	34-12-51- 3	8	JAN 20/09
34-12-01- 8	0	JAN 20/09	34-12-51- 3	9	JAN 20/09
34-12-01- 8	0A	JAN 20/09	34-12-51- 3	10	JAN 20/09
34-12-01- 8	0B	JAN 20/09	34-12-51- 3	11	JAN 20/09
34-12-01- 8	1	JAN 20/09	34-12-51- 3	12	JAN 20/09
34-12-01- 8	2	JAN 20/09	34-12-51- 4	0	MAY 28/07
34-12-01- 8	3	JAN 20/09	34-12-51- 4	1	JAN 20/09
34-12-01- 8	4	JAN 20/09	34-12-51- 4	2	JAN 20/09
34-12-01- 8	5	JAN 20/09	34-12-51- 4	3	JAN 20/09
34-12-01- 8	6	JAN 20/09	34-12-51- 4	4	JAN 20/09
34-12-01- 8	7	JAN 20/09	34-12-53- 1	0	MAY 20/08
34-12-02- 5	0	MAY 28/07	*34-12-53- 1	1	MAY 20/09
34-12-02- 5	1	JAN 20/09	*34-12-53- 1	2	MAY 20/09
34-12-02- 5	2	JAN 20/09	34-12-54- 1	0	MAY 28/07
34-12-03- 1	0	MAY 28/07	34-12-54- 1	1	JAN 20/09
34-12-03- 1	1	JAN 20/09	34-12-54- 1	2	JAN 20/09
34-12-03- 1	2	JAN 20/09	34-12-54- 1	3	JAN 20/09
34-12-03- 1	3	JAN 20/09	34-12-54- 1	4	JAN 20/09
34-12-03- 1	4	JAN 20/09	34-12-54- 1	5	JAN 20/09
34-12-03- 1	5	JAN 20/09	34-12-71- 2	0	MAY 28/07
34-12-03- 1	6	JAN 20/09	34-12-71- 2	1	JAN 20/09
34-12-03- 1	7	JAN 20/09	34-12-71- 2	2	JAN 20/09
34-12-51- 1	0	MAY 28/07	34-12-71- 2A	0	MAY 28/07
34-12-51- 1	0A	MAY 28/07	34-12-71- 2A	1	JAN 20/09
34-12-51- 1	0B	MAY 28/07	34-12-71- 2B	0	MAY 28/07
34-12-51- 1	0C	MAY 28/07	34-12-71- 2B	1	JAN 20/09
34-12-51- 1	0D	MAY 28/07	34-12-71- 2C	0	JAN 20/09
34-12-51- 1	0E	MAY 28/07	34-12-71- 2C	1	JAN 20/09
34-12-51- 1	1	JAN 20/09	34-12-71- 2C	2	JAN 20/09
34-12-51- 1	2	JAN 20/09	34-12-71- 2C	3	JAN 20/09
34-12-51- 1	3	JAN 20/09	34-12-71- 2D	0	JAN 20/09
34-12-51- 1	4	JAN 20/09	34-12-71- 2D	1	JAN 20/09
34-12-51- 1	5	JAN 20/09	34-12-71- 2D	2	JAN 20/09
34-12-51- 1	6	JAN 20/09	34-12-71- 2D	3	JAN 20/09
34-12-51- 1	7	JAN 20/09	34-12-71- 2D	4	JAN 20/09
34-12-51- 1	8	JAN 20/09	34-12-71- 2D	5	JAN 20/09
34-12-51- 1	9	JAN 20/09	34-13-00	1	MAY 28/07
34-12-51- 1	10	JAN 20/09	34-13-01- 1	0	SEP 20/08

\* THE ASTERISK INDICATES PAGES CHANGED OR ADDED BY THE CURRENT REVISION



**757**  
**PARTS CATALOG (MAINTENANCE)**

CH-SECT-UNIT-FIG	PAGE NO.	DATE	CH-SECT-UNIT-FIG	PAGE NO.	DATE
34-13-01- 1	1	JAN 20/09	34-13-02- 1	7	JAN 20/09
34-13-01- 1	2	JAN 20/09	34-13-02- 1	8	JAN 20/09
34-13-01- 1	3	JAN 20/09	34-13-02- 1	9	JAN 20/09
34-13-01- 1	4	JAN 20/09	34-13-02- 1	10	JAN 20/09
34-13-01- 1	5	JAN 20/09	34-13-02- 1	11	JAN 20/09
34-13-01- 1	6	JAN 20/09	34-13-02- 1	12	JAN 20/09
34-13-01- 2	0	SEP 20/08	34-13-02- 1	13	JAN 20/09
34-13-01- 2	1	JAN 20/09	34-13-02- 1	14	JAN 20/09
34-13-01- 2	2	JAN 20/09	34-13-02- 1	15	JAN 20/09
34-13-01- 2	3	JAN 20/09	34-13-02-50	0	MAY 28/07
34-13-01- 2	4	JAN 20/09	34-13-02-50	0A	MAY 28/07
34-13-01- 2	5	JAN 20/09	34-13-02-50	1	JAN 20/09
34-13-01- 3	0	JAN 20/09	34-13-02-50	2	JAN 20/09
34-13-01- 3	1	JAN 20/09	34-13-02-50	3	JAN 20/09
34-13-01- 3	2	JAN 20/09	34-13-02-50	4	JAN 20/09
34-13-01- 3	3	JAN 20/09	34-13-02-50	5	JAN 20/09
34-13-01- 3	4	JAN 20/09	34-13-02-50	6	JAN 20/09
34-13-01-10	0	SEP 20/08	34-13-05- 1	0	MAY 28/07
34-13-01-10	0A	MAY 28/07	34-13-05- 1	1	JAN 20/09
34-13-01-10	1	JAN 20/09	34-13-05- 1	2	JAN 20/09
34-13-01-10	2	JAN 20/09	34-13-05- 1	3	JAN 20/09
34-13-01-10	3	JAN 20/09	34-13-05- 1	4	JAN 20/09
34-13-01-10	4	JAN 20/09	34-13-05- 1	5	JAN 20/09
34-13-01-10	5	JAN 20/09	34-13-05- 1	6	JAN 20/09
34-13-01-10	6	JAN 20/09	34-13-05- 1	7	JAN 20/09
34-13-01-10	7	JAN 20/09	34-13-05- 1	8	JAN 20/09
34-13-01-10	8	JAN 20/09	34-13-05- 1A	0	JAN 20/09
34-13-01-10	9	JAN 20/09	34-13-05- 1A	0A	JAN 20/09
34-13-01-10	10	JAN 20/09	34-13-05- 1A	0B	JAN 20/09
34-13-01-10	11	JAN 20/09	34-13-05- 1A	0C	JAN 20/09
34-13-01-10	12	JAN 20/09	34-13-05- 1A	0D	JAN 20/09
34-13-01-10	13	JAN 20/09	34-13-05- 1A	1	JAN 20/09
34-13-01-10	14	JAN 20/09	34-13-05- 1A	2	JAN 20/09
34-13-01-10	15	JAN 20/09	34-13-05- 1A	3	JAN 20/09
34-13-01-10	16	JAN 20/09	34-13-05- 1A	4	JAN 20/09
34-13-01-10	17	JAN 20/09	34-13-05- 1A	5	JAN 20/09
34-13-01-10	18	JAN 20/09	34-13-05- 1A	6	JAN 20/09
34-13-01-10	19	JAN 20/09	34-13-05- 1A	7	JAN 20/09
34-13-01-10	20	JAN 20/09	34-13-06- 1	0	MAY 28/07
34-13-01-10	21	JAN 20/09	34-13-06- 1	1	JAN 20/09
34-13-01-10	22	JAN 20/09	34-13-06- 1	2	JAN 20/09
34-13-01-10	23	JAN 20/09	34-13-06- 1	3	JAN 20/09
34-13-01-10	24	JAN 20/09	34-13-06- 1	4	JAN 20/09
34-13-02- 1	0	MAY 28/07	34-13-06- 1	5	JAN 20/09
34-13-02- 1	0A	MAY 28/07	34-13-06- 1	6	JAN 20/09
34-13-02- 1	1	JAN 20/09	34-13-06- 1	7	JAN 20/09
34-13-02- 1	2	JAN 20/09	34-13-06- 1	8	JAN 20/09
34-13-02- 1	3	JAN 20/09	34-16-00	1	MAY 28/07
34-13-02- 1	4	JAN 20/09	34-16-01- 1	0	MAY 28/07
34-13-02- 1	5	JAN 20/09	34-16-01- 1	0A	MAY 28/07
34-13-02- 1	6	JAN 20/09	34-16-01- 1	1	JAN 20/09

\* THE ASTERISK INDICATES PAGES CHANGED OR ADDED BY THE CURRENT REVISION

BRI  
MAY 20/09

34 - LIST OF EFFECTIVE PAGES  
PAGE 5





757

PARTS CATALOG (MAINTENANCE)

CH-SECT-UNIT-FIG	PAGE NO.	DATE	CH-SECT-UNIT-FIG	PAGE NO.	DATE
34-16-01- 1	2	JAN 20/09	34-21-01- 1	28	JAN 20/09
34-16-01- 1	3	JAN 20/09	34-21-01- 1	29	JAN 20/09
34-16-01- 1	4	JAN 20/09	34-21-01- 1	30	JAN 20/09
34-16-01- 1B	0	MAY 28/07	34-21-01- 1	31	JAN 20/09
34-16-01- 1B	1	JAN 20/09	34-21-01- 1B	0	MAY 28/07
34-16-01- 1B	2	JAN 20/09	34-21-01- 1B	0A	MAY 28/07
34-16-01- 8	0	JAN 20/09	34-21-01- 1B	0B	MAY 28/07
34-16-01- 8	1	JAN 20/09	34-21-01- 1B	0C	MAY 28/07
34-16-01- 8	2	JAN 20/09	34-21-01- 1B	1	JAN 20/09
34-16-51- 1	0	MAY 28/07	34-21-01- 1B	2	JAN 20/09
34-16-51- 1	1	JAN 20/09	34-21-01- 1B	3	JAN 20/09
34-16-51- 1	2	JAN 20/09	34-21-01- 1B	4	JAN 20/09
34-16-51- 1	3	JAN 20/09	34-21-01- 1B	5	JAN 20/09
34-16-51- 2	0	MAY 28/07	34-21-01- 1B	6	JAN 20/09
34-16-51- 2	1	JAN 20/09	34-21-01- 1B	7	JAN 20/09
34-16-51- 3	0	MAY 28/07	34-21-01- 1B	8	JAN 20/09
34-16-51- 3	1	JAN 20/09	34-21-01- 1B	9	JAN 20/09
34-16-51- 3	2	JAN 20/09	34-21-01- 8	0	JAN 20/09
34-16-51- 3	3	JAN 20/09	34-21-01- 8	0A	JAN 20/09
34-16-51- 3	4	JAN 20/09	34-21-01- 8	0B	JAN 20/09
34-16-51- 3	5	JAN 20/09	34-21-01- 8	1	JAN 20/09
34-21-00	1	MAY 28/07	34-21-01- 8	2	JAN 20/09
34-21-01- 1	0	MAY 28/07	34-21-01- 8	3	JAN 20/09
34-21-01- 1	0A	MAY 28/07	34-21-01- 8	4	JAN 20/09
34-21-01- 1	1	JAN 20/09	34-21-01- 8	5	JAN 20/09
34-21-01- 1	2	JAN 20/09	34-21-01- 8	6	JAN 20/09
34-21-01- 1	3	JAN 20/09	34-21-02- 1	0	MAY 28/07
34-21-01- 1	4	JAN 20/09	34-21-02- 1	0A	MAY 28/07
34-21-01- 1	5	JAN 20/09	34-21-02- 1	0B	MAY 28/07
34-21-01- 1	6	JAN 20/09	34-21-02- 1	0C	MAY 28/07
34-21-01- 1	7	JAN 20/09	34-21-02- 1	0D	MAY 28/07
34-21-01- 1	8	JAN 20/09	34-21-02- 1	0E	MAY 28/07
34-21-01- 1	9	JAN 20/09	34-21-02- 1	0F	MAY 28/07
34-21-01- 1	10	JAN 20/09	34-21-02- 1	1	JAN 20/09
34-21-01- 1	11	JAN 20/09	34-21-02- 1	2	JAN 20/09
34-21-01- 1	12	JAN 20/09	34-21-02- 1	3	JAN 20/09
34-21-01- 1	13	JAN 20/09	34-21-02- 1	4	JAN 20/09
34-21-01- 1	14	JAN 20/09	34-21-02- 1	5	JAN 20/09
34-21-01- 1	15	JAN 20/09	34-21-02- 1	6	JAN 20/09
34-21-01- 1	16	JAN 20/09	34-21-02- 1	7	JAN 20/09
34-21-01- 1	17	JAN 20/09	34-21-02- 1	8	JAN 20/09
34-21-01- 1	18	JAN 20/09	34-21-02- 1	9	JAN 20/09
34-21-01- 1	19	JAN 20/09	34-21-02- 1	10	JAN 20/09
34-21-01- 1	20	JAN 20/09	34-21-02- 1	11	JAN 20/09
34-21-01- 1	21	JAN 20/09	34-21-02- 1	12	JAN 20/09
34-21-01- 1	22	JAN 20/09	34-21-02- 1	13	JAN 20/09
34-21-01- 1	23	JAN 20/09	34-21-02- 1	14	JAN 20/09
34-21-01- 1	24	JAN 20/09	34-21-02- 1	15	JAN 20/09
34-21-01- 1	25	JAN 20/09	34-21-02- 1	16	JAN 20/09
34-21-01- 1	26	JAN 20/09	34-21-02- 1	17	JAN 20/09
34-21-01- 1	27	JAN 20/09	34-21-02- 1	18	JAN 20/09

\* THE ASTERISK INDICATES PAGES CHANGED OR ADDED BY THE CURRENT REVISION

BRI  
MAY 20/09

34 - LIST OF EFFECTIVE PAGES  
PAGE 6



**757**  
**PARTS CATALOG (MAINTENANCE)**

CH-SECT-UNIT-FIG	PAGE NO.	DATE	CH-SECT-UNIT-FIG	PAGE NO.	DATE
34-21-02- 1	19	JAN 20/09	34-21-51- 8	0C	JAN 20/09
34-21-02- 1	20	JAN 20/09	34-21-51- 8	1	JAN 20/09
34-21-02- 1	21	JAN 20/09	34-21-51- 8	2	JAN 20/09
34-21-02- 1	22	JAN 20/09	34-21-51- 8	3	JAN 20/09
34-21-02- 1	23	JAN 20/09	34-21-51- 8	4	JAN 20/09
34-21-02- 1	24	JAN 20/09	34-21-71- 2	0	MAY 28/07
34-21-02- 1	25	JAN 20/09	34-21-71- 2	1	JAN 20/09
34-21-02- 1	26	JAN 20/09	34-21-71- 2	2	JAN 20/09
34-21-02- 1	27	JAN 20/09	34-21-71- 2C	0	JAN 20/09
34-21-02- 1	28	JAN 20/09	34-21-71- 2C	1	JAN 20/09
34-21-02- 1	29	JAN 20/09	34-21-71- 2C	2	JAN 20/09
34-21-02- 1	30	JAN 20/09	34-21-71- 3	0	JAN 20/09
34-21-02- 1	31	JAN 20/09	34-21-71- 3	0A	JAN 20/09
34-21-02- 1	32	JAN 20/09	34-21-71- 3	1	JAN 20/09
34-21-02- 1	33	JAN 20/09	34-22-00	1	MAY 28/07
34-21-02- 1	34	JAN 20/09	34-22-00- 1	0	MAY 20/08
34-21-02- 1	35	JAN 20/09	34-22-00- 1	0A	MAY 20/08
34-21-02- 2	0	MAY 20/08	34-22-00- 1	1	JAN 20/09
34-21-02- 2	1	JAN 20/09	34-22-00- 1	2	JAN 20/09
34-21-02- 2	2	JAN 20/09	34-22-00- 1	3	JAN 20/09
34-21-02- 2	3	JAN 20/09	34-22-00- 2	0	MAY 20/08
34-21-02- 2	4	JAN 20/09	34-22-00- 2	0A	MAY 20/08
34-21-02- 2	5	JAN 20/09	34-22-00- 2	0B	MAY 28/07
34-21-02- 2	6	JAN 20/09	34-22-00- 2	1	JAN 20/09
34-21-02- 2	7	JAN 20/09	34-22-00- 2	2	JAN 20/09
34-21-02- 2	8	JAN 20/09	34-22-00- 2	3	JAN 20/09
34-21-02- 2	9	JAN 20/09	34-22-00- 2	4	JAN 20/09
34-21-02- 2	10	JAN 20/09	34-22-01- 1	0	JAN 20/09
34-21-02- 3	0	SEP 20/08	34-22-01- 1	0A	MAY 28/07
34-21-02- 3	0A	SEP 20/08	34-22-01- 1	0B	MAY 28/07
34-21-02- 3	1	JAN 20/09	34-22-01- 1	1	JAN 20/09
34-21-02- 3	2	JAN 20/09	34-22-01- 1	2	JAN 20/09
34-21-02- 3	3	JAN 20/09	34-22-01- 1	3	JAN 20/09
34-21-02- 3	4	JAN 20/09	34-22-01- 1	4	JAN 20/09
34-21-02- 4	0	MAY 28/07	34-22-01- 1	5	JAN 20/09
34-21-02- 4	0A	MAY 28/07	34-22-01- 1	6	JAN 20/09
34-21-02- 4	0B	MAY 20/08	34-22-01- 1	7	JAN 20/09
34-21-02- 4	1	JAN 20/09	34-22-01- 1	8	JAN 20/09
34-21-02- 4	2	JAN 20/09	34-22-01- 1	9	JAN 20/09
34-21-02- 4	3	JAN 20/09	34-22-01- 1	10	JAN 20/09
34-21-02- 4	4	JAN 20/09	34-22-01- 1	11	JAN 20/09
34-21-02- 4	5	JAN 20/09	34-22-01- 1	12	JAN 20/09
34-21-02- 4	6	JAN 20/09	34-22-01- 1	13	JAN 20/09
34-21-02- 4	7	JAN 20/09	34-22-01- 1	14	JAN 20/09
34-21-02- 4	8	JAN 20/09	34-22-01- 1A	0	JAN 20/09
34-21-02- 4	9	JAN 20/09	34-22-01- 1A	0A	JAN 20/09
34-21-51- 2	0	JAN 20/09	34-22-01- 1A	1	JAN 20/09
34-21-51- 2	1	JAN 20/09	34-22-01- 1A	2	JAN 20/09
34-21-51- 8	0	JAN 20/09	34-22-01- 1A	3	JAN 20/09
34-21-51- 8	0A	JAN 20/09	34-22-01- 1A	4	JAN 20/09
34-21-51- 8	0B	JAN 20/09	34-22-01- 1B	0	SEP 20/08

\* THE ASTERISK INDICATES PAGES CHANGED OR ADDED BY THE CURRENT REVISION

BRI  
MAY 20/09

34 - LIST OF EFFECTIVE PAGES  
PAGE 7



**757**  
**PARTS CATALOG (MAINTENANCE)**

CH-SECT-UNIT-FIG	PAGE NO.	DATE
34-22-01- 1B	0A	MAY 28/07
34-22-01- 1B	1	JAN 20/09
34-22-01- 1B	2	JAN 20/09
34-22-01- 1B	3	JAN 20/09
34-22-01- 1B	4	JAN 20/09
34-22-01- 8	0	JAN 20/09
34-22-01- 8	0A	JAN 20/09
34-22-01- 8	0B	JAN 20/08
34-22-01- 8	1	JAN 20/09
34-22-01- 8	2	JAN 20/09
34-22-01- 8	3	JAN 20/09
34-22-01- 8	4	JAN 20/09
34-22-01- 8	5	JAN 20/09
34-22-02- 1	0	SEP 20/08
34-22-02- 1	0A	SEP 20/08
34-22-02- 1	1	JAN 20/09
34-22-02- 1	2	JAN 20/09
34-22-02- 1	3	JAN 20/09
34-22-02- 1	4	JAN 20/09
34-22-02- 1	5	JAN 20/09
34-22-02- 1	6	JAN 20/09
34-22-02- 1	7	JAN 20/09
34-22-02- 1	8	JAN 20/09
34-22-02- 1	9	JAN 20/09
34-22-02- 1	10	JAN 20/09
34-22-02- 1	11	JAN 20/09
34-22-02- 2	0	MAY 20/08
34-22-02- 2	1	JAN 20/09
34-22-02- 2	2	JAN 20/09
34-22-02- 2	3	JAN 20/09
34-22-02- 2	4	JAN 20/09
34-22-02- 2	5	JAN 20/09
34-22-02- 2	6	JAN 20/09
34-22-02- 2	7	JAN 20/09
34-22-02- 2	8	JAN 20/09
34-22-02- 2	9	JAN 20/09
34-22-02- 2	10	JAN 20/09
34-22-02- 3	0	SEP 20/08
34-22-02- 3	0A	MAY 28/07
34-22-02- 3	1	JAN 20/09
34-22-02- 3	2	JAN 20/09
34-22-02- 3	3	JAN 20/09
34-22-02- 3	4	JAN 20/09
34-22-02- 3	5	JAN 20/09
34-22-02- 3	6	JAN 20/09
34-22-02- 3	7	JAN 20/09
34-22-02- 3	8	JAN 20/09
34-22-02- 4	0	JAN 20/09
34-22-02- 4	1	JAN 20/09
34-22-02- 4	2	JAN 20/09
34-22-02- 5	0	MAY 20/08

CH-SECT-UNIT-FIG	PAGE NO.	DATE
34-22-02- 5	0A	MAY 20/08
34-22-02- 5	1	JAN 20/09
34-22-02- 5	2	JAN 20/09
34-22-02- 5	3	JAN 20/09
34-22-02- 5	4	JAN 20/09
34-22-02- 6	0	MAY 28/07
34-22-02- 6	0A	MAY 28/07
34-22-02- 6	0B	MAY 20/08
34-22-02- 6	1	JAN 20/09
34-22-02- 6	2	JAN 20/09
34-22-02- 6	3	JAN 20/09
34-22-02- 6	4	JAN 20/09
34-22-02- 6	5	JAN 20/09
34-22-02- 6	6	JAN 20/09
34-22-02- 6	7	JAN 20/09
34-22-02- 6	8	JAN 20/09
34-22-02- 6	9	JAN 20/09
34-22-02- 6	10	JAN 20/09
34-22-02- 6	11	JAN 20/09
34-22-03- 1	0	MAY 28/07
34-22-03- 1	0A	MAY 28/07
34-22-03- 1	1	JAN 20/09
34-22-03- 1	2	JAN 20/09
34-22-03- 1	3	JAN 20/09
34-22-03- 1	4	JAN 20/09
34-22-03- 2	0	MAY 28/07
34-22-03- 2	0A	MAY 28/07
34-22-03- 2	1	JAN 20/09
34-22-03- 2	2	JAN 20/09
34-22-03- 2	3	JAN 20/09
34-22-03- 2	4	JAN 20/09
34-22-03- 3	0	MAY 28/07
34-22-03- 3	0A	MAY 28/07
34-22-03- 3	1	JAN 20/09
34-22-03- 3	2	JAN 20/09
34-22-03- 3	3	JAN 20/09
34-22-03- 3	4	JAN 20/09
34-22-03- 3	5	JAN 20/09
34-22-03- 3	6	JAN 20/09
34-22-03- 3	7	JAN 20/09
34-22-04- 1	0	MAY 28/07
34-22-04- 1	0A	MAY 28/07
34-22-04- 1	1	JAN 20/09
34-22-04- 1	2	SEP 20/08
34-22-04- 1	3	SEP 20/08
34-22-04- 1	4	JAN 20/09
34-22-04- 1	5	JAN 20/09
34-22-05- 1	0	SEP 20/08
34-22-05- 1	0A	SEP 20/08
34-22-05- 1	0B	SEP 20/08
34-22-05- 1	1	JAN 20/09

\* THE ASTERISK INDICATES PAGES CHANGED OR ADDED BY THE CURRENT REVISION



757

PARTS CATALOG (MAINTENANCE)

CH-SECT-UNIT-FIG	PAGE NO.	DATE	CH-SECT-UNIT-FIG	PAGE NO.	DATE
34-22-05- 1	2	JAN 20/09	34-22-06- 3	4	JAN 20/09
34-22-05- 1	3	JAN 20/09	34-22-07- 1	0	JAN 20/09
34-22-05- 1	4	JAN 20/09	34-22-07- 1	0A	JAN 20/09
34-22-05- 1	5	JAN 20/09	34-22-07- 1	0B	JAN 20/09
34-22-05- 1	6	JAN 20/09	34-22-07- 1	1	JAN 20/09
34-22-05- 1	7	JAN 20/09	34-22-07- 1	2	JAN 20/09
34-22-05- 1A	0	MAY 28/07	34-22-07- 1	3	JAN 20/09
34-22-05- 1A	0A	MAY 28/07	34-22-07- 3	0	SEP 20/08
34-22-05- 1A	0B	MAY 28/07	34-22-07- 3	0A	MAY 28/07
34-22-05- 1A	1	JAN 20/09	34-22-07- 3	0B	MAY 28/07
34-22-05- 1A	2	JAN 20/09	34-22-07- 3	1	JAN 20/09
34-22-05- 1A	3	JAN 20/09	34-22-07- 3	2	JAN 20/09
34-22-05- 1A	4	JAN 20/09	34-22-51- 1	0	MAY 28/07
34-22-05- 1A	5	JAN 20/09	34-22-51- 1	1	JAN 20/09
34-22-05- 1A	6	JAN 20/09	34-22-51- 1	2	JAN 20/09
34-22-05- 1A	7	JAN 20/09	34-22-51- 1	3	JAN 20/09
34-22-05- 1A	8	JAN 20/09	34-22-51- 1	4	JAN 20/09
34-22-05- 1A	9	JAN 20/09	34-22-51- 1	5	JAN 20/09
34-22-05- 1A	10	JAN 20/09	34-22-51- 2	0	JAN 20/09
34-22-05- 1A	11	JAN 20/09	34-22-51- 2	1	JAN 20/09
34-22-05- 1A	12	JAN 20/09	34-22-51- 2	2	JAN 20/09
34-22-05- 1A	13	JAN 20/09	34-22-52- 1A	0	MAY 28/07
34-22-05- 1B	0	JAN 20/09	34-22-52- 1A	1	JAN 20/09
34-22-05- 1B	1	JAN 20/09	34-22-52- 1A	2	JAN 20/09
34-22-05- 1B	2	JAN 20/09	34-22-52- 1C	0	JAN 20/09
34-22-05- 1B	3	JAN 20/09	34-22-52- 1C	1	JAN 20/09
34-22-05- 2	0	MAY 28/07	34-22-52- 1C	2	JAN 20/09
34-22-05- 2	0A	SEP 20/08	34-22-52- 1C	3	JAN 20/09
34-22-05- 2	0B	MAY 28/07	34-23-00	1	MAY 28/07
34-22-05- 2	0C	MAY 28/07	34-23-51- 5	0	MAY 28/07
34-22-05- 2	1	JAN 20/09	34-23-51- 5	1	JAN 20/09
34-22-05- 2	2	JAN 20/09	34-23-51- 5	2	JAN 20/09
34-22-05- 2	3	JAN 20/09	34-23-51- 5	3	JAN 20/09
34-22-05- 2	4	JAN 20/09	34-24-00	1	MAY 28/07
34-22-05- 2	5	JAN 20/09	34-24-01- 1	0	SEP 20/08
34-22-06- 1	0	MAY 28/07	34-24-01- 1	1	JAN 20/09
34-22-06- 1	0A	MAY 28/07	34-24-01- 1	2	JAN 20/09
34-22-06- 1	1	JAN 20/09	34-24-01- 1	3	JAN 20/09
34-22-06- 1	2	JAN 20/09	34-24-01- 1	4	JAN 20/09
34-22-06- 1	3	JAN 20/09	34-24-01- 2	0	SEP 20/08
34-22-06- 1	4	JAN 20/09	34-24-01- 2	0A	MAY 28/07
34-22-06- 1	5	JAN 20/09	34-24-01- 2	1	JAN 20/09
34-22-06- 1	6	JAN 20/09	34-24-01- 2	2	JAN 20/09
34-22-06- 1	7	JAN 20/09	34-24-01- 2	3	JAN 20/09
34-22-06- 2	0	MAY 28/07	34-24-01- 3	0	SEP 20/08
34-22-06- 2	1	JAN 20/09	34-24-01- 3	0A	MAY 28/07
34-22-06- 2	2	JAN 20/09	34-24-01- 3	1	JAN 20/09
34-22-06- 3	0	MAY 28/07	34-24-01- 3	2	JAN 20/09
34-22-06- 3	1	JAN 20/09	34-24-01- 3	3	JAN 20/09
34-22-06- 3	2	JAN 20/09	34-24-01- 3	4	JAN 20/09
34-22-06- 3	3	JAN 20/09	34-24-01- 3	5	JAN 20/09

\* THE ASTERISK INDICATES PAGES CHANGED OR ADDED BY THE CURRENT REVISION



757

PARTS CATALOG (MAINTENANCE)

CH-SECT-UNIT-FIG	PAGE NO.	DATE	CH-SECT-UNIT-FIG	PAGE NO.	DATE
34-24-01- 3	6	JAN 20/09	*34-31-01- 1	10	MAY 20/09
34-24-02- 1	0	MAY 28/07	*34-31-01- 1	11	MAY 20/09
34-24-02- 1	0A	MAY 28/07	*34-31-01- 1	12	MAY 20/09
34-24-02- 1	1	JAN 20/09	*34-31-01- 1	13	MAY 20/09
34-24-02- 1	2	JAN 20/09	*34-31-01- 1	14	MAY 20/09
34-24-02- 1	3	JAN 20/09	*34-31-01- 1	15	MAY 20/09
34-24-02- 1	4	JAN 20/09	*34-31-01- 1	16	MAY 20/09
34-24-02- 1B	0	MAY 28/07	*34-31-01- 1	17	MAY 20/09
34-24-02- 1B	0A	MAY 28/07	34-31-01- 1B	0	MAY 28/07
34-24-02- 1B	1	JAN 20/09	34-31-01- 1B	0A	MAY 28/07
34-24-02- 1B	2	JAN 20/09	34-31-01- 1B	0B	MAY 28/07
34-24-02- 1B	3	JAN 20/09	34-31-01- 1B	0C	MAY 28/07
34-24-02- 8	0	JAN 20/09	*34-31-01- 1B	1	MAY 20/09
34-24-02- 8	0A	JAN 20/09	*34-31-01- 1B	2	MAY 20/09
34-24-02- 8	1	JAN 20/09	*34-31-01- 1B	3	MAY 20/09
34-24-02- 8	2	JAN 20/09	*34-31-01- 1B	4	MAY 20/09
34-24-02- 8	3	JAN 20/09	*34-31-01- 1B	5	MAY 20/09
34-24-51- 1	0	JAN 20/09	*34-31-01- 1B	6	MAY 20/09
34-24-51- 1	1	JAN 20/09	*34-31-01- 1B	7	MAY 20/09
34-24-51- 1	2	JAN 20/09	34-31-02- 1	0	JAN 20/09
34-25-00	1	MAY 28/07	34-31-02- 1	0A	MAY 28/07
34-25-01- 1	0	MAY 28/07	34-31-02- 1	0B	MAY 28/07
34-25-01- 1	1	JAN 20/09	34-31-02- 1	0C	JAN 20/09
34-25-01- 1	2	JAN 20/09	34-31-02- 1	0D	MAY 28/07
34-25-01- 1	3	JAN 20/09	34-31-02- 1	0E	MAY 28/07
34-25-01- 1	4	JAN 20/09	34-31-02- 1	0F	JAN 20/09
34-25-50- 1	0	MAY 28/07	34-31-02- 1	0G	MAY 28/07
34-25-50- 1	1	JAN 20/09	34-31-02- 1	0H	MAY 28/07
34-25-50- 1	2	JAN 20/09	34-31-02- 1	0I	MAY 28/07
34-25-50- 1B	0	MAY 28/07	34-31-02- 1	0J	MAY 28/07
34-25-50- 1B	1	JAN 20/09	34-31-02- 1	1	JAN 20/09
34-25-50- 1B	2	JAN 20/09	34-31-02- 1	2	JAN 20/09
34-25-50- 1D	0	JAN 20/09	34-31-02- 1	3	JAN 20/09
34-25-50- 1D	1	JAN 20/09	34-31-02- 1	4	JAN 20/09
34-25-50- 1D	2	JAN 20/09	34-31-02- 1	5	JAN 20/09
34-25-50- 1D	3	JAN 20/09	34-31-02- 1	6	JAN 20/09
34-25-50- 1D	4	JAN 20/09	34-31-02- 1	7	JAN 20/09
34-25-50- 1D	5	JAN 20/09	34-31-02- 1	8	JAN 20/09
34-31-00	1	MAY 28/07	34-31-02- 1	9	JAN 20/09
34-31-01- 1	0	SEP 20/08	34-31-02- 1	10	JAN 20/09
34-31-01- 1	0A	MAY 28/07	34-31-02- 1	11	JAN 20/09
34-31-01- 1	0B	JAN 20/08	34-31-02- 1	12	JAN 20/09
34-31-01- 1	1	JAN 20/09	34-31-02- 1	13	JAN 20/09
*34-31-01- 1	2	MAY 20/09	34-31-02- 1	14	JAN 20/09
*34-31-01- 1	3	MAY 20/09	34-31-02- 1	15	JAN 20/09
*34-31-01- 1	4	MAY 20/09	34-31-02- 1	16	JAN 20/09
*34-31-01- 1	5	MAY 20/09	34-31-02- 1	17	JAN 20/09
*34-31-01- 1	6	MAY 20/09	34-31-02- 1	18	JAN 20/09
*34-31-01- 1	7	MAY 20/09	34-31-02- 1	19	JAN 20/09
*34-31-01- 1	8	MAY 20/09	34-31-02- 1	20	JAN 20/09
*34-31-01- 1	9	MAY 20/09	34-31-02- 1	21	JAN 20/09

\* THE ASTERISK INDICATES PAGES CHANGED OR ADDED BY THE CURRENT REVISION



757

PARTS CATALOG (MAINTENANCE)

CH-SECT-UNIT-FIG	PAGE NO.	DATE	CH-SECT-UNIT-FIG	PAGE NO.	DATE
34-31-02- 1	22	JAN 20/09	34-31-02- 2	17	JAN 20/09
34-31-02- 1	23	JAN 20/09	34-31-02- 2	18	JAN 20/09
34-31-02- 1	24	JAN 20/09	34-31-02- 2	19	JAN 20/09
34-31-02- 1	25	JAN 20/09	34-31-02- 2	20	JAN 20/09
34-31-02- 1	26	JAN 20/09	34-31-02- 2	21	JAN 20/09
34-31-02- 1	27	JAN 20/09	34-31-02- 2	22	JAN 20/09
34-31-02- 1	28	JAN 20/09	34-31-02- 2	23	JAN 20/09
34-31-02- 1	29	JAN 20/09	34-31-02- 2	24	JAN 20/09
34-31-02- 1	30	JAN 20/09	34-31-02- 2	25	JAN 20/09
34-31-02- 1	31	JAN 20/09	34-31-02- 2	26	JAN 20/09
34-31-02- 1	32	JAN 20/09	34-31-02- 2	27	JAN 20/09
34-31-02- 1	33	JAN 20/09	34-31-02- 2	28	JAN 20/09
34-31-02- 1	34	JAN 20/09	34-31-02- 2	29	JAN 20/09
34-31-02- 1	35	JAN 20/09	34-31-02- 2	30	JAN 20/09
34-31-02- 1	36	JAN 20/09	34-31-02- 2	31	JAN 20/09
34-31-02- 1	37	JAN 20/09	34-31-02- 2	32	JAN 20/09
34-31-02- 1	38	JAN 20/09	34-31-02- 2	33	JAN 20/09
34-31-02- 1	39	JAN 20/09	34-31-02- 2	34	JAN 20/09
34-31-02- 1	40	JAN 20/09	34-31-02- 2	35	JAN 20/09
34-31-02- 1	41	JAN 20/09	34-31-02- 2	36	JAN 20/09
34-31-02- 1	42	JAN 20/09	34-31-02- 2	37	JAN 20/09
34-31-02- 1	43	JAN 20/09	34-31-02- 2	38	JAN 20/09
34-31-02- 1	44	JAN 20/09	34-31-02- 2	39	JAN 20/09
34-31-02- 1	45	JAN 20/09	34-31-02- 2	40	JAN 20/09
34-31-02- 2	0	MAY 28/07	34-31-02- 2	41	JAN 20/09
34-31-02- 2	0A	MAY 28/07	34-31-02- 2	42	JAN 20/09
34-31-02- 2	0B	MAY 28/07	34-31-02- 2	43	JAN 20/09
34-31-02- 2	0C	MAY 28/07	34-31-03- 1	0	MAY 28/07
34-31-02- 2	0D	MAY 28/07	34-31-03- 1	1	JAN 20/09
34-31-02- 2	0E	MAY 28/07	34-31-03- 1	2	JAN 20/09
34-31-02- 2	0F	MAY 28/07	34-31-03- 1	3	JAN 20/09
34-31-02- 2	0G	MAY 28/07	34-31-04- 1	0	MAY 28/07
34-31-02- 2	0H	MAY 28/07	34-31-04- 1	1	JAN 20/09
34-31-02- 2	0I	MAY 28/07	34-31-04- 1	2	JAN 20/09
34-31-02- 2	0J	MAY 28/07	34-31-04- 1	3	JAN 20/09
34-31-02- 2	1	JAN 20/09	34-31-51- 8	0	JAN 20/09
34-31-02- 2	2	JAN 20/09	34-31-51- 8	0A	JAN 20/09
34-31-02- 2	3	JAN 20/09	*34-31-51- 8	1	MAY 20/09
34-31-02- 2	4	JAN 20/09	*34-31-51- 8	2	MAY 20/09
34-31-02- 2	5	JAN 20/09	*34-31-51- 8	3	MAY 20/09
34-31-02- 2	6	JAN 20/09	*34-31-51- 8	4	MAY 20/09
34-31-02- 2	7	JAN 20/09	*34-31-51- 8	5	MAY 20/09
34-31-02- 2	8	JAN 20/09	*34-31-51- 8	6	MAY 20/09
34-31-02- 2	9	JAN 20/09	34-32-00	1	MAY 28/07
34-31-02- 2	10	JAN 20/09	34-32-00- 1	0	MAY 28/07
34-31-02- 2	11	JAN 20/09	34-32-00- 1	1	JAN 20/09
34-31-02- 2	12	JAN 20/09	34-32-00- 1	2	JAN 20/09
34-31-02- 2	13	JAN 20/09	34-32-00- 1	3	JAN 20/09
34-31-02- 2	14	JAN 20/09	34-32-00- 1	4	JAN 20/09
34-31-02- 2	15	JAN 20/09	34-32-00- 1	5	JAN 20/09
34-31-02- 2	16	JAN 20/09	34-32-00- 1	6	JAN 20/09

\* THE ASTERISK INDICATES PAGES CHANGED OR ADDED BY THE CURRENT REVISION


**BOEING**  
 757  
**PARTS CATALOG (MAINTENANCE)**

CH-SECT-UNIT-FIG	PAGE NO.	DATE	CH-SECT-UNIT-FIG	PAGE NO.	DATE
34-32-00- 1	7	JAN 20/09	34-33-01- 8	0A	JAN 20/09
34-32-00- 1	8	JAN 20/09	34-33-01- 8	0B	JAN 20/09
34-32-00- 1	9	JAN 20/09	34-33-01- 8	0C	JAN 20/09
34-32-00- 1	10	JAN 20/09	34-33-01- 8	0D	JAN 20/09
34-32-00- 1	11	JAN 20/09	34-33-01- 8	1	JAN 20/09
34-32-00- 2	0	MAY 28/07	*34-33-01- 8	2	MAY 20/09
34-32-00- 2	1	JAN 20/09	*34-33-01- 8	3	MAY 20/09
34-32-00- 2	2	JAN 20/09	34-33-01- 8	4	JAN 20/09
34-32-00- 2	3	JAN 20/09	34-33-01- 8	5	JAN 20/09
34-32-00- 2	4	JAN 20/09	34-33-01- 8	6	JAN 20/09
34-32-00- 2	5	JAN 20/09	34-33-01- 8	7	JAN 20/09
34-32-00- 2	6	JAN 20/09	34-33-01- 8	8	JAN 20/09
34-32-00- 2	7	JAN 20/09	34-33-01- 8	9	JAN 20/09
34-32-00- 2	8	JAN 20/09	34-33-02- 1	0	MAY 28/07
34-32-00- 2	9	JAN 20/09	34-33-02- 1	1	JAN 20/09
34-32-00- 2	10	JAN 20/09	34-33-02- 1	2	JAN 20/09
34-32-00- 2	11	JAN 20/09	34-33-02- 1	3	JAN 20/09
34-32-00- 2	12	JAN 20/09	34-33-02- 1	4	JAN 20/09
34-32-00- 2	13	JAN 20/09	34-33-02- 1	5	JAN 20/09
34-32-00- 2	14	JAN 20/09	34-33-02- 1	6	JAN 20/09
34-32-00- 2	15	JAN 20/09	34-43-00	1	MAY 28/07
34-32-00- 2	16	JAN 20/09	34-43-01- 1	0	JAN 20/09
34-32-00- 2	17	JAN 20/09	34-43-01- 1	0A	MAY 28/07
34-32-01- 1	0	MAY 28/07	34-43-01- 1	0B	JAN 20/09
34-32-01- 1	1	JAN 20/09	34-43-01- 1	1	JAN 20/09
34-32-01- 1	2	JAN 20/09	*34-43-01- 1	2	MAY 20/09
34-33-00	1	MAY 28/07	*34-43-01- 1	3	MAY 20/09
34-33-01- 1	0	MAY 28/07	*34-43-01- 1	4	MAY 20/09
34-33-01- 1	0A	MAY 28/07	34-43-01- 1	5	JAN 20/09
34-33-01- 1	0B	SEP 28/07	34-43-01- 1	6	JAN 20/09
34-33-01- 1	0C	MAY 28/07	*34-43-01- 1	7	MAY 20/09
34-33-01- 1	1	JAN 20/09	34-43-01- 1	8	JAN 20/09
*34-33-01- 1	2	MAY 20/09	*34-43-01- 1	9	MAY 20/09
*34-33-01- 1	3	MAY 20/09	*34-43-01- 1	10	MAY 20/09
*34-33-01- 1	4	MAY 20/09	*34-43-01- 1	11	MAY 20/09
*34-33-01- 1	5	MAY 20/09	*34-43-01- 1	12	MAY 20/09
*34-33-01- 1	6	MAY 20/09	34-43-01- 1	13	JAN 20/09
*34-33-01- 1	7	MAY 20/09	34-43-01- 2	0	JAN 20/09
*34-33-01- 1	8	MAY 20/09	34-43-01- 2	0A	JAN 20/09
*34-33-01- 1	9	MAY 20/09	34-43-01- 2	0B	JAN 20/09
*34-33-01- 1	10	MAY 20/09	34-43-01- 2	0C	JAN 20/09
*34-33-01- 1	11	MAY 20/09	34-43-01- 2	1	JAN 20/09
34-33-01- 1	12	JAN 20/09	*34-43-01- 2	2	MAY 20/09
34-33-01- 1	13	JAN 20/09	*34-43-01- 2	3	MAY 20/09
34-33-01- 1B	0	MAY 28/07	*34-43-01- 2	4	MAY 20/09
34-33-01- 1B	0A	MAY 28/07	*34-43-01- 2	5	MAY 20/09
34-33-01- 1B	0B	MAY 28/07	34-43-01- 2	6	JAN 20/09
*34-33-01- 1B	1	MAY 20/09	34-43-01- 3	0	JAN 20/09
*34-33-01- 1B	2	MAY 20/09	34-43-01- 3	1	JAN 20/09
34-33-01- 1B	3	JAN 20/09	34-43-01- 3	2	JAN 20/09
34-33-01- 8	0	JAN 20/09	34-43-02- 1	0	SEP 20/08

\* THE ASTERISK INDICATES PAGES CHANGED OR ADDED BY THE CURRENT REVISION

BRI  
MAY 20/09

34 - LIST OF EFFECTIVE PAGES  
PAGE 12



757

PARTS CATALOG (MAINTENANCE)

CH-SECT-UNIT-FIG	PAGE NO.	DATE	CH-SECT-UNIT-FIG	PAGE NO.	DATE
34-43-02- 1	0A	MAY 28/07	*34-43-03- 2	12	MAY 20/09
34-43-02- 1	0B	MAY 28/07	*34-43-03- 2	13	MAY 20/09
34-43-02- 1	0C	MAY 28/07	*34-43-03- 2	14	MAY 20/09
34-43-02- 1	0D	MAY 28/07	*34-43-03- 2	15	MAY 20/09
34-43-02- 1	0E	MAY 28/07	34-45-00	1	MAY 28/07
*34-43-02- 1	1	MAY 20/09	34-45-02- 1	0	JAN 20/08
*34-43-02- 1	2	MAY 20/09	34-45-02- 1	0A	MAY 28/07
*34-43-02- 1	3	MAY 20/09	34-45-02- 1	0B	MAY 28/07
*34-43-02- 1	4	MAY 20/09	34-45-02- 1	0C	JAN 20/08
*34-43-02- 1	5	MAY 20/09	34-45-02- 1	1	JAN 20/09
*34-43-02- 1	6	MAY 20/09	*34-45-02- 1	2	MAY 20/09
34-43-02- 1	7	JAN 20/09	*34-45-02- 1	3	MAY 20/09
*34-43-02- 1	8	MAY 20/09	34-45-02- 1	4	JAN 20/09
*34-43-02- 1	9	MAY 20/09	34-45-02- 1	5	JAN 20/09
34-43-02- 2	0	MAY 28/07	34-45-02- 1	6	JAN 20/09
34-43-02- 2	0A	MAY 28/07	34-45-02- 1	7	JAN 20/09
34-43-02- 2	0B	MAY 28/07	34-45-02- 1	8	JAN 20/09
34-43-02- 2	0C	MAY 28/07	34-45-02- 1	9	JAN 20/09
34-43-02- 2	0D	MAY 28/07	34-45-02- 1	10	JAN 20/09
34-43-02- 2	0E	MAY 28/07	34-45-02- 1	11	JAN 20/09
34-43-02- 2	1	JAN 20/09	34-45-02- 1	12	JAN 20/09
*34-43-02- 2	2	MAY 20/09	34-45-02- 1	13	JAN 20/09
*34-43-02- 2	3	MAY 20/09	34-45-02- 1	14	JAN 20/09
34-43-02- 2	4	JAN 20/09	34-45-51- 1	0	MAY 28/07
*34-43-02- 2	5	MAY 20/09	34-45-51- 1	0A	MAY 28/07
34-43-02- 2	6	JAN 20/09	*34-45-51- 1	1	MAY 20/09
34-43-02- 2	7	JAN 20/09	*34-45-51- 1	2	MAY 20/09
34-43-03- 1	0	MAY 28/07	*34-45-51- 1	3	MAY 20/09
34-43-03- 1	1	JAN 20/09	*34-45-51- 1	4	MAY 20/09
34-43-03- 1	2	JAN 20/09	34-45-51- 1	5	JAN 20/09
34-43-03- 1	3	JAN 20/09	34-45-51- 1	6	JAN 20/09
34-43-03- 1	4	JAN 20/09	34-45-51- 1	7	JAN 20/09
34-43-03- 1	5	JAN 20/09	34-45-51- 1	8	JAN 20/09
34-43-03- 1A	0	JAN 20/09	34-45-51- 1	9	JAN 20/09
34-43-03- 1A	0A	JAN 20/09	34-45-51- 1B	0	MAY 28/07
34-43-03- 1A	1	JAN 20/09	*34-45-51- 1B	1	MAY 20/09
34-43-03- 1A	2	JAN 20/09	*34-45-51- 1B	2	MAY 20/09
34-43-03- 1A	3	JAN 20/09	*34-45-51- 1B	3	MAY 20/09
34-43-03- 2	0	MAY 28/07	34-45-51- 1B	4	JAN 20/09
34-43-03- 2	0A	MAY 28/07	34-45-51- 8	0	JAN 20/09
34-43-03- 2	1	JAN 20/09	34-45-51- 8	0A	JAN 20/09
*34-43-03- 2	2	MAY 20/09	34-45-51- 8	1	JAN 20/09
*34-43-03- 2	3	MAY 20/09	34-45-51- 8	2	JAN 20/09
*34-43-03- 2	4	MAY 20/09	34-45-51- 8	3	JAN 20/09
*34-43-03- 2	5	MAY 20/09	34-46-00	1	MAY 28/07
*34-43-03- 2	6	MAY 20/09	34-46-01- 1	0	MAY 28/07
*34-43-03- 2	7	MAY 20/09	34-46-01- 1	0A	MAY 28/07
*34-43-03- 2	8	MAY 20/09	34-46-01- 1	0B	MAY 28/07
*34-43-03- 2	9	MAY 20/09	34-46-01- 1	1	JAN 20/09
*34-43-03- 2	10	MAY 20/09	34-46-01- 1	2	JAN 20/09
*34-43-03- 2	11	MAY 20/09	34-46-01- 1	3	JAN 20/09

\* THE ASTERISK INDICATES PAGES CHANGED OR ADDED BY THE CURRENT REVISION





**757**  
**PARTS CATALOG (MAINTENANCE)**

CH-SECT-UNIT-FIG	PAGE NO.	DATE
34-46-01- 1	4	JAN 20/09
34-46-01- 1	5	JAN 20/09
34-46-01- 1	6	JAN 20/09
34-46-01- 1	7	JAN 20/09
34-46-01- 1	8	JAN 20/09
34-46-01- 1	9	JAN 20/09
34-46-01- 1	10	JAN 20/09
34-46-01- 1	11	JAN 20/09
34-46-01- 1	12	JAN 20/09
34-46-01- 1	13	JAN 20/09
34-46-01- 1	14	JAN 20/09
34-46-01- 1	15	JAN 20/09
34-46-01- 1	16	JAN 20/09
34-46-01- 1	17	JAN 20/09
34-46-01- 1	18	JAN 20/09
34-46-01- 1	19	JAN 20/09
34-46-01- 1B	0	MAY 28/07
34-46-01- 1B	0A	MAY 28/07
34-46-01- 1B	0B	MAY 28/07
34-46-01- 1B	1	JAN 20/09
34-46-01- 1B	2	JAN 20/09
34-46-01- 1B	3	JAN 20/09
34-46-01- 1B	4	JAN 20/09
34-46-01- 1B	5	MAY 28/07
34-46-01- 1B	6	MAY 28/07
34-46-01- 1B	7	JAN 20/09
34-46-01- 1B	8	JAN 20/09
34-46-01- 8	0	JAN 20/09
34-46-01- 8	0A	JAN 20/09
34-46-01- 8	1	JAN 20/09
34-46-01- 8	2	JAN 20/09
34-46-01- 8	3	JAN 20/09
34-46-01- 8	4	JAN 20/09
34-46-01- 8	5	JAN 20/09
34-46-51- 1	0	MAY 28/07
34-46-51- 1	1	JAN 20/09
34-46-51- 1	2	JAN 20/09
34-46-51- 1	3	JAN 20/09
34-46-51- 1	4	JAN 20/09
34-46-51- 1	5	JAN 20/09
34-46-51- 1	6	JAN 20/09
34-46-51- 1	7	JAN 20/09
34-46-51- 1	8	JAN 20/09
34-46-51- 1	9	JAN 20/09
34-46-51- 1	10	JAN 20/09
34-46-51- 1A	0	JAN 20/09
34-46-51- 1A	1	JAN 20/09
34-46-51- 1A	2	JAN 20/09
34-46-51- 1A	3	JAN 20/09
34-46-51- 2	0	MAY 28/07
34-46-51- 2	1	JAN 20/09

CH-SECT-UNIT-FIG	PAGE NO.	DATE
34-46-51- 2	2	JAN 20/09
34-46-51- 2	3	JAN 20/09
34-46-51- 2	4	JAN 20/09
34-46-51- 2	5	JAN 20/09
34-46-51- 2	6	JAN 20/09
34-46-51- 2	7	JAN 20/09
34-46-51- 2	8	JAN 20/09
34-46-51- 2	9	JAN 20/09
34-46-51- 2	10	JAN 20/09
34-46-51- 2	11	JAN 20/09
34-46-51- 2	12	JAN 20/09
34-46-51- 2	13	JAN 20/09
34-46-51- 2	14	JAN 20/09
34-46-51- 2	15	JAN 20/09
34-46-51- 2	16	JAN 20/09
34-46-51- 2	17	JAN 20/09
34-46-51- 2	18	JAN 20/09
34-46-51- 2	19	JAN 20/09
34-46-51- 2	20	JAN 20/09
34-46-51- 2	21	JAN 20/09
34-46-51- 2	22	JAN 20/09
34-46-51- 2	23	JAN 20/09
34-46-51- 2	24	JAN 20/09
34-46-51- 3B	0	JAN 20/08
34-46-51- 3B	1	JAN 20/09
34-46-51- 3B	2	JAN 20/09
34-46-51- 5	0	MAY 28/07
34-46-51- 5	1	JAN 20/09
34-46-51- 5	2	JAN 20/09
34-46-51- 5	3	JAN 20/09
34-46-51- 5	4	JAN 20/09
34-46-51- 6	0	JAN 20/09
34-46-51- 6	1	JAN 20/09
34-46-51- 6	2	JAN 20/09
34-46-51- 6	3	JAN 20/09
34-51-00	1	MAY 28/07
34-51-01- 1	0	JAN 20/09
34-51-01- 1	0A	JAN 20/09
34-51-01- 1	1	JAN 20/09
*34-51-01- 1	2	MAY 20/09
34-51-01- 1	3	JAN 20/09
*34-51-01- 1	4	MAY 20/09
*34-51-01- 1	5	MAY 20/09
*34-51-01- 1	6	MAY 20/09
*34-51-01- 1	7	MAY 20/09
*34-51-01- 1	8	MAY 20/09
34-51-01- 1	9	JAN 20/09
34-51-01- 1	10	JAN 20/09
34-51-01- 1	11	JAN 20/09
*34-51-01- 1	12	MAY 20/09
*34-51-01- 1	13	MAY 20/09

\* THE ASTERISK INDICATES PAGES CHANGED OR ADDED BY THE CURRENT REVISION



757

PARTS CATALOG (MAINTENANCE)

CH-SECT-UNIT-FIG	PAGE NO.	DATE
34-51-01- 1B	0	MAY 28/07
*34-51-01- 1B	1	MAY 20/09
34-51-01- 1B	2	MAY 28/07
34-51-01- 8	0	JAN 20/09
34-51-01- 8	0A	JAN 20/09
*34-51-01- 8	1	MAY 20/09
*34-51-01- 8	2	MAY 20/09
*34-51-01- 8	3	MAY 20/09
*34-51-01- 8	4	MAY 20/09
*34-51-01- 8	5	MAY 20/09
34-51-02- 1	0	MAY 28/07
34-51-02- 1	0A	MAY 28/07
34-51-02- 1	0B	MAY 28/07
34-51-02- 1	0C	MAY 28/07
34-51-02- 1	0D	MAY 28/07
34-51-02- 1	0E	MAY 28/07
34-51-02- 1	1	JAN 20/09
34-51-02- 1	2	JAN 20/09
34-51-02- 1	3	JAN 20/09
34-51-02- 1	4	JAN 20/09
34-51-02- 1	5	JAN 20/09
34-51-02- 1	6	JAN 20/09
34-51-02- 1	7	JAN 20/09
34-51-02- 1	8	JAN 20/09
34-51-02- 1	9	JAN 20/09
*34-51-02- 1	10	MAY 20/09
*34-51-02- 1	11	MAY 20/09
34-51-02- 1	12	JAN 20/09
34-51-02- 1	13	JAN 20/09
34-51-02- 1	14	JAN 20/09
34-51-02- 1	15	JAN 20/09
34-51-02- 1	16	JAN 20/09
34-51-02- 1	17	JAN 20/09
34-51-02- 1	18	JAN 20/09
34-51-02- 1	19	JAN 20/09
34-51-02- 1	20	JAN 20/09
34-51-02- 1	21	JAN 20/09
34-51-02- 1	22	JAN 20/09
34-51-02- 1	23	JAN 20/09
34-51-02- 1	24	JAN 20/09
34-51-02- 1	25	JAN 20/09
34-51-02- 1	26	JAN 20/09
34-51-02- 1	27	JAN 20/09
34-51-02- 1	28	JAN 20/09
34-51-02- 1	29	JAN 20/09
34-51-02- 1	30	JAN 20/09
34-51-02- 1	0	MAY 28/07
34-51-02- 1	1	JAN 20/09
34-51-02- 1	2	JAN 20/09
34-51-02- 1	3	JAN 20/09
34-51-02- 1	4	JAN 20/09
34-51-02- 1	5	JAN 20/09
34-51-02- 1	6	JAN 20/09
34-51-02- 1	7	JAN 20/09
34-51-02- 1	8	JAN 20/09
34-51-02- 1	9	JAN 20/09
34-51-02- 1	10	JAN 20/09
34-51-02- 1	11	JAN 20/09
34-51-02- 1	12	JAN 20/09
34-51-02- 2	0	MAY 28/07
34-51-02- 2	0A	MAY 28/07
34-51-02- 2	0B	MAY 28/07
34-51-02- 2	0C	MAY 28/07
34-51-02- 2	0D	MAY 28/07
34-51-02- 2	0E	MAY 28/07

CH-SECT-UNIT-FIG	PAGE NO.	DATE
34-51-02- 2	1	JAN 20/09
34-51-02- 2	2	JAN 20/09
34-51-02- 2	3	JAN 20/09
*34-51-02- 2	4	MAY 20/09
*34-51-02- 2	5	MAY 20/09
34-51-02- 2	6	JAN 20/09
34-51-02- 2	7	JAN 20/09
34-51-02- 2	8	JAN 20/09
34-51-02- 2	9	JAN 20/09
34-51-02- 2	10	JAN 20/09
34-51-02- 2	11	JAN 20/09
34-51-02- 2	12	JAN 20/09
34-51-02- 2	13	JAN 20/09
34-51-02- 2	14	JAN 20/09
34-51-02- 2	15	JAN 20/09
34-51-02- 2	16	JAN 20/09
34-51-02- 2	17	JAN 20/09
34-51-02- 2	18	JAN 20/09
34-51-02- 2	19	JAN 20/09
34-51-02- 2	20	JAN 20/09
34-51-02- 2	21	JAN 20/09
34-51-02- 2	22	JAN 20/09
34-51-02- 2	23	JAN 20/09
34-51-02- 2	24	JAN 20/09
34-51-02- 2	25	JAN 20/09
34-51-02- 2	26	JAN 20/09
34-51-02- 2	27	JAN 20/09
34-51-02- 2	28	JAN 20/09
34-51-02- 2	29	JAN 20/09
34-51-02- 2	30	JAN 20/09
34-51-03- 1	0	MAY 28/07
34-51-03- 1	1	JAN 20/09
34-51-03- 1	2	JAN 20/09
34-51-03- 1	3	JAN 20/09
34-53-00	1	MAY 28/07
34-53-01- 1	0	MAY 28/07
34-53-01- 1	0A	MAY 28/07
34-53-01- 1	0B	MAY 28/07
34-53-01- 1	0C	MAY 28/07
34-53-01- 1	1	JAN 20/09
*34-53-01- 1	2	MAY 20/09
34-53-01- 1	3	JAN 20/09
34-53-01- 1	4	JAN 20/09
34-53-01- 1	5	JAN 20/09
*34-53-01- 1	6	MAY 20/09
*34-53-01- 1	7	MAY 20/09
34-53-01- 1	8	JAN 20/09
34-53-01- 1	9	JAN 20/09
34-53-01- 1	10	JAN 20/09
34-53-01- 1	11	JAN 20/09
34-53-01- 1	12	JAN 20/09

\* THE ASTERISK INDICATES PAGES CHANGED OR ADDED BY THE CURRENT REVISION



757

PARTS CATALOG (MAINTENANCE)

CH-SECT-UNIT-FIG	PAGE NO.	DATE
34-53-01- 1	13	JAN 20/09
34-53-01- 1B	0	MAY 28/07
34-53-01- 1B	0A	MAY 28/07
34-53-01- 1B	0B	MAY 28/07
34-53-01- 1B	0C	MAY 28/07
*34-53-01- 1B	1	MAY 20/09
*34-53-01- 1B	2	MAY 20/09
*34-53-01- 1B	3	MAY 20/09
*34-53-01- 1B	4	MAY 20/09
34-53-01-18	0	JAN 20/09
34-53-01-18	0A	JAN 20/09
34-53-01-18	0B	JAN 20/09
*34-53-01-18	1	MAY 20/09
*34-53-01-18	2	MAY 20/09
34-53-01-18	3	JAN 20/09
34-53-01-18	4	JAN 20/09
34-53-01-18	5	JAN 20/09
34-53-01-18	6	JAN 20/09
34-53-02- 1	0	JAN 20/09
34-53-02- 1	1	JAN 20/09
*34-53-02- 1	2	MAY 20/09
*34-53-02- 1	3	MAY 20/09
*34-53-02- 1	4	MAY 20/09
34-53-02- 1	5	JAN 20/09
34-53-02- 1	6	JAN 20/09
34-53-02- 2	0	MAY 28/07
34-53-02- 2	0A	MAY 28/07
*34-53-02- 2	1	MAY 20/09
34-53-02- 2	2	JAN 20/09
*34-53-02- 2	3	MAY 20/09
*34-53-02- 2	4	MAY 20/09
*34-53-02- 2	5	MAY 20/09
34-53-02-50A	0	JAN 20/09
34-53-02-50A	0A	JAN 20/09
*34-53-02-50A	1	MAY 20/09
34-53-02-50A	2	JAN 20/09
34-53-02-50A	3	JAN 20/09
34-53-02-50A	4	JAN 20/09
34-53-02-50D	0	JAN 20/09
34-53-02-50D	0A	JAN 20/09
*34-53-02-50D	1	MAY 20/09
*34-53-02-50D	2	MAY 20/09
34-53-02-50E	0	JAN 20/09
*34-53-02-50E	1	MAY 20/09
34-53-02-50G	0	JAN 20/09
*34-53-02-50G	1	MAY 20/09
34-53-02-50G	2	JAN 20/09
34-53-02-50J	0	MAY 28/07
34-53-02-50J	0A	MAY 28/07
34-53-02-50J	0B	MAY 28/07
*34-53-02-50J	1	MAY 20/09

CH-SECT-UNIT-FIG	PAGE NO.	DATE
*34-53-02-50J	2	MAY 20/09
*34-53-02-50J	3	MAY 20/09
34-53-03- 1	0	MAY 28/07
34-53-03- 1	0A	MAY 28/07
34-53-03- 1	0B	MAY 28/07
34-53-03- 1	1	JAN 20/09
34-53-03- 1	2	JAN 20/09
34-53-03- 1	3	JAN 20/09
34-53-03- 1	4	JAN 20/09
34-53-03- 1	5	JAN 20/09
34-53-03- 2	0	MAY 28/07
34-53-03- 2	1	JAN 20/09
34-53-03- 2	2	JAN 20/09
34-53-03- 2	3	JAN 20/09
34-53-03- 2	4	JAN 20/09
34-53-03- 2	5	JAN 20/09
34-53-03- 2	6	JAN 20/09
34-55-00	1	MAY 28/07
34-55-01- 1	0	MAY 28/07
34-55-01- 1	0A	MAY 28/07
34-55-01- 1	0B	MAY 28/07
34-55-01- 1	1	JAN 20/09
*34-55-01- 1	2	MAY 20/09
*34-55-01- 1	3	MAY 20/09
*34-55-01- 1	4	MAY 20/09
*34-55-01- 1	5	MAY 20/09
*34-55-01- 1	6	MAY 20/09
*34-55-01- 1	7	MAY 20/09
*34-55-01- 1	8	MAY 20/09
*34-55-01- 1	9	MAY 20/09
*34-55-01- 1	10	MAY 20/09
*34-55-01- 1	11	MAY 20/09
34-55-01- 1B	0	MAY 28/07
34-55-01- 1B	0A	MAY 28/07
34-55-01- 1B	0B	MAY 28/07
*34-55-01- 1B	1	MAY 20/09
34-55-01- 1B	2	JAN 20/09
34-55-01- 1B	3	JAN 20/09
34-55-01- 8	0	JAN 20/09
34-55-01- 8	0A	JAN 20/09
*34-55-01- 8	1	MAY 20/09
*34-55-01- 8	2	MAY 20/09
*34-55-01- 8	3	MAY 20/09
*34-55-01- 8	4	MAY 20/09
*34-55-01- 8	5	MAY 20/09
*34-55-01- 8	6	MAY 20/09
*34-55-01- 8	7	MAY 20/09
*34-55-01- 8	8	MAY 20/09
34-55-02- 1	0	MAY 28/07
34-55-02- 1	1	JAN 20/09
34-55-02- 1	2	JAN 20/09

\* THE ASTERISK INDICATES PAGES CHANGED OR ADDED BY THE CURRENT REVISION



**757**  
**PARTS CATALOG (MAINTENANCE)**

CH-SECT-UNIT-FIG	PAGE NO.	DATE
34-55-03- 1	0	JAN 20/09
34-55-03- 1	0A	JAN 20/09
34-55-03- 1	0B	JAN 20/09
34-55-03- 1	1	JAN 20/09
34-55-03- 1	2	JAN 20/09
34-55-03- 1	3	JAN 20/09
34-55-03- 1	4	JAN 20/09
34-55-03- 2	0	JAN 20/08
34-55-03- 2	1	JAN 20/09
34-55-03- 2	2	JAN 20/09
34-55-03- 2	3	JAN 20/09
34-57-00	1	MAY 28/07
34-57-00- 1	0	MAY 20/08
34-57-00- 1	0A	MAY 28/07
34-57-00- 1	0B	MAY 20/08
34-57-00- 1	1	JAN 20/09
34-57-00- 1	2	JAN 20/09
34-57-00- 1	3	JAN 20/09
34-57-00- 1	4	JAN 20/09
34-57-00- 1	5	JAN 20/09
34-57-00- 1	6	JAN 20/09
34-57-01- 1	0	MAY 28/07
34-57-01- 1	0A	MAY 28/07
34-57-01- 1	0B	MAY 28/07
*34-57-01- 1	1	MAY 20/09
*34-57-01- 1	2	MAY 20/09
*34-57-01- 1	3	MAY 20/09
*34-57-01- 1	4	MAY 20/09
*34-57-01- 1	5	MAY 20/09
34-57-01- 1	6	JAN 20/09
34-57-01- 1	7	JAN 20/09
34-57-01- 1	8	JAN 20/09
34-57-01- 1	9	JAN 20/09
34-57-01- 1	10	JAN 20/09
34-57-01- 1	11	JAN 20/09
34-57-01- 5	0	JAN 20/09
34-57-01- 5	0A	JAN 20/09
34-57-01- 5	0B	JAN 20/09
34-57-01- 5	1	JAN 20/09
34-57-01- 5	2	JAN 20/09
34-57-01- 5	3	JAN 20/09
34-57-01- 5	3	JAN 20/09
34-57-01- 6	0	JAN 20/09
34-57-01- 6	0A	JAN 20/09
34-57-01- 6	0B	JAN 20/09
34-57-01- 6	1	JAN 20/09
34-57-01- 6	2	JAN 20/09
34-57-01- 6	3	JAN 20/09
34-57-01- 7	0	JAN 20/09
34-57-01- 7	0A	JAN 20/09
34-57-01- 7	1	JAN 20/09
34-57-01-50	0	JAN 20/09

CH-SECT-UNIT-FIG	PAGE NO.	DATE
34-57-01-50	0A	JAN 20/09
34-57-01-50	0B	JAN 20/09
*34-57-01-50	1	MAY 20/09
34-57-01-50	2	JAN 20/09
34-57-01-50	3	JAN 20/09
34-57-01-50	4	JAN 20/09
34-57-01-50	5	JAN 20/09
34-57-01-50	6	JAN 20/09
34-57-01-50	7	JAN 20/09
34-57-01-50	8	JAN 20/09
34-57-02- 1	0	JAN 20/09
34-57-02- 1	0A	JAN 20/09
34-57-02- 1	0B	JAN 20/09
34-57-02- 1	0C	JAN 20/09
34-57-02- 1	0D	JAN 20/09
34-57-02- 1	0E	JAN 20/09
34-57-02- 1	0F	JAN 20/09
34-57-02- 1	0G	JAN 20/09
34-57-02- 1	0H	JAN 20/09
34-57-02- 1	1	JAN 20/09
34-57-02- 1	2	JAN 20/09
34-57-02- 1	3	JAN 20/09
34-57-02- 2	0	MAY 28/07
34-57-02- 2	0A	SEP 28/07
34-57-02- 2	0B	MAY 28/07
*34-57-02- 2	1	MAY 20/09
*34-57-02- 2	2	MAY 20/09
34-57-02- 2	3	JAN 20/09
*34-57-02- 2	4	MAY 20/09
34-57-02- 2	5	JAN 20/09
34-57-02- 2	6	JAN 20/09
34-57-02- 2	7	JAN 20/09
34-57-02- 3	0	JAN 20/09
34-57-02- 3	0A	MAY 28/07
34-57-02- 3	0B	MAY 28/07
34-57-02- 3	0C	MAY 28/07
34-57-02- 3	0D	MAY 28/07
34-57-02- 3	1	JAN 20/09
34-57-02- 3	2	JAN 20/09
34-57-02- 3	3	JAN 20/09
34-57-02- 3	4	JAN 20/09
34-57-02- 3	5	JAN 20/09
34-57-02- 3	6	JAN 20/09
*34-57-02- 3	7	MAY 20/09
34-57-02- 3	8	JAN 20/09
34-57-03- 1	0	MAY 28/07
34-57-03- 1	1	JAN 20/09
*34-57-03- 1	2	MAY 20/09
*34-57-03- 1	3	MAY 20/09
*34-57-03- 1	4	MAY 20/09
*34-57-03- 1	5	MAY 20/09

\* THE ASTERISK INDICATES PAGES CHANGED OR ADDED BY THE CURRENT REVISION



**757**  
**PARTS CATALOG (MAINTENANCE)**

CH-SECT-UNIT-FIG	PAGE NO.	DATE	CH-SECT-UNIT-FIG	PAGE NO.	DATE
34-57-03- 1	6	JAN 20/09	34-61-01- 1A	0B	JAN 20/08
34-57-03- 1	7	JAN 20/09	34-61-01- 1A	1	JAN 20/09
34-57-03- 1	8	JAN 20/09	34-61-01- 1A	2	JAN 20/09
34-57-03- 1	9	JAN 20/09	34-61-01- 1A	3	JAN 20/09
34-57-03- 1	10	JAN 20/09	34-61-01- 1A	4	JAN 20/09
34-57-03- 1	11	JAN 20/09	34-61-01- 1A	5	JAN 20/09
*34-57-03- 1	12	MAY 20/09	34-61-01- 1A	6	JAN 20/09
*34-57-03- 1	13	MAY 20/09	34-61-01- 1A	7	JAN 20/09
*34-57-03- 1	14	MAY 20/09	34-61-01- 1A	8	JAN 20/09
*34-57-03- 1	15	MAY 20/09	34-61-01- 1A	9	JAN 20/09
34-57-03- 1A	0	MAY 28/07	34-61-01- 1A	10	JAN 20/09
34-57-03- 1A	1	JAN 20/09	34-61-01- 1A	11	JAN 20/09
34-57-03- 1A	2	JAN 20/09	34-61-01- 1A	12	JAN 20/09
34-57-03- 1A	3	JAN 20/09	34-61-01- 1A	13	JAN 20/09
34-57-03- 1A	4	JAN 20/09	34-61-01- 1A	14	JAN 20/09
34-57-03- 1A	5	JAN 20/09	34-61-01- 1A	15	JAN 20/09
34-57-03- 1A	6	JAN 20/09	34-61-01- 1A	16	JAN 20/09
34-57-03- 1A	7	JAN 20/09	34-61-01- 1A	17	JAN 20/09
34-57-03- 1A	8	JAN 20/09	*34-61-01- 1A	18	MAY 20/09
34-57-03- 1A	9	JAN 20/09	*34-61-01- 1A	19	MAY 20/09
34-57-03- 1A	10	JAN 20/09	*34-61-01- 1A	20	MAY 20/09
34-57-03- 1A	11	JAN 20/09	*34-61-01- 1A	21	MAY 20/09
34-57-03- 1A	12	JAN 20/09	*34-61-01- 1A	22	MAY 20/09
34-57-03- 1A	13	JAN 20/09	*34-61-01- 1A	23	MAY 20/09
34-57-03- 1A	14	JAN 20/09	34-61-01- 1B	0	MAY 28/07
34-57-03- 1A	15	JAN 20/09	34-61-01- 1B	0A	MAY 28/07
34-57-03- 1A	16	JAN 20/09	34-61-01- 1B	1	JAN 20/09
34-57-03- 1A	17	JAN 20/09	34-61-01- 1B	2	JAN 20/09
34-58-00	1	MAY 28/07	34-61-01- 1B	3	JAN 20/09
34-58-01- 1	0	MAY 20/08	34-61-01- 1B	4	JAN 20/09
34-58-01- 1	0A	MAY 28/07	34-61-01- 1B	5	JAN 20/09
34-58-01- 1	0B	MAY 28/07	34-61-01- 1B	6	JAN 20/09
34-58-01- 1	0C	MAY 20/08	34-61-01- 1B	7	JAN 20/09
34-58-01- 1	0D	MAY 20/08	34-61-01- 1B	8	JAN 20/09
34-58-01- 1	0E	MAY 20/08	34-61-01- 1B	9	JAN 20/09
34-58-01- 1	0F	MAY 20/08	34-61-01- 1B	10	JAN 20/09
34-58-01- 1	1	JAN 20/09	34-61-01- 7	0	MAY 28/07
34-58-01- 1	2	JAN 20/09	34-61-01- 7	1	JAN 20/09
*34-58-01- 1	3	MAY 20/09	34-61-01- 7	2	JAN 20/09
34-61-00	1	MAY 28/07	34-61-01- 7	3	JAN 20/09
34-61-01- 1	0	MAY 28/07	34-61-01- 7	4	JAN 20/09
34-61-01- 1	0A	MAY 28/07	34-61-01- 7	5	JAN 20/09
34-61-01- 1	0B	MAY 28/07	34-61-01- 7	6	JAN 20/09
34-61-01- 1	1	JAN 20/09	34-61-01- 7	0	JAN 20/09
34-61-01- 1	2	JAN 20/09	34-61-01- 8	0A	JAN 20/09
34-61-01- 1	3	JAN 20/09	34-61-01- 8	1	JAN 20/09
34-61-01- 1	4	JAN 20/09	34-61-01- 8	2	JAN 20/09
34-61-01- 1	5	JAN 20/09	34-61-01- 8	3	JAN 20/09
34-61-01- 1	6	JAN 20/09	34-61-01- 8	4	JAN 20/09
34-61-01- 1A	0	JAN 20/08	34-61-01- 8	5	JAN 20/09
34-61-01- 1A	0A	JAN 20/08	34-61-01- 8	6	JAN 20/09

\* THE ASTERISK INDICATES PAGES CHANGED OR ADDED BY THE CURRENT REVISION



**757**  
**PARTS CATALOG (MAINTENANCE)**

CH-SECT-UNIT-FIG	PAGE NO.	DATE	CH-SECT-UNIT-FIG	PAGE NO.	DATE
34-61-01- 9	0	MAY 28/07	34-61-02-14	4	JAN 20/09
34-61-01- 9	1	JAN 20/09	34-61-02-15	0	JAN 20/08
34-61-01- 9	2	JAN 20/09	34-61-02-15	0A	MAY 28/07
34-61-01- 9	3	JAN 20/09	34-61-02-15	1	JAN 20/09
34-61-01-10	0	MAY 28/07	34-61-02-15	2	JAN 20/09
34-61-01-10	1	JAN 20/09	34-61-02-15	3	JAN 20/09
34-61-02- 1	0	MAY 28/07	34-61-02-15	4	JAN 20/09
34-61-02- 1	0A	MAY 28/07	34-61-02-15	5	JAN 20/09
34-61-02- 1	0B	MAY 28/07	34-61-02-15	6	JAN 20/09
34-61-02- 1	0C	MAY 28/07	34-61-02-15	7	JAN 20/09
34-61-02- 1	1	JAN 20/09	34-61-51- 1	0	MAY 28/07
34-61-02- 1	2	JAN 20/09	34-61-51- 1	0A	MAY 28/07
34-61-02- 1	3	JAN 20/09	34-61-51- 1	1	JAN 20/09
34-61-02- 1	4	JAN 20/09	34-61-51- 1	2	JAN 20/09
34-61-02- 1	5	JAN 20/09	34-61-52- 1	0	JAN 20/08
*34-61-02- 1	6	MAY 20/09	34-61-52- 1	0A	JAN 20/08
34-61-02- 1	7	JAN 20/09	34-61-52- 1	0B	JAN 20/08
34-61-02- 1	8	JAN 20/09	34-61-52- 1	0C	MAY 28/07
34-61-02- 1	9	JAN 20/09	34-61-52- 1	1	JAN 20/09
34-61-02- 1	10	JAN 20/09	34-61-52- 1	2	JAN 20/09
34-61-02- 1	11	JAN 20/09	34-61-52- 1	3	JAN 20/09
34-61-02- 1	12	JAN 20/09	34-61-52- 1	4	JAN 20/09
34-61-02- 2	0	MAY 28/07	34-61-52- 1	5	JAN 20/09
34-61-02- 2	1	JAN 20/09	34-61-52- 1A	0	JAN 20/09
34-61-02- 2	2	JAN 20/09	34-61-52- 1A	1	JAN 20/09
34-61-02- 2	3	JAN 20/09	34-61-52- 1A	2	JAN 20/09
34-61-02- 2	4	JAN 20/09	34-61-52- 1A	3	JAN 20/09
34-61-02- 2	5	JAN 20/09	34-61-52- 1B	0	MAY 28/07
34-61-02- 2	6	JAN 20/09	34-61-52- 1B	1	JAN 20/09
34-61-02- 2	7	JAN 20/09	34-61-52- 1B	2	JAN 20/09
34-61-02- 3	0	MAY 28/07	34-61-52- 1B	3	JAN 20/09
34-61-02- 3	0A	MAY 28/07	34-61-52- 1C	0	JAN 20/09
34-61-02- 3	0B	MAY 28/07	34-61-52- 1C	1	JAN 20/09
34-61-02- 3	0C	MAY 28/07	34-61-52- 1C	2	JAN 20/09
34-61-02- 3	0D	MAY 28/07	34-61-52- 1C	3	JAN 20/09
34-61-02- 3	0E	MAY 28/07	34-61-52- 1D	0	JAN 20/09
34-61-02- 3	1	JAN 20/09	34-61-52- 1D	1	JAN 20/09
34-61-02- 3	2	JAN 20/09	34-61-52- 1D	2	JAN 20/09
34-61-02- 3	3	JAN 20/09	34-61-52- 1D	3	JAN 20/09
34-61-02- 3	4	JAN 20/09	34-61-52- 1D	4	JAN 20/09
34-61-02- 3	5	JAN 20/09	34-61-52- 1D	5	JAN 20/09
34-61-02- 3	6	JAN 20/09	34-61-52- 1D	6	JAN 20/09
34-61-02- 3	7	JAN 20/09	34-61-52- 1D	7	JAN 20/09
34-61-02- 3	8	JAN 20/09	34-61-53- 3	0	MAY 28/07
34-61-02- 3	9	JAN 20/09	34-61-53- 3	0A	MAY 28/07
34-61-02- 3	10	JAN 20/09	34-61-53- 3	0B	MAY 28/07
34-61-02-14	0	MAY 20/08	34-61-53- 3	0C	MAY 28/07
34-61-02-14	0A	SEP 20/08	34-61-53- 3	1	JAN 20/09
34-61-02-14	1	JAN 20/09	34-61-53- 3	2	JAN 20/09
34-61-02-14	2	JAN 20/09	34-61-53- 3	3	JAN 20/09
34-61-02-14	3	JAN 20/09	34-61-53- 3	4	JAN 20/09

\* THE ASTERISK INDICATES PAGES CHANGED OR ADDED BY THE CURRENT REVISION



**BOEING**  
757  
PARTS CATALOG (MAINTENANCE)

CH-SECT-UNIT-FIG	PAGE NO.	DATE
34-61-53- 3	5	JAN 20/09
34-61-53- 3	6	JAN 20/09

CH-SECT-UNIT-FIG	PAGE NO.	DATE
------------------	----------	------

\* THE ASTERISK INDICATES PAGES CHANGED OR ADDED BY THE CURRENT REVISION

BRI  
MAY 20/09

34 - LIST OF EFFECTIVE PAGES  
PAGE 20



**BOEING**  
757  
PARTS CATALOG (MAINTENANCE)

CHAPTER 34 — NAVIGATION

TABLE OF CONTENTS

SUBJECT	CC-SS-UU	FIGURE	EFFECT
PITOT - STATIC SYSTEM	34-11-00		
BRACKET INSTL-PITOT STATIC TUBING	34-11-51	09	101106 108120 504903
BRACKET INSTL-PITOT STATIC TUBING	34-11-51	11	101106 108120 504903
MODULE AND BRACKET INSTL AIR DATA SPRT SYS/ PRIMARY AND AUX 2	34-11-00	01	103106
MODULE AND BRACKET INSTL-AIR DATA SPRT SYS	34-11-00	01A	103106
MODULE-AIR DATA	34-11-51	55	103106
PITOT STATIC INSTL-TUBING	34-11-51	04A	101106 108120 504903
PORT INSTL-STATIC PRESSURE	34-11-03	01	002004 006999
PORT INSTL-STATIC PRESSURE (PITOT STATIC SYSTEM ONLY)	34-11-03	05	002004 006999
SENSOR INSTL-PITOT	34-11-01	01	002004 006102 107999
SENSOR INSTL-PITOT	34-11-01	02	103106
TUBING INSTL-ELECTRONICS RACK PITOT STATIC	34-11-51	10	002004 006100 107107 121503 904999
TUBING INSTL-PITOT STATIC ELECTRONICS RACK	34-11-51	10A	101106 108120 504903
TUBING INSTL-PITOT STATIC STA 199 TO STA 440 LEFT SIDE ONLY	34-11-51	06C	101106 108120 504903
TUBING INSTL-PITOT STATIC STA 199 TO STA 440 RIGHT SIDE ONLY	34-11-51	06D	101106 108120 504903



**BOEING**  
757  
PARTS CATALOG (MAINTENANCE)

CHAPTER 34 — NAVIGATION

TABLE OF CONTENTS

SUBJECT	CC-SS-UU	FIGURE	EFFECT
TUBING INSTL-PITOT STATIC STA 199 TO 440	34-11-51	06	002004 006100 107107 121503 904999
TUBING INSTL-PITOT STATIC STA 440 TO 660	34-11-51	07	002004 006100 107107 121503 904999
TUBING INSTL-PITOT STATIC STA 440 TO 660	34-11-51	07B	101106 108120 504903
TUBING INSTL-PITOT STATIC STA. 660 TO 1862.70	34-11-51	08	002004 006100 107107 121503 904999
TUBING INSTL-PITOT STATIC STA. 660 TO 1862.70	34-11-51	08B	101106 108120 504903
TUBING INSTL-PITOTS MAIN PNL PITOT STATIC	34-11-51	04	002004 006100 107107 121503 904999
AIR DATA COMPUTING SYSTEM	34-12-00		
EQUIPMENT INSTL-MAIN ELECTRONICS EQPT CTR (AIR DATA COMPUTER SYSTEM ONLY)	34-12-01	01	002004 006100 107107 121999
EQUIPMENT INSTL-MAIN ELECTRONICS EQPT CTR (AIR DATA COMPUTER SYSTEM ONLY)	34-12-01	01B	101102
EQUIPMENT INSTL-MAIN ELECTRONICS EQPT CTR AIR DATA COMPUTER	34-12-01	08	106106 108120
OPTION PACKAGE ASSY-P36 MISC RELAY L (AIR DATA COMPUTING SYSTEM ONLY)	34-12-71	02A	101102 504903
PACKAGE ASSY-OPTION P37 MISC RELAY (NAVIGATION ONLY)	34-12-71	02B	101102 504903

 **BOEING**  
757  
**PARTS CATALOG (MAINTENANCE)**

**CHAPTER 34 — NAVIGATION**

**TABLE OF CONTENTS**

SUBJECT	CC-SS-UU	FIGURE	EFFECT
PANEL ASSY-P36 AND P37 MISC RELAY (NAVIGATION ONLY)	34-12-71	02	002004 006100 107107 121503 904999
PANEL INSTL-CAPT AND FIRST OFFICER FWD (AIR DATA COMPUTING SYSTEM ONLY)	34-12-01	04	002004 006010 107107 121503 904999
PANEL INSTL-CAPT AND FIRST OFFICER FWD (AIR DATA COMPUTING SYSTEM ONLY)	34-12-01	05	011100
R R R R R PANEL INSTL-EQUIP CTR SVCE (NAVIGATION ONLY)	34-12-53	01	009009 015015 101120 504903 950951
PANEL INSTL-P1-1 AND P3-3 (AIR DATA COMPUTING SYSTEM ONLY)	34-12-01	03	101106 108120 504903
PANEL INSTL-P36 L MISC RELAY (AIR DATA COMPUTING SYSTEM ONLY)	34-12-71	02C	103106 108120
PANEL INSTL-P37 R MISC RELAY (AIR DATA COMPUTING SYSTEM ONLY)	34-12-71	02D	103106 108120
PANEL INSTL-P61 R SIDEWALL (AIR DATA COMPUTING SYSTEM ONLY)	34-12-54	01	002004 006999
SENSOR INSTL-ANGLE OF ATTACK	34-12-03	01	002004 006999
SENSOR INSTL-STA 433 TOTAL AIR TEMP	34-12-02	05	002004 006999
SHELF ASSY-ELECTRONIC EQPT E2-4 (NAVIGATION ONLY)	34-12-51	04	002004 006102 107999
TUBING AND PLUG INSTL	34-12-51	03	101106 108120 504903


**BOEING**  
 757  
**PARTS CATALOG (MAINTENANCE)**

**CHAPTER 34 — NAVIGATION**

**TABLE OF CONTENTS**

SUBJECT	CC-SS-UU	FIGURE	EFFECT
TUBING INSTL-TOTAL AIR TEMP	34-12-51	01	002004 006100 107107 121503 904999
AIR DATA STANDBY INSTRUMENTS	34-13-00		
INDICATOR ASSY-ALTIMETER (NAVIGATION ONLY)	34-13-01	10	002004 006999
INDICATOR ASSY-INTERGRATED STBY FLIGHT DISPLAY	34-13-05	01A	103106
INDICATOR ASSY-MACH (NAVIGATION ONLY)	34-13-02	50	002004 006999
PANEL INSTL-CAPT AND FIRST OFFICER AND PILOTS FWD (ALTIMETER ONLY)	34-13-01	02	011102 108120 504903
PANEL INSTL-CAPT AND FIRST OFFICER FWD (ALTIMETER ONLY)	34-13-01	01	002004 006010 107107 121503 904999
PANEL INSTL-CAPT AND FIRST OFFICER FWD AND P1-1 AND P3-1 (MACH AIRSPEED INDICATOR ONLY)	34-13-02	01	011106 108120 504903
PANEL INSTL-CAPT AND FIRST OFFICER FWD AND P1-3 (STANDBY AIRSPEED INDICATOR ONLY)	34-13-05	01	002004 006999
PANEL INSTL-CAPT AND FIRST OFFICER FWD AND P1-3 (STANDBY ALTIMETER ONLY)	34-13-06	01	002004 006999
PANEL INSTL-PILOTS FWD (ALTIMETER ONLY)	34-13-01	03	103106
ALTITUDE ALERT SYSTEM	34-16-00		
EQUIPMENT INSTL-MAIN ELECTRONICS EQPT CTR (ALTITUDE ALERT SYSTEM ONLY)	34-16-01	01	002004 006100 107107 121999
EQUIPMENT INSTL-MAIN ELECTRONICS EQPT CTR (ALTITUDE ALERT SYSTEM ONLY)	34-16-01	01B	101102
EQUIPMENT INSTL-MAIN ELECTRONICS EQPT CTR ALTITUDE ALERT	34-16-01	08	103106 108120

 **BOEING**  
757  
**PARTS CATALOG (MAINTENANCE)**

**CHAPTER 34 — NAVIGATION**

**TABLE OF CONTENTS**

<b>SUBJECT</b>	<b>CC-SS-UU</b>	<b>FIGURE</b>	<b>EFFECT</b>
PANEL INSTL-CAPT AND FIRST OFFICER FWD (ALTITUDE ALERT SYSTEM ONLY)	34-16-51	01	002004 006010 107107 121503 904999
PANEL INSTL-CAPT AND FIRST OFFICER FWD (ALTITUDE ALERT SYSTEM ONLY)	34-16-51	02	011100 504903
PANEL INSTL-P1-3 (ALTITUDE ALERT SYSTEM ONLY)	34-16-51	03	101106 108120 504903



**BOEING**  
757  
PARTS CATALOG (MAINTENANCE)

CHAPTER 34 — NAVIGATION

TABLE OF CONTENTS

SUBJECT	CC-SS-UU	FIGURE	EFFECT
AIR DATA INERTIAL REFERENCE SYSTEM (ADIRS)	34-21-00		
EQUIPMENT INSTL-MAIN ELECTRONICS EQPT CTR (INERTIAL REFERENCE SYSTEM ONLY)	34-21-01	01	002004 006100 107107 121999
EQUIPMENT INSTL-MAIN ELECTRONICS EQPT CTR (INERTIAL REFERENCE UNIT ONLY)	34-21-01	01B	101102
EQUIPMENT INSTL-MAIN ELECTRONICS EQPT CTR AIR DATA IRU	34-21-51	08	103106
EQUIPMENT INSTL-MAIN ELECTRONICS EQPT CTR IRU	34-21-01	08	103106 108120
PANEL ASSY-P6 PWR DISTR (INERTIAL REFERENCE SYSTEM ONLY)	34-21-71	02	002004 006102 107107 121999
PANEL INSTL-CAPT AND FIRST OFFICER FWD (INERTIAL REFERENCE SYSTEM ONLY)	34-21-02	03	011100
PANEL INSTL-CAPT AND FIRST OFFICER FWD (INERTIAL REFERENCE SYSTEM ONLY)	34-21-02	04	002004 006010 107107 121503 904999
PANEL INSTL-P1-1 AND P3-3 (INERTIAL REFERENCE SYSTEM ONLY)	34-21-02	02	101106 108120 504903
PANEL INSTL-P36 L MISC RELAY (INERTIAL REFERENCE SYSTEM ONLY)	34-21-71	02C	103106
PANEL INSTL-P5 OVHD (NAVIGATION ONLY)	34-21-02	01	002004 006999
PANEL INSTL-P6 PWR DISTR (NAVIGATION ONLY)	34-21-71	03	108120
PANEL INSTL-P61 R SIDEWALL (ALTITUDE AND DIRECTION ONLY)	34-21-51	02	103106
FLIGHT INSTRUMENT SYSTEM	34-22-00		
EQUIPMENT AND SOFTWARE INSTL- MAIN ELECTRONICS EQPT CTR (FLIGHT INSTRUMENT SYSTEM ONLY)	34-22-01	01A	504903


**BOEING**  
 757  
**PARTS CATALOG (MAINTENANCE)**

**CHAPTER 34 — NAVIGATION**

**TABLE OF CONTENTS**

SUBJECT	CC-SS-UU	FIGURE	EFFECT
EQUIPMENT AND SOFTWARE INSTL- MAIN ELECTRONICS EQPT CTR (FLIGHT INSTRUMENT SYSTEM ONLY)	34-22-01	01B	101102
EQUIPMENT AND SOFTWARE INSTL-MAIN ELECTRONICS EQPT CTR (FLIGHT INSTRUMENT SYSTEM ONLY)	34-22-01	01	002004 006100 107107 121503 904999
EQUIPMENT AND SOFTWARE INSTL-MAIN ELECTRONICS EQPT CTR ELECT. FLIGHT INSTR SYS SYMBOL GEN	34-22-01	08	101106 108120
GLARESHIELD ASSY-(NAVIGATION ONLY)	34-22-51	01	002004 006999
PACKAGE ASSY-OPTION P36 MISC RELAY L (FLIGHT INSTRUMENT SYSTEM ONLY)	34-22-52	01A	101102 504903
PANEL ASSY-P65 MISC ELECTRONIC EQPT CTR (FLIGHT INSTRUMENT SYSTEM ONLY)	34-22-51	02	952952
PANEL INSTL-CAPT AND FIRST OFFICER FWD (EADI ONLY)	34-22-03	02	011100
PANEL INSTL-CAPT AND FIRST OFFICER FWD (EADI ONLY)	34-22-03	03	002004 006010 107107 121503 904999
PANEL INSTL-CAPT AND FIRST OFFICER FWD (EFIS CONTROL PANEL ONLY)	34-22-02	05	011100
PANEL INSTL-CAPT AND FIRST OFFICER FWD (EFIS CONTROL PANEL ONLY)	34-22-02	06	002004 006010 107107 121503 904999
PANEL INSTL-CAPT AND FIRST OFFICER FWD (FLIGHT INSTRUMENT SYSTEM ONLY)	34-22-00	01	011100
PANEL INSTL-CAPT AND FIRST OFFICER FWD (FLIGHT INSTRUMENT SYSTEM ONLY)	34-22-00	02	002004 006010 107107 121503 904999

 **BOEING**  
757  
**PARTS CATALOG (MAINTENANCE)**

**CHAPTER 34 — NAVIGATION**

**TABLE OF CONTENTS**

SUBJECT	CC-SS-UU	FIGURE	EFFECT
PANEL INSTL-CAPT AND FIRST OFFICER FWD (RDMI (RMI) ONLY)	34-22-05	01	002004 006010 107107 121503 904999
PANEL INSTL-CAPT AND FIRST OFFICER FWD (RDMI (RMI) ONLY)	34-22-05	02	011100
PANEL INSTL-CAPT AND FIRST OFFICER FWD (RMI BEARING SOURCE ANNUNCIATOR ONLY)	34-22-07	03	121503 904949
PANEL INSTL-CAPT AND FIRST OFFICER FWD (VERTICAL SPEED INDICATOR ONLY)	34-22-06	02	011100
PANEL INSTL-CAPT AND FIRST OFFICER FWD (VERTICAL SPEED INDICATOR ONLY)	34-22-06	03	002004 006010 107107 121503 904999
PANEL INSTL-FWD CAPT AND FIRST OFFICER PREMODULE (ELECTRONIC ATTITUDE DIRECTOR INDICATOR ONLY)	34-22-03	01	101106 108120 504903
PANEL INSTL-FWD CAPT AND FIRST OFFICER PREMODULE (ELEVATOR HORIZONTAL SITUATION INDICATOR ONLY)	34-22-04	01	002004 006999
PANEL INSTL-P1-1 AND P3-1 (RDMI ONLY)	34-22-05	01A	101106 108120
PANEL INSTL-P1-1 AND P3-3 (EFIS CONTROL PANEL ONLY)	34-22-02	02	101106 108120 504903
PANEL INSTL-P1-3 AND P3-3 (VERTICAL SPEED INDICATOR ONLY)	34-22-06	01	101106 108120 504903
PANEL INSTL-P1-3 P3-1 (RADIO MAGNETIC INDICATOR ONLY)	34-22-05	01B	504903
PANEL INSTL-P1-3 P3-3 (RMI BEARING SOURCE ANNUNCIATOR ONLY)	34-22-07	01	504903
PANEL INSTL-P36 L MISC RELAY (FLIGHT INSTRUMENT SYSTEM ONLY)	34-22-52	01C	103106 108120
PANEL INSTL-P65 MISC RELAY (EFIS CONTROL PANEL ONLY)	34-22-02	04	103106 108120

 **BOEING**  
757  
**PARTS CATALOG (MAINTENANCE)**

**CHAPTER 34 — NAVIGATION**

**TABLE OF CONTENTS**

SUBJECT	CC-SS-UU	FIGURE	EFFECT
PANEL INSTL-P8,P9,P10 ELECTRONICS (ALTITUDE AND DIRECTION ONLY)	34-22-02	03	101106 108120 504903
PANEL INSTL-P8,P9,P10 ELECTRONICS (FLIGHT INSTRUMENT SYSTEM ONLY)	34-22-02	01	002004 006100 103107 121503 904999
STANDBY MAGNETIC COMPASS COMPASS INSTL-STBY	34-23-00 34-23-51	05	002004 006999
STANDBY ATTITUDE REFERENCE SYSTEM EQUIPMENT INSTL-MAIN ELECTRONICS EQPT CTR (STANDBY ATTITUDE REFERENCE SYSTEM ONLY)	34-24-00 34-24-02	01	002004 006100 107107 121999
EQUIPMENT INSTL-MAIN ELECTRONICS EQPT CTR (STANDBY ATTITUDE REFERENCE SYSTEM ONLY)	34-24-02	01B	101102
EQUIPMENT INSTL-MAIN ELECTRONICS EQPT CTR BATTERY CHARGER	34-24-51	01	103106
EQUIPMENT INSTL-MAIN ELECTRONICS EQPT CTR STATIC INVERTER ILS PROCESSOR	34-24-02	08	106106 108120
PANEL INSTL-CAPT AND FIRST OFFICER FWD (STANDBY ALTITUDE REFERENCE SYSTEM ONLY)	34-24-01	01	002004 006010 107107 121503 904999
PANEL INSTL-CAPT AND FIRST OFFICER FWD (STANDBY ALTITUDE REFERENCE SYSTEM ONLY)	34-24-01	02	011100
PANEL INSTL-CAPT AND FIRST OFFICER FWD AND P1-3 (STANDBY ATTITUDE REFERENCE SYSTEM ONLY)	34-24-01	03	101106 108120 504903
INSTRUMENT COMPARISON SYSTEM EQUIPMENT INSTL-MAIN ELECTRONIC EQPT CTR (INSTRUMENT COMPARISON SYSTEM ONLY)	34-25-00 34-25-01	01	107107 121503 904949 952999
PACKAGE ASSY-OPTION P37 MISC RELAY (INSTRUMENT COMPARISON SYSTEM ONLY)	34-25-50	01B	101102 504903



 **BOEING**  
757  
**PARTS CATALOG (MAINTENANCE)**

**CHAPTER 34 — NAVIGATION**

**TABLE OF CONTENTS**

<b>SUBJECT</b>	<b>CC-SS-UU</b>	<b>FIGURE</b>	<b>EFFECT</b>
PANEL ASSY-P37 MISC RELAY R (INSTRUMENT COMPARISON SYSTEM ONLY)	34-25-50	01	002004 006100 952952
PANEL INSTL-P37 R MISC RELAY (INSTRUMENT COMPARISON SYSTEM ONLY)	34-25-50	01D	103106 108120

 **BOEING**  
757  
**PARTS CATALOG (MAINTENANCE)**

**CHAPTER 34 — NAVIGATION**

**TABLE OF CONTENTS**

SUBJECT	CC-SS-UU	FIGURE	EFFECT
INSTRUMENT LANDING SYSTEM (ILS)	34-31-00		
ANTENNA INSTL-GLIDE SLOPE	34-31-03	01	002004 006999
ANTENNA INSTL-LOCALIZER	34-31-04	01	002004 006999
EQUIPMENT INSTL-MAIN ELECTRONICS EQPT CTR (ILS NAVIGATION SYSTEM ONLY)	34-31-01	01	002004 006100 107107 121999
EQUIPMENT INSTL-MAIN ELECTRONICS EQPT CTR (ILS NAVIGATION SYSTEM ONLY)	34-31-01	01B	101102
EQUIPMENT INSTL-MAIN ELECTRONICS EQPT CTR MULTI MODE RCVR	34-31-51	08	103106 108120
PANEL INSTL-P8 ELECTRONICS (INSTRUMENT LANDING NAVIGATION SYSTEM ONLY)	34-31-02	01	002004 006100 107107 121503 904999
PANEL INSTL-P8 ELECTRONICS (LANDING AND TAXIING AIDS ONLY)	34-31-02	02	101106 108120 504903
MARKER BEACON SYSTEM (MBS)	34-32-00		
ANTENNA INSTL-MARKER BEACON	34-32-01	01	002004 006999
PANEL INSTL-CAPT AND FIRST OFFICER FWD (MARKER BEACON SYSTEM ONLY)	34-32-00	01	002004 006010 107107 121503 904999
PANEL INSTL-CAPT AND FIRST OFFICER FWD AND P1-3 AND P3-3 (MARKER BEACON SYSTEM ONLY)	34-32-00	02	011106 108120 504903
RADIO ALTIMETER (RA) SYSTEM	34-33-00		
ANTENNA INSTL-RADIO ALTM	34-33-02	01	002004 006999
EQUIPMENT INSTL-MAIN ELECTRONICS EQPT CTR (RADIO ALTIMETER SYSTEM ONLY)	34-33-01	01	002004 006100 107107 121999

 **BOEING**  
757  
**PARTS CATALOG (MAINTENANCE)**

**CHAPTER 34 — NAVIGATION**

**TABLE OF CONTENTS**

<b>SUBJECT</b>	<b>CC-SS-UU</b>	<b>FIGURE</b>	<b>EFFECT</b>
EQUIPMENT INSTL-MAIN ELECTRONICS EQPT CTR (RADIO ALTIMETER SYSTEM ONLY)	34-33-01	01B	101102
EQUIPMENT INSTL-MAIN ELECTRONICS EQPT CTR RADIO ALTM XMTR RCVR	34-33-01	08	103106 108120

 **BOEING**  
757  
**PARTS CATALOG (MAINTENANCE)**

**CHAPTER 34 — NAVIGATION**

**TABLE OF CONTENTS**

SUBJECT	CC-SS-UU	FIGURE	EFFECT
WEATHER RADAR (WXR) SYSTEM	34-43-00		
ANTENNA AND SUPPORT INSTL-WEATHER RDR	34-43-03	02	002004 006999
PANEL INSTL-P8 ELECTRONIC (WEATHER RADAR SYSTEM ONLY)	34-43-02	01	002004 006100 107107 121503 904999
PANEL INSTL-P8,P9,P10 ELECTRONICS (WEATHER RADAR SYSTEM ONLY)	34-43-02	02	101106 108120 504903
RECEIVER TRANSMITTER, MOUNT AND SUPPORT INSTL-WEATHER RDR	34-43-01	01	002004 006949 952999
RECEIVER TRANSMITTER, MOUNT AND SUPPORT INSTL-WEATHER RDR DUAL	34-43-01	02	504903 950951
TRANSCEIVER INSTL-WEATHER RDR	34-43-01	03	103106
WAVEGUIDE INSTL-DUAL X-BAND WEATHER RDR	34-43-03	01A	504903 950951
WAVEGUIDE INSTL-SINGLE X-BAND WEATHER RDR	34-43-03	01	002004 006949 952999
TRAFFIC ALERT AND COLLISION AVOIDANCE SYSTEM (TCAS)	34-45-00		
ANTENNA INSTL-TCAS	34-45-02	01	002004 006106 108120 504903 950951 953999
EQUIPMENT INST-MAIN ELECTRONICS EQPT CTR (TCAS SYSTEM ONLY)	34-45-51	01	002004 006100 121949 952999
EQUIPMENT INSTL-MAIN ELECT EQPT CTR TCAS COMPUTER	34-45-51	08	103106 108120
EQUIPMENT INSTL-MAIN ELECTRONICS EQPT CTR (TCAS SYSTEM ONLY)	34-45-51	01B	101102
GROUND PROXIMITY WARNING SYSTEM (GPWS)	34-46-00		


**BOEING**  
 757  
**PARTS CATALOG (MAINTENANCE)**

**CHAPTER 34 — NAVIGATION**

**TABLE OF CONTENTS**

SUBJECT	CC-SS-UU	FIGURE	EFFECT
EQUIPMENT INSTL-MAIN ELECTRONIC EQUIP. CTR (GROUND PROXIMITY WARNING SYSTEM ONLY)	34-46-01	01	002004 006100 107107 121999
EQUIPMENT INSTL-MAIN ELECTRONICS EQPT CTR (GROUND PROXIMITY WARNING SYSTEM ONLY)	34-46-01	01B	101102
EQUIPMENT INSTL-MAIN ELECTRONICS EQPT CTR GND PROXIMITY COMPUTER	34-46-01	08	103106 108120
OPTION PACKAGE ASSY-P65 MISC ELECTRONIC EQPT CTR (GROUND PROXIMITY WARNING SYSTEM ONLY)	34-46-51	03B	101102 504903
PANEL ASSY-P65 MISC ELECTRONIC EQPT CTR (GROUND PROXIMITY WARNING SYSTEM ONLY)	34-46-51	06	952952
PANEL INSTL-CAPT AND FIRST OFFICER FWD (GROUND PROXIMITY WARNING SYSTEM ONLY)	34-46-51	01	002004 006010 107107 121503 904999
PANEL INSTL-CAPT AND FIRST OFFICER FWD AND P1-3 AND P3-1 (GROUND PROXIMITY WARNING SYSTEM ONLY)	34-46-51	02	011106 108120 504903
PANEL INSTL-P61 R SIDEWALL (GROUND PROXIMITY WARNING SYSTEM ONLY)	34-46-51	05	002004 006999
PANEL INSTL-P65 MISC RELAY (GROUND PROXIMITY WARNING SYSTEM ONLY)	34-46-51	01A	103106 108120

 **BOEING**  
757  
**PARTS CATALOG (MAINTENANCE)**

**CHAPTER 34 — NAVIGATION**

**TABLE OF CONTENTS**

SUBJECT	CC-SS-UU	FIGURE	EFFECT
VHF OMNIDIRECTIONAL RANGE (VOR) SYSTEM	34-51-00		
ANTENNA INSTL-VOR VERTICAL TAIL	34-51-03	01	002004 006999
EQUIPMENT INSTL-MAIN ELECTRONICS AND E6 AFT EQPT CTR (VOR SYSTEM ONLY)	34-51-01	01	002004 006100 107107 121999
EQUIPMENT INSTL-MAIN ELECTRONICS EQPT CTR (VOR SYSTEM ONLY)	34-51-01	01B	101102
EQUIPMENT INSTL-MAIN ELECTRONICS EQPT CTR VHF OMNIDIRECTIONAL RANGING MARKER	34-51-01	08	103106 108120
PANEL INSTL-CAPT AND FIRST OFFICER FWD (VOR SYSTEM ONLY)	34-51-02	01	002004 006100 107107 121503 904999
PANEL INSTL-CONT (VOR SYSTEM ONLY)	34-51-02	02	101106 108120 504903
AIR TRAFFIC CONTROL (ATC)/MODE S TRANSPONDER SYSTEM	34-53-00		
ANTENNA AND COVER PLATE INSTL-ATC	34-53-03	01	002004 006999
EQUIPMENT INSTL-MAIN ELECTRONICS EQPT CTR (ATC SYSTEM ONLY)	34-53-01	01	002004 006100 107107 121999
EQUIPMENT INSTL-MAIN ELECTRONICS EQPT CTR (ATC SYSTEM ONLY)	34-53-01	01B	101102
EQUIPMENT INSTL-MAIN ELECTRONICS EQPT CTR AIR TRAFFIC CONT XPNDR	34-53-01	18	103106 108120
PANEL ASSY-DUAL AIR TRAFFIC CONT (NAVIGATION ONLY)	34-53-02	50D	950951
PANEL ASSY-DUAL AIR TRAFFIC CONT (NAVIGATION ONLY)	34-53-02	50E	952952
PANEL ASSY-DUAL AIR TRAFFIC CONT (NAVIGATION ONLY)	34-53-02	50G	504903
PANEL ASSY-DUAL AIR TRAFFIC CONT (NAVIGATION ONLY)	34-53-02	50J	002004 006106 108120

 **BOEING**  
757  
**PARTS CATALOG (MAINTENANCE)**

**CHAPTER 34 — NAVIGATION**

**TABLE OF CONTENTS**

SUBJECT	CC-SS-UU	FIGURE	EFFECT
PANEL ASSY-DUAL AIR TRAFFIC CONT (NAVIGATION ONLY) (CUSTOMER FURNISHED)	34-53-02	50A	953999
PANEL INSTL-P8 ELECTRONIC (AIR TRAFFIC CONTROL SYSTEM ONLY)	34-53-02	01	002004 006100 103107 121503 904999
PANEL INSTL-P8, P9, P10 ELECTRONICS (ATC SYSTEM ONLY)	34-53-02	02	101106 108120 504903
RELAY INSTL-ATC ANT. SWITCHING	34-53-03	02	002004 006106 108999
DISTANCE MEASURING EQUIPMENT (DME) SYSTEM	34-55-00		
ANTENNA INSTL-DME	34-55-02	01	002004 006999
EQUIPMENT INSTL-MAIN ELECTRONICS EQPT CTR (DME SYSTEM ONLY)	34-55-01	01	002004 006100 107107 121999
EQUIPMENT INSTL-MAIN ELECTRONICS EQPT CTR (DME SYSTEM ONLY)	34-55-01	01B	101102
EQUIPMENT INSTL-MAIN ELECTRONICS EQPT CTR DME INTERROGATOR	34-55-01	08	103106 108120
PANEL INSTL-CAPT AND FIRST OFFICER (DUAL DISTANCE INDICATOR ONLY)	34-55-03	02	121503 904949
PANEL INSTL-PILOTS FWD P3-1 AND P1-1 (DUAL DISTANCE INDICATOR ONLY)	34-55-03	01	504903
AUTOMATIC DIRECTION FINDER (ADF) SYSTEM	34-57-00		
ANTENNA INSTL-ADF SENSE LOOP	34-57-03	01	002004 006107 121999
ANTENNA INSTL-ADF SENSE LOOP	34-57-03	01A	002004 006100 103503 904999
EQUIPMENT INSTL-E5 EQPT CTR ADF RCVR	34-57-01	07	103106
EQUIPMENT INSTL-E6 AFT EQPT CTR L ADF RCVR	34-57-01	05	108120


**BOEING**  
 757  
**PARTS CATALOG (MAINTENANCE)**

**CHAPTER 34 — NAVIGATION**

**TABLE OF CONTENTS**

SUBJECT	CC-SS-UU	FIGURE	EFFECT
EQUIPMENT INSTL-E6 AFT EQPT CTR R ADF RCVR	34-57-01	06	108120
EQUIPMENT INSTL-MAIN ELECTRONIC AND E6 AFT EQPT CTR (ADF SYSTEM ONLY)	34-57-01	01	002004 006102 107107 121999
PANEL INSTL-P1-1 AND P3-3 (AUTOMATIC DIRECTION FINDER SYSTEM ONLY)	34-57-00	01	101106 108120 504903
PANEL INSTL-P8, P9, P10 ELECTRONICS (AUTOMATIC DIRECTION FINDER SYSTEM ONLY)	34-57-02	02	002004 006100 107107 121503 904949 952999
PANEL INSTL-P8, P9, P10 ELECTRONICS (AUTOMATIC DIRECTION FINDER SYSTEM ONLY)	34-57-02	03	101106 108120 504903
PANEL INSTL-P8,P9,P10 ELECTRONICS (AUTOMATIC DIRECTION FINDER SYSTEM ONLY) RECEIVER ASSY-ADF	34-57-02 34-57-01	01 50	950951 103105 950951
GLOBAL POSITIONING SYSTEM (GPS)	34-58-00		
UNIT AND PANEL INSTL-ANT. AND SENSOR GPS	34-58-01	01	101120 504903 950951



 **BOEING**  
757  
**PARTS CATALOG (MAINTENANCE)**

**CHAPTER 34 — NAVIGATION**

**TABLE OF CONTENTS**

SUBJECT	CC-SS-UU	FIGURE	EFFECT
FLIGHT MANAGEMENT COMPUTING SYSTEM (FMCS)	34-61-00		
CONNECTOR AND COVERPLATE INSTL-FLIGHT MANAGEMENT COMPUTER SYS LOADER	34-61-51	01	002004 006101 103107 121503 904999
EQUIPMENT AND SOFTWARE INSTL- MAIN ELECTRONICS EQPT CTR FMC	34-61-01	08	103106 108120
EQUIPMENT AND SOFTWARE INSTL-MAIN ELECTRONICS EQPT CTR (FLIGHT MANAGEMENT COMPUTER SYSTEM ONLY)	34-61-01	01	101102 504903
EQUIPMENT AND SOFTWARE INSTL-MAIN ELECTRONICS EQPT CTR (FLIGHT MANAGEMENT COMPUTER SYSTEM ONLY)	34-61-01	01A	002004 006100 107107 121503 904999
EQUIPMENT INSTL-MAIN ELECTRONICS EQPT CTR (FLIGHT MANAGEMENT COMPUTER SYSTEM ONLY)	34-61-01	01B	101102
OPTION PACKAGE ASSY-P36 MISC RELAY L (FLIGHT MANAGEMENT COMPUTER SYSTEM ONLY)	34-61-52	01A	101102 504903
PACKAGE ASSY-OPTION P37 MISC RELAY (FLIGHT MANAGEMENT COMPUTER SYSTEM ONLY)	34-61-52	01B	101102 504903
PANEL AND SHIELD ASSY-P36 AND P37 MISC ELEC EQPT (FLIGHT MANAGEMENT COMPUTER SYSTEM ONLY)	34-61-52	01	002004 006100 107107 121503 904999
PANEL INSTL-CAPT AND FIRST OFFICER FWD (FLIGHT MANAGEMENT COMPUTER CONTROL DISPLAY UNIT ONLY)	34-61-02	14	011100
PANEL INSTL-CAPT AND FIRST OFFICER FWD (FLIGHT MANAGEMENT COMPUTER CONTROL/DISPLAY UNIT ONLY)	34-61-02	15	002004 006010 107107 121503 904999



**BOEING**  
757  
PARTS CATALOG (MAINTENANCE)

CHAPTER 34 — NAVIGATION

TABLE OF CONTENTS

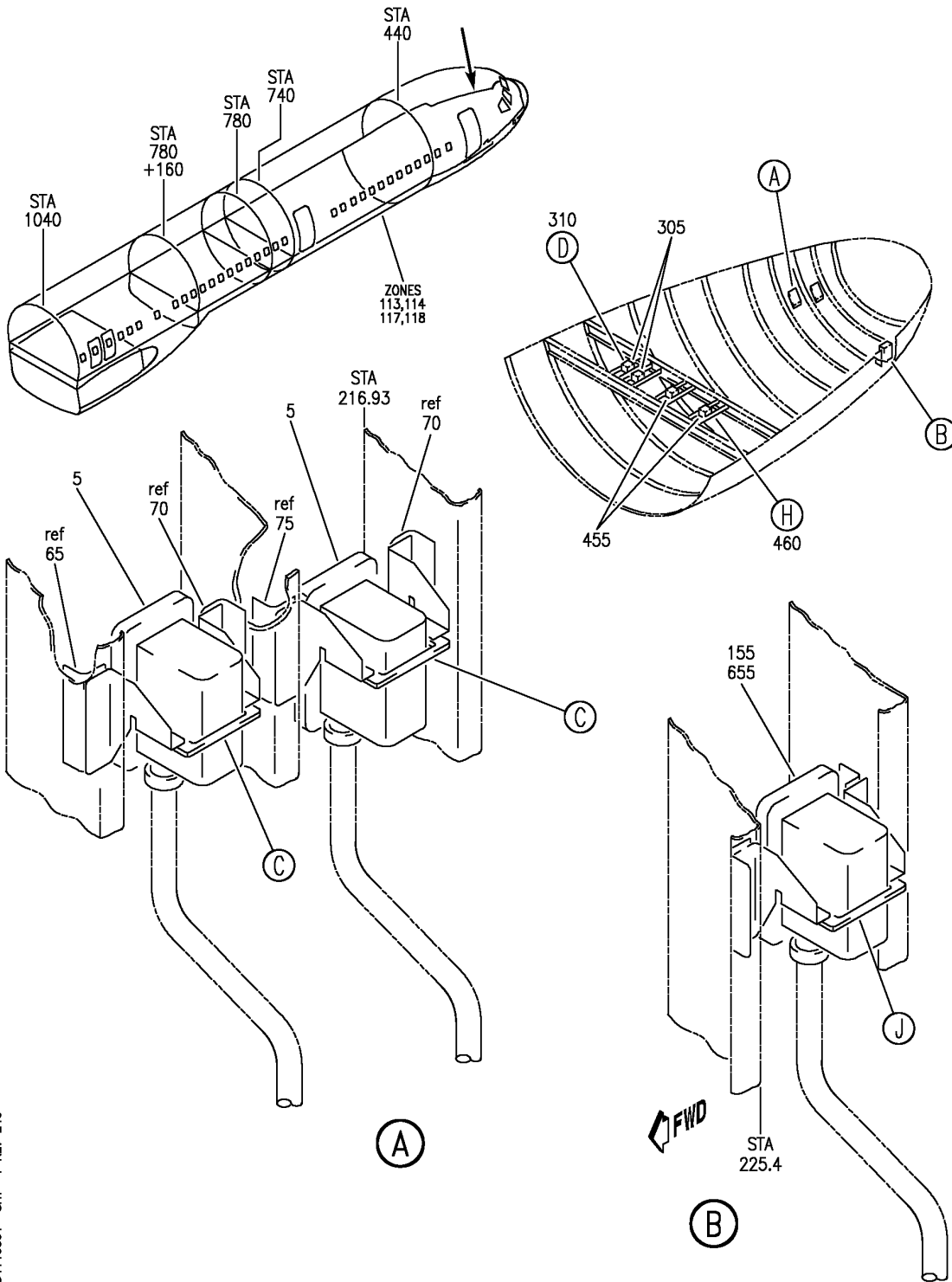
SUBJECT	CC-SS-UU	FIGURE	EFFECT
PANEL INSTL-CAPT AND FIRST OFFICER FWD (FLIGHT MANAGEMENT COMPUTER ONLY)	34-61-01	09	002004 006010 107107 121503 904999
PANEL INSTL-CAPT AND FIRST OFFICER FWD (FLIGHT MANAGEMENT COMPUTER ONLY)	34-61-01	10	011100
PANEL INSTL-P1-1 AND P3-3 (FLIGHT MANAGEMENT COMPUTER CONTROL/DISPLAY UNIT ONLY)	34-61-02	02	101106 108120 504903
PANEL INSTL-P1-3 (FLIGHT MANAGEMENT COMPUTER ONLY)	34-61-01	07	101106 108120 504903
PANEL INSTL-P36 L MISC RELAY (FMCS ONLY)	34-61-52	01C	103106 108120
PANEL INSTL-P37 R MISC RELAY (FMCS ONLY)	34-61-52	01D	103106 108120
PANEL INSTL-P61 R SIDEWALL (FLIGHT MANAGEMENT COMPUTER SYSTEM ONLY)	34-61-53	03	102106 108120 504903
PANEL INSTL-P8,P9,P10 ELECTRONICS (FLIGHT MANAGEMENT COMPUTER SYSTEM ONLY)	34-61-02	01	002004 006100 107107 121503 904999
PANEL INSTL-P8,P9,P10 ELECTRONICS (FLIGHT MANAGEMENT COMPUTER SYSTEM ONLY)	34-61-02	03	101106 108120 504903

## **PITOT - STATIC SYSTEM**

**BRI**  
**MAY 28/07**

**34-11-00**  
**SECTION TITLE**  
**PAGE 1**

**BOEING**  
757  
PARTS CATALOG (MAINTENANCE)



Y 34110001 SHT 1 REV 246

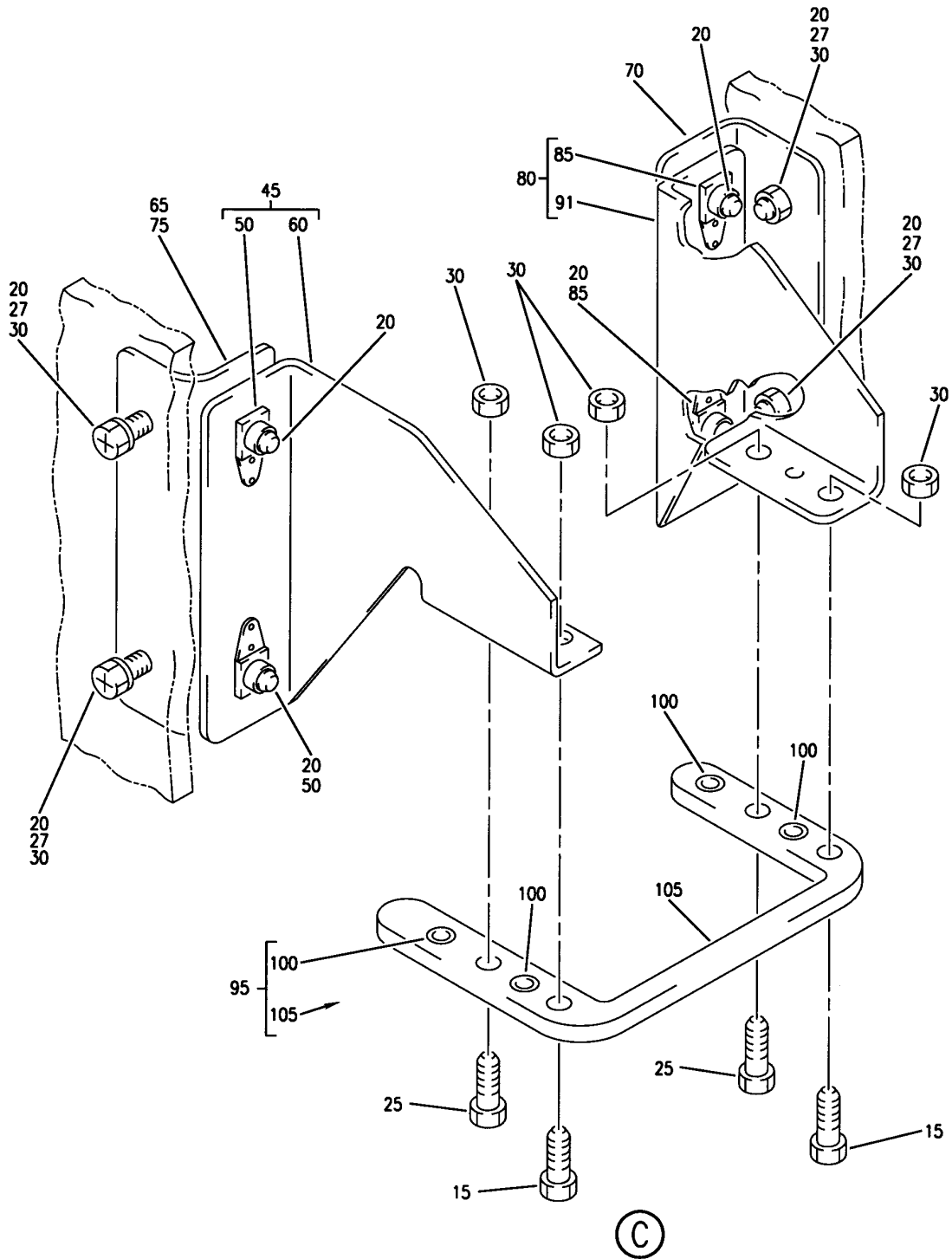
MODULE AND BRACKET INSTL AIR DATA SPRT SYS/ PRIMARY AND AUX 2  
FIGURE 1 (SHEET 1)

**34-11-00-01**

BRI  
JAN 20/09

34-11-00-01  
PAGE 0

**BOEING**  
757  
PARTS CATALOG (MAINTENANCE)



Y 34110001 SHT 2 REV 208

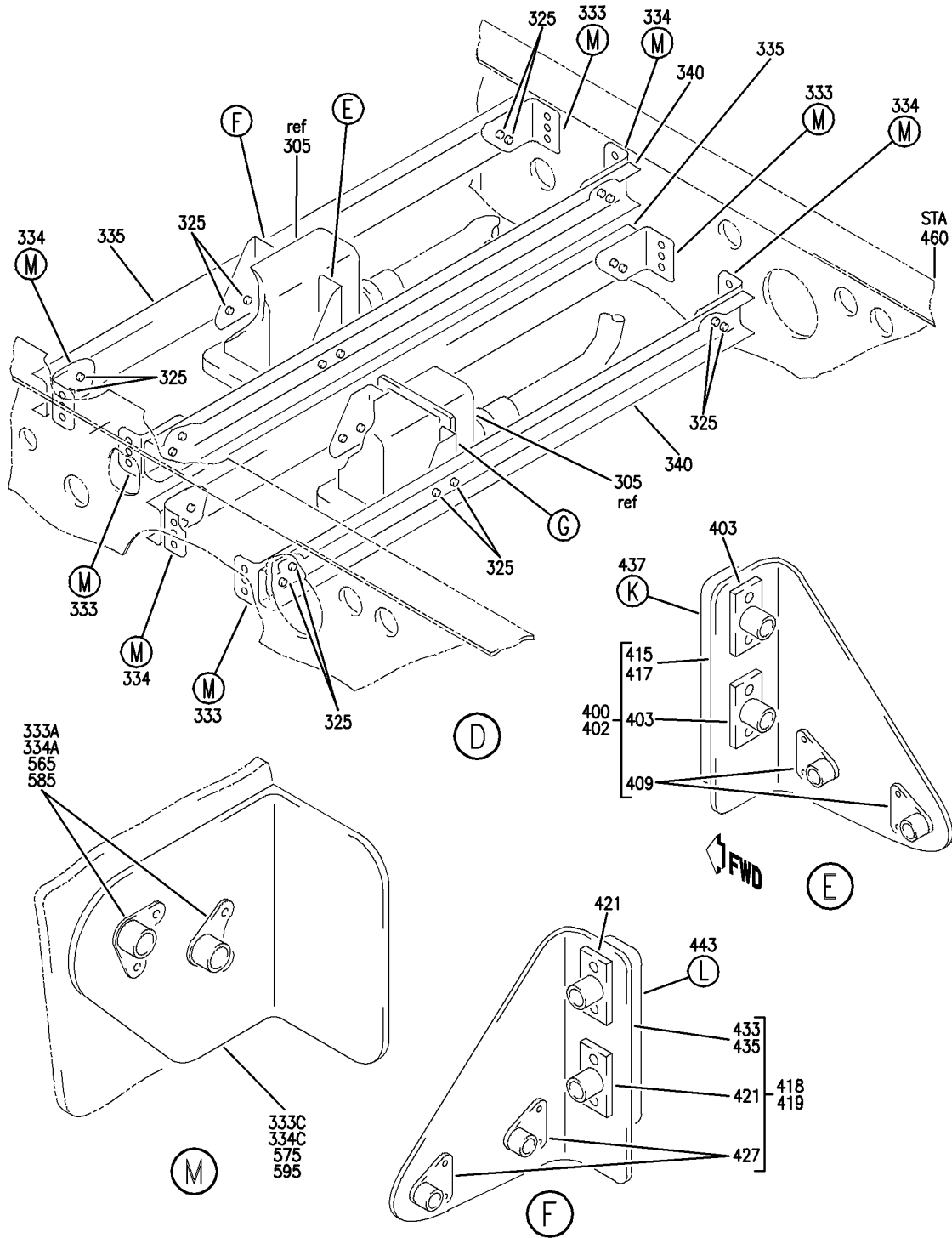
MODULE AND BRACKET INSTL AIR DATA SPRT SYS/ PRIMARY AND AUX 2  
FIGURE 1 (SHEET 2)

**34-11-00-01**

BRI  
JAN 20/09

34-11-00-01  
PAGE 0A


**BOEING**  
 757  
**PARTS CATALOG (MAINTENANCE)**



Y 34110001 SHT 3 REV 226

MODULE AND BRACKET INSTL AIR DATA SPRT SYS/ PRIMARY AND AUX 2  
 FIGURE 1 (SHEET 3)

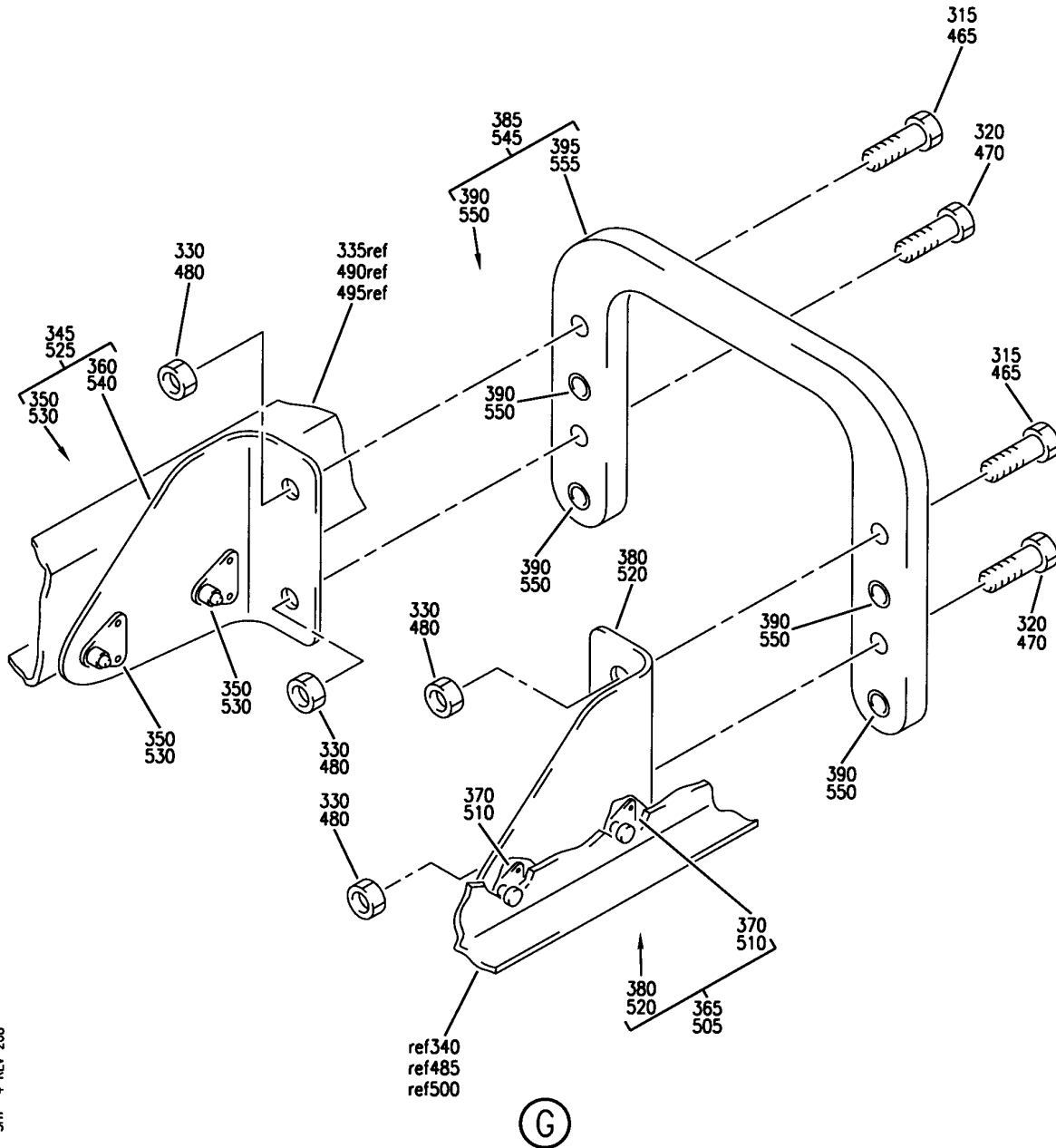
# 34-11-00-01

BRI  
 JAN 20/09

34-11-00-01  
 PAGE 0B

BOEING PROPRIETARY - Copyright © - Unpublished Work - See title page for details.

**BOEING**  
757  
PARTS CATALOG (MAINTENANCE)



Y 34110001 SHT 4 REV 208

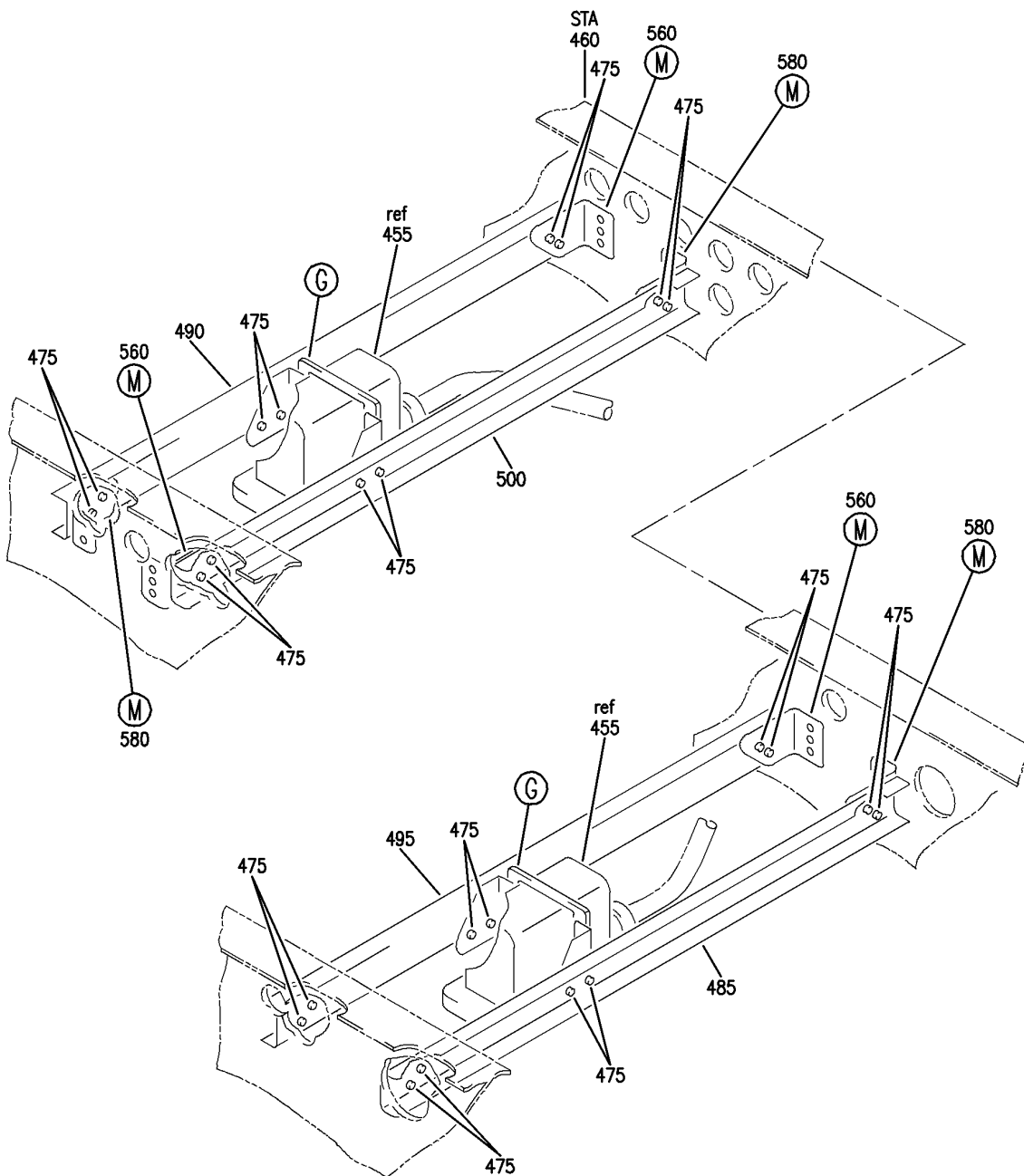
MODULE AND BRACKET INSTL AIR DATA SPRT SYS/ PRIMARY AND AUX 2  
FIGURE 1 (SHEET 4)

**34-11-00-01**

BRI  
JAN 20/09

34-11-00-01  
PAGE 0C


**BOEING**  
 757  
**PARTS CATALOG (MAINTENANCE)**



Y 34110001 SHT 5 REV 226

MODULE AND BRACKET INSTL AIR DATA SPRT SYS/ PRIMARY AND AUX 2  
 FIGURE 1 (SHEET 5)

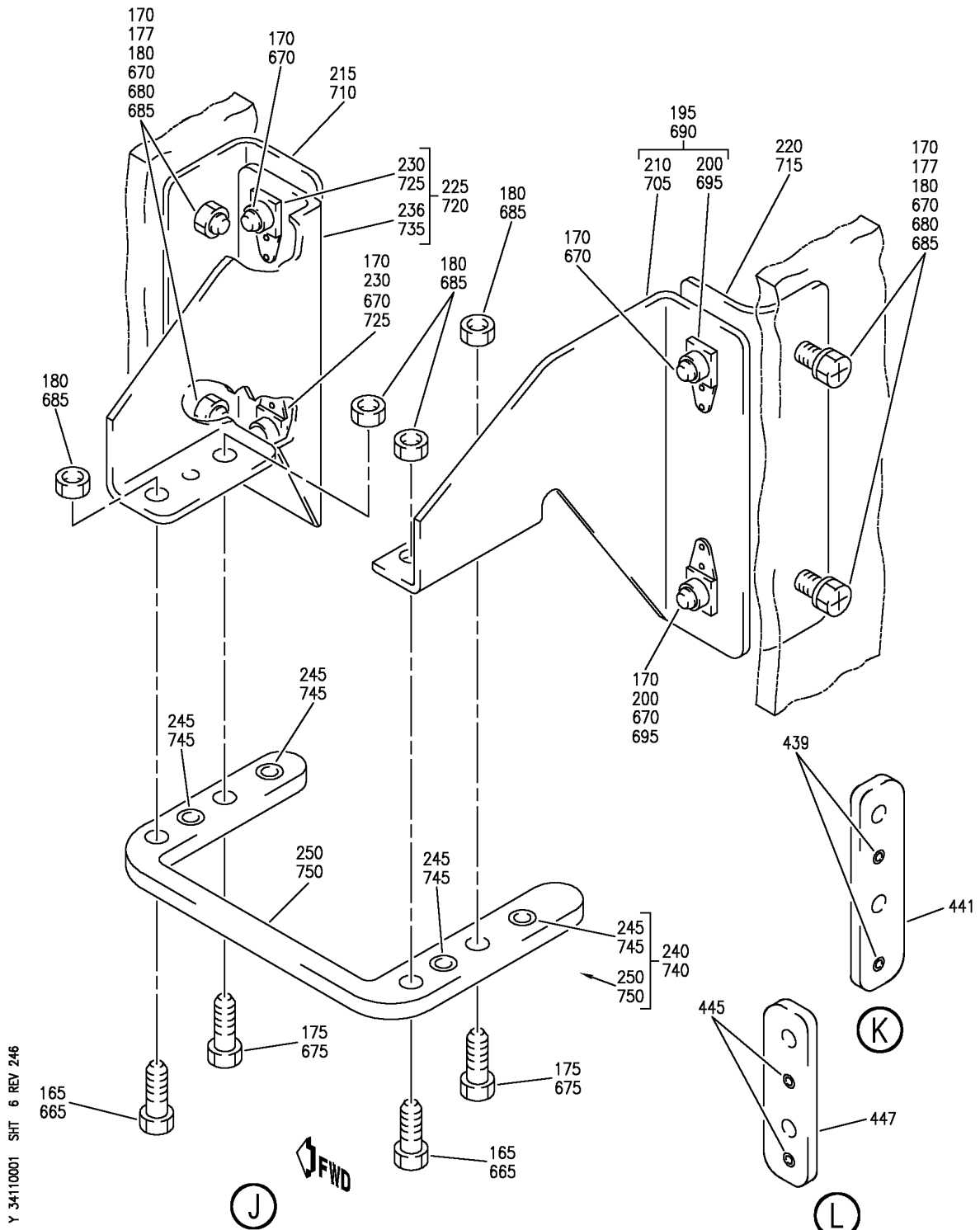
# 34-11-00-01

BRI  
 JAN 20/09

34-11-00-01  
 PAGE 0D




**BOEING**  
 757  
**PARTS CATALOG (MAINTENANCE)**



MODULE AND BRACKET INSTL AIR DATA SPRT SYS/ PRIMARY AND AUX 2  
 FIGURE 1 (SHEET 6)

**34-11-00-01**

BRI  
 JAN 20/09

34-11-00-01  
 PAGE 0E



757

PARTS CATALOG (MAINTENANCE)

FIG ITEM	PART NUMBER	1 2 3 4 5 6 7	NOMENCLATURE	EFFECT FROM TO	UNITS PER ASSY
1			MODULE AND BRACKET INSTL AIR DATA SPRT SYS/ PRIMARY AND AUX 2	103106	
- 650	MODREF19320		MODULE INSTL-AIR DATA PITOT SYS SPRT MODULE NUMBER: 232N9007-8 REV A	103106	1
655	C17001BA01		.MODULE- STATIC SENSITIVE PART SUPPLIER CODE: VF9111 FUNCTIONAL DESCRIPTION: TRANSMITS A PRECISELY CALIBRATED MEASUREMENT OF PITOT/STATIC PRESSURE ON THE ARINC 429 DATA BUS SPECIFICATION NUMBER: S242W601-100 ELECTRICAL EQUIP NUMBER: M11562 COMPONENT MAINT MANUAL REF: 34-21-15 OPTIONAL PART: C17001CA01 VF9111 FOR DETAILS SEE: 34-11-51-55	103106	1
655	C17001CA01		.MODULE- STATIC SENSITIVE PART SUPPLIER CODE: VF9111 FUNCTIONAL DESCRIPTION: TRANSMITS A PRECISELY CALIBRATED MEASUREMENT OF PITOT/STATIC PRESSURE ON THE ARINC 429 DATA BUS SPECIFICATION NUMBER: S242W601-101 ELECTRICAL EQUIP NUMBER: M11562 COMPONENT MAINT MANUAL REF: 34-21-20 OPTIONAL PART: C17001BA01 VF9111 FOR DETAILS SEE: 34-11-51-55	103106	1

MISSING ITEM NUMBERS NOT APPLICABLE

- ITEM NOT ILLUSTRATED

34-11-00-01

34-11-00  
FIG. 01  
PAGE 1  
JAN 20/09

BRI



757

PARTS CATALOG (MAINTENANCE)

FIG ITEM	PART NUMBER	1 2 3 4 5 6 7	NOMENCLATURE	EFFECT FROM TO	UNITS PER ASSY
1					
- 660	MODREF19321		BRACKET INSTL-AIR DATA MODULE NUMBER: 232N9008-8 REV A POSITION DATA: R	103106	1
665	NAS1801-3-9		.SCREW	103106	2
670	BACS12GU3K7		.SCREW	103106	8
675	BACB30LH3-3		.BOLT	103106	2
680	NAS1149D0332K		.WASHER	103106	4
685	MS21042L3		.NUT	103106	8
690	232N9010-2		.BRACKET ASSY	103106	1
695	BRF100C3D		..NUTPLATE SUPPLIER CODE: V52828 SPECIFICATION NUMBER: BACN10KB3CFD OPTIONAL PART: NS202478-02 V80539 102F9207P3 V72962 F51604-3 V15653	103106	2
- 700	BACR15BA3AD		ATTACHING PARTS ..RIVET- SIZE DETERMINED ON INSTL. -----*-----	103106	4
705	232N9010-4		..BRACKET	103106	1
710	232N9010-12		.BRACKET	103106	1
715	232N9010-6		.BRACKET	103106	1
720	232W9421-33		.BRACKET ASSY	103106	1
725	BRF100C3D		..NUTPLATE SUPPLIER CODE: V52828 SPECIFICATION NUMBER: BACN10KB3CFD OPTIONAL PART: NS202478-02 V80539 102F9207P3 V72962 F51604-3 V15653	103106	2
- 730	BACR15BA3AD		ATTACHING PARTS ..RIVET- SIZE DETERMINED ON INSTL. -----*-----	103106	4
735	232W9421-35		..BRACKET	103106	1
740	232W9421-46		.BRACKET ASSY	103106	1

MISSING ITEM NUMBERS NOT APPLICABLE

- ITEM NOT ILLUSTRATED

34-11-00-01

34-11-00  
FIG. 01  
PAGE 2  
JAN 20/09

BRI

BOEING PROPRIETARY - Copyright © - Unpublished Work - See title page for details.



757

PARTS CATALOG (MAINTENANCE)

FIG ITEM	PART NUMBER	1 2 3 4 5 6 7	NOMENCLATURE	EFFECT FROM TO	UNITS PER ASSY
1					
745	MS21209C0810P		.. INSERT	103106	4
750	232W9421-47		.. BRACKET	103106	1

MISSING ITEM NUMBERS NOT APPLICABLE

- ITEM NOT ILLUSTRATED

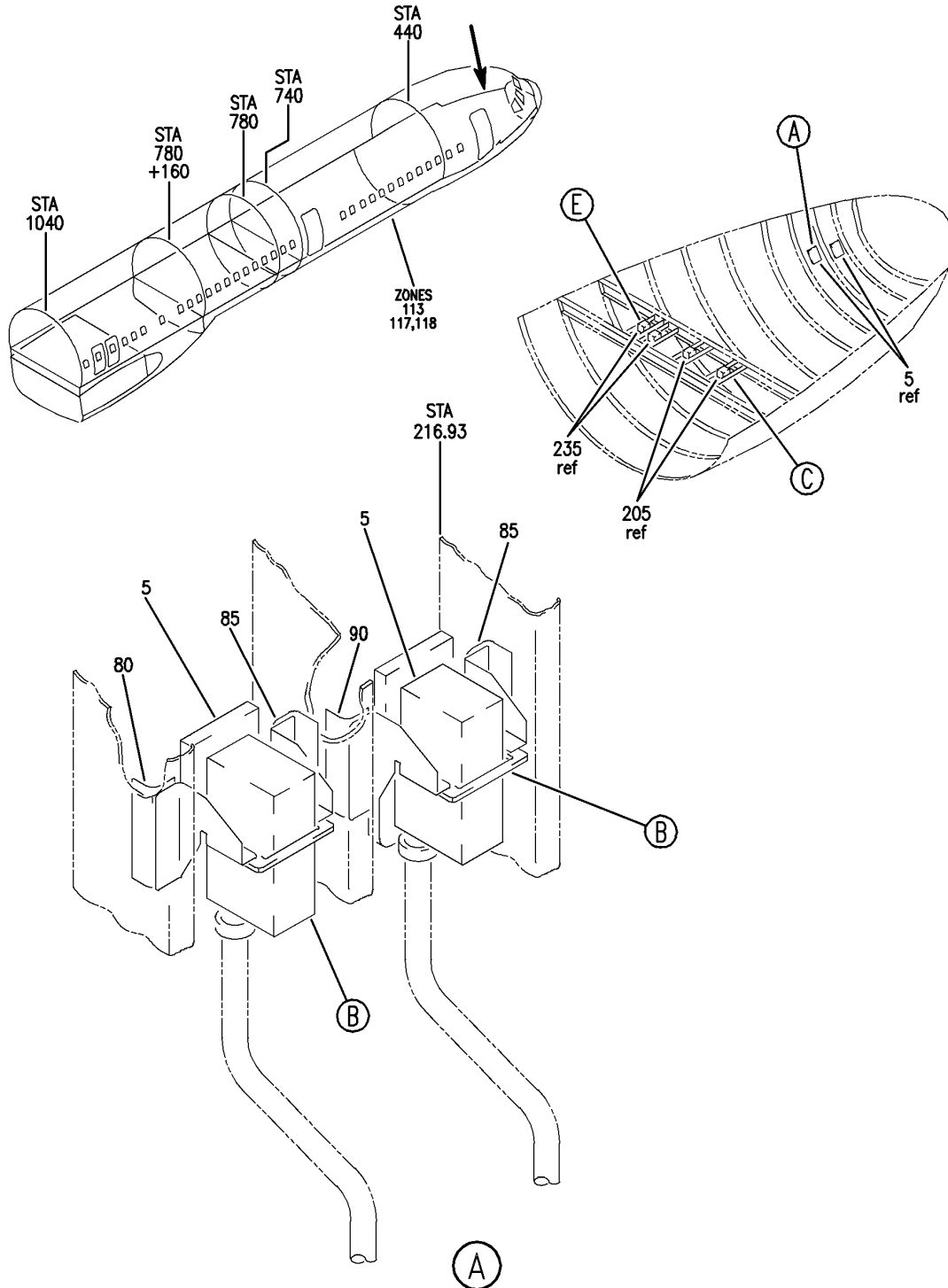
BRI

34-11-00-01

BOEING PROPRIETARY - Copyright © - Unpublished Work - See title page for details.

34-11-00  
FIG. 01  
PAGE 3  
JAN 20/09

**BOEING**  
757  
PARTS CATALOG (MAINTENANCE)



Y 34110001A SH 1 REV 226

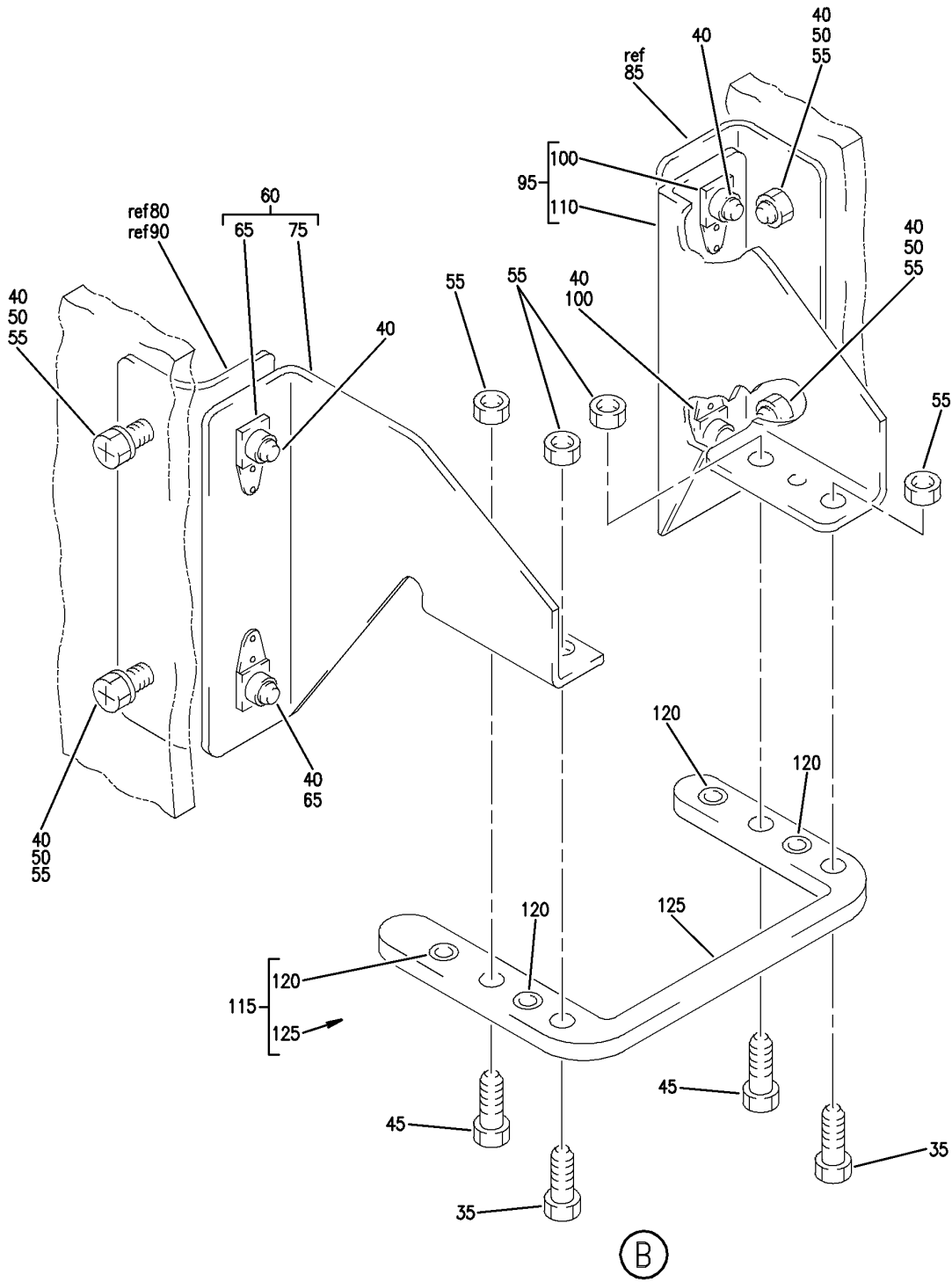
MODULE AND BRACKET INSTL-AIR DATA SPRT SYS  
FIGURE 1A (SHEET 1)

**34-11-00-01A**

BRI  
JAN 20/09

34-11-00-01A  
PAGE 0

**BOEING**  
757  
PARTS CATALOG (MAINTENANCE)



Y 34110001A SH1 2 REV 226

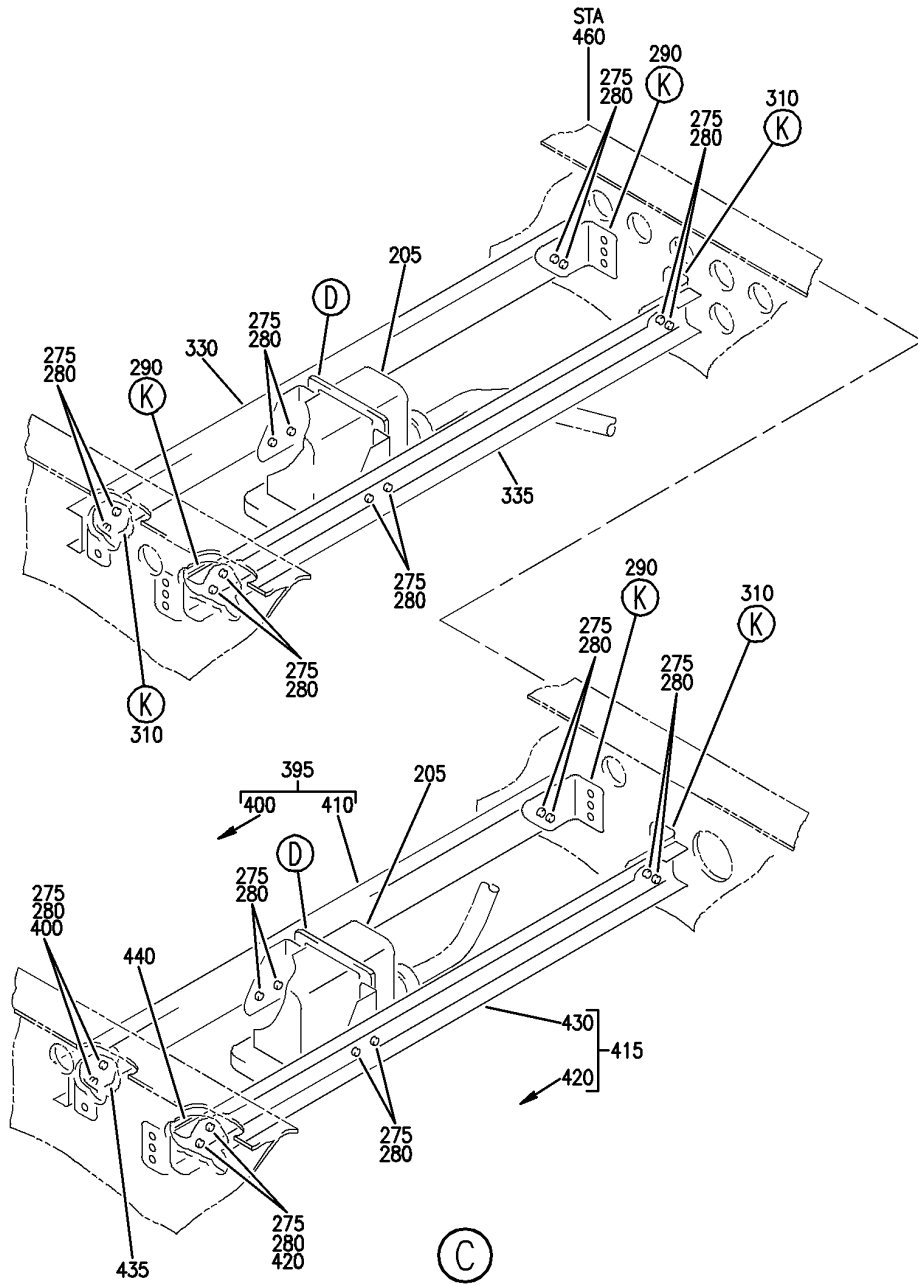
MODULE AND BRACKET INSTL-AIR DATA SPRT SYS  
FIGURE 1A (SHEET 2)

**34-11-00-01A**

BRI  
JAN 20/09

34-11-00-01A  
PAGE 0A

**BOEING**  
757  
PARTS CATALOG (MAINTENANCE)



Y 34110001A SHT 3 REV 226

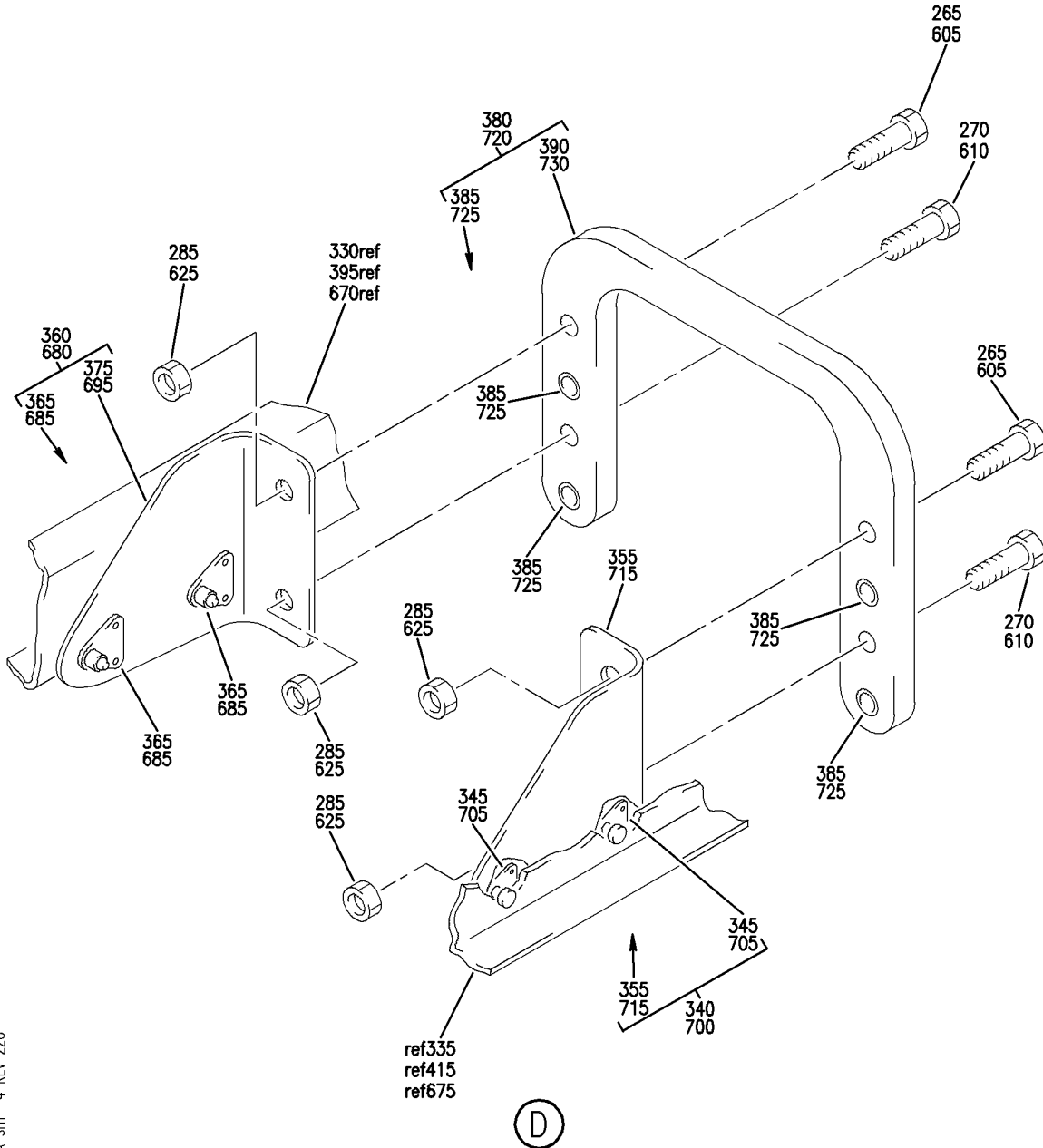
MODULE AND BRACKET INSTL-AIR DATA SPRT SYS  
FIGURE 1A (SHEET 3)

**34-11-00-01A**

BRI  
JAN 20/09

34-11-00-01A  
PAGE 0B

**BOEING**  
757  
PARTS CATALOG (MAINTENANCE)



Y 34110001A SH 4 REV 226

MODULE AND BRACKET INSTL-AIR DATA SPRT SYS  
FIGURE 1A (SHEET 4)

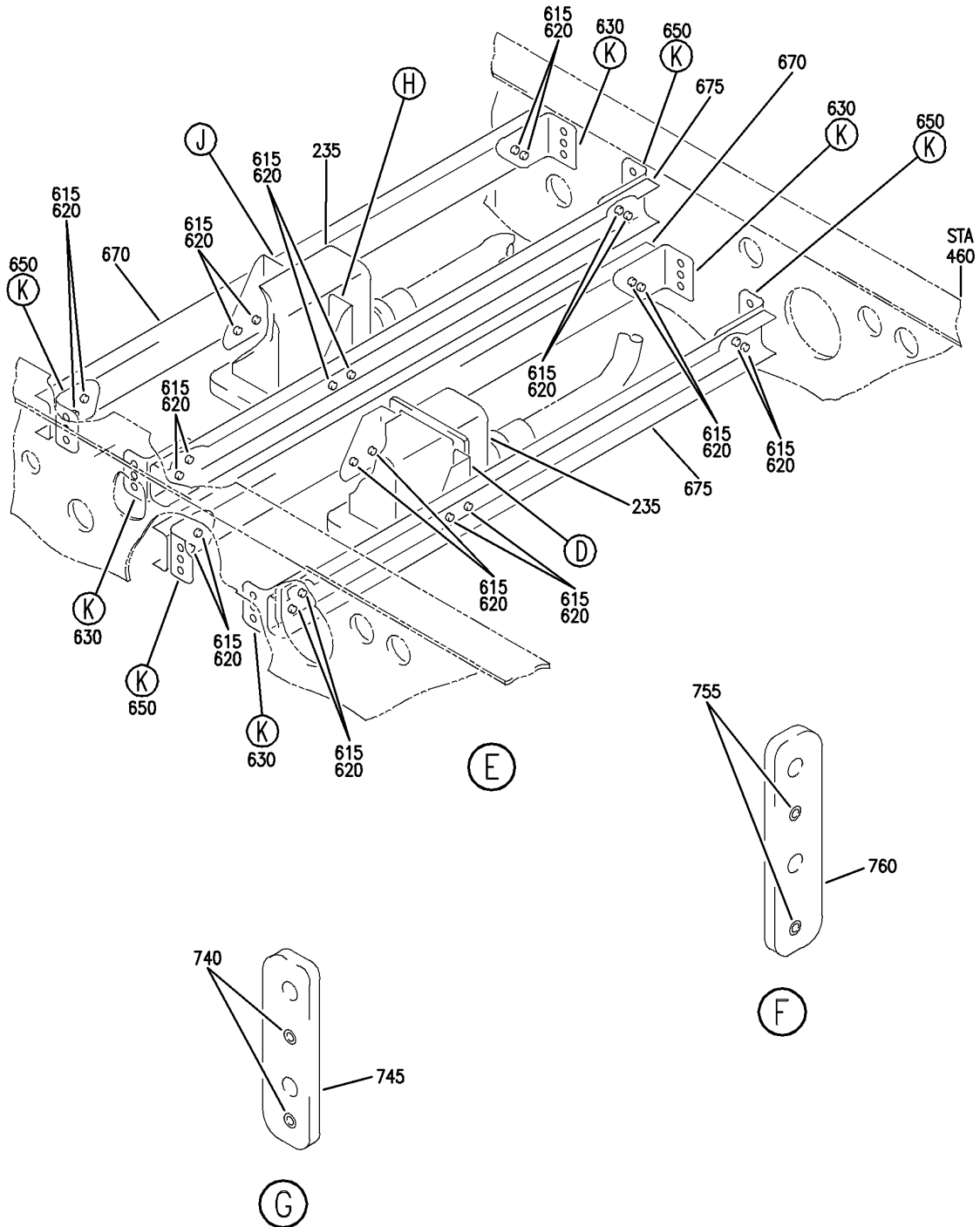
**34-11-00-01A**

BRI  
JAN 20/09

34-11-00-01A  
PAGE 0C



**BOEING**  
757  
PARTS CATALOG (MAINTENANCE)



Y 34110001A SHT 5 REV 226

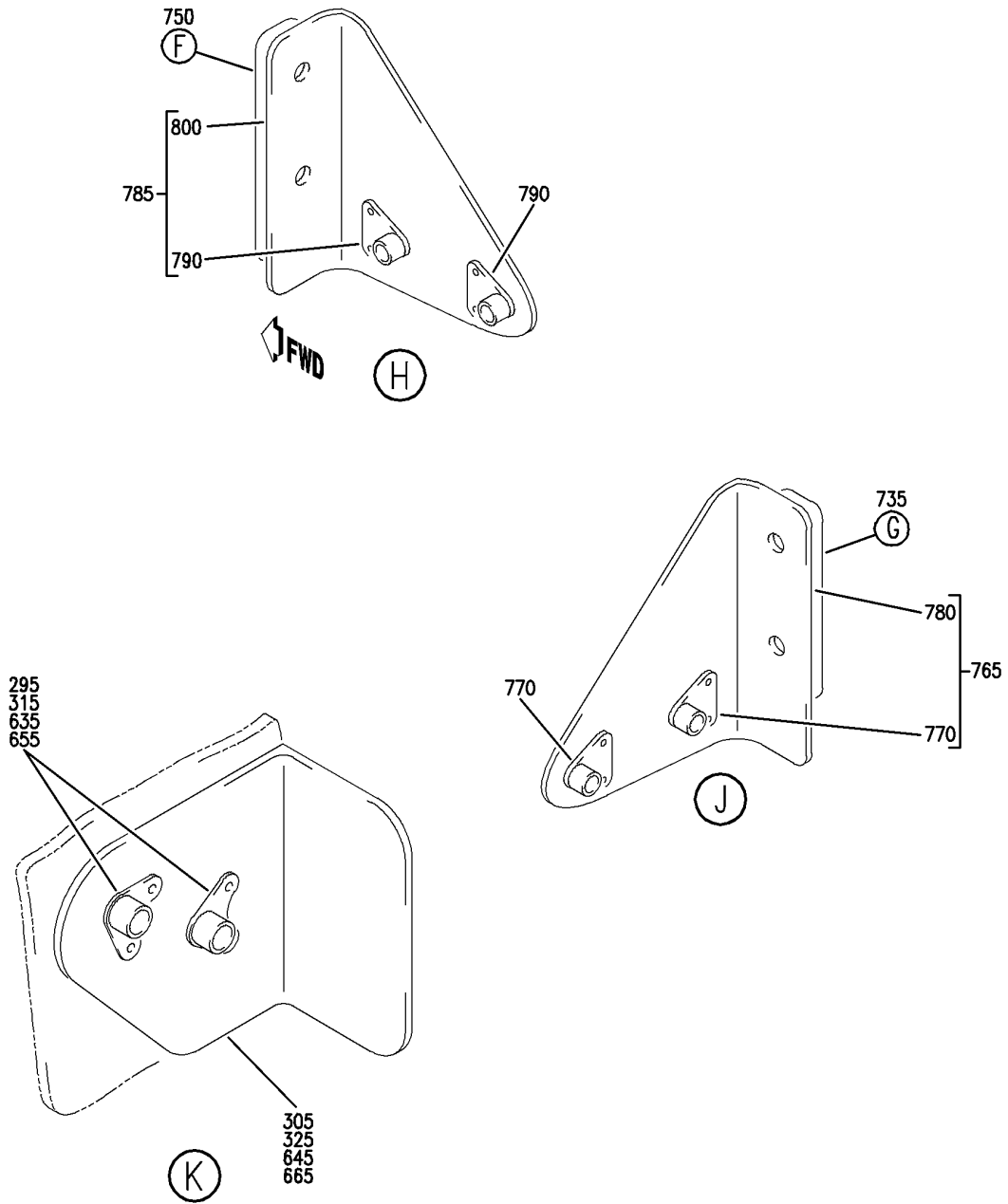
MODULE AND BRACKET INSTL-AIR DATA SPRT SYS  
FIGURE 1A (SHEET 5)

**34-11-00-01A**

BRI  
JAN 20/09

34-11-00-01A  
PAGE 0D

**BOEING**  
757  
PARTS CATALOG (MAINTENANCE)



Y 34110001A SH 6 REV 226

MODULE AND BRACKET INSTL-AIR DATA SPRT SYS  
FIGURE 1A (SHEET 6)

**34-11-00-01A**

BRI  
JAN 20/09

34-11-00-01A  
PAGE 0E



757

PARTS CATALOG (MAINTENANCE)

FIG ITEM	PART NUMBER	1 2 3 4 5 6 7	NOMENCLATURE	EFFECT FROM TO	UNITS PER ASSY
1 A			MODULE AND BRACKET INSTL- AIR DATA SPRT SYS	103106	
- 1	MODREF7476		MODULE INSTL-AIR DATA SPRT PITOT SYS	103106	1
5	C17001BA01		MODULE- STATIC SENSITIVE PART SUPPLIER CODE: VF9111 FUNCTIONAL DESCRIPTION: TRANSMITS A PRECISELY CALIBRATED MEASUREMENT OF PITOT/STATIC PRESSURE ON THE ARINC 429 DATA BUS SPECIFICATION NUMBER: S242W601-100 ELECTRICAL EQUIP NUMBER: M11560 M11564 COMPONENT MAINT MANUAL REF: 34-21-15 OPTIONAL PART: C17001CA01 VF9111 FOR DETAILS SEE: 34-11-51-55	103106	2

MISSING ITEM NUMBERS NOT APPLICABLE

- ITEM NOT ILLUSTRATED

BRI

**34-11-00-01A**

BOEING PROPRIETARY - Copyright © - Unpublished Work - See title page for details.

34-11-00  
FIG. 01A  
PAGE 1  
JAN 20/09



757

PARTS CATALOG (MAINTENANCE)

FIG ITEM	PART NUMBER	1 2 3 4 5 6 7	NOMENCLATURE	EFFECT FROM TO	UNITS PER ASSY
1A					
5	C17001CA01		.MODULE- STATIC SENSITIVE PART SUPPLIER CODE: VF9111 FUNCTIONAL DESCRIPTION: TRANSMITS A PRECISELY CALIBRATED MEASUREMENT OF PITOT/STATIC PRESSURE ON THE ARINC 429 DATA BUS SPECIFICATION NUMBER: S242W601-101 ELECTRICAL EQUIP NUMBER: M11560 M11564 COMPONENT MAINT MANUAL REF: 34-21-20 OPTIONAL PART: C17001BA01 VF9111 FOR DETAILS SEE: 34-11-51-55	103106	2
- 30	MODREF7477		BRACKET INSTL-AIR DATA MODULE SPRT CAPT PRIMARY AND AUX NO. 2 PITOT SYS MODULE NUMBER: 232N9008-7 REV A POSITION DATA: LH	103106	1
35	NAS1801-3-9		.SCREW	103106	4
40	BACS12GU3K7		.SCREW	103106	16
45	BACB30LH3-3		.BOLT	103106	4
50	NAS1149D0332K		.WASHER	103106	8
55	MS21042L3		.NUT	103106	16
60	232N9010-1		.BRACKET ASSY-AIR DATA PITOT SYSTEM	103106	2
65	BRF100C3D		..NUTPLATE SUPPLIER CODE: V52828 SPECIFICATION NUMBER: BACN10KB3CFD OPTIONAL PART: NS202478-02 V80539 102F9207P3 V72962 F51604-3 V15653	103106	2

MISSING ITEM NUMBERS NOT APPLICABLE

- ITEM NOT ILLUSTRATED

34-11-00-01A

34-11-00  
FIG. 01A  
PAGE 2  
JAN 20/09

BRI



757

PARTS CATALOG (MAINTENANCE)

FIG ITEM	PART NUMBER	1 2 3 4 5 6 7	NOMENCLATURE	EFFECT FROM TO	UNITS PER ASSY
1 A			ATTACHING PARTS		
- 70	BACR15BA3AD		..RIVET- SIZE DETERMINED ON INSTL. -----*-----	103106	4
75	232N9010-3		..BRACKET	103106	1
80	232N9010-16		.BRACKET	103106	1
85	232N9010-6		.BRACKET	103106	2
90	232N9010-14		.BRACKET	103106	1
95	232W9421-34		.BRACKET ASSY	103106	2
100	BRF100C3D		..NUTPLATE SUPPLIER CODE: V52828 SPECIFICATION NUMBER: BACN10KB3CFD OPTIONAL PART: NS202478-02 V80539 102F9207P3 V72962 F51604-3 V15653	103106	2
- 105	BACR15BA3AD		ATTACHING PARTS ..RIVET- SIZE DETERMINED ON INSTL. -----*-----	103106	4
110	232W9421-36		..BRACKET	103106	1
115	232W9421-46		.BRACKET ASSY	103106	2
120	MS21209C0810P		..INSERT	103106	4
125	232W9421-47		..BRACKET	103106	1
- 200	MODREF7482		MODULE INSTL-AIR DATA SPRT STATIC SYS MODULE NUMBER: 232N9107-5 REV A	103106	1

MISSING ITEM NUMBERS NOT APPLICABLE

- ITEM NOT ILLUSTRATED

34-11-00-01A

34-11-00  
FIG. 01A  
PAGE 3  
JAN 20/09

BRI

BOEING PROPRIETARY - Copyright © - Unpublished Work - See title page for details.



757

PARTS CATALOG (MAINTENANCE)

FIG ITEM	PART NUMBER	1 2 3 4 5 6 7	NOMENCLATURE	EFFECT FROM TO	UNITS PER ASSY
1A 205	C17001BA01	.	MODULE- STATIC SENSITIVE PART SUPPLIER CODE: VF9111 FUNCTIONAL DESCRIPTION: TRANSMITS A PRECISELY CALIBRATED MEASUREMENT OF PITOT/STATIC PRESSURE ON THE ARINC 429 DATA BUS SPECIFICATION NUMBER: S242W601-100 ELECTRICAL EQUIP NUMBER: M11561 M11565 COMPONENT MAINT MANUAL REF: 34-21-15 OPTIONAL PART: C17001CA01 VF9111 FOR DETAILS SEE: 34-11-51-55	103106	2
205	C17001CA01	.	MODULE- STATIC SENSITIVE PART SUPPLIER CODE: VF9111 FUNCTIONAL DESCRIPTION: TRANSMITS A PRECISELY CALIBRATED MEASUREMENT OF PITOT/STATIC PRESSURE ON THE ARINC 429 DATA BUS SPECIFICATION NUMBER: S242W601-101 ELECTRICAL EQUIP NUMBER: M11561 M11565 COMPONENT MAINT MANUAL REF: 34-21-20 OPTIONAL PART: C17001BA01 VF9111 FOR DETAILS SEE: 34-11-51-55	103106	2
- 230	MODREF7483		MODULE INSTL-AIR DATA SPRT STATIC SYS MODULE NUMBER: 232N9107-7 REV A	103106	1

MISSING ITEM NUMBERS NOT APPLICABLE

- ITEM NOT ILLUSTRATED

34-11-00-01A

34-11-00  
FIG. 01A  
PAGE 4  
JAN 20/09

BRI



757

PARTS CATALOG (MAINTENANCE)

FIG ITEM	PART NUMBER	1 2 3 4 5 6 7	NOMENCLATURE	EFFECT FROM TO	UNITS PER ASSY
1A 235	C17001BA01	.	MODULE- STATIC SENSITIVE PART SUPPLIER CODE: VF9111 FUNCTIONAL DESCRIPTION: TRANSMITS A PRECISELY CALIBRATED MEASUREMENT OF PITOT/STATIC PRESSURE ON THE ARINC 429 DATA BUS SPECIFICATION NUMBER: S242W601-100 ELECTRICAL EQUIP NUMBER: M11563 M11566 COMPONENT MAINT MANUAL REF: 34-21-15 OPTIONAL PART: C17001CA01 VF9111 FOR DETAILS SEE: 34-11-51-55	103106	2
235	C17001CA01	.	MODULE- STATIC SENSITIVE PART SUPPLIER CODE: VF9111 FUNCTIONAL DESCRIPTION: TRANSMITS A PRECISELY CALIBRATED MEASUREMENT OF PITOT/STATIC PRESSURE ON THE ARINC 429 DATA BUS SPECIFICATION NUMBER: S242W601-101 ELECTRICAL EQUIP NUMBER: M11563 M11566 COMPONENT MAINT MANUAL REF: 34-21-20 OPTIONAL PART: C17001BA01 VF9111 FOR DETAILS SEE: 34-11-51-55	103106	2
- 260	MODREF7484		BRACKET INSTL-AIR DATA MODULE SPRT STATIC SYS MODULE NUMBER: 232N9108-7 REV A	103106	1
265	BACS12GU3K10	.	SCREW	103106	4

MISSING ITEM NUMBERS NOT APPLICABLE

- ITEM NOT ILLUSTRATED

34-11-00-01A

34-11-00  
FIG. 01A  
PAGE 5  
JAN 20/09

BRI



757

PARTS CATALOG (MAINTENANCE)

FIG ITEM	PART NUMBER	1 2 3 4 5 6 7	NOMENCLATURE	EFFECT FROM TO	UNITS PER ASSY
1 A					
270	BACB30VF3K3	.BOLT		103106	4
275	BACS12GU3K7	.SCREW		103106	24
280	NAS1149D0316J	.WASHER		103106	24
285	MS21042L3	.NUT		103106	8
290	143A9550-1	.BRACKET ASSY		103106	3
295	BACN10JP3CCD	..NUTPLATE		103106	2
			ATTACHING PARTS		
- 300	BACR15BA3AD	..RIVET-		103106	4
			SIZE DETERMINED ON INSTL.		
			-----*-----		
305	143A9550-3	..BRACKET		103106	1
310	143A9550-2	.BRACKET ASSY		103106	3
315	BACN10JP3CCD	..NUTPLATE		103106	2
			ATTACHING PARTS		
- 320	BACR15BA3AD	..RIVET-		103106	4
			SIZE DETERMINED ON INSTL.		
			-----*-----		
325	143A9550-4	..BRACKET		103106	1
330	232N9110-10	.BRACKET ASSY		103106	1
335	232N9110-9	.BRACKET ASSY		103106	1
340	232W9421-41	.BRACKET ASSY		103106	2
345	T8078S1032	..NUTPLATE		103106	2
			SUPPLIER CODE:		
			V11815		
			SPECIFICATION NUMBER:		
			BACN10JP3C		
			OPTIONAL PART:		
			MK3000-3BAC		
			V15653		
			NS103199-02		
			V80539		
			RMA9205M3		
			V72962		
			VN203A1-02		
			V92215		
			BRM300A3		
			V52828		
			ATTACHING PARTS		
- 350	BACR15BA3AD	..RIVET-		103106	4
			SIZE DETERMINED ON INSTL.		
			-----*-----		
355	232W9421-43	..BRACKET		103106	1
360	232W9421-42	.BRACKET ASSY		103106	2

MISSING ITEM NUMBERS NOT APPLICABLE

- ITEM NOT ILLUSTRATED

34-11-00-01A

34-11-00  
FIG. 01A  
PAGE 6  
JAN 20/09

BRI

BOEING PROPRIETARY - Copyright © - Unpublished Work - See title page for details.





757

PARTS CATALOG (MAINTENANCE)

FIG ITEM	PART NUMBER	1 2 3 4 5 6 7	NOMENCLATURE	EFFECT FROM TO	UNITS PER ASSY
1A 365	T8078S1032	..	NUTPLATE SUPPLIER CODE: V11815 SPECIFICATION NUMBER: BACN10JP3C OPTIONAL PART: MK3000-3BAC V15653 NS103199-02 V80539 RMA9205M3 V72962 VN203A1-02 V92215 BRM300A3 V52828 ATTACHING PARTS	103106	2
- 370	BACR15BA3AD	..	RIVET- SIZE DETERMINED ON INSTL. -----*-----	103106	4
375	232W9421-44	..	BRACKET	103106	1
380	232W9421-46	.	BRACKET ASSY	103106	2
385	MS21209C0810P	..	INSERT	103106	4
390	232W9421-47	..	BRACKET	103106	1
395	232N9110-28	.	BRACKET ASSY	103106	1
400	BACN10JP3CCD	..	NUTPLATE ATTACHING PARTS	103106	2
- 405	BACR15BA3AD	..	RIVET- SIZE DETERMINED ON INSTL. -----*-----	103106	4
410	232N9110-30	..	BRACKET	103106	1
415	232N9110-29	.	BRACKET ASSY	103106	1
420	BACN10JP3CCD	..	NUTPLATE ATTACHING PARTS	103106	2
- 425	BACR15BA3AD	..	RIVET- SIZE DETERMINED ON INSTL. -----*-----	103106	4
430	232N9110-31	..	BRACKET	103106	1
435	232N9110-26	.	BRACKET	103106	1
440	232N9110-27	.	BRACKET	103106	1
- 600	MODREF7485		BRACKET INSTL-AIR DATA MODULE SPRT STATIC SYS MODULE NUMBER: 232N9108-9 REV A	103106	1
605	BACS12GU3K10	.	SCREW	103106	4
610	BACB30VF3K3	.	BOLT	103106	4
615	BACS12GU3K7	.	SCREW	103106	24
620	NAS1149D0316J	.	WASHER	103106	24
625	MS21042L3	.	NUT	103106	8

MISSING ITEM NUMBERS NOT APPLICABLE

- ITEM NOT ILLUSTRATED

34-11-00-01A

34-11-00  
FIG. 01A  
PAGE 7  
JAN 20/09

BRI

 **BOEING**  
757  
**PARTS CATALOG (MAINTENANCE)**

FIG ITEM	PART NUMBER	1 2 3 4 5 6 7	NOMENCLATURE	EFFECT FROM TO	UNITS PER ASSY
1 A					
630	143A9550-1	.	BRACKET ASSY	103106	4
635	BACN10JP3CCD	..	NUTPLATE	103106	2
			ATTACHING PARTS		
- 640	BACR15BA3AD	..	RIVET-	103106	4
			SIZE DETERMINED ON INSTL.		
			-----*-----		
645	143A9550-3	..	BRACKET	103106	1
650	143A9550-2	.	BRACKET ASSY	103106	4
655	BACN10JP3CCD	..	NUTPLATE	103106	2
			ATTACHING PARTS		
- 660	BACR15BA3AD	..	RIVET-	103106	4
			SIZE DETERMINED ON INSTL.		
			-----*-----		
665	143A9550-4	..	BRACKET	103106	1
670	232N9110-10	.	BRACKET ASSY	103106	2
675	232N9110-9	.	BRACKET ASSY	103106	2
680	232W9421-41	.	BRACKET ASSY	103106	1
685	T8078S1032	..	NUTPLATE	103106	2
			SUPPLIER CODE:		
			V11815		
			SPECIFICATION NUMBER:		
			BACN10JP3C		
			OPTIONAL PART:		
			MK3000-3BAC		
			V15653		
			NS103199-02		
			V80539		
			RMA9205M3		
			V72962		
			VN203A1-02		
			V92215		
			BRM300A3		
			V52828		
			ATTACHING PARTS		
- 690	BACR15BA3AD	..	RIVET-	103106	4
			SIZE DETERMINED ON INSTL.		
			-----*-----		
695	232W9421-43	..	BRACKET	103106	1
700	232W9421-42	.	BRACKET ASSY	103106	1

MISSING ITEM NUMBERS NOT APPLICABLE

- ITEM NOT ILLUSTRATED

BRI

# 34-11-00-01A

BOEING PROPRIETARY - Copyright © - Unpublished Work - See title page for details.

34-11-00  
FIG. 01A  
PAGE 8  
JAN 20/09



757

PARTS CATALOG (MAINTENANCE)

FIG ITEM	PART NUMBER	1 2 3 4 5 6 7	NOMENCLATURE	EFFECT FROM TO	UNITS PER ASSY
1A 705	T8078S1032		..NUTPLATE SUPPLIER CODE: V11815 SPECIFICATION NUMBER: BACN10JP3C OPTIONAL PART: MK3000-3BAC V15653 NS103199-02 V80539 RMA9205M3 V72962 VN203A1-02 V92215 BRM300A3 V52828	103106	2
- 710	BACR15BA3AD		ATTACHING PARTS ..RIVET- SIZE DETERMINED ON INSTL. -----*-----	103106	4
715	232W9421-44		..BRACKET	103106	1
720	232W9421-46		.BRACKET ASSY	103106	1
725	MS21209C0810P		..INSERT	103106	4
730	232W9421-47		..BRACKET	103106	1
735	232N9110-20		.BRACKET ASSY	103106	1
740	MS21209C0810P		..INSERT	103106	2
745	232N9110-18		..BRACKET	103106	1
750	232N9110-21		.BRACKET ASSY	103106	1
755	MS21209C0810P		..INSERT	103106	2
760	232N9110-19		..BRACKET	103106	1
765	232N9110-24		.BRACKET ASSY	103106	1
770	T8078S1032		..NUTPLATE SUPPLIER CODE: V11815 SPECIFICATION NUMBER: BACN10JP3C OPTIONAL PART: MK3000-3BAC V15653 NS103199-02 V80539 RMA9205M3 V72962 VN203A1-02 V92215 BRM300A3 V52828	103106	2

MISSING ITEM NUMBERS NOT APPLICABLE

- ITEM NOT ILLUSTRATED

34-11-00-01A

34-11-00  
FIG. 01A  
PAGE 9  
JAN 20/09

BRI

BOEING PROPRIETARY - Copyright © - Unpublished Work - See title page for details.



757

PARTS CATALOG (MAINTENANCE)

FIG ITEM	PART NUMBER	1 2 3 4 5 6 7	NOMENCLATURE	EFFECT FROM TO	UNITS PER ASSY
1 A			ATTACHING PARTS		
- 775	BACR15BA3AD		..RIVET- SIZE DETERMINED ON INSTL. -----*-----	103106	4
780	232N9110-22		..BRACKET	103106	1
785	232N9110-25		.BRACKET ASSY	103106	1
790	T8078S1032		..NUTPLATE SUPPLIER CODE: V11815 SPECIFICATION NUMBER: BACN10JP3C OPTIONAL PART: MK3000-3BAC V15653 NS103199-02 V80539 RMA9205M3 V72962 VN203A1-02 V92215 BRM300A3 V52828	103106	2
- 795	BACR15BA3AD		ATTACHING PARTS ..RIVET- SIZE DETERMINED ON INSTL. -----*-----	103106	4
800	232N9110-23		..BRACKET	103106	1

MISSING ITEM NUMBERS NOT APPLICABLE

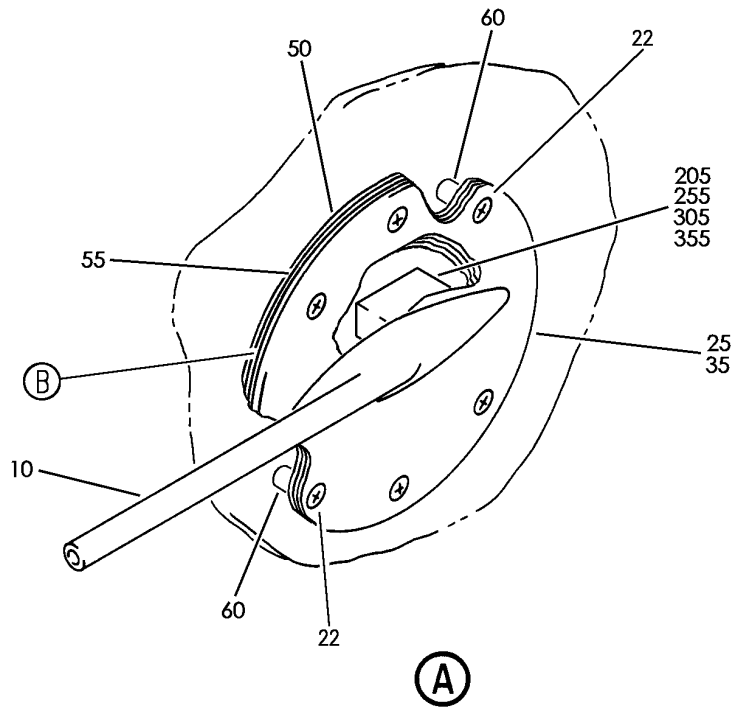
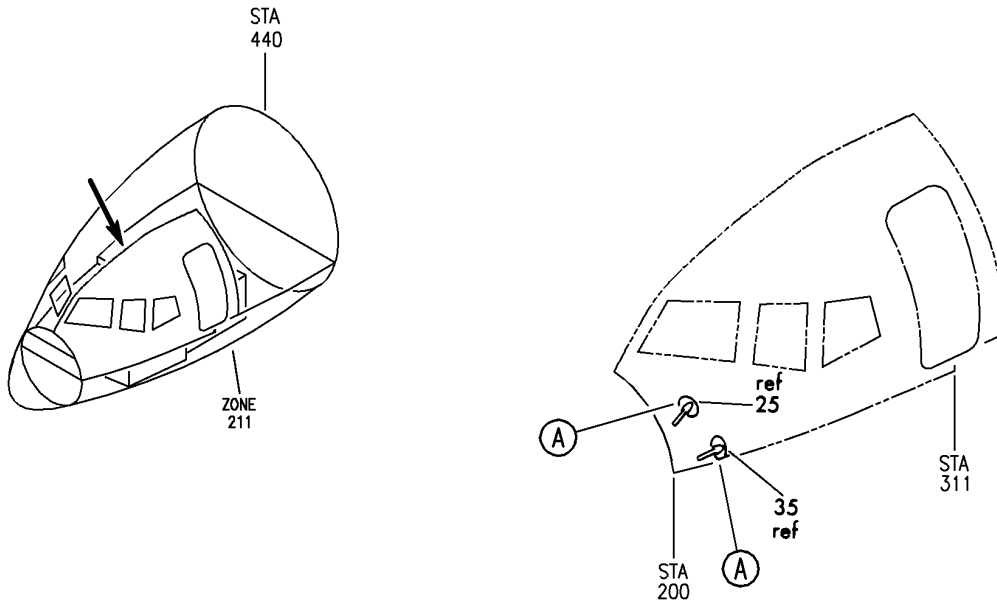
- ITEM NOT ILLUSTRATED

34-11-00-01A

34-11-00  
FIG. 01A  
PAGE 10  
JAN 20/09

BRI

**BOEING**  
757  
PARTS CATALOG (MAINTENANCE)



Y 34110101 SHT 1 REV 298

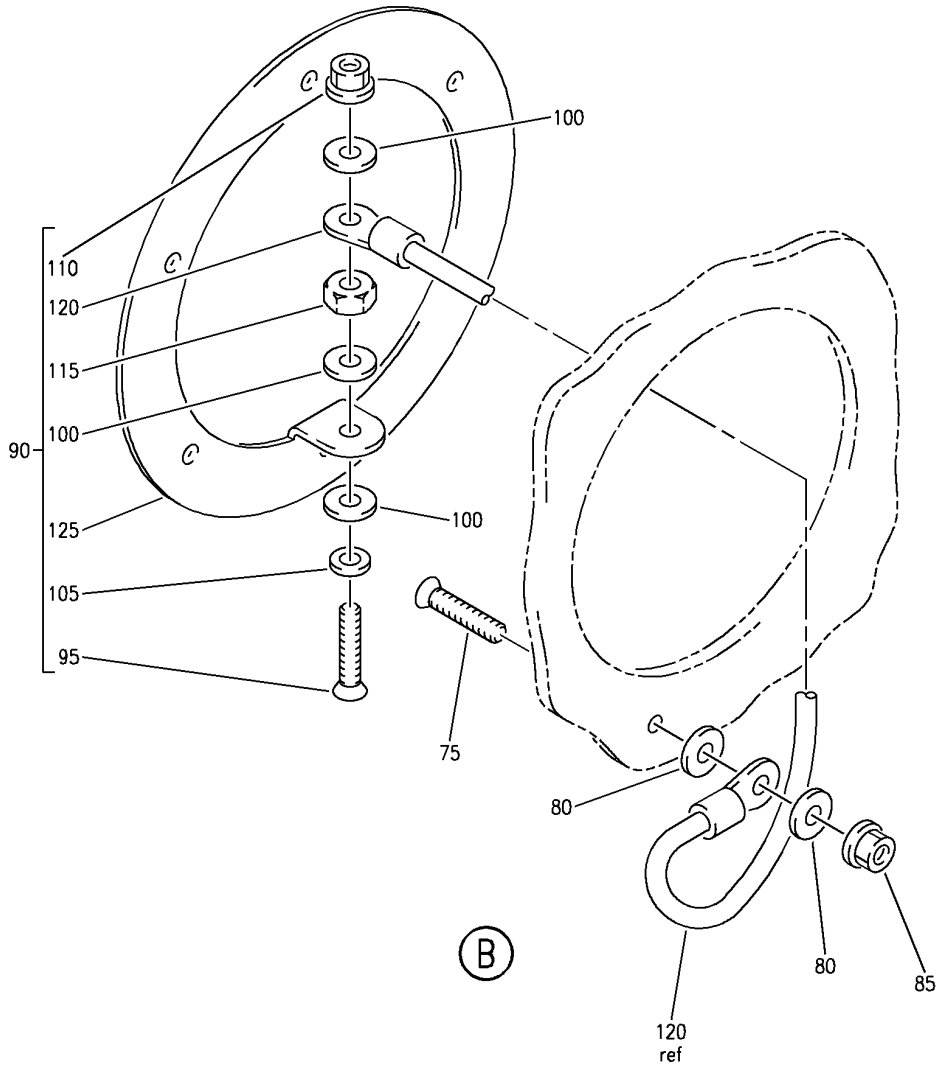
SENSOR INSTL-PITOT  
FIGURE 1 (SHEET 1)

**34-11-01-01**

BRI  
MAY 28/07

34-11-01-01  
PAGE 0

**BOEING**  
757  
PARTS CATALOG (MAINTENANCE)



Y 34110101 SHT 2 REV 298

SENSOR INSTL-PITOT  
FIGURE 1 (SHEET 2)

**34-11-01-01**

BRI  
MAY 28/07

34-11-01-01  
PAGE 0A



**757  
PARTS CATALOG (MAINTENANCE)**

FIG ITEM	PART NUMBER	1 2 3 4 5 6 7	NOMENCLATURE	EFFECT FROM TO	UNITS PER ASSY
1			SENSOR INSTL-PITOT	002004 006102 107999	
- 1	232N9001-1		SENSOR INSTL-PITOT POSITION DATA: LH FOR NHA SEE: 25-10-00-01	107107 904949	RF
- 1	232N9001-5		SENSOR INSTL-PITOT POSITION DATA: LH FOR NHA SEE: 25-10-00-01 25-10-00-10	002004 006102 108903 950999	RF
- 5	232N9001-2		SENSOR INSTL-PITOT POSITION DATA: RH FOR NHA SEE: 25-10-00-01	107107 904949	RF
- 5	232N9001-6		SENSOR INSTL-PITOT POSITION DATA: RH FOR NHA SEE: 25-10-00-01 25-10-00-10	002004 006102 108903 950999	RF
10	0851FJ1		.PROBE-PITOT SUPPLIER CODE: V59885 SPECIFICATION NUMBER: S232N911-2 ELECTRICAL EQUIP NUMBER: B00026 B00027 B00028 B00029 SERVICE BULLETIN OPT DATA: 851FJ V59885	002004 006102 107999	2
10	851FJ		.PROBE- SUPPLIER CODE: V59885 SPECIFICATION NUMBER: S232N911-1 ELECTRICAL EQUIP NUMBER: B00026 B00027 B00028 B00029	002004 006102 107999	2

MISSING ITEM NUMBERS NOT APPLICABLE

- ITEM NOT ILLUSTRATED

BRI

# 34-11-01-01

BOEING PROPRIETARY - Copyright © - Unpublished Work - See title page for details.

34-11-01  
FIG. 01  
PAGE 1  
JAN 20/09



757

PARTS CATALOG (MAINTENANCE)

FIG ITEM	PART NUMBER	1 2 3 4 5 6 7	NOMENCLATURE	EFFECT FROM TO	UNITS PER ASSY
1			ATTACHING PARTS		
- 15	BACB30LM4HU6		.BOLT	002004 006102 107999	4
- 20	AN960PD416		.WASHER	002004 006102 107999	4
			-----*-----		
22	NAS514P1032-12		.SCREW- PRE SERVICE BULLETIN: 34-0264R2 34-0264R1	002004 006102 107999	12
22	BACB30LH3-6		.BOLT	002004 006102 107999	12
25	232N9002-5		.SUPPORT- POSITION DATA: WL 220.0 LH SIDE	002004 006102 107999	1
- 30	232N9002-6		.SUPPORT- POSITION DATA: WL 220.0 RH SIDE	002004 006102 107999	1
35	232N9002-7		.SUPPORT- POSITION DATA: WL 208.0 LH SIDE	002004 006102 107999	1
- 40	232N9002-8		.SUPPORT- POSITION DATA: WL 208.0 RH SIDE	002004 006102 107999	1
50	232N9003-1		.GASKET- MANUFACTURED FROM: SH RUBBER BMS1-57 F25.01 .040 IN. 4.3 IN. 4.3 IN.	002004 006102 107999	2
55	232N9004-1		.SHIM	002004 006102 107999	2

MISSING ITEM NUMBERS NOT APPLICABLE

- ITEM NOT ILLUSTRATED

34-11-01-01

34-11-01  
FIG. 01  
PAGE 2  
JAN 20/09

BRI





757

PARTS CATALOG (MAINTENANCE)

FIG ITEM	PART NUMBER	1 2 3 4 5 6 7	NOMENCLATURE	EFFECT FROM TO	UNITS PER ASSY
1 60	SE98A3		.NUTPLATE- SUPPLIER CODE: V62554 SPECIFICATION NUMBER: BACN10JZ3A2 OPTIONAL PART: NS103224-02 V80539 RMF9219-3 V72962 F1968-3BAC V15653 BACN10KA3BCD PRE SERVICE BULLETIN: 34-0264R2 34-0264R1	002004 006102 107999	12
60	NS202541-3		.NUTPLATE- SUPPLIER CODE: V80539 SPECIFICATION NUMBER: BACN10KA3BCD OPTIONAL PART: T8100C1032KCPM V11815 BACN10JZ3A2 BACN10JZ3A2CDMU PRE SERVICE BULLETIN: 34-0264R2 34-0264R1	002004 006102 107999	12
60	BACN10JZ3A2CDMU		.NUTPLATE- POST SERVICE BULLETIN: 34-0264R1 34-0264R2 ATTACHING PARTS	107903 950999	12
- 65	BACR15DR3		.RIVET- SIZE DETERMINED ON INSTL. OPTIONAL PART: BACR15BA3ADC PRE SERVICE BULLETIN: 34-0264R2 34-0264R1	002004 006102 107999	24
- 65	BACR15BA3ADC		.RIVET- SIZE DETERMINED ON INSTL. OPTIONAL PART: BACR15DR3 PRE SERVICE BULLETIN: 34-0264R2 34-0264R1	002004 006102 107999	24

MISSING ITEM NUMBERS NOT APPLICABLE

- ITEM NOT ILLUSTRATED

34-11-01-01

34-11-01  
FIG. 01  
PAGE 3  
JAN 20/09

BRI

 **BOEING**  
757  
**PARTS CATALOG (MAINTENANCE)**

FIG ITEM	PART NUMBER	1 2 3 4 5 6 7	NOMENCLATURE	EFFECT FROM TO	UNITS PER ASSY
1					
- 65	BACR15BA3AD5C	.RIVET-	POST SERVICE BULLETIN: 34-0264R1 34-0264R2	107903 950999	24
		-----*-----			
75	BACS12GX3A11	.SCREW-	POST SERVICE BULLETIN: 34-0264R1 34-0264R2	107903 950999	2
80	NAS1149D0363H	.WASHER-	POST SERVICE BULLETIN: 34-0264R1 34-0264R2	107903 950999	4
85	PLH53CD	.NUT-	SUPPLIER CODE: VF0224 SPECIFICATION NUMBER: BACN10YR3CD OPTIONAL PART: H52732-3CD V15653 POST SERVICE BULLETIN: 34-0264R1 34-0264R2	107903 950999	2
90	232A9115-3	.PLATE ASSY-GROUNDING	POST SERVICE BULLETIN: 34-0264R1 34-0264R2	107903 950999	2
95	BACS12HN3-12	..SCREW-	OPTIONAL PART: NAS1801-3-12	107903 950999	1
95	NAS1801-3-12	..SCREW-	OPTIONAL PART: BACS23HN3-12	107903 950999	1
100	NAS1149D0363H	..WASHER		107903 950999	3
105	BACW10EC3S	..WASHER		107903 950999	1
110	PLH53CD	..NUT	SUPPLIER CODE: VF0224 SPECIFICATION NUMBER: BACN10YR3CD OPTIONAL PART: H52732-3CD V15653	107903 950999	1
115	MS35650-305T	..NUT		107903 950999	1

MISSING ITEM NUMBERS NOT APPLICABLE

- ITEM NOT ILLUSTRATED

BRI

# 34-11-01-01

BOEING PROPRIETARY - Copyright © - Unpublished Work - See title page for details.

34-11-01  
FIG. 01  
PAGE 4  
JAN 20/09

 **BOEING**  
757  
**PARTS CATALOG (MAINTENANCE)**

FIG ITEM	PART NUMBER	1 2 3 4 5 6 7	NOMENCLATURE	EFFECT FROM TO	UNITS PER ASSY
1					
120	RBEJ40K5A5A6	..	JUMPER ASSY SUPPLIER CODE: V1GK47 SPECIFICATION NUMBER: BACJ40K5A5A6	107903 950999	1
125	232A9115-1	..	PLATE	107903 950999	1
- 200	286N2042-002		WIRE BUNDLE ASSY	107107 121503 904949	RF
- 200	286N2042-003		WIRE BUNDLE ASSY	002004 006100 950999	RF
- 200	286N2042-302		WIRE BUNDLE ASSY	101102 108120	RF
- 200	286N2042-304		WIRE BUNDLE ASSY	504903	RF
205	00855-0488-0003	.PLUG-	SUPPLIER CODE: V59885 ELECTRICAL EQUIP NUMBER: D02756 WIRING DIAGRAM REF: 303111	002004 006102 107999	1
- 250	286N2054-002		WIRE BUNDLE ASSY	107107 121503 904949	RF
- 250	286N2042-003		WIRE BUNDLE ASSY	002004 006100 950999	RF
- 250	286N2042-304		WIRE BUNDLE ASSY	504903	RF
- 250	286N2042-302		WIRE BUNDLE ASSY	101102 108120	RF
255	00855-0488-0003	.PLUG-	SUPPLIER CODE: V59885 ELECTRICAL EQUIP NUMBER: D02758 WIRING DIAGRAM REF: 303111	002004 006102 107999	1
- 300	286N2142-002		WIRE BUNDLE ASSY	107107 121503 904949	RF
- 300	286N2070-005		WIRE BUNDLE ASSY-	002004 006100 950999	RF
- 302	286N2070-335		WIRE BUNDLE ASSY	101102	RF
- 302	286N2070-337		WIRE BUNDLE ASSY	108120	RF
- 302	286N2070-340		WIRE BUNDLE ASSY	504903	RF

MISSING ITEM NUMBERS NOT APPLICABLE

- ITEM NOT ILLUSTRATED

BRI

# 34-11-01-01

34-11-01  
FIG. 01  
PAGE 5  
JAN 20/09



757

PARTS CATALOG (MAINTENANCE)

FIG ITEM	PART NUMBER	1 2 3 4 5 6 7	NOMENCLATURE	EFFECT FROM TO	UNITS PER ASSY
1 305	00855-0488-0003		.PLUG- SUPPLIER CODE: V59885 ELECTRICAL EQUIP NUMBER: D02762 WIRING DIAGRAM REF: 303112	002004 006102 107999	1
- 350	286N2154-002		WIRE BUNDLE ASSY	107107 121503 904949	RF
- 350	286N2070-005		WIRE BUNDLE ASSY-	002004 006100 950999	RF
- 352	286N2070-335		WIRE BUNDLE ASSY	101102	RF
- 352	286N2070-337		WIRE BUNDLE ASSY	108120	RF
- 352	286N2070-340		WIRE BUNDLE ASSY	504903	RF
355	00855-0488-0003		.PLUG- SUPPLIER CODE: V59885 ELECTRICAL EQUIP NUMBER: D02764 WIRING DIAGRAM REF: 303112	002004 006102 107999	1

MISSING ITEM NUMBERS NOT APPLICABLE

- ITEM NOT ILLUSTRATED

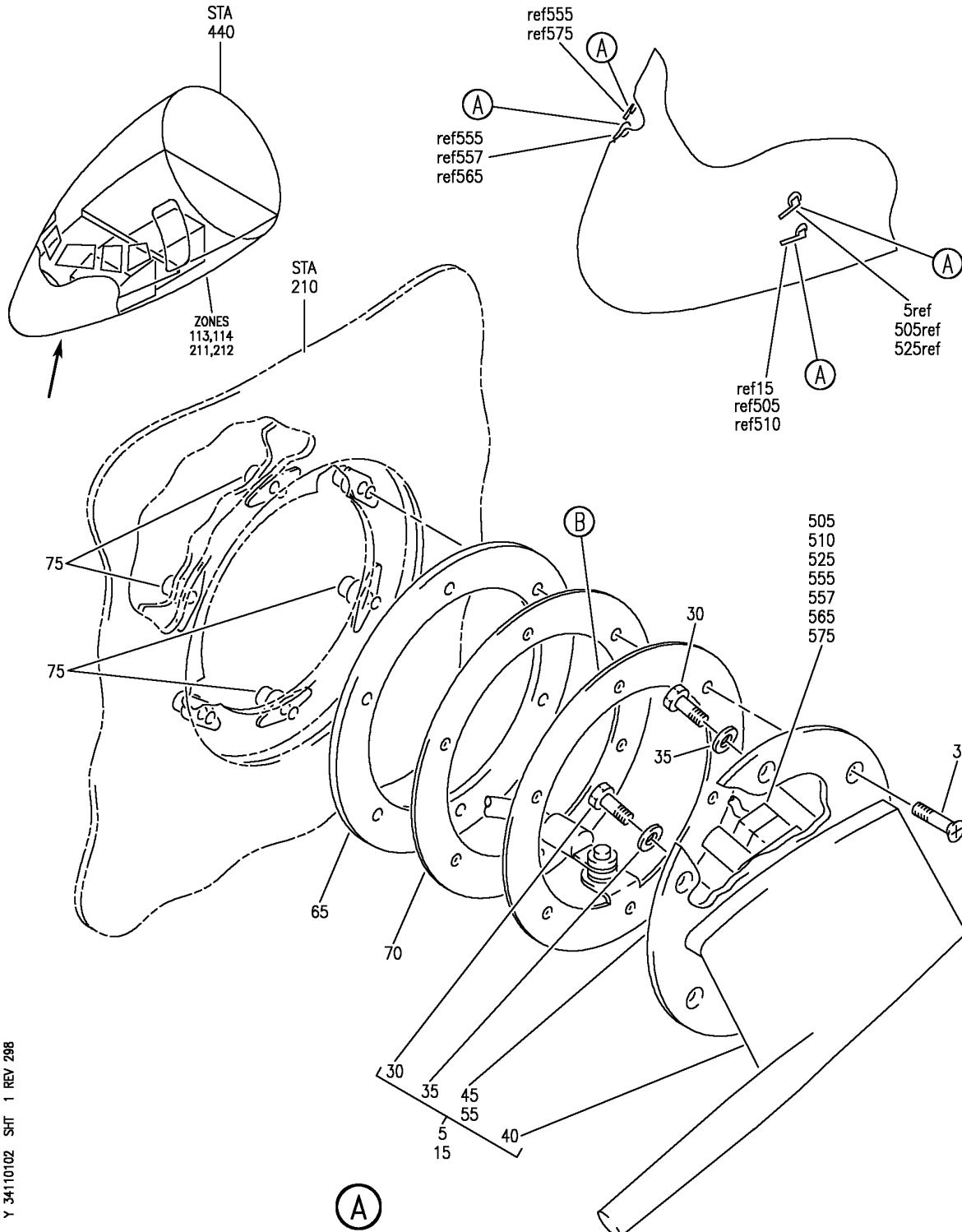
BRI

34-11-01-01

BOEING PROPRIETARY - Copyright © - Unpublished Work - See title page for details.

34-11-01  
FIG. 01  
PAGE 6  
JAN 20/09

**BOEING**  
757  
PARTS CATALOG (MAINTENANCE)



Y 34110102 SHT 1 REV 298

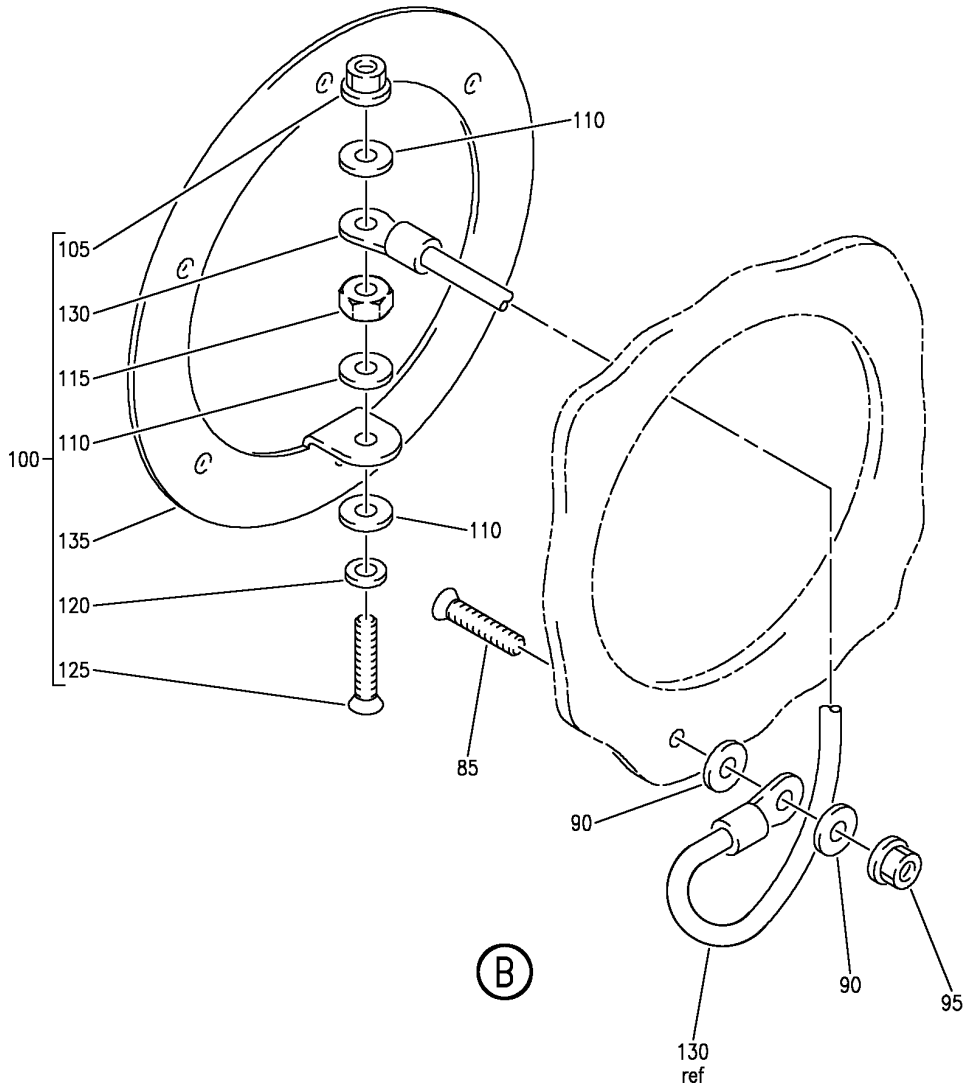
SENSOR INSTL-PITOT  
FIGURE 2 (SHEET 1)

**34-11-01-02**

BRI  
JAN 20/09

34-11-01-02  
PAGE 0

**BOEING**  
757  
PARTS CATALOG (MAINTENANCE)



Y 34-11-01-02 SH1 2 REV 275

SENSOR INSTL-PITOT  
FIGURE 2 (SHEET 2)

**34-11-01-02**

BRI  
JAN 20/09

34-11-01-02  
PAGE 0A



757

PARTS CATALOG (MAINTENANCE)

FIG ITEM	PART NUMBER	1 2 3 4 5 6 7	NOMENCLATURE	EFFECT FROM TO	UNITS PER ASSY
2					
- 1	MODREF7473		SENSOR INSTL-PITOT SENSOR INSTL-PITOT MODULE NUMBER: 232N9001-7 REV A POSITION DATA: LH	103106 103106	1
- 2	MODREF7474		SENSOR INSTL-PITOT MODULE NUMBER: 232N9001-8 REV A POSITION DATA: RH	103106	1
3	BACB30LH3-6		.BOLT	103106	12
5	232N9005-1		.SUPPORT ASSY- POSITION DATA: WL 220.0 LH SIDE	103106	1
- 10	232N9005-2		.SUPPORT ASSY- POSITION DATA: WL 220.0 RH SIDE	103106	1
15	232N9005-3		.SUPPORT ASSY- POSITION DATA: WL 208.0 LH SIDE	103106	1
- 20	232N9005-4		.SUPPORT ASSY- POSITION DATA: WL 208.0 RH SIDE	103106	1
30	BACB30LM4HU6		..BOLT	103106	2
35	NAS1149D0416J		..WASHER	103106	2
40	0851FJ1		..PROBE- SUPPLIER CODE: V59885 SPECIFICATION NUMBER: S232N911-2 ELECTRICAL EQUIP NUMBER: B00026 B00027 B00028 B00029	103106	1
40	851FJ		..PROBE- SUPPLIER CODE: V59885 SPECIFICATION NUMBER: S232N911-1 ELECTRICAL EQUIP NUMBER: B00026 B00027 B00028 B00029	103106	1
45	232N9002-5		..SUPPORT- USED ON: 232N9005-1	103106	1

MISSING ITEM NUMBERS NOT APPLICABLE

- ITEM NOT ILLUSTRATED

34-11-01-02

34-11-01  
FIG. 02  
PAGE 1  
JAN 20/09

BRI

 **BOEING**  
757  
**PARTS CATALOG (MAINTENANCE)**

FIG ITEM	PART NUMBER	1 2 3 4 5 6 7	NOMENCLATURE	EFFECT FROM TO	UNITS PER ASSY
2					
- 50	232N9002-6		.. SUPPORT- USED ON: 232N9005-2	103106	1
55	232N9002-7		.. SUPPORT- USED ON: 232N9005-3	103106	1
- 60	232N9002-8		.. SUPPORT- USED ON: 232N9005-4	103106	1
65	232N9003-1		. GASKET- MANUFACTURED FROM: SH RUBBER BMS1-57 F25.01 .040 IN. 4.3 IN. 4.3 IN.	103106	2
70	232N9004-1		. SHIM	103106	2
75	BACN10JZ3A2U		. NUTPLATE- OPTIONAL PART: BACN10JZ3A2CDMU PRE SERVICE BULLETIN: 34-0264R1 34-0264R2	103106	12
75	BACN10JZ3A2CDMU		. NUTPLATE- OPTIONAL PART: BACN10JZ3A2U POST SERVICE BULLETIN: 34-0264R1 34-0264R2	103106	12
- 80	BACR15BA3AD5C		ATTACHING PARTS . RIVET- POST SERVICE BULLETIN: 34-0264R1 34-0264R2	103106	24
- 80	BACR15DR3		. RIVET- SIZE DETERMINED ON INSTL. OPTIONAL PART: BACR15BA3ADC PRE SERVICE BULLETIN: 34-0264R1 34-0264R2	103106	24
- 80	BACR15BA3ADC		. RIVET- SIZE DETERMINED ON INSTL. OPTIONAL PART: BACR15DR3 PRE SERVICE BULLETIN: 34-0264R1 34-0264R2 -----*-----	103106	24

MISSING ITEM NUMBERS NOT APPLICABLE

- ITEM NOT ILLUSTRATED

BRI

# 34-11-01-02

BOEING PROPRIETARY - Copyright © - Unpublished Work - See title page for details.

34-11-01  
FIG. 02  
PAGE 2  
JAN 20/09





757

PARTS CATALOG (MAINTENANCE)

FIG ITEM	PART NUMBER	1 2 3 4 5 6 7	NOMENCLATURE	EFFECT FROM TO	UNITS PER ASSY
2					
85	BACS12GX3A11	.SCREW-	POST SERVICE BULLETIN: 34-0264R1 34-0264R2	103106	2
90	NAS1149D0363H	.WASHER-	POST SERVICE BULLETIN: 34-0264R1 34-0264R2	103106	4
95	PLH53CD	.NUT-	SUPPLIER CODE: VF0224 SPECIFICATION NUMBER: BACN10YR3CD OPTIONAL PART: H52732-3CD V15653 POST SERVICE BULLETIN: 34-0264R1 34-0264R2	103106	2
100	232A9115-3	.PLATE ASSY-GROUNDING	POST SERVICE BULLETIN: 34-0264R1 34-0264R2	103106	2
105	PLH53CD	..NUT	SUPPLIER CODE: VF0224 SPECIFICATION NUMBER: BACN10YR3CD OPTIONAL PART: H52732-3CD V15653	103106	1
110	NAS1149D0363H	..WASHER		103106	3
115	MS35650-305T	..NUT		103106	1
120	BACW10EC3S	..WASHER		103106	1
125	BACS12HN3-12	..SCREW		103106	1
130	RBEJ40K5A5A6	..JUMPER ASSY	SUPPLIER CODE: V1GK47 SPECIFICATION NUMBER: BACJ40K5A5A6	103106	1
135	232A9115-1	..PLATE		103106	1
- 500	286N2042-701	WIRE BUNDLE ASSY		103106	RF
510	00855-0488-0003	.PLUG-	SUPPLIER CODE: V59885 ELECTRICAL EQUIP NUMBER: D02756 WIRING DIAGRAM REF: 303111	103106	1

MISSING ITEM NUMBERS NOT APPLICABLE

- ITEM NOT ILLUSTRATED

34-11-01-02

34-11-01  
FIG. 02  
PAGE 3  
JAN 20/09

BRI



757

PARTS CATALOG (MAINTENANCE)

FIG ITEM	PART NUMBER	1 2 3 4 5 6 7	NOMENCLATURE	EFFECT FROM TO	UNITS PER ASSY
2 - 553 557	286N2070-601 00855-0488-0003		WIRE BUNDLE ASSY .PLUG- SUPPLIER CODE: V59885 ELECTRICAL EQUIP NUMBER: D02762 WIRING DIAGRAM REF: 303112	103106 103106	RF 1

MISSING ITEM NUMBERS NOT APPLICABLE

- ITEM NOT ILLUSTRATED

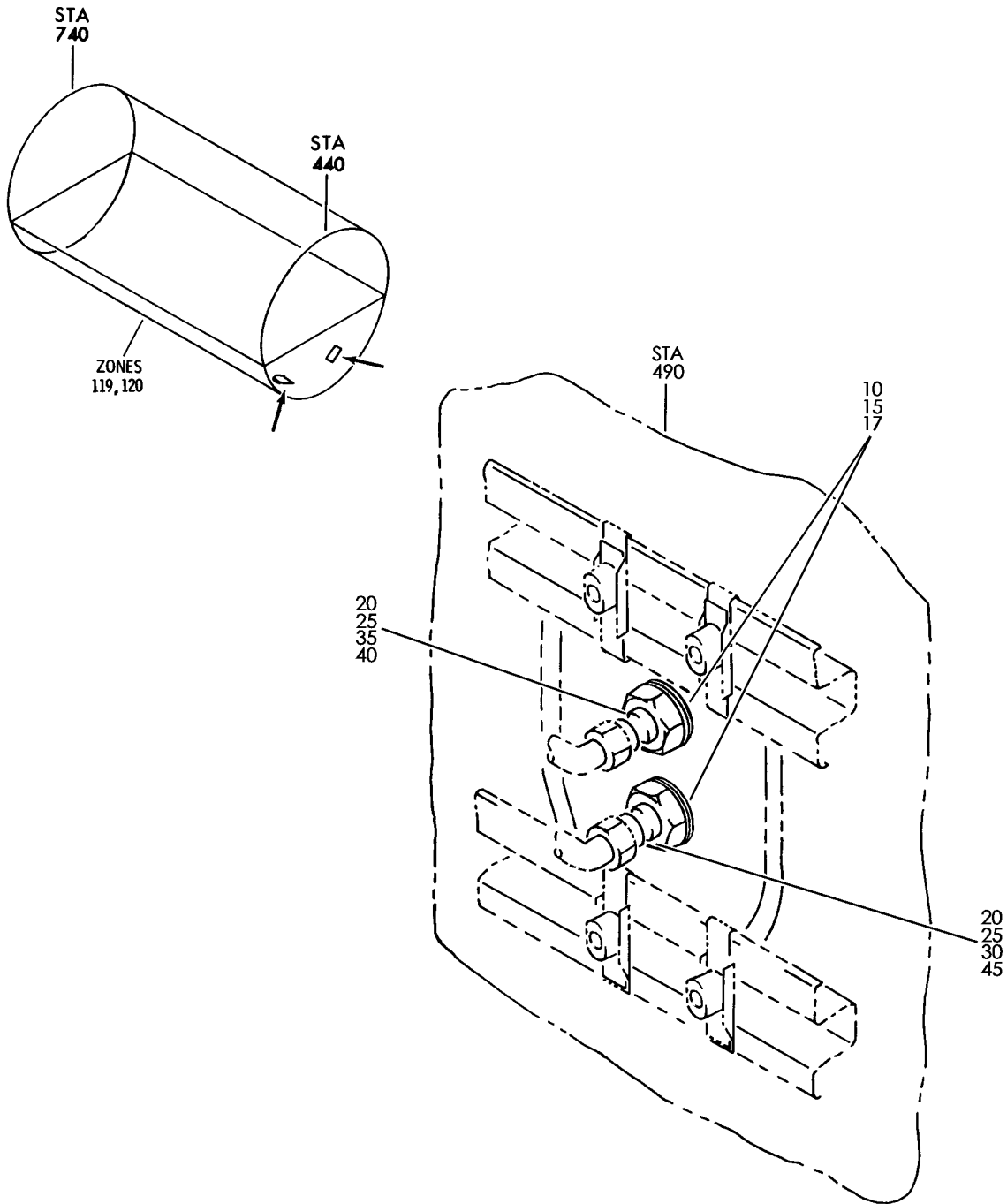
BRI

34-11-01-02

BOEING PROPRIETARY - Copyright © - Unpublished Work - See title page for details.

34-11-01  
FIG. 02  
PAGE 4  
JAN 20/09

**BOEING**  
757  
PARTS CATALOG (MAINTENANCE)



Y 34110301 REV 231

PORT INSTL-STATIC PRESSURE  
FIGURE 1

**34-11-03-01**

BRI  
MAY 28/07

34-11-03-01  
PAGE 0



757

PARTS CATALOG (MAINTENANCE)

FIG ITEM	PART NUMBER	1 2 3 4 5 6 7	NOMENCLATURE	EFFECT FROM TO	UNITS PER ASSY
1			PORT INSTL-STATIC PRESSURE	002004 006999	
- 1	232N9102-1		PORT INSTL-STATIC PRESSURE POSITION DATA: LH FOR NHA SEE: 25-10-00-01 25-10-00-10	002004 006102 107999	RF
- 1	MODREF7480		PORT INSTL-STATIC PRESSURE MODULE NUMBER: 232N9102-1 REV A POSITION DATA: LH	103106	1
- 5	232N9102-2		PORT INSTL-STATIC PRESSURE POSITION DATA: RH FOR NHA SEE: 25-10-00-01 25-10-00-10	002004 006102 107999	RF
- 5	MODREF7481		PORT INSTL-STATIC PRESSURE MODULE NUMBER: 232N9102-2 REV A POSITION DATA: RH	103106	1
10	BACN10DR10D		.NUT	002004 006999	2
15	65-60419-3		.WASHER	002004 006999	2
17	232N9104-1		.WASHER	002004 006999	2
20	69-15853-3		.PORT- USED ON: 232N9102-1 MODREF7480	002004 006999	2
25	69-15853-3		.PORT- USED ON: 232N9102-2 MODREF7481	002004 006999	2

MISSING ITEM NUMBERS NOT APPLICABLE

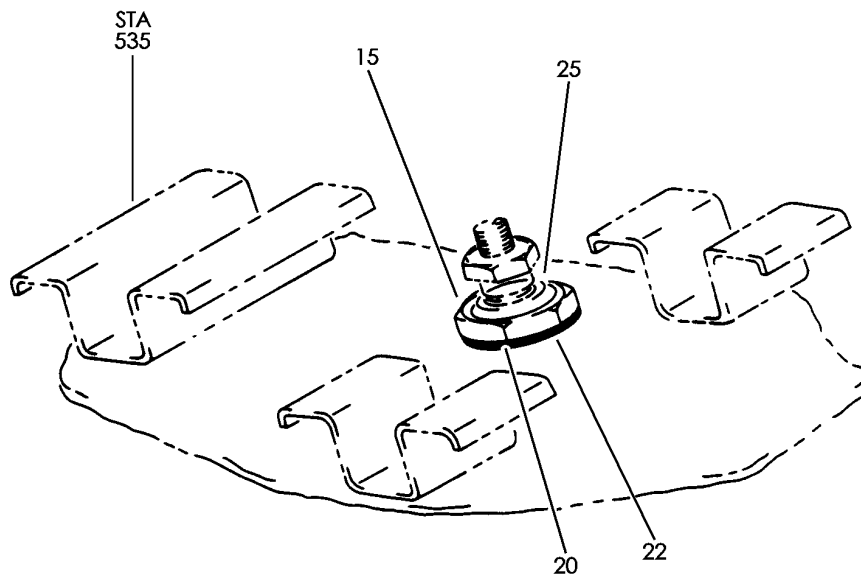
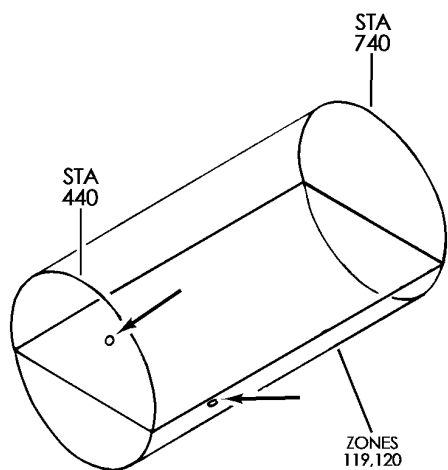
- ITEM NOT ILLUSTRATED

34-11-03-01

34-11-03  
FIG. 01  
PAGE 1  
JAN 20/09

BRI

**BOEING**  
757  
PARTS CATALOG (MAINTENANCE)



Y 34110305 REV 222

PORT INSTL-STATIC PRESSURE (PITOT STATIC SYSTEM ONLY)  
FIGURE 5

**34-11-03-05**

BRI  
MAY 28/07

34-11-03-05  
PAGE 0



757

PARTS CATALOG (MAINTENANCE)

FIG ITEM	PART NUMBER	1 2 3 4 5 6 7	NOMENCLATURE	EFFECT FROM TO	UNITS PER ASSY
5			PORT INSTL-STATIC PRESSURE (PITOT STATIC SYSTEM ONLY)	002004 006999	
- 1	232N9101-1		PORT INSTL-STATIC PRESSURE (PITOT STATIC SYSTEM ONLY) POSITION DATA: LH FOR NHA SEE: 25-10-00-01 25-10-00-10	002004 006102 107999	RF
- 1	MODREF27478		PORT INSTL-STATIC PRESSURE (PITOT STATIC SYSTEM ONLY) MODULE NUMBER: 232N9101-1 REV B POSITION DATA: LH	103106	1
- 5	232N9101-2		PORT INSTL-STATIC PRESSURE (PITOT STATIC SYSTEM ONLY) POSITION DATA: RH FOR NHA SEE: 25-10-00-01 25-10-00-10	002004 006102 107999	RF
- 5	MODREF27479		PORT INSTL-STATIC PRESSURE (PITOT STATIC SYSTEM ONLY) MODULE NUMBER: 232N9101-2 REV B POSITION DATA: RH	103106	1
15	BACN10DR10D		.NUT	002004 006999	1
20	65-60419-3		.WASHER	002004 006999	1
22	232N9104-1		.WASHER	002004 006999	1
25	69-15853-3		.PORT	002004 006999	1

MISSING ITEM NUMBERS NOT APPLICABLE

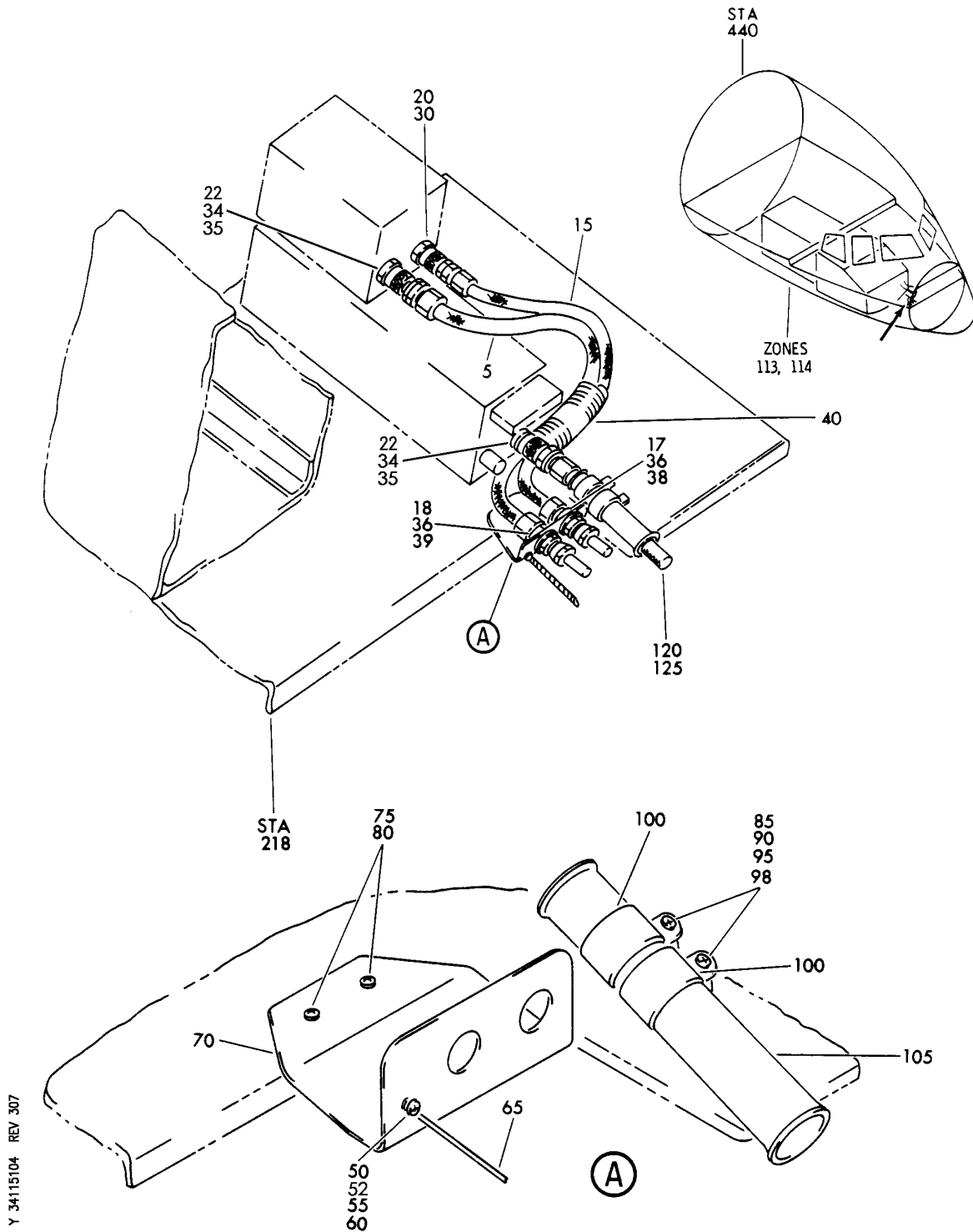
- ITEM NOT ILLUSTRATED

34-11-03-05

34-11-03  
FIG. 05  
PAGE 1  
JAN 20/09

BRI

**BOEING**  
757  
PARTS CATALOG (MAINTENANCE)



Y 34115104 REV 307

TUBING INSTL-PITOTS MAIN PNL PITOT STATIC  
FIGURE 4

**34-11-51-04**

BRI  
MAY 28/07

34-11-51-04  
PAGE 0



757

PARTS CATALOG (MAINTENANCE)

FIG ITEM	PART NUMBER	1 2 3 4 5 6 7	NOMENCLATURE	EFFECT FROM TO	UNITS PER ASSY
4			TUBING INSTL-PITOTS MAIN PNL PITOT STATIC	002004 006100 107107 121503 904999	
- 1	232N9201-2		TUBING INSTL-PILOTS MAIN PNL PITOT STATIC VARIABLE DRAWING REF: 232N9201-5001 FOR NHA SEE: 25-10-00-05	002004 006100 107107 121503 904999	RF
5	36022F23-6-0200		.HOSE ASSY- SUPPLIER CODE: V24984	002004 006100 107107 121503 904999	1
15	36022F22-4-0210		.HOSE ASSY- SUPPLIER CODE: V24984	002004 006100 107107 121503 904999	1
17	APX832D0604		.UNION- SUPPLIER CODE: V01673 SPECIFICATION NUMBER: BACU24AA0604D OPTIONAL PART: DBOU24AA0604D V14798 ER832-0604D V50948 LER832-0604D V11328 AFP238-0604D V30974 APX832-0604D V01673 DBOU24AA0604D V61498 FER1579-0604D V14397 US2113-0604D V50808	002004 006100 107107 121503 904999	1
18	MS21924D6		.UNION	002004 006100 107107 121503 904999	1

MISSING ITEM NUMBERS NOT APPLICABLE

- ITEM NOT ILLUSTRATED

34-11-51-04

34-11-51  
FIG. 04  
PAGE 1  
JAN 20/09

BRI

BOEING PROPRIETARY - Copyright © - Unpublished Work - See title page for details.





757

## PARTS CATALOG (MAINTENANCE)

FIG ITEM	PART NUMBER	1 2 3 4 5 6 7	NOMENCLATURE	EFFECT FROM TO	UNITS PER ASSY
4					
20	1QM1-2-44A		.QUICK DISCONNECT- SUPPLIER CODE: V24984 OPTIONAL PART: 40006-1A44 V31441	002004 006100 107107 121503 904999	1
20	40006-1A44		.DISCONNECT-MALE QUICK SUPPLIER CODE: V31441 OPTIONAL PART: 1QM1-2-44A V24984	002004 006100 107107 121503 904999	1
22	40006-1B45		.QUICK DISCONNECT- SUPPLIER CODE: V31441 OPTIONAL PART: 1QM1-3-54A V24984	002004 006100 107107 121503 904999	2
22	1QM1-3-54A		.QUICK DISCONNECT- SUPPLIER CODE: V24984 OPTIONAL PART: 40006-1B45 V31441	002004 006100 107107 121503 904999	2
30	MS28778-4		.PACKING	002004 006100 107107 121503 904999	1
35	MS28778-5		.PACKING	002004 006100 107107 121503 904999	2
36	AN924-6D		.NUT	002004 006100 107107 121503 904999	2
38	AN960PD916		.WASHER-	002004 006100 107107 121503 904999	1
39	AN960JD916		.WASHER	002004 006100 107107 121503 904999	1

MISSING ITEM NUMBERS NOT APPLICABLE

- ITEM NOT ILLUSTRATED

BRI

34-11-51-04

34-11-51  
FIG. 04  
PAGE 2  
JAN 20/09

BOEING PROPRIETARY - Copyright © - Unpublished Work - See title page for details.



757

PARTS CATALOG (MAINTENANCE)

FIG ITEM	PART NUMBER	1 2 3 4 5 6 7	NOMENCLATURE	EFFECT FROM TO	UNITS PER ASSY
4					
40	69-3311		.LACING-PROTECTIVE MISCELLANEOUS DATA: RAW MATERIAL STOCK 5140080600 WITH A SPECIFIED ORDER LENGTH IN FEET CAN REPLACE OR BE REPLACED BY 69-3311 OR 65-96194-1 TO ACCOMMODATE CUSTOMER PREFERENCE . INSTALLATION OF THIS MATERIAL SHALL COMPLY WITH REQUIREMENTS OF DRAWING 65-96194-1.	002004 006100 107107 121503 904999	1
40	65-96194-1		.LACING-PROTECTIVE MISCELLANEOUS DATA: RAW MATERIAL STOCK 5140080600 WITH A SPECIFIED ORDER LENGTH IN FEET CAN REPLACE OR BE REPLACED BY 69-3311 OR 65-96194-1 TO ACCOMMODATE CUSTOMER PREFERENCE . INSTALLATION OF THIS MATERIAL SHALL COMPLY WITH REQUIREMENTS OF DRAWING 65-96194-1.	002004 006100 107107 121503 904999	1
- 45	232N9207-6		.BRACKET INSTL-	002004 006100 107107 121503 904999	1
50	BACS12CK3-11		..SCREW-	002004 006100 107107 121503 904999	1
52	NAS43DD3-8FC		..SPACER-	002004 006100 107107 121503 904999	1
55	AN970-3		..WASHER	002004 006100 107107 121503 904999	1

MISSING ITEM NUMBERS NOT APPLICABLE

- ITEM NOT ILLUSTRATED

34-11-51-04

34-11-51  
FIG. 04  
PAGE 3  
JAN 20/09

BRI



757

PARTS CATALOG (MAINTENANCE)

FIG ITEM	PART NUMBER	1 2 3 4 5 6 7	NOMENCLATURE	EFFECT FROM TO	UNITS PER ASSY
4	60 PLH53CD		..NUT- SUPPLIER CODE: VF0224 SPECIFICATION NUMBER: BACN10YR3CD OPTIONAL PART: H52732-3CD V15653	002004 006100 107107 121503 904999	1
	65 CL100-3-125		..CABLE ASSY- SUPPLIER CODE: V99862 SPECIFICATION NUMBER: BACC13Y3-125	002004 006100 107107 121503 904999	1
	70 232N9207-7		..BRACKET	002004 006100 107107 121503 904999	1
	75 BACS12CK3-6		ATTACHING PARTS ..SCREW-	002004 006100 107107 121503 904999	2
	80 NAS1149D0332J		..WASHER-	002004 006100 107107 121503 904999	2
	85 BACS12CK3-18		-----*----- ..SCREW-	002004 006100 107107 121503 904999	2
	90 NAS1149D0332J		..WASHER-	002004 006100 107107 121503 904999	2
	95 PLH53CD		..NUT- SUPPLIER CODE: VF0224 SPECIFICATION NUMBER: BACN10YR3CD OPTIONAL PART: H52732-3CD V15653	002004 006100 107107 121503 904999	2

MISSING ITEM NUMBERS NOT APPLICABLE

- ITEM NOT ILLUSTRATED

34-11-51-04

34-11-51  
FIG. 04  
PAGE 4  
JAN 20/09

BRI

BOEING PROPRIETARY - Copyright © - Unpublished Work - See title page for details.



757

PARTS CATALOG (MAINTENANCE)

FIG ITEM	PART NUMBER	1 2 3 4 5 6 7	NOMENCLATURE	EFFECT FROM TO	UNITS PER ASSY
4 98	NAS43DD3-32FC	. .	SPACER-	002004 006100 107107 121503 904999	1
100	BACC10DK16	. .	CLAMP	002004 006100 107107 121503 904999	2
105	232N9207-8	. .	TUBE	002004 006100 107107 121503 904999	1
120	232N9209-1	. HOSE	ASSY-	002004 006100 107107 121503 904999	1
125	36022F23-6-0355	. . HOSE	ASSY- SUPPLIER CODE: V24984	002004 006100 107107 121503 904999	1

MISSING ITEM NUMBERS NOT APPLICABLE

- ITEM NOT ILLUSTRATED

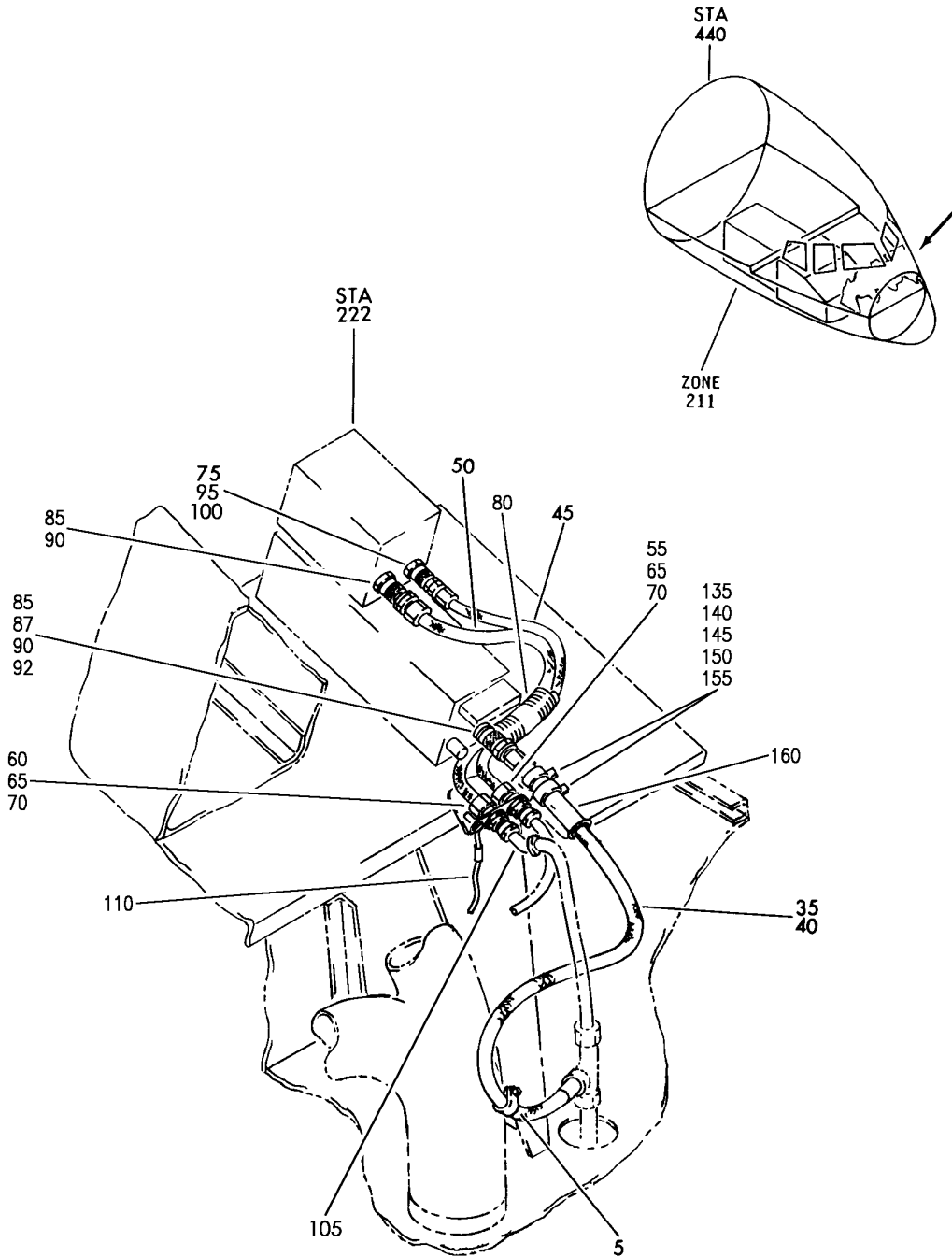
BRI

34-11-51-04

BOEING PROPRIETARY - Copyright © - Unpublished Work - See title page for details.

34-11-51  
FIG. 04  
PAGE 5  
JAN 20/09

**BOEING**  
757  
PARTS CATALOG (MAINTENANCE)



Y 34115104A REV 283

PITOT STATIC INSTL-TUBING  
FIGURE 4A

**34-11-51-04A**

BRI  
MAY 28/07

34-11-51-04A  
PAGE 0



757

PARTS CATALOG (MAINTENANCE)

FIG ITEM	PART NUMBER	1 2 3 4 5 6 7	NOMENCLATURE	EFFECT FROM TO	UNITS PER ASSY
4 A			PITOT STATIC INSTL-TUBING	101106 108120 504903	
- 1	232N9201-473		PITOT STATIC INSTL-TUBING PILOTS MAIN PNL PREMODULE FOR NHA SEE: 25-10-00-10A 25-10-00-10B	101102 108120 504903	RF
- 1	MODREF32283		TUBING INSTL- MODULE NUMBER: 232N9201-805 REV B FOR ADDITIONAL DETAILS SEE: 34-11-51-06C	103106	1
5	BACC10DK9A		.CLAMP-	101102 108120 504903	1
- 10	NAS1801-3-10		ATTACHING PARTS .SCREW	101102 108120 504903	1
- 15	NAS42DD3-8		.SPACER	101102 108120 504903	1
- 20	NAS1149D0332J		.WASHER	101102 108120 504903	1
- 25	AN970-3		.WASHER	101102 108120 504903	1
- 30	MS21042L3		.NUT	101102 108120 504903	1
35	232N9209-1		-----*----- .HOSE ASSY-	101102 108120 504903	1
40	36022F23-6-0355		..HOSE ASSY- SUPPLIER CODE: V24984	101102 108120 504903	1
- 42	232N9209-2		..SLEEVE	101102 108120 504903	1
- 43	232N9209-4		..SLEEVE	101102 108120 504903	1
45	36022F22-4-0210		.HOSE ASSY- SUPPLIER CODE: V24984	101106 108120 504903	1

MISSING ITEM NUMBERS NOT APPLICABLE

- ITEM NOT ILLUSTRATED

34-11-51-04A

34-11-51  
FIG. 04A  
PAGE 1  
JAN 20/09

BRI

BOEING PROPRIETARY - Copyright © - Unpublished Work - See title page for details.



757

PARTS CATALOG (MAINTENANCE)

FIG ITEM	PART NUMBER	1 2 3 4 5 6 7	NOMENCLATURE	EFFECT FROM TO	UNITS PER ASSY
4 A					
50	36022F23-6-0200	.	HOSE ASSY- SUPPLIER CODE: V24984	101106 108120 504903	1
55	APX832D0604	.	UNION SUPPLIER CODE: V01673 SPECIFICATION NUMBER: BACU24AA0604D OPTIONAL PART: DBOU24AA0604D V14798 ER832-0604D V50948 LER832-0604D V11328 AFP238-0604D V30974 APX832-0604D V01673 DBOU24AA0604D V61498 FER1579-0604D V14397 US2113-0604D V50808	101106 108120 504903	1
60	MS21924D6	.	UNION	101106 108120 504903	1
65	AN924-6D	.	NUT	101106 108120 504903	2
70	NAS1149D0963J	.	WASHER	101106 108120 504903	2
80	69-3311	.	LACING-PROTECTIVE MISCELLANEOUS DATA: RAW MATERIAL STOCK 5140080600 WITH A SPECIFIED ORDER LENGTH IN FEET CAN REPLACE OR BE REPLACED BY 69-3311 OR 65-96194-1 TO ACCOMMODATE CUSTOMER PREFERENCE . INSTALLATION OF THIS MATERIAL SHALL COMPLY WITH REQUIREMENTS OF DRAWING 65-96194-1.	101106 108120 504903	1

MISSING ITEM NUMBERS NOT APPLICABLE

- ITEM NOT ILLUSTRATED

34-11-51-04A

34-11-51  
FIG. 04A  
PAGE 2  
JAN 20/09

BRI



757

PARTS CATALOG (MAINTENANCE)

FIG ITEM	PART NUMBER	1 2 3 4 5 6 7	NOMENCLATURE	EFFECT FROM TO	UNITS PER ASSY
4 A					
80	65-96194-1		.LACING-PROTECTIVE MISCELLANEOUS DATA: RAW MATERIAL STOCK 5140080600 WITH A SPECIFIED ORDER LENGTH IN FEET CAN REPLACE OR BE REPLACED BY 69-3311 OR 65-96194-1 TO ACCOMMODATE CUSTOMER PREFERENCE . INSTALLATION OF THIS MATERIAL SHALL COMPLY WITH REQUIREMENTS OF DRAWING 65-96194-1.	101106 108120 504903	1
85	MS28778-5		.PACKING-	101102 108120 504903	2
90	1QM1-3-54A		.QUICK DISCONNECT- SUPPLIER CODE: V24984 OPTIONAL PART: 40006-1B45 V31441	101102 108120 504903	2
90	40006-1B45		.QUICK DISCONNECT- SUPPLIER CODE: V31441 OPTIONAL PART: 1QM1-3-54A V24984	101102 108120 504903	2
95	MS28778-4		.PACKING-	101102 108120 504903	1
100	1QM1-2-44A		.QUICK DISCONNECT- SUPPLIER CODE: V24984 OPTIONAL PART: 40006-1A44 V31441	101102 108120 504903	1
100	40006-1A44		.DISCONNECT- SUPPLIER CODE: V31441 OPTIONAL PART: 1QM1-2-44A V24984	101102 108120 504903	1
105	NAS1761W0606		.ELBOW	101102 108120 504903	1

MISSING ITEM NUMBERS NOT APPLICABLE

- ITEM NOT ILLUSTRATED

34-11-51-04A

34-11-51  
FIG. 04A  
PAGE 3  
JAN 20/09

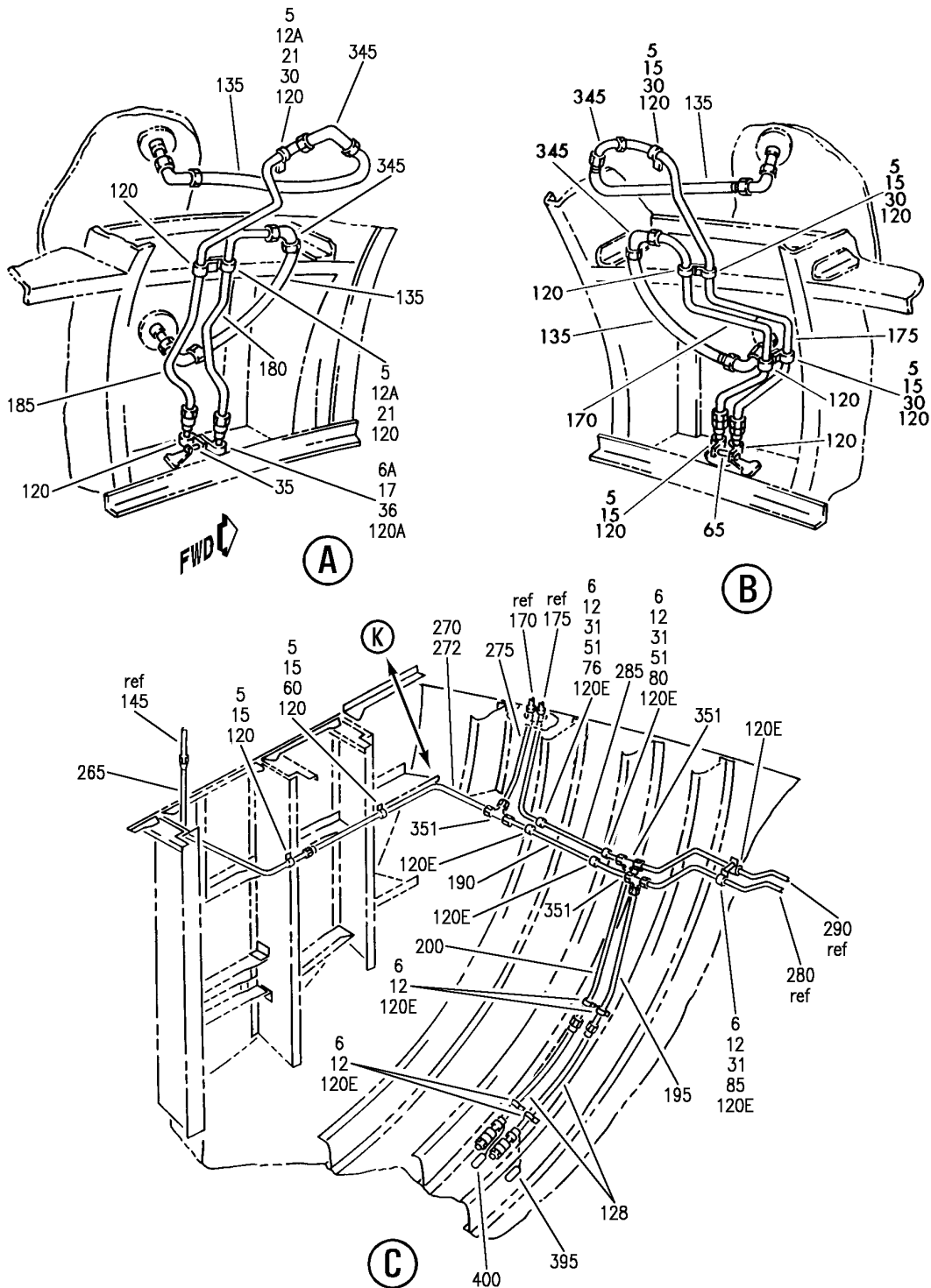
BRI

BOEING PROPRIETARY - Copyright © - Unpublished Work - See title page for details.





**BOEING**  
757  
**PARTS CATALOG (MAINTENANCE)**



Y 34-115106 SH1 2 REV 276

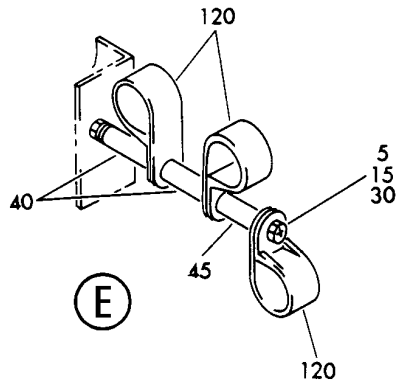
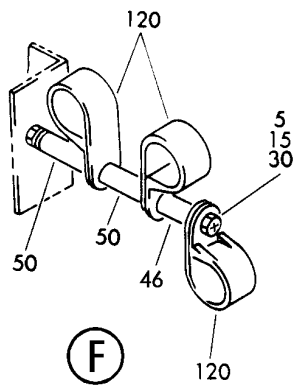
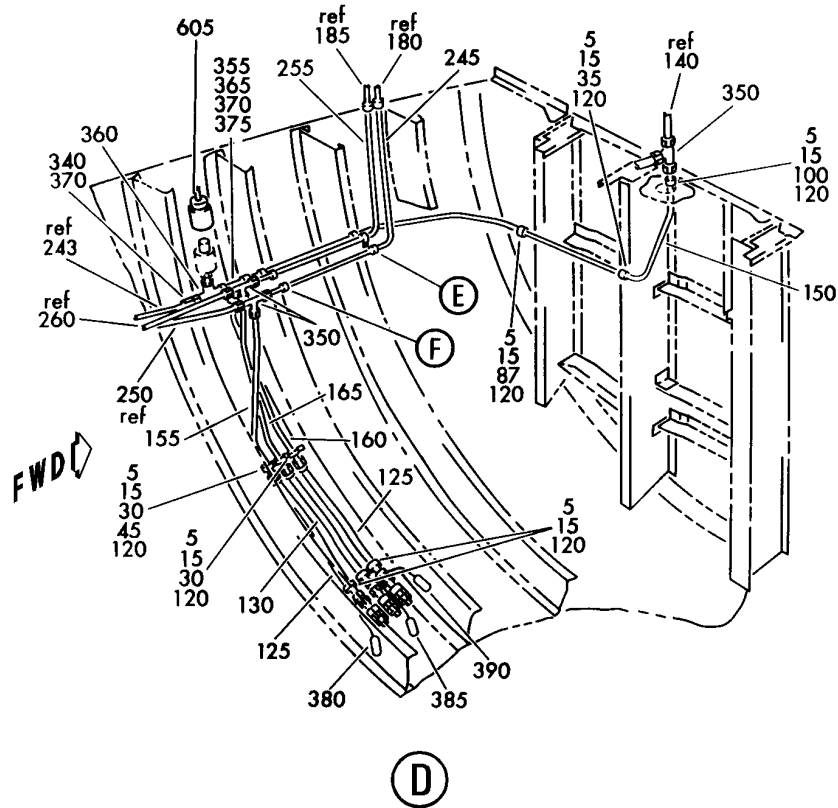
TUBING INSTL-PITOT STATIC STA 199 TO 440  
FIGURE 6 (SHEET 2)

# 34-11-51-06

BRI  
MAY 28/07

34-11-51-06  
PAGE 0A

**BOEING**  
757  
PARTS CATALOG (MAINTENANCE)



Y 34115106 SHT 3 REV 220

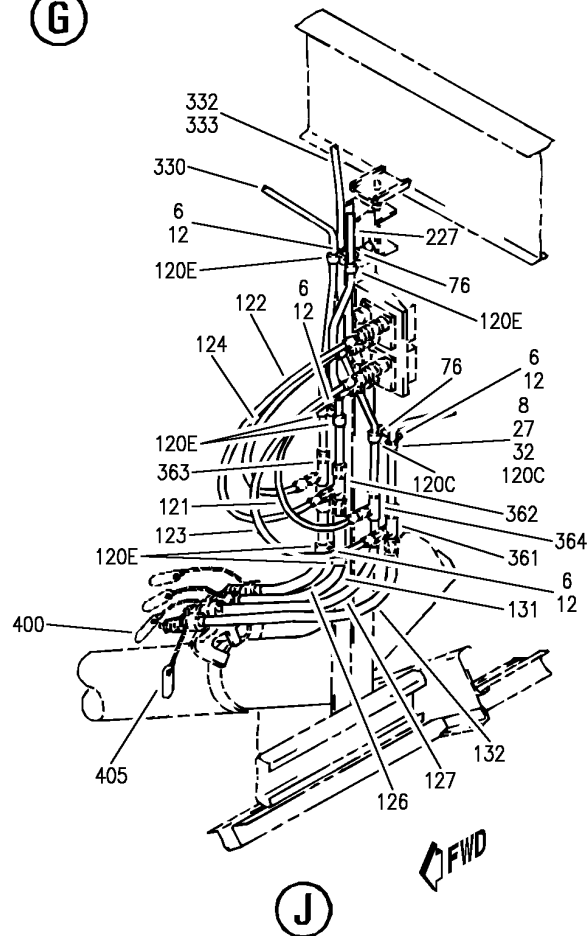
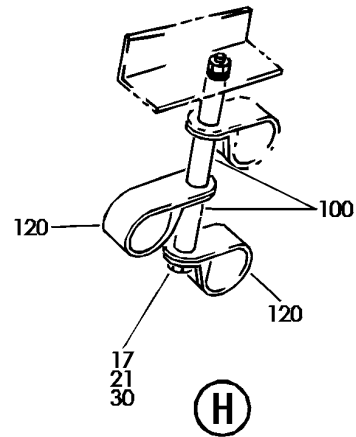
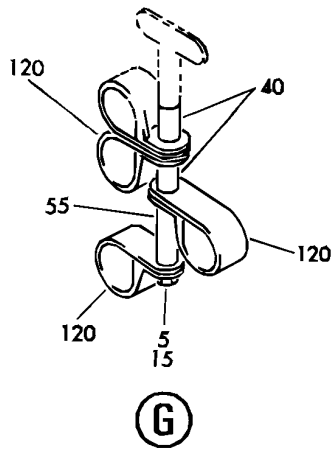
TUBING INSTL-PITOT STATIC STA 199 TO 440  
FIGURE 6 (SHEET 3)

**34-11-51-06**

BRI  
MAY 28/07

34-11-51-06  
PAGE 0B

**BOEING**  
757  
PARTS CATALOG (MAINTENANCE)



Y 34-115106 SHIT 4 REV 276

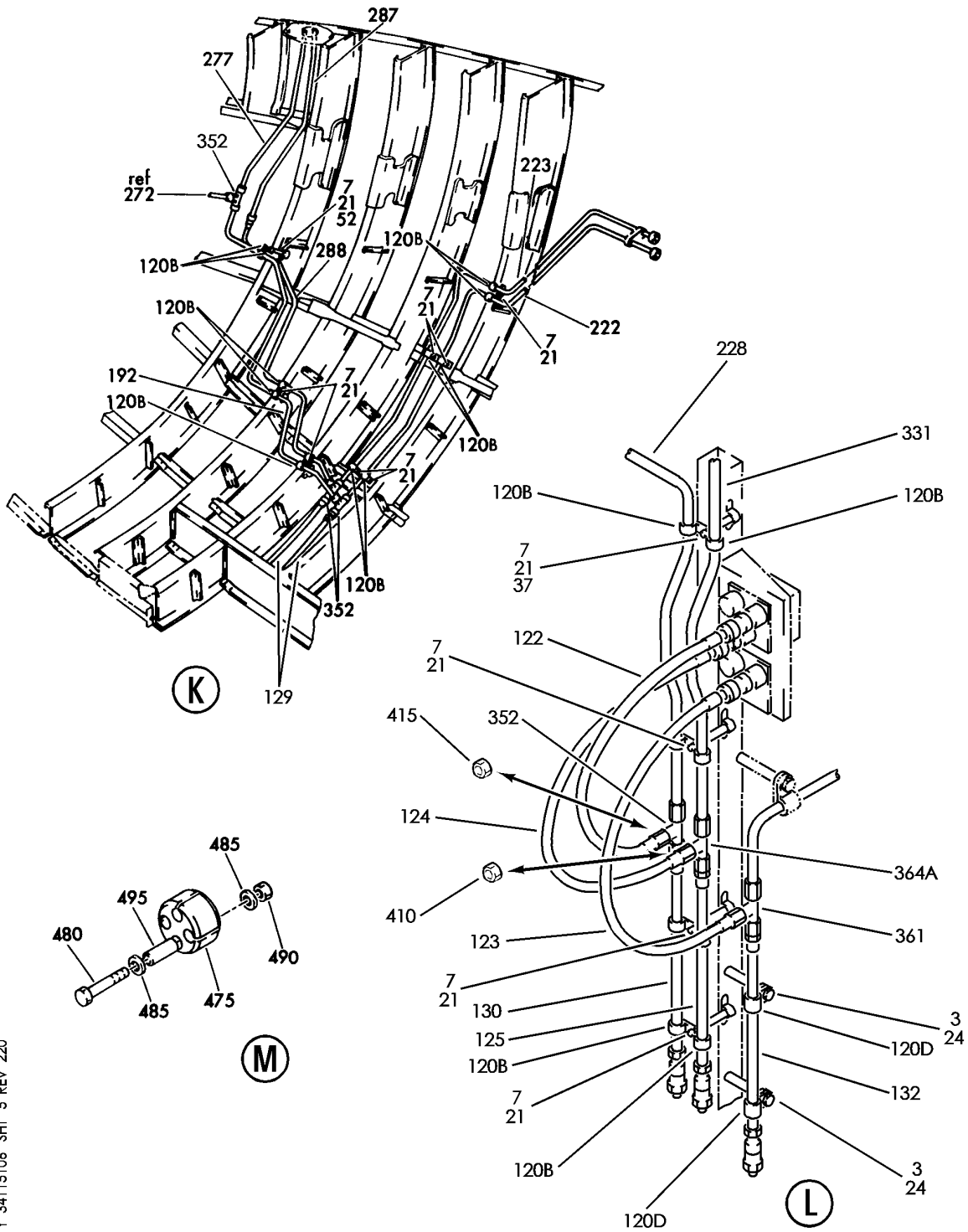
TUBING INSTL-PITOT STATIC STA 199 TO 440  
FIGURE 6 (SHEET 4)

**34-11-51-06**

BRI  
MAY 28/07

34-11-51-06  
PAGE 0C

**BOEING**  
757  
PARTS CATALOG (MAINTENANCE)



Y 34115106 SHT 5 REV 220

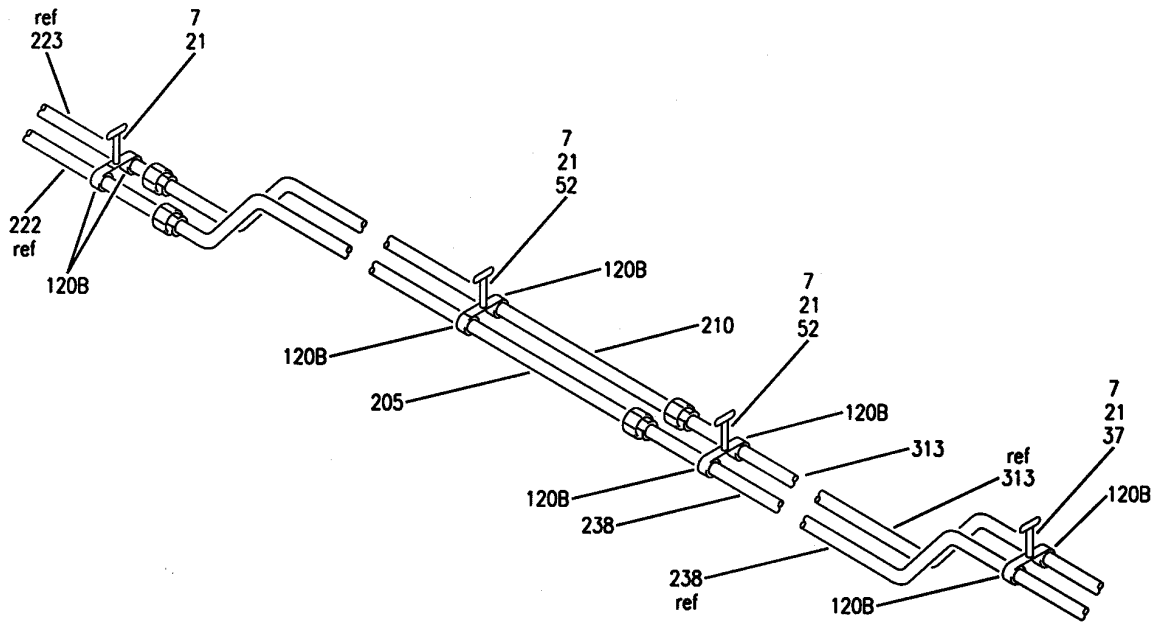
TUBING INSTL-PITOT STATIC STA 199 TO 440  
FIGURE 6 (SHEET 5)

**34-11-51-06**

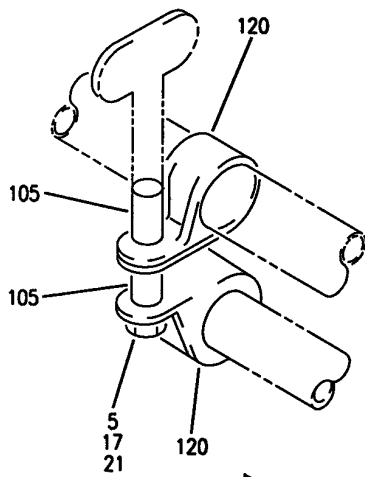
BRI  
MAY 28/07

34-11-51-06  
PAGE 0D

**BOEING**  
757  
PARTS CATALOG (MAINTENANCE)

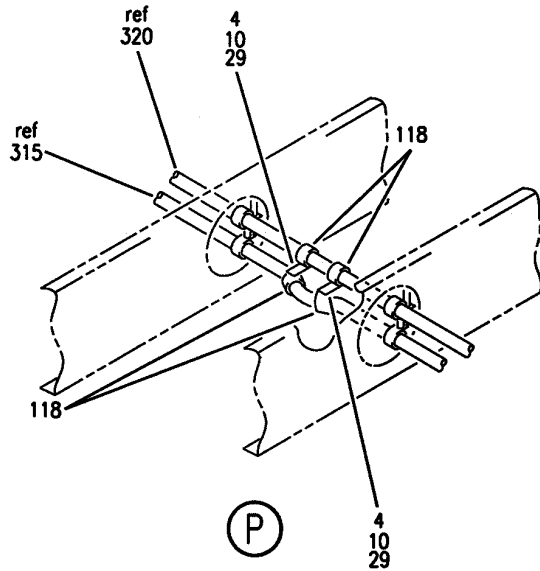


(N)



(Q)

FWD



(P)

Y 34-115106 SHT 6 REV 220

TUBING INSTL-PITOT STATIC STA 199 TO 440  
FIGURE 6 (SHEET 6)

**34-11-51-06**

BRI  
MAY 28/07

34-11-51-06  
PAGE 0E



757

PARTS CATALOG (MAINTENANCE)

FIG ITEM	PART NUMBER	1 2 3 4 5 6 7	NOMENCLATURE	EFFECT FROM TO	UNITS PER ASSY
6			TUBING INSTL-PITOT STATIC STA 199 TO 440	002004 006100 107107 121503 904999	
- 1	232N9201-311		TUBING INSTL-PITOT STATIC POSITION DATA: STA 199 TO 440 VARIABLE DRAWING REF: 232N9201-391 232N9201-408 FOR NHA/ADDITIONAL DET SEE: 25-10-00-01 25-10-00-05	002004 006100 107107 121503 904999	RF
5	NAS1801-3		.SCREW- SIZE DETERMINED ON INSTL.	002004 006100 107107 121503 904999	31
6	NAS1801-3		.SCREW- SIZE DETERMINED ON INSTL.	002004 006100 107107 121503 904999	16
6A	NAS1801-3		.SCREW- SIZE DETERMINED ON INSTL.	002004 006100 107107 121503 904999	6
12	AN960PD10L		.WASHER-	002004 006100 107107 121503 904999	12
12A	AN960PD10L		.WASHER	002004 006100 107107 121503 904999	2
15	AN960KD10L		.WASHER	002004 006100 107107 121503 904999	16
17	AN960KD10L		.WASHER	002004 006100 107107 121503 904999	15

MISSING ITEM NUMBERS NOT APPLICABLE

- ITEM NOT ILLUSTRATED

34-11-51-06

34-11-51  
FIG. 06  
PAGE 1  
JAN 20/09

BRI



757

PARTS CATALOG (MAINTENANCE)

FIG ITEM	PART NUMBER	1 2 3 4 5 6 7	NOMENCLATURE	EFFECT FROM TO	UNITS PER ASSY
6					
17A	AN960KD10L	.	WASHER	002004 006100 107107 121503 904999	1
18	AN960JD10L	.	WASHER	002004 006100 107107 121503 904999	3
19	AN960JD10L	.	WASHER-	002004 006100 107107 121503 904999	4
30	MS21042L3	.	NUT-	002004 006100 107107 121503 904999	10
31	MS21042L3	.	NUT-	002004 006100 107107 121503 904999	4
35	NAS42DD6-32	.	SPACER	002004 006100 107107 121503 904999	4
36	NAS42DD6-32	.	SPACER	002004 006100 107107 121503 904999	3
36A	NAS42DD6-32	.	SPACER-	002004 006100 107107 121503 904999	1
40	NAS42DD6-24	.	SPACER	002004 006100 107107 121503 904999	4

MISSING ITEM NUMBERS NOT APPLICABLE

- ITEM NOT ILLUSTRATED

34-11-51-06

34-11-51  
FIG. 06  
PAGE 2  
JAN 20/09

BRI

BOEING PROPRIETARY - Copyright © - Unpublished Work - See title page for details.





757

PARTS CATALOG (MAINTENANCE)

FIG ITEM	PART NUMBER	1 2 3 4 5 6 7	NOMENCLATURE	EFFECT FROM TO	UNITS PER ASSY
6	42	NAS42DD6-24	. SPACER-	002004 006100 107107 121503 904999	1
	45	NAS42DD6-28	. SPACER	002004 006100 107107 121503 904999	2
	46	NAS42DD6-44	. SPACER	002004 006100 107107 121503 904999	1
	50	NAS42DD6-40	. SPACER	002004 006100 107107 121503 904999	2
	51	NAS42DD6-40	. SPACER-	002004 006100 107107 121503 904999	4
	55	NAS42DD6-36	. SPACER	002004 006100 107107 121503 904999	1
	60	NAS42DD6-46	. SPACER	002004 006100 107107 121503 904999	1
	65	NAS42DD6-48	. SPACER	002004 006100 107107 121503 904999	1
	67	NAS42DD6-48	. SPACER-	002004 006100 107107 121503 904999	1
	MISSING ITEM NUMBERS NOT APPLICABLE				

- ITEM NOT ILLUSTRATED

34-11-51-06

34-11-51  
FIG. 06  
PAGE 3  
JAN 20/09

BRI



757

PARTS CATALOG (MAINTENANCE)

FIG ITEM	PART NUMBER	1 2 3 4 5 6 7	NOMENCLATURE	EFFECT FROM TO	UNITS PER ASSY
6	76	NAS42DD6-64	. SPACER-	002004 006100 107107 121503 904999	3
	80	NAS42DD6-60	. SPACER-	002004 006100 107107 121503 904999	1
	85	NAS42DD6-56	. SPACER-	002004 006100 107107 121503 904999	1
	87	NAS42DD6-52	. SPACER	002004 006100 107107 121503 904999	1
	90	NAS42DD6-58	. SPACER	002004 006100 107107 121503 904999	1
	95	NAS42DD6-14	. SPACER-	002004 006100 107107 121503 904999	1
	100	NAS42DD6-16	. SPACER	002004 006100 107107 121503 904999	4
	102	NAS42DD6-16	. SPACER	002004 006100 107107 121503 904999	3
	103	NAS42DD6-86	. SPACER	002004 006100 107107 121503 904999	2
	MISSING ITEM NUMBERS NOT APPLICABLE				

- ITEM NOT ILLUSTRATED

34-11-51-06

34-11-51  
FIG. 06  
PAGE 4  
JAN 20/09

BRI

BOEING PROPRIETARY - Copyright © - Unpublished Work - See title page for details.



757

PARTS CATALOG (MAINTENANCE)

FIG ITEM	PART NUMBER	1 2 3 4 5 6 7	NOMENCLATURE	EFFECT FROM TO	UNITS PER ASSY
6					
105	NAS42DD6-10	.	SPACER	002004 006100 107107 121503 904999	2
107	NAS42DD6-10	.	SPACER	002004 006100 107107 121503 904999	1
115	NAS42DD6-8	.	SPACER	002004 006100 107107 121503 904999	2
120	BACC10DK	.	CLAMP- SIZE DETERMINED ON INSTL.	002004 006100 107107 121503 904999	60
120A	BACC10DK	.	CLAMP- SIZE DETERMINED ON INSTL.	002004 006100 107107 121503 904999	22
120E	BACC10DK	.	CLAMP- SIZE DETERMINED ON INSTL.	002004 006100 107107 121503 904999	22
122	36022F23-6-0140	.	HOSE ASSY- SUPPLIER CODE: V24984	002004 006100 107107 121503 904999	1
124	36022F22-4-0140	.	HOSE ASSY- SUPPLIER CODE: V24984	002004 006100 107107 121503 904999	1
125	50014A42-6-0150	.	HOSE ASSY-DRAIN SUPPLIER CODE: V24984	002004 006100 107107 121503 904999	4

MISSING ITEM NUMBERS NOT APPLICABLE

- ITEM NOT ILLUSTRATED

34-11-51-06

34-11-51  
FIG. 06  
PAGE 5  
JAN 20/09

BRI

BOEING PROPRIETARY - Copyright © - Unpublished Work - See title page for details.



757

PARTS CATALOG (MAINTENANCE)

FIG ITEM	PART NUMBER	1 2 3 4 5 6 7	NOMENCLATURE	EFFECT FROM TO	UNITS PER ASSY
6					
126	50014A42-6-0150	.	HOSE ASSY-DRAIN SUPPLIER CODE: V24984	002004 006100 107107 121503 904999	1
128	50014A42-6-0150	.	HOSE ASSY-DRAIN SUPPLIER CODE: V24984	002004 006100 107107 121503 904999	2
130	50014A43-6-0150	.	HOSE ASSY-DRAIN SUPPLIER CODE: V24984	002004 006100 107107 121503 904999	1
131	50014A43-6-0150	.	HOSE ASSY-DRAIN SUPPLIER CODE: V24984	002004 006100 107107 121503 904999	1
135	41074-0130	.	HOSE ASSY- SUPPLIER CODE: V24984	002004 006100 107107 121503 904999	4
140	232N9201-187	.	TUBE ASSY- TUBING MATERIAL: .375 IN. OD .035 IN. WALL 16.00 IN. LG ALUMINUM	002004 006100 107107 121503 904999	1
145	232N9201-186	.	TUBE ASSY- TUBING MATERIAL: .375 IN. OD .035 IN. WALL 32.00 IN. LG ALUMINUM	002004 006100 107107 121503 904999	1
150	232N9201-112	.	TUBE ASSY- TUBING MATERIAL: .375 IN. OD .035 IN. WALL 55.00 IN. LG ALUMINUM	002004 006100 107107 121503 904999	1
155	232N9201-13	.	TUBE ASSY- TUBING MATERIAL: .375 IN. OD .035 IN. WALL 17.00 IN. LG ALUMINUM	002004 006100 107107 121503 904999	1

MISSING ITEM NUMBERS NOT APPLICABLE

- ITEM NOT ILLUSTRATED

34-11-51-06

34-11-51  
FIG. 06  
PAGE 6  
JAN 20/09

BRI



757

PARTS CATALOG (MAINTENANCE)

FIG ITEM	PART NUMBER	1 2 3 4 5 6 7	NOMENCLATURE	EFFECT FROM TO	UNITS PER ASSY
6					
160	232N9201-9		.TUBE ASSY- TUBING MATERIAL: .375 IN. OD .035 IN. WALL 15.10 IN. LG ALUMINUM	002004 006100 107107 121503 904999	1
165	232N9201-11		.TUBE ASSY- TUBING MATERIAL: .375 IN. OD .035 IN. WALL 17.00 IN. LG ALUMINUM	107107	1
165	232N9201-400		.TUBE ASSY- TUBING MATERIAL: .375 IN. OD .035 IN. WALL 16.00 IN. LG ALUMINUM	002004 006100 121503 904999	1
170	232N9201-88		.TUBE ASSY- TUBING MATERIAL: .375 IN. OD .035 IN. WALL 25.00 IN. LG ALUMINUM	107107 904949	1
170	232N9201-410		.TUBE ASSY- TUBING MATERIAL: .375 IN. OD .035 IN. WALL 27.00 IN. LG ALUMINUM	002004 006100 121503 950999	1
175	232N9201-222		.TUBE ASSY- TUBING MATERIAL: .375 IN. OD .035 IN. WALL 37.00 IN. LG ALUMINUM	002004 006100 107107 121503 904999	1
180	232N9201-85		.TUBE ASSY- TUBING MATERIAL: .375 IN. OD .035 IN. WALL 21.00 IN. LG ALUMINUM	002004 006100 107107 121503 904999	1
185	232N9201-221		.TUBE ASSY- TUBING MATERIAL: .375 IN. OD .035 IN. WALL 36.0 IN. LG ALUMINUM	002004 006100 107107 121503 904999	1
190	232N9201-10		.TUBE ASSY- TUBING MATERIAL: .375 IN. OD .035 IN. WALL 16.56 IN. LG ALUMINUM	002004 006100 107107 121503 904999	1

MISSING ITEM NUMBERS NOT APPLICABLE

- ITEM NOT ILLUSTRATED

34-11-51-06

34-11-51  
FIG. 06  
PAGE 7  
JAN 20/09

BRI



757

PARTS CATALOG (MAINTENANCE)

FIG ITEM	PART NUMBER	1 2 3 4 5 6 7	NOMENCLATURE	EFFECT FROM TO	UNITS PER ASSY
6					
195	232N9201-14	.TUBE ASSY-	TUBING MATERIAL: .375 IN. OD .035 IN. WALL 18.0 IN. LG ALUMINUM	002004 006100 107107 121503 904999	1
200	232N9201-12	.TUBE ASSY-	TUBING MATERIAL: .375 IN. OD .035 IN. WALL 16.50 IN. LG ALUMINUM	002004 006100 107107 121503 904999	1
205	232N9201-161	.TUBE ASSY-	TUBING MATERIAL: .375 IN. OD .035 IN. WALL 49.00 IN. LG ALUMINUM	002004 006100 107107 121503 904999	1
210	232N9201-160	.TUBE ASSY-	TUBING MATERIAL: .375 IN. OD .035 IN. WALL 52.6 IN. LG ALUMINUM	002004 006100 107107 121503 904999	1
215	232N9201-163	.TUBE ASSY-	TUBING MATERIAL: .375 IN. OD .035 IN. WALL 108.70 IN. LG ALUMINUM	002004 006100 107107 121503 904999	1
220	232N9201-162	.TUBE ASSY-	TUBING MATERIAL: .375 IN. OD .035 IN. WALL 107.3 IN. LG ALUMINUM	002004 006100 107107 121503 904999	1
225	232N9201-240	.TUBE ASSY-	TUBING MATERIAL: .375 IN. OD .035 IN. WALL 27.00 IN. LG ALUMINUM	002004 006100 107107 121503 904999	1
227	232N9201-166	.TUBE ASSY-	TUBING MATERIAL: .375 IN. OD .035 IN. WALL 24.50 IN. LG ALUMINUM	002004 006100 107107 121503 904999	1

MISSING ITEM NUMBERS NOT APPLICABLE

- ITEM NOT ILLUSTRATED

34-11-51-06

34-11-51  
FIG. 06  
PAGE 8  
JAN 20/09

BRI



757

PARTS CATALOG (MAINTENANCE)

FIG ITEM	PART NUMBER	1 2 3 4 5 6 7	NOMENCLATURE	EFFECT FROM TO	UNITS PER ASSY
6 - 230	AP2097HP06	..	SLEEVE- SUPPLIER CODE: V01673 SPECIFICATION NUMBER: BACS13BX06HP OPTIONAL PART: 2-02903-06HP V11328 35235VN06 V08199 AFP175V06P V30974 DBOS13BX06HP V14798	002004 006100 107107 121503 904999	2
- 230	AP2097HP06	..	SLEEVE SUPPLIER CODE: V01673 SPECIFICATION NUMBER: BACS13BX06HP OPTIONAL PART: 2-02903-06HP V11328 35235VN06 V08199 AFP175V06P V30974 DBOS13BX06HP V14798	002004 006100 107107 121503 904999	2
- 237	BACN10YL06	..	NUT	002004 006100 107107 121503 904999	2
- 237	BACN10YL06	..	NUT	002004 006100 107107 121503 904999	2
243	232N9201-158	.TUBE ASSY-	TUBING MATERIAL: .375 IN. OD .035 IN. WALL 68.0 IN. LG AL	107107	1
243	232N9201-406	.TUBE ASSY-	TUBING MATERIAL: .375 IN. OD .035 IN. WALL 68.00 IN. LG AL	002004 006100 121503 904999	1

MISSING ITEM NUMBERS NOT APPLICABLE

- ITEM NOT ILLUSTRATED

34-11-51-06

34-11-51  
FIG. 06  
PAGE 9  
JAN 20/09

BRI



757

PARTS CATALOG (MAINTENANCE)

FIG ITEM	PART NUMBER	1 2 3 4 5 6 7	NOMENCLATURE	EFFECT FROM TO	UNITS PER ASSY
6					
245	232N9201-7		.TUBE ASSY- TUBING MATERIAL: .375 IN. OD .035 IN. WALL 29.3 IN. LG AL	002004 006100 107107 121503 904999	1
250	232N9201-156		.TUBE ASSY- TUBING MATERIAL: .375 IN. OD .035 IN. WALL 68.5 IN. LG AL	107107	1
250	232N9201-404		.TUBE ASSY- TUBING MATERIAL: .375 IN. OD .035 IN. WALL 66.00 IN. LG AL	002004 006100 121503 904999	1
255	232N9201-5		.TUBE ASSY- TUBING MATERIAL: .375 IN. OD .035 IN. WALL 30.0 IN. LG AL	107107	1
255	232N9201-409		.TUBE ASSY- TUBING MATERIAL: .375 IN. OD .035 IN. WALL 27.00 IN. LG AL	002004 006100 121503 904999	1
260	232N9201-154		.TUBE ASSY- TUBING MATERIAL: .375 IN. OD .035 IN. WALL 73.0 IN. LG AL	107107	1
260	232N9201-402		.TUBE ASSY- TUBING MATERIAL: .375 IN. OD .035 IN. WALL 73.00 IN. LG AL	002004 006100 121503 904999	1
265	232N9201-111		.TUBE ASSY- TUBING MATERIAL: .375 IN. OD .035 IN. WALL 20.60 IN. LG AL	002004 006100 107107 121503 904999	1
270	232N9201-159		.TUBE ASSY- TUBING MATERIAL: .375 IN. OD .035 IN. WALL 22.0 IN. LG AL	002004 006100 107107 121503 904999	1
275	232N9201-8		.TUBE ASSY- TUBING MATERIAL: .375 IN. OD .035 IN. WALL 16.00 IN. LG ALUMINUM	002004 006100 107107 121503 904999	1
280	232N9201-152		.TUBE ASSY- TUBING MATERIAL: .375 IN. OD .035 IN. WALL 51.0 IN. LG ALUMINUM	002004 006100 107107 121503 904999	1

MISSING ITEM NUMBERS NOT APPLICABLE

- ITEM NOT ILLUSTRATED

34-11-51-06

34-11-51  
FIG. 06  
PAGE 10  
JAN 20/09

BRI





757

PARTS CATALOG (MAINTENANCE)

FIG ITEM	PART NUMBER	1 2 3 4 5 6 7	NOMENCLATURE	EFFECT FROM TO	UNITS PER ASSY
6					
285	232N9201-6		.TUBE ASSY- TUBING MATERIAL: .375 IN. OD .035 IN. WALL 28.30 IN. LG ALUMINUM	002004 006100 107107 121503 904999	1
290	232N9201-151		.TUBE ASSY- TUBING MATERIAL: .375 IN. OD .035 IN. WALL 52.5 IN. LG ALUMINUM	002004 006100 107107 121503 904999	1
295	232N9201-157		.TUBE ASSY- TUBING MATERIAL: .375 IN. OD .035 IN. WALL 40.0 IN. LG ALUMINUM	107107	1
295	232N9201-405		.TUBE ASSY- TUBING MATERIAL: .375 IN. OD .035 IN. WALL 40.00 IN. LG ALUMINUM	002004 006100 121503 904999	1
300	232N9201-155		.TUBE ASSY- TUBING MATERIAL: .375 IN. OD .035 IN. WALL 44.00 IN. LG ALUMINUM	107107	1
300	232N9201-403		.TUBE ASSY- TUBING MATERIAL: .375 IN. OD .035 IN. WALL 43.50 IN. LG ALUMINUM	002004 006100 121503 904999	1
305	232N9201-153		.TUBE ASSY- TUBING MATERIAL: .375 IN. OD .035 IN. WALL 35.0 IN. LG ALUMINUM	107107	1
305	232N9201-401		.TUBE ASSY- TUBING MATERIAL: .375 IN. OD .035 IN. WALL 46.00 IN. LG ALUMINUM	002004 006100 121503 904999	1
310	232N9201-164		.TUBE ASSY- TUBING MATERIAL: .375 IN. OD .035 IN. WALL 115.8 IN LG ALUMINUM	002004 006100 107107 121503 904999	1

MISSING ITEM NUMBERS NOT APPLICABLE

- ITEM NOT ILLUSTRATED

34-11-51-06

34-11-51  
FIG. 06  
PAGE 11  
JAN 20/09

BRI



757

PARTS CATALOG (MAINTENANCE)

FIG ITEM	PART NUMBER	1 2 3 4 5 6 7	NOMENCLATURE	EFFECT FROM TO	UNITS PER ASSY
6 315	232N9201-171	.	TUBE ASSY- TUBING MATERIAL: .375 IN. OD .035 IN. WALL 98.2 IN. LG ALUMINUM	002004 006100 107107 121503 904999	1
320	232N9201-312	.	TUBE ASSY- TUBING MATERIAL: .375 IN. OD .035 IN. WALL 116.4 IN. LG ALUMINUM	002004 006100 107107 121503 904999	1
- 325	AP2097HP06	..	SLEEVE- SUPPLIER CODE: V01673 SPECIFICATION NUMBER: BACS13BX06HP OPTIONAL PART: 2-02903-06HP V11328 35235VN06 V08199 AFP175V06P V30974 DBOS13BX06HP V14798	002004 006100 107107 121503 904999	1
- 325	AP2097HP06	..	SLEEVE SUPPLIER CODE: V01673 SPECIFICATION NUMBER: BACS13BX06HP OPTIONAL PART: 2-02903-06HP V11328 35235VN06 V08199 AFP175V06P V30974 DBOS13BX06HP V14798	002004 006100 107107 121503 904999	1
- 327	BACN10YL06	..	NUT- USED ON: 232N9201-6 232N9201-8 232N9201-151 232N9201-152 232N9201-159	002004 006100 107107 121503 904999	1

MISSING ITEM NUMBERS NOT APPLICABLE

- ITEM NOT ILLUSTRATED

34-11-51-06

34-11-51  
FIG. 06  
PAGE 12  
JAN 20/09

BRI



757

PARTS CATALOG (MAINTENANCE)

FIG ITEM	PART NUMBER	1 2 3 4 5 6 7	NOMENCLATURE	EFFECT FROM TO	UNITS PER ASSY
6					
- 327	MS21921-6D	. .	NUT	002004 006100 107107 121503 904999	1
- 327	BACN10YLO6	. .	NUT- USED ON: 232N9201-5 232N9201-7 232N9201-111 232N9201-153 232N9201-154 232N9201-155 232N9201-156 232N9201-157 232N9201-158 232N9201-164 232N9201-171	002004 006100 107107 121503 904999	1
- 328	35056GV06	. .	UNION SUPPLIER CODE: V08199 SPECIFICATION NUMBER: BACU24AB6W OPTIONAL PART: 2-01027-6W V11328 31875-6W V14397 4671097W6 V50948 AP1004W06 V01673 AFP941W6 V30974 DBOU24AB6W V14798	002004 006100 107107 121503 904999	1

MISSING ITEM NUMBERS NOT APPLICABLE

- ITEM NOT ILLUSTRATED

34-11-51-06

34-11-51  
FIG. 06  
PAGE 13  
JAN 20/09

BRI



757

PARTS CATALOG (MAINTENANCE)

FIG ITEM	PART NUMBER	1 2 3 4 5 6 7	NOMENCLATURE	EFFECT FROM TO	UNITS PER ASSY
6 - 328	35056GV06		..UNION SUPPLIER CODE: V08199 SPECIFICATION NUMBER: BACU24AB6W OPTIONAL PART: 2-01027-6W V11328 31875-6W V14397 4671097W6 V50948 AP1004W06 V01673 AFP941W6 V30974 DBOU24AB6W V14798	002004 006100 107107 121503 904999	1
330	232N9201-165		.TUBE ASSY- TUBING MATERIAL: .312 IN. OD .035 IN. WALL 20.87 IN. LG ALUMINUM	002004 006100 107107 121503 904999	1
- 335	BACN10YL05		..NUT- USED ON: 232N9201-165 232N9201-260	002004 006100 107107 121503 904999	2
- 337	AFP1645		..SLEEVE- SUPPLIER CODE: V30974 SPECIFICATION NUMBER: BACS13AP5 OPTIONAL PART: BC922-5 V50948 DBOS13AP5 V14798 2-01033-5 V11328 2-01033-5 V70195 BC922-5 V92003 USED ON: 232N9201-165 232N9201-260	002004 006100 107107 121503 904999	2

MISSING ITEM NUMBERS NOT APPLICABLE

- ITEM NOT ILLUSTRATED

34-11-51-06

34-11-51  
FIG. 06  
PAGE 14  
JAN 20/09

BRI



757

PARTS CATALOG (MAINTENANCE)

FIG ITEM	PART NUMBER	1 2 3 4 5 6 7	NOMENCLATURE	EFFECT FROM TO	UNITS PER ASSY
6	340	MS21902D6	. UNION	002004 006100 107107 121503 904999	1
	345	MS21904D6	. ELBOW-	002004 006100 107107 121503 904999	5
	350	MS21905D6	. TEE-	002004 006100 107107 121503 904999	3
	351	MS21905D6	. TEE-	002004 006100 107107 121503 904999	3
	355	MS21912D6	. TEE	002004 006100 107107 121503 904999	1
	360	AN938D6	. TEE	002004 006100 107107 121503 904999	1
	362	NAS1763D060606	. TEE-	002004 006100 107107 121503 904999	1
	363	NAS1763D060504	. TEE-	002004 006100 107107 121503 904999	1
	365	MS28777-6	. WASHER	002004 006100 107107 121503 904999	1
	MISSING ITEM NUMBERS NOT APPLICABLE				

- ITEM NOT ILLUSTRATED

34-11-51-06

34-11-51  
FIG. 06  
PAGE 15  
JAN 20/09

BRI



757

PARTS CATALOG (MAINTENANCE)

FIG ITEM	PART NUMBER	1 2 3 4 5 6 7	NOMENCLATURE	EFFECT FROM TO	UNITS PER ASSY
6					
370	MS28778-6	.	PACKING	002004 006100 107107 121503 904999	2
375	AN6289D6	.	NUT	002004 006100 107107 121503 904999	1
- 450	232N9205-1	.	SENSOR INSTL-CAB. ALTM FOR DETAILS SEE: 21-31-51-01	002004 006100 107107 121503 904999	1
900			ILLUSTRATION REFERENCE: PANEL INSTL-CAPT AND FIRST OFFICER FWD (ALTIMETER ONLY) 34-13-01-01	002004 006010 107107 121503 904999	RF
910			ILLUSTRATION REFERENCE: PANEL INSTL-CAPT AND FIRST OFFICER FWD (ALTIMETER ONLY) 34-13-01-01	002004 006010 107107 121503 904999	RF
920			ILLUSTRATION REFERENCE: TUBING INSTL-PITOT STATIC STA 440 TO 660 34-11-51-07	002004 006100 107107 121503 904999	RF

MISSING ITEM NUMBERS NOT APPLICABLE

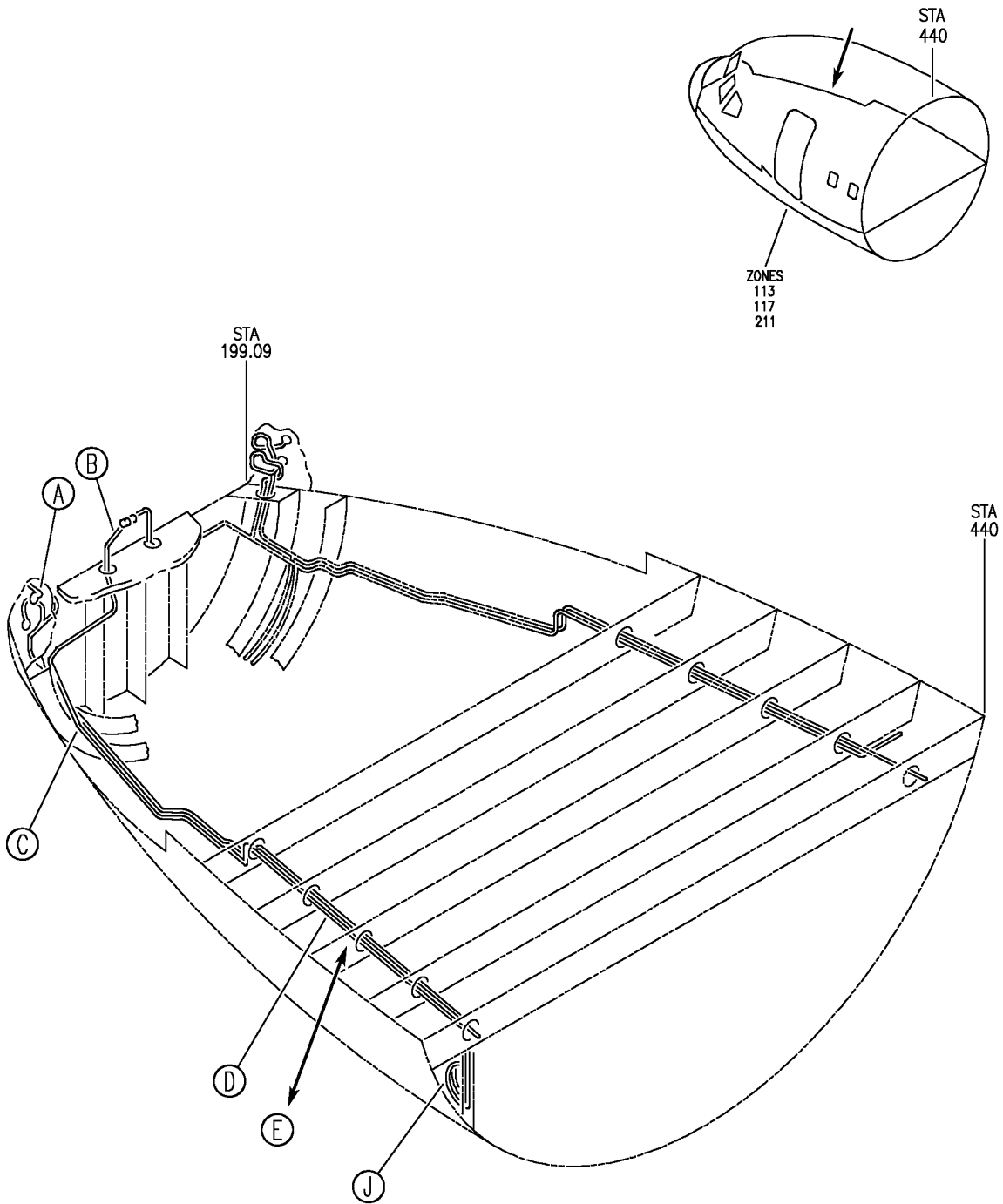
- ITEM NOT ILLUSTRATED

34-11-51-06

34-11-51  
FIG. 06  
PAGE 16  
JAN 20/09

BRI

**BOEING**  
757  
PARTS CATALOG (MAINTENANCE)



Y 34115106C SHT 1 REV 265

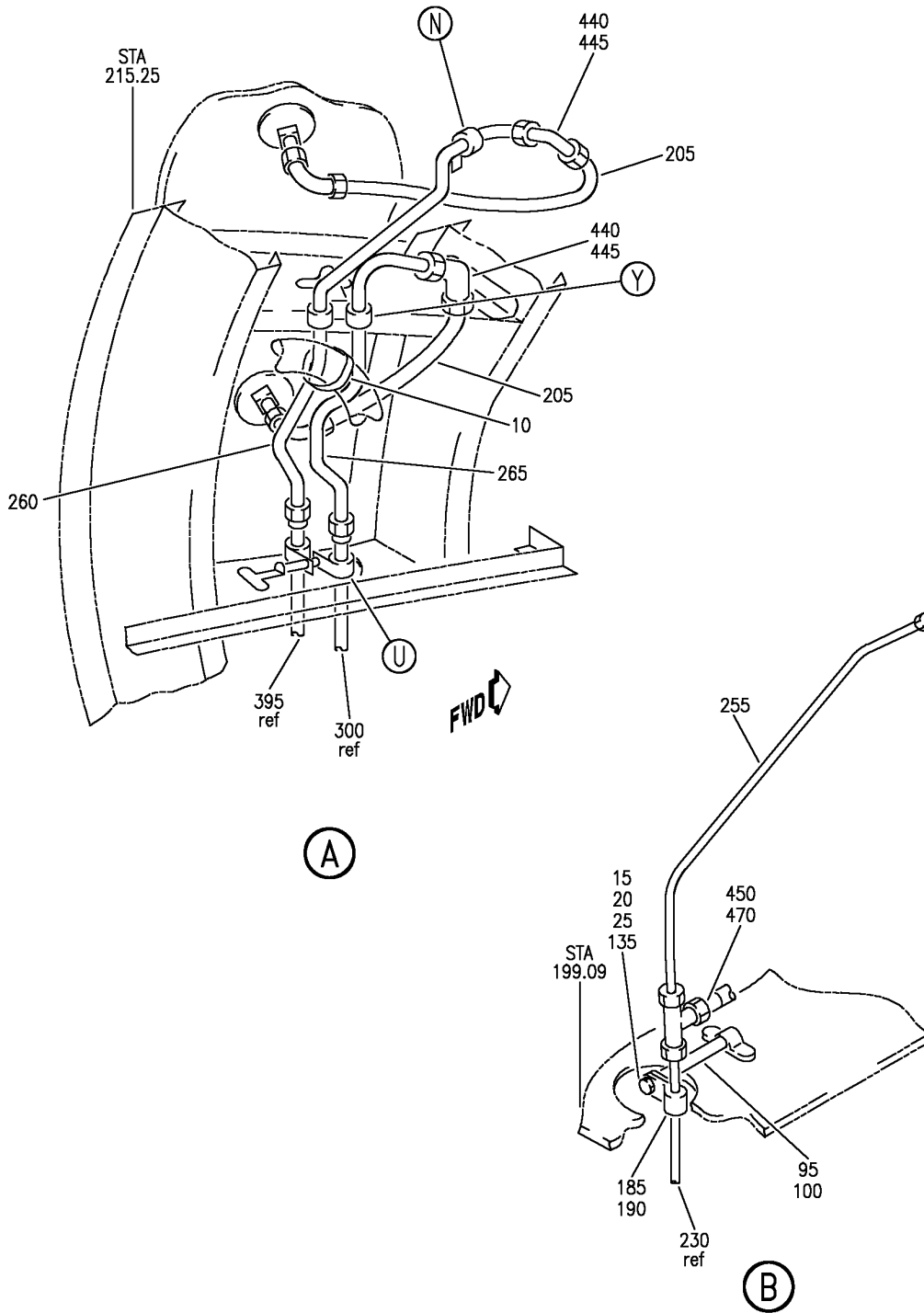
TUBING INSTL-PITOT STATIC STA 199 TO STA 440 LEFT SIDE ONLY  
FIGURE 6C (SHEET 1)

BRI  
MAY 28/07

**34-11-51-06C**

34-11-51-06C  
PAGE 0

**BOEING**  
757  
PARTS CATALOG (MAINTENANCE)



Y 34115106C SHT 2 REV 265

TUBING INSTL-PITOT STATIC STA 199 TO STA 440 LEFT SIDE ONLY  
FIGURE 6C (SHEET 2)

BRI  
MAY 28/07

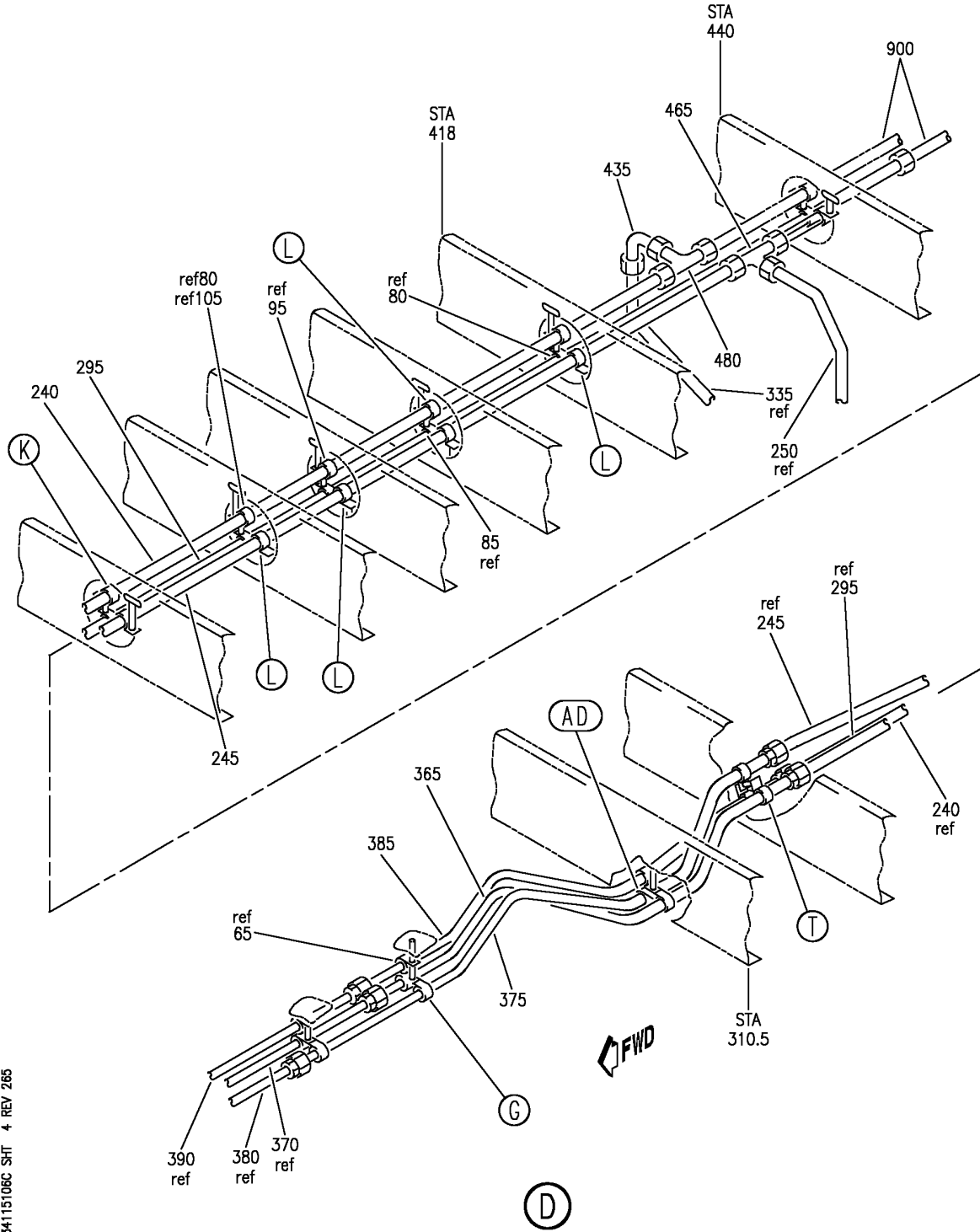
**34-11-51-06C**

34-11-51-06C  
PAGE 0A





**BOEING**  
757  
PARTS CATALOG (MAINTENANCE)



Y 34-11-51-06C SHT 4 REV 265

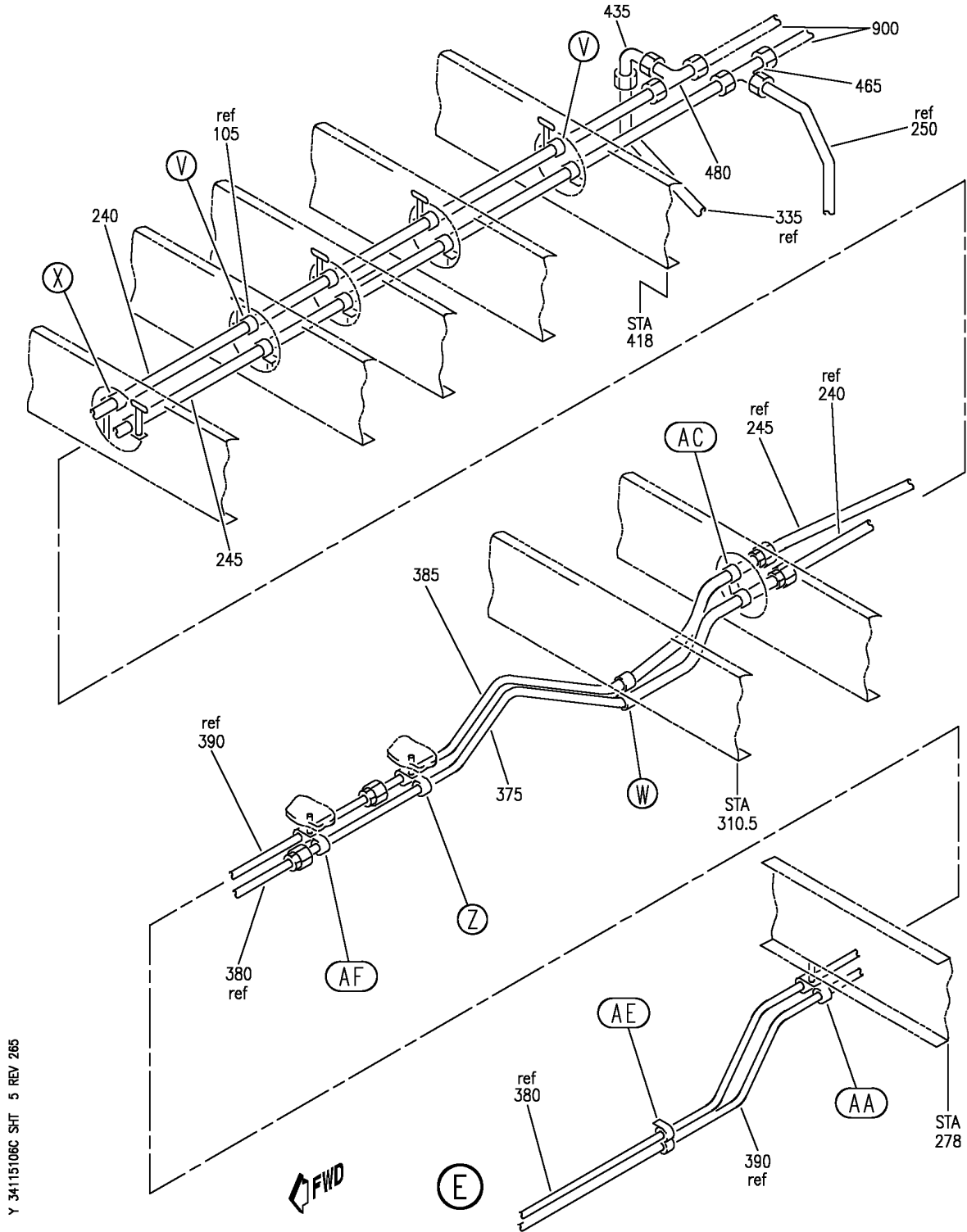
TUBING INSTL-PITOT STATIC STA 199 TO STA 440 LEFT SIDE ONLY  
FIGURE 6C (SHEET 4)

**34-11-51-06C**

BRI  
MAY 28/07

34-11-51-06C  
PAGE 0C

**BOEING**  
757  
PARTS CATALOG (MAINTENANCE)



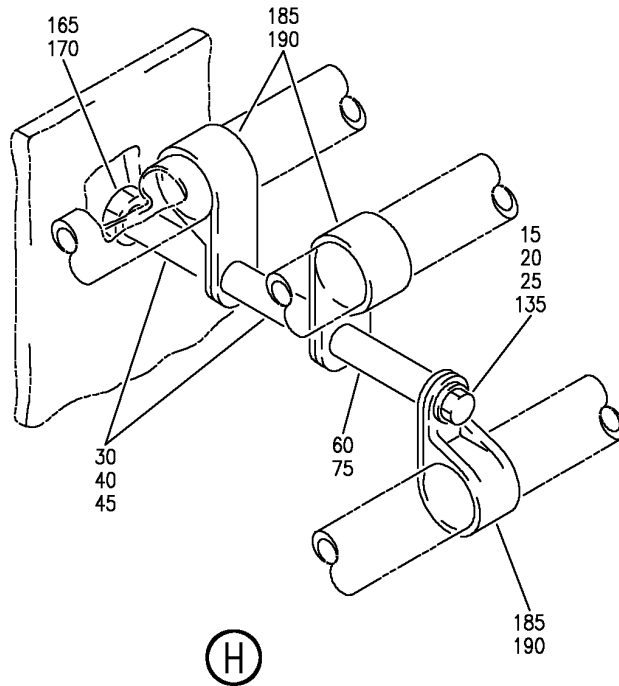
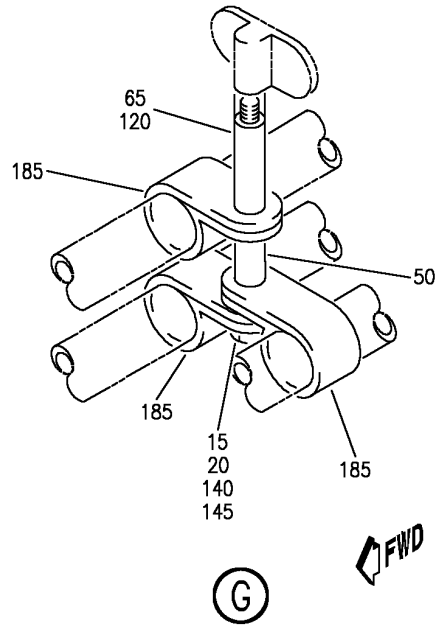
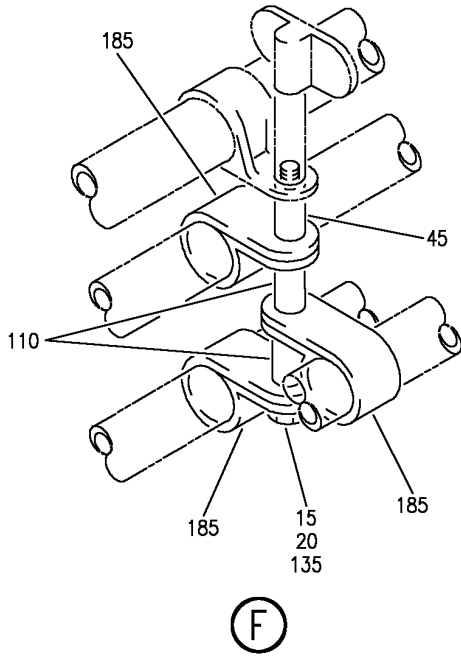
TUBING INSTL-PITOT STATIC STA 199 TO STA 440 LEFT SIDE ONLY  
FIGURE 6C (SHEET 5)

**34-11-51-06C**

BRI  
MAY 28/07

34-11-51-06C  
PAGE 0D

**BOEING**  
757  
PARTS CATALOG (MAINTENANCE)



Y 34-115106C SHT 6 REV 265

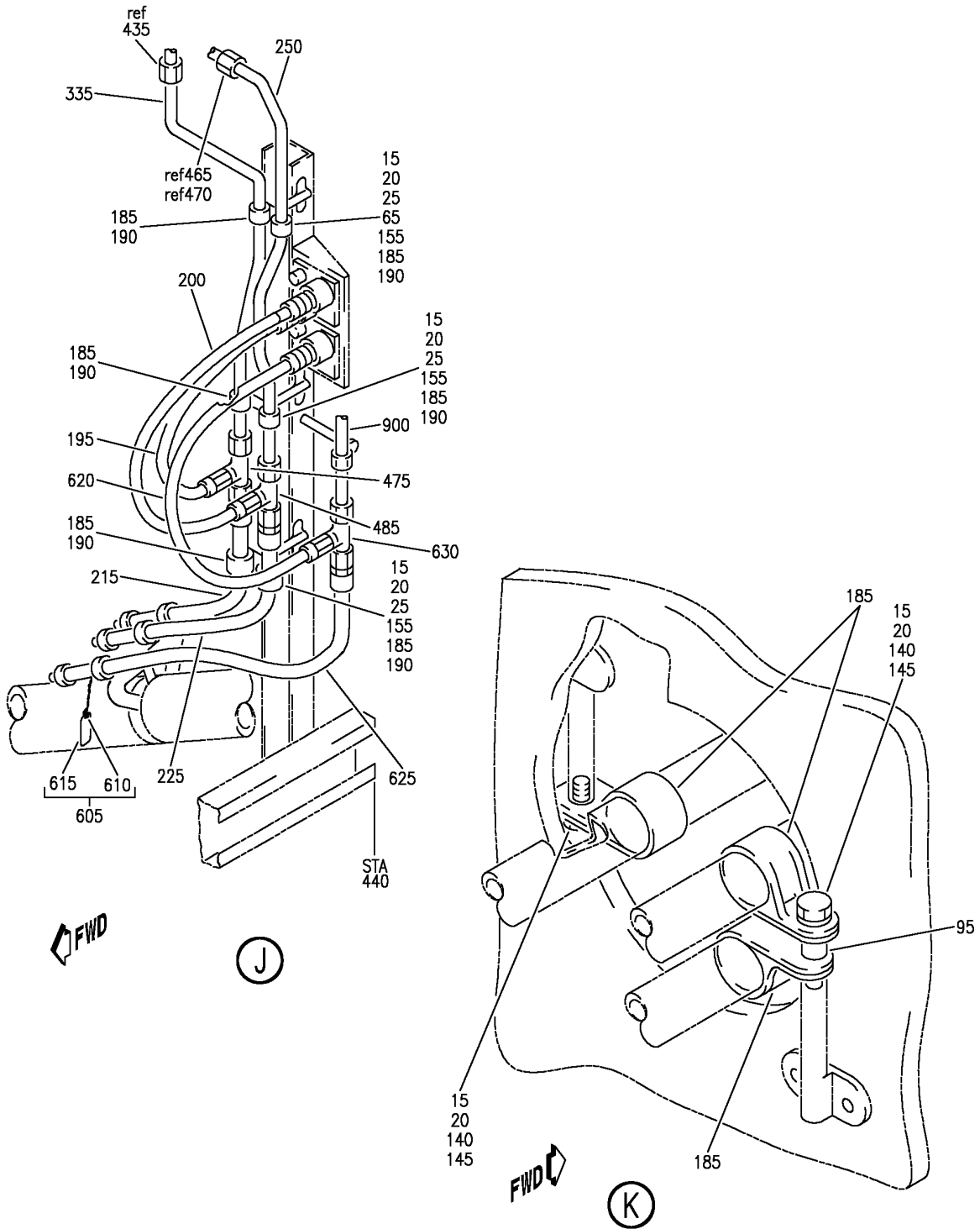
TUBING INSTL-PITOT STATIC STA 199 TO STA 440 LEFT SIDE ONLY  
FIGURE 6C (SHEET 6)

BRI  
MAY 28/07

**34-11-51-06C**

34-11-51-06C  
PAGE 0E

**BOEING**  
757  
**PARTS CATALOG (MAINTENANCE)**



Y 34115106C SHT 7 REV 265

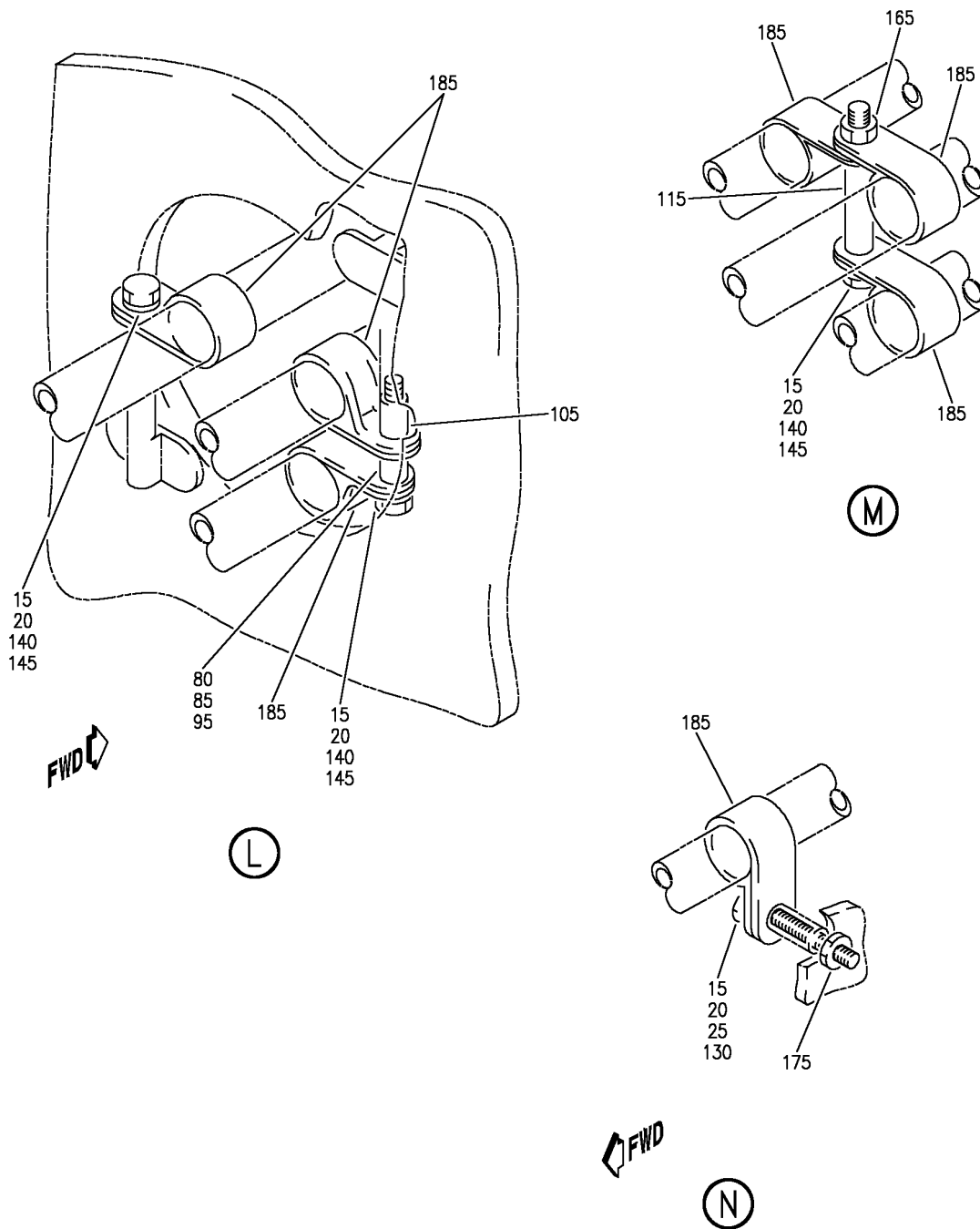
TUBING INSTL-PITOT STATIC STA 199 TO STA 440 LEFT SIDE ONLY  
FIGURE 6C (SHEET 7)

BRI  
MAY 28/07

**34-11-51-06C**

34-11-51-06C  
PAGE OF

**BOEING**  
757  
PARTS CATALOG (MAINTENANCE)



Y 34-115106C SHT 8 REV 265

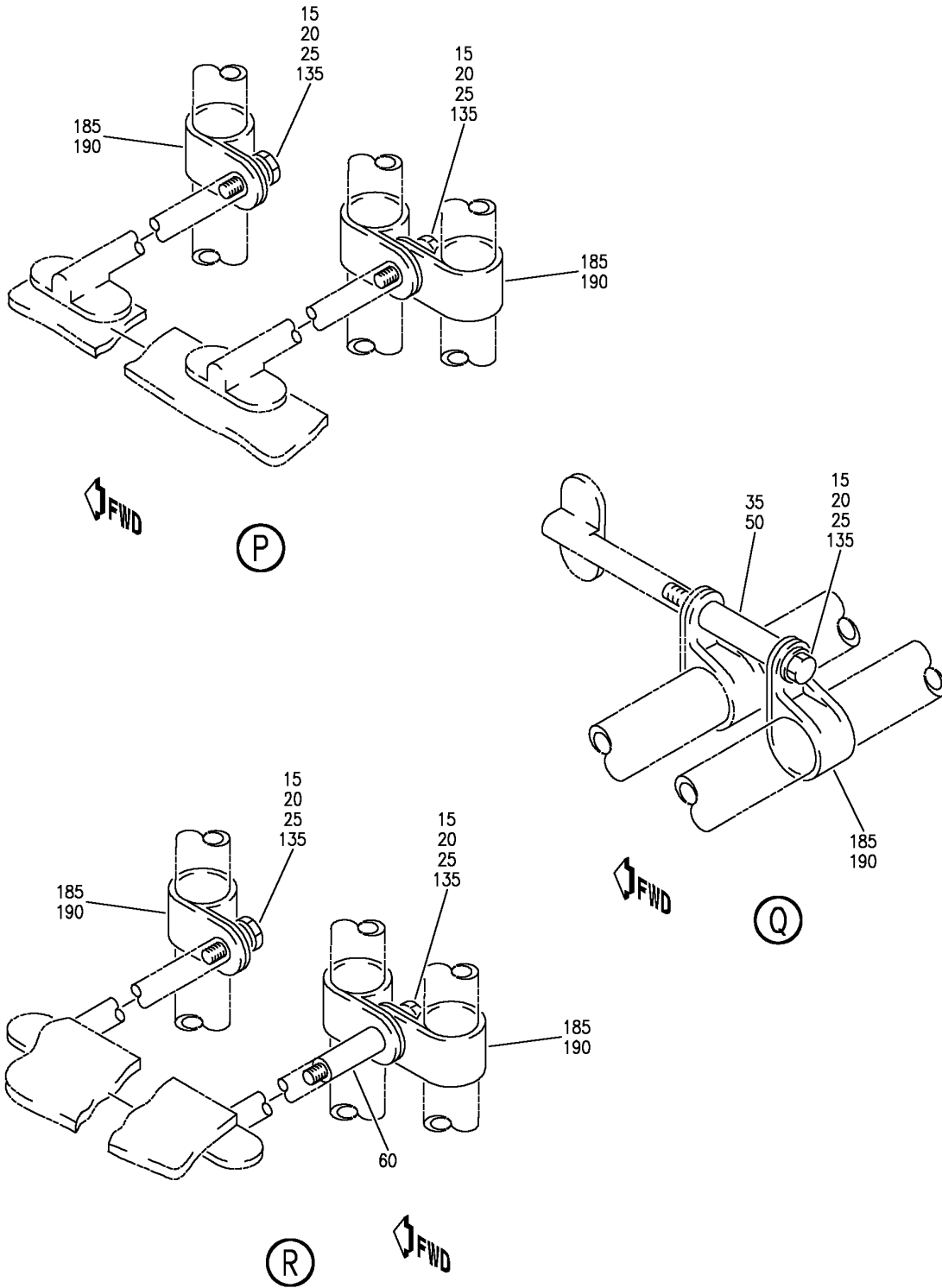
TUBING INSTL-PITOT STATIC STA 199 TO STA 440 LEFT SIDE ONLY  
FIGURE 6C (SHEET 8)

**34-11-51-06C**

BRI  
MAY 28/07

34-11-51-06C  
PAGE 06

**BOEING**  
757  
PARTS CATALOG (MAINTENANCE)



Y 34-115106C SHT 9 REV 265

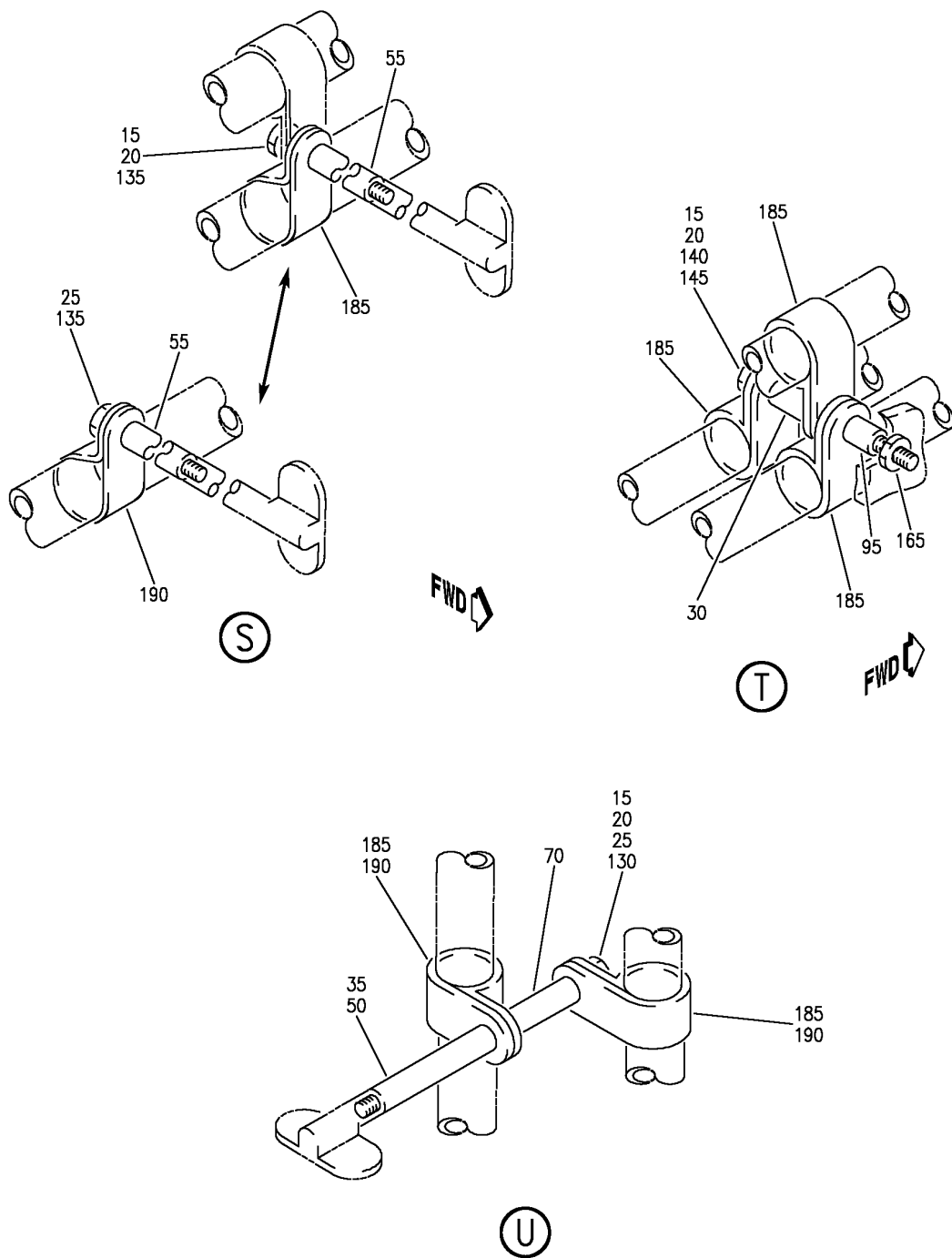
TUBING INSTL-PITOT STATIC STA 199 TO STA 440 LEFT SIDE ONLY  
FIGURE 6C (SHEET 9)

BRI  
MAY 28/07

**34-11-51-06C**

34-11-51-06C  
PAGE 0H

**BOEING**  
757  
PARTS CATALOG (MAINTENANCE)



Y 34115106C SHT 10 REV 265

TUBING INSTL-PITOT STATIC STA 199 TO STA 440 LEFT SIDE ONLY  
FIGURE 6C (SHEET 10)

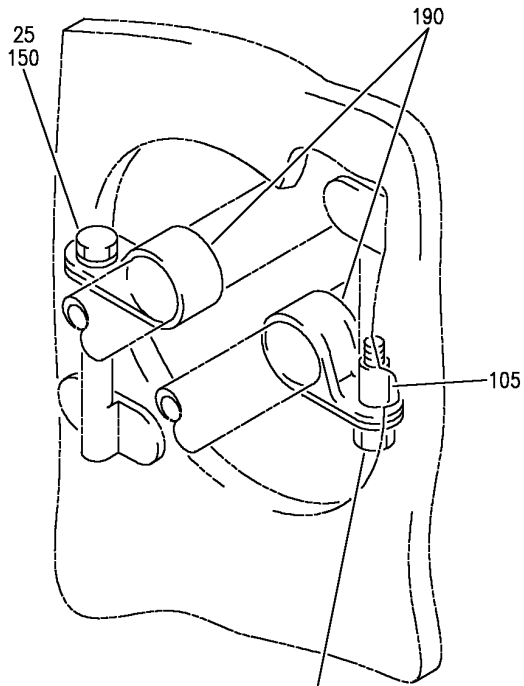
**34-11-51-06C**

BRI  
MAY 28/07

34-11-51-06C  
PAGE 01

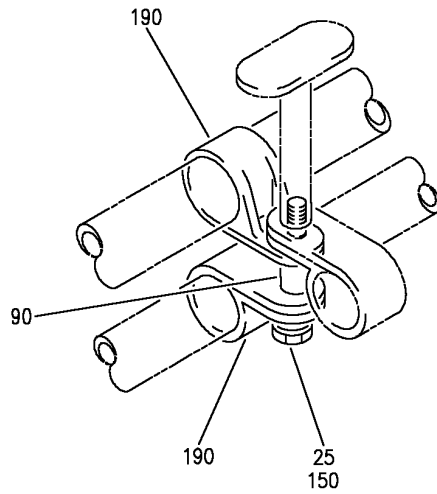


**BOEING**  
757  
PARTS CATALOG (MAINTENANCE)

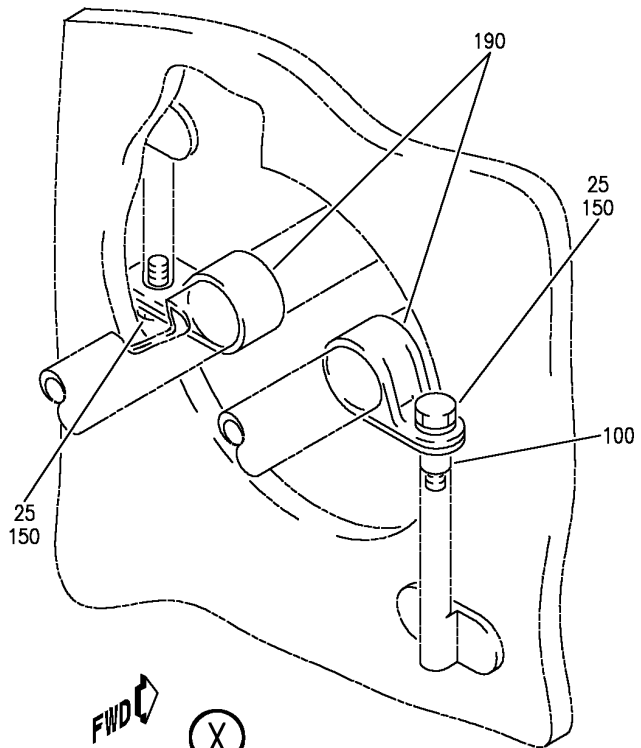


FWD ↗

(V)



(W)



FWD ↗

(X)

Y 34115106C SHT 11 REV 265

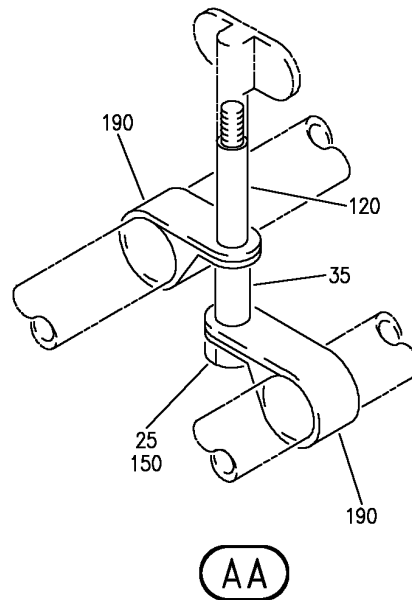
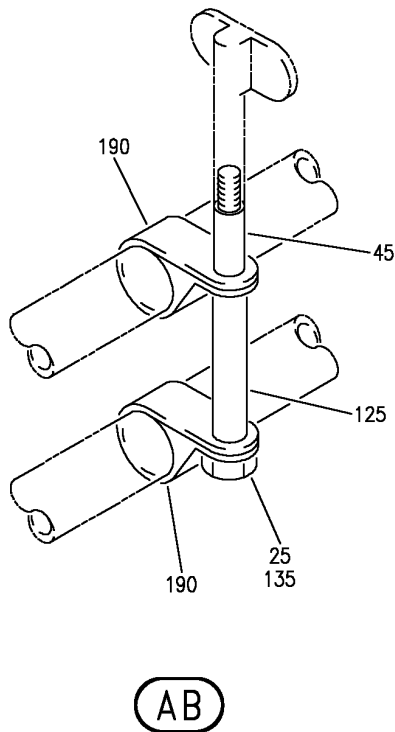
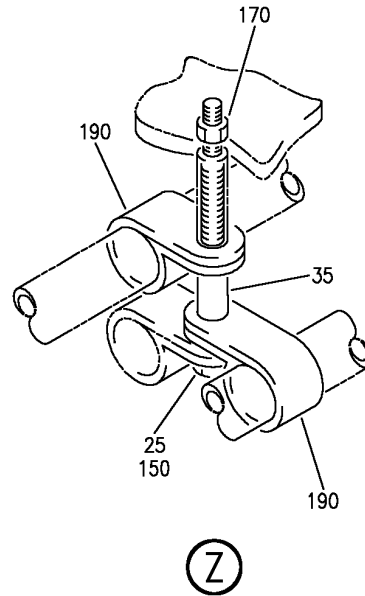
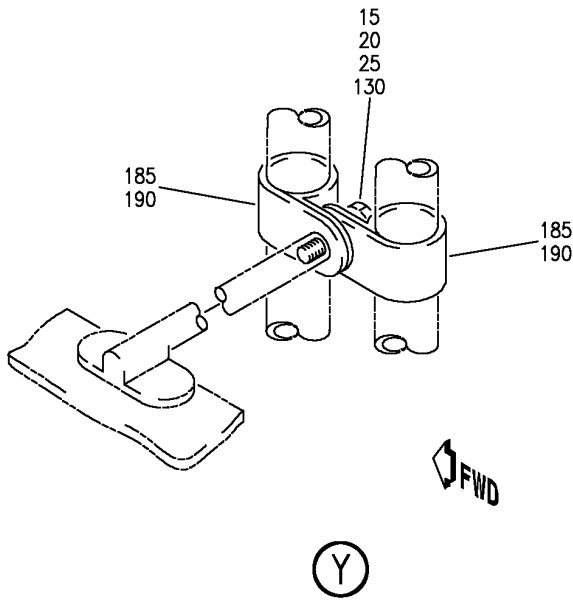
TUBING INSTL-PITOT STATIC STA 199 TO STA 440 LEFT SIDE ONLY  
FIGURE 6C (SHEET 11)

**34-11-51-06C**

BRI  
MAY 28/07

34-11-51-06C  
PAGE 0J

**BOEING**  
757  
PARTS CATALOG (MAINTENANCE)



Y 34115106C SHT 12 REV 265

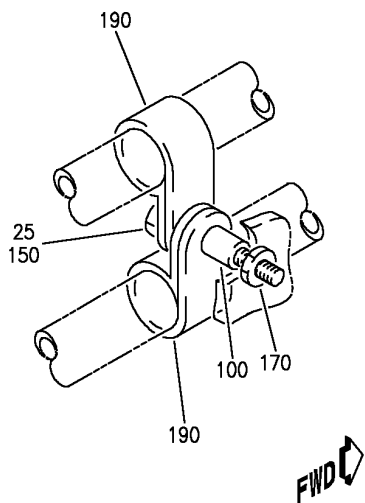
TUBING INSTL-PITOT STATIC STA 199 TO STA 440 LEFT SIDE ONLY  
FIGURE 6C (SHEET 12)

BRI  
MAY 28/07

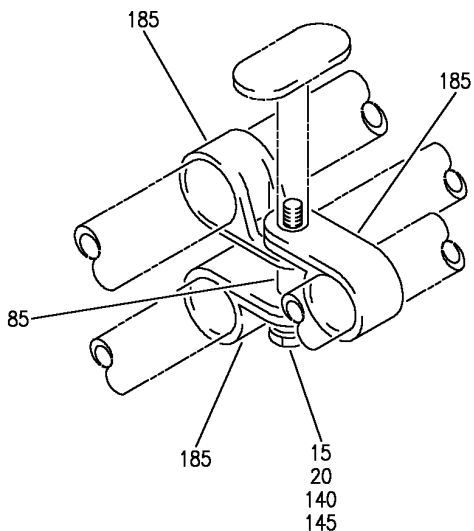
**34-11-51-06C**

34-11-51-06C  
PAGE OK

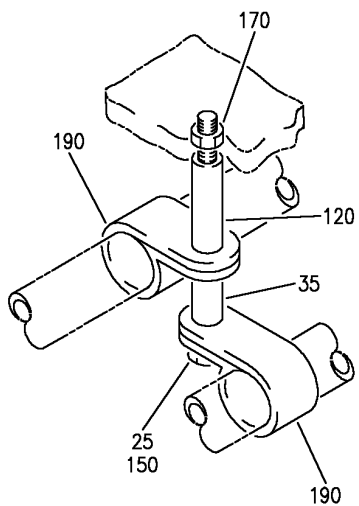
**BOEING**  
757  
PARTS CATALOG (MAINTENANCE)



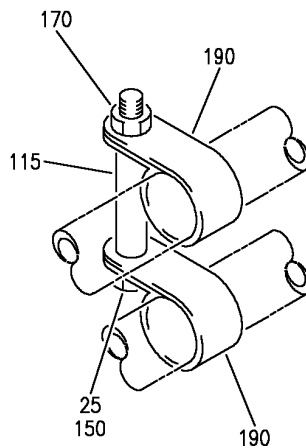
AC



AD



AF



AE

Y 34115106C SHT 13 REV 265

TUBING INSTL-PITOT STATIC STA 199 TO STA 440 LEFT SIDE ONLY  
FIGURE 6C (SHEET 13)

**34-11-51-06C**

BRI  
MAY 28/07

34-11-51-06C  
PAGE 01

BOEING PROPRIETARY - Copyright © - Unpublished Work - See title page for details.



757

PARTS CATALOG (MAINTENANCE)

FIG ITEM	PART NUMBER	1 2 3 4 5 6 7	NOMENCLATURE	EFFECT FROM TO	UNITS PER ASSY
6C			TUBING INSTL-PITOT STATIC STA 199 TO STA 440 LEFT SIDE ONLY	101106 108120 504903	
- 1	232N9201-464		TUBING INSTL-PITOT STATIC POSITION DATA: STA 199 TO STA 440 FOR NHA SEE: 25-10-00-10	101101	RF
- 1	232N9201-474		TUBING INSTL-PITOT STATIC POSITION DATA: STA 199 TO STA 440 FOR NHA SEE: 25-10-00-10	102102 504504	RF
- 1	232N9201-478		TUBING INSTL-PITOT STATIC POSITION DATA: STA 199 TO STA 440 FOR NHA SEE: 25-10-00-10	505903	RF
- 1	232N9201-483		TUBING INSTL-PITOT STATIC POSITION DATA: STA 199 TO STA 440 FOR NHA SEE: 25-10-00-10	108120	RF
- 2	MODREF32221		TUBING INSTL- MODULE NUMBER: 232N9201-802 REV B POSITION DATA: STA 199 TO STA 440 FOR ADDITIONAL DETAILS SEE: 34-11-51-06D 34-11-51-07B 34-11-51-08B	103103	1
- 2	MODREF34166		TUBING INSTL- MODULE NUMBER: 232N9201-802 REV C POSITION DATA: STA 199 TO STA 440 FOR ADDITIONAL DETAILS SEE: 34-11-51-06C 34-11-51-07B 34-11-51-08B	104105	1
- 2	MODREF34777		TUBING INSTL- MODULE NUMBER: 232N9201-802 REV D POSITION DATA: STA 199 TO STA 440 FOR ADDITIONAL DETAILS SEE: 34-11-51-06D 34-11-51-07B	106106	1

MISSING ITEM NUMBERS NOT APPLICABLE

- ITEM NOT ILLUSTRATED

**34-11-51-06C**

34-11-51  
FIG. 06C  
PAGE 1  
JAN 20/09

BRI



757

PARTS CATALOG (MAINTENANCE)

FIG ITEM	PART NUMBER	1 2 3 4 5 6 7	NOMENCLATURE	EFFECT FROM TO	UNITS PER ASSY
6C					
- 2	MODREF32283		TUBING INSTL- MODULE NUMBER: 232N9201-805 REV B POSITION DATA: STA 199 TO STA 440 FOR ADDITIONAL DETAILS SEE: 34-11-51-04A	103106	1
10	MS3367-2-9		.STRAP	101106 108120 504903	1
15	NAS1801-3		.SCREW- SIZE DETERMINED ON INSTL.	101106 108120 504903	32
30	NAS42DD6-40		.SPACER	101106 108120 504903	3
45	NAS42DD6-24		.SPACER	101106 108120 504903	2
50	NAS42DD6-32		.SPACER	101106 108120 504903	5
55	NAS42DD6-52		.SPACER	101106 108120 504903	1
60	NAS42DD6-28		.SPACER	101106 108120 504903	2
65	NAS42DD6-64		.SPACER	101106 108120 504903	2
70	NAS42DD6-12		.SPACER	101106 108120 504903	1
75	NAS42DD6-44		.SPACER	101106 108120 504903	1
80	NAS42DD6-10		.SPACER	101102 108120 504903	2
85	NAS42DD6-8		.SPACER	101102 108120 504903	2
95	NAS42DD6-16		.SPACER	101106 108120 504903	4
105	NAS42DD6-6		.SPACER	101106 108120 504903	1

MISSING ITEM NUMBERS NOT APPLICABLE

- ITEM NOT ILLUSTRATED

34-11-51-06C

34-11-51  
FIG. 06C  
PAGE 2  
JAN 20/09

BRI

BOEING PROPRIETARY - Copyright © - Unpublished Work - See title page for details.



757

PARTS CATALOG (MAINTENANCE)

FIG ITEM	PART NUMBER	1 2 3 4 5 6 7	NOMENCLATURE	EFFECT FROM TO	UNITS PER ASSY
6C					
110	NAS42DD6-36	.	SPACER	101106 108120 504903	2
115	NAS42DD6-58	.	SPACER	101106 108120 504903	1
120	NAS42DD6-86	.	SPACER	101106 108120 504903	2
130	AN960PD10L	.	WASHER	101106 108120 504903	3
135	AN960KD10L	.	WASHER	101106 108120 504903	11
140	AN960PD10	.	WASHER	101106 108120 504903	16
155	AN960JD10L	.	WASHER	101106 108120 504903	3
160	MS28777-6	.	WASHER	101106 108120 504903	1
165	BRH10A3	.	NUT- SUPPLIER CODE: V52828 SPECIFICATION NUMBER: BACN10JC3 OPTIONAL PART: H10-3BAC V15653 NS202101-02 V80539 RMLH9075-3W V72962 VN303A02 V92215 96-02 V80539 T6S1032J V11815 QUALIFIED OPTIONAL DATA: BACN10FX PREFERRED OPT TO BACN10JC3 WHERE APPLICABLE	101102 108120 504903	4

MISSING ITEM NUMBERS NOT APPLICABLE

- ITEM NOT ILLUSTRATED

BRI

34-11-51-06C

BOEING PROPRIETARY - Copyright © - Unpublished Work - See title page for details.

34-11-51  
FIG. 06C  
PAGE 3  
JAN 20/09



757

PARTS CATALOG (MAINTENANCE)

FIG ITEM	PART NUMBER	1 2 3 4 5 6 7	NOMENCLATURE	EFFECT FROM TO	UNITS PER ASSY
6C 165	BACN10FX	.NUT-	QUALIFIED OPTIONAL DATA: BACN10FX PREFERRED OPT TO BACN10JC3 WHERE APPLICABLE	101102 108120 504903	4
175	MS21042L3	.NUT-	QUALIFIED OPTIONAL DATA: BACN10FX PREFERRED OPT TO BACN10JC3 WHERE APPLICABLE	101106 108120 504903	1
175	BACN10FX	.NUT-	QUALIFIED OPTIONAL DATA: BACN10FX PREFERRED OPT TO BACN10JC3 WHERE APPLICABLE	101106 108120 504903	1
180	AN6289D6	.NUT		101106 108120 504903	1
185	BACC10DK	.CLAMP		101106 108120 504903	62
195	36022F22-4-0140	.HOSE ASSY-	SUPPLIER CODE: V24984	101106 108120 504903	1
200	36022F23-6-0140	.HOSE ASSY-	SUPPLIER CODE: V24984	103106 108120	1
205	41074-0130	.HOSE ASSY-	SUPPLIER CODE: V24984	101106 108120 504903	2
210	50014A42-6-0150	.HOSE ASSY-DRAIN	SUPPLIER CODE: V24984	101106 108120 504903	2
215	50014A42-6-0150	.HOSE ASSY-DRAIN	SUPPLIER CODE: V24984	101106 108120 504903	1
220	50014A43-6-0150	.HOSE ASSY-DRAIN	SUPPLIER CODE: V24984	101106 108120 504903	1
225	50014A43-6-0150	.HOSE ASSY-DRAIN	SUPPLIER CODE: V24984	101106 108120 504903	1
230	232N9201-112	.TUBE ASSY-	TUBING MATERIAL: .375 IN. OD .035 IN. WALL 55.00 IN. LG AL.	101106 108120 504903	1

MISSING ITEM NUMBERS NOT APPLICABLE

- ITEM NOT ILLUSTRATED

34-11-51-06C

34-11-51  
FIG. 06C  
PAGE 4  
JAN 20/09

BRI

BOEING PROPRIETARY - Copyright © - Unpublished Work - See title page for details.



757

PARTS CATALOG (MAINTENANCE)

FIG ITEM	PART NUMBER	1 2 3 4 5 6 7	NOMENCLATURE	EFFECT FROM TO	UNITS PER ASSY
6C					
235	232N9201-13	.TUBE ASSY-	TUBING MATERIAL: .375 IN. OD .035 IN. WALL 17.00 IN. LG AL.	101106 108120 504903	1
240	232N9201-162	.TUBE ASSY-	TUBING MATERIAL: .375 IN. OD .035 IN. WALL 107.3 IN. LG AL.	101106 108120 504903	1
245	232N9201-163	.TUBE ASSY-	TUBING MATERIAL: .375 IN. OD .035 IN. WALL 108.70 IN. LG AL.	101106 108120 504903	1
250	232N9201-166	.TUBE ASSY-	TUBING MATERIAL: .375 IN. OD .035 IN. WALL 24.50 IN. LG AL.	101106 108120 504903	1
255	232N9201-187	.TUBE ASSY-	TUBING MATERIAL: .375 IN. OD .035 IN. WALL 16.00 IN. LG AL.	101101	1
255	232N9201-467	.TUBE ASSY-	TUBING MATERIAL: .375 IN. OD .035 IN. WALL 16.00 IN. LG AL.	102102 504903	1
255	232N9201-482	.TUBE ASSY-	TUBING MATERIAL: .375 IN. OD .035 IN. WALL 14.00 IN. LG	108120	1
255	232N9201-608	.TUBE ASSY-	TUBING MATERIAL: .375 IN. OD .035 IN. WALL	103106	1
260	232N9201-221	.TUBE ASSY-	TUBING MATERIAL: .375 IN. OD .035 IN. WALL 36.00 IN. LG AL.	101106 108120 504903	1
265	232N9201-85	.TUBE ASSY-	TUBING MATERIAL: .375 IN. OD .035 IN. WALL 21.00 IN. LG AL.	101106 108120 504903	1
270	232N9201-9	.TUBE ASSY-	TUBING MATERIAL: .375 IN. OD .035 IN. WALL 15.10 IN. LG AL.	101106 108120 504903	1

MISSING ITEM NUMBERS NOT APPLICABLE

- ITEM NOT ILLUSTRATED

34-11-51-06C

34-11-51  
FIG. 06C  
PAGE 5  
JAN 20/09

BRI

BOEING PROPRIETARY - Copyright © - Unpublished Work - See title page for details.





757

PARTS CATALOG (MAINTENANCE)

FIG ITEM	PART NUMBER	1 2 3 4 5 6 7	NOMENCLATURE	EFFECT FROM TO	UNITS PER ASSY
6C - 280	AP2097HP06	..	SLEEVE SUPPLIER CODE: V01673 SPECIFICATION NUMBER: BACS13BX06HP OPTIONAL PART: 2-02903-06HP V11328 35235VN06 V08199 AFP175V06P V30974 DBOS13BX06HP V14798	101106 108120 504903	2
- 290	BACN10YL06	..	NUT	101106 108120 504903	2
295	232N9201-164	.TUBE ASSY-	TUBING MATERIAL: .375 IN. OD .035 IN. WALL 115.8 IN. LG AL.	101102 108120 504903	1
300	232N9201-7	.TUBE ASSY-	TUBING MATERIAL: .375 IN. OD .035 IN. WALL 29.3 IN. LG AL.	101106 108120 504903	1
- 305	AP2097HP06	..	SLEEVE SUPPLIER CODE: V01673 SPECIFICATION NUMBER: BACS13BX06HP OPTIONAL PART: 2-02903-06HP V11328 35235VN06 V08199 AFP175V06P V30974 DBOS13BX06HP V14798	103106	1

MISSING ITEM NUMBERS NOT APPLICABLE

- ITEM NOT ILLUSTRATED

34-11-51-06C

34-11-51  
FIG. 06C  
PAGE 6  
JAN 20/09

BRI

BOEING PROPRIETARY - Copyright © - Unpublished Work - See title page for details.



757

PARTS CATALOG (MAINTENANCE)

FIG ITEM	PART NUMBER	1 2 3 4 5 6 7	NOMENCLATURE	EFFECT FROM TO	UNITS PER ASSY
6C - 310	AP2097HP06	..	SLEEVE SUPPLIER CODE: V01673 SPECIFICATION NUMBER: BACS13BX06HP OPTIONAL PART: 2-02903-06HP V11328 35235VN06 V08199 AFP175V06P V30974 DBOS13BX06HP V14798	101102 108120 504903	1
- 315	BACN10YLO6	..	NUT	103106	1
- 320	BACN10YLO6	..	NUT	101102 108120 504903	1
- 325	35056GV06	..	UNION SUPPLIER CODE: V08199 SPECIFICATION NUMBER: BACU24AB6W OPTIONAL PART: 2-01027-6W V11328 31875-6W V14397 4671097W6 V50948 AP1004W06 V01673 AFP941W6 V30974 DBOU24AB6W V14798	103106	1

MISSING ITEM NUMBERS NOT APPLICABLE

- ITEM NOT ILLUSTRATED

BRI

34-11-51-06C

BOEING PROPRIETARY - Copyright © - Unpublished Work - See title page for details.

34-11-51  
FIG. 06C  
PAGE 7  
JAN 20/09



757

PARTS CATALOG (MAINTENANCE)

FIG ITEM	PART NUMBER	1 2 3 4 5 6 7	NOMENCLATURE	EFFECT FROM TO	UNITS PER ASSY
6C - 330	35056GV06		..UNION SUPPLIER CODE: V08199 SPECIFICATION NUMBER: BACU24AB6W OPTIONAL PART: 2-01027-6W V11328 31875-6W V14397 4671097W6 V50948 AP1004W06 V01673 AFP941W6 V30974 DBOU24AB6W V14798	101102 108120 504903	1
335	232N9201-165		.TUBE ASSY- TUBING MATERIAL: .312 IN. OD .035 IN. WALL 20.87 IN. LG AL.	101106 108120 504903	1
- 340	AP2097HP05		..SLEEVE SUPPLIER CODE: V01673 SPECIFICATION NUMBER: BACS13BX05HP OPTIONAL PART: 2-02903-05HP V11328 35235VN05 V08199 AFP175V05P V30974 DBOS13BX05HP V14798	101106 108120 504903	2
- 345	BACN10YL05		..NUT	101106 108120 504903	2
350	232N9201-400		.TUBE ASSY- TUBING MATERIAL: .375 IN. OD .035 IN. WALL 16.00 IN. LG AL.	101106 108120 504903	1

MISSING ITEM NUMBERS NOT APPLICABLE

- ITEM NOT ILLUSTRATED

34-11-51-06C

34-11-51  
FIG. 06C  
PAGE 8  
JAN 20/09

BRI

BOEING PROPRIETARY - Copyright © - Unpublished Work - See title page for details.



757

PARTS CATALOG (MAINTENANCE)

FIG ITEM	PART NUMBER	1 2 3 4 5 6 7	NOMENCLATURE	EFFECT FROM TO	UNITS PER ASSY
6C - 355	AP2097HP06	..	SLEEVE SUPPLIER CODE: V01673 SPECIFICATION NUMBER: BACS13BX06HP OPTIONAL PART: 2-02903-06HP V11328 35235VN06 V08199 AFP175V06P V30974 DBOS13BX06HP V14798	101106 108120 504903	2
- 360	BACN10YLO6	..	NUT	101106 108120 504903	2
365	232N9201-401	.TUBE ASSY-	TUBING MATERIAL: .375 IN. OD .035 IN. WALL 46.00 IN. LG AL.	101106 108120 504903	1
370	232N9201-402	.TUBE ASSY-	TUBING MATERIAL: .375 IN. OD .035 IN. WALL 73.00 IN. LG AL.	101106 108120 504903	1
375	232N9201-403	.TUBE ASSY-	TUBING MATERIAL: .375 IN. OD .035 IN. WALL 43.50 IN. LG AL.	101106 108120 504903	1
380	232N9201-404	.TUBE ASSY-	TUBING MATERIAL: .375 IN. OD .035 IN. WALL 66.00 IN. LG AL.	101106 108120 504903	1
385	232N9201-405	.TUBE ASSY-	TUBING MATERIAL: .375 IN. OD .035 IN. WALL 40.00 IN. LG AL.	101106 108120 504903	1
390	232N9201-406	.TUBE ASSY-	TUBING MATERIAL: .375 IN. OD .035 IN. WALL 68.00 IN. LG AL.	101106 108120 504903	1
395	232N9201-409	.TUBE ASSY-	TUBING MATERIAL: .375 IN. OD .035 IN. WALL 27.00 IN. LG AL.	101106 108120 504903	1

MISSING ITEM NUMBERS NOT APPLICABLE

- ITEM NOT ILLUSTRATED

34-11-51-06C

34-11-51  
FIG. 06C  
PAGE 9  
JAN 20/09

BRI

BOEING PROPRIETARY - Copyright © - Unpublished Work - See title page for details.



757

PARTS CATALOG (MAINTENANCE)

FIG ITEM	PART NUMBER	1 2 3 4 5 6 7	NOMENCLATURE	EFFECT FROM TO	UNITS PER ASSY
6C - 405	AP2097HP06	..	SLEEVE SUPPLIER CODE: V01673 SPECIFICATION NUMBER: BACS13BX06HP OPTIONAL PART: 2-02903-06HP V11328 35235VN06 V08199 AFP175V06P V30974 DBOS13BX06HP V14798	101106 108120 504903	1
- 415	BACN10YLO6	..	NUT	101106 108120 504903	1
- 425	35056GV06	..	UNION SUPPLIER CODE: V08199 SPECIFICATION NUMBER: BACU24AB6W OPTIONAL PART: 2-01027-6W V11328 31875-6W V14397 4671097W6 V50948 AP1004W06 V01673 AFP941W6 V30974 DBOU24AB6W V14798	101106 108120 504903	1
430	MS21902D6	.	UNION	101106 108120 504903	1
435	BACE21AR0605D	.	ELBOW	101106 108120 504903	1
440	MS21904W6	.	ELBOW	101102 108120 504903	2
445	MS21904W6	.	ELBOW	103106	2
450	MS21905W6	.	TEE	101102 108120 504903	2

MISSING ITEM NUMBERS NOT APPLICABLE

- ITEM NOT ILLUSTRATED

34-11-51-06C

34-11-51  
FIG. 06C  
PAGE 10  
JAN 20/09

BRI

BOEING PROPRIETARY - Copyright © - Unpublished Work - See title page for details.

 **BOEING**  
757  
**PARTS CATALOG (MAINTENANCE)**

FIG ITEM	PART NUMBER	1 2 3 4 5 6 7	NOMENCLATURE	EFFECT FROM TO	UNITS PER ASSY
6C					
460	MS21912W6	.	TEE	101106 108120 504903	2
465	MS21905D6	.	TEE	101106 108120 504903	1
475	NAS1763W060504	.	TEE	101106 108120 504903	1
480	NAS1764D060606	.	TEE	101106 108120 504903	1
485	NAS1763W060606	.	TEE	101106 108120 504903	1
490	AN938D6	.	TEE	101106 108120 504903	1
495	MS28778-6	.	PACKING	101106 108120 504903	2
- 600	232N9201-431		PITOT STATIC INSTL- POSITION DATA: STA 199 TO STA 440 FOR NHA SEE: 25-10-00-10A 25-10-00-10B	108120 504903	RF
- 600	MODREF32280		TUBING INSTL-PITOT STATIC EICAS MODULE NUMBER: 232N9201-468 REV B POSITION DATA: STA 199 TO STA 440 FOR ADDITIONAL DETAILS SEE: 34-11-51-07B	103106	1
605	69-60028-9	.	TAG ASSY-FIRST OBSERVER STATIC DRAIN	103106 108120 504903	1
610	BACR12BU9B	..	RING-SPLIT	103106 108120 504903	1
615	69-60028-10	..	TAG	103106 108120 504903	1
620	36022F23-6-0140	.	HOSE ASSY- SUPPLIER CODE: V24984	103106 108120 504903	1

MISSING ITEM NUMBERS NOT APPLICABLE

- ITEM NOT ILLUSTRATED

BRI

# 34-11-51-06C

BOEING PROPRIETARY - Copyright © - Unpublished Work - See title page for details.

34-11-51  
FIG. 06C  
PAGE 11  
JAN 20/09



757

PARTS CATALOG (MAINTENANCE)

FIG ITEM	PART NUMBER	1 2 3 4 5 6 7	NOMENCLATURE	EFFECT FROM TO	UNITS PER ASSY
6C					
625	50014A43-6-0150		.HOSE ASSY- SUPPLIER CODE: V24984	103106 108120 504903	1
630	NAS1763W060606		.TEE	103106 108120 504903	1
900			ILLUSTRATION REFERENCE: TUBING INSTL-PITOT STATIC STA 440 TO 660 34-11-51-07B	101106 108120 504903	RF

MISSING ITEM NUMBERS NOT APPLICABLE

- ITEM NOT ILLUSTRATED

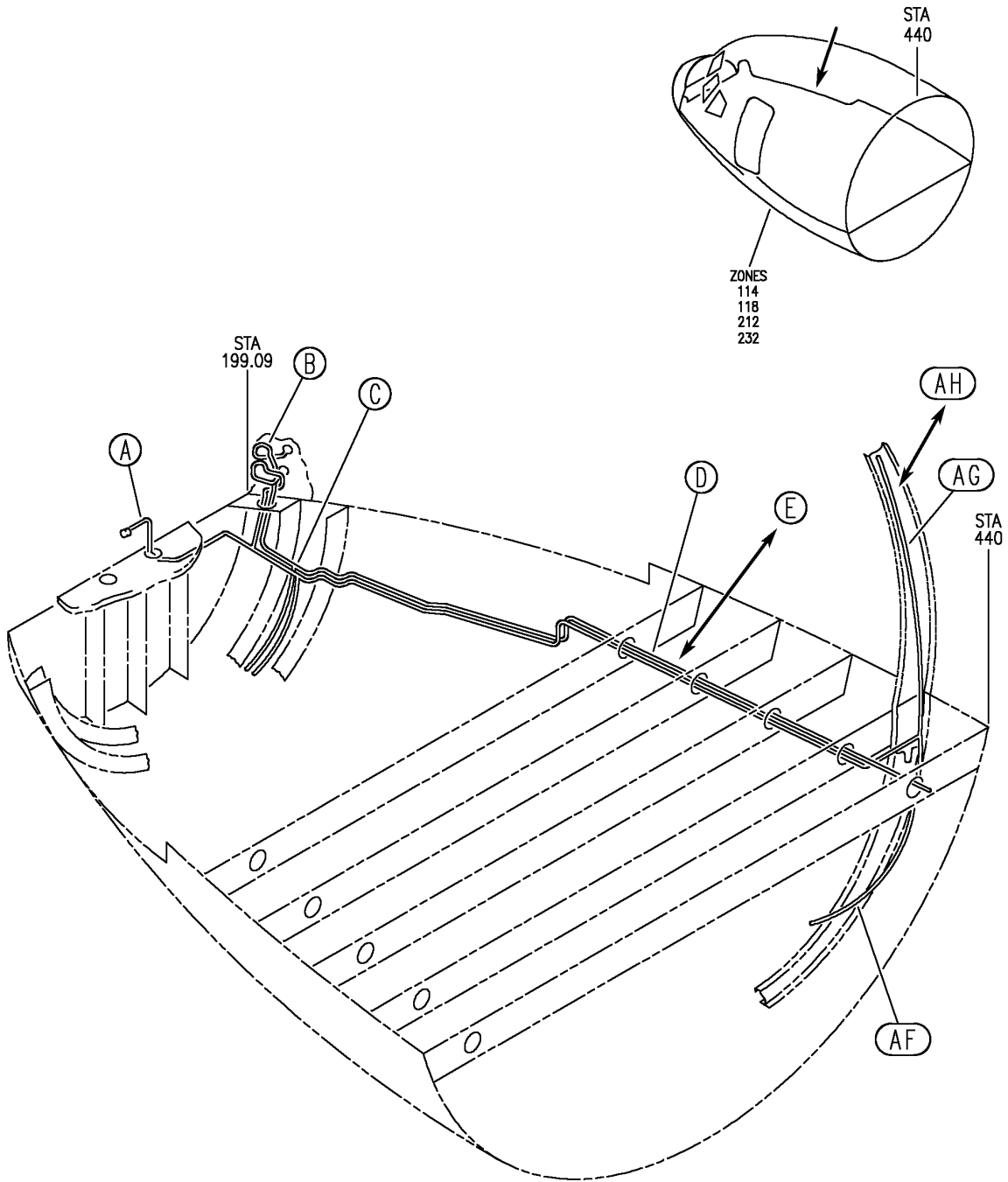
BRI

# 34-11-51-06C

BOEING PROPRIETARY - Copyright © - Unpublished Work - See title page for details.

34-11-51  
FIG. 06C  
PAGE 12  
JAN 20/09

**BOEING**  
757  
PARTS CATALOG (MAINTENANCE)



Y 34115106D SHT 1 REV 265

TUBING INSTL-PITOT STATIC STA 199 TO STA 440 RIGHT SIDE ONLY  
FIGURE 6D (SHEET 1)

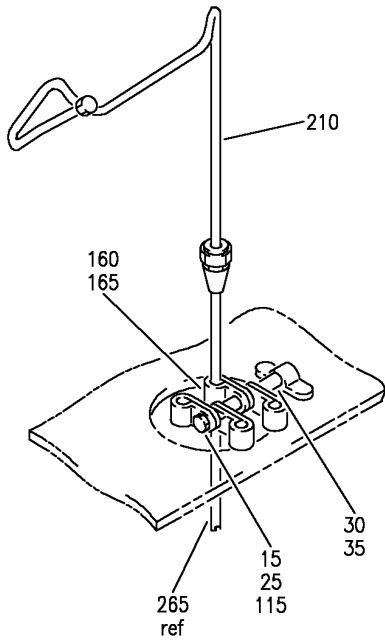
BRI  
MAY 28/07

**34-11-51-06D**

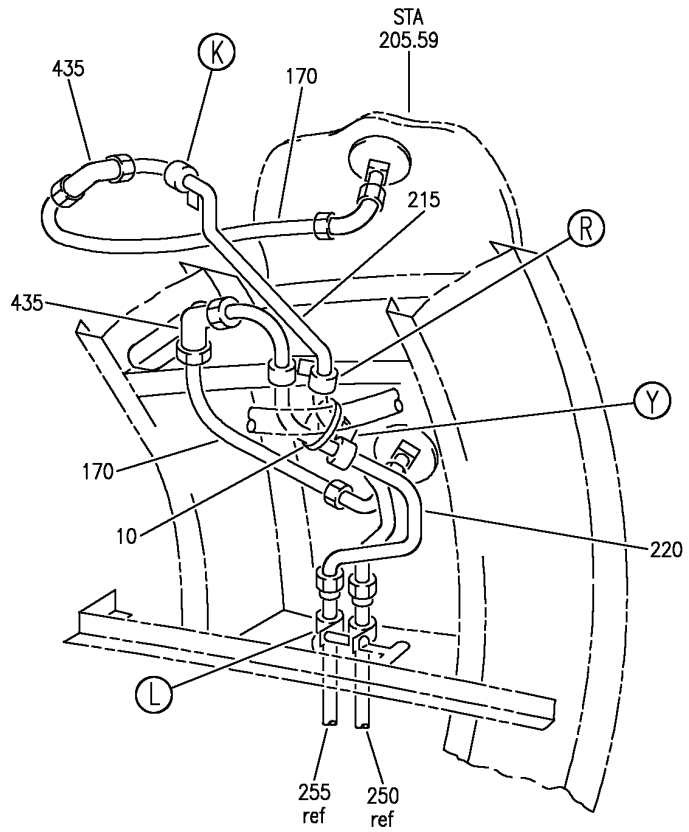
34-11-51-06D  
PAGE 0



**BOEING**  
757  
PARTS CATALOG (MAINTENANCE)



(A)



(B)

Y 34-11-51-06D SHT 2 REV 265

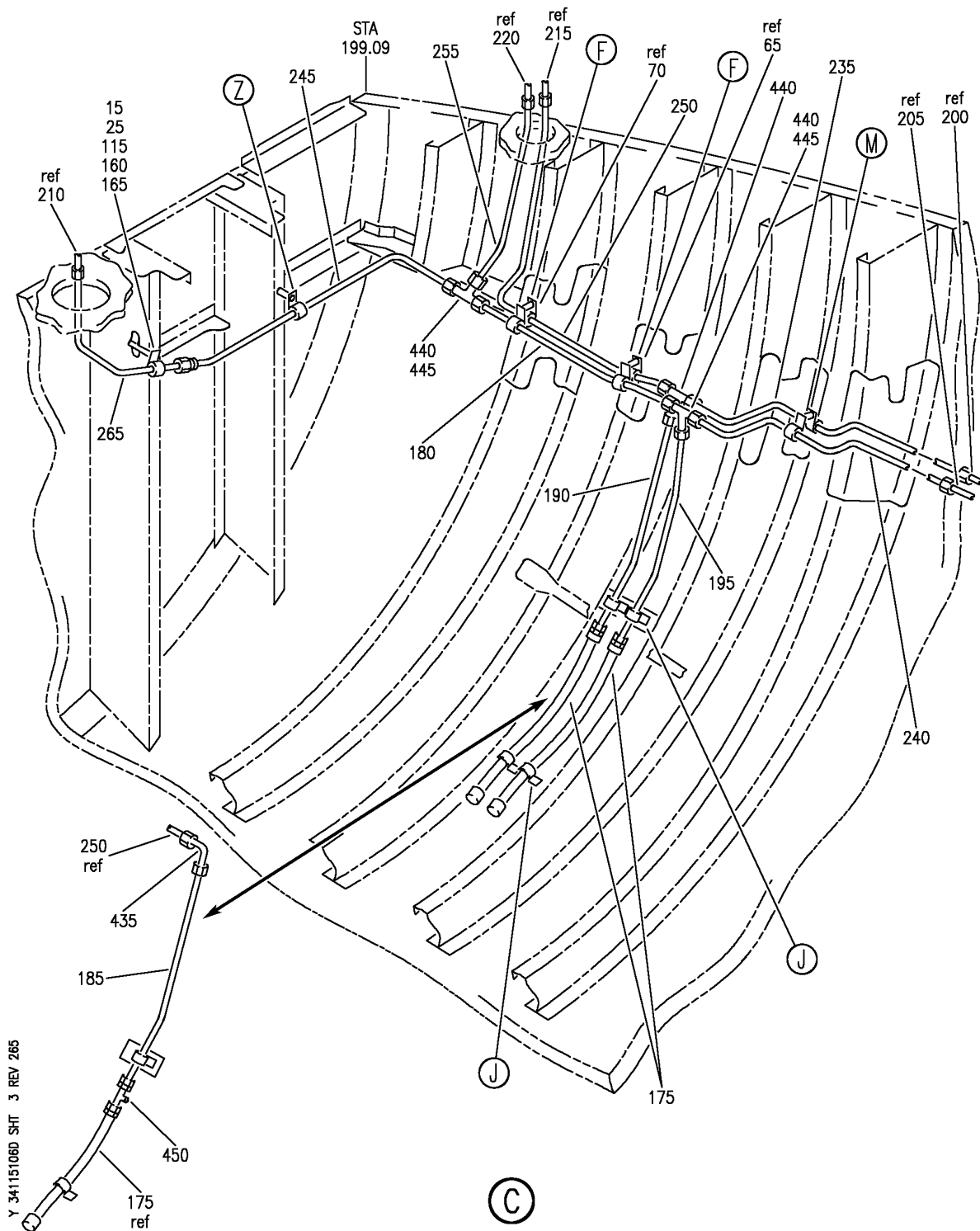
TUBING INSTL-PITOT STATIC STA 199 TO STA 440 RIGHT SIDE ONLY  
FIGURE 6D (SHEET 2)

**34-11-51-06D**

BRI  
MAY 28/07

34-11-51-06D  
PAGE 0A

**BOEING**  
757  
PARTS CATALOG (MAINTENANCE)



Y 34115106D SHT 3 REV 265

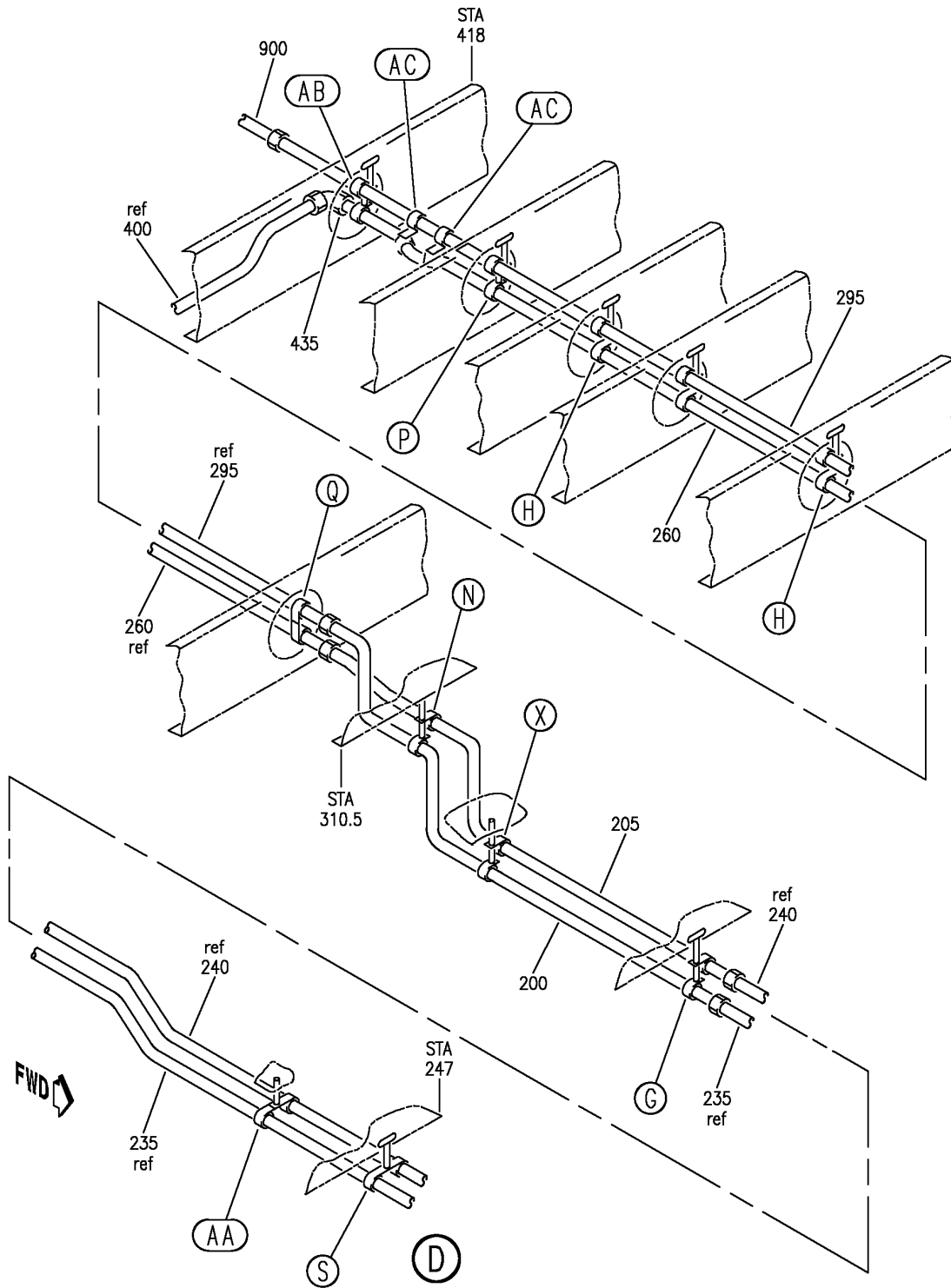
TUBING INSTL-PITOT STATIC STA 199 TO STA 440 RIGHT SIDE ONLY  
FIGURE 6D (SHEET 3)

**34-11-51-06D**

BRI  
MAY 28/07

34-11-51-06D  
PAGE 0B


**BOEING**  
 757  
**PARTS CATALOG (MAINTENANCE)**



Y 34-115106D SHT 4 REV 265

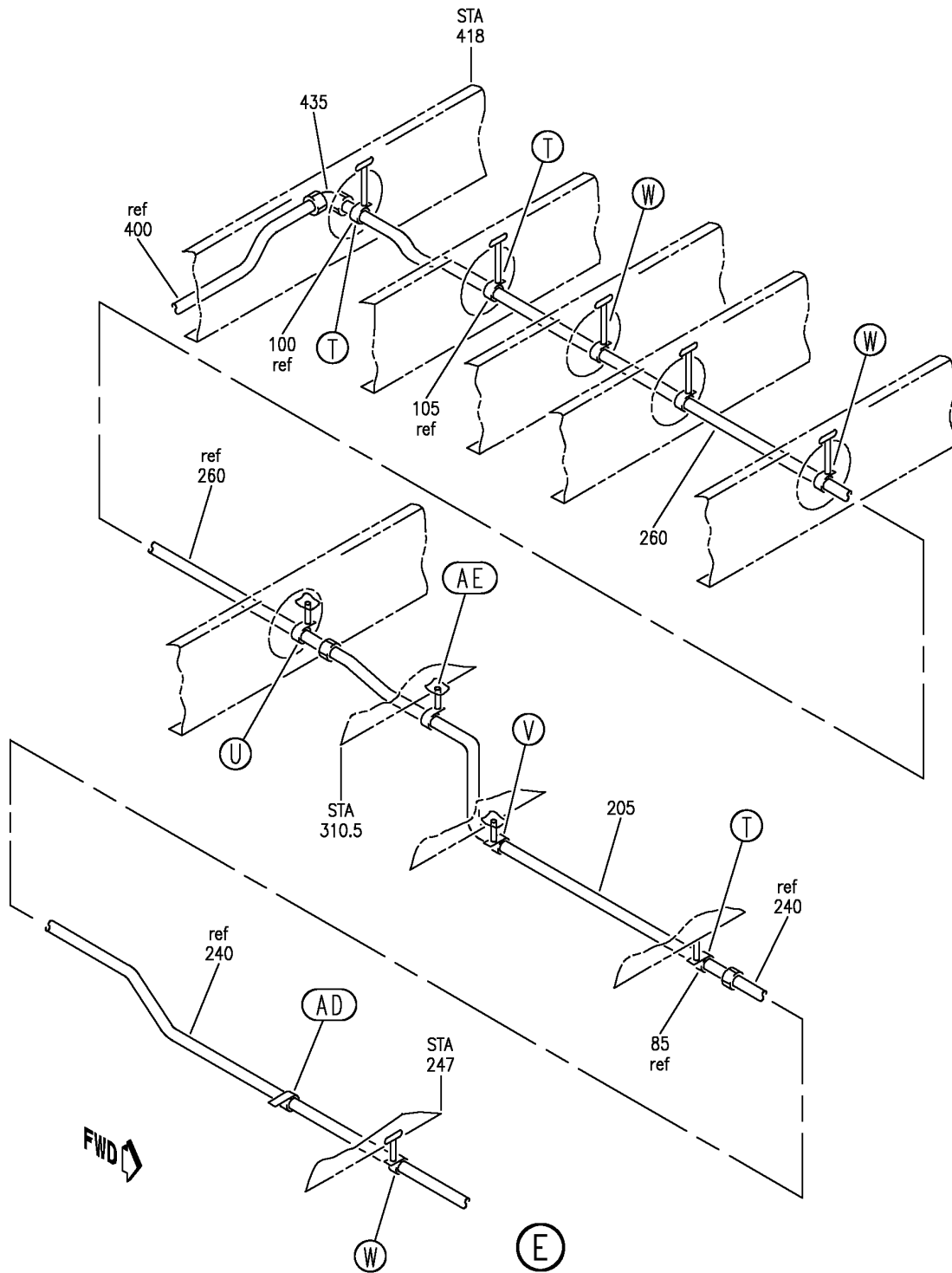
TUBING INSTL-PITOT STATIC STA 199 TO STA 440 RIGHT SIDE ONLY  
 FIGURE 6D (SHEET 4)

**34-11-51-06D**

BRI  
 MAY 28/07

34-11-51-06D  
 PAGE 0C

**BOEING**  
757  
PARTS CATALOG (MAINTENANCE)



Y 34-115106D SHT 5 REV 265

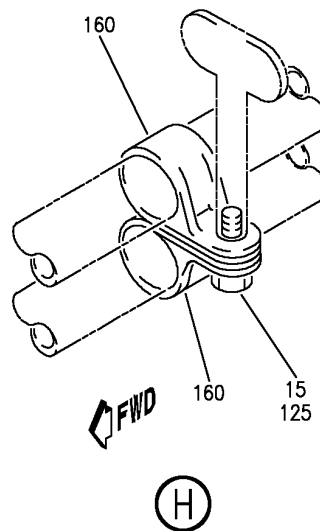
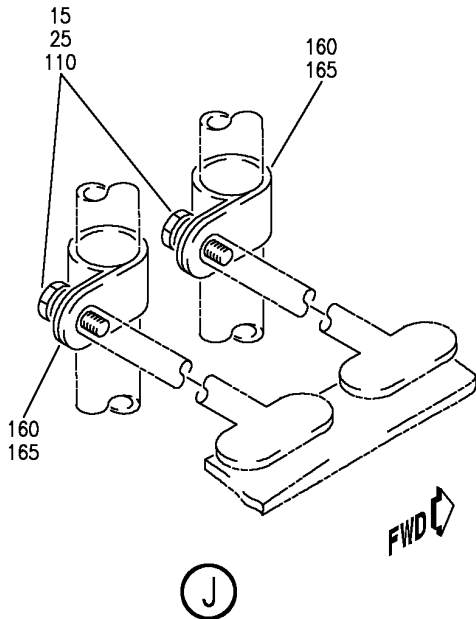
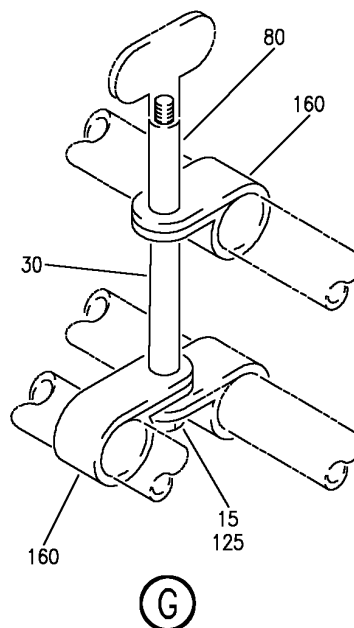
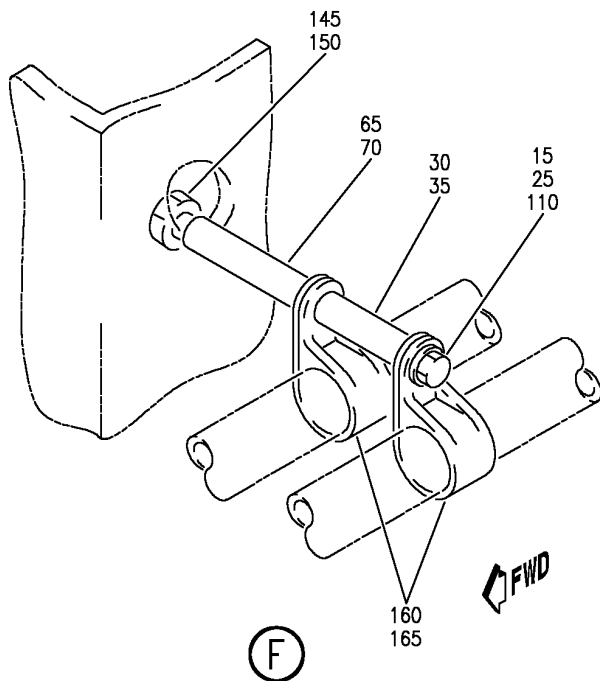
TUBING INSTL-PITOT STATIC STA 199 TO STA 440 RIGHT SIDE ONLY  
FIGURE 6D (SHEET 5)

BRI  
MAY 28/07

**34-11-51-06D**

34-11-51-06D  
PAGE 0D

**BOEING**  
757  
PARTS CATALOG (MAINTENANCE)



Y 34-115106D SHT 6 REV 265

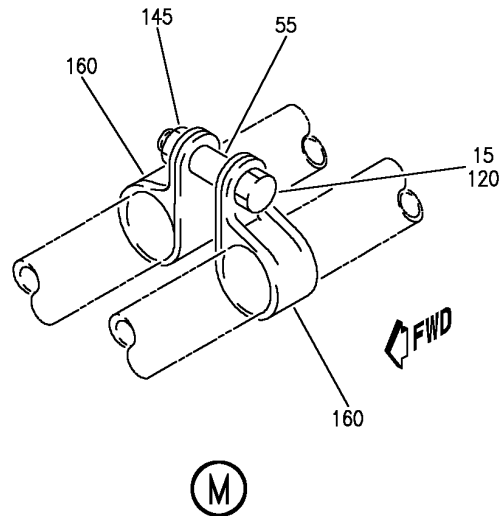
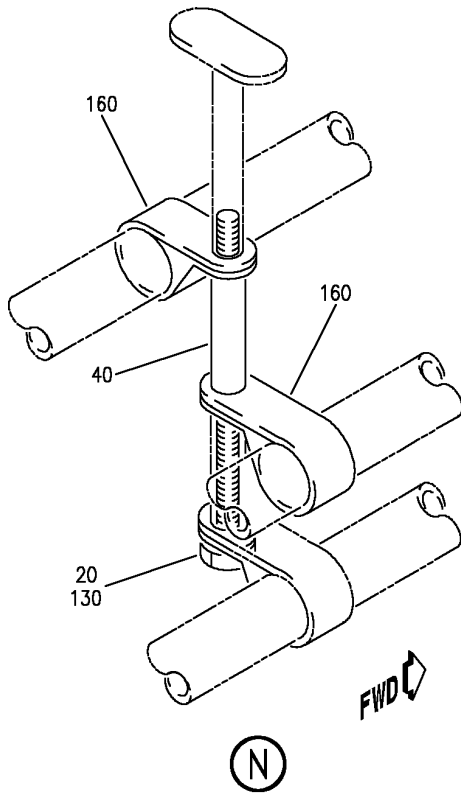
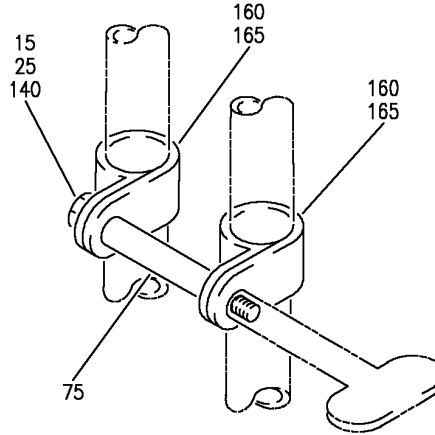
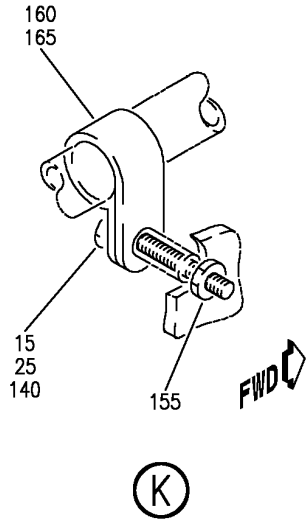
TUBING INSTL-PITOT STATIC STA 199 TO STA 440 RIGHT SIDE ONLY  
FIGURE 6D (SHEET 6)

**34-11-51-06D**

BRI  
MAY 28/07

34-11-51-06D  
PAGE 0E

**BOEING**  
757  
PARTS CATALOG (MAINTENANCE)



Y 34-115106D SHT 7 REV 265

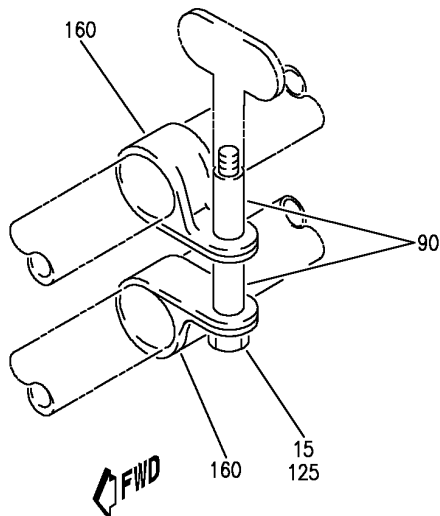
TUBING INSTL-PITOT STATIC STA 199 TO STA 440 RIGHT SIDE ONLY  
FIGURE 6D (SHEET 7)

**34-11-51-06D**

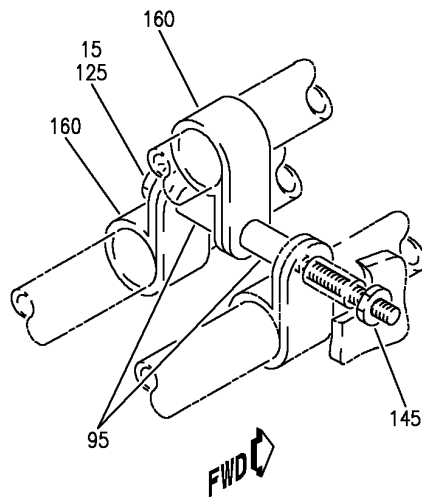
BRI  
MAY 28/07

34-11-51-06D  
PAGE OF

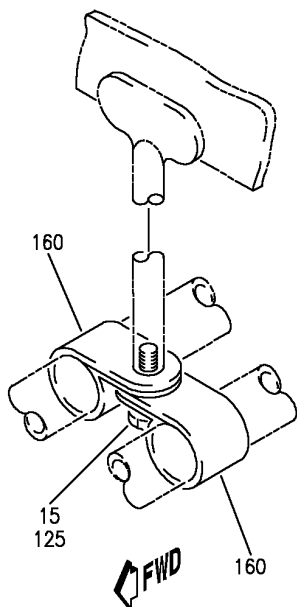
**BOEING**  
757  
PARTS CATALOG (MAINTENANCE)



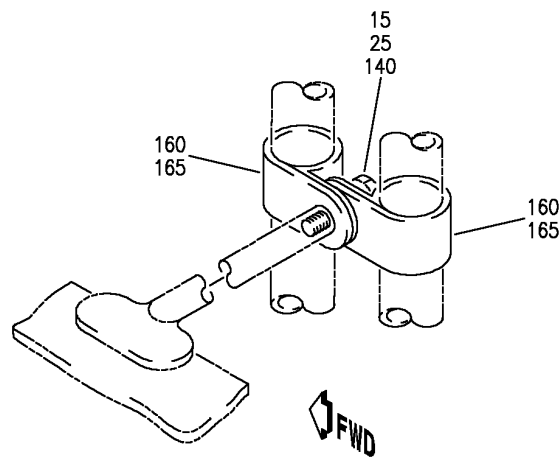
(P)



(Q)



(S)



(R)

Y 34-115106D SHT 8 REV 265

TUBING INSTL-PITOT STATIC STA 199 TO STA 440 RIGHT SIDE ONLY  
FIGURE 6D (SHEET 8)

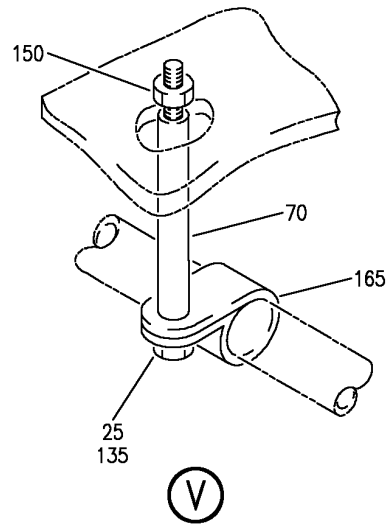
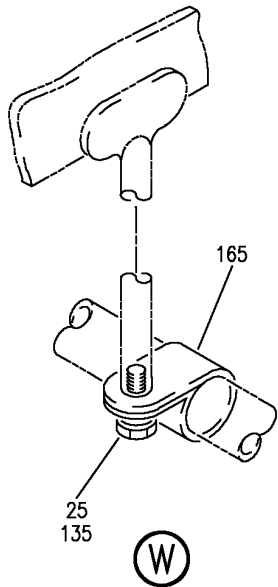
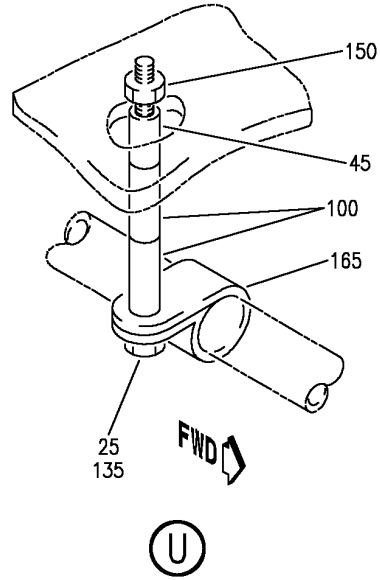
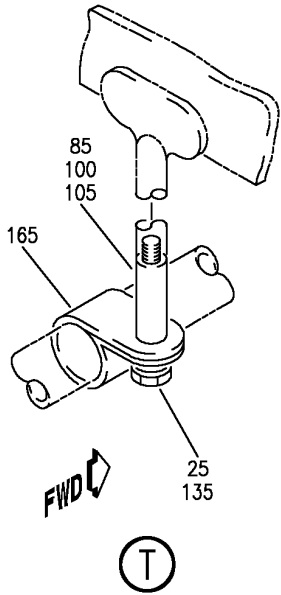
**34-11-51-06D**

BRI  
MAY 28/07

34-11-51-06D  
PAGE 0G

BOEING PROPRIETARY - Copyright © - Unpublished Work - See title page for details.


**BOEING**  
 757  
**PARTS CATALOG (MAINTENANCE)**



Y 34-115106D SHT 9 REV 265

TUBING INSTL-PITOT STATIC STA 199 TO STA 440 RIGHT SIDE ONLY  
FIGURE 6D (SHEET 9)

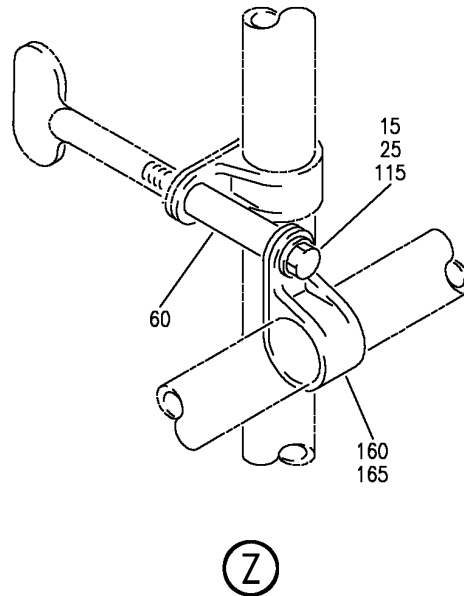
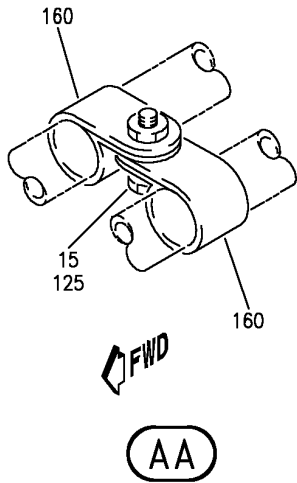
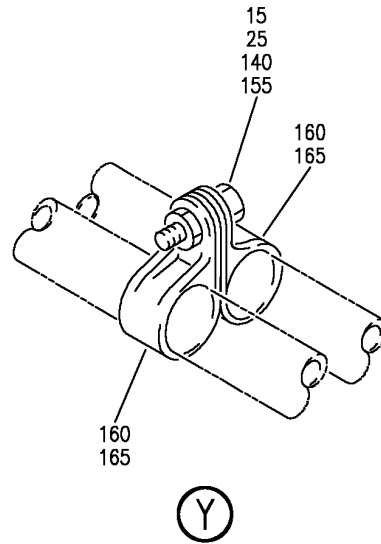
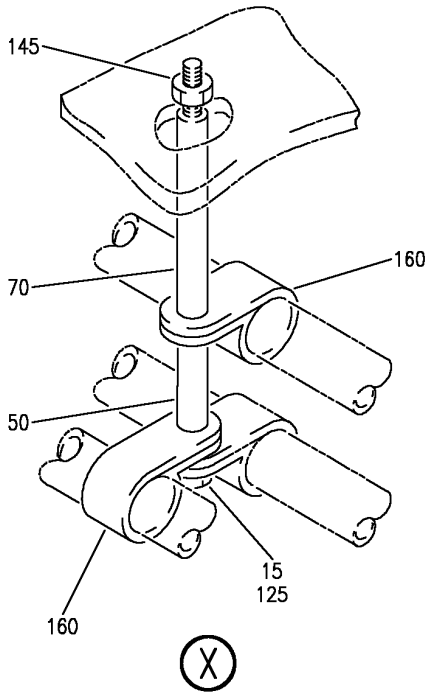
BRI  
MAY 28/07

# 34-11-51-06D

34-11-51-06D  
PAGE 0H



**BOEING**  
757  
PARTS CATALOG (MAINTENANCE)



Y 34-115106D SHT 10 REV 265

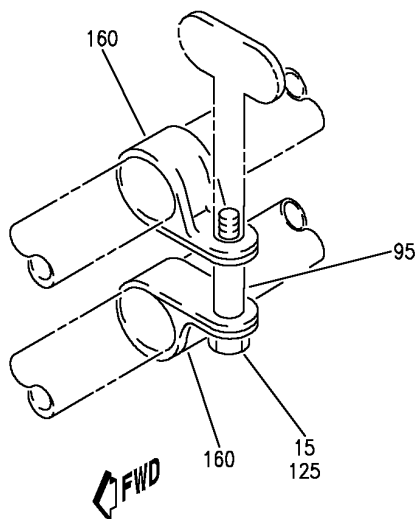
TUBING INSTL-PITOT STATIC STA 199 TO STA 440 RIGHT SIDE ONLY  
FIGURE 6D (SHEET 10)

**34-11-51-06D**

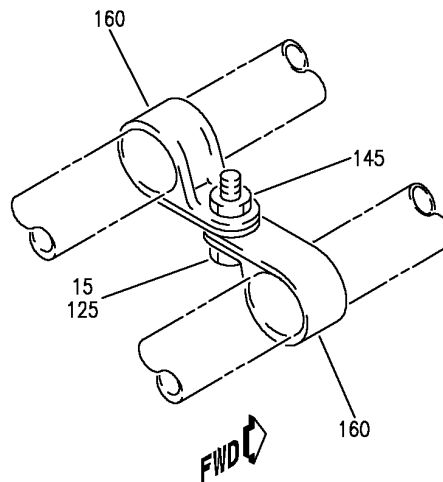
BRI  
MAY 28/07

34-11-51-06D  
PAGE 01

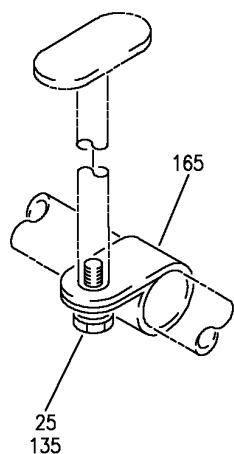
**BOEING**  
757  
PARTS CATALOG (MAINTENANCE)



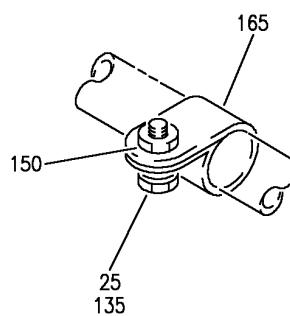
AB



AC



AE



AD

Y 34115106D SHT 11 REV 265

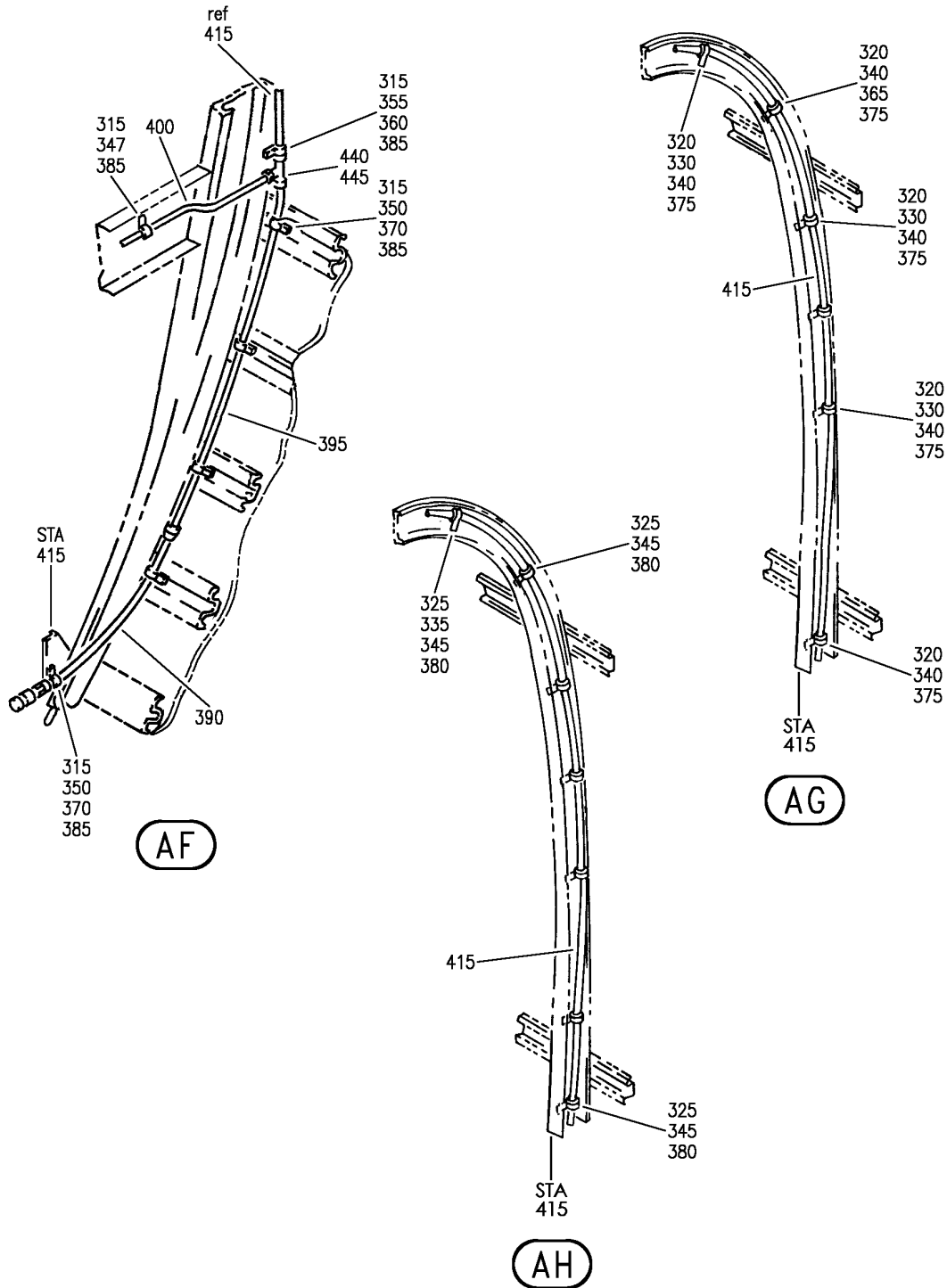
TUBING INSTL-PITOT STATIC STA 199 TO STA 440 RIGHT SIDE ONLY  
FIGURE 6D (SHEET 11)

**34-11-51-06D**

BRI  
MAY 28/07

34-11-51-06D  
PAGE 0J

**BOEING**  
757  
PARTS CATALOG (MAINTENANCE)



Y 34-115106D SHT 12 REV 265

TUBING INSTL-PITOT STATIC STA 199 TO STA 440 RIGHT SIDE ONLY  
FIGURE 6D (SHEET 12)

**34-11-51-06D**

BRI  
MAY 28/07

34-11-51-06D  
PAGE OK



757

PARTS CATALOG (MAINTENANCE)

FIG ITEM	PART NUMBER	1 2 3 4 5 6 7	NOMENCLATURE	EFFECT FROM TO	UNITS PER ASSY
6D			TUBING INSTL-PITOT STATIC STA 199 TO STA 440 RIGHT SIDE ONLY	101106 108120 504903	
- 1	232N9201-464		TUBING INSTL-PITOT STATIC POSITION DATA: STA 199 TO STA 440 FOR NHA SEE: 25-10-00-10	101101	RF
- 1	232N9201-474		TUBING INSTL-PITOT STATIC POSITION DATA: STA 199 TO STA 440 FOR NHA SEE: 25-10-00-10	102102 504504	RF
- 1	232N9201-478		TUBING INSTL-PITOT STATIC POSITION DATA: STA 199 TO STA 440 FOR NHA SEE: 25-10-00-10	505903	RF
- 1	232N9201-483		TUBING INSTL-PITOT STATIC POSITION DATA: STA 199 TO STA 440 FOR NHA SEE: 25-10-00-10	108120	RF
- 2	MODREF32221		TUBING INSTL- MODULE NUMBER: 232N9201-802 REV B POSITION DATA: STA 199 TO STA 440 FOR ADDITIONAL DETAILS SEE: 34-11-51-06C 34-11-51-07B 34-11-51-08B	103103	1
- 2	MODREF32305		TUBING INSTL- MODULE NUMBER: 232N9201-804 REV B POSITION DATA: STA 199 TO STA 440 FOR ADDITIONAL DETAILS SEE: 34-11-51-07B	103106	1
- 2	MODREF34166		TUBING INSTL- MODULE NUMBER: 232N9201-802 REV C POSITION DATA: STA 199 TO STA 440 FOR ADDITIONAL DETAILS SEE: 34-11-51-06C 34-11-51-07B 34-11-51-08B	104105	1

MISSING ITEM NUMBERS NOT APPLICABLE

- ITEM NOT ILLUSTRATED

**34-11-51-06D**

34-11-51  
FIG. 06D  
PAGE 1  
JAN 20/09

BRI



757

PARTS CATALOG (MAINTENANCE)

FIG ITEM	PART NUMBER	1 2 3 4 5 6 7	NOMENCLATURE	EFFECT FROM TO	UNITS PER ASSY
6D					
- 2	MODREF34777		TUBING INSTL- MODULE NUMBER: 232N9201-802 REV D POSITION DATA: STA 199 TO STA 440 FOR ADDITIONAL DETAILS SEE: 34-11-51-06C 34-11-51-07B	106106	1
10	MS3367-2-9		.STRAP	101106 108120 504903	1
15	NAS1801-3		.SCREW- SIZE DETERMINED ON INSTL.	101106 108120 504903	26
30	NAS42DD6-40		.SPACER	101106 108120 504903	4
40	NAS42DD6-24		.SPACER	101102 108120 504903	1
50	NAS42DD6-32		.SPACER	101106 108120 504903	1
55	NAS42DD6-56		.SPACER	101102 108120 504903	1
60	NAS42DD6-46		.SPACER	101106 108120 504903	1
65	NAS42DD6-60		.SPACER	101106 108120 504903	1
70	NAS42DD6-64		.SPACER	101106 108120 504903	2
75	NAS42DD6-48		.SPACER	101106 108120 504903	1
80	NAS42DD6-14		.SPACER	101102 108120 504903	1
90	NAS42DD6-10		.SPACER	101106 108120 504903	2
95	NAS42DD6-16		.SPACER	101106 108120 504903	3

MISSING ITEM NUMBERS NOT APPLICABLE

- ITEM NOT ILLUSTRATED

34-11-51-06D

34-11-51  
FIG. 06D  
PAGE 2  
JAN 20/09

BRI

BOEING PROPRIETARY - Copyright © - Unpublished Work - See title page for details.



757

PARTS CATALOG (MAINTENANCE)

FIG ITEM	PART NUMBER	1 2 3 4 5 6 7	NOMENCLATURE	EFFECT FROM TO	UNITS PER ASSY
6D					
110	AN960PD10L	.	WASHER	101106 108120 504903	6
115	AN960KD10L	.	WASHER	101106 108120 504903	3
120	AN960PD10L	.	WASHER	101102 108120 504903	1
125	AN960PD10L	.	WASHER	101106 108120 504903	12
140	AN960JD10L	.	WASHER	101106 108120 504903	4
145	BRH10A3	.	NUT- SUPPLIER CODE: V52828 SPECIFICATION NUMBER: BACN10JC3 OPTIONAL PART: H10-3BAC V15653 NS202101-02 V80539 RMLH9075-3W V72962 VN303A02 V92215 96-02 V80539 T6S1032J V11815 QUALIFIED OPTIONAL DATA: BACN10FX PREFERRED OPT TO BACN10JC3 WHERE APPLICABLE	101102 108120 504903	7
145	BACN10FX	.	NUT- QUALIFIED OPTIONAL DATA: BACN10FX PREFERRED OPT TO BACN10JC3 WHERE APPLICABLE	101102 108120 504903	7
155	MS21042L3	.	NUT- QUALIFIED OPTIONAL DATA: BACN10FX PREFERRED OPT TO BACN10JC3 WHERE APPLICABLE	101106 108120 504903	2

MISSING ITEM NUMBERS NOT APPLICABLE

- ITEM NOT ILLUSTRATED

BRI

34-11-51-06D

BOEING PROPRIETARY - Copyright © - Unpublished Work - See title page for details.

34-11-51  
FIG. 06D  
PAGE 3  
JAN 20/09



757

PARTS CATALOG (MAINTENANCE)

FIG ITEM	PART NUMBER	1 2 3 4 5 6 7	NOMENCLATURE	EFFECT FROM TO	UNITS PER ASSY
6D 155	BACN10FX	.NUT-	QUALIFIED OPTIONAL DATA: BACN10FX PREFERRED OPT TO BACN10JC3 WHERE APPLICABLE	101106 108120 504903	2
160	BACC10DK	.CLAMP		101106 108120 504903	46
170	41074-0130	.HOSE ASSY-	SUPPLIER CODE: V24984	101106 108120 504903	2
175	50014A42-6-0150	.HOSE ASSY-DRAIN	SUPPLIER CODE: V24984	101106 108120 504903	2
180	232N9201-10	.TUBE ASSY-	TUBING MATERIAL: .375 IN. OD .035 IN. WALL 16.56 IN. LG AL.	101106 108120 504903	1
185	232N9201-465	.TUBE ASSY-	TUBING MATERIAL: .375 IN. OD .035 IN. WALL 16.50 IN. LG AL.	103106	1
190	232N9201-12	.TUBE ASSY-	TUBING MATERIAL: .375 IN. OD .035 IN. WALL 16.50 IN. LG AL.	101106 108120 504903	1
195	232N9201-14	.TUBE ASSY-	TUBING MATERIAL: .375 IN. OD .035 IN. WALL 14.5 IN. LG AL.	101106 108120 504903	1
200	232N9201-160	.TUBE ASSY-	TUBING MATERIAL: .375 IN. OD .035 IN. WALL 52.6 IN. LG AL.	101106 108120 504903	1
205	232N9201-161	.TUBE ASSY-	TUBING MATERIAL: .375 IN. OD .035 IN. WALL 49.00 IN. LG AL.	101106 108120 504903	1
210	232N9201-186	.TUBE ASSY-	TUBING MATERIAL: .375 IN. OD .035 IN. WALL 32.00 IN. LG AL.	101101	1
210	232N9201-466	.TUBE ASSY-	TUBING MATERIAL: .375 IN. OD .035 IN. WALL 32.00 IN. LG AL.	102102 504903	1

MISSING ITEM NUMBERS NOT APPLICABLE

- ITEM NOT ILLUSTRATED

34-11-51-06D

34-11-51  
FIG. 06D  
PAGE 4  
JAN 20/09

BRI

BOEING PROPRIETARY - Copyright © - Unpublished Work - See title page for details.



757

PARTS CATALOG (MAINTENANCE)

FIG ITEM	PART NUMBER	1 2 3 4 5 6 7	NOMENCLATURE	EFFECT FROM TO	UNITS PER ASSY
6D 210	232N9201-481	.	TUBE ASSY- TUBING MATERIAL: .375 IN. OD .035 IN. WALL	103106	1
215	232N9201-222	.	TUBE ASSY- TUBING MATERIAL: .375 IN. OD .035 IN. WALL 37.00 IN. LG AL.	101106 108120 504903	1
220	232N9201-410	.	TUBE ASSY- TUBING MATERIAL: .375 IN. OD .035 IN. WALL 27.00 IN. LG AL.	101106 108120 504903	1
- 225	BACN10YL06	..	NUT	108120	2
- 225	BACN10YL06	..	NUT	101102 504903	2
- 225	BACN10YL06	..	NUT	103106	2
- 230	AP2097HP06	..	SLEEVE SUPPLIER CODE: V01673 SPECIFICATION NUMBER: BACS13BX06HP OPTIONAL PART: 2-02903-06HP V11328 35235VN06 V08199 AFP175V06P V30974 DBOS13BX06HP V14798	108120	2
- 230	AP2097HP06	..	SLEEVE SUPPLIER CODE: V01673 SPECIFICATION NUMBER: BACS13BX06HP OPTIONAL PART: 2-02903-06HP V11328 35235VN06 V08199 AFP175V06P V30974 DBOS13BX06HP V14798	101102 504903	2

MISSING ITEM NUMBERS NOT APPLICABLE

- ITEM NOT ILLUSTRATED

BRI

34-11-51-06D

BOEING PROPRIETARY - Copyright © - Unpublished Work - See title page for details.

34-11-51  
FIG. 06D  
PAGE 5  
JAN 20/09





757

PARTS CATALOG (MAINTENANCE)

FIG ITEM	PART NUMBER	1 2 3 4 5 6 7	NOMENCLATURE	EFFECT FROM TO	UNITS PER ASSY
6D - 230	AP2097HP06	..	SLEEVE SUPPLIER CODE: V01673 SPECIFICATION NUMBER: BACS13BX06HP OPTIONAL PART: 2-02903-06HP V11328 35235VN06 V08199 AFP175V06P V30974 DBOS13BX06HP V14798	103106	2
235	232N9201-151	.TUBE ASSY-	TUBING MATERIAL: .375 IN. OD .035 IN. WALL 52.50 IN. LG AL.	101106 108120 504903	1
240	232N9201-152	.TUBE ASSY-	TUBING MATERIAL: .375 IN. OD .035 IN. WALL 51.00 IN. LG AL.	101106 108120 504903	1
245	232N9201-159	.TUBE ASSY-	TUBING MATERIAL: .375 IN. OD .035 IN. WALL 22.00 IN. LG AL.	101102 504504	1
245	232N9201-469	.TUBE ASSY-	TUBING MATERIAL: .375 IN. OD .035 IN. WALL	103106 108120 505903	1
250	232N9201-6	.TUBE ASSY-	TUBING MATERIAL: .375 IN. OD .035 IN. WALL 28.30 IN. LG AL.	101106 108120 504903	1
255	232N9201-8	.TUBE ASSY-	TUBING MATERIAL: .375 IN. OD .035 IN. WALL 16.00 IN. LG AL.	101106 108120 504903	1
260	232N9201-423	.TUBE ASSY-	TUBING MATERIAL: .375 IN. OD .035 IN. WALL AL.	101102 108120 504903	1
260	232N9201-171	.TUBE ASSY-	TUBING MATERIAL: .375 IN. OD .035 IN. WALL 98.2 IN. LG AL	103106	1

MISSING ITEM NUMBERS NOT APPLICABLE

- ITEM NOT ILLUSTRATED

34-11-51-06D

34-11-51  
FIG. 06D  
PAGE 6  
JAN 20/09

BRI

BOEING PROPRIETARY - Copyright © - Unpublished Work - See title page for details.



757

PARTS CATALOG (MAINTENANCE)

FIG ITEM	PART NUMBER	1 2 3 4 5 6 7	NOMENCLATURE	EFFECT FROM TO	UNITS PER ASSY
6D 265	232N9201-426	.	TUBE ASSY- TUBING MATERIAL: .375 IN. OD .035 IN. WALL	101102 504504	1
265	232N9201-470	.	TUBE ASSY- TUBING MATERIAL: .375 IN. OD .035 IN. WALL	103106 108120 505903	1
- 270	BACN10YLO6	..	NUT	101106 108120 504903	1
- 275	AP2097HP06	..	SLEEVE SUPPLIER CODE: V01673 SPECIFICATION NUMBER: BACS13BX06HP OPTIONAL PART: 2-02903-06HP V11328 35235VN06 V08199 AFP175V06P V30974 DBOS13BX06HP V14798	101106 108120 504903	2
- 280	35056GV06	..	UNION SUPPLIER CODE: V08199 SPECIFICATION NUMBER: BACU24AB6W OPTIONAL PART: 2-01027-6W V11328 31875-6W V14397 4671097W6 V50948 AP1004W06 V01673 AFP941W6 V30974 DBOU24AB6W V14798	101106 108120 504903	1
295	232N9201-312	.	TUBE ASSY- TUBING MATERIAL: .375 IN. OD .035 IN. WALL 116.4 IN. LG AL.	101106 108120 504903	1

MISSING ITEM NUMBERS NOT APPLICABLE

- ITEM NOT ILLUSTRATED

BRI

34-11-51-06D

BOEING PROPRIETARY - Copyright © - Unpublished Work - See title page for details.

34-11-51  
FIG. 06D  
PAGE 7  
JAN 20/09



757

PARTS CATALOG (MAINTENANCE)

FIG ITEM	PART NUMBER	1 2 3 4 5 6 7	NOMENCLATURE	EFFECT FROM TO	UNITS PER ASSY
6D					
- 300	MS21921-6D	..	NUT	101106 108120 504903	1
- 305	AP2097HP06	..	SLEEVE SUPPLIER CODE: V01673 SPECIFICATION NUMBER: BACS13BX06HP OPTIONAL PART: 2-02903-06HP V11328 35235VN06 V08199 AFP175V06P V30974 DBOS13BX06HP V14798	101106 108120 504903	1
- 310	35056GV06	..	UNION SUPPLIER CODE: V08199 SPECIFICATION NUMBER: BACU24AB6W OPTIONAL PART: 2-01027-6W V11328 31875-6W V14397 4671097W6 V50948 AP1004W06 V01673 AFP941W6 V30974 DBOU24AB6W V14798	101106 108120 504903	1
315	NAS1801-3	.SCREW-	SIZE DETERMINED ON INSTL.	101106 108120 504903	7
320	NAS1801-3	.SCREW-	SIZE DETERMINED ON INSTL.	103106	6
325	NAS1801-3	.SCREW-	SIZE DETERMINED ON INSTL.	101102 108120 504903	7
330	NAS42DD6-34	.SPACER		103106	4
335	NAS42DD6-40	.SPACER		101102 108120 504903	1
340	AN960JD10L	.WASHER		103106	6

MISSING ITEM NUMBERS NOT APPLICABLE

- ITEM NOT ILLUSTRATED

34-11-51-06D

34-11-51  
FIG. 06D  
PAGE 8  
JAN 20/09

BRI

BOEING PROPRIETARY - Copyright © - Unpublished Work - See title page for details.



757

PARTS CATALOG (MAINTENANCE)

FIG ITEM	PART NUMBER	1 2 3 4 5 6 7	NOMENCLATURE	EFFECT FROM TO	UNITS PER ASSY
6D					
345	AN960JD10L	.	WASHER	101102 108120 504903	7
347	AN960PD10	.	WASHER	101106 108120 504903	1
350	AN960KD10	.	WASHER	101106 108120 504903	5
355	AN960JD10L	.	WASHER	101106 108120 504903	1
360	MS21042L3	.	NUT- QUALIFIED OPTIONAL DATA: BACN10FX PREFERRED OPT TO MS21042L3 WHERE APPLICABLE	101106 108120 504903	1
360	BACN10FX	.	NUT- QUALIFIED OPTIONAL DATA: BACN10FX PREFERRED OPT TO MS21042L3 WHERE APPLICABLE	101106 108120 504903	1
365	MS21042L3	.	NUT- QUALIFIED OPTIONAL DATA: BACN10FX PREFERRED OPT TO MS21042L3 WHERE APPLICABLE	103106	1
365	BACN10FX	.	NUT- QUALIFIED OPTIONAL DATA: BACN10FX PREFERRED OPT TO MS21042L3 WHERE APPLICABLE	103106	1

MISSING ITEM NUMBERS NOT APPLICABLE

- ITEM NOT ILLUSTRATED

BRI

34-11-51-06D

BOEING PROPRIETARY - Copyright © - Unpublished Work - See title page for details.

34-11-51  
FIG. 06D  
PAGE 9  
JAN 20/09



757

PARTS CATALOG (MAINTENANCE)

FIG ITEM	PART NUMBER	1 2 3 4 5 6 7	NOMENCLATURE	EFFECT FROM TO	UNITS PER ASSY
6D 370	BRH10A3	.NUT-	SUPPLIER CODE: V52828 SPECIFICATION NUMBER: BACN10JC3 OPTIONAL PART: H10-3BAC V15653 NS202101-02 V80539 RMLH9075-3W V72962 VN303A02 V92215 96-02 V80539 T6S1032J V11815 QUALIFIED OPTIONAL DATA: BACN10FX PREFERRED OPT TO BACN10JC3 WHERE APPLICABLE	101106 108120 504903	5
370	BACN10FX	.NUT-	QUALIFIED OPTIONAL DATA: BACN10FX PREFERRED OPT TO BACN10JC3 WHERE APPLICABLE	101106 108120 504903	5
375	BACC10DK	.CLAMP-	SIZE DETERMINED ON INSTL.	103106	6
380	BACC10DK	.CLAMP-	SIZE DETERMINED ON INSTL.	101102 108120 504903	7
385	BACC10DK	.CLAMP-	SIZE DETERMINED ON INSTL.	101106 108120 504903	7
390	50014A42-6-0150	.HOSE ASSY-	SUPPLIER CODE: V24984	101106 108120 504903	1
395	232N9201-224	.TUBE ASSY-	TUBING MATERIAL: .375 O.D. X .035 WALL 6061-T6 AL ALLOY ROUND SEAMLESS TUBING PER MIL-T-7081 OR WW-T-700/6	101106 108120 504903	1

MISSING ITEM NUMBERS NOT APPLICABLE

- ITEM NOT ILLUSTRATED

34-11-51-06D

34-11-51  
FIG. 06D  
PAGE 10  
JAN 20/09

BRI

BOEING PROPRIETARY - Copyright © - Unpublished Work - See title page for details.



757

PARTS CATALOG (MAINTENANCE)

FIG ITEM	PART NUMBER	1 2 3 4 5 6 7	NOMENCLATURE	EFFECT FROM TO	UNITS PER ASSY
6D 400	232N9201-240		.TUBE ASSY- TUBING MATERIAL: .375 O.D. X .035 WALL 6061-T6 AL ALLOY ROUND SEAMLESS TUBING PER MIL-T-7081 OR WW-T-700/6	101106 108120 504903	1
- 405	BACN10YL06		..NUT	101106 108120 504903	2
- 410	AP2097HP06		..SLEEVE SUPPLIER CODE: V01673 SPECIFICATION NUMBER: BACS13BX06HP OPTIONAL PART: 2-02903-06HP V11328 35235VN06 V08199 AFP175V06P V30974 DBOS13BX06HP V14798	101106 108120 504903	2
415	232N9201-493		.TUBE ASSY- TUBING MATERIAL: .375 O.D. X .035 WALL 6061-T6 AL ALLOY ROUND SEAMLESS TUBING PER MIL-T-7081 OR WW-T-700/6	103106	1
- 420	BACN10YL06		..NUT	103106	1
- 425	AP2097HP06		..SLEEVE SUPPLIER CODE: V01673 SPECIFICATION NUMBER: BACS13BX06HP OPTIONAL PART: 2-02903-06HP V11328 35235VN06 V08199 AFP175V06P V30974 DBOS13BX06HP V14798	103106	1

MISSING ITEM NUMBERS NOT APPLICABLE

- ITEM NOT ILLUSTRATED

34-11-51-06D

34-11-51  
FIG. 06D  
PAGE 11  
JAN 20/09

BRI



757

PARTS CATALOG (MAINTENANCE)

FIG ITEM	PART NUMBER	1 2 3 4 5 6 7	NOMENCLATURE	EFFECT FROM TO	UNITS PER ASSY
6D - 430	35056GV06		.. UNION SUPPLIER CODE: V08199 SPECIFICATION NUMBER: BACU24AB6W OPTIONAL PART: 2-01027-6W V11328 31875-6W V14397 4671097W6 V50948 AP1004W06 V01673 AFP941W6 V30974 DBOU24AB6W V14798	103106	1
435	MS21904W6		. ELBOW	101106 108120 504903	3
440	MS21905W6		. TEE	101102 108120 504903	4
445	MS21905W6		. TEE	103106	3
450	NAS1763W060606		. TEE	103106	1
900			ILLUSTRATION REFERENCE: TUBING INSTL-PITOT STATIC STA 440 TO 660 34-11-51-07B	101106 108120 504903	RF

MISSING ITEM NUMBERS NOT APPLICABLE

- ITEM NOT ILLUSTRATED

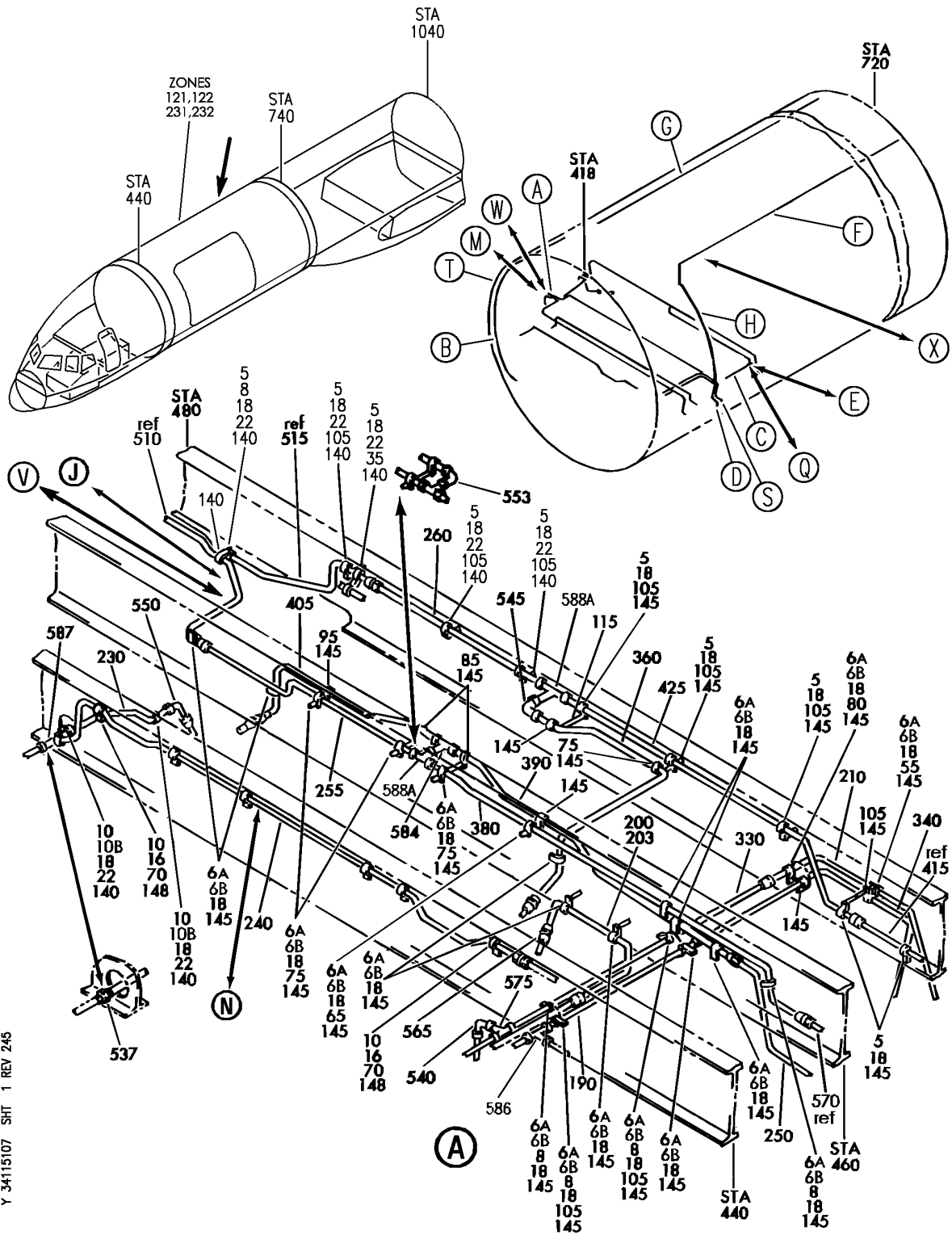
34-11-51-06D

34-11-51  
FIG. 06D  
PAGE 12  
JAN 20/09

BRI

BOEING PROPRIETARY - Copyright © - Unpublished Work - See title page for details.

**BOEING**  
757  
PARTS CATALOG (MAINTENANCE)



Y 34115107 SHT 1 REV 245

TUBING INSTL-PITOT STATIC STA 440 TO 660  
FIGURE 7 (SHEET 1)

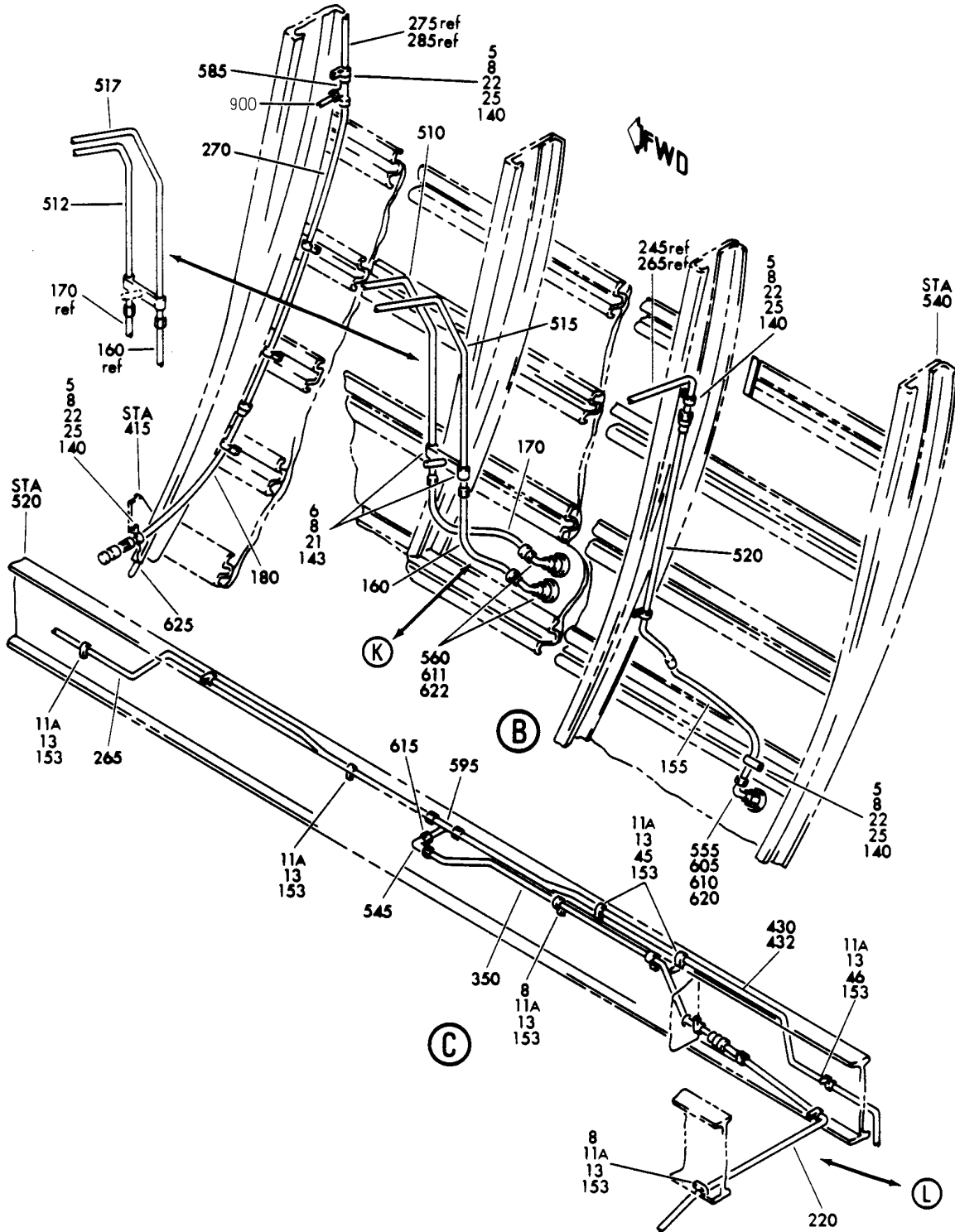
**34-11-51-07**

BRI  
MAY 28/07

34-11-51-07  
PAGE 0



**BOEING**  
757  
PARTS CATALOG (MAINTENANCE)



Y 34115107 SHT 2 REV 233

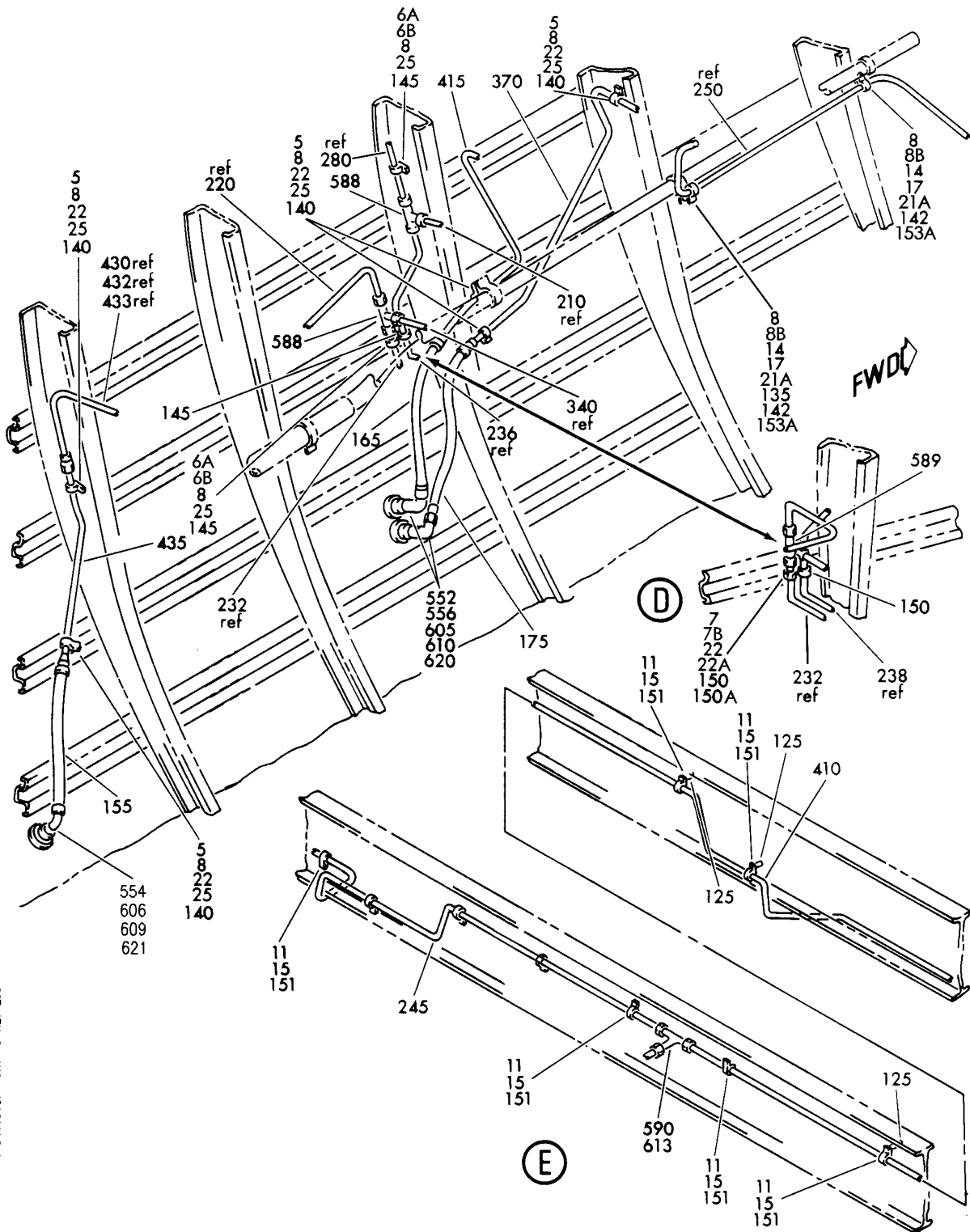
TUBING INSTL-PITOT STATIC STA 440 TO 660  
FIGURE 7 (SHEET 2)

**34-11-51-07**

BRI  
MAY 28/07

34-11-51-07  
PAGE 0A

**BOEING**  
757  
PARTS CATALOG (MAINTENANCE)



Y 34115107 SHI 3 REV 233

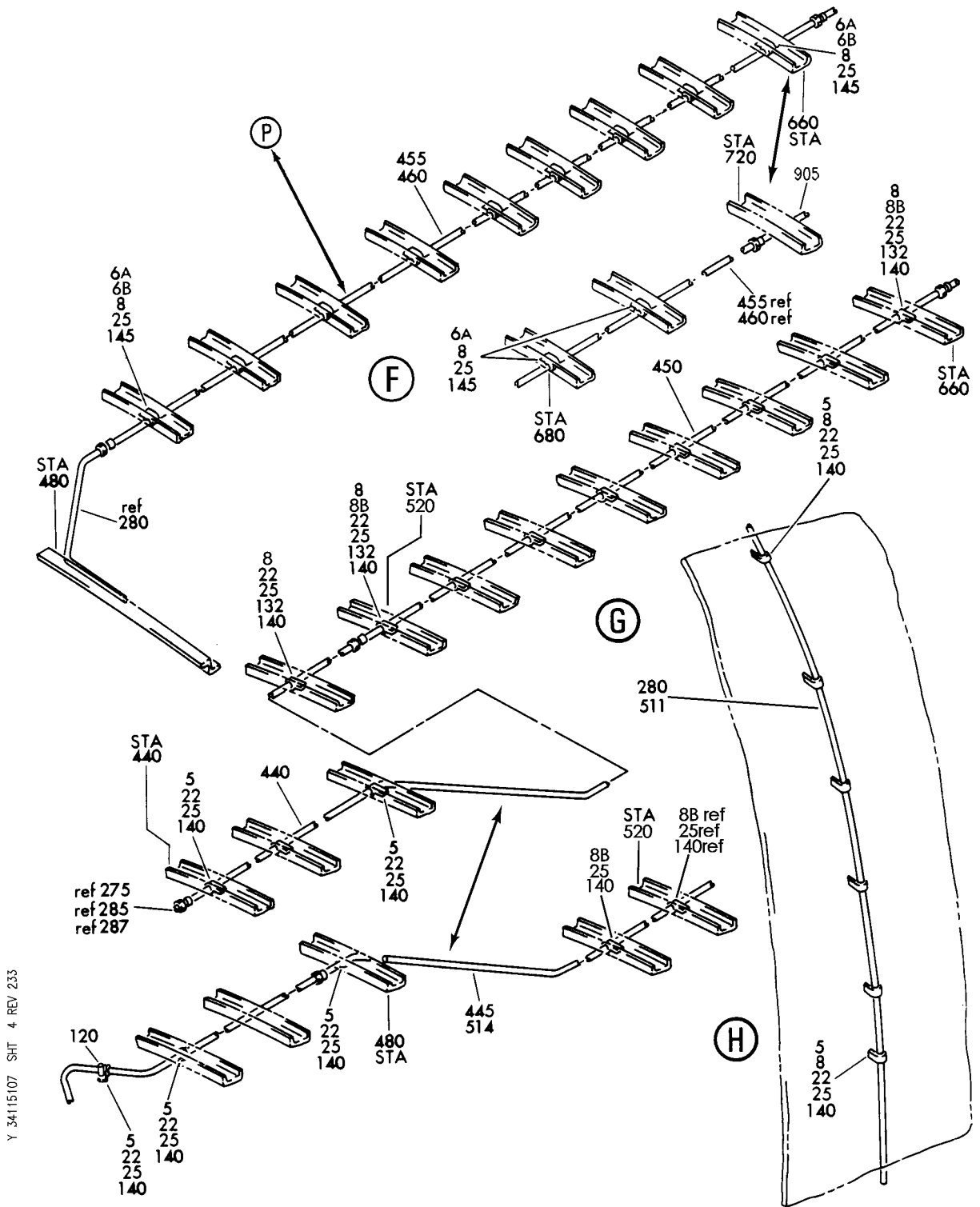
TUBING INSTL-PITOT STATIC STA 440 TO 660  
FIGURE 7 (SHEET 3)

**34-11-51-07**

BRI  
MAY 28/07

34-11-51-07  
PAGE 0B

**BOEING**  
757  
PARTS CATALOG (MAINTENANCE)



Y 34115107 SHT 4 REV 233

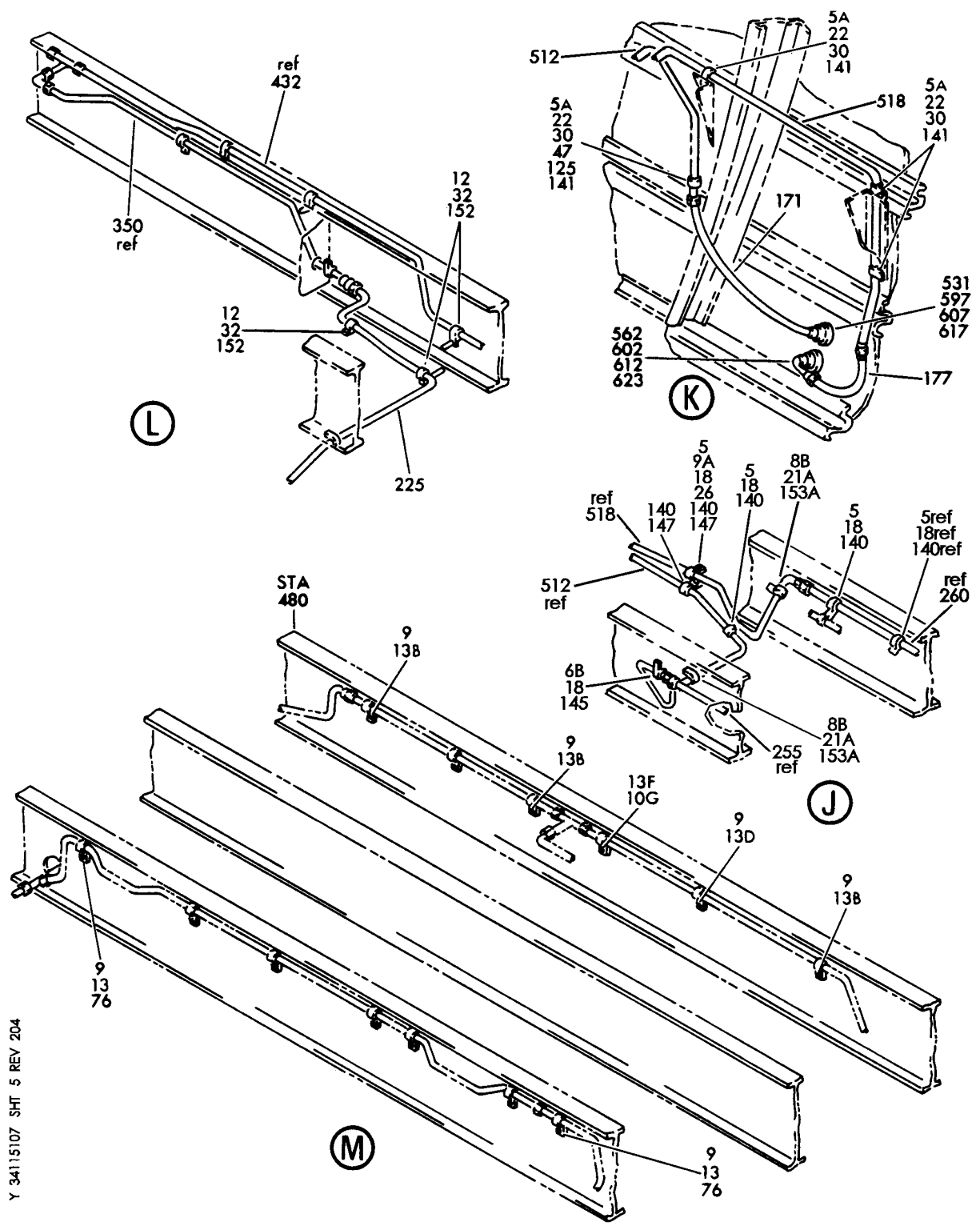
TUBING INSTL-PITOT STATIC STA 440 TO 660  
FIGURE 7 (SHEET 4)

**34-11-51-07**

BRI  
MAY 28/07

34-11-51-07  
PAGE 0C

**BOEING**  
757  
PARTS CATALOG (MAINTENANCE)



Y 34115107 SHT 5 REV 204

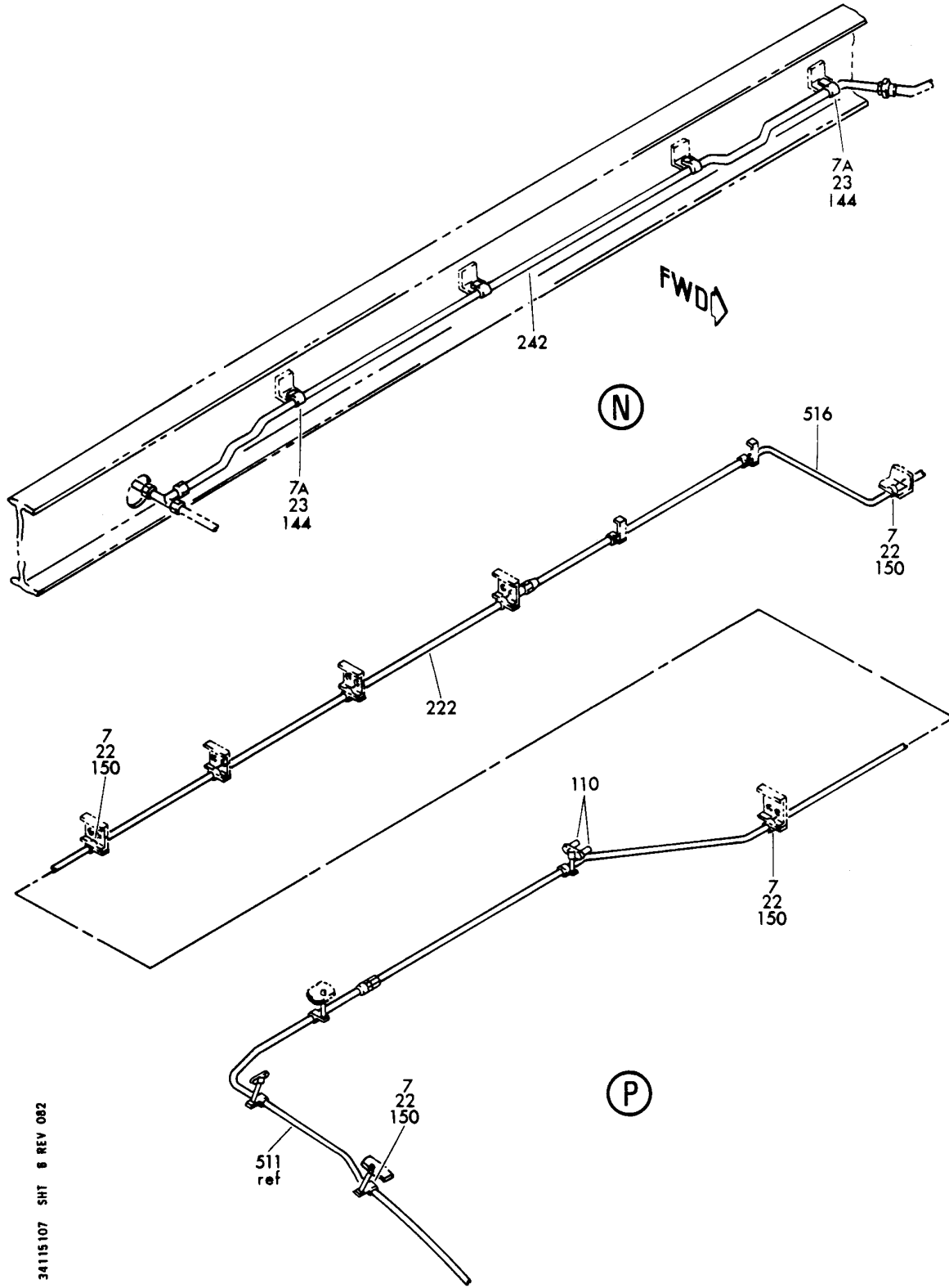
TUBING INSTL-PITOT STATIC STA 440 TO 660  
FIGURE 7 (SHEET 5)

**34-11-51-07**

BRI  
MAY 28/07

34-11-51-07  
PAGE 0D

**BOEING**  
757  
PARTS CATALOG (MAINTENANCE)



Y 34115107 SH1 8 REV 082

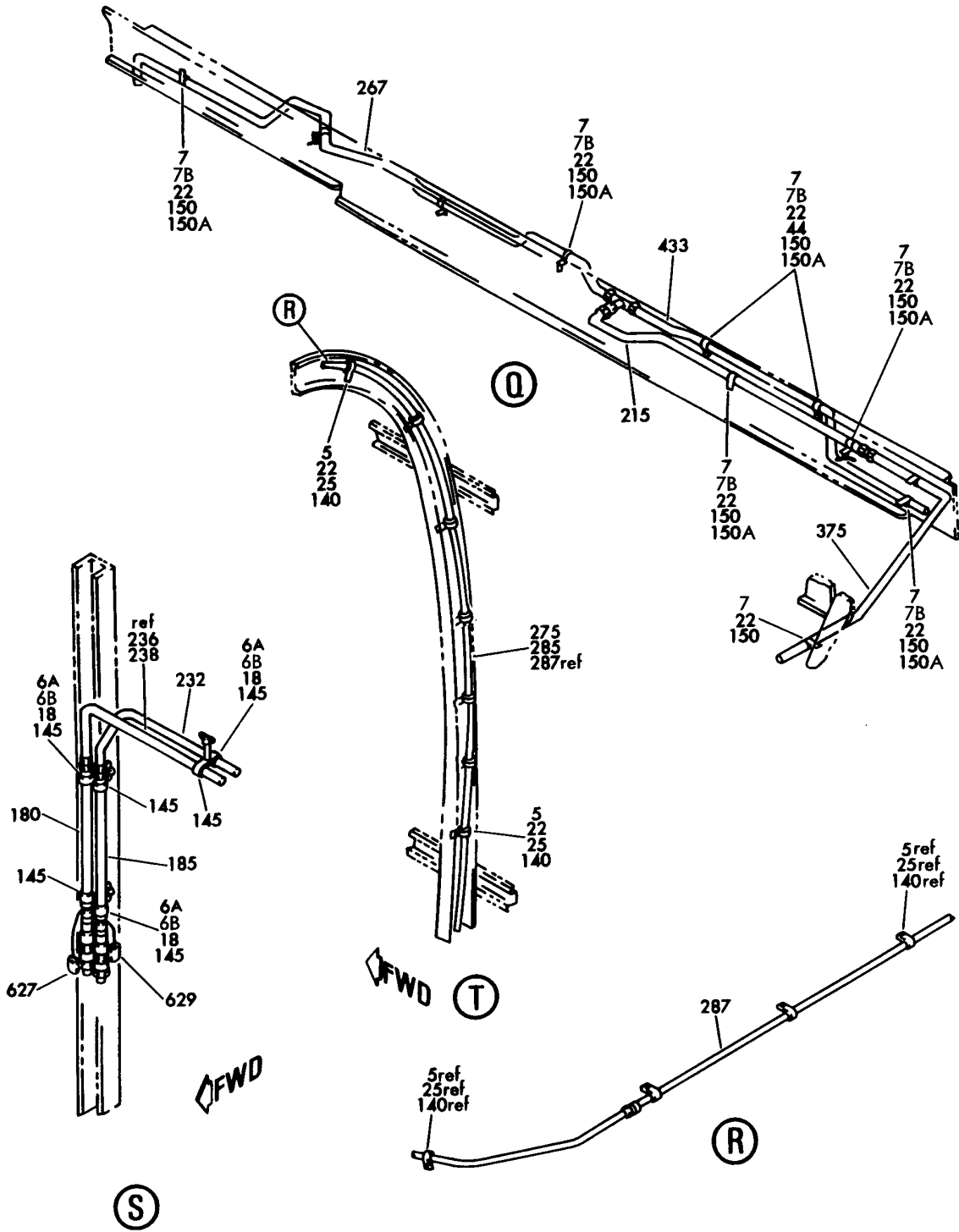
TUBING INSTL-PITOT STATIC STA 440 TO 660  
FIGURE 7 (SHEET 6)

**34-11-51-07**

BRI  
MAY 28/07

34-11-51-07  
PAGE 0E


**BOEING**  
 757  
**PARTS CATALOG (MAINTENANCE)**



Y 34115107 SHT 7 REV 204

TUBING INSTL-PITOT STATIC STA 440 TO 660  
 FIGURE 7 (SHEET 7)

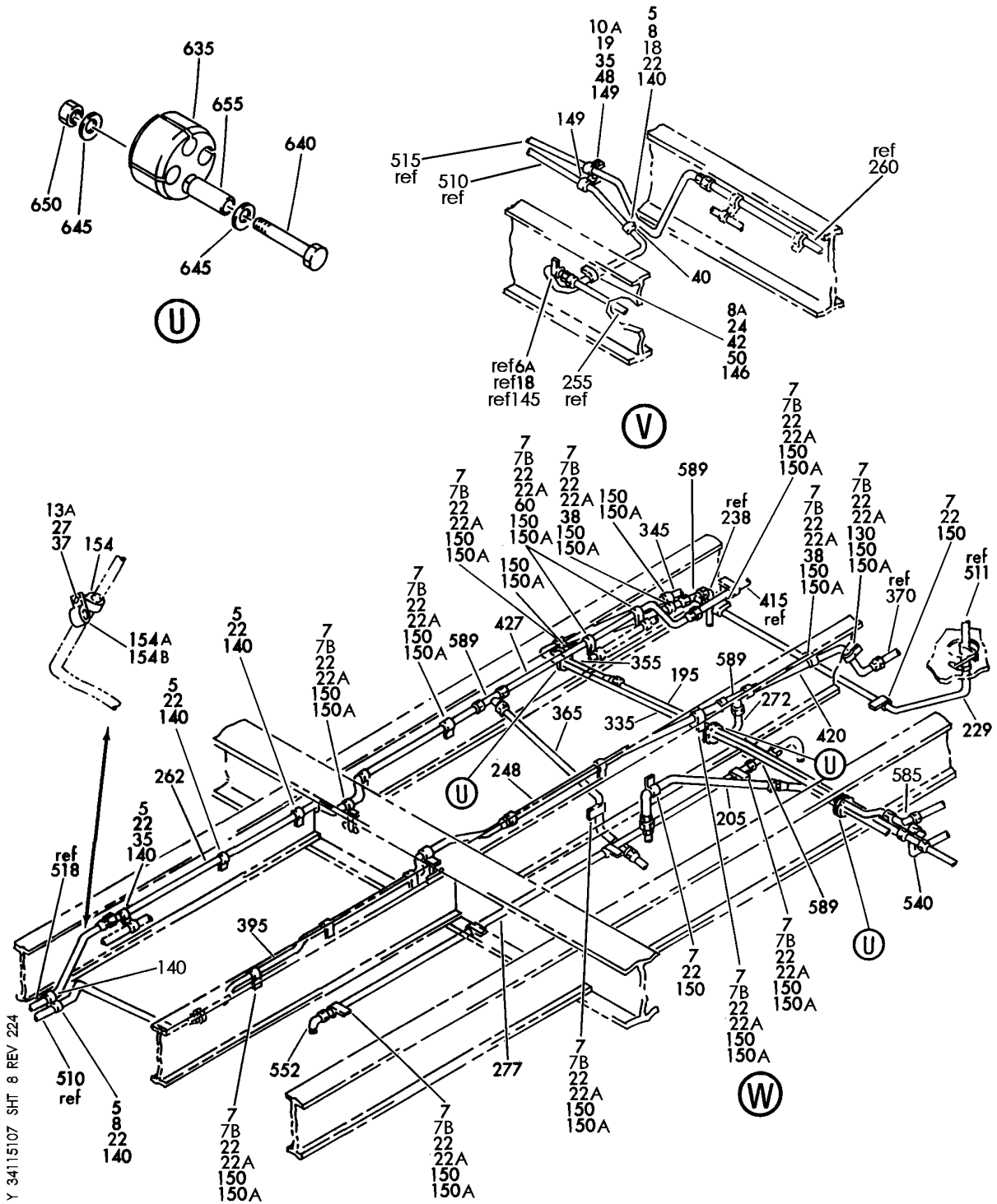
**34-11-51-07**

BRI  
 MAY 28/07

34-11-51-07  
 PAGE OF



**BOEING**  
757  
PARTS CATALOG (MAINTENANCE)

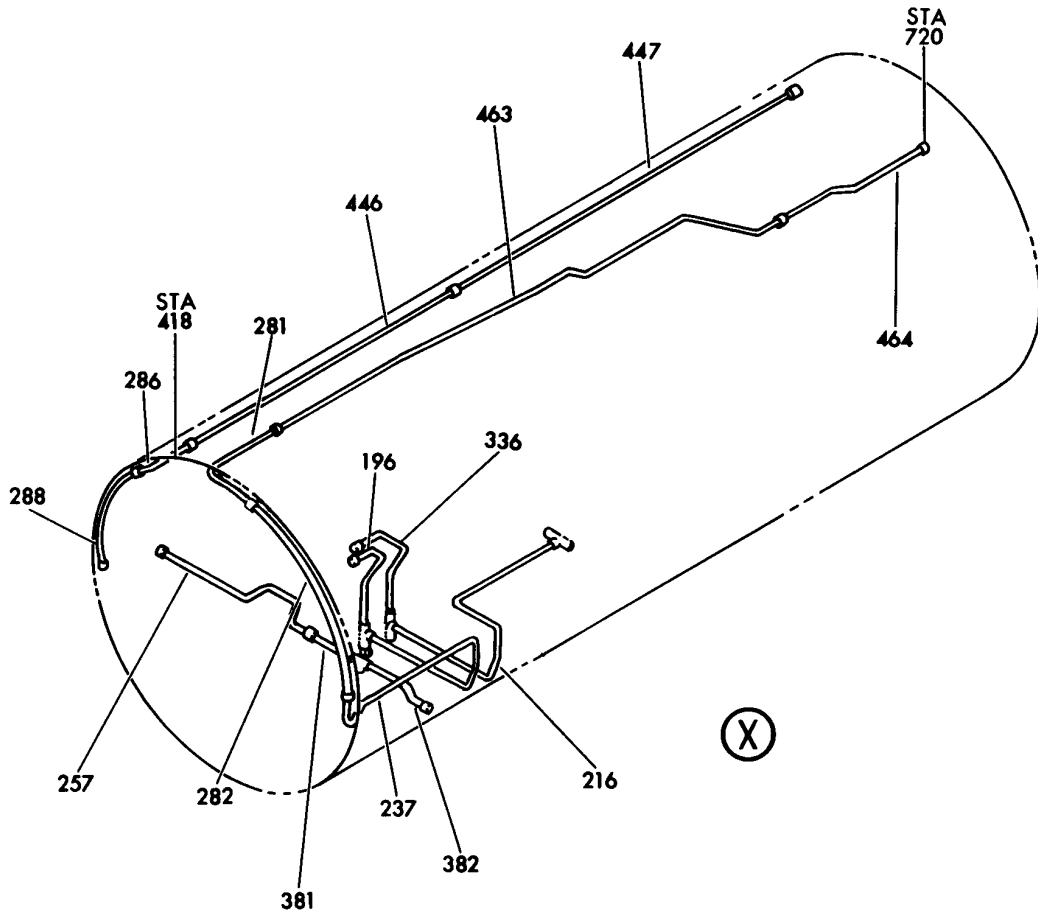


Y 34115107 SHT 8 REV 224

TUBING INSTL-PITOT STATIC STA 440 TO 660  
FIGURE 7 (SHEET 8)

**34-11-51-07**

**BOEING**  
757  
PARTS CATALOG (MAINTENANCE)



Y 34115107 SHT 9 REV 245

TUBING INSTL-PITOT STATIC STA 440 TO 660  
FIGURE 7 (SHEET 9)

BRI  
MAY 28/07

**34-11-51-07**

34-11-51-07  
PAGE 0H





757

PARTS CATALOG (MAINTENANCE)

FIG ITEM	PART NUMBER	1 2 3 4 5 6 7	NOMENCLATURE	EFFECT FROM TO	UNITS PER ASSY
7			TUBING INSTL-PITOT STATIC STA 440 TO 660	002004 006100 107107 121503 904999	
- 1	232N9201-311		TUBING INSTL-PITOT STATIC POSITION DATA: STA 440 TO 660 VARIABLE DRAWING REF: 232N9201-391 232N9201-408 FOR NHA/ADDITIONAL DET SEE: 25-10-00-01 25-10-00-05	002004 006100 107107 121503 904999	RF
5	NAS1801-3		.SCREW- SIZE DETERMINED ON INSTL.	002004 006100 107107 121503 904999	31
5A	NAS1801-3		.SCREW- SIZE DETERMINED ON INSTL.	002004 006100 107107 121503 904999	4
6A	NAS1801-3		.SCREW- SIZE DETERMINED ON INSTL.	002004 006100 107107 121503 904999	35
8A	NAS1801-3		.SCREW- SIZE DETERMINED ON INSTL.	002004 006100 107107 121503 904999	1
10A	NAS1801-3		.SCREW- SIZE DETERMINED ON INSTL.	002004 006100 107107 121503 904999	1
11A	NAS1801-3		.SCREW- SIZE DETERMINED ON INSTL.	002004 006100 107107 121503 904999	9
12	NAS1801-3-6		.SCREW-	002004 006100 107107 121503 904999	3

MISSING ITEM NUMBERS NOT APPLICABLE

- ITEM NOT ILLUSTRATED

34-11-51-07

34-11-51  
FIG. 07  
PAGE 1  
JAN 20/09

BRI



757

PARTS CATALOG (MAINTENANCE)

FIG ITEM	PART NUMBER	1 2 3 4 5 6 7	NOMENCLATURE	EFFECT FROM TO	UNITS PER ASSY
7					
13A	NAS1801-3-11		.SCREW- POST SERVICE BULLETIN: 34-0092	107107	1
18	AN960PD10L		.WASHER	002004 006100 107107 121503 904999	34
19	AN960PD10L		.WASHER	002004 006100 107107 121503 904999	1
20	AN960PD10L		.WASHER	002004 006100 107107 121503 904999	13
24	AN960PD10L		.WASHER	002004 006100 107107 121503 904999	1
25	AN960KD10L		.WASHER	002004 006100 107107 121503 904999	54
27	AN960JD10L		.WASHER- POST SERVICE BULLETIN: 34-0092	107107	1
30	AN960KD10L		.WASHER	002004 006100 107107 121503 904999	4
32	AN960KD10L		.WASHER-	002004 006100 107107 121503 904999	3

MISSING ITEM NUMBERS NOT APPLICABLE

- ITEM NOT ILLUSTRATED

34-11-51-07

34-11-51  
FIG. 07  
PAGE 2  
JAN 20/09

BRI

BOEING PROPRIETARY - Copyright © - Unpublished Work - See title page for details.



757

PARTS CATALOG (MAINTENANCE)

FIG ITEM	PART NUMBER	1 2 3 4 5 6 7	NOMENCLATURE	EFFECT FROM TO	UNITS PER ASSY
7 35	BRH10A3		.NUT- SUPPLIER CODE: V52828 SPECIFICATION NUMBER: BACN10JC3 OPTIONAL PART: H10-3BAC V15653 NS202101-02 V80539 RMLH9075-3W V72962 VN303A02 V92215 96-02 V80539 T6S1032J V11815	003004 006100 107107 121503 904999	1
37	MS21042L3		.NUT- POST SERVICE BULLETIN: 34-0092 QUALIFIED SB I/W DATA: (USED ON 232N9102-304)	107107	1
40	NAS42DD6-16		.SPACER	003004 006100 107107 121503 904999	1
42	NAS42DD6-8		.SPACER	003004 006100 107107 121503 904999	1
45	NAS42DD6-16		.SPACER	002004 006100 107107 121503 904999	1
47	NAS42DD6-16		.SPACER	002004 006100 107107 121503 904999	1
48	NAS42DD6-86		.SPACER	003004 006100 107107 121503 904999	1

MISSING ITEM NUMBERS NOT APPLICABLE

- ITEM NOT ILLUSTRATED

34-11-51-07

34-11-51  
FIG. 07  
PAGE 3  
JAN 20/09

BRI

BOEING PROPRIETARY - Copyright © - Unpublished Work - See title page for details.



757

PARTS CATALOG (MAINTENANCE)

FIG ITEM	PART NUMBER	1 2 3 4 5 6 7	NOMENCLATURE	EFFECT FROM TO	UNITS PER ASSY
7					
55	NAS42DD6-48	.	SPACER	002004 006100 107107 121503 904999	1
65	NAS42DD6-32	.	SPACER	002004 006100 107107 121503 904999	1
75	NAS42DD6-24	.	SPACER	002004 006100 107107 121503 904999	4
80	NAS42DD6-13	.	SPACER	002004 006100 107107 121503 904999	1
85	NAS42DD6-128	.	SPACER	002004 006100 107107 121503 904999	2
95	NAS42DD6-44	.	SPACER	002004 006100 107107 121503 904999	1
105	NAS42DD6-16	.	SPACER-	002004 006100 107107 121503 904999	9
115	NAS42DD6-120	.	SPACER	002004 006100 107107 121503 904999	1
120	NAS42DD6-130	.	SPACER	002004 006100 107107 121503 904999	1

MISSING ITEM NUMBERS NOT APPLICABLE

- ITEM NOT ILLUSTRATED

34-11-51-07

34-11-51  
FIG. 07  
PAGE 4  
JAN 20/09

BRI

BOEING PROPRIETARY - Copyright © - Unpublished Work - See title page for details.



757

PARTS CATALOG (MAINTENANCE)

FIG ITEM	PART NUMBER	1 2 3 4 5 6 7	NOMENCLATURE	EFFECT FROM TO	UNITS PER ASSY
7					
132	NAS42DD6-12	.	SPACER	002004 006100 107107 121503 904999	9
140	BACC10DK	.	CLAMP- SIZE DETERMINED ON INSTL.	002004 006100 107107 121503 904999	46
141	BACC10DK	.	CLAMP- SIZE DETERMINED ON INSTL.	002004 006100 107107 121503 904999	4
145	BACC10DK	.	CLAMP- SIZE DETERMINED ON INSTL.	002004 006100 107107 121503 904999	54
146	BACC10DK	.	CLAMP- SIZE DETERMINED ON INSTL.	002004 006100 107107 121503 904999	1
149	BACC10DK	.	CLAMP- SIZE DETERMINED ON INSTL.	002004 006100 107107 121503 904999	2
152	BACC10DK6	.	CLAMP-	002004 006100 107107 121503 904999	3
153	BACC10DK	.	CLAMP- SIZE DETERMINED ON INSTL.	002004 006100 107107 121503 904999	13
154	BACC10DK6	.	CLAMP- USED WITH: 232N9102-304 POST SERVICE BULLETIN: 34-0092 QUALIFIED SB I/W DATA: (USED ON 232N9102-304)	107107	1

MISSING ITEM NUMBERS NOT APPLICABLE

- ITEM NOT ILLUSTRATED

BRI

34-11-51-07

BOEING PROPRIETARY - Copyright © - Unpublished Work - See title page for details.

34-11-51  
FIG. 07  
PAGE 5  
JAN 20/09



757

PARTS CATALOG (MAINTENANCE)

FIG ITEM	PART NUMBER	1 2 3 4 5 6 7	NOMENCLATURE	EFFECT FROM TO	UNITS PER ASSY
7 154A	JM44LC13WS7R	.	CLAMP- SUPPLIER CODE: V22175 SPECIFICATION NUMBER: BACC10GE7 OPTIONAL PART: TA12C32WS7 V84971 509S7 V83930 S714WH7 V18076 POST SERVICE BULLETIN: 34-0092 QUALIFIED SB I/W DATA: (USED ON 232N9102-304)	107107	1
155	173029-3-0120	.	HOSE ASSY SUPPLIER CODE: V02217 SPECIFICATION NUMBER: BACH30BC06-0120 OPTIONAL PART: ZH753A3-0120 V02217 ZH832-3-0120 V02217 36018-6-0120 V24984 40784-405-0120 V31441 40884-405-0120 V31441 4140-6-0120 V24984	002004 006100 107107 121503 904999	2

MISSING ITEM NUMBERS NOT APPLICABLE

- ITEM NOT ILLUSTRATED

34-11-51-07

34-11-51  
FIG. 07  
PAGE 6  
JAN 20/09

BRI



757

PARTS CATALOG (MAINTENANCE)

FIG ITEM	PART NUMBER	1 2 3 4 5 6 7	NOMENCLATURE	EFFECT FROM TO	UNITS PER ASSY
7 165	173029-3-0140		.HOSE ASSY SUPPLIER CODE: V02217 SPECIFICATION NUMBER: BACH30BC06-0140 OPTIONAL PART: ZH753A3-0140 V02217 ZH832-3-0140 V02217 36018-6-0140 V24984 40784-405-0140 V31441 40884-405-0140 V31441 4140-6-0140 V24984	002004 006100 107107 121503 904999	1
171	173029-3-0140		.HOSE ASSY- SUPPLIER CODE: V02217 SPECIFICATION NUMBER: BACH30BC06-0140 OPTIONAL PART: ZH753A3-0140 V02217 ZH832-3-0140 V02217 36018-6-0140 V24984 40784-405-0140 V31441 40884-405-0140 V31441 4140-6-0140 V24984	002004 006100 107107 121503 904999	1

MISSING ITEM NUMBERS NOT APPLICABLE

- ITEM NOT ILLUSTRATED

BRI

34-11-51-07

BOEING PROPRIETARY - Copyright © - Unpublished Work - See title page for details.

34-11-51  
FIG. 07  
PAGE 7  
JAN 20/09



757

PARTS CATALOG (MAINTENANCE)

FIG ITEM	PART NUMBER	1 2 3 4 5 6 7	NOMENCLATURE	EFFECT FROM TO	UNITS PER ASSY
7 175	173029-3-0130		.HOSE ASSY- SUPPLIER CODE: V02217 SPECIFICATION NUMBER: BACH30BC06-0130 OPTIONAL PART: ZH753A3-0130 V02217 ZH832-3-0130 V02217 36018-6-0130 V24984 40784-405-0130 V31441 40884-405-0130 V31441 4140-6-0130 V24984	002004 006100 107107 121503 904999	1
177	173029-3-0070		.HOSE ASSY SUPPLIER CODE: V02217 SPECIFICATION NUMBER: BACH30BC06-0070 OPTIONAL PART: ZH753A3-0070 V02217 ZH832-3-0070 V02217 36018-6-0070 V24984 40784-405-0070 V31441 40884-405-0070 V31441 4140-6-0070 V24984	002004 006100 107107 121503 904999	1
180	50014A42-6-0150		.HOSE ASSY- SUPPLIER CODE: V24984	002004 006100 107107 121503 904999	2
185	50014A43-6-0150		.HOSE ASSY- SUPPLIER CODE: V24984	002004 006100 107107 121503 904999	1

MISSING ITEM NUMBERS NOT APPLICABLE

- ITEM NOT ILLUSTRATED

34-11-51-07

34-11-51  
FIG. 07  
PAGE 8  
JAN 20/09

BRI





757

PARTS CATALOG (MAINTENANCE)

FIG ITEM	PART NUMBER	1 2 3 4 5 6 7	NOMENCLATURE	EFFECT FROM TO	UNITS PER ASSY
7 190	232N9201-168		.TUBE ASSY- TUBING MATERIAL: .375 IN. OD .035 IN. WALL 24.0 IN. LG AL	002004 006100 107107 121503 904999	1
203	232N9201-227		.TUBE ASSY- TUBING MATERIAL: .375 IN. OD .035 IN. WALL 31.00 IN. LG AL	002004 006100 107107 121503 904999	1
210	232N9201-170		.TUBE ASSY- MANUFACTURED FROM: TUBING AL TUBING MATERIAL: .375 IN. OD .035 IN. WALL 31.5 IN. LG AL	002004 006100 107107 121503 904999	1
225	232N9201-234		.TUBE ASSY- TUBING MATERIAL: .375 IN. OD .035 IN. WALL 62.0 IN. LG AL	002004 006100 107107 121503 904999	1
225	232N9201-398		.TUBE ASSY- TUBING MATERIAL: .375 IN. OD .035 IN. WALL 59.00 IN. LG AL	003004 006100 121503 904999	1
230	232N9201-150		.TUBE ASSY- TUBING MATERIAL: .375 IN. OD .035 IN. WALL 29.0 IN. LG AL	002004 006100 107107 121503 904999	1
232	232N9201-147		.TUBE ASSY- TUBING MATERIAL: .375 IN. OD .035 IN. WALL 30.00 IN. LG AL	002004 006100 107107 121503 904999	1
236	232N9201-148		.TUBE ASSY- TUBING MATERIAL: .375 IN. OD .035 IN. WALL 38.30 IN. LG AL	002004 006100 107107 121503 904999	1
255	232N9201-132		.TUBE ASSY- TUBING MATERIAL: .375 IN. OD .035 IN. WALL 38.00 IN. LG AL	002004 006100 107107 121503 904999	1

MISSING ITEM NUMBERS NOT APPLICABLE

- ITEM NOT ILLUSTRATED

# 34-11-51-07

34-11-51  
FIG. 07  
PAGE 9  
JAN 20/09

BRI



757

PARTS CATALOG (MAINTENANCE)

FIG ITEM	PART NUMBER	1 2 3 4 5 6 7	NOMENCLATURE	EFFECT FROM TO	UNITS PER ASSY
7					
260	232N9201-218		.TUBE ASSY- TUBING MATERIAL: .375 IN. OD .035 IN. WALL 34.87 IN. LG AL	002004 006100 107107 121503 904999	1
265	232N9201-184		.TUBE ASSY- TUBING MATERIAL: .375 IN. OD .035 IN. WALL 74.0 IN. LG AL	002004 006100 107107 121503 904999	1
270	232N9201-224		.TUBE ASSY- TUBING MATERIAL: .375 IN. OD .035 IN. WALL 29.0 IN. LG AL	002004 006100 107107 121503 904999	1
280	232N9201-144		.TUBE ASSY- TUBING MATERIAL: .375 IN. OD .035 WALL 127.50 IN. LG AL	107107	1
280	232N9201-397		.TUBE ASSY- TUBING MATERIAL: .375 IN. OD .035 IN. WALL 126.6 IN. LG AL	003004 006100 121503 904999	1
285	232N9201-213		.TUBE ASSY- TUBING MATERIAL: .375 IN. OD .035 IN. WALL 162.00 IN. LG AL	107107 950952	1
285	232N9201-407		.TUBE ASSY- TUBING MATERIAL: .375 IN. OD .035 IN. WALL 162.00 IN. LG AL	002004 006100 121503 904951 953999	1
- 295	AFP1646		..SLEEVE- SUPPLIER CODE: V30974 SPECIFICATION NUMBER: BACS13AP6 OPTIONAL PART: BC922-6 V50948 DBOS13AP6 V14798 2-01033-6 V11328 2-01033-6 V70195 BC922-6 V92003	002004 006100 107107 121503 904999	2

MISSING ITEM NUMBERS NOT APPLICABLE

- ITEM NOT ILLUSTRATED

34-11-51-07

34-11-51  
FIG. 07  
PAGE 10  
JAN 20/09

BRI



757

PARTS CATALOG (MAINTENANCE)

FIG ITEM	PART NUMBER	1 2 3 4 5 6 7	NOMENCLATURE	EFFECT FROM TO	UNITS PER ASSY
7 - 295	AP2097HP06	..	SLEEVE- SUPPLIER CODE: V01673 SPECIFICATION NUMBER: BACS13BX06HP OPTIONAL PART: 2-02903-06HP V11328 35235VN06 V08199 AFP175V06P V30974 DBOS13BX06HP V14798	002004 006100 107107 121503 904999	2
- 305	MS21921-6D	..	NUT- USED ON: 232N9201-228	002004 006100 107107 121503 904999	2
- 305	BACN10YL06	..	NUT- USED ON: 232N9201-234	002004 006100 107107 121503 904999	2
- 310	BACN10YL06	..	NUT- USED ON: 232N9201-132 232N9201-142 232N9201-144 232N9201-147 232N9201-148 232N9201-150 232N9201-168 232N9201-170 232N9201-184 232N9201-213 232N9201-218 232N9201-224 232N9201-227 232N9201-241	002004 006100 107107 121503 904999	2
330	232N9201-167	.	TUBE ASSY- TUBING MATERIAL: .375 IN. OD .035 IN. WALL 39.00 IN. LG AL	002004 006100 107107 121503 904999	1

MISSING ITEM NUMBERS NOT APPLICABLE

- ITEM NOT ILLUSTRATED

34-11-51-07

34-11-51  
FIG. 07  
PAGE 11  
JAN 20/09

BRI



757

PARTS CATALOG (MAINTENANCE)

FIG ITEM	PART NUMBER	1 2 3 4 5 6 7	NOMENCLATURE	EFFECT FROM TO	UNITS PER ASSY
7					
340	232N9201-169		.TUBE ASSY- TUBING MATERIAL: .375 IN. OD .035 IN. WALL 48.0 IN. LG AL	002004 006100 107107 121503 904999	1
350	232N9201-235		.TUBE ASSY- TUBING MATERIAL: .375 IN. OD .035 IN. WALL 46.0 IN. LG AL	002004 006100 107107 121503 904999	1
360	232N9201-137		.TUBE ASSY- TUBING MATERIAL: .375 IN. OD .035 IN. WALL 41.56 IN. LG AL	002004 006100 107107 121503 904999	1
380	232N9201-133		.TUBE ASSY- TUBING MATERIAL: .375 IN. OD .035 IN. WALL 64.00 IN. LG AL	002004 006100 107107 121503 904999	1
405	232N9201-136		.TUBE ASSY- TUBING MATERIAL: .375 IN. OD .035 IN. WALL 31.0 IN. LG AL	002004 006100 107107 121503 904999	1
415	232N9201-250		.TUBE ASSY- TUBING MATERIAL: .375 IN. OD .035 IN. WALL 33.0 IN. LG AL	002004 006100 107107 121503 904999	1
425	232N9201-139		.TUBE ASSY- TUBING MATERIAL: .375 IN. OD .035 IN. WALL 55.00 IN. LG AL	002004 006100 107107 121503 904999	1
432	232N9201-233		.TUBE ASSY- TUBING MATERIAL: .375 IN. OD .035 IN. WALL 74.0 IN. LG AL	002004 006100 107107 121503 904999	1
435	232N9201-208		.TUBE ASSY- TUBING MATERIAL: .375 IN. OD .035 IN. WALL 19.00 IN. LG AL	002004 006100 107107 121503 904999	1

MISSING ITEM NUMBERS NOT APPLICABLE

- ITEM NOT ILLUSTRATED

34-11-51-07

34-11-51  
FIG. 07  
PAGE 12  
JAN 20/09

BRI

BOEING PROPRIETARY - Copyright © - Unpublished Work - See title page for details.



757

PARTS CATALOG (MAINTENANCE)

FIG ITEM	PART NUMBER	1 2 3 4 5 6 7	NOMENCLATURE	EFFECT FROM TO	UNITS PER ASSY
7 445	232N9201-214		.TUBE ASSY- TUBING MATERIAL: .375 IN. OD .035 IN. WALL 241.00 IN. LG AL	002004 006100 107107 121503 904999	1
460	232N9201-212		.TUBE ASSY- TUBING MATERIAL: .375 IN. OD .035 IN. WALL 219.43 IN. LG AL	002004 006100 107107 121503 904999	1
- 475	AFP1646		..SLEEVE- SUPPLIER CODE: V30974 SPECIFICATION NUMBER: BACS13AP6 OPTIONAL PART: BC922-6 V50948 DBOS13AP6 V14798 2-01033-6 V11328 2-01033-6 V70195 BC922-6 V92003	002004 006100 107107 121503 904999	1
- 475	AFP175V6P		..SLEEVE- SUPPLIER CODE: V30974 SPECIFICATION NUMBER: BACS13BX6HP	002004 006100 107107 121503 904999	1
- 480	MS21921-6D		..NUT- OPTIONAL PART: BACN10YL06 USED ON: 232N9201-133 232N9201-136 232N9201-137 232N9201-139 232N9201-146 232N9201-167 232N9201-169 232N9201-183 232N9201-205 232N9201-207 232N9201-208 232N9201-212 232N9201-214 232N9201-250	002004 006100 107107 121503 904999	1

MISSING ITEM NUMBERS NOT APPLICABLE

- ITEM NOT ILLUSTRATED

34-11-51-07

34-11-51  
FIG. 07  
PAGE 13  
JAN 20/09

BRI



757

PARTS CATALOG (MAINTENANCE)

FIG ITEM	PART NUMBER	1 2 3 4 5 6 7	NOMENCLATURE	EFFECT FROM TO	UNITS PER ASSY
7 - 480	BACN10YLO6		..NUT- OPTIONAL PART: MS21921-6D USED ON: 232N9201-133 232N9201-136 232N9201-137 232N9201-139 232N9201-167 232N9201-169 232N9201-205 232N9201-208 232N9201-212 232N9201-214 232N9201-233 232N9201-235 232N9201-250	002004 006100 107107 121503 904999	1
- 505	35056GV06		..UNION-MALE SUPPLIER CODE: V08199 SPECIFICATION NUMBER: BACU24AB6W OPTIONAL PART: 2-01027-6W V11328 31875-6W V14397 4671097W6 V50948 AP1004W06 V01673 AFP941W6 V30974 DBOU24AB6W V14798	002004 006100 107107 121503 904999	1
512	232N9201-244		.TUBE ASSY- TUBING MATERIAL: .375 IN. OD .035 IN. WALL 44.00 IN. LG AL	107107 904949	1
512	232N9201-411		.TUBE ASSY- TUBING MATERIAL: .375 IN. OD .035 IN. WALL 51.00 IN. LG AL	002004 006100 121503 950999	1

MISSING ITEM NUMBERS NOT APPLICABLE

- ITEM NOT ILLUSTRATED

34-11-51-07

34-11-51  
FIG. 07  
PAGE 14  
JAN 20/09

BRI

BOEING PROPRIETARY - Copyright © - Unpublished Work - See title page for details.



757

PARTS CATALOG (MAINTENANCE)

FIG ITEM	PART NUMBER	1 2 3 4 5 6 7	NOMENCLATURE	EFFECT FROM TO	UNITS PER ASSY
7 518	232N9201-304		.TUBE ASSY- TUBING MATERIAL: .375 IN. OD .035 IN. WALL 61.6 IN. LG 6061-T6 AL ALLOY ROUND SEAMLESS TUBING PER MIL-T-7081 OR WW-T-700/6	002004 006100 107107 121503 904999	1
520	232N9201-219		.TUBE ASSY- TUBING MATERIAL: .375 IN. OD .035 IN. WALL 18.00 IN. LG AL	002004 006100 107107 121503 904999	1
- 525	35056GV06		..UNION-MALE SUPPLIER CODE: V08199 SPECIFICATION NUMBER: BACU24AB6W OPTIONAL PART: 2-01027-6W V11328 31875-6W V14397 4671097W6 V50948 AP1004W06 V01673 AFP941W6 V30974 DBOU24AB6W V14798	002004 006100 107107 121503 904999	2
537	MS21902D6		.UNION	002004 006100 107107 121503 904999	1
540	BACE21AR0605D		.ELBOW	002004 006100 107107 121503 904999	1
545	NAS1762D0606		.ELBOW- MISCELLANEOUS DATA: MAY USE NAS1762W0606	002004 006100 107107 121503 904999	2

MISSING ITEM NUMBERS NOT APPLICABLE

- ITEM NOT ILLUSTRATED

34-11-51-07

34-11-51  
FIG. 07  
PAGE 15  
JAN 20/09

BRI



757

PARTS CATALOG (MAINTENANCE)

FIG ITEM	PART NUMBER	1 2 3 4 5 6 7	NOMENCLATURE	EFFECT FROM TO	UNITS PER ASSY
7					
550	BACE21AR0605D	.	ELBOW	002004 006100 107107 121503 904999	1
553	MS21904D6	.	ELBOW	002004 006100 107107 121503 904999	1
554	MS21908D6	.	ELBOW	002004 006100 107107 121503 904999	1
555	MS21908D6	.	ELBOW	002004 006100 107107 121503 904999	1
556	MS21908D6	.	ELBOW-	002004 006100 107107 121503 904999	2
562	MS21908D6	.	ELBOW	002004 006100 107107 121503 904999	1
565	MS21916D6-5	.	REDUCER	002004 006100 107107 121503 904999	1
575	NAS1764D060606	.	TEE	002004 006100 107107 121503 904999	1
585	MS21905D6	.	TEE	002004 006100 107107 121503 904999	3

MISSING ITEM NUMBERS NOT APPLICABLE

- ITEM NOT ILLUSTRATED

34-11-51-07

34-11-51  
FIG. 07  
PAGE 16  
JAN 20/09

BRI

BOEING PROPRIETARY - Copyright © - Unpublished Work - See title page for details.





757

PARTS CATALOG (MAINTENANCE)

FIG ITEM	PART NUMBER	1 2 3 4 5 6 7	NOMENCLATURE	EFFECT FROM TO	UNITS PER ASSY
7					
586	MS21905D6	.	TEE	002004 006100 107107 121503 904999	1
588	MS21905D6	.	TEE	002004 006100 107107 121503 904999	2
588A	MS21905D6	.	TEE	002004 006100 107107 121503 904999	2
595	MS21909D6	.	TEE	003004 006100 107107 121503 904999	1
602	MS28778-6	.	PACKING	002004 006100 107107 121503 904999	1
605	MS28778-6	.	PACKING-	002004 006100 107107 121503 904999	3
606	MS28778-6	.	PACKING	002004 006100 107107 121503 904999	1
609	MS28777-6	.	WASHER	002004 006100 107107 121503 904999	1
610	MS28777-6	.	WASHER-	002004 006100 107107 121503 904999	3

MISSING ITEM NUMBERS NOT APPLICABLE

- ITEM NOT ILLUSTRATED

34-11-51-07

34-11-51  
FIG. 07  
PAGE 17  
JAN 20/09

BRI



757

PARTS CATALOG (MAINTENANCE)

FIG ITEM	PART NUMBER	1 2 3 4 5 6 7	NOMENCLATURE	EFFECT FROM TO	UNITS PER ASSY
7 612	MS28777-6	.	WASHER	002004 006100 107107 121503 904999	1
615	AN924-6D	.	NUT	003004 006100 107107 121503 904999	1
620	AN6289D6	.	NUT-	002004 006100 107107 121503 904999	3
621	AN6289D6	.	NUT	002004 006100 107107 121503 904999	1
623	AN6289D6	.	NUT	002004 006100 107107 121503 904999	1
900			ILLUSTRATION REFERENCE: TUBING INSTL-PITOT STATIC STA 199 TO 440 34-11-51-06	002004 006100 107107 121503 904999	RF
905			ILLUSTRATION REFERENCE: TUBING INSTL-PITOT STATIC STA. 660 TO 1862.70 34-11-51-08	002004 006100 107107 121503 904999	RF

MISSING ITEM NUMBERS NOT APPLICABLE

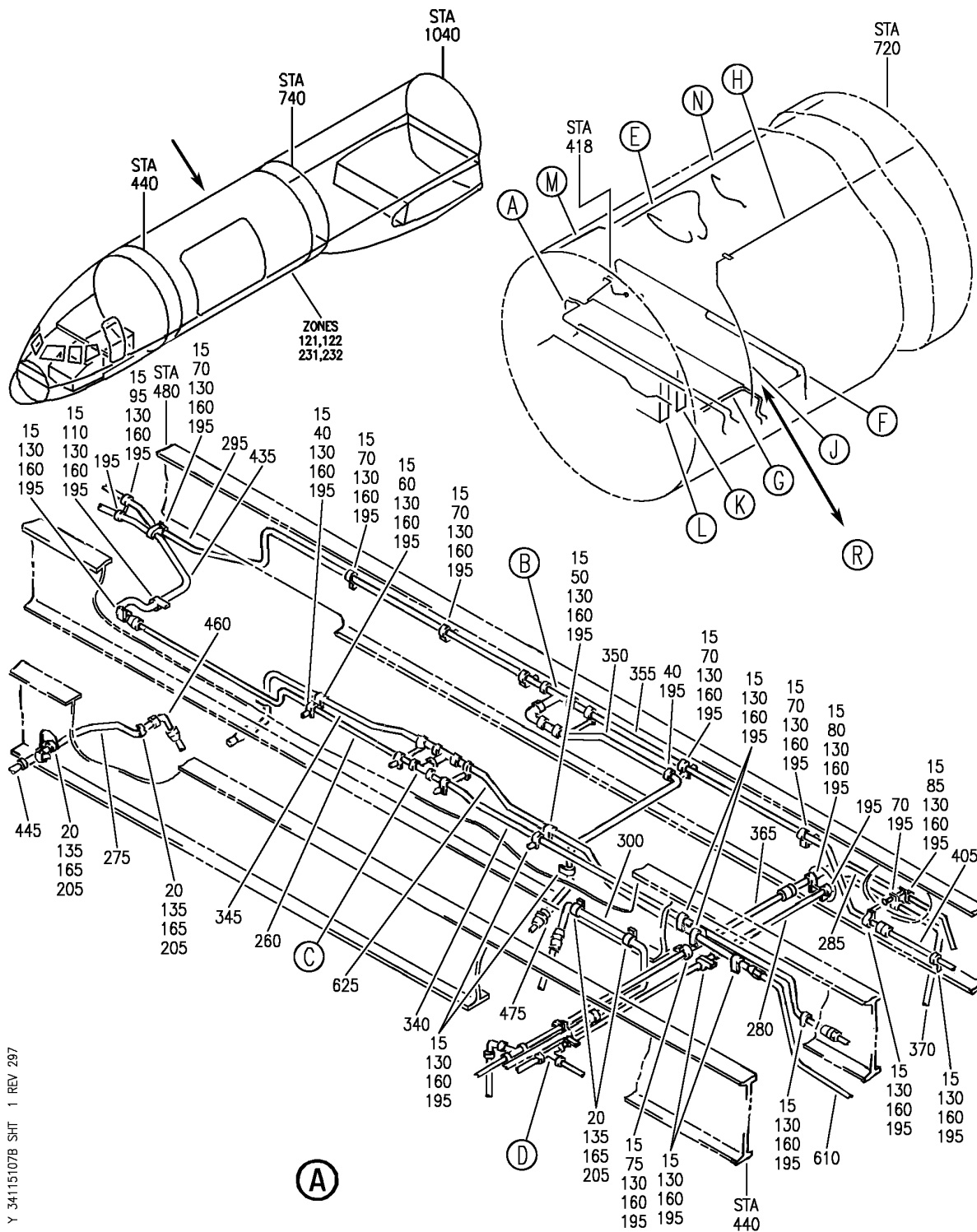
- ITEM NOT ILLUSTRATED

BRI

34-11-51-07

BOEING PROPRIETARY - Copyright © - Unpublished Work - See title page for details.

34-11-51  
FIG. 07  
PAGE 18  
JAN 20/09



Y 34115107B SHT 1 REV 297

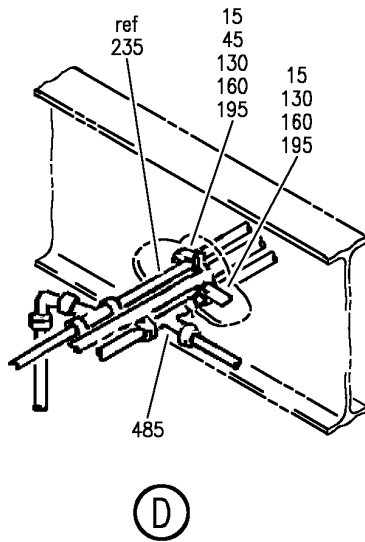
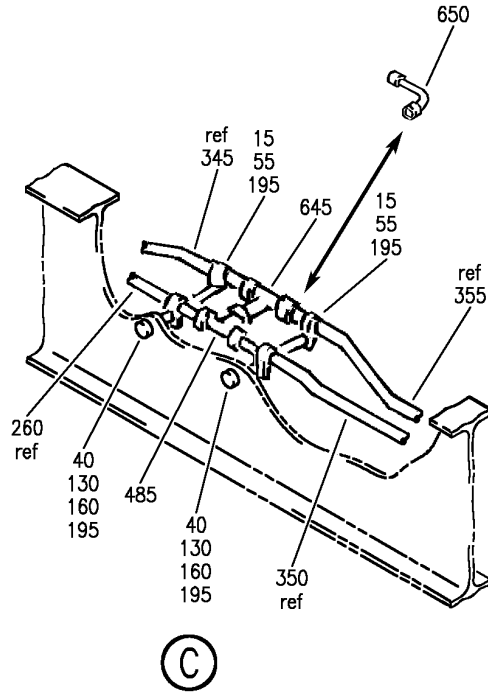
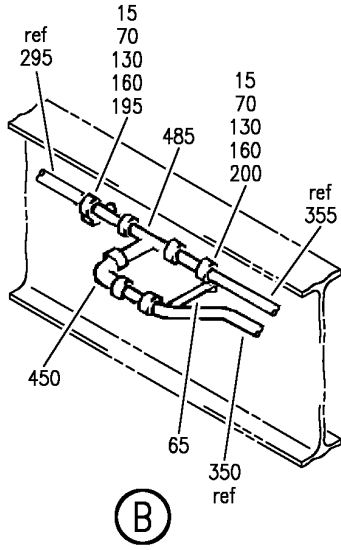
TUBING INSTL-PITOT STATIC STA 440 TO 660  
FIGURE 7B (SHEET 1)

# 34-11-51-07B

BRI  
MAY 28/07

34-11-51-07B  
PAGE 0

**BOEING**  
757  
PARTS CATALOG (MAINTENANCE)



Y 34-11-51-07B SHT 2 REV 265

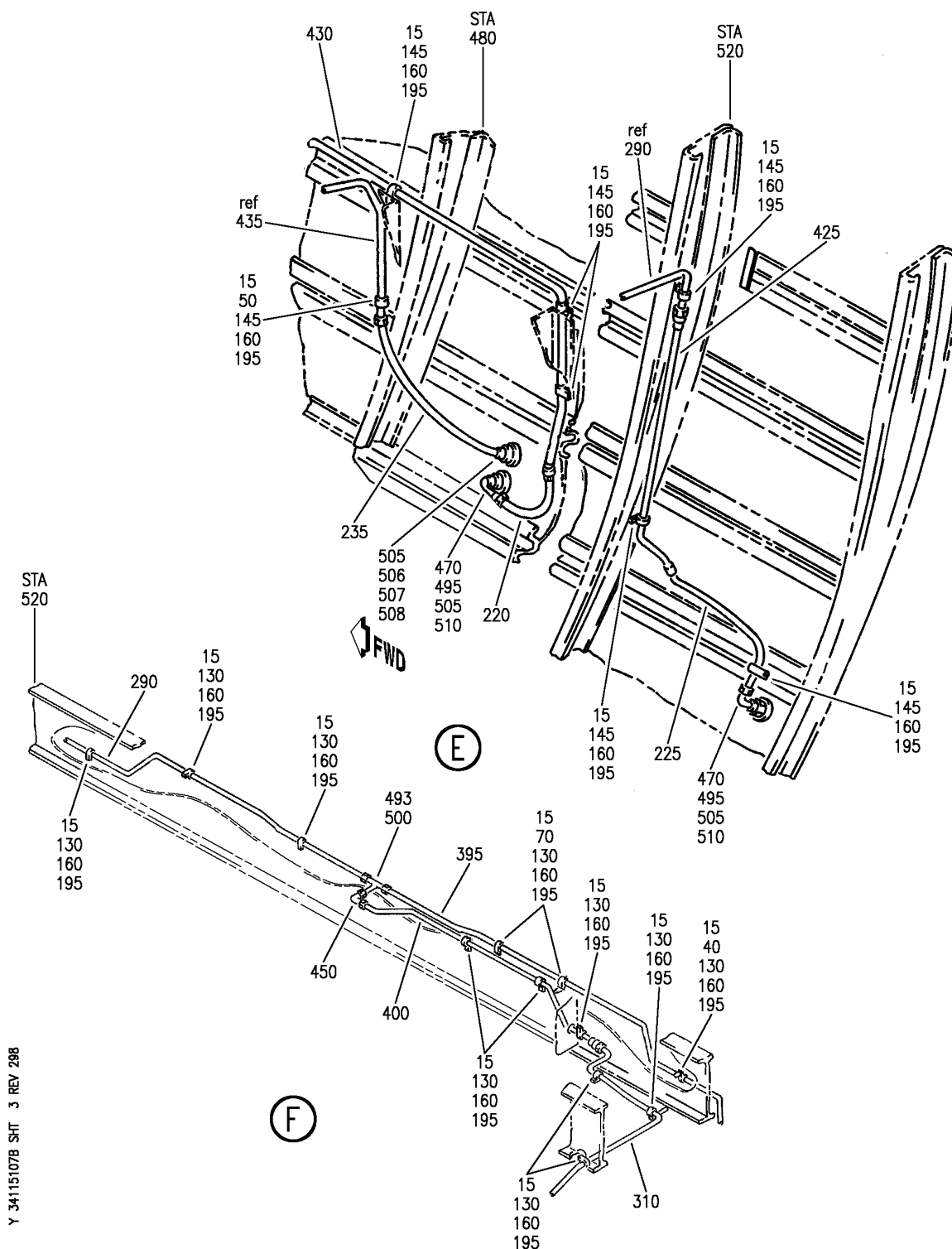
TUBING INSTL-PITOT STATIC STA 440 TO 660  
FIGURE 7B (SHEET 2)

**34-11-51-07B**

BRI  
MAY 28/07

34-11-51-07B  
PAGE 0A

**BOEING**  
757  
PARTS CATALOG (MAINTENANCE)



Y 34115107B SHT. 3 REV 298

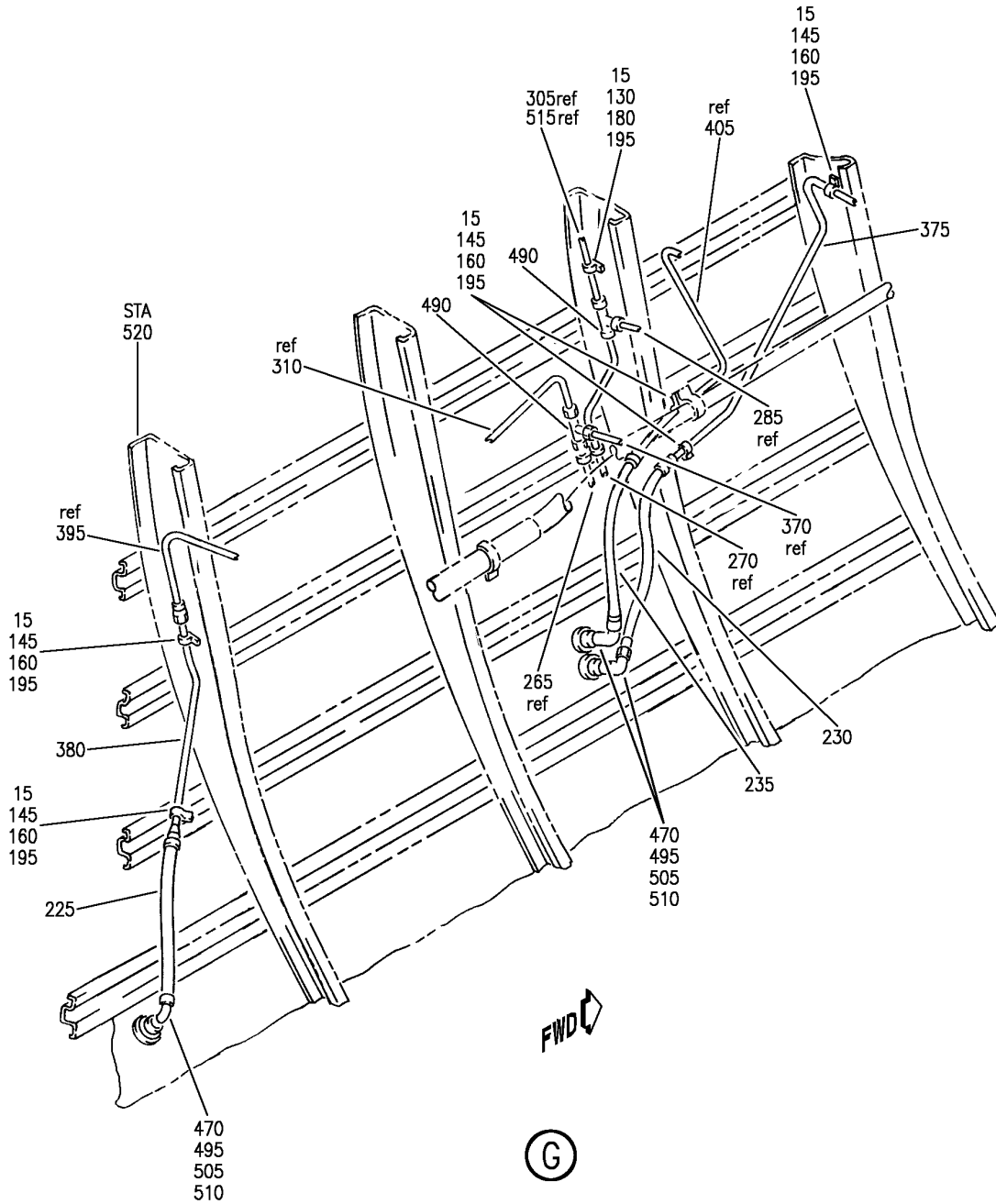
TUBING INSTL-PITOT STATIC STA 440 TO 660  
FIGURE 7B (SHEET 3)

**34-11-51-07B**

BRI  
MAY 28/07

34-11-51-07B  
PAGE 0B

**BOEING**  
757  
**PARTS CATALOG (MAINTENANCE)**



Y 34115107B SH4 4 REV 297

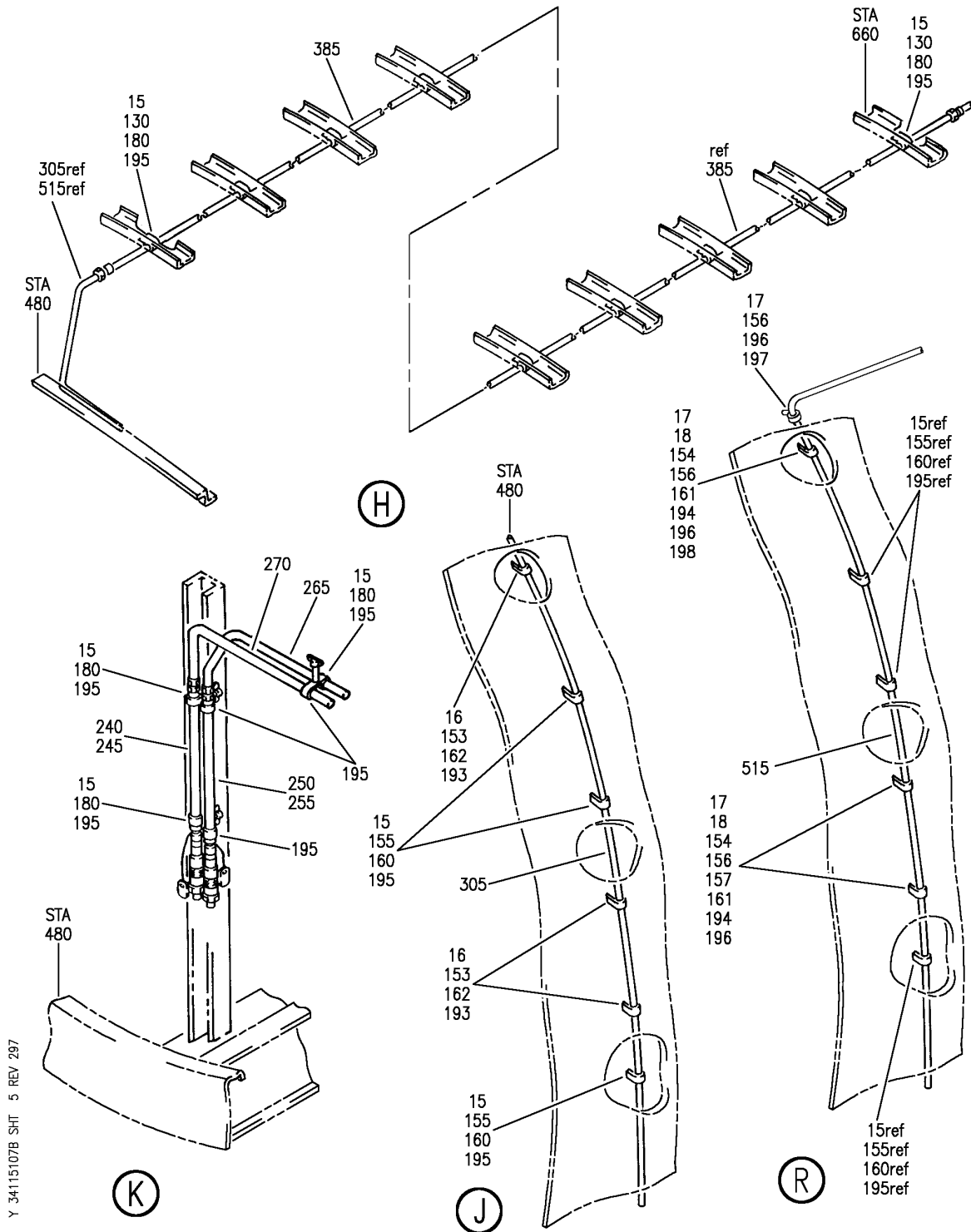
TUBING INSTL-PITOT STATIC STA 440 TO 660  
FIGURE 7B (SHEET 4)

**34-11-51-07B**

BRI  
MAY 28/07

34-11-51-07B  
PAGE 0C

**BOEING**  
757  
PARTS CATALOG (MAINTENANCE)



Y 34115107B SHT 5 REV 297

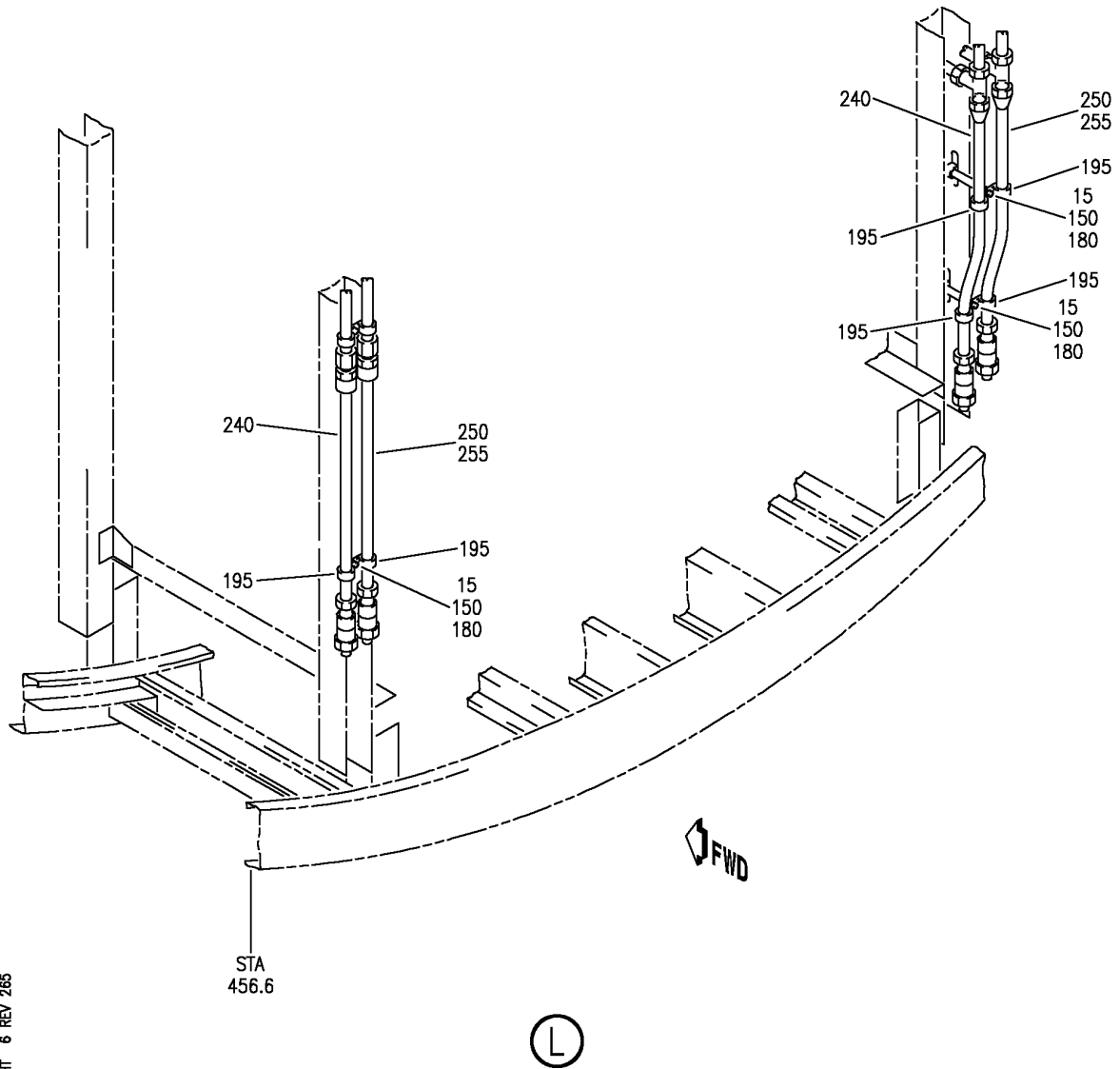
TUBING INSTL-PITOT STATIC STA 440 TO 660  
FIGURE 7B (SHEET 5)

**34-11-51-07B**

BRI  
MAY 28/07

34-11-51-07B  
PAGE 0D

**BOEING**  
757  
PARTS CATALOG (MAINTENANCE)



Y 34-11-51-07B SHT 6 REV 265

TUBING INSTL-PITOT STATIC STA 440 TO 660  
FIGURE 7B (SHEET 6)

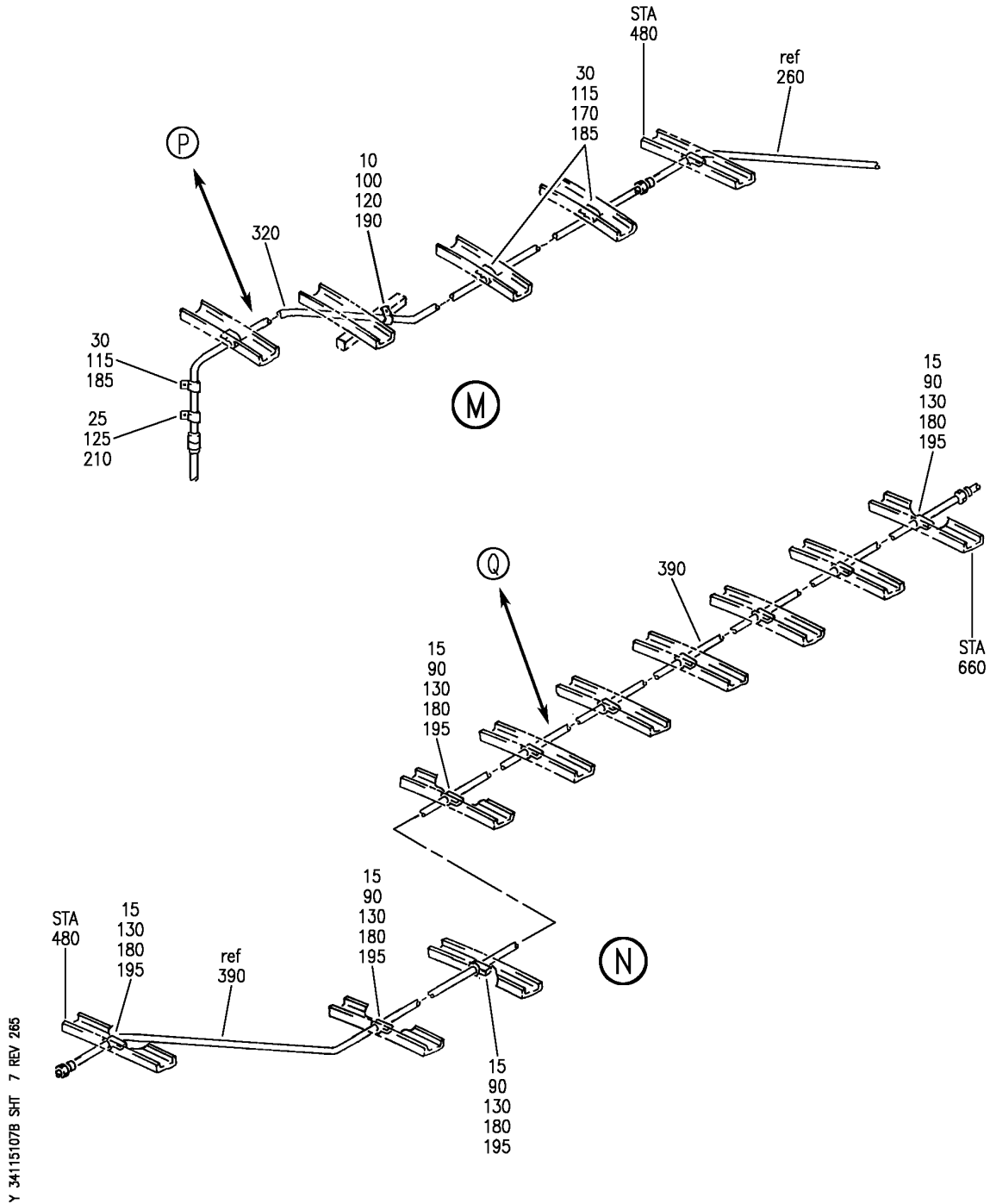
BRI  
MAY 28/07

**34-11-51-07B**

34-11-51-07B  
PAGE 0E



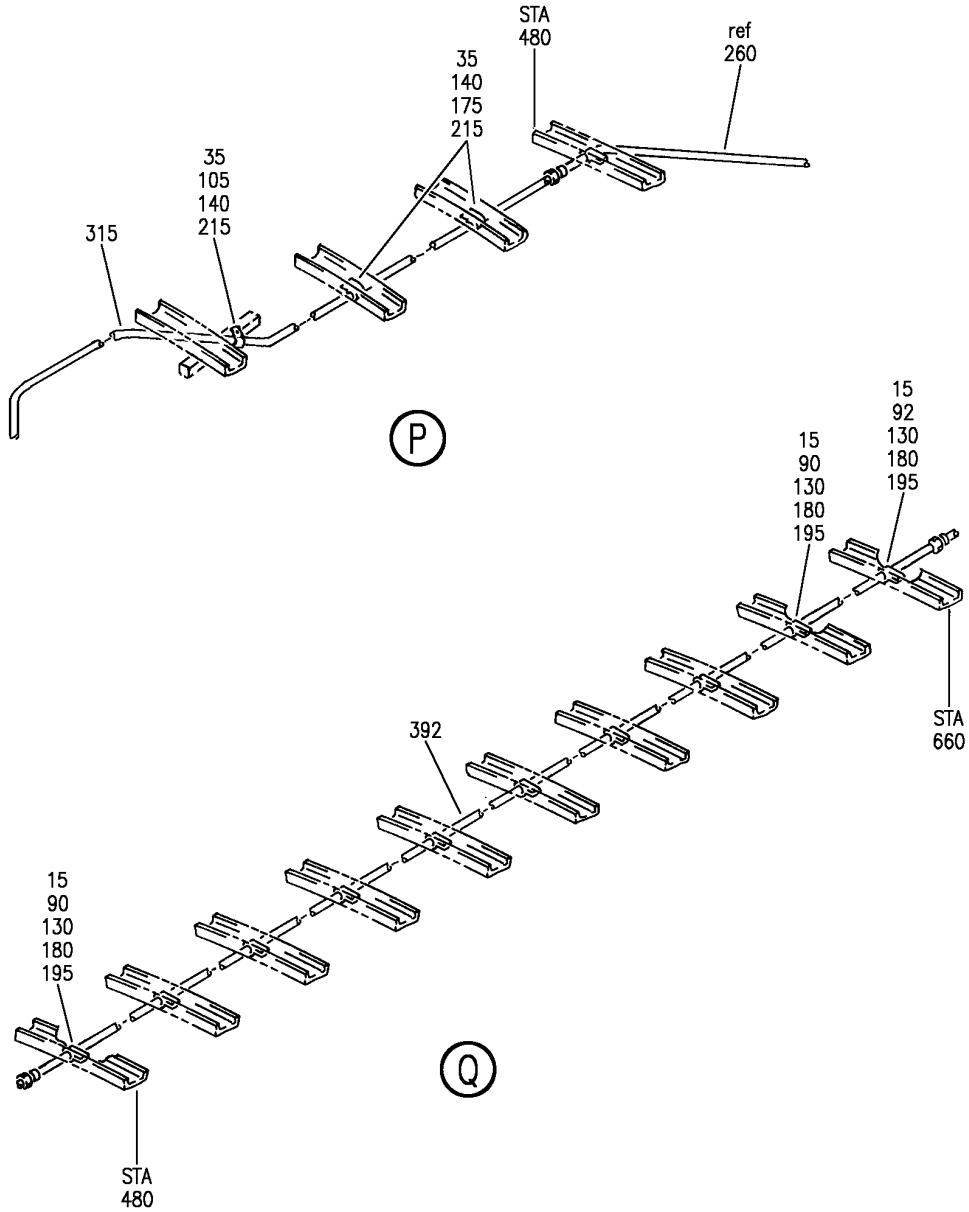
**BOEING**  
757  
PARTS CATALOG (MAINTENANCE)



TUBING INSTL-PITOT STATIC STA 440 TO 660  
FIGURE 7B (SHEET 7)

**34-11-51-07B**

**BOEING**  
757  
PARTS CATALOG (MAINTENANCE)



Y 34-115107B SHT 8 REV 265

TUBING INSTL-PITOT STATIC STA 440 TO 660  
FIGURE 7B (SHEET 8)

**34-11-51-07B**

BRI  
MAY 28/07

34-11-51-07B  
PAGE 0G



757

PARTS CATALOG (MAINTENANCE)

FIG ITEM	PART NUMBER	1 2 3 4 5 6 7	NOMENCLATURE	EFFECT FROM TO	UNITS PER ASSY
7B			TUBING INSTL-PITOT STATIC STA 440 TO 660	101106 108120 504903	
- 1	232N9201-464		TUBING INSTL-PITOT STATIC POSITION DATA: STA 440 TO STA 660 FOR NHA SEE: 25-10-00-10	101101	RF
- 1	232N9201-474		TUBING INSTL-PITOT STATIC POSITION DATA: STA 440 TO STA 660 FOR NHA SEE: 25-10-00-10	102102 504504	RF
- 1	232N9201-478		TUBING INSTL-PITOT STATIC POSITION DATA: STA 440 TO STA 660 FOR NHA SEE: 25-10-00-10	505903	RF
- 1	232N9201-483		TUBING INSTL-PITOT STATIC POSITION DATA: STA 440 TO STA 660 FOR NHA SEE: 25-10-00-10	108120	RF
- 2	MODREF32223		TUBING INSTL- MODULE NUMBER: 232N9201-807 REV B POSITION DATA: STA 440 TO STA 660 FOR ADDITIONAL DETAILS SEE: 34-11-51-08B	103106	1
- 2	MODREF32221		TUBING INSTL- MODULE NUMBER: 232N9201-802 REV B POSITION DATA: STA 440 TO STA 660 FOR ADDITIONAL DETAILS SEE: 34-11-51-06C 34-11-51-06D 34-11-51-08B	103103	1
- 2	MODREF32305		TUBING INSTL- MODULE NUMBER: 232N9201-804 REV B POSITION DATA: STA 440 TO STA 660 FOR ADDITIONAL DETAILS SEE: 34-11-51-06D	103106	1

MISSING ITEM NUMBERS NOT APPLICABLE

- ITEM NOT ILLUSTRATED

**34-11-51-07B**

34-11-51  
FIG. 07B  
PAGE 1  
JAN 20/09

BRI



757

PARTS CATALOG (MAINTENANCE)

FIG ITEM	PART NUMBER	1 2 3 4 5 6 7	NOMENCLATURE	EFFECT FROM TO	UNITS PER ASSY
7B					
- 2	MODREF34166		TUBING INSTL- MODULE NUMBER: 232N9201-802 REV C POSITION DATA: STA 440 TO STA 660 FOR ADDITIONAL DETAILS SEE: 34-11-51-06C 34-11-51-06D 34-11-51-08B	104105	1
- 3	MODREF34777		TUBING INSTL- MODULE NUMBER: 232N9201-802 REV D POSITION DATA: STA 440 TO STA 660 FOR ADDITIONAL DETAILS SEE: 34-11-51-06C 34-11-51-06D 34-11-51-08B	106106	1
15	NAS1801-3		.SCREW- SIZE DETERMINED ON INSTL.	101106 108120 504903	82
16	NAS1801-3		.SCREW- SIZE DETERMINED ON INSTL.	101106 108120 504903	3
20	NAS1801-3		.SCREW- SIZE DETERMINED ON INSTL.	101102 108120 504903	4
25	NAS1801-3		.SCREW- SIZE DETERMINED ON INSTL.	103106	1
30	NAS1801-3		.SCREW- SIZE DETERMINED ON INSTL.	103106	3
35	NAS1801-3		.SCREW- SIZE DETERMINED ON INSTL.	101102 108120 504903	3
40	NAS42DD6-24		.SPACER	101106 108120 504903	5
45	NAS42DD6-6		.SPACER	103106	1
50	NAS42DD6-32		.SPACER	101106 108120 504903	2
55	NAS42DD6-128		.SPACER	101106 108120 504903	2
60	NAS42DD6-44		.SPACER	101106 108120 504903	1

MISSING ITEM NUMBERS NOT APPLICABLE

- ITEM NOT ILLUSTRATED

34-11-51-07B

34-11-51  
FIG. 07B  
PAGE 2  
JAN 20/09

BRI

BOEING PROPRIETARY - Copyright © - Unpublished Work - See title page for details.



757

PARTS CATALOG (MAINTENANCE)

FIG ITEM	PART NUMBER	1 2 3 4 5 6 7	NOMENCLATURE	EFFECT FROM TO	UNITS PER ASSY
7B					
65	NAS42DD6-120	.	SPACER	101106 108120 504903	1
70	NAS42DD6-16	.	SPACER	101106 108120 504903	10
75	NAS42DD6-16	.	SPACER	103106	1
80	NAS42DD6-13	.	SPACER	101106 108120 504903	1
85	NAS42DD6-48	.	SPACER	101106 108120 504903	1
90	NAS42DD6-12	.	SPACER	101106 108120 504903	9
92	NAS42DD6-12	.	SPACER	103106	1
95	NAS42DD6-86	.	SPACER	101106 108120 504903	1
105	NAS42DD6-130	.	SPACER	101102 108120 504903	1
110	NAS42DD6-8	.	SPACER	101106 108120 504903	1
115	AN960PD10L	.	WASHER	103106	3
125	AN960PD10L	.	WASHER	103106	1
130	AN960PD10L	.	WASHER	101106 108120 504903	61
135	AN960PD10L	.	WASHER	101102 108120 504903	4
140	AN960PD10L	.	WASHER	101102 108120 504903	3
145	AN960KD10	.	WASHER	101106 108120 504903	12
150	AN960JD10L	.	WASHER	101106 108120 504903	3
153	AN960KD10L	.	WASHER	101106 108120 504903	3
155	AN960KD10L	.	WASHER	101106 108120 504903	3

MISSING ITEM NUMBERS NOT APPLICABLE

- ITEM NOT ILLUSTRATED

34-11-51-07B

34-11-51  
FIG. 07B  
PAGE 3  
JAN 20/09

BRI

BOEING PROPRIETARY - Copyright © - Unpublished Work - See title page for details.



757

PARTS CATALOG (MAINTENANCE)

FIG ITEM	PART NUMBER	1 2 3 4 5 6 7	NOMENCLATURE	EFFECT FROM TO	UNITS PER ASSY
7B 160	BRH10A3	.NUT-	SUPPLIER CODE: V52828 SPECIFICATION NUMBER: BACN10JC3 OPTIONAL PART: H10-3BAC V15653 NS202101-02 V80539 RMLH9075-3W V72962 VN303A02 V92215 96-02 V80539 T6S1032J V11815 QUALIFIED OPTIONAL DATA: BACN10FX PREFERRED OPT TO BACN10JC3 WHERE APPLICABLE	101106 108120 504903	56
160	BACN10FX	.NUT-	QUALIFIED OPTIONAL DATA: BACN10FX PREFERRED OPT TO BACN10JC3 WHERE APPLICABLE	101106 108120 504903	56
162	BRH10A3	.NUT-	SUPPLIER CODE: V52828 SPECIFICATION NUMBER: BACN10JC3 OPTIONAL PART: H10-3BAC V15653 NS202101-02 V80539 RMLH9075-3W V72962 VN303A02 V92215 96-02 V80539 T6S1032J V11815 QUALIFIED OPTIONAL DATA: BACN10FX PREFERRED OPT TO BACN10JC3 WHERE APPLICABLE	101106 108120 504903	3

MISSING ITEM NUMBERS NOT APPLICABLE

- ITEM NOT ILLUSTRATED

34-11-51-07B

34-11-51  
FIG. 07B  
PAGE 4  
JAN 20/09

BRI



757

PARTS CATALOG (MAINTENANCE)

FIG ITEM	PART NUMBER	1 2 3 4 5 6 7	NOMENCLATURE	EFFECT FROM TO	UNITS PER ASSY
7B 162	BACN10FX	.NUT-	QUALIFIED OPTIONAL DATA: BACN10FX PREFERRED OPT TO BACN10JC3 WHERE APPLICABLE	101106 108120 504903	3
165	BRH10A3	.NUT-	SUPPLIER CODE: V52828 SPECIFICATION NUMBER: BACN10JC3 OPTIONAL PART: H10-3BAC V15653 NS202101-02 V80539 RMLH9075-3W V72962 VN303A02 V92215 96-02 V80539 T6S1032J V11815 QUALIFIED OPTIONAL DATA: BACN10FX PREFERRED OPT TO BACN10JC3 WHERE APPLICABLE	101102 108120 504903	4
165	BACN10FX	.NUT-	QUALIFIED OPTIONAL DATA: BACN10FX PREFERRED OPT TO BACN10JC3 WHERE APPLICABLE	101102 108120 504903	4
170	MS21042L3	.NUT-	QUALIFIED OPTIONAL DATA: BACN10FX PREFERRED OPT TO MS21042L3 WHERE APPLICABLE	103106	2
170	BACN10FX	.NUT-	QUALIFIED OPTIONAL DATA: BACN10FX PREFERRED OPT TO MS21042L3 WHERE APPLICABLE	103106	2
175	MS21042L3	.NUT-	QUALIFIED OPTIONAL DATA: BACN10FX PREFERRED OPT TO MS21042L3 WHERE APPLICABLE	101102 108120 504903	2

MISSING ITEM NUMBERS NOT APPLICABLE

- ITEM NOT ILLUSTRATED

34-11-51-07B

34-11-51  
FIG. 07B  
PAGE 5  
JAN 20/09

BRI



**757  
PARTS CATALOG (MAINTENANCE)**

FIG ITEM	PART NUMBER	1 2 3 4 5 6 7	NOMENCLATURE	EFFECT FROM TO	UNITS PER ASSY
7B 175	BACN10FX	.NUT-	QUALIFIED OPTIONAL DATA: BACN10FX PREFERRED OPT TO MS21042L3 WHERE APPLICABLE	101102 108120 504903	2
180	MS21042L3	.NUT-	QUALIFIED OPTIONAL DATA: BACN10FX PREFERRED OPT TO MS21042L3 WHERE APPLICABLE	101106 108120 504903	26
180	BACN10FX	.NUT-	QUALIFIED OPTIONAL DATA: BACN10FX PREFERRED OPT TO MS21042L3 WHERE APPLICABLE	101106 108120 504903	26
185	BACC10DK	.CLAMP-	SIZE DETERMINED ON INSTL.	103106	3
193	BACC10DK	.CLAMP-	SIZE DETERMINED ON INSTL.	101106 108120 504903	3
195	BACC10DK	.CLAMP-	SIZE DETERMINED ON INSTL.	101106 108120 504903	93
205	BACC10DK	.CLAMP-	SIZE DETERMINED ON INSTL.	101102 108120 504903	4
210	BACC10DK	.CLAMP-	SIZE DETERMINED ON INSTL.	103106	1
215	BACC10DK	.CLAMP-	SIZE DETERMINED ON INSTL.	101102 108120 504903	3
220	173029-3-0070	.HOSE ASSY	SUPPLIER CODE: V02217 SPECIFICATION NUMBER: BACH30BC06-0070 OPTIONAL PART: ZH753A3-0070 V02217 ZH832-3-0070 V02217 36018-6-0070 V24984 40784-405-0070 V31441 40884-405-0070 V31441 4140-6-0070 V24984	101106 108120 504903	1

MISSING ITEM NUMBERS NOT APPLICABLE

— ITEM NOT ILLUSTRATED

# 34-11-51-07B

34-11-51  
FIG. 07B  
PAGE 6  
JAN 20/09

BRI





757

PARTS CATALOG (MAINTENANCE)

FIG ITEM	PART NUMBER	1 2 3 4 5 6 7	NOMENCLATURE	EFFECT FROM TO	UNITS PER ASSY
7B 225	173029-3-0120	.HOSE ASSY SUPPLIER CODE: V02217 SPECIFICATION NUMBER: BACH30BC06-0120 OPTIONAL PART: ZH753A3-0120 V02217 ZH832-3-0120 V02217 36018-6-0120 V24984 40784-405-0120 V31441 40884-405-0120 V31441 4140-6-0120 V24984		101106 108120 504903	2
230	173029-3-0130	.HOSE ASSY SUPPLIER CODE: V02217 SPECIFICATION NUMBER: BACH30BC06-0130 OPTIONAL PART: ZH753A3-0130 V02217 ZH832-3-0130 V02217 36018-6-0130 V24984 40784-405-0130 V31441 40884-405-0130 V31441 4140-6-0130 V24984		101106 108120 504903	1

MISSING ITEM NUMBERS NOT APPLICABLE

- ITEM NOT ILLUSTRATED

BRI

34-11-51-07B

BOEING PROPRIETARY - Copyright © - Unpublished Work - See title page for details.

34-11-51  
FIG. 07B  
PAGE 7  
JAN 20/09



757

PARTS CATALOG (MAINTENANCE)

FIG ITEM	PART NUMBER	1 2 3 4 5 6 7	NOMENCLATURE	EFFECT FROM TO	UNITS PER ASSY
7B 235	173029-3-0140		.HOSE ASSY SUPPLIER CODE: V02217 SPECIFICATION NUMBER: BACH30BC06-0140 OPTIONAL PART: ZH753A3-0140 V02217 ZH832-3-0140 V02217 36018-6-0140 V24984 40784-405-0140 V31441 40884-405-0140 V31441 4140-6-0140 V24984	101106 108120 504903	2
240	50014A42-6-0150		.HOSE ASSY- SUPPLIER CODE: V24984	101102 108120 504903	3
245	50014A42-6-0150		.HOSE ASSY- SUPPLIER CODE: V24984	106106	1
250	50014A43-6-0150		.HOSE ASSY- SUPPLIER CODE: V24984	101102 108120 504903	3
255	50014A43-6-0150		.HOSE ASSY- SUPPLIER CODE: V24984	106106	3
260	232N9201-132		.TUBE ASSY- TUBING MATERIAL: .375 O.D. X .035 WALL 6061-T6 AL ALLOY ROUND SEAMLESS TUBING PER MIL-T-7081 OR WW-T-700/6	101106 108120 504903	1
265	232N9201-147		.TUBE ASSY- TUBING MATERIAL: .375 O.D. X .035 WALL 6061-T6 AL ALLOY ROUND SEAMLESS TUBING PER MIL-T-7081 OR WW-T-700/6	101106 108120 504903	1
270	232N9201-148		.TUBE ASSY- TUBING MATERIAL: .375 O.D. X .035 WALL 6061-T6 AL ALLOY ROUND SEAMLESS TUBING PER MIL-T-7081 OR WW-T-700/6	101102 108120 504903	1

MISSING ITEM NUMBERS NOT APPLICABLE

- ITEM NOT ILLUSTRATED

34-11-51-07B

34-11-51  
FIG. 07B  
PAGE 8  
JAN 20/09

BRI

BOEING PROPRIETARY - Copyright © - Unpublished Work - See title page for details.



757

PARTS CATALOG (MAINTENANCE)

FIG ITEM	PART NUMBER	1 2 3 4 5 6 7	NOMENCLATURE	EFFECT FROM TO	UNITS PER ASSY
7B 270	232N9201-614		.TUBE ASSY- TUBING MATERIAL: .375 O.D. X .035 WALL 6061-T6	106106	1
275	232N9201-150		.TUBE ASSY- TUBING MATERIAL: .375 O.D. X .035 WALL 6061-T6 AL ALLOY ROUND SEAMLESS TUBING PER MIL-T-7081 OR WW-T-700/6	102102 504504	1
280	232N9201-168		.TUBE ASSY- TUBING MATERIAL: .375 O.D. X .035 WALL 6061-T6 AL ALLOY ROUND SEAMLESS TUBING PER MIL-T-7081 OR WW-T-700/6	101106 108120 504903	1
285	232N9201-170		.TUBE ASSY- MANUFACTURED FROM: TUBING AL TUBING MATERIAL: .375 O.D. X .035 WALL 6061-T6 AL ALLOY ROUND SEAMLESS TUBING PER MIL-T-7081 OR WW-T-700/6	101106 108120 504903	1
290	232N9201-184		.TUBE ASSY- TUBING MATERIAL: .375 O.D. X .035 WALL 6061-T6 AL ALLOY ROUND SEAMLESS TUBING PER MIL-T-7081 OR WW-T-700/6	101106 108120 504903	1
295	232N9201-218		.TUBE ASSY- TUBING MATERIAL: .375 O.D. X .035 WALL 6061-T6 AL ALLOY ROUND SEAMLESS TUBING PER MIL-T-7081 OR WW-T-700/6	101106 108120 504903	1
300	232N9201-227		.TUBE ASSY- TUBING MATERIAL: .375 O.D. X .035 WALL 6061-T6 AL ALLOY ROUND SEAMLESS TUBING PER MIL-T-7081 OR WW-T-700/6	101106 108120 504903	1
305	232N9201-397		.TUBE ASSY- TUBING MATERIAL: .375 O.D. X .035 WALL 126.6 IN. LG 6061-T6 AL ALLOY ROUND SEAMLESS TUBING PER MIL-T-7081 OR WW-T-700/6	101106 108120 504903	1

MISSING ITEM NUMBERS NOT APPLICABLE

- ITEM NOT ILLUSTRATED

34-11-51-07B

34-11-51  
FIG. 07B  
PAGE 9  
JAN 20/09

BRI

BOEING PROPRIETARY - Copyright © - Unpublished Work - See title page for details.



757

PARTS CATALOG (MAINTENANCE)

FIG ITEM	PART NUMBER	1 2 3 4 5 6 7	NOMENCLATURE	EFFECT FROM TO	UNITS PER ASSY
7B 310	232N9201-398	.	TUBE ASSY- TUBING MATERIAL: .375 O.D. X .035 WALL 6061-T6 AL ALLOY ROUND SEAMLESS TUBING PER MIL-T-7081 OR WW-T-700/6	101106 108120 504903	1
315	232N9201-407	.	TUBE ASSY- TUBING MATERIAL: .375 O.D. X .035 WALL 6061-T6 AL ALLOY ROUND SEAMLESS TUBING PER MIL-T-7081 OR WW-T-700/6	101102 108120 504903	1
320	232N9201-609	.	TUBE ASSY- TUBING MATERIAL: .375 O.D. X .035 WALL 6061-T6 AL ALLOY ROUND SEAMLESS TUBING PER MIL-T-7081 OR WW-T-700/6	103106	1
- 325	AP2097HP06	..	SLEEVE SUPPLIER CODE: V01673 SPECIFICATION NUMBER: BACS13BX06HP OPTIONAL PART: 2-02903-06HP V11328 35235VN06 V08199 AFP175V06P V30974 DBOS13BX06HP V14798	101102 108120 504903	2
- 325	AP2097HP06	..	SLEEVE SUPPLIER CODE: V01673 SPECIFICATION NUMBER: BACS13BX06HP OPTIONAL PART: 2-02903-06HP V11328 35235VN06 V08199 AFP175V06P V30974 DBOS13BX06HP V14798	103106	2
- 330	BACN10YLO6	..	NUT	101102 108120 504903	2

MISSING ITEM NUMBERS NOT APPLICABLE

- ITEM NOT ILLUSTRATED

34-11-51-07B

34-11-51  
FIG. 07B  
PAGE 10  
JAN 20/09

BRI

BOEING PROPRIETARY - Copyright © - Unpublished Work - See title page for details.



757

PARTS CATALOG (MAINTENANCE)

FIG ITEM	PART NUMBER	1 2 3 4 5 6 7	NOMENCLATURE	EFFECT FROM TO	UNITS PER ASSY
7B					
- 330	BACN10YL06		..NUT	103106	2
340	232N9201-133		.TUBE ASSY- TUBING MATERIAL: .375 O.D. X .035 WALL 6061-T6 AL ALLOY ROUND SEAMLESS TUBING PER MIL-T-7081 OR WW-T-700/6	101106 108120 504903	1
345	232N9201-136		.TUBE ASSY- TUBING MATERIAL: .375 O.D. X .035 WALL 6061-T6 AL ALLOY ROUND SEAMLESS TUBING PER MIL-T-7081 OR WW-T-700/6	101102 108120 504903	1
345	232N9201-459		.TUBE ASSY- TUBING MATERIAL: .375 IN. O.D. X .035 IN. WALL 27.2 IN. LG. 6061-T6 AL ALLOY ROUND SEAMLESS TUBING PER MIL-T-7081 OR WW-T-700/6	103106	1
350	232N9201-137		.TUBE ASSY- TUBING MATERIAL: .375 O.D. X .035 WALL 6061-T6 AL ALLOY ROUND SEAMLESS TUBING PER MIL-T-7081 OR WW-T-700/6	101102 108120 504903	1
350	232N9201-455		.TUBE ASSY- TUBING MATERIAL: .375 O.D. X .035 WALL 6061-T6 AL ALLOY ROUND SEAMLESS TUBING PER MIL-T-7081 OR WW-T-700/6	103106	1
355	232N9201-139		.TUBE ASSY- TUBING MATERIAL: .375 O.D. X .035 WALL 6061-T6 AL ALLOY ROUND SEAMLESS TUBING PER MIL-T-7081 OR WW-T-700/6	101106 108120 504903	1
365	232N9201-167		.TUBE ASSY- TUBING MATERIAL: .375 O.D. X .035 WALL 6061-T6 AL ALLOY ROUND SEAMLESS TUBING PER MIL-T-7081 OR WW-T-700/6	101106 108120 504903	1

MISSING ITEM NUMBERS NOT APPLICABLE

- ITEM NOT ILLUSTRATED

34-11-51-07B

34-11-51  
FIG. 07B  
PAGE 11  
JAN 20/09

BRI

BOEING PROPRIETARY - Copyright © - Unpublished Work - See title page for details.



757

PARTS CATALOG (MAINTENANCE)

FIG ITEM	PART NUMBER	1 2 3 4 5 6 7	NOMENCLATURE	EFFECT FROM TO	UNITS PER ASSY
7B 370	232N9201-169		.TUBE ASSY- TUBING MATERIAL: .375 O.D. X .035 WALL 6061-T6 AL ALLOY ROUND SEAMLESS TUBING PER MIL-T-7081 OR WW-T-700/6	101106 108120 504903	1
375	232N9201-205		.TUBE ASSY- TUBING MATERIAL: .375 O.D. X .035 WALL 6061-T6 AL ALLOY ROUND SEAMLESS TUBING PER MIL-T-7081 OR WW-T-700/6	101106 108120 504903	1
380	232N9201-208		.TUBE ASSY- TUBING MATERIAL: .375 O.D. X .035 WALL 6061-T6 AL ALLOY ROUND SEAMLESS TUBING PER MIL-T-7081 OR WW-T-700/6	101106 108120 504903	1
385	232N9201-212		.TUBE ASSY- TUBING MATERIAL: .375 O.D. X .035 WALL 6061-T6 AL ALLOY ROUND SEAMLESS TUBING PER MIL-T-7081 OR WW-T-700/6	101106 108120 504903	1
390	232N9201-214		.TUBE ASSY- TUBING MATERIAL: .375 O.D. X .035 WALL 6061-T6 AL ALLOY ROUND SEAMLESS TUBING PER MIL-T-7081 OR WW-T-700/6	101102 108120 504903	1
392	232N9201-215		.TUBE ASSY- TUBING MATERIAL: .375 IN. OD .035 IN. WALL 240.00 IN. LG AL	103106	1
395	232N9201-233		.TUBE ASSY- TUBING MATERIAL: .375 O.D. X .035 WALL 6061-T6 AL ALLOY ROUND SEAMLESS TUBING PER MIL-T-7081 OR WW-T-700/6	101106 108120 504903	1
400	232N9201-235		.TUBE ASSY- TUBING MATERIAL: .375 O.D. X .035 WALL 6061-T6 AL ALLOY ROUND SEAMLESS TUBING PER MIL-T-7081 OR WW-T-700/6	101106 108120 504903	1

MISSING ITEM NUMBERS NOT APPLICABLE

- ITEM NOT ILLUSTRATED

34-11-51-07B

34-11-51  
FIG. 07B  
PAGE 12  
JAN 20/09

BRI

BOEING PROPRIETARY - Copyright © - Unpublished Work - See title page for details.



757

PARTS CATALOG (MAINTENANCE)

FIG ITEM	PART NUMBER	1 2 3 4 5 6 7	NOMENCLATURE	EFFECT FROM TO	UNITS PER ASSY
7B 405	232N9201-250		.TUBE ASSY- TUBING MATERIAL: .375 O.D. X .035 WALL 6061-T6 AL ALLOY ROUND SEAMLESS TUBING PER MIL-T-7081 OR WW-T-700/6	101106 108120 504903	1
- 410	35056GV06		..UNION SUPPLIER CODE: V08199 SPECIFICATION NUMBER: BACU24AB6W OPTIONAL PART: 2-01027-6W V11328 31875-6W V14397 4671097W6 V50948 AP1004W06 V01673 AFP941W6 V30974 DBOU24AB6W V14798	101106 108120 504903	1
- 415	BACN10YLO6		..NUT	101106 108120 504903	1
- 420	AP2097HP06		..SLEEVE SUPPLIER CODE: V01673 SPECIFICATION NUMBER: BACS13BX06HP OPTIONAL PART: 2-02903-06HP V11328 35235VN06 V08199 AFP175V06P V30974 DBOS13BX06HP V14798	101106 108120 504903	1
425	232N9201-219		.TUBE ASSY- TUBING MATERIAL: .375 O.D. X .035 WALL 6061-T6 AL ALLOY ROUND SEAMLESS TUBING PER MIL-T-7081 OR WW-T-700/6	101106 108120 504903	1

MISSING ITEM NUMBERS NOT APPLICABLE

- ITEM NOT ILLUSTRATED

34-11-51-07B

34-11-51  
FIG. 07B  
PAGE 13  
JAN 20/09

BRI

BOEING PROPRIETARY - Copyright © - Unpublished Work - See title page for details.

 **BOEING**  
757  
**PARTS CATALOG (MAINTENANCE)**

FIG ITEM	PART NUMBER	1 2 3 4 5 6 7	NOMENCLATURE	EFFECT FROM TO	UNITS PER ASSY
7B 430	232N9201-304		.TUBE ASSY- TUBING MATERIAL: .375 IN. O.D. X .035 IN. WALL 61.6 IN. LG. 6061-T6 AL ALLOY ROUND SEAMLESS TUBING PER MIL-T-7081 OR WW-T-700/6	101106 108120 504903	1
435	232N9201-411		.TUBE ASSY- TUBING MATERIAL: .375 O.D. X .035 WALL 6061-T6 AL ALLOY ROUND SEAMLESS TUBING PER MIL-T-7081 OR WW-T-700/6	101106 108120 504903	1
- 440	35056GV06		..UNION- SUPPLIER CODE: V08199 SPECIFICATION NUMBER: BACU24AB6W OPTIONAL PART: 2-01027-6W V11328 31875-6W V14397 4671097W6 V50948 AP1004W06 V01673 AFP941W6 V30974 DBOU24AB6W V14798	101106 108120 504903	2
445	MS21902D6		.UNION	101106 108120 504903	1
450	NAS1762W0606		.ELBOW	101106 108120 504903	2
- 455	NAS1761W0606		.ELBOW	102106 108120 504903	1
460	BACE21AR0605D		.ELBOW	101102 108120 504903	1
- 465	BACE21AR0605W		.ELBOW	101106 108120 504903	3
470	MS21908W6		.ELBOW	101106 108120 504903	5

MISSING ITEM NUMBERS NOT APPLICABLE

- ITEM NOT ILLUSTRATED

BRI

# 34-11-51-07B

BOEING PROPRIETARY - Copyright © - Unpublished Work - See title page for details.

34-11-51  
FIG. 07B  
PAGE 14  
JAN 20/09





757

PARTS CATALOG (MAINTENANCE)

FIG ITEM	PART NUMBER	1 2 3 4 5 6 7	NOMENCLATURE	EFFECT FROM TO	UNITS PER ASSY
7B					
475	MS21916D6-5	.	REDUCER	101102 108120 504903	1
485	MS21905D6	.	TEE	101106 108120 504903	3
490	MS21905W6	.	TEE	101106 108120 504903	2
493	MS21909W6	.	TEE	103106	1
495	MS28778-6	.	PACKING	101106 108120 504903	5
500	AN924-6D	.	NUT	101106 108120 504903	1
505	AN6289D6	.	NUT	101106 108120 504903	6
506	MS21924D6	.	UNION	101106 108120 504903	1
507	MS28778-6	.	PACKING	101106 108120 504903	1
508	MS28777-6	.	WASHER	101106 108120 504903	1
510	MS28777-6	.	WASHER	101106 108120 504903	5
- 600	232N9201-431		PITOT STATIC INSTL- POSITION DATA: STA 440 TO STA 660 FOR NHA SEE: 25-10-00-10A 25-10-00-10B	101102 108120 504903	RF
- 600	232N9201-430		PITOT STATIC INSTL- POSITION DATA: STA 440 TO STA 660 FOR NHA SEE: 25-10-00-10A	101102	RF

MISSING ITEM NUMBERS NOT APPLICABLE

- ITEM NOT ILLUSTRATED

BRI

34-11-51-07B

BOEING PROPRIETARY - Copyright © - Unpublished Work - See title page for details.

34-11-51  
FIG. 07B  
PAGE 15  
JAN 20/09



757

PARTS CATALOG (MAINTENANCE)

FIG ITEM	PART NUMBER	1 2 3 4 5 6 7	NOMENCLATURE	EFFECT FROM TO	UNITS PER ASSY
7B - 600	MODREF32280		TUBING INSTL-PITOT STATIC EICAS MODULE NUMBER: 232N9201-468 REV B POSITION DATA: STA 440 TO STA 660 FOR ADDITIONAL DETAILS SEE: 34-11-51-06C	103106	1
610	232N9201-142	.TUBE ASSY-	TUBING MATERIAL: .375 O.D. X .035 WALL 6061-T6 AL ALLOY ROUND SEAMLESS TUBING PER MIL-T-7081 OR WW-T-700/6	103106 108120 504903	1
- 615	AP2097HP06	..SLEEVE	SUPPLIER CODE: V01673 SPECIFICATION NUMBER: BACS13BX06HP OPTIONAL PART: 2-02903-06HP V11328 35235VN06 V08199 AFP175V06P V30974 DBOS13BX06HP V14798	103106 108120 504903	2
- 620	BACN10YLO6	..NUT		103106 108120 504903	2
625	232N9201-223	.TUBE ASSY-	TUBING MATERIAL: .375 O.D. X .035 WALL 6061-T6 AL ALLOY ROUND SEAMLESS TUBING PER MIL-T-7081 OR WW-T-700/6	108120 504903	1
625	232N9201-458	.TUBE ASSY-	TUBING MATERIAL: .375 O.D. X .035 WALL 6061-T6 AL ALLOY ROUND SEAMLESS TUBING PER MIL-T-7081 OR WW-T-700/6	103106	1

MISSING ITEM NUMBERS NOT APPLICABLE

- ITEM NOT ILLUSTRATED

34-11-51-07B

34-11-51  
FIG. 07B  
PAGE 16  
JAN 20/09

BRI

BOEING PROPRIETARY - Copyright © - Unpublished Work - See title page for details.



757

PARTS CATALOG (MAINTENANCE)

FIG ITEM	PART NUMBER	1 2 3 4 5 6 7	NOMENCLATURE	EFFECT FROM TO	UNITS PER ASSY
7B - 630	AP2097HP06	..	SLEEVE SUPPLIER CODE: V01673 SPECIFICATION NUMBER: BACS13BX06HP OPTIONAL PART: 2-02903-06HP V11328 35235VN06 V08199 AFP175V06P V30974 DBOS13BX06HP V14798	103106 108120 504903	1
- 635	BACN10YLO6	..	NUT	103106 108120 504903	1
- 640	35056GV06	..	UNION SUPPLIER CODE: V08199 SPECIFICATION NUMBER: BACU24AB6W OPTIONAL PART: 2-01027-6W V11328 31875-6W V14397 4671097W6 V50948 AP1004W06 V01673 AFP941W6 V30974 DBOU24AB6W V14798	103106 108120 504903	1
645	NAS1764W060606	.	TEE	103106 108120 504903	1
650	MS21904W6	.	ELBOW-	101102	1

MISSING ITEM NUMBERS NOT APPLICABLE

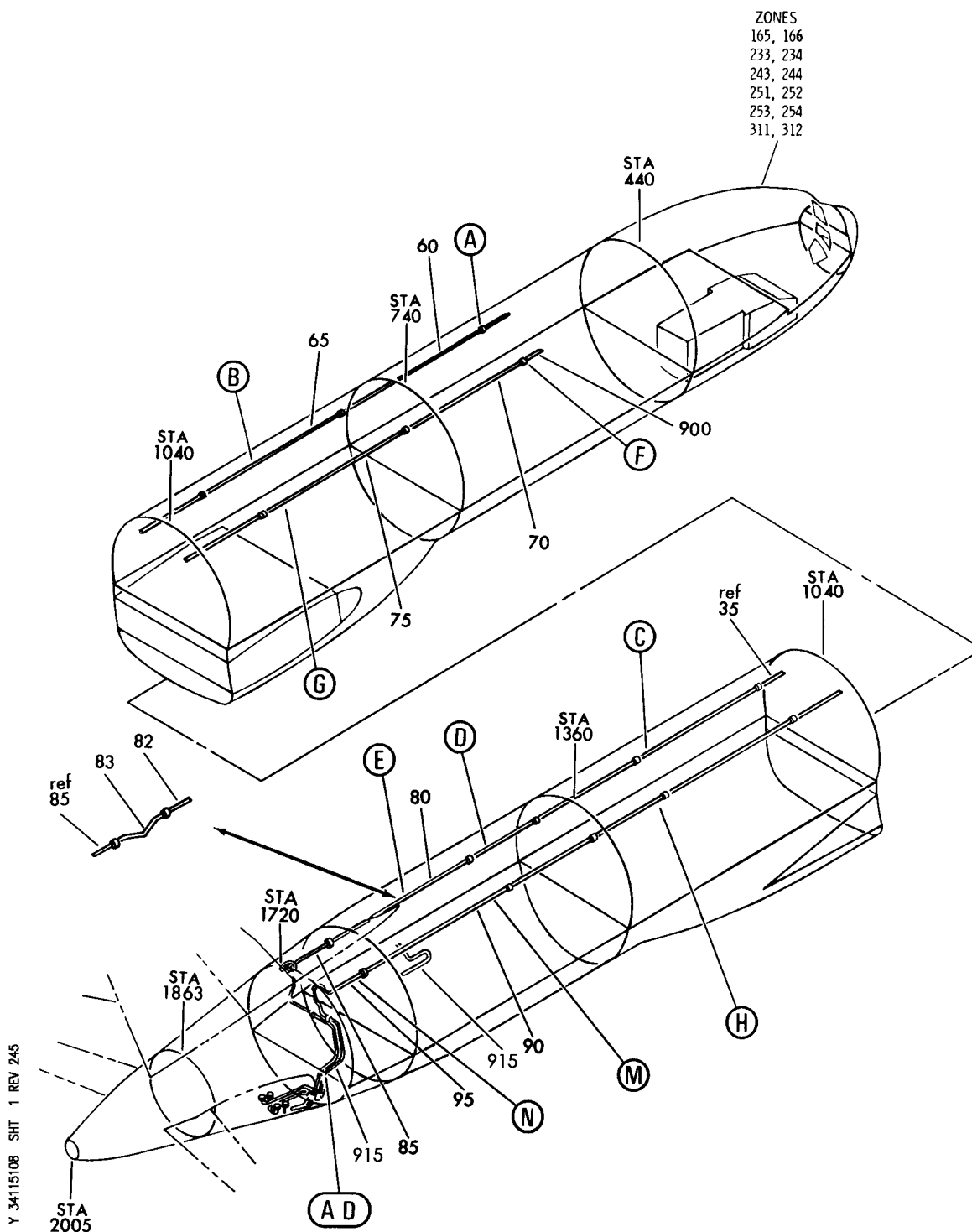
- ITEM NOT ILLUSTRATED

34-11-51-07B

34-11-51  
FIG. 07B  
PAGE 17  
JAN 20/09

BRI

**BOEING**  
757  
PARTS CATALOG (MAINTENANCE)



Y 34115108 SHT 1 REV 245

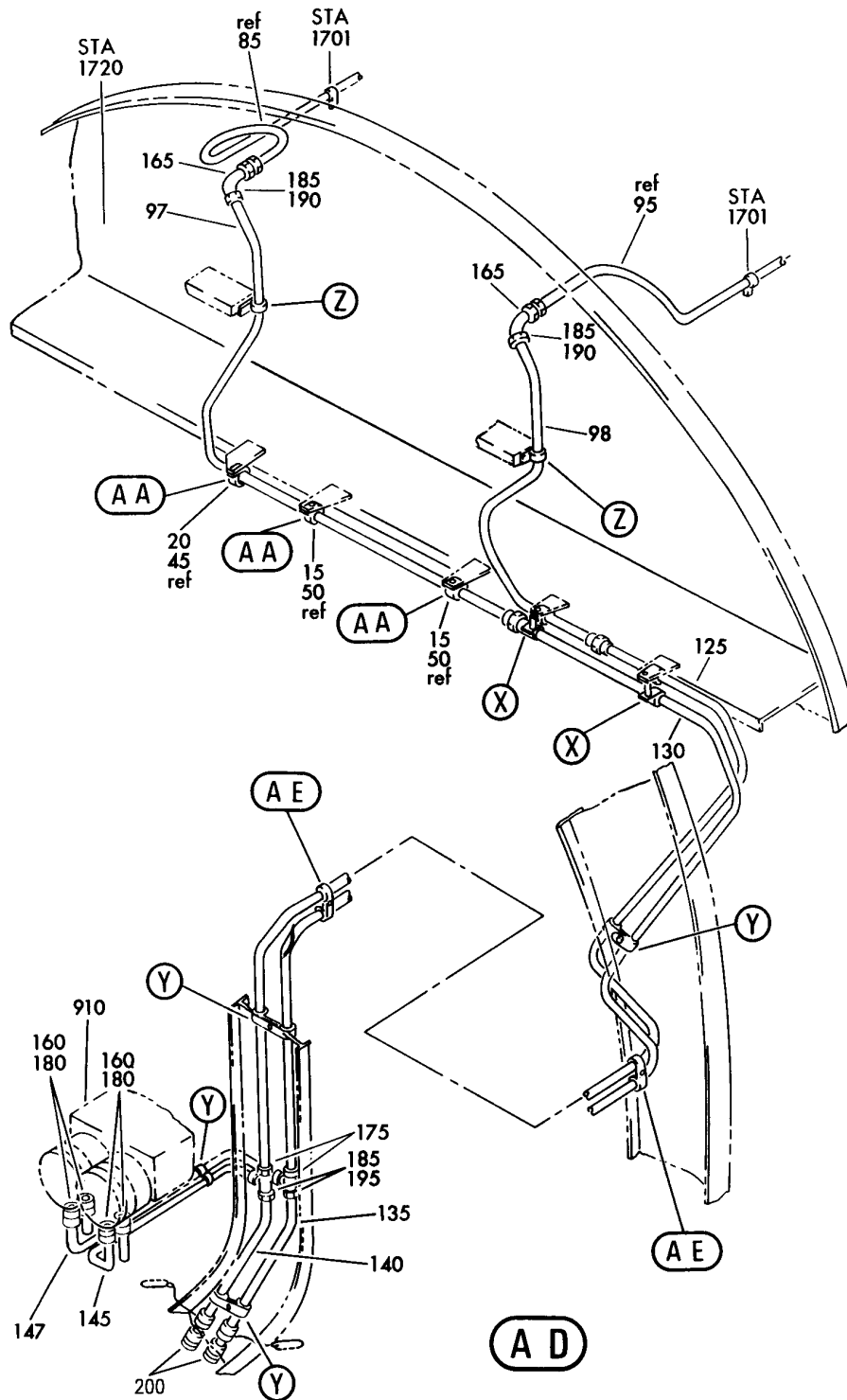
TUBING INSTL-PITOT STATIC STA. 660 TO 1862.70  
FIGURE 8 (SHEET 1)

**34-11-51-08**

BRI  
MAY 28/07

34-11-51-08  
PAGE 0

**BOEING**  
757  
PARTS CATALOG (MAINTENANCE)



Y 34115108 SHT. 2 REV 279

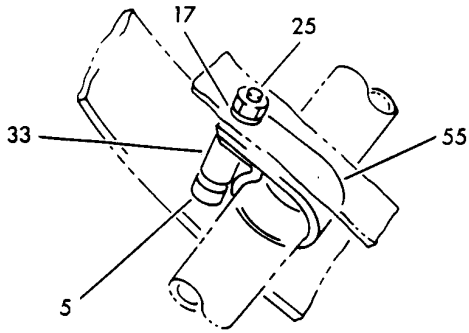
TUBING INSTL-PITOT STATIC STA. 660 TO 1862.70  
FIGURE 8 (SHEET 2)

**34-11-51-08**

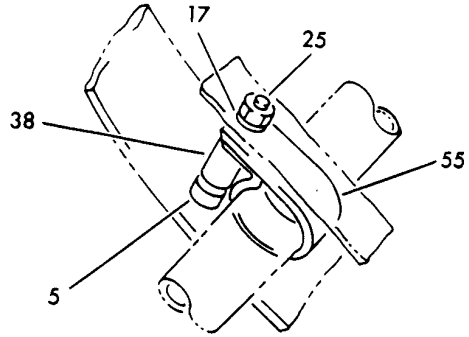
BRI  
MAY 28/07

34-11-51-08  
PAGE 0A

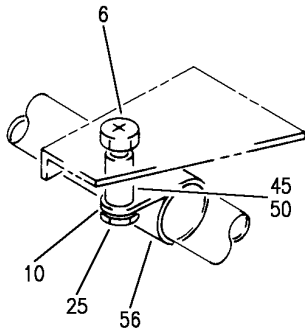
**BOEING**  
757  
PARTS CATALOG (MAINTENANCE)



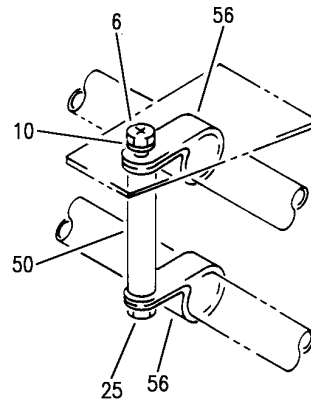
(V)



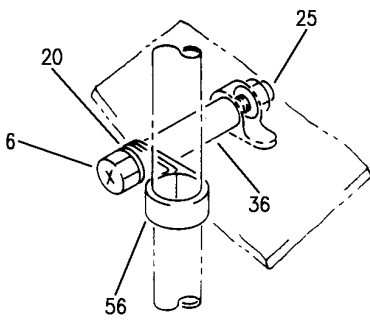
(W)



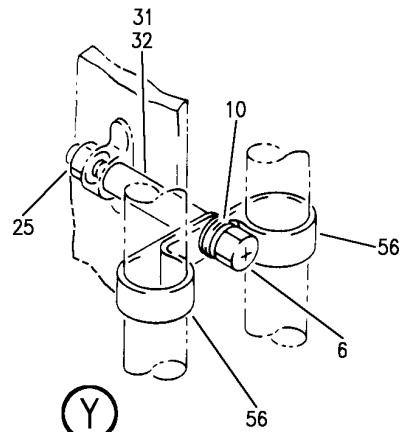
(AA)



(X)



(Z)



(Y)

Y 34-115108 SHT. 3 REV 279

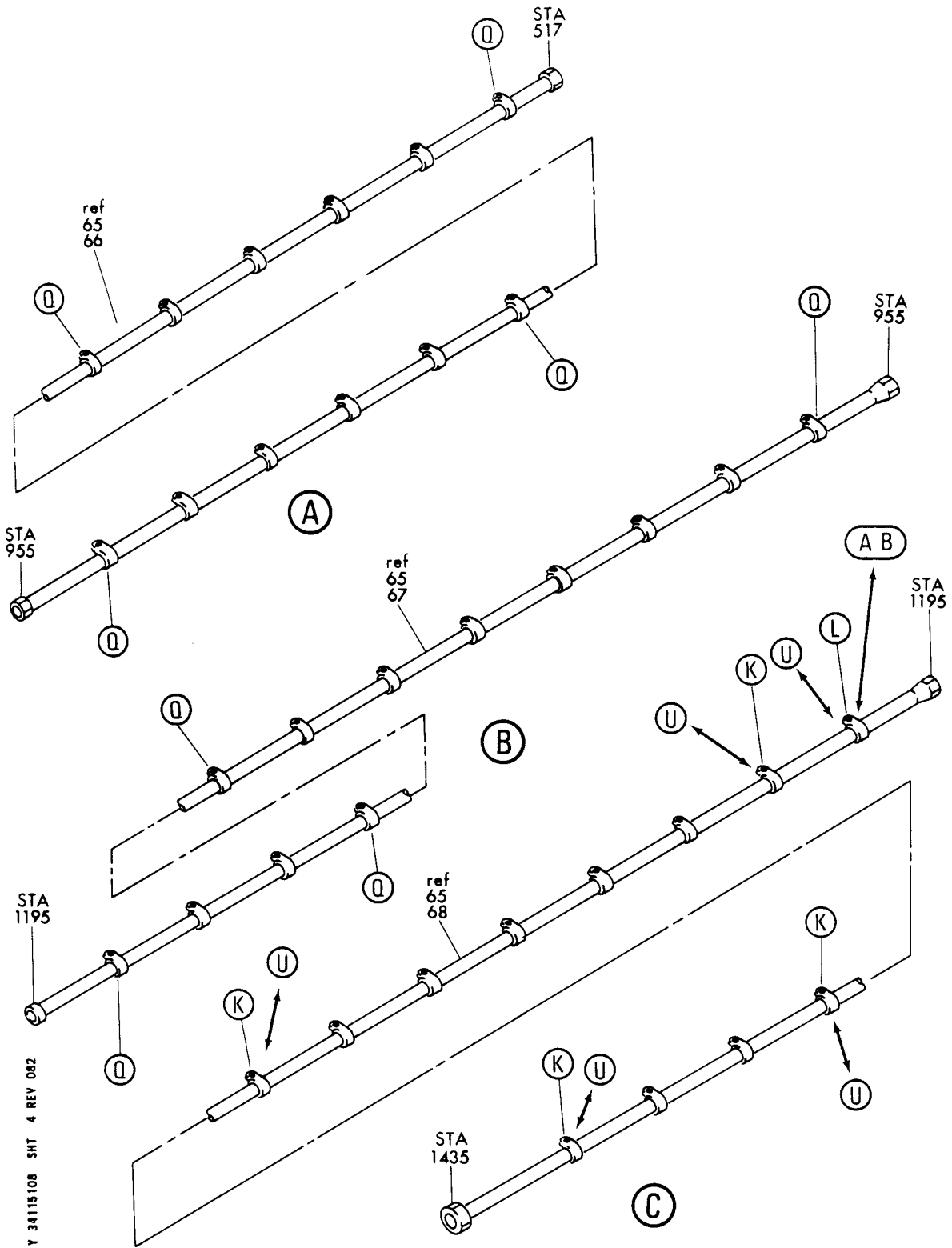
TUBING INSTL-PITOT STATIC STA. 660 TO 1862.70  
FIGURE 8 (SHEET 3)

**34-11-51-08**

BRI  
MAY 28/07

34-11-51-08  
PAGE 08

**BOEING**  
757  
PARTS CATALOG (MAINTENANCE)



Y 34115108 SHT 4 REV 082

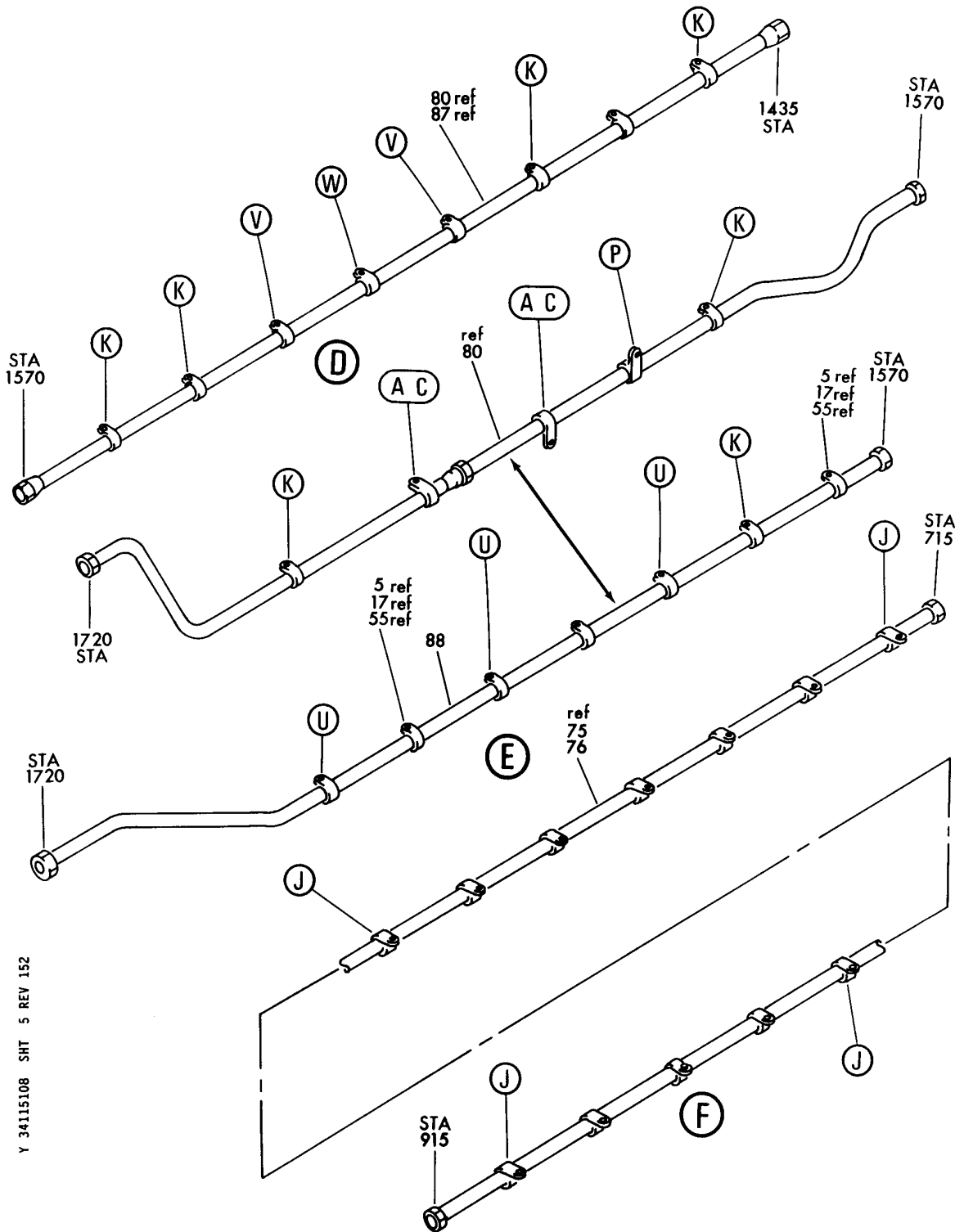
TUBING INSTL-PITOT STATIC STA. 660 TO 1862.70  
FIGURE 8 (SHEET 4)

**34-11-51-08**

BRI  
MAY 28/07

34-11-51-08  
PAGE 0C

**BOEING**  
757  
PARTS CATALOG (MAINTENANCE)



Y 34115108 SHT 5 REV 152

TUBING INSTL-PITOT STATIC STA. 660 TO 1862.70  
FIGURE 8 (SHEET 5)

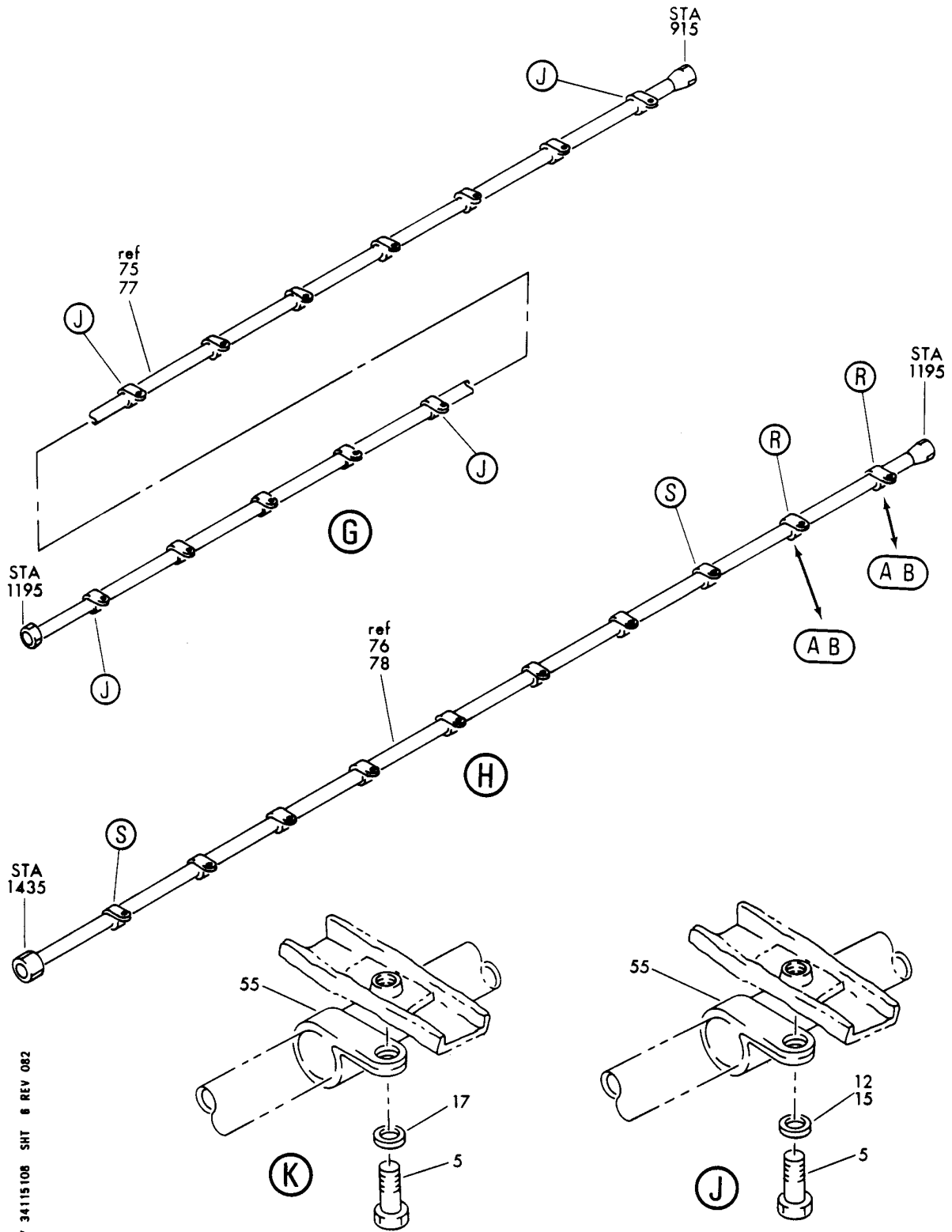
**34-11-51-08**

BRI  
MAY 28/07

34-11-51-08  
PAGE 0D



**BOEING**  
757  
PARTS CATALOG (MAINTENANCE)



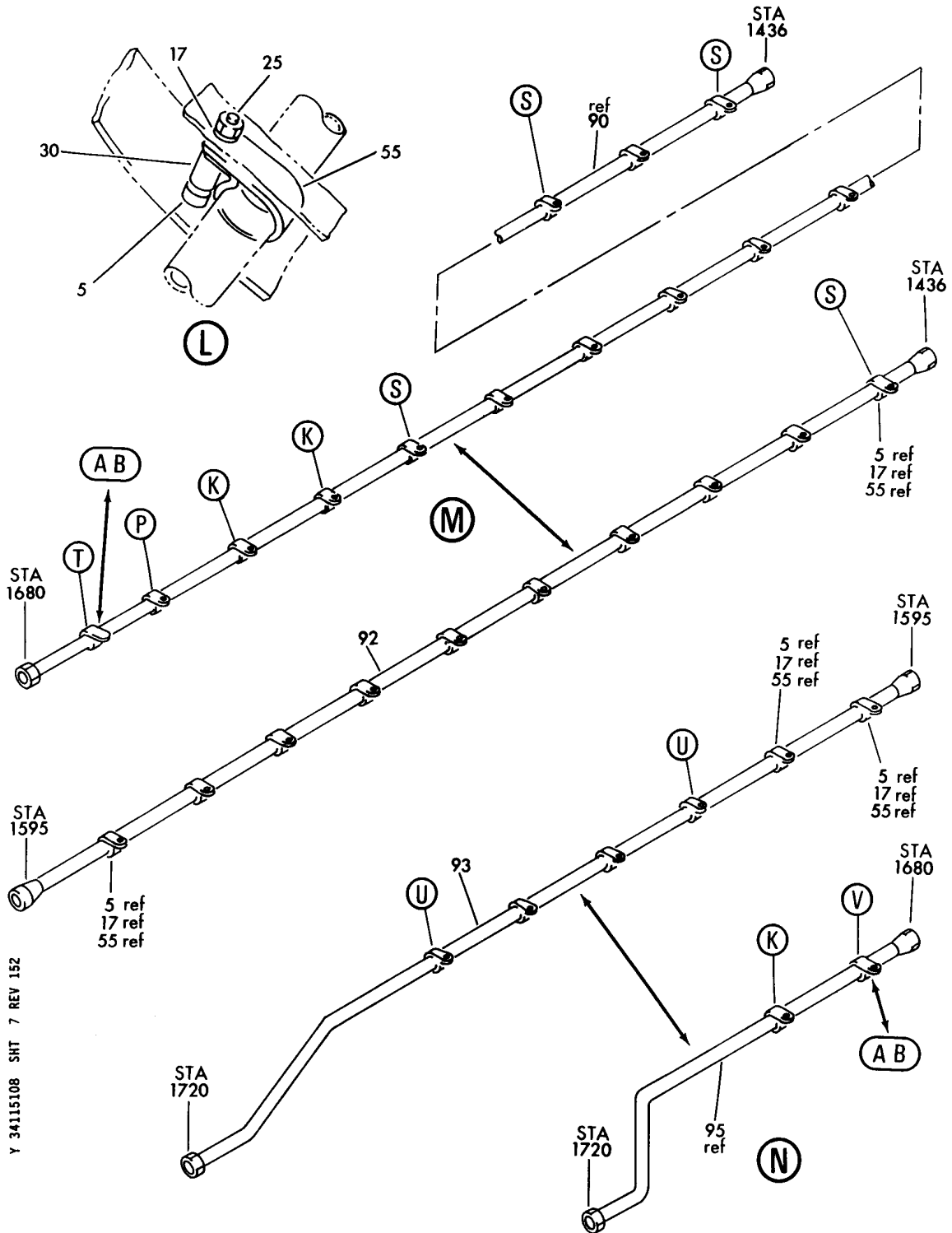
TUBING INSTL-PITOT STATIC STA. 660 TO 1862.70  
FIGURE 8 (SHEET 6)

**34-11-51-08**

BRI  
MAY 28/07

34-11-51-08  
PAGE 0E

**BOEING**  
757  
PARTS CATALOG (MAINTENANCE)



Y 34115108 SHT 7 REV 152

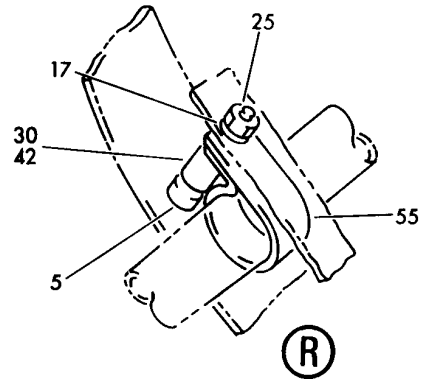
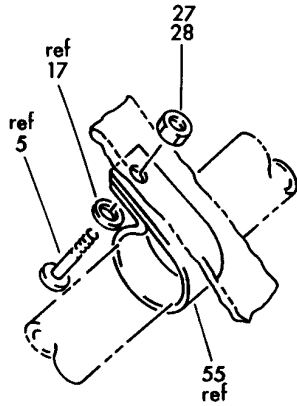
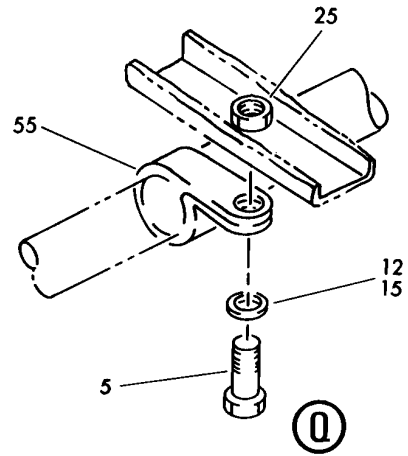
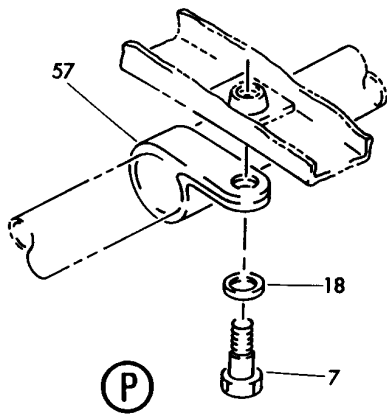
TUBING INSTL-PITOT STATIC STA. 660 TO 1862.70  
FIGURE 8 (SHEET 7)

**34-11-51-08**

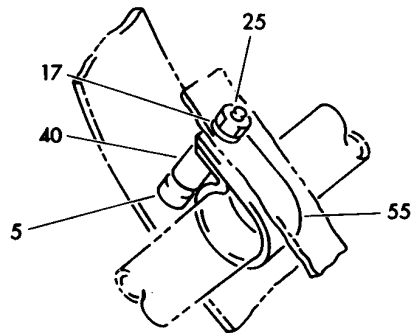
BRI  
MAY 28/07

34-11-51-08  
PAGE OF

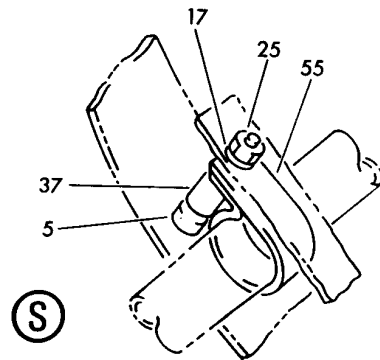
**BOEING**  
757  
PARTS CATALOG (MAINTENANCE)



U



T



S

Y 34115108 SMT 8 REV 134

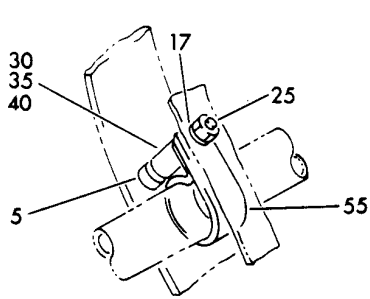
TUBING INSTL-PITOT STATIC STA. 660 TO 1862.70  
FIGURE 8 (SHEET 8)

**34-11-51-08**

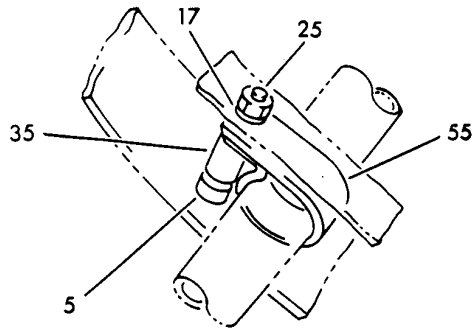
BRI  
MAY 28/07

34-11-51-08  
PAGE 08

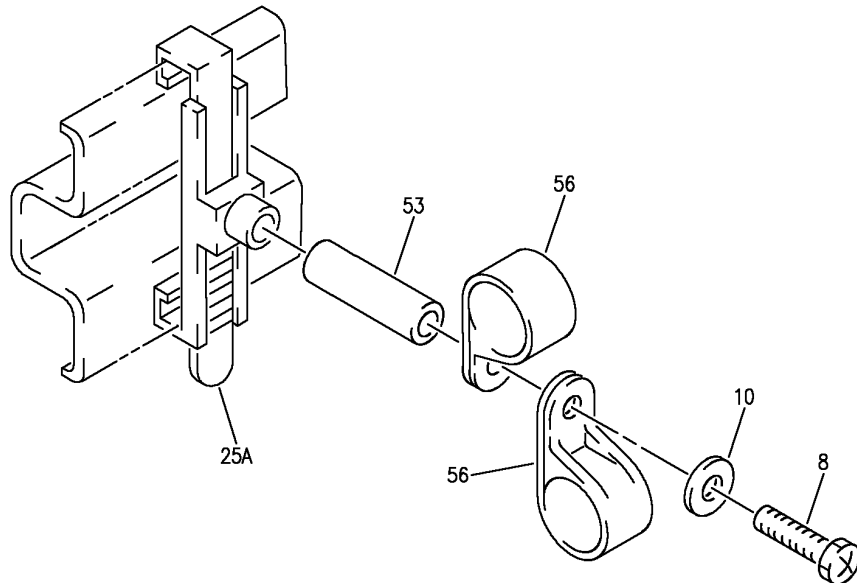
**BOEING**  
757  
PARTS CATALOG (MAINTENANCE)



AB



AC



AE

Y 34-115108 SH- 9 REV 279

TUBING INSTL-PITOT STATIC STA. 660 TO 1862.70  
FIGURE 8 (SHEET 9)

**34-11-51-08**

BRI  
MAY 28/07

34-11-51-08  
PAGE 0H



757

PARTS CATALOG (MAINTENANCE)

FIG ITEM	PART NUMBER	1 2 3 4 5 6 7	NOMENCLATURE	EFFECT FROM TO	UNITS PER ASSY
8			TUBING INSTL-PITOT STATIC STA. 660 TO 1862.70	002004 006100 107107 121503 904999	
- 1	232N9201-311		TUBING INSTL-PITOT STATIC POSITION DATA: STA 660 TO 1862.70 VARIABLE DRAWING REF: 232N9201-391 232N9201-408 FOR NHA/ADDITIONAL DET SEE: 25-10-00-01 25-10-00-05	002004 006100 107107 121503 904999	RF
5	NAS1801-3		.SCREW- SIZE DETERMINED ON INSTL.	002004 006100 107107 121503 904999	104
6	NAS1801-3		.SCREW- SIZE DETERMINED ON INSTL.	002004 006100 107107 121503 904999	11
7	NAS1801-3		.SCREW- SIZE DETERMINED ON INSTL.	002004 006100 107107 121503 904999	2
8	NAS1801-3		.SCREW- SIZE DETERMINED ON INSTL. USED WITH: 232N9201-76 232N9201-78	002004 006100 107107 121503 904999	2
10	AN960KD10L		.WASHER-	002004 006100 107107 121503 904999	11
12	AN960KD10L		.WASHER-	002004 006100 107107 121503 904999	52
17	AN960JD10L		.WASHER-	002004 006100 107107 121503 904999	52

MISSING ITEM NUMBERS NOT APPLICABLE

- ITEM NOT ILLUSTRATED

34-11-51-08

34-11-51  
FIG. 08  
PAGE 1  
JAN 20/09

BRI



757

PARTS CATALOG (MAINTENANCE)

FIG ITEM	PART NUMBER	1 2 3 4 5 6 7	NOMENCLATURE	EFFECT FROM TO	UNITS PER ASSY
8	18	AN960JD10L	.WASHER-	002004 006100 107107 121503 904999	2
	20	AN960PD10	.WASHER-	002004 006100 107107 121503 904999	2
	27	MS21042L3	.NUT-	002004 006100 107107 121503 904999	8
	30	NAS42DD6-32	.SPACER-	002004 006100 107107 121503 904999	12
	31	NAS42DD6-32	.SPACER	002004 006100 107107 121503 904999	4
	33	NAS42DD6-8	.SPACER-	002004 006100 107107 121503 904999	2
	35	NAS42DD6-24	.SPACER-	002004 006100 107107 121503 904999	2
	36	NAS42DD6-24	.SPACER	002004 006100 107107 121503 904999	2
37	NAS42DD6-12	.SPACER-	002004 006100 107107 121503 904999	33	

MISSING ITEM NUMBERS NOT APPLICABLE

- ITEM NOT ILLUSTRATED

34-11-51-08

34-11-51  
FIG. 08  
PAGE 2  
JAN 20/09

BRI

BOEING PROPRIETARY - Copyright © - Unpublished Work - See title page for details.



757

PARTS CATALOG (MAINTENANCE)

FIG ITEM	PART NUMBER	1 2 3 4 5 6 7	NOMENCLATURE	EFFECT FROM TO	UNITS PER ASSY
8	38	NAS42DD6-16	. SPACER-	002004 006100 107107 121503 904999	1
	40	NAS42DD6-26	. SPACER-	002004 006100 107107 121503 904999	1
	42	NAS42DD6-44	. SPACER-	002004 006100 107107 121503 904999	2
	45	NAS82DD6-64	. SPACER	002004 006100 107107 121503 904999	1
	50	NAS42DD6-64	. SPACER	002004 006100 107107 121503 904999	4
	55	BACC10DK	. CLAMP- SIZE DETERMINED ON INSTL.	002004 006100 107107 121503 904999	103
	56	BACC10DK	. CLAMP- SIZE DETERMINED ON INSTL.	002004 006100 107107 121503 904999	21
	57	BACC10DK	. CLAMP- SIZE DETERMINED ON INSTL.	002004 006100 107107 121503 904999	2
	60	232N9201-212	. TUBE ASSY- TUBING MATERIAL: .375 IN. OD .035 IN. WALL 219.43 IN. LG AL	003004 006100 107107 121503 904999	RF

MISSING ITEM NUMBERS NOT APPLICABLE

- ITEM NOT ILLUSTRATED

34-11-51-08

34-11-51  
FIG. 08  
PAGE 3  
JAN 20/09

BRI

BOEING PROPRIETARY - Copyright © - Unpublished Work - See title page for details.



757

PARTS CATALOG (MAINTENANCE)

FIG ITEM	PART NUMBER	1 2 3 4 5 6 7	NOMENCLATURE	EFFECT FROM TO	UNITS PER ASSY
8	65	232N9201-211	.TUBE ASSY- TUBING MATERIAL: .375 IN. OD .035 IN. WALL 240.12 IN LG AL	002004 006100 107107 121503 904999	1
	70	232N9201-214	.TUBE ASSY- TUBING MATERIAL: .375 IN. OD .035 IN. WALL 241.0 IN. LG AL	003004 006100 107107 121503 904999	RF
	75	232N9201-215	.TUBE ASSY- TUBING MATERIAL: .375 IN. OD .035 IN. WALL 240.0 IN. LG AL	002004 006100 107107 121503 904999	1
	82	232N9201-242	.TUBE ASSY- TUBING MATERIAL: .375 IN. OD .035 IN. WALL 187.9 IN. LG AL OPTIONAL PART: 232N9201-245 USED WITH: 232N9201-243	002004 006100 107107 121503 904999	1
	82	232N9201-245	.TUBE ASSY- OPTIONAL PART: 232N9201-242 USED WITH: 232N9201-246	002004 006100 107107 121503 904999	1
	83	232N9201-243	.TUBE ASSY- TUBING MATERIAL: .375 IN. OD .035 IN. WALL 53.8 IN. LG AL OPTIONAL PART: 232N9201-246 USED WITH: 232N9201-242	002004 006017 107107 121503 904949 952999	1
	83	232N9201-246	.TUBE ASSY- OPTIONAL PART: 232N9201-243 USED WITH: 232N9201-245	002004 006017 107107 121503 904949 952999	1
	MISSING ITEM NUMBERS NOT APPLICABLE				

- ITEM NOT ILLUSTRATED

34-11-51-08

34-11-51  
FIG. 08  
PAGE 4  
JAN 20/09

BRI





757

PARTS CATALOG (MAINTENANCE)

FIG ITEM	PART NUMBER	1 2 3 4 5 6 7	NOMENCLATURE	EFFECT FROM TO	UNITS PER ASSY
8					
83	232N9201-412		.TUBE ASSY- TUBING MATERIAL: .375 IN. OD .035 IN. WALL 51.7 IN. LG 6061-T6 AL ALLOY ROUND SEAMLESS TUBING PER MIL-T-7081 OR WW-T-700/6 USED WITH: 232N9201-242 POST SERVICE LETTER: 34-118	018100 950951	1
85	232N9201-209		.TUBE ASSY- TUBING MATERIAL: .375 IN. OD .035 IN. WALL 49.0 IN. LG AL	107107	1
85	232N9201-389		.TUBE ASSY- TUBING MATERIAL: .375 IN. OD .035 IN. WALL 55.0 IN. LG AL	121503 904949	1
85	232N9201-399		.TUBE ASSY- TUBING MATERIAL: .375 IN. OD .035 IN. WALL 46.0 IN. LG AL	002004 006100 950999	1
85	232N9201-463		.TUBE ASSY- TUBING MATERIAL: .375 IN. OD .035 IN. WALL 47.60 IN. LG AL	002004 006100 950999	1
90	232N9201-216		.TUBE ASSY- TUBING MATERIAL: .375 IN. OD .035 IN. WALL 242.0 IN. LG AL	002004 006100 107107 121503 904999	1
95	232N9201-217		.TUBE ASSY- TUBING MATERIAL: .375 IN. OD .035 IN. WALL 50.0 IN. LG AL	002004 006100 107107 950999	1
95	232N9201-390		.TUBE ASSY- TUBING MATERIAL: .375 IN. OD .035 IN. WALL 54.0 IN. LG AL	121503 904949	1
97	232N9201-81		.TUBE ASSY- TUBING MATERIAL: .375 IN. OD .035 IN. WALL 69.2 IN. LG AL	002004 006100 107107 121503 904999	1

MISSING ITEM NUMBERS NOT APPLICABLE

- ITEM NOT ILLUSTRATED

34-11-51-08

34-11-51  
FIG. 08  
PAGE 5  
JAN 20/09

BRI

BOEING PROPRIETARY - Copyright © - Unpublished Work - See title page for details.

 **BOEING**  
757  
**PARTS CATALOG (MAINTENANCE)**

FIG ITEM	PART NUMBER	1 2 3 4 5 6 7	NOMENCLATURE	EFFECT FROM TO	UNITS PER ASSY
8					
98	232N9201-70		.TUBE ASSY- TUBING MATERIAL: .375 IN. OD .035 IN. WALL 35.0 IN. LG AL	002004 006100 107107 121503 904999	1
- 100	AFP1646		..SLEEVE- SUPPLIER CODE: V30974 SPECIFICATION NUMBER: BACS13AP6 OPTIONAL PART: BC922-6 V50948 DBOS13AP6 V14798 2-01033-6 V11328 2-01033-6 V70195 BC922-6 V92003	002004 006100 107107 121503 904999	1
- 100	AFP175V6P		..SLEEVE- SUPPLIER CODE: V30974 SPECIFICATION NUMBER: BACS13BX6HP	002004 006100 107107 121503 904999	1
- 100	AFP175V6P		..SLEEVE- SUPPLIER CODE: V30974 SPECIFICATION NUMBER: BACS13BX6HP USED ON: 232N9201-242 232N9201-243	002004 006100 107107 121503 904999	1

MISSING ITEM NUMBERS NOT APPLICABLE

- ITEM NOT ILLUSTRATED

BRI

# 34-11-51-08

BOEING PROPRIETARY - Copyright © - Unpublished Work - See title page for details.

34-11-51  
FIG. 08  
PAGE 6  
JAN 20/09



757

PARTS CATALOG (MAINTENANCE)

FIG ITEM	PART NUMBER	1 2 3 4 5 6 7	NOMENCLATURE	EFFECT FROM TO	UNITS PER ASSY
8					
- 102	AFP1646		.. SLEEVE- SUPPLIER CODE: V30974 SPECIFICATION NUMBER: BACS13AP6 OPTIONAL PART: BC922-6 V50948 DBOS13AP6 V14798 2-01033-6 V11328 2-01033-6 V70195 BC922-6 V92003 USED ON: 232N9201-243 232N9201-246 232N9201-412	002004 006100 107107 121503 904999	2
- 102	AFP175V6P		.. SLEEVE- SUPPLIER CODE: V30974 SPECIFICATION NUMBER: BACS13BX6HP USED ON: 232N9201-243 232N9201-246 232N9201-412	002004 006100 107107 121503 904999	2
- 105	BACN10YLO6		.. NUT-	002004 006100 107107 121503 904999	1
- 107	BACN10YLO6		.. NUT- USED ON: 232N9201-243 232N9201-246 232N9201-412	002004 006100 107107 121503 904999	2

MISSING ITEM NUMBERS NOT APPLICABLE

- ITEM NOT ILLUSTRATED

34-11-51-08

34-11-51  
FIG. 08  
PAGE 7  
JAN 20/09

BRI



757

PARTS CATALOG (MAINTENANCE)

FIG ITEM	PART NUMBER	1 2 3 4 5 6 7	NOMENCLATURE	EFFECT FROM TO	UNITS PER ASSY
8 - 110	35056GV06		..UNION SUPPLIER CODE: V08199 SPECIFICATION NUMBER: BACU24AB6W OPTIONAL PART: 2-01027-6W V11328 31875-6W V14397 4671097W6 V50948 AP1004W06 V01673 AFP941W6 V30974 DBOU24AB6W V14798	002004 006100 107107 121503 904999	2
- 110	35056GV06		..UNION- SUPPLIER CODE: V08199 SPECIFICATION NUMBER: BACU24AB6W OPTIONAL PART: 2-01027-6W V11328 31875-6W V14397 4671097W6 V50948 AP1004W06 V01673 AFP941W6 V30974 DBOU24AB6W V14798 USED ON: 232N9201-242	002004 006100 107107 121503 904999	2

MISSING ITEM NUMBERS NOT APPLICABLE

- ITEM NOT ILLUSTRATED

BRI

34-11-51-08

BOEING PROPRIETARY - Copyright © - Unpublished Work - See title page for details.

34-11-51  
FIG. 08  
PAGE 8  
JAN 20/09



757

PARTS CATALOG (MAINTENANCE)

FIG ITEM	PART NUMBER	1 2 3 4 5 6 7	NOMENCLATURE	EFFECT FROM TO	UNITS PER ASSY
8 - 112	35056GV06		..UNION- SUPPLIER CODE: V08199 SPECIFICATION NUMBER: BACU24AB6W OPTIONAL PART: 2-01027-6W V11328 31875-6W V14397 4671097W6 V50948 AP1004W06 V01673 AFP941W6 V30974 DBOU24AB6W V14798 USED ON: 232N9201-245	002004 006100 107107 121503 904999	2
125	232N9201-76		.TUBE ASSY- TUBING MATERIAL: .375 IN. OD .035 IN. WALL 90.0 IN. LG AL	002004 006100 107107 121503 904999	1
130	232N9201-78		.TUBE ASSY- TUBING MATERIAL: .375 IN. OD .035 IN. WALL 96.0 IN. LG AL	002004 006100 107107 121503 904999	1
135	232N9201-82		.TUBE ASSY- TUBING MATERIAL: .375 IN. OD .035 IN. WALL 16.0 IN. LG AL	002004 006100 107107 121503 904999	1
140	232N9201-84		.TUBE ASSY- TUBING MATERIAL: .375 IN. OD .035 IN. WALL 15.5 IN. LG AL	002004 006100 107107 121503 904999	1
145	232N9201-74		.TUBE ASSY- TUBING MATERIAL: .375 IN. OD .035 IN. WALL 29.0 IN. LG AL	002004 006100 107107 121503 904999	1

MISSING ITEM NUMBERS NOT APPLICABLE

- ITEM NOT ILLUSTRATED

34-11-51-08

34-11-51  
FIG. 08  
PAGE 9  
JAN 20/09

BRI



757

PARTS CATALOG (MAINTENANCE)

FIG ITEM	PART NUMBER	1 2 3 4 5 6 7	NOMENCLATURE	EFFECT FROM TO	UNITS PER ASSY
8					
147	232N9201-72		.TUBE ASSY- TUBING MATERIAL: .375 IN. OD .035 IN. WALL 32.0 IN. LG AL	002004 006100 107107 121503 904999	1
- 150	AFP175V6P		..SLEEVE- SUPPLIER CODE: V30974 SPECIFICATION NUMBER: BACS13BX6HP USED ON: 232N9201-72 232N9201-74 232N9201-82 232N9201-84 USED ON: 232N9201-76 232N9201-78	002004 006100 107107 121503 904999	2
- 155	BACN10YLO6		..NUT-	002004 006100 107107 121503 904999	2
160	MS21902D6		.UNION	002004 006100 107107 121503 904999	4
165	MS21908D6		.ELBOW-	002004 006100 107107 121503 904999	2
175	MS21912D6		.TEE	002004 006100 107107 121503 904999	2
180	MS28778-6		.PACKING	002004 006100 107107 121503 904999	4
185	AN924-6D		.NUT	002004 006100 107107 121503 904999	4

MISSING ITEM NUMBERS NOT APPLICABLE

- ITEM NOT ILLUSTRATED

34-11-51-08

34-11-51  
FIG. 08  
PAGE 10  
JAN 20/09

BRI



757

PARTS CATALOG (MAINTENANCE)

FIG ITEM	PART NUMBER	1 2 3 4 5 6 7	NOMENCLATURE	EFFECT FROM TO	UNITS PER ASSY
8					
190	AN960KD916	.	WASHER-	002004 006100 107107 121503 904999	1
195	AN960PD916L	.	WASHER	002004 006100 107107 121503 904999	3
200	40009-1	.	DRAIN ASSY- SUPPLIER CODE: V5V428 MISCELLANEOUS DATA: ACCORDING TO SUBSTITUTION DOCUMENT 65-88700, SHT 5 P/N 1QA4-2-64A CAN REPLACE BUT NOT BE REPLACED BY P/N 40009-1 FOR MODELS 737 AND 757	002004 006100 107107 121503 904999	2
900			ILLUSTRATION REFERENCE: TUBING INSTL-PITOT STATIC STA 440 TO 660 34-11-51-07	002004 006100 107107 121503 904999	RF
910			ILLUSTRATION REFERENCE: COMPUTER INSTL-ELEV CONT FEEL 27-31-19-01	002004 006100 107107 121503 904999	RF
915			ILLUSTRATION REFERENCE: POWER ASSIST AND DEACTIVATION INSTL-NO. 4 PASS. DOOR L AND R SIDE EMER 52-11-30-02	002004 006100 107107 121503 904999	RF

MISSING ITEM NUMBERS NOT APPLICABLE

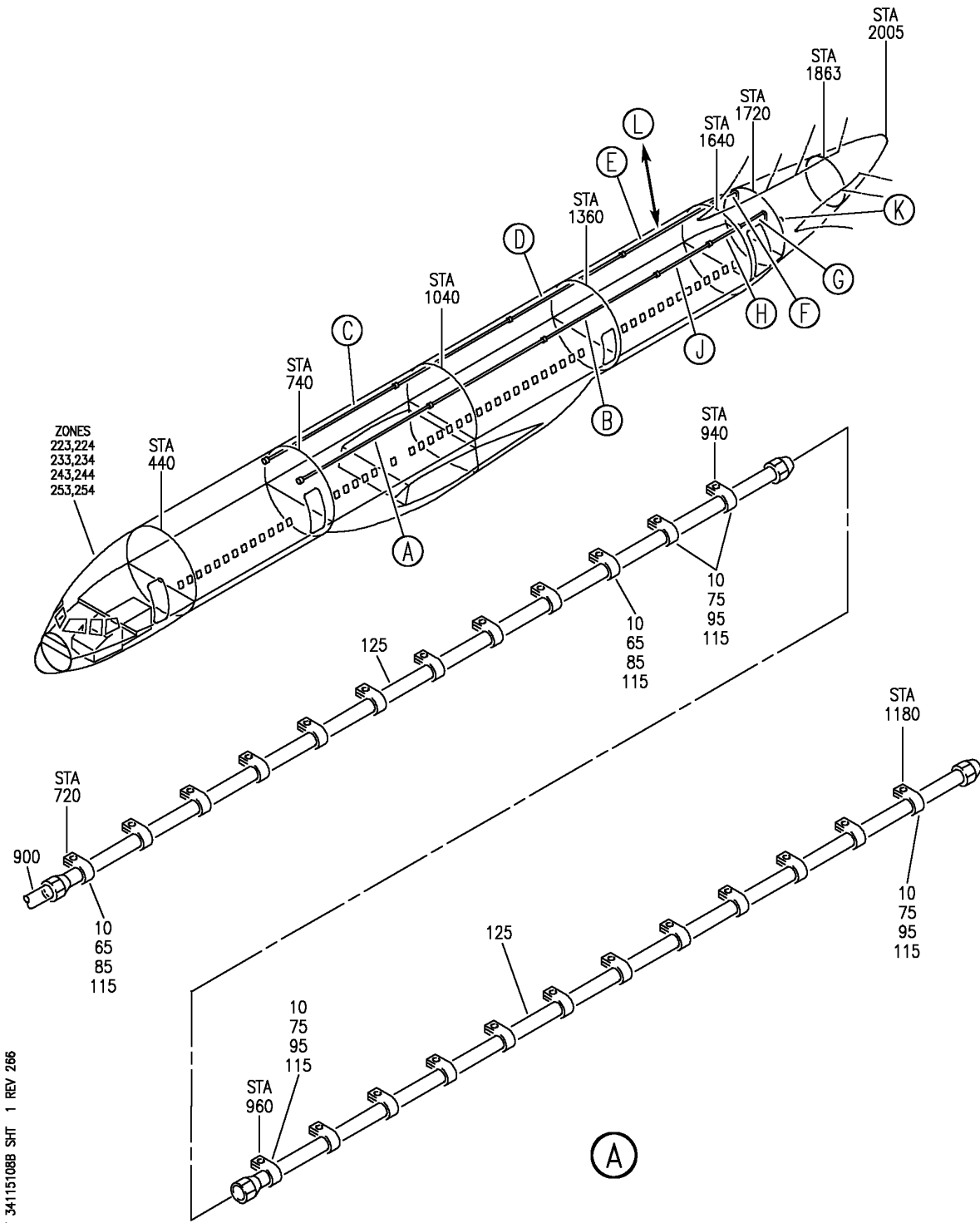
- ITEM NOT ILLUSTRATED

34-11-51-08

34-11-51  
FIG. 08  
PAGE 11  
JAN 20/09

BRI

**BOEING**  
757  
PARTS CATALOG (MAINTENANCE)



Y 34-11-108B SHT 1 REV 266

TUBING INSTL-PITOT STATIC STA. 660 TO 1862.70  
FIGURE 8B (SHEET 1)

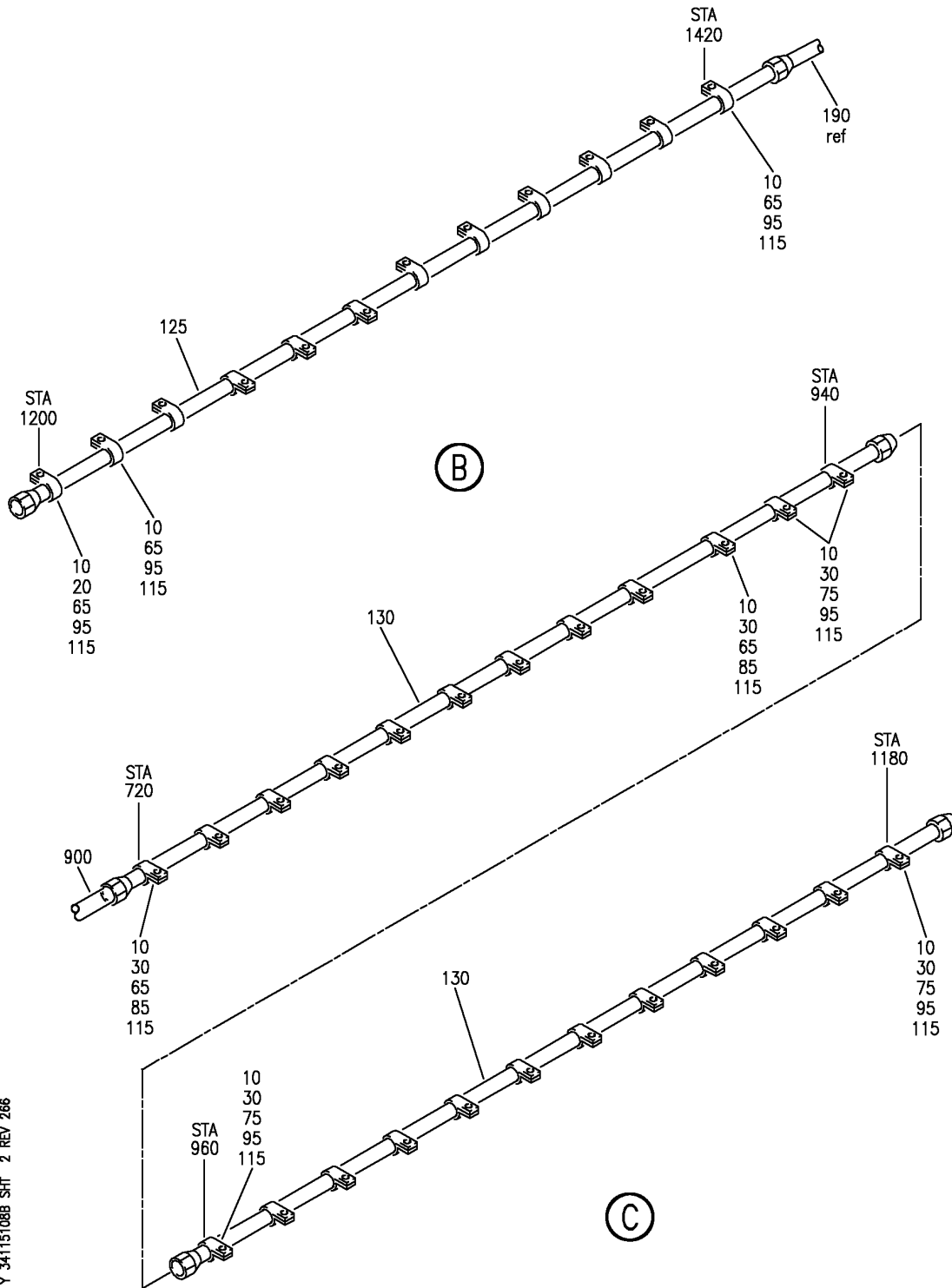
**34-11-51-08B**

BRI  
MAY 28/07

34-11-51-08B  
PAGE 0



**BOEING**  
757  
PARTS CATALOG (MAINTENANCE)



Y 34-115108B SHT 2 REV 266

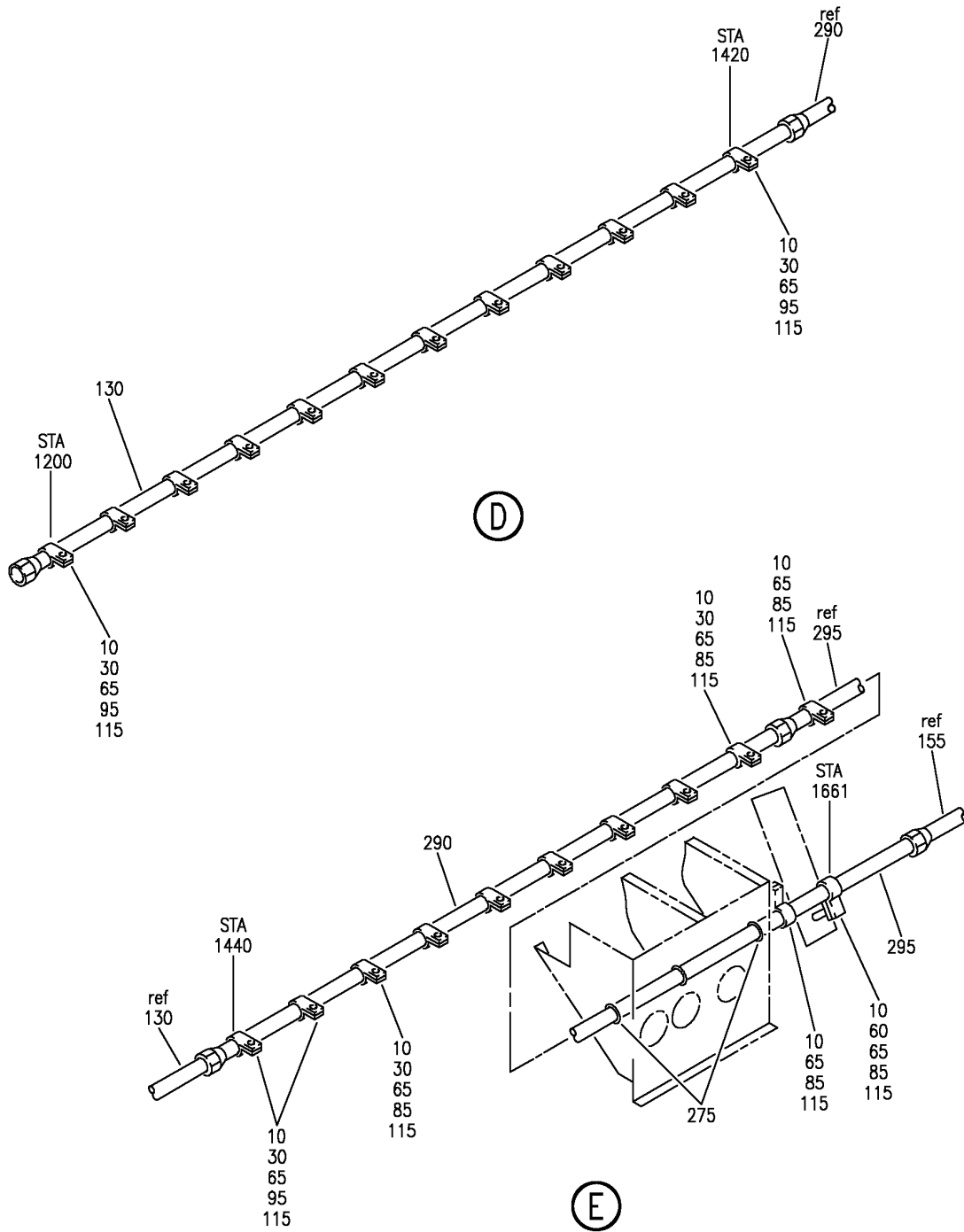
TUBING INSTL-PITOT STATIC STA. 660 TO 1862.70  
FIGURE 8B (SHEET 2)

**34-11-51-08B**

BRI  
MAY 28/07

34-11-51-08B  
PAGE 0A

**BOEING**  
757  
PARTS CATALOG (MAINTENANCE)



Y 34-115108B SHT 3 REV 266

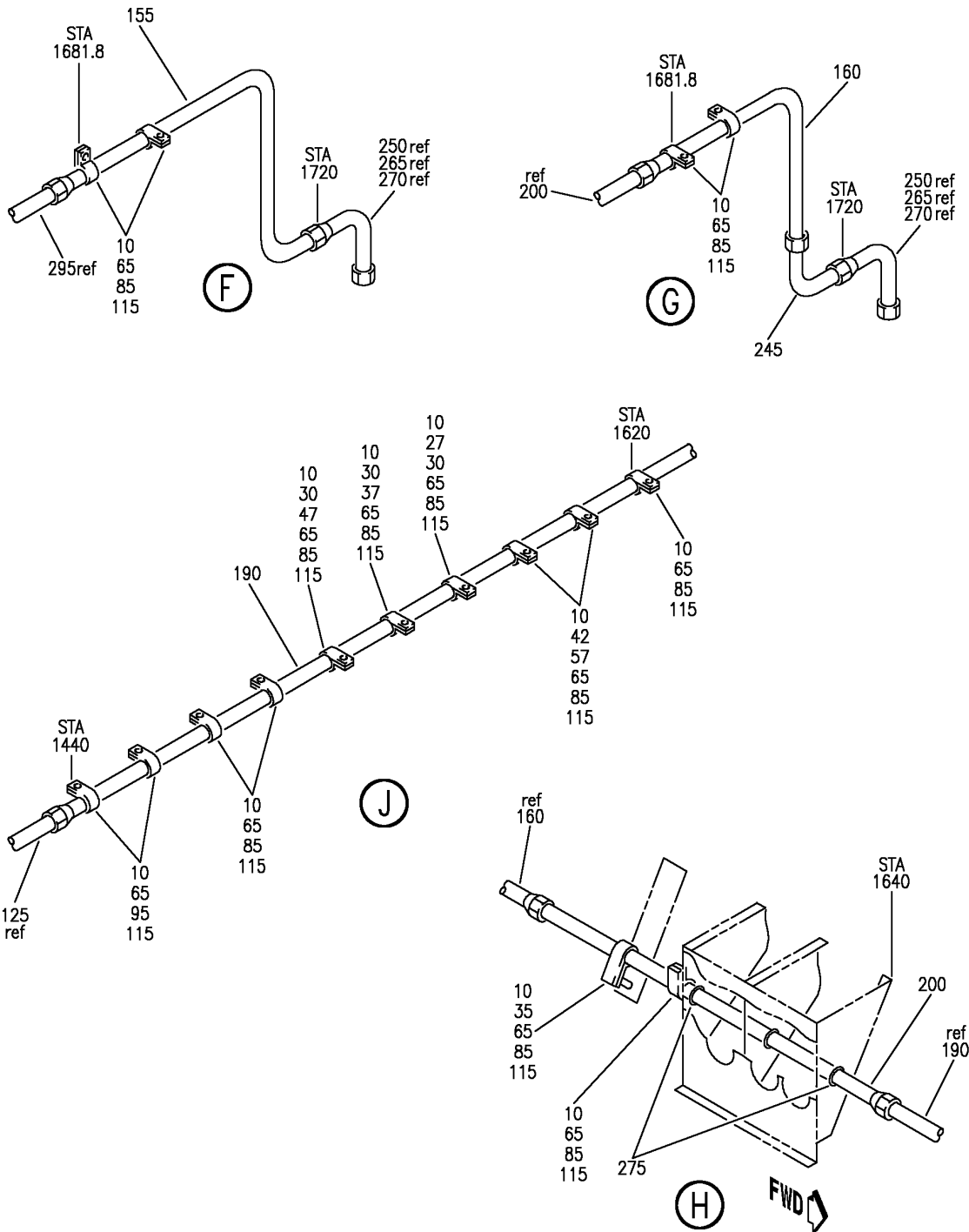
TUBING INSTL-PITOT STATIC STA. 660 TO 1862.70  
FIGURE 8B (SHEET 3)

**34-11-51-08B**

BRI  
MAY 28/07

34-11-51-08B  
PAGE 0B


**BOEING**  
 757  
**PARTS CATALOG (MAINTENANCE)**



Y 34-115108B SHT 4 REV 266

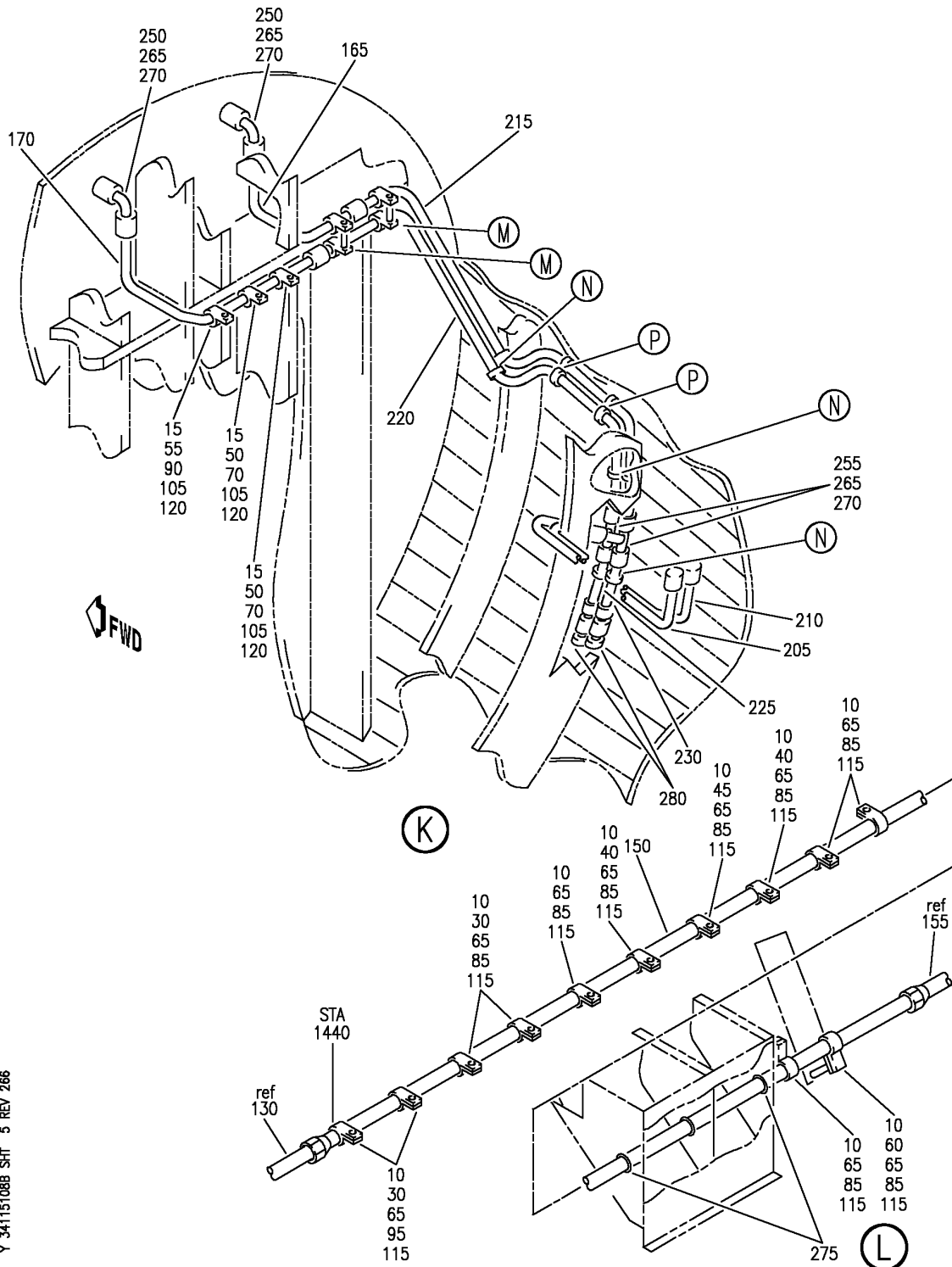
TUBING INSTL-PITOT STATIC STA. 660 TO 1862.70  
FIGURE 8B (SHEET 4)

**34-11-51-08B**

BRI  
MAY 28/07

34-11-51-08B  
PAGE 0C

**BOEING**  
757  
**PARTS CATALOG (MAINTENANCE)**



Y 34-115108B SHT 5 REV 266

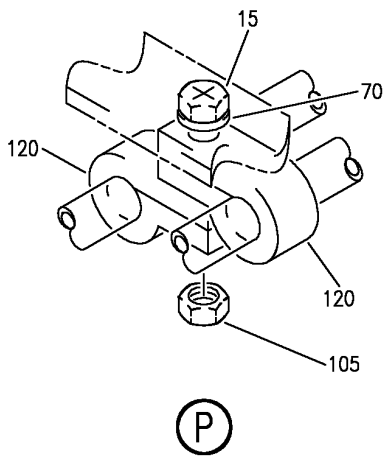
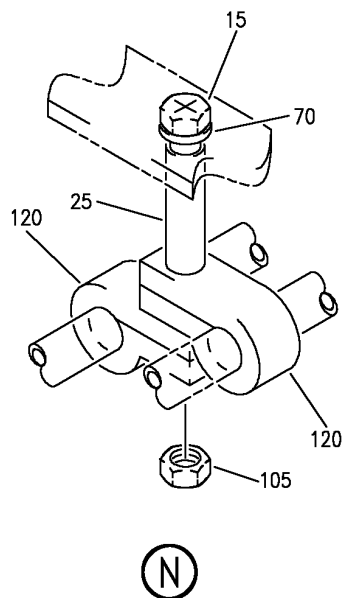
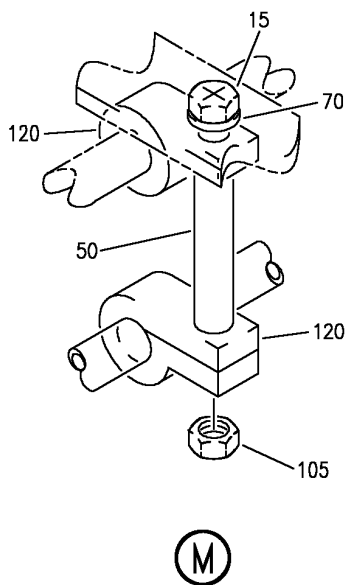
TUBING INSTL-PITOT STATIC STA. 660 TO 1862.70  
FIGURE 8B (SHEET 5)

**34-11-51-08B**

BRI  
MAY 28/07

34-11-51-08B  
PAGE 0D

**BOEING**  
757  
PARTS CATALOG (MAINTENANCE)



Y 34115108B SHT 6 REV 266

TUBING INSTL-PITOT STATIC STA. 660 TO 1862.70  
FIGURE 8B (SHEET 6)

**34-11-51-08B**

BRI  
MAY 28/07

34-11-51-08B  
PAGE 0E



757

PARTS CATALOG (MAINTENANCE)

FIG ITEM	PART NUMBER	1 2 3 4 5 6 7	NOMENCLATURE	EFFECT FROM TO	UNITS PER ASSY
8B			TUBING INSTL-PITOT STATIC STA. 660 TO 1862.70	101106 108120 504903	
- 1	232N9201-464		TUBING INSTL-PITOT STATIC POSITION DATA: STA 660 TO STA 1862.70 FOR NHA SEE: 25-10-00-10	101101	RF
- 1	232N9201-474		TUBING INSTL-PITOT STATIC POSITION DATA: STA 660 TO STA 1862.70 FOR NHA SEE: 25-10-00-10	102102 504504	RF
- 1	232N9201-478		TUBING INSTL-PITOT STATIC POSITION DATA: STA 660 TO STA 1862.70 FOR NHA SEE: 25-10-00-10	505903	RF
- 1	232N9201-483		TUBING INSTL-PITOT STATIC POSITION DATA: STA 660 TO STA 1862.70 FOR NHA SEE: 25-10-00-10	108120	RF
- 1	MODREF32282		TUBING INSTL-PITOT STATIC MODULE NUMBER: 232N9201-497 REV B POSITION DATA: STA 660 TO STA 1862.70	103106	1
- 2	MODREF32221		TUBING INSTL- MODULE NUMBER: 232N9201-802 REV B POSITION DATA: STA 660 TO STA 1862.70 FOR ADDITIONAL DETAILS SEE: 34-11-51-06C 34-11-51-06D 34-11-51-07B	103103	1
- 2	MODREF32223		TUBING INSTL- MODULE NUMBER: 232N9201-807 REV B POSITION DATA: STA 660 TO STA 1862.70 FOR ADDITIONAL DETAILS SEE: 34-11-51-07B	103106	1

MISSING ITEM NUMBERS NOT APPLICABLE

- ITEM NOT ILLUSTRATED

**34-11-51-08B**

34-11-51  
FIG. 08B  
PAGE 1  
JAN 20/09

BRI



757

PARTS CATALOG (MAINTENANCE)

FIG ITEM	PART NUMBER	1 2 3 4 5 6 7	NOMENCLATURE	EFFECT FROM TO	UNITS PER ASSY
8B					
- 2	MODREF34166		TUBING INSTL- MODULE NUMBER: 232N9201-802 REV C POSITION DATA: STA 660 TO STA 1862.70 FOR ADDITIONAL DETAILS SEE: 34-11-51-06C 34-11-51-06D 34-11-51-07B	104105	1
- 2	MODREF34777		TUBING INSTL- MODULE NUMBER: 232N9201-802 REV D POSITION DATA: STA 660 TO STA 1862.70 FOR ADDITIONAL DETAILS SEE: 34-11-51-06C 34-11-51-06D 34-11-51-07B	106106	1
10	NAS1801-3		.SCREW- SIZE DETERMINED ON INSTL.	101102 108120 504903	100
15	NAS1801-3		.SCREW- SIZE DETERMINED ON INSTL.	103106	10
20	NAS42DD6-32		.SPACER	101102 108120 504903	1
25	NAS42DD6-32		.SPACER	103106	3
27	NAS42DD6-44		.SPACER	101102 108120 504903	1
30	NAS42DD6-12		.SPACER	101102 108120 504903	48
35	NAS42DD6-24		.SPACER	101102 108120 504903	1
37	NAS42DD6-28		.SPACER	101102 108120 504903	1
40	NAS42DD6-8		.SPACER	101102 108120 504903	2
42	NAS42DD6-12		.SPACER	101102 108120 504903	2
45	NAS42DD6-16		.SPACER	101102 108120 504903	1

MISSING ITEM NUMBERS NOT APPLICABLE

- ITEM NOT ILLUSTRATED

34-11-51-08B

34-11-51  
FIG. 08B  
PAGE 2  
JAN 20/09

BRI

BOEING PROPRIETARY - Copyright © - Unpublished Work - See title page for details.



757

PARTS CATALOG (MAINTENANCE)

FIG ITEM	PART NUMBER	1 2 3 4 5 6 7	NOMENCLATURE	EFFECT FROM TO	UNITS PER ASSY
8B					
47	NAS42DD6-18	.	SPACER	101102 108120 504903	1
50	NAS42DD6-64	.	SPACER	101106 108120 504903	4
55	NAS82DD6-64	.	SPACER	101102 108120 504903	1
57	NAS42DD6-25	.	SPACER	101102 108120 504903	1
60	NAS42DD6-26	.	SPACER-	101102 108120 504903	1
65	AN960JD10L	.	WASHER	101102 108120 504903	72
70	AN960JD10L	.	WASHER	103106	9
75	AN960KD10L	.	WASHER	101102 108120 504903	28
85	MS21042L3	.	NUT- QUALIFIED OPTIONAL DATA: BACN10FX PREFERRED OPT TO MS21042L3 WHERE APPLICABLE	101102 108120 504903	44
85	BACN10FX	.	NUT- QUALIFIED OPTIONAL DATA: BACN10FX PREFERRED OPT TO MS21042L3 WHERE APPLICABLE	101102 108120 504903	44
90	MS21042L3	.	NUT- QUALIFIED OPTIONAL DATA: BACN10FX PREFERRED OPT TO MS21042L3 WHERE APPLICABLE	103106	1
90	BACN10FX	.	NUT- QUALIFIED OPTIONAL DATA: BACN10FX PREFERRED OPT TO MS21042L3 WHERE APPLICABLE	103106	1

MISSING ITEM NUMBERS NOT APPLICABLE

- ITEM NOT ILLUSTRATED

34-11-51-08B

34-11-51  
FIG. 08B  
PAGE 3  
JAN 20/09

BRI

BOEING PROPRIETARY - Copyright © - Unpublished Work - See title page for details.





757

PARTS CATALOG (MAINTENANCE)

FIG ITEM	PART NUMBER	1 2 3 4 5 6 7	NOMENCLATURE	EFFECT FROM TO	UNITS PER ASSY
8B 95	BRH10A3	.NUT-	SUPPLIER CODE: V52828 SPECIFICATION NUMBER: BACN10JC3 OPTIONAL PART: H10-3BAC V15653 NS202101-02 V80539 RMLH9075-3W V72962 VN303A02 V92215 96-02 V80539 T6S1032J V11815 QUALIFIED OPTIONAL DATA: BACN10FX PREFERRED OPT TO BACN10JC3 WHERE APPLICABLE	101102 108120 504903	54
95	BACN10FX	.NUT-	QUALIFIED OPTIONAL DATA: BACN10FX PREFERRED OPT TO BACN10JC3 WHERE APPLICABLE	101102 108120 504903	54
105	MS21042L	.NUT-	SIZE DETERMINED ON INSTL. QUALIFIED OPTIONAL DATA: BACN10FX PREFERRED OPT TO MS21042L WHERE APPLICABLE	103106	10
105	BACN10FX	.NUT-	SIZE DETERMINED ON INSTL. QUALIFIED OPTIONAL DATA: BACN10FX PREFERRED OPT TO MS21042L WHERE APPLICABLE	103106	10
115	BACC10DK	.CLAMP-	SIZE DETERMINED ON INSTL.	101102 108120 504903	100
120	BACC10DK	.CLAMP-	SIZE DETERMINED ON INSTL.	103106	17
125	232N9201-211	.TUBE ASSY-	TUBING MATERIAL: .375 IN. OD .035 IN. WALL 240.12 IN. LG AL	101106 108120 504903	3

MISSING ITEM NUMBERS NOT APPLICABLE

- ITEM NOT ILLUSTRATED

34-11-51-08B

34-11-51  
FIG. 08B  
PAGE 4  
JAN 20/09

BRI

BOEING PROPRIETARY - Copyright © - Unpublished Work - See title page for details.



757

PARTS CATALOG (MAINTENANCE)

FIG ITEM	PART NUMBER	1 2 3 4 5 6 7	NOMENCLATURE	EFFECT FROM TO	UNITS PER ASSY
8B 130	232N9201-215	. TUBE ASSY-	TUBING MATERIAL: .375 IN. OD .035 IN. WALL 240.00 IN. LG AL	101106 108120 504903	3
- 135	AP2097HP06	.. SLEEVE	SUPPLIER CODE: V01673 SPECIFICATION NUMBER: BACS13BX06HP OPTIONAL PART: 2-02903-06HP V11328 35235VN06 V08199 AFP175V06P V30974 DBOS13BX06HP V14798	101106 108120 504903	1
- 140	BACN10YLO6	.. NUT		101106 108120 504903	1
- 145	35056GV06	.. UNION	SUPPLIER CODE: V08199 SPECIFICATION NUMBER: BACU24AB6W OPTIONAL PART: 2-01027-6W V11328 31875-6W V14397 4671097W6 V50948 AP1004W06 V01673 AFP941W6 V30974 DBOU24AB6W V14798	101106 108120 504903	1
150	232N9201-216	. TUBE ASSY-	TUBING MATERIAL: .375 IN. OD .035 IN. WALL 242.00 IN. LG AL	101102 108120 504903	1
155	232N9201-462	. TUBE ASSY-	TUBING MATERIAL: .375 IN. OD .035 IN. WALL 49.60 IN. LG AL	101102 108120 504903	1

MISSING ITEM NUMBERS NOT APPLICABLE

- ITEM NOT ILLUSTRATED

34-11-51-08B

34-11-51  
FIG. 08B  
PAGE 5  
JAN 20/09

BRI

BOEING PROPRIETARY - Copyright © - Unpublished Work - See title page for details.



757

PARTS CATALOG (MAINTENANCE)

FIG ITEM	PART NUMBER	1 2 3 4 5 6 7	NOMENCLATURE	EFFECT FROM TO	UNITS PER ASSY
8B 160	232N9201-463	. TUBE ASSY-	TUBING MATERIAL: .375 IN. OD .035 IN. WALL 47.60 IN. LG AL	101102 108120 504903	1
165	232N9201-70	. TUBE ASSY-	TUBING MATERIAL: .375 IN. OD .035 IN. WALL 35.00 IN. LG AL	101102 108120 504903	1
165	232N9201-605	. TUBE ASSY-	TUBING MATERIAL: .375 IN. OD .035 IN. WALL 35.00 IN. LG AL	103106	1
170	232N9201-81	. TUBE ASSY-	TUBING MATERIAL: .375 IN. OD .035 IN. WALL 69.2 IN. LG AL	101106 108120 504903	1
- 175	AP2097HP06	.. SLEEVE	SUPPLIER CODE: V01673 SPECIFICATION NUMBER: BACS13BX06HP OPTIONAL PART: 2-02903-06HP V11328 35235VN06 V08199 AFP175V06P V30974 DBOS13BX06HP V14798	101102 108120 504903	1
- 175	AP2097HP06	.. SLEEVE	SUPPLIER CODE: V01673 SPECIFICATION NUMBER: BACS13BX06HP OPTIONAL PART: 2-02903-06HP V11328 35235VN06 V08199 AFP175V06P V30974 DBOS13BX06HP V14798	103106	1
- 180	BACN10YLO6	.. NUT		101102 108120 504903	1
- 180	BACN10YLO6	.. NUT		103106	1

MISSING ITEM NUMBERS NOT APPLICABLE

- ITEM NOT ILLUSTRATED

34-11-51-08B

34-11-51  
FIG. 08B  
PAGE 6  
JAN 20/09

BRI

BOEING PROPRIETARY - Copyright © - Unpublished Work - See title page for details.



757

PARTS CATALOG (MAINTENANCE)

FIG ITEM	PART NUMBER	1 2 3 4 5 6 7	NOMENCLATURE	EFFECT FROM TO	UNITS PER ASSY
8B - 185	35056GV06		..UNION SUPPLIER CODE: V08199 SPECIFICATION NUMBER: BACU24AB6W OPTIONAL PART: 2-01027-6W V11328 31875-6W V14397 4671097W6 V50948 AP1004W06 V01673 AFP941W6 V30974 DBOU24AB6W V14798	101102 108120 504903	1
- 185	35056GV06		..UNION SUPPLIER CODE: V08199 SPECIFICATION NUMBER: BACU24AB6W OPTIONAL PART: 2-01027-6W V11328 31875-6W V14397 4671097W6 V50948 AP1004W06 V01673 AFP941W6 V30974 DBOU24AB6W V14798	103106	1
190	232N9201-242		.TUBE ASSY- TUBING MATERIAL: .375 IN. OD .035 IN. WALL 187.9 IN. LG AL	101106 108120 504903	1

MISSING ITEM NUMBERS NOT APPLICABLE

- ITEM NOT ILLUSTRATED

BRI

34-11-51-08B

BOEING PROPRIETARY - Copyright © - Unpublished Work - See title page for details.

34-11-51  
FIG. 08B  
PAGE 7  
JAN 20/09



757

PARTS CATALOG (MAINTENANCE)

FIG ITEM	PART NUMBER	1 2 3 4 5 6 7	NOMENCLATURE	EFFECT FROM TO	UNITS PER ASSY
8B - 195	35056GV06		..UNION SUPPLIER CODE: V08199 SPECIFICATION NUMBER: BACU24AB6W OPTIONAL PART: 2-01027-6W V11328 31875-6W V14397 4671097W6 V50948 AP1004W06 V01673 AFP941W6 V30974 DBOU24AB6W V14798	101106 108120 504903	2
200	232N9201-412		.TUBE ASSY- TUBING MATERIAL: .375 IN. OD .035 IN. WALL 51.7 IN. LG. 6061-T6 AL ALLOY ROUND SEAMLESS TUBING PER MIL-T-7081 OR WW-T-700/6	101106 108120 504903	1
205	232N9201-72		.TUBE ASSY- TUBING MATERIAL: .375 IN. OD .035 IN. WALL 32.00 IN. LG AL	101102 108120 504903	1
210	232N9201-74		.TUBE ASSY- TUBING MATERIAL: .375 IN. OD .035 IN. WALL 29.00 IN. LG AL	101102 108120 504903	1
215	232N9201-76		.TUBE ASSY- TUBING MATERIAL: .375 IN. OD .035 IN. WALL 90.00 IN. LG AL	101102 108120 504903	1
215	232N9201-603		.TUBE ASSY- TUBING MATERIAL: .375 IN. OD .035 IN. WALL 89.00 IN. LG AL	103106	1
220	232N9201-78		.TUBE ASSY- TUBING MATERIAL: .375 IN. OD .035 IN. WALL 96.00 IN. LG AL	101102 108120 504903	1
220	232N9201-604		.TUBE ASSY- TUBING MATERIAL: .375 IN. OD .035 IN. WALL 102.00 IN. LG AL	103106	1

MISSING ITEM NUMBERS NOT APPLICABLE

- ITEM NOT ILLUSTRATED

34-11-51-08B

34-11-51  
FIG. 08B  
PAGE 8  
JAN 20/09

BRI

BOEING PROPRIETARY - Copyright © - Unpublished Work - See title page for details.

 **BOEING**  
757  
**PARTS CATALOG (MAINTENANCE)**

FIG ITEM	PART NUMBER	1 2 3 4 5 6 7	NOMENCLATURE	EFFECT FROM TO	UNITS PER ASSY
8B 225	232N9201-82	.	TUBE ASSY- TUBING MATERIAL: .375 IN. OD .035 IN. WALL 16.00 IN. LG AL	101102 108120 504903	1
230	232N9201-84	.	TUBE ASSY- TUBING MATERIAL: .375 IN. OD .035 IN. WALL 15.50 IN. LG AL	101102 108120 504903	1
- 235	AP2097HP06	..	SLEEVE SUPPLIER CODE: V01673 SPECIFICATION NUMBER: BACS13BX06HP OPTIONAL PART: 2-02903-06HP V11328 35235VN06 V08199 AFP175V06P V30974 DBOS13BX06HP V14798	101102 108120 504903	2
- 235	AP2097HP06	..	SLEEVE SUPPLIER CODE: V01673 SPECIFICATION NUMBER: BACS13BX06HP OPTIONAL PART: 2-02903-06HP V11328 35235VN06 V08199 AFP175V06P V30974 DBOS13BX06HP V14798	103106	2
- 240	BACN10YLO6	..	NUT	101102 108120 504903	2
- 240	BACN10YLO6	..	NUT	103106	2
245	NAS1762W0606	.	ELBOW	101102 108120 504903	1
250	MS21908W6	.	ELBOW	101102 108120 504903	2
255	MS21912W6	.	TEE	101102 108120 504903	2

MISSING ITEM NUMBERS NOT APPLICABLE

- ITEM NOT ILLUSTRATED

BRI

# 34-11-51-08B

BOEING PROPRIETARY - Copyright © - Unpublished Work - See title page for details.

34-11-51  
FIG. 08B  
PAGE 9  
JAN 20/09



757

PARTS CATALOG (MAINTENANCE)

FIG ITEM	PART NUMBER	1 2 3 4 5 6 7	NOMENCLATURE	EFFECT FROM TO	UNITS PER ASSY
8B 265	NAS1149D0916J	.	WASHER	101102 108120 504903	4
270	AN924-6D	.	NUT	101102 108120 504903	4
275	BACG20Z	.	GROMMET- SIZE DETERMINED ON INSTL.	101102 108120 504903	6
280	40009-1	.	DRAIN ASSY- SUPPLIER CODE: V5V428 MISCELLANEOUS DATA: ACCORDING TO SUBSTITUTION DOCUMENT 65-88700, SHT 5 P/N 1QA4-2-64A CAN REPLACE BUT NOT BE REPLACED BY P/N 40009-1 FOR MODELS 737 AND 757	101102 108120 504903	2
290	232N9201-606	.	TUBE ASSY- TUBING MATERIAL: .375 IN. OD .035 IN. WALL 37.305 IN. LG AL	103106	1
295	232N9201-607	.	TUBE ASSY- TUBING MATERIAL: .375 IN. OD .035 IN. WALL 37.305 IN. LG AL	103106	1
- 300	AP2097HP06	..	SLEEVE SUPPLIER CODE: V01673 SPECIFICATION NUMBER: BACS13BX06HP OPTIONAL PART: 2-02903-06HP V11328 35235VN06 V08199 AFP175V06P V30974 DBOS13BX06HP V14798	103106	1
- 305	BACN10YLO6	..	NUT	103106	1

MISSING ITEM NUMBERS NOT APPLICABLE

- ITEM NOT ILLUSTRATED

34-11-51-08B

34-11-51  
FIG. 08B  
PAGE 10  
JAN 20/09

BRI



**757  
PARTS CATALOG (MAINTENANCE)**

FIG ITEM	PART NUMBER	1 2 3 4 5 6 7	NOMENCLATURE	EFFECT FROM TO	UNITS PER ASSY
8B - 310	35056GV06		.. UNION SUPPLIER CODE: V08199 SPECIFICATION NUMBER: BACU24AB6W OPTIONAL PART: 2-01027-6W V11328 31875-6W V14397 4671097W6 V50948 AP1004W06 V01673 AFP941W6 V30974 DBOU24AB6W V14798	103106	1
900			ILLUSTRATION REFERENCE: TUBING INSTL-PITOT STATIC STA 440 TO 660 34-11-51-07B	101106 108120 504903	RF

MISSING ITEM NUMBERS NOT APPLICABLE

- ITEM NOT ILLUSTRATED

BRI

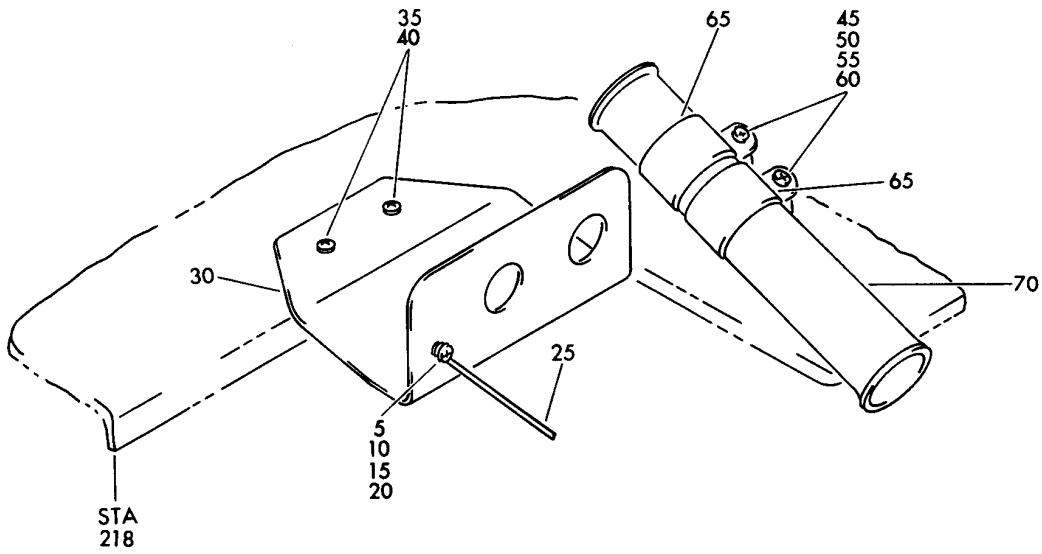
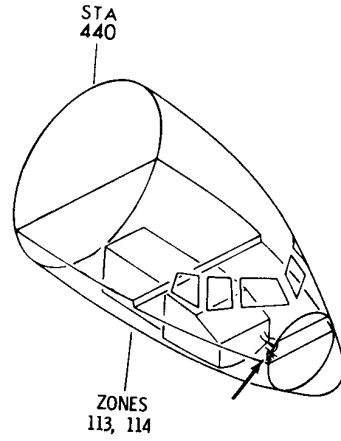
# 34-11-51-08B

BOEING PROPRIETARY - Copyright © - Unpublished Work - See title page for details.

34-11-51  
 FIG. 08B  
 PAGE 11  
 JAN 20/09



**BOEING**  
757  
PARTS CATALOG (MAINTENANCE)



Y 34115109 REV 191

BRACKET INSTL-PITOT STATIC TUBING  
FIGURE 9

**34-11-51-09**

BRI  
MAY 28/07

34-11-51-09  
PAGE 0



757

PARTS CATALOG (MAINTENANCE)

FIG ITEM	PART NUMBER	1 2 3 4 5 6 7	NOMENCLATURE	EFFECT FROM TO	UNITS PER ASSY
9			BRACKET INSTL-PITOT STATIC TUBING	101106 108120 504903	
- 1	232N9207-6		BRACKET INSTL-PITOT STATIC TUBING FOR NHA SEE: 25-10-00-10	101102 108120 504903	RF
- 1	MODREF33232		BRACKET INSTL-ISFD MODULE NUMBER: 232N9207-9 REV B	103106	1
5	BACS12CK3-11		.SCREW-	101102 108120 504903	1
10	NAS43DD3-8FC		.SPACER-	101102 108120 504903	1
15	AN970-3		.WASHER-	101102 108120 504903	1
20	PLH53CD		.NUT- SUPPLIER CODE: VF0224 SPECIFICATION NUMBER: BACN10YR3CD OPTIONAL PART: H52732-3CD V15653	101102 108120 504903	1
25	CL100-3-125		.CABLE ASSY- SUPPLIER CODE: V99862 SPECIFICATION NUMBER: BACC13Y3-125	101102 108120 504903	1
30	232N9207-7		.BRACKET	101106 108120 504903	1
35	BACS12CK3-6		ATTACHING PARTS .SCREW-	101106 108120 504903	2
40	NAS1149D0332J		.WASHER-	101106 108120 504903	2
45	BACS12CK3-18		-----*----- .SCREW-	101102 108120 504903	2
50	NAS43DD3-32FC		.SPACER-	101102 108120 504903	2

MISSING ITEM NUMBERS NOT APPLICABLE

- ITEM NOT ILLUSTRATED

BRI

34-11-51-09

34-11-51  
FIG. 09  
PAGE 1  
JAN 20/09



757

PARTS CATALOG (MAINTENANCE)

FIG ITEM	PART NUMBER	1 2 3 4 5 6 7	NOMENCLATURE	EFFECT FROM TO	UNITS PER ASSY
9					
55	NAS1149D0332J	.	WASHER-	101102 108120 504903	2
60	PLH53CD	.	NUT- SUPPLIER CODE: VF0224 SPECIFICATION NUMBER: BACN10YR3CD OPTIONAL PART: H52732-3CD V15653	101102 108120 504903	2
65	BACC10DK16	.	CLAMP-	101102 108120 504903	2
70	232N9207-8	.	TUBE-	101102 108120 504903	1

MISSING ITEM NUMBERS NOT APPLICABLE

- ITEM NOT ILLUSTRATED

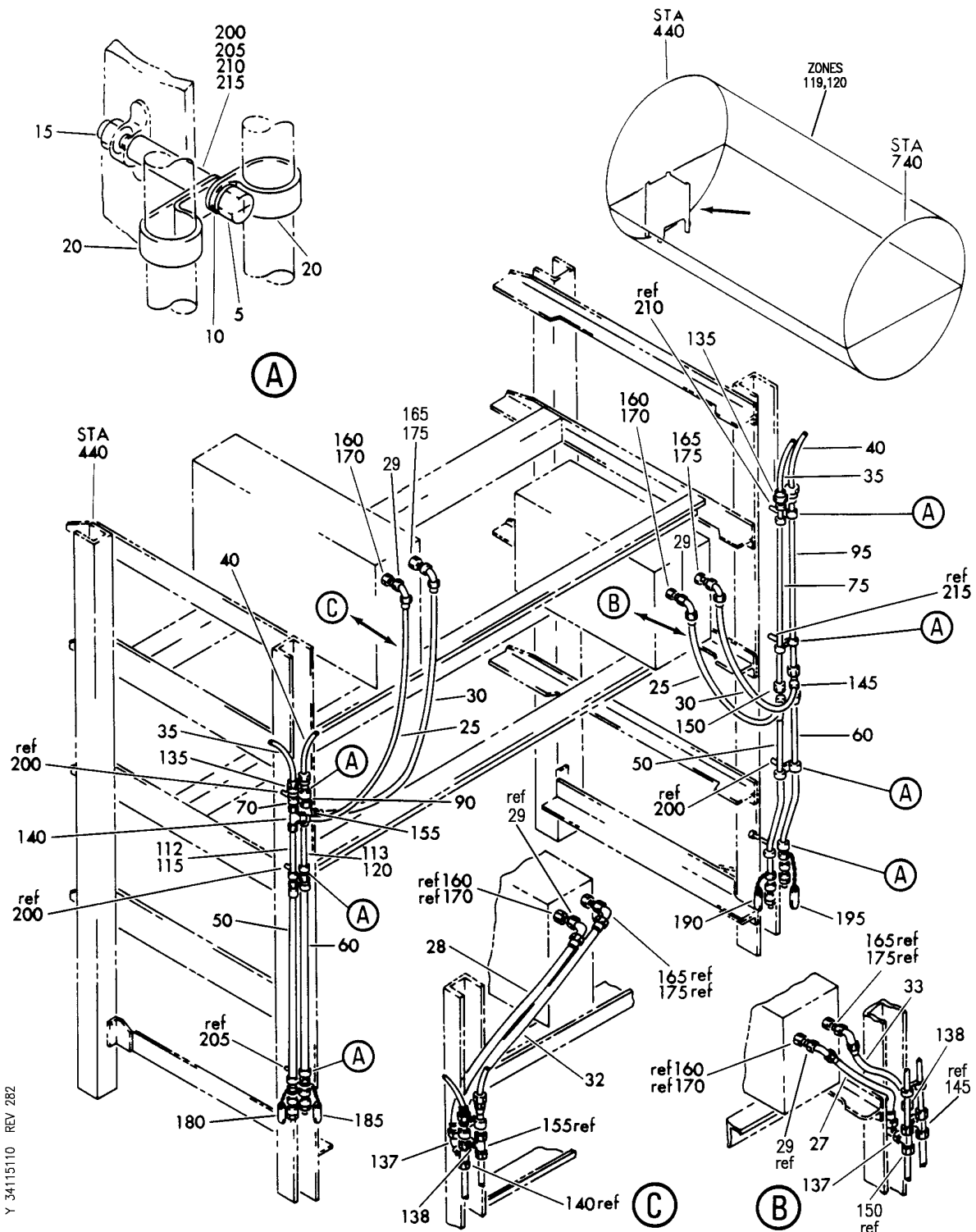
BRI

34-11-51-09

BOEING PROPRIETARY - Copyright © - Unpublished Work - See title page for details.

34-11-51  
FIG. 09  
PAGE 2  
JAN 20/09

**BOEING**  
757  
**PARTS CATALOG (MAINTENANCE)**



TUBING INSTL-ELECTRONICS RACK PITOT STATIC  
FIGURE 10

**34-11-51-10**

BRI  
MAY 28/07

34-11-51-10  
PAGE 0



757

PARTS CATALOG (MAINTENANCE)

FIG ITEM	PART NUMBER	1 2 3 4 5 6 7	NOMENCLATURE	EFFECT FROM TO	UNITS PER ASSY
10			TUBING INSTL-ELECTRONICS RACK PITOT STATIC	002004 006100 107107 121503 904999	
- 1	232N9201-3		TUBING INSTL-ELECTRONICS RACK PITOT STATIC VARIABLE DRAWING REF: 232N9201-5003 FOR NHA SEE: 25-10-00-05	002004 006100 107107 121503 904999	RF
5	NAS1801-3		.SCREW- SIZE DETERMINED ON INSTL.	002004 006100 107107 121503 904999	7
10	AN960PD10L		.WASHER	002004 006100 107107 121503 904999	7
15	BRH10A3		.NUT SUPPLIER CODE: V52828 SPECIFICATION NUMBER: BACN10JC3 OPTIONAL PART: H10-3BAC V15653 NS202101-02 V80539 RMLH9075-3W V72962 VN303A02 V92215 96-02 V80539 T6S1032J V11815	002004 006100 107107 121503 904999	7
20	BACC10DK		.CLAMP- SIZE DETERMINED ON INSTL.	002004 006100 107107 121503 904999	14
27	BCREF7060		.HOSE ASSY- SUPPLIER CODE: V24984 OVERLENGTH PART NUMBER: 36024F22-04-0104	002004 006100 107107 121503 904999	1

MISSING ITEM NUMBERS NOT APPLICABLE

- ITEM NOT ILLUSTRATED

34-11-51-10

34-11-51  
FIG. 10  
PAGE 1  
JAN 20/09

BRI



757

PARTS CATALOG (MAINTENANCE)

FIG ITEM	PART NUMBER	1 2 3 4 5 6 7	NOMENCLATURE	EFFECT FROM TO	UNITS PER ASSY
10					
28	BCREF7061		.HOSE ASSY- SUPPLIER CODE: V24984 OVERLENGTH PART NUMBER: 36024F22-04-0080	002004 006100 107107 121503 904999	1
32	BCREF7062		.HOSE ASSY- SUPPLIER CODE: V24984 OVERLENGTH PART NUMBER: 36024F23-06-0104	002004 006100 107107 121503 904999	1
33	BCREF7063		.HOSE ASSY- SUPPLIER CODE: V24984 OVERLENGTH PART NUMBER: 36024F23-06-0090	002004 006100 107107 121503 904999	1
35	173029-2-0070		.HOSE ASSY- SUPPLIER CODE: V02217 SPECIFICATION NUMBER: BACH30BC05-0070 OPTIONAL PART: ZH753A2-0070 V02217 ZH832-2-0070 V02217 36018-5-0070 V24984 40784-403-0070 V31441 40884-403-0070 V31441 4140-5-0070 V24984	002004 006100 107107 121503 904999	2

MISSING ITEM NUMBERS NOT APPLICABLE

- ITEM NOT ILLUSTRATED

34-11-51-10

34-11-51  
FIG. 10  
PAGE 2  
JAN 20/09

BRI



757

PARTS CATALOG (MAINTENANCE)

FIG ITEM	PART NUMBER	1 2 3 4 5 6 7	NOMENCLATURE	EFFECT FROM TO	UNITS PER ASSY
10					
40	173029-3-0080		.HOSE ASSY- SUPPLIER CODE: V02217 SPECIFICATION NUMBER: BACH30BC06-0080 OPTIONAL PART: ZH753A3-0080 V02217 ZH832-3-0080 V02217 36018-6-0080 V24984 40784-405-0080 V31441 40884-405-0080 V31441 4140-6-0080 V24984	002004 006100 107107 121503 904999	2
50	50014A42-6-0150		.HOSE ASSY-DRAIN SUPPLIER CODE: V24984	002004 006100 107107 121503 904999	2
60	50014A43-6-0150		.HOSE ASSY-DRAIN SUPPLIER CODE: V24984	002004 006100 107107 121503 904999	2
70	232N9201-175		.TUBE ASSY- TUBING MATERIAL: .31250 IN. OD .035 IN. WALL 2.31 IN. LG AL	002004 006100 107107 121503 904999	1
75	232N9201-174		.TUBE ASSY- TUBING MATERIAL: .31250 IN. OD .035 IN. WALL 15.00 IN. LG AL	002004 006100 107107 121503 904999	1

MISSING ITEM NUMBERS NOT APPLICABLE

- ITEM NOT ILLUSTRATED

BRI

34-11-51-10

BOEING PROPRIETARY - Copyright © - Unpublished Work - See title page for details.

34-11-51  
FIG. 10  
PAGE 3  
JAN 20/09



757

PARTS CATALOG (MAINTENANCE)

FIG ITEM	PART NUMBER	1 2 3 4 5 6 7	NOMENCLATURE	EFFECT FROM TO	UNITS PER ASSY
10					
- 80	AFP1645	..	SLEEVE SUPPLIER CODE: V30974 SPECIFICATION NUMBER: BACS13AP5 OPTIONAL PART: BC922-5 V50948 DBOS13AP5 V14798 2-01033-5 V11328 2-01033-5 V70195 BC922-5 V92003	002004 006100 107107 121503 904999	2
- 85	MS21921-5D	..	NUT	002004 006100 107107 121503 904999	2
90	232N9201-177	.TUBE ASSY-	TUBING MATERIAL: .3750 IN. OD .035 IN. WALL 2.75 IN. LG AL	002004 006100 107107 121503 904999	1
95	232N9201-176	.TUBE ASSY-	TUBING MATERIAL: .3750 IN. OD .035 IN. WALL 12.87 IN. LG AL	002004 006100 107107 121503 904999	1
- 100	AFP1646	..	SLEEVE SUPPLIER CODE: V30974 SPECIFICATION NUMBER: BACS13AP6 OPTIONAL PART: BC922-6 V50948 DBOS13AP6 V14798 2-01033-6 V11328 2-01033-6 V70195 BC922-6 V92003	002004 006100 107107 121503 904999	1

MISSING ITEM NUMBERS NOT APPLICABLE

- ITEM NOT ILLUSTRATED

34-11-51-10

34-11-51  
FIG. 10  
PAGE 4  
JAN 20/09

BRI





757

PARTS CATALOG (MAINTENANCE)

FIG ITEM	PART NUMBER	1 2 3 4 5 6 7	NOMENCLATURE	EFFECT FROM TO	UNITS PER ASSY
10					
- 105	BACN10YLO6	..	NUT-	002004 006100 107107 121503 904999	1
- 110	35056GV06	..	UNION SUPPLIER CODE: V08199 SPECIFICATION NUMBER: BACU24AB6W OPTIONAL PART: 2-01027-6W V11328 31875-6W V14397 4671097W6 V50948 AP1004W06 V01673 AFP941W6 V30974 DBOU24AB6W V14798	002004 006100 107107 121503 904999	1
112	232N9201-238	.TUBE ASSY-	TUBING MATERIAL: .375 IN. OD .035 IN. WALL 8.00 IN. LG AL	002004 006100 107107 121503 904999	1
113	232N9201-239	.TUBE ASSY-	TUBING MATERIAL: .375 IN. OD .035 IN. WALL 8.30 IN. LG AL	002004 006100 107107 121503 904999	1
- 130	BACN10YLO6	..	NUT-	002004 006100 107107 121503 904999	2
135	MS21902D5	.UNION		002004 006100 107107 121503 904999	2
137	NAS1762D0404	.ELBOW		002004 006100 107107 121503 904999	2

MISSING ITEM NUMBERS NOT APPLICABLE

- ITEM NOT ILLUSTRATED

34-11-51-10

34-11-51  
FIG. 10  
PAGE 5  
JAN 20/09

BRI

BOEING PROPRIETARY - Copyright © - Unpublished Work - See title page for details.



757

PARTS CATALOG (MAINTENANCE)

FIG ITEM	PART NUMBER	1 2 3 4 5 6 7	NOMENCLATURE	EFFECT FROM TO	UNITS PER ASSY
10 138	NAS1762D0606		.ELBOW- MISCELLANEOUS DATA: MAY USE NAS1762W0606	002004 006100 107107 121503 904999	2
140	APX824D060504		.TEE SUPPLIER CODE: V01637 SPECIFICATION NUMBER: BACT16AS060504D OPTIONAL PART: APX824-060504D V01673 DBOT16AS060504D V14798 ER824-060504D V50948 FER1571-060504D V14397 LER824-060504D V11328 NAF1824-060504D V52930 US1925-060504D V50808 AFP325-060504D V30974	002004 006100 107107 121503 904999	1
145	MS21905D6		.TEE	002004 006100 107107 121503 904999	1
150	NAS1763D060504		.TEE	002004 006100 107107 121503 904999	1
155	NAS1763D060606		.TEE	002004 006100 107107 121503 904999	1
160	MS28778-4		.PACKING	002004 006100 107107 121503 904999	2

MISSING ITEM NUMBERS NOT APPLICABLE

- ITEM NOT ILLUSTRATED

34-11-51-10

34-11-51  
FIG. 10  
PAGE 6  
JAN 20/09

BRI

BOEING PROPRIETARY - Copyright © - Unpublished Work - See title page for details.



757

PARTS CATALOG (MAINTENANCE)

FIG ITEM	PART NUMBER	1 2 3 4 5 6 7	NOMENCLATURE	EFFECT FROM TO	UNITS PER ASSY
10					
165	MS28778-6	.	PACKING	002004 006100 107107 121503 904999	2
170	40006-1A44	.	DISCONNECT-MALE QUICK SUPPLIER CODE: V31441	002004 006100 107107 121503 904999	2
175	40006-1B46	.	CONNECTOR-MALE SUPPLIER CODE: V31441	002004 006100 107107 121503 904999	2
200	NAS42DD6-32	.	SPACER	002004 006100 107107 121503 904999	3
205	NAS42DD6-26	.	SPACER	002004 006100 107107 121503 904999	1
210	NAS42DD6-20	.	SPACER	002004 006100 107107 121503 904999	1
215	NAS42DD6-40	.	SPACER	002004 006100 107107 121503 904999	1

MISSING ITEM NUMBERS NOT APPLICABLE

- ITEM NOT ILLUSTRATED

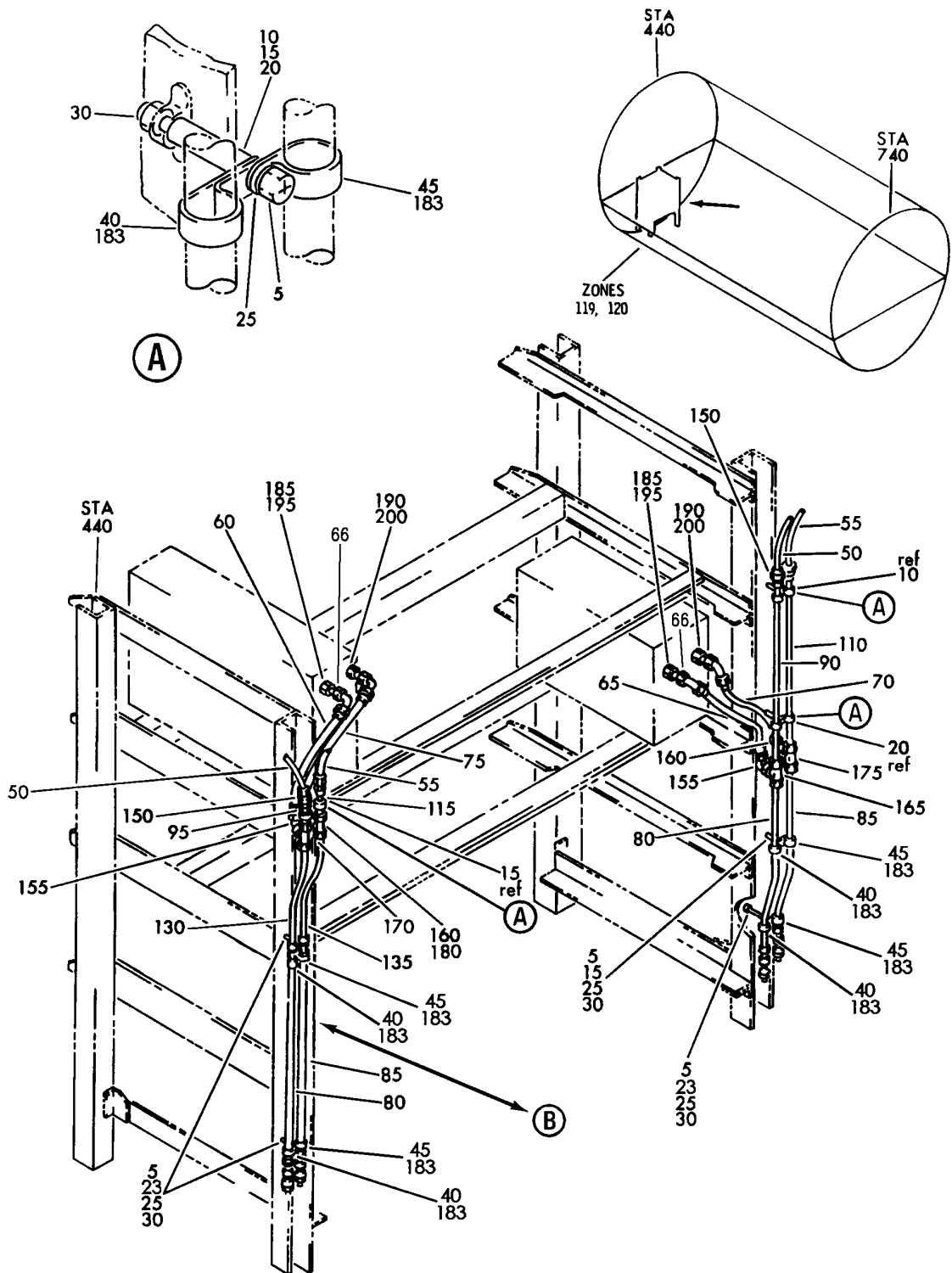
34-11-51-10

34-11-51  
FIG. 10  
PAGE 7  
JAN 20/09

BRI

BOEING PROPRIETARY - Copyright © - Unpublished Work - See title page for details.

**BOEING**  
757  
PARTS CATALOG (MAINTENANCE)



Y 34115110A SHT 1 REV 282

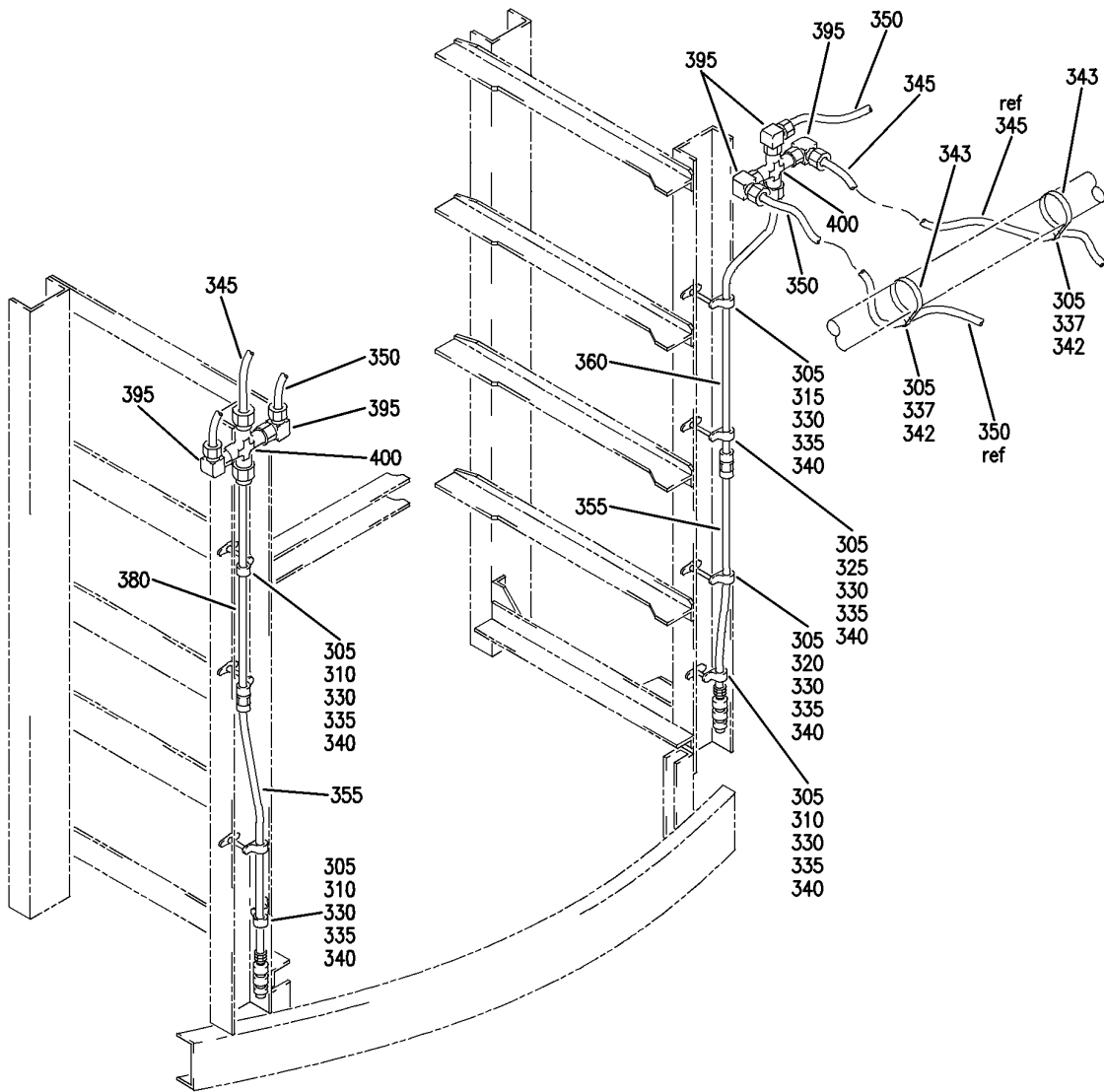
TUBING INSTL-PITOT STATIC ELECTRONICS RACK  
FIGURE 10A (SHEET 1)

**34-11-51-10A**

BRI  
MAY 28/07

34-11-51-10A  
PAGE 0

**BOEING**  
757  
PARTS CATALOG (MAINTENANCE)



Y 34115110A SHT 2 REV 240

(B)

TUBING INSTL-PITOT STATIC ELECTRONICS RACK  
FIGURE 10A (SHEET 2)

**34-11-51-10A**

BRI  
MAY 28/07

34-11-51-10A  
PAGE 0A



757

PARTS CATALOG (MAINTENANCE)

FIG ITEM	PART NUMBER	1 2 3 4 5 6 7	NOMENCLATURE	EFFECT FROM TO	UNITS PER ASSY
10A			TUBING INSTL-PITOT STATIC ELECTRONICS RACK	101106 108120 504903	
- 1	232N9201-417		TUBING INSTL-PITOT STATIC ELECTRONICS RACK PRE MODULE FOR NHA SEE: 25-10-00-10	101102 106106 108120 504903	RF
5	NAS1801-3		.SCREW- SIZE DETERMINED ON INSTL.	101102 106106 108120 504903	7
10	NAS42DD6-20		.SPACER	101102 106106 108120 504903	1
15	NAS42DD6-32		.SPACER	101102 106106 108120 504903	2
20	NAS42DD6-40		.SPACER	101102 106106 108120 504903	1
23	NAS42DD6		.SPACER- SIZE DETERMINED ON INSTL.	101102 106106 108120 504903	3
25	AN960JD10L		.WASHER	101102 106106 108120 504903	7
30	MS21042L3		.NUT- QUALIFIED OPTIONAL DATA: MS21042L3 OPT TO BACN10FX WHERE APPLICABLE	101102 106106 108120 504903	7
30	BACN10FX		.NUT- SIZE DETERMINED ON INSTL. QUALIFIED OPTIONAL DATA: MS21042L3 OPT TO BACN10FX WHERE APPLICABLE	101102 106106 108120 504903	7
40	BACC10DK4		.CLAMP	101102 106106 108120 504903	7

MISSING ITEM NUMBERS NOT APPLICABLE

- ITEM NOT ILLUSTRATED

34-11-51-10A

34-11-51  
FIG. 10A  
PAGE 1  
JAN 20/09

BRI

BOEING PROPRIETARY - Copyright © - Unpublished Work - See title page for details.



757

PARTS CATALOG (MAINTENANCE)

FIG ITEM	PART NUMBER	1 2 3 4 5 6 7	NOMENCLATURE	EFFECT FROM TO	UNITS PER ASSY
10A 45	BACC10DK6	.	CLAMP	101102 106106 108120 504903	7
50	173029-2-0070	.	HOSE ASSY SUPPLIER CODE: V02217 SPECIFICATION NUMBER: BACH30BC05-0070 OPTIONAL PART: ZH753A2-0070 V02217 ZH832-2-0070 V02217 36018-5-0070 V24984 40784-403-0070 V31441 40884-403-0070 V31441 4140-5-0070 V24984	101102 106106 108120 504903	2
55	173029-3-0080	.	HOSE ASSY SUPPLIER CODE: V02217 SPECIFICATION NUMBER: BACH30BC06-0080 OPTIONAL PART: ZH753A3-0080 V02217 ZH832-3-0080 V02217 36018-6-0080 V24984 40784-405-0080 V31441 40884-405-0080 V31441 4140-6-0080 V24984	101102 106106 108120 504903	2
60	36024F22-4-0080	.	HOSE ASSY- SUPPLIER CODE: V24984	101102 106106 108120 504903	1
65	36024F22-4-0104	.	HOSE ASSY- SUPPLIER CODE: V24984	101102 106106 108120 504903	1

MISSING ITEM NUMBERS NOT APPLICABLE

- ITEM NOT ILLUSTRATED

34-11-51-10A

34-11-51  
FIG. 10A  
PAGE 2  
JAN 20/09

BRI



757

PARTS CATALOG (MAINTENANCE)

FIG ITEM	PART NUMBER	1 2 3 4 5 6 7	NOMENCLATURE	EFFECT FROM TO	UNITS PER ASSY
10A					
70	36024F23-4-0090		.HOSE ASSY- SUPPLIER CODE: V24984	101102 106106 108120 504903	1
75	36024F23-4-0104		.HOSE ASSY- SUPPLIER CODE: V24984	101102 106106 108120 504903	1
80	50014A42-6-0150		.HOSE ASSY-DRAIN SUPPLIER CODE: V24984	101102 106106 108120 504903	2
85	50014A43-6-0150		.HOSE ASSY-DRAIN SUPPLIER CODE: V24984	101102 106106 108120 504903	2
90	232N9201-174		.TUBE ASSY- TUBING MATERIAL: .31250 IN. OD .035 IN. WALL 15.00 IN. LG AL	101102 106106 108120 504903	1
95	232N9201-175		.TUBE ASSY- TUBING MATERIAL: .31250 IN. OD .035 IN. WALL 2.31 IN. LG AL	101102 106106 108120 504903	1
- 100	AP2097HP05		..SLEEVE SUPPLIER CODE: V01673 SPECIFICATION NUMBER: BACS13BX05HP OPTIONAL PART: 2-02903-05HP V11328 35235VN05 V08199 AFP175V05P V30974 DBOS13BX05HP V14798	101102 106106 108120 504903	2
- 105	BACN10YL05		..NUT	101102 106106 108120 504903	2
110	232N9201-176		.TUBE ASSY- TUBING MATERIAL: .3750 IN. OD .035 IN. WALL 12.87 IN. LG AL	101102 106106 108120 504903	1

MISSING ITEM NUMBERS NOT APPLICABLE

- ITEM NOT ILLUSTRATED

34-11-51-10A

34-11-51  
FIG. 10A  
PAGE 3  
JAN 20/09

BRI

BOEING PROPRIETARY - Copyright © - Unpublished Work - See title page for details.





757

PARTS CATALOG (MAINTENANCE)

FIG ITEM	PART NUMBER	1 2 3 4 5 6 7	NOMENCLATURE	EFFECT FROM TO	UNITS PER ASSY
10A 115	232N9201-177	.	TUBE ASSY- TUBING MATERIAL: .3750 IN. OD .035 IN. WALL 2.75 IN. LG AL	101102 106106 108120 504903	1
- 120	AP2097HP06	..	SLEEVE SUPPLIER CODE: V01673 SPECIFICATION NUMBER: BACS13BX06HP OPTIONAL PART: 2-02903-06HP V11328 35235VN06 V08199 AFP175V06P V30974 DBOS13BX06HP V14798	101102 106106 108120 504903	1
- 125	35056GV06	..	UNION SUPPLIER CODE: V08199 SPECIFICATION NUMBER: BACU24AB6W OPTIONAL PART: 2-01027-6W V11328 31875-6W V14397 4671097W6 V50948 AP1004W06 V01673 AFP941W6 V30974 DBOU24AB6W V14798	101102 106106 108120 504903	1
130	232N9201-238	.	TUBE ASSY- TUBING MATERIAL: .375 IN. OD .035 IN. WALL 8.00 IN. LG AL	101102 106106 108120 504903	1
135	232N9201-239	.	TUBE ASSY- TUBING MATERIAL: .375 IN. OD .035 IN. WALL 8.30 IN. LG AL	101102 106106 108120 504903	1

MISSING ITEM NUMBERS NOT APPLICABLE

- ITEM NOT ILLUSTRATED

34-11-51-10A

34-11-51  
FIG. 10A  
PAGE 4  
JAN 20/09

BRI

BOEING PROPRIETARY - Copyright © - Unpublished Work - See title page for details.



757

PARTS CATALOG (MAINTENANCE)

FIG ITEM	PART NUMBER	1 2 3 4 5 6 7	NOMENCLATURE	EFFECT FROM TO	UNITS PER ASSY
10A - 140	AP2097HP06	..	SLEEVE SUPPLIER CODE: V01673 SPECIFICATION NUMBER: BACS13BX06HP OPTIONAL PART: 2-02903-06HP V11328 35235VN06 V08199 AFP175V06P V30974 DBOS13BX06HP V14798	101102 106106 108120 504903	2
- 143	AP2097HP06	..	SLEEVE SUPPLIER CODE: V01673 SPECIFICATION NUMBER: BACS13BX06HP OPTIONAL PART: 2-02903-06HP V11328 35235VN06 V08199 AFP175V06P V30974 DBOS13BX06HP V14798	101102 106106 108120 504903	2
- 145	BACN10YLO6	..	NUT	101102 106106 108120 504903	2
- 147	BACN10YLO6	..	NUT	101102 106106 108120 504903	2
150	MS21902D5	.	UNION	101102 106106 108120 504903	2
155	NAS1762W0404	.	ELBOW	101102 106106 108120 504903	2
160	NAS1762W0606	.	ELBOW	101102 106106 108120 504903	2

MISSING ITEM NUMBERS NOT APPLICABLE

- ITEM NOT ILLUSTRATED

34-11-51-10A

34-11-51  
FIG. 10A  
PAGE 5  
JAN 20/09

BRI

BOEING PROPRIETARY - Copyright © - Unpublished Work - See title page for details.



757

PARTS CATALOG (MAINTENANCE)

FIG ITEM	PART NUMBER	1 2 3 4 5 6 7	NOMENCLATURE	EFFECT FROM TO	UNITS PER ASSY
10A 165	NAS1763W060504	. TEE		101102 106106 108120 504903	1
170	APX824F060506W	. TEE	SUPPLIER CODE: V01673 SPECIFICATION NUMBER: BACT16AS060504W OPTIONAL PART: APX824-060504W V01673 DBOT16AS060504W V14798 ER824-060504W V50948 FER1571-060504W V14397 LER824-060504W V11328 NAF1824-060504W V52930 US1925-060504W V50808 AFP325-060506W V30974	101102 106106 108120 504903	2
175	MS21905W6	. TEE		101102 106106 108120 504903	1
180	NAS1763W060606	. TEE		101102 106106 108120 504903	2
183	N2088	. PLUG	SUPPLIER CODE: V75345 SPECIFICATION NUMBER: BACP20BA1 OPTIONAL PART: SZ7105 V95272 4841 V84914	101102 106106 108120 504903	14
185	MS28778-4	. PACKING		101102 106106 108120 504903	2

MISSING ITEM NUMBERS NOT APPLICABLE

- ITEM NOT ILLUSTRATED

34-11-51-10A

34-11-51  
FIG. 10A  
PAGE 6  
JAN 20/09

BRI

BOEING PROPRIETARY - Copyright © - Unpublished Work - See title page for details.



757

PARTS CATALOG (MAINTENANCE)

FIG ITEM	PART NUMBER	1 2 3 4 5 6 7	NOMENCLATURE	EFFECT FROM TO	UNITS PER ASSY
10A 190	MS28778-6		.PACKING	101102 106106 108120 504903	2
195	40006-1A44		.DISCONNECT-MALE QUICK SUPPLIER CODE: V31441	101102 106106 108120 504903	2
200	40006-1B46		.CONNECTOR-MALE QUICK SUPPLIER CODE: V31441	101102 106106 108120 504903	2
- 300	MODREF32281		TUBING INSTL-PITOT STATIC MODULE NUMBER: 232N9201-491 REV B	103106	1
305	NAS1801-3		.SCREW- SIZE DETERMINED ON INSTL.	103106	10
310	NAS42DD6		.SPACER- SIZE DETERMINED ON INSTL.	103106	5
315	NAS42DD6-20		.SPACER	103106	1
320	NAS42DD6-32		.SPACER	103106	1
325	NAS42DD6-40		.SPACER	103106	1
330	AN960JD10L		.WASHER	103106	AR
335	MS21042L3		.NUT- QUALIFIED OPTIONAL DATA: MS21042L3 OPT TO BACN10FX WHERE APPLICABLE	103106	8
335	BACN10FX		.NUT- SIZE DETERMINED ON INSTL. QUALIFIED OPTIONAL DATA: MS21042L3 OPT TO BACN10FX WHERE APPLICABLE	103106	8

MISSING ITEM NUMBERS NOT APPLICABLE

- ITEM NOT ILLUSTRATED

34-11-51-10A

34-11-51  
FIG. 10A  
PAGE 7  
JAN 20/09

BRI

BOEING PROPRIETARY - Copyright © - Unpublished Work - See title page for details.



757

PARTS CATALOG (MAINTENANCE)

FIG ITEM	PART NUMBER	1 2 3 4 5 6 7	NOMENCLATURE	EFFECT FROM TO	UNITS PER ASSY
10A 337	BRH10A3		.NUT- SUPPLIER CODE: V52828 SPECIFICATION NUMBER: BACN10JC3 OPTIONAL PART: H10-3BAC V15653 NS202101-02 V80539 RMLH9075-3W V72962 VN303A02 V92215 96-02 V80539 T6S1032J V11815 QUALIFIED OPTIONAL DATA: BACN10JC3 OPT TO BACN10FX WHERE APPLICABLE	103106	2
337	BACN10FX		.NUT- SIZE DETERMINED ON INSTL. QUALIFIED OPTIONAL DATA: BACN10JC3 OPT TO BACN10FX WHERE APPLICABLE	103106	2
340	BACC10DK6		.CLAMP	103106	8
342	BACC10DK10		.CLAMP	103106	2
343	JM44LC13WS20R		.CLAMP- SUPPLIER CODE: V22175 SPECIFICATION NUMBER: BACC10GE20 OPTIONAL PART: TA12C32WS20 V84971 509S20 V83930 S714WH20 V18076	103106	2

MISSING ITEM NUMBERS NOT APPLICABLE

- ITEM NOT ILLUSTRATED

34-11-51-10A

34-11-51  
FIG. 10A  
PAGE 8  
JAN 20/09

BRI



757

PARTS CATALOG (MAINTENANCE)

FIG ITEM	PART NUMBER	1 2 3 4 5 6 7	NOMENCLATURE	EFFECT FROM TO	UNITS PER ASSY
10A 345	173029-3-0080		.HOSE ASSY SUPPLIER CODE: V02217 SPECIFICATION NUMBER: BACH30BC06-0080 OPTIONAL PART: ZH753A3-0080 V02217 ZH832-3-0080 V02217 36018-6-0080 V24984 40784-405-0080 V31441 40884-405-0080 V31441 4140-6-0080 V24984	103106	2
350	B392-6D0200		.HOSE- SUPPLIER CODE: V98441 OPTIONAL PART: B392DDB0205D V98441	103106	4
350	B392DDB0205D		.HOSE- SUPPLIER CODE: V98441 OPTIONAL PART: B392-6D0200 V98441	103106	4
355	50014A43-6-0150		.HOSE ASSY-DRAIN SUPPLIER CODE: V24984	103106	2
360	232N9201-476		.TUBE ASSY- TUBING MATERIAL: .3750 IN. OD .035 IN. WALL 12.87 IN. LG AL	103106	1

MISSING ITEM NUMBERS NOT APPLICABLE

- ITEM NOT ILLUSTRATED

BRI

# 34-11-51-10A

BOEING PROPRIETARY - Copyright © - Unpublished Work - See title page for details.

34-11-51  
FIG. 10A  
PAGE 9  
JAN 20/09



757

PARTS CATALOG (MAINTENANCE)

FIG ITEM	PART NUMBER	1 2 3 4 5 6 7	NOMENCLATURE	EFFECT FROM TO	UNITS PER ASSY
10A - 367	AP2097HP06	..	SLEEVE SUPPLIER CODE: V01673 SPECIFICATION NUMBER: BACS13BX06HP OPTIONAL PART: 2-02903-06HP V11328 35235VN06 V08199 AFP175V06P V30974 DBOS13BX06HP V14798	103106	2
- 377	BACN10YLO6	..	NUT	103106	2
380	232N9201-461	.TUBE ASSY-	TUBING MATERIAL: .375 IN. OD .035 IN. WALL 18.2 IN. LG 6061-T6 AL ALLOY ROUND SEAMLESS TUBING PER MIL-T-7081 OR WW-T-700/6	103106	1
- 385	AP2097HP06	..	SLEEVE SUPPLIER CODE: V01673 SPECIFICATION NUMBER: BACS13BX06HP OPTIONAL PART: 2-02903-06HP V11328 35235VN06 V08199 AFP175V06P V30974 DBOS13BX06HP V14798	103106	2
- 390	BACN10YLO6	..	NUT	103106	2
395	BACE21AW0606W	.ELBOW		103106	5
400	MS21906W6	.CROSS		103106	2

MISSING ITEM NUMBERS NOT APPLICABLE

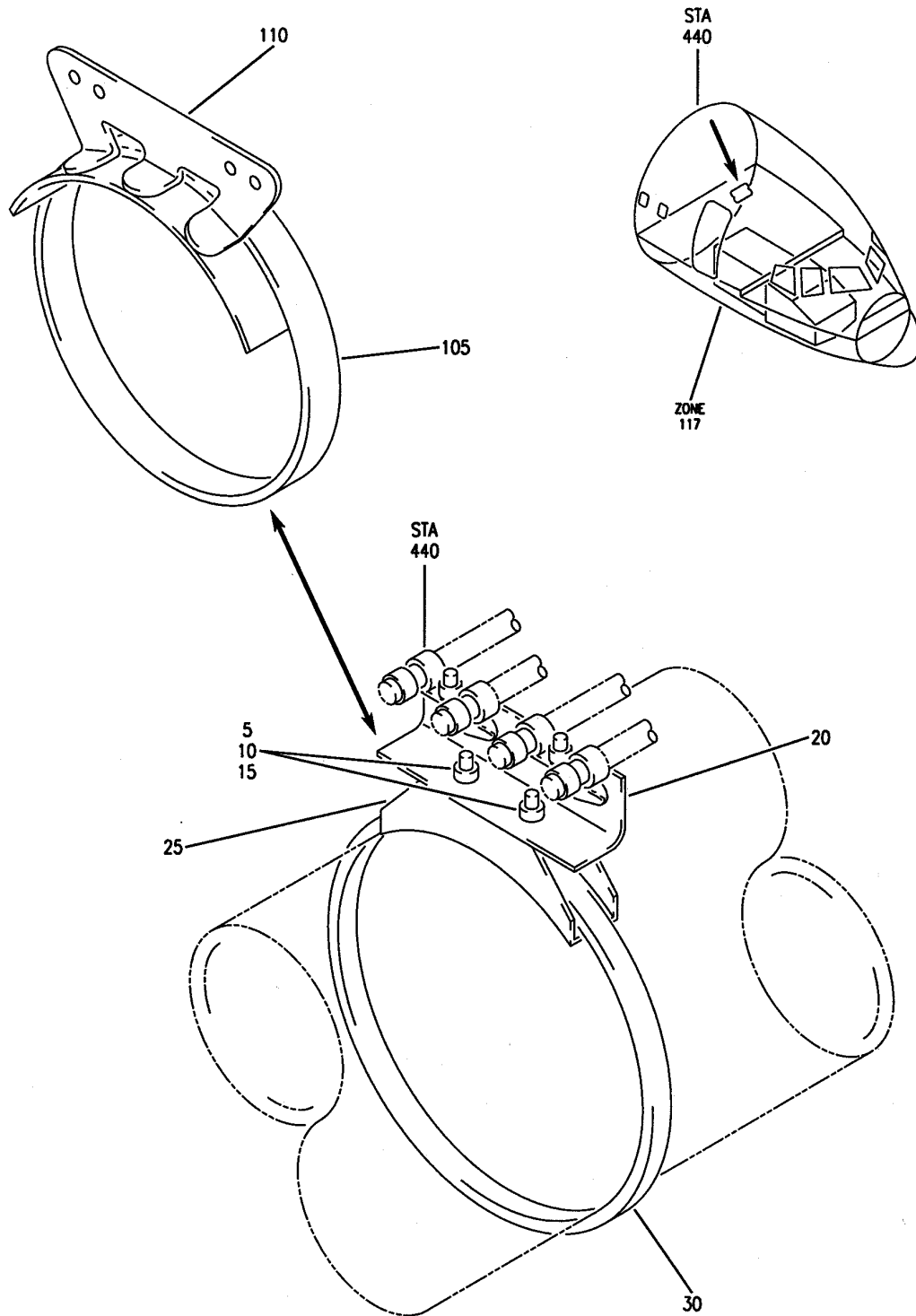
- ITEM NOT ILLUSTRATED

34-11-51-10A

34-11-51  
FIG. 10A  
PAGE 10  
JAN 20/09

BRI

**BOEING**  
757  
PARTS CATALOG (MAINTENANCE)



Y 34115111 REV 217

BRACKET INSTL-PITOT STATIC TUBING  
FIGURE 11

**34-11-51-11**

BRI  
MAY 28/07

34-11-51-11  
PAGE 0





757

PARTS CATALOG (MAINTENANCE)

FIG ITEM	PART NUMBER	1 2 3 4 5 6 7	NOMENCLATURE	EFFECT FROM TO	UNITS PER ASSY
11			BRACKET INSTL-PITOT STATIC TUBING	101106 108120 504903	
- 1	232N9208-14		BRACKET INSTL-PITOT STATIC TUBING FOR NHA SEE: 25-10-00-10	108120	RF
- 1	MODREF7582		BRACKET INSTL-PITOT STATIC TUBING MODULE NUMBER: 232N9208-12 REV A	103106	1
5	BACB30NM3K6		.BOLT	103106 108120	2
10	AN960JD10		.WASHER	103106 108120	2
15	NAS1805-3L		.NUT	103106 108120	2
20	232N9208-11		.BRACKET ASSY	103106 108120	1
R 25	214T3424-7		.SUPPORT	103106	1
R 25	214T3424-6		.SUPPORT	108120	1
R 30	NAS1922-0525-1		.CLAMP-	103106 108120	1
R 30	NAS1922-0525-3		.CLAMP-	103106 108120	1
- 100	232N9208-10		BRACKET INSTL-PITOT STATIC TUBING FOR NHA SEE: 25-10-00-10	101102 504903	RF
R 105	BACC10BNA400L5B		.CLAMP	101102 504903	1
R 110	232N9208-5		.BRACKET	101102 504903	1

MISSING ITEM NUMBERS NOT APPLICABLE

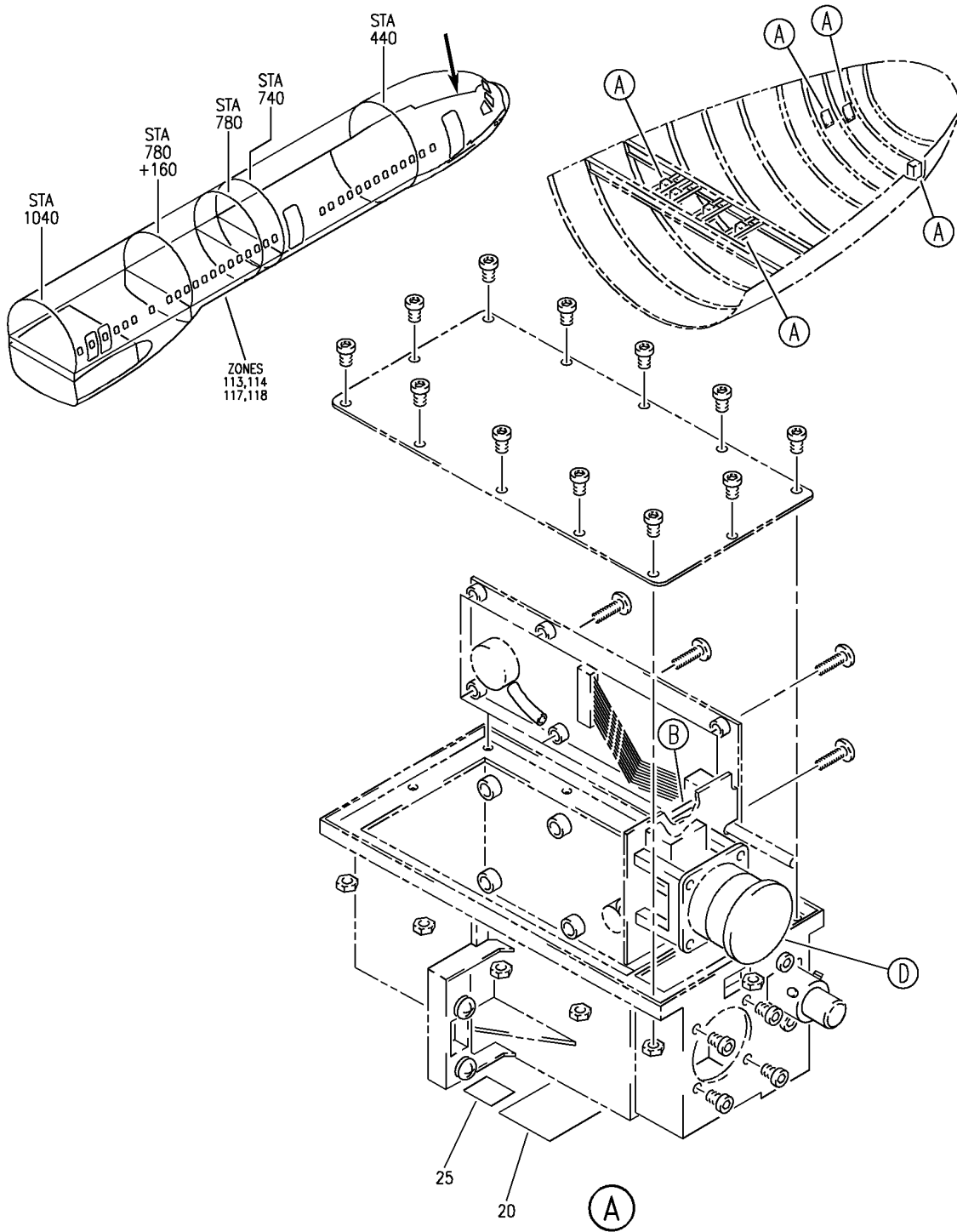
- ITEM NOT ILLUSTRATED

34-11-51-11

34-11-51  
FIG. 11  
PAGE 1  
MAY 20/09

BRI

**BOEING**  
757  
PARTS CATALOG (MAINTENANCE)



Y 34115155 SHT 1 REV 295

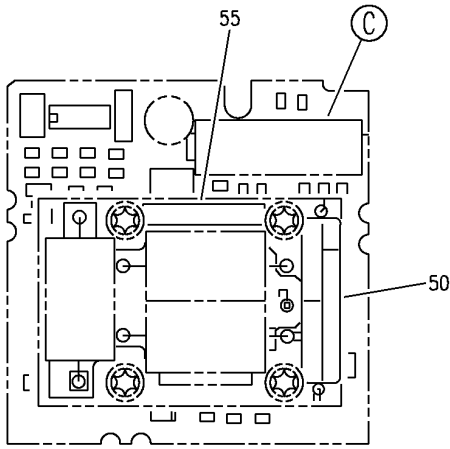
MODULE-AIR DATA  
FIGURE 55 (SHEET 1)

**34-11-51-55**

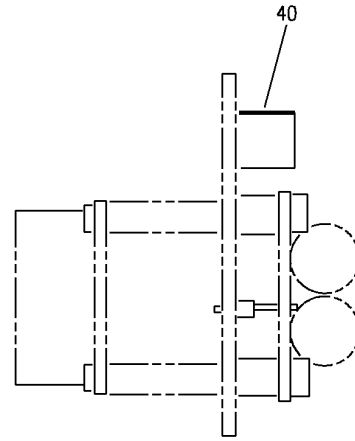
BRI  
JAN 20/09

34-11-51-55  
PAGE 0

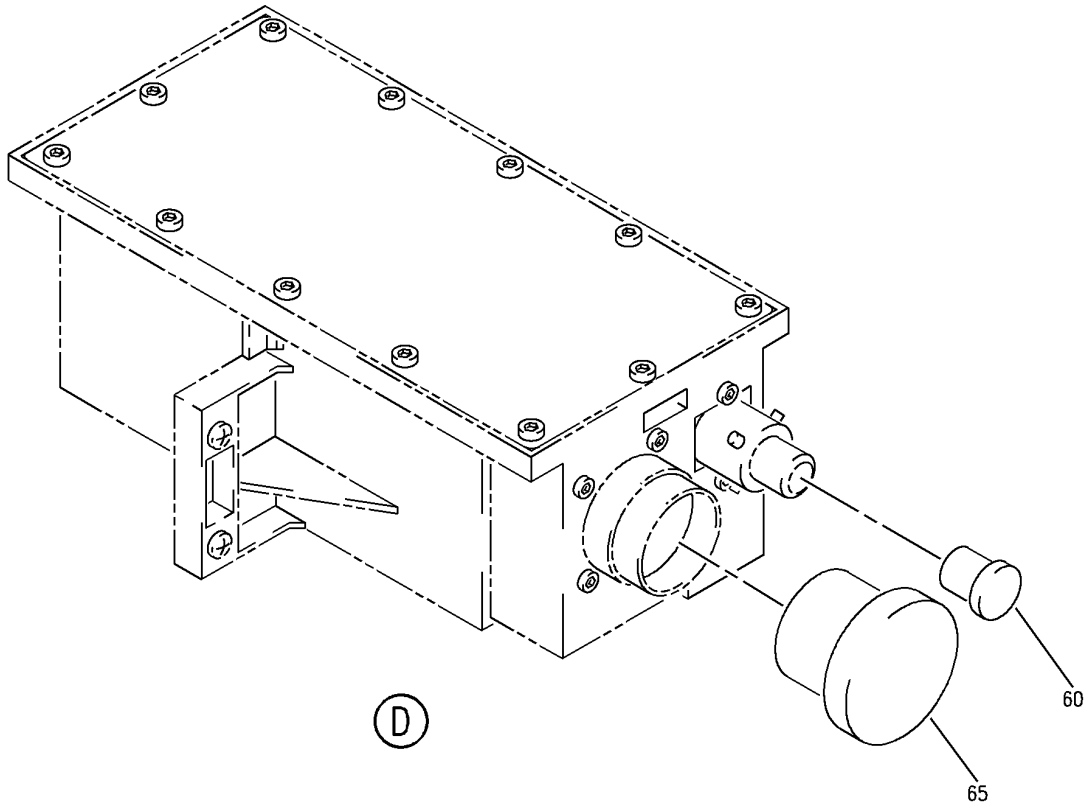
**BOEING**  
757  
PARTS CATALOG (MAINTENANCE)



(B)



(C)



(D)

Y 34115155 SH1 2 REV 295

MODULE-AIR DATA  
FIGURE 55 (SHEET 2)

**34-11-51-55**

BRI  
JAN 20/09

34-11-51-55  
PAGE 0A



757

PARTS CATALOG (MAINTENANCE)

FIG ITEM	PART NUMBER	1 2 3 4 5 6 7 NOMENCLATURE	EFFECT FROM TO	UNITS PER ASSY
55 - 1	C17001BA01	MODULE-AIR DATA MODULE-AIR DATA SUPPLIER CODE: VF9111 FUNCTIONAL DESCRIPTION: TRANSMITS A PRECISELY CALIBRATED MEASUREMENT OF PITOT/STATIC PRESSURE ON THE ARINC 429 DATA BUS SPECIFICATION NUMBER: S242W601-100 ELECTRICAL EQUIP NUMBER: M11560 M11561 M11562 M11563 M11564 M11565 N11566 COMPONENT MAINT MANUAL REF: 34-21-15 OPTIONAL PART: C17001CA01 VF9111 FOR NHA SEE: 34-11-00-01 34-11-00-01A	103106 103106	RF

MISSING ITEM NUMBERS NOT APPLICABLE

- ITEM NOT ILLUSTRATED

# 34-11-51-55

34-11-51  
FIG. 55  
PAGE 1  
JAN 20/09

BRI



757

PARTS CATALOG (MAINTENANCE)

FIG ITEM	PART NUMBER	1 2 3 4 5 6 7	NOMENCLATURE	EFFECT FROM TO	UNITS PER ASSY
55 - 1	C17001CA01		MODULE-AIR DATA SUPPLIER CODE: VF9111 FUNCTIONAL DESCRIPTION: TRANSMITS A PRECISELY CALIBRATED MEASUREMENT OF PITOT/STATIC PRESSURE ON THE ARINC 429 DATA BUS SPECIFICATION NUMBER: S242W601-101 ELECTRICAL EQUIP NUMBER: M11560 M11561 M11562 M11563 M11564 M11565 N11566 COMPONENT MAINT MANUAL REF: 34-21-20 OPTIONAL PART: C17001BA01 VF9111 FOR NHA SEE: 34-11-00-01 34-11-00-01A	103106	RF
20	F1281909		.LABEL-IDENT SUPPLIER CODE: VF9111	103106	1
25	F1281910		.LABEL-SERIAL NO. SUPPLIER CODE: VF9111	103106	1
- 30	F2000175		.LABEL-STATIC SENSITIVE DEVICES SUPPLIER CODE: VF9111	103106	1
- 35	F2000060		.LABEL-PROTECTOR SUPPLIER CODE: VF9111	103106	1
40	F2000063		.LABEL-IDENT SUPPLIER CODE: VF9111	103106	1
- 45	F2000100		.LABEL-PROTECTOR SUPPLIER CODE: VF9111	103106	1
50	F2000103		.LABEL-MOD SUFFIX SUPPLIER CODE: VF9111	103106	1

MISSING ITEM NUMBERS NOT APPLICABLE

- ITEM NOT ILLUSTRATED

34-11-51-55

34-11-51  
FIG. 55  
PAGE 2  
JAN 20/09

BRI



757

PARTS CATALOG (MAINTENANCE)

FIG ITEM	PART NUMBER	1 2 3 4 5 6 7	NOMENCLATURE	EFFECT FROM TO	UNITS PER ASSY
55					
55	F2000190		. LABEL-STATIC SENSITIVE DEVICES SUPPLIER CODE: VF9111	103106	1
60	GPN200Z9X16		. CAP-PROTECTIVE SUPPLIER CODE: VF6069	103106	1
65	8500-5590A		. CAP-PROTECTIVE SUPPLIER CODE: VF0225	103106	1

MISSING ITEM NUMBERS NOT APPLICABLE

- ITEM NOT ILLUSTRATED

BRI

34-11-51-55

BOEING PROPRIETARY - Copyright © - Unpublished Work - See title page for details.

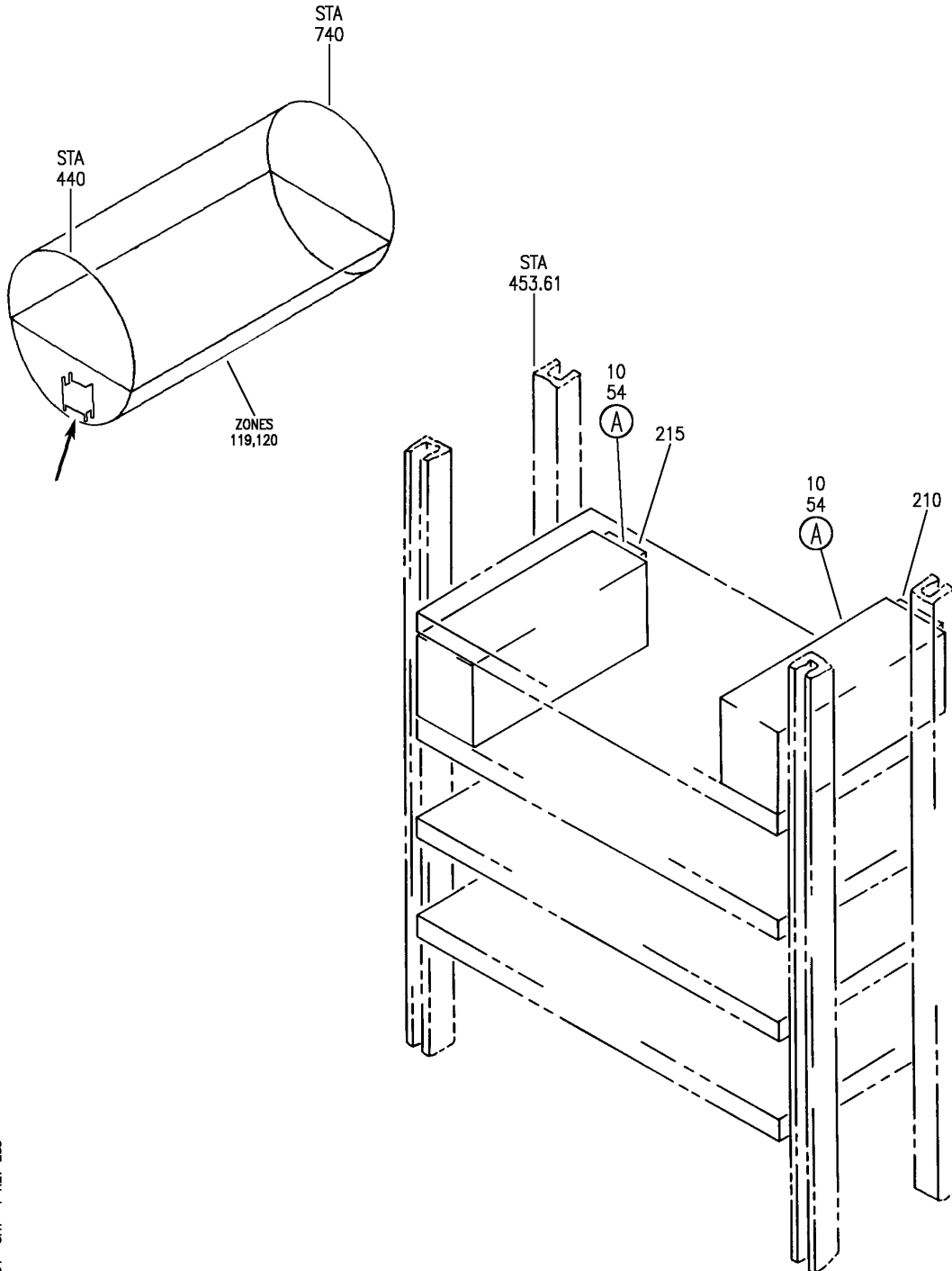
34-11-51  
FIG. 55  
PAGE 3  
JAN 20/09

## AIR DATA COMPUTING SYSTEM

BRI  
MAY 28/07

34-12-00  
SECTION TITLE  
PAGE 1

**BOEING**  
757  
PARTS CATALOG (MAINTENANCE)



Y 34120101 SH1 1 REV 285

EQUIPMENT INSTL-MAIN ELECTRONICS EQPT CTR (AIR DATA COMPUTER SYSTEM ONLY)  
FIGURE 1 (SHEET 1)

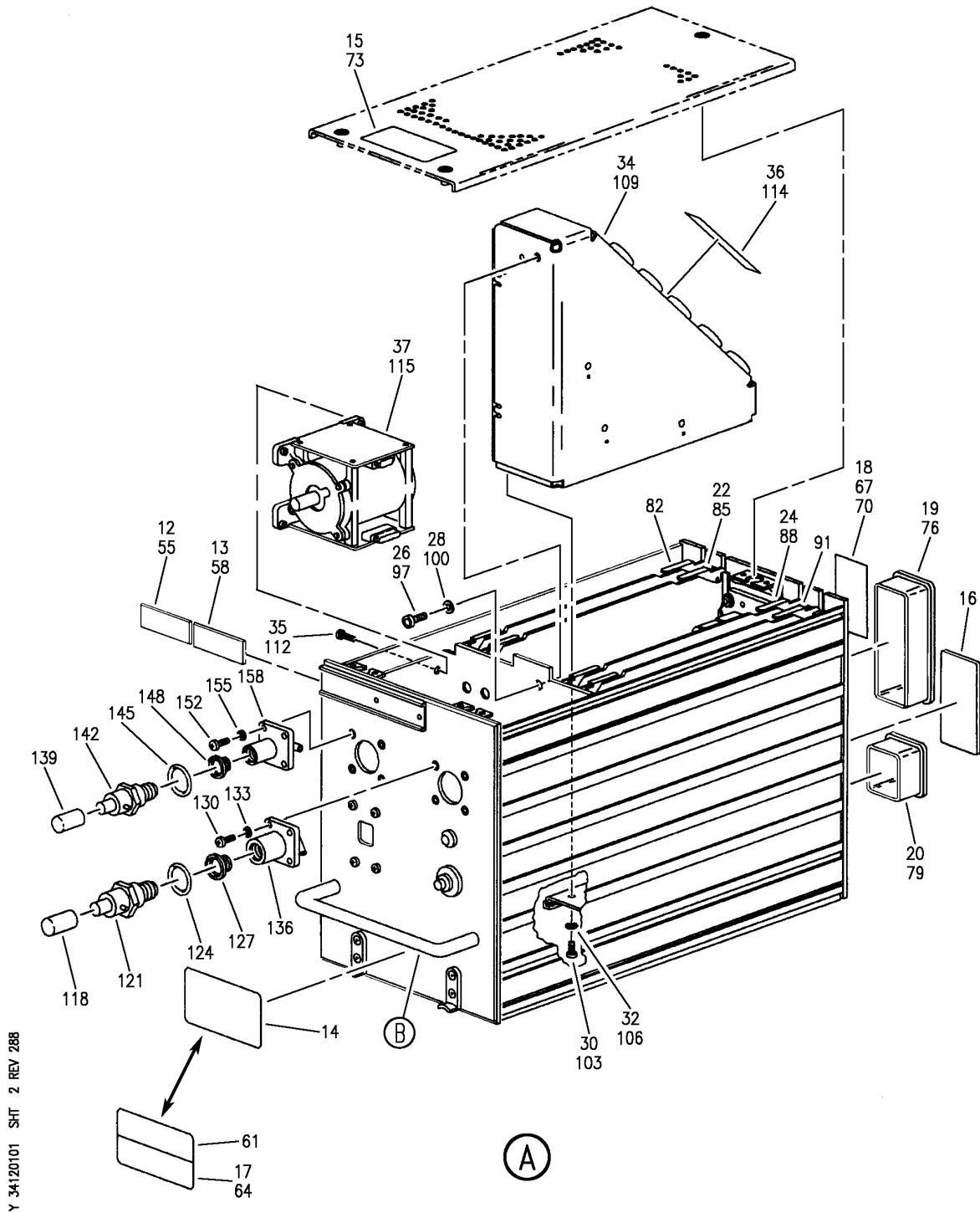
BRI  
MAY 28/07

**34-12-01-01**

34-12-01-01  
PAGE 0



**BOEING**  
757  
PARTS CATALOG (MAINTENANCE)



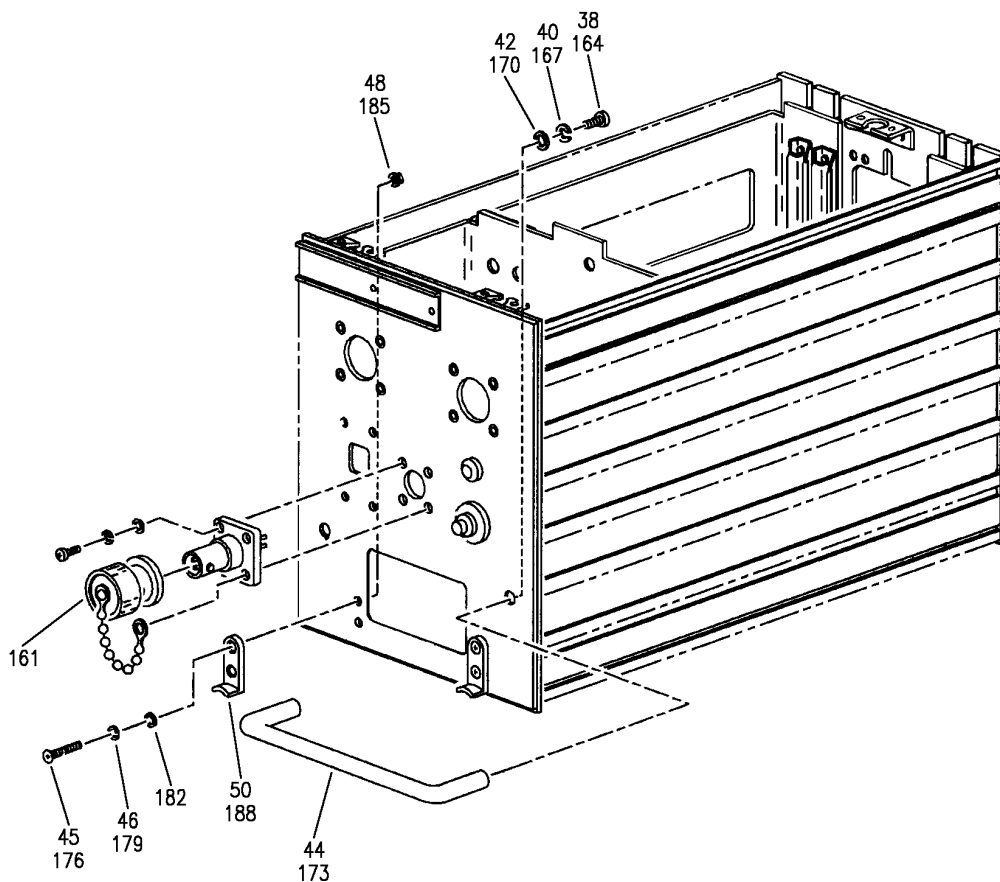
EQUIPMENT INSTL-MAIN ELECTRONICS EQPT CTR (AIR DATA COMPUTER SYSTEM ONLY)  
FIGURE 1 (SHEET 2)

**34-12-01-01**

BRI  
MAY 28/07

34-12-01-01  
PAGE 0A

**BOEING**  
757  
PARTS CATALOG (MAINTENANCE)



Y 34120101 SH1 3 REV 285

EQUIPMENT INSTL-MAIN ELECTRONICS EQPT CTR (AIR DATA COMPUTER SYSTEM ONLY)  
FIGURE 1 (SHEET 3)

**34-12-01-01**

BRI  
MAY 28/07

34-12-01-01  
PAGE 0B



757

PARTS CATALOG (MAINTENANCE)

FIG ITEM	PART NUMBER	1 2 3 4 5 6 7	NOMENCLATURE	EFFECT FROM TO	UNITS PER ASSY
1			EQUIPMENT INSTL-MAIN ELECTRONICS EQPT CTR (AIR DATA COMPUTER SYSTEM ONLY)	002004 006100 107107 121999	
- 2	284N1307-33		EQUIPMENT INSTL-MAIN ELECTRONICS EQPT CTR (AIR DATA COMPUTER SYSTEM ONLY) FOR NHA/OTHER SYS DET SEE: 24-00-58-01	107107	RF
- 2	284N1800-32		EQUIPMENT INSTL-MAIN ELECTRONICS EQPT CTR (AIR DATA COMPUTER SYSTEM ONLY) FOR NHA/OTHER SYS DET SEE: 24-00-58-01	952999	RF
- 4	284N1800-16		EQUIPMENT INSTL-MAIN ELECTRONICS EQPT CTR (AIR DATA COMPUTER SYSTEM ONLY) FOR NHA/OTHER SYS DET SEE: 24-00-58-01	121503 904949	RF
- 5	284N1800-34		EQUIPMENT INSTL-MAIN ELECTRONICS EQPT CTR (AIR DATA COMPUTER SYSTEM ONLY) FOR NHA/OTHER SYS DET SEE: 24-00-58-01	002004 006100	RF
- 5	284N1800-38		EQUIPMENT INSTL-MAIN ELECTRONICS EQPT CTR (AIR DATA COMPUTER SYSTEM ONLY) FOR NHA/OTHER SYS DET SEE: 24-00-58-01	950951	RF
- 7	284N1800-88		EQUIPMENT INSTL-MAIN ELECTRONICS EQPT CTR (AIR DATA COMPUTER SYSTEM ONLY) FOR NHA/OTHER SYS DET SEE: 24-00-58-05E	505505	RF
- 7	284N1800-190		EQUIPMENT INSTL-MAIN ELECTRONICS EQPT CTR (AIR DATA COMPUTER SYSTEM ONLY) FOR NHA/OTHER SYS DET SEE: 24-00-58-05E	504504 506903	RF

MISSING ITEM NUMBERS NOT APPLICABLE

- ITEM NOT ILLUSTRATED

34-12-01-01

34-12-01  
FIG. 01  
PAGE 1  
JAN 20/09

BRI



757

PARTS CATALOG (MAINTENANCE)

FIG ITEM	PART NUMBER	1 2 3 4 5 6 7	NOMENCLATURE	EFFECT FROM TO	UNITS PER ASSY
1	10 4040800-902		.COMPUTER ASSY-AIR DATA L AND R SUPPLIER CODE: V58960 SPECIFICATION NUMBER: S242T210-202 ELECTRICAL EQUIP NUMBER: M00100 M00101 COMPONENT MAINT MANUAL REF: 34-12-14	002004 006100 121503 952952	2
	10 4040800-904		.COMPUTER ASSY-AIR DATA L AND R SUPPLIER CODE: V58960 SPECIFICATION NUMBER: S242T210-204 ELECTRICAL EQUIP NUMBER: M00100 M00101 COMPONENT MAINT MANUAL REF: 34-12-14 QUALIFIED I/W DATA: IF C15 PIN IS GROUNDED S242T210-204/4040800-904 OR S242T210-206/ 4040800-906 MUST BE REPLACED BY S242T210-211 /4040800-911 NOT INTERMIXABLE, OTHERWISE S242T210-204/4040800-904 S242T210-206/4040800-906 FULLY INTERCHANGEABLE WITH S242T210-211/ 4040800-911	002004 006100 121503 952952	2

MISSING ITEM NUMBERS NOT APPLICABLE

- ITEM NOT ILLUSTRATED

BRI

34-12-01-01

34-12-01  
FIG. 01  
PAGE 2  
JAN 20/09



757

PARTS CATALOG (MAINTENANCE)

FIG ITEM	PART NUMBER	1 2 3 4 5 6 7	NOMENCLATURE	EFFECT FROM TO	UNITS PER ASSY
1 10	4040800-906		.COMPUTER ASSY-AIR DATA L AND R SUPPLIER CODE: V58960 SPECIFICATION NUMBER: S242T210-206 ELECTRICAL EQUIP NUMBER: M00100 M00101 COMPONENT MAINT MANUAL REF: 34-12-14 QUALIFIED I/W DATA: IF C15 PIN IS GROUNDED S242T210-204/4040800-904 OR S242T210-206/ 4040800-906 MUST BE REPLACED BY S242T210-211 /4040800-911 NOT INTERMIXABLE, OTHERWISE S242T210-204/4040800-904 S242T210-206/4040800-906 FULLY INTERCHANGEABLE WITH S242T210-211/ 4040800-911 IF C15 PIN IS GROUNDED S242T210-204/4040800-904 OR S242T210-206/4040800-906 MUST BE REPLACED BY S242T210-211/4040800-911 NOT INTERMIXABLE, OTHERWISE S242T210-204/4040800-904 S242T210-206/4040800-906 FULLY INTERCHANGEABLE WITH S242T210-211/4040800-911	121503 952952	2
12	4036046-1		..PLATE-DESIGNATION SUPPLIER CODE: V58960	002004 006100 121503 952952	1
13	4036046-7		..PLATE-DESIGNATION SUPPLIER CODE: V58960	002004 006100 121503 952952	1

MISSING ITEM NUMBERS NOT APPLICABLE

- ITEM NOT ILLUSTRATED

34-12-01-01

34-12-01  
FIG. 01  
PAGE 3  
JAN 20/09

BRI



757

PARTS CATALOG (MAINTENANCE)

FIG ITEM	PART NUMBER	1 2 3 4 5 6 7	NOMENCLATURE	EFFECT FROM TO	UNITS PER ASSY
1					
14	4040805-4	..	PLATE-IDENT SUPPLIER CODE: V58960 USED ON: 4040800-902 4040800-904	002004 006100 121503 952952	1
14	4040805-4	..	PLATE-IDENT SUPPLIER CODE: V58960 CONFIG CHG DATA FROM A CMM: REPLD BY 4065516-992 USED ON: 4040800-906	002004 006100 121503 952952	1
14	4065516-992	..	PLATE-IDENT SUPPLIER CODE: V58960 CONFIG CHG DATA FROM A CMM: REPLACES 4040805-4 REPLD BY 4078256-238 USED ON: 4040800-906	002004 006100 121503 952952	1
14	4078256-238	..	PLATE-IDENT SUPPLIER CODE: V58960 CONFIG CHG DATA FROM A CMM: REPLACES 4065516-992 USED ON: 4040800-906	002004 006100 121503 952952	1
15	4032147	..	PLATE-DESIGNATION SUPPLIER CODE: V07416 OPTIONAL SUPPLIER CODE: 4J649	002004 006100 121503 952952	1
16	4017178-1	..	PLATE-IDENT SUPPLIER CODE: V58960 OPTIONAL SUPPLIER CODE: 4J649 USED ON: 4040800-902 4040800-904	002004 006100 121503 952952	1
16	4078256-20	..	PLATE-IDENT SUPPLIER CODE: V58960 USED ON: 4040800-906	002004 006100 121503 952952	1

MISSING ITEM NUMBERS NOT APPLICABLE

- ITEM NOT ILLUSTRATED

34-12-01-01

34-12-01  
FIG. 01  
PAGE 4  
JAN 20/09

BRI

BOEING PROPRIETARY - Copyright © - Unpublished Work - See title page for details.



757

PARTS CATALOG (MAINTENANCE)

FIG ITEM	PART NUMBER	1 2 3 4 5 6 7	NOMENCLATURE	EFFECT FROM TO	UNITS PER ASSY
1					
17	4078256-871	..	PLATE-IDENT SUPPLIER CODE: V58960 USED ON: 4040800-906	002004 006100 121503 952952	1
18	4017178-1	..	PLATE-IDENT SUPPLIER CODE: V58960 OPTIONAL SUPPLIER CODE: 4J649 USED ON: 4040800-902 4040800-904	002004 006100 121503 952952	1
18	4078256-872	..	PLATE-IDENT SUPPLIER CODE: V58960 USED ON: 4040800-906	002004 006100 121503 952952	1
19	025-1157-001	..	CAP-DUST SUPPLIER CODE: V71468 MISCELLANEOUS DATA: HONEYWELL PART NO. 40414337-5 OPTIONAL PART: 4041437-5 V58960	002004 006100 121503 952952	1
20	025-1158-001	..	CAP-DUST SUPPLIER CODE: V71468 MISCELLANEOUS DATA: HONEYWELL PART NO. 4041437-6 OPTIONAL PART: 4041437-6 V58960	002004 006100 121503 952952	1
22	4040814-901	..	CARD ASSY-CIRCUIT ANALOG TO DIGITAL A4 SUPPLIER CODE: V58960 COMPONENT MAINT MANUAL REF: 34-12-10	002004 006100 121503 952952	1
24	4040816-901	..	CARD ASSY-CIRCUIT ARINC INTERFACE A6 SUPPLIER CODE: V58960 COMPONENT MAINT MANUAL REF: 34-12-12	002004 006100 121503 952952	1

MISSING ITEM NUMBERS NOT APPLICABLE

- ITEM NOT ILLUSTRATED

BRI

34-12-01-01

34-12-01  
FIG. 01  
PAGE 5  
JAN 20/09

**BOEING**  
757  
**PARTS CATALOG (MAINTENANCE)**

FIG ITEM	PART NUMBER	1 2 3 4 5 6 7	NOMENCLATURE	EFFECT FROM TO	UNITS PER ASSY
1					
- 25	4068907-902	..	CARD ASSY-CIRCUIT CPU SUPPLIER CODE: V58960 OPTIONAL PART: 4040817-912 V58960	002004 006100 121503 952952	1
- 25	4040817-912	..	CARD ASSY-CPU SUPPLIER CODE: V58960 OPTIONAL PART: 4068907-902 V58960 ATTACHING PARTS	002004 006100 121503 952952	1
26	MS16995-18	..	SCREW- MISCELLANEOUS DATA: HONEYWELL PART NO. 0819-18	002004 006100 121503 952952	1
28	MS15795-805	..	WASHER- MISCELLANEOUS DATA: HONEYWELL PART NO. 0770-7	002004 006100 121503 952952	1
30	MS51957-29	..	SCREW- CONFIG CHG DATA FROM A CMM: REPLD BY 0919-29 MISCELLANEOUS DATA: HONEYWELL PART NO. 0919-29	002004 006100 121503 952952	6
30	0919-29	..	SCREW- SUPPLIER CODE: V58960 CONFIG CHG DATA FROM A CMM: REPLACES MS51957-29	002004 006100 121503 952952	6
32	MS15795-805	..	WASHER- MISCELLANEOUS DATA: HONEYWELL PART NO. 0770-7 -----*-----	002004 006100 121503 952952	6
34	4040815-901	..	POWER SUPPLY- A5 SUPPLIER CODE: V58960 COMPONENT MAINT MANUAL REF: 34-12-11 ATTACHING PARTS	002004 006100 121503 952952	1
35	MS51957-30B	..	SCREW- MISCELLANEOUS DATA: HONEYWELL PART NO. 2504410-557 -----*-----	002004 006100 121503 952952	8

MISSING ITEM NUMBERS NOT APPLICABLE

- ITEM NOT ILLUSTRATED

BRI

# 34-12-01-01

34-12-01  
FIG. 01  
PAGE 6  
JAN 20/09





757

PARTS CATALOG (MAINTENANCE)

FIG ITEM	PART NUMBER	1 2 3 4 5 6 7	NOMENCLATURE	EFFECT FROM TO	UNITS PER ASSY
1					
36	4061839-2	...	DECAL- SUPPLIER CODE: V58960	002004 006100 121503 952952	1
37	4040831-901	..	CONVERTER-PRESSURE A1 A2 SUPPLIER CODE: V58960 COMPONENT MAINT MANUAL REF: 34-12-08 ATTACHING PARTS	002004 006100 121503 952952	2
38	MS16996-11	..	SCREW- MISCELLANEOUS DATA: HONEYWELL PART NO. 0819-288	002004 006100 121503 952952	2
40	MS35338-138	..	WASHER- CONFIG CHG DATA FROM A CMM: REPLD BY 0164-9 MISCELLANEOUS DATA: HONEYWELL PART NO. 0164-9	002004 006100 121503 952952	2
40	0164-9	..	WASHER- SUPPLIER CODE: V58960 CONFIG CHG DATA FROM A CMM: REPLACES MS35338-138	002004 006100 121503 952952	2
42	NAS620C10	..	WASHER- MISCELLANEOUS DATA: HONEYWELL PART NO. 2504638-14	002004 006100 121503 952952	2
44	10350A1032-1B	..	HANDLE- SUPPLIER CODE: V06540 MISCELLANEOUS DATA: HONEYWELL PART NO. 752758-3 OPTIONAL PART: A5534-2 V04729	002004 006100 121503 952952	1
44	A5534-2	..	HANDLE- SUPPLIER CODE: V04729 OPTIONAL PART: 10350A1032-1B V06540	002004 006100 121503 952952	1
45	MS24693C28	..	SCREW- MISCELLANEOUS DATA: HONEYWELL PART NO. 2504188-226	002004 006100 121503 952952	4

MISSING ITEM NUMBERS NOT APPLICABLE

- ITEM NOT ILLUSTRATED

34-12-01-01

34-12-01  
FIG. 01  
PAGE 7  
JAN 20/09

BRI

BOEING PROPRIETARY - Copyright © - Unpublished Work - See title page for details.



757

PARTS CATALOG (MAINTENANCE)

FIG ITEM	PART NUMBER	1 2 3 4 5 6 7	NOMENCLATURE	EFFECT FROM TO	UNITS PER ASSY
1					
46	MS35333-71		.. WASHER- MISCELLANEOUS DATA: HONEYWELL PART NO. 824637-5	002004 006100 121503 952952	4
48	MS21042L06		.. NUT- MISCELLANEOUS DATA: HONEYWELL PART NO. 2500929-3	002004 006100 121503 952952	4
50	NAS622CT2		.. HOOK- MISCELLANEOUS DATA: HONEYWELL PART NO. 2500923-2	002004 006100 121503 952952	2
			-----*-----		
- 53	PS4050061-919		. SOFTWARE-DADC SUPPLIER CODE: V58960 USED WITH: 4040800-912 POST SERVICE BULLETIN: 4040800-34-6014R1 V58960	950951	AR
- 53	PS4050061-918		. SOFTWARE-DADC SUPPLIER CODE: V58960 USED WITH: 4040800-911 POST SERVICE BULLETIN: 4040800-34-SW12 V58960 4040800-34-SW12R1 V58960	107107 950951 953999	AR

MISSING ITEM NUMBERS NOT APPLICABLE

- ITEM NOT ILLUSTRATED

BRI

34-12-01-01

BOEING PROPRIETARY - Copyright © - Unpublished Work - See title page for details.

34-12-01  
FIG. 01  
PAGE 8  
JAN 20/09



757

PARTS CATALOG (MAINTENANCE)

FIG ITEM	PART NUMBER	1 2 3 4 5 6 7	NOMENCLATURE	EFFECT FROM TO	UNITS PER ASSY
1 54	4040800-911		.COMPUTER ASSY-AIR DATA L AND R SUPPLIER CODE: V58960 SPECIFICATION NUMBER: S242T210-211 ELECTRICAL EQUIP NUMBER: M00100 M00101 COMPONENT MAINT MANUAL REF: 34-12-18 QUALIFIED I/W DATA: IF C15 PIN IS GROUNDED S242T210-204/4040800-904 OR S242T210-206/ 4040800-906 MUST BE REPLACED BY S242T210-211 /4040800-911 NOT INTERMIXABLE, OTHERWISE S242T210-204/4040800-904 S242T210-206/4040800-906 FULLY INTERCHANGEABLE WITH S242T210-211/ 4040800-911 IF C15 PIN IS GROUNDED S242T210-204/4040800-904 OR S242T210-206/ 4040800-906 MUST BE REPLACED BY S242T210-211 /4040800-911 NOT INTERMIXABLE, OTHERWISE S242T210-204/4040800-904 S242T210-206/4040800-906 FULLY INTERCHANGEABLE WITH S242T20-211/ 4040800-911 SERVICE BULLETIN OPT DATA: 4040800-912 V58960 POST SERVICE BULLETIN: 34-0132 POST SERVICE BULLETIN: 4040800-34-SW12 V58960 4040800-34-SW12R1 V58960	002004 006100 107107 121999	2

MISSING ITEM NUMBERS NOT APPLICABLE

- ITEM NOT ILLUSTRATED

BRI

34-12-01-01

BOEING PROPRIETARY - Copyright © - Unpublished Work - See title page for details.

34-12-01  
FIG. 01  
PAGE 9  
JAN 20/09



757

PARTS CATALOG (MAINTENANCE)

FIG ITEM	PART NUMBER	1 2 3 4 5 6 7	NOMENCLATURE	EFFECT FROM TO	UNITS PER ASSY
1 54	4040800-912		.COMPUTER ASSY-AIR DATA SUPPLIER CODE: V58960 SPECIFICATION NUMBER: S242T210-212 ELECTRICAL EQUIP NUMBER: M00100 M00101 COMPONENT MAINT MANUAL REF: 34-12-18 QUALIFIED I/W DATA: IF C15 PIN IS GROUNDED S242T210-204/4040800-904 OR S242T210-206/4040800-906 MUST BE REPLACED BY S242T210-211/4040800-911 NOT INTERMIXABLE, OTHERWISE S242T210-204/4040800-904 S242T210-206/4040800-906 FULLY INTERCHANGEABLE WITH S242T210-211/4040800-911 SERVICE BULLETIN OPT DATA: 4040800-911 V58960 POST SERVICE BULLETIN: 34-0132R1 POST SERVICE BULLETIN: 4040800-34-6014R1 V58960 4040800-34-6014R4 V58960	002004 006100 107107 121999	2
55	4036046-1		..PLATE-DESIGNATION SUPPLIER CODE: V58960	002004 006100 107107 121999	1
58	4036046-7		..PLATE-DESIGNATION SUPPLIER CODE: V58960	002004 006100 107107 121999	1
61	4078256-193		..PLATE-IDENT SUPPLIER CODE: V58960 CONFIG CHG DATA FROM A CMM: REPLD BY 4089643-178 USED ON: 4040800-911	002004 006100 107107 121999	1

MISSING ITEM NUMBERS NOT APPLICABLE

- ITEM NOT ILLUSTRATED

34-12-01-01

34-12-01  
FIG. 01  
PAGE 10  
JAN 20/09

BRI



757

PARTS CATALOG (MAINTENANCE)

FIG ITEM	PART NUMBER	1 2 3 4 5 6 7	NOMENCLATURE	EFFECT FROM TO	UNITS PER ASSY
1					
61	4089643-178	..	PLATE-IDENT SUPPLIER CODE: V58960 CONFIG CHG DATA FROM A CMM: REPLACES 4078256-193 USED ON: 4040800-911	002004 006100 107107 121999	1
61	4078256-236	..	PLATE-IDENT SUPPLIER CODE: V58960 USED ON: 4040800-912	002004 006100 107107 121999	1
64	4078256-322	..	PLATE-IDENT SUPPLIER CODE: V58960 CONFIG CHG DATA FROM A CMM: REPLD BY 4078256-881 USED ON: 4040800-912	002004 006100 107107 121999	1
64	4078256-881	..	PLATE-IDENT SUPPLIER CODE: V58960 CONFIG CHG DATA FROM A CMM: REPLACES 4078256-322 USED ON: 4040800-912	002004 006100 107107 121999	1
64	4078256-238	..	PLATE-IDENT SUPPLIER CODE: V58960 USED ON: 4040800-911	002004 006100 107107 121999	1
67	4089643-179	..	PLATE-IDENT SUPPLIER CODE: V58960 USED ON: 4040800-911	002004 006100 107107 121999	1
70	4078256-882	..	PLATE-IDENT SUPPLIER CODE: V58960 USED ON: 4040800-912	002004 006100 107107 121999	1
73	4032147	..	PLATE-DESIGNATION SUPPLIER CODE: V07416 OPTIONAL SUPPLIER CODE: 4J649	002004 006100 107107 121999	1

MISSING ITEM NUMBERS NOT APPLICABLE

- ITEM NOT ILLUSTRATED

34-12-01-01

34-12-01  
FIG. 01  
PAGE 11  
JAN 20/09

BRI



757

PARTS CATALOG (MAINTENANCE)

FIG ITEM	PART NUMBER	1 2 3 4 5 6 7	NOMENCLATURE	EFFECT FROM TO	UNITS PER ASSY
1					
76	025-1157-001	..	CAP-DUST SUPPLIER CODE: V71468 MISCELLANEOUS DATA: HONEYWELL PART NO. 4041437-5 OPTIONAL PART: 4041437-5 V58960	002004 006100 107107 121999	1
79	025-1158-001	..	CAP-DUST SUPPLIER CODE: V71468 MISCELLANEOUS DATA: HONEYWELL PART NO. 4041437-6 OPTIONAL PART: 4041437-6 V58960	002004 006100 107107 121999	1
82	4040813-905	..	CARD ASSY-CIRCUIT DIGITAL FREQUENCY A3 SUPPLIER CODE: V58960 COMPONENT MAINT MANUAL REF: 34-12-09	002004 006100 107107 121999	1
85	4040814-901	..	CARD ASSY-CIRCUIT ANALOG TO DIGITAL A4 SUPPLIER CODE: V58960 COMPONENT MAINT MANUAL REF: 34-12-10	002004 006100 107107 121999	1
88	4066263-902	..	CARD ASSY-CIRCUIT ARINC A6 SUPPLIER CODE: V58960 COMPONENT MAINT MANUAL REF: 34-12-37 USED ON: 4040800-911	002004 006100 107107 121999	1
88	4040816-901	..	CARD ASSY-CIRCUIT ARINC INTERFACE A6 SUPPLIER CODE: V58960 COMPONENT MAINT MANUAL REF: 34-12-12 USED ON: 4040800-912	002004 006100 107107 121999	1

MISSING ITEM NUMBERS NOT APPLICABLE

- ITEM NOT ILLUSTRATED

34-12-01-01

34-12-01  
FIG. 01  
PAGE 12  
JAN 20/09

BRI



757

PARTS CATALOG (MAINTENANCE)

FIG ITEM	PART NUMBER	1 2 3 4 5 6 7	NOMENCLATURE	EFFECT FROM TO	UNITS PER ASSY
1	91 4067877-912	..	CARD ASSY-CIRCUIT PROGRAMMED MEMORY (A7) SUPPLIER CODE: V58960 USED ON: 4040800-911	002004 006100 107107 121999	1
	91 4067877-913	..	CARD ASSY-CIRCUIT PROGRAMMED MEMORY (A7) SUPPLIER CODE: V58960 USED ON: 4040800-912	002004 006100 107107 121999	1
-	94 4068907-902	..	CARD ASSY-CPU SUPPLIER CODE: V58960	002004 006100 107107 121999	1
	97 MS16995-18	..	ATTACHING PARTS SCREW- MISCELLANEOUS DATA: HONEYWELL PART NO. 0819-18	002004 006100 107107 121999	1
	100 MS15795-805	..	WASHER- MISCELLANEOUS DATA: HONEYWELL PART NO. 0770-7	002004 006100 107107 121999	1
	103 0919-29	..	SCREW- SUPPLIER CODE: V58960	002004 006100 107107 121999	6
	106 MS15795-805	..	WASHER- MISCELLANEOUS DATA: HONEYWELL PART NO. 0770-7	002004 006100 107107 121999	6
	109 4040815-901	..	***** POWER SUPPLY- A5 SUPPLIER CODE: V58960 COMPONENT MAINT MANUAL REF: 34-12-11 ATTACHING PARTS	002004 006100 107107 121999	1
	112 MS51957-30B	..	SCREW- MISCELLANEOUS DATA: HONEYWELL PART NO. 2504410-557 *****	002004 006100 107107 121999	8

MISSING ITEM NUMBERS NOT APPLICABLE

- ITEM NOT ILLUSTRATED

34-12-01-01

34-12-01  
FIG. 01  
PAGE 13  
JAN 20/09

BRI

 **BOEING**  
757  
**PARTS CATALOG (MAINTENANCE)**

FIG ITEM	PART NUMBER	1 2 3 4 5 6 7	NOMENCLATURE	EFFECT FROM TO	UNITS PER ASSY
1					
114	4061839-2	...	DECAL- SUPPLIER CODE: V58960	002004 006100 107107 121999	1
115	4040831-901	..	CONVERTER-PRESSURE A1 A2 SUPPLIER CODE: V58960 COMPONENT MAINT MANUAL REF: 34-12-08	002004 006100 107107 121999	2
118	2500210-5	..	CAP- SUPPLIER CODE: V58960 USED ON: 4040800-911	002004 006100 107107 121999	1
121	40006-1B96	..	COUPLING- SUPPLIER CODE: V62323 MISCELLANEOUS DATA: HONEYWELL PART NO. 4016952-2 OPTIONAL PART: 1QM1-3-66A V24984 USED ON: 4040800-911	002004 006100 107107 121999	1
121	1QM1-3-66A	..	COUPLING- SUPPLIER CODE: V24984 OPTIONAL PART: 40006-1B96 V62323 USED ON: 4040800-911 ATTACHING PARTS	002004 006100 107107 121999	1
124	MS28778-6	..	PACKING- MISCELLANEOUS DATA: HONEYWELL PART NO. 831979-6 USED ON: 4040800-911	002004 006100 107107 121999	1
127	NAS815-60	..	PLUG- MISCELLANEOUS DATA: HONEYWELL PART NO. 632783-60 USED ON: 4040800-912	002004 006100 107107 121999	1

MISSING ITEM NUMBERS NOT APPLICABLE

— ITEM NOT ILLUSTRATED

BRI

# 34-12-01-01

34-12-01  
FIG. 01  
PAGE 14  
JAN 20/09



 **BOEING**  
757  
**PARTS CATALOG (MAINTENANCE)**

FIG ITEM	PART NUMBER	1 2 3 4 5 6 7	NOMENCLATURE	EFFECT FROM TO	UNITS PER ASSY
1					
130	MS51957-45	..	SCREW- MISCELLANEOUS DATA: HONEYWELL PART NO. 0919-45	002004 006100 107107 121999	4
133	NAS620C8	..	WASHER- MISCELLANEOUS DATA: HONEYWELL PART NO. 2504638-12	002004 006100 107107 121999	4
			-----*-----		
136	2580370	..	FITTING- SUPPLIER CODE: V58960	002004 006100 107107 121999	1
139	2500210-5	..	CAP- SUPPLIER CODE: V58960 USED ON: 4040800-911	002004 006100 107107 121999	1
142	40006-1A94	..	COUPLING- SUPPLIER CODE: V62323 MISCELLANEOUS DATA: HONEYWELL PART NO. 4016952-1 OPTIONAL PART: 1QM1-2-46A V24984 USED ON: 4040800-911	002004 006100 107107 121999	1
142	1QM1-2-46A	..	COUPLING- SUPPLIER CODE: V24984 OPTIONAL PART: 40006-1A94 V62323 USED ON: 4040800-911	002004 006100 107107 121999	1
			ATTACHING PARTS		
145	MS28778-4	..	PACKING- MISCELLANEOUS DATA: HONEYWELL PART NO. 831979-4 USED ON: 4040800-911	002004 006100 107107 121999	1

MISSING ITEM NUMBERS NOT APPLICABLE

— ITEM NOT ILLUSTRATED

BRI

# 34-12-01-01

BOEING PROPRIETARY - Copyright © - Unpublished Work - See title page for details.

34-12-01  
FIG. 01  
PAGE 15  
JAN 20/09



757

PARTS CATALOG (MAINTENANCE)

FIG ITEM	PART NUMBER	1 2 3 4 5 6 7	NOMENCLATURE	EFFECT FROM TO	UNITS PER ASSY
1					
148	NAS815-40	..	PLUG- MISCELLANEOUS DATA: HONEYWELL PART NO. 632783-40 USED ON: 4040800-912	002004 006100 107107 121999	1
152	MS51957-45	..	SCREW- MISCELLANEOUS DATA: HONEYWELL PART NO. 0919-45	002004 006100 107107 121999	4
155	NAS620C8	..	WASHER- MISCELLANEOUS DATA: HONEYWELL PART NO. 2504638-12	002004 006100 107107 121999	4
			-----*-----		
158	2580371	..	FITTING- SUPPLIER CODE: V58960	002004 006100 107107 121999	1
161	4059968-1	..	CAP- SUPPLIER CODE: V58960 USED ON: 4040800-911	002004 006100 107107 121999	1
			ATTACHING PARTS		
164	MS16996-11	..	SCREW- MISCELLANEOUS DATA: HONEYWELL PART NO. 0819-288	002004 006100 107107 121999	2
167	MS35338-138	..	WASHER- CONFIG CHG DATA FROM A CMM: REPLD BY 0164-9 MISCELLANEOUS DATA: HONEYWELL PART NO. 0164-9 USED ON: 4040800-911	002004 006100 107107 121999	2
167	0164-9	..	WASHER- SUPPLIER CODE: V58960 CONFIG CHG DATA FROM A CMM: REPLACES MS35338-138	002004 006100 107107 121999	2
170	NAS620C10	..	WASHER- MISCELLANEOUS DATA: HONEYWELL PART NO. 2504638-14	002004 006100 107107 121999	2

MISSING ITEM NUMBERS NOT APPLICABLE

- ITEM NOT ILLUSTRATED

34-12-01-01

34-12-01  
FIG. 01  
PAGE 16  
JAN 20/09

BRI

BOEING PROPRIETARY - Copyright © - Unpublished Work - See title page for details.

 **BOEING**  
757  
**PARTS CATALOG (MAINTENANCE)**

FIG ITEM	PART NUMBER	1 2 3 4 5 6 7	NOMENCLATURE	EFFECT FROM TO	UNITS PER ASSY
1					
173	10350A1032-1B	..	HANDLE- SUPPLIER CODE: V06540 MISCELLANEOUS DATA: HONEYWELL PART NO. 752758-3 OPTIONAL PART: A5534-2 V04729	002004 006100 107107 121999	1
173	A5534-2	..	HANDLE- SUPPLIER CODE: V04729 OPTIONAL PART: 10350A1032-1B V06540	002004 006100 107107 121999	1
176	MS24693C28	..	SCREW- MISCELLANEOUS DATA: HONEYWELL PART NO. 2504188-226	002004 006100 107107 121999	4
179	MS35333-71	..	WASHER- MISCELLANEOUS DATA: HONEYWELL PART NO. 824637-5	002004 006100 107107 121999	4
182	NAS620C6L	..	WASHER- MISCELLANEOUS DATA: HONEYWELL PART NO. 2504638-9 USED ON: 4040800-911	002004 006100 107107 121999	4
185	MS21042L06	..	NUT- MISCELLANEOUS DATA: HONEYWELL PART NO. 2500929-3	002004 006100 107107 121999	4
188	NAS622CT2	..	HOOK- MISCELLANEOUS DATA: HONEYWELL PART NO. 2500923-2	002004 006100 107107 121999	2
- 200	286N1171-001	-----*	WIRE BUNDLE ASSY- REWORKED BY SB: 22-0063 REWORKED BY ALERT SB: 34A022	121503 904949	RF
- 200	286N1171-002		WIRE BUNDLE ASSY- REWORKED BY SB: 34-0132 REWORKED BY ALERT SB: 34A022	107107	RF

MISSING ITEM NUMBERS NOT APPLICABLE

- ITEM NOT ILLUSTRATED

BRI

# 34-12-01-01

34-12-01  
FIG. 01  
PAGE 17  
JAN 20/09

BOEING PROPRIETARY - Copyright © - Unpublished Work - See title page for details.



757

PARTS CATALOG (MAINTENANCE)

FIG ITEM	PART NUMBER	1 2 3 4 5 6 7	NOMENCLATURE	EFFECT FROM TO	UNITS PER ASSY
1					
- 200	286N1171-006		WIRE BUNDLE ASSY- REWORKED BY SB: 22-0063 31-0127R1 34-0132 34-0200 REWORKED BY ALERT SB: 34A0222	002004 006100 950999	RF
- 202	286N1171-359		WIRE BUNDLE ASSY- REWORKED BY ALERT SB: 34A0222	504504 506506	RF
- 203	286N1171-383		WIRE BUNDLE ASSY- REWORKED BY ALERT SB: 34A0222	505505	RF
- 203	286N1171-441		WIRE BUNDLE ASSY- REWORKED BY ALERT SB: 34A0222	507903	RF
- 205	286N1173-001		WIRE BUNDLE ASSY- REWORKED BY SB: 22-0063 REWORKED BY ALERT SB: 34A0222	121503 904949	RF
- 205	286N1173-002		WIRE BUNDLE ASSY- REWORKED BY SB: 34-0132 REWORKED BY ALERT SB: 34A0222	107107	RF
- 205	286N1173-006		WIRE BUNDLE ASSY- REWORKED BY SB: 22-0063 31-0127R1 34-0132 34-0200 REWORKED BY ALERT SB: 34A0222	002004 006100 950999	RF
- 208	286N1173-359		WIRE BUNDLE ASSY- REWORKED BY ALERT SB: 34A0222	504504 506506	RF
215	BACC66H21C0201		.CONNECTOR- ELECTRICAL EQUIP NUMBER: D00289 D00291 WIRING DIAGRAM REF: 341211 341222 REWORKED BY SB: 34-0132 31-0127	002004 006100 107107 121503 904999	1

MISSING ITEM NUMBERS NOT APPLICABLE

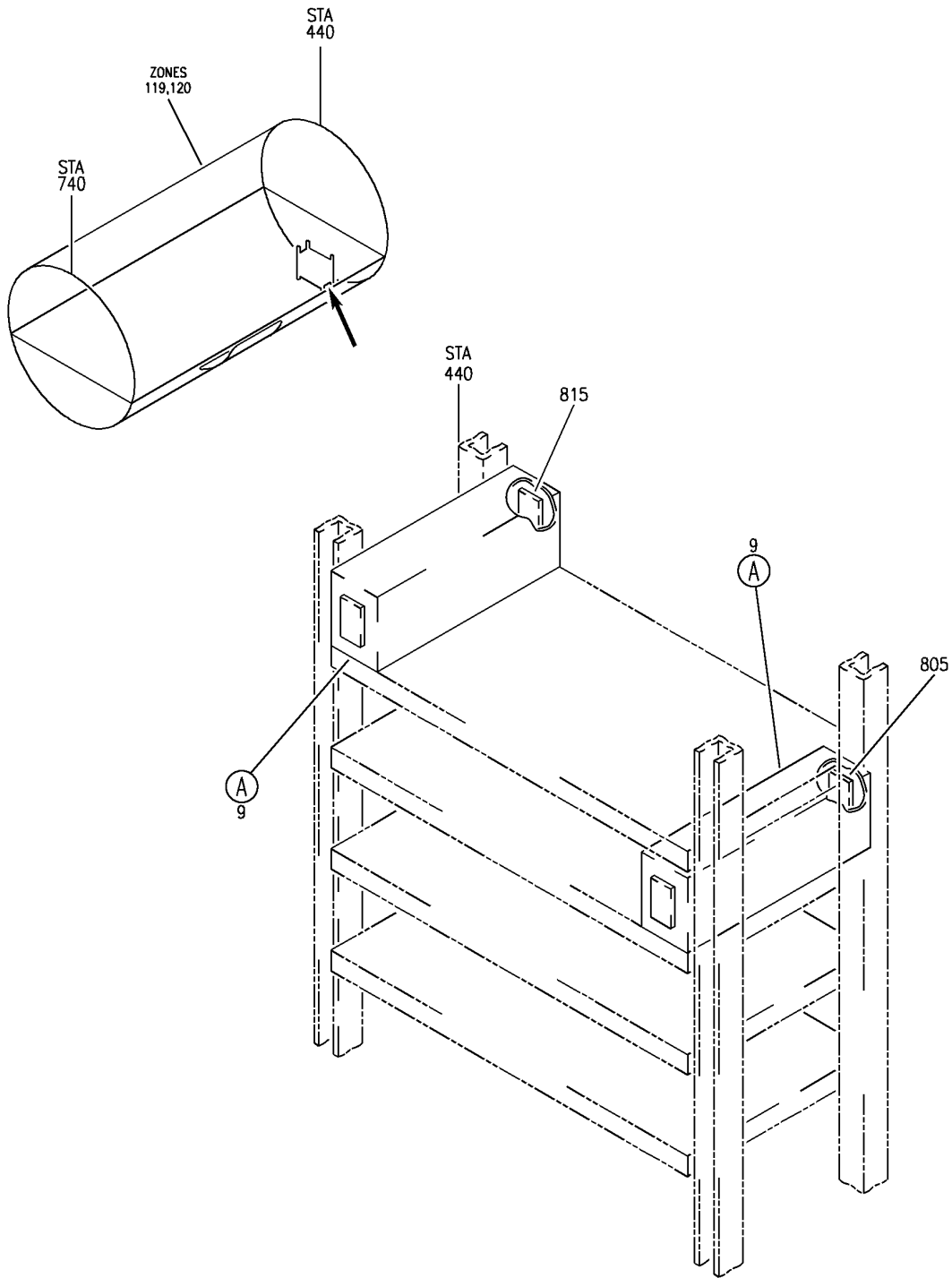
- ITEM NOT ILLUSTRATED

34-12-01-01

34-12-01  
FIG. 01  
PAGE 18  
JAN 20/09

BRI

**BOEING**  
757  
PARTS CATALOG (MAINTENANCE)



Y 34120101B SHT 1 REV 284

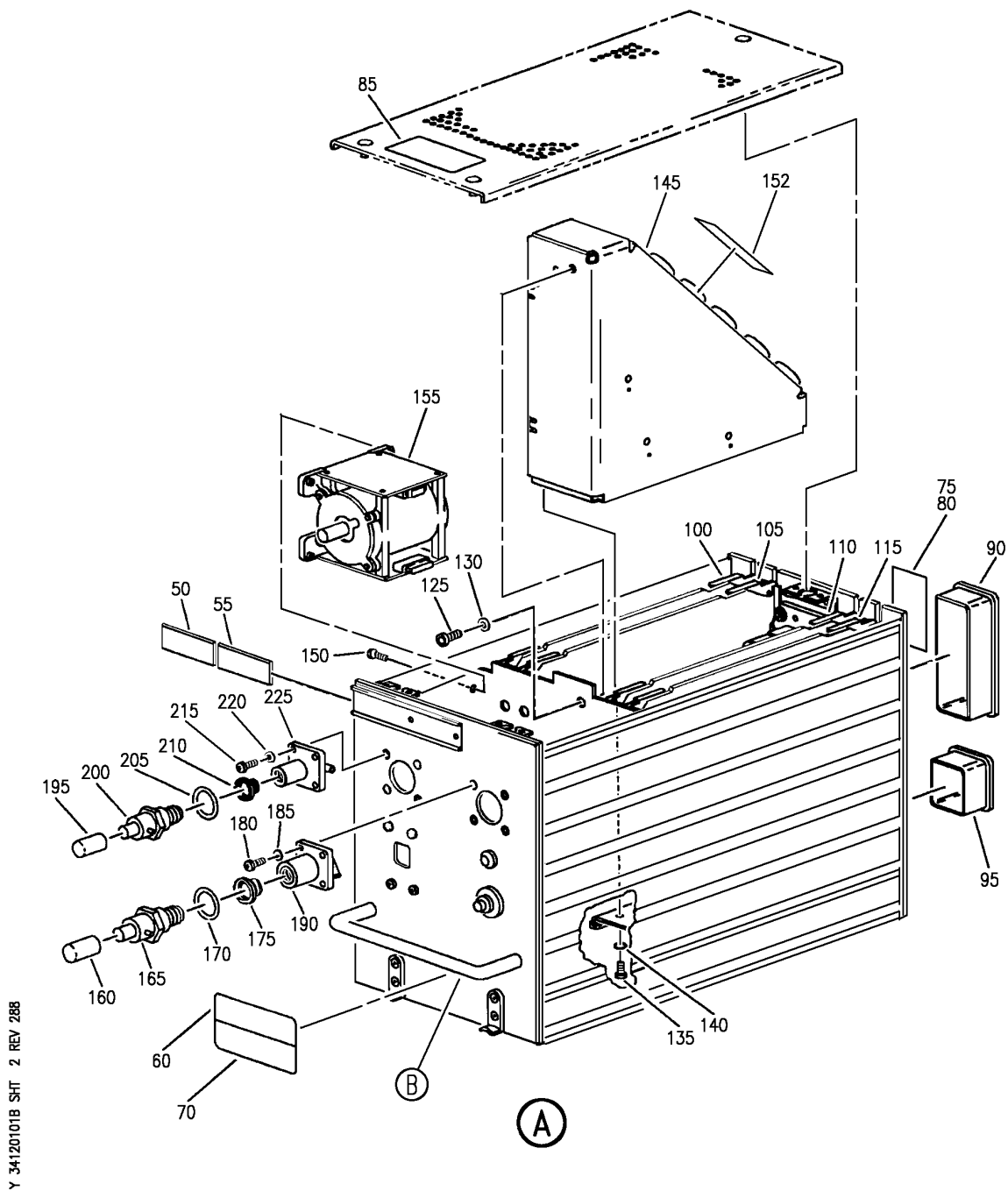
EQUIPMENT INSTL-MAIN ELECTRONICS EQPT CTR (AIR DATA COMPUTER SYSTEM ONLY)  
FIGURE 1B (SHEET 1)

**34-12-01-01B**

BRI  
MAY 28/07

34-12-01-01B  
PAGE 0

**BOEING**  
757  
PARTS CATALOG (MAINTENANCE)



Y 34120101B SHT 2 REV 288

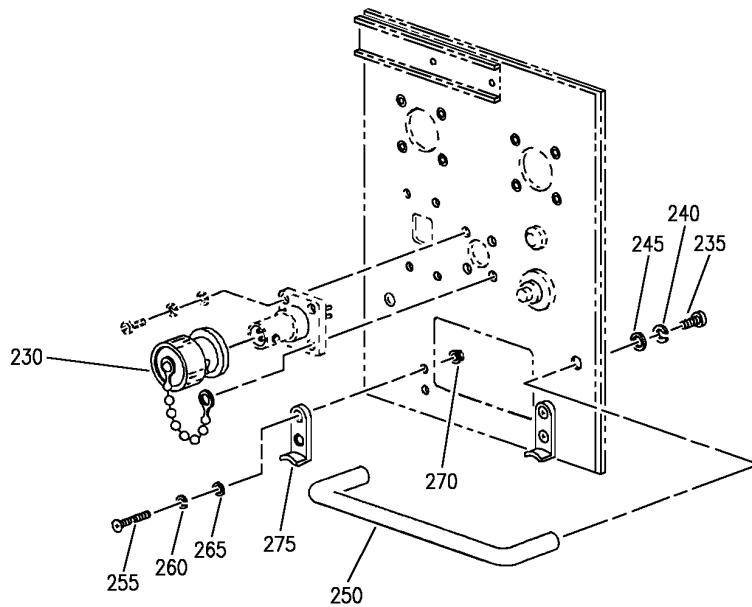
EQUIPMENT INSTL-MAIN ELECTRONICS EQPT CTR (AIR DATA COMPUTER SYSTEM ONLY)  
FIGURE 1B (SHEET 2)

**34-12-01-01B**

BRI  
MAY 28/07

34-12-01-01B  
PAGE 0A

**BOEING**  
757  
PARTS CATALOG (MAINTENANCE)



(B)

Y 34120101B SHT 3 REV 284

EQUIPMENT INSTL-MAIN ELECTRONICS EQPT CTR (AIR DATA COMPUTER SYSTEM ONLY)  
FIGURE 1B (SHEET 3)

BRI  
MAY 28/07

**34-12-01-01B**

34-12-01-01B  
PAGE 0B

BOEING PROPRIETARY - Copyright © - Unpublished Work - See title page for details.



757

PARTS CATALOG (MAINTENANCE)

FIG ITEM	PART NUMBER	1 2 3 4 5 6 7	NOMENCLATURE	EFFECT FROM TO	UNITS PER ASSY
1B			EQUIPMENT INSTL-MAIN ELECTRONICS EQPT CTR (AIR DATA COMPUTER SYSTEM ONLY)	101102	
- 2	284N1800-140		EQUIPMENT INSTL-MAIN ELECTRONICS EQPT CTR (AIR DATA COMPUTER SYSTEM ONLY) FOR NHA/OTHER SYS DET SEE: 24-00-58-05E	101101	RF
- 2	284N1800-141		EQUIPMENT INSTL-MAIN ELECTRONICS EQPT CTR (AIR DATA COMPUTER SYSTEM ONLY) FOR NHA/OTHER SYS DET SEE: 24-00-58-05E	102102	RF

MISSING ITEM NUMBERS NOT APPLICABLE

- ITEM NOT ILLUSTRATED

**34-12-01-01B**

34-12-01  
FIG. 01B  
PAGE 1  
JAN 20/09

BRI





757

PARTS CATALOG (MAINTENANCE)

FIG ITEM	PART NUMBER	1 2 3 4 5 6 7	NOMENCLATURE	EFFECT FROM TO	UNITS PER ASSY
1B 9	4040800-911		.COMPUTER ASSY-AIR DATA L AND R SUPPLIER CODE: V58960 SPECIFICATION NUMBER: S242T210-211 ELECTRICAL EQUIP NUMBER: M00100 M00101 COMPONENT MAINT MANUAL REF: 34-12-18 QUALIFIED I/W DATA: IF C15 PIN IS GROUNDED S242T210-204/4040800-904 OR S242T210-206/ 4040800-906 MUST BE REPLACED BY S242T210-211 /4040800-911 NOT INTERMIXABLE, OTHERWISE S242T210-204/4040800-904 S242T210-206/4040800-906 FULLY INTERCHANGEABLE WITH S242T210-211/ 4040800-911 IF C15 PIN IS GROUNDED S242T210-204/4040800-904 OR S242T210-206/ 4040800-906 MUST BE REPLACED BY S242T210-211 /4040800-911 NOT INTERMIXABLE, OTHERWISE S242T210-204/4040800-904 S242T210-206/4040800-906 FULLY INTERCHANGEABLE WITH S242T20-211/ 4040800-911	101102	2

MISSING ITEM NUMBERS NOT APPLICABLE

- ITEM NOT ILLUSTRATED

BRI

34-12-01-01B

BOEING PROPRIETARY - Copyright © - Unpublished Work - See title page for details.

34-12-01  
FIG. 01B  
PAGE 2  
JAN 20/09



757

PARTS CATALOG (MAINTENANCE)

FIG ITEM	PART NUMBER	1 2 3 4 5 6 7	NOMENCLATURE	EFFECT FROM TO	UNITS PER ASSY
1B 9	4040800-912	.	COMPUTER ASSY-AIR DATA SUPPLIER CODE: V58960 SPECIFICATION NUMBER: S242T210-212 ELECTRICAL EQUIP NUMBER: M00100 M00101 COMPONENT MAINT MANUAL REF: 34-12-18 QUALIFIED I/W DATA: IF C15 PIN IS GROUNDED S242T210-204/4040800-904 OR S242T210-206/4040800-906 MUST BE REPLACED BY S242T210-211/4040800-911 NOT INTERMIXABLE, OTHERWISE S242T210-204/4040800-904 S242T210-206/4040800-906 FULLY INTERCHANGEABLE WITH S242T210-211/4040800-911	101102	2
50	4036046-1	..	PLATE-DESIGNATION SUPPLIER CODE: V58960	101102	1
55	4036046-7	..	PLATE-DESIGNATION SUPPLIER CODE: V58960	101102	1
60	4078256-193	..	PLATE-IDENT SUPPLIER CODE: V58960 CONFIG CHG DATA FROM A CMM: REPLD BY 4089643-178 USED ON: 4040800-911	101102	1
60	4089643-178	..	PLATE-IDENT SUPPLIER CODE: V58960 CONFIG CHG DATA FROM A CMM: REPLACES 4078256-193 USED ON: 4040800-911	101102	1
60	4078256-236	..	PLATE-IDENT SUPPLIER CODE: V58960 USED ON: 4040800-912	101102	1

MISSING ITEM NUMBERS NOT APPLICABLE

- ITEM NOT ILLUSTRATED

34-12-01-01B

34-12-01  
FIG. 01B  
PAGE 3  
JAN 20/09

BRI

BOEING PROPRIETARY - Copyright © - Unpublished Work - See title page for details.



757

PARTS CATALOG (MAINTENANCE)

FIG ITEM	PART NUMBER	1 2 3 4 5 6 7	NOMENCLATURE	EFFECT FROM TO	UNITS PER ASSY
1B					
70	4078256-322	..	PLATE-IDENT SUPPLIER CODE: V58960 CONFIG CHG DATA FROM A CMM: REPLD BY 4078256-881 USED ON: 4040800-912	101102	1
70	4078256-881	..	PLATE-IDENT SUPPLIER CODE: V58960 CONFIG CHG DATA FROM A CMM: REPLACES 4078256-322 USED ON: 4040800-912	101102	1
70	4078256-238	..	PLATE-IDENT SUPPLIER CODE: V58960 USED ON: 4040800-911	101102	1
75	4089643-179	..	PLATE-IDENT SUPPLIER CODE: V58960 USED ON: 4040800-911	101102	1
80	4078256-882	..	PLATE-IDENT SUPPLIER CODE: V58960 USED ON: 4040800-912	101102	1
85	4032147	..	PLATE-DESIGNATION SUPPLIER CODE: V07416 OPTIONAL SUPPLIER CODE: 4J649	101102	1
90	025-1157-001	..	CAP-DUST SUPPLIER CODE: V71468 OPTIONAL PART: 4041437-5 V58960	101102	1
95	025-1158-001	..	CAP-DUST SUPPLIER CODE: V71468 OPTIONAL PART: 4041437-6 V58960	101102	1

MISSING ITEM NUMBERS NOT APPLICABLE

- ITEM NOT ILLUSTRATED

34-12-01-01B

34-12-01  
FIG. 01B  
PAGE 4  
JAN 20/09

BRI

BOEING PROPRIETARY - Copyright © - Unpublished Work - See title page for details.



757

PARTS CATALOG (MAINTENANCE)

FIG ITEM	PART NUMBER	1 2 3 4 5 6 7	NOMENCLATURE	EFFECT FROM TO	UNITS PER ASSY
1B 100	4040813-905		..CARD ASSY-CIRCUIT DIGITAL FREQUENCY A3 SUPPLIER CODE: V58960 COMPONENT MAINT MANUAL REF: 34-12-09	101102	1
105	4040814-901		..CARD ASSY-CIRCUIT ANALOG TO DIGITAL A4 SUPPLIER CODE: V58960 COMPONENT MAINT MANUAL REF: 34-12-10	101102	1
110	4066263-902		..CARD ASSY-CIRCUIT ARINC A6 SUPPLIER CODE: V58960 COMPONENT MAINT MANUAL REF: 34-12-37 USED ON: 4040800-911	101102	1
110	4040816-901		..CARD ASSY-CIRCUIT ARINC INTERFACE A6 SUPPLIER CODE: V58960 COMPONENT MAINT MANUAL REF: 34-12-12 USED ON: 4040800-912	101102	1
115	4067877-912		..CARD ASSY-CIRCUIT PROGRAMMED MEMORY (A7) SUPPLIER CODE: V58960 USED ON: 4040800-911	101102	1
115	4067877-913		..CARD ASSY-CIRCUIT PROGRAMMED MEMORY (A7) SUPPLIER CODE: V58960 USED ON: 4040800-912	101102	1
- 120	4068907-902		..CARD ASSY-CIRCUIT CPU SUPPLIER CODE: V58960	101102	1
125	MS16995-18		ATTACHING PARTS ..SCREW- MISCELLANEOUS DATA: HONEYWELL PART NO. 0819-18	101102	1

MISSING ITEM NUMBERS NOT APPLICABLE

- ITEM NOT ILLUSTRATED

34-12-01-01B

34-12-01  
FIG. 01B  
PAGE 5  
JAN 20/09

BRI

BOEING PROPRIETARY - Copyright © - Unpublished Work - See title page for details.



757

PARTS CATALOG (MAINTENANCE)

FIG ITEM	PART NUMBER	1 2 3 4 5 6 7	NOMENCLATURE	EFFECT FROM TO	UNITS PER ASSY
1B 130	MS15795-805	..	WASHER- MISCELLANEOUS DATA: HONEYWELL PART NO. 0770-7	101102	1
135	0919-29	..	SCREW- SUPPLIER CODE: V58960	101102	6
140	MS15795-805	..	WASHER- MISCELLANEOUS DATA: HONEYWELL PART NO. 0770-7	101102	6
145	4040815-901	..	POWER SUPPLY- A5 SUPPLIER CODE: V58960 COMPONENT MAINT MANUAL REF: 34-12-11 ATTACHING PARTS	101102	1
150	MS51957-30B	..	SCREW- MISCELLANEOUS DATA: HONEYWELL PART NO. 2504410-557	101102	8
152	4061839-2	...	DECAL- SUPPLIER CODE: V58960	101102	1
155	4040831-901	..	CONVERTER-PRESSURE A1 A2 SUPPLIER CODE: V58960 COMPONENT MAINT MANUAL REF: 34-12-08	101102	2
160	2500210-5	..	CAP- SUPPLIER CODE: V58960 USED ON: 4040800-911	101102	1
165	40006-1B96	..	COUPLING- SUPPLIER CODE: V62323 MISCELLANEOUS DATA: HONEYWELL PART NO. 4016952-2 OPTIONAL PART: 1QM1-3-66A V24984 USED ON: 4040800-911	101102	1

MISSING ITEM NUMBERS NOT APPLICABLE

- ITEM NOT ILLUSTRATED

34-12-01-01B

34-12-01  
FIG. 01B  
PAGE 6  
JAN 20/09

BRI

BOEING PROPRIETARY - Copyright © - Unpublished Work - See title page for details.

 **BOEING**  
757  
**PARTS CATALOG (MAINTENANCE)**

FIG ITEM	PART NUMBER	1 2 3 4 5 6 7	NOMENCLATURE	EFFECT FROM TO	UNITS PER ASSY
1B 165	1QM1-3-66A		.. COUPLING- SUPPLIER CODE: V24984 OPTIONAL PART: 40006-1B96 V62323 USED ON: 4040800-911 ATTACHING PARTS	101102	1
170	MS28778-6		.. PACKING- MISCELLANEOUS DATA: HONEYWELL PART NO. 831979-6 USED ON: 4040800-911	101102	1
175	NAS815-60		.. PLUG- MISCELLANEOUS DATA: HONEYWELL PART NO. 632783-60 USED ON: 4040800-912	101102	1
180	MS51957-45		.. SCREW- MISCELLANEOUS DATA: HONEYWELL PART NO. 0919-45	101102	4
185	NAS620C8		.. WASHER- MISCELLANEOUS DATA: HONEYWELL PART NO. 2504638-12	101102	4
190	2580370		-----*----- .. FITTING- SUPPLIER CODE: V58960	101102	1
195	2500210-5		.. CAP- SUPPLIER CODE: V58960 USED ON: 4040800-911	101102	1
200	40006-1A94		.. COUPLING- SUPPLIER CODE: V62323 MISCELLANEOUS DATA: HONEYWELL PART NO. 4016952-1 OPTIONAL PART: 1QM1-2-46A V24984 USED ON: 4040800-911	101102	1

MISSING ITEM NUMBERS NOT APPLICABLE

— ITEM NOT ILLUSTRATED

BRI

# 34-12-01-01B

BOEING PROPRIETARY - Copyright © - Unpublished Work - See title page for details.

34-12-01  
FIG. 01B  
PAGE 7  
JAN 20/09



757

PARTS CATALOG (MAINTENANCE)

FIG ITEM	PART NUMBER	1 2 3 4 5 6 7	NOMENCLATURE	EFFECT FROM TO	UNITS PER ASSY
1B 200	1QM1-2-46A		.. COUPLING- SUPPLIER CODE: V24984 OPTIONAL PART: 40006-1A94 V62323 USED ON: 4040800-911 ATTACHING PARTS	101102	1
205	MS28778-4		.. PACKING- MISCELLANEOUS DATA: HONEYWELL PART NO. 831979-4 USED ON: 4040800-911	101102	1
210	NAS815-40		.. PLUG- MISCELLANEOUS DATA: HONEYWELL PART NO. 632783-40 USED ON: 4040800-912	101102	1
215	MS51957-45		.. SCREW- MISCELLANEOUS DATA: HONEYWELL PART NO. 0919-45	101102	4
220	NAS620C8		.. WASHER- MISCELLANEOUS DATA: HONEYWELL PART NO. 2504638-12	101102	4
225	2580371		-----*----- .. FITTING- SUPPLIER CODE: V58960	101102	1
230	4059968-1		.. CAP- SUPPLIER CODE: V58960 USED ON: 4040800-911 ATTACHING PARTS	101102	1
235	MS16996-11		.. SCREW- MISCELLANEOUS DATA: HONEYWELL PART NO. 0819-288	101102	2

MISSING ITEM NUMBERS NOT APPLICABLE

- ITEM NOT ILLUSTRATED

34-12-01-01B

34-12-01  
FIG. 01B  
PAGE 8  
JAN 20/09

BRI

BOEING PROPRIETARY - Copyright © - Unpublished Work - See title page for details.



757

PARTS CATALOG (MAINTENANCE)

FIG ITEM	PART NUMBER	1 2 3 4 5 6 7	NOMENCLATURE	EFFECT FROM TO	UNITS PER ASSY
1B 240	MS35338-138	..	WASHER- CONFIG CHG DATA FROM A CMM: REPLD BY 0164-9 MISCELLANEOUS DATA: HONEYWELL PART NO. 0164-9 USED ON: 4040800-911	101102	2
240	0164-9	..	WASHER- SUPPLIER CODE: V58960 CONFIG CHG DATA FROM A CMM: REPLACES MS35338-138	101102	2
245	NAS620C10	..	WASHER- MISCELLANEOUS DATA: HONEYWELL PART NO. 2504638-14	101102	2
250	10350A1032-1B	..	HANDLE- SUPPLIER CODE: V06540 MISCELLANEOUS DATA: HONEYWELL PART NO. 752758-3 OPTIONAL PART: A5534-2 V04729	101102	1
250	A5534-2	..	HANDLE- SUPPLIER CODE: V04729 OPTIONAL PART: 10350A1032-1B V06540	101102	1
255	MS24693C28	..	SCREW- MISCELLANEOUS DATA: HONEYWELL PART NO. 2504188-226	101102	4
260	MS35333-71	..	WASHER- MISCELLANEOUS DATA: HONEYWELL PART NO. 824637-5	101102	4
265	NAS620C6L	..	WASHER- MISCELLANEOUS DATA: HONEYWELL PART NO. 2504638-9 USED ON: 4040800-911	101102	4

MISSING ITEM NUMBERS NOT APPLICABLE

- ITEM NOT ILLUSTRATED

34-12-01-01B

34-12-01  
FIG. 01B  
PAGE 9  
JAN 20/09

BRI

BOEING PROPRIETARY - Copyright © - Unpublished Work - See title page for details.





757

PARTS CATALOG (MAINTENANCE)

FIG ITEM	PART NUMBER	1 2 3 4 5 6 7	NOMENCLATURE	EFFECT FROM TO	UNITS PER ASSY
1B 270	MS21042L06		..NUT- MISCELLANEOUS DATA: HONEYWELL PART NO. 2500929-3	101102	4
275	NAS622CT2		..HOOK- MISCELLANEOUS DATA: HONEYWELL PART NO. 2500923-2	101102	2
- 801	286N1173-353		WIRE BUNDLE ASSY- REWORKED BY ALERT SB: 34A0222	101101	RF
- 801	286N1173-354		WIRE BUNDLE ASSY- REWORKED BY ALERT SB: 34A0222	102102	RF
805	BACC66H21C0201		.CONNECTOR- ELECTRICAL EQUIP NUMBER: D00291 WIRING DIAGRAM REF: 341222	101102	1
- 811	286N1171-353		WIRE BUNDLE ASSY- REWORKED BY ALERT SB: 34A0222	101101	RF
- 811	286N1171-355		WIRE BUNDLE ASSY- REWORKED BY ALERT SB: 34A0222	102102	RF
815	BACC66H21C0201		.CONNECTOR- ELECTRICAL EQUIP NUMBER: D00289 WIRING DIAGRAM REF: 341211	101102	1

MISSING ITEM NUMBERS NOT APPLICABLE

- ITEM NOT ILLUSTRATED

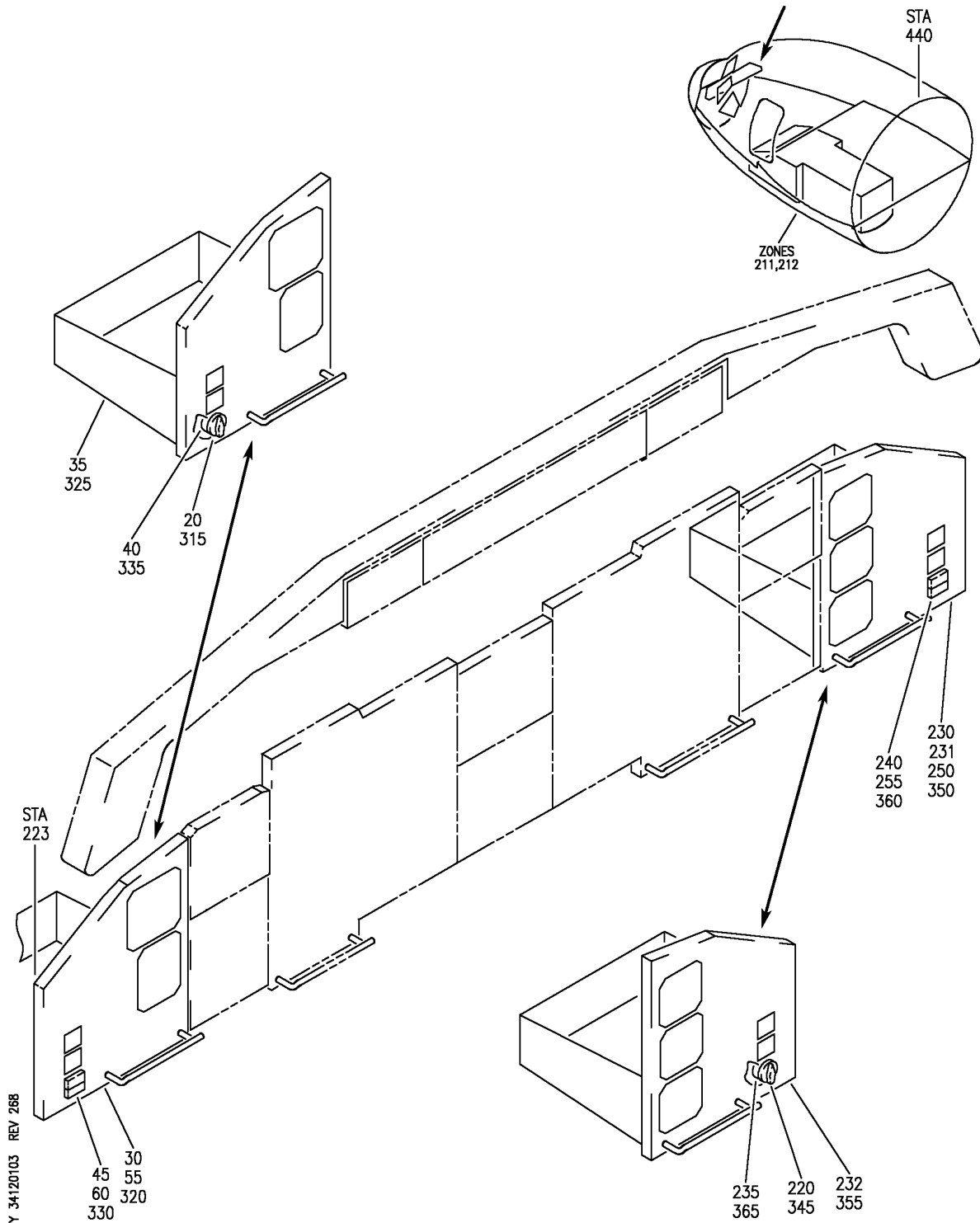
34-12-01-01B

34-12-01  
FIG. 01B  
PAGE 10  
JAN 20/09

BRI

BOEING PROPRIETARY - Copyright © - Unpublished Work - See title page for details.

**BOEING**  
757  
PARTS CATALOG (MAINTENANCE)



PANEL INSTL-P1-1 AND P3-3 (AIR DATA COMPUTING SYSTEM ONLY)  
FIGURE 3

**34-12-01-03**

BRI  
MAY 28/07

34-12-01-03  
PAGE 0



757

PARTS CATALOG (MAINTENANCE)

FIG ITEM	PART NUMBER	1 2 3 4 5 6 7	NOMENCLATURE	EFFECT FROM TO	UNITS PER ASSY
3			PANEL INSTL-P1-1 AND P3-3 (AIR DATA COMPUTING SYSTEM ONLY)	101106 108120 504903	
- 1	233N2103-7		PANEL INSTL-P1-1 (AIR DATA COMPUTING SYSTEM ONLY) FOR NHA/OTHER SYS DET SEE: 25-10-00-15B	101101	RF
- 1	233N2103-107		PANEL INSTL-P1-1 (AIR DATA COMPUTING SYSTEM ONLY) FOR NHA/OTHER SYS DET SEE: 25-10-00-15B	102102 108120	RF
- 2	233N2103-152		PANEL INSTL-P1-1 (AIR DATA COMPUTING SYSTEM ONLY) FOR NHA/OTHER SYS DET SEE: 25-10-00-15B	504903	RF
- 10	233N2220-309		.MODULE ASSY- COMPONENT MAINT MANUAL REF: 31-11-47 QUALIFIED I/W DATA: 233N2220-329 CAN REPLACE 233N2220-309 FOR NT383-NT399 AIRCRAFT ONLY	101102 108120	RF
- 10	233N2220-315		.MODULE ASSY- COMPONENT MAINT MANUAL REF: 31-11-47	504903	RF
30	233N2220-21		..MODULE ASSY-	101102 108120	1
30	233N2220-27		..MODULE ASSY	504903	1

MISSING ITEM NUMBERS NOT APPLICABLE

- ITEM NOT ILLUSTRATED

34-12-01-03

34-12-01  
FIG. 03  
PAGE 1  
JAN 20/09

BRI



757

PARTS CATALOG (MAINTENANCE)

FIG ITEM	PART NUMBER	1 2 3 4 5 6 7	NOMENCLATURE	EFFECT FROM TO	UNITS PER ASSY
3 45	BCREFA0501		...SWITCH ASSY-LIGHTED PUSHBUTTON SUPPLIER CODE: V81590 OVERLENGTH PART NUMBER: 433-673-1004-4001 SPECIFICATION NUMBER: S231T290-4001 MISCELLANEOUS DATA: WHEN REPLACING THE PUSHBUTTON SWITCH ASSY OR THE MASTER MODULE WITHIN, VERIFY THAT A CONFIG D MASTER MODULE P/N 13206-001 IS INSTALLED IN LIEU OF ANY EARLIER CONFIGURATION MASTER MODULES. OPTIONAL PART: S231T290-5001 851-35100-5001 V96182 FOR DETAILS SEE: 33-13-00-43	101102 108120 504903	1
45	S231T290-5001		...SWITCH ASSY-LIGHTED PUSHBUTTON OPTIONAL PART: 4336731004-4201 V81590 BCREFA0501 V81590 851-35100-5001 V96182	101102 108120 504903	1
45	851-30768-2001		...SWITCH ASSY-LIGHTED PUSHBUTTON SUPPLIER CODE: V96182 SPECIFICATION NUMBER: S231T290-2001 FOR DETAILS SEE: 33-13-00-23	101102 108120 504903	1

MISSING ITEM NUMBERS NOT APPLICABLE

- ITEM NOT ILLUSTRATED

34-12-01-03

34-12-01  
FIG. 03  
PAGE 2  
JAN 20/09

BRI



757

PARTS CATALOG (MAINTENANCE)

FIG ITEM	PART NUMBER	1 2 3 4 5 6 7	NOMENCLATURE	EFFECT FROM TO	UNITS PER ASSY
3					
45	851-30768-3001	...	SWITCH ASSY-LIGHTED PUSHBUTTON SUPPLIER CODE: V96182 SPECIFICATION NUMBER: S231T290-3001 FOR DETAILS SEE: 33-13-00-33	101102 108120 504903	1
45	4336731004-4201	...	SWITCH ASSY-LIGHTED PUSHBUTTON SUPPLIER CODE: V81590 SPECIFICATION NUMBER: S231T290-4201 OPTIONAL PART: 851-35100-5001 V81590 S231T290-5001	101102 108120 504903	1
45	851-35100-5001	...	SWITCH ASSY-LIGHTED PUSHBUTTON SUPPLIER CODE: V96182 OPTIONAL PART: 4336731004-4201 V81590 BCREFA0501 V81590 S231T290-5001	101102 108120	1
- 200	233N2103-28		PANEL INSTL-P3-3 (AIR DATA COMPUTING SYSTEM ONLY) FOR NHA/OTHER SYS DET SEE: 25-10-00-15B	108120	RF
- 200	233N2103-55		PANEL INSTL-P3-3 (AIR DATA COMPUTING SYSTEM ONLY) FOR NHA/OTHER SYS DET SEE: 25-10-00-15B	504903	RF
- 200	233N2103-73		PANEL INSTL-P3-3 (AIR DATA COMPUTING SYSTEM ONLY) FOR NHA/OTHER SYS DET SEE: 25-10-00-15B	101102	RF
- 210	233N2223-306		.MODULE ASSY- COMPONENT MAINT MANUAL REF: 31-11-50 QUALIFIED I/W DATA: 233N2223-338 CAN REPLACE 233N2223-306 FOR NT383-NT399 AIRCRAFT ONLY.	101102 108120	RF

MISSING ITEM NUMBERS NOT APPLICABLE

- ITEM NOT ILLUSTRATED

34-12-01-03

34-12-01  
FIG. 03  
PAGE 3  
JAN 20/09

BRI



757

PARTS CATALOG (MAINTENANCE)

FIG ITEM	PART NUMBER	1 2 3 4 5 6 7	NOMENCLATURE	EFFECT FROM TO	UNITS PER ASSY
3					
- 210	233N2223-313		.MODULE ASSY- COMPONENT MAINT MANUAL REF: 31-11-50	504903	RF
230	233N2223-22		..MODULE ASSY-	101102 108120	RF
230	233N2223-29		..MODULE ASSY	504903	RF
240	BCREFA0501		...SWITCH ASSY-LIGHTED PUSHBUTTON SUPPLIER CODE: V81590 OVERLENGTH PART NUMBER: 433-673-1004-4001 SPECIFICATION NUMBER: S231T290-4001 MISCELLANEOUS DATA: WHEN REPLACING THE PUSHBUTTON SWITCH ASSY OR THE MASTER MODULE WITHIN, VERIFY THAT A CONFIG D MASTER MODULE P/N 13206-001 IS INSTALLED IN LIEU OF ANY EARLIER CONFIGURATION MASTER MODULES. OPTIONAL PART: 851-35100-5001 V96182 S231T290-5001 FOR DETAILS SEE: 33-13-00-43	101102 108120 504903	1
240	S231T290-5001		...SWITCH ASSY-LIGHTED PUSHBUTTON OPTIONAL PART: 4336731004-4201 V81590 851-35100-5001 V96182 BCREFA0501 V81590	101102 108120 504903	1
240	851-30768-2001		...SWITCH ASSY-LIGHTED PUSHBUTTON SUPPLIER CODE: V96182 SPECIFICATION NUMBER: S231T290-2001 FOR DETAILS SEE: 33-13-00-23	101102 108120 504903	1

MISSING ITEM NUMBERS NOT APPLICABLE

- ITEM NOT ILLUSTRATED

34-12-01-03

34-12-01  
FIG. 03  
PAGE 4  
JAN 20/09

BRI



757

PARTS CATALOG (MAINTENANCE)

FIG ITEM	PART NUMBER	1 2 3 4 5 6 7	NOMENCLATURE	EFFECT FROM TO	UNITS PER ASSY
3					
240	851-30768-3001		...SWITCH ASSY-LIGHTED PUSHBUTTON SUPPLIER CODE: V96182 SPECIFICATION NUMBER: S231T290-3001 FOR DETAILS SEE: 33-13-00-33	101102 108120 504903	1
240	4336731004-4201		...SWITCH ASSY-LIGHTED PUSHBUTTON SUPPLIER CODE: V81590 SPECIFICATION NUMBER: S231T290-4201 OPTIONAL PART: S231T290-5001 851-35100-5001 V96182	101102 108120 504903	1
240	851-35100-5001		...SWITCH ASSY-LIGHTED PUSHBUTTON SUPPLIER CODE: V96182 OPTIONAL PART: 4336731004-4201 V81590 BCREFA0501 V81590 S231T290-5001	101102 108120 504903	1

MISSING ITEM NUMBERS NOT APPLICABLE

- ITEM NOT ILLUSTRATED

34-12-01-03

34-12-01  
FIG. 03  
PAGE 5  
JAN 20/09

BRI



757

PARTS CATALOG (MAINTENANCE)

FIG ITEM	PART NUMBER	1 2 3 4 5 6 7	NOMENCLATURE	EFFECT FROM TO	UNITS PER ASSY
3 - 302	MODREF31741		PANEL INSTL-P1-1 AND P3-1 (AIR DATA COMPUTING SYSTEM ONLY) MODULE NUMBER: 233N2103-425 REV A FOR OTHER SYS DETAILS SEE: 11-31-01-38 22-11-02-03 22-14-01-03 22-31-02-01 22-34-51-02 26-17-51-05 27-51-57-03 27-58-00-02 27-81-00-01 29-21-55-02 31-11-11-19 31-11-16-01 31-11-26-38 31-25-01-03 31-41-52-02 31-51-52-02 32-35-52-03 32-41-52-02 32-42-55-03 32-46-00-01 32-61-51-03 33-13-57-01A 33-16-52-03 34-13-01-03 34-13-02-01 34-13-05-01 34-13-06-01 34-16-51-03 34-21-02-02 34-22-02-02 34-22-05-01A 34-22-06-01 34-24-01-03 34-32-00-02 34-46-51-02 34-51-02-02 34-57-00-01 34-61-01-07 34-61-02-02 77-41-01-01 79-33-51-05	103105	1

MISSING ITEM NUMBERS NOT APPLICABLE

- ITEM NOT ILLUSTRATED

34-12-01-03

34-12-01  
FIG. 03  
PAGE 6  
JAN 20/09

BRI





757

PARTS CATALOG (MAINTENANCE)

FIG ITEM	PART NUMBER	1 2 3 4 5 6 7	NOMENCLATURE	EFFECT FROM TO	UNITS PER ASSY
3 - 302	MODREF104335		PANEL INSTL-P1-1 AND P3-1 (AIR DATA COMPUTING SYSTEM ONLY) MODULE NUMBER: 233N2103-425 REV B FOR OTHER SYS DETAILS SEE: 11-31-01-38 22-11-02-03 22-14-01-03 22-31-02-01 22-34-51-02 26-17-51-05 27-51-57-03 27-58-00-02 27-81-00-01 29-21-55-02 31-11-11-19 31-11-16-01 31-11-26-38 31-25-01-03 31-41-52-02 31-51-52-02 32-35-52-03 32-41-52-02 32-42-55-03 32-46-00-01 32-61-51-03 33-13-57-01A 33-16-52-03 34-13-01-03 34-13-02-01 34-13-05-01 34-13-06-01 34-16-51-03 34-21-02-02 34-22-02-02 34-22-05-01A 34-22-06-01 34-24-01-03 34-32-00-02 34-46-51-02 34-51-02-02 34-57-00-01 34-61-01-07 34-61-02-02 77-41-01-01 79-33-51-05	106106	1

MISSING ITEM NUMBERS NOT APPLICABLE

- ITEM NOT ILLUSTRATED

# 34-12-01-03

34-12-01  
FIG. 03  
PAGE 7  
JAN 20/09

BRI



757

PARTS CATALOG (MAINTENANCE)

FIG ITEM	PART NUMBER	1 2 3 4 5 6 7	NOMENCLATURE	EFFECT FROM TO	UNITS PER ASSY
3					
- 310	233N2220-328		.MODULE ASSY-P1-1 COMPONENT MAINT MANUAL REF: 31-11-47	103106	RF
315	BP248-127		..KNOB- SUPPLIER CODE: V15084	103106	1
325	233N2220-42		..MODULE ASSY- USED ON: 233N2220-325 233N2220-328	103106	1
335	AC45-0032-2		...SWITCH-ROTARY SUPPLIER CODE: V91812 ELECTRICAL EQUIP NUMBER: S00482	103106	1
- 340	233N2223-337		.MODULE ASSY-P3-3 COMPONENT MAINT MANUAL REF: 31-11-50	103106	RF
- 340	233N2223-335		.MODULE ASSY-P3-3 COMPONENT MAINT MANUAL REF: 31-11-50	103106	RF
345	BP248-127		..KNOB- SUPPLIER CODE: V15084	103106	1
355	233N2223-62		..MODULE ASSY- USED ON: 233N2223-335 233N2223-337	103106	RF
365	AC45-0032-2		...SWITCH-ROTARY SUPPLIER CODE: V91812 ELECTRICAL EQUIP NUMBER: S00483	103106	1

MISSING ITEM NUMBERS NOT APPLICABLE

- ITEM NOT ILLUSTRATED

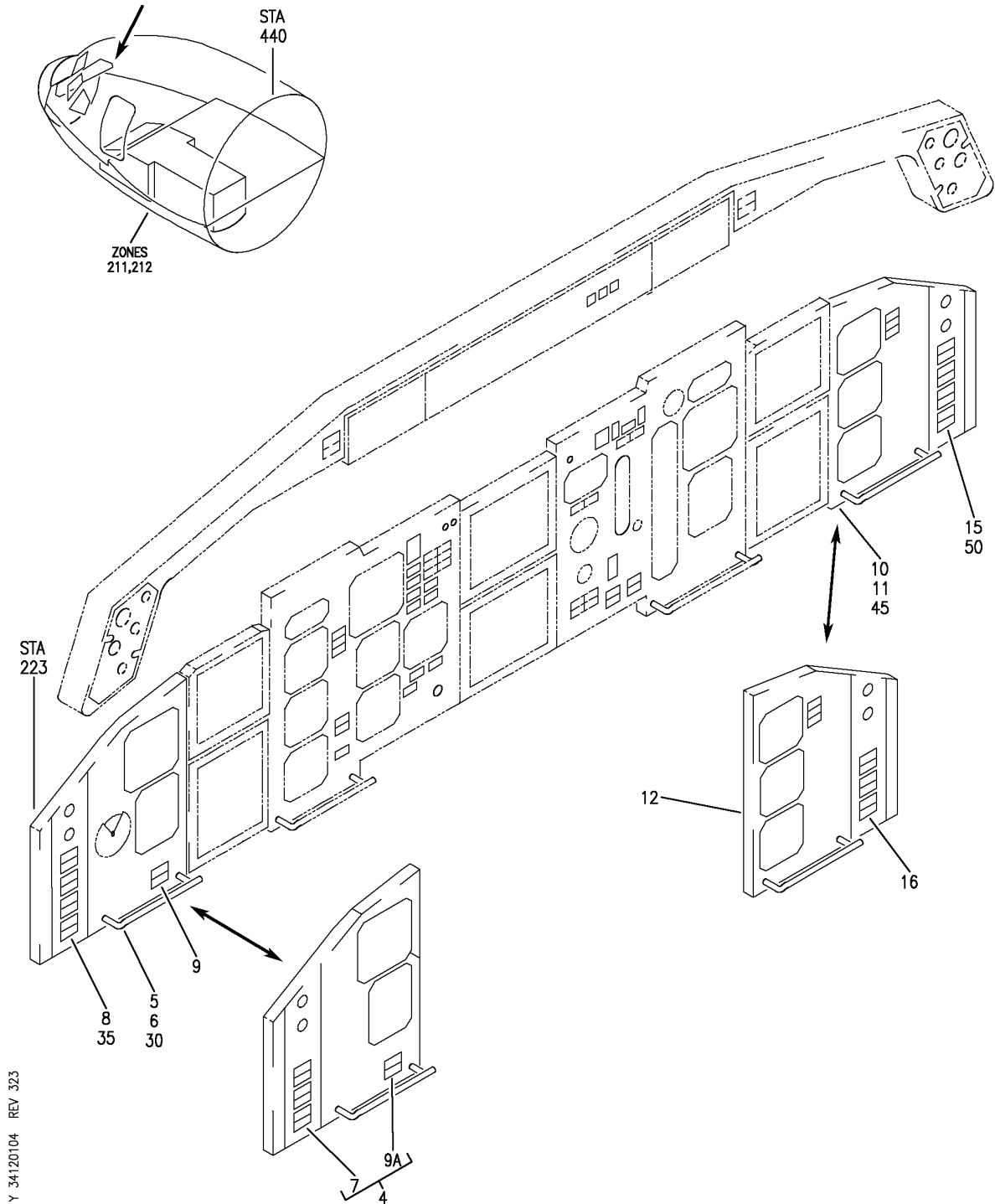
34-12-01-03

34-12-01  
FIG. 03  
PAGE 8  
JAN 20/09

BRI

BOEING PROPRIETARY - Copyright © - Unpublished Work - See title page for details.

**BOEING**  
757  
PARTS CATALOG (MAINTENANCE)



Y 34120104 REV 323

PANEL INSTL-CAPT AND FIRST OFFICER FWD (AIR DATA COMPUTING SYSTEM ONLY)

FIGURE 4

**34-12-01-04**

BRI  
MAY 20/08

34-12-01-04  
PAGE 0



757

PARTS CATALOG (MAINTENANCE)

FIG ITEM	PART NUMBER	1 2 3 4 5 6 7	NOMENCLATURE	EFFECT FROM TO	UNITS PER ASSY
4			PANEL INSTL-CAPT AND FIRST OFFICER FWD (AIR DATA COMPUTING SYSTEM ONLY)	002004 006010 107107 121503 904999	
- 1	233N2101-1		PANEL INSTL-CAPT AND FIRST OFFICER (AIR DATA COMPUTING SYSTEM ONLY) POSITION DATA: FWD VARIABLE DRAWING REF: 233N2101-5003 233N2101-5004 233N2101-5037 233N2101-5039 233N2101-5041 FOR NHA/OTHER SYS DET SEE: 25-10-00-05A	002004 006010 107107 121503 904999	RF
5	233N2220-7		.MODULE ASSY-P1-1 PRE SERVICE BULLETIN: 34-0414	107107	RF
5	233N2220-10		.MODULE ASSY-P1-1 PRE SERVICE BULLETIN: 34-0416	002004 006010 950999	RF
5	233N2220-13		.MODULE ASSY-P1-1	121503 904949	RF
8	BCREF7679		..SWITCH ASSY-LIGHTED PUSH BUTTON IND ALTN SUPPLIER CODE: V81590 OVERLENGTH PART NUMBER: 433-673-1001-1001 SPECIFICATION NUMBER: S231T290-1001 MISCELLANEOUS DATA: WHEN REPLACING THE PUSHBUTTON SWITCH ASSY OR THE MASTER MODULE WITHIN, VERIFY THAT A CONFIG D MASTER MODULE P/N 13206-001 IS INSTALLED IN LIEU OF ANY EARLIER CONFIGURATION MASTER MODULES. FOR DETAILS SEE: 33-13-00-13	107107	1

MISSING ITEM NUMBERS NOT APPLICABLE

- ITEM NOT ILLUSTRATED

34-12-01-04

34-12-01  
FIG. 04  
PAGE 1  
JAN 20/09

BRI



757

PARTS CATALOG (MAINTENANCE)

FIG ITEM	PART NUMBER	1 2 3 4 5 6 7	NOMENCLATURE	EFFECT FROM TO	UNITS PER ASSY
4	8 851-30768-2001		..SWITCH ASSY-LIGHTED PUSH BUTTON IND ALTN SUPPLIER CODE: V96182 SPECIFICATION NUMBER: S231T290-2001 FOR DETAILS SEE: 33-13-00-23	002004 006010 107107 121503 904999	1
	8 851-30768-3001		..SWITCH ASSY-LIGHTED PUSH BUTTON IND ALTN SUPPLIER CODE: V96182 SPECIFICATION NUMBER: S231T290-3001 OPTIONAL PART: S231T290-5001 FOR DETAILS SEE: 33-13-00-23	002004 006010 107107 121503 904999	1
	8 BCREFA0501		..SWITCH ASSY-LIGHTED PUSH BUTTON IND ALTN SUPPLIER CODE: V81590 OVERLENGTH PART NUMBER: 433-673-1004-4001 SPECIFICATION NUMBER: S231T290-4001 MISCELLANEOUS DATA: WHEN REPLACING THE PUSHBUTTON SWITCH ASSY OR THE MASTER MODULE WITHIN, VERIFY THAT A CONFIG D MASTER MODULE P/N 13206-001 IS INSTALLED IN LIEU OF ANY EARLIER CONFIGURATION MASTER MODULES. OPTIONAL PART: S231T290-5001 851-35100-5001 V96182 PRE SERVICE LETTER: 33-027 FOR DETAILS SEE: 33-13-00-43	002004 006010 107107 121503 904999	1

MISSING ITEM NUMBERS NOT APPLICABLE

- ITEM NOT ILLUSTRATED

34-12-01-04

34-12-01  
FIG. 04  
PAGE 2  
JAN 20/09

BRI



757

PARTS CATALOG (MAINTENANCE)

FIG ITEM	PART NUMBER	1 2 3 4 5 6 7	NOMENCLATURE	EFFECT FROM TO	UNITS PER ASSY
4					
8	S231T290-5001		..SWITCH ASSY-LIGHTED PUSH BUTTON IND ALTN OPTIONAL PART: BCREFA0501 V81590 851-30768-3001 V96182 851-35100-5001 V81590	107107 121503 904949	1
8	4336731004-4201		..SWITCH ASSY-LIGHTED PUSHBUTTON SUPPLIER CODE: V81590 SPECIFICATION NUMBER: S231T290-4201 OPTIONAL PART: S231T290-5001 POST SERVICE LETTER: 33-027	002004 006010 107107 121503 904999	1
8	851-35100-5001		..SWITCH ASSY-LIGHTED PUSHBUTTON SUPPLIER CODE: V81590 OPTIONAL PART: BCREFA0501 V81590 S231T290-5001	002004 006010 950999	1
10	233N2223-8		.MODULE ASSY-P3-3 PRE SERVICE BULLETIN: 34-0414	107107	RF
10	233N2223-12		.MODULE ASSY-P3-3 PRE SERVICE BULLETIN: 34-0414 34-0416	002004 006010 950999	RF
10	233N2223-15		.MODULE ASSY-P3-3	121503 904949	RF
12	233N2223-61		.MODULE SUB ASSY-P3-3 POST SERVICE BULLETIN: 34-0414 34-0416	009009 107107	RF

MISSING ITEM NUMBERS NOT APPLICABLE

- ITEM NOT ILLUSTRATED

34-12-01-04

34-12-01  
FIG. 04  
PAGE 3  
JAN 20/09

BRI

BOEING PROPRIETARY - Copyright © - Unpublished Work - See title page for details.



757

PARTS CATALOG (MAINTENANCE)

FIG ITEM	PART NUMBER	1 2 3 4 5 6 7	NOMENCLATURE	EFFECT FROM TO	UNITS PER ASSY
4 15	BCREF7679		<p>..SWITCH ASSY-LIGHTED PUSH            BUTTON IND ALTN            SUPPLIER CODE:            V81590            OVERLENGTH PART NUMBER:            433-673-1001-1001            SPECIFICATION NUMBER:            S231T290-1001            MISCELLANEOUS DATA:            WHEN REPLACING THE            PUSHBUTTON SWITCH ASSY            OR THE MASTER MODULE            WITHIN, VERIFY THAT A            CONFIG D MASTER MODULE            P/N 13206-001 IS            INSTALLED IN LIEU OF            ANY EARLIER            CONFIGURATION MASTER            MODULES.            FOR DETAILS SEE:            33-13-00-13</p>	107107	1
15	BCREFA0501		<p>..SWITCH ASSY-LIGHTED PUSH            BUTTON IND ALTN            SUPPLIER CODE:            V81590            OVERLENGTH PART NUMBER:            433-673-1004-4001            SPECIFICATION NUMBER:            S231T290-4001            MISCELLANEOUS DATA:            WHEN REPLACING THE            PUSHBUTTON SWITCH ASSY            OR THE MASTER MODULE            WITHIN, VERIFY THAT A            CONFIG D MASTER MODULE            P/N 13206-001 IS            INSTALLED IN LIEU OF            ANY EARLIER            CONFIGURATION MASTER            MODULES.            OPTIONAL PART:            S231T290-5001            S231T290-5001            851-35100-5001            V96182            PRE SERVICE LETTER:            33-027            FOR DETAILS SEE:            33-13-00-43</p>	002004 006010 107107 121503 904999	1

MISSING ITEM NUMBERS NOT APPLICABLE

- ITEM NOT ILLUSTRATED

34-12-01-04

34-12-01  
 FIG. 04  
 PAGE 4  
 JAN 20/09

BRI



757

## PARTS CATALOG (MAINTENANCE)

FIG ITEM	PART NUMBER	1 2 3 4 5 6 7	NOMENCLATURE	EFFECT FROM TO	UNITS PER ASSY
4 15	851-30768-2001		..SWITCH ASSY-LIGHTED PUSH BUTTON IND ALTN SUPPLIER CODE: V96182 SPECIFICATION NUMBER: S231T290-2001 FOR DETAILS SEE: 33-13-00-23	002004 006010 107107 121503 904999	1
15	851-30768-3001		..SWITCH ASSY-LIGHTED PUSH BUTTON IND ALTN SUPPLIER CODE: V96182 SPECIFICATION NUMBER: S231T290-3001 OPTIONAL PART: S231T290-5001 FOR DETAILS SEE: 33-13-00-23	002004 006010 107107 121503 904999	1
15	S231T290-5001		..SWITCH ASSY-LIGHTED PUSH BUTTON IND ALTN OPTIONAL PART: BCREFA0501 V81590 851-30768-3001 V96182 851-35100-5001 V96182	002004 006010 107107 121503 904999	1
15	4336731004-4201		..SWITCH ASSY-LIGHTED PUSHBUTTON SUPPLIER CODE: V81590 SPECIFICATION NUMBER: S231T290-4201 OPTIONAL PART: S231T290-5001 851-35100-5001 V96182 POST SERVICE LETTER: 33-027	002004 006010 107107 121503 904999	1
15	851-35100-5001		..SWITCH ASSY-LIGHTED PUSHBUTTON SUPPLIER CODE: V81590 OPTIONAL PART: BCREFA0501 V81590 S231T290-5001	002004 006010 950999	1

MISSING ITEM NUMBERS NOT APPLICABLE

- ITEM NOT ILLUSTRATED

BRI

34-12-01-04

BOEING PROPRIETARY - Copyright © - Unpublished Work - See title page for details.

34-12-01  
FIG. 04  
PAGE 5  
JAN 20/09





757

PARTS CATALOG (MAINTENANCE)

FIG ITEM	PART NUMBER	1 2 3 4 5 6 7	NOMENCLATURE	EFFECT FROM TO	UNITS PER ASSY
4 - 25	823N0001-3	.	MODULE ASSY-P1-1 POST SERVICE BULLETIN: 34-0414 34-0416	009009 107107	RF
30	823N0001-203	..	PANEL ASSY- POST SERVICE BULLETIN: 34-0414 34-0416	009009 107107	RF
35	BCREFA0501	...	SWITCH ASSY-LIGHTED PUSH BUTTON IND ALTN SUPPLIER CODE: V81590 OVERLENGTH PART NUMBER: 433-673-1004-4001 SPECIFICATION NUMBER: S231T290-4001 MISCELLANEOUS DATA: WHEN REPLACING THE PUSHBUTTON SWITCH ASSY OR THE MASTER MODULE WITHIN, VERIFY THAT A CONFIG D MASTER MODULE P/N 13206-001 IS INSTALLED IN LIEU OF ANY EARLIER CONFIGURATION MASTER MODULES. ELECTRICAL EQUIP NUMBER: S00482 OPTIONAL PART: 4336731004-4201 V81590 FOR DETAILS SEE: 33-13-00-43	009009 107107	1
35	S231T290-5001	...	SWITCH ASSY-LIGHTED PUSH BUTTON IND ALTN ELECTRICAL EQUIP NUMBER: S00482 SERVICE BULLETIN OPT DATA: BCREFA0501 V81590 851-35100-5001 V81590 4336731004-4201 V81590	009009 107107	1

MISSING ITEM NUMBERS NOT APPLICABLE

- ITEM NOT ILLUSTRATED

BRI

34-12-01-04

BOEING PROPRIETARY - Copyright © - Unpublished Work - See title page for details.

34-12-01  
FIG. 04  
PAGE 6  
JAN 20/09



757

PARTS CATALOG (MAINTENANCE)

FIG ITEM	PART NUMBER	1 2 3 4 5 6 7	NOMENCLATURE	EFFECT FROM TO	UNITS PER ASSY
4 35	851-35100-5001		...SWITCH ASSY-LIGHTED PUSH BUTTON IND ALTN SUPPLIER CODE: V81590 ELECTRICAL EQUIP NUMBER: S00482 SERVICE BULLETIN OPT DATA: 4336731004-4201 V81590 BCREFA0501 V81590 S231T290-5001	009009 107107	1
35	4336731004-4201		...SWITCH ASSY-LIGHTED PUSH BUTTON IND ALTN SUPPLIER CODE: V81590 SPECIFICATION NUMBER: S231T290-4201 ELECTRICAL EQUIP NUMBER: S00482 SERVICE BULLETIN OPT DATA: BCREFA0501 V81590 851-35100-5001 V81590 S231T290-5001	009009 107107	1

MISSING ITEM NUMBERS NOT APPLICABLE

- ITEM NOT ILLUSTRATED

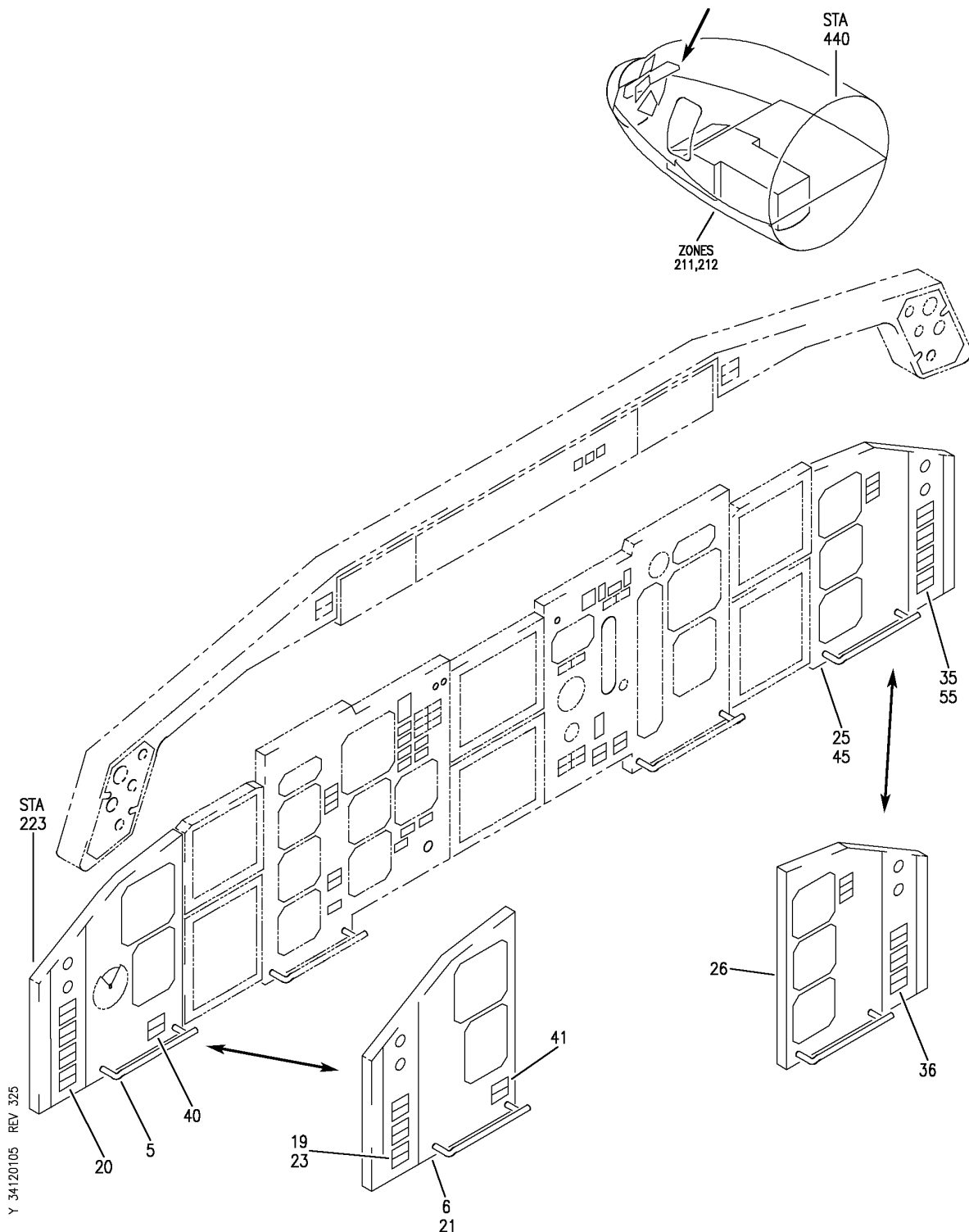
BRI

34-12-01-04

BOEING PROPRIETARY - Copyright © - Unpublished Work - See title page for details.

34-12-01  
FIG. 04  
PAGE 7  
JAN 20/09

**BOEING**  
757  
PARTS CATALOG (MAINTENANCE)



PANEL INSTL-CAPT AND FIRST OFFICER FWD (AIR DATA COMPUTING SYSTEM ONLY)

FIGURE 5

**34-12-01-05**

BRI  
SEP 20/08

34-12-01-05  
PAGE 0



757

PARTS CATALOG (MAINTENANCE)

FIG ITEM	PART NUMBER	1 2 3 4 5 6 7	NOMENCLATURE	EFFECT FROM TO	UNITS PER ASSY
5			PANEL INSTL-CAPT AND FIRST OFFICER FWD (AIR DATA COMPUTING SYSTEM ONLY)	011100	
- 1	233N2101-1		PANEL INSTL-CAPT AND FIRST OFFICER (AIR DATA COMPUTING SYSTEM ONLY) POSITION DATA: FWD VARIABLE DRAWING REF: 233N2101-5039 FOR NHA/OTHER SYS DET SEE: 25-10-00-05A	011100	RF
5	233N2220-301		.MODULE ASSY-P1-1 COMPONENT MAINT MANUAL REF: 31-11-47	011100	RF
- 10	233N2220-10		..MODULE ASSY-	011100	1
20	BCREFA0501		...SWITCH ASSY-LIGHTED PUSH BUTTON IND ALTN SUPPLIER CODE: V81590 OVERLENGTH PART NUMBER: 433-673-1004-4001 SPECIFICATION NUMBER: S231T290-4001 MISCELLANEOUS DATA: WHEN REPLACING THE PUSHBUTTON SWITCH ASSY OR THE MASTER MODULE WITHIN, VERIFY THAT A CONFIG D MASTER MODULE P/N 13206-001 IS INSTALLED IN LIEU OF ANY EARLIER CONFIGURATION MASTER MODULES. OPTIONAL PART: S231T290-5001 851-35100-5001 V96182 FOR DETAILS SEE: 33-13-00-43	011100	1
20	851-30768-2001		...SWITCH ASSY-LIGHTED PUSH BUTTON IND ALTN SUPPLIER CODE: V96182 SPECIFICATION NUMBER: S231T290-2001 FOR DETAILS SEE: 33-13-00-23	011100	1

MISSING ITEM NUMBERS NOT APPLICABLE

- ITEM NOT ILLUSTRATED

34-12-01-05

34-12-01  
FIG. 05  
PAGE 1  
JAN 20/09

BRI



757

PARTS CATALOG (MAINTENANCE)

FIG ITEM	PART NUMBER	1 2 3 4 5 6 7	NOMENCLATURE	EFFECT FROM TO	UNITS PER ASSY
5					
20	851-30768-3001	...	SWITCH ASSY-LIGHTED PUSH BUTTON IND ALTN SUPPLIER CODE: V96182 SPECIFICATION NUMBER: S231T290-3001 FOR DETAILS SEE: 33-13-00-33	011100	1
20	S231T290-5001	...	SWITCH ASSY-LIGHTED PUSH BUTTON IND ALTN OPTIONAL PART: BCREFA0501 V81590 851-35100-5001 V96182	011100	1
20	4336731004-4201	...	SWITCH ASSY-LIGHTED PUSHBUTTON SUPPLIER CODE: V81590 SPECIFICATION NUMBER: S231T290-4201	011100	1
20	851-35100-5001	...	SWITCH ASSY-LIGHTED PUSHBUTTON SUPPLIER CODE: V81590	011100	1
25	233N2223-301	.	MODULE ASSY-P3-3 COMPONENT MAINT MANUAL REF: 31-11-50	011100	RF
- 30	233N2223-12	..	MODULE ASSY-	011100	1

MISSING ITEM NUMBERS NOT APPLICABLE

- ITEM NOT ILLUSTRATED

34-12-01-05

34-12-01  
FIG. 05  
PAGE 2  
JAN 20/09

BRI



757

PARTS CATALOG (MAINTENANCE)

FIG ITEM	PART NUMBER	1 2 3 4 5 6 7	NOMENCLATURE	EFFECT FROM TO	UNITS PER ASSY
5 35	BCREFA0501		<p>...SWITCH ASSY-LIGHTED PUSH            BUTTON IND ALTN            SUPPLIER CODE:            V81590            OVERLENGTH PART NUMBER:            433-673-1004-4001            SPECIFICATION NUMBER:            S231T290-4001            MISCELLANEOUS DATA:            WHEN REPLACING THE            PUSHBUTTON SWITCH ASSY            OR THE MASTER MODULE            WITHIN, VERIFY THAT A            CONFIG D MASTER MODULE            P/N 13206-001 IS            INSTALLED IN LIEU OF            ANY EARLIER            CONFIGURATION MASTER            MODULES.            OPTIONAL PART:            S231T290-5001            851-35100-5001            V96182            FOR DETAILS SEE:            33-13-00-43</p>	011100	1
35	851-30768-2001		<p>...SWITCH ASSY-LIGHTED PUSH            BUTTON IND ALTN            SUPPLIER CODE:            V96182            SPECIFICATION NUMBER:            S231T290-2001            FOR DETAILS SEE:            33-13-00-23</p>	011100	1
35	851-30768-3001		<p>...SWITCH ASSY-LIGHTED PUSH            BUTTON IND ALTN            SUPPLIER CODE:            V96182            SPECIFICATION NUMBER:            S231T290-3001            FOR DETAILS SEE:            33-13-00-33</p>	011100	1
35	S231T290-5001		<p>...SWITCH ASSY-LIGHTED PUSH            BUTTON IND ALTN            OPTIONAL PART:            BCREFA0501            V81590            851-35100-5001            V96182</p>	011100	1

MISSING ITEM NUMBERS NOT APPLICABLE

- ITEM NOT ILLUSTRATED

34-12-01-05

34-12-01  
 FIG. 05  
 PAGE 3  
 JAN 20/09

BRI



757

PARTS CATALOG (MAINTENANCE)

FIG ITEM	PART NUMBER	1 2 3 4 5 6 7	NOMENCLATURE	EFFECT FROM TO	UNITS PER ASSY
5					
35	4336731004-4201	...	SWITCH ASSY-LIGHTED PUSHBUTTON SUPPLIER CODE: V81590 SPECIFICATION NUMBER: S231T290-4201	011100	1
35	851-35100-5001	...	SWITCH ASSY-LIGHTED PUSHBUTTON SUPPLIER CODE: V81590 OPTIONAL PART: BCREFA0501 V81590 S231T290-5001	011100	1

MISSING ITEM NUMBERS NOT APPLICABLE

- ITEM NOT ILLUSTRATED

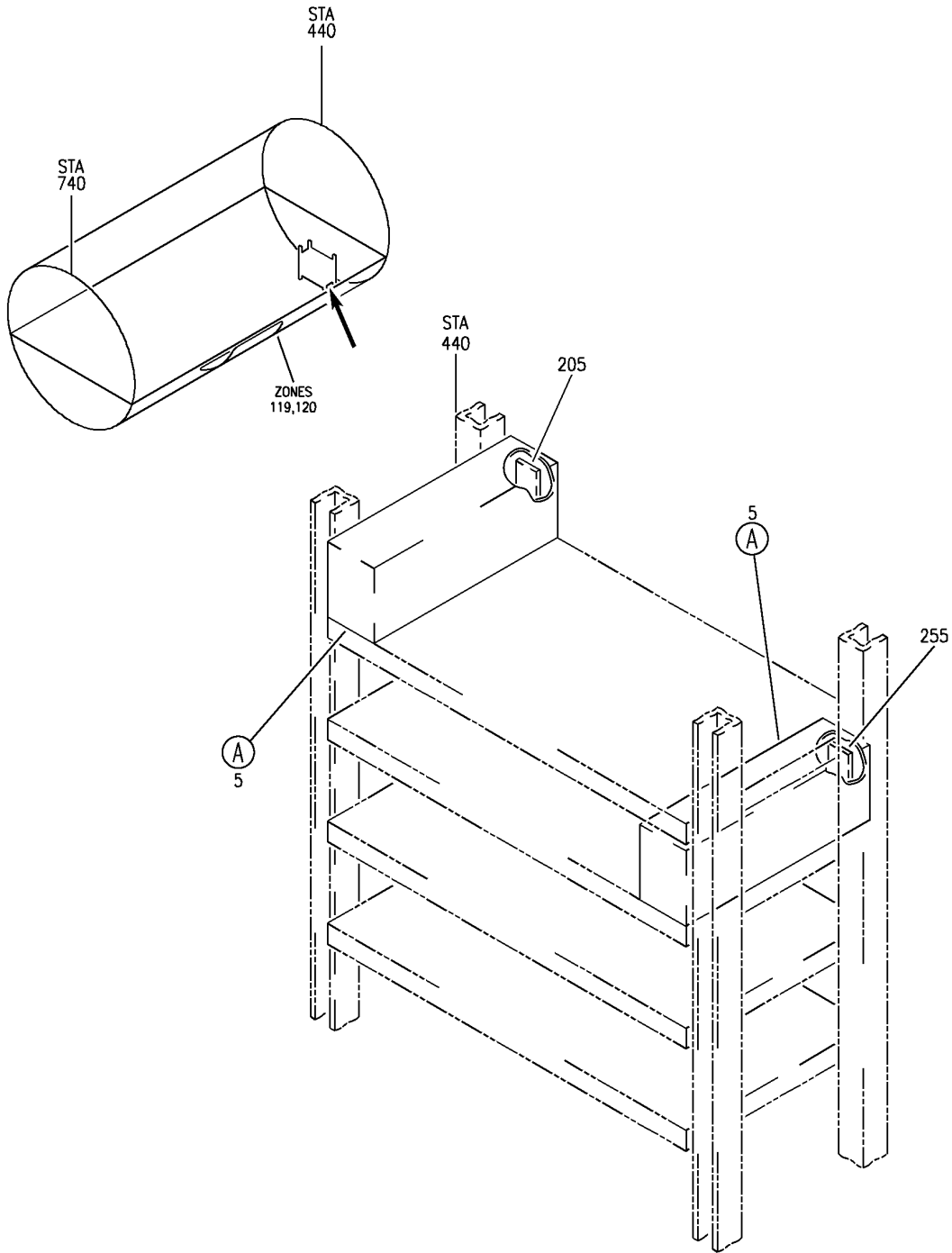
BRI

34-12-01-05

BOEING PROPRIETARY - Copyright © - Unpublished Work - See title page for details.

34-12-01  
FIG. 05  
PAGE 4  
JAN 20/09

**BOEING**  
757  
PARTS CATALOG (MAINTENANCE)



Y 34120108 SH1 1 REV 294

EQUIPMENT INSTL-MAIN ELECTRONICS EQPT CTR AIR DATA COMPUTER  
FIGURE 8 (SHEET 1)

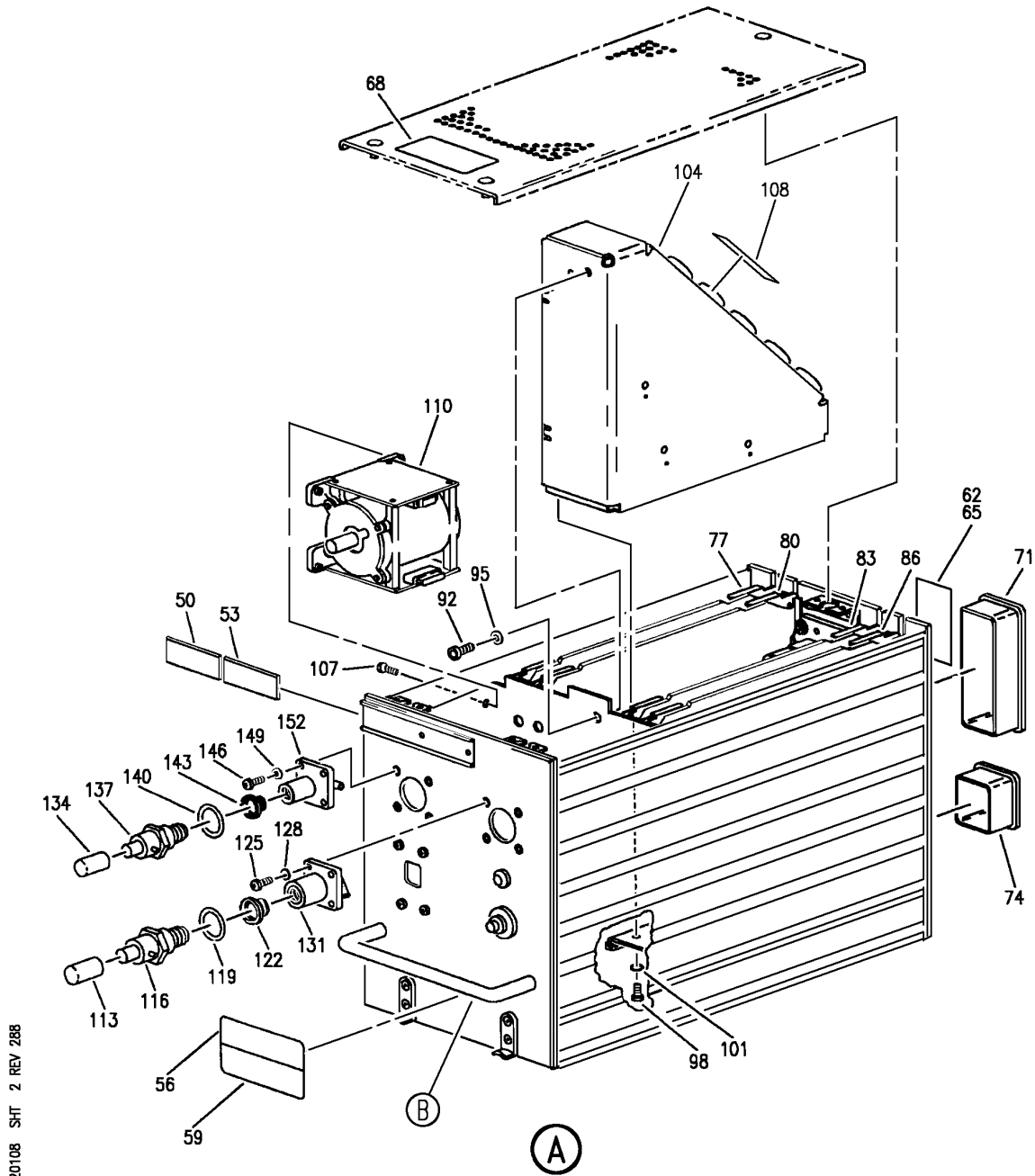
**34-12-01-08**

BRI  
JAN 20/09

34-12-01-08  
PAGE 0



**BOEING**  
757  
PARTS CATALOG (MAINTENANCE)



Y 34120108 SHT 2 REV 288

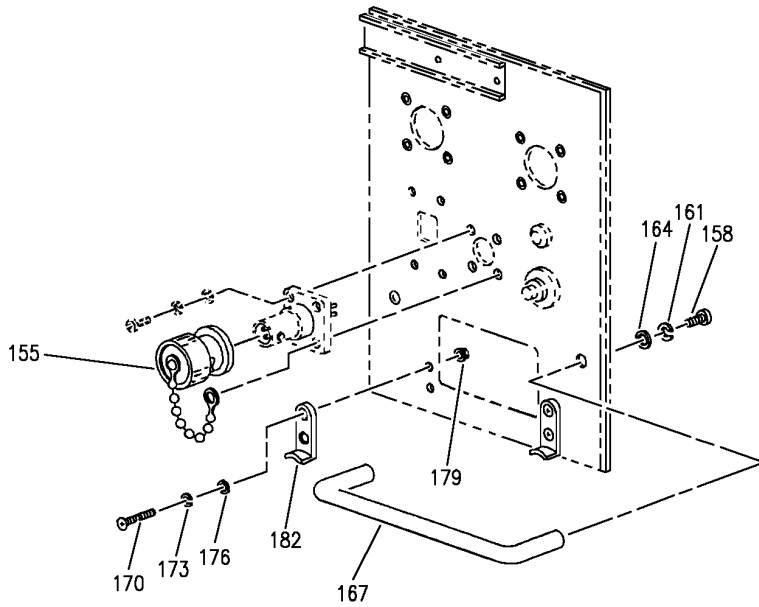
EQUIPMENT INSTL-MAIN ELECTRONICS EQPT CTR AIR DATA COMPUTER  
FIGURE 8 (SHEET 2)

**34-12-01-08**

BRI  
JAN 20/09

34-12-01-08  
PAGE 0A

**BOEING**  
757  
PARTS CATALOG (MAINTENANCE)



(B)

Y 34120108 SH1 3 REV 284

EQUIPMENT INSTL-MAIN ELECTRONICS EQPT CTR AIR DATA COMPUTER  
FIGURE 8 (SHEET 3)

**34-12-01-08**

BRI  
JAN 20/09

34-12-01-08  
PAGE 08



757

PARTS CATALOG (MAINTENANCE)

FIG ITEM	PART NUMBER	1 2 3 4 5 6 7	NOMENCLATURE	EFFECT FROM TO	UNITS PER ASSY
8			EQUIPMENT INSTL-MAIN ELECTRONICS EQPT CTR AIR DATA COMPUTER	106106 108120	
- 1	284N4000-340000		EQUIPMENT INSTL-MAIN ELECTRONICS EQPT CTR AIR DATA COMPUTER	106106 108120	RF
5	4040800-911		FOR NHA SEE: 24-00-58-05A .COMPUTER ASSY- SUPPLIER CODE: V58960 SPECIFICATION NUMBER: S242T210-211 ELECTRICAL EQUIP NUMBER: M00100 M00101 COMPONENT MAINT MANUAL REF: 34-12-18	106106 108120	2
50	4036046-1		..PLATE-DESIGNATION SUPPLIER CODE: V58960	106106 108120	1
53	4036046-7		..PLATE-DESIGNATION SUPPLIER CODE: V58960	106106 108120	1
56	4078256-193		..PLATE-IDENT SUPPLIER CODE: V58960 CONFIG CHG DATA FROM A CMM: REPLD BY 4089643-178 USED ON: 4040800-911	106106 108120	1
56	4089643-178		..PLATE-IDENT SUPPLIER CODE: V58960 CONFIG CHG DATA FROM A CMM: REPLACES 4078256-193 USED ON: 4040800-911	106106 108120	1
59	4078256-238		..PLATE-IDENT SUPPLIER CODE: V58960 USED ON: 4040800-911	106106 108120	1
62	4089643-179		..PLATE-IDENT SUPPLIER CODE: V58960 USED ON: 4040800-911	106106 108120	1

MISSING ITEM NUMBERS NOT APPLICABLE

- ITEM NOT ILLUSTRATED

34-12-01-08

34-12-01  
FIG. 08  
PAGE 1  
JAN 20/09

BRI



757

PARTS CATALOG (MAINTENANCE)

FIG ITEM	PART NUMBER	1 2 3 4 5 6 7	NOMENCLATURE	EFFECT FROM TO	UNITS PER ASSY
8					
68	4032147		.. PLATE-DESIGNATION SUPPLIER CODE: V07416 OPTIONAL SUPPLIER CODE: 4J649	106106 108120	1
71	025-1157-001		.. CAP-DUST SUPPLIER CODE: V71468 OPTIONAL PART: 4041437-5 V58960	106106 108120	1
74	025-1158-001		.. CAP-DUST SUPPLIER CODE: V71468 OPTIONAL PART: 4041437-6 V58960	106106 108120	1
77	4040813-905		.. CARD ASSY-CIRCUIT DIGITAL FREQUENCY A3 SUPPLIER CODE: V58960 COMPONENT MAINT MANUAL REF: 34-12-09	106106 108120	1
80	4040814-901		.. CARD ASSY-CIRCUIT ANALOG TO DIGITAL A4 SUPPLIER CODE: V58960 COMPONENT MAINT MANUAL REF: 34-12-10	106106 108120	1
83	4066263-902		.. CARD ASSY-CIRCUIT ARINC A6 SUPPLIER CODE: V58960 COMPONENT MAINT MANUAL REF: 34-12-37 USED ON: 4040800-911	106106 108120	1
86	4067877-912		.. CARD ASSY-CIRCUIT PROGRAMMED MEMORY (A7) SUPPLIER CODE: V58960 USED ON: 4040800-911	106106 108120	1
- 89	4068907-902		.. CARD ASSY-CIRCUIT CPU SUPPLIER CODE: V58960	106106 108120	1

MISSING ITEM NUMBERS NOT APPLICABLE

- ITEM NOT ILLUSTRATED

34-12-01-08

34-12-01  
FIG. 08  
PAGE 2  
JAN 20/09

BRI



757

PARTS CATALOG (MAINTENANCE)

FIG ITEM	PART NUMBER	1 2 3 4 5 6 7	NOMENCLATURE	EFFECT FROM TO	UNITS PER ASSY
8			ATTACHING PARTS		
92	MS16995-18	..	SCREW- MISCELLANEOUS DATA: HONEYWELL PART NO. 0819-18	106106 108120	1
95	MS15795-805	..	WASHER- MISCELLANEOUS DATA: HONEYWELL PART NO. 0770-7	106106 108120	1
98	0919-29	..	SCREW- SUPPLIER CODE: V58960	106106 108120	6
101	MS15795-805	..	WASHER- MISCELLANEOUS DATA: HONEYWELL PART NO. 0770-7	106106 108120	6
104	4040815-901	..	***** POWER SUPPLY- A5 SUPPLIER CODE: V58960 COMPONENT MAINT MANUAL REF: 34-12-11	106106 108120	1
107	MS51957-30B	..	ATTACHING PARTS SCREW- MISCELLANEOUS DATA: HONEYWELL PART NO. 2504410-557	106106 108120	8
108	4061839-2	...	***** DECAL- SUPPLIER CODE: V58960	106106 108120	1
110	4040831-901	..	CONVERTER-PRESSURE A1 A2 SUPPLIER CODE: V58960 COMPONENT MAINT MANUAL REF: 34-12-08	106106 108120	2
113	2500210-5	..	CAP- SUPPLIER CODE: V58960 USED ON: 4040800-911	106106 108120	1

MISSING ITEM NUMBERS NOT APPLICABLE

- ITEM NOT ILLUSTRATED

34-12-01-08

34-12-01  
FIG. 08  
PAGE 3  
JAN 20/09

BRI

BOEING PROPRIETARY - Copyright © - Unpublished Work - See title page for details.



757

PARTS CATALOG (MAINTENANCE)

FIG ITEM	PART NUMBER	1 2 3 4 5 6 7	NOMENCLATURE	EFFECT FROM TO	UNITS PER ASSY
8					
116	40006-1B96		.. COUPLING- SUPPLIER CODE: V62323 MISCELLANEOUS DATA: HONEYWELL PART NO. 4016952-2 OPTIONAL PART: 1QM1-3-66A V24984 USED ON: 4040800-911	106106 108120	1
116	1QM1-3-66A		.. COUPLING- SUPPLIER CODE: V24984 OPTIONAL PART: 40006-1B96 V62323 USED ON: 4040800-911	106106 108120	1
119	MS28778-6		ATTACHING PARTS .. PACKING- MISCELLANEOUS DATA: HONEYWELL PART NO. 831979-6 USED ON: 4040800-911	106106 108120	1
125	MS51957-45		.. SCREW- MISCELLANEOUS DATA: HONEYWELL PART NO. 0919-45	106106 108120	4
128	NAS620C8		.. WASHER- MISCELLANEOUS DATA: HONEYWELL PART NO. 2504638-12	106106 108120	4
131	2580370		-----*----- .. FITTING- SUPPLIER CODE: V58960	106106 108120	1
134	2500210-5		.. CAP- SUPPLIER CODE: V58960 USED ON: 4040800-911	106106 108120	1

MISSING ITEM NUMBERS NOT APPLICABLE

- ITEM NOT ILLUSTRATED

34-12-01-08

34-12-01  
FIG. 08  
PAGE 4  
JAN 20/09

BRI

BOEING PROPRIETARY - Copyright © - Unpublished Work - See title page for details.



757

PARTS CATALOG (MAINTENANCE)

FIG ITEM	PART NUMBER	1 2 3 4 5 6 7	NOMENCLATURE	EFFECT FROM TO	UNITS PER ASSY
8					
137	40006-1A94		.. COUPLING- SUPPLIER CODE: V62323 MISCELLANEOUS DATA: HONEYWELL PART NO. 4016952-1 OPTIONAL PART: 1QM1-2-46A V24984 USED ON: 4040800-911	106106 108120	1
137	1QM1-2-46A		.. COUPLING- SUPPLIER CODE: V24984 OPTIONAL PART: 40006-1A94 V62323 USED ON: 4040800-911	106106 108120	1
140	MS28778-4		ATTACHING PARTS .. PACKING- MISCELLANEOUS DATA: HONEYWELL PART NO. 831979-4 USED ON: 4040800-911	106106 108120	1
146	MS51957-45		.. SCREW- MISCELLANEOUS DATA: HONEYWELL PART NO. 0919-45	106106 108120	4
149	NAS620C8		.. WASHER- MISCELLANEOUS DATA: HONEYWELL PART NO. 2504638-12	106106 108120	4
152	2580371		-----*----- .. FITTING- SUPPLIER CODE: V58960	106106 108120	1
155	4059968-1		.. CAP- SUPPLIER CODE: V58960 USED ON: 4040800-911	106106 108120	1
158	MS16996-11		ATTACHING PARTS .. SCREW- MISCELLANEOUS DATA: HONEYWELL PART NO. 0819-288	106106 108120	2

MISSING ITEM NUMBERS NOT APPLICABLE

- ITEM NOT ILLUSTRATED

34-12-01-08

34-12-01  
FIG. 08  
PAGE 5  
JAN 20/09

BRI

 **BOEING**  
757  
**PARTS CATALOG (MAINTENANCE)**

FIG ITEM	PART NUMBER	1 2 3 4 5 6 7	NOMENCLATURE	EFFECT FROM TO	UNITS PER ASSY
8					
161	MS35338-138	..	WASHER- CONFIG CHG DATA FROM A CMM: REPLD BY 0164-9 MISCELLANEOUS DATA: HONEYWELL PART NO. 0164-9 USED ON: 4040800-911	106106 108120	2
161	0164-9	..	WASHER- SUPPLIER CODE: V58960 CONFIG CHG DATA FROM A CMM: REPLACES MS35338-138	106106 108120	2
164	NAS620C10	..	WASHER- MISCELLANEOUS DATA: HONEYWELL PART NO. 2504638-14	106106 108120	2
167	10350A1032-1B	..	HANDLE- SUPPLIER CODE: V06540 MISCELLANEOUS DATA: HONEYWELL PART NO. 752758-3 OPTIONAL PART: A5534-2 V04729	106106 108120	1
167	A5534-2	..	HANDLE- SUPPLIER CODE: V04729 OPTIONAL PART: 10350A1032-1B V06540	106106 108120	1
170	MS24693C28	..	SCREW- MISCELLANEOUS DATA: HONEYWELL PART NO. 2504188-226	106106 108120	4
173	MS35333-71	..	WASHER- MISCELLANEOUS DATA: HONEYWELL PART NO. 824637-5	106106 108120	4
176	NAS620C6L	..	WASHER- MISCELLANEOUS DATA: HONEYWELL PART NO. 2504638-9 USED ON: 4040800-911	106106 108120	4

MISSING ITEM NUMBERS NOT APPLICABLE

— ITEM NOT ILLUSTRATED

BRI

# 34-12-01-08

BOEING PROPRIETARY - Copyright © - Unpublished Work - See title page for details.

34-12-01  
FIG. 08  
PAGE 6  
JAN 20/09



 **BOEING**  
757  
**PARTS CATALOG (MAINTENANCE)**

FIG ITEM	PART NUMBER	1 2 3 4 5 6 7	NOMENCLATURE	EFFECT FROM TO	UNITS PER ASSY
8 179	MS21042L06		..NUT- MISCELLANEOUS DATA: HONEYWELL PART NO. 2500929-3	106106 108120	4
182	NAS622CT2		..HOOK- MISCELLANEOUS DATA: HONEYWELL PART NO. 2500923-2	106106 108120	2
- 203	286N1171-405		-----*----- WIRE BUNDLE ASSY- REWORKED BY ALERT SB: 34A0222	108120	RF
205	BACC66H21C0201		.CONNECTOR- ELECTRICAL EQUIP NUMBER: D00289 WIRING DIAGRAM REF: 341211	108120	1
- 252	286N1173-434		WIRE BUNDLE ASSY- REWORKED BY ALERT SB: 34A0222	108120	RF
255	BACC66H21C0201		.CONNECTOR- ELECTRICAL EQUIP NUMBER: D00291 WIRING DIAGRAM REF: 341222	108120	1

MISSING ITEM NUMBERS NOT APPLICABLE

- ITEM NOT ILLUSTRATED

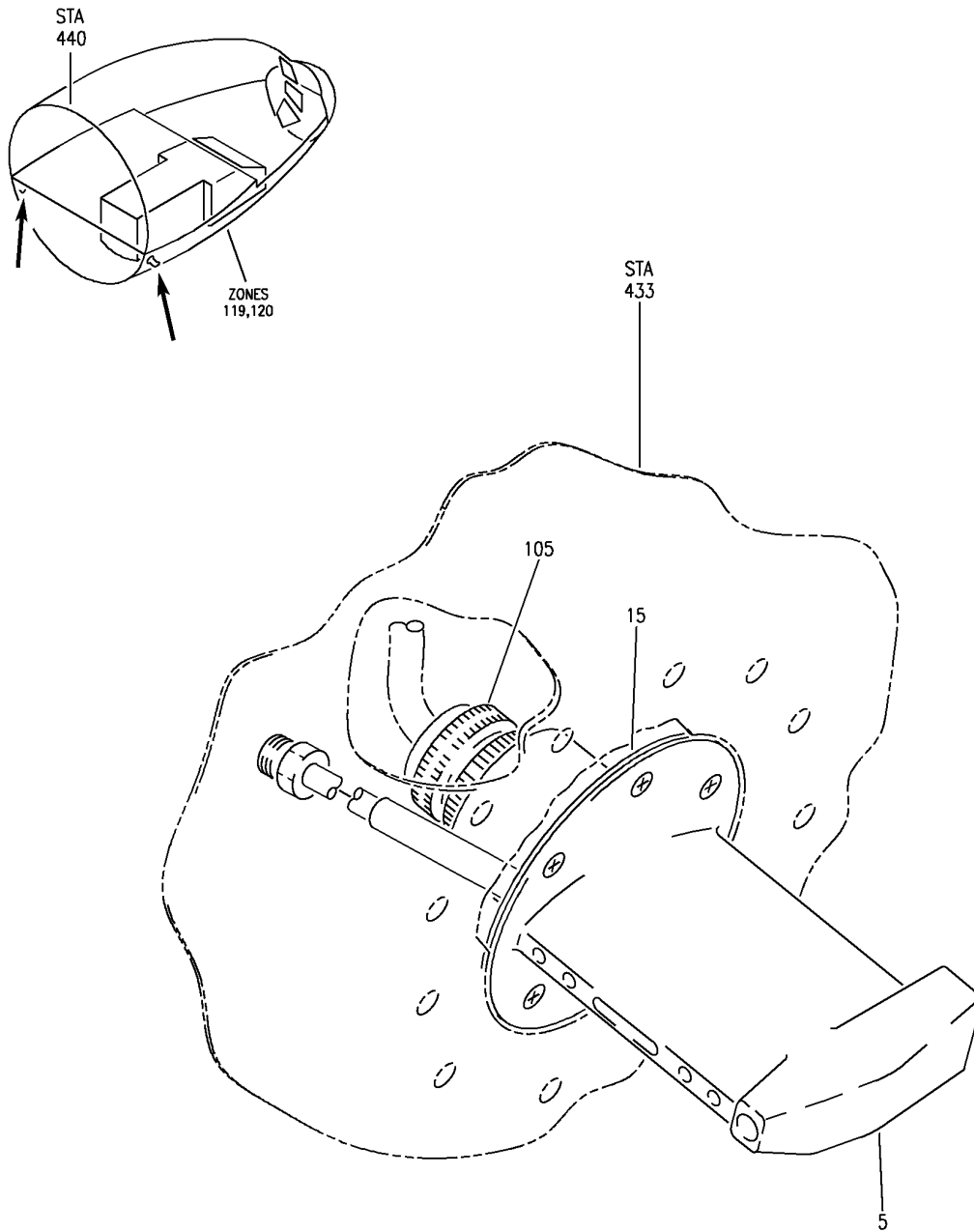
BRI

# 34-12-01-08

BOEING PROPRIETARY - Copyright © - Unpublished Work - See title page for details.

34-12-01  
FIG. 08  
PAGE 7  
JAN 20/09

**BOEING**  
757  
PARTS CATALOG (MAINTENANCE)



Y 34120205 REV 298

SENSOR INSTL-STA 433 TOTAL AIR TEMP  
FIGURE 5

**34-12-02-05**

BRI  
MAY 28/07

34-12-02-05  
PAGE 0



757

PARTS CATALOG (MAINTENANCE)

FIG ITEM	PART NUMBER	1 2 3 4 5 6 7	NOMENCLATURE	EFFECT FROM TO	UNITS PER ASSY
5			SENSOR INSTL-STA 433 TOTAL AIR TEMP	002004 006999	
- 1	232N9401-1		SENSOR INSTL-TOTAL AIR TEMP POSITION DATA: RHS FOR NHA SEE: 25-10-00-01 25-10-00-10	002004 006101 107107 121503 904999	RF
- 1	232N9401-3		SENSOR INSTL-TOTAL AIR TEMP POSITION DATA: RHS FOR NHA SEE: 25-10-00-10	102102 108120 504903	RF
- 1	MODREF7586		SENSOR INSTL-TOTAL AIR TEMP MODULE NUMBER: 232N9401-3 REV A POSITION DATA: RHS	103103	1
- 1	MODREF27480		SENSOR INSTL-TOTAL AIR TEMP MODULE NUMBER: 232N9401-3 REV B POSITION DATA: RHS	104106	1
- 3	MODREF7587		SENSOR INSTL-TOTAL AIR TEMP MODULE NUMBER: 232N9401-4 REV A POSITION DATA: LHS	103103	1
- 3	MODREF30157		SENSOR INSTL-TOTAL AIR TEMP MODULE NUMBER: 232N9401-4 REV B POSITION DATA: LHS	104106	1
5	102LA2AG		.SENSOR- SUPPLIER CODE: V59885 ELECTRICAL EQUIP NUMBER: TS5001	002004 006102 107999	1
5	102LJ2AG		.SENSOR- SUPPLIER CODE: V60678 ELECTRICAL EQUIP NUMBER: TS5001	002004 006102 107999	1
5	102LA2AG		.SENSOR- SUPPLIER CODE: V59885 ELECTRICAL EQUIP NUMBER: TS5001	103106	1

MISSING ITEM NUMBERS NOT APPLICABLE

- ITEM NOT ILLUSTRATED

34-12-02-05

34-12-02  
FIG. 05  
PAGE 1  
JAN 20/09

BRI



**757  
PARTS CATALOG (MAINTENANCE)**

FIG ITEM	PART NUMBER	1 2 3 4 5 6 7	NOMENCLATURE	EFFECT FROM TO	UNITS PER ASSY
5	102LJ2AG		.SENSOR- SUPPLIER CODE: V60678 ELECTRICAL EQUIP NUMBER: TS5001 ATTACHING PARTS	103106	1
- 10	BACB30LU2-4		.BOLT- OPTIONAL PART: BACB30LH2-4	002004 006102 107999	6
- 10	BACB30LU2-4		.BOLT- OPTIONAL PART: BACB30LH2-4	103106	6
- 10	BACB30LH2-4		.BOLT- OPTIONAL PART: BACB30LU2-4	002004 006102 107999	6
- 10	BACB30LH2-4		.BOLT- OPTIONAL PART: BACB30LU2-4	103106	6
15	233T9141-4		.GASKET- MANUFACTURED FROM: SH RUBBER BMS1-57 F25.01 0.070 IN 3.0 IN 3.0 IN	002004 006102 107999	1
15	233T9141-4		.GASKET- MANUFACTURED FROM: SH RUBBER BMS1-57 F25.01 0.070 IN 3.0 IN 3.0 IN	103106	1
- 100	286N2271-301		WIRE BUNDLE ASSY	108120	RF
- 100	286N2271-302		WIRE BUNDLE ASSY	101102	RF
- 100	286N2271-306		WIRE BUNDLE ASSY	504903	RF
- 100	286N2271-701		WIRE BUNDLE ASSY	103106	RF
105	BACC45FT14A7S		.CONNECTOR- ELECTRICAL EQUIP NUMBER: D02774 WIRING DIAGRAM REF: 341211 342182	101106 108120 504903	1

MISSING ITEM NUMBERS NOT APPLICABLE

- ITEM NOT ILLUSTRATED

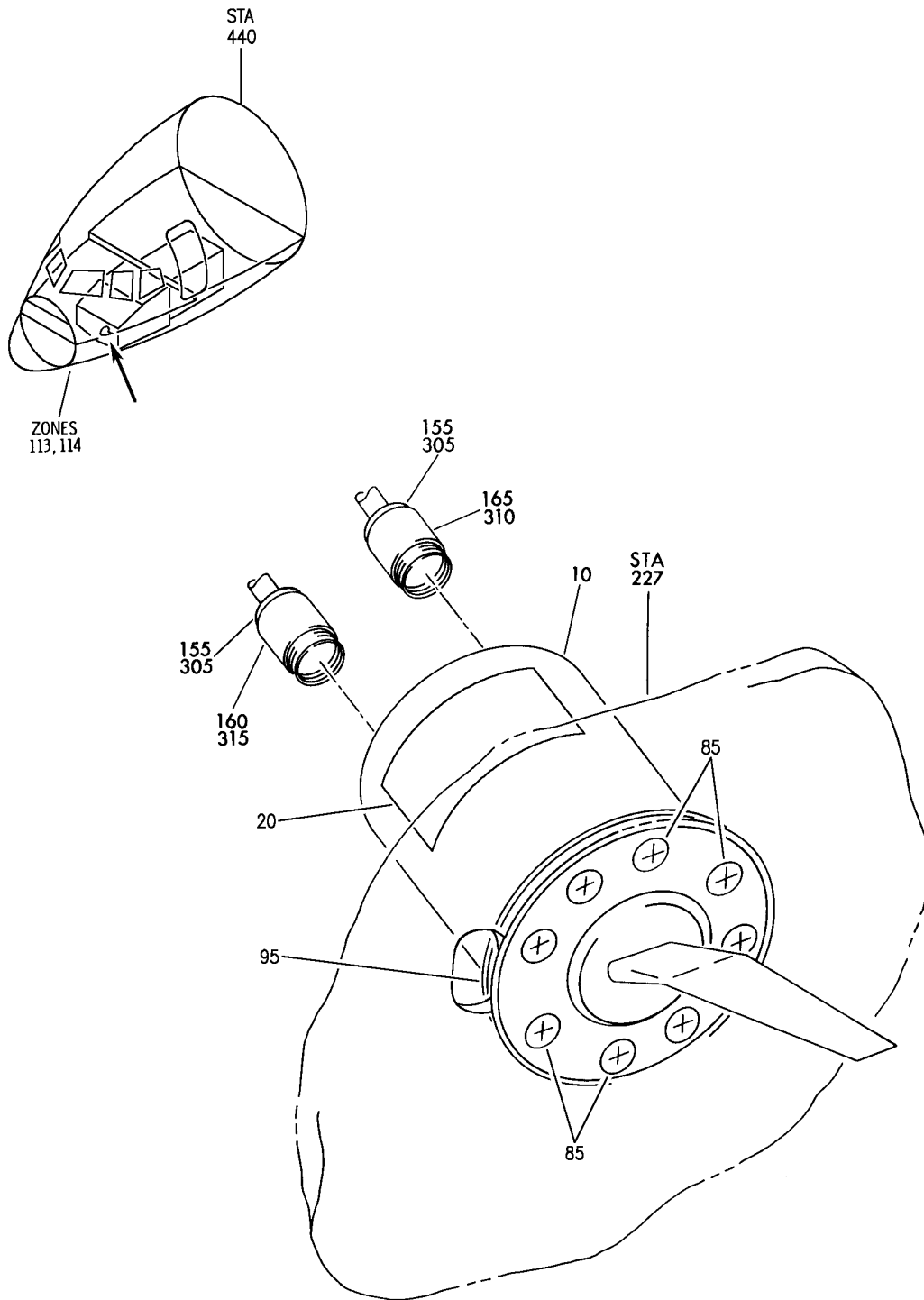
# 34-12-02-05

34-12-02  
FIG. 05  
PAGE 2  
JAN 20/09

BRI

BOEING PROPRIETARY - Copyright © - Unpublished Work - See title page for details.

**BOEING**  
757  
PARTS CATALOG (MAINTENANCE)



Y 34120301 REV 268

SENSOR INSTL-ANGLE OF ATTACK  
FIGURE 1

**34-12-03-01**

BRI  
MAY 28/07

34-12-03-01  
PAGE 0



757

PARTS CATALOG (MAINTENANCE)

FIG ITEM	PART NUMBER	1 2 3 4 5 6 7	NOMENCLATURE	EFFECT FROM TO	UNITS PER ASSY
1			SENSOR INSTL-ANGLE OF ATTACK	002004 006999	
- 1	232N9601-1		SENSOR INSTL-ANGLE OF ATTACK POSITION DATA: LH FOR NHA SEE: 25-10-00-01	002004 006100 107107 121503 904999	RF
- 1	232N9601-3		SENSOR INSTL-ANGLE OF ATTACK POSITION DATA: LH FOR NHA SEE: 25-10-00-10	101102 108120 504903	RF
- 1	MODREF7594		SENSOR INSTL-ANGLE OF ATTACK MODULE NUMBER: 232N9601-5 REV A POSITION DATA: LH	103103	1
- 1	MODREF27481		SENSOR INSTL-ANGLE OF ATTACK MODULE NUMBER: 232N9601-5 REV B POSITION DATA: LH	104106	1
- 5	232N9601-2		SENSOR INSTL-ANGLE OF ATTACK POSITION DATA: RH FOR NHA SEE: 25-10-00-01	002004 006100 107107 121503 904999	RF
- 5	232N9601-4		SENSOR INSTL-ANGLE OF ATTACK POSITION DATA: RH FOR NHA SEE: 25-10-00-10	101102 108120 504903	RF
- 5	MODREF7595		SENSOR INSTL-ANGLE OF ATTACK MODULE NUMBER: 232N9601-6 REV A POSITION DATA: RH	103103	1

MISSING ITEM NUMBERS NOT APPLICABLE

- ITEM NOT ILLUSTRATED

34-12-03-01

34-12-03  
FIG. 01  
PAGE 1  
JAN 20/09

BRI



757

PARTS CATALOG (MAINTENANCE)

FIG ITEM	PART NUMBER	1 2 3 4 5 6 7	NOMENCLATURE	EFFECT FROM TO	UNITS PER ASSY
1					
- 5	MODREF27482		SENSOR INSTL-ANGLE OF ATTACK MODULE NUMBER: 232N9601-6 REV B POSITION DATA: RH	104106	1
10	0861CAB		.SENSOR- SUPPLIER CODE: V59885 FUNCTIONAL DESCRIPTION: PROVIDES THE PRIMARY SOURCE OF ANGLE OF ATTACK INFORMATION FOR THE STALL WARNING AND FLIGHT CONTROL SYSTEMS. ELECTRICAL EQUIP NUMBER: TS0012 TS0013 COMPONENT MAINT MANUAL REF: 34-12-00 OPTIONAL PART: 861CABMOD0001A V59885 861CABMOD0001AB V59885	002004 006100 107107 121503 904999	1
10	0861FL		.SENSOR- SUPPLIER CODE: V59885 FUNCTIONAL DESCRIPTION: PROVIDES THE PRIMARY SOURCE OF ANGLE OF ATTACK INFORMATION FOR THE STALL WARNING AND FLIGHT CONTROL SYSTEMS. SPECIFICATION NUMBER: S233T913-4 ELECTRICAL EQUIP NUMBER: TS0012 TS0013 COMPONENT MAINT MANUAL REF: 34-12-34	002004 006102 107999	1

MISSING ITEM NUMBERS NOT APPLICABLE

- ITEM NOT ILLUSTRATED

34-12-03-01

34-12-03  
FIG. 01  
PAGE 2  
JAN 20/09

BRI



757

PARTS CATALOG (MAINTENANCE)

FIG ITEM	PART NUMBER	1 2 3 4 5 6 7	NOMENCLATURE	EFFECT FROM TO	UNITS PER ASSY
1	10 0861FL1		.SENSOR- SUPPLIER CODE: V59885 FUNCTIONAL DESCRIPTION: PROVIDES THE PRIMARY SOURCE OF ANGLE OF ATTACK INFORMATION FOR THE STALL WARNING AND FLIGHT CONTROL SYSTEMS. SPECIFICATION NUMBER: S233T913-5 MISCELLANEOUS DATA: MMEL PROVIDES SOME RELIEF ELECTRICAL EQUIP NUMBER: TS0012 TS0013 COMPONENT MAINT MANUAL REF: 34-12-34	002004 006999	1
	10 861CABMOD0001AB		.SENSOR- SUPPLIER CODE: V59885 SPECIFICATION NUMBER: S233T913-1 COMPONENT MAINT MANUAL REF: 34-12-00 OPTIONAL PART: 861CAB V59885 861CABMOD0001A V59885	002004 006102 107999	1
	10 861CABMOD0001A		.SENSOR- SUPPLIER CODE: V59885 SPECIFICATION NUMBER: S233T913-1 SB DATA FROM A CMM: PRE 861CAB34-03 COMPONENT MAINT MANUAL REF: 34-12-21 OPTIONAL PART: 861CAB V59885 861CABMOD0001AB V59885	002004 006102 107999	1

MISSING ITEM NUMBERS NOT APPLICABLE

- ITEM NOT ILLUSTRATED

34-12-03-01

34-12-03  
FIG. 01  
PAGE 3  
JAN 20/09

BRI





757

PARTS CATALOG (MAINTENANCE)

FIG ITEM	PART NUMBER	1 2 3 4 5 6 7	NOMENCLATURE	EFFECT FROM TO	UNITS PER ASSY
1	10 861CAB		.SENSOR- SUPPLIER CODE: V59885 FUNCTIONAL DESCRIPTION: PROVIDES THE PRIMARY SOURCE OF ANGLE OF ATTACK INFORMATION FOR THE STALL WARNING AND FLIGHT CONTROL SYSTEMS. SPECIFICATION NUMBER: S233T913-1 ELECTRICAL EQUIP NUMBER: TS0012 TS0013 COMPONENT MAINT MANUAL REF: 34-12-00 OPTIONAL PART: 861CABMOD0001A V59885 861CABMOD0001AB V59885 ATTACHING PARTS	002004 006102 107999	1
- 15	BACB30LH3-8		.BOLT- OPTIONAL PART: BACB30LU3-8	002004 006999	8
- 15	BACB30LU3-8		.BOLT- OPTIONAL PART: BACB30LH3-8	002004 006999	8
	20 00861-0682-0001		-----*----- ..NAMEPLATE- SUPPLIER CODE: V59885 USED ON: 861CABMOD0001A	002004 006102 107999	1
	20 00020-2272-0001		..NAMEPLATE- SUPPLIER CODE: V59885	002004 006102 107999	1
	20 00514-0327-0003		..NAMEPLATE- SUPPLIER CODE: V59885	002004 006999	1
- 25	00861-0719-0001		..LABEL-CONN., J1 SUPPLIER CODE: V59885 USED ON: 861CABMOD0001A 0861FL 0861FL1	002004 006999	1

MISSING ITEM NUMBERS NOT APPLICABLE

- ITEM NOT ILLUSTRATED

34-12-03-01

34-12-03  
FIG. 01  
PAGE 4  
JAN 20/09

BRI



757

PARTS CATALOG (MAINTENANCE)

FIG ITEM	PART NUMBER	1 2 3 4 5 6 7	NOMENCLATURE	EFFECT FROM TO	UNITS PER ASSY
1					
- 30	00861-0719-0002	..	LABEL-CONN., J2 SUPPLIER CODE: V59885 USED ON: 861CABMOD0001A 0861FL 0861FL1	002004 006999	1
85	SE98A3	.NUTPLATE-	SUPPLIER CODE: V62554 SPECIFICATION NUMBER: BACN10JZ3A2 OPTIONAL PART: NS103224-02 V80539 RMF9219-3 V72962 F1968-3BAC V15653 BACN10KA3B BACN10JZ3A2CDMU	002004 006999	8
85	T8099S32SK	.NUTPLATE-	SUPPLIER CODE: V11815 SPECIFICATION NUMBER: BACN10KA3B OPTIONAL PART: NS103227-02 V80539 BACN10JZ3A2 BACN10JZ3A2CDMU	002004 006999	8
85	BACN10JZ3A2CDMU	.NUTPLATE-	OPTIONAL PART: BACN10JZ3A2 BACN10KA3B	002004 006999	8
- 90	BACR15DR3	ATTACHING PARTS .RIVET-	SIZE DETERMINED ON INSTL. OPTIONAL PART: BACR15BA3ADC	002004 006999	16
- 90	BACR15BA3ADC	.RIVET-	SIZE DETERMINED ON INSTL. OPTIONAL PART: BACR15DR3 -----*-----	002004 006999	16

MISSING ITEM NUMBERS NOT APPLICABLE

- ITEM NOT ILLUSTRATED

34-12-03-01

34-12-03  
FIG. 01  
PAGE 5  
JAN 20/09

BRI

BOEING PROPRIETARY - Copyright © - Unpublished Work - See title page for details.



757

PARTS CATALOG (MAINTENANCE)

FIG ITEM	PART NUMBER	1 2 3 4 5 6 7	NOMENCLATURE	EFFECT FROM TO	UNITS PER ASSY
1					
95	233T9131-1		.GASKET- MANUFACTURED FROM: SH RUBBER BMS1-57 F25.01 .072 IN. 5.0 IN. 5.0 IN.	002004 006999	1
- 150	286N2269-001		WIRE BUNDLE ASSY	002004 006100 107107 121503 904999	RF
- 150	286N2269-301		WIRE BUNDLE ASSY	101102	RF
- 150	286N2269-302		WIRE BUNDLE ASSY	108120	RF
- 150	286N2269-306		WIRE BUNDLE ASSY	504903	RF
- 150	286N2269-701		WIRE BUNDLE ASSY	103106	RF
155	BACC10GH12		.CLAMP- ELECTRICAL EQUIP NUMBER: D00295T D00469T WIRING DIAGRAM REF: 341211 341221	002004 006102 107999	2
160	BACC45FT12D12S		.CONNECTOR- ELECTRICAL EQUIP NUMBER: D00295 WIRING DIAGRAM REF: 341211 341221	002004 006999	1
165	BACC45FT12D12S6		.CONNECTOR- ELECTRICAL EQUIP NUMBER: D00469 WIRING DIAGRAM REF: 341221	002004 006999	1
- 300	286N2277-001		WIRE BUNDLE ASSY	002004 006100 107107 121503 904999	RF
- 300	286N2277-301		WIRE BUNDLE ASSY	101102	RF
- 300	286N2277-302		WIRE BUNDLE ASSY	108120	RF
- 300	286N2277-307		WIRE BUNDLE ASSY	504903	RF
- 300	286N2277-701		WIRE BUNDLE ASSY	103106	RF
305	BACC10GH12		.CLAMP- ELECTRICAL EQUIP NUMBER: D00293T D00467T WIRING DIAGRAM REF: 341221	002004 006102 107999	2

MISSING ITEM NUMBERS NOT APPLICABLE

- ITEM NOT ILLUSTRATED

34-12-03-01

34-12-03  
FIG. 01  
PAGE 6  
JAN 20/09

BRI



757

PARTS CATALOG (MAINTENANCE)

FIG ITEM	PART NUMBER	1 2 3 4 5 6 7	NOMENCLATURE	EFFECT FROM TO	UNITS PER ASSY
1 310	BACC45FT12D12S6	.	CONNECTOR- ELECTRICAL EQUIP NUMBER: D00467 WIRING DIAGRAM REF: 341221	002004 006999	1
315	BACC45FT12D12S	.	CONNECTOR- ELECTRICAL EQUIP NUMBER: D00293 WIRING DIAGRAM REF: 341221	002004 006999	1

MISSING ITEM NUMBERS NOT APPLICABLE

- ITEM NOT ILLUSTRATED

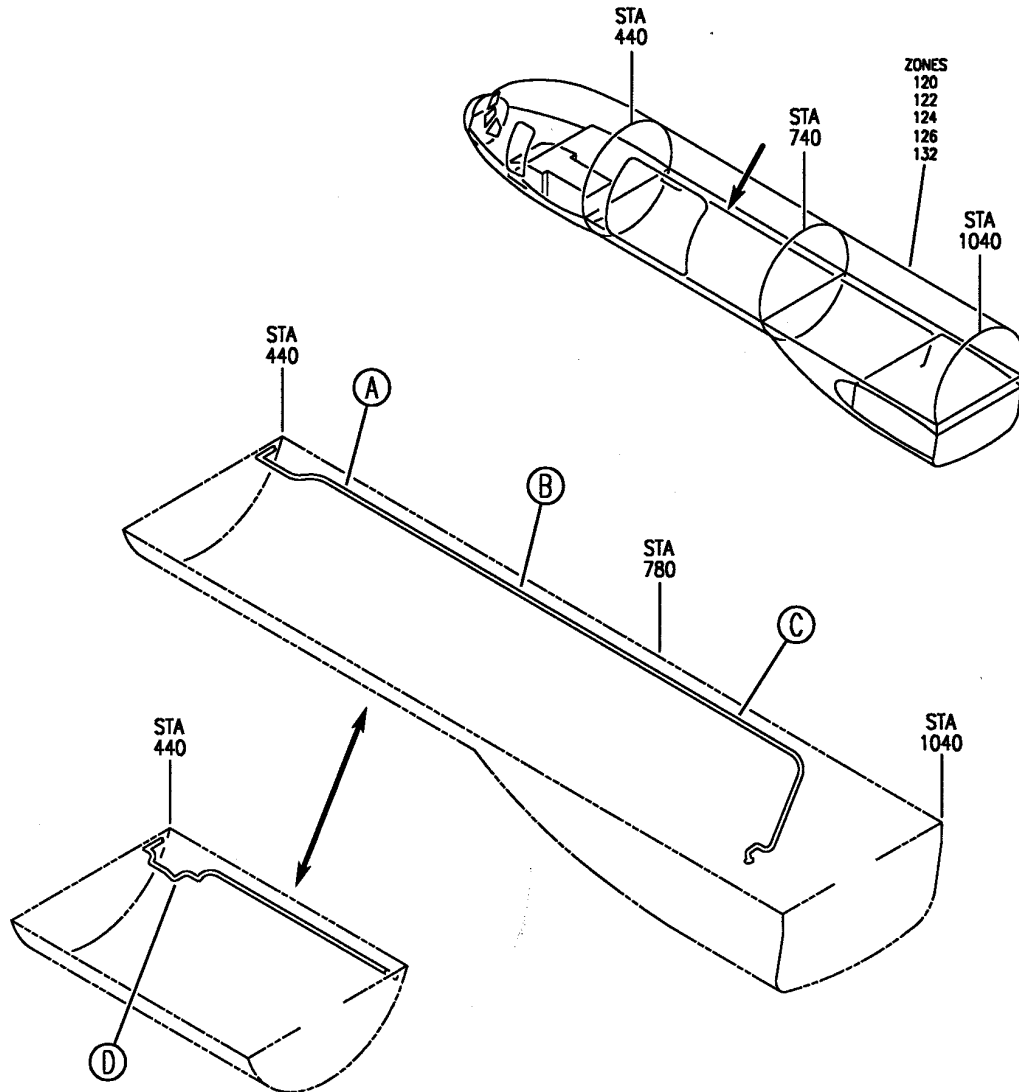
BRI

34-12-03-01

BOEING PROPRIETARY - Copyright © - Unpublished Work - See title page for details.

34-12-03  
FIG. 01  
PAGE 7  
JAN 20/09

**BOEING**  
757  
PARTS CATALOG (MAINTENANCE)



Y 34-125101 SHT 1 REV 220

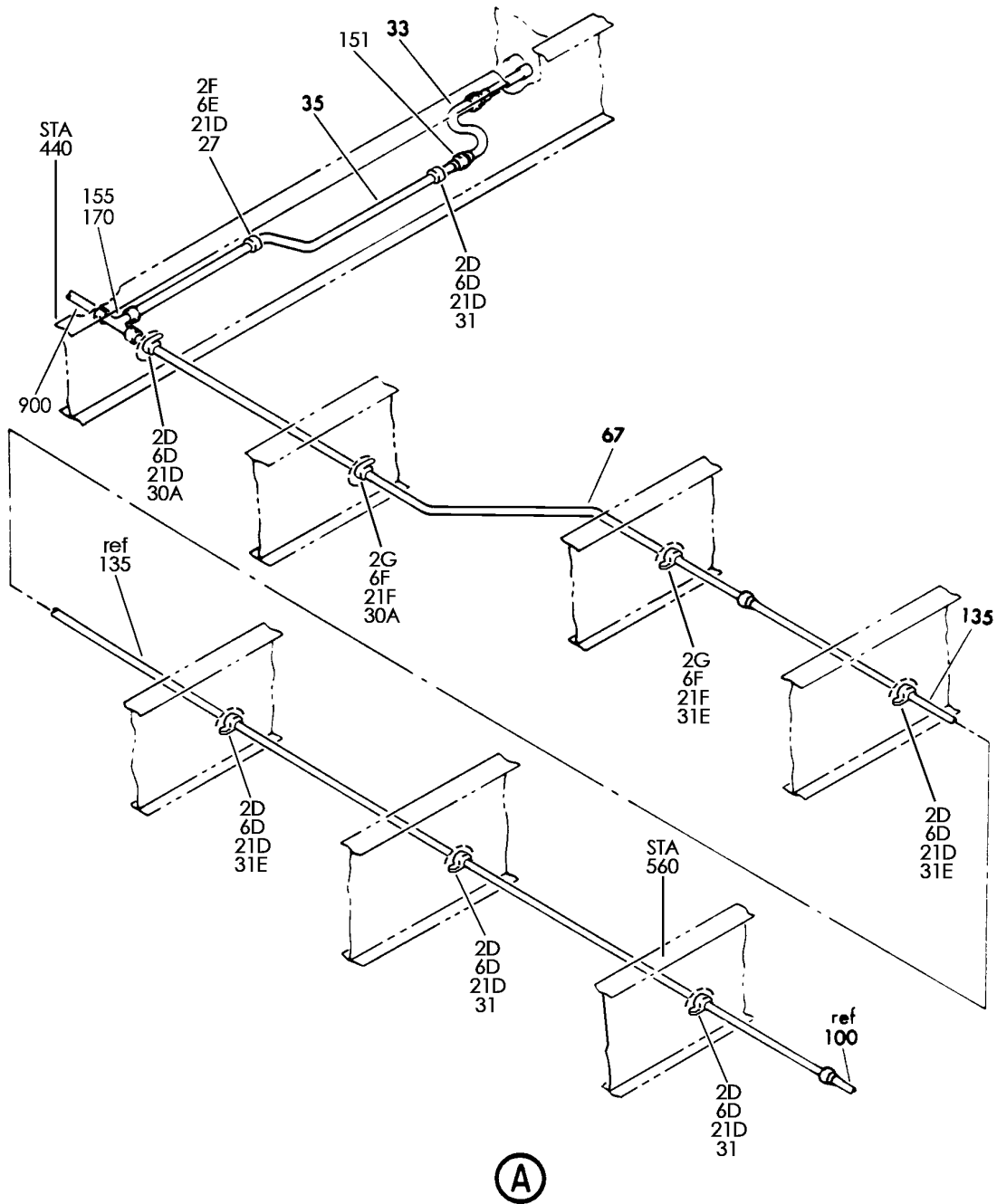
TUBING INSTL-TOTAL AIR TEMP  
FIGURE 1 (SHEET 1)

**34-12-51-01**

BRI  
MAY 28/07

34-12-51-01  
PAGE 0

**BOEING**  
757  
PARTS CATALOG (MAINTENANCE)



Y 34125101 SHT 2 REV 244

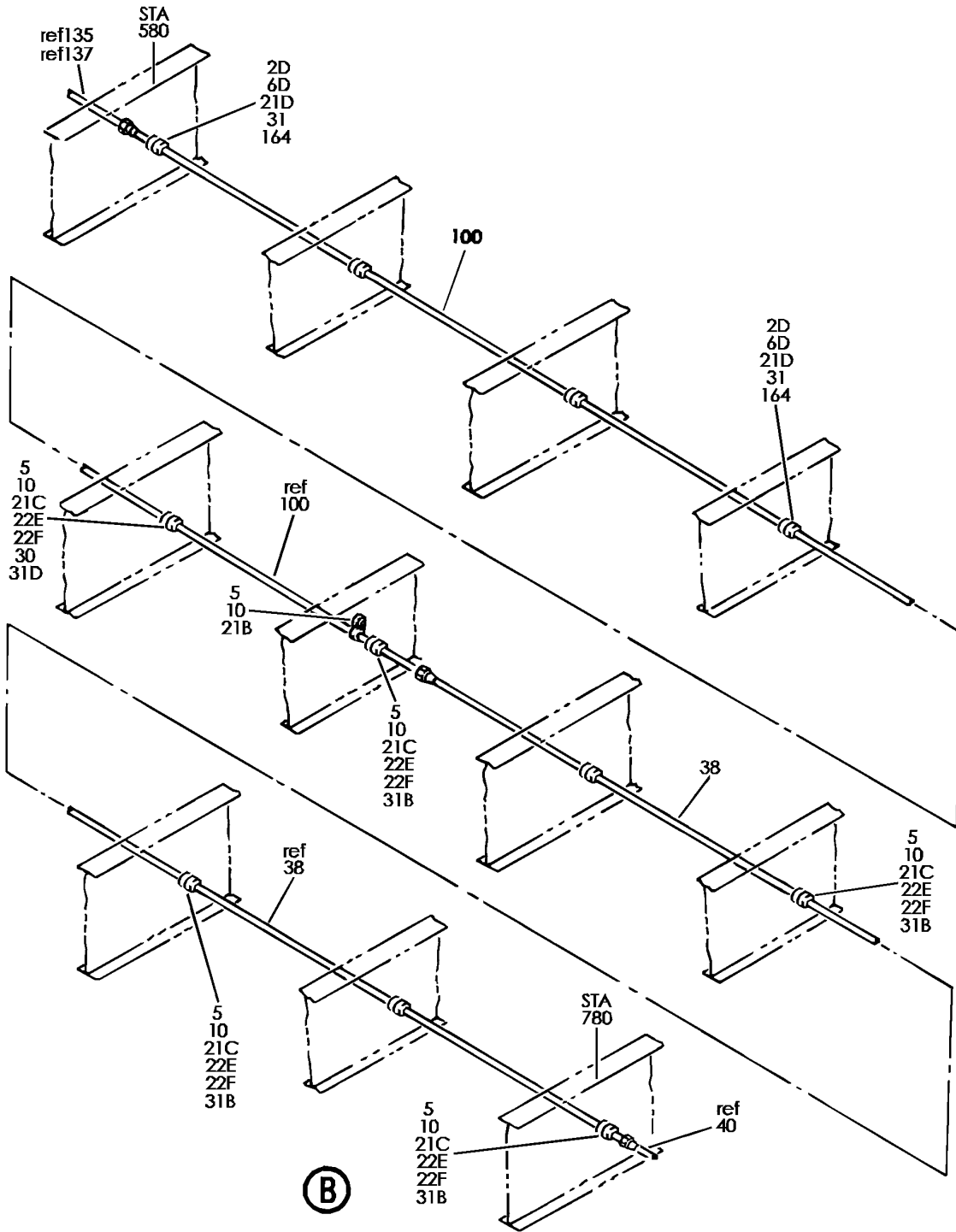
TUBING INSTL-TOTAL AIR TEMP  
FIGURE 1 (SHEET 2)

**34-12-51-01**

BRI  
MAY 28/07

34-12-51-01  
PAGE 0A

**BOEING**  
757  
PARTS CATALOG (MAINTENANCE)



Y 34125101 SHT 3 REV 220

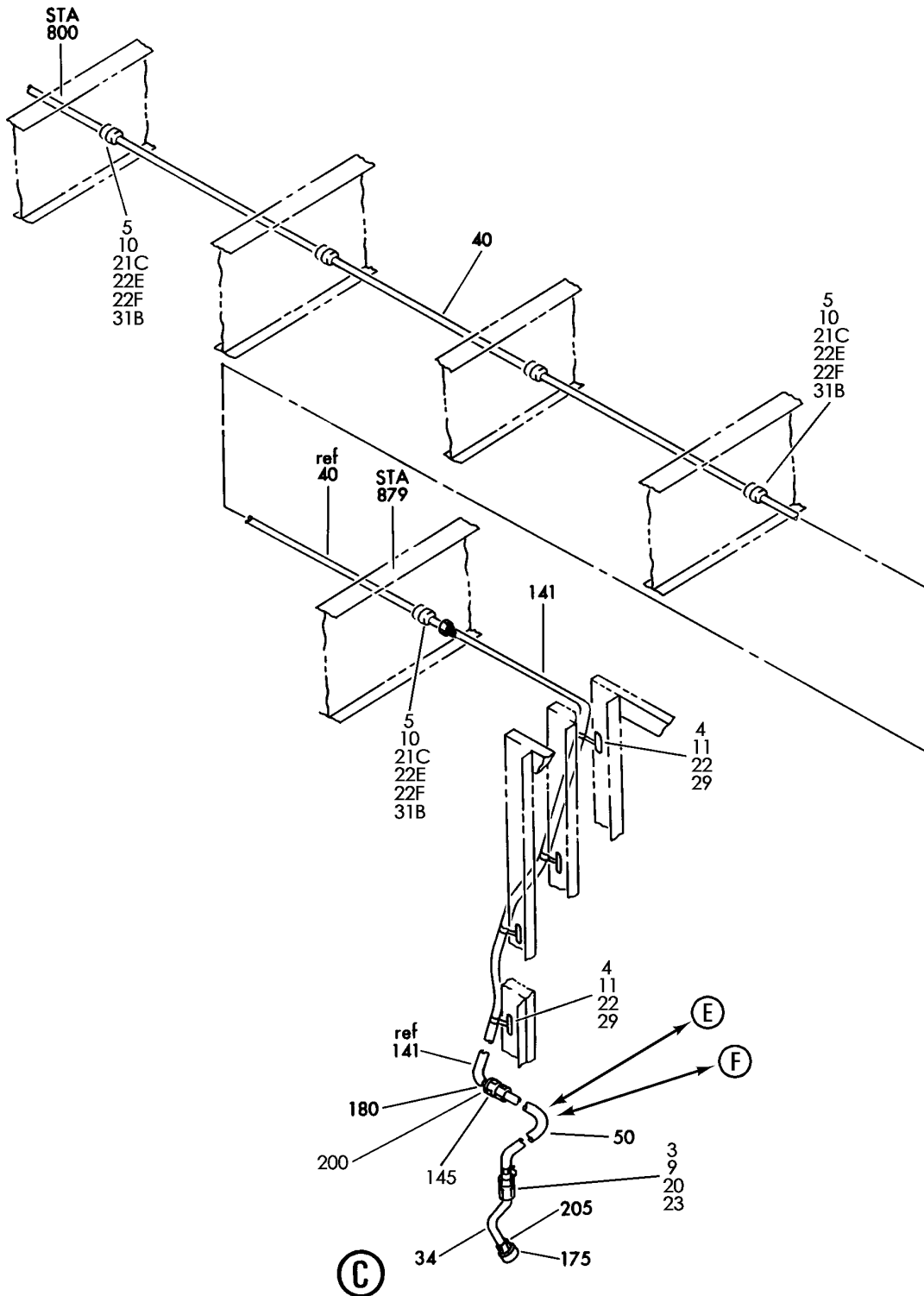
TUBING INSTL-TOTAL AIR TEMP  
FIGURE 1 (SHEET 3)

**34-12-51-01**

BRI  
MAY 28/07

34-12-51-01  
PAGE 0B

**BOEING**  
757  
PARTS CATALOG (MAINTENANCE)



Y 34125101 SHT 4 REV 244

TUBING INSTL-TOTAL AIR TEMP  
FIGURE 1 (SHEET 4)

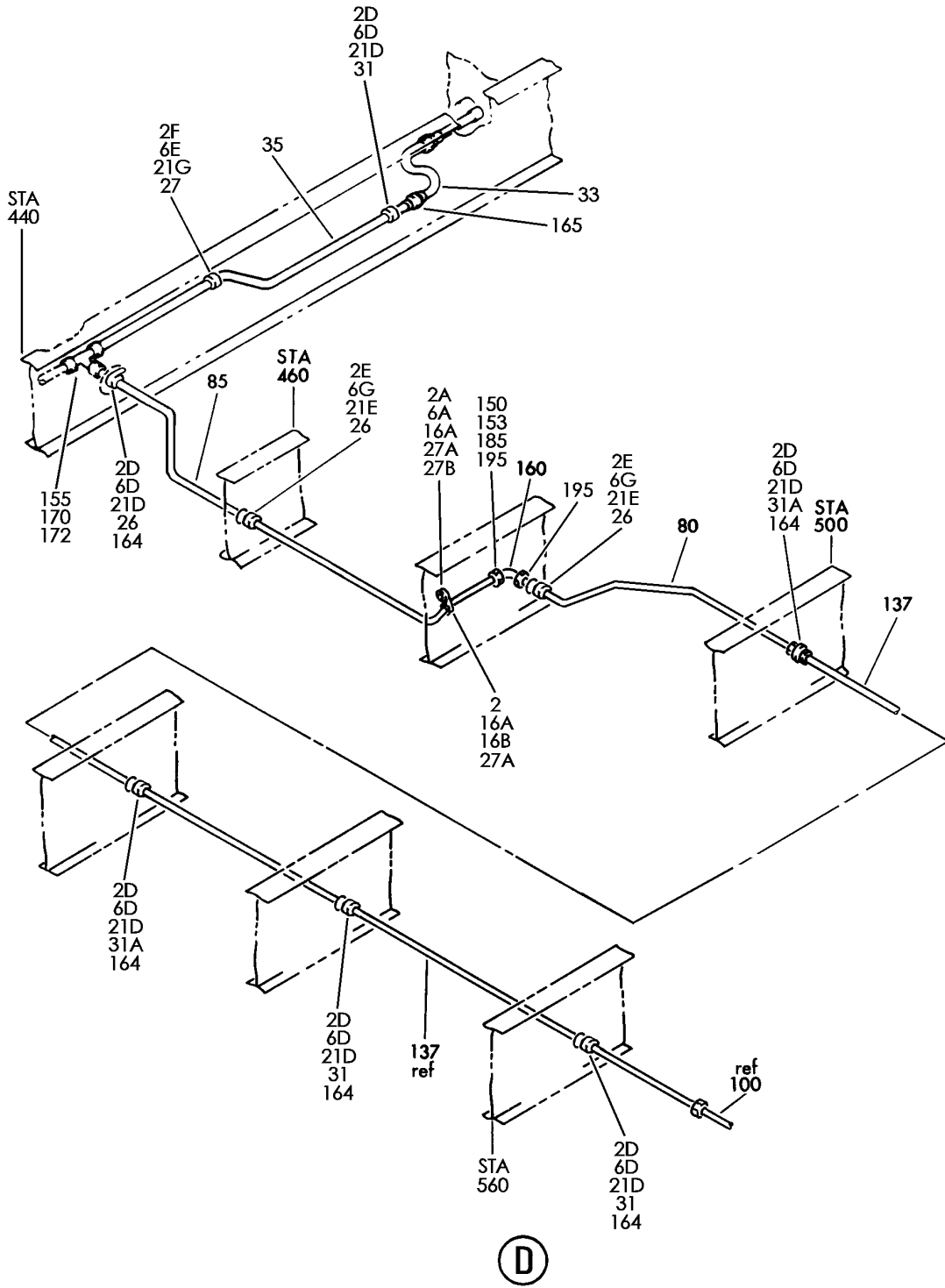
**34-12-51-01**

BRI  
MAY 28/07

34-12-51-01  
PAGE 0C



**BOEING**  
757  
PARTS CATALOG (MAINTENANCE)



Y 34125101 SHT 5 REV 244

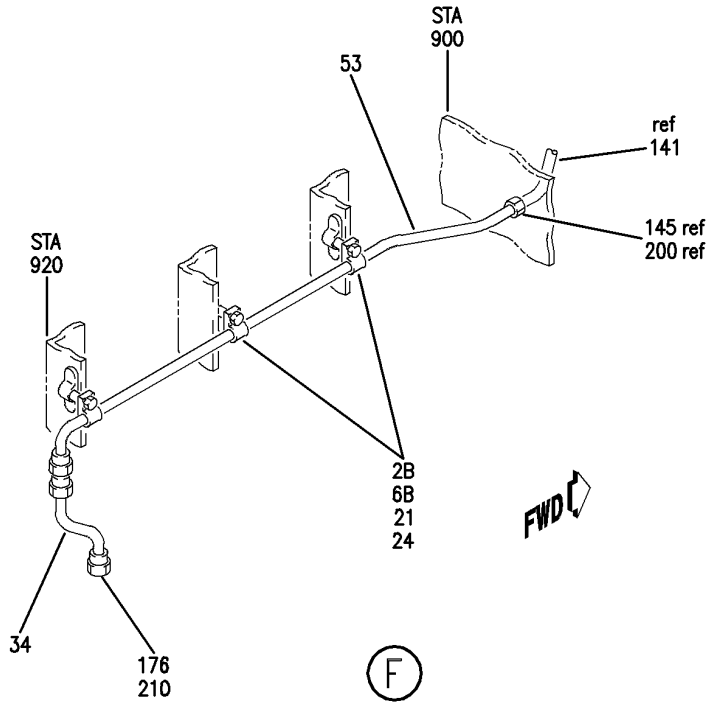
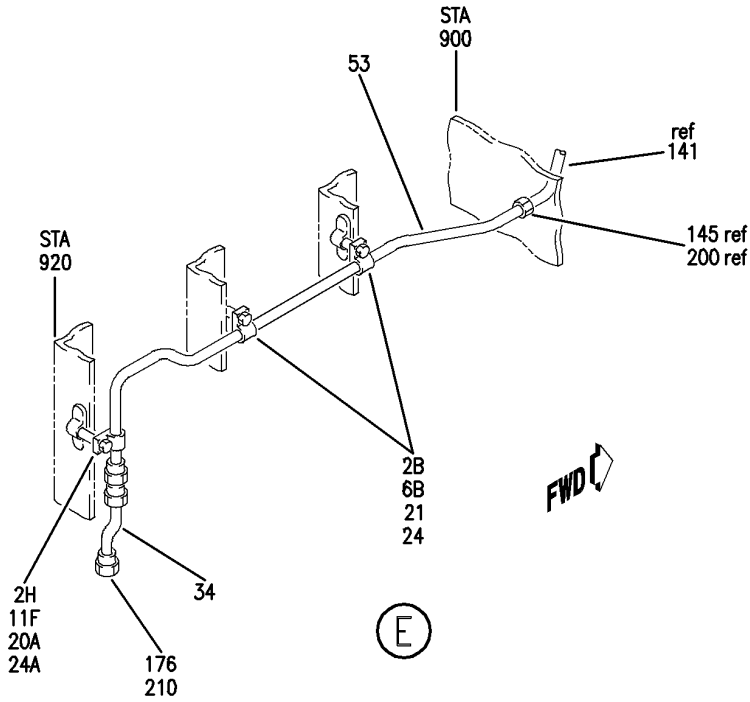
TUBING INSTL-TOTAL AIR TEMP  
FIGURE 1 (SHEET 5)

**34-12-51-01**

BRI  
MAY 28/07

34-12-51-01  
PAGE 0D

**BOEING**  
757  
PARTS CATALOG (MAINTENANCE)



Y. 34125101 SHT 6 REV 244

TUBING INSTL-TOTAL AIR TEMP  
FIGURE 1 (SHEET 6)

**34-12-51-01**

BRI  
MAY 28/07

34-12-51-01  
PAGE 0E



757

PARTS CATALOG (MAINTENANCE)

FIG ITEM	PART NUMBER	1 2 3 4 5 6 7	NOMENCLATURE	EFFECT FROM TO	UNITS PER ASSY
1			TUBING INSTL-TOTAL AIR TEMP	002004 006100 107107 121503 904999	
- 1	232N9501-16		TUBING INSTL-TOTAL AIR TEMP FOR NHA SEE: 25-10-00-01	002004 006007 107107 121503 904949 952952	RF
- 1	232N9501-17		TUBING INSTL-TOTAL AIR TEMP FOR NHA SEE: 25-10-00-01	008100 950951 953999	RF
2	NAS1801-3		.SCREW- SIZE DETERMINED ON INSTL.	002004 006100 107107 121503 904999	1
2B	NAS1801-3		.SCREW- SIZE DETERMINED ON INSTL.	008100 950951 953999	2
2D	NAS1801-3		.SCREW- SIZE DETERMINED ON INSTL.	002004 006100 107107 121503 904999	10
2E	NAS1801-3		.SCREW- SIZE DETERMINED ON INSTL.	002004 006100 107107 121503 904999	2
2F	NAS1801-3		.SCREW- SIZE DETERMINED ON INSTL.	002004 006100 107107 121503 904999	1
2H	NAS1801-3		.SCREW- SIZE DETERMINED ON INSTL.	008100 950951 953999	1
3	NAS1801-3		.SCREW- SIZE DETERMINED ON INSTL.	002004 006007 107107 121503 904949 952952	1
4	NAS1801-3		.SCREW- SIZE DETERMINED ON INSTL.	008100 950951 953999	4

MISSING ITEM NUMBERS NOT APPLICABLE

- ITEM NOT ILLUSTRATED

34-12-51-01

34-12-51  
FIG. 01  
PAGE 1  
JAN 20/09

BRI



757

PARTS CATALOG (MAINTENANCE)

FIG ITEM	PART NUMBER	1 2 3 4 5 6 7	NOMENCLATURE	EFFECT FROM TO	UNITS PER ASSY
1					
5	NAS1801-3	.	SCREW- SIZE DETERMINED ON INSTL.	002004 006100 107107 121503 904999	13
6B	AN960JD10L	.	WASHER	008100 950951 953999	2
6D	AN960JD10L	.	WASHER	002004 006100 107107 121503 904999	10
6E	AN960JD10L	.	WASHER	002004 006100 107107 121503 904999	1
6G	AN960JD10L	.	WASHER	002004 006100 107107 121503 904999	2
9	AN960JD10L	.	WASHER	002004 006007 107107 121503 904949 952952	1
10	AN960JD10L	.	WASHER	002004 006100 107107 121503 904999	13
11	AN960JD10L	.	WASHER	008100 950951 953999	4
11F	AN960JD10L	.	WASHER	008100 950951 953999	1
16B	NAS42DD6-80FC	.	SPACER	002004 006100 107107 121503 904999	1

MISSING ITEM NUMBERS NOT APPLICABLE

- ITEM NOT ILLUSTRATED

BRI

34-12-51-01

34-12-51  
FIG. 01  
PAGE 2  
JAN 20/09



757

PARTS CATALOG (MAINTENANCE)

FIG ITEM	PART NUMBER	1 2 3 4 5 6 7	NOMENCLATURE	EFFECT FROM TO	UNITS PER ASSY
1					
20	MS21042L3	.	NUT	002004 006007 107107 121503 904949 952952	1
20A	MS21042L3	.	NUT	008100 950951 953999	1
21	MS21042L3	.	NUT	008100 950951 953999	2
21D	MS21042L3	.	NUT	002004 006100 107107 121503 904999	10
21E	MS21042L3	.	NUT	002004 006100 107107 121503 904999	2
21G	MS21042L3	.	NUT	002004 006100 107107 121503 904999	1
22	MS21042L3	.	NUT	008100 950951 953999	4
23	421CS8	.	CLAMP SUPPLIER CODE: V83930 SPECIFICATION NUMBER: BACC10CC8S OPTIONAL PART: JM44SC15S8T V22175 TA04C36S15 V84971	002004 006007 107107 121503 904949 952952	1

MISSING ITEM NUMBERS NOT APPLICABLE

- ITEM NOT ILLUSTRATED

BRI

34-12-51-01

BOEING PROPRIETARY - Copyright © - Unpublished Work - See title page for details.

34-12-51  
FIG. 01  
PAGE 3  
JAN 20/09



757

PARTS CATALOG (MAINTENANCE)

FIG ITEM	PART NUMBER	1 2 3 4 5 6 7	NOMENCLATURE	EFFECT FROM TO	UNITS PER ASSY
1	24 421CS8		.CLAMP SUPPLIER CODE: V83930 SPECIFICATION NUMBER: BACC10CC8S OPTIONAL PART: JM44SC15S8T V22175 TA04C36S15 V84971	008100 950951 953999	2
	24A 421CS8		.CLAMP SUPPLIER CODE: V83930 SPECIFICATION NUMBER: BACC10CC8S OPTIONAL PART: JM44SC15S8T V22175 TA04C36S15 V84971	008100 950951 953999	1
	26 BACC10DK		.CLAMP- SIZE DETERMINED ON INSTL.	002004 006100 107107 121503 904999	3
	27 BACC10DK		.CLAMP- SIZE DETERMINED ON INSTL.	002004 006100 107107 121503 904999	1
	27A BACC10DK		.CLAMP- SIZE DETERMINED ON INSTL.	002004 006100 107107 121503 904999	2
	29 BACC10EP8		.CLAMP	008100 950951 953999	4
	31 BACC10EP8		.CLAMP	002004 006100 107107 121503 904999	7
	31A BACC10EP8		.CLAMP	002004 006100 107107 121503 904999	2

MISSING ITEM NUMBERS NOT APPLICABLE

- ITEM NOT ILLUSTRATED

34-12-51-01

34-12-51  
FIG. 01  
PAGE 4  
JAN 20/09

BRI

BOEING PROPRIETARY - Copyright © - Unpublished Work - See title page for details.



757

PARTS CATALOG (MAINTENANCE)

FIG ITEM	PART NUMBER	1 2 3 4 5 6 7	NOMENCLATURE	EFFECT FROM TO	UNITS PER ASSY
1 31B	421-8		.CLAMP SUPPLIER CODE: V83930 SPECIFICATION NUMBER: BACC10CC8 OPTIONAL PART: JM44SC15D8T V22175 TA04C36-15 V84971 421A8 V83930	002004 006100 107107 121503 904999	11
31D	421-8		.CLAMP SUPPLIER CODE: V83930 SPECIFICATION NUMBER: BACC10CC8 OPTIONAL PART: JM44SC15D8T V22175 TA04C36-15 V84971 421A8 V83930	002004 006100 107107 121503 904999	1
33	AS118E0110AA		.HOSE ASSY SUPPLIER CODE: V00624 SPECIFICATION NUMBER: BACH5M0110AA OPTIONAL PART: R8918M0110AA V06851 95850M0110AA V78570 B307BBB0110C V98441 R89180110AA V12157 R89180110AA V50599	002004 006100 107107 121503 904999	1
34	AS115-08-0092		.HOSE ASSY	002004 006100 107107 121503 904999	1

MISSING ITEM NUMBERS NOT APPLICABLE

- ITEM NOT ILLUSTRATED

34-12-51-01

34-12-51  
FIG. 01  
PAGE 5  
JAN 20/09

BRI



757

PARTS CATALOG (MAINTENANCE)

FIG ITEM	PART NUMBER	1 2 3 4 5 6 7	NOMENCLATURE	EFFECT FROM TO	UNITS PER ASSY
1	35	232N9501-8	.TUBE ASSY- TUBING MATERIAL: .375 IN. OD .020 IN. WALL 20.9 IN. LG CRES	002004 006100 107107 121503 904999	1
-	36	AP2097H06	..SLEEVE- SUPPLIER CODE: V01673 SPECIFICATION NUMBER: BACS13BX06H OPTIONAL PART: 2-02903-06H V11328 35235V06 V08199 AFP175V06 V30974 DBOS13BX06H V14798	002004 006100 107107 121503 904999	2
-	37	MS21921-6J	..NUT-	002004 006100 107107 121503 904999	2
	38	232N9501-5	.TUBE ASSY- TUBING MATERIAL: .5 IN. OD .026 IN. WALL 98.2 IN. LG TI	002004 006100 107107 121503 904999	1
	40	232N9501-4	.TUBE ASSY- TUBING MATERIAL: .5 IN. OD .026 IN. WALL 117.2 IN. LG TI	002004 006100 107107 121503 904999	1
	50	232N9501-2	.TUBE ASSY- TUBING MATERIAL: .5 IN. OD .026 IN. WALL 18.5 IN. LG TI	002004 006007 107107 121503 904949 952952	1
	53	232N9501-19	.TUBE ASSY- TUBING MATERIAL: .5 IN. OD .26 IN. WALL 30.8 IN. LG TI	008100 950951 953999	1
-	55	AS1582T08	..UNION	002004 006100 107107 121503 904999	1

MISSING ITEM NUMBERS NOT APPLICABLE

- ITEM NOT ILLUSTRATED

34-12-51-01

34-12-51  
FIG. 01  
PAGE 6  
JAN 20/09

BRI





757

PARTS CATALOG (MAINTENANCE)

FIG ITEM	PART NUMBER	1 2 3 4 5 6 7	NOMENCLATURE	EFFECT FROM TO	UNITS PER ASSY
1					
- 60	AS1581T08	..	SLEEVE	002004 006100 107107 121503 904999	1
- 65	BACN10YA8	..	NUT	002004 006100 107107 121503 904999	1
80	232N9501-10	.TUBE ASSY-	TUBING MATERIAL: .5 IN. OD .026 IN. WALL 19.6 IN. LG TI	002004 006100 107107 121503 904999	1
85	232N9501-11	.TUBE ASSY-	TUBING MATERIAL: .5 IN. OD .026 IN. WALL 55.1 IN. LG TI	002004 006100 107107 121503 904999	1
- 90	AS1581T08	..	SLEEVE	002004 006100 107107 121503 904999	2
- 95	BACN10YA8	..	NUT	002004 006100 107107 121503 904999	2
100	232N9501-9	.TUBE ASSY-	TUBING MATERIAL: .5 IN. OD .026 IN. WALL 84.8 IN. LG TI	002004 006100 107107 121503 904999	1
- 105	AS1581T08	..	SLEEVE	002004 006100 107107 121503 904999	2
- 110	BACN10YA8	..	NUT	002004 006100 107107 121503 904999	2

MISSING ITEM NUMBERS NOT APPLICABLE

- ITEM NOT ILLUSTRATED

34-12-51-01

34-12-51  
FIG. 01  
PAGE 7  
JAN 20/09

BRI



757

PARTS CATALOG (MAINTENANCE)

FIG ITEM	PART NUMBER	1 2 3 4 5 6 7	NOMENCLATURE	EFFECT FROM TO	UNITS PER ASSY
1					
137	232N9501-12		.TUBE ASSY- TUBING MATERIAL: .5 IN. OD .026 IN. WALL 79.0 IN. LG TI	002004 006100 107107 121503 904999	1
- 140	AS1582T08		..UNION	002004 006100 107107 121503 904999	2
141	232N9501-15		.TUBE ASSY- TUBING MATERIAL: .5 IN. OD .026 IN. WALL 73.4 IN. LG TI	002004 006100 107107 121503 904999	1
- 142	AS1582T08		..UNION	002004 006100 107107 121503 904999	1
- 143	AS1581T08		..SLEEVE	002004 006100 107107 121503 904999	1
- 144	BACN10YA8		..NUT	002004 006100 107107 121503 904999	1
145	BACU24L8		.UNION	002004 006007 107107 121503 904949	1
150	BACU24L8		.UNION	952952 002004 006007 107107 121503 904949	1
153	MS21924-8T		.UNION	952952 008100 950951 953999	1

MISSING ITEM NUMBERS NOT APPLICABLE

- ITEM NOT ILLUSTRATED

34-12-51-01

34-12-51  
FIG. 01  
PAGE 8  
JAN 20/09

BRI

BOEING PROPRIETARY - Copyright © - Unpublished Work - See title page for details.



757

PARTS CATALOG (MAINTENANCE)

FIG ITEM	PART NUMBER	1 2 3 4 5 6 7	NOMENCLATURE	EFFECT FROM TO	UNITS PER ASSY
1					
155	232N6203-1	.	UNION-ORIFICE	002004 006100 107107 121503 904999	1
160	NAS1762T0808	.	ELBOW	002004 006100 107107 121503 904999	1
- 162	AP1042T0808	.	ELBOW SUPPLIER CODE: V01673 SPECIFICATION NUMBER: BACE21BT0808T	008100 950951 953999	1
164	MS21904D6	.	ELBOW	002004 006100 107107 121503 904999	9
165	MS21916D6-4	.	REDUCER	002004 006100 107107 121503 904999	1
170	NAS1763J040806	.	TEE	002004 006100 107107 121503 904999	1
172	BCREF119508	.	TEE- OVERLENGTH PART NUMBER: BACT16BR040806JN	008100 950951 953999	1
175	R1131-908	.	PACKING SUPPLIER CODE: V57268 SPECIFICATION NUMBER: BACP11K8 OPTIONAL PART: 3-908S383-70 V02697 1090-08 V95272 150701-08 V95272 AS568-908S32 V11314	002004 006007 107107 121503 904949 952952	1

MISSING ITEM NUMBERS NOT APPLICABLE

- ITEM NOT ILLUSTRATED

34-12-51-01

34-12-51  
FIG. 01  
PAGE 9  
JAN 20/09

BRI



757

PARTS CATALOG (MAINTENANCE)

FIG ITEM	PART NUMBER	1 2 3 4 5 6 7	NOMENCLATURE	EFFECT FROM TO	UNITS PER ASSY
1 176	R1131-908		.PACKING SUPPLIER CODE: V57268 SPECIFICATION NUMBER: BACP11K8 OPTIONAL PART: 3-908S383-70 V02697 1090-08 V95272 150701-08 V95272 AS568-908S32 V11314	002004 006100 107107 121503 904999	1
180	AN924-8J		.NUT	002004 006100 107107 121503 904999	1
185	AN924-8T		.NUT	002004 006100 107107 121503 904999	1
195	AN960KD816L		.WASHER-	002004 006100 107107 121503 904999	2
200	AN960XC1216		.WASHER	002004 006100 107107 121503 904999	1
205	MS21902J8		.UNION	002004 006007 107107 121503 904949 952952	1
210	MS21902J8		.UNION	008100 950951 953999	1
900			ILLUSTRATION REFERENCE: TUBING INSTL-RAIN REPELLENT 30-43-51-05	002004 006100 107107 121503 904999	RF

MISSING ITEM NUMBERS NOT APPLICABLE

- ITEM NOT ILLUSTRATED

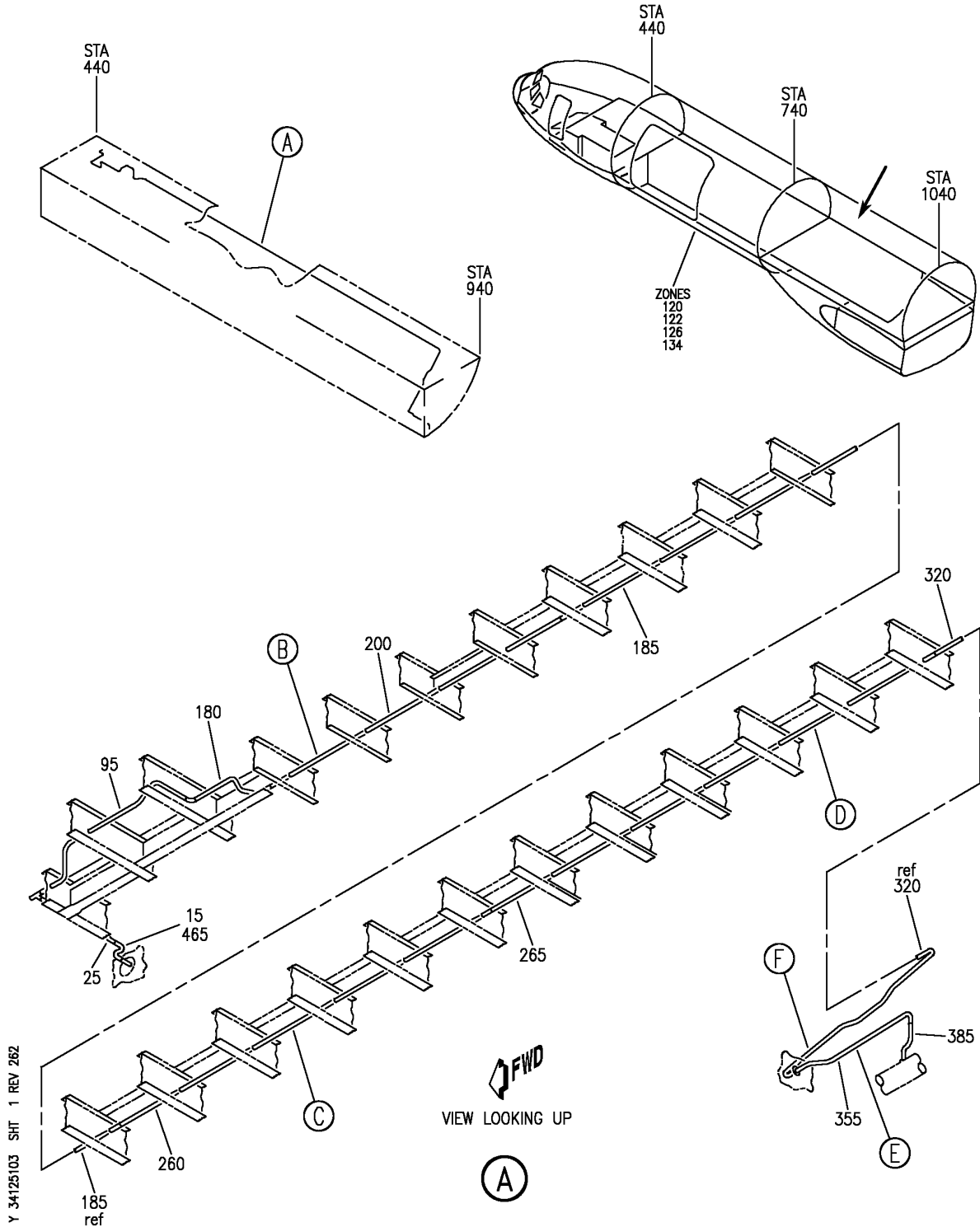
34-12-51-01

34-12-51  
FIG. 01  
PAGE 10  
JAN 20/09

BRI

BOEING PROPRIETARY - Copyright © - Unpublished Work - See title page for details.

**BOEING**  
757  
PARTS CATALOG (MAINTENANCE)



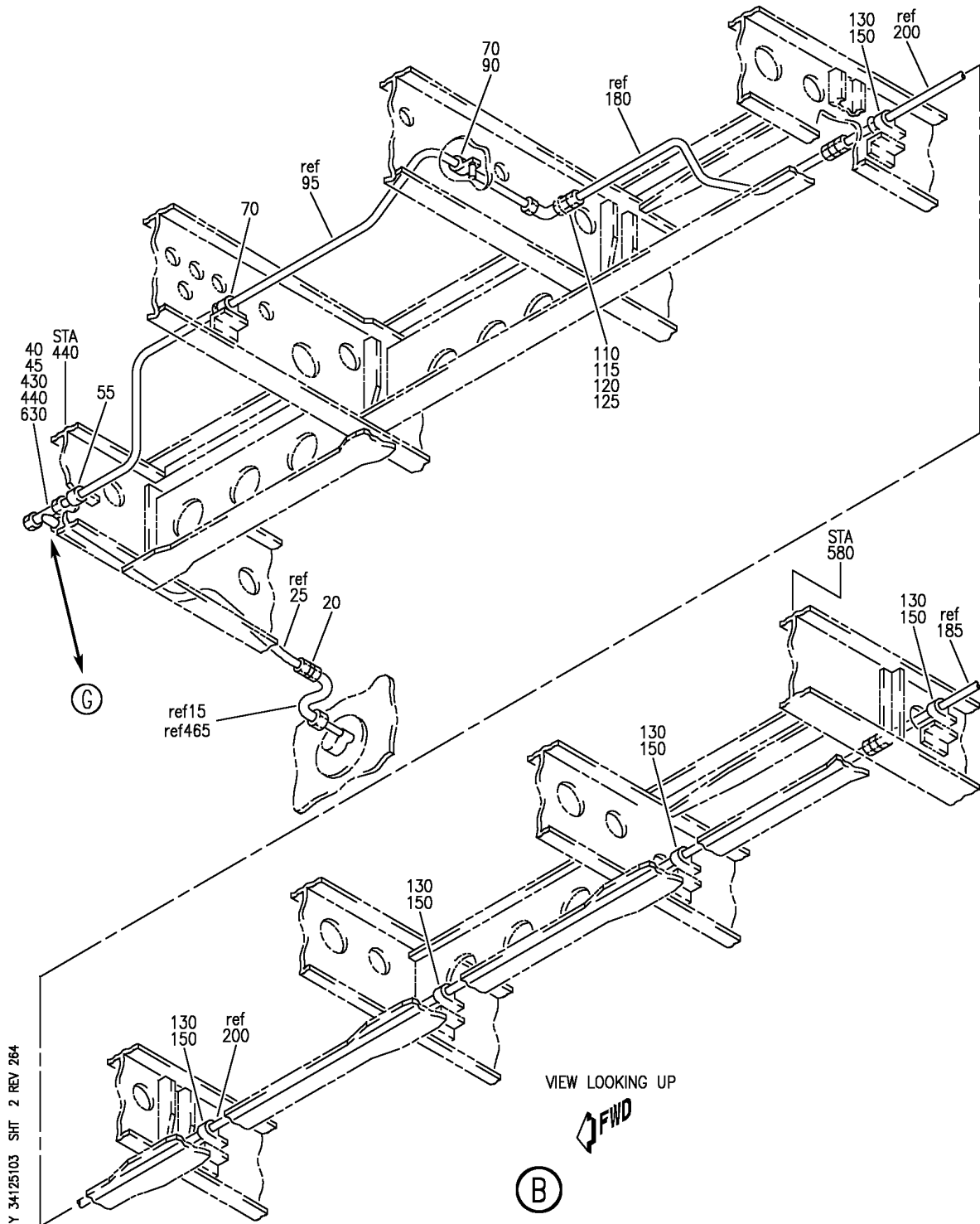
TUBING AND PLUG INSTL  
FIGURE 3 (SHEET 1)

**34-12-51-03**

BRI  
MAY 28/07

34-12-51-03  
PAGE 0

**BOEING**  
757  
PARTS CATALOG (MAINTENANCE)



Y 34125103 SH1 2 REV 264

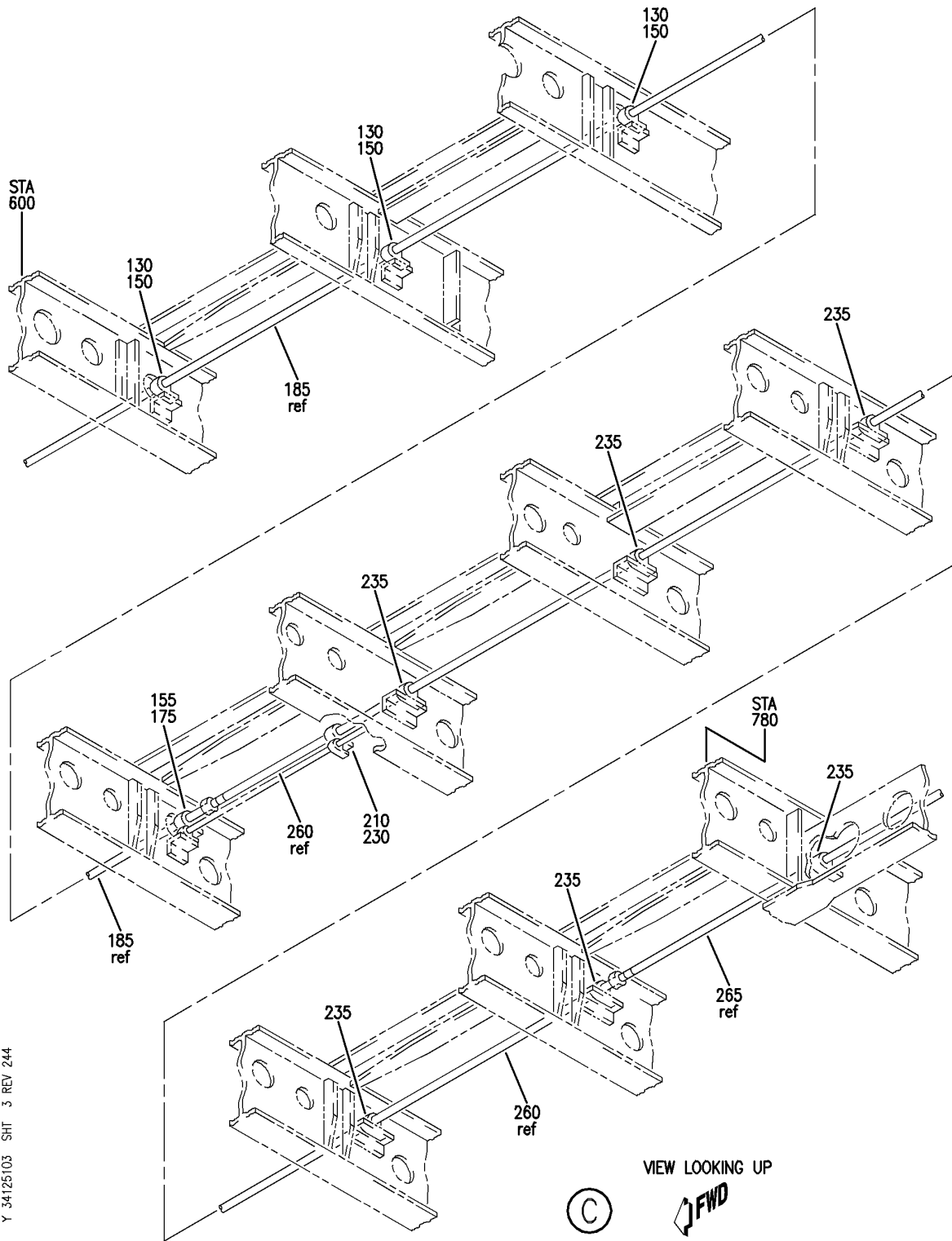
TUBING AND PLUG INSTL  
FIGURE 3 (SHEET 2)

**34-12-51-03**

BRI  
MAY 28/07

34-12-51-03  
PAGE 0A

**BOEING**  
757  
PARTS CATALOG (MAINTENANCE)



Y 34125103 SHT 3 REV 244

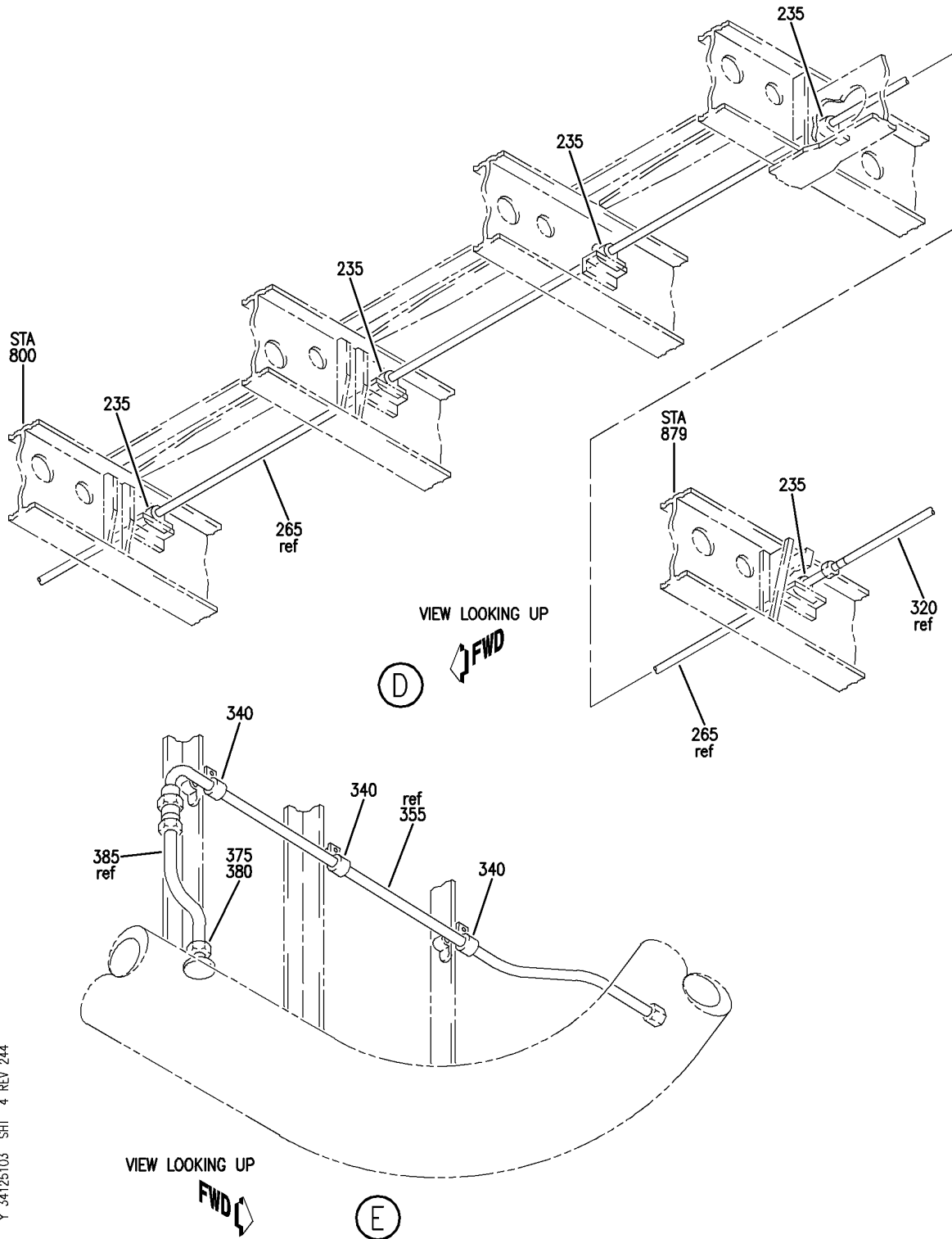
TUBING AND PLUG INSTL  
FIGURE 3 (SHEET 3)

**34-12-51-03**

BRI  
MAY 28/07

34-12-51-03  
PAGE 0B

**BOEING**  
757  
PARTS CATALOG (MAINTENANCE)



Y 34125103 SH1 4 REV 244

TUBING AND PLUG INSTL  
FIGURE 3 (SHEET 4)

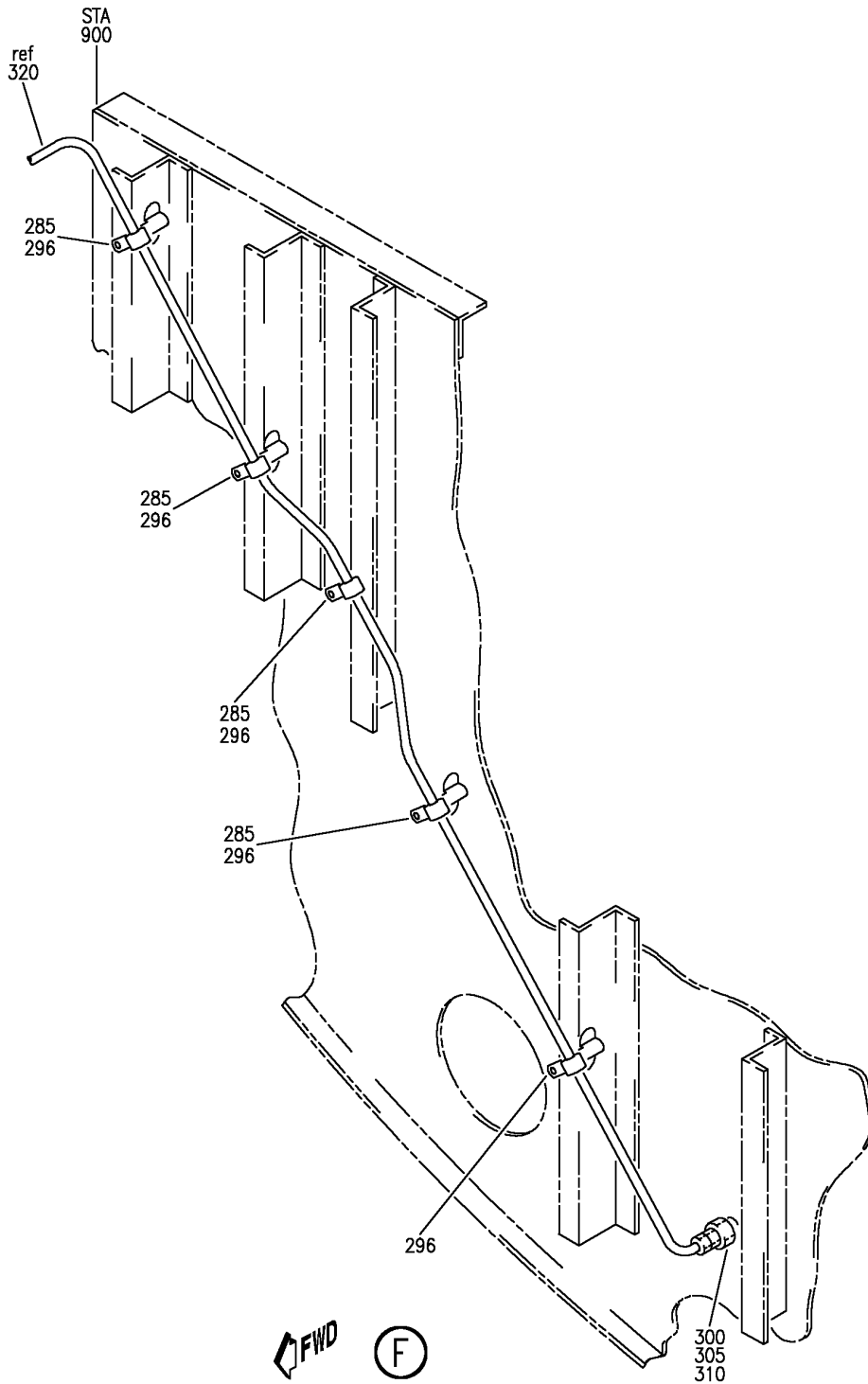
**34-12-51-03**

BRI  
MAY 28/07

34-12-51-03  
PAGE 0C



**BOEING**  
757  
PARTS CATALOG (MAINTENANCE)



Y 34125103 SH1 5 REV 262

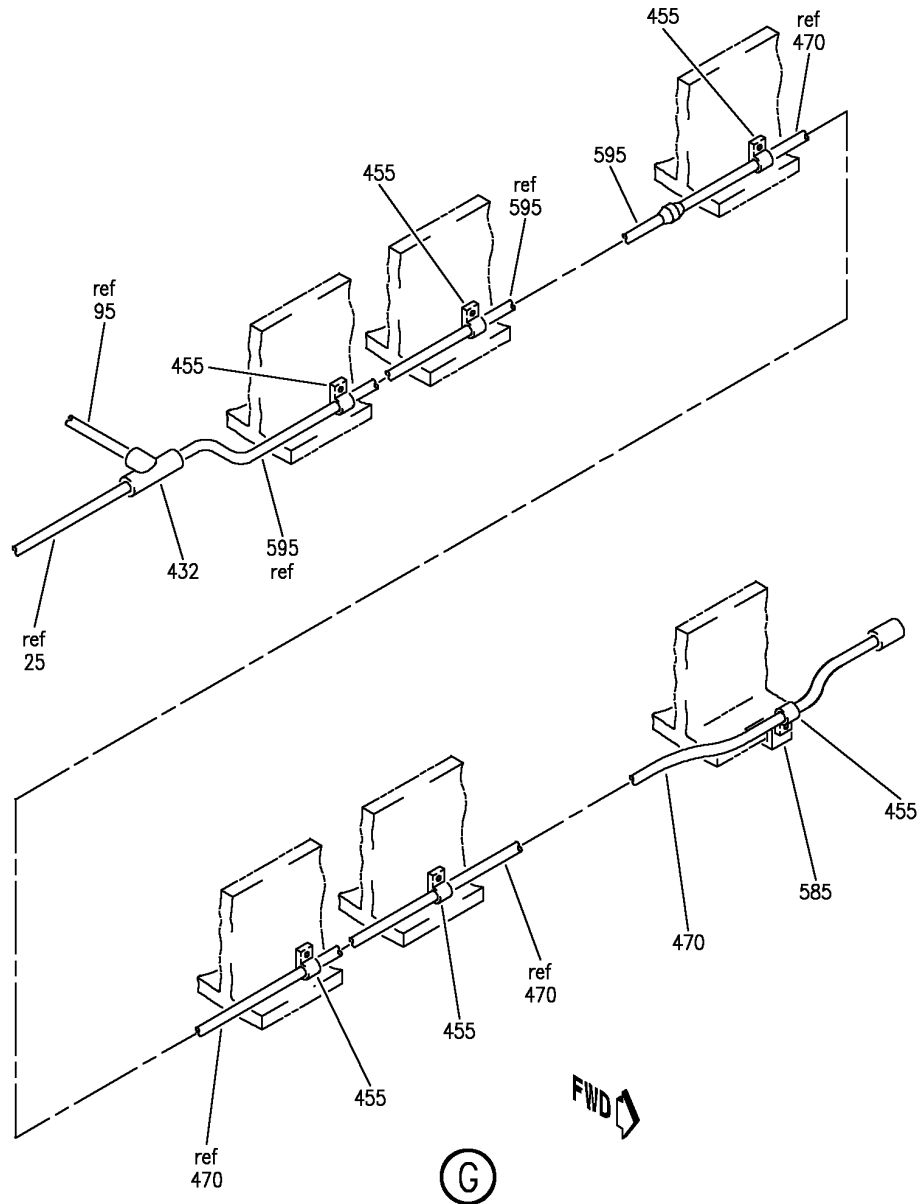
TUBING AND PLUG INSTL  
FIGURE 3 (SHEET 5)

**34-12-51-03**

BRI  
MAY 28/07

34-12-51-03  
PAGE 0D

**BOEING**  
757  
PARTS CATALOG (MAINTENANCE)



Y 34125103 SH1 6 REV 262

TUBING AND PLUG INSTL  
FIGURE 3 (SHEET 6)

**34-12-51-03**

BRI  
MAY 28/07

34-12-51-03  
PAGE 0E



757

PARTS CATALOG (MAINTENANCE)

FIG ITEM	PART NUMBER	1 2 3 4 5 6 7	NOMENCLATURE	EFFECT FROM TO	UNITS PER ASSY
3			TUBING AND PLUG INSTL	101106 108120 504903	
- 1	232N9501-31		TUBING INSTL-TOTAL AIR TEMP FOR NHA SEE: 25-10-00-10	101102 108120 504903	RF
- 1	MODREF24128		TUBING INSTL-TOTAL AIR TEMP MODULE NUMBER: 232N9501-39 REV B	103106	1
- 17	AS118E0150AA		.HOSE ASSY SUPPLIER CODE: V00624 SPECIFICATION NUMBER: BACH5M0150AA OPTIONAL PART: 95850M0150AA V78570 B307BBB0150C V98441 R89180150AA V06851 R89180150AA V12157 R89180150AA V50599	101106 108120 504903	1
20	MS21916D6-4		.REDUCER	101106 108120 504903	1
25	232N9501-8		.TUBE ASSY- TUBING MATERIAL: .375 IN. OD .020 IN. WALL 20.90 IN. LG CRES	101106 108120 504903	1
- 30	AP2097H06		..SLEEVE SUPPLIER CODE: V01673 SPECIFICATION NUMBER: BACS13BX06H OPTIONAL PART: 2-02903-06H V11328 35235V06 V08199 AFP175V06 V30974 DBOS13BX06H V14798	101106 108120 504903	2
- 35	BACN10YE6		..NUT-	101106 108120 504903	2

MISSING ITEM NUMBERS NOT APPLICABLE

- ITEM NOT ILLUSTRATED

34-12-51-03

34-12-51  
FIG. 03  
PAGE 1  
JAN 20/09

BRI

**BOEING**  
757  
**PARTS CATALOG (MAINTENANCE)**

FIG ITEM	PART NUMBER	1 2 3 4 5 6 7	NOMENCLATURE	EFFECT FROM TO	UNITS PER ASSY
3					
45	232N6203-1		.UNION-ORIFICE	101102 108120 504903	1
55	BACC10DK		.CLAMP- SIZE DETERMINED ON INSTL.  ATTACHING PARTS	101102 108120 504903	1
- 60	NAS1801-3		.SCREW- SIZE DETERMINED ON INSTL.	101102 108120 504903	1
- 65	AN960PD10L		.WASHER	101102 108120 504903	1
			-----*-----		
70	BACC10DK		.CLAMP- SIZE DETERMINED ON INSTL.  ATTACHING PARTS	101102 108120 504903	2
- 75	NAS1801-3		.SCREW- SIZE DETERMINED ON INSTL.	101102 108120 504903	2
- 80	AN960PD10L		.WASHER	101102 108120 504903	2
- 85	BRH10A3		.NUT- SUPPLIER CODE: V52828 SPECIFICATION NUMBER: BACN10JC3 OPTIONAL PART: H10-3BAC V15653 NS202101-02 V80539 RMLH9075-3W V72962 VN303A02 V92215 96-02 V80539 T6S1032J V11815 QUALIFIED OPTIONAL DATA: BACN10FX PREFERRED OPT TO BACN10JC3 WHERE APPLICABLE	101102 108120 504903	2

MISSING ITEM NUMBERS NOT APPLICABLE

- ITEM NOT ILLUSTRATED

BRI

# 34-12-51-03

BOEING PROPRIETARY - Copyright © - Unpublished Work - See title page for details.

34-12-51  
FIG. 03  
PAGE 2  
JAN 20/09



757

PARTS CATALOG (MAINTENANCE)

FIG ITEM	PART NUMBER	1 2 3 4 5 6 7	NOMENCLATURE	EFFECT FROM TO	UNITS PER ASSY
3					
- 85	BACN10FX	.NUT-	SIZE DETERMINED ON INSTL. QUALIFIED OPTIONAL DATA: BACN10FX PREFERRED OPT TO BACN10JC3 WHERE APPLICABLE	101102 108120 504903	2
		-----*-----			
90	NAS42DD6-80FC	.SPACER		101102 108120 504903	1
95	232N9501-11	.TUBE ASSY-	TUBING MATERIAL: .5 IN. OD .026 IN. WALL 55.1 IN. LG TI	101106 108120 504903	1
- 100	AS1581T08	..SLEEVE		101106 108120 504903	2
- 105	BACN10YA8	..NUT		101106 108120 504903	2
110	AN924-8T	.NUT		101102 108120 504903	1
115	NAS1149D0816J	.WASHER		101102 108120 504903	1
120	MS21924-8T	.UNION		101102 108120 504903	1
125	AP1042T0808	.ELBOW	SUPPLIER CODE: V01673 SPECIFICATION NUMBER: BACE21BT0808T	101102 108120 504903	1
130	BACC10HS8	.CLAMP		101102 108120 504903	8
			ATTACHING PARTS		
- 135	NAS1801-3	.SCREW-	SIZE DETERMINED ON INSTL.	101102 108120 504903	8
- 140	AN960PD10L	.WASHER		101102 108120 504903	8

MISSING ITEM NUMBERS NOT APPLICABLE

- ITEM NOT ILLUSTRATED

34-12-51-03

34-12-51  
FIG. 03  
PAGE 3  
JAN 20/09

BRI



757

PARTS CATALOG (MAINTENANCE)

FIG ITEM	PART NUMBER	1 2 3 4 5 6 7	NOMENCLATURE	EFFECT FROM TO	UNITS PER ASSY
3					
- 145	BRH10A3		.NUT- SUPPLIER CODE: V52828 SPECIFICATION NUMBER: BACN10JC3 OPTIONAL PART: H10-3BAC V15653 NS202101-02 V80539 RMLH9075-3W V72962 VN303A02 V92215 96-02 V80539 T6S1032J V11815 QUALIFIED OPTIONAL DATA: BACN10FX PREFERRED OPT TO BACN10JC3 WHERE APPLICABLE	101102 108120 504903	8
- 145	BACN10FX		.NUT- SIZE DETERMINED ON INSTL. QUALIFIED OPTIONAL DATA: BACN10FX PREFERRED OPT TO MS21042L3 WHERE APPLICABLE	101102 108120 504903	8
			-----*-----		
150	NAS42DD6-32		.SPACER	101106 108120 504903	8
155	421CS8		.CLAMP SUPPLIER CODE: V83930 SPECIFICATION NUMBER: BACC10CC8S OPTIONAL PART: JM44SC15S8T V22175 TA04C36S15 V84971 ATTACHING PARTS	101102 108120 504903	1
- 160	NAS1801-3		.SCREW- SIZE DETERMINED ON INSTL.	101102 108120 504903	1
- 165	AN960JD10L		.WASHER	101102 108120 504903	1

MISSING ITEM NUMBERS NOT APPLICABLE

- ITEM NOT ILLUSTRATED

34-12-51-03

34-12-51  
FIG. 03  
PAGE 4  
JAN 20/09

BRI



757

PARTS CATALOG (MAINTENANCE)

FIG ITEM	PART NUMBER	1 2 3 4 5 6 7	NOMENCLATURE	EFFECT FROM TO	UNITS PER ASSY
3					
- 170	BACN10GH3A6		.NUTPLATE- QUALIFIED OPTIONAL DATA: BACN10GH3A6 PREFERRED OPT TO BACN10GH3A12 WHERE APPLICABLE	101102 108120 504903	1
- 170	BACN10GH3A12		.NUTPLATE- QUALIFIED OPTIONAL DATA: BACN10GH3A6 PREFERRED OPT TO BACN10GH3A12 WHERE APPLICABLE	101102 108120 504903	1
			-----*-----		
175	NAS42DD6-32		.SPACER	101102 108120 504903	1
180	232N9501-10		.TUBE ASSY- TUBING MATERIAL: .5 IN. OD .026 IN. WALL 19.6 IN. LG TI	101106 108120 504903	1
185	232N9501-9		.TUBE ASSY- TUBING MATERIAL: .5 IN. OD .026 IN. WALL 84.80 IN. LG TI	101106 108120 504903	1
- 190	AS1581T08		..SLEEVE	101106 108120 504903	2
- 195	BACN10YA8		..NUT	101106 108120 504903	2
200	232N9501-12		.TUBE ASSY- TUBING MATERIAL: .5 IN. OD .026 IN. WALL 79.00 IN. LG TI	101106 108120 504903	1
- 205	AS1582T08		..UNION	101106 108120 504903	2
210	BACC10DK		.CLAMP- SIZE DETERMINED ON INSTL.	101102 108120 504903	1
			ATTACHING PARTS		
- 215	NAS1801-3		.SCREW- SIZE DETERMINED ON INSTL.	101102 108120 504903	2
- 220	AN960JD10L		.WASHER	101102 108120 504903	1

MISSING ITEM NUMBERS NOT APPLICABLE

- ITEM NOT ILLUSTRATED

34-12-51-03

34-12-51  
FIG. 03  
PAGE 5  
JAN 20/09

BRI



757

PARTS CATALOG (MAINTENANCE)

FIG ITEM	PART NUMBER	1 2 3 4 5 6 7	NOMENCLATURE	EFFECT FROM TO	UNITS PER ASSY
3					
- 225	MS21042L3	.NUT-	QUALIFIED OPTIONAL DATA: BACN10FX PREFERRED OPT TO MS21042L3 WHERE APPLICABLE	101102 108120 504903	1
- 225	BACN10FX	.NUT-	SIZE DETERMINED ON INSTL. QUALIFIED OPTIONAL DATA: BACN10FX PREFERRED OPT TO MS21042L3 WHERE APPLICABLE	101102 108120 504903	1
		-----*-----			
230	NAS42DD6-32	.SPACER		101102 108120 504903	1
235	421CS8	.CLAMP	SUPPLIER CODE: V83930 SPECIFICATION NUMBER: BACC10CC8S OPTIONAL PART: JM44SC15S8T V22175 TA04C36S15 V84971	101102 108120 504903	11
		ATTACHING PARTS			
- 240	NAS1801-3	.SCREW-	SIZE DETERMINED ON INSTL.	101102 108120 504903	11
- 245	AN960JD10L	.WASHER		101102 108120 504903	11
- 250	BACN10GH3A6	.NUTPLATE-	QUALIFIED OPTIONAL DATA: BACN10GH3A6 PREFERRED OPT TO BACN10GH3A12 WHERE APPLICABLE	101102 108120 504903	11
- 250	BACN10GH3A12	.NUTPLATE-	QUALIFIED OPTIONAL DATA: BACN10GH3A6 PREFERRED OPT TO BACN10GH3A12 WHERE APPLICABLE	101102 108120 504903	11
		-----*-----			
260	232N9501-5	.TUBE ASSY-	TUBING MATERIAL: .5 IN. OD .026 IN. WALL 98.20 IN. LG TI	101106 108120 504903	1

MISSING ITEM NUMBERS NOT APPLICABLE

- ITEM NOT ILLUSTRATED

34-12-51-03

34-12-51  
FIG. 03  
PAGE 6  
JAN 20/09

BRI





757

PARTS CATALOG (MAINTENANCE)

FIG ITEM	PART NUMBER	1 2 3 4 5 6 7	NOMENCLATURE	EFFECT FROM TO	UNITS PER ASSY
3					
265	232N9501-4		.TUBE ASSY- TUBING MATERIAL: .5 IN. OD .026 IN. WALL 117.2 IN. LG TI	101106 108120 504903	1
- 270	AS1582T08		..UNION	101106 108120 504903	1
- 275	AS1581T08		..SLEEVE	101106 108120 504903	1
- 280	BACN10YA8		..NUT	101106 108120 504903	1
285	BACC10EP8		.CLAMP	101102 108120 504903	4
- 290	NAS1801-3		ATTACHING PARTS .SCREW- SIZE DETERMINED ON INSTL.	101102 108120 504903	4
- 295	AN960JD10		.WASHER	101102 108120 504903	4
296	S500-8		-----*----- .CLAMP SUPPLIER CODE: V18076 SPECIFICATION NUMBER: BACC10HS08 OPTIONAL PART: 025029-08 V84971 44LC17H8PB V22175 490-08RPB V83930 ATTACHING PARTS	103106	5
- 297	NAS1801-3		.SCREW- SIZE DETERMINED ON INSTL.	103106	5
- 298	AN960JD10		.WASHER	103106	5
300	MS21924-8T		-----*----- .UNION	101102 108120 504903	1
305	AN924-8J		.NUT	101102 108120 504903	1

MISSING ITEM NUMBERS NOT APPLICABLE

- ITEM NOT ILLUSTRATED

34-12-51-03

34-12-51  
FIG. 03  
PAGE 7  
JAN 20/09

BRI

BOEING PROPRIETARY - Copyright © - Unpublished Work - See title page for details.



757

PARTS CATALOG (MAINTENANCE)

FIG ITEM	PART NUMBER	1 2 3 4 5 6 7	NOMENCLATURE	EFFECT FROM TO	UNITS PER ASSY
3					
310	NAS1149C1290R	.	WASHER	101102 108120 504903	1
320	232N9501-15	.	TUBE ASSY- TUBING MATERIAL: .5 IN. OD .026 IN. WALL 73.4 IN. LG TI	101106 108120 504903	1
- 325	AS1582T08	..	UNION	101106 108120 504903	1
- 330	AS1581T08	..	SLEEVE	101106 108120 504903	1
- 335	BACN10YA8	..	NUT	101106 108120 504903	1
340	421CS8	.	CLAMP SUPPLIER CODE: V83930 SPECIFICATION NUMBER: BACC10CC8S OPTIONAL PART: JM44SC15S8T V22175 TA04C36S15 V84971	101102 108120 504903	3
- 345	NAS1801-3	.	SCREW- ATTACHING PARTS SIZE DETERMINED ON INSTL.	101102 108120 504903	3
- 350	AN960JD10	.	WASHER	101102 108120 504903	3
			-----*-----		
355	232N9501-19	.	TUBE ASSY- TUBING MATERIAL: .5 IN. OD .026 IN. WALL 30.8 IN. LG TI	101106 108120 504903	1
- 360	AS1582T08	..	UNION	101106 108120 504903	1
- 365	AS1581T08	..	SLEEVE	101106 108120 504903	1
- 370	BACN10YA8	..	NUT	101106 108120 504903	1

MISSING ITEM NUMBERS NOT APPLICABLE

- ITEM NOT ILLUSTRATED

34-12-51-03

34-12-51  
FIG. 03  
PAGE 8  
JAN 20/09

BRI

BOEING PROPRIETARY - Copyright © - Unpublished Work - See title page for details.

 **BOEING**  
757  
**PARTS CATALOG (MAINTENANCE)**

FIG ITEM	PART NUMBER	1 2 3 4 5 6 7	NOMENCLATURE	EFFECT FROM TO	UNITS PER ASSY
3					
375	MS21902J8	.	UNION	101102 108120 504903	1
380	R1131-908	.	PACKING SUPPLIER CODE: V57268 SPECIFICATION NUMBER: BACP11K8 OPTIONAL PART: 3-908S383-70 V02697 1090-08 V95272 150701-08 V95272 AS568-908S32 V11314	101102 108120 504903	1
385	AS115-08-0092	.	HOSE ASSY	101106 108120 504903	1
- 390	BACE21BN0808T	.	ELBOW- OPTIONAL PART: 232N9501-36	101106 108120 504903	1
- 395	232N9501-36	.	FITTING ASSY- OPTIONAL PART: BACE21BN0808T	101106 108120 504903	1
- 400	AP1042T0808	..	ELBOW SUPPLIER CODE: V01673 SPECIFICATION NUMBER: BACE21BT0808T	101106 108120 504903	1
- 405	MS21924-8T	..	UNION	101106 108120 504903	1
- 425	232N9501-24		TUBING INSTL-TOTAL AIR TEMP FOR NHA SEE: 25-10-00-10	101102 108120 504903	RF
430	BCREF119508	.	TEE- OVERLENGTH PART NUMBER: BACT16BR040806JN	101102 106106 108120 504903	1
- 435	232N9501-21		PLUG INSTL- FOR NHA SEE: 25-10-00-10	101102 106106 108120 504903	RF

MISSING ITEM NUMBERS NOT APPLICABLE

- ITEM NOT ILLUSTRATED

BRI

# 34-12-51-03

BOEING PROPRIETARY - Copyright © - Unpublished Work - See title page for details.

34-12-51  
FIG. 03  
PAGE 9  
JAN 20/09



757

PARTS CATALOG (MAINTENANCE)

FIG ITEM	PART NUMBER	1 2 3 4 5 6 7	NOMENCLATURE	EFFECT FROM TO	UNITS PER ASSY
3 440	AP1016J4		.PLUG SUPPLIER CODE: V01673 SPECIFICATION NUMBER: BACP20AU4J OPTIONAL PART: ER0806-4J V88334 2-02700-4J V11328 AP10164J V01673 31794-4J V14397 AFP952-04J V30974 AP1016-04J V01673 4120-587204J V50948 DB0P20AU4J V14798 AP1016J04 V01673 GR220AU4J V84368 100130-4J V85254	101102 106106 108120 504903	1
- 450	MODREF7592		TUBING INSTL-TOTAL AIR TEMP MODULE NUMBER: 232N9501-38 REV A	103106	1
455	S500-6		.CLAMP SUPPLIER CODE: V18076 SPECIFICATION NUMBER: BACC10HS06 OPTIONAL PART: 490-06RPB V83930 025029-06 V84971 44LC17H6PB V22175	103106	6
- 460	NAS1801-3-8		ATTACHING PARTS .SCREW -----*-----	103106	6

MISSING ITEM NUMBERS NOT APPLICABLE

- ITEM NOT ILLUSTRATED

34-12-51-03

34-12-51  
FIG. 03  
PAGE 10  
JAN 20/09

BRI



757

PARTS CATALOG (MAINTENANCE)

FIG ITEM	PART NUMBER	1 2 3 4 5 6 7	NOMENCLATURE	EFFECT FROM TO	UNITS PER ASSY
3 465	AS118E0110AA	.HOSE ASSY SUPPLIER CODE: V00624 SPECIFICATION NUMBER: BACH5M0110AA OPTIONAL PART: R8918M0110AA V06851 95850M0110AA V78570 B307BBB0110C V98441 R89180110AA V12157 R89180110AA V50599		103106	1
470	232N9501-37	.TUBE ASSY- TUBING MATERIAL: .375 IN. OD X .020 IN. WALL X 61.00 IN. LG CRES		103106	1
- 475	AP2097H06	..SLEEVE SUPPLIER CODE: V01673 SPECIFICATION NUMBER: BACS13BX06H OPTIONAL PART: 2-02903-06H V11328 35235V06 V08199 AFP175V06 V30974 DBOS13BX06H V14798		103106	2
- 480	BACN10YE6	..NUT		103106	2
585	BACB20E6A8H	.BRACKET ATTACHING PARTS		103106	1
- 590	NAS1801-3-8	.SCREW		103106	1
595	232N9501-35	-----*----- .TUBE ASSY- TUBING MATERIAL: .375 IN. OD X .020 IN. WALL X 37.60 IN. LG CRES		103106	1

MISSING ITEM NUMBERS NOT APPLICABLE

- ITEM NOT ILLUSTRATED

34-12-51-03

34-12-51  
FIG. 03  
PAGE 11  
JAN 20/09

BRI



757

PARTS CATALOG (MAINTENANCE)

FIG ITEM	PART NUMBER	1 2 3 4 5 6 7	NOMENCLATURE	EFFECT FROM TO	UNITS PER ASSY
3					
- 600	AP2097H06		.. SLEEVE SUPPLIER CODE: V01673 SPECIFICATION NUMBER: BACS13BX06H OPTIONAL PART: 2-02903-06H V11328 35235V06 V08199 AFP175V06 V30974 DBOS13BX06H V14798	103106	1
- 605	35056V06		.. UNION SUPPLIER CODE: V08199 SPECIFICATION NUMBER: BACU24AB6H OPTIONAL PART: 2-01027-6H V11328 31875-6H V14397 4671097H6 V50948 AP1004H06 V01673 AFP941H6 V30974 DBOU24AB6H V14798	103106	1
- 610	BACN10YE6		.. NUT-	103106	2
- 625	MODREF7591		TUBING INSTL-TOTAL AIR TEMP MODULE NUMBER: 232N9501-33 REV A	103106	1
630	BCREF119508		. TEE- OVERLENGTH PART NUMBER: BACT16BR040806JN	103106	1

MISSING ITEM NUMBERS NOT APPLICABLE

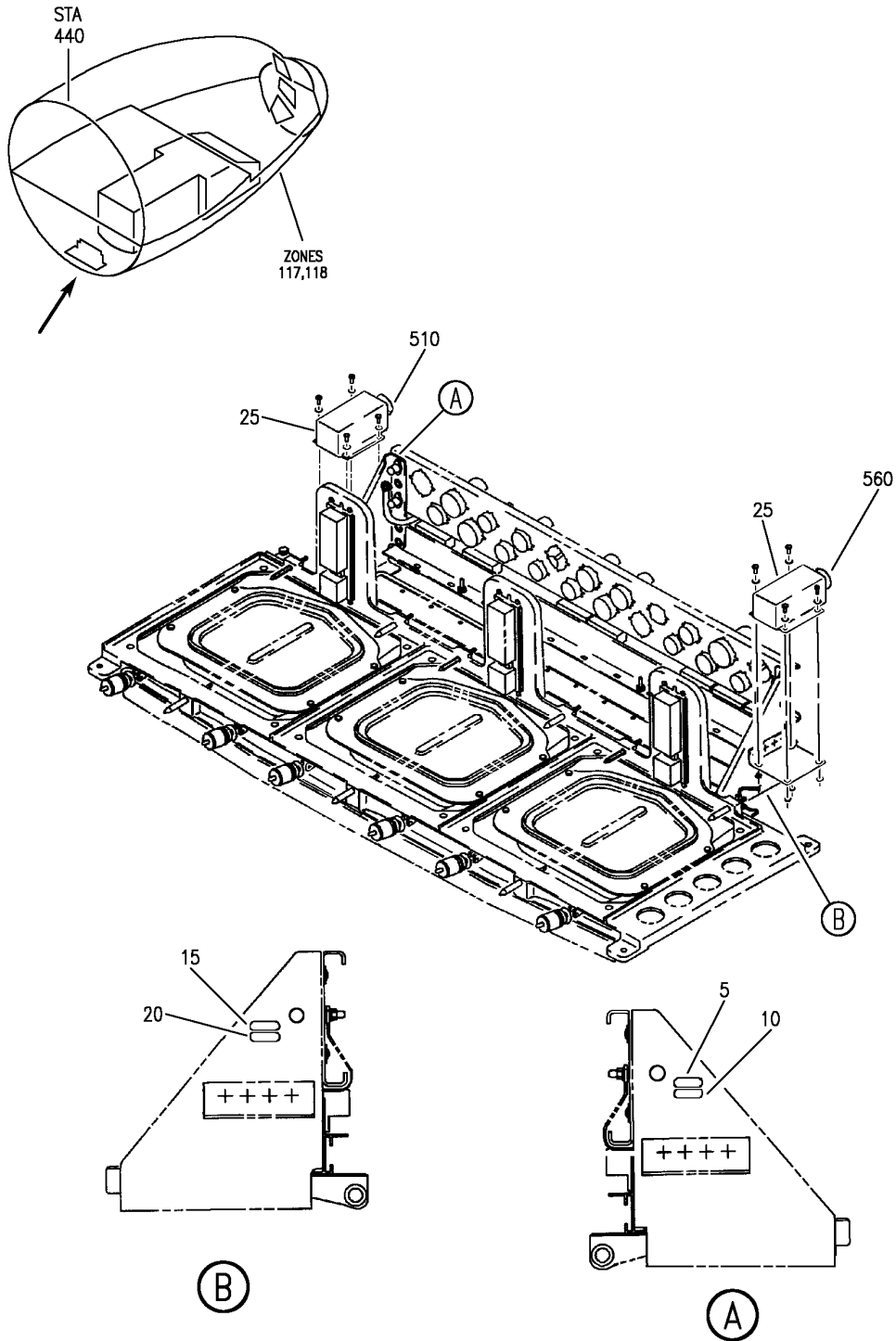
- ITEM NOT ILLUSTRATED

34-12-51-03

34-12-51  
FIG. 03  
PAGE 12  
JAN 20/09

BRI

**BOEING**  
757  
PARTS CATALOG (MAINTENANCE)



Y 34125104 REV 288

SHELF ASSY-ELECTRONIC EQPT E2-4 (NAVIGATION ONLY)  
FIGURE 4

**34-12-51-04**

BRI  
MAY 28/07

34-12-51-04  
PAGE 0



757

PARTS CATALOG (MAINTENANCE)

FIG ITEM	PART NUMBER	1 2 3 4 5 6 7	NOMENCLATURE	EFFECT FROM TO	UNITS PER ASSY
4			SHELF ASSY-ELECTRONIC EQPT E2-4 (NAVIGATION ONLY)	002004 006102 107999	
- 1	284N1524-3		SHELF ASSY-ELECTRONIC EQPT E2-4 (NAVIGATION ONLY) FOR NHA/OTHER SYS DET SEE: 25-70-51-02	002004 006100 950999	RF
- 1	284N1524-23		SHELF ASSY-ELECTRONIC EQPT E2-4 (NAVIGATION ONLY) FOR NHA/OTHER SYS DET SEE: 24-00-58-05D	101102 504903	RF
- 1	284N1524-2		SHELF ASSY-ELECTRONIC EQPT E2-4 (NAVIGATION ONLY) FOR NHA/OTHER SYS DET SEE: 25-70-51-02	107107 121503 904949	RF
- 1	284N1524-37		SHELF ASSY-ELECTRONICS EQPT E2-4 (NAVIGATION ONLY) FOR NHA/OTHER SYS DET SEE: 24-00-58-05A	108120	RF
5	BAC27NEX3229		.DECAL- PLACARD CONTENT: K10802 POST ALERT SB: 34A0222	002004 006102 107999	1
10	BAC27NEX3230		.DECAL- PLACARD CONTENT: D3925 POST ALERT SB: 34A0222	002004 006102 107999	1
15	BAC27NEX3231		.DECAL- PLACARD CONTENT: K10803 POST ALERT SB: 34A0222	002004 006102 107999	1
20	BAC27NEX3232		.DECAL- PLACARD CONTENT: D3927 POST ALERT SB: 34A0222	002004 006102 107999	1
25	128941-001		.RELAY- SUPPLIER CODE: V81840 ELECTRICAL EQUIP NUMBER: K10802 K10803 POST ALERT SB: 34A0222	002004 006102 107999	2

MISSING ITEM NUMBERS NOT APPLICABLE

- ITEM NOT ILLUSTRATED

34-12-51-04

34-12-51  
FIG. 04  
PAGE 1  
JAN 20/09

BRI





757

PARTS CATALOG (MAINTENANCE)

FIG ITEM	PART NUMBER	1 2 3 4 5 6 7	NOMENCLATURE	EFFECT FROM TO	UNITS PER ASSY
4			ATTACHING PARTS		
- 30	NAS1801-06-6		.SCREW- POST ALERT SB: 34A0222	002004 006102 107999	8
- 35	NAS1149DN616J		.WASHER- POST ALERT SB: 34A0222	002004 006102 107999	8
- 40	PLH506CD		.NUT- SUPPLIER CODE: VF0224 SPECIFICATION NUMBER: BACN10YR06CD OPTIONAL PART: H52732-06CD V15653 POST ALERT SB: 34A0222 -----*-----	002004 006102 107999	8
- 500	286N4471-006		WIRE BUNDLE ASSY- REWORKED BY ALERT SB: 34A0222	950999	RF
- 500	286N4471-002		WIRE BUNDLE ASSY- REWORKED BY ALERT SB: 34A0222	121503 904949	RF
- 500	286N4471-021		WIRE BUNDLE ASSY- REWORKED BY ALERT SB: 34A0222	002004 006100	RF
- 500	286N4471-340		WIRE BUNDLE ASSY- REWORKED BY ALERT SB: 34A0222	101101	RF
- 500	286N4471-348		WIRE BUNDLE ASSY- REWORKED BY ALERT SB: 34A0222	102102	RF
- 501	286N4471-003		WIRE BUNDLE ASSY- REWORKED BY ALERT SB: 34A0222	107107	RF
- 502	286N4471-426		WIRE BUNDLE ASSY- REWORKED BY ALERT SB: 34A0222	108120	RF
- 503	286N4471-350		WIRE BUNDLE ASSY- REWORKED BY ALERT SB: 34A0222	504504 506903	RF
- 503	286N4471-374		WIRE BUNDLE ASSY- REWORKED BY ALERT SB: 34A0222	505505	RF

MISSING ITEM NUMBERS NOT APPLICABLE

- ITEM NOT ILLUSTRATED

34-12-51-04

34-12-51  
FIG. 04  
PAGE 2  
JAN 20/09

BRI



757

PARTS CATALOG (MAINTENANCE)

FIG ITEM	PART NUMBER	1 2 3 4 5 6 7	NOMENCLATURE	EFFECT FROM TO	UNITS PER ASSY
4					
- 505	280N3341-11701	.ID TAPE-	PLACARD CONTENT: D03925 M/W K10802 POST ALERT SB: 34A0222	002004 006102 107999	1
510	BACC63CB22-55SN	.PLUG-CONDUCTIVE	ELECTRICAL EQUIP NUMBER: D03925 POST ALERT SB: 34A0222	002004 006102 107999	1
- 515	S3819-22-65	.CLAMP-	SUPPLIER CODE: V07418 SPECIFICATION NUMBER: BACC10KD22 OPTIONAL PART: 620AS028NF22L V06324 USED WITH: BACC63CB22-55SN POST ALERT SB: 34A0222R2	002004 006102 107999	AR
- 550	286N4473-006	WIRE BUNDLE ASSY-	REWORKED BY SB: 31-0127R1 REWORKED BY ALERT SB: 34A0222	950999	RF
- 550	286N4473-002	WIRE BUNDLE ASSY-	REWORKED BY ALERT SB: 34A0222	121503 904949	RF
- 550	286N4473-021	WIRE BUNDLE ASSY-	REWORKED BY ALERT SB: 34A0222	002004 006100	RF
- 550	286N4473-363	WIRE BUNDLE ASSY-	REWORKED BY ALERT SB: 34A0222	101101	RF
- 551	286N4473-365	WIRE BUNDLE ASSY-	REWORKED BY ALERT SB: 34A0222	102102	RF
- 551	286N4473-003	WIRE BUNDLE ASSY-	REWORKED BY ALERT SB: 34A0222	107107	RF
- 552	286N4473-320	WIRE BUNDLE ASSY-	REWORKED BY ALERT SB: 34A0222	108120	RF
- 553	286N4473-368	WIRE BUNDLE ASSY-	REWORKED BY ALERT SB: 34A0222	504504 506903	RF

MISSING ITEM NUMBERS NOT APPLICABLE

- ITEM NOT ILLUSTRATED

34-12-51-04

34-12-51  
FIG. 04  
PAGE 3  
JAN 20/09

BRI



757

PARTS CATALOG (MAINTENANCE)

FIG ITEM	PART NUMBER	1 2 3 4 5 6 7	NOMENCLATURE	EFFECT FROM TO	UNITS PER ASSY
4					
- 554	286N4473-390		WIRE BUNDLE ASSY- REWORKED BY ALERT SB: 34A0222	505505	RF
- 558	280N3341-11801		.ID TAPE- PLACARD CONTENT: D03927 M/W K10803 R AIR DATA SOURCE SEL POST ALERT SB: 34A0222	002004 006102 107999	1
560	BACC63CB22-55SN		.PLUG-CONDUCTIVE ELECTRICAL EQUIP NUMBER: D03927 POST ALERT SB: 34A0222	002004 006102 107999	1
- 565	S3819-22-65		.CLAMP- SUPPLIER CODE: V07418 SPECIFICATION NUMBER: BACC10KD22 OPTIONAL PART: 620AS028NF22L V06324 USED WITH: BACC63CB22-55SN POST ALERT SB: 34A0222R2	002004 006102 107999	AR

MISSING ITEM NUMBERS NOT APPLICABLE

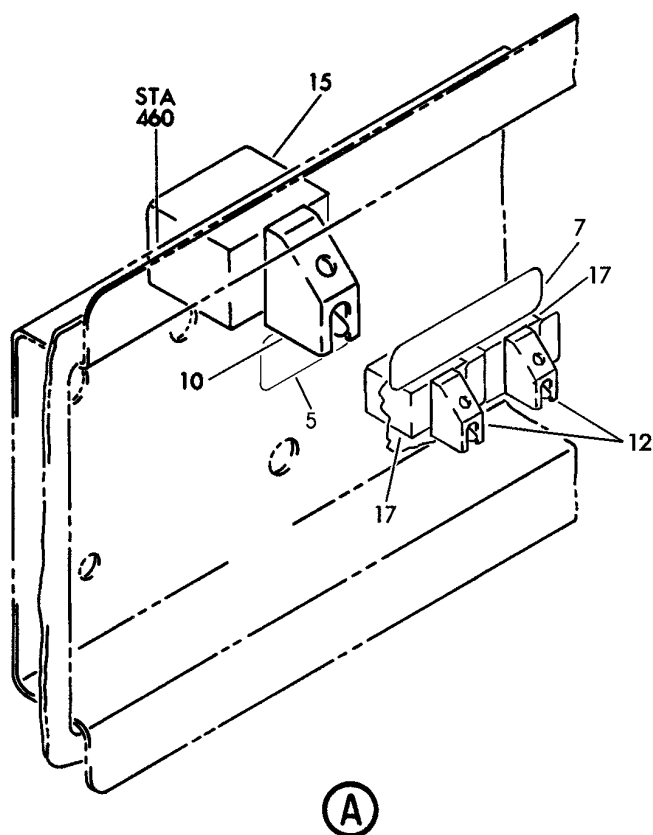
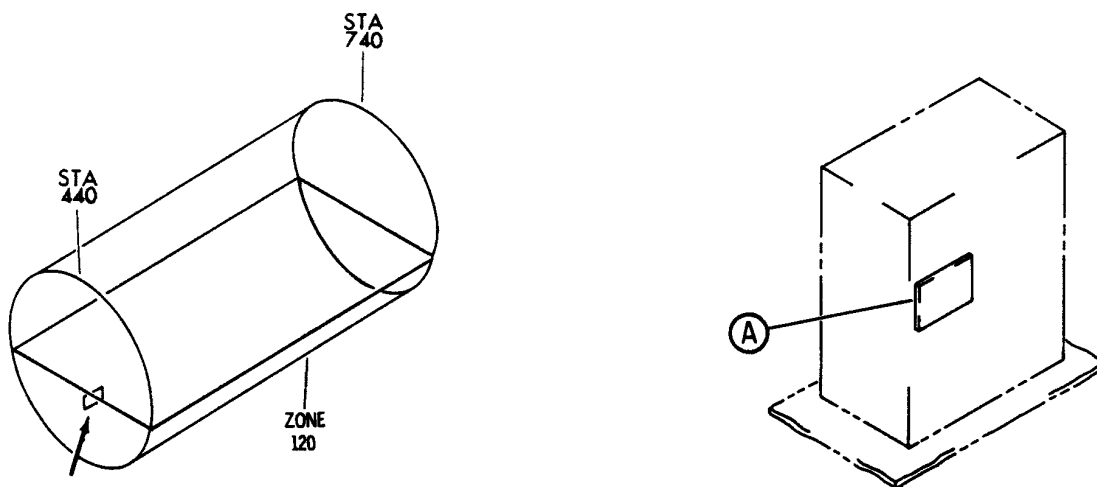
- ITEM NOT ILLUSTRATED

34-12-51-04

34-12-51  
FIG. 04  
PAGE 4  
JAN 20/09

BRI

**BOEING**  
757  
PARTS CATALOG (MAINTENANCE)



Y 34125301 REV 322

PANEL INSTL-EQUIP CTR SVCE (NAVIGATION ONLY)  
FIGURE 1

**34-12-53-01**

BRI  
MAY 20/08

34-12-53-01  
PAGE 0



757

PARTS CATALOG (MAINTENANCE)

FIG ITEM	PART NUMBER	1 2 3 4 5 6 7	NOMENCLATURE	EFFECT FROM TO	UNITS PER ASSY	
R R R R R	1		PANEL INSTL-EQUIP CTR SVCE (NAVIGATION ONLY)	009009 015015 101120 504903 950951		
	- 1	284N1360-22	PANEL INSTL-EQUIP CTR SVCE (NAVIGATION ONLY) FOR NHA/OTHER SYS DET SEE: 24-00-58-01C	950951	RF	
	- 1	284N1360-44	PANEL INSTL-EQUIP CTR SVCE (NAVIGATION ONLY) FOR NHA/OTHER SYS DET SEE: 24-00-58-05C	101102 108120 504903	RF	
	- 2	MODREF10010	PANEL INSTL-EQUIP CTR SVCE (NAVIGATION ONLY) MODULE NUMBER: 284N1360-41 REV A FOR OTHER SYS DETAILS SEE: 11-36-51-01	103106	1	
	- 2	MODREF10019	PANEL INSTL-EQUIP CTR SVCE (NAVIGATION ONLY) MODULE NUMBER: 284N1360-54 REV A FOR OTHER SYS DETAILS SEE: 11-36-51-01	103106	1	
	- 3	284N1360-8	PANEL INSTL-EQUIP CTR SVCE (NAVIGATION ONLY) FOR NHA/OTHER SYS DET SEE: 24-00-58-01C	009009	RF	
	- 3	284N1360-11	PANEL INSTL-EQUIP CTR SVCE (NAVIGATION ONLY) FOR NHA/OTHER SYS DET SEE: 24-00-58-01C	107107	RF	
	- 3	284N1360-25	PANEL INSTL-EQUIP CTR SVCE (NAVIGATION ONLY) FOR NHA/OTHER SYS DET SEE: 24-00-58-01C	015015	RF	
	R R R R R R R R	5	BAC27NEX1798	.DECAL- PLACARD CONTENT: S10471 ALTERNATE VMO/MMO POST SERVICE BULLETIN: 34-0410 34-0410R2 34-0430	009009 015015 107107 950951	1

MISSING ITEM NUMBERS NOT APPLICABLE

- ITEM NOT ILLUSTRATED

34-12-53-01

34-12-53  
FIG. 01  
PAGE 1  
MAY 20/09

BRI



757

PARTS CATALOG (MAINTENANCE)

FIG ITEM	PART NUMBER	1 2 3 4 5 6 7	NOMENCLATURE	EFFECT FROM TO	UNITS PER ASSY
1	7 BAC27NEX3138		.DECAL- PLACARD CONTENT: AIR DATA SELECT SWITCHES CAPT F/O S10682 S10683 USED ON: 284N1360-54 MODREF10019	103106	1
R	10 405-112		.GUARD-SWITCH SUPPLIER CODE: V28277 POST SERVICE BULLETIN: 31-0410 34-0410R2 34-0430	009009 015015 107107 950951	1
R	12 405-112		.GUARD-SWITCH SUPPLIER CODE: V28277 USED ON: 284N1360-54 MODREF10019	103106	2
R	15 MS24525-23		.SWITCH-TG ELECTRICAL EQUIP NUMBER: S10471 POST SERVICE BULLETIN: 34-0410 34-0410 34-0430	009009 015015 107107 950951	1
R	17 MS24525-23		.SWITCH-TG ELECTRICAL EQUIP NUMBER: S10682 S10683 USED ON: 284N1360-54 MODREF10019	103106	2
-	25 BACP20B43B		.PLUG- USED ON: 284N1360-44 MODREF10013	101102 108120 504903	1

MISSING ITEM NUMBERS NOT APPLICABLE

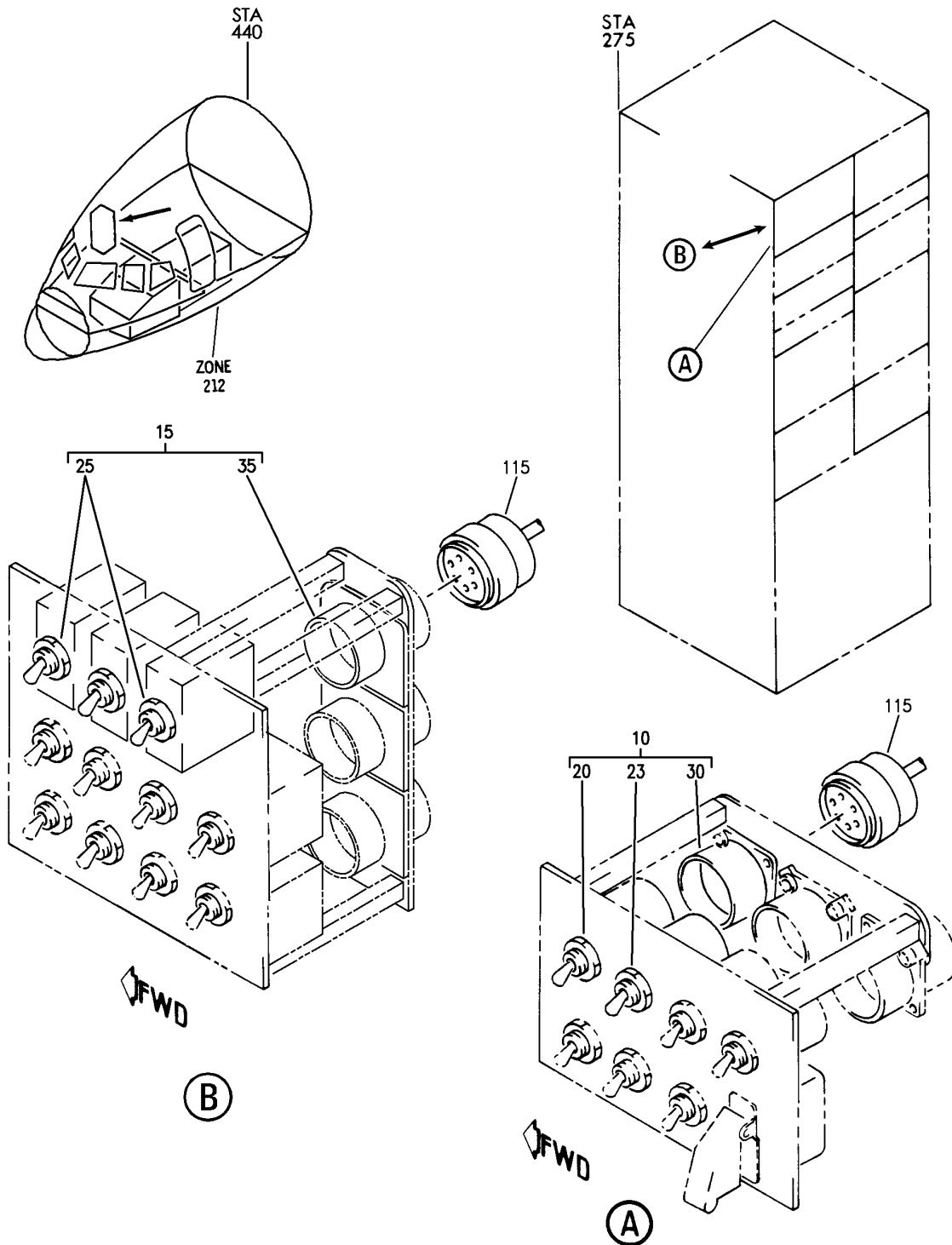
- ITEM NOT ILLUSTRATED

34-12-53-01

34-12-53  
FIG. 01  
PAGE 2  
MAY 20/09

BRI

**BOEING**  
757  
PARTS CATALOG (MAINTENANCE)



Y 34125401 REV 279

PANEL INSTL-P61 R SIDEWALL (AIR DATA COMPUTING SYSTEM ONLY)  
FIGURE 1

**34-12-54-01**

BRI  
MAY 28/07

34-12-54-01  
PAGE 0



757

PARTS CATALOG (MAINTENANCE)

FIG ITEM	PART NUMBER	1 2 3 4 5 6 7	NOMENCLATURE	EFFECT FROM TO	UNITS PER ASSY
1			PANEL INSTL-P61 R SIDEWALL (AIR DATA COMPUTING SYSTEM ONLY)	002004 006999	
- 1	233N7401-1		PANEL INSTL-P61 SIDEWALL (AIR DATA COMPUTING SYSTEM ONLY) POSITION DATA: R VARIABLE DRAWING REF: 233N7401-5004 233N7401-5005 233N7401-5036 233N7401-5038 233N7401-5042 FOR NHA/OTHER SYS DET SEE: 25-10-00-05A	002004 006100 107107 121503 904999	RF
- 2	233N7403-117		PANEL INSTL-P61 SIDEWALL (AIR DATA COMPUTING SYSTEM ONLY) POSITION DATA: R FOR NHA/OTHER SYS DET SEE: 25-10-00-15B	504903	RF
- 2	233N7403-128		PANEL INSTL-P61 SIDEWALL (AIR DATA COMPUTING SYSTEM ONLY) POSITION DATA: R FOR NHA/OTHER SYS DET SEE: 25-10-00-15B	102102	RF
- 3	233N7403-158		PANEL INSTL-P61 SIDEWALL (AIR DATA COMPUTING SYSTEM ONLY) POSITION DATA: R FOR NHA/OTHER SYS DET SEE: 25-10-00-15B	108120	RF
- 4	233N7403-28		PANEL INSTL-P61 SIDEWALL (AIR DATA COMPUTING SYSTEM ONLY) POSITION DATA: R FOR NHA/OTHER SYS DET SEE: 25-10-00-15B	101101	RF

MISSING ITEM NUMBERS NOT APPLICABLE

- ITEM NOT ILLUSTRATED

34-12-54-01

34-12-54  
FIG. 01  
PAGE 1  
JAN 20/09

BRI





757

PARTS CATALOG (MAINTENANCE)

FIG ITEM	PART NUMBER	1 2 3 4 5 6 7	NOMENCLATURE	EFFECT FROM TO	UNITS PER ASSY
1 - 8	MODREF33342		PANEL INSTL- (AIR DATA COMPUTING SYSTEM ONLY) MODULE NUMBER: 233N7403-171 REV A FOR OTHER SYS DETAILS SEE: 11-32-01-98 21-58-51-04 22-21-51-01 23-41-52-01 24-22-73-02 26-18-53-02 26-21-52-01 26-22-52-01 26-23-52-03 27-23-51-02 28-41-51-04 29-22-52-01 30-11-52-01 30-41-51-04 31-14-16-87 31-31-04-01 31-41-53-01 31-51-51-01 34-21-51-02 34-46-51-05 34-61-53-03	103106	1
10	233N7501-23		.PANEL ASSY-TEST SUPPLIER CODE: V89954 NOT APPROVED FOR ETOPS. SB DATA FROM A CMM: PRE 233N7501-31-01 PRE 233N7501-31-03 ELECTRICAL EQUIP NUMBER: M10398 COMPONENT MAINT MANUAL REF: 31-51-61	950951	RF
10	233N7501-23		.PANEL ASSY-TEST SUPPLIER CODE: V89954 NOT APPROVED FOR ETOPS. SB DATA FROM A CMM: PRE 233N7501-31-01 PRE 233N7501-31-03 ELECTRICAL EQUIP NUMBER: M10398 COMPONENT MAINT MANUAL REF: 31-51-61	504903	RF

MISSING ITEM NUMBERS NOT APPLICABLE

- ITEM NOT ILLUSTRATED

34-12-54-01

34-12-54  
FIG. 01  
PAGE 2  
JAN 20/09

BRI



757

PARTS CATALOG (MAINTENANCE)

FIG ITEM	PART NUMBER	1 2 3 4 5 6 7	NOMENCLATURE	EFFECT FROM TO	UNITS PER ASSY
1 10	233N7501-35		.PANEL ASSY-TEST SUPPLIER CODE: V89954 ELECTRICAL EQUIP NUMBER: M10398 COMPONENT MAINT MANUAL REF: 31-51-61 POST SERVICE BULLETIN: 24-0048	107107 904949 952952	RF
10	233N7501-36		.PANEL ASSY-TEST SUPPLIER CODE: V89954 SB DATA FROM A CMM: POST 233N7501-31-03 ELECTRICAL EQUIP NUMBER: M10398 COMPONENT MAINT MANUAL REF: 31-51-61 QUALIFIED I/W DATA: 233N7501-36 CAN REPLACE 233N7501-35,BUT 233N7501-35 CANNOT REPLACE 233N7501-36 IF VICKER HMG, 520850 OR 3022008-000 IS INSTALLED.	002004 006100 121503 953999	RF
10	233N7501-36		.PANEL ASSY-TEST SUPPLIER CODE: V89954 SB DATA FROM A CMM: POST 233N7501-31-03 ELECTRICAL EQUIP NUMBER: M10398 COMPONENT MAINT MANUAL REF: 31-51-61 QUALIFIED I/W DATA: 233N7501-36 CAN REPLACE 233N7501-35,BUT 233N7501-35 CANNOT REPLACE 233N7501-36 IF VICKER HMG, 520850 OR 3022008-000 IS INSTALLED.	101102 108120	RF

MISSING ITEM NUMBERS NOT APPLICABLE

- ITEM NOT ILLUSTRATED

BRI

34-12-54-01

34-12-54  
FIG. 01  
PAGE 3  
JAN 20/09



757

PARTS CATALOG (MAINTENANCE)

FIG ITEM	PART NUMBER	1 2 3 4 5 6 7	NOMENCLATURE	EFFECT FROM TO	UNITS PER ASSY
1					
15	233N7501-41		.PANEL ASSY-TEST SUPPLIER CODE: V89954 ELECTRICAL EQUIP NUMBER: M10398 COMPONENT MAINT MANUAL REF: 31-51-61	103106	RF
20	64AT22-7		..SWITCH SUPPLIER CODE: V91929 SPECIFICATION NUMBER: BACS30EM44 OPTIONAL PART: 64AT11-7 V91929 A3-1110-04-1 V81640 A3-1110-04 V81640	002004 006102 107999	RF
23	64AT22-7		..SWITCH SUPPLIER CODE: V91929 SPECIFICATION NUMBER: BACS30EM44 OPTIONAL PART: 64AT11-7 V91929 A3-1110-04-1 V81640 A3-1110-04 V81640	002004 006102 107999	RF
25	64AT22-7		..SWITCH-TG SUPPLIER CODE: V91929 ELECTRICAL EQUIP NUMBER: S00009 S00010 S00011	103106	3
30	BACC45FN20-41P6		..CONNECTOR	002004 006102 107999	1
35	BACC45FN20-41P6		..CONNECTOR ATTACHING PARTS	103106	1
- 40	NAS1801-04-5		..SCREW	002004 006102 107999	2
- 45	MS51957-14		..SCREW	103106	2

MISSING ITEM NUMBERS NOT APPLICABLE

- ITEM NOT ILLUSTRATED

34-12-54-01

34-12-54  
FIG. 01  
PAGE 4  
JAN 20/09

BRI

BOEING PROPRIETARY - Copyright © - Unpublished Work - See title page for details.



757

PARTS CATALOG (MAINTENANCE)

FIG ITEM	PART NUMBER	1 2 3 4 5 6 7	NOMENCLATURE	EFFECT FROM TO	UNITS PER ASSY
1					
- 50	K19798-04		. . NUT SUPPLIER CODE: V15653 SPECIFICATION NUMBER: BACN10NW1 OPTIONAL PART: RMA4812-160-40 V72962 293162 V60119	002004 006102 107999	2
- 55	K19798-04		. . NUT SUPPLIER CODE: V15653 SPECIFICATION NUMBER: BACN10NW1 OPTIONAL PART: RMA4812-160-40 V72962 293162 V60119	103106	2
- 100	286N2066-006		-----*----- WIRE BUNDLE ASSY-	121503 904949	RF
- 100	286N2066-007		WIRE BUNDLE ASSY	107107	RF
- 100	286N2066-008		WIRE BUNDLE ASSY-	002004 006100 950999	RF
- 101	286N2066-010		WIRE BUNDLE ASSY	504903	RF
- 102	286N2066-334		WIRE BUNDLE ASSY	101102	RF
- 103	286N2066-346		WIRE BUNDLE ASSY	108120	RF
- 103	286N2066-602		WIRE BUNDLE ASSY	103106	RF
115	BACC45FT20A41S6		. CONNECTOR- ELECTRICAL EQUIP NUMBER: D03702 WIRING DIAGRAM REF: 341212	002004 006999	1

MISSING ITEM NUMBERS NOT APPLICABLE

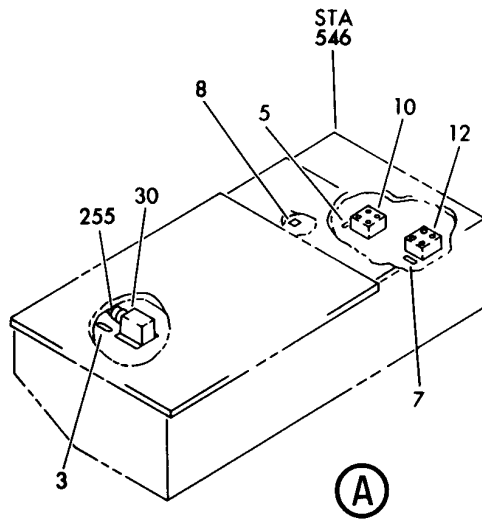
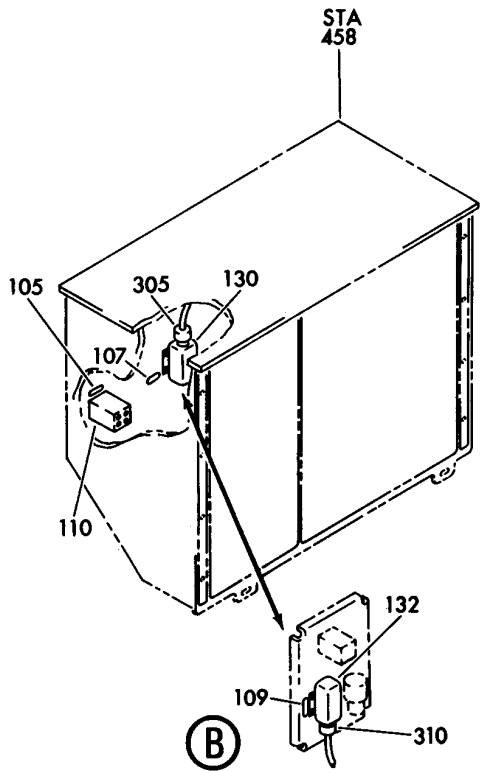
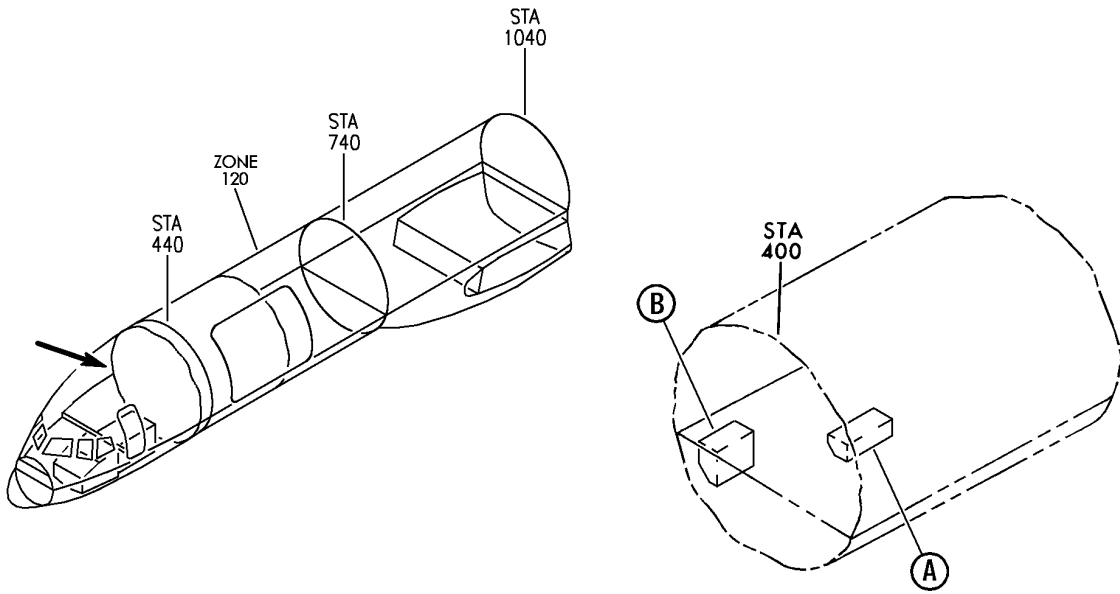
- ITEM NOT ILLUSTRATED

34-12-54-01

34-12-54  
FIG. 01  
PAGE 5  
JAN 20/09

BRI

**BOEING**  
757  
PARTS CATALOG (MAINTENANCE)



Y 34127102 REV 229

PANEL ASSY-P36 AND P37 MISC RELAY (NAVIGATION ONLY)  
FIGURE 2

**34-12-71-02**

BRI  
MAY 28/07

34-12-71-02  
PAGE 0



757

PARTS CATALOG (MAINTENANCE)

FIG ITEM	PART NUMBER	1 2 3 4 5 6 7	NOMENCLATURE	EFFECT FROM TO	UNITS PER ASSY
2			PANEL ASSY-P36 AND P37 MISC RELAY (NAVIGATION ONLY)	002004 006100 107107 121503 904999	
- 1	284N1125-1		PANEL ASSY-P36 MISC RELAY L (NAVIGATION ONLY) VARIABLE DRAWING REF: 284N1125-5023 284N1125-5030 284N1125-5049 284N1125-5050 284N1125-5054 REWORKED BY SB: 34-0200 REWORKED BY ALERT SB: 27A0130 FOR NHA/OTHER SYS DET SEE: 31-01-36-01B	002004 006100 107107 121503 904999	RF
7	BAC27TEX0175		.DECAL- PLACARD CONTENT: T139	002004 006100 950999	1
8	BAC27TEX0175		.DECAL- PLACARD CONTENT: T139	107107 121503 904949	1
10	10615		.TRANSFORMER- SUPPLIER CODE: V95266 ELECTRICAL EQUIP NUMBER: T00139	107107 121503 904949	1
12	10615		.TRANSFORMER- SUPPLIER CODE: V95266 ELECTRICAL EQUIP NUMBER: T00139	002004 006100 950999	1
- 15	NAS1801-08-6		ATTACHING PARTS .SCREW	002004 006100 107107 121503 904999	4
-----*-----					

MISSING ITEM NUMBERS NOT APPLICABLE

- ITEM NOT ILLUSTRATED

34-12-71-02

34-12-71  
FIG. 02  
PAGE 1  
JAN 20/09

BRI

 **BOEING**  
757  
**PARTS CATALOG (MAINTENANCE)**

FIG ITEM	PART NUMBER	1 2 3 4 5 6 7	NOMENCLATURE	EFFECT FROM TO	UNITS PER ASSY
2 - 100	284N1127-1		PANEL ASSY-P37 MISC RELAY (NAVIGATION ONLY) POSITION DATA: R VARIABLE DRAWING REF: 284N1127-5028 284N1127-5039 284N1127-5063 284N1127-5064 284N1127-5068 REWORKED BY SB: 33-0039 34-0200 REWORKED BY ALERT SB: 27A0130 FOR NHA/OTHER SYS DET SEE: 31-01-37-01B	002004 006100 107107 121503 904999	RF
105	BAC27TEX0383		.DECAL- PLACARD CONTENT: T140	002004 006100 107107 121503 904999	1
110	10615		.TRANSFORMER- SUPPLIER CODE: V95266 ELECTRICAL EQUIP NUMBER: T00140 ATTACHING PARTS	002004 006100 107107 121503 904999	1
- 115	NAS603-6P		.SCREW-	107107 121503 904949	4
- 115	NAS603-8P		.SCREW-	002004 006100 950999	4
- 120	AN960D6L		.WASHER-  -----*-----	121503 904949	4

MISSING ITEM NUMBERS NOT APPLICABLE

- ITEM NOT ILLUSTRATED

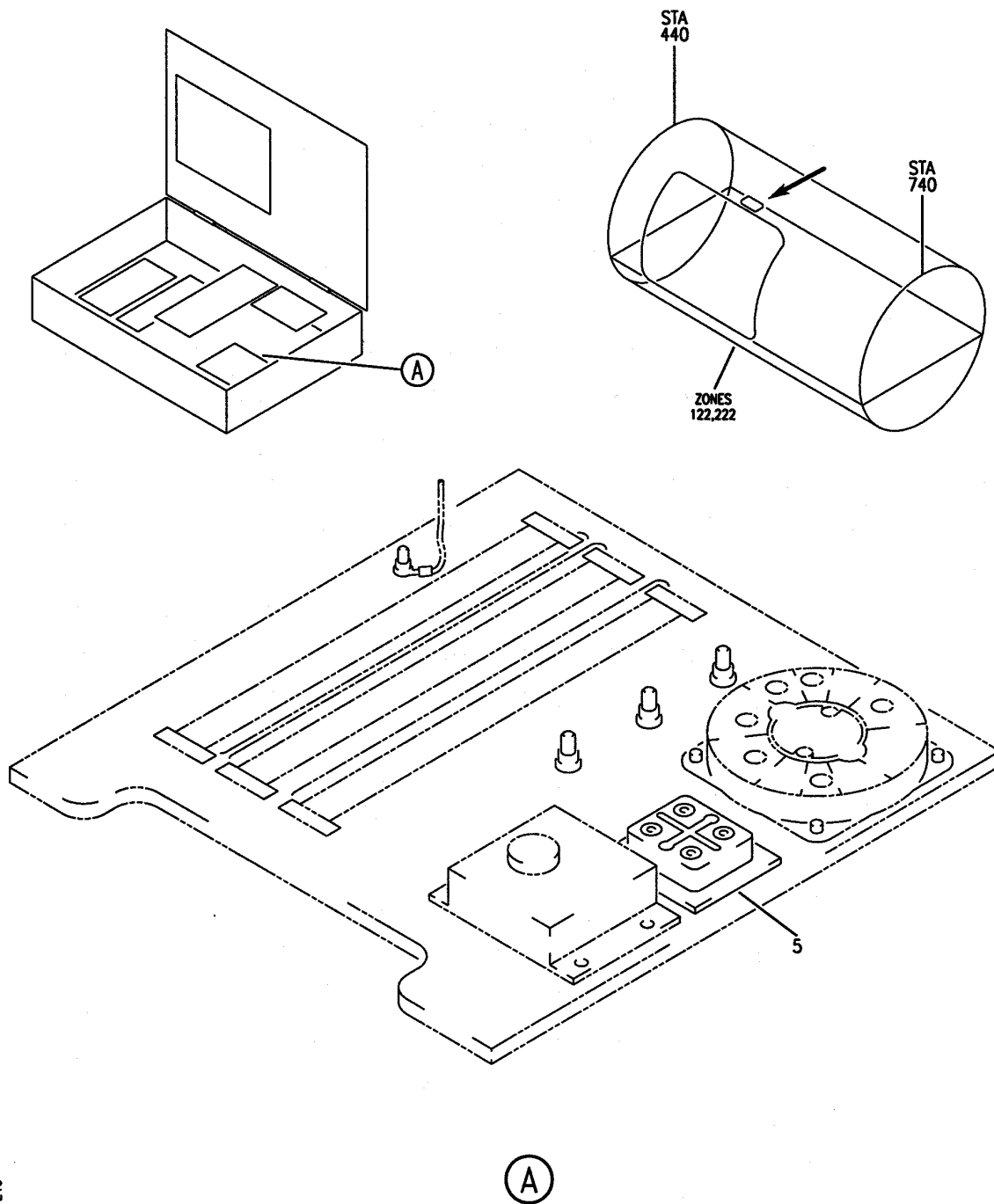
BRI

# 34-12-71-02

BOEING PROPRIETARY - Copyright © - Unpublished Work - See title page for details.

34-12-71  
FIG. 02  
PAGE 2  
JAN 20/09

**BOEING**  
757  
PARTS CATALOG (MAINTENANCE)



Y 34127102A REV 219

OPTION PACKAGE ASSY-P36 MISC RELAY L (AIR DATA COMPUTING SYSTEM ONLY)  
FIGURE 2A

**34-12-71-02A**

BRI  
MAY 28/07

34-12-71-02A  
PAGE 0





757

PARTS CATALOG (MAINTENANCE)

FIG ITEM	PART NUMBER	1 2 3 4 5 6 7	NOMENCLATURE	EFFECT FROM TO	UNITS PER ASSY
2A			OPTION PACKAGE ASSY-P36 MISC RELAY L (AIR DATA COMPUTING SYSTEM ONLY)	101102 504903	
- 1	284N1125-1018		OPTION PACKAGE ASSY-P36 MISC RELAY L (AIR DATA COMPUTING SYSTEM ONLY) REWORKED BY ALERT SB: 27A0130 FOR NHA/OTHER SYS DET SEE: 31-01-36-05	101102 504903	RF
5	10615		.TRANSFORMER- SUPPLIER CODE: V95266 ELECTRICAL EQUIP NUMBER: T00139	101102 504903	1
- 10	NAS1801-08-6		ATTACHING PARTS .SCREW  -----*-----	101102 504903	4

MISSING ITEM NUMBERS NOT APPLICABLE

- ITEM NOT ILLUSTRATED

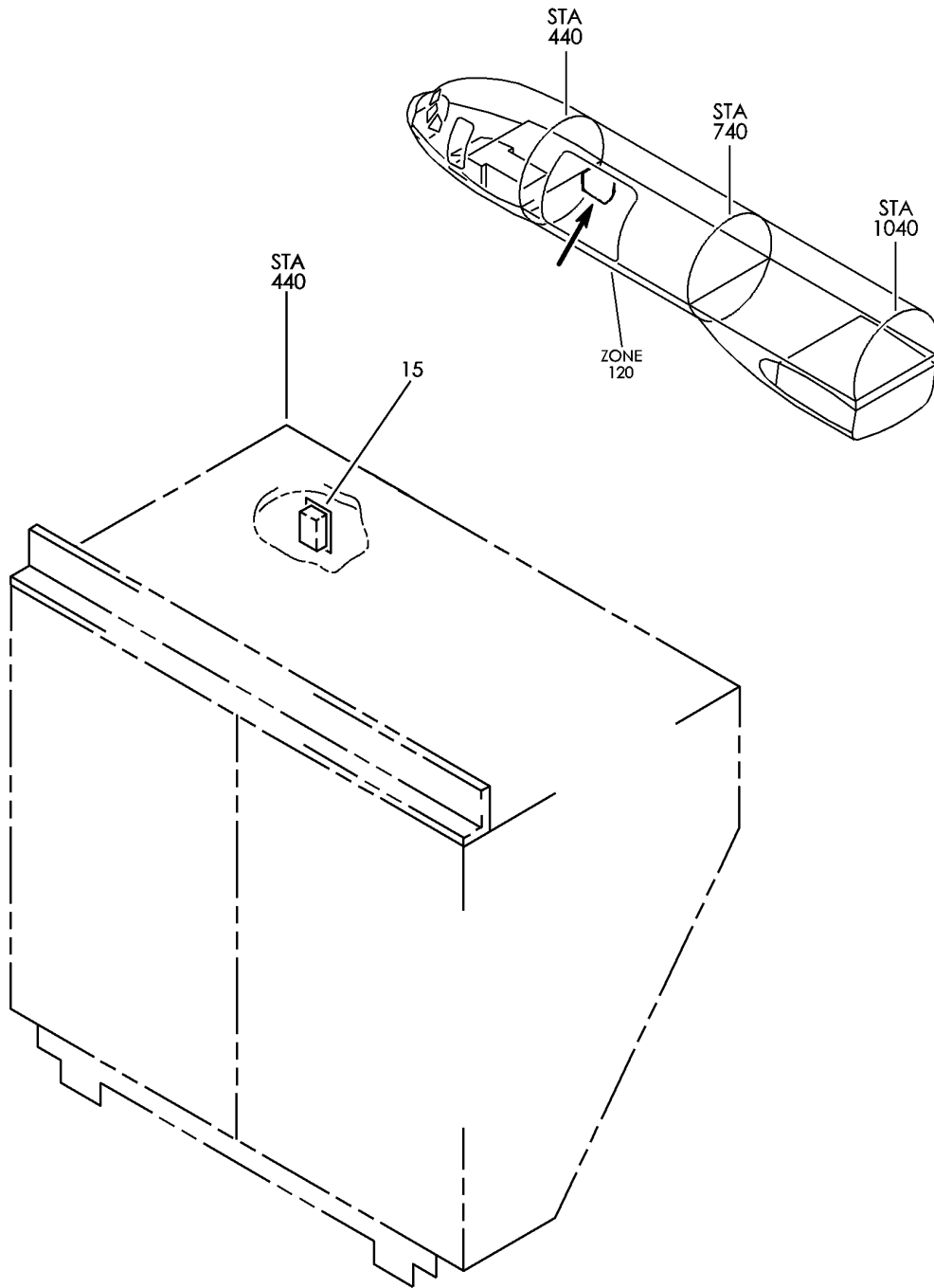
BRI

34-12-71-02A

BOEING PROPRIETARY - Copyright © - Unpublished Work - See title page for details.

34-12-71  
FIG. 02A  
PAGE 1  
JAN 20/09

**BOEING**  
757  
PARTS CATALOG (MAINTENANCE)



Y 34127102B REV 229

PACKAGE ASSY-OPTION P37 MISC RELAY (NAVIGATION ONLY)  
FIGURE 2B

**34-12-71-02B**

BRI  
MAY 28/07

34-12-71-02B  
PAGE 0



757

PARTS CATALOG (MAINTENANCE)

FIG ITEM	PART NUMBER	1 2 3 4 5 6 7	NOMENCLATURE	EFFECT FROM TO	UNITS PER ASSY
2B			PACKAGE ASSY-OPTION P37 MISC RELAY (NAVIGATION ONLY)	101102 504903	
- 1	284N1127-1041		PACKAGE ASSY-OPTION P37 MISC RELAY (NAVIGATION ONLY)	101102 504903	RF
15	10615		MISCELLANEOUS DATA: 757 MAJOR MODEL REWORKED BY ALERT SB: 27A0130 FOR NHA/OTHER SYS DET SEE: 31-01-37-02 .TRANSFORMER- SUPPLIER CODE: V95266 ELECTRICAL EQUIP NUMBER: T00140	101102 504903	1

MISSING ITEM NUMBERS NOT APPLICABLE

- ITEM NOT ILLUSTRATED

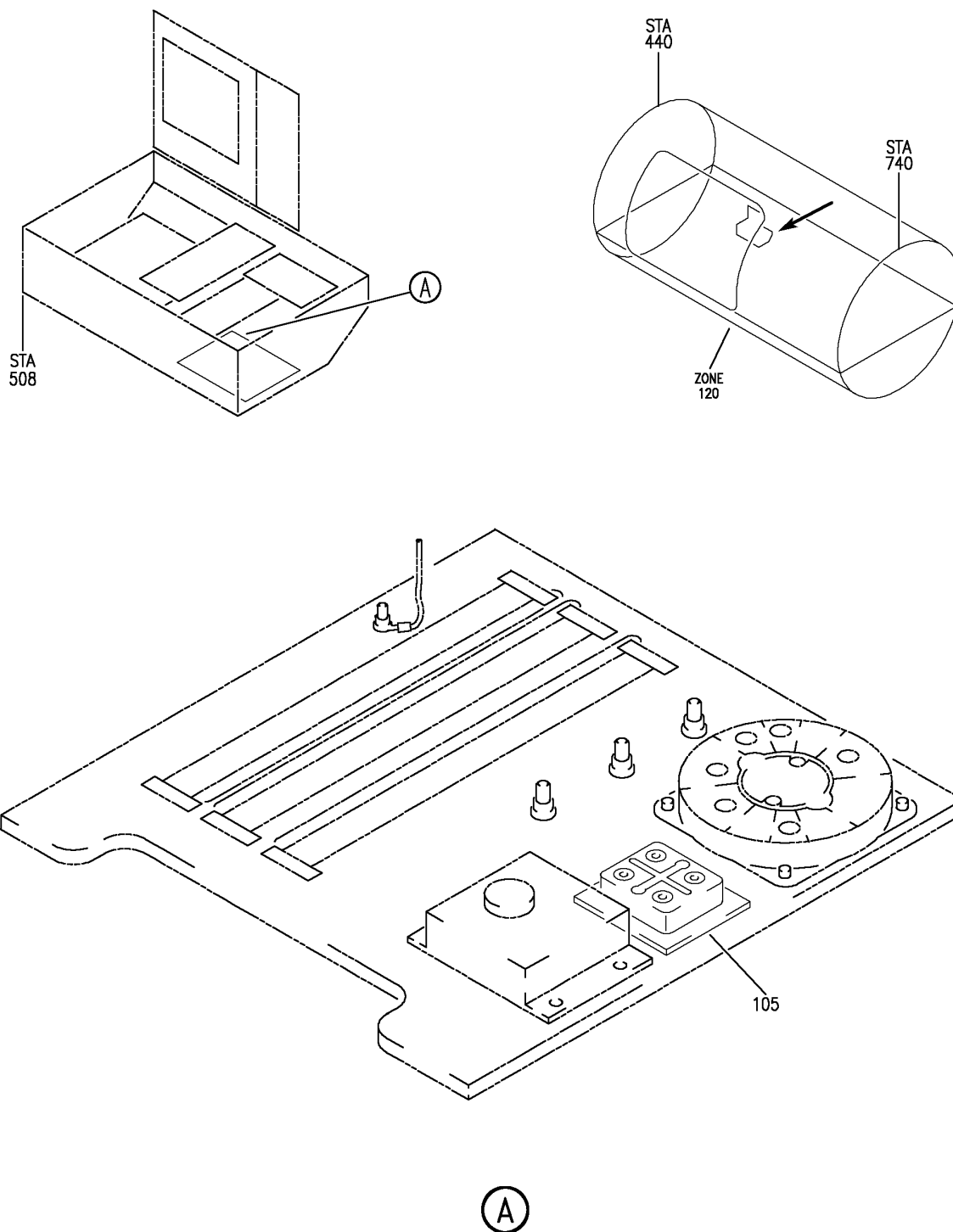
BRI

34-12-71-02B

BOEING PROPRIETARY - Copyright © - Unpublished Work - See title page for details.

34-12-71  
FIG. 02B  
PAGE 1  
JAN 20/09

**BOEING**  
757  
PARTS CATALOG (MAINTENANCE)



Y 34127102C REV 250

PANEL INSTL-P36 L MISC RELAY (AIR DATA COMPUTING SYSTEM ONLY)  
FIGURE 2C

**34-12-71-02C**

BRI  
JAN 20/09

34-12-71-02C  
PAGE 0



757

PARTS CATALOG (MAINTENANCE)

FIG ITEM	PART NUMBER	1 2 3 4 5 6 7	NOMENCLATURE	EFFECT FROM TO	UNITS PER ASSY
2C			PANEL INSTL-P36 L MISC RELAY (AIR DATA COMPUTING SYSTEM ONLY)	103106 108120	
- 3	284N1125-94		PANEL INSTL-P36 L MISC RELAY (AIR DATA COMPUTING SYSTEM ONLY) FOR NHA/OTHER SYS DET SEE: 24-00-58-05C	108120	RF

MISSING ITEM NUMBERS NOT APPLICABLE

- ITEM NOT ILLUSTRATED

BRI

34-12-71-02C

BOEING PROPRIETARY - Copyright © - Unpublished Work - See title page for details.

34-12-71  
FIG. 02C  
PAGE 1  
JAN 20/09



757

PARTS CATALOG (MAINTENANCE)

FIG ITEM	PART NUMBER	1 2 3 4 5 6 7	NOMENCLATURE	EFFECT FROM TO	UNITS PER ASSY
2C - 7	MODREF31944		PANEL INSTL-P36 L MISC RELAY (AIR DATA COMPUTING SYSTEM ONLY) MODULE NUMBER: 284N1125-123 REV A FOR OTHER SYS DETAILS SEE: 11-36-08-03C 21-25-71-02C 21-33-71-02C 21-51-56-01C 21-58-71-02C 23-12-00-05 23-31-54-01C 23-34-52-01C 24-21-51-01A 26-15-71-02C 26-16-71-01C 26-22-71-01C 27-48-52-03C 27-51-71-03C 27-58-71-02C 27-62-71-03C 29-11-71-03C 29-21-71-01C 30-21-71-03C 30-34-51-01C 31-01-36-01 32-09-02-03C 32-35-71-01C 32-42-71-02C 32-44-71-02C 32-61-71-02C 34-21-71-02C 34-22-52-01C 34-61-52-01C 36-11-71-02C 73-21-55-01C 74-31-71-02C 76-11-71-02C 77-12-71-01C 78-34-71-02C 78-36-71-02C 80-11-71-02C	103106	1
105	10615		. TRANSFORMER- SUPPLIER CODE: V95266 ELECTRICAL EQUIP NUMBER: T00139	103106 108120	1

MISSING ITEM NUMBERS NOT APPLICABLE

- ITEM NOT ILLUSTRATED

BRI

34-12-71-02C

BOEING PROPRIETARY - Copyright © - Unpublished Work - See title page for details.

34-12-71  
FIG. 02C  
PAGE 2  
JAN 20/09



**757  
PARTS CATALOG (MAINTENANCE)**

FIG ITEM	PART NUMBER	1 2 3 4 5 6 7 NOMENCLATURE	EFFECT FROM TO	UNITS PER ASSY
2C		ATTACHING PARTS		
- 110	NAS1801-08-6	.SCREW-	108120	4
- 110	BACS12HN08-6	.SCREW-	103106	4
		-----*-----		

MISSING ITEM NUMBERS NOT APPLICABLE

- ITEM NOT ILLUSTRATED

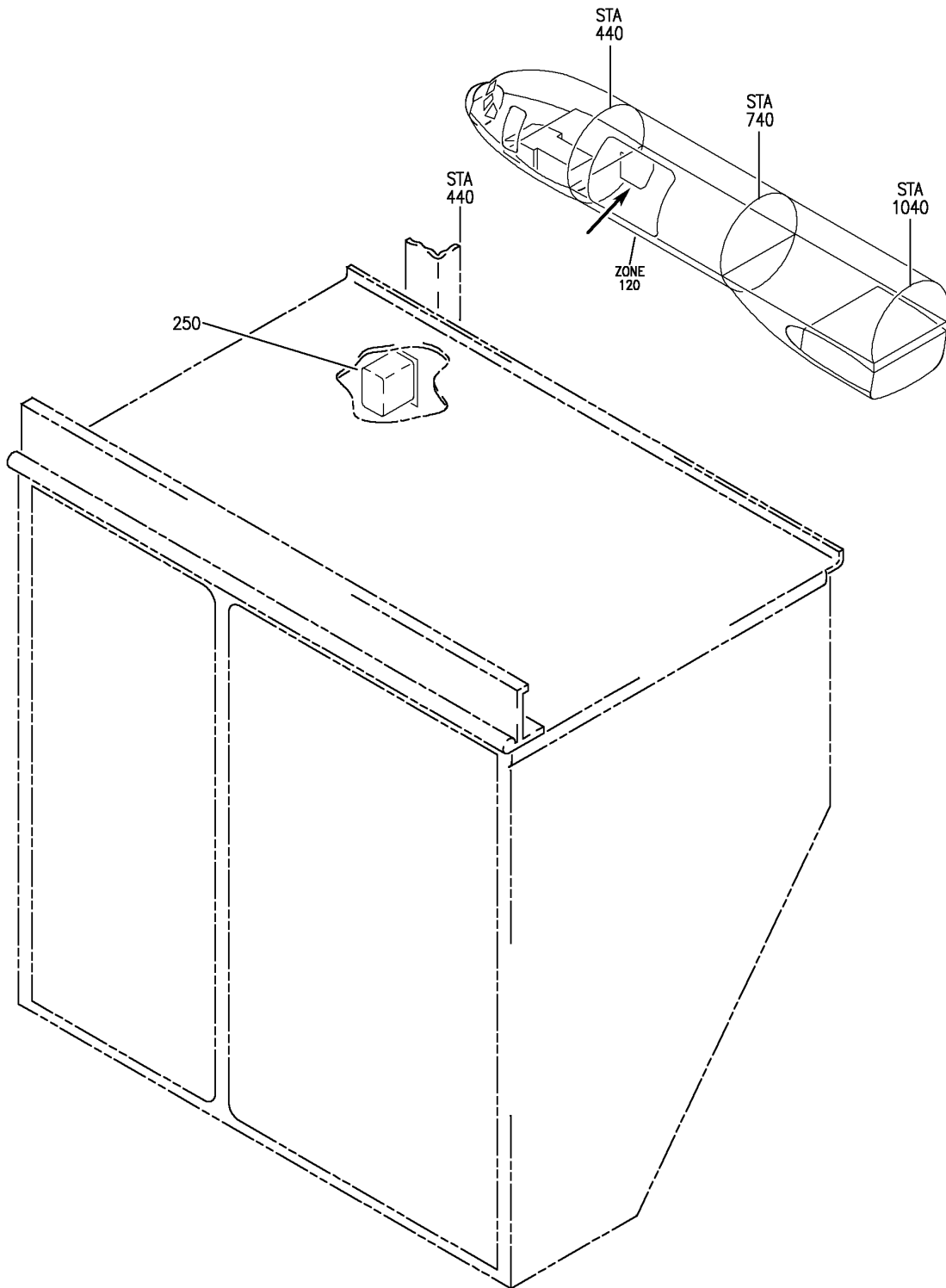
BRI

# 34-12-71-02C

BOEING PROPRIETARY - Copyright © - Unpublished Work - See title page for details.

34-12-71  
FIG. 02C  
PAGE 3  
JAN 20/09

**BOEING**  
757  
PARTS CATALOG (MAINTENANCE)



Y 34-127102D REV 250

PANEL INSTL-P37 R MISC RELAY (AIR DATA COMPUTING SYSTEM ONLY)  
FIGURE 2D

**34-12-71-02D**

BRI  
JAN 20/09

34-12-71-02D  
PAGE 0





757

PARTS CATALOG (MAINTENANCE)

FIG ITEM	PART NUMBER	1 2 3 4 5 6 7	NOMENCLATURE	EFFECT FROM TO	UNITS PER ASSY
2D			PANEL INSTL-P37 R MISC RELAY (AIR DATA COMPUTING SYSTEM ONLY)	103106 108120	
- 1	MODREF185037		PANEL INSTL-P37 R MISC RELAY (AIR DATA COMPUTING SYSTEM ONLY) MODULE NUMBER: 284N1127-169 REV D FOR OTHER SYS DETAILS SEE: 11-36-12-02A 21-25-71-02D 21-44-71-02D 21-45-31-01D 21-51-55-01D 21-58-71-02D 21-61-71-02D 23-31-51-05 24-21-51-05 24-51-01-02 24-51-02-03 24-51-58-02D 27-62-71-03D 28-22-71-03D 29-21-71-01D 30-11-71-02D 30-21-71-03D 30-31-71-02D 30-32-71-02D 30-33-71-02D 30-34-51-01D 31-01-37-10 31-31-71-02D 32-09-02-04D 32-42-71-02D 32-61-71-02D 33-43-55-01D 33-51-71-01D 34-25-50-01D 34-61-52-01D 35-21-71-02D 36-11-71-02D 38-15-71-02D 73-21-55-01D 74-31-71-02D 76-11-71-02D 77-12-71-01D 78-34-71-02D 78-36-71-02D 80-11-71-02D	106106	1
MISSING ITEM NUMBERS NOT APPLICABLE					

- ITEM NOT ILLUSTRATED

BRI

# 34-12-71-02D

BOEING PROPRIETARY - Copyright © - Unpublished Work - See title page for details.

34-12-71  
FIG. 02D  
PAGE 1  
JAN 20/09



757

PARTS CATALOG (MAINTENANCE)

FIG ITEM	PART NUMBER	1 2 3 4 5 6 7	NOMENCLATURE	EFFECT FROM TO	UNITS PER ASSY
2D - 3	284N1127-118		PANEL INSTL-P37 R MISC RELAY (AIR DATA COMPUTING SYSTEM ONLY) FOR NHA/OTHER SYS DET SEE: 24-00-58-05C	108108	RF
- 4	284N1127-139		PANEL INSTL-P37 R MISC RELAY (AIR DATA COMPUTING SYSTEM ONLY) FOR NHA/OTHER SYS DET SEE: 24-00-58-05C	109120	RF

MISSING ITEM NUMBERS NOT APPLICABLE

- ITEM NOT ILLUSTRATED

BRI

34-12-71-02D

BOEING PROPRIETARY - Copyright © - Unpublished Work - See title page for details.

34-12-71  
FIG. 02D  
PAGE 2  
JAN 20/09



757

PARTS CATALOG (MAINTENANCE)

FIG ITEM	PART NUMBER	1 2 3 4 5 6 7	NOMENCLATURE	EFFECT FROM TO	UNITS PER ASSY
2D - 8	MODREF31945		PANEL INSTL-P37 R MISC RELAY (AIR DATA COMPUTING SYSTEM ONLY) MODULE NUMBER: 284N1127-169 REV B FOR OTHER SYS DETAILS SEE: 11-36-12-02A 21-25-71-02D 21-44-71-02D 21-45-31-01D 21-51-55-01D 21-58-71-02D 21-61-71-02D 23-31-51-05 24-21-51-05 24-51-01-02 24-51-02-03 24-51-58-02D 27-62-71-03D 28-22-71-03D 29-21-71-01D 30-11-71-02D 30-21-71-03D 30-31-71-02D 30-32-71-02D 30-33-71-02D 30-34-51-01D 31-01-37-10 31-31-71-02D 32-09-02-04D 32-42-71-02D 32-61-71-02D 33-43-55-01D 33-51-71-01D 34-25-50-01D 34-61-52-01D 35-21-71-02D 36-11-71-02D 38-15-71-02D 73-21-55-01D 74-31-71-02D 76-11-71-02D 77-12-71-01D 78-34-71-02D 78-36-71-02D 80-11-71-02D	103103	1

MISSING ITEM NUMBERS NOT APPLICABLE

- ITEM NOT ILLUSTRATED

BRI

# 34-12-71-02D

BOEING PROPRIETARY - Copyright © - Unpublished Work - See title page for details.

34-12-71  
FIG. 02D  
PAGE 3  
JAN 20/09



757

PARTS CATALOG (MAINTENANCE)

FIG ITEM	PART NUMBER	1 2 3 4 5 6 7	NOMENCLATURE	EFFECT FROM TO	UNITS PER ASSY
2D - 9	MODREF34305		PANEL INSTL-P37 R MISC RELAY (AIR DATA COMPUTING SYSTEM ONLY) MODULE NUMBER: 284N1127-169 REV C FOR OTHER SYS DETAILS SEE: 11-36-12-02A 21-25-71-02D 21-44-71-02D 21-45-31-01D 21-51-55-01D 21-58-71-02D 21-61-71-02D 23-31-51-05 24-21-51-05 24-51-01-02 24-51-02-03 24-51-58-02D 27-62-71-03D 28-22-71-03D 29-21-71-01D 30-11-71-02D 30-21-71-03D 30-31-71-02D 30-32-71-02D 30-33-71-02D 30-34-51-01D 31-01-37-10 31-31-71-02D 32-09-02-04D 32-42-71-02D 32-61-71-02D 33-43-55-01D 33-51-71-01D 34-25-50-01D 34-61-52-01D 35-21-71-02D 36-11-71-02D 38-15-71-02D 73-21-55-01D 74-31-71-02D 76-11-71-02D 77-12-71-01D 78-34-71-02D 78-36-71-02D 80-11-71-02D	104105	1

MISSING ITEM NUMBERS NOT APPLICABLE

- ITEM NOT ILLUSTRATED

# 34-12-71-02D

34-12-71  
 FIG. 02D  
 PAGE 4  
 JAN 20/09

BRI



757

PARTS CATALOG (MAINTENANCE)

FIG ITEM	PART NUMBER	1 2 3 4 5 6 7	NOMENCLATURE	EFFECT FROM TO	UNITS PER ASSY
2D 250	10615		. TRANSFORMER- SUPPLIER CODE: V95266 ELECTRICAL EQUIP NUMBER: T00140 ATTACHING PARTS	103106 108120	1
- 255	NAS1801-06-6		. SCREW-	108120	4
- 255	BACS12HN06-6		. SCREW- -----*-----	103106	4

MISSING ITEM NUMBERS NOT APPLICABLE

- ITEM NOT ILLUSTRATED

BRI

34-12-71-02D

BOEING PROPRIETARY - Copyright © - Unpublished Work - See title page for details.

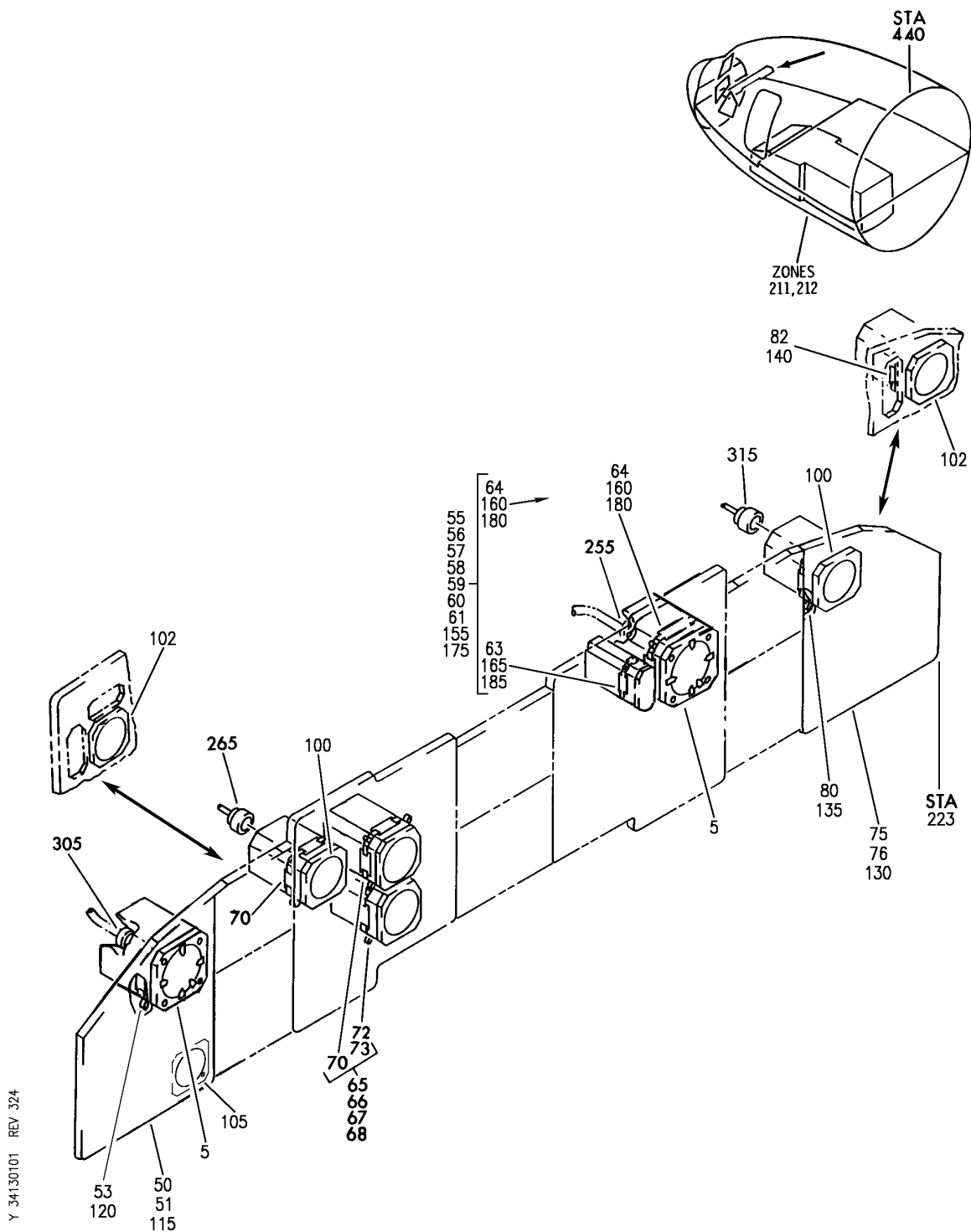
34-12-71  
FIG. 02D  
PAGE 5  
JAN 20/09

## AIR DATA STANDBY INSTRUMENTS

BRI  
MAY 28/07

34-13-00  
SECTION TITLE  
PAGE 1

**BOEING**  
757  
PARTS CATALOG (MAINTENANCE)



PANEL INSTL-CAPT AND FIRST OFFICER FWD (ALTIMETER ONLY)  
FIGURE 1

**34-13-01-01**

BRI  
SEP 20/08

34-13-01-01  
PAGE 0



757

PARTS CATALOG (MAINTENANCE)

FIG ITEM	PART NUMBER	1 2 3 4 5 6 7	NOMENCLATURE	EFFECT FROM TO	UNITS PER ASSY
1			PANEL INSTL-CAPT AND FIRST OFFICER FWD (ALTIMETER ONLY)	002004 006010 107107 121503 904999	
- 1	233N2101-1		PANEL INSTL-CAPT AND FIRST OFFICER FWD (ALTIMETER ONLY) VARIABLE DRAWING REF: 233N2101-5003 233N2101-5004 233N2101-5037 233N2101-5039 233N2101-5041 FOR NHA/OTHER SYS DET SEE: 25-10-00-05A	002004 006010 107107 121503 904999	RF
5	4039891-903		. INDICATOR-MACH AIRSPEED SUPPLIER CODE: V58960 SPECIFICATION NUMBER: S231T100-1 ELECTRICAL EQUIP NUMBER: N00001 N00041 COMPONENT MAINT MANUAL REF: 34-13-09 QUALIFIED I/W DATA: S231T100-2/4039891-904 DISPLAY HAS MORE GRADUATIONS ON DIAL FACE THAN S231T100-1/ 4039891-903 REPLACE IN SHIP SHIPSETS ONLY FUNCTIONAL REFERENCE: LIGHTS FOR DETAILS SEE 33-13-51-51 NAVIGATION FOR DETAILS SEE 34-13-02-50	002004 006010 107107 950999	2

MISSING ITEM NUMBERS NOT APPLICABLE

- ITEM NOT ILLUSTRATED

BRI

34-13-01-01

BOEING PROPRIETARY - Copyright © - Unpublished Work - See title page for details.

34-13-01  
FIG. 01  
PAGE 1  
JAN 20/09





757

PARTS CATALOG (MAINTENANCE)

FIG ITEM	PART NUMBER	1 2 3 4 5 6 7	NOMENCLATURE	EFFECT FROM TO	UNITS PER ASSY
1	5 4039891-904		.INDICATOR-MACH AIRSPEED SUPPLIER CODE: V58960 SPECIFICATION NUMBER: S231T100-2 ELECTRICAL EQUIP NUMBER: N00001 N00041 COMPONENT MAINT MANUAL REF: 34-13-09 QUALIFIED I/W DATA: S231T100-2/4039891-904 DISPLAY HAS MORE GRADUATIONS ON DIAL FACE THAN S231T100-1/ 4039891-903 REPLACE IN SHIP SHIPSETS ONLY FUNCTIONAL REFERENCE: LIGHTS FOR DETAILS SEE 33-13-51-51 NAVIGATION FOR DETAILS SEE 34-13-02-50	121503 904949	2
	50 233N2220-7		.MODULE ASSY-P1-1 PRE SERVICE BULLETIN: 34-0414	107107	RF
	50 233N2220-10		.MODULE ASSY-P1-1 PRE SERVICE BULLETIN: 34-0416	002004 006010 950999	RF
	50 233N2220-13		.MODULE ASSY-P1-1	121503 904949	RF
	53 123-4D		..CLAMP- SUPPLIER CODE: V28277 OPTIONAL PART: 123-4040G V28277	002004 006010 107107 121503 904999	1
	53 123-4040G		..CLAMP- SUPPLIER CODE: V28277 OPTIONAL PART: 123-4D V28277	002004 006010 107107 121503 904999	1
	55 233N2222-53		.MODULE ASSY-P3-1 PRE ALERT SB: 33A0044	107107	RF

MISSING ITEM NUMBERS NOT APPLICABLE

- ITEM NOT ILLUSTRATED

34-13-01-01

34-13-01  
FIG. 01  
PAGE 2  
JAN 20/09

BRI



757

PARTS CATALOG (MAINTENANCE)

FIG ITEM	PART NUMBER	1 2 3 4 5 6 7	NOMENCLATURE	EFFECT FROM TO	UNITS PER ASSY
1					
56	233N2222-1077		.MODULE ASSY-P3-1 POST ALERT SB: 33A0044	002004 006010 950951 953999	RF
57	233N2222-77		.MODULE ASSY-P3-1 PRE SERVICE BULLETIN: 34-0200 PRE ALERT SB: 33A0044	002004 006010 950999	RF
57	233N2222-85		.MODULE ASSY-P3-1 PRE ALERT SB: 33A0044R1	121503 904949	RF
60	233N2222-1053		.MODULE ASSY-P3-1 POST ALERT SB: 33A0044	107107	RF
61	233N2222-1085		.MODULE ASSY-P3-1 POST ALERT SB: 33A0044R1	121503 904949	RF
64	123-4D		..CLAMP- SUPPLIER CODE: V28277	002004 006010 107107 121503 904999	1
66	233N2221-62		.MODULE ASSY-P1-3	121503 904949	RF
67	233N2221-59		.MODULE ASSY-P1-3	107107	RF
67	233N2221-51		.MODULE ASSY-P1-3	002004 006010 950999	RF
70	123-3D		..CLAMP- SUPPLIER CODE: V28277	002004 006010 107107 121503 904999	2
72	123-3D		..CLAMP- SUPPLIER CODE: V28277	002004 006010 107107 121503 904999	1
75	233N2223-8		.MODULE ASSY-P3-3 PRE SERVICE BULLETIN: 34-0414	107107	RF
75	233N2223-12		.MODULE ASSY-P3-3 PRE SERVICE BULLETIN: 34-0416	002004 006010 950999	RF
75	233N2223-15		.MODULE ASSY-P3-3	121503 904949	RF

MISSING ITEM NUMBERS NOT APPLICABLE

- ITEM NOT ILLUSTRATED

34-13-01-01

34-13-01  
FIG. 01  
PAGE 3  
JAN 20/09

BRI



757

PARTS CATALOG (MAINTENANCE)

FIG ITEM	PART NUMBER	1 2 3 4 5 6 7	NOMENCLATURE	EFFECT FROM TO	UNITS PER ASSY
1 80	123-3D		.. CLAMP- SUPPLIER CODE: V28277	002004 006010 107107 121503 904999	1
100	4039892-904		. INDICATOR ASSY-ALTM SUPPLIER CODE: V58960 SPECIFICATION NUMBER: S231T101-1 ELECTRICAL EQUIP NUMBER: N00008 N00048 COMPONENT MAINT MANUAL REF: 34-13-08 QUALIFIED I/W DATA: INTERCHANGEABLE AS A SHIPSET FUNCTIONAL REFERENCE: NAVIGATION FOR DETAILS SEE 34-13-01-10 LIGHTS FOR DETAILS SEE 33-13-51-50	107107 121503 904999	2
100	4039892-907		. INDICATOR ASSY-ALTM SUPPLIER CODE: V58960 SPECIFICATION NUMBER: S231T101-4 ELECTRICAL EQUIP NUMBER: N00008 N00048 COMPONENT MAINT MANUAL REF: 34-13-08 FUNCTIONAL REFERENCE: NAVIGATION FOR DETAILS SEE 34-13-01-10 LIGHTS FOR DETAILS SEE 33-13-51-50	002004 006010	2
- 110	823N0001-3		. MODULE ASSY-P1-1 POST SERVICE BULLETIN: 34-0414 34-0416	009009 107107	RF

MISSING ITEM NUMBERS NOT APPLICABLE

- ITEM NOT ILLUSTRATED

34-13-01-01

34-13-01  
FIG. 01  
PAGE 4  
JAN 20/09

BRI



757

PARTS CATALOG (MAINTENANCE)

FIG ITEM	PART NUMBER	1 2 3 4 5 6 7	NOMENCLATURE	EFFECT FROM TO	UNITS PER ASSY
1					
115	823N0001-203		..PANEL ASSY- POST SERVICE BULLETIN: 34-0414 34-0416	009009 107107	RF
120	123-4D		...CLAMP- SUPPLIER CODE: V28277 SERVICE BULLETIN OPT DATA: 123-4040G V28277	009009 107107	1
120	123-4040G		...CLAMP- SUPPLIER CODE: V28277 SERVICE BULLETIN OPT DATA: 123-4D V28277	009009 107107	1
125	233N2223-334		.MODULE ASSY-P3-3 POST SERVICE BULLETIN: 34-0414 34-0416	009009 107107	RF
130	233N2223-61		..MODULE SUB ASSY-P3-3 POST SERVICE BULLETIN: 34-0414 34-0416	009009 107107	RF
135	123-3D		...CLAMP- SUPPLIER CODE: V28277	009009 107107	1
- 150	233N2222-329		.MODULE ASSY- COMPONENT MAINT MANUAL REF: 31-11-49 POST SERVICE BULLETIN: 34-0200 PRE ALERT SB: 33A0044	952952	RF
- 150	233N2222-1329		.MODULE ASSY- COMPONENT MAINT MANUAL REF: 31-11-49 POST ALERT SB: 33A0044	952952	RF
155	233N2222-111		..MODULE ASSY- PRE ALERT SB: 33A0044	952952	RF
155	233N2222-1111		..MODULE ASSY- POST ALERT SB: 33A0044	952952	RF
160	123-4D		...CLAMP- SUPPLIER CODE: V28277	952952	1

MISSING ITEM NUMBERS NOT APPLICABLE

- ITEM NOT ILLUSTRATED

34-13-01-01

34-13-01  
FIG. 01  
PAGE 5  
JAN 20/09

BRI



757

PARTS CATALOG (MAINTENANCE)

FIG ITEM	PART NUMBER	1 2 3 4 5 6 7	NOMENCLATURE	EFFECT FROM TO	UNITS PER ASSY
1					
165	123-10D		...CLAMP- SUPPLIER CODE: V28277	952952	1
- 250	286N0001-002		WIRE BUNDLE ASSY- REWORKED BY ALERT SB: 34A0222	121503 904949	RF
- 250	286N0001-003		WIRE BUNDLE ASSY- REWORKED BY ALERT SB: 34A0222	107107	RF
- 250	286N0001-005		WIRE BUNDLE ASSY- REWORKED BY ALERT SB: 34A0222	002004 006010 950999	RF
255	BACC45FT18A31S		.CONNECTOR- ELECTRICAL EQUIP NUMBER: D00277 WIRING DIAGRAM REF: 341311	002004 006010 107107 121503 904999	1
265	BACC45FT20A41S		.CONNECTOR- ELECTRICAL EQUIP NUMBER: D00279 WIRING DIAGRAM REF: 341211	002004 006010 107107 121503 904999	1
- 300	286N0003-002		WIRE BUNDLE ASSY- REWORKED BY ALERT SB: 34A0222	121503 904949	RF
- 300	286N0003-003		WIRE BUNDLE ASSY- REWORKED BY ALERT SB: 34A0222	107107	RF
- 300	286N0003-005		WIRE BUNDLE ASSY- REWORKED BY SB: 34-0200 REWORKED BY ALERT SB: 34A0222	002004 006010 950999	RF
305	BACC45FT18A31S		.CONNECTOR- ELECTRICAL EQUIP NUMBER: D00285 WIRING DIAGRAM REF: 341321	002004 006010 107107 121503 904999	1
315	BACC45FT20A41S		.CONNECTOR- ELECTRICAL EQUIP NUMBER: D00287 WIRING DIAGRAM REF: 341321	002004 006010 107107 121503 904999	1

MISSING ITEM NUMBERS NOT APPLICABLE

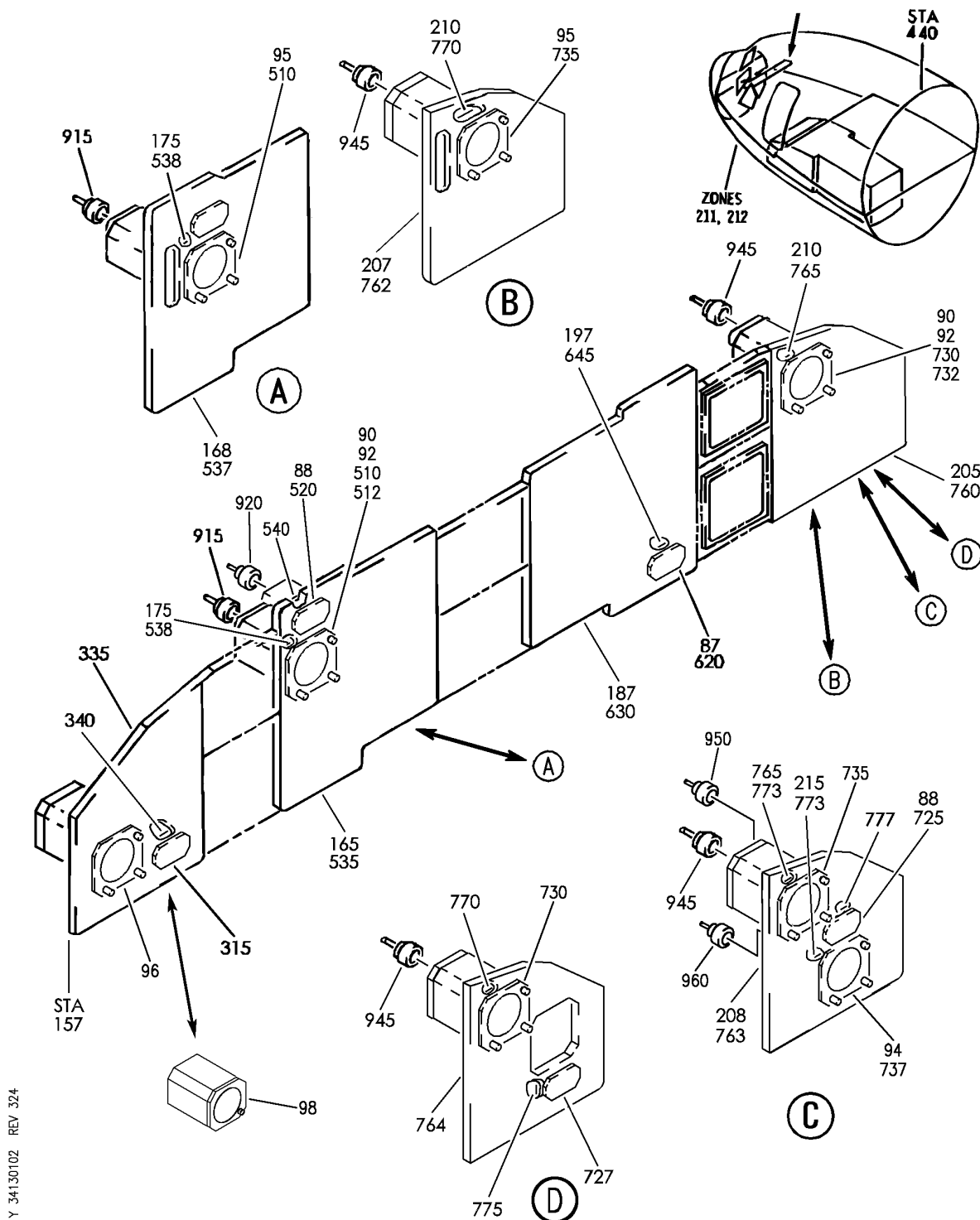
- ITEM NOT ILLUSTRATED

34-13-01-01

34-13-01  
FIG. 01  
PAGE 6  
JAN 20/09

BRI

**BOEING**  
757  
**PARTS CATALOG (MAINTENANCE)**



Y 34130102 REV 324

PANEL INSTL-CAPT AND FIRST OFFICER AND PILOTS FWD (ALTIMETER ONLY)  
FIGURE 2

# 34-13-01-02

BRI  
SEP 20/08

34-13-01-02  
PAGE 0



757

PARTS CATALOG (MAINTENANCE)

FIG ITEM	PART NUMBER	1 2 3 4 5 6 7	NOMENCLATURE	EFFECT FROM TO	UNITS PER ASSY
2			PANEL INSTL-CAPT AND FIRST OFFICER AND PILOTS FWD (ALTIMETER ONLY)	011102 108120 504903	
- 1	233N2101-1		PANEL INSTL-CAPT AND FIRST OFFICER (ALTIMETER ONLY) POSITION DATA: FWD VARIABLE DRAWING REF: 233N2101-5039 FOR NHA/OTHER SYS DET SEE: 25-10-00-05A	011100	RF
92	4039892-907		.INDICATOR ASSY-ALTM SUPPLIER CODE: V58960 SPECIFICATION NUMBER: S231T101-4 ELECTRICAL EQUIP NUMBER: N00008 N00048 COMPONENT MAINT MANUAL REF: 34-13-08 FUNCTIONAL REFERENCE: NAVIGATION FOR DETAILS SEE 34-13-01-10 LIGHTS FOR DETAILS SEE 33-13-51-50	011100	2
- 160	233N2221-301		.MODULE ASSY-P1-3 COMPONENT MAINT MANUAL REF: 31-11-48	011100	RF
165	233N2221-51		..MODULE ASSY-	011100	RF
165	233N2221-73		..MODULE ASSY-	011100	RF
175	123-3D		...CLAMP- SUPPLIER CODE: V28277	011100	1
- 200	233N2223-301		.MODULE ASSY-P3-3 COMPONENT MAINT MANUAL REF: 31-11-50	011100	RF
205	233N2223-12		..MODULE ASSY-	011100	RF
210	123-3D		...CLAMP- SUPPLIER CODE: V28277	011100	1
- 450	233N2103-10		PANEL INSTL-P1-3 (ALTIMETER ONLY) FOR NHA/OTHER SYS DET SEE: 25-10-00-15B	108120	RF

MISSING ITEM NUMBERS NOT APPLICABLE

- ITEM NOT ILLUSTRATED

34-13-01-02

34-13-01  
FIG. 02  
PAGE 1  
JAN 20/09

BRI



757

PARTS CATALOG (MAINTENANCE)

FIG ITEM	PART NUMBER	1 2 3 4 5 6 7	NOMENCLATURE	EFFECT FROM TO	UNITS PER ASSY
2					
- 450	233N2103-72		PANEL INSTL-P1-3 (ALTIMETER ONLY) FOR NHA/OTHER SYS DET SEE: 25-10-00-15B	101102	RF
510	4039892-904		.INDICATOR ASSY-ALTM SUPPLIER CODE: V58960 SPECIFICATION NUMBER: S231T101-1 ELECTRICAL EQUIP NUMBER: N00008 COMPONENT MAINT MANUAL REF: 34-13-08 FUNCTIONAL REFERENCE: NAVIGATION FOR DETAILS SEE 34-13-01-10 LIGHTS FOR DETAILS SEE 33-13-51-50	108120 504903	1
512	4039892-907		.INDICATOR ASSY-ALTM SUPPLIER CODE: V58960 SPECIFICATION NUMBER: S231T101-4 ELECTRICAL EQUIP NUMBER: N00008 COMPONENT MAINT MANUAL REF: 34-13-08 FUNCTIONAL REFERENCE: NAVIGATION FOR DETAILS SEE 34-13-01-10 LIGHTS FOR DETAILS SEE 33-13-51-50	101102	1
- 530	233N2221-301		.MODULE ASSY- COMPONENT MAINT MANUAL REF: 31-11-48	101102 108120	RF
- 530	233N2221-326		.MODULE ASSY- COMPONENT MAINT MANUAL REF: 31-11-48	101102 108120	RF
- 530	233N2221-317		.MODULE ASSY- COMPONENT MAINT MANUAL REF: 31-11-48	505505 507903	RF
- 530	RR92002-134A101		.MODULE ASSY- POST RAPID REVISION: RR92002-134A	504504 506506	RF

MISSING ITEM NUMBERS NOT APPLICABLE

- ITEM NOT ILLUSTRATED

34-13-01-02

34-13-01  
FIG. 02  
PAGE 2  
JAN 20/09

BRI





757

PARTS CATALOG (MAINTENANCE)

FIG ITEM	PART NUMBER	1 2 3 4 5 6 7	NOMENCLATURE	EFFECT FROM TO	UNITS PER ASSY
2					
- 530	233N2221-320		.MODULE ASSY- COMPONENT MAINT MANUAL REF: 31-11-48	101102 108120	RF
- 530	233N2221-328		.MODULE ASSY- COMPONENT MAINT MANUAL REF: 31-11-48	101102 108120	RF
535	233N2221-51		..MODULE ASSY- USED ON: 233N2221-301	101102 108120	RF
535	233N2221-81		..MODULE ASSY- USED ON: 233N2221-320 233N2221-326 233N2221-328	101102 108120	RF
535	233N2221-74		..MODULE ASSY	504903	RF
538	123-3D		...CLAMP- SUPPLIER CODE: V28277	101102 108120 504903	1
- 720	233N2103-28		PANEL INSTL-P3-3 (ALTIMETER ONLY) FOR NHA/OTHER SYS DET SEE: 25-10-00-15B	108120	RF
- 720	233N2103-55		PANEL INSTL-P3-3 (ALTIMETER ONLY) FOR NHA/OTHER SYS DET SEE: 25-10-00-15B	504903	RF
- 720	233N2103-73		PANEL INSTL-P3-3 (ALTIMETER ONLY) FOR NHA/OTHER SYS DET SEE: 25-10-00-15B	101102	RF
730	4039892-904		.INDICATOR ASSY-ALTM SUPPLIER CODE: V58960 SPECIFICATION NUMBER: S231T101-1 ELECTRICAL EQUIP NUMBER: N00048 COMPONENT MAINT MANUAL REF: 34-13-08 FUNCTIONAL REFERENCE: NAVIGATION FOR DETAILS SEE 34-13-01-10 LIGHTS FOR DETAILS SEE 33-13-51-50	108120 504903	1

MISSING ITEM NUMBERS NOT APPLICABLE

- ITEM NOT ILLUSTRATED

34-13-01-02

34-13-01  
FIG. 02  
PAGE 3  
JAN 20/09

BRI



757

PARTS CATALOG (MAINTENANCE)

FIG ITEM	PART NUMBER	1 2 3 4 5 6 7	NOMENCLATURE	EFFECT FROM TO	UNITS PER ASSY
2 732	4039892-907		.INDICATOR ASSY-ALTM SUPPLIER CODE: V58960 SPECIFICATION NUMBER: S231T101-4 ELECTRICAL EQUIP NUMBER: N00048 COMPONENT MAINT MANUAL REF: 34-13-08 FUNCTIONAL REFERENCE: NAVIGATION FOR DETAILS SEE 34-13-01-10 LIGHTS FOR DETAILS SEE 33-13-51-50	101102	1
- 755	233N2223-306		.MODULE ASSY- COMPONENT MAINT MANUAL REF: 31-11-50 QUALIFIED I/W DATA: 233N2223-338 CAN REPLACE 233N2223-306 FOR NT383-NT399 AIRCRAFT ONLY.	101102 108120	RF
- 755	233N2223-313		.MODULE ASSY- COMPONENT MAINT MANUAL REF: 31-11-50	504903	RF
760	233N2223-22		..MODULE ASSY-	101102 108120	RF
760	233N2223-29		..MODULE ASSY	504903	RF
765	123-3D		...CLAMP- SUPPLIER CODE: V28277	101102 108120 504903	1
- 900	286N0001-005		WIRE BUNDLE ASSY- REWORKED BY ALERT SB: 34A0222	011100	RF
- 900	286N0001-392		WIRE BUNDLE ASSY- REWORKED BY ALERT SB: 34A0222	108120	RF
- 903	286N0001-357		WIRE BUNDLE ASSY- REWORKED BY ALERT SB: 34A0222	505505 507903	RF
- 903	286N0001-361		WIRE BUNDLE ASSY- REWORKED BY ALERT SB: 34A0222	101101	RF
- 903	286N0001-365		WIRE BUNDLE ASSY- REWORKED BY ALERT SB: 34A0222	102102	RF

MISSING ITEM NUMBERS NOT APPLICABLE

- ITEM NOT ILLUSTRATED

34-13-01-02

34-13-01  
FIG. 02  
PAGE 4  
JAN 20/09

BRI



757

PARTS CATALOG (MAINTENANCE)

FIG ITEM	PART NUMBER	1 2 3 4 5 6 7	NOMENCLATURE	EFFECT FROM TO	UNITS PER ASSY
2					
- 904	286N0001-382		WIRE BUNDLE ASSY- REWORKED BY ALERT SB: 34A0222	504504 506506	RF
915	BACC45FT20A41S		.CONNECTOR- ELECTRICAL EQUIP NUMBER: D00279 WIRING DIAGRAM REF: 341311	011102 108120 504903	1
- 930	286N0003-005		WIRE BUNDLE ASSY- REWORKED BY ALERT SB: 34A0222	011100	RF
- 931	286N0003-323		WIRE BUNDLE ASSY- REWORKED BY ALERT SB: 34A0222	101101	RF
- 933	286N0003-355		WIRE BUNDLE ASSY- REWORKED BY ALERT SB: 34A0222	504903	RF
- 933	286N0003-359		WIRE BUNDLE ASSY- REWORKED BY ALERT SB: 34A0222	102102	RF
- 935	286N0003-384		WIRE BUNDLE ASSY- REWORKED BY ALERT SB: 34A0222	108120	RF
945	BACC45FT20A41S		.CONNECTOR- ELECTRICAL EQUIP NUMBER: D00287 WIRING DIAGRAM REF: 341321	011102 108120 504903	1

MISSING ITEM NUMBERS NOT APPLICABLE

- ITEM NOT ILLUSTRATED

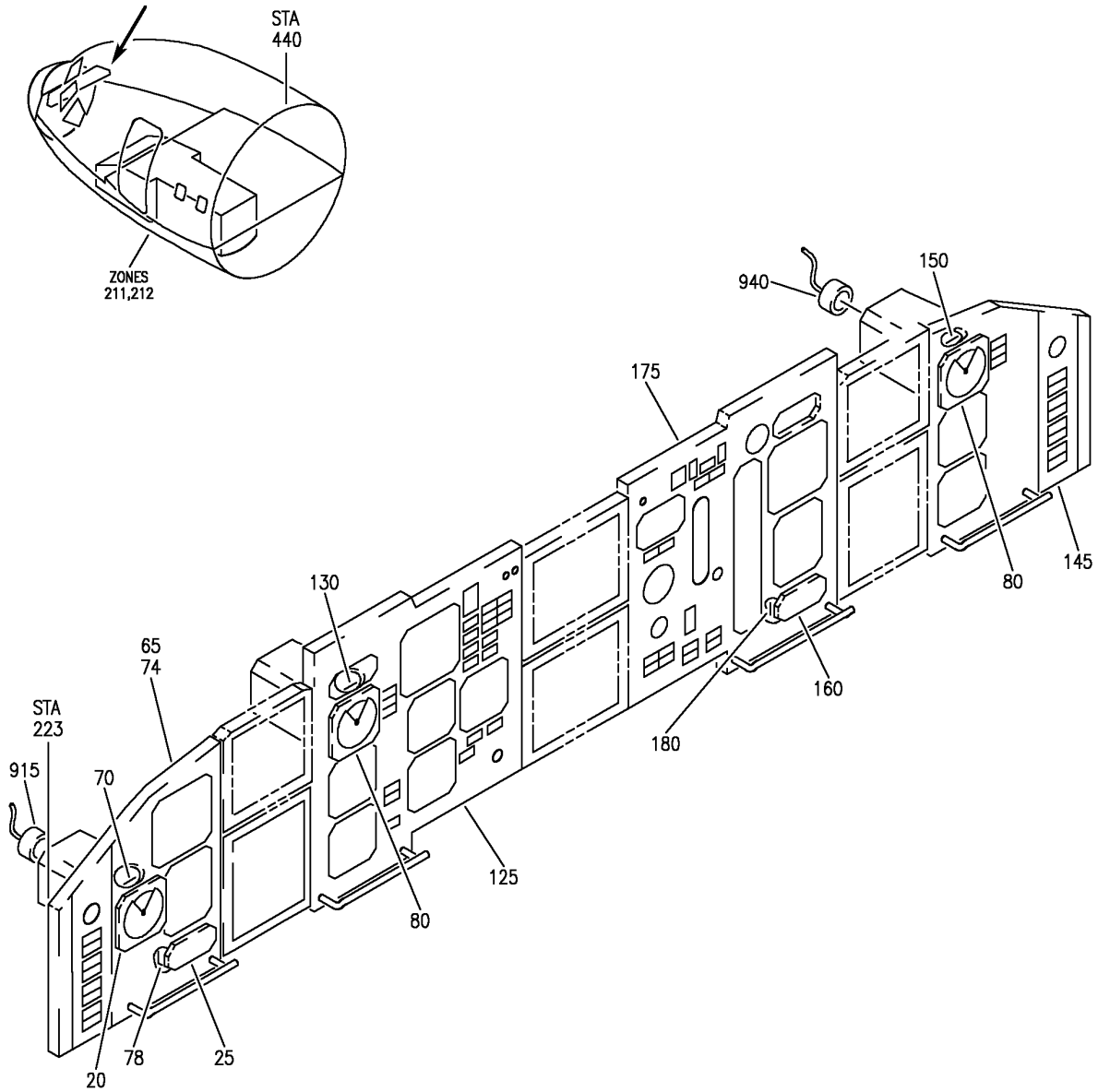
BRI

34-13-01-02

BOEING PROPRIETARY - Copyright © - Unpublished Work - See title page for details.

34-13-01  
FIG. 02  
PAGE 5  
JAN 20/09

**BOEING**  
757  
PARTS CATALOG (MAINTENANCE)



Y 34130103 REV 271

PANEL INSTL-PILOTS FWD (ALTIMETER ONLY)  
FIGURE 3

**34-13-01-03**

BRI  
JAN 20/09

34-13-01-03  
PAGE 0



757

PARTS CATALOG (MAINTENANCE)

FIG ITEM	PART NUMBER	1 2 3 4 5 6 7	NOMENCLATURE	EFFECT FROM TO	UNITS PER ASSY
3			PANEL INSTL-PILOTS FWD (ALTIMETER ONLY)	103106	
- 3	MODREF31741		PANEL INSTL-PILOTS FWD (ALTIMETER ONLY) MODULE NUMBER: 233N2103-425 REV A FOR OTHER SYS DETAILS SEE: 11-31-01-38 22-11-02-03 22-14-01-03 22-31-02-01 22-34-51-02 26-17-51-05 27-51-57-03 27-58-00-02 27-81-00-01 29-21-55-02 31-11-11-19 31-11-16-01 31-11-26-38 31-25-01-03 31-41-52-02 31-51-52-02 32-35-52-03 32-41-52-02 32-42-55-03 32-46-00-01 32-61-51-03 33-13-57-01A 33-16-52-03 34-12-01-03 34-16-51-03 34-21-02-02 34-22-02-02 34-22-05-01A 34-22-06-01 34-24-01-03 34-32-00-02 34-46-51-02 34-51-02-02 34-57-00-01 34-61-01-07 34-61-02-02 77-41-01-01 79-33-51-05 FOR ADDITIONAL DETAILS SEE: 34-13-02-01 34-13-05-01 34-13-06-01	103105	1
MISSING ITEM NUMBERS NOT APPLICABLE					

- ITEM NOT ILLUSTRATED

# 34-13-01-03

34-13-01  
FIG. 03  
PAGE 1  
JAN 20/09

BRI



757

PARTS CATALOG (MAINTENANCE)

FIG ITEM	PART NUMBER	1 2 3 4 5 6 7	NOMENCLATURE	EFFECT FROM TO	UNITS PER ASSY
3 - 3	MODREF104335		PANEL INSTL-PILOTS FWD (ALTIMETER ONLY) MODULE NUMBER: 233N2103-425 REV B FOR OTHER SYS DETAILS SEE: 11-31-01-38 22-11-02-03 22-14-01-03 22-31-02-01 22-34-51-02 26-17-51-05 27-51-57-03 27-58-00-02 27-81-00-01 29-21-55-02 31-11-11-19 31-11-16-01 31-11-26-38 31-25-01-03 31-41-52-02 31-51-52-02 32-35-52-03 32-41-52-02 32-42-55-03 32-46-00-01 32-61-51-03 33-13-57-01A 33-16-52-03 34-12-01-03 34-16-51-03 34-21-02-02 34-22-02-02 34-22-05-01A 34-22-06-01 34-24-01-03 34-32-00-02 34-46-51-02 34-51-02-02 34-57-00-01 34-61-01-07 34-61-02-02 77-41-01-01 79-33-51-05 FOR ADDITIONAL DETAILS SEE: 34-13-02-01 34-13-05-01 34-13-06-01	106106	1

MISSING ITEM NUMBERS NOT APPLICABLE

- ITEM NOT ILLUSTRATED

34-13-01-03

34-13-01  
FIG. 03  
PAGE 2  
JAN 20/09

BRI



757

PARTS CATALOG (MAINTENANCE)

FIG ITEM	PART NUMBER	1 2 3 4 5 6 7	NOMENCLATURE	EFFECT FROM TO	UNITS PER ASSY
3					
80	4039892-904		.INDICATOR ASSY-ALTM SUPPLIER CODE: V58960 SPECIFICATION NUMBER: S231T101-1 ELECTRICAL EQUIP NUMBER: N00008 N00048 COMPONENT MAINT MANUAL REF: 34-13-08 FUNCTIONAL REFERENCE: NAVIGATION FOR DETAILS SEE 34-13-01-10 LIGHTS FOR DETAILS SEE 33-13-51-50	103106	2
- 120	233N2221-325		.MODULE ASSY-P1-3 COMPONENT MAINT MANUAL REF: 31-11-48	103106	RF
125	233N2221-81		..MODULE ASSY- USED ON: 233N2221-320 233N2221-326 233N2221-328	103106	RF
130	123-3D		...CLAMP- SUPPLIER CODE: V28277	103106	1
- 140	233N2223-337		.MODULE ASSY-P3-3 COMPONENT MAINT MANUAL REF: 31-11-50	103106	RF
145	233N2223-62		..MODULE ASSY- USED ON: 233N2223-335 233N2223-337	103106	RF
150	123-3D		...CLAMP- SUPPLIER CODE: V28277	103106	1
- 900	286N0001-709		WIRE BUNDLE ASSY-	103106	RF
915	BACC45FT20A41S		.CONNECTOR- ELECTRICAL EQUIP NUMBER: D00279 WIRING DIAGRAM REF: 341311	103106	1
- 925	286N0003-601		WIRE BUNDLE ASSY	103106	RF

MISSING ITEM NUMBERS NOT APPLICABLE

- ITEM NOT ILLUSTRATED

34-13-01-03

34-13-01  
FIG. 03  
PAGE 3  
JAN 20/09

BRI



757

PARTS CATALOG (MAINTENANCE)

FIG ITEM	PART NUMBER	1 2 3 4 5 6 7	NOMENCLATURE	EFFECT FROM TO	UNITS PER ASSY
3 940	BACC45FT20A41S		.CONNECTOR- ELECTRICAL EQUIP NUMBER: D00287 WIRING DIAGRAM REF: 341321	103106	1

MISSING ITEM NUMBERS NOT APPLICABLE

- ITEM NOT ILLUSTRATED

BRI

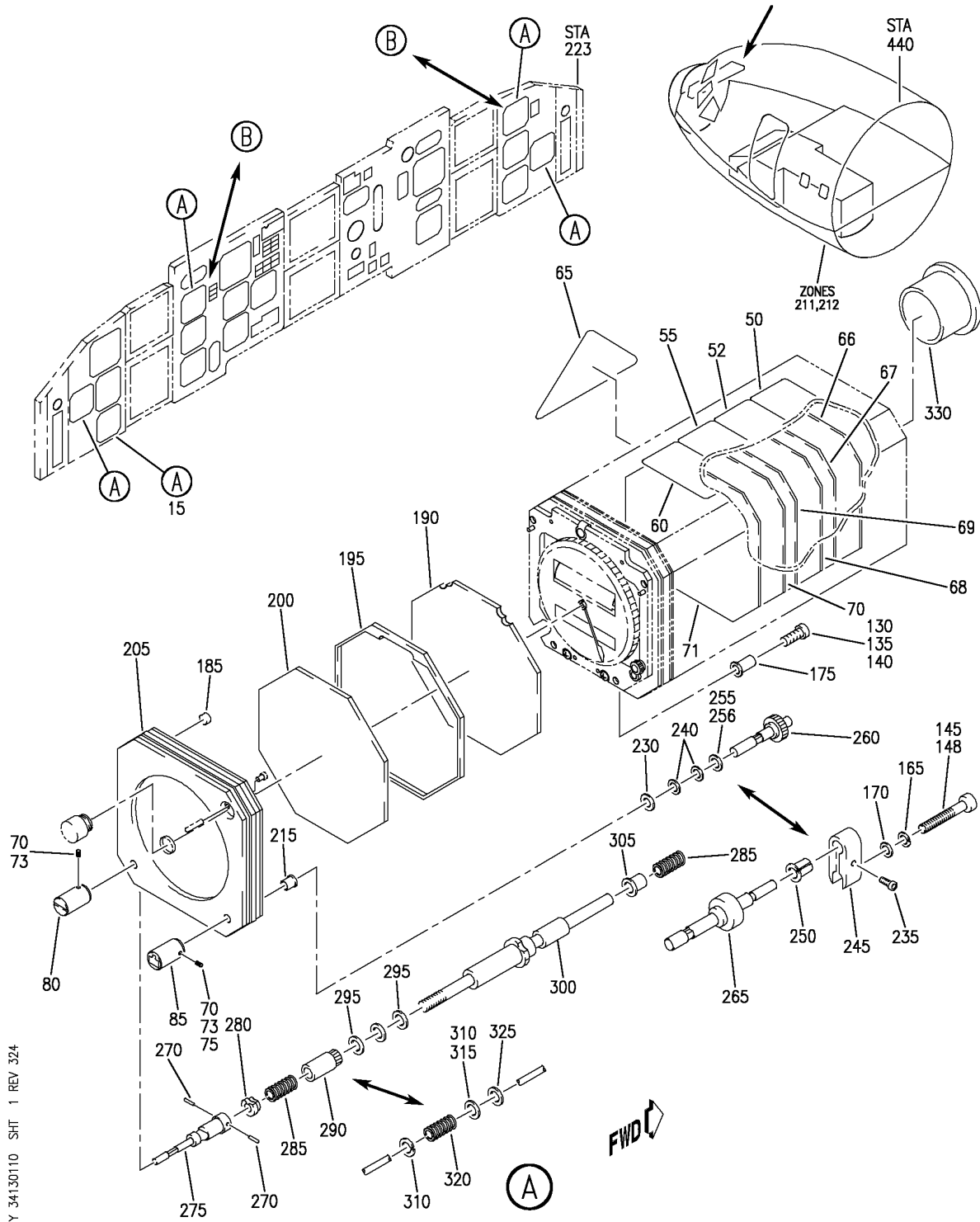
34-13-01-03

BOEING PROPRIETARY - Copyright © - Unpublished Work - See title page for details.

34-13-01  
FIG. 03  
PAGE 4  
JAN 20/09



**BOEING**  
757  
**PARTS CATALOG (MAINTENANCE)**



Y 34130110 SHT 1 REV 324

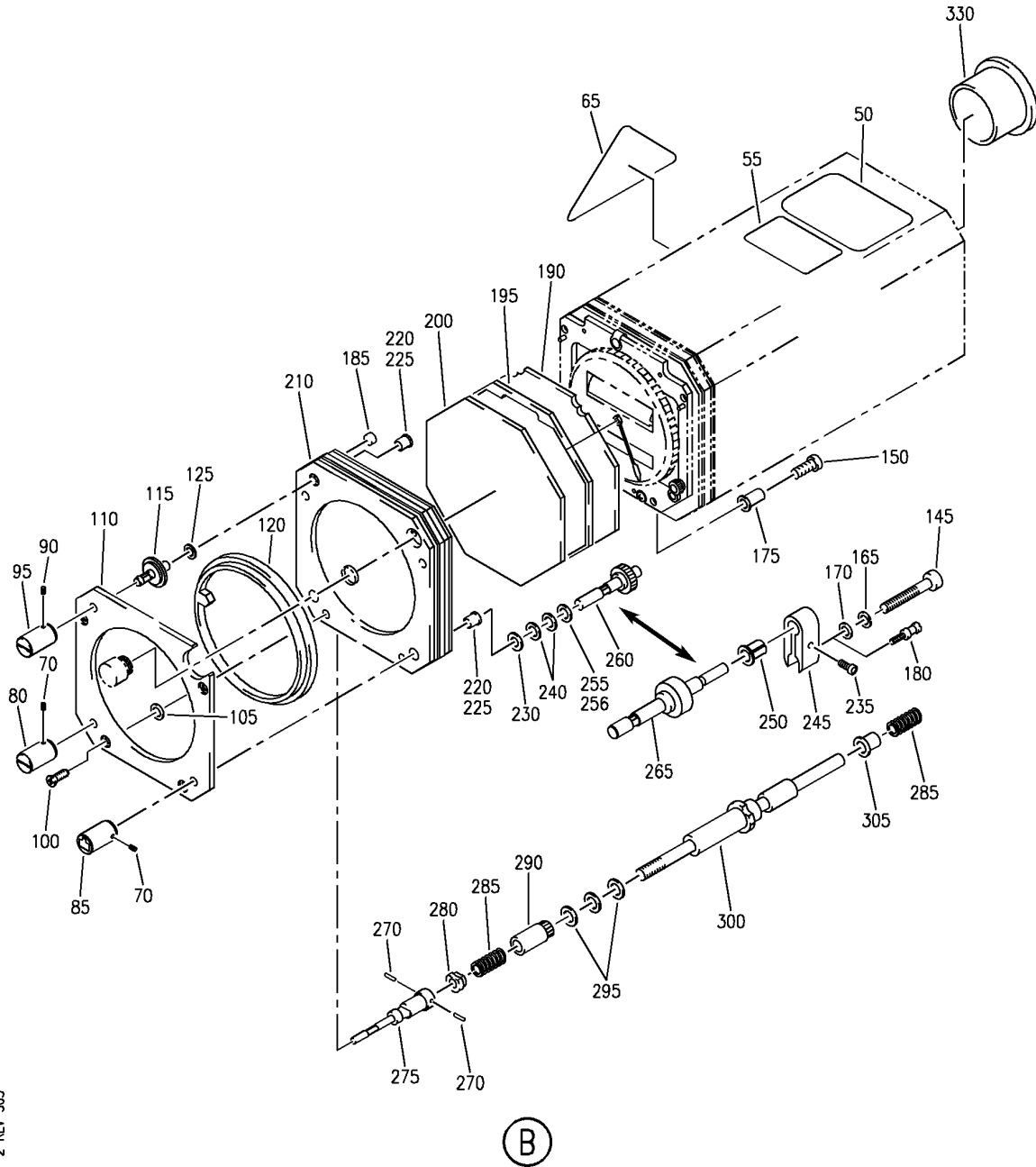
INDICATOR ASSY-ALTIMETER (NAVIGATION ONLY)  
FIGURE 10 (SHEET 1)

**34-13-01-10**

BRI  
SEP 20/08

34-13-01-10  
PAGE 0

**BOEING**  
757  
PARTS CATALOG (MAINTENANCE)



Y 34130110 SHT 2 REV 303

INDICATOR ASSY-ALTIMETER (NAVIGATION ONLY)  
FIGURE 10 (SHEET 2)

**34-13-01-10**

BRI  
MAY 28/07

34-13-01-10  
PAGE 0A



757

PARTS CATALOG (MAINTENANCE)

FIG ITEM	PART NUMBER	1 2 3 4 5 6 7	NOMENCLATURE	EFFECT FROM TO	UNITS PER ASSY
10			INDICATOR ASSY-ALTIMETER (NAVIGATION ONLY)	002004 006999	
- 1	4039892-904		INDICATOR ASSY-ALTIMETER (NAVIGATION ONLY) SUPPLIER CODE: V58960 SPECIFICATION NUMBER: S231T101-1 ELECTRICAL EQUIP NUMBER: N00008 N00048 COMPONENT MAINT MANUAL REF: 34-13-08 QUALIFIED I/W DATA: INTERCHANGEABLE AS A SHIPSET FOR NHA/OTHER SYS DET SEE: 34-13-01-01 34-13-01-02 34-13-01-03	103999	RF
- 1	4039892-907		INDICATOR ASSY-ALTIMETER (NAVIGATION ONLY) SUPPLIER CODE: V58960 SPECIFICATION NUMBER: S231T101-4 ELECTRICAL EQUIP NUMBER: N00008 N00048 COMPONENT MAINT MANUAL REF: 34-13-08 FOR NHA/OTHER SYS DET SEE: 34-13-01-01 34-13-01-02	002004 006102	RF
50	4015721-170		.PLATE-IDENT SUPPLIER CODE: V58960 USED ON: 4039892-904 4039892-905 4039892-906 4039892-907	002004 006999	1

MISSING ITEM NUMBERS NOT APPLICABLE

- ITEM NOT ILLUSTRATED

**34-13-01-10**

34-13-01  
FIG. 10  
PAGE 1  
JAN 20/09

BRI



757

PARTS CATALOG (MAINTENANCE)

FIG ITEM	PART NUMBER	1 2 3 4 5 6 7	NOMENCLATURE	EFFECT FROM TO	UNITS PER ASSY
10 52	4078256-238		.PLATE-IDENT SUPPLIER CODE: V58960 CONFIG CHG DATA FROM A CMM: REPLACES 4065516-367 USED ON: 4039892-904 4039892-905 4039892-906 4039892-907	002004 006100 103999	1
55	4021059-103		.PLATE-IDENT SUPPLIER CODE: V58960 CONFIG CHG DATA FROM A CMM: REPLD BY 4078256-913 REPLD BY 4078256-914 REPLD BY 4078256-915 REPLD BY 4078256-916 USED ON: 4039892-904 4039892-905 4039892-906 4039892-907	002004 006100 103999	1
55	4078256-913		.PLATE-IDENT SUPPLIER CODE: V58960 CONFIG CHG DATA FROM A CMM: REPLS 4021059-103 REPLD BY 4089643-71 USED ON: 4039892-904	103999	1
55	4078256-916		.PLATE-IDENT SUPPLIER CODE: V58960 CONFIG CHG DATA FROM A CMM: REPLS 4021059-103 REPLD BY 4089643-73 USED ON: 4039892-907	002004 006102	1
55	4089643-71		.PLATE-IDENT SUPPLIER CODE: V58960 CONFIG CHG DATA FROM A CMM: REPLS 4078256-913 USED ON: 4039892-904	103999	1

MISSING ITEM NUMBERS NOT APPLICABLE

- ITEM NOT ILLUSTRATED

34-13-01-10

34-13-01  
FIG. 10  
PAGE 2  
JAN 20/09

BRI

BOEING PROPRIETARY - Copyright © - Unpublished Work - See title page for details.



757

PARTS CATALOG (MAINTENANCE)

FIG ITEM	PART NUMBER	1 2 3 4 5 6 7	NOMENCLATURE	EFFECT FROM TO	UNITS PER ASSY
10					
55	4089643-73		.PLATE-IDENT SUPPLIER CODE: V58960 CONFIG CHG DATA FROM A CMM: REPLS 4078256-916 USED ON: 4039892-907	002004 006102	1
60	4089643-70		.PLATE-IDENT SUPPLIER CODE: V58960 CONFIG CHG DATA FROM A CMM: REPLS 4078256-920 USED ON: 4039892-908 4039892-904	002004 006102	1
60	4089643-70		.PLATE-IDENT SUPPLIER CODE: V58960 CONFIG CHG DATA FROM A CMM: REPLS 4078256-920 USED ON: 4039892-904 4039892-905 4039892-906 4039892-907	002004 006100 103999	1
65	4039590-13		.DECAL- SUPPLIER CODE: V58960 USED ON: 4039892-904 4039892-905 4039892-906 4039892-907	002004 006100 103999	1
66	4043132-901		.DECAL- SUPPLIER CODE: V58960 COMPONENT MAINT MANUAL REF: 34-13-11 USED ON: 4039892-904 4039892-905 4039892-906 4039892-907	002004 006100 103999	1

MISSING ITEM NUMBERS NOT APPLICABLE

- ITEM NOT ILLUSTRATED

34-13-01-10

34-13-01  
FIG. 10  
PAGE 3  
JAN 20/09

BRI



757

PARTS CATALOG (MAINTENANCE)

FIG ITEM	PART NUMBER	1 2 3 4 5 6 7	NOMENCLATURE	EFFECT FROM TO	UNITS PER ASSY
10 67	4043134-903		.DECAL- SUPPLIER CODE: V58960 COMPONENT MAINT MANUAL REF: 34-13-12 USED ON: 4039892-904 4039892-905 4039892-906 4039892-907	002004 006100 103999	1
68	4043130-902		.DECAL- SUPPLIER CODE: V58960 COMPONENT MAINT MANUAL REF: 34-13-13 USED ON: 4039892-904 4039892-905 4039892-906 4039892-907	002004 006100 103999	1
69	4043126-901		.DECAL- SUPPLIER CODE: V58960 COMPONENT MAINT MANUAL REF: 34-13-14 USED ON: 4039892-904 4039892-905 4039892-906 4039892-907	002004 006100 103999	1
70	4043128-902		.DECAL- SUPPLIER CODE: V58960 COMPONENT MAINT MANUAL REF: 34-13-15 USED ON: 4039892-904 4039892-905 4039892-906 4039892-907	002004 006100 103999	1

MISSING ITEM NUMBERS NOT APPLICABLE

- ITEM NOT ILLUSTRATED

34-13-01-10

34-13-01  
FIG. 10  
PAGE 4  
JAN 20/09

BRI



757

PARTS CATALOG (MAINTENANCE)

FIG ITEM	PART NUMBER	1 2 3 4 5 6 7	NOMENCLATURE	EFFECT FROM TO	UNITS PER ASSY
10					
71	4043124-903		.DECAL- SUPPLIER CODE: V58960 COMPONENT MAINT MANUAL REF: 34-13-16 USED ON: 4039892-904 4039892-905 4039892-906 4039892-907	002004 006100 103999	1
73	MS51021-1		.SETSCREW- MISCELLANEOUS DATA: HONEYWELL SPEC NO. 0455-64 USED ON: 4039892-904 4039892-905 4039892-906 4039892-907	002004 006100 103999	4
80	4043115-1		.KNOB- SUPPLIER CODE: V58960 USED ON: 4039892-904 4039892-905 4039892-906 4039892-907	002004 006100 103999	1
85	4043115-2		.KNOB- SUPPLIER CODE: V58960 USED ON: 4039892-904 4039892-905 4039892-906 4039892-907	002004 006100 103999	1
90	MS51021-1		.SETSCREW- MISCELLANEOUS DATA: HONEYWELL SPEC NO. 0455-64	002004 006102	2
95	4050641		.KNOB- SUPPLIER CODE: V58960	002004 006102	1
100	4050651		.SCREW- SUPPLIER CODE: V58960	002004 006102	4

MISSING ITEM NUMBERS NOT APPLICABLE

- ITEM NOT ILLUSTRATED

34-13-01-10

34-13-01  
FIG. 10  
PAGE 5  
JAN 20/09

BRI



757

PARTS CATALOG (MAINTENANCE)

FIG ITEM	PART NUMBER	1 2 3 4 5 6 7	NOMENCLATURE	EFFECT FROM TO	UNITS PER ASSY
10 105	B4-1		.SHIM- SUPPLIER CODE: V00141 MISCELLANEOUS DATA: HONEYWELL SPEC NO. 1754570-1 OPTIONAL PART: G68-1 V00328	002004 006102	4
105	G68-1		.SPACER- SUPPLIER CODE: V00328 OPTIONAL PART: B4-1 V00141	002004 006102	4
110	4050638		.PLATE- SUPPLIER CODE: V58960	002004 006102	1
115	4050637		.GEAR- SUPPLIER CODE: V58960	002004 006102	1
120	4050639		.GEAR- SUPPLIER CODE: V58960	002004 006102	1
125	1W		.WASHER- SUPPLIER CODE: V80813 MISCELLANEOUS DATA: HONEYWELL SPEC NO. 0680-1	002004 006102	1
130	2500480-40		.SCREW- SUPPLIER CODE: V58960 CONFIG CHG DATA FROM A CMM: REPLD BY FIT7125-40 USED ON: 4039892-904 4039892-905 4039892-906	103999	4

MISSING ITEM NUMBERS NOT APPLICABLE

- ITEM NOT ILLUSTRATED

34-13-01-10

34-13-01  
FIG. 10  
PAGE 6  
JAN 20/09

BRI

BOEING PROPRIETARY - Copyright © - Unpublished Work - See title page for details.





757

PARTS CATALOG (MAINTENANCE)

FIG ITEM	PART NUMBER	1 2 3 4 5 6 7	NOMENCLATURE	EFFECT FROM TO	UNITS PER ASSY
10 135	FIT7125-40		.SCREW- SUPPLIER CODE: V58998 CONFIG CHG DATA FROM A CMM: REPLACES 2500480-40 REPLACED BY 2500480-40 MISCELLANEOUS DATA: HONEYWELL SPEC NO. 2500480-40 4076322-40 USED ON: 4039892-904 4039892-905 4039892-906	103999	3
- 137	2500480-40		.SCREW- SUPPLIER CODE: V58998 CONFIG CHG DATA FROM A CMM: REPLACES FIT7125-40 MISCELLANEOUS DATA: HONEYWELL SPEC NO. 2500480-40 4076322-40 USED ON: 4039892-904 4039892-905 4039892-906	103999	3
140	FIT7125-40		.SCREW- SUPPLIER CODE: V58998 SB DATA FROM A CMM: PRE 4039892-34-4 PRE 4039892-34-6 CONFIG CHG DATA FROM A CMM: REPLACES 2500480-40 REPLACED BY 2500480-40 MISCELLANEOUS DATA: HONEYWELL SPEC NO. 2500480-40 4076322-40 USED ON: 4039892-904 4039892-905 4039892-906	103999	1

MISSING ITEM NUMBERS NOT APPLICABLE

- ITEM NOT ILLUSTRATED

BRI

34-13-01-10

34-13-01  
FIG. 10  
PAGE 7  
JAN 20/09



757

PARTS CATALOG (MAINTENANCE)

FIG ITEM	PART NUMBER	1 2 3 4 5 6 7	NOMENCLATURE	EFFECT FROM TO	UNITS PER ASSY
10 - 142	2500480-40		.SCREW- SUPPLIER CODE: V58998 SB DATA FROM A CMM: PRE 4039892-34-4 PRE 4039892-34-6 CONFIG CHG DATA FROM A CMM: REPLACES FIT7125-40 MISCELLANEOUS DATA: HONEYWELL SPEC NO. 2500480-40 4076322-40 USED ON: 4039892-904 4039892-905 4039892-906	103999	1
145	2504874-79		.SCREW- SUPPLIER CODE: V58960 SB DATA FROM A CMM: POST 4039892-34-4 PRE 4039892-34-6 USED ON: 4039892-904 4039892-905 4039892-906	103999	1
148	2504874-79		.SCREW- SUPPLIER CODE: V58960 SB DATA FROM A CMM: POST 4039892-34-4 PRE 4039892-34-6 PRE 4039892-34-0007 USED ON: 4039892-907	002004 006102	1
150	2500480-39		.SCREW- SUPPLIER CODE: V58960 CONFIG CHG DATA FROM A CMM: REPLD BY FIT7125-39	002004 006102	4

MISSING ITEM NUMBERS NOT APPLICABLE

- ITEM NOT ILLUSTRATED

34-13-01-10

34-13-01  
FIG. 10  
PAGE 8  
JAN 20/09

BRI



757

PARTS CATALOG (MAINTENANCE)

FIG ITEM	PART NUMBER	1 2 3 4 5 6 7	NOMENCLATURE	EFFECT FROM TO	UNITS PER ASSY
10 - 155	FIT7125-39		.SCREW- SUPPLIER CODE: V58998 CONFIG CHG DATA FROM A CMM: REPLACES 2500480-39 REPLACED BY 2500480-39 MISCELLANEOUS DATA: HONEYWELL SPEC NO. 2500480-39 4076322-39	002004 006102	3
- 155	2500480-39		.SCREW- SUPPLIER CODE: V58998 CONFIG CHG DATA FROM A CMM: REPLACES FIT7125-39 MISCELLANEOUS DATA: HONEYWELL SPEC NO. 2500480-39 4076322-39	002004 006102	3
- 160	FIT7125-39		.SCREW- SUPPLIER CODE: V58998 SB DATA FROM A CMM: PRE 4039892-34-4 PRE 4039892-34-6 CONFIG CHG DATA FROM A CMM: REPLACES 2500480-39 REPLACED BY 2500480-39 MISCELLANEOUS DATA: HONEYWELL SPEC NO. 2500480-39 4076322-39	002004 006102	1
- 160	2500480-39		.SCREW- SUPPLIER CODE: V58998 CONFIG CHG DATA FROM A CMM: REPLACES FIT7125-39 MISCELLANEOUS DATA: HONEYWELL SPEC NO. 2500480-39 4076322-39	002004 006102	1

MISSING ITEM NUMBERS NOT APPLICABLE

- ITEM NOT ILLUSTRATED

34-13-01-10

34-13-01  
FIG. 10  
PAGE 9  
JAN 20/09

BRI



757

PARTS CATALOG (MAINTENANCE)

FIG ITEM	PART NUMBER	1 2 3 4 5 6 7	NOMENCLATURE	EFFECT FROM TO	UNITS PER ASSY
10 165	0164-4		.WASHER- SUPPLIER CODE: V58960 SB DATA FROM A CMM: POST 4039892-34-4 PRE 4039892-34-6 PRE 4039892-34-0007 USED ON: 4039892-904 4039892-905 4039892-906 4039892-907	002004 006100 103999	1
170	NAS620C3		.WASHER- SB DATA FROM A CMM: POST 4039892-34-4 PRE 4039892-34-6 PRE 4039892-34-0007 MISCELLANEOUS DATA: HONEYWELL SPEC NO. 2504638-4 USED ON: 4039892-904 4039892-905 4039892-906 4039892-907	002004 006100 103999	1
175	4043198-1		.SPACER- SUPPLIER CODE: V58960 SB DATA FROM A CMM: POST 4039892-34-4 PRE 4039892-34-6 PRE 4039892-34-0007 USED ON: 4039892-904 4039892-905 4039892-906 4039892-907	002004 006100 103999	1
180	4031680-2		.SCREW- SUPPLIER CODE: V58960 SB DATA FROM A CMM: POST 4039892-34-6 POST 4039892-34-0007 USED ON: 4039892-904 4039892-905 4039892-906 4039892-907	002004 006100 103999	1

MISSING ITEM NUMBERS NOT APPLICABLE

- ITEM NOT ILLUSTRATED

34-13-01-10

34-13-01  
FIG. 10  
PAGE 10  
JAN 20/09

BRI

 **BOEING**  
757  
**PARTS CATALOG (MAINTENANCE)**

FIG ITEM	PART NUMBER	1 2 3 4 5 6 7	NOMENCLATURE	EFFECT FROM TO	UNITS PER ASSY
10 185	B8-18		. SPACER- SUPPLIER CODE: V00141 MISCELLANEOUS DATA: HONEYWELL SPEC NO. 1754570-86 OPTIONAL PART: B8-19 V00141 B8-20 V00141 B8-25 V00141 B3-43 V00141 USED ON: 4039892-904 4039892-905 4039892-906 4039892-907	002004 006100 103999	AR
185	B8-19		. SPACER- SUPPLIER CODE: V00141 MISCELLANEOUS DATA: HONEYWELL SPEC NO. 1754570-87 OPTIONAL PART: B8-18 V00141 B8-20 V00141 B8-25 V00141 B3-43 V00141 USED ON: 4039892-904 4039892-905 4039892-906 4039892-907	002004 006100 103999	AR

MISSING ITEM NUMBERS NOT APPLICABLE

— ITEM NOT ILLUSTRATED

BRI

# 34-13-01-10

BOEING PROPRIETARY - Copyright © - Unpublished Work - See title page for details.

34-13-01  
FIG. 10  
PAGE 11  
JAN 20/09



**757  
PARTS CATALOG (MAINTENANCE)**

FIG ITEM	PART NUMBER	1 2 3 4 5 6 7	NOMENCLATURE	EFFECT FROM TO	UNITS PER ASSY
10 185	B8-20		. SPACER- SUPPLIER CODE: V00141 MISCELLANEOUS DATA: HONEYWELL SPEC NO. 1754570-88 OPTIONAL PART: B8-18 V00141 B8-19 V00141 B8-25 V00141 B3-43 V00141 USED ON: 4039892-904 4039892-905 4039892-906 4039892-907	002004 006100 103999	AR
185	B8-25		. SPACER- SUPPLIER CODE: V00141 MISCELLANEOUS DATA: HONEYWELL SPEC NO. 1754570-99 OPTIONAL PART: B8-18 V00141 B8-19 V00141 B8-20 V00141 B3-43 V00141 USED ON: 4039892-904 4039892-905 4039892-906 4039892-907	002004 006100 103999	AR

MISSING ITEM NUMBERS NOT APPLICABLE

— ITEM NOT ILLUSTRATED

BRI

# 34-13-01-10

BOEING PROPRIETARY - Copyright © - Unpublished Work - See title page for details.

34-13-01  
FIG. 10  
PAGE 12  
JAN 20/09



757

PARTS CATALOG (MAINTENANCE)

FIG ITEM	PART NUMBER	1 2 3 4 5 6 7	NOMENCLATURE	EFFECT FROM TO	UNITS PER ASSY
10 185	B3-43		. SPACER- SUPPLIER CODE: V00141 MISCELLANEOUS DATA: HONEYWELL SPEC NO. 1754570-108 OPTIONAL PART: B8-18 V00141 B8-19 V00141 B8-20 V00141 B8-25 V00141 USED ON: 4039892-904 4039892-905 4039892-906 4039892-907	002004 006100 103999	AR
190	4031660-2		. WEDGE- SUPPLIER CODE: V58960 USED ON: 4039892-904 4039892-905 4039892-906 4039892-907	002004 006100 103999	1
195	4004030-1		. MASK- SUPPLIER CODE: V58960 USED ON: 4039892-904 4039892-905 4039892-906 4039892-907	002004 006100 103999	1
200	4004028		. GLASS- SUPPLIER CODE: V58960 USED ON: 4039892-904 4039892-905 4039892-906 4039892-907	002004 006100 103999	1

MISSING ITEM NUMBERS NOT APPLICABLE

- ITEM NOT ILLUSTRATED

34-13-01-10

34-13-01  
FIG. 10  
PAGE 13  
JAN 20/09

BRI



757

PARTS CATALOG (MAINTENANCE)

FIG ITEM	PART NUMBER	1 2 3 4 5 6 7	NOMENCLATURE	EFFECT FROM TO	UNITS PER ASSY
10 205	4043173-901		.BEZEL- SUPPLIER CODE: V58960 USED ON: 4039892-904 4039892-905 4039892-906	103999	1
210	4050640-901		.BEZEL- SUPPLIER CODE: V58960	002004 006102	1
215	4006076		.BUSHING- SUPPLIER CODE: V58960 USED ON: 4039892-904 4039892-905 4039892-906	103999	2
220	4006076		.BUSHING- SUPPLIER CODE: V58960	002004 006102	3
230	NAS620C5L		.WASHER- SB DATA FROM A CMM: PRE 4039892-34-4 MISCELLANEOUS DATA: HONEYWELL SPEC NO. 2504638-7 USED ON: 4039892-904 4039892-905 4039892-906 4039892-907	002004 006100 103999	1
235	MS16995-1		.SCREW- SB DATA FROM A CMM: POST 4039892-34-4 PRE 4039892-34-6 PRE 4039892-34-0007 MISCELLANEOUS DATA: HONEYWELL SPEC NO. 0819-1 USED ON: 4039892-904 4039892-905 4039892-906 4039892-907	002004 006100 103999	1

MISSING ITEM NUMBERS NOT APPLICABLE

- ITEM NOT ILLUSTRATED

34-13-01-10

34-13-01  
FIG. 10  
PAGE 14  
JAN 20/09

BRI





757

PARTS CATALOG (MAINTENANCE)

FIG ITEM	PART NUMBER	1 2 3 4 5 6 7	NOMENCLATURE	EFFECT FROM TO	UNITS PER ASSY
10 235	0407-28		.SCREW- SUPPLIER CODE: V58960 SB DATA FROM A CMM: POST 4039892-34-6 POST 4039892-34-0007 USED ON: 4039892-904 4039892-905 4039892-906 4039892-907	002004 006100 103999	1
240	1W		.WASHER- SUPPLIER CODE: V80813 SB DATA FROM A CMM: PRE 4039892-34-4 PRE 4039892-34-6 MISCELLANEOUS DATA: HONEYWELL SPEC NO. 0608-1 USED ON: 4039892-904 4039892-905 4039892-906 4039892-907	002004 006100 103999	2
245	4073395-1		.BRAKE- SUPPLIER CODE: V58960 SB DATA FROM A CMM: POST 4039892-34-4 PRE 4039892-34-6 PRE 4039892-34-0007 USED ON: 4039892-904 4039892-905 4039892-906 4039892-907	002004 006100 103999	1
245	4073395-5		.BRAKE- SUPPLIER CODE: V58960 SB DATA FROM A CMM: POST 4039892-34-6 POST 4039892-34-0007 USED ON: 4039892-904 4039892-905 4039892-906 4039892-907	002004 006100 103999	1

MISSING ITEM NUMBERS NOT APPLICABLE

- ITEM NOT ILLUSTRATED

34-13-01-10

34-13-01  
FIG. 10  
PAGE 15  
JAN 20/09

BRI



757

PARTS CATALOG (MAINTENANCE)

FIG ITEM	PART NUMBER	1 2 3 4 5 6 7	NOMENCLATURE	EFFECT FROM TO	UNITS PER ASSY
10 245	4073395-8		.BRAKE- SUPPLIER CODE: V58960 SB DATA FROM A CMM: POST 4039892-34-0007 USED ON: 4039892-904 4039892-905 4039892-906 4039892-907	002004 006100 103999	1
250	4058966-1		.BUSHING- SUPPLIER CODE: V58960 SB DATA FROM A CMM: POST 4039892-34-4 POST 4039892-34-6 PRE 4039892-34-0007 USED ON: 4039892-904 4039892-905 4039892-906 4039892-907	002004 006100 103999	1
255	B4-1		.SHIM- SUPPLIER CODE: V00141 SB DATA FROM A CMM: PRE 4039892-34-4 MISCELLANEOUS DATA: HONEYWELL SPEC NO. 1754570-1 OPTIONAL PART: B4-2 V00141 B4-3 V00141 B4-4 V00141 B4-5 V00141 B4-6 V00141 USED ON: 4039892-904 4039892-905 4039892-906 4039892-907	002004 006100 103999	AR

MISSING ITEM NUMBERS NOT APPLICABLE

- ITEM NOT ILLUSTRATED

34-13-01-10

34-13-01  
FIG. 10  
PAGE 16  
JAN 20/09

BRI



757

PARTS CATALOG (MAINTENANCE)

FIG ITEM	PART NUMBER	1 2 3 4 5 6 7	NOMENCLATURE	EFFECT FROM TO	UNITS PER ASSY
10 255	B4-2		. SHIM- SUPPLIER CODE: V00141 SB DATA FROM A CMM: PRE 4039892-34-4 MISCELLANEOUS DATA: HONEYWELL SPEC NO. 1754570-2 OPTIONAL PART: B4-1 V00141 B4-3 V00141 B4-4 V00141 B4-5 V00141 B4-6 V00141 USED ON: 4039892-904 4039892-905 4039892-906 4039892-907	002004 006100 103999	AR

MISSING ITEM NUMBERS NOT APPLICABLE

- ITEM NOT ILLUSTRATED

BRI

34-13-01-10

BOEING PROPRIETARY - Copyright © - Unpublished Work - See title page for details.

34-13-01  
FIG. 10  
PAGE 17  
JAN 20/09



757

PARTS CATALOG (MAINTENANCE)

FIG ITEM	PART NUMBER	1 2 3 4 5 6 7	NOMENCLATURE	EFFECT FROM TO	UNITS PER ASSY
10 255	B4-3		. SHIM- SUPPLIER CODE: V00141 SB DATA FROM A CMM: PRE 4039892-34-4 MISCELLANEOUS DATA: HONEYWELL SPEC NO. 1754570-3 OPTIONAL PART: G68-3 V00328 B4-1 V00141 B4-2 V00141 B4-4 V00141 B4-5 V00141 B4-6 V00141 USED ON: 4039892-904 4039892-905 4039892-906 4039892-907	002004 006100 103999	AR
255	G68-3		. SPACER- SUPPLIER CODE: V00328 OPTIONAL PART: B4-3 V00141 USED ON: 4039892-904 4039892-905 4039892-906 4039892-907	002004 006100 103999	AR

MISSING ITEM NUMBERS NOT APPLICABLE

- ITEM NOT ILLUSTRATED

BRI

34-13-01-10

BOEING PROPRIETARY - Copyright © - Unpublished Work - See title page for details.

34-13-01  
FIG. 10  
PAGE 18  
JAN 20/09



757

PARTS CATALOG (MAINTENANCE)

FIG ITEM	PART NUMBER	1 2 3 4 5 6 7	NOMENCLATURE	EFFECT FROM TO	UNITS PER ASSY
10 255	B4-4		. SHIM- SUPPLIER CODE: V00141 SB DATA FROM A CMM: PRE 4039892-34-4 MISCELLANEOUS DATA: HONEYWELL SPEC NO. 1754570-4 OPTIONAL PART: B4-1 V00141 B4-2 V00141 B4-3 V00141 B4-5 V00141 B4-6 V00141 USED ON: 4039892-904 4039892-905 4039892-906 4039892-907	002004 006100 103999	AR

MISSING ITEM NUMBERS NOT APPLICABLE

- ITEM NOT ILLUSTRATED

BRI

34-13-01-10

BOEING PROPRIETARY - Copyright © - Unpublished Work - See title page for details.

34-13-01  
FIG. 10  
PAGE 19  
JAN 20/09

 **BOEING**  
757  
**PARTS CATALOG (MAINTENANCE)**

FIG ITEM	PART NUMBER	1 2 3 4 5 6 7	NOMENCLATURE	EFFECT FROM TO	UNITS PER ASSY
10 255	B4-5		. SHIM- SUPPLIER CODE: V00141 SB DATA FROM A CMM: PRE 4039892-34-4 MISCELLANEOUS DATA: HONEYWELL SPEC NO. 1754570-5 OPTIONAL PART: G68-5 V00328 B4-1 V00141 B4-2 V00141 B4-3 V00141 B4-4 V00141 B4-6 V00141 USED ON: 4039892-904 4039892-905 4039892-906 4039892-907	002004 006100 103999	AR
256	G68-5		. SPACER- SUPPLIER CODE: V00328 OPTIONAL PART: B4-5 V00141 USED ON: 4039892-904 4039892-905 4039892-906 4039892-907	002004 006100 103999	AR

MISSING ITEM NUMBERS NOT APPLICABLE

— ITEM NOT ILLUSTRATED

BRI

# 34-13-01-10

BOEING PROPRIETARY - Copyright © - Unpublished Work - See title page for details.

34-13-01  
FIG. 10  
PAGE 20  
JAN 20/09



757

PARTS CATALOG (MAINTENANCE)

FIG ITEM	PART NUMBER	1 2 3 4 5 6 7	NOMENCLATURE	EFFECT FROM TO	UNITS PER ASSY
10 256	B4-6		.SHIM- SUPPLIER CODE: V00141 SB DATA FROM A CMM: PRE 4039892-34-4 MISCELLANEOUS DATA: HONEYWELL SPEC NO. 1754570-6 OPTIONAL PART: G68-6 V00328 B4-1 V00141 B4-2 V00141 B4-3 V00141 B4-4 V00141 B4-5 V00141 USED ON: 4039892-904 4039892-905 4039892-906 4039892-907	002004 006100 103999	AR
256	G68-6		.SPACER- SUPPLIER CODE: V00328 OPTIONAL PART: B4-6 V00141 USED ON: 4039892-904 4039892-905 4039892-906 4039892-907	002004 006100 103999	AR
260	4043117		.GEAR- SUPPLIER CODE: V58960 SB DATA FROM A CMM: PRE 4039892-34-4 PRE 4039892-34-6 USED ON: 4039892-904 4039892-905 4039892-906	103999	1

MISSING ITEM NUMBERS NOT APPLICABLE

- ITEM NOT ILLUSTRATED

34-13-01-10

34-13-01  
FIG. 10  
PAGE 21  
JAN 20/09

BRI



757

PARTS CATALOG (MAINTENANCE)

FIG ITEM	PART NUMBER	1 2 3 4 5 6 7	NOMENCLATURE	EFFECT FROM TO	UNITS PER ASSY
10 260	4043117-1		.GEAR- SUPPLIER CODE: V58960 SB DATA FROM A CMM: PRE 4039892-34-4 PRE 4039892-34-6	002004 006102	1
265	4043117-2		.GEAR- SUPPLIER CODE: V58960 SB DATA FROM A CMM: POST 4039892-34-4 POST 4039892-34-6 USED ON: 4039892-904 4039892-905 4039892-906	103999	1
265	4043117-3		.GEAR- SUPPLIER CODE: V58960 SB DATA FROM A CMM: POST 4039892-34-4 POST 4039892-34-6	002004 006102	1
270	0455-19		.SETSCREW- SUPPLIER CODE: V58960 CONFIG CHG DATA FROM A CMM: REPLD BY 2500148-19 USED ON: 4039892-904 4039892-906 4039892-907	002004 006100 103999	2
270	2500148-19		.SETSCREW- SUPPLIER CODE: V58960 CONFIG CHG DATA FROM A CMM: REPLACES 0455-19 USED ON: 4039892-904 4039892-906 4039892-907	002004 006100 103999	2
275	4043194		.SHAFT- SUPPLIER CODE: V58960 USED ON: 4039892-904 4039892-906 4039892-907	103999	1

MISSING ITEM NUMBERS NOT APPLICABLE

- ITEM NOT ILLUSTRATED

34-13-01-10

34-13-01  
FIG. 10  
PAGE 22  
JAN 20/09

BRI





757

PARTS CATALOG (MAINTENANCE)

FIG ITEM	PART NUMBER	1 2 3 4 5 6 7	NOMENCLATURE	EFFECT FROM TO	UNITS PER ASSY
10 275	4043194-1		.SHAFT- SUPPLIER CODE: V58960	002004 006102	1
280	4043199		.SPACER- SUPPLIER CODE: V58960 USED ON: 4039892-904 4039892-906 4039892-907	103999	1
285	MS24585-1049		.SPRING- MISCELLANEOUS DATA: HONEYWELL SPEC NO. 334597-649 USED ON: 4039892-904 4039892-906 4039892-907	103999	2
290	4043195		.GEAR- SUPPLIER CODE: V58960 USED ON: 4039892-904 4039892-906 4039892-907	103999	1
295	2503594-55		.WASHER- SUPPLIER CODE: V58960 USED ON: 4039892-904 4039892-906 4039892-907	103999	3
300	4043196		.SPACER- SUPPLIER CODE: V58960 USED ON: 4039892-904 4039892-906 4039892-907	103999	1
305	4043198		.SPACER- SUPPLIER CODE: V58960 USED ON: 4039892-904 4039892-906 4039892-907	103999	1

MISSING ITEM NUMBERS NOT APPLICABLE

- ITEM NOT ILLUSTRATED

34-13-01-10

34-13-01  
FIG. 10  
PAGE 23  
JAN 20/09

BRI



757

PARTS CATALOG (MAINTENANCE)

FIG ITEM	PART NUMBER	1 2 3 4 5 6 7	NOMENCLATURE	EFFECT FROM TO	UNITS PER ASSY
10 - 330	CEP22		.COVER- SUPPLIER CODE: V99017 MISCELLANEOUS DATA: HONEYWELL SPEC NO. 733395-486 OPTIONAL PART: EP22 V99017 USED ON: 4039892-904 4039892-905 4039892-906	103999	1
- 330	CEP22		.COVER- SUPPLIER CODE: V99017 MISCELLANEOUS DATA: HONEYWELL SPEC NO. 733395-486 OPTIONAL PART: EP22 V99017 USED ON: 4039892-904 4039892-907 4039892-908	002004 006102	1
- 330	EP22		.COVER- SUPPLIER CODE: V99017 OPTIONAL PART: CEP22 V99017 USED ON: 4039892-904 4039892-905 4039892-906	103999	1
- 330	EP22		.COVER- SUPPLIER CODE: V99017 OPTIONAL PART: CEP22 V99017 USED ON: 4039892-904 4039892-907 4039892-908	002004 006102	1

MISSING ITEM NUMBERS NOT APPLICABLE

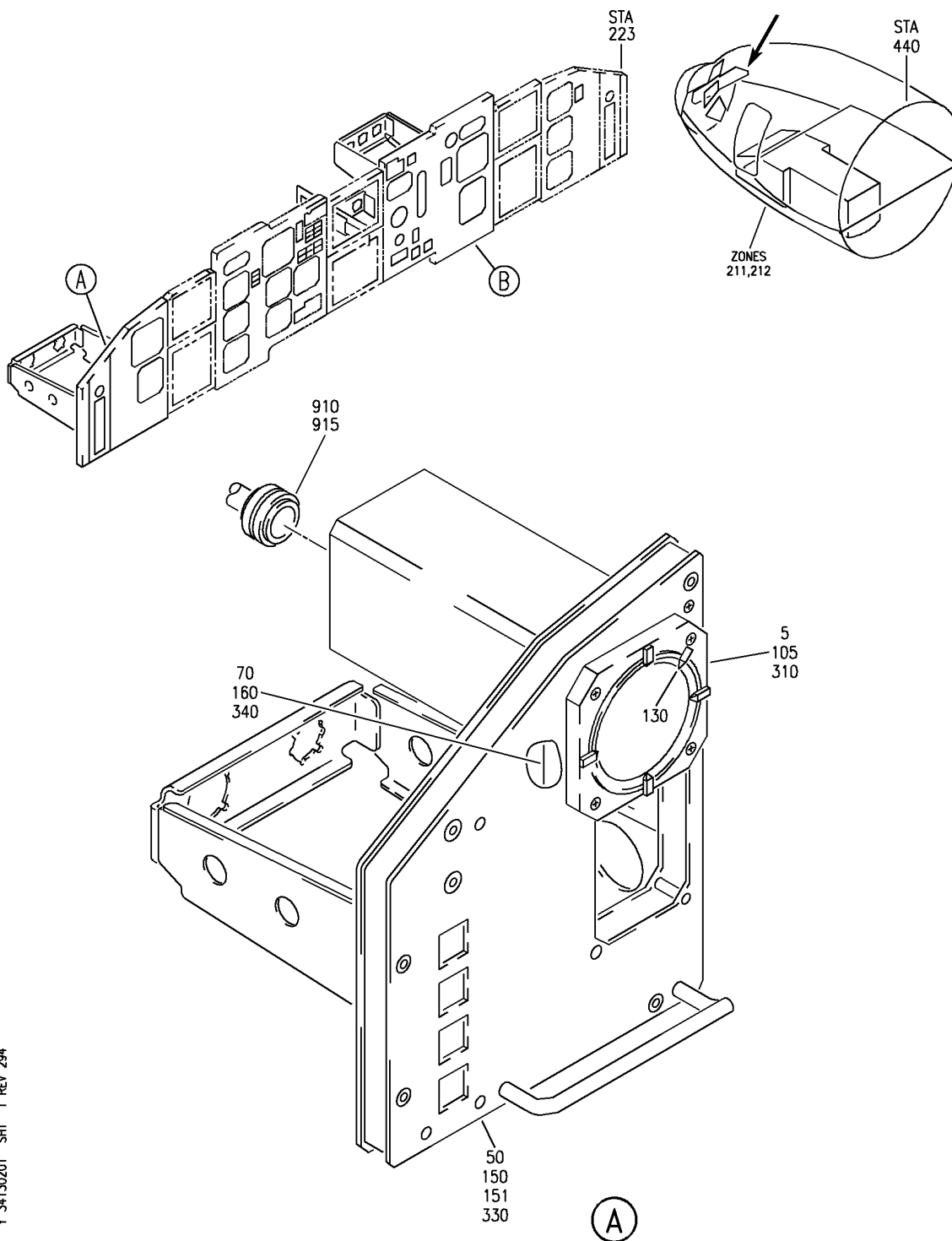
- ITEM NOT ILLUSTRATED

34-13-01-10

34-13-01  
FIG. 10  
PAGE 24  
JAN 20/09

BRI

**BOEING**  
757  
PARTS CATALOG (MAINTENANCE)



Y 34130201 SHT 1 REV 294

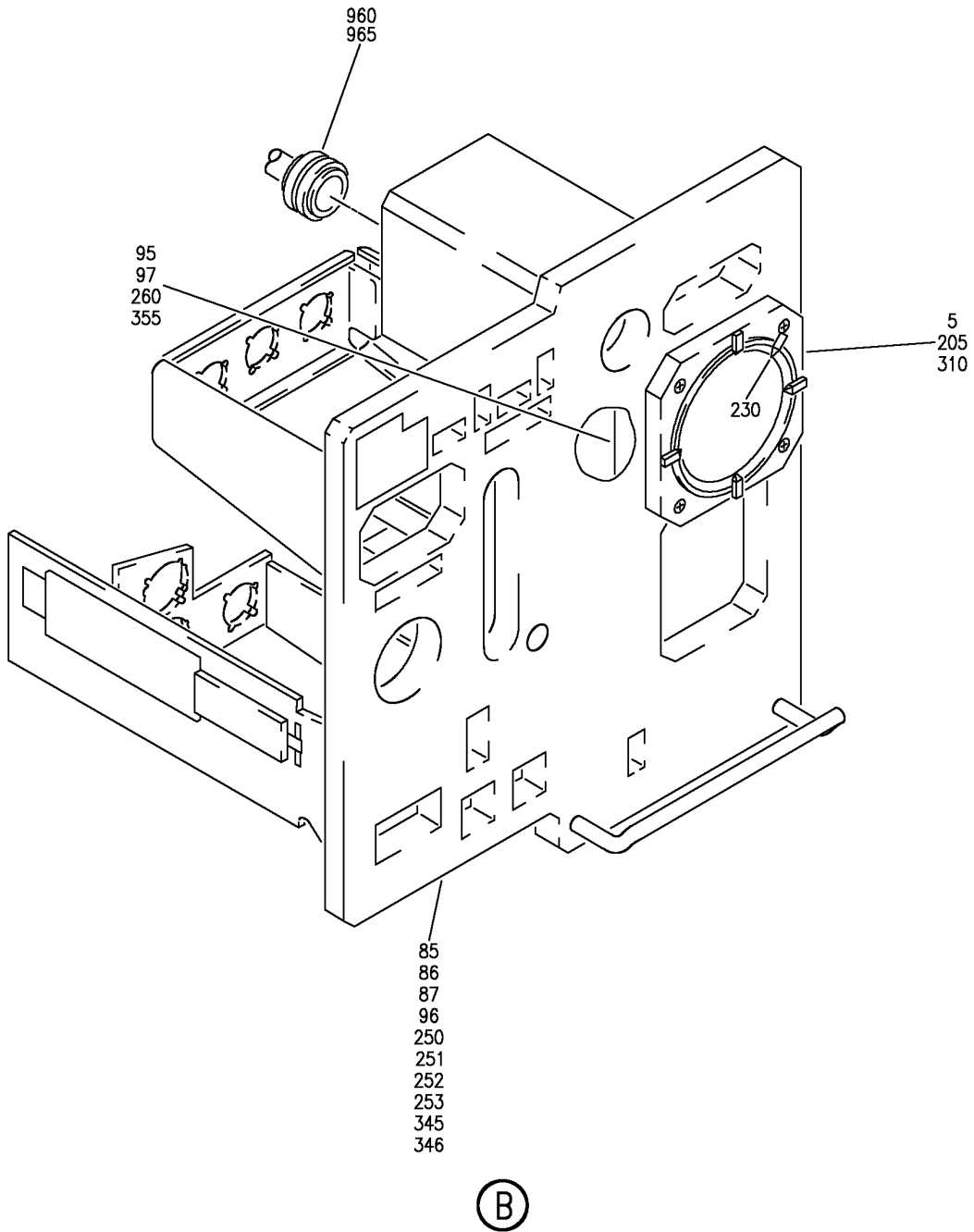
PANEL INSTL-CAPT AND FIRST OFFICER FWD AND P1-1 AND P3-1 (MACH AIRSPEED INDICATOR ONLY)  
FIGURE 1 (SHEET 1)

BRI  
MAY 28/07

**34-13-02-01**

34-13-02-01  
PAGE 0

**BOEING**  
757  
PARTS CATALOG (MAINTENANCE)



Y 34130201 SH1 2 REV 277

PANEL INSTL-CAPT AND FIRST OFFICER FWD AND P1-1 AND P3-1 (MACH AIRSPEED INDICATOR ONLY)  
FIGURE 1 (SHEET 2)

BRI  
MAY 28/07

**34-13-02-01**

34-13-02-01  
PAGE 0A



757

PARTS CATALOG (MAINTENANCE)

FIG ITEM	PART NUMBER	1 2 3 4 5 6 7	NOMENCLATURE	EFFECT FROM TO	UNITS PER ASSY
1			PANEL INSTL-CAPT AND FIRST OFFICER FWD AND P1-1 AND P3-1 (MACH AIRSPEED INDICATOR ONLY)	011106 108120 504903	
- 1	233N2101-1		PANEL INSTL-CAPT AND FIRST OFFICER (MACH AIRSPEED INDICATOR ONLY) POSITION DATA: FWD VARIABLE DRAWING REF: 233N2101-5039 FOR NHA/OTHER SYS DET SEE: 25-10-00-05A	011100	RF
5	4039891-903		.INDICATOR- SUPPLIER CODE: V58960 SPECIFICATION NUMBER: S231T100-1 ELECTRICAL EQUIP NUMBER: N00001 N00041 COMPONENT MAINT MANUAL REF: 34-13-09 QUALIFIED I/W DATA: S231T100-2/4039891-904 DISPLAY HAS MORE GRADUATIONS ON DIAL FACE THAN S231T100-1/ 4039891-903 REPLACE IN SHIP SHIPSETS ONLY FUNCTIONAL REFERENCE: LIGHTS FOR DETAILS SEE 33-13-51-51 NAVIGATION FOR DETAILS SEE 34-13-02-50	011100	2
50	233N2220-301		.MODULE ASSY-P1-1 COMPONENT MAINT MANUAL REF: 31-11-47	011100	RF
- 60	233N2220-10		..MODULE ASSY-	011100	RF
70	123-4D		...CLAMP- SUPPLIER CODE: V28277 OPTIONAL PART: 123-4040G V28227	011100	1

MISSING ITEM NUMBERS NOT APPLICABLE

- ITEM NOT ILLUSTRATED

34-13-02-01

34-13-02  
FIG. 01  
PAGE 1  
JAN 20/09

BRI



757

PARTS CATALOG (MAINTENANCE)

FIG ITEM	PART NUMBER	1 2 3 4 5 6 7	NOMENCLATURE	EFFECT FROM TO	UNITS PER ASSY
1					
70	123-4040G		...CLAMP- SUPPLIER CODE: V28277 OPTIONAL PART: 123-4D V28277	011100	1
85	233N2222-301		.MODULE ASSY-P3-1 COMPONENT MAINT MANUAL REF: 31-11-49 PRE ALERT SB: 33A0044	011100	RF
86	233N2222-1301		.MODULE ASSY-P3-1 COMPONENT MAINT MANUAL REF: 31-11-49 POST ALERT SB: 33A0044	011100	RF
- 90	233N2222-77		..MODULE ASSY- PRE ALERT SB: 33A0044	011100	RF
- 90	233N2222-1077		..MODULE ASSY- POST ALERT SB: 33A0044	011100	RF
95	123-4D		...CLAMP- SUPPLIER CODE: V28277	011100	1
- 100	233N2103-7		PANEL INSTL-P1-1 (MACH AIRSPEED INDICATOR ONLY) FOR NHA/OTHER SYS DET SEE: 25-10-00-15B	101101	RF
- 100	233N2103-107		PANEL INSTL-P1-1 (MACH AIRSPEED INDICATOR ONLY) FOR NHA/OTHER SYS DET SEE: 25-10-00-15B	102102 108120	RF
- 101	233N2103-152		PANEL INSTL-P1-1 (MACH AIRSPEED INDICATOR ONLY) FOR NHA/OTHER SYS DET SEE: 25-10-00-15B	504903	RF

MISSING ITEM NUMBERS NOT APPLICABLE

- ITEM NOT ILLUSTRATED

34-13-02-01

34-13-02  
FIG. 01  
PAGE 2  
JAN 20/09

BRI

BOEING PROPRIETARY - Copyright © - Unpublished Work - See title page for details.



757

PARTS CATALOG (MAINTENANCE)

FIG ITEM	PART NUMBER	1 2 3 4 5 6 7	NOMENCLATURE	EFFECT FROM TO	UNITS PER ASSY
1 105	4039891-903		.INDICATOR-MACH AIRSPEED SUPPLIER CODE: V58960 SPECIFICATION NUMBER: S231T100-1 ELECTRICAL EQUIP NUMBER: N00001 COMPONENT MAINT MANUAL REF: 34-13-09 QUALIFIED I/W DATA: S231T100-2/4039891-904 DISPLAY HAS MORE GRADUATIONS ON DIAL FACE THAN S231T100-1/ 4039891-903 REPLACE IN SHIP SHIPSETS ONLY FUNCTIONAL REFERENCE: LIGHTS FOR DETAILS SEE 33-13-51-51 NAVIGATION FOR DETAILS SEE 34-13-02-50	101101	1
105	4039891-906		.INDICATOR-MACH AIRSPEED SUPPLIER CODE: V58960 SPECIFICATION NUMBER: S231T100-4 ELECTRICAL EQUIP NUMBER: N00001 COMPONENT MAINT MANUAL REF: 34-13-09 FUNCTIONAL REFERENCE: LIGHTS FOR DETAILS SEE 33-13-51-51 NAVIGATION FOR DETAILS SEE 34-13-02-50	102102 108120	1

MISSING ITEM NUMBERS NOT APPLICABLE

- ITEM NOT ILLUSTRATED

BRI

34-13-02-01

BOEING PROPRIETARY - Copyright © - Unpublished Work - See title page for details.

34-13-02  
FIG. 01  
PAGE 3  
JAN 20/09



757

PARTS CATALOG (MAINTENANCE)

FIG ITEM	PART NUMBER	1 2 3 4 5 6 7	NOMENCLATURE	EFFECT FROM TO	UNITS PER ASSY
1 105	4039891-907		.INDICATOR-MACH AIRSPEED SUPPLIER CODE: V58960 SPECIFICATION NUMBER: S231T100-5 ELECTRICAL EQUIP NUMBER: N00001 COMPONENT MAINT MANUAL REF: 34-13-09 FUNCTIONAL REFERENCE: LIGHTS FOR DETAILS SEE 33-13-51-51 NAVIGATION FOR DETAILS SEE 34-13-02-50	504903	1
150	233N2220-309		.MODULE ASSY- COMPONENT MAINT MANUAL REF: 31-11-47 QUALIFIED I/W DATA: 233N2220-329 CAN REPLACE 233N2220-309 FOR NT383-NT399 AIRCRAFT ONLY	101102 108120	RF
150	233N2220-315		.MODULE ASSY- COMPONENT MAINT MANUAL REF: 31-11-47	504903	RF
- 155	233N2220-21		..MODULE ASSY-	101102 108120	RF
- 155	233N2220-27		..MODULE ASSY	504903	RF
160	123-4D		...CLAMP- SUPPLIER CODE: V28277 OPTIONAL PART: 123-4040G V28277	101102 108120 504903	1
160	123-4040G		...CLAMP- SUPPLIER CODE: V28277 OPTIONAL PART: 123-4D V28277	101102 108120 504903	1
- 200	233N2103-17		PANEL INSTL-P3-1 (MACH AIRSPEED INDICATOR ONLY) FOR NHA/OTHER SYS DET SEE: 25-10-00-15B	101101	RF

MISSING ITEM NUMBERS NOT APPLICABLE

- ITEM NOT ILLUSTRATED

34-13-02-01

34-13-02  
FIG. 01  
PAGE 4  
JAN 20/09

BRI





757

PARTS CATALOG (MAINTENANCE)

FIG ITEM	PART NUMBER	1 2 3 4 5 6 7	NOMENCLATURE	EFFECT FROM TO	UNITS PER ASSY
1					
- 201	233N2103-217		PANEL INSTL-P3-1 (MACH AIRSPEED INDICATOR ONLY) FOR NHA/OTHER SYS DET SEE: 25-10-00-15B	102102	RF
- 201	233N2103-254		PANEL INSTL-P3-1 (MACH AIRSPEED INDICATOR ONLY) FOR NHA/OTHER SYS DET SEE: 25-10-00-15B	504903	RF
- 202	233N2103-371		PANEL INSTL-P3-1 (MACH AIRSPEED INDICATOR ONLY) FOR NHA/OTHER SYS DET SEE: 25-10-00-15B	108120	RF
205	4039891-903		.INDICATOR- SUPPLIER CODE: V58960 SPECIFICATION NUMBER: S231T100-1 ELECTRICAL EQUIP NUMBER: N00041 COMPONENT MAINT MANUAL REF: 34-13-09 QUALIFIED I/W DATA: S231T100-2/4039891-904 DISPLAY HAS MORE GRADUATIONS ON DIAL FACE THAN S231T100-1/ 4039891-903 REPLACE IN SHIP SHIPSETS ONLY FUNCTIONAL REFERENCE: LIGHTS FOR DETAILS SEE 33-13-51-51 NAVIGATION FOR DETAILS SEE 34-13-02-50	101101	1

MISSING ITEM NUMBERS NOT APPLICABLE

- ITEM NOT ILLUSTRATED

34-13-02-01

34-13-02  
FIG. 01  
PAGE 5  
JAN 20/09

BRI



757

PARTS CATALOG (MAINTENANCE)

FIG ITEM	PART NUMBER	1 2 3 4 5 6 7	NOMENCLATURE	EFFECT FROM TO	UNITS PER ASSY
1 205	4039891-906		.INDICATOR- SUPPLIER CODE: V58960 SPECIFICATION NUMBER: S231T100-4 ELECTRICAL EQUIP NUMBER: N00041 COMPONENT MAINT MANUAL REF: 34-13-09 FUNCTIONAL REFERENCE: LIGHTS FOR DETAILS SEE 33-13-51-51 NAVIGATION FOR DETAILS SEE 34-13-02-50	102102 108120	1
205	4039891-907		.INDICATOR- SUPPLIER CODE: V58960 SPECIFICATION NUMBER: S231T100-5 ELECTRICAL EQUIP NUMBER: N00041 COMPONENT MAINT MANUAL REF: 34-13-09 FUNCTIONAL REFERENCE: LIGHTS FOR DETAILS SEE 33-13-51-51 NAVIGATION FOR DETAILS SEE 34-13-02-50	504903	1
250	233N2222-301		.MODULE ASSY- COMPONENT MAINT MANUAL REF: 31-11-49 PRE ALERT SB: 33A0044	101101	RF
250	233N2222-342		.MODULE ASSY- COMPONENT MAINT MANUAL REF: 31-11-49 PRE ALERT SB: 33A0044	102102 108120	RF
250	233N2222-1342		.MODULE ASSY- COMPONENT MAINT MANUAL REF: 31-11-49 POST ALERT SB: 33A0044	102102 108120	RF

MISSING ITEM NUMBERS NOT APPLICABLE

- ITEM NOT ILLUSTRATED

34-13-02-01

34-13-02  
FIG. 01  
PAGE 6  
JAN 20/09

BRI

 **BOEING**  
757  
**PARTS CATALOG (MAINTENANCE)**

FIG ITEM	PART NUMBER	1 2 3 4 5 6 7	NOMENCLATURE	EFFECT FROM TO	UNITS PER ASSY
1					
250	233N2222-321		.MODULE ASSY- COMPONENT MAINT MANUAL REF: 31-11-49 PRE ALERT SB: 33A0044	102102	RF
251	233N2222-326		.MODULE ASSY- COMPONENT MAINT MANUAL REF: 31-11-49 PRE ALERT SB: 33A0044	504903	RF
251	233N2222-334		.MODULE ASSY- COMPONENT MAINT MANUAL REF: 31-11-49 PRE ALERT SB: 33A0044	504903	RF
251	233N2222-329		.MODULE ASSY- COMPONENT MAINT MANUAL REF: 31-11-49 PRE ALERT SB: 33A0044	102102	RF
252	233N2222-347		.MODULE ASSY- COMPONENT MAINT MANUAL REF: 31-11-49 PRE ALERT SB: 33A0044	504903	RF
252	233N2222-1301		.MODULE ASSY- COMPONENT MAINT MANUAL REF: 31-11-49 POST ALERT SB: 33A0044	101101	RF
252	233N2222-1321		.MODULE ASSY- COMPONENT MAINT MANUAL REF: 31-11-49 POST ALERT SB: 33A0044	102102	RF
252	233N2222-1329		.MODULE ASSY- COMPONENT MAINT MANUAL REF: 31-11-49 POST ALERT SB: 33A0044	102102	RF
253	233N2222-1326		.MODULE ASSY- COMPONENT MAINT MANUAL REF: 31-11-49 POST ALERT SB: 33A0044	504903	RF

MISSING ITEM NUMBERS NOT APPLICABLE

— ITEM NOT ILLUSTRATED

BRI

# 34-13-02-01

BOEING PROPRIETARY - Copyright © - Unpublished Work - See title page for details.

34-13-02  
FIG. 01  
PAGE 7  
JAN 20/09



757

PARTS CATALOG (MAINTENANCE)

FIG ITEM	PART NUMBER	1 2 3 4 5 6 7	NOMENCLATURE	EFFECT FROM TO	UNITS PER ASSY
1 253	233N2222-1334		.MODULE ASSY- COMPONENT MAINT MANUAL REF: 31-11-49 POST ALERT SB: 33A0044	504903	RF
253	233N2222-1347		.MODULE ASSY- COMPONENT MAINT MANUAL REF: 31-11-49 POST ALERT SB: 33A0044	504903	RF
- 255	233N2222-77		..MODULE ASSY- PRE ALERT SB: 33A0044	101101	RF
- 255	233N2222-122		..MODULE ASSY- USED ON: 233N2222-342 PRE ALERT SB: 33A0044	102102 108120	RF
- 255	233N2222-100		..MODULE ASSY- USED ON: 233N2222-321 PRE ALERT SB: 33A0044	102102	RF
- 255	233N2222-105		..MODULE ASSY- USED ON: 233N2222-326 PRE ALERT SB: 33A0044	504903	RF
- 256	233N2222-111		..MODULE ASSY- USED ON: 233N2222-329 PRE ALERT SB: 33A0044	102102	RF
- 256	233N2222-116		..MODULE ASSY- USED ON: 233N2222-334 PRE ALERT SB: 33A0044	504903	RF
- 257	233N2222-127		..MODULE ASSY- USED ON: 233N2222-347 PRE ALERT SB: 33A0044	504903	RF
- 257	233N2222-1077		..MODULE ASSY- POST ALERT SB: 33A0044	101101	RF

MISSING ITEM NUMBERS NOT APPLICABLE

- ITEM NOT ILLUSTRATED

34-13-02-01

34-13-02  
FIG. 01  
PAGE 8  
JAN 20/09

BRI



757

PARTS CATALOG (MAINTENANCE)

FIG ITEM	PART NUMBER	1 2 3 4 5 6 7	NOMENCLATURE	EFFECT FROM TO	UNITS PER ASSY
1					
- 257	233N2222-1100		..MODULE ASSY- USED ON: 233N2222-1321 POST ALERT SB: 33A0044	102102	RF
- 257	233N2222-1111		..MODULE ASSY- USED ON: 233N2222-1329 POST ALERT SB: 33A0044	102102	RF
- 257	233N2222-1122		..MODULE ASSY- USED ON: 233N2222-1342 POST ALERT SB: 33A0044	102102 108120	RF
- 258	233N2222-1105		..MODULE ASSY- USED ON: 233N2222-1326 POST ALERT SB: 33A0044	504903	RF
- 258	233N2222-1116		..MODULE ASSY- USED ON: 233N2222-1334 POST ALERT SB: 33A0044	504903	RF
- 258	233N2222-1127		..MODULE ASSY- USED ON: 233N2222-1347 POST ALERT SB: 33A0044	504903	RF
260	123-4D		...CLAMP- SUPPLIER CODE: V28277 USED ON: 233N2222-77 233N2222-78 233N2222-82 233N2222-89 233N2222-90 233N2222-95 233N2222-96 233N2222-97 233N2222-98 233N2222-99 233N2222-100 233N2222-103 233N2222-105 233N2222-111 233N2222-113	101102 108120 504903	1

MISSING ITEM NUMBERS NOT APPLICABLE

- ITEM NOT ILLUSTRATED

34-13-02-01

34-13-02  
FIG. 01  
PAGE 9  
JAN 20/09

BRI



757

PARTS CATALOG (MAINTENANCE)

FIG ITEM	PART NUMBER	1 2 3 4 5 6 7	NOMENCLATURE	EFFECT FROM TO	UNITS PER ASSY
1			233N2222-114 233N2222-116 233N2222-117 233N2222-118 233N2222-119 233N2222-120 233N2222-121 233N2222-122 233N2222-123 233N2222-124 233N2222-125 233N2222-126 233N2222-127 233N2222-128 233N2222-129 233N2222-130 233N2222-131 233N2222-1077 233N2222-1078 233N2222-1082 233N2222-1089 233N2222-1098 233N2222-1090 233N2222-1096 233N2222-1099 233N2222-1100 233N2222-1103 233N2222-1105 233N2222-1111 233N2222-1113 233N2222-1114 233N2222-1116 233N2222-1117 233N2222-1118 233N2222-1119 233N2222-1120 233N2222-1121 233N2222-1122 233N2222-1123 233N2222-1124 233N2222-1125 233N2222-1127 233N2222-1128 233N2222-1130 233N2222-1131 233N2222-1502 823N0001-2		

MISSING ITEM NUMBERS NOT APPLICABLE

- ITEM NOT ILLUSTRATED

BRI

34-13-02-01

BOEING PROPRIETARY - Copyright © - Unpublished Work - See title page for details.

34-13-02  
FIG. 01  
PAGE 10  
JAN 20/09



757

PARTS CATALOG (MAINTENANCE)

FIG ITEM	PART NUMBER	1 2 3 4 5 6 7	NOMENCLATURE	EFFECT FROM TO	UNITS PER ASSY
1 - 302	MODREF31741		PANEL INSTL-P1-1 AND P3-1 (MACH AIRSPEED INDICATOR ONLY) MODULE NUMBER: 233N2103-425 REV A FOR OTHER SYS DETAILS SEE: 11-31-01-38 22-11-02-03 22-14-01-03 22-31-02-01 22-34-51-02 26-17-51-05 27-51-57-03 27-58-00-02 27-81-00-01 29-21-55-02 31-11-11-19 31-11-16-01 31-11-26-38 31-25-01-03 31-41-52-02 31-51-52-02 32-35-52-03 32-41-52-02 32-42-55-03 32-46-00-01 32-61-51-03 33-13-57-01A 33-16-52-03 34-12-01-03 34-16-51-03 34-21-02-02 34-22-02-02 34-22-05-01A 34-22-06-01 34-24-01-03 34-32-00-02 34-46-51-02 34-51-02-02 34-57-00-01 34-61-01-07 34-61-02-02 77-41-01-01 79-33-51-05 FOR ADDITIONAL DETAILS SEE: 34-13-01-03 34-13-05-01 34-13-06-01	103105	1

MISSING ITEM NUMBERS NOT APPLICABLE

- ITEM NOT ILLUSTRATED

BRI

# 34-13-02-01

BOEING PROPRIETARY - Copyright © - Unpublished Work - See title page for details.

34-13-02  
FIG. 01  
PAGE 11  
JAN 20/09



757

PARTS CATALOG (MAINTENANCE)

FIG ITEM	PART NUMBER	1 2 3 4 5 6 7 NOMENCLATURE	EFFECT FROM TO	UNITS PER ASSY
1 - 302	MODREF104335	PANEL INSTL-P1-1 AND P3-1 (MACH AIRSPEED INDICATOR ONLY) MODULE NUMBER: 233N2103-425 REV B FOR OTHER SYS DETAILS SEE: 11-31-01-38 22-11-02-03 22-14-01-03 22-31-02-01 22-34-51-02 26-17-51-05 27-51-57-03 27-58-00-02 27-81-00-01 29-21-55-02 31-11-11-19 31-11-16-01 31-11-26-38 31-25-01-03 31-41-52-02 31-51-52-02 32-35-52-03 32-41-52-02 32-42-55-03 32-46-00-01 32-61-51-03 33-13-57-01A 33-16-52-03 34-12-01-03 34-16-51-03 34-21-02-02 34-22-02-02 34-22-05-01A 34-22-06-01 34-24-01-03 34-32-00-02 34-46-51-02 34-51-02-02 34-57-00-01 34-61-01-07 34-61-02-02 77-41-01-01 79-33-51-05 FOR ADDITIONAL DETAILS SEE: 34-13-01-03 34-13-05-01 34-13-06-01	106106	1

MISSING ITEM NUMBERS NOT APPLICABLE

- ITEM NOT ILLUSTRATED

# 34-13-02-01

34-13-02  
FIG. 01  
PAGE 12  
JAN 20/09

BRI





757

PARTS CATALOG (MAINTENANCE)

FIG ITEM	PART NUMBER	1 2 3 4 5 6 7	NOMENCLATURE	EFFECT FROM TO	UNITS PER ASSY
1 310	4039891-906		.INDICATOR-MACH AIRSPEED SUPPLIER CODE: V58960 SPECIFICATION NUMBER: S231T100-4 ELECTRICAL EQUIP NUMBER: N00001 N00041 COMPONENT MAINT MANUAL REF: 34-13-09 FUNCTIONAL REFERENCE: LIGHTS FOR DETAILS SEE 33-13-51-51 NAVIGATION FOR DETAILS SEE 34-13-02-50	103106	2
330	233N2220-328		.MODULE ASSY- COMPONENT MAINT MANUAL REF: 31-11-47	103106	RF
- 335	233N2220-42		..MODULE ASSY- USED ON: 233N2220-325 233N2220-328	103106	RF
340	123-4D		...CLAMP- SUPPLIER CODE: V28277 OPTIONAL PART: 123-4040G V28277	103106	1
340	123-4040G		...CLAMP- SUPPLIER CODE: V28277 OPTIONAL PART: 123-4D V28277	103106	1
346	233N2222-379		.MODULE ASSY- COMPONENT MAINT MANUAL REF: 31-11-49	103106	RF
- 350	233N2222-153		..MODULE ASSY-	103106	RF

MISSING ITEM NUMBERS NOT APPLICABLE

- ITEM NOT ILLUSTRATED

34-13-02-01

34-13-02  
FIG. 01  
PAGE 13  
JAN 20/09

BRI

 **BOEING**  
757  
**PARTS CATALOG (MAINTENANCE)**

FIG ITEM	PART NUMBER	1 2 3 4 5 6 7	NOMENCLATURE	EFFECT FROM TO	UNITS PER ASSY
1 355	123-4D		...CLAMP- SUPPLIER CODE: V28277 OPTIONAL PART: 123-4040G V28277 USED ON: 233N2222-135 233N2222-136 233N2222-146 233N2222-151 233N2222-152 233N2222-153 233N2222-157	103106	1
355	123-4040G		...CLAMP- SUPPLIER CODE: V28277 OPTIONAL PART: 123-4D V28277 USED ON: 233N2222-135 233N2222-136 233N2222-146 233N2222-151 233N2222-152 233N2222-153 233N2222-157	103106	1
- 900	286N0001-005		WIRE BUNDLE ASSY- REWORKED BY ALERT SB: 34A022	011100	RF
- 903	286N0001-357		WIRE BUNDLE ASSY- REWORKED BY ALERT SB: 34A022	505505 507903	RF
- 903	286N0001-361		WIRE BUNDLE ASSY- REWORKED BY ALERT SB: 34A022	101101	RF
- 903	286N0001-365		WIRE BUNDLE ASSY- REWORKED BY ALERT SB: 34A022	102102	RF
- 904	286N0001-382		WIRE BUNDLE ASSY- REWORKED BY ALERT SB: 34A022	504504 506506	RF
- 905	286N0001-392		WIRE BUNDLE ASSY- REWORKED BY ALERT SB: 34A022	108120	RF
- 907	286N0001-709		WIRE BUNDLE ASSY-	103106	RF

MISSING ITEM NUMBERS NOT APPLICABLE

- ITEM NOT ILLUSTRATED

BRI

# 34-13-02-01

BOEING PROPRIETARY - Copyright © - Unpublished Work - See title page for details.

34-13-02  
FIG. 01  
PAGE 14  
JAN 20/09



757

PARTS CATALOG (MAINTENANCE)

FIG ITEM	PART NUMBER	1 2 3 4 5 6 7	NOMENCLATURE	EFFECT FROM TO	UNITS PER ASSY
1					
910	BACC45FT18A31S	.	CONNECTOR- ELECTRICAL EQUIP NUMBER: D00277 WIRING DIAGRAM REF: 341311	011101	1
915	BACC45FT18A31S7	.	CONNECTOR- ELECTRICAL EQUIP NUMBER: D00277 WIRING DIAGRAM REF: 341311	102106 108120 504903	1
- 950	286N0003-005		WIRE BUNDLE ASSY- REWORKED BY ALERT SB: 34A0222	011100	RF
- 951	286N0003-323		WIRE BUNDLE ASSY- REWORKED BY ALERT SB: 34A0222	101101	RF
- 952	286N0003-355		WIRE BUNDLE ASSY- REWORKED BY ALERT SB: 34A0222	504903	RF
- 953	286N0003-359		WIRE BUNDLE ASSY- REWORKED BY ALERT SB: 34A0222	102102	RF
- 956	286N0003-384		WIRE BUNDLE ASSY- REWORKED BY ALERT SB: 34A0222	108120	RF
- 958	286N0003-601		WIRE BUNDLE ASSY	103106	RF
960	BACC45FT18A31S	.	CONNECTOR- ELECTRICAL EQUIP NUMBER: D00285 WIRING DIAGRAM REF: 341321	011101	1
965	BACC45FT18A31S7	.	CONNECTOR- ELECTRICAL EQUIP NUMBER: D00285 WIRING DIAGRAM REF: 341321	102106 108120 504903	1

MISSING ITEM NUMBERS NOT APPLICABLE

- ITEM NOT ILLUSTRATED

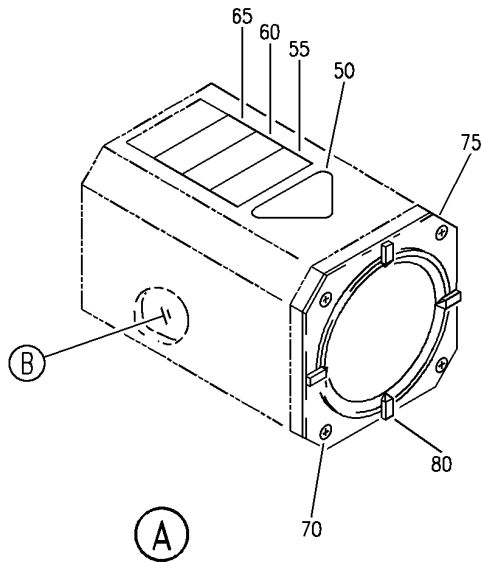
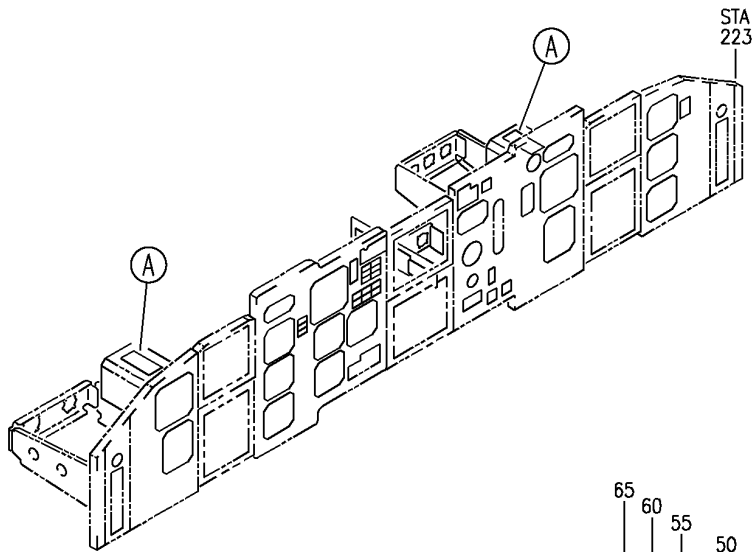
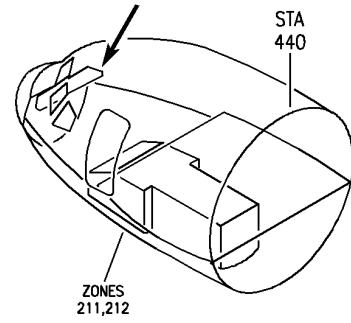
BRI

34-13-02-01

BOEING PROPRIETARY - Copyright © - Unpublished Work - See title page for details.

34-13-02  
FIG. 01  
PAGE 15  
JAN 20/09

**BOEING**  
757  
PARTS CATALOG (MAINTENANCE)



Y 34130250 SHT 1 REV 292

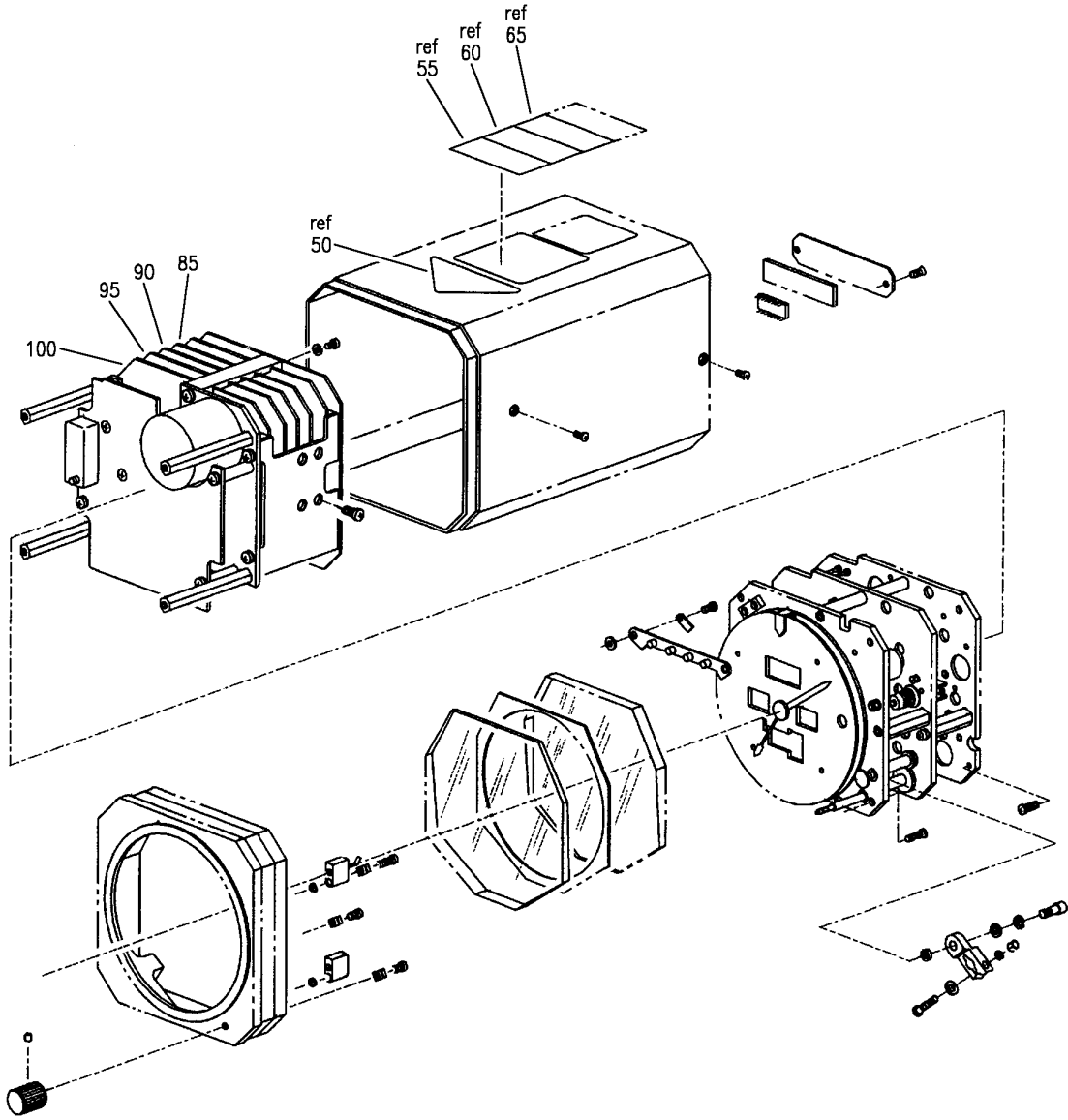
INDICATOR ASSY-MACH (NAVIGATION ONLY)  
FIGURE 50 (SHEET 1)

**34-13-02-50**

BRI  
MAY 28/07

34-13-02-50  
PAGE 0

**BOEING**  
757  
PARTS CATALOG (MAINTENANCE)



Y 34130250 SHT 2 REV 292

(B)

INDICATOR ASSY-MACH (NAVIGATION ONLY)  
FIGURE 50 (SHEET 2)

**34-13-02-50**

BRI  
MAY 28/07

34-13-02-50  
PAGE 0A



757

PARTS CATALOG (MAINTENANCE)

FIG ITEM	PART NUMBER	1 2 3 4 5 6 7	NOMENCLATURE	EFFECT FROM TO	UNITS PER ASSY
50					
- 1	4039891-903		INDICATOR ASSY-MACH (NAVIGATION ONLY) INDICATOR-MACH AIRSPEED (NAVIGATION ONLY) SUPPLIER CODE: V58960 SPECIFICATION NUMBER: S231T100-1 ELECTRICAL EQUIP NUMBER: N00001 N00041 COMPONENT MAINT MANUAL REF: 34-13-09 QUALIFIED I/W DATA: S231T100-2/4039891-904 DISPLAY HAS MORE GRADUATIONS ON DIAL FACE THAN S231T100-1/ 4039891-903 REPLACE IN SHIP SHIPSETS ONLY FOR NHA/OTHER SYS DET SEE: 34-13-01-01 34-13-02-01	002004 006999 002004 006101 107107 950999	RF
- 1	4039891-904		INDICATOR-MACH AIRSPEED (NAVIGATION ONLY) SUPPLIER CODE: V58960 SPECIFICATION NUMBER: S231T100-2 ELECTRICAL EQUIP NUMBER: N00001 N00041 COMPONENT MAINT MANUAL REF: 34-13-09 QUALIFIED I/W DATA: S231T100-2/4039891-904 DISPLAY HAS MORE GRADUATIONS ON DIAL FACE THAN S231T100-1/ 4039891-903 REPLACE IN SHIP SHIPSETS ONLY FOR NHA/OTHER SYS DET SEE: 34-13-01-01	121503 904949	RF

MISSING ITEM NUMBERS NOT APPLICABLE

- ITEM NOT ILLUSTRATED

34-13-02-50

34-13-02  
FIG. 50  
PAGE 1  
JAN 20/09

BRI



757

PARTS CATALOG (MAINTENANCE)

FIG ITEM	PART NUMBER	1 2 3 4 5 6 7	NOMENCLATURE	EFFECT FROM TO	UNITS PER ASSY
50					
- 1	4039891-906		INDICATOR-MACH AIRSPEED (NAVIGATION ONLY) SUPPLIER CODE: V58960 SPECIFICATION NUMBER: S231T100-4 ELECTRICAL EQUIP NUMBER: N00001 N00041 COMPONENT MAINT MANUAL REF: 34-13-09 FOR NHA/OTHER SYS DET SEE: 34-13-02-01	102106 108120	RF
- 1	4039891-907		INDICATOR-MACH AIRSPEED (NAVIGATION ONLY) SUPPLIER CODE: V58960 SPECIFICATION NUMBER: S231T100-5 ELECTRICAL EQUIP NUMBER: N00001 N00041 COMPONENT MAINT MANUAL REF: 34-13-09 FOR NHA/OTHER SYS DET SEE: 34-13-02-01	504903	RF
50	4039590-13		.DECAL- SUPPLIER CODE: V58960	002004 006999	1
55	4078256-589		.PLATE-IDENT SUPPLIER CODE: V58960 CONFIG CHG DATA FROM A CMM: REPLD BY 4089643-61 REPLD BY 4089643-62	002004 006999	1
55	4089643-61		.PLATE-IDENT SUPPLIER CODE: V58960 CONFIG CHG DATA FROM A CMM: REPLACES 4078256-589 USED ON: 4039891-903 4039891-904	002004 006101 107107 121503 904999	1

MISSING ITEM NUMBERS NOT APPLICABLE

- ITEM NOT ILLUSTRATED

34-13-02-50

34-13-02  
FIG. 50  
PAGE 2  
JAN 20/09

BRI



757

PARTS CATALOG (MAINTENANCE)

FIG ITEM	PART NUMBER	1 2 3 4 5 6 7	NOMENCLATURE	EFFECT FROM TO	UNITS PER ASSY
50					
55	4089643-62		.PLATE-IDENT SUPPLIER CODE: V58960 CONFIG CHG DATA FROM A CMM: REPLACES 4078256-589 USED ON: 4039891-906 4039891-903	102106 108120 504903	1
60	4078256-590		.PLATE-IDENT SUPPLIER CODE: V58960 CONFIG CHG DATA FROM A CMM: REPLD BY 4089643-63 USED ON: 4039891-903	002004 006101 107107 950999	1
60	4078256-591		.PLATE-IDENT SUPPLIER CODE: V58960 CONFIG CHG DATA FROM A CMM: REPLD BY 4089643-64	121503 904949	1
60	4078256-593		.PLATE-IDENT SUPPLIER CODE: V58960 CONFIG CHG DATA FROM A CMM: REPLD BY 4089643-65 USED ON: 4039891-906	102106 108120	1
60	4078256-594		.PLATE-IDENT SUPPLIER CODE: V58960 CONFIG CHG DATA FROM A CMM: REPLD BY 4089643-66	504903	1
60	4089643-63		.PLATE-IDENT SUPPLIER CODE: V58960 CONFIG CHG DATA FROM A CMM: REPLACES 4078256-590 USED ON: 4039891-903	002004 006101 107107 950999	1
60	4089643-64		.PLATE-IDENT SUPPLIER CODE: V58960 CONFIG CHG DATA FROM A CMM: REPLACES 4078256-591	121503 904949	1

MISSING ITEM NUMBERS NOT APPLICABLE

- ITEM NOT ILLUSTRATED

34-13-02-50

34-13-02  
FIG. 50  
PAGE 3  
JAN 20/09

BRI

BOEING PROPRIETARY - Copyright © - Unpublished Work - See title page for details.





757

PARTS CATALOG (MAINTENANCE)

FIG ITEM	PART NUMBER	1 2 3 4 5 6 7	NOMENCLATURE	EFFECT FROM TO	UNITS PER ASSY
50					
60	4089643-65		.PLATE-IDENT SUPPLIER CODE: V58960 CONFIG CHG DATA FROM A CMM: REPLACES 4078256-593 USED ON: 4039891-906	102106 108120	1
60	4089643-66		.PLATE-IDENT SUPPLIER CODE: V58960 CONFIG CHG DATA FROM A CMM: REPLACES 4078256-594	504903	1
65	4078256-587		.PLATE-IDENT SUPPLIER CODE: V58960 CONFIG CHG DATA FROM A CMM: REPLD BY 4078256-238	002004 006999	1
65	4078256-238		.PLATE-IDENT SUPPLIER CODE: V58960 CONFIG CHG DATA FROM A CMM: REPLACES 4078256-587	002004 006999	1
70	4045495		.SCREW- SUPPLIER CODE: V58960 CONFIG CHG DATA FROM A CMM: REPLD BY MS24693-2B	002004 006101 107107 121503 904999	4
70	MS24693-2B		.SCREW- CONFIG CHG DATA FROM A CMM: REPLS 4045495 MISCELLANEOUS DATA: HONEYWELL PART NO. 2504732-126	002004 006101 107107 121503 904999	4
70	MS24693-2B		.SCREW- MISCELLANEOUS DATA: HONEYWELL PART NO. 2504732-126	102106 108120 504903	4
75	4046042		.RING-INDEX SUPPLIER CODE: V58960	002004 006999	1
80	400-9		.INDEX POINTER- SUPPLIER CODE: V53821 MISCELLANEOUS DATA: HONEYWELL PART NO. 4043463-2	002004 006999	4

MISSING ITEM NUMBERS NOT APPLICABLE

- ITEM NOT ILLUSTRATED

34-13-02-50

34-13-02  
FIG. 50  
PAGE 4  
JAN 20/09

BRI



757

PARTS CATALOG (MAINTENANCE)

FIG ITEM	PART NUMBER	1 2 3 4 5 6 7	NOMENCLATURE	EFFECT FROM TO	UNITS PER ASSY
50					
85	4043453-902		.CARD ASSY-CIRCUIT INPUTS A2 SUPPLIER CODE: V58960 SB DATA FROM A CMM: PRE 4093891-34-6 COMPONENT MAINT MANUAL REF: 34-13-17	002004 006101 107107 121503 904999	1
85	4043453-903		.CARD ASSY-CIRCUIT INPUTS A2 SUPPLIER CODE: V58960 SB DATA FROM A CMM: POST 4093891-34-6 COMPONENT MAINT MANUAL REF: 34-13-17	002004 006101 107107 121503 904999	1
85	4043453-903		.CARD ASSY-CIRCUIT INPUTS A2 SUPPLIER CODE: V58960 COMPONENT MAINT MANUAL REF: 34-13-17	102106 108120 504903	1
90	4043455-902		.CARD ASSY-CIRCUIT CPU MEM I/O A3 SUPPLIER CODE: V58960 SB DATA FROM A CMM: PRE 4039891-34-6 COMPONENT MAINT MANUAL REF: 34-13-18	002004 006101 107107 121503 904999	1
90	4043455-903		.CARD ASSY-CIRCUIT CPU MEM I/O A3 SUPPLIER CODE: V58960 SB DATA FROM A CMM: POST 4039891-34-6 COMPONENT MAINT MANUAL REF: 34-13-18	002004 006101 107107 121503 904999	1
90	4043455-904		.CARD ASSY-CIRCUIT CPU MEM I/O A3 SUPPLIER CODE: V58960 COMPONENT MAINT MANUAL REF: 34-13-18	102106 108120 504903	1

MISSING ITEM NUMBERS NOT APPLICABLE

- ITEM NOT ILLUSTRATED

34-13-02-50

34-13-02  
FIG. 50  
PAGE 5  
JAN 20/09

BRI



757

PARTS CATALOG (MAINTENANCE)

FIG ITEM	PART NUMBER	1 2 3 4 5 6 7	NOMENCLATURE	EFFECT FROM TO	UNITS PER ASSY
50 95	4043457-902		.CARD ASSY-CIRCUIT A/D/A SERVOS A4 SUPPLIER CODE: V58960 COMPONENT MAINT MANUAL REF: 34-13-19	002004 006999	1
100	4043459-901		.CARD ASSY-CIRCUIT MAG FLAG A5 SUPPLIER CODE: V58960 COMPONENT MAINT MANUAL REF: 34-13-20	002004 006999	1

MISSING ITEM NUMBERS NOT APPLICABLE

- ITEM NOT ILLUSTRATED

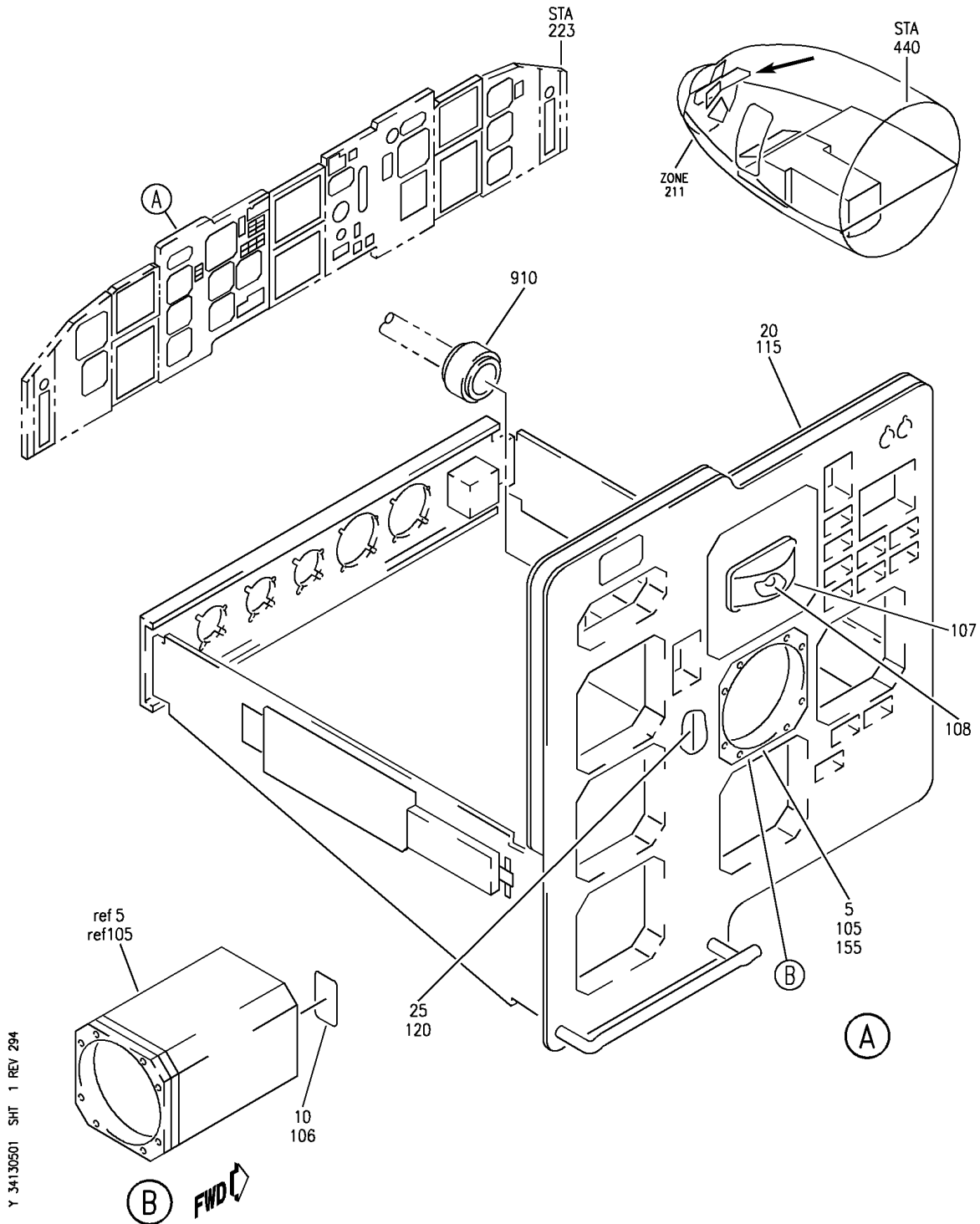
BRI

34-13-02-50

BOEING PROPRIETARY - Copyright © - Unpublished Work - See title page for details.

34-13-02  
FIG. 50  
PAGE 6  
JAN 20/09

**BOEING**  
757  
PARTS CATALOG (MAINTENANCE)



Y 34130501 SHT 1 REV 294

PANEL INSTL-CAPT AND FIRST OFFICER FWD AND P1-3 (STANDBY AIRSPEED INDICATOR ONLY)  
FIGURE 1

BRI  
MAY 28/07

**34-13-05-01**

34-13-05-01  
PAGE 0

**BOEING**  
757  
PARTS CATALOG (MAINTENANCE)

FIG ITEM	PART NUMBER	1 2 3 4 5 6 7	NOMENCLATURE	EFFECT FROM TO	UNITS PER ASSY
1			PANEL INSTL-CAPT AND FIRST OFFICER FWD AND P1-3 (STANDBY AIRSPEED INDICATOR ONLY)	002004 006999	
- 1	233N2101-1		PANEL INSTL-CAPT AND FIRST OFFICER (STANDBY AIRSPEED INDICATOR ONLY) VARIABLE DRAWING REF: 233N2101-5003 233N2101-5004 233N2101-5037 233N2101-5039 233N2101-5041 FOR NHA/OTHER SYS DET SEE: 25-10-00-05A	002004 006100 107107 121503 904999	RF
5	A3615710067		.INDICATOR- SUPPLIER CODE: V89944 SPECIFICATION NUMBER: S231T112-1 ELECTRICAL EQUIP NUMBER: N00022 COMPONENT MAINT MANUAL REF: 34-13-03	002004 006100 107107 121503 904999	1
5	A3615710070		.INDICATOR- SUPPLIER CODE: V89944 SPECIFICATION NUMBER: S231T112-4 COMPONENT MAINT MANUAL REF: 34-13-04 QUALIFIED I/W DATA: A3615710071 MAY REPLACE A3615710070 SUBJECT TO CUSTOMER PREFERENCE	121503 904949	1
10	81234720020		..PLATE-CAUTION SUPPLIER CODE: VS4276	002004 006100 107107 121503 904999	1
- 15	233N2221-301		.MODULE ASSY-P1-3 COMPONENT MAINT MANUAL REF: 31-11-48	011100	RF
20	233N2221-51		..MODULE ASSY	011100	RF
25	123-3D		...CLAMP- SUPPLIER CODE: V28277	002004 006100 107107 121503 904999	1

MISSING ITEM NUMBERS NOT APPLICABLE

- ITEM NOT ILLUSTRATED

BRI

# 34-13-05-01

34-13-05  
FIG. 01  
PAGE 1  
JAN 20/09



757

PARTS CATALOG (MAINTENANCE)

FIG ITEM	PART NUMBER	1 2 3 4 5 6 7	NOMENCLATURE	EFFECT FROM TO	UNITS PER ASSY
1					
- 100	233N2103-10		PANEL INSTL-P1-3 (STANDBY AIRSPEED INDICATOR ONLY) FOR NHA/OTHER SYS DET SEE: 25-10-00-15B	108120	RF
- 100	233N2103-72		PANEL INSTL-P1-3 (STANDBY AIRSPEED INDICATOR ONLY) FOR NHA/OTHER SYS DET SEE: 25-10-00-15B	101102	RF
- 100	233N2103-280		PANEL INSTL-P1-3 (STANDBY AIRSPEED INDICATOR ONLY) FOR NHA/OTHER SYS DET SEE: 25-10-00-15B	504903	RF

MISSING ITEM NUMBERS NOT APPLICABLE

- ITEM NOT ILLUSTRATED

BRI

34-13-05-01

BOEING PROPRIETARY - Copyright © - Unpublished Work - See title page for details.

34-13-05  
FIG. 01  
PAGE 2  
JAN 20/09



757

PARTS CATALOG (MAINTENANCE)

FIG ITEM	PART NUMBER	1 2 3 4 5 6 7	NOMENCLATURE	EFFECT FROM TO	UNITS PER ASSY
1 - 104	MODREF31741		PANEL INSTL-P1-3 (STANDBY AIRSPEED INDICATOR ONLY) MODULE NUMBER: 233N2103-425 REV A FOR OTHER SYS DETAILS SEE: 11-31-01-38 22-11-02-03 22-14-01-03 22-31-02-01 22-34-51-02 26-17-51-05 27-51-57-03 27-58-00-02 27-81-00-01 29-21-55-02 31-11-11-19 31-11-16-01 31-11-26-38 31-25-01-03 31-41-52-02 31-51-52-02 32-35-52-03 32-41-52-02 32-42-55-03 32-46-00-01 32-61-51-03 33-13-57-01A 33-16-52-03 34-12-01-03 34-16-51-03 34-21-02-02 34-22-02-02 34-22-05-01A 34-22-06-01 34-24-01-03 34-32-00-02 34-46-51-02 34-51-02-02 34-57-00-01 34-61-01-07 34-61-02-02 77-41-01-01 79-33-51-05 FOR ADDITIONAL DETAILS SEE: 34-13-01-03 34-13-02-01 34-13-06-01	103105	1

MISSING ITEM NUMBERS NOT APPLICABLE

- ITEM NOT ILLUSTRATED

BRI

# 34-13-05-01

BOEING PROPRIETARY - Copyright © - Unpublished Work - See title page for details.

34-13-05  
FIG. 01  
PAGE 3  
JAN 20/09



757

PARTS CATALOG (MAINTENANCE)

FIG ITEM	PART NUMBER	1 2 3 4 5 6 7 NOMENCLATURE	EFFECT FROM TO	UNITS PER ASSY
1 - 104	MODREF104335	PANEL INSTL-P1-3 (STANDBY AIRSPEED INDICATOR ONLY) MODULE NUMBER: 233N2103-425 REV B FOR OTHER SYS DETAILS SEE: 11-31-01-38 22-11-02-03 22-14-01-03 22-31-02-01 22-34-51-02 26-17-51-05 27-51-57-03 27-58-00-02 27-81-00-01 29-21-55-02 31-11-11-19 31-11-16-01 31-11-26-38 31-25-01-03 31-41-52-02 31-51-52-02 32-35-52-03 32-41-52-02 32-42-55-03 32-46-00-01 32-61-51-03 33-13-57-01A 33-16-52-03 34-12-01-03 34-16-51-03 34-21-02-02 34-22-02-02 34-22-05-01A 34-22-06-01 34-24-01-03 34-32-00-02 34-46-51-02 34-51-02-02 34-57-00-01 34-61-01-07 34-61-02-02 77-41-01-01 79-33-51-05 FOR ADDITIONAL DETAILS SEE: 34-13-01-03 34-13-02-01 34-13-06-01	106106	1

MISSING ITEM NUMBERS NOT APPLICABLE

- ITEM NOT ILLUSTRATED

# 34-13-05-01

34-13-05  
FIG. 01  
PAGE 4  
JAN 20/09

BRI



 **BOEING**  
757  
**PARTS CATALOG (MAINTENANCE)**

FIG ITEM	PART NUMBER	1 2 3 4 5 6 7	NOMENCLATURE	EFFECT FROM TO	UNITS PER ASSY
1 105	A3615710067		.INDICATOR- SUPPLIER CODE: V89944 SPECIFICATION NUMBER: S231T112-1 ELECTRICAL EQUIP NUMBER: N00022 COMPONENT MAINT MANUAL REF: 34-13-03	101102 108120	1
105	A3615710071		.INDICATOR- SUPPLIER CODE: V89944 SPECIFICATION NUMBER: S231T112-6 ELECTRICAL EQUIP NUMBER: N00022 COMPONENT MAINT MANUAL REF: 34-13-12 QUALIFIED I/W DATA: A3615710071 MAY REPLACE A3615710070 SUBJECT TO CUSTOMER PREFERENCE	504903	1
106	81234720020		..PLATE-CAUTION SUPPLIER CODE: VS4276	101102 108120 504903	1
- 110	233N2221-301		.MODULE ASSY- COMPONENT MAINT MANUAL REF: 31-11-48	101102 108120	RF
- 110	233N2221-317		.MODULE ASSY- COMPONENT MAINT MANUAL REF: 31-11-48	505505 507903	RF
- 110	RR92002-134A101		.MODULE ASSY- POST RAPID REVISION: RR92002-134A	504504 506506	RF
- 110	233N2221-320		.MODULE ASSY- COMPONENT MAINT MANUAL REF: 31-11-48	101102 108120	RF
- 110	233N2221-325		.MODULE ASSY- COMPONENT MAINT MANUAL REF: 31-11-48	103106	RF
- 110	233N2221-326		.MODULE ASSY- COMPONENT MAINT MANUAL REF: 31-11-48	101102 108120	RF
- 111	233N2221-328		.MODULE ASSY- COMPONENT MAINT MANUAL REF: 31-11-48	101102 108120	RF
115	233N2221-51		..MODULE ASSY- USED ON: 233N2221-301	101102 108120	RF

MISSING ITEM NUMBERS NOT APPLICABLE

- ITEM NOT ILLUSTRATED

BRI

# 34-13-05-01

BOEING PROPRIETARY - Copyright © - Unpublished Work - See title page for details.

34-13-05  
FIG. 01  
PAGE 5  
JAN 20/09



757

PARTS CATALOG (MAINTENANCE)

FIG ITEM	PART NUMBER	1 2 3 4 5 6 7	NOMENCLATURE	EFFECT FROM TO	UNITS PER ASSY
1					
115	233N2221-74		..MODULE ASSY	504903	RF
115	233N2221-81		..MODULE ASSY-	101106	RF
			USED ON:	108120	
			233N2221-320		
			233N2221-326		
			233N2221-328		
120	123-3D		...CLAMP-	101106	1
			SUPPLIER CODE:	108120	
			V28277	504903	
			USED ON:		
			233N2221-70		
			233N2221-83		
- 150	MODREF33340		PANEL INSTL-P1-3 (STANDBY	103106	1
			AIRSPEED INDICATOR ONLY)		
			MODULE NUMBER:		
			233N2103-100 REV A		
			POSITION DATA:		
			FWD		
			FOR OTHER SYS DETAILS SEE:		
			27-58-00-02		
			31-11-11-01		
			31-11-26-01		
			31-41-01-01		
			32-41-52-02		
			33-11-51-13		
			33-13-51-01		
			33-14-51-01		
			34-22-03-01		
			34-22-04-01		

MISSING ITEM NUMBERS NOT APPLICABLE

- ITEM NOT ILLUSTRATED

34-13-05-01

34-13-05  
FIG. 01  
PAGE 6  
JAN 20/09

BRI

 **BOEING**  
757  
**PARTS CATALOG (MAINTENANCE)**

FIG ITEM	PART NUMBER	1 2 3 4 5 6 7	NOMENCLATURE	EFFECT FROM TO	UNITS PER ASSY
1 155	C16221LA03		. INDICATOR-ISFD SUPPLIER CODE: VF9111 FUNCTIONAL DESCRIPTION: PROVIDES A VISUAL DISPLAY OF ATTITUDE, AIRSPEED, ALTITUDE, HEADING, AND OPTIONAL APPROACH DEVIATIONS. SPECIFICATION NUMBER: S231A120-6 ELECTRICAL EQUIP NUMBER: N10052 COMPONENT MAINT MANUAL REF: 34-22-45 QUALIFIED I/W DATA: C16221KA02(GREY BEZEL) I/W C16221LA03(BROWN BEZEL) I/W C16221QA01 (BROWN BEZEL) IF DESIRED BY CUSTOMER. C16221MA01 (GREY BEZEL) I/W C16221KA02 (GREY BEZEL) OR C16221LA03 (BROWN BEZEL) IF DESIRED BY CUSTOMER EXECPT C16221MA01 IS REQUIRED TO MAINTAIN CAT IIIB AUTOLAND CAPABILITY ON THOSE 737NG AIRCRAFT EQUIPPED FOR CAT IIIB OPERATION. FOR DETAILS SEE: 34-13-05-01A	103106	1
- 900	286N0001-002		WIRE BUNDLE ASSY- REWORKED BY ALERT SB: 34A0222	121503 904949	RF
- 900	286N0001-003		WIRE BUNDLE ASSY- REWORKED BY ALERT SB: 34A0222	107107	RF
- 900	286N0001-005		WIRE BUNDLE ASSY- REWORKED BY ALERT SB: 34A0222	002004 006100 950999	RF
- 900	286N0001-392		WIRE BUNDLE ASSY- REWORKED BY ALERT SB: 34A0222	108120	RF
- 902	286N0001-361		WIRE BUNDLE ASSY- REWORKED BY ALERT SB: 34A0222	101101	RF

MISSING ITEM NUMBERS NOT APPLICABLE

- ITEM NOT ILLUSTRATED

# 34-13-05-01

34-13-05  
FIG. 01  
PAGE 7  
JAN 20/09

BRI

BOEING PROPRIETARY - Copyright © - Unpublished Work - See title page for details.



757

PARTS CATALOG (MAINTENANCE)

FIG ITEM	PART NUMBER	1 2 3 4 5 6 7	NOMENCLATURE	EFFECT FROM TO	UNITS PER ASSY
1					
- 902	286N0001-365		WIRE BUNDLE ASSY- REWORKED BY ALERT SB: 34A0222	102102	RF
- 903	286N0001-357		WIRE BUNDLE ASSY- REWORKED BY ALERT SB: 34A0222	505505 507903	RF
- 904	286N0001-382		WIRE BUNDLE ASSY- REWORKED BY ALERT SB: 34A0222	504504 506506	RF
- 906	286N0001-709		WIRE BUNDLE ASSY-	103106	RF
910	BACC45FT10-5S		.CONNECTOR- ELECTRICAL EQUIP NUMBER: D00283 WIRING DIAGRAM REF: 341311	002004 006102 107999	1
910	MS3126F20-41S		.PLUG- ELECTRICAL EQUIP NUMBER: D04529 WIRING DIAGRAM REF: 342421	103106	1

MISSING ITEM NUMBERS NOT APPLICABLE

- ITEM NOT ILLUSTRATED

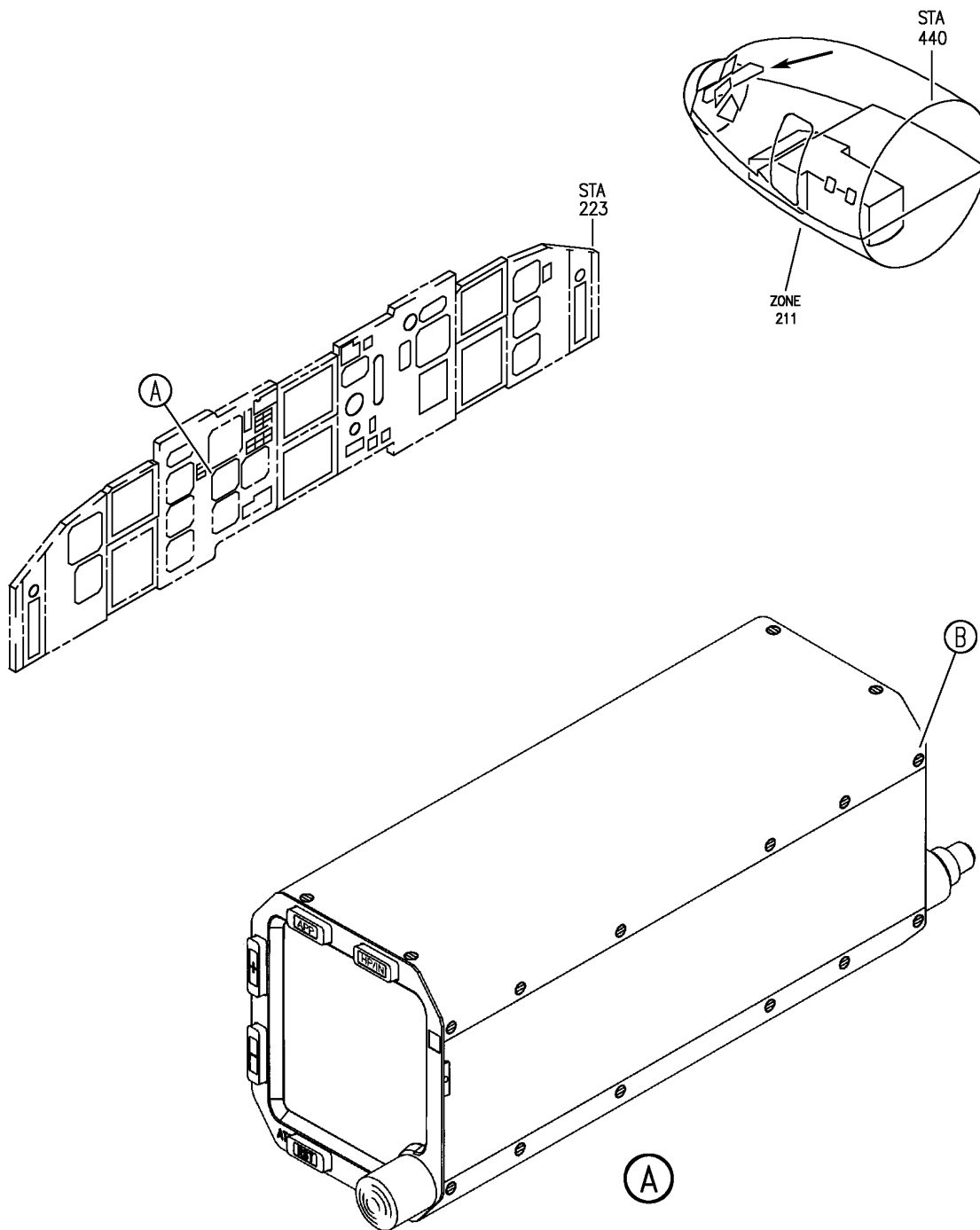
34-13-05-01

34-13-05  
FIG. 01  
PAGE 8  
JAN 20/09

BRI

BOEING PROPRIETARY - Copyright © - Unpublished Work - See title page for details.

**BOEING**  
757  
PARTS CATALOG (MAINTENANCE)



Y 34130501A SHT 1 REV 273

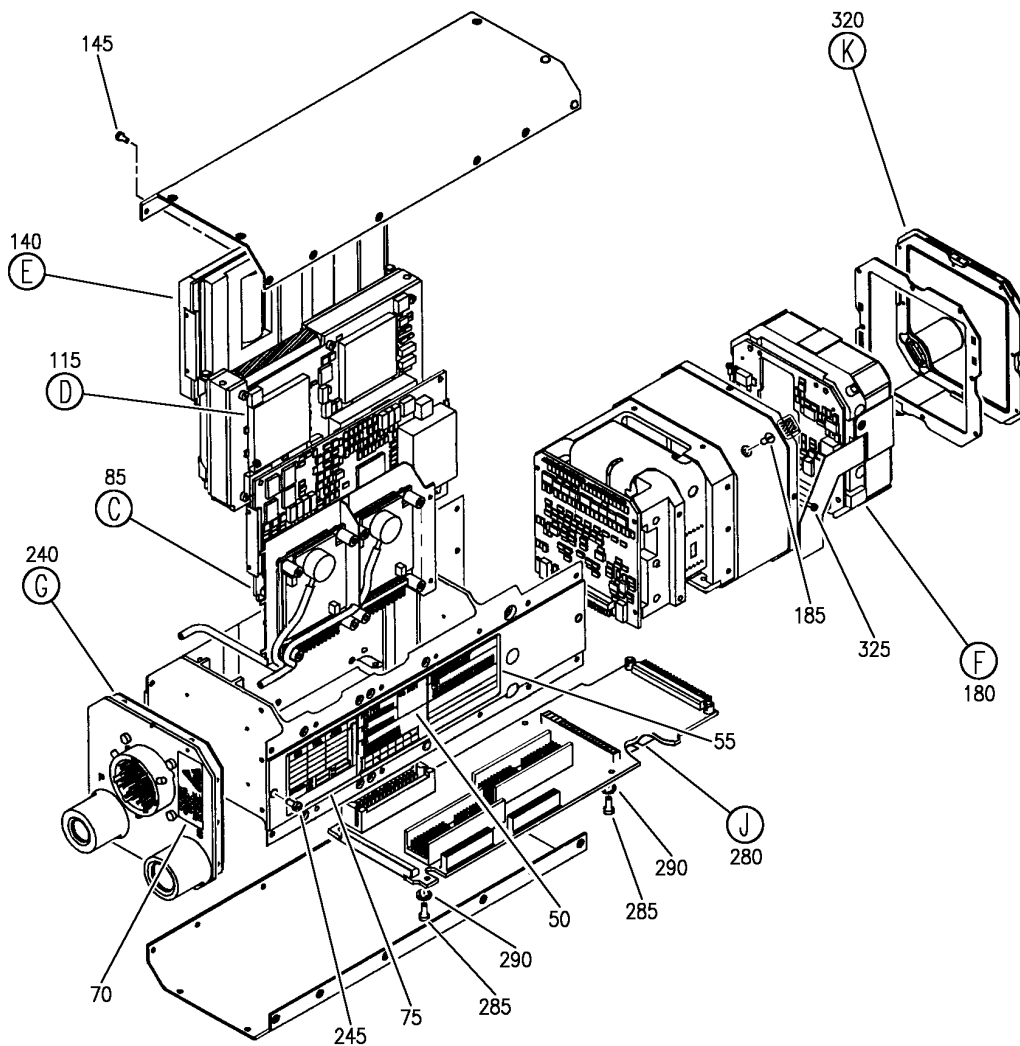
INDICATOR ASSY-INTERGRATED STBY FLIGHT DISPLAY  
FIGURE 1A (SHEET 1)

**34-13-05-01A**

BRI  
JAN 20/09

34-13-05-01A  
PAGE 0

**BOEING**  
757  
PARTS CATALOG (MAINTENANCE)



Y 34130501A SHT 2 REV 295

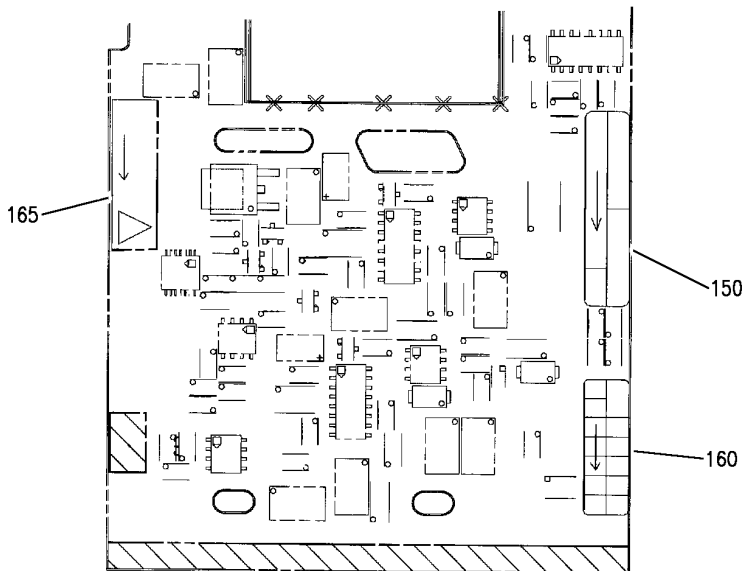
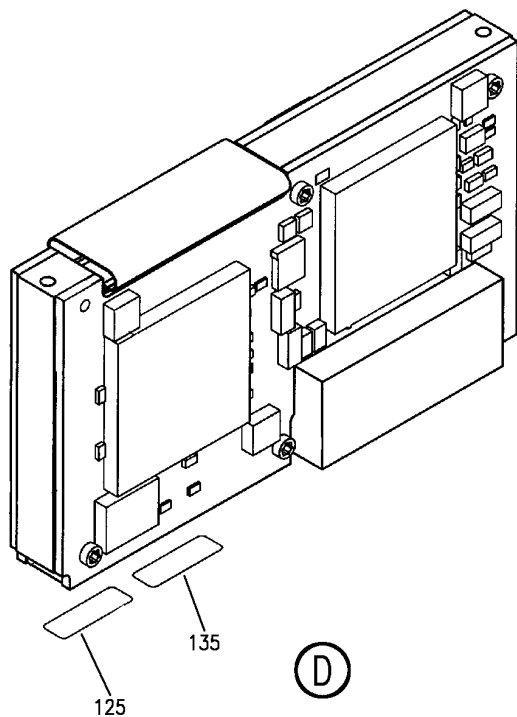
INDICATOR ASSY-INTERGRATED STBY FLIGHT DISPLAY  
FIGURE 1A (SHEET 2)

**34-13-05-01A**

BRI  
JAN 20/09

34-13-05-01A  
PAGE 0A

**BOEING**  
757  
PARTS CATALOG (MAINTENANCE)



Y 34130501A SHT 3 REV 273

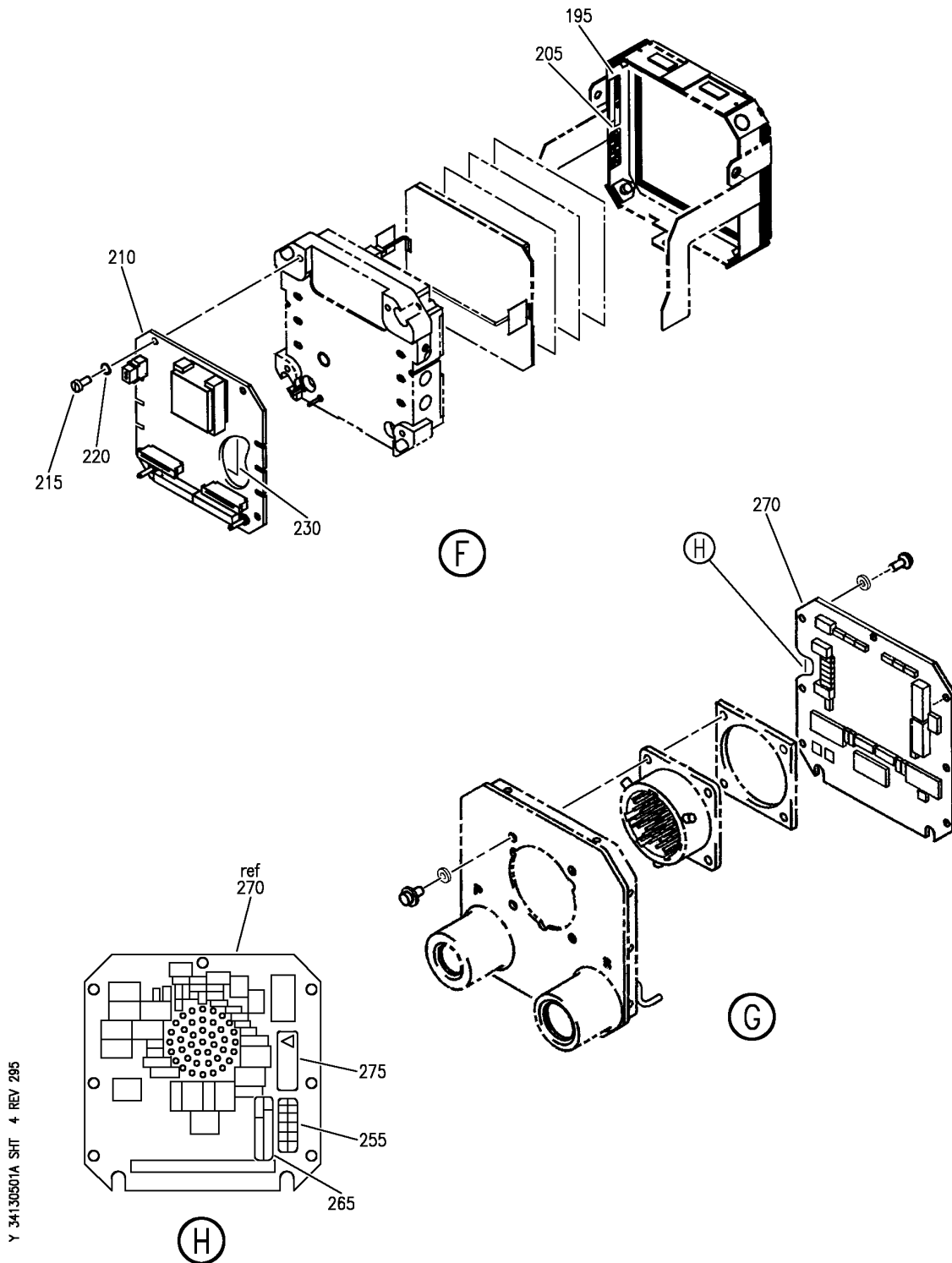
INDICATOR ASSY-INTERGRATED STBY FLIGHT DISPLAY  
FIGURE 1A (SHEET 3)

**34-13-05-01A**

BRI  
JAN 20/09

34-13-05-01A  
PAGE 0B

**BOEING**  
757  
PARTS CATALOG (MAINTENANCE)



Y 34130501A SHT 4 REV 295

INDICATOR ASSY-INTERGRATED STBY FLIGHT DISPLAY  
FIGURE 1A (SHEET 4)

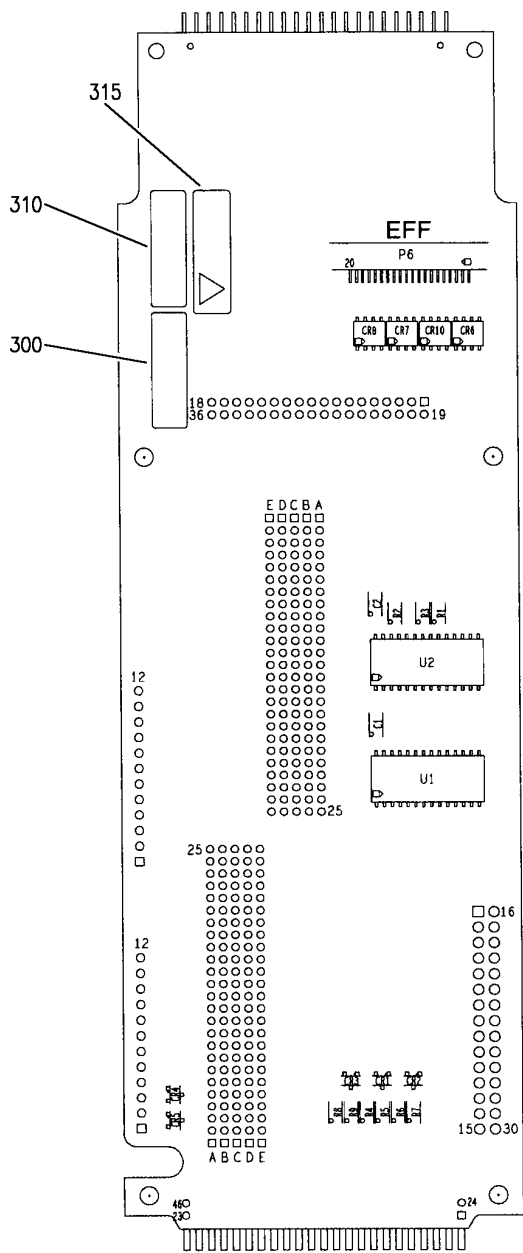
**34-13-05-01A**

BRI  
JAN 20/09

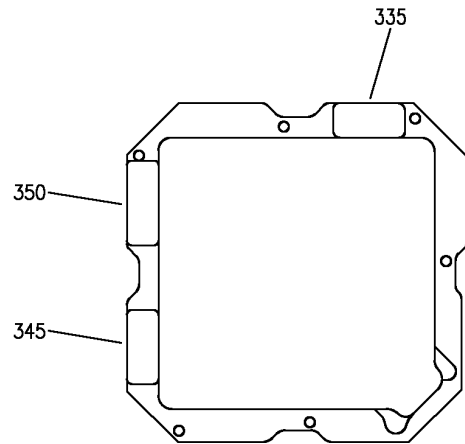
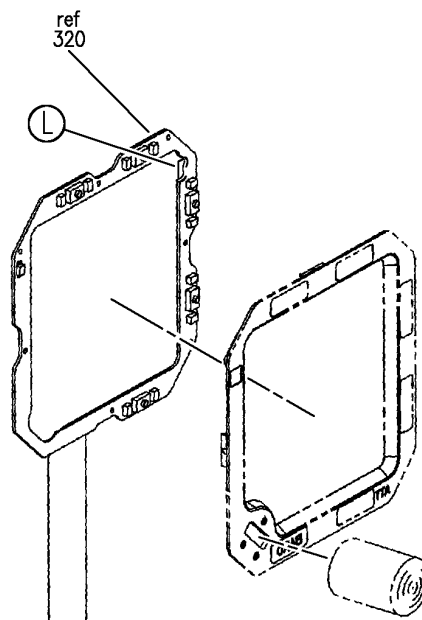
34-13-05-01A  
PAGE 0C



**BOEING**  
757  
PARTS CATALOG (MAINTENANCE)



J



L

Y 34130501A SHT 5 REV 295

INDICATOR ASSY-INTERGRATED STBY FLIGHT DISPLAY  
FIGURE 1A (SHEET 5)

**34-13-05-01A**

BRI  
JAN 20/09

34-13-05-01A  
PAGE 0D



757

PARTS CATALOG (MAINTENANCE)

FIG ITEM	PART NUMBER	1 2 3 4 5 6 7	NOMENCLATURE	EFFECT FROM TO	UNITS PER ASSY
1 A			INDICATOR ASSY-INTERGRATED STBY FLIGHT DISPLAY	103106	
- 1	C16221LA03		INDICATOR-INTERGRATED STBY FLIGHT DISPLAY SUPPLIER CODE: VF9111 FUNCTIONAL DESCRIPTION: PROVIDES A VISUAL DISPLAY OF ATTITUDE, AIRSPEED, ALTITUDE, HEADING, AND OPTIONAL APPROACH DEVIATIONS. SPECIFICATION NUMBER: S231A120-6 SB DATA FROM A CMM: POST C16221L-34-002 ELECTRICAL EQUIP NUMBER: N10052 COMPONENT MAINT MANUAL REF: 34-22-45 QUALIFIED I/W DATA: C16221KA02(GREY BEZEL) I/W C16221LA03(BROWN BEZEL) I/W C16221QA01 (BROWN BEZEL) IF DESIRED BY CUSTOMER. C16221MA01 (GREY BEZEL) I/W C16221KA02 (GREY BEZEL) OR C16221LA03 (BROWN BEZEL) IF DESIRED BY CUSTOMER EXECPT C16221MA01 IS REQUIRED TO MAINTAIN CAT IIIB AUTOLAND CAPABILITY ON THOSE 737NG AIRCRAFT EQUIPPED FOR CAT IIIB OPERATION. FOR NHA/OTHER SYS DET SEE: 34-13-05-01	103106	RF
50	F2000383		. LABEL-IDENT BARCODE SUPPLIER CODE: VF9111	103106	1
55	F1402858		. LABEL-PNR BARCODE SUPPLIER CODE: VF9111 SB DATA FROM A CMM: POST C16221L-34-002	103106	1

MISSING ITEM NUMBERS NOT APPLICABLE

- ITEM NOT ILLUSTRATED

34-13-05-01A

34-13-05  
FIG. 01A  
PAGE 1  
JAN 20/09

BRI



757

PARTS CATALOG (MAINTENANCE)

FIG ITEM	PART NUMBER	1 2 3 4 5 6 7	NOMENCLATURE	EFFECT FROM TO	UNITS PER ASSY
1A					
- 60	F2000116	.	LABEL-PROTECTOR SUPPLIER CODE: VF9111	103106	1
- 65	F2000119	.	LABEL-MOD SUFFIX SUPPLIER CODE: VF9111	103106	1
70	F2000175	.	LABEL-STATIC SENSITIVE DEVICES SUPPLIER CODE: VF9111	103106	1
75	F1276554	.	LABEL-TSO/QAC SUPPLIER CODE: VF9111	103106	1
85	E16485BB01	.	BOARD ASSY-PRINTED CKT INTERFACE PROGRAM SUPPLIER CODE: VF9111 SB DATA FROM A CMM: PRE C16221L-34-003 COMPONENT MAINT MANUAL REF: 34-22-26	103106	1
85	E16485EA01	.	BOARD ASSY-PRINTED CKT INTERFACE PROGRAM SUPPLIER CODE: VF9111 SB DATA FROM A CMM: POST C16221L-34-003 COMPONENT MAINT MANUAL REF: 34-22-26	103106	1
- 90	F2000068	..	LABEL-PROTECTOR SUPPLIER CODE: VF9111	103106	1
95	F2000071	..	LABEL-IDENT SUPPLIER CODE: VF9111	103106	1
- 100	F2000100	..	LABEL-PROTECTOR SUPPLIER CODE: VF9111	103106	1
105	F2000103	..	LABEL-MOD SUFFIX SUPPLIER CODE: VF9111	103106	1
110	F2000190	..	LABEL-STATIC SENSITIVE DEVICES SUPPLIER CODE: VF9111	103106	1

MISSING ITEM NUMBERS NOT APPLICABLE

- ITEM NOT ILLUSTRATED

34-13-05-01A

34-13-05  
FIG. 01A  
PAGE 2  
JAN 20/09

BRI

BOEING PROPRIETARY - Copyright © - Unpublished Work - See title page for details.



757

PARTS CATALOG (MAINTENANCE)

FIG ITEM	PART NUMBER	1 2 3 4 5 6 7	NOMENCLATURE	EFFECT FROM TO	UNITS PER ASSY
1A 115	E16453HA01	.	CONTROL-PROCESSOR GRAPHIC DIPLAY UNIT SUPPLIER CODE: VF9111 SB DATA FROM A CMM: PRE C16221L-34-003 COMPONENT MAINT MANUAL REF: 34-22-27	103106	1
115	E16453HA02	.	CONTROL-PROCESSOR GRAPHIC DIPLAY UNIT SUPPLIER CODE: VF9111 SB DATA FROM A CMM: POST C16221L-34-003 COMPONENT MAINT MANUAL REF: 34-22-27	103106	1
- 120	F2000068	..	LABEL-PROTECTOR SUPPLIER CODE: VF9111	103106	1
125	F2000071	..	LABEL-IDENT SUPPLIER CODE: VF9111	103106	1
- 130	F2000100	..	LABEL-PROTECTOR SUPPLIER CODE: VF9111	103106	1
135	F2000103	..	LABEL-MOD SUFFIX SUPPLIER CODE: VF9111	103106	1
140	E17395AA	.	BOARD ASSY-PRINTED CKT PWR SUPPLY SUPPLIER CODE: VF9111 SB DATA FROM A CMM: PRE C16221L-34-004 PRE E17395-34-001 COMPONENT MAINT MANUAL REF: 34-22-28	103106	1
140	E17395DA	.	BOARD ASSY-PRINTED CKT PWR SUPPLY SUPPLIER CODE: VF9111 SB DATA FROM A CMM: POST 16221L-34-004 POST E17395-34-001 COMPONENT MAINT MANUAL REF: 34-22-28	103106	1

MISSING ITEM NUMBERS NOT APPLICABLE

- ITEM NOT ILLUSTRATED

34-13-05-01A

34-13-05  
FIG. 01A  
PAGE 3  
JAN 20/09

BRI



757

PARTS CATALOG (MAINTENANCE)

FIG ITEM	PART NUMBER	1 2 3 4 5 6 7	NOMENCLATURE	EFFECT FROM TO	UNITS PER ASSY
1A			ATTACHING PARTS		
145	57001-711-1	.	SCREW- SUPPLIER CODE: VF9111	103106	4
			-----*-----		
150	F2000079	..	LABEL-IDENT SUPPLIER CODE: VF9111	103106	1
- 155	F2000100	..	LABEL-PROTECTOR SUPPLIER CODE: VF9111	103106	1
160	F2000103	..	LABEL-MOD SUFFIX SUPPLIER CODE: VF9111	103106	1
165	F2000190	..	LABEL-STATIC SENSITIVE DEVICES SUPPLIER CODE: VF9111	103106	1
180	E24119CC	.	OPTICAL ASSY-(ESDS) SUPPLIER CODE: VF9111	103106	1
			SB DATA FROM A CMM: PRE C16221L-34-007		
180	E24119FA	.	OPTICAL ASSY-(ESDS) SUPPLIER CODE: VF9111	103106	1
			SB DATA FROM A CMM: POST C16221L-34-007		
			ATTACHING PARTS		
185	45740023	.	SCREW- SUPPLIER CODE: VF9111	103106	4
			-----*-----		
- 190	F2000068	..	LABEL-PROTECTOR SUPPLIER CODE: VF9111	103106	1
195	F2000071	..	LABEL-IDENT SUPPLIER CODE: VF9111	103106	1
- 200	F2000100	..	LABEL-PROTECTOR SUPPLIER CODE: VF9111	103106	1
205	F2000247	..	LABEL-MOD SUFFIX SUPPLIER CODE: VF9111	103106	1
205	F2000103	..	LABEL-MOD SUFFIX SUPPLIER CODE: VF9111	103106	1

MISSING ITEM NUMBERS NOT APPLICABLE

- ITEM NOT ILLUSTRATED

34-13-05-01A

34-13-05  
FIG. 01A  
PAGE 4  
JAN 20/09

BRI

BOEING PROPRIETARY - Copyright © - Unpublished Work - See title page for details.



757

PARTS CATALOG (MAINTENANCE)

FIG ITEM	PART NUMBER	1 2 3 4 5 6 7	NOMENCLATURE	EFFECT FROM TO	UNITS PER ASSY
1A 210	E24100BB		..BOARD ASSY-PRINTED CKT (ESDS) SUPPLIER CODE: VF9111 SB DATA FROM A CMM: PRE C16221L-34-007	103106	1
210	E24100EA		..BOARD ASSY-PRINTED CKT (ESDS) SUPPLIER CODE: VF9111 SB DATA FROM A CMM: POST C16221L-34-007	103106	1
215	A1235914		ATTACHING PARTS ..SCREW- SUPPLIER CODE: VF4796	103106	4
220	520251-70		..WASHER- SUPPLIER CODE: VF0349	103106	4
- 225	F2000068		-----*----- ...LABEL-PROTECTOR SUPPLIER CODE: VF9111	103106	1
230	F2000071		...LABEL-IDENT SUPPLIER CODE: VF9111	103106	1
- 235	F2000190		...LABEL-STATIC SENSITIVE DEVICES SUPPLIER CODE: VF9111	103106	1
240	E16387EA		.INTERCONNECTION ASSY-REAR (ESDS) SUPPLIER CODE: VF9111	103106	1
245	57008-370-1		ATTACHING PARTS .SCREW- SUPPLIER CODE: VF9111	103106	2
- 250	F2000068		-----*----- ..LABEL-PROTECTOR SUPPLIER CODE: VF9111	103106	1
255	F2000247		..LABEL-MOD SUFFIX SUPPLIER CODE: VF9111	103106	1
- 260	F2000100		..LABEL-PROTECTOR SUPPLIER CODE: VF9111	103106	1

MISSING ITEM NUMBERS NOT APPLICABLE

- ITEM NOT ILLUSTRATED

34-13-05-01A

34-13-05  
FIG. 01A  
PAGE 5  
JAN 20/09

BRI

BOEING PROPRIETARY - Copyright © - Unpublished Work - See title page for details.



757

PARTS CATALOG (MAINTENANCE)

FIG ITEM	PART NUMBER	1 2 3 4 5 6 7	NOMENCLATURE	EFFECT FROM TO	UNITS PER ASSY
1A 265	F2000071	..	LABEL-IDENT SUPPLIER CODE: VF9111	103106	1
270	E16368CA	..	BOARD ASSY-PRINTED CKT F1B (ESDS) SUPPLIER CODE: VF9111	103106	1
275	F2000190	...	LABEL-STATIC SENSITIVE DEVICES SUPPLIER CODE: VF9111	103106	1
280	E16486BA01	.BOARD	ASSY-PRINTED CKT MOTHER PROG (ESDS) SUPPLIER CODE: VF9111 SB DATA FROM A CMM: PRE C16221L-34-005	103106	1
280	E16486BB01	.BOARD	ASSY-PRINTED CKT MOTHER PROG (ESDS) SUPPLIER CODE: VF9111 SB DATA FROM A CMM: POST C16221L-34-005	103106	1
285	57008-370-1	.SCREW-	ATTACHING PARTS SUPPLIER CODE: VF9111	103106	4
285	F1401166	.SCREW-	SUPPLIER CODE: VF9111	103106	4
290	520251-70	.WASHER-	SUPPLIER CODE: VF0349	103106	4
- 295	F2000068	..	LABEL-PROTECTOR SUPPLIER CODE: VF9111	103106	1
300	F2000071	..	LABEL-IDENT SUPPLIER CODE: VF9111	103106	1
- 305	F2000100	..	LABEL-PROTECTOR SUPPLIER CODE: VF9111	103106	1
310	F2000103	..	LABEL-MOD SUFFIX SUPPLIER CODE: VF9111	103106	1

MISSING ITEM NUMBERS NOT APPLICABLE

- ITEM NOT ILLUSTRATED

34-13-05-01A

34-13-05  
FIG. 01A  
PAGE 6  
JAN 20/09

BRI



757

PARTS CATALOG (MAINTENANCE)

FIG ITEM	PART NUMBER	1 2 3 4 5 6 7	NOMENCLATURE	EFFECT FROM TO	UNITS PER ASSY
1 A					
315	F2000190		.. LABEL-STATIC SENSITIVE DEVICES SUPPLIER CODE: VF9111	103106	1
320	E16364KA		. FACE ASSY-FRONT SUPPLIER CODE: VF9111 SB DATA FROM A CMM: PRE C16221L-34-005	103106	1
320	E16364KB		. FACE ASSY-FRONT SUPPLIER CODE: VF9111 SB DATA FROM A CMM: POST C16221L-34-005	103106	1
325	F1400013		ATTACHING PARTS . SCREW- SUPPLIER CODE: VF9111	103106	4
- 330	F2000068		-----*----- .. LABEL-PROTECTOR SUPPLIER CODE: VF9111	103106	1
335	F2000071		.. LABEL-IDENT SUPPLIER CODE: VF9111	103106	1
- 340	F2000100		.. LABEL-PROTECTOR SUPPLIER CODE: VF9111	103106	1
345	F2000247		.. LABEL-MOD SUFFIX SUPPLIER CODE: VF9111	103106	1
345	F2000103		.. LABEL-MOD SUFFIX SUPPLIER CODE: VF9111	103106	1
350	F2000190		.. LABEL-STATIC SENSITIVE DEVICES SUPPLIER CODE: VF9111	103106	1

MISSING ITEM NUMBERS NOT APPLICABLE

- ITEM NOT ILLUSTRATED

34-13-05-01A

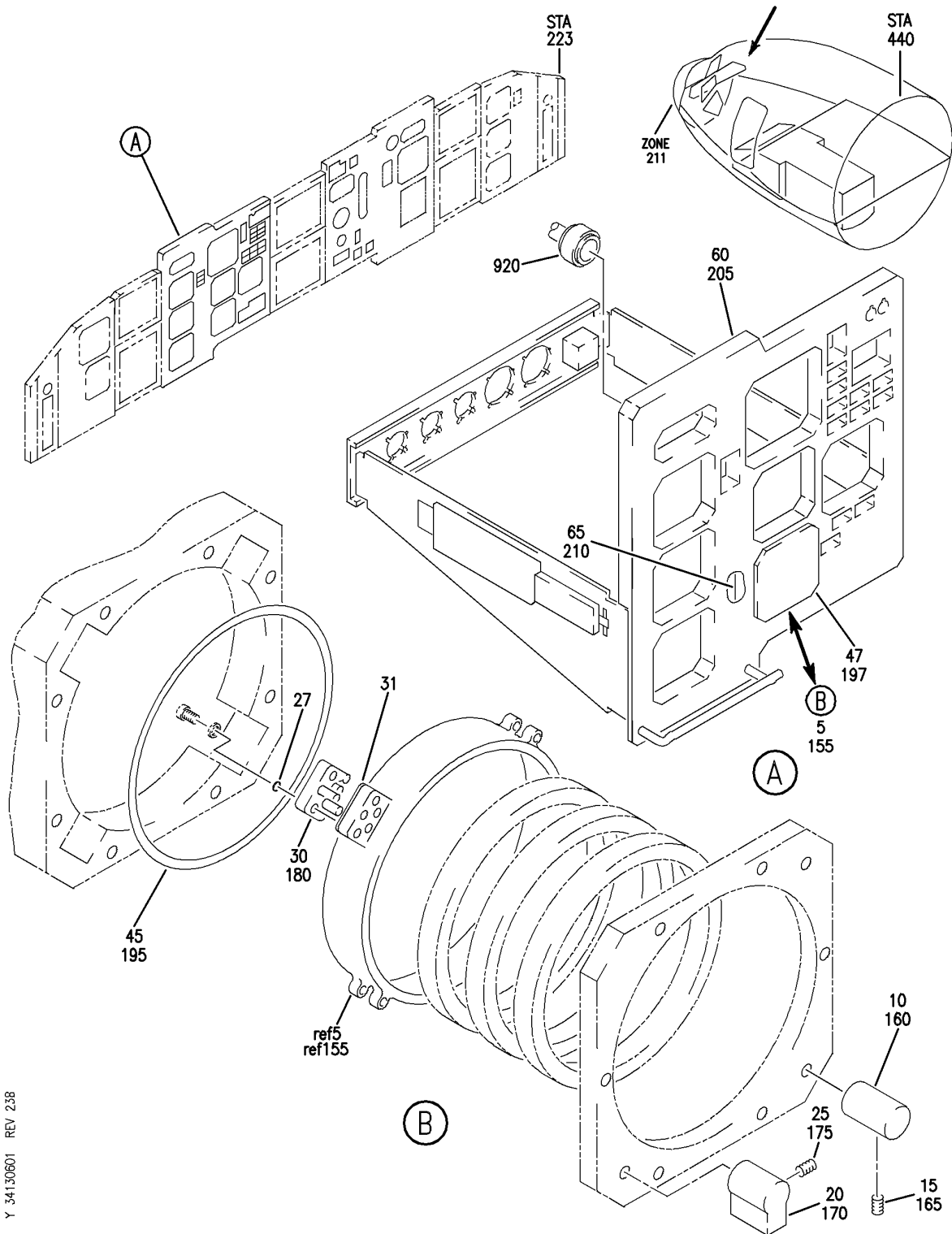
34-13-05  
FIG. 01A  
PAGE 7  
JAN 20/09

BRI

BOEING PROPRIETARY - Copyright © - Unpublished Work - See title page for details.



**BOEING**  
757  
PARTS CATALOG (MAINTENANCE)



Y 34130601 REV 258

PANEL INSTL-CAPT AND FIRST OFFICER FWD AND P1-3 (STANDBY ALTIMETER ONLY)  
FIGURE 1

**34-13-06-01**

BRI  
MAY 28/07

34-13-06-01  
PAGE 0



757

PARTS CATALOG (MAINTENANCE)

FIG ITEM	PART NUMBER	1 2 3 4 5 6 7	NOMENCLATURE	EFFECT FROM TO	UNITS PER ASSY
1			PANEL INSTL-CAPT AND FIRST OFFICER FWD AND P1-3 (STANDBY ALTIMETER ONLY)	002004 006999	
- 1	233N2101-1		PANEL INSTL-CAPT AND FIRST OFFICER (STANDBY ALTIMETER ONLY)	002004 006100 107107 121503 904999	RF
5	LK35-1		POSITION DATA: FWD VARIABLE DRAWING REF: 233N2101-5003 233N2101-5004 233N2101-5037 233N2101-5039 233N2101-5041 FOR NHA/OTHER SYS DET SEE: 25-10-00-05A .INDICATOR ASSY-STBY ALTM SUPPLIER CODE: VS4276 SPECIFICATION NUMBER: S231T113-1 ELECTRICAL EQUIP NUMBER: N00023 COMPONENT MAINT MANUAL REF: 34-13-02 QUALIFIED I/W DATA: LK35-9 I/W LK35-1 SUBJECT TO CUSTOMER PREFERENCE OF RANGE LIMIT FOR THE BARO CORRECTION RESOLVER OUTPUT.	107107 121503 904949	1
5	LK35-2		.INDICATOR ASSY-STBY ALTM SUPPLIER CODE: VS4276 SPECIFICATION NUMBER: S231T113-2 ELECTRICAL EQUIP NUMBER: N00023 COMPONENT MAINT MANUAL REF: 34-13-02	002004 006100 950999	1

MISSING ITEM NUMBERS NOT APPLICABLE

- ITEM NOT ILLUSTRATED

BRI

34-13-06-01

34-13-06  
FIG. 01  
PAGE 1  
JAN 20/09

 **BOEING**  
757  
**PARTS CATALOG (MAINTENANCE)**

FIG ITEM	PART NUMBER	1 2 3 4 5 6 7	NOMENCLATURE	EFFECT FROM TO	UNITS PER ASSY
1					
5	A4619710001		. INDICATOR ASSY-STBY ALTM SUPPLIER CODE: V89944 SPECIFICATION NUMBER: S231T111-1 ELECTRICAL EQUIP NUMBER: N00023 COMPONENT MAINT MANUAL REF: 34-13-06	002004 006100 950999	1
10	1110-115520		.. KNOB- SUPPLIER CODE: VS4276	002004 006100 107107 121503 904999	1
15	2225-027027		.. SETSCREW- SUPPLIER CODE: VS4276	002004 006010 107107 121503 904999	1
20	57461900080		.. KNOB- SUPPLIER CODE: V89944	002004 006100 950999	1
25	74455060012		.. SETSCREW- SUPPLIER CODE: V89944	002004 006100 950999	1
30	1110-117970		.. BOARD ASSY- SUPPLIER CODE: VS4276	002004 006100 107107 121503 904999	1
- 35	2414-017070		ATTACHING PARTS .. SCREW- SUPPLIER CODE: VS4276	002004 006100 107107 121503 904999	2
- 40	1383-030737		.. WASHER- SUPPLIER CODE: VS4276	002004 006100 107107 121503 904999	2
45	2693-097612		-----*----- .. RING-SEALING SUPPLIER CODE: VS4276	002004 006100 107107 121503 904999	1

MISSING ITEM NUMBERS NOT APPLICABLE

- ITEM NOT ILLUSTRATED

BRI

# 34-13-06-01

BOEING PROPRIETARY - Copyright © - Unpublished Work - See title page for details.

34-13-06  
FIG. 01  
PAGE 2  
JAN 20/09



757

PARTS CATALOG (MAINTENANCE)

FIG ITEM	PART NUMBER	1 2 3 4 5 6 7	NOMENCLATURE	EFFECT FROM TO	UNITS PER ASSY
1					
- 50	233N2221-301		.MODULE ASSY-P1-3 COMPONENT MAINT MANUAL REF: 31-11-48	011100	RF
60	233N2221-51		..MODULE ASSY	011100	RF
60	233N2221-73		..MODULE ASSY	011100	RF
65	123-3D		...CLAMP- SUPPLIER CODE: V28277	011100	1
- 150	233N2103-10		PANEL INSTL-P1-3 (STANDBY ALTIMETER ONLY) FOR NHA/OTHER SYS DET SEE: 25-10-00-15B	108120	RF
- 150	233N2103-72		PANEL INSTL-P1-3 (STANDBY ALTIMETER ONLY) FOR NHA/OTHER SYS DET SEE: 25-10-00-15B	101102	RF
- 150	233N2103-280		PANEL INSTL-P1-3 (STANDBY ALTIMETER ONLY) FOR NHA/OTHER SYS DET SEE: 25-10-00-15B	504903	RF

MISSING ITEM NUMBERS NOT APPLICABLE

- ITEM NOT ILLUSTRATED

BRI

34-13-06-01

BOEING PROPRIETARY - Copyright © - Unpublished Work - See title page for details.

34-13-06  
FIG. 01  
PAGE 3  
JAN 20/09



757

PARTS CATALOG (MAINTENANCE)

FIG ITEM	PART NUMBER	1 2 3 4 5 6 7	NOMENCLATURE	EFFECT FROM TO	UNITS PER ASSY
1 - 154	MODREF31741		PANEL INSTL-P1-3 (STANDBY ALTIMETER ONLY) MODULE NUMBER: 233N2103-425 REV A FOR OTHER SYS DETAILS SEE: 11-31-01-38 22-11-02-03 22-14-01-03 22-31-02-01 22-34-51-02 26-17-51-05 27-51-57-03 27-58-00-02 27-81-00-01 29-21-55-02 31-11-11-19 31-11-16-01 31-11-26-38 31-25-01-03 31-41-52-02 31-51-52-02 32-35-52-03 32-41-52-02 32-42-55-03 32-46-00-01 32-61-51-03 33-13-57-01A 33-16-52-03 34-12-01-03 34-16-51-03 34-21-02-02 34-22-02-02 34-22-05-01A 34-22-06-01 34-24-01-03 34-32-00-02 34-46-51-02 34-51-02-02 34-57-00-01 34-61-01-07 34-61-02-02 77-41-01-01 79-33-51-05 FOR ADDITIONAL DETAILS SEE: 34-13-01-03 34-13-02-01 34-13-05-01	103105	1

MISSING ITEM NUMBERS NOT APPLICABLE

- ITEM NOT ILLUSTRATED

BRI

# 34-13-06-01

BOEING PROPRIETARY - Copyright © - Unpublished Work - See title page for details.

34-13-06  
FIG. 01  
PAGE 4  
JAN 20/09



757

PARTS CATALOG (MAINTENANCE)

FIG ITEM	PART NUMBER	1 2 3 4 5 6 7	NOMENCLATURE	EFFECT FROM TO	UNITS PER ASSY
1 - 154	MODREF104335		PANEL INSTL-P1-3 (STANDBY ALTIMETER ONLY) MODULE NUMBER: 233N2103-425 REV B FOR OTHER SYS DETAILS SEE: 11-31-01-38 22-11-02-03 22-14-01-03 22-31-02-01 22-34-51-02 26-17-51-05 27-51-57-03 27-58-00-02 27-81-00-01 29-21-55-02 31-11-11-19 31-11-16-01 31-11-26-38 31-25-01-03 31-41-52-02 31-51-52-02 32-35-52-03 32-41-52-02 32-42-55-03 32-46-00-01 32-61-51-03 33-13-57-01A 33-16-52-03 34-12-01-03 34-16-51-03 34-21-02-02 34-22-02-02 34-22-05-01A 34-22-06-01 34-24-01-03 34-32-00-02 34-46-51-02 34-51-02-02 34-57-00-01 34-61-01-07 34-61-02-02 77-41-01-01 79-33-51-05 FOR ADDITIONAL DETAILS SEE: 34-13-01-03 34-13-02-01 34-13-05-01	106106	1

MISSING ITEM NUMBERS NOT APPLICABLE

- ITEM NOT ILLUSTRATED

# 34-13-06-01

34-13-06  
FIG. 01  
PAGE 5  
JAN 20/09

BRI



757

PARTS CATALOG (MAINTENANCE)

FIG ITEM	PART NUMBER	1 2 3 4 5 6 7	NOMENCLATURE	EFFECT FROM TO	UNITS PER ASSY
1 155	LK35-2	.	INDICATOR ASSY-STBY ALTM SUPPLIER CODE: VS4276 SPECIFICATION NUMBER: S231T113-2 ELECTRICAL EQUIP NUMBER: N00023 COMPONENT MAINT MANUAL REF: 34-13-02	101102 108120	1
155	LK35-9	.	INDICATOR ASSY-STBY ALTM SUPPLIER CODE: VS4276 SPECIFICATION NUMBER: S231T113-7 ELECTRICAL EQUIP NUMBER: N00023 COMPONENT MAINT MANUAL REF: 34-13-02 QUALIFIED I/W DATA: LK35-9 I/W LK35-1 SUBJECT TO CUSTOMER PREFERENCE OF RANGE LIMIT FOR THE BARO CORRECTION RESOLVER OUTPUT.	504903	1
155	A4619710001	.	INDICATOR ASSY-STBY ALTM SUPPLIER CODE: V89944 SPECIFICATION NUMBER: S231T111-1 ELECTRICAL EQUIP NUMBER: N00023 COMPONENT MAINT MANUAL REF: 34-13-06	101102 108120	1
160	1110-115520	..	KNOB- SUPPLIER CODE: VS4276	101102 108120 504903	1
165	2225-027027	..	SETSCREW- SUPPLIER CODE: VS4276	101102 108120 504903	1
170	57461900080	..	KNOB- SUPPLIER CODE: V89944	101102 108120	1
175	74455060012	..	SETSCREW- SUPPLIER CODE: V89944	101102 108120	1
180	1110-117970	..	BOARD ASSY- SUPPLIER CODE: VS4276	101102 108120 504903	1

MISSING ITEM NUMBERS NOT APPLICABLE

- ITEM NOT ILLUSTRATED

34-13-06-01

34-13-06  
FIG. 01  
PAGE 6  
JAN 20/09

BRI



757

PARTS CATALOG (MAINTENANCE)

FIG ITEM	PART NUMBER	1 2 3 4 5 6 7	NOMENCLATURE	EFFECT FROM TO	UNITS PER ASSY
1			ATTACHING PARTS		
- 185	2414-017070	..	SCREW- SUPPLIER CODE: VS4276	101102 108120 504903	2
- 190	1383-030737	..	WASHER- SUPPLIER CODE: VS4276	101102 108120 504903	2
			-----*-----		
195	2693-097612	..	RING-SEALING SUPPLIER CODE: VS4276	101102 108120 504903	1
- 200	233N2221-301	.MODULE ASSY-	COMPONENT MAINT MANUAL REF: 31-11-48	101102 108120	RF
- 200	233N2221-317	.MODULE ASSY-	COMPONENT MAINT MANUAL REF: 31-11-48	505505 507903	RF
- 200	RR92002-134A101	.MODULE ASSY-	POST RAPID REVISION: 92002-134A	504504 506506	RF
- 200	233N2221-320	.MODULE ASSY-	COMPONENT MAINT MANUAL REF: 31-11-48	101102 108120	RF
- 200	233N2221-325	.MODULE ASSY-	COMPONENT MAINT MANUAL REF: 31-11-48	103106	RF
- 200	233N2221-326	.MODULE ASSY-	COMPONENT MAINT MANUAL REF: 31-11-48	101102 108120	RF
- 201	233N2221-328	.MODULE ASSY-	COMPONENT MAINT MANUAL REF: 31-11-48	101102 108120	RF
205	233N2221-51	..MODULE ASSY-	USED ON: 233N2221-301	101102 108120	RF
205	233N2221-74	..MODULE ASSY-		504903	RF
205	233N2221-81	..MODULE ASSY-	USED ON: 233N2221-320 233N2221-326 233N2221-328	101106 108120	RF
210	123-3D	...CLAMP-	SUPPLIER CODE: V28277	101106 108120 504903	1
- 900	286N0001-002	WIRE BUNDLE ASSY-	REWORKED BY ALERT SB: 34A0222	121503 904949	RF

MISSING ITEM NUMBERS NOT APPLICABLE

- ITEM NOT ILLUSTRATED

34-13-06-01

34-13-06  
FIG. 01  
PAGE 7  
JAN 20/09

BRI





757

PARTS CATALOG (MAINTENANCE)

FIG ITEM	PART NUMBER	1 2 3 4 5 6 7	NOMENCLATURE	EFFECT FROM TO	UNITS PER ASSY
1					
- 900	286N0001-003		WIRE BUNDLE ASSY- REWORKED BY ALERT SB: 34A0222	107107	RF
- 900	286N0001-005		WIRE BUNDLE ASSY- REWORKED BY ALERT SB: 34A0222	002004 006100 950999	RF
- 900	286N0001-357		WIRE BUNDLE ASSY- REWORKED BY ALERT SB: 34A0222	505505 507903	RF
- 900	286N0001-361		WIRE BUNDLE ASSY- REWORKED BY ALERT SB: 34A0222	101101	RF
- 903	286N0001-365		WIRE BUNDLE ASSY- REWORKED BY ALERT SB: 34A0222	102102	RF
- 903	286N0001-392		WIRE BUNDLE ASSY- REWORKED BY ALERT SB: 34A0222	108120	RF
- 904	286N0001-382		WIRE BUNDLE ASSY- REWORKED BY ALERT SB: 34A0222	504504 506506	RF
920	BACC45FT16B24S7		.CONNECTOR- ELECTRICAL EQUIP NUMBER: D00281 WIRING DIAGRAM REF: 341311	107107 121949	1
920	BACC45FT10D5S6		.CONNECTOR- ELECTRICAL EQUIP NUMBER: D00281 WIRING DIAGRAM REF: 341311	002004 006102 108120 950999	1

MISSING ITEM NUMBERS NOT APPLICABLE

- ITEM NOT ILLUSTRATED

BRI

34-13-06-01

BOEING PROPRIETARY - Copyright © - Unpublished Work - See title page for details.

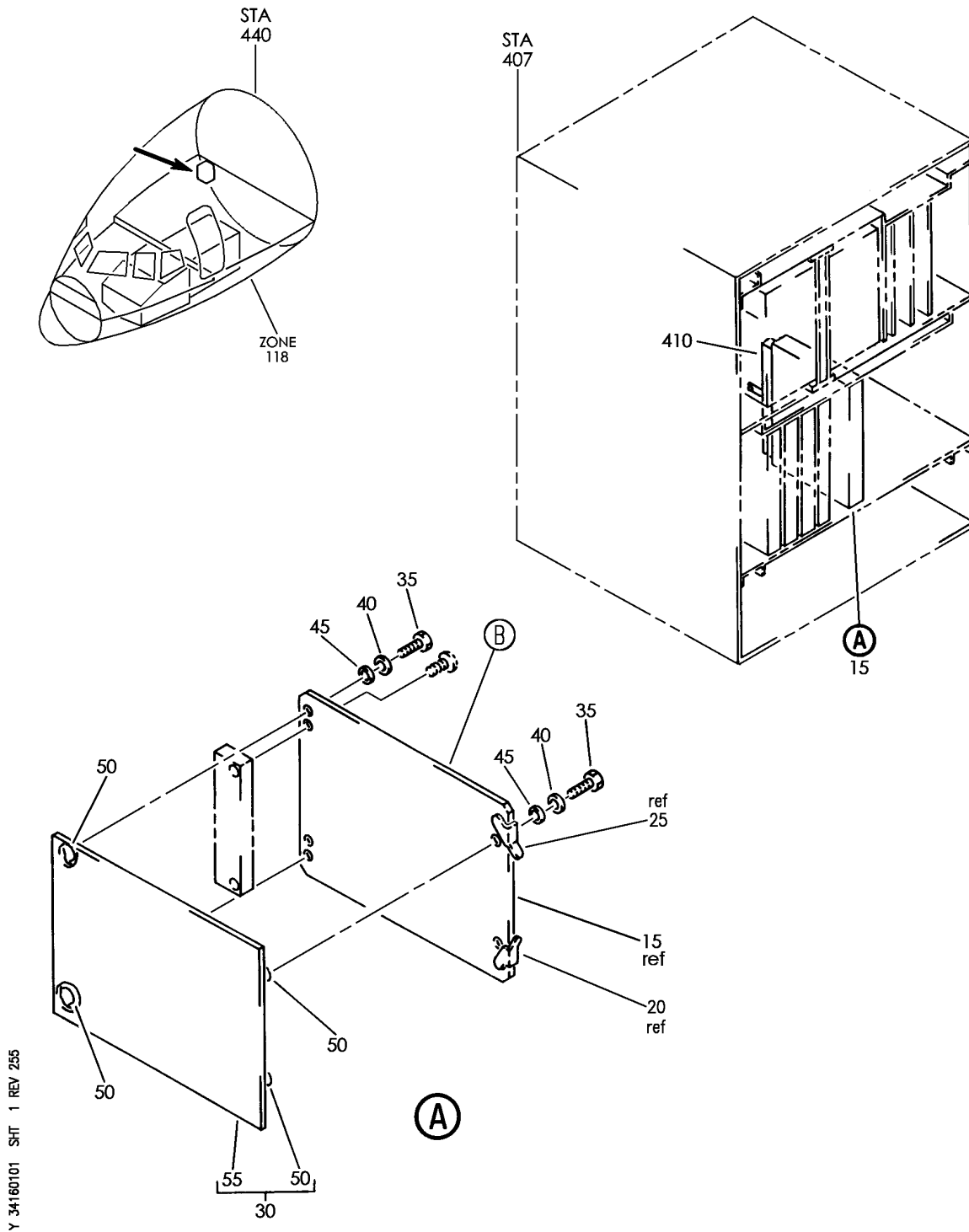
34-13-06  
FIG. 01  
PAGE 8  
JAN 20/09

## ALTITUDE ALERT SYSTEM

BRI  
MAY 28/07

34-16-00  
SECTION TITLE  
PAGE 1

**BOEING**  
757  
PARTS CATALOG (MAINTENANCE)



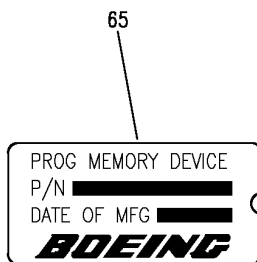
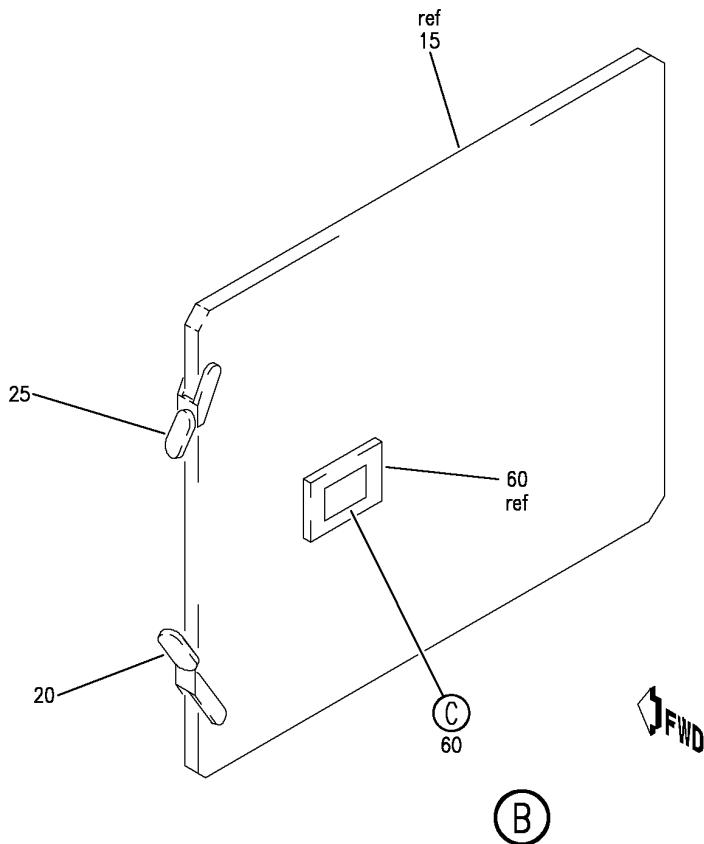
EQUIPMENT INSTL-MAIN ELECTRONICS EQPT CTR (ALTITUDE ALERT SYSTEM ONLY)  
FIGURE 1 (SHEET 1)

**34-16-01-01**

BRI  
MAY 28/07

34-16-01-01  
PAGE 0

**BOEING**  
757  
PARTS CATALOG (MAINTENANCE)



Y 34160101 SHT 2 REV 255

EQUIPMENT INSTL-MAIN ELECTRONICS EQPT CTR (ALTITUDE ALERT SYSTEM ONLY)  
FIGURE 1 (SHEET 2)

**34-16-01-01**

BRI  
MAY 28/07

34-16-01-01  
PAGE 0A



757

PARTS CATALOG (MAINTENANCE)

FIG ITEM	PART NUMBER	1 2 3 4 5 6 7	NOMENCLATURE	EFFECT FROM TO	UNITS PER ASSY
1			EQUIPMENT INSTL-MAIN ELECTRONICS EQPT CTR (ALTITUDE ALERT SYSTEM ONLY)	002004 006100 107107 121999	
- 2	284N1307-33		EQUIPMENT INSTL-MAIN ELECTRONICS EQPT CTR (ALTITUDE ALERT SYSTEM ONLY) FOR NHA/OTHER SYS DET SEE: 24-00-58-01	107107	RF
- 2	284N1800-32		EQUIPMENT INSTL-MAIN ELECTRONICS EQPT CTR (ALTITUDE ALERT SYSTEM ONLY)	952999	RF
- 4	284N1800-16		EQUIPMENT INSTL-MAIN ELECTRONICS EQPT CTR (ALTITUDE ALERT SYSTEM ONLY) FOR NHA/OTHER SYS DET SEE: 24-00-58-01	121503 904949	RF
- 5	284N1800-34		EQUIPMENT INSTL-MAIN ELECTRONICS EQPT CTR (ALTITUDE ALERT SYSTEM ONLY) FOR NHA/OTHER SYS DET SEE: 24-00-58-01	002004 006100	RF
- 5	284N1800-38		EQUIPMENT INSTL-MAIN ELECTRONICS EQPT CTR (ALTITUDE ALERT SYSTEM ONLY) FOR NHA/OTHER SYS DET SEE: 24-00-58-01	950951	RF
- 7	284N1800-88		EQUIPMENT INSTL-MAIN ELECTRONICS EQPT CTR (ALTITUDE ALERT SYSTEM ONLY) FOR NHA/OTHER SYS DET SEE: 24-00-58-01	505505	RF
- 8	284N1800-190		EQUIPMENT INSTL-MAIN ELECTRONICS EQPT CTR (ALTITUDE ALERT SYSTEM ONLY) FOR NHA/OTHER SYS DET SEE: 24-00-58-05E	504504 506903	RF

MISSING ITEM NUMBERS NOT APPLICABLE

- ITEM NOT ILLUSTRATED

34-16-01-01

34-16-01  
FIG. 01  
PAGE 1  
JAN 20/09

BRI

 **BOEING**  
757  
**PARTS CATALOG (MAINTENANCE)**

FIG ITEM	PART NUMBER	1 2 3 4 5 6 7	NOMENCLATURE	EFFECT FROM TO	UNITS PER ASSY
1					
15	285T0030-14		.PRINTED CIRCUIT ASSY- ALTITUDE ALERT SUPPLIER CODE: V89954 ELECTRICAL EQUIP NUMBER: M00617 COMPONENT MAINT MANUAL REF: 34-16-51 PRE SERVICE BULLETIN: 22-0074R1	002004 006100 107107 950999	1
15	285T0030-15		.PRINTED CIRCUIT ASSY- ALTITUDE ALERT SUPPLIER CODE: V89954 ELECTRICAL EQUIP NUMBER: M00617 COMPONENT MAINT MANUAL REF: 34-16-51 POST SERVICE BULLETIN: 22-0074R1	107107	1
15	285T0030-17		.PRINTED CIRCUIT ASSY- ALTITUDE ALERT SUPPLIER CODE: V89954 ELECTRICAL EQUIP NUMBER: M00617 COMPONENT MAINT MANUAL REF: 34-16-51	121949	1
15	285T0030-24		.PRINTED CIRCUIT ASSY- ALTITUDE ALERT SUPPLIER CODE: V89954 ELECTRICAL EQUIP NUMBER: M00617 COMPONENT MAINT MANUAL REF: 34-16-51 PRE SERVICE BULLETIN: 22-0074R1	002004 006100 107107 950999	1
20	71-2LA		..EXTRACTOR- SUPPLIER CODE: V18915	002004 006100 107107 121999	1
25	71-2RA		..EXTRACTOR- SUPPLIER CODE: V18915	002004 006100 107107 121999	1

MISSING ITEM NUMBERS NOT APPLICABLE

— ITEM NOT ILLUSTRATED

BRI

# 34-16-01-01

34-16-01  
FIG. 01  
PAGE 2  
JAN 20/09



757

PARTS CATALOG (MAINTENANCE)

FIG ITEM	PART NUMBER	1 2 3 4 5 6 7	NOMENCLATURE	EFFECT FROM TO	UNITS PER ASSY
1					
30	285T0032-8		..COVER ASSY-PROTECTIVE SUPPLIER CODE: V89954	002004 006100 107107 121999	1
35	MS35214-14		ATTACHING PARTS ..SCREW	002004 006100 107107 121999	4
40	MS35338-135		..WASHER	002004 006100 107107 121999	4
45	AN960PD4		..WASHER	002004 006100 107107 121999	4
50	9537AB0440-3		-----*----- ...STANDOFF- SUPPLIER CODE: V06540	002004 006100 107107 121999	4
55	285T0032-7		...COVER- SUPPLIER CODE: V89954	002004 006100 107107 121999	1
60	285T0108-10		..PROGRAMMED MEMORY DEVICE- ASSY SUPPLIER CODE: V89954 PRE SERVICE BULLETIN: 22-0074R1	002004 006100 107107 950999	1
60	285T0108-11		..PROGRAMMED MEMORY DEVICE- ASSY SUPPLIER CODE: V89954 POST SERVICE BULLETIN: 22-0074R1	107107	1
60	285T0108-13		..PROGRAMMED MEMORY DEVICE- ASSY SUPPLIER CODE: V89954	121503 904949	1
65	BAC27TEX2007		...DECAL- OPTIONAL PART: WHB673-1D0X0D5 V85480	002004 006100 107107 121503 904999	1

MISSING ITEM NUMBERS NOT APPLICABLE

- ITEM NOT ILLUSTRATED

34-16-01-01

34-16-01  
FIG. 01  
PAGE 3  
JAN 20/09

BRI

BOEING PROPRIETARY - Copyright © - Unpublished Work - See title page for details.



757

PARTS CATALOG (MAINTENANCE)

FIG ITEM	PART NUMBER	1 2 3 4 5 6 7	NOMENCLATURE	EFFECT FROM TO	UNITS PER ASSY
1					
65	WHB673-1D0X0D5		...DECAL- SUPPLIER CODE: V85480 OPTIONAL PART: BAC27TEX2007	002004 006100 107107 121503 904999	1
- 400	286N1451-002		WIRE BUNDLE ASSY-	121503 904949	RF
- 400	286N1451-003		WIRE BUNDLE ASSY	107107	RF
- 400	286N1451-004		WIRE BUNDLE ASSY- REWORKED BY SB: 31-0127R1	002004 006100 950999	RF
- 402	286N1451-360		WIRE BUNDLE ASSY	504903	RF
410	300052-001		.CONNECTOR- SUPPLIER CODE: V0D9V3 SPECIFICATION NUMBER: BACC65L66 OPTIONAL PART: 200620-01 V16512 300052-001 V03877 192-366-0010 V26742 S1009-00833 V03877 ELECTRICAL EQUIP NUMBER: D00119 WIRING DIAGRAM REF: 341611 REWORKED BY SB: 31-0127	002004 006100 107107 121999	1

MISSING ITEM NUMBERS NOT APPLICABLE

- ITEM NOT ILLUSTRATED

BRI

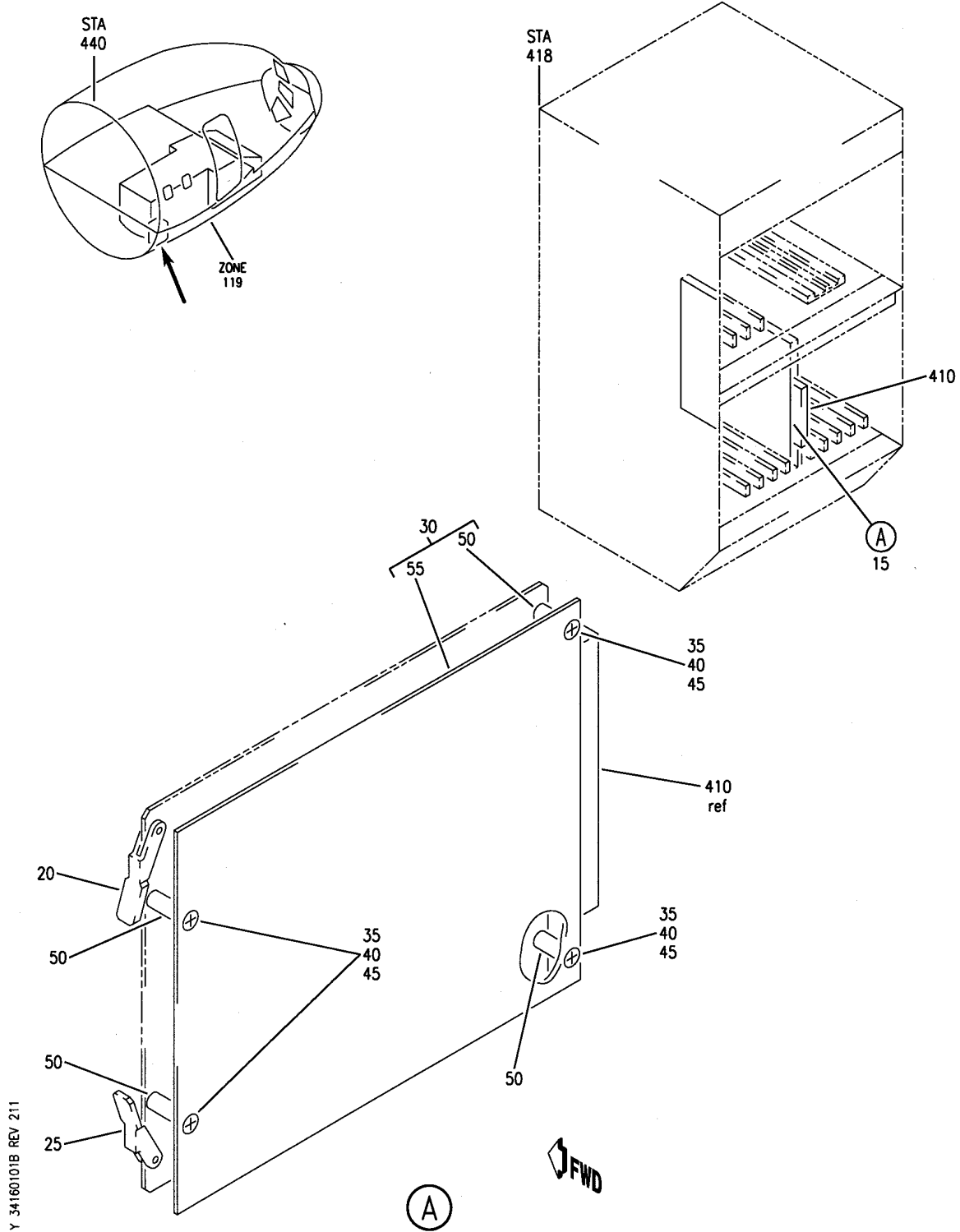
34-16-01-01

BOEING PROPRIETARY - Copyright © - Unpublished Work - See title page for details.

34-16-01  
FIG. 01  
PAGE 4  
JAN 20/09



**BOEING**  
757  
PARTS CATALOG (MAINTENANCE)



Y 34160101B REV 211

EQUIPMENT INSTL-MAIN ELECTRONICS EQPT CTR (ALTITUDE ALERT SYSTEM ONLY)  
FIGURE 1B

BRI  
MAY 28/07

**34-16-01-01B**

34-16-01-01B  
PAGE 0



757

PARTS CATALOG (MAINTENANCE)

FIG ITEM	PART NUMBER	1 2 3 4 5 6 7	NOMENCLATURE	EFFECT FROM TO	UNITS PER ASSY
1B			EQUIPMENT INSTL-MAIN ELECTRONICS EQPT CTR (ALTITUDE ALERT SYSTEM ONLY)	101102	
- 3	284N1800-140		EQUIPMENT INSTL-MAIN ELECTRONICS EQPT CTR (ALTITUDE ALERT SYSTEM ONLY)	101101	RF
- 3	284N1800-141		FOR NHA/OTHER SYS DET SEE: 24-00-58-05E EQUIPMENT INSTL-MAIN ELECTRONICS EQPT CTR (ALTITUDE ALERT SYSTEM ONLY)	102102	RF
15	285T0030-14		.PRINTED CIRCUIT ASSY- ALTITUDE ALERT SUPPLIER CODE: V89954 ELECTRICAL EQUIP NUMBER: M00617 COMPONENT MAINT MANUAL REF: 34-16-51	101102	1
15	285T0030-24		.PRINTED CIRCUIT ASSY- ALTITUDE ALERT SUPPLIER CODE: V89954 ELECTRICAL EQUIP NUMBER: M00617 COMPONENT MAINT MANUAL REF: 34-16-51	101102	1
20	71-2LA		..EXTRACTOR- SUPPLIER CODE: V18915	101102	1
25	71-2RA		..EXTRACTOR- SUPPLIER CODE: V18915	101102	1
30	285T0032-8		..COVER ASSY-PROTECTIVE SUPPLIER CODE: V89954 ATTACHING PARTS	101102	1
35	MS35214-14		..SCREW	101102	4
40	MS35338-135		..WASHER	101102	4
45	AN960PD4		..WASHER	101102	4
50	9537AB0440-3		-----*----- ...STANDOFF- SUPPLIER CODE: V06540	101102	4

MISSING ITEM NUMBERS NOT APPLICABLE

- ITEM NOT ILLUSTRATED

34-16-01-01B

34-16-01  
FIG. 01B  
PAGE 1  
JAN 20/09

BRI



**757  
PARTS CATALOG (MAINTENANCE)**

FIG ITEM	PART NUMBER	1 2 3 4 5 6 7	NOMENCLATURE	EFFECT FROM TO	UNITS PER ASSY
1B 55	285T0032-7		...COVER- SUPPLIER CODE: V89954	101102	1
- 401	286N1451-353		WIRE BUNDLE ASSY	101101	RF
- 401	286N1451-354		WIRE BUNDLE ASSY	102102	RF
410	300052-001		.CONNECTOR- SUPPLIER CODE: V0D9V3 SPECIFICATION NUMBER: BACC65L66 OPTIONAL PART: 200620-01 V16512 300052-001 V03877 192-366-0010 V26742 S1009-00833 V03877 ELECTRICAL EQUIP NUMBER: D00119 WIRING DIAGRAM REF: 341611	101102	1

MISSING ITEM NUMBERS NOT APPLICABLE

- ITEM NOT ILLUSTRATED

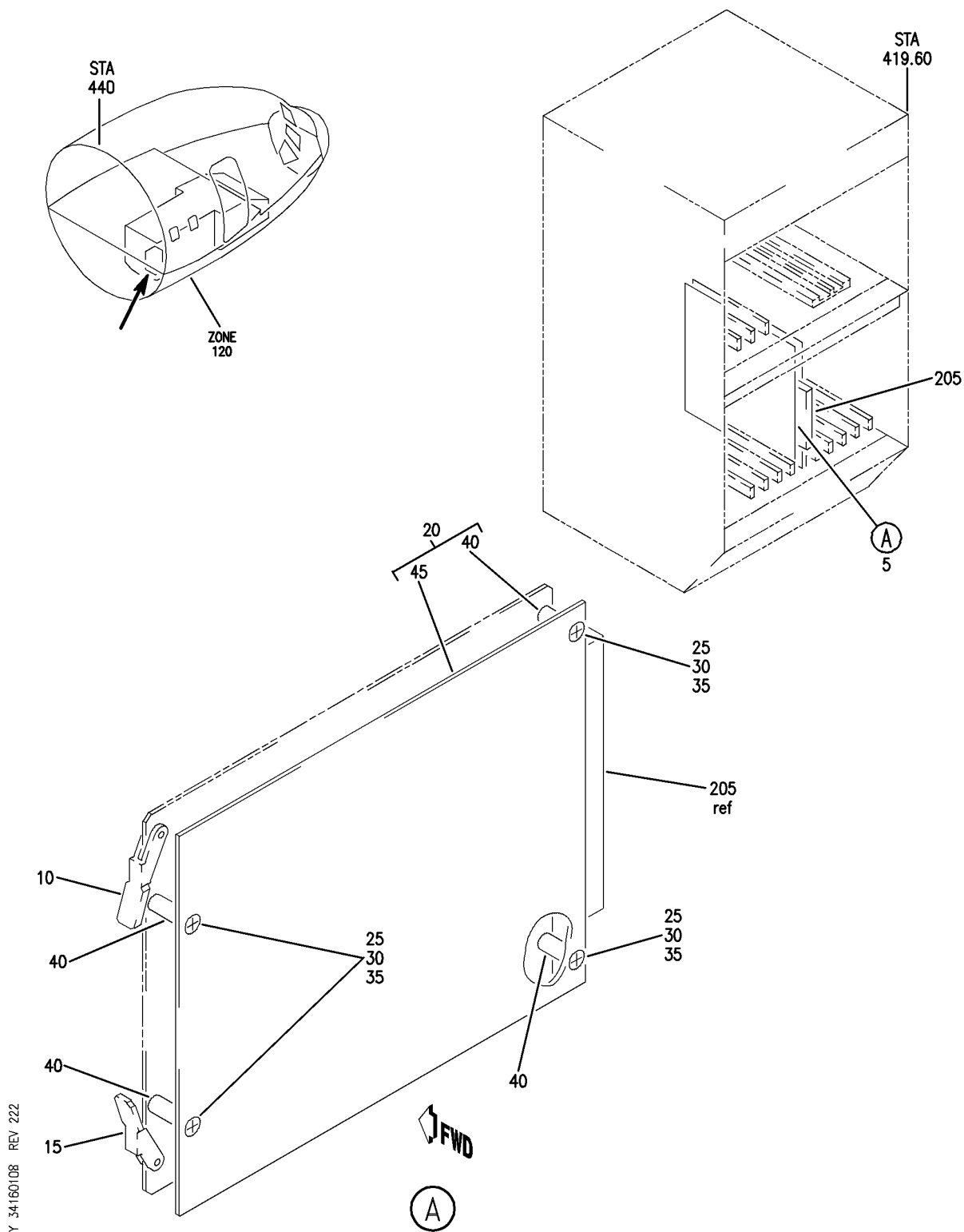
BRI

# 34-16-01-01B

BOEING PROPRIETARY - Copyright © - Unpublished Work - See title page for details.

34-16-01  
FIG. 01B  
PAGE 2  
JAN 20/09

**BOEING**  
757  
PARTS CATALOG (MAINTENANCE)



EQUIPMENT INSTL-MAIN ELECTRONICS EQPT CTR ALTITUDE ALERT  
FIGURE 8

**34-16-01-08**

BRI  
JAN 20/09

34-16-01-08  
PAGE 0

 **BOEING**  
757  
**PARTS CATALOG (MAINTENANCE)**

FIG ITEM	PART NUMBER	1 2 3 4 5 6 7	NOMENCLATURE	EFFECT FROM TO	UNITS PER ASSY
8			EQUIPMENT INSTL-MAIN ELECTRONICS EQPT CTR ALTITUDE ALERT	103106 108120	
- 1	284N4000-340024		EQUIPMENT INSTL-MAIN ELECTRONICS EQPT CTR ALTITUDE ALERT FOR NHA SEE: 24-00-58-05F	108120	RF
- 1	MODREF10335		EQUIPMENT INSTL-MAIN ELECTRONICS EQPT CTR ALTITUDE ALERT MODULE NUMBER: 284N4000-340024 REV A	103106	1
5	285T0030-14		.PRINTED CIRCUIT ASSY- SUPPLIER CODE: V89954 ELECTRICAL EQUIP NUMBER: M00617 COMPONENT MAINT MANUAL REF: 34-16-51 FUNCTIONAL REFERENCE: PLACARDS AND MARKINGS FOR DETAILS SEE 11-36-26-08	103106 108120	1
10	71-2LA		..EXTRACTOR- SUPPLIER CODE: V18915	103106 108120	1
15	71-2RA		..EXTRACTOR- SUPPLIER CODE: V18915	103106 108120	1
20	285T0032-8		..COVER ASSY-PROTECTIVE SUPPLIER CODE: V89954 ATTACHING PARTS	103106 108120	1
25	MS35214-14		..SCREW	103106 108120	4
30	MS35338-135		..WASHER	103106 108120	4
35	AN960PD4		..WASHER	103106 108120	4
40	9537AB0440-3		-----*----- ...STANDOFF- SUPPLIER CODE: V06540	103106 108120	4
45	285T0032-7		...COVER- SUPPLIER CODE: V89954	103106 108120	1
- 202	286N1451-389		WIRE BUNDLE ASSY-	108120	RF
- 202	286N1451-701		WIRE BUNDLE ASSY	103106	RF

MISSING ITEM NUMBERS NOT APPLICABLE

- ITEM NOT ILLUSTRATED

BRI

# 34-16-01-08

34-16-01  
FIG. 08  
PAGE 1  
JAN 20/09



**757  
PARTS CATALOG (MAINTENANCE)**

FIG ITEM	PART NUMBER	1 2 3 4 5 6 7 NOMENCLATURE	EFFECT FROM TO	UNITS PER ASSY
8 205	300052-001	.CONNECTOR- SUPPLIER CODE: V0D9V3 SPECIFICATION NUMBER: BACC65L66 OPTIONAL PART: 200620-01 V16512 300052-001 V03877 192-366-0010 V26742 S1009-00833 V03877 ELECTRICAL EQUIP NUMBER: D00119 WIRING DIAGRAM REF: 341611	103106 108120	1

MISSING ITEM NUMBERS NOT APPLICABLE

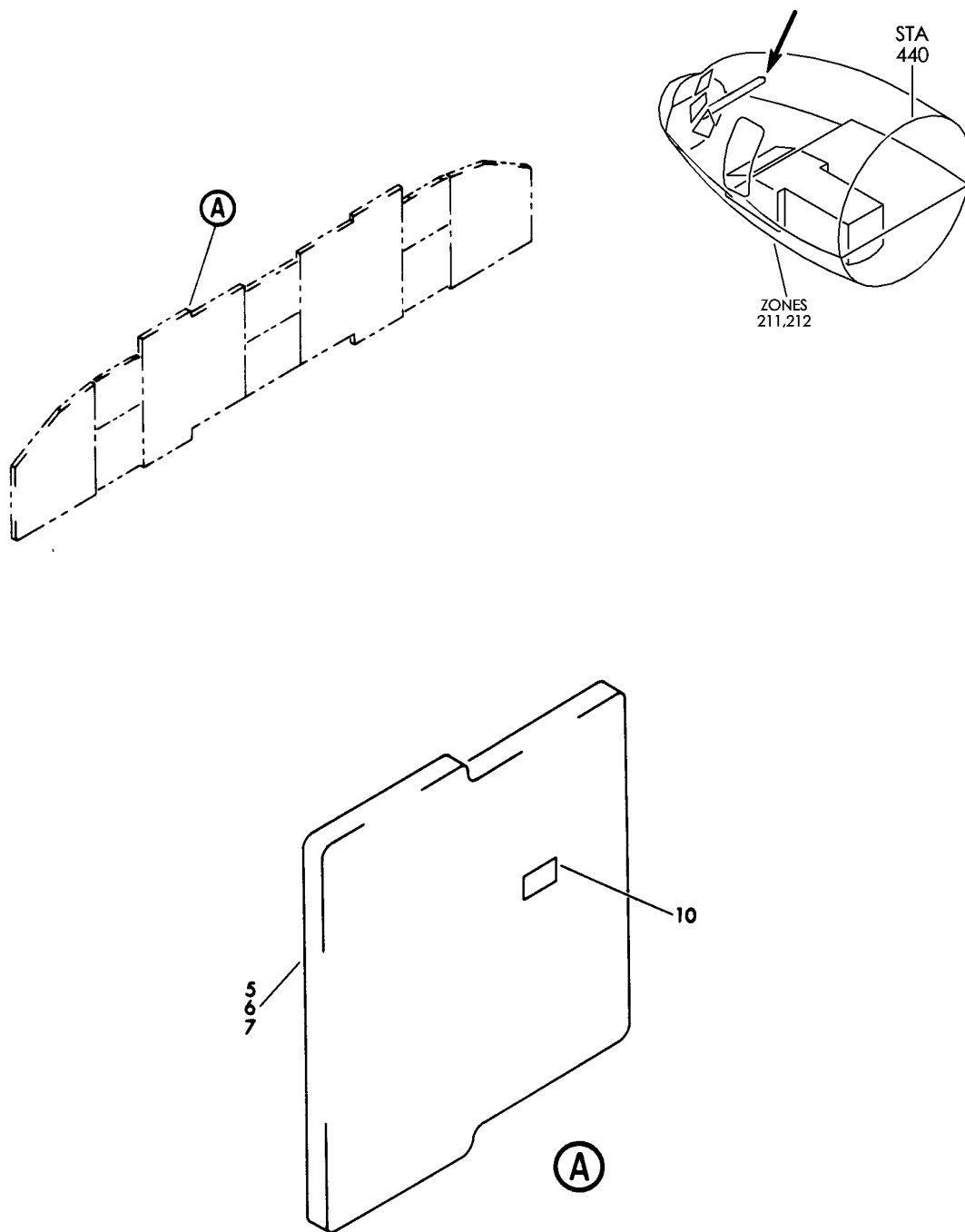
— ITEM NOT ILLUSTRATED

# 34-16-01-08

34-16-01  
FIG. 08  
PAGE 2  
JAN 20/09

BRI

**BOEING**  
757  
PARTS CATALOG (MAINTENANCE)



Y 34165101 REV 229

PANEL INSTL-CAPT AND FIRST OFFICER FWD (ALTITUDE ALERT SYSTEM ONLY)

FIGURE 1

**34-16-51-01**

BRI  
MAY 28/07

34-16-51-01  
PAGE 0



757

PARTS CATALOG (MAINTENANCE)

FIG ITEM	PART NUMBER	1 2 3 4 5 6 7	NOMENCLATURE	EFFECT FROM TO	UNITS PER ASSY
1			PANEL INSTL-CAPT AND FIRST OFFICER FWD (ALTITUDE ALERT SYSTEM ONLY)	002004 006010 107107 121503 904999	
- 1	233N2101-1		PANEL INSTL-CAPT AND FIRST OFFICER FWD (ALTITUDE ALERT SYSTEM ONLY) VARIABLE DRAWING REF: 233N2101-5003 233N2101-5004 233N2101-5037 233N2101-5039 233N2101-5041 FOR NHA/OTHER SYS DET SEE: 25-10-00-05A	002004 006010 107107 121503 904999	RF
6	233N2221-51		.MODULE ASSY-P1-3	002004 006010 950999	RF
7	233N2221-59		.MODULE ASSY-P1-3	107107	RF
7	233N2221-62		.MODULE ASSY-P1-3	121503 904949	RF
10	BCREF8563		..LIGHT ASSY-IND SUPPLIER CODE: V81590 OVERLENGTH PART NUMBER: 434-674-1031-2224 SPECIFICATION NUMBER: S231T300-2224 OPTIONAL PART: BCREF6227 V81590 USED ON: 233N2221-15 233N2221-16 233N2221-17 233N2221-23 233N2221-24 233N2221-25 233N2221-26 233N2221-27 233N2221-28 233N2221-29 233N2221-30 233N2221-31 233N2221-32 233N2221-33 233N2221-34 233N2221-35	002004 006010 107107 121503 904999	1

MISSING ITEM NUMBERS NOT APPLICABLE

- ITEM NOT ILLUSTRATED

34-16-51-01

34-16-51  
FIG. 01  
PAGE 1  
JAN 20/09

BRI





757

PARTS CATALOG (MAINTENANCE)

FIG ITEM	PART NUMBER	1 2 3 4 5 6 7 NOMENCLATURE	EFFECT FROM TO	UNITS PER ASSY
1		233N2221-36 233N2221-37 233N2221-39 233N2221-40 233N2221-41 233N2221-43 233N2221-44 233N2221-45 233N2221-46 233N2221-48 233N2221-49 233N2221-51 233N2221-52 233N2221-54 233N2221-55 233N2221-56 233N2221-58 233N2221-59 233N2221-61 233N2221-62 233N2221-63 233N2221-64 233N2221-65 233N2221-66 FOR DETAILS SEE: 33-14-70-03 .. LIGHT ASSY-IND SUPPLIER CODE: V81590 OVERLENGTH PART NUMBER: 434-674-1005-1224 SPECIFICATION NUMBER: S231T300-1224 OPTIONAL PART: BCREf8563 V81590 USED ON: 233N2221-15 233N2221-16 233N2221-17 233N2221-23 233N2221-24 233N2221-25 233N2221-26 233N2221-27 233N2221-28 233N2221-29 233N2221-30 233N2221-31  MISSING ITEM NUMBERS NOT APPLICABLE	002004 006010 107107 121503 904999	1
10	BCREf6227			

- ITEM NOT ILLUSTRATED

34-16-51-01

34-16-51  
FIG. 01  
PAGE 2  
JAN 20/09

BRI



**757**  
**PARTS CATALOG (MAINTENANCE)**

FIG ITEM	PART NUMBER	1 2 3 4 5 6 7 NOMENCLATURE	EFFECT FROM TO	UNITS PER ASSY
1		233N2221-32 233N2221-33 233N2221-34 233N2221-35 233N2221-36 233N2221-37 233N2221-39 233N2221-40 233N2221-41 233N2221-43 233N2221-44 233N2221-45 233N2221-46 233N2221-48 233N2221-49 233N2221-51 233N2221-52 233N2221-54 233N2221-55 233N2221-56 233N2221-58 233N2221-59 233N2221-61 233N2221-62 233N2221-63 233N2221-64 233N2221-65 233N2221-66 FOR DETAILS SEE: 33-14-70-03		

MISSING ITEM NUMBERS NOT APPLICABLE

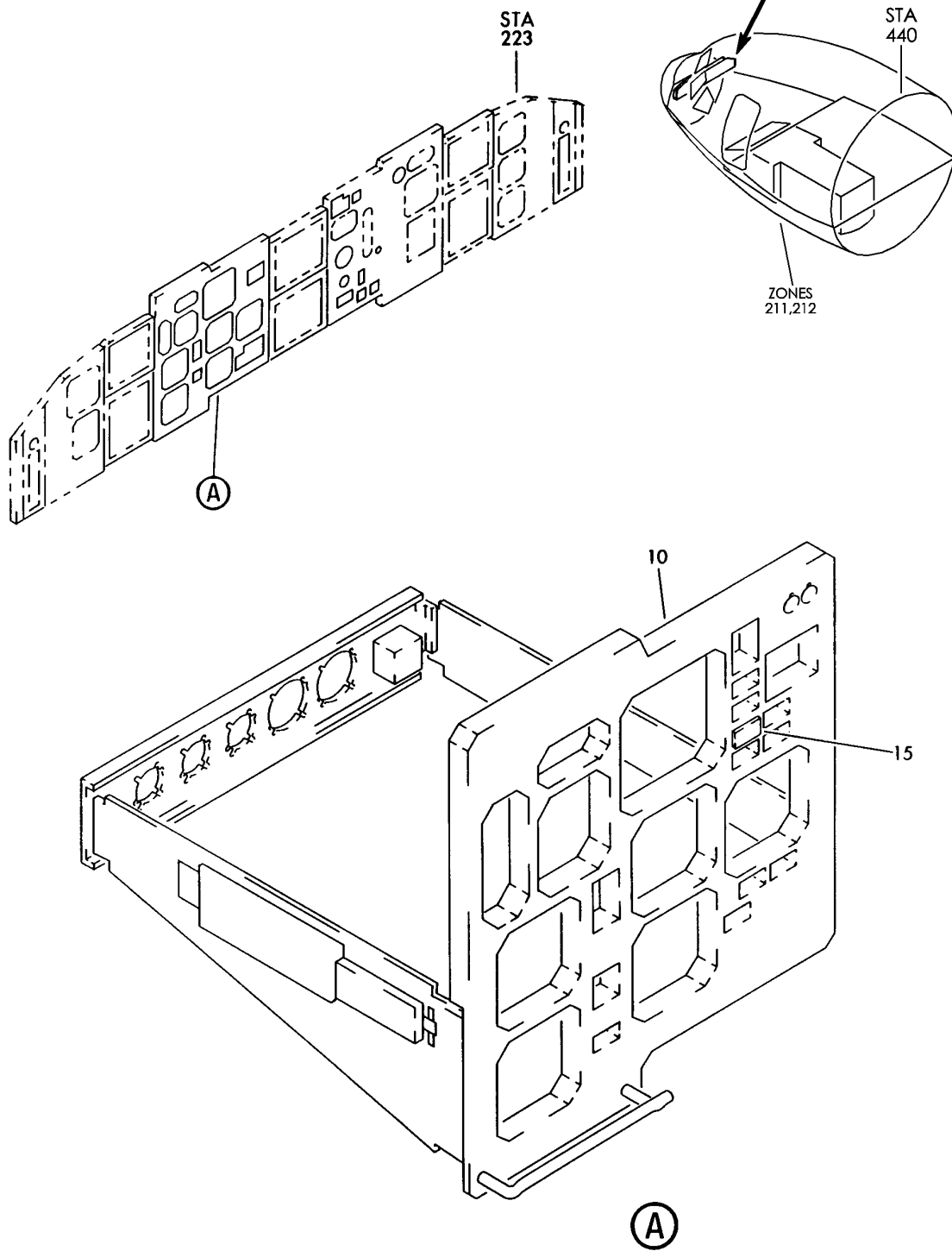
— ITEM NOT ILLUSTRATED

# 34-16-51-01

34-16-51  
FIG. 01  
PAGE 3  
JAN 20/09

BRI

**BOEING**  
757  
PARTS CATALOG (MAINTENANCE)



Y 34165102 REV 229

PANEL INSTL-CAPT AND FIRST OFFICER FWD (ALTITUDE ALERT SYSTEM ONLY)  
FIGURE 2

**34-16-51-02**

BRI  
MAY 28/07

34-16-51-02  
PAGE 0



757

PARTS CATALOG (MAINTENANCE)

FIG ITEM	PART NUMBER	1 2 3 4 5 6 7	NOMENCLATURE	EFFECT FROM TO	UNITS PER ASSY
2			PANEL INSTL-CAPT AND FIRST OFFICER FWD (ALTITUDE ALERT SYSTEM ONLY)	011100 504903	
- 1	233N2101-1		PANEL INSTL-CAPT AND FIRST OFFICER (ALITUDE ALERT SYSTEM ONLY) POSITION DATA: FWD VARIABLE DRAWING REF: 233N2101-5039 FOR NHA/OTHER SYS DET SEE: 25-10-00-05A	011100	RF
- 5	233N2221-301		.MODULE ASSY-P1-3 COMPONENT MAINT MANUAL REF: 31-11-48	011100	RF
- 5	233N2221-317		.MODULE ASSY-P1-3 COMPONENT MAINT MANUAL REF: 31-11-48	505505 507903	RF
- 5	RR92002-134A101		.MODULE ASSY-P1-3 POST RAPID REVISION: RR92002-134A	504504 506506	RF
10	233N2221-51		..MODULE ASSY-	011100	RF
15	BCREF8563		...LIGHT ASSY-IND SUPPLIER CODE: V81590 OVERLENGTH PART NUMBER: 434-674-1031-2224 SPECIFICATION NUMBER: S231T300-2224 OPTIONAL PART: BCREF6227 V81590 FOR DETAILS SEE: 33-14-70-03	011100	1
15	BCREF6227		...LIGHT ASSY-IND SUPPLIER CODE: V81590 OVERLENGTH PART NUMBER: 434-674-1005-1224 SPECIFICATION NUMBER: S231T300-1224 OPTIONAL PART: BCREF8563 V81590 FOR DETAILS SEE: 33-14-70-03	011100	1

MISSING ITEM NUMBERS NOT APPLICABLE

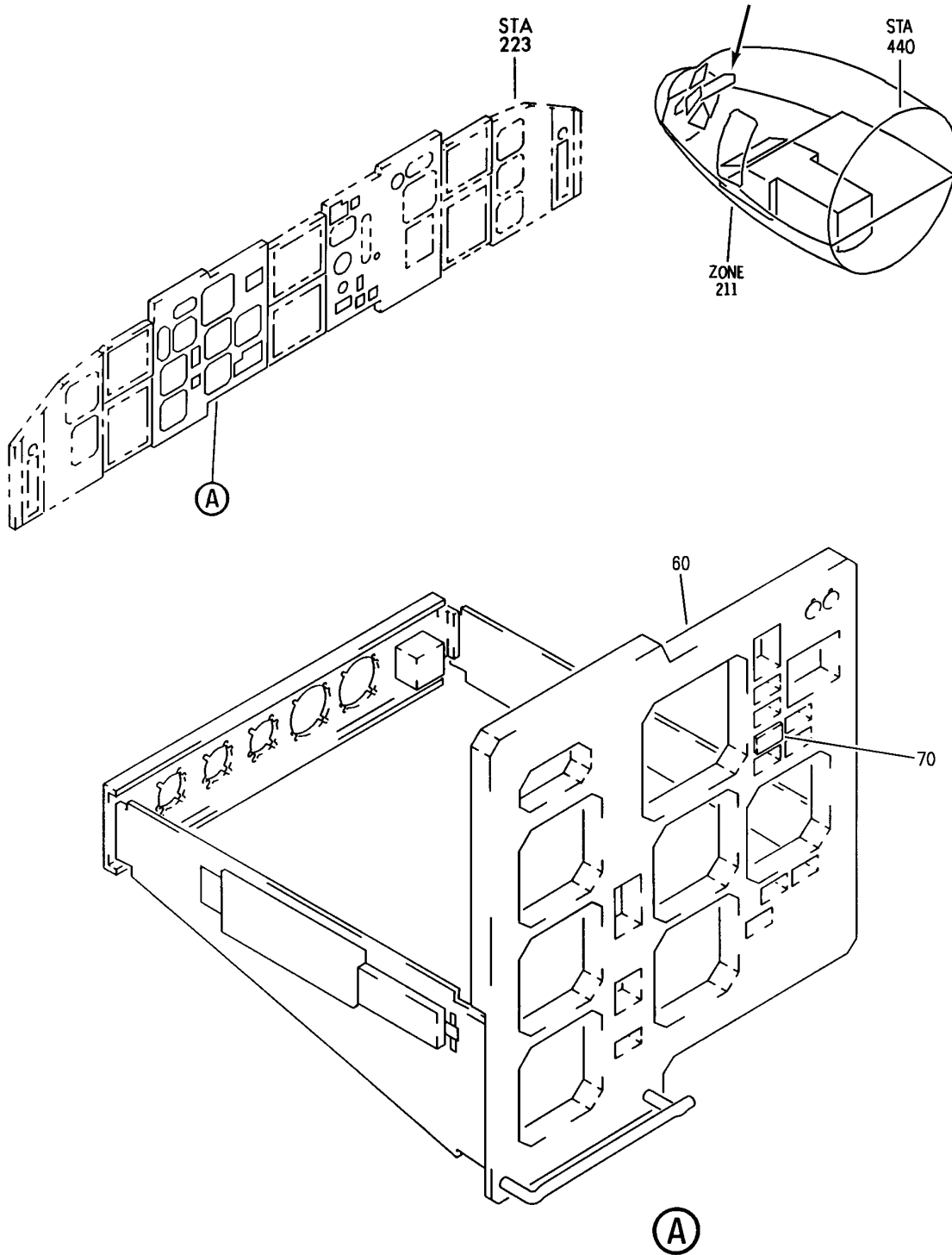
- ITEM NOT ILLUSTRATED

BRI

34-16-51-02

34-16-51  
FIG. 02  
PAGE 1  
JAN 20/09

**BOEING**  
757  
PARTS CATALOG (MAINTENANCE)



Y 34165103 REV 254

PANEL INSTL-P1-3 (ALTITUDE ALERT SYSTEM ONLY)  
FIGURE 3

**34-16-51-03**

BRI  
MAY 28/07

34-16-51-03  
PAGE 0



757

PARTS CATALOG (MAINTENANCE)

FIG ITEM	PART NUMBER	1 2 3 4 5 6 7	NOMENCLATURE	EFFECT FROM TO	UNITS PER ASSY
3			PANEL INSTL-P1-3 (ALTITUDE ALERT SYSTEM ONLY)	101106 108120 504903	
- 1	233N2103-10		PANEL INSTL-P1-3 (ALTITUDE ALERT SYSTEM ONLY) FOR NHA/OTHER SYS DET SEE: 25-10-00-15B	108120	RF
- 1	233N2103-72		PANEL INSTL-P1-3 (ALTITUDE ALERT SYSTEM ONLY) FOR NHA/OTHER SYS DET SEE: 25-10-00-15B	101102	RF
- 2	233N2103-280		PANEL INSTL-P1-3 (ALTITUDE ALERT SYSTEM ONLY) FOR NHA/OTHER SYS DET SEE: 25-10-00-15B	504903	RF

MISSING ITEM NUMBERS NOT APPLICABLE

- ITEM NOT ILLUSTRATED

34-16-51-03

34-16-51  
FIG. 03  
PAGE 1  
JAN 20/09

BRI

BOEING PROPRIETARY - Copyright © - Unpublished Work - See title page for details.



757

PARTS CATALOG (MAINTENANCE)

FIG ITEM	PART NUMBER	1 2 3 4 5 6 7	NOMENCLATURE	EFFECT FROM TO	UNITS PER ASSY
3 - 6	MODREF31741		PANEL INSTL-P1-3 (ALTITUDE ALERT SYSTEM ONLY) MODULE NUMBER: 233N2103-425 REV A FOR OTHER SYS DETAILS SEE: 11-31-01-38 22-11-02-03 22-14-01-03 22-31-02-01 22-34-51-02 26-17-51-05 27-51-57-03 27-58-00-02 27-81-00-01 29-21-55-02 31-11-11-19 31-11-16-01 31-11-26-38 31-25-01-03 31-41-52-02 31-51-52-02 32-35-52-03 32-41-52-02 32-42-55-03 32-46-00-01 32-61-51-03 33-13-57-01A 33-16-52-03 34-12-01-03 34-13-01-03 34-13-02-01 34-13-05-01 34-13-06-01 34-21-02-02 34-22-02-02 34-22-05-01A 34-22-06-01 34-24-01-03 34-32-00-02 34-46-51-02 34-51-02-02 34-57-00-01 34-61-01-07 34-61-02-02 77-41-01-01 79-33-51-05	103105	1

MISSING ITEM NUMBERS NOT APPLICABLE

- ITEM NOT ILLUSTRATED

# 34-16-51-03

34-16-51  
FIG. 03  
PAGE 2  
JAN 20/09

BRI



757

PARTS CATALOG (MAINTENANCE)

FIG ITEM	PART NUMBER	1 2 3 4 5 6 7	NOMENCLATURE	EFFECT FROM TO	UNITS PER ASSY
3 - 6	MODREF104335		PANEL INSTL-P1-3 (ALTITUDE ALERT SYSTEM ONLY) MODULE NUMBER: 233N2103-425 REV B FOR OTHER SYS DETAILS SEE: 11-31-01-38 22-11-02-03 22-14-01-03 22-31-02-01 22-34-51-02 26-17-51-05 27-51-57-03 27-58-00-02 27-81-00-01 29-21-55-02 31-11-11-19 31-11-16-01 31-11-26-38 31-25-01-03 31-41-52-02 31-51-52-02 32-35-52-03 32-41-52-02 32-42-55-03 32-46-00-01 32-61-51-03 33-13-57-01A 33-16-52-03 34-12-01-03 34-13-01-03 34-13-02-01 34-13-05-01 34-13-06-01 34-21-02-02 34-22-02-02 34-22-05-01A 34-22-06-01 34-24-01-03 34-32-00-02 34-46-51-02 34-51-02-02 34-57-00-01 34-61-01-07 34-61-02-02 77-41-01-01 79-33-51-05	106106	1

MISSING ITEM NUMBERS NOT APPLICABLE

- ITEM NOT ILLUSTRATED

# 34-16-51-03

34-16-51  
FIG. 03  
PAGE 3  
JAN 20/09

BRI





757

PARTS CATALOG (MAINTENANCE)

FIG ITEM	PART NUMBER	1 2 3 4 5 6 7	NOMENCLATURE	EFFECT FROM TO	UNITS PER ASSY
3					
- 50	233N2221-301		.MODULE ASSY- COMPONENT MAINT MANUAL REF: 31-11-48	101102 108120	RF
- 50	233N2221-317		.MODULE ASSY- COMPONENT MAINT MANUAL REF: 31-11-48	505505 507903	RF
- 50	RR92002-134A101		.MODULE ASSY- POST RAPID REVISION: RR92002-134A	504504 506506	RF
- 50	233N2221-320		.MODULE ASSY- COMPONENT MAINT MANUAL REF: 31-11-48	101102 108120	RF
- 50	233N2221-325		.MODULE ASSY- COMPONENT MAINT MANUAL REF: 31-11-48	103106	RF
- 50	233N2221-326		.MODULE ASSY- COMPONENT MAINT MANUAL REF: 31-11-48	101102 108120	RF
- 51	233N2221-328		.MODULE ASSY- COMPONENT MAINT MANUAL REF: 31-11-48	101102 108120	RF
60	233N2221-51		..MODULE ASSY- USED ON: 233N2221-301	101102 108120	RF
60	233N2221-74		..MODULE ASSY	504903	RF
60	233N2221-81		..MODULE ASSY- USED ON: 233N2221-320 233N2221-326 233N2221-328	101106 108120	RF

MISSING ITEM NUMBERS NOT APPLICABLE

- ITEM NOT ILLUSTRATED

34-16-51-03

34-16-51  
FIG. 03  
PAGE 4  
JAN 20/09

BRI

BOEING PROPRIETARY - Copyright © - Unpublished Work - See title page for details.



757

PARTS CATALOG (MAINTENANCE)

FIG ITEM	PART NUMBER	1 2 3 4 5 6 7	NOMENCLATURE	EFFECT FROM TO	UNITS PER ASSY
3 70	BCREF8563		...LIGHT ASSY-ALTITUDE ALERT IND SUPPLIER CODE: V81590 OVERLENGTH PART NUMBER: 434-674-1031-2224 SPECIFICATION NUMBER: S231T300-2224 OPTIONAL PART: BCREF6227 V81590 USED ON: 233N2221-49 233N2221-51 233N2221-54 233N2221-70 233N2221-71 233N2221-72 233N2221-73 233N2221-74 233N2221-81 233N2221-83 FOR DETAILS SEE: 33-14-70-03	101106 108120 504903	1
70	BCREF6227		...LIGHT ASSY-ALTITUDE ALERT IND SUPPLIER CODE: V81590 OVERLENGTH PART NUMBER: 434-674-1005-1224 SPECIFICATION NUMBER: S231T300-1224 OPTIONAL PART: BCREF8563 V81590 USED ON: 233N2221-49 233N2221-51 233N2221-54 233N2221-70 233N2221-71 233N2221-72 233N2221-74 233N2221-81 FOR DETAILS SEE: 33-14-70-03	101106 108120 504903	1

MISSING ITEM NUMBERS NOT APPLICABLE

- ITEM NOT ILLUSTRATED

34-16-51-03

34-16-51  
FIG. 03  
PAGE 5  
JAN 20/09

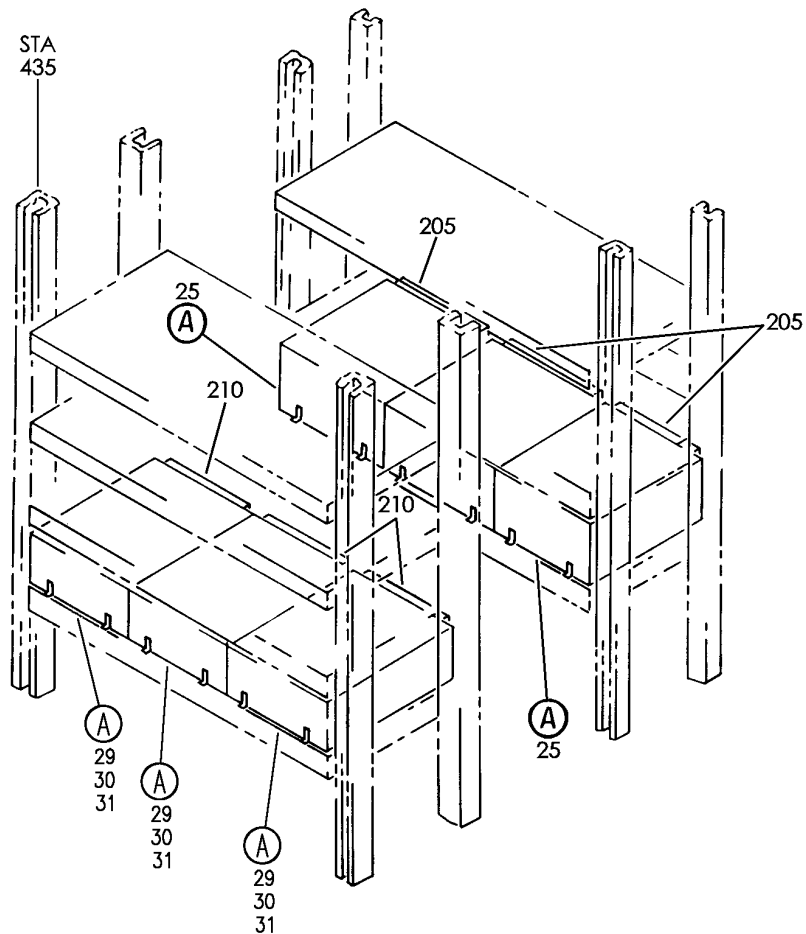
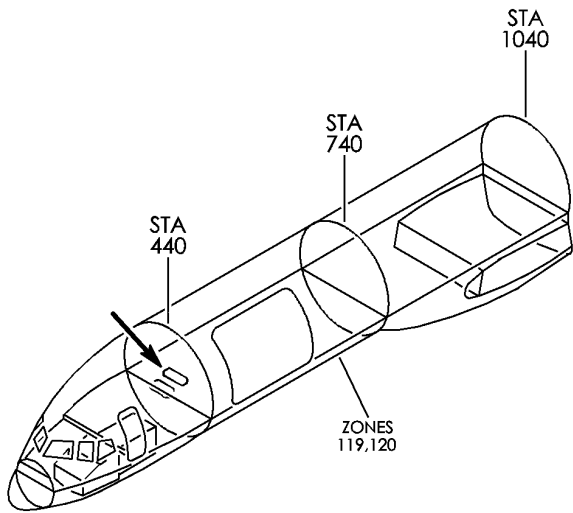
BRI

## AIR DATA INERTIAL REFERENCE SYSTEM (ADIRS)

BRI  
MAY 28/07

34-21-00  
SECTION TITLE  
PAGE 1

**BOEING**  
757  
PARTS CATALOG (MAINTENANCE)



Y 34210101 SHF 1 REV 297

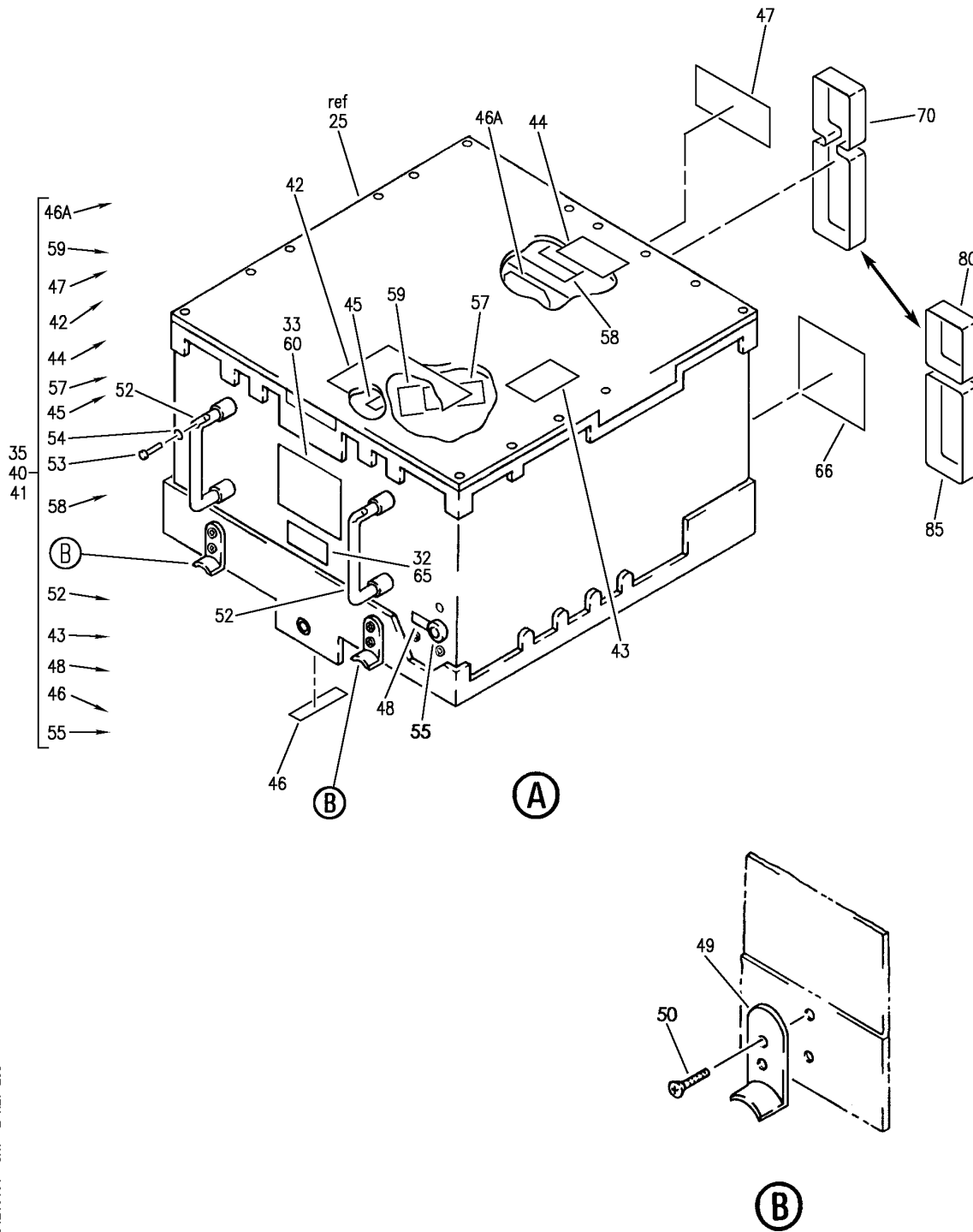
EQUIPMENT INSTL-MAIN ELECTRONICS EQPT CTR (INERTIAL REFERENCE SYSTEM ONLY)  
FIGURE 1 (SHEET 1)

BRI  
MAY 28/07

**34-21-01-01**

34-21-01-01  
PAGE 0


**BOEING**  
 757  
**PARTS CATALOG (MAINTENANCE)**



Y 34210101 SHT 2 REV 295

EQUIPMENT INSTL-MAIN ELECTRONICS EQPT CTR (INERTIAL REFERENCE SYSTEM ONLY)  
 FIGURE 1 (SHEET 2)

**34-21-01-01**

BRI  
 MAY 28/07

34-21-01-01  
 PAGE 0A



757

PARTS CATALOG (MAINTENANCE)

FIG ITEM	PART NUMBER	1 2 3 4 5 6 7	NOMENCLATURE	EFFECT FROM TO	UNITS PER ASSY
1			EQUIPMENT INSTL-MAIN ELECTRONICS EQPT CTR (INERTIAL REFERENCE SYSTEM ONLY)	002004 006100 107107 121999	
- 2	284N1307-33		EQUIPMENT INSTL-MAIN ELECTRONICS EQPT CTR (INERTIAL REFERENCE SYSTEM ONLY) FOR NHA/OTHER SYS DET SEE: 24-00-58-01	107107	RF
- 2	284N1800-32		EQUIPMENT INSTL-MAIN ELECTRONICS EQPT CTR (INERTIAL REFERENCE SYSTEM ONLY) FOR NHA/OTHER SYS DET SEE: 24-00-58-01	952999	RF
- 4	284N1800-16		EQUIPMENT INSTL-MAIN ELECTRONICS EQPT CTR (INERTIAL REFERENCE SYSTEM ONLY) FOR NHA/OTHER SYS DET SEE: 24-00-58-01	121503 904949	RF
- 5	284N1800-34		EQUIPMENT INSTL-MAIN ELECTRONICS EQPT CTR (INERTIAL REFERENCE SYSTEM ONLY) FOR NHA/OTHER SYS DET SEE: 24-00-58-01	002004 006100	RF
- 5	284N1800-38		EQUIPMENT INSTL-MAIN ELECTRONICS EQPT CTR (INERTIAL REFERENCE SYSTEM ONLY) FOR NHA/OTHER SYS DET SEE: 24-00-58-01	950951	RF
- 7	284N1800-88		EQUIPMENT INSTL-MAIN ELECTRONICS EQPT CTR (INERTIAL REFERENCE SYSTEM ONLY) FOR NHA/OTHER SYS DET SEE: 24-00-58-05E	505505	RF
- 8	284N1800-190		EQUIPMENT INSTL-MAIN ELECTRONICS EQPT CTR (INERTIAL REFERENCE SYSTEM ONLY) FOR NHA/OTHER SYS DET SEE: 24-00-58-05E	504504 506903	RF

MISSING ITEM NUMBERS NOT APPLICABLE

- ITEM NOT ILLUSTRATED

34-21-01-01

34-21-01  
FIG. 01  
PAGE 1  
JAN 20/09

BRI



757

PARTS CATALOG (MAINTENANCE)

FIG ITEM	PART NUMBER	1 2 3 4 5 6 7	NOMENCLATURE	EFFECT FROM TO	UNITS PER ASSY
1 25	HG1050AC11		.REFERENCE UNIT ASSY- INERTIAL SUPPLIER CODE: V65507 SPECIFICATION NUMBER: S242T101-116 ELECTRICAL EQUIP NUMBER: M00159 M00160 M00161 WIRING DIAGRAM REF: 342111 342121 342131 SERVICE BULLETIN OPT DATA: HG1050AD11 V65507 HG1050AE11 V65507 POST SERVICE BULLETIN: 34-0303 34-0307 QUALIFIED SB I/W DATA: REQUIRES INCORPORATION OF SB 757-34-0188, 757-34-0307 (ACTIVATES 1995 MAGVAR) OR SB 757-34-0303 (ACTIVATES 2005 MAG VAR). POST SERVICE LETTER: 34-155	107107 121505 507903 950952	3

MISSING ITEM NUMBERS NOT APPLICABLE

- ITEM NOT ILLUSTRATED

BRI

34-21-01-01

BOEING PROPRIETARY - Copyright © - Unpublished Work - See title page for details.

34-21-01  
FIG. 01  
PAGE 2  
JAN 20/09



757

PARTS CATALOG (MAINTENANCE)

FIG ITEM	PART NUMBER	1 2 3 4 5 6 7	NOMENCLATURE	EFFECT FROM TO	UNITS PER ASSY
1 25	HG1050AD11		.REFERENCE UNIT ASSY- INERTIAL SUPPLIER CODE: V65507 SPECIFICATION NUMBER: S242T101-117 ELECTRICAL EQUIP NUMBER: M00159 M00160 M00161 WIRING DIAGRAM REF: 342111 342121 342131 SERVICE BULLETIN OPT DATA: HG1050AC11 V65507 HG1050AE11 V65507 POST SERVICE BULLETIN: 34-0303 34-0307 QUALIFIED SB I/W DATA: REQUIRES INCORPORATION OF SB 757-34-0188, 757-34-0307 (ACTIVATES 1995 MAGVAR) OR SB 757-34-0303 (ACTIVATES 2005 MAG VAR). POST SERVICE LETTER: 34-155	107107 121505 507903 950952	RF

MISSING ITEM NUMBERS NOT APPLICABLE

- ITEM NOT ILLUSTRATED

BRI

34-21-01-01

BOEING PROPRIETARY - Copyright © - Unpublished Work - See title page for details.

34-21-01  
FIG. 01  
PAGE 3  
JAN 20/09





757  
PARTS CATALOG (MAINTENANCE)

FIG ITEM	PART NUMBER	1 2 3 4 5 6 7	NOMENCLATURE	EFFECT FROM TO	UNITS PER ASSY
1 25	HG1050AE11		.REFERENCE UNIT ASSY- INERTIAL SUPPLIER CODE: V65507 SPECIFICATION NUMBER: S242T101-118 ELECTRICAL EQUIP NUMBER: M00159 M00160 M00161 WIRING DIAGRAM REF: 342111 342121 342131 SERVICE BULLETIN OPT DATA: HG1050AC11 V65507 HG1050AD11 V65507 POST SERVICE BULLETIN: 34-0303 34-0307 QUALIFIED SB I/W DATA: REQUIRES INCORPORATION OF SB 757-34-0188, 757-34-0307 (ACTIVATES 1995 MAGVAR) OR SB 757-34-0303 (ACTIVATES 2005 MAG VAR). POST SERVICE LETTER: 34-155	107107 121505 507903 950952	RF

MISSING ITEM NUMBERS NOT APPLICABLE

- ITEM NOT ILLUSTRATED

BRI

34-21-01-01

BOEING PROPRIETARY - Copyright © - Unpublished Work - See title page for details.

34-21-01  
FIG. 01  
PAGE 4  
JAN 20/09



757

PARTS CATALOG (MAINTENANCE)

FIG ITEM	PART NUMBER	1 2 3 4 5 6 7	NOMENCLATURE	EFFECT FROM TO	UNITS PER ASSY
1 29	HG1050AC10		.REFERENCE UNIT ASSY- INERTIAL SUPPLIER CODE: V65507 SPECIFICATION NUMBER: S242T101-113 ELECTRICAL EQUIP NUMBER: M00159 M00160 M00161 COMPONENT MAINT MANUAL REF: 34-27-05 SERVICE BULLETIN OPT DATA: HG1050AD10 V65507 HG1050AE10 V65507 PRE SERVICE BULLETIN: 34-0307 QUALIFIED SB I/W DATA: THE P/N S242T101-103/ -104/-105/-106/-107/-110 /-112/-113/-114/-115/ -116/-117/-118 IRUS ON AIRPLANES WITH PROGRAM PIN SETTINGS ACTIVATING THE 1980 MAGVAR TABLE. THE P/N S242T101-116/ -117/-118 IRUS ARE INTERCHANGEABLE AND INTERMIXABLE WITH EACH OTHER AND WITH THE P/N S242T101-110/-111/ -112/-113/-114/-115 IRUS ON AIRPLANES WITH PROGRAM PIN SETTINGS ACTIVATING THE 1995 MAGVAR TABLE POST SERVICE LETTER: 34-125	950950	3

MISSING ITEM NUMBERS NOT APPLICABLE

- ITEM NOT ILLUSTRATED

BRI

34-21-01-01

BOEING PROPRIETARY - Copyright © - Unpublished Work - See title page for details.

34-21-01  
FIG. 01  
PAGE 5  
JAN 20/09



757

PARTS CATALOG (MAINTENANCE)

FIG ITEM	PART NUMBER	1 2 3 4 5 6 7	NOMENCLATURE	EFFECT FROM TO	UNITS PER ASSY
1 29	HG1050AC11		.REFERENCE UNIT ASSY- INERTIAL SUPPLIER CODE: V65507 SPECIFICATION NUMBER: S242T101-116 ELECTRICAL EQUIP NUMBER: M00159 M00160 M00161 COMPONENT MAINT MANUAL REF: 34-27-05 SERVICE BULLETIN OPT DATA: HG1050AD11 V65507 HG1050AE11 V65507 POST SERVICE BULLETIN: 34-0303 34-0307 QUALIFIED SB I/W DATA: THE P/N S242T101-116/ -117/-118 IRUS ARE INTERCHANGEABLE AND INTERMIXABLE WITH EACH OTHER AND WITH THE P/N S242T101-110/-111/ -112/-113/-114/-115 IRUS ON AIRPLANES WITH PROGRAM PIN SETTINGS ACTIVATING THE 1995 MAGVAR TABLE. ON AIRPLANES WITH PROGRAM PIN SETTINGS ACTIVATING THE 2005 MAGVAR TABLE, ONLY THE P/N S242T101-116/-117/-118 IRUS CAN BE INSTALLED. POST SERVICE LETTER: 34-155	002004 006100	3

MISSING ITEM NUMBERS NOT APPLICABLE

- ITEM NOT ILLUSTRATED

34-21-01-01

34-21-01  
FIG. 01  
PAGE 6  
JAN 20/09

BRI



757

PARTS CATALOG (MAINTENANCE)

FIG ITEM	PART NUMBER	1 2 3 4 5 6 7	NOMENCLATURE	EFFECT FROM TO	UNITS PER ASSY
1 29	HG1050AD11		.REFERENCE UNIT ASSY- INERTIAL SUPPLIER CODE: V65507 SPECIFICATION NUMBER: S242T101-117 ELECTRICAL EQUIP NUMBER: M00159 M00160 M00161 COMPONENT MAINT MANUAL REF: 34-27-05 SERVICE BULLETIN OPT DATA: HG1050AC11 V65507 HG1050AE11 V65507 POST SERVICE BULLETIN: 34-0303 34-0307 QUALIFIED SB I/W DATA: THE P/N S242T101-116/ -117/-118 IRUS ARE INTERCHANGEABLE AND INTERMIXABLE WITH EACH OTHER AND WITH THE P/N S242T101-110/-111/ -112/-113/-114/-115 IRUS ON AIRPLANES WITH PROGRAM PIN SETTINGS ACTIVATING THE 1995 MAGVAR TABLE. ON AIRPLANES WITH PROGRAM PIN SETTINGS ACTIVATING THE 2005 MAGVAR TABLE, ONLY THE P/N S242T101-116/-117/-118 IRUS CAN BE INSTALLED. POST SERVICE LETTER: 34-155	002004 006100	3

MISSING ITEM NUMBERS NOT APPLICABLE

- ITEM NOT ILLUSTRATED

BRI

34-21-01-01

BOEING PROPRIETARY - Copyright © - Unpublished Work - See title page for details.

34-21-01  
FIG. 01  
PAGE 7  
JAN 20/09



757

PARTS CATALOG (MAINTENANCE)

FIG ITEM	PART NUMBER	1 2 3 4 5 6 7	NOMENCLATURE	EFFECT FROM TO	UNITS PER ASSY
1 29	HG1050AE11		.REFERENCE UNIT ASSY- INERTIAL SUPPLIER CODE: V65507 SPECIFICATION NUMBER: S242T101-118 ELECTRICAL EQUIP NUMBER: M00159 M00160 M00161 COMPONENT MAINT MANUAL REF: 34-27-05 SERVICE BULLETIN OPT DATA: HG1050AC11 V65507 HG1050AD11 V65507 POST SERVICE BULLETIN: 34-0303 34-0307 QUALIFIED SB I/W DATA: THE P/N S242T101-116/ -117/-118 IRUS ARE INTERCHANGEABLE AND INTERMIXABLE WITH EACH OTHER AND WITH THE P/N S242T101-110/-111/ -112/-113/-114/-115 IRUS ON AIRPLANES WITH PROGRAM PIN SETTINGS ACTIVATING THE 1995 MAGVAR TABLE. ON AIRPLANES WITH PROGRAM PIN SETTINGS ACTIVATING THE 2005 MAGVAR TABLE, ONLY THE P/N S242T101-116/-117/-118 IRUS CAN BE INSTALLED. POST SERVICE LETTER: 34-155	002004 006100	3

MISSING ITEM NUMBERS NOT APPLICABLE

- ITEM NOT ILLUSTRATED

BRI

34-21-01-01

BOEING PROPRIETARY - Copyright © - Unpublished Work - See title page for details.

34-21-01  
FIG. 01  
PAGE 8  
JAN 20/09



757

PARTS CATALOG (MAINTENANCE)

FIG ITEM	PART NUMBER	1 2 3 4 5 6 7	NOMENCLATURE	EFFECT FROM TO	UNITS PER ASSY
1	30 HG1050AC03		.REFERENCE UNIT ASSY- INERTIAL SUPPLIER CODE: V65507 SPECIFICATION NUMBER: S242T101-104 MISCELLANEOUS DATA: USE OF THIS PART NEGATES THE INTENT OF SB 34-0134 ELECTRICAL EQUIP NUMBER: M00159 M00160 M00161 WIRING DIAGRAM REF: 342111 342121 342131 COMPONENT MAINT MANUAL REF: 34-21-07	002004 006010 904949 952999	3
	30 HG1050AD01		.REFERENCE UNIT ASSY- INERTIAL SUPPLIER CODE: V65507 SPECIFICATION NUMBER: S242T101-103 MISCELLANEOUS DATA: USE OF THIS PART NEGATES THE INTENT OF SB 34-0134 ELECTRICAL EQUIP NUMBER: M00159 M00160 M00161 WIRING DIAGRAM REF: 342111 342121 342131 COMPONENT MAINT MANUAL REF: 34-21-13	002004 006010 904949 952999	3

MISSING ITEM NUMBERS NOT APPLICABLE

- ITEM NOT ILLUSTRATED

# 34-21-01-01

34-21-01  
FIG. 01  
PAGE 9  
JAN 20/09

BRI



757

PARTS CATALOG (MAINTENANCE)

FIG ITEM	PART NUMBER	1 2 3 4 5 6 7	NOMENCLATURE	EFFECT FROM TO	UNITS PER ASSY
1 30	HG1050AC02		.REFERENCE UNIT ASSY- INERTIAL SUPPLIER CODE: V65507 SPECIFICATION NUMBER: S242T101-102 ELECTRICAL EQUIP NUMBER: M00159 M00160 M00161 WIRING DIAGRAM REF: 342111 342121 342131 COMPONENT MAINT MANUAL REF: 34-21-07	002004 006010 904949 952999	3
30	HG1050AD04		.REFERENCE UNIT ASSY- INERTIAL SUPPLIER CODE: V65507 SPECIFICATION NUMBER: S242T101-105 ELECTRICAL EQUIP NUMBER: M00159 M00160 M00161 WIRING DIAGRAM REF: 342111 342121 342131 COMPONENT MAINT MANUAL REF: 34-21-13 PRE SERVICE LETTER: 34-086 34-125	002004 006010 904950 952999	3

MISSING ITEM NUMBERS NOT APPLICABLE

- ITEM NOT ILLUSTRATED

**34-21-01-01**

34-21-01  
FIG. 01  
PAGE 10  
JAN 20/09

BRI



757

PARTS CATALOG (MAINTENANCE)

FIG ITEM	PART NUMBER	1 2 3 4 5 6 7	NOMENCLATURE	EFFECT FROM TO	UNITS PER ASSY
1 30	HG1050AD05		.REFERENCE UNIT ASSY- INERTIAL SUPPLIER CODE: V65507 SPECIFICATION NUMBER: S242T101-107 ELECTRICAL EQUIP NUMBER: M00159 M00160 M00161 WIRING DIAGRAM REF: 342111 342121 342131 COMPONENT MAINT MANUAL REF: 34-21-13 QUALIFIED I/W DATA: HG1050AD05 AND HG1050AE09 ARE INTERCHANGEABLE IF IRU CONNR B PIN K03 "MAGVAR EPOCH SELECT", WIRED TO ACTIVATE 1980 MAGVAR TABLE OPTIONAL PART: HG1050AD04 V94580 PRE SERVICE LETTER: 34-086 34-125	002004 006010 904950 952999	3
30	HG1050AE09		.REFERENCE UNIT ASSY- INERTIAL SUPPLIER CODE: V65507 SPECIFICATION NUMBER: S242T101-112 ELECTRICAL EQUIP NUMBER: M00159 M00160 M00161 WIRING DIAGRAM REF: 342111 342121 342131 COMPONENT MAINT MANUAL REF: 34-26-45 QUALIFIED I/W DATA: HG1050AE09 IS I/W HG1050AD04, OR	011100 506903 950950	3

MISSING ITEM NUMBERS NOT APPLICABLE

- ITEM NOT ILLUSTRATED

34-21-01-01

34-21-01  
FIG. 01  
PAGE 11  
JAN 20/09

BRI





757

PARTS CATALOG (MAINTENANCE)

FIG ITEM	PART NUMBER	1 2 3 4 5 6 7 NOMENCLATURE	EFFECT FROM TO	UNITS PER ASSY
1		<p>HG1050AD05 UNTIL SUCH TIME THE 1995 MAGNETIC VAR TABLE IS INCORPORATED THEN HG1050AE09 MUST BE INSTALLED. HG1050AD05 AND HG1050AE09 ARE INTERCHANGEABLE IF IRU CONNR B PIN K03 "MAGVAR EPOCH SELECT" WIRED TO ACTIVATE 1980 MAGVAR TABLE  HG1050AC09/S242T101-110, HG1050AC10, HG1050AD09/S242T101-111, HG1050AD10/S242T101-114, HG1050AE09/S242T101-112, AND HG1050AE10/S242T101-115 ARE FULLY INTERCHANGEABLE AND INTERMIXABLE ON 757-200 AIRPLANES ACCORDING TO SERVICE LETTERS 757-SL-34-086 AND 757-SL-34-125.  PRE SERVICE BULLETIN:  34-0307  34-0303  QUALIFIED SB I/W DATA:  THE P/N S242T101-103/-104/-105/-106/-107/-110/-112/-113/-114/-115/-116/-117/-118 IRUS ON AIRPLANES WITH PROGRAM PIN SETTINGS ACTIVATING THE 1980 MAGVAR TABLE.  THE P/N S242T101-116/-117/-118 IRUS ARE INTERCHANGEABLE AND INTERMIXABLE WITH EACH OTHER AND WITH THE P/N S242T101-110/-111/-112/-113/-114/-115 IRUS ON AIRPLANES WITH PROGRAM PIN SETTINGS ACTIVATING THE 1995 MAGVAR TABLE.  POST SERVICE LETTER:</p>		

MISSING ITEM NUMBERS NOT APPLICABLE

- ITEM NOT ILLUSTRATED

34-21-01-01

34-21-01  
FIG. 01  
PAGE 12  
JAN 20/09

BRI



757

PARTS CATALOG (MAINTENANCE)

FIG ITEM	PART NUMBER	1 2 3 4 5 6 7	NOMENCLATURE	EFFECT FROM TO	UNITS PER ASSY
1					
30	HG1050AD09		34-086 PRE SERVICE LETTER: 34-125 34-155 .REFERENCE UNIT ASSY- INERTIAL SUPPLIER CODE: V65507 SPECIFICATION NUMBER: S242T101-111 ELECTRICAL EQUIP NUMBER: M00159 M00160 M00161 WIRING DIAGRAM REF: 342111 342121 342131 COMPONENT MAINT MANUAL REF: 34-21-13 QUALIFIED I/W DATA: HG1050AC09/S242T101-110, HG1050AC10, HG1050AD09/ S242T101-111, HG1050AD10/S242T101-114, HG1050AE09/ S242T101-112, AND HG0150AE10/S242T101-115 ARE FULLY INTERCHANGEABLE AND INTERMIXABLE ON 757-200 AIRPLANES ACCORDING TO SERVICE LETTERS 757-SL-34-086 AND 757-SL-34-125. PRE SERVICE BULLETIN: 34-0307 34-0303 QUALIFIED SB I/W DATA: THE P/N S242T101-103/ -104/-105/-106/-107/-110 /-112/-113/-114/-115/ -116/-117/-118 IRUS ON AIRPLANES WITH PROGRAM PIN SETTINGS ACTIVATING THE 1980 MAGVAR TABLE. THE P/N S242T101-116/ -117/-118 IRUS ARE INTERCHANGEABLE AND	507903 950950	3

MISSING ITEM NUMBERS NOT APPLICABLE

- ITEM NOT ILLUSTRATED

34-21-01-01

34-21-01  
FIG. 01  
PAGE 13  
JAN 20/09

BRI



757

PARTS CATALOG (MAINTENANCE)

FIG ITEM	PART NUMBER	1 2 3 4 5 6 7	NOMENCLATURE	EFFECT FROM TO	UNITS PER ASSY
1			INTERMIXABLE WITH EACH OTHER AND WITH THE P/N S242T101-110/-111/-112/-113/-114/-115 IRUS ON AIRPLANES WITH PROGRAM PIN SETTINGS ACTIVATING THE 1995 MAGVAR TABLE. POST SERVICE LETTER: 34-086 PRE SERVICE LETTER: 34-125 34-155		
30	HG1050AC09		.REFERENCE UNIT ASSY-INERTIAL L, CTR, R SUPPLIER CODE: V65507 SPECIFICATION NUMBER: S242T101-110 ELECTRICAL EQUIP NUMBER: M00159 M00160 M00161 COMPONENT MAINT MANUAL REF: 34-21-13 PRE SERVICE BULLETIN: 34-0307 34-0303 QUALIFIED SB I/W DATA: I/W HG1050AD09 OR HG1050AE09 THE P/N S242T101-116/-117/-118 IRUS ARE INTERCHANGEABLE AND INTERMIXABLE WITH EACH OTHER AND WITH THE P/N S242T101-110/-111/-112/-113/-114/-115 IRUS ON AIRPLANES WITH PROGRAM PIN SETTINGS ACTIVATING THE 1995 MAGVAR TABLE. POST SERVICE LETTER: 34-086 PRE SERVICE LETTER: 34-125 34-155	507903 950950	3
30	HG1050AE10		.REFERENCE UNIT ASSY-SUPPLIER CODE: V65507	950950	3

MISSING ITEM NUMBERS NOT APPLICABLE

- ITEM NOT ILLUSTRATED

34-21-01-01

34-21-01  
FIG. 01  
PAGE 14  
JAN 20/09

BRI



757

PARTS CATALOG (MAINTENANCE)

FIG ITEM	PART NUMBER	1 2 3 4 5 6 7	NOMENCLATURE	EFFECT FROM TO	UNITS PER ASSY
1			<p>SPECIFICATION NUMBER: S242T101-115</p> <p>SB DATA FROM A CMM: POST SB HG1050AE-34-0003</p> <p>ELECTRICAL EQUIP NUMBER: M00159 M00160 M00161</p> <p>WIRING DIAGRAM REF: 342111 342121 342131</p> <p>COMPONENT MAINT MANUAL REF: 34-26-95</p> <p>QUALIFIED I/W DATA: HG1050AC09/S242T101-110, HG1050AC10, HG1050AD09/ S242T101-111, HG1050AD10/S242T101-114, HG1050AE09/ S242T101-112, AND HG1050AE10/S242T101-115 ARE FULLY INTERCHANGEABLE AND INTERMIXABLE ON 757-200 AIRPLANES ACCORDING TO SERVICE LETTERS 757-SL-34-086 AND 757-SL-34-125.</p> <p>PRE SERVICE BULLETIN: 34-0307</p> <p>QUALIFIED SB I/W DATA: THE P/N S242T101-103/ -104/-105/-106/-107/-110 /-112/-113/-114/-115/ -116/-117/-118 IRUS ON AIRPLANES WITH PROGRAM PIN SETTINGS ACTIVATING THE 1980 MAGVAR TABLE. THE P/N S242T101-116/ -117/-118 IRUS ARE INTERCHANGEABLE AND INTERMIXABLE WITH EACH OTHER AND WITH THE P/N S242T101-110/-111/ -112/-113/-114/-115 IRUS ON AIRPLANES WITH PROGRAM PIN SETTINGS ACTIVATING THE 1995</p>		

MISSING ITEM NUMBERS NOT APPLICABLE

- ITEM NOT ILLUSTRATED

# 34-21-01-01

34-21-01  
FIG. 01  
PAGE 15  
JAN 20/09

BRI



757

PARTS CATALOG (MAINTENANCE)

FIG ITEM	PART NUMBER	1 2 3 4 5 6 7	NOMENCLATURE	EFFECT FROM TO	UNITS PER ASSY
1			MAGVAR TABLE. POST SERVICE LETTER: 34-125 PRE SERVICE LETTER: 34-155		
31	HG1050AD10		.REFERENCE UNIT ASSY- INERTIAL SUPPLIER CODE: V65507 SPECIFICATION NUMBER: S242T101-114 ELECTRICAL EQUIP NUMBER: M00159 M00160 M00161 COMPONENT MAINT MANUAL REF: 34-27-05 PRE SERVICE BULLETIN: 34-0307 QUALIFIED SB I/W DATA: THE P/N S242T101-103/ -104/-105/-106/-107/-110 /-112/-113/-114/-115/ -116/-117/-118 IRUS ON AIRPLANES WITH PROGRAM PIN SETTINGS ACTIVATING THE 1980 MAGVAR TABLE. THE P/N S242T101-116/ -117/-118 IRUS ARE INTERCHANGEABLE AND INTERMIXABLE WITH EACH OTHER AND WITH THE P/N S242T101-110/-111/ -112/-113/-114/-115 IRUS ON AIRPLANES WITH PROGRAM PIN SETTINGS ACTIVATING THE 1995 MAGVAR TABLE	950950	3
32	10041596-101		..PLATE-DESIGNATION SUPPLIER CODE: V65507	002004 006010 107107 121503 904949 952999	1

MISSING ITEM NUMBERS NOT APPLICABLE

- ITEM NOT ILLUSTRATED

BRI

34-21-01-01

34-21-01  
FIG. 01  
PAGE 16  
JAN 20/09



757

PARTS CATALOG (MAINTENANCE)

FIG ITEM	PART NUMBER	1 2 3 4 5 6 7	NOMENCLATURE	EFFECT FROM TO	UNITS PER ASSY
1					
33	10074939-112		..PLATE-IDENT DEVICE SUPPLIER CODE: V65507 OPTIONAL PART: 10074939-109 V65507	002004 006010 107107 121503 904949 952999	1
33	10074939-109		..PLATE-IDENT DEVICE SUPPLIER CODE: V65507 OPTIONAL PART: 10074939-112 V65507	002004 006010 107107 121503 904949 952999	1
33	10074939-214		..PLATE-IDENT DEVICE SUPPLIER CODE: V65507 OPTIONAL PART: 10074939-209 V65507	002004 006010 107107 121503 904999	1
33	10074939-209		..PLATE-IDENT DEVICE SUPPLIER CODE: V65507 OPTIONAL PART: 10074939-214 V65507	002004 006010 107107 121503 904999	1
35	26012892-101		..UNIT ASSY- SUPPLIER CODE: V65507 USED ON: HG1050AE09	002004 006100 107107 121999	1

MISSING ITEM NUMBERS NOT APPLICABLE

- ITEM NOT ILLUSTRATED

34-21-01-01

34-21-01  
FIG. 01  
PAGE 17  
JAN 20/09

BRI



**757  
PARTS CATALOG (MAINTENANCE)**

FIG ITEM	PART NUMBER	1 2 3 4 5 6 7	NOMENCLATURE	EFFECT FROM TO	UNITS PER ASSY
1 40	10089800-101		..UNIT ASSY-INERTIAL SUPPLIER CODE: V65507 OPTIONAL PART: 10089800-102 V65507 10089800-103 V65507 10089800-104 V65507 10089800-106 V65507 10089800-107 V65507 10089800-109 V65507 10089800-110 V65507 10089800-111 V65507 USED ON: HG1050AD01	002004 006010 107107 121503 904949 952999	1
40	10089800-102		..UNIT ASSY-INERTIAL SUPPLIER CODE: V65507 OPTIONAL PART: 10089800-101 V65507 10089800-103 V65507 10089800-104 V65507 10089800-106 V65507 10089800-107 V65507 10089800-109 V65507 10089800-110 V65507 10089800-111 V65507 USED ON: HG1050AD01	002004 006010 107107 121503 904949 952999	1

MISSING ITEM NUMBERS NOT APPLICABLE

— ITEM NOT ILLUSTRATED

BRI

# 34-21-01-01

BOEING PROPRIETARY - Copyright © - Unpublished Work - See title page for details.

34-21-01  
 FIG. 01  
 PAGE 18  
 JAN 20/09

 **BOEING**  
757  
**PARTS CATALOG (MAINTENANCE)**

FIG ITEM	PART NUMBER	1 2 3 4 5 6 7	NOMENCLATURE	EFFECT FROM TO	UNITS PER ASSY
1 40	10089800-103		..UNIT ASSY-INERTIAL SUPPLIER CODE: V65507 OPTIONAL PART: 10089800-101 V65507 10089800-102 V65507 10089800-104 V65507 10089800-106 V65507 10089800-107 V65507 10089800-109 V65507 10089800-110 V65507 10089800-111 V65507 USED ON: HG1050AD01	002004 006010 107107 121503 904949 952999	1
40	10089800-104		..UNIT ASSY-INERTIAL SUPPLIER CODE: V65507 OPTIONAL PART: 10089800-101 V65507 10089800-102 V65507 10089800-103 V65507 10089800-106 V65507 10089800-107 V65507 10089800-109 V65507 10089800-110 V65507 10089800-111 V65507 USED ON: HG1050AD01	002004 006010 107107 121503 904949 952999	1

MISSING ITEM NUMBERS NOT APPLICABLE

— ITEM NOT ILLUSTRATED

BRI

# 34-21-01-01

BOEING PROPRIETARY - Copyright © - Unpublished Work - See title page for details.

34-21-01  
FIG. 01  
PAGE 19  
JAN 20/09





757

PARTS CATALOG (MAINTENANCE)

FIG ITEM	PART NUMBER	1 2 3 4 5 6 7	NOMENCLATURE	EFFECT FROM TO	UNITS PER ASSY
1	40 10089800-106		..UNIT ASSY-INERTIAL SUPPLIER CODE: V65507 OPTIONAL PART: 10089800-101 V65507 10089800-102 V65507 10089800-103 V65507 10089800-104 V65507 10089800-107 V65507 10089800-109 V65507 10089800-110 V65507 10089800-111 V65507 USED ON: HG1050AD01	002004 006010 107107 121503 904949 952999	1
	40 10089800-107		..UNIT ASSY-INERTIAL SUPPLIER CODE: V65507 OPTIONAL PART: 10089800-101 V65507 10089800-102 V65507 10089800-103 V65507 10089800-104 V65507 10089800-106 V65507 10089800-109 V65507 10089800-110 V65507 10089800-111 V65507 USED ON: HG1050AD01	002004 006010 107107 121503 904949 952999	1

MISSING ITEM NUMBERS NOT APPLICABLE

- ITEM NOT ILLUSTRATED

BRI

34-21-01-01

BOEING PROPRIETARY - Copyright © - Unpublished Work - See title page for details.

34-21-01  
 FIG. 01  
 PAGE 20  
 JAN 20/09



757

PARTS CATALOG (MAINTENANCE)

FIG ITEM	PART NUMBER	1 2 3 4 5 6 7	NOMENCLATURE	EFFECT FROM TO	UNITS PER ASSY
1					
40	10089800-108		..UNIT ASSY-INERTIAL SUPPLIER CODE: V65507 OPTIONAL PART: 10089800-112 V65507 USED ON: HG1050AD04	002004 006010 107107 121503 904999	1
40	10089800-109		..UNIT ASSY-INERTIAL SUPPLIER CODE: V65507 OPTIONAL PART: 10089800-101 V65507 10089800-102 V65507 10089800-103 V65507 10089800-104 V65507 10089800-106 V65507 10089800-107 V65507 10089800-110 V65507 10089800-111 V65507 USED ON: HG1050AD01	002004 006010 107107 121503 904949 952999	1

MISSING ITEM NUMBERS NOT APPLICABLE

- ITEM NOT ILLUSTRATED

BRI

34-21-01-01

BOEING PROPRIETARY - Copyright © - Unpublished Work - See title page for details.

34-21-01  
FIG. 01  
PAGE 21  
JAN 20/09



757

PARTS CATALOG (MAINTENANCE)

FIG ITEM	PART NUMBER	1 2 3 4 5 6 7	NOMENCLATURE	EFFECT FROM TO	UNITS PER ASSY
1	40 10089800-110		..UNIT ASSY-INERTIAL SUPPLIER CODE: V65507 OPTIONAL PART: 10089800-101 V65507 10089800-102 V65507 10089800-103 V65507 10089800-104 V65507 10089800-106 V65507 10089800-107 V65507 10089800-109 V65507 10089800-111 V65507 USED ON: HG1050AD01	002004 006010 107107 121503 904949 952999	1
	40 10089800-111		..UNIT ASSY-INERTIAL SUPPLIER CODE: V65507 OPTIONAL PART: 10089800-101 V65507 10089800-102 V65507 10089800-103 V65507 10089800-104 V65507 10089800-106 V65507 10089800-107 V65507 10089800-109 V65507 10089800-110 V65507 USED ON: HG1050AD01	002004 006010 107107 121503 904949 952999	1

MISSING ITEM NUMBERS NOT APPLICABLE

- ITEM NOT ILLUSTRATED

BRI

34-21-01-01

BOEING PROPRIETARY - Copyright © - Unpublished Work - See title page for details.

34-21-01  
 FIG. 01  
 PAGE 22  
 JAN 20/09



757

PARTS CATALOG (MAINTENANCE)

FIG ITEM	PART NUMBER	1 2 3 4 5 6 7	NOMENCLATURE	EFFECT FROM TO	UNITS PER ASSY
1					
40	10089800-112		..UNIT ASSY-INERTIAL SUPPLIER CODE: V65507 OPTIONAL PART: 10089800-108 V65507 USED ON: HG1050AD04	002004 006010 107107 121503 904999	1
40	10089800-202		..UNIT ASSY-INERTIAL SUPPLIER CODE: V65507 USED ON: HG1050AD05	002004 006010 107107 121503 904999	1
40	10074900-123		..UNIT ASSY-INERTIAL SUPPLIER CODE: V65507 OPTIONAL PART: 10074900-129 V65507 USED ON: HG1050AC03	002004 006010 107107 121503 904949 952999	1
40	10074900-127		..UNIT ASSY-INERTIAL SUPPLIER CODE: V65507 OPTIONAL PART: 10074900-133 V65507 USED ON: HG1050AC04	002004 006010 107107 121503 904999	1
41	10089800-700		..UNIT ASSY- SUPPLIER CODE: V65507 OPTIONAL PART: 10089800-702 V65507 USED ON: HG1050AD10	011100 504903	1
41	10089800-702		..UNIT ASSY- SUPPLIER CODE: V65507 OPTIONAL PART: 10089800-700 V65507 USED ON: HG1050AD10	011100 504903	1

MISSING ITEM NUMBERS NOT APPLICABLE

- ITEM NOT ILLUSTRATED

34-21-01-01

34-21-01  
FIG. 01  
PAGE 23  
JAN 20/09

BRI



757

PARTS CATALOG (MAINTENANCE)

FIG ITEM	PART NUMBER	1 2 3 4 5 6 7	NOMENCLATURE	EFFECT FROM TO	UNITS PER ASSY
1					
41	10074900-129	..	UNIT ASSY-INERTIAL SUPPLIER CODE: V65507 OPTIONAL PART: 10074900-123 V65507 USED ON: HG1050AC03	002004 006010 107107 121503 904949 952999	1
41	10074900-133	..	UNIT ASSY-INERTIAL SUPPLIER CODE: V65507 OPTIONAL PART: 10074900-127 V65507 USED ON: HG1050AC04	002004 006010 107107 121503 904999	1
42	10068381-101	...	PLATE-INFORMATION CAUTION SUPPLIER CODE: V65507	002004 006100 107107 121999	1
43	10077116-101	...	PLATE-INDENT CAUTION SUPPLIER CODE: V65507	002004 006100 107107 121999	1
44	10093591-101	...	PLATE-INSTRUCTION SUPPLIER CODE: V65507	002004 006100 107107 121999	1
45	10080604-103	...	PLATE-DESIGNATION SUPPLIER CODE: V65507 OPTIONAL PART: 10080604-101 V65507	002004 006010 107107 121503 904999	1
45	10080604-101	...	PLATE-DESIGNATION SUPPLIER CODE: V65507 OPTIONAL PART: 10080604-103 V65507	002004 006010 107107 121503 904999	1
46	10078917-101	...	PLATE-IDENT SUPPLIER CODE: V65507	002004 006100 107107 121999	1
46A	10080605-101	...	PLATE-IDENT SUPPLIER CODE: V65507	002004 006010 107107 121503 904951	1

MISSING ITEM NUMBERS NOT APPLICABLE

- ITEM NOT ILLUSTRATED

34-21-01-01

34-21-01  
FIG. 01  
PAGE 24  
JAN 20/09

BRI

BOEING PROPRIETARY - Copyright © - Unpublished Work - See title page for details.



757

PARTS CATALOG (MAINTENANCE)

FIG ITEM	PART NUMBER	1 2 3 4 5 6 7	NOMENCLATURE	EFFECT FROM TO	UNITS PER ASSY
1					
47	10093591-101	...	PLATE-INSTRUCTION SUPPLIER CODE: V65507	002004 006100 107107 121999	1
48	10077575-101	...	PLATE-INDENT SUPPLIER CODE: V65507	002004 006100 107107 121999	1
49	NAS622CT2	...	HOOK	002004 006100 107107 121999	2
			ATTACHING PARTS		
50	MS24693C25	...	SCREW	002004 006100 107107 121999	4
			-----*-----		
52	66666-3411	...	HANDLE- SUPPLIER CODE: V06540	002004 006100 107107 121999	2
52	949560-3	...	HANDLE- SUPPLIER CODE: V71279 OPTIONAL PART: 66667-3410 V06540 66666-3411 V06540	002004 006100 107107 121999	2
52	66667-3410	...	HANDLE- SUPPLIER CODE: V71279 OPTIONAL PART: 949560-3 V71279 66666-3411 V06540 USED ON: 10074900-140 10074900-141 10089800-700 10089800-702	011100 504903	2

MISSING ITEM NUMBERS NOT APPLICABLE

- ITEM NOT ILLUSTRATED

BRI

34-21-01-01

BOEING PROPRIETARY - Copyright © - Unpublished Work - See title page for details.

34-21-01  
FIG. 01  
PAGE 25  
JAN 20/09



757

PARTS CATALOG (MAINTENANCE)

FIG ITEM	PART NUMBER	1 2 3 4 5 6 7	NOMENCLATURE	EFFECT FROM TO	UNITS PER ASSY
1					
52	66666-3411		...HANDLE- SUPPLIER CODE: V71279 OPTIONAL PART: 949560-3 V71279 66667-3410 V06540 ATTACHING PARTS	011100 504903	2
53	NAS1352-08-16		...SCREW-	002004 006100 107107 121999	4
53	NAS1352-08-16		...SCREW- OPTIONAL PART: MS51957-46 NAS1635-08LE8	011100 504903	4
53	MS51957-46		...SCREW- OPTIONAL PART: NAS1352-08-16 NAS1635-08LE8	011100 504903	4
53	NAS1635-08LE8		...SCREW- OPTIONAL PART: NAS1352-08-16 MS51957-46	002004 006100 107107 121999	4
54	AN960C8		...WASHER	011100 504903	4
			-----*-----		
55	M8805-96-014		...SWITCH	002004 006100 107107 121999	1
57	10089822-101		...PLATE-DESIGNATION SUPPLIER CODE: V65507	002004 006100 107107 121999	1
57	10089822-101		...PLATE-DESIGNATION SUPPLIER CODE: V65507 OPTIONAL PART: 10089822-145 V85480	011100 504903	1
57	10089822-145		...PLATE-DESIGNATION SUPPLIER CODE: V85480 OPTIONAL PART: 10089822-101 V65507	011100 504903	1

MISSING ITEM NUMBERS NOT APPLICABLE

- ITEM NOT ILLUSTRATED

BRI

34-21-01-01

34-21-01  
FIG. 01  
PAGE 26  
JAN 20/09



757

PARTS CATALOG (MAINTENANCE)

FIG ITEM	PART NUMBER	1 2 3 4 5 6 7	NOMENCLATURE	EFFECT FROM TO	UNITS PER ASSY
1					
58	10080605-101	...	PLATE-IDENT SUPPLIER CODE: V65507	002004 006100 107107 121999	2
59	10080601-107	...	PLATE-DESIGNATION SUPPLIER CODE: V65507	011100 504903	1
59A	10080605-101	...	PLATE-IDENT SUPPLIER CODE: V65507	011100 504903	2
60	26010837-182	..	PLATE-IDENT SUPPLIER CODE: V65507 OPTIONAL PART: 10074939-217 V65507 10074939-218 V65507	011100 504903	1
60	10074939-217	..	PLATE-IDENT SUPPLIER CODE: V65507 OPTIONAL PART: 10074939-218 V65507 26010837-182 V65507	011100 504903	1
60	10074939-218	..	PLATE-IDENT SUPPLIER CODE: V65507 OPTIONAL PART: 10074939-217 V65507 26010837-182 V65507	011100 504903	1
60	26014035-101	..	PLATE-IDENT SUPPLIER CODE: V65507 CONFIG CHG DATA FROM A CMM: SUPSD BY 26014035-106 OPTIONAL PART: 10074939-214 V65507 26014035-104 V65507	011100 504903	1

MISSING ITEM NUMBERS NOT APPLICABLE

- ITEM NOT ILLUSTRATED

BRI

34-21-01-01

BOEING PROPRIETARY - Copyright © - Unpublished Work - See title page for details.

34-21-01  
FIG. 01  
PAGE 27  
JAN 20/09





757

PARTS CATALOG (MAINTENANCE)

FIG ITEM	PART NUMBER	1 2 3 4 5 6 7	NOMENCLATURE	EFFECT FROM TO	UNITS PER ASSY
1					
60	10074939-214	..	PLATE-IDENT SUPPLIER CODE: V65507 OPTIONAL PART: 26014035-101 V65507 26014035-104 V65507 26014035-106 V65507	011100 504903	1
60	26014035-104	..	PLATE-IDENT SUPPLIER CODE: V65507 OPTIONAL PART: 26014035-101 V65507 10074939-214 V65507 26014035-106 V65507	011100 504903	1
60	26014035-106	..	PLATE-IDENT SUPPLIER CODE: V65507 CONFIG CHG DATA FROM A CMM: SUPERSEDES 26014035-101 OPTIONAL PART: 10074939-214 V65507 26014035-104 V65507	011100 504903	1
65	26015740-104	..	PLATE-IDENT SUPPLIER CODE: V65507 CONFIG CHG DATA FROM A CMM: SUPSD BY 26019328-101	011100 504903	1
65	26019328-101	..	PLATE-IDENT SUPPLIER CODE: V65507 CONFIG CHG DATA FROM A CMM: SUPERSEDES 26015740-104	011100 504903	1
66	26014035-901	..	PLATE-IDENT SUPPLIER CODE: V65507 USED WITH: 10074939-214	011100 504903	1
66	10050113-101	..	PLATE-IDENT SUPPLIER CODE: V65507	011100 504903	1

MISSING ITEM NUMBERS NOT APPLICABLE

- ITEM NOT ILLUSTRATED

34-21-01-01

34-21-01  
FIG. 01  
PAGE 28  
JAN 20/09

BRI



757

PARTS CATALOG (MAINTENANCE)

FIG ITEM	PART NUMBER	1 2 3 4 5 6 7	NOMENCLATURE	EFFECT FROM TO	UNITS PER ASSY
1	70 211600-2	..CAP-	SUPPLIER CODE: V00779	011100 504903	1
-	75 025-1157-001	..CAP-	SUPPLIER CODE: V71468 OPTIONAL PART: 4041437-5 V58960 OPTIONAL PART: 025-1158-001 V71468	011100 504903	1
-	75 025-1158-001	..CAP-	SUPPLIER CODE: V71468 OPTIONAL PART: 4041437-6 V58960 OPTIONAL PART: 025-1157-001 V71468	011100 504903	1
	80 025-1157-001	..CAP-	SUPPLIER CODE: V71468 CONFIG CHG DATA FROM A CMM: SUPSD BY 211600-2 MISCELLANEOUS DATA: HONEYWELL PART NO. 10076186-103 OPTIONAL PART: 4041437-5 V58960	011100 504903	1
	80 025-1157-001	..CAP-	SUPPLIER CODE: V71468 MISCELLANEOUS DATA: HONEYWELL PART NO. 10076186-103 QUALIFIED OPTIONAL DATA: 025-1157-001 AND 025-1158-001 OPT TO 211600-2 OPTIONAL PART: 4041437-5 V58960 USED WITH: 025-1158-001	002004 006010 107107 121503 904999	1

MISSING ITEM NUMBERS NOT APPLICABLE

- ITEM NOT ILLUSTRATED

BRI

34-21-01-01

34-21-01  
FIG. 01  
PAGE 29  
JAN 20/09



757

PARTS CATALOG (MAINTENANCE)

FIG ITEM	PART NUMBER	1 2 3 4 5 6 7	NOMENCLATURE	EFFECT FROM TO	UNITS PER ASSY
1 85	025-1158-001	..CAP-	SUPPLIER CODE: V71468 CONFIG CHG DATA FROM A CMM: SUPSD BY 211600-2 MISCELLANEOUS DATA: HONEYWELL PART NO. 10076186-104 OPTIONAL PART: 4041437-6 V58960	011100 504903	1
85	025-1158-001	..CAP-	SUPPLIER CODE: V71468 MISCELLANEOUS DATA: HONEYWELL PART NO. 10076186-104 QUALIFIED OPTIONAL DATA: 025-1157-001 AND 025-1158-001 OPT TO 211600-2 OPTIONAL PART: 4041437-6 V58960 USED WITH: 025-1157-001	002004 006010 107107 121503 904999	1
- 86	211600-2	..CAP-	SUPPLIER CODE: V00779 CONFIG CHG DATA FROM A CMM: SUPERSEDES 025-1157-001 SUPERSEDES 025-1158-001 MISCELLANEOUS DATA: HONEYWELL PART NO. 10076186-108	011100 504903	1
- 86	211600-2	..CAP-	SUPPLIER CODE: V00779 MISCELLANEOUS DATA: HONEYWELL PART NO. 10076186-108 QUALIFIED OPTIONAL DATA: 025-1157-001 AND 025-1158-001 OPT TO 211600-2	002004 006010 107107 121503 904999	1
- 200	286N1177-001	WIRE BUNDLE ASSY-		107107 121503 904949	RF

MISSING ITEM NUMBERS NOT APPLICABLE

- ITEM NOT ILLUSTRATED

34-21-01-01

34-21-01  
FIG. 01  
PAGE 30  
JAN 20/09

BRI



757

PARTS CATALOG (MAINTENANCE)

FIG ITEM	PART NUMBER	1 2 3 4 5 6 7	NOMENCLATURE	EFFECT FROM TO	UNITS PER ASSY
1					
- 200	286N1177-003		WIRE BUNDLE ASSY- REWORKED BY SB: 34-0200	002004 006100 950999	RF
210	BACC66H21C0601		.CONNECTOR- ELECTRICAL EQUIP NUMBER: D00137 D00139 D00141 WIRING DIAGRAM REF: 342111 342121 342131	002004 006100 107107 121503 904999	3
- 218	9X1115888-1		.PLACARD- SUPPLIER CODE: V8B250 PLACARD CONTENT: DO NOT DISTURB IRU SHIMS POST AIRLINE MOD: USA-IPC-P98-757-63-98 VALP	950951	2

MISSING ITEM NUMBERS NOT APPLICABLE

- ITEM NOT ILLUSTRATED

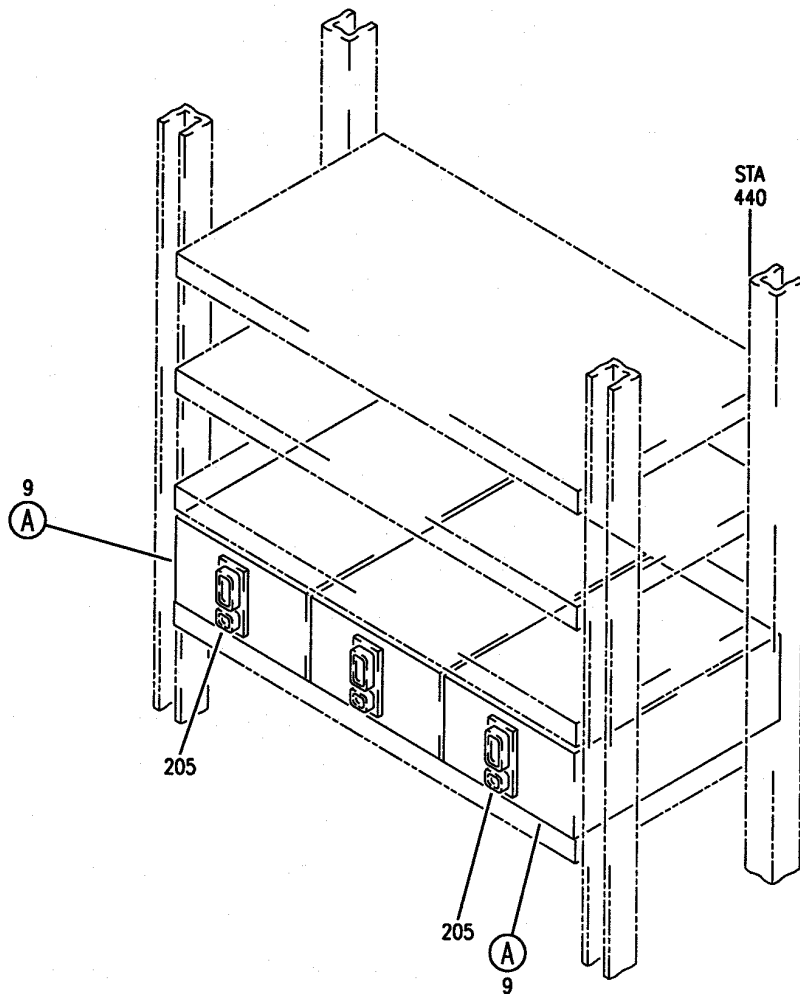
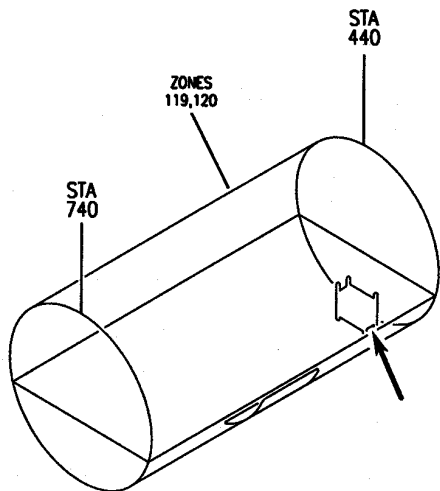
BRI

34-21-01-01

BOEING PROPRIETARY - Copyright © - Unpublished Work - See title page for details.

34-21-01  
FIG. 01  
PAGE 31  
JAN 20/09

**BOEING**  
757  
PARTS CATALOG (MAINTENANCE)



Y 34210101B SHT 1 REV 219

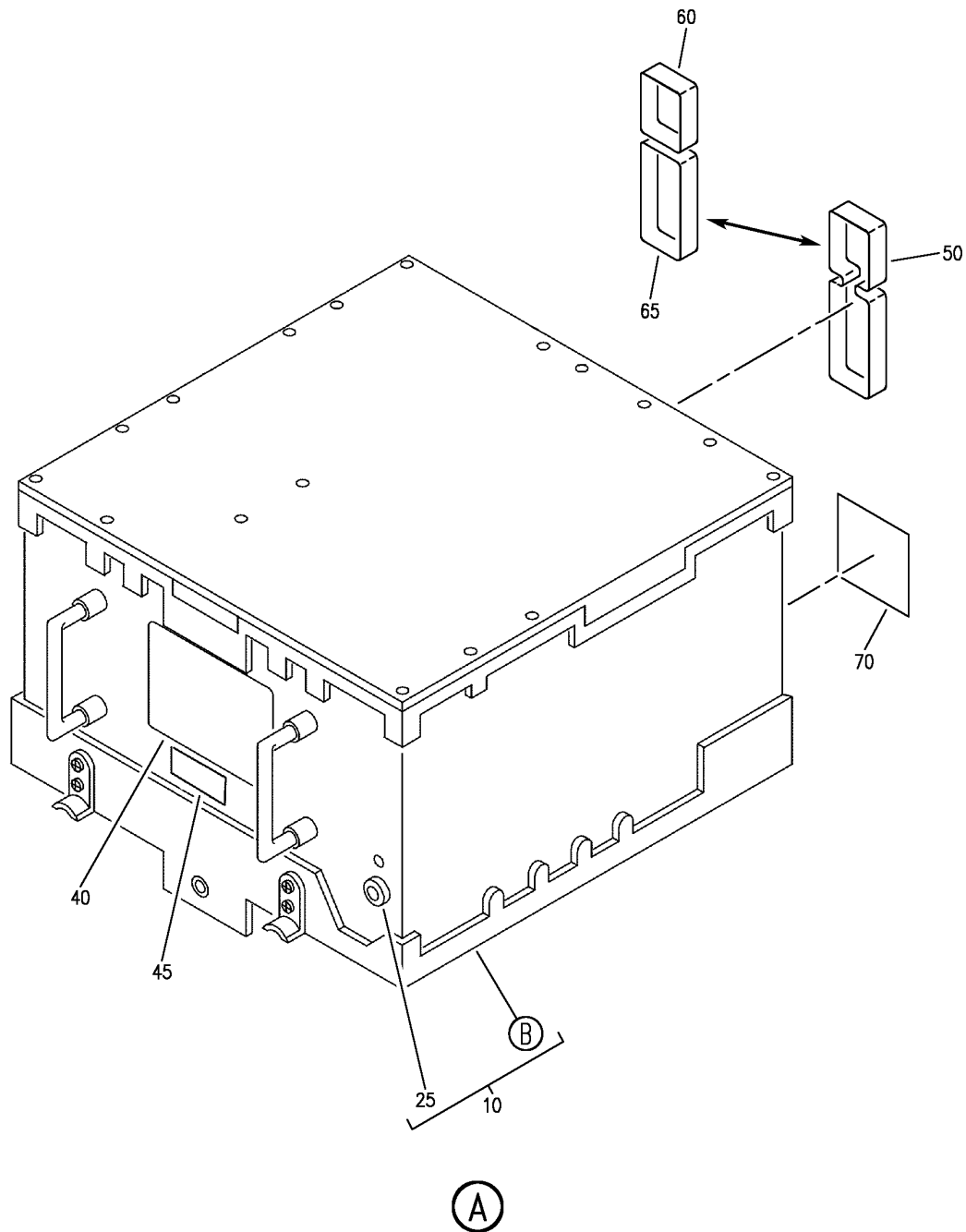
EQUIPMENT INSTL-MAIN ELECTRONICS EQPT CTR (INERTIAL REFERENCE UNIT ONLY)  
FIGURE 1B (SHEET 1)

BRI  
MAY 28/07

**34-21-01-01B**

34-21-01-01B  
PAGE 0

**BOEING**  
757  
PARTS CATALOG (MAINTENANCE)



Y 34210101B SHT 2 REV 285

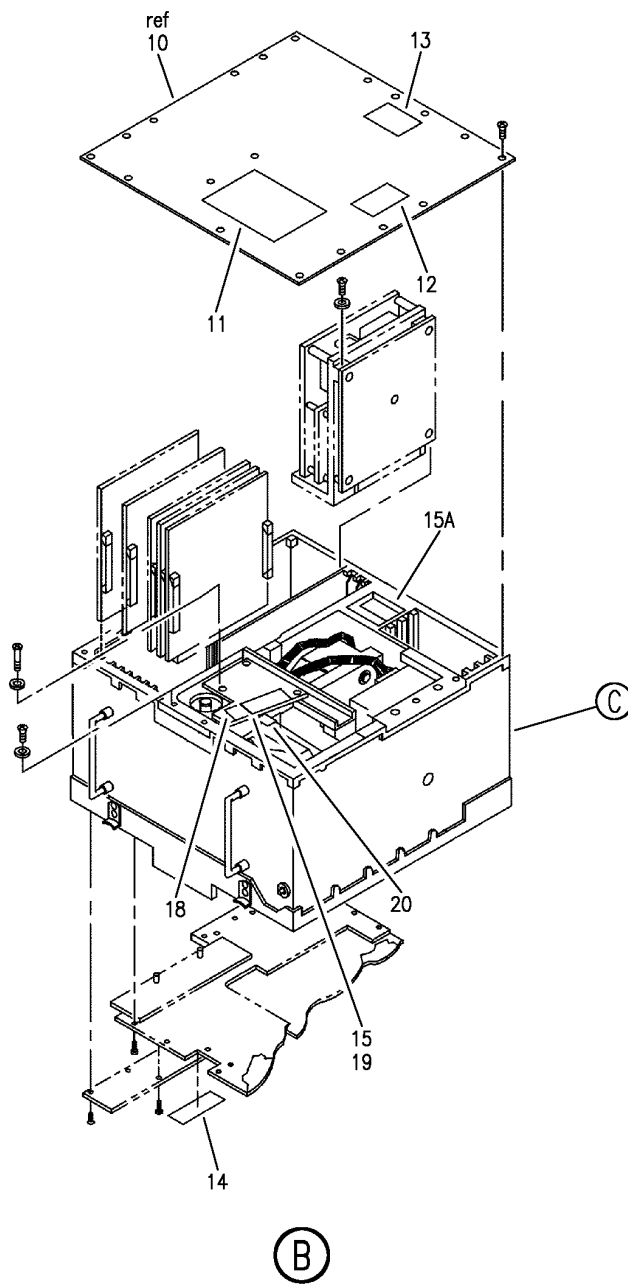
EQUIPMENT INSTL-MAIN ELECTRONICS EQPT CTR (INERTIAL REFERENCE UNIT ONLY)  
FIGURE 1B (SHEET 2)

**34-21-01-01B**

BRI  
MAY 28/07

34-21-01-01B  
PAGE 0A

**BOEING**  
757  
PARTS CATALOG (MAINTENANCE)



Y 34210101B SHT 3 REV 285

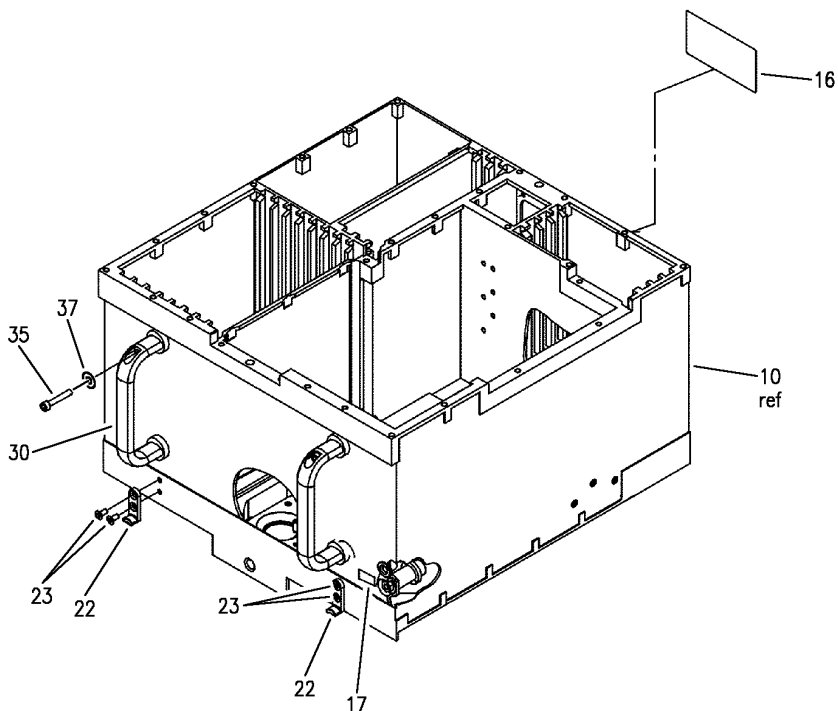
EQUIPMENT INSTL-MAIN ELECTRONICS EQPT CTR (INERTIAL REFERENCE UNIT ONLY)  
FIGURE 1B (SHEET 3)

BRI  
MAY 28/07

**34-21-01-01B**

34-21-01-01B  
PAGE 0B

**BOEING**  
757  
PARTS CATALOG (MAINTENANCE)



(C)

Y 34210101B SHT 4 REV 285

EQUIPMENT INSTL-MAIN ELECTRONICS EQPT CTR (INERTIAL REFERENCE UNIT ONLY)  
FIGURE 1B (SHEET 4)

**34-21-01-01B**

BRI  
MAY 28/07

34-21-01-01B  
PAGE 0C





757

PARTS CATALOG (MAINTENANCE)

FIG ITEM	PART NUMBER	1 2 3 4 5 6 7	NOMENCLATURE	EFFECT FROM TO	UNITS PER ASSY
1B			EQUIPMENT INSTL-MAIN ELECTRONICS EQPT CTR (INERTIAL REFERENCE UNIT ONLY)	101102	
- 2	284N1800-140		EQUIPMENT INSTL-MAIN ELECTRONIC EQPT CTR (INERTIAL REFERENCE UNIT ONLY) FOR NHA/OTHER SYS DET SEE: 24-00-58-05E	101101	RF
- 2	284N1800-141		EQUIPMENT INSTL-MAIN ELECTRONICS EQPT CTR (INERTIAL REFERENCE UNIT ONLY) FOR NHA/OTHER SYS DET SEE: 24-00-58-05E	102102	RF

MISSING ITEM NUMBERS NOT APPLICABLE

- ITEM NOT ILLUSTRATED

BRI

**34-21-01-01B**

BOEING PROPRIETARY - Copyright © - Unpublished Work - See title page for details.

34-21-01  
FIG. 01B  
PAGE 1  
JAN 20/09



757

PARTS CATALOG (MAINTENANCE)

FIG ITEM	PART NUMBER	1 2 3 4 5 6 7 NOMENCLATURE	EFFECT FROM TO	UNITS PER ASSY
1B 9	HG1050AE09	.REFERENCE UNIT ASSY- INERTIAL SUPPLIER CODE: V65507 SPECIFICATION NUMBER: S242T101-112 ELECTRICAL EQUIP NUMBER: M00159 M00160 M00161 COMPONENT MAINT MANUAL REF: 34-26-45 QUALIFIED I/W DATA: HG1050AE09 IS I/W HG1050AD04, OR HG1050AD05 UNTIL SUCH TIME THE 1995 MAGNETIC BAR TABLE IS INCORPORATED THEN HG1050AE09 MUST BE INSTALLED. HG1050AD05 AND HG1050AE09 ARE INTERCHANGEABLE IF IRU CONNR B PIN K03 "MAGVAR EPOCH SELECT" WIRED TO ACTIVATE 1980 MAGVAR TABLE HG1050AC09/S242T101-110, HG1050AC10, HG1050AD09/ S242T101-111, HG1050AD10/S242T101-114, HG1050AE09/ S242T101-112, AND HG1050AE10/S242T101-115 ARE FULLY INTERCHANGEABLE AND INTERMIXABLE ON 757-200 AIRPLANES ACCORDING TO SERVICE LETTERS 757-SL-34-086 AND 757-SL-34-125. PRE SERVICE BULLETIN: 34-0307 34-0303 PRE SERVICE LETTER: 34-155	101102	3

MISSING ITEM NUMBERS NOT APPLICABLE

- ITEM NOT ILLUSTRATED

**34-21-01-01B**

34-21-01  
 FIG. 01B  
 PAGE 2  
 JAN 20/09

BRI



757

PARTS CATALOG (MAINTENANCE)

FIG ITEM	PART NUMBER	1 2 3 4 5 6 7	NOMENCLATURE	EFFECT FROM TO	UNITS PER ASSY
1B 9	HG1050AE11		.REFERENCE UNIT ASSY- INERTIAL SUPPLIER CODE: V65507 SPECIFICATION NUMBER: S242T101-118 ELECTRICAL EQUIP NUMBER: M00159 M00160 M00161 WIRING DIAGRAM REF: 342111 342121 342134 SERVICE BULLETIN OPT DATA: HG1050AC11 V65507 HG1050AD11 V65507 POST SERVICE BULLETIN: 34-0303 34-0307 QUALIFIED SB I/W DATA: REQUIRES INCORPORATION OF SB 757-34-0303 (ACTIVATES 2005 MAG VAR). POST SERVICE LETTER: 34-155	101102	RF

MISSING ITEM NUMBERS NOT APPLICABLE

- ITEM NOT ILLUSTRATED

BRI

34-21-01-01B

BOEING PROPRIETARY - Copyright © - Unpublished Work - See title page for details.

34-21-01  
FIG. 01B  
PAGE 3  
JAN 20/09



757

PARTS CATALOG (MAINTENANCE)

FIG ITEM	PART NUMBER	1 2 3 4 5 6 7	NOMENCLATURE	EFFECT FROM TO	UNITS PER ASSY
1B 9	HG1050AC11		.REFERENCE UNIT ASSY- INERTIAL SUPPLIER CODE: V65507 SPECIFICATION NUMBER: S242T101-116 ELECTRICAL EQUIP NUMBER: M00159 M00160 M00161 WIRING DIAGRAM REF: 342111 342121 342134 SERVICE BULLETIN OPT DATA: HG1050AD11 V65507 HG1050AE11 V65507 POST SERVICE BULLETIN: 34-0303 34-0307 QUALIFIED SB I/W DATA: REQUIRES INCORPORATION OF SB 757-34-0303 (ACTIVATES 2005 MAG VAR). POST SERVICE LETTER: 34-155	101102	3

MISSING ITEM NUMBERS NOT APPLICABLE

- ITEM NOT ILLUSTRATED

BRI

**34-21-01-01B**

BOEING PROPRIETARY - Copyright © - Unpublished Work - See title page for details.

34-21-01  
FIG. 01B  
PAGE 4  
JAN 20/09



757

PARTS CATALOG (MAINTENANCE)

FIG ITEM	PART NUMBER	1 2 3 4 5 6 7	NOMENCLATURE	EFFECT FROM TO	UNITS PER ASSY
1B 9	HG1050AD11		.REFERENCE UNIT ASSY- INERTIAL SUPPLIER CODE: V65507 SPECIFICATION NUMBER: S242T101-117 ELECTRICAL EQUIP NUMBER: M00159 M00160 M00161 WIRING DIAGRAM REF: 342111 342121 342134 SERVICE BULLETIN OPT DATA: HG1050AC11 V65507 HG1050AE11 V65507 POST SERVICE BULLETIN: 34-0303 34-0307 QUALIFIED SB I/W DATA: REQUIRES INCORPORATION OF SB 757-34-0303 (ACTIVATES 2005 MAG VAR). POST SERVICE LETTER: 34-155	101102	RF
10	26012892-101		..UNIT ASSY-INERTIAL SUPPLIER CODE: V65507 USED ON: HG1050AE09	101102	1
11	10068381-101		...PLATE-INFORMATION CAUTION SUPPLIER CODE: V65507	101102	1
12	10077116-101		...PLATE-INDENT CAUTION SUPPLIER CODE: V65507	101102	1
13	10093591-101		...PLATE-INSTRUCTION SUPPLIER CODE: V65507	101102	1
14	10078917-101		...PLATE-IDENT SUPPLIER CODE: V65507	101102	1

MISSING ITEM NUMBERS NOT APPLICABLE

- ITEM NOT ILLUSTRATED

**34-21-01-01B**

34-21-01  
FIG. 01B  
PAGE 5  
JAN 20/09

BRI



757

PARTS CATALOG (MAINTENANCE)

FIG ITEM	PART NUMBER	1 2 3 4 5 6 7	NOMENCLATURE	EFFECT FROM TO	UNITS PER ASSY
1B					
15	10089822-101		...PLATE-DESIGNATION SUPPLIER CODE: V65507 USED ON: 26012892-101 26012892-201	101102	1
15A	10080605-101		...PLATE-IDENT SUPPLIER CODE: V65507 USED ON: 26012892-101 26012892-201	101102	1
16	10093591-101		...PLATE-INSTRUCTION SUPPLIER CODE: V65507 USED ON: 26012892-101 26012892-201 USED ON: 10089800-700 10089800-702	101102	1
17	10077575-101		...PLATE-INDENT SUPPLIER CODE: V65507 USED ON: 26012892-101 26012892-201 USED ON: 10089800-700 10089800-702	101102	1
18	10080601-107		...PLATE-DESIGNATION SUPPLIER CODE: V65507 USED ON: 10089800-700 10089800-702	101102	1
22	NAS622CT2		...HOOK ATTACHING PARTS	101102	2
23	MS24693C25		...SCREW -----*-----	101102	4
25	M8805-96-014		...SWITCH- USED ON: 10089800-600 10089800-700	101102	1

MISSING ITEM NUMBERS NOT APPLICABLE

- ITEM NOT ILLUSTRATED

34-21-01-01B

34-21-01  
FIG. 01B  
PAGE 6  
JAN 20/09

BRI

BOEING PROPRIETARY - Copyright © - Unpublished Work - See title page for details.



757

PARTS CATALOG (MAINTENANCE)

FIG ITEM	PART NUMBER	1 2 3 4 5 6 7	NOMENCLATURE	EFFECT FROM TO	UNITS PER ASSY
1B 30	66666-3411		...HANDLE- SUPPLIER CODE: V06540 USED ON: 26012892-101 26012892-201 ATTACHING PARTS	101102	2
35	NAS1352-08-16		...SCREW- USED ON: 26012892-101 26012892-201	101102	4
37	AN960C8		...WASHER -----*-----	101102	4
40	10074939-218		..PLATE-IDENT SUPPLIER CODE: V65507 OPTIONAL PART: 26010837-182 V65507 10074939-217 V65507	101102	1
40	26014035-101		..PLATE-IDENT SUPPLIER CODE: V65507 CONFIG CHG DATA FROM A CMM: SUPSD BY 26014035-106	101102	1
40	10074939-214		..PLATE-IDENT SUPPLIER CODE: V65507 OPTIONAL PART: 26014035-104 V65507 26014035-106 V65507	101102	1
40	26014035-104		..PLATE-IDENT SUPPLIER CODE: V65507 OPTIONAL PART: 10074939-214 V65507 26014035-106 V65507	101102	1

MISSING ITEM NUMBERS NOT APPLICABLE

- ITEM NOT ILLUSTRATED

BRI

34-21-01-01B

BOEING PROPRIETARY - Copyright © - Unpublished Work - See title page for details.

34-21-01  
FIG. 01B  
PAGE 7  
JAN 20/09



757

PARTS CATALOG (MAINTENANCE)

FIG ITEM	PART NUMBER	1 2 3 4 5 6 7	NOMENCLATURE	EFFECT FROM TO	UNITS PER ASSY
1B 40	26014035-106	..	PLATE-IDENT SUPPLIER CODE: V65507 CONFIG CHG DATA FROM A CMM: SUPERSEDES 26014035-101 OPTIONAL PART: 10074939-214 V65507 26014035-104 V65507	101102	1
45	26015740-104	..	PLATE-IDENT SUPPLIER CODE: V65507 CONFIG CHG DATA FROM A CMM: SUPSD BY 26019328-101	101102	AR
45	26019328-101	..	PLATE-IDENT SUPPLIER CODE: V65507 CONFIG CHG DATA FROM A CMM: SUPERSEDES 26015740-104	101102	AR
50	211600-2	..	CAP- SUPPLIER CODE: V00779 QUALIFIED OPTIONAL DATA: 025-1157-001 AND 025-1158-001 IS OPT TO 211600-2	101102	1
60	025-1157-001	..	CAP- SUPPLIER CODE: V71468 MISCELLANEOUS DATA: HONEYWELL PART NO. 10076186-103 QUALIFIED OPTIONAL DATA: 025-1157-001 AND 025-1158-001 IS OPT TO 211600-2 OPTIONAL PART: 4041437-5 V58960	101102	1

MISSING ITEM NUMBERS NOT APPLICABLE

- ITEM NOT ILLUSTRATED

BRI

34-21-01-01B

BOEING PROPRIETARY - Copyright © - Unpublished Work - See title page for details.

34-21-01  
FIG. 01B  
PAGE 8  
JAN 20/09





757

PARTS CATALOG (MAINTENANCE)

FIG ITEM	PART NUMBER	1 2 3 4 5 6 7	NOMENCLATURE	EFFECT FROM TO	UNITS PER ASSY
1B 65	025-1158-001	..CAP-	SUPPLIER CODE: V71468 MISCELLANEOUS DATA: HONEYWELL PART NO. 10076186-104 QUALIFIED OPTIONAL DATA: 025-1157-001 AND 025-1158-001 IS OPT TO 211600-2 OPTIONAL PART: 4041437-6 V58960	101102	1
70	26014035-901	..PLATE-IDENT	SUPPLIER CODE: V65507 USED WITH: 10074939-214	101102	AR
70	10050113-101	..PLATE-IDENT	SUPPLIER CODE: V65507	101102	AR
- 200	286N1177-337	WIRE BUNDLE ASSY		101101	RF
- 200	286N1177-340	WIRE BUNDLE ASSY		102102	RF
205	BACC66H21C0601	.CONNECTOR-	ELECTRICAL EQUIP NUMBER: D00137 D00139 D00141 WIRING DIAGRAM REF: 342111 342131 342121	101102	3

MISSING ITEM NUMBERS NOT APPLICABLE

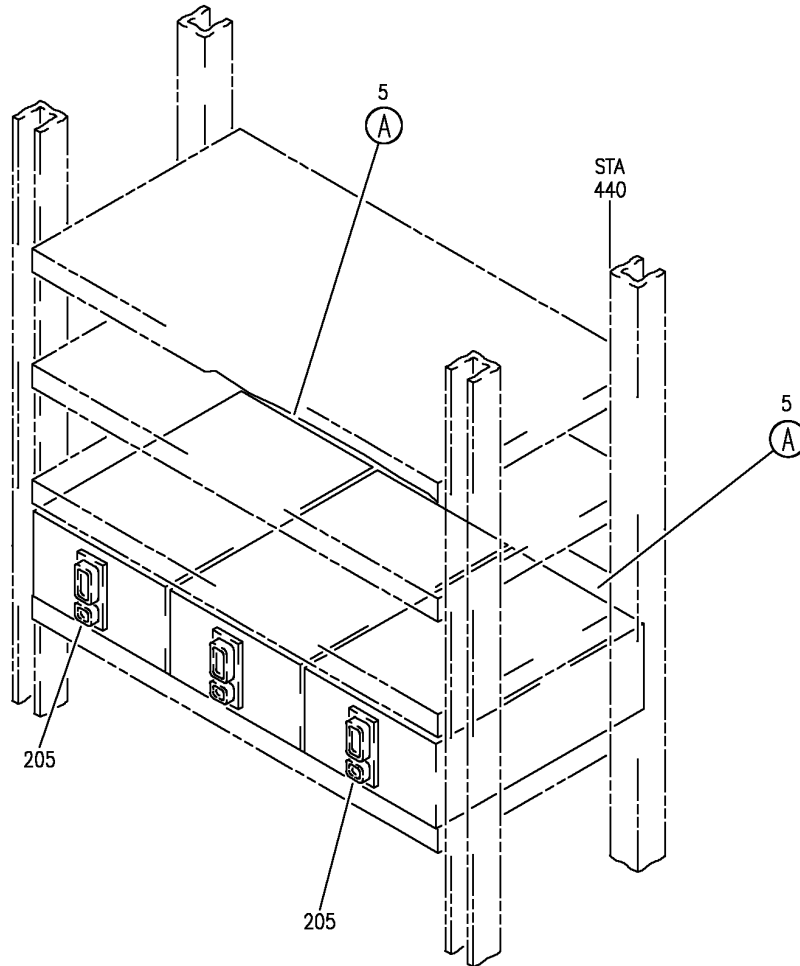
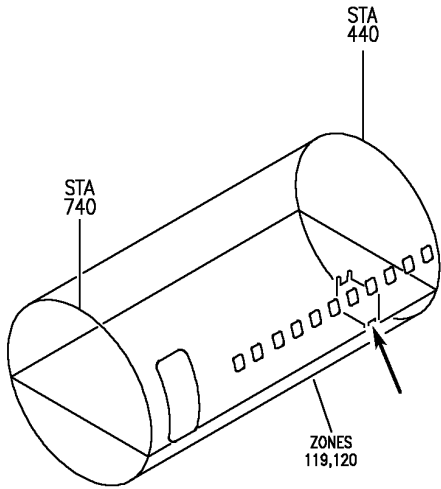
- ITEM NOT ILLUSTRATED

34-21-01-01B

34-21-01  
FIG. 01B  
PAGE 9  
JAN 20/09

BRI

**BOEING**  
757  
PARTS CATALOG (MAINTENANCE)



Y 34210108 SHT 1 REV 266

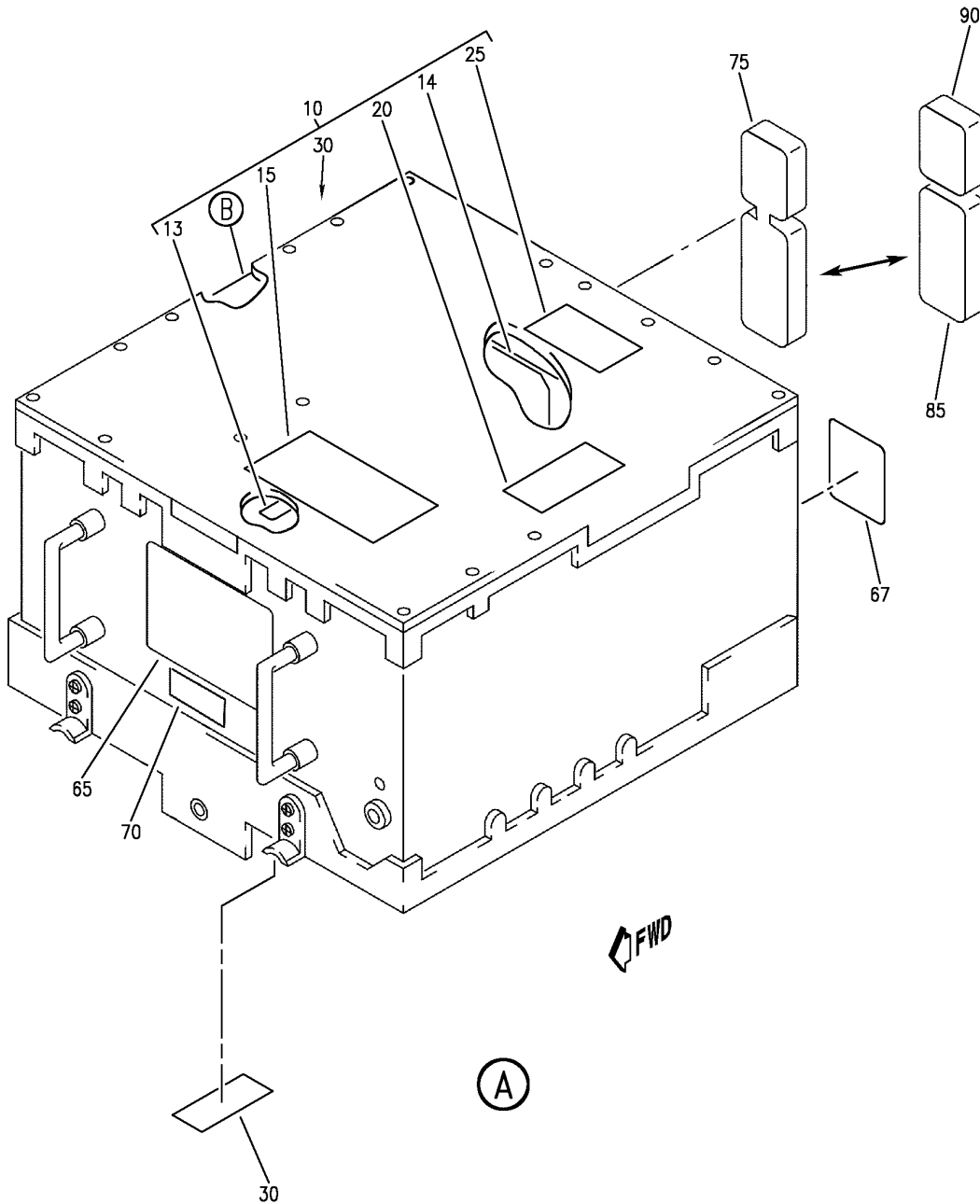
EQUIPMENT INSTL-MAIN ELECTRONICS EQPT CTR IRU  
FIGURE 8 (SHEET 1)

**34-21-01-08**

BRI  
JAN 20/09

34-21-01-08  
PAGE 0

**BOEING**  
757  
PARTS CATALOG (MAINTENANCE)



Y 34210108 SH1 2 REV 292

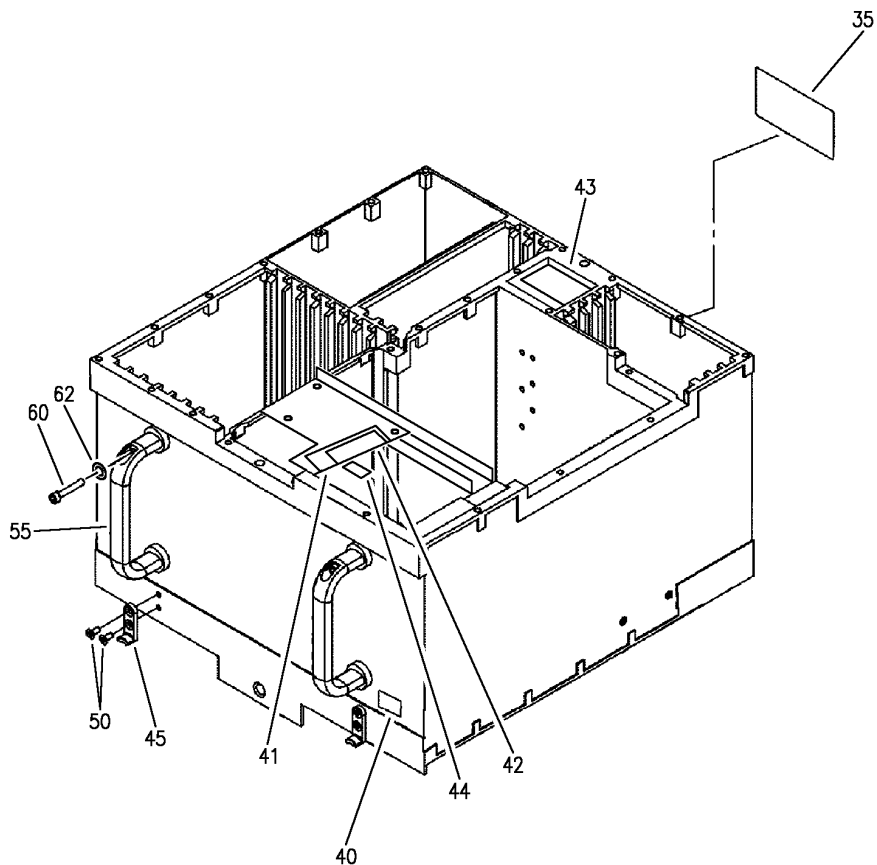
EQUIPMENT INSTL-MAIN ELECTRONICS EQPT CTR IRU  
FIGURE 8 (SHEET 2)

**34-21-01-08**

BRI  
JAN 20/09

34-21-01-08  
PAGE 0A

**BOEING**  
757  
PARTS CATALOG (MAINTENANCE)



(B)

Y 34210108 SH1 3 REV 285

EQUIPMENT INSTL-MAIN ELECTRONICS EQPT CTR IRU  
FIGURE 8 (SHEET 3)

**34-21-01-08**

BRI  
JAN 20/09

34-21-01-08  
PAGE 08



757

PARTS CATALOG (MAINTENANCE)

FIG ITEM	PART NUMBER	1 2 3 4 5 6 7	NOMENCLATURE	EFFECT FROM TO	UNITS PER ASSY
8			EQUIPMENT INSTL-MAIN	103106	
-	1 284N4000-340002		ELECTRONICS EQPT CTR IRU	108120	
			EQUIPMENT INSTL-MAIN	106106	RF
			ELECTRONICS EQPT CTR IRU	108120	
			FOR NHA SEE:		
			24-00-58-05A		
	5 HG1050AE10		.REFERENCE UNIT ASSY-	103106	3
			INERTIAL		
			SUPPLIER CODE:		
			V65507		
			SPECIFICATION NUMBER:		
			S242T101-115		
			SB DATA FROM A CMM:		
			POST HG1050AE-34-0003		
			ELECTRICAL EQUIP NUMBER:		
			M00159		
			M00160		
			M00161		
			COMPONENT MAINT MANUAL REF:		
			34-26-95		
			QUALIFIED I/W DATA:		
			HG1050AC09/S242T101-110,		
			HG1050AC10, HG1050AD09/		
			S242T101-111,		
			HG1050AD10/S242T101-114,		
			HG1050AE09/		
			S242T101-112, AND		
			HG1050AE10/S242T101-115		
			ARE FULLY		
			INTERCHANGEABLE AND		
			INTERMIXABLE ON 757-200		
			AIRPLANES ACCORDING TO		
			SERVICE LETTERS		
			757-SL-34-086 AND		
			757-SL-34-125.		

MISSING ITEM NUMBERS NOT APPLICABLE

- ITEM NOT ILLUSTRATED

BRI

34-21-01-08

34-21-01  
FIG. 08  
PAGE 1  
JAN 20/09



757

PARTS CATALOG (MAINTENANCE)

FIG ITEM	PART NUMBER	1 2 3 4 5 6 7	NOMENCLATURE	EFFECT FROM TO	UNITS PER ASSY
8 5	HG1050AC11		.REFERENCE UNIT ASSY- INERTIAL SUPPLIER CODE: V65507 SPECIFICATION NUMBER: S242T101-116 ELECTRICAL EQUIP NUMBER: M00159 M00160 M00161 WIRING DIAGRAM REF: 342111 342121 342131 SERVICE BULLETIN OPT DATA: HG1050AD11 V65507 HG1050AE11 V65507 POST SERVICE BULLETIN: 34-0303 34-0307 QUALIFIED SB I/W DATA: REQUIRES INCORPORATION OF SB 757-34-0188, 757-34-0307 (ACTIVATES 1995 MAGVAR) OR SB 757-34-0303 (ACTIVATES 2005 MAG VAR). POST SERVICE LETTER: 34-155	108120	3

MISSING ITEM NUMBERS NOT APPLICABLE

- ITEM NOT ILLUSTRATED

BRI

34-21-01-08

BOEING PROPRIETARY - Copyright © - Unpublished Work - See title page for details.

34-21-01  
FIG. 08  
PAGE 2  
JAN 20/09



**757  
PARTS CATALOG (MAINTENANCE)**

FIG ITEM	PART NUMBER	1 2 3 4 5 6 7	NOMENCLATURE	EFFECT FROM TO	UNITS PER ASSY
8 5	HG1050AD11		.REFERENCE UNIT ASSY- INERTIAL SUPPLIER CODE: V65507 SPECIFICATION NUMBER: S242T101-117 ELECTRICAL EQUIP NUMBER: M00159 M00160 M00161 WIRING DIAGRAM REF: 342111 342121 342131 SERVICE BULLETIN OPT DATA: HG1050AC11 V65507 HG1050AE11 V65507 POST SERVICE BULLETIN: 34-0303 34-0307 QUALIFIED SB I/W DATA: REQUIRES INCORPORATION OF SB 757-34-0188, 757-34-0307 (ACTIVATES 1995 MAGVAR) OR SB 757-34-0303 (ACTIVATES 2005 MAG VAR). POST SERVICE LETTER: 34-155	108120	3

MISSING ITEM NUMBERS NOT APPLICABLE

— ITEM NOT ILLUSTRATED

# 34-21-01-08

34-21-01  
FIG. 08  
PAGE 3  
JAN 20/09

BRI



757

PARTS CATALOG (MAINTENANCE)

FIG ITEM	PART NUMBER	1 2 3 4 5 6 7	NOMENCLATURE	EFFECT FROM TO	UNITS PER ASSY
8	5 HG1050AE11		.REFERENCE UNIT ASSY- INERTIAL SUPPLIER CODE: V65507 SPECIFICATION NUMBER: S242T101-118 ELECTRICAL EQUIP NUMBER: M00159 M00160 M00161 WIRING DIAGRAM REF: 342111 342121 342131 SERVICE BULLETIN OPT DATA: HG1050AC11 V65507 HG1050AD11 V65507 POST SERVICE BULLETIN: 34-0303 34-0307 QUALIFIED SB I/W DATA: REQUIRES INCORPORATION OF SB 757-34-0188, 757-34-0307 (ACTIVATES 1995 MAGVAR) OR SB 757-34-0303 (ACTIVATES 2005 MAG VAR). POST SERVICE LETTER: 34-155	108120	3
	10 26012892-201		..UNIT ASSY- SUPPLIER CODE: V65507 USED ON: HG1050AE10	103106 108120	1
	15 10068381-101		...PLATE-INFORMATION SUPPLIER CODE: V65507	103106 108120	1
	20 10077116-101		...PLATE-INDENT SUPPLIER CODE: V65507	103106 108120	1
	25 10093591-101		...PLATE-INSTRUCTION SUPPLIER CODE: V65507	103106 108120	1
	30 10078917-101		...PLATE-IDENT SUPPLIER CODE: V65507	103106 108120	1

MISSING ITEM NUMBERS NOT APPLICABLE

- ITEM NOT ILLUSTRATED

34-21-01-08

34-21-01  
FIG. 08  
PAGE 4  
JAN 20/09

BRI





757

PARTS CATALOG (MAINTENANCE)

FIG ITEM	PART NUMBER	1 2 3 4 5 6 7	NOMENCLATURE	EFFECT FROM TO	UNITS PER ASSY
8					
35	10093591-101	...	PLATE-INSTRUCTION SUPPLIER CODE: V65507	103106 108120	1
40	10077575-101	...	PLATE-INDENT SUPPLIER CODE: V65507	103106 108120	1
42	10089822-101	...	PLATE-DESIGNATION SUPPLIER CODE: V65507	103106 108120	1
43	10080605-101	...	PLATE-INDENT SUPPLIER CODE: V65507	103106 108120	1
45	NAS622CT2	...	HOOK	103106 108120	2
			ATTACHING PARTS		
50	MS24693C25	...	SCREW	103106 108120	4
			-----*-----		
55	66666-3411	...	HANDLE- SUPPLIER CODE: V06540 USED ON: 26012892-201 ATTACHING PARTS	103106 108120	2
60	NAS1352-08-16	...	SCREW-	103106 108120	4
			-----*-----		
65	26014035-107	..	PLATE-IDENT SUPPLIER CODE: V65507 OPTIONAL PART: 26014035-108 V65507 USED ON: HG1050AE10	103106 108120	1
65	26014035-108	..	PLATE-IDENT SUPPLIER CODE: V65507 OPTIONAL PART: 26014035-107 V65507	103106 108120	1
70	26019328-101	..	PLATE-IDENT SUPPLIER CODE: V65507	103106 108120	1

MISSING ITEM NUMBERS NOT APPLICABLE

- ITEM NOT ILLUSTRATED

BRI

34-21-01-08

34-21-01  
FIG. 08  
PAGE 5  
JAN 20/09



757

PARTS CATALOG (MAINTENANCE)

FIG ITEM	PART NUMBER	1 2 3 4 5 6 7	NOMENCLATURE	EFFECT FROM TO	UNITS PER ASSY
8 75	211600-2	..	CAP- SUPPLIER CODE: V00779 MISCELLANEOUS DATA: HONEYWELL SPEC NO. 10076186-108 QUALIFIED OPTIONAL DATA: 025-1157-001 AND 025-1158-001 IS OPT TO 211600-2	103106 108120	1
85	025-1157-001	..	CAP- SUPPLIER CODE: V71468 MISCELLANEOUS DATA: HONEYWELL PART NO. 10076186-103 QUALIFIED OPTIONAL DATA: 025-1157-001 AND 025-1158-001 IS OPT TO 211600-2 OPTIONAL PART: 4041437-5 V58960	103106 108120	1
90	025-1158-001	..	CAP- SUPPLIER CODE: V71468 MISCELLANEOUS DATA: HONEYWELL PART NO. 10076186-104 QUALIFIED OPTIONAL DATA: 025-1157-001 AND 025-1158-001 IS OPT TO 211600-2 OPTIONAL PART: 4041437-6 V58960	103106 108120	1
- 201 205	286N1177-362 BACC66H21C0601	WIRE BUNDLE ASSY- .CONNECTOR-	ELECTRICAL EQUIP NUMBER: D00137 D00139 D00141 WIRING DIAGRAM REF: 342111 342131 342121	108120 108120	RF 3

MISSING ITEM NUMBERS NOT APPLICABLE

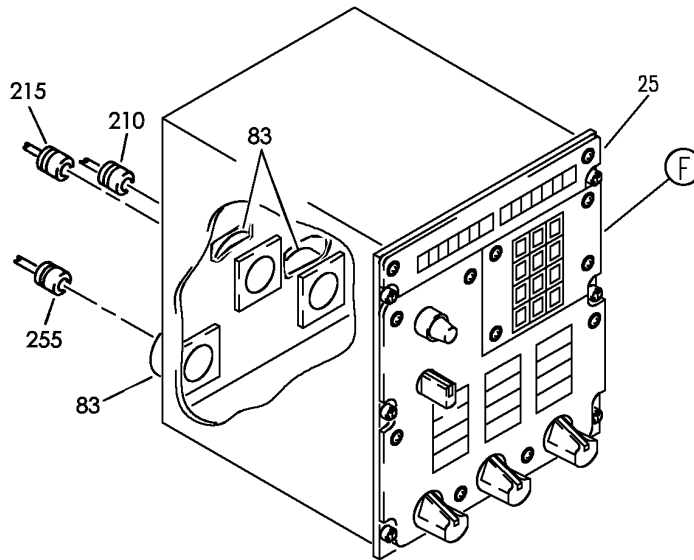
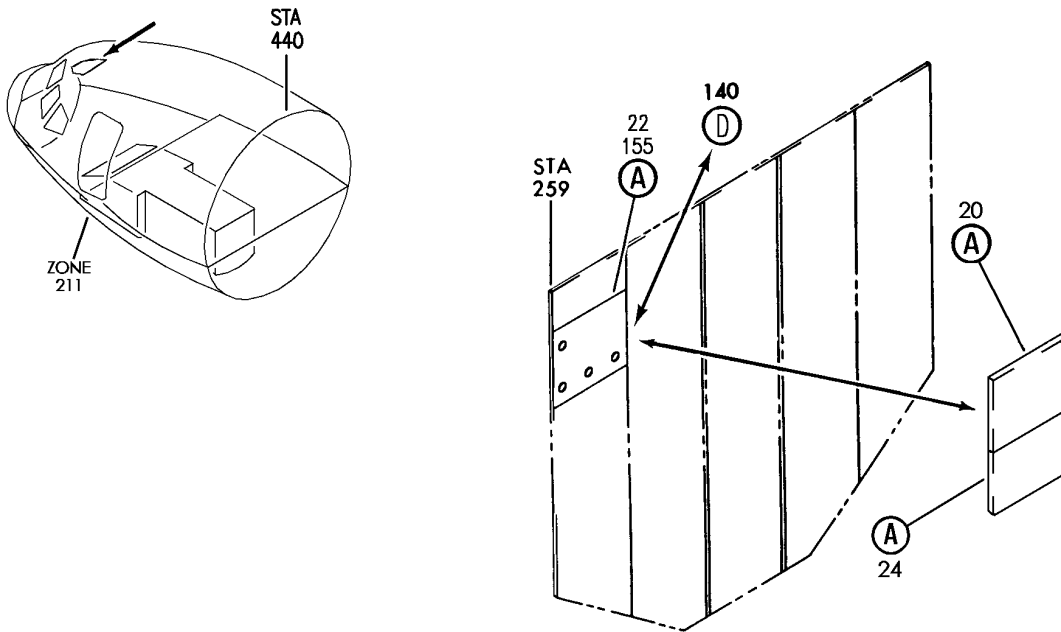
- ITEM NOT ILLUSTRATED

34-21-01-08

34-21-01  
FIG. 08  
PAGE 6  
JAN 20/09

BRI

**BOEING**  
757  
PARTS CATALOG (MAINTENANCE)



(A)

Y 34-21-02-01 SH-1 REV 298

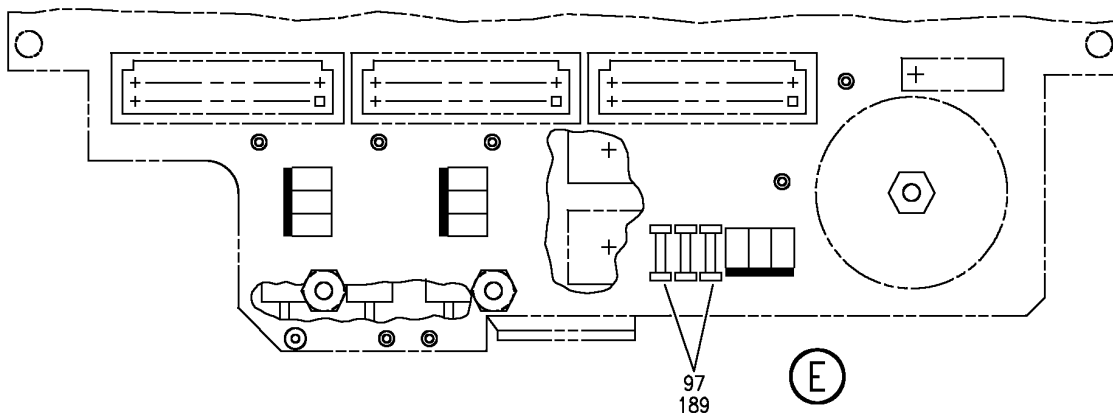
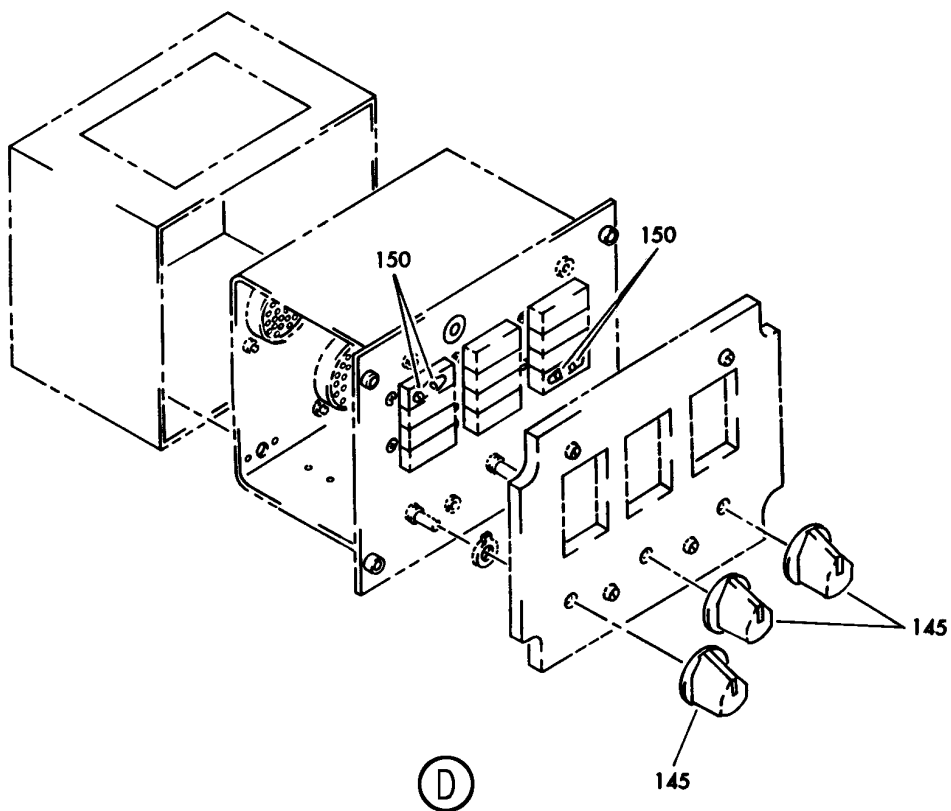
PANEL INSTL-P5 OVHD (NAVIGATION ONLY)  
FIGURE 1 (SHEET 1)

**34-21-02-01**

BRI  
MAY 28/07

34-21-02-01  
PAGE 0

**BOEING**  
757  
PARTS CATALOG (MAINTENANCE)



Y 34210201 SH1 2 REV 298

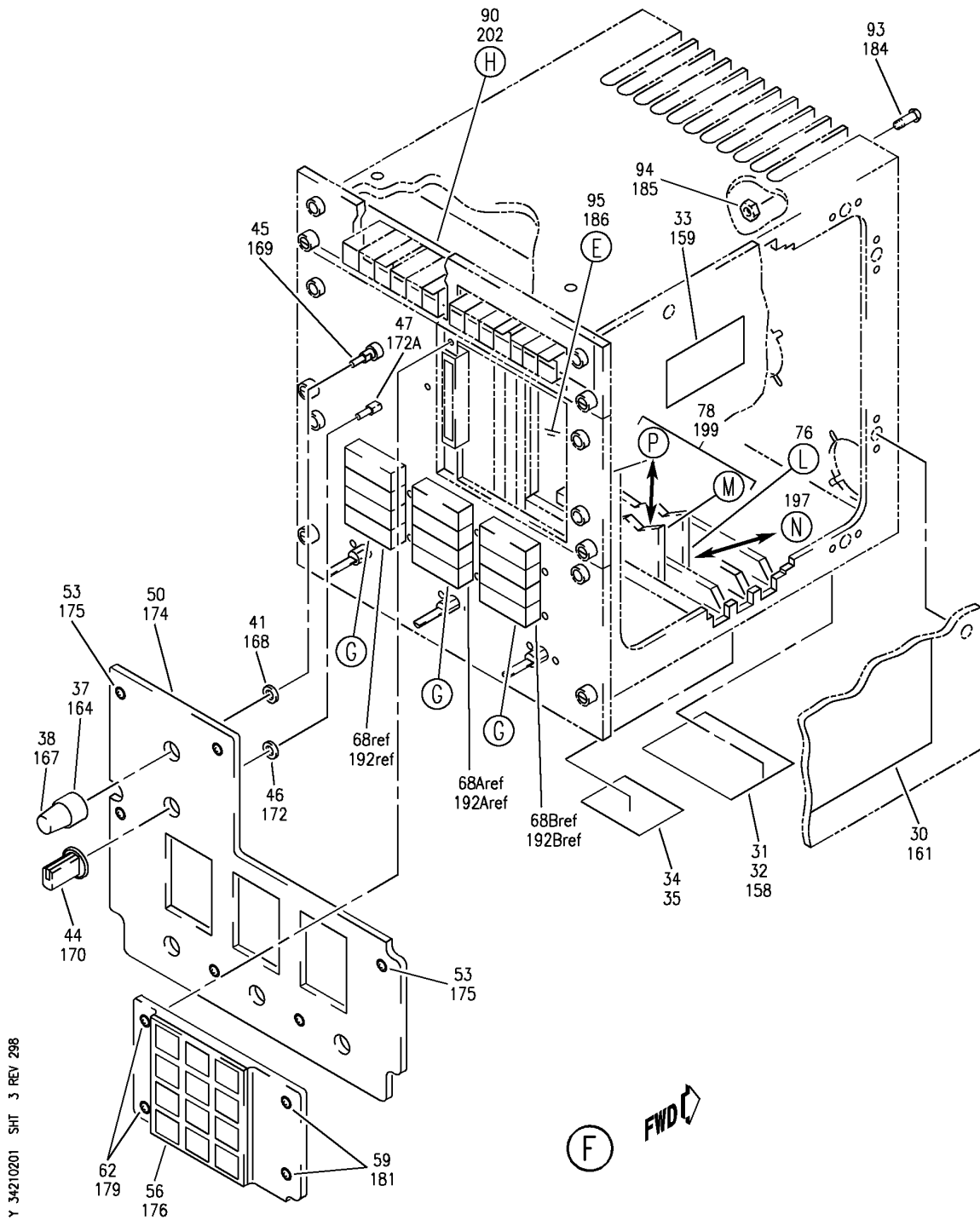
PANEL INSTL-P5 OVHD (NAVIGATION ONLY)  
FIGURE 1 (SHEET 2)

**34-21-02-01**

BRI  
MAY 28/07

34-21-02-01  
PAGE 0A

**BOEING**  
757  
**PARTS CATALOG (MAINTENANCE)**



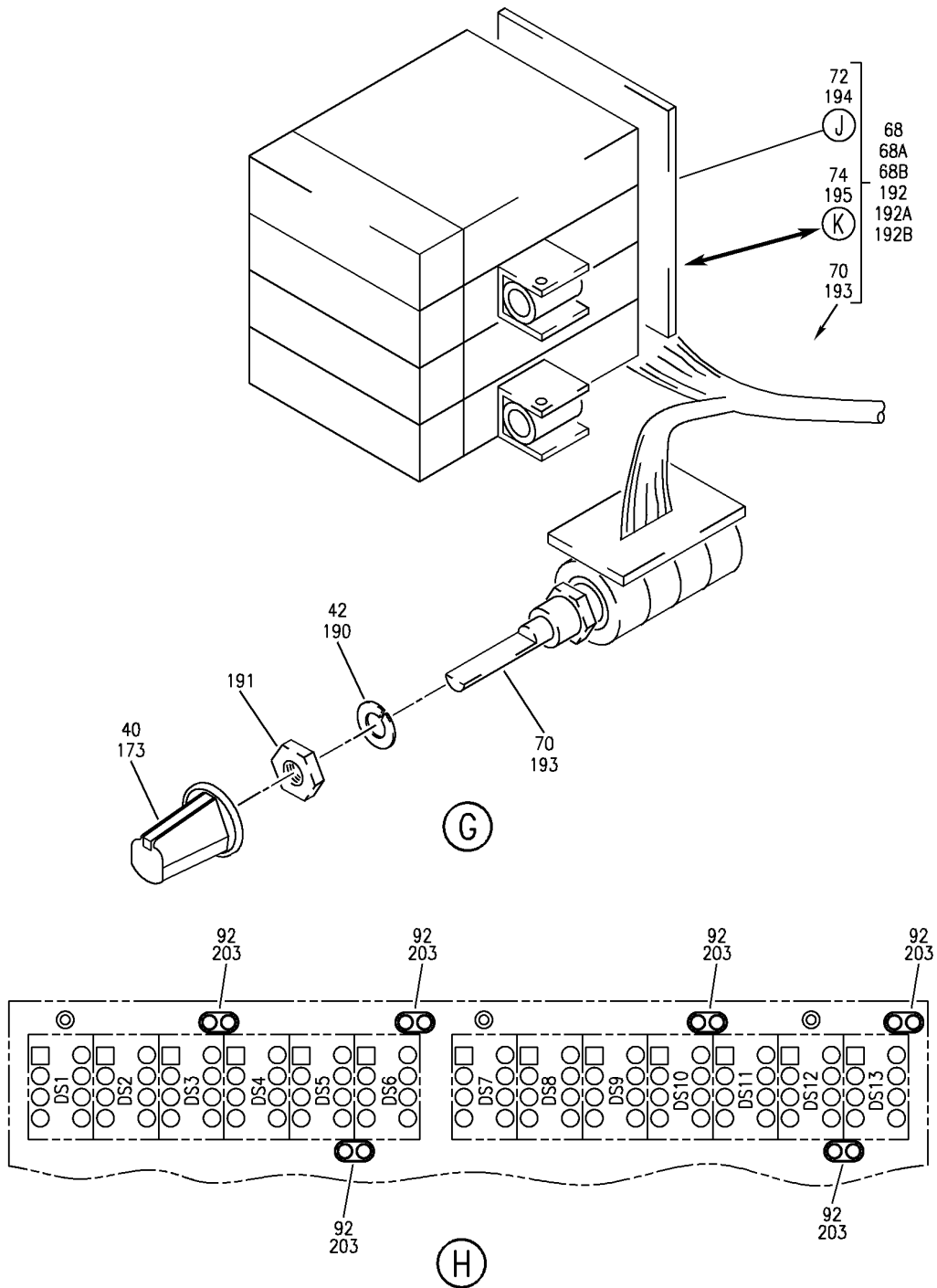
PANEL INSTL-P5 OVHD (NAVIGATION ONLY)  
FIGURE 1 (SHEET 3)

**34-21-02-01**

BRI  
MAY 28/07

34-21-02-01  
PAGE 0B

**BOEING**  
**757**  
**PARTS CATALOG (MAINTENANCE)**



Y 34210201 SHT 4 REV 298

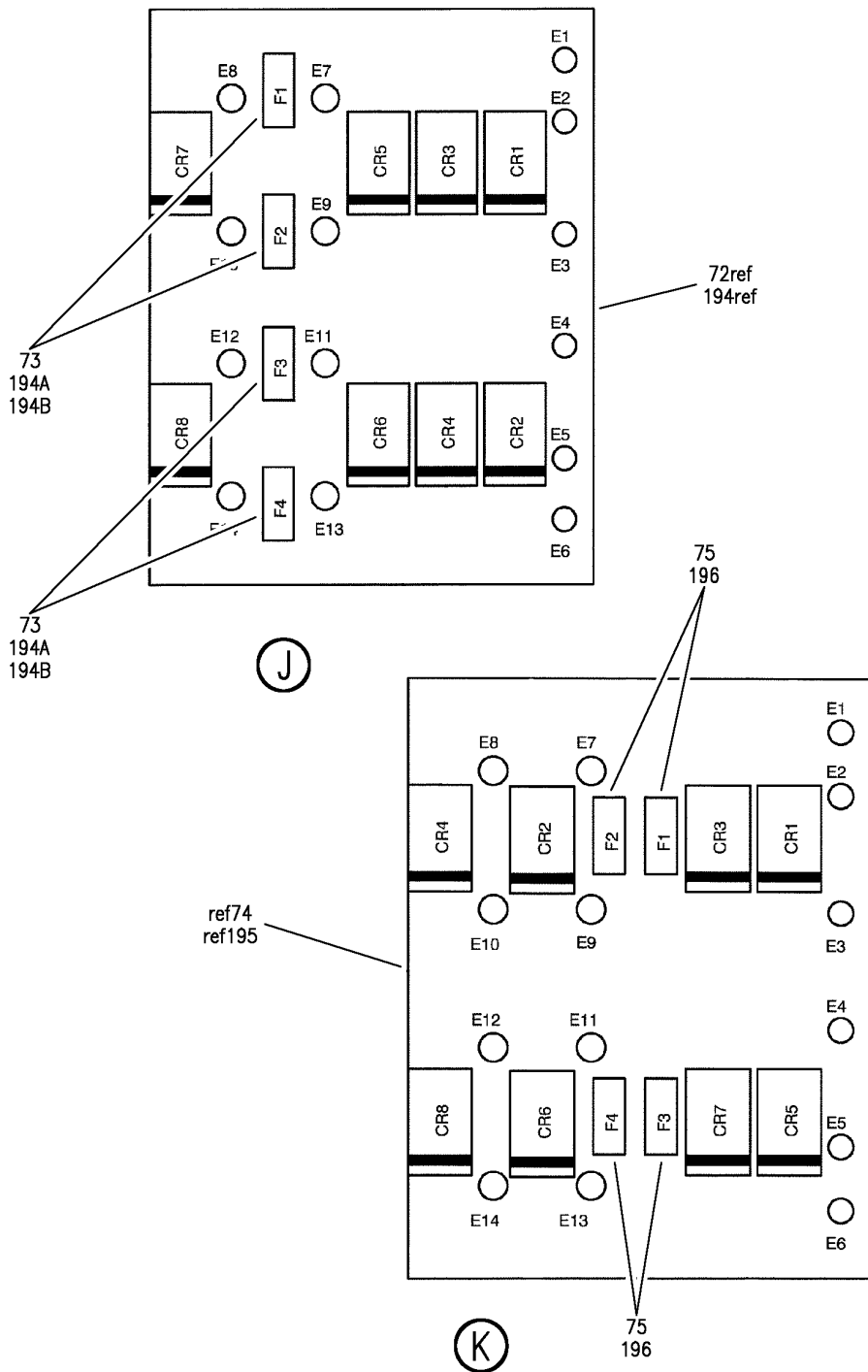
PANEL INSTL-P5 OVHD (NAVIGATION ONLY)  
 FIGURE 1 (SHEET 4)

**34-21-02-01**

BRI  
 MAY 28/07

34-21-02-01  
 PAGE 0C


**BOEING**  
 757  
**PARTS CATALOG (MAINTENANCE)**



Y 34210201 SHT 5 REV 298

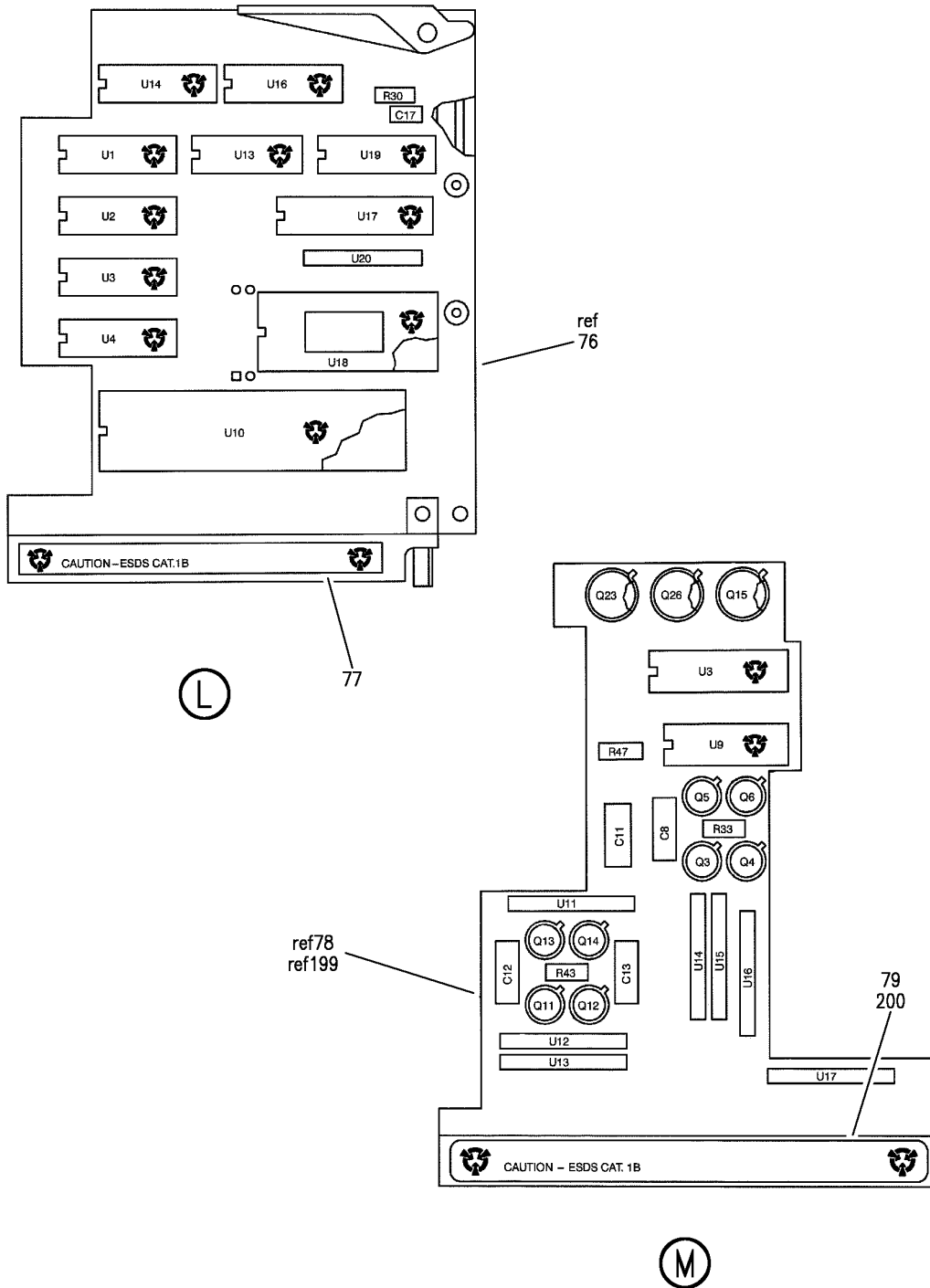
PANEL INSTL-P5 OVHD (NAVIGATION ONLY)  
 FIGURE 1 (SHEET 5)

**34-21-02-01**

BRI  
MAY 28/07

34-21-02-01  
 PAGE 0D

**BOEING**  
757  
PARTS CATALOG (MAINTENANCE)



Y 34210201 SH1 6 REV 298

PANEL INSTL-P5 OVHD (NAVIGATION ONLY)  
FIGURE 1 (SHEET 6)

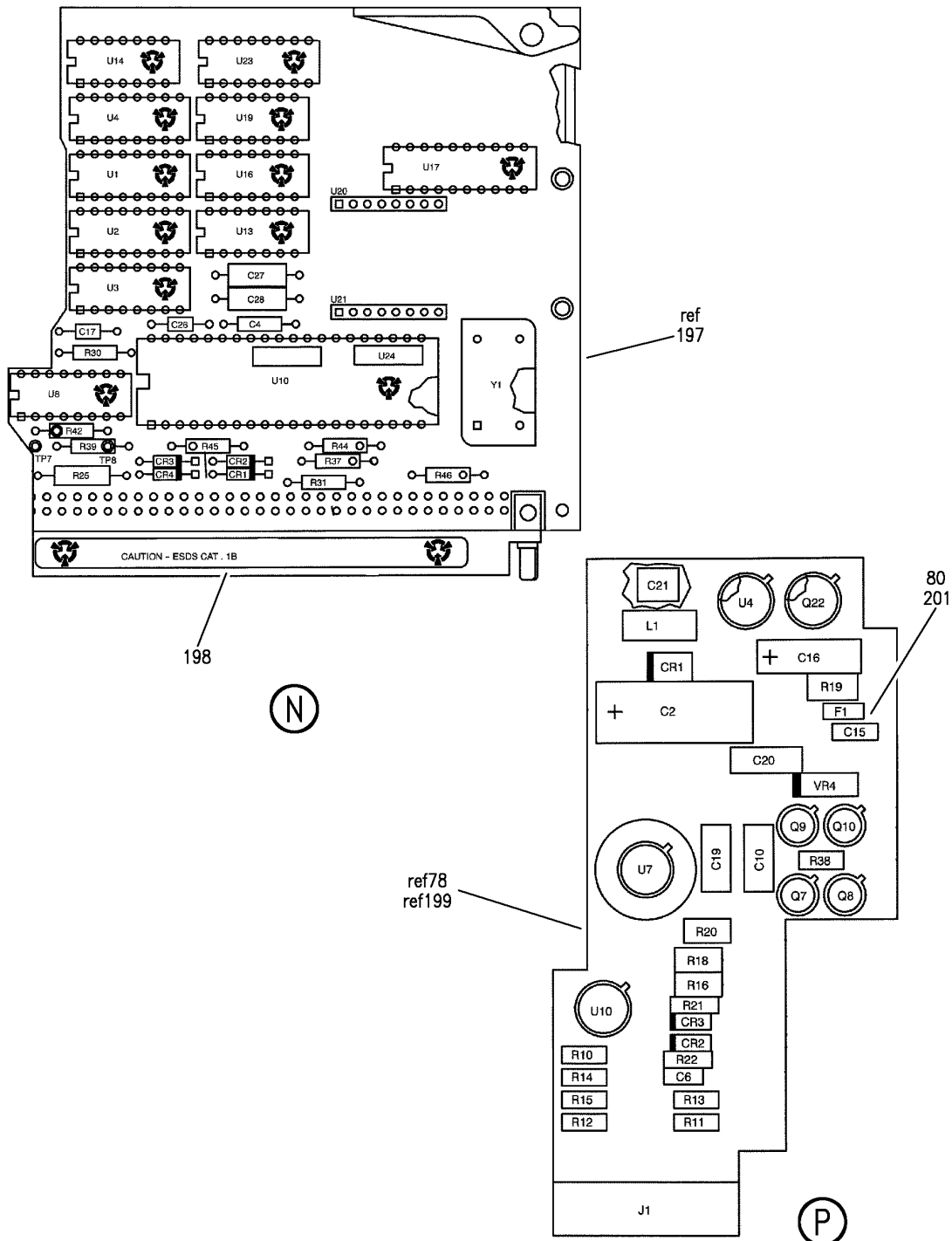
**34-21-02-01**

BRI  
MAY 28/07

34-21-02-01  
PAGE 0E




**BOEING**  
 757  
**PARTS CATALOG (MAINTENANCE)**



Y 34210201 SH 7 REV 298

PANEL INSTL-P5 OVHD (NAVIGATION ONLY)  
 FIGURE 1 (SHEET 7)

**34-21-02-01**

BRI  
MAY 28/07

34-21-02-01  
 PAGE OF



757

PARTS CATALOG (MAINTENANCE)

FIG ITEM	PART NUMBER	1 2 3 4 5 6 7	NOMENCLATURE	EFFECT FROM TO	UNITS PER ASSY
1			PANEL INSTL-P5 OVHD (NAVIGATION ONLY)	002004 006999	
- 1	233N3101-1		PANEL INSTL-P5 OVHD (NAVIGATION ONLY) VARIABLE DRAWING REF: 233N3101-5005 233N3101-5025 233N3101-5041 233N3101-5042 233N3101-5045 233N3101-5142 FOR NHA/OTHER SYS DET SEE: 25-10-00-05A	002004 006100 107107 121503 904949 952999	RF
- 1	233N3101-1		PANEL INSTL-P5 OVHD (NAVIGATION ONLY) FOR NHA/OTHER SYS DET SEE: 25-10-00-05A	950951	RF
- 1	MODREF33760		PANEL INSTL-P5 OVHD (NAVIGATION ONLY) MODULE NUMBER: 233N3103-351 REV C FOR OTHER SYS DETAILS SEE: 11-31-10-12 21-25-55-03 21-31-01-02 21-33-51-03 21-51-54-03 21-58-19-10 21-58-51-03 21-61-04-03 21-65-51-01 22-21-01-04 22-24-51-02 23-24-01-01 23-32-00-11 23-42-02-02 23-71-05-02 24-11-52-05 24-22-01-03 24-31-01-10 24-31-03-09 24-33-04-01 24-41-51-04 24-51-62-01 26-18-51-04 27-21-53-02 27-41-55-01 27-61-51-03 27-62-52-02	103103	1

MISSING ITEM NUMBERS NOT APPLICABLE

- ITEM NOT ILLUSTRATED

34-21-02-01

34-21-02  
FIG. 01  
PAGE 1  
JAN 20/09

BRI



757

PARTS CATALOG (MAINTENANCE)

FIG ITEM	PART NUMBER	1 2 3 4 5 6 7	NOMENCLATURE	EFFECT FROM TO	UNITS PER ASSY
1			28-22-51-02 28-41-04-01 28-41-51-03 29-11-02-03 29-11-05-04 29-11-52-07 29-21-54-03 29-31-00-01 29-32-51-03 29-33-52-03 30-11-51-03 30-21-51-03 30-31-51-02 30-32-51-01 30-33-51-02 30-41-51-03 30-42-51-03 31-12-11-91 31-12-11-91 A 32-42-52-03 33-11-03-03 33-11-51-17 33-13-01-65 33-13-02-03 33-16-51-03 33-24-51-02 33-41-52-04 33-42-01-04 33-42-02-04 33-42-52-04 33-43-51-04 33-44-51-05 33-45-53-03 33-51-08-05 35-21-51-04 36-11-04-01 36-21-00-01 36-21-02-05 36-22-51-03 49-41-00-02 49-52-00-01 49-70-00-01 52-51-51-03 52-71-51-02 73-21-52-02 74-31-51-05 75-32-00-01 80-11-09-02		
- 1	MODREF34038		PANEL INSTL-P5 OVHD	104105	1

MISSING ITEM NUMBERS NOT APPLICABLE

- ITEM NOT ILLUSTRATED

BRI

# 34-21-02-01

BOEING PROPRIETARY - Copyright © - Unpublished Work - See title page for details.

34-21-02  
 FIG. 01  
 PAGE 2  
 JAN 20/09



757

PARTS CATALOG (MAINTENANCE)

FIG ITEM	PART NUMBER	1 2 3 4 5 6 7	NOMENCLATURE	EFFECT FROM TO	UNITS PER ASSY
1			(NAVIGATION ONLY) MODULE NUMBER: 233N3103-351 REV D FOR OTHER SYS DETAILS SEE: 11-31-10-12 21-25-55-03 21-31-01-02 21-33-51-03 21-51-54-03 21-58-19-10 21-58-51-03 21-61-04-03 21-65-51-01 22-21-01-04 22-24-51-02 23-24-01-01 23-32-00-11 23-42-02-02 23-71-05-02 24-11-52-05 24-22-01-03 24-31-01-10 24-31-03-09 24-33-04-01 24-41-51-04 24-51-62-01 26-18-51-04 27-21-53-02 27-41-55-01 27-61-51-03 27-62-52-02 28-22-51-02 28-41-04-01 28-41-51-03 29-11-02-03 29-11-05-04 29-11-52-07 29-21-54-03 29-31-00-01 29-32-51-03 29-33-52-03 30-11-51-03 30-21-51-03 30-31-51-02 30-32-51-01 30-33-51-02 30-41-51-03 30-42-51-03 31-12-11-91		

MISSING ITEM NUMBERS NOT APPLICABLE

- ITEM NOT ILLUSTRATED

# 34-21-02-01

34-21-02  
FIG. 01  
PAGE 3  
JAN 20/09

BRI



757

PARTS CATALOG (MAINTENANCE)

FIG ITEM	PART NUMBER	1 2 3 4 5 6 7	NOMENCLATURE	EFFECT FROM TO	UNITS PER ASSY
1			31-12-11-91A 32-42-52-03 33-11-03-03 33-11-51-17 33-13-01-65 33-13-02-03 33-16-51-03 33-24-51-02 33-41-52-04 33-42-01-04 33-42-02-04 33-42-52-04 33-43-51-04 33-44-51-05 33-45-53-03 33-51-08-05 35-21-51-04 36-11-04-01 36-21-00-01 36-21-02-05 36-22-51-03 49-41-00-02 49-52-00-01 49-70-00-01 52-51-51-03 52-71-51-02 73-21-52-02 74-31-51-05 75-32-00-01 80-11-09-02		
- 1	MODREF170180		PANEL INSTL-P5 OVHD (NAVIGATION ONLY) MODULE NUMBER: 233N3103-353 REV B FOR OTHER SYS DETAILS SEE: 11-31-10-12 21-25-55-03 21-31-01-02 21-33-51-03 21-51-54-03 21-58-19-10 21-58-51-03 21-61-04-03 21-65-51-01 22-21-01-04 22-24-51-02 23-24-01-01 23-32-00-11 23-42-02-02	106106	1

MISSING ITEM NUMBERS NOT APPLICABLE

- ITEM NOT ILLUSTRATED

BRI

# 34-21-02-01

BOEING PROPRIETARY - Copyright © - Unpublished Work - See title page for details.

34-21-02  
 FIG. 01  
 PAGE 4  
 JAN 20/09



757

PARTS CATALOG (MAINTENANCE)

FIG ITEM	PART NUMBER	1 2 3 4 5 6 7	NOMENCLATURE	EFFECT FROM TO	UNITS PER ASSY
1			23-71-05-02 24-11-52-05 24-22-01-03 24-31-01-10 24-31-03-09 24-33-04-01 24-41-51-04 24-51-62-01 26-18-51-04 27-21-53-02 27-41-55-01 27-61-51-03 27-62-52-02 28-22-51-02 28-41-04-01 28-41-51-03 29-11-02-03 29-11-05-04 29-11-52-07 29-21-54-03 29-31-00-01 29-32-51-03 29-33-52-03 30-11-51-03 30-21-51-03 30-31-51-02 30-32-51-01 30-33-51-02 30-41-51-03 30-42-51-03 31-12-11-84 31-12-11-84 A 32-42-52-03 33-11-03-03 33-11-51-17 33-13-01-65 33-13-02-03 33-16-51-03 33-24-51-02 33-41-52-04 33-42-01-04 33-42-02-04 33-42-52-04 33-43-51-04 33-44-51-05 33-45-53-03 33-51-08-05 35-21-51-04 36-11-04-01		

MISSING ITEM NUMBERS NOT APPLICABLE

- ITEM NOT ILLUSTRATED

BRI

# 34-21-02-01

BOEING PROPRIETARY - Copyright © - Unpublished Work - See title page for details.

34-21-02  
FIG. 01  
PAGE 5  
JAN 20/09



757

PARTS CATALOG (MAINTENANCE)

FIG ITEM	PART NUMBER	1 2 3 4 5 6 7	NOMENCLATURE	EFFECT FROM TO	UNITS PER ASSY
1			36-21-00-01 36-21-02-05 36-22-51-03 49-41-00-02 49-52-00-01 49-70-00-01 52-51-51-03 52-71-51-02 73-21-52-02 74-31-51-05 75-32-00-01 80-11-09-02		
- 4	233N3103-136		PANEL INSTL-P5 OVHD (NAVIGATION ONLY) FOR NHA/OTHER SYS DET SEE: 25-10-00-15E	504903	RF
- 5	233N3103-132		PANEL INSTL-P5 OVHD (NAVIGATION ONLY) FOR NHA/OTHER SYS DET SEE: 25-10-00-15E	101102	RF
- 7	233N3103-59		PANEL INSTL-P5 OVHD (NAVIGATION ONLY) FOR NHA/OTHER SYS DET SEE: 25-10-00-15E	108120	RF

MISSING ITEM NUMBERS NOT APPLICABLE

- ITEM NOT ILLUSTRATED

BRI

**34-21-02-01**

BOEING PROPRIETARY - Copyright © - Unpublished Work - See title page for details.

34-21-02  
FIG. 01  
PAGE 6  
JAN 20/09



757

PARTS CATALOG (MAINTENANCE)

FIG ITEM	PART NUMBER	1 2 3 4 5 6 7	NOMENCLATURE	EFFECT FROM TO	UNITS PER ASSY
1 22	CG1093AD01		.PANEL ASSY-INERTIAL REF SYS SUPPLIER CODE: V94580 SPECIFICATION NUMBER: S242T101-203 ELECTRICAL EQUIP NUMBER: M00059 COMPONENT MAINT MANUAL REF: 34-21-21 QUALIFIED I/W DATA: CG1093AD01 I/W CG1093AC01 EXCEPT CG1093AD01 DISPLAYS IRU MAINTENANCE CODES AND THE TIME REMAINING IN ALIGNMENT CG1093AD01 I/W CG1093AD02 EXCEPT CG1093AD01 DISPLAYS IRU MAINTENANCE CODES AND THE TIME REMAINING IN ALIGNMENT S242T101-206/CG1093AD03 CAN REPLACE AND BE REPLACED BY S242T101-203/CG1093AD01 EXCEPT FOR NLO01-NL999, NU701-NU999 FOR 757, AND VQ001-VQ999 FOR 767, WHERE S242T101-206/CG1093AD03 MUST BE USED. OPTIONAL PART: CG1093AC01 V94580 CG1093AD02 V94580 FUNCTIONAL REFERENCE: LIGHTS FOR DETAILS SEE 33-13-51-55	002004 006102 107999	1

MISSING ITEM NUMBERS NOT APPLICABLE

- ITEM NOT ILLUSTRATED

BRI

34-21-02-01

34-21-02  
FIG. 01  
PAGE 7  
JAN 20/09





757

PARTS CATALOG (MAINTENANCE)

FIG ITEM	PART NUMBER	1 2 3 4 5 6 7	NOMENCLATURE	EFFECT FROM TO	UNITS PER ASSY
1 22	CG1093AC01		.PANEL ASSY-INERTIAL REF SYS SUPPLIER CODE: V94580 SPECIFICATION NUMBER: S242T101-202 ELECTRICAL EQUIP NUMBER: M00059 COMPONENT MAINT MANUAL REF: 34-21-08 QUALIFIED I/W DATA: CG1093AD01 I/W CG1093AC01 EXCEPT CG1093AD01 DISPLAYS IRU MAINTENANCE CODES AND THE TIME REMAINING IN ALIGNMENT OPTIONAL PART: CG1093AD01 V94580	107107 121503 904949	1
22	CG1093AD02		.PANEL ASSY-INERTIAL REF SYS SUPPLIER CODE: V94580 SPECIFICATION NUMBER: S242T101-204 ELECTRICAL EQUIP NUMBER: M00059 COMPONENT MAINT MANUAL REF: 34-21-21 QUALIFIED I/W DATA: CG1093AD01 I/W CG1093AD02 EXCEPT CG1093AD01 DISPLAYS IRU MAINTENANCE CODES AND THE TIME REMAINING IN ALIGNMENT OPTIONAL PART: CG1093AD01 V94580 FUNCTIONAL REFERENCE: LIGHTS FOR DETAILS SEE 33-13-51-55	107107 121503 904949	1

MISSING ITEM NUMBERS NOT APPLICABLE

- ITEM NOT ILLUSTRATED

BRI

34-21-02-01

BOEING PROPRIETARY - Copyright © - Unpublished Work - See title page for details.

34-21-02  
FIG. 01  
PAGE 8  
JAN 20/09



757

PARTS CATALOG (MAINTENANCE)

FIG ITEM	PART NUMBER	1 2 3 4 5 6 7	NOMENCLATURE	EFFECT FROM TO	UNITS PER ASSY
1					
25	10095247-101		..BEZEL AND FILTER ASSY- SUPPLIER CODE: V94580 USED ON: CG1093AD01 CG1093AD02	002004 006102 107999	1
30	10068381-101		..PLATE-INFORMATION SUPPLIER CODE: V65507	002004 006102 107999	1
31	10074939-104		..PLATE-DESIGNATION SUPPLIER CODE: V94580 USED ON: CG1093AC01	107107 121503 904949	1
32	26012594-103		..PLATE-IDENTIFICATION IRMP SUPPLIER CODE: V94580 CONFIG CHG DATA FROM A CMM: SUPSD BY 26012594-109 SUPSD BY 26012594-110 OPTIONAL PART: 10074939-113 V94580 10074939-222 V94580 26012594-201 V94580 26012594-109 V94580 26012594-110 V94580 26012594-111 V94580 26012594-112 V94580 USED ON: CG1093AD01 USED WITH: 26012954-921	002004 006102 107999	1

MISSING ITEM NUMBERS NOT APPLICABLE

- ITEM NOT ILLUSTRATED

BRI

34-21-02-01

BOEING PROPRIETARY - Copyright © - Unpublished Work - See title page for details.

34-21-02  
FIG. 01  
PAGE 9  
JAN 20/09



757

PARTS CATALOG (MAINTENANCE)

FIG ITEM	PART NUMBER	1 2 3 4 5 6 7	NOMENCLATURE	EFFECT FROM TO	UNITS PER ASSY
1 32	10074939-113		..PLATE-IDENTIFICATION IRMP SUPPLIER CODE: V94580 CONFIG CHG DATA FROM A CMM: SUPSD BY 26012594-109 SUPSD BY 26012594-110 OPTIONAL PART: 26012594-103 V94580 10074939-222 V94580 26012594-201 V94580 26012594-109 V94580 26012594-110 V94580 26012594-111 V94580 26012594-112 V94580 USED ON: CG1093AD01 USED WITH: 10041596-101	002004 006102 107999	1
32	10074939-222		..PLATE-IDENTIFICATION IRMP SUPPLIER CODE: V94580 CONFIG CHG DATA FROM A CMM: SUPSD BY 26012594-109 SUPSD BY 26012594-110 OPTIONAL PART: 26012594-103 V94580 10074939-113 V94580 26012594-201 V94580 26012594-109 V94580 26012594-110 V94580 26012594-111 V94580 26012594-112 V94580 USED ON: CG1093AD01	002004 006102 107999	1

MISSING ITEM NUMBERS NOT APPLICABLE

- ITEM NOT ILLUSTRATED

34-21-02-01

34-21-02  
FIG. 01  
PAGE 10  
JAN 20/09

BRI



757

PARTS CATALOG (MAINTENANCE)

FIG ITEM	PART NUMBER	1 2 3 4 5 6 7	NOMENCLATURE	EFFECT FROM TO	UNITS PER ASSY
1 32	26012594-201		..PLATE-IDENTIFICATION IRMP SUPPLIER CODE: V94580 CONFIG CHG DATA FROM A CMM: SUPSD BY 26012594-109 SUPSD BY 26012594-110 OPTIONAL PART: 26012594-103 V94580 10074939-113 V94580 10074939-222 V94580 26012594-109 V94580 26012594-110 V94580 26012594-111 V94580 26012594-112 V94580 USED ON: CG1093AD01 USED WITH: 26012954-921	002004 006102 107999	1

MISSING ITEM NUMBERS NOT APPLICABLE

- ITEM NOT ILLUSTRATED

BRI

34-21-02-01

BOEING PROPRIETARY - Copyright © - Unpublished Work - See title page for details.

34-21-02  
FIG. 01  
PAGE 11  
JAN 20/09



757

PARTS CATALOG (MAINTENANCE)

FIG ITEM	PART NUMBER	1 2 3 4 5 6 7 NOMENCLATURE	EFFECT FROM TO	UNITS PER ASSY
1 32	26012594-109	..PLATE-IDENTIFICATION IRMP SUPPLIER CODE: V94580 CONFIG CHG DATA FROM A CMM: SUPERSEDES 26012594-103 SUPERSEDES 10074939-113 SUPERSEDES 10074939-222 SUPERSEDES 26012594-201 SUPERSEDES 26012954-921 SUPERSEDES 10041596-101 OPTIONAL PART: 26012594-103 V94580 10074939-113 V94580 10074939-222 V94580 26012594-201 V94580 26012594-110 V94580 26012594-111 V94580 26012594-112 V94580 USED ON: CG1093AD01	002004 006102 107999	1

MISSING ITEM NUMBERS NOT APPLICABLE

- ITEM NOT ILLUSTRATED

BRI

34-21-02-01

BOEING PROPRIETARY - Copyright © - Unpublished Work - See title page for details.

34-21-02  
FIG. 01  
PAGE 12  
JAN 20/09



757

PARTS CATALOG (MAINTENANCE)

FIG ITEM	PART NUMBER	1 2 3 4 5 6 7	NOMENCLATURE	EFFECT FROM TO	UNITS PER ASSY
1 32	26012594-110		..PLATE-IDENTIFICATION IRMP SUPPLIER CODE: V94580 CONFIG CHG DATA FROM A CMM: SUPERSEDES 26012594-103 SUPERSEDES 10074939-113 SUPERSEDES 10074939-222 SUPERSEDES 26012594-201 SUPERSEDES 26012954-921 SUPERSEDES 10041596-101 OPTIONAL PART: 26012594-103 V94580 10074939-113 V94580 10074939-222 V94580 26012594-201 V94580 26012594-109 V94580 26012594-111 V94580 26012594-112 V94580 USED ON: CG1093AD01	002004 006102 107999	1
32	26012594-111		..PLATE-IDENTIFICATION IRMP SUPPLIER CODE: V94580 OPTIONAL PART: 26012594-103 V94580 10074939-113 V94580 10074939-222 V94580 26012594-201 V94580 26012594-109 V94580 26012594-110 V94580 26012594-112 V94580 USED ON: CG1093AD01 USED WITH: 26019328-101	002004 006102 107999	1

MISSING ITEM NUMBERS NOT APPLICABLE

- ITEM NOT ILLUSTRATED

34-21-02-01

34-21-02  
FIG. 01  
PAGE 13  
JAN 20/09

BRI



757

PARTS CATALOG (MAINTENANCE)

FIG ITEM	PART NUMBER	1 2 3 4 5 6 7	NOMENCLATURE	EFFECT FROM TO	UNITS PER ASSY
1	32 26012594-112		..PLATE-IDENTIFICATION IRMP SUPPLIER CODE: V94580 OPTIONAL PART: 26012594-103 V94580 10074939-113 V94580 10074939-222 V94580 26012594-201 V94580 26012594-109 V94580 26012594-110 V94580 26012594-111 V94580 USED ON: CG1093AD01 USED WITH: 26019328-101	002004 006102 107999	1
	32 26012594-104		..PLATE-IDENTIFICATION IRMP SUPPLIER CODE: V94580 OPTIONAL PART: 26012594-201 V94580 USED ON: CG1093AD02	107107 121503 904949	1
	32 26012594-201		..PLATE-IDENTIFICATION IRMP SUPPLIER CODE: V94580 OPTIONAL PART: 26012594-104 V94580 USED ON: CG1093AD02	107107 121503 904949	1
	33 26019328-101		..PLATE-IDENTIFICATION IRMP SUPPLIER CODE: V94580 USED ON: CG1093AD01 USED WITH: 26012594-111 26012594-112	002004 006102 107999	1

MISSING ITEM NUMBERS NOT APPLICABLE

- ITEM NOT ILLUSTRATED

34-21-02-01

34-21-02  
FIG. 01  
PAGE 14  
JAN 20/09

BRI



757

PARTS CATALOG (MAINTENANCE)

FIG ITEM	PART NUMBER	1 2 3 4 5 6 7	NOMENCLATURE	EFFECT FROM TO	UNITS PER ASSY
1					
33	26019328-101		..PLATE-IDENTIFICATION IRMP SUPPLIER CODE: V94580 USED ON: CG1093AD02	107107 121503 904949	1
34	26012954-921		..PLATE-IDENTIFICATION IRMP SUPPLIER CODE: V94580 CONFIG CHG DATA FROM A CMM: SUPSD BY 26012594-109 SUPSD BY 26012594-110 USED ON: CG1093AD01 USED WITH: 26012594-103 10074939-222 26012594-201	002004 006102 107999	1
35	10041596-101		..PLATE-DESIGNATION SUPPLIER CODE: V94580 CONFIG CHG DATA FROM A CMM: SUPSD BY 26012594-109 SUPSD BY 26012594-110 USED ON: CG1093AD01 USED WITH: 10074939-113	002004 006102 107999	1
35	10041596-101		..PLATE-DESIGNATION SUPPLIER CODE: V94580 USED ON: CG1093AD02	107107 121503 904949	1
37	RC446-101		..KNOB-DISPLAY SELECT SUPPLIER CODE: V15084 MISCELLANEOUS DATA: HONEYWELL PART NO. 10068346-101 OPTIONAL PART: RC446-130 V15084	002004 006102 107999	1

MISSING ITEM NUMBERS NOT APPLICABLE

- ITEM NOT ILLUSTRATED

34-21-02-01

34-21-02  
FIG. 01  
PAGE 15  
JAN 20/09

BRI





757

PARTS CATALOG (MAINTENANCE)

FIG ITEM	PART NUMBER	1 2 3 4 5 6 7	NOMENCLATURE	EFFECT FROM TO	UNITS PER ASSY
1					
37	RC446-130		..KNOB-DISPLAY SELECT SUPPLIER CODE: V15084 MISCELLANEOUS DATA: HONEYWELL PART NO. 10068346-106 OPTIONAL PART: RC446-101 V15084	002004 006102 107999	1
38	RD238-111		..KNOB-DISPLAY SELECT SUPPLIER CODE: V15084 MISCELLANEOUS DATA: HONEYWELL PART NO. 10068346-103 OPTIONAL PART: RD238-190 V15084	002004 006102 107999	1
38	RD238-190		..KNOB-DISPLAY SELECT SUPPLIER CODE: V15084 MISCELLANEOUS DATA: HONEYWELL PART NO. 10068346-108 OPTIONAL PART: RD238-111 V15084	002004 006102 107999	1
40	GP119-103		..KNOB-MODE SELECT SUPPLIER CODE: V15084 MISCELLANEOUS DATA: HONEYWELL PART NO. 10068347-101 OPTIONAL PART: GP119-131 V15084	002004 006102 107999	3
40	GP119-131		..KNOB-MODE SELECT SUPPLIER CODE: V15084 MISCELLANEOUS DATA: HONEYWELL PART NO. 10068347-103 OPTIONAL PART: GP119-103 V15084	002004 006102 107999	3
41	10068397-101		..WASHER-SWITCH SUPPLIER CODE: V94580	002004 006102 107999	1

MISSING ITEM NUMBERS NOT APPLICABLE

- ITEM NOT ILLUSTRATED

34-21-02-01

34-21-02  
FIG. 01  
PAGE 16  
JAN 20/09

BRI



757

PARTS CATALOG (MAINTENANCE)

FIG ITEM	PART NUMBER	1 2 3 4 5 6 7	NOMENCLATURE	EFFECT FROM TO	UNITS PER ASSY
1					
42	10074422-101	..	WASHER-SWITCH SUPPLIER CODE: V94580	002004 006102 107999	1
44	TT377-101	..	KNOB-SYSTEM DISPLAY SUPPLIER CODE: V15084 MISCELLANEOUS DATA: HONEYWELL PART NO. 10068348-101 OPTIONAL PART: TT377-121 V15084	002004 006102 107999	1
44	TT377-121	..	KNOB-SYSTEM DISPLAY SUPPLIER CODE: V15084 MISCELLANEOUS DATA: HONEYWELL PART NO. 10068348-104 OPTIONAL PART: TT377-101 V15084	002004 006102 107999	1
45	10068391-102	..	SWITCH-MOD DISPLAY SELECT SUPPLIER CODE: V94580 USED ON: CG1093AD01 CG1093AD02 ATTACHING PARTS	002004 006102 107999	1
46	10068395-101	..	WASHER-SWITCH SUPPLIER CODE: V94580	002004 006102 107999	1
47	71AY231889	..	SWITCH-MOD SYS DISPLAY SUPPLIER CODE: V81073 MISCELLANEOUS DATA: HONEYWELL PART NO. 10068392-102 USED ON: CG1093AD01 CG1093AD02	002004 006102 107999	1

MISSING ITEM NUMBERS NOT APPLICABLE

- ITEM NOT ILLUSTRATED

BRI

34-21-02-01

BOEING PROPRIETARY - Copyright © - Unpublished Work - See title page for details.

34-21-02  
FIG. 01  
PAGE 17  
JAN 20/09



757

PARTS CATALOG (MAINTENANCE)

FIG ITEM	PART NUMBER	1 2 3 4 5 6 7	NOMENCLATURE	EFFECT FROM TO	UNITS PER ASSY
1					
- 48	CEC19	..	COVER-CONNECTOR SUPPLIER CODE: V99017 MISCELLANEOUS DATA: HONEYWELL PART NO. 26006752-108 OPTIONAL PART: 4270-20Y V52942	002004 006102 107999	3
- 48	4270-20Y	..	COVER-CONNECTOR SUPPLIER CODE: V52942 MISCELLANEOUS DATA: HONEYWELL PART NO. 26006752-105 OPTIONAL PART: CEC19 V99017	002004 006102 107999	3
50	10074413-101	..	PANEL-LIGHTPLATE SUPPLIER CODE: V94580 ATTACHING PARTS	002004 006102 107999	1
53	FB7900-6A1	..	FASTENER- SUPPLIER CODE: V17419	002004 006102 107999	6
53	FG7900-6A1	..	FASTENER- SUPPLIER CODE: V17419 -----*-----	107107 121503 904949	6
56	10075907-101	..	PANEL-KEYBOARD SUPPLIER CODE: V81590 OPTIONAL PART: 26014688-101 V81590	002004 006102 107999	1
56	26014688-101	..	PANEL-KEYBOARD SUPPLIER CODE: V81590 MISCELLANEOUS DATA: HONEYWELL PART NO. 26014688-101 OPTIONAL PART: 10075907-101 V81590 ATTACHING PARTS	002004 006102 107999	1
59	FG9700-6A1	..	FASTENER- SUPPLIER CODE: V17419	002004 006102 107999	2

MISSING ITEM NUMBERS NOT APPLICABLE

- ITEM NOT ILLUSTRATED

34-21-02-01

34-21-02  
FIG. 01  
PAGE 18  
JAN 20/09

BRI



757

PARTS CATALOG (MAINTENANCE)

FIG ITEM	PART NUMBER	1 2 3 4 5 6 7	NOMENCLATURE	EFFECT FROM TO	UNITS PER ASSY
1					
59	FB9700-6A1		.. FASTENER- SUPPLIER CODE: V17419	107107 121503 904949	2
62	MS3498-10		.. SCREW	002004 006102 107999	2
			-----*-----		
68	10089761-103		.. SWITCH ASSY-ANNUNCIATOR SUPPLIER CODE: V94580 USED ON: CG1093AD01 CG1093AD02	002004 006102 107999	1
68A	10089761-102		.. SWITCH ASSY-ANNUNCIATOR SUPPLIER CODE: V94580 USED ON: CG1093AD01 CG1093AD02	002004 006102 107999	1
68B	10089761-101		.. SWITCH ASSY-ANNUNCIATOR SUPPLIER CODE: V94580 USED ON: CG1093AD01 CG1093AD02	002004 006102 107999	1
70	9YY24407D		... SWITCH-MODE SELECT SUPPLIER CODE: V81073 MISCELLANEOUS DATA: HONEYWELL PART NO. 10074416-101 OPTIONAL PART: 9YY24407E V81073	002004 006102 107999	1
70	9YY24407E		... SWITCH-MODE SELECT SUPPLIER CODE: V81073 MISCELLANEOUS DATA: HONEYWELL PART NO. 10074416-103 OPTIONAL PART: 9YY24407D V81073	002004 006102 107999	1

MISSING ITEM NUMBERS NOT APPLICABLE

- ITEM NOT ILLUSTRATED

34-21-02-01

34-21-02  
FIG. 01  
PAGE 19  
JAN 20/09

BRI

BOEING PROPRIETARY - Copyright © - Unpublished Work - See title page for details.



757

PARTS CATALOG (MAINTENANCE)

FIG ITEM	PART NUMBER	1 2 3 4 5 6 7	NOMENCLATURE	EFFECT FROM TO	UNITS PER ASSY
1					
72	10074908-101	...	CARD ASSY-CKT SUPPLIER CODE: V94580 OPTIONAL PART: 10074908-102 V94580 10074908-103 V94580	002004 006102 107999	1
73	276-250	....	FUSE-SUBMINITURE F1-F4 SUPPLIER CODE: V75915 MISCELLANEOUS DATA: HONEYWELL PART NO. 10076924-101 OPTIONAL PART: 275-250 V75915	002004 006102 107999	4
73	275-250	....	FUSE-SUBMINITURE F1-F4 SUPPLIER CODE: V75915 MISCELLANEOUS DATA: HONEYWELL PART NO. 10076924-102 OPTIONAL PART: 276-250 V75915	002004 006102 107999	4
74	10074908-102	...	CARD ASSY-CKT SUPPLIER CODE: V94580 OPTIONAL PART: 10074908-101 V94580 10074908-103 V94580	002004 006102 107999	1
74	10074908-103	...	CARD ASSY-CKT SUPPLIER CODE: V94580 OPTIONAL PART: 10074908-101 V94580 10074908-102 V94580	002004 006102 107999	1

MISSING ITEM NUMBERS NOT APPLICABLE

- ITEM NOT ILLUSTRATED

34-21-02-01

34-21-02  
FIG. 01  
PAGE 20  
JAN 20/09

BRI

 **BOEING**  
757  
**PARTS CATALOG (MAINTENANCE)**

FIG ITEM	PART NUMBER	1 2 3 4 5 6 7	NOMENCLATURE	EFFECT FROM TO	UNITS PER ASSY
1					
75	275-250	....	FUSE-SUBMINITURE F1-F4 SUPPLIER CODE: V75915 MISCELLANEOUS DATA: HONEYWELL PART NO. 10076924-102 OPTIONAL PART: MCR0-25 V71400 USED ON: 10074908-102	002004 006102 107999	4
75	MCR0-25	....	FUSE-SUBMINITURE F1-F4 SUPPLIER CODE: V71400 MISCELLANEOUS DATA: HONEYWELL PART NO. 10076924-109 OPTIONAL PART: 275-250 V75915 USED ON: 10074908-102	002004 006102 107999	4
75	MCR1-00	....	FUSE-SUBMINITURE F1-F4 SUPPLIER CODE: V71400 MISCELLANEOUS DATA: HONEYWELL PART NO. 10076924-113 USED ON: 10074908-103	002004 006102 107999	4
76	10092405-101	..	CARD ASSY-CKT DIGITAL INPUT OUTPUT A1 SUPPLIER CODE: V94580 USED ON: CG1093AD01	002004 006102 107999	1
76	10092405-102	..	CARD ASSY-CKT DIGITAL INPUT OUTPUT A1 SUPPLIER CODE: V94580 USED ON: CG1093AD02	107107 121503 904949	1
77	10080601-102	...	PLATE-DESIGNATION SUPPLIER CODE: V94580	002004 006102 107999	1

MISSING ITEM NUMBERS NOT APPLICABLE

— ITEM NOT ILLUSTRATED

BRI

# 34-21-02-01

BOEING PROPRIETARY - Copyright © - Unpublished Work - See title page for details.

34-21-02  
FIG. 01  
PAGE 21  
JAN 20/09



757

PARTS CATALOG (MAINTENANCE)

FIG ITEM	PART NUMBER	1 2 3 4 5 6 7	NOMENCLATURE	EFFECT FROM TO	UNITS PER ASSY
1					
78	10093611-101		..CARD ASSY-CKT PWR AND DRIVER A2 SUPPLIER CODE: V94580 USED ON: CG1093AD01 CG1093AD02	002004 006102 107999	1
79	10080601-102		...PLATE-DESIGNATION SUPPLIER CODE: V94580	002004 006102 107999	1
80	276-250		...FUSE-SUBMINITURE F1 SUPPLIER CODE: V75915 MISCELLANEOUS DATA: HONEYWELL PART NO. 10076924-101 OPTIONAL PART: MCR1-00 V71400	002004 006102 107999	1
80	MCR1-00		...FUSE-SUBMINITURE F1 SUPPLIER CODE: V71400 MISCELLANEOUS DATA: HONEYWELL PART NO. 10076924-113 OPTIONAL PART: 276-250 V75915	002004 006102 107999	1
83	NAS820-20A		..CAP- USED ON: CG1093AC01 ATTACHING PARTS	107107 121503 904949	3
- 86	NAS1635-04-5		..SCREW- CONFIG CHG DATA FROM A CMM: SUPSD BY NAS1635-04-6	107107 121503 904949	12
- 86	NAS1635-04-6		..SCREW- CONFIG CHG DATA FROM A CMM: SUPERSEDES NAS1635-04-5	107107 121503 904949	12
- 89	10075965-101		-----*----- ..BEZEL ASSY-NUMERIC DISPLAY SUPPLIER CODE: V94580 OPTIONAL PART: 10075965-102 V94580 USED ON: CG1093AC01	107107 121503 904949	1

MISSING ITEM NUMBERS NOT APPLICABLE

- ITEM NOT ILLUSTRATED

BRI

34-21-02-01

BOEING PROPRIETARY - Copyright © - Unpublished Work - See title page for details.

34-21-02  
FIG. 01  
PAGE 22  
JAN 20/09



757

PARTS CATALOG (MAINTENANCE)

FIG ITEM	PART NUMBER	1 2 3 4 5 6 7	NOMENCLATURE	EFFECT FROM TO	UNITS PER ASSY
1					
- 89	10075965-102	..	BEZEL ASSY-NUMERIC DISPLAY SUPPLIER CODE: V94580 OPTIONAL PART: 10075965-101 V94580	107107 121503 904949	1
90	10080629-101	..	CARD ASSY-CKT NUMERIC DISPLAY SUPPLIER CODE: V94580	002004 006102 107999	1
92	10076985-101	...	SPACER-INSULATOR SUPPLIER CODE: V94580 USED ON: CG1093AC01	107107 121503 904949	6
92	10076985-102	...	SPACER-INSULATOR SUPPLIER CODE: V94580 USED ON: CG1093AD01 CG1093AD02	002004 006102 107999	6
93	NAS1635-04-6	..	SCREW	002004 006102 107999	1
94	MS21044C04	..	NUT	002004 006102 107999	1
95	10088490-102	..	BOARD ASSY-MASTER INTERCONNECT AND FILTER SUPPLIER CODE: V94580 ATTACHING PARTS	002004 006102 107999	1
- 96	NAS1635-04-5	..	SCREW	002004 006102 107999	4
97	275-250	...	-----*----- FUSE-SUBMINITURE F1-F3 SUPPLIER CODE: V75915 MISCELLANEOUS DATA: HONEYWELL PART NO. 10076924-102 OPTIONAL PART: MCRO-25 V71400 MCR1-00 V71400	002004 006102 107999	3

MISSING ITEM NUMBERS NOT APPLICABLE

- ITEM NOT ILLUSTRATED

BRI

34-21-02-01

BOEING PROPRIETARY - Copyright © - Unpublished Work - See title page for details.

34-21-02  
FIG. 01  
PAGE 23  
JAN 20/09





757

PARTS CATALOG (MAINTENANCE)

FIG ITEM	PART NUMBER	1 2 3 4 5 6 7	NOMENCLATURE	EFFECT FROM TO	UNITS PER ASSY
1	97 MCR0-25		... FUSE-SUBMINITURE F1-F3 SUPPLIER CODE: V71400 MISCELLANEOUS DATA: HONEYWELL PART NO. 10076924-109 OPTIONAL PART: 275-250 V75915 MCR1-00 V71400	002004 006102 107999	3
	97 MCR1-00		... FUSE-SUBMINITURE F1-F3 SUPPLIER CODE: V71400 MISCELLANEOUS DATA: HONEYWELL PART NO. 10076924-113 OPTIONAL PART: 275-250 V75915 MCR0-25 V71400	002004 006102 107999	3

MISSING ITEM NUMBERS NOT APPLICABLE

- ITEM NOT ILLUSTRATED

BRI

34-21-02-01

BOEING PROPRIETARY - Copyright © - Unpublished Work - See title page for details.

34-21-02  
FIG. 01  
PAGE 24  
JAN 20/09

 **BOEING**  
757  
**PARTS CATALOG (MAINTENANCE)**

FIG ITEM	PART NUMBER	1 2 3 4 5 6 7	NOMENCLATURE	EFFECT FROM TO	UNITS PER ASSY
1 155	CG1093AD03		.PANEL ASSY-INERTIAL REF SYS SUPPLIER CODE: V65507 FUNCTIONAL DESCRIPTION: PROVIDES MODE CONTROL, SYSTEM STATUS, INITIALIZATION CAPABILITIES AND DATA DISPLAY FOR THREE INERTIAL REFERENCE UNITS SPECIFICATION NUMBER: S242T101-206 ELECTRICAL EQUIP NUMBER: M00059 COMPONENT MAINT MANUAL REF: 34-21-21 QUALIFIED I/W DATA: S242T101-206/CG1093AD03 CAN REPLACE AND BE REPLACED BY S242T101-203/CG1093AD01 EXCEPT FOR NLO01-NL999, NU701-NU999 FOR 757, AND VQ001-VQ999 FOR 767, WHERE S242T101-206/CG1093AD03 MUST BE USED. FUNCTIONAL REFERENCE: LIGHTS FOR DETAILS SEE 33-13-51-55	103106	1
158	26012594-303		..PLATE-IDENTIFICATION IRMP SUPPLIER CODE: V65507 CONFIG CHG DATA FROM A CMM: SUPSD BY 26012594-305 OPTIONAL PART: 26012594-305 V65507 26012594-306 V65507	103106	1

MISSING ITEM NUMBERS NOT APPLICABLE

— ITEM NOT ILLUSTRATED

BRI

# 34-21-02-01

BOEING PROPRIETARY - Copyright © - Unpublished Work - See title page for details.

34-21-02  
FIG. 01  
PAGE 25  
JAN 20/09



757

PARTS CATALOG (MAINTENANCE)

FIG ITEM	PART NUMBER	1 2 3 4 5 6 7	NOMENCLATURE	EFFECT FROM TO	UNITS PER ASSY
1 158	26012594-305		..PLATE-IDENTIFICATION IRMP SUPPLIER CODE: V65507 CONFIG CHG DATA FROM A CMM: SUPERSEDES 26012594-303 OPTIONAL PART: 26012594-303 V65507 26012594-306 V65507	103106	1
158	26012594-306		..PLATE-IDENTIFICATION IRMP SUPPLIER CODE: V65507 OPTIONAL PART: 26012594-303 V65507 26012594-305 V65507 USED WITH: 26019328-101	103106	1
159	26019328-101		..PLATE-IDENTIFICATION IRMP SUPPLIER CODE: V65507 USED WITH: 26012594-306	103106	1
161	10068381-101		..PLATE-INFORMATION ESD CAUTION SUPPLIER CODE: V65507	103106	1
164	RC446-130		..KNOB-DISPLAY SELECT SUPPLIER CODE: V15084 MISCELLANEOUS DATA: HONEYWELL PART NO. 10068346-106 OPTIONAL PART: RC446-101 V15084	103106	1
164	RC446-101		..KNOB-DISPLAY SELECT SUPPLIER CODE: V15084 MISCELLANEOUS DATA: HONEYWELL PART NO. 10068346-101 OPTIONAL PART: RC446-130 V15084	103106	1

MISSING ITEM NUMBERS NOT APPLICABLE

- ITEM NOT ILLUSTRATED

34-21-02-01

34-21-02  
FIG. 01  
PAGE 26  
JAN 20/09

BRI

 **BOEING**  
757  
**PARTS CATALOG (MAINTENANCE)**

FIG ITEM	PART NUMBER	1 2 3 4 5 6 7	NOMENCLATURE	EFFECT FROM TO	UNITS PER ASSY
1 167	RD238-190		..KNOB-DISPLAY SELECT SUPPLIER CODE: V15084 MISCELLANEOUS DATA: HONEYWELL PART NO. 10068346-108 OPTIONAL PART: RD238-111 V15084	103106	1
167	RD238-111		..KNOB-DISPLAY SELECT SUPPLIER CODE: V15084 MISCELLANEOUS DATA: HONEYWELL PART NO. 10068346-103 OPTIONAL PART: RD238-190 V15084	103106	1
168	10068397-101		..WASHER-SWITCH SUPPLIER CODE: V94580	103106	1
169	10068391-102		..SWITCH-MOD DISPLAY SELECT SUPPLIER CODE: V94580	103106	1
170	TT377-121		..KNOB-SELECT SUPPLIER CODE: V15084 MISCELLANEOUS DATA: HONEYWELL PART NO. 10068348-104 OPTIONAL PART: TT377-101 V15084	103106	1
170	TT377-101		..KNOB-SELECT SUPPLIER CODE: V15084 MISCELLANEOUS DATA: HONEYWELL PART NO. 10068348-101 OPTIONAL PART: TT377-121 V15084	103106	1
172	10068395-101		ATTACHING PARTS ..WASHER-SWITCH SUPPLIER CODE: V94580 -----*-----	103106	1

MISSING ITEM NUMBERS NOT APPLICABLE

— ITEM NOT ILLUSTRATED

BRI

# 34-21-02-01

34-21-02  
FIG. 01  
PAGE 27  
JAN 20/09



757

PARTS CATALOG (MAINTENANCE)

FIG ITEM	PART NUMBER	1 2 3 4 5 6 7	NOMENCLATURE	EFFECT FROM TO	UNITS PER ASSY
1 172A	71AY231889		.. SWITCH-MOD SYSTEM DISPLAY SUPPLIER CODE: V81073 MISCELLANEOUS DATA: HONEYWELL PART NO. 10068392-102	103106	1
173	GP119-131		.. KNOB-MODE SELECT SUPPLIER CODE: V15084 MISCELLANEOUS DATA: HONEYWELL PART NO. 10068347-103 OPTIONAL PART: GP119-103 V15084	103106	1
173	GP119-103		.. KNOB-MODE SELECT SUPPLIER CODE: V15084 MISCELLANEOUS DATA: HONEYWELL PART NO. 10068347-101 OPTIONAL PART: GP119-131 V15084	103106	1
174	10074413-101		.. PANEL-LIGHTPLATE SUPPLIER CODE: V94580 ATTACHING PARTS	103106	1
175	FB7900-6A1		.. FASTENER- SUPPLIER CODE: V17419 -----*-----	103106	6
176	10075907-101		.. PANEL-KEYBOARD SUPPLIER CODE: V65507 OPTIONAL PART: 26014688-101 V65507	103106	1
176	26014688-101		.. PANEL-KEYBOARD SUPPLIER CODE: V65507 MISCELLANEOUS DATA: HONEYWELL PART NO. 26014688-101 OPTIONAL PART: 10075907-101 V81590 ATTACHING PARTS	103106	1
179	MS3498-10		.. SCREW-	103106	2

MISSING ITEM NUMBERS NOT APPLICABLE

- ITEM NOT ILLUSTRATED

34-21-02-01

34-21-02  
FIG. 01  
PAGE 28  
JAN 20/09

BRI



757

PARTS CATALOG (MAINTENANCE)

FIG ITEM	PART NUMBER	1 2 3 4 5 6 7	NOMENCLATURE	EFFECT FROM TO	UNITS PER ASSY
1 181	FG7900-6A1		.. FASTENER- SUPPLIER CODE: V65507	103106	2
- 183	CEC19		-----*----- .. COVER-CONNECTOR SUPPLIER CODE: V99017 MISCELLANEOUS DATA: HONEYWELL PART NO. 26006752-108 OPTIONAL PART: 4270-20Y V52942	103106	3
- 183	4270-20Y		.. COVER-CONNECTOR SUPPLIER CODE: V52942 MISCELLANEOUS DATA: HONEYWELL PART NO. 26006752-105 OPTIONAL PART: CEC19 V99017	103106	3
184	NAS1635-04-6		.. SCREW	103106	1
185	MS21044C04		.. NUT	103106	1
186	10088490-102		.. BOARD ASSY-MASTER INTERCONNECT AND FILTER SUPPLIER CODE: V65507 ATTACHING PARTS	103106	RF
- 187	NAS1635-04-5		.. SCREW	103106	4
189	275-250		-----*----- ... FUSE- F1 THRU F3 SUPPLIER CODE: V75915 MISCELLANEOUS DATA: HONEYWELL PART NO. 10076924-102 OPTIONAL PART: MCRO-25 V71400 MCR1-00 V71400	103106	3

MISSING ITEM NUMBERS NOT APPLICABLE

- ITEM NOT ILLUSTRATED

BRI

34-21-02-01

34-21-02  
FIG. 01  
PAGE 29  
JAN 20/09

 **BOEING**  
757  
**PARTS CATALOG (MAINTENANCE)**

FIG ITEM	PART NUMBER	1 2 3 4 5 6 7	NOMENCLATURE	EFFECT FROM TO	UNITS PER ASSY
1 189	MCR0-25		... FUSE- F1 THRU F3 SUPPLIER CODE: V71400 MISCELLANEOUS DATA: HONEYWELL PART NO. 10076924-109 OPTIONAL PART: 275-250 V75915 MCR1-00 V71400	103106	3
189	MCR1-00		... FUSE- F1 THRU F3 SUPPLIER CODE: V71400 MISCELLANEOUS DATA: HONEYWELL PART NO. 10076924-113 OPTIONAL PART: 275-250 V75915 MCR0-25 V71400	103106	3
190	NAS620C416L		.. WASHER	103106	3
191	T1224		.. NUT- SUPPLIER CODE: V16941 MISCELLANEOUS DATA: HONEYWELL PART NO. 26004401-101	103106	3
192	10089761-106		.. SWITCH ASSY-ANNUNCIATOR AND MODE SUPPLIER CODE: V94580	103106	1
192A	10089761-105		.. SWITCH ASSY-ANNUNCIATOR AND MODE SUPPLIER CODE: V94580	103106	1
192B	10089761-104		.. SWITCH ASSY-ANNUNCIATOR AND MODE SUPPLIER CODE: V94580	103106	1
193	9MY24444		... SWITCH- SUPPLIER CODE: V81073 MISCELLANEOUS DATA: HONEYWELL PART NO. 10074416-104	103106	1

MISSING ITEM NUMBERS NOT APPLICABLE

— ITEM NOT ILLUSTRATED

BRI

# 34-21-02-01

BOEING PROPRIETARY - Copyright © - Unpublished Work - See title page for details.

34-21-02  
FIG. 01  
PAGE 30  
JAN 20/09



757

PARTS CATALOG (MAINTENANCE)

FIG ITEM	PART NUMBER	1 2 3 4 5 6 7	NOMENCLATURE	EFFECT FROM TO	UNITS PER ASSY
1 194	10074908-101		...CARD ASSY- SUPPLIER CODE: V94580 OPTIONAL PART: 10074908-102 V94580 10074908-103 V94580	103106	1
194A	276-250		....FUSE-SUBMINITURE F1-F4 SUPPLIER CODE: V75915 MISCELLANEOUS DATA: HONEYWELL PART NO. 10076924-101 OPTIONAL PART: 275-250 V75915	103106	4
194B	275-250		....FUSE-SUBMINITURE F1-F4 SUPPLIER CODE: V75915 MISCELLANEOUS DATA: HONEYWELL PART NO. 10076924-102 OPTIONAL PART: 276-250 V75915	103106	4
195	10074908-102		...CARD ASSY- SUPPLIER CODE: V94580 OPTIONAL PART: 10074908-101 V94580 10074908-103 V94580	103106	1
195	10074908-103		...CARD ASSY- SUPPLIER CODE: V94580 OPTIONAL PART: 10074908-101 V94580 10074908-102 V94580	103106	1

MISSING ITEM NUMBERS NOT APPLICABLE

- ITEM NOT ILLUSTRATED

BRI

34-21-02-01

BOEING PROPRIETARY - Copyright © - Unpublished Work - See title page for details.

34-21-02  
FIG. 01  
PAGE 31  
JAN 20/09





**757  
PARTS CATALOG (MAINTENANCE)**

FIG ITEM	PART NUMBER	1 2 3 4 5 6 7	NOMENCLATURE	EFFECT FROM TO	UNITS PER ASSY
1 196	275-250	....	FUSE-SUBMINITURE F1-F4 SUPPLIER CODE: V75915 MISCELLANEOUS DATA: HONEYWELL PART NO. 10076924-102 OPTIONAL PART: MCRO-25 V71400 USED ON: 10074908-102	103106	4
196	MCRO-25	....	FUSE-SUBMINITURE F1-F4 SUPPLIER CODE: V71400 MISCELLANEOUS DATA: HONEYWELL PART NO. 10076924-109 OPTIONAL PART: 275-250 V75915 USED ON: 10074908-102	103106	4
196	MCR1-00	....	FUSE-SUBMINITURE F1-F4 SUPPLIER CODE: V71400 MISCELLANEOUS DATA: HONEYWELL PART NO. 10076924-113 USED ON: 10074908-103	103106	4
197	26009949-303	..	CARD ASSY-CKT SUPPLIER CODE: V94580 OPTIONAL PART: 26009949-304 V94580 26009949-401 V94580 26009949-402 V94580	103106	1

MISSING ITEM NUMBERS NOT APPLICABLE

— ITEM NOT ILLUSTRATED

BRI

# 34-21-02-01

BOEING PROPRIETARY - Copyright © - Unpublished Work - See title page for details.

34-21-02  
FIG. 01  
PAGE 32  
JAN 20/09



757

PARTS CATALOG (MAINTENANCE)

FIG ITEM	PART NUMBER	1 2 3 4 5 6 7	NOMENCLATURE	EFFECT FROM TO	UNITS PER ASSY
1 197	26009949-304	..	CARD ASSY-CKT SUPPLIER CODE: V94580 OPTIONAL PART: 26009949-303 V94580 26009949-401 V94580 26009949-402 V94580	103106	1
197	26009949-401	..	CARD ASSY-CKT SUPPLIER CODE: V94580 OPTIONAL PART: 26009949-303 V94580 26009949-304 V94580 26009949-402 V94580	103106	1
197	26009949-402	..	CARD ASSY-CKT SUPPLIER CODE: V94580 OPTIONAL PART: 26009949-303 V94580 26009949-304 V94580 26009949-401 V94580	103106	1
198	10080601-102	...	PLATE-DESIGNATION SUPPLIER CODE: V94580	103106	1
199	10093611-109	..	CARD ASSY-CKT PWR AND DRIVER SUPPLIER CODE: V94580 OPTIONAL PART: 10093611-110 V94580 10093611-111 V94580	103106	1

MISSING ITEM NUMBERS NOT APPLICABLE

- ITEM NOT ILLUSTRATED

34-21-02-01

34-21-02  
FIG. 01  
PAGE 33  
JAN 20/09

BRI



757

PARTS CATALOG (MAINTENANCE)

FIG ITEM	PART NUMBER	1 2 3 4 5 6 7	NOMENCLATURE	EFFECT FROM TO	UNITS PER ASSY
1					
199	10093611-110	..	CARD ASSY-CKT PWR AND DRIVER SUPPLIER CODE: V94580 OPTIONAL PART: 10093611-109 V94580 10093611-111 V94580	103106	1
199	10093611-111	..	CARD ASSY-CKT PWR AND DRIVER SUPPLIER CODE: V94580 OPTIONAL PART: 10093611-109 V94580 10093611-110 V94580	103106	1
200	10080601-102	...	PLATE-DESIGNATION SUPPLIER CODE: V94580	103106	1
201	MCR0-25	...	FUSE-SUBMINITURE F1 SUPPLIER CODE: V71400 MISCELLANEOUS DATA: HONEYWELL PART NO. 10076924-102 OPTIONAL PART: MCR1-00 V71400	103106	1
201	MCR1-00	...	FUSE-SUBMINITURE F1 SUPPLIER CODE: V71400 MISCELLANEOUS DATA: HONEYWELL PART NO. 10076924-113 OPTIONAL PART: MCR0-25 V71400	103106	1
202	10080629-101	..	CARD ASSY-CKT NUMERIC DISPLAY SUPPLIER CODE: V94580	103106	1
203	10076985-102	...	SPACER-INSULATED SUPPLIER CODE: V94580	103106	6

MISSING ITEM NUMBERS NOT APPLICABLE

- ITEM NOT ILLUSTRATED

34-21-02-01

34-21-02  
FIG. 01  
PAGE 34  
JAN 20/09

BRI



757

PARTS CATALOG (MAINTENANCE)

FIG ITEM	PART NUMBER	1 2 3 4 5 6 7	NOMENCLATURE	EFFECT FROM TO	UNITS PER ASSY
1					
- 205	286N2225-001		WIRE BUNDLE ASSY-	002004 006100 107107 121503 904999	RF
- 205	286N2225-302		WIRE BUNDLE ASSY-	108120	RF
- 205	286N2225-303		WIRE BUNDLE ASSY-	101102	RF
- 205	286N2225-311		WIRE BUNDLE ASSY	504903	RF
- 205	286N2225-701		WIRE BUNDLE ASSY	103106	RF
- 207	286N2221-001		WIRE BUNDLE ASSY-	002004 006100 107107 121503 904999	RF
- 207	286N2221-301		WIRE BUNDLE ASSY-	101102	RF
- 207	286N2221-302		WIRE BUNDLE ASSY-	108120	RF
- 207	286N2221-310		WIRE BUNDLE ASSY	504903	RF
- 207	286N2221-701		WIRE BUNDLE ASSY	103106	RF
210	BACC45FT18A31S		.CONNECTOR- ELECTRICAL EQUIP NUMBER: D00147 WIRING DIAGRAM REF: 342111	002004 006999	1
215	BACC45FT18A31S7		.CONNECTOR- ELECTRICAL EQUIP NUMBER: D00149 WIRING DIAGRAM REF: 342131	002004 006999	1
- 250	286N2223-001		WIRE BUNDLE ASSY-	002004 006100 107107 121503 904999	RF
- 250	286N2223-301		WIRE BUNDLE ASSY-	101102	RF
- 250	286N2223-302		WIRE BUNDLE ASSY-	108120	RF
- 250	286N2223-310		WIRE BUNDLE ASSY	504903	RF
- 250	286N2223-701		WIRE BUNDLE ASSY	103106	RF
255	BACC45FT18A31S6		.CONNECTOR- ELECTRICAL EQUIP NUMBER: D00151 WIRING DIAGRAM REF: 342121	002004 006999	1

MISSING ITEM NUMBERS NOT APPLICABLE

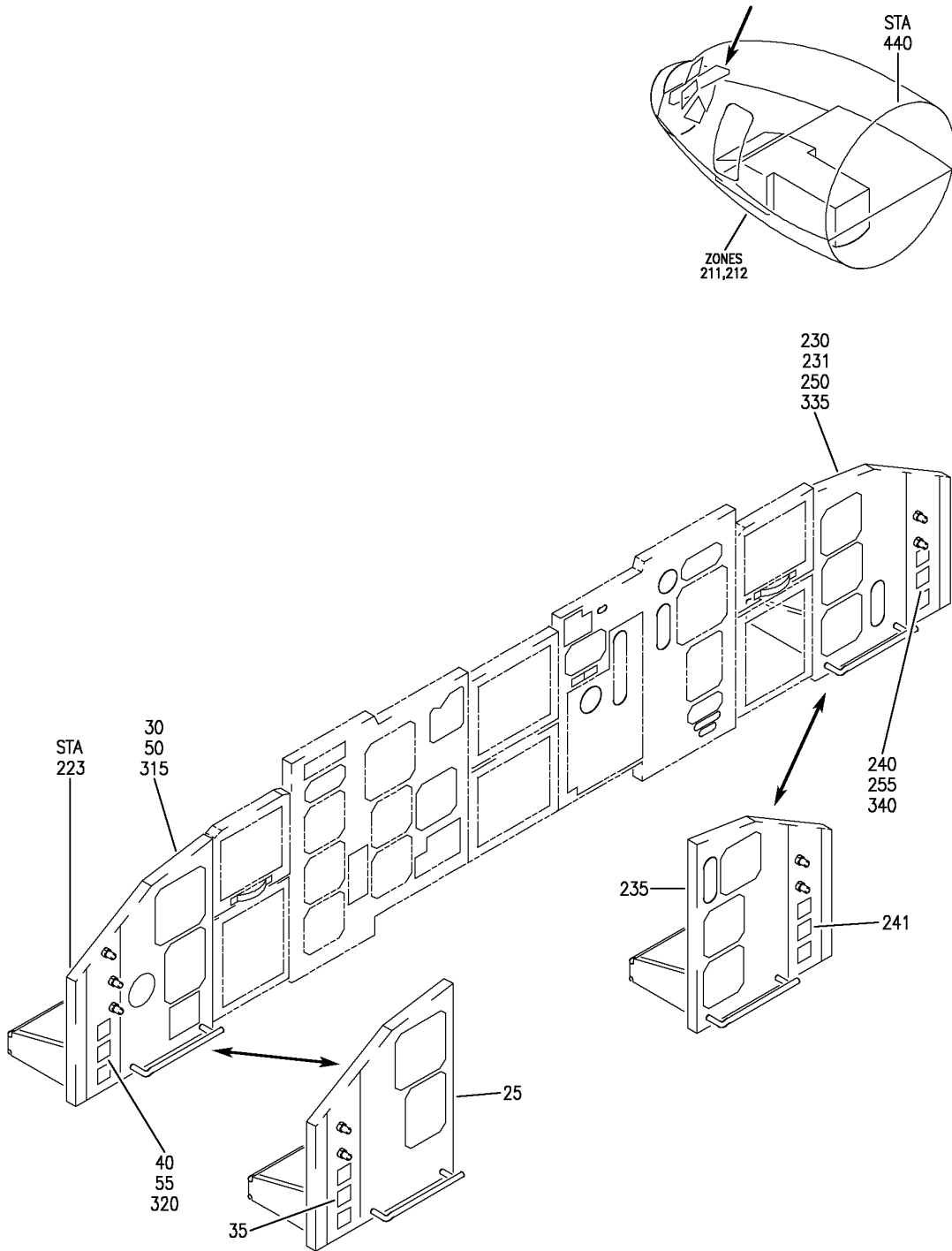
- ITEM NOT ILLUSTRATED

BRI

34-21-02-01

34-21-02  
FIG. 01  
PAGE 35  
JAN 20/09

**BOEING**  
757  
PARTS CATALOG (MAINTENANCE)



Y 34210202 REV 323

PANEL INSTL-P1-1 AND P3-3 (INERTIAL REFERENCE SYSTEM ONLY)  
FIGURE 2

**34-21-02-02**

BRI  
MAY 20/08

34-21-02-02  
PAGE 0



757

PARTS CATALOG (MAINTENANCE)

FIG ITEM	PART NUMBER	1 2 3 4 5 6 7	NOMENCLATURE	EFFECT FROM TO	UNITS PER ASSY
2			PANEL INSTL-P1-1 AND P3-3 (INERTIAL REFERENCE SYSTEM ONLY)	101106 108120 504903	
- 1	233N2103-7		PANEL INSTL-P1-1 (INERTIAL REFERENCE SYSTEM ONLY) FOR NHA/OTHER SYS DET SEE: 25-10-00-15B	101101	RF
- 1	233N2103-107		PANEL INSTL-P1-1 (INERTIAL REFERENCE SYSTEM ONLY) FOR NHA/OTHER SYS DET SEE: 25-10-00-15B	102102 108120	RF
- 2	233N2103-152		PANEL INSTL-P1-1 (INERTIAL REFERENCE SYSTEM ONLY) FOR NHA/OTHER SYS DET SEE: 25-10-00-15B	504903	RF
- 10	233N2220-309		.MODULE ASSY- COMPONENT MAINT MANUAL REF: 31-11-47	101102 108120	RF
- 10	233N2220-315		.MODULE ASSY- COMPONENT MAINT MANUAL REF: 31-11-47	504903	RF
30	233N2220-21		..MODULE ASSY-	101102 108120	RF
30	233N2220-27		..MODULE ASSY	504903	RF

MISSING ITEM NUMBERS NOT APPLICABLE

- ITEM NOT ILLUSTRATED

34-21-02-02

34-21-02  
FIG. 02  
PAGE 1  
JAN 20/09

BRI



757

PARTS CATALOG (MAINTENANCE)

FIG ITEM	PART NUMBER	1 2 3 4 5 6 7	NOMENCLATURE	EFFECT FROM TO	UNITS PER ASSY
2 40	BCREFA0501		...SWITCH ASSY-LIGHTED PUSHBUTTON SUPPLIER CODE: V81590 OVERLENGTH PART NUMBER: 433-673-1004-4001 SPECIFICATION NUMBER: S231T290-4001 MISCELLANEOUS DATA: WHEN REPLACING THE PUSHBUTTON SWITCH ASSY OR THE MASTER MODULE WITHIN, VERIFY THAT A CONFIG D MASTER MODULE P/N 13206-001 IS INSTALLED IN LIEU OF ANY EARLIER CONFIGURATION MASTER MODULES. OPTIONAL PART: S231T290-5001 851-35100-5001 V96182 USED ON: 233N2220-33 FOR DETAILS SEE: 33-13-00-43	101102 108120 504903	1
40	S231T290-5001		...SWITCH ASSY-LIGHTED PUSHBUTTON OPTIONAL PART: 4336731004-4201 V81590 BCREFA0501 V81590 851-35100-5001 V96182	101102 108120 504903	1
40	851-30768-2001		...SWITCH ASSY-LIGHTED PUSHBUTTON SUPPLIER CODE: V96182 SPECIFICATION NUMBER: S231T290-2001 FOR DETAILS SEE: 33-13-00-23	101102 108120 504903	1

MISSING ITEM NUMBERS NOT APPLICABLE

- ITEM NOT ILLUSTRATED

BRI

34-21-02-02

BOEING PROPRIETARY - Copyright © - Unpublished Work - See title page for details.

34-21-02  
FIG. 02  
PAGE 2  
JAN 20/09



757

PARTS CATALOG (MAINTENANCE)

FIG ITEM	PART NUMBER	1 2 3 4 5 6 7	NOMENCLATURE	EFFECT FROM TO	UNITS PER ASSY
2					
40	851-30768-3001	...	SWITCH ASSY-LIGHTED PUSHBUTTON SUPPLIER CODE: V96182 SPECIFICATION NUMBER: S231T290-3001 FOR DETAILS SEE: 33-13-00-33	101102 108120 504903	1
40	4336731004-4201	...	SWITCH ASSY-LIGHTED PUSHBUTTON SUPPLIER CODE: V81590 SPECIFICATION NUMBER: S231T290-4201 OPTIONAL PART: 851-35100-5001 V96182 S231T290-5001 USED ON: 233N2220-33 233N2220-42	101102 108120 504903	1
40	851-35100-5001	...	SWITCH ASSY-LIGHTED PUSHBUTTON SUPPLIER CODE: V96182 OPTIONAL PART: 4336731004-4201 V81590 BCREFA0501 V81590 S231T290-5001	101102 108120 504903	1
- 200	233N2103-28		PANEL INSTL-P3-3 (INERTIAL REFERENCE SYSTEM ONLY) FOR NHA/OTHER SYS DET SEE: 25-10-00-15B	108120	RF
- 200	233N2103-55		PANEL INSTL-P3-3 (INERTIAL REFERENCE SYSTEM ONLY) FOR NHA/OTHER SYS DET SEE: 25-10-00-15B	504903	RF
- 200	233N2103-73		PANEL INSTL-P3-3 (INERTIAL REFERENCE SYSTEM ONLY) FOR NHA/OTHER SYS DET SEE: 25-10-00-15B	101102	RF

MISSING ITEM NUMBERS NOT APPLICABLE

- ITEM NOT ILLUSTRATED

BRI

34-21-02-02

34-21-02  
FIG. 02  
PAGE 3  
JAN 20/09





757

PARTS CATALOG (MAINTENANCE)

FIG ITEM	PART NUMBER	1 2 3 4 5 6 7	NOMENCLATURE	EFFECT FROM TO	UNITS PER ASSY
2					
- 210	233N2223-306		.MODULE ASSY- COMPONENT MAINT MANUAL REF: 31-11-50 QUALIFIED I/W DATA: 233N2223-338 CAN REPLACE 233N2223-306 FOR NT383-NT399 AIRCRAFT ONLY.	101102 108120	RF
- 210	233N2223-313		.MODULE ASSY- COMPONENT MAINT MANUAL REF: 31-11-50	504903	RF
230	233N2223-22		..MODULE ASSY-	101102 108120	RF
230	233N2223-29		..MODULE ASSY	504903	RF
240	BCREFA0501		...SWITCH ASSY-LIGHTED PUSHBUTTON SUPPLIER CODE: V81590 OVERLENGTH PART NUMBER: 433-673-1004-4001 SPECIFICATION NUMBER: S231T290-4001 MISCELLANEOUS DATA: WHEN REPLACING THE PUSHBUTTON SWITCH ASSY OR THE MASTER MODULE WITHIN, VERIFY THAT A CONFIG D MASTER MODULE P/N 13206-001 IS INSTALLED IN LIEU OF ANY EARLIER CONFIGURATION MASTER MODULES. OPTIONAL PART: S231T290-5001 851-35100-5001 V96182 FOR DETAILS SEE: 33-13-00-43	101102 108120 504903	1
240	S231T290-5001		...SWITCH ASSY-LIGHTED PUSHBUTTON OPTIONAL PART: 4336731004-4201 V81590 851-35100-5001 V96182 BCREFA0501 V81590	101102 108120 504903	1

MISSING ITEM NUMBERS NOT APPLICABLE

- ITEM NOT ILLUSTRATED

34-21-02-02

34-21-02  
FIG. 02  
PAGE 4  
JAN 20/09

BRI



757

PARTS CATALOG (MAINTENANCE)

FIG ITEM	PART NUMBER	1 2 3 4 5 6 7	NOMENCLATURE	EFFECT FROM TO	UNITS PER ASSY
2 240	851-30768-2001	...	SWITCH ASSY-LIGHTED PUSHBUTTON SUPPLIER CODE: V96182 SPECIFICATION NUMBER: S231T290-2001 FOR DETAILS SEE: 33-13-00-23	101102 108120 504903	1
240	851-30768-3001	...	SWITCH ASSY-LIGHTED PUSHBUTTON SUPPLIER CODE: V96182 SPECIFICATION NUMBER: S231T290-3001 FOR DETAILS SEE: 33-13-00-23	101102 108120 504903	1
240	4336731004-4201	...	SWITCH ASSY-LIGHTED PUSHBUTTON SUPPLIER CODE: V81590 SPECIFICATION NUMBER: S231T290-4201 OPTIONAL PART: 851-35100-5001 V96182 S231T290-5001	101102 108120	1
240	851-35100-5001	...	SWITCH ASSY-LIGHTED PUSHBUTTON SUPPLIER CODE: V96182 OPTIONAL PART: 4336731004-4201 V81590 S231T290-5001 BCREFA0501 V81590	101102 108120 504903	1
241	851-35100-5001	...	SWITCH ASSY-LIGHTED PUSHBUTTON SUPPLIER CODE: V96182 ELECTRICAL EQUIP NUMBER: S00012 SERVICE BULLETIN OPT DATA: V81590 V81590	101102 108120 504903	1

MISSING ITEM NUMBERS NOT APPLICABLE

- ITEM NOT ILLUSTRATED

BRI

34-21-02-02

BOEING PROPRIETARY - Copyright © - Unpublished Work - See title page for details.

34-21-02  
FIG. 02  
PAGE 5  
JAN 20/09



757

PARTS CATALOG (MAINTENANCE)

FIG ITEM	PART NUMBER	1 2 3 4 5 6 7	NOMENCLATURE	EFFECT FROM TO	UNITS PER ASSY
2 - 302	MODREF31741		PANEL INSTL-P1-1 AND P3-3 (INERTIAL REFERENCE SYSTEM ONLY) MODULE NUMBER: 233N2103-425 REV A FOR OTHER SYS DETAILS SEE: 11-31-01-38 22-11-02-03 22-14-01-03 22-31-02-01 22-34-51-02 26-17-51-05 27-51-57-03 27-58-00-02 27-81-00-01 29-21-55-02 31-11-11-19 31-11-16-01 31-11-26-38 31-25-01-03 31-41-52-02 31-51-52-02 32-35-52-03 32-41-52-02 32-42-55-03 32-46-00-01 32-61-51-03 33-13-57-01A 33-16-52-03 34-12-01-03 34-13-01-03 34-13-02-01 34-13-05-01 34-13-06-01 34-16-51-03 34-22-02-02 34-22-05-01A 34-22-06-01 34-24-01-03 34-32-00-02 34-46-51-02 34-51-02-02 34-57-00-01 34-61-01-07 34-61-02-02 77-41-01-01 79-33-51-05	103105	1

MISSING ITEM NUMBERS NOT APPLICABLE

- ITEM NOT ILLUSTRATED

34-21-02-02

34-21-02  
FIG. 02  
PAGE 6  
JAN 20/09

BRI



757

PARTS CATALOG (MAINTENANCE)

FIG ITEM	PART NUMBER	1 2 3 4 5 6 7 NOMENCLATURE	EFFECT FROM TO	UNITS PER ASSY
2 - 302	MODREF104335	PANEL INSTL-P1-1 AND P3-3 (INERTIAL REFERENCE SYSTEM ONLY) MODULE NUMBER: 233N2103-425 REV B FOR OTHER SYS DETAILS SEE: 11-31-01-38 22-11-02-03 22-14-01-03 22-31-02-01 22-34-51-02 26-17-51-05 27-51-57-03 27-58-00-02 27-81-00-01 29-21-55-02 31-11-11-19 31-11-16-01 31-11-26-38 31-25-01-03 31-41-52-02 31-51-52-02 32-35-52-03 32-41-52-02 32-42-55-03 32-46-00-01 32-61-51-03 33-13-57-01A 33-16-52-03 34-12-01-03 34-13-01-03 34-13-02-01 34-13-05-01 34-13-06-01 34-16-51-03 34-22-02-02 34-22-05-01A 34-22-06-01 34-24-01-03 34-32-00-02 34-46-51-02 34-51-02-02 34-57-00-01 34-61-01-07 34-61-02-02 77-41-01-01 79-33-51-05	106106	1

MISSING ITEM NUMBERS NOT APPLICABLE

- ITEM NOT ILLUSTRATED

**34-21-02-02**

34-21-02  
FIG. 02  
PAGE 7  
JAN 20/09

BRI



757

PARTS CATALOG (MAINTENANCE)

FIG ITEM	PART NUMBER	1 2 3 4 5 6 7	NOMENCLATURE	EFFECT FROM TO	UNITS PER ASSY
2					
- 310	233N2220-328	.	MODULE ASSY-P1-1 COMPONENT MAINT MANUAL REF: 31-11-47	103106	RF
315	233N2220-42	..	MODULE ASSY- USED ON: 233N2220-325 233N2220-328	103106	RF
320	4336731004-4201	...	SWITCH ASSY-LIGHTED PUSHBUTTON SUPPLIER CODE: V81590 SPECIFICATION NUMBER: S231T290-4201 USED ON: 233N2220-21 233N2220-33 233N2220-42 233N2220-43	103106	1
- 330	233N2223-337	.	MODULE ASSY-P3-3 COMPONENT MAINT MANUAL REF: 31-11-50	103106	RF
335	233N2223-62	..	MODULE ASSY- USED ON: 233N2223-335 233N2223-337	103106	RF

MISSING ITEM NUMBERS NOT APPLICABLE

- ITEM NOT ILLUSTRATED

34-21-02-02

34-21-02  
FIG. 02  
PAGE 8  
JAN 20/09

BRI



757

PARTS CATALOG (MAINTENANCE)

FIG ITEM	PART NUMBER	1 2 3 4 5 6 7	NOMENCLATURE	EFFECT FROM TO	UNITS PER ASSY
2 340	BCREFA0501		...SWITCH ASSY-LIGHTED PUSHBUTTON SUPPLIER CODE: V81590 OVERLENGTH PART NUMBER: 433-673-1004-4001 SPECIFICATION NUMBER: S231T290-4001 MISCELLANEOUS DATA: WHEN REPLACING THE PUSHBUTTON SWITCH ASSY OR THE MASTER MODULE WITHIN, VERIFY THAT A CONFIG D MASTER MODULE P/N 13206-001 IS INSTALLED IN LIEU OF ANY EARLIER CONFIGURATION MASTER MODULES. USED ON: 233N2223-34 233N2223-22 233N2223-50 233N2223-61 233N2223-62 FOR DETAILS SEE: 33-13-00-43	103106	1
340	851-30768-2001		...SWITCH ASSY-LIGHTED PUSHBUTTON SUPPLIER CODE: V96182 SPECIFICATION NUMBER: S231T290-2001 FOR DETAILS SEE: 33-13-00-23	103106	1
340	851-30768-3001		...SWITCH ASSY-LIGHTED PUSHBUTTON SUPPLIER CODE: V96182 SPECIFICATION NUMBER: S231T290-3001 FOR DETAILS SEE: 33-13-00-33	103106	1
340	S231T290-5001		...SWITCH ASSY-LIGHTED PUSHBUTTON USED ON: 233N2223-22	103106	1

MISSING ITEM NUMBERS NOT APPLICABLE

- ITEM NOT ILLUSTRATED

34-21-02-02

34-21-02  
FIG. 02  
PAGE 9  
JAN 20/09

BRI



757

PARTS CATALOG (MAINTENANCE)

FIG ITEM	PART NUMBER	1 2 3 4 5 6 7	NOMENCLATURE	EFFECT FROM TO	UNITS PER ASSY
2 340	4336731004-4201		...SWITCH ASSY-LIGHTED PUSHBUTTON SUPPLIER CODE: V81590 SPECIFICATION NUMBER: S231T290-4201 USED ON: 233N2223-34 233N2223-22 233N2223-50 233N2223-61 233N2223-62	103106	1

MISSING ITEM NUMBERS NOT APPLICABLE

- ITEM NOT ILLUSTRATED

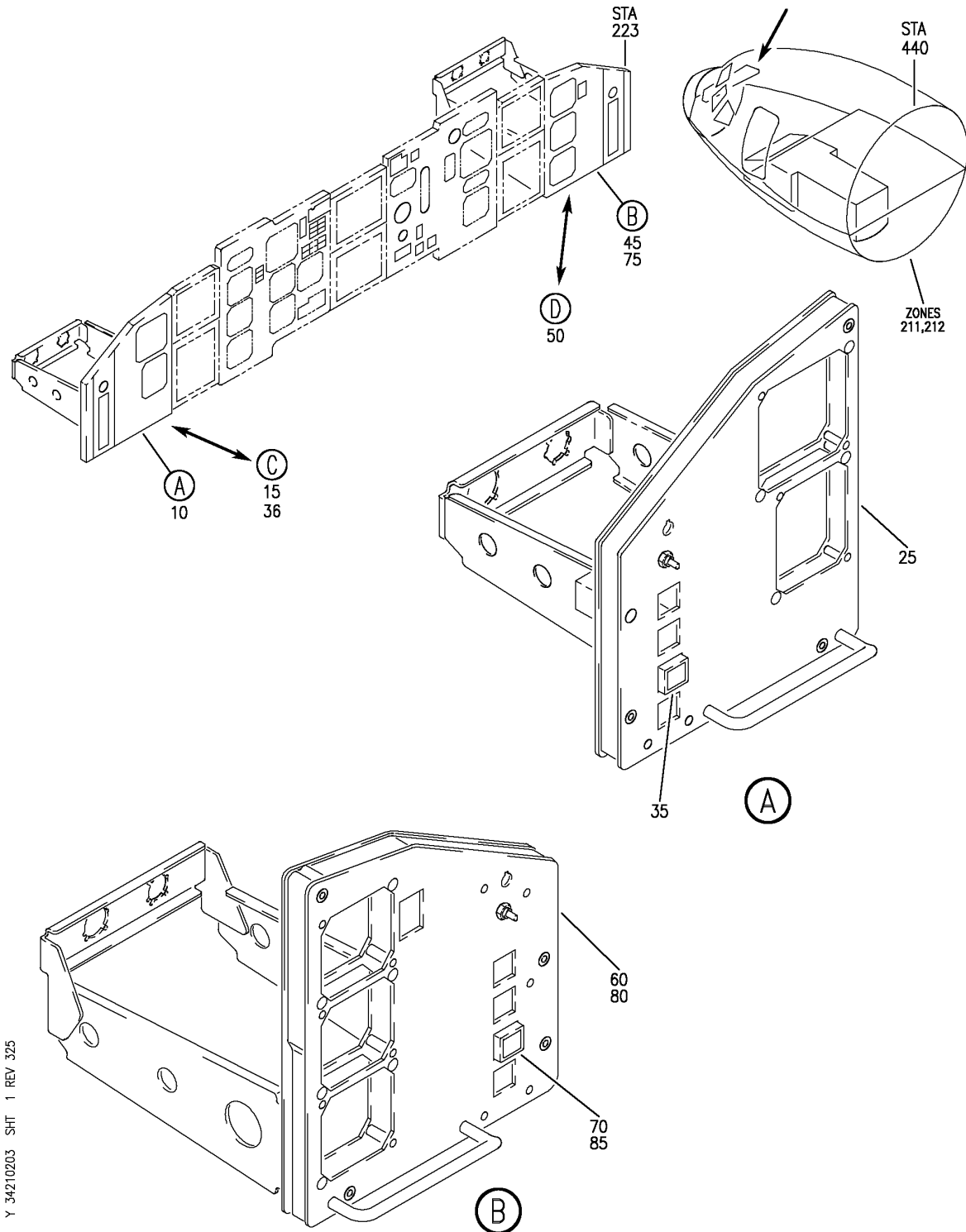
BRI

34-21-02-02

BOEING PROPRIETARY - Copyright © - Unpublished Work - See title page for details.

34-21-02  
FIG. 02  
PAGE 10  
JAN 20/09

**BOEING**  
757  
PARTS CATALOG (MAINTENANCE)



Y 34210203 SH-T 1 REV 325

PANEL INSTL-CAPT AND FIRST OFFICER FWD (INERTIAL REFERENCE SYSTEM ONLY)  
FIGURE 3

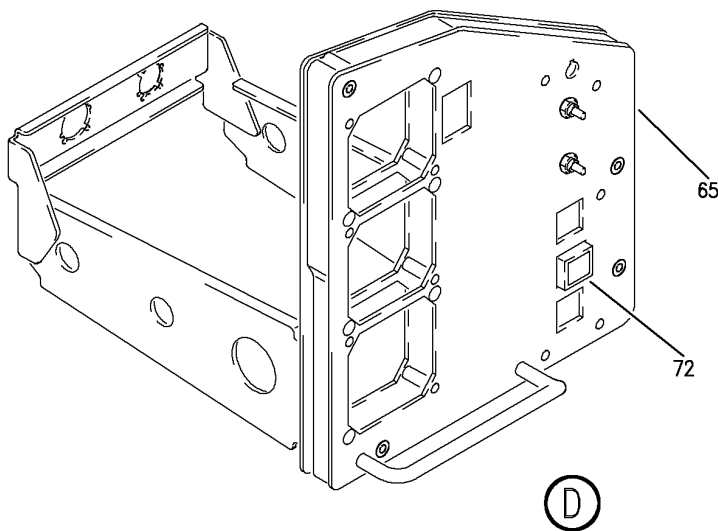
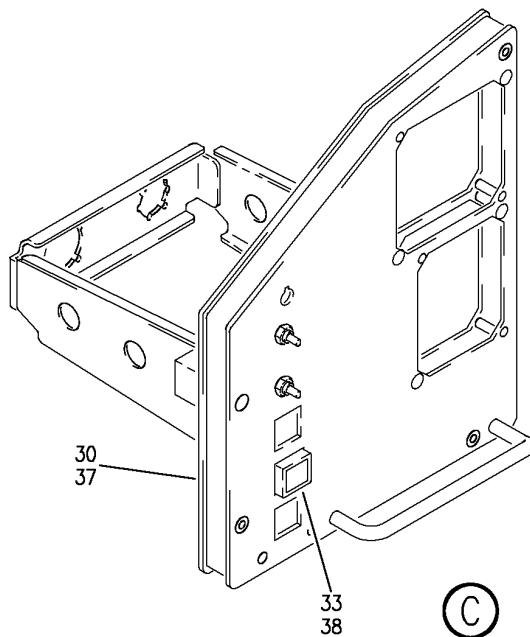
**34-21-02-03**

BRI  
SEP 20/08

34-21-02-03  
PAGE 0



**BOEING**  
757  
PARTS CATALOG (MAINTENANCE)



Y 34210203 SH1 2 REV 325

PANEL INSTL-CAPT AND FIRST OFFICER FWD (INERTIAL REFERENCE SYSTEM ONLY)

FIGURE 3

**34-21-02-03**

BRI  
SEP 20/08

34-21-02-03  
PAGE 0A



757

PARTS CATALOG (MAINTENANCE)

FIG ITEM	PART NUMBER	1 2 3 4 5 6 7	NOMENCLATURE	EFFECT FROM TO	UNITS PER ASSY
3			PANEL INSTL-CAPT AND FIRST OFFICER FWD (INERTIAL REFERENCE SYSTEM ONLY)	011100	
- 1	233N2101-1		PANEL INSTL-CAPT AND FIRST OFFICER (INERTIAL REFERENCE SYSTEM ONLY) POSITION DATA: FWD VARIABLE DRAWING REF: 233N2101-5039 FOR NHA/OTHER SYS DET SEE: 25-10-00-05A	011100	RF
10	233N2220-301		.MODULE ASSY-P1-1 COMPONENT MAINT MANUAL REF: 31-11-47	011100	RF
25	233N2220-10		..MODULE ASSY-	011100	RF
35	BCREFA0501		...SWITCH ASSY-LIGHTED PUSH BUTTON IND ALTN SUPPLIER CODE: V81590 OVERLENGTH PART NUMBER: 433-673-1004-4001 SPECIFICATION NUMBER: S231T290-4001 MISCELLANEOUS DATA: WHEN REPLACING THE PUSHBUTTON SWITCH ASSY OR THE MASTER MODULE WITHIN, VERIFY THAT A CONFIG D MASTER MODULE P/N 13206-001 IS INSTALLED IN LIEU OF ANY EARLIER CONFIGURATION MASTER MODULES. OPTIONAL PART: S231T290-5001 851-35100-5001 V96182 FOR DETAILS SEE: 33-13-00-43	011100	1
35	851-30768-2001		...SWITCH ASSY-LIGHTED PUSH BUTTON IND ALTN SUPPLIER CODE: V96182 SPECIFICATION NUMBER: S231T290-2001 FOR DETAILS SEE: 33-13-00-23	011100	1

MISSING ITEM NUMBERS NOT APPLICABLE

- ITEM NOT ILLUSTRATED

34-21-02-03

34-21-02  
FIG. 03  
PAGE 1  
JAN 20/09

BRI



757

PARTS CATALOG (MAINTENANCE)

FIG ITEM	PART NUMBER	1 2 3 4 5 6 7	NOMENCLATURE	EFFECT FROM TO	UNITS PER ASSY
3					
35	851-30768-3001	...	SWITCH ASSY-LIGHTED PUSH BUTTON IND ALTN SUPPLIER CODE: V96182 SPECIFICATION NUMBER: S231T290-3001 FOR DETAILS SEE: 33-13-00-33	011100	1
35	S231T290-5001	...	SWITCH ASSY-LIGHTED PUSH BUTTON IND ALTN OPTIONAL PART: BCREFA0501 V81590 851-35100-5001 V96182	011100	1
35	4336731004-4201	...	SWITCH ASSY-LIGHTED PUSHBUTTON SUPPLIER CODE: V81590 SPECIFICATION NUMBER: S231T290-4201	011100	1
35	851-35100-5001	...	SWITCH ASSY-LIGHTED PUSHBUTTON SUPPLIER CODE: V81590 OPTIONAL PART: BCREFA0501 V81590 S231T290-5001	011100	1
45	233N2223-301	.	MODULE ASSY-P3-3 COMPONENT MAINT MANUAL REF: 31-11-50	011100	RF
60	233N2223-12	..	MODULE ASSY-	011100	RF

MISSING ITEM NUMBERS NOT APPLICABLE

- ITEM NOT ILLUSTRATED

34-21-02-03

34-21-02  
FIG. 03  
PAGE 2  
JAN 20/09

BRI

BOEING PROPRIETARY - Copyright © - Unpublished Work - See title page for details.



757

PARTS CATALOG (MAINTENANCE)

FIG ITEM	PART NUMBER	1 2 3 4 5 6 7	NOMENCLATURE	EFFECT FROM TO	UNITS PER ASSY
3 70	BCREFA0501		...SWITCH ASSY-LIGHTED PUSH BUTTON IND ALTN SUPPLIER CODE: V81590 OVERLENGTH PART NUMBER: 433-673-1004-4001 SPECIFICATION NUMBER: S231T290-4001 MISCELLANEOUS DATA: WHEN REPLACING THE PUSHBUTTON SWITCH ASSY OR THE MASTER MODULE WITHIN, VERIFY THAT A CONFIG D MASTER MODULE P/N 13206-001 IS INSTALLED IN LIEU OF ANY EARLIER CONFIGURATION MASTER MODULES. OPTIONAL PART: S231T290-5001 851-35100-5001 V96182 FOR DETAILS SEE: 33-13-00-43	011100	1
70	851-30768-2001		...SWITCH ASSY-LIGHTED PUSH BUTTON IND ALTN SUPPLIER CODE: V96182 SPECIFICATION NUMBER: S231T290-2001 FOR DETAILS SEE: 33-13-00-23	011100	1
70	851-30768-3001		...SWITCH ASSY-LIGHTED PUSH BUTTON IND ALTN SUPPLIER CODE: V96182 SPECIFICATION NUMBER: S231T290-3001 FOR DETAILS SEE: 33-13-00-33	011100	1
70	S231T290-5001		...SWITCH ASSY-LIGHTED PUSH BUTTON IND ALTN OPTIONAL PART: BCREFA0501 V81590 851-35100-5001 V96182	011100	1

MISSING ITEM NUMBERS NOT APPLICABLE

- ITEM NOT ILLUSTRATED

34-21-02-03

34-21-02  
 FIG. 03  
 PAGE 3  
 JAN 20/09

BRI



757

PARTS CATALOG (MAINTENANCE)

FIG ITEM	PART NUMBER	1 2 3 4 5 6 7	NOMENCLATURE	EFFECT FROM TO	UNITS PER ASSY
3					
70	4336731004-4201		...SWITCH ASSY-LIGHTED PUSHBUTTON SUPPLIER CODE: V81590 SPECIFICATION NUMBER: S231T290-4201	011100	1
70	851-35100-5001		...SWITCH ASSY-LIGHTED PUSHBUTTON SUPPLIER CODE: V81590 OPTIONAL PART: BCREFA0501 V81590 S231T290-5001	011100	1

MISSING ITEM NUMBERS NOT APPLICABLE

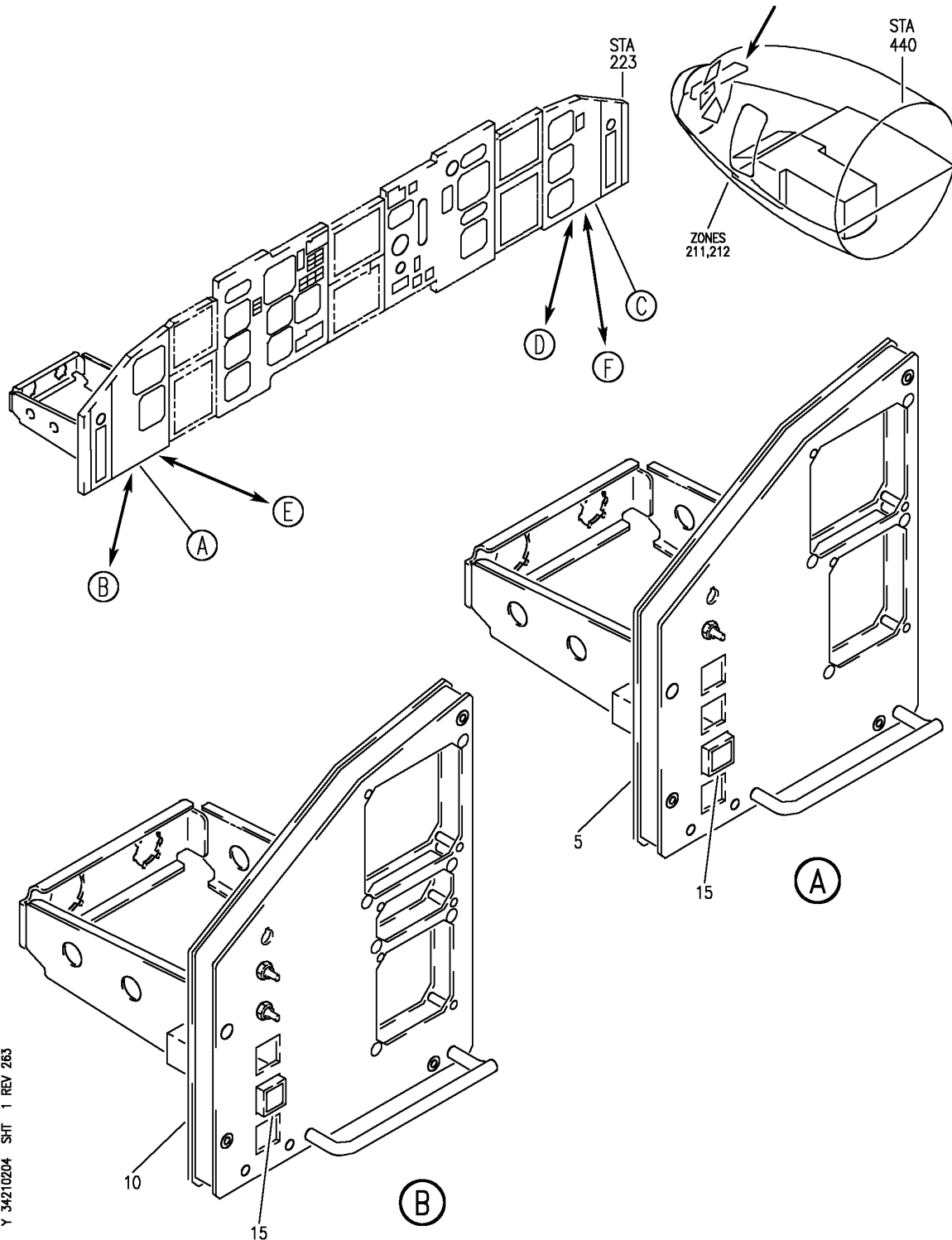
- ITEM NOT ILLUSTRATED

34-21-02-03

34-21-02  
FIG. 03  
PAGE 4  
JAN 20/09

BRI

**BOEING**  
757  
PARTS CATALOG (MAINTENANCE)



Y 34210204 SH1 1 REV 263

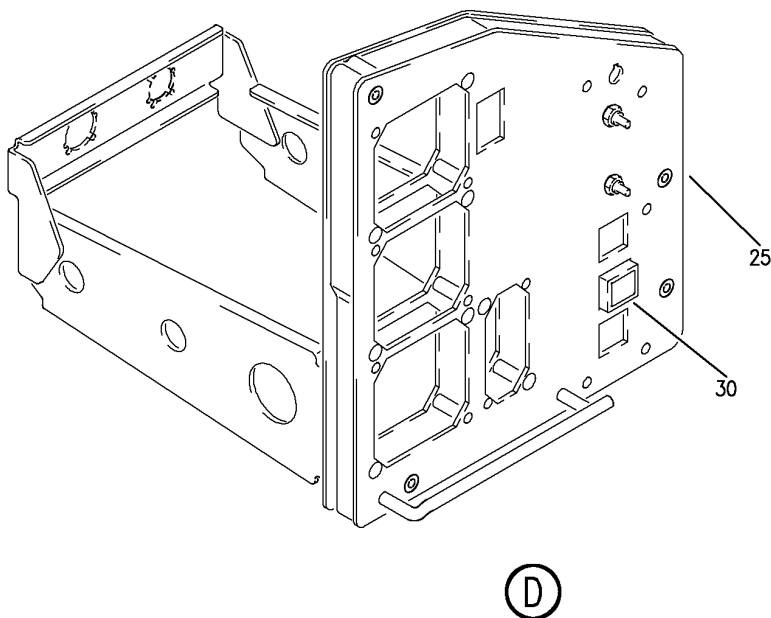
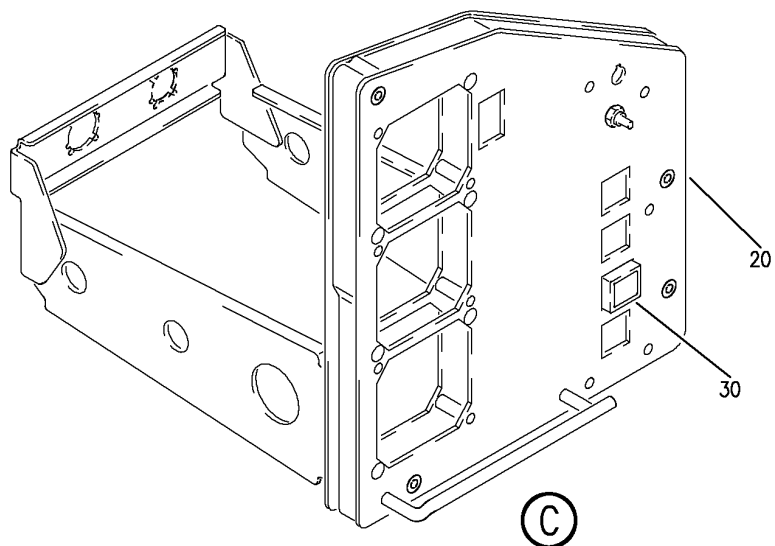
PANEL INSTL-CAPT AND FIRST OFFICER FWD (INERTIAL REFERENCE SYSTEM ONLY)  
FIGURE 4 (SHEET 1)

BRI  
MAY 28/07

**34-21-02-04**

34-21-02-04  
PAGE 0

**BOEING**  
757  
PARTS CATALOG (MAINTENANCE)



Y 34210204 SH1 2 REV 247

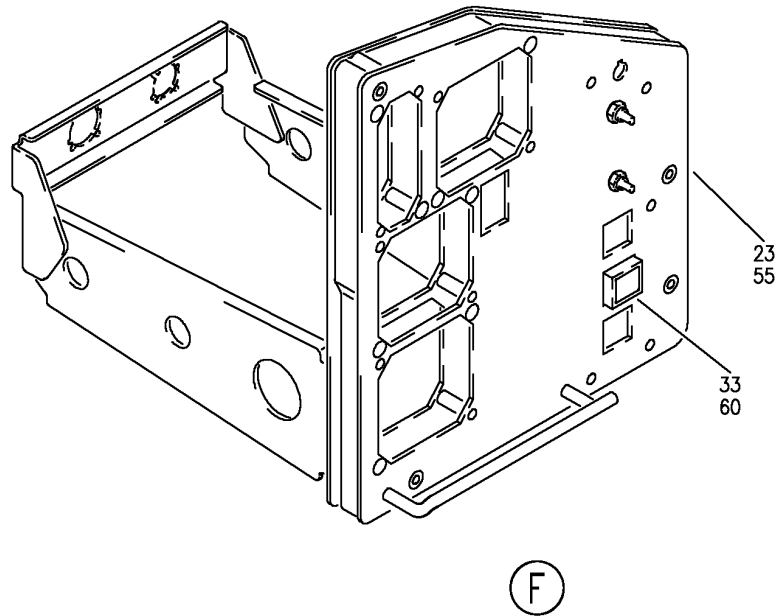
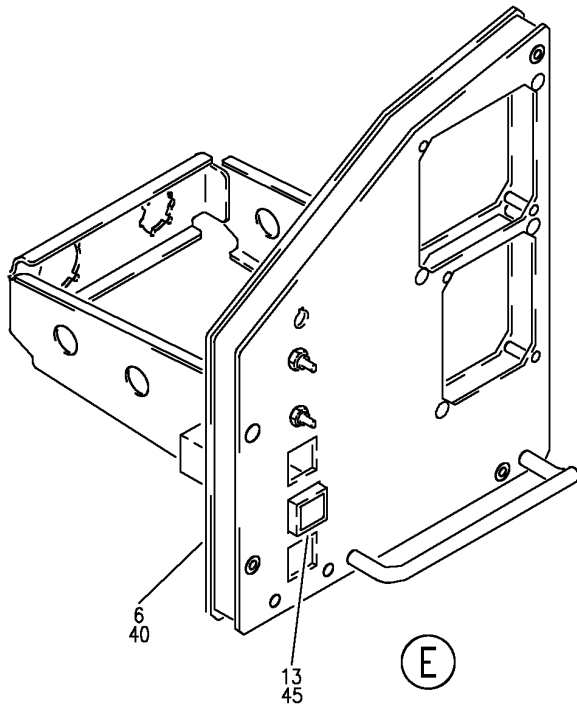
PANEL INSTL-CAPT AND FIRST OFFICER FWD (INERTIAL REFERENCE SYSTEM ONLY)  
FIGURE 4 (SHEET 2)

BRI  
MAY 28/07

**34-21-02-04**

34-21-02-04  
PAGE 0A

**BOEING**  
757  
PARTS CATALOG (MAINTENANCE)



Y 34210204 SH1 3 REV 323

PANEL INSTL-CAPT AND FIRST OFFICER FWD (INERTIAL REFERENCE SYSTEM ONLY)  
FIGURE 4 (SHEET 3)

BRI  
MAY 20/08

**34-21-02-04**

34-21-02-04  
PAGE 0B





757

PARTS CATALOG (MAINTENANCE)

FIG ITEM	PART NUMBER	1 2 3 4 5 6 7	NOMENCLATURE	EFFECT FROM TO	UNITS PER ASSY
4			PANEL INSTL-CAPT AND FIRST OFFICER FWD (INERTIAL REFERENCE SYSTEM ONLY)	002004 006010 107107 121503 904999	
- 1	233N2101-1		PANEL INSTL-CAPT AND FIRST OFFICER (INERTIAL REFERENCE SYSTEM ONLY) POSITION DATA: FWD VARIABLE DRAWING REF: 233N2101-5003 233N2101-5004 233N2101-5037 233N2101-5039 233N2101-5041 FOR NHA/OTHER SYS DET SEE: 25-10-00-05A	002004 006010 107107 121503 904999	RF
5	233N2220-7		.MODULE ASSY-P1-1 PRE SERVICE BULLETIN: 34-0414	107107	RF
5	233N2220-10		.MODULE ASSY-P1-1 PRE SERVICE BULLETIN: 34-0416	002004 006010 950999	RF
5	233N2220-13		.MODULE ASSY-P1-1	121503 904949	RF
15	BCREF7679		..SWITCH ASSY-LIGHTED PUSH BUTTON IND ALTN SUPPLIER CODE: V81590 OVERLENGTH PART NUMBER: 433-673-1001-1001 SPECIFICATION NUMBER: S231T290-1001 MISCELLANEOUS DATA: WHEN REPLACING THE PUSHBUTTON SWITCH ASSY OR THE MASTER MODULE WITHIN, VERIFY THAT A CONFIG D MASTER MODULE P/N 13206-001 IS INSTALLED IN LIEU OF ANY EARLIER CONFIGURATION MASTER MODULES. FOR DETAILS SEE: 33-13-00-13	107107	1

MISSING ITEM NUMBERS NOT APPLICABLE

- ITEM NOT ILLUSTRATED

34-21-02-04

34-21-02  
FIG. 04  
PAGE 1  
JAN 20/09

BRI



757

PARTS CATALOG (MAINTENANCE)

FIG ITEM	PART NUMBER	1 2 3 4 5 6 7	NOMENCLATURE	EFFECT FROM TO	UNITS PER ASSY
4 15	BCREFA0501		..SWITCH ASSY-LIGHTED PUSH BUTTON IND ALTN SUPPLIER CODE: V81590 OVERLENGTH PART NUMBER: 433-673-1004-4001 SPECIFICATION NUMBER: S231T290-4001 MISCELLANEOUS DATA: WHEN REPLACING THE PUSHBUTTON SWITCH ASSY OR THE MASTER MODULE WITHIN, VERIFY THAT A CONFIG D MASTER MODULE P/N 13206-001 IS INSTALLED IN LIEU OF ANY EARLIER CONFIGURATION MASTER MODULES. OPTIONAL PART: S231T290-5001 851-35100-5001 V96182 PRE SERVICE LETTER: 33-027 FOR DETAILS SEE: 33-13-00-43	002004 006010 107107 121503 904999	1
15	851-30768-2001		..SWITCH ASSY-LIGHTED PUSH BUTTON IND ALTN SUPPLIER CODE: V96182 SPECIFICATION NUMBER: S231T290-2001 FOR DETAILS SEE: 33-13-00-23	002004 006010 107107 121503 904999	1
15	851-30768-3001		..SWITCH ASSY-LIGHTED PUSH BUTTON IND ALTN SUPPLIER CODE: V96182 SPECIFICATION NUMBER: S231T290-3001 OPTIONAL PART: S231T290-5001 FOR DETAILS SEE: 33-13-00-33	002004 006010 107107 121503 904999	1

MISSING ITEM NUMBERS NOT APPLICABLE

- ITEM NOT ILLUSTRATED

34-21-02-04

34-21-02  
FIG. 04  
PAGE 2  
JAN 20/09

BRI



757

PARTS CATALOG (MAINTENANCE)

FIG ITEM	PART NUMBER	1 2 3 4 5 6 7	NOMENCLATURE	EFFECT FROM TO	UNITS PER ASSY
4					
15	S231T290-5001		..SWITCH ASSY-LIGHTED PUSH BUTTON IND ALTN OPTIONAL PART: BCREFA0501 V81590 851-30768-3001 V96182	002004 006010 107107 121503 904999	1
15	851-35100-5001		..SWITCH ASSY-LIGHTED PUSH BUTTON IND ALTN SUPPLIER CODE: V81590 OPTIONAL PART: BCREFA0501 V81590 S231T290-5001	002004 006010 950999	1
15	4336731004-4201		..SWITCH ASSY-LIGHTED PUSH BUTTON IND ALTN SUPPLIER CODE: V81590 SPECIFICATION NUMBER: S231T290-4201 OPTIONAL PART: 851-35100-5001 V81590 S231T290-5001 POST SERVICE LETTER: 33-027	002004 006010 107107 121503 904999	1
20	233N2223-8		.MODULE ASSY-P3-3 PRE SERVICE BULLETIN: 34-0414	107107	RF
20	233N2223-12		.MODULE ASSY-P3-3 PRE SERVICE BULLETIN: 34-0416	002004 006010 950999	RF
20	233N2223-15		.MODULE ASSY-P3-3	121503 904949	RF

MISSING ITEM NUMBERS NOT APPLICABLE

- ITEM NOT ILLUSTRATED

34-21-02-04

34-21-02  
FIG. 04  
PAGE 3  
JAN 20/09

BRI

BOEING PROPRIETARY - Copyright © - Unpublished Work - See title page for details.



757

PARTS CATALOG (MAINTENANCE)

FIG ITEM	PART NUMBER	1 2 3 4 5 6 7	NOMENCLATURE	EFFECT FROM TO	UNITS PER ASSY
4 30	BCREF7679		<p>..SWITCH ASSY-LIGHTED PUSH            BUTTON IND ALTN            SUPPLIER CODE:            V81590            OVERLENGTH PART NUMBER:            433-673-1001-1001            SPECIFICATION NUMBER:            S231T290-1001            MISCELLANEOUS DATA:            WHEN REPLACING THE            PUSHBUTTON SWITCH ASSY            OR THE MASTER MODULE            WITHIN, VERIFY THAT A            CONFIG D MASTER MODULE            P/N 13206-001 IS            INSTALLED IN LIEU OF            ANY EARLIER            CONFIGURATION MASTER            MODULES.            FOR DETAILS SEE:            33-13-00-13</p>	107107	1
30	BCREFA0501		<p>..SWITCH ASSY-LIGHTED PUSH            BUTTON IND ALTN            SUPPLIER CODE:            V81590            OVERLENGTH PART NUMBER:            433-673-1004-4001            SPECIFICATION NUMBER:            S231T290-4001            MISCELLANEOUS DATA:            WHEN REPLACING THE            PUSHBUTTON SWITCH ASSY            OR THE MASTER MODULE            WITHIN, VERIFY THAT A            CONFIG D MASTER MODULE            P/N 13206-001 IS            INSTALLED IN LIEU OF            ANY EARLIER            CONFIGURATION MASTER            MODULES.            OPTIONAL PART:            851-35100-5001            V81590            S231T290-5001            PRE SERVICE LETTER:            33-027            FOR DETAILS SEE:            33-13-00-43</p>	002004 006010 107107 121503 904999	1

MISSING ITEM NUMBERS NOT APPLICABLE

- ITEM NOT ILLUSTRATED

34-21-02-04

34-21-02  
FIG. 04  
PAGE 4  
JAN 20/09

BRI



757

PARTS CATALOG (MAINTENANCE)

FIG ITEM	PART NUMBER	1 2 3 4 5 6 7	NOMENCLATURE	EFFECT FROM TO	UNITS PER ASSY
4					
30	851-30768-2001		..SWITCH ASSY-LIGHTED PUSH BUTTON IND ALTN SUPPLIER CODE: V96182 SPECIFICATION NUMBER: S231T290-2001 FOR DETAILS SEE: 33-13-00-23	002004 006010 107107 121503 904999	1
30	851-30768-3001		..SWITCH ASSY-LIGHTED PUSH BUTTON IND ALTN SUPPLIER CODE: V96182 SPECIFICATION NUMBER: S231T290-3001 OPTIONAL PART: S231T290-5001 FOR DETAILS SEE: 33-13-00-23	002004 006010 107107 121503 904999	1
30	S231T290-5001		..SWITCH ASSY-LIGHTED PUSH BUTTON IND ALTN OPTIONAL PART: 851-30768-3001 V96182 851-35100-5001 V81590 BCREFA0501 V81590	002004 006010 107107 121503 904999	1
30	851-35100-5001		..SWITCH ASSY-LIGHTED PUSH BUTTON IND ALTN SUPPLIER CODE: V81590 ELECTRICAL EQUIP NUMBER: S00012 OPTIONAL PART: BCREFA0501 V81590 S231T290-5001	002004 006010 950999	1

MISSING ITEM NUMBERS NOT APPLICABLE

- ITEM NOT ILLUSTRATED

BRI

34-21-02-04

34-21-02  
FIG. 04  
PAGE 5  
JAN 20/09



757

PARTS CATALOG (MAINTENANCE)

FIG ITEM	PART NUMBER	1 2 3 4 5 6 7	NOMENCLATURE	EFFECT FROM TO	UNITS PER ASSY
4	30 4336731004-4201		..SWITCH ASSY-LIGHTED PUSH BUTTON IND ALTN SUPPLIER CODE: V81590 SPECIFICATION NUMBER: S231T290-4201 ELECTRICAL EQUIP NUMBER: S00012 OPTIONAL PART: 851-35100-5001 V81590 S231T290-5001 POST SERVICE LETTER: 33-027	002004 006010 107107 121503 904999	1
- 35	823N0001-3		.MODULE ASSY-P1-1 POST SERVICE BULLETIN: 34-0414 34-0416	009009 107107	RF
40	823N0001-203		..PANEL ASSY- POST SERVICE BULLETIN: 34-0414 34-0416	009009 107107	RF
45	BCREFA0501		...SWITCH ASSY-LIGHTED PUSH BUTTON IND ALTN SUPPLIER CODE: V81590 OVERLENGTH PART NUMBER: 433-673-1004-4001 SPECIFICATION NUMBER: S231T290-4001 ELECTRICAL EQUIP NUMBER: S00004 OPTIONAL PART: 4336731004-4201 V81590 POST SERVICE BULLETIN: 34-0238 FOR DETAILS SEE: 33-13-00-43	009009 107107	1

MISSING ITEM NUMBERS NOT APPLICABLE

- ITEM NOT ILLUSTRATED

34-21-02-04

34-21-02  
FIG. 04  
PAGE 6  
JAN 20/09

BRI



757

PARTS CATALOG (MAINTENANCE)

FIG ITEM	PART NUMBER	1 2 3 4 5 6 7	NOMENCLATURE	EFFECT FROM TO	UNITS PER ASSY
4 45	S231T290-5001		...SWITCH ASSY-LIGHTED PUSH BUTTON IND ALTN ELECTRICAL EQUIP NUMBER: S00004 SERVICE BULLETIN OPT DATA: BCREFA0501 V81590 851-35100-5001 V81590 4336731004-4201 V81590 POST SERVICE BULLETIN: 34-0238	009009 107107	1
45	851-35100-5001		...SWITCH ASSY-LIGHTED PUSH BUTTON IND ALTN SUPPLIER CODE: V81590 ELECTRICAL EQUIP NUMBER: S00004 SERVICE BULLETIN OPT DATA: 4336731004-4201 V81590 BCREFA0501 V81590 S231T290-5001 POST SERVICE BULLETIN: 34-0238	009009 107107	1
45	4336731004-4201		...SWITCH ASSY-LIGHTED PUSH BUTTON IND ALTN SUPPLIER CODE: V81590 SPECIFICATION NUMBER: S231T290-4201 ELECTRICAL EQUIP NUMBER: S00004 SERVICE BULLETIN OPT DATA: BCREFA0501 V81590 851-35100-5001 V81590 S231T290-5001 POST SERVICE BULLETIN: 34-0238	009009 107107	1
- 50	233N2223-334		.MODULE ASSY-P3-3 POST SERVICE BULLETIN: 34-0414 34-0416	009009 107107	RF

MISSING ITEM NUMBERS NOT APPLICABLE

- ITEM NOT ILLUSTRATED

34-21-02-04

34-21-02  
FIG. 04  
PAGE 7  
JAN 20/09

BRI



757

PARTS CATALOG (MAINTENANCE)

FIG ITEM	PART NUMBER	1 2 3 4 5 6 7	NOMENCLATURE	EFFECT FROM TO	UNITS PER ASSY
4					
55	233N2223-61	..	MODULE SUB ASSY-P3-3 POST SERVICE BULLETIN: 34-0414 34-0416	009009 107107	RF
60	BCREFA0501	...	SWITCH ASSY-LIGHTED PUSH BUTTON IND ALTN SUPPLIER CODE: V81590 OVERLENGTH PART NUMBER: 433-673-1004-4001 SPECIFICATION NUMBER: S231T290-4001 ELECTRICAL EQUIP NUMBER: S00004 OPTIONAL PART: 4336731004-4201 V81590 POST SERVICE BULLETIN: 34-0238 FOR DETAILS SEE: 33-13-00-43	009009 107107	1
60	S231T290-5001	...	SWITCH ASSY-LIGHTED PUSH BUTTON IND ALTN ELECTRICAL EQUIP NUMBER: S00004 SERVICE BULLETIN OPT DATA: BCREFA0501 V81590 851-35100-5001 V81590 4336731004-4201 V81590 POST SERVICE BULLETIN: 34-0238	009009 107107	1
60	851-35100-5001	...	SWITCH ASSY-LIGHTED PUSH BUTTON IND ALTN SUPPLIER CODE: V81590 ELECTRICAL EQUIP NUMBER: S00004 SERVICE BULLETIN OPT DATA: 4336731004-4201 V81590 BCREFA0501 V81590 S231T290-5001 POST SERVICE BULLETIN: 34-0238	009009 107107	1

MISSING ITEM NUMBERS NOT APPLICABLE

- ITEM NOT ILLUSTRATED

34-21-02-04

34-21-02  
FIG. 04  
PAGE 8  
JAN 20/09

BRI





757

PARTS CATALOG (MAINTENANCE)

FIG ITEM	PART NUMBER	1 2 3 4 5 6 7	NOMENCLATURE	EFFECT FROM TO	UNITS PER ASSY
4 60	4336731004-4201		...SWITCH ASSY-LIGHTED PUSH BUTTON IND ALTN SUPPLIER CODE: V81590 SPECIFICATION NUMBER: S231T290-4201 ELECTRICAL EQUIP NUMBER: S00004 SERVICE BULLETIN OPT DATA: BCREFA0501 V81590 851-35100-5001 V81590 S231T290-5001 POST SERVICE BULLETIN: 34-0238	009009 107107	1

MISSING ITEM NUMBERS NOT APPLICABLE

- ITEM NOT ILLUSTRATED

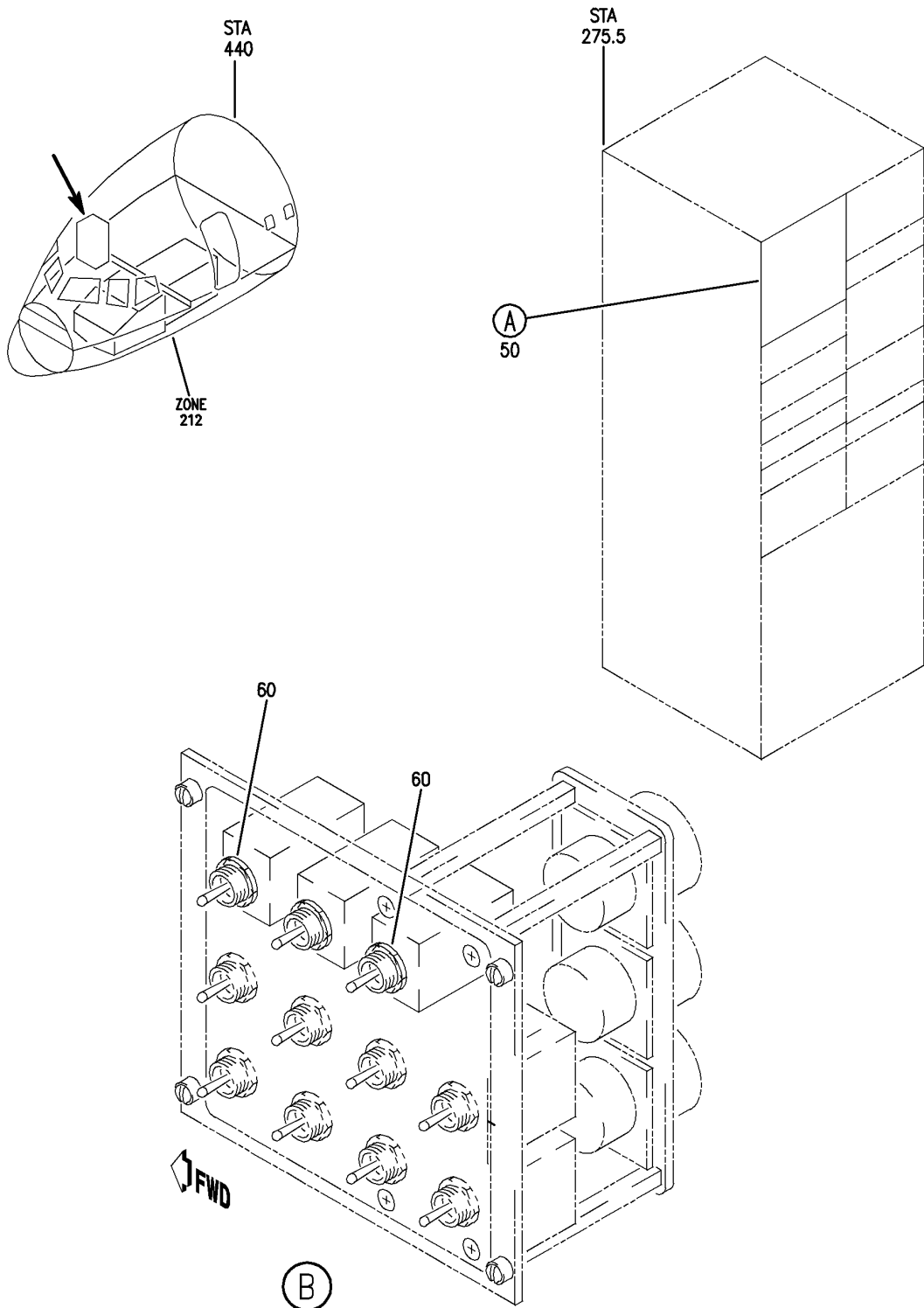
BRI

34-21-02-04

BOEING PROPRIETARY - Copyright © - Unpublished Work - See title page for details.

34-21-02  
FIG. 04  
PAGE 9  
JAN 20/09

**BOEING**  
757  
PARTS CATALOG (MAINTENANCE)



Y 34215102 REV 231

PANEL INSTL-P61 R SIDEWALL (ALTITUDE AND DIRECTION ONLY)  
FIGURE 2

**34-21-51-02**

BRI  
JAN 20/09

34-21-51-02  
PAGE 0



757

PARTS CATALOG (MAINTENANCE)

FIG ITEM	PART NUMBER	1 2 3 4 5 6 7	NOMENCLATURE	EFFECT FROM TO	UNITS PER ASSY
2			PANEL INSTL-P61 R SIDEWALL (ALTITUDE AND DIRECTION ONLY)	103106	
- 2	MODREF33342		PANEL INSTL- (ALTITUDE AND DIRECTION ONLY) MODULE NUMBER: 233N7403-171 REV A FOR OTHER SYS DETAILS SEE: 11-32-01-98 21-58-51-04 22-21-51-01 23-41-52-01 24-22-73-02 26-18-53-02 26-21-52-01 26-22-52-01 26-23-52-03 27-23-51-02 28-41-51-04 29-22-52-01 30-11-52-01 30-41-51-04 31-14-16-87 31-31-04-01 31-41-53-01 31-51-51-01 34-12-54-01 34-46-51-05 34-61-53-03	103106	1
50	233N7501-41		.PANEL ASSY-TEST SUPPLIER CODE: V89954 ELECTRICAL EQUIP NUMBER: M10398 COMPONENT MAINT MANUAL REF: 31-51-61	103106	RF
60	64AT22-7		..SWITCH-TG SUPPLIER CODE: V91929	103106	3

MISSING ITEM NUMBERS NOT APPLICABLE

- ITEM NOT ILLUSTRATED

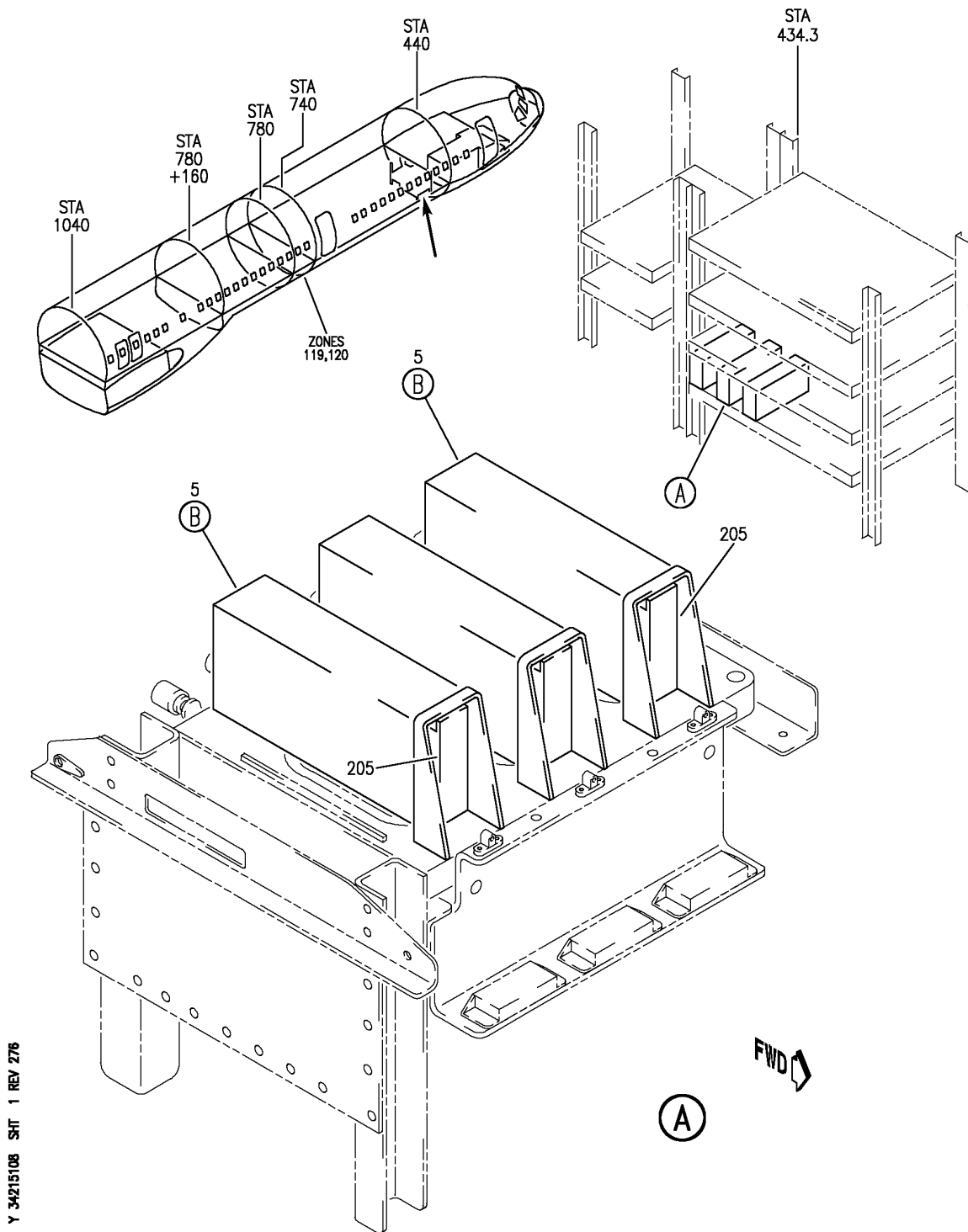
BRI

34-21-51-02

BOEING PROPRIETARY - Copyright © - Unpublished Work - See title page for details.

34-21-51  
FIG. 02  
PAGE 1  
JAN 20/09

**BOEING**  
757  
PARTS CATALOG (MAINTENANCE)



Y 34215108 SH1 1 REV 276

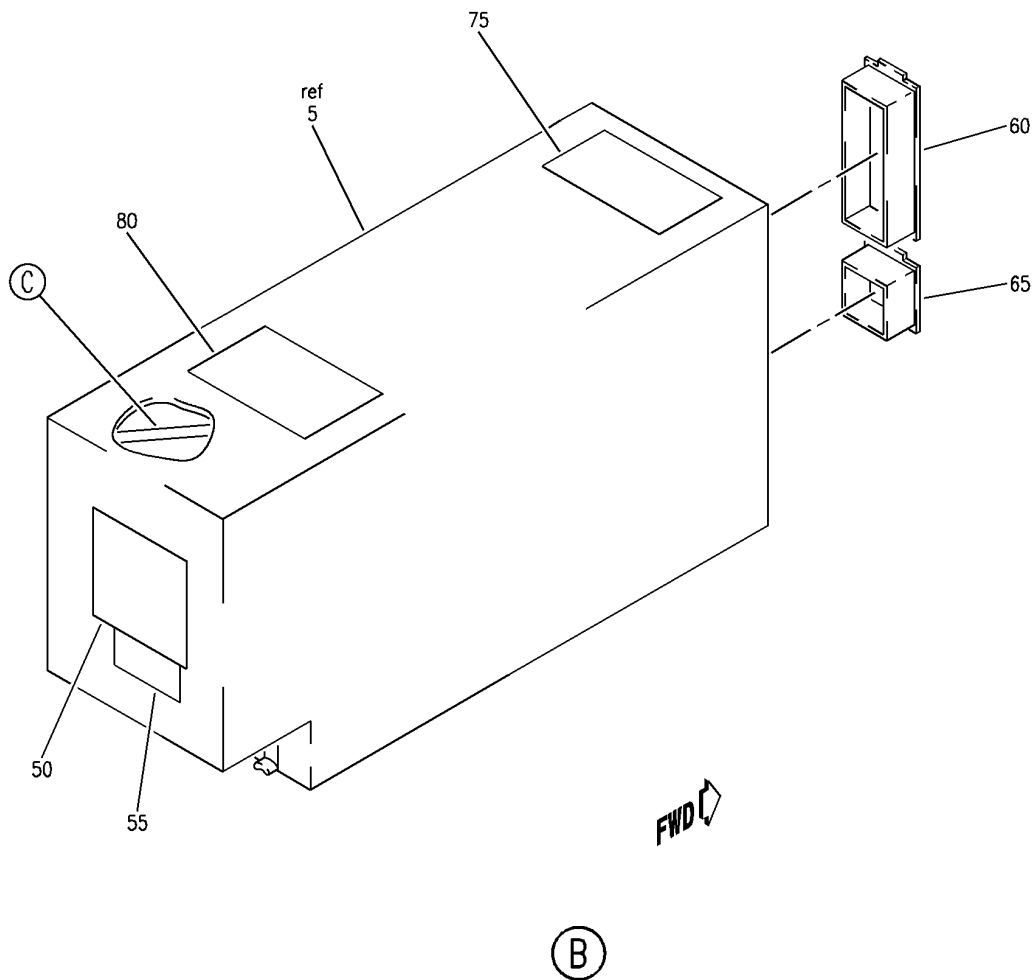
EQUIPMENT INSTL-MAIN ELECTRONICS EQPT CTR AIR DATA IRU  
FIGURE 8 (SHEET 1)

**34-21-51-08**

BRI  
JAN 20/09

34-21-51-08  
PAGE 0

**BOEING**  
757  
PARTS CATALOG (MAINTENANCE)



Y 34215108 SH1 2 REV 295

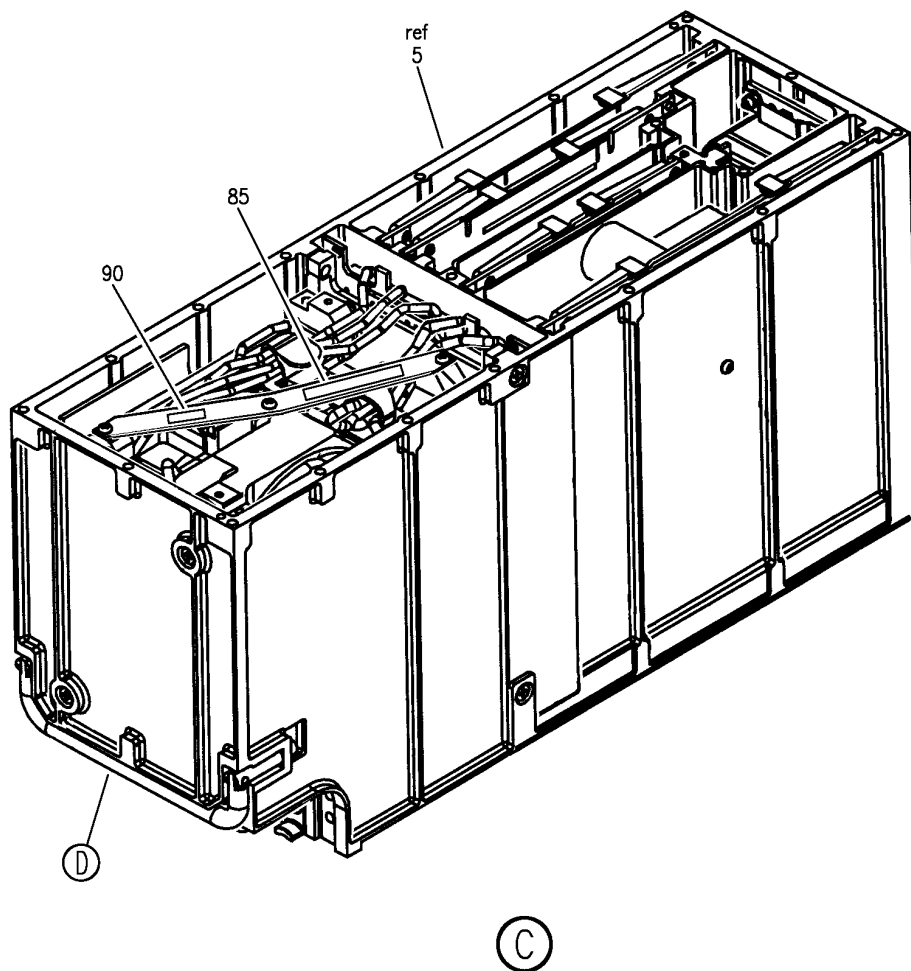
EQUIPMENT INSTL-MAIN ELECTRONICS EQPT CTR AIR DATA IRU  
FIGURE 8 (SHEET 2)

**34-21-51-08**

BRI  
JAN 20/09

34-21-51-08  
PAGE 0A

**BOEING**  
757  
PARTS CATALOG (MAINTENANCE)



Y 34215108 SH1 3 REV 295

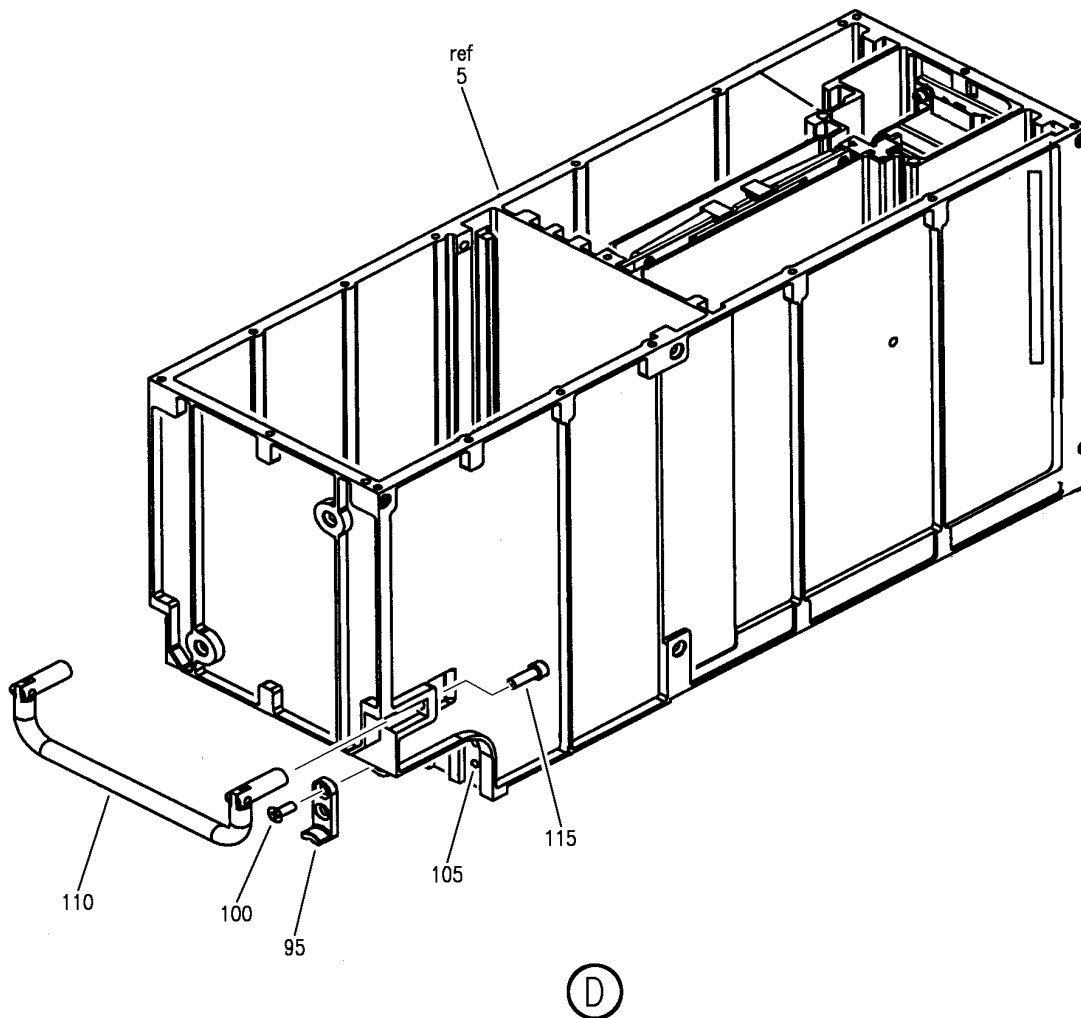
EQUIPMENT INSTL-MAIN ELECTRONICS EQPT CTR AIR DATA IRU  
FIGURE 8 (SHEET 3)

**34-21-51-08**

BRI  
JAN 20/09

34-21-51-08  
PAGE 08

**BOEING**  
757  
PARTS CATALOG (MAINTENANCE)



Y 34215108 SH1 4 REV 295

EQUIPMENT INSTL-MAIN ELECTRONICS EQPT CTR AIR DATA IRU  
FIGURE 8 (SHEET 4)

**34-21-51-08**

BRI  
JAN 20/09

34-21-51-08  
PAGE 0C



757

PARTS CATALOG (MAINTENANCE)

FIG ITEM	PART NUMBER	1 2 3 4 5 6 7	NOMENCLATURE	EFFECT FROM TO	UNITS PER ASSY
8			EQUIPMENT INSTL-MAIN ELECTRONICS EQPT CTR AIR DATA IRU	103106	
- 1	MODREF10448		EQUIPMENT INSTL-MAIN ELECTRONICS EQPT CTR AIR DATA IRU	103106	1
5	HG2050AC07		MODULE NUMBER: 284N4000-340086 REV A .REFERENCE UNIT-AIR DATA INTERNAL SUPPLIER CODE: V65507 FUNCTIONAL DESCRIPTION: COMPUTES INERTIAL NAVIGATION PARAMETERS USING ACCELEROMETERS AND RING LASER GYROS. SPECIFICATION NUMBER: S242A101-006 ELECTRICAL EQUIP NUMBER: M11557 M11558 M11559 COMPONENT MAINT MANUAL REF: 34-26-93 QUALIFIED I/W DATA: HG2050AC05 IS INTERCHANGEABLE AND INTERMIXABLE WITH HG2050AC07 ONLY ON 757-300 ACFT PRIOR TO LINE NUMBER 972 WHICH DO NOT HAVE SB 757-34-0269 INCORPORATED. 757-300 ACFT WHICH HAVE THE 2005 MAGVAR OPTION ACTIVATED MUST USE HG2050AC07. REF 757-SL-34-141.	103106	3
50	26014885-502		..PLATE-IDENT SUPPLIER CODE: V65507 CONFIG CHG DATA FROM A CMM: SUPSD BY 26014885-504 USED ON: HG2050AC07	103106	1

MISSING ITEM NUMBERS NOT APPLICABLE

- ITEM NOT ILLUSTRATED

34-21-51-08

34-21-51  
FIG. 08  
PAGE 1  
JAN 20/09

BRI





757

PARTS CATALOG (MAINTENANCE)

FIG ITEM	PART NUMBER	1 2 3 4 5 6 7	NOMENCLATURE	EFFECT FROM TO	UNITS PER ASSY
8					
50	26014885-504	..	PLATE-IDENT SUPPLIER CODE: V65507 CONFIG CHG DATA FROM A CMM: SUPERSEDES 26014885-502 USED ON: HG2050AC07	103106	1
50	26014885-506	..	PLATE-IDENT SUPPLIER CODE: V65507 USED ON: HG2050AC07	103106	1
55	26015740-101	..	PLATE-IDENT SUPPLIER CODE: V65507 CONFIG CHG DATA FROM A CMM: SUPSD BY 26019328-101	103106	1
55	26015740-104	..	PLATE-IDENT SUPPLIER CODE: V65507 CONFIG CHG DATA FROM A CMM: SUPSD BY 26019328-101	103106	1
55	26019328-101	..	PLATE-IDENT SUPPLIER CODE: V65507 CONFIG CHG DATA FROM A CMM: SUPERSEDES 26015740-101 SUPERSEDES 26015740-104	103106	1
60	025-1157-001	..	CAP- SUPPLIER CODE: V71468 OPTIONAL PART: 4041437-5 V58960 OPTIONAL PART: 211600-2 V00779 USED WITH: 025-1158-001	103106	1

MISSING ITEM NUMBERS NOT APPLICABLE

- ITEM NOT ILLUSTRATED

34-21-51-08

34-21-51  
FIG. 08  
PAGE 2  
JAN 20/09

BRI



757

PARTS CATALOG (MAINTENANCE)

FIG ITEM	PART NUMBER	1 2 3 4 5 6 7	NOMENCLATURE	EFFECT FROM TO	UNITS PER ASSY
8					
65	025-1158-001	..CAP-	SUPPLIER CODE: V71468 OPTIONAL PART: 4041437-6 V58960 OPTIONAL PART: 211600-2 V00779 USED WITH: 025-1157-001	103106	1
- 70	211600-2	..CAP-	SUPPLIER CODE: V00779 OPTIONAL PART: 025-1157-001 V71468 025-1158-001 V71468	103106	1
75	10093591-101	..PLATE-INSTRUCTION	SUPPLIER CODE: V65507	103106	1
80	10093591-102	..PLATE-INFORMATION	SUPPLIER CODE: V65507	103106	1
85	26006120-101	..PLATE-IDENT	SUPPLIER CODE: V65507 OPTIONAL PART: 26006120-102 V65507	103106	1
85	26006120-102	..PLATE-IDENT	SUPPLIER CODE: V65507 OPTIONAL PART: 26006120-101 V65507	103106	1
90	10080601-107	..PLATE-DESIGNATION	SUPPLIER CODE: V65507	103106	1
95	NAS622CT2	..HOOK		103106	2
100	MS24693C26	..SCREW		103106	2
105	MS21209C0615P	..INSERT-	OPTIONAL PART: MS21209C015	103106	8

MISSING ITEM NUMBERS NOT APPLICABLE

- ITEM NOT ILLUSTRATED

34-21-51-08

34-21-51  
FIG. 08  
PAGE 3  
JAN 20/09

BRI



757

PARTS CATALOG (MAINTENANCE)

FIG ITEM	PART NUMBER	1 2 3 4 5 6 7	NOMENCLATURE	EFFECT FROM TO	UNITS PER ASSY
8					
105	MS21209C0615		.. INSERT- OPTIONAL PART: MS21209C015P	103106	8
110	14053A0832-1B		.. HANDLE- SUPPLIER CODE: V06540 MISCELLANEOUS DATA: HONEYWELL SUPPL CNTL DWG 26015239-101 ATTACHING PARTS	103106	1
115	NAS1352C08-8		.. SCREW -----*-----	103106	2
- 200	286N1177-601		WIRE BUNDLE ASSY	103106	RF
205	BCREF9395		. PLATE ASSY-PLUG OVERLENGTH PART NUMBER: BACC66H21C06AA01 ELECTRICAL EQUIP NUMBER: D03881 D03885 D03883 WIRING DIAGRAM REF: 342171 342181	103106	3
- 210	RBGP48-116N		. BLOCK-GND SUPPLIER CODE: V09922 SPECIFICATION NUMBER: S280W601-116 ELECTRICAL EQUIP NUMBER: D03881T D03885T D03883T WIRING DIAGRAM REF: 342171 342181	103106	3

MISSING ITEM NUMBERS NOT APPLICABLE

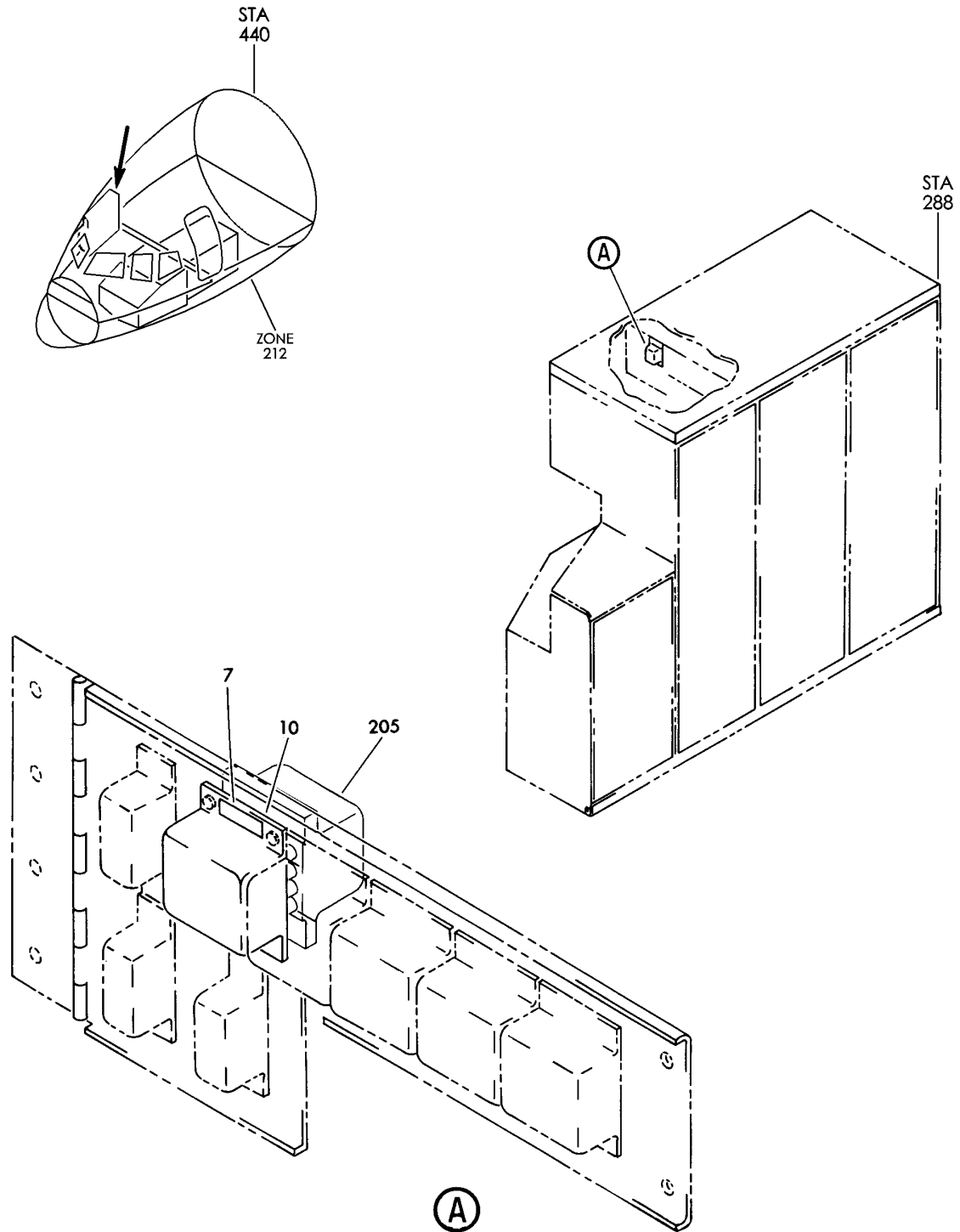
- ITEM NOT ILLUSTRATED

34-21-51-08

34-21-51  
FIG. 08  
PAGE 4  
JAN 20/09

BRI

**BOEING**  
757  
PARTS CATALOG (MAINTENANCE)



Y 34217102 REV 229

PANEL ASSY-P6 PWR DISTR (INERTIAL REFERENCE SYSTEM ONLY)  
FIGURE 2

**34-21-71-02**

BRI  
MAY 28/07

34-21-71-02  
PAGE 0



757

PARTS CATALOG (MAINTENANCE)

FIG ITEM	PART NUMBER	1 2 3 4 5 6 7	NOMENCLATURE	EFFECT FROM TO	UNITS PER ASSY
2			PANEL ASSY-P6 PWR DISTR (INERTIAL REFERENCE SYSTEM ONLY)	002004 006102 107107 121999	
- 3	287N4102-204		PANEL ASSY-P6 PWR DISTR (INERTIAL REFERENCE SYSTEM ONLY) FOR NHA/OTHER SYS DET SEE: 24-51-51-01	107107	RF
- 4	287N4102-217		PANEL ASSY-P6 PWR DISTR (INERTIAL REFERENCE SYSTEM ONLY) FOR NHA/OTHER SYS DET SEE: 24-51-51-01	121503 904949	RF
- 5	287N4102-99		PANEL ASSY-P6 PWR DISTR (INERTIAL REFERENCE SYSTEM ONLY) VARIABLE DRAWING REF: 287N4102-5112 287N4102-5113 287N4102-5116 FOR NHA/OTHER SYS DET SEE: 24-51-51-01	002004 006100 950999	RF
- 6	287N4102-1201		PACKAGE ASSY-P6 PWR DISTR (INERTIAL REFERENCE SYSTEM ONLY) FOR NHA/OTHER SYS DET SEE: 24-51-51-05 24-51-51-09	101102 504903	RF
7	BAC27NEL0051		.MARKER-ALUMINUM FOIL PLACARD CONTENT: K137	107107 121503 904949	1
7	BAC27NEX2602		.MARKER-ALUMINUM FOIL PLACARD CONTENT: K137	002004 006100 950999	1
10	M83726-3-155		.RELAY- ELECTRICAL EQUIP NUMBER: K00137 OPTIONAL PART: M83726-28-3003P	002004 006102 107107 121999	1
10	M83726-28-3003P		.RELAY- ELECTRICAL EQUIP NUMBER: K00137 OPTIONAL PART: M83726-3-155	002004 006102 107107 121999	1
- 200	286N0074-001		WIRE BUNDLE ASSY-	107107 121503 904949	RF

MISSING ITEM NUMBERS NOT APPLICABLE

- ITEM NOT ILLUSTRATED

34-21-71-02

34-21-71  
FIG. 02  
PAGE 1  
JAN 20/09

BRI



757

PARTS CATALOG (MAINTENANCE)

FIG ITEM	PART NUMBER	1 2 3 4 5 6 7	NOMENCLATURE	EFFECT FROM TO	UNITS PER ASSY
2					
- 200	286N0074-002		WIRE BUNDLE ASSY-	002004	RF
				006100	
				950999	
- 200	286N0074-305		WIRE BUNDLE ASSY	101102	RF
- 201	286N0074-317		WIRE BUNDLE ASSY	504903	RF
205	BACS16W1		.SOCKET-	002004	1
			ELECTRICAL EQUIP NUMBER:	006102	
			D00145	107107	
			WIRING DIAGRAM REF:	121999	
			342121		

MISSING ITEM NUMBERS NOT APPLICABLE

- ITEM NOT ILLUSTRATED

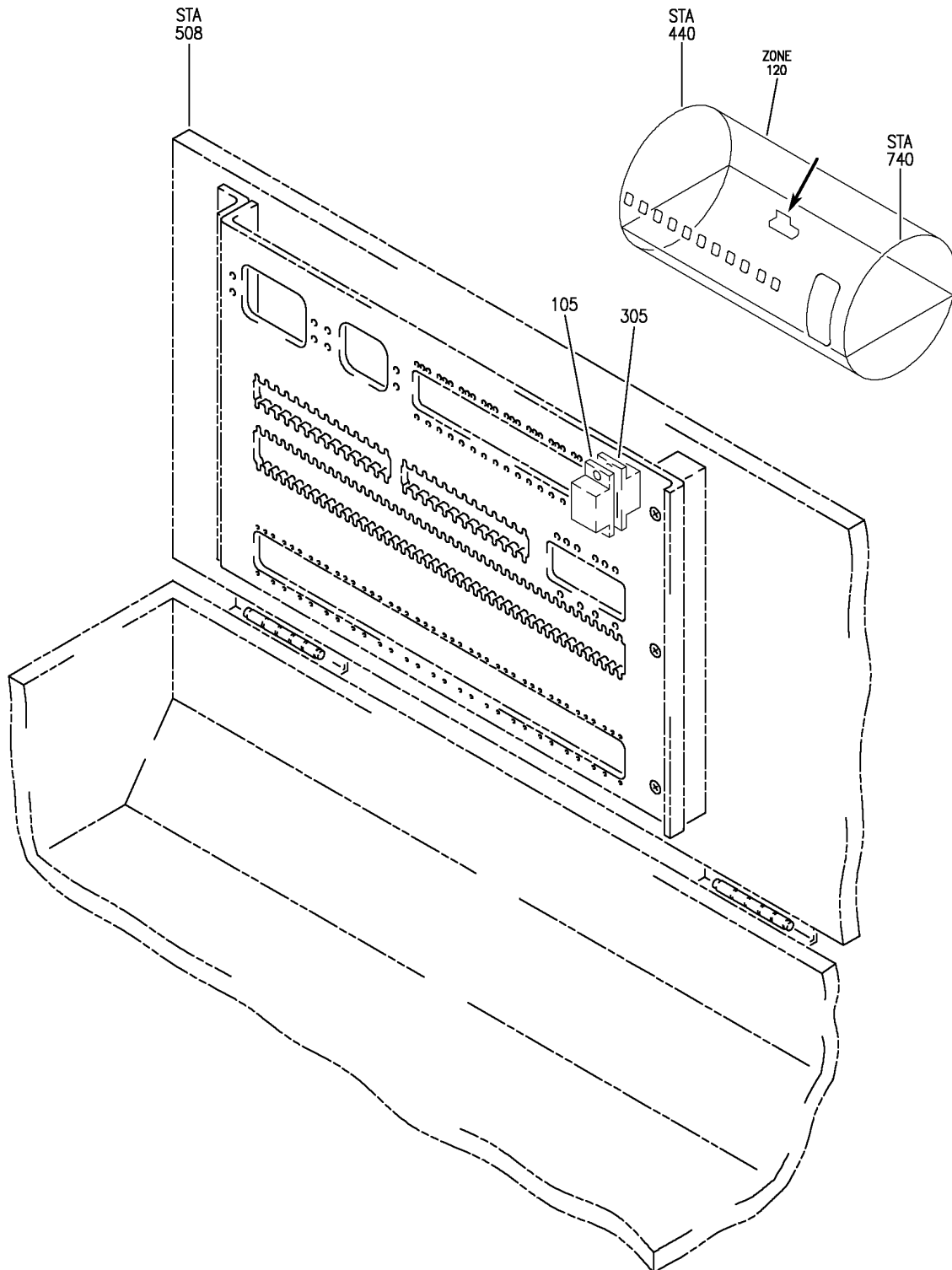
BRI

34-21-71-02

BOEING PROPRIETARY - Copyright © - Unpublished Work - See title page for details.

34-21-71  
FIG. 02  
PAGE 2  
JAN 20/09

**BOEING**  
757  
PARTS CATALOG (MAINTENANCE)



Y 34217102C REV 250

PANEL INSTL-P36 L MISC RELAY (INERTIAL REFERENCE SYSTEM ONLY)  
FIGURE 2C

**34-21-71-02C**

BRI  
JAN 20/09

34-21-71-02C  
PAGE 0



757

PARTS CATALOG (MAINTENANCE)

FIG ITEM	PART NUMBER	1 2 3 4 5 6 7	NOMENCLATURE	EFFECT FROM TO	UNITS PER ASSY
2C			PANEL INSTL-P36 L MISC RELAY (INERTIAL REFERENCE SYSTEM ONLY)	103106	
- 3	MODREF31944		PANEL INSTL-P36 L MISC RELAY (INERTIAL REFERENCE SYSTEM ONLY) MODULE NUMBER: 284N1125-123 REV A FOR OTHER SYS DETAILS SEE: 11-36-08-03C 21-25-71-02C 21-33-71-02C 21-51-56-01C 21-58-71-02C 23-12-00-05 23-31-54-01C 23-34-52-01C 24-21-51-01A 26-15-71-02C 26-16-71-01C 26-22-71-01C 27-48-52-03C 27-51-71-03C 27-58-71-02C 27-62-71-03C 29-11-71-03C 29-21-71-01C 30-21-71-03C 30-34-51-01C 31-01-36-01 32-09-02-03C 32-35-71-01C 32-42-71-02C 32-44-71-02C 32-61-71-02C 34-12-71-02C 34-22-52-01C 34-61-52-01C 36-11-71-02C 73-21-55-01C 74-31-71-02C 76-11-71-02C 77-12-71-01C 78-34-71-02C 78-36-71-02C 80-11-71-02C	103106	1
MISSING ITEM NUMBERS NOT APPLICABLE					

- ITEM NOT ILLUSTRATED

**34-21-71-02C**

34-21-71  
FIG. 02C  
PAGE 1  
JAN 20/09

BRI





757

PARTS CATALOG (MAINTENANCE)

FIG ITEM	PART NUMBER	1 2 3 4 5 6 7	NOMENCLATURE	EFFECT FROM TO	UNITS PER ASSY
2C 105	E410-1537		.RELAY- SUPPLIER CODE: V99699 SPECIFICATION NUMBER: BACR13CG2A OPTIONAL PART: E415-1078 V99699 BR230S0116 V56623 KD4A017 V58687 FCA410-62 V78290 ELECTRICAL EQUIP NUMBER: K10823	103106	1
- 300 305	286N1260-601 BACS16W1		WIRE BUNDLE ASSY .SOCKET- ELECTRICAL EQUIP NUMBER: D04031 WIRING DIAGRAM REF: 342171	103106 103106	RF 1

MISSING ITEM NUMBERS NOT APPLICABLE

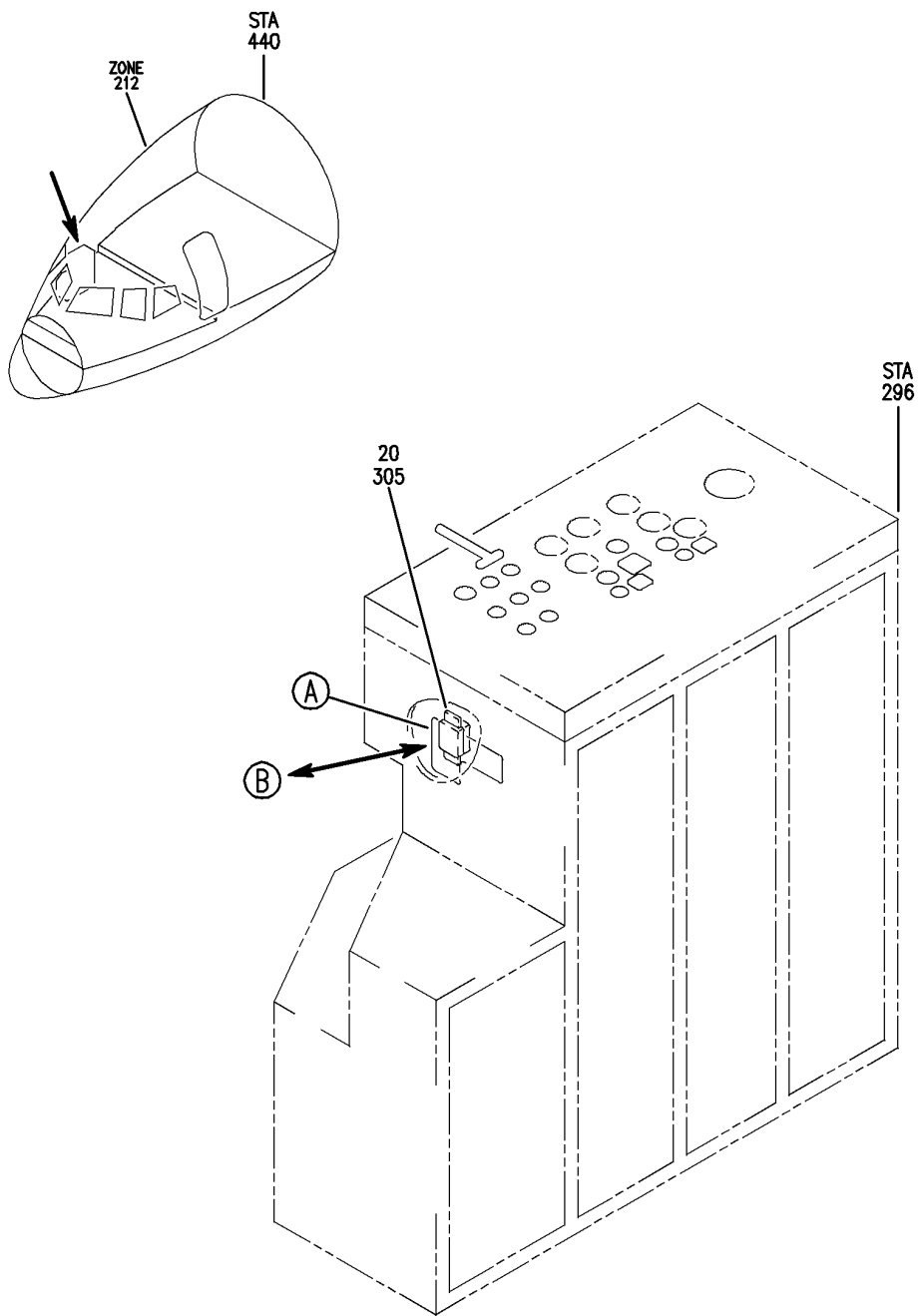
- ITEM NOT ILLUSTRATED

34-21-71-02C

34-21-71  
FIG. 02C  
PAGE 2  
JAN 20/09

BRI

**BOEING**  
757  
PARTS CATALOG (MAINTENANCE)



Y 34217103 SHT 1 REV 228

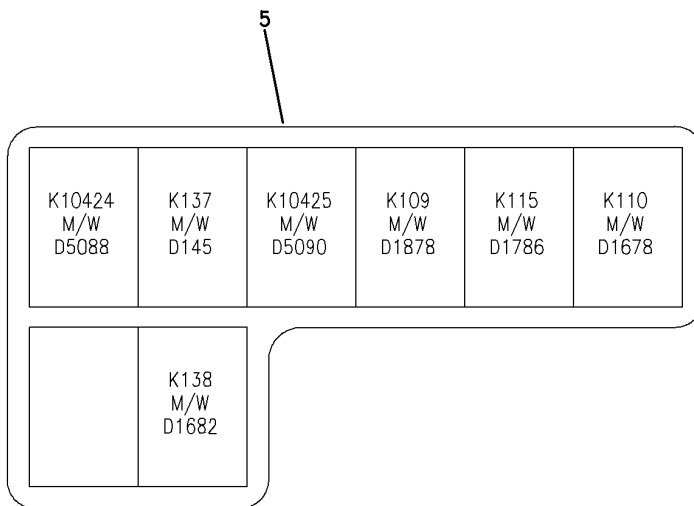
PANEL INSTL-P6 PWR DISTR (NAVIGATION ONLY)  
FIGURE 3 (SHEET 1)

**34-21-71-03**

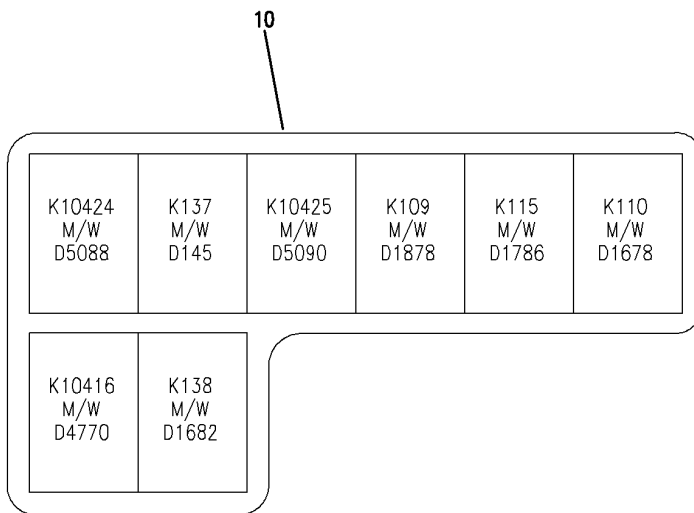
BRI  
JAN 20/09

34-21-71-03  
PAGE 0

**BOEING**  
757  
**PARTS CATALOG (MAINTENANCE)**



(A)



(B)

Y 34217103 SH1 2 REV 228

PANEL INSTL-P6 PWR DISTR (NAVIGATION ONLY)  
FIGURE 3 (SHEET 2)

**34-21-71-03**

BRI  
JAN 20/09

34-21-71-03  
PAGE 0A



757

PARTS CATALOG (MAINTENANCE)

FIG ITEM	PART NUMBER	1 2 3 4 5 6 7	NOMENCLATURE	EFFECT FROM TO	UNITS PER ASSY
3			PANEL INSTL-P6 PWR DISTR (NAVIGATION ONLY)	108120	
- 1	287N4102-408		PANEL INSTL-P6 PWR DISTR (NAVIGATION ONLY) FOR NHA/OTHER SYS DET SEE: 24-00-58-05F	108120	RF
10	BAC27NEX2611		.DECAL-	108120	RF
20	M83726-3-155		.RELAY-	108120	1
			ELECTRICAL EQUIP NUMBER: K00137 OPTIONAL PART: M83726-28-3003P		
20	M83726-28-3003P		.RELAY-	108120	1
			ELECTRICAL EQUIP NUMBER: K00137 OPTIONAL PART: M83726-3-155		
- 300	286N0074-318		WIRE BUNDLE ASSY	108120	RF
305	BACS16W1		.SOCKET-	108120	1
			ELECTRICAL EQUIP NUMBER: D00145 WIRING DIAGRAM REF: 342121		

MISSING ITEM NUMBERS NOT APPLICABLE

- ITEM NOT ILLUSTRATED

34-21-71-03

34-21-71  
FIG. 03  
PAGE 1  
JAN 20/09

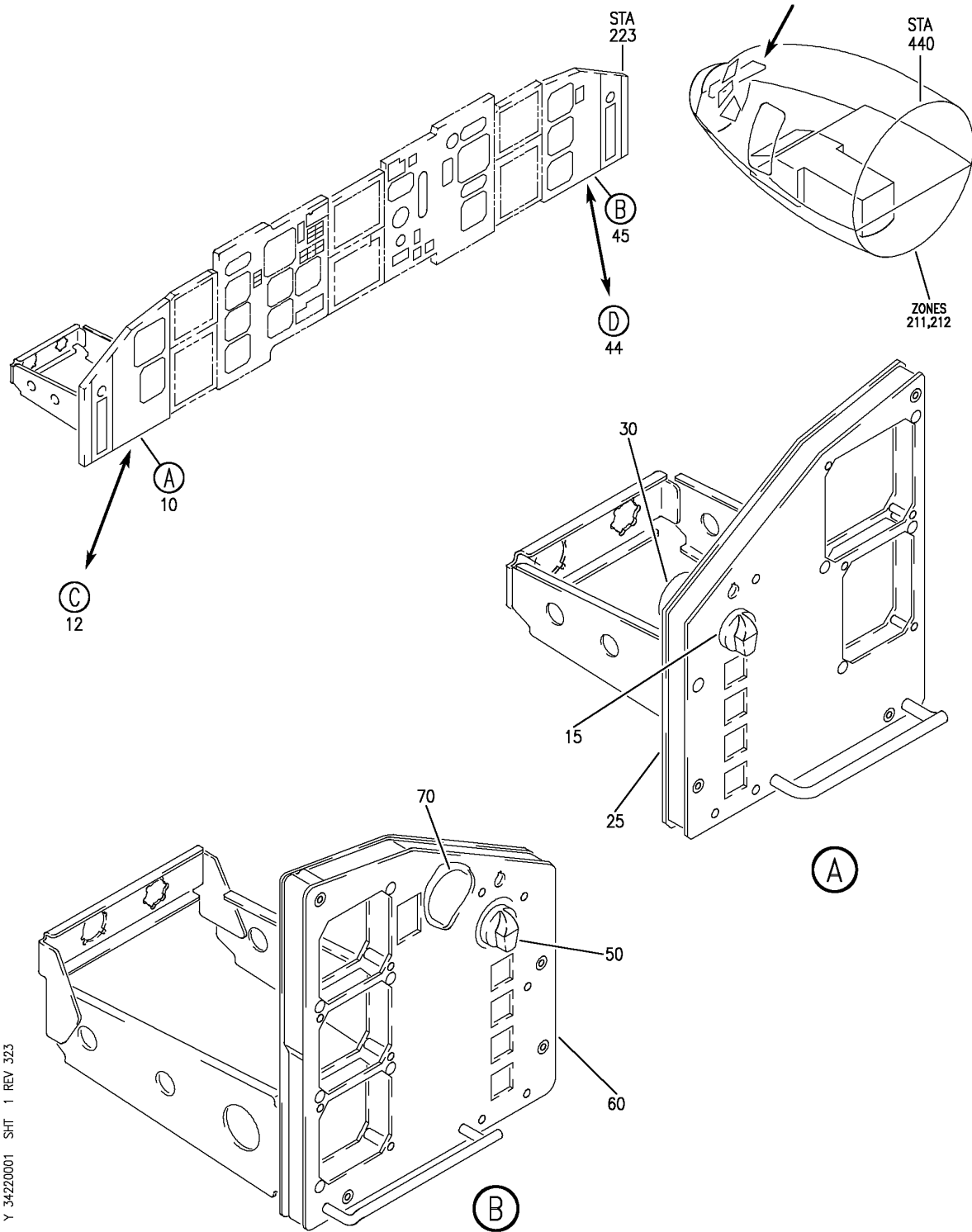
BRI

## FLIGHT INSTRUMENT SYSTEM

BRI  
MAY 28/07

34-22-00  
SECTION TITLE  
PAGE 1

**BOEING**  
757  
**PARTS CATALOG (MAINTENANCE)**



Y 34-22-00-01 SH-T 1 REV 323

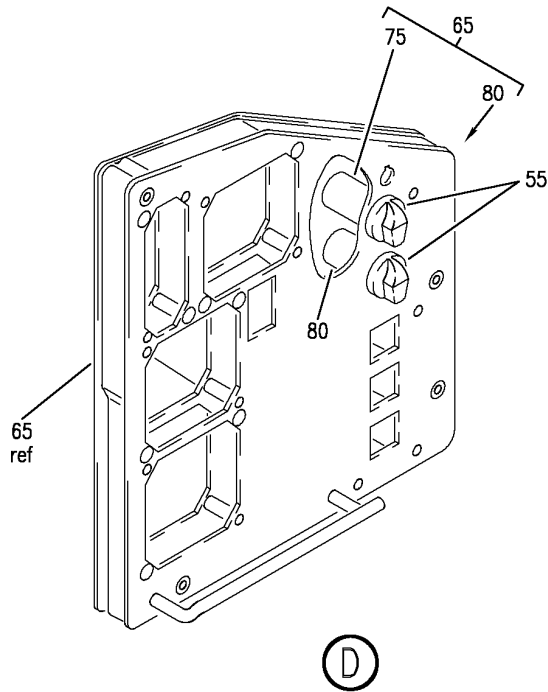
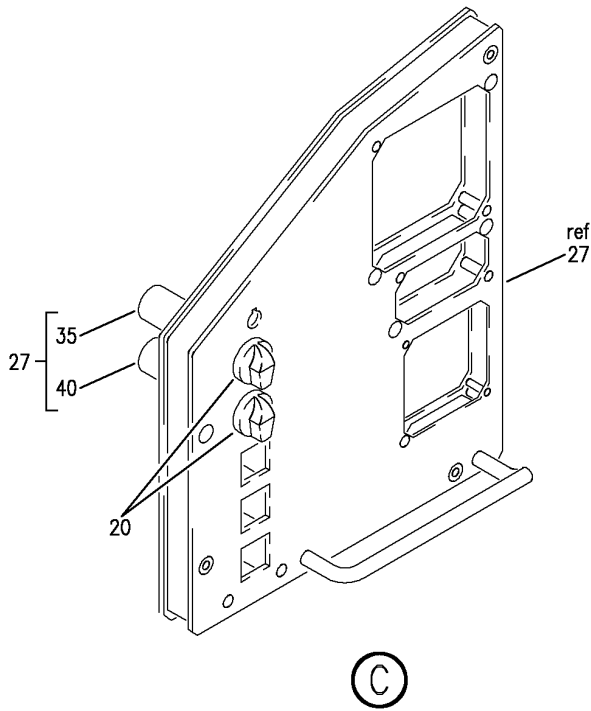
PANEL INSTL-CAPT AND FIRST OFFICER FWD (FLIGHT INSTRUMENT SYSTEM ONLY)  
FIGURE 1

**34-22-00-01**

BRI  
MAY 20/08

34-22-00-01  
PAGE 0

**BOEING**  
757  
**PARTS CATALOG (MAINTENANCE)**



Y 34-22-0001 SH-T 2 REV 323

PANEL INSTL-CAPT AND FIRST OFFICER FWD (FLIGHT INSTRUMENT SYSTEM ONLY)  
FIGURE 1

BRI  
MAY 20/08

**34-22-00-01**

34-22-00-01  
PAGE 0A



757

PARTS CATALOG (MAINTENANCE)

FIG ITEM	PART NUMBER	1 2 3 4 5 6 7	NOMENCLATURE	EFFECT FROM TO	UNITS PER ASSY
1			PANEL INSTL-CAPT AND FIRST OFFICER FWD (FLIGHT INSTRUMENT SYSTEM ONLY)	011100	
- 1	233N2101-1		PANEL INSTL-CAPT AND FIRST OFFICER (FLIGHT INSTRUMENT SYSTEM ONLY) POSITION DATA: FWD VARIABLE DRAWING REF: 233N2101-5039 FOR NHA/OTHER SYS DET SEE: 25-10-00-05A	011100	RF
10	233N2220-301		.MODULE ASSY-P1-1 COMPONENT MAINT MANUAL REF: 31-11-47	011100	RF
15	BP248-127		..KNOB- SUPPLIER CODE: V15084	011100	1
15	BP248-110		..KNOB- SUPPLIER CODE: V15084 SPECIFICATION NUMBER: 452-016-9001	011100	1
25	233N2220-10		..MODULE ASSY-	011100	RF
30	AC45-0008		...SWITCH- SUPPLIER CODE: V91812 ELECTRICAL EQUIP NUMBER: S00001 OPTIONAL PART: AC45-0008-1 V91812 AC45-0008-2 V91812	011100	1
30	AC45-0008-1		...SWITCH- SUPPLIER CODE: V91812 ELECTRICAL EQUIP NUMBER: S00001 OPTIONAL PART: AC45-0008 V91812 AC45-0008-2 V91812	011100	1

MISSING ITEM NUMBERS NOT APPLICABLE

- ITEM NOT ILLUSTRATED

BRI

34-22-00-01

34-22-00  
FIG. 01  
PAGE 1  
JAN 20/09





757

PARTS CATALOG (MAINTENANCE)

FIG ITEM	PART NUMBER	1 2 3 4 5 6 7	NOMENCLATURE	EFFECT FROM TO	UNITS PER ASSY
1					
30	AC45-0008-2	...	SWITCH- SUPPLIER CODE: V91812 ELECTRICAL EQUIP NUMBER: S00001 OPTIONAL PART: AC45-0008 V91812 AC45-0008-1 V91812	011100	1
45	233N2223-301	.	MODULE ASSY-P3-3 COMPONENT MAINT MANUAL REF: 31-11-50	011100	RF
50	BP248-127	..	KNOB- SUPPLIER CODE: V15084	011100	1
50	BP248-110	..	KNOB- SUPPLIER CODE: V15084 SPECIFICATION NUMBER: 452-016-9001	011100	1
60	233N2223-12	..	MODULE ASSY-	011100	RF
70	AC45-0008	...	SWITCH- SUPPLIER CODE: V91812 ELECTRICAL EQUIP NUMBER: S00009 OPTIONAL PART: AC45-0008-1 V91812 AC45-0008-2 V91812	011100	1
70	AC45-0008-1	...	SWITCH- SUPPLIER CODE: V91812 ELECTRICAL EQUIP NUMBER: S00009 OPTIONAL PART: AC45-0008 V91812 AC45-0008-2 V91812	011100	1

MISSING ITEM NUMBERS NOT APPLICABLE

- ITEM NOT ILLUSTRATED

34-22-00-01

34-22-00  
FIG. 01  
PAGE 2  
JAN 20/09

BRI

BOEING PROPRIETARY - Copyright © - Unpublished Work - See title page for details.



757

PARTS CATALOG (MAINTENANCE)

FIG ITEM	PART NUMBER	1 2 3 4 5 6 7	NOMENCLATURE	EFFECT FROM TO	UNITS PER ASSY
1 70	AC45-0008-2		... SWITCH- SUPPLIER CODE: V91812 ELECTRICAL EQUIP NUMBER: S00009 OPTIONAL PART: AC45-0008 V91812 AC45-0008-1 V91812	011100	1

MISSING ITEM NUMBERS NOT APPLICABLE

- ITEM NOT ILLUSTRATED

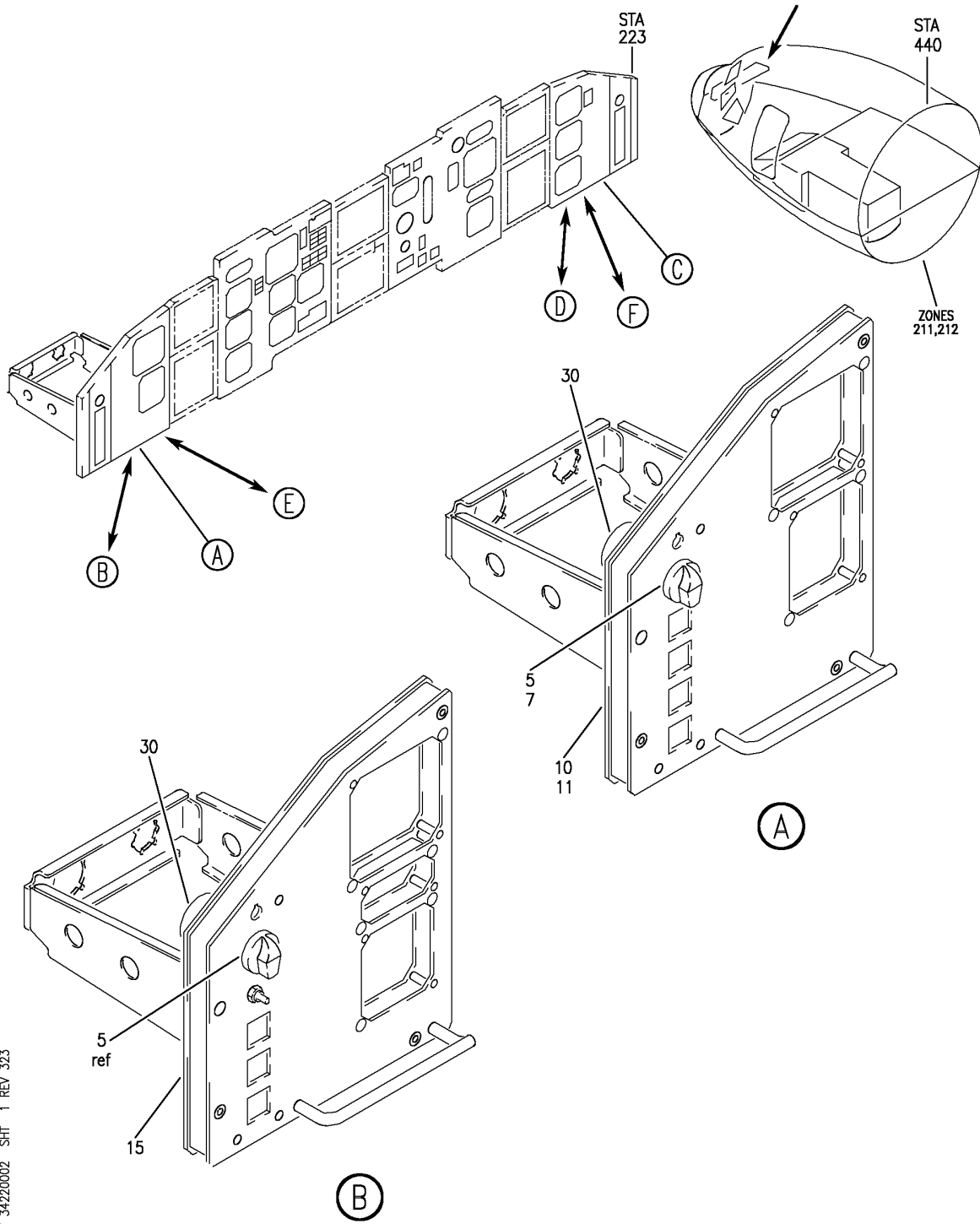
BRI

34-22-00-01

BOEING PROPRIETARY - Copyright © - Unpublished Work - See title page for details.

34-22-00  
FIG. 01  
PAGE 3  
JAN 20/09

**BOEING**  
757  
PARTS CATALOG (MAINTENANCE)



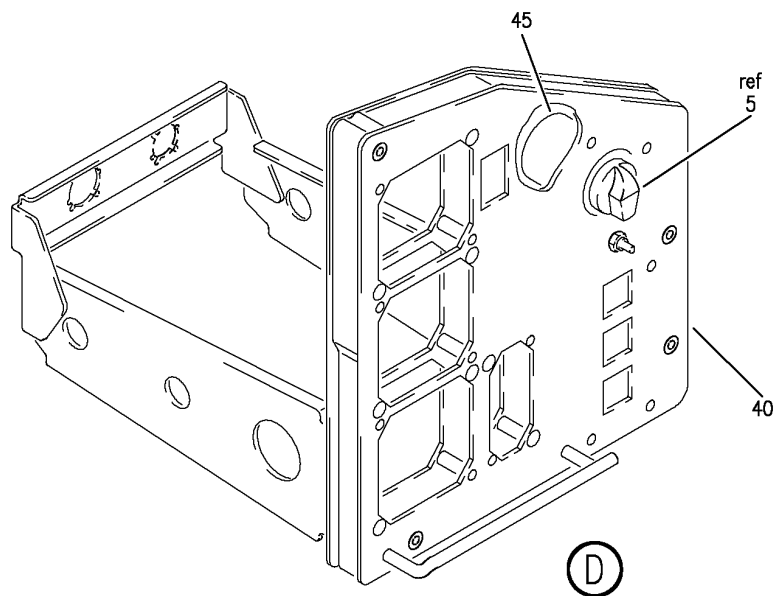
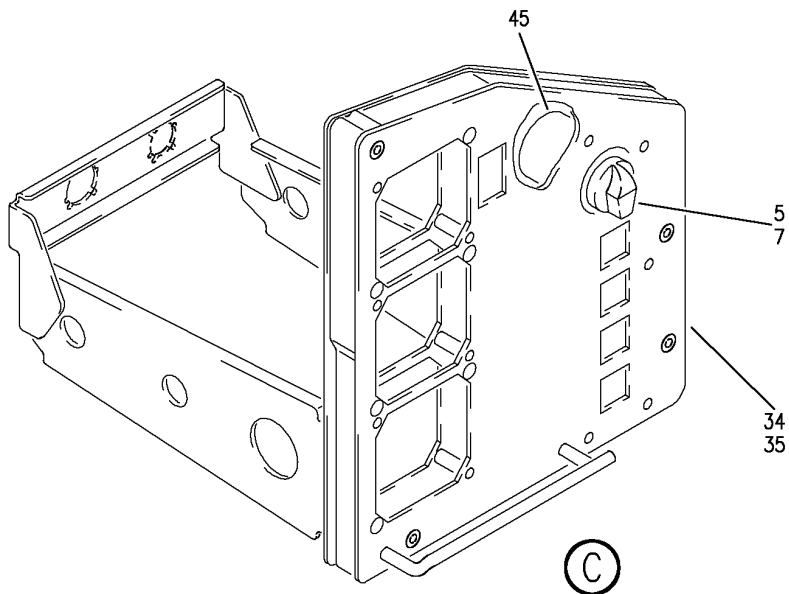
PANEL INSTL-CAPT AND FIRST OFFICER FWD (FLIGHT INSTRUMENT SYSTEM ONLY)  
FIGURE 2 (SHEET 1)

BRI  
MAY 20/08

**34-22-00-02**

34-22-00-02  
PAGE 0

**BOEING**  
757  
PARTS CATALOG (MAINTENANCE)



Y 34-22-00-02 SH1 2 REV 323

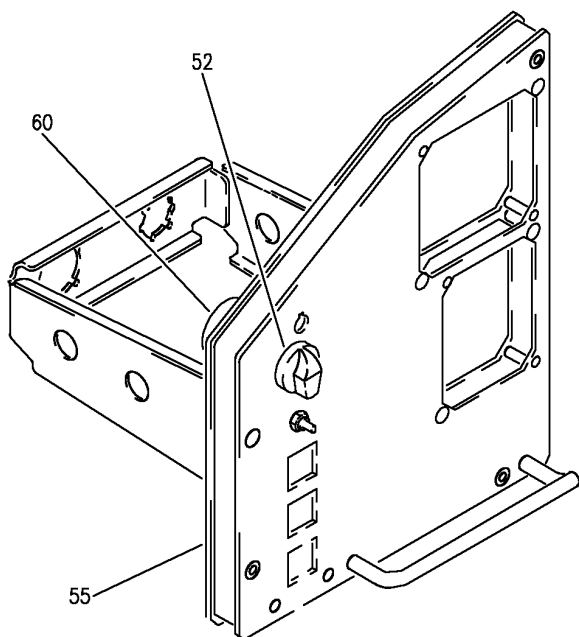
PANEL INSTL-CAPT AND FIRST OFFICER FWD (FLIGHT INSTRUMENT SYSTEM ONLY)  
FIGURE 2 (SHEET 2)

BRI  
MAY 20/08

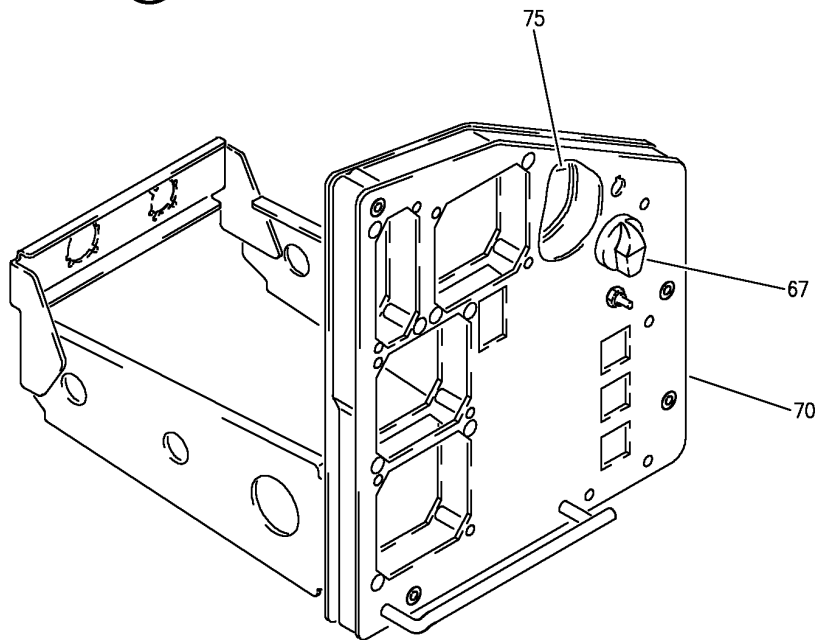
**34-22-00-02**

34-22-00-02  
PAGE 0A

**BOEING**  
757  
PARTS CATALOG (MAINTENANCE)



(E)



(F)

Y 34-22-00-02 SH1 3 REV 263

PANEL INSTL-CAPT AND FIRST OFFICER FWD (FLIGHT INSTRUMENT SYSTEM ONLY)  
FIGURE 2 (SHEET 3)

**34-22-00-02**

BRI  
MAY 28/07

34-22-00-02  
PAGE 08

 **BOEING**  
757  
**PARTS CATALOG (MAINTENANCE)**

FIG ITEM	PART NUMBER	1 2 3 4 5 6 7	NOMENCLATURE	EFFECT FROM TO	UNITS PER ASSY
2			PANEL INSTL-CAPT AND FIRST OFFICER FWD (FLIGHT INSTRUMENT SYSTEM ONLY)	002004 006010 107107 121503 904999	
- 1	233N2101-1		PANEL INSTL-CAPT AND FIRST OFFICER (FLIGHT INSTRUMENT SYSTEM ONLY) POSITION DATA: FWD VARIABLE DRAWING REF: 233N2101-5003 233N2101-5004 233N2101-5037 233N2101-5039 233N2101-5041 FOR NHA/OTHER SYS DET SEE: 25-10-00-05A	002004 006010 107107 121503 904999	RF
5	BP248-110		.KNOB- SUPPLIER CODE: V15084 SPECIFICATION NUMBER: 452-016-9001 PRE SERVICE BULLETIN: 34-0414 34-0416	002004 006010 107107 121503 904999	2
5	BP248-127		.KNOB- SUPPLIER CODE: V15084 PRE SERVICE BULLETIN: 34-0414 34-0416	002004 006010 107107 121503 904999	2
10	233N2220-7		.MODULE ASSY-P1-1 PRE SERVICE BULLETIN: 34-0414	107107	RF
10	233N2220-10		.MODULE ASSY-P1-1 PRE SERVICE BULLETIN: 34-0416	002004 006010 950999	RF
10	233N2220-13		.MODULE ASSY-P1-1	121503 904949	RF

MISSING ITEM NUMBERS NOT APPLICABLE

- ITEM NOT ILLUSTRATED

BRI

# 34-22-00-02

BOEING PROPRIETARY - Copyright © - Unpublished Work - See title page for details.

34-22-00  
FIG. 02  
PAGE 1  
JAN 20/09

 **BOEING**  
757  
**PARTS CATALOG (MAINTENANCE)**

FIG ITEM	PART NUMBER	1 2 3 4 5 6 7	NOMENCLATURE	EFFECT FROM TO	UNITS PER ASSY
2					
30	AC45-0008		.. SWITCH- SUPPLIER CODE: V91812 ELECTRICAL EQUIP NUMBER: S00001 OPTIONAL PART: AC45-0008-1 V91812 AC45-0008-2 V91812	002004 006010 107107 121503 904999	1
30	AC45-0008-1		.. SWITCH- SUPPLIER CODE: V91812 ELECTRICAL EQUIP NUMBER: S00001 OPTIONAL PART: AC45-0008 V91812 AC45-0008-2 V91812	002004 006010 107107 121503 904999	1
30	AC45-0008-2		.. SWITCH- SUPPLIER CODE: V91812 ELECTRICAL EQUIP NUMBER: S00001 OPTIONAL PART: AC45-0008 V91812 AC45-0008-1 V91812	002004 006010 107107 121503 904999	1
35	233N2223-8		.MODULE ASSY-P3-3 PRE SERVICE BULLETIN: 34-0414	107107	RF
35	233N2223-12		.MODULE ASSY-P3-3 PRE SERVICE BULLETIN: 34-0416	002004 006010 950999	RF
35	233N2223-15		.MODULE ASSY-P3-3	121503 904949	RF
45	AC45-0008		.. SWITCH- SUPPLIER CODE: V91812 ELECTRICAL EQUIP NUMBER: S00009 OPTIONAL PART: AC45-0008-1 V91812 AC45-0008-2 V91812	002004 006010 107107 121503 904999	1

MISSING ITEM NUMBERS NOT APPLICABLE

— ITEM NOT ILLUSTRATED

BRI

# 34-22-00-02

34-22-00  
FIG. 02  
PAGE 2  
JAN 20/09

BOEING PROPRIETARY - Copyright © - Unpublished Work - See title page for details.



757

PARTS CATALOG (MAINTENANCE)

FIG ITEM	PART NUMBER	1 2 3 4 5 6 7	NOMENCLATURE	EFFECT FROM TO	UNITS PER ASSY
2					
45	AC45-0008-1	..	SWITCH- SUPPLIER CODE: V91812 ELECTRICAL EQUIP NUMBER: S00009 OPTIONAL PART: AC45-0008-2 V91812 AC45-0008 V91812	002004 006010 107107 121503 904999	1
45	AC45-0008-2	..	SWITCH- SUPPLIER CODE: V91812 ELECTRICAL EQUIP NUMBER: S00009 OPTIONAL PART: AC45-0008 V91812 AC45-0008-1 V91812	002004 006010 107107 121503 904999	1
- 50	823N0001-3	.MODULE ASSY-P1-1	POST SERVICE BULLETIN: 34-0414 34-0416	009009 107107	RF
52	BP248-127	..	KNOB- SUPPLIER CODE: V15084 POST SERVICE BULLETIN: 34-0414 34-0416	009009 107107	1
55	823N0001-203	..	PANEL ASSY- POST SERVICE BULLETIN: 34-0414 34-0416	009009 107107	RF
60	AC45-0008-2	...	SWITCH- SUPPLIER CODE: V91812 ELECTRICAL EQUIP NUMBER: S00001	009009 107107	1
- 65	233N2223-334	.MODULE ASSY-P3-3	POST SERVICE BULLETIN: 34-0414 34-0416	009009 107107	RF
67	BP248-127	..	KNOB- SUPPLIER CODE: V15084 POST SERVICE BULLETIN: 34-0414 34-0416	009009 107107	1

MISSING ITEM NUMBERS NOT APPLICABLE

- ITEM NOT ILLUSTRATED

34-22-00-02

34-22-00  
FIG. 02  
PAGE 3  
JAN 20/09

BRI





757

PARTS CATALOG (MAINTENANCE)

FIG ITEM	PART NUMBER	1 2 3 4 5 6 7	NOMENCLATURE	EFFECT FROM TO	UNITS PER ASSY
2	70 233N2223-61		..MODULE SUB ASSY-P3-3 POST SERVICE BULLETIN: 34-0414 34-0416	009009 107107	RF
	75 AC45-0008		...SWITCH- SUPPLIER CODE: V91812 ELECTRICAL EQUIP NUMBER: S00009 OPTIONAL PART: AC45-0008-1 V91812 AC45-0008-2 V91812	107107	1
	75 AC45-0008-1		...SWITCH- SUPPLIER CODE: V91812 ELECTRICAL EQUIP NUMBER: S00009 OPTIONAL PART: AC45-0008-2 V91812 AC45-0008 V91812	107107	1
	75 AC45-0008-2		...SWITCH- SUPPLIER CODE: V91812 ELECTRICAL EQUIP NUMBER: S00009	009009 107107	1

MISSING ITEM NUMBERS NOT APPLICABLE

- ITEM NOT ILLUSTRATED

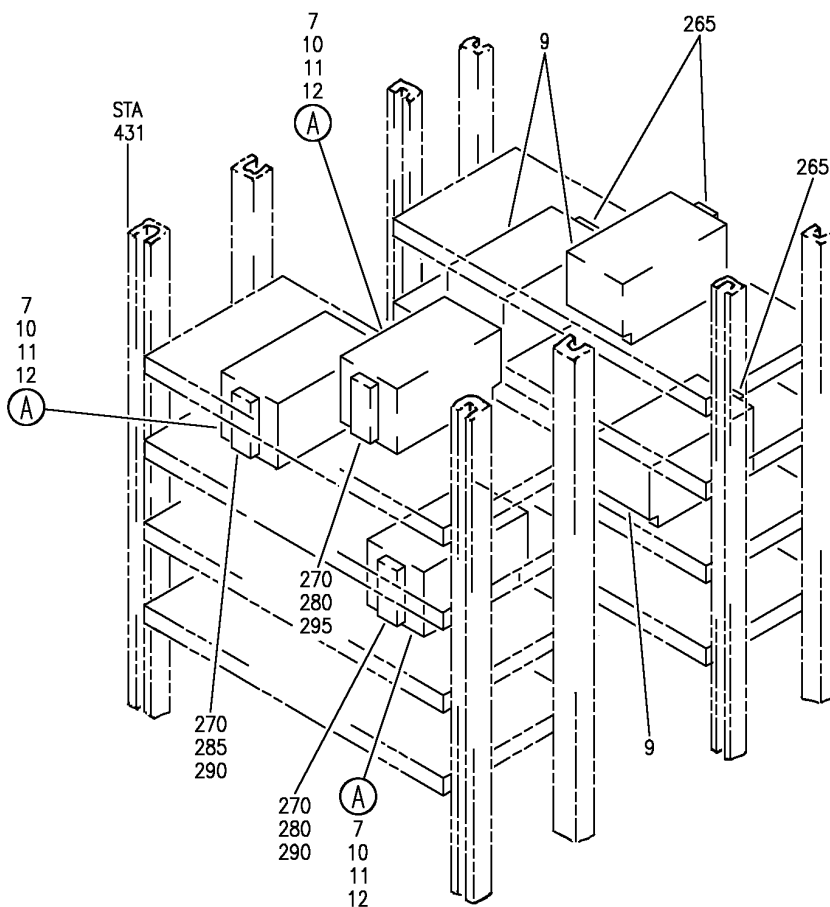
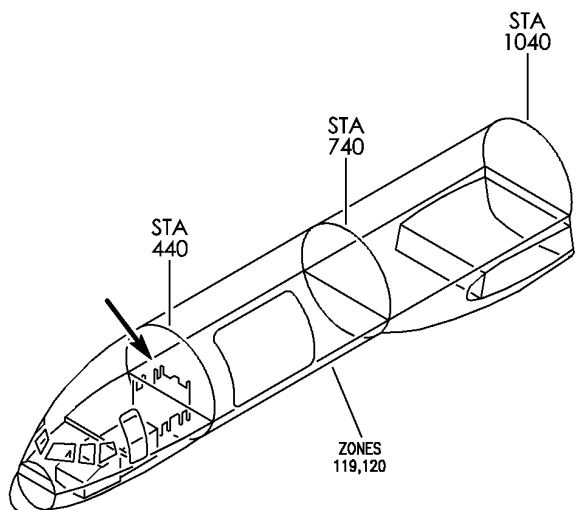
BRI

34-22-00-02

BOEING PROPRIETARY - Copyright © - Unpublished Work - See title page for details.

34-22-00  
FIG. 02  
PAGE 4  
JAN 20/09

**BOEING**  
757  
PARTS CATALOG (MAINTENANCE)



Y 34-22-01-01 SH-1 REV 331

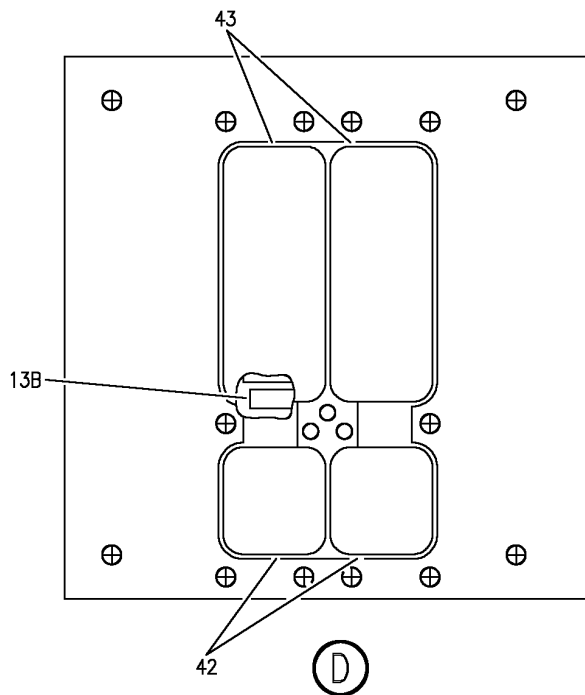
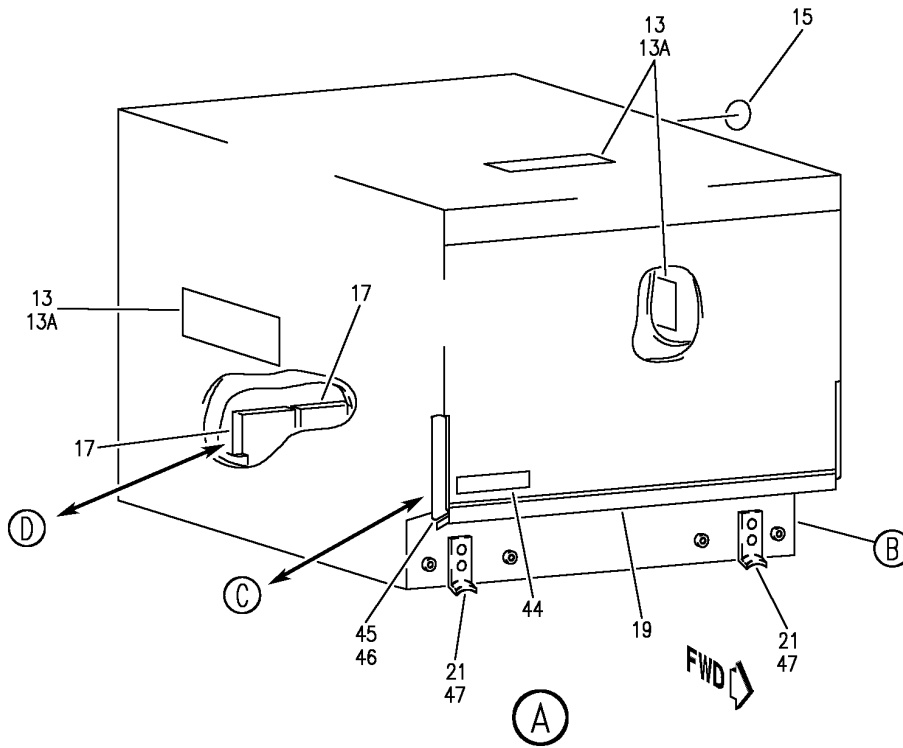
EQUIPMENT AND SOFTWARE INSTL-MAIN ELECTRONICS EQPT CTR (FLIGHT INSTRUMENT SYSTEM ONLY)  
FIGURE 1 (SHEET 1)

BRI  
JAN 20/09

**34-22-01-01**

34-22-01-01  
PAGE 0

**BOEING**  
757  
PARTS CATALOG (MAINTENANCE)



Y 34-22-01-01 SH-2 REV 259

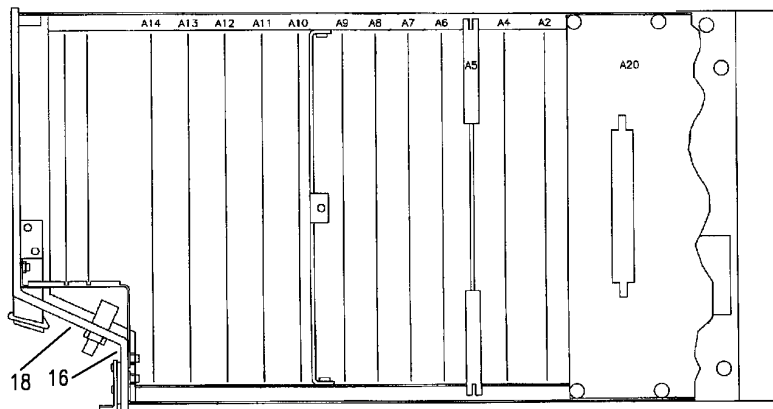
EQUIPMENT AND SOFTWARE INSTL-MAIN ELECTRONICS EQPT CTR (FLIGHT INSTRUMENT SYSTEM ONLY)  
FIGURE 1 (SHEET 2)

**34-22-01-01**

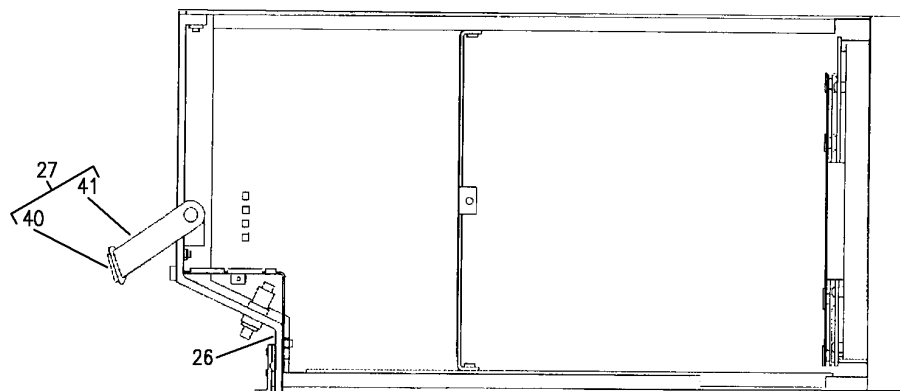
BRI  
MAY 28/07

34-22-01-01  
PAGE 0A

**BOEING**  
757  
PARTS CATALOG (MAINTENANCE)



(B)



(C)

Y 34-22-01-01 SH1 3 REV 257

EQUIPMENT AND SOFTWARE INSTL-MAIN ELECTRONICS EQPT CTR (FLIGHT INSTRUMENT SYSTEM ONLY)  
FIGURE 1 (SHEET 3)

BRI  
MAY 28/07

**34-22-01-01**

34-22-01-01  
PAGE 0B



757

PARTS CATALOG (MAINTENANCE)

FIG ITEM	PART NUMBER	1 2 3 4 5 6 7	NOMENCLATURE	EFFECT FROM TO	UNITS PER ASSY
1			EQUIPMENT AND SOFTWARE INSTL-MAIN ELECTRONICS EQPT CTR (FLIGHT INSTRUMENT SYSTEM ONLY)	002004 006100 107107 121503 904999	
- 2	284N1307-33		EQUIPMENT INSTL-MAIN ELECTRONICS EQPT CTR (FLIGHT INSTRUMENT SYSTEM ONLY) FOR NHA/OTHER SYS DET SEE: 24-00-58-01	107107	RF
- 2	284N1800-32		EQUIPMENT INSTL-MAIN ELECTRONICS EQPT CTR (FLIGHT INSTRUMENT SYSTEM ONLY) FOR NHA/OTHER SYS DET SEE: 24-00-58-01	952999	RF
- 4	284N1800-16		EQUIPMENT INSTL-MAIN ELECTRONICS EQPT CTR (FLIGHT INSTRUMENT SYSTEM ONLY) FOR NHA/OTHER SYS DET SEE: 24-00-58-01	121503 904949	RF
- 5	284N1800-34		EQUIPMENT INSTL-MAIN ELECTRONICS EQPT CTR (FLIGHT INSTRUMENT SYSTEM ONLY) FOR NHA/OTHER SYS DET SEE: 24-00-58-01	002004 006100	RF
- 5	284N1800-38		EQUIPMENT INSTL-MAIN ELECTRONICS EQPT CTR (FLIGHT INSTRUMENT SYSTEM ONLY)	950951	RF

MISSING ITEM NUMBERS NOT APPLICABLE

- ITEM NOT ILLUSTRATED

BRI

34-22-01-01

34-22-01  
FIG. 01  
PAGE 1  
JAN 20/09



757

PARTS CATALOG (MAINTENANCE)

FIG ITEM	PART NUMBER	1 2 3 4 5 6 7	NOMENCLATURE	EFFECT FROM TO	UNITS PER ASSY
1 10	622-8000-003		.GENERATOR-EFIS SUPPLIER CODE: V4V792 SPECIFICATION NUMBER: S242T404-411 ELECTRICAL EQUIP NUMBER: M00148 M00149 M00150 COMPONENT MAINT MANUAL REF: 34-22-65 QUALIFIED I/W DATA: 622-5045-201 AND 622-8000-003 ARE INTERCHANGEABLE AND INTERMIXABLE EXCEPT AIRCRAFT WITH WINDSHEAR ACTIVATED REQUIRE 622-8000-003	107107	3
10	622-8000-004		.GENERATOR-EFIS SUPPLIER CODE: V4V792 SPECIFICATION NUMBER: S242T404-412 ELECTRICAL EQUIP NUMBER: M00148 M00149 M00150 COMPONENT MAINT MANUAL REF: 34-22-65 QUALIFIED I/W DATA: 622-4045-201 AND 622-8000-004 ARE INTERCHANGEABLE AND INTERMIXABLE EXCEPT AIRCRAFT WITH WINDSHEAR ACTIVATED REQUIRE 622-8000-004 622-8000-005 MAY REPLACE 622-8000-004. 622-8000-004 MAY REPLACE 622-8000-005 SUBJECT TO CUSTOMER SELECT- ABLE OPTION, SEE REFERENCE DRAWING 242N5002 FOR I/W	107107	3

MISSING ITEM NUMBERS NOT APPLICABLE

- ITEM NOT ILLUSTRATED

BRI

34-22-01-01

34-22-01  
FIG. 01  
PAGE 2  
JAN 20/09



757

PARTS CATALOG (MAINTENANCE)

FIG ITEM	PART NUMBER	1 2 3 4 5 6 7	NOMENCLATURE	EFFECT FROM TO	UNITS PER ASSY
1 10	622-8000-005		.GENERATOR-EFIS SUPPLIER CODE: V4V792 SPECIFICATION NUMBER: S242T404-413 MISCELLANEOUS DATA: (622-8000-004 I/W AND INTERMIXABLE WITH -005 EXCEPT AIRCRAFT WITH WEATHER RADAR TRANCEIVER GAIN DISPLAY REQUIRE -005) ELECTRICAL EQUIP NUMBER: M00148 M00149 M00150 COMPONENT MAINT MANUAL REF: 34-22-65 QUALIFIED I/W DATA: 622-8000-005 MAY REPLACE 622-8000-004. 622-8000-004 MAY REPLACE 622-8000-005 SUBJECT TO CUSTOMER SELECTABLE OPTION, SEE REFERENCE DRAWING 242N5002 FOR I/W 622-8000-006 MAY REPLACE 622-8000-005 OR 622-8000-004. 622-8000-005 OR 622-8000-004, MAY REPLACE 622-8000-006 SUBJECT TO CUSTOMER SELECTABLE OPTION, SEE REFERENCE DRAWING 242N5002 FOR I/W	107107	3

MISSING ITEM NUMBERS NOT APPLICABLE

- ITEM NOT ILLUSTRATED

BRI

34-22-01-01

BOEING PROPRIETARY - Copyright © - Unpublished Work - See title page for details.

34-22-01  
FIG. 01  
PAGE 3  
JAN 20/09



757

PARTS CATALOG (MAINTENANCE)

FIG ITEM	PART NUMBER	1 2 3 4 5 6 7 NOMENCLATURE	EFFECT FROM TO	UNITS PER ASSY
1 10	622-8000-006	.GENERATOR-EFIS SUPPLIER CODE: V4V792 SPECIFICATION NUMBER: S242T404-414 ELECTRICAL EQUIP NUMBER: M00148 M00149 M00150 COMPONENT MAINT MANUAL REF: 34-22-65 QUALIFIED I/W DATA: 622-8000-006 MAY REPLACE 622-8000-005 OR 622-8000-004. 622-8000-005 OR 622-8000-004, MAY REPLACE 622-8000-006 SUBJECT TO CUSTOMER SELECTABLE OPTION, SEE REFERENCE DRAWING 242N5002 FOR I/W 622-9436-100 MAY REPLACE 622-8000-006, 622-8000-005 OR 622-8000-004. 622-8000-006, 622-8000-005 OR 622-8000-004 MAY REPLACE 622-9436-100 SUBJECT TO CUSTOMER SELECTABLE OPTION, SEE REFERENCE DRAWING 242N5002 FOR I/W QUALIFIED SB I/W DATA: (622-8000-004 I/W 622-9436-101) POST AIRLINE MOD: PCR16 VALP E03493R108 VALP	904951	3

MISSING ITEM NUMBERS NOT APPLICABLE

- ITEM NOT ILLUSTRATED

34-22-01-01

34-22-01  
FIG. 01  
PAGE 4  
JAN 20/09

BRI





757

PARTS CATALOG (MAINTENANCE)

FIG ITEM	PART NUMBER	1 2 3 4 5 6 7	NOMENCLATURE	EFFECT FROM TO	UNITS PER ASSY
1 10	622-9436-100		.GENERATOR-EFIS SUPPLIER CODE: V4V792 SPECIFICATION NUMBER: S242T404-420 MISCELLANEOUS DATA: (622-9436-100 IS I/W 622-9436-101) (622-9436-100 IS I/W 622-9436-101 EXCEPT FOR ACFT WITH TCAS MUST INSTALL 622-9436-101) ELECTRICAL EQUIP NUMBER: M00148 M00149 M00150 COMPONENT MAINT MANUAL REF: 34-22-23 QUALIFIED I/W DATA: 622-9436-100 MAY REPLACE 622-8000-006, 622-8000-005 OR 622-8000-004. 622-8000-006, 622-8000-005 OR 622-8000-004 MAY REPLACE THE 622-9436-100 SUBJECT TO CUSTOMER SELECTABLE OPTION, SEE REFERENCE DRAWING 242N5002 FOR I/W 622-9436-101 MAY REPLACE 622-9436-100, 622-8000-006 622-8000-005 OR 622-8000-004. 622-9436-100, 622-8000-006, 622-8000-005 OR 622-8000-004 MAY REPLACE 622-9436-101 SUBJECT TO CUSTOMER SELECTABLE OPTION, SEE REFERENCE DRAWING 242N5002 FOR I/W	002004 006100	3

MISSING ITEM NUMBERS NOT APPLICABLE

- ITEM NOT ILLUSTRATED

34-22-01-01

34-22-01  
FIG. 01  
PAGE 5  
JAN 20/09

BRI



757

PARTS CATALOG (MAINTENANCE)

FIG ITEM	PART NUMBER	1 2 3 4 5 6 7 NOMENCLATURE	EFFECT FROM TO	UNITS PER ASSY
1 10	622-9436-101	.GENERATOR-EFIS SUPPLIER CODE: V4V792 SPECIFICATION NUMBER: S242T404-421 MISCELLANEOUS DATA: (622-9436-100 IS I/W 622-9436-101) (622-9436-100 IS I/W 622-9436-101 EXCEPT FOR ACFT WITH TCAS MUST INSTALL 622-9436-101) ELECTRICAL EQUIP NUMBER: M00148 M00149 M00150 COMPONENT MAINT MANUAL REF: 34-22-23 QUALIFIED I/W DATA: 622-9436-101 MAY REPLACE 622-9436-100, 622-8000-006 622-8000-005 OR 622-8000-004. 622-9436-100, 622-8000-006, 622-8000-005 OR 622-8000-004 MAY REPLACE 622-9436-101 SUBJECT TO CUSTOMER SELECTABLE OPTION, SEE REFERENCE DRAWING 242N5002 FOR I/W POST SERVICE LETTER: 34-122	002004 006100 121503 950999	3

MISSING ITEM NUMBERS NOT APPLICABLE

- ITEM NOT ILLUSTRATED

BRI

34-22-01-01

BOEING PROPRIETARY - Copyright © - Unpublished Work - See title page for details.

34-22-01  
FIG. 01  
PAGE 6  
JAN 20/09



757

PARTS CATALOG (MAINTENANCE)

FIG ITEM	PART NUMBER	1 2 3 4 5 6 7	NOMENCLATURE	EFFECT FROM TO	UNITS PER ASSY
1 10	622-9436-100		.GENERATOR-EFIS SUPPLIER CODE: V4V792 SPECIFICATION NUMBER: S242T404-420 ELECTRICAL EQUIP NUMBER: M00148 M00149 M00150 COMPONENT MAINT MANUAL REF: 34-22-23 QUALIFIED I/W DATA: 622-9436-100 MAY REPLACE 622-8000-006, 622-8000-005 OR 622-8000-004. 622-8000-006, 622-8000-005 OR 622-8000-004 MAY REPLACE THE 622-9436-100 SUBJECT TO CUSTOMER SELECTABLE OPTION, SEE REFERENCE DRAWING 242N5002 FOR I/W 622-9436-101 MAY REPLACE 622-9436-100, 622-8000-006 622-8000-005 OR 622-8000-004. 622-9436-100, 622-8000-006, 622-8000-005 OR 622-8000-004 MAY REPLACE 622-9436-101 SUBJECT TO CUSTOMER SELECTABLE OPTION, SEE REFERENCE DRAWING 242N5002 FOR I/W PRE SERVICE LETTER: 34-122	952952	3
15	280-2745-140		.. LABEL-ESDS WARNING SUPPLIER CODE: V12998 USED ON: 622-8000-003 622-8000-004 622-8000-005 622-8000-006 622-9436-100 622-9436-101	002004 006100 107107 121503 904999	3

MISSING ITEM NUMBERS NOT APPLICABLE

- ITEM NOT ILLUSTRATED

BRI

34-22-01-01

34-22-01  
FIG. 01  
PAGE 7  
JAN 20/09



757

PARTS CATALOG (MAINTENANCE)

FIG ITEM	PART NUMBER	1 2 3 4 5 6 7	NOMENCLATURE	EFFECT FROM TO	UNITS PER ASSY
1					
16	685-2614-001		.. PLATE-IDENT SUPPLIER CODE: V4V792 USED ON: 622-9436-100 622-9436-101	002004 006100 121503 950999	1
17	211600-2		.. CAP-DUST SUPPLIER CODE: V00779 USED ON: 622-8000-003 622-8000-004 622-8000-005 622-8000-006 622-9436-100 622-9436-101	002004 006100 107107 121503 904999	2
18	829-0200-004		.. PLATE- SUPPLIER CODE: V4V792 USED ON: 622-9436-101	002004 006100 121503 950999	1
19	629-6836-250		.. STRIP-IDENT SUPPLIER CODE: V4V792 USED ON: 622-8000-003 622-8000-004 622-8000-005 622-8000-006	107107 904951	1
19	827-1254-001		.. STRIP-IDENT SUPPLIER CODE: V4V792 USED ON: 622-9436-100 622-9436-101	002004 006100 121503 950999	1
- 20	F22NCFMA2-40		.. NUT- SUPPLIER CODE: V72962 USED ON: 622-9436-100 622-9436-101	002004 006100 121503 950999	3

MISSING ITEM NUMBERS NOT APPLICABLE

- ITEM NOT ILLUSTRATED

34-22-01-01

34-22-01  
FIG. 01  
PAGE 8  
JAN 20/09

BRI

 **BOEING**  
757  
**PARTS CATALOG (MAINTENANCE)**

FIG ITEM	PART NUMBER	1 2 3 4 5 6 7	NOMENCLATURE	EFFECT FROM TO	UNITS PER ASSY
1	21 503-4970-001		.. HOOK-HOLDDOWN SUPPLIER CODE: V4V792 USED ON: 622-8000-003 622-8000-004 622-8000-005 622-8000-006 622-9436-100 622-9436-101 ATTACHING PARTS	002004 006100 107107 121503 904999	2
- 23	MS20426AD4-7		.. RIVET- USED ON: 622-8000-003 622-8000-004 622-8000-005 622-8000-006 -----*-----	107107 904951	4
- 25	641-8914-003		.. SHIM- SUPPLIER CODE: V4V792 USED ON: 622-8000-003 622-8000-004 622-8000-005 622-8000-006	107107 904951	2
26	641-8914-003		.. SHIM- SUPPLIER CODE: V4V792 USED ON: 622-9436-100 622-9436-101 ATTACHING PARTS	002004 006100 121503 950999	2
- 26A	MS20426AD4-7		.. RIVET- USED ON: 622-9436-100 622-9436-101 -----*-----	002004 006100 121503 950999	4
27	651-2408-006		.. HANDLE ASSY- SUPPLIER CODE: V4V792 USED ON: 622-8000-003 622-8000-004 622-8000-005 622-8000-006 622-9436-100 622-9436-101	002004 006100 107107 121503 904999	1

MISSING ITEM NUMBERS NOT APPLICABLE

- ITEM NOT ILLUSTRATED

BRI

# 34-22-01-01

BOEING PROPRIETARY - Copyright © - Unpublished Work - See title page for details.

34-22-01  
FIG. 01  
PAGE 9  
JAN 20/09

**BOEING**  
757  
**PARTS CATALOG (MAINTENANCE)**

FIG ITEM	PART NUMBER	1 2 3 4 5 6 7	NOMENCLATURE	EFFECT FROM TO	UNITS PER ASSY
1			ATTACHING PARTS		
- 28	328-0368-000		.. SCREW- SUPPLIER CODE: V08664 USED ON: 622-9436-100 622-9436-101	002004 006100 121503 950999	2
- 29	652-5421-001		.. SCREW- SUPPLIER CODE: V4V792 USED ON: 622-8000-003 622-8000-004 622-8000-005 622-8000-006 622-9436-100 622-9436-101	002004 006100 107107 121503 904999	2
- 31	768-3178-001		.. WASHER- SUPPLIER CODE: V4V792 USED ON: 622-8000-003 622-8000-004 622-8000-005 622-8000-006 622-9436-100 622-9436-101	002004 006100 107107 121503 904999	4
- 33	MS21042-06		.. NUT- USED ON: 622-8000-003 622-8000-004 622-8000-005 622-8000-006 622-9436-100 622-9436-101	002004 006100 107107 121503 904999	2
- 38	647-5556-001		-----*----- .. PLATE-NUT SUPPLIER CODE: V4V792 POSITION DATA: LEFT USED ON: 622-9436-100 622-9436-101	002004 006100 121503 950999	1

MISSING ITEM NUMBERS NOT APPLICABLE

- ITEM NOT ILLUSTRATED

BRI

# 34-22-01-01

BOEING PROPRIETARY - Copyright © - Unpublished Work - See title page for details.

34-22-01  
FIG. 01  
PAGE 10  
JAN 20/09



757

PARTS CATALOG (MAINTENANCE)

FIG ITEM	PART NUMBER	1 2 3 4 5 6 7	NOMENCLATURE	EFFECT FROM TO	UNITS PER ASSY
1					
- 39	647-5557-001	..	PLATE-NUT SUPPLIER CODE: V4V792 POSITION DATA: RIGHT CONFIG CHG DATA FROM A CMM: SUPSD BY 647-5556-002 USED ON: 622-9436-100 622-9436-101	002004 006100 121503 950999	1
- 39	647-5556-002	..	PLATE-NUT SUPPLIER CODE: V4V792 POSITION DATA: RIGHT CONFIG CHG DATA FROM A CMM: SUPSDS 647-5557-001 USED ON: 622-9436-100 622-9436-101	002004 006100 121503 950999	1
40	768-3387-022	...	STRAP- SUPPLIER CODE: V4V792 USED ON: 622-9436-100 622-9436-101	002004 006100 121503 950999	1
41	768-3386-004	...	BAR- SUPPLIER CODE: V4V792 USED ON: 622-9436-100 622-9436-101	002004 006100 121503 950999	1
- 53	242N5001-1		SOFTWARE INSTL-SG VARIABLE DRAWING REF: 242N5001-100 242N5001-103 242N5001-143 242N5001-144 FOR NHA SEE: 24-00-58-01	002004 006100 121503 950999	RF
- 60	995-0491-004	.SOFTWARE-	SUPPLIER CODE: V4V792 PRE SERVICE LETTER: 34-122	952952	3

MISSING ITEM NUMBERS NOT APPLICABLE

- ITEM NOT ILLUSTRATED

BRI

34-22-01-01

BOEING PROPRIETARY - Copyright © - Unpublished Work - See title page for details.

34-22-01  
FIG. 01  
PAGE 11  
JAN 20/09



757

PARTS CATALOG (MAINTENANCE)

FIG ITEM	PART NUMBER	1 2 3 4 5 6 7	NOMENCLATURE	EFFECT FROM TO	UNITS PER ASSY
1					
- 60	995-0491-010	.	SOFTWARE- SUPPLIER CODE: V4V792 SPECIFICATION NUMBER: S242T404-1 PRE SERVICE LETTER: 34-122	002004 006100 121503 950951 953999	3
- 60	995-0491-011	.	SOFTWARE- SUPPLIER CODE: V4V792 SPECIFICATION NUMBER: S242T404-2 S242T404-3 MISCELLANEOUS DATA: DISKETTE QTY: 1 DISK USED WITH: 622-9436-101 HARDWARE REFERENCE SEE: 34-22-01-01 PRE SERVICE BULLETIN: 34-0228R1 POST SERVICE LETTER: 34-122	002004 006100 952952	3
- 60	995-0491-012	.	SOFTWARE- SUPPLIER CODE: V4V792 SPECIFICATION NUMBER: S242T404-4 MISCELLANEOUS DATA: DISKETTE QTY: 1 DISK USED WITH: 622-9436-101 HARDWARE REFERENCE SEE: 34-22-01-01 POST SERVICE BULLETIN: 34-0228R1	002004 006100	3
- 250	286N1171-001		WIRE BUNDLE ASSY- REWORKED BY SB: 22-0063 REWORKED BY ALERT SB: 34A022	121503 904949	RF
- 250	286N1171-002		WIRE BUNDLE ASSY- REWORKED BY SB: 34-0132 REWORKED BY ALERT SB: 34A022	107107	RF

MISSING ITEM NUMBERS NOT APPLICABLE

- ITEM NOT ILLUSTRATED

BRI

34-22-01-01

34-22-01  
FIG. 01  
PAGE 12  
JAN 20/09





757

PARTS CATALOG (MAINTENANCE)

FIG ITEM	PART NUMBER	1 2 3 4 5 6 7	NOMENCLATURE	EFFECT FROM TO	UNITS PER ASSY
1					
- 250	286N1171-006		WIRE BUNDLE ASSY- REWORKED BY SB: 22-0063 31-0127R1 34-0132 34-0200 REWORKED BY ALERT SB: 34A0222	002004 006100 950999	RF
- 255	286N1173-001		WIRE BUNDLE ASSY- REWORKED BY SB: 22-0063 REWORKED BY ALERT SB: 34A0222	121503 904949	RF
- 255	286N1173-002		WIRE BUNDLE ASSY- REWORKED BY SB: 34-0132 REWORKED BY ALERT SB: 34A0222	107107	RF
- 255	286N1173-006		WIRE BUNDLE ASSY- REWORKED BY SB: 22-0063 31-0127R1 34-0132 34-0200 REWORKED BY ALERT SB: 34A0222	002004 006100 950999	RF
- 260	286N1175-001		WIRE BUNDLE ASSY- REWORKED BY SB: 22-0063	121503 904949	RF
- 260	286N1175-002		WIRE BUNDLE ASSY-	107107	RF
- 260	286N1175-006		WIRE BUNDLE ASSY- REWORKED BY SB: 22-0063 34-0200	002004 006100 950999	RF

MISSING ITEM NUMBERS NOT APPLICABLE

- ITEM NOT ILLUSTRATED

34-22-01-01

34-22-01  
FIG. 01  
PAGE 13  
JAN 20/09

BRI



757

PARTS CATALOG (MAINTENANCE)

FIG ITEM	PART NUMBER	1 2 3 4 5 6 7	NOMENCLATURE	EFFECT FROM TO	UNITS PER ASSY
1 270	BKA31C1101		.CONNECTOR- SUPPLIER CODE: V71468 SPECIFICATION NUMBER: BACC66K31C1101 OPTIONAL PART: S631C1101 V59610 NIC66K31C1101 V00779 ELECTRICAL EQUIP NUMBER: D00081 D00083 D00085 WIRING DIAGRAM REF: 342214 342224 342234	002004 006100 107107 121503 904999	1

MISSING ITEM NUMBERS NOT APPLICABLE

- ITEM NOT ILLUSTRATED

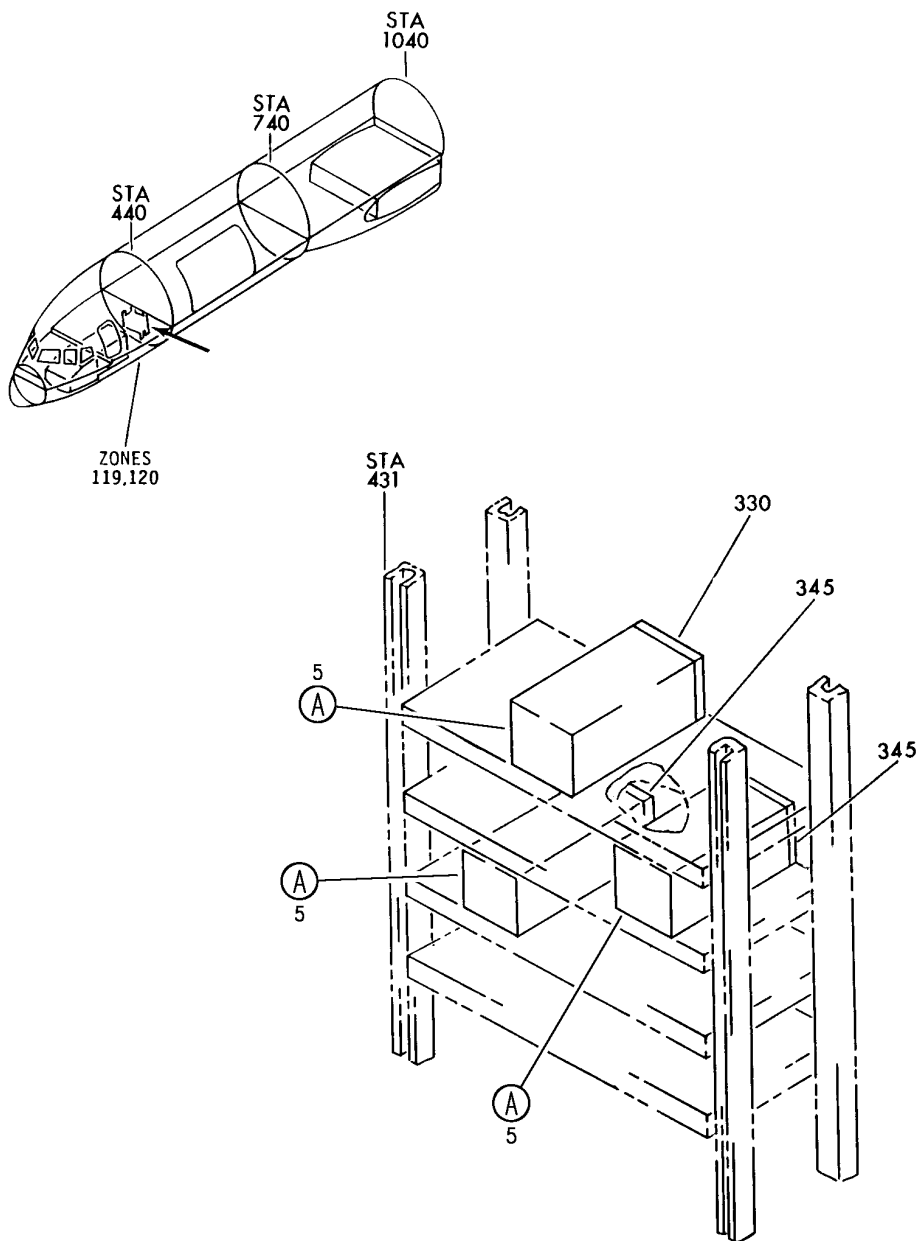
BRI

34-22-01-01

BOEING PROPRIETARY - Copyright © - Unpublished Work - See title page for details.

34-22-01  
FIG. 01  
PAGE 14  
JAN 20/09

**BOEING**  
757  
PARTS CATALOG (MAINTENANCE)



Y 34220101A SHT 1 REV 255

EQUIPMENT AND SOFTWARE INSTL- MAIN ELECTRONICS EQPT CTR (FLIGHT INSTRUMENT SYSTEM ONLY)  
FIGURE 1A (SHEET 1)

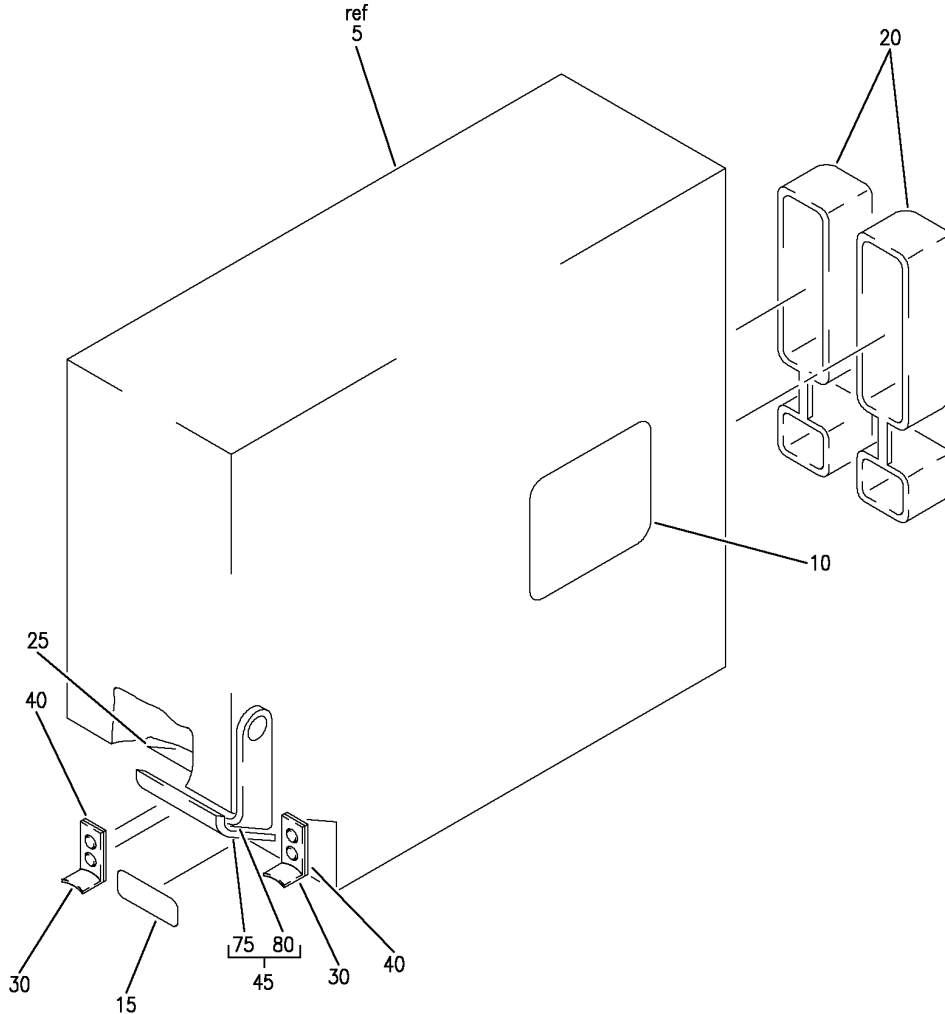
BRI  
JAN 20/09

**34-22-01-01A**

34-22-01-01A  
PAGE 0

BOEING PROPRIETARY - Copyright © - Unpublished Work - See title page for details.

**BOEING**  
757  
PARTS CATALOG (MAINTENANCE)



Y 34220101A SHT 2 REV 255

EQUIPMENT AND SOFTWARE INSTL- MAIN ELECTRONICS EQPT CTR (FLIGHT INSTRUMENT SYSTEM ONLY)  
FIGURE 1A (SHEET 2)

BRI  
JAN 20/09

**34-22-01-01A**

34-22-01-01A  
PAGE 0A

BOEING PROPRIETARY - Copyright © - Unpublished Work - See title page for details.



757

PARTS CATALOG (MAINTENANCE)

FIG ITEM	PART NUMBER	1 2 3 4 5 6 7	NOMENCLATURE	EFFECT FROM TO	UNITS PER ASSY
1 A			EQUIPMENT AND SOFTWARE INSTL- MAIN ELECTRONICS EQPT CTR (FLIGHT INSTRUMENT SYSTEM ONLY)	504903	
- 2	284N1800-88		EQUIPMENT INSTL-MAIN ELECTRONICS EQPT CTR (FLIGHT INSTRUMENT SYSTEM ONLY) FOR NHA/OTHER SYS DET SEE: 24-00-58-05E	505505	RF
- 2	284N1800-190		EQUIPMENT INSTL-MAIN ELECTRONICS EQPT CTR (FLIGHT INSTRUMENT SYSTEM ONLY) FOR NHA/OTHER SYS DET SEE: 24-00-58-05E	504504 506903	RF
5	622-9436-101		.GENERATOR- SUPPLIER CODE: V4V792 SPECIFICATION NUMBER: S242T404-421 ELECTRICAL EQUIP NUMBER: M00148 M00149 M00150 COMPONENT MAINT MANUAL REF: 34-22-23 QUALIFIED I/W DATA: 622-9436-101 MAY RERPLACE 622-9436-100, 622-8000-006, 622-8000-005 OR 622-8000-004. 622-9436-100, 622-8000-006, 622-8000-005 OR 622-8000-004 MAY REPLACE 622-9436-101 SUBJECT TO CUSTOMER SELECTABLE OPTION, SEE REFERENCE DRAWING 242N5002 FOR I/W	504903	3
10	280-2745-140		.. LABEL-ESDS WARNING SUPPLIER CODE: V12998	504903	1
15	685-2614-001		.. PLATE-IDENTIFICATION SUPPLIER CODE: V4V792	504903	1

MISSING ITEM NUMBERS NOT APPLICABLE

- ITEM NOT ILLUSTRATED

34-22-01-01A

34-22-01  
FIG. 01A  
PAGE 1  
JAN 20/09

BRI

BOEING PROPRIETARY - Copyright © - Unpublished Work - See title page for details.

 **BOEING**  
757  
**PARTS CATALOG (MAINTENANCE)**

FIG ITEM	PART NUMBER	1 2 3 4 5 6 7	NOMENCLATURE	EFFECT FROM TO	UNITS PER ASSY
1A					
20	211600-2	..	CAP-DUST SUPPLIER CODE: V00779	504903	2
25	829-0200-004	..	PLATE- SUPPLIER CODE: V4V792	504903	1
30	503-4970-001	..	HOOK-HOLDDOWN SUPPLIER CODE: V4V792	504903	2
- 35	F22NCFMA2-40	..	NUT- SUPPLIER CODE: V72962	504903	3
40	641-8914-003	..	SHIM-HOLDDOWN SUPPLIER CODE: V4V792	504903	2
45	651-2408-006	..	HANDLE ASSY-UNIT SUPPLIER CODE: V4V792	504903	1
- 50	328-0368-000	..	ATTACHING PARTS SCREW- SUPPLIER CODE: V08664	504903	2
- 55	652-5421-001	..	SCREW- SUPPLIER CODE: V4V792	504903	2
- 60	768-3178-001	..	WASHER- SUPPLIER CODE: V4V792	504903	4
- 65	MS21042-06	..	NUT	504903	2
- 70	647-5556-001	..	PLATE-NUT SUPPLIER CODE: V4V792 POSITION DATA: LEFT	504903	1
- 70	647-5557-001	..	PLATE-NUT SUPPLIER CODE: V4V792 POSITION DATA: RIGHT CONFIG CHG DATA FROM A CMM: SUPSD BY 647-5556-002	504903	1
- 70	647-5556-002	..	PLATE-NUT SUPPLIER CODE: V4V792 POSITION DATA: RIGHT CONFIG CHG DATA FROM A CMM: SUPSDS 647-5557-001	504903	1

MISSING ITEM NUMBERS NOT APPLICABLE

- ITEM NOT ILLUSTRATED

BRI

# 34-22-01-01A

BOEING PROPRIETARY - Copyright © - Unpublished Work - See title page for details.

34-22-01  
FIG. 01A  
PAGE 2  
JAN 20/09



757

PARTS CATALOG (MAINTENANCE)

FIG ITEM	PART NUMBER	1 2 3 4 5 6 7	NOMENCLATURE	EFFECT FROM TO	UNITS PER ASSY
1 A					
75	768-3387-022	...	STRAP- SUPPLIER CODE: V4V792	504903	1
80	768-3386-001	...	BAR- SUPPLIER CODE: V4V792	504903	1
- 326	286N1171-359		WIRE BUNDLE ASSY- REWORKED BY ALERT SB: 34A0222	504504 506506	RF
- 326	286N1171-383		WIRE BUNDLE ASSY- REWORKED BY ALERT SB: 34A0222	505505	RF
- 327	286N1171-441		WIRE BUNDLE ASSY- REWORKED BY ALERT SB: 34A0222	507903	RF
330	BKA31C1101	.	CONNECTOR- SUPPLIER CODE: V71468 SPECIFICATION NUMBER: BACC66K31C1101 OPTIONAL PART: S631C1101 V59610 NIC66K31C1101 V00779 ELECTRICAL EQUIP NUMBER: D00081 WIRING DIAGRAM REF: 342214	504903	1
- 336	286N1173-359		WIRE BUNDLE ASSY- REWORKED BY ALERT SB: 34A0222	504504 506506	RF
- 336	286N1173-384		WIRE BUNDLE ASSY- REWORKED BY ALERT SB: 34A0222	505505	RF
- 337	286N1173-447		WIRE BUNDLE ASSY- REWORKED BY ALERT SB: 34A0222	507903	RF
- 340	286N1175-379		WIRE BUNDLE ASSY	506506	RF
- 340	286N1175-381		WIRE BUNDLE ASSY	505505	RF
- 341	286N1175-383		WIRE BUNDLE ASSY	504504	RF
- 341	286N1175-387		WIRE BUNDLE ASSY	507903	RF

MISSING ITEM NUMBERS NOT APPLICABLE

- ITEM NOT ILLUSTRATED

34-22-01-01A

34-22-01  
FIG. 01A  
PAGE 3  
JAN 20/09

BRI

BOEING PROPRIETARY - Copyright © - Unpublished Work - See title page for details.



757

PARTS CATALOG (MAINTENANCE)

FIG ITEM	PART NUMBER	1 2 3 4 5 6 7	NOMENCLATURE	EFFECT FROM TO	UNITS PER ASSY
1 A 345	BKA31C1101		.CONNECTOR- SUPPLIER CODE: V71468 SPECIFICATION NUMBER: BACC66K31C1101 OPTIONAL PART: S631C1101 V59610 NIC66K31C1101 V00779 ELECTRICAL EQUIP NUMBER: D00083 D00085 WIRING DIAGRAM REF: 342224 342234	504903	1
- 600	242N5005-30		SOFTWARE INSTL-EFIS PRE-MODULE FOR NHA SEE: 25-10-00-20	504903	RF
- 605	995-0491-011		.SOFTWARE-EFIS SG OPS SUPPLIER CODE: V4V792 SPECIFICATION NUMBER: S242T404-2 S242T404-3 MISCELLANEOUS DATA: DISKETTE QTY : 1 DISK USED WITH: 622-9436-101 HARDWARE REFERENCE SEE: 34-22-01-01A FOR SPARES PROCURE: S242T404-3	504903	3

MISSING ITEM NUMBERS NOT APPLICABLE

- ITEM NOT ILLUSTRATED

BRI

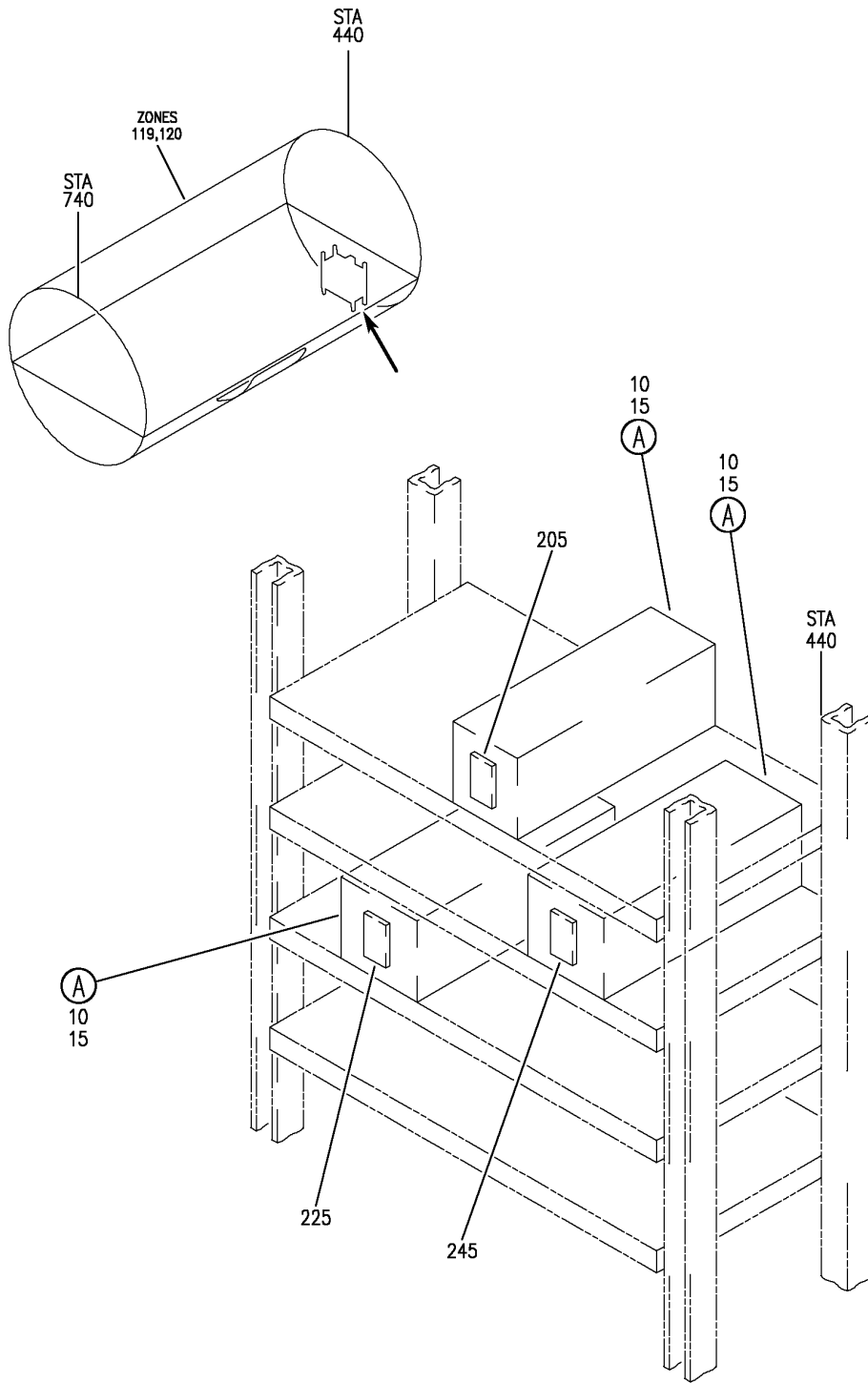
**34-22-01-01A**

BOEING PROPRIETARY - Copyright © - Unpublished Work - See title page for details.

34-22-01  
FIG. 01A  
PAGE 4  
JAN 20/09



**BOEING**  
757  
PARTS CATALOG (MAINTENANCE)



Y 34-22-01-01B SHT 1 REV 327

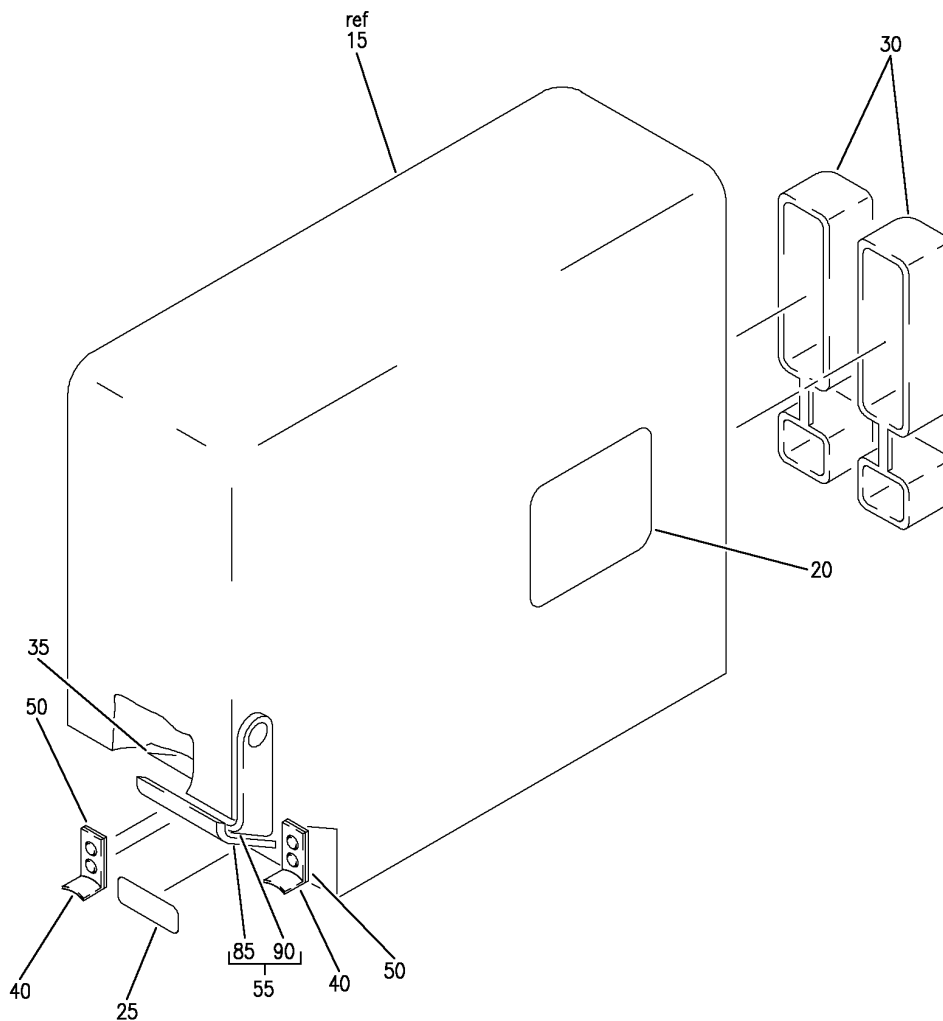
EQUIPMENT AND SOFTWARE INSTL- MAIN ELECTRONICS EQPT CTR (FLIGHT INSTRUMENT SYSTEM ONLY)  
FIGURE 1B (SHEET 1)

BRI  
SEP 20/08

**34-22-01-01B**

34-22-01-01B  
PAGE 0

**BOEING**  
757  
PARTS CATALOG (MAINTENANCE)



(A)

Y 34-22-01-01B SHT 2 REV 255

EQUIPMENT AND SOFTWARE INSTL- MAIN ELECTRONICS EQPT CTR (FLIGHT INSTRUMENT SYSTEM ONLY)  
FIGURE 1B (SHEET 2)

BRI  
MAY 28/07

**34-22-01-01B**

34-22-01-01B  
PAGE 0A

BOEING PROPRIETARY - Copyright © - Unpublished Work - See title page for details.



757

PARTS CATALOG (MAINTENANCE)

FIG ITEM	PART NUMBER	1 2 3 4 5 6 7	NOMENCLATURE	EFFECT FROM TO	UNITS PER ASSY
1B			EQUIPMENT AND SOFTWARE INSTL- MAIN ELECTRONICS EQPT CTR (FLIGHT INSTRUMENT SYSTEM ONLY)	101102	
- 2	284N1800-140		EQUIPMENT INSTL-MAIN ELECTRONICS EQPT CTR (FLIGHT INSTRUMENT SYSTEM ONLY) FOR NHA/OTHER SYS DET SEE: 24-00-58-05E	101101	RF
- 2	284N1800-141		EQUIPMENT INSTL-MAIN ELECTRONICS EQPT CTR (FLIGHT INSTRUMENT SYSTEM ONLY) FOR NHA/OTHER SYS DET SEE: 24-00-58-05E	102102	RF
15	622-9436-101		.GENERATOR- SUPPLIER CODE: V4V792 SPECIFICATION NUMBER: S242T404-421 ELECTRICAL EQUIP NUMBER: M00148 M00149 M00150 COMPONENT MAINT MANUAL REF: 34-22-20 QUALIFIED I/W DATA: 622-9436-101 MAY REPLACE 622-9436-100, 622-8000-006 622-8000-005 OR 622-8000-004. 622-9436-100, 622-8000-006, 622-8000-005 OR 622-8000-004 MAY REPLACE 622-9436-101 SUBJECT TO CUSTOMER SELECTABLE OPTION, SEE REFERENCE DRAWING 242N5002 FOR I/W	101102	3
20	280-2745-140		..LABEL-ESDS WARNING SUPPLIER CODE: V12998	101102	1
25	685-2614-001		..PLATE-IDENTIFICATION SUPPLIER CODE: V4V792	101102	1

MISSING ITEM NUMBERS NOT APPLICABLE

- ITEM NOT ILLUSTRATED

BRI

34-22-01-01B

BOEING PROPRIETARY - Copyright © - Unpublished Work - See title page for details.

34-22-01  
FIG. 01B  
PAGE 1  
JAN 20/09



757

PARTS CATALOG (MAINTENANCE)

FIG ITEM	PART NUMBER	1 2 3 4 5 6 7	NOMENCLATURE	EFFECT FROM TO	UNITS PER ASSY
1B					
30	211600-2	..	CAP-DUST SUPPLIER CODE: V00779	101102	2
35	829-0200-004	..	PLATE- SUPPLIER CODE: V4V792	101102	1
40	503-4970-001	..	HOOK-HOLDDOWN SUPPLIER CODE: V4V792	101102	2
- 45	F22NCFMA2-40	..	NUT- SUPPLIER CODE: V72962	101102	3
50	641-8914-003	..	SHIM-HOLDDOWN SUPPLIER CODE: V4V792	101102	2
55	651-2408-006	..	HANDLE ASSY-UNIT SUPPLIER CODE: V4V792	101102	1
- 60	328-0368-000	..	ATTACHING PARTS SCREW- SUPPLIER CODE: V08664	101102	2
- 65	652-5421-001	..	SCREW- SUPPLIER CODE: V4V792	101102	2
- 70	768-3178-001	..	WASHER- SUPPLIER CODE: V4V792	101102	4
- 75	MS21042-06	..	NUT	101102	2
- 80	647-5556-001	..	PLATE-NUT SUPPLIER CODE: V4V792 POSITION DATA: LEFT	101102	1
- 80	647-5557-001	..	PLATE-NUT SUPPLIER CODE: V4V792 POSITION DATA: RIGHT CONFIG CHG DATA FROM A CMM: SUPSD BY 647-5556-002	101102	1
- 80	647-5556-002	..	PLATE-NUT SUPPLIER CODE: V4V792 POSITION DATA: RIGHT CONFIG CHG DATA FROM A CMM: SUPSDS 647-5557-001	101102	1

MISSING ITEM NUMBERS NOT APPLICABLE

- ITEM NOT ILLUSTRATED

34-22-01-01B

34-22-01  
FIG. 01B  
PAGE 2  
JAN 20/09

BRI

BOEING PROPRIETARY - Copyright © - Unpublished Work - See title page for details.



757

PARTS CATALOG (MAINTENANCE)

FIG ITEM	PART NUMBER	1 2 3 4 5 6 7	NOMENCLATURE	EFFECT FROM TO	UNITS PER ASSY
1B					
85	768-3387-022	...	STRAP- SUPPLIER CODE: V4V792	101102	1
90	768-3386-004	...	BAR- SUPPLIER CODE: V4V792	101102	1
- 200	286N1171-353		WIRE BUNDLE ASSY- REWORKED BY ALERT SB: 34A0222	101101	RF
- 200	286N1171-355		WIRE BUNDLE ASSY- REWORKED BY ALERT SB: 34A0222	102102	RF
205	BKA31C1101	.	CONNECTOR- SUPPLIER CODE: V71468 SPECIFICATION NUMBER: BACC66K31C1101 OPTIONAL PART: S631C1101 V59610 NIC66K31C1101 V00779 ELECTRICAL EQUIP NUMBER: D00081 WIRING DIAGRAM REF: 342214	101102	1
- 220	286N1175-351		WIRE BUNDLE ASSY	101101	RF
- 220	286N1175-353		WIRE BUNDLE ASSY	102102	RF
225	BKA31C1101	.	CONNECTOR- SUPPLIER CODE: V71468 SPECIFICATION NUMBER: BACC66K31C1101 OPTIONAL PART: S631C1101 V59610 NIC66K31C1101 V00779 ELECTRICAL EQUIP NUMBER: D00085 WIRING DIAGRAM REF: 342234	101102	1
- 240	286N1173-353		WIRE BUNDLE ASSY- REWORKED BY ALERT SB: 34A0222	101101	RF
- 240	286N1173-354		WIRE BUNDLE ASSY- REWORKED BY ALERT SB: 34A0222	102102	RF

MISSING ITEM NUMBERS NOT APPLICABLE

- ITEM NOT ILLUSTRATED

34-22-01-01B

34-22-01  
FIG. 01B  
PAGE 3  
JAN 20/09

BRI



757

PARTS CATALOG (MAINTENANCE)

FIG ITEM	PART NUMBER	1 2 3 4 5 6 7	NOMENCLATURE	EFFECT FROM TO	UNITS PER ASSY
1B 245	BKA31C1101	.	CONNECTOR- SUPPLIER CODE: V71468 SPECIFICATION NUMBER: BACC66K31C1101 OPTIONAL PART: S631C1101 V59610 NIC66K31C1101 V00779 ELECTRICAL EQUIP NUMBER: D00083 WIRING DIAGRAM REF: 342224	101102	1
- 500	242N5005-30		SOFTWARE INSTL-EFIS PRE-MODULE FOR NHA SEE: 25-10-00-20	101102	RF
- 505	995-0491-011	.	SOFTWARE-EFIS SG OPS SUPPLIER CODE: V4V792 SPECIFICATION NUMBER: S242T404-2 S242T404-3 MISCELLANEOUS DATA: DISKETTE QTY : 1 DISK USED WITH: 622-9436-101 FOR SPARES PROCURE: S242T404-2	101102	3

MISSING ITEM NUMBERS NOT APPLICABLE

- ITEM NOT ILLUSTRATED

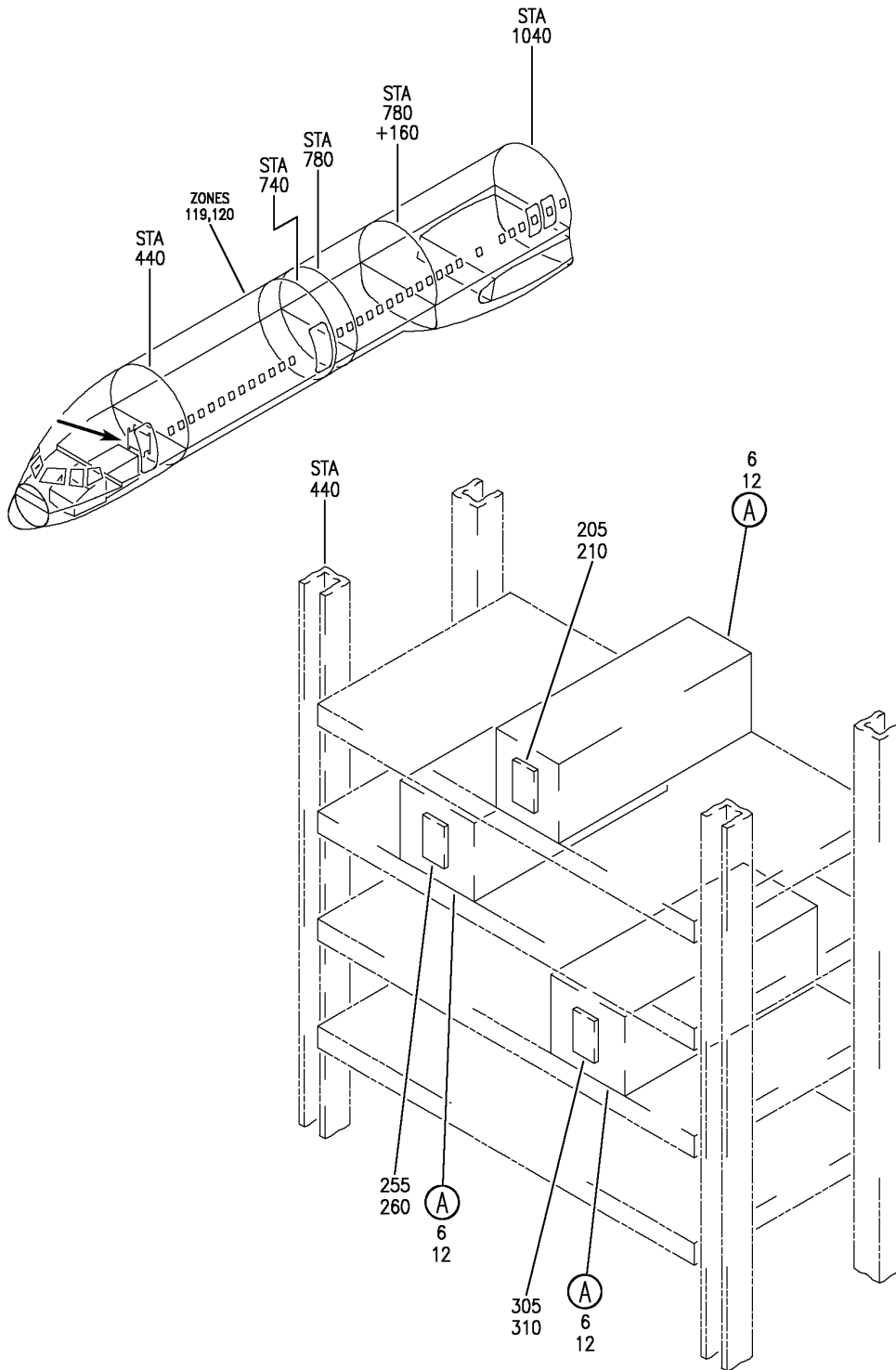
BRI

34-22-01-01B

BOEING PROPRIETARY - Copyright © - Unpublished Work - See title page for details.

34-22-01  
FIG. 01B  
PAGE 4  
JAN 20/09

**BOEING**  
757  
PARTS CATALOG (MAINTENANCE)



Y 34-22-01-08 SH-1 REV 331

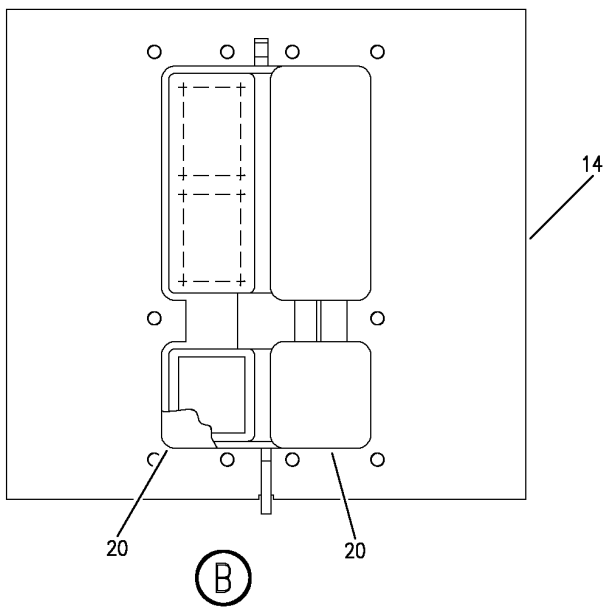
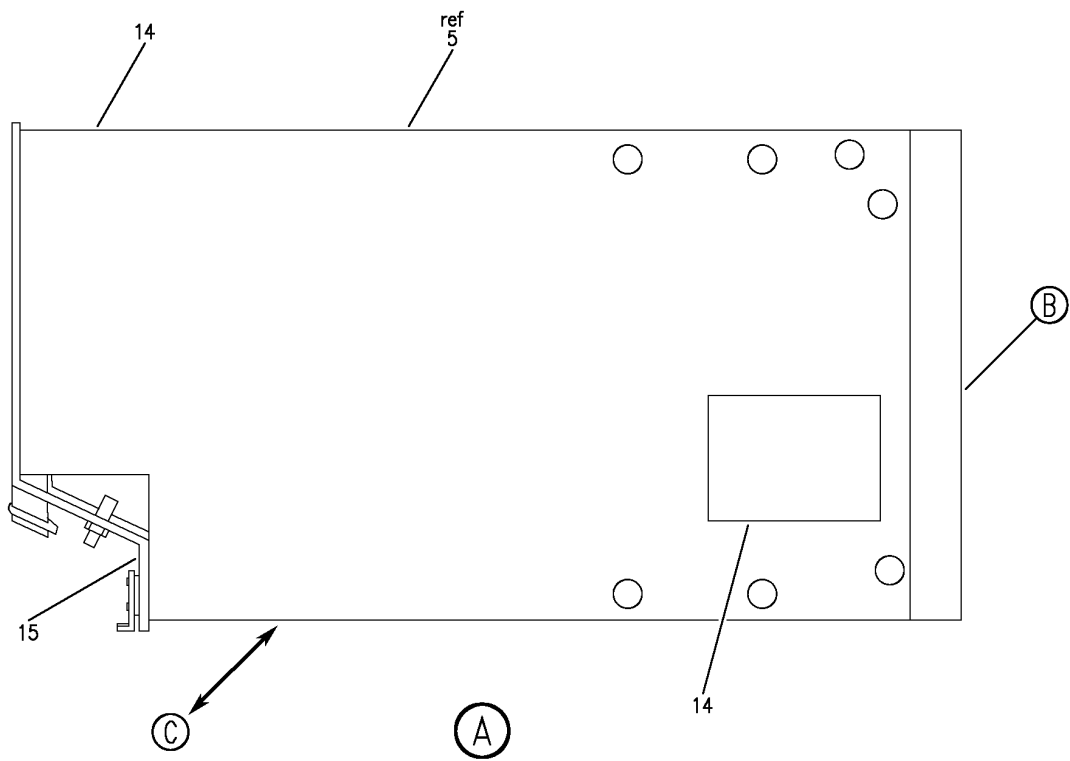
EQUIPMENT AND SOFTWARE INSTL-MAIN ELECTRONICS EQPT CTR ELECT. FLIGHT INSTR SYS SYMBOL GEN  
FIGURE 8 (SHEET 1)

BRI  
JAN 20/09

**34-22-01-08**

34-22-01-08  
PAGE 0

**BOEING**  
757  
PARTS CATALOG (MAINTENANCE)



Y 34-22-01-08 SH- 2 REV 331

EQUIPMENT AND SOFTWARE INSTL-MAIN ELECTRONICS EQPT CTR ELECT. FLIGHT INSTR SYS SYMBOL GEN  
FIGURE 8 (SHEET 2)

BRI  
JAN 20/09

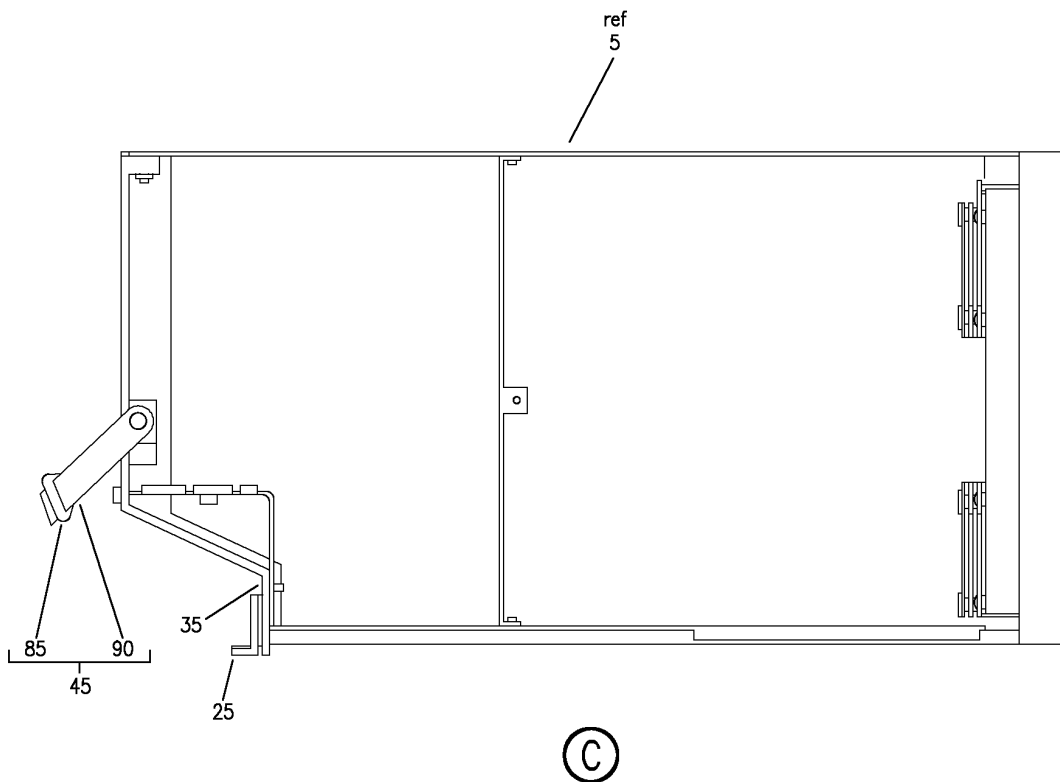
**34-22-01-08**

34-22-01-08  
PAGE 0A

BOEING PROPRIETARY - Copyright © - Unpublished Work - See title page for details.



**BOEING**  
757  
PARTS CATALOG (MAINTENANCE)



Y 34-22-01-08 SH1 3 REV 256

EQUIPMENT AND SOFTWARE INSTL-MAIN ELECTRONICS EQPT CTR ELECT. FLIGHT INSTR SYS SYMBOL GEN  
FIGURE 8 (SHEET 3)

BRI  
JAN 20/08

**34-22-01-08**

34-22-01-08  
PAGE 08



757

PARTS CATALOG (MAINTENANCE)

FIG ITEM	PART NUMBER	1 2 3 4 5 6 7	NOMENCLATURE	EFFECT FROM TO	UNITS PER ASSY
8			EQUIPMENT AND SOFTWARE INSTL-MAIN ELECTRONICS EQPT CTR ELECT. FLIGHT INSTR SYS SYMBOL GEN	101106 108120	
- 1	284N4000-340004		EQUIPMENT INSTL-MAIN ELECTRONICS EQPT CTR ELECT. FLIGHT INSTR SYS SYMBOL GEN FOR NHA SEE: 24-00-58-05	108120	RF
- 1	MODREF22687		EQUIPMENT INSTL-MAIN ELECTRONICS EQPT CTR ELECT. FLIGHT INSTR SYS SYMBOL GEN MODULE NUMBER: 284N4000-340004 REV B	103106	1
12	622-9436-101		.GENERATOR- SUPPLIER CODE: V4V792 SPECIFICATION NUMBER: S242T404-421 ELECTRICAL EQUIP NUMBER: M00148 M00149 M00150 COMPONENT MAINT MANUAL REF: 34-22-23	103106 108120	3
14	280-2745-140		..LABEL-ESDS WARNING SUPPLIER CODE: V12998	103106 108120	3
15	685-2614-001		..PLATE-IDENTIFICATION SUPPLIER CODE: V4V792	103106 108120	1
20	211600-2		..CAP-DUST SUPPLIER CODE: V00779	103106 108120	2
25	503-4970-001		..HOOK-HOLDDOWN SUPPLIER CODE: V4V792	103106 108120	2
- 30	F22NCFMA2-40		..NUT- SUPPLIER CODE: V72962	103106 108120	3
35	641-8914-003		..SHIM-HOLDDOWN SUPPLIER CODE: V4V792	103106 108120	2
- 40	MS20426AD4-7		..RIVET	103106 108120	4

MISSING ITEM NUMBERS NOT APPLICABLE

- ITEM NOT ILLUSTRATED

34-22-01-08

34-22-01  
FIG. 08  
PAGE 1  
JAN 20/09

BRI



757

PARTS CATALOG (MAINTENANCE)

FIG ITEM	PART NUMBER	1 2 3 4 5 6 7	NOMENCLATURE	EFFECT FROM TO	UNITS PER ASSY
8					
45	651-2408-006	..	HANDLE ASSY-UNIT SUPPLIER CODE: V4V792 ATTACHING PARTS	103106 108120	1
- 50	328-0368-000	..	SCREW- SUPPLIER CODE: V08664	103106 108120	2
- 55	652-5421-001	..	SCREW- SUPPLIER CODE: V4V792	103106 108120	2
- 60	768-3178-001	..	WASHER- SUPPLIER CODE: V4V792	103106 108120	4
- 65	MS21042-06	..	NUT	103106 108120	2
			-----*-----		
- 70	647-5556-001	..	PLATE-NUT SUPPLIER CODE: V4V792 POSITION DATA: LEFT	103106 108120	1
- 75	647-5557-001	..	PLATE-NUT SUPPLIER CODE: V4V792 POSITION DATA: RIGHT CONFIG CHG DATA FROM A CMM: SUPSD BY 647-5556-002	103106 108120	1
- 80	647-5556-002	..	PLATE-NUT SUPPLIER CODE: V4V792 POSITION DATA: RIGHT CONFIG CHG DATA FROM A CMM: SUPSDS 647-5557-001	103106 108120	1
85	768-3387-022	...	STRAP- SUPPLIER CODE: V4V792	103106 108120	1
90	768-3386-004	...	BAR- SUPPLIER CODE: V4V792	103106 108120	1
- 202	286N1171-601		WIRE BUNDLE ASSY	103106	RF

MISSING ITEM NUMBERS NOT APPLICABLE

- ITEM NOT ILLUSTRATED

BRI

34-22-01-08

34-22-01  
FIG. 08  
PAGE 2  
JAN 20/09



757

PARTS CATALOG (MAINTENANCE)

FIG ITEM	PART NUMBER	1 2 3 4 5 6 7	NOMENCLATURE	EFFECT FROM TO	UNITS PER ASSY
8 205	BKA31C1101		.CONNECTOR- SUPPLIER CODE: V71468 SPECIFICATION NUMBER: BACC66K31C1101 OPTIONAL PART: S631C1101 V59610 NIC66K31C1101 V00779 ELECTRICAL EQUIP NUMBER: D00081 WIRING DIAGRAM REF: 342214	103106 108120	1
210	S280W601-116		.BACKSHELL-GND ELECTRICAL EQUIP NUMBER: D00081T WIRING DIAGRAM REF: 342214	103106	1
- 253	286N1173-434		WIRE BUNDLE ASSY- REWORKED BY ALERT SB: 34A0222	108120	RF
- 254	286N1173-601		WIRE BUNDLE ASSY	103106	RF
255	BKA31C1101		.CONNECTOR- SUPPLIER CODE: V71468 SPECIFICATION NUMBER: BACC66K31C1101 OPTIONAL PART: S631C1101 V59610 NIC66K31C1101 V00779 ELECTRICAL EQUIP NUMBER: D00083 WIRING DIAGRAM REF: 342224	103106 108120	1
260	S280W601-116		.BACKSHELL-GND ELECTRICAL EQUIP NUMBER: D00083T WIRING DIAGRAM REF: 342224	103106	1
- 302	286N1175-401		WIRE BUNDLE ASSY-	108120	RF
- 303	286N1175-602		WIRE BUNDLE ASSY	103106	RF

MISSING ITEM NUMBERS NOT APPLICABLE

- ITEM NOT ILLUSTRATED

34-22-01-08

34-22-01  
FIG. 08  
PAGE 3  
JAN 20/09

BRI



757

PARTS CATALOG (MAINTENANCE)

FIG ITEM	PART NUMBER	1 2 3 4 5 6 7	NOMENCLATURE	EFFECT FROM TO	UNITS PER ASSY
8 305	BKA31C1101		.CONNECTOR- SUPPLIER CODE: V71468 SPECIFICATION NUMBER: BACC66K31C1101 OPTIONAL PART: S631C1101 V59610 NIC66K31C1101 V00779 ELECTRICAL EQUIP NUMBER: D00085 WIRING DIAGRAM REF: 342234	103106 108120	1
310	S280W601-116		.BACKSHELL-GND ELECTRICAL EQUIP NUMBER: D00085T WIRING DIAGRAM REF: 342234	103106	1
- 500	242N5005-30		SOFTWARE INSTL-EFIS PRE-MODULE FOR NHA SEE: 25-10-00-20	108120	RF
- 505	995-0491-011		.SOFTWARE-EFIS SG OPS SUPPLIER CODE: V4V792 SPECIFICATION NUMBER: S242T404-2 S242T404-3 MISCELLANEOUS DATA: DISKETTE QTY: 1 DISK USED WITH: 622-9436-101 FOR SPARES PROCURE: S242T404-3	108120	3
- 520	MODREF22422		SOFTWARE INSTL-EFIS PRE-MODULE MODULE NUMBER: 242N5005-40 REV B	103106	1

MISSING ITEM NUMBERS NOT APPLICABLE

- ITEM NOT ILLUSTRATED

34-22-01-08

34-22-01  
FIG. 08  
PAGE 4  
JAN 20/09

BRI



757

PARTS CATALOG (MAINTENANCE)

FIG ITEM	PART NUMBER	1 2 3 4 5 6 7	NOMENCLATURE	EFFECT FROM TO	UNITS PER ASSY
8 - 525	995-0491-012	.	SOFTWARE-EFIS SG OPS SUPPLIER CODE: V4V792 SPECIFICATION NUMBER: S242T404-4 MISCELLANEOUS DATA: DISKETTE QTY: 1 DISK USED WITH: 622-9436-101 HARDWARE REFERENCE SEE: 34-22-01-08 FOR SPARES PROCURE: S242T404-4 POST SERVICE BULLETIN: 34-0228R1	101106	3

MISSING ITEM NUMBERS NOT APPLICABLE

- ITEM NOT ILLUSTRATED

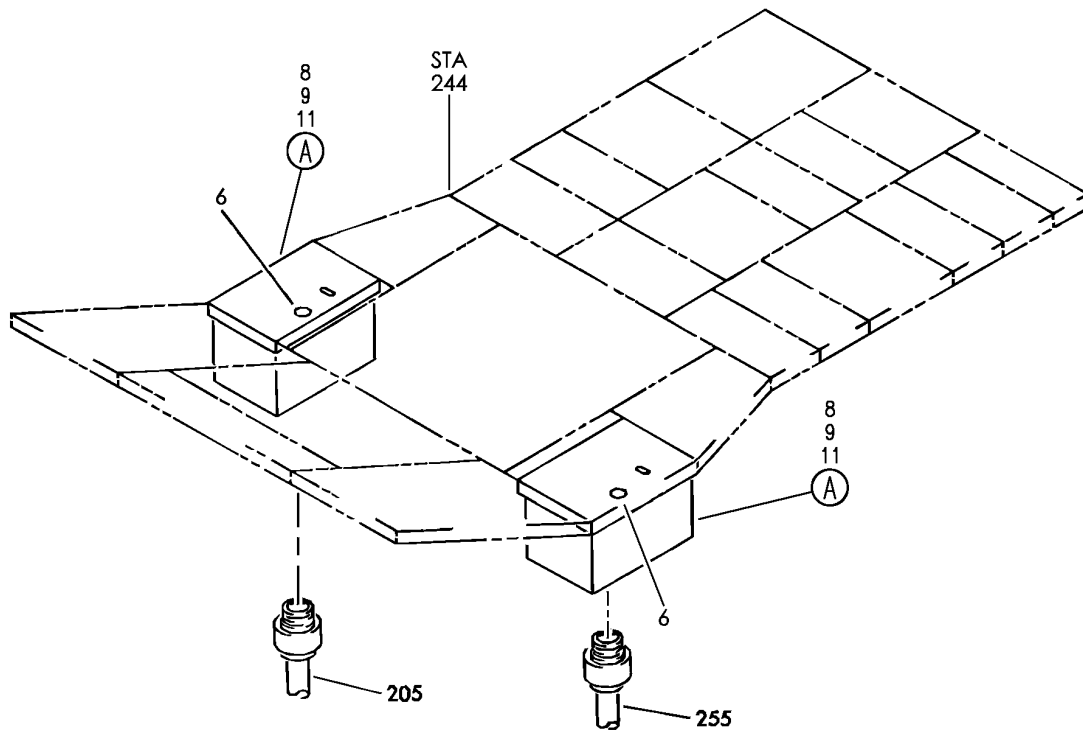
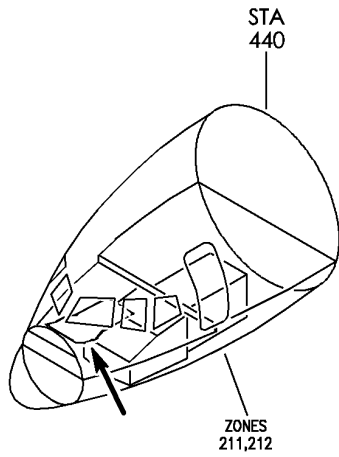
BRI

34-22-01-08

BOEING PROPRIETARY - Copyright © - Unpublished Work - See title page for details.

34-22-01  
FIG. 08  
PAGE 5  
JAN 20/09

**BOEING**  
757  
PARTS CATALOG (MAINTENANCE)



Y 34-22-02-01 SH-1 REV 327

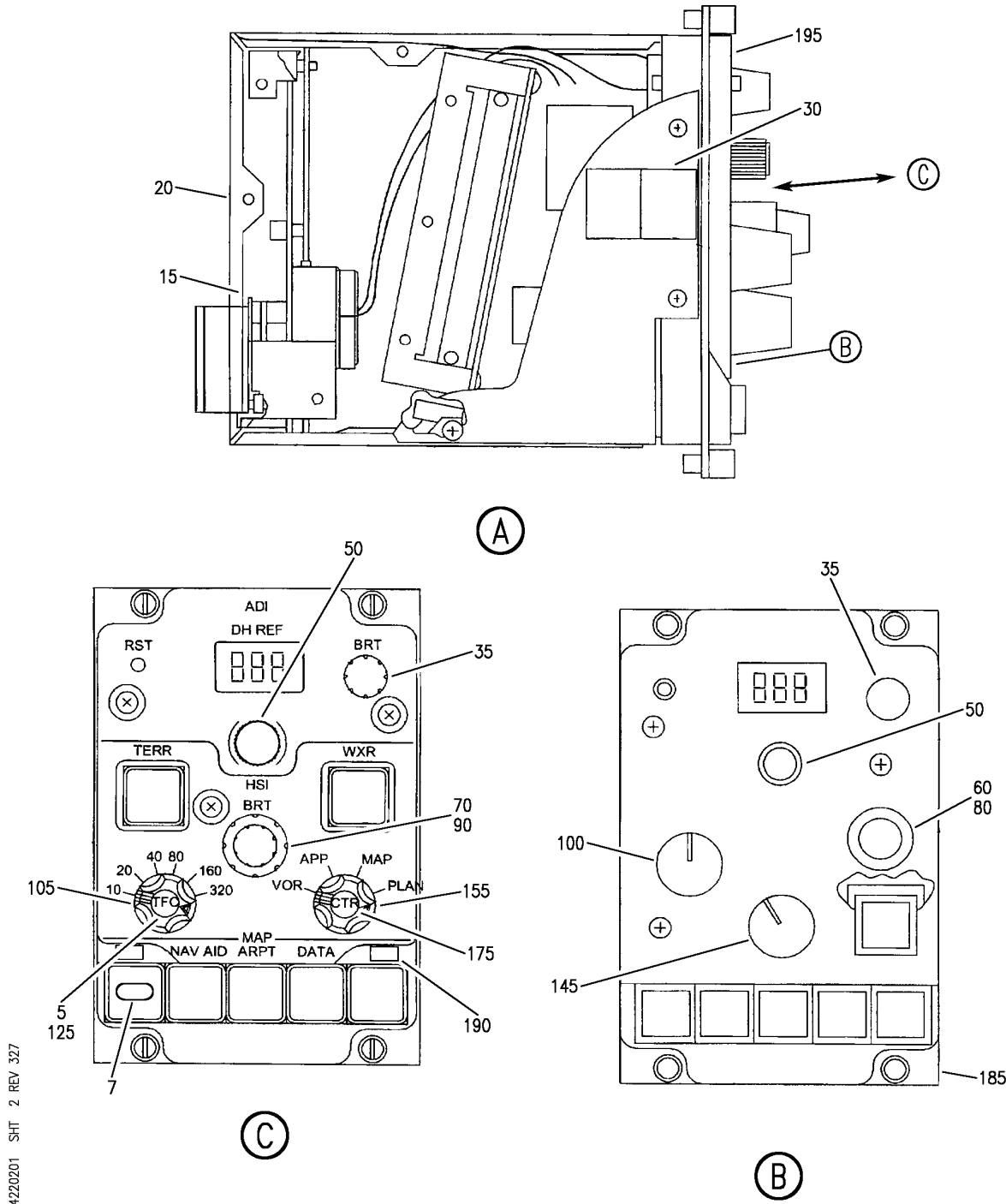
PANEL INSTL-P8,P9,P10 ELECTRONICS (FLIGHT INSTRUMENT SYSTEM ONLY)  
FIGURE 1 (SHEET 1)

BRI  
SEP 20/08

**34-22-02-01**

34-22-02-01  
PAGE 0

**BOEING**  
757  
PARTS CATALOG (MAINTENANCE)



Y 34220201 SHT 2 REV 327

PANEL INSTL-P8,P9,P10 ELECTRONICS (FLIGHT INSTRUMENT SYSTEM ONLY)  
FIGURE 1 (SHEET 2)

**34-22-02-01**

BRI  
SEP 20/08

34-22-02-01  
PAGE 0A





757

PARTS CATALOG (MAINTENANCE)

FIG ITEM	PART NUMBER	1 2 3 4 5 6 7	NOMENCLATURE	EFFECT FROM TO	UNITS PER ASSY
1			PANEL INSTL-P8,P9,P10 ELECTRONICS (FLIGHT INSTRUMENT SYSTEM ONLY)	002004 006100 103107 121503 904999	
- 1	233N6101-1		PANEL INSTL-P8 ELECTRONIC (FLIGHT INSTRUMENT SYSTEM ONLY) VARIABLE DRAWING REF: 233N6101-5004 233N6101-5022 233N6101-5028 233N6101-5041 233N6101-5042 233N6101-5046 FOR NHA/OTHER SYS DET SEE: 25-10-00-05A	002004 006100 103107 121503 904999	RF
- 6	BAC27NFDE0170		.PLACARD-BLANK (TO COVER TFC) POST RAPID REVISION: RR92034-5	002004	2
- 6	BAC27NFDE0170		.PLACARD-BLANK	103106 121503 950999	2
9	622-5048-344		.PANEL ASSY-ELECTRONIC FLIGHT INSTR CONT SUPPLIER CODE: V4V792 SPECIFICATION NUMBER: S242T404-344 ELECTRICAL EQUIP NUMBER: M00093 M00094 COMPONENT MAINT MANUAL REF: 34-22-72 QUALIFIED I/W DATA: 622-5048-104 I/W 622-5048-344 UNTIL ACTIVATION OF TCAS AT WHICH TIME 622-5048-344 MUST BE INSTALLED 622-5048-344 I/W 622-5048-341 SUBJECT TO CUSTOMER PREFERENCE FOR UAL ONLY FUNCTIONAL REFERENCE: LIGHTS FOR DETAILS SEE 33-13-51-50B	107107 121503 904951	2

MISSING ITEM NUMBERS NOT APPLICABLE

- ITEM NOT ILLUSTRATED

34-22-02-01

34-22-02  
FIG. 01  
PAGE 1  
JAN 20/09

BRI



757

PARTS CATALOG (MAINTENANCE)

FIG ITEM	PART NUMBER	1 2 3 4 5 6 7	NOMENCLATURE	EFFECT FROM TO	UNITS PER ASSY
1 9	622-5048-104		.PANEL ASSY-ELECTRONIC FLIGHT INSTR CONT SUPPLIER CODE: V4V792 SPECIFICATION NUMBER: S242T404-304 ELECTRICAL EQUIP NUMBER: M00093 M00094 COMPONENT MAINT MANUAL REF: 34-22-72 QUALIFIED I/W DATA: 622-5048-104 I/W 622-5048-344 UNTIL ACTIVATION OF TCAS AT WHICH TIME 622-5048-344 MUST BE INSTALLED FUNCTIONAL REFERENCE: LIGHTS FOR DETAILS SEE 33-13-51-50B	107107 904949	2

MISSING ITEM NUMBERS NOT APPLICABLE

- ITEM NOT ILLUSTRATED

BRI

34-22-02-01

BOEING PROPRIETARY - Copyright © - Unpublished Work - See title page for details.

34-22-02  
FIG. 01  
PAGE 2  
JAN 20/09



757

PARTS CATALOG (MAINTENANCE)

FIG ITEM	PART NUMBER	1 2 3 4 5 6 7	NOMENCLATURE	EFFECT FROM TO	UNITS PER ASSY
1 9	622-5048-341		.PANEL ASSY-ELECTRONIC FLIGHT INSTR CONT SUPPLIER CODE: V4V792 SPECIFICATION NUMBER: S242T404-341 ELECTRICAL EQUIP NUMBER: M00093 M00094 WIRING DIAGRAM REF: 342214 342224 COMPONENT MAINT MANUAL REF: 34-22-72 QUALIFIED I/W DATA: 622-5048-344 I/W 622-5048-341 SUBJECT TO CUSTOMER PREFERENCE FOR UAL ONLY PRE SERVICE BULLETIN: 34-0200 PRE SERVICE BULLETIN: EFIC-701-34-D V4V792 PRE SERVICE LETTER: 34-122 FUNCTIONAL REFERENCE: LIGHTS FOR DETAILS SEE 33-13-51-50B	002004 006100 103106 952999	2

MISSING ITEM NUMBERS NOT APPLICABLE

- ITEM NOT ILLUSTRATED

BRI

# 34-22-02-01

BOEING PROPRIETARY - Copyright © - Unpublished Work - See title page for details.

34-22-02  
FIG. 01  
PAGE 3  
JAN 20/09



757

PARTS CATALOG (MAINTENANCE)

FIG ITEM	PART NUMBER	1 2 3 4 5 6 7	NOMENCLATURE	EFFECT FROM TO	UNITS PER ASSY
1 11	622-5048-381		.PANEL ASSY-ELECTRONIC FLIGHT INSTR CONT SUPPLIER CODE: V4V792 SPECIFICATION NUMBER: S242T404-381 ELECTRICAL EQUIP NUMBER: M00093 M00094 WIRING DIAGRAM REF: 342214 342224 COMPONENT MAINT MANUAL REF: 34-22-72 POST SERVICE BULLETIN: 34-0200 POST SERVICE BULLETIN: EFIC-701-34-D V4V792 POST SERVICE LETTER: 34-122 FUNCTIONAL REFERENCE: LIGHTS FOR DETAILS SEE 33-13-51-50B	952952	2
15	280-2745-010		.. LABEL-ESDS SUPPLIER CODE: V12998 CONFIG CHG DATA FROM A CMM: SUPSD BY 380-2745-130	002004 006100 103107 121503 904999	1
15	280-2745-130		.. LABEL-ESDS SUPPLIER CODE: V12998 CONFIG CHG DATA FROM A CMM: SUPSDS 380-2745-010	002004 006100 103107 121503 904999	1
20	647-5690-008		.. COVER- SUPPLIER CODE: V4V792	002004 006100 103107 121503 904999	1
- 25	P330-2291-000		ATTACHING PARTS .. SCREW- SUPPLIER CODE: V77250  -----*-----	002004 006100 103107 121503 904999	6

MISSING ITEM NUMBERS NOT APPLICABLE

- ITEM NOT ILLUSTRATED

34-22-02-01

34-22-02  
FIG. 01  
PAGE 4  
JAN 20/09

BRI

**BOEING**  
757  
**PARTS CATALOG (MAINTENANCE)**

FIG ITEM	PART NUMBER	1 2 3 4 5 6 7	NOMENCLATURE	EFFECT FROM TO	UNITS PER ASSY
1					
30	646-0042-006		.. PLATE-IDENT SUPPLIER CODE: V4V792 USED ON: 622-5048-101 622-5048-104 622-5048-341	002004 006100 103107 904949 952999	1
30	646-0042-008		.. PLATE-IDENT SUPPLIER CODE: V4V792 USED ON: 622-5048-344	107107 121503 904951	1
30	646-0042-012		.. PLATE-IDENT SUPPLIER CODE: V4V792 USED ON: 622-5048-381	952952	1
35	RD238-110		.. KNOB-PLASTIC SUPPLIER CODE: V15084	002004 006100 103107 121503 904999	1
- 40	MS51021-101		ATTACHING PARTS .. SETSCREW	002004 006100 103107 121503 904999	1
50	651-2257-001		-----*----- .. KNOB- SUPPLIER CODE: V4V792	002004 006100 103107 121503 904999	1
- 55	MS51963-1		ATTACHING PARTS .. SETSCREW	002004 006100 103107 121503 904999	2
60	RD238-129		-----*----- .. KNOB-PLASTIC SUPPLIER CODE: V15084	002004 006100 103107 121503 904999	1

MISSING ITEM NUMBERS NOT APPLICABLE

- ITEM NOT ILLUSTRATED

BRI

# 34-22-02-01

BOEING PROPRIETARY - Copyright © - Unpublished Work - See title page for details.

34-22-02  
FIG. 01  
PAGE 5  
JAN 20/09

**BOEING**  
757  
**PARTS CATALOG (MAINTENANCE)**

FIG ITEM	PART NUMBER	1 2 3 4 5 6 7	NOMENCLATURE	EFFECT FROM TO	UNITS PER ASSY
1			ATTACHING PARTS		
- 65	MS51021-101		.. SETSCREW	002004 006100 103107 121503 904999	1
70	RD238-129		-----*----- .. KNOB-PLASTIC SUPPLIER CODE: V15084 USED ON: 622-5048-381	952952	1
- 75	MS51021-101		ATTACHING PARTS .. SETSCREW- USED ON: 622-5048-381	952952	1
80	SA423-101		-----*----- .. KNOB-PLASTIC SUPPLIER CODE: V15084	002004 006100 103107 121503 904999	1
- 85	MS51021-132		ATTACHING PARTS .. SETSCREW	002004 006100 103107 121503 904999	1
90	SA423-101		-----*----- .. KNOB-PLASTIC SUPPLIER CODE: V15084 USED ON: 622-5048-381	952952	1
- 95	MS51021-132		ATTACHING PARTS .. SETSCREW	952952	1
100	TT410-101		-----*----- .. KNOB-PLASTIC SUPPLIER CODE: V15084 CONFIG CHG DATA FROM A CMM: SUPSD BY 841-7004-030 USED ON: 622-5048-101 622-5048-104	107107 904949	1

MISSING ITEM NUMBERS NOT APPLICABLE

- ITEM NOT ILLUSTRATED

BRI

# 34-22-02-01

BOEING PROPRIETARY - Copyright © - Unpublished Work - See title page for details.

34-22-02  
FIG. 01  
PAGE 6  
JAN 20/09



757

PARTS CATALOG (MAINTENANCE)

FIG ITEM	PART NUMBER	1 2 3 4 5 6 7	NOMENCLATURE	EFFECT FROM TO	UNITS PER ASSY
1 100	827-3397-001	..	KNOB- SUPPLIER CODE: V4V792 CONFIG CHG DATA FROM A CMM: SUPSD BY 841-7004-030 USED ON: 622-5048-341 622-5048-344	002004 006100 103107 121503 904999	1
100	841-7004-030	..	KNOB- SUPPLIER CODE: V4V792 CONFIG CHG DATA FROM A CMM: SUPERSEDES 827-3397-001 SUPSDS TT410-101 USED ON: 622-5048-101 622-5048-344	002004 006100 103107 121503 904999	1
105	827-2583-001	..	PUSHBUTTON- SUPPLIER CODE: V4V792 USED ON: 622-5048-341 622-5048-381	002004 006100 103107 121503 904999	1
- 107	328-5023-000	..	ATTACHING PARTS SETSCREW- SUPPLIER CODE: V4V792	952952	1
- 110	MS51021-102	..	SETSCREW	002004 006100 103107 121503 904999	1
- 110	328-5023-000	..	SETSCREW- SUPPLIER CODE: V4V792 USED ON: 622-5048-101 622-5048-104 622-5048-381	107107 904949	1
125	841-7004-030	..	-----*----- KNOB- SUPPLIER CODE: V4V792 USED ON: 622-5048-381	952952	1
- 130	MS51021-102	..	ATTACHING PARTS SETSCREW -----*-----	952952	1

MISSING ITEM NUMBERS NOT APPLICABLE

- ITEM NOT ILLUSTRATED

BRI

34-22-02-01

34-22-02  
FIG. 01  
PAGE 7  
JAN 20/09



757

PARTS CATALOG (MAINTENANCE)

FIG ITEM	PART NUMBER	1 2 3 4 5 6 7	NOMENCLATURE	EFFECT FROM TO	UNITS PER ASSY
1					
- 135	827-2583-003		.. PUSHBUTTON- SUPPLIER CODE: V4V792 USED ON: 622-5048-101 622-5048-104 ATTACHING PARTS	107107 904949	1
- 140	846-3017-010		.. SETSCREW- SUPPLIER CODE: VOBLJ1 -----*-----	107107 904949	1
145	TT410-102		.. KNOB-PLASTIC SUPPLIER CODE: V15084 USED ON: 622-5048-101 622-5048-104 622-5048-341 ATTACHING PARTS	002004 006100 103107 121503 904999	1
- 150	MS51021-131		.. SETSCREW -----*-----	107107 904949	1
155	676-3058-001		.. KNOB-PLASTIC SUPPLIER CODE: V15084 USED ON: 622-5048-381 ATTACHING PARTS	952952	1
- 160	MS51021-102		.. SETSCREW -----*-----	952952	1
175	830-7587-001		.. PUSHBUTTON- SUPPLIER CODE: V4V792 USED ON: 622-5048-381 ATTACHING PARTS	952952	1
- 180	328-5024-000		.. SETSCREW- SUPPLIER CODE: VOGT70 -----*-----	952952	1
185	647-5959-003		.. PANEL ASSY-FRONT A4 SUPPLIER CODE: V4V792 CONFIG CHG DATA FROM A CMM: SUPSD BY 647-5959-015 USED ON: 622-5048-104	107107 904949	1

MISSING ITEM NUMBERS NOT APPLICABLE

- ITEM NOT ILLUSTRATED

34-22-02-01

34-22-02  
FIG. 01  
PAGE 8  
JAN 20/09

BRI

BOEING PROPRIETARY - Copyright © - Unpublished Work - See title page for details.





757

PARTS CATALOG (MAINTENANCE)

FIG ITEM	PART NUMBER	1 2 3 4 5 6 7	NOMENCLATURE	EFFECT FROM TO	UNITS PER ASSY
1					
185	647-5959-007		..PANEL ASSY-FRONT A4 SUPPLIER CODE: V4V792 CONFIG CHG DATA FROM A CMM: SUPSD BY 647-5959-012 USED ON: 622-5048-344	107107 121503 904951	1
185	647-5959-011		..PANEL ASSY-FRONT A4 SUPPLIER CODE: V4V792 CONFIG CHG DATA FROM A CMM: SUPSDS 647-5959-005 SUPSD BY 830-2863-011 USED ON: 622-5048-341	002004 006100 103106 952999	1
185	647-5959-012		..PANEL ASSY-FRONT A4 SUPPLIER CODE: V4V792 CONFIG CHG DATA FROM A CMM: SUPSDS 647-5959-007 SUPSD BY 830-2863-012 USED ON: 622-5048-344	107107 121503 904951	1
185	647-5959-015		..PANEL ASSY-FRONT A4 SUPPLIER CODE: V4V792 CONFIG CHG DATA FROM A CMM: SUPSDS 647-5959-003 SUPSD BY 830-2863-015 USED ON: 622-5048-104	107107 904949	1
185	647-5959-016		..PANEL ASSY-FRONT A4 SUPPLIER CODE: V4V792 USED ON: 622-5048-381	952952	1
185	647-5959-005		..PANEL ASSY-FRONT A4 SUPPLIER CODE: V4V792 CONFIG CHG DATA FROM A CMM: SUPSD BY 647-5959-011 USED ON: 622-5048-341	002004 006100 103106 952999	1

MISSING ITEM NUMBERS NOT APPLICABLE

- ITEM NOT ILLUSTRATED

34-22-02-01

34-22-02  
FIG. 01  
PAGE 9  
JAN 20/09

BRI

BOEING PROPRIETARY - Copyright © - Unpublished Work - See title page for details.



757

PARTS CATALOG (MAINTENANCE)

FIG ITEM	PART NUMBER	1 2 3 4 5 6 7	NOMENCLATURE	EFFECT FROM TO	UNITS PER ASSY
1 190	830-2863-011		..PANEL ASSY-FRONT A4 SUPPLIER CODE: V4V792 CONFIG CHG DATA FROM A CMM: SUPSDS 647-5959-011 USED ON: 622-5048-341	002004 006100 103106 952999	1
190	830-2863-012		..PANEL ASSY-FRONT A4 SUPPLIER CODE: V4V792 CONFIG CHG DATA FROM A CMM: SUPSDS 647-5959-012 USED ON: 622-5048-344	107107 121503 904951	1
190	830-2863-015		..PANEL ASSY-FRONT A4 SUPPLIER CODE: V4V792 CONFIG CHG DATA FROM A CMM: SUPSDS 647-5959-015 USED ON: 622-5048-104	107107 904949	1
190	830-2863-016		..PANEL ASSY-FRONT A4 SUPPLIER CODE: V4V792 USED ON: 622-5048-381	952952	1
195	754-0529-002		..PLATE- SUPPLIER CODE: V4V792 CONFIG CHG DATA FROM A CMM: SUPSD BY 754-0529-006 USED ON: 622-5048-101 622-5048-341	002004 006100 103106 952999	1
195	754-0529-001		..PLATE- SUPPLIER CODE: V4V792 CONFIG CHG DATA FROM A CMM: SUPSD BY 754-0529-005 USED ON: 622-5048-104 622-5048-344	107107 121503 904951	1

MISSING ITEM NUMBERS NOT APPLICABLE

- ITEM NOT ILLUSTRATED

34-22-02-01

34-22-02  
FIG. 01  
PAGE 10  
JAN 20/09

BRI

BOEING PROPRIETARY - Copyright © - Unpublished Work - See title page for details.



757

PARTS CATALOG (MAINTENANCE)

FIG ITEM	PART NUMBER	1 2 3 4 5 6 7	NOMENCLATURE	EFFECT FROM TO	UNITS PER ASSY
1					
195	754-0529-006		.. PLATE- SUPPLIER CODE: V4V792 CONFIG CHG DATA FROM A CMM: SUPSDS 754-0529-002 USED ON: 622-5048-101 622-5048-341	002004 006100 103106 952999	1
195	754-0529-005		.. PLATE- SUPPLIER CODE: V4V792 CONFIG CHG DATA FROM A CMM: SUPSDS 754-0529-001 USED ON: 622-5048-104 622-5048-344	107107 121503 904951	1
- 200	286N2323-002		WIRE BUNDLE ASSY-(FLIGHT INSTRUMENT SYSTEM ONLY)	121503 904949	RF
- 200	286N2323-006		WIRE BUNDLE ASSY-(FLIGHT INSTRUMENT SYSTEM ONLY)	107107	RF
- 200	286N2323-007		WIRE BUNDLE ASSY-(FLIGHT INSTRUMENT SYSTEM ONLY)	002004 006100 103106 950999	RF
- 200	286N2323-302		WIRE BUNDLE ASSY-(FLIGHT INSTRUMENT SYSTEM ONLY)	002004 006100 103107 121503 904999	RF
205	BACC45FT20D41S		.CONNECTOR- ELECTRICAL EQUIP NUMBER: D00097 WIRING DIAGRAM REF: 342224	002004 006100 103107 121503 904999	1
- 250	286N2321-002		WIRE BUNDLE ASSY-(FLIGHT INSTRUMENT SYSTEM ONLY)	121503 904949	RF
- 250	286N2321-005		WIRE BUNDLE ASSY-(FLIGHT INSTRUMENT SYSTEM ONLY)	002004 006100 103106 950999	RF
- 250	286N2321-006		WIRE BUNDLE ASSY-(FLIGHT INSTRUMENT SYSTEM ONLY)	107107	RF
255	BACC45FT20D41S		.CONNECTOR- ELECTRICAL EQUIP NUMBER: D00095 WIRING DIAGRAM REF: 342214	002004 006100 103107 121503 904999	1

MISSING ITEM NUMBERS NOT APPLICABLE

- ITEM NOT ILLUSTRATED

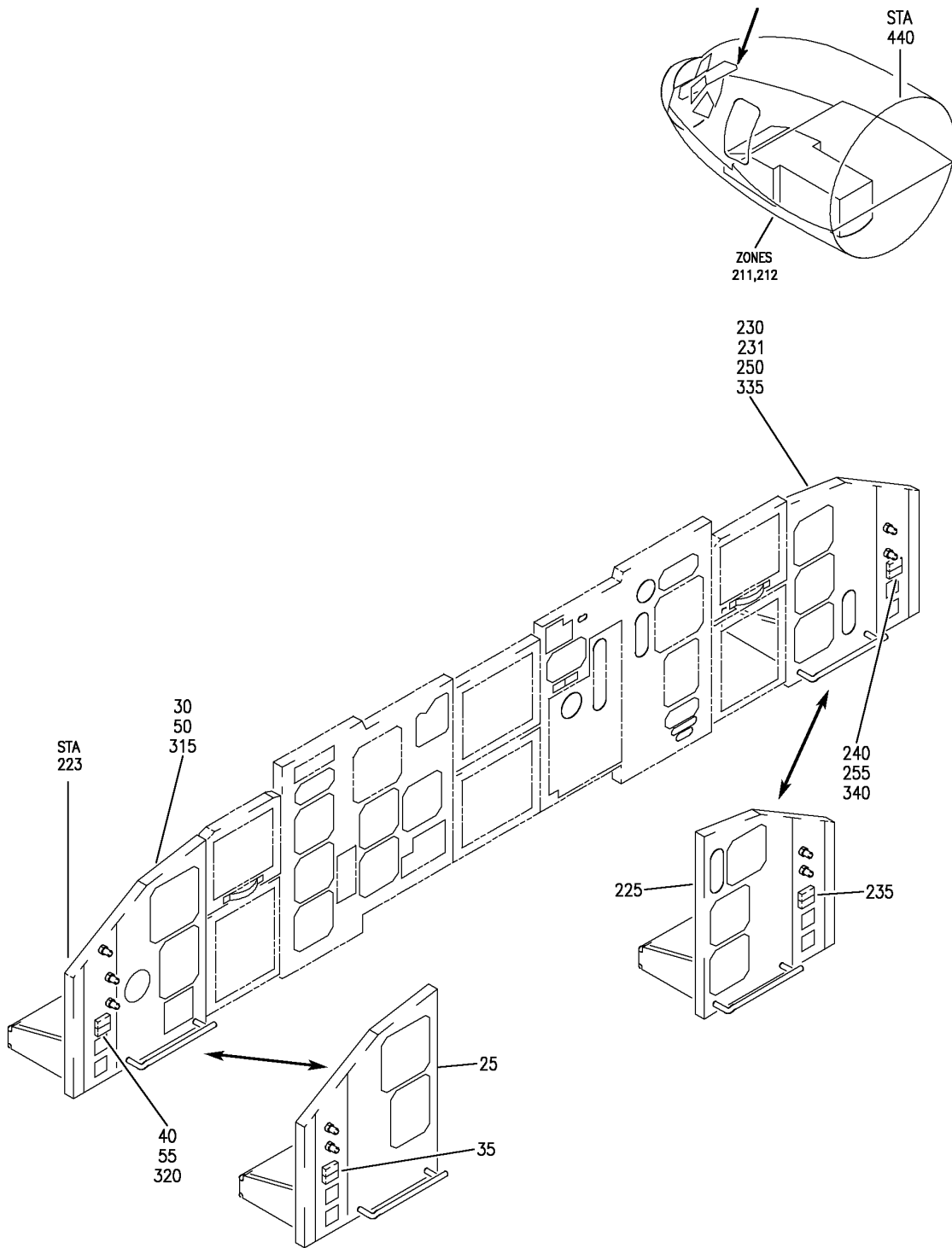
34-22-02-01

34-22-02  
FIG. 01  
PAGE 11  
JAN 20/09

BRI

BOEING PROPRIETARY - Copyright © - Unpublished Work - See title page for details.

**BOEING**  
757  
PARTS CATALOG (MAINTENANCE)



Y 34-22-02-02 REV 323

PANEL INSTL-P1-1 AND P3-3 (EFIS CONTROL PANEL ONLY)  
FIGURE 2

**34-22-02-02**

BRI  
MAY 20/08

34-22-02-02  
PAGE 0



757

PARTS CATALOG (MAINTENANCE)

FIG ITEM	PART NUMBER	1 2 3 4 5 6 7	NOMENCLATURE	EFFECT FROM TO	UNITS PER ASSY
2			PANEL INSTL-P1-1 AND P3-3 (EFIS CONTROL PANEL ONLY)	101106 108120 504903	
- 1	233N2103-7		PANEL INSTL-P1-1 (EFIS CONTROL PANEL ONLY) FOR NHA/OTHER SYS DET SEE: 25-10-00-15B	101101	RF
- 1	233N2103-107		PANEL INSTL-P1-1 (EFIS CONTROL PANEL ONLY) FOR NHA/OTHER SYS DET SEE: 25-10-00-15B	102102 108120	RF
- 2	233N2103-152		PANEL INSTL-P1-1 (EFIS CONTROL PANEL ONLY) FOR NHA/OTHER SYS DET SEE: 25-10-00-15B	504903	RF
- 10	233N2220-309		.MODULE ASSY- COMPONENT MAINT MANUAL REF: 31-11-47 QUALIFIED I/W DATA: 233N2220-329 CAN REPLACE 233N2220-309 FOR NT383-NT399 AIRCRAFT ONLY	101102 108120	RF
- 10	233N2220-315		.MODULE ASSY- COMPONENT MAINT MANUAL REF: 31-11-47	504903	RF
30	233N2220-21		..MODULE ASSY-	101102 108120	RF
30	233N2220-27		..MODULE ASSY	504903	RF

MISSING ITEM NUMBERS NOT APPLICABLE

- ITEM NOT ILLUSTRATED

BRI

34-22-02-02

BOEING PROPRIETARY - Copyright © - Unpublished Work - See title page for details.

34-22-02  
FIG. 02  
PAGE 1  
JAN 20/09



757

PARTS CATALOG (MAINTENANCE)

FIG ITEM	PART NUMBER	1 2 3 4 5 6 7	NOMENCLATURE	EFFECT FROM TO	UNITS PER ASSY
2 40	BCREFA0501		...SWITCH ASSY- SUPPLIER CODE: V81590 OVERLENGTH PART NUMBER: 433-673-1004-4001 SPECIFICATION NUMBER: S231T290-4001 MISCELLANEOUS DATA: WHEN REPLACING THE PUSHBUTTON SWITCH ASSY OR THE MASTER MODULE WITHIN, VERIFY THAT A CONFIG D MASTER MODULE P/N 13206-001 IS INSTALLED IN LIEU OF ANY EARLIER CONFIGURATION MASTER MODULES. OPTIONAL PART: S231T290-5001 851-35100-5001 V96182 USED ON: 233N2220-33 FOR DETAILS SEE: 33-13-00-43	101102 108120 504903	1
40	S231T290-5001		...SWITCH ASSY- OPTIONAL PART: 4336731004-4201 V81590 BCREFA0501 V81590 851-35100-5001 V96182	101102 108120 504903	1
40	851-30768-2001		...SWITCH ASSY- SUPPLIER CODE: V96182 SPECIFICATION NUMBER: S231T290-2001 FOR DETAILS SEE: 33-13-00-23	101102 108120 504903	1
40	851-30768-3001		...SWITCH ASSY- SUPPLIER CODE: V96182 SPECIFICATION NUMBER: S231T290-3001 FOR DETAILS SEE: 33-13-00-33	101102 108120 504903	1

MISSING ITEM NUMBERS NOT APPLICABLE

- ITEM NOT ILLUSTRATED

34-22-02-02

34-22-02  
FIG. 02  
PAGE 2  
JAN 20/09

BRI



757

PARTS CATALOG (MAINTENANCE)

FIG ITEM	PART NUMBER	1 2 3 4 5 6 7	NOMENCLATURE	EFFECT FROM TO	UNITS PER ASSY
2					
40	4336731004-4201	...	SWITCH ASSY-LIGHTED PUSHBUTTON SUPPLIER CODE: V81590 SPECIFICATION NUMBER: S231T290-4201 OPTIONAL PART: 851-35100-5001 V81590 S231T290-5001 USED ON: 233N2220-42	101102 108120 504903	1
40	851-35100-5001	...	SWITCH ASSY-LIGHTED PUSHBUTTON SUPPLIER CODE: V96182 OPTIONAL PART: 4336731004-4201 V81590 BCREFA0501 V81590 S231T290-5001	101102 108120 504903	1
- 200	233N2103-28		PANEL INSTL-P3-3 (EFIS CONTROL PANEL ONLY) FOR NHA/OTHER SYS DET SEE: 25-10-00-15B	108120	RF
- 200	233N2103-55		PANEL INSTL-P3-3 (EFIS CONTROL PANEL ONLY) FOR NHA/OTHER SYS DET SEE: 25-10-00-15B	504903	RF
- 200	233N2103-73		PANEL INSTL-P3-3 (EFIS CONTROL PANEL ONLY) FOR NHA/OTHER SYS DET SEE: 25-10-00-15B	101102	RF
- 210	233N2223-306		.MODULE ASSY- COMPONENT MAINT MANUAL REF: 31-11-50 QUALIFIED I/W DATA: 233N2223-338 CAN REPLACE 233N2223-306 FOR NT383-NT399 AIRCRAFT ONLY.	101102 108120	RF
- 210	233N2223-313		.MODULE ASSY- COMPONENT MAINT MANUAL REF: 31-11-50	504903	RF
230	233N2223-22		..MODULE ASSY-	101102 108120	RF
230	233N2223-29		..MODULE ASSY	504903	RF

MISSING ITEM NUMBERS NOT APPLICABLE

- ITEM NOT ILLUSTRATED

34-22-02-02

34-22-02  
FIG. 02  
PAGE 3  
JAN 20/09

BRI



757

PARTS CATALOG (MAINTENANCE)

FIG ITEM	PART NUMBER	1 2 3 4 5 6 7	NOMENCLATURE	EFFECT FROM TO	UNITS PER ASSY
2 240	BCREFA0501		...SWITCH ASSY- SUPPLIER CODE: V81590 OVERLENGTH PART NUMBER: 433-673-1004-4001 SPECIFICATION NUMBER: S231T290-4001 MISCELLANEOUS DATA: WHEN REPLACING THE PUSHBUTTON SWITCH ASSY OR THE MASTER MODULE WITHIN, VERIFY THAT A CONFIG D MASTER MODULE P/N 13206-001 IS INSTALLED IN LIEU OF ANY EARLIER CONFIGURATION MASTER MODULES. OPTIONAL PART: S231T290-5001 851-35100-5001 V96182 FOR DETAILS SEE: 33-13-00-43	101102 108120 504903	1
240	S231T290-5001		...SWITCH ASSY- OPTIONAL PART: 4336731004-4201 V81590 BCREFA0501 V81590 851-35100-5001 V96182	101102 108120 504903	1
240	851-30768-2001		...SWITCH ASSY- SUPPLIER CODE: V96182 SPECIFICATION NUMBER: S231T290-2001 FOR DETAILS SEE: 33-13-00-23	101102 108120 504903	1
240	851-30768-3001		...SWITCH ASSY- SUPPLIER CODE: V96182 SPECIFICATION NUMBER: S231T290-3001 FOR DETAILS SEE: 33-13-00-33	101102 108120 504903	1

MISSING ITEM NUMBERS NOT APPLICABLE

- ITEM NOT ILLUSTRATED

34-22-02-02

34-22-02  
FIG. 02  
PAGE 4  
JAN 20/09

BRI





757

PARTS CATALOG (MAINTENANCE)

FIG ITEM	PART NUMBER	1 2 3 4 5 6 7	NOMENCLATURE	EFFECT FROM TO	UNITS PER ASSY
2 240	4336731004-4201	...	SWITCH ASSY-LIGHTED PUSHBUTTON SUPPLIER CODE: V81590 SPECIFICATION NUMBER: S231T290-4201 OPTIONAL PART: S231T290-5001 851-35100-5001 V96182	101102 108120 504903	1
240	851-35100-5001	...	SWITCH ASSY-LIGHTED PUSHBUTTON SUPPLIER CODE: V96182 OPTIONAL PART: 4336731004-4201 V81590 BCREFA0501 V81590 S231T290-5001	101102 108120 504903	1

MISSING ITEM NUMBERS NOT APPLICABLE

- ITEM NOT ILLUSTRATED

BRI

34-22-02-02

BOEING PROPRIETARY - Copyright © - Unpublished Work - See title page for details.

34-22-02  
FIG. 02  
PAGE 5  
JAN 20/09



757

PARTS CATALOG (MAINTENANCE)

FIG ITEM	PART NUMBER	1 2 3 4 5 6 7	NOMENCLATURE	EFFECT FROM TO	UNITS PER ASSY
2 - 302	MODREF31741		PANEL INSTL-P1-1 AND P3-3 (EFIS CONTROL PANEL ONLY) MODULE NUMBER: 233N2103-425 REV A FOR OTHER SYS DETAILS SEE: 11-31-01-38 22-11-02-03 22-14-01-03 22-31-02-01 22-34-51-02 26-17-51-05 27-51-57-03 27-58-00-02 27-81-00-01 29-21-55-02 31-11-11-19 31-11-16-01 31-11-26-38 31-25-01-03 31-41-52-02 31-51-52-02 32-35-52-03 32-41-52-02 32-42-55-03 32-46-00-01 32-61-51-03 33-13-57-01A 33-16-52-03 34-12-01-03 34-13-01-03 34-13-02-01 34-13-05-01 34-13-06-01 34-16-51-03 34-21-02-02 34-24-01-03 34-32-00-02 34-46-51-02 34-51-02-02 34-57-00-01 34-61-01-07 34-61-02-02 77-41-01-01 79-33-51-05 FOR ADDITIONAL DETAILS SEE: 34-22-05-01A 34-22-06-01	103105	1

MISSING ITEM NUMBERS NOT APPLICABLE

- ITEM NOT ILLUSTRATED

BRI

# 34-22-02-02

BOEING PROPRIETARY - Copyright © - Unpublished Work - See title page for details.

34-22-02  
FIG. 02  
PAGE 6  
JAN 20/09



757

PARTS CATALOG (MAINTENANCE)

FIG ITEM	PART NUMBER	1 2 3 4 5 6 7 NOMENCLATURE	EFFECT FROM TO	UNITS PER ASSY
2 - 302	MODREF104335	PANEL INSTL-P1-1 AND P3-3 (EFIS CONTROL PANEL ONLY) MODULE NUMBER: 233N2103-425 REV B FOR OTHER SYS DETAILS SEE: 11-31-01-38 22-11-02-03 22-14-01-03 22-31-02-01 22-34-51-02 26-17-51-05 27-51-57-03 27-58-00-02 27-81-00-01 29-21-55-02 31-11-11-19 31-11-16-01 31-11-26-38 31-25-01-03 31-41-52-02 31-51-52-02 32-35-52-03 32-41-52-02 32-42-55-03 32-46-00-01 32-61-51-03 33-13-57-01A 33-16-52-03 34-12-01-03 34-13-01-03 34-13-02-01 34-13-05-01 34-13-06-01 34-16-51-03 34-21-02-02 34-24-01-03 34-32-00-02 34-46-51-02 34-51-02-02 34-57-00-01 34-61-01-07 34-61-02-02 77-41-01-01 79-33-51-05 FOR ADDITIONAL DETAILS SEE: 34-22-05-01A 34-22-06-01	106106	1

MISSING ITEM NUMBERS NOT APPLICABLE

- ITEM NOT ILLUSTRATED

# 34-22-02-02

34-22-02  
FIG. 02  
PAGE 7  
JAN 20/09

BRI



757

PARTS CATALOG (MAINTENANCE)

FIG ITEM	PART NUMBER	1 2 3 4 5 6 7	NOMENCLATURE	EFFECT FROM TO	UNITS PER ASSY
2					
- 310	233N2220-328		.MODULE ASSY-P1-1 COMPONENT MAINT MANUAL REF: 31-11-47	103106	RF
315	233N2220-42		..MODULE ASSY- USED ON: 233N2220-325 233N2220-328	103106	RF
320	4336731004-4201		...SWITCH ASSY-LIGHTED PUSHBUTTON SUPPLIER CODE: V81590 SPECIFICATION NUMBER: S231T290-4201 USED ON: 233N2220-21 233N2220-33 233N2220-42 233N2220-43	103106	1
- 330	233N2223-337		.MODULE ASSY-P3-3 COMPONENT MAINT MANUAL REF: 31-11-50	103106	RF
335	233N2223-62		..MODULE ASSY- USED ON: 233N2223-335 233N2223-337	103106	RF

MISSING ITEM NUMBERS NOT APPLICABLE

- ITEM NOT ILLUSTRATED

BRI

34-22-02-02

BOEING PROPRIETARY - Copyright © - Unpublished Work - See title page for details.

34-22-02  
FIG. 02  
PAGE 8  
JAN 20/09



757

PARTS CATALOG (MAINTENANCE)

FIG ITEM	PART NUMBER	1 2 3 4 5 6 7	NOMENCLATURE	EFFECT FROM TO	UNITS PER ASSY
2 340	BCREFA0501		<p>...SWITCH ASSY-LIGHTED            PUSHBUTTON            SUPPLIER CODE:            V81590            OVERLENGTH PART NUMBER:            433-673-1004-4001            SPECIFICATION NUMBER:            S231T290-4001            MISCELLANEOUS DATA:            WHEN REPLACING THE            PUSHBUTTON SWITCH ASSY            OR THE MASTER MODULE            WITHIN, VERIFY THAT A            CONFIG D MASTER MODULE            P/N 13206-001 IS            INSTALLED IN LIEU OF            ANY EARLIER            CONFIGURATION MASTER            MODULES.            USED ON:            233N2223-34            233N2223-22            233N2223-50            233N2223-61            233N2223-62            FOR DETAILS SEE:            33-13-00-43</p>	103106	1
340	851-30768-2001		<p>...SWITCH ASSY-LIGHTED            PUSHBUTTON            SUPPLIER CODE:            V96182            SPECIFICATION NUMBER:            S231T290-2001            FOR DETAILS SEE:            33-13-00-23</p>	103106	1
340	851-30768-3001		<p>...SWITCH ASSY-LIGHTED            PUSHBUTTON            SUPPLIER CODE:            V96182            SPECIFICATION NUMBER:            S231T290-3001            FOR DETAILS SEE:            33-13-00-33</p>	103106	1
340	S231T290-5001		<p>...SWITCH ASSY-LIGHTED            PUSHBUTTON            USED ON:            233N2223-22</p>	103106	1

MISSING ITEM NUMBERS NOT APPLICABLE

- ITEM NOT ILLUSTRATED

34-22-02-02

34-22-02  
 FIG. 02  
 PAGE 9  
 JAN 20/09

BRI



757

PARTS CATALOG (MAINTENANCE)

FIG ITEM	PART NUMBER	1 2 3 4 5 6 7	NOMENCLATURE	EFFECT FROM TO	UNITS PER ASSY
2 340	4336731004-4201		...SWITCH ASSY-LIGHTED PUSHBUTTON SUPPLIER CODE: V81590 SPECIFICATION NUMBER: S231T290-4201 USED ON: 233N2223-34 233N2223-22 233N2223-50 233N2223-61 233N2223-62	103106	1

MISSING ITEM NUMBERS NOT APPLICABLE

- ITEM NOT ILLUSTRATED

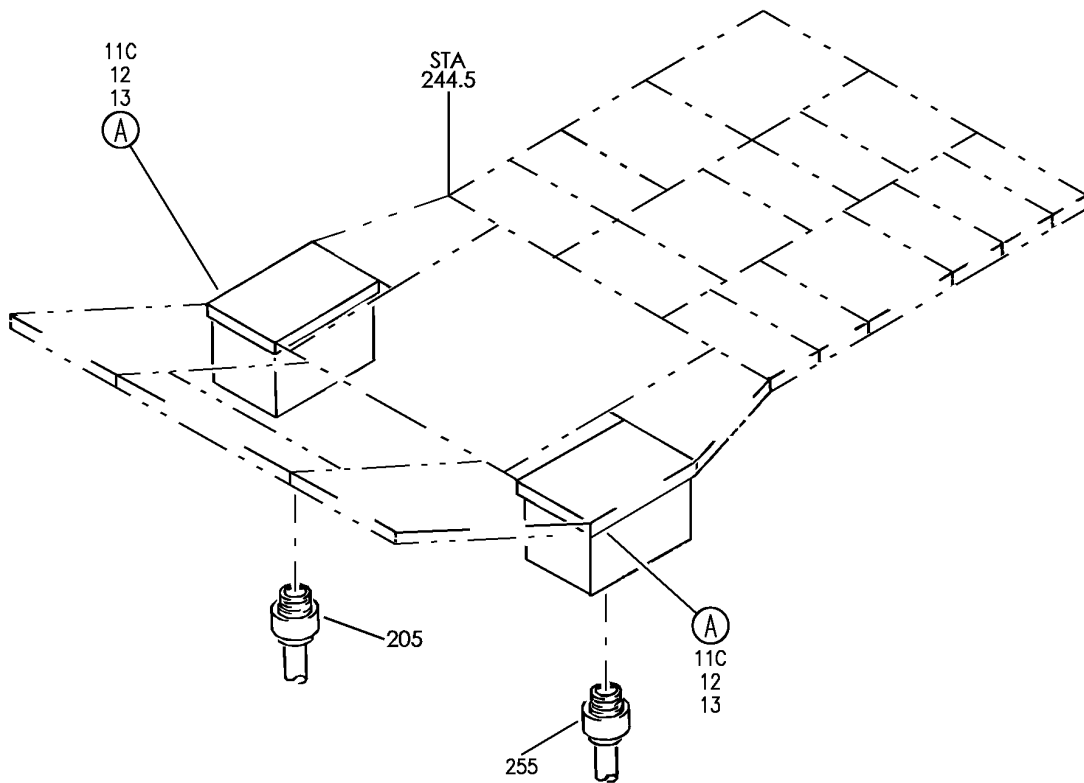
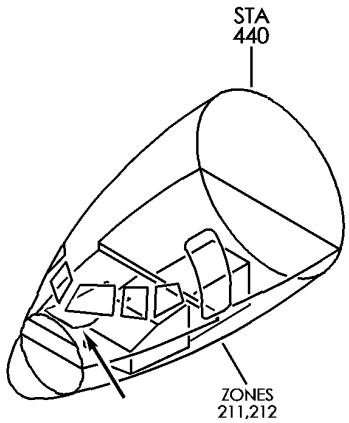
BRI

34-22-02-02

BOEING PROPRIETARY - Copyright © - Unpublished Work - See title page for details.

34-22-02  
FIG. 02  
PAGE 10  
JAN 20/09

**BOEING**  
757  
PARTS CATALOG (MAINTENANCE)



Y 34-22-02-03 SH-1 REV 327

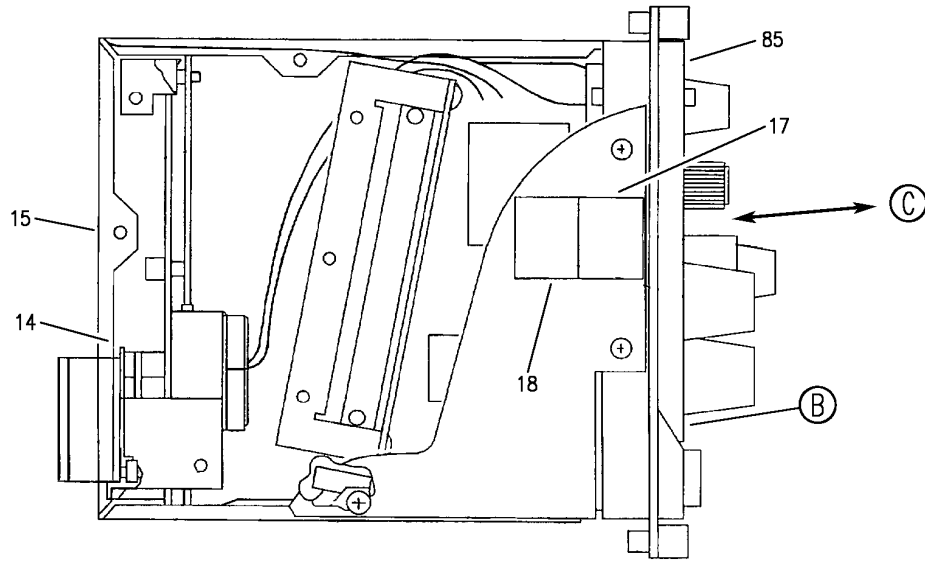
PANEL INSTL-P8,P9,P10 ELECTRONICS (ALTITUDE AND DIRECTION ONLY)  
FIGURE 3 (SHEET 1)

BRI  
SEP 20/08

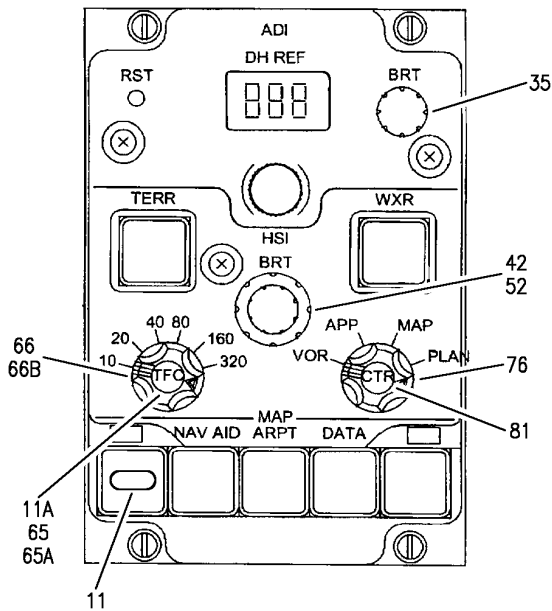
**34-22-02-03**

34-22-02-03  
PAGE 0

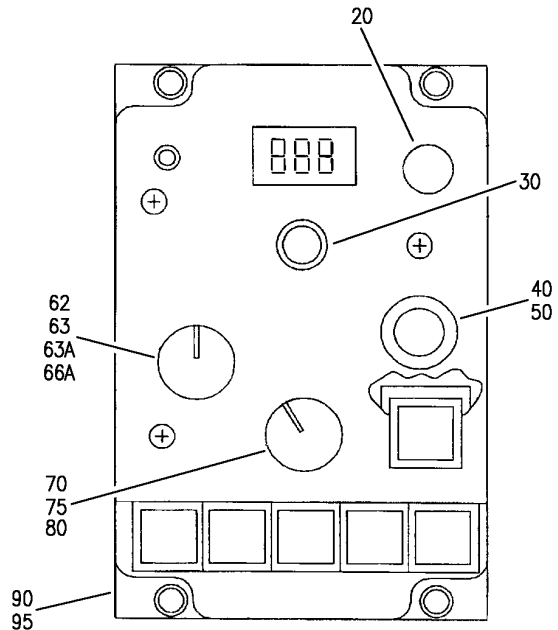
**BOEING**  
757  
**PARTS CATALOG (MAINTENANCE)**



A



C



B

Y 34-22-02-03 SH1 2 REV 288

PANEL INSTL-P8,P9,P10 ELECTRONICS (ALTITUDE AND DIRECTION ONLY)  
FIGURE 3 (SHEET 2)

**34-22-02-03**

BRI  
MAY 28/07

34-22-02-03  
PAGE 0A





757

PARTS CATALOG (MAINTENANCE)

FIG ITEM	PART NUMBER	1 2 3 4 5 6 7	NOMENCLATURE	EFFECT FROM TO	UNITS PER ASSY
3			PANEL INSTL-P8,P9,P10 ELECTRONICS (ALTITUDE AND DIRECTION ONLY)	101106 108120	
- 1	233N6103-62		PANEL INSTL-P8,P9,P10 ELECTRONICS (ALTITUDE AND DIRECTION ONLY) FOR NHA/OTHER SYS DET SEE: 25-10-00-15B	504903 108120	RF
- 2	233N6103-122		PANEL INSTL-P8,P9,P10 ELECTRONICS (ALTITUDE AND DIRECTION ONLY) FOR NHA/OTHER SYS DET SEE: 25-10-00-15B	504903	RF
- 2	233N6103-128		PANEL INSTL-P8,P9,P10 ELECTRONICS (ALTITUDE AND DIRECTION ONLY) FOR NHA/OTHER SYS DET SEE: 25-10-00-15B	102102	RF
- 3	233N6103-28		PANEL INSTL-P8,P9,P10 ELECTRONICS (ALTITUDE AND DIRECTION ONLY) FOR NHA/OTHER SYS DET SEE: 25-10-00-15B	101101	RF

MISSING ITEM NUMBERS NOT APPLICABLE

- ITEM NOT ILLUSTRATED

34-22-02-03

34-22-02  
FIG. 03  
PAGE 1  
JAN 20/09

BRI

BOEING PROPRIETARY - Copyright © - Unpublished Work - See title page for details.



757

PARTS CATALOG (MAINTENANCE)

FIG ITEM	PART NUMBER	1 2 3 4 5 6 7	NOMENCLATURE	EFFECT FROM TO	UNITS PER ASSY
3 -	4 MODREF33990		PANEL INSTL-P8, P9, P10 ELECTRONICS (ALTITUDE AND DIRECTION ONLY) MODULE NUMBER: 233N6103-253 REV B FOR OTHER SYS DETAILS SEE: 11-31-05-66F 23-12-02-03 23-51-01-05 26-11-02-01 26-11-54-02A 26-12-51-03 26-17-51-06 26-21-01-02 26-22-03-03 26-23-52-04A 27-11-23-03 27-21-23-03 27-28-02-01A 31-11-31-02 31-11-36-78 31-11-41-02 31-41-03-02 33-13-01-07 34-31-02-02 34-43-02-02 34-53-02-02 34-57-02-03 34-61-02-03	103106	1
12	622-5048-341		.PANEL ASSY-EFIS CONT SUPPLIER CODE: V4V792 SPECIFICATION NUMBER: S242T404-341 ELECTRICAL EQUIP NUMBER: M00093 M00094 COMPONENT MAINT MANUAL REF: 34-22-72 FUNCTIONAL REFERENCE: LIGHTS FOR DETAILS SEE 33-13-51-50B	101101	2

MISSING ITEM NUMBERS NOT APPLICABLE

- ITEM NOT ILLUSTRATED

BRI

34-22-02-03

BOEING PROPRIETARY - Copyright © - Unpublished Work - See title page for details.

34-22-02  
FIG. 03  
PAGE 2  
JAN 20/09



757

PARTS CATALOG (MAINTENANCE)

FIG ITEM	PART NUMBER	1 2 3 4 5 6 7	NOMENCLATURE	EFFECT FROM TO	UNITS PER ASSY
3					
13	622-5048-381		.PANEL ASSY-EFIS CONT SUPPLIER CODE: V4V792 SPECIFICATION NUMBER: S242T404-381 ELECTRICAL EQUIP NUMBER: M00093 M00094 COMPONENT MAINT MANUAL REF: 34-22-72 FUNCTIONAL REFERENCE: LIGHTS FOR DETAILS SEE 33-13-51-50B	102106 108120 504903	2
14	280-2745-010		..LABEL-ESDS WARNING SUPPLIER CODE: V12998 CONFIG CHG DATA FROM A CMM: SUPSD BY 280-2745-130	101106 108120 504903	1
14	280-2745-130		..LABEL-ESDS WARNING SUPPLIER CODE: V12998 CONFIG CHG DATA FROM A CMM: SUPSDS 280-2745-010	101106 108120 504903	1
15	647-5690-008		..COVER-DUST SUPPLIER CODE: V4V792 ATTACHING PARTS	101106 108120 504903	1
- 16	P330-2291-000		..SCREW- SUPPLIER CODE: V77250 MISCELLANEOUS DATA: ROCKWELL COLLINS SPEC 330-2291-000 -----*-----	101106 108120 504903	6
17	646-0042-006		..PLATE-IDENT SUPPLIER CODE: V4V792 USED ON: 622-5048-104 622-5048-341	101101	1
17	646-0042-012		..PLATE-IDENT SUPPLIER CODE: V4V792 USED ON: 622-5048-381	102106 108120 504903	1
18	829-0200-004		..PLATE-DESIGNATION SUPPLIER CODE: V4V792	101106 108120 504903	1

MISSING ITEM NUMBERS NOT APPLICABLE

- ITEM NOT ILLUSTRATED

34-22-02-03

34-22-02  
FIG. 03  
PAGE 3  
JAN 20/09

BRI

 **BOEING**  
757  
**PARTS CATALOG (MAINTENANCE)**

FIG ITEM	PART NUMBER	1 2 3 4 5 6 7	NOMENCLATURE	EFFECT FROM TO	UNITS PER ASSY
3					
20	RD238-110	..	KNOB- SUPPLIER CODE: V15084 ATTACHING PARTS	101106 108120 504903	1
- 25	MS51021-101	..	SETSCREW	101106 108120 504903	1
			-----*-----		
30	651-2257-001	..	KNOB- SUPPLIER CODE: V4V792 ATTACHING PARTS	101106 108120 504903	1
- 35	MS51963-1	..	SETSCREW	101106 108120 504903	2
			-----*-----		
40	RD238-129	..	KNOB- SUPPLIER CODE: V15084 USED ON: 622-5048-104 622-5048-341	101101	1
42	RD238-129	..	KNOB- SUPPLIER CODE: V15084 USED ON: 622-5048-381 ATTACHING PARTS	102106 108120 504903	1
- 45	MS51021-101	..	SETSCREW	101106 108120 504903	1
			-----*-----		
50	SA423-101	..	KNOB- SUPPLIER CODE: V15084 USED ON: 622-5048-104 622-5048-341	101101	1
52	SA423-101	..	KNOB- SUPPLIER CODE: V15084 USED ON: 622-5048-381 ATTACHING PARTS	102106 108120 504903	1
- 55	MS51021-132	..	SETSCREW	101106 108120 504903	1
			-----*-----		

MISSING ITEM NUMBERS NOT APPLICABLE

- ITEM NOT ILLUSTRATED

BRI

# 34-22-02-03

34-22-02  
FIG. 03  
PAGE 4  
JAN 20/09



757

PARTS CATALOG (MAINTENANCE)

FIG ITEM	PART NUMBER	1 2 3 4 5 6 7	NOMENCLATURE	EFFECT FROM TO	UNITS PER ASSY
3					
65	841-7004-030	..	KNOB- SUPPLIER CODE: V15084 SB DATA FROM A CMM: REF SB 7 CONFIG CHG DATA FROM A CMM: SUPSDS 827-3397-001	101106 108120 504903	1
65A	841-7004-030	..	KNOB- SUPPLIER CODE: V15084 SB DATA FROM A CMM: REF SB 7 CONFIG CHG DATA FROM A CMM: SUPSDS 827-3397-001 USED ON: 622-5048-381	102106 108120 504903	1
66	827-2583-001	..	PUSHBUTTON- SUPPLIER CODE: V4V792 SB DATA FROM A CMM: REF SB 7	101106 108120 504903	1
66A	827-3397-001	..	KNOB- SUPPLIER CODE: V4V792 CONFIG CHG DATA FROM A CMM: SUPSD BY 841-7004-030	101101	1
66B	827-2583-001	..	PUSHBUTTON- SUPPLIER CODE: V4V792 SB DATA FROM A CMM: REF SB 7 USED ON: 622-5048-381 ATTACHING PARTS	102106 108120 504903	1
- 67	328-5023-000	..	SETSCREW- SUPPLIER CODE: V4V792 SB DATA FROM A CMM: REF SB C USED ON: 622-5048-381	102106 108120 504903	2
- 68	MS51021-102	..	SETSCREW- USED WITH: 841-7004-030 -----*-----	102106 108120 504903	1

MISSING ITEM NUMBERS NOT APPLICABLE

- ITEM NOT ILLUSTRATED

BRI

34-22-02-03

34-22-02  
FIG. 03  
PAGE 5  
JAN 20/09



757

PARTS CATALOG (MAINTENANCE)

FIG ITEM	PART NUMBER	1 2 3 4 5 6 7	NOMENCLATURE	EFFECT FROM TO	UNITS PER ASSY
3	70 TT410-102		.. KNOB- SUPPLIER CODE: V15084 USED ON: 622-5048-104 622-5048-341 ATTACHING PARTS	101101	1
- 72	MS51021-131		.. SETSCREW -----*-----	101101	1
76	676-3058-001		.. KNOB- SUPPLIER CODE: V15084 SB DATA FROM A CMM: REF SB C USED ON: 622-5048-381 ATTACHING PARTS	102106 108120 504903	1
- 77	MS51021-102		.. SETSCREW-	102106 108120 504903	1
- 78	MS51021-102		.. SETSCREW- USED ON: 622-5048-381 -----*-----	102106 108120 504903	1
81	830-7587-001		.. PUSHBUTTON- SUPPLIER CODE: V4V792 USED ON: 622-5048-381 ATTACHING PARTS	102106 108120 504903	1
- 83	328-5024-000		.. SETSCREW- SUPPLIER CODE: V4V792 -----*-----	102106 108120 504903	1
85	754-0529-002		.. PLATE- SUPPLIER CODE: V4V792 CONFIG CHG DATA FROM A CMM: SUSPD BY 754-0529-006	101101	1
85	754-0529-006		.. PLATE- SUPPLIER CODE: V4V792 CONFIG CHG DATA FROM A CMM: SUSPDS 754-0529-002	101101	1

MISSING ITEM NUMBERS NOT APPLICABLE

- ITEM NOT ILLUSTRATED

34-22-02-03

34-22-02  
FIG. 03  
PAGE 6  
JAN 20/09

BRI



757

PARTS CATALOG (MAINTENANCE)

FIG ITEM	PART NUMBER	1 2 3 4 5 6 7	NOMENCLATURE	EFFECT FROM TO	UNITS PER ASSY
3					
90	647-5959-011	..	PANEL ASSY-FRONT A4 SUPPLIER CODE: V4V792 CONFIG CHG DATA FROM A CMM: SUPSDS 647-5959-005 SUPSD BY 830-2863-011 USED ON: 622-5048-341	101101	1
90	647-5959-016	..	PANEL ASSY-FRONT A4 SUPPLIER CODE: V4V792 USED ON: 622-5048-381	102106 108120 504903	1
90	647-5959-005	..	PANEL ASSY-FRONT A4 SUPPLIER CODE: V4V792 CONFIG CHG DATA FROM A CMM: SUPSD BY 647-5959-011 USED ON: 622-5048-341	101101	1
95	830-2863-011	..	PANEL ASSY-FRONT A4 SUPPLIER CODE: V4V792 CONFIG CHG DATA FROM A CMM: SUPSDS 647-5959-011 USED ON: 622-5048-341	101101	1
95	830-2863-016	..	PANEL ASSY-FRONT A4 SUPPLIER CODE: V4V792 USED ON: 622-5048-381	102106 108120 504903	1
- 200	286N2323-303		WIRE BUNDLE ASSY	101101	RF
- 200	286N2323-311		WIRE BUNDLE ASSY	102102	RF
- 200	286N2323-319		WIRE BUNDLE ASSY	108120	RF
- 200	286N2323-315		WIRE BUNDLE ASSY	504504 506903	RF
- 201	286N2323-320		WIRE BUNDLE ASSY	505505	RF
- 201	286N2323-701		WIRE BUNDLE ASSY-	103106	RF
205	BACC45FT20D41S	.	CONNECTOR- ELECTRICAL EQUIP NUMBER: D00097 WIRING DIAGRAM REF: 342224 342226	101106 108120 504903	1
- 250	286N2321-304		WIRE BUNDLE ASSY-	101101	RF
- 250	286N2321-311		WIRE BUNDLE ASSY-	102102	RF
- 250	286N2321-315		WIRE BUNDLE ASSY	504504 506903	RF

MISSING ITEM NUMBERS NOT APPLICABLE

- ITEM NOT ILLUSTRATED

34-22-02-03

34-22-02  
FIG. 03  
PAGE 7  
JAN 20/09

BRI



757

PARTS CATALOG (MAINTENANCE)

FIG ITEM	PART NUMBER	1 2 3 4 5 6 7	NOMENCLATURE	EFFECT FROM TO	UNITS PER ASSY
3					
- 251	286N2321-319		WIRE BUNDLE ASSY	108120	RF
- 251	286N2321-320		WIRE BUNDLE ASSY	505505	RF
- 251	286N2321-701		WIRE BUNDLE ASSY	103106	RF
255	BACC45FT20D41S		.CONNECTOR-	101106	1
			ELECTRICAL EQUIP NUMBER: D00095	108120	
			WIRING DIAGRAM REF: 342214	504903	

MISSING ITEM NUMBERS NOT APPLICABLE

- ITEM NOT ILLUSTRATED

BRI

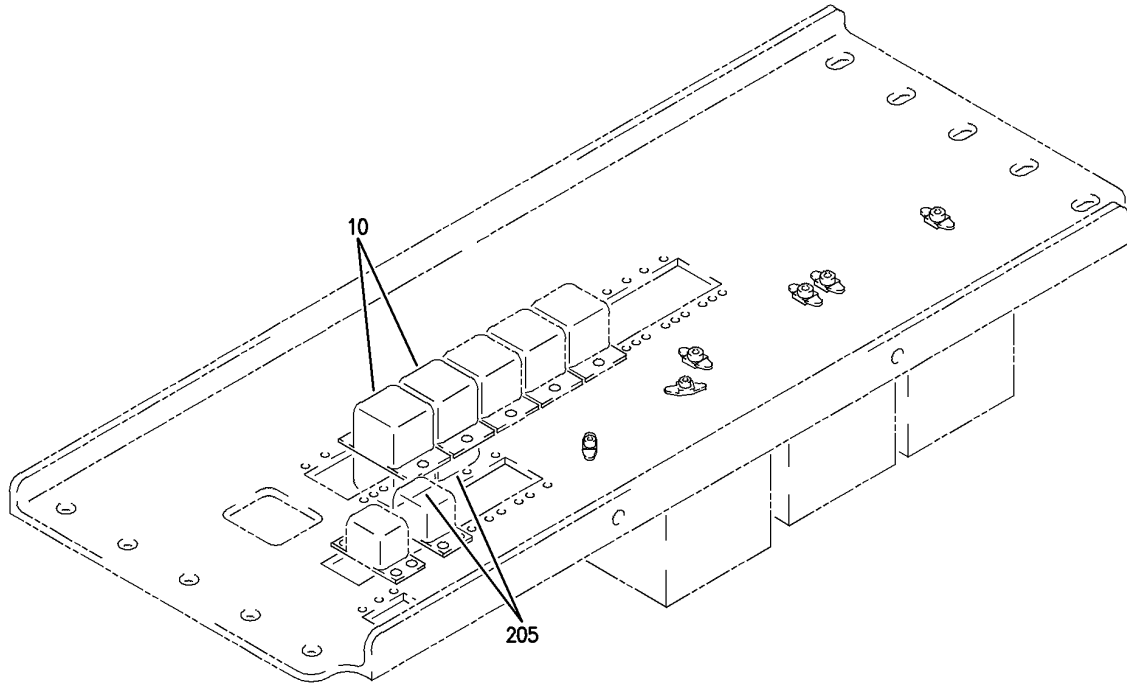
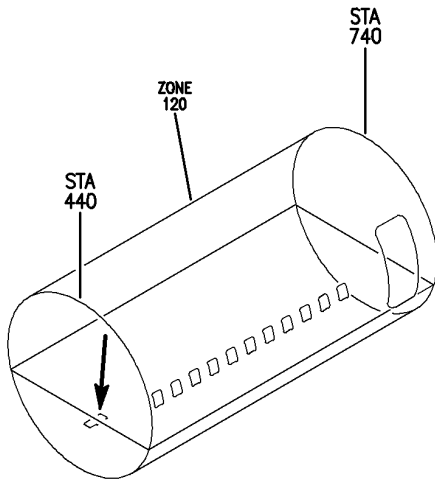
34-22-02-03

BOEING PROPRIETARY - Copyright © - Unpublished Work - See title page for details.

34-22-02  
FIG. 03  
PAGE 8  
JAN 20/09



**BOEING**  
757  
PARTS CATALOG (MAINTENANCE)



Y 34220204 REV 226

PANEL INSTL-P65 MISC RELAY (EFIS CONTROL PANEL ONLY)  
FIGURE 4

**34-22-02-04**

BRI  
JAN 20/09

34-22-02-04  
PAGE 0



757

PARTS CATALOG (MAINTENANCE)

FIG ITEM	PART NUMBER	1 2 3 4 5 6 7	NOMENCLATURE	EFFECT FROM TO	UNITS PER ASSY
4			PANEL INSTL-P65 MISC RELAY (EFIS CONTROL PANEL ONLY)	103106 108120	
- 1	284N1747-406		PANEL INSTL-P65 MISC RELAY (EFIS CONTROL PANEL ONLY)	108120	RF
- 2	MODREF31315		FOR NHA/OTHER SYS DET SEE: 24-00-58-05E		
- 2	MODREF31315		PANEL INSTL-P65 MISC RELAY (EFIS CONTROL PANEL ONLY)	103105	1
			MODULE NUMBER: 284N1747-402 REV B		
			FOR OTHER SYS DETAILS SEE: 31-01-65-01 33-37-52-01A 34-46-51-01A 38-32-35-01A 52-34-05-01		
- 2	MODREF34778		PANEL INSTL-P65 MISC RELAY (EFIS CONTROL PANEL ONLY)	106106	1
			MODULE NUMBER: 284N1747-402 REV C		
			FOR OTHER SYS DETAILS SEE: 31-01-65-01 33-37-52-01A 34-46-51-01A 38-32-35-01A 52-34-05-01		
10	ES410-1538		.RELAY-	103106 108120	2
			SUPPLIER CODE: V99699		
			SPECIFICATION NUMBER: BACR13CG2AB		
			OPTIONAL PART: KD4L018 V35344 BR230DS0115 V56623 KD4L036 V58657 FCA410-63 V78290		
			ELECTRICAL EQUIP NUMBER: K10789 K10790		
- 200	286N0814-304		WIRE BUNDLE ASSY-	108120	RF
- 200	286N0814-701		WIRE BUNDLE ASSY	103106	RF

MISSING ITEM NUMBERS NOT APPLICABLE

- ITEM NOT ILLUSTRATED

34-22-02-04

34-22-02  
FIG. 04  
PAGE 1  
JAN 20/09

BRI



757

PARTS CATALOG (MAINTENANCE)

FIG ITEM	PART NUMBER	1 2 3 4 5 6 7	NOMENCLATURE	EFFECT FROM TO	UNITS PER ASSY
4 205	RSF116400		. SOCKET- SUPPLIER CODE: V58982 SPECIFICATION NUMBER: BACS16W1A OPTIONAL PART: 102-009-1 V09922 000300-1539 V05574 ELECTRICAL EQUIP NUMBER: D03003 D03005 WIRING DIAGRAM REF: 342218 342228	103106 108120	2

MISSING ITEM NUMBERS NOT APPLICABLE

- ITEM NOT ILLUSTRATED

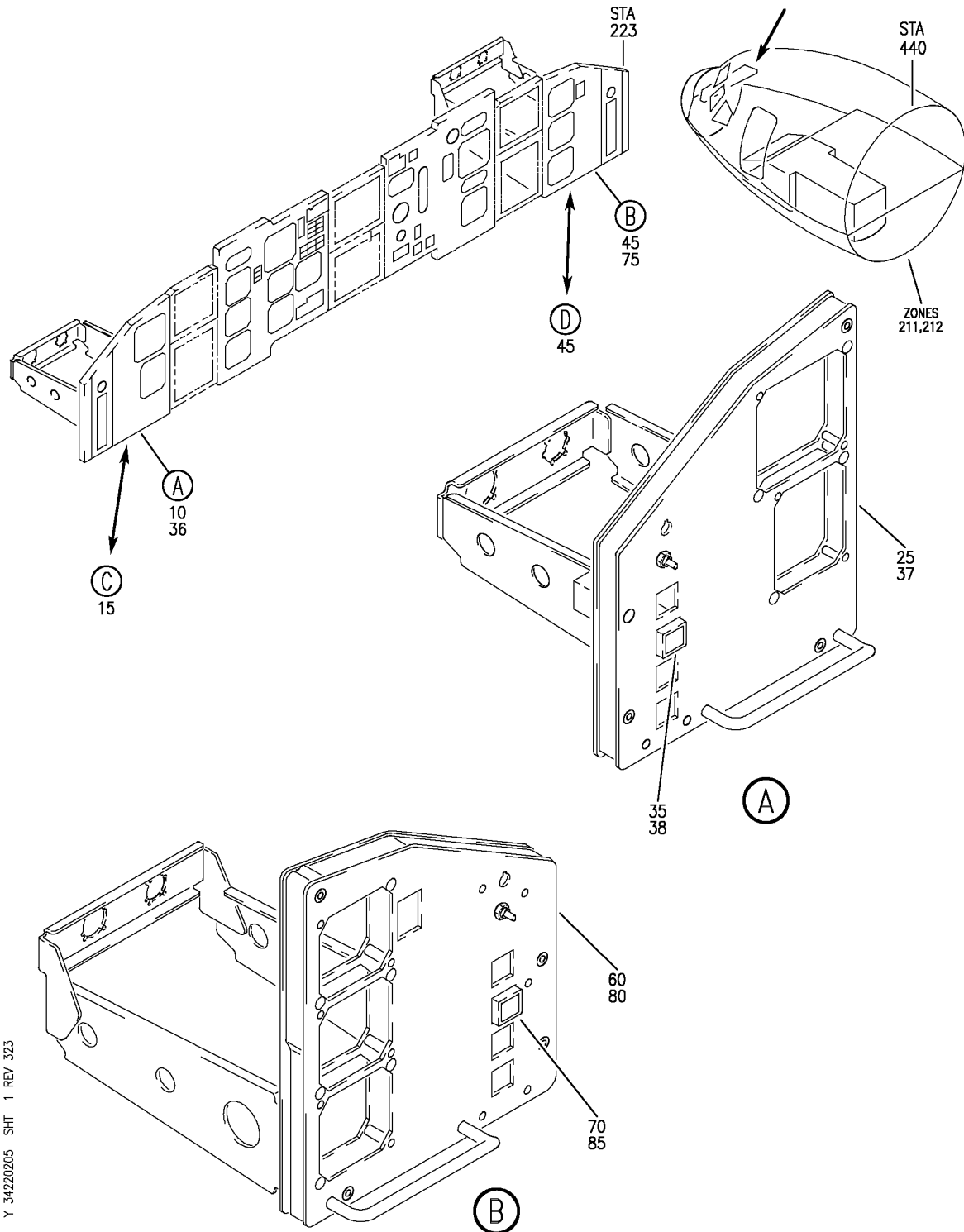
BRI

34-22-02-04

BOEING PROPRIETARY - Copyright © - Unpublished Work - See title page for details.

34-22-02  
FIG. 04  
PAGE 2  
JAN 20/09

**BOEING**  
757  
PARTS CATALOG (MAINTENANCE)



Y 34-22-02-05 SH-T 1 REV 323

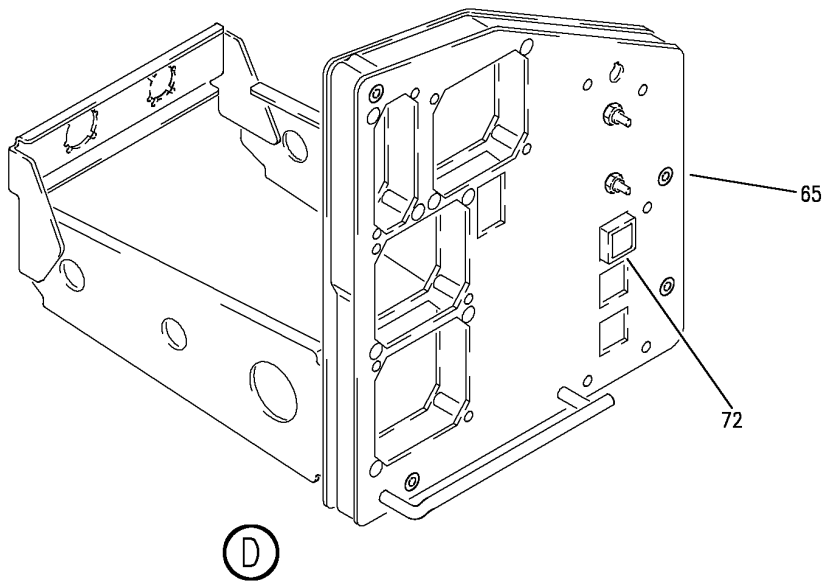
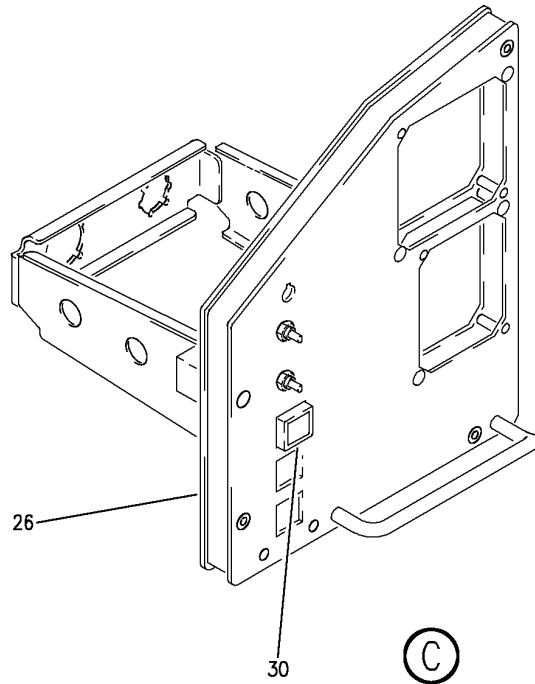
PANEL INSTL-CAPT AND FIRST OFFICER FWD (EFIS CONTROL PANEL ONLY)  
FIGURE 5

**34-22-02-05**

BRI  
MAY 20/08

34-22-02-05  
PAGE 0

**BOEING**  
757  
PARTS CATALOG (MAINTENANCE)



Y 34-22-02-05 SH-T 2 REV 323

PANEL INSTL-CAPT AND FIRST OFFICER FWD (EFIS CONTROL PANEL ONLY)  
FIGURE 5

**34-22-02-05**

BRI  
MAY 20/08

34-22-02-05  
PAGE 0A



757

PARTS CATALOG (MAINTENANCE)

FIG ITEM	PART NUMBER	1 2 3 4 5 6 7	NOMENCLATURE	EFFECT FROM TO	UNITS PER ASSY
5			PANEL INSTL-CAPT AND FIRST OFFICER FWD (EFIS CONTROL PANEL ONLY)	011100	
- 1	233N2101-1		PANEL INSTL-CAPT AND FIRST OFFICER (EFIS CONTROL PANEL ONLY) POSITION DATA: FWD VARIABLE DRAWING REF: 233N2101-5039 FOR NHA/OTHER SYS DET SEE: 25-10-00-05A	011100	RF
10	233N2220-301		.MODULE ASSY-P1-1 COMPONENT MAINT MANUAL REF: 31-11-47	011100	RF
25	233N2220-10		..MODULE ASSY-	011100	RF
35	BCREFA0501		...SWITCH ASSY-LIGHTED PUSH BUTTON IND ALTN SUPPLIER CODE: V81590 OVERLENGTH PART NUMBER: 433-673-1004-4001 SPECIFICATION NUMBER: S231T290-4001 MISCELLANEOUS DATA: WHEN REPLACING THE PUSHBUTTON SWITCH ASSY OR THE MASTER MODULE WITHIN, VERIFY THAT A CONFIG D MASTER MODULE P/N 13206-001 IS INSTALLED IN LIEU OF ANY EARLIER CONFIGURATION MASTER MODULES. OPTIONAL PART: S231T290-5001 851-35100-5001 V96182 FOR DETAILS SEE: 33-13-00-43	011100	1
35	851-30768-2001		...SWITCH ASSY-LIGHTED PUSH BUTTON IND ALTN SUPPLIER CODE: V96182 SPECIFICATION NUMBER: S231T290-2001 FOR DETAILS SEE: 33-13-00-23	011100	1

MISSING ITEM NUMBERS NOT APPLICABLE

- ITEM NOT ILLUSTRATED

34-22-02-05

34-22-02  
FIG. 05  
PAGE 1  
JAN 20/09

BRI



757

PARTS CATALOG (MAINTENANCE)

FIG ITEM	PART NUMBER	1 2 3 4 5 6 7	NOMENCLATURE	EFFECT FROM TO	UNITS PER ASSY
5					
35	851-30768-3001	...	SWITCH ASSY-LIGHTED PUSH BUTTON IND ALTN SUPPLIER CODE: V96182 SPECIFICATION NUMBER: S231T290-3001 FOR DETAILS SEE: 33-13-00-33	011100	1
35	S231T290-5001	...	SWITCH ASSY-LIGHTED PUSH BUTTON IND ALTN OPTIONAL PART: BCREFA0501 V81590 851-35100-5001 V96182	011100	1
35	4336731004-4201	...	SWITCH ASSY-LIGHTED PUSHBUTTON SUPPLIER CODE: V81590 SPECIFICATION NUMBER: S231T290-4201	011100	1
35	851-35100-5001	...	SWITCH ASSY-LIGHTED PUSHBUTTON SUPPLIER CODE: V81590 OPTIONAL PART: BCREFA0501 V81590 S231T290-5001	011100	1
45	233N2223-301	.	MODULE ASSY-P3-3 COMPONENT MAINT MANUAL REF: 31-11-50	011100	RF
60	233N2223-12	..	MODULE ASSY-	011100	RF

MISSING ITEM NUMBERS NOT APPLICABLE

- ITEM NOT ILLUSTRATED

34-22-02-05

34-22-02  
FIG. 05  
PAGE 2  
JAN 20/09

BRI

BOEING PROPRIETARY - Copyright © - Unpublished Work - See title page for details.



757

PARTS CATALOG (MAINTENANCE)

FIG ITEM	PART NUMBER	1 2 3 4 5 6 7	NOMENCLATURE	EFFECT FROM TO	UNITS PER ASSY
5 70	BCREFA0501		...SWITCH ASSY-LIGHTED PUSH BUTTON IND ALTN SUPPLIER CODE: V81590 OVERLENGTH PART NUMBER: 433-673-1004-4001 SPECIFICATION NUMBER: S231T290-4001 MISCELLANEOUS DATA: WHEN REPLACING THE PUSHBUTTON SWITCH ASSY OR THE MASTER MODULE WITHIN, VERIFY THAT A CONFIG D MASTER MODULE P/N 13206-001 IS INSTALLED IN LIEU OF ANY EARLIER CONFIGURATION MASTER MODULES. OPTIONAL PART: S231T290-5001 851-35100-5001 V96182 FOR DETAILS SEE: 33-13-00-43	011100	1
70	851-30768-2001		...SWITCH ASSY-LIGHTED PUSH BUTTON IND ALTN SUPPLIER CODE: V96182 SPECIFICATION NUMBER: S231T290-2001 FOR DETAILS SEE: 33-13-00-23	011100	1
70	851-30768-3001		...SWITCH ASSY-LIGHTED PUSH BUTTON IND ALTN SUPPLIER CODE: V96182 SPECIFICATION NUMBER: S231T290-3001 FOR DETAILS SEE: 33-13-00-33	011100	1
70	S231T290-5001		...SWITCH ASSY-LIGHTED PUSH BUTTON IND ALTN OPTIONAL PART: BCREFA0501 V81590 851-35100-5001 V96182	011100	1

MISSING ITEM NUMBERS NOT APPLICABLE

- ITEM NOT ILLUSTRATED

34-22-02-05

34-22-02  
 FIG. 05  
 PAGE 3  
 JAN 20/09

BRI





757

PARTS CATALOG (MAINTENANCE)

FIG ITEM	PART NUMBER	1 2 3 4 5 6 7	NOMENCLATURE	EFFECT FROM TO	UNITS PER ASSY
5					
70	4336731004-4201		...SWITCH ASSY-LIGHTED PUSHBUTTON SUPPLIER CODE: V81590 SPECIFICATION NUMBER: S231T290-4201	011100	1
70	851-35100-5001		...SWITCH ASSY-LIGHTED PUSHBUTTON SUPPLIER CODE: V81590 OPTIONAL PART: BCREFA0501 V81590 S231T290-5001	011100	1

MISSING ITEM NUMBERS NOT APPLICABLE

- ITEM NOT ILLUSTRATED

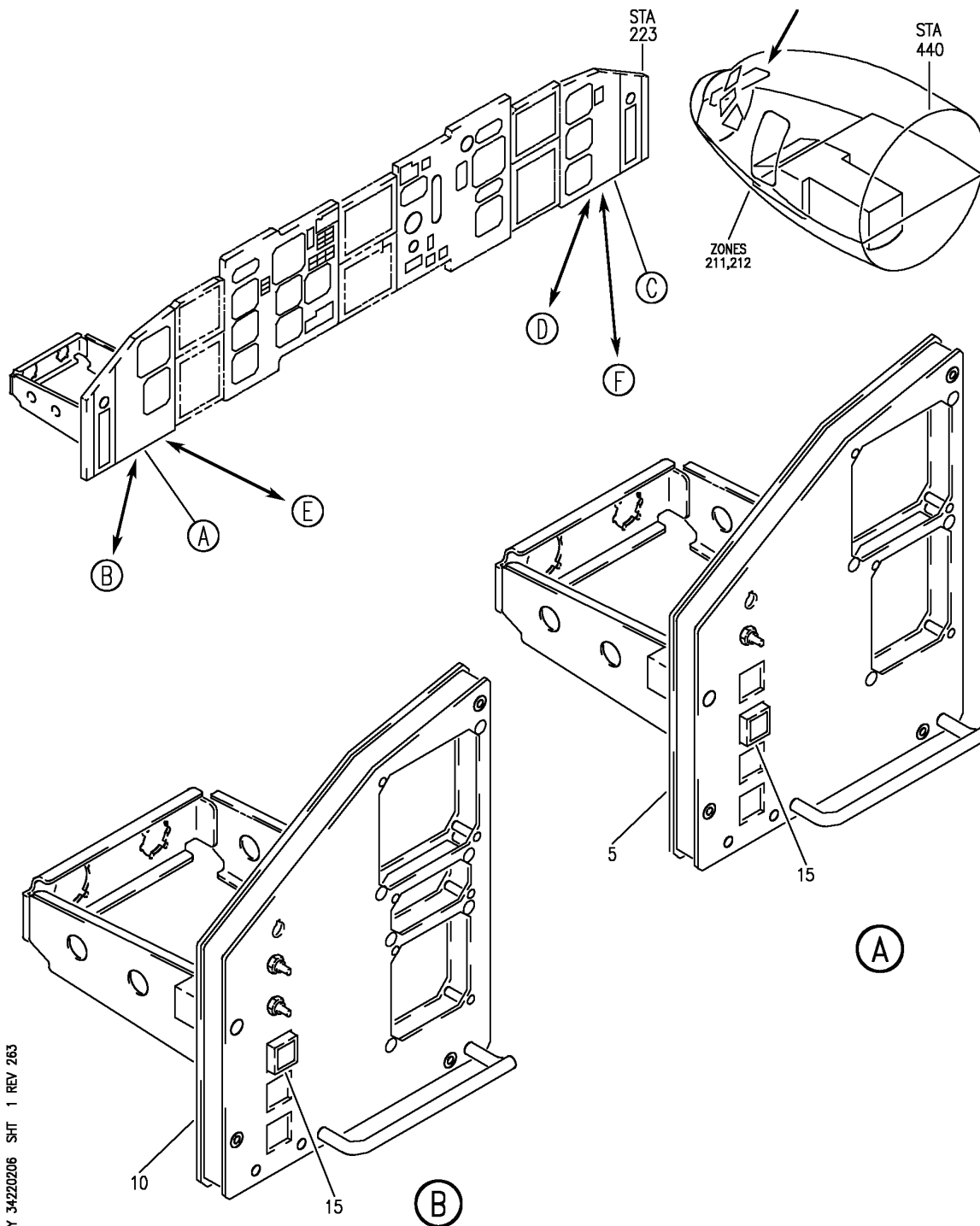
BRI

34-22-02-05

BOEING PROPRIETARY - Copyright © - Unpublished Work - See title page for details.

34-22-02  
FIG. 05  
PAGE 4  
JAN 20/09

**BOEING**  
757  
PARTS CATALOG (MAINTENANCE)



Y 34-22-02-06 SHT 1 REV 263

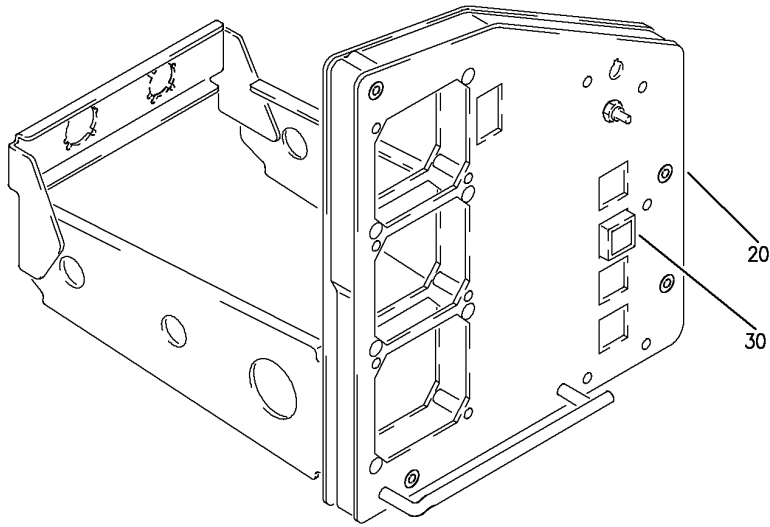
PANEL INSTL-CAPT AND FIRST OFFICER FWD (EFIS CONTROL PANEL ONLY)  
FIGURE 6 (SHEET 1)

**34-22-02-06**

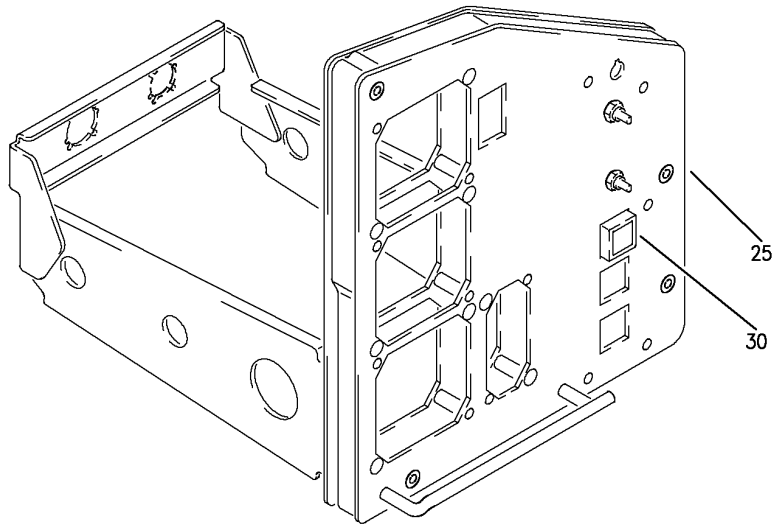
BRI  
MAY 28/07

34-22-02-06  
PAGE 0

**BOEING**  
757  
PARTS CATALOG (MAINTENANCE)



(C)



(D)

Y 34-22-02-06 SH1 2 REV 247

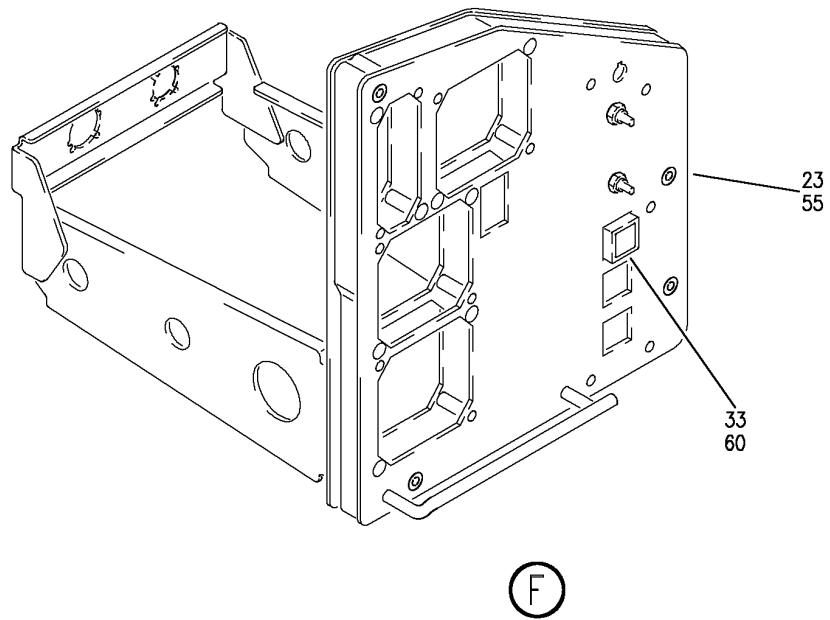
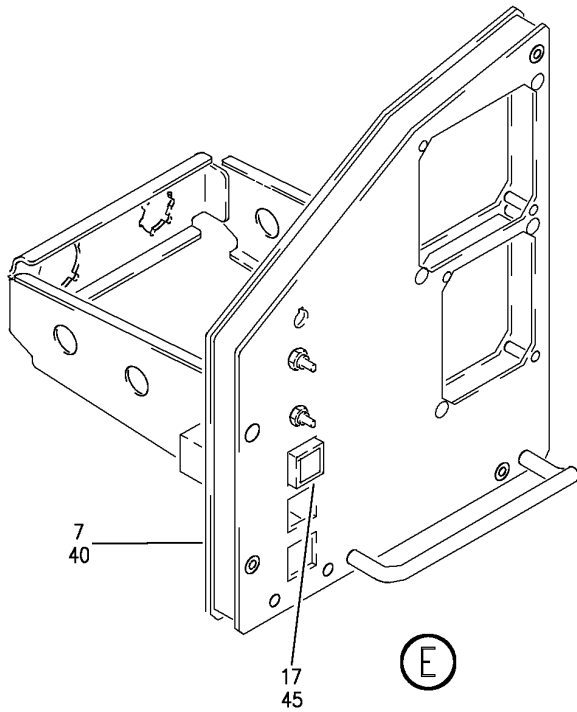
PANEL INSTL-CAPT AND FIRST OFFICER FWD (EFIS CONTROL PANEL ONLY)  
FIGURE 6 (SHEET 2)

**34-22-02-06**

BRI  
MAY 28/07

34-22-02-06  
PAGE 0A

**BOEING**  
757  
PARTS CATALOG (MAINTENANCE)



Y 34-22-02-06 SH-T 3 REV 323

PANEL INSTL-CAPT AND FIRST OFFICER FWD (EFIS CONTROL PANEL ONLY)  
FIGURE 6 (SHEET 3)

**34-22-02-06**

BRI  
MAY 20/08

34-22-02-06  
PAGE 0B



757

PARTS CATALOG (MAINTENANCE)

FIG ITEM	PART NUMBER	1 2 3 4 5 6 7	NOMENCLATURE	EFFECT FROM TO	UNITS PER ASSY
6			PANEL INSTL-CAPT AND FIRST OFFICER FWD (EFIS CONTROL PANEL ONLY)	002004 006010 107107 121503 904999	
- 1	233N2101-1		PANEL INSTL-CAPT AND FIRST OFFICER (EFIS CONTROL PANEL ONLY) POSITION DATA: FWD VARIABLE DRAWING REF: 233N2101-5003 233N2101-5004 233N2101-5037 233N2101-5039 233N2101-5041 FOR NHA/OTHER SYS DET SEE: 25-10-00-05A	002004 006010 107107 121503 904999	RF
5	233N2220-7		.MODULE ASSY-P1-1 PRE SERVICE BULLETIN: 34-0414	107107	RF
5	233N2220-10		.MODULE ASSY-P1-1 PRE SERVICE BULLETIN: 34-0416	002004 006010 950999	RF
5	233N2220-13		.MODULE ASSY-P1-1	121503 904949	RF
15	BCREF7679		..SWITCH ASSY-LIGHTED PUSH BUTTON IND ALTN SUPPLIER CODE: V81590 OVERLENGTH PART NUMBER: 433-673-1001-1001 SPECIFICATION NUMBER: S231T290-1001 MISCELLANEOUS DATA: WHEN REPLACING THE PUSHBUTTON SWITCH ASSY OR THE MASTER MODULE WITHIN, VERIFY THAT A CONFIG D MASTER MODULE P/N 13206-001 IS INSTALLED IN LIEU OF ANY EARLIER CONFIGURATION MASTER MODULES. FOR DETAILS SEE: 33-13-00-13	107107	1

MISSING ITEM NUMBERS NOT APPLICABLE

- ITEM NOT ILLUSTRATED

34-22-02-06

34-22-02  
FIG. 06  
PAGE 1  
JAN 20/09

BRI



757

PARTS CATALOG (MAINTENANCE)

FIG ITEM	PART NUMBER	1 2 3 4 5 6 7	NOMENCLATURE	EFFECT FROM TO	UNITS PER ASSY
6 15	BCREFA0501		..SWITCH ASSY-LIGHTED PUSH BUTTON IND ALTN SUPPLIER CODE: V81590 OVERLENGTH PART NUMBER: 433-673-1004-4001 SPECIFICATION NUMBER: S231T290-4001 MISCELLANEOUS DATA: WHEN REPLACING THE PUSHBUTTON SWITCH ASSY OR THE MASTER MODULE WITHIN, VERIFY THAT A CONFIG D MASTER MODULE P/N 13206-001 IS INSTALLED IN LIEU OF ANY EARLIER CONFIGURATION MASTER MODULES. OPTIONAL PART: S231T290-5001 851-35100-5001 V96182 PRE SERVICE LETTER: 33-027 FOR DETAILS SEE: 33-13-00-43	002004 006010 107107 121503 904999	1
15	851-30768-2001		..SWITCH ASSY-LIGHTED PUSH BUTTON IND ALTN SUPPLIER CODE: V96182 SPECIFICATION NUMBER: S231T290-2001 FOR DETAILS SEE: 33-13-00-23	002004 006010 107107 121503 904999	1
15	851-30768-3001		..SWITCH ASSY-LIGHTED PUSH BUTTON IND ALTN SUPPLIER CODE: V96182 SPECIFICATION NUMBER: S231T290-3001 OPTIONAL PART: S231T290-5001 FOR DETAILS SEE: 33-13-00-33	002004 006010 107107 121503 904999	1

MISSING ITEM NUMBERS NOT APPLICABLE

- ITEM NOT ILLUSTRATED

34-22-02-06

34-22-02  
 FIG. 06  
 PAGE 2  
 JAN 20/09

BRI



757

## PARTS CATALOG (MAINTENANCE)

FIG ITEM	PART NUMBER	1 2 3 4 5 6 7	NOMENCLATURE	EFFECT FROM TO	UNITS PER ASSY
6					
15	S231T290-5001		..SWITCH ASSY-LIGHTED PUSH BUTTON IND ALTN OPTIONAL PART: 851-30768-3001 V96182 BCREFA0501 V81590	002004 006010 107107 121503 904999	1
15	851-35100-5001		..SWITCH ASSY-LIGHTED PUSH BUTTON IND ALTN SUPPLIER CODE: V81590 OPTIONAL PART: BCREFA0501 V81590	002004 006010 950999	1
15	4336731004-4201		..SWITCH ASSY-LIGHTED PUSH BUTTON IND ALTN SUPPLIER CODE: V81590 SPECIFICATION NUMBER: S231T290-4201 OPTIONAL PART: 851-35100-5001 V81590 S231T290-5001 POST SERVICE LETTER: 33-027	002004 006010 107107 121503 904999	1
20	233N2223-8		.MODULE ASSY-P3-3 PRE SERVICE BULLETIN: 34-0414	107107	RF
20	233N2223-12		.MODULE ASSY-P3-3 PRE SERVICE BULLETIN: 34-0416	002004 006010 950999	RF
20	233N2223-15		.MODULE ASSY-P3-3	121503 904949	RF

MISSING ITEM NUMBERS NOT APPLICABLE

- ITEM NOT ILLUSTRATED

BRI

34-22-02-06

BOEING PROPRIETARY - Copyright © - Unpublished Work - See title page for details.

34-22-02  
FIG. 06  
PAGE 3  
JAN 20/09



757

PARTS CATALOG (MAINTENANCE)

FIG ITEM	PART NUMBER	1 2 3 4 5 6 7	NOMENCLATURE	EFFECT FROM TO	UNITS PER ASSY
6 30	BCREF7679		<p>..SWITCH ASSY-LIGHTED PUSH BUTTON IND ALTN SUPPLIER CODE: V81590 OVERLENGTH PART NUMBER: 433-673-1001-1001 SPECIFICATION NUMBER: S231T290-1001 MISCELLANEOUS DATA: WHEN REPLACING THE PUSHBUTTON SWITCH ASSY OR THE MASTER MODULE WITHIN, VERIFY THAT A CONFIG D MASTER MODULE P/N 13206-001 IS INSTALLED IN LIEU OF ANY EARLIER CONFIGURATION MASTER MODULES. PRE SERVICE BULLETIN: 34-0414 FOR DETAILS SEE: 33-13-00-13</p>	107107	1

MISSING ITEM NUMBERS NOT APPLICABLE

- ITEM NOT ILLUSTRATED

BRI

34-22-02-06

BOEING PROPRIETARY - Copyright © - Unpublished Work - See title page for details.

34-22-02  
FIG. 06  
PAGE 4  
JAN 20/09





757

PARTS CATALOG (MAINTENANCE)

FIG ITEM	PART NUMBER	1 2 3 4 5 6 7	NOMENCLATURE	EFFECT FROM TO	UNITS PER ASSY
6 30	BCREFA0501		..SWITCH ASSY-LIGHTED PUSH BUTTON IND ALTN SUPPLIER CODE: V81590 OVERLENGTH PART NUMBER: 433-673-1004-4001 SPECIFICATION NUMBER: S231T290-4001 MISCELLANEOUS DATA: WHEN REPLACING THE PUSHBUTTON SWITCH ASSY OR THE MASTER MODULE WITHIN, VERIFY THAT A CONFIG D MASTER MODULE P/N 13206-001 IS INSTALLED IN LIEU OF ANY EARLIER CONFIGURATION MASTER MODULES. OPTIONAL PART: 851-35100-5001 V81590 S231T290-5001 PRE SERVICE BULLETIN: 34-0414 PRE SERVICE LETTER: 33-027 FOR DETAILS SEE: 33-13-00-43	002004 006010 107107 121503 904999	1
30	851-30768-2001		..SWITCH ASSY-LIGHTED PUSH BUTTON IND ALTN SUPPLIER CODE: V96182 SPECIFICATION NUMBER: S231T290-2001 PRE SERVICE BULLETIN: 34-0414 FOR DETAILS SEE: 33-13-00-23	002004 006010 107107 121503 904999	1

MISSING ITEM NUMBERS NOT APPLICABLE

- ITEM NOT ILLUSTRATED

BRI

34-22-02-06

BOEING PROPRIETARY - Copyright © - Unpublished Work - See title page for details.

34-22-02  
 FIG. 06  
 PAGE 5  
 JAN 20/09



757

PARTS CATALOG (MAINTENANCE)

FIG ITEM	PART NUMBER	1 2 3 4 5 6 7	NOMENCLATURE	EFFECT FROM TO	UNITS PER ASSY
6					
30	851-30768-3001		..SWITCH ASSY-LIGHTED PUSH BUTTON IND ALTN SUPPLIER CODE: V96182 SPECIFICATION NUMBER: S231T290-3001 OPTIONAL PART: S231T290-5001 PRE SERVICE BULLETIN: 34-0414 FOR DETAILS SEE: 33-13-00-33	002004 006010 107107 121503 904999	1
30	S231T290-5001		..SWITCH ASSY-LIGHTED PUSH BUTTON IND ALTN OPTIONAL PART: 851-30768-3001 V96182 851-35100-5001 V81590 BCREFA0501 V81590 PRE SERVICE BULLETIN: 34-0414	002004 006010 107107 121503 904999	1
30	851-35100-5001		..SWITCH ASSY-LIGHTED PUSH BUTTON IND ALTN SUPPLIER CODE: V81590 ELECTRICAL EQUIP NUMBER: S00011 OPTIONAL PART: BCREFA0501 V81590 S231T290-5001	002004 006010 950999	1
30	4336731004-4201		..SWITCH ASSY-LIGHTED PUSH BUTTON IND ALTN SUPPLIER CODE: V81590 SPECIFICATION NUMBER: S231T290-4201 ELECTRICAL EQUIP NUMBER: S00011 OPTIONAL PART: 851-35100-5001 V81590 S231T290-5001 PRE SERVICE BULLETIN: 34-0414 POST SERVICE LETTER: 33-027	002004 006010 107107 121503 904999	1

MISSING ITEM NUMBERS NOT APPLICABLE

- ITEM NOT ILLUSTRATED

34-22-02-06

34-22-02  
FIG. 06  
PAGE 6  
JAN 20/09

BRI



757

PARTS CATALOG (MAINTENANCE)

FIG ITEM	PART NUMBER	1 2 3 4 5 6 7	NOMENCLATURE	EFFECT FROM TO	UNITS PER ASSY
6	33 4336731004-4201		...SWITCH ASSY-LIGHTED PUSHBUTTON SUPPLIER CODE: V81590 SPECIFICATION NUMBER: S231T290-4201 ELECTRICAL EQUIP NUMBER: S00011 SERVICE BULLETIN OPT DATA: BCREFA0501 V81590 851-35100-5001 V96182 POST SERVICE BULLETIN: 34-0414	107107	1
	33 BCREFA0501		...SWITCH ASSY-LIGHTED PUSH BUTTON IND ALTN SUPPLIER CODE: V81590 OVERLENGTH PART NUMBER: 433-673-1004-4001 SPECIFICATION NUMBER: S231T290-4001 MISCELLANEOUS DATA: WHEN REPLACING THE PUSHBUTTON SWITCH ASSY OR THE MASTER MODULE WITHIN, VERIFY THAT A CONFIG D MASTER MODULE P/N 13206-001 IS INSTALLED IN LIEU OF ANY EARLIER CONFIGURATION MASTER MODULES. ELECTRICAL EQUIP NUMBER: S00011 SERVICE BULLETIN OPT DATA: 4336731004-4201 V81590 851-35100-5001 V96182 POST SERVICE BULLETIN: 34-0414	107107	1

MISSING ITEM NUMBERS NOT APPLICABLE

- ITEM NOT ILLUSTRATED

34-22-02-06

34-22-02  
FIG. 06  
PAGE 7  
JAN 20/09

BRI



757

PARTS CATALOG (MAINTENANCE)

FIG ITEM	PART NUMBER	1 2 3 4 5 6 7	NOMENCLATURE	EFFECT FROM TO	UNITS PER ASSY
6	33 851-35100-5001		...SWITCH ASSY-LIGHTED PUSHBUTTON SUPPLIER CODE: V96182 ELECTRICAL EQUIP NUMBER: S00011 SERVICE BULLETIN OPT DATA: 4336731004-4201 V81590 BCREFA0501 V81590 POST SERVICE BULLETIN: 34-0414	107107	1
-	35 823N0001-3		.MODULE ASSY-P1-1 POST SERVICE BULLETIN: 34-0414 34-0416	009009 107107	RF
	40 823N0001-203		..PANEL ASSY-P1-1 POST SERVICE BULLETIN: 34-0414 34-0416	009009 107107	RF
	45 BCREFA0501		...SWITCH ASSY-LIGHTED PUSH BUTTON IND ALTN SUPPLIER CODE: V81590 OVERLENGTH PART NUMBER: 433-673-1004-4001 SPECIFICATION NUMBER: S231T290-4001 MISCELLANEOUS DATA: WHEN REPLACING THE PUSHBUTTON SWITCH ASSY OR THE MASTER MODULE WITHIN, VERIFY THAT A CONFIG D MASTER MODULE P/N 13206-001 IS INSTALLED IN LIEU OF ANY EARLIER CONFIGURATION MASTER MODULES. ELECTRICAL EQUIP NUMBER: S00003 OPTIONAL PART: 4336731004-4201 V81590 POST SERVICE BULLETIN: 34-0238 FOR DETAILS SEE: 33-13-00-43	009009 107107	1

MISSING ITEM NUMBERS NOT APPLICABLE

- ITEM NOT ILLUSTRATED

34-22-02-06

34-22-02  
FIG. 06  
PAGE 8  
JAN 20/09

BRI



757

PARTS CATALOG (MAINTENANCE)

FIG ITEM	PART NUMBER	1 2 3 4 5 6 7	NOMENCLATURE	EFFECT FROM TO	UNITS PER ASSY
6 45	S231T290-5001		...SWITCH ASSY-LIGHTED PUSH BUTTON IND ALTN ELECTRICAL EQUIP NUMBER: S00003 SERVICE BULLETIN OPT DATA: BCREFA0501 V81590 851-35100-5001 V81590 4336731004-4201 V81590 POST SERVICE BULLETIN: 34-0238	009009 107107	1
45	851-35100-5001		...SWITCH ASSY-LIGHTED PUSH BUTTON IND ALTN SUPPLIER CODE: V81590 ELECTRICAL EQUIP NUMBER: S00003 SERVICE BULLETIN OPT DATA: 4336731004-4201 V81590 BCREFA0501 V81590 S231T290-5001 POST SERVICE BULLETIN: 34-0238	009009 107107	1
45	4336731004-4201		...SWITCH ASSY-LIGHTED PUSH BUTTON IND ALTN SUPPLIER CODE: V81590 SPECIFICATION NUMBER: S231T290-4201 ELECTRICAL EQUIP NUMBER: S00004 SERVICE BULLETIN OPT DATA: BCREFA0501 V81590 851-35100-5001 V81590 S231T290-5001 POST SERVICE BULLETIN: 34-0238	009009 107107	1
- 50	233N2223-334		.MODULE ASSY-P3-3 POST SERVICE BULLETIN: 34-0414 34-0416	009009 107107	RF

MISSING ITEM NUMBERS NOT APPLICABLE

- ITEM NOT ILLUSTRATED

34-22-02-06

34-22-02  
FIG. 06  
PAGE 9  
JAN 20/09

BRI



757

PARTS CATALOG (MAINTENANCE)

FIG ITEM	PART NUMBER	1 2 3 4 5 6 7	NOMENCLATURE	EFFECT FROM TO	UNITS PER ASSY
6	55 233N2223-61		..MODULE SUB ASSY-P3-3 POST SERVICE BULLETIN: 34-0414 34-0416	009009 107107	RF
	60 BCREFA0501		...SWITCH ASSY-LIGHTED PUSH BUTTON IND ALTN SUPPLIER CODE: V81590 OVERLENGTH PART NUMBER: 433-673-1004-4001 SPECIFICATION NUMBER: S231T290-4001 MISCELLANEOUS DATA: WHEN REPLACING THE PUSHBUTTON SWITCH ASSY OR THE MASTER MODULE WITHIN, VERIFY THAT A CONFIG D MASTER MODULE P/N 13206-001 IS INSTALLED IN LIEU OF ANY EARLIER CONFIGURATION MASTER MODULES. ELECTRICAL EQUIP NUMBER: S00003 OPTIONAL PART: 4336731004-4201 V81590 POST SERVICE BULLETIN: 34-0238 FOR DETAILS SEE: 33-13-00-43	009009 107107	1
	60 S231T290-5001		...SWITCH ASSY-LIGHTED PUSH BUTTON IND ALTN ELECTRICAL EQUIP NUMBER: S00003 SERVICE BULLETIN OPT DATA: BCREFA0501 V81590 851-35100-5001 V81590 4336731004-4201 V81590 POST SERVICE BULLETIN: 34-0238	009009 107107	1

MISSING ITEM NUMBERS NOT APPLICABLE

- ITEM NOT ILLUSTRATED

34-22-02-06

34-22-02  
FIG. 06  
PAGE 10  
JAN 20/09

BRI



757

PARTS CATALOG (MAINTENANCE)

FIG ITEM	PART NUMBER	1 2 3 4 5 6 7	NOMENCLATURE	EFFECT FROM TO	UNITS PER ASSY
6 60	851-35100-5001		...SWITCH ASSY-LIGHTED PUSH BUTTON IND ALTN SUPPLIER CODE: V81590 ELECTRICAL EQUIP NUMBER: S00003 SERVICE BULLETIN OPT DATA: 4336731004-4201 V81590 BCREFA0501 V81590 S231T290-5001 POST SERVICE BULLETIN: 34-0238	009009 107107	1
60	4336731004-4201		...SWITCH ASSY-LIGHTED PUSH BUTTON IND ALTN SUPPLIER CODE: V81590 SPECIFICATION NUMBER: S231T290-4201 ELECTRICAL EQUIP NUMBER: S00004 SERVICE BULLETIN OPT DATA: BCREFA0501 V81590 851-35100-5001 V81590 S231T290-5001 POST SERVICE BULLETIN: 34-0238	009009 107107	1

MISSING ITEM NUMBERS NOT APPLICABLE

- ITEM NOT ILLUSTRATED

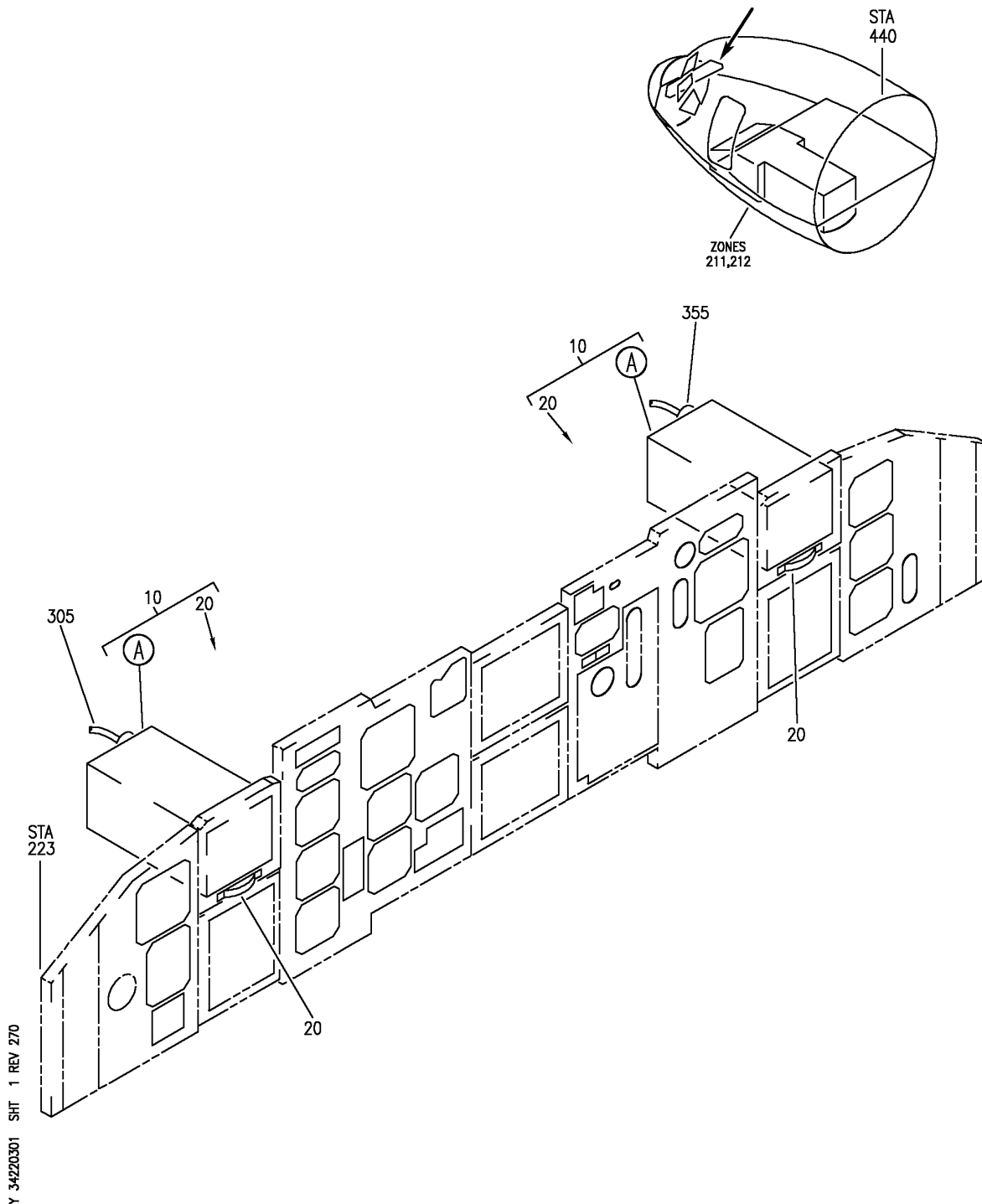
BRI

34-22-02-06

BOEING PROPRIETARY - Copyright © - Unpublished Work - See title page for details.

34-22-02  
FIG. 06  
PAGE 11  
JAN 20/09

**BOEING**  
757  
PARTS CATALOG (MAINTENANCE)



PANEL INSTL-FWD CAPT AND FIRST OFFICER PREMODULE (ELECTRONIC ATTITUDE DIRECTOR INDICATOR ONLY)  
FIGURE 1 (SHEET 1)

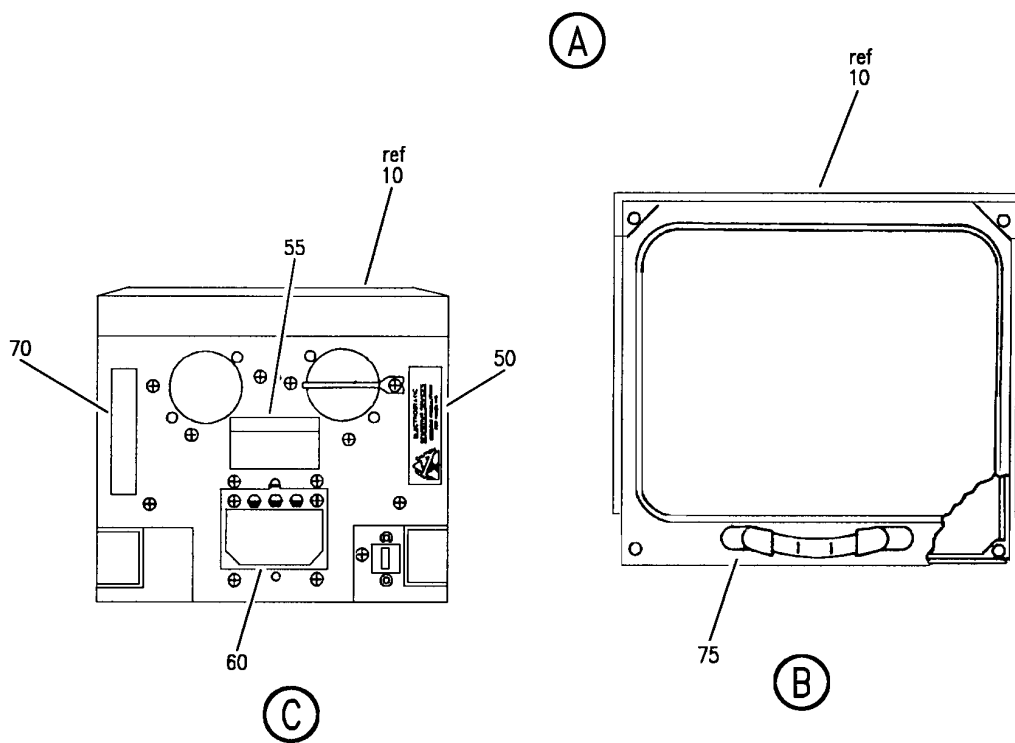
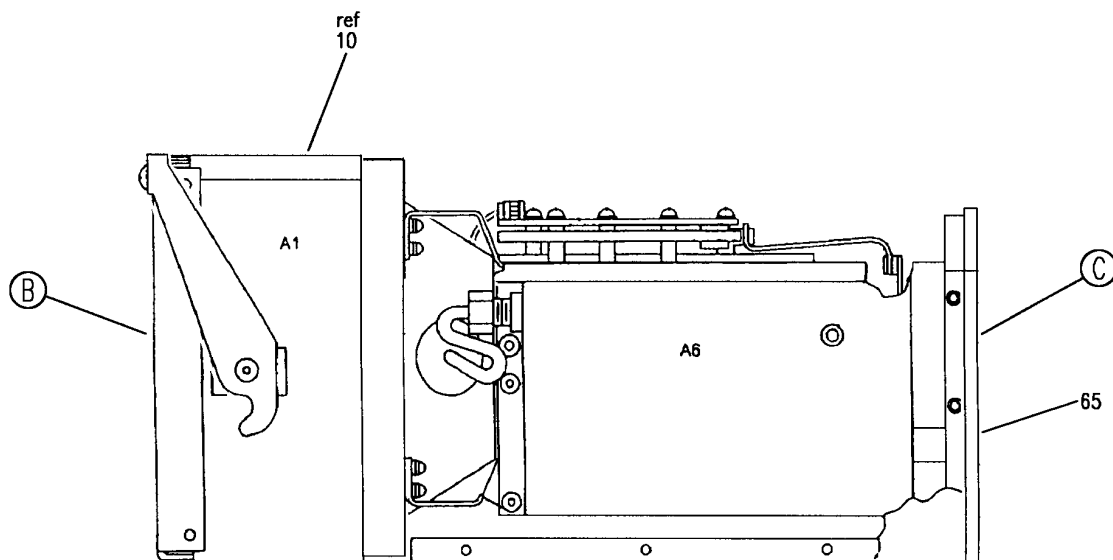
BRI  
MAY 28/07

**34-22-03-01**

34-22-03-01  
PAGE 0



**BOEING**  
757  
PARTS CATALOG (MAINTENANCE)



Y 34-22-03-01 SH1 2 REV 258

PANEL INSTL-FWD CAPT AND FIRST OFFICER PREMODULE (ELECTRONIC ATTITUDE DIRECTOR INDICATOR ONLY)  
FIGURE 1 (SHEET 2)

BRI  
MAY 28/07

**34-22-03-01**

34-22-03-01  
PAGE 0A



757

PARTS CATALOG (MAINTENANCE)

FIG ITEM	PART NUMBER	1 2 3 4 5 6 7	NOMENCLATURE	EFFECT FROM TO	UNITS PER ASSY
1			PANEL INSTL-FWD CAPT AND FIRST OFFICER PREMODULE (ELECTRONIC ATTITUDE DIRECTOR INDICATOR ONLY)	101106 108120 504903	
- 1	233N2103-1		PANEL INSTL-CAPT AND FIRST OFFICER PREMODULE (ELECTRONIC ATTITUDE DIRECTOR INDICATOR ONLY)	101102 108120 504903	RF
- 1	MODREF33340		POSITION DATA: FWD FOR NHA/OTHER SYS DET SEE: 25-10-00-15 PANEL INSTL-CAPT AND FIRST OFFICER PREMODULE (ELECTRONIC ATTITUDE DIRECTOR INDICATOR ONLY) MODULE NUMBER: 233N2103-100 REV A POSITION DATA: FWD FOR OTHER SYS DETAILS SEE: 27-58-00-02 31-11-11-01 31-11-26-01 31-41-01-01 32-41-52-02 33-11-51-13 33-13-51-01 34-13-05-01 33-14-51-01 FOR ADDITIONAL DETAILS SEE: 34-22-04-01	103106	1

MISSING ITEM NUMBERS NOT APPLICABLE

- ITEM NOT ILLUSTRATED

BRI

34-22-03-01

BOEING PROPRIETARY - Copyright © - Unpublished Work - See title page for details.

34-22-03  
FIG. 01  
PAGE 1  
JAN 20/09



757

PARTS CATALOG (MAINTENANCE)

FIG ITEM	PART NUMBER	1 2 3 4 5 6 7	NOMENCLATURE	EFFECT FROM TO	UNITS PER ASSY
1 10	622-7998-003		. INDICATOR ASSY-ELECTRONIC ATTITUDE DIRECTOR MULTICOLOR DISPLAY UNIT SUPPLIER CODE: V4V792 SPECIFICATION NUMBER: S242T404-511 MISCELLANEOUS DATA: 622-7998-013 IS IDENTICAL TO 622-7998-003 EXCEPT THAT THE BEZEL COLOR IS GRAY INSTEAD OF BROWN. 622-7998-013 IS INTERCHANGEABLE WITH 622-7998-003 SUBJECT TO CUSTOMER PREFERENCE. ELECTRICAL EQUIP NUMBER: N00004 N00044 COMPONENT MAINT MANUAL REF: 34-22-60	101106 108120 504903	2
20	647-5650-002		.. INCLINOMETER- SUPPLIER CODE: V13499 ATTACHING PARTS	101106 108120 504903	1
- 25	647-5667-003		.. SCREW- SUPPLIER CODE: V13499	101106 108120 504903	2
- 30	647-5667-006		.. WASHER-FLAT SUPPLIER CODE: V13499	101106 108120 504903	2
50	280-2745-120		.. LABEL-ESDS WARNING SUPPLIER CODE: V12998	101106 108120 504903	1
55	651-1873-003		.. PLATE-IDENT SUPPLIER CODE: V4V792 OPTIONAL PART: 651-1873-005 V4V792	101106 108120 504903	1
55	651-1873-005		.. PLATE-IDENT SUPPLIER CODE: V4V792 OPTIONAL PART: 651-1873-003 V4V792	101106 108120 504903	1

MISSING ITEM NUMBERS NOT APPLICABLE

- ITEM NOT ILLUSTRATED

34-22-03-01

34-22-03  
FIG. 01  
PAGE 2  
JAN 20/09

BRI

 **BOEING**  
757  
**PARTS CATALOG (MAINTENANCE)**

FIG ITEM	PART NUMBER	1 2 3 4 5 6 7	NOMENCLATURE	EFFECT FROM TO	UNITS PER ASSY
1					
60	025-0767-001	..	CAP-CONDUCTIVE SUPPLIER CODE: V71468 CONFIG CHG DATA FROM A CMM: SUPSD BY DPXB60	101106 108120 504903	1
60	DPXB60	..	CAP-CONDUCTIVE SUPPLIER CODE: V71468 CONFIG CHG DATA FROM A CMM: SUPERSEDES 025-0767-001 OPTIONAL PART: 2504800 V58960	101106 108120 504903	1
65	838-7036-010	..	LABEL- SUPPLIER CODE: V4V792	101106 108120 504903	1
70	829-0200-004	..	PLATE-DESIGNATION SUPPLIER CODE: V4V792	101106 108120 504903	1
75	647-5650-002	..	INCLINOMETER- SUPPLIER CODE: V4V792	101106 108120 504903	1
- 80	647-5650-003	..	INCLINOMETER- SUPPLIER CODE: V4V792 ATTACHING PARTS	101106 108120 504903	1
- 85	647-5667-003	..	SCREW- SUPPLIER CODE: V4V792	101106 108120 504903	2
- 90	634-3593-001	..	SCREW- SUPPLIER CODE: V4V792	101106 108120 504903	2
- 95	647-5667-006	..	WASHER- SUPPLIER CODE: V4V792	101106 108120 504903	2
- 100	634-3593-003	..	WASHER- SUPPLIER CODE: V4V792 -----*-----	101106 108120 504903	2
- 300	286N2321-304		WIRE BUNDLE ASSY	101101	RF
- 300	286N2321-311		WIRE BUNDLE ASSY	102102	RF
- 300	286N2321-315		WIRE BUNDLE ASSY	504504 506903	RF
- 301	286N2321-320		WIRE BUNDLE ASSY	505505	RF

MISSING ITEM NUMBERS NOT APPLICABLE

- ITEM NOT ILLUSTRATED

BRI

# 34-22-03-01

34-22-03  
FIG. 01  
PAGE 3  
JAN 20/09



757

PARTS CATALOG (MAINTENANCE)

FIG ITEM	PART NUMBER	1 2 3 4 5 6 7	NOMENCLATURE	EFFECT FROM TO	UNITS PER ASSY
1 305	BCREF2217		.RECEPTACLE- SUPPLIER CODE: V71468 OVERLENGTH PART NUMBER: DPXBMB67-33S0001 ELECTRICAL EQUIP NUMBER: D00087 WIRING DIAGRAM REF: 342214	101102 504903	1
- 350	286N2323-303		WIRE BUNDLE ASSY	101101	RF
- 350	286N2323-311		WIRE BUNDLE ASSY	102102	RF
- 350	286N2323-315		WIRE BUNDLE ASSY	504504	RF
- 351	286N2323-320		WIRE BUNDLE ASSY	506903 505505	RF
355	BCREF2217		.RECEPTACLE- SUPPLIER CODE: V71468 OVERLENGTH PART NUMBER: DPXBMB67-33S0001 ELECTRICAL EQUIP NUMBER: D00091 WIRING DIAGRAM REF: 342224	101102 504903	1

MISSING ITEM NUMBERS NOT APPLICABLE

- ITEM NOT ILLUSTRATED

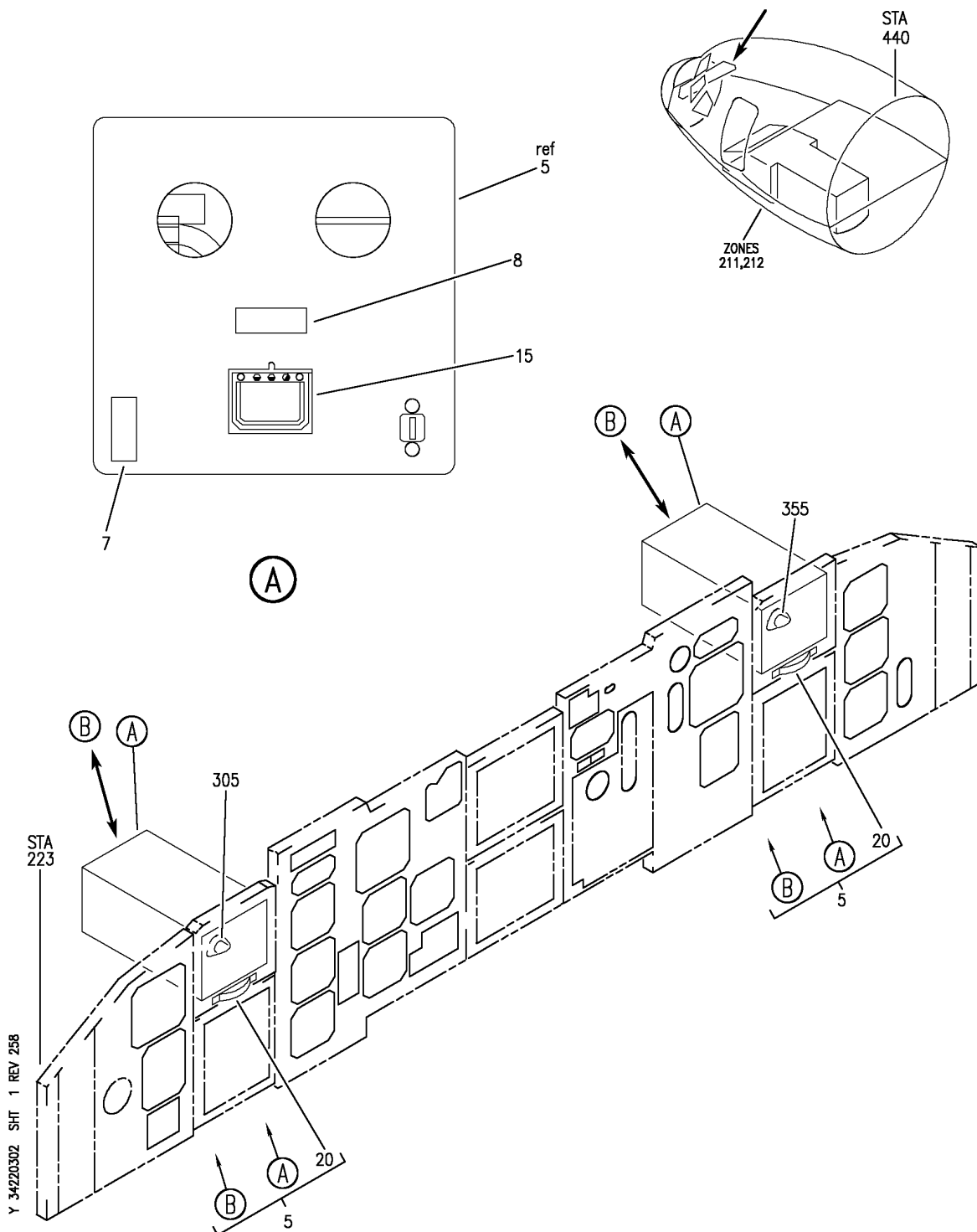
BRI

34-22-03-01

BOEING PROPRIETARY - Copyright © - Unpublished Work - See title page for details.

34-22-03  
FIG. 01  
PAGE 4  
JAN 20/09

**BOEING**  
757  
PARTS CATALOG (MAINTENANCE)



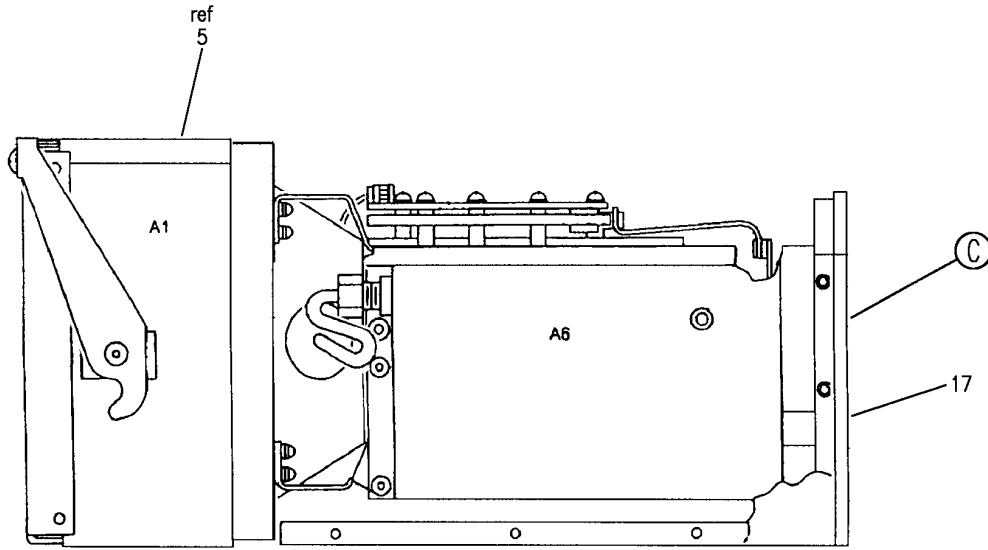
PANEL INSTL-CAPT AND FIRST OFFICER FWD (EADI ONLY)  
FIGURE 2 (SHEET 1)

**34-22-03-02**

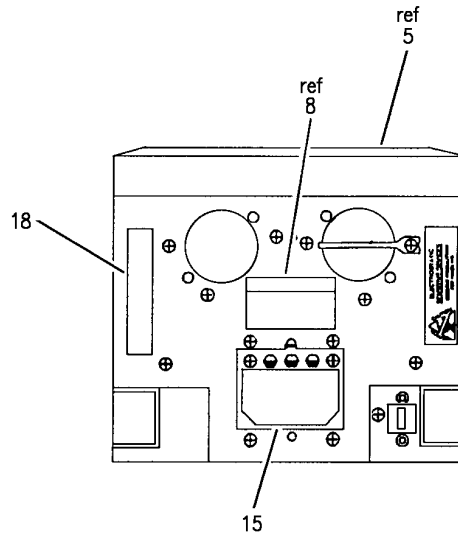
BRI  
MAY 28/07

34-22-03-02  
PAGE 0

**BOEING**  
757  
PARTS CATALOG (MAINTENANCE)



(B)



(C)

Y 34-22-03-02 SH1 2 REV 258

PANEL INSTL-CAPT AND FIRST OFFICER FWD (EADI ONLY)  
FIGURE 2 (SHEET 2)

**34-22-03-02**

BRI  
MAY 28/07

34-22-03-02  
PAGE 0A



757

PARTS CATALOG (MAINTENANCE)

FIG ITEM	PART NUMBER	1 2 3 4 5 6 7	NOMENCLATURE	EFFECT FROM TO	UNITS PER ASSY
2			PANEL INSTL-CAPT AND FIRST OFFICER FWD (EADI ONLY)	011100	
- 1	233N2101-1		PANEL INSTL-CAPT AND FIRST OFFICER (EADI ONLY)	011100	RF
			POSITION DATA: FWD		
			VARIABLE DRAWING REF: 233N2101-5039		
			FOR NHA/OTHER SYS DET SEE: 25-10-00-05A		
5	622-7998-003		.INDICATOR ASSY-ELECTRONIC ATTITUDE DIRECTOR MULTICOLOR DISPLAY UNIT	011100	2
			SUPPLIER CODE: V4V792		
			SPECIFICATION NUMBER: S242T404-511		
			ELECTRICAL EQUIP NUMBER: N00004 N00044		
			COMPONENT MAINT MANUAL REF: 34-22-60		
5	622-5047-100		.INDICATOR ASSY-ELECTRONIC ATTITUDE DIRECTOR MULTICOLOR DISPLAY UNIT	011100	2
			SUPPLIER CODE: V4V792		
			SPECIFICATION NUMBER: S242T404-501		
			ELECTRICAL EQUIP NUMBER: N00004 N00044		
			COMPONENT MAINT MANUAL REF: 34-22-71		
5	622-5047-101		.INDICATOR ASSY-ELECTRONIC ATTITUDE DIRECTOR MULTICOLOR DISPLAY UNIT	011100	2
			SUPPLIER CODE: V4V792		
			SPECIFICATION NUMBER: S242T404-502		
			ELECTRICAL EQUIP NUMBER: N00004 N00044		
			COMPONENT MAINT MANUAL REF: 34-22-71		

MISSING ITEM NUMBERS NOT APPLICABLE

- ITEM NOT ILLUSTRATED

34-22-03-02

34-22-03  
FIG. 02  
PAGE 1  
JAN 20/09

BRI





757

PARTS CATALOG (MAINTENANCE)

FIG ITEM	PART NUMBER	1 2 3 4 5 6 7	NOMENCLATURE	EFFECT FROM TO	UNITS PER ASSY
2	5 622-7998-002		. INDICATOR ASSY-ELECTRONIC ATTITUDE DIRECTOR MULTICOLOR DISPLAY UNIT SUPPLIER CODE: V4V792 SPECIFICATION NUMBER: S242T404-510 ELECTRICAL EQUIP NUMBER: N00004 N00044 COMPONENT MAINT MANUAL REF: 34-22-60	011100	2
	7 280-2745-120		.. LABEL-ESDS WARNING SUPPLIER CODE: V12998	011100	1
	8 646-0040-005		.. PLATE-IDENT SUPPLIER CODE: V4V792 USED ON: 622-5047-100 622-5047-101	011100	1
	8 651-1873-003		.. PLATE-IDENT SUPPLIER CODE: V4V792 OPTIONAL PART: 651-1873-005 V4V792 USED ON: 622-7998-002 622-7998-003	011100	1
	8 651-1873-005		.. PLATE-IDENT SUPPLIER CODE: V4V792 OPTIONAL PART: 651-1873-003 V4V792 USED ON: 622-7998-003	011100	1
-	9 MS51957-20		ATTACHING PARTS .. SCREW -----*-----	011100	6

MISSING ITEM NUMBERS NOT APPLICABLE

- ITEM NOT ILLUSTRATED

34-22-03-02

34-22-03  
FIG. 02  
PAGE 2  
JAN 20/09

BRI

BOEING PROPRIETARY - Copyright © - Unpublished Work - See title page for details.



757

PARTS CATALOG (MAINTENANCE)

FIG ITEM	PART NUMBER	1 2 3 4 5 6 7	NOMENCLATURE	EFFECT FROM TO	UNITS PER ASSY
2					
15	DPXB60-1	..	CAP-PROTECTIVE SUPPLIER CODE: V71468 OPTIONAL PART: DPXB60 V71468 USED ON: 622-5047-100 622-5047-101	011100	1
15	DPXB60	..	CAP-PROTECTIVE SUPPLIER CODE: V71468 OPTIONAL PART: 2504800 V58960 OPTIONAL PART: DPXB60-1 V71468 USED ON: 622-5047-100 622-5047-101	011100	1
15	025-0767-001	..	CAP-PROTECTIVE SUPPLIER CODE: V71468 CONFIG CHG DATA FROM A CMM: SUPSD BY DPXB60 USED ON: 622-7998-002 622-7998-003	011100	1
15	DPXB60	..	CAP-PROTECTIVE SUPPLIER CODE: V71468 CONFIG CHG DATA FROM A CMM: SUPERSEDES 025-0767-001 OPTIONAL PART: 2504800 V58960 USED ON: 622-7998-002 622-7998-003	011100	1
17	838-7036-010	..	LABEL- SUPPLIER CODE: V4V792 USED ON: 622-7998-002 622-7998-003	011100	1

MISSING ITEM NUMBERS NOT APPLICABLE

- ITEM NOT ILLUSTRATED

34-22-03-02

34-22-03  
FIG. 02  
PAGE 3  
JAN 20/09

BRI



757

PARTS CATALOG (MAINTENANCE)

FIG ITEM	PART NUMBER	1 2 3 4 5 6 7	NOMENCLATURE	EFFECT FROM TO	UNITS PER ASSY
2					
18	829-0200-004		.. PLATE-DESIGNATION SUPPLIER CODE: V4V792 USED ON: 622-7998-003	011100	1
20	647-5650-002		.. INCLINOMETER- SUPPLIER CODE: V4V792	011100	1
- 22	647-5650-003		.. INCLINOMETER- SUPPLIER CODE: V4V792	011100	1
- 25	647-5667-003		ATTACHING PARTS .. SCREW- SUPPLIER CODE: V4V792	011100	2
- 27	634-3593-001		.. SCREW- SUPPLIER CODE: V4V792	011100	2
- 30	647-5667-006		.. WASHER-FLAT SUPPLIER CODE: V4V792	011100	2
- 35	634-3593-003		.. WASHER-FLAT SUPPLIER CODE: V4V792	011100	2
- 300	286N2321-005		-----*----- WIRE BUNDLE ASSY-	011100	RF
305	BCREF2217		.RECEPTACLE- SUPPLIER CODE: V71468 OVERLENGTH PART NUMBER: DPXBMB67-33S0001 ELECTRICAL EQUIP NUMBER: D00087 WIRING DIAGRAM REF: 342214	011100	1
- 350	286N2323-007		WIRE BUNDLE ASSY-	011100	RF
355	BCREF2217		.RECEPTACLE- SUPPLIER CODE: V71468 OVERLENGTH PART NUMBER: DPXBMB67-33S0001 ELECTRICAL EQUIP NUMBER: D00091 WIRING DIAGRAM REF: 342224	011100	1

MISSING ITEM NUMBERS NOT APPLICABLE

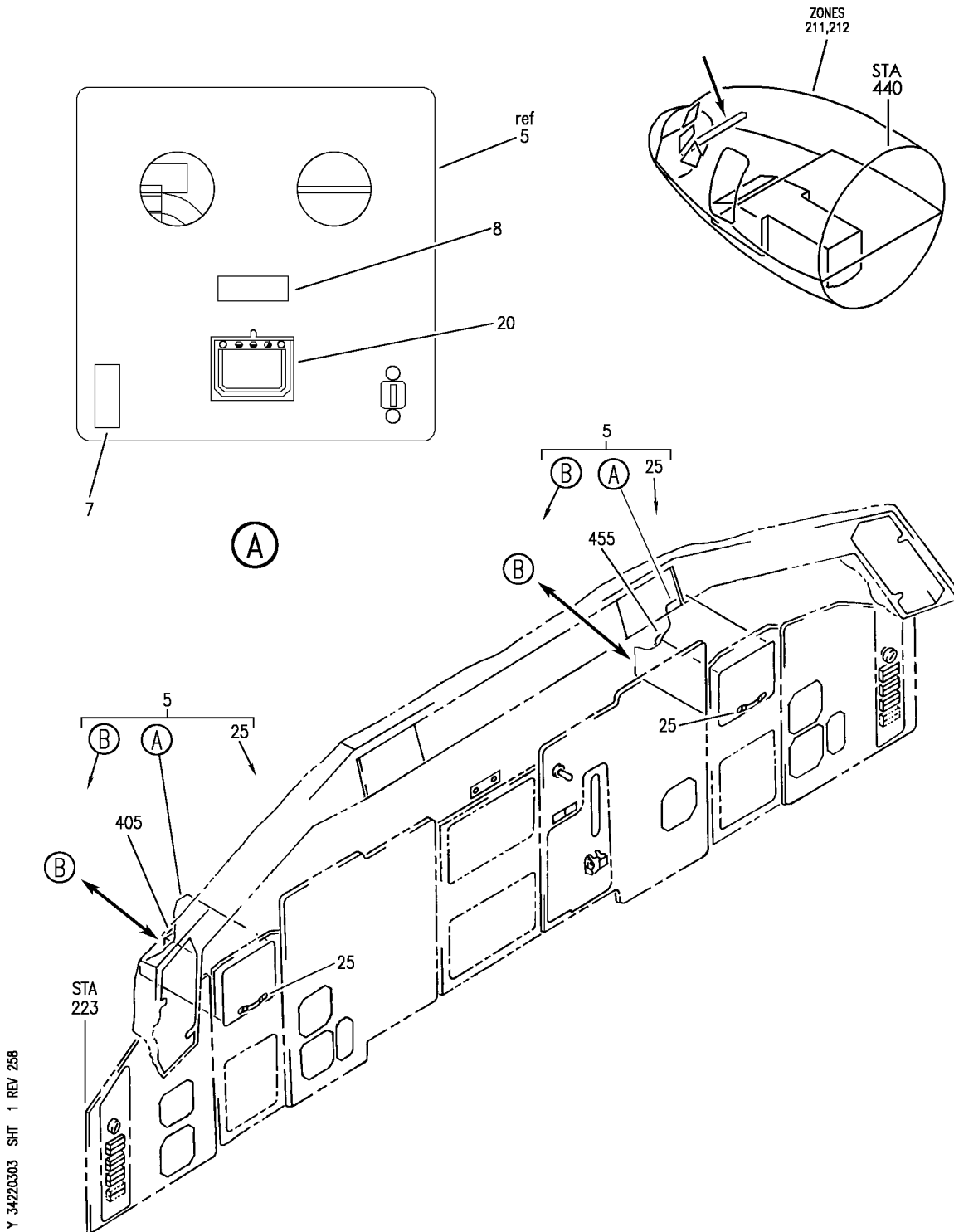
- ITEM NOT ILLUSTRATED

BRI

34-22-03-02

34-22-03  
FIG. 02  
PAGE 4  
JAN 20/09

**BOEING**  
757  
PARTS CATALOG (MAINTENANCE)



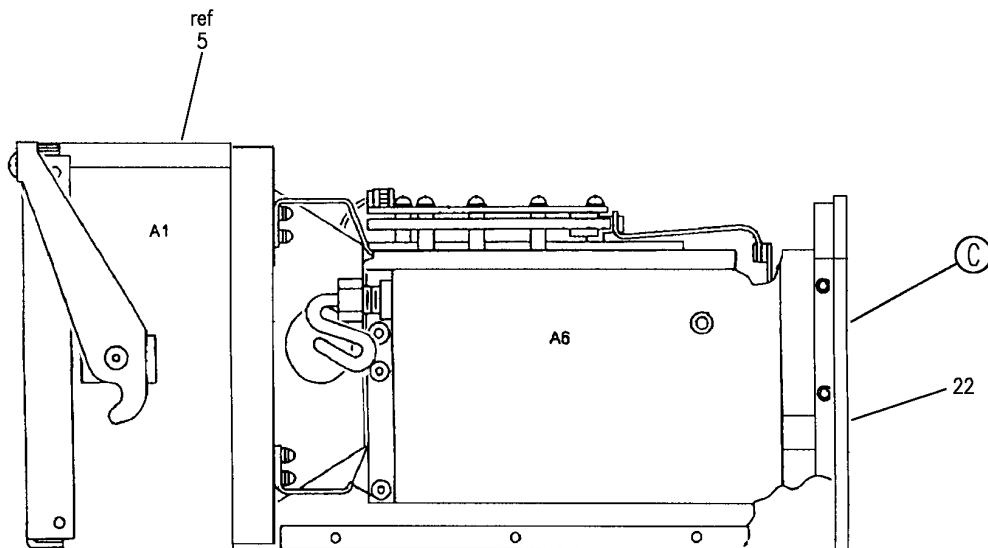
PANEL INSTL-CAPT AND FIRST OFFICER FWD (EADI ONLY)  
FIGURE 3 (SHEET 1)

**34-22-03-03**

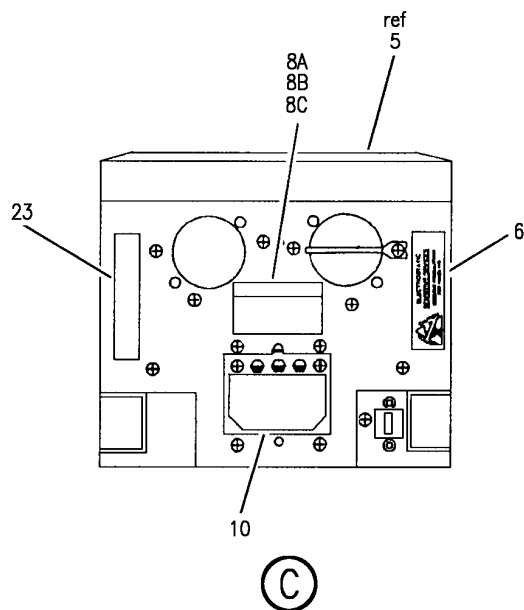
BRI  
MAY 28/07

34-22-03-03  
PAGE 0

**BOEING**  
757  
PARTS CATALOG (MAINTENANCE)



(B)



Y 34-22-03-03 SHT 2 REV 258

PANEL INSTL-CAPT AND FIRST OFFICER FWD (EADI ONLY)  
FIGURE 3 (SHEET 2)

**34-22-03-03**

BRI  
MAY 28/07

34-22-03-03  
PAGE 0A



757

PARTS CATALOG (MAINTENANCE)

FIG ITEM	PART NUMBER	1 2 3 4 5 6 7	NOMENCLATURE	EFFECT FROM TO	UNITS PER ASSY
3			PANEL INSTL-CAPT AND FIRST OFFICER FWD (EADI ONLY)	002004 006010 107107 121503 904999	
- 1	233N2101-1		PANEL INSTL-CAPT AND FIRST OFFICER (EADI ONLY) POSITION DATA: FWD VARIABLE DRAWING REF: 233N2101-5003 233N2101-5004 233N2101-5037 233N2101-5039 233N2101-5041 FOR NHA/OTHER SYS DET SEE: 25-10-00-05A	002004 006010 107107 121503 904999	RF
5	622-5047-100		.INDICATOR ASSY-ELECTRONIC ATTITUDE DIRECTOR MULTICOLOR DISPLAY UNIT SUPPLIER CODE: V4V792 SPECIFICATION NUMBER: S242T404-501 ELECTRICAL EQUIP NUMBER: N00004 N00044 COMPONENT MAINT MANUAL REF: 34-22-71	002004 006010 107107 121503 904999	2
5	622-5047-101		.INDICATOR ASSY-ELECTRONIC ATTITUDE DIRECTOR MULTICOLOR DISPLAY UNIT SUPPLIER CODE: V4V792 SPECIFICATION NUMBER: S242T404-502 ELECTRICAL EQUIP NUMBER: N00004 N00044 COMPONENT MAINT MANUAL REF: 34-22-71	002004 006010 107107 121503 904999	2

MISSING ITEM NUMBERS NOT APPLICABLE

- ITEM NOT ILLUSTRATED

BRI

34-22-03-03

34-22-03  
FIG. 03  
PAGE 1  
JAN 20/09



757

PARTS CATALOG (MAINTENANCE)

FIG ITEM	PART NUMBER	1 2 3 4 5 6 7	NOMENCLATURE	EFFECT FROM TO	UNITS PER ASSY
3	5 622-7998-002		.INDICATOR ASSY-ELECTRONIC ATTITUDE DIRECTOR MULTICOLOR DISPLAY UNIT SUPPLIER CODE: V4V792 SPECIFICATION NUMBER: S242T404-510 ELECTRICAL EQUIP NUMBER: N00004 N00044 COMPONENT MAINT MANUAL REF: 34-22-60	002004 006010 107107 121503 904999	2
	5 622-7998-003		.INDICATOR ASSY-ELECTRONIC ATTITUDE DIRECTOR MULTICOLOR DISPLAY UNIT SUPPLIER CODE: V4V792 SPECIFICATION NUMBER: S242T404-511 ELECTRICAL EQUIP NUMBER: N00004 N00044 COMPONENT MAINT MANUAL REF: 34-22-60	002004 006010 107107 121503 904999	2
	6 280-2745-120		..LABEL-ESDS WARNING SUPPLIER CODE: V12998 USED ON: 622-7998-002 622-7998-003 622-7998-013 USED ON: 622-7998-002 622-7998-003 622-7998-013	002004 006010 107107 121503 904999	1
	7 280-2745-120		..LABEL-ESDS WARNING SUPPLIER CODE: V12998 USED ON: 622-5047-100 622-5047-101 USED ON: 622-5047-101	002004 006010 107107 121503 904999	1

MISSING ITEM NUMBERS NOT APPLICABLE

- ITEM NOT ILLUSTRATED

34-22-03-03

34-22-03  
FIG. 03  
PAGE 2  
JAN 20/09

BRI



757

PARTS CATALOG (MAINTENANCE)

FIG ITEM	PART NUMBER	1 2 3 4 5 6 7	NOMENCLATURE	EFFECT FROM TO	UNITS PER ASSY
3	8 646-0040-005		.. PLATE-IDENT SUPPLIER CODE: V4V792 USED ON: 622-5047-100 622-5047-101 USED ON: 622-5047-101	002004 006010 107107 121503 904999	1
	8A 651-1873-003		.. PLATE-IDENT SUPPLIER CODE: V4V792 OPTIONAL PART: 651-1873-005 V4V792 USED ON: 622-7998-002 622-7998-003 622-7998-013 USED ON: 622-7998-002 622-7998-003 622-7998-013	002004 006010 107107 121503 904999	1
	8B 651-1873-005		.. PLATE-IDENT SUPPLIER CODE: V4V792 OPTIONAL PART: 651-1873-003 V4V792 USED ON: 622-7998-003 USED ON: 622-7998-003	002004 006010 107107 121503 904999	1
-	9 MS51957-20		ATTACHING PARTS .. SCREW	002004 006010 107107 121503 904999	6
	10 025-0767-001		-----*----- .. CAP-PROTECTIVE SUPPLIER CODE: V71468 CONFIG CHG DATA FROM A CMM: SUPSD BY DPXB60 USED ON: 622-7998-002 622-7998-003 622-7998-013	002004 006010 107107 121503 904999	1

MISSING ITEM NUMBERS NOT APPLICABLE

- ITEM NOT ILLUSTRATED

34-22-03-03

34-22-03  
FIG. 03  
PAGE 3  
JAN 20/09

BRI

BOEING PROPRIETARY - Copyright © - Unpublished Work - See title page for details.





757

PARTS CATALOG (MAINTENANCE)

FIG ITEM	PART NUMBER	1 2 3 4 5 6 7	NOMENCLATURE	EFFECT FROM TO	UNITS PER ASSY
3 - 15	DPXB60		..CAP-PROTECTIVE SUPPLIER CODE: V71468 CONFIG CHG DATA FROM A CMM: SUPERSEDES 025-0767-001 OPTIONAL PART: 2504800 V58960	002004 006010 107107 121503 904999	1
20	DPXB60-1		..CAP-CONDUCTIVE SUPPLIER CODE: V71468 OPTIONAL PART: DPXB60 V71468 USED ON: 622-5047-100 622-5047-101 USED ON: 622-5047-101	002004 006010 107107 121503 904999	1
20	DPXB60		..CAP-PROTECTIVE SUPPLIER CODE: V71468 OPTIONAL PART: 2504800 V58960 OPTIONAL PART: DPXB60-1 V71468 USED ON: 622-5047-100 622-5047-101 USED ON: 622-5047-101	002004 006010 107107 121503 904999	1
22	838-7036-010		..LABEL- SUPPLIER CODE: V4V792 USED ON: 622-7998-002 622-7998-003 622-7998-013 USED ON: 622-7998-002 622-7998-003 622-7998-013	002004 006010 107107 121503 904999	1

MISSING ITEM NUMBERS NOT APPLICABLE

- ITEM NOT ILLUSTRATED

34-22-03-03

34-22-03  
FIG. 03  
PAGE 4  
JAN 20/09

BRI



757

PARTS CATALOG (MAINTENANCE)

FIG ITEM	PART NUMBER	1 2 3 4 5 6 7	NOMENCLATURE	EFFECT FROM TO	UNITS PER ASSY
3					
23	829-0200-004		.. PLATE-DESIGNATION SUPPLIER CODE: V4V792 USED ON: 622-7998-003 622-7998-013 USED ON: 622-7998-003 622-7998-013	002004 006010 107107 121503 904999	1
25	647-5650-002		.. INCLINOMETER- SUPPLIER CODE: V13499	002004 006010 107107 121503 904999	1
25	647-5650-003		.. INCLINOMETER- SUPPLIER CODE: V13499 USED ON: 622-7998-013	002004 006010 107107 121503 904999	1
- 30	647-5667-003		ATTACHING PARTS .. SCREW- SUPPLIER CODE: V13499	002004 006010 107107 121503 904999	2
- 30	634-3593-001		.. SCREW- SUPPLIER CODE: V13499 POST SERVICE BULLETIN: EDU-766D-34-14 V4V792	002004 006010 107107 121503 904999	2
- 35	647-5667-006		.. WASHER-FLAT SUPPLIER CODE: V13499	002004 006010 107107 121503 904999	2
- 35	634-3593-003		.. WASHER-FLAT SUPPLIER CODE: V13499 POST SERVICE BULLETIN: EDU-766D-34-14 V4V792	002004 006010 107107 121503 904999	2
- 400	286N2321-002		-----*----- WIRE BUNDLE ASSY	121503 904949	RF
- 400	286N2321-005		WIRE BUNDLE ASSY-	002004 006010 950999	RF
- 400	286N2321-006		WIRE BUNDLE ASSY	107107	RF

MISSING ITEM NUMBERS NOT APPLICABLE

- ITEM NOT ILLUSTRATED

34-22-03-03

34-22-03  
FIG. 03  
PAGE 5  
JAN 20/09

BRI



757

PARTS CATALOG (MAINTENANCE)

FIG ITEM	PART NUMBER	1 2 3 4 5 6 7	NOMENCLATURE	EFFECT FROM TO	UNITS PER ASSY
3 405	BCREF2217		.RECEPTACLE- SUPPLIER CODE: V71468 OVERLENGTH PART NUMBER: DPXBMB67-33S0001 ELECTRICAL EQUIP NUMBER: D00087 WIRING DIAGRAM REF: 342214	002004 006010 107107 121503 904999	1
- 450	286N2323-002		WIRE BUNDLE ASSY	121503 904949	RF
- 450	286N2323-006		WIRE BUNDLE ASSY	107107	RF
- 450	286N2323-007		WIRE BUNDLE ASSY-	002004 006010 950999	RF
455	BCREF2217		.RECEPTACLE- SUPPLIER CODE: V71468 OVERLENGTH PART NUMBER: DPXBMB67-33S0001 ELECTRICAL EQUIP NUMBER: D00091 WIRING DIAGRAM REF: 342224	002004 006010 107107 121503 904999	1

MISSING ITEM NUMBERS NOT APPLICABLE

- ITEM NOT ILLUSTRATED

34-22-03-03

34-22-03  
FIG. 03  
PAGE 6  
JAN 20/09

BRI



757

PARTS CATALOG (MAINTENANCE)

FIG ITEM	PART NUMBER	1 2 3 4 5 6 7	NOMENCLATURE	EFFECT FROM TO	UNITS PER ASSY
3 - 500	622-7998-003		.INDICATOR ASSY-ELECTRONIC ATTITUDE DIRECTOR MULTICOLOR DISPLAY UNIT SUPPLIER CODE: V4V792 SPECIFICATION NUMBER: S242T404-511 MISCELLANEOUS DATA: 622-7998-013 IS IDENTICAL TO 622-7998-003 EXCEPT THAT THE BEZEL COLOR IS GRAY INSTEAD OF BROWN. 622-7998-013 IS INTERCHANGEABLE WITH 622-7998-003 SUBJECT TO CUSTOMER PREFERENCE ELECTRICAL EQUIP NUMBER: N00004 N00044 COMPONENT MAINT MANUAL REF: 34-22-60 QUALIFIED I/W DATA: 622-7998-002 I/W -003 EXCEPT AIRCRAFT WITH 90 MINUTE NO COOL REQUIREMENT MUST INSTALL -003 IN EADI	002004 006010 107107 121503 904999	2

MISSING ITEM NUMBERS NOT APPLICABLE

- ITEM NOT ILLUSTRATED

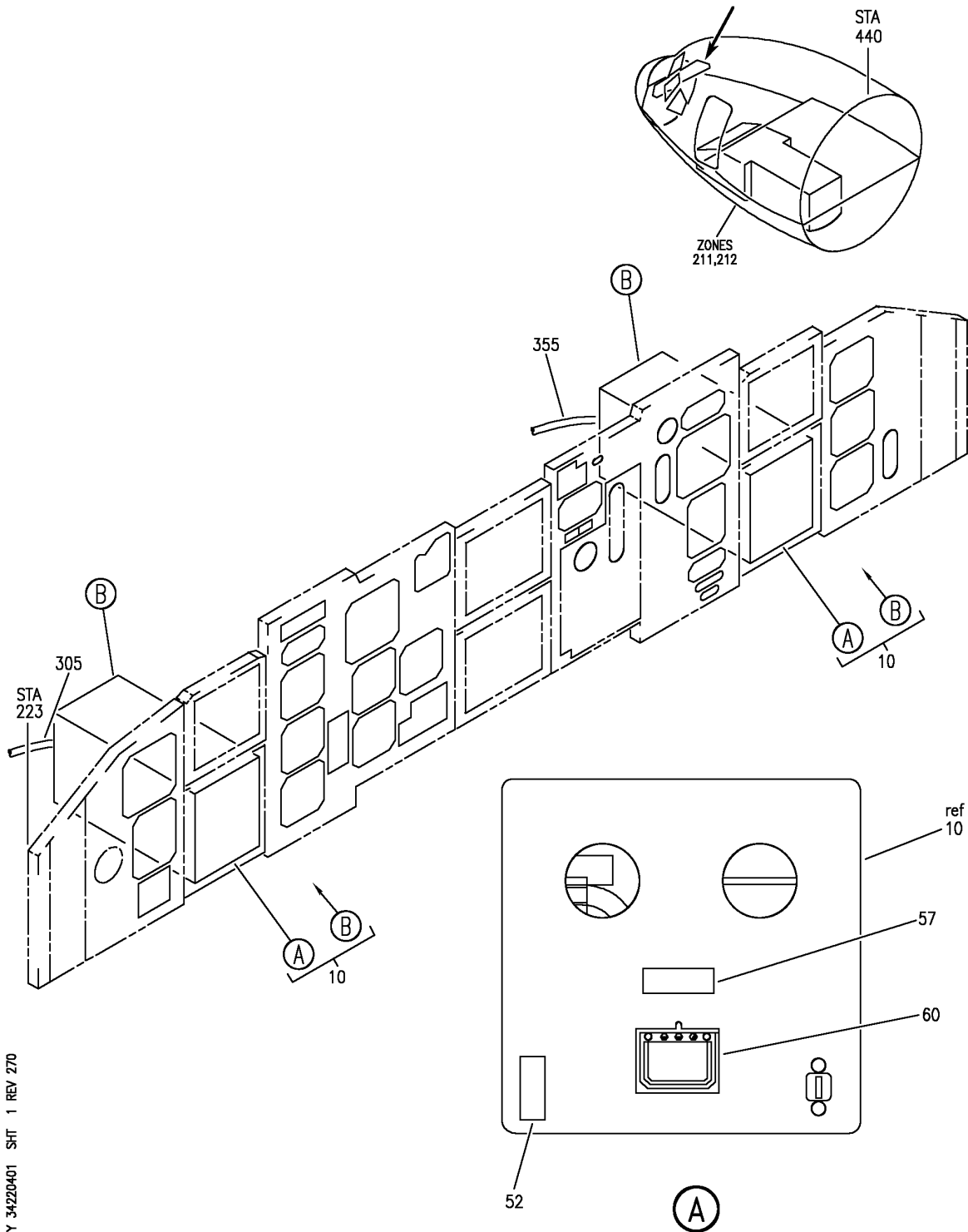
BRI

34-22-03-03

BOEING PROPRIETARY - Copyright © - Unpublished Work - See title page for details.

34-22-03  
FIG. 03  
PAGE 7  
JAN 20/09

**BOEING**  
757  
PARTS CATALOG (MAINTENANCE)



Y 34-22-04-01 SHT 1 REV 270

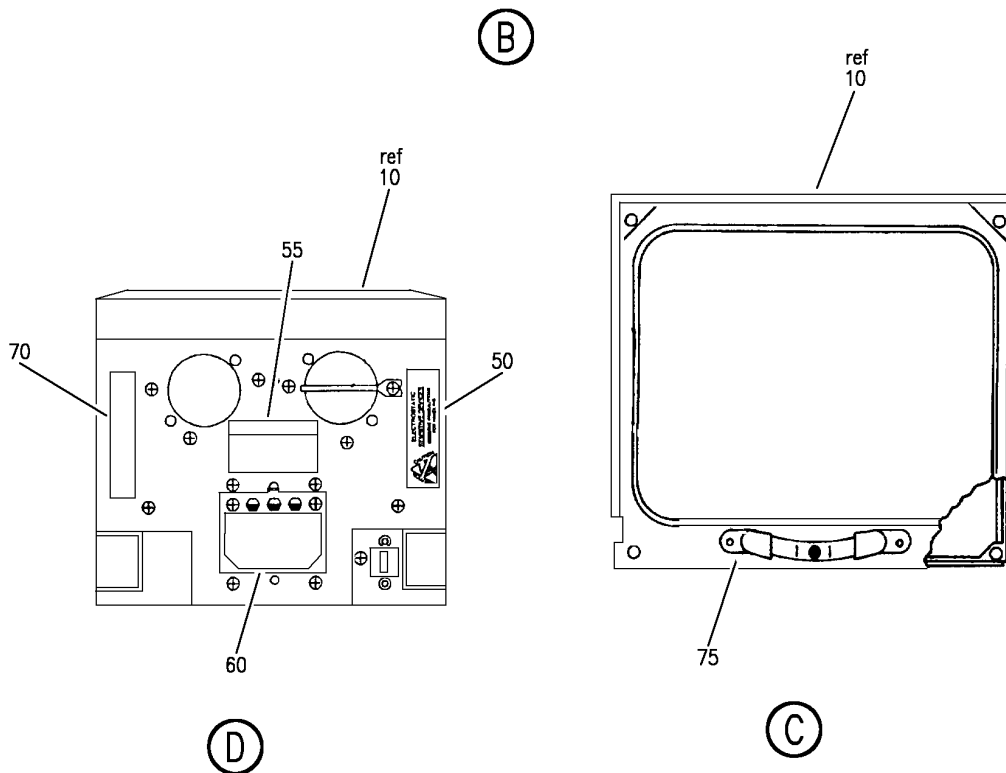
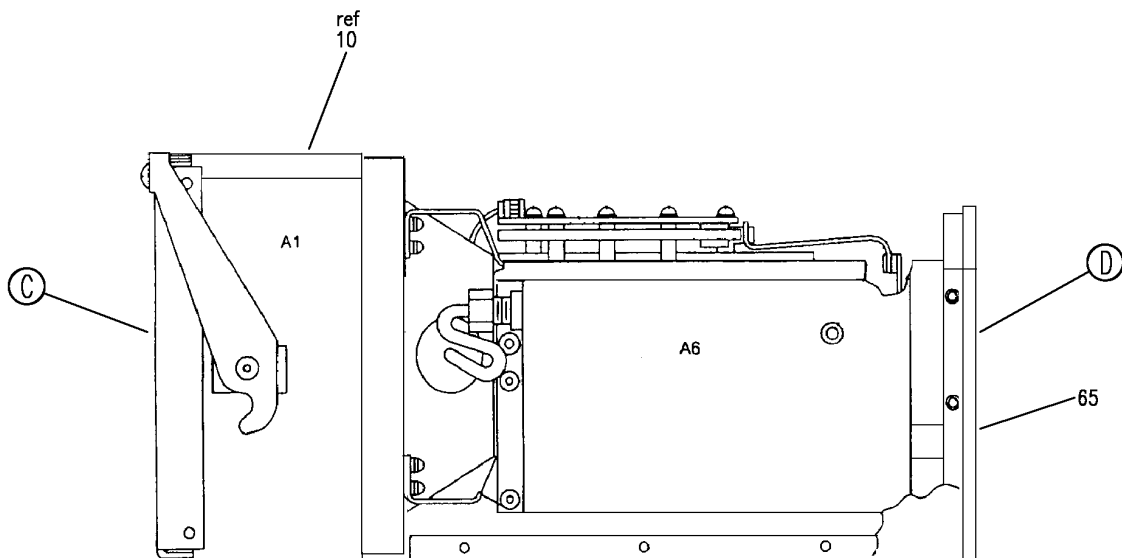
PANEL INSTL-FWD CAPT AND FIRST OFFICER PREMODULE (ELEVATOR HORIZONTAL SITUATION INDICATOR ONLY)  
FIGURE 1 (SHEET 1)

BRI  
MAY 28/07

**34-22-04-01**

34-22-04-01  
PAGE 0

**BOEING**  
757  
PARTS CATALOG (MAINTENANCE)



Y 34220401 SH1 2 REV 258

PANEL INSTL-FWD CAPT AND FIRST OFFICER PREMODULE (ELEVATOR HORIZONTAL SITUATION INDICATOR ONLY)  
FIGURE 1 (SHEET 2)

BRI  
MAY 28/07

**34-22-04-01**

34-22-04-01  
PAGE 0A



757

PARTS CATALOG (MAINTENANCE)

FIG ITEM	PART NUMBER	1 2 3 4 5 6 7	NOMENCLATURE	EFFECT FROM TO	UNITS PER ASSY
1			PANEL INSTL-FWD CAPT AND FIRST OFFICER PREMODULE (ELEVATOR HORIZONTAL SITUATION INDICATOR ONLY)	002004 006999	
- 1	233N2103-1		PANEL INSTL-CAPT AND FIRST OFFICER PREMODULE (ELEVATOR HORIZONTAL SITUATION INDICATOR ONLY) POSITION DATA: FWD FOR NHA/OTHER SYS DET SEE: 25-10-00-15	101102 108120 504903	RF
- 1	233N2101-1		PANEL INSTL-CAPT AND FIRST OFFICER (ELEVATOR HORIZONTAL SITUATION INDICATOR ONLY) POSITION DATA: FWD VARIABLE DRAWING REF: 233N2101-5003 233N2101-5004 233N2101-5037 233N2101-5040 233N2101-5042 FOR NHA/OTHER SYS DET SEE: 25-10-00-05A	002004 006100 107107 121503 904999	RF
- 1	MODREF33340		PANEL INSTL-CAPT AND FIRST OFFICER PREMODULE (ELEVATOR HORIZONTAL SITUATION INDICATOR ONLY) MODULE NUMBER: 233N2103-100 REV A POSITION DATA: FWD FOR OTHER SYS DETAILS SEE: 27-58-00-02 31-11-11-01 31-11-26-01 31-41-01-01 32-41-52-02 33-11-51-13 33-13-51-01 34-13-05-01 33-14-51-01 FOR ADDITIONAL DETAILS SEE: 34-22-03-01	103106	1

MISSING ITEM NUMBERS NOT APPLICABLE

- ITEM NOT ILLUSTRATED

34-22-04-01

34-22-04  
FIG. 01  
PAGE 1  
JAN 20/09

BRI



757

PARTS CATALOG (MAINTENANCE)

FIG ITEM	PART NUMBER	1 2 3 4 5 6 7	NOMENCLATURE	EFFECT FROM TO	UNITS PER ASSY
1 10	622-7999-003		. INDICATOR ASSY-ELECTRONIC HORIZ SITUATION MULTICOLOR DISPLAY UNIT SUPPLIER CODE: V4V792 SPECIFICATION NUMBER: S242T404-611 MISCELLANEOUS DATA: 622-7999-013 IS IDENTICAL TO 622-7999-003 EXCEPT THAT THE BEZEL COLOR IS GRAY INSTEAD OF BROWN. 622-7999-013 IS INTERCHANGEABLE WITH 622-7999-003 SUBJECT TO CUSTOMER PREFERENCE SEE SPARES DWG. 242N5002 FOR 757 INTERCHANGEABILITY FOR 767 SEE 242T4213 ELECTRICAL EQUIP NUMBER: N00005 N00045 COMPONENT MAINT MANUAL REF: 34-22-60 PRE SERVICE BULLETIN: V4V792	002004 006999	2
50	280-2745-120		.. LABEL-ESDS WARNING SUPPLIER CODE: V12998 USED ON: 622-7999-002 622-7999-003 USED ON: 622-7999-002 622-7999-003	002004 006999	1
55	651-1874-003		.. PLATE-IDENT SUPPLIER CODE: V4V792 OPTIONAL PART: 651-1874-005 V4V792 USED ON: 622-7999-002 622-7999-003 USED ON: 622-7999-002 622-7999-003	002004 006999	1

MISSING ITEM NUMBERS NOT APPLICABLE

- ITEM NOT ILLUSTRATED

34-22-04-01

34-22-04  
FIG. 01  
PAGE 2  
SEP 20/08

BRI





757

PARTS CATALOG (MAINTENANCE)

FIG ITEM	PART NUMBER	1 2 3 4 5 6 7	NOMENCLATURE	EFFECT FROM TO	UNITS PER ASSY
1					
55	651-1874-005		.. PLATE-IDENT SUPPLIER CODE: V4V792 OPTIONAL PART: 651-1874-003 V4V792 USED ON: 622-7999-003 USED ON: 622-7999-003	002004 006999	1
60	025-0767-001		.. CAP-PROTECTIVE SUPPLIER CODE: V71468 CONFIG CHG DATA FROM A CMM: SUPSD BY DPXB60 USED ON: 622-7999-002 622-7999-003 USED ON: 622-7999-002 622-7999-003	002004 006999	1
60	DPXB60		.. CAP-PROTECTIVE SUPPLIER CODE: V71468 CONFIG CHG DATA FROM A CMM: SUPERSEDES 025-0767-001 OPTIONAL PART: 2504800 V58960 USED ON: 622-7999-002 622-7999-003 USED ON: 622-7999-002 622-7999-003	002004 006999	1
65	838-7036-010		.. LABEL- SUPPLIER CODE: V4V792 USED ON: 622-7999-002 622-7999-003 USED ON: 622-7999-002 622-7999-003	002004 006999	1

MISSING ITEM NUMBERS NOT APPLICABLE

- ITEM NOT ILLUSTRATED

34-22-04-01

34-22-04  
FIG. 01  
PAGE 3  
SEP 20/08

BRI



757

PARTS CATALOG (MAINTENANCE)

FIG ITEM	PART NUMBER	1 2 3 4 5 6 7	NOMENCLATURE	EFFECT FROM TO	UNITS PER ASSY
1	70 829-0200-004		.. PLATE-DESIGNATION SUPPLIER CODE: V4V792 USED ON: 622-7999-003 USED ON: 622-7999-003	002004 006999	1
	75 647-5650-002		.. INCLINOMETER- SUPPLIER CODE: V4V792	002004 006999	1
-	80 647-5650-003		.. INCLINOMETER- SUPPLIER CODE: V4V792 USED ON: 622-7999-002 622-7999-003 USED ON: 622-7999-002 622-7999-003	002004 006999	1
-	85 647-5667-003		ATTACHING PARTS .. SCREW- SUPPLIER CODE: V4V792	002004 006999	2
-	90 634-3593-001		.. SCREW- SUPPLIER CODE: V4V792 USED ON: 622-7999-002 622-7999-003 USED ON: 622-7999-002 622-7999-003	002004 006999	2
-	95 647-5667-006		.. WASHER- SUPPLIER CODE: V4V792	002004 006999	2
-	100 634-3593-003		.. WASHER- SUPPLIER CODE: V4V792 USED ON: 622-7999-002 622-7999-003 USED ON: 622-7999-002 622-7999-003	002004 006999	2
-	300 286N2321-002		-----*----- WIRE BUNDLE ASSY	121503 904949	RF

MISSING ITEM NUMBERS NOT APPLICABLE

- ITEM NOT ILLUSTRATED

34-22-04-01

34-22-04  
FIG. 01  
PAGE 4  
JAN 20/09

BRI

BOEING PROPRIETARY - Copyright © - Unpublished Work - See title page for details.



757

PARTS CATALOG (MAINTENANCE)

FIG ITEM	PART NUMBER	1 2 3 4 5 6 7	NOMENCLATURE	EFFECT FROM TO	UNITS PER ASSY
1					
- 300	286N2321-005		WIRE BUNDLE ASSY-	002004 006100 950999	RF
- 300	286N2321-006		WIRE BUNDLE ASSY	107107	RF
- 300	286N2321-304		WIRE BUNDLE ASSY	101101	RF
- 300	286N2321-311		WIRE BUNDLE ASSY	102102	RF
- 301	286N2321-315		WIRE BUNDLE ASSY	504504 506903	RF
- 301	286N2321-319		WIRE BUNDLE ASSY	108120	RF
- 301	286N2321-320		WIRE BUNDLE ASSY	505505	RF
- 302	286N2321-701		WIRE BUNDLE ASSY	103106	RF
305	BCREF6372		.RECEPTACLE- SUPPLIER CODE: V71468 OVERLENGTH PART NUMBER: DPXBMB67-33S0002 ELECTRICAL EQUIP NUMBER: D00089 WIRING DIAGRAM REF: 342215	002004 006999	1
- 350	286N2323-002		WIRE BUNDLE ASSY	121503 904949	RF
- 350	286N2323-006		WIRE BUNDLE ASSY	107107	RF
- 350	286N2323-007		WIRE BUNDLE ASSY-	002004 006100 950999	RF
- 350	286N2323-303		WIRE BUNDLE ASSY	101101	RF
- 351	286N2323-311		WIRE BUNDLE ASSY	102102	RF
- 351	286N2323-315		WIRE BUNDLE ASSY	504504 506903	RF
- 351	286N2323-319		WIRE BUNDLE ASSY	108120	RF
- 351	286N2323-320		WIRE BUNDLE ASSY	505505	RF
- 352	286N2323-701		WIRE BUNDLE ASSY	103106	RF
355	BCREF6372		.RECEPTACLE- SUPPLIER CODE: V71468 OVERLENGTH PART NUMBER: DPXBMB67-33S0002 ELECTRICAL EQUIP NUMBER: D00093 WIRING DIAGRAM REF: 342225	002004 006999	1

MISSING ITEM NUMBERS NOT APPLICABLE

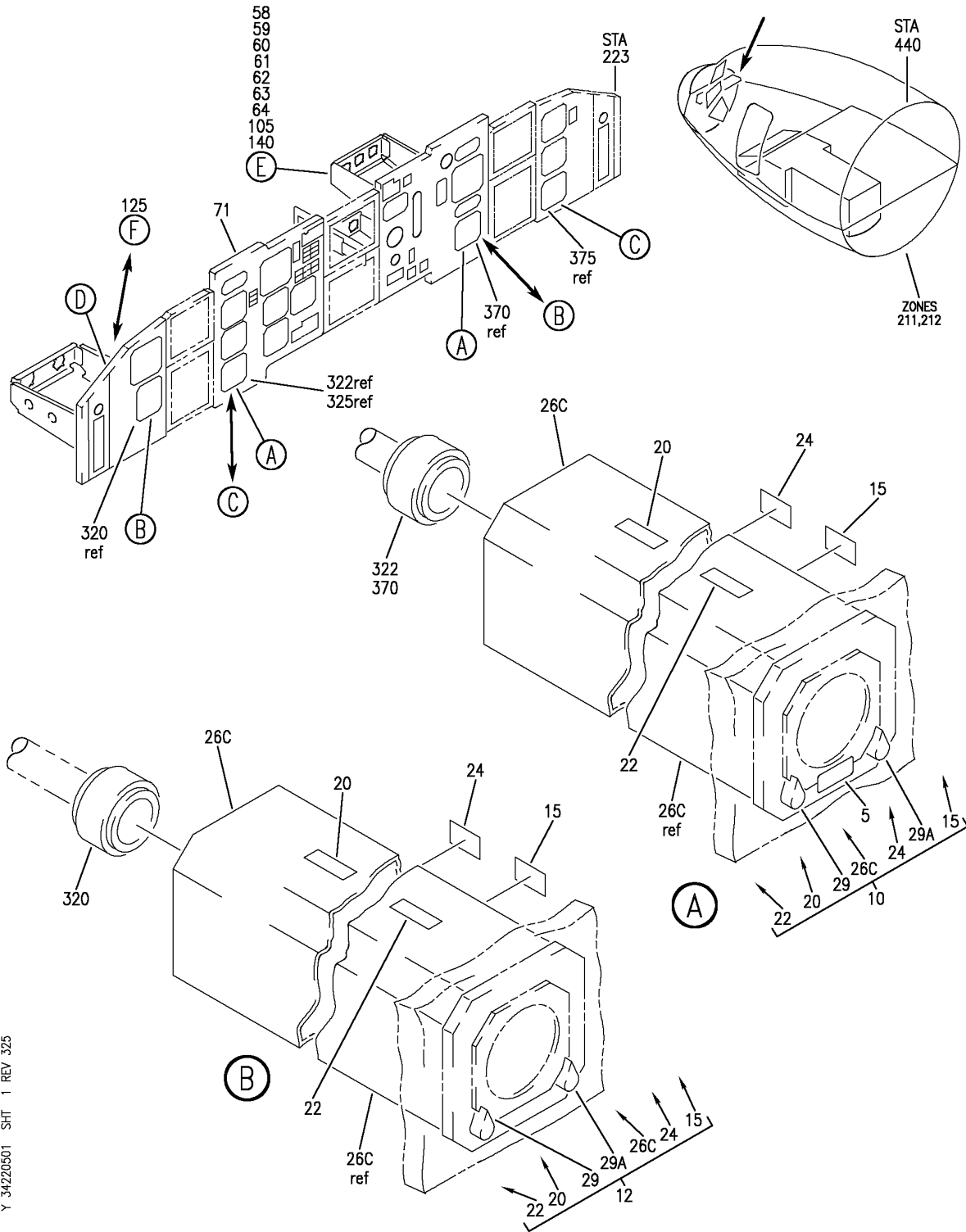
- ITEM NOT ILLUSTRATED

BRI

34-22-04-01

34-22-04  
FIG. 01  
PAGE 5  
JAN 20/09

**BOEING**  
757  
**PARTS CATALOG (MAINTENANCE)**



Y 34-22-05-01 SH-T 1 REV 325

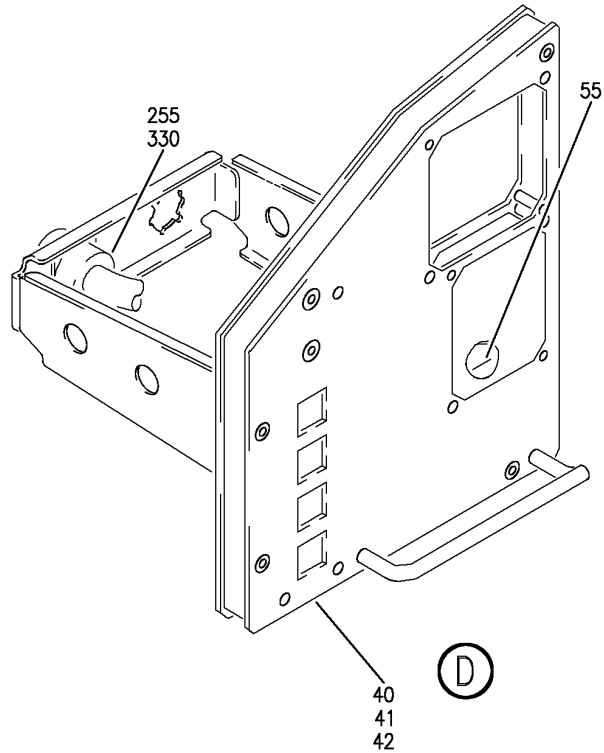
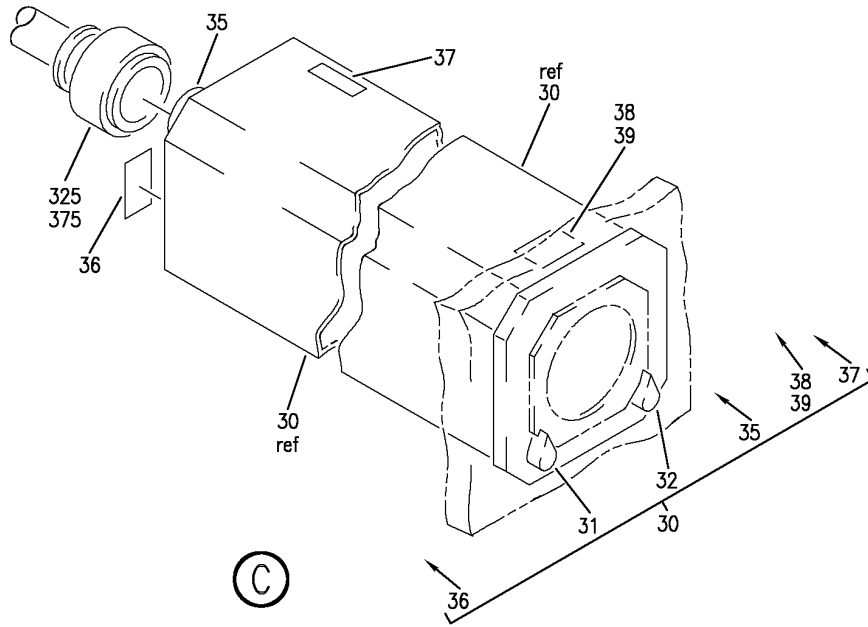
PANEL INSTL-CAPT AND FIRST OFFICER FWD (RDMI (RMI) ONLY)  
FIGURE 1 (SHEET 1)

**34-22-05-01**

BRI  
SEP 20/08

34-22-05-01  
PAGE 0

**BOEING**  
757  
PARTS CATALOG (MAINTENANCE)



Y 34-22-05-01 SH1 2 REV 325

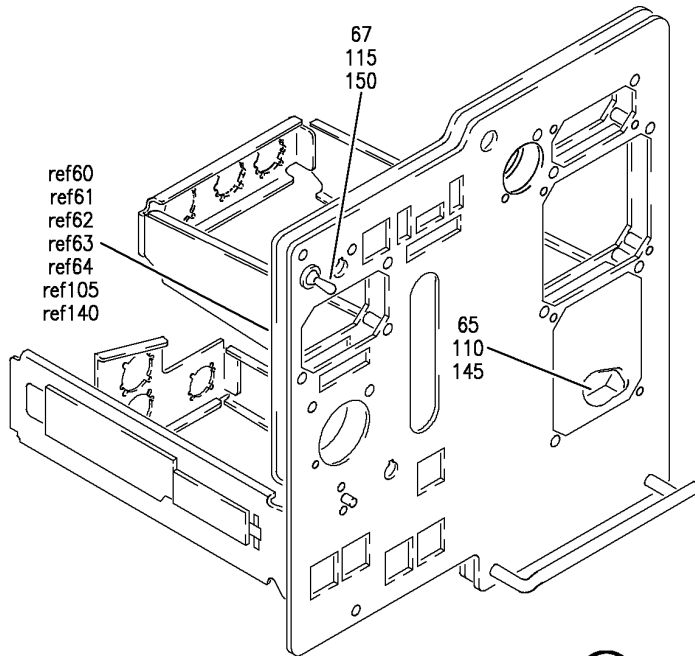
PANEL INSTL-CAPT AND FIRST OFFICER FWD (RDMI (RMI) ONLY)  
FIGURE 1 (SHEET 2)

**34-22-05-01**

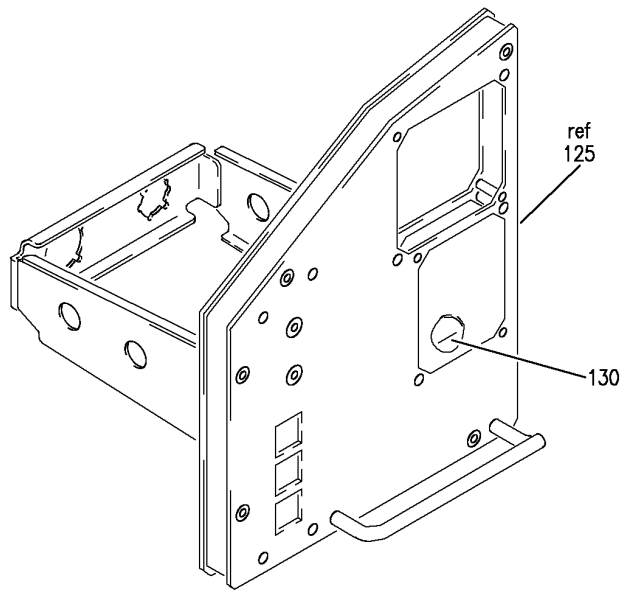
BRI  
SEP 20/08

34-22-05-01  
PAGE 0A

**BOEING**  
757  
**PARTS CATALOG (MAINTENANCE)**



(E)



(F)

Y 34-22-05-01 SH-T 3 REV 325

PANEL INSTL-CAPT AND FIRST OFFICER FWD (RDMI (RMI) ONLY)  
FIGURE 1 (SHEET 3)

**34-22-05-01**

BRI  
SEP 20/08

34-22-05-01  
PAGE 08



757

PARTS CATALOG (MAINTENANCE)

FIG ITEM	PART NUMBER	1 2 3 4 5 6 7	NOMENCLATURE	EFFECT FROM TO	UNITS PER ASSY
1			PANEL INSTL-CAPT AND FIRST OFFICER FWD (RDMI (RMI) ONLY)	002004 006010 107107 121503 904999	
- 1	233N2101-1		PANEL INSTL-CAPT AND FIRST OFFICER (RDMI (RMI) ONLY) POSITION DATA: FWD VARIABLE DRAWING REF: 233N2101-5003 233N2101-5004 233N2101-5037 233N2101-5039 233N2101-5041 FOR NHA/OTHER SYS DET SEE: 25-10-00-05A	002004 006010 107107 121503 904999	RF
12	622-5001-109		. INDICATOR ASSY-DME/RADIO MAGNETIC SUPPLIER CODE: V4V792 SPECIFICATION NUMBER: S242T403-109 ELECTRICAL EQUIP NUMBER: N00003 N00043 COMPONENT MAINT MANUAL REF: 34-22-73 QUALIFIED I/W DATA: S242T403-107 (622-5007-107) RB S242T403-109 (622-5007-109) WITH THE INCORPORATION OF S/B 757-34-0018 AND VENDOR S/B (ROCKWELL COLLINS) RDM1 743-34-10(R1) FUNCTIONAL REFERENCE: LIGHTS FOR DETAILS SEE 33-13-51-54	002004 006010 107107 950999	2

MISSING ITEM NUMBERS NOT APPLICABLE

- ITEM NOT ILLUSTRATED

BRI

34-22-05-01

34-22-05  
FIG. 01  
PAGE 1  
JAN 20/09



757

PARTS CATALOG (MAINTENANCE)

FIG ITEM	PART NUMBER	1 2 3 4 5 6 7	NOMENCLATURE	EFFECT FROM TO	UNITS PER ASSY
1					
- 14	646-0027-004	..	PLATE-IDENT SUPPLIER CODE: V4V792 CONFIG CHG DATA FROM A CMM: SUPSD BY 646-0027-012 SUPSD BY 646-0027-014 SUPSD BY 646-0027-016 SUPSD BY 646-0027-017	002004 006010 107107 950999	1
15	646-0027-016	..	PLATE-IDENT SUPPLIER CODE: V4V792 CONFIG CHG DATA FROM A CMM: SUPERSEDES 646-0027-004 ATTACHING PARTS	002004 006010 107107 950999	1
- 16	330-1716-560	..	SCREW- SUPPLIER CODE: V4V792	002004 006010 107107 950999	2
			-----*-----		
- 17	280-1368-010	..	LABEL-PRESSURE SENS SUPPLIER CODE: VOBU16 CONFIG CHG DATA FROM A CMM: DELETED BY REVISION	002004 006010 107107 950999	1
- 18	280-2745-130	..	LABEL-ESDS WARNING SUPPLIER CODE: VOBU16 CONFIG CHG DATA FROM A CMM: DELETED BY REVISION	002004 006010 107107 950999	1
20	280-2745-130	..	LABEL-ESDS WARNING SUPPLIER CODE: VOBU16	002004 006010 107107 950999	1
22	280-1368-010	..	LABEL-PRESSURE SENS SUPPLIER CODE: VOBU16	002004 006010 107107 950999	1
24	829-0200-018	..	PLATE-MOD SUPPLIER CODE: V4V792 CONFIG CHG DATA FROM A CMM: ADDED BY REVISION	002004 006010 107107 950999	1
- 25	MS90376-24YF	..	CAP-CONNECTOR CONFIG CHG DATA FROM A CMM: ADDED BY REVISION	002004 006010 107107 950999	1

MISSING ITEM NUMBERS NOT APPLICABLE

- ITEM NOT ILLUSTRATED

34-22-05-01

34-22-05  
FIG. 01  
PAGE 2  
JAN 20/09

BRI



 **BOEING**  
757  
**PARTS CATALOG (MAINTENANCE)**

FIG ITEM	PART NUMBER	1 2 3 4 5 6 7	NOMENCLATURE	EFFECT FROM TO	UNITS PER ASSY
1					
26C	646-5218-001	..	MODULE ASSY-LIGHTING SUPPLIER CODE: V4V792	002004 006010 107107 950999	1
29	646-5206-002	..	KNOB-CONTROL SUPPLIER CODE: V4V792	002004 006010 107107 950999	1
29A	646-5206-001	..	KNOB-CONTROL SUPPLIER CODE: V4V792	002004 006010 107107 950999	1
- 29C	646-5157-001	..	ATTACHING PARTS WASHER- SUPPLIER CODE: V4V792	002004 006010 107107 950999	2
30	622-5002-203	.INDICATOR ASSY-DME/RADIO SUPPLIER CODE: V4V792 SPECIFICATION NUMBER: S242T403-204 ELECTRICAL EQUIP NUMBER: N10024 N10026 COMPONENT MAINT MANUAL REF: 34-22-74 FUNCTIONAL REFERENCE: LIGHTS FOR DETAILS SEE 33-13-51-54	121503 904949	2	
31	646-5206-003	..	KNOB- SUPPLIER CODE: V4V792 POSITION DATA: L	121503 904949	1
32	646-5206-004	..	KNOB- SUPPLIER CODE: V4V792 POSITION DATA: R	121503 904949	1
- 33	LP57XE40K2	..	SETSCREW-SELF-LOCKING SUPPLIER CODE: V03038 MISCELLANEOUS DATA: ROCKWELL COLLINS SPEC # 325-0275-010	121503 904949	4

MISSING ITEM NUMBERS NOT APPLICABLE

- ITEM NOT ILLUSTRATED

BRI

# 34-22-05-01

BOEING PROPRIETARY - Copyright © - Unpublished Work - See title page for details.

34-22-05  
FIG. 01  
PAGE 3  
JAN 20/09



757

PARTS CATALOG (MAINTENANCE)

FIG ITEM	PART NUMBER	1 2 3 4 5 6 7	NOMENCLATURE	EFFECT FROM TO	UNITS PER ASSY
1			ATTACHING PARTS		
- 34	646-5157-001		.. WASHER- SUPPLIER CODE: V4V792 -----*-----	121503 904949	2
35	MS90376-24YF		.. CAP-CONNECTOR	121503 904949	1
36	646-0110-005		.. PLATE-IDENT SUPPLIER CODE: V4V792	121503 904949	1
37	280-1368-010		.. LABEL-PRESSURE SENS SUPPLIER CODE: V12998	121503 904949	1
38	280-2745-020		.. LABEL-ESDS SUPPLIER CODE: V12998	121503 904949	1
39	280-2745-130		.. LABEL-ESDS SUPPLIER CODE: V12998	121503 904949	1
40	233N2220-7		.MODULE ASSY-P1-1 PRE SERVICE BULLETIN: 34-0414	107107	RF
40	233N2220-10		.MODULE ASSY-P1-1 PRE SERVICE BULLETIN: 34-0416	002004 006010 950999	RF
55	123-3240G		.. CLAMP- SUPPLIER CODE: V28277 OPTIONAL PART: 123-6D V28277	002004 006010 107107 950999	1
55	123-6D		.. CLAMP- SUPPLIER CODE: V28277 OPTIONAL PART: 123-3240G V28277	002004 006010 107107 950999	1
58	233N2222-1053		.MODULE ASSY-P3-1 POST ALERT SB: 33A0044	107107	RF
59	233N2222-1085		.MODULE ASSY-P3-1 POST ALERT SB: 33A0044R1	121503 904949	RF
60	233N2222-53		.MODULE ASSY-P3-1 PRE ALERT SB: 33A0044	107107	RF

MISSING ITEM NUMBERS NOT APPLICABLE

- ITEM NOT ILLUSTRATED

34-22-05-01

34-22-05  
FIG. 01  
PAGE 4  
JAN 20/09

BRI



757

PARTS CATALOG (MAINTENANCE)

FIG ITEM	PART NUMBER	1 2 3 4 5 6 7	NOMENCLATURE	EFFECT FROM TO	UNITS PER ASSY
1					
61	233N2222-1077	.	MODULE ASSY-P3-1 POST ALERT SB: 33A0044	002004 006010 950951 953999	RF
62	233N2222-77	.	MODULE ASSY-P3-1 PRE SERVICE BULLETIN: 34-0200 PRE ALERT SB: 33A0044	002004 006010 950999	RF
62	233N2222-85	.	MODULE ASSY-P3-1 PRE ALERT SB: 33A0044R1	121503 904949	RF
65	123-6D	..	CLAMP- SUPPLIER CODE: V28277	002004 006010 107107 950999	1
67	64AT34-3D	..	SWITCH-TG SUPPLIER CODE: V91929 ELECTRICAL EQUIP NUMBER: S00616	002004 006010 107107 121503 904999	1
- 100	233N2222-329	.	MODULE ASSY- COMPONENT MAINT MANUAL REF: 31-11-49 POST SERVICE BULLETIN: 34-0200 PRE ALERT SB: 33A0044	952952	RF
- 100	233N2222-1329	.	MODULE ASSY- COMPONENT MAINT MANUAL REF: 31-11-49 POST ALERT SB: 33A0044	952952	RF
105	233N2222-111	..	MODULE ASSY- PRE ALERT SB: 33A0044	952952	RF
105	233N2222-1111	..	MODULE ASSY- POST ALERT SB: 33A0044	952952	RF
110	123-6D	...	CLAMP- SUPPLIER CODE: V28277	952952	1
115	64AT34-3D	...	SWITCH-TG SUPPLIER CODE: V91929 ELECTRICAL EQUIP NUMBER: S00616	952952	1

MISSING ITEM NUMBERS NOT APPLICABLE

- ITEM NOT ILLUSTRATED

34-22-05-01

34-22-05  
FIG. 01  
PAGE 5  
JAN 20/09

BRI



757

PARTS CATALOG (MAINTENANCE)

FIG ITEM	PART NUMBER	1 2 3 4 5 6 7	NOMENCLATURE	EFFECT FROM TO	UNITS PER ASSY
1					
- 120	823N0001-3		.MODULE ASSY-P1-1 POST SERVICE BULLETIN: 34-0414 34-0416	009009 107107	RF
125	823N0001-203		..PANEL ASSY- POST SERVICE BULLETIN: 34-0414 34-0416	009009 107107	RF
130	123-6D		...CLAMP- SUPPLIER CODE: V28277 SERVICE BULLETIN OPT DATA: 123-3240G V28277	009009 107107	1
130	123-3240G		...CLAMP- SUPPLIER CODE: V28277 SERVICE BULLETIN OPT DATA: 123-6D V28277	009009 107107	1
- 250	286N0017-002		WIRE BUNDLE ASSY-	002004 006010 904951	1
255	BACC45FN20-41P7		.CONNECTOR- POSITION DATA: POS 2 ELECTRICAL EQUIP NUMBER: D40671J WIRING DIAGRAM REF: 342291 ATTACHING PARTS	002004 006010 904951	1
- 260	NAS1801-04		.SCREW- SIZE DETERMINED ON INSTL.	002004 006010 904951	2
- 265	BACN10W1		.NUT	002004 006010 904951	2
- 300	286N0001-002		-----*----- WIRE BUNDLE ASSY- REWORKED BY ALERT SB: 34A022	121503 904949	RF
- 300	286N0001-003		WIRE BUNDLE ASSY- REWORKED BY ALERT SB: 34A022	107107	RF
- 300	286N0001-005		WIRE BUNDLE ASSY- REWORKED BY SB: 34-0200 REWORKED BY ALERT SB: 34A022	002004 006010 950999	RF

MISSING ITEM NUMBERS NOT APPLICABLE

- ITEM NOT ILLUSTRATED

34-22-05-01

34-22-05  
FIG. 01  
PAGE 6  
JAN 20/09

BRI



757

PARTS CATALOG (MAINTENANCE)

FIG ITEM	PART NUMBER	1 2 3 4 5 6 7	NOMENCLATURE	EFFECT FROM TO	UNITS PER ASSY
1					
320	BACC45FT22A55S6	.	CONNECTOR- ELECTRICAL EQUIP NUMBER: D00183 WIRING DIAGRAM REF: 342281	002004 006010 107107 950999	1
325	BACC45FT22A55S6	.	CONNECTOR- ELECTRICAL EQUIP NUMBER: D00771 WIRING DIAGRAM REF: 342283	121503 904949	1
330	BACC45FT20A41S7	.	CONNECTOR- POSITION DATA: POSITION 02 ELECTRICAL EQUIP NUMBER: D40671P WIRING DIAGRAM REF: 342291 REWORKED BY ALERT SB: 34A0222	002004 006010 904951	1
- 350	286N0003-002		WIRE BUNDLE ASSY- REWORKED BY ALERT SB: 34A0222	121503 904949	RF
- 350	286N0003-003		WIRE BUNDLE ASSY- REWORKED BY ALERT SB: 34A0222	107107	RF
- 350	286N0003-005		WIRE BUNDLE ASSY- REWORKED BY SB: 34-0200 REWORKED BY ALERT SB: 34A0222	002004 006010 950999	RF
370	BACC45FT22A55S6	.	CONNECTOR- ELECTRICAL EQUIP NUMBER: D00185 WIRING DIAGRAM REF: 342291	002004 006010 107107 950999	1
375	BACC45FT22A55S6	.	CONNECTOR- ELECTRICAL EQUIP NUMBER: D00801 WIRING DIAGRAM REF: 342293	121503 904949	1

MISSING ITEM NUMBERS NOT APPLICABLE

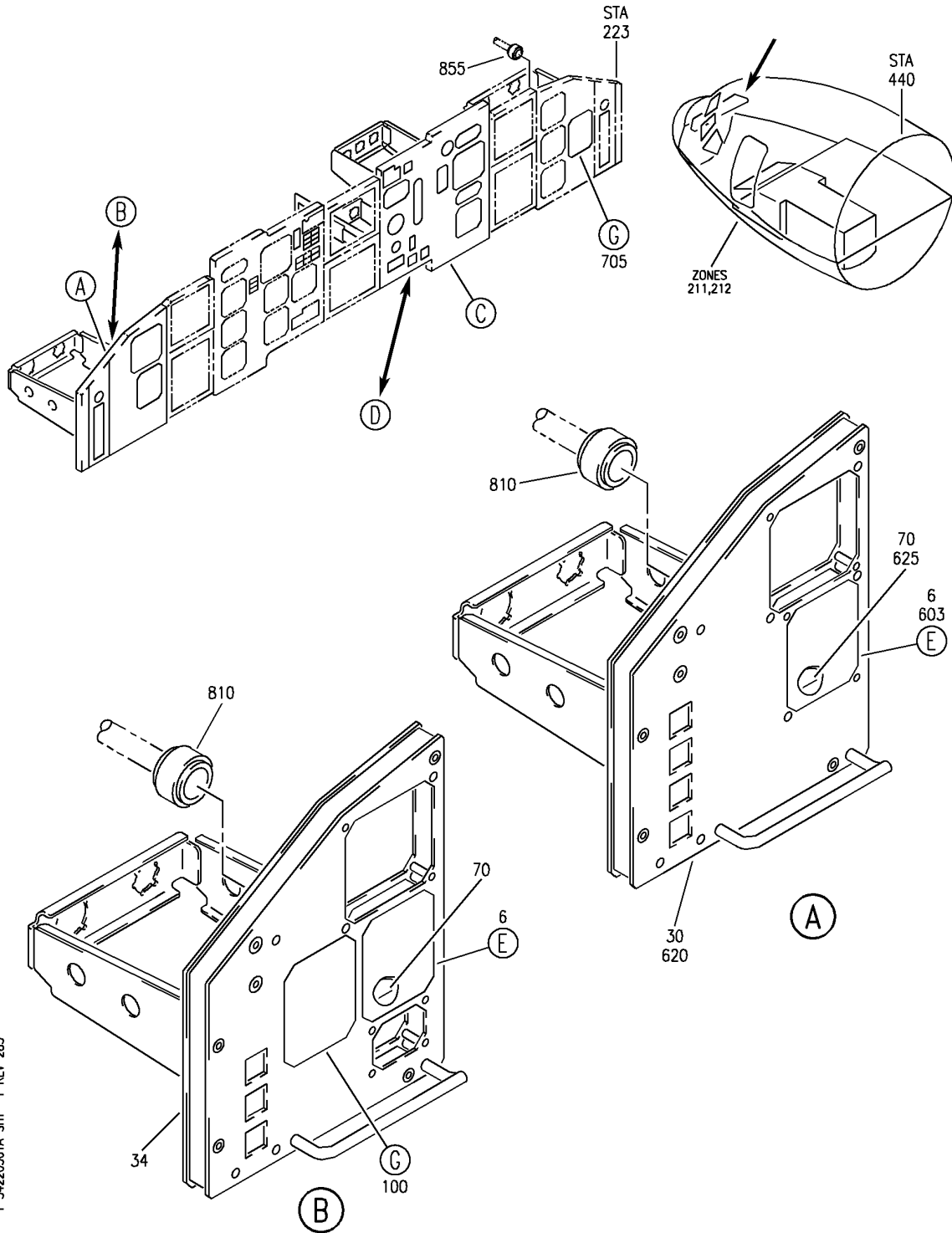
- ITEM NOT ILLUSTRATED

34-22-05-01

34-22-05  
FIG. 01  
PAGE 7  
JAN 20/09

BRI

**BOEING**  
757  
PARTS CATALOG (MAINTENANCE)



Y 34-22-05-01A SHT 1 REV 285

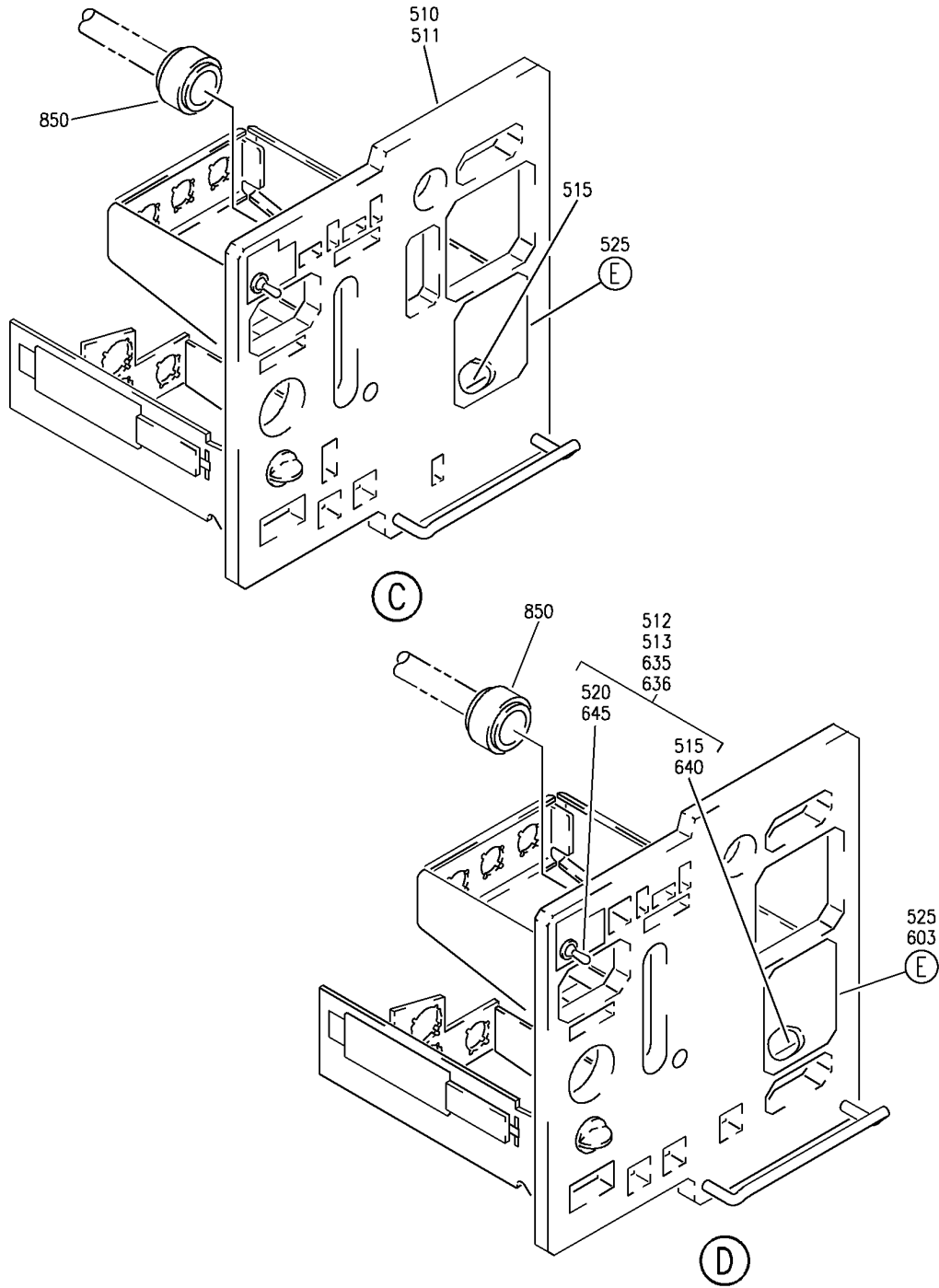
PANEL INSTL-P1-1 AND P3-1 (RDMI ONLY)  
FIGURE 1A (SHEET 1)

BRI  
MAY 28/07

**34-22-05-01A**

34-22-05-01A  
PAGE 0

**BOEING**  
757  
PARTS CATALOG (MAINTENANCE)



Y 34220501A SHT 2 REV 299

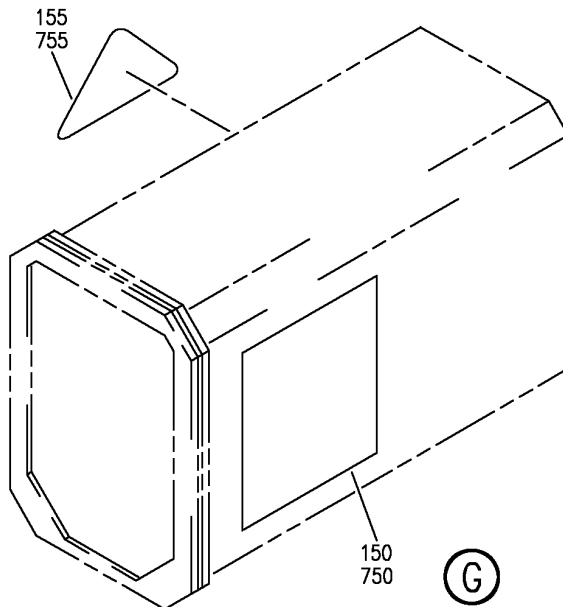
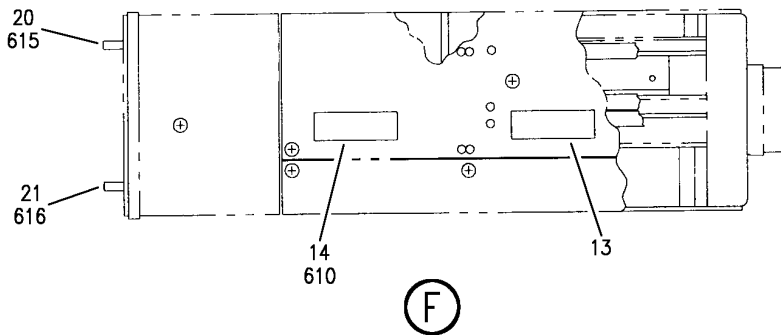
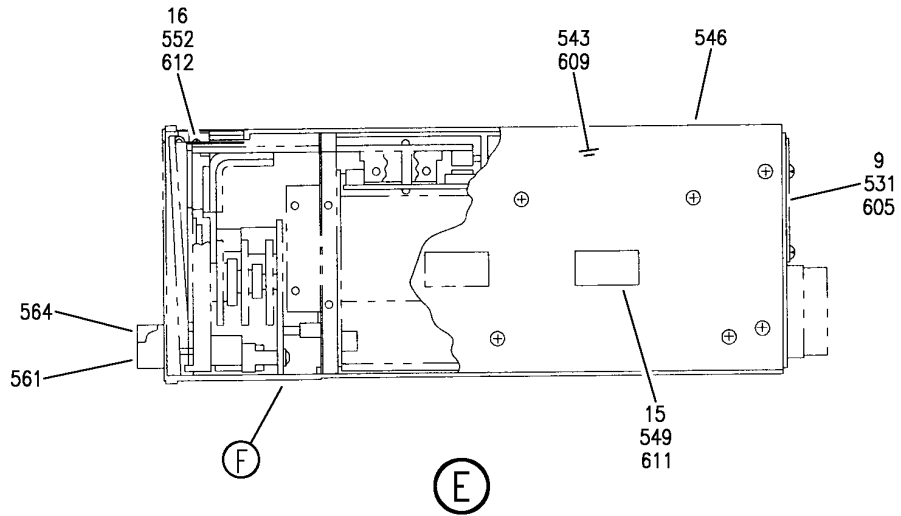
PANEL INSTL-P1-1 AND P3-1 (RDMI ONLY)  
FIGURE 1A (SHEET 2)

**34-22-05-01A**

BRI  
MAY 28/07

34-22-05-01A  
PAGE 0A

**BOEING**  
757  
**PARTS CATALOG (MAINTENANCE)**



Y 34-22-05-01A SHT 3 REV 285

PANEL INSTL-P1-1 AND P3-1 (RDMI ONLY)  
FIGURE 1A (SHEET 3)

**34-22-05-01A**

BRI  
MAY 28/07

34-22-05-01A  
PAGE 0B





757

PARTS CATALOG (MAINTENANCE)

FIG ITEM	PART NUMBER	1 2 3 4 5 6 7	NOMENCLATURE	EFFECT FROM TO	UNITS PER ASSY
1 A			PANEL INSTL-P1-1 AND P3-1 (RDMI ONLY)	101106 108120	
- 1	233N2103-7		PANEL INSTL-P1-1 (RDMI ONLY) FOR NHA/OTHER SYS DET SEE: 25-10-00-15B	101101	RF
- 1	233N2103-107		PANEL INSTL-P1-1 (RDMI ONLY) FOR NHA/OTHER SYS DET SEE: 25-10-00-15B	102102 108120	RF
6	622-5001-109		. INDICATOR ASSY-RDMI SUPPLIER CODE: V4V792 SPECIFICATION NUMBER: S242T403-109 ELECTRICAL EQUIP NUMBER: N00003 COMPONENT MAINT MANUAL REF: 34-22-73 QUALIFIED I/W DATA: S242T403-107(622-5001-10 7) RB S242T403-109 (622-5001-109) WITH THE INCORPORATION OF S/B 757-34-0018 AND VENDOR S/B (ROCKWELL COLLINS) RDM1 743-34-10(R1) FUNCTIONAL REFERENCE: LIGHTS FOR DETAILS SEE 33-13-51-54	101102 108120	1
- 8	646-0027-004		.. PLATE-IDENT SUPPLIER CODE: V4V792 CONFIG CHG DATA FROM A CMM: SUPSD BY 646-0027-016 SUPSD BY 646-0027-017	101102 108120	1
9	646-0027-016		.. PLATE-IDENT SUPPLIER CODE: V4V792 CONFIG CHG DATA FROM A CMM: SUPERSEDES 646-0027-004	101102 108120	1
- 10	330-1716-560		ATTACHING PARTS .. SCREW- SUPPLIER CODE: V4V792 -----*-----	101102 108120	2

MISSING ITEM NUMBERS NOT APPLICABLE

- ITEM NOT ILLUSTRATED

34-22-05-01A

34-22-05  
FIG. 01A  
PAGE 1  
JAN 20/09

BRI

BOEING PROPRIETARY - Copyright © - Unpublished Work - See title page for details.



757

PARTS CATALOG (MAINTENANCE)

FIG ITEM	PART NUMBER	1 2 3 4 5 6 7	NOMENCLATURE	EFFECT FROM TO	UNITS PER ASSY
1 A					
- 11	280-1368-010		.. LABEL-PRESSURE SENS SUPPLIER CODE: VOBU16 CONFIG CHG DATA FROM A CMM: DELETED BY REVISION	101102 108120	1
- 12	280-2745-130		.. LABEL-ESDS WARNING SUPPLIER CODE: VOBU16 CONFIG CHG DATA FROM A CMM: DELETED BY REVISION	101102 108120	1
13	280-2745-130		.. LABEL-ESDS WARNING SUPPLIER CODE: VOBU16	101102 108120	1
14	280-1368-010		.. LABEL-PRESSURE SENS SUPPLIER CODE: VOBU16	101102 108120	1
15	829-0200-018		.. PLATE-MOD SUPPLIER CODE: V4V792 CONFIG CHG DATA FROM A CMM: ADDED BY REVISION	101102 108120	1
16	646-5218-001		.. MODULE ASSY-LIGHTING SUPPLIER CODE: V4V792 ATTACHING PARTS	101102 108120	1
- 18	330-1807-010		.. SCREW- SUPPLIER CODE: VC1047 CONFIG CHG DATA FROM A CMM: DELETED BY REVISION OPTIONAL PART: 646-5164-001 V4V792	101102 108120	2
- 18	646-5164-001		.. SCREW- SUPPLIER CODE: V4V792 CONFIG CHG DATA FROM A CMM: DELETED BY REVISION OPTIONAL PART: 330-1807-010 VC1047	101102 108120	2
- 19	0022X022		.. WASHER-SPR SST LOCK SUPPLIER CODE: V20859 CONFIG CHG DATA FROM A CMM: DELETED BY REVISION -----*-----	101102 108120	2

MISSING ITEM NUMBERS NOT APPLICABLE

- ITEM NOT ILLUSTRATED

34-22-05-01A

34-22-05  
FIG. 01A  
PAGE 2  
JAN 20/09

BRI

BOEING PROPRIETARY - Copyright © - Unpublished Work - See title page for details.



757

PARTS CATALOG (MAINTENANCE)

FIG ITEM	PART NUMBER	1 2 3 4 5 6 7	NOMENCLATURE	EFFECT FROM TO	UNITS PER ASSY
1A					
20	646-5206-002	..	KN0B- SUPPLIER CODE: V4V792	101102 108120	1
21	646-5206-001	..	KN0B- SUPPLIER CODE: V4V792	101102 108120	1
- 22	646-5157-001	..	WASHER- SUPPLIER CODE: V4V792	101102 108120	2
			-----*-----		
- 24	MS90376-24YF	..	CAP-CONNECTOR CONFIG CHG DATA FROM A CMM: ADDED BY REVISION	101102 108120	1
- 25	233N2220-309	.MODULE ASSY-	COMPONENT MAINT MANUAL REF: 31-11-47 QUALIFIED I/W DATA: 233N2220-329 CAN REPLACE 233N2220-309 FOR NT383-NT399 AIRCRAFT ONLY	101102 108120	RF
30	233N2220-21	..MODULE ASSY-		101102 108120	RF
70	123-6D	...CLAMP-	SUPPLIER CODE: V28277 OPTIONAL PART: 123-3240G V28277	101102 108120	1
70	123-3240G	...CLAMP-	SUPPLIER CODE: V28277 OPTIONAL PART: 123-6D V28277	101102 108120	1
- 500	233N2103-17	PANEL INSTL-P3-1	(RDMI ONLY) FOR NHA/OTHER SYS DET SEE: 25-10-00-15B	101101	RF
- 501	233N2103-217	PANEL INSTL-P3-1	(RDMI ONLY) FOR NHA/OTHER SYS DET SEE: 25-10-00-15B	102102	RF
- 503	233N2103-371	PANEL INSTL-P3-1	(RDMI ONLY) FOR NHA/OTHER SYS DET SEE: 25-10-00-15B	108120	RF

MISSING ITEM NUMBERS NOT APPLICABLE

- ITEM NOT ILLUSTRATED

34-22-05-01A

34-22-05  
FIG. 01A  
PAGE 3  
JAN 20/09

BRI

BOEING PROPRIETARY - Copyright © - Unpublished Work - See title page for details.



757

PARTS CATALOG (MAINTENANCE)

FIG ITEM	PART NUMBER	1 2 3 4 5 6 7	NOMENCLATURE	EFFECT FROM TO	UNITS PER ASSY
1 A					
- 507	233N2222-301		.MODULE ASSY- COMPONENT MAINT MANUAL REF: 31-11-49 PRE ALERT SB: 33A0044	101101	RF
- 507	233N2222-321		.MODULE ASSY- COMPONENT MAINT MANUAL REF: 31-11-49 PRE ALERT SB: 33A0044	102102	RF
- 508	233N2222-1342		.MODULE ASSY- COMPONENT MAINT MANUAL REF: 31-11-49 POST ALERT SB: 33A0044	102102 108120	RF
- 508	233N2222-329		.MODULE ASSY- COMPONENT MAINT MANUAL REF: 31-11-49 PRE ALERT SB: 33A0044	102102	RF
- 508	233N2222-342		.MODULE ASSY- COMPONENT MAINT MANUAL REF: 31-11-49 PRE ALERT SB: 33A0044	102102 108120	RF
- 509	233N2222-1301		.MODULE ASSY- COMPONENT MAINT MANUAL REF: 31-11-49 POST ALERT SB: 33A0044	101101	RF
- 509	233N2222-1321		.MODULE ASSY- COMPONENT MAINT MANUAL REF: 31-11-49 POST ALERT SB: 33A0044	102102	RF
- 509	233N2222-1329		.MODULE ASSY- COMPONENT MAINT MANUAL REF: 31-11-49 POST ALERT SB: 33A0044	102102	RF
510	233N2222-77		..MODULE ASSY- PRE ALERT SB: 33A0044	101101	RF
510	233N2222-100		..MODULE ASSY- USED ON: 233N2222-321 PRE ALERT SB: 33A0044	102102	RF

MISSING ITEM NUMBERS NOT APPLICABLE

- ITEM NOT ILLUSTRATED

34-22-05-01A

34-22-05  
FIG. 01A  
PAGE 4  
JAN 20/09

BRI

BOEING PROPRIETARY - Copyright © - Unpublished Work - See title page for details.



757

PARTS CATALOG (MAINTENANCE)

FIG ITEM	PART NUMBER	1 2 3 4 5 6 7	NOMENCLATURE	EFFECT FROM TO	UNITS PER ASSY
1 A					
510	233N2222-1077	..	MODULE ASSY- POST ALERT SB: 33A0044	101101	RF
511	233N2222-1100	..	MODULE ASSY- USED ON: 233N2222-1321 POST ALERT SB: 33A0044	102102	RF
512	233N2222-111	..	MODULE ASSY- USED ON: 233N2222-329 PRE ALERT SB: 33A0044	102102	RF
512	233N2222-122	..	MODULE ASSY- USED ON: 233N2222-342 PRE ALERT SB: 33A0044	102102 108120	RF
513	233N2222-1111	..	MODULE ASSY- USED ON: 233N2222-1329 POST ALERT SB: 33A0044	102102	RF
513	233N2222-1122	..	MODULE ASSY- USED ON: 233N2222-1342 POST ALERT SB: 33A0044	102102 108120	RF
515	123-6D	...	CLAMP- SUPPLIER CODE: V28277	101102 108120	1
520	64AT34-3D	...	SWITCH-TG SUPPLIER CODE: V91929 ELECTRICAL EQUIP NUMBER: S00616	101102 108120	1

MISSING ITEM NUMBERS NOT APPLICABLE

- ITEM NOT ILLUSTRATED

34-22-05-01A

34-22-05  
FIG. 01A  
PAGE 5  
JAN 20/09

BRI

BOEING PROPRIETARY - Copyright © - Unpublished Work - See title page for details.



757

PARTS CATALOG (MAINTENANCE)

FIG ITEM	PART NUMBER	1 2 3 4 5 6 7	NOMENCLATURE	EFFECT FROM TO	UNITS PER ASSY
1 A 525	622-5001-109	.	INDICATOR ASSY-RDMI SUPPLIER CODE: V4V792 SPECIFICATION NUMBER: S242T403-109 ELECTRICAL EQUIP NUMBER: N00043 COMPONENT MAINT MANUAL REF: 34-22-73 QUALIFIED I/W DATA: S242T403-107(622-5001-107) RB S242T403-109 (622-5001-109) WITH THE INCORPORATION OF S/B 757-34-0018 AND VENDOR S/B (ROCKWELL COLLINS) RDM1 743-34-10(R1) FUNCTIONAL REFERENCE: LIGHTS FOR DETAILS SEE 33-13-51-54	101102 108120	1
- 528	646-0027-004	..	PLATE-IDENT SUPPLIER CODE: V4V792 CONFIG CHG DATA FROM A CMM: SUPSD BY 646-0027-016 SUPSD BY 646-0027-017	101102 108120	1
531	646-0027-016	..	PLATE-IDENT SUPPLIER CODE: V4V792 CONFIG CHG DATA FROM A CMM: SUPERSEDES 646-0027-004 ATTACHING PARTS	101102 108120	1
- 534	330-1716-560	..	SCREW- SUPPLIER CODE: V4V792 -----*-----	101102 108120	2
- 537	280-1368-010	..	LABEL-PRESSURE SENS SUPPLIER CODE: VOBU16 CONFIG CHG DATA FROM A CMM: DELETED BY REVISION	101102 108120	1
- 540	280-2745-130	..	LABEL-ESDS WARNING SUPPLIER CODE: VOBU16 CONFIG CHG DATA FROM A CMM: DELETED BY REVISION	101102 108120	1

MISSING ITEM NUMBERS NOT APPLICABLE

- ITEM NOT ILLUSTRATED

34-22-05-01A

34-22-05  
FIG. 01A  
PAGE 6  
JAN 20/09

BRI



757

PARTS CATALOG (MAINTENANCE)

FIG ITEM	PART NUMBER	1 2 3 4 5 6 7	NOMENCLATURE	EFFECT FROM TO	UNITS PER ASSY
1A					
543	280-2745-130	..	LABEL-ESDS WARNING SUPPLIER CODE: VOBU16	101102 108120	1
546	280-1368-010	..	LABEL-PRESSURE SENS SUPPLIER CODE: VOBU16	101102 108120	1
549	829-0200-018	..	PLATE-MOD SUPPLIER CODE: V4V792	101102 108120	1
552	646-5218-001	..	MODULE ASSY-LIGHTING SUPPLIER CODE: V4V792 ATTACHING PARTS	101102 108120	1
- 555	330-1807-010	..	SCREW- SUPPLIER CODE: VC1047 CONFIG CHG DATA FROM A CMM: DELETED BY REVISION OPTIONAL PART: 646-5164-001 V4V792	101102 108120	2
- 555	646-5164-001	..	SCREW- SUPPLIER CODE: V4V792 CONFIG CHG DATA FROM A CMM: DELETED BY REVISION OPTIONAL PART: 330-1807-010 VC1047	101102 108120	2
- 558	0022X022	..	WASHER-SPR SST LOCK SUPPLIER CODE: V20859 CONFIG CHG DATA FROM A CMM: DELETED BY REVISION -----*-----	101102 108120	2
561	646-5206-002	..	KNOB- SUPPLIER CODE: V4V792	101102 108120	1
564	646-5206-001	..	KNOB- SUPPLIER CODE: V4V792 ATTACHING PARTS	101102 108120	1
- 567	646-5157-001	..	WASHER- SUPPLIER CODE: V4V792 -----*-----	101102 108120	2

MISSING ITEM NUMBERS NOT APPLICABLE

- ITEM NOT ILLUSTRATED

34-22-05-01A

34-22-05  
FIG. 01A  
PAGE 7  
JAN 20/09

BRI

BOEING PROPRIETARY - Copyright © - Unpublished Work - See title page for details.



757

PARTS CATALOG (MAINTENANCE)

FIG ITEM	PART NUMBER	1 2 3 4 5 6 7	NOMENCLATURE	EFFECT FROM TO	UNITS PER ASSY
1 A					
- 570	MS90376-24YF		..CAP-CONNECTOR CONFIG CHG DATA FROM A CMM: ADDED BY REVISION	101102 108120	1
- 602	MODREF31741		PANEL INSTL-P1-1 AND P3-1 (RDMI ONLY) MODULE NUMBER: 233N2103-425 REV A FOR OTHER SYS DETAILS SEE: 11-31-01-38 22-11-02-03 22-14-01-03 22-31-02-01 22-34-51-02 26-17-51-05 27-51-57-03 27-58-00-02 27-81-00-01 29-21-55-02 31-11-11-19 31-11-16-01 31-11-26-38 31-25-01-03 31-41-52-02 31-51-52-02 32-35-52-03 32-41-52-02 32-42-55-03 32-46-00-01 32-61-51-03 33-13-57-01A 33-16-52-03 34-12-01-03 34-13-01-03 34-13-02-01 34-13-05-01 34-13-06-01 34-16-51-03 34-21-02-02 34-22-02-02 34-22-06-01 34-24-01-03 34-32-00-02 34-46-51-02 34-51-02-02 34-57-00-01 34-61-01-07 34-61-02-02 77-41-01-01 79-33-51-05	103105	1
MISSING ITEM NUMBERS NOT APPLICABLE					

- ITEM NOT ILLUSTRATED

**34-22-05-01A**

34-22-05  
FIG. 01A  
PAGE 8  
JAN 20/09

BRI





757

PARTS CATALOG (MAINTENANCE)

FIG ITEM	PART NUMBER	1 2 3 4 5 6 7	NOMENCLATURE	EFFECT FROM TO	UNITS PER ASSY
1 A - 602	MODREF104335		PANEL INSTL-P1-1 AND P3-1 (RDMI ONLY) MODULE NUMBER: 233N2103-425 REV B FOR OTHER SYS DETAILS SEE: 11-31-01-38 22-11-02-03 22-14-01-03 22-31-02-01 22-34-51-02 26-17-51-05 27-51-57-03 27-58-00-02 27-81-00-01 29-21-55-02 31-11-11-19 31-11-16-01 31-11-26-38 31-25-01-03 31-41-52-02 31-51-52-02 32-35-52-03 32-41-52-02 32-42-55-03 32-46-00-01 32-61-51-03 33-13-57-01A 33-16-52-03 34-12-01-03 34-13-01-03 34-13-02-01 34-13-05-01 34-13-06-01 34-16-51-03 34-21-02-02 34-24-01-03 34-32-00-02 34-46-51-02 34-51-02-02 34-57-00-01 34-61-01-07 34-61-02-02 77-41-01-01 79-33-51-05 FOR ADDITIONAL DETAILS SEE: 34-22-02-02 34-22-06-01	106106	1

MISSING ITEM NUMBERS NOT APPLICABLE

- ITEM NOT ILLUSTRATED

34-22-05-01A

34-22-05  
FIG. 01A  
PAGE 9  
JAN 20/09

BRI



757

PARTS CATALOG (MAINTENANCE)

FIG ITEM	PART NUMBER	1 2 3 4 5 6 7	NOMENCLATURE	EFFECT FROM TO	UNITS PER ASSY
1 A 603	622-5001-109	.	INDICATOR ASSY-RDMI SUPPLIER CODE: V4V792 SPECIFICATION NUMBER: S242T403-109 ELECTRICAL EQUIP NUMBER: N00003 N00043 COMPONENT MAINT MANUAL REF: 34-22-73 QUALIFIED I/W DATA: S242T403-107(622-5001-10 7) RB S242T403-109 (622-5001-109) WITH THE INCORPORATION OF S/B 757-34-0018 AND VENDOR S/B (ROCKWELL COLLINS) RDM1 743-34-10(R1)	103106	2
- 604	646-0027-004	..	PLATE-IDENT SUPPLIER CODE: V4V792 CONFIG CHG DATA FROM A CMM: SUPSD BY 646-0027-016 SUPSD BY 646-0027-017	103106	1
605	646-0027-016	..	PLATE-IDENT SUPPLIER CODE: V4V792 CONFIG CHG DATA FROM A CMM: SUPERSEDES 646-0027-004 ATTACHING PARTS	103106	1
- 606	330-1716-560	..	SCREW- SUPPLIER CODE: V4V792 -----*-----	103106	2
- 607	280-1368-010	..	LABEL-PRESSURE SENS SUPPLIER CODE: VOBU16 CONFIG CHG DATA FROM A CMM: DELETED BY REVISION	103106	1
- 608	280-2745-130	..	LABEL-ESDS WARNING SUPPLIER CODE: VOBU16 CONFIG CHG DATA FROM A CMM: DELETED BY REVISION	103106	1
609	280-2745-130	..	LABEL-ESDS WARNING SUPPLIER CODE: VOBU16	103106	1

MISSING ITEM NUMBERS NOT APPLICABLE

- ITEM NOT ILLUSTRATED

34-22-05-01A

34-22-05  
FIG. 01A  
PAGE 10  
JAN 20/09

BRI

BOEING PROPRIETARY - Copyright © - Unpublished Work - See title page for details.



757

PARTS CATALOG (MAINTENANCE)

FIG ITEM	PART NUMBER	1 2 3 4 5 6 7	NOMENCLATURE	EFFECT FROM TO	UNITS PER ASSY
1A					
610	280-1368-010		.. LABEL-PRESSURE SENS SUPPLIER CODE: VOBU16	103106	1
611	829-0200-018		.. PLATE-MOD SUPPLIER CODE: V4V792 CONFIG CHG DATA FROM A CMM: ADDED BY REVISION	103106	1
612	646-5218-001		.. MODULE ASSY-LIGHTING SUPPLIER CODE: V4V792 ATTACHING PARTS	103106	1
- 613	330-1807-010		.. SCREW- SUPPLIER CODE: VC1047 CONFIG CHG DATA FROM A CMM: DELETED BY REVISION OPTIONAL PART: 646-5164-001 V4V792	103106	2
- 613	646-5164-001		.. SCREW- SUPPLIER CODE: V4V792 CONFIG CHG DATA FROM A CMM: DELETED BY REVISION OPTIONAL PART: 330-1807-010 VC1047	103106	2
- 614	0022X022		.. WASHER-SPR SST LOCK SUPPLIER CODE: V20859 CONFIG CHG DATA FROM A CMM: DELETED BY REVISION -----*-----	103106	2
615	646-5206-002		.. KNOB- SUPPLIER CODE: V4V792	103106	1
616	646-5206-001		.. KNOB- SUPPLIER CODE: V4V792 ATTACHING PARTS	103106	1
- 617	646-5157-001		.. WASHER- SUPPLIER CODE: V4V792 -----*-----	103106	2
- 618	MS90376-24YF		.. CAP-CONNECTOR CONFIG CHG DATA FROM A CMM: ADDED BY REVISION	103106	1

MISSING ITEM NUMBERS NOT APPLICABLE

- ITEM NOT ILLUSTRATED

34-22-05-01A

34-22-05  
FIG. 01A  
PAGE 11  
JAN 20/09

BRI

BOEING PROPRIETARY - Copyright © - Unpublished Work - See title page for details.



757

PARTS CATALOG (MAINTENANCE)

FIG ITEM	PART NUMBER	1 2 3 4 5 6 7	NOMENCLATURE	EFFECT FROM TO	UNITS PER ASSY
1 A					
- 619	233N2220-328		.MODULE ASSY-P1-1 COMPONENT MAINT MANUAL REF: 31-11-47	103106	RF
620	233N2220-42		..MODULE ASSY- USED ON: 233N2220-325 233N2220-328	103106	RF
625	123-6D		...CLAMP- SUPPLIER CODE: V28277 OPTIONAL PART: 123-3240G V28277	103106	1
625	123-3240G		...CLAMP- SUPPLIER CODE: V28277 OPTIONAL PART: 123-6D V28277	103106	1
- 631	233N2222-379		.MODULE ASSY-P3-1 COMPONENT MAINT MANUAL REF: 31-11-49	103106	RF
635	233N2222-153		..MODULE ASSY-	103106	RF
640	123-6D		...CLAMP- SUPPLIER CODE: V28277 OPTIONAL PART: 123-3240G V28277	103106	1
640	123-3240G		...CLAMP- SUPPLIER CODE: V28277 OPTIONAL PART: 123-6D V28277 USED ON: 233N2222-135 233N2222-136 233N2222-146 233N2222-149 233N2222-151 233N2222-152 233N2222-153 233N2222-155 233N2222-157	103106	1

MISSING ITEM NUMBERS NOT APPLICABLE

- ITEM NOT ILLUSTRATED

34-22-05-01A

34-22-05  
FIG. 01A  
PAGE 12  
JAN 20/09

BRI

BOEING PROPRIETARY - Copyright © - Unpublished Work - See title page for details.



757

PARTS CATALOG (MAINTENANCE)

FIG ITEM	PART NUMBER	1 2 3 4 5 6 7	NOMENCLATURE	EFFECT FROM TO	UNITS PER ASSY
1A 645	64AT34-3D		...SWITCH-TG SUPPLIER CODE: V91929 ELECTRICAL EQUIP NUMBER: S00616	103106	1
- 802	286N0001-361		WIRE BUNDLE ASSY- REWORKED BY ALERT SB: 34A0222	101101	RF
- 802	286N0001-365		WIRE BUNDLE ASSY- REWORKED BY ALERT SB: 34A0222	102102	RF
- 804	286N0001-392		WIRE BUNDLE ASSY- REWORKED BY ALERT SB: 34A0222	108120	RF
- 806 810	286N0001-709 BACC45FT22A55S6		WIRE BUNDLE ASSY- .CONNECTOR- ELECTRICAL EQUIP NUMBER: D00183 WIRING DIAGRAM REF: 342281	103106 101106 108120	RF 1
- 815	286N0003-323		WIRE BUNDLE ASSY- REWORKED BY ALERT SB: 34A0222	101101	RF
- 817	286N0003-359		WIRE BUNDLE ASSY- REWORKED BY ALERT SB: 34A0222	102102	RF
- 819	286N0003-384		WIRE BUNDLE ASSY- REWORKED BY ALERT SB: 34A0222	108120	RF
- 822 850	286N0003-601 BACC45FT22A55S6		WIRE BUNDLE ASSY .CONNECTOR- ELECTRICAL EQUIP NUMBER: D00185 WIRING DIAGRAM REF: 342291	103106 101106 108120	RF 1

MISSING ITEM NUMBERS NOT APPLICABLE

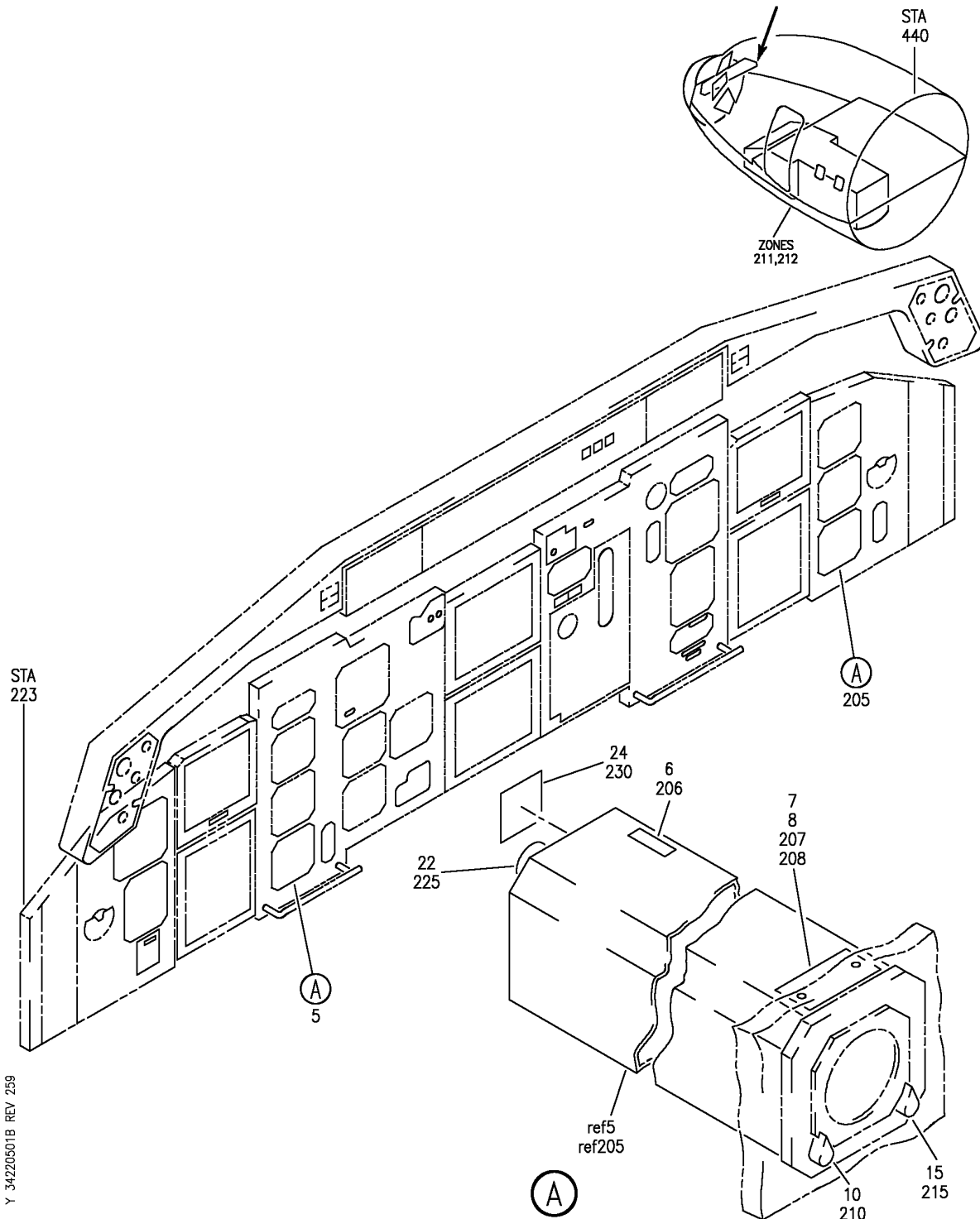
- ITEM NOT ILLUSTRATED

34-22-05-01A

34-22-05  
FIG. 01A  
PAGE 13  
JAN 20/09

BRI

**BOEING**  
757  
PARTS CATALOG (MAINTENANCE)



Y 34-22-05-01B REV 259

PANEL INSTL-P1-3 P3-1 (RADIO MAGNETIC INDICATOR ONLY)  
FIGURE 1B

**34-22-05-01B**

BRI  
JAN 20/09

34-22-05-01B  
PAGE 0



757

PARTS CATALOG (MAINTENANCE)

FIG ITEM	PART NUMBER	1 2 3 4 5 6 7	NOMENCLATURE	EFFECT FROM TO	UNITS PER ASSY
1B			PANEL INSTL-P1-3 P3-1 (RADIO MAGNETIC INDICATOR ONLY)	504903	
- 1	233N2103-280		PANEL INSTL-P1-3 (RADIO MAGNETIC INDICATOR ONLY) FOR NHA/OTHER SYS DET SEE: 25-10-00-15B	504903	RF
	5 622-5002-203		. INDICATOR ASSY-DME/RADIO MAGNETIC SUPPLIER CODE: V4V792 SPECIFICATION NUMBER: S242T403-204 ELECTRICAL EQUIP NUMBER: N10024 COMPONENT MAINT MANUAL REF: 34-22-74 FUNCTIONAL REFERENCE: LIGHTS FOR DETAILS SEE 33-13-51-54	504903	1
	6 280-1368-010		.. LABEL-PRESSURE SENS SUPPLIER CODE: V12998	504903	1
	7 280-2745-020		.. LABEL-ESDS SUPPLIER CODE: V12998	504903	1
	8 280-2745-130		.. LABEL-ESDS SUPPLIER CODE: V12998	504903	1
	10 646-5206-003		.. KNOB- SUPPLIER CODE: V4V792 POSITION DATA: L	504903	1
	15 646-5206-004		.. KNOB- SUPPLIER CODE: V4V792 POSITION DATA: R	504903	1
- 16	LP57XE40K2		.. SETSCREW-SELF-LOCKING SUPPLIER CODE: V03038 MISCELLANEOUS DATA: ROCKWELL COLLINS SPEC # 325-0275-010	504903	4

MISSING ITEM NUMBERS NOT APPLICABLE

- ITEM NOT ILLUSTRATED

34-22-05-01B

34-22-05  
FIG. 01B  
PAGE 1  
JAN 20/09

BRI

BOEING PROPRIETARY - Copyright © - Unpublished Work - See title page for details.



757

PARTS CATALOG (MAINTENANCE)

FIG ITEM	PART NUMBER	1 2 3 4 5 6 7	NOMENCLATURE	EFFECT FROM TO	UNITS PER ASSY
1B			ATTACHING PARTS		
- 20	646-5157-001		..WASHER- SUPPLIER CODE: V4V792 -----*-----	504903	2
22	MS90376-24YF		..CAP-CONNECTOR	504903	1
24	646-0110-005		..PLATE-IDENT SUPPLIER CODE: V4V792	504903	1
- 200	233N2103-55		PANEL INSTL-P3-3 (RADIO MAGNETIC INDICATOR ONLY) FOR NHA/OTHER SYS DET SEE: 25-10-00-15B	504903	RF
205	622-5002-203		.INDICATOR ASSY-DME/RADIO MAGNETIC SUPPLIER CODE: V4V792 SPECIFICATION NUMBER: S242T403-204 ELECTRICAL EQUIP NUMBER: N10026 COMPONENT MAINT MANUAL REF: 34-22-74 FUNCTIONAL REFERENCE: LIGHTS FOR DETAILS SEE 33-13-51-54	504903	1
206	280-1368-010		..LABEL-PRESSURE SENS SUPPLIER CODE: V12998	504903	1
207	280-2745-020		..LABEL-ESDS SUPPLIER CODE: V12998	504903	1
208	280-2745-130		..LABEL-ESDS SUPPLIER CODE: V12998	504903	1
210	646-5206-003		..KNOB- SUPPLIER CODE: V4V792 POSITION DATA: L	504903	1
215	646-5206-004		..KNOB- SUPPLIER CODE: V4V792 POSITION DATA: R	504903	1

MISSING ITEM NUMBERS NOT APPLICABLE

- ITEM NOT ILLUSTRATED

34-22-05-01B

34-22-05  
FIG. 01B  
PAGE 2  
JAN 20/09

BRI

BOEING PROPRIETARY - Copyright © - Unpublished Work - See title page for details.



**BOEING**  
757  
PARTS CATALOG (MAINTENANCE)

FIG ITEM	PART NUMBER	1 2 3 4 5 6 7	NOMENCLATURE	EFFECT FROM TO	UNITS PER ASSY
1B			ATTACHING PARTS		
- 220	646-5157-001		.. WASHER-	504903	2
			SUPPLIER CODE: V4V792		
			-----*-----		
225	MS90376-24YF		.. CAP-CONNECTOR	504903	1
230	646-0110-005		.. PLATE-IDENT	504903	1
			SUPPLIER CODE: V4V792		

MISSING ITEM NUMBERS NOT APPLICABLE

- ITEM NOT ILLUSTRATED

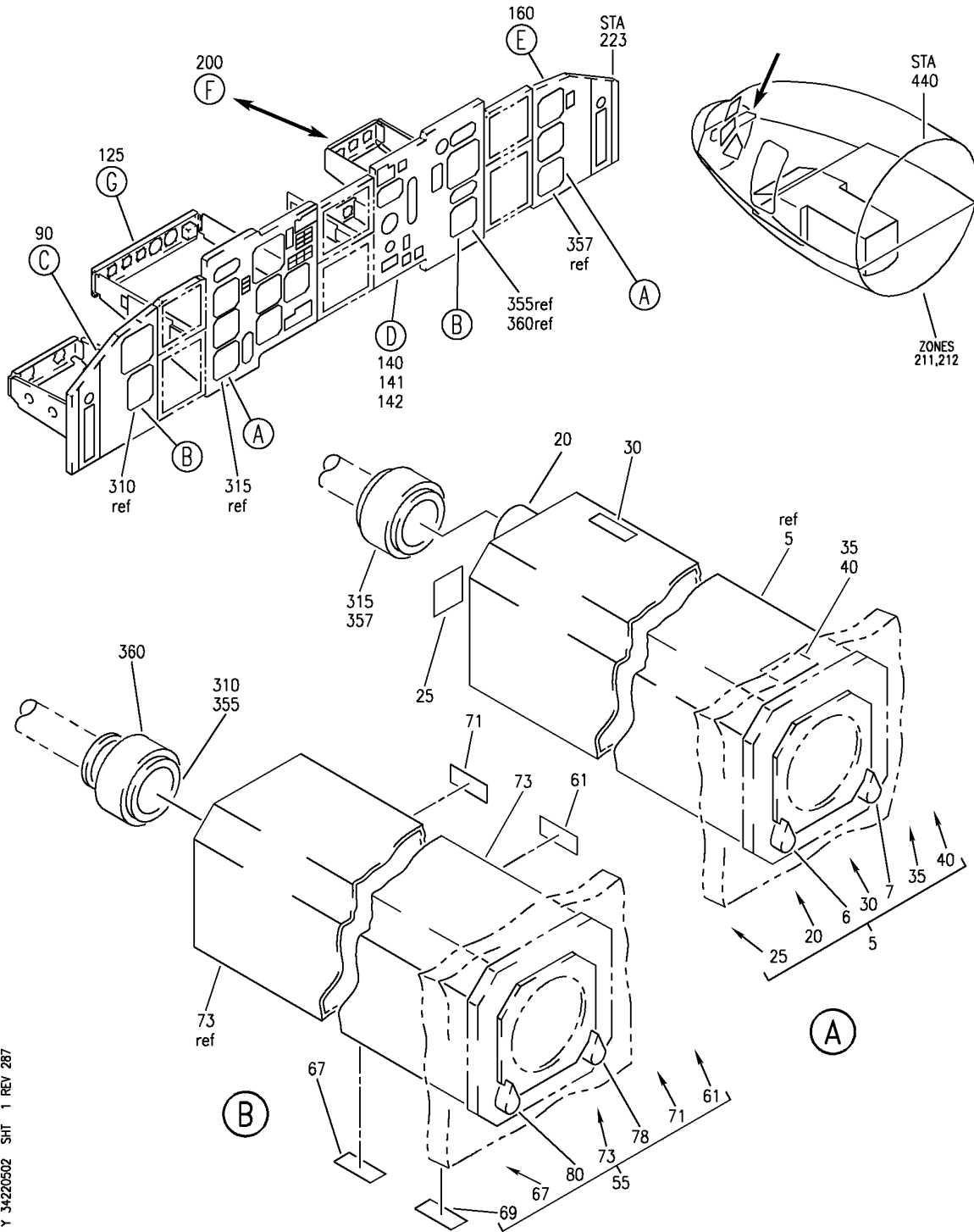
BRI

# 34-22-05-01B

BOEING PROPRIETARY - Copyright © - Unpublished Work - See title page for details.

34-22-05  
FIG. 01B  
PAGE 3  
JAN 20/09


**BOEING**  
 757  
**PARTS CATALOG (MAINTENANCE)**



Y 34-220502 SHT 1 REV 287

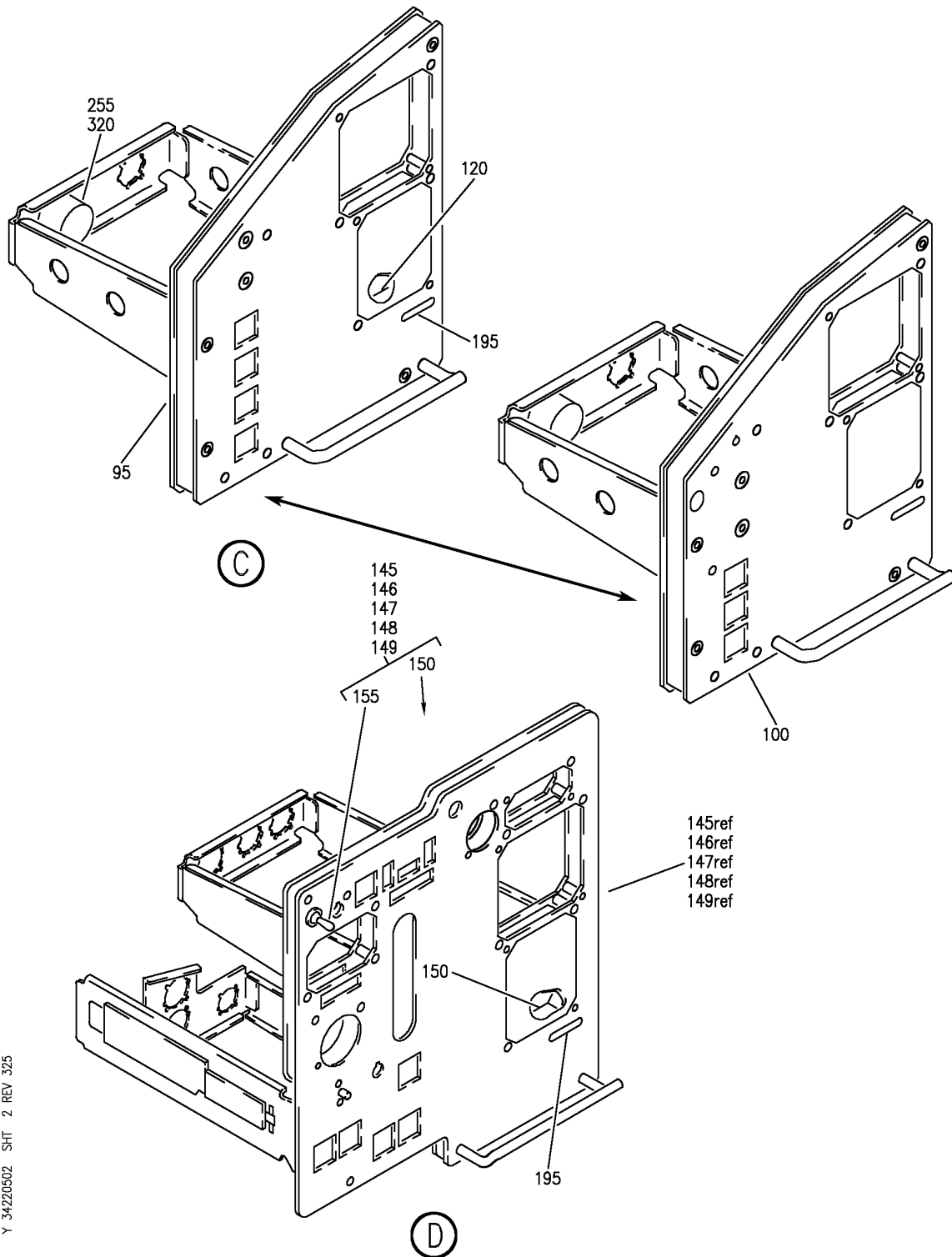
PANEL INSTL-CAPT AND FIRST OFFICER FWD (RDMI (RMI) ONLY)  
 FIGURE 2 (SHEET 1)

**34-22-05-02**

BRI  
 MAY 28/07

34-22-05-02  
 PAGE 0

**BOEING**  
757  
PARTS CATALOG (MAINTENANCE)



Y 34-22-05-02 SH- 2 REV 325

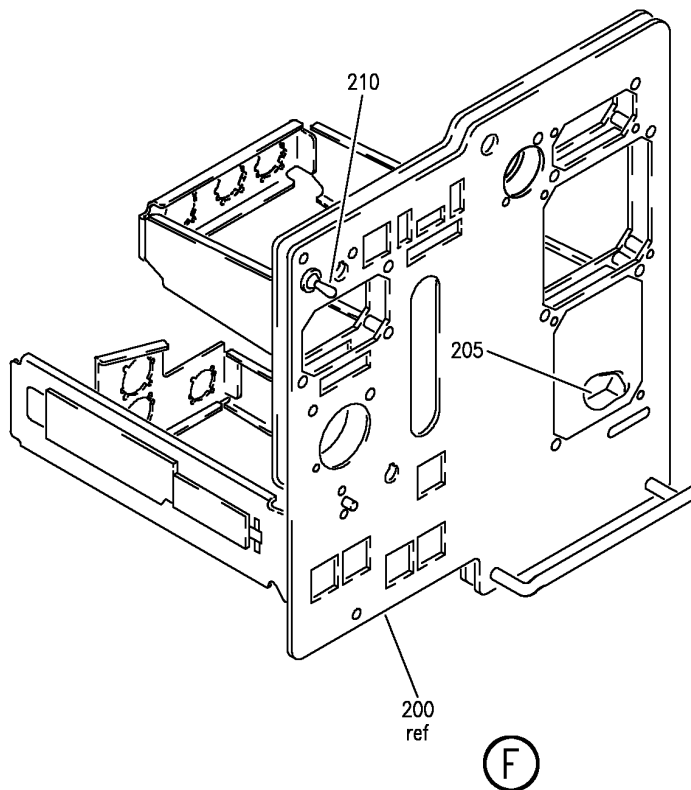
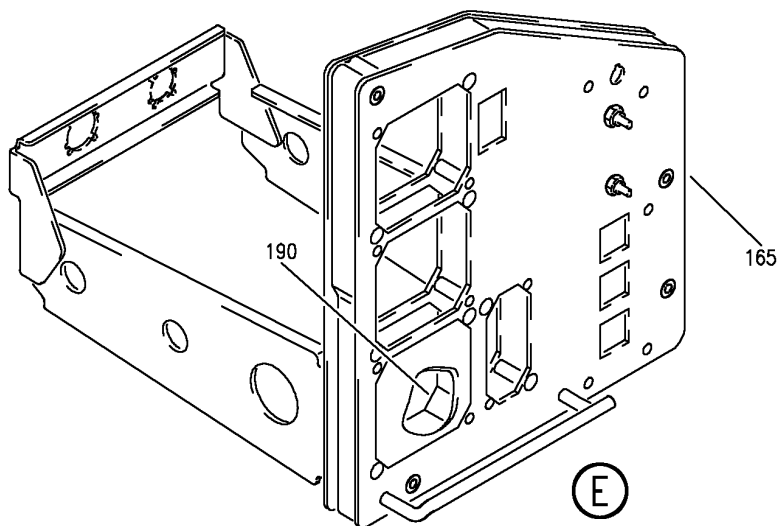
PANEL INSTL-CAPT AND FIRST OFFICER FWD (RDMI (RMI) ONLY)  
FIGURE 2 (SHEET 2)

**34-22-05-02**

BRI  
SEP 20/08

34-22-05-02  
PAGE 0A

**BOEING**  
757  
PARTS CATALOG (MAINTENANCE)



Y 34-22-05-02 SH1 3 REV 265

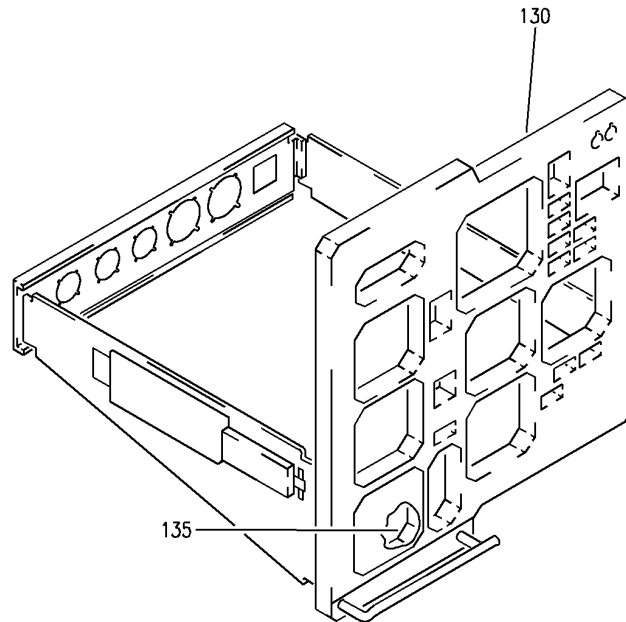
PANEL INSTL-CAPT AND FIRST OFFICER FWD (RDMI (RMI) ONLY)  
FIGURE 2 (SHEET 3)

**34-22-05-02**

BRI  
MAY 28/07

34-22-05-02  
PAGE 08

**BOEING**  
757  
PARTS CATALOG (MAINTENANCE)



ⓐ

Y 34-22-05-02 SHT 4 REV 287

PANEL INSTL-CAPT AND FIRST OFFICER FWD (RDMI (RMI) ONLY)  
FIGURE 2 (SHEET 4)

**34-22-05-02**

BRI  
MAY 28/07

34-22-05-02  
PAGE 0C



757

PARTS CATALOG (MAINTENANCE)

FIG ITEM	PART NUMBER	1 2 3 4 5 6 7	NOMENCLATURE	EFFECT FROM TO	UNITS PER ASSY
2			PANEL INSTL-CAPT AND FIRST OFFICER FWD (RDMI (RMI) ONLY)	011100	
- 1	233N2101-1		PANEL INSTL-CAPT AND FIRST OFFICER (RDMI (RMI) ONLY) POSITION DATA: FWD VARIABLE DRAWING REF: 233N2101-5039 FOR NHA/OTHER SYS DET SEE: 25-10-00-05A	011100	RF
55	622-5001-109		. INDICATOR ASSY-DME/RADIO MAGNETIC SUPPLIER CODE: V4V792 SPECIFICATION NUMBER: S242T403-109 ELECTRICAL EQUIP NUMBER: N00003 N00043 COMPONENT MAINT MANUAL REF: 34-22-73 QUALIFIED I/W DATA: S242T403-107(622-5001-107) RB S242T403-109 (622-5001-109) WITH THE INCORPORATION OF S/B 757-34-0018 AND VENDOR S/B (ROCKWELL COLLINS) RDM1 743-34-10(R1) FUNCTIONAL REFERENCE: LIGHTS FOR DETAILS SEE 33-13-51-54	011100	2
- 59	646-0027-004		.. PLATE-IDENT SUPPLIER CODE: V4V792 CONFIG CHG DATA FROM A CMM: SUPSD BY 646-0027-016 SUPSD BY 646-0027-017 SUPSD BY 646-0027-018	011100	1
61	646-0027-016		.. PLATE-IDENT SUPPLIER CODE: V4V792 CONFIG CHG DATA FROM A CMM: SUPERSEDES 646-0027-004	011100	1

MISSING ITEM NUMBERS NOT APPLICABLE

- ITEM NOT ILLUSTRATED

BRI

34-22-05-02

34-22-05  
FIG. 02  
PAGE 1  
JAN 20/09



757

PARTS CATALOG (MAINTENANCE)

FIG ITEM	PART NUMBER	1 2 3 4 5 6 7	NOMENCLATURE	EFFECT FROM TO	UNITS PER ASSY
2			ATTACHING PARTS		
- 62	330-1716-560		.. SCREW- SUPPLIER CODE: V4V792	011100	2
- 63	280-1368-010		-----*----- .. LABEL-PRESSURE SENS SUPPLIER CODE: VOBU16 CONFIG CHG DATA FROM A CMM: DELETED BY REVISION	011100	1
- 65	280-2745-130		.. LABEL-ESDS WARNING SUPPLIER CODE: VOBU16 CONFIG CHG DATA FROM A CMM: DELETED BY REVISION	011100	1
67	280-2745-130		.. LABEL-ESDS WARNING SUPPLIER CODE: VOBU16	011100	1
69	280-1368-010		.. LABEL-PRESSURE SENS SUPPLIER CODE: VOBU16	011100	1
71	829-0200-018		.. PLATE-MOD SUPPLIER CODE: V4V792 CONFIG CHG DATA FROM A CMM: ADDED BY REVISION	011100	1
73	646-5218-001		.. MODULE ASSY-LIGHTING SUPPLIER CODE: V4V792	011100	1
- 74	330-1807-010		ATTACHING PARTS .. SCREW- SUPPLIER CODE: V56878 CONFIG CHG DATA FROM A CMM: DELETED BY REVISION OPTIONAL PART: 646-5164-001 V4V792	011100	2
- 74	646-5164-001		.. SCREW- SUPPLIER CODE: V4V792 CONFIG CHG DATA FROM A CMM: DELETED BY REVISION OPTIONAL PART: 330-1807-010 V56878	011100	2

MISSING ITEM NUMBERS NOT APPLICABLE

- ITEM NOT ILLUSTRATED

34-22-05-02

34-22-05  
FIG. 02  
PAGE 2  
JAN 20/09

BRI



757

PARTS CATALOG (MAINTENANCE)

FIG ITEM	PART NUMBER	1 2 3 4 5 6 7	NOMENCLATURE	EFFECT FROM TO	UNITS PER ASSY
2					
- 76	0022X022		..WASHER-SPR SST LOCK SUPPLIER CODE: V20859 CONFIG CHG DATA FROM A CMM: DELETED BY REVISION -----*-----	011100	2
78	646-5206-002		..KNOB-CONT SUPPLIER CODE: V4V792	011100	1
80	646-5206-001		..KNOB-CONT SUPPLIER CODE: V4V792 ATTACHING PARTS	011100	1
- 85	646-5157-001		..WASHER- SUPPLIER CODE: V4V792 -----*-----	011100	2
- 87	MS90376-24YF		..CAP-CONNECTOR CONFIG CHG DATA FROM A CMM: ADDED BY REVISION	011100	1
90	233N2220-301		.MODULE ASSY-P1-1 COMPONENT MAINT MANUAL REF: 31-11-47	011100	RF
95	233N2220-10		..MODULE ASSY-	011100	RF
120	123-6D		...CLAMP- SUPPLIER CODE: V28277 OPTIONAL PART: 123-3240G V28277	011100	1
120	123-3240G		...CLAMP- SUPPLIER CODE: V28277 OPTIONAL PART: 123-6D V28277	011100	1
140	233N2222-301		.MODULE ASSY-P3-1 COMPONENT MAINT MANUAL REF: 31-11-49 PRE ALERT SB: 33A0044	011100	RF
141	233N2222-1301		.MODULE ASSY-P3-1 COMPONENT MAINT MANUAL REF: 31-11-49 POST ALERT SB: 33A0044	011100	RF
145	233N2222-77		..MODULE ASSY- PRE ALERT SB: 33A0044	011100	RF

MISSING ITEM NUMBERS NOT APPLICABLE

- ITEM NOT ILLUSTRATED

34-22-05-02

34-22-05  
FIG. 02  
PAGE 3  
JAN 20/09

BRI





757

PARTS CATALOG (MAINTENANCE)

FIG ITEM	PART NUMBER	1 2 3 4 5 6 7	NOMENCLATURE	EFFECT FROM TO	UNITS PER ASSY
2					
145	233N2222-1077		..MODULE ASSY- POST ALERT SB: 33A0044	011100	RF
150	123-6D		...CLAMP- SUPPLIER CODE: V28277	011100	1
155	64AT34-3D		...SWITCH-TG SUPPLIER CODE: V91929 ELECTRICAL EQUIP NUMBER: S00616	011100	1
- 250	286N0017-002		WIRE BUNDLE ASSY-	011100	1
255	BACC45FN20-41P7		.CONNECTOR- POSITION DATA: POS 2 ELECTRICAL EQUIP NUMBER: D40671J WIRING DIAGRAM REF: 342291 ATTACHING PARTS	011100	1
- 260	NAS1801-04		.SCREW- SIZE DETERMINED ON INSTL.	011100	2
- 265	BACN10W1		.NUT	011100	2
- 300	286N0001-005		-----*----- WIRE BUNDLE ASSY- REWORKED BY ALERT SB: 34A0222	011100	RF
310	BACC45FT22A55S6		.CONNECTOR- ELECTRICAL EQUIP NUMBER: D00183 WIRING DIAGRAM REF: 342281	011100	1
320	BACC45FT20A41S7		.CONNECTOR- POSITION DATA: POS 2 ELECTRICAL EQUIP NUMBER: D40671P WIRING DIAGRAM REF: 342291 REWORKED BY ALERT SB: 34A0222	011100	1
- 350	286N0003-005		WIRE BUNDLE ASSY- REWORKED BY ALERT SB: 34A0222	011100	RF
355	BACC45FT22A55S6		.CONNECTOR- ELECTRICAL EQUIP NUMBER: D00185	011100	1

MISSING ITEM NUMBERS NOT APPLICABLE

- ITEM NOT ILLUSTRATED

34-22-05-02

34-22-05  
FIG. 02  
PAGE 4  
JAN 20/09

BRI



757

PARTS CATALOG (MAINTENANCE)

FIG ITEM	PART NUMBER	1 2 3 4 5 6 7	NOMENCLATURE	EFFECT FROM TO	UNITS PER ASSY
2 360	BACC10GH12		.CLAMP- ELECTRICAL EQUIP NUMBER: D00803T WIRING DIAGRAM REF: 342293	011100	1

MISSING ITEM NUMBERS NOT APPLICABLE

- ITEM NOT ILLUSTRATED

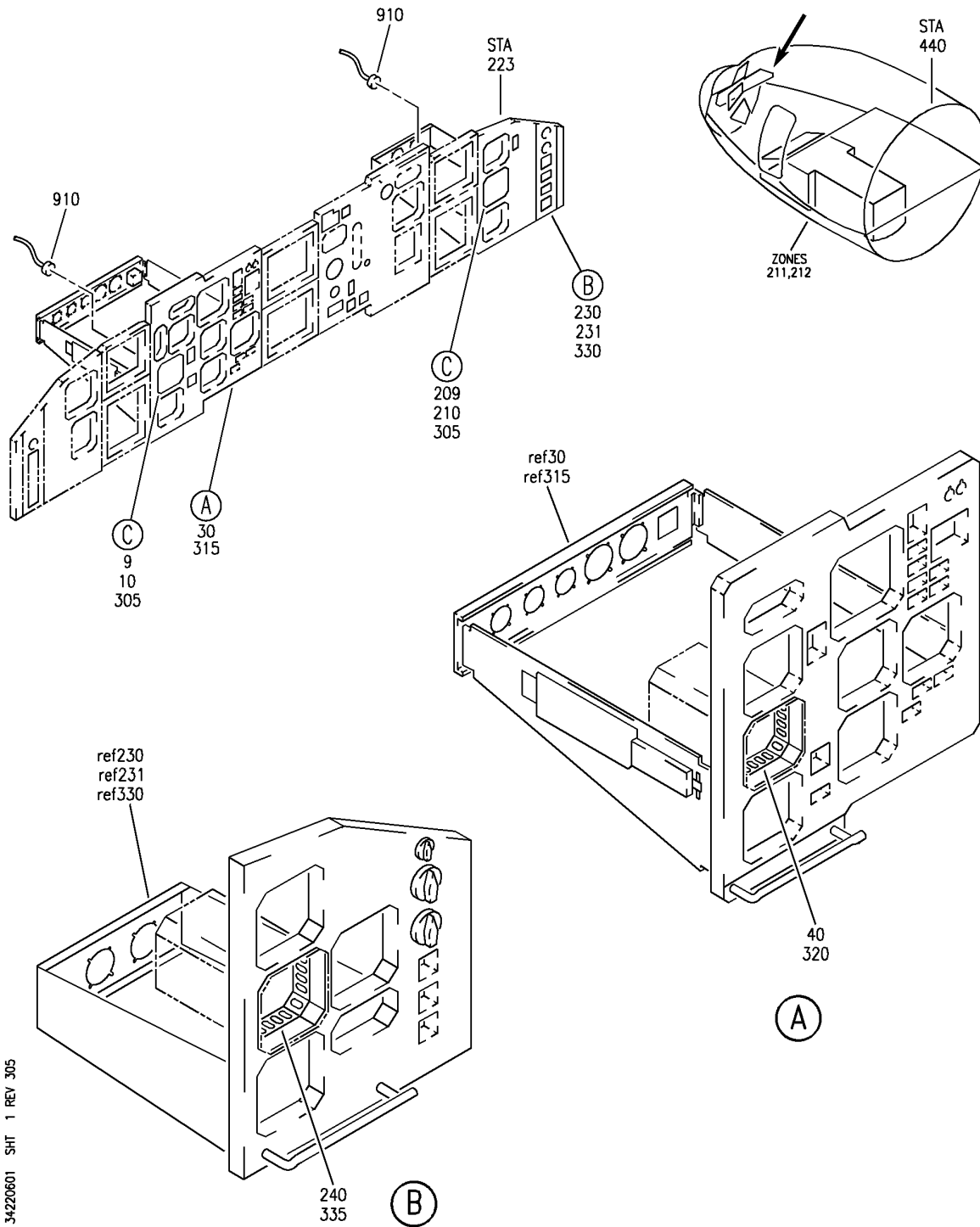
BRI

34-22-05-02

BOEING PROPRIETARY - Copyright © - Unpublished Work - See title page for details.

34-22-05  
FIG. 02  
PAGE 5  
JAN 20/09

**BOEING**  
757  
PARTS CATALOG (MAINTENANCE)



Y 34220601 SHT 1 REV 305

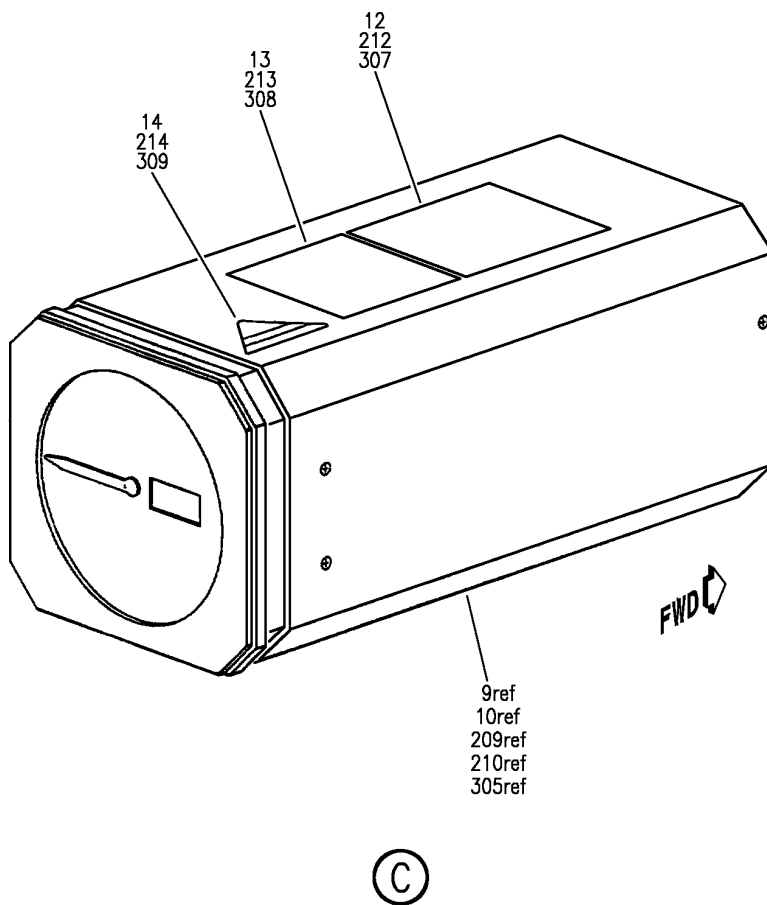
PANEL INSTL-P1-3 AND P3-3 (VERTICAL SPEED INDICATOR ONLY)  
FIGURE 1 (SHEET 1)

**34-22-06-01**

BRI  
MAY 28/07

34-22-06-01  
PAGE 0

**BOEING**  
757  
PARTS CATALOG (MAINTENANCE)



Y 34-22-06-01 SH1 2 REV 305

PANEL INSTL-P1-3 AND P3-3 (VERTICAL SPEED INDICATOR ONLY)  
FIGURE 1 (SHEET 2)

**34-22-06-01**

BRI  
MAY 28/07

34-22-06-01  
PAGE 0A



757

PARTS CATALOG (MAINTENANCE)

FIG ITEM	PART NUMBER	1 2 3 4 5 6 7	NOMENCLATURE	EFFECT FROM TO	UNITS PER ASSY
1			PANEL INSTL-P1-3 AND P3-3 (VERTICAL SPEED INDICATOR ONLY)	101106 108120 504903	
- 1	233N2103-10		PANEL INSTL-P1-3 (VERTICAL SPEED INDICATOR ONLY) FOR NHA/OTHER SYS DET SEE: 25-10-00-15B	108120	RF
- 1	233N2103-72		PANEL INSTL-P1-3 (VERTICAL SPEED INDICATOR ONLY) FOR NHA/OTHER SYS DET SEE: 25-10-00-15B	101102	RF
- 1	233N2103-280		PANEL INSTL-P1-3 (VERTICAL SPEED INDICATOR ONLY) FOR NHA/OTHER SYS DET SEE: 25-10-00-15B	504903	RF
10	4039893-902		.INDICATOR-VERT SPEED SUPPLIER CODE: V58960 SPECIFICATION NUMBER: S231T102-1 ELECTRICAL EQUIP NUMBER: N00009 COMPONENT MAINT MANUAL REF: 34-13-07 FUNCTIONAL REFERENCE: LIGHTS FOR DETAILS SEE 33-13-51-50E	101102 108120 504903	1
12	4015721-171		..PLATE-IDENT SUPPLIER CODE: V58960 USED ON: 4039893-902	101102 108120 504903	1
13	4021059-103		..PLATE-IDENT SUPPLIER CODE: V58960 USED ON: 4039893-902	101102 108120 504903	1
14	4039590-13		..DECAL- SUPPLIER CODE: V58960 USED ON: 4039893-902	101102 108120 504903	1
- 20	233N2221-301		.MODULE ASSY- COMPONENT MAINT MANUAL REF: 31-11-48	101102 108120	RF
- 20	233N2221-317		.MODULE ASSY- COMPONENT MAINT MANUAL REF: 31-11-48	505505 507903	RF

MISSING ITEM NUMBERS NOT APPLICABLE

- ITEM NOT ILLUSTRATED

34-22-06-01

34-22-06  
FIG. 01  
PAGE 1  
JAN 20/09

BRI



757

PARTS CATALOG (MAINTENANCE)

FIG ITEM	PART NUMBER	1 2 3 4 5 6 7	NOMENCLATURE	EFFECT FROM TO	UNITS PER ASSY
1					
- 20	RR92002-134A101		.MODULE ASSY- POST RAPID REVISION: RR92002-134A	504504 506506	RF
- 20	233N2221-326		.MODULE ASSY- COMPONENT MAINT MANUAL REF: 31-11-48	101102 108120	RF
- 20	233N2221-320		.MODULE ASSY- COMPONENT MAINT MANUAL REF: 31-11-48	101102 108120	RF
- 20	233N2221-328		.MODULE ASSY- COMPONENT MAINT MANUAL REF: 31-11-48	101102 108120	RF
30	233N2221-51		..MODULE ASSY- USED ON: 233N2221-301	101102 108120	RF
30	233N2221-74		..MODULE ASSY	504903	RF
30	233N2221-81		..MODULE ASSY- USED ON: 233N2221-320 233N2221-326 233N2221-328	101102 108120	RF
40	123-3D		...CLAMP- SUPPLIER CODE: V28277	101102 108120 504903 108120	1
- 200	233N2103-28		PANEL INSTL-P3-3 (VERTICAL SPEED INDICATOR ONLY) FOR NHA/OTHER SYS DET SEE: 25-10-00-15B	504903 108120	RF
- 200	233N2103-55		PANEL INSTL-P3-3 (VERTICAL SPEED INDICATOR ONLY) FOR NHA/OTHER SYS DET SEE: 25-10-00-15B	504903	RF
- 200	233N2103-73		PANEL INSTL-P3-3 (VERTICAL SPEED INDICATOR ONLY) FOR NHA/OTHER SYS DET SEE: 25-10-00-15B	101102	RF
210	4039893-902		.INDICATOR-VERT SPEED SUPPLIER CODE: V58960 SPECIFICATION NUMBER: S231T102-1 ELECTRICAL EQUIP NUMBER: N00049 COMPONENT MAINT MANUAL REF: 34-13-07 FUNCTIONAL REFERENCE: LIGHTS FOR DETAILS SEE 33-13-51-50E	101102 108120 504903	1

MISSING ITEM NUMBERS NOT APPLICABLE

- ITEM NOT ILLUSTRATED

34-22-06-01

34-22-06  
FIG. 01  
PAGE 2  
JAN 20/09

BRI



757

PARTS CATALOG (MAINTENANCE)

FIG ITEM	PART NUMBER	1 2 3 4 5 6 7	NOMENCLATURE	EFFECT FROM TO	UNITS PER ASSY
1					
212	4015721-171	..	PLATE-IDENT SUPPLIER CODE: V58960 USED ON: 4039893-902	101102 108120 504903	1
213	4021059-103	..	PLATE-IDENT SUPPLIER CODE: V58960 USED ON: 4039893-902	101102 108120 504903	1
214	4039590-13	..	DECAL- SUPPLIER CODE: V58960 USED ON: 4039893-902	101102 108120 504903	1
- 220	233N2223-306	.MODULE ASSY-	COMPONENT MAINT MANUAL REF: 31-11-50 QUALIFIED I/W DATA: 233N2223-338 CAN REPLACE 233N2223-306 FOR NT383-NT399 AIRCRAFT ONLY.	101102 108120	RF
- 220	233N2223-313	.MODULE ASSY-	COMPONENT MAINT MANUAL REF: 31-11-50	504903	RF
230	233N2223-22	..MODULE ASSY-		101102 108120	RF
230	233N2223-29	..MODULE ASSY		504903	RF
240	123-3D	...CLAMP-	SUPPLIER CODE: V28277	101102 108120 504903	1

MISSING ITEM NUMBERS NOT APPLICABLE

- ITEM NOT ILLUSTRATED

BRI

34-22-06-01

BOEING PROPRIETARY - Copyright © - Unpublished Work - See title page for details.

34-22-06  
FIG. 01  
PAGE 3  
JAN 20/09



757

PARTS CATALOG (MAINTENANCE)

FIG ITEM	PART NUMBER	1 2 3 4 5 6 7	NOMENCLATURE	EFFECT FROM TO	UNITS PER ASSY
1 - 302	MODREF31741		PANEL INSTL-P1-3 AND P3-3 (VERTICAL SPEED INDICATOR ONLY) MODULE NUMBER: 233N2103-425 REV A FOR OTHER SYS DETAILS SEE: 11-31-01-38 22-11-02-03 22-14-01-03 22-31-02-01 22-34-51-02 26-17-51-05 27-51-57-03 27-58-00-02 27-81-00-01 29-21-55-02 31-11-11-19 31-11-16-01 31-11-26-38 31-25-01-03 31-41-52-02 31-51-52-02 32-35-52-03 32-41-52-02 32-42-55-03 32-46-00-01 32-61-51-03 33-13-57-01A 33-16-52-03 34-12-01-03 34-13-01-03 34-13-02-01 34-13-05-01 34-13-06-01 34-16-51-03 34-21-02-02 34-24-01-03 34-32-00-02 34-46-51-02 34-51-02-02 34-57-00-01 34-61-01-07 34-61-02-02 77-41-01-01 79-33-51-05 FOR ADDITIONAL DETAILS SEE: 34-22-02-02 34-22-05-01A	103105	1

MISSING ITEM NUMBERS NOT APPLICABLE

- ITEM NOT ILLUSTRATED

BRI

# 34-22-06-01

BOEING PROPRIETARY - Copyright © - Unpublished Work - See title page for details.

34-22-06  
FIG. 01  
PAGE 4  
JAN 20/09





757

PARTS CATALOG (MAINTENANCE)

FIG ITEM	PART NUMBER	1 2 3 4 5 6 7	NOMENCLATURE	EFFECT FROM TO	UNITS PER ASSY
1 - 302	MODREF104335		PANEL INSTL-P1-3 AND P3-3 (VERTICAL SPEED INDICATOR ONLY) MODULE NUMBER: 233N2103-425 REV B FOR OTHER SYS DETAILS SEE: 11-31-01-38 22-11-02-03 22-14-01-03 22-31-02-01 22-34-51-02 26-17-51-05 27-51-57-03 27-58-00-02 27-81-00-01 29-21-55-02 31-11-11-19 31-11-16-01 31-11-26-38 31-25-01-03 31-41-52-02 31-51-52-02 32-35-52-03 32-41-52-02 32-42-55-03 32-46-00-01 32-61-51-03 33-13-57-01A 33-16-52-03 34-12-01-03 34-13-01-03 34-13-02-01 34-13-05-01 34-13-06-01 34-16-51-03 34-21-02-02 34-24-01-03 34-32-00-02 34-46-51-02 34-51-02-02 34-57-00-01 34-61-01-07 34-61-02-02 77-41-01-01 79-33-51-05 FOR ADDITIONAL DETAILS SEE: 34-22-02-02 34-22-05-01A	106106	1

MISSING ITEM NUMBERS NOT APPLICABLE

- ITEM NOT ILLUSTRATED

BRI

# 34-22-06-01

BOEING PROPRIETARY - Copyright © - Unpublished Work - See title page for details.

34-22-06  
FIG. 01  
PAGE 5  
JAN 20/09



757

PARTS CATALOG (MAINTENANCE)

FIG ITEM	PART NUMBER	1 2 3 4 5 6 7	NOMENCLATURE	EFFECT FROM TO	UNITS PER ASSY
1 305	4039893-902		.INDICATOR-VERT SPEED SUPPLIER CODE: V58960 SPECIFICATION NUMBER: S231T102-1 ELECTRICAL EQUIP NUMBER: N00009 N00049 COMPONENT MAINT MANUAL REF: 34-13-07 FUNCTIONAL REFERENCE: LIGHTS FOR DETAILS SEE 33-13-51-50E	103106	2
307	4015721-171		..PLATE-IDENT SUPPLIER CODE: V58960 USED ON: 4039893-902	103106	1
308	4021059-103		..PLATE-IDENT SUPPLIER CODE: V58960 USED ON: 4039893-902	103106	1
309	4039590-13		..DECAL- SUPPLIER CODE: V58960 USED ON: 4039893-902	103106	1
- 310	233N2221-325		.MODULE ASSY- COMPONENT MAINT MANUAL REF: 31-11-48	103106	RF
315	233N2221-81		..MODULE ASSY- USED ON: 233N2221-320 233N2221-326 233N2221-328	103106	RF
320	123-3D		...CLAMP- SUPPLIER CODE: V28277 USED ON: 233N2221-70 233N2221-83	103106	1
- 325	233N2223-337		.MODULE ASSY- COMPONENT MAINT MANUAL REF: 31-11-50	103106	RF

MISSING ITEM NUMBERS NOT APPLICABLE

- ITEM NOT ILLUSTRATED

34-22-06-01

34-22-06  
FIG. 01  
PAGE 6  
JAN 20/09

BRI



757

PARTS CATALOG (MAINTENANCE)

FIG ITEM	PART NUMBER	1 2 3 4 5 6 7	NOMENCLATURE	EFFECT FROM TO	UNITS PER ASSY
1 330	233N2223-62		..MODULE ASSY- USED ON: 233N2223-335 233N2223-337	103106	R F
335	123-3D		...CLAMP- SUPPLIER CODE: V28277	103106	1

MISSING ITEM NUMBERS NOT APPLICABLE

- ITEM NOT ILLUSTRATED

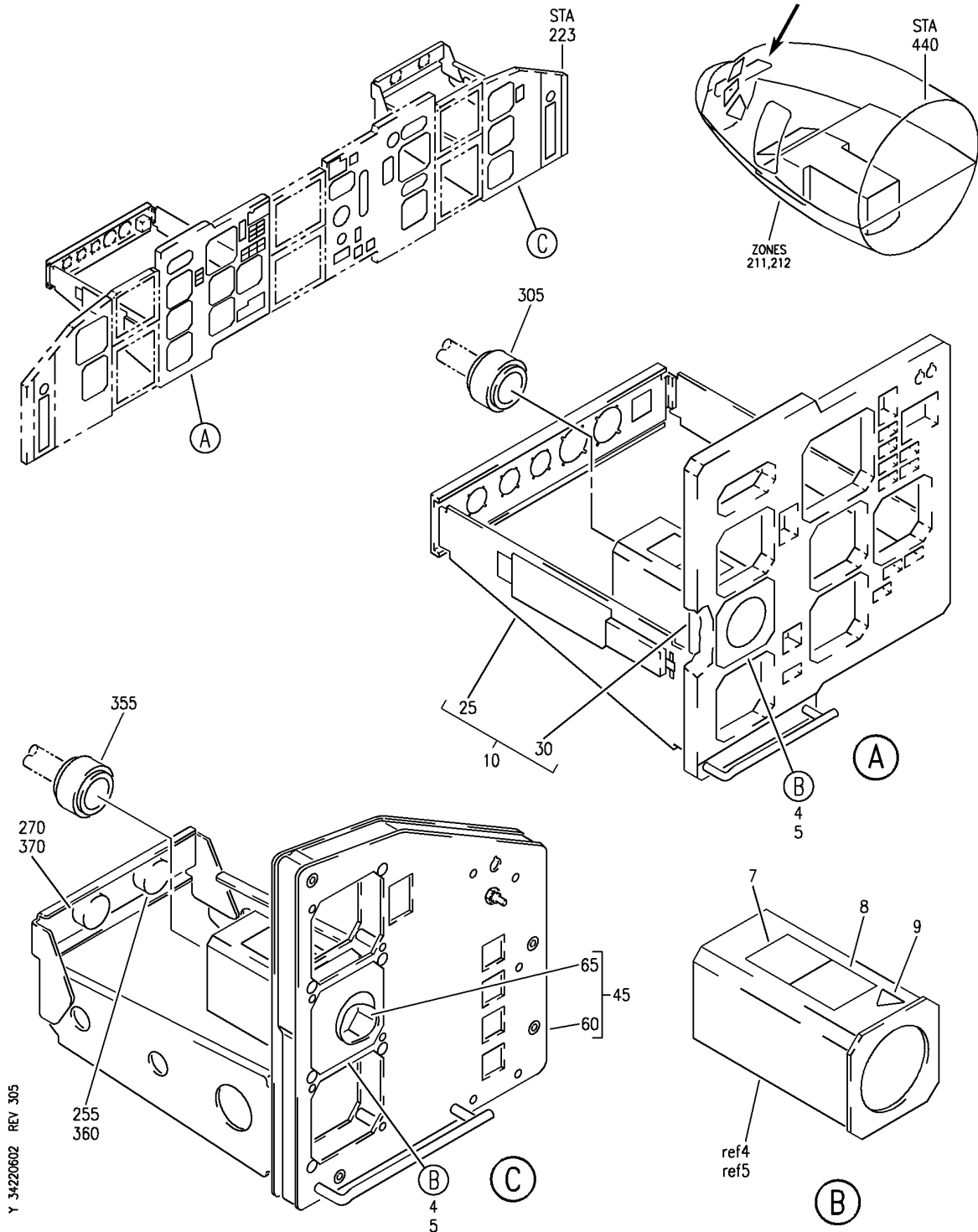
BRI

34-22-06-01

BOEING PROPRIETARY - Copyright © - Unpublished Work - See title page for details.

34-22-06  
FIG. 01  
PAGE 7  
JAN 20/09

**BOEING**  
757  
PARTS CATALOG (MAINTENANCE)



Y 34-22-06-02 REV 305

PANEL INSTL-CAPT AND FIRST OFFICER FWD (VERTICAL SPEED INDICATOR ONLY)  
FIGURE 2

**34-22-06-02**

BRI  
MAY 28/07

34-22-06-02  
PAGE 0



757

PARTS CATALOG (MAINTENANCE)

FIG ITEM	PART NUMBER	1 2 3 4 5 6 7	NOMENCLATURE	EFFECT FROM TO	UNITS PER ASSY
2			PANEL INSTL-CAPT AND FIRST OFFICER FWD (VERTICAL SPEED INDICATOR ONLY)	011100	
- 1	233N2101-1		PANEL INSTL-CAPT AND FIRST OFFICER (VERTICAL SPEED INDICATOR ONLY) POSITION DATA: FWD VARIABLE DRAWING REF: 233N2101-5039 FOR NHA/OTHER SYS DET SEE: 25-10-00-05A	011100	RF
5	4039893-902		.INDICATOR-VERT. SPEED SUPPLIER CODE: V58960 SPECIFICATION NUMBER: S231T102-1 ELECTRICAL EQUIP NUMBER: N00009 N00049 COMPONENT MAINT MANUAL REF: 34-13-07 FUNCTIONAL REFERENCE: LIGHTS FOR DETAILS SEE 33-13-51-50E	011100	2
7	4015721-171		..PLATE-IDENT SUPPLIER CODE: V58960 USED ON: 4039893-902	011100	1
8	4021059-103		..PLATE-IDENT SUPPLIER CODE: V58960 USED ON: 4039893-902	011100	1
9	4039590-13		..DECAL- SUPPLIER CODE: V58960 USED ON: 4039893-902	011100	1
10	233N2221-301		.MODULE ASSY-P1-3 COMPONENT MAINT MANUAL REF: 31-11-48	011100	RF
25	233N2221-51		..MODULE ASSY	011100	RF
30	123-3D		...CLAMP- SUPPLIER CODE: V28277	011100	1

MISSING ITEM NUMBERS NOT APPLICABLE

- ITEM NOT ILLUSTRATED

34-22-06-02

34-22-06  
FIG. 02  
PAGE 1  
JAN 20/09

BRI



757

PARTS CATALOG (MAINTENANCE)

FIG ITEM	PART NUMBER	1 2 3 4 5 6 7	NOMENCLATURE	EFFECT FROM TO	UNITS PER ASSY
2					
45	233N2223-301		.MODULE ASSY-P3-3 COMPONENT MAINT MANUAL REF: 31-11-50	011100	RF
60	233N2223-12		..MODULE ASSY-	011100	RF
65	123-3D		...CLAMP- SUPPLIER CODE: V28277	011100	1
- 250	286N0033-002		WIRE BUNDLE ASSY-	011100	RF
255	BACC45FN16-24P7		.CONNECTOR- POSITION DATA: POS 1 ELECTRICAL EQUIP NUMBER: D40249J WIRING DIAGRAM REF: 331312 REWORKED BY ALERT SB: 34A0222 ATTACHING PARTS	011100	1
- 260	NAS1801-04		.SCREW- SIZE DETERMINED ON INSTL.	011100	2
- 265	BACN10W1		.NUT	011100	2
- 300	286N0001-005		-----*----- WIRE BUNDLE ASSY- REWORKED BY ALERT SB: 34A0222	011100	RF
305	BACC45FT18A31S		.CONNECTOR- ELECTRICAL EQUIP NUMBER: D00187 WIRING DIAGRAM REF: 342282	011100	1
- 350	286N0003-005		WIRE BUNDLE ASSY- REWORKED BY ALERT SB: 34A0222	011100	RF
355	BACC45FT18A31S		.CONNECTOR- ELECTRICAL EQUIP NUMBER: D00189 WIRING DIAGRAM REF: 342292	011100	1
360	BACC45FT16A24S7		.CONNECTOR- POSITION DATA: POS 1 ELECTRICAL EQUIP NUMBER: D40249P WIRING DIAGRAM REF: 342228 REWORKED BY ALERT SB: 34A0222	011100	1

MISSING ITEM NUMBERS NOT APPLICABLE

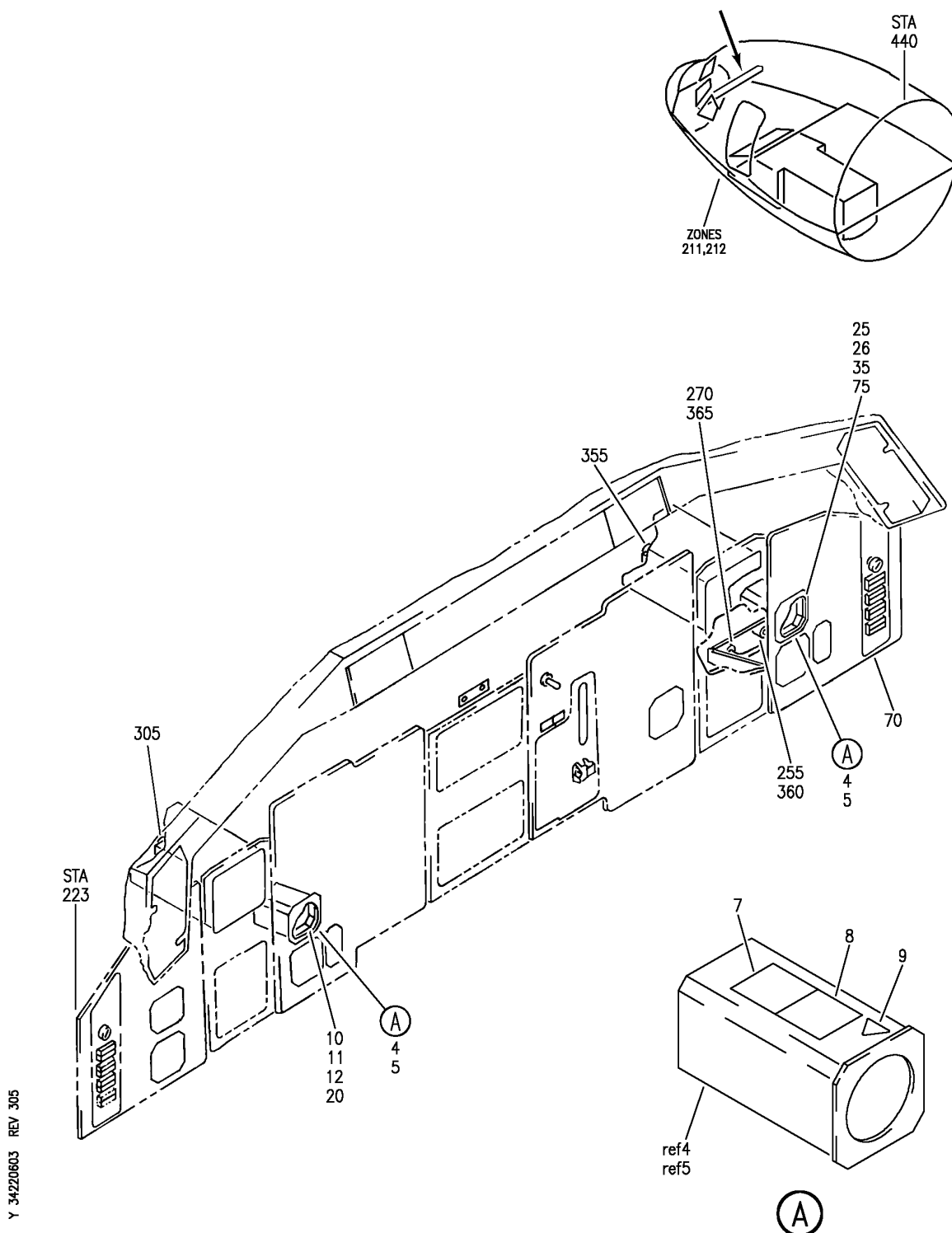
- ITEM NOT ILLUSTRATED

34-22-06-02

34-22-06  
FIG. 02  
PAGE 2  
JAN 20/09

BRI

**BOEING**  
757  
PARTS CATALOG (MAINTENANCE)



Y 34-22-06-03 REV 305

PANEL INSTL-CAPT AND FIRST OFFICER FWD (VERTICAL SPEED INDICATOR ONLY)  
FIGURE 3

**34-22-06-03**

BRI  
MAY 28/07

34-22-06-03  
PAGE 0



757

PARTS CATALOG (MAINTENANCE)

FIG ITEM	PART NUMBER	1 2 3 4 5 6 7	NOMENCLATURE	EFFECT FROM TO	UNITS PER ASSY
3			PANEL INSTL-CAPT AND FIRST OFFICER FWD (VERTICAL SPEED INDICATOR ONLY)	002004 006010 107107 121503 904999	
- 1	233N2101-1		PANEL INSTL-CAPT AND FIRST OFFICER (VERTICAL SPEED INDICATOR ONLY) POSITION DATA: FWD VARIABLE DRAWING REF: 233N2101-5003 233N2101-5004 233N2101-5037 233N2101-5039 233N2101-5041 FOR NHA/OTHER SYS DET SEE: 25-10-00-05A	002004 006010 107107 121503 904999	RF
5	4039893-902		. INDICATOR-VERT. SPEED SUPPLIER CODE: V58960 SPECIFICATION NUMBER: S231T102-1 ELECTRICAL EQUIP NUMBER: N00009 N00049 COMPONENT MAINT MANUAL REF: 34-13-07 FUNCTIONAL REFERENCE: LIGHTS FOR DETAILS SEE 33-13-51-50E	002004 006010 107107 121503 904949 952999	2
5	066-50002-8103		. INDICATOR-VERT. SPEED SUPPLIER CODE: V27194 ELECTRICAL EQUIP NUMBER: N0009 N00049 COMPONENT MAINT MANUAL REF: 34-45-25 POST AIRLINE MOD: PCR83 VALP	950951	2
7	4015721-171		.. PLATE-IDENT SUPPLIER CODE: V58960 USED ON: 4039893-902	002004 006010 107107 121503 904949 952999	1

MISSING ITEM NUMBERS NOT APPLICABLE

- ITEM NOT ILLUSTRATED

34-22-06-03

34-22-06  
FIG. 03  
PAGE 1  
JAN 20/09

BRI





757

PARTS CATALOG (MAINTENANCE)

FIG ITEM	PART NUMBER	1 2 3 4 5 6 7	NOMENCLATURE	EFFECT FROM TO	UNITS PER ASSY
3					
8	4021059-103	..	PLATE-IDENT SUPPLIER CODE: V58960 USED ON: 4039893-902	002004 006010 107107 121503 904949 952999	1
9	4039590-13	..	DECAL- SUPPLIER CODE: V58960 USED ON: 4039893-902	002004 006010 107107 121503 904949 952999	1
11	233N2221-51	.MODULE	ASSY-P1-3	002004 006010 950999	RF
11	233N2221-59	.MODULE	ASSY-P1-3	107107	RF
12	233N2221-62	.MODULE	ASSY-P1-3	121503 904949	RF
20	123-3D	..	CLAMP- SUPPLIER CODE: V28277	002004 006010 107107 121503 904999	1
25	233N2223-8	.MODULE	ASSY-P3-3 PRE SERVICE BULLETIN: 34-0414	107107	RF
25	233N2223-12	.MODULE	ASSY-P3-3 PRE SERVICE BULLETIN: 34-0416	002004 006010 950999	RF
25	233N2223-15	.MODULE	ASSY-P3-3	121503 904949	RF
35	123-3D	..	CLAMP- SUPPLIER CODE: V28277	002004 006010 107107 121503 904999	1
- 65	233N2223-334	.MODULE	ASSY-P3-3 POST SERVICE BULLETIN: 34-0414 34-0416	009009 107107	RF
70	233N2223-61	..	MODULE SUB ASSY-P3-3 POST SERVICE BULLETIN: 34-0414 34-0416	009009 107107	RF
75	123-3D	...	CLAMP- SUPPLIER CODE: V28277	009009 107107	1

MISSING ITEM NUMBERS NOT APPLICABLE

- ITEM NOT ILLUSTRATED

34-22-06-03

34-22-06  
FIG. 03  
PAGE 2  
JAN 20/09

BRI



757

PARTS CATALOG (MAINTENANCE)

FIG ITEM	PART NUMBER	1 2 3 4 5 6 7	NOMENCLATURE	EFFECT FROM TO	UNITS PER ASSY
3					
- 250	286N0033-002		WIRE BUNDLE ASSY-	002004 006010 904951	RF
255	BACC45FN16-24P7		.CONNECTOR- POSITION DATA: POS 1 ELECTRICAL EQUIP NUMBER: D40249J WIRING DIAGRAM REF: 331312 REWORKED BY ALERT SB: 34A0222 ATTACHING PARTS	002004 006010 904951	1
- 260	NAS1801-04		.SCREW- SIZE DETERMINED ON INSTL.	002004 006010 904951	2
- 265	BACN10W1		.NUT	002004 006010 904951	2
270	BACC45FN20-41P		-----*----- .CONNECTOR- POSITION DATA: POS 2 ELECTRICAL EQUIP NUMBER: D40525J WIRING DIAGRAM REF: 342227 ATTACHING PARTS	002004 006010 904951	1
- 275	NAS1801-04		.SCREW- SIZE DETERMINED ON INSTL.	002004 006010 904951	2
- 280	BACN10W1		.NUT	002004 006010 904951	2
- 300	286N0001-002		-----*----- WIRE BUNDLE ASSY- REWORKED BY ALERT SB: 34A0222	121503 904949	RF
- 300	286N0001-003		WIRE BUNDLE ASSY- REWORKED BY ALERT SB: 34A0222	107107	RF
- 300	286N0001-005		WIRE BUNDLE ASSY- REWORKED BY ALERT SB: 34A0222	002004 006010 950999	RF
305	BACC45FT18A31S		.CONNECTOR- ELECTRICAL EQUIP NUMBER: D00187 WIRING DIAGRAM REF: 342282	002004 006010 107107 121503 904999	1

MISSING ITEM NUMBERS NOT APPLICABLE

- ITEM NOT ILLUSTRATED

34-22-06-03

34-22-06  
FIG. 03  
PAGE 3  
JAN 20/09

BRI



757

PARTS CATALOG (MAINTENANCE)

FIG ITEM	PART NUMBER	1 2 3 4 5 6 7	NOMENCLATURE	EFFECT FROM TO	UNITS PER ASSY
3					
- 350	286N0003-002		WIRE BUNDLE ASSY- REWORKED BY ALERT SB: 34A0222	121503 904949	RF
- 350	286N0003-003		WIRE BUNDLE ASSY- REWORKED BY ALERT SB: 34A0222	107107	RF
- 350	286N0003-005		WIRE BUNDLE ASSY- REWORKED BY SB: 34-0200 REWORKED BY ALERT SB: 34A0222	002004 006010 950999	RF
355	BACC45FT18A31S		.CONNECTOR- ELECTRICAL EQUIP NUMBER: D00189 WIRING DIAGRAM REF: 342292	002004 006010 107107 121503 904999	1
360	BACC45FT16A24S7		.CONNECTOR- POSITION DATA: POS 1 ELECTRICAL EQUIP NUMBER: D40249P WIRING DIAGRAM REF: 342228 REWORKED BY ALERT SB: 34A0222	002004 006010 904951	1
365	BACC45FT20A41S		.CONNECTOR- POSITION DATA: POS 2 ELECTRICAL EQUIP NUMBER: D40525P WIRING DIAGRAM REF: 342228	002004 006010 904951	1

MISSING ITEM NUMBERS NOT APPLICABLE

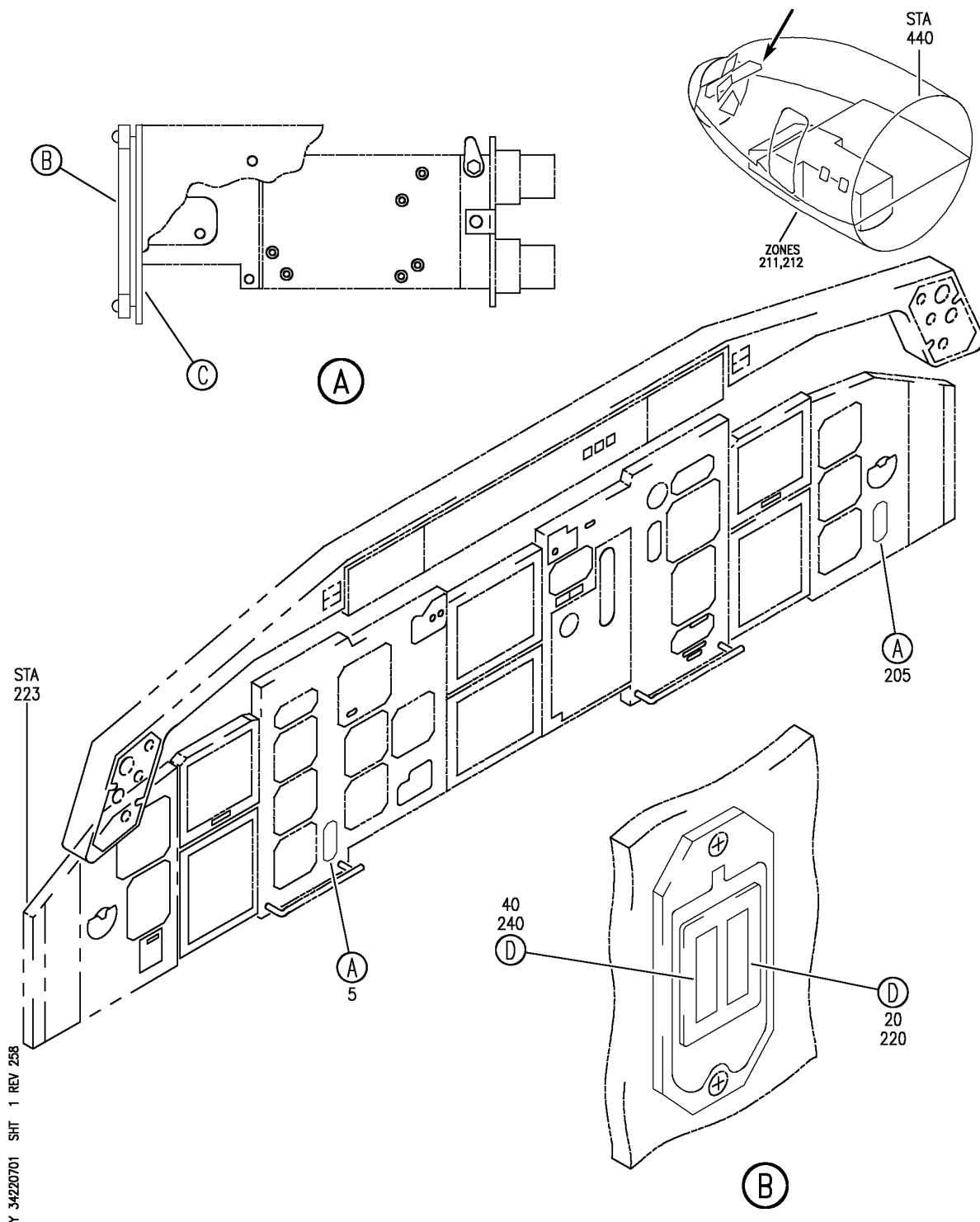
- ITEM NOT ILLUSTRATED

34-22-06-03

34-22-06  
FIG. 03  
PAGE 4  
JAN 20/09

BRI

**BOEING**  
757  
PARTS CATALOG (MAINTENANCE)



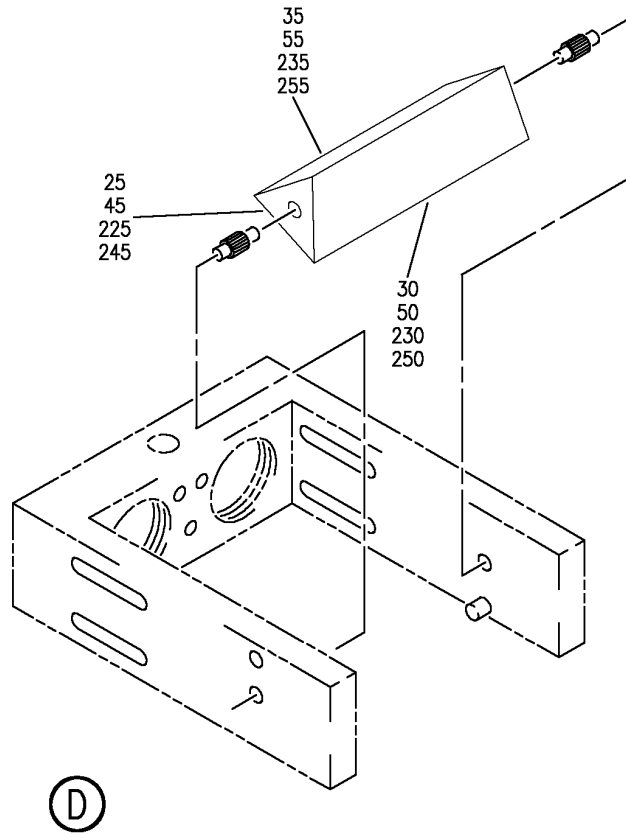
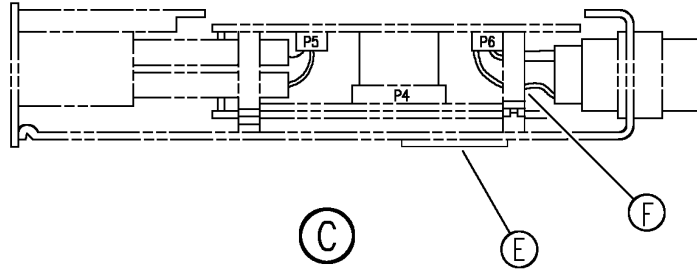
PANEL INSTL-P1-3 P3-3 (RMI BEARING SOURCE ANNUNCIATOR ONLY)  
FIGURE 1 (SHEET 1)

**34-22-07-01**

BRI  
JAN 20/09

34-22-07-01  
PAGE 0

**BOEING**  
757  
PARTS CATALOG (MAINTENANCE)



Y 34-22-07-01 SH1 2 REV 258

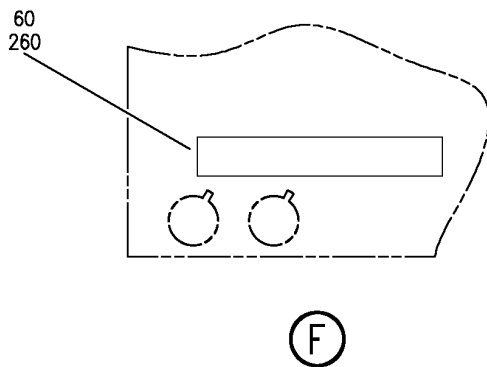
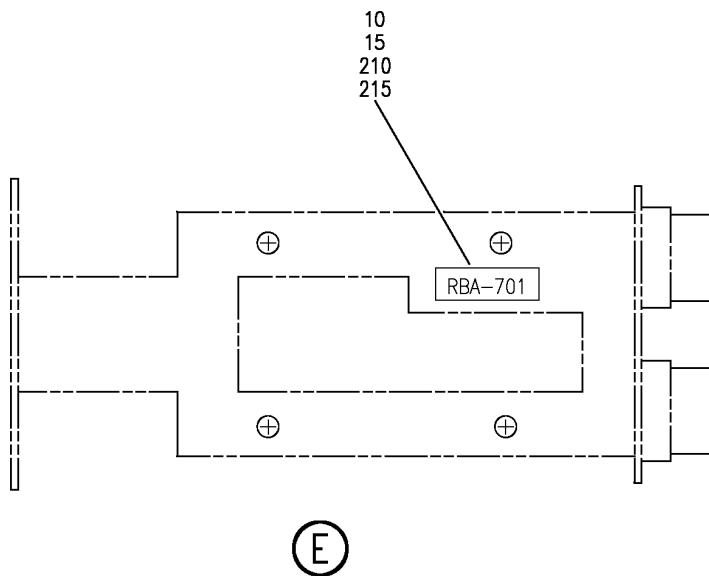
PANEL INSTL-P1-3 P3-3 (RMI BEARING SOURCE ANNUNCIATOR ONLY)  
FIGURE 1 (SHEET 2)

**34-22-07-01**

BRI  
JAN 20/09

34-22-07-01  
PAGE 0A

**BOEING**  
757  
PARTS CATALOG (MAINTENANCE)



Y 34-22-07-01 SH1 3 REV 258

PANEL INSTL-P1-3 P3-3 (RMI BEARING SOURCE ANNUNCIATOR ONLY)  
FIGURE 1 (SHEET 3)

**34-22-07-01**

BRI  
JAN 20/09

34-22-07-01  
PAGE 0B



757

PARTS CATALOG (MAINTENANCE)

FIG ITEM	PART NUMBER	1 2 3 4 5 6 7	NOMENCLATURE	EFFECT FROM TO	UNITS PER ASSY
1			PANEL INSTL-P1-3 P3-3 (RMI BEARING SOURCE ANNUNCIATOR ONLY)	504903	
- 1	233N2103-280		PANEL INSTL-P1-3 (RMI BEARING SOURCE ANNUNCIATOR ONLY) FOR NHA/OTHER SYS DET SEE: 25-10-00-15B	504903	RF
5	622-6006-002		.ANNUNCIATOR ASSY-RADIO MAGNETIC BRG IND SUPPLIER CODE: V4V792 SPECIFICATION NUMBER: S242T403-401 ELECTRICAL EQUIP NUMBER: N10025 COMPONENT MAINT MANUAL REF: 34-22-77 FUNCTIONAL REFERENCE: LIGHTS FOR DETAILS SEE 33-13-51-52D	504903	1
10	651-1802-001		..PLATE-MOD CHART IDENT SUPPLIER CODE: V4V792	504903	1
15	651-1802-000		..PLATE-MOD CHART IDENT SUPPLIER CODE: V4V792	504903	1
20	646-4992-144		..INDICATOR-THREE POSITION SUPPLIER CODE: V4V792	504903	1
25	646-4990-001		...LABEL-PRISM SUPPLIER CODE: V4V792	504903	1
30	646-4990-233		...LABEL-PRISM SUPPLIER CODE: V4V792	504903	1
35	646-4990-235		...LABEL-PRISM SUPPLIER CODE: V4V792	504903	1
40	646-4992-145		..INDICATOR-THREE POSITION SUPPLIER CODE: V4V792	504903	1
45	646-4990-001		...LABEL-PRISM SUPPLIER CODE: V4V792	504903	1
50	646-4990-234		...LABEL-PRISM SUPPLIER CODE: V4V792	504903	1

MISSING ITEM NUMBERS NOT APPLICABLE

- ITEM NOT ILLUSTRATED

34-22-07-01

34-22-07  
FIG. 01  
PAGE 1  
JAN 20/09

BRI



757

PARTS CATALOG (MAINTENANCE)

FIG ITEM	PART NUMBER	1 2 3 4 5 6 7	NOMENCLATURE	EFFECT FROM TO	UNITS PER ASSY
1					
55	646-4990-236	...	LABEL-PRISM SUPPLIER CODE: V4V792	504903	1
60	280-2745-010	..	LABEL-WARNING SUPPLIER CODE: V12998	504903	1
- 200	233N2103-55		PANEL INSTL-P3-3 (RMI BEARING SOURCE ANNUNCIATOR ONLY) FOR NHA/OTHER SYS DET SEE: 25-10-00-15B	504903	RF
205	622-6006-002	.	ANNUNCIATOR ASSY-RADIO MAGNETIC BRG IND SUPPLIER CODE: V4V792 SPECIFICATION NUMBER: S242T403-401 ELECTRICAL EQUIP NUMBER: N10027 COMPONENT MAINT MANUAL REF: 34-22-77 FUNCTIONAL REFERENCE: LIGHTS FOR DETAILS SEE 33-13-51-52D	504903	1
210	651-1802-001	..	PLATE-MOD CHART IDENT SUPPLIER CODE: V4V792	504903	1
215	651-1802-000	..	PLATE-MOD CHART IDENT SUPPLIER CODE: V4V792	504903	1
220	646-4992-144	..	INDICATOR-THREE POSITION SUPPLIER CODE: V4V792	504903	1
225	646-4990-001	...	LABEL-PRISM SUPPLIER CODE: V4V792	504903	1
230	646-4990-233	...	LABEL-PRISM SUPPLIER CODE: V4V792	504903	1
235	646-4990-235	...	LABEL-PRISM SUPPLIER CODE: V4V792	504903	1
240	646-4992-145	..	INDICATOR-THREE POSITION SUPPLIER CODE: V4V792	504903	1
245	646-4990-001	...	LABEL-PRISM SUPPLIER CODE: V4V792	504903	1

MISSING ITEM NUMBERS NOT APPLICABLE

- ITEM NOT ILLUSTRATED

34-22-07-01

34-22-07  
FIG. 01  
PAGE 2  
JAN 20/09

BRI





757

PARTS CATALOG (MAINTENANCE)

FIG ITEM	PART NUMBER	1 2 3 4 5 6 7	NOMENCLATURE	EFFECT FROM TO	UNITS PER ASSY
1 250	646-4990-234		... LABEL-PRISM SUPPLIER CODE: V4V792	504903	1
255	646-4990-236		... LABEL-PRISM SUPPLIER CODE: V4V792	504903	1
260	280-2745-010		.. LABEL-WARNING SUPPLIER CODE: V12998	504903	1

MISSING ITEM NUMBERS NOT APPLICABLE

- ITEM NOT ILLUSTRATED

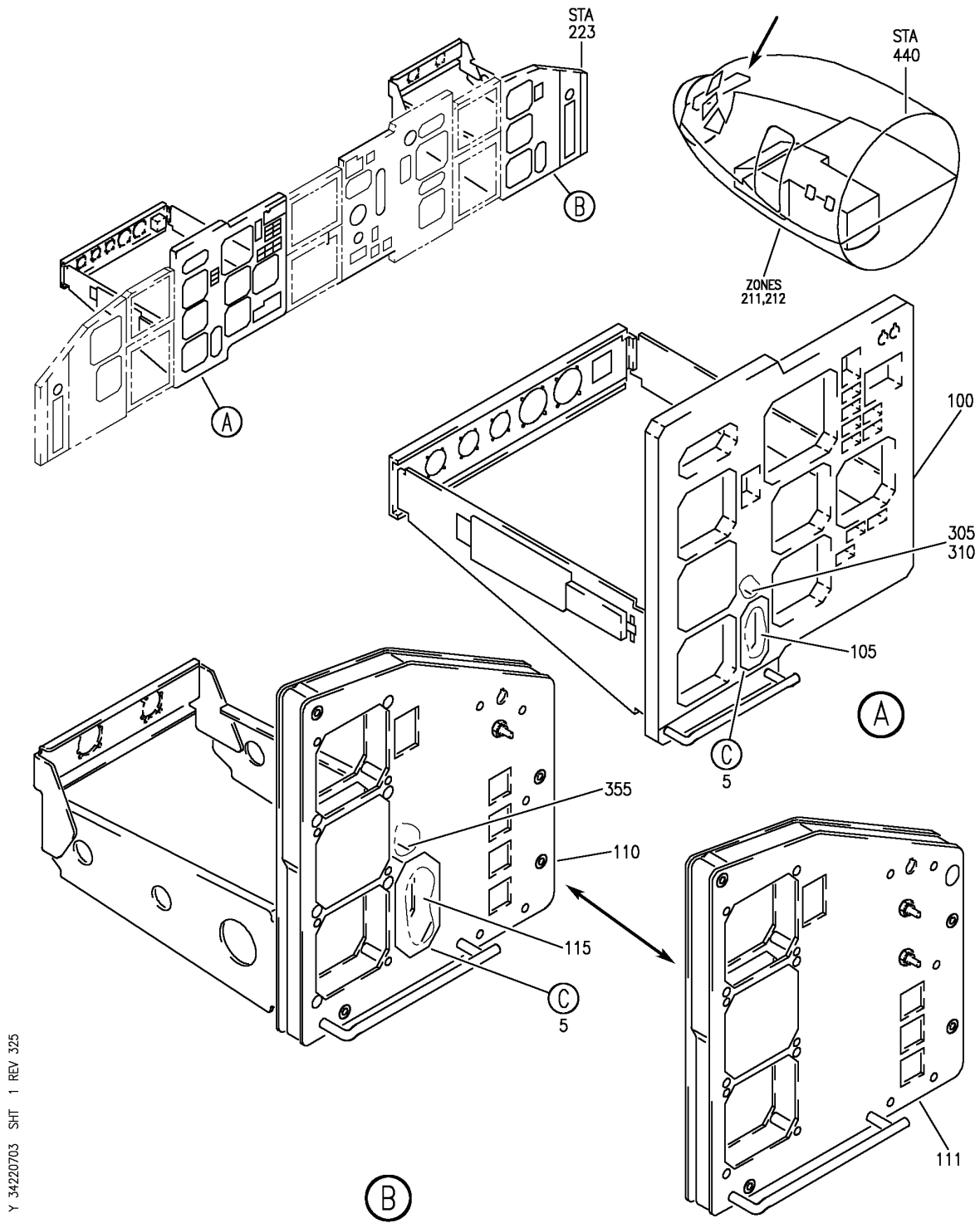
BRI

34-22-07-01

BOEING PROPRIETARY - Copyright © - Unpublished Work - See title page for details.

34-22-07  
FIG. 01  
PAGE 3  
JAN 20/09

**BOEING**  
 757  
 PARTS CATALOG (MAINTENANCE)



Y 34-22-07-03 SHT 1 REV 325

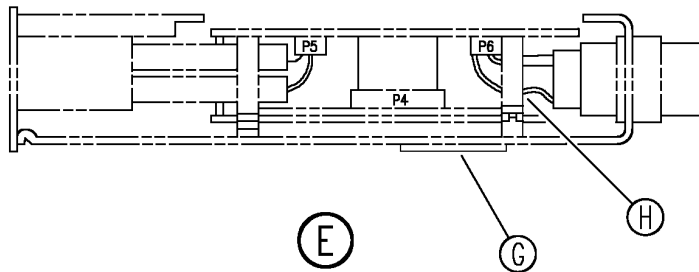
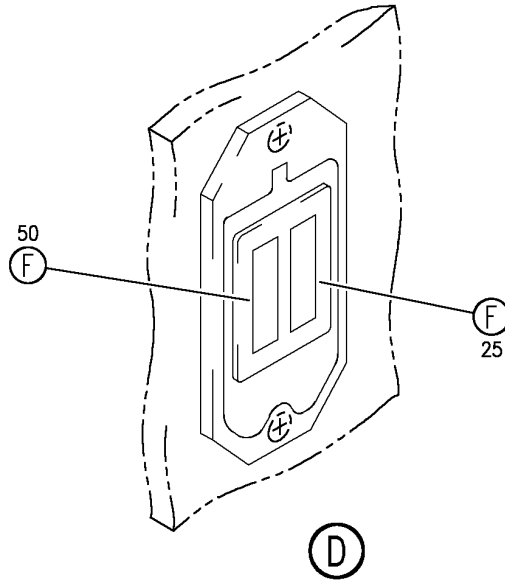
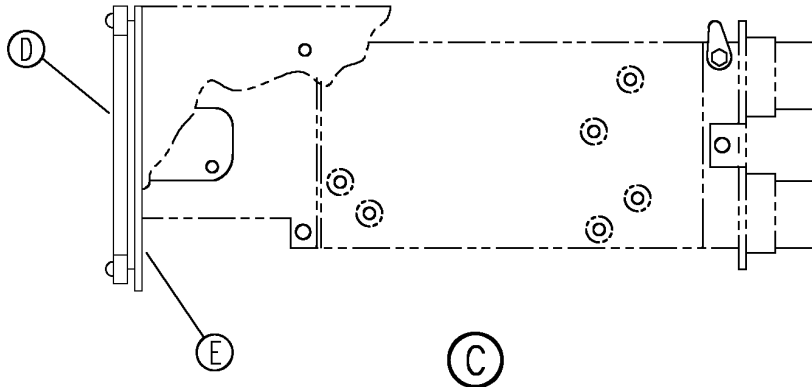
PANEL INSTL-CAPT AND FIRST OFFICER FWD (RMI BEARING SOURCE ANNUNCIATOR ONLY)  
 FIGURE 3 (SHEET 1)

**34-22-07-03**

BRI  
 SEP 20/08

34-22-07-03  
 PAGE 0

**BOEING**  
757  
PARTS CATALOG (MAINTENANCE)



Y 34-22-07-03 SH-2 REV 258

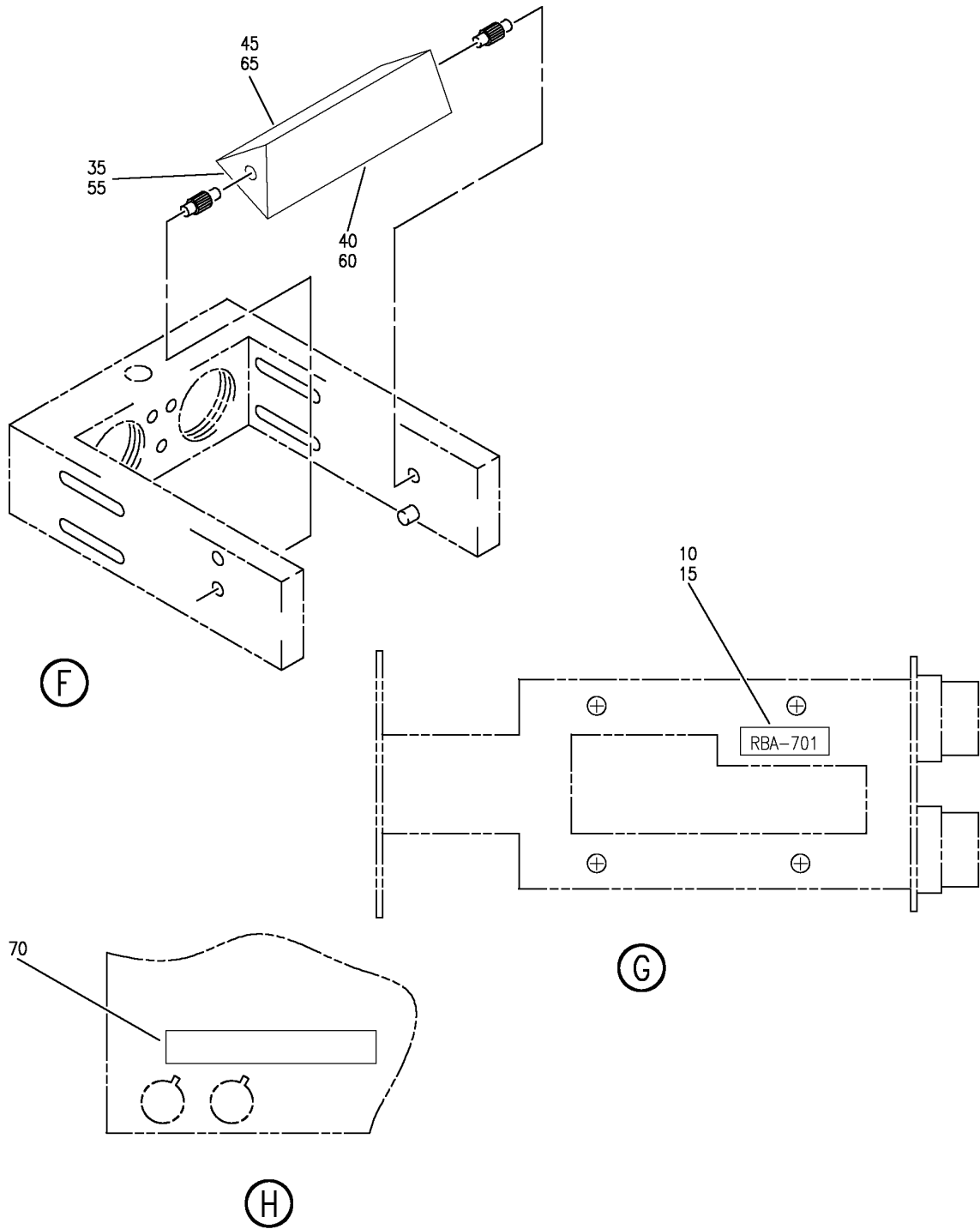
PANEL INSTL-CAPT AND FIRST OFFICER FWD (RMI BEARING SOURCE ANNUNCIATOR ONLY)  
FIGURE 3 (SHEET 2)

BRI  
MAY 28/07

**34-22-07-03**

34-22-07-03  
PAGE 0A

**BOEING**  
757  
PARTS CATALOG (MAINTENANCE)



Y 34-22-07-03 SH1 3 REV 258

PANEL INSTL-CAPT AND FIRST OFFICER FWD (RMI BEARING SOURCE ANNUNCIATOR ONLY)  
FIGURE 3 (SHEET 3)

BRI  
MAY 28/07

**34-22-07-03**

34-22-07-03  
PAGE 0B



757

PARTS CATALOG (MAINTENANCE)

FIG ITEM	PART NUMBER	1 2 3 4 5 6 7	NOMENCLATURE	EFFECT FROM TO	UNITS PER ASSY
3			PANEL INSTL-CAPT AND FIRST OFFICER FWD (RMI BEARING SOURCE ANNUNCIATOR ONLY)	121503 904949	
- 1	233N2101-1		PANEL INSTL-CAPT AND FIRST OFFICER (RMI BEARING SOURCE ANNUNCIATOR ONLY) POSITION DATA: FWD VARIABLE DRAWING REF: 233N2101-5003 FOR NHA/OTHER SYS DET SEE: 25-10-00-05A	121503 904949	RF
5	622-6006-002		.ANNUNCIATOR ASSY-RADIO MAGNETIC BRG IND SUPPLIER CODE: V4V792 SPECIFICATION NUMBER: S242T403-401 ELECTRICAL EQUIP NUMBER: N10025 N10027 COMPONENT MAINT MANUAL REF: 34-22-77 FUNCTIONAL REFERENCE: LIGHTS FOR DETAILS SEE 33-13-51-52D	121503 904949	2
10	651-1802-001		..PLATE-MOD CHART IDENT SUPPLIER CODE: V4V792	121503 904949	1
15	651-1802-000		..PLATE-MOD CHART IDENT SUPPLIER CODE: V4V792	121503 904949	1
25	646-4992-144		..INDICATOR-THREE POSITION SUPPLIER CODE: V4V792	121503 904949	1
35	646-4990-001		...LABEL-PRISM SUPPLIER CODE: V4V792	121503 904949	1
40	646-4990-233		...LABEL-PRISM SUPPLIER CODE: V4V792	121503 904949	1
45	646-4990-235		...LABEL-PRISM SUPPLIER CODE: V4V792	121503 904949	1
50	646-4992-145		..INDICATOR-THREE POSITION SUPPLIER CODE: V4V792	121503 904949	1

MISSING ITEM NUMBERS NOT APPLICABLE

- ITEM NOT ILLUSTRATED

34-22-07-03

34-22-07  
FIG. 03  
PAGE 1  
JAN 20/09

BRI



757

PARTS CATALOG (MAINTENANCE)

FIG ITEM	PART NUMBER	1 2 3 4 5 6 7	NOMENCLATURE	EFFECT FROM TO	UNITS PER ASSY
3					
55	646-4990-001	...	LABEL-PRISM SUPPLIER CODE: V4V792	121503 904949	1
60	646-4990-234	...	LABEL-PRISM SUPPLIER CODE: V4V792	121503 904949	1
65	646-4990-236	...	LABEL-PRISM SUPPLIER CODE: V4V792	121503 904949	1
70	280-2745-010	..	LABEL-WARNING SUPPLIER CODE: V12998	121503 904949	1
100	233N2221-62	.	MODULE ASSY-P1-3	121503 904949	RF
105	123-10D	..	CLAMP- SUPPLIER CODE: V28277	121503 904949	1
110	233N2223-15	.	MODULE ASSY-P3-3	121503 904949	RF
115	123-10D	..	CLAMP- SUPPLIER CODE: V28277	121503 904949	1
- 300	286N0001-002		WIRE BUNDLE ASSY- REWORKED BY ALERT SB: 34A0222	121503 904949	RF
305	BACC10GH12	.	CLAMP- ELECTRICAL EQUIP NUMBER: D00773T WIRING DIAGRAM REF: 342283	121503 904949	1
310	BACC45FT12-12S7	.	CONNECTOR- ELECTRICAL EQUIP NUMBER: D00773 WIRING DIAGRAM REF: 342283	121503 904949	1
- 350	286N0003-002		WIRE BUNDLE ASSY- REWORKED BY ALERT SB: 34A0222	121503 904949	RF
355	BACC45FT12-12S7	.	CONNECTOR- ELECTRICAL EQUIP NUMBER: D00803 WIRING DIAGRAM REF: 342293	121503 904949	1

MISSING ITEM NUMBERS NOT APPLICABLE

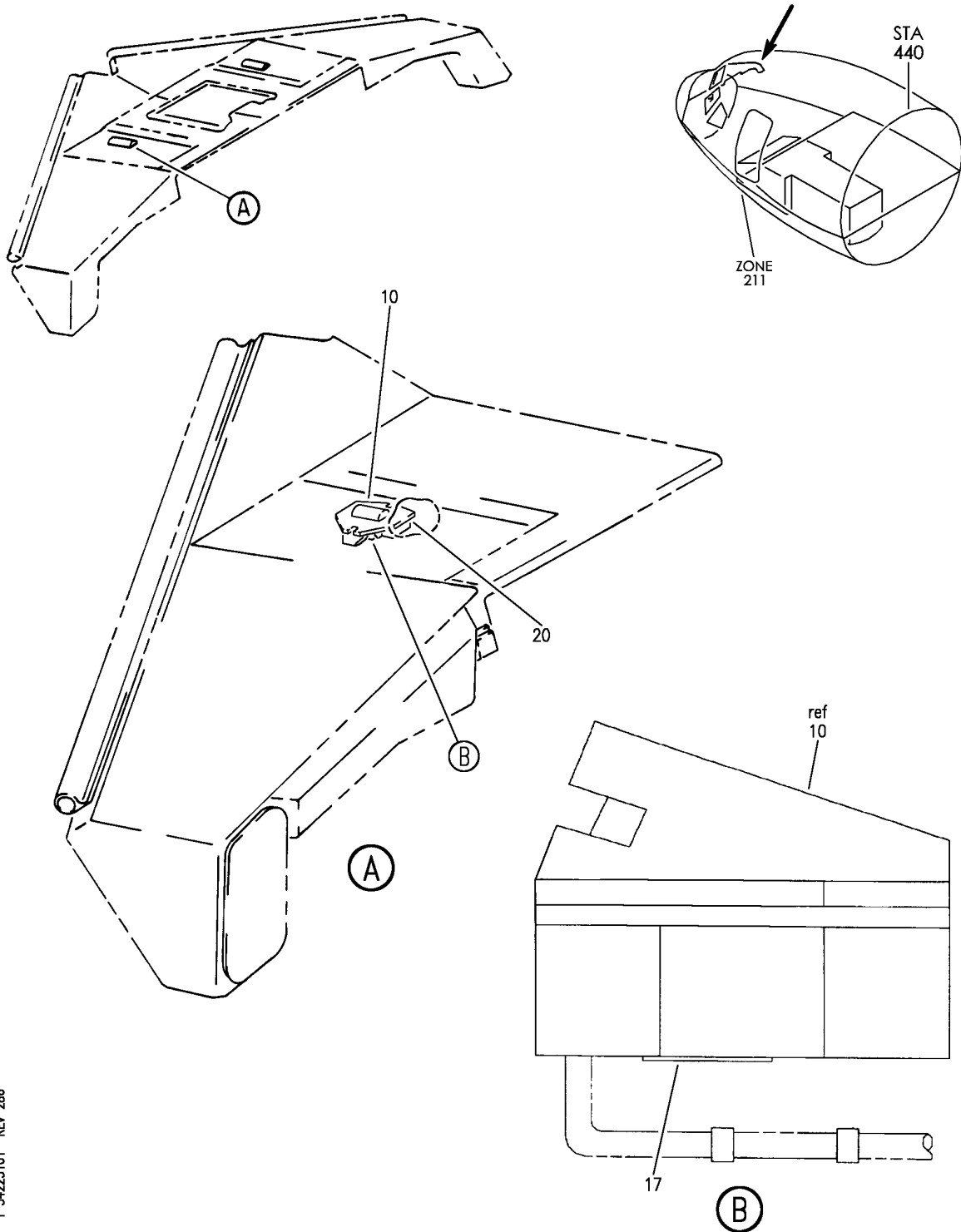
- ITEM NOT ILLUSTRATED

34-22-07-03

34-22-07  
FIG. 03  
PAGE 2  
JAN 20/09

BRI

**BOEING**  
757  
PARTS CATALOG (MAINTENANCE)



GLARESHIELD ASSY-(NAVIGATION ONLY)  
FIGURE 1

**34-22-51-01**

BRI  
MAY 28/07

34-22-51-01  
PAGE 0



757

PARTS CATALOG (MAINTENANCE)

FIG ITEM	PART NUMBER	1 2 3 4 5 6 7	NOMENCLATURE	EFFECT FROM TO	UNITS PER ASSY
1			GLARESHIELD ASSY- (NAVIGATION ONLY)	002004 006999	
- 1	233N8200-25		GLARESHIELD ASSY- (NAVIGATION ONLY) POSITION DATA: LH FOR NHA/OTHER SYS DET SEE: 25-13-52-60	904949	RF
- 1	233N8200-33		GLARESHIELD ASSY- (NAVIGATION ONLY) POSITION DATA: LH FOR NHA/OTHER SYS DET SEE: 25-13-52-60	904949	RF
- 1	233N8200-27		GLARESHIELD ASSY- (NAVIGATION ONLY) POSITION DATA: LH FOR NHA/OTHER SYS DET SEE: 25-13-52-60	107107	RF
- 1	233N8200-29		GLARESHIELD ASSY- (NAVIGATION ONLY) POSITION DATA: LH FOR NHA/OTHER SYS DET SEE: 25-13-52-60	107107	RF
- 1	233N8200-31		GLARESHIELD ASSY- (NAVIGATION ONLY) POSITION DATA: LH FOR NHA/OTHER SYS DET SEE: 25-13-52-60	107107	RF
- 1	233N8200-37		GLARESHIELD ASSY- (NAVIGATION ONLY) POSITION DATA: LH FOR NHA/OTHER SYS DET SEE: 25-13-52-60	002004 006010 950999	RF
- 1	233N8200-41		GLARESHIELD ASSY- (NAVIGATION ONLY) POSITION DATA: LH FOR NHA/OTHER SYS DET SEE: 25-13-52-60	121503	RF

MISSING ITEM NUMBERS NOT APPLICABLE

- ITEM NOT ILLUSTRATED

34-22-51-01

34-22-51  
FIG. 01  
PAGE 1  
JAN 20/09

BRI



 **BOEING**  
757  
**PARTS CATALOG (MAINTENANCE)**

FIG ITEM	PART NUMBER	1 2 3 4 5 6 7	NOMENCLATURE	EFFECT FROM TO	UNITS PER ASSY
1					
- 2	233N8200-49		GLARESHIELD ASSY- (NAVIGATION ONLY) POSITION DATA: LH FOR NHA/OTHER SYS DET SEE: 25-13-52-60	011100	RF
- 2	233N8200-61		GLARESHIELD ASSY- (NAVIGATION ONLY) POSITION DATA: LH FOR NHA/OTHER SYS DET SEE: 25-13-03-01	101101	RF
- 2	233N8200-301		GLARESHIELD ASSY-PILOTS ELECTRICAL (NAVIGATION ONLY) POSITION DATA: LH FOR NHA/OTHER SYS DET SEE: 25-10-00-15B	102102 108120 504903	RF
- 3	MODREF27489		GLARESHIELD ASSY-PILOTS ELECTRICAL (NAVIGATION ONLY) MODULE NUMBER: 233N8200-309 REV C POSITION DATA: LH FOR OTHER SYS DETAILS SEE: 25-13-03-02 31-25-01-05 31-25-51-01 33-14-51-01	104106	1
- 3	MODREF22332		GLARESHIELD ASSY-PILOTS ELECTRICAL (NAVIGATION ONLY) MODULE NUMBER: 233N8200-309 REV B POSITION DATA: LH FOR OTHER SYS DETAILS SEE: 25-13-03-02 31-25-01-05 31-25-51-01 33-14-51-01	103103	1
- 5	233N8200-26		GLARESHIELD ASSY- (NAVIGATION ONLY) POSITION DATA: RH FOR NHA/OTHER SYS DET SEE: 25-13-52-60	904949	RF

MISSING ITEM NUMBERS NOT APPLICABLE

- ITEM NOT ILLUSTRATED

BRI

# 34-22-51-01

BOEING PROPRIETARY - Copyright © - Unpublished Work - See title page for details.

34-22-51  
FIG. 01  
PAGE 2  
JAN 20/09



757

PARTS CATALOG (MAINTENANCE)

FIG ITEM	PART NUMBER	1 2 3 4 5 6 7	NOMENCLATURE	EFFECT FROM TO	UNITS PER ASSY
1					
- 5	233N8200-34		GLARESHIELD ASSY- (NAVIGATION ONLY) POSITION DATA: RH FOR NHA/OTHER SYS DET SEE: 25-13-52-60	904949	RF
- 5	233N8200-28		GLARESHIELD ASSY- (NAVIGATION ONLY) POSITION DATA: RH FOR NHA/OTHER SYS DET SEE: 25-13-52-60	107107	RF
- 5	233N8200-30		GLARESHIELD ASSY- (NAVIGATION ONLY) POSITION DATA: RH FOR NHA/OTHER SYS DET SEE: 25-13-52-60	107107	RF
- 5	233N8200-32		GLARESHIELD ASSY- (NAVIGATION ONLY) POSITION DATA: RH FOR NHA/OTHER SYS DET SEE: 25-13-52-60	107107	RF
- 5	233N8200-38		GLARESHIELD ASSY- (NAVIGATION ONLY) POSITION DATA: RH FOR NHA/OTHER SYS DET SEE: 25-13-52-60	002004 006010 950999	RF
- 5	233N8200-42		GLARESHIELD ASSY- (NAVIGATION ONLY) POSITION DATA: RH FOR NHA/OTHER SYS DET SEE: 25-13-52-60	121503	RF
- 6	233N8200-50		GLARESHIELD ASSY- (NAVIGATION ONLY) POSITION DATA: RH FOR NHA/OTHER SYS DET SEE: 25-13-52-60	011100	RF
- 6	233N8200-62		GLARESHIELD ASSY- (NAVIGATION ONLY) POSITION DATA: RH FOR NHA/OTHER SYS DET SEE: 25-13-03-01	101101	RF

MISSING ITEM NUMBERS NOT APPLICABLE

- ITEM NOT ILLUSTRATED

34-22-51-01

34-22-51  
FIG. 01  
PAGE 3  
JAN 20/09

BRI



757

PARTS CATALOG (MAINTENANCE)

FIG ITEM	PART NUMBER	1 2 3 4 5 6 7	NOMENCLATURE	EFFECT FROM TO	UNITS PER ASSY
1					
- 6	233N8200-302		GLARESHIELD ASSY-PILOTS ELECTRICAL (NAVIGATION ONLY) POSITION DATA: RH FOR NHA/OTHER SYS DET SEE: 25-10-00-15B	102102 108120 504903	RF
- 7	MODREF27490		GLARESHIELD ASSY-PILOTS ELECTRICAL (NAVIGATION ONLY) MODULE NUMBER: 233N8200-310 REV C POSITION DATA: RH FOR OTHER SYS DETAILS SEE: 25-13-03-02 31-25-01-05 31-25-51-01 33-14-51-01	104106	1
- 7	MODREF22333		GLARESHIELD ASSY-PILOTS ELECTRICAL (NAVIGATION ONLY) MODULE NUMBER: 233N8200-310 REV B POSITION DATA: RH FOR OTHER SYS DETAILS SEE: 25-13-03-02 31-25-01-05 31-25-51-01 33-14-51-01	103103	1
10	622-4555-002		. SENSOR-EFIS REMOTE LIGHT SUPPLIER CODE: V4V792 SPECIFICATION NUMBER: S242T404-701 COMPONENT MAINT MANUAL REF: 31-61-41 ATTACHING PARTS	002004 006999	1
- 15	NAS514P632-12		. SCREW- OPTIONAL PART: BACS12GX06E12	002004 006999	2
- 15	BACS12GX06E12		. SCREW- OPTIONAL PART: NAS514P632-12 -----*-----	102106 108120 504903	2
17	646-0041-002		.. PLATE-IDENT SUPPLIER CODE: V4V792	002004 006999	1

MISSING ITEM NUMBERS NOT APPLICABLE

- ITEM NOT ILLUSTRATED

34-22-51-01

34-22-51  
FIG. 01  
PAGE 4  
JAN 20/09

BRI



757  
PARTS CATALOG (MAINTENANCE)

FIG ITEM	PART NUMBER	1 2 3 4 5 6 7	NOMENCLATURE	EFFECT FROM TO	UNITS PER ASSY
1 20	233T8200-94	.	GASKET	103106	1

MISSING ITEM NUMBERS NOT APPLICABLE

- ITEM NOT ILLUSTRATED

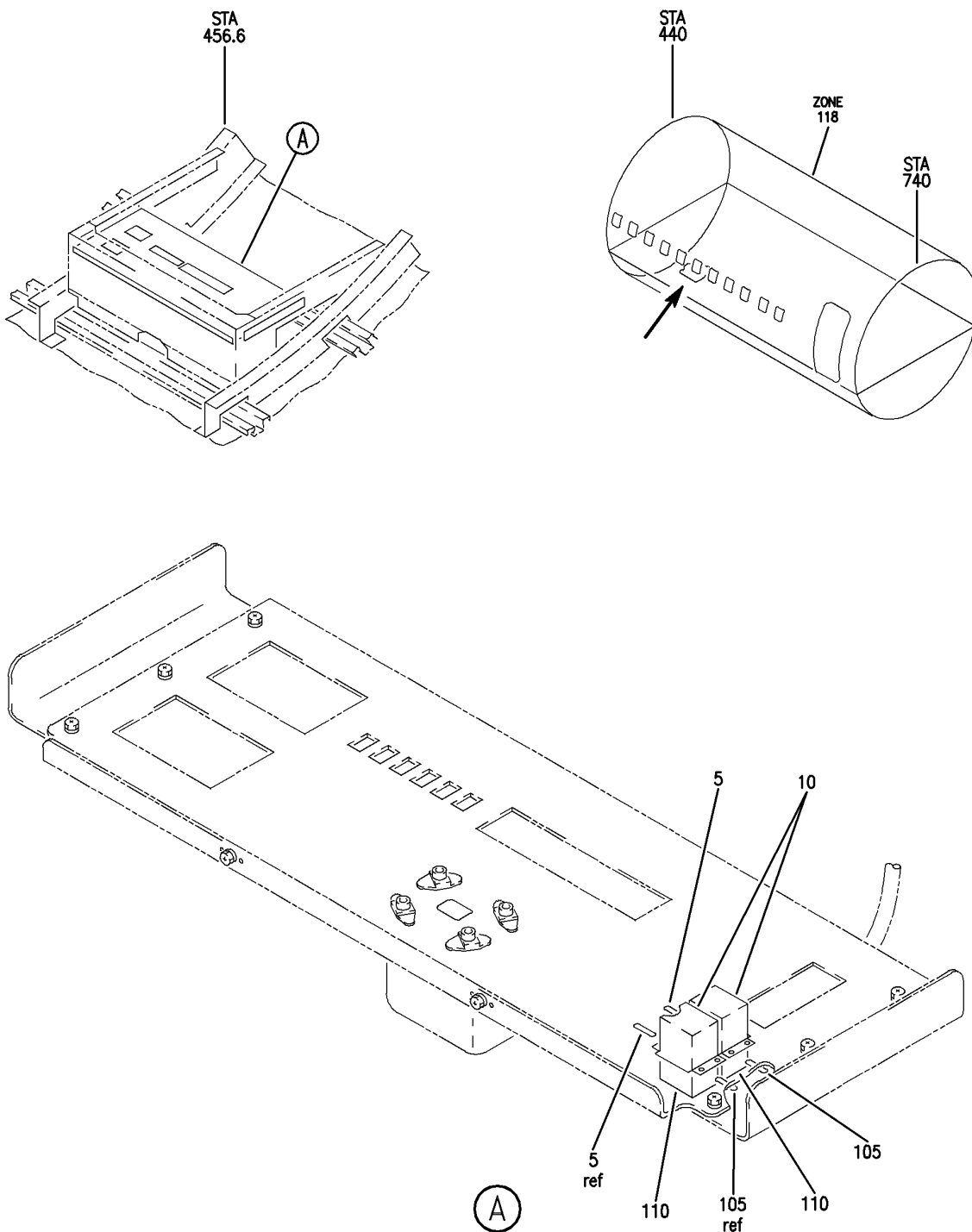
BRI

34-22-51-01

BOEING PROPRIETARY - Copyright © - Unpublished Work - See title page for details.

34-22-51  
FIG. 01  
PAGE 5  
JAN 20/09

**BOEING**  
757  
PARTS CATALOG (MAINTENANCE)



Y 34225102 REV 238

PANEL ASSY-P65 MISC ELECTRONIC EQPT CTR (FLIGHT INSTRUMENT SYSTEM ONLY)  
FIGURE 2

**34-22-51-02**

BRI  
JAN 20/09

34-22-51-02  
PAGE 0



757

PARTS CATALOG (MAINTENANCE)

FIG ITEM	PART NUMBER	1 2 3 4 5 6 7	NOMENCLATURE	EFFECT FROM TO	UNITS PER ASSY
2			PANEL ASSY-P65 MISC ELECTRONIC EQPT CTR (FLIGHT INSTRUMENT SYSTEM ONLY)	952952	
- 1	284N1747-3		PANEL ASSY-P65 MISC ELECTRONIC EQPT CTR (FLIGHT INSTRUMENT SYSTEM ONLY) POST SERVICE BULLETIN: 34-0200 REWORKED BY SB: 34-0200 FOR NHA/OTHER SYS DET SEE: 31-01-65-03	952952	RF
5	BAC27TEX6739		.MARKER SHEET-BLANK (INCLUDES DECALS IDENTIFIED ON THE ILLUSTRATION)	952952	AR
10	ES410-1538		.RELAY- SUPPLIER CODE: V99699 SPECIFICATION NUMBER: BACR13CG2AB OPTIONAL PART: KD4L018 V35344 BR230DS0115 V56623 KD4L036 V58657 FCA410-63 V78290 ELECTRICAL EQUIP NUMBER: K10789 K10790 WIRING DIAGRAM REF: 342218 342228	952952	2
- 100	829N0010-137A		WIRE BUNDLE ASSY- MANUFACTURED FROM: 286N0814-310 POST SERVICE BULLETIN: 34-0200	952952	RF
105	BAC27TEX6739		.MARKER SHEET-BLANK (INCLUDES DECALS IDENTIFIED ON THE ILLUSTRATION)	952952	AR

MISSING ITEM NUMBERS NOT APPLICABLE

- ITEM NOT ILLUSTRATED

34-22-51-02

34-22-51  
FIG. 02  
PAGE 1  
JAN 20/09

BRI



757

PARTS CATALOG (MAINTENANCE)

FIG ITEM	PART NUMBER	1 2 3 4 5 6 7	NOMENCLATURE	EFFECT FROM TO	UNITS PER ASSY
2 110	RSF116400		. SOCKET-TERR WXR SUPPLIER CODE: V58982 SPECIFICATION NUMBER: BACS16W1A OPTIONAL PART: 102-009-1 V09922 000300-1539 V05574 ELECTRICAL EQUIP NUMBER: D03003 D03005 WIRING DIAGRAM REF: 342218 342228	952952	2

MISSING ITEM NUMBERS NOT APPLICABLE

- ITEM NOT ILLUSTRATED

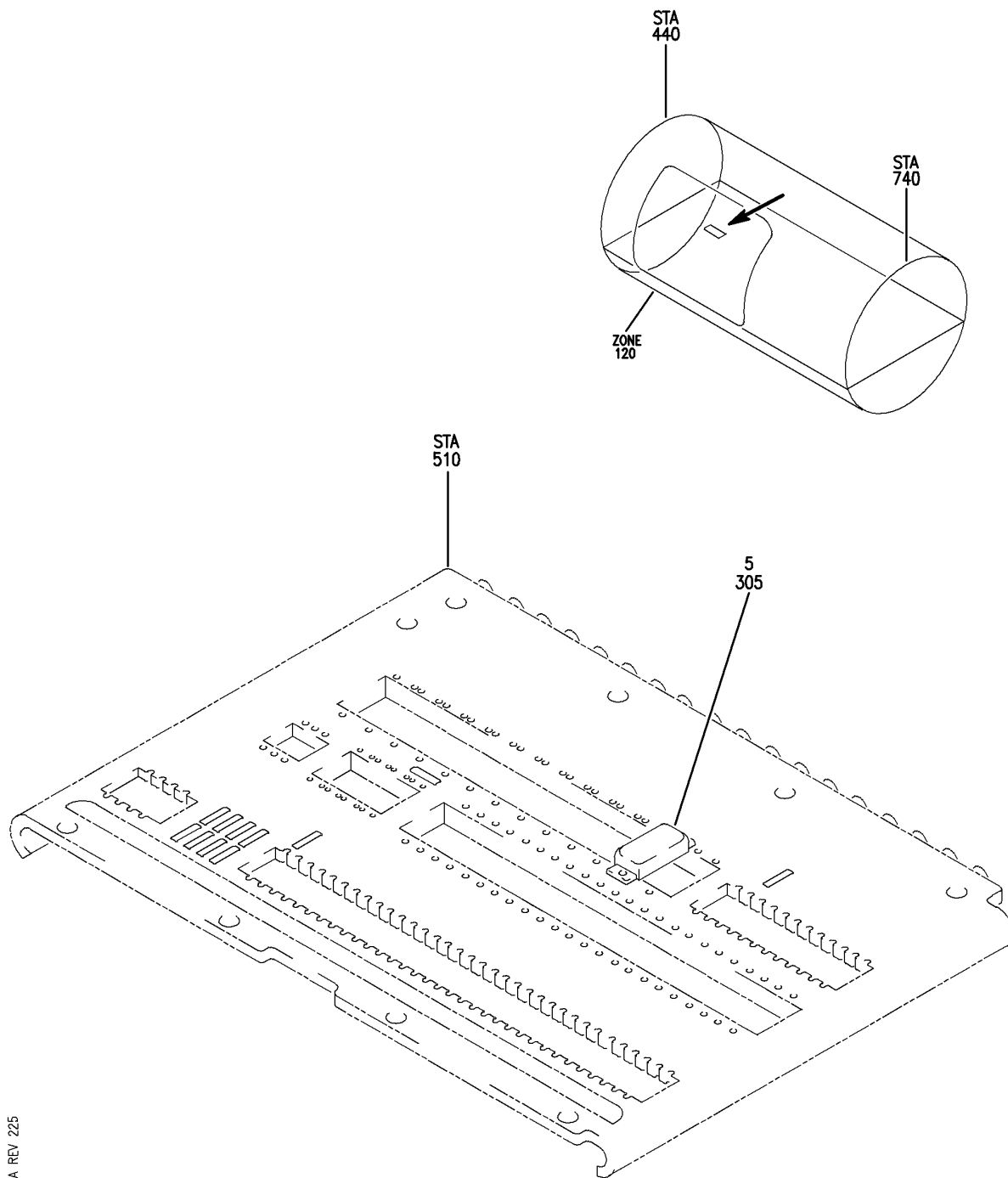
BRI

34-22-51-02

BOEING PROPRIETARY - Copyright © - Unpublished Work - See title page for details.

34-22-51  
FIG. 02  
PAGE 2  
JAN 20/09

**BOEING**  
757  
PARTS CATALOG (MAINTENANCE)



Y 34225201A REV 225

PACKAGE ASSY-OPTION P36 MISC RELAY L (FLIGHT INSTRUMENT SYSTEM ONLY)  
FIGURE 1A

**34-22-52-01A**

BRI  
MAY 28/07

34-22-52-01A  
PAGE 0





757

PARTS CATALOG (MAINTENANCE)

FIG ITEM	PART NUMBER	1 2 3 4 5 6 7	NOMENCLATURE	EFFECT FROM TO	UNITS PER ASSY
1 A			PACKAGE ASSY-OPTION P36 MISC RELAY L (FLIGHT INSTRUMENT SYSTEM ONLY)	101102 504903	
- 1	284N1125-1004		OPTION PACKAGE ASSY-P36 MISC RELAY L (FLIGHT INSTRUMENT SYSTEM ONLY) REWORKED BY ALERT SB: 27A0130 FOR NHA/OTHER SYS DET SEE: 31-01-36-05	101102	RF
- 1	284N1125-1029		OPTION PACKAGE ASSY-P36 MISC RELAY L (FLIGHT INSTRUMENT SYSTEM ONLY) REWORKED BY ALERT SB: 27A0130 FOR NHA/OTHER SYS DET SEE: 31-01-36-05	504903	RF
5	ES410-1538		.RELAY- SUPPLIER CODE: V99699 SPECIFICATION NUMBER: BACR13CG2AB OPTIONAL PART: KD4L018 V35344 BR230DS0115 V56623 KD4L036 V58657 FCA410-63 V78290 ELECTRICAL EQUIP NUMBER: K10639	101102 504903	1
- 301	286N1260-358		WIRE BUNDLE ASSY- REWORKED BY ALERT SB: 27A0130	101102	RF
- 301	286N1260-364		WIRE BUNDLE ASSY	504903	RF

MISSING ITEM NUMBERS NOT APPLICABLE

- ITEM NOT ILLUSTRATED

34-22-52-01A

34-22-52  
FIG. 01A  
PAGE 1  
JAN 20/09

BRI



757

PARTS CATALOG (MAINTENANCE)

FIG ITEM	PART NUMBER	1 2 3 4 5 6 7	NOMENCLATURE	EFFECT FROM TO	UNITS PER ASSY
1 A 305	RSF116400		. SOCKET- SUPPLIER CODE: V58982 SPECIFICATION NUMBER: BACS16W1A OPTIONAL PART: 102-009-1 V09922 000300-1539 V05574 ELECTRICAL EQUIP NUMBER: D01515 WIRING DIAGRAM REF: 342238	101102 504903	1

MISSING ITEM NUMBERS NOT APPLICABLE

- ITEM NOT ILLUSTRATED

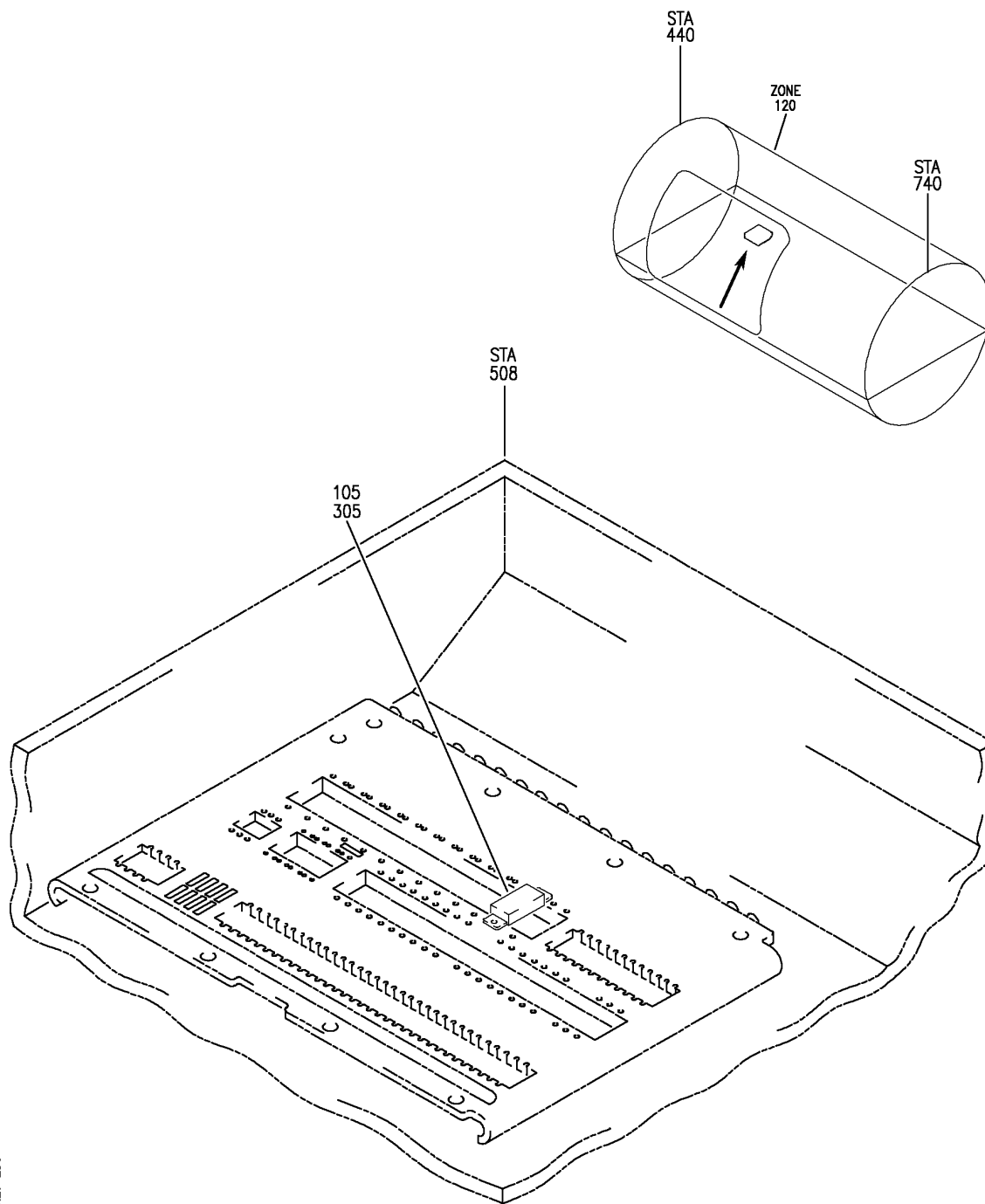
BRI

34-22-52-01A

BOEING PROPRIETARY - Copyright © - Unpublished Work - See title page for details.

34-22-52  
FIG. 01A  
PAGE 2  
JAN 20/09

**BOEING**  
757  
PARTS CATALOG (MAINTENANCE)



Y 34225201C REV 250

PANEL INSTL-P36 L MISC RELAY (FLIGHT INSTRUMENT SYSTEM ONLY)  
FIGURE 1C

**34-22-52-01C**

BRI  
JAN 20/09

34-22-52-01C  
PAGE 0



757

PARTS CATALOG (MAINTENANCE)

FIG ITEM	PART NUMBER	1 2 3 4 5 6 7	NOMENCLATURE	EFFECT FROM TO	UNITS PER ASSY
1 C			PANEL INSTL-P36 L MISC RELAY (FLIGHT INSTRUMENT SYSTEM ONLY)	103106 108120	
- 3	284N1125-94		PANEL INSTL-P36 L MISC RELAY (FLIGHT INSTRUMENT SYSTEM ONLY) FOR NHA/OTHER SYS DET SEE: 24-00-58-05C	108120	RF

MISSING ITEM NUMBERS NOT APPLICABLE

- ITEM NOT ILLUSTRATED

BRI

34-22-52-01C

BOEING PROPRIETARY - Copyright © - Unpublished Work - See title page for details.

34-22-52  
FIG. 01C  
PAGE 1  
JAN 20/09



757

PARTS CATALOG (MAINTENANCE)

FIG ITEM	PART NUMBER	1 2 3 4 5 6 7	NOMENCLATURE	EFFECT FROM TO	UNITS PER ASSY
1C - 7	MODREF31944		PANEL INSTL-P36 L MISC RELAY (FLIGHT INSTRUMENT SYSTEM ONLY) MODULE NUMBER: 284N1125-123 REV A FOR OTHER SYS DETAILS SEE: 11-36-08-03C 21-25-71-02C 21-33-71-02C 21-51-56-01C 21-58-71-02C 23-12-00-05 23-31-54-01C 23-34-52-01C 24-21-51-01A 26-15-71-02C 26-16-71-01C 26-22-71-01C 27-48-52-03C 27-51-71-03C 27-58-71-02C 27-62-71-03C 29-11-71-03C 29-21-71-01C 30-21-71-03C 30-34-51-01C 31-01-36-01 32-09-02-03C 32-35-71-01C 32-42-71-02C 32-44-71-02C 32-61-71-02C 34-12-71-02C 34-21-71-02C 34-61-52-01C 36-11-71-02C 73-21-55-01C 74-31-71-02C 76-11-71-02C 77-12-71-01C 78-34-71-02C 78-36-71-02C 80-11-71-02C	103106	1

MISSING ITEM NUMBERS NOT APPLICABLE

- ITEM NOT ILLUSTRATED

34-22-52-01C

34-22-52  
FIG. 01C  
PAGE 2  
JAN 20/09

BRI



757

PARTS CATALOG (MAINTENANCE)

FIG ITEM	PART NUMBER	1 2 3 4 5 6 7	NOMENCLATURE	EFFECT FROM TO	UNITS PER ASSY
1C 105	ES410-1538		.RELAY- SUPPLIER CODE: V99699 SPECIFICATION NUMBER: BACR13CG2AB OPTIONAL PART: KD4L018 V35344 BR230DS0115 V56623 KD4L036 V58657 FCA410-63 V78290 ELECTRICAL EQUIP NUMBER: K10639	103106 108120	1
- 300	286N1260-357		WIRE BUNDLE ASSY	108120	RF
- 302	286N1260-601		WIRE BUNDLE ASSY	103106	RF
305	RSF116400		.SOCKET- SUPPLIER CODE: V58982 SPECIFICATION NUMBER: BACS16W1A OPTIONAL PART: 102-009-1 V09922 000300-1539 V05574 ELECTRICAL EQUIP NUMBER: D01515 WIRING DIAGRAM REF: 342238	103106 108120	1

MISSING ITEM NUMBERS NOT APPLICABLE

- ITEM NOT ILLUSTRATED

34-22-52-01C

34-22-52  
FIG. 01C  
PAGE 3  
JAN 20/09

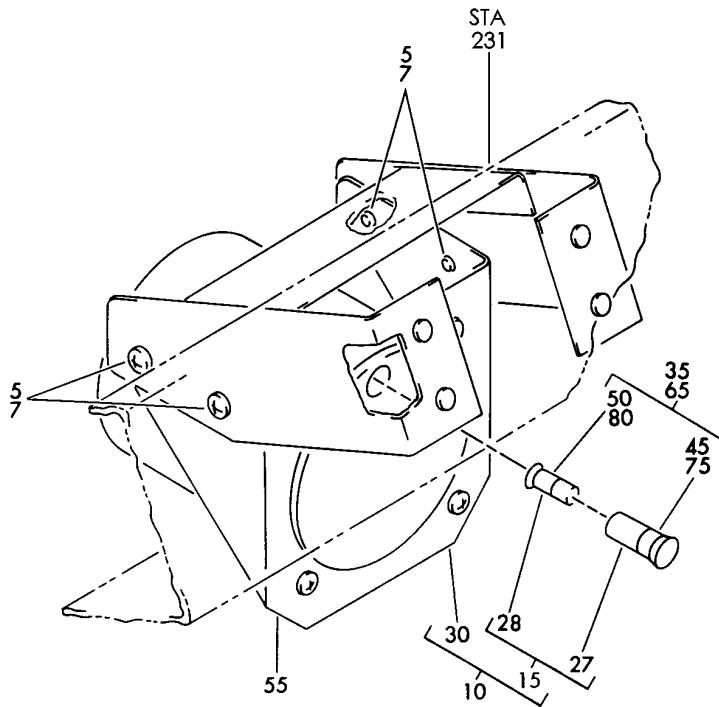
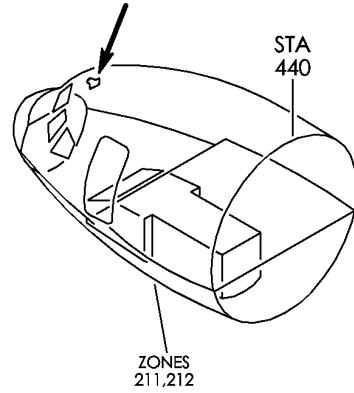
BRI

## STANDBY MAGNETIC COMPASS

BRI  
MAY 28/07

34-23-00  
SECTION TITLE  
PAGE 1

**BOEING**  
757  
PARTS CATALOG (MAINTENANCE)



Y 34235105 REV 229

COMPASS INSTL-STBY  
FIGURE 5

**34-23-51-05**

BRI  
MAY 28/07

34-23-51-05  
PAGE 0





757

PARTS CATALOG (MAINTENANCE)

FIG ITEM	PART NUMBER	1 2 3 4 5 6 7	NOMENCLATURE	EFFECT FROM TO	UNITS PER ASSY
5			COMPASS INSTL-STBY	002004 006999	
- 1	232N4311-7		COMPASS INSTL-STBY FOR NHA SEE: 25-10-00-01	002004 006010 107107 121503 904999	RF
- 1	232N4311-9		COMPASS INSTL-STBY FOR NHA SEE: 25-10-00-01	011100	RF
- 1	232N4311-11		COMPASS INSTL-STBY FOR NHA SEE: 25-10-00-10	101102 108120 504903	RF
- 1	MODREF6519		COMPASS INSTL-STBY MODULE NUMBER: 232N4311-11 REV A	103105	1
- 1	MODREF174735		COMPASS INSTL-STBY MODULE NUMBER: 232N4311-11 REV B	106106	1
5	BACS12CK06-6		.SCREW-	002004 006010 107107 121503 904999	4
7	BRH10C06		.NUT SUPPLIER CODE: V52828 SPECIFICATION NUMBER: BACN10JC06C OPTIONAL PART: 97-62 V80539 101LH9075-62W V72962 VN303B62 V92215 NS202101S62 V80539 H31-06BAC V15653 T6C632J V11815	002004 006010 107107 121503 904999	4

MISSING ITEM NUMBERS NOT APPLICABLE

- ITEM NOT ILLUSTRATED

34-23-51-05

34-23-51  
FIG. 05  
PAGE 1  
JAN 20/09

BRI



757

PARTS CATALOG (MAINTENANCE)

FIG ITEM	PART NUMBER	1 2 3 4 5 6 7	NOMENCLATURE	EFFECT FROM TO	UNITS PER ASSY
5					
35	C5H		.COMPASS ASSY- SUPPLIER CODE: V61349 FUNCTIONAL DESCRIPTION: PROVIDES INDEPENDENT SOURCE OF DIRECTIONAL HEADING COMPONENT MAINT MANUAL REF: 34-23-01	002004 006010 107107 121503 904999	1
35	C5M		.COMPASS ASSY- SUPPLIER CODE: V61349 FUNCTIONAL DESCRIPTION: PROVIDES INDEPENDENT SOURCE OF DIRECTIONAL HEADING ATTACHING PARTS	002004 006010 107107 121503 904999	1
- 40	MS35214-43		.SCREW	107107	4
- 40	BACS12CK08-10		.SCREW	002004 006010 121503 904999	4
			-----*-----		
45	AF961		..LAMPHOLDER ASSY- SUPPLIER CODE: V61349 USED ON: C5H	002004 006010 107107 121503 904999	1
50	MS25237-328		..LAMP- OPTIONAL PART: AO-513C V61349 USED ON: C5H	002004 006010 107107 121503 904999	1
50	AO-513C		..LAMP- SUPPLIER CODE: V61349 OPTIONAL PART: MS25237-328 USED ON: C5H	002004 006010 107107 121503 904999	1
50	M6363-8-2		..LAMP- USED ON: C5H	002004 006010 107107 121503 904999	1

MISSING ITEM NUMBERS NOT APPLICABLE

- ITEM NOT ILLUSTRATED

34-23-51-05

34-23-51  
FIG. 05  
PAGE 2  
JAN 20/09

BRI

BOEING PROPRIETARY - Copyright © - Unpublished Work - See title page for details.

**BOEING**  
757  
**PARTS CATALOG (MAINTENANCE)**

FIG ITEM	PART NUMBER	1 2 3 4 5 6 7	NOMENCLATURE	EFFECT FROM TO	UNITS PER ASSY
5					
55	232N4314-2	.	BRACKET ASSY-	002004 006010 107107 121503 904999	1
65	C5H	.	COMPASS ASSY- SUPPLIER CODE: V61349 FUNCTIONAL DESCRIPTION: PROVIDES INDEPENDENT SOURCE OF DIRECTIONAL HEADING COMPONENT MAINT MANUAL REF: 34-23-01	011106 108120 504903	1
65	C5M	.	COMPASS ASSY- SUPPLIER CODE: V61349 FUNCTIONAL DESCRIPTION: PROVIDES INDEPENDENT SOURCE OF DIRECTIONAL HEADING ATTACHING PARTS	011106 108120 504903	1
- 70	MS35214-43	.	SCREW-	011100	4
- 70	BACS12CK08-10	.	SCREW-	101106 108120 504903	4
			-----*-----		
75	AF961	..	LAMPHOLDER ASSY- SUPPLIER CODE: V61349 USED ON: C5H	011106 108120 504903	1
80	MS25237-328	..	LAMP- OPTIONAL PART: A0-513C V61349 USED ON: C5H	011106 108120 504903	1
80	A0-513C	..	LAMP- SUPPLIER CODE: V61349 OPTIONAL PART: MS25237-328 USED ON: C5H	011106 108120 504903	1
80	M6363-8-2	..	LAMP- USED ON: C5H	011106 108120 504903	1

MISSING ITEM NUMBERS NOT APPLICABLE

- ITEM NOT ILLUSTRATED

BRI

# 34-23-51-05

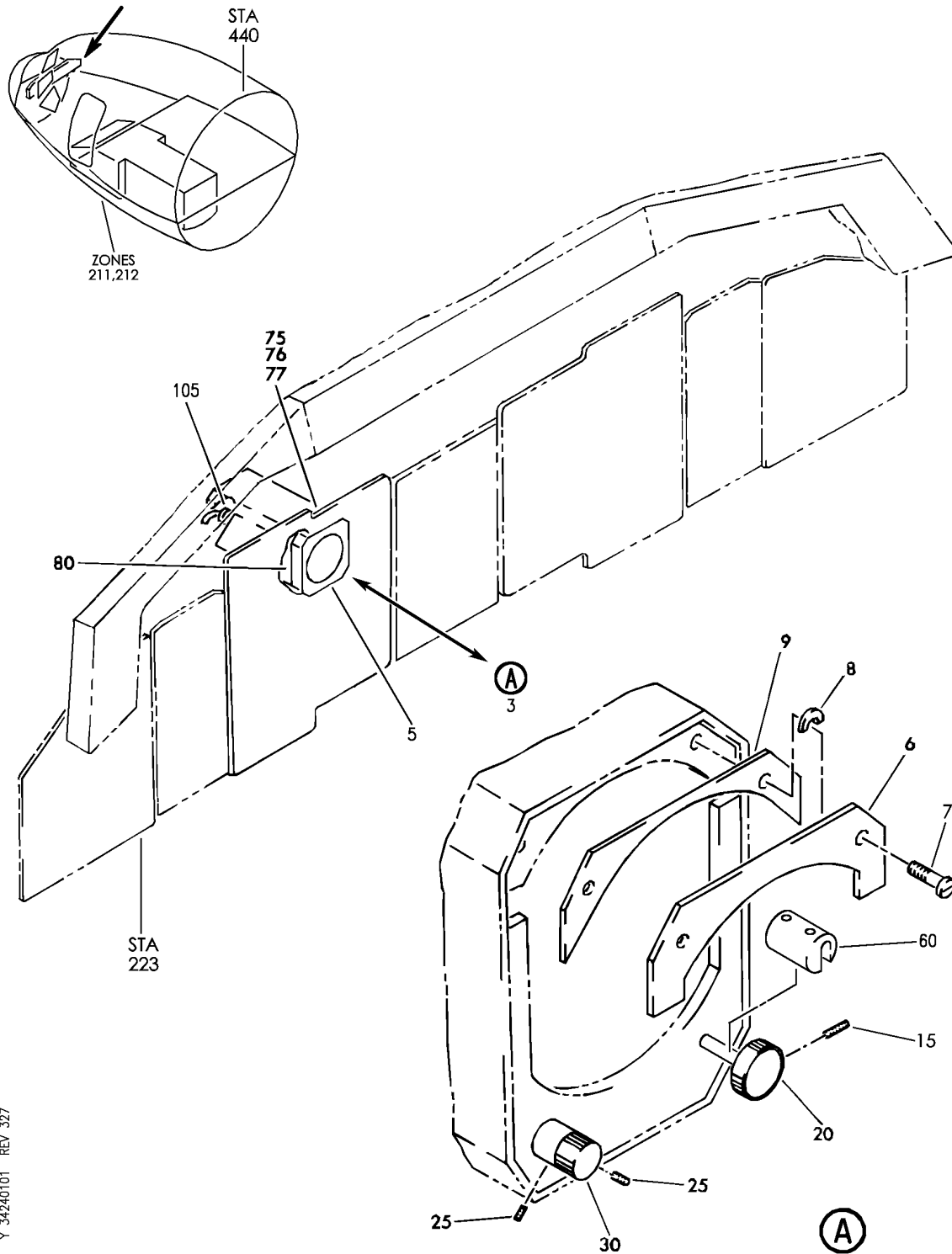
34-23-51  
FIG. 05  
PAGE 3  
JAN 20/09

## STANDBY ATTITUDE REFERENCE SYSTEM

BRI  
MAY 28/07

34-24-00  
SECTION TITLE  
PAGE 1

**BOEING**  
757  
PARTS CATALOG (MAINTENANCE)



Y 34240101 REV 327

PANEL INSTL-CAPT AND FIRST OFFICER FWD (STANDBY ALTITUDE REFERENCE SYSTEM ONLY)  
FIGURE 1

**34-24-01-01**

BRI  
SEP 20/08

34-24-01-01  
PAGE 0



757

PARTS CATALOG (MAINTENANCE)

FIG ITEM	PART NUMBER	1 2 3 4 5 6 7	NOMENCLATURE	EFFECT FROM TO	UNITS PER ASSY
1			PANEL INSTL-CAPT AND FIRST OFFICER FWD (STANDBY ALTITUDE REFERENCE SYSTEM ONLY)	002004 006010 107107 121503 904999	
- 1	233N2101-1		PANEL INSTL-CAPT AND FIRST OFFICER (STANDBY ALTITUDE REFERENCE SYSTEM ONLY) POSITION DATA: FWD VARIABLE DRAWING REF: 233N2101-5003 233N2101-5004 233N2101-5037 233N2101-5039 233N2101-5041 FOR NHA/OTHER SYS DET SEE: 25-10-00-05A	002004 006010 107107 121503 904999	RF
5	H150AKM		.INDICATOR ASSY-STBY ATTITUDE SUPPLIER CODE: VF6306 SPECIFICATION NUMBER: S231T110-5 ELECTRICAL EQUIP NUMBER: N00020 COMPONENT MAINT MANUAL REF: 34-23-80 FUNCTIONAL REFERENCE: LIGHTS FOR DETAILS SEE 33-13-51-50D	002004 006010 107107 121503 904999	1
5	H150AKM1		.INDICATOR ASSY-STBY ATTITUDE SUPPLIER CODE: VF6306 SPECIFICATION NUMBER: S231T110-6 ELECTRICAL EQUIP NUMBER: N00020 COMPONENT MAINT MANUAL REF: 34-23-80 FUNCTIONAL REFERENCE: LIGHTS FOR DETAILS SEE 33-13-51-50D	002004 006010 107107 121503 904999	1

MISSING ITEM NUMBERS NOT APPLICABLE

- ITEM NOT ILLUSTRATED

34-24-01-01

34-24-01  
FIG. 01  
PAGE 1  
JAN 20/09

BRI



757

PARTS CATALOG (MAINTENANCE)

FIG ITEM	PART NUMBER	1 2 3 4 5 6 7	NOMENCLATURE	EFFECT FROM TO	UNITS PER ASSY
1	6 H150AF92		..MASK- SUPPLIER CODE: VF6306	002004 006010 107107 121503 904999	1
			ATTACHING PARTS		
	7 S100-77		..SCREW- SUPPLIER CODE: VF6306	002004 006010 107107 121503 904999	2
	8 S145-13		..CIRCLIP- SUPPLIER CODE: VF6306 OPTIONAL PART: 23203AM0015T 23203UJ0015 -----*-----	002004 006010 107107 121503 904999	2
	9 H150AF90		..BLOCK ASSY-LIGHTING SUPPLIER CODE: VF6306	002004 006010 107107 121503 904999	1
	15 A1226235		..SCREW-SET SUPPLIER CODE: VF6306	002004 006010 107107 121503 904999	1
	15 22306CA030006		..SCREW-MACHINE SUPPLIER CODE: VF6306	002004 006010 107107 121503 904999	1
	20 H150AF88		..KNOB- SUPPLIER CODE: VF6306	002004 006010 107107 121503 904999	1
	25 VFQ1CA025004U		..SCREW-MACHINE SUPPLIER CODE: VF6306	002004 006010 107107 121503 904999	2
	25 A1226260		..SCREW-SET SUPPLIER CODE: VF6306	002004 006010 107107 121503 904999	2

MISSING ITEM NUMBERS NOT APPLICABLE

- ITEM NOT ILLUSTRATED

34-24-01-01

34-24-01  
FIG. 01  
PAGE 2  
JAN 20/09

BRI



757

PARTS CATALOG (MAINTENANCE)

FIG ITEM	PART NUMBER	1 2 3 4 5 6 7	NOMENCLATURE	EFFECT FROM TO	UNITS PER ASSY
1	30 H150AK21		.. KNOB- SUPPLIER CODE: VF6306	002004 006010 107107 121503 904999	1
-	35 H150AK20		.. LABEL-IDENT SUPPLIER CODE: VF6306 SB DATA FROM A CMM: PRE H150-34-002 USED ON: H150AKM	002004 006010 107107 121503 904999	1
-	35 H150AK42		.. LABEL-IDENT SUPPLIER CODE: VF6306 SB DATA FROM A CMM: POST H150-34-002 USED ON: H150AKM1	002004 006010 107107 121503 904999	1
-	40 S902-257		.. PROTECTOR-LABEL SUPPLIER CODE: VF6306	002004 006010 107107 121503 904999	1
-	45 2-902-074		.. LABEL-PHASE ORDER SUPPLIER CODE: VF6306	002004 006010 107107 121503 904999	1
-	50 42-91-13-202		.. LABEL-SLOPE SUPPLIER CODE: VF6306	002004 006010 107107 121503 904999	1
-	55 S902-192		.. LABEL-MOD SUPPLIER CODE: VF6306	002004 006010 107107 121503 904999	1
	60 H150AK24		.. WEDGE-LOCKING SUPPLIER CODE: VF6306	002004 006010 107107 121503 904999	1
	76 233N2221-51		.MODULE ASSY-P1-3	002004 006010 950999	RF
	77 233N2221-59		.MODULE ASSY-P1-3	107107	RF

MISSING ITEM NUMBERS NOT APPLICABLE

- ITEM NOT ILLUSTRATED

34-24-01-01

34-24-01  
FIG. 01  
PAGE 3  
JAN 20/09

BRI



 **BOEING**  
757  
**PARTS CATALOG (MAINTENANCE)**

FIG ITEM	PART NUMBER	1 2 3 4 5 6 7	NOMENCLATURE	EFFECT FROM TO	UNITS PER ASSY
1					
77	233N2221-62	.	MODULE ASSY-P1-3	121503 904949	RF
80	123-4-2D	..	CLAMP- SUPPLIER CODE: V28277 OPTIONAL PART: 123-4040A2G V28277	002004 006010 107107 121503 904999	1
80	123-4040A2G	..	CLAMP- SUPPLIER CODE: V28277 OPTIONAL PART: 123-4-2D V28277	002004 006010 950999	1
- 100	286N0001-002		WIRE BUNDLE ASSY- REWORKED BY ALERT SB: 34A022	121503 904949	RF
- 100	286N0001-003		WIRE BUNDLE ASSY- REWORKED BY ALERT SB: 34A022	107107	RF
- 100	286N0001-005		WIRE BUNDLE ASSY- REWORKED BY ALERT SB: 34A022	002004 006010 950999	RF
105	BACC45FT16A24S	.	CONNECTOR- ELECTRICAL EQUIP NUMBER: D00275 WIRING DIAGRAM REF: 342411	002004 006010 107107 121503 904999	1

MISSING ITEM NUMBERS NOT APPLICABLE

- ITEM NOT ILLUSTRATED

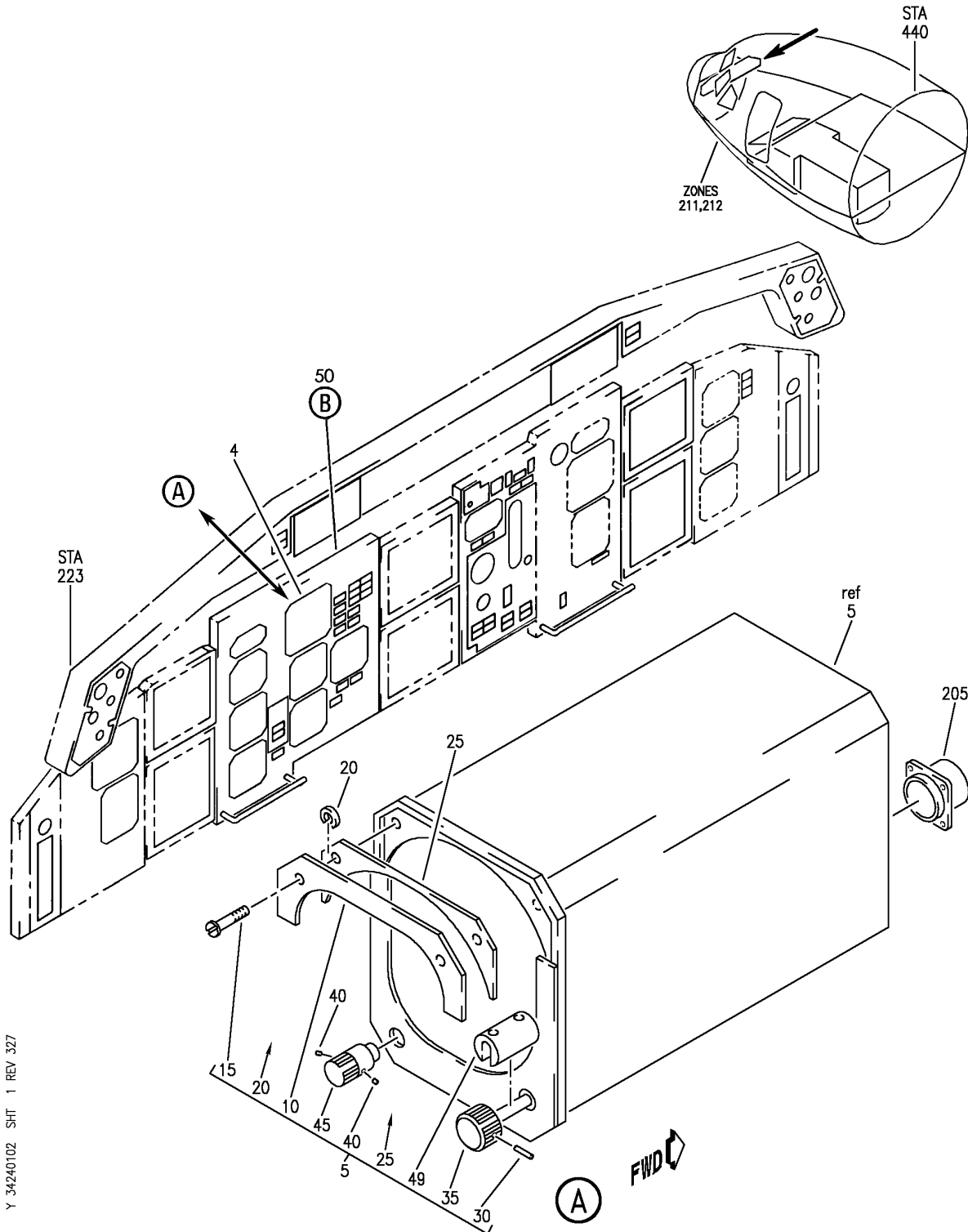
BRI

# 34-24-01-01

BOEING PROPRIETARY - Copyright © - Unpublished Work - See title page for details.

34-24-01  
FIG. 01  
PAGE 4  
JAN 20/09

**BOEING**  
757  
PARTS CATALOG (MAINTENANCE)



Y 34240102 SH1 1 REV 327

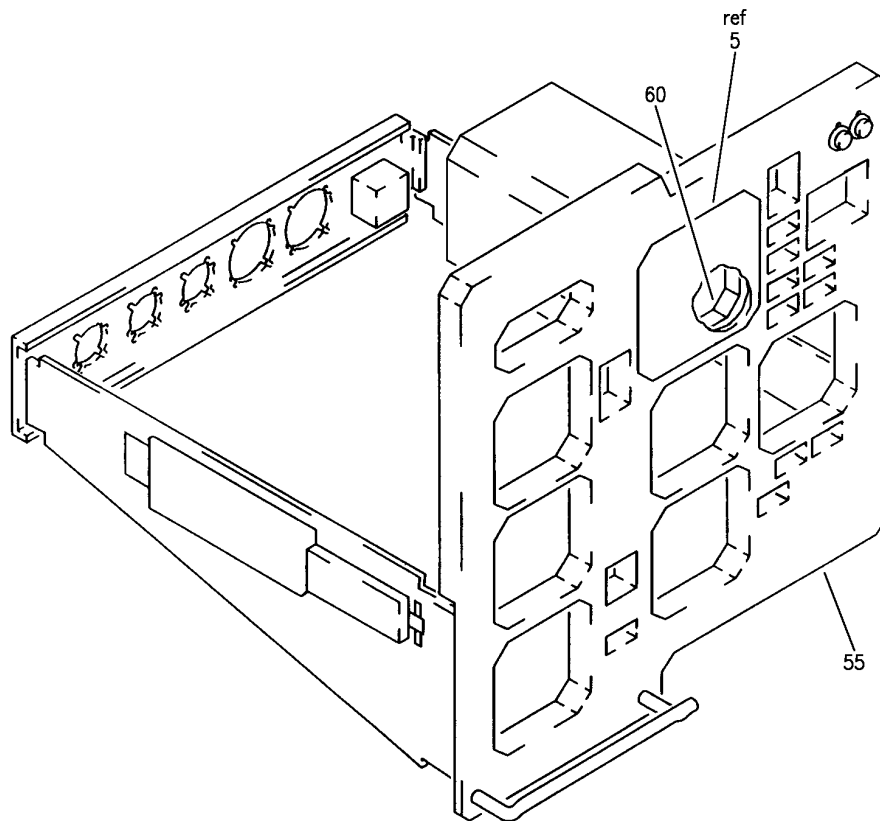
PANEL INSTL-CAPT AND FIRST OFFICER FWD (STANDBY ALTITUDE REFERENCE SYSTEM ONLY)  
FIGURE 2 (SHEET 1)

BRI  
SEP 20/08

**34-24-01-02**

34-24-01-02  
PAGE 0

**BOEING**  
757  
PARTS CATALOG (MAINTENANCE)



(B)

Y 34240102 SH1 2 REV 284

PANEL INSTL-CAPT AND FIRST OFFICER FWD (STANDBY ALTITUDE REFERENCE SYSTEM ONLY)  
FIGURE 2 (SHEET 2)

BRI  
MAY 28/07

**34-24-01-02**

34-24-01-02  
PAGE 0A



757

PARTS CATALOG (MAINTENANCE)

FIG ITEM	PART NUMBER	1 2 3 4 5 6 7	NOMENCLATURE	EFFECT FROM TO	UNITS PER ASSY
2			PANEL INSTL-CAPT AND FIRST OFFICER FWD (STANDBY ALTITUDE REFERENCE SYSTEM ONLY)	011100	
- 1	233N2101-1		PANEL INSTL-CAPT AND FIRST OFFICER (STANDBY ALTITUDE REFERENCE SYSTEM ONLY) POSITION DATA: FWD VARIABLE DRAWING REF: 233N2101-5039 FOR NHA/OTHER SYS DET SEE: 25-10-00-05A	011100	RF
5	H150AKM1		. INDICATOR ASSY-STBY ATTITUDE SUPPLIER CODE: VF6306 SPECIFICATION NUMBER: S231T110-6 ELECTRICAL EQUIP NUMBER: N00020 COMPONENT MAINT MANUAL REF: 34-23-80 FUNCTIONAL REFERENCE: LIGHTS FOR DETAILS SEE 33-13-51-50D	011100	1
5	H150AKM		. INDICATOR ASSY-STBY ATTITUDE SUPPLIER CODE: VF6306 SPECIFICATION NUMBER: S231T110-5 ELECTRICAL EQUIP NUMBER: N00020 COMPONENT MAINT MANUAL REF: 34-23-80 FUNCTIONAL REFERENCE: LIGHTS FOR DETAILS SEE 33-13-51-50D	011100	1
10	H150AF92		.. MASK- SUPPLIER CODE: VF6306	011100	1
15	S100-77		ATTACHING PARTS .. SCREW- SUPPLIER CODE: VF6306	011100	2

MISSING ITEM NUMBERS NOT APPLICABLE

- ITEM NOT ILLUSTRATED

BRI

34-24-01-02

34-24-01  
FIG. 02  
PAGE 1  
JAN 20/09



757

PARTS CATALOG (MAINTENANCE)

FIG ITEM	PART NUMBER	1 2 3 4 5 6 7	NOMENCLATURE	EFFECT FROM TO	UNITS PER ASSY
2					
20	S145-13	..	CIRCLIP- SUPPLIER CODE: VF6306 OPTIONAL PART: 23203AM0015T 23203UJ0015 -----*-----	011100	2
25	H150AF90	..	BLOCK ASSY-LIGHTING SUPPLIER CODE: VF6306	011100	1
30	22306CA030006	..	SCREW-MACHINE SUPPLIER CODE: VF6306	011100	1
30	A1226235	..	SCREW-SET SUPPLIER CODE: VF6306	011100	1
35	H150AF88	..	KNOB- SUPPLIER CODE: VF6306	011100	1
40	VFQ1CA025004U	..	SCREW-MACHINE SUPPLIER CODE: VF6306	011100	2
40	A1226260	..	SCREW-SET SUPPLIER CODE: VF6306	011100	2
45	H150AK21	..	KNOB- SUPPLIER CODE: VF6306	011100	1
- 46	H150AK20	..	LABEL-IDENT SUPPLIER CODE: VF6306 SB DATA FROM A CMM: PRE H150-34-002 USED ON: H150AKM	011100	1
- 46	H150AK42	..	LABEL-IDENT SUPPLIER CODE: VF6306 SB DATA FROM A CMM: POST H150-34-002 USED ON: H150AKM1	011100	1
- 47	S902-257	..	PROTECTOR-LABEL SUPPLIER CODE: VF6306	011100	1
- 47A	2-902-074	..	LABEL-PHASE ORDER SUPPLIER CODE: VF6306	011100	1

MISSING ITEM NUMBERS NOT APPLICABLE

- ITEM NOT ILLUSTRATED

34-24-01-02

34-24-01  
FIG. 02  
PAGE 2  
JAN 20/09

BRI



757

PARTS CATALOG (MAINTENANCE)

FIG ITEM	PART NUMBER	1 2 3 4 5 6 7	NOMENCLATURE	EFFECT FROM TO	UNITS PER ASSY
2					
- 48	42-91-13-202		.. LABEL-SLOPE SUPPLIER CODE: VF6306	011100	1
- 48A	S902-192		.. LABEL-MOD SUPPLIER CODE: VF6306	011100	1
49	H150AK24		.. WEDGE-LOCKING SUPPLIER CODE: VF6306	011100	1
50	233N2221-301		.MODULE ASSY-P1-3 COMPONENT MAINT MANUAL REF: 31-11-48	011100	RF
55	233N2221-51		..MODULE ASSY-	011100	RF
60	123-4-2D		...CLAMP- SUPPLIER CODE: V28277 OPTIONAL PART: 123-4040A2G V28277	011100	1
60	123-4040A2G		...CLAMP- SUPPLIER CODE: V28277 OPTIONAL PART: 123-4-2D V28277	011100	1
- 200	286N0001-005		WIRE BUNDLE ASSY- REWORKED BY ALERT SB: 34A0222	011100	RF
205	BACC45FT16A24S		.CONNECTOR- ELECTRICAL EQUIP NUMBER: D00275 WIRING DIAGRAM REF: 342411	011100	1

MISSING ITEM NUMBERS NOT APPLICABLE

- ITEM NOT ILLUSTRATED

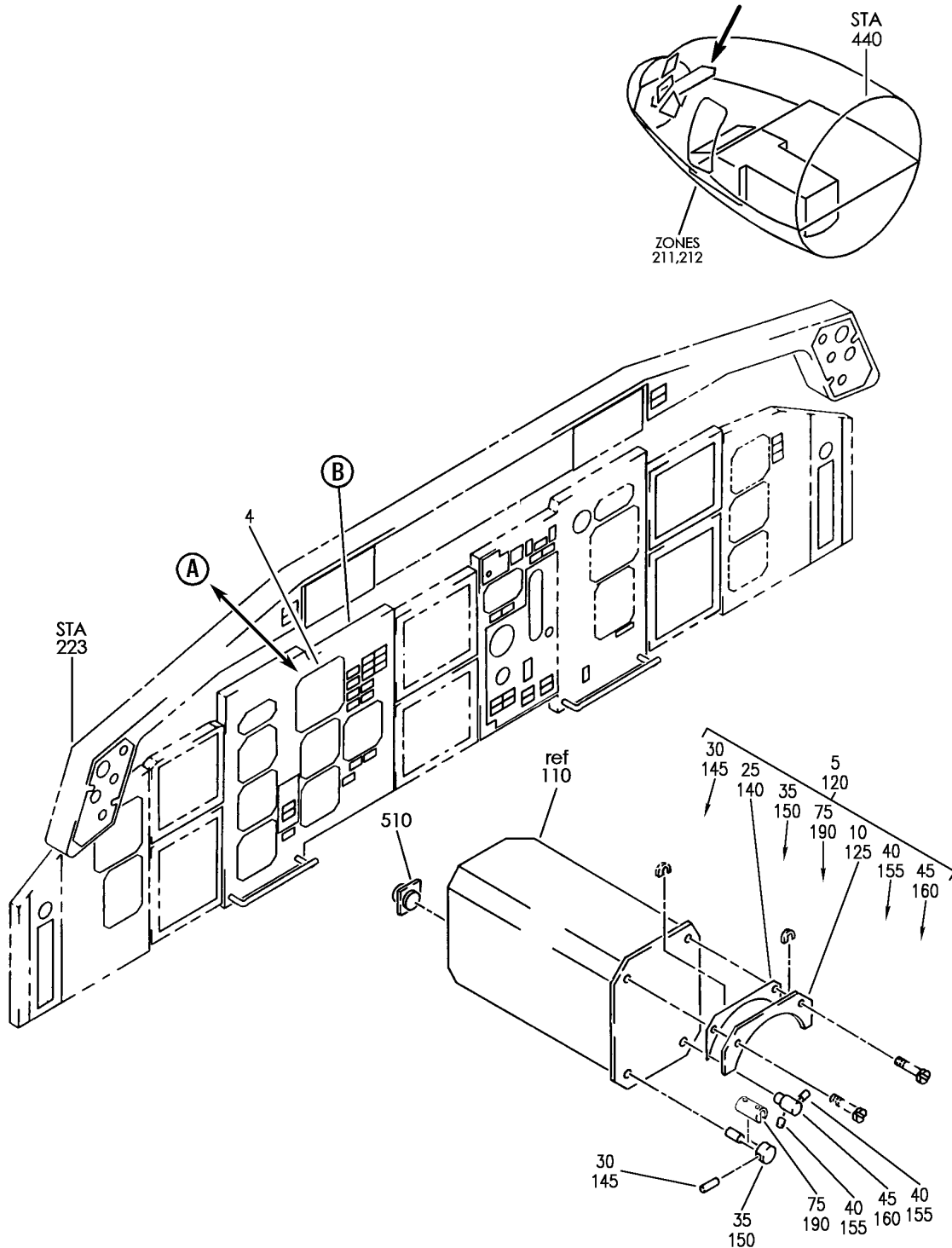
BRI

34-24-01-02

BOEING PROPRIETARY - Copyright © - Unpublished Work - See title page for details.

34-24-01  
FIG. 02  
PAGE 3  
JAN 20/09

**BOEING**  
757  
PARTS CATALOG (MAINTENANCE)



Y 34240103 SH1 1 REV 327

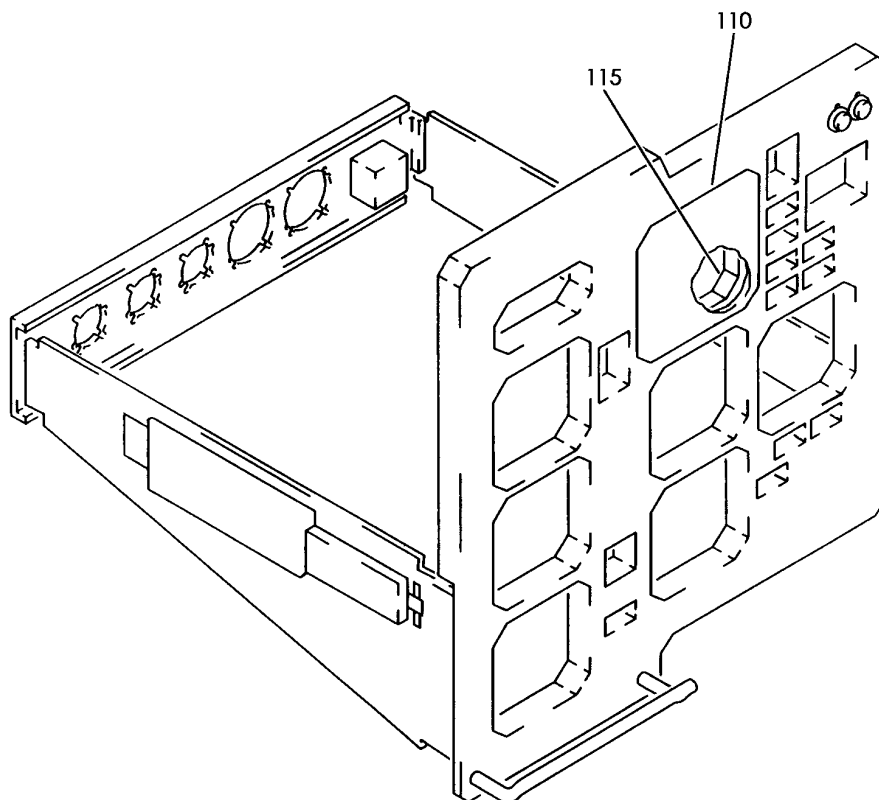
PANEL INSTL-CAPT AND FIRST OFFICER FWD AND P1-3 (STANDBY ATTITUDE REFERENCE SYSTEM ONLY)  
FIGURE 3 (SHEET 1)

BRI  
SEP 20/08

**34-24-01-03**

34-24-01-03  
PAGE 0

**BOEING**  
757  
PARTS CATALOG (MAINTENANCE)



(B)

Y 34240103 SHT 2 REV 216

PANEL INSTL-CAPT AND FIRST OFFICER FWD AND P1-3 (STANDBY ATTITUDE REFERENCE SYSTEM ONLY)  
FIGURE 3 (SHEET 2)

BRI  
MAY 28/07

**34-24-01-03**

34-24-01-03  
PAGE 0A





757

PARTS CATALOG (MAINTENANCE)

FIG ITEM	PART NUMBER	1 2 3 4 5 6 7	NOMENCLATURE	EFFECT FROM TO	UNITS PER ASSY
3			PANEL INSTL-CAPT AND FIRST OFFICER FWD AND P1-3 (STANDBY ATTITUDE REFERENCE SYSTEM ONLY)	101106 108120 504903	
- 1	233N2103-1		PANEL INSTL-CAPT AND FIRST OFFICER (STANDBY ATTITUDE REFERENCE SYSTEM ONLY)	101102 108120 504903	RF
	5 H150AKM1		POSITION DATA: FWD FOR NHA/OTHER SYS DET SEE: 25-10-00-15 . INDICATOR ASSY-STBY ATTITUDE SUPPLIER CODE: VF6306 SPECIFICATION NUMBER: S231T110-6 ELECTRICAL EQUIP NUMBER: N00020 COMPONENT MAINT MANUAL REF: 34-23-80 FUNCTIONAL REFERENCE: LIGHTS FOR DETAILS SEE 33-13-51-50D	101102 108120 504903	1
	10 H150AF92		.. MASK- SUPPLIER CODE: VF6306 ATTACHING PARTS	101102 108120 504903	1
- 15	S100-77		.. SCREW- SUPPLIER CODE: VF6306	101102 108120 504903	2
- 20	S145-13		.. CIRCLIP- SUPPLIER CODE: VF6306	101102 108120 504903	2
	25 H150AF90		-----*----- .. BLOCK ASSY-LIGHTING SUPPLIER CODE: VF6306	101102 108120 504903	1
	30 22306CA030006		.. SCREW-MACHINE SUPPLIER CODE: VF6306	101102 108120 504903	1
	30 A1226235		.. SCREW-SET SUPPLIER CODE: VF6306	101102 108120 504903	1
	35 H150AF88		.. KNOB- SUPPLIER CODE: VF6306	101102 108120 504903	1

MISSING ITEM NUMBERS NOT APPLICABLE

- ITEM NOT ILLUSTRATED

34-24-01-03

34-24-01  
FIG. 03  
PAGE 1  
JAN 20/09

BRI



757

PARTS CATALOG (MAINTENANCE)

FIG ITEM	PART NUMBER	1 2 3 4 5 6 7	NOMENCLATURE	EFFECT FROM TO	UNITS PER ASSY
3					
40	VFQ1CA025004U	..	SCREW-MACHINE SUPPLIER CODE: VF6306	101102 108120 504903	2
40	A1226260	..	SCREW-SET SUPPLIER CODE: VF6306	101102 108120 504903	2
45	H150AK21	..	KNOB- SUPPLIER CODE: VF6306	101102 108120 504903	1
- 50	H150AK42	..	LABEL-IDENT SUPPLIER CODE: VF6306 SB DATA FROM A CMM: POST H150-34-002	101102 108120 504903	1
- 55	S902-257	..	PROTECTOR-LABEL SUPPLIER CODE: VF6306	101102 108120 504903	1
- 60	2-902-074	..	LABEL-PHASE ORDER SUPPLIER CODE: VF6306	101102 108120 504903	1
- 65	42-91-13-202	..	LABEL-SLOPE SUPPLIER CODE: VF6306	101102 108120 504903	1
- 70	S902-192	..	LABEL-MOD SUPPLIER CODE: VF6306	101102 108120 504903	1
75	H150AK24	..	WEDGE-LOCKING SUPPLIER CODE: VF6306	101102 108120 504903	1
- 100	233N2103-10		PANEL INSTL-P1-3 (STANDBY ATTITUDE REFERENCE SYSTEM ONLY) FOR NHA/OTHER SYS DET SEE: 25-10-00-15B	108120	RF
- 100	233N2103-72		PANEL INSTL-P1-3 (STANDBY ATTITUDE REFERENCE SYSTEM ONLY) FOR NHA/OTHER SYS DET SEE: 25-10-00-15B	101102	RF
- 100	233N2103-280		PANEL INSTL-P1-3 (STANDBY ATTITUDE REFERENCE SYSTEM ONLY) FOR NHA/OTHER SYS DET SEE: 25-10-00-15B	504903	RF

MISSING ITEM NUMBERS NOT APPLICABLE

- ITEM NOT ILLUSTRATED

34-24-01-03

34-24-01  
FIG. 03  
PAGE 2  
JAN 20/09

BRI



757

PARTS CATALOG (MAINTENANCE)

FIG ITEM	PART NUMBER	1 2 3 4 5 6 7	NOMENCLATURE	EFFECT FROM TO	UNITS PER ASSY
3 - 104	MODREF31741		PANEL INSTL-P1-3 (STANDBY ATTITUDE REFERENCE SYSTEM ONLY) SYSTEM ONLY) MODULE NUMBER: 233N2103-425 REV A FOR OTHER SYS DETAILS SEE: 11-31-01-38 22-11-02-03 22-14-01-03 22-31-02-01 22-34-51-02 26-17-51-05 27-51-57-03 27-58-00-02 27-81-00-01 29-21-55-02 31-11-16-01 31-25-01-03 31-41-52-02 31-51-52-02 32-35-52-03 32-41-52-02 32-42-55-03 32-46-00-01 32-61-51-03 33-13-57-01A 33-16-52-03 34-12-01-03 34-13-01-03 34-13-02-01 34-13-05-01 34-13-06-01 34-16-51-03 34-21-02-02 34-22-02-02 34-22-05-01A 34-22-06-01 34-32-00-02 34-46-51-02 34-51-02-02 34-57-00-01 34-61-01-07 34-61-02-02 77-41-01-01 79-33-51-05	103105	1

MISSING ITEM NUMBERS NOT APPLICABLE

- ITEM NOT ILLUSTRATED

# 34-24-01-03

34-24-01  
FIG. 03  
PAGE 3  
JAN 20/09

BRI



757

PARTS CATALOG (MAINTENANCE)

FIG ITEM	PART NUMBER	1 2 3 4 5 6 7	NOMENCLATURE	EFFECT FROM TO	UNITS PER ASSY
3 - 104	MODREF104335		PANEL INSTL-P1-3 (STANDBY ATTITUDE REFERENCE SYSTEM ONLY) SYSTEM ONLY) MODULE NUMBER: 233N2103-425 REV B FOR OTHER SYS DETAILS SEE: 11-31-01-38 22-11-02-03 22-14-01-03 22-31-02-01 22-34-51-02 26-17-51-05 27-51-57-03 27-58-00-02 27-81-00-01 29-21-55-02 31-11-11-19 31-11-16-01 31-11-26-38 31-25-01-03 31-41-52-02 31-51-52-02 32-35-52-03 32-41-52-02 32-42-55-03 32-46-00-01 32-61-51-03 33-13-57-01A 33-16-52-03 34-12-01-03 34-13-01-03 34-13-02-01 34-13-05-01 34-13-06-01 34-16-51-03 34-21-02-02 34-22-02-02 34-22-05-01A 34-22-06-01 34-32-00-02 34-46-51-02 34-51-02-02 34-57-00-01 34-61-01-07 34-61-02-02 77-41-01-01 79-33-51-05	106106	1

MISSING ITEM NUMBERS NOT APPLICABLE

- ITEM NOT ILLUSTRATED

# 34-24-01-03

34-24-01  
FIG. 03  
PAGE 4  
JAN 20/09

BRI



757

PARTS CATALOG (MAINTENANCE)

FIG ITEM	PART NUMBER	1 2 3 4 5 6 7	NOMENCLATURE	EFFECT FROM TO	UNITS PER ASSY
3					
- 105	233N2221-301		.MODULE ASSY- COMPONENT MAINT MANUAL REF: 31-11-48	101102 108120	RF
- 105	233N2221-317		.MODULE ASSY- COMPONENT MAINT MANUAL REF: 31-11-48	505505 507903	RF
- 105	RR92002-134A101		.MODULE ASSY- POST RAPID REVISION: RR92002-134A	504504 506506	RF
- 105	233N2221-320		.MODULE ASSY- COMPONENT MAINT MANUAL REF: 31-11-48	101102 108120	RF
- 105	233N2221-325		.MODULE ASSY- COMPONENT MAINT MANUAL REF: 31-11-48	103106	RF
- 105	233N2221-326		.MODULE ASSY- COMPONENT MAINT MANUAL REF: 31-11-48	101102 108120	RF
- 106	233N2221-328		.MODULE ASSY- COMPONENT MAINT MANUAL REF: 31-11-48	101102 108120	RF
110	233N2221-51		..MODULE ASSY- USED ON: 233N2221-301	101102 108120	RF
110	233N2221-74		..MODULE ASSY	504903	RF
110	233N2221-81		..MODULE ASSY- USED ON: 233N2221-320 233N2221-326 233N2221-328	101106 108120	RF
115	123-4-2D		...CLAMP- SUPPLIER CODE: V28277 OPTIONAL PART: 123-4040A2G V28277	101106 108120 504903	1
115	123-4040A2G		...CLAMP- SUPPLIER CODE: V28277 OPTIONAL PART: 123-4-2D V28277	101106 108120	1
- 502	286N0001-357		WIRE BUNDLE ASSY- REWORKED BY ALERT SB: 34A022	505505 507903	RF
- 502	286N0001-361		WIRE BUNDLE ASSY- REWORKED BY ALERT SB: 34A022	101101	RF

MISSING ITEM NUMBERS NOT APPLICABLE

- ITEM NOT ILLUSTRATED

34-24-01-03

34-24-01  
FIG. 03  
PAGE 5  
JAN 20/09

BRI



**757  
PARTS CATALOG (MAINTENANCE)**

FIG ITEM	PART NUMBER	1 2 3 4 5 6 7	NOMENCLATURE	EFFECT FROM TO	UNITS PER ASSY
3					
- 502	286N0001-365		WIRE BUNDLE ASSY- REWORKED BY ALERT SB: 34A0222	102102	RF
- 503	286N0001-382		WIRE BUNDLE ASSY- REWORKED BY ALERT SB: 34A0222	504504 506506	RF
- 504	286N0001-392		WIRE BUNDLE ASSY- REWORKED BY ALERT SB: 34A0222	108120	RF
510	BACC45FT16A24S		.CONNECTOR- ELECTRICAL EQUIP NUMBER: D00275 WIRING DIAGRAM REF: 342411	101102 108120 504903	1

MISSING ITEM NUMBERS NOT APPLICABLE

- ITEM NOT ILLUSTRATED

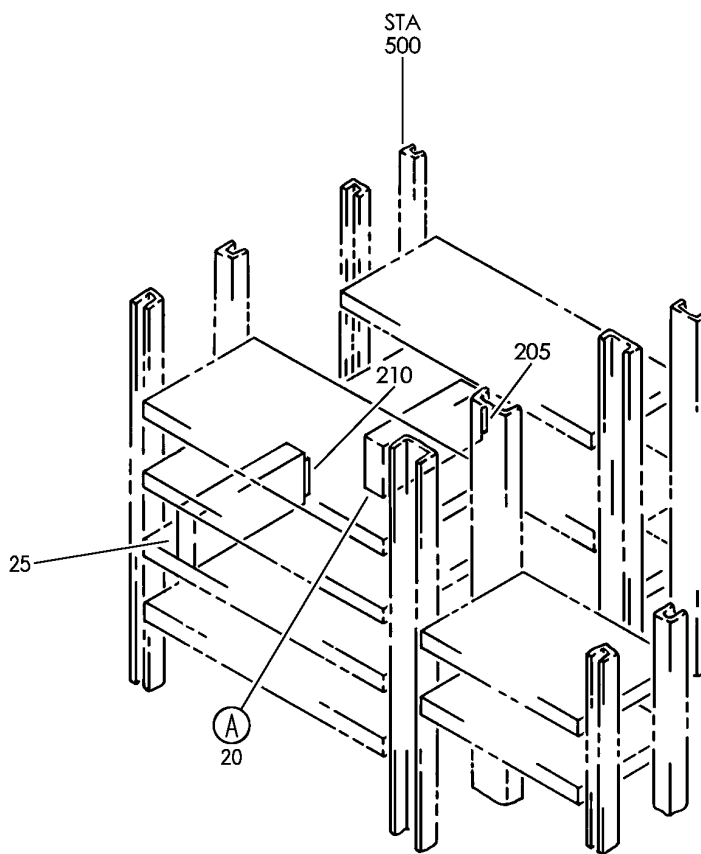
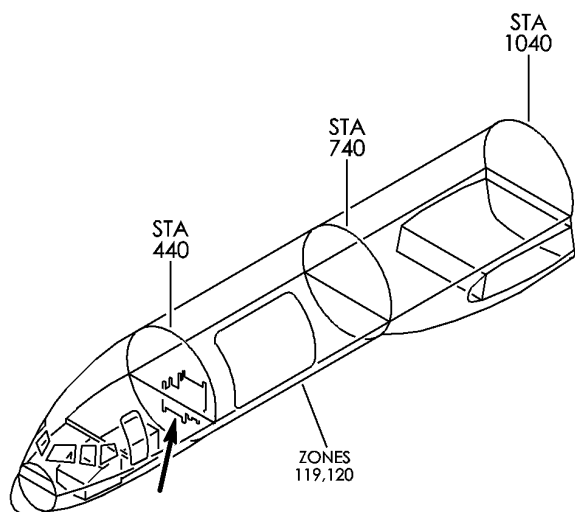
BRI

# 34-24-01-03

BOEING PROPRIETARY - Copyright © - Unpublished Work - See title page for details.

34-24-01  
FIG. 03  
PAGE 6  
JAN 20/09

**BOEING**  
757  
PARTS CATALOG (MAINTENANCE)



Y 34240201 SH1 1 REV 295

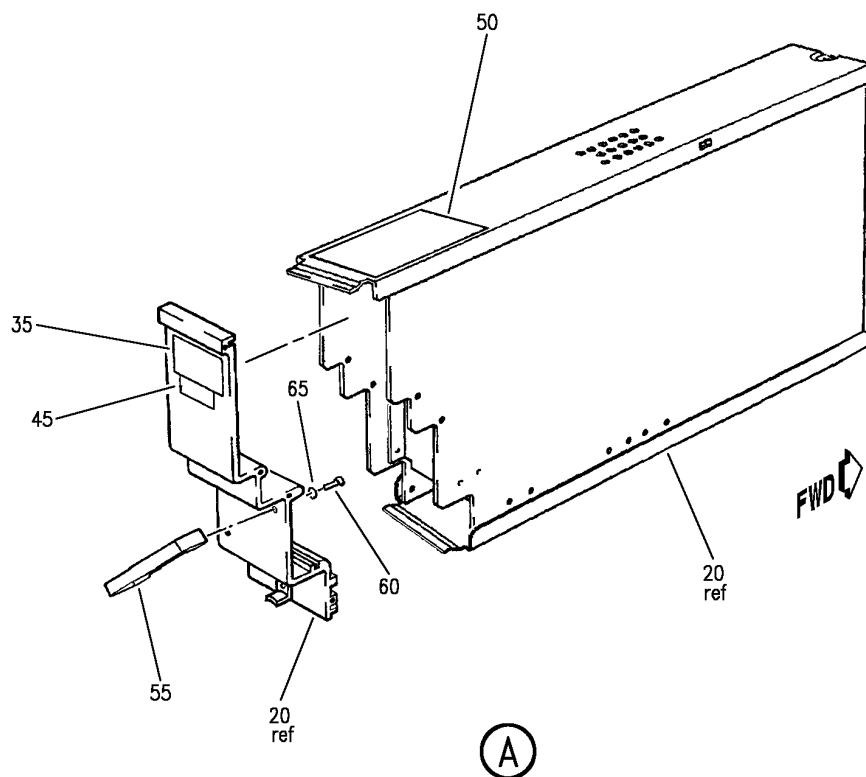
EQUIPMENT INSTL-MAIN ELECTRONICS EQPT CTR (STANDBY ATTITUDE REFERENCE SYSTEM ONLY)  
FIGURE 1 (SHEET 1)

BRI  
MAY 28/07

**34-24-02-01**

34-24-02-01  
PAGE 0

**BOEING**  
757  
PARTS CATALOG (MAINTENANCE)



Y 34240201 SH1 2 REV 295

EQUIPMENT INSTL-MAIN ELECTRONICS EQPT CTR (STANDBY ATTITUDE REFERENCE SYSTEM ONLY)  
FIGURE 1 (SHEET 2)

BRI  
MAY 28/07

**34-24-02-01**

34-24-02-01  
PAGE 0A





757

PARTS CATALOG (MAINTENANCE)

FIG ITEM	PART NUMBER	1 2 3 4 5 6 7	NOMENCLATURE	EFFECT FROM TO	UNITS PER ASSY
1			EQUIPMENT INSTL-MAIN ELECTRONICS EQPT CTR (STANDBY ATTITUDE REFERENCE SYSTEM ONLY)	002004 006100 107107 121999	
- 2	284N1307-33		EQUIPMENT INSTL-MAIN ELECTRONICS EQPT CTR (STANDBY ATTITUDE REFERENCE SYSTEM ONLY) FOR NHA/OTHER SYS DET SEE: 24-00-58-01	107107	RF
- 2	284N1800-32		EQUIPMENT INSTL-MAIN ELECTRONICS EQPT CTR (STANDBY ATTITUDE REFERENCE SYSTEM ONLY) FOR NHA/OTHER SYS DET SEE: 24-00-58-01	952999	RF
- 4	284N1800-16		EQUIPMENT INSTL-MAIN ELECTRONICS EQPT CTR (STANDBY ATTITUDE REFERENCE SYSTEM ONLY) FOR NHA/OTHER SYS DET SEE: 24-00-58-01	121503 904949	RF
- 5	284N1800-34		EQUIPMENT INSTL-MAIN ELECTRONICS EQPT CTR (STANDBY ATTITUDE REFERENCE SYSTEM ONLY) FOR NHA/OTHER SYS DET SEE: 24-00-58-01	002004 006100	RF
- 5	284N1800-38		EQUIPMENT INSTL-MAIN ELECTRONICS EQPT CTR (STANDBY ATTITUDE REFERENCE SYSTEM ONLY) FOR NHA/OTHER SYS DET SEE: 24-00-58-01	950951	RF
- 7	284N1800-88		EQUIPMENT INSTL-MAIN ELECTRONICS EQPT CTR (STANDBY ATTITUDE REFERENCE SYSTEM ONLY) FOR NHA/OTHER SYS DET SEE: 24-00-58-05E	505505	RF
- 7	284N1800-190		EQUIPMENT INSTL-MAIN ELECTRONICS EQPT CTR (STANDBY ATTITUDE REFERENCE SYSTEM ONLY) FOR NHA/OTHER SYS DET SEE: 24-00-58-05E	504504 506903	RF

MISSING ITEM NUMBERS NOT APPLICABLE

- ITEM NOT ILLUSTRATED

34-24-02-01

34-24-02  
FIG. 01  
PAGE 1  
JAN 20/09

BRI



757

PARTS CATALOG (MAINTENANCE)

FIG ITEM	PART NUMBER	1 2 3 4 5 6 7	NOMENCLATURE	EFFECT FROM TO	UNITS PER ASSY
1	25 B254ADM1		.PROCESSOR UNIT ASSY-STATIC INVERTER SUPPLIER CODE: VF6306 FUNCTIONAL DESCRIPTION: PROVIDE GYRO POWER AND ILS POINTER AND FLAG DRIVE VOLTAGE TO THE STANDBY ATTITUDE INDICATOR SPECIFICATION NUMBER: S231T110-103 ELECTRICAL EQUIP NUMBER: M00917 COMPONENT MAINT MANUAL REF: 34-23-79	002004 006100 107107 121999	1
-	30 F2000012		..LABEL-PROTECTOR SUPPLIER CODE: VF6306 SB DATA FROM A CMM: POST B254-34-005	002004 006100 107107 121999	1
	35 S902-249		..LABEL-IDENT SUPPLIER CODE: VF6306 SB DATA FROM A CMM: PRE B254-34-005	002004 006100 107107 121999	1
	35 F2000015		..LABEL-IDENT SUPPLIER CODE: VF6306 SB DATA FROM A CMM: POST B254-34-005	002004 006100 107107 121999	1
-	40 F2000100		..LABEL-PROTECTOR SUPPLIER CODE: VF6306 SB DATA FROM A CMM: POST B254-34-005	002004 006100 107107 121999	1
	45 2-902-027		..LABEL-MOD SUFFIX SUPPLIER CODE: VF6306 SB DATA FROM A CMM: PRE B254-34-005	002004 006100 107107 121999	1
	45 F2000247		..LABEL-MOD SUFFIX SUPPLIER CODE: VF6306 SB DATA FROM A CMM: POST B254-34-005	002004 006100 107107 121999	1

MISSING ITEM NUMBERS NOT APPLICABLE

- ITEM NOT ILLUSTRATED

34-24-02-01

34-24-02  
FIG. 01  
PAGE 2  
JAN 20/09

BRI

 **BOEING**  
757  
**PARTS CATALOG (MAINTENANCE)**

FIG ITEM	PART NUMBER	1 2 3 4 5 6 7	NOMENCLATURE	EFFECT FROM TO	UNITS PER ASSY
1					
50	S902-363		.. LABEL-STATIC SUPPLIER CODE: VF6306	002004 006100 107107 121999	1
55	277-1		.. HANDLE- SUPPLIER CODE: VD9490	002004 006100 107107 121999	1
60	A1225566		ATTACHING PARTS .. SCREW- SUPPLIER CODE: VF6306	002004 006100 107107 121999	2
65	E25514A50AGACD		.. WASHER- SUPPLIER CODE: VF4796	002004 006100 107107 121999	2
- 70	2-902-129		-----*----- .. LABEL-PROTECTOR SUPPLIER CODE: VF6306	002004 006100 107107 121999	1
- 75	S902-273		.. LABEL-IDENT SUPPLIER CODE: VF6306	002004 006100 107107 121999	1
- 80	2-902-129		.. LABEL-PROTECTOR SUPPLIER CODE: VF6306	002004 006100 107107 121999	1
- 85	S902-189		.. LABEL-MOD SUFFIX SUPPLIER CODE: VF6306	002004 006100 107107 121999	1
- 90	S902-302		.. LABEL-REPAIR RECORD SUPPLIER CODE: VF6306	002004 006100 107107 121999	1
- 95	S902-273		.. LABEL-IDENT SUPPLIER CODE: VF6306	002004 006100 107107 121999	1
- 100	2-902-129		.. LABEL-PROTECTOR SUPPLIER CODE: VF6306	002004 006100 107107 121999	1

MISSING ITEM NUMBERS NOT APPLICABLE

- ITEM NOT ILLUSTRATED

BRI

# 34-24-02-01

BOEING PROPRIETARY - Copyright © - Unpublished Work - See title page for details.

34-24-02  
FIG. 01  
PAGE 3  
JAN 20/09



757

PARTS CATALOG (MAINTENANCE)

FIG ITEM	PART NUMBER	1 2 3 4 5 6 7	NOMENCLATURE	EFFECT FROM TO	UNITS PER ASSY
1					
- 105	S902-189		.. LABEL-MOD SUFFIX SUPPLIER CODE: VF6306	002004 006100 107107 121999	1
- 110	2-902-129		.. LABEL-MOD SUFFIX SUPPLIER CODE: VF6306	002004 006100 107107 121999	1
- 200	286N1175-001		WIRE BUNDLE ASSY- REWORKED BY SB: 22-0063	121503 904949	RF
- 200	286N1175-002		WIRE BUNDLE ASSY-	107107	RF
- 200	286N1175-006		WIRE BUNDLE ASSY- REWORKED BY SB: 22-0063 34-0200	002004 006100 950999	RF
210	BKA21C1401		.CONNECTOR- SUPPLIER CODE: V71468 SPECIFICATION NUMBER: BACC66H21C1401 OPTIONAL PART: S621C1401 V59610 NIC66H21C1401 V00779 ELECTRICAL EQUIP NUMBER: D00447 WIRING DIAGRAM REF: 322411	002004 006100 107107 121999	1

MISSING ITEM NUMBERS NOT APPLICABLE

- ITEM NOT ILLUSTRATED

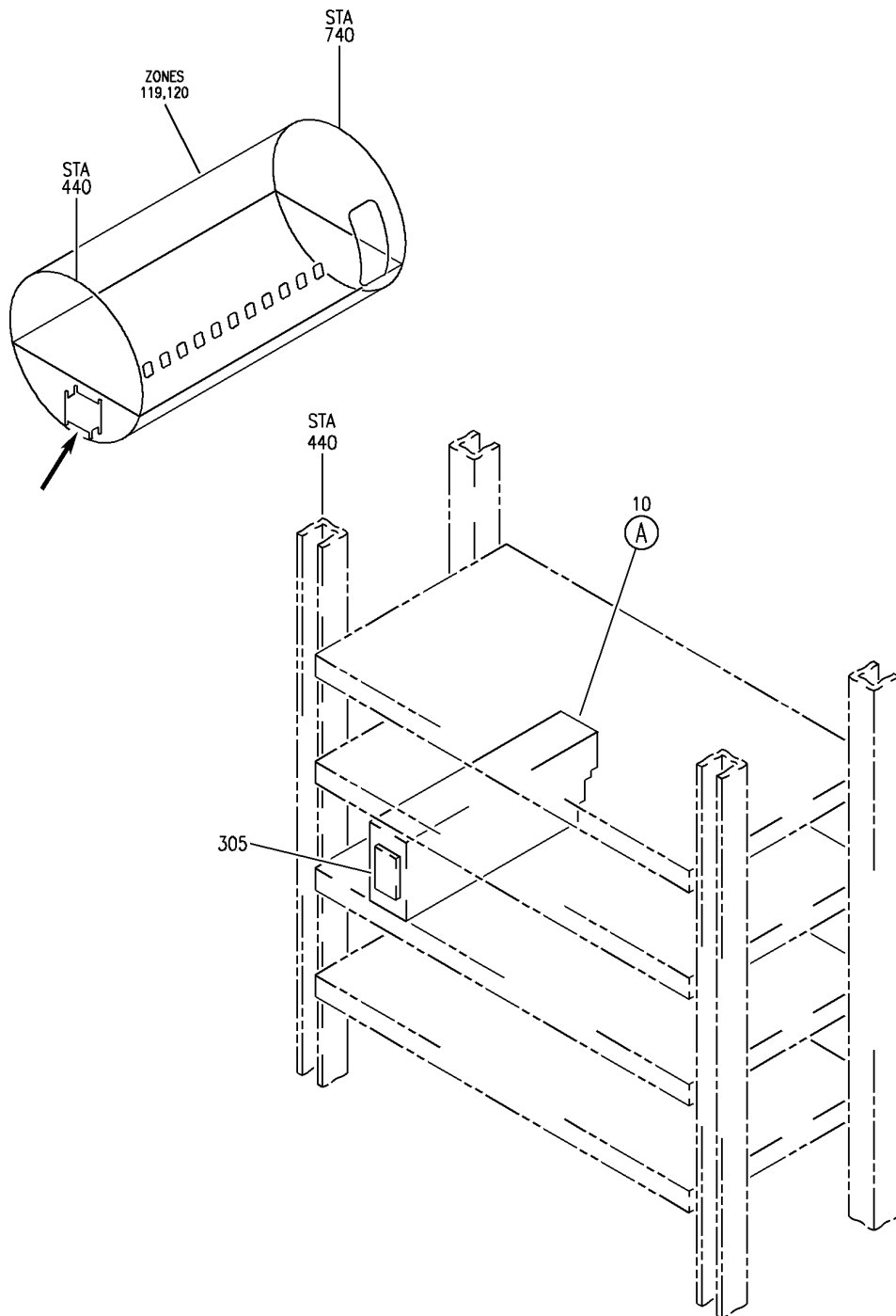
BRI

34-24-02-01

BOEING PROPRIETARY - Copyright © - Unpublished Work - See title page for details.

34-24-02  
FIG. 01  
PAGE 4  
JAN 20/09

**BOEING**  
757  
PARTS CATALOG (MAINTENANCE)



Y 34-24-02-01B SHT 1 REV 295

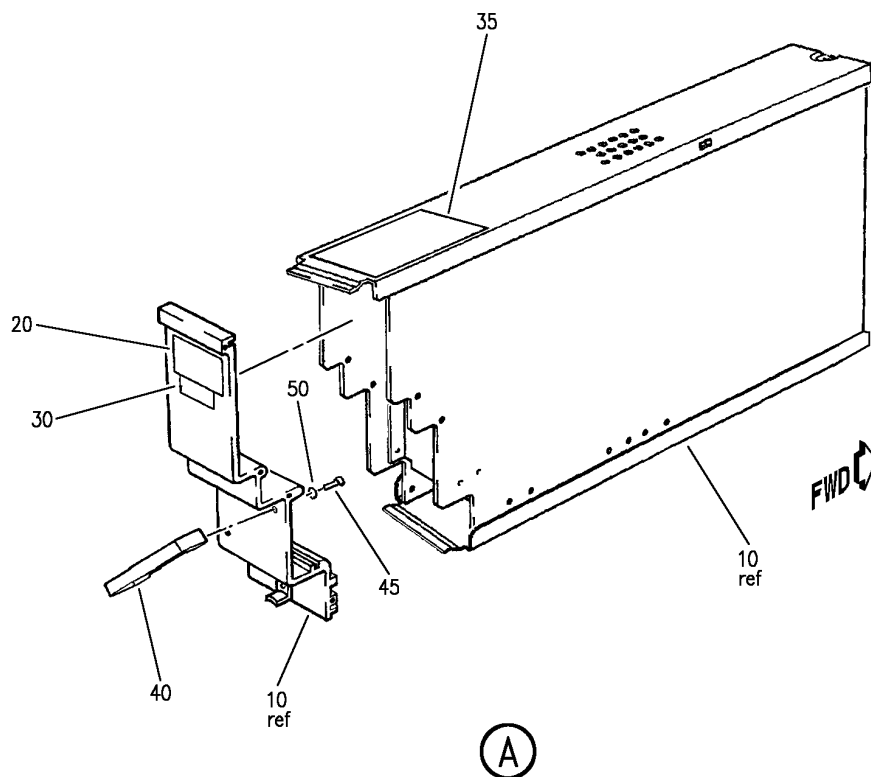
EQUIPMENT INSTL-MAIN ELECTRONICS EQPT CTR (STANDBY ATTITUDE REFERENCE SYSTEM ONLY)  
FIGURE 1B (SHEET 1)

BRI  
MAY 28/07

**34-24-02-01B**

34-24-02-01B  
PAGE 0

**BOEING**  
757  
PARTS CATALOG (MAINTENANCE)



Y 34240201B SHT 2 REV 295

EQUIPMENT INSTL-MAIN ELECTRONICS EQPT CTR (STANDBY ATTITUDE REFERENCE SYSTEM ONLY)  
FIGURE 1B (SHEET 2)

BRI  
MAY 28/07

**34-24-02-01B**

34-24-02-01B  
PAGE 0A



757

PARTS CATALOG (MAINTENANCE)

FIG ITEM	PART NUMBER	1 2 3 4 5 6 7	NOMENCLATURE	EFFECT FROM TO	UNITS PER ASSY
1B			EQUIPMENT INSTL-MAIN ELECTRONICS EQPT CTR (STANDBY ATTITUDE REFERENCE SYSTEM ONLY)	101102	
- 2	284N1800-140		EQUIPMENT INSTL-MAIN ELECTRONICS EQPT CTR (STANDBY ATTITUDE REFERENCE SYSTEM ONLY) FOR NHA/OTHER SYS DET SEE: 24-00-58-05E	101101	RF
- 2	284N1800-141		EQUIPMENT INSTL-MAIN ELECTRONICS EQPT CTR (STANDBY ATTITUDE REFERENCE SYSTEM ONLY) FOR NHA/OTHER SYS DET SEE: 24-00-58-05E	102102	RF
10	B254ADM1		.PROCESSOR UNIT ASSY-STATIC INVERTER SUPPLIER CODE: VF6306 FUNCTIONAL DESCRIPTION: PROVIDE GYRO POWER AND ILS POINTER AND FLAG DRIVE VOLTAGE TO THE STANDBY ATTITUDE INDICATOR SPECIFICATION NUMBER: S231T110-103 ELECTRICAL EQUIP NUMBER: M00917 COMPONENT MAINT MANUAL REF: 34-23-79	101102	1
- 15	F2000012		..LABEL-PROTECTOR SUPPLIER CODE: VF6306 SB DATA FROM A CMM: POST B254-34-005	101102	1
20	S902-249		..LABEL-IDENT SUPPLIER CODE: VF6306 SB DATA FROM A CMM: PRE B254-34-005	101102	1
20	F2000015		..LABEL-IDENT SUPPLIER CODE: VF6306 SB DATA FROM A CMM: POST B254-34-005	101102	1

MISSING ITEM NUMBERS NOT APPLICABLE

- ITEM NOT ILLUSTRATED

34-24-02-01B

34-24-02  
FIG. 01B  
PAGE 1  
JAN 20/09

BRI



757

PARTS CATALOG (MAINTENANCE)

FIG ITEM	PART NUMBER	1 2 3 4 5 6 7	NOMENCLATURE	EFFECT FROM TO	UNITS PER ASSY
1B					
- 25	F2000100		.. LABEL-PROTECTOR SUPPLIER CODE: VF6306 SB DATA FROM A CMM: POST B254-34-005	101102	1
30	2-902-027		.. LABEL-MOD SUFFIX SUPPLIER CODE: VF6306 SB DATA FROM A CMM: PRE B254-34-005	101102	1
30	F2000247		.. LABEL-MOD SUFFIX SUPPLIER CODE: VF6306 SB DATA FROM A CMM: POST B254-34-005	101102	1
35	S902-363		.. LABEL-STATIC SUPPLIER CODE: VF6306	101102	1
40	277-1		.. HANDLE- SUPPLIER CODE: VD9490 ATTACHING PARTS	101102	1
45	A1225566		.. SCREW- SUPPLIER CODE: VF6306	101102	2
50	E25514A50AGACD		.. WASHER- SUPPLIER CODE: VF4796 -----*-----	101102	2
- 55	2-902-129		.. LABEL-PROTECTOR SUPPLIER CODE: VF6306	101102	4
- 60	S902-273		.. LABEL-IDENT SUPPLIER CODE: VF6306	101102	2
- 70	S902-189		.. LABEL-MOD SUFFIX SUPPLIER CODE: VF6306	101102	2
- 75	S902-302		.. LABEL-REPAIR RECORD SUPPLIER CODE: VF6306	101102	1
- 300	286N1175-353		WIRE BUNDLE ASSY	102102	RF
- 301	286N1175-351		WIRE BUNDLE ASSY	101101	RF

MISSING ITEM NUMBERS NOT APPLICABLE

- ITEM NOT ILLUSTRATED

34-24-02-01B

34-24-02  
FIG. 01B  
PAGE 2  
JAN 20/09

BRI

BOEING PROPRIETARY - Copyright © - Unpublished Work - See title page for details.





757  
PARTS CATALOG (MAINTENANCE)

FIG ITEM	PART NUMBER	1 2 3 4 5 6 7	NOMENCLATURE	EFFECT FROM TO	UNITS PER ASSY
1B 305	BKA21C1401		.CONNECTOR- SUPPLIER CODE: V71468 SPECIFICATION NUMBER: BACC66H21C1401 OPTIONAL PART: S621C1401 V59610 NIC66H21C1401 V00779 ELECTRICAL EQUIP NUMBER: D00447 WIRING DIAGRAM REF: 342411	101102	1

MISSING ITEM NUMBERS NOT APPLICABLE

- ITEM NOT ILLUSTRATED

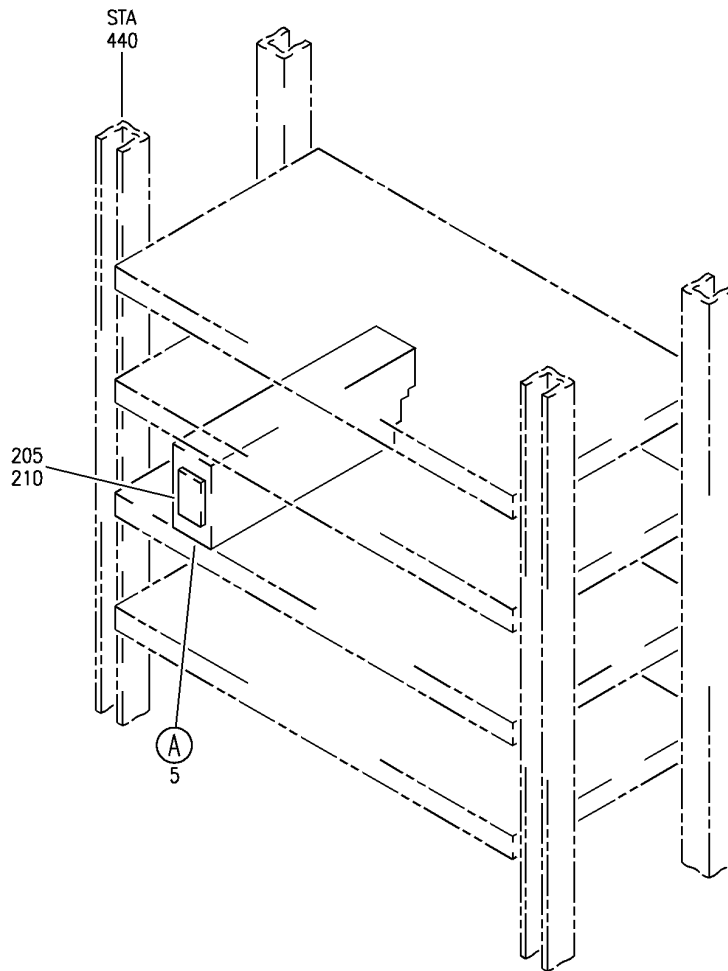
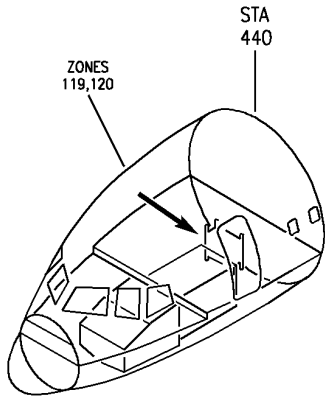
BRI

34-24-02-01B

BOEING PROPRIETARY - Copyright © - Unpublished Work - See title page for details.

34-24-02  
FIG. 01B  
PAGE 3  
JAN 20/09

**BOEING**  
757  
PARTS CATALOG (MAINTENANCE)



Y 34-24-02-08 SHT 1 REV 295

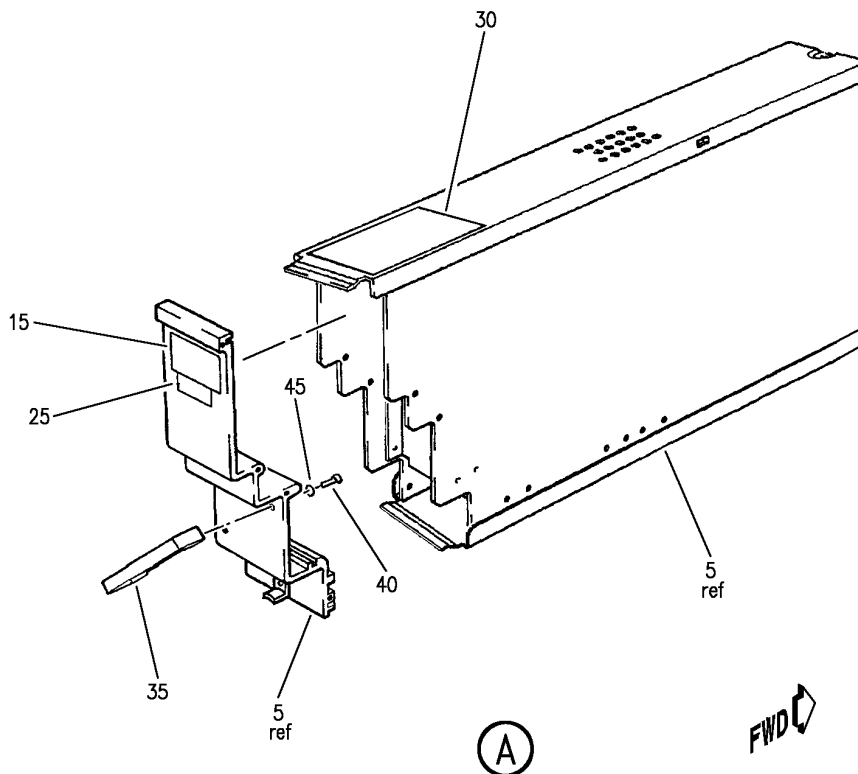
EQUIPMENT INSTL-MAIN ELECTRONICS EQPT CTR STATIC INVERTER ILS PROCESSOR  
FIGURE 8 (SHEET 1)

BRI  
JAN 20/09

**34-24-02-08**

34-24-02-08  
PAGE 0

**BOEING**  
757  
PARTS CATALOG (MAINTENANCE)



Y 34-24-02-08 SH1 2 REV 295

EQUIPMENT INSTL-MAIN ELECTRONICS EQPT CTR STATIC INVERTER ILS PROCESSOR  
FIGURE 8 (SHEET 2)

**34-24-02-08**

BRI  
JAN 20/09

34-24-02-08  
PAGE 0A



757

PARTS CATALOG (MAINTENANCE)

FIG ITEM	PART NUMBER	1 2 3 4 5 6 7	NOMENCLATURE	EFFECT FROM TO	UNITS PER ASSY
8			EQUIPMENT INSTL-MAIN ELECTRONICS EQPT CTR STATIC INVERTER ILS PROCESSOR	106106 108120	
- 1	284N4000-340006		EQUIPMENT INSTL-MAIN ELECTRONICS EQPT CTR STATIC INVERTER ILS PROCESSOR	106106 108120	RF
5	B254ADM1		FOR NHA SEE: 24-00-58-05 .PROCESSOR UNIT ASSY- SUPPLIER CODE: VF6306 FUNCTIONAL DESCRIPTION: PROVIDE GYRO POWER AND ILS POINTER AND FLAG DRIVE VOLTAGE TO THE STANDBY ATTITUDE INDICATOR SPECIFICATION NUMBER: S231T110-103 ELECTRICAL EQUIP NUMBER: M00917 COMPONENT MAINT MANUAL REF: 34-23-79	106106 108120	1
- 10	F2000012		.. LABEL-PROTECTOR SUPPLIER CODE: VF6306 SB DATA FROM A CMM: POST B254-34-005	106106 108120	1
15	S902-249		.. LABEL-IDENT SUPPLIER CODE: VF6306 SB DATA FROM A CMM: PRE B254-34-005	106106 108120	1
15	F2000015		.. LABEL-IDENT SUPPLIER CODE: VF6306 SB DATA FROM A CMM: POST B254-34-005	106106 108120	1
- 20	F2000100		.. LABEL-PROTECTOR SUPPLIER CODE: VF6306 SB DATA FROM A CMM: POST B254-34-005	106106 108120	1

MISSING ITEM NUMBERS NOT APPLICABLE

- ITEM NOT ILLUSTRATED

34-24-02-08

34-24-02  
FIG. 08  
PAGE 1  
JAN 20/09

BRI



757

PARTS CATALOG (MAINTENANCE)

FIG ITEM	PART NUMBER	1 2 3 4 5 6 7	NOMENCLATURE	EFFECT FROM TO	UNITS PER ASSY
8					
25	2-902-027		.. LABEL-MOD SUFFIX SUPPLIER CODE: VF6306 SB DATA FROM A CMM: PRE B254-34-005	106106 108120	1
25	F2000247		.. LABEL-MOD SUFFIX SUPPLIER CODE: VF6306 SB DATA FROM A CMM: POST B254-34-005	106106 108120	1
30	S902-363		.. LABEL-STATIC SUPPLIER CODE: VF6306	106106 108120	1
35	277-1		.. HANDLE- SUPPLIER CODE: VD9490 ATTACHING PARTS	106106 108120	1
40	A1225566		.. SCREW- SUPPLIER CODE: VF6306	106106 108120	2
45	E25514A50AGACD		.. WASHER- SUPPLIER CODE: VF4796 -----*-----	106106 108120	2
- 50	2-902-129		.. LABEL-PROTECTOR SUPPLIER CODE: VF6306	106106 108120	4
- 55	S902-273		.. LABEL-IDENT SUPPLIER CODE: VF6306	106106 108120	2
- 65	S902-189		.. LABEL-MOD SUFFIX SUPPLIER CODE: VF6306	106106 108120	2
- 70	S902-302		.. LABEL-REPAIR RECORD SUPPLIER CODE: VF6306	106106 108120	1
- 202	286N1175-401		WIRE BUNDLE ASSY-	108120	RF

MISSING ITEM NUMBERS NOT APPLICABLE

- ITEM NOT ILLUSTRATED

34-24-02-08

34-24-02  
FIG. 08  
PAGE 2  
JAN 20/09

BRI

BOEING PROPRIETARY - Copyright © - Unpublished Work - See title page for details.



757

PARTS CATALOG (MAINTENANCE)

FIG ITEM	PART NUMBER	1 2 3 4 5 6 7	NOMENCLATURE	EFFECT FROM TO	UNITS PER ASSY
8 205	BKA21C1401		.CONNECTOR- SUPPLIER CODE: V71468 SPECIFICATION NUMBER: BACC66H21C1401 OPTIONAL PART: S621C1401 V59610 NIC66H21C1401 V00779 ELECTRICAL EQUIP NUMBER: D00447 WIRING DIAGRAM REF: 342411	108120	1

MISSING ITEM NUMBERS NOT APPLICABLE

- ITEM NOT ILLUSTRATED

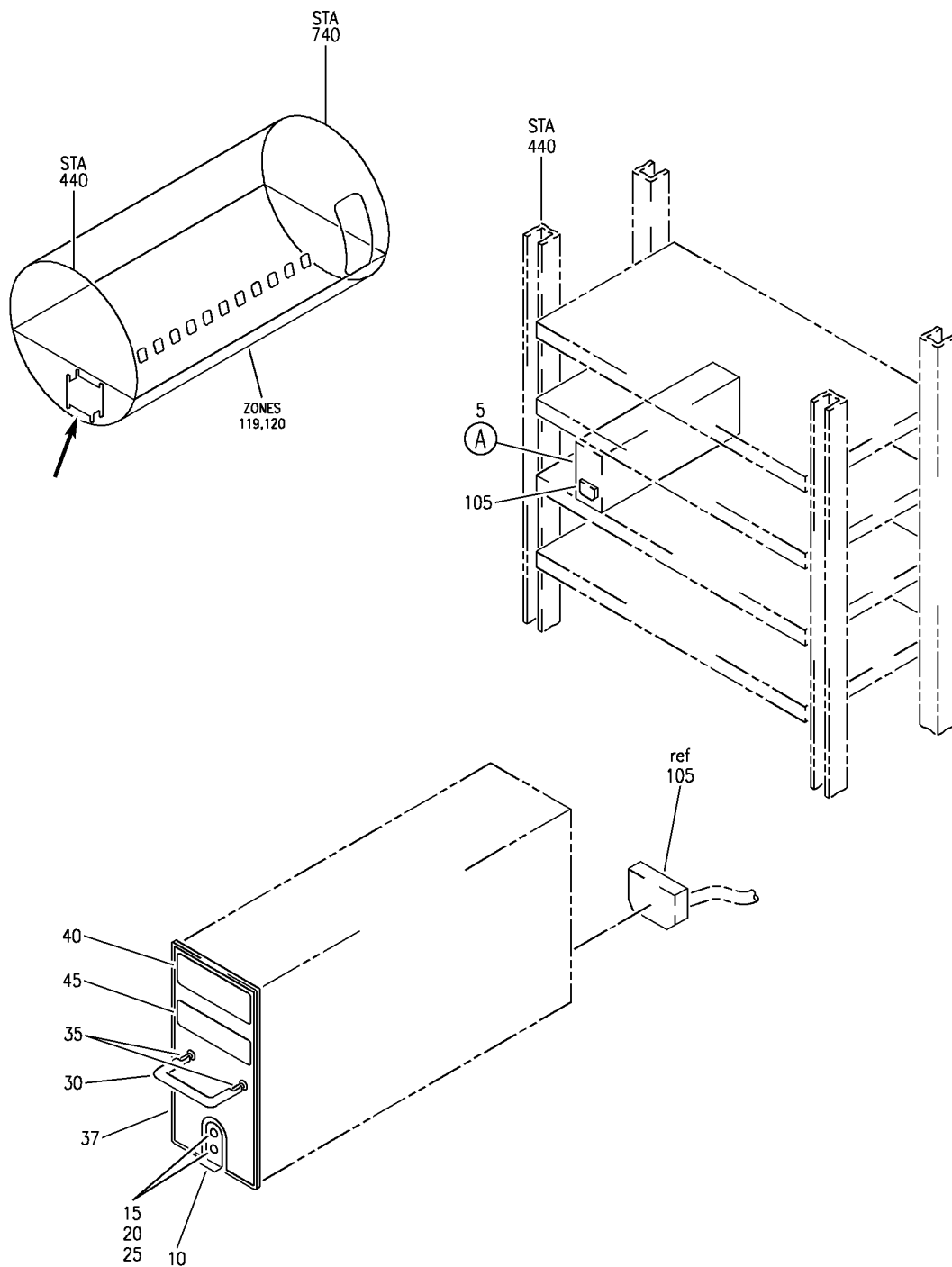
BRI

34-24-02-08

BOEING PROPRIETARY - Copyright © - Unpublished Work - See title page for details.

34-24-02  
FIG. 08  
PAGE 3  
JAN 20/09

**BOEING**  
757  
PARTS CATALOG (MAINTENANCE)



EQUIPMENT INSTL-MAIN ELECTRONICS EQPT CTR BATTERY CHARGER  
FIGURE 1

**34-24-51-01**

BRI  
JAN 20/09

34-24-51-01  
PAGE 0



757

PARTS CATALOG (MAINTENANCE)

FIG ITEM	PART NUMBER	1 2 3 4 5 6 7	NOMENCLATURE	EFFECT FROM TO	UNITS PER ASSY
1			EQUIPMENT INSTL-MAIN ELECTRONICS EQPT CTR BATTERY CHARGER	103106	
- 1	MODREF22697		EQUIPMENT INSTL-MAIN ELECTRONICS EQPT CTR BATTERY CHARGER	103106	1
5	312BS101-1		MODULE NUMBER: 284N4000-340079 REV B .CHARGER-BATTERY SUPPLIER CODE: V31467 FUNCTIONAL DESCRIPTION: PROVIDES ELECTRICAL POWER TO THE ISFD IN THE EVENT THAT AIRPLANE BUS POWER BECOMES UNAVAILABLE. SPECIFICATION NUMBER: S282T005-1 ELECTRICAL EQUIP NUMBER: M11860 COMPONENT MAINT MANUAL REF: 24-31-05	103106	1
10	HDH3		..HOOK-HOLD DOWN SUPPLIER CODE: V94867 MISCELLANEOUS DATA: ACME PART NO. 500784 ATTACHING PARTS	103106	1
15	MS51957-45		..SCREW	103106	2
20	MS35338-137		..WASHER	103106	2
25	MS15795-807		..WASHER	103106	2
30	9114		-----*----- ..HANDLE- SUPPLIER CODE: V91833 MISCELLANEOUS DATA: ACME PART NO. 701801 ATTACHING PARTS	103106	1
35	MS24693C2		..SCREW	103106	2
37	312BS503-1		..PLATE-FRONT COVER SUPPLIER CODE: V31467	103106	1
40	312BS507-1		..PLATE-IDENT SUPPLIER CODE: V31467	103106	1

MISSING ITEM NUMBERS NOT APPLICABLE

- ITEM NOT ILLUSTRATED

34-24-51-01

34-24-51  
FIG. 01  
PAGE 1  
JAN 20/09

BRI





757

PARTS CATALOG (MAINTENANCE)

FIG ITEM	PART NUMBER	1 2 3 4 5 6 7	NOMENCLATURE	EFFECT FROM TO	UNITS PER ASSY
1					
45	312BS512-1		.. PLATE- P/N BARCODE SUPPLIER CODE: V31467	103106	1
- 50	510023-1		.. LABEL- SERIAL NO./ MOD SUPPLIER CODE: V31467	103106	1
- 55	312BS521-1		.. LABEL- BATTERY PACK MAINT SUPPLIER CODE: V31467	103106	1
- 60	312BS522-1		.. LABEL- BATTERY ASSY CHARGED SUPPLIER CODE: V31467	103106	1
- 65	312BS523-1		.. TAG- POWER VERIFICATION SUPPLIER CODE: V31467	103106	1
- 100	286N1175-602		WIRE BUNDLE ASSY	103105	1
- 100	286N1175-604		WIRE BUNDLE ASSY	106106	1
105	BCREF19745		. PLUG- SUPPLIER CODE: V71468 OVERLENGTH PART NUMBER: DPXBMA10-33P0065 ELECTRICAL EQUIP NUMBER: D04527 WIRING DIAGRAM REF: 342421	103106	1

MISSING ITEM NUMBERS NOT APPLICABLE

- ITEM NOT ILLUSTRATED

BRI

34-24-51-01

BOEING PROPRIETARY - Copyright © - Unpublished Work - See title page for details.

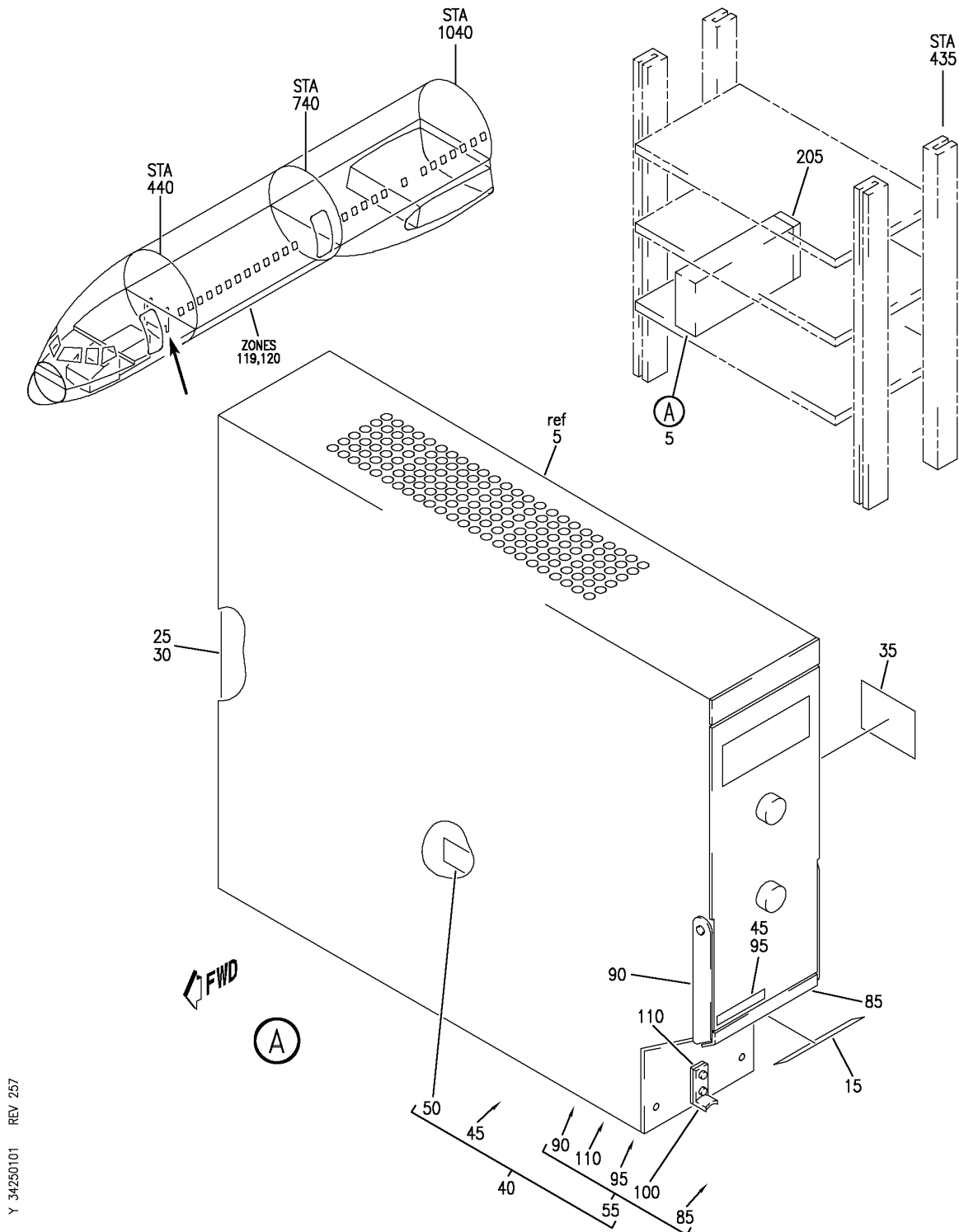
34-24-51  
FIG. 01  
PAGE 2  
JAN 20/09

## INSTRUMENT COMPARISON SYSTEM

BRI  
MAY 28/07

34-25-00  
SECTION TITLE  
PAGE 1

**BOEING**  
757  
PARTS CATALOG (MAINTENANCE)



Y 34250101 REV 257

EQUIPMENT INSTL-MAIN ELECTRONIC EQPT CTR (INSTRUMENT COMPARISON SYSTEM ONLY)

FIGURE 1

**34-25-01-01**

BRI  
MAY 28/07

34-25-01-01  
PAGE 0



757

PARTS CATALOG (MAINTENANCE)

FIG ITEM	PART NUMBER	1 2 3 4 5 6 7	NOMENCLATURE	EFFECT FROM TO	UNITS PER ASSY
1			EQUIPMENT INSTL-MAIN ELECTRONIC EQPT CTR (INSTRUMENT COMPARISON SYSTEM ONLY)	107107 121503 904949 952999	
- 1	284N1307-33		EQUIPMENT INSTL-MAIN ELECTRONIC EQPT CTR (INSTRUMENT COMPARISON SYSTEM ONLY) FOR NHA/OTHER SYS DET SEE: 24-00-58-01	107107	RF
- 2	284N1800-16		EQUIPMENT INSTL-MAIN ELECTRONIC EQPT CTR (INSTRUMENT COMPARISON SYSTEM ONLY) FOR NHA/OTHER SYS DET SEE: 24-00-58-01	121503 904949	RF
- 2	284N1800-32		EQUIPMENT INSTL-MAIN ELECTRONIC EQPT CTR (INSTRUMENT COMPARISON SYSTEM ONLY) FOR NHA/OTHER SYS DET SEE: 24-00-58-01	952999	RF
5	622-5974-101		.COMPARATOR ASSY- SUPPLIER CODE: V4V792 SPECIFICATION NUMBER: S242T404-802 ELECTRICAL EQUIP NUMBER: M01060 COMPONENT MAINT MANUAL REF: 34-22-78 QUALIFIED I/W DATA: 622-5974-101 I/W 622-5974-100 EXCEPT FOR BA PRE SERVICE BULLETIN: 34-0200	107107 121503 904949 952999	1
15	651-1819-001		..PLATE-IDENT SUPPLIER CODE: V4V792 OPTIONAL PART: 651-1819-002 V4V792 651-1819-003 V4V792	107107 121503 904949 952999	1

MISSING ITEM NUMBERS NOT APPLICABLE

- ITEM NOT ILLUSTRATED

BRI

34-25-01-01

BOEING PROPRIETARY - Copyright © - Unpublished Work - See title page for details.

34-25-01  
FIG. 01  
PAGE 1  
JAN 20/09



757

PARTS CATALOG (MAINTENANCE)

FIG ITEM	PART NUMBER	1 2 3 4 5 6 7	NOMENCLATURE	EFFECT FROM TO	UNITS PER ASSY
1					
15	651-1819-002	..	PLATE-IDENT SUPPLIER CODE: V4V792 OPTIONAL PART: 651-1819-001 V4V792 651-1819-003 V4V792	107107 121503 904949 952999	1
15	651-1819-003	..	PLATE-IDENT SUPPLIER CODE: V4V792 OPTIONAL PART: 651-1819-001 V4V792 651-1819-002 V4V792 ATTACHING PARTS	107107 121503 904949 952999	1
- 20	MS51957-2B	..	SCREW	107107 121503 904949 952999	2
			-----*-----		
25	025-1156-001	..	CAP-PROTECTIVE SUPPLIER CODE: V71468 MISCELLANEOUS DATA: 370-0505-030	107107 121503 904949 952999	1
30	025-1155-001	..	CAP-PROTECTIVE SUPPLIER CODE: V71468 MISCELLANEOUS DATA: 370-0505-040	107107 121503 904949 952999	1
35	280-2745-030	..	LABEL-ESDS WARNING SUPPLIER CODE: V12998 CONFIG CHG DATA FROM A CMM: SUPSD BY 280-2745-140	107107 121503 904949 952999	2
35	280-2745-140	..	LABEL-ESDS WARNING SUPPLIER CODE: V12998 CONFIG CHG DATA FROM A CMM: SUPERSEDES 280-2745-030	107107 121503 904949 952999	2
40	647-9360-002	..	CHASSIS ASSY- SUPPLIER CODE: V4V792	107107 121503 904949 952999	1

MISSING ITEM NUMBERS NOT APPLICABLE

- ITEM NOT ILLUSTRATED

BRI

34-25-01-01

34-25-01  
FIG. 01  
PAGE 2  
JAN 20/09



757

PARTS CATALOG (MAINTENANCE)

FIG ITEM	PART NUMBER	1 2 3 4 5 6 7	NOMENCLATURE	EFFECT FROM TO	UNITS PER ASSY
1					
45	629-6836-084		...STRIP-IDENT SUPPLIER CODE: V4V792	107107 121503 904949 952999	1
50	280-1368-030		...LABEL-PRESSURE SENS SUPPLIER CODE: V12998	107107 121503 904949 952999	1
55	651-2408-002		...HANDLE ASSY- SUPPLIER CODE: V4V792	107107 121503 904949 952999	1
- 65	652-5421-001		ATTACHING PARTS ...SCREW- SUPPLIER CODE: V4V792	107107 121503 904949 952999	2
- 70	768-3178-001		...WASHER- SUPPLIER CODE: V4V792	107107 121503 904949 952999	4
- 75	310-0007-050		...WASHER- SUPPLIER CODE: V79807	107107 121503 904949 952999	2
- 80	MS21042-06		...NUT	107107 121503 904949 952999	2
			-----*-----		
85	768-3386-001		....BAR- SUPPLIER CODE: V4V792	107107 121503 904949 952999	1
90	768-3387-019		....STRAP- SUPPLIER CODE: V4V792	107107 121503 904949 952999	1
95	629-6836-084		....STRIP-IDENT SUPPLIER CODE: V4V792	107107 121503 904949 952999	1
100	768-3436-001		....HOLD DOWN- SUPPLIER CODE: V4V792 OPTIONAL PART: 503-4970-001 V4V792	107107 121503 904949 952999	1

MISSING ITEM NUMBERS NOT APPLICABLE

- ITEM NOT ILLUSTRATED

34-25-01-01

34-25-01  
FIG. 01  
PAGE 3  
JAN 20/09

BRI



757

PARTS CATALOG (MAINTENANCE)

FIG ITEM	PART NUMBER	1 2 3 4 5 6 7	NOMENCLATURE	EFFECT FROM TO	UNITS PER ASSY
1 100	503-4970-001	.....	HOOK- SUPPLIER CODE: V4V792 OPTIONAL PART: 768-3436-001 V4V792 ATTACHING PARTS	107107 121503 904949 952999	1
- 105	MS20426AD4-6	.....	RIVET- CONFIG CHG DATA FROM A CMM: SUPSD BY MS20426AD4-7	107107 121503 904949 952999	2
- 105	MS20426AD4-7	.....	RIVET- CONFIG CHG DATA FROM A CMM: SUPERSEDES MS20426AD4-6	107107 121503 904949 952999	2
- 110	641-8914-001	.....	-----*----- SHIM- SUPPLIER CODE: V4V792 CONFIG CHG DATA FROM A CMM: SUPSD BY 641-8914-003	107107 121503 904949 952999	1
- 110	641-8914-003	.....	SHIM- SUPPLIER CODE: V4V792 CONFIG CHG DATA FROM A CMM: SUPERSEDES 641-8914-001	107107 121503 904949 952999	1
- 200	286N1175-001		WIRE BUNDLE ASSY	121503 904949	RF
- 200	286N1175-002		WIRE BUNDLE ASSY-	107107	RF
- 200	286N1175-006		WIRE BUNDLE ASSY- REWORKED BY SB: 34-0200	952999	RF
205	BACC66F11C5201	.CON	CONNECTOR- ELECTRICAL EQUIP NUMBER: D00919 WIRING DIAGRAM REF: 342511	107107 121503 904949 952999	1

MISSING ITEM NUMBERS NOT APPLICABLE

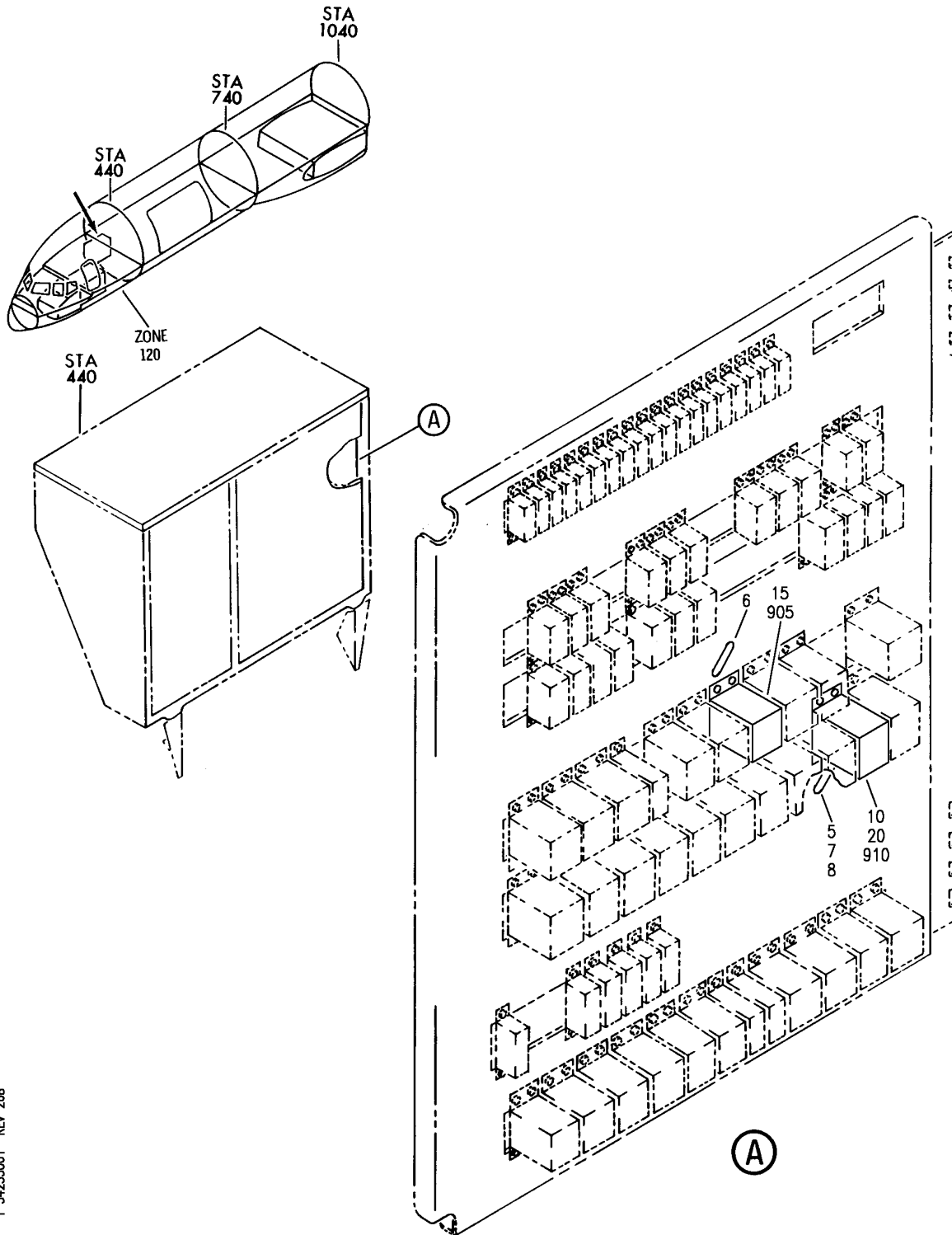
- ITEM NOT ILLUSTRATED

34-25-01-01

34-25-01  
FIG. 01  
PAGE 4  
JAN 20/09

BRI

**BOEING**  
757  
PARTS CATALOG (MAINTENANCE)



Y 34255001 REV 268

PANEL ASSY-P37 MISC RELAY R (INSTRUMENT COMPARISON SYSTEM ONLY)  
FIGURE 1

**34-25-50-01**

BRI  
MAY 28/07

34-25-50-01  
PAGE 0





757

PARTS CATALOG (MAINTENANCE)

FIG ITEM	PART NUMBER	1 2 3 4 5 6 7	NOMENCLATURE	EFFECT FROM TO	UNITS PER ASSY
1			PANEL ASSY-P37 MISC RELAY R (INSTRUMENT COMPARISON SYSTEM ONLY)	002004 006100 952952	
- 1	284N1127-1		PANEL ASSY-P37 MISC RELAY (INSTRUMENT COMPARISON SYSTEM ONLY) POSITION DATA: R VARIABLE DRAWING REF: 284N1127-5063 284N1127-5064 REWORKED BY SB: 33-0039 34-0200 REWORKED BY ALERT SB: 27A0130 FOR NHA/OTHER SYS DET SEE: 31-01-37-01B	002004 006100 952952	RF
5	BAC27NEX2713		.DECAL- PLACARD CONTENT: K10688	002004 006100	1
7	BAC27NEX2713		.DECAL- PLACARD CONTENT: K10688 POST SERVICE BULLETIN: 34-0200	952952	1
10	ES410-1538		.RELAY- SUPPLIER CODE: V99699 SPECIFICATION NUMBER: BACR13CG2AB OPTIONAL PART: KD4L018 V35344 BR230DS0115 V56623 KD4L036 V58657 FCA410-63 V78290 ELECTRICAL EQUIP NUMBER: K10688	002004 006100	1

MISSING ITEM NUMBERS NOT APPLICABLE

- ITEM NOT ILLUSTRATED

34-25-50-01

34-25-50  
FIG. 01  
PAGE 1  
JAN 20/09

BRI



757

PARTS CATALOG (MAINTENANCE)

FIG ITEM	PART NUMBER	1 2 3 4 5 6 7	NOMENCLATURE	EFFECT FROM TO	UNITS PER ASSY
1 20	ES410-1538		.RELAY- SUPPLIER CODE: V99699 SPECIFICATION NUMBER: BACR13CG2AB OPTIONAL PART: KD4L018 V35344 BR230DS0115 V56623 KD4L036 V58657 FCA410-63 V78290 ELECTRICAL EQUIP NUMBER: K10688 WIRING DIAGRAM REF: 342512 POST SERVICE BULLETIN: 34-0200	952952	1
- 900	286N1270-005		WIRE BUNDLE ASSY- REWORKED BY SB: 33-0039 34-0200 REWORKED BY ALERT SB: 27A0130 34A0222	002004 006100 952952	1
910	RSF116400		.SOCKET-RELAY SUPPLIER CODE: V58982 SPECIFICATION NUMBER: BACS16W1A OPTIONAL PART: 102-009-1 V09922 000300-1539 V05574 ELECTRICAL EQUIP NUMBER: D01923 WIRING DIAGRAM REF: 342512 POST SERVICE BULLETIN: 34-0200	002004 006100 952952	1

MISSING ITEM NUMBERS NOT APPLICABLE

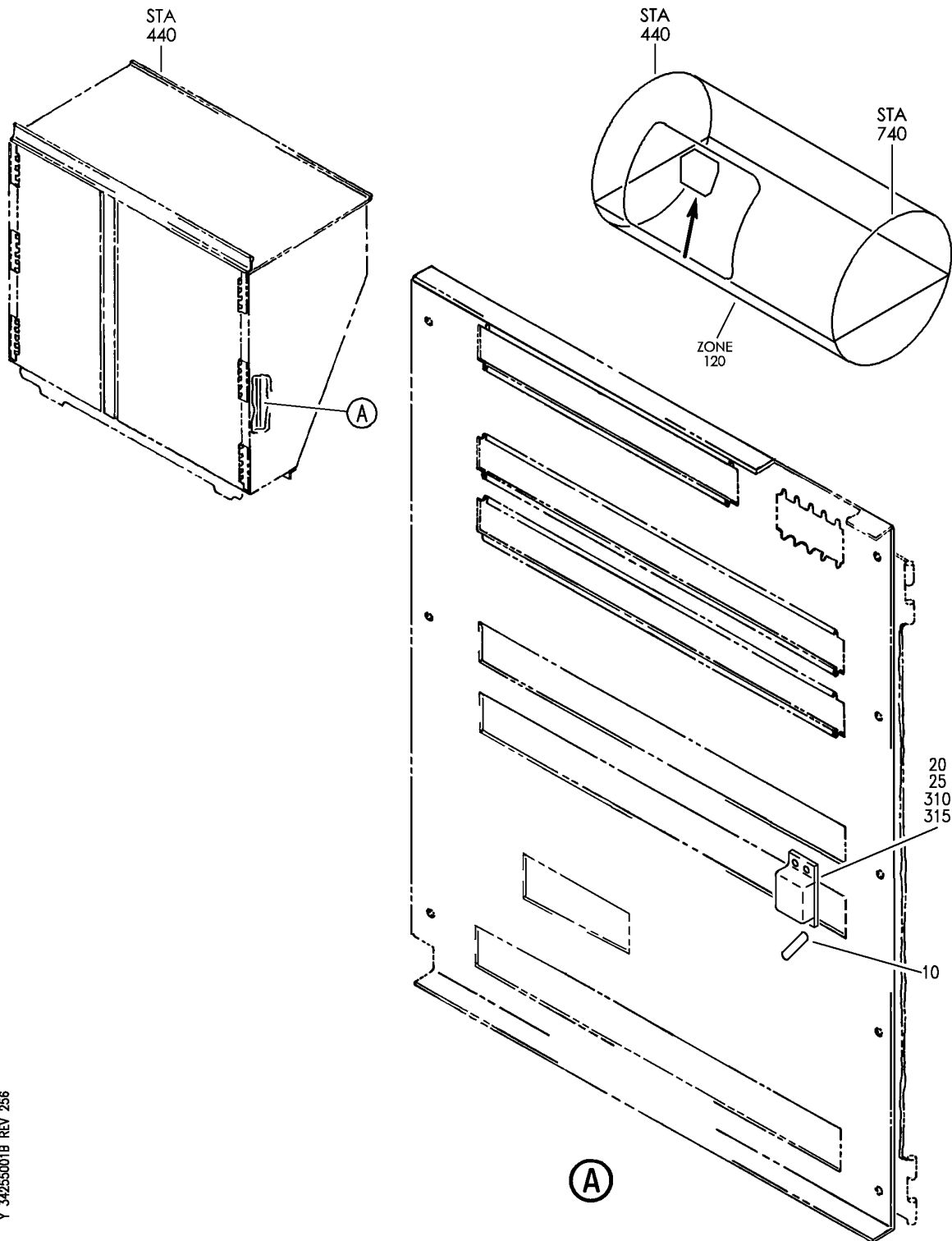
- ITEM NOT ILLUSTRATED

34-25-50-01

34-25-50  
FIG. 01  
PAGE 2  
JAN 20/09

BRI

**BOEING**  
757  
PARTS CATALOG (MAINTENANCE)



Y 34255001B REV 256

PACKAGE ASSY-OPTION P37 MISC RELAY (INSTRUMENT COMPARISON SYSTEM ONLY)  
FIGURE 1B

**34-25-50-01B**

BRI  
MAY 28/07

34-25-50-01B  
PAGE 0



757

PARTS CATALOG (MAINTENANCE)

FIG ITEM	PART NUMBER	1 2 3 4 5 6 7	NOMENCLATURE	EFFECT FROM TO	UNITS PER ASSY
1B			PACKAGE ASSY-OPTION P37 MISC RELAY (INSTRUMENT COMPARISON SYSTEM ONLY)	101102 504903	
- 5	284N1127-1037		PACKAGE ASSY-OPTION P37 MISC RELAY (INSTRUMENT COMPARISON SYSTEM ONLY) POSITION DATA: R MISCELLANEOUS DATA: ENGINE INDICATING AND CREW ALERTING SYSTEM REWORKED BY ALERT SB: 27A0130 FOR NHA SEE: 31-01-37-02	101102 504903	RF
20	ES410-1538		.RELAY- SUPPLIER CODE: V99699 SPECIFICATION NUMBER: BACR13CG2AB OPTIONAL PART: KD4L018 V35344 BR230DS0115 V56623 KD4L036 V58657 FCA410-63 V78290 ELECTRICAL EQUIP NUMBER: K10688	101102 504903	1
- 300	286N1270-336		WIRE BUNDLE ASSY- REWORKED BY ALERT SB: 34A0222 27A0130	504903	RF
- 301	286N1270-361		WIRE BUNDLE ASSY- REWORKED BY ALERT SB: 34A0222 27A0130	101101	RF
- 302	286N1270-399		WIRE BUNDLE ASSY- REWORKED BY ALERT SB: 34A0222 27A0130	102102	RF

MISSING ITEM NUMBERS NOT APPLICABLE

- ITEM NOT ILLUSTRATED

34-25-50-01B

34-25-50  
FIG. 01B  
PAGE 1  
JAN 20/09

BRI



757

PARTS CATALOG (MAINTENANCE)

FIG ITEM	PART NUMBER	1 2 3 4 5 6 7	NOMENCLATURE	EFFECT FROM TO	UNITS PER ASSY
1B 310	RSF116400		. SOCKET- SUPPLIER CODE: V58982 SPECIFICATION NUMBER: BACS16W1A OPTIONAL PART: 102-009-1 V09922 000300-1539 V05574 ELECTRICAL EQUIP NUMBER: D01923 WIRING DIAGRAM REF: 342512	101102 504903	1

MISSING ITEM NUMBERS NOT APPLICABLE

- ITEM NOT ILLUSTRATED

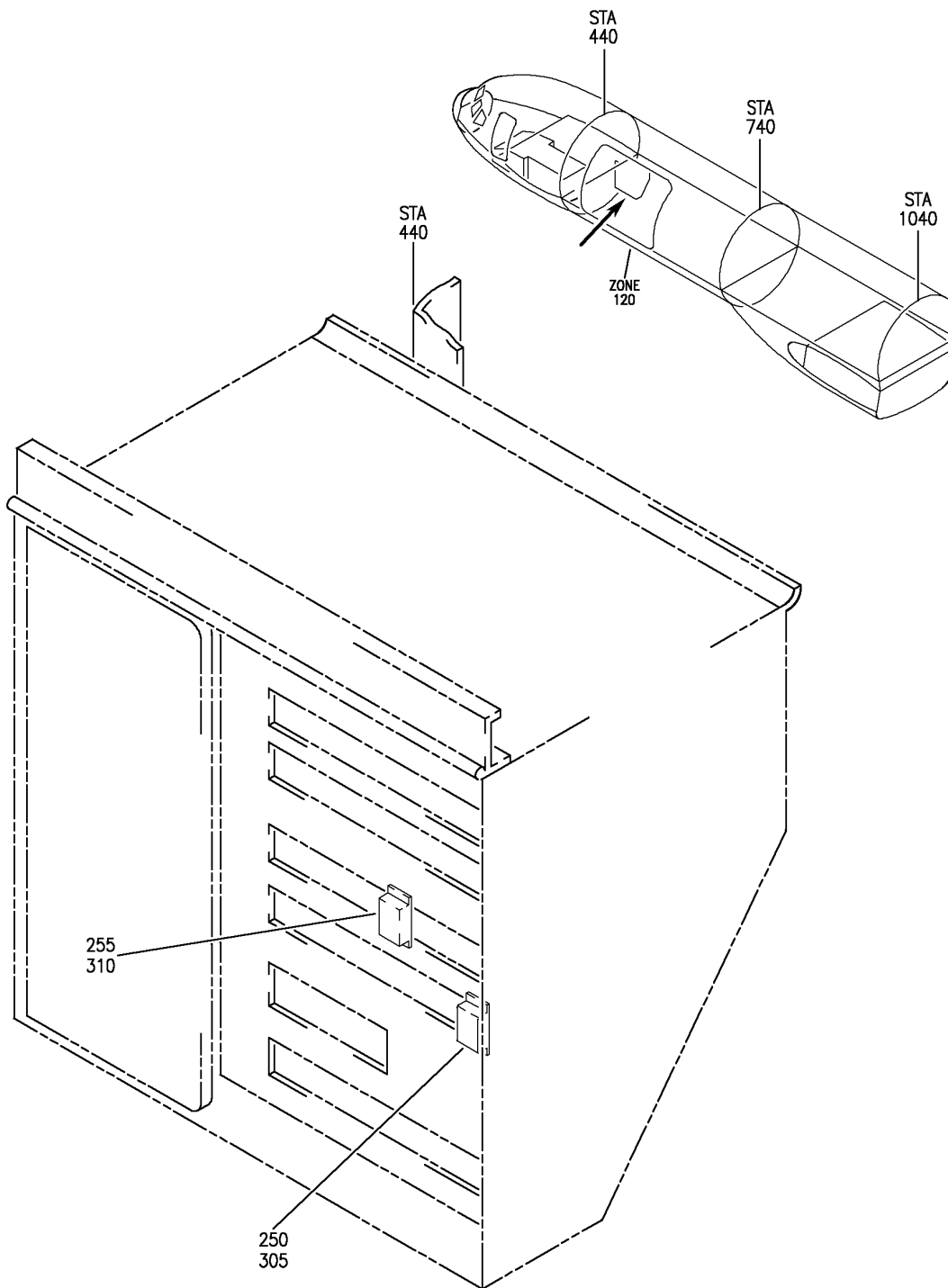
BRI

34-25-50-01B

BOEING PROPRIETARY - Copyright © - Unpublished Work - See title page for details.

34-25-50  
FIG. 01B  
PAGE 2  
JAN 20/09

**BOEING**  
757  
PARTS CATALOG (MAINTENANCE)



Y 34255001D REV 250

PANEL INSTL-P37 R MISC RELAY (INSTRUMENT COMPARISON SYSTEM ONLY)  
FIGURE 1D

**34-25-50-01D**

BRI  
JAN 20/09

34-25-50-01D  
PAGE 0



757

PARTS CATALOG (MAINTENANCE)

FIG ITEM	PART NUMBER	1 2 3 4 5 6 7	NOMENCLATURE	EFFECT FROM TO	UNITS PER ASSY
1 D			PANEL INSTL-P37 R MISC RELAY (INSTRUMENT COMPARISON SYSTEM ONLY)	103106 108120	
- 1	MODREF185037		PANEL INSTL-P37 R MISC RELAY (INSTRUMENT COMPARISON SYSTEM ONLY) MODULE NUMBER: 284N1127-169 REV D FOR OTHER SYS DETAILS SEE: 11-36-12-02A 21-25-71-02D 21-44-71-02D 21-45-31-01D 21-51-55-01D 21-58-71-02D 21-61-71-02D 23-31-51-05 24-21-51-05 24-51-01-02 24-51-02-03 24-51-58-02D 27-62-71-03D 28-22-71-03D 29-21-71-01D 30-11-71-02D 30-21-71-03D 30-31-71-02D 30-32-71-02D 30-33-71-02D 30-34-51-01D 31-01-37-10 31-31-71-02D 32-09-02-04D 32-42-71-02D 32-61-71-02D 33-43-55-01D 33-51-71-01D 34-12-71-02D 34-61-52-01D 35-21-71-02D 36-11-71-02D 38-15-71-02D 73-21-55-01D 74-31-71-02D 76-11-71-02D 77-12-71-01D 78-34-71-02D 78-36-71-02D 80-11-71-02D	106106	1
MISSING ITEM NUMBERS NOT APPLICABLE					

- ITEM NOT ILLUSTRATED

**34-25-50-01D**

34-25-50  
FIG. 01D  
PAGE 1  
JAN 20/09

BRI



757

PARTS CATALOG (MAINTENANCE)

FIG ITEM	PART NUMBER	1 2 3 4 5 6 7	NOMENCLATURE	EFFECT FROM TO	UNITS PER ASSY
1 D - 3	284N1127-118		PANEL INSTL-P37 R MISC RELAY (INSTRUMENT COMPARISON SYSTEM ONLY) FOR NHA/OTHER SYS DET SEE: 24-00-58-05C	108108	RF
- 4	284N1127-139		PANEL INSTL-P37 R MISC RELAY (INSTRUMENT COMPARISON SYSTEM ONLY) FOR NHA/OTHER SYS DET SEE: 24-00-58-05C	109120	RF

MISSING ITEM NUMBERS NOT APPLICABLE

- ITEM NOT ILLUSTRATED

BRI

34-25-50-01D

BOEING PROPRIETARY - Copyright © - Unpublished Work - See title page for details.

34-25-50  
FIG. 01D  
PAGE 2  
JAN 20/09





757

PARTS CATALOG (MAINTENANCE)

FIG ITEM	PART NUMBER	1 2 3 4 5 6 7	NOMENCLATURE	EFFECT FROM TO	UNITS PER ASSY
1 D - 8	MODREF31945		PANEL INSTL-P37 R MISC RELAY (INSTRUMENT COMPARISON SYSTEM ONLY) MODULE NUMBER: 284N1127-169 REV B FOR OTHER SYS DETAILS SEE: 11-36-12-02A 21-25-71-02D 21-44-71-02D 21-45-31-01D 21-51-55-01D 21-58-71-02D 21-61-71-02D 23-31-51-05 24-21-51-05 24-51-01-02 24-51-02-03 24-51-58-02D 27-62-71-03D 28-22-71-03D 29-21-71-01D 30-11-71-02D 30-21-71-03D 30-31-71-02D 30-32-71-02D 30-33-71-02D 30-34-51-01D 31-01-37-10 31-31-71-02D 32-09-02-04D 32-42-71-02D 32-61-71-02D 33-43-55-01D 33-51-71-01D 34-12-71-02D 34-61-52-01D 35-21-71-02D 36-11-71-02D 38-15-71-02D 73-21-55-01D 74-31-71-02D 76-11-71-02D 77-12-71-01D 78-34-71-02D 78-36-71-02D 80-11-71-02D	103103	1

MISSING ITEM NUMBERS NOT APPLICABLE

- ITEM NOT ILLUSTRATED

BRI

# 34-25-50-01D

BOEING PROPRIETARY - Copyright © - Unpublished Work - See title page for details.

34-25-50  
FIG. 01D  
PAGE 3  
JAN 20/09



757

PARTS CATALOG (MAINTENANCE)

FIG ITEM	PART NUMBER	1 2 3 4 5 6 7	NOMENCLATURE	EFFECT FROM TO	UNITS PER ASSY
1 D - 9	MODREF34305		PANEL INSTL-P37 R MISC RELAY (INSTRUMENT COMPARISON SYSTEM ONLY) MODULE NUMBER: 284N1127-169 REV C FOR OTHER SYS DETAILS SEE: 11-36-12-02A 21-25-71-02D 21-44-71-02D 21-45-31-01D 21-51-55-01D 21-58-71-02D 21-61-71-02D 23-31-51-05 24-21-51-05 24-51-01-02 24-51-02-03 24-51-58-02D 27-62-71-03D 28-22-71-03D 29-21-71-01D 30-11-71-02D 30-21-71-03D 30-31-71-02D 30-32-71-02D 30-33-71-02D 30-34-51-01D 31-01-37-10 31-31-71-02D 32-09-02-04D 32-42-71-02D 32-61-71-02D 33-43-55-01D 33-51-71-01D 34-12-71-02D 34-61-52-01D 35-21-71-02D 36-11-71-02D 38-15-71-02D 73-21-55-01D 74-31-71-02D 76-11-71-02D 77-12-71-01D 78-34-71-02D 78-36-71-02D 80-11-71-02D	104105	1

MISSING ITEM NUMBERS NOT APPLICABLE

- ITEM NOT ILLUSTRATED

**34-25-50-01D**

34-25-50  
 FIG. 01D  
 PAGE 4  
 JAN 20/09

BRI



757

PARTS CATALOG (MAINTENANCE)

FIG ITEM	PART NUMBER	1 2 3 4 5 6 7	NOMENCLATURE	EFFECT FROM TO	UNITS PER ASSY
1D 250	ES410-1538		.RELAY- SUPPLIER CODE: V99699 SPECIFICATION NUMBER: BACR13CG2AB OPTIONAL PART: KD4L018 V35344 BR230DS0115 V56623 KD4L036 V58657 FCA410-63 V78290 ELECTRICAL EQUIP NUMBER: K10688	103106 108120	1
- 300	286N1270-360		WIRE BUNDLE ASSY- REWORKED BY ALERT SB: 34A0222	108120	RF
- 302 305	286N1270-602 RSF116400		WIRE BUNDLE ASSY .SOCKET- SUPPLIER CODE: V58982 SPECIFICATION NUMBER: BACS16W1A OPTIONAL PART: 102-009-1 V09922 000300-1539 V05574 ELECTRICAL EQUIP NUMBER: D01923 WIRING DIAGRAM REF: 342512	103106 103106 108120	RF 1

MISSING ITEM NUMBERS NOT APPLICABLE

- ITEM NOT ILLUSTRATED

BRI

34-25-50-01D

BOEING PROPRIETARY - Copyright © - Unpublished Work - See title page for details.

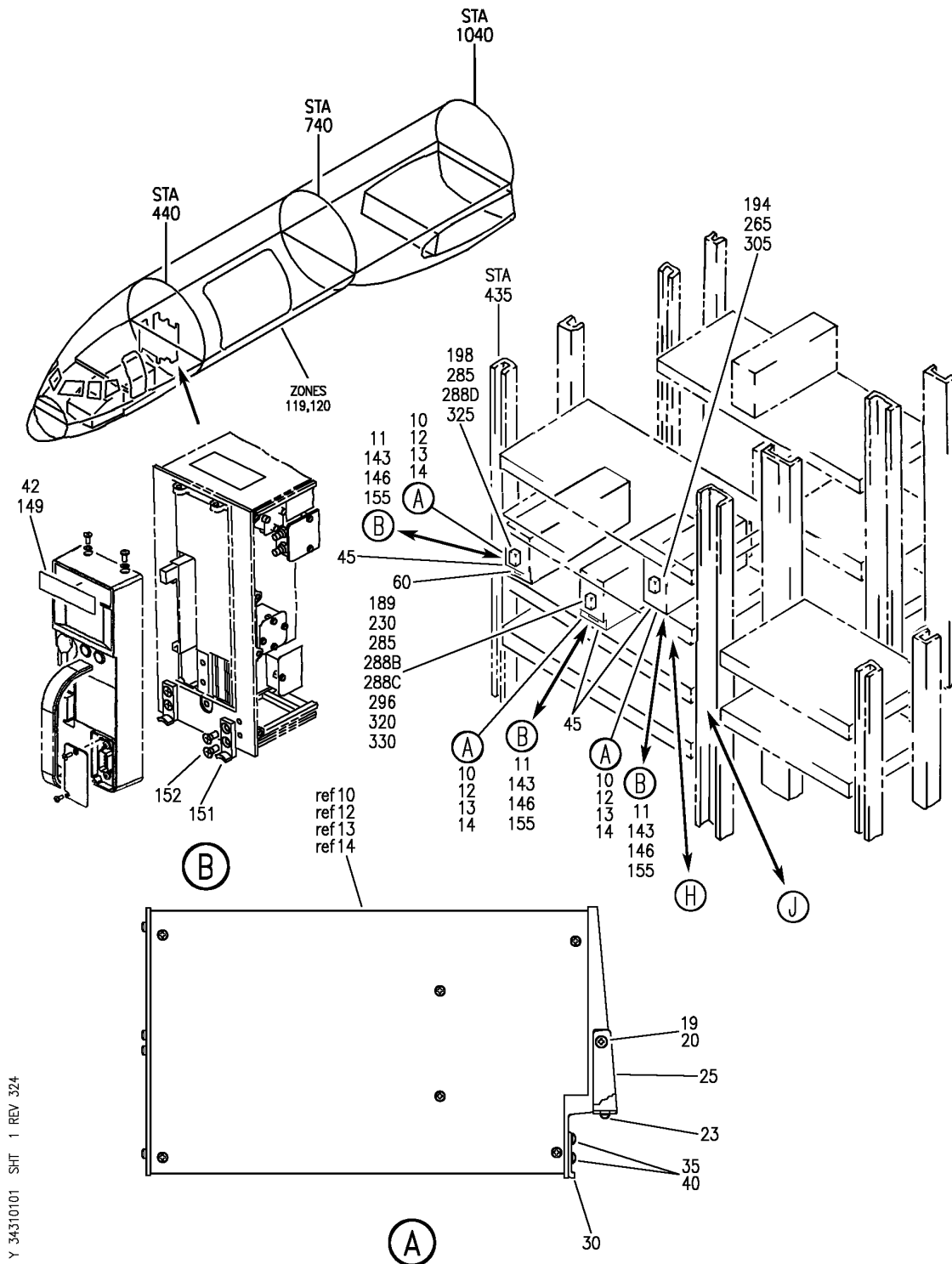
34-25-50  
FIG. 01D  
PAGE 5  
JAN 20/09

## INSTRUMENT LANDING SYSTEM (ILS)

BRI  
MAY 28/07

34-31-00  
SECTION TITLE  
PAGE 1


**BOEING**  
 757  
**PARTS CATALOG (MAINTENANCE)**



Y 34310101\_SHT 1 REV 324

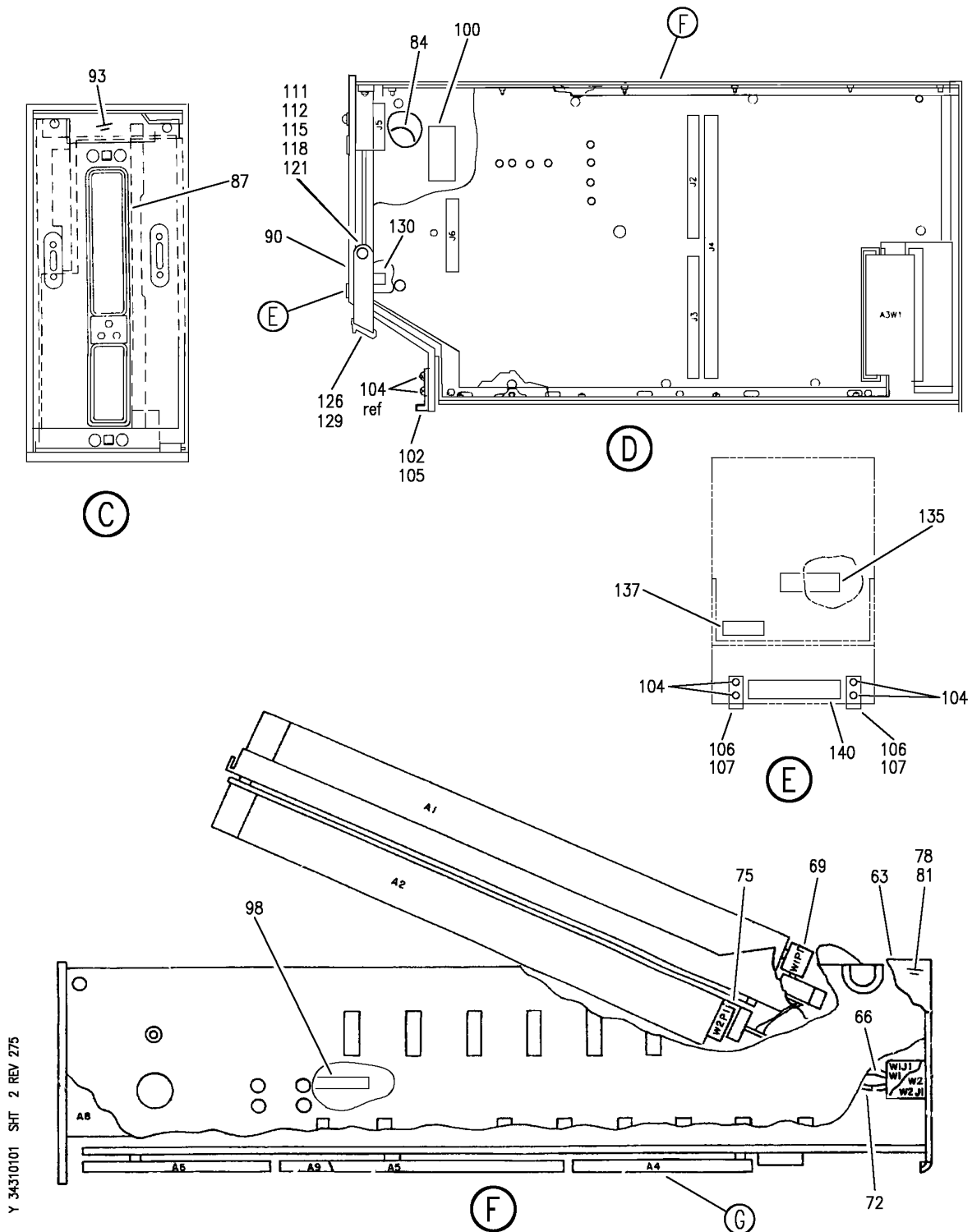
EQUIPMENT INSTL-MAIN ELECTRONICS EQPT CTR (ILS NAVIGATION SYSTEM ONLY)  
FIGURE 1 (SHEET 1)

# 34-31-01-01

BRI  
SEP 20/08

34-31-01-01  
PAGE 0

**BOEING**  
757  
**PARTS CATALOG (MAINTENANCE)**



Y 34310101 SHT 2 REV 275

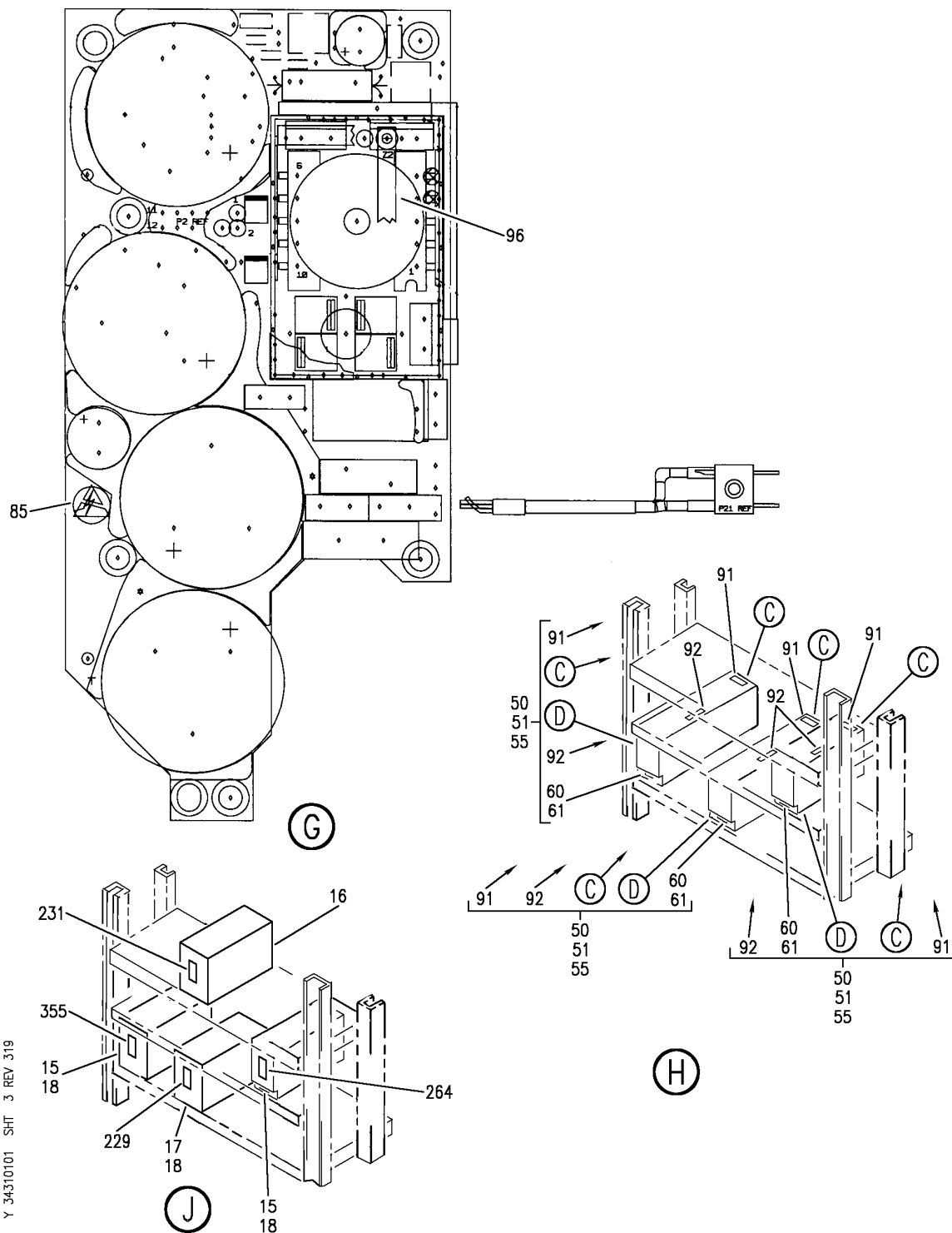
EQUIPMENT INSTL-MAIN ELECTRONICS EQPT CTR (ILS NAVIGATION SYSTEM ONLY)  
FIGURE 1 (SHEET 2)

**34-31-01-01**

BRI  
MAY 28/07

34-31-01-01  
PAGE 0A

**BOEING**  
757  
PARTS CATALOG (MAINTENANCE)



Y 34310101\_SHT\_3 REV 319

EQUIPMENT INSTL-MAIN ELECTRONICS EQPT CTR (ILS NAVIGATION SYSTEM ONLY)  
FIGURE 1 (SHEET 3)

**34-31-01-01**

BRI  
JAN 20/08

34-31-01-01  
PAGE 0B



757

PARTS CATALOG (MAINTENANCE)

FIG ITEM	PART NUMBER	1 2 3 4 5 6 7	NOMENCLATURE	EFFECT FROM TO	UNITS PER ASSY
1			EQUIPMENT INSTL-MAIN ELECTRONICS EQPT CTR (ILS NAVIGATION SYSTEM ONLY)	002004 006100 107107 121999	
- 2	284N1800-32		EQUIPMENT INSTL-MAIN ELECTRONICS EQPT CTR (ILS NAVIGATION SYSTEM ONLY) FOR NHA/OTHER SYS DET SEE: 24-00-58-01	952999	RF
- 2	284N1307-33		EQUIPMENT INSTL-MAIN ELECTRONICS EQPT CTR (ILS NAVIGATION SYSTEM ONLY) REWORK DRAWING REF: 824N0016-2 REWORKED BY SB: 34-0400 FOR NHA/OTHER SYS DET SEE: 24-00-58-01	107107	RF
- 4	284N1800-16		EQUIPMENT INSTL-MAIN ELECTRONICS EQPT CTR (ILS NAVIGATION SYSTEM ONLY) FOR NHA/OTHER SYS DET SEE: 24-00-58-01	121503 904949	RF
- 5	284N1800-34		EQUIPMENT INSTL-MAIN ELECTRONICS EQPT CTR (ILS NAVIGATION SYSTEM ONLY) FOR NHA/OTHER SYS DET SEE: 24-00-58-01	002004 006100	RF
- 5	284N1800-38		EQUIPMENT INSTL-MAIN ELECTRONICS EQPT CTR (ILS NAVIGATION SYSTEM ONLY) FOR NHA/OTHER SYS DET SEE: 24-00-58-01	950951	RF
- 8	284N1800-88		EQUIPMENT INSTL-MAIN ELECTRONICS EQPT CTR (ILS NAVIGATION SYSTEM ONLY) FOR NHA/OTHER SYS DET SEE: 24-00-58-05E	505505	RF
- 9	284N1800-190		EQUIPMENT INSTL-MAIN ELECTRONICS EQPT CTR (ILS NAVIGATION SYSTEM ONLY) FOR NHA/OTHER SYS DET SEE: 24-00-58-05E	504504 506903	RF

MISSING ITEM NUMBERS NOT APPLICABLE

- ITEM NOT ILLUSTRATED

BRI

34-31-01-01

34-31-01  
FIG. 01  
PAGE 1  
JAN 20/09





757

PARTS CATALOG (MAINTENANCE)

FIG ITEM	PART NUMBER	1 2 3 4 5 6 7	NOMENCLATURE	EFFECT FROM TO	UNITS PER ASSY
1 10	2041230-3517		.RECEIVER ASSY- SUPPLIER CODE: V97896 SPECIFICATION NUMBER: S220T103-108 MISCELLANEOUS DATA: 2041230-3517 DOES NOT MEET ICAO ANNEX 10 FM IMMUNITY STANDARDS ELECTRICAL EQUIP NUMBER: M00156 M00157 M00158 COMPONENT MAINT MANUAL REF: 34-36-31 QUALIFIED I/W DATA: 2041230-3514 -3515 -3517 ARE ALL INTERCHANGEABLE EXCEPT SUBJECT TO CUSTOMER PREFERENCE 2041230-3515 I/W 2041230-3517 EXCEPT SUBJECT TO CUSTOMER PREFERENCE PRE SERVICE BULLETIN: 34-0400	107107	3

R  
R  
R  
R  
R  
R  
R  
R  
R  
R  
R  
R  
R  
R  
R  
R  
R  
R  
R  
R  
R  
R  
R

MISSING ITEM NUMBERS NOT APPLICABLE

- ITEM NOT ILLUSTRATED

34-31-01-01

34-31-01  
FIG. 01  
PAGE 2  
MAY 20/09

BRI

**BOEING**  
757  
**PARTS CATALOG (MAINTENANCE)**

FIG ITEM	PART NUMBER	1 2 3 4 5 6 7	NOMENCLATURE	EFFECT FROM TO	UNITS PER ASSY
1 10	2041230-3517		.RECEIVER ASSY- SUPPLIER CODE: V97896 SPECIFICATION NUMBER: S220T103-108 MISCELLANEOUS DATA: 2041230-3517 DOES NOT MEET ICAO ANNEX 10 FM IMMUNITY STANDARDS ELECTRICAL EQUIP NUMBER: M00156 M00157 M00158 COMPONENT MAINT MANUAL REF: 34-36-31 QUALIFIED I/W DATA: 2041230-3514 -3515 -3517 ARE ALL INTERCHANGEABLE EXCEPT SUBJECT TO CUSTOMER PREFERENCE 2041230-3515 I/W 2041230-3517 EXCEPT SUBJECT TO CUSTOMER PREFERENCE PRE SERVICE BULLETIN: 34-0400	107107	RF
	10	2041230-3517	.RECEIVER ASSY- SUPPLIER CODE: V97896 SPECIFICATION NUMBER: S220T103-108 MISCELLANEOUS DATA: 2041230-3517 DOES NOT MEET ICAO ANNEX 10 FM IMMUNITY STANDARDS ELECTRICAL EQUIP NUMBER: M00156 M00157 M00158 COMPONENT MAINT MANUAL REF: 34-36-31	904949	3

MISSING ITEM NUMBERS NOT APPLICABLE

— ITEM NOT ILLUSTRATED

BRI

# 34-31-01-01

BOEING PROPRIETARY - Copyright © - Unpublished Work - See title page for details.

34-31-01  
FIG. 01  
PAGE 3  
MAY 20/09

**BOEING**  
757  
**PARTS CATALOG (MAINTENANCE)**

FIG ITEM	PART NUMBER	1 2 3 4 5 6 7	NOMENCLATURE	EFFECT FROM TO	UNITS PER ASSY
1	12 2041230-3516		.RECEIVER ASSY- SUPPLIER CODE: V97896 MISCELLANEOUS DATA: NON FM IMMUNE INTERCHANGEABLE IN SHIPSETS ONLY WITH 2041230-3517 2041230-3516 DOES NOT MEET ICAO ANNEX 10 FM IMMUNITY STANDARDS ELECTRICAL EQUIP NUMBER: M00156 M00157 M00158 COMPONENT MAINT MANUAL REF: 34-36-31 POST SERVICE LETTER: 34-101	002004 006017	3
	12 2041230-3531		.RECEIVER ASSY- SUPPLIER CODE: V97896 MISCELLANEOUS DATA: FM IMMUNE INTERCHANGEABLE IN SHIPSETS ONLY WITH 2041230-3517 ELECTRICAL EQUIP NUMBER: M00156 M00157 M00158 COMPONENT MAINT MANUAL REF: 34-36-31 QUALIFIED I/W DATA: 2041230-3531 AND 066-50006-0101 ARE ONE WAY INTERCHANGEABLE, AND AS A SET ONLY. POST SERVICE LETTER: 34-101	002004 006100	3

MISSING ITEM NUMBERS NOT APPLICABLE

— ITEM NOT ILLUSTRATED

BRI

# 34-31-01-01

BOEING PROPRIETARY - Copyright © - Unpublished Work - See title page for details.

34-31-01  
FIG. 01  
PAGE 4  
MAY 20/09

# **BOEING** 757 PARTS CATALOG (MAINTENANCE)

FIG ITEM	PART NUMBER	1 2 3 4 5 6 7	NOMENCLATURE	EFFECT FROM TO	UNITS PER ASSY
1 R	12 2041230-3517	.RECEIVER ASSY- SUPPLIER CODE: V97896 SPECIFICATION NUMBER: S220T103-108 MISCELLANEOUS DATA: NON FM IMMUNE INTERCHANGEABLE IN SHIPSETS ONLY WITH 2041230-3516, -3518 AND -3530 FULLY INTERCHANGEABLE AND INTERMIXABLE WITH 2041230-3531 2041230-3517 DOES NOT MEET ICAO ANNEX 10 FM IMMUNITY STANDARDS ELECTRICAL EQUIP NUMBER: M00156 M00157 M00158 COMPONENT MAINT MANUAL REF: 34-36-31 QUALIFIED I/W DATA: SUBJECT TO CUSTOMER PREFERENCE, 2041230-3531 PROVIDES FM IMMUNITY		002004 006017 121503 953999	3
	13 2041230-3530	.RECEIVER ASSY- SUPPLIER CODE: V97896 MISCELLANEOUS DATA: FM IMMUNE FULLY INTERCHANGEABLE AND INTERMIXABLE WITH 2041230-3517 ELECTRICAL EQUIP NUMBER: M00156 M00157 M00158 COMPONENT MAINT MANUAL REF: 34-36-31 POST SERVICE LETTER: 34-101		002004 006017	3
	19 46054-0002	.. SCREW-SPECIAL SUPPLIER CODE: V27914 QUALIFIED SB I/W DATA: (REPLD BY 3611334-0001 EFF S/N1001 AND ABOVE)		002004 006100 107107 121503 904949 953999	2
MISSING ITEM NUMBERS NOT APPLICABLE					

- ITEM NOT ILLUSTRATED

BRI

# 34-31-01-01

BOEING PROPRIETARY - Copyright © - Unpublished Work - See title page for details.

34-31-01  
 FIG. 01  
 PAGE 5  
 MAY 20/09



757

PARTS CATALOG (MAINTENANCE)

FIG ITEM	PART NUMBER	1 2 3 4 5 6 7	NOMENCLATURE	EFFECT FROM TO	UNITS PER ASSY
1					
19	3611334-0001	..	SCREW-SPECIAL SUPPLIER CODE: V97896 QUALIFIED SB I/W DATA: (REPLS 46054-0002 EFF S/N1001 AND ABOVE)	002004 006100 107107 121503 904949 953999	2
20	2080077-0012	..	WASHER-SPECIAL SUPPLIER CODE: V97896 QUALIFIED SB I/W DATA: (REPLD BY 36028-3458 EFF S/N1001 AND ABOVE)	002004 006100 107107 121503 904949 953999	2
20	36028-3458	..	WASHER-SPECIAL SUPPLIER CODE: V97896 QUALIFIED SB I/W DATA: (REPLS 080077-0012 EFF S/N1001 AND ABOVE)	002004 006100 107107 121503 904949 953999	2
23	3611365-0001	..	BUTTON- SUPPLIER CODE: V27914	002004 006100 107107 121503 904949 953999	2
25	2084861-0004	..	HANDLE- SUPPLIER CODE: V27914 QUALIFIED SB I/W DATA: (REPLD BY 3611649-0002 EFF S/N1001 AND ABOVE)	002004 006100 107107 121503 904949 953999	1
25	3611649-0002	..	HANDLE- SUPPLIER CODE: V97896 QUALIFIED SB I/W DATA: (REPLS 2084861-0004 EFF S/N1001 AND ABOVE)	002004 006100 107107 121503 904949 953999	1
30	39035-0001	..	HOOK-HOLD DOWN SUPPLIER CODE: V97896	002004 006100 107107 121503 904949 953999	2
35	MS35216-12	..	ATTACHING PARTS SCREW- QUALIFIED SB I/W DATA: (REPLD BY MS35216-16 EFF S/N1001 AND ABOVE)	002004 006100 107107 121503 904949 953999	4

MISSING ITEM NUMBERS NOT APPLICABLE

- ITEM NOT ILLUSTRATED

34-31-01-01

34-31-01  
FIG. 01  
PAGE 6  
MAY 20/09

BRI

**BOEING**  
757  
PARTS CATALOG (MAINTENANCE)

FIG ITEM	PART NUMBER	1 2 3 4 5 6 7	NOMENCLATURE	EFFECT FROM TO	UNITS PER ASSY
1					
35	MS35216-16		.. SCREW- QUALIFIED SB I/W DATA: (REPLS MS35216-12 EFF S/N1001 AND ABOVE)	002004 006100 107107 121503 904949 953999	4
40	MS35338-135		.. WASHER	002004 006100 107107 121503 904949 953999	4
50	822-0282-102		-----*----- .RECEIVER ASSY- SUPPLIER CODE: V4V792 ELECTRICAL EQUIP NUMBER: M00156 M00157 M00158 COMPONENT MAINT MANUAL REF: 34-36-70 QUALIFIED I/W DATA: 822-0282-102 I/W 822-0298-001 IN SHIPSETS ONLY OPTIONAL PART: 622-5221-102 V4V792	950951	3
50	622-5221-102		.RECEIVER ASSY- SUPPLIER CODE: V4V792 MISCELLANEOUS DATA: 622-5221-102 DOES NOT MEET ICAO ANNEX 10 FM IMMUNITY STANDARDS ELECTRICAL EQUIP NUMBER: M00156 M00157 M00158 COMPONENT MAINT MANUAL REF: 34-36-70	950951	3

R  
R  
R  
R  
R  
R  
R  
R  
R  
R  
R  
R  
R  
R  
R  
R  
R  
R  
R  
R  
R  
R

MISSING ITEM NUMBERS NOT APPLICABLE

- ITEM NOT ILLUSTRATED

BRI

34-31-01-01

34-31-01  
FIG. 01  
PAGE 7  
MAY 20/09



757  
PARTS CATALOG (MAINTENANCE)

FIG ITEM	PART NUMBER	1 2 3 4 5 6 7	NOMENCLATURE	EFFECT FROM TO	UNITS PER ASSY
1 51	622-5221-102		.RECEIVER ASSY- SUPPLIER CODE: V4V792 ELECTRICAL EQUIP NUMBER: M00156 M00157 M00158 COMPONENT MAINT MANUAL REF: 34-36-70 QUALIFIED I/W DATA: 622-5221-101 I/W 622-5221-102 EXCEPT SUBJECT TO CUSTOMER PREFERENCE OPTIONAL PART: 822-0282-102 V4V792	952952	3

R  
R  
R  
R  
R  
R  
R  
R  
R  
R  
R  
R  
R  
R  
R

MISSING ITEM NUMBERS NOT APPLICABLE

- ITEM NOT ILLUSTRATED

34-31-01-01

34-31-01  
FIG. 01  
PAGE 8  
MAY 20/09

BRI



757

PARTS CATALOG (MAINTENANCE)

FIG ITEM	PART NUMBER	1 2 3 4 5 6 7	NOMENCLATURE	EFFECT FROM TO	UNITS PER ASSY
1 55	822-1152-002		.RECEIVER ASSY- INSTRUMENT LANDING MULTI-MODE SUPPLIER CODE: V4V792 FUNCTIONAL DESCRIPTION: RECEIVES AND PROCESSES ILS/GPS SIGNALS AND OUTPUTS INFORMATION TO THE FLIGHT CONTROL SYSTEMS AND INSTRUMENT LANDING DISPLAYS. ELECTRICAL EQUIP NUMBER: M11249 M11250 M11251 WIRING DIAGRAM REF: 343111 343121 343131 COMPONENT MAINT MANUAL REF: 34-70-11 QUALIFIED I/W DATA: 822-1152-002 IS INTERCHANGEABLE AND INTERMIXABLE WITH 822-1821-001 ONLY IF GPS FUNCTION WITH SELECTIVE AVAILABILITY OFF IS NOT REQUIRED. A SHIPSET OF 822-1821-001 MUST BE INSTALLED IF GPS FUNCTION WITH SELECTIVE AVAILABILITY OFF IS REQUIRED.	504903	3
60	646-0087-001		..PLATE-IDENT SUPPLIER CODE: V4V792 USED ON: 622-5221-101 622-5221-102	950952	1
60	685-7287-001		..PLATE-IDENT SUPPLIER CODE: V4V792 USED ON: 822-0282-102	950951	1

MISSING ITEM NUMBERS NOT APPLICABLE

- ITEM NOT ILLUSTRATED

34-31-01-01

34-31-01  
FIG. 01  
PAGE 9  
MAY 20/09

BRI





757

PARTS CATALOG (MAINTENANCE)

FIG ITEM	PART NUMBER	1 2 3 4 5 6 7	NOMENCLATURE	EFFECT FROM TO	UNITS PER ASSY
1	60 829-0241-001		.. PLATE-IDENT SUPPLIER CODE: V4V792 CONFIG CHG DATA FROM A CMM: SUPSD BY 829-0241-002	504903	1
	60 829-0241-002		.. PLATE-IDENT SUPPLIER CODE: V4V792 CONFIG CHG DATA FROM A CMM: SUPSDS 829-0241-001	504903	1
	60 829-0241-002		.. PLATE-IDENT SUPPLIER CODE: V4V792 USED ON: 822-1152-002	504903	1
-	62 829-0200-012		.. PLATE-IDENT SUPPLIER CODE: V4V792 USED ON: 822-1152-002	504903	1
	63 641-0795-001		.. COVER-DUST SUPPLIER CODE: V4V792 USED ON: 822-0282-102	950951	1
	66 646-4644-002		.. MARKER-BAND SUPPLIER CODE: V4V792 USED ON: 622-5221-101 622-5221-102 822-0282-102	950952	1
	69 635-5580-004		.. MARKER-BAND SUPPLIER CODE: V4V792 USED ON: 622-5221-101 622-5221-102 822-0282-102	950952	1
	72 646-4644-003		.. MARKER-BAND SUPPLIER CODE: V4V792 USED ON: 622-5221-101 622-5221-102 822-0282-102	950952	1

MISSING ITEM NUMBERS NOT APPLICABLE

- ITEM NOT ILLUSTRATED

BRI

34-31-01-01

BOEING PROPRIETARY - Copyright © - Unpublished Work - See title page for details.

34-31-01  
FIG. 01  
PAGE 10  
MAY 20/09



757

PARTS CATALOG (MAINTENANCE)

FIG ITEM	PART NUMBER	1 2 3 4 5 6 7	NOMENCLATURE	EFFECT FROM TO	UNITS PER ASSY
1					
75	635-5580-001		.. MARKER-BAND SUPPLIER CODE: V4V792 USED ON: 622-5221-101 622-5221-102 822-0282-102	950952	1
78	280-2745-020		.. LABEL-ESDS WARNING SUPPLIER CODE: V12998 USED ON: 622-5221-101 622-5221-102	950952	1
78	838-7013-020		.. LABEL-ESDS WARNING SUPPLIER CODE: V12998 USED ON: 822-0282-102	950952	1
78	280-2745-120		.. LABEL-ESDS WARNING SUPPLIER CODE: V12998	950952	1
78	280-2745-130		.. LABEL-ESDS WARNING SUPPLIER CODE: V12998 USED ON: 822-0298-001	504903	1
81	280-2745-010		.. LABEL-ESDS WARNING SUPPLIER CODE: V12998	950952	1
87	211600-1		.. CAP-DUST SUPPLIER CODE: V00779	950952	1
87	211600-2		.. CAP-DUST SUPPLIER CODE: V00779 USED ON: 822-1152-002	504903	1
90	629-6836-066		.. STRIP-IDENT SUPPLIER CODE: V4V792 USED ON: 622-5221-101 622-5221-102	950952	1
90	629-6836-260		.. STRIP-IDENT SUPPLIER CODE: V4V792 USED ON: 822-0282-102	950951	1

MISSING ITEM NUMBERS NOT APPLICABLE

- ITEM NOT ILLUSTRATED

34-31-01-01

34-31-01  
FIG. 01  
PAGE 11  
MAY 20/09

BRI



757

PARTS CATALOG (MAINTENANCE)

FIG ITEM	PART NUMBER	1 2 3 4 5 6 7	NOMENCLATURE	EFFECT FROM TO	UNITS PER ASSY
1					
90	628-9774-002	..	STRIP-IDENT SUPPLIER CODE: V4V792 USED ON: 822-1152-002	504903	1
91	838-7020-010	..	LABEL-CAUTION SUPPLIER CODE: V12998	504903	1
92	838-7004-090	..	LABEL-MOD SUPPLIER CODE: V12998 CONFIG CHG DATA FROM A CMM: SUPSD BY 838-7013-020	504903	1
92	838-7013-020	..	LABEL-FCC SUPPLIER CODE: V12998 CONFIG CHG DATA FROM A CMM: SUPSDS 838-7004-090	504903	1
92	838-7013-020	..	LABEL-FCC SUPPLIER CODE: V12998	504903	1
93	280-2745-020	..	LABEL-ESDS WARNING SUPPLIER CODE: V12998	950952	1
98	280-1378-030	..	LABEL- SUPPLIER CODE: V12998 USED ON: 822-1152-002	504903	2
102	503-4970-001	..	HOOK- SUPPLIER CODE: V4V792 ATTACHING PARTS	504903 950952	2
- 103	MS51957-30	..	SCREW-	950952	4
- 103	MS1957-28	..	SCREW- USED ON: 822-1152-002 -----*-----	504903	4
105	641-8914-001	..	SHIM-HOLDDOWN SUPPLIER CODE: V4V792	950952	2
106	641-8917-001	..	DRIVER ASSY- SUPPLIER CODE: V4V792 CONFIG CHG DATA FROM A CMM: SUPSD BY 641-8914-001 USED ON: 822-1152-002	504903	2

MISSING ITEM NUMBERS NOT APPLICABLE

- ITEM NOT ILLUSTRATED

34-31-01-01

34-31-01  
FIG. 01  
PAGE 12  
MAY 20/09

BRI

 **BOEING**  
757  
**PARTS CATALOG (MAINTENANCE)**

FIG ITEM	PART NUMBER	1 2 3 4 5 6 7	NOMENCLATURE	EFFECT FROM TO	UNITS PER ASSY
1					
106	641-8914-001	..	SHIM- SUPPLIER CODE: V4V792 CONFIG CHG DATA FROM A CMM: SUPSDS 641-8917-001 USED ON: 822-1152-002	504903	2
111	651-2408-003	..	HANDLE ASSY- SUPPLIER CODE: V4V792 ATTACHING PARTS	504903 950952	1
112	328-0368-000	..	SCREW- SUPPLIER CODE: VOGT70 USED ON: 822-1152-002	504903	2
- 114	651-2411-001	..	SCREW- SUPPLIER CODE: V4V792 CONFIG CHG DATA FROM A CMM: SUPSD BY 652-5421-001	950952	2
- 114	652-5421-001	..	SCREW- SUPPLIER CODE: V4V792 CONFIG CHG DATA FROM A CMM: SUPERSEDES 651-2411-001	950952	2
- 114	653-2532-001	..	SCREW- SUPPLIER CODE: V4V792 CONFIG CHG DATA FROM A CMM: SUPSD BY 830-6883-001 USED ON: 822-1152-002	504903	2
- 114	830-6883-001	..	SCREW- SUPPLIER CODE: V4V792 CONFIG CHG DATA FROM A CMM: SUPERSEDES 653-2532-001 USED ON: 822-1152-002	504903	2
- 117	768-3178-001	..	WASHER- SUPPLIER CODE: V4V792	504903 950952	4
- 120	MS21042-06	..	NUT	504903 950952	2
- 123	629-6905-001	..	STOP-COVER SUPPLIER CODE: V4V792 -----*-----	950952	2

MISSING ITEM NUMBERS NOT APPLICABLE

- ITEM NOT ILLUSTRATED

BRI

# 34-31-01-01

34-31-01  
FIG. 01  
PAGE 13  
MAY 20/09



757  
PARTS CATALOG (MAINTENANCE)

FIG ITEM	PART NUMBER	1 2 3 4 5 6 7	NOMENCLATURE	EFFECT FROM TO	UNITS PER ASSY
1					
126	768-3386-002		...BAR-GRIP SUPPLIER CODE: V4V792	504903 950952	1
129	768-3387-020		...STRAP- SUPPLIER CODE: V4V792	504903 950952	1
130	SA1BV20		..SWITCH- SUPPLIER CODE: V55459	504903	1
155	822-1821-001		.RECEIVER ASSY- ILS/GPS MULTI-MODE SUPPLIER CODE: V4V792 FUNCTIONAL DESCRIPTION: RECEIVES AND PROCESSES ILS/GPS SIGNALS AND OUTPUTS INFORMATION TO THE FLIGHT CONTROL SYSTEMS AND INSTRUMENT LANDING DISPLAYS. ELECTRICAL EQUIP NUMBER: M11249 M11250 M11251 QUALIFIED I/W DATA: 822-1152-002 IS INTERCHANGEABLE AND INTERMIXABLE WITH 822-1821-001 ONLY IF GPS FUNCTION WITH SELECTIVE AVAILABILITY OFF IS NOT REQUIRED. A SHIPSET OF 822-1821-001 MUST BE INSTALLED IF GPS FUNCTION WITH SELECTIVE AVAILABILITY OFF IS REQUIRED. POST SERVICE BULLETIN: 34-0400	107107	3
- 200	286N1171-001		WIRE BUNDLE ASSY- REWORKED BY SB: 22-0063 REWORKED BY ALERT SB: 34A0222	121503 904949	RF

MISSING ITEM NUMBERS NOT APPLICABLE

- ITEM NOT ILLUSTRATED

34-31-01-01

34-31-01  
FIG. 01  
PAGE 14  
MAY 20/09

BRI



757

PARTS CATALOG (MAINTENANCE)

FIG ITEM	PART NUMBER	1 2 3 4 5 6 7	NOMENCLATURE	EFFECT FROM TO	UNITS PER ASSY
1					
- 200	286N1171-002		WIRE BUNDLE ASSY- REWORKED BY SB: 34-0132 REWORKED BY ALERT SB: 34A0222	107107	RF
- 200	286N1171-006		WIRE BUNDLE ASSY- REWORKED BY SB: 22-0063 31-0127R1 34-0132 34-0200 REWORKED BY ALERT SB: 34A0222	002004 006100 950999	RF
- 203	286N1171-359		WIRE BUNDLE ASSY- REWORKED BY ALERT SB: 34A0222	504504 506506	RF
- 204	286N1171-383		WIRE BUNDLE ASSY- REWORKED BY ALERT SB: 34A0222	505505	RF
- 204	286N1171-441		WIRE BUNDLE ASSY- REWORKED BY ALERT SB: 34A0222	507903	RF
230	BCREF11548		.CONNECTOR- OVERLENGTH PART NUMBER: BACC66F11C51AB01 ELECTRICAL EQUIP NUMBER: D00203 WIRING DIAGRAM REF: 343111 PRE SERVICE BULLETIN: 34-0400	002004 006100 107107 121999	1
- 250	286N1173-001		WIRE BUNDLE ASSY- REWORKED BY SB: 22-0063 REWORKED BY ALERT SB: 34A0222	121503 904949	RF
- 250	286N1173-002		WIRE BUNDLE ASSY- REWORKED BY SB: 34-0132 REWORKED BY ALERT SB: 34A0222	107107	RF
- 250	286N1173-006		WIRE BUNDLE ASSY- REWORKED BY SB: 22-0063 31-0127R1 34-0132 34-0200 REWORKED BY ALERT SB: 34A0222	002004 006100 950999	RF

MISSING ITEM NUMBERS NOT APPLICABLE

- ITEM NOT ILLUSTRATED

34-31-01-01

34-31-01  
FIG. 01  
PAGE 15  
MAY 20/09

BRI



757

PARTS CATALOG (MAINTENANCE)

FIG ITEM	PART NUMBER	1 2 3 4 5 6 7	NOMENCLATURE	EFFECT FROM TO	UNITS PER ASSY
1 265	BCREF11548		.CONNECTOR- OVERLENGTH PART NUMBER: BACC66F11C51AB01 ELECTRICAL EQUIP NUMBER: D00205 WIRING DIAGRAM REF: 343121	002004 006100 107107 121503 904999	1
- 275	286N1175-001		WIRE BUNDLE ASSY- REWORKED BY SB: 22-0063	121503 904949	RF
- 275	286N1175-002		WIRE BUNDLE ASSY-	107107	RF
- 275	286N1175-006		WIRE BUNDLE ASSY- REWORKED BY SB: 22-0063 34-0200	002004 006100 950999	RF
- 278 285	286N1175-381 BCREF11548		WIRE BUNDLE ASSY .CONNECTOR- OVERLENGTH PART NUMBER: BACC66F11C51AB01 ELECTRICAL EQUIP NUMBER: D00203 D00207 WIRING DIAGRAM REF: 343111 343131 PRE SERVICE BULLETIN: 34-0400	505505 002004 006100 107107 121949 952999	RF 2
289	BCREF11548		.CONNECTOR- OVERLENGTH PART NUMBER: BACC66F11C51AB01 ELECTRICAL EQUIP NUMBER: D00207 WIRING DIAGRAM REF: 343131	950951	1
- 291	125-94-9		.PLUG-COAXIAL ELECTRICAL EQUIP NUMBER: D02939AT	950951	1
- 292	BACS12HN06-7		ATTACHING PARTS .SCREW	950951	4

MISSING ITEM NUMBERS NOT APPLICABLE

- ITEM NOT ILLUSTRATED

BRI

34-31-01-01

34-31-01  
FIG. 01  
PAGE 16  
MAY 20/09



757

PARTS CATALOG (MAINTENANCE)

FIG ITEM	PART NUMBER	1 2 3 4 5 6 7	NOMENCLATURE	EFFECT FROM TO	UNITS PER ASSY
1 - 293	BRH10C06D	.NUT	SUPPLIER CODE: V52828 SPECIFICATION NUMBER: BACN10JC06CD OPTIONAL PART: T6C632JCD V11815 NS202486-62 V80539 102LH9075-62W V72962 H51650-06BAC V15653	950951	4
- 300	286N1173-359	-----*-----	WIRE BUNDLE ASSY- REWORKED BY ALERT SB: 34A0222	504504 506506	RF
- 301	286N1173-384		WIRE BUNDLE ASSY- REWORKED BY ALERT SB: 34A0222	505505	RF
305	BCREF14973	.CONNECTOR-	OVERLENGTH PART NUMBER: BACC66H40F03BL01 ELECTRICAL EQUIP NUMBER: D02941 WIRING DIAGRAM REF: 343121	504903	1
- 310	125-94-9	.PLUG-COAXIAL	ELECTRICAL EQUIP NUMBER: D02941AT WIRING DIAGRAM REF: 343121	504903	1
320	BCREF14974	.CONNECTOR-	OVERLENGTH PART NUMBER: BACC66H40F03AK01 ELECTRICAL EQUIP NUMBER: D02939 WIRING DIAGRAM REF: 343111	504903	1
325	BCREF14974	.CONNECTOR-	OVERLENGTH PART NUMBER: BACC66H40F03AK01 ELECTRICAL EQUIP NUMBER: D02943 WIRING DIAGRAM REF: 343131	504903	1

MISSING ITEM NUMBERS NOT APPLICABLE

- ITEM NOT ILLUSTRATED

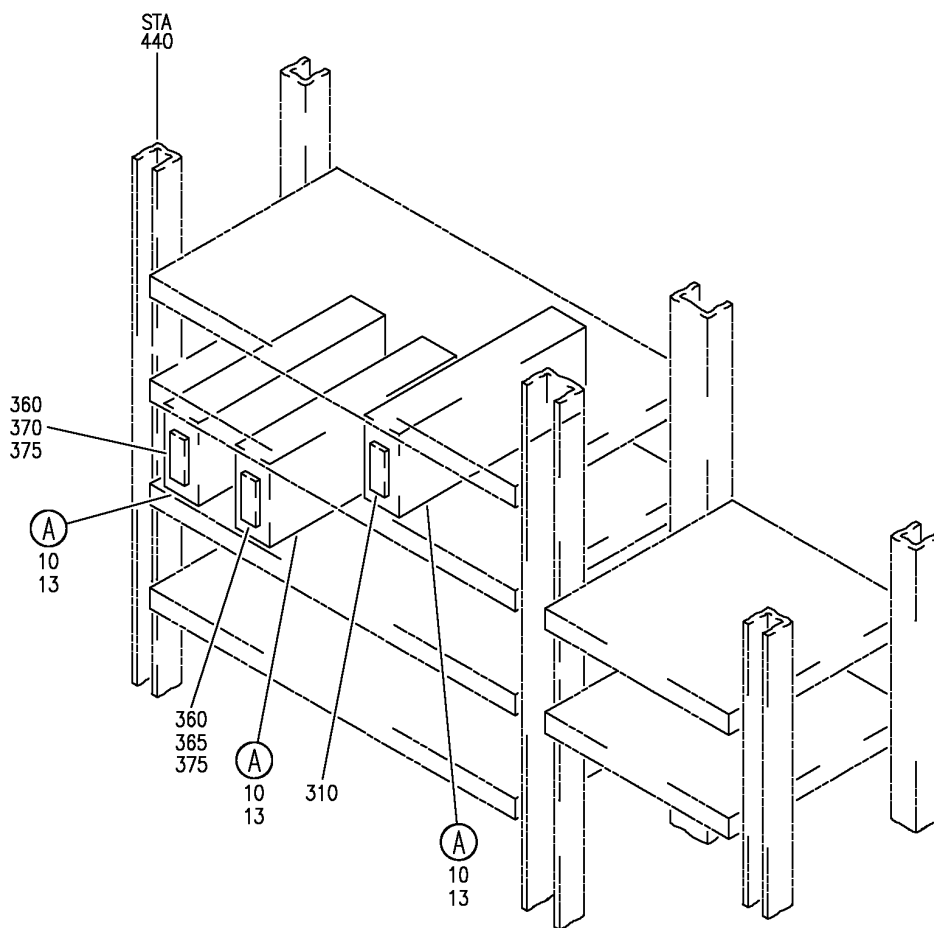
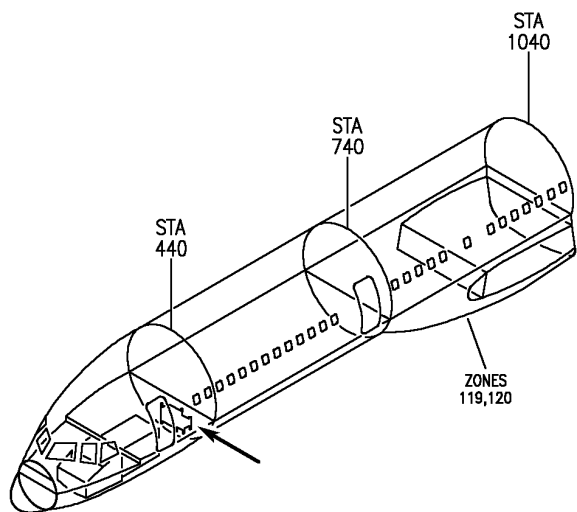
34-31-01-01

34-31-01  
FIG. 01  
PAGE 17  
MAY 20/09

BRI



**BOEING**  
757  
PARTS CATALOG (MAINTENANCE)



Y 34310101B SHT 1 REV 264

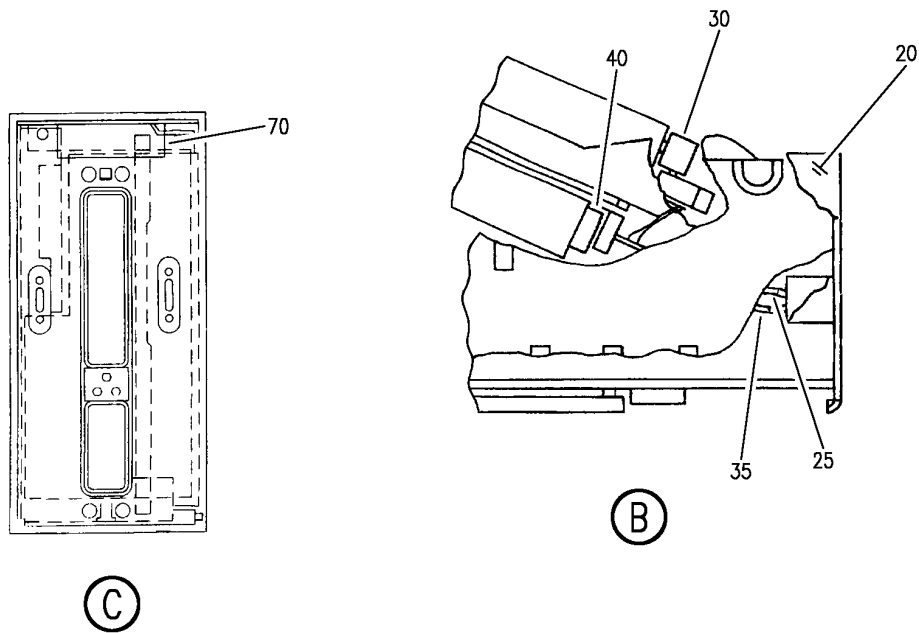
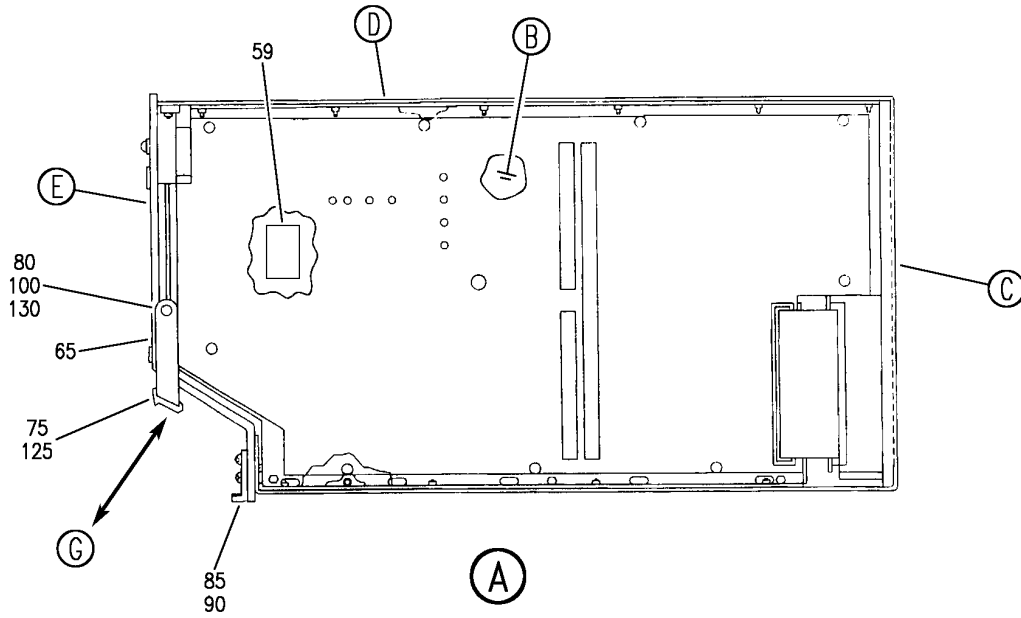
EQUIPMENT INSTL-MAIN ELECTRONICS EQPT CTR (ILS NAVIGATION SYSTEM ONLY)  
FIGURE 1B (SHEET 1)

BRI  
MAY 28/07

**34-31-01-01B**

34-31-01-01B  
PAGE 0

**BOEING**  
757  
PARTS CATALOG (MAINTENANCE)



Y 34310101B SHT 2 REV 280

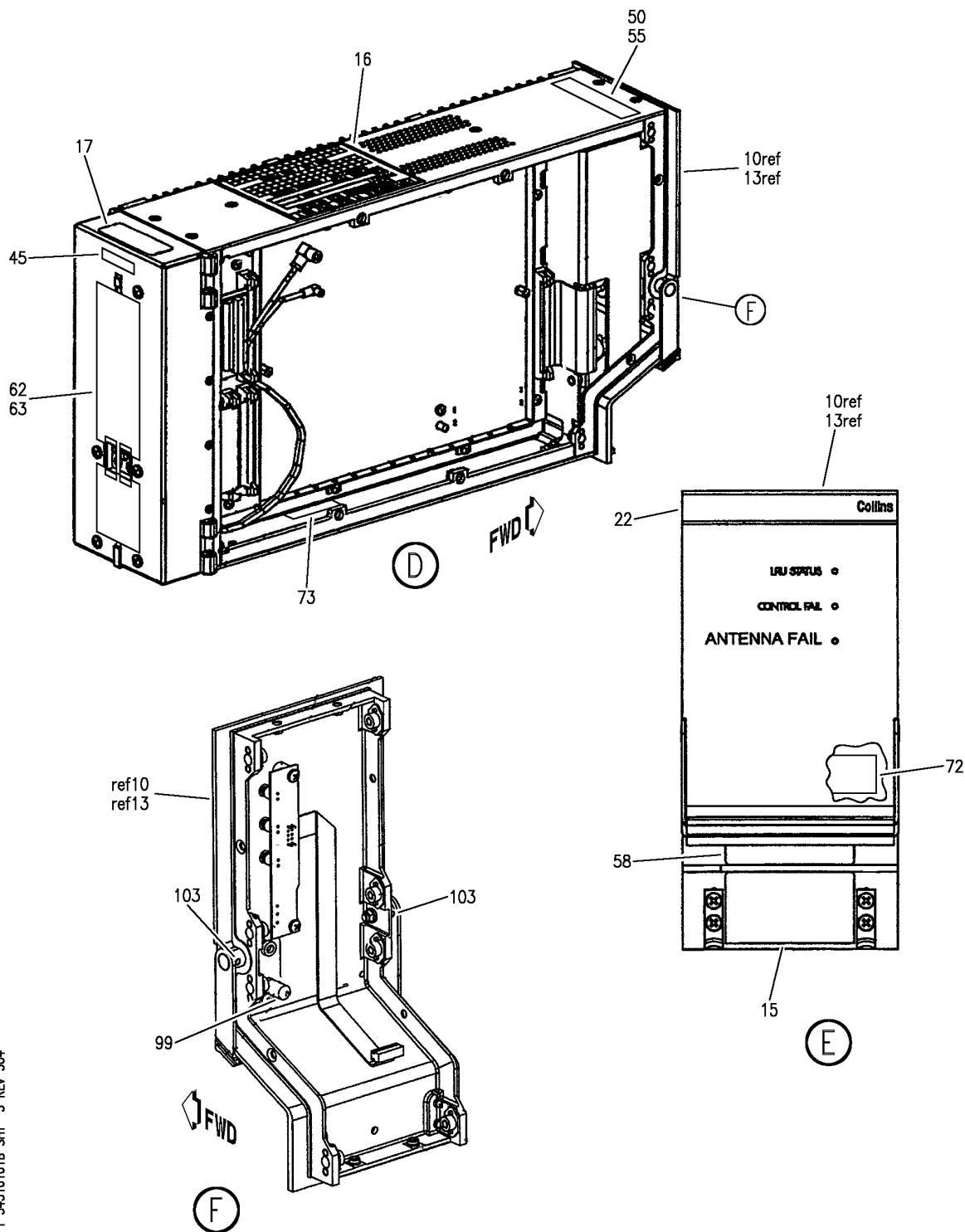
EQUIPMENT INSTL-MAIN ELECTRONICS EQPT CTR (ILS NAVIGATION SYSTEM ONLY)  
FIGURE 1B (SHEET 2)

BRI  
MAY 28/07

**34-31-01-01B**

34-31-01-01B  
PAGE 0A

**BOEING**  
757  
**PARTS CATALOG (MAINTENANCE)**



Y 34310101B SHT 3 REV 304

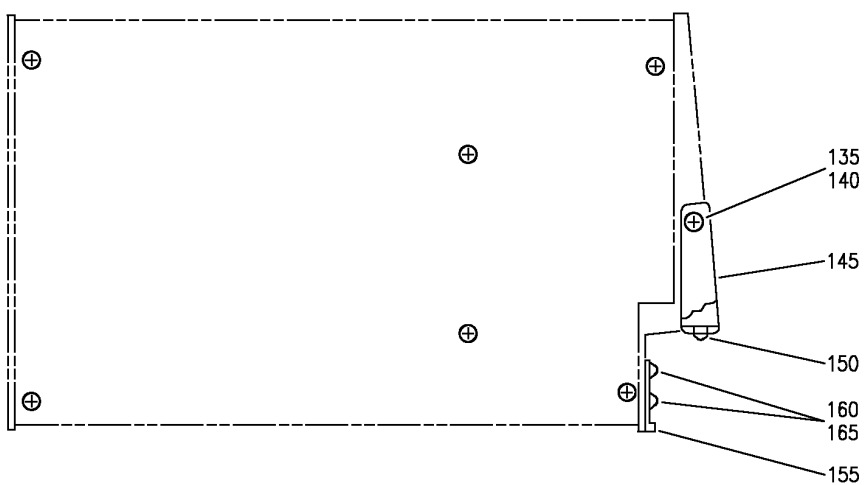
EQUIPMENT INSTL-MAIN ELECTRONICS EQPT CTR (ILS NAVIGATION SYSTEM ONLY)  
FIGURE 1B (SHEET 3)

**34-31-01-01B**

BRI  
MAY 28/07

34-31-01-01B  
PAGE 0B

**BOEING**  
757  
PARTS CATALOG (MAINTENANCE)



(G)

Y 34310101B SHT 4 REV 280

EQUIPMENT INSTL-MAIN ELECTRONICS EQPT CTR (ILS NAVIGATION SYSTEM ONLY)  
FIGURE 1B (SHEET 4)

**34-31-01-01B**

BRI  
MAY 28/07

34-31-01-01B  
PAGE 0C



757

PARTS CATALOG (MAINTENANCE)

FIG ITEM	PART NUMBER	1 2 3 4 5 6 7	NOMENCLATURE	EFFECT FROM TO	UNITS PER ASSY
1B			EQUIPMENT INSTL-MAIN ELECTRONICS EQPT CTR (ILS NAVIGATION SYSTEM ONLY)	101102	
- 3	284N1800-140		EQUIPMENT INSTL-MAIN ELECTRONICS EQPT CTR (ILS NAVIGATION SYSTEM ONLY)	101101	RF
- 3	284N1800-141		FOR NHA/OTHER SYS DET SEE: 24-00-58-05E		
			EQUIPMENT INSTL-MAIN ELECTRONICS EQPT CTR (ILS NAVIGATION SYSTEM ONLY)	102102	RF
			FOR NHA/OTHER SYS DET SEE: 24-00-58-05E		
R R R R R R R R R R R R	10 2041230-3531		.RECEIVER ASSY- SUPPLIER CODE: V97896 ELECTRICAL EQUIP NUMBER: M00156 M00157 M00158 COMPONENT MAINT MANUAL REF: 34-36-31 QUALIFIED I/W DATA: 2041230-3531 AND 066-50006-0101 ARE ONE WAY INTERCHANGEABLE, AND AS A SET ONLY.	101102	3

MISSING ITEM NUMBERS NOT APPLICABLE

- ITEM NOT ILLUSTRATED

**34-31-01-01B**

34-31-01  
FIG. 01B  
PAGE 1  
MAY 20/09

BRI

**PARTS CATALOG (MAINTENANCE)**

FIG ITEM	PART NUMBER	1 2 3 4 5 6 7	NOMENCLATURE	EFFECT FROM TO	UNITS PER ASSY
1B 10	822-1152-002		.RECEIVER ASSY- INSTRUMENT LANDING MULTI-MODE SUPPLIER CODE: V4V792 FUNCTIONAL DESCRIPTION: RECEIVES AND PROCESSES ILS/GPS SIGNALS AND OUTPUTS INFORMATION TO THE FLIGHT CONTROL SYSTEMS AND INSTRUMENT LANDING DISPLAYS. ELECTRICAL EQUIP NUMBER: M11249 M11250 M11251 COMPONENT MAINT MANUAL REF: 34-70-11 QUALIFIED I/W DATA: 822-1152-002 AND 822-1158-001 ARE INTERCHANGEABLE AND INTERMIXABLE. IF GPS FUNCTION IS REQUIRED, 822-1152-002 MUST BE USED. 066-50029-1101 I/W 822-1152-001 OR 822-1152-002 IN SHIPSETS ONLY. 822-1152-002 IS INTERCHANGEABLE AND INTERMIXABLE WITH 822-1821-001 ONLY IF GPS FUNCTION WITH SELECTIVE AVAILABILITY OFF IS NOT REQUIRED. A SHIPSET OF 822-1821-001 MUST BE INSTALLED IF GPS FUNCTION WITH SELECTIVE AVAILABILITY OFF IS REQUIRED.	101102	3
MISSING ITEM NUMBERS NOT APPLICABLE					

- ITEM NOT ILLUSTRATED

BRI

# 34-31-01-01B

BOEING PROPRIETARY - Copyright © - Unpublished Work - See title page for details.

 34-31-01  
 FIG. 01B  
 PAGE 2  
 MAY 20/09

 **BOEING**  
757  
**PARTS CATALOG (MAINTENANCE)**

FIG ITEM	PART NUMBER	1 2 3 4 5 6 7	NOMENCLATURE	EFFECT FROM TO	UNITS PER ASSY
R R	1B 10	822-1152-001	.RECEIVER ASSY-ILS/GPS MULTI-MODE SUPPLIER CODE: V4V792 FUNCTIONAL DESCRIPTION: RECEIVES AND PROCESSES ILS/GPS SIGNALS AND OUTPUTS INFORMATION TO THE FLIGHT CONTROL SYSTEMS AND INSTRUMENT LANDING DISPLAYS. ELECTRICAL EQUIP NUMBER: M11249 M11250 M11251 COMPONENT MAINT MANUAL REF: 34-70-11 QUALIFIED I/W DATA: 066-50029-1101 I/W 822-1152-001 OR 822-1152-002 IN SHIPSETS ONLY.	101102	3
	15	829-0241-001	..PLATE-IDENT SUPPLIER CODE: V4V792 CONFIG CHG DATA FROM A CMM: SUPSD BY 829-0241-002	101102	1
	15	829-0241-002	..PLATE-IDENT SUPPLIER CODE: V4V792 CONFIG CHG DATA FROM A CMM: SUPSDS 829-0241-001	101102	1
	16	838-7004-090	..LABEL-MOD SUPPLIER CODE: V12998 CONFIG CHG DATA FROM A CMM: SUPSD BY 838-7013-020	101102	1
	16	838-7013-020	..LABEL-FCC SUPPLIER CODE: V12998 CONFIG CHG DATA FROM A CMM: SUPSDS 838-7004-090	101102	1
	16	838-7013-020	..LABEL-FCC SUPPLIER CODE: V12998	101102	1
	17	838-7020-010	..LABEL-CAUTION SUPPLIER CODE: V12998	101102	1

MISSING ITEM NUMBERS NOT APPLICABLE

— ITEM NOT ILLUSTRATED

# 34-31-01-01B

34-31-01  
FIG. 01B  
PAGE 3  
MAY 20/09

BRI

BOEING PROPRIETARY - Copyright © - Unpublished Work - See title page for details.



757

PARTS CATALOG (MAINTENANCE)

FIG ITEM	PART NUMBER	1 2 3 4 5 6 7	NOMENCLATURE	EFFECT FROM TO	UNITS PER ASSY
1B					
45	280-2745-130	..	LABEL-ESDS WARNING SUPPLIER CODE: VOBU16	101102	1
58	829-0200-012	..	PLATE-IDENT SUPPLIER CODE: V4V792	101102	1
62	211600-2	..	CAP-DUST SUPPLIER CODE: V00779	101102	1
65	628-9774-002	..	STRIP-IDENTIFICATION SUPPLIER CODE: V4V792	101102	1
73	280-1378-030	..	LABEL- SUPPLIER CODE: V12998	101102	2
85	503-4970-001	..	HOOK- SUPPLIER CODE: V4V792	101102	2
90	641-8917-001	..	DRIVER ASSY- SUPPLIER CODE: V4V792 CONFIG CHG DATA FROM A CMM: SUPSD BY 641-8914-001	101102	2
90	641-8914-001	..	SHIM- SUPPLIER CODE: V4V792 CONFIG CHG DATA FROM A CMM: SUPSDS 641-8917-001	101102	2
99	SA1BV20	..	SWITCH- SUPPLIER CODE: V55459	101102	1
100	651-2408-003	..	HANDLE ASSY- SUPPLIER CODE: V4V792 ATTACHING PARTS	101102	1
103	328-0368-000	..	SCREW- SUPPLIER CODE: VOGT70	101102	2
- 105	653-2532-001	..	SCREW- SUPPLIER CODE: V4V792 CONFIG CHG DATA FROM A CMM: SUPSD BY 830-6883-001	101102	2
- 105	830-6883-001	..	SCREW- SUPPLIER CODE: V4V792 CONFIG CHG DATA FROM A CMM: SUPSDS 653-2532-001	101102	2

MISSING ITEM NUMBERS NOT APPLICABLE

- ITEM NOT ILLUSTRATED

34-31-01-01B

34-31-01  
FIG. 01B  
PAGE 4  
MAY 20/09

BRI

BOEING PROPRIETARY - Copyright © - Unpublished Work - See title page for details.





757

PARTS CATALOG (MAINTENANCE)

FIG ITEM	PART NUMBER	1 2 3 4 5 6 7	NOMENCLATURE	EFFECT FROM TO	UNITS PER ASSY
1B					
- 110	768-3178-001	..	WASHER- SUPPLIER CODE: V4V792	101102	4
- 115	MS21042-06	..	NUT -----*-----	101102	2
125	768-3386-002	...	BAR-GRIP SUPPLIER CODE: V4V792	101102	1
130	768-3387-020	...	STRAP- SUPPLIER CODE: V4V792	101102	1
135	3611334-0001	..	SCREW-SPECIAL SUPPLIER CODE: V97896 QUALIFIED SB I/W DATA: (REPLS 46054-0002 EFF S/N1001 AND ABOVE)	101102	2
135	46054-0002	..	SCREW-SPECIAL SUPPLIER CODE: V27914 QUALIFIED SB I/W DATA: (REPLD BY 3611334-0001 EFF S/N1001 AND ABOVE)	101102	2
140	36028-3458	..	WASHER-SPECIAL SUPPLIER CODE: V97896 QUALIFIED SB I/W DATA: (REPLS 080077-0012 EFF S/N1001 AND ABOVE)	101102	2
140	2080077-0012	..	WASHER-SPECIAL SUPPLIER CODE: V97896 QUALIFIED SB I/W DATA: (REPLD BY 36028-3458 EFF S/N1001 AND ABOVE)	101102	2
145	3611649-0002	..	HANDLE- SUPPLIER CODE: V97896 QUALIFIED SB I/W DATA: (REPLS 2084861-0004 EFF S/N1001 AND ABOVE)	101102	1
145	2084861-0004	..	HANDLE- SUPPLIER CODE: V27914 QUALIFIED SB I/W DATA: (REPLD BY 3611649-0002 EFF S/N1001 AND ABOVE)	101102	1

MISSING ITEM NUMBERS NOT APPLICABLE

- ITEM NOT ILLUSTRATED

34-31-01-01B

34-31-01  
FIG. 01B  
PAGE 5  
MAY 20/09

BRI

BOEING PROPRIETARY - Copyright © - Unpublished Work - See title page for details.



757

PARTS CATALOG (MAINTENANCE)

FIG ITEM	PART NUMBER	1 2 3 4 5 6 7	NOMENCLATURE	EFFECT FROM TO	UNITS PER ASSY
1B					
150	3611365-0001	..	BUTTON- SUPPLIER CODE: V27914	101102	2
155	39035-0001	..	HOOK-HOLD DOWN SUPPLIER CODE: V97896	101102	2
160	MS35216-16	..	SCREW- ATTACHING PARTS QUALIFIED SB I/W DATA: (REPLS MS35216-12 EFF S/N1001 AND ABOVE)	101102	4
160	MS35216-12	..	SCREW- QUALIFIED SB I/W DATA: (REPLD BY MS35216-16 EFF S/N1001 AND ABOVE)	101102	4
165	MS35338-135	..	WASHER -----*-----	101102	4
- 301	286N1173-353		WIRE BUNDLE ASSY- REWORKED BY ALERT SB: 34A022	101101	RF
- 301	286N1173-354		WIRE BUNDLE ASSY- REWORKED BY ALERT SB: 34A022	102102	RF
310	BCREF11548	.	CONNECTOR- OVERLENGTH PART NUMBER: BACC66F11C51AB01 ELECTRICAL EQUIP NUMBER: D00205 WIRING DIAGRAM REF: 343121	101101	1
310	BCREF17729	.	CONNECTOR- OVERLENGTH PART NUMBER: BACC66H40F03BK01 ELECTRICAL EQUIP NUMBER: D02941 WIRING DIAGRAM REF: 343121	101102	1
- 350	286N1175-351		WIRE BUNDLE ASSY	101101	RF
- 351	286N1175-353		WIRE BUNDLE ASSY	102102	RF
360	BCREF11548	.	CONNECTOR- OVERLENGTH PART NUMBER: BACC66F11C51AB01 ELECTRICAL EQUIP NUMBER: D00207 D00203 WIRING DIAGRAM REF: 343131	101101	2

MISSING ITEM NUMBERS NOT APPLICABLE

- ITEM NOT ILLUSTRATED

34-31-01-01B

34-31-01  
FIG. 01B  
PAGE 6  
MAY 20/09

BRI

BOEING PROPRIETARY - Copyright © - Unpublished Work - See title page for details.



757

PARTS CATALOG (MAINTENANCE)

FIG ITEM	PART NUMBER	1 2 3 4 5 6 7	NOMENCLATURE	EFFECT FROM TO	UNITS PER ASSY
1B 365	BCREF17729		.CONNECTOR- OVERLENGTH PART NUMBER: BACC66H40F03BK01 ELECTRICAL EQUIP NUMBER: D02939 WIRING DIAGRAM REF: 343111	101102	1
370	BCREF14974		.CONNECTOR- OVERLENGTH PART NUMBER: BACC66H40F03AK01 ELECTRICAL EQUIP NUMBER: D02943 WIRING DIAGRAM REF: 343131	101102	1

MISSING ITEM NUMBERS NOT APPLICABLE

- ITEM NOT ILLUSTRATED

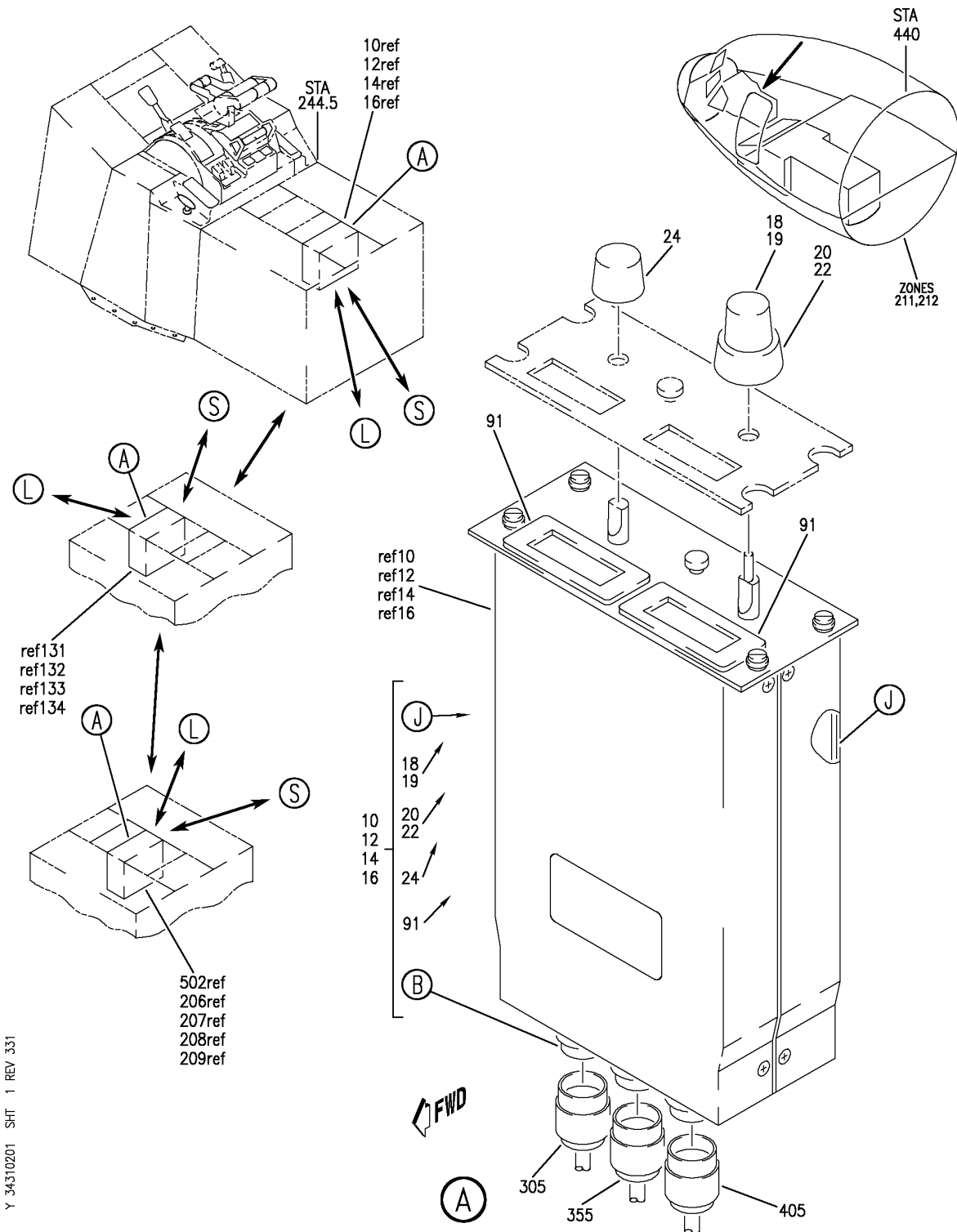
BRI

34-31-01-01B

BOEING PROPRIETARY - Copyright © - Unpublished Work - See title page for details.

34-31-01  
FIG. 01B  
PAGE 7  
MAY 20/09

**BOEING**  
757  
PARTS CATALOG (MAINTENANCE)



Y 34310201 SHT 1 REV 331

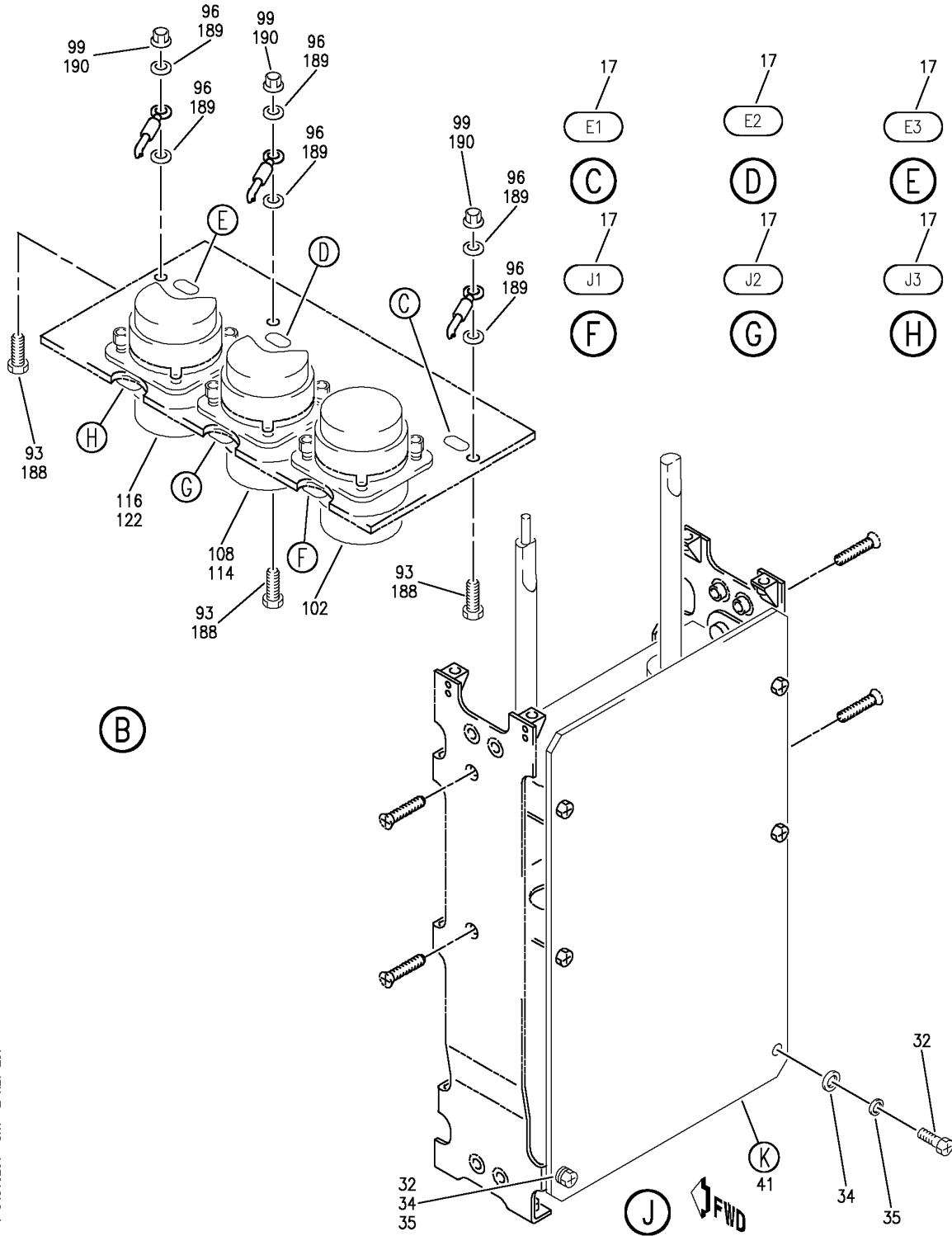
PANEL INSTL-P8 ELECTRONICS (INSTRUMENT LANDING NAVIGATION SYSTEM ONLY)  
FIGURE 1 (SHEET 1)

**34-31-02-01**

BRI  
JAN 20/09

34-31-02-01  
PAGE 0

**BOEING**  
757  
**PARTS CATALOG (MAINTENANCE)**



Y 34310201 SHT 2 REV 257

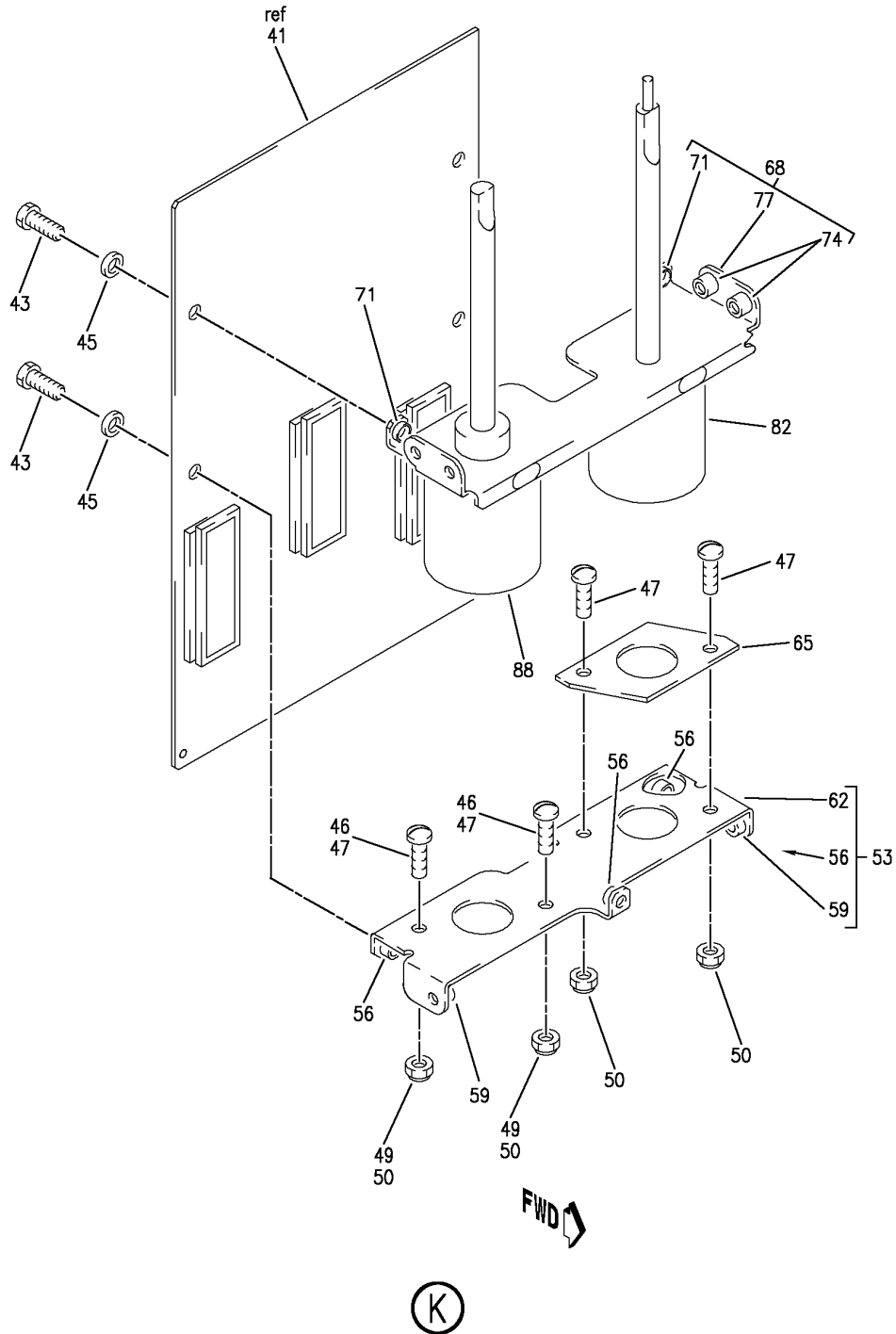
PANEL INSTL-P8 ELECTRONICS (INSTRUMENT LANDING NAVIGATION SYSTEM ONLY)  
FIGURE 1 (SHEET 2)

BRI  
MAY 28/07

# 34-31-02-01

34-31-02-01  
PAGE 0A

**BOEING**  
757  
PARTS CATALOG (MAINTENANCE)



Y 34310201 SH1 3 REV 257

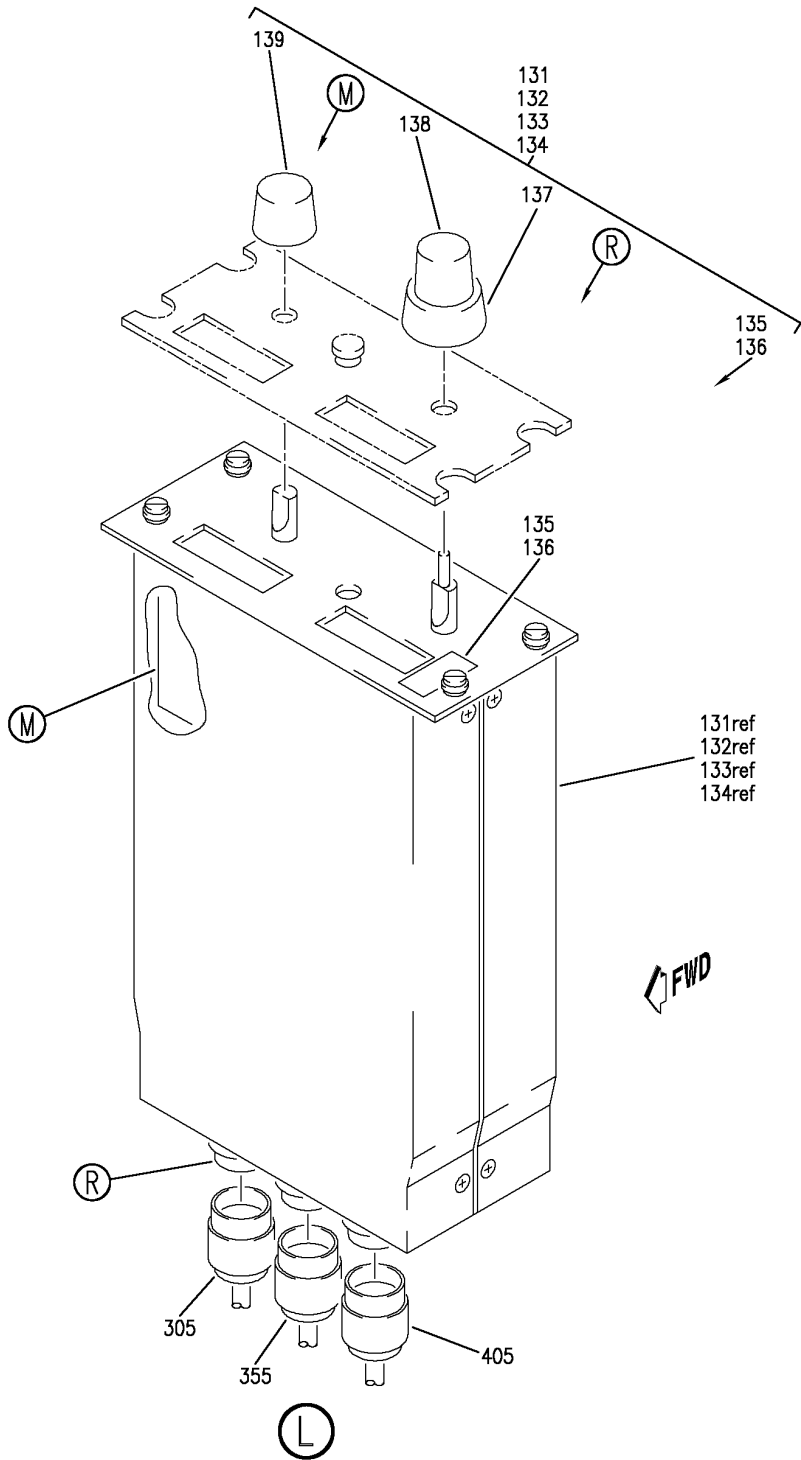
PANEL INSTL-P8 ELECTRONICS (INSTRUMENT LANDING NAVIGATION SYSTEM ONLY)  
FIGURE 1 (SHEET 3)

**34-31-02-01**

BRI  
MAY 28/07

34-31-02-01  
PAGE 0B

**BOEING**  
**757**  
**PARTS CATALOG (MAINTENANCE)**



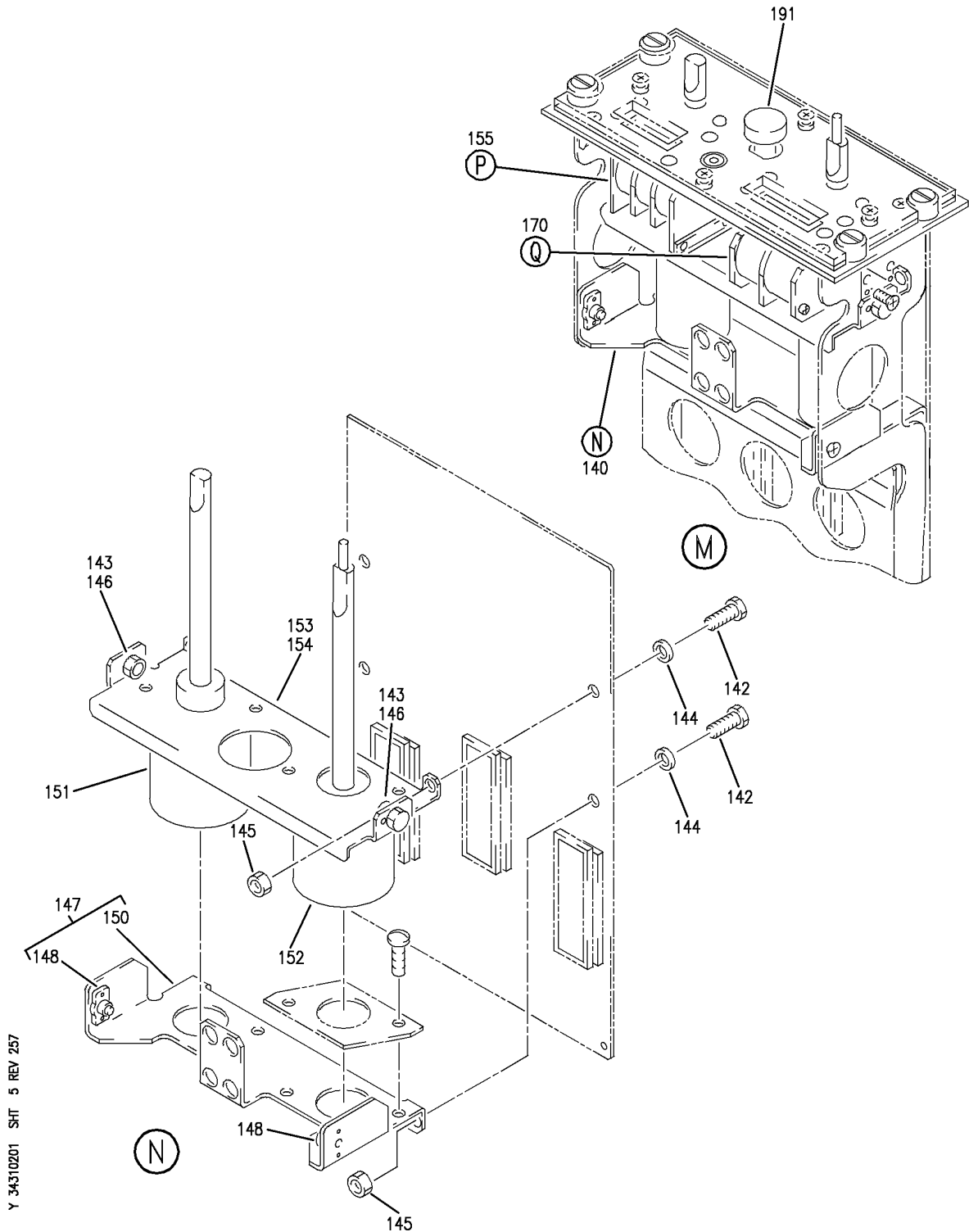
PANEL INSTL-P8 ELECTRONICS (INSTRUMENT LANDING NAVIGATION SYSTEM ONLY)  
 FIGURE 1 (SHEET 4)

**34-31-02-01**

BRI  
 JAN 20/09

34-31-02-01  
 PAGE 0C

**BOEING**  
757  
PARTS CATALOG (MAINTENANCE)



Y 34310201 SHT 5 REV 257

PANEL INSTL-P8 ELECTRONICS (INSTRUMENT LANDING NAVIGATION SYSTEM ONLY)  
FIGURE 1 (SHEET 5)

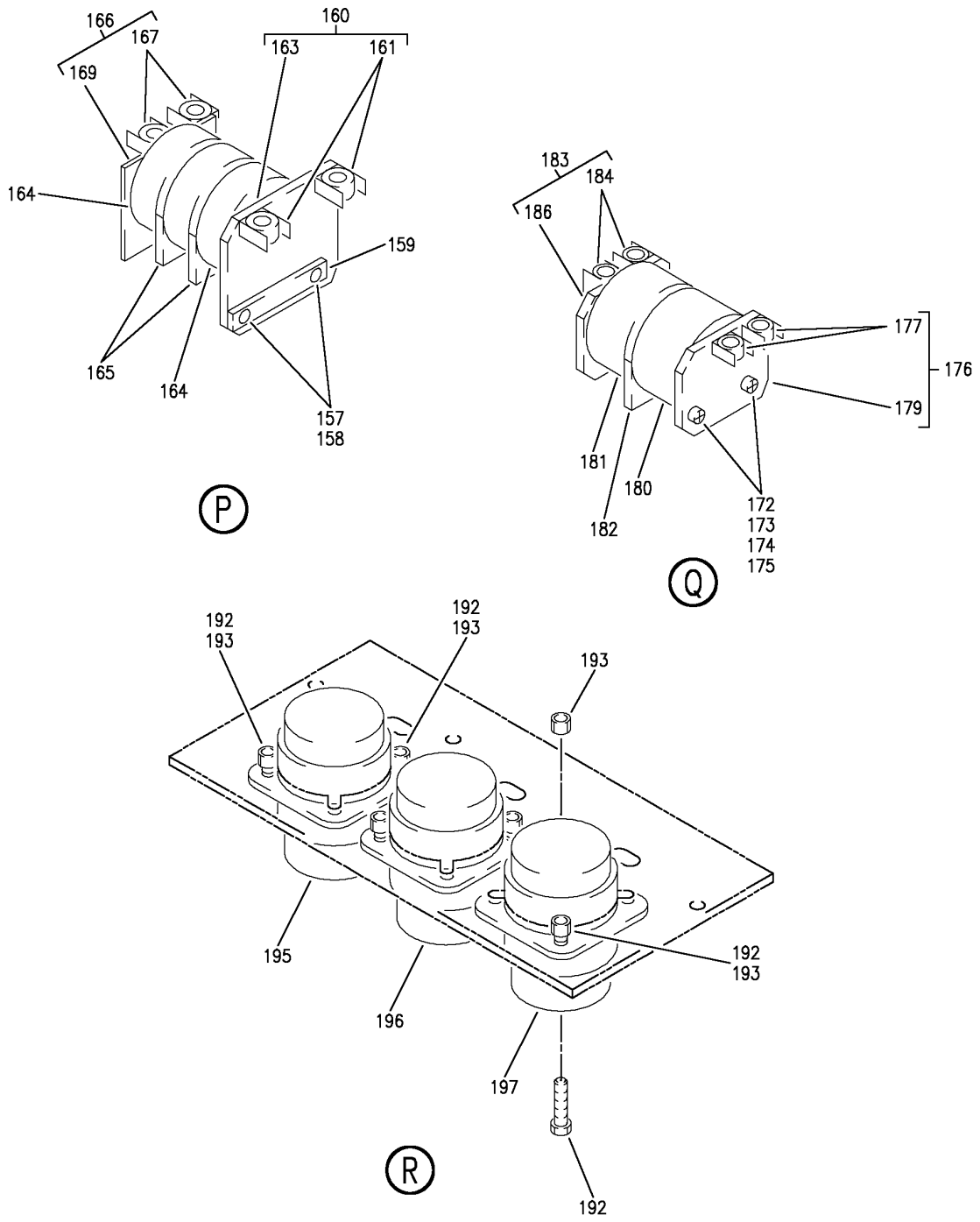
**34-31-02-01**

BRI  
MAY 28/07

34-31-02-01  
PAGE 0D



**BOEING**  
757  
**PARTS CATALOG (MAINTENANCE)**



Y 34310201 SHT 6 REV 257

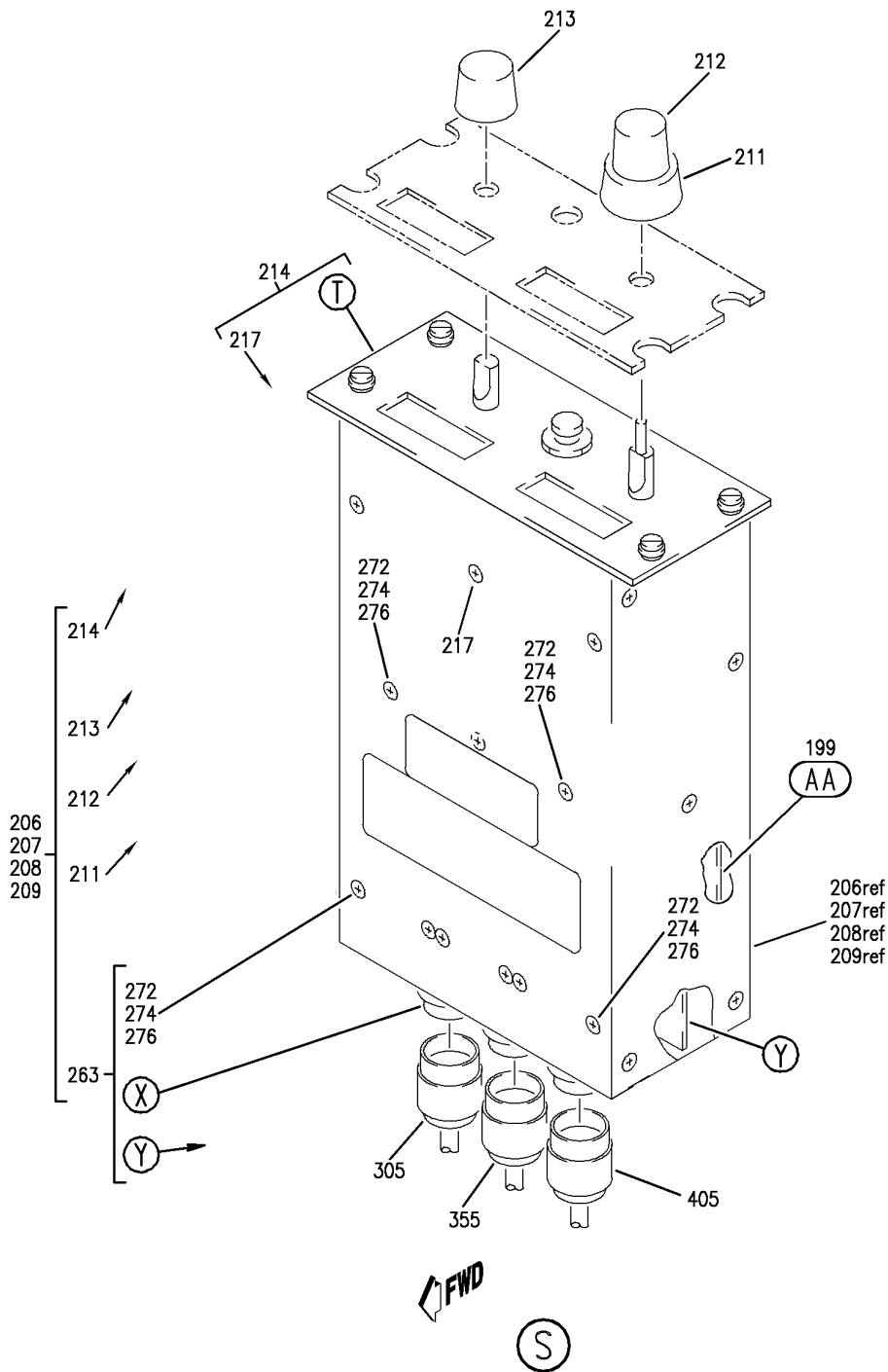
PANEL INSTL-P8 ELECTRONICS (INSTRUMENT LANDING NAVIGATION SYSTEM ONLY)  
FIGURE 1 (SHEET 6)

**34-31-02-01**

BRI  
MAY 28/07

34-31-02-01  
PAGE 0E

**BOEING**  
**757**  
**PARTS CATALOG (MAINTENANCE)**



Y 34310201 SH7 7 REV 331

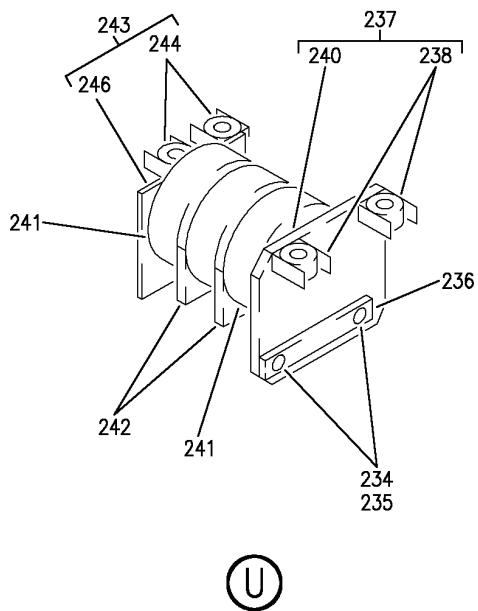
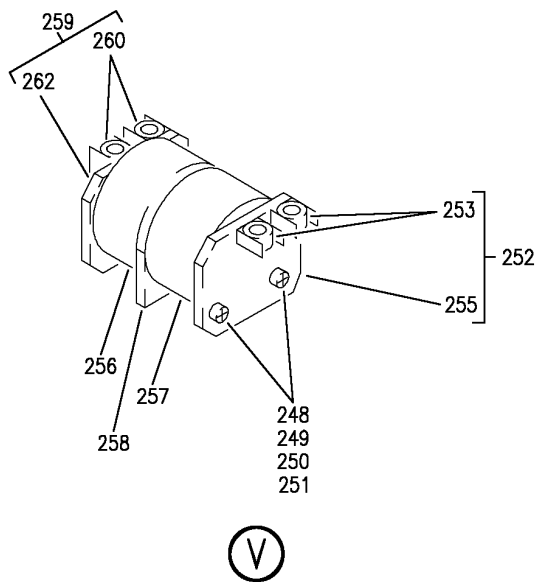
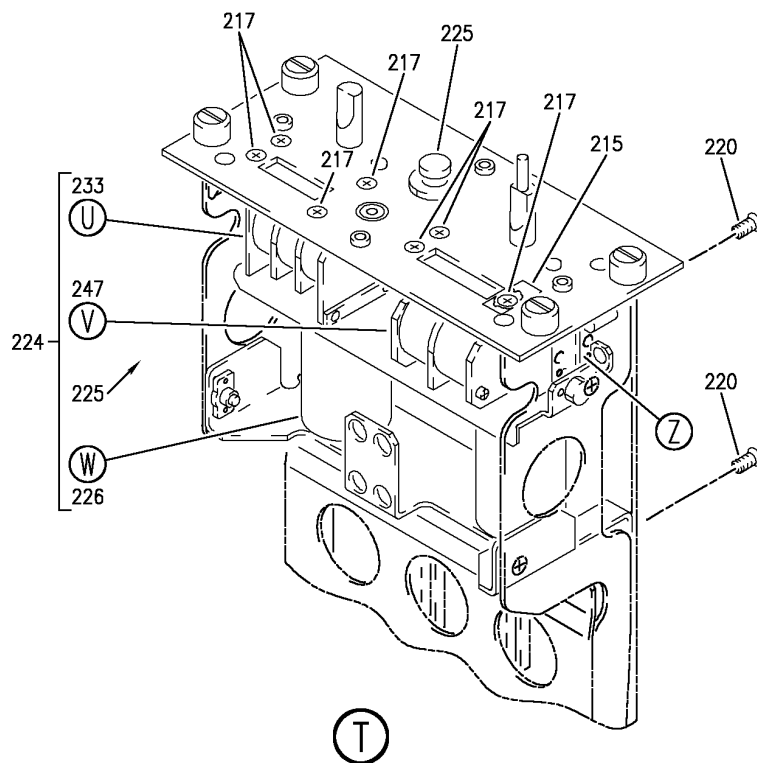
PANEL INSTL-P8 ELECTRONICS (INSTRUMENT LANDING NAVIGATION SYSTEM ONLY)  
 FIGURE 1 (SHEET 7)

**34-31-02-01**

BRI  
 JAN 20/09

34-31-02-01  
 PAGE OF

**BOEING**  
757  
PARTS CATALOG (MAINTENANCE)



Y 34310201 SH 8 REV 257

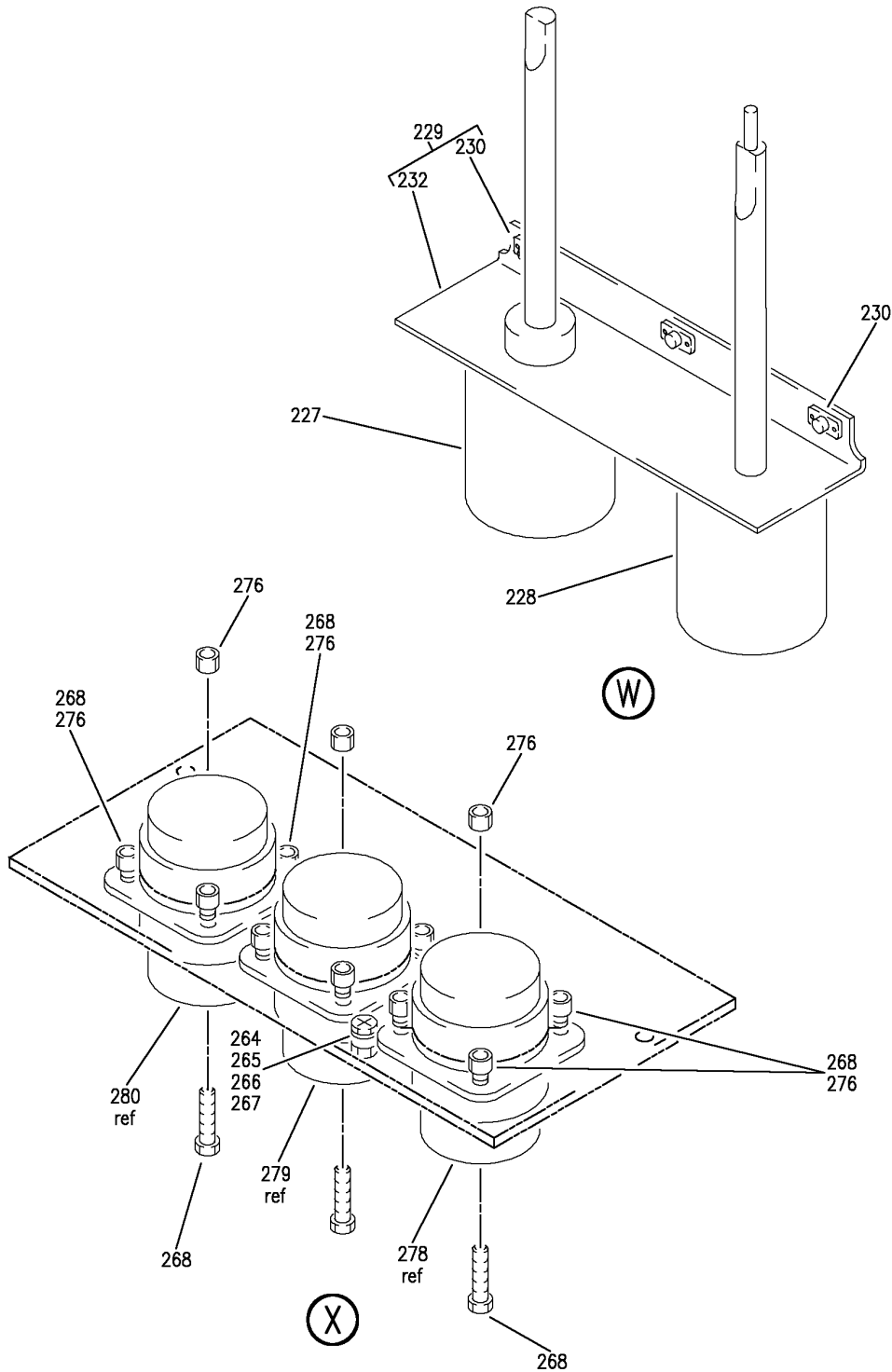
PANEL INSTL-P8 ELECTRONICS (INSTRUMENT LANDING NAVIGATION SYSTEM ONLY)  
FIGURE 1 (SHEET 8)

**34-31-02-01**

BRI  
MAY 28/07

34-31-02-01  
PAGE 08

**BOEING**  
757  
PARTS CATALOG (MAINTENANCE)



Y 34310201 SHT 9 REV 257

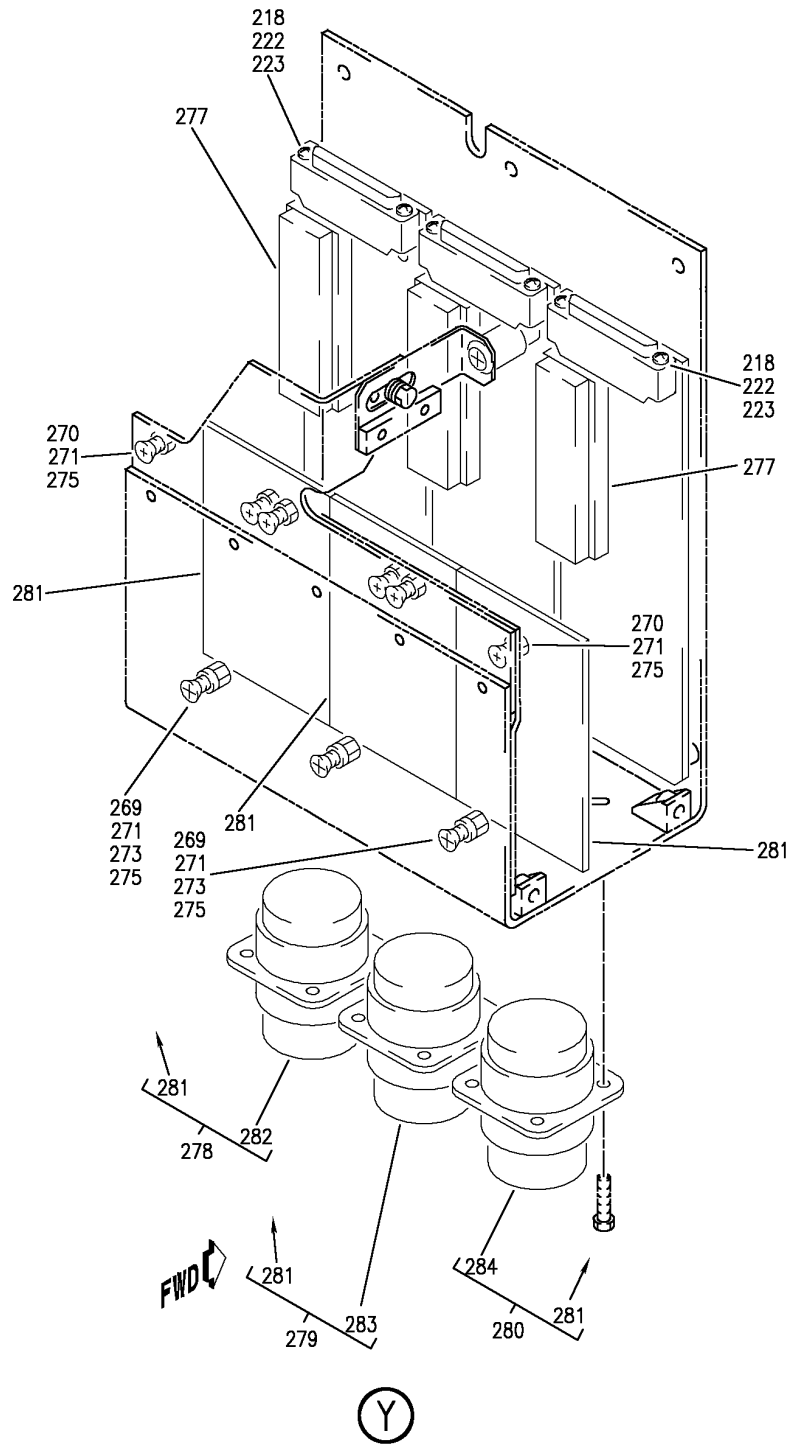
PANEL INSTL-P8 ELECTRONICS (INSTRUMENT LANDING NAVIGATION SYSTEM ONLY)  
FIGURE 1 (SHEET 9)

**34-31-02-01**

BRI  
MAY 28/07

34-31-02-01  
PAGE 0H

**BOEING**  
757  
PARTS CATALOG (MAINTENANCE)



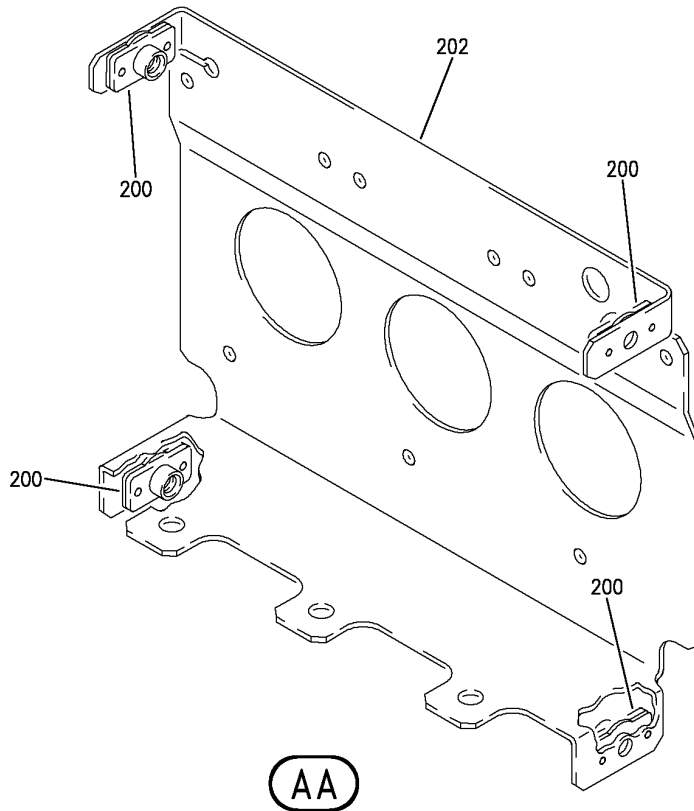
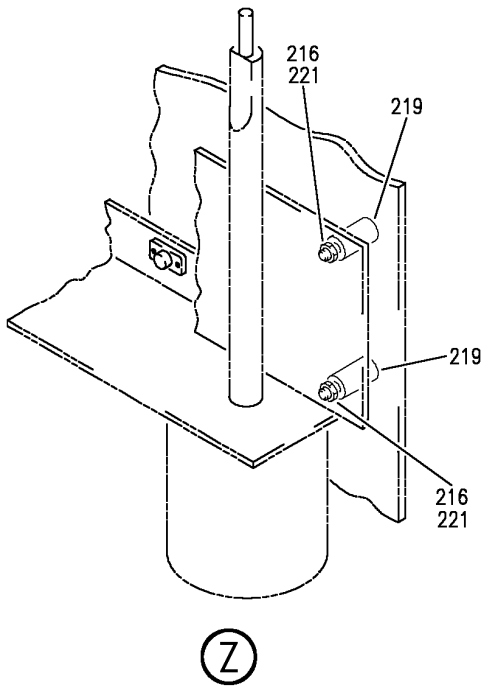
PANEL INSTL-P8 ELECTRONICS (INSTRUMENT LANDING NAVIGATION SYSTEM ONLY)  
FIGURE 1 (SHEET 10)

**34-31-02-01**

BRI  
MAY 28/07

34-31-02-01  
PAGE 01

**BOEING**  
757  
PARTS CATALOG (MAINTENANCE)



Y 34310201 SH11 REV 257

PANEL INSTL-P8 ELECTRONICS (INSTRUMENT LANDING NAVIGATION SYSTEM ONLY)  
FIGURE 1 (SHEET 11)

**34-31-02-01**

BRI  
MAY 28/07

34-31-02-01  
PAGE 0J



757

PARTS CATALOG (MAINTENANCE)

FIG ITEM	PART NUMBER	1 2 3 4 5 6 7	NOMENCLATURE	EFFECT FROM TO	UNITS PER ASSY
1			PANEL INSTL-P8 ELECTRONICS (INSTRUMENT LANDING NAVIGATION SYSTEM ONLY)	002004 006100 107107 121503 904999	
- 1	233N6101-1		PANEL INSTL-P8 ELECTRONICS (INSTRUMENT LANDING NAVIGATION SYSTEM ONLY) VARIABLE DRAWING REF: 233N6101-5004 233N6101-5028 233N6101-5041 233N6101-5042 233N6101-5046 FOR NHA/OTHER SYS DET SEE: 25-10-00-05A	002004 006100 107107 121503 904999	RF
10	285T0553-1		.PANEL ASSY-ILS CONT SUPPLIER CODE: V89954 ELECTRICAL EQUIP NUMBER: M00087 COMPONENT MAINT MANUAL REF: 34-31-61	107107 121503 904999	RF
10	285T0553-2		.PANEL ASSY-ILS CONT SUPPLIER CODE: V89954 ELECTRICAL EQUIP NUMBER: M00087 COMPONENT MAINT MANUAL REF: 34-31-61	107107 121503 904999	RF
10	285T0553-4		.PANEL ASSY-ILS CONT SUPPLIER CODE: V89954 ELECTRICAL EQUIP NUMBER: M00087 COMPONENT MAINT MANUAL REF: 34-31-61	107107 121503 904999	RF
10	285T0553-3		.PANEL ASSY-ILS CONT SUPPLIER CODE: V89954 ELECTRICAL EQUIP NUMBER: M00087 COMPONENT MAINT MANUAL REF: 34-31-61	107107 121503 904999	RF
16	285T0553-1		.PANEL ASSY-ILS CONT SUPPLIER CODE: V89954 ELECTRICAL EQUIP NUMBER: M00087 COMPONENT MAINT MANUAL REF: 34-31-61	002004 006100	RF

MISSING ITEM NUMBERS NOT APPLICABLE

- ITEM NOT ILLUSTRATED

BRI

34-31-02-01

34-31-02  
FIG. 01  
PAGE 1  
JAN 20/09



757

PARTS CATALOG (MAINTENANCE)

FIG ITEM	PART NUMBER	1 2 3 4 5 6 7	NOMENCLATURE	EFFECT FROM TO	UNITS PER ASSY
1	16 285T0553-2		.PANEL ASSY-ILS CONT SUPPLIER CODE: V89954 ELECTRICAL EQUIP NUMBER: M00087 COMPONENT MAINT MANUAL REF: 34-31-61	002004 006100	RF
	16 285T0553-4		.PANEL ASSY-ILS CONT SUPPLIER CODE: V89954 ELECTRICAL EQUIP NUMBER: M00087 COMPONENT MAINT MANUAL REF: 34-31-61 POST RAPID REVISION: RR92034-1	002004 006100	RF
	16 285T0553-3		.PANEL ASSY-ILS CONT SUPPLIER CODE: V89954 ELECTRICAL EQUIP NUMBER: M00087	002004 006100	RF
	17 BAC27TEX3349		..DECALSET	002004 006100 107107 121503 904999	1
	18 RC445-115		..KNOB- SUPPLIER CODE: V81590 QUALIFIED I/W DATA: SPC15-360P1A TOGETHER WITH RD242-104 ARE I/W 436694-1 TOGETHER WITH RD240-117 AND RC445-115 USED ON: 285T0553-2 285T0553-4	002004 006100 107107 121503 904999	2
	19 RC445-115		..KNOB- SUPPLIER CODE: V81590 QUALIFIED I/W DATA: SPC15-360P1A TOGETHER WITH RD242-104 ARE I/W 436694-1 TOGETHER WITH RD240-117 AND RC445-115 USED ON: 285T0553-1 285T0553-3	002004 006100 107107 121503 904999	1

MISSING ITEM NUMBERS NOT APPLICABLE

- ITEM NOT ILLUSTRATED

34-31-02-01

34-31-02  
FIG. 01  
PAGE 2  
JAN 20/09

BRI





757

PARTS CATALOG (MAINTENANCE)

FIG ITEM	PART NUMBER	1 2 3 4 5 6 7	NOMENCLATURE	EFFECT FROM TO	UNITS PER ASSY
1 20	RD240-117		.. KNOB- SUPPLIER CODE: V81590 QUALIFIED I/W DATA: (-104) SPC15-360P1A TOGETHER WITH RD242-104 ARE INTERCHANGEABLE WITH 436694-1 TOGETHER WITH RD240-117 AND RC445-115 USED ON: 285T0553-2 285T0553-4	002004 006100 107107 121503 904999	2
22	RD240-117		.. KNOB- SUPPLIER CODE: V81590 QUALIFIED I/W DATA: (-104) SPC15-360P1A TOGETHER WITH RD242-104 ARE INTERCHANGEABLE WITH 436694-1 TOGETHER WITH RD240-117 AND RC445-115 USED ON: 285T0553-1 285T0553-3	002004 006100 107107 121503 904999	1
24	RD242-104		.. KNOB- SUPPLIER CODE: V81590 QUALIFIED I/W DATA: SPC15-360P1A TOGETHER WITH RD242-104 ARE INTERCHANGEABLE WITH 436694-1 TOGETHER WITH RD240-117 AND RC445-115 USED ON: 285T0553-1 285T0553-3	002004 006100 107107 121503 904999	1
32	NAS1801-04-5		.. SCREW-	002004 006100 107107 121503 904999	1
34	AN960-4L		.. WASHER	002004 006100 107107 121503 904999	1

MISSING ITEM NUMBERS NOT APPLICABLE

- ITEM NOT ILLUSTRATED

34-31-02-01

34-31-02  
FIG. 01  
PAGE 3  
JAN 20/09

BRI



757

PARTS CATALOG (MAINTENANCE)

FIG ITEM	PART NUMBER	1 2 3 4 5 6 7	NOMENCLATURE	EFFECT FROM TO	UNITS PER ASSY
1					
35	MS35338-40	..	WASHER	002004 006100 107107 121503 904999	1
41	285T0558-3	..	MODULE ASSY-ELECT. SUPPLIER CODE: V89954 QUALIFIED OPTIONAL DATA: 285T0558-3 OPT TO 285T0558-10 WHEN USED WITH ASSOCIATED ITEMS USED ON: 285T0553-4	002004 006100 107107 121503 904999	RF
41	285T0558-10	..	MODULE ASSY-ELECT. SUPPLIER CODE: V89954 QUALIFIED OPTIONAL DATA: 285T0558-3 OPT TO 285T0558-10 WHEN USED WITH ASSOCIATED ITEMS USED ON: 285T0553-4	002004 006100 107107 121503 904999	RF
41	285T0558-1	..	MODULE ASSY-ELECT. SUPPLIER CODE: V89954 USED ON: 285T0553-4	002004 006100 107107 121503 904999	RF
41	285T0558-2	..	MODULE ASSY-ELECT. SUPPLIER CODE: V89954 USED ON: 285T0553-4	002004 006100 107107 121503 904999	RF
41	285T0558-1	..	MODULE ASSY-ELECT. SUPPLIER CODE: V89954 USED ON: 285T0553-1 285T0553-3	002004 006100 107107 121503 904999	RF
41	285T0558-2	..	MODULE ASSY-ELECT. SUPPLIER CODE: V89954 QUALIFIED OPTIONAL DATA: 285T0558-2 OPT TO 285T0558-9 WHEN USED WITH ASSOCIATED ITEMS USED ON: 285T0553-2	002004 006100 107107 121503 904999	RF

MISSING ITEM NUMBERS NOT APPLICABLE

- ITEM NOT ILLUSTRATED

34-31-02-01

34-31-02  
FIG. 01  
PAGE 4  
JAN 20/09

BRI



757

PARTS CATALOG (MAINTENANCE)

FIG ITEM	PART NUMBER	1 2 3 4 5 6 7	NOMENCLATURE	EFFECT FROM TO	UNITS PER ASSY
1					
41	285T0558-9		..MODULE ASSY-ELECT. SUPPLIER CODE: V89954 QUALIFIED OPTIONAL DATA: 285T0558-2 OPT TO 285T0558-9 WHEN USED WITH ASSOCIATED ITEMS USED ON: 285T0553-2	002004 006100 107107 121503 904999	RF
41	285T0558-1		..MODULE ASSY-ELECT. SUPPLIER CODE: V89954 USED ON: 285T0553-2	002004 006100 107107 121503 904999	RF
43	NAS1801-04-5		...SCREW	002004 006100 107107 121503 904999	4
45	AN960-4L		...WASHER	002004 006100 107107 121503 904999	4
46	BACS12BE02-38		...SCREW- POSITION DATA: FAR SIDE QUALIFIED OPTIONAL DATA: BACS12BE02-38 OPT TO FTC7339P02C38 OPT TO BACS12BE02C38 WHEN USED WITH ASSOCIATED ITEMS USED ON: 285T0558-2 285T0558-3 285T0558-9 285T0558-10	002004 006100 107107 121503 904999	2

MISSING ITEM NUMBERS NOT APPLICABLE

- ITEM NOT ILLUSTRATED

BRI

34-31-02-01

34-31-02  
FIG. 01  
PAGE 5  
JAN 20/09



757

PARTS CATALOG (MAINTENANCE)

FIG ITEM	PART NUMBER	1 2 3 4 5 6 7	NOMENCLATURE	EFFECT FROM TO	UNITS PER ASSY
1 46	FTC7339P02C38	...	SCREW- SUPPLIER CODE: V58794 POSITION DATA: FAR SIDE QUALIFIED OPTIONAL DATA: BACS12BE02-38 OPT TO FTC7339P02C38 OPT TO BACS12BE02C38 WHEN USED WITH ASSOCIATED ITEMS USED ON: 285T0558-2 285T0558-3 285T0558-9 285T0558-10	002004 006100 107107 121503 904999	2
46	BACS12BE02C38	...	SCREW- POSITION DATA: FAR SIDE QUALIFIED OPTIONAL DATA: BACS12BE02-38 OPT TO FTC7339P02C38 OPT TO BACS12BE02C38 WHEN USED WITH ASSOCIATED ITEMS USED ON: 285T0558-2 285T0558-3 285T0558-9 285T0558-10	002004 006100 107107 121503 904999	2
47	BACS12BE02-38	...	SCREW- POSITION DATA: FAR SIDE QUALIFIED OPTIONAL DATA: BACS12BE02-38 OPT TO FTC7339P02C38 OPT TO BACS12BE02C38 WHEN USED WITH ASSOCIATED ITEMS USED ON: 285T0558-1	002004 006100 107107 121503 904999	4

MISSING ITEM NUMBERS NOT APPLICABLE

- ITEM NOT ILLUSTRATED

34-31-02-01

34-31-02  
FIG. 01  
PAGE 6  
JAN 20/09

BRI

BOEING PROPRIETARY - Copyright © - Unpublished Work - See title page for details.



757

PARTS CATALOG (MAINTENANCE)

FIG ITEM	PART NUMBER	1 2 3 4 5 6 7	NOMENCLATURE	EFFECT FROM TO	UNITS PER ASSY
1					
47	FTC7339P02C38	...	SCREW- SUPPLIER CODE: V58794 POSITION DATA: FAR SIDE QUALIFIED OPTIONAL DATA: BACS12BE02-38 OPT TO FTC7339P02C38 OPT TO BACS12BE02C38 WHEN USED WITH ASSOCIATED ITEMS USED ON: 285T0558-1	002004 006100 107107 121503 904999	4
47	BACS12BE02C38	...	SCREW- POSITION DATA: FAR SIDE QUALIFIED OPTIONAL DATA: BACS12BE02-38 OPT TO FTC7339P02C38 OPT TO BACS12BE02C38 WHEN USED WITH ASSOCIATED ITEMS USED ON: 285T0558-1	002004 006100 107107 121503 904999	4
49	92-1660-256	...	NUT- SUPPLIER CODE: V15653 SPECIFICATION NUMBER: BACN10DN26 OPTIONAL PART: 92-1660-26 V72962 USED ON: 285T0558-2 285T0558-3 285T0558-9 285T0558-10	002004 006100 107107 121503 904999	2
50	92-1660-256	...	NUT- SUPPLIER CODE: V15653 SPECIFICATION NUMBER: BACN10DN26 OPTIONAL PART: 92-1660-26 V72962 USED ON: 285T0558-1	002004 006100 107107 121503 904999	4

MISSING ITEM NUMBERS NOT APPLICABLE

- ITEM NOT ILLUSTRATED

BRI

34-31-02-01

34-31-02  
FIG. 01  
PAGE 7  
JAN 20/09



757

PARTS CATALOG (MAINTENANCE)

FIG ITEM	PART NUMBER	1 2 3 4 5 6 7	NOMENCLATURE	EFFECT FROM TO	UNITS PER ASSY
1					
53	285T0551-8		...INTERCOSTAL ASSY- SUPPLIER CODE: V89954 OPTIONAL PART: 285T0551-3 V89954	002004 006100 107107 121503 904999	1
53	285T0551-3		...INTERCOSTAL ASSY- SUPPLIER CODE: V89954 OPTIONAL PART: 285T0551-8 V89954	002004 006100 107107 121503 904999	1
56	FE0X440		....NUT-PRESS SUPPLIER CODE: V46384 USED ON: 285T0551-3	002004 006100 107107 121503 904999	3
56	FE0440EF		....NUT-PRESS SUPPLIER CODE: V46384 USED ON: 285T0551-8	002004 006100 107107 121503 904999	3
59	LAC440-1		....NUT-PRESS SUPPLIER CODE: V46384	002004 006100 107107 121503 904999	2
62	285T0551-5		....BRACKET- SUPPLIER CODE: V89954	002004 006100 107107 121503 904999	1
65	285T0531-3		...SPACER- SUPPLIER CODE: V89954	002004 006100 107107 121503 904999	1

MISSING ITEM NUMBERS NOT APPLICABLE

- ITEM NOT ILLUSTRATED

BRI

34-31-02-01

BOEING PROPRIETARY - Copyright © - Unpublished Work - See title page for details.

34-31-02  
FIG. 01  
PAGE 8  
JAN 20/09



757

PARTS CATALOG (MAINTENANCE)

FIG ITEM	PART NUMBER	1 2 3 4 5 6 7	NOMENCLATURE	EFFECT FROM TO	UNITS PER ASSY
1 68	285T0551-6		...INTERCOSTAL ASSY- SUPPLIER CODE: V89954 OPTIONAL PART: 285T0551-1 V89954 285T0551-11 V89954 285T0551-9 V89954 USED ON: 285T0558-3 285T0558-10	002004 006100 107107 121503 904999	1
68	285T0551-1		...INTERCOSTAL ASSY- SUPPLIER CODE: V89954 OPTIONAL PART: 285T0551-6 V89954 285T0551-11 V89954 285T0551-9 V89954 USED ON: 285T0558-3 285T0558-10	002004 006100 107107 121503 904999	1
68	285T0551-11		...INTERCOSTAL ASSY- SUPPLIER CODE: V89954 OPTIONAL PART: 285T0551-6 V89954 285T0551-1 V89954 285T0551-9 V89954 USED ON: 285T0558-3 285T0558-10	002004 006100 107107 121503 904999	1

MISSING ITEM NUMBERS NOT APPLICABLE

- ITEM NOT ILLUSTRATED

BRI

34-31-02-01

BOEING PROPRIETARY - Copyright © - Unpublished Work - See title page for details.

34-31-02  
FIG. 01  
PAGE 9  
JAN 20/09



757

PARTS CATALOG (MAINTENANCE)

FIG ITEM	PART NUMBER	1 2 3 4 5 6 7	NOMENCLATURE	EFFECT FROM TO	UNITS PER ASSY
1	68 285T0551-9		...INTERCOSTAL ASSY- SUPPLIER CODE: V89954 OPTIONAL PART: 285T0551-6 V89954 285T0551-1 V89954 285T0551-11 V89954 USED ON: 285T0558-3 285T0558-10	002004 006100 107107 121503 904999	1
	68 285T0551-6		...INTERCOSTAL ASSY- SUPPLIER CODE: V89954 OPTIONAL PART: 285T0551-1 V89954 USED ON: 285T0558-1 285T0558-2 285T0558-9	002004 006100 107107 121503 904999	1
	68 285T0551-1		...INTERCOSTAL ASSY- SUPPLIER CODE: V89954 OPTIONAL PART: 285T0551-6 V89954 USED ON: 285T0558-1 285T0558-2 285T0558-9	002004 006100 107107 121503 904999	1
	71 FE0X440		.....NUT-PRESS SUPPLIER CODE: V46384 USED ON: 285T0551-1 285T0551-11	002004 006100 107107 121503 904999	2
	71 FE0440EF		.....NUT-PRESS SUPPLIER CODE: V46384 USED ON: 285T0551-6 285T0551-9	002004 006100 107107 121503 904999	2

MISSING ITEM NUMBERS NOT APPLICABLE

- ITEM NOT ILLUSTRATED

34-31-02-01

34-31-02  
FIG. 01  
PAGE 10  
JAN 20/09

BRI





757

PARTS CATALOG (MAINTENANCE)

FIG ITEM	PART NUMBER	1 2 3 4 5 6 7	NOMENCLATURE	EFFECT FROM TO	UNITS PER ASSY
1	74 LAC440-1	.....	NUT-PRESS SUPPLIER CODE: V46384	002004 006100 107107 121503 904999	2
	77 285T0551-4	.....	BRACKET- SUPPLIER CODE: V89954 USED ON: 285T0551-1 285T0551-6	002004 006100 107107 121503 904999	1
	77 285T0551-10	.....	BRACKET- SUPPLIER CODE: V89954 USED ON: 285T0551-9 285T0551-11	002004 006100 107107 121503 904999	1
	82 447611-1	....	SWITCH ASSY- SUPPLIER CODE: V00779 USED ON: 285T0558-9 285T0558-10	002004 006100 107107 121503 904999	1
	82 3-436209-4	....	SWITCH ASSY- SUPPLIER CODE: V00779 USED ON: 285T0558-1 285T0558-2 285T0558-3	002004 006100 107107 121503 904999	1
	88 436694-1	....	SWITCH- SUPPLIER CODE: V00779 QUALIFIED I/W DATA: SPC15-360P1A TOGETHER WITH RD242-104 ARE I/W 436694-1 TOGETHER WITH RD240-117 AND RC445-115 USED ON: 285T0558-2 285T0558-3	002004 006100 107107 121503 904999	1

MISSING ITEM NUMBERS NOT APPLICABLE

- ITEM NOT ILLUSTRATED

BRI

34-31-02-01

BOEING PROPRIETARY - Copyright © - Unpublished Work - See title page for details.

34-31-02  
FIG. 01  
PAGE 11  
JAN 20/09



757

PARTS CATALOG (MAINTENANCE)

FIG ITEM	PART NUMBER	1 2 3 4 5 6 7	NOMENCLATURE	EFFECT FROM TO	UNITS PER ASSY
1	88 SPC15-360P1A		...SWITCH- SUPPLIER CODE: V17080 QUALIFIED I/W DATA: SPC 15-360P1A TOGETHER WITH RD242-104 ARE INTERCHANGEABLE WITH 436694-1 TOGETHER WITH RD240-117 AND RC445-115 USED ON: 285T0558-1	002004 006100 107107 121503 904999	1
	88 447615-1		...SWITCH- SUPPLIER CODE: V00779 USED ON: 285T0558-9 285T0558-10	002004 006100 107107 121503 904999	1
	91 S182-10809-3		..MODULE-LIQUID CRYSTAL DISPLAY QUALIFIED OPTIONAL DATA: S182-10809-4 OPT TO S182-10809-3 WHEN USED WITH ASSOCIATED ITEMS USED ON: 285T0553-1 285T0553-2 285T0553-3	002004 006100 107107 121503 904999	2
	91 DNM100-030		..MODULE-LIQUID CRYSTAL DISPLAY SUPPLIER CODE: V65907 SPECIFICATION NUMBER: S182-10809-4 USED ON: 285T0553-4	002004 006100 107107 121503 904999	2
	91 DNM100-030		..MODULE-LIQUID CRYSTAL DISPLAY SUPPLIER CODE: V65907 SPECIFICATION NUMBER: S182-10809-4 QUALIFIED OPTIONAL DATA: S182-10809-4 OPT TO S182-10809-3 WHEN USED WITH ASSOCIATED ITEMS USED ON: 285T0553-1 285T0553-2 285T0553-3	002004 006100 107107 121503 904999	2

MISSING ITEM NUMBERS NOT APPLICABLE

- ITEM NOT ILLUSTRATED

34-31-02-01

34-31-02  
FIG. 01  
PAGE 12  
JAN 20/09

BRI



757

PARTS CATALOG (MAINTENANCE)

FIG ITEM	PART NUMBER	1 2 3 4 5 6 7	NOMENCLATURE	EFFECT FROM TO	UNITS PER ASSY
1	93 NAS1801-06-7	..	SCREW	002004 006100 107107 121503 904999	3
	96 NAS620A6	..	WASHER	002004 006100 107107 121503 904999	6
	99 BRH10A06	..	NUT SUPPLIER CODE: V52828 SPECIFICATION NUMBER: BACN10JCO6 OPTIONAL PART: H10-06BAC V15653 RMLH9075-62W V72962 VN303A62 V92215 96-62 V80539 NS202101-62 V80539 T6S632J V11815	002004 006100 107107 121503 904999	3
102	285T0574-1	..	FLEX ASSY-CONN INTERFACE SUPPLIER CODE: V89954 QUALIFIED OPTIONAL DATA: 285T0574-1 OPT TO 285T0574-10 WHEN USED WITH ASSOCIATED ITEMS USED ON: 285T0553-2 285T0553-4	002004 006100 107107 121503 904999	1
102	285T0574-10	..	FLEX ASSY-CONN INTERFACE SUPPLIER CODE: V89954 QUALIFIED OPTIONAL DATA: 285T0574-1 OPT TO 285T0574-10 WHEN USED WITH ASSOCIATED ITEMS USED ON: 285T0553-2 285T0553-4	002004 006100 107107 121503 904999	1

MISSING ITEM NUMBERS NOT APPLICABLE

- ITEM NOT ILLUSTRATED

34-31-02-01

34-31-02  
FIG. 01  
PAGE 13  
JAN 20/09

BRI



757

PARTS CATALOG (MAINTENANCE)

FIG ITEM	PART NUMBER	1 2 3 4 5 6 7	NOMENCLATURE	EFFECT FROM TO	UNITS PER ASSY
1 102	285T0574-1		.. FLEX ASSY-CONN INTERFACE SUPPLIER CODE: V89954 OPTIONAL PART: 285T0574-10 V89954 USED ON: 285T0553-1 285T0553-3	002004 006100 107107 121503 904999	1
102	285T0574-10		.. FLEX ASSY-CONN INTERFACE SUPPLIER CODE: V89954 OPTIONAL PART: 285T0574-1 V89954 USED ON: 285T0553-1 285T0553-3	002004 006100 107107 121503 904999	1
- 103	NAS1801-04-6		ATTACHING PARTS .. SCREW	002004 006100 107107 121503 904999	2
- 104	K19798-04		.. NUT SUPPLIER CODE: V15653 SPECIFICATION NUMBER: BACN10NW1 OPTIONAL PART: RMA4812-160-40 V72962 293162 V60119	002004 006100 107107 121503 904999	2
108	285T0574-2		-----*----- .. FLEX ASSY-CONN INTERFACE SUPPLIER CODE: V89954 QUALIFIED OPTIONAL DATA: 285T0574-2 OPT TO 285T0574-11 WHEN USED WITH ASSOCIATED ITEMS USED ON: 285T0553-2 285T0553-4	002004 006100 107107 121503 904999	1

MISSING ITEM NUMBERS NOT APPLICABLE

- ITEM NOT ILLUSTRATED

BRI

34-31-02-01

34-31-02  
FIG. 01  
PAGE 14  
JAN 20/09



757

PARTS CATALOG (MAINTENANCE)

FIG ITEM	PART NUMBER	1 2 3 4 5 6 7	NOMENCLATURE	EFFECT FROM TO	UNITS PER ASSY
1 108	285T0574-11		.. FLEX ASSY-CONN INTERFACE SUPPLIER CODE: V89954 QUALIFIED OPTIONAL DATA: 285T0574-2 OPT TO 285T0574-11 WHEN USED WITH ASSOCIATED ITEMS USED ON: 285T0553-2 285T0553-4	002004 006100 107107 121503 904999	1
108	285T0574-2		.. FLEX ASSY-CONN INTERFACE SUPPLIER CODE: V89954 OPTIONAL PART: 285T0574-11 V89954 USED ON: 285T0553-1 285T0553-3	002004 006100 107107 121503 904999	1
108	285T0574-11		.. FLEX ASSY-CONN INTERFACE SUPPLIER CODE: V89954 OPTIONAL PART: 285T0574-2 V89954 USED ON: 285T0553-1 285T0553-3	002004 006100 107107 121503 904999	1
- 110	NAS1801-04-6		ATTACHING PARTS .. SCREW	002004 006100 107107 121503 904999	2
- 112	K19798-04		.. NUT SUPPLIER CODE: V15653 SPECIFICATION NUMBER: BACN10NW1 OPTIONAL PART: RMA4812-160-40 V72962 293162 V60119 -----*-----	002004 006100 107107 121503 904999	2

MISSING ITEM NUMBERS NOT APPLICABLE

- ITEM NOT ILLUSTRATED

34-31-02-01

34-31-02  
FIG. 01  
PAGE 15  
JAN 20/09

BRI



757

PARTS CATALOG (MAINTENANCE)

FIG ITEM	PART NUMBER	1 2 3 4 5 6 7	NOMENCLATURE	EFFECT FROM TO	UNITS PER ASSY
1 114	CN0942-042P7	...	CONNECTOR- SUPPLIER CODE: V13556	002004 006100 107107 121503 904999	1
116	285T0574-3	..	FLEX ASSY-CONN INTERFACE SUPPLIER CODE: V89954 QUALIFIED OPTIONAL DATA: 285T0574-3 OPT TO 285T0574-12 WHEN USED WITH ASSOCIATED ITEMS USED ON: 285T0553-2 285T0553-4	002004 006100 107107 121503 904999	1
116	285T0574-12	..	FLEX ASSY-CONN INTERFACE SUPPLIER CODE: V89954 QUALIFIED OPTIONAL DATA: 285T0574-3 OPT TO 285T0574-12 WHEN USED WITH ASSOCIATED ITEMS USED ON: 285T0553-2 285T0553-4	002004 006100 107107 121503 904999	1
116	285T0574-3	..	FLEX ASSY-CONN INTERFACE SUPPLIER CODE: V89954 OPTIONAL PART: 285T0574-12 V89954 USED ON: 285T0553-1 285T0553-3	002004 006100 107107 121503 904999	1
116	285T0574-12	..	FLEX ASSY-CONN INTERFACE SUPPLIER CODE: V89954 OPTIONAL PART: 285T0574-3 V89954 USED ON: 285T0553-1 285T0553-3	002004 006100 107107 121503 904999	1
- 118	NAS1801-04-6	..	ATTACHING PARTS SCREW	002004 006100 107107 121503 904999	2

MISSING ITEM NUMBERS NOT APPLICABLE

- ITEM NOT ILLUSTRATED

34-31-02-01

34-31-02  
FIG. 01  
PAGE 16  
JAN 20/09

BRI

BOEING PROPRIETARY - Copyright © - Unpublished Work - See title page for details.



757

PARTS CATALOG (MAINTENANCE)

FIG ITEM	PART NUMBER	1 2 3 4 5 6 7	NOMENCLATURE	EFFECT FROM TO	UNITS PER ASSY
1 - 120	K19798-04		..NUT SUPPLIER CODE: V15653 SPECIFICATION NUMBER: BACN10NW1 OPTIONAL PART: RMA4812-160-40 V72962 293162 V60119	002004 006100 107107 121503 904999	2
122	CN0942-042P8		-----*----- ...CONNECTOR- SUPPLIER CODE: V13556	002004 006100 107107 121503 904999	1
131	285T0524-6		.PANEL ASSY-ILS CONT SUPPLIER CODE: V89954 ELECTRICAL EQUIP NUMBER: M00087 COMPONENT MAINT MANUAL REF: 34-31-52	107107 121503 904999	RF
134	285T0524-6		.PANEL ASSY-ILS CONT SUPPLIER CODE: V89954 ELECTRICAL EQUIP NUMBER: M00087 COMPONENT MAINT MANUAL REF: 34-31-52	002004 006100	RF
135	BAC27TEX3297		..DECAL- SUPPLIER CODE: V89954	002004 006100 107107 121503 904999	1
136	BAC27TEX2313		..DECAL- SUPPLIER CODE: V89954	002004 006100 107107 121503 904999	1
137	RC445-115		..KNOB- SUPPLIER CODE: V81590	002004 006100 107107 121503 904999	1

MISSING ITEM NUMBERS NOT APPLICABLE

- ITEM NOT ILLUSTRATED

BRI

34-31-02-01

34-31-02  
FIG. 01  
PAGE 17  
JAN 20/09



757

PARTS CATALOG (MAINTENANCE)

FIG ITEM	PART NUMBER	1 2 3 4 5 6 7	NOMENCLATURE	EFFECT FROM TO	UNITS PER ASSY
1 138	RD240-117	..	KNOB- SUPPLIER CODE: V81590	002004 006100 107107 121503 904999	1
139	RD242-104	..	KNOB- SUPPLIER CODE: V81590	002004 006100 107107 121503 904999	1
140	285T0525-3	..	MODULE ASSY-ELECT. SUPPLIER CODE: V89954	002004 006100 107107 121503 904999	RF
- 141	285T0525-4	...	MODULE ASSY- SUPPLIER CODE: V89954	002004 006100 107107 121503 904999	RF
142	NAS1801-04-5	....	SCREW	002004 006100 107107 121503 904999	4
143	BACS12BE02-38	....	SCREW	002004 006100 107107 121503 904999	2
144	AN960-4L	....	WASHER	002004 006100 107107 121503 904999	4
145	92-1660-40	....	NUT SUPPLIER CODE: V72962 SPECIFICATION NUMBER: BACN10DN40 OPTIONAL PART: 92-1660-440 V15653	002004 006100 107107 121503 904999	4

MISSING ITEM NUMBERS NOT APPLICABLE

- ITEM NOT ILLUSTRATED

34-31-02-01

34-31-02  
FIG. 01  
PAGE 18  
JAN 20/09

BRI



**BOEING**  
757  
**PARTS CATALOG (MAINTENANCE)**

FIG ITEM	PART NUMBER	1 2 3 4 5 6 7	NOMENCLATURE	EFFECT FROM TO	UNITS PER ASSY
1 146	92-1660-256	.....	NUT SUPPLIER CODE: V15653 SPECIFICATION NUMBER: BACN10DN26 OPTIONAL PART: 92-1660-26 V72962	002004 006100 107107 121503 904999	2
147	285T0531-2	.....	INTERCOSTAL ASSY- SUPPLIER CODE: V89954	002004 006100 107107 121503 904999	1
148	RMF9201M40	.....	NUTPLATE SUPPLIER CODE: V72962 SPECIFICATION NUMBER: BACN10JN04 OPTIONAL PART: BRFM20A04L V52828 MF1000-04BAC V15653 NS103218-40 V80539 MF53049-04 V15653 T8124S04S V11815 VN252A40L V92215 ATTACHING PARTS	002004 006100 107107 121503 904999	2
- 149	BACR15BA3AD	.....	RIVET	002004 006100 107107 121503 904999	4
150	285T0531-5	.....	-----*----- BRACKET- SUPPLIER CODE: V89954	002004 006100 107107 121503 904999	1
151	285T0087-22	.....	SWITCH ASSY- SUPPLIER CODE: V89954 OPTIONAL PART: SPC15-360P1B V17080	002004 006100 107107 121503 904999	1

MISSING ITEM NUMBERS NOT APPLICABLE

- ITEM NOT ILLUSTRATED

BRI

# 34-31-02-01

BOEING PROPRIETARY - Copyright © - Unpublished Work - See title page for details.

34-31-02  
FIG. 01  
PAGE 19  
JAN 20/09



757

PARTS CATALOG (MAINTENANCE)

FIG ITEM	PART NUMBER	1 2 3 4 5 6 7	NOMENCLATURE	EFFECT FROM TO	UNITS PER ASSY
1					
151	SPC15-360P1B	.....	SWITCH- SUPPLIER CODE: V17080 OPTIONAL PART: 285T0087-22 V89954	002004 006100 107107 121503 904999	1
152	3-436209-4	.....	SWITCH ASSY- SUPPLIER CODE: V00779	002004 006100 107107 121503 904999	1
153	285T0531-1	.....	INTERCOSTAL ASSY- SUPPLIER CODE: V89954	002004 006100 107107 121503 904999	1
154	285T0531-4	.....	BRACKET- SUPPLIER CODE: V89954	002004 006100 107107 121503 904999	1
155	285T0444-38	..	DISPLAY ASSY- SUPPLIER CODE: V89954 OPTIONAL PART: 285T0444-10 V89954	002004 006100 107107 121503 904999	1
155	285T0444-10	..	DISPLAY ASSY- SUPPLIER CODE: V89954 OPTIONAL PART: 285T0444-38 V89954 ATTACHING PARTS	002004 006100 107107 121503 904999	1
- 156	NAS514P440-4P	..	SCREW	002004 006100 107107 121503 904999	4
157	BACS12BE02-18	.....*	SCREW	002004 006100 107107 121503 904999	2

MISSING ITEM NUMBERS NOT APPLICABLE

- ITEM NOT ILLUSTRATED

BRI

34-31-02-01

BOEING PROPRIETARY - Copyright © - Unpublished Work - See title page for details.

34-31-02  
FIG. 01  
PAGE 20  
JAN 20/09



757

PARTS CATALOG (MAINTENANCE)

FIG ITEM	PART NUMBER	1 2 3 4 5 6 7	NOMENCLATURE	EFFECT FROM TO	UNITS PER ASSY
1 158	92-1660-256	...	NUT- SUPPLIER CODE: V15653 SPECIFICATION NUMBER: BACN10DN26 OPTIONAL PART: 92-1660-26 V72962 QUALIFIED OPTIONAL DATA: TWO BACN10DN26 ARE OPT TO ONE 285T0444-31 USED ON: 285T0444-10	002004 006100 107107 121503 904999	2
159	285T0444-31	...	NUTBAR- SUPPLIER CODE: V89954 QUALIFIED OPTIONAL DATA: TWO BACN10DN26 ARE OPT TO ONE 285T0444-31 USED ON: 285T0444-10	002004 006100 107107 121503 904999	1
159	285T0444-31	...	NUTBAR- SUPPLIER CODE: V89954 USED ON: 285T0444-38 285T0444-10	002004 006100 107107 121503 904999	1
160	285T0444-11	...	BRACKET ASSY- SUPPLIER CODE: V89954 USED ON: 285T0444-10	002004 006100 107107 121503 904999	1
160	285T0444-39	...	BRACKET ASSY- SUPPLIER CODE: V89954 USED ON: 285T0444-38	002004 006100 107107 121503 904999	1
161	F22A27M22-40	....	NUT-ANCHOR SUPPLIER CODE: V0217B	002004 006100 107107 121503 904999	2
- 162	BACR15BB2AD	....	RIVET- SIZE DETERMINED ON INSTL.  -----*-----	002004 006100 107107 121503 904999	4

MISSING ITEM NUMBERS NOT APPLICABLE

- ITEM NOT ILLUSTRATED

34-31-02-01

34-31-02  
FIG. 01  
PAGE 21  
JAN 20/09

BRI

BOEING PROPRIETARY - Copyright © - Unpublished Work - See title page for details.



757

PARTS CATALOG (MAINTENANCE)

FIG ITEM	PART NUMBER	1 2 3 4 5 6 7	NOMENCLATURE	EFFECT FROM TO	UNITS PER ASSY
1 163	285T0444-8	....	BRACKET-SUPPORT SUPPLIER CODE: V89954 USED ON: 285T0444-11	002004 006100 107107 121503 904999	1
163	285T0444-40	....	BRACKET-SUPPORT SUPPLIER CODE: V89954 USED ON: 285T0444-39	002004 006100 107107 121503 904999	1
164	DS10041	...	INDICATOR- SUPPLIER CODE: V54572 QUALIFIED OPTIONAL DATA: THREE DS10041 OPT TO THREE DS10047 USED ON: 285T0444-10	002004 006100 107107 121503 904999	3
164	DS10047	...	INDICATOR- SUPPLIER CODE: V54572 QUALIFIED OPTIONAL DATA: THREE DS10041 OPT TO THREE DS10047 USED ON: 285T0444-10	002004 006100 107107 121503 904999	3
164	DS10047	...	INDICATOR- SUPPLIER CODE: V54572 USED ON: 285T0444-38	002004 006100 107107 121503 904999	3
165	285T0444-29	...	SPACER- SUPPLIER CODE: V89954 OPTIONAL PART: 285T0444-45 V89954	002004 006100 107107 121503 904999	AR
165	285T0444-45	...	SPACER- SUPPLIER CODE: V89954 OPTIONAL PART: 285T0444-29 V89954	002004 006100 107107 121503 904999	AR
166	285T0444-4	...	BRACKET ASSY- SUPPLIER CODE: V89954 USED ON: 285T0444-10	002004 006100 107107 121503 904999	1

MISSING ITEM NUMBERS NOT APPLICABLE

- ITEM NOT ILLUSTRATED

34-31-02-01

34-31-02  
FIG. 01  
PAGE 22  
JAN 20/09

BRI



757

PARTS CATALOG (MAINTENANCE)

FIG ITEM	PART NUMBER	1 2 3 4 5 6 7	NOMENCLATURE	EFFECT FROM TO	UNITS PER ASSY
1					
166	285T0444-26	...	BRACKET ASSY- SUPPLIER CODE: V89954 USED ON: 285T0444-38	002004 006100 107107 121503 904999	1
167	F22A27M22-40	....	NUT-ANCHOR SUPPLIER CODE: V0217B	002004 006100 107107 121503 904999	2
			ATTACHING PARTS		
- 168	BACR15BB2AD	....	RIVET- SIZE DETERMINED ON INSTL.	002004 006100 107107 121503 904999	4
			-----*-----		
169	285T0444-7	....	BRACKET-SUPPORT SUPPLIER CODE: V89954 USED ON: 285T0444-4	002004 006100 107107 121503 904999	1
169	285T0444-27	....	BRACKET-SUPPORT SUPPLIER CODE: V89954 USED ON: 285T0444-26	002004 006100 107107 121503 904999	1
170	285T0444-37	..	DISPLAY ASSY- SUPPLIER CODE: V89954 OPTIONAL PART: 285T0444-9 V89954	002004 006100 107107 121503 904999	1
170	285T0444-9	..	DISPLAY ASSY- SUPPLIER CODE: V89954 OPTIONAL PART: 285T0444-37 V89954	002004 006100 107107 121503 904999	1
- 171	NAS514P440-4P	..	ATTACHING PARTS SCREW	002004 006100 107107 121503 904999	4
			-----*-----		

MISSING ITEM NUMBERS NOT APPLICABLE

- ITEM NOT ILLUSTRATED

BRI

34-31-02-01

BOEING PROPRIETARY - Copyright © - Unpublished Work - See title page for details.

34-31-02  
FIG. 01  
PAGE 23  
JAN 20/09



757

PARTS CATALOG (MAINTENANCE)

FIG ITEM	PART NUMBER	1 2 3 4 5 6 7	NOMENCLATURE	EFFECT FROM TO	UNITS PER ASSY
1					
172	BACS12BE02-20	...	SCREW	002004 006100 107107 121503 904999	2
173	92-1660-256	...	NUT- SUPPLIER CODE: V15653 SPECIFICATION NUMBER: BACN10DN26 OPTIONAL PART: 92-1660-26 V72962 QUALIFIED OPTIONAL DATA: TWO BACN10DN26 ARE OPT TO ONE 285T0444-31 USED ON: 285T0444-9	002004 006100 107107 121503 904999	2
174	285T0444-31	...	NUTBAR- SUPPLIER CODE: V89954 QUALIFIED OPTIONAL DATA: TWO BACN10DN26 ARE OPT TO ONE 285T0444-31 USED ON: 285T0444-9	002004 006100 107107 121503 904999	1
174	285T0444-31	...	NUTBAR- SUPPLIER CODE: V89954 USED ON: 285T0444-37	002004 006100 107107 121503 904999	1
175	NAS43DD0-15	...	SPACER	002004 006100 107107 121503 904999	4
176	285T0444-3	...	BRACKET ASSY- SUPPLIER CODE: V89954 USED ON: 285T0444-9	002004 006100 107107 121503 904999	1
176	285T0444-25	...	BRACKET ASSY- SUPPLIER CODE: V89954 USED ON: 285T0444-37	002004 006100 107107 121503 904999	1

MISSING ITEM NUMBERS NOT APPLICABLE

- ITEM NOT ILLUSTRATED

34-31-02-01

34-31-02  
FIG. 01  
PAGE 24  
JAN 20/09

BRI

 **BOEING**  
757  
**PARTS CATALOG (MAINTENANCE)**

FIG ITEM	PART NUMBER	1 2 3 4 5 6 7	NOMENCLATURE	EFFECT FROM TO	UNITS PER ASSY
1 177	F22A27M22-40	.....	NUT-ANCHOR SUPPLIER CODE: V0217B	002004 006100 107107 121503 904999	2
- 178	BACR15BB2AD	.....	ATTACHING PARTS RIVET- SIZE DETERMINED ON INSTL.	002004 006100 107107 121503 904999	4
179	285T0444-7	.....	-----*----- BRACKET-SUPPORT SUPPLIER CODE: V89954 USED ON: 285T0444-3	002004 006100 107107 121503 904999	1
179	285T0444-27	.....	BRACKET-SUPPORT SUPPLIER CODE: V89954 USED ON: 285T0444-25	002004 006100 107107 121503 904999	1
180	DS10042	...	INDICATOR- SUPPLIER CODE: V54572 QUALIFIED OPTIONAL DATA: ONE DS10042 AND ONE DS10043 OPT TO ONE DS10054 AND ONE DS10053 USED ON: 285T0444-9	002004 006100 107107 121503 904999	1
180	DS10054	...	INDICATOR- SUPPLIER CODE: V54572 QUALIFIED OPTIONAL DATA: ONE DS10042 AND ONE DS10043 OPT TO ONE DS10054 AND ONE DS10053 USED ON: 285T0444-9	002004 006100 107107 121503 904999	1
180	DS10054	...	INDICATOR- SUPPLIER CODE: V54572 USED ON: 285T0444-37	002004 006100 107107 121503 904999	1

MISSING ITEM NUMBERS NOT APPLICABLE

- ITEM NOT ILLUSTRATED

BRI

# 34-31-02-01

BOEING PROPRIETARY - Copyright © - Unpublished Work - See title page for details.

34-31-02  
FIG. 01  
PAGE 25  
JAN 20/09



757

PARTS CATALOG (MAINTENANCE)

FIG ITEM	PART NUMBER	1 2 3 4 5 6 7	NOMENCLATURE	EFFECT FROM TO	UNITS PER ASSY
1 181	DS10043		...INDICATOR- SUPPLIER CODE: V54572 QUALIFIED OPTIONAL DATA: ONE DS10042 AND ONE DS10043 OPT TO ONE DS10054 AND ONE DS10053 USED ON: 285T0444-9	002004 006100 107107 121503 904999	1
181	DS10053		...INDICATOR- SUPPLIER CODE: V54572 QUALIFIED OPTIONAL DATA: ONE DS10042 AND ONE DS10043 OPT TO ONE DS10054 AND ONE DS10053 USED ON: 285T0444-9	002004 006100 107107 121503 904999	1
181	DS10053		...INDICATOR- SUPPLIER CODE: V54572 USED ON: 285T0444-9	002004 006100 107107 121503 904999	1
182	285T0444-29		...SPACER- SUPPLIER CODE: V89954 OPTIONAL PART: 285T0444-45 V89954	002004 006100 107107 121503 904999	AR
182	285T0444-45		...SPACER- SUPPLIER CODE: V89954 OPTIONAL PART: 285T0444-29 V89954	002004 006100 107107 121503 904999	AR
183	285T0444-4		...BRACKET ASSY- SUPPLIER CODE: V89954 USED ON: 285T0444-9	002004 006100 107107 121503 904999	1
183	285T0444-26		...BRACKET ASSY- SUPPLIER CODE: V89954 USED ON: 285T0444-37	002004 006100 107107 121503 904999	1

MISSING ITEM NUMBERS NOT APPLICABLE

- ITEM NOT ILLUSTRATED

34-31-02-01

34-31-02  
FIG. 01  
PAGE 26  
JAN 20/09

BRI





757

PARTS CATALOG (MAINTENANCE)

FIG ITEM	PART NUMBER	1 2 3 4 5 6 7	NOMENCLATURE	EFFECT FROM TO	UNITS PER ASSY
1 184	F22A27M22-40	.....	NUT-ANCHOR SUPPLIER CODE: V0217B	002004 006100 107107 121503 904999	2
- 185	BACR15BB2AD	.....	ATTACHING PARTS RIVET- SIZE DETERMINED ON INSTL.	002004 006100 107107 121503 904999	4
186	285T0444-7	.....	-----*----- BRACKET-SUPPORT SUPPLIER CODE: V89954 USED ON: 285T0444-4	002004 006100 107107 121503 904999	1
186	285T0444-27	.....	BRACKET-SUPPORT SUPPLIER CODE: V89954 USED ON: 285T0444-26	002004 006100 107107 121503 904999	1
188	NAS1801-06-6	..	SCREW	002004 006100 107107 121503 904999	3
189	AN960D6L	..	WASHER	002004 006100 107107 121503 904999	6

MISSING ITEM NUMBERS NOT APPLICABLE

- ITEM NOT ILLUSTRATED

34-31-02-01

34-31-02  
FIG. 01  
PAGE 27  
JAN 20/09

BRI

BOEING PROPRIETARY - Copyright © - Unpublished Work - See title page for details.



757

PARTS CATALOG (MAINTENANCE)

FIG ITEM	PART NUMBER	1 2 3 4 5 6 7	NOMENCLATURE	EFFECT FROM TO	UNITS PER ASSY
1 190	BRH10A06	..	NUT SUPPLIER CODE: V52828 SPECIFICATION NUMBER: BACN10JC06 OPTIONAL PART: H10-06BAC V15653 RMLH9075-62W V72962 VN303A62 V92215 96-62 V80539 NS202101-62 V80539 T6S632J V11815	002004 006100 107107 121503 904999	3
191	WCS229-1	..	SWITCH- SUPPLIER CODE: V51074	002004 006100 107107 121503 904999	1
192	NAS1801-04-6	..	SCREW	002004 006100 107107 121503 904999	6
193	K19798-04	..	NUT SUPPLIER CODE: V15653 SPECIFICATION NUMBER: BACN10NW1 OPTIONAL PART: RMA4812-160-40 V72962 293162 V60119	002004 006100 107107 121503 904999	6
- 194	285T0524-2	..	WIRE BUNDLE ASSY- SUPPLIER CODE: V89954	002004 006100 107107 121503 904999	1
195	BACC45FN14-15P8	...	CONNECTOR	002004 006100 107107 121503 904999	1

MISSING ITEM NUMBERS NOT APPLICABLE

- ITEM NOT ILLUSTRATED

34-31-02-01

34-31-02  
FIG. 01  
PAGE 28  
JAN 20/09

BRI

 **BOEING**  
757  
**PARTS CATALOG (MAINTENANCE)**

FIG ITEM	PART NUMBER	1 2 3 4 5 6 7	NOMENCLATURE	EFFECT FROM TO	UNITS PER ASSY
1					
196	BACC45FN14-15P7	...	CONNECTOR	002004 006100 107107 121503 904999	1
197	BACC45FN14-15P6	...	CONNECTOR	002004 006100 107107 121503 904999	1
- 198	285T0530-1	..	ENCLOSURE ASSY- SUPPLIER CODE: V89954 OPTIONAL PART: 285T0530-2 V89954	002004 006100 107107 121503 904999	RF
- 198	285T0530-2	..	ENCLOSURE ASSY- SUPPLIER CODE: V89954 OPTIONAL PART: 285T0530-1 V89954	002004 006100 107107 121503 904999	RF
199	285T0526-1	...	BRACKET ASSY-SPRT SUPPLIER CODE: V89954	002004 006100 107107 121503 904999	1
200	RMF9201M40	....	NUTPLATE SUPPLIER CODE: V72962 SPECIFICATION NUMBER: BACN10JN04 OPTIONAL PART: BRFM20A04L V52828 MF1000-04BAC V15653 NS103218-40 V80539 MF53049-04 V15653 T8124S04S V11815 VN252A40L V92215	002004 006100 107107 121503 904999	4

MISSING ITEM NUMBERS NOT APPLICABLE

- ITEM NOT ILLUSTRATED

BRI

# 34-31-02-01

BOEING PROPRIETARY - Copyright © - Unpublished Work - See title page for details.

34-31-02  
FIG. 01  
PAGE 29  
JAN 20/09



757

PARTS CATALOG (MAINTENANCE)

FIG ITEM	PART NUMBER	1 2 3 4 5 6 7	NOMENCLATURE	EFFECT FROM TO	UNITS PER ASSY
1			ATTACHING PARTS		
- 201	BACR15BA3AD	....	RIVET- SIZE DETERMINED ON INSTL.	002004 006100 107107 121503 904999	8
202	285T0526-2	-----*----- ....	BRACKET-SPRT SUPPLIER CODE: V89954	002004 006100 107107 121503 904999	1
206	285T0020-8	.	PANEL ASSY-ILS CONT SUPPLIER CODE: V89954 ELECTRICAL EQUIP NUMBER: M00087 COMPONENT MAINT MANUAL REF: 34-31-51	107107 121503 904999	RF
209	285T0020-8	.	PANEL ASSY-ILS CONT SUPPLIER CODE: V89954 ELECTRICAL EQUIP NUMBER: M00087 COMPONENT MAINT MANUAL REF: 34-31-51	002004 006100	RF
211	RC445-115	..	KNOB- SUPPLIER CODE: V81590	002004 006100 107107 121503 904999	1
212	RD240-117	..	KNOB- SUPPLIER CODE: V81590	002004 006100 107107 121503 904999	1
213	RD242-105	..	KNOB- SUPPLIER CODE: V81590	002004 006100 107107 121503 904999	1
214	285T0082-10	..	MODULE ASSY-FRONT SUPPLIER CODE: V89954 OPTIONAL PART: 285T0082-14 V89954	002004 006100 107107 121503 904999	RF

MISSING ITEM NUMBERS NOT APPLICABLE

- ITEM NOT ILLUSTRATED

BRI

34-31-02-01

34-31-02  
FIG. 01  
PAGE 30  
JAN 20/09



757

PARTS CATALOG (MAINTENANCE)

FIG ITEM	PART NUMBER	1 2 3 4 5 6 7	NOMENCLATURE	EFFECT FROM TO	UNITS PER ASSY
1					
214	285T0082-14	..	MODULE ASSY-FRONT SUPPLIER CODE: V89954 OPTIONAL PART: 285T0082-10 V89954	002004 006100 107107 121503 904999	RF
215	BAC27TEX3297	...	DECAL- SUPPLIER CODE: V89954 USED ON: 285T0082-14 285T0082-17	002004 006100 107107 121503 904999	1
215	BAC27TEX2223	...	DECAL- SUPPLIER CODE: V89954 USED ON: 285T0082-10 285T0082-16	002004 006100 107107 121503 904999	1
216	NAS514P440-10P	...	SCREW	002004 006100 107107 121503 904999	2
217	NAS514P440-4P	...	SCREW	002004 006100 107107 121503 904999	8
218	MS5206-205	...	SCREW	002004 006100 107107 121503 904999	6
219	NAS43DD0-24	...	SPACER	002004 006100 107107 121503 904999	2
220	NAS514P440-5P	...	SCREW	002004 006100 107107 121503 904999	2

MISSING ITEM NUMBERS NOT APPLICABLE

- ITEM NOT ILLUSTRATED

34-31-02-01

34-31-02  
FIG. 01  
PAGE 31  
JAN 20/09

BRI

BOEING PROPRIETARY - Copyright © - Unpublished Work - See title page for details.



757

PARTS CATALOG (MAINTENANCE)

FIG ITEM	PART NUMBER	1 2 3 4 5 6 7	NOMENCLATURE	EFFECT FROM TO	UNITS PER ASSY
1					
221	92-1660-40	...	NUT SUPPLIER CODE: V72962 SPECIFICATION NUMBER: BACN10DN40 OPTIONAL PART: 92-1660-440 V15653	002004 006100 107107 121503 904999	2
222	MS35338-39	...	WASHER	002004 006100 107107 121503 904999	6
223	MS35649-222	...	NUT	002004 006100 107107 121503 904999	6
224	285T0082-9	...	CIRCUIT ASSY- SUPPLIER CODE: V89954 USED ON: 285T0082-10 285T0082-16	002004 006100 107107 121503 904999	1
224	285T0082-15	...	CIRCUIT ASSY- SUPPLIER CODE: V89954 USED ON: 285T0082-14 285T0082-17	002004 006100 107107 121503 904999	1
225	WCS229-1	....	SWITCH- SUPPLIER CODE: V51074	002004 006100 107107 121503 904999	1
226	285T0087-18	....	SWITCH ASSY- SUPPLIER CODE: V89954	002004 006100 107107 121503 904999	1
227	285T0087-22	.....	SWITCH ASSY- SUPPLIER CODE: V89954 OPTIONAL PART: SPC15-360P1B V17080 285T1097-4 V89954	002004 006100 107107 121503 904999	1

MISSING ITEM NUMBERS NOT APPLICABLE

- ITEM NOT ILLUSTRATED

34-31-02-01

34-31-02  
FIG. 01  
PAGE 32  
JAN 20/09

BRI

BOEING PROPRIETARY - Copyright © - Unpublished Work - See title page for details.

**BOEING**  
757  
**PARTS CATALOG (MAINTENANCE)**

FIG ITEM	PART NUMBER	1 2 3 4 5 6 7	NOMENCLATURE	EFFECT FROM TO	UNITS PER ASSY
1					
227	285T1097-4	.....	SWITCH ASSY- SUPPLIER CODE: V89954 OPTIONAL PART: SPC15-360P1B V17080 285T0087-22 V89954	002004 006100 107107 121503 904999	1
227	SPC15-360P1B	.....	SWITCH- SUPPLIER CODE: V17080 OPTIONAL PART: 285T1097-4 V89954 285T0087-22 V89954	002004 006100 107107 121503 904999	1
228	3-436209-4	.....	SWITCH ASSY- SUPPLIER CODE: V00779	002004 006100 107107 121503 904999	1
229	285T0083-92	.....	BRACKET ASSY- SUPPLIER CODE: V89954	002004 006100 107107 121503 904999	1
230	RMF9201M40	.....	NUTPLATE SUPPLIER CODE: V72962 SPECIFICATION NUMBER: BACN10JN04 OPTIONAL PART: BRFM20A04L V52828 MF1000-04BAC V15653 NS103218-40 V80539 MF53049-04 V15653 T8124S04S V11815 VN252A40L V92215	002004 006100 107107 121503 904999	3

MISSING ITEM NUMBERS NOT APPLICABLE

— ITEM NOT ILLUSTRATED

BRI

# 34-31-02-01

BOEING PROPRIETARY - Copyright © - Unpublished Work - See title page for details.

34-31-02  
FIG. 01  
PAGE 33  
JAN 20/09



757

PARTS CATALOG (MAINTENANCE)

FIG ITEM	PART NUMBER	1 2 3 4 5 6 7	NOMENCLATURE	EFFECT FROM TO	UNITS PER ASSY
1			ATTACHING PARTS		
- 231	BACR15BA3AD	.....	RIVET- SIZE DETERMINED ON INSTL.	002004 006100 107107 121503 904999	6
			-----*-----		
232	285T0083-95	.....	BRACKET- SUPPLIER CODE: V89954	002004 006100 107107 121503 904999	1
233	285T0444-10	.....	DISPLAY ASSY- SUPPLIER CODE: V89954 USED ON: 285T0082-9	002004 006100 107107 121503 904999	1
233	285T0444-38	.....	DISPLAY ASSY- SUPPLIER CODE: V89954 USED ON: 285T0082-15	002004 006100 107107 121503 904999	1
234	BACS12BE02-18	.....	SCREW	002004 006100 107107 121503 904999	2
235	92-1660-256	.....	NUT- SUPPLIER CODE: V15653 SPECIFICATION NUMBER: BACN10DN26 OPTIONAL PART: 92-1660-26 V72962 QUALIFIED OPTIONAL DATA: TWO BACN10DN26 ARE OPT TO ONE 285T0444-31 USED ON: 285T0444-10	002004 006100 107107 121503 904999	2
236	285T0444-31	.....	NUTBAR- SUPPLIER CODE: V89954 QUALIFIED OPTIONAL DATA: TWO BACN10DN26 ARE OPT TO ONE 285T0444-31 USED ON: 285T0444-10	002004 006100 107107 121503 904999	1

MISSING ITEM NUMBERS NOT APPLICABLE

- ITEM NOT ILLUSTRATED

34-31-02-01

34-31-02  
FIG. 01  
PAGE 34  
JAN 20/09

BRI



**BOEING**  
757  
**PARTS CATALOG (MAINTENANCE)**

FIG ITEM	PART NUMBER	1 2 3 4 5 6 7	NOMENCLATURE	EFFECT FROM TO	UNITS PER ASSY
1 236	285T0444-31	.....	NUTBAR- SUPPLIER CODE: V89954 USED ON: 285T0444-38	002004 006100 107107 121503 904999	1
237	285T0444-11	.....	BRACKET ASSY- SUPPLIER CODE: V89954 USED ON: 285T0444-10	002004 006100 107107 121503 904999	1
237	285T0444-39	.....	BRACKET ASSY- SUPPLIER CODE: V89954 USED ON: 285T0444-38	002004 006100 107107 121503 904999	1
238	F22A27M22-40	.....	NUT-ANCHOR SUPPLIER CODE: V0217B	002004 006100 107107 121503 904999	2
- 239	BACR15BB2AD	.....	ATTACHING PARTS RIVET- SIZE DETERMINED ON INSTL.	002004 006100 107107 121503 904999	4
240	285T0444-8	.....	-----*----- BRACKET-SUPPORT SUPPLIER CODE: V89954 USED ON: 285T0444-11	002004 006100 107107 121503 904999	1
240	285T0444-40	.....	BRACKET-SUPPORT SUPPLIER CODE: V89954 USED ON: 285T0444-39	002004 006100 107107 121503 904999	1
241	DS10041	.....	INDICATOR- SUPPLIER CODE: V54572 QUALIFIED OPTIONAL DATA: THREE DS10041 OPT TO THREE DS10047 USED ON: 285T0444-10	002004 006100 107107 121503 904999	3

MISSING ITEM NUMBERS NOT APPLICABLE

- ITEM NOT ILLUSTRATED

BRI

# 34-31-02-01

BOEING PROPRIETARY - Copyright © - Unpublished Work - See title page for details.

34-31-02  
FIG. 01  
PAGE 35  
JAN 20/09



757

PARTS CATALOG (MAINTENANCE)

FIG ITEM	PART NUMBER	1 2 3 4 5 6 7	NOMENCLATURE	EFFECT FROM TO	UNITS PER ASSY
1 241	DS10047	.....	INDICATOR- SUPPLIER CODE: V54572 QUALIFIED OPTIONAL DATA: THREE DS10041 OPT TO THREE DS10047 USED ON: 285T0444-10	002004 006100 107107 121503 904999	3
241	DS10047	.....	INDICATOR- SUPPLIER CODE: V54572 USED ON: 285T0444-38	002004 006100 107107 121503 904999	3
242	285T0444-29	.....	SPACER- SUPPLIER CODE: V89954 OPTIONAL PART: 285T0444-45 V89954	002004 006100 107107 121503 904999	AR
242	285T0444-45	.....	SPACER- SUPPLIER CODE: V89954 OPTIONAL PART: 285T0444-29 V89954	002004 006100 107107 121503 904999	AR
243	285T0444-4	.....	BRACKET ASSY- SUPPLIER CODE: V89954 USED ON: 285T0444-10	002004 006100 107107 121503 904999	1
243	285T0444-26	.....	BRACKET ASSY- SUPPLIER CODE: V89954 USED ON: 285T0444-38	002004 006100 107107 121503 904999	1
244	F22A27M22-40	.....	NUT-ANCHOR SUPPLIER CODE: V0217B	002004 006100 107107 121503 904999	2
246	285T0444-7	.....	BRACKET- SUPPLIER CODE: V89954 USED ON: 285T0444-4	002004 006100 107107 121503 904999	1

MISSING ITEM NUMBERS NOT APPLICABLE

- ITEM NOT ILLUSTRATED

34-31-02-01

34-31-02  
FIG. 01  
PAGE 36  
JAN 20/09

BRI

BOEING PROPRIETARY - Copyright © - Unpublished Work - See title page for details.



757

PARTS CATALOG (MAINTENANCE)

FIG ITEM	PART NUMBER	1 2 3 4 5 6 7	NOMENCLATURE	EFFECT FROM TO	UNITS PER ASSY
1					
246	285T0444-27	.....	BRACKET- SUPPLIER CODE: V89954 USED ON: 285T0444-26	002004 006100 107107 121503 904999	1
247	285T0444-9	.....	DISPLAY ASSY- SUPPLIER CODE: V89954 USED ON: 285T0082-9	002004 006100 107107 121503 904999	1
247	285T0444-37	.....	DISPLAY ASSY- SUPPLIER CODE: V89954 USED ON: 285T0082-15	002004 006100 107107 121503 904999	1
248	BACS12BE02-20	.....	SCREW	002004 006100 107107 121503 904999	2
249	92-1660-256	.....	NUT- SUPPLIER CODE: V15653 SPECIFICATION NUMBER: BACN10DN26 OPTIONAL PART: 92-1660-26 V72962 QUALIFIED OPTIONAL DATA: TWO BACN10DN26 ARE OPT TO ONE 285T0444-31 USED ON: 285T0444-9	002004 006100 107107 121503 904999	2
250	285T0444-31	.....	NUTBAR- SUPPLIER CODE: V89954 QUALIFIED OPTIONAL DATA: TWO BACN10DN26 ARE OPT TO ONE 285T0444-31 USED ON: 285T0444-9	002004 006100 107107 121503 904999	1
250	285T0444-31	.....	NUTBAR- SUPPLIER CODE: V89954 USED ON: 285T0444-37	002004 006100 107107 121503 904999	1

MISSING ITEM NUMBERS NOT APPLICABLE

- ITEM NOT ILLUSTRATED

34-31-02-01

34-31-02  
FIG. 01  
PAGE 37  
JAN 20/09

BRI



757

PARTS CATALOG (MAINTENANCE)

FIG ITEM	PART NUMBER	1 2 3 4 5 6 7	NOMENCLATURE	EFFECT FROM TO	UNITS PER ASSY
1	251	NAS43DD0-15	.....SPACER	002004 006100 107107 121503 904999	4
	252	285T0444-3	.....BRACKET ASSY- SUPPLIER CODE: V89954 USED ON: 285T0444-9	002004 006100 107107 121503 904999	1
	252	285T0444-25	.....BRACKET ASSY- SUPPLIER CODE: V89954 USED ON: 285T0444-37	002004 006100 107107 121503 904999	1
	253	F22A27M22-40	.....NUT-ANCHOR SUPPLIER CODE: V0217B	002004 006100 107107 121503 904999	2
			ATTACHING PARTS		
-	254	BACR15BB2AD	.....RIVET- SIZE DETERMINED ON INSTL.	002004 006100 107107 121503 904999	4
			-----*-----		
	255	285T0444-7	.....BRACKET- SUPPLIER CODE: V89954 USED ON: 285T0444-3	002004 006100 107107 121503 904999	1
	255	285T0444-27	.....BRACKET- SUPPLIER CODE: V89954 USED ON: 285T0444-25	002004 006100 107107 121503 904999	1
	256	DS10042	.....INDICATOR- SUPPLIER CODE: V54572 QUALIFIED OPTIONAL DATA: ONE DS10042 AND ONE DS10043 OPT TO ONE DS10054 AND ONE DS10053 USED ON: 285T0444-9	002004 006100 107107 121503 904999	1

MISSING ITEM NUMBERS NOT APPLICABLE

- ITEM NOT ILLUSTRATED

34-31-02-01

34-31-02  
FIG. 01  
PAGE 38  
JAN 20/09

BRI

BOEING PROPRIETARY - Copyright © - Unpublished Work - See title page for details.



757

PARTS CATALOG (MAINTENANCE)

FIG ITEM	PART NUMBER	1 2 3 4 5 6 7	NOMENCLATURE	EFFECT FROM TO	UNITS PER ASSY
1 256	DS10054	.....	INDICATOR- SUPPLIER CODE: V54572 QUALIFIED OPTIONAL DATA: ONE DS10042 AND ONE DS10043 OPT TO ONE DS10054 AND ONE DS10053 USED ON: 285T0444-9	002004 006100 107107 121503 904999	1
256	DS10042	.....	INDICATOR- SUPPLIER CODE: V54572 QUALIFIED OPTIONAL DATA: ONE DS10042 AND ONE DS10043 OPT TO ONE DS10054 AND ONE DS10053 USED ON: 285T0444-9	002004 006100 107107 121503 904999	1
257	DS10043	.....	INDICATOR- SUPPLIER CODE: V54572 QUALIFIED OPTIONAL DATA: ONE DS10042 AND ONE DS10043 OPT TO ONE DS10054 AND ONE DS10053 USED ON: 285T0444-9	002004 006100 107107 121503 904999	1
257	DS10053	.....	INDICATOR- SUPPLIER CODE: V54572 QUALIFIED OPTIONAL DATA: ONE DS10042 AND ONE DS10043 OPT TO ONE DS10054 AND ONE DS10053 USED ON: 285T0444-9	002004 006100 107107 121503 904999	1
257	DS10053	.....	INDICATOR- SUPPLIER CODE: V54572 USED ON: 285T0444-37	002004 006100 107107 121503 904999	1
258	285T0444-29	.....	SPACER- SUPPLIER CODE: V89954 OPTIONAL PART: 285T0444-45 V89954	002004 006100 107107 121503 904999	AR

MISSING ITEM NUMBERS NOT APPLICABLE

- ITEM NOT ILLUSTRATED

34-31-02-01

34-31-02  
FIG. 01  
PAGE 39  
JAN 20/09

BRI

BOEING PROPRIETARY - Copyright © - Unpublished Work - See title page for details.



757

PARTS CATALOG (MAINTENANCE)

FIG ITEM	PART NUMBER	1 2 3 4 5 6 7	NOMENCLATURE	EFFECT FROM TO	UNITS PER ASSY
1 258	285T0444-45	.....	SPACER- SUPPLIER CODE: V89954 OPTIONAL PART: 285T0444-29 V89954	002004 006100 107107 121503 904999	AR
259	285T0444-4	.....	BRACKET ASSY- SUPPLIER CODE: V89954 USED ON: 285T0444-9	002004 006100 107107 121503 904999	1
259	285T0444-26	.....	BRACKET ASSY- SUPPLIER CODE: V89954 USED ON: 285T0444-37	002004 006100 107107 121503 904999	1
260	F22A27M22-40	.....	NUT-ANCHOR SUPPLIER CODE: V0217B	002004 006100 107107 121503 904999	2
- 261	BACR15BB2AD	.....	ATTACHING PARTS RIVET- SIZE DETERMINED ON INSTL.	002004 006100 107107 121503 904999	4
262	285T0444-7	.....	-----*----- BRACKET- SUPPLIER CODE: V89954 USED ON: 285T0444-4	002004 006100 107107 121503 904999	1
262	285T0444-27	.....	BRACKET- SUPPLIER CODE: V89954 USED ON: 285T0444-26	002004 006100 107107 121503 904999	1
263	285T0081-10	..	MODULE ASSY-REAR SUPPLIER CODE: V89954	002004 006100 107107 121503 904999	1
264	NAS1801-04-6	...	SCREW	002004 006100 107107 121503 904999	1

MISSING ITEM NUMBERS NOT APPLICABLE

- ITEM NOT ILLUSTRATED

34-31-02-01

34-31-02  
FIG. 01  
PAGE 40  
JAN 20/09

BRI

BOEING PROPRIETARY - Copyright © - Unpublished Work - See title page for details.



757

PARTS CATALOG (MAINTENANCE)

FIG ITEM	PART NUMBER	1 2 3 4 5 6 7	NOMENCLATURE	EFFECT FROM TO	UNITS PER ASSY
1					
265	NAS9620-4L	...	WASHER	002004 006100 107107 121503 904999	1
266	MS35649-242	...	NUT	002004 006100 107107 121503 904999	1
267	92-1660-40	...	NUT SUPPLIER CODE: V72962 SPECIFICATION NUMBER: BACN10DN40 OPTIONAL PART: 92-1660-440 V15653	002004 006100 107107 121503 904999	1
268	NAS1801-04-5	...	SCREW	002004 006100 107107 121503 904999	12
269	NAS514P440-20P	...	SCREW- USED WITH: 285T0433	002004 006100 107107 121503 904999	3
270	NAS514P440-4P	...	SCREW- USED WITH: 285T0433	002004 006100 107107 121503 904999	6
271	NAS514P440-5P	...	SCREW- USED WITH: 285T0542	002004 006100 107107 121503 904999	9
272	NAS514P440-6P	...	SCREW	002004 006100 107107 121503 904999	8
273	AN960PD4L	...	WASHER- USED WITH: 285T0433	002004 006100 107107 121503 904999	3

MISSING ITEM NUMBERS NOT APPLICABLE

- ITEM NOT ILLUSTRATED

BRI

34-31-02-01

34-31-02  
FIG. 01  
PAGE 41  
JAN 20/09



757

PARTS CATALOG (MAINTENANCE)

FIG ITEM	PART NUMBER	1 2 3 4 5 6 7	NOMENCLATURE	EFFECT FROM TO	UNITS PER ASSY
1					
274	NAS620-4L	...	WASHER	002004 006100 107107 121503 904999	8
275	92-1660-40	...	NUT- SUPPLIER CODE: V72962 SPECIFICATION NUMBER: BACN10DN40 OPTIONAL PART: 92-1660-440 V15653 USED WITH: 285T0433	002004 006100 107107 121503 904999	9
276	92-1660-40	...	NUT SUPPLIER CODE: V72962 SPECIFICATION NUMBER: BACN10DN40 OPTIONAL PART: 92-1660-440 V15653	002004 006100 107107 121503 904999	20
277	285T0250-4	...	PMD ASSY- SUPPLIER CODE: V89954	002004 006100 107107 121503 904999	3
278	285T0081-11	...	MODULE ASSY-ELECT. SUPPLIER CODE: V89954	002004 006100 107107 121503 904999	1
279	285T0081-12	...	MODULE ASSY-ELECT. SUPPLIER CODE: V89954	002004 006100 107107 121503 904999	1
280	285T0081-13	...	MODULE ASSY-ELECT. SUPPLIER CODE: V89954	002004 006100 107107 121503 904999	1

MISSING ITEM NUMBERS NOT APPLICABLE

- ITEM NOT ILLUSTRATED

BRI

34-31-02-01

BOEING PROPRIETARY - Copyright © - Unpublished Work - See title page for details.

34-31-02  
FIG. 01  
PAGE 42  
JAN 20/09





757

PARTS CATALOG (MAINTENANCE)

FIG ITEM	PART NUMBER	1 2 3 4 5 6 7	NOMENCLATURE	EFFECT FROM TO	UNITS PER ASSY
1 281	285T0433-11	.....	POWER SUPPLY ASSY- SUPPLIER CODE: V89954 COMPONENT MAINT MANUAL REF: 34-09-53 OPTIONAL PART: 285T0433-13 V89954 285T0542-2 V89954 285T0542-1 V89954	002004 006100 107107 121503 904999	1
281	285T0433-13	.....	POWER SUPPLY ASSY- SUPPLIER CODE: V89954 COMPONENT MAINT MANUAL REF: 34-09-53 OPTIONAL PART: 285T0433-11 V89954 285T0542-2 V89954 285T0542-1 V89954	002004 006100 107107 121503 904999	1
281	285T0542-1	.....	POWER SUPPLY ASSY- SUPPLIER CODE: V89954 COMPONENT MAINT MANUAL REF: 34-09-52 OPTIONAL PART: 285T0433-11 V89954 285T0433-13 V89954 285T0542-2 V89954	002004 006100 107107 121503 904999	1
281	285T0542-2	.....	POWER SUPPLY ASSY- SUPPLIER CODE: V89954 COMPONENT MAINT MANUAL REF: 34-09-52 OPTIONAL PART: 285T0433-11 V89954 285T0433-13 V89954 285T0542-1 V89954	002004 006100 107107 121503 904999	1

MISSING ITEM NUMBERS NOT APPLICABLE

- ITEM NOT ILLUSTRATED

34-31-02-01

34-31-02  
FIG. 01  
PAGE 43  
JAN 20/09

BRI



757

PARTS CATALOG (MAINTENANCE)

FIG ITEM	PART NUMBER	1 2 3 4 5 6 7	NOMENCLATURE	EFFECT FROM TO	UNITS PER ASSY
1					
282	BACC45FN14-15P6	....	CONNECTOR- USED ON: 285T0081-11	002004 006100 107107 121503 904999	1
283	BACC45FN14-15P7	....	CONNECTOR- USED ON: 285T0081-12	002004 006100 107107 121503 904999	1
284	BACC45FN14-15P8	....	CONNECTOR- USED ON: 285T0081-13	002004 006100 107107 121503 904999	1
- 300	286N2255-002		WIRE BUNDLE ASSY- (INSTRUMENT LANDING NAVIGATION SYSTEM ONLY)	107107	RF
- 300	286N2255-003		WIRE BUNDLE ASSY- (INSTRUMENT LANDING NAVIGATION SYSTEM ONLY)	904949	RF
- 300	286N2255-004		WIRE BUNDLE ASSY- (INSTRUMENT LANDING NAVIGATION SYSTEM ONLY)	002004 006100 121503 950999	RF
305	BACC45FT14C15S6	.	CONNECTOR- ELECTRICAL EQUIP NUMBER: D00269 WIRING DIAGRAM REF: 343111	002004 006100 107107 121503 904999	1
- 350	286N2259-002		WIRE BUNDLE ASSY- (INSTRUMENT LANDING NAVIGATION SYSTEM ONLY)	002004 006100 107107 950999	RF
- 350	286N2259-003		WIRE BUNDLE ASSY- (INSTRUMENT LANDING NAVIGATION SYSTEM ONLY)	121503 904949	RF
355	BACC45FT14C15S7	.	CONNECTOR- ELECTRICAL EQUIP NUMBER: D00271 WIRING DIAGRAM REF: 343131	002004 006100 107107 121503 904999	1
- 400	286N2257-002		WIRE BUNDLE ASSY- (INSTRUMENT LANDING NAVIGATION SYSTEM ONLY)	107107	RF
- 400	286N2257-003		WIRE BUNDLE ASSY- (INSTRUMENT LANDING NAVIGATION SYSTEM ONLY)	121503 904949	RF

MISSING ITEM NUMBERS NOT APPLICABLE

- ITEM NOT ILLUSTRATED

34-31-02-01

34-31-02  
FIG. 01  
PAGE 44  
JAN 20/09

BRI



757

PARTS CATALOG (MAINTENANCE)

FIG ITEM	PART NUMBER	1 2 3 4 5 6 7	NOMENCLATURE	EFFECT FROM TO	UNITS PER ASSY
1					
- 400	286N2257-004		WIRE BUNDLE ASSY- (INSTRUMENT LANDING NAVIGATION SYSTEM ONLY)	002004 006100 950999	RF
405	BACC45FT14C15S8		.CONNECTOR- ELECTRICAL EQUIP NUMBER: D00273 WIRING DIAGRAM REF: 343121	002004 006100 107107 121503 904999	1

MISSING ITEM NUMBERS NOT APPLICABLE

- ITEM NOT ILLUSTRATED

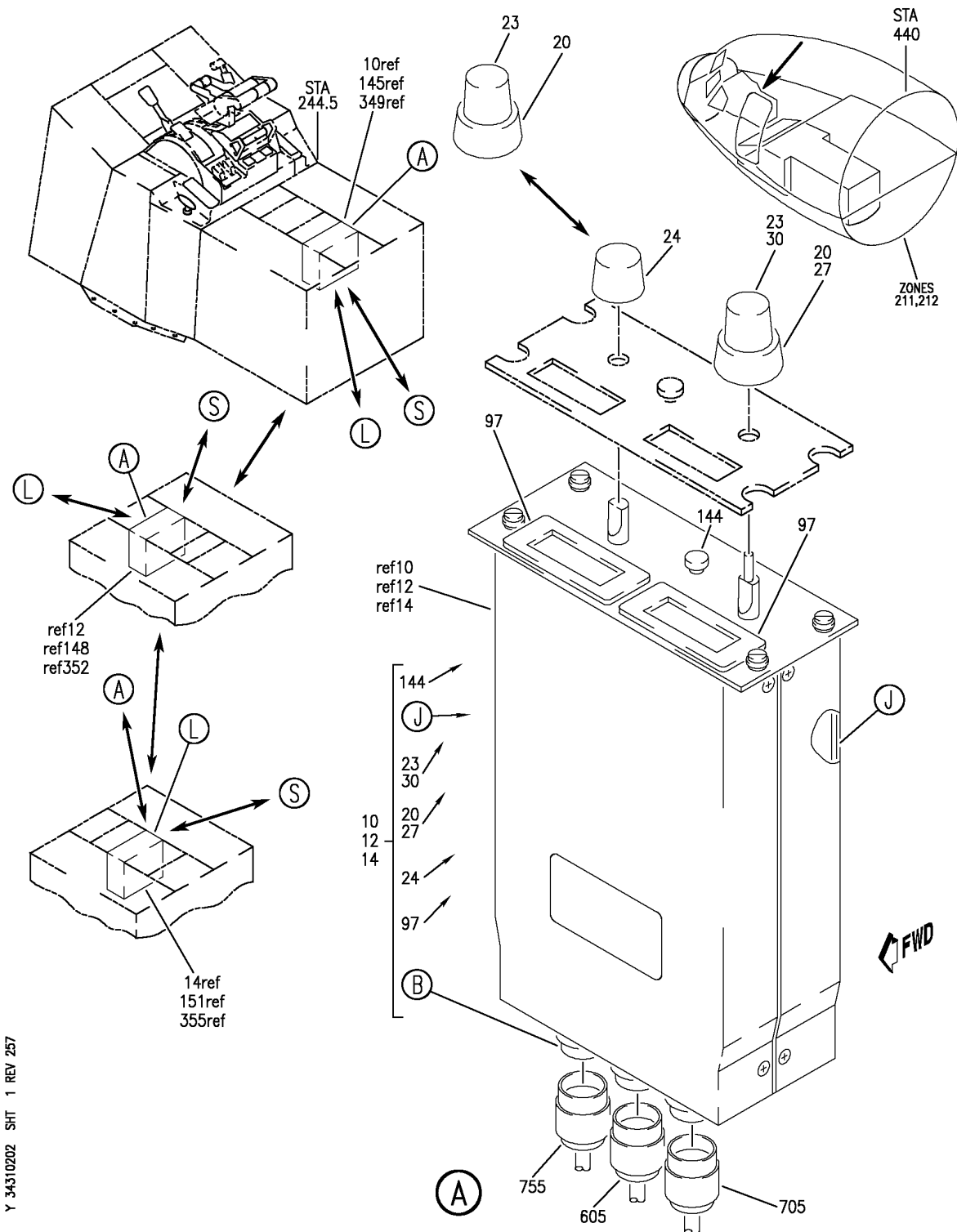
BRI

**34-31-02-01**

BOEING PROPRIETARY - Copyright © - Unpublished Work - See title page for details.

34-31-02  
FIG. 01  
PAGE 45  
JAN 20/09

**BOEING**  
757  
PARTS CATALOG (MAINTENANCE)



Y 34310202 SH1 1 REV 257

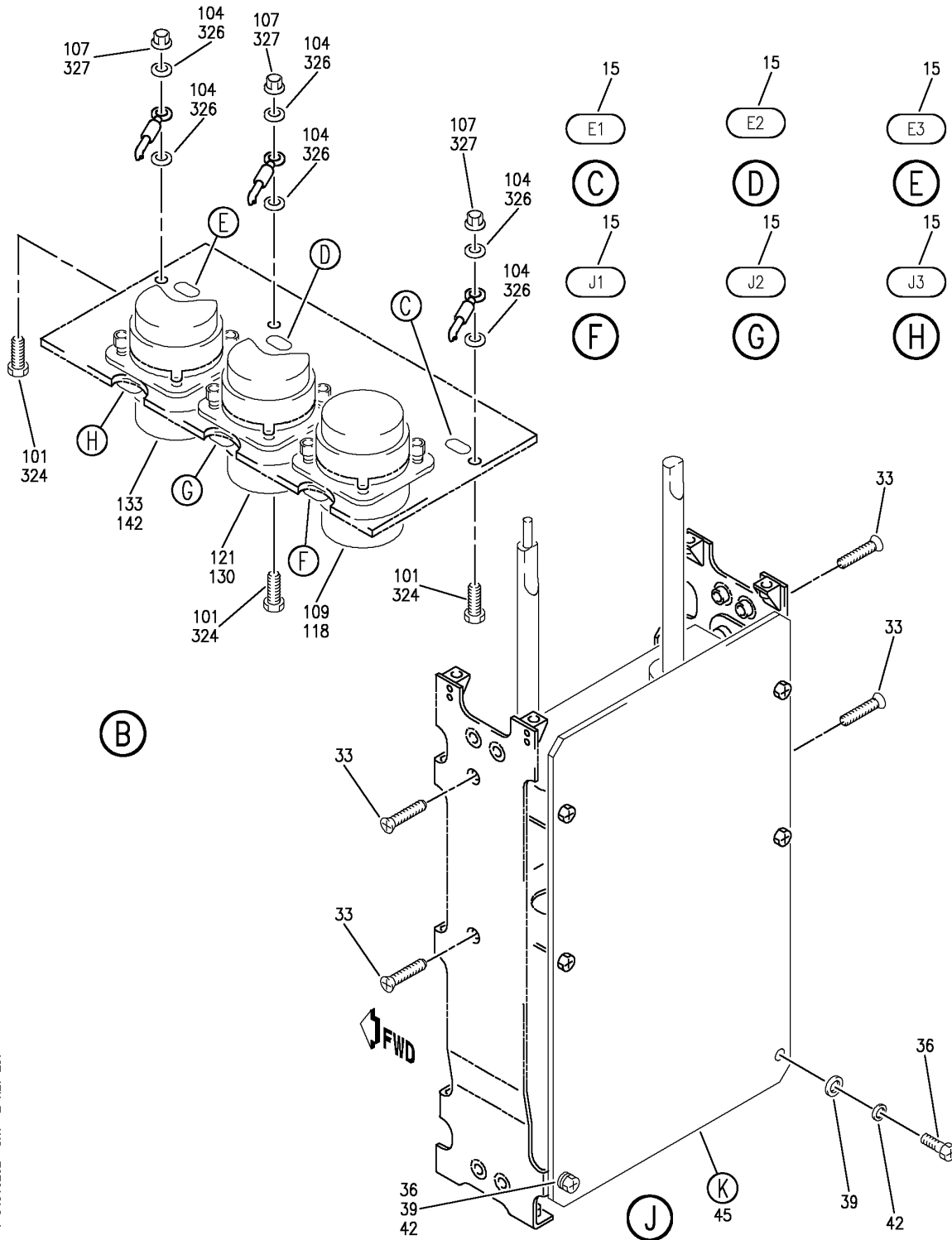
PANEL INSTL-P8 ELECTRONICS (LANDING AND TAXIING AIDS ONLY)  
FIGURE 2 (SHEET 1)

**34-31-02-02**

BRI  
MAY 28/07

34-31-02-02  
PAGE 0

**BOEING**  
757  
**PARTS CATALOG (MAINTENANCE)**



Y 34310202 SH1 2 REV 257

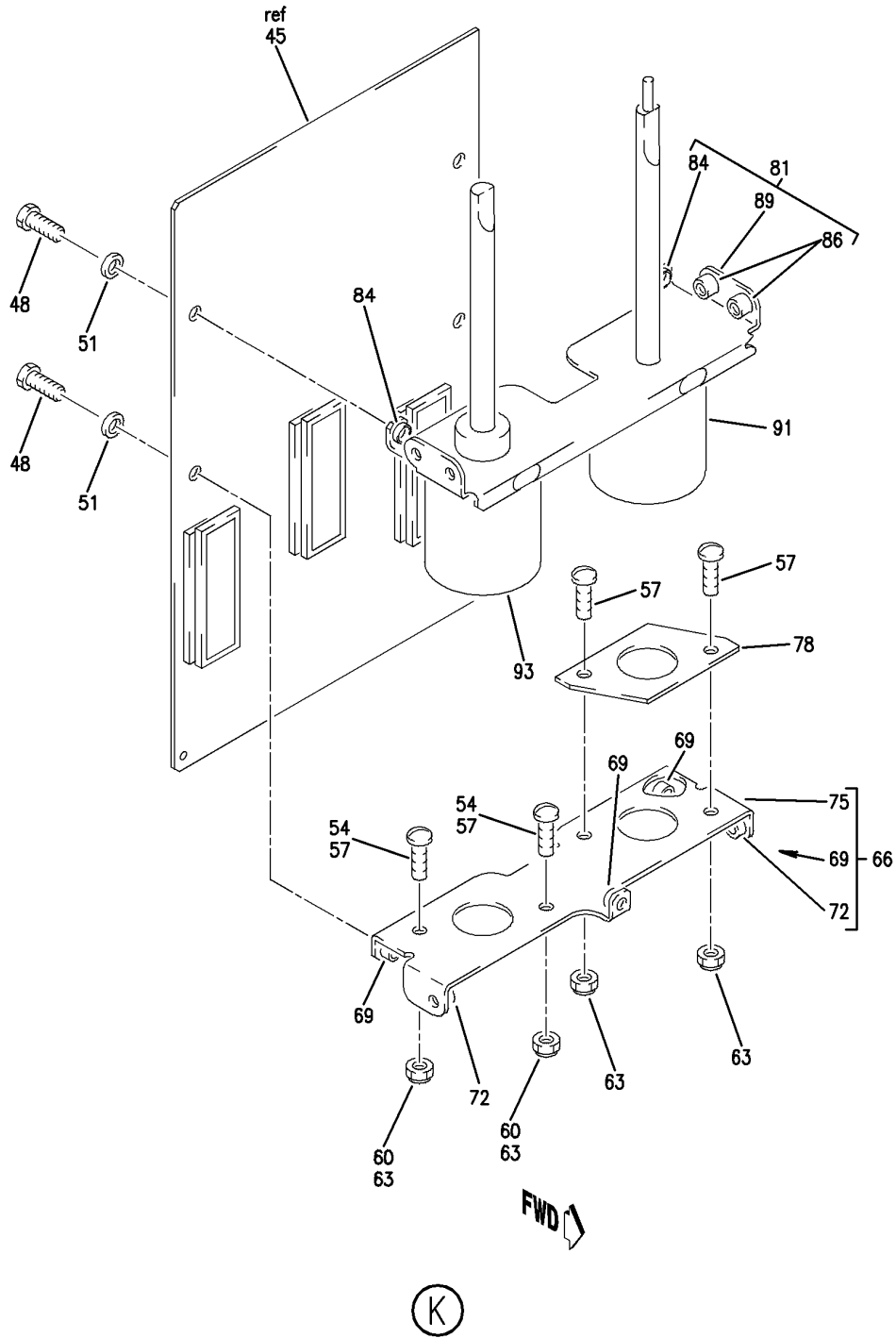
PANEL INSTL-P8 ELECTRONICS (LANDING AND TAXIING AIDS ONLY)  
FIGURE 2 (SHEET 2)

**34-31-02-02**

BRI  
MAY 28/07

34-31-02-02  
PAGE 0A

**BOEING**  
757  
PARTS CATALOG (MAINTENANCE)



Y 34310202 SH1 3 REV 238

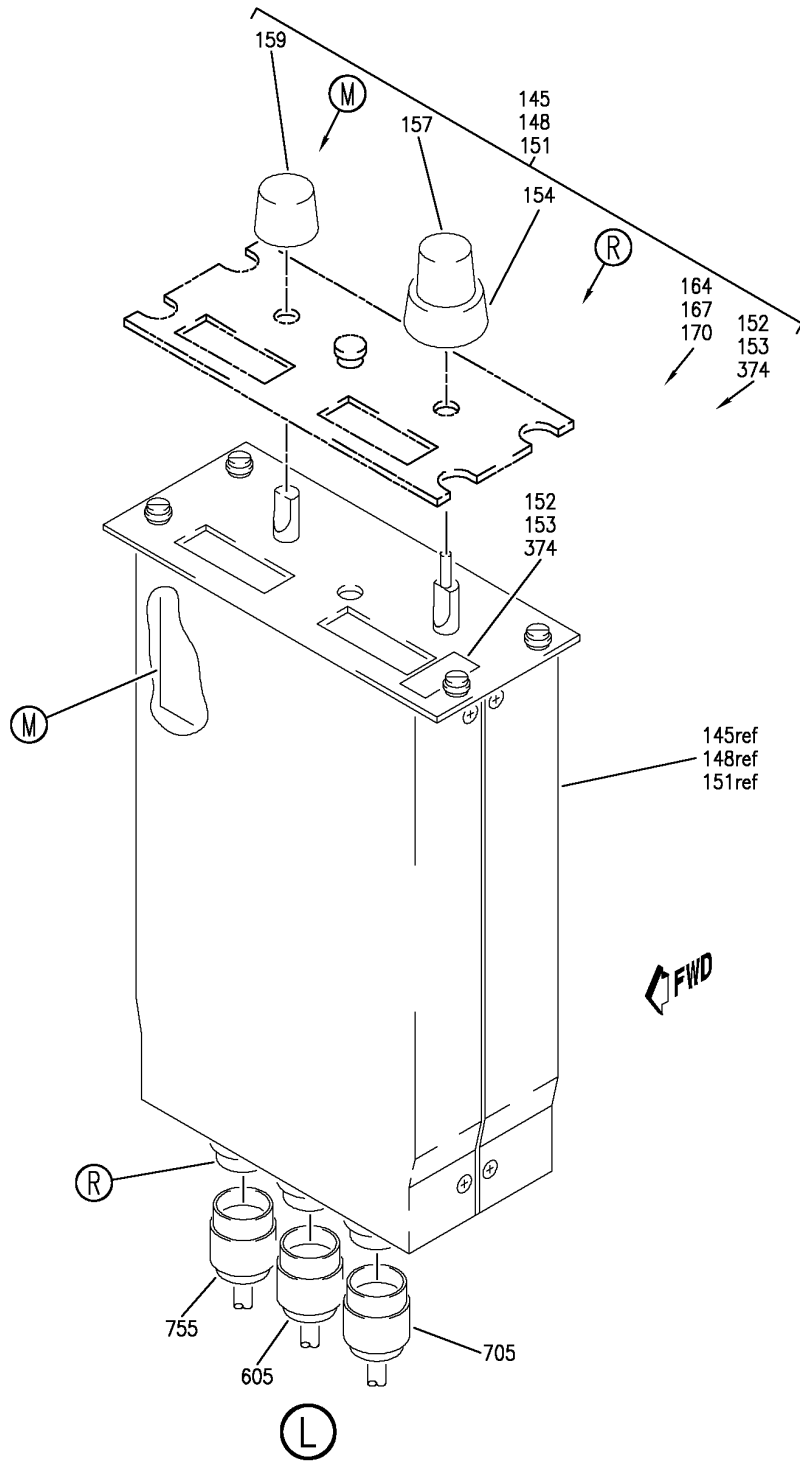
PANEL INSTL-P8 ELECTRONICS (LANDING AND TAXIING AIDS ONLY)  
FIGURE 2 (SHEET 3)

**34-31-02-02**

BRI  
MAY 28/07

34-31-02-02  
PAGE 0B

**BOEING**  
757  
PARTS CATALOG (MAINTENANCE)



Y 34310202 SH1 4 REV 257

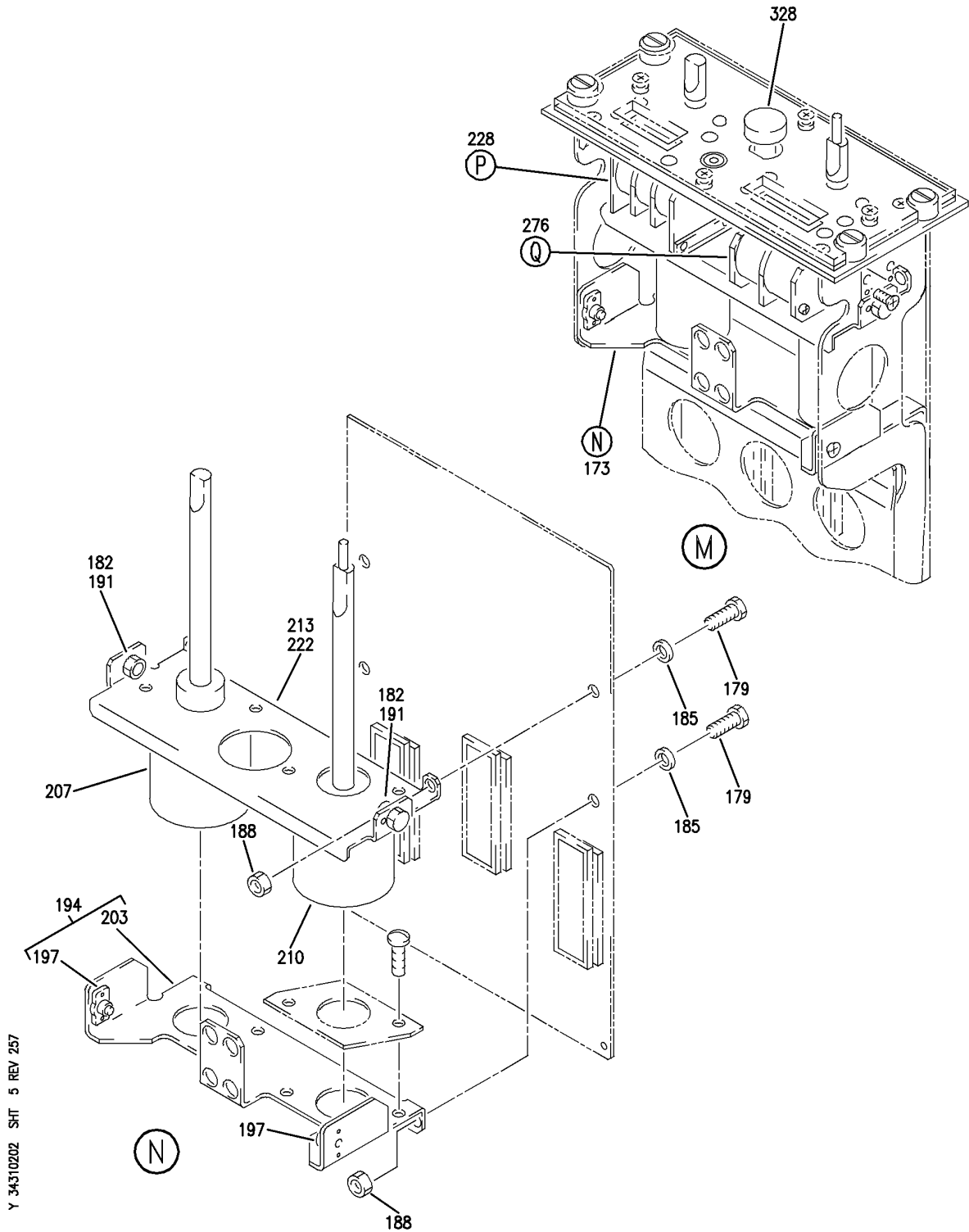
PANEL INSTL-P8 ELECTRONICS (LANDING AND TAXIING AIDS ONLY)  
FIGURE 2 (SHEET 4)

**34-31-02-02**

BRI  
MAY 28/07

34-31-02-02  
PAGE 0C

**BOEING**  
757  
PARTS CATALOG (MAINTENANCE)



Y 34-31-02-02 SHT 5 REV 257

PANEL INSTL-P8 ELECTRONICS (LANDING AND TAXIING AIDS ONLY)  
FIGURE 2 (SHEET 5)

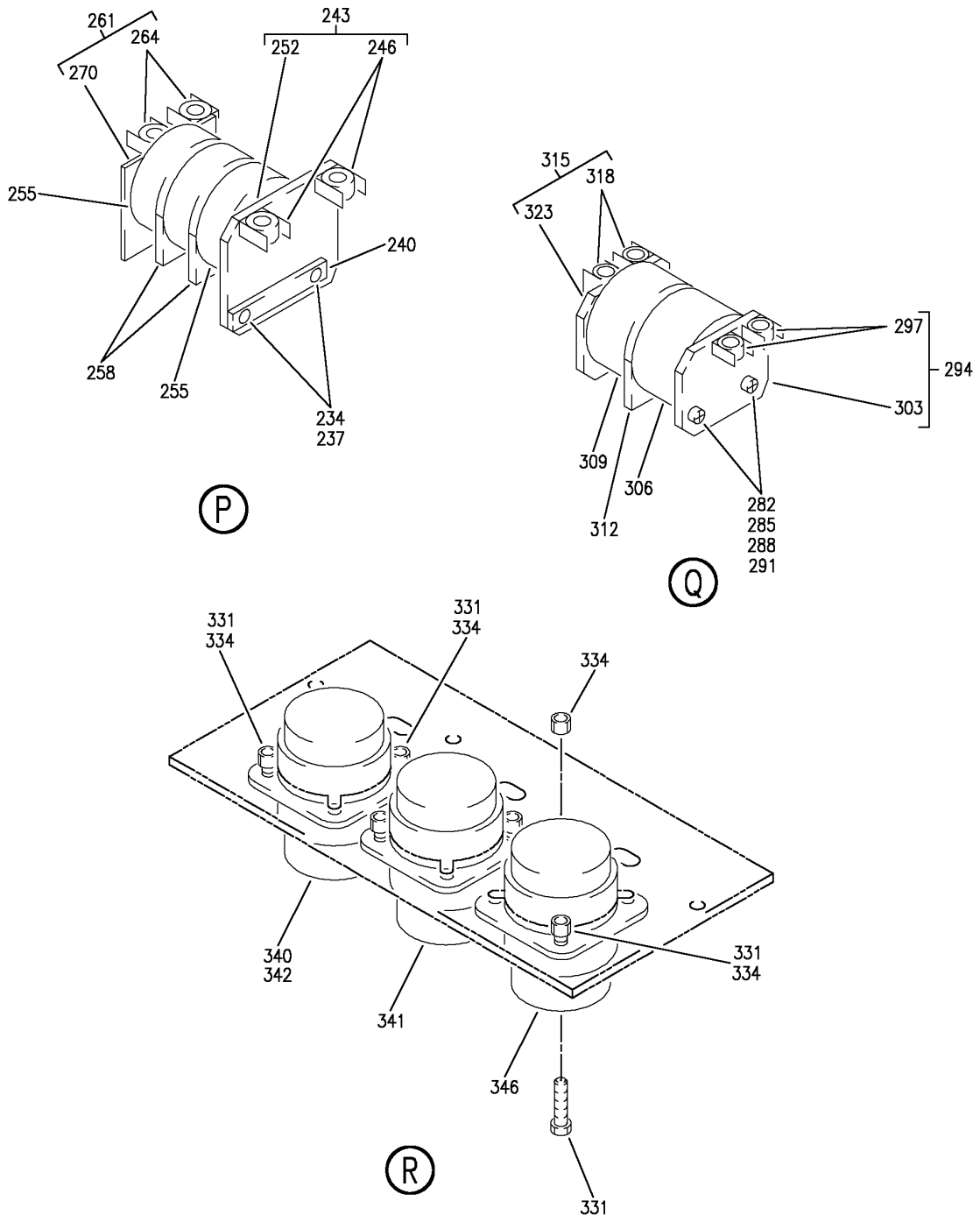
**34-31-02-02**

BRI  
MAY 28/07

34-31-02-02  
PAGE 0D



**BOEING**  
757  
PARTS CATALOG (MAINTENANCE)



Y 34-31-02-02 SHT 6 REV 257

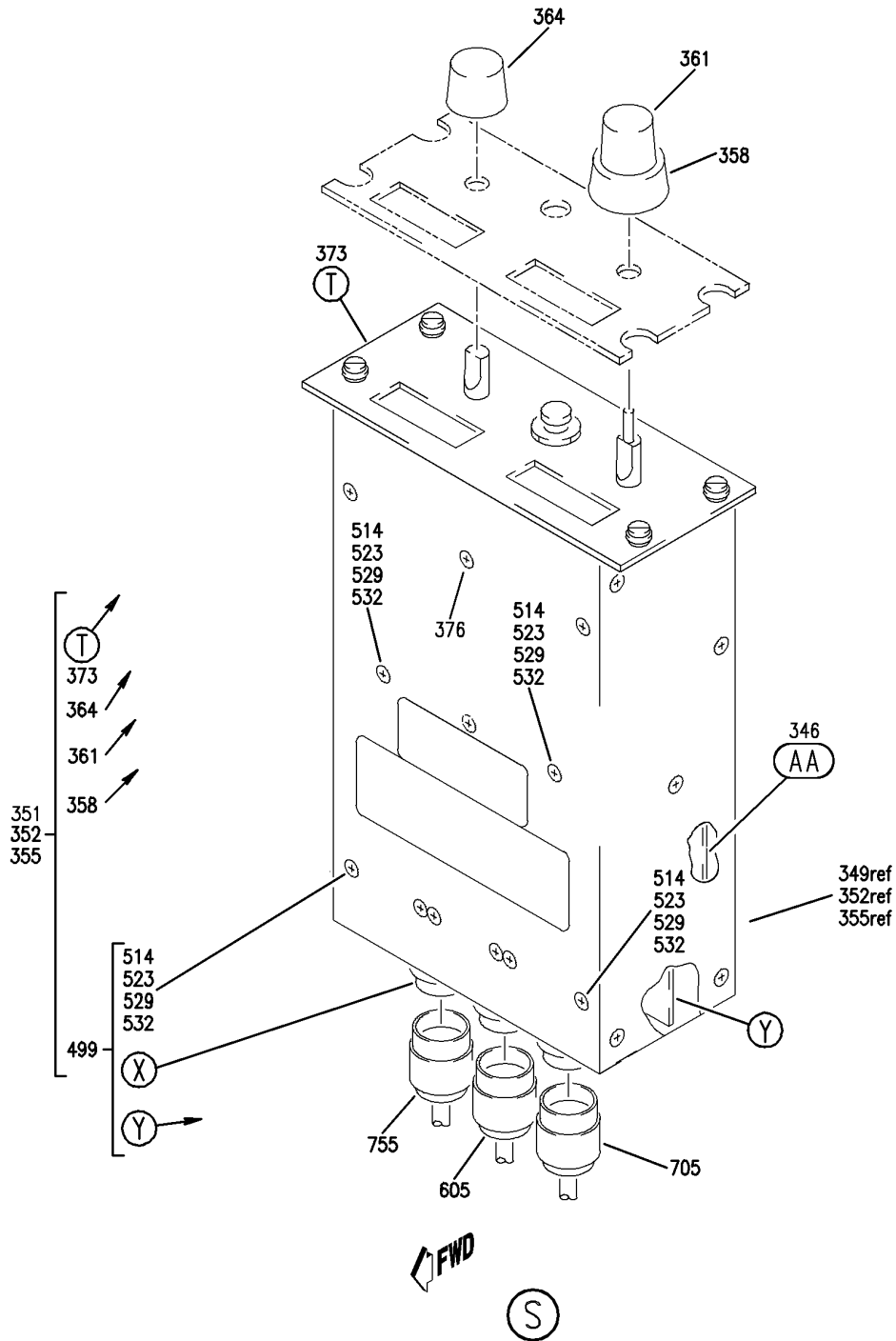
PANEL INSTL-P8 ELECTRONICS (LANDING AND TAXIING AIDS ONLY)  
FIGURE 2 (SHEET 6)

**34-31-02-02**

BRI  
MAY 28/07

34-31-02-02  
PAGE 0E

**BOEING**  
757  
PARTS CATALOG (MAINTENANCE)



Y 34-310202 SHT 7 REV 257

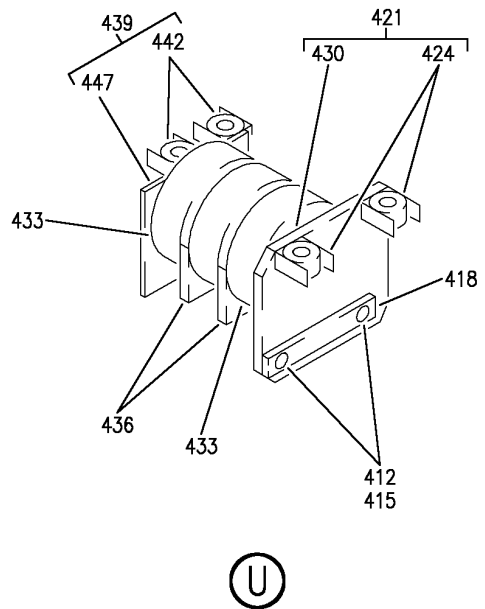
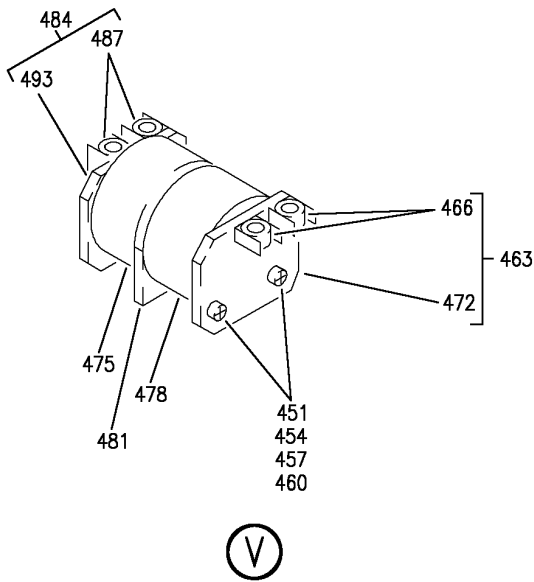
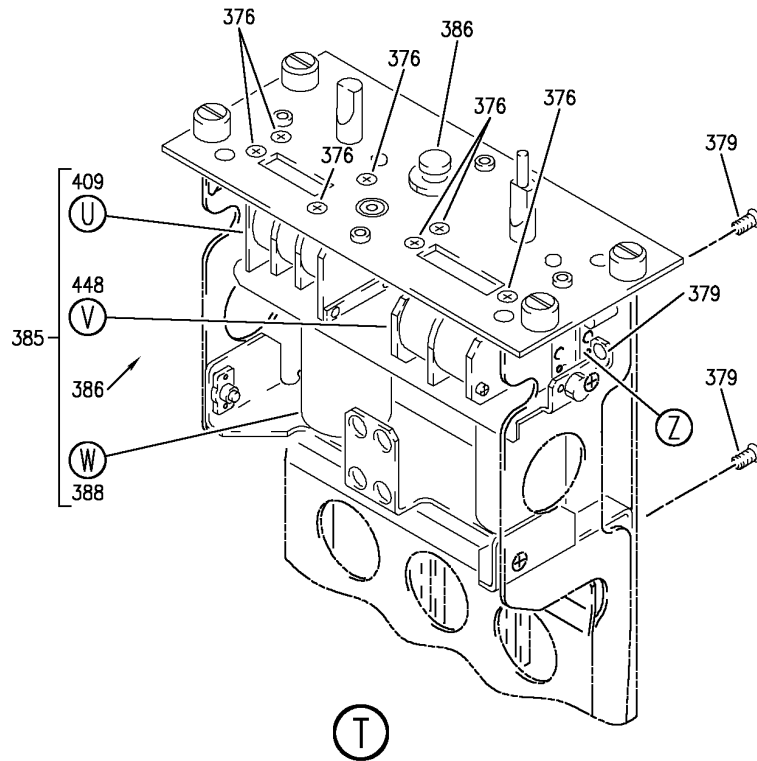
PANEL INSTL-P8 ELECTRONICS (LANDING AND TAXIING AIDS ONLY)  
FIGURE 2 (SHEET 7)

**34-31-02-02**

BRI  
MAY 28/07

34-31-02-02  
PAGE OF

**BOEING**  
757  
PARTS CATALOG (MAINTENANCE)



Y 34310202 SHT 8 REV 257

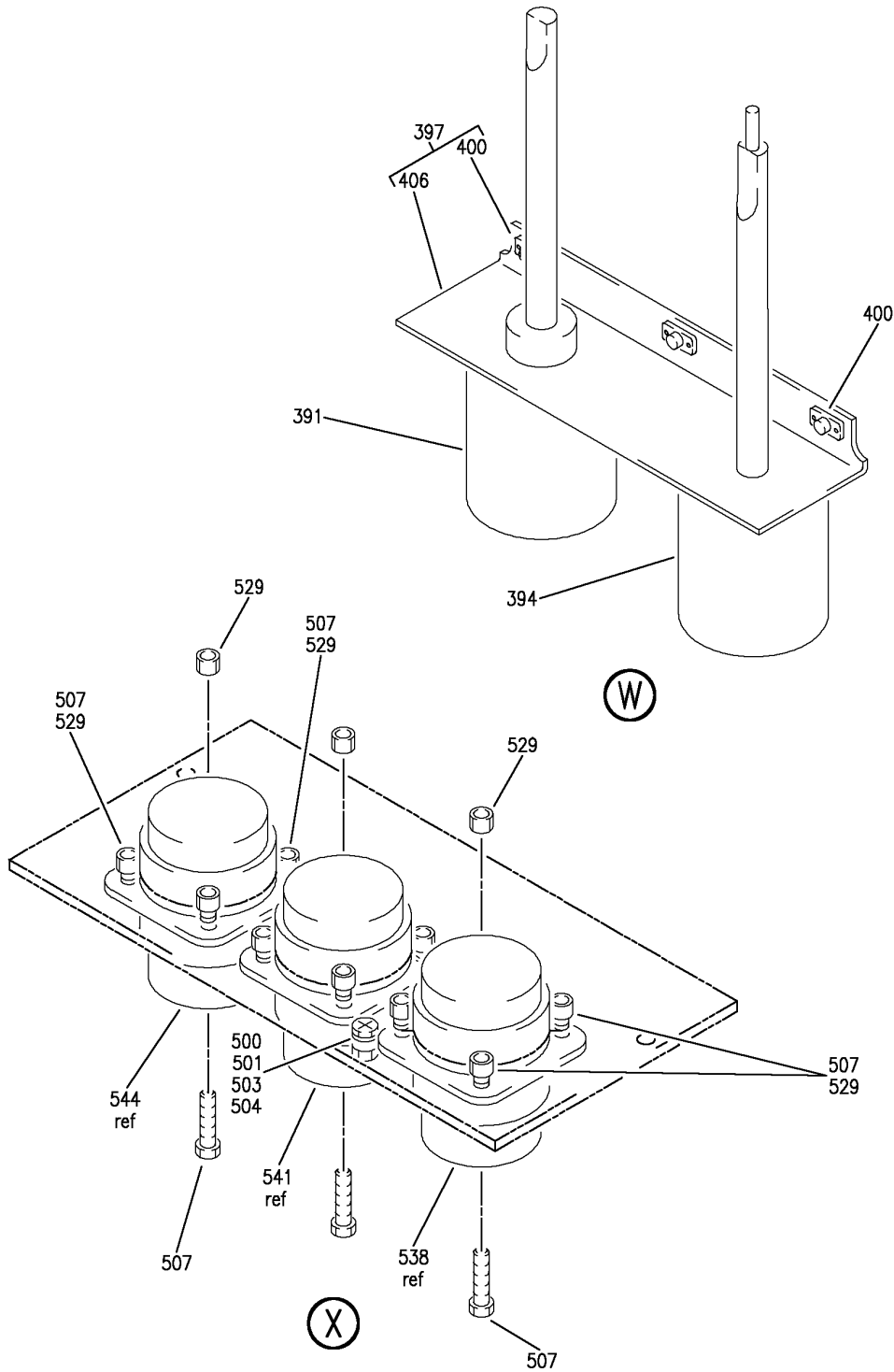
PANEL INSTL-P8 ELECTRONICS (LANDING AND TAXIING AIDS ONLY)  
FIGURE 2 (SHEET 8)

**34-31-02-02**

BRI  
MAY 28/07

34-31-02-02  
PAGE 08

**BOEING**  
757  
PARTS CATALOG (MAINTENANCE)



Y 34310202 SH1 9 REV 257

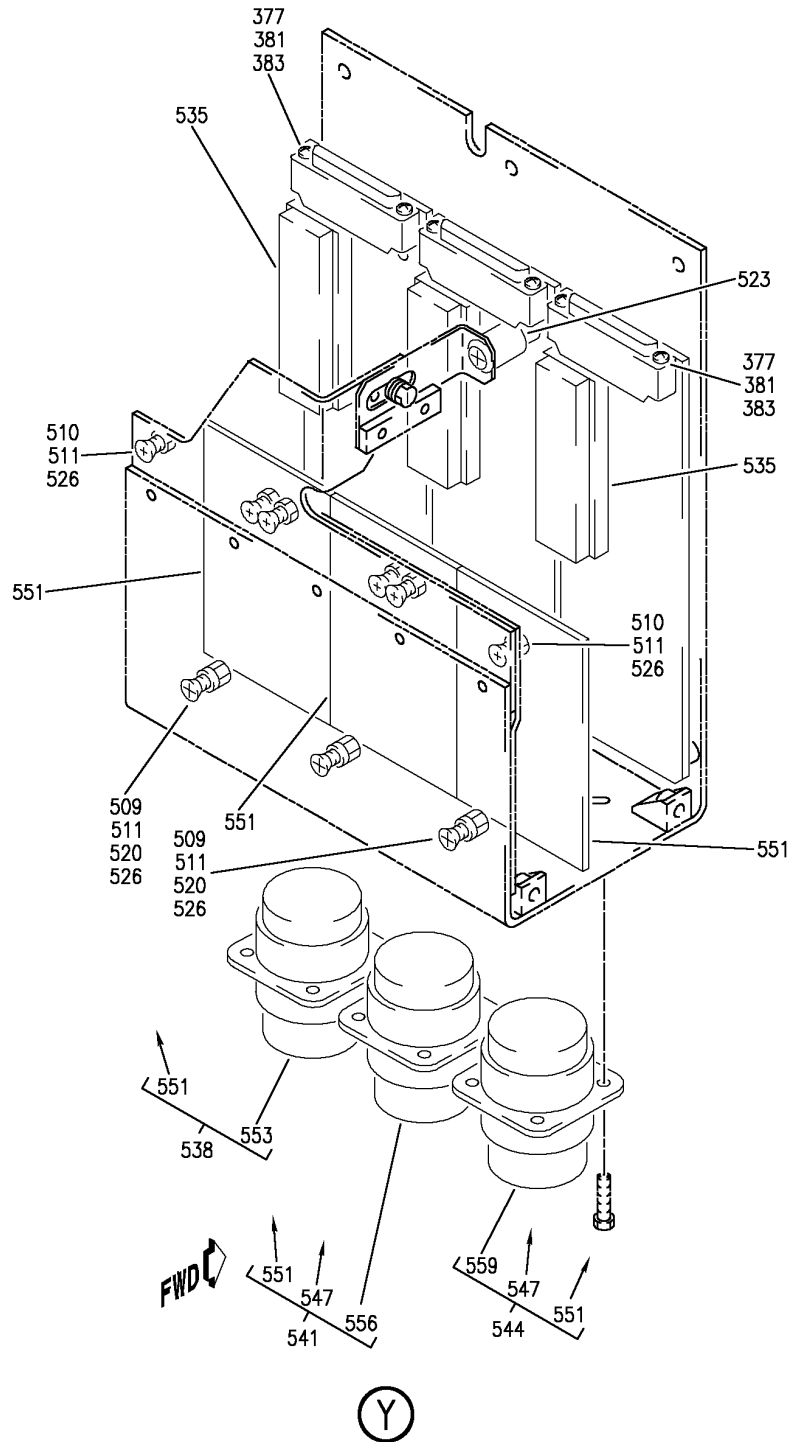
PANEL INSTL-P8 ELECTRONICS (LANDING AND TAXIING AIDS ONLY)  
FIGURE 2 (SHEET 9)

**34-31-02-02**

BRI  
MAY 28/07

34-31-02-02  
PAGE 0H

**BOEING**  
757  
PARTS CATALOG (MAINTENANCE)



Y 34310202 SH1 10 REV 257

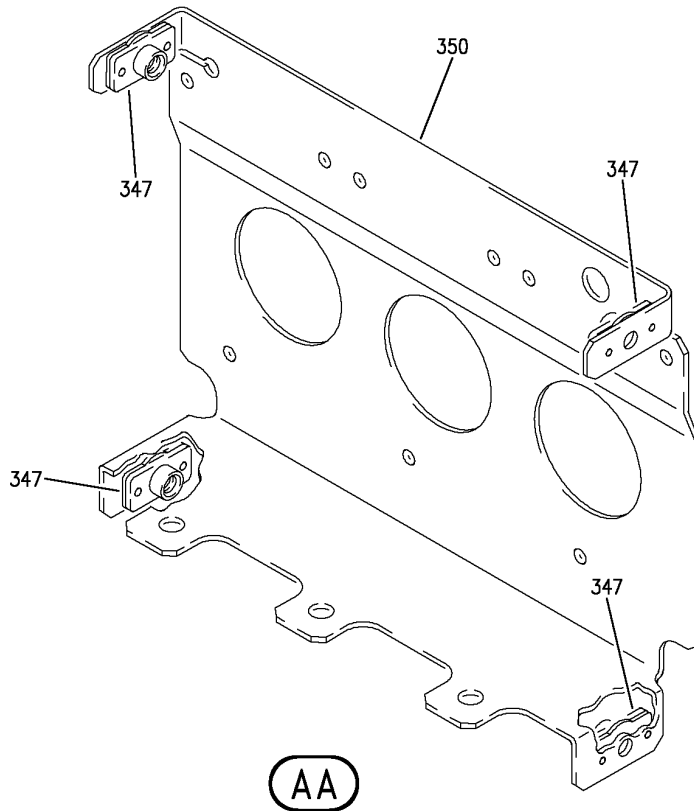
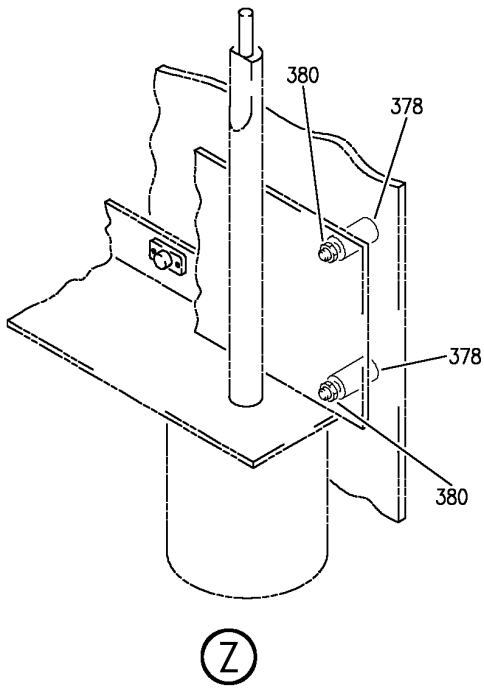
PANEL INSTL-P8 ELECTRONICS (LANDING AND TAXIING AIDS ONLY)  
FIGURE 2 (SHEET 10)

**34-31-02-02**

BRI  
MAY 28/07

34-31-02-02  
PAGE 01

**BOEING**  
757  
PARTS CATALOG (MAINTENANCE)



Y 34310202 SH11 REV 257

PANEL INSTL-P8 ELECTRONICS (LANDING AND TAXIING AIDS ONLY)  
FIGURE 2 (SHEET 11)

**34-31-02-02**

BRI  
MAY 28/07

34-31-02-02  
PAGE 0J



757

PARTS CATALOG (MAINTENANCE)

FIG ITEM	PART NUMBER	1 2 3 4 5 6 7	NOMENCLATURE	EFFECT FROM TO	UNITS PER ASSY
2			PANEL INSTL-P8 ELECTRONICS (LANDING AND TAXIING AIDS ONLY)	101106 108120 504903	
- 1	233N6103-102		PANEL INSTL-P8 ELECTRONICS (LANDING AND TAXIING AIDS ONLY)	108120	RF
- 1	233N6103-62		PANEL INSTL-P8 ELECTRONICS (LANDING AND TAXIING AIDS ONLY)	108120	RF
- 2	233N6103-122		FOR NHA/OTHER SYS DET SEE: 25-10-00-15B PANEL INSTL-P8 ELECTRONICS (LANDING AND TAXIING AIDS ONLY)	504903	RF
- 2	233N6103-128		FOR NHA/OTHER SYS DET SEE: 25-10-00-15B PANEL INSTL-P8 ELECTRONICS (LANDING AND TAXIING AIDS ONLY)	102102	RF
- 3	233N6103-28		FOR NHA/OTHER SYS DET SEE: 25-10-00-15B PANEL INSTL-P8 ELECTRONICS (LANDING AND TAXIING AIDS ONLY)	101101	RF

MISSING ITEM NUMBERS NOT APPLICABLE

- ITEM NOT ILLUSTRATED

BRI

34-31-02-02

BOEING PROPRIETARY - Copyright © - Unpublished Work - See title page for details.

34-31-02  
FIG. 02  
PAGE 1  
JAN 20/09



757

PARTS CATALOG (MAINTENANCE)

FIG ITEM	PART NUMBER	1 2 3 4 5 6 7	NOMENCLATURE	EFFECT FROM TO	UNITS PER ASSY
2 - 7	MODREF33990		PANEL INSTL- (LANDING AND TAXIING AIDS ONLY) MODULE NUMBER: 233N6103-253 REV B FOR OTHER SYS DETAILS SEE: 11-31-05-66F 23-12-02-03 23-51-01-05 26-11-02-01 26-11-54-02A 26-12-51-03 26-17-51-06 26-21-01-02 26-22-03-03 26-23-52-04A 27-11-23-03 27-21-23-03 27-28-02-01A 31-11-31-02 31-11-36-78 31-11-41-02 31-41-03-02 33-13-01-07 34-22-02-03 34-43-02-02 34-53-02-02 34-57-02-03 34-61-02-03	103106	1
10	285T0553-4		.PANEL ASSY-ILS CONT SUPPLIER CODE: V89954 ELECTRICAL EQUIP NUMBER: M00087 COMPONENT MAINT MANUAL REF: 34-31-61	103106 108120 504903	1
10	285T0553-1		.PANEL ASSY-ILS CONT SUPPLIER CODE: V89954 ELECTRICAL EQUIP NUMBER: M00087 COMPONENT MAINT MANUAL REF: 34-31-61	103106 108120 504903	1

MISSING ITEM NUMBERS NOT APPLICABLE

- ITEM NOT ILLUSTRATED

BRI

34-31-02-02

BOEING PROPRIETARY - Copyright © - Unpublished Work - See title page for details.

34-31-02  
FIG. 02  
PAGE 2  
JAN 20/09





757

PARTS CATALOG (MAINTENANCE)

FIG ITEM	PART NUMBER	1 2 3 4 5 6 7	NOMENCLATURE	EFFECT FROM TO	UNITS PER ASSY
2	10 285T0553-2		.PANEL ASSY-ILS CONT SUPPLIER CODE: V89954 ELECTRICAL EQUIP NUMBER: M00087 COMPONENT MAINT MANUAL REF: 34-31-61	103106 108120 504903	1
	10 285T0553-3		.PANEL ASSY-ILS CONT SUPPLIER CODE: V89954 ELECTRICAL EQUIP NUMBER: M00087	103106 108120 504903	1
	12 285T0553-4		.PANEL ASSY-ILS CONT SUPPLIER CODE: V89954 ELECTRICAL EQUIP NUMBER: M00087 COMPONENT MAINT MANUAL REF: 34-31-61	101102	1
	12 285T0553-1		.PANEL ASSY-ILS CONT SUPPLIER CODE: V89954 ELECTRICAL EQUIP NUMBER: M00087 COMPONENT MAINT MANUAL REF: 34-31-61	101102	1
	12 285T0553-2		.PANEL ASSY-ILS CONT SUPPLIER CODE: V89954 ELECTRICAL EQUIP NUMBER: M00087 COMPONENT MAINT MANUAL REF: 34-31-61	101102	1
	12 285T0553-3		.PANEL ASSY-ILS CONT SUPPLIER CODE: V89954 ELECTRICAL EQUIP NUMBER: M00087	101102	1
	15 BAC27TEX3349		..DECALSET	101106 108120 504903	1
	MISSING ITEM NUMBERS NOT APPLICABLE				

- ITEM NOT ILLUSTRATED

34-31-02-02

34-31-02  
FIG. 02  
PAGE 3  
JAN 20/09

BRI



757

PARTS CATALOG (MAINTENANCE)

FIG ITEM	PART NUMBER	1 2 3 4 5 6 7	NOMENCLATURE	EFFECT FROM TO	UNITS PER ASSY
2 20	RD240-117		..KNOB- SUPPLIER CODE: V81590 QUALIFIED I/W DATA: SPC 15-360P1A TOGETHER WITH RD242-104 ARE INTERCHANGEABLE WITH 436694-1 TOGETHER WITH RD240-117 AND RC445-115 USED ON: 285T0553-2 285T0553-4	101106 108120 504903	2
23	RC445-115		..KNOB- SUPPLIER CODE: V81590 QUALIFIED I/W DATA: SPC 15-360P1A TOGETHER WITH RD242-104 ARE INTERCHANGEABLE WITH 436694-1 TOGETHER WITH RD240-117 AND RC445-115 USED ON: 285T0553-2 285T0553-4	101106 108120 504903	2
24	RD242-104		..KNOB- SUPPLIER CODE: V81590 QUALIFIED I/W DATA: SPC 15-360P1A TOGETHER WITH RD242-104 ARE INTERCHANGEABLE WITH 436694-1 TOGETHER WITH RD240-117 AND RC445-115 USED ON: 285T0553-1 285T0553-3	101106 108120 504903	1
27	RD240-117		..KNOB- SUPPLIER CODE: V81590 QUALIFIED I/W DATA: SPC 15-360P1A TOGETHER WITH RD242-104 ARE INTERCHANGEABLE WITH 436694-1 TOGETHER WITH RD240-117 AND RC445-115 USED ON: 285T0553-1 285T0553-3	101106 108120 504903	1

MISSING ITEM NUMBERS NOT APPLICABLE

- ITEM NOT ILLUSTRATED

34-31-02-02

34-31-02  
FIG. 02  
PAGE 4  
JAN 20/09

BRI



757

PARTS CATALOG (MAINTENANCE)

FIG ITEM	PART NUMBER	1 2 3 4 5 6 7	NOMENCLATURE	EFFECT FROM TO	UNITS PER ASSY
2	30 RC445-115		.. KNOB- SUPPLIER CODE: V81590 QUALIFIED I/W DATA: SPC 15-360P1A TOGETHER WITH RD242-104 ARE INTERCHANGEABLE WITH 436694-1 TOGETHER WITH RD240-117 AND RC445-115 USED ON: 285T0553-1 285T0553-3	101106 108120 504903	1
	33 NAS514P440-5P		.. SCREW	101106 108120 504903	4
	36 NAS1801-04-5		.. SCREW	101106 108120 504903	2
	39 AN960-4L		.. WASHER	101106 108120 504903	2
	42 MS35338-40		.. WASHER	101106 108120 504903	2
	45 285T0558-3		..MODULE ASSY-ELECT. SUPPLIER CODE: V89954 QUALIFIED OPTIONAL DATA: 285T0558-3 OPT TO 285T0558-10 WHEN USED WITH ASSOCIATED ITEMS USED ON: 285T0553-4	101106 108120 504903	RF
	45 285T0558-10		..MODULE ASSY-ELECT. SUPPLIER CODE: V89954 QUALIFIED OPTIONAL DATA: 285T0558-3 OPT TO 285T0558-10 WHEN USED WITH ASSOCIATED ITEMS USED ON: 285T0553-4	101106 108120 504903	RF
	45 285T0558-1		..MODULE ASSY-ELECT. SUPPLIER CODE: V89954 USED ON: 285T0553-4	101106 108120 504903	RF

MISSING ITEM NUMBERS NOT APPLICABLE

- ITEM NOT ILLUSTRATED

34-31-02-02

34-31-02  
FIG. 02  
PAGE 5  
JAN 20/09

BRI

BOEING PROPRIETARY - Copyright © - Unpublished Work - See title page for details.



757

PARTS CATALOG (MAINTENANCE)

FIG ITEM	PART NUMBER	1 2 3 4 5 6 7	NOMENCLATURE	EFFECT FROM TO	UNITS PER ASSY
2					
45	285T0558-2		..MODULE ASSY-ELECT. SUPPLIER CODE: V89954 USED ON: 285T0553-4	101106 108120 504903	RF
45	285T0558-1		..MODULE ASSY-ELECT. SUPPLIER CODE: V89954 USED ON: 285T0553-1	101106 108120 504903	RF
45	285T0558-2		..MODULE ASSY-ELECT. SUPPLIER CODE: V89954 QUALIFIED OPTIONAL DATA: 285T0558-2 OPT TO 285T0558-9 WHEN USED WITH ASSOCIATED ITEMS USED ON: 285T0553-2	101106 108120 504903	RF
45	285T0558-9		..MODULE ASSY-ELECT. SUPPLIER CODE: V89954 QUALIFIED OPTIONAL DATA: 285T0558-2 OPT TO 285T0558-9 WHEN USED WITH ASSOCIATED ITEMS USED ON: 285T0553-2	101106 108120 504903	RF
45	285T0558-1		..MODULE ASSY-ELECT. SUPPLIER CODE: V89954 USED ON: 285T0553-2	101106 108120 504903	RF
48	NAS1801-04-5		...SCREW	101106 108120 504903	4
51	AN960-4L		...WASHER	101106 108120 504903	4

MISSING ITEM NUMBERS NOT APPLICABLE

- ITEM NOT ILLUSTRATED

BRI

34-31-02-02

34-31-02  
FIG. 02  
PAGE 6  
JAN 20/09



757

PARTS CATALOG (MAINTENANCE)

FIG ITEM	PART NUMBER	1 2 3 4 5 6 7	NOMENCLATURE	EFFECT FROM TO	UNITS PER ASSY
2	54 BACS12BE02-38	...	SCREW- POSITION DATA: FAR SIDE QUALIFIED OPTIONAL DATA: BACS12BE02-38 OPT TO FTC7339P02C38 OPT TO BACS12BE02C38 WHEN USED WITH ASSOCIATED ITEMS USED ON: 285T0558-2 285T0558-3 285T0558-9 285T0558-10	101106 108120 504903	2
	54 FTC7339P02C38	...	SCREW- SUPPLIER CODE: V58794 POSITION DATA: FAR SIDE QUALIFIED OPTIONAL DATA: BACS12BE02-38 OPT TO FTC7339P02C38 OPT TO BACS12BE02C38 WHEN USED WITH ASSOCIATED ITEMS USED ON: 285T0558-2 285T0558-3 285T0558-9 285T0558-10	101106 108120 504903	2
	54 BACS12BE02C38	...	SCREW- POSITION DATA: FAR SIDE QUALIFIED OPTIONAL DATA: BACS12BE02-38 OPT TO FTC7339P02C38 OPT TO BACS12BE02C38 WHEN USED WITH ASSOCIATED ITEMS USED ON: 285T0558-2 285T0558-3 285T0558-9 285T0558-10	101106 108120 504903	2

MISSING ITEM NUMBERS NOT APPLICABLE

- ITEM NOT ILLUSTRATED

34-31-02-02

34-31-02  
FIG. 02  
PAGE 7  
JAN 20/09

BRI



757

PARTS CATALOG (MAINTENANCE)

FIG ITEM	PART NUMBER	1 2 3 4 5 6 7	NOMENCLATURE	EFFECT FROM TO	UNITS PER ASSY
2	57 BACS12BE02-38	...	SCREW- POSITION DATA: FAR SIDE QUALIFIED OPTIONAL DATA: BACS12BE02-38 OPT TO FTC7339P02C38 OPT TO BACS12BE02C38 WHEN USED WITH ASSOCIATED ITEMS USED ON: 285T0558-1	101106 108120 504903	4
	57 FTC7339P02C38	...	SCREW- SUPPLIER CODE: V58794 POSITION DATA: FAR SIDE QUALIFIED OPTIONAL DATA: BACS12BE02-38 OPT TO FTC7339P02C38 OPT TO BACS12BE02C38 WHEN USED WITH ASSOCIATED ITEMS USED ON: 285T0558-1	101106 108120 504903	4
	57 BACS12BE02C38	...	SCREW- POSITION DATA: FAR SIDE QUALIFIED OPTIONAL DATA: BACS12BE02-38 OPT TO FTC7339P02C38 OPT TO BACS12BE02C38 WHEN USED WITH ASSOCIATED ITEMS USED ON: 285T0558-1	101106 108120 504903	4
	60 92-1660-256	...	NUT- SUPPLIER CODE: V15653 SPECIFICATION NUMBER: BACN10DN26 OPTIONAL PART: 92-1660-26 V72962 USED ON: 285T0558-2 285T0558-3 285T0558-9 285T0558-10	101106 108120 504903	2

MISSING ITEM NUMBERS NOT APPLICABLE

- ITEM NOT ILLUSTRATED

BRI

34-31-02-02

BOEING PROPRIETARY - Copyright © - Unpublished Work - See title page for details.

34-31-02  
FIG. 02  
PAGE 8  
JAN 20/09



757

PARTS CATALOG (MAINTENANCE)

FIG ITEM	PART NUMBER	1 2 3 4 5 6 7	NOMENCLATURE	EFFECT FROM TO	UNITS PER ASSY
2					
63	92-1660-256	...	NUT- SUPPLIER CODE: V15653 SPECIFICATION NUMBER: BACN10DN26 OPTIONAL PART: 92-1660-26 V72962 USED ON: 285T0558-1	101106 108120 504903	4
66	285T0551-8	...	INTERCOSTAL ASSY- SUPPLIER CODE: V89954 OPTIONAL PART: 285T0551-3 V89954	101106 108120 504903	1
66	285T0551-3	...	INTERCOSTAL ASSY- SUPPLIER CODE: V89954 OPTIONAL PART: 285T0551-8 V89954	101106 108120 504903	1
69	FE0X440	....	NUT-PRESS SUPPLIER CODE: V46384 USED ON: 285T0551-3	101106 108120 504903	3
69	FE0440EF	....	NUT-PRESS SUPPLIER CODE: V46384 USED ON: 285T0551-8	101106 108120 504903	3
72	LAC440-1	....	NUT-PRESS SUPPLIER CODE: V46384	101106 108120 504903	2
75	285T0551-5	....	BRACKET- SUPPLIER CODE: V89954	101106 108120 504903	1
78	285T0531-3	...	SPACER- SUPPLIER CODE: V89954	101106 108120 504903	1

MISSING ITEM NUMBERS NOT APPLICABLE

- ITEM NOT ILLUSTRATED

34-31-02-02

34-31-02  
FIG. 02  
PAGE 9  
JAN 20/09

BRI

BOEING PROPRIETARY - Copyright © - Unpublished Work - See title page for details.



757

PARTS CATALOG (MAINTENANCE)

FIG ITEM	PART NUMBER	1 2 3 4 5 6 7	NOMENCLATURE	EFFECT FROM TO	UNITS PER ASSY
2					
81	285T0551-6		...INTERCOSTAL ASSY- SUPPLIER CODE: V89954 OPTIONAL PART: 285T0551-1 V89954 285T0551-11 V89954 285T0551-9 V89954 USED ON: 285T0558-3 285T0558-10	101106 108120 504903	1
81	285T0551-1		...INTERCOSTAL ASSY- SUPPLIER CODE: V89954 OPTIONAL PART: 285T0551-6 V89954 285T0551-11 V89954 285T0551-9 V89954 USED ON: 285T0558-3 285T0558-10	101106 108120 504903	1
81	285T0551-11		...INTERCOSTAL ASSY- SUPPLIER CODE: V89954 OPTIONAL PART: 285T0551-6 V89954 285T0551-1 V89954 285T0551-9 V89954 USED ON: 285T0558-3 285T0558-10	101106 108120 504903	1

MISSING ITEM NUMBERS NOT APPLICABLE

- ITEM NOT ILLUSTRATED

BRI

34-31-02-02

BOEING PROPRIETARY - Copyright © - Unpublished Work - See title page for details.

34-31-02  
FIG. 02  
PAGE 10  
JAN 20/09





757

PARTS CATALOG (MAINTENANCE)

FIG ITEM	PART NUMBER	1 2 3 4 5 6 7	NOMENCLATURE	EFFECT FROM TO	UNITS PER ASSY
2	81 285T0551-9		...INTERCOSTAL ASSY- SUPPLIER CODE: V89954 OPTIONAL PART: 285T0551-6 V89954 285T0551-1 V89954 285T0551-11 V89954 USED ON: 285T0558-3 285T0558-10	101106 108120 504903	1
	81 285T0551-6		...INTERCOSTAL ASSY- SUPPLIER CODE: V89954 OPTIONAL PART: 285T0551-1 V89954 USED ON: 285T0558-1 285T0558-2 285T0558-9	101106 108120 504903	1
	81 285T0551-1		...INTERCOSTAL ASSY- SUPPLIER CODE: V89954 OPTIONAL PART: 285T0551-6 V89954 USED ON: 285T0558-1 285T0558-2 285T0558-9	101106 108120 504903	1
	84 FEOX440		.....NUT-PRESS SUPPLIER CODE: V46384 USED ON: 285T0551-1 285T0551-11	101106 108120 504903	2
	84 FE0440EF		.....NUT-PRESS SUPPLIER CODE: V46384 USED ON: 285T0551-6 285T0551-9	101106 108120 504903	2
	86 LAC440-1		.....NUT-PRESS SUPPLIER CODE: V46384	101106 108120 504903	2

MISSING ITEM NUMBERS NOT APPLICABLE

- ITEM NOT ILLUSTRATED

34-31-02-02

34-31-02  
FIG. 02  
PAGE 11  
JAN 20/09

BRI



757

PARTS CATALOG (MAINTENANCE)

FIG ITEM	PART NUMBER	1 2 3 4 5 6 7	NOMENCLATURE	EFFECT FROM TO	UNITS PER ASSY
2					
89	285T0551-4	....	BRACKET- SUPPLIER CODE: V89954 USED ON: 285T0551-1 285T0551-6	101106 108120 504903	1
89	285T0551-10	....	BRACKET- SUPPLIER CODE: V89954 USED ON: 285T0551-9 285T0551-11	101106 108120 504903	1
91	447611-1	...	SWITCH ASSY- SUPPLIER CODE: V00779	101106 108120 504903	1
91	3-436209-4	...	SWITCH ASSY- SUPPLIER CODE: V00779	101106 108120 504903	1
93	436694-1	...	SWITCH- SUPPLIER CODE: V00779 QUALIFIED I/W DATA: SPC 15-360P1A TOGETHER WITH RD242-104 ARE INTERCHANGEABLE WITH 436694-1 TOGETHER WITH RD240-117 AND RC445-115 USED ON: 285T0558-2 285T0558-3 285T0558-9 285T0558-10 POST COMPONENT SB: 285T0020-34-02 PRE COMPONENT SB: 285T0020-34-02R1	101106 108120 504903	1
93	447615-1	...	SWITCH- SUPPLIER CODE: V00779 USED ON: 285T0558-2 285T0558-3 285T0558-9 285T0558-10	101106 108120 504903	1

MISSING ITEM NUMBERS NOT APPLICABLE

- ITEM NOT ILLUSTRATED

BRI

34-31-02-02

BOEING PROPRIETARY - Copyright © - Unpublished Work - See title page for details.

34-31-02  
FIG. 02  
PAGE 12  
JAN 20/09



757

PARTS CATALOG (MAINTENANCE)

FIG ITEM	PART NUMBER	1 2 3 4 5 6 7	NOMENCLATURE	EFFECT FROM TO	UNITS PER ASSY
2	93 SPC15-360P1A	...	SWITCH- SUPPLIER CODE: V17080 QUALIFIED I/W DATA: SPC 15-360P1A TOGETHER WITH RD242-104 ARE INTERCHANGEABLE WITH 436694-1 TOGETHER WITH RD240-117 AND RC445-115 USED ON: 285T0558-1	101106 108120 504903	1
	97 S182-10809-3	..	MODULE-LIQUID CRYSTAL DISPLAY QUALIFIED OPTIONAL DATA: S182-10809-4 OPT TO S182-10809-3 WHEN USED WITH ASSOCIATED ITEMS USED ON: 285T0553-1 285T0553-2	101106 108120 504903	2
	97 DNM100-030	..	MODULE-LIQUID CRYSTAL DISPLAY SUPPLIER CODE: V65907 SPECIFICATION NUMBER: S182-10809-4 USED ON: 285T0553-4	101106 108120 504903	2
	97 DNM100-030	..	MODULE-LIQUID CRYSTAL DISPLAY SUPPLIER CODE: V65907 SPECIFICATION NUMBER: S182-10809-4 QUALIFIED OPTIONAL DATA: S182-10809-4 OPT TO S182-10809-3 WHEN USED WITH ASSOCIATED ITEMS USED ON: 285T0553-1 285T0553-2 285T0553-3	101106 108120 504903	2
	101 NAS1801-06-7	..	SCREW	101106 108120 504903	3
	104 NAS620A6	..	WASHER	101106 108120 504903	6

MISSING ITEM NUMBERS NOT APPLICABLE

- ITEM NOT ILLUSTRATED

34-31-02-02

34-31-02  
FIG. 02  
PAGE 13  
JAN 20/09

BRI



757

PARTS CATALOG (MAINTENANCE)

FIG ITEM	PART NUMBER	1 2 3 4 5 6 7	NOMENCLATURE	EFFECT FROM TO	UNITS PER ASSY
2 107	BRH10A06		..NUT SUPPLIER CODE: V52828 SPECIFICATION NUMBER: BACN10JCO6 OPTIONAL PART: H10-06BAC V15653 RMLH9075-62W V72962 VN303A62 V92215 96-62 V80539 NS202101-62 V80539 T6S632J V11815	101106 108120 504903	3
109	285T0574-1		..FLEX ASSY-CONN INTERFACE SUPPLIER CODE: V89954 QUALIFIED OPTIONAL DATA: 285T0574-1 OPT TO 285T0574-10 WHEN USED WITH ASSOCIATED ITEMS USED ON: 285T0553-2 285T0553-4	101106 108120 504903	1
109	285T0574-10		..FLEX ASSY-CONN INTERFACE SUPPLIER CODE: V89954 QUALIFIED OPTIONAL DATA: 285T0574-1 OPT TO 285T0574-10 WHEN USED WITH ASSOCIATED ITEMS USED ON: 285T0553-2 285T0553-4	101106 108120 504903	1
109	285T0574-1		..FLEX ASSY-CONN INTERFACE SUPPLIER CODE: V89954 OPTIONAL PART: 285T0574-10 V89954 USED ON: 285T0553-1 285T0553-3	101106 108120 504903	1

MISSING ITEM NUMBERS NOT APPLICABLE

- ITEM NOT ILLUSTRATED

34-31-02-02

34-31-02  
FIG. 02  
PAGE 14  
JAN 20/09

BRI



**757  
PARTS CATALOG (MAINTENANCE)**

FIG ITEM	PART NUMBER	1 2 3 4 5 6 7	NOMENCLATURE	EFFECT FROM TO	UNITS PER ASSY
2 109	285T0574-10		.. FLEX ASSY-CONN INTERFACE SUPPLIER CODE: V89954 OPTIONAL PART: 285T0574-1 V89954 USED ON: 285T0553-1 285T0553-3 ATTACHING PARTS	101106 108120 504903	1
- 112	NAS1801-04-6		.. SCREW	101106 108120 504903	2
- 115	K19798-04		.. NUT SUPPLIER CODE: V15653 SPECIFICATION NUMBER: BACN10NW1 OPTIONAL PART: RMA4812-160-40 V72962 293162 V60119 -----*-----	101106 108120 504903	2
118	CN0942-042P6		... CONNECTOR- SUPPLIER CODE: V13556	101106 108120 504903	1
121	285T0574-2		.. FLEX ASSY-CONN INTERFACE SUPPLIER CODE: V89954 QUALIFIED OPTIONAL DATA: 285T0574-2 OPT TO 285T0574-11 WHEN USED WITH ASSOCIATED ITEMS USED ON: 285T0553-2 285T0553-4	101106 108120 504903	1
121	285T0574-11		.. FLEX ASSY-CONN INTERFACE SUPPLIER CODE: V89954 QUALIFIED OPTIONAL DATA: 285T0574-2 OPT TO 285T0574-11 WHEN USED WITH ASSOCIATED ITEMS USED ON: 285T0553-2 285T0553-4	101106 108120 504903	1

MISSING ITEM NUMBERS NOT APPLICABLE

- ITEM NOT ILLUSTRATED

BRI

# 34-31-02-02

BOEING PROPRIETARY - Copyright © - Unpublished Work - See title page for details.

34-31-02  
FIG. 02  
PAGE 15  
JAN 20/09



757

PARTS CATALOG (MAINTENANCE)

FIG ITEM	PART NUMBER	1 2 3 4 5 6 7	NOMENCLATURE	EFFECT FROM TO	UNITS PER ASSY
2 121	285T0574-2		.. FLEX ASSY-CONN INTERFACE SUPPLIER CODE: V89954 OPTIONAL PART: 285T0574-11 V89954 USED ON: 285T0553-1 285T0553-3	101106 108120 504903	1
121	285T0574-11		.. FLEX ASSY-CONN INTERFACE SUPPLIER CODE: V89954 OPTIONAL PART: 285T0574-2 V89954 USED ON: 285T0553-1 285T0553-3 ATTACHING PARTS	101106 108120 504903	1
- 124	NAS1801-04-6		.. SCREW	101106 108120 504903	2
- 127	K19798-04		.. NUT SUPPLIER CODE: V15653 SPECIFICATION NUMBER: BACN10NW1 OPTIONAL PART: RMA4812-160-40 V72962 293162 V60119 -----*-----	101106 108120 504903	2
130	CN0942-042P7		... CONNECTOR- SUPPLIER CODE: V13556	101106 108120 504903	1
133	285T0574-3		.. FLEX ASSY-CONN INTERFACE SUPPLIER CODE: V89954 QUALIFIED OPTIONAL DATA: 285T0574-3 OPT TO 285T0574-12 WHEN USED WITH ASSOCIATED ITEMS USED ON: 285T0553-2 285T0553-4	101106 108120 504903	1

MISSING ITEM NUMBERS NOT APPLICABLE

- ITEM NOT ILLUSTRATED

34-31-02-02

34-31-02  
FIG. 02  
PAGE 16  
JAN 20/09

BRI



757

PARTS CATALOG (MAINTENANCE)

FIG ITEM	PART NUMBER	1 2 3 4 5 6 7	NOMENCLATURE	EFFECT FROM TO	UNITS PER ASSY
2 133	285T0574-12		.. FLEX ASSY-CONN INTERFACE SUPPLIER CODE: V89954 QUALIFIED OPTIONAL DATA: 285T0574-3 OPT TO 285T0574-12 WHEN USED WITH ASSOCIATED ITEMS USED ON: 285T0553-2 285T0553-4	101106 108120 504903	1
133	285T0574-3		.. FLEX ASSY-CONN INTERFACE SUPPLIER CODE: V89954 OPTIONAL PART: 285T0574-12 V89954 USED ON: 285T0553-1 285T0553-3	101106 108120 504903	1
133	285T0574-12		.. FLEX ASSY-CONN INTERFACE SUPPLIER CODE: V89954 OPTIONAL PART: 285T0574-3 V89954 USED ON: 285T0553-1 285T0553-3	101106 108120 504903	1
- 136	NAS1801-04-6		ATTACHING PARTS .. SCREW	101106 108120 504903	2
- 139	K19798-04		.. NUT SUPPLIER CODE: V15653 SPECIFICATION NUMBER: BACN10NW1 OPTIONAL PART: RMA4812-160-40 V72962 293162 V60119	101106 108120 504903	2
142	CN0942-042P8		-----*----- ... CONNECTOR- SUPPLIER CODE: V13556	101106 108120 504903	1

MISSING ITEM NUMBERS NOT APPLICABLE

- ITEM NOT ILLUSTRATED

34-31-02-02

34-31-02  
FIG. 02  
PAGE 17  
JAN 20/09

BRI



757

PARTS CATALOG (MAINTENANCE)

FIG ITEM	PART NUMBER	1 2 3 4 5 6 7	NOMENCLATURE	EFFECT FROM TO	UNITS PER ASSY
2 - 143	285T0581-1		.. FLEX ASSY-S3 TEST SW SUPPLIER CODE: V89954 QUALIFIED OPTIONAL DATA: 285T0581-1 OPT TO 285T0581-7 OPT TO 285T0581-11 WHEN USED ASSOCIATED ITEMS USED ON: 285T0553-2 285T0553-4	101106 108120 504903	1
- 143	285T0581-7		.. FLEX ASSY-S3 TEST SW SUPPLIER CODE: V89954 QUALIFIED OPTIONAL DATA: 285T0581-1 OPT TO 285T0581-7 OPT TO 285T0581-11 WHEN USED ASSOCIATED ITEMS USED ON: 285T0553-2 285T0553-4	101106 108120 504903	1
- 143	285T0581-11		.. FLEX ASSY-S3 TEST SW SUPPLIER CODE: V89954 QUALIFIED OPTIONAL DATA: 285T0581-1 OPT TO 285T0581-7 OPT TO 285T0581-11 WHEN USED ASSOCIATED ITEMS USED ON: 285T0553-2 285T0553-4	101106 108120 504903	1
- 143	285T0581-1		.. FLEX ASSY-S3 TEST SW SUPPLIER CODE: V89954 OPTIONAL PART: 285T0581-7 V89954 285T0581-11 V89954 USED ON: 285T0553-1 285T0553-3	101106 108120 504903	1

MISSING ITEM NUMBERS NOT APPLICABLE

- ITEM NOT ILLUSTRATED

34-31-02-02

34-31-02  
FIG. 02  
PAGE 18  
JAN 20/09

BRI





757

PARTS CATALOG (MAINTENANCE)

FIG ITEM	PART NUMBER	1 2 3 4 5 6 7	NOMENCLATURE	EFFECT FROM TO	UNITS PER ASSY
2 - 143	285T0581-7		.. FLEX ASSY-S3 TEST SW SUPPLIER CODE: V89954 OPTIONAL PART: 285T0581-1 V89954 285T0581-11 V89954 USED ON: 285T0553-1 285T0553-3	101106 108120 504903	1
- 143	285T0581-11		.. FLEX ASSY-S3 TEST SW SUPPLIER CODE: V89954 OPTIONAL PART: 285T0581-1 V89954 285T0581-7 V89954 USED ON: 285T0553-1 285T0553-3	101106 108120 504903	1
144	WCS229-1		... SWITCH- SUPPLIER CODE: V51074 OPTIONAL PART: WCS229-5 V51074 90-22901-5 V51074	101106 108120 504903	1
144	WCS229-5		... SWITCH- SUPPLIER CODE: V51074 OPTIONAL PART: WCS229-1 V51074 90-22901-5 V51074	101106 108120 504903	1
144	90-22901-5		... SWITCH- SUPPLIER CODE: V51074 OPTIONAL PART: WCS229-1 V51074 WCS229-5 V51074	101106 108120 504903	1

MISSING ITEM NUMBERS NOT APPLICABLE

- ITEM NOT ILLUSTRATED

34-31-02-02

34-31-02  
FIG. 02  
PAGE 19  
JAN 20/09

BRI



757

PARTS CATALOG (MAINTENANCE)

FIG ITEM	PART NUMBER	1 2 3 4 5 6 7	NOMENCLATURE	EFFECT FROM TO	UNITS PER ASSY
2					
145	285T0524-6		.PANEL ASSY-ILS CONT SUPPLIER CODE: V89954 ELECTRICAL EQUIP NUMBER: M00087 COMPONENT MAINT MANUAL REF: 34-31-52	103106 108120 504903	1
148	285T0524-6		.PANEL ASSY-ILS CONT SUPPLIER CODE: V89954 ELECTRICAL EQUIP NUMBER: M00087 COMPONENT MAINT MANUAL REF: 34-31-52	101102	1
152	BAC27TEX3297		..DECAL- SUPPLIER CODE: V89954	101106 108120 504903	1
153	BAC27TEX2313		..DECAL- SUPPLIER CODE: V89954	101106 108120 504903	1
154	RC445-115		..KNOB- SUPPLIER CODE: V81590	101106 108120 504903	1
157	RD240-117		..KNOB- SUPPLIER CODE: V81590	101106 108120 504903	1
159	RD242-104		..KNOB- SUPPLIER CODE: V81590	101106 108120 504903	1
173	285T0525-3		..MODULE ASSY-ELECT. SUPPLIER CODE: V89954	101106 108120 504903	RF
- 176	285T0525-4		...MODULE ASSY- SUPPLIER CODE: V89954	101106 108120 504903	RF
179	NAS1801-04-5		....SCREW	101106 108120 504903	4
182	BACS12BE02-38		....SCREW	101106 108120 504903	2
185	AN960-4L		....WASHER	101106 108120 504903	4

MISSING ITEM NUMBERS NOT APPLICABLE

- ITEM NOT ILLUSTRATED

34-31-02-02

34-31-02  
FIG. 02  
PAGE 20  
JAN 20/09

BRI

BOEING PROPRIETARY - Copyright © - Unpublished Work - See title page for details.

**BOEING**  
757  
**PARTS CATALOG (MAINTENANCE)**

FIG ITEM	PART NUMBER	1 2 3 4 5 6 7	NOMENCLATURE	EFFECT FROM TO	UNITS PER ASSY
2 188	92-1660-40	.....	NUT SUPPLIER CODE: V72962 SPECIFICATION NUMBER: BACN10DN40 OPTIONAL PART: 92-1660-440 V15653	101106 108120 504903	4
191	92-1660-256	.....	NUT SUPPLIER CODE: V15653 SPECIFICATION NUMBER: BACN10DN26 OPTIONAL PART: 92-1660-26 V72962	101106 108120 504903	2
194	285T0531-2	.....	INTERCOSTAL ASSY- SUPPLIER CODE: V89954	101106 108120 504903	1
197	RMF9201M40	.....	NUTPLATE SUPPLIER CODE: V72962 SPECIFICATION NUMBER: BACN10JN04 OPTIONAL PART: BRFM20A04L V52828 MF1000-04BAC V15653 NS103218-40 V80539 MF53049-04 V15653 T8124S04S V11815 VN252A40L V92215 ATTACHING PARTS	101106 108120 504903	2
- 200	BACR15BA3AD	.....	RIVET	101106 108120 504903	4
203	285T0531-5	.....	-----*----- BRACKET- SUPPLIER CODE: V89954	101106 108120 504903	1

MISSING ITEM NUMBERS NOT APPLICABLE

- ITEM NOT ILLUSTRATED

BRI

# 34-31-02-02

BOEING PROPRIETARY - Copyright © - Unpublished Work - See title page for details.

34-31-02  
FIG. 02  
PAGE 21  
JAN 20/09

 **BOEING**  
757  
**PARTS CATALOG (MAINTENANCE)**

FIG ITEM	PART NUMBER	1 2 3 4 5 6 7	NOMENCLATURE	EFFECT FROM TO	UNITS PER ASSY
2					
207	285T0087-22	.....	SWITCH ASSY- SUPPLIER CODE: V89954 OPTIONAL PART: SPC15-360P1B V17080	101106 108120 504903	1
207	SPC15-360P1B	.....	SWITCH- SUPPLIER CODE: V17080 OPTIONAL PART: 285T0087-22 V89954	101106 108120 504903	1
210	3-436209-4	.....	SWITCH ASSY- SUPPLIER CODE: V00779	101106 108120 504903	1
213	285T0531-1	.....	INTERCOSTAL ASSY- SUPPLIER CODE: V89954	101106 108120 504903	1
222	285T0531-4	.....	BRACKET- SUPPLIER CODE: V89954	101106 108120 504903	1
228	285T0444-38	..	DISPLAY ASSY- SUPPLIER CODE: V89954 OPTIONAL PART: 285T0444-10 V89954	101106 108120 504903	1
228	285T0444-10	..	DISPLAY ASSY- SUPPLIER CODE: V89954 OPTIONAL PART: 285T0444-38 V89954	101106 108120 504903	1
- 231	NAS514P440-4P	..	ATTACHING PARTS SCREW	101106 108120 504903	4
234	BACS12BE02-18	.....*	SCREW	101106 108120 504903	2

MISSING ITEM NUMBERS NOT APPLICABLE

- ITEM NOT ILLUSTRATED

BRI

# 34-31-02-02

BOEING PROPRIETARY - Copyright © - Unpublished Work - See title page for details.

34-31-02  
FIG. 02  
PAGE 22  
JAN 20/09



757

PARTS CATALOG (MAINTENANCE)

FIG ITEM	PART NUMBER	1 2 3 4 5 6 7	NOMENCLATURE	EFFECT FROM TO	UNITS PER ASSY
2 237	92-1660-256	...	NUT- SUPPLIER CODE: V15653 SPECIFICATION NUMBER: BACN10DN26 OPTIONAL PART: 92-1660-26 V72962 QUALIFIED OPTIONAL DATA: TWO BACN10DN26 ARE OPT TO ONE 285T0444-31 USED ON: 285T0444-10	101106 108120 504903	2
240	285T0444-31	...	NUTBAR- SUPPLIER CODE: V89954 QUALIFIED OPTIONAL DATA: TWO BACN10DN26 ARE OPT TO ONE 285T0444-31 USED ON: 285T0444-10	101106 108120 504903	1
240	285T0444-31	...	NUTBAR- SUPPLIER CODE: V89954 USED ON: 285T0444-38 285T0444-10	101106 108120 504903	1
243	285T0444-11	...	BRACKET ASSY- SUPPLIER CODE: V89954 USED ON: 285T0444-10	101106 108120 504903	1
243	285T0444-39	...	BRACKET ASSY- SUPPLIER CODE: V89954 USED ON: 285T0444-38	101106 108120 504903	1
246	F22A27M22-40	....	NUT-ANCHOR SUPPLIER CODE: V0217B ATTACHING PARTS	101106 108120 504903	2
- 249	BACR15BB2AD	....	RIVET- SIZE DETERMINED ON INSTL.	101106 108120 504903	4
252	285T0444-8	....	BRACKET-SUPPORT SUPPLIER CODE: V89954 USED ON: 285T0444-11	101106 108120 504903	1

MISSING ITEM NUMBERS NOT APPLICABLE

- ITEM NOT ILLUSTRATED

34-31-02-02

34-31-02  
FIG. 02  
PAGE 23  
JAN 20/09

BRI



757

PARTS CATALOG (MAINTENANCE)

FIG ITEM	PART NUMBER	1 2 3 4 5 6 7	NOMENCLATURE	EFFECT FROM TO	UNITS PER ASSY
2					
252	285T0444-40	....	BRACKET-SUPPORT SUPPLIER CODE: V89954 USED ON: 285T0444-39	101106 108120 504903	1
255	DS10041	...	INDICATOR- SUPPLIER CODE: V54572 QUALIFIED OPTIONAL DATA: THREE DS10041 OPT TO THREE DS10047 USED ON: 285T0444-10	101106 108120 504903	3
255	DS10047	...	INDICATOR- SUPPLIER CODE: V54572 QUALIFIED OPTIONAL DATA: THREE DS10041 OPT TO THREE DS10047 USED ON: 285T0444-10	101106 108120 504903	3
255	DS10047	...	INDICATOR- SUPPLIER CODE: V54572 USED ON: 285T0444-10	101106 108120 504903	3
258	285T0444-29	...	SPACER- SUPPLIER CODE: V89954 OPTIONAL PART: 285T0444-45 V89954	101106 108120 504903	AR
258	285T0444-45	...	SPACER- SUPPLIER CODE: V89954 OPTIONAL PART: 285T0444-29 V89954	101106 108120 504903	AR
261	285T0444-4	...	BRACKET ASSY- SUPPLIER CODE: V89954 USED ON: 285T0444-10	101106 108120 504903	1
261	285T0444-26	...	BRACKET ASSY- SUPPLIER CODE: V89954 USED ON: 285T0444-38	101106 108120 504903	1

MISSING ITEM NUMBERS NOT APPLICABLE

- ITEM NOT ILLUSTRATED

34-31-02-02

34-31-02  
FIG. 02  
PAGE 24  
JAN 20/09

BRI

 **BOEING**  
757  
**PARTS CATALOG (MAINTENANCE)**

FIG ITEM	PART NUMBER	1 2 3 4 5 6 7	NOMENCLATURE	EFFECT FROM TO	UNITS PER ASSY
2					
264	F22A27M22-40	....	NUT-ANCHOR SUPPLIER CODE: V0217B ATTACHING PARTS	101106 108120 504903	2
- 267	BACR15BB2AD	....	RIVET- SIZE DETERMINED ON INSTL.	101106 108120 504903	4
			-----*-----		
270	285T0444-7	....	BRACKET-SUPPORT SUPPLIER CODE: V89954 USED ON: 285T0444-4	101106 108120 504903	1
270	285T0444-27	....	BRACKET-SUPPORT SUPPLIER CODE: V89954 USED ON: 285T0444-26	101106 108120 504903	1
276	285T0444-37	..	DISPLAY ASSY- SUPPLIER CODE: V89954 OPTIONAL PART: 285T0444-9 V89954	101106 108120 504903	1
276	285T0444-9	..	DISPLAY ASSY- SUPPLIER CODE: V89954 OPTIONAL PART: 285T0444-37 V89954 ATTACHING PARTS	101106 108120 504903	1
- 279	NAS514P440-4P	..	SCREW	101106 108120 504903	4
			-----*-----		
282	BACS12BE02-20	...	SCREW	101106 108120 504903	2

MISSING ITEM NUMBERS NOT APPLICABLE

- ITEM NOT ILLUSTRATED

BRI

# 34-31-02-02

BOEING PROPRIETARY - Copyright © - Unpublished Work - See title page for details.

34-31-02  
FIG. 02  
PAGE 25  
JAN 20/09



757

PARTS CATALOG (MAINTENANCE)

FIG ITEM	PART NUMBER	1 2 3 4 5 6 7	NOMENCLATURE	EFFECT FROM TO	UNITS PER ASSY
2 285	92-1660-256	...	NUT- SUPPLIER CODE: V15653 SPECIFICATION NUMBER: BACN10DN26 OPTIONAL PART: 92-1660-26 V72962 QUALIFIED OPTIONAL DATA: TWO BACN10DN26 ARE OPT TO ONE 285T0444-31 USED ON: 285T0444-9	101106 108120 504903	2
288	285T0444-31	...	NUTBAR- SUPPLIER CODE: V89954 QUALIFIED OPTIONAL DATA: TWO BACN10DN26 ARE OPT TO ONE 285T0444-31 USED ON: 285T0444-9	101106 108120 504903	1
288	285T0444-31	...	NUTBAR- SUPPLIER CODE: V89954 USED ON: 285T0444-37	101106 108120 504903	1
291	NAS43DD0-15	...	SPACER	101106 108120 504903	4
294	285T0444-3	...	BRACKET ASSY- SUPPLIER CODE: V89954 USED ON: 285T0444-9	101106 108120 504903	1
294	285T0444-25	...	BRACKET ASSY- SUPPLIER CODE: V89954 USED ON: 285T0444-37	101106 108120 504903	1
297	F22A27M22-40	....	NUT-ANCHOR SUPPLIER CODE: V0217B ATTACHING PARTS	101106 108120 504903	2
- 300	BACR15BB2AD	....	RIVET- SIZE DETERMINED ON INSTL.  -----*-----	101106 108120 504903	4

MISSING ITEM NUMBERS NOT APPLICABLE

- ITEM NOT ILLUSTRATED

34-31-02-02

34-31-02  
FIG. 02  
PAGE 26  
JAN 20/09

BRI

BOEING PROPRIETARY - Copyright © - Unpublished Work - See title page for details.





757

PARTS CATALOG (MAINTENANCE)

FIG ITEM	PART NUMBER	1 2 3 4 5 6 7	NOMENCLATURE	EFFECT FROM TO	UNITS PER ASSY
2					
303	285T0444-7	....	BRACKET-SUPPORT SUPPLIER CODE: V89954 USED ON: 285T0444-3	101106 108120 504903	1
303	285T0444-27	....	BRACKET-SUPPORT SUPPLIER CODE: V89954 USED ON: 285T0444-25	101106 108120 504903	1
306	DS10042	...	INDICATOR- SUPPLIER CODE: V54572 QUALIFIED OPTIONAL DATA: ONE DS10042 AND ONE DS10043 OPT TO ONE DS10054 AND ONE DS10053 USED ON: 285T0444-9	101106 108120 504903	1
306	DS10054	...	INDICATOR- SUPPLIER CODE: V54572 QUALIFIED OPTIONAL DATA: ONE DS10042 AND ONE DS10043 OPT TO ONE DS10054 AND ONE DS10053 USED ON: 285T0444-9	101106 108120 504903	1
306	DS10054	...	INDICATOR- SUPPLIER CODE: V54572 USED ON: 285T0444-37	101106 108120 504903	1
309	DS10043	...	INDICATOR- SUPPLIER CODE: V54572 QUALIFIED OPTIONAL DATA: ONE DS10042 AND ONE DS10043 OPT TO ONE DS10054 AND ONE DS10053 USED ON: 285T0444-9	101106 108120 504903	1

MISSING ITEM NUMBERS NOT APPLICABLE

- ITEM NOT ILLUSTRATED

34-31-02-02

34-31-02  
FIG. 02  
PAGE 27  
JAN 20/09

BRI

BOEING PROPRIETARY - Copyright © - Unpublished Work - See title page for details.



757

PARTS CATALOG (MAINTENANCE)

FIG ITEM	PART NUMBER	1 2 3 4 5 6 7	NOMENCLATURE	EFFECT FROM TO	UNITS PER ASSY
2					
309	DS10053		...INDICATOR- SUPPLIER CODE: V54572 QUALIFIED OPTIONAL DATA: ONE DS10042 AND ONE DS10043 OPT TO ONE DS10054 AND ONE DS10053 USED ON: 285T0444-9	101106 108120 504903	1
309	DS10053		...INDICATOR- SUPPLIER CODE: V54572 USED ON: 285T0444-9	101106 108120 504903	1
312	285T0444-29		...SPACER- SUPPLIER CODE: V89954 OPTIONAL PART: 285T0444-45 V89954	101106 108120 504903	AR
312	285T0444-45		...SPACER- SUPPLIER CODE: V89954 OPTIONAL PART: 285T0444-29 V89954	101106 108120 504903	AR
315	285T0444-4		...BRACKET ASSY- SUPPLIER CODE: V89954 USED ON: 285T0444-9	101106 108120 504903	1
315	285T0444-26		...BRACKET ASSY- SUPPLIER CODE: V89954 USED ON: 285T0444-37	101106 108120 504903	1
318	F22A27M22-40		....NUT-ANCHOR SUPPLIER CODE: V0217B ATTACHING PARTS	101106 108120 504903	2
- 322	BACR15BB2AD		....RIVET- SIZE DETERMINED ON INSTL.	101106 108120 504903	4
			-----*-----		
323	285T0444-7		....BRACKET-SUPPORT SUPPLIER CODE: V89954 USED ON: 285T0444-4	101106 108120 504903	1

MISSING ITEM NUMBERS NOT APPLICABLE

- ITEM NOT ILLUSTRATED

34-31-02-02

34-31-02  
FIG. 02  
PAGE 28  
JAN 20/09

BRI

BOEING PROPRIETARY - Copyright © - Unpublished Work - See title page for details.



757

PARTS CATALOG (MAINTENANCE)

FIG ITEM	PART NUMBER	1 2 3 4 5 6 7	NOMENCLATURE	EFFECT FROM TO	UNITS PER ASSY
2					
323	285T0444-27	....	BRACKET-SUPPORT SUPPLIER CODE: V89954 USED ON: 285T0444-26	101106 108120 504903	1
324	NAS1801-06-6	..	SCREW	101106 108120 504903	3
326	AN960D6L	..	WASHER	101106 108120 504903	6
327	BRH10A06	..	NUT SUPPLIER CODE: V52828 SPECIFICATION NUMBER: BACN10JCO6 OPTIONAL PART: H10-06BAC V15653 RMLH9075-62W V72962 VN303A62 V92215 96-62 V80539 NS202101-62 V80539 T6S632J V11815	101106 108120 504903	3
328	WCS229-1	..	SWITCH- SUPPLIER CODE: V51074	101106 108120 504903	1
331	NAS1801-04-6	..	SCREW	101106 108120 504903	6
334	K19798-04	..	NUT SUPPLIER CODE: V15653 SPECIFICATION NUMBER: BACN10NW1 OPTIONAL PART: RMA4812-160-40 V72962 293162 V60119	101106 108120 504903	6
- 337	285T0524-2	..	WIRE BUNDLE ASSY- SUPPLIER CODE: V89954	101106 108120 504903	1

MISSING ITEM NUMBERS NOT APPLICABLE

- ITEM NOT ILLUSTRATED

34-31-02-02

34-31-02  
FIG. 02  
PAGE 29  
JAN 20/09

BRI



757

PARTS CATALOG (MAINTENANCE)

FIG ITEM	PART NUMBER	1 2 3 4 5 6 7	NOMENCLATURE	EFFECT FROM TO	UNITS PER ASSY
2					
340	BACC45FN14-15P8	...	CONNECTOR	101106 108120 504903	1
341	BACC45FN14-15P7	...	CONNECTOR	101106 108120 504903	1
342	BACC45FN14-15P6	...	CONNECTOR	101106 108120 504903	1
- 344	285T0530-1	..	ENCLOSURE ASSY- SUPPLIER CODE: V89954 OPTIONAL PART: 285T0530-2 V89954	101106 108120 504903	RF
- 344	285T0530-2	..	ENCLOSURE ASSY- SUPPLIER CODE: V89954 OPTIONAL PART: 285T0530-1 V89954	101106 108120 504903	RF
346	285T0526-1	...	BRACKET ASSY-SPRT SUPPLIER CODE: V89954	101106 108120 504903	1
347	RMF9201M40	....	NUTPLATE SUPPLIER CODE: V72962 SPECIFICATION NUMBER: BACN10JN04 OPTIONAL PART: BRFM20A04L V52828 MF1000-04BAC V15653 NS103218-40 V80539 MF53049-04 V15653 T8124S04S V11815 VN252A40L V92215	101106 108120 504903	4
- 348	BACR15BA3AD	....	ATTACHING PARTS RIVET- SIZE DETERMINED ON INSTL.  -----*-----	101106 108120 504903	8

MISSING ITEM NUMBERS NOT APPLICABLE

- ITEM NOT ILLUSTRATED

BRI

34-31-02-02

34-31-02  
FIG. 02  
PAGE 30  
JAN 20/09



757

PARTS CATALOG (MAINTENANCE)

FIG ITEM	PART NUMBER	1 2 3 4 5 6 7	NOMENCLATURE	EFFECT FROM TO	UNITS PER ASSY
2					
350	285T0526-2	....	BRACKET-SPRT SUPPLIER CODE: V89954	101106 108120 504903	1
351	285T0020-8	.PANEL	ASSY-ILS CONT SUPPLIER CODE: V89954 ELECTRICAL EQUIP NUMBER: M00087 COMPONENT MAINT MANUAL REF: 34-31-51	103106 108120 504903	1
352	285T0020-8	.PANEL	ASSY-ILS CONT SUPPLIER CODE: V89954 ELECTRICAL EQUIP NUMBER: M00087 COMPONENT MAINT MANUAL REF: 34-31-51	101102	1
358	RC445-115	..KNOB-	SUPPLIER CODE: V81590	101106 108120 504903	1
361	RD240-117	..KNOB-	SUPPLIER CODE: V81590	101106 108120 504903	1
364	RD242-105	..KNOB-	SUPPLIER CODE: V81590	101106 108120 504903	1
373	285T0082-10	..MODULE	ASSY-FRONT SUPPLIER CODE: V89954 OPTIONAL PART: 285T0082-14 V89954	101106 108120 504903	RF
373	285T0082-14	..MODULE	ASSY-FRONT SUPPLIER CODE: V89954 OPTIONAL PART: 285T0082-10 V89954	101106 108120 504903	RF
374	BAC27TEX3297	...DECAL-	SUPPLIER CODE: V89954 USED ON: 285T0082-14	101106 108120 504903	1
374	BAC27TEX2223	...DECAL-	SUPPLIER CODE: V89954 USED ON: 285T0082-10	101106 108120 504903	1

MISSING ITEM NUMBERS NOT APPLICABLE

- ITEM NOT ILLUSTRATED

34-31-02-02

34-31-02  
FIG. 02  
PAGE 31  
JAN 20/09

BRI



757

PARTS CATALOG (MAINTENANCE)

FIG ITEM	PART NUMBER	1 2 3 4 5 6 7	NOMENCLATURE	EFFECT FROM TO	UNITS PER ASSY
2					
375	NAS514P440-10P	...	SCREW	101106 108120 504903	2
376	NAS514P440-4P	...	SCREW	101106 108120 504903	8
377	MS35206-205	...	SCREW-	101106 108120 504903	6
378	NAS43DD0-24	...	SPACER	101106 108120 504903	2
379	NAS514P440-5P	...	SCREW	101106 108120 504903	2
380	92-1660-40	...	NUT SUPPLIER CODE: V72962 SPECIFICATION NUMBER: BACN10DN40 OPTIONAL PART: 92-1660-440 V15653	101106 108120 504903	2
381	MS35338-39	...	WASHER	101106 108120 504903	6
383	MS35649-222	...	NUT	101106 108120 504903	6
385	285T0082-9	...	CIRCUIT ASSY- SUPPLIER CODE: V89954 USED ON: 285T0082-10	101106 108120 504903	1
385	285T0082-15	...	CIRCUIT ASSY- SUPPLIER CODE: V89954 USED ON: 285T0082-14	101106 108120 504903	1
386	WCS229-1	....	SWITCH- SUPPLIER CODE: V51074	101106 108120 504903	1
388	285T0087-18	....	SWITCH ASSY- SUPPLIER CODE: V89954	101106 108120 504903	1

MISSING ITEM NUMBERS NOT APPLICABLE

- ITEM NOT ILLUSTRATED

34-31-02-02

34-31-02  
FIG. 02  
PAGE 32  
JAN 20/09

BRI

BOEING PROPRIETARY - Copyright © - Unpublished Work - See title page for details.



757

PARTS CATALOG (MAINTENANCE)

FIG ITEM	PART NUMBER	1 2 3 4 5 6 7	NOMENCLATURE	EFFECT FROM TO	UNITS PER ASSY
2					
391	285T0087-22	.....	SWITCH ASSY- SUPPLIER CODE: V89954 OPTIONAL PART: SPC15-360P1B V17080 285T1097-4 V89954	101106 108120 504903	1
391	285T1097-4	.....	SWITCH ASSY- SUPPLIER CODE: V89954 OPTIONAL PART: SPC15-360P1B V17080 285T0087-22 V89954	101106 108120 504903	1
391	SPC15-360P1B	.....	SWITCH- SUPPLIER CODE: V17080 OPTIONAL PART: 285T1097-4 V89954 285T0087-22 V89954	101106 108120 504903	1
394	3-436209-4	.....	SWITCH ASSY- SUPPLIER CODE: V00779	101106 108120 504903	1
397	285T0083-92	.....	BRACKET ASSY- SUPPLIER CODE: V89954	101106 108120 504903	1
400	RMF9201M40	.....	NUTPLATE SUPPLIER CODE: V72962 SPECIFICATION NUMBER: BACN10JN04 OPTIONAL PART: BRFM20A04L V52828 MF1000-04BAC V15653 NS103218-40 V80539 MF53049-04 V15653 T8124S04S V11815 VN252A40L V92215	101106 108120 504903	3

MISSING ITEM NUMBERS NOT APPLICABLE

- ITEM NOT ILLUSTRATED

34-31-02-02

34-31-02  
FIG. 02  
PAGE 33  
JAN 20/09

BRI

 **BOEING**  
757  
**PARTS CATALOG (MAINTENANCE)**

FIG ITEM	PART NUMBER	1 2 3 4 5 6 7	NOMENCLATURE	EFFECT FROM TO	UNITS PER ASSY
2			ATTACHING PARTS		
- 403	BACR15BA3AD	.....	RIVET- SIZE DETERMINED ON INSTL.	101106 108120 504903	6
			-----*-----		
406	285T0083-95	.....	BRACKET- SUPPLIER CODE: V89954	101106 108120 504903	1
409	285T0444-10	.....	DISPLAY ASSY- SUPPLIER CODE: V89954 USED ON: 285T0082-9	101106 108120 504903	1
409	285T0444-38	.....	DISPLAY ASSY- SUPPLIER CODE: V89954 USED ON: 285T0082-15	101106 108120 504903	1
412	BACS12BE02-18	.....	SCREW	101106 108120 504903	2
415	92-1660-256	.....	NUT- SUPPLIER CODE: V15653 SPECIFICATION NUMBER: BACN10DN26 OPTIONAL PART: 92-1660-26 V72962 QUALIFIED OPTIONAL DATA: TWO BACN10DN26 ARE OPT TO ONE 285T0444-31 USED ON: 285T0444-10	101106 108120 504903	2
418	285T0444-31	.....	NUTBAR- SUPPLIER CODE: V89954 QUALIFIED OPTIONAL DATA: TWO BACN10DN26 ARE OPT TO ONE 285T0444-31 USED ON: 285T0444-10	101106 108120 504903	1
418	285T0444-31	.....	NUTBAR- SUPPLIER CODE: V89954 USED ON: 285T0444-38	101106 108120 504903	1

MISSING ITEM NUMBERS NOT APPLICABLE

- ITEM NOT ILLUSTRATED

BRI

# 34-31-02-02

34-31-02  
FIG. 02  
PAGE 34  
JAN 20/09





757

PARTS CATALOG (MAINTENANCE)

FIG ITEM	PART NUMBER	1 2 3 4 5 6 7	NOMENCLATURE	EFFECT FROM TO	UNITS PER ASSY
2					
421	285T0444-11	.....	BRACKET ASSY- SUPPLIER CODE: V89954 USED ON: 285T0444-10	101106 108120 504903	1
421	285T0444-39	.....	BRACKET ASSY- SUPPLIER CODE: V89954 USED ON: 285T0444-38	101106 108120 504903	1
424	F22A27M22-40	.....	NUT-ANCHOR SUPPLIER CODE: V0217B ATTACHING PARTS	101106 108120 504903	2
- 427	BACR15BB2AD	.....	RIVET- SIZE DETERMINED ON INSTL.	101106 108120 504903	4
			-----*-----		
430	285T0444-8	.....	BRACKET-SUPPORT SUPPLIER CODE: V89954 USED ON: 285T0444-11	101106 108120 504903	1
430	285T0444-40	.....	BRACKET-SUPPORT SUPPLIER CODE: V89954 USED ON: 285T0444-39	101106 108120 504903	1
433	DS10041	.....	INDICATOR- SUPPLIER CODE: V54572 QUALIFIED OPTIONAL DATA: THREE DS10041 OPT TO THREE DS10047 USED ON: 285T0444-10	101106 108120 504903	3
433	DS10047	.....	INDICATOR- SUPPLIER CODE: V54572 QUALIFIED OPTIONAL DATA: THREE DS10041 OPT TO THREE DS10047 USED ON: 285T0444-10	101106 108120 504903	3
433	DS10047	.....	INDICATOR- SUPPLIER CODE: V54572 USED ON: 285T0444-38	101106 108120 504903	3

MISSING ITEM NUMBERS NOT APPLICABLE

- ITEM NOT ILLUSTRATED

34-31-02-02

34-31-02  
FIG. 02  
PAGE 35  
JAN 20/09

BRI



757

PARTS CATALOG (MAINTENANCE)

FIG ITEM	PART NUMBER	1 2 3 4 5 6 7	NOMENCLATURE	EFFECT FROM TO	UNITS PER ASSY
2					
436	285T0444-29	.....	SPACER- SUPPLIER CODE: V89954 OPTIONAL PART: 285T0444-45 V89954	101106 108120 504903	AR
436	285T0444-45	.....	SPACER- SUPPLIER CODE: V89954 OPTIONAL PART: 285T0444-29 V89954	101106 108120 504903	AR
439	285T0444-4	.....	BRACKET ASSY- SUPPLIER CODE: V89954 USED ON: 285T0444-10	101106 108120 504903	1
439	285T0444-26	.....	BRACKET ASSY- SUPPLIER CODE: V89954 USED ON: 285T0444-38	101106 108120 504903	1
442	F22A27M22-40	.....	NUT-ANCHOR SUPPLIER CODE: V0217B ATTACHING PARTS	101106 108120 504903	2
- 445	BACR15BB2AD	.....	RIVET- SIZE DETERMINED ON INSTL.	101106 108120 504903	4
			-----*-----		
447	285T0444-7	.....	BRACKET- SUPPLIER CODE: V89954 USED ON: 285T0444-4	101106 108120 504903	1
447	285T0444-27	.....	BRACKET- SUPPLIER CODE: V89954 USED ON: 285T0444-26	101106 108120 504903	1
448	285T0444-9	.....	DISPLAY ASSY- SUPPLIER CODE: V89954 USED ON: 285T0082-9	101106 108120 504903	1

MISSING ITEM NUMBERS NOT APPLICABLE

- ITEM NOT ILLUSTRATED

BRI

34-31-02-02

34-31-02  
FIG. 02  
PAGE 36  
JAN 20/09



757

PARTS CATALOG (MAINTENANCE)

FIG ITEM	PART NUMBER	1 2 3 4 5 6 7	NOMENCLATURE	EFFECT FROM TO	UNITS PER ASSY
2					
448	285T0444-37	.....	DISPLAY ASSY- SUPPLIER CODE: V89954 USED ON: 285T0082-15	101106 108120 504903	1
451	BACS12BE02-20	.....	SCREW	101106 108120 504903	2
454	92-1660-256	.....	NUT- SUPPLIER CODE: V15653 SPECIFICATION NUMBER: BACN10DN26 OPTIONAL PART: 92-1660-26 V72962 QUALIFIED OPTIONAL DATA: TWO BACN10DN26 ARE OPT TO ONE 285T0444-31 USED ON: 285T0444-9	101106 108120 504903	2
457	285T0444-31	.....	NUTBAR- SUPPLIER CODE: V89954 QUALIFIED OPTIONAL DATA: TWO BACN10DN26 ARE OPT TO ONE 285T0444-31 USED ON: 285T0444-9	101106 108120 504903	1
457	285T0444-31	.....	NUTBAR- SUPPLIER CODE: V89954 USED ON: 285T0444-37	101106 108120 504903	1
460	NAS43DD0-15	.....	SPACER	101106 108120 504903	4
463	285T0444-3	.....	BRACKET ASSY- SUPPLIER CODE: V89954 USED ON: 285T0444-9	101106 108120 504903	1
463	285T0444-25	.....	BRACKET ASSY- SUPPLIER CODE: V89954 USED ON: 285T0444-37	101106 108120 504903	1

MISSING ITEM NUMBERS NOT APPLICABLE

- ITEM NOT ILLUSTRATED

34-31-02-02

34-31-02  
FIG. 02  
PAGE 37  
JAN 20/09

BRI

 **BOEING**  
757  
**PARTS CATALOG (MAINTENANCE)**

FIG ITEM	PART NUMBER	1 2 3 4 5 6 7	NOMENCLATURE	EFFECT FROM TO	UNITS PER ASSY
2 466	F22A27M22-40	.....	NUT-ANCHOR SUPPLIER CODE: V0217B ATTACHING PARTS	101106 108120 504903	2
- 469	BACR15BB2AD	.....	RIVET- SIZE DETERMINED ON INSTL.	101106 108120 504903	4
472	285T0444-7	.....	-----*----- BRACKET- SUPPLIER CODE: V89954 USED ON: 285T0444-3	101106 108120 504903	1
472	285T0444-27	.....	BRACKET- SUPPLIER CODE: V89954 USED ON: 285T0444-25	101106 108120 504903	1
475	DS10042	.....	INDICATOR- SUPPLIER CODE: V54572 QUALIFIED OPTIONAL DATA: ONE DS10042 AND ONE DS10043 OPT TO ONE DS10054 AND ONE DS10053 USED ON: 285T0444-9	101106 108120 504903	1
475	DS10054	.....	INDICATOR- SUPPLIER CODE: V54572 QUALIFIED OPTIONAL DATA: ONE DS10042 AND ONE DS10043 OPT TO ONE DS10054 AND ONE DS10053 USED ON: 285T0444-9	101106 108120 504903	1
475	DS10054	.....	INDICATOR- SUPPLIER CODE: V54572 USED ON: 285T0444-37	101106 108120 504903	1

MISSING ITEM NUMBERS NOT APPLICABLE

- ITEM NOT ILLUSTRATED

BRI

# 34-31-02-02

BOEING PROPRIETARY - Copyright © - Unpublished Work - See title page for details.

34-31-02  
FIG. 02  
PAGE 38  
JAN 20/09



757

PARTS CATALOG (MAINTENANCE)

FIG ITEM	PART NUMBER	1 2 3 4 5 6 7	NOMENCLATURE	EFFECT FROM TO	UNITS PER ASSY
2 478	DS10043	.....	INDICATOR- SUPPLIER CODE: V54572 QUALIFIED OPTIONAL DATA: ONE DS10042 AND ONE DS10043 OPT TO ONE DS10054 AND ONE DS10053 USED ON: 285T0444-9	101106 108120 504903	1
478	DS10053	.....	INDICATOR- SUPPLIER CODE: V54572 QUALIFIED OPTIONAL DATA: ONE DS10042 AND ONE DS10043 OPT TO ONE DS10054 AND ONE DS10053 USED ON: 285T0444-9	101106 108120 504903	1
478	DS10053	.....	INDICATOR- SUPPLIER CODE: V54572 USED ON: 285T0444-37	101106 108120 504903	1
481	285T0444-29	.....	SPACER- SUPPLIER CODE: V89954 OPTIONAL PART: 285T0444-45 V89954	101106 108120 504903	AR
481	285T0444-45	.....	SPACER- SUPPLIER CODE: V89954 OPTIONAL PART: 285T0444-29 V89954	101106 108120 504903	AR
484	285T0444-4	.....	BRACKET ASSY- SUPPLIER CODE: V89954 USED ON: 285T0444-9	101106 108120 504903	1
484	285T0444-26	.....	BRACKET ASSY- SUPPLIER CODE: V89954 USED ON: 285T0444-37	101106 108120 504903	1
487	F22A27M22-40	.....	NUT-ANCHOR SUPPLIER CODE: V0217B	101106 108120 504903	2

MISSING ITEM NUMBERS NOT APPLICABLE

- ITEM NOT ILLUSTRATED

34-31-02-02

34-31-02  
FIG. 02  
PAGE 39  
JAN 20/09

BRI

BOEING PROPRIETARY - Copyright © - Unpublished Work - See title page for details.

**BOEING**  
757  
**PARTS CATALOG (MAINTENANCE)**

FIG ITEM	PART NUMBER	1 2 3 4 5 6 7	NOMENCLATURE	EFFECT FROM TO	UNITS PER ASSY
2			ATTACHING PARTS		
- 490	BACR15BB2AD	.....	RIVET- SIZE DETERMINED ON INSTL.	101106 108120 504903	4
			-----*-----		
493	285T0444-7	.....	BRACKET- SUPPLIER CODE: V89954 USED ON: 285T0444-4	101106 108120 504903	1
493	285T0444-27	.....	BRACKET- SUPPLIER CODE: V89954 USED ON: 285T0444-26	101106 108120 504903	1
499	285T0081-10	..	MODULE ASSY-REAR SUPPLIER CODE: V89954	101106 108120 504903	1
500	NAS1801-04-6	...	SCREW	101106 108120 504903	1
501	NAS620-4L	...	WASHER-	101106 108120 504903	1
503	MS35649-242	...	NUT	101106 108120 504903	1
504	92-1660-40	...	NUT SUPPLIER CODE: V72962 SPECIFICATION NUMBER: BACN10DN40 OPTIONAL PART: 92-1660-440 V15653	101106 108120 504903	1
507	NAS1801-04-5	...	SCREW	101106 108120 504903	12
509	NAS514P440-20P	...	SCREW- USED WITH: 285T0433	101106 108120 504903	3
510	NAS514P440-4P	...	SCREW- USED WITH: 285T0433	101106 108120 504903	6
511	NAS514P440-5P	...	SCREW- USED WITH: 285T0542	101106 108120 504903	9

MISSING ITEM NUMBERS NOT APPLICABLE

- ITEM NOT ILLUSTRATED

BRI

# 34-31-02-02

34-31-02  
FIG. 02  
PAGE 40  
JAN 20/09



757

PARTS CATALOG (MAINTENANCE)

FIG ITEM	PART NUMBER	1 2 3 4 5 6 7	NOMENCLATURE	EFFECT FROM TO	UNITS PER ASSY
2					
514	NAS514P440-6P	...	SCREW	101106 108120 504903	8
520	AN960PD4L	...	WASHER- USED WITH: 285T0433	101106 108120 504903	3
523	NAS620-4L	...	WASHER	101106 108120 504903	8
526	92-1660-40	...	NUT- SUPPLIER CODE: V72962 SPECIFICATION NUMBER: BACN10DN40 OPTIONAL PART: 92-1660-440 V15653 USED WITH: 285T0433	101106 108120 504903	9
529	92-1660-40	...	NUT SUPPLIER CODE: V72962 SPECIFICATION NUMBER: BACN10DN40 OPTIONAL PART: 92-1660-440 V15653	101106 108120 504903	20
535	285T0250-4	...	PMD ASSY- SUPPLIER CODE: V89954	101106 108120 504903	3
538	285T0081-11	...	MODULE ASSY-ELECT. SUPPLIER CODE: V89954	101106 108120 504903	1
541	285T0081-12	...	MODULE ASSY-ELECT. SUPPLIER CODE: V89954	101106 108120 504903	1
544	285T0081-13	...	MODULE ASSY-ELECT. SUPPLIER CODE: V89954	101106 108120 504903	1

MISSING ITEM NUMBERS NOT APPLICABLE

- ITEM NOT ILLUSTRATED

BRI

34-31-02-02

BOEING PROPRIETARY - Copyright © - Unpublished Work - See title page for details.

34-31-02  
FIG. 02  
PAGE 41  
JAN 20/09



757

PARTS CATALOG (MAINTENANCE)

FIG ITEM	PART NUMBER	1 2 3 4 5 6 7	NOMENCLATURE	EFFECT FROM TO	UNITS PER ASSY
2 551	285T0433-11	.....	POWER SUPPLY ASSY- SUPPLIER CODE: V89954 COMPONENT MAINT MANUAL REF: 34-09-53 OPTIONAL PART: 285T0433-13 V89954 285T0542-2 V89954 285T0542-1 V89954	101106 108120 504903	1
551	285T0433-13	.....	POWER SUPPLY ASSY- SUPPLIER CODE: V89954 COMPONENT MAINT MANUAL REF: 34-09-53 OPTIONAL PART: 285T0433-11 V89954 285T0542-2 V89954 285T0542-1 V89954	101106 108120 504903	1
551	285T0542-1	.....	POWER SUPPLY ASSY- SUPPLIER CODE: V89954 COMPONENT MAINT MANUAL REF: 34-09-52 OPTIONAL PART: 285T0433-11 V89954 285T0433-13 V89954 285T0542-2 V89954	101106 108120 504903	1
551	285T0542-2	.....	POWER SUPPLY ASSY- SUPPLIER CODE: V89954 COMPONENT MAINT MANUAL REF: 34-09-52 OPTIONAL PART: 285T0433-11 V89954 285T0433-13 V89954 285T0542-1 V89954	101106 108120 504903	1

MISSING ITEM NUMBERS NOT APPLICABLE

- ITEM NOT ILLUSTRATED

BRI

34-31-02-02

34-31-02  
FIG. 02  
PAGE 42  
JAN 20/09





757

PARTS CATALOG (MAINTENANCE)

FIG ITEM	PART NUMBER	1 2 3 4 5 6 7	NOMENCLATURE	EFFECT FROM TO	UNITS PER ASSY
2					
553	BACC45FN14-15P6	....	CONNECTOR- USED ON: 285T0081-11	101106 108120 504903	1
556	BACC45FN14-15P7	....	CONNECTOR- USED ON: 285T0081-12	101106 108120 504903	1
559	BACC45FN14-15P8	....	CONNECTOR- USED ON: 285T0081-13	101106 108120 504903	1
- 600	286N2259-301		WIRE BUNDLE ASSY	101102 108120	RF
- 600	286N2259-304		WIRE BUNDLE ASSY	504903	RF
- 600	286N2259-701		WIRE BUNDLE ASSY	103106	RF
605	BACC45FT14A15S7	.	CONNECTOR- ELECTRICAL EQUIP NUMBER: D00271 WIRING DIAGRAM REF: 343131	101106 108120 504903	1
- 700	286N2255-301		WIRE BUNDLE ASSY	101102 108120	RF
- 700	286N2255-303		WIRE BUNDLE ASSY	504903	RF
- 700	286N2255-701		WIRE BUNDLE ASSY	103106	RF
705	BACC45FT14A15S6	.	CONNECTOR- ELECTRICAL EQUIP NUMBER: D00269 WIRING DIAGRAM REF: 343111	101106 108120 504903	1
- 750	286N2257-301		WIRE BUNDLE ASSY	101102 108120	RF
- 750	286N2257-305		WIRE BUNDLE ASSY	504903	RF
- 750	286N2257-701		WIRE BUNDLE ASSY	103106	RF
755	BACC45FT14A15S8	.	CONNECTOR- ELECTRICAL EQUIP NUMBER: D00273 WIRING DIAGRAM REF: 343121	101106 108120 504903	1

MISSING ITEM NUMBERS NOT APPLICABLE

- ITEM NOT ILLUSTRATED

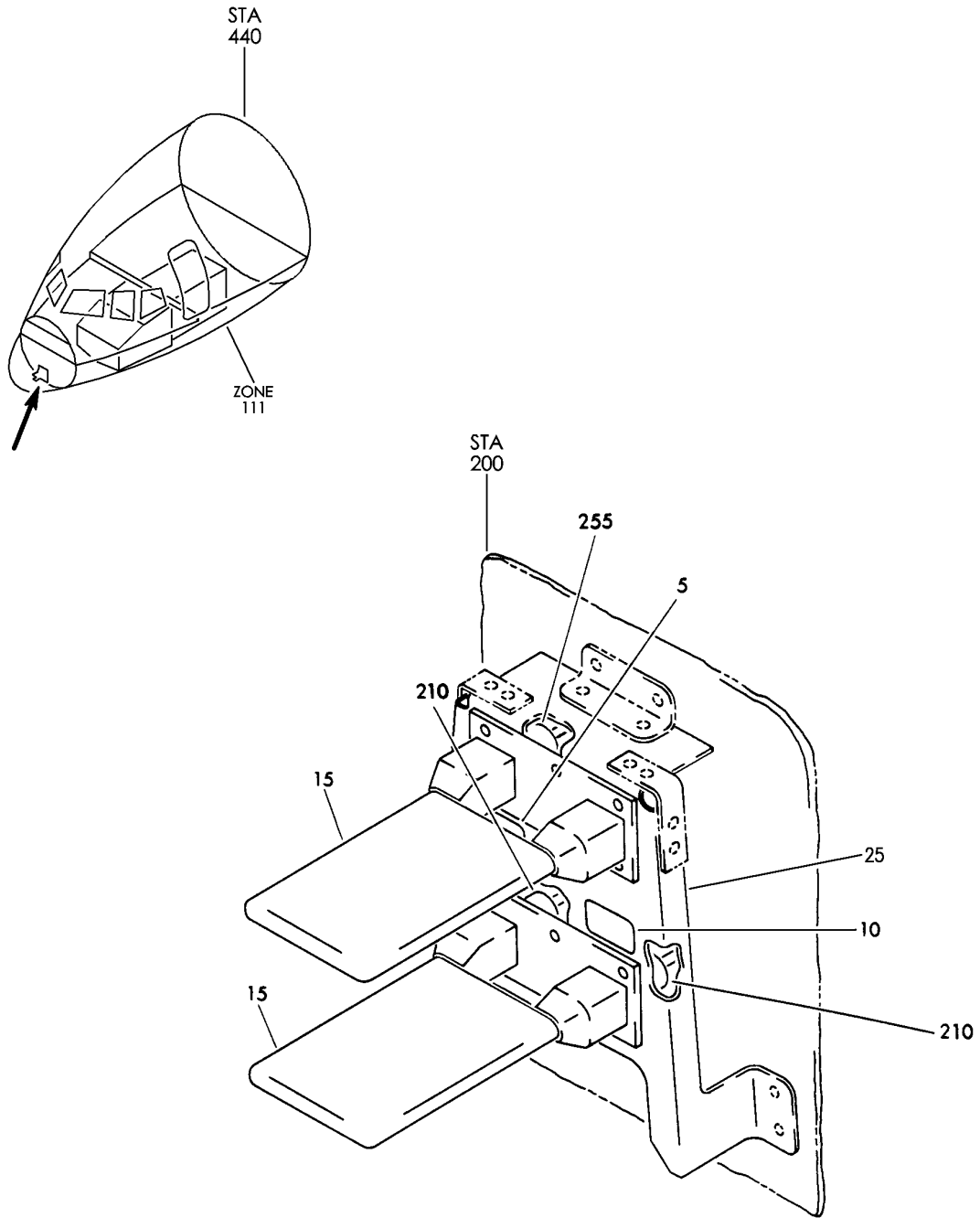
34-31-02-02

34-31-02  
FIG. 02  
PAGE 43  
JAN 20/09

BRI

BOEING PROPRIETARY - Copyright © - Unpublished Work - See title page for details.

**BOEING**  
757  
PARTS CATALOG (MAINTENANCE)



Y 34310301 REV 252

ANTENNA INSTL-GLIDE SLOPE  
FIGURE 1

**34-31-03-01**

BRI  
MAY 28/07

34-31-03-01  
PAGE 0



757

PARTS CATALOG (MAINTENANCE)

FIG ITEM	PART NUMBER	1 2 3 4 5 6 7	NOMENCLATURE	EFFECT FROM TO	UNITS PER ASSY
1			ANTENNA INSTL-GLIDE SLOPE	002004 006999	
- 1	284N1414-1		ANTENNA INSTL-GLIDE SLOPE FOR NHA SEE: 24-00-58-01B	002004 006100 107107 121503 904999	RF
- 1	284N1414-3		ANTENNA INSTL-GLIDE SLOPE FOR NHA SEE: 24-00-58-05	101102 108120 504903	RF
- 1	MODREF32379		ANTENNA INSTL-GLIDE SLOPE MODULE NUMBER: 284N1414-3 REV B	103103	1
- 1	MODREF34649		ANTENNA INSTL-GLIDE SLOPE MODULE NUMBER: 284N1414-3 REV C	104106	1
5	BAC27TEX1647		.DECAL- PLACARD CONTENT: M251	002004 006999	1
10	BAC27TEX1648		.DECAL- PLACARD CONTENT: M250	002004 006999	1
15	S41422		.ANTENNA-GLIDE SLOPE SUPPLIER CODE: V13691 SPECIFICATION NUMBER: 10-3064 ELECTRICAL EQUIP NUMBER: M00250 M00251	002004 006999	2
- 20	NAS514P1032-10		ATTACHING PARTS .SCREW	002004 006999	12
25	284N1646-7		-----*----- .BRACKET	002004 006999	1
- 30	BACR15FT5D		ATTACHING PARTS .RIVET- SIZE DETERMINED ON INSTL. -----*-----	002004 006999	8
- 200	286N2301-302		WIRE BUNDLE ASSY-	504903	RF
- 200	286N2301-002		WIRE BUNDLE ASSY-	002004 006100 107107 121503 904999	RF
- 200	286N2301-301		WIRE BUNDLE ASSY-	101102 108120	RF
- 200	286N2301-701		WIRE BUNDLE ASSY	103106	RF

MISSING ITEM NUMBERS NOT APPLICABLE

- ITEM NOT ILLUSTRATED

34-31-03-01

34-31-03  
FIG. 01  
PAGE 1  
JAN 20/09

BRI



757

PARTS CATALOG (MAINTENANCE)

FIG ITEM	PART NUMBER	1 2 3 4 5 6 7	NOMENCLATURE	EFFECT FROM TO	UNITS PER ASSY
1					
- 205	286N2303-302		WIRE BUNDLE ASSY-	504903	RF
- 205	286N2303-002		WIRE BUNDLE ASSY-	002004	RF
				006100	
				107107	
				121503	
				904999	
- 205	286N2303-301		WIRE BUNDLE ASSY-	101102	RF
				108120	
- 205	286N2303-701		WIRE BUNDLE ASSY	103106	RF
210	KD59-126		.PLUG-	002004	2
			SUPPLIER CODE:	006102	
			V91836	107999	
			ELECTRICAL EQUIP NUMBER:		
			D00193		
			D00197		
			WIRING DIAGRAM REF:		
			343111		
			343121		
210	796-15-9		.PLUG-	103106	2
			SUPPLIER CODE:		
			V05574		
			ELECTRICAL EQUIP NUMBER:		
			D00193		
			D00197		
			WIRING DIAGRAM REF:		
			343111		
			343121		
- 250	286N2305-302		WIRE BUNDLE ASSY-	504903	RF
- 250	286N2305-002		WIRE BUNDLE ASSY-	002004	RF
				006100	
				107107	
				121503	
				904999	
- 250	286N2305-301		WIRE BUNDLE ASSY-	101102	RF
				108120	
- 250	286N2305-701		WIRE BUNDLE ASSY	103106	RF
255	KD59-126		.PLUG-	002004	1
			SUPPLIER CODE:	006102	
			V91836	107999	
			ELECTRICAL EQUIP NUMBER:		
			D00201		
			WIRING DIAGRAM REF:		
			343131		

MISSING ITEM NUMBERS NOT APPLICABLE

- ITEM NOT ILLUSTRATED

34-31-03-01

34-31-03  
FIG. 01  
PAGE 2  
JAN 20/09

BRI



757

PARTS CATALOG (MAINTENANCE)

FIG ITEM	PART NUMBER	1 2 3 4 5 6 7	NOMENCLATURE	EFFECT FROM TO	UNITS PER ASSY
1 255	796-15-9		.PLUG- SUPPLIER CODE: V05574 ELECTRICAL EQUIP NUMBER: D00201 WIRING DIAGRAM REF: 343131	103106	1

MISSING ITEM NUMBERS NOT APPLICABLE

- ITEM NOT ILLUSTRATED

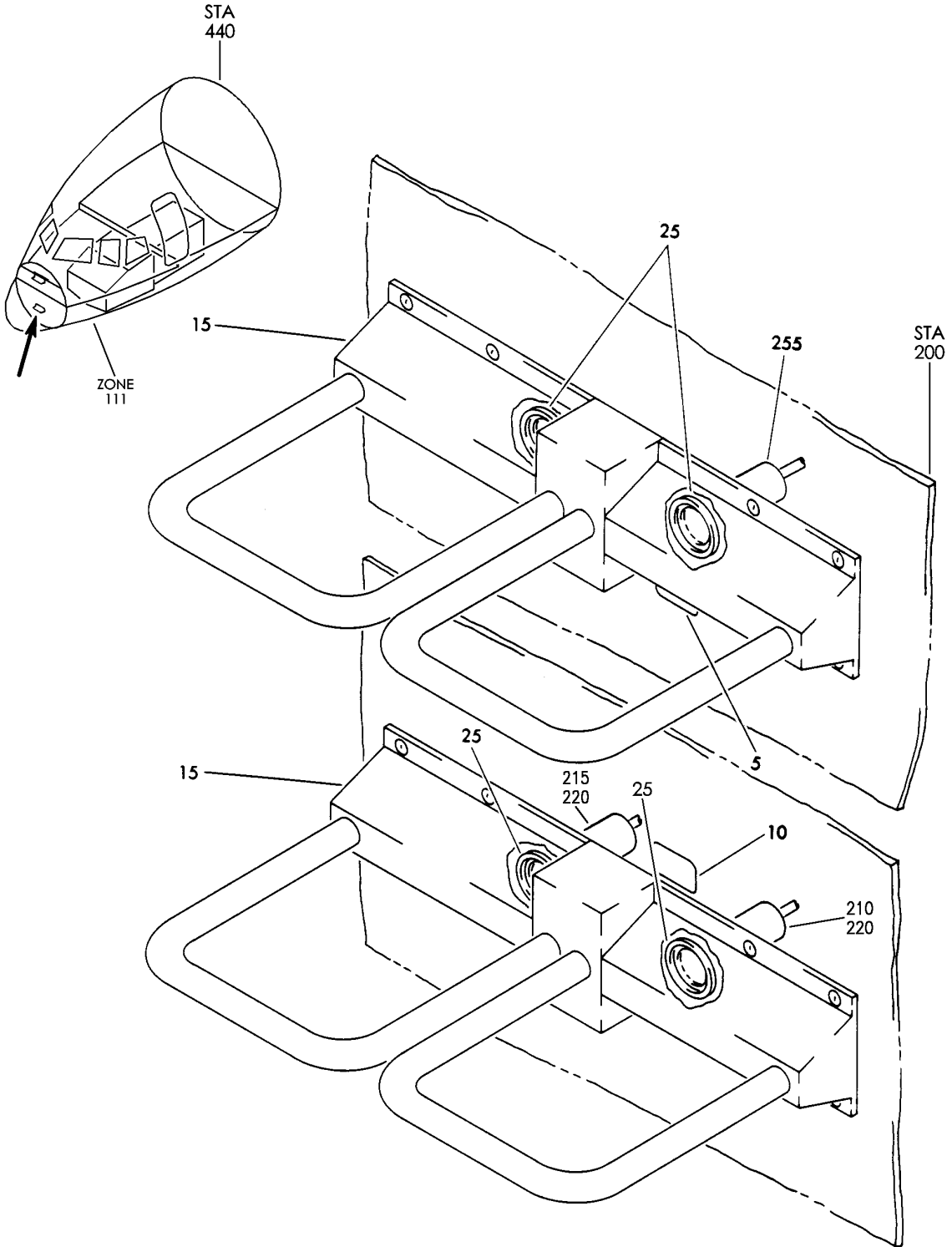
BRI

34-31-03-01

BOEING PROPRIETARY - Copyright © - Unpublished Work - See title page for details.

34-31-03  
FIG. 01  
PAGE 3  
JAN 20/09

**BOEING**  
757  
PARTS CATALOG (MAINTENANCE)



Y 34310401 REV 268

ANTENNA INSTL-LOCALIZER  
FIGURE 1

**34-31-04-01**

BRI  
MAY 28/07

34-31-04-01  
PAGE 0

**BOEING**  
757  
**PARTS CATALOG (MAINTENANCE)**

FIG ITEM	PART NUMBER	1 2 3 4 5 6 7	NOMENCLATURE	EFFECT FROM TO	UNITS PER ASSY
1			ANTENNA INSTL-LOCALIZER	002004 006999	
- 1	284N1414-2		ANTENNA INSTL-LOCALIZER FOR NHA SEE: 24-00-58-01B 24-00-58-05	002004 006102 107999	RF
- 1	MODREF10228		ANTENNA INSTL-LOCALIZER MODULE NUMBER: 284N1414-2 REV A	103106	1
5	BAC27TEX1645		.DECAL- PLACARD CONTENT: M249	002004 006999	1
10	BAC27TEX1646		.DECAL- PLACARD CONTENT: M248	002004 006999	1
15	S65-147-7		.ANTENNA-LOCALIZER SUPPLIER CODE: V13691 SPECIFICATION NUMBER: 60B00024-2 ELECTRICAL EQUIP NUMBER: M00248 M00249	002004 006999	2
- 20	NAS514P1032-12		ATTACHING PARTS .SCREW	002004 006999	16
25	2-24S383-70		-----*----- .PACKING SUPPLIER CODE: V02697 SPECIFICATION NUMBER: BACP11J24 OPTIONAL PART: AS568-24S32 V11314 S7E183-24 V95272 13-06-24 V07096 S424-7-2-24 V02697 A330-24 V95272 R1131-24 V57268	002004 006999	4
- 200	286N2261-003		WIRE BUNDLE ASSY-	002004 006100 121503 950999	RF

MISSING ITEM NUMBERS NOT APPLICABLE

- ITEM NOT ILLUSTRATED

BRI

# 34-31-04-01

BOEING PROPRIETARY - Copyright © - Unpublished Work - See title page for details.

34-31-04  
FIG. 01  
PAGE 1  
JAN 20/09



757

PARTS CATALOG (MAINTENANCE)

FIG ITEM	PART NUMBER	1 2 3 4 5 6 7	NOMENCLATURE	EFFECT FROM TO	UNITS PER ASSY
1					
- 200	286N2261-301		WIRE BUNDLE ASSY	101102 108120	RF
- 200	286N2261-002		WIRE BUNDLE ASSY	107107 904949	RF
- 200	286N2261-303		WIRE BUNDLE ASSY-	504903	RF
- 200	286N2261-701		WIRE BUNDLE ASSY	103106	RF
- 205	286N2263-301		WIRE BUNDLE ASSY-	101102 108120	RF
- 205	286N2263-002		WIRE BUNDLE ASSY-	002004 006100 107107 121503 904999	RF
- 205	286N2263-303		WIRE BUNDLE ASSY-	504903	RF
- 205	286N2263-701		WIRE BUNDLE ASSY	103106	RF
210	KD59-125		.PLUG- SUPPLIER CODE: V91836 ELECTRICAL EQUIP NUMBER: D00191 WIRING DIAGRAM REF: 343111	002004 006102 107999	1
215	KD59-125		.PLUG- SUPPLIER CODE: V91836 ELECTRICAL EQUIP NUMBER: D00195 WIRING DIAGRAM REF: 343121	002004 006102 107999	1
220	795-15-9		.PLUG- SUPPLIER CODE: V05574 ELECTRICAL EQUIP NUMBER: D00191 D00195 WIRING DIAGRAM REF: 343111 343121	103106	1
- 250	286N2273-301		WIRE BUNDLE ASSY-	101102	RF
- 250	286N2273-302		WIRE BUNDLE ASSY-	108120	RF
- 250	286N2273-002		WIRE BUNDLE ASSY-	002004 006100 107107 121503 904999	RF
- 250	286N2273-304		WIRE BUNDLE ASSY-	504903	RF
- 250	286N2273-701		WIRE BUNDLE ASSY	103106	RF

MISSING ITEM NUMBERS NOT APPLICABLE

- ITEM NOT ILLUSTRATED

34-31-04-01

34-31-04  
FIG. 01  
PAGE 2  
JAN 20/09

BRI





757

PARTS CATALOG (MAINTENANCE)

FIG ITEM	PART NUMBER	1 2 3 4 5 6 7	NOMENCLATURE	EFFECT FROM TO	UNITS PER ASSY
1 255	KD59-125		.PLUG- SUPPLIER CODE: V91836 ELECTRICAL EQUIP NUMBER: D00199 WIRING DIAGRAM REF: 343211	002004 006102 107999	1
255	795-15-9		.PLUG- SUPPLIER CODE: V05574 ELECTRICAL EQUIP NUMBER: D00199 WIRING DIAGRAM REF: 343211	103106	1

MISSING ITEM NUMBERS NOT APPLICABLE

- ITEM NOT ILLUSTRATED

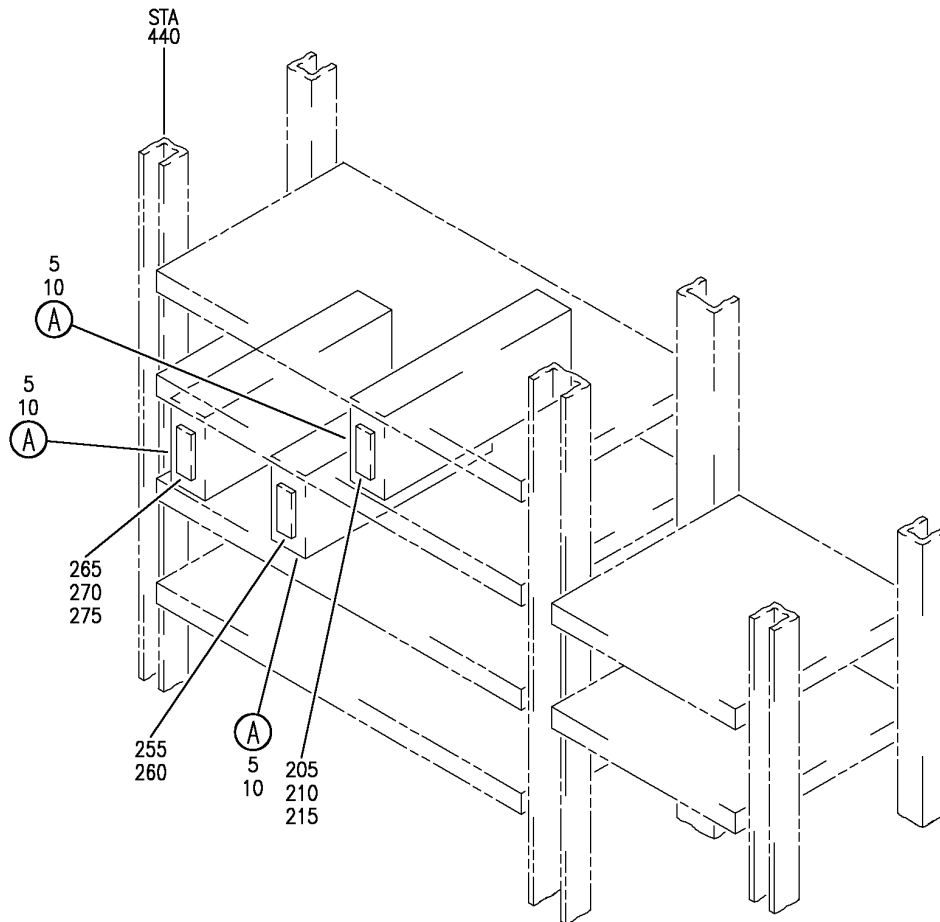
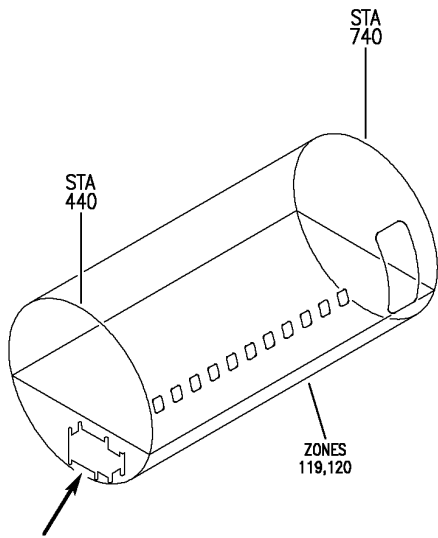
BRI

34-31-04-01

BOEING PROPRIETARY - Copyright © - Unpublished Work - See title page for details.

34-31-04  
FIG. 01  
PAGE 3  
JAN 20/09

**BOEING**  
757  
PARTS CATALOG (MAINTENANCE)



Y 34315108 SH1 1 REV 258

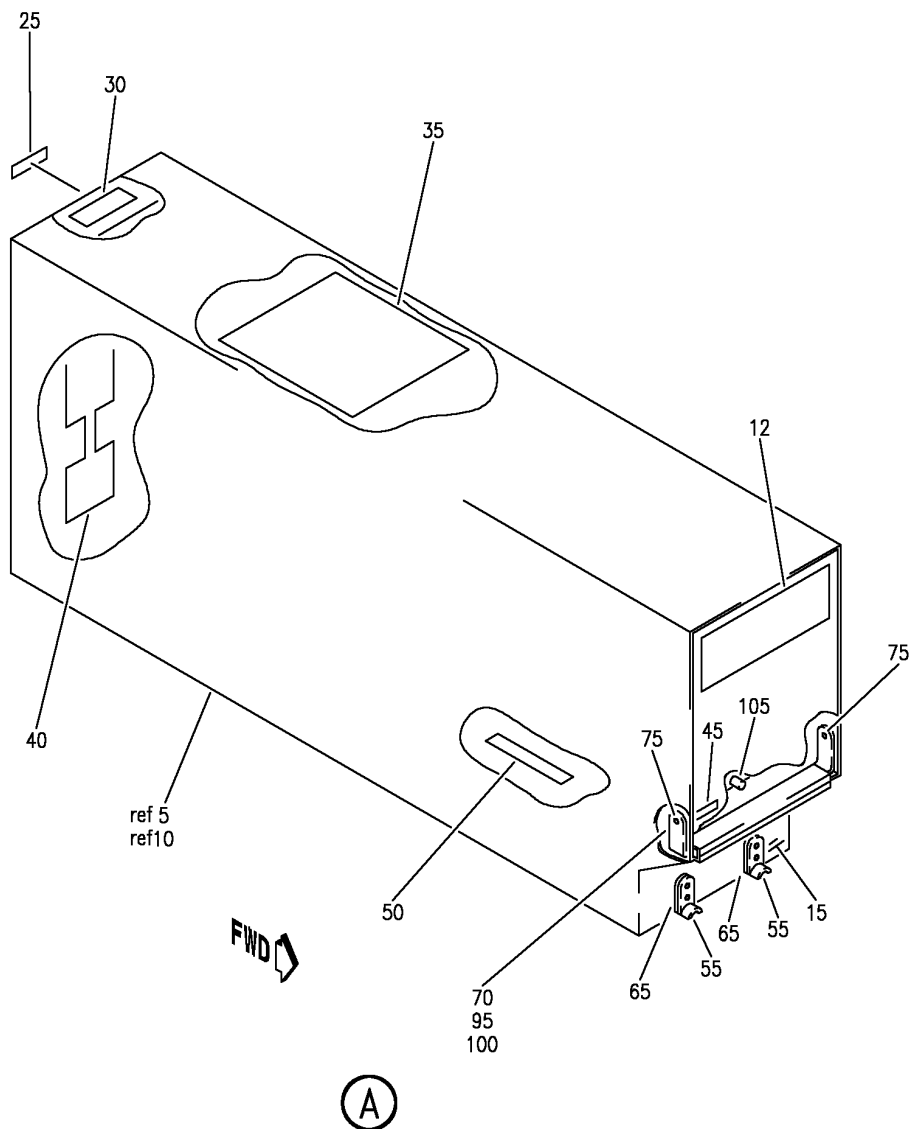
EQUIPMENT INSTL-MAIN ELECTRONICS EQPT CTR MULTI MODE RCVR  
FIGURE 8 (SHEET 1)

**34-31-51-08**

BRI  
JAN 20/09

34-31-51-08  
PAGE 0

**BOEING**  
757  
PARTS CATALOG (MAINTENANCE)



Y 34315108 SH1 2 REV 304

EQUIPMENT INSTL-MAIN ELECTRONICS EQPT CTR MULTI MODE RCVR  
FIGURE 8 (SHEET 2)

**34-31-51-08**

BRI  
JAN 20/09

34-31-51-08  
PAGE 0A


**BOEING**  
 757  
**PARTS CATALOG (MAINTENANCE)**

FIG ITEM	PART NUMBER	1 2 3 4 5 6 7	NOMENCLATURE	EFFECT FROM TO	UNITS PER ASSY
8			EQUIPMENT INSTL-MAIN	103106	
			ELECTRONICS EQPT CTR	108120	
			MULTI MODE RCVR		
- 1	284N4000-340018		EQUIPMENT INSTL-MAIN	108120	RF
			ELECTRONICS EQPT CTR		
			MULTI MODE RCVR		
			FOR NHA SEE:		
			24-00-58-05F		
- 1	MODREF10330		EQUIPMENT INSTL-MAIN	103106	1
			ELECTRONICS EQPT CTR		
			MULTI MODE RCVR		
			MODULE NUMBER:		
			284N4000-340018 REV A		
5	822-1152-002		.RECEIVER ASSY-INSTR	103106	3
			LANDING MULTI-MODE	108120	
			SUPPLIER CODE:		
			V4V792		
			FUNCTIONAL DESCRIPTION:		
			RECEIVES AND PROCESSES		
			ILS/GPS SIGNALS AND		
			OUTPUTS INFORMATION TO		
			THE FLIGHT CONTROL		
			SYSTEMS AND INSTRUMENT		
			LANDING DISPLAYS.		
			ELECTRICAL EQUIP NUMBER:		
			M11249		
			M11250		
			M11251		
			COMPONENT MAINT MANUAL REF:		
			34-70-11		
			QUALIFIED I/W DATA:		
			822-1152-002 IS		
			INTERCHANGEABLE AND		
			INTERMIXABLE WITH		
			822-1821-001 ONLY IF GPS		
			FUNCTION WITH SELECTIVE		
			AVAILABILITY OFF IS NOT		
			REQUIRED. A SHIPSET OF		
			822-1821-001 MUST BE		
			INSTALLED IF GPS		
			FUNCTION WITH SELECTIVE		
			AVAILABILITY OFF IS		
			REQUIRED.		

MISSING ITEM NUMBERS NOT APPLICABLE

- ITEM NOT ILLUSTRATED

**34-31-51-08**

34-31-51  
 FIG. 08  
 PAGE 1  
 MAY 20/09

BRI



757

PARTS CATALOG (MAINTENANCE)

FIG ITEM	PART NUMBER	1 2 3 4 5 6 7	NOMENCLATURE	EFFECT FROM TO	UNITS PER ASSY
8	5 822-1152-001		.RECEIVER ASSY- SUPPLIER CODE: V4V792 FUNCTIONAL DESCRIPTION: RECEIVES AND PROCESSES ILS/GPS SIGNALS AND OUTPUTS INFORMATION TO THE FLIGHT CONTROL SYSTEMS AND INSTRUMENT LANDING DISPLAYS. ELECTRICAL EQUIP NUMBER: M11249 M11250 M11251 COMPONENT MAINT MANUAL REF: 34-70-11	103106 108120	3
	5 822-1821-001		.RECEIVER ASSY-INSTR ILS/GPS MULTI-MODE RECEIVER SUPPLIER CODE: V4V792 FUNCTIONAL DESCRIPTION: RECEIVES AND PROCESSES ILS/GPS SIGNALS AND OUTPUTS INFORMATION TO THE FLIGHT CONTROL SYSTEMS AND INSTRUMENT LANDING DISPLAYS. ELECTRICAL EQUIP NUMBER: M11249 M11250 M11251 QUALIFIED I/W DATA: 822-1152-002 IS INTERCHANGEABLE AND INTERMIXABLE WITH 822-1821-001 ONLY IF GPS FUNCTION WITH SELECTIVE AVAILABILITY OFF IS NOT REQUIRED. A SHIPSET OF 822-1821-001 MUST BE INSTALLED IF GPS FUNCTION WITH SELECTIVE AVAILABILITY OFF IS REQUIRED.	103106 108120	3

R  
R  
R  
R  
R  
R  
R  
R  
R  
R  
R  
R  
R  
R  
R  
R  
R  
R  
R  
R  
R  
R  
R

MISSING ITEM NUMBERS NOT APPLICABLE

- ITEM NOT ILLUSTRATED

# 34-31-51-08

34-31-51  
FIG. 08  
PAGE 2  
MAY 20/09

BRI



757

PARTS CATALOG (MAINTENANCE)

FIG ITEM	PART NUMBER	1 2 3 4 5 6 7	NOMENCLATURE	EFFECT FROM TO	UNITS PER ASSY
8					
15	829-0241-001	..	PLATE-IDENTIFICATION SUPPLIER CODE: V4V792 CONFIG CHG DATA FROM A CMM: SUPSD BY 829-0241-002	108120	1
15	829-0241-002	..	PLATE-IDENTIFICATION SUPPLIER CODE: V4V792 CONFIG CHG DATA FROM A CMM: SUPSDS 829-0241-001	108120	1
15	829-0241-002	..	PLATE-IDENTIFICATION SUPPLIER CODE: V4V792	108120	1
- 20	829-0200-012	..	PLATE-IDENT SUPPLIER CODE: V4V792	108120	1
25	280-2745-130	..	LABEL-ESDS WARNING SUPPLIER CODE: VOBU16	108120	1
30	838-7020-010	..	LABEL-CAUTION SUPPLIER CODE: V12998	108120	1
35	838-7004-090	..	LABEL-MOD SUPPLIER CODE: V12998 CONFIG CHG DATA FROM A CMM: SUPSD BY 838-7013-020	108120	1
35	838-7013-020	..	LABEL-FCC SUPPLIER CODE: V12998 CONFIG CHG DATA FROM A CMM: SUPSDS 838-7004-090	108120	1
35	838-7013-020	..	LABEL-FCC SUPPLIER CODE: V12998	108120	1
40	211600-2	..	CAP-DUST SUPPLIER CODE: V00779	108120	1
45	280-1378-030	..	LABEL- SUPPLIER CODE: V12998	108120	2
50	628-9774-002	..	STRIP-IDENTIFICATION SUPPLIER CODE: V4V792	108120	1
55	503-4970-001	..	HOOK-HOLDDOWN SUPPLIER CODE: V4V792	108120	2

MISSING ITEM NUMBERS NOT APPLICABLE

- ITEM NOT ILLUSTRATED

34-31-51-08

34-31-51  
FIG. 08  
PAGE 3  
MAY 20/09

BRI



757

PARTS CATALOG (MAINTENANCE)

FIG ITEM	PART NUMBER	1 2 3 4 5 6 7	NOMENCLATURE	EFFECT FROM TO	UNITS PER ASSY
8			ATTACHING PARTS		
- 60	MS1957-28	..	SCREW	108120	4
			-----*-----		
65	641-8917-001	..	DRIVER ASSY-	108120	2
			SUPPLIER CODE:		
			V4V792		
			CONFIG CHG DATA FROM A CMM:		
			SUPSD BY 641-8914-001		
65	641-8914-001	..	SHIM-HOLDDOWN	108120	2
			SUPPLIER CODE:		
			V4V792		
			CONFIG CHG DATA FROM A CMM:		
			SUPSDS 641-8917-001		
70	651-2408-003	..	HANDLE ASSY-	108120	1
			SUPPLIER CODE:		
			V4V792		
			ATTACHING PARTS		
75	328-0368-000	..	SCREW-	108120	2
			SUPPLIER CODE:		
			VOGT70		
- 80	653-2532-001	..	SCREW-	108120	2
			SUPPLIER CODE:		
			V4V792		
			CONFIG CHG DATA FROM A CMM:		
			SUPSD BY 830-6883-001		
- 80	830-6883-001	..	SCREW-	108120	2
			SUPPLIER CODE:		
			V4V792		
			CONFIG CHG DATA FROM A CMM:		
			SUPSD BY 653-2532-001		
- 85	768-3178-001	..	WASHER-	108120	4
			SUPPLIER CODE:		
			V4V792		
- 90	MS21042-06	..	NUT	108120	2
			-----*-----		
95	768-3386-020	...	STRAP-HANDLE	108120	1
			SUPPLIER CODE:		
			V4V792		
100	768-3386-002	...	BAR-GRIP	108120	1
			SUPPLIER CODE:		
			V4V792		
105	SA1BV20	..	SWITCH-	108120	1
			SUPPLIER CODE:		
			V55459		
- 202	286N1173-434		WIRE BUNDLE ASSY-	108120	RF
			REWORKED BY ALERT SB:		
			34A022		
- 203	286N1173-601		WIRE BUNDLE ASSY	103105	RF

MISSING ITEM NUMBERS NOT APPLICABLE

- ITEM NOT ILLUSTRATED

34-31-51-08

34-31-51  
FIG. 08  
PAGE 4  
MAY 20/09

BRI



757

PARTS CATALOG (MAINTENANCE)

FIG ITEM	PART NUMBER	1 2 3 4 5 6 7	NOMENCLATURE	EFFECT FROM TO	UNITS PER ASSY
8 205	BCREF17729		.CONNECTOR- OVERLENGTH PART NUMBER: BACC66H40F03BK01 ELECTRICAL EQUIP NUMBER: D02941 WIRING DIAGRAM REF: 343121	103105 108120	1
210	RBGP48-116N		.BLOCK- SUPPLIER CODE: V09922 SPECIFICATION NUMBER: S280W601-116 ELECTRICAL EQUIP NUMBER: D02941T WIRING DIAGRAM REF: 343121	103105	1
215	125-94-9		.PLUG-COAXIAL ELECTRICAL EQUIP NUMBER: D02941AT WIRING DIAGRAM REF: 343121 345821	103105 108120	1
- 252	286N1175-401		WIRE BUNDLE ASSY-	108120	RF
- 253	286N1175-602		WIRE BUNDLE ASSY	103105	RF
255	BCREF14974		.CONNECTOR- OVERLENGTH PART NUMBER: BACC66H40F03AK01 ELECTRICAL EQUIP NUMBER: D02943 WIRING DIAGRAM REF: 343131	103105 108120	1
260	RBGP48-116N		.BLOCK- SUPPLIER CODE: V09922 SPECIFICATION NUMBER: S280W601-116 ELECTRICAL EQUIP NUMBER: D02943T WIRING DIAGRAM REF: 221112	103105	1
265	BCREF17729		.CONNECTOR- OVERLENGTH PART NUMBER: BACC66H40F03BK01 ELECTRICAL EQUIP NUMBER: D02939 WIRING DIAGRAM REF: 313111 343111 345811	103105 108120	1

MISSING ITEM NUMBERS NOT APPLICABLE

- ITEM NOT ILLUSTRATED

34-31-51-08

34-31-51  
FIG. 08  
PAGE 5  
MAY 20/09

BRI





757

PARTS CATALOG (MAINTENANCE)

FIG ITEM	PART NUMBER	1 2 3 4 5 6 7	NOMENCLATURE	EFFECT FROM TO	UNITS PER ASSY
8 270	RBGP48-116N		.BLOCK- SUPPLIER CODE: V09922 SPECIFICATION NUMBER: S280W601-116 ELECTRICAL EQUIP NUMBER: D02939T WIRING DIAGRAM REF: 313111 343111 345811	103105	1
275	125-94-9		.PLUG-COAXIAL ELECTRICAL EQUIP NUMBER: D02939AT WIRING DIAGRAM REF: 313111 343111 345811	103105 108120	1

MISSING ITEM NUMBERS NOT APPLICABLE

- ITEM NOT ILLUSTRATED

BRI

34-31-51-08

BOEING PROPRIETARY - Copyright © - Unpublished Work - See title page for details.

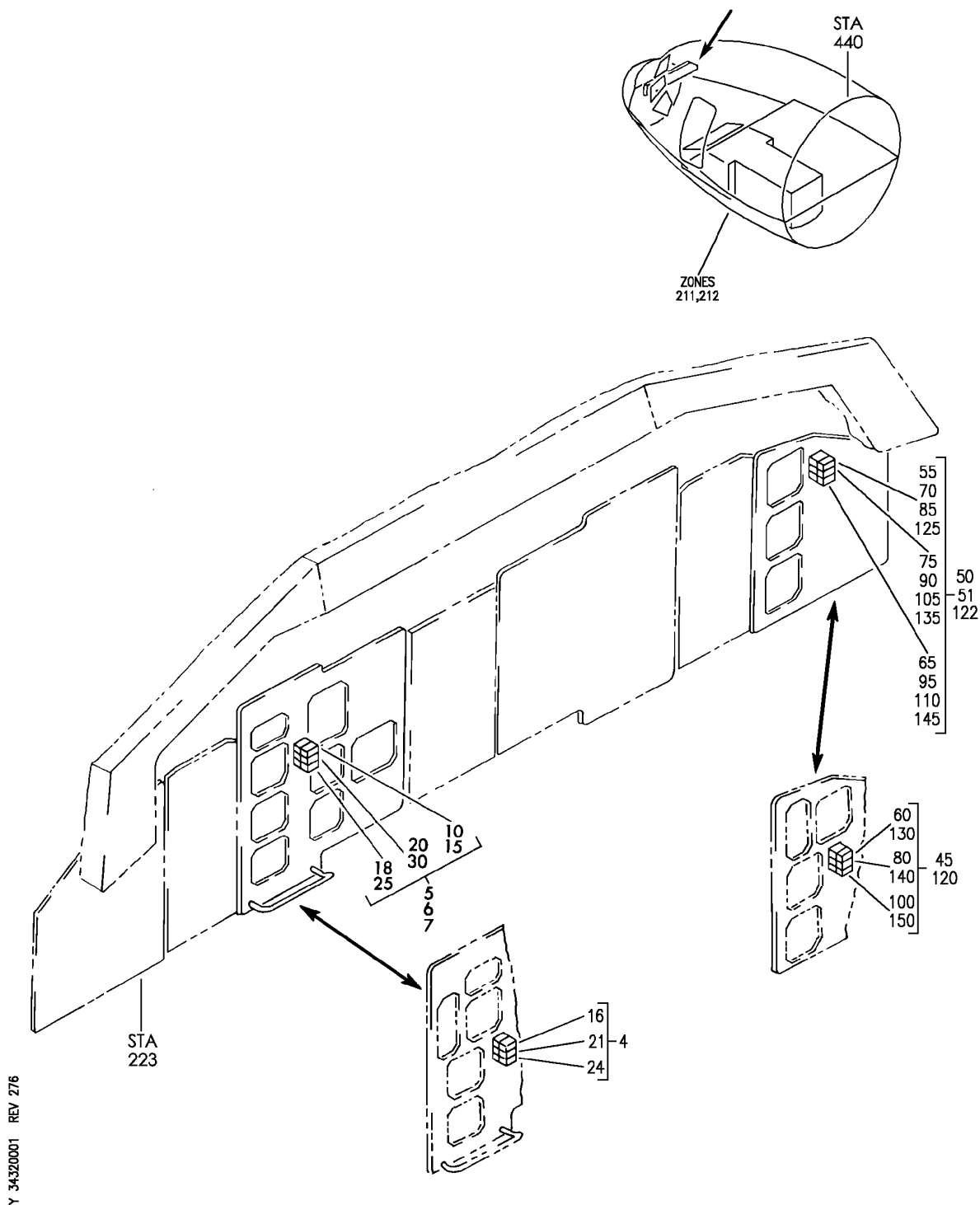
34-31-51  
FIG. 08  
PAGE 6  
MAY 20/09

## MARKER BEACON SYSTEM (MBS)

BRI  
MAY 28/07

34-32-00  
SECTION TITLE  
PAGE 1

**BOEING**  
757  
PARTS CATALOG (MAINTENANCE)



Y 34-32-0001 REV 276

PANEL INSTL-CAPT AND FIRST OFFICER FWD (MARKER BEACON SYSTEM ONLY)

FIGURE 1

**34-32-00-01**

BRI  
MAY 28/07

34-32-00-01  
PAGE 0



757

PARTS CATALOG (MAINTENANCE)

FIG ITEM	PART NUMBER	1 2 3 4 5 6 7	NOMENCLATURE	EFFECT FROM TO	UNITS PER ASSY
1			PANEL INSTL-CAPT AND FIRST OFFICER FWD (MARKER BEACON SYSTEM ONLY)	002004 006010 107107 121503 904999	
- 1	233N2101-1		PANEL INSTL-CAPT AND FIRST OFFICER (MARKER BEACON SYSTEM ONLY) POSITION DATA: FWD VARIABLE DRAWING REF: 233N2101-5003 233N2101-5004 233N2101-5037 233N2101-5039 233N2101-5041 FOR NHA/OTHER SYS DET SEE: 25-10-00-05A	002004 006010 107107 121503 904999	RF
6	233N2221-51		.MODULE ASSY-P1-3	002004 006010 950999	RF
7	233N2221-59		.MODULE ASSY-P1-3	107107	RF
7	233N2221-62		.MODULE ASSY-P1-3	121503 904949	RF
15	BCREF8535		..LIGHT ASSY-AIRWAYS IND SUPPLIER CODE: V81590 POSITION DATA: INNER OVERLENGTH PART NUMBER: 434-674-1031-2054 SPECIFICATION NUMBER: S231T300-2054 OPTIONAL PART: BCREF6217 V81590 USED ON: 233N2221-15 233N2221-16 233N2221-17 233N2221-23 233N2221-24 233N2221-25 233N2221-26 233N2221-27 233N2221-28 233N2221-30 233N2221-31 233N2221-32	002004 006010 107107 121503 904999	1

MISSING ITEM NUMBERS NOT APPLICABLE

- ITEM NOT ILLUSTRATED

34-32-00-01

34-32-00  
FIG. 01  
PAGE 1  
JAN 20/09

BRI



757

PARTS CATALOG (MAINTENANCE)

FIG ITEM	PART NUMBER	1 2 3 4 5 6 7 NOMENCLATURE	EFFECT FROM TO	UNITS PER ASSY
1		233N2221-34 233N2221-37 233N2221-40 233N2221-41 233N2221-43 233N2221-44 233N2221-45 233N2221-46 233N2221-48 233N2221-49 233N2221-51 233N2221-52 233N2221-54 233N2221-55 233N2221-56 233N2221-58 233N2221-59 233N2221-61 233N2221-62 233N2221-63 233N2221-64 233N2221-65 FOR DETAILS SEE: 33-14-70-03 ..LIGHT ASSY-AIRWAYS IND SUPPLIER CODE: V81590 POSITION DATA: INNER OVERLENGTH PART NUMBER: 434-674-1005-1054 SPECIFICATION NUMBER: S231T300-1054 OPTIONAL PART: BCREF8535 V81590 USED ON: 233N2221-15 233N2221-16 233N2221-17 233N2221-23 233N2221-24 233N2221-25 233N2221-26 233N2221-27 233N2221-28 233N2221-30 233N2221-31 233N2221-32 MISSING ITEM NUMBERS NOT APPLICABLE	002004 006010 107107 121503 904999	1
	15 BCREF6217			

- ITEM NOT ILLUSTRATED

34-32-00-01

34-32-00  
 FIG. 01  
 PAGE 2  
 JAN 20/09

BRI



757

PARTS CATALOG (MAINTENANCE)

FIG ITEM	PART NUMBER	1 2 3 4 5 6 7 NOMENCLATURE	EFFECT FROM TO	UNITS PER ASSY
1		233N2221-34 233N2221-37 233N2221-40 233N2221-41 233N2221-43 233N2221-44 233N2221-45 233N2221-46 233N2221-48 233N2221-49 233N2221-51 233N2221-52 233N2221-54 233N2221-55 233N2221-56 233N2221-58 233N2221-59 233N2221-61 233N2221-62 233N2221-63 233N2221-64 233N2221-65 FOR DETAILS SEE: 33-14-70-03 ..LIGHT ASSY-IND SUPPLIER CODE: V81590 POSITION DATA: MIDDLE OVERLENGTH PART NUMBER: 434-674-1031-2070 SPECIFICATION NUMBER: S231T300-2070 OPTIONAL PART: BCREf6218 V81590 USED ON: 233N2221-15 233N2221-16 233N2221-17 233N2221-23 233N2221-24 233N2221-25 233N2221-26 233N2221-27 233N2221-28 233N2221-30 233N2221-31 233N2221-32 MISSING ITEM NUMBERS NOT APPLICABLE	002004 006010 107107 121503 904999	1
	20 BCREf8537			

- ITEM NOT ILLUSTRATED

34-32-00-01

34-32-00  
FIG. 01  
PAGE 3  
JAN 20/09

BRI



757

PARTS CATALOG (MAINTENANCE)

FIG ITEM	PART NUMBER	1 2 3 4 5 6 7 NOMENCLATURE	EFFECT FROM TO	UNITS PER ASSY
1	20 BCREF6218	233N2221-34 233N2221-37 233N2221-40 233N2221-41 233N2221-43 233N2221-44 233N2221-45 233N2221-46 233N2221-48 233N2221-49 233N2221-51 233N2221-52 233N2221-54 233N2221-55 233N2221-56 233N2221-58 233N2221-59 233N2221-61 233N2221-62 233N2221-63 233N2221-64 233N2221-65 FOR DETAILS SEE: 33-14-70-03 ..LIGHT ASSY-IND SUPPLIER CODE: V81590 POSITION DATA: MIDDLE OVERLENGTH PART NUMBER: 434-674-1005-1070 SPECIFICATION NUMBER: S231T300-1070 OPTIONAL PART: BCREF8537 V81590 USED ON: 233N2221-15 233N2221-16 233N2221-17 233N2221-23 233N2221-24 233N2221-25 233N2221-26 233N2221-27 233N2221-28 233N2221-30 233N2221-31 233N2221-32  MISSING ITEM NUMBERS NOT APPLICABLE	002004 006010 107107 121503 904999	1

- ITEM NOT ILLUSTRATED

34-32-00-01

34-32-00  
FIG. 01  
PAGE 4  
JAN 20/09

BRI



757

PARTS CATALOG (MAINTENANCE)

FIG ITEM	PART NUMBER	1 2 3 4 5 6 7 NOMENCLATURE	EFFECT FROM TO	UNITS PER ASSY
1		233N2221-34 233N2221-37 233N2221-40 233N2221-41 233N2221-43 233N2221-44 233N2221-45 233N2221-46 233N2221-48 233N2221-49 233N2221-51 233N2221-52 233N2221-54 233N2221-55 233N2221-56 233N2221-58 233N2221-59 233N2221-61 233N2221-62 233N2221-63 233N2221-64 233N2221-65 FOR DETAILS SEE: 33-14-70-03 ..LIGHT ASSY-IND SUPPLIER CODE: V81590 POSITION DATA: OUTER OVERLENGTH PART NUMBER: 434-674-1031-2082 SPECIFICATION NUMBER: S231T300-2082 OPTIONAL PART: BCREf6219 V81590 USED ON: 233N2221-15 233N2221-16 233N2221-17 233N2221-23 233N2221-24 233N2221-25 233N2221-26 233N2221-27 233N2221-28 233N2221-30 233N2221-31 233N2221-32 MISSING ITEM NUMBERS NOT APPLICABLE	002004 006010 107107 121503 904999	1
	25 BCREf8538			

- ITEM NOT ILLUSTRATED

34-32-00-01

34-32-00  
FIG. 01  
PAGE 5  
JAN 20/09

BRI





757

PARTS CATALOG (MAINTENANCE)

FIG ITEM	PART NUMBER	1 2 3 4 5 6 7 NOMENCLATURE	EFFECT FROM TO	UNITS PER ASSY
1		233N2221-34 233N2221-37 233N2221-40 233N2221-41 233N2221-43 233N2221-44 233N2221-45 233N2221-46 233N2221-48 233N2221-49 233N2221-51 233N2221-52 233N2221-54 233N2221-55 233N2221-56 233N2221-58 233N2221-59 233N2221-61 233N2221-62 233N2221-63 233N2221-64 233N2221-65 FOR DETAILS SEE: 33-14-70-03 ..LIGHT ASSY-IND SUPPLIER CODE: V81590 POSITION DATA: OUTER OVERLENGTH PART NUMBER: 434-674-1005-1082 SPECIFICATION NUMBER: S231T300-1082 OPTIONAL PART: BCREf8538 V81590 USED ON: 233N2221-15 233N2221-16 233N2221-17 233N2221-23 233N2221-24 233N2221-25 233N2221-26 233N2221-27 233N2221-28 233N2221-30 233N2221-31 233N2221-32		
25	Bcref6219	..LIGHT ASSY-IND SUPPLIER CODE: V81590 POSITION DATA: OUTER OVERLENGTH PART NUMBER: 434-674-1005-1082 SPECIFICATION NUMBER: S231T300-1082 OPTIONAL PART: Bcref8538 V81590 USED ON: 233N2221-15 233N2221-16 233N2221-17 233N2221-23 233N2221-24 233N2221-25 233N2221-26 233N2221-27 233N2221-28 233N2221-30 233N2221-31 233N2221-32	002004 006010 107107 121503 904999	1

MISSING ITEM NUMBERS NOT APPLICABLE

- ITEM NOT ILLUSTRATED

34-32-00-01

34-32-00  
 FIG. 01  
 PAGE 6  
 JAN 20/09

BRI



757

PARTS CATALOG (MAINTENANCE)

FIG ITEM	PART NUMBER	1 2 3 4 5 6 7	NOMENCLATURE	EFFECT FROM TO	UNITS PER ASSY
1			233N2221-34 233N2221-37 233N2221-40 233N2221-41 233N2221-43 233N2221-44 233N2221-45 233N2221-46 233N2221-48 233N2221-49 233N2221-51 233N2221-52 233N2221-54 233N2221-55 233N2221-56 233N2221-58 233N2221-59 233N2221-61 233N2221-62 233N2221-63 233N2221-64 233N2221-65 FOR DETAILS SEE: 33-14-70-03		
50	233N2223-8		.MODULE ASSY-P3-3 PRE SERVICE BULLETIN: 34-0414	107107	RF
50	233N2223-12		.MODULE ASSY-P3-3 PRE SERVICE BULLETIN: 34-0416	002004 006010 950999	RF
50	233N2223-15		.MODULE ASSY-P3-3	121503 904949	RF
55	BCREF6217		..LIGHT ASSY-AIRWAYS IND SUPPLIER CODE: V81590 POSITION DATA: INNER OVERLENGTH PART NUMBER: 434-674-1005-1054 SPECIFICATION NUMBER: S231T300-1054 OPTIONAL PART: BCREF8535 V81590 FOR DETAILS SEE: 33-14-70-03	002004 006010 107107 121503 904999	1

MISSING ITEM NUMBERS NOT APPLICABLE

- ITEM NOT ILLUSTRATED

34-32-00-01

34-32-00  
FIG. 01  
PAGE 7  
JAN 20/09

BRI



757

PARTS CATALOG (MAINTENANCE)

FIG ITEM	PART NUMBER	1 2 3 4 5 6 7	NOMENCLATURE	EFFECT FROM TO	UNITS PER ASSY
1	55 BCREf8535		..LIGHT ASSY-AIRWAYS IND SUPPLIER CODE: V81590 POSITION DATA: INNER OVERLENGTH PART NUMBER: 434-674-1031-2054 SPECIFICATION NUMBER: S231T300-2054 OPTIONAL PART: BCREF6217 V81590 FOR DETAILS SEE: 33-14-70-03	002004 006010 107107 121503 904999	1
	75 BCREf6218		..LIGHT ASSY-IND SUPPLIER CODE: V81590 POSITION DATA: MIDDLE OVERLENGTH PART NUMBER: 434-674-1005-1070 SPECIFICATION NUMBER: S231T300-1070 OPTIONAL PART: BCREF8537 V81590 FOR DETAILS SEE: 33-14-70-03	002004 006010 107107 121503 904999	1
	75 BCREf8537		..LIGHT ASSY-IND SUPPLIER CODE: V81590 POSITION DATA: MIDDLE OVERLENGTH PART NUMBER: 434-674-1031-2070 SPECIFICATION NUMBER: S231T300-2070 OPTIONAL PART: BCREF6218 V81590 FOR DETAILS SEE: 33-14-70-03	002004 006010 107107 121503 904999	1

MISSING ITEM NUMBERS NOT APPLICABLE

- ITEM NOT ILLUSTRATED

34-32-00-01

34-32-00  
FIG. 01  
PAGE 8  
JAN 20/09

BRI



757

PARTS CATALOG (MAINTENANCE)

FIG ITEM	PART NUMBER	1 2 3 4 5 6 7	NOMENCLATURE	EFFECT FROM TO	UNITS PER ASSY
1	95 BCREf6219		..LIGHT ASSY-IND SUPPLIER CODE: V81590 POSITION DATA: OUTER OVERLENGTH PART NUMBER: 434-674-1005-1082 SPECIFICATION NUMBER: S231T300-1082 OPTIONAL PART: BCREf8538 V81590 FOR DETAILS SEE: 33-14-70-03	002004 006010 107107 121503 904999	1
	95 BCREf8538		..LIGHT ASSY-IND SUPPLIER CODE: V81590 POSITION DATA: OUTER OVERLENGTH PART NUMBER: 434-674-1031-2082 SPECIFICATION NUMBER: S231T300-2082 OPTIONAL PART: BCREf6219 V81590 FOR DETAILS SEE: 33-14-70-03	002004 006010 107107 121503 904999	1
- 115	233N2223-334		.MODULE ASSY-P3-3 POST SERVICE BULLETIN: 34-0414 34-0416	009009 107107	RF
	122 233N2223-61		..MODULE SUB ASSY-P3-3 POST SERVICE BULLETIN: 34-0414 34-0416	009009 107107	RF

MISSING ITEM NUMBERS NOT APPLICABLE

- ITEM NOT ILLUSTRATED

34-32-00-01

34-32-00  
FIG. 01  
PAGE 9  
JAN 20/09

BRI



757

PARTS CATALOG (MAINTENANCE)

FIG ITEM	PART NUMBER	1 2 3 4 5 6 7	NOMENCLATURE	EFFECT FROM TO	UNITS PER ASSY
1 125	BCREF6217		...LIGHT ASSY-AIRWAYS IND SUPPLIER CODE: V81590 POSITION DATA: INNER OVERLENGTH PART NUMBER: 434-674-1005-1054 SPECIFICATION NUMBER: S231T300-1054 SERVICE BULLETIN OPT DATA: BCREF8535 V81590 POST SERVICE BULLETIN: 34-0235 FOR DETAILS SEE: 33-14-70-03	009009 107107	1
125	BCREF8535		...LIGHT ASSY-AIRWAYS IND SUPPLIER CODE: V81590 POSITION DATA: INNER OVERLENGTH PART NUMBER: 434-674-1031-2054 SPECIFICATION NUMBER: S231T300-2054 SERVICE BULLETIN OPT DATA: BCREF6217 V81590 POST SERVICE BULLETIN: 34-0235 FOR DETAILS SEE: 33-14-70-03	009009 107107	1
135	BCREF6218		...LIGHT ASSY-IND SUPPLIER CODE: V81590 POSITION DATA: MIDDLE OVERLENGTH PART NUMBER: 434-674-1005-1070 SPECIFICATION NUMBER: S231T300-1070 SERVICE BULLETIN OPT DATA: BCREF8537 V81590 POST SERVICE BULLETIN: 34-0235 FOR DETAILS SEE: 33-14-70-03	009009 107107	1

MISSING ITEM NUMBERS NOT APPLICABLE

- ITEM NOT ILLUSTRATED

34-32-00-01

34-32-00  
FIG. 01  
PAGE 10  
JAN 20/09

BRI



757

PARTS CATALOG (MAINTENANCE)

FIG ITEM	PART NUMBER	1 2 3 4 5 6 7	NOMENCLATURE	EFFECT FROM TO	UNITS PER ASSY
1 135	BCREF8537		...LIGHT ASSY-IND SUPPLIER CODE: V81590 POSITION DATA: MIDDLE OVERLENGTH PART NUMBER: 434-674-1031-2070 SPECIFICATION NUMBER: S231T300-2070 SERVICE BULLETIN OPT DATA: BCREF6218 V81590 POST SERVICE BULLETIN: 34-0235 FOR DETAILS SEE: 33-14-70-03	009009 107107	1
145	BCREF6219		...LIGHT ASSY-IND SUPPLIER CODE: V81590 POSITION DATA: OUTER OVERLENGTH PART NUMBER: 434-674-1005-1082 SPECIFICATION NUMBER: S231T300-1082 SERVICE BULLETIN OPT DATA: BCREF8538 V81590 POST SERVICE BULLETIN: 34-0235 FOR DETAILS SEE: 33-14-70-03	009009 107107	1
145	BCREF8538		...LIGHT ASSY-IND SUPPLIER CODE: V81590 POSITION DATA: OUTER OVERLENGTH PART NUMBER: 434-674-1031-2082 SPECIFICATION NUMBER: S231T300-2082 SERVICE BULLETIN OPT DATA: BCREF6219 V81590 FOR DETAILS SEE: 33-14-70-03	009009 107107	1

MISSING ITEM NUMBERS NOT APPLICABLE

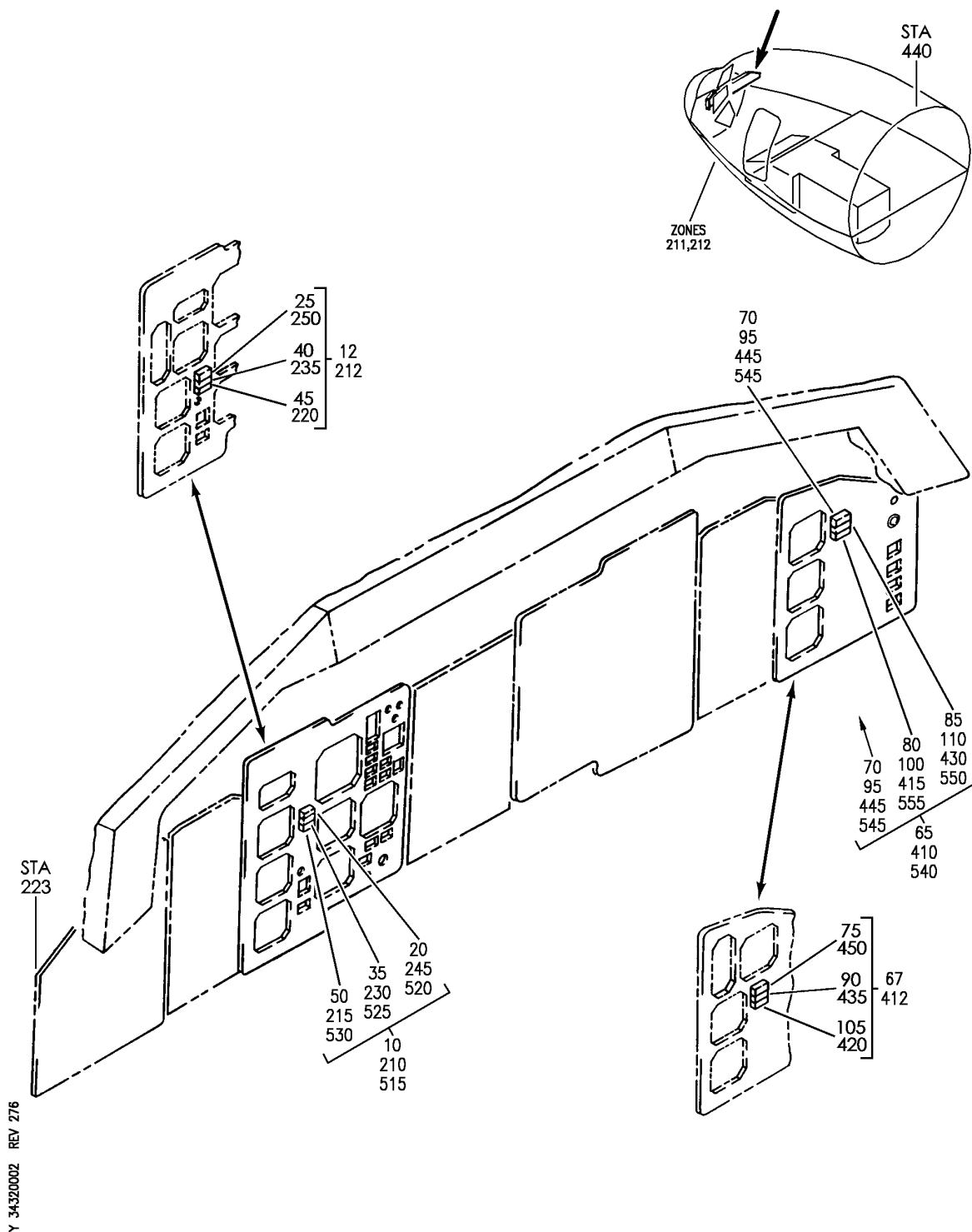
- ITEM NOT ILLUSTRATED

34-32-00-01

34-32-00  
FIG. 01  
PAGE 11  
JAN 20/09

BRI

**BOEING**  
757  
PARTS CATALOG (MAINTENANCE)



Y 34-32-00-02 REV 276

PANEL INSTL-CAPT AND FIRST OFFICER FWD AND P1-3 AND P3-3 (MARKER BEACON SYSTEM ONLY)

FIGURE 2

**34-32-00-02**

BRI  
MAY 28/07

34-32-00-02  
PAGE 0



757

PARTS CATALOG (MAINTENANCE)

FIG ITEM	PART NUMBER	1 2 3 4 5 6 7	NOMENCLATURE	EFFECT FROM TO	UNITS PER ASSY
2			PANEL INSTL-CAPT AND FIRST OFFICER FWD AND P1-3 AND P3-3 (MARKER BEACON SYSTEM ONLY)	011106 108120 504903	
- 1	233N2101-1		PANEL INSTL-CAPT AND FIRST OFFICER (MARKER BEACON SYSTEM ONLY) POSITION DATA: FWD VARIABLE DRAWING REF: 233N2101-5039 FOR NHA/OTHER SYS DET SEE: 25-10-00-05A	011100	RF
- 5	233N2221-301		.MODULE ASSY-P1-3 COMPONENT MAINT MANUAL REF: 31-11-48	011100	RF
10	233N2221-51		..MODULE ASSY-	011100	RF
20	BCREF8535		...LIGHT ASSY-INNER/AIRWAYS IND SUPPLIER CODE: V81590 OVERLENGTH PART NUMBER: 434-674-1031-2054 SPECIFICATION NUMBER: S231T300-2054 OPTIONAL PART: BCREF6217 V81590 FOR DETAILS SEE: 33-14-70-03	011100	1
20	BCREF6217		...LIGHT ASSY-INNER/AIRWAYS IND SUPPLIER CODE: V81590 OVERLENGTH PART NUMBER: 434-674-1005-1054 SPECIFICATION NUMBER: S231T300-1054 OPTIONAL PART: BCREF8535 V81590 FOR DETAILS SEE: 33-14-70-03	011100	1

MISSING ITEM NUMBERS NOT APPLICABLE

- ITEM NOT ILLUSTRATED

BRI

34-32-00-02

BOEING PROPRIETARY - Copyright © - Unpublished Work - See title page for details.

34-32-00  
FIG. 02  
PAGE 1  
JAN 20/09





757

PARTS CATALOG (MAINTENANCE)

FIG ITEM	PART NUMBER	1 2 3 4 5 6 7	NOMENCLATURE	EFFECT FROM TO	UNITS PER ASSY
2					
35	BCREF8537		...LIGHT ASSY-MIDDLE IND SUPPLIER CODE: V81590 OVERLENGTH PART NUMBER: 434-674-1031-2070 SPECIFICATION NUMBER: S231T300-2070 OPTIONAL PART: BCREF6218 V81590 FOR DETAILS SEE: 33-14-70-03	011100	1
35	BCREF6218		...LIGHT ASSY-MIDDLE IND SUPPLIER CODE: V81590 OVERLENGTH PART NUMBER: 434-674-1005-1070 SPECIFICATION NUMBER: S231T300-1070 OPTIONAL PART: BCREF8537 V81590 FOR DETAILS SEE: 33-14-70-03	011100	1
50	BCREF8538		...LIGHT ASSY-OUTER IND SUPPLIER CODE: V81590 OVERLENGTH PART NUMBER: 434-674-1031-2082 SPECIFICATION NUMBER: S231T300-2082 OPTIONAL PART: BCREF6219 V81590 FOR DETAILS SEE: 33-14-70-03	011100	1
50	BCREF6219		...LIGHT ASSY-OUTER IND SUPPLIER CODE: V81590 OVERLENGTH PART NUMBER: 434-674-1005-1082 SPECIFICATION NUMBER: S231T300-1082 OPTIONAL PART: BCREF8538 V81590 FOR DETAILS SEE: 33-14-70-03	011100	1

MISSING ITEM NUMBERS NOT APPLICABLE

- ITEM NOT ILLUSTRATED

34-32-00-02

34-32-00  
FIG. 02  
PAGE 2  
JAN 20/09

BRI



757

PARTS CATALOG (MAINTENANCE)

FIG ITEM	PART NUMBER	1 2 3 4 5 6 7	NOMENCLATURE	EFFECT FROM TO	UNITS PER ASSY
2					
- 60	233N2223-301		.MODULE ASSY-P3-3 COMPONENT MAINT MANUAL REF: 31-11-50	011100	RF
65	233N2223-12		..MODULE ASSY-	011100	RF
70	BCREF6217		...LIGHT ASSY-INNER/AIRWAYS IND SUPPLIER CODE: V81590 OVERLENGTH PART NUMBER: 434-674-1005-1054 SPECIFICATION NUMBER: S231T300-1054 OPTIONAL PART: BCREF8535 V81590 USED ON: 233N2223-12 233N2223-13 233N2223-22 233N2223-24 233N2223-25 233N2223-26 FOR DETAILS SEE: 33-14-70-03	011100	1
70	BCREF8535		...LIGHT ASSY-INNER/AIRWAYS IND SUPPLIER CODE: V81590 OVERLENGTH PART NUMBER: 434-674-1031-2054 SPECIFICATION NUMBER: S231T300-2054 OPTIONAL PART: BCREF6217 V81590 USED ON: 233N2223-12 233N2223-13 233N2223-22 233N2223-24 233N2223-25 233N2223-26 233N2223-27 FOR DETAILS SEE: 33-14-70-03	011100	1

MISSING ITEM NUMBERS NOT APPLICABLE

- ITEM NOT ILLUSTRATED

BRI

34-32-00-02

BOEING PROPRIETARY - Copyright © - Unpublished Work - See title page for details.

34-32-00  
FIG. 02  
PAGE 3  
JAN 20/09



757

PARTS CATALOG (MAINTENANCE)

FIG ITEM	PART NUMBER	1 2 3 4 5 6 7	NOMENCLATURE	EFFECT FROM TO	UNITS PER ASSY
2 85	BCREF6218		...LIGHT ASSY-MIDDLE IND SUPPLIER CODE: V81590 OVERLENGTH PART NUMBER: 434-674-1005-1070 SPECIFICATION NUMBER: S231T300-1070 OPTIONAL PART: BCREf8537 V81590 USED ON: 233N2223-12 233N2223-13 233N2223-22 233N2223-24 233N2223-25 233N2223-26 FOR DETAILS SEE: 33-14-70-03	011100	1
85	BCREF8537		...LIGHT ASSY-MIDDLE IND SUPPLIER CODE: V81590 OVERLENGTH PART NUMBER: 434-674-1031-2070 SPECIFICATION NUMBER: S231T300-2070 OPTIONAL PART: BCREf6218 V81590 USED ON: 233N2223-12 233N2223-13 233N2223-22 233N2223-24 233N2223-25 233N2223-26 233N2223-27 FOR DETAILS SEE: 33-14-70-03	011100	1

MISSING ITEM NUMBERS NOT APPLICABLE

- ITEM NOT ILLUSTRATED

BRI

34-32-00-02

BOEING PROPRIETARY - Copyright © - Unpublished Work - See title page for details.

34-32-00  
 FIG. 02  
 PAGE 4  
 JAN 20/09



757

PARTS CATALOG (MAINTENANCE)

FIG ITEM	PART NUMBER	1 2 3 4 5 6 7	NOMENCLATURE	EFFECT FROM TO	UNITS PER ASSY
2 100	BCREF6219		...LIGHT ASSY-OUTER IND SUPPLIER CODE: V81590 OVERLENGTH PART NUMBER: 434-674-1005-1082 SPECIFICATION NUMBER: S231T300-1082 OPTIONAL PART: BCREF8538 V81590 USED ON: 233N2223-12 233N2223-13 233N2223-22 233N2223-24 233N2223-25 233N2223-26 FOR DETAILS SEE: 33-14-70-03	011100	1
100	BCREF8538		...LIGHT ASSY-OUTER IND SUPPLIER CODE: V81590 OVERLENGTH PART NUMBER: 434-674-1031-2082 SPECIFICATION NUMBER: S231T300-2082 OPTIONAL PART: BCREF6219 V81590 USED ON: 233N2223-12 233N2223-13 233N2223-22 233N2223-24 233N2223-25 233N2223-26 233N2223-27 FOR DETAILS SEE: 33-14-70-03	011100	1
- 200	233N2103-10		PANEL INSTL-P1-3 (MARKER BEACON SYSTEM ONLY) FOR NHA/OTHER SYS DET SEE: 25-10-00-15B	108120	RF
- 200	233N2103-72		PANEL INSTL-P1-3 (MARKER BEACON SYSTEM ONLY) FOR NHA/OTHER SYS DET SEE: 25-10-00-15B	101102	RF

MISSING ITEM NUMBERS NOT APPLICABLE

- ITEM NOT ILLUSTRATED

34-32-00-02

34-32-00  
FIG. 02  
PAGE 5  
JAN 20/09

BRI



757

PARTS CATALOG (MAINTENANCE)

FIG ITEM	PART NUMBER	1 2 3 4 5 6 7	NOMENCLATURE	EFFECT FROM TO	UNITS PER ASSY
2					
- 200	233N2103-280		PANEL INSTL-P1-3 (MARKER BEACON SYSTEM ONLY) FOR NHA/OTHER SYS DET SEE: 25-10-00-15B	504903	RF
- 205	233N2221-301		.MODULE ASSY- COMPONENT MAINT MANUAL REF: 31-11-48	101102 108120	RF
- 205	233N2221-317		.MODULE ASSY- COMPONENT MAINT MANUAL REF: 31-11-48	505505 507903	RF
- 205	RR92002-134A101		.MODULE ASSY- POST RAPID REVISION: RR92002-134A	504504 506506	RF
- 205	233N2221-326		.MODULE ASSY- COMPONENT MAINT MANUAL REF: 31-11-48	101102 108120	RF
- 205	233N2221-320		.MODULE ASSY- COMPONENT MAINT MANUAL REF: 31-11-48	101102 108120	RF
- 205	233N2221-328		.MODULE ASSY- COMPONENT MAINT MANUAL REF: 31-11-48	101102 108120	RF
210	233N2221-51		..MODULE ASSY- USED ON: 233N2221-301	101102 108120	RF
210	233N2221-74		..MODULE ASSY	504903	RF
210	233N2221-81		..MODULE ASSY- USED ON: 233N2221-320 233N2221-326 233N2221-328	101102 108120	RF
215	BCREF6219		...LIGHT ASSY-OUTER IND SUPPLIER CODE: V81590 OVERLENGTH PART NUMBER: 434-674-1005-1082 SPECIFICATION NUMBER: S231T300-1082 OPTIONAL PART: BCREF8538 V81590 FOR DETAILS SEE: 33-14-70-03	101102 108120 504903	1

MISSING ITEM NUMBERS NOT APPLICABLE

- ITEM NOT ILLUSTRATED

BRI

34-32-00-02

BOEING PROPRIETARY - Copyright © - Unpublished Work - See title page for details.

34-32-00  
FIG. 02  
PAGE 6  
JAN 20/09



757

PARTS CATALOG (MAINTENANCE)

FIG ITEM	PART NUMBER	1 2 3 4 5 6 7	NOMENCLATURE	EFFECT FROM TO	UNITS PER ASSY
2 215	BCREF8538		...LIGHT ASSY-OUTER IND SUPPLIER CODE: V81590 OVERLENGTH PART NUMBER: 434-674-1031-2082 SPECIFICATION NUMBER: S231T300-2082 OPTIONAL PART: BCREF6219 V81590 FOR DETAILS SEE: 33-14-70-03	101102 108120 504903	1
230	BCREF6218		...LIGHT ASSY-MIDDLE IND SUPPLIER CODE: V81590 OVERLENGTH PART NUMBER: 434-674-1005-1070 SPECIFICATION NUMBER: S231T300-1070 OPTIONAL PART: BCREF8537 V81590 FOR DETAILS SEE: 33-14-70-03	101102 108120 504903	1
230	BCREF8537		...LIGHT ASSY-MIDDLE IND SUPPLIER CODE: V81590 OVERLENGTH PART NUMBER: 434-674-1031-2070 SPECIFICATION NUMBER: S231T300-2070 OPTIONAL PART: BCREF6218 V81590 FOR DETAILS SEE: 33-14-70-03	101102 108120 504903	1
245	BCREF6217		...LIGHT ASSY-INNER/AIRWAYS IND SUPPLIER CODE: V81590 OVERLENGTH PART NUMBER: 434-674-1005-1054 SPECIFICATION NUMBER: S231T300-1054 OPTIONAL PART: BCREF8535 V81590 FOR DETAILS SEE: 33-14-70-03	101102 108120 504903	1

MISSING ITEM NUMBERS NOT APPLICABLE

- ITEM NOT ILLUSTRATED

34-32-00-02

34-32-00  
FIG. 02  
PAGE 7  
JAN 20/09

BRI



757

PARTS CATALOG (MAINTENANCE)

FIG ITEM	PART NUMBER	1 2 3 4 5 6 7	NOMENCLATURE	EFFECT FROM TO	UNITS PER ASSY
2 245	BCREF8535		...LIGHT ASSY-INNER/AIRWAYS IND SUPPLIER CODE: V81590 OVERLENGTH PART NUMBER: 434-674-1031-2054 SPECIFICATION NUMBER: S231T300-2054 OPTIONAL PART: BCREF6217 V81590 FOR DETAILS SEE: 33-14-70-03	101102 108120 504903	1
- 400	233N2103-28		PANEL INSTL-P3-3 (MARKER BEACON SYSTEM ONLY) FOR NHA/OTHER SYS DET SEE: 25-10-00-15B	108120	RF
- 400	233N2103-55		PANEL INSTL-P3-3 (MARKER BEACON SYSTEM ONLY) FOR NHA/OTHER SYS DET SEE: 25-10-00-15B	504903	RF
- 400	233N2103-73		PANEL INSTL-P3-3 (MARKER BEACON SYSTEM ONLY) FOR NHA/OTHER SYS DET SEE: 25-10-00-15B	101102	RF
- 405	233N2223-306		.MODULE ASSY- COMPONENT MAINT MANUAL REF: 31-11-50 QUALIFIED I/W DATA: 233N2223-338 CAN REPLACE 233N2223-306 FOR NT383-NT399 AIRCRAFT ONLY.	108120	RF
- 405	233N2223-313		.MODULE ASSY- COMPONENT MAINT MANUAL REF: 31-11-50	504903	RF
410	233N2223-22		..MODULE ASSY-	108120	RF
410	233N2223-29		..MODULE ASSY	504903	RF

MISSING ITEM NUMBERS NOT APPLICABLE

- ITEM NOT ILLUSTRATED

34-32-00-02

34-32-00  
FIG. 02  
PAGE 8  
JAN 20/09

BRI



757

PARTS CATALOG (MAINTENANCE)

FIG ITEM	PART NUMBER	1 2 3 4 5 6 7	NOMENCLATURE	EFFECT FROM TO	UNITS PER ASSY
2 415	BCREF6219		...LIGHT ASSY-OUTER IND SUPPLIER CODE: V81590 OVERLENGTH PART NUMBER: 434-674-1005-1082 SPECIFICATION NUMBER: S231T300-1082 OPTIONAL PART: BCREF8538 V81590 FOR DETAILS SEE: 33-14-70-03	108120 504903	1
415	BCREF8538		...LIGHT ASSY-OUTER IND SUPPLIER CODE: V81590 OVERLENGTH PART NUMBER: 434-674-1031-2082 SPECIFICATION NUMBER: S231T300-2082 OPTIONAL PART: BCREF6219 V81590 FOR DETAILS SEE: 33-14-70-03	108120 504903	1
430	BCREF6218		...LIGHT ASSY-MIDDLE IND SUPPLIER CODE: V81590 OVERLENGTH PART NUMBER: 434-674-1005-1070 SPECIFICATION NUMBER: S231T300-1070 OPTIONAL PART: BCREF8537 V81590 FOR DETAILS SEE: 33-14-70-03	108120 504903	1
430	BCREF8537		...LIGHT ASSY-MIDDLE IND SUPPLIER CODE: V81590 OVERLENGTH PART NUMBER: 434-674-1031-2070 SPECIFICATION NUMBER: S231T300-2070 OPTIONAL PART: BCREF6218 V81590 FOR DETAILS SEE: 33-14-70-03	108120 504903	1

MISSING ITEM NUMBERS NOT APPLICABLE

- ITEM NOT ILLUSTRATED

34-32-00-02

34-32-00  
FIG. 02  
PAGE 9  
JAN 20/09

BRI





757

PARTS CATALOG (MAINTENANCE)

FIG ITEM	PART NUMBER	1 2 3 4 5 6 7	NOMENCLATURE	EFFECT FROM TO	UNITS PER ASSY
2 445	BCREF6217		...LIGHT ASSY-INNER/AIRWAYS IND SUPPLIER CODE: V81590 OVERLENGTH PART NUMBER: 434-674-1005-1054 SPECIFICATION NUMBER: S231T300-1054 OPTIONAL PART: BCREF8535 V81590 FOR DETAILS SEE: 33-14-70-03	108120 504903	1
445	BCREF8535		...LIGHT ASSY-INNER/AIRWAYS IND SUPPLIER CODE: V81590 OVERLENGTH PART NUMBER: 434-674-1031-2054 SPECIFICATION NUMBER: S231T300-2054 OPTIONAL PART: BCREF6217 V81590 FOR DETAILS SEE: 33-14-70-03	108120 504903	1

MISSING ITEM NUMBERS NOT APPLICABLE

- ITEM NOT ILLUSTRATED

BRI

34-32-00-02

BOEING PROPRIETARY - Copyright © - Unpublished Work - See title page for details.

34-32-00  
FIG. 02  
PAGE 10  
JAN 20/09



757

PARTS CATALOG (MAINTENANCE)

FIG ITEM	PART NUMBER	1 2 3 4 5 6 7	NOMENCLATURE	EFFECT FROM TO	UNITS PER ASSY
2 - 502	MODREF31741		PANEL INSTL-P1-3 AND P3-3 (MARKER BEACON SYSTEM ONLY) MODULE NUMBER: 233N2103-425 REV A FOR OTHER SYS DETAILS SEE: 11-31-01-38 22-11-02-03 22-14-01-03 22-31-02-01 22-34-51-02 26-17-51-05 27-51-57-03 27-58-00-02 27-81-00-01 29-21-55-02 31-11-11-19 31-11-16-01 31-11-26-38 31-25-01-03 31-41-52-02 31-51-52-02 32-35-52-03 32-41-52-02 32-42-55-03 32-46-00-01 32-61-51-03 33-13-57-01A 33-16-52-03 34-12-01-03 34-13-01-03 34-13-02-01 34-13-05-01 34-13-06-01 34-16-51-03 34-21-02-02 34-22-02-02 34-22-05-01A 34-22-06-01 34-24-01-03 34-46-51-02 34-51-02-02 34-57-00-01 34-61-01-07 34-61-02-02 77-41-01-01 79-33-51-05	103105	1

MISSING ITEM NUMBERS NOT APPLICABLE

- ITEM NOT ILLUSTRATED

# 34-32-00-02

34-32-00  
 FIG. 02  
 PAGE 11  
 JAN 20/09

BRI



757

PARTS CATALOG (MAINTENANCE)

FIG ITEM	PART NUMBER	1 2 3 4 5 6 7	NOMENCLATURE	EFFECT FROM TO	UNITS PER ASSY
2 - 502	MODREF104335		PANEL INSTL-P1-3 AND P3-3 (MARKER BEACON SYSTEM ONLY) MODULE NUMBER: 233N2103-425 REV B FOR OTHER SYS DETAILS SEE: 11-31-01-38 22-11-02-03 22-14-01-03 22-31-02-01 22-34-51-02 26-17-51-05 27-51-57-03 27-58-00-02 27-81-00-01 29-21-55-02 31-11-11-19 31-11-16-01 31-11-26-38 31-25-01-03 31-41-52-02 31-51-52-02 32-35-52-03 32-41-52-02 32-42-55-03 32-46-00-01 32-61-51-03 33-13-57-01A 33-16-52-03 34-12-01-03 34-13-01-03 34-13-02-01 34-13-05-01 34-13-06-01 34-16-51-03 34-21-02-02 34-22-02-02 34-22-05-01A 34-22-06-01 34-24-01-03 34-46-51-02 34-51-02-02 34-57-00-01 34-61-01-07 34-61-02-02 77-41-01-01 79-33-51-05	106106	1

MISSING ITEM NUMBERS NOT APPLICABLE

- ITEM NOT ILLUSTRATED

34-32-00-02

34-32-00  
FIG. 02  
PAGE 12  
JAN 20/09

BRI



757

PARTS CATALOG (MAINTENANCE)

FIG ITEM	PART NUMBER	1 2 3 4 5 6 7	NOMENCLATURE	EFFECT FROM TO	UNITS PER ASSY
2					
- 510	233N2221-325		.MODULE ASSY-P1-3 COMPONENT MAINT MANUAL REF: 31-11-48	103106	RF
515	233N2221-81		..MODULE ASSY- USED ON: 233N2221-320 233N2221-326 233N2221-328	103106	RF
520	BCREF8535		...LIGHT ASSY-INNER/AIRWAYS IND SUPPLIER CODE: V81590 OVERLENGTH PART NUMBER: 434-674-1031-2054 SPECIFICATION NUMBER: S231T300-2054 OPTIONAL PART: BCREF6217 V81590 USED ON: 233N2221-51 233N2221-70 233N2221-72 233N2221-81 233N2221-83 FOR DETAILS SEE: 33-14-70-03	103106	1
520	BCREF6217		...LIGHT ASSY-INNER/AIRWAYS IND SUPPLIER CODE: V81590 OVERLENGTH PART NUMBER: 434-674-1005-1054 SPECIFICATION NUMBER: S231T300-1054 OPTIONAL PART: BCREF8535 V81590 USED ON: 233N2221-51 233N2221-70 233N2221-72 233N2221-81 FOR DETAILS SEE: 33-14-70-03	103106	1

MISSING ITEM NUMBERS NOT APPLICABLE

- ITEM NOT ILLUSTRATED

BRI

34-32-00-02

BOEING PROPRIETARY - Copyright © - Unpublished Work - See title page for details.

34-32-00  
FIG. 02  
PAGE 13  
JAN 20/09



757

PARTS CATALOG (MAINTENANCE)

FIG ITEM	PART NUMBER	1 2 3 4 5 6 7	NOMENCLATURE	EFFECT FROM TO	UNITS PER ASSY
2 525	BCREF8537		...LIGHT ASSY-MIDDLE IND SUPPLIER CODE: V81590 OVERLENGTH PART NUMBER: 434-674-1031-2070 SPECIFICATION NUMBER: S231T300-2070 OPTIONAL PART: BCREf6218 V81590 USED ON: 233N2221-51 233N2221-70 233N2221-72 233N2221-81 233N2221-83 FOR DETAILS SEE: 33-14-70-03	103106	1
525	BCREF6218		...LIGHT ASSY-MIDDLE IND SUPPLIER CODE: V81590 OVERLENGTH PART NUMBER: 434-674-1005-1070 SPECIFICATION NUMBER: S231T300-1070 OPTIONAL PART: BCREf8537 V81590 USED ON: 233N2221-51 233N2221-70 233N2221-72 233N2221-81 FOR DETAILS SEE: 33-14-70-03	103106	1

MISSING ITEM NUMBERS NOT APPLICABLE

- ITEM NOT ILLUSTRATED

BRI

34-32-00-02

BOEING PROPRIETARY - Copyright © - Unpublished Work - See title page for details.

34-32-00  
 FIG. 02  
 PAGE 14  
 JAN 20/09



757

PARTS CATALOG (MAINTENANCE)

FIG ITEM	PART NUMBER	1 2 3 4 5 6 7	NOMENCLATURE	EFFECT FROM TO	UNITS PER ASSY
2 530	BCREF8538		...LIGHT ASSY-OUTER IND SUPPLIER CODE: V81590 OVERLENGTH PART NUMBER: 434-674-1031-2082 SPECIFICATION NUMBER: S231T300-2082 OPTIONAL PART: BCREF6219 V81590 USED ON: 233N2221-51 233N2221-70 233N2221-72 233N2221-81 233N2221-83 FOR DETAILS SEE: 33-14-70-03	103106	1
530	BCREF6219		...LIGHT ASSY-OUTER IND SUPPLIER CODE: V81590 OVERLENGTH PART NUMBER: 434-674-1005-1082 SPECIFICATION NUMBER: S231T300-1082 OPTIONAL PART: BCREF8538 V81590 USED ON: 233N2221-51 233N2221-70 233N2221-72 233N2221-81 FOR DETAILS SEE: 33-14-70-03	103106	1
- 535	233N2223-337		.MODULE ASSY-P3-3 COMPONENT MAINT MANUAL REF: 31-11-50	103106	RF
540	233N2223-62		..MODULE ASSY- USED ON: 233N2223-335 233N2223-337	103106	RF

MISSING ITEM NUMBERS NOT APPLICABLE

- ITEM NOT ILLUSTRATED

34-32-00-02

34-32-00  
FIG. 02  
PAGE 15  
JAN 20/09

BRI



757

PARTS CATALOG (MAINTENANCE)

FIG ITEM	PART NUMBER	1 2 3 4 5 6 7	NOMENCLATURE	EFFECT FROM TO	UNITS PER ASSY
2 545	BCREF8535		...LIGHT ASSY-INNER/AIRWAYS IND SUPPLIER CODE: V81590 OVERLENGTH PART NUMBER: 434-674-1031-2054 SPECIFICATION NUMBER: S231T300-2054 FOR DETAILS SEE: 33-14-70-03	103106	1
545	BCREF6217		...LIGHT ASSY-INNER/AIRWAYS IND SUPPLIER CODE: V81590 OVERLENGTH PART NUMBER: 434-674-1005-1054 SPECIFICATION NUMBER: S231T300-1054 FOR DETAILS SEE: 33-14-70-03	103106	1
550	BCREF8537		...LIGHT ASSY-MIDDLE IND SUPPLIER CODE: V81590 OVERLENGTH PART NUMBER: 434-674-1031-2070 SPECIFICATION NUMBER: S231T300-2070 FOR DETAILS SEE: 33-14-70-03	103106	1
550	BCREF6218		...LIGHT ASSY-MIDDLE IND SUPPLIER CODE: V81590 OVERLENGTH PART NUMBER: 434-674-1005-1070 SPECIFICATION NUMBER: S231T300-1070 FOR DETAILS SEE: 33-14-70-03	103106	1
555	BCREF8538		...LIGHT ASSY-OUTER IND SUPPLIER CODE: V81590 OVERLENGTH PART NUMBER: 434-674-1031-2082 SPECIFICATION NUMBER: S231T300-2082 FOR DETAILS SEE: 33-14-70-03	103106	1

MISSING ITEM NUMBERS NOT APPLICABLE

- ITEM NOT ILLUSTRATED

34-32-00-02

34-32-00  
FIG. 02  
PAGE 16  
JAN 20/09

BRI



757

PARTS CATALOG (MAINTENANCE)

FIG ITEM	PART NUMBER	1 2 3 4 5 6 7	NOMENCLATURE	EFFECT FROM TO	UNITS PER ASSY
2 555	BCREF6219		...LIGHT ASSY-OUTER IND SUPPLIER CODE: V81590 OVERLENGTH PART NUMBER: 434-674-1005-1082 SPECIFICATION NUMBER: S231T300-1082 FOR DETAILS SEE: 33-14-70-03	103106	1

MISSING ITEM NUMBERS NOT APPLICABLE

- ITEM NOT ILLUSTRATED

BRI

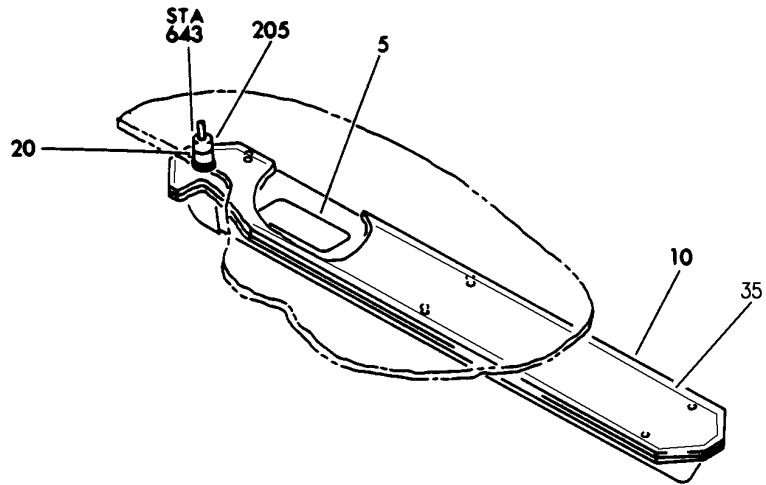
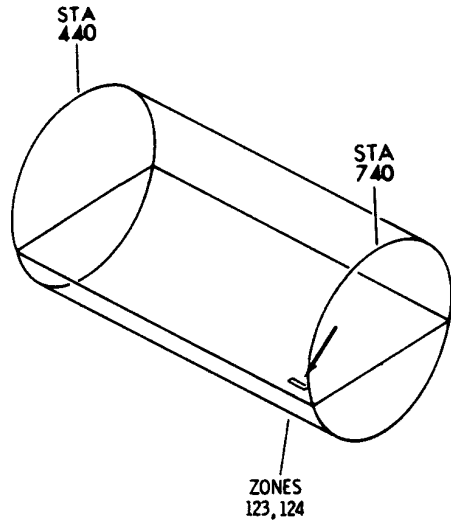
34-32-00-02

BOEING PROPRIETARY - Copyright © - Unpublished Work - See title page for details.

34-32-00  
FIG. 02  
PAGE 17  
JAN 20/09



**BOEING**  
757  
PARTS CATALOG (MAINTENANCE)



Y 34-32-01-01 REV 279

ANTENNA INSTL-MARKER BEACON  
FIGURE 1

**34-32-01-01**

BRI  
MAY 28/07

34-32-01-01  
PAGE 0



757

PARTS CATALOG (MAINTENANCE)

FIG ITEM	PART NUMBER	1 2 3 4 5 6 7	NOMENCLATURE	EFFECT FROM TO	UNITS PER ASSY
1			ANTENNA INSTL-MARKER BEACON	002004 006999	
- 1	284N1349-1		ANTENNA INSTL-MARKER BEACON FOR NHA SEE: 24-00-58-01B 24-00-58-05	002004 006102 107999	RF
- 1	MODREF9917		ANTENNA INSTL-MARKER BEACON MODULE NUMBER: 284N1349-1 REV A	103106	1
5	BAC27NEX0763		.DECAL- MKR BCN PLACARD CONTENT: M00243 ANTENNA	002004 006999	1
10	DMN27-2		.ANTENNA ASSY- SUPPLIER CODE: V00752 MISCELLANEOUS DATA: (P/N DMN27-2 ANTENNAS WITH S/N'S 13000 AND ABOVE INCORPORATE IMPROVEMENTS FOR INCREASED PROTECTION AGAINST MOISTURE INGRESS\$ ELECTRICAL EQUIP NUMBER: M00243	002004 006999	1
- 15	BACB30LU2-2		ATTACHING PARTS .BOLT-	002004 006999	6
20	UG706AU		-----*----- .CONNECTOR- SUPPLIER CODE: V85226	002004 006999	1
- 202	286N2261-004		WIRE BUNDLE ASSY	121503 904949	RF
- 202	286N2261-005		WIRE BUNDLE ASSY	002004 006010 107107 950999	RF
- 202	286N2261-009		WIRE BUNDLE ASSY	011100 504903	RF
- 202	286N2261-301		WIRE BUNDLE ASSY	101102 108120	RF
- 202	286N2261-701		WIRE BUNDLE ASSY	103106	RF

MISSING ITEM NUMBERS NOT APPLICABLE

- ITEM NOT ILLUSTRATED

34-32-01-01

34-32-01  
FIG. 01  
PAGE 1  
JAN 20/09

BRI



757

PARTS CATALOG (MAINTENANCE)

FIG ITEM	PART NUMBER	1 2 3 4 5 6 7	NOMENCLATURE	EFFECT FROM TO	UNITS PER ASSY
1 205	KD59-186M06		.PLUG- SUPPLIER CODE: V91836 ELECTRICAL EQUIP NUMBER: D00209 WIRING DIAGRAM REF: 343211	002004 006102 107999	1
205	795-15-9		.PLUG- SUPPLIER CODE: V05574 ELECTRICAL EQUIP NUMBER: D00209 WIRING DIAGRAM REF: 343211	103106	1

MISSING ITEM NUMBERS NOT APPLICABLE

- ITEM NOT ILLUSTRATED

BRI

34-32-01-01

BOEING PROPRIETARY - Copyright © - Unpublished Work - See title page for details.

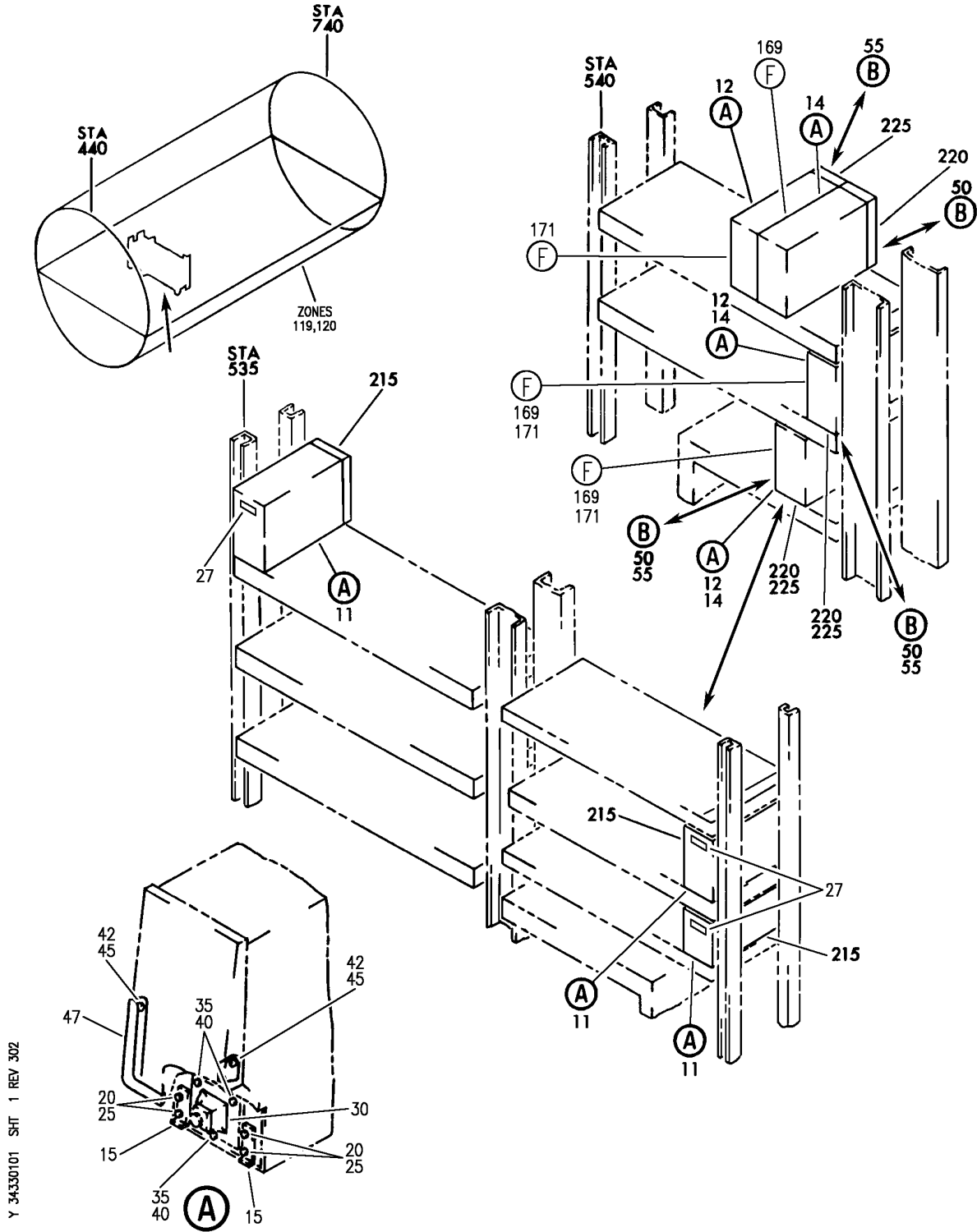
34-32-01  
FIG. 01  
PAGE 2  
JAN 20/09

## RADIO ALTIMETER (RA) SYSTEM

BRI  
MAY 28/07

34-33-00  
SECTION TITLE  
PAGE 1

**BOEING**  
757  
PARTS CATALOG (MAINTENANCE)



Y 34-330101 SHT 1 REV 302

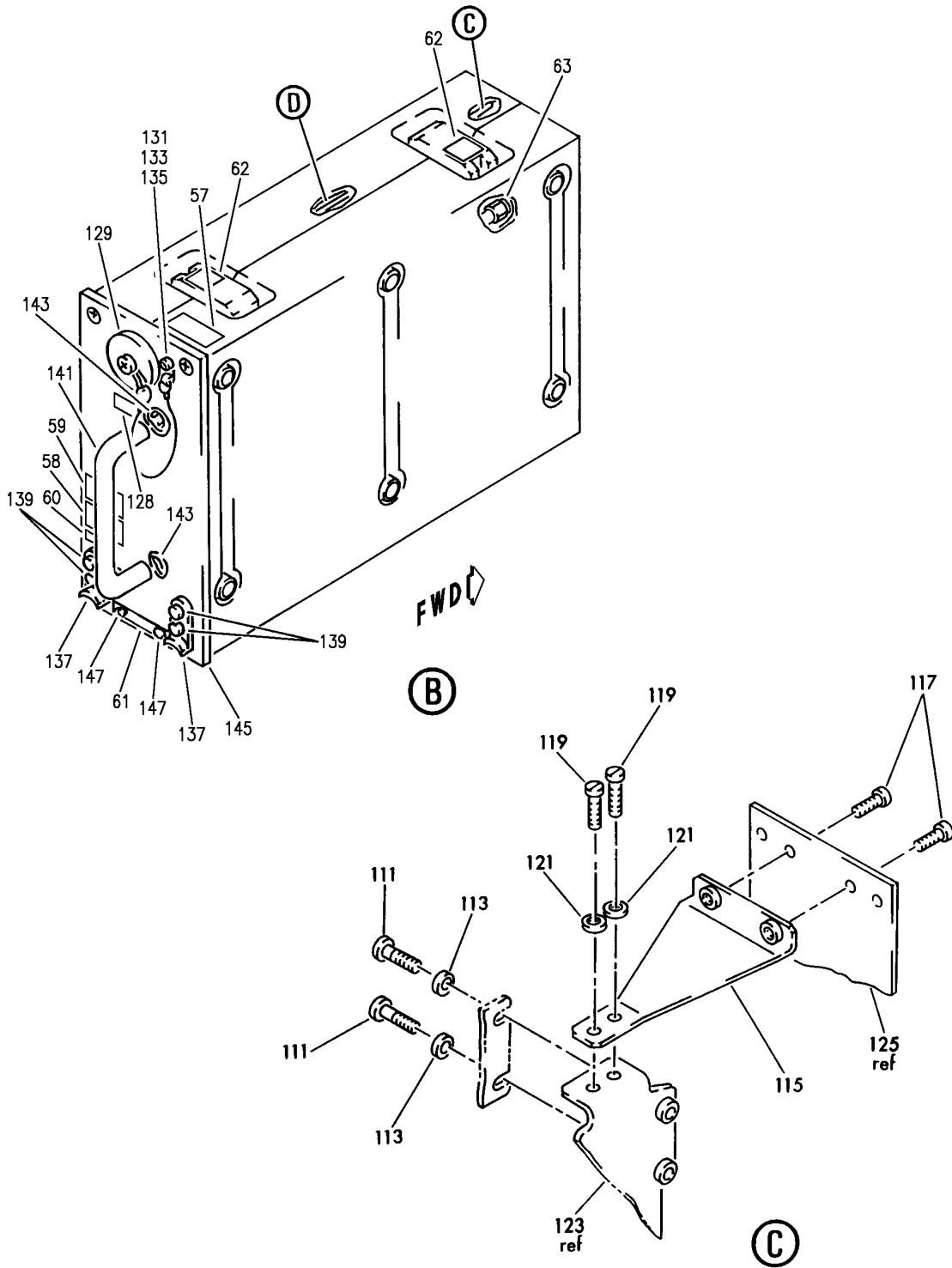
EQUIPMENT INSTL-MAIN ELECTRONICS EQPT CTR (RADIO ALTIMETER SYSTEM ONLY)  
FIGURE 1 (SHEET 1)

**34-33-01-01**

BRI  
MAY 28/07

34-33-01-01  
PAGE 0

**BOEING**  
757  
PARTS CATALOG (MAINTENANCE)



Y 34-330101 SHT 2 REV 276

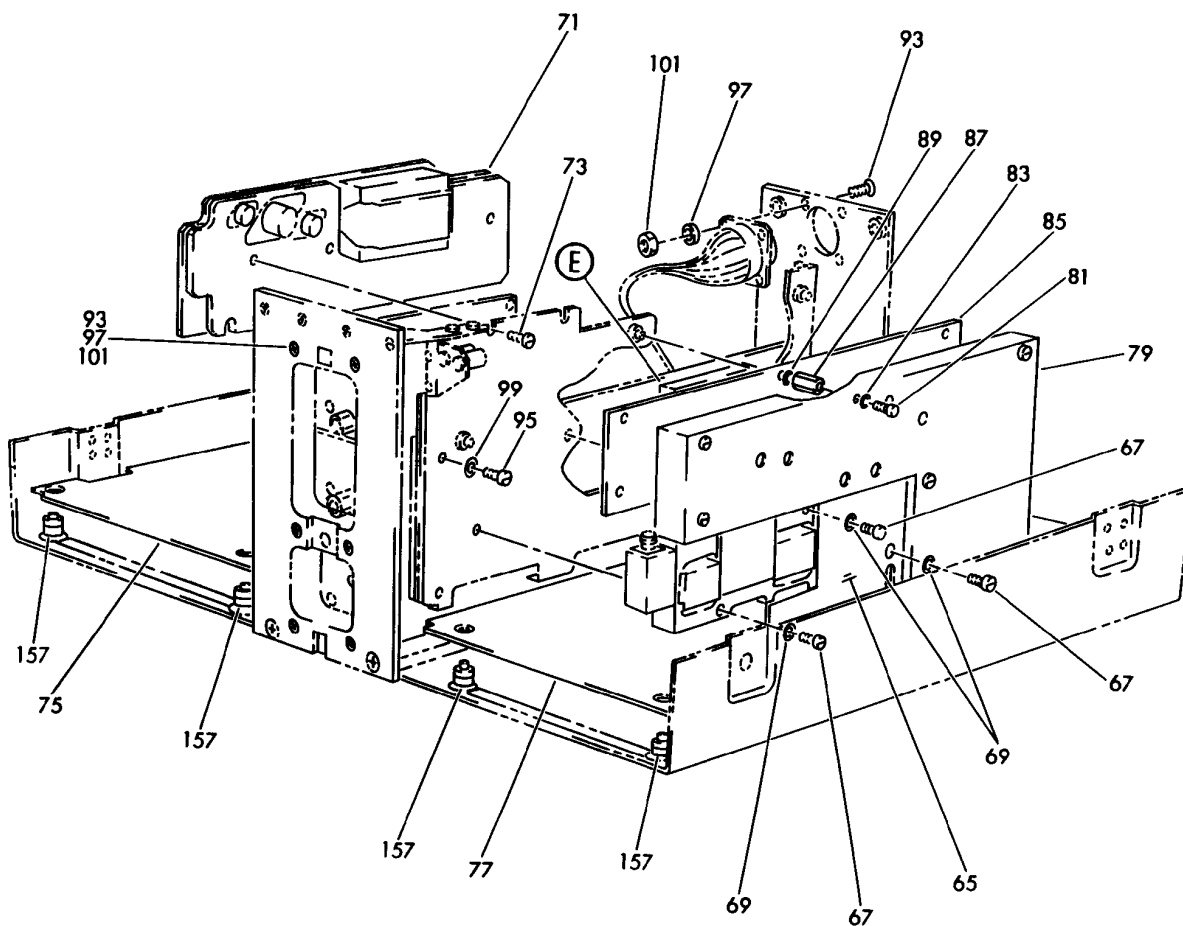
EQUIPMENT INSTL-MAIN ELECTRONICS EQPT CTR (RADIO ALTIMETER SYSTEM ONLY)  
FIGURE 1 (SHEET 2)

**34-33-01-01**

BRI  
MAY 28/07

34-33-01-01  
PAGE 0A

**BOEING**  
757  
PARTS CATALOG (MAINTENANCE)



(D)

Y 34-330101 SHT 3 REV 315

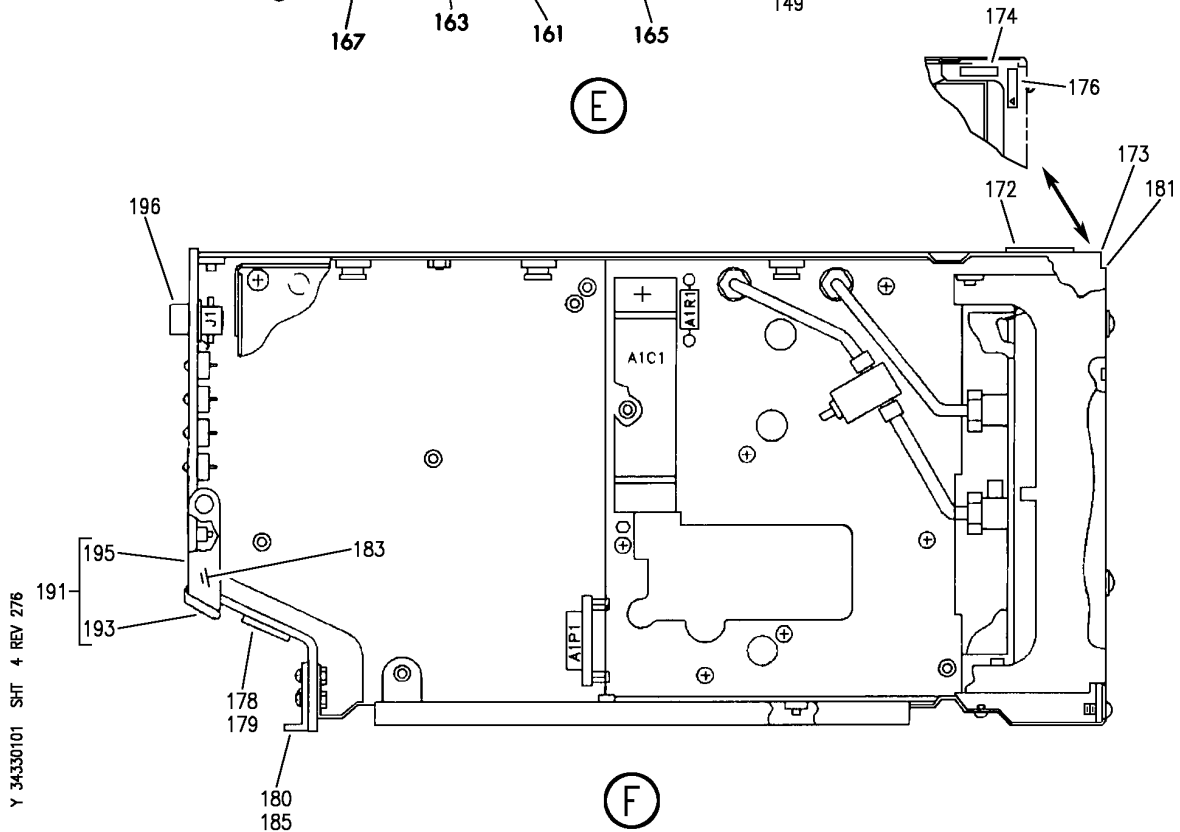
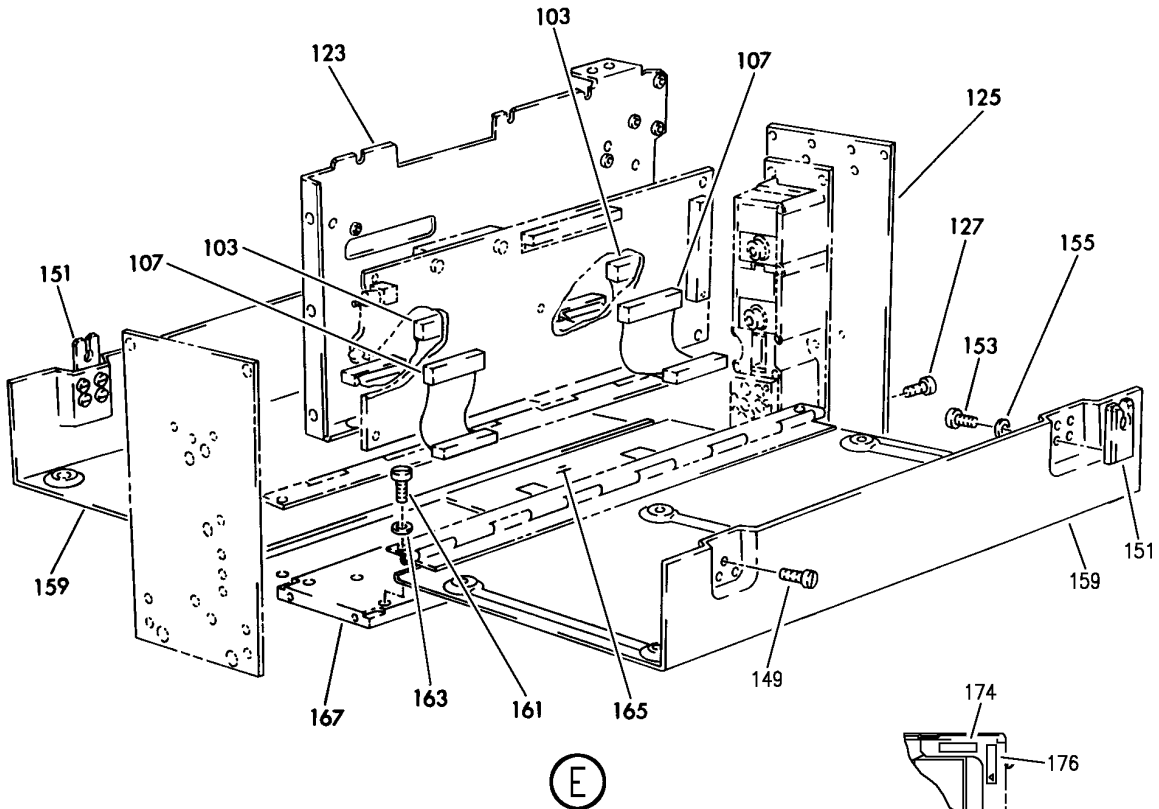
EQUIPMENT INSTL-MAIN ELECTRONICS EQPT CTR (RADIO ALTIMETER SYSTEM ONLY)  
FIGURE 1 (SHEET 3)

**34-33-01-01**

BRI  
SEP 28/07

34-33-01-01  
PAGE 0B

**BOEING**  
757  
PARTS CATALOG (MAINTENANCE)



Y 34-330101 SHT 4 REV 276

EQUIPMENT INSTL-MAIN ELECTRONICS EQPT CTR (RADIO ALTIMETER SYSTEM ONLY)  
FIGURE 1 (SHEET 4)

**34-33-01-01**

BRI  
MAY 28/07

34-33-01-01  
PAGE 0C





757

PARTS CATALOG (MAINTENANCE)

FIG ITEM	PART NUMBER	1 2 3 4 5 6 7	NOMENCLATURE	EFFECT FROM TO	UNITS PER ASSY
1			EQUIPMENT INSTL-MAIN ELECTRONICS EQPT CTR (RADIO ALTIMETER SYSTEM ONLY)	002004 006100 107107 121999	
- 2	284N1800-190		EQUIPMENT INSTL-MAIN ELECTRONICS EQPT CTR (RADIO ALTIMETER SYSTEM ONLY) FOR NHA/OTHER SYS DET SEE: 24-00-58-05E	504504 506903	RF
- 2	284N1800-32		EQUIPMENT INSTL-MAIN ELECTRONICS EQPT CTR (RADIO ALTIMETER SYSTEM ONLY) FOR NHA/OTHER SYS DET SEE: 24-00-58-01	952999	RF
- 2	284N1307-33		EQUIPMENT INSTL-MAIN ELECTRONICS EQPT CTR (RADIO ALTIMETER SYSTEM ONLY) FOR NHA/OTHER SYS DET SEE: 24-00-58-01	107107	RF
- 4	284N1800-16		EQUIPMENT INSTL-MAIN ELECTRONICS EQPT CTR (RADIO ALTIMETER SYSTEM ONLY) FOR NHA/OTHER SYS DET SEE: 24-00-58-01	121503 904949	RF
- 5	284N1800-34		EQUIPMENT INSTL-MAIN ELECTRONICS EQPT CTR (RADIO ALTIMETER SYSTEM ONLY) FOR NHA/OTHER SYS DET SEE: 24-00-58-01	002004 006100	RF
- 5	284N1800-38		EQUIPMENT INSTL-MAIN ELECTRONICS EQPT CTR (RADIO ALTIMETER SYSTEM ONLY) FOR NHA/OTHER SYS DET SEE: 24-00-58-01	950951	RF
- 8	284N1800-88		EQUIPMENT INSTL-MAIN ELECTRONICS EQPT CTR (RADIO ALTIMETER SYSTEM ONLY) FOR NHA/OTHER SYS DET SEE: 24-00-58-05E	505505	RF

MISSING ITEM NUMBERS NOT APPLICABLE

- ITEM NOT ILLUSTRATED

34-33-01-01

34-33-01  
FIG. 01  
PAGE 1  
JAN 20/09

BRI



757

PARTS CATALOG (MAINTENANCE)

FIG ITEM	PART NUMBER	1 2 3 4 5 6 7	NOMENCLATURE	EFFECT FROM TO	UNITS PER ASSY
1					
12	2041166-5204		.RECEIVER ASSY-XMTR SUPPLIER CODE: V97896 SPECIFICATION NUMBER: S220T101-103 ELECTRICAL EQUIP NUMBER: M00202 M00203 M00204 COMPONENT MAINT MANUAL REF: 34-42-33 QUALIFIED I/W DATA: 2041166-5203, -5204, -5205 AND -5206 ARE I/W EXCEPT SUBJECT TO CUSTOMER PREFERENCE AND IN SHIPSETS ONLY	107107 121503	3
12	2041166-5204		.RECEIVER ASSY-XMTR SUPPLIER CODE: V97896 SPECIFICATION NUMBER: S220T101-103 ELECTRICAL EQUIP NUMBER: M00202 M00203 M00204 COMPONENT MAINT MANUAL REF: 34-42-33 QUALIFIED I/W DATA: 2041166-5203, -5204, -5205 AND -5206 ARE I/W EXCEPT SUBJECT TO CUSTOMER PREFERENCE AND IN SHIPSETS ONLY	002004 006100 504949	3
15	39035-0001		..HOOK- SUPPLIER CODE: V97896 POSITION DATA: HOLD DOWN ATTACHING PARTS	002004 006100 107107 121949	2
20	MS35216-12		..SCREW	002004 006100 107107 121949	4
25	MS35338-78		..WASHER	002004 006100 107107 121949	4
-----*-----					
MISSING ITEM NUMBERS NOT APPLICABLE					

R  
R  
R  
R  
R  
R  
R  
R  
R  
R  
R  
R  
R  
R  
R  
R  
R  
R  
R  
R  
R  
R

- ITEM NOT ILLUSTRATED

34-33-01-01

34-33-01  
FIG. 01  
PAGE 2  
MAY 20/09

BRI



757

PARTS CATALOG (MAINTENANCE)

FIG ITEM	PART NUMBER	1 2 3 4 5 6 7	NOMENCLATURE	EFFECT FROM TO	UNITS PER ASSY
1					
30	2089045-0701	..	CAP-CONN. SUPPLIER CODE: V97896	002004 006100 107107 121949	1
35	MS35216-13	..	SCREW- CONFIG CHG DATA FROM A CMM: REPLD BY MS35216-16 EFF S/N1001 AND ABOVE	002004 006100 107107 121949	3
35	MS35216-16	..	SCREW- CONFIG CHG DATA FROM A CMM: REPLS MS35216-13 EFF S/N1001 AND ABOVE	002004 006100 107107 121949	3
35	6432-0412	..	SCREW- SUPPLIER CODE: V27914	002004 006100 107107 121949	3
40	MS35338-78	..	WASHER	002004 006100 107107 121949	3
42	46054-0002	..	SCREW- SUPPLIER CODE: V27914 CONFIG CHG DATA FROM A CMM: REPLD BY 3611334-0001 EFF S/N1001 AND ABOVE	002004 006100 107107 121949	2
42	3611334-001	..	SCREW- SUPPLIER CODE: V27914 CONFIG CHG DATA FROM A CMM: REPLS 46054-0002 EFF S/N1001 AND ABOVE	002004 006100 107107 121949	2
45	2080077-0012	..	WASHER- SUPPLIER CODE: V97896	002004 006100 107107 121949	2
47	3603608-0002	..	HANDLE- SUPPLIER CODE: V27914 CONFIG CHG DATA FROM A CMM: REPLD BY 2040266-0502 EFF S/N1011 AND ABOVE	002004 006100 107107 121949	1
47	2040266-0502	..	HANDLE- SUPPLIER CODE: V97896 CONFIG CHG DATA FROM A CMM: REPLS 3603608-0002 EFF S/N1011 AND ABOVE	002004 006100 107107 121949	1

MISSING ITEM NUMBERS NOT APPLICABLE

- ITEM NOT ILLUSTRATED

34-33-01-01

34-33-01  
FIG. 01  
PAGE 3  
MAY 20/09

BRI



757

PARTS CATALOG (MAINTENANCE)

FIG ITEM	PART NUMBER	1 2 3 4 5 6 7	NOMENCLATURE	EFFECT FROM TO	UNITS PER ASSY
R R R R R R R R R R R R R R	1 55	9599-607-14923	.RECEIVER ASSY-XMTR SUPPLIER CODE: VF6170 SPECIFICATION NUMBER: S220T101-106 ELECTRICAL EQUIP NUMBER: M00202 M00203 M00204 COMPONENT MAINT MANUAL REF: 34-42-34	950951	3
	57	3511-000-06741	..LABEL-ESDS SUPPLIER CODE: VF6170	950951	1
	58	3511-181-02831	..LABEL-MOD SUPPLIER CODE: VF6170 SB DATA FROM A CMM: POST 34-33	950951	1
	59	3511-180-44971	..PLATE-INSTRUCTION SUPPLIER CODE: VF6170	950951	1
	60	3511-181-48681	..LABEL-QAC SUPPLIER CODE: VF6170	950951	1
	61	3511-181-08961	..PLATE-SOFTWARE SUPPLIER CODE: VF6170	950951	1
	61	4644662A	..PLATE-SOFTWARE SUPPLIER CODE: VF0057 SB DATA FROM A CMM: POST 34-31	950951	1
	62	4645246A	..LABEL- SUPPLIER CODE: VF0057 SB DATA FROM A CMM: POST 34-009	950951	2
	63	3511-180-95181	..CABLE-COAX. XMSN 01-08 SUPPLIER CODE: VF6170	950951	1
	65	3511-180-92003	..SOURCE-01-02 SUPPLIER CODE: VF6170	950951	1
	67	3511-180-83291	ATTACHING PARTS ..SCREW-EXTERNALLY RELIEVED BODY SUPPLIER CODE: VF6170	950951	3

MISSING ITEM NUMBERS NOT APPLICABLE

- ITEM NOT ILLUSTRATED

34-33-01-01

34-33-01  
FIG. 01  
PAGE 4  
MAY 20/09

BRI



757

PARTS CATALOG (MAINTENANCE)

FIG ITEM	PART NUMBER	1 2 3 4 5 6 7	NOMENCLATURE	EFFECT FROM TO	UNITS PER ASSY
1					
69	520301-24		..WASHER-SPR TNSN ONDUFLEX B DIA3 XC60 CDPL BCRPL SUPPLIER CODE: VF0349 -----*-----	950951	3
71	3511-180-80031		..POWER SUPPLY-01-03 SUPPLIER CODE: VF6170	950951	1
71	3511-181-50411		..POWER SUPPLY-01-03 SUPPLIER CODE: VF6170 SB DATA FROM A CMM: POST SB 34-28 ATTACHING PARTS	950951	1
73	H2Q1QC030008ACG		..SCREW-CLS M3X8 CL4.8 CDPL BCRPL SUPPLIER CODE: VF0110 -----*-----	950951	3
75	3511-180-92861		..CIRCUIT CARD ASSY- MICROPROCESSOR OUTPUT 01-04 SUPPLIER CODE: VF6170	950951	1
75	3511-180-92862		..CIRCUIT CARD ASSY- MICROPROCESSOR OUTPUT 01-04 SUPPLIER CODE: VF6170 SB DATA FROM A CMM: POST SB 34-25	950951	1
77	3511-180-92881		..CIRCUIT CARD ASSY- GDS-RP-DELTA F.FO 01-05 SUPPLIER CODE: VF6170	950951	1
79	3511-180-89831		..COVER-MARKED SUPPLIER CODE: VF6170 OPTIONAL PART: 3511-180-89833 VF6170	950951	1
79	3511-180-89833		..COVER-MARKED SUPPLIER CODE: VF6170 OPTIONAL PART: 3511-180-89831 VF6170	950951	1

MISSING ITEM NUMBERS NOT APPLICABLE

- ITEM NOT ILLUSTRATED

34-33-01-01

34-33-01  
FIG. 01  
PAGE 5  
MAY 20/09

BRI

 **BOEING**  
757  
**PARTS CATALOG (MAINTENANCE)**

FIG ITEM	PART NUMBER	1 2 3 4 5 6 7	NOMENCLATURE	EFFECT FROM TO	UNITS PER ASSY
1			ATTACHING PARTS		
81	3511-180-83291	..	SCREW-EXTERNALLY RELIEVED BODY SUPPLIER CODE: VF6170	950951	7
83	520301-24	..	WASHER-SPR TNSN ONDUFLEX B DIA3 XC60 CDPL BCRPL SUPPLIER CODE: VFO349	950951	7
			-----*-----		
85	3511-180-80091	..	CIRCUIT CARD ASSY-IF AMPL DISCRIMINATOR 01-07 SUPPLIER CODE: VF6170	950951	1
85	3511-180-80092	..	CIRCUIT CARD ASSY-IF AMPL DISCRIMINATOR 01-07 SUPPLIER CODE: VF6170 SB DATA FROM A CMM: POST SB 34-24	950951	1
85	3511-181-50371	..	CIRCUIT CARD ASSY-IF AMPL DISCRIMINATOR 01-07 SUPPLIER CODE: VF6170 SB DATA FROM A CMM: POST SB 34-28	950951	1
85	3511-181-50381	..	CIRCUIT CARD ASSY-IF AMPL DISCRIMINATOR 01-07 SUPPLIER CODE: VF6170 SB DATA FROM A CMM: POST SB 34-28	950951	1
87	3511-180-83301	..	ATTACHING PARTS SPACER-SLEEVE SUPPLIER CODE: VF6170	950951	7
89	520301-24	..	WASHER-SPR TNSN ONDUFLEX B DIA3 XC60 CDPL BCRPL SUPPLIER CODE: VFO349	950951	7
			-----*-----		
- 91	3511-181-12571	...	COVER-XFMR SUPPLIER CODE: VF6170	950951	1
93	2511-066-01037	..	SCREW- SUPPLIER CODE: VF0057	950951	10

MISSING ITEM NUMBERS NOT APPLICABLE

- ITEM NOT ILLUSTRATED

BRI

# 34-33-01-01

BOEING PROPRIETARY - Copyright © - Unpublished Work - See title page for details.

34-33-01  
FIG. 01  
PAGE 6  
MAY 20/09



757

PARTS CATALOG (MAINTENANCE)

FIG ITEM	PART NUMBER	1 2 3 4 5 6 7	NOMENCLATURE	EFFECT FROM TO	UNITS PER ASSY
1					
95	H2Q1QC040006ACG	..	SCREW-CLS M4X6 CL4.8 CDPL BCRPL SUPPLIER CODE: VF0110	950951	5
97	520301-24	..	WASHER-SPR TNSN ONDUFLEX B DIA3 XC60 CDPL BCRPL SUPPLIER CODE: VF0349	950951	10
99	520401-24	..	WASHER-SPR TNSN ONDUFLEX B DIA4 XC60 CDPL BCRPL SUPPLIER CODE: VF0349	950951	5
101	XUQ1QF030ACG	..	NUT-PLAIN HEXAGON H M3 CL5 CDPL BCRPL SUPPLIER CODE: VF0110	950951	10
103	3511-180-84621	..	CABLE-NETWORK EQUIPPED SUPPLIER CODE: VF6170	950951	2
107	3511-180-92731	..	CABLE-NETWORK EQUIPPED SUPPLIER CODE: VF6170	950951	2
111	H2Q1QC030008ACG	..	SCREW-CLS M3X8 CL4.8 CDPL BCRPL SUPPLIER CODE: VF0110	950951	2
113	520301-24	..	WASHER-SPR TNSN ONDUFLEX B DIA3 XC60 CDPL BCRPL SUPPLIER CODE: VF0349	950951	2
115	3511-180-84091	..	JUMPER-CRIMPED SUPPLIER CODE: VF6170 ATTACHING PARTS	950951	1
117	2511-066-01036	..	SCREW- SUPPLIER CODE: VF0057	950951	2
119	H2Q1QC030008ACG	..	SCREW-CLS M3X8 CL4.8 CDPL BCRPL SUPPLIER CODE: VF0110	950951	2
121	S1PF030ACG	..	WASHER-FLAT M DIA3 160HV CDPL BCRPL SUPPLIER CODE: VF0110	950951	2
123	3511-181-13041	..	SHIELD-ELECTRICAL SUPPLIER CODE: VF6170	950951	1

MISSING ITEM NUMBERS NOT APPLICABLE

- ITEM NOT ILLUSTRATED

34-33-01-01

34-33-01  
FIG. 01  
PAGE 7  
MAY 20/09

BRI

BOEING PROPRIETARY - Copyright © - Unpublished Work - See title page for details.



757

PARTS CATALOG (MAINTENANCE)

FIG ITEM	PART NUMBER	1 2 3 4 5 6 7	NOMENCLATURE	EFFECT FROM TO	UNITS PER ASSY
1					
125	3511-180-85531	..	FACE-PAINTED SUPPLIER CODE: VF6170 POSITION DATA: REAR ATTACHING PARTS	950951	1
127	2511-066-01048	..	SCREW- SUPPLIER CODE: VF0057 -----*-----	950951	2
128	4645251A	..	PLATE-IDENT SUPPLIER CODE: VF0057 SB DATA FROM A CMM: POST 93356	950951	1
129	BECN18	..	COVER-ELECTRICAL CONN. SUPPLIER CODE: VF6162 OPTIONAL PART: 8500-06B VF0225 951-00C18A231 VF1983	950951	1
129	8500-06B	..	COVER-ELECTRICAL CONN. SUPPLIER CODE: VF0225 OPTIONAL PART: BECN18 VF6162 951-00C18A231 VF1983	950951	1
129	951-00C18A231	..	COVER-ELECTRICAL CONN. SUPPLIER CODE: VF1983 OPTIONAL PART: BECN18 VF6162 8500-06B VF0225 ATTACHING PARTS	950951	1
131	H2Q1QC030010ACG	..	SCREW-CLS M3X10 CL4.8 CDPL BCRPL SUPPLIER CODE: VF0110	950951	1
133	520301-24	..	WASHER-SPR TNSN ONDUFLEX B DIA3 XC60 CDPL BCRPL SUPPLIER CODE: VF0349	950951	1

MISSING ITEM NUMBERS NOT APPLICABLE

- ITEM NOT ILLUSTRATED

34-33-01-01

34-33-01  
FIG. 01  
PAGE 8  
MAY 20/09

BRI

BOEING PROPRIETARY - Copyright © - Unpublished Work - See title page for details.



 **BOEING**  
757  
**PARTS CATALOG (MAINTENANCE)**

FIG ITEM	PART NUMBER	1 2 3 4 5 6 7	NOMENCLATURE	EFFECT FROM TO	UNITS PER ASSY
1					
135	XUQ1QF030ACG	..	NUT-PLAIN HEXAGON H M3 CL5 CDPL BCRPL SUPPLIER CODE: VF0110 -----*-----	950951	1
137	3511-960-03771	..	STRAP-ANCHOR SUPPLIER CODE: VF0057 ATTACHING PARTS	950951	2
139	H2Q1QC040008ACG	..	SCREW-CLS M4X8 CL4.8 CDPL BCRPL SUPPLIER CODE: VF0110 -----*-----	950951	4
141	103	..	HANDLE-BOW SUPPLIER CODE: VF3391 ATTACHING PARTS	950951	1
143	B8Q1QF050010ACG	..	SCREW-FS M5X10 CL5.8 CDPL BCRPL SUPPLIER CODE: VF0110 -----*-----	950951	2
145	3511-180-89974	..	FACE-PAINTED SUPPLIER CODE: VF6170 POSITION DATA: FRONT ATTACHING PARTS	950951	1
147	2511-066-01048	..	SCREW- SUPPLIER CODE: VF0057 -----*-----	950951	2
149	YSQ1ZE040016APA	..	SCREW-FBS M4X16 A2-70 PSVT SUPPLIER CODE: VF0110	950951	2
151	3511-180-83931	..	LUG-LOCKING SUPPLIER CODE: VF6170 OPTIONAL PART: 3511-181-11961 VF6170	950951	2
151	3511-181-11961	..	TAB-LOCKING SUPPLIER CODE: VF6170 OPTIONAL PART: 3511-180-83931 VF6170	950951	2

MISSING ITEM NUMBERS NOT APPLICABLE

— ITEM NOT ILLUSTRATED

BRI

# 34-33-01-01

BOEING PROPRIETARY - Copyright © - Unpublished Work - See title page for details.

34-33-01  
FIG. 01  
PAGE 9  
MAY 20/09



757

PARTS CATALOG (MAINTENANCE)

FIG ITEM	PART NUMBER	1 2 3 4 5 6 7	NOMENCLATURE	EFFECT FROM TO	UNITS PER ASSY
1			ATTACHING PARTS		
153	H2Q1QC030006ACG	..	SCREW-CLS M3X6 CL4.8 CDPL BCRPL SUPPLIER CODE: VF0110 OPTIONAL PART: H2Q1QC030005ACG	950951	8
153	H2Q1QC030005ACG	..	SCREW-CLS M3X5 CL4.8 CDPL BCRPL SUPPLIER CODE: VF0110 OPTIONAL PART: H2Q1QC030006ACG	950951	8
155	520301-24	..	WASHER-SPR TNSN ONDUFLEX B DIA3 XC60 CDPL BCRPL SUPPLIER CODE: VF0349	950951	8
157	V9FSP518900	..	FASTENER-POSITIVE LOCK SUPPLIER CODE: VF1699	950951	12
159	3511-180-85541	..	PANEL ASSY-SIDE SUPPLIER CODE: VF6170	950951	2
161	H2Q1QC030008ACG	..	ATTACHING PARTS SCREW-CLS M3X8 CL4.8 CDPL BCRPL SUPPLIER CODE: VF0110	950951	4
163	S1PF030ACG	..	WASHER-FLAT M DIA3 160HV CDPL BCRPL SUPPLIER CODE: VF0110	950951	4
165	3511-180-84761	..	GRID- SUPPLIER CODE: VF6170	950951	1
167	3511-180-84751	..	BASE-PLATE SUPPLIER CODE: VF6170	950951	1

MISSING ITEM NUMBERS NOT APPLICABLE

- ITEM NOT ILLUSTRATED

34-33-01-01

34-33-01  
FIG. 01  
PAGE 10  
MAY 20/09

BRI



757

PARTS CATALOG (MAINTENANCE)

FIG ITEM	PART NUMBER	1 2 3 4 5 6 7	NOMENCLATURE	EFFECT FROM TO	UNITS PER ASSY
1	622-4542-103		. TRANSCEIVER- SUPPLIER CODE: V4V792 ELECTRICAL EQUIP NUMBER: M00202 M00203 M00204 COMPONENT MAINT MANUAL REF: 34-47-70 QUALIFIED I/W DATA: 622-4542-103 I/W 822-0334-001 IN SHIPSETS ONLY 622-4542-103 I/W 822-0334-002 IN SHIPSETS ONLY	950999	3
173	280-2745-020		.. LABEL-ESDS WARNING SUPPLIER CODE: V12998	950999	1
- 175	DAT115-652		.. LABEL-CAUTION SUPPLIER CODE: V85480	950999	3
- 175	3XC10R		.. LABEL-CAUTION SUPPLIER CODE: V67041	950999	1
- 177	280-2745-130		.. LABEL-ESDS WARNING SUPPLIER CODE: VOBU16	950999	1
179	829-0200-011		.. PLATE-IDENT SUPPLIER CODE: V4V792	950999	1
179	829-0200-012		.. PLATE-IDENT SUPPLIER CODE: V4V792	950999	1
181	025-1157-001		.. CAP-PROTECTIVE SUPPLIER CODE: V71468 MISCELLANEOUS DATA: ROCKWELL COLLINS P/N 370-0505-080 OPTIONAL PART: 4041437-5 V58960	950999	1

MISSING ITEM NUMBERS NOT APPLICABLE

- ITEM NOT ILLUSTRATED

34-33-01-01

34-33-01  
FIG. 01  
PAGE 11  
MAY 20/09

BRI



757

PARTS CATALOG (MAINTENANCE)

FIG ITEM	PART NUMBER	1 2 3 4 5 6 7	NOMENCLATURE	EFFECT FROM TO	UNITS PER ASSY
1					
181	025-1158-001	..	CAP-PROTECTIVE SUPPLIER CODE: V71468 MISCELLANEOUS DATA: ROCKWELL COLLINS P/N 370-0505-070 OPTIONAL PART: 4041437-6 V58960	950999	1
181	211600-2	..	CAP-DUST SUPPLIER CODE: V00779 MISCELLANEOUS DATA: ROCKWELL COLLINS P/N 370-0081-020	950999	1
183	629-6836-069	..	STRIP-IDENT SUPPLIER CODE: V4V792	950999	1
185	503-4970-001	..	HOOK-HOLDOWN SUPPLIER CODE: V4V792 ATTACHING PARTS	950999	2
- 187	MS51957-30	..	SCREW -----*-----	950999	4
- 189	641-8914-001	..	SHIM- SUPPLIER CODE: V4V792	950999	2
191	651-2408-003	..	HANDLE ASSY- SUPPLIER CODE: V4V792	950999	1
193	768-3386-002	...	BAR-GRIP SUPPLIER CODE: V4V792	950999	1
195	768-3387-003	...	HANDLE- SUPPLIER CODE: V4V792 CONFIG CHG DATA FROM A CMM: SUPSD BY 768-3387-020	950999	1
195	768-3387-020	...	STRAP- SUPPLIER CODE: V4V792 CONFIG CHG DATA FROM A CMM: SUPSDS 768-3387-003	950999	1
- 200	286N1282-001		WIRE BUNDLE ASSY-	121503 904949	RF
- 200	286N1282-003		WIRE BUNDLE ASSY-	107107	RF

MISSING ITEM NUMBERS NOT APPLICABLE

- ITEM NOT ILLUSTRATED

34-33-01-01

34-33-01  
FIG. 01  
PAGE 12  
JAN 20/09

BRI



757

PARTS CATALOG (MAINTENANCE)

FIG ITEM	PART NUMBER	1 2 3 4 5 6 7	NOMENCLATURE	EFFECT FROM TO	UNITS PER ASSY
1					
- 200	286N1282-004		WIRE BUNDLE ASSY-	002004 006100 504903 950999	RF
- 205	286N1284-001		WIRE BUNDLE ASSY-	121503 904949	RF
- 205	286N1284-003		WIRE BUNDLE ASSY-	107107	RF
- 205	286N1284-004		WIRE BUNDLE ASSY- REWORKED BY SB: 34-0200	002004 006100 504903 950999	RF
- 210	286N1286-001		WIRE BUNDLE ASSY-	121503 904949	RF
- 210	286N1286-002		WIRE BUNDLE ASSY- REWORKED BY SB: 34-0200	002004 006100 107107 950999	RF
- 211	286N1286-333		WIRE BUNDLE ASSY-	504903	RF
- 220	BCREF101623		.CONNECTOR- OVERLENGTH PART NUMBER: BACC66H123C01AD01 ELECTRICAL EQUIP NUMBER: D00211 D00217 D00223 WIRING DIAGRAM REF: 343311 343321 343331	002004 006100 107107 121503 904951	1
225	BCREF101623		.CONNECTOR- OVERLENGTH PART NUMBER: BACC66H123C01AD01 ELECTRICAL EQUIP NUMBER: D00211 D00217 D00223 WIRING DIAGRAM REF: 343311 343321 343331	504903 952999	1

MISSING ITEM NUMBERS NOT APPLICABLE

- ITEM NOT ILLUSTRATED

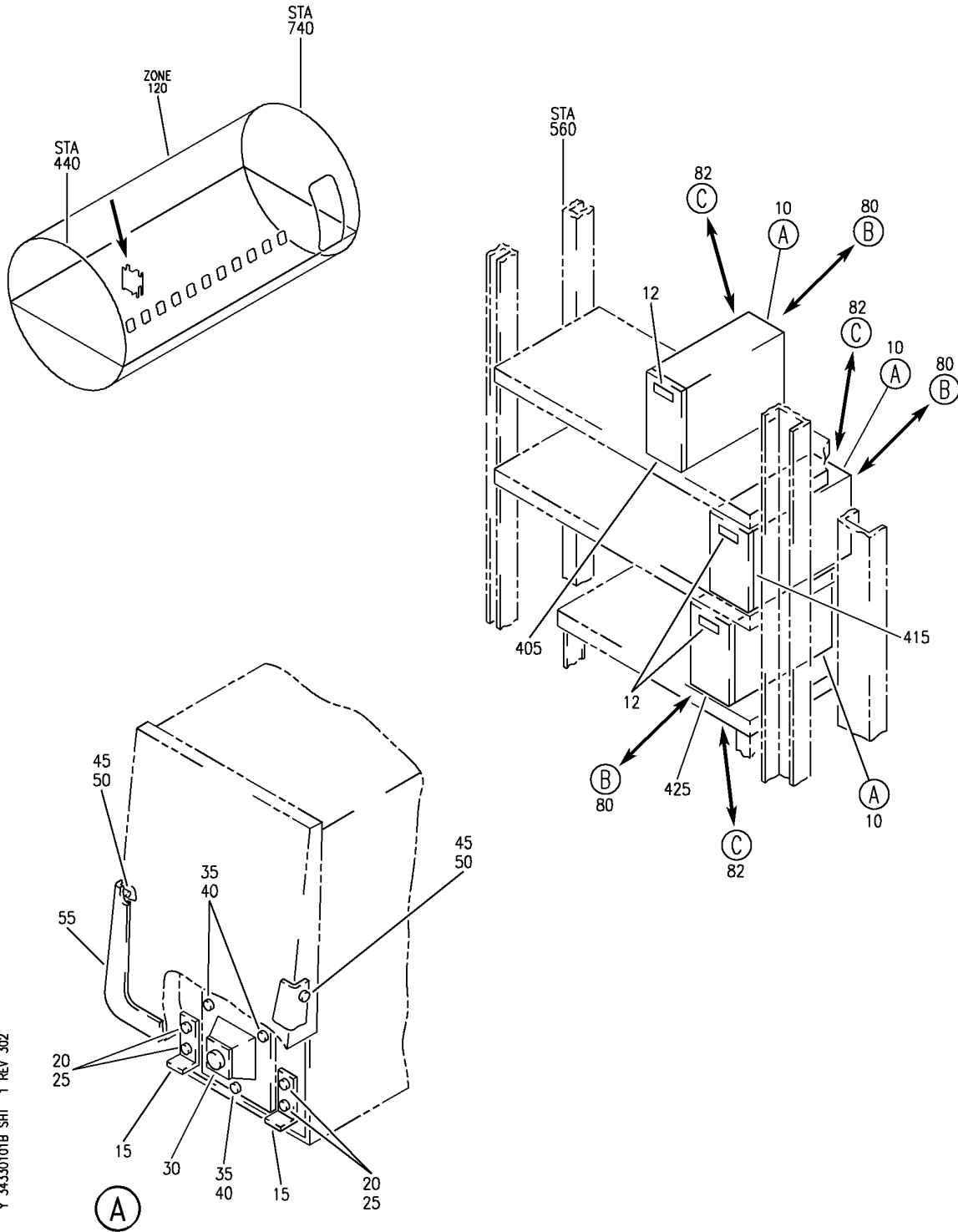
BRI

34-33-01-01

BOEING PROPRIETARY - Copyright © - Unpublished Work - See title page for details.

34-33-01  
FIG. 01  
PAGE 13  
JAN 20/09

**BOEING**  
757  
PARTS CATALOG (MAINTENANCE)



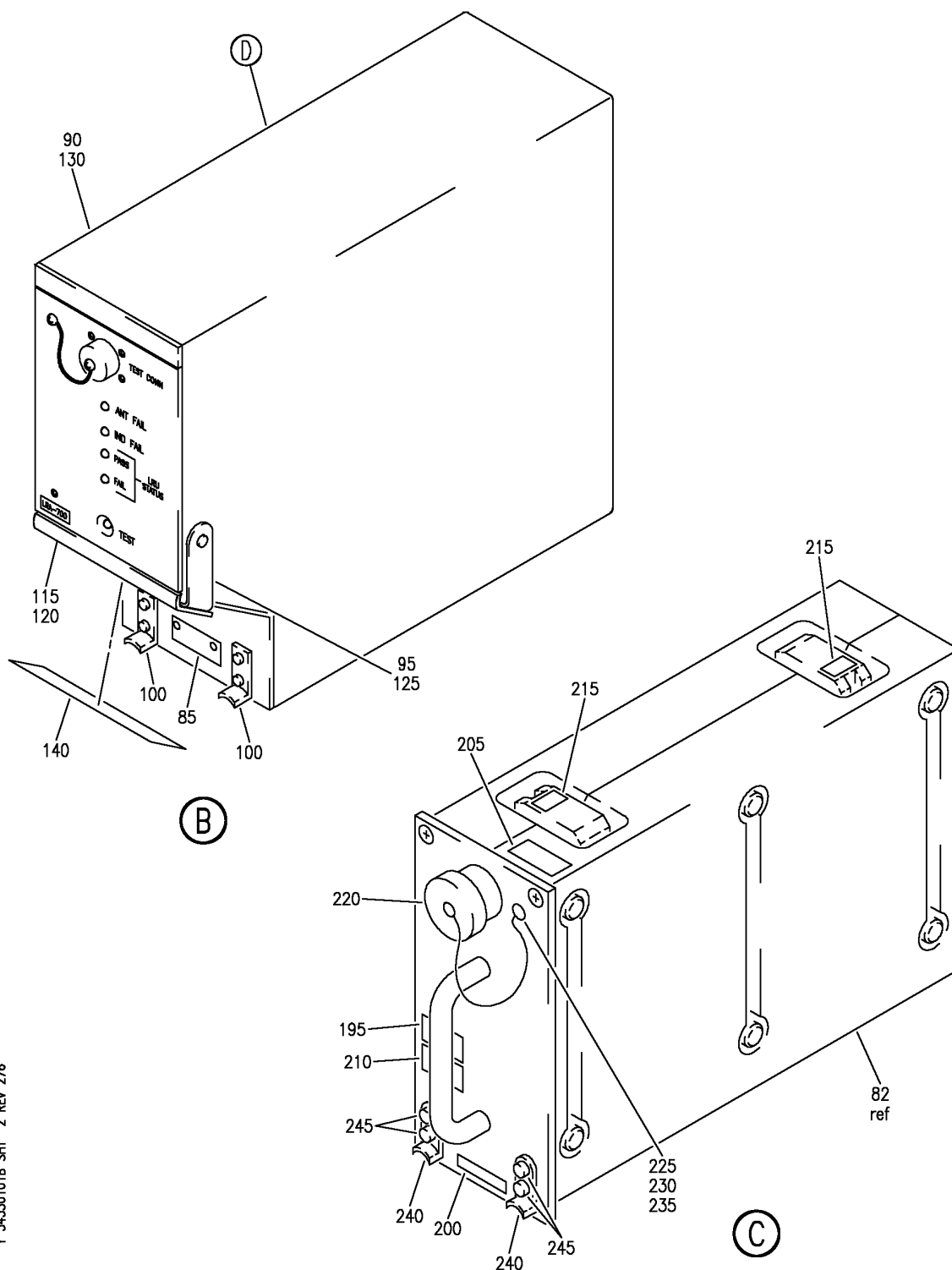
EQUIPMENT INSTL-MAIN ELECTRONICS EQPT CTR (RADIO ALTIMETER SYSTEM ONLY)  
FIGURE 1B (SHEET 1)

BRI  
MAY 28/07

**34-33-01-01B**

34-33-01-01B  
PAGE 0


**BOEING**  
 757  
**PARTS CATALOG (MAINTENANCE)**



Y 34-330101B SHT 2 REV 276

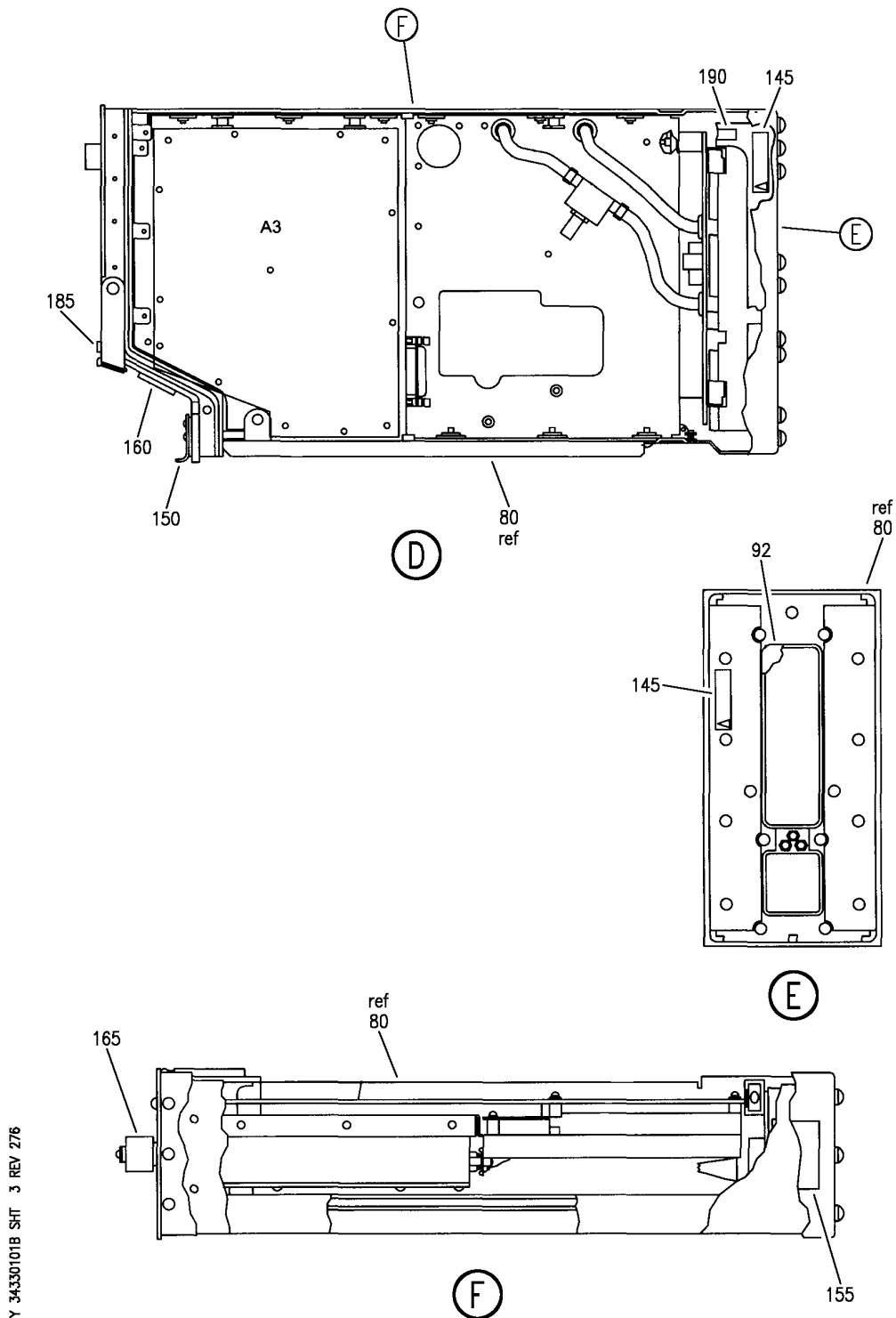
EQUIPMENT INSTL-MAIN ELECTRONICS EQPT CTR (RADIO ALTIMETER SYSTEM ONLY)  
 FIGURE 1B (SHEET 2)

**34-33-01-01B**

BRI  
 MAY 28/07

34-33-01-01B  
 PAGE 0A

**BOEING**  
757  
PARTS CATALOG (MAINTENANCE)



EQUIPMENT INSTL-MAIN ELECTRONICS EQPT CTR (RADIO ALTIMETER SYSTEM ONLY)  
FIGURE 1B (SHEET 3)

**34-33-01-01B**

BRI  
MAY 28/07

34-33-01-01B  
PAGE 0B



**BOEING**  
757  
**PARTS CATALOG (MAINTENANCE)**

FIG ITEM	PART NUMBER	1 2 3 4 5 6 7	NOMENCLATURE	EFFECT FROM TO	UNITS PER ASSY
1B			EQUIPMENT INSTL-MAIN ELECTRONICS EQPT CTR (RADIO ALTIMETER SYSTEM ONLY)	101102	
- 3	284N1800-140		EQUIPMENT INSTL-MAIN ELECTRONICS EQPT CTR (RADIO ALTIMETER SYSTEM ONLY) FOR NHA/OTHER SYS DET SEE: 24-00-58-05E	101101	RF
- 3	284N1800-141		EQUIPMENT INSTL-MAIN ELECTRONICS EQPT CTR (RADIO ALTIMETER SYSTEM ONLY) FOR NHA/OTHER SYS DET SEE: 24-00-58-05E	102102	RF
R R R R R R R R R R R R R R R	10 2041166-5204		.RECEIVER ASSY-XMTR SUPPLIER CODE: V97896 SPECIFICATION NUMBER: S220T101-103 ELECTRICAL EQUIP NUMBER: M00202 M00203 M00204 COMPONENT MAINT MANUAL REF: 34-42-33 QUALIFIED I/W DATA: 2041166-5203, -5204, -5205 AND -5206 ARE I/W EXCEPT SUBJECT TO CUSTOMER PREFERENCE AND IN SHIPSETS ONLY	101102	3
	15 39035-0001		..HOOK- SUPPLIER CODE: V97896 POSITION DATA: HOLD DOWN ATTACHING PARTS	101102	2
	20 MS35216-12		..SCREW	101102	4
	25 MS35338-78		..WASHER -----*-----	101102	4
	30 2089045-0701		..CAP-CONN. SUPPLIER CODE: V97896	101102	1
	35 MS35216-13		..SCREW- CONFIG CHG DATA FROM A CMM: REPLD BY MS35216-16 EFF S/N1001 AND ABOVE	101102	3

MISSING ITEM NUMBERS NOT APPLICABLE

- ITEM NOT ILLUSTRATED

BRI

# 34-33-01-01B

BOEING PROPRIETARY - Copyright © - Unpublished Work - See title page for details.

34-33-01  
FIG. 01B  
PAGE 1  
MAY 20/09



757

PARTS CATALOG (MAINTENANCE)

FIG ITEM	PART NUMBER	1 2 3 4 5 6 7	NOMENCLATURE	EFFECT FROM TO	UNITS PER ASSY
1B					
35	MS35216-16	..	SCREW- CONFIG CHG DATA FROM A CMM: REPLD BY MS35216-13 EFF S/N1001 AND ABOVE	101102	3
35	6432-0412	..	SCREW- SUPPLIER CODE: V27914	101102	3
40	MS35338-78	..	WASHER	101102	3
45	46054-0002	..	SCREW- SUPPLIER CODE: V27914 CONFIG CHG DATA FROM A CMM: REPLD BY 3611334-0001 EFF S/1001 AND ABOVE	101102	2
45	3611334-001	..	SCREW- SUPPLIER CODE: V27914 CONFIG CHG DATA FROM A CMM: REPLS 46054-0002 EFF S/N1001 AND ABOVE	101102	2
50	2080077-0012	..	WASHER- SUPPLIER CODE: V97896	101102	2
55	3603608-0002	..	HANDLE- SUPPLIER CODE: V27914 CONFIG CHG DATA FROM A CMM: REPLD BY 2040266-0502 EFF S/N1011 AND ABOVE	101102	1
55	2040266-0502	..	HANDLE- SUPPLIER CODE: V97896 CONFIG CHG DATA FROM A CMM: REPLS 3603608-0002 EFF S/N1011 AND ABOVE	101102	1
- 400	286N1282-316		WIRE BUNDLE ASSY	101102	RF
405	BCREF101623	.	CONNECTOR- OVERLENGTH PART NUMBER: BACC66H123C01AD01 ELECTRICAL EQUIP NUMBER: D00211 WIRING DIAGRAM REF: 343311	101102	1
- 410	286N1284-324		WIRE BUNDLE ASSY	102102	RF
- 410	286N1284-346		WIRE BUNDLE ASSY	101101	RF

MISSING ITEM NUMBERS NOT APPLICABLE

- ITEM NOT ILLUSTRATED

34-33-01-01B

34-33-01  
FIG. 01B  
PAGE 2  
MAY 20/09

BRI

BOEING PROPRIETARY - Copyright © - Unpublished Work - See title page for details.



757

PARTS CATALOG (MAINTENANCE)

FIG ITEM	PART NUMBER	1 2 3 4 5 6 7	NOMENCLATURE	EFFECT FROM TO	UNITS PER ASSY
1B 415	BCREF101623		.CONNECTOR- OVERLENGTH PART NUMBER: BACC66H123C01AD01 ELECTRICAL EQUIP NUMBER: D00217 WIRING DIAGRAM REF: 343321	101102	1
- 420 425	286N1286-335 BCREF101623		WIRE BUNDLE ASSY .CONNECTOR- OVERLENGTH PART NUMBER: BACC66H123C01AD01 ELECTRICAL EQUIP NUMBER: D00223 WIRING DIAGRAM REF: 343331	101102 101102	RF 1

MISSING ITEM NUMBERS NOT APPLICABLE

- ITEM NOT ILLUSTRATED

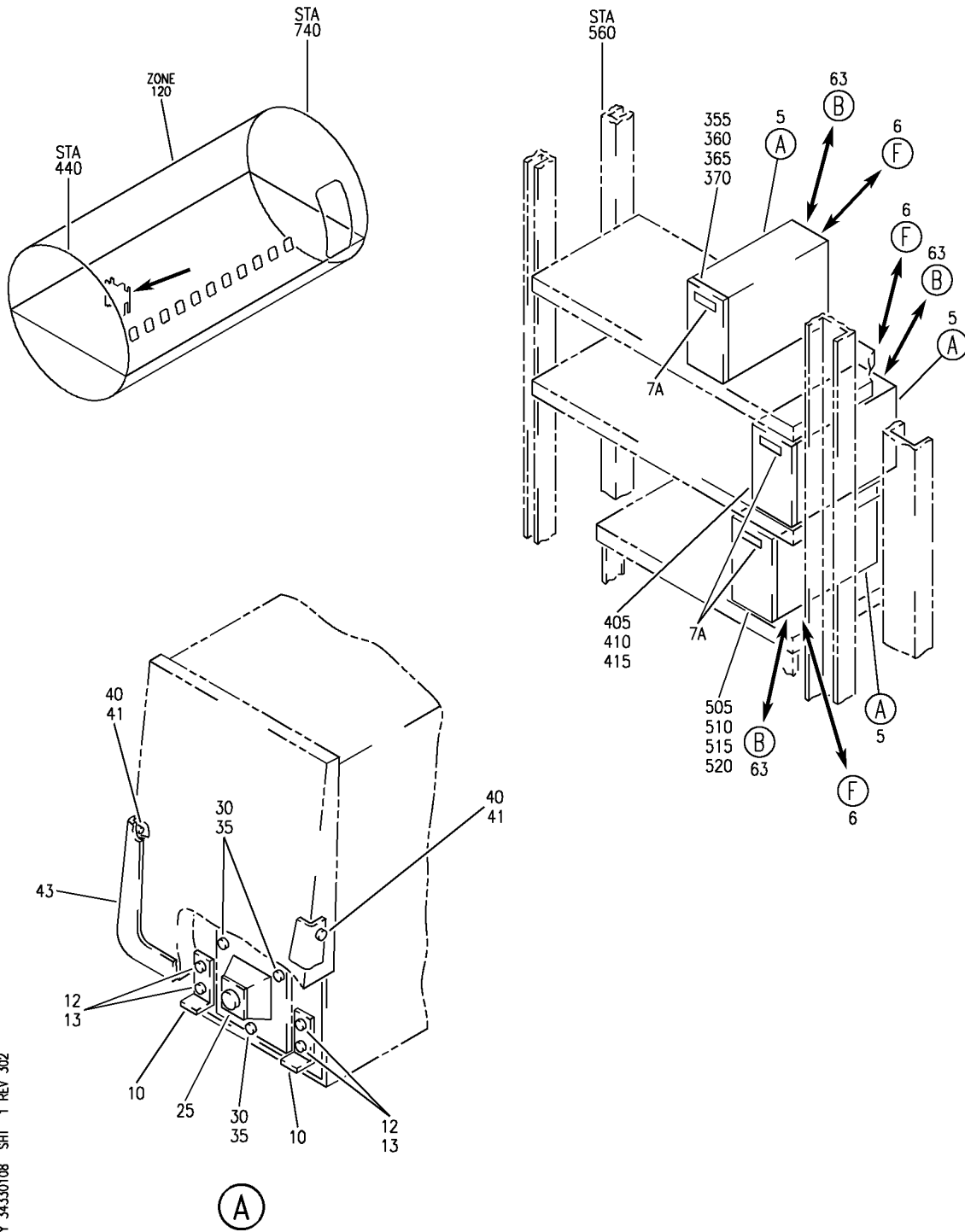
BRI

34-33-01-01B

BOEING PROPRIETARY - Copyright © - Unpublished Work - See title page for details.

34-33-01  
FIG. 01B  
PAGE 3  
JAN 20/09

**BOEING**  
757  
PARTS CATALOG (MAINTENANCE)



Y 34-33-01-08 SHT 1 REV 302

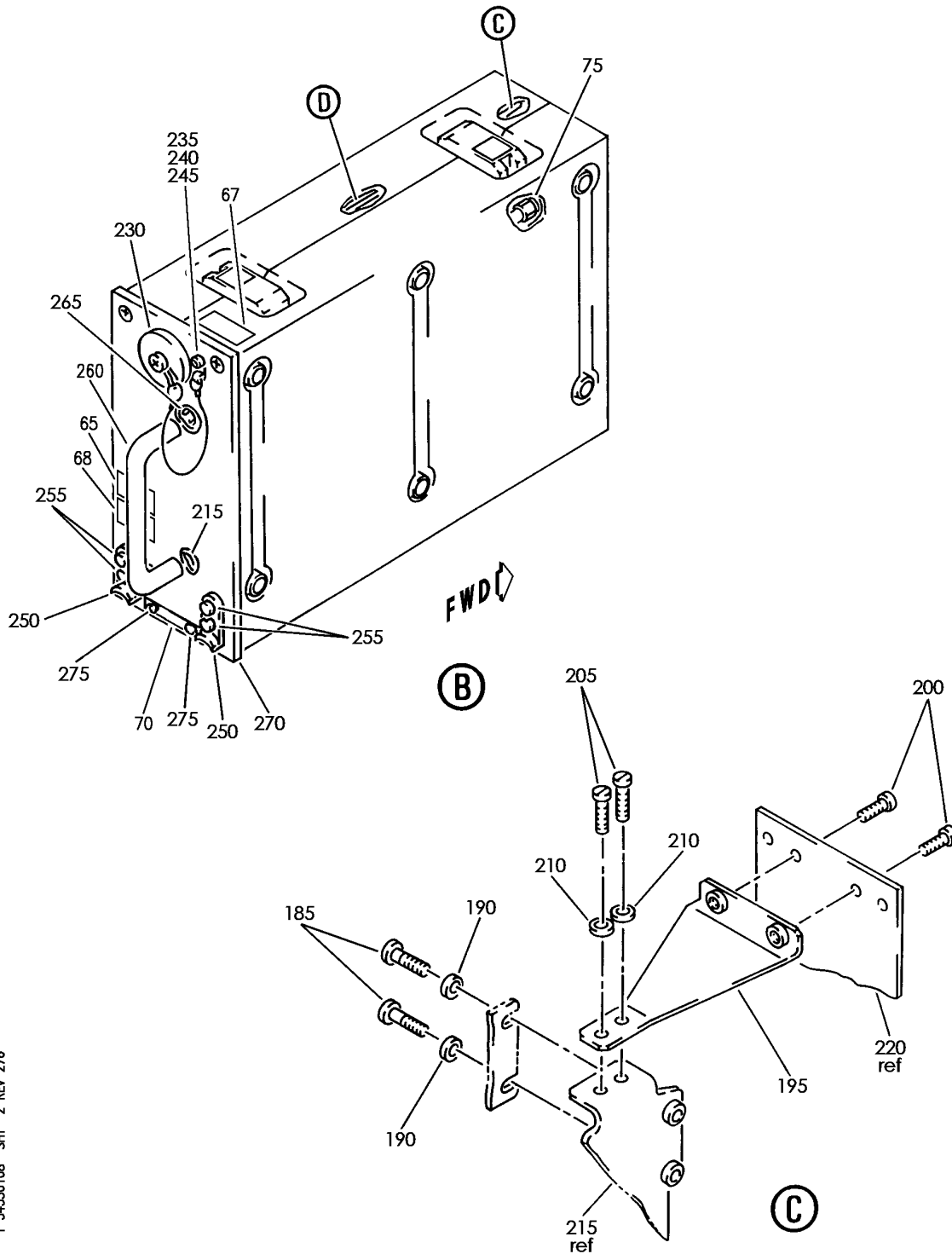
EQUIPMENT INSTL-MAIN ELECTRONICS EQPT CTR RADIO ALTM XMTR RCVR  
FIGURE 8 (SHEET 1)

**34-33-01-08**

BRI  
JAN 20/09

34-33-01-08  
PAGE 0

**BOEING**  
757  
PARTS CATALOG (MAINTENANCE)



Y 34-330108 SHT 2 REV 276

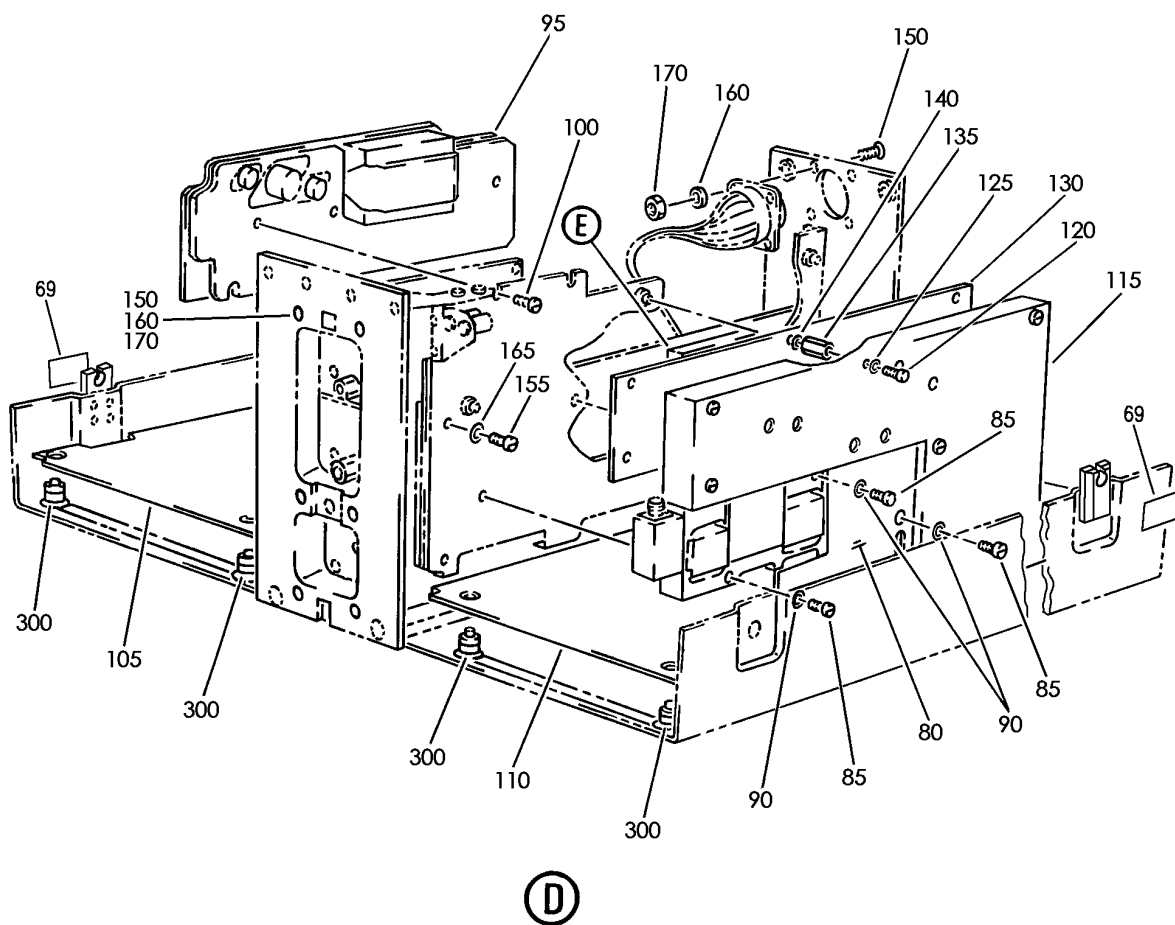
EQUIPMENT INSTL-MAIN ELECTRONICS EQPT CTR RADIO ALTM XMTR RCVR  
FIGURE 8 (SHEET 2)

**34-33-01-08**

BRI  
JAN 20/09

34-33-01-08  
PAGE 0A

**BOEING**  
757  
PARTS CATALOG (MAINTENANCE)



Y 34-330108 SH-T 3 REV 276

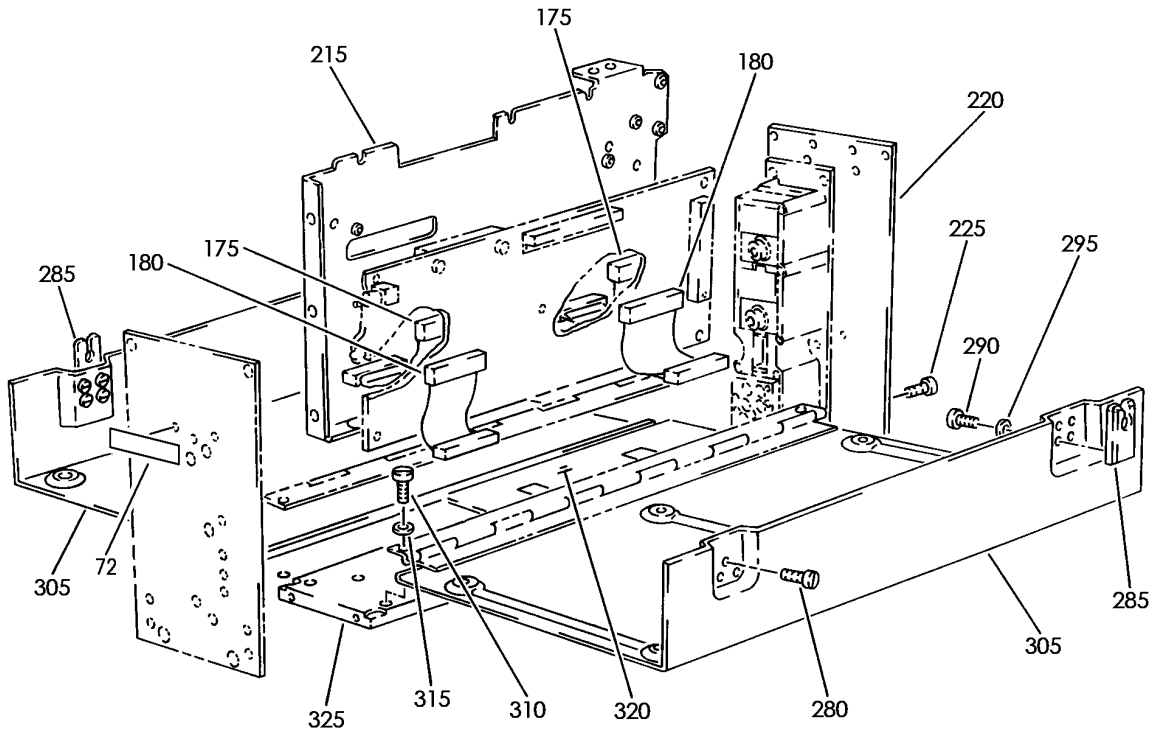
EQUIPMENT INSTL-MAIN ELECTRONICS EQPT CTR RADIO ALTM XMTR RCVR  
FIGURE 8 (SHEET 3)

**34-33-01-08**

BRI  
JAN 20/09

34-33-01-08  
PAGE 08

**BOEING**  
757  
PARTS CATALOG (MAINTENANCE)



(E)

Y 34-330108 SH1 4 REV 276

EQUIPMENT INSTL-MAIN ELECTRONICS EQPT CTR RADIO ALTM XMTR RCVR  
FIGURE 8 (SHEET 4)

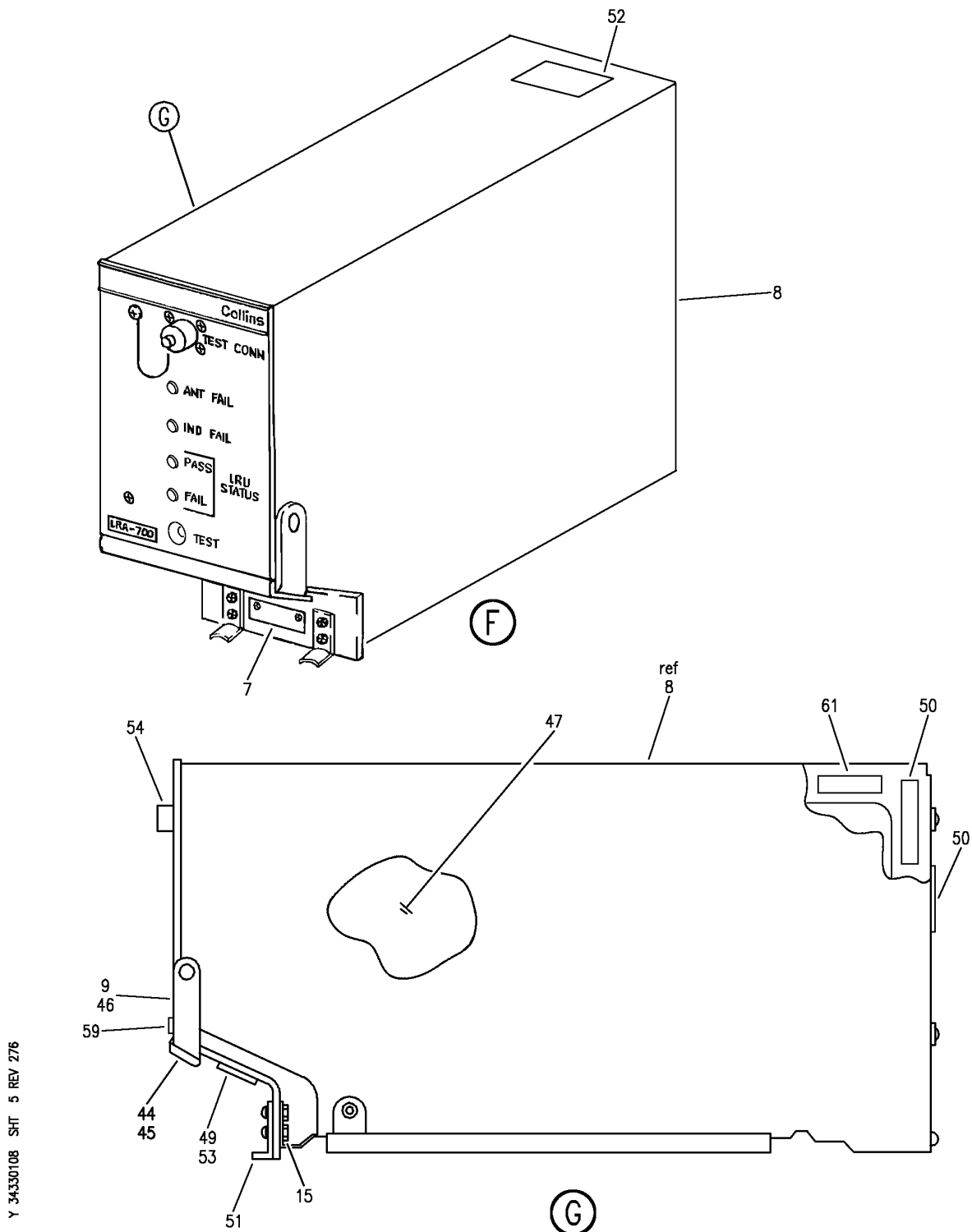
**34-33-01-08**

BRI  
JAN 20/09

34-33-01-08  
PAGE 0C

BOEING PROPRIETARY - Copyright © - Unpublished Work - See title page for details.


**BOEING**  
 757  
**PARTS CATALOG (MAINTENANCE)**



Y 34330108 SHT 5 REV 276

EQUIPMENT INSTL-MAIN ELECTRONICS EQPT CTR RADIO ALTM XMTR RCVR  
 FIGURE 8 (SHEET 5)

**34-33-01-08**

BRI  
 JAN 20/09

34-33-01-08  
 PAGE 0D





757

PARTS CATALOG (MAINTENANCE)

FIG ITEM	PART NUMBER	1 2 3 4 5 6 7	NOMENCLATURE	EFFECT FROM TO	UNITS PER ASSY
8			EQUIPMENT INSTL-MAIN ELECTRONICS EQPT CTR RADIO ALTM XMTR RCVR	103106 108120	
- 1	284N4000-340008		EQUIPMENT INSTL-MAIN ELECTRONICS EQPT CTR RADIO ALTM XMTR RCVR FOR NHA SEE: 24-00-58-05F	108120	RF
- 1	MODREF10251		EQUIPMENT INSTL-MAIN ELECTRONICS EQPT CTR RADIO ALTM XMTR RCVR MODULE NUMBER: 284N4000-340016 REV A	103106	1
5	822-0334-002		.TRANSCEIVER- SUPPLIER CODE: V4V792 FUNCTIONAL DESCRIPTION: COMPUTES AND VERIFIES ALTITUDE INFORMATION FOR USE BY FLIGHT AND WARNING SYSTEMS UTILIZING TRANSMITTED RADIO SIGNALS WHICH ARE REFLECTED BY TERRAIN. SB DATA FROM A CMM: LRA-900-34-2 LRA-900-34-3 LRA-900-34-4 ELECTRICAL EQUIP NUMBER: M00202 M00203 M00204 COMPONENT MAINT MANUAL REF: 34-47-91	103106	3

MISSING ITEM NUMBERS NOT APPLICABLE

- ITEM NOT ILLUSTRATED

34-33-01-08

34-33-01  
FIG. 08  
PAGE 1  
JAN 20/09

BRI



757

PARTS CATALOG (MAINTENANCE)

FIG ITEM	PART NUMBER	1 2 3 4 5 6 7	NOMENCLATURE	EFFECT FROM TO	UNITS PER ASSY
8 R	5	822-0334-002	.TRANSCEIVER- SUPPLIER CODE: V4V792 FUNCTIONAL DESCRIPTION: COMPUTES AND VERIFIES ALTITUDE INFORMATION FOR USE BY FLIGHT AND WARNING SYSTEMS UTILIZING TRANSMITTED RADIO SIGNALS WHICH ARE REFLECTED BY TERRAIN. SB DATA FROM A CMM: LRA-900-34-2 LRA-900-34-3 LRA-900-34-4 ELECTRICAL EQUIP NUMBER: M00202 M00203 M00204 COMPONENT MAINT MANUAL REF: 34-47-91	108120	3
	6	622-4542-103	.TRANSCEIVER- SUPPLIER CODE: V4V792 ELECTRICAL EQUIP NUMBER: M00202 M00203 M00204 COMPONENT MAINT MANUAL REF: 34-47-70 QUALIFIED I/W DATA: 2041166-5204 AND 662-4542-103 ARE I/W EXCEPT SUBJECT TO CUSTOMER PREFERENCE AND IN SHIPSETS ONLY	103106	3

MISSING ITEM NUMBERS NOT APPLICABLE

- ITEM NOT ILLUSTRATED

34-33-01-08

34-33-01  
FIG. 08  
PAGE 2  
MAY 20/09

BRI



757

PARTS CATALOG (MAINTENANCE)

FIG ITEM	PART NUMBER	1 2 3 4 5 6 7	NOMENCLATURE	EFFECT FROM TO	UNITS PER ASSY
R R R R R R R R R R R	8 6	622-4542-103	. TRANSCEIVER- SUPPLIER CODE: V4V792 ELECTRICAL EQUIP NUMBER: M00202 M00203 M00204 COMPONENT MAINT MANUAL REF: 34-47-70 QUALIFIED I/W DATA: 2041166-5204 AND 662-4542-103 ARE I/W EXCEPT SUBJECT TO CUSTOMER PREFERENCE AND IN SHIPSETS ONLY	108120	3
	7	646-0150-001	.. PLATE-IDENT SUPPLIER CODE: V4V792 USED ON: 622-4542-103	103106 108120	1
	8	025-1157-001	.. CAP-PROTECTIVE SUPPLIER CODE: V71468 CONFIG CHG DATA FROM A CMM: REPLD BY 025-1158-001 MISCELLANEOUS DATA: ROCKWELL COLLINS P/N 370-0505-080 OPTIONAL PART: 4041437-5 V58960 USED ON: 622-4542-103	103106 108120	1
	8	025-1158-001	.. CAP-PROTECTIVE SUPPLIER CODE: V71468 CONFIG CHG DATA FROM A CMM: REPLD BY 211600-2 REPLACES 025-1157-001 MISCELLANEOUS DATA: ROCKWELL COLLINS P/N 370-0505-070 OPTIONAL PART: 4041437-6 V58960 USED ON: 622-4542-103	103106 108120	1

MISSING ITEM NUMBERS NOT APPLICABLE

- ITEM NOT ILLUSTRATED

34-33-01-08

34-33-01  
FIG. 08  
PAGE 3  
MAY 20/09

BRI

 **BOEING**  
757  
**PARTS CATALOG (MAINTENANCE)**

FIG ITEM	PART NUMBER	1 2 3 4 5 6 7	NOMENCLATURE	EFFECT FROM TO	UNITS PER ASSY
8	211600-2		..CAP-DUST SUPPLIER CODE: V00779 MISCELLANEOUS DATA: ROCKWELL COLLINS P/N 370-0081-020 USED ON: 622-4542-103	103106 108120	1
9	629-6836-069		..STRIP-IDENT SUPPLIER CODE: V4V792 USED ON: 622-4542-103	103106 108120	1
15	503-4970-001		..HOOK-HOLDOWN SUPPLIER CODE: V4V792 USED ON: 622-4542-103	103106 108120	2
- 17	MS51957-30		ATTACHING PARTS ..SCREW- USED ON: 622-4542-103	103106 108120	4
- 17	MS51957-29		..SCREW	103106 108120	4
- 18	641-8914-001		-----*----- ..SHIM- SUPPLIER CODE: V4V792 USED ON: 622-4542-103	103106 108120	2
44	651-2408-003		..HANDLE ASSY- SUPPLIER CODE: V4V792 USED ON: 622-4542-103	103106 108120	1
45	768-3386-002		...BAR-GRIP SUPPLIER CODE: V4V792	103106 108120	1
46	768-3387-003		...HANDLE- SUPPLIER CODE: V4V792 CONFIG CHG DATA FROM A CMM: SUPSD BY 768-3387-020	103106 108120	1
46	768-3387-020		...STRAP-HANDLE SUPPLIER CODE: V4V792 CONFIG CHG DATA FROM A CMM: SUPSDS BY 768-3387-003	103106 108120	1

MISSING ITEM NUMBERS NOT APPLICABLE

- ITEM NOT ILLUSTRATED

BRI

# 34-33-01-08

BOEING PROPRIETARY - Copyright © - Unpublished Work - See title page for details.

34-33-01  
FIG. 08  
PAGE 4  
JAN 20/09



757

PARTS CATALOG (MAINTENANCE)

FIG ITEM	PART NUMBER	1 2 3 4 5 6 7	NOMENCLATURE	EFFECT FROM TO	UNITS PER ASSY
8					
47	280-2745-020		.. LABEL-ESDS WARNING SUPPLIER CODE: V12998 USED ON: 622-4542-103	103106 108120	1
- 48	DAT115-652		.. LABEL-CAUTION SUPPLIER CODE: V85480 USED ON: 622-4542-103	103106 108120	3
- 48	3XC10R		.. LABEL-CAUTION SUPPLIER CODE: V67041 USED ON: 622-4542-103	103106 108120	1
49	829-0200-011		.. PLATE-IDENT, SUPPLIER CODE: V4V792 USED ON: 622-4542-103	103106 108120	1
50	280-2745-130		.. LABEL-ESDS WARNING SUPPLIER CODE: V4V792	103106 108120	2
51	685-7317-001		.. PLATE-IDENT SUPPLIER CODE: V4V792 CONFIG CHG DATA FROM A CMM: SUPSD BY 685-7317-002	103106 108120	1
51	685-7317-002		.. PLATE-IDENT SUPPLIER CODE: V4V792 CONFIG CHG DATA FROM A CMM: SUPERSEDES 685-7317-001 SUPSD BY 685-7317-004	103106 108120	1
51	685-7317-004		.. PLATE-IDENT SUPPLIER CODE: V4V792 CONFIG CHG DATA FROM A CMM: SUPERSEDES 685-7317-002	103106 108120	1
51	685-7317-010		.. PLATE-IDENT SUPPLIER CODE: V4V792 CONFIG CHG DATA FROM A CMM: SUPERSEDES 685-7317-004	103106 108120	1
52	838-7020-020		.. LABEL-CAUTION SUPPLIER CODE: V12998	103106 108120	1

MISSING ITEM NUMBERS NOT APPLICABLE

- ITEM NOT ILLUSTRATED

34-33-01-08

34-33-01  
FIG. 08  
PAGE 5  
JAN 20/09

BRI



757

PARTS CATALOG (MAINTENANCE)

FIG ITEM	PART NUMBER	1 2 3 4 5 6 7	NOMENCLATURE	EFFECT FROM TO	UNITS PER ASSY
8					
53	829-0200-007	..	PLATE-MOD SUPPLIER CODE: V4V792	103106 108120	1
54	SE91E02C3-0-5-8	..	COVER-CONN. SUPPLIER CODE: V07418 CONFIG CHG DATA FROM A CMM: SUPSD BY 660-009C08U3-01 MISCELLANEOUS DATA: ROCKWELL CONLLINS P/N 859-6603-170	103106 108120	1
54	660-009C08U3-01	..	COVER-CONN. SUPPLIER CODE: V06324 CONFIG CHG DATA FROM A CMM: SUPERSEDES SE91E02C3-0-5-8 MISCELLANEOUS DATA: ROCKWELL CONLLINS P/N 859-6603-080 ATTACHING PARTS	103106 108120	1
- 56	MS51957-15B	..	SCREW- CONFIG CHG DATA FROM A CMM: SUPSD BY MS51957-13B	103106 108120	1
- 56	MS51957-13B	..	SCREW- CONFIG CHG DATA FROM A CMM: SUPERSEDES MS51957-15B	103106 108120	1
- 57	MS35338-135	..	WASHER	103106 108120	1
- 58	NAS671C4	..	NUT	103106 108120	1
			-----*-----		
59	830-1099-001	..	STRIP-IDENT SUPPLIER CODE: V4V792	103106 108120	1
61	280-3778-100	..	LABEL-INFORMATION SUPPLIER CODE: VOBU16 OPTIONAL SUPPLIER CODE: 12998	103106 108120	1
- 350	286N1282-320		WIRE BUNDLE ASSY	108120	RF
- 353	286N1282-702		WIRE BUNDLE ASSY	103106	1
355	BCREF101623	.	CONNECTOR- OVERLENGTH PART NUMBER: BACC66H123C01AD01 ELECTRICAL EQUIP NUMBER: D00211 WIRING DIAGRAM REF: 343311	108120	1

MISSING ITEM NUMBERS NOT APPLICABLE

- ITEM NOT ILLUSTRATED

34-33-01-08

34-33-01  
FIG. 08  
PAGE 6  
JAN 20/09

BRI



757

PARTS CATALOG (MAINTENANCE)

FIG ITEM	PART NUMBER	1 2 3 4 5 6 7	NOMENCLATURE	EFFECT FROM TO	UNITS PER ASSY
8 355	BCREF19465	.	CONNECTOR- SUPPLIER CODE: V05574 OVERLENGTH PART NUMBER: BACC66H123C01AK01 ELECTRICAL EQUIP NUMBER: D00211 WIRING DIAGRAM REF: 343311	103106	1
360	S280W601-116	.	BACKSHELL-GND ELECTRICAL EQUIP NUMBER: D00211V WIRING DIAGRAM REF: 343311	103106	1
365	349-1112-002	.	CONTACT- SUPPLIER CODE: V71468 SPECIFICATION NUMBER: BACC47EN4A ELECTRICAL EQUIP NUMBER: D00211AT WIRING DIAGRAM REF: 343311	103106	1
370	349-1112-002	.	CONTACT- SUPPLIER CODE: V71468 SPECIFICATION NUMBER: BACC47EN4A ELECTRICAL EQUIP NUMBER: D00211BT WIRING DIAGRAM REF: 343311	103106	1
- 401	286N1284-601		WIRE BUNDLE ASSY	103105	RF
- 402	286N1284-363		WIRE BUNDLE ASSY-	108120	RF
- 402	286N1284-602		WIRE BUNDLE ASSY	106106	RF
405	BCREF101623	.	CONNECTOR- OVERLENGTH PART NUMBER: BACC66H123C01AD01 ELECTRICAL EQUIP NUMBER: D00217 WIRING DIAGRAM REF: 343321	108120	1

MISSING ITEM NUMBERS NOT APPLICABLE

- ITEM NOT ILLUSTRATED

34-33-01-08

34-33-01  
FIG. 08  
PAGE 7  
JAN 20/09

BRI



757

PARTS CATALOG (MAINTENANCE)

FIG ITEM	PART NUMBER	1 2 3 4 5 6 7	NOMENCLATURE	EFFECT FROM TO	UNITS PER ASSY
8 405	BCREF19465		.CONNECTOR- SUPPLIER CODE: V05574 OVERLENGTH PART NUMBER: BACC66H123C01AK01 ELECTRICAL EQUIP NUMBER: D00217 WIRING DIAGRAM REF: 343321	103106	1
410	349-1112-002		.CONTACT- SUPPLIER CODE: V71468 SPECIFICATION NUMBER: BACC47EN4A ELECTRICAL EQUIP NUMBER: D00217AT WIRING DIAGRAM REF: 343321	103106	1
415	349-1112-002		.CONTACT- SUPPLIER CODE: V71468 SPECIFICATION NUMBER: BACC47EN4A ELECTRICAL EQUIP NUMBER: D00217BT WIRING DIAGRAM REF: 343321	103106	1
- 503	286N1286-702		WIRE BUNDLE ASSY	103106	1
505	BCREF101623		.CONNECTOR- OVERLENGTH PART NUMBER: BACC66H123C01AD01 ELECTRICAL EQUIP NUMBER: D00223 WIRING DIAGRAM REF: 343331	108120	1
505	BCREF19465		.CONNECTOR- SUPPLIER CODE: V05574 OVERLENGTH PART NUMBER: BACC66H123C01AK01 ELECTRICAL EQUIP NUMBER: D00223 WIRING DIAGRAM REF: 343331	103106	1
510	S280W601-116		.BACKSHELL-GND ELECTRICAL EQUIP NUMBER: D00223V WIRING DIAGRAM REF: 343331	103106	1

MISSING ITEM NUMBERS NOT APPLICABLE

- ITEM NOT ILLUSTRATED

34-33-01-08

34-33-01  
FIG. 08  
PAGE 8  
JAN 20/09

BRI





757

PARTS CATALOG (MAINTENANCE)

FIG ITEM	PART NUMBER	1 2 3 4 5 6 7	NOMENCLATURE	EFFECT FROM TO	UNITS PER ASSY
8 515	349-1112-002		.CONTACT- SUPPLIER CODE: V71468 SPECIFICATION NUMBER: BACC47EN4A ELECTRICAL EQUIP NUMBER: D00223AT WIRING DIAGRAM REF: 343331	103106	1
520	349-1112-002		.CONTACT- SUPPLIER CODE: V71468 SPECIFICATION NUMBER: BACC47EN4A ELECTRICAL EQUIP NUMBER: D00223BT WIRING DIAGRAM REF: 343331	103106	1

MISSING ITEM NUMBERS NOT APPLICABLE

- ITEM NOT ILLUSTRATED

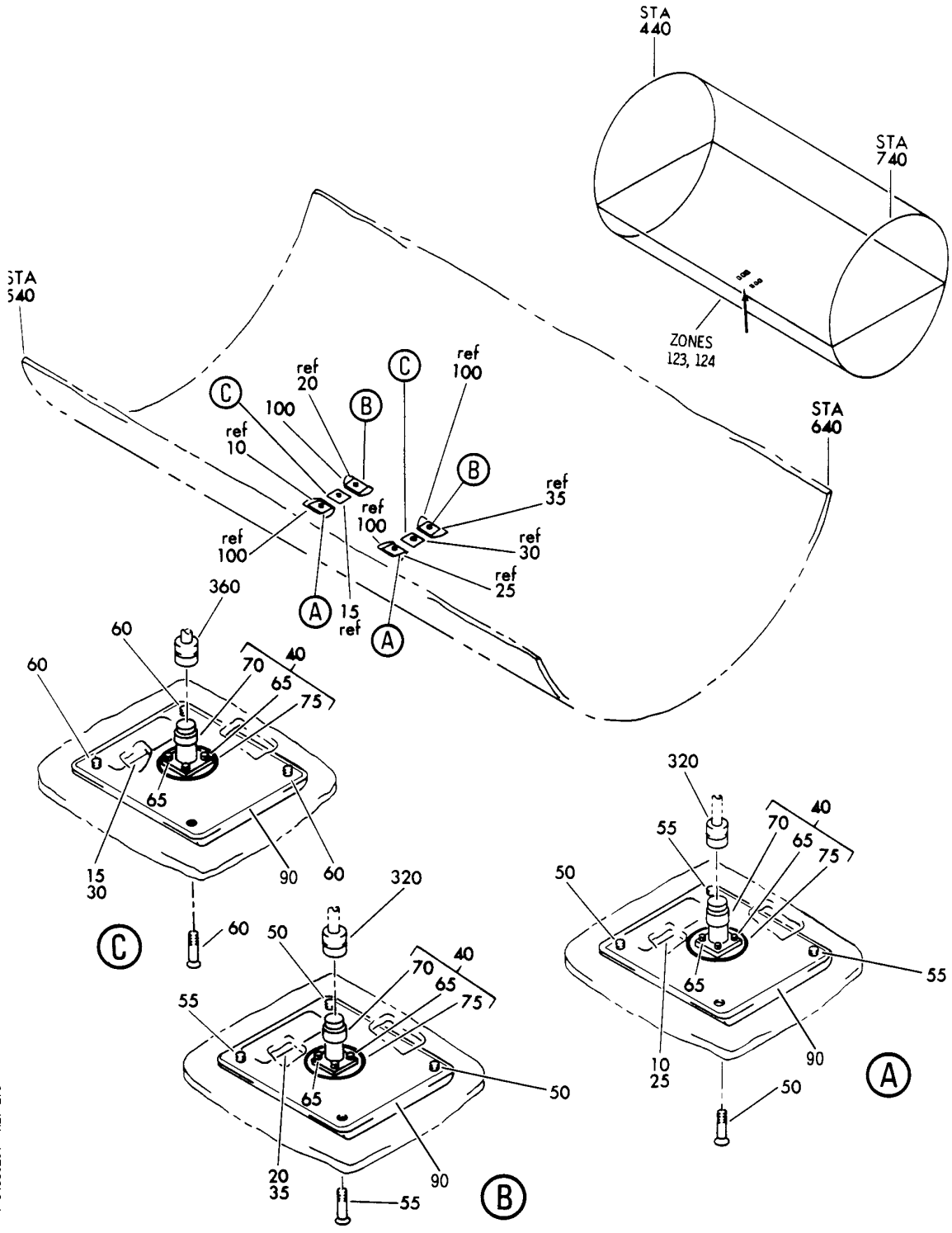
BRI

34-33-01-08

BOEING PROPRIETARY - Copyright © - Unpublished Work - See title page for details.

34-33-01  
FIG. 08  
PAGE 9  
JAN 20/09

**BOEING**  
 757  
 PARTS CATALOG (MAINTENANCE)



Y 34-330201 REV 279

ANTENNA INSTL-RADIO ALTM  
 FIGURE 1

**34-33-02-01**

BRI  
 MAY 28/07

34-33-02-01  
 PAGE 0



757

PARTS CATALOG (MAINTENANCE)

FIG ITEM	PART NUMBER	1 2 3 4 5 6 7	NOMENCLATURE	EFFECT FROM TO	UNITS PER ASSY
1			ANTENNA INSTL-RADIO ALTM	002004 006999	
- 1	284N1348-3		ANTENNA INSTL-RADIO ALTM POSITION DATA: STA 610 FOR NHA SEE: 24-00-58-01B	002004 006100 107107 121503 904999	RF
- 1	284N1348-5		ANTENNA INSTL-RADIO ALTM POSITION DATA: STA 610 FOR NHA SEE: 24-00-58-05	101102 108120 504903	RF
- 1	MODREF9915		ANTENNA INSTL-RADIO ALTM MODULE NUMBER: 284N1348-5 REV A POSITION DATA: STA 610	103106	1
- 5	284N1348-4		ANTENNA INSTL-RADIO ALTM POSITION DATA: STA 570 FOR NHA SEE: 24-00-58-01B	002004 006100 107107 121503 904999	RF
- 5	284N1348-6		ANTENNA INSTL-RADIO ALTM POSITION DATA: STA 570 FOR NHA SEE: 24-00-58-05	101102 108120 504903	RF
- 5	MODREF9916		ANTENNA INSTL-RADIO ALTM MODULE NUMBER: 284N1348-6 REV A POSITION DATA: STA 570	103106	1
10	BAC27NEX0692		.DECAL- PLACARD CONTENT: M00252 ANTENNA-XMTR RAD ALTM, LEFT USED ON: 284N1348-4 284N1348-6 MODREF9916	002004 006999	1
15	BAC27NEX0693		.DECAL- PLACARD CONTENT: M00256 ANTENNA-XMTR RAD ALTM, CENTER USED ON: 284N1348-4 284N1348-6 MODREF9916	002004 006999	1

MISSING ITEM NUMBERS NOT APPLICABLE

- ITEM NOT ILLUSTRATED

34-33-02-01

34-33-02  
FIG. 01  
PAGE 1  
JAN 20/09

BRI



757

PARTS CATALOG (MAINTENANCE)

FIG ITEM	PART NUMBER	1 2 3 4 5 6 7	NOMENCLATURE	EFFECT FROM TO	UNITS PER ASSY
1	20	BAC27NEX0694	.DECAL- PLACARD CONTENT: M00254 ANTENNA-XMTR RAD ALTM RIGHT USED ON: 284N1348-4 284N1348-6 MODREF9916	002004 006999	1
	25	BAC27NEX0695	.DECAL- PLACARD CONTENT: M00253 ANTENNA-RCVR RAD ALTM, LEFT USED ON: 284N1348-3 284N1348-5 MODREF9915	002004 006999	1
	30	BAC27NEX0696	.DECAL- PLACARD CONTENT: M00257 ANTENNA-RCVR RAD ALTM CENTER USED ON: 284N1348-3 284N1348-5 MODREF9915	002004 006999	1
	35	BAC27NEX0697	.DECAL- PLACARD CONTENT: M00255 ANTENNA-RCVR RAD ALTM RIGHT USED ON: 284N1348-3 284N1348-5 MODREF9915	002004 006999	1

MISSING ITEM NUMBERS NOT APPLICABLE

- ITEM NOT ILLUSTRATED

34-33-02-01

34-33-02  
FIG. 01  
PAGE 2  
JAN 20/09

BRI

BOEING PROPRIETARY - Copyright © - Unpublished Work - See title page for details.



757

PARTS CATALOG (MAINTENANCE)

FIG ITEM	PART NUMBER	1 2 3 4 5 6 7	NOMENCLATURE	EFFECT FROM TO	UNITS PER ASSY
1					
40	S67-2002-18		.ANTENNA ASSY- SUPPLIER CODE: V13691 FUNCTIONAL DESCRIPTION: TRANSMITS AND RECEIVES SIGNALS TO DETERMINE HEIGHT ABOVE TERRAIN. SPECIFICATION NUMBER: S220T112-102 ELECTRICAL EQUIP NUMBER: M00252 M00253 M00254 M00255 M00256 M00257 OPTIONAL PART: LG81AJ01 V94580	002004 006999	3
40	LG81AJ01		.ANTENNA ASSY- SUPPLIER CODE: V94580 SPECIFICATION NUMBER: S220T112-101 ELECTRICAL EQUIP NUMBER: M00252 M00253 M00254 M00255 M00256 M00257 OPTIONAL PART: S67-2002-18 V13691 ATTACHING PARTS	002004 006999	3
50	BACB30NN3K18		.BOLT-	002004 006999	4
55	BACB30NN3K10		.BOLT-	002004 006999	4
60	BACB30NN3K5		.BOLT-	002004 006999	4
65	NAS679C04		-----*----- . .NUT- OPTIONAL PART: NAS1021C04	002004 006999	12
65	NAS1021C04		. .NUT- OPTIONAL PART: NAS679C04	002004 006999	12

MISSING ITEM NUMBERS NOT APPLICABLE

- ITEM NOT ILLUSTRATED

34-33-02-01

34-33-02  
FIG. 01  
PAGE 3  
JAN 20/09

BRI



757

PARTS CATALOG (MAINTENANCE)

FIG ITEM	PART NUMBER	1 2 3 4 5 6 7	NOMENCLATURE	EFFECT FROM TO	UNITS PER ASSY
1					
70	10077873-101		.. CONNECTOR- SUPPLIER CODE: V94580	002004 006999	3
75	M25988-1-025		.. PACKING-	002004 006999	3
100			ILLUSTRATION REFERENCE: PANEL ANTENNA AND COVER PLATE INSTL-STA 439 TO 661 STGR 14R TO 26L SKIN 53-35-51-01	002004 006100 107107 121503 904999	RF
- 300	286N4041-001		WIRE BUNDLE ASSY	002004 006100 107107 121503 904999	RF
- 300	286N4041-301		WIRE BUNDLE ASSY-	101102	RF
- 300	286N4041-302		WIRE BUNDLE ASSY-	108120	RF
- 300	286N4041-303		WIRE BUNDLE ASSY	504903	RF
- 300	286N4041-701		WIRE BUNDLE ASSY	103106	RF
- 305	286N4043-001		WIRE BUNDLE ASSY	002004 006100 107107 121503 904999	RF
- 305	286N4043-301		WIRE BUNDLE ASSY-	101102	RF
- 305	286N4043-302		WIRE BUNDLE ASSY-	108120	RF
- 305	286N4043-303		WIRE BUNDLE ASSY	504903	RF
- 305	286N4043-701		WIRE BUNDLE ASSY	103106	RF
- 310	286N4045-001		WIRE BUNDLE ASSY-	002004 006100 107107 121503 904999	RF
- 310	286N4045-301		WIRE BUNDLE ASSY-	101102 108120	RF
- 310	286N4045-302		WIRE BUNDLE ASSY	504903	RF
- 310	286N4045-701		WIRE BUNDLE ASSY	103106	RF
- 315	286N4047-001		WIRE BUNDLE ASSY-	002004 006100 107107 121503 904999	RF
- 315	286N4047-301		WIRE BUNDLE ASSY-	101102 108120	RF
- 315	286N4047-302		WIRE BUNDLE ASSY	504903	RF
- 315	286N4047-701		WIRE BUNDLE ASSY	103106	RF

MISSING ITEM NUMBERS NOT APPLICABLE

- ITEM NOT ILLUSTRATED

BRI

34-33-02-01

34-33-02  
FIG. 01  
PAGE 4  
JAN 20/09



757

PARTS CATALOG (MAINTENANCE)

FIG ITEM	PART NUMBER	1 2 3 4 5 6 7	NOMENCLATURE	EFFECT FROM TO	UNITS PER ASSY
1 320	126-59-9		.PLUG- SUPPLIER CODE: V05574 ELECTRICAL EQUIP NUMBER: D00213 D00215 D00219 D00221 WIRING DIAGRAM REF: 343311 343321	103106	1
320	KA59-186		.PLUG- SUPPLIER CODE: V91836 ELECTRICAL EQUIP NUMBER: D00213 D00215 D00219 D00221 WIRING DIAGRAM REF: 343311 343321	002004 006102 107999	1
- 350	286N4049-001		WIRE BUNDLE ASSY-	002004 006100 107107 121503 904999	RF
- 350	286N4049-301		WIRE BUNDLE ASSY-	101102 108120	RF
- 350	286N4049-302		WIRE BUNDLE ASSY	504903	RF
- 350	286N4049-701		WIRE BUNDLE ASSY	103106	RF
- 355	286N4051-001		WIRE BUNDLE ASSY-	002004 006100 107107 121503 904999	RF
- 355	286N4051-301		WIRE BUNDLE ASSY-	101102 108120	RF
- 355	286N4051-302		WIRE BUNDLE ASSY	504903	RF
- 355	286N4051-701		WIRE BUNDLE ASSY	103106	RF
360	KA59-186		.PLUG- SUPPLIER CODE: V91836 ELECTRICAL EQUIP NUMBER: D00225 D00227 WIRING DIAGRAM REF: 343331	002004 006102 107999	1

MISSING ITEM NUMBERS NOT APPLICABLE

- ITEM NOT ILLUSTRATED

34-33-02-01

34-33-02  
FIG. 01  
PAGE 5  
JAN 20/09

BRI

BOEING PROPRIETARY - Copyright © - Unpublished Work - See title page for details.



757

PARTS CATALOG (MAINTENANCE)

FIG ITEM	PART NUMBER	1 2 3 4 5 6 7	NOMENCLATURE	EFFECT FROM TO	UNITS PER ASSY
1 360	126-59-9		.PLUG- SUPPLIER CODE: V05574 ELECTRICAL EQUIP NUMBER: D00225 D00227 WIRING DIAGRAM REF: 343331	103106	1

MISSING ITEM NUMBERS NOT APPLICABLE

- ITEM NOT ILLUSTRATED

BRI

34-33-02-01

BOEING PROPRIETARY - Copyright © - Unpublished Work - See title page for details.

34-33-02  
FIG. 01  
PAGE 6  
JAN 20/09

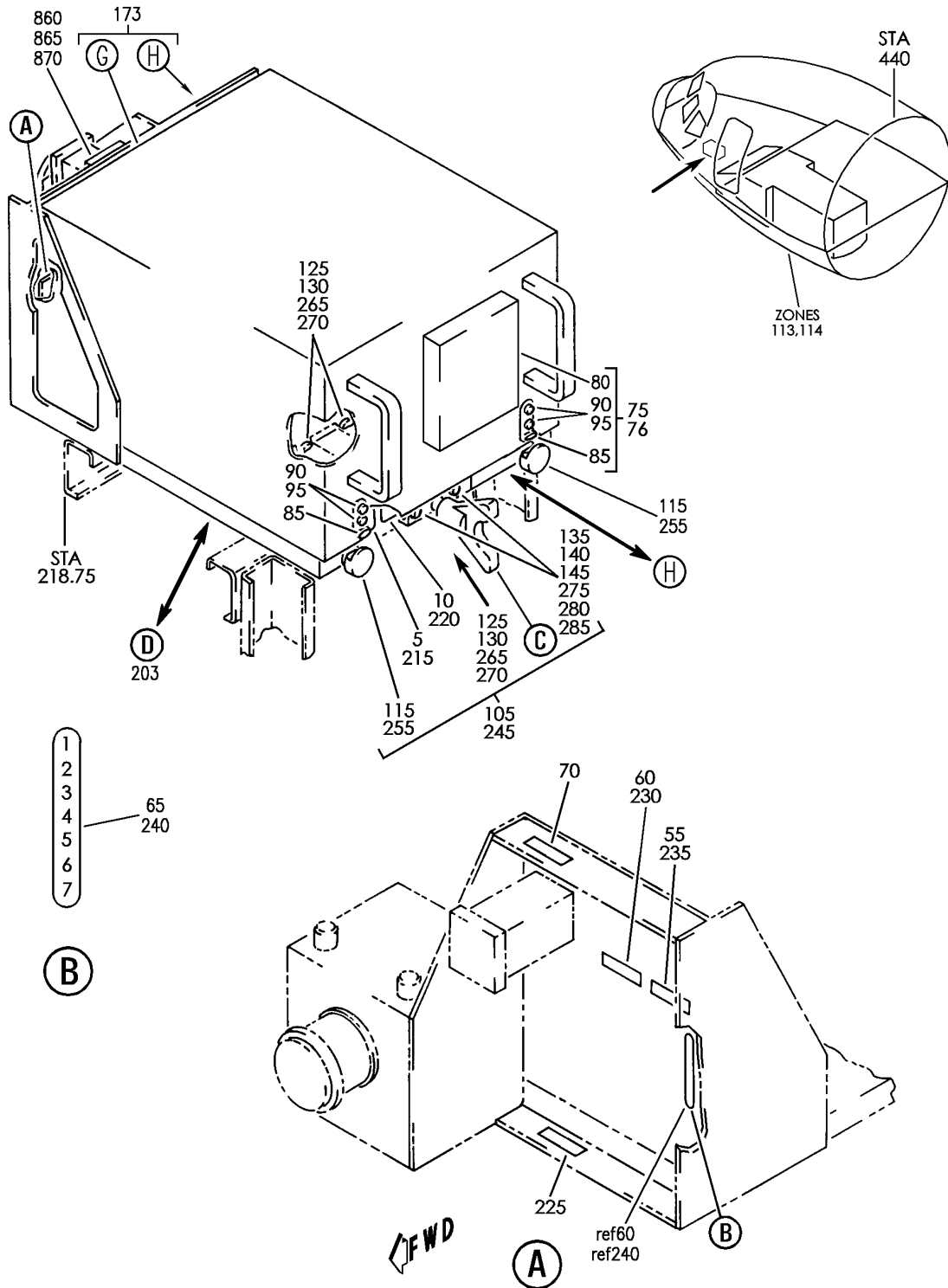


## WEATHER RADAR (WXR) SYSTEM

BRI  
MAY 28/07

34-43-00  
SECTION TITLE  
PAGE 1

**BOEING**  
757  
PARTS CATALOG (MAINTENANCE)



Y 34-430101 SH1 1 REV 331

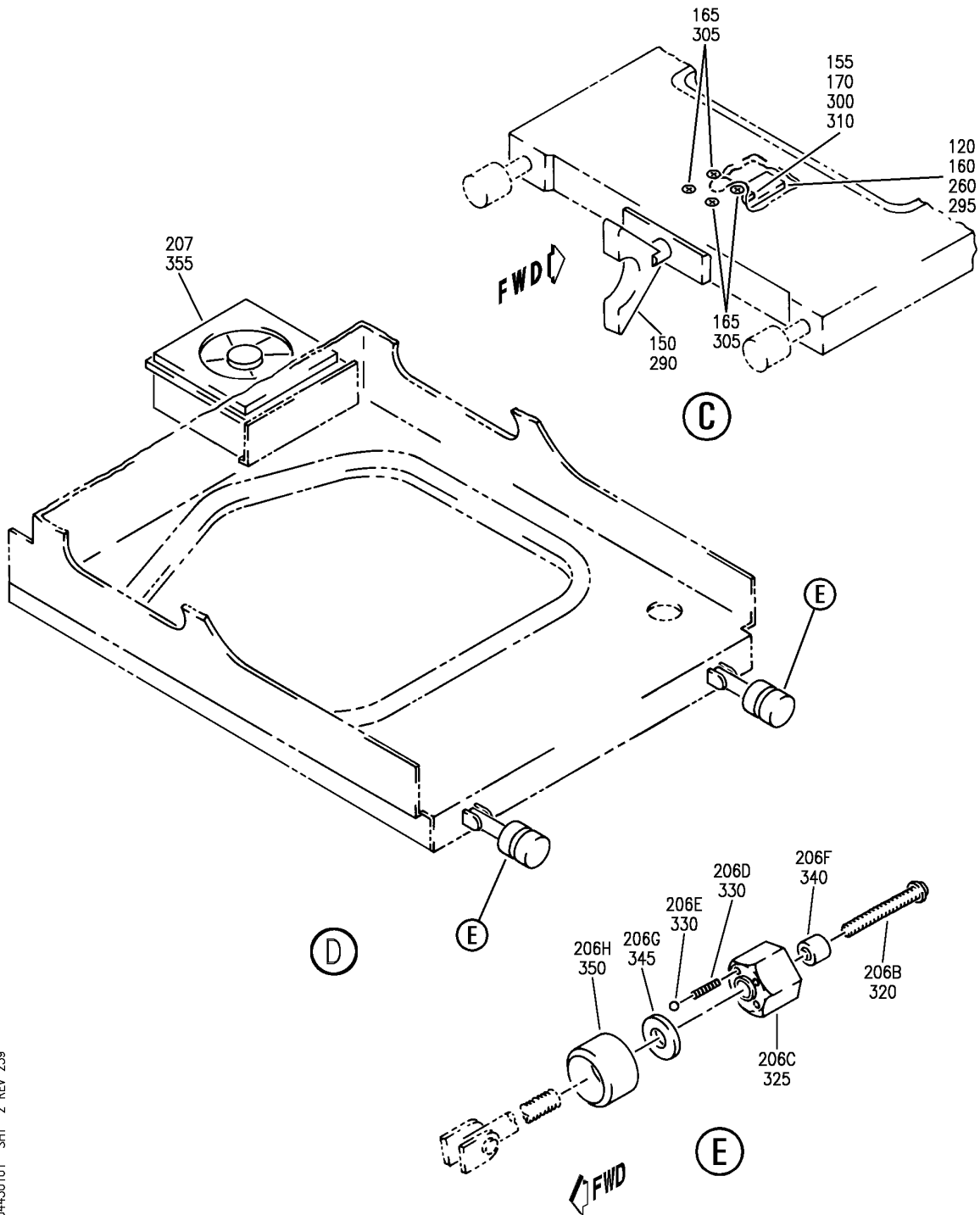
RECEIVER TRANSMITTER, MOUNT AND SUPPORT INSTL-WEATHER RDR  
FIGURE 1 (SHEET 1)

**34-43-01-01**

BRI  
JAN 20/09

34-43-01-01  
PAGE 0

**BOEING**  
757  
PARTS CATALOG (MAINTENANCE)



Y 34430101 SH 2 REV 259

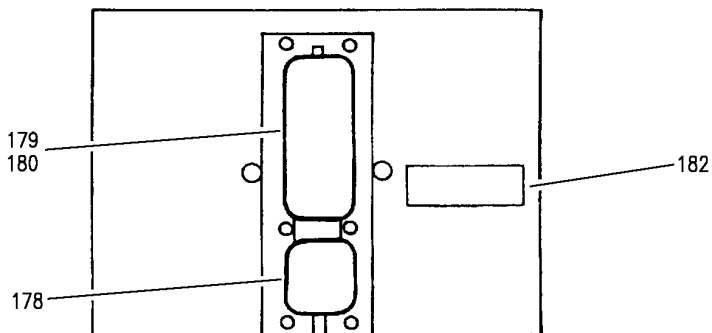
RECEIVER TRANSMITTER, MOUNT AND SUPPORT INSTL-WEATHER RDR  
FIGURE 1 (SHEET 2)

**34-43-01-01**

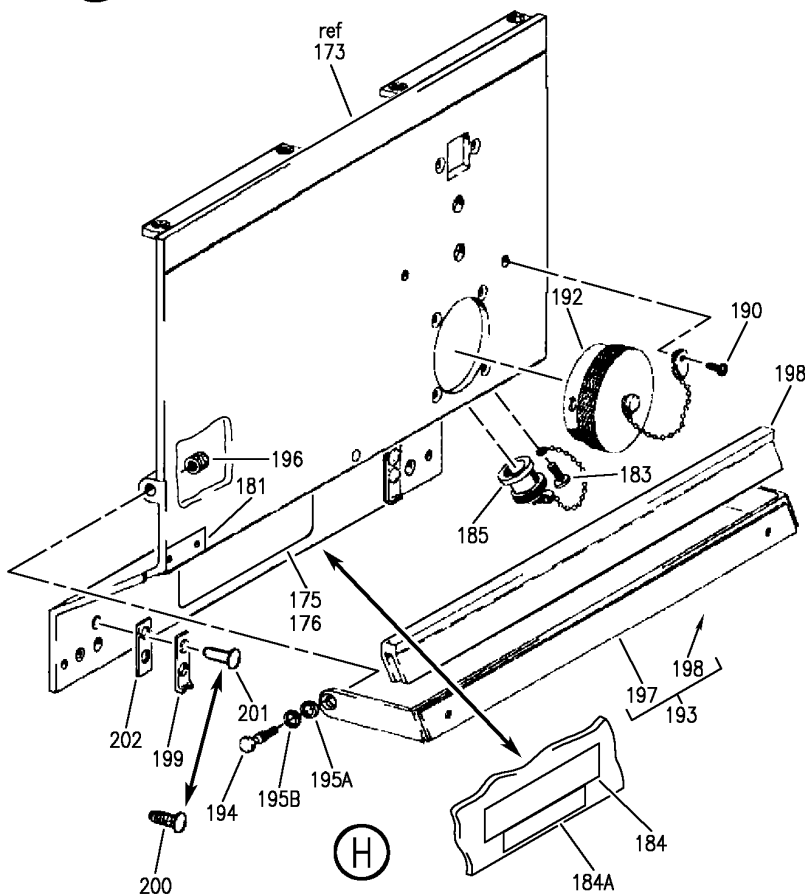
BRI  
MAY 28/07

34-43-01-01  
PAGE 0A

**BOEING**  
757  
PARTS CATALOG (MAINTENANCE)



(G)



(H)

Y 34430101 SH1 3 REV 331

RECEIVER TRANSMITTER, MOUNT AND SUPPORT INSTL-WEATHER RDR  
FIGURE 1 (SHEET 3)

**34-43-01-01**

BRI  
JAN 20/09

34-43-01-01  
PAGE 0B



757

PARTS CATALOG (MAINTENANCE)

FIG ITEM	PART NUMBER	1 2 3 4 5 6 7	NOMENCLATURE	EFFECT FROM TO	UNITS PER ASSY
1			RECEIVER TRANSMITTER, MOUNT AND SUPPORT INSTL-WEATHER RDR	002004 006949 952999	
- 1	284N1416-5		SUPPORT INSTL-RCVR/XMTR WEATHER RDR FOR NHA SEE: 24-00-58-01B	002004 006100 107107 121503 904949 952999	RF
- 1	284N1416-35		SUPPORT INSTL-RCVR/XMTR WEATHER RDR FOR NHA SEE: 24-00-58-05D	101102	RF
5	BAC27NEX0679		.DECAL- PLACARD CONTENT: M00213 XMTR RCVR-WEATHER RDR, LEFT	002004 006102 107107 121503 904949 952999	1
10	BAC27NEX0680		.DECAL- PLACARD CONTENT: M00213T MOUNT XMTR RCVR-WEATHER RDR, LEFT	002004 006102 107107 121503 904949 952999	1
- 50	284N1416-11		RECEIVER AND TRANSMITTER-INSTL-WEATHER RDR FOR NHA SEE: 24-00-58-01B	107107	RF
- 50	284N1416-17		RECEIVER AND TRANSMITTER-INSTL-WEATHER RDR FOR NHA SEE: 24-00-58-01B	002004 006100 121503 904949 952999	RF
- 51	284N1416-59		RECEIVER AND TRANSMITTER-INSTL-WEATHER RDR FOR NHA SEE: 24-00-58-05D	101102	RF
- 52	284N1416-83		TRANSCEIVER INSTL-SINGLE WEATHER RDR FOR NHA SEE: 24-00-58-05D	108120	RF
55	BAC27NEX0405		.DECAL- PLACARD CONTENT: TB00150	002004 006102 107503 904949 952999	1

MISSING ITEM NUMBERS NOT APPLICABLE

- ITEM NOT ILLUSTRATED

34-43-01-01

34-43-01  
FIG. 01  
PAGE 1  
JAN 20/09

BRI

**BOEING**  
757  
**PARTS CATALOG (MAINTENANCE)**

FIG ITEM	PART NUMBER	1 2 3 4 5 6 7	NOMENCLATURE	EFFECT FROM TO	UNITS PER ASSY
1	60 BAC27NEX0406		.DECAL- PLACARD CONTENT: GD00100	002004 006102 107503 904949 952999	1
	65 BAC27NEX0681		.DECAL	002004 006102 107503 904949 952999	1
	70 BAC27NEX0404		.DECAL- PLACARD CONTENT: D00159	002004 006102 107503 904949 952999	1
	75 2041217-0411		.TRANSCEIVER ASSY-RTA-4A SUPPLIER CODE: V97896 ELECTRICAL EQUIP NUMBER: M00213 COMPONENT MAINT MANUAL REF: 34-41-33 QUALIFIED I/W DATA: 2041217-0411 I/W -0415 SUBJECT TO CUSTOMER PREFERENCE	121503 904949	1

R  
R  
R  
R  
R  
R  
R  
R  
R  
R

MISSING ITEM NUMBERS NOT APPLICABLE

- ITEM NOT ILLUSTRATED

BRI

34-43-01-01

BOEING PROPRIETARY - Copyright © - Unpublished Work - See title page for details.

34-43-01  
FIG. 01  
PAGE 2  
MAY 20/09

**BOEING**  
757  
**PARTS CATALOG (MAINTENANCE)**

FIG ITEM	PART NUMBER	1 2 3 4 5 6 7	NOMENCLATURE	EFFECT FROM TO	UNITS PER ASSY
1 75	2041217-0416		.TRANSCIVER ASSY- SUPPLIER CODE: V97896 FUNCTIONAL DESCRIPTION: PERFORMS THE TRANSMITTING, RECEIVING, VIDEO PROCESSING, ANTENNA STABILIZATION, SYSTEM TIMING AND MONITORING FOR THE AIRBORNE WEATHER RADAR SYSTEM. ELECTRICAL EQUIP NUMBER: M00213 WIRING DIAGRAM REF: 344311 COMPONENT MAINT MANUAL REF: 34-41-34 QUALIFIED I/W DATA: 2041217-0404 I/W -0416 EXCEPT SUBJECT TO CUSTOMER PREFERENCE POST SERVICE BULLETIN: 34-0394 34-0394R1	009009 107107	1
R R R R R R R R R R R R	76		.TRANSCIVER ASSY-RTA-4A SUPPLIER CODE: V97896 ELECTRICAL EQUIP NUMBER: M00213 COMPONENT MAINT MANUAL REF: 34-41-33 QUALIFIED I/W DATA: 2041217-0411 -0416 I/W -0415 SUBJECT TO CUSTOMER PREFERENCE PRE SERVICE BULLETIN: 34-0394 34-0394R1	002004 006102 107107 953999	1

MISSING ITEM NUMBERS NOT APPLICABLE

— ITEM NOT ILLUSTRATED

BRI

# 34-43-01-01

BOEING PROPRIETARY - Copyright © - Unpublished Work - See title page for details.

34-43-01  
FIG. 01  
PAGE 3  
MAY 20/09

**BOEING**  
757  
PARTS CATALOG (MAINTENANCE)

FIG ITEM	PART NUMBER	1 2 3 4 5 6 7	NOMENCLATURE	EFFECT FROM TO	UNITS PER ASSY
R R R R R R R R R R R	1 76	2041217-0407	.TRANSCEIVER ASSY-RTA-4A SUPPLIER CODE: V97896 SPECIFICATION NUMBER: S220T109-103 ELECTRICAL EQUIP NUMBER: M00213 COMPONENT MAINT MANUAL REF: 34-41-33 QUALIFIED I/W DATA: 2041217-0403 OR BCREFX040 WITH MODS 1-11 INCORP I/W 2041217-407 PRE SERVICE BULLETIN: 34-0394 34-0394R1	002004 006102 107107 953999	1
	85	43950701901	..HOOK-HOLD DOWN SUPPLIER CODE: V31393 ATTACHING PARTS	002004 006949 952999	2
	90	MS35216-39	..SCREW	002004 006949 952999	4
	95	MS35338-80	..WASHER	002004 006949 952999	4
	- 100	3611352-0001	-----*----- ..SPACER- SUPPLIER CODE: V97896	002004 006949 952999	2
R R R R R R R R R R	105	2041213-0405	.TRAY ASSY- SUPPLIER CODE: V97896 FUNCTIONAL DESCRIPTION: DESIGNED TO HOLD A SINGLE WEATHER RADAR RECEIVER-TRANSMITTER SPECIFICATION NUMBER: S220T109-601 ELECTRICAL EQUIP NUMBER: M00213T COMPONENT MAINT MANUAL REF: 34-41-53 ATTACHING PARTS	002004 006102 107107 121503 904949 953999	1
	- 110	BACB30LH2-16	.BOLT- OPTIONAL PART: BACB30LU2-16	107107	4

MISSING ITEM NUMBERS NOT APPLICABLE

- ITEM NOT ILLUSTRATED

BRI

# 34-43-01-01

BOEING PROPRIETARY - Copyright © - Unpublished Work - See title page for details.

34-43-01  
FIG. 01  
PAGE 4  
MAY 20/09



 **BOEING**  
757  
**PARTS CATALOG (MAINTENANCE)**

FIG ITEM	PART NUMBER	1 2 3 4 5 6 7	NOMENCLATURE	EFFECT FROM TO	UNITS PER ASSY
1					
- 110	BACB30LU2-16		.BOLT-	107107	4
			OPTIONAL PART: BACB30LH2-16		
- 110	NAS602-20P		.SCREW	002004 006102 121503 904949 953999	4
			-----*-----		
115	33054-0001		..RETAINER-	002004	2
			SUPPLIER CODE: V27914	006102 107107 121503 904949 953999	
120	2033670-0001		..BRACKET-GUIDE	002004	1
			SUPPLIER CODE: V27914	006102 107107 121503 904949 953999	
			ATTACHING PARTS		
125	MS35216-23		..SCREW-	002004	2
			CONFIG CHG DATA FROM A CMM: REPLD BY MS35216-14 EFF S/N1158 AND ABOVE	006102 107107 121503 904949 953999	
125	MS35216-14		..SCREW-	002004	2
			CONFIG CHG DATA FROM A CMM: REPLS MS35216-23 EFF S/N1158 AND ABOVE	006102 107107 121503 904949 953999	
130	MS35338-79		..WASHER-	002004	2
			CONFIG CHG DATA FROM A CMM: REPLD BY MS35338-78 EFF S/N1158 AND ABOVE	006102 107107 121503 904949 953999	
130	MS35338-78		..WASHER-	002004	2
			CONFIG CHG DATA FROM A CMM: REPLS MS35338-79 EFF S/N1158 AND ABOVE	006102 107107 121503 904949 953999	
			-----*-----		

MISSING ITEM NUMBERS NOT APPLICABLE

- ITEM NOT ILLUSTRATED

BRI

# 34-43-01-01

34-43-01  
FIG. 01  
PAGE 5  
JAN 20/09

BOEING PROPRIETARY - Copyright © - Unpublished Work - See title page for details.



757

PARTS CATALOG (MAINTENANCE)

FIG ITEM	PART NUMBER	1 2 3 4 5 6 7	NOMENCLATURE	EFFECT FROM TO	UNITS PER ASSY
1					
135	MS35216-14	..	SCREW- CONFIG CHG DATA FROM A CMM: ADDED EFF S/N1158 AND ABOVE	002004 006102 107107 121503 904949 953999	2
140	MS35338-78	..	WASHER- CONFIG CHG DATA FROM A CMM: ADDED EFF S/V1158 AND ABOVE	002004 006102 107107 121503 904949 953999	2
145	MS15795-803	..	WASHER- CONFIG CHG DATA FROM A CMM: ADDED EFF S/N1158 AND ABOVE	002004 006102 107107 121503 904949 953999	2
150	2065271-0501	..	EXTRACTOR- SUPPLIER CODE: V27914 OPTIONAL PART: 2040288-0501 V27914	002004 006102 107107 121503 904949 953999	1
150	2040288-0501	..	EXTRACTOR- SUPPLIER CODE: V27914 OPTIONAL PART: 2065271-0501 V27914	002004 006102 107107 121503 904949 953999	1
155	2033673-0001	..	BLOCK-SPRT SUPPLIER CODE: V27914	002004 006102 107107 121503 904949 953999	1
160	2033670-0001	..	BRACKET-GUIDE SUPPLIER CODE: V27914	002004 006102 107107 121503 904949 953999	1
165	AN505C440R8	..	ATTACHING PARTS SCREW- OPTIONAL PART: AN505C4-9	002004 006102 107107 121503 904949 953999	4

MISSING ITEM NUMBERS NOT APPLICABLE

- ITEM NOT ILLUSTRATED

34-43-01-01

34-43-01  
FIG. 01  
PAGE 6  
JAN 20/09

BRI

BOEING PROPRIETARY - Copyright © - Unpublished Work - See title page for details.

**BOEING**  
757  
**PARTS CATALOG (MAINTENANCE)**

FIG ITEM	PART NUMBER	1 2 3 4 5 6 7	NOMENCLATURE	EFFECT FROM TO	UNITS PER ASSY
1 165	AN505C4-9		.. SCREW- OPTIONAL PART: AN505C440R8	002004 006102 107107 121503 904949 953999	4
170	2033673-0001		-----*----- .. BLOCK-SPRT SUPPLIER CODE: V27914 OPTIONAL PART: 2040287-0501 V27914	002004 006102 107107 121503 904949 953999	1
170	2040287-0501		.. BLOCK-SPRT SUPPLIER CODE: V27914 OPTIONAL PART: 2033673-0001 V27914	002004 006102 107107 121503 904949 953999	1
173	622-5132-109		. TRANSCEIVER ASSY- WRT701XM SUPPLIER CODE: V4V792 FUNCTIONAL DESCRIPTION: PERFORMS THE TRANSMITTING, RECEIVING, VIDEO PROCESSING, ANTENNA STABILIZATION, SYSTEM TIMING AND MONITORING FOR THE AIRBORNE WEATHER RADAR SYSTEM. ELECTRICAL EQUIP NUMBER: M00213 COMPONENT MAINT MANUAL REF: 34-45-21	952952	1

R  
R  
R  
R  
R  
R  
R  
R  
R  
R  
R  
R  
R  
R  
R

MISSING ITEM NUMBERS NOT APPLICABLE

- ITEM NOT ILLUSTRATED

BRI

# 34-43-01-01

34-43-01  
FIG. 01  
PAGE 7  
MAY 20/09



757

PARTS CATALOG (MAINTENANCE)

FIG ITEM	PART NUMBER	1 2 3 4 5 6 7	NOMENCLATURE	EFFECT FROM TO	UNITS PER ASSY
1 173	622-5132-633		.TRANSCEIVER ASSY- SUPPLIER CODE: V4V792 FUNCTIONAL DESCRIPTION: PERFORMS THE TRANSMITTING, RECEIVING, VIDEO PROCESSING, ANTENNA STABILIZATION, SYSTEM TIMING AND MONITORING FOR THE AIRBORNE WEATHER RADAR SYSTEM. ELECTRICAL EQUIP NUMBER: M00213	108120	1
			TEMPORARY BREAKDOWN FOR: 622-5132-633	108120	
176	635-2483-001		..PLATE-IDENT SUPPLIER CODE: V4V792	952952	1
178	025-1158-001		..CAP-PROTECTIVE SUPPLIER CODE: V71468 CONFIG CHG DATA FROM A CMM: SUPSD BY 211600-2 OPTIONAL PART: 4041437-6 V58960	952952	1
179	025-1157-001		..CAP-PROTECTIVE SUPPLIER CODE: V71468 CONFIG CHG DATA FROM A CMM: SUPSD BY 211600-2 OPTIONAL PART: 4041437-5 V58960	952952	1
180	211600-2		..CAP-DUST SUPPLIER CODE: V00779 CONFIG CHG DATA FROM A CMM: SUPSDS 025-1158-001 SUPSDS 025-1157-001	952952	1
182	280-2745-120		..LABEL-ESDS WARNING SUPPLIER CODE: V12998	952952	1
183	MS51957-15B		..SCREW	108120 952952	1

MISSING ITEM NUMBERS NOT APPLICABLE

- ITEM NOT ILLUSTRATED

34-43-01-01

34-43-01  
FIG. 01  
PAGE 8  
JAN 20/09

BRI

**BOEING**  
757  
PARTS CATALOG (MAINTENANCE)

FIG ITEM	PART NUMBER	1 2 3 4 5 6 7	NOMENCLATURE	EFFECT FROM TO	UNITS PER ASSY
1					
185	KC89-93	..	COVER-CONN. SUPPLIER CODE: V91836 CONFIG CHG DATA FROM A CMM: SUPERSEDES 31-017	108120 952952	1
185	31-017	..	COVER-CONN. SUPPLIER CODE: V02660 CONFIG CHG DATA FROM A CMM: SUPSD BY KC89-93	108120 952952	1
190	MS51957-17B	..	SCREW	108120 952952	1
192	CP1000	..	COVER-ELEC CONN. SUPPLIER CODE: V57815 CONFIG CHG DATA FROM A CMM: SUPSD BY 660-009C22U4-01 SUPSD BY 859-6603-060	108120 952952	1
203	622-5133-005	.TRAY ASSY-	SUPPLIER CODE: V4V792 FUNCTIONAL DESCRIPTION: DESIGNED TO HOLD A SINGLE WEATHER RADAR RECEIVER-TRANSMITTER ELECTRICAL EQUIP NUMBER: M00213T COMPONENT MAINT MANUAL REF: 34-45-23	952952	1
203	622-5133-005	.TRAY ASSY-	SUPPLIER CODE: V4V792 FUNCTIONAL DESCRIPTION: DESIGNED TO HOLD A SINGLE WEATHER RADAR RECEIVER-TRANSMITTER ELECTRICAL EQUIP NUMBER: M00213T COMPONENT MAINT MANUAL REF: 34-45-23	108120	1
- 205	NAS602-20P	.SCREW	ATTACHING PARTS	108120 952952	4
206B	MS51957-26	..	SCREW	108120 952952	1
206C	757-3934-001	..	NUT-THUMB ANODIC SUPPLIER CODE: V4V792	108120 952952	1

R  
R  
R  
R  
R  
R  
R  
R  
R

MISSING ITEM NUMBERS NOT APPLICABLE

- ITEM NOT ILLUSTRATED

BRI

34-43-01-01

34-43-01  
FIG. 01  
PAGE 9  
MAY 20/09

 **BOEING**  
757  
**PARTS CATALOG (MAINTENANCE)**

FIG ITEM	PART NUMBER	1 2 3 4 5 6 7	NOMENCLATURE	EFFECT FROM TO	UNITS PER ASSY
1					
206D	757-3937-001	..	SPRING-COMPRESSION SUPPLIER CODE: V4V792	108120 952952	4
206E	1-8SSBALL	..	BALL- SUPPLIER CODE: V4V792	108120 952952	4
206F	757-3933-001	..	INSERT- SUPPLIER CODE: V4V792	108120 952952	1
206G	757-3935-001	..	PLATE-DETENT SUPPLIER CODE: V4V792	108120 952952	1
206H	541-6503-002	..	COLLAR- SUPPLIER CODE: V4V792	108120 952952	1
207	647-9442-001	..	PLENUM-BLOWER SUPPLIER CODE: V4V792	108120 952952	1
			ATTACHING PARTS		
-207A	MS51957-14	..	SCREW	108120 952952	2
-207B	MS51959-13	..	SCREW	108120 952952	2
-207C	AN961-4T	..	WASHER	108120 952952	2
			-----*-----		
- 210	284N1416-67		MOUNT INSTL-SINGLE RCVR/XMTR WEATHER RDR FOR NHA SEE: 24-00-58-05D	108120	RF
- 210	MODREF22574		MOUNT INSTL-SINGLE RCVR/XMTR WEATHER RDR MODULE NUMBER: 284N1416-67 REV B	103106	1
215	BAC27NEX0679	.DECAL-	PLACARD CONTENT: M00213 XMTR RCVR-WEATHER RDR, LEFT	103106 108120	1
220	BAC27NEX0680	.DECAL-	PLACARD CONTENT: M00213T MOUNT XMTR RCVR-WEATHER RDR, LEFT	103106 108120	1
225	BAC27NEX0404	.DECAL-	PLACARD CONTENT: D00159	103106 108120	1
230	BAC27NEX0406	.DECAL-	PLACARD CONTENT: GD00100	103106 108120	1

MISSING ITEM NUMBERS NOT APPLICABLE

- ITEM NOT ILLUSTRATED

BRI

# 34-43-01-01

34-43-01  
FIG. 01  
PAGE 10  
MAY 20/09



757

PARTS CATALOG (MAINTENANCE)

FIG ITEM	PART NUMBER	1 2 3 4 5 6 7	NOMENCLATURE	EFFECT FROM TO	UNITS PER ASSY
1					
235	BAC27NEX0405	.	DECAL- PLACARD CONTENT: TB00150	103106 108120	1
240	BAC27NEX0681	.	DECAL	103106 108120	1
245	622-5133-005	.	TRAY ASSY- SUPPLIER CODE: V4V792 FUNCTIONAL DESCRIPTION: DESIGNED TO HOLD A SINGLE WEATHER RADAR RECEIVER-TRANSMITTER ELECTRICAL EQUIP NUMBER: M00213T COMPONENT MAINT MANUAL REF: 34-45-23 ATTACHING PARTS	103106 108120	1
- 250	NAS602-20P	.	SCREW	103106 108120	4
320	MS51957-26	..	SCREW	103106 108120 952952	2
325	757-3934-001	..	NUT-THUMB ANODIC PLATED ALUMINUM SUPPLIER CODE: V4V792	103106 108120 952952	2
330	757-3937-001	..	SPRING-CPRSN SUPPLIER CODE: V4V792	103106 108120 952952	8
335	1-8SSBALL	..	BALL- SUPPLIER CODE: V4V792	103106 108120 952952	8
340	757-3933-001	..	INSERT-CORROSION RESISTANT STEEL 0.250-28 X 0.025 SUPPLIER CODE: V4V792	103106 108120 952952	2
345	757-3935-001	..	PLATE-DETENT SUPPLIER CODE: V4V792	103106 108120 952952	2
350	541-6503-002	..	COLLAR- SUPPLIER CODE: V4V792	103106 108120 952952	2
355	647-9442-001	..	PLENUM-TUBE BLOWER SUPPLIER CODE: V4V792	103106 108120 952952	2

R  
R  
R  
R  
R  
R  
R  
R  
R  
R

MISSING ITEM NUMBERS NOT APPLICABLE

- ITEM NOT ILLUSTRATED

34-43-01-01

34-43-01  
FIG. 01  
PAGE 11  
MAY 20/09

BRI

**BOEING**  
757  
**PARTS CATALOG (MAINTENANCE)**

FIG ITEM	PART NUMBER	1 2 3 4 5 6 7	NOMENCLATURE	EFFECT FROM TO	UNITS PER ASSY
1			ATTACHING PARTS		
- 360	MS51957-14		.. SCREW	103106 108120 952952	4
- 365	MS51959-13		.. SCREW	103106 108120 952952	4
- 370	AN961-4T		.. WASHER	103106 108120 952952	4
- 850	286N2309-005		-----*----- WIRE BUNDLE ASSY-	121503 904949	RF
- 850	286N2309-007		WIRE BUNDLE ASSY	107107	RF
- 851	286N2309-026		WIRE BUNDLE ASSY- REWORKED BY SB: 34-0200	002004 006100 952999	RF
- 852	286N2309-327		WIRE BUNDLE ASSY	101101	RF
- 852	286N2309-329		WIRE BUNDLE ASSY	102102	RF
- 852	286N2309-330		WIRE BUNDLE ASSY	504903	RF
- 853	286N2309-346		WIRE BUNDLE ASSY-	108120	RF
- 855	286N2371-701		WIRE BUNDLE ASSY	103106	RF
860	BKA24C1201		.CONNECTOR- SUPPLIER CODE: V71468 SPECIFICATION NUMBER: BACC66H24C1201 OPTIONAL PART: S624C1201 V59610 NIC66H24C1201 V00779 ELECTRICAL EQUIP NUMBER: D00159 WIRING DIAGRAM REF: 344311	002004 006949 952999	1
865	3602982-0501		.INSERT-WAVE GUIDE SUPPLIER CODE: V02987 ELECTRICAL EQUIP NUMBER: D00159T WIRING DIAGRAM REF: 344311	002004 006949 952999	1

MISSING ITEM NUMBERS NOT APPLICABLE

- ITEM NOT ILLUSTRATED

BRI

# 34-43-01-01

BOEING PROPRIETARY - Copyright © - Unpublished Work - See title page for details.

34-43-01  
FIG. 01  
PAGE 12  
MAY 20/09





757  
PARTS CATALOG (MAINTENANCE)

FIG ITEM	PART NUMBER	1 2 3 4 5 6 7	NOMENCLATURE	EFFECT FROM TO	UNITS PER ASSY
1 870	RBGP48-116N		.BLOCK- SUPPLIER CODE: V09922 SPECIFICATION NUMBER: S280W601-116 ELECTRICAL EQUIP NUMBER: D00159U WIRING DIAGRAM REF: 344311	103106	1

MISSING ITEM NUMBERS NOT APPLICABLE

- ITEM NOT ILLUSTRATED

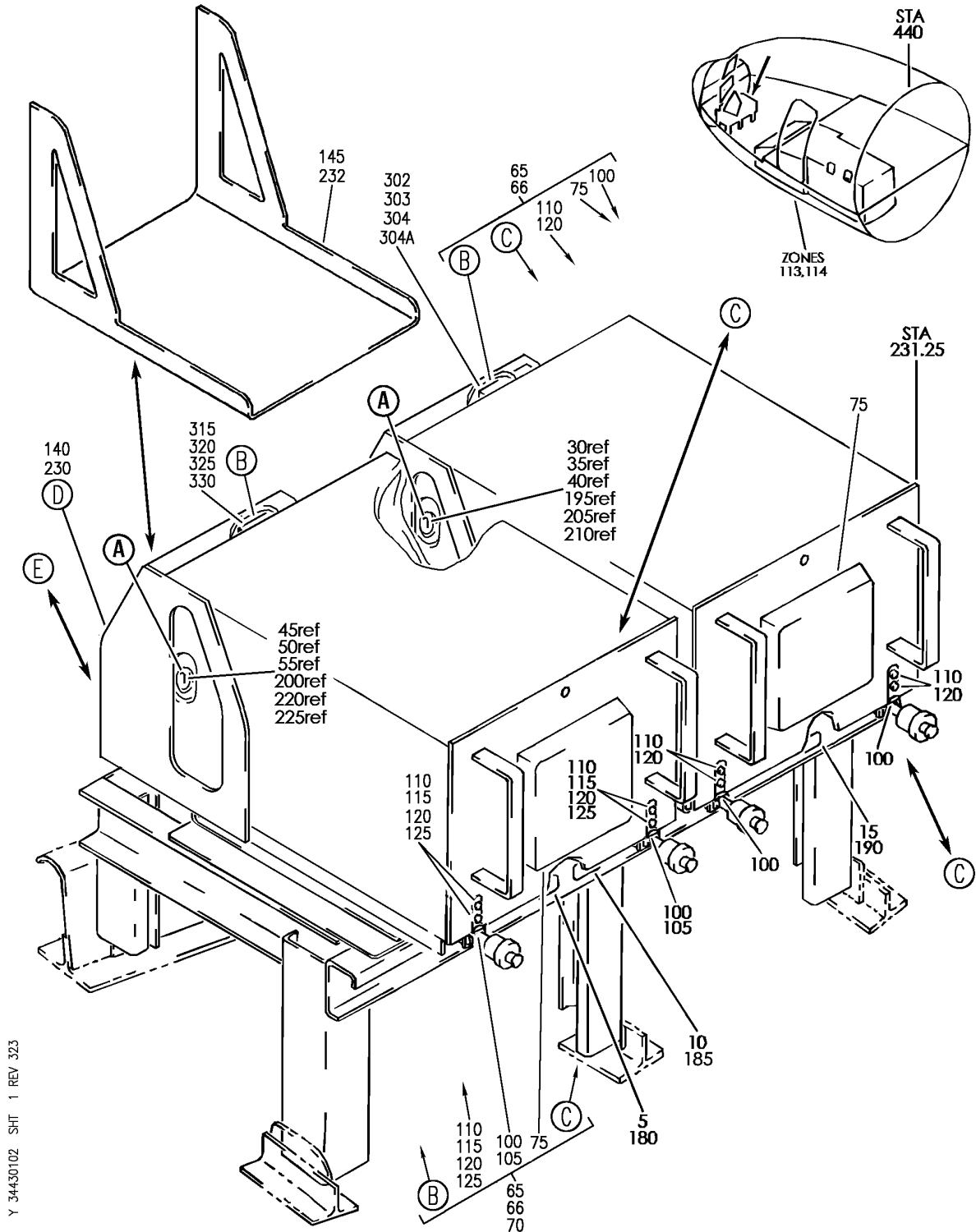
BRI

34-43-01-01

BOEING PROPRIETARY - Copyright © - Unpublished Work - See title page for details.

34-43-01  
FIG. 01  
PAGE 13  
JAN 20/09

**BOEING**  
757  
PARTS CATALOG (MAINTENANCE)



Y 34-430102 SH1 1 REV 323

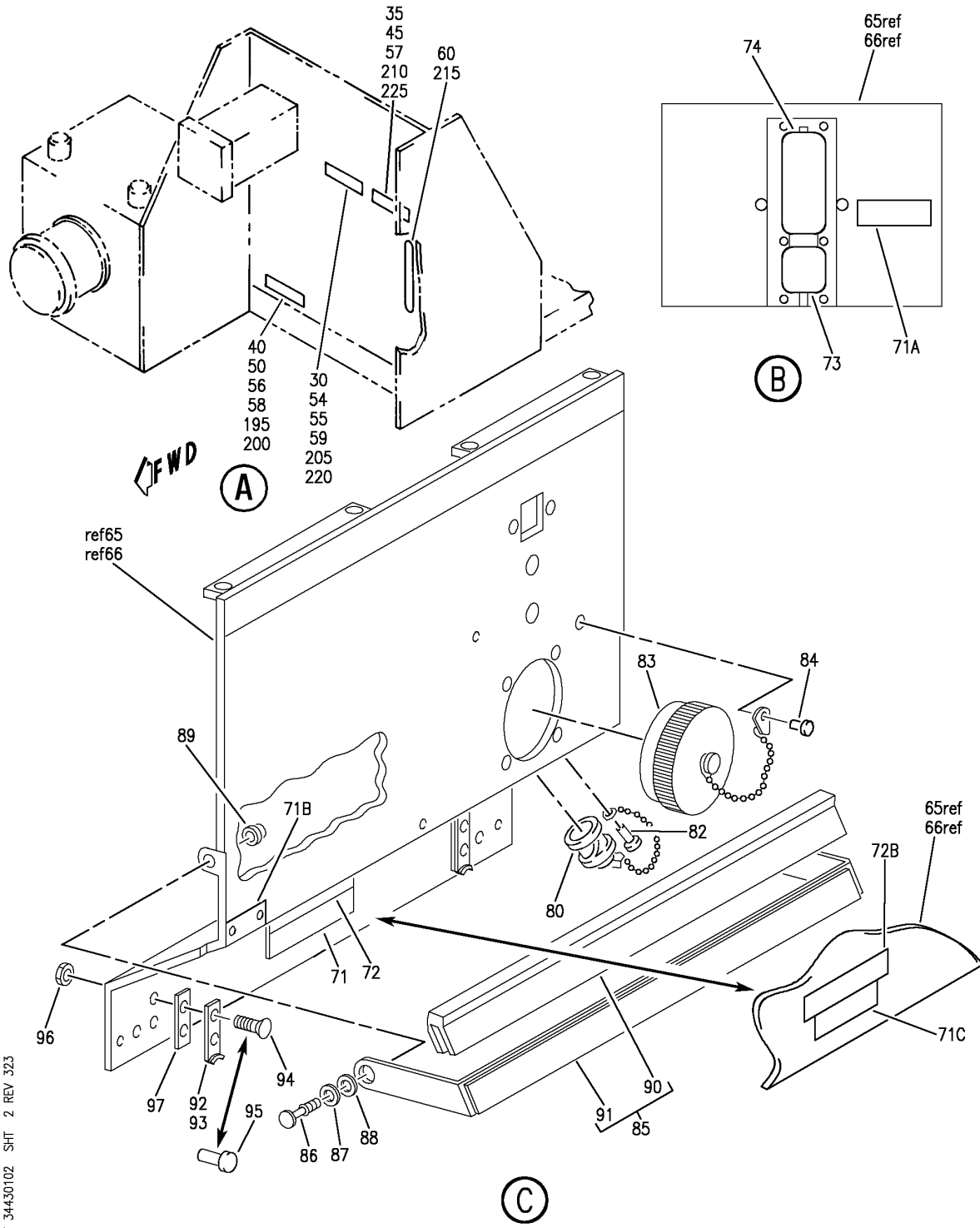
RECEIVER TRANSMITTER, MOUNT AND SUPPORT INSTL-WEATHER RDR DUAL  
FIGURE 2 (SHEET 1)

**34-43-01-02**

BRI  
JAN 20/09

34-43-01-02  
PAGE 0

**BOEING**  
757  
PARTS CATALOG (MAINTENANCE)



Y 34-430102 SH1 2 REV 323

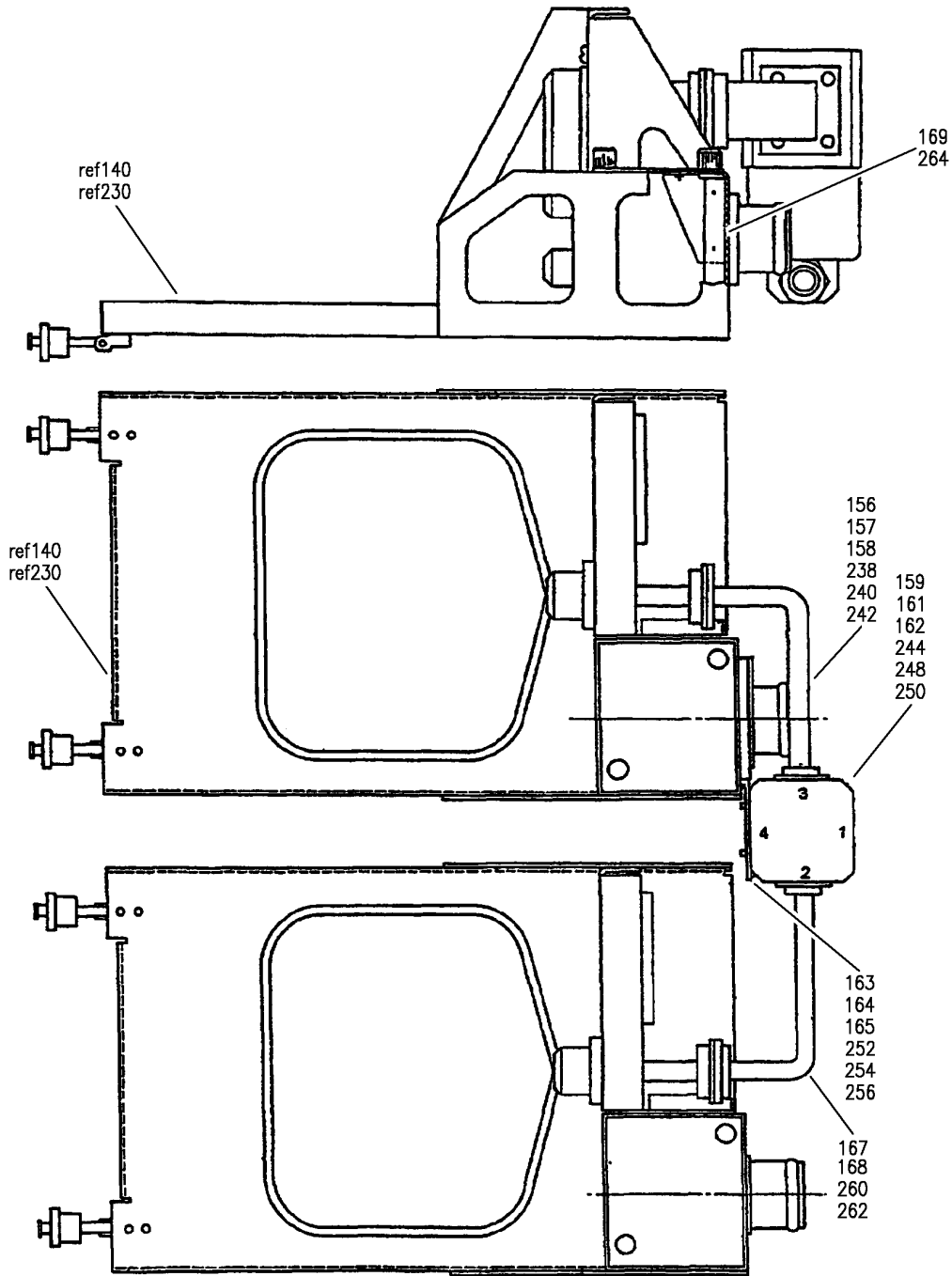
RECEIVER TRANSMITTER, MOUNT AND SUPPORT INSTL-WEATHER RDR DUAL  
FIGURE 2 (SHEET 2)

**34-43-01-02**

BRI  
JAN 20/09

34-43-01-02  
PAGE 0A

**BOEING**  
757  
PARTS CATALOG (MAINTENANCE)



(D)

Y 34-430102 SH1 3 REV 269

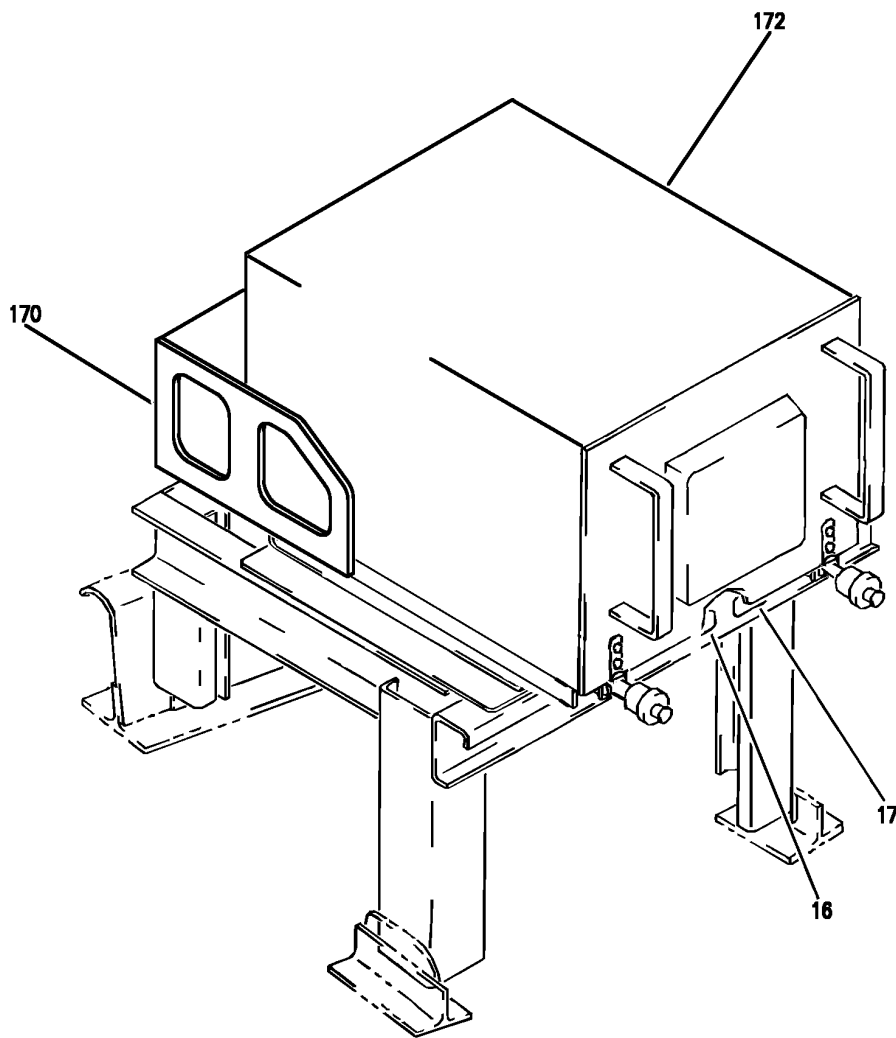
RECEIVER TRANSMITTER, MOUNT AND SUPPORT INSTL-WEATHER RDR DUAL  
FIGURE 2 (SHEET 3)

**34-43-01-02**

BRI  
JAN 20/09

34-43-01-02  
PAGE 08

**BOEING**  
757  
PARTS CATALOG (MAINTENANCE)



(E)

Y 34-430102 SH1 4 REV 323

RECEIVER TRANSMITTER, MOUNT AND SUPPORT INSTL-WEATHER RDR DUAL  
FIGURE 2 (SHEET 4)

**34-43-01-02**

BRI  
JAN 20/09

34-43-01-02  
PAGE 0C

BOEING PROPRIETARY - Copyright © - Unpublished Work - See title page for details.



757

PARTS CATALOG (MAINTENANCE)

FIG ITEM	PART NUMBER	1 2 3 4 5 6 7	NOMENCLATURE	EFFECT FROM TO	UNITS PER ASSY
2			RECEIVER TRANSMITTER, MOUNT AND SUPPORT INSTL-WEATHER RDR DUAL	504903 950951	
- 1	284N1416-27		SUPPORT INSTL-DUAL RCVR/XMTR WEATHER RDR FOR NHA SEE: 24-00-58-01B 24-00-58-05D	504903 950951	RF
5	BAC27NEX0679		.DECAL- PLACARD CONTENT: M00213 XMTR RCVR WEATHER RADAR LEFT	504903 950951	1
10	BAC27NEX2375		.DECAL- PLACARD CONTENT: M10783T MOUNT XMTR RCVR WEATHER RADAR	504903 950951	1
15	BAC27NEX2376		.DECAL- PLACARD CONTENT: M10783 XMTR RCVR WEATHER RADAR RIGHT	504903 950951	1
- 25	284N1416-29		RECEIVER AND TRANSMITTER-INSTL-WEATHER RDR DUAL MNT LEFT XCVR FOR NHA SEE: 24-00-58-01B	950951	RF
- 25	284N1416-54		RECEIVER AND TRANSMITTER-INSTL-WEATHER RDR DUAL FOR NHA SEE: 24-00-58-05D	504903	RF
30	BAC27NEX2448		.DECAL- PLACARD CONTENT: GD02781	504903 950951	1
35	BAC27NEX2447		.DECAL- PLACARD CONTENT: TB00243	504903 950951	1
40	BAC27NEX2388		.DECAL- PLACARD CONTENT: D01525	504903 950951	1
45	BAC27NEX0405		.DECAL- PLACARD CONTENT: TB00150	504903 950951	1
50	BAC27NEX0404		.DECAL- PLACARD CONTENT: D00159	504903 950951	1
55	BAC27NEX0406		.DECAL- PLACARD CONTENT: GD00100	504903 950951	1

MISSING ITEM NUMBERS NOT APPLICABLE

- ITEM NOT ILLUSTRATED

34-43-01-02

34-43-01  
FIG. 02  
PAGE 1  
JAN 20/09

BRI





757

PARTS CATALOG (MAINTENANCE)

FIG ITEM	PART NUMBER	1 2 3 4 5 6 7	NOMENCLATURE	EFFECT FROM TO	UNITS PER ASSY
R R	2 70	2041217-0416	.TRANSCEIVER ASSY- SUPPLIER CODE: V97896 FUNCTIONAL DESCRIPTION: PERFORMS THE TRANSMITTING, RECEIVING, VIDEO PROCESSING, ANTENNA STABILIZATION, SYSTEM TIMING AND MONITORING FOR THE AIRBORNE WEATHER RADAR SYSTEM. ELECTRICAL EQUIP NUMBER: M00213 COMPONENT MAINT MANUAL REF: 34-41-34 QUALIFIED I/W DATA: 2041217-0404 I/W -0416 EXCEPT SUBJECT TO CUSTOMER PREFERENCE	950951	1
	70	2041217-0414	.TRANSCEIVER ASSY-RTA-4A SUPPLIER CODE: V97896 COMPONENT MAINT MANUAL REF: 34-41-34	950951	1
	70	066-50008-0405	.TRANSCEIVER ASSY- SUPPLIER CODE: V97896 FUNCTIONAL DESCRIPTION: PERFORMS THE TRANSMITTING, RECEIVING, VIDEO PROCESSING, ANTENNA STABILIZATION, SYSTEM TIMING AND MONITORING FOR THE AIRBORNE WEATHER RADAR SYSTEM. ELECTRICAL EQUIP NUMBER: M00213 COMPONENT MAINT MANUAL REF: 34-41-36	950951	1
	75	2039433-0501	..MODULE ASSY-ATE SUPPLIER CODE: V27914	950951	RF
	105	43950701901	..HOOK- SUPPLIER CODE: V31393	950951	2
	115	MS35216-39	ATTACHING PARTS ..SCREW-	950951	4

MISSING ITEM NUMBERS NOT APPLICABLE

- ITEM NOT ILLUSTRATED

34-43-01-02

34-43-01  
FIG. 02  
PAGE 3  
MAY 20/09

BRI





757

PARTS CATALOG (MAINTENANCE)

FIG ITEM	PART NUMBER	1 2 3 4 5 6 7	NOMENCLATURE	EFFECT FROM TO	UNITS PER ASSY
2					
125	MS35338-80	..	WASHER-	950951	4
			-----*-----		
- 135	3611352-0001	..	SPACER-	950951	2
			SUPPLIER CODE:		
			V97896		
140	2041214-0409	.MOUNT-DUAL		504903	1
			SUPPLIER CODE:	950951	
			V97896		
			ELECTRICAL EQUIP NUMBER:		
			M10783T		
			COMPONENT MAINT MANUAL REF:		
			34-41-53		
			ATTACHING PARTS		
- 150	BACB30LH2-13	.BOLT		504903	8
				950951	
			-----*-----		
156	2069137-0004	..	WAVE GUIDE-	504903	2
			SUPPLIER CODE:	950951	
			V27914		
			ATTACHING PARTS		
157	46068-0806S	..	SCREW-	504903	8
			SUPPLIER CODE:	950951	
			V27914		
158	MS35338-80	..	WASHER	504903	8
				950951	
			-----*-----		
159	2068599-0702	..	SWITCH-WAVE GUIDE	504903	1
			SUPPLIER CODE:	950951	
			V27914		
- 160	2068599-0705	..	SWITCH-WAVE GUIDE	504903	1
			SUPPLIER CODE:	950951	
			V27914		
			ATTACHING PARTS		
161	46068-0806S	..	SCREW-	504903	3
			SUPPLIER CODE:	950951	
			V27914		
162	MS35338-80	..	WASHER	504903	3
				950951	
			-----*-----		
163	3611330-0001	..	BRACKET-SWITCH	504903	1
			SUPPLIER CODE:	950951	
			V27914		
			ATTACHING PARTS		
164	46068-0806S	..	SCREW-	504903	4
			SUPPLIER CODE:	950951	
			V27914		
165	MS35338-80	..	WASHER	504903	4
				950951	
			-----*-----		

MISSING ITEM NUMBERS NOT APPLICABLE

- ITEM NOT ILLUSTRATED

34-43-01-02

34-43-01  
FIG. 02  
PAGE 4  
MAY 20/09

BRI



757

PARTS CATALOG (MAINTENANCE)

FIG ITEM	PART NUMBER	1 2 3 4 5 6 7	NOMENCLATURE	EFFECT FROM TO	UNITS PER ASSY
2					
- 166	2069137-0004		..WAVE GUIDE- SUPPLIER CODE: V27914 ATTACHING PARTS	504903 950951	1
167	46068-0806S		..SCREW- SUPPLIER CODE: V27914	504903 950951	8
168	MS35338-80		..WASHER	504903 950951	8
			-----*-----		
169	2039772-0501		..FILTER- SUPPLIER CODE: V27914	504903 950951	1
- 300	286N2309-021		WIRE BUNDLE ASSY	950951	RF
- 301	286N2309-330		WIRE BUNDLE ASSY	504903	RF
302	BKA24C1201		.CONNECTOR- SUPPLIER CODE: V71468 SPECIFICATION NUMBER: BACC66H24C1201 OPTIONAL PART: S624C1201 V59610 NIC66H24C1201 V00779 ELECTRICAL EQUIP NUMBER: D00159 WIRING DIAGRAM REF: 344311	504903 950951	1
303	3602982-0501		.INSERT-WAVE GUIDE SUPPLIER CODE: V02987 ELECTRICAL EQUIP NUMBER: D00159T WIRING DIAGRAM REF: 344311	504903 950951	1
- 305	286N2319-305		WIRE BUNDLE ASSY	504903	RF

MISSING ITEM NUMBERS NOT APPLICABLE

- ITEM NOT ILLUSTRATED

34-43-01-02

34-43-01  
FIG. 02  
PAGE 5  
MAY 20/09

BRI



757

PARTS CATALOG (MAINTENANCE)

FIG ITEM	PART NUMBER	1 2 3 4 5 6 7	NOMENCLATURE	EFFECT FROM TO	UNITS PER ASSY
2 315	BKA24C1201		.CONNECTOR- SUPPLIER CODE: V71468 SPECIFICATION NUMBER: BACC66H24C1201 OPTIONAL PART: S624C1201 V59610 NIC66H24C1201 V00779 ELECTRICAL EQUIP NUMBER: D01525 WIRING DIAGRAM REF: 344321	504903	1
320	3602982-0501		.INSERT-WAVE GUIDE SUPPLIER CODE: V02987 ELECTRICAL EQUIP NUMBER: D01525T WIRING DIAGRAM REF: 344321	504903	1

MISSING ITEM NUMBERS NOT APPLICABLE

- ITEM NOT ILLUSTRATED

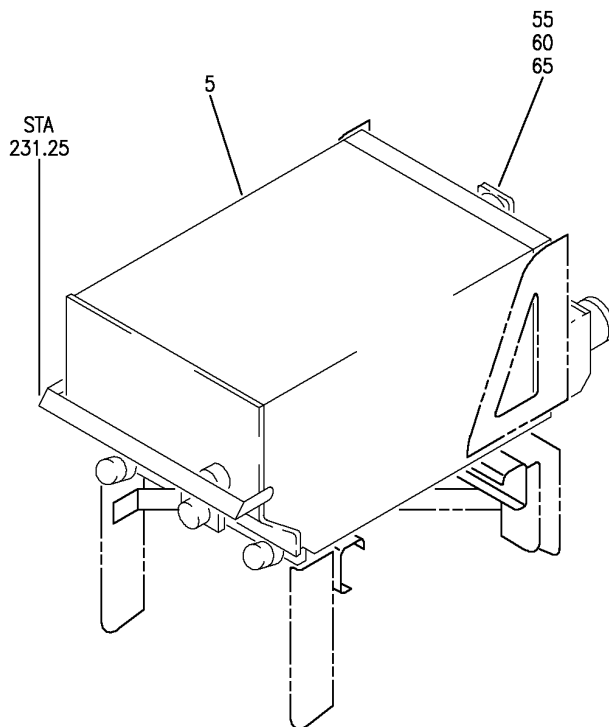
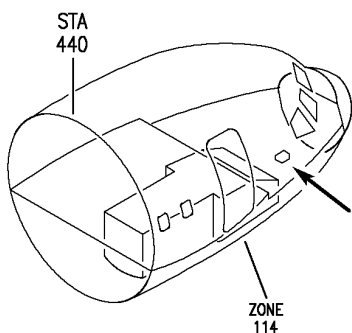
BRI

34-43-01-02

BOEING PROPRIETARY - Copyright © - Unpublished Work - See title page for details.

34-43-01  
FIG. 02  
PAGE 6  
JAN 20/09

**BOEING**  
757  
PARTS CATALOG (MAINTENANCE)



Y 34-430103 REV 258

TRANSCEIVER INSTL-WEATHER RDR  
FIGURE 3

**34-43-01-03**

BRI  
JAN 20/09

34-43-01-03  
PAGE 0



757

PARTS CATALOG (MAINTENANCE)

FIG ITEM	PART NUMBER	1 2 3 4 5 6 7	NOMENCLATURE	EFFECT FROM TO	UNITS PER ASSY
3			TRANSCEIVER INSTL-WEATHER RDR	103106	
- 1	MODREF33406		TRANSCEIVER INSTL-WEATHER RDR	103106	1
			MODULE NUMBER: 284N1416-90 REV A		
5	822-1710-001		.TRANSCEIVER-WEATHER RDR	103106	1
			SUPPLIER CODE: V4V792		
			FUNCTIONAL DESCRIPTION: PERFORMS THE TRANSMITTING, RECEIVING, VIDEO PROCESSING, ANTENNA STABILIZATION, SYSTEM TIMING AND MONITORING FOR THE AIRBORNE WEATHER RADAR SYSTEM.		
			ELECTRICAL EQUIP NUMBER: M00213		
- 50	286N2371-701		WIRE BUNDLE ASSY	103106	1
55	BKA24C1201		.CONNECTOR-	103106	1
			SUPPLIER CODE: V71468		
			SPECIFICATION NUMBER: BACC66H24C1201		
			OPTIONAL PART: S624C1201		
			V59610		
			NIC66H24C1201		
			V00779		
			ELECTRICAL EQUIP NUMBER: D00159		
			WIRING DIAGRAM REF: 344311		
60	RBGP48-116N		.BLOCK-	103106	1
			SUPPLIER CODE: V09922		
			SPECIFICATION NUMBER: S280W601-116		
			ELECTRICAL EQUIP NUMBER: D00159U		
			WIRING DIAGRAM REF: 344311		

MISSING ITEM NUMBERS NOT APPLICABLE

- ITEM NOT ILLUSTRATED

34-43-01-03

34-43-01  
FIG. 03  
PAGE 1  
JAN 20/09

BRI



757

PARTS CATALOG (MAINTENANCE)

FIG ITEM	PART NUMBER	1 2 3 4 5 6 7	NOMENCLATURE	EFFECT FROM TO	UNITS PER ASSY
3 65	3602982-0501		.INSERT- SUPPLIER CODE: V02987 ELECTRICAL EQUIP NUMBER: D00159T WIRING DIAGRAM REF: 344311	103106	1

MISSING ITEM NUMBERS NOT APPLICABLE

- ITEM NOT ILLUSTRATED

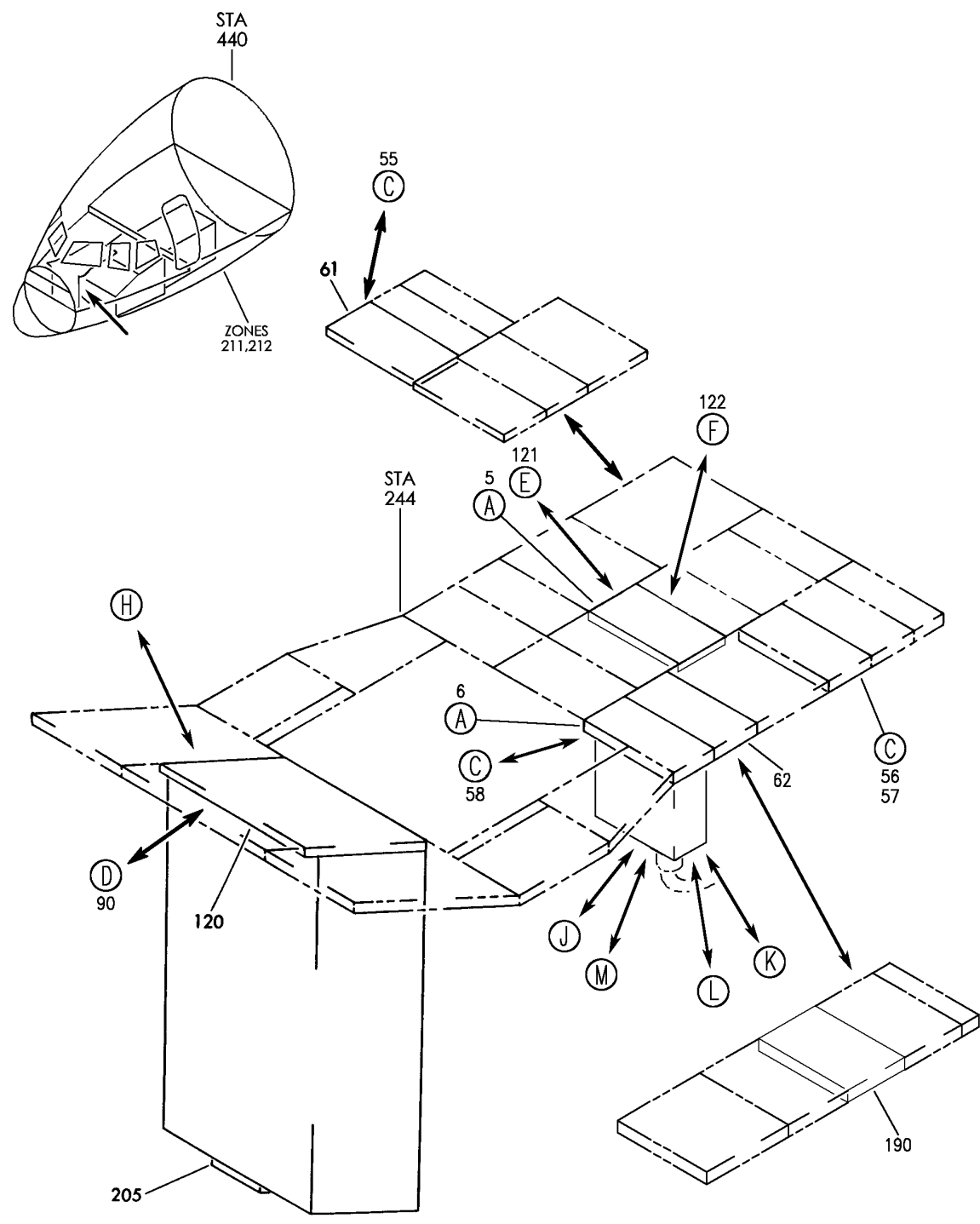
BRI

34-43-01-03

BOEING PROPRIETARY - Copyright © - Unpublished Work - See title page for details.

34-43-01  
FIG. 03  
PAGE 2  
JAN 20/09

**BOEING**  
757  
PARTS CATALOG (MAINTENANCE)



Y 34-430201 SH1 1 REV 327

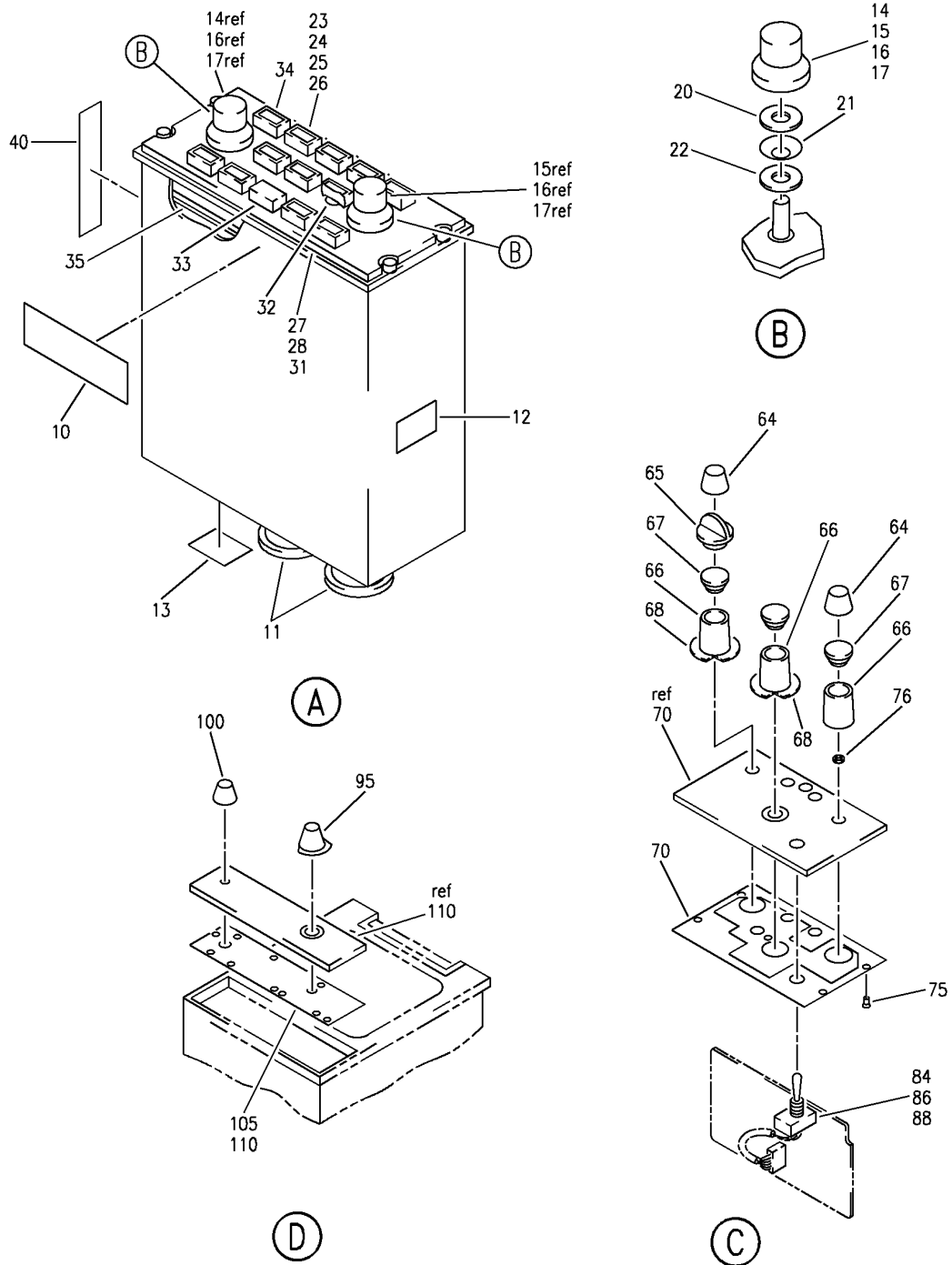
PANEL INSTL-P8 ELECTRONIC (WEATHER RADAR SYSTEM ONLY)  
FIGURE 1 (SHEET 1)

**34-43-02-01**

BRI  
SEP 20/08

34-43-02-01  
PAGE 0


**BOEING**  
 757  
**PARTS CATALOG (MAINTENANCE)**



Y 34430201 SHT 2 REV 298

PANEL INSTL-P8 ELECTRONIC (WEATHER RADAR SYSTEM ONLY)  
 FIGURE 1 (SHEET 2)

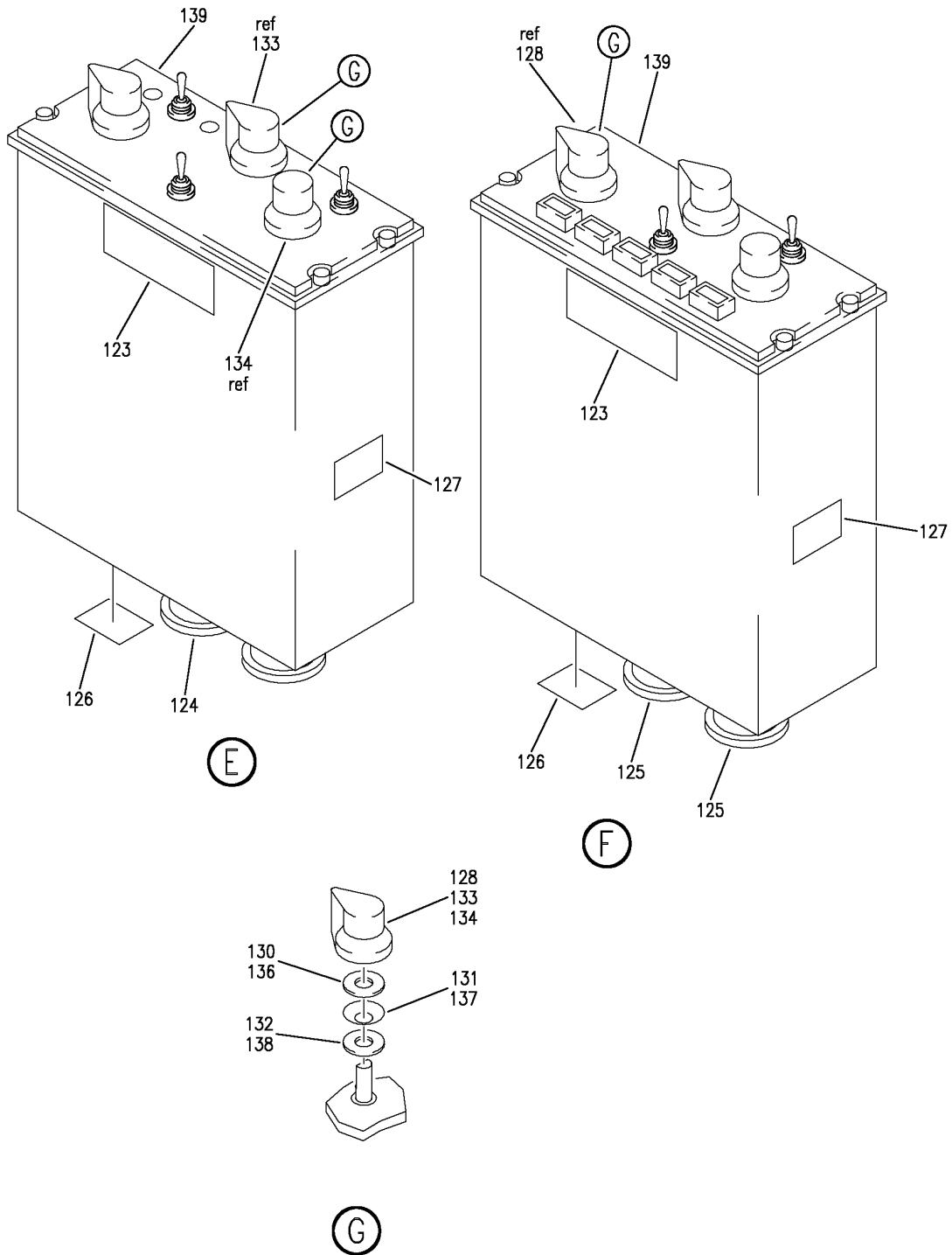
**34-43-02-01**

BRI  
 MAY 28/07

34-43-02-01  
 PAGE 0A



**BOEING**  
757  
PARTS CATALOG (MAINTENANCE)



Y 34-430201 SH1 3 REV 254

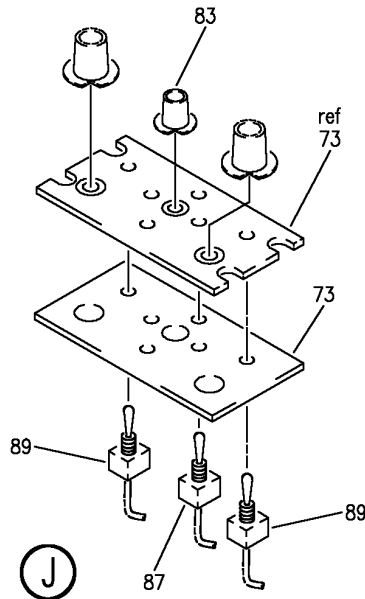
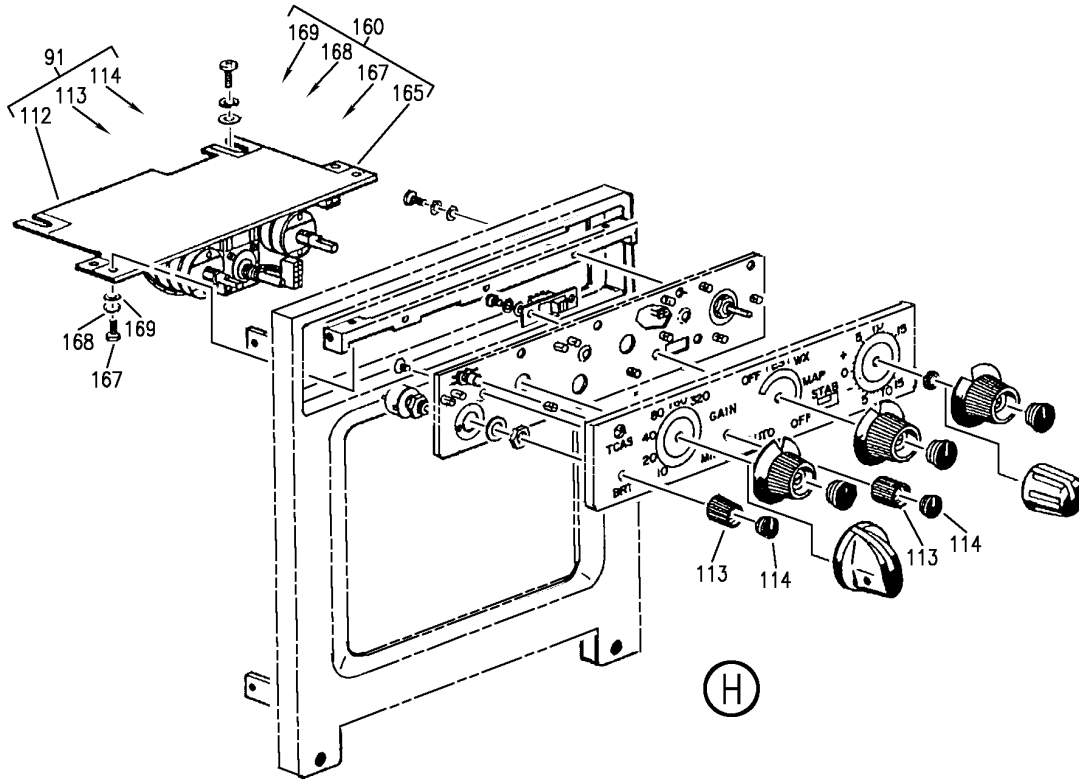
PANEL INSTL-P8 ELECTRONIC (WEATHER RADAR SYSTEM ONLY)  
FIGURE 1 (SHEET 3)

**34-43-02-01**

BRI  
MAY 28/07

34-43-02-01  
PAGE 0B

**BOEING**  
757  
PARTS CATALOG (MAINTENANCE)



Y 34-430201 SH1 4 REV 298

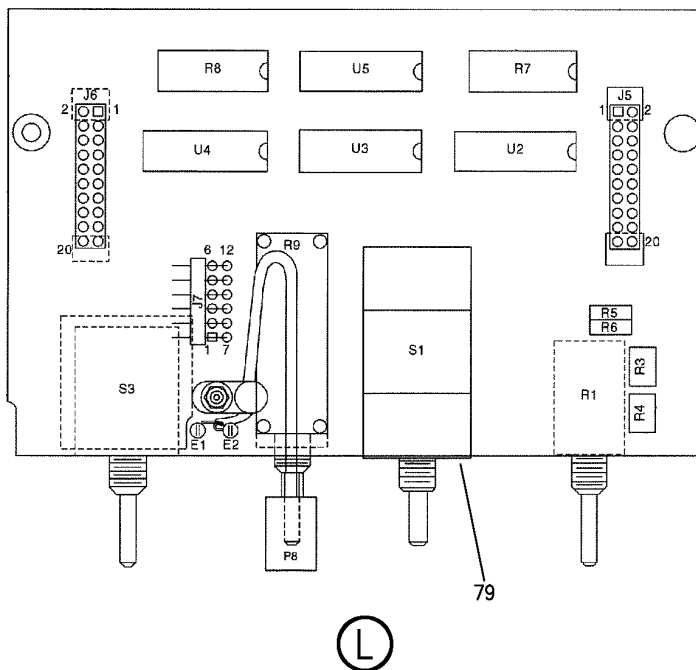
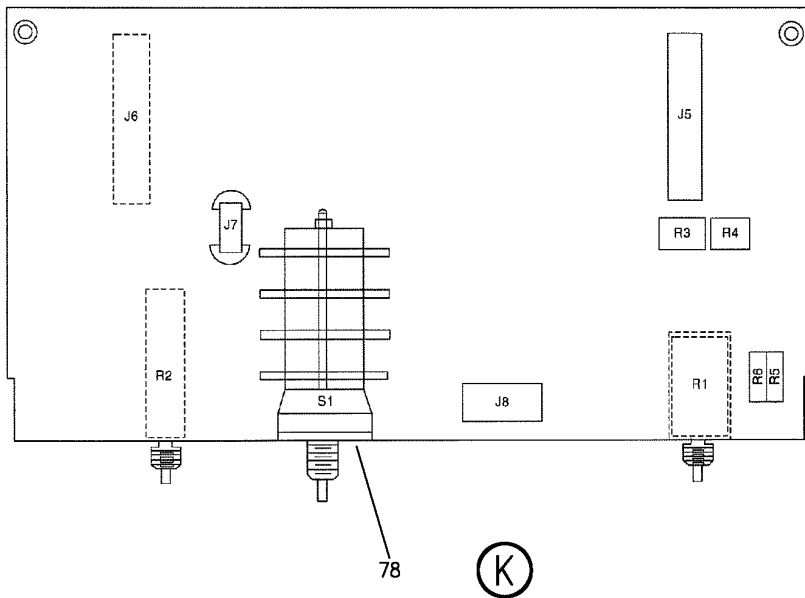
PANEL INSTL-P8 ELECTRONIC (WEATHER RADAR SYSTEM ONLY)  
FIGURE 1 (SHEET 4)

**34-43-02-01**

BRI  
MAY 28/07

34-43-02-01  
PAGE 0C

**BOEING**  
757  
**PARTS CATALOG (MAINTENANCE)**



Y 34-430201 SH-T 5 REV 298

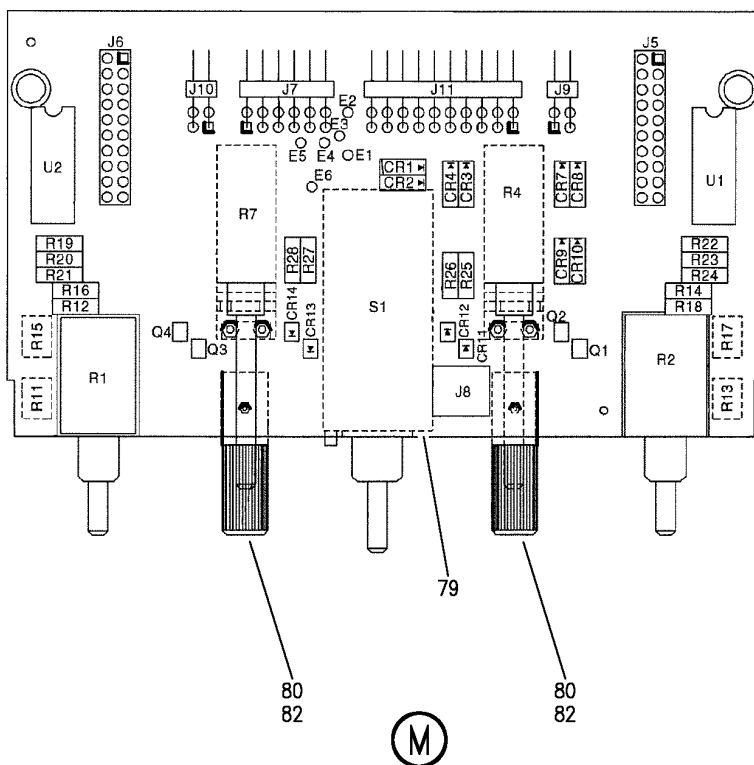
PANEL INSTL-P8 ELECTRONIC (WEATHER RADAR SYSTEM ONLY)  
FIGURE 1 (SHEET 5)

**34-43-02-01**

BRI  
MAY 28/07

34-43-02-01  
PAGE 0D

**BOEING**  
757  
PARTS CATALOG (MAINTENANCE)



Y 34-430201 SH1 6 REV 298

PANEL INSTL-P8 ELECTRONIC (WEATHER RADAR SYSTEM ONLY)  
FIGURE 1 (SHEET 6)

# 34-43-02-01

BRI  
MAY 28/07

34-43-02-01  
PAGE 0E



757

PARTS CATALOG (MAINTENANCE)

FIG ITEM	PART NUMBER	1 2 3 4 5 6 7	NOMENCLATURE	EFFECT FROM TO	UNITS PER ASSY
1			PANEL INSTL-P8 ELECTRONIC (WEATHER RADAR SYSTEM ONLY)	002004 006100 107107 121503 904999	
- 1	233N6101-1		PANEL INSTL-P8 ELECTRONIC (WEATHER RADAR SYSTEM ONLY) VARIABLE DRAWING REF: 233N6101-5004 233N6101-5028 233N6101-5041 233N6101-5042 233N6101-5046 FOR NHA/OTHER SYS DET SEE: 25-10-00-05A	002004 006100 107107 121503 904999	RF
R R R R R R R R	5 622-5129-108		.PANEL ASSY-WEATHER RDR CONT SUPPLIER CODE: V4V792 ELECTRICAL EQUIP NUMBER: M00075 QUALIFIED I/W DATA: 622-5129-108 I/W -104 EXCEPT SUBJECT TO CUSTOMER PREFERENCE	952999	1
	10 646-0083-000		..PLATE-IDENT SUPPLIER CODE: V4V792	952999	1
	10 646-0083-001		..PLATE-IDENT SUPPLIER CODE: V4V792	002004 006100	1
	11 MS90379-20Y		..CAP-ELEC CONN CONFIG CHG DATA FROM A CMM: SUPSD BY MS90379-20YF	952999	1
	11 MS90379-20YF		..CAP-ELEC CONN CONFIG CHG DATA FROM A CMM: SUPSDS MS90379-20Y	952999	1
	12 280-2745-010		..LABEL-ESDS SUPPLIER CODE: V12998	952999	1
	13 280-2745-130		..LABEL-ESDS SUPPLIER CODE: V12998	952999	1
	14 646-3558-008		..KNOB-TILT SUPPLIER CODE: V4V792	952999	1

MISSING ITEM NUMBERS NOT APPLICABLE

- ITEM NOT ILLUSTRATED

34-43-02-01

34-43-02  
FIG. 01  
PAGE 1  
MAY 20/09

BRI

 **BOEING**  
757  
**PARTS CATALOG (MAINTENANCE)**

FIG ITEM	PART NUMBER	1 2 3 4 5 6 7	NOMENCLATURE	EFFECT FROM TO	UNITS PER ASSY
1					
15	646-3558-003	..	KNOB-TILT SUPPLIER CODE: V4V792	952999	1
16	RD238-137	..	KNOB- SUPPLIER CODE: V81590 MISCELLANEOUS DATA: ROCKWELL COLLINS 281-0661-290	002004 006100	2
17	RC446-108	..	KNOB- SUPPLIER CODE: V81590 MISCELLANEOUS DATA: ROCKWELL COLLINS 281-0661-300	002004 006100	2
- 18	BCREF7372	..	SETScrew- SUPPLIER CODE: V08664 OVERLENGTH PART NUMBER: 4-40X1-8-6SPLINEOVPT1	952999	4
- 19	BCREF7372	..	SETScrew- SUPPLIER CODE: V08664 OVERLENGTH PART NUMBER: 4-40X1-8-6SPLINEOVPT1	002004 006100	6
20	540-3017-003	..	WASHER- SUPPLIER CODE: V4V792	952999	1
21	647-9078-001	..	WASHER- SUPPLIER CODE: V4V792	952999	1
22	310-0150-000	..	WASHER- SUPPLIER CODE: V79807	952999	1
23	635-7594-004	..	SHELL- SUPPLIER CODE: V4V792	952999	6
24	635-7594-004	..	SHELL- SUPPLIER CODE: V4V792	002004 006100	11
25	641-9134-001	..	GASKET- SUPPLIER CODE: V4V792	952999	6
26	641-9134-001	..	GASKET- SUPPLIER CODE: V4V792	002004 006100	11

MISSING ITEM NUMBERS NOT APPLICABLE

- ITEM NOT ILLUSTRATED

BRI

# 34-43-02-01

BOEING PROPRIETARY - Copyright © - Unpublished Work - See title page for details.

34-43-02  
FIG. 01  
PAGE 2  
MAY 20/09



757

PARTS CATALOG (MAINTENANCE)

FIG ITEM	PART NUMBER	1 2 3 4 5 6 7	NOMENCLATURE	EFFECT FROM TO	UNITS PER ASSY
1	27 754-0149-003		.. PANEL ASSY- SUPPLIER CODE: V4V792	952999	1
	28 754-0533-001		.. PANEL ASSY- SUPPLIER CODE: V4V792	002004 006100	1
-	29 642-6105-002		ATTACHING PARTS .. SCREW- SUPPLIER CODE: V4V792	952999	4
	29 642-6105-009		CONFIG CHG DATA FROM A CMM: SUPSD BY 642-6105-009 .. SCREW- SUPPLIER CODE: V4V792	952999	4
	29 642-6105-004		CONFIG CHG DATA FROM A CMM: SUPSDS 642-6105-002 .. SCREW- SUPPLIER CODE: V4V792	002004 006100	4
	29 642-6105-013		CONFIG CHG DATA FROM A CMM: SUPSD BY 642-6105-013 .. SCREW- SUPPLIER CODE: V4V792	002004 006100	4
	30 548-9537-003		CONFIG CHG DATA FROM A CMM: SUPSDS 642-6105-004 .. WASHER- SUPPLIER CODE: V4V792	952999	4
	31 618-5006-002		-----*----- .. SEAL- SUPPLIER CODE: V4V792	952999	1
	32 647-6361-001		.. SEAL- SUPPLIER CODE: V4V792	002004 006100	2
	33 647-9175-003		.. PLATE- SUPPLIER CODE: V4V792	952999	1
	33 647-8959-003		CONFIG CHG DATA FROM A CMM: SUPSDS 647-9175-001 SUPSD BY 647-8959-003 .. PLATE- SUPPLIER CODE: V4V792	952999	1
			CONFIG CHG DATA FROM A CMM: SUPSDS 647-9175-003		

MISSING ITEM NUMBERS NOT APPLICABLE

- ITEM NOT ILLUSTRATED

34-43-02-01

34-43-02  
FIG. 01  
PAGE 3  
MAY 20/09

BRI



757

PARTS CATALOG (MAINTENANCE)

FIG ITEM	PART NUMBER	1 2 3 4 5 6 7	NOMENCLATURE	EFFECT FROM TO	UNITS PER ASSY
1					
34	647-9175-009	..	PLATE- SUPPLIER CODE: V4V792 CONFIG CHG DATA FROM A CMM: SUPSD BY 647-8959-009	002004 006100	2
34	647-8959-009	..	PLATE- SUPPLIER CODE: V4V792 CONFIG CHG DATA FROM A CMM: SUPSDS 647-9175-009 USED ON: 622-5129-202 622-5129-204	002004 006100	2
35	642-4339-001	..	BOARD-SWITCHLIGHTING SUPPLIER CODE: V4V792 CONFIG CHG DATA FROM A CMM: SUPSD BY 676-7113-001	952999	1
35	676-7113-001	..	BOARD-SWITCHLIGHTING SUPPLIER CODE: V4V792 CONFIG CHG DATA FROM A CMM: SUPSDS 642-4339-001 ATTACHING PARTS	952999	1
- 36	MS51957-14	..	SCREW	952999	4
- 37	MS35338-135	..	WASHER	952999	4
- 39	303-1000-000	..	WASHER- SUPPLIER CODE: V4V792	002004 006100	4
- 39	NAS620C4L	..	WASHER -----*-----	952999	4
40	280-3778-100	..	LABEL- SUPPLIER CODE: VOBU16 OPTIONAL SUPPLIER CODE: 12998	952999	1

MISSING ITEM NUMBERS NOT APPLICABLE

- ITEM NOT ILLUSTRATED

34-43-02-01

34-43-02  
FIG. 01  
PAGE 4  
MAY 20/09

BRI



**BOEING**  
757  
**PARTS CATALOG (MAINTENANCE)**

FIG ITEM	PART NUMBER	1 2 3 4 5 6 7	NOMENCLATURE	EFFECT FROM TO	UNITS PER ASSY
R R R R R R R R R R R R	1 58	2041223-0402	.PANEL-WEATHER RDR CONT SUPPLIER CODE: V97896 SPECIFICATION NUMBER: S220T109-401 ELECTRICAL EQUIP NUMBER: M00075 COMPONENT MAINT MANUAL REF: 34-41-12 PRE SERVICE BULLETIN: 34-0394 34-0394R1 FUNCTIONAL REFERENCE: LIGHTS FOR DETAILS SEE 33-13-51-52P	002004 006100 107107	1
	58	2041223-0418	.PANEL-WEATHER RDR CONT SUPPLIER CODE: V97896 ELECTRICAL EQUIP NUMBER: M00075 COMPONENT MAINT MANUAL REF: 34-41-12 POST SERVICE BULLETIN: 34-0394 34-0394R1 FUNCTIONAL REFERENCE: LIGHTS FOR DETAILS SEE 33-13-51-52P	009009 107107	1
R R R R R R R R R R R R	58	2041220-0412	.PANEL-WEATHER RDR CONT SUPPLIER CODE: V97896 FUNCTIONAL DESCRIPTION: ALLOWS FLIGHT CREW TO SELECT OPERATIONAL MODE, GAIN, AND ANTENNA TILT ANGLE FOR THE WEATHER RADAR SYSTEM. ELECTRICAL EQUIP NUMBER: M00075 COMPONENT MAINT MANUAL REF: 34-41-12 FUNCTIONAL REFERENCE: LIGHTS FOR DETAILS SEE 33-13-51-52P	950951	1

MISSING ITEM NUMBERS NOT APPLICABLE

— ITEM NOT ILLUSTRATED

BRI

# 34-43-02-01

BOEING PROPRIETARY - Copyright © - Unpublished Work - See title page for details.

34-43-02  
FIG. 01  
PAGE 5  
MAY 20/09



757

PARTS CATALOG (MAINTENANCE)

FIG ITEM	PART NUMBER	1 2 3 4 5 6 7	NOMENCLATURE	EFFECT FROM TO	UNITS PER ASSY
R R R R R R R R R	1 61	2041223-0402	.PANEL-WEATHER RDR CONT SUPPLIER CODE: V97896 SPECIFICATION NUMBER: S220T109-401 ELECTRICAL EQUIP NUMBER: M00075 COMPONENT MAINT MANUAL REF: 34-41-12 FUNCTIONAL REFERENCE: LIGHTS FOR DETAILS SEE 33-13-51-52P	121503 904949	1
	64	RD240-106	..KNOB- SUPPLIER CODE: V81590 MISCELLANEOUS DATA: HONEYWELL PART NO. 25047-0002	002004 006100 107107 121503 904951	2
	65	BP247-119	..KNOB- SUPPLIER CODE: V15084 MISCELLANEOUS DATA: HONEYWELL PART NO. 25046-0002 POST SERVICE BULLETIN: 34-0394	107107 950951	1
	70	3603016-0002	..PANEL-LIGHTED SUPPLIER CODE: V97896 PRE SERVICE BULLETIN: 34-0394	002004 006100 107107 121503 904949	1
	70	3603016-0011	..PANEL-LIGHTED SUPPLIER CODE: V97896 POST SERVICE BULLETIN: 34-0394	107107	1
	70	3603016-0014	..PANEL-LIGHTED SUPPLIER CODE: V97896 ATTACHING PARTS	950951	1
	75	MS51959-1	..SCREW  -----*-----	002004 006100 121503 904951	6
	MISSING ITEM NUMBERS NOT APPLICABLE				

- ITEM NOT ILLUSTRATED

34-43-02-01

34-43-02  
FIG. 01  
PAGE 6  
MAY 20/09

BRI



757

PARTS CATALOG (MAINTENANCE)

FIG ITEM	PART NUMBER	1 2 3 4 5 6 7	NOMENCLATURE	EFFECT FROM TO	UNITS PER ASSY
1					
78	22139-0014	..	SWITCH- SUPPLIER CODE: V97896 SB DATA FROM A CMM: M1668 OPTIONAL PART: 71AY23739 V81073 71YY50282 V81073 PRE SERVICE BULLETIN: 34-0394	002004 006100 107107 121503 904949	1
78	71AY23739	..	SWITCH- SUPPLIER CODE: V81073 SB DATA FROM A CMM: M1668 OPTIONAL PART: 22139-0014 V97896 71AY233053 V81073 71YY50282 V81073 POST SERVICE BULLETIN: 34-0394	002004 006100 107107 121503 904949	1
78	71AY23740	..	SWITCH- SUPPLIER CODE: V81073 SB DATA FROM A CMM: M1668 OPTIONAL PART: 22139-0020 V97896	950951	1
78	71AY233053	..	SWITCH- SUPPLIER CODE: V81073 OPTIONAL PART: 71AY23739 V81073 POST SERVICE BULLETIN: 34-0394	107107	1

MISSING ITEM NUMBERS NOT APPLICABLE

- ITEM NOT ILLUSTRATED

34-43-02-01

34-43-02  
FIG. 01  
PAGE 7  
JAN 20/09

BRI



757

PARTS CATALOG (MAINTENANCE)

FIG ITEM	PART NUMBER	1 2 3 4 5 6 7 NOMENCLATURE	EFFECT FROM TO	UNITS PER ASSY
R R R R R R R R R	1 78	71YY50282 ..SWITCH- SUPPLIER CODE: V81073 OPTIONAL PART: 22139-0014 V97896 71AY23739 V81073 PRE SERVICE BULLETIN: 34-0394	002004 006100 107107 121503 904951	1
	84	2068552-0702 ..SWITCH-TOGGLE SUPPLIER CODE: V22526 OPTIONAL PART: 24202-0002 V97896	950951	1
	90	2041222-0403 .PANEL-WEATHER RDR IND SUPPLIER CODE: V97896 SPECIFICATION NUMBER: S220T109-301 ELECTRICAL EQUIP NUMBER: N00110 COMPONENT MAINT MANUAL REF: 34-41-22 PRE SERVICE BULLETIN: 34-0394 FUNCTIONAL REFERENCE: LIGHTS FOR DETAILS SEE 33-13-51-52N	107107	1
			950951	
	95	BP246-104 ..KNOB-LIGHTED SUPPLIER CODE: V15084	107107 950951	1
	100	RD239-119 ..KNOB-LIGHTED SUPPLIER CODE: V15084	107107 950951	1
	105	2039643-0503 ..PANEL ASSY-LT SUPPLIER CODE: V27914	107107 950951	1
	110	3603073-0111 ...PANEL- SUPPLIER CODE: V27914	107107 950951	1
MISSING ITEM NUMBERS NOT APPLICABLE				

— ITEM NOT ILLUSTRATED

# 34-43-02-01

34-43-02  
FIG. 01  
PAGE 8  
MAY 20/09

BRI

BOEING PROPRIETARY - Copyright © - Unpublished Work - See title page for details.



**757  
PARTS CATALOG (MAINTENANCE)**

FIG ITEM	PART NUMBER	1 2 3 4 5 6 7	NOMENCLATURE	EFFECT FROM TO	UNITS PER ASSY
R R R R R R R R R R R R R R R	160	2041222-2454	.PANEL-WEATHER RDR IND SUPPLIER CODE: V27914 ELECTRICAL EQUIP NUMBER: N00110 COMPONENT MAINT MANUAL REF: 34-41-23	950951	1
	165	8057107-0501	..MODULE-CONTROL SUPPLIER CODE: V27914 ATTACHING PARTS	950951	1
	167	MS35216-13	..SCREW	950951	2
	168	MS35338-78	..WASHER	950951	2
	169	MS15795-803	..WASHER	950951	2
	- 172	BP246-104	..KNOB- SUPPLIER CODE: V15084 CONFIG CHG DATA FROM A CMM: 25046-0001 27914	950951	2
	- 176	RD238-112	..KNOB- SUPPLIER CODE: V81590 CONFIG CHG DATA FROM A CMM: 25047-0003 27914	950951	1
	- 200	286N2309-007	WIRE BUNDLE ASSY-	107107	RF
	- 200	286N2309-021	WIRE BUNDLE ASSY-	950951	RF
	- 201	286N2309-005	WIRE BUNDLE ASSY-	121503 904949	RF
	- 201	286N2309-026	WIRE BUNDLE ASSY- REWORKED BY SB: 34-0200	002004 006100 952999	RF
	205	DPXAMB32W2-33S	.PLUG- SUPPLIER CODE: V71468 ELECTRICAL EQUIP NUMBER: D00883 WIRING DIAGRAM REF: 344313	107107 950951	1
	205	MS3126F18-32S	.PLUG- SUPPLIER CODE: V71468 ELECTRICAL EQUIP NUMBER: D00163	002004 006100 107107 121503 904999	1

MISSING ITEM NUMBERS NOT APPLICABLE

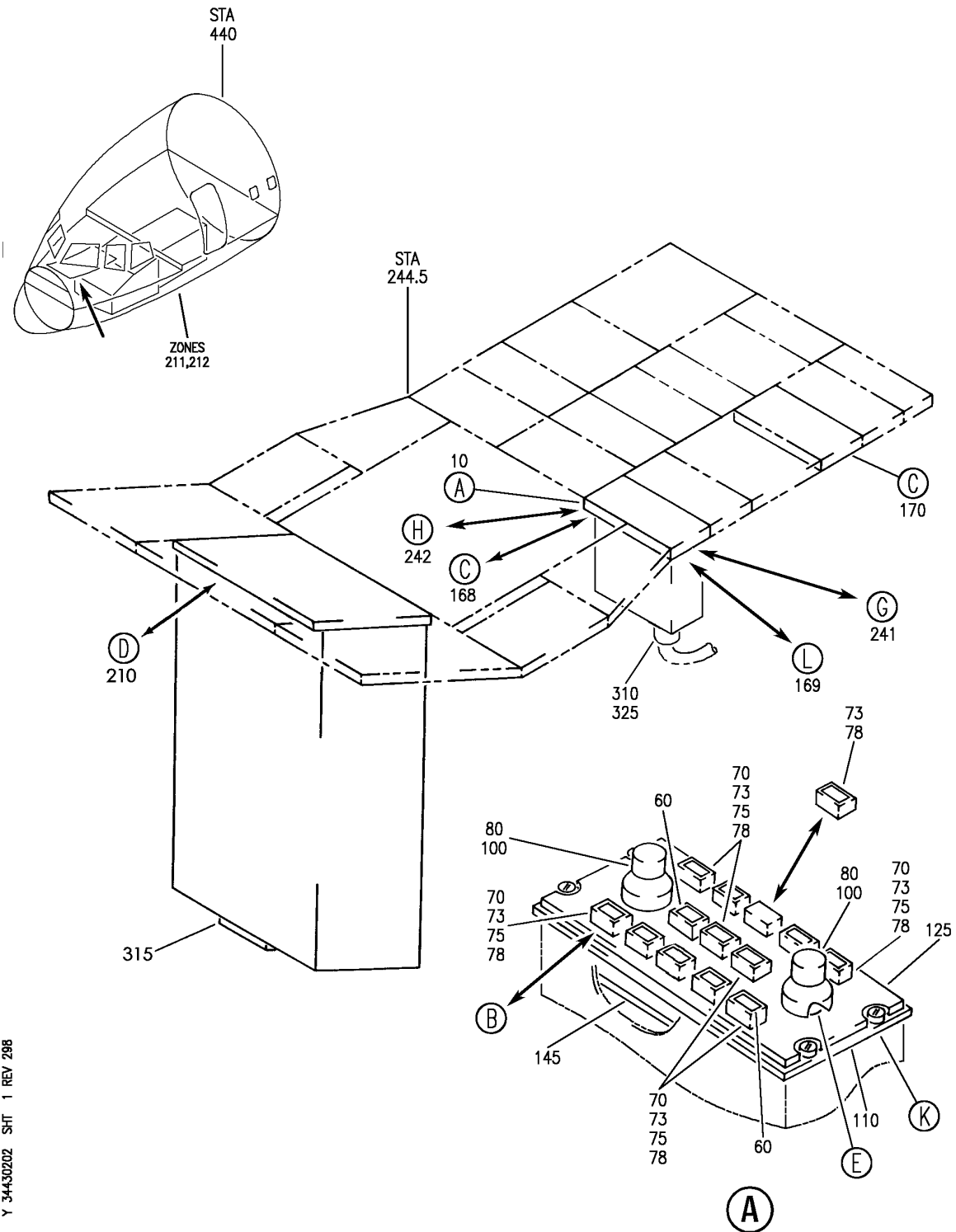
- ITEM NOT ILLUSTRATED

# 34-43-02-01

34-43-02  
FIG. 01  
PAGE 9  
MAY 20/09

BRI

**BOEING**  
757  
PARTS CATALOG (MAINTENANCE)



Y 34-430202 SHT 1 REV 298

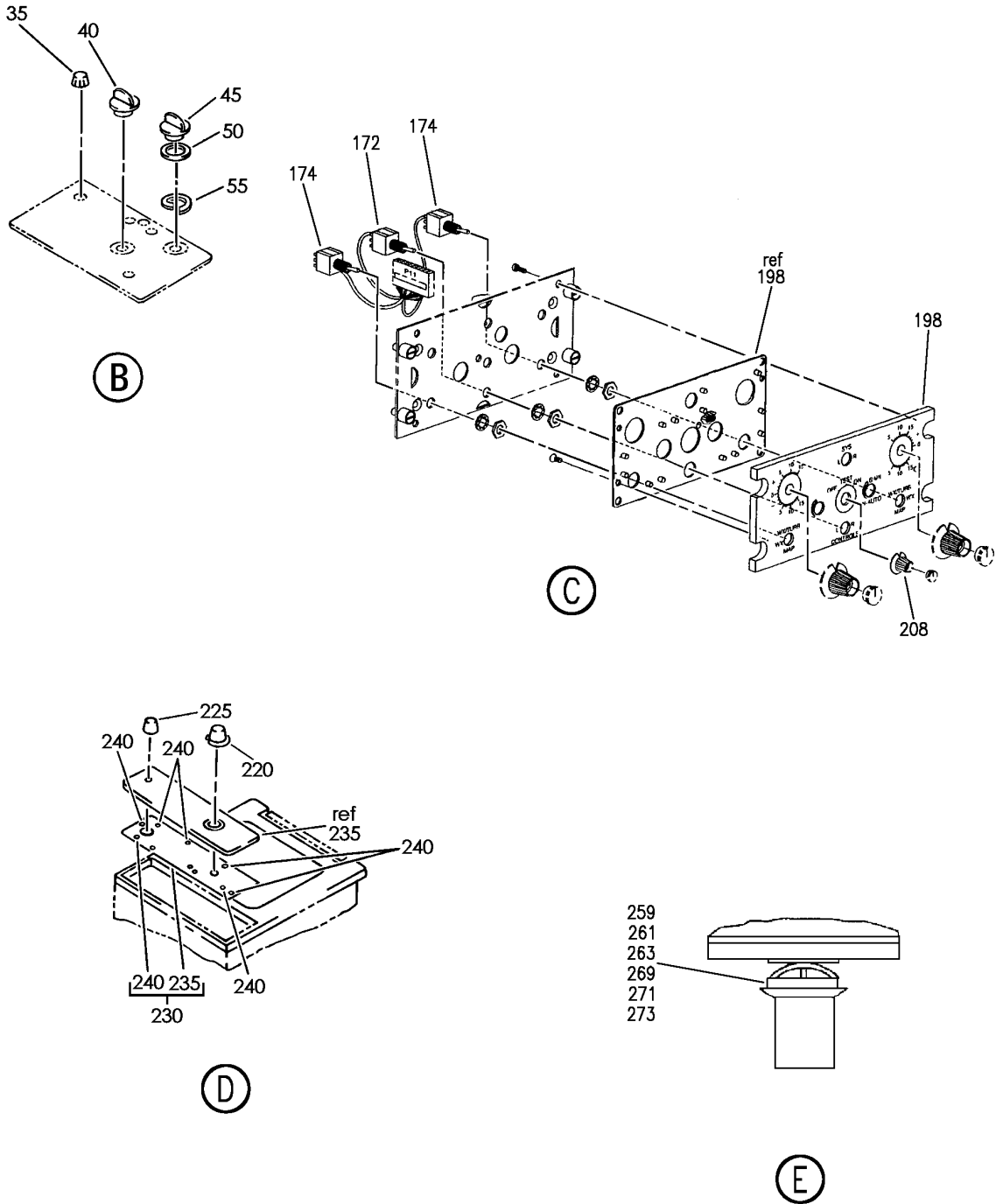
PANEL INSTL-P8,P9,P10 ELECTRONICS (WEATHER RADAR SYSTEM ONLY)  
FIGURE 2 (SHEET 1)

**34-43-02-02**

BRI  
MAY 28/07

34-43-02-02  
PAGE 0

**BOEING**  
757  
PARTS CATALOG (MAINTENANCE)



Y 34-430202 SHT 2 REV 298

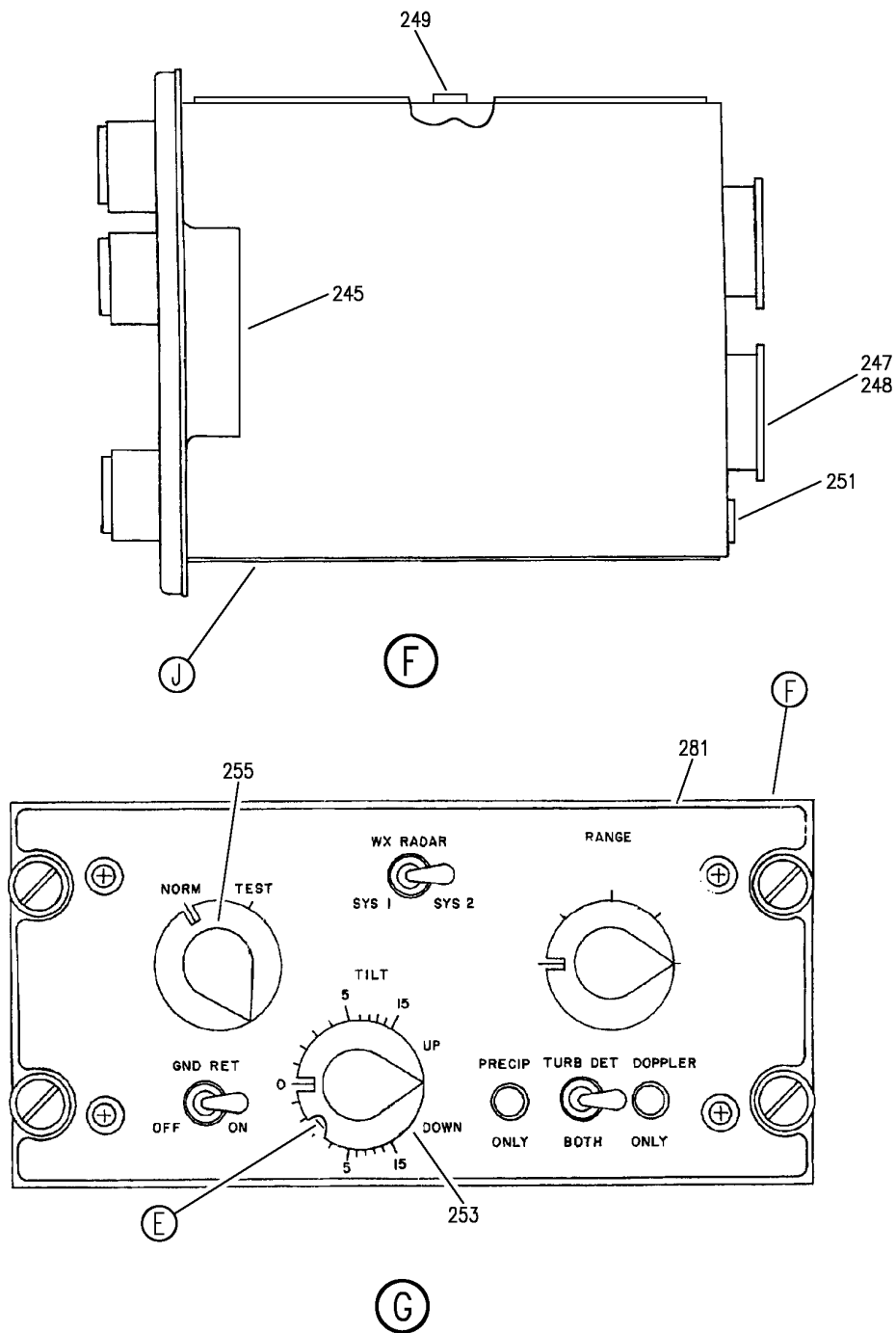
PANEL INSTL-P8,P9,P10 ELECTRONICS (WEATHER RADAR SYSTEM ONLY)  
FIGURE 2 (SHEET 2)

**34-43-02-02**

BRI  
MAY 28/07

34-43-02-02  
PAGE 0A

**BOEING**  
757  
PARTS CATALOG (MAINTENANCE)



Y 34-430202 SH1 3 REV 275

PANEL INSTL-P8,P9,P10 ELECTRONICS (WEATHER RADAR SYSTEM ONLY)  
FIGURE 2 (SHEET 3)

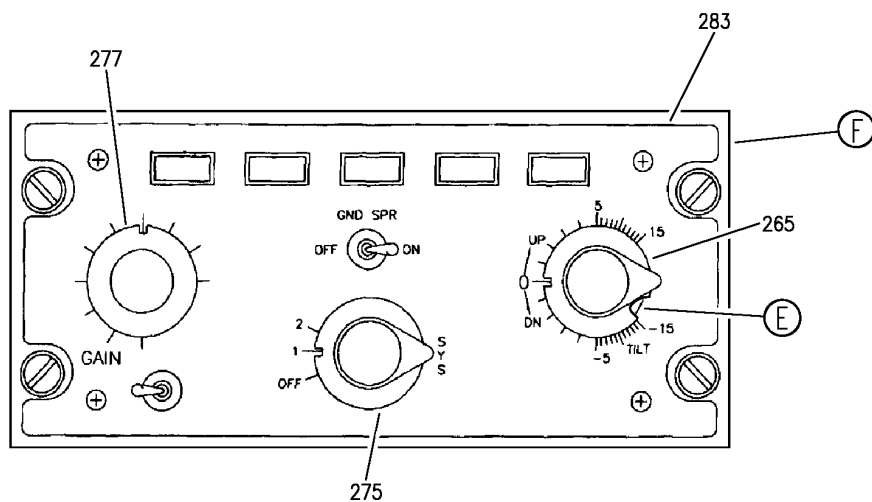
**34-43-02-02**

BRI  
MAY 28/07

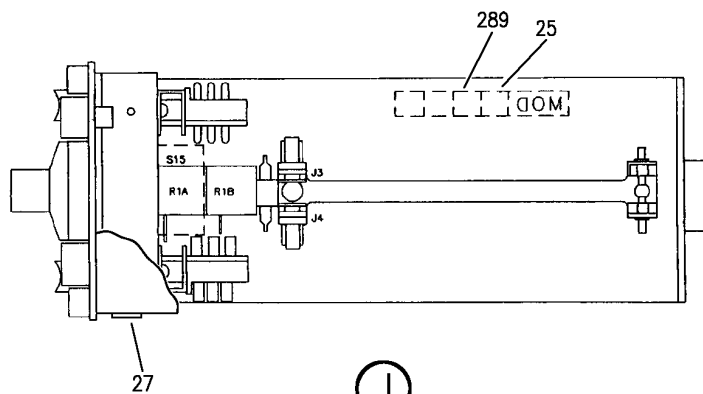
34-43-02-02  
PAGE 0B



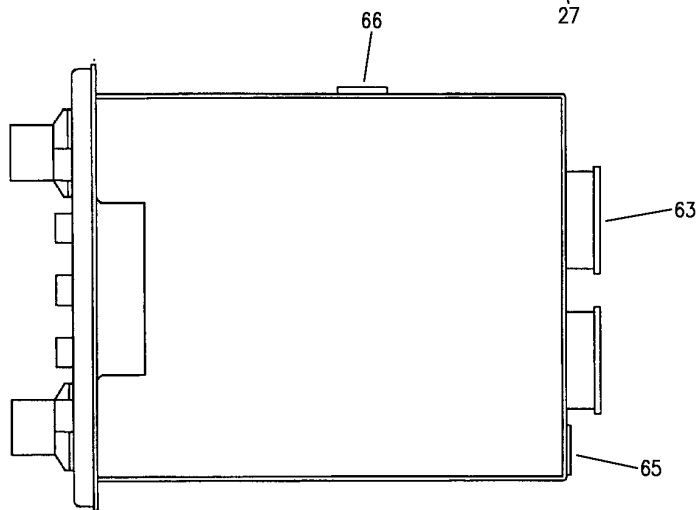

**BOEING**  
 757  
**PARTS CATALOG (MAINTENANCE)**



(H)



(J)



(K)

Y 34-430202 SH1 4 REV 275

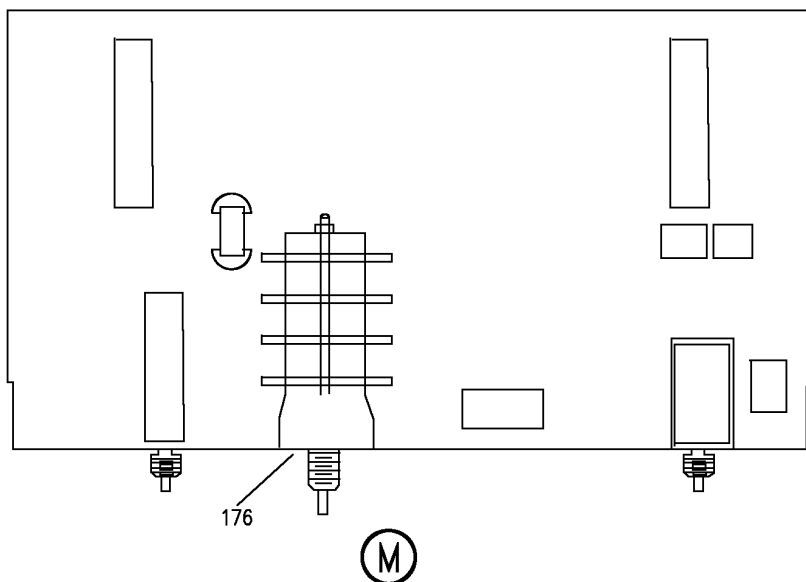
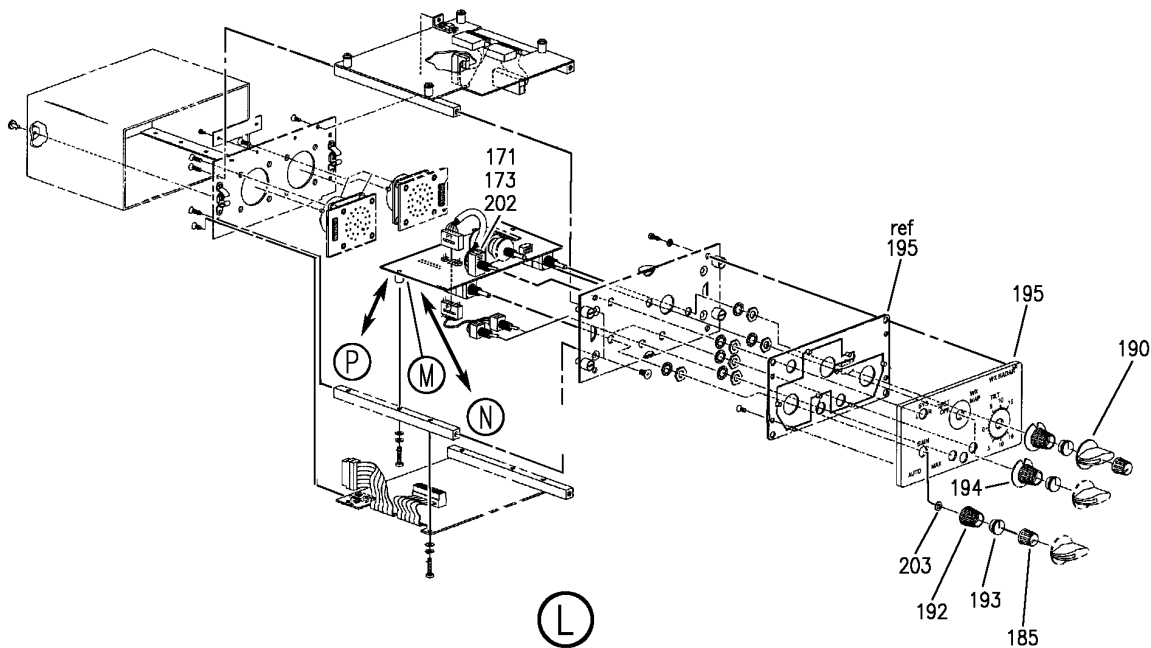
PANEL INSTL-P8,P9,P10 ELECTRONICS (WEATHER RADAR SYSTEM ONLY)  
FIGURE 2 (SHEET 4)

**34-43-02-02**

BRI  
MAY 28/07

34-43-02-02  
PAGE 0C

**BOEING**  
757  
**PARTS CATALOG (MAINTENANCE)**



Y 34-430202 SH1 5 REV 298

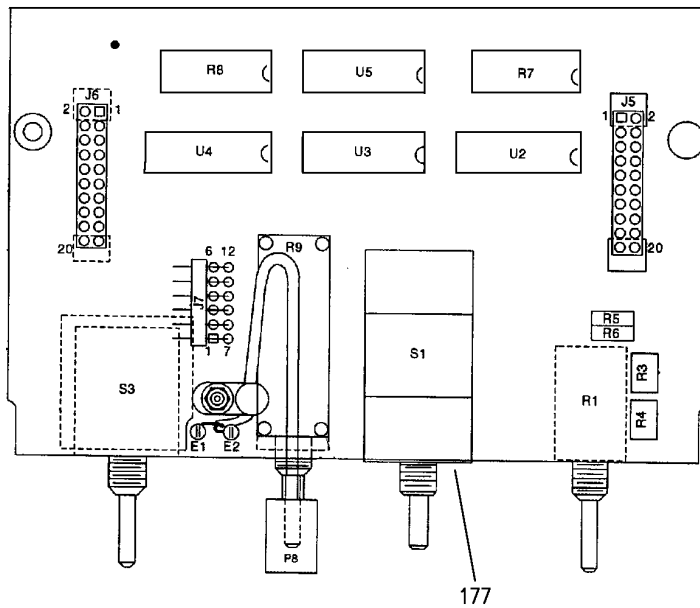
PANEL INSTL-P8,P9,P10 ELECTRONICS (WEATHER RADAR SYSTEM ONLY)  
FIGURE 2 (SHEET 5)

**34-43-02-02**

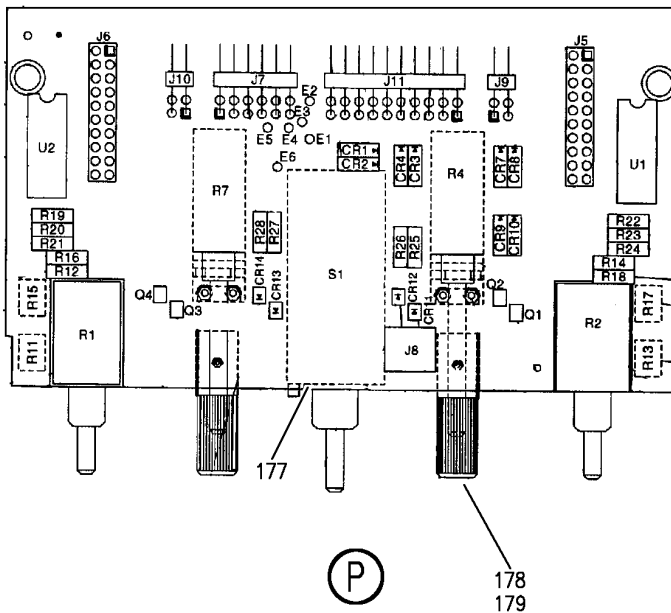
BRI  
MAY 28/07

34-43-02-02  
PAGE 00

**BOEING**  
757  
PARTS CATALOG (MAINTENANCE)



(N)



(P)

Y 34-430202 SH1 6 REV 298

PANEL INSTL-P8,P9,P10 ELECTRONICS (WEATHER RADAR SYSTEM ONLY)  
FIGURE 2 (SHEET 6)

**34-43-02-02**

BRI  
MAY 28/07

34-43-02-02  
PAGE 0E



757

PARTS CATALOG (MAINTENANCE)

FIG ITEM	PART NUMBER	1 2 3 4 5 6 7	NOMENCLATURE	EFFECT FROM TO	UNITS PER ASSY
2			PANEL INSTL-P8,P9,P10 ELECTRONICS (WEATHER RADAR SYSTEM ONLY)	101106 108120 504903	
- 2	233N6103-122		PANEL INSTL-P8,P9,P10 ELECTRONICS (WEATHER RADAR SYSTEM ONLY) FOR NHA/OTHER SYS DET SEE: 25-10-00-15B	504903	RF
- 3	233N6103-128		PANEL INSTL-P8,P9,P10 ELECTRONICS (WEATHER RADAR SYSTEM ONLY) FOR NHA/OTHER SYS DET SEE: 25-10-00-15B	102102	RF
- 3	233N6103-28		PANEL INSTL-P8,P9,P10 ELECTRONICS (WEATHER RADAR SYSTEM ONLY) FOR NHA/OTHER SYS DET SEE: 25-10-00-15B	101101	RF
- 6	233N6103-62		PANEL INSTL-P8,P9,P10 ELECTRONICS (WEATHER RADAR SYSTEM ONLY) FOR NHA/OTHER SYS DET SEE: 25-10-00-15B	108120	RF

MISSING ITEM NUMBERS NOT APPLICABLE

- ITEM NOT ILLUSTRATED

34-43-02-02

34-43-02  
FIG. 02  
PAGE 1  
JAN 20/09

BRI



**757  
PARTS CATALOG (MAINTENANCE)**

FIG ITEM	PART NUMBER	1 2 3 4 5 6 7	NOMENCLATURE	EFFECT FROM TO	UNITS PER ASSY
2 - 7	MODREF33990		PANEL INSTL-P8,P9,P10 ELECTRONICS (WEATHER RADAR SYSTEM ONLY) MODULE NUMBER: 233N6103-253 REV B FOR OTHER SYS DETAILS SEE: 11-31-05-66F 23-12-02-03 23-51-01-05 26-11-02-01 26-11-54-02A 26-12-51-03 26-17-51-06 26-21-01-02 26-22-03-03 26-23-52-04A 27-11-23-03 27-21-23-03 27-28-02-01A 31-11-31-02 31-11-36-78 31-11-41-02 31-41-03-02 33-13-01-07 34-22-02-03 34-31-02-02 34-53-02-02 34-57-02-03 34-61-02-03	103106	1
R R R R R R R R R R R R	10 622-5129-108		.PANEL ASSY-WEATHER RDR CONT SUPPLIER CODE: V4V792 ELECTRICAL EQUIP NUMBER: M00075	108120	1
	10 622-5129-801		.PANEL-WEATHER RDR CONT SUPPLIER CODE: V4V792 FUNCTIONAL DESCRIPTION: ALLOWS FLIGHT CREW TO SELECT OPERATIONAL MODE, GAIN, AND ANTENNA TILT ANGLE FOR THE WEATHER RADAR SYSTEM. ELECTRICAL EQUIP NUMBER: M00075	103106	1

MISSING ITEM NUMBERS NOT APPLICABLE

- ITEM NOT ILLUSTRATED

BRI

# 34-43-02-02

BOEING PROPRIETARY - Copyright © - Unpublished Work - See title page for details.

34-43-02  
FIG. 02  
PAGE 2  
MAY 20/09



757

PARTS CATALOG (MAINTENANCE)

FIG ITEM	PART NUMBER	1 2 3 4 5 6 7	NOMENCLATURE	EFFECT FROM TO	UNITS PER ASSY
R R R R	2		TEMPORARY BREAKDOWN FOR: 622-5129-108 622-5129-801	103106 108120	
	60	647-9175-009	..PLATE-LEGEND SUPPLIER CODE: V4V792 CONFIG CHG DATA FROM A CMM: SUPSD BY 659-8959-009	103106 108120	2
	60	647-8959-009	..PLATE-LEGEND SUPPLIER CODE: V4V792 CONFIG CHG DATA FROM A CMM: SUPSDS 659-9175-009	103106 108120	2
	61	646-0083-001	..PLATE-IDENT SUPPLIER CODE: V4V792	103106 108120	1
	63	MS90376-20YF	..CAP-ELEC CONN	103106 108120	1
	65	280-2745-010	..LABEL-ESDS SUPPLIER CODE: V12998	103106 108120	1
	66	280-2745-130	..LABEL-ESDS SUPPLIER CODE: V12998	103106 108120	1
	70	635-7594-004	..SHELL-PUSHBUTTON SUPPLIER CODE: V4V792	103106 108120	11
	75	641-9134-001	..GASKET-SWITCH PUSHBUTTON SUPPLIER CODE: V4V792	103106 108120	11
	80	RD238-137	..KNOB-PLASTIC-CAL GAIN SUPPLIER CODE: V81590	103106 108120	2
	- 90	335-9000-000	ATTACHING PARTS ..SETSCREW- SUPPLIER CODE: V08664 -----*-----	103106 108120	2
	100	RC446-108	..KNOB-PLASTIC SUPPLIER CODE: V81590	103106 108120	2
	- 105	335-9000-000	ATTACHING PARTS ..SETSCREW- SUPPLIER CODE: V08664 -----*-----	103106 108120	4

MISSING ITEM NUMBERS NOT APPLICABLE

- ITEM NOT ILLUSTRATED

34-43-02-02

34-43-02  
FIG. 02  
PAGE 3  
MAY 20/09

BRI



757

PARTS CATALOG (MAINTENANCE)

FIG ITEM	PART NUMBER	1 2 3 4 5 6 7	NOMENCLATURE	EFFECT FROM TO	UNITS PER ASSY
2					
110	754-0533-001		.. PANEL ASSY- SUPPLIER CODE: V4V792 ATTACHING PARTS	103106 108120	1
- 115	642-6105-004		.. SCREW-MOD SUPPLIER CODE: V4V792 CONFIG CHG DATA FROM A CMM: SUPSD BY 642-6105-013	103106 108120	4
- 115	642-6105-013		.. SCREW-MOD SUPPLIER CODE: V4V792 CONFIG CHG DATA FROM A CMM: SUPERSEDES 642-6105-004	103106 108120	4
- 120	548-9537-003		.. WASHER-CORK SUPPLIER CODE: V4V792 -----*-----	103106 108120	4
125	618-5006-002		.. SEAL- SUPPLIER CODE: V4V792	103106 108120	1
145	642-4339-001		.. BOARD-SWITCHLIGHTING SUPPLIER CODE: V4V792 CONFIG CHG DATA FROM A CMM: SUPSD BY 676-7113-001	103106 108120	1
145	676-7113-001		.. BOARD-SWITCHLIGHTING SUPPLIER CODE: V4V792 CONFIG CHG DATA FROM A CMM: SUPSDS 642-4339-001 ATTACHING PARTS	103106 108120	1
- 150	MS51957-14		.. SCREW	103106 108120	4
- 155	303-1000-000		.. WASHER- SUPPLIER CODE: V79807	103106 108120	4
- 160	NAS620C4L		.. WASHER	103106 108120	4
- 165	MS35338-135		.. WASHER  -----*-----	103106 108120	4

MISSING ITEM NUMBERS NOT APPLICABLE

- ITEM NOT ILLUSTRATED

34-43-02-02

34-43-02  
FIG. 02  
PAGE 4  
JAN 20/09

BRI

BOEING PROPRIETARY - Copyright © - Unpublished Work - See title page for details.



757

PARTS CATALOG (MAINTENANCE)

FIG ITEM	PART NUMBER	1 2 3 4 5 6 7	NOMENCLATURE	EFFECT FROM TO	UNITS PER ASSY
R R	2 170	2041220-0411	.PANEL-WEATHER RDR CONT SUPPLIER CODE: V97896 ELECTRICAL EQUIP NUMBER: M00075 COMPONENT MAINT MANUAL REF: 34-41-12 FUNCTIONAL REFERENCE: LIGHTS FOR DETAILS SEE 33-13-51-52P	504903	1
	170	2041223-0402	.PANEL-WEATHER RDR CONT SUPPLIER CODE: V97896 SPECIFICATION NUMBER: S220T109-401 ELECTRICAL EQUIP NUMBER: M00075 COMPONENT MAINT MANUAL REF: 34-41-12 FUNCTIONAL REFERENCE: LIGHTS FOR DETAILS SEE 33-13-51-52P	101102	1
	176	22139-0014	..SWITCH- SUPPLIER CODE: V97896 SB DATA FROM A CMM: M1668 OPTIONAL PART: 71AY23739 V81073	101102	1
	176	71AY23739	..SWITCH- SUPPLIER CODE: V81073 SB DATA FROM A CMM: M1668 MISCELLANEOUS DATA: HONEYWELL PART NO. 22139-0019 OPTIONAL PART: 22139-0014 V97896	101102	1

MISSING ITEM NUMBERS NOT APPLICABLE

- ITEM NOT ILLUSTRATED

34-43-02-02

34-43-02  
FIG. 02  
PAGE 5  
MAY 20/09

BRI





757

PARTS CATALOG (MAINTENANCE)

FIG ITEM	PART NUMBER	1 2 3 4 5 6 7	NOMENCLATURE	EFFECT FROM TO	UNITS PER ASSY
2 176	71AY23740		.. SWITCH- SUPPLIER CODE: V81073 SB DATA FROM A CMM: M1668 MISCELLANEOUS DATA: HONEYWELL PART NO. 22139-0020	504903	1
185	RD240-106		.. KNOB- SUPPLIER CODE: V81590 MISCELLANEOUS DATA: HONEYWELL PART NO. 25047-0002	101102 504903	2
190	BP247-119		.. KNOB- SUPPLIER CODE: V15084 MISCELLANEOUS DATA: HONEYWELL PART NO. 25046-0002	504903	1
195	3603016-0002		.. PANEL-LIGHTED SUPPLIER CODE: V97896	101102	1
195	3603016-0017		.. PANEL-LIGHTED SUPPLIER CODE: V97896	504903	1
195	3603016-0014		.. PANEL-LIGHTED SUPPLIER CODE: V97896	504903	1
- 200	MS51959-1		ATTACHING PARTS .. SCREW	101102 504903	6
202	2068552-0722		-----*----- .. SWITCH-TOGGLE SUPPLIER CODE: V22526 OPTIONAL PART: 24202-0002 V97896	504903	1
- 301	286N2309-327		WIRE BUNDLE ASSY	101101	RF
- 301	286N2309-329		WIRE BUNDLE ASSY	102102	RF
- 301	286N2309-330		WIRE BUNDLE ASSY	504903	RF
- 302	286N2309-346		WIRE BUNDLE ASSY-	108120	RF
- 303	286N2371-701		WIRE BUNDLE ASSY	103106	RF

MISSING ITEM NUMBERS NOT APPLICABLE

- ITEM NOT ILLUSTRATED

34-43-02-02

34-43-02  
FIG. 02  
PAGE 6  
JAN 20/09

BRI



**757  
PARTS CATALOG (MAINTENANCE)**

FIG ITEM	PART NUMBER	1 2 3 4 5 6 7	NOMENCLATURE	EFFECT FROM TO	UNITS PER ASSY
2 310	MS3126F18-32S		.PLUG- SUPPLIER CODE: V71468 ELECTRICAL EQUIP NUMBER: D00163 WIRING DIAGRAM REF: 344312	101106 108120 504903	1
- 320	286N2319-305		WIRE BUNDLE ASSY	504903	RF
- 320	286N2375-702		WIRE BUNDLE ASSY	103106	RF
325	MS3126F18-32SW		.PLUG- ELECTRICAL EQUIP NUMBER: D01517 WIRING DIAGRAM REF: 344322	103106 504903	1

MISSING ITEM NUMBERS NOT APPLICABLE

- ITEM NOT ILLUSTRATED

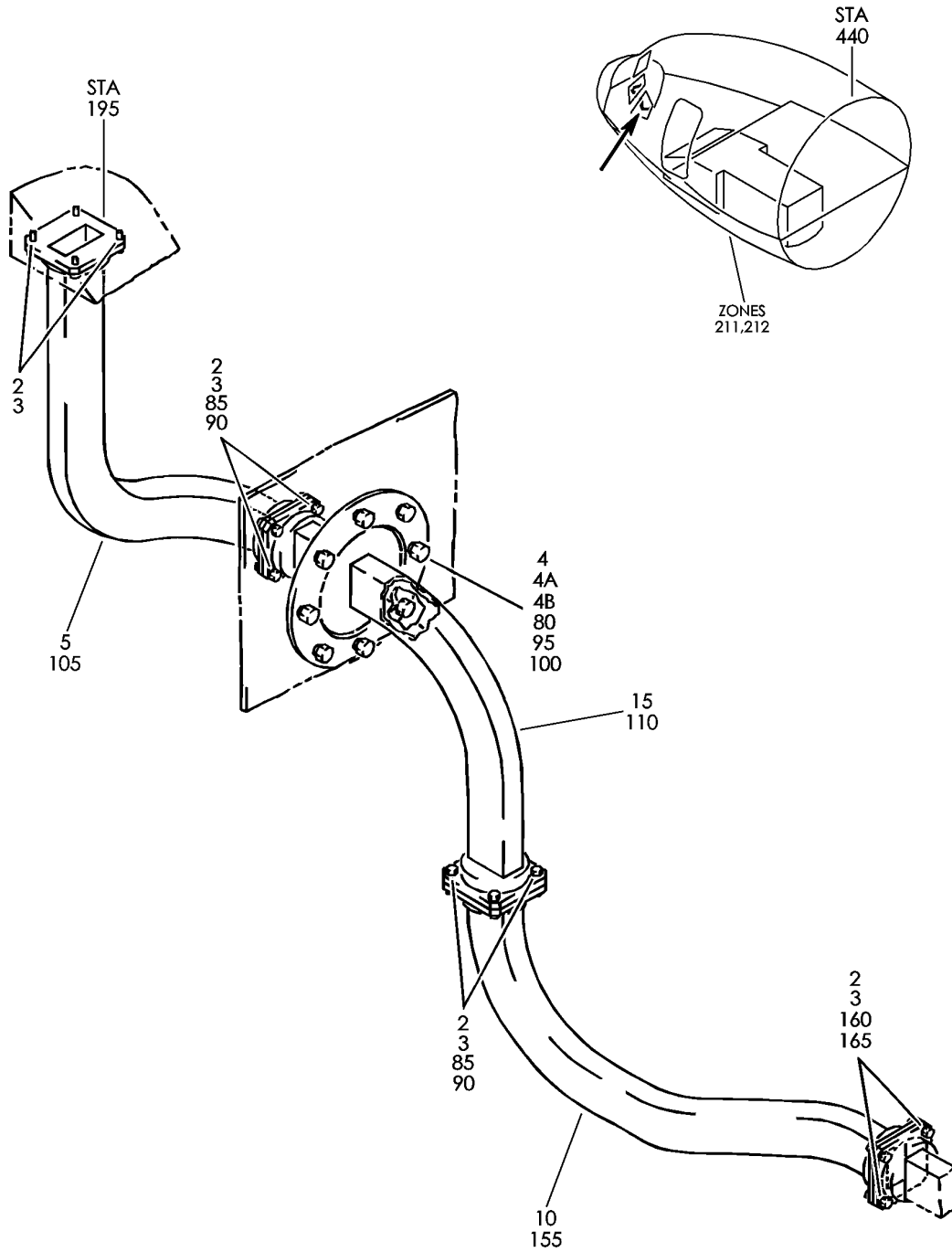
BRI

# 34-43-02-02

BOEING PROPRIETARY - Copyright © - Unpublished Work - See title page for details.

34-43-02  
FIG. 02  
PAGE 7  
JAN 20/09

**BOEING**  
757  
PARTS CATALOG (MAINTENANCE)



Y 34430301 REV 229

WAVEGUIDE INSTL-SINGLE X-BAND WEATHER RDR  
FIGURE 1

**34-43-03-01**

BRI  
MAY 28/07

34-43-03-01  
PAGE 0



757

PARTS CATALOG (MAINTENANCE)

FIG ITEM	PART NUMBER	1 2 3 4 5 6 7	NOMENCLATURE	EFFECT FROM TO	UNITS PER ASSY
1			WAVEGUIDE INSTL-SINGLE X-BAND WEATHER RDR	002004 006949 952999	
- 1	284N1413-3		WAVEGUIDE INSTL-SINGLE X-BAND WEATHER RDR FOR NHA SEE: 24-00-58-01B	002004 006100 107107 121503 904949 952999	RF
2	NAS1801-08-8	.	SCREW	002004 006100 107107 121503 904949 952999	16
3	MS35338-42	.	WASHER	002004 006100 107107 121503 904949 952999	16
4	L8006K5	.	BOLT- SUPPLIER CODE: V06725 SPECIFICATION NUMBER: BACB30MY6K5 POSITION DATA: NEAR SIDE	002004 006100 107107 121503 904949 952999	8
4A	AN960JD10	.	WASHER- POSITION DATA: FAR SIDE	002004 006100 107107 121503 904949 952999	8

MISSING ITEM NUMBERS NOT APPLICABLE

- ITEM NOT ILLUSTRATED

34-43-03-01

34-43-03  
FIG. 01  
PAGE 1  
JAN 20/09

BRI



757

PARTS CATALOG (MAINTENANCE)

FIG ITEM	PART NUMBER	1 2 3 4 5 6 7	NOMENCLATURE	EFFECT FROM TO	UNITS PER ASSY
1 4B	BH003043		.NUT- SUPPLIER CODE: V27238 SPECIFICATION NUMBER: BACN10HR3C OPTIONAL PART: H97-3 V15653 SL7060C1032 V11815 101LH9031-3 V72962 67832A1032 V56878 BH00304-3 V27238 BMN10HRC3 V97928 BMN5024C3 V97928 CR59073 V62554 H973 V15653 SL70603 V11815 101LH90313 V72962 67832A3 V56878 POSITION DATA: FAR SIDE	002004 006100 107107 121503 904949 952999	8
5	237623		.WAVEGUIDE-FLEXIBLE SUPPLIER CODE: V54647 SPECIFICATION NUMBER: S220T118-25	002004 006100 107107 121503 904949 952999	1
5	232963		.WAVEGUIDE-FLEXIBLE SUPPLIER CODE: V54647 SPECIFICATION NUMBER: S220T118-6 OPTIONAL PART: TFT64147 V06351	002004 006100 107107 121503 904949 952999	1

MISSING ITEM NUMBERS NOT APPLICABLE

- ITEM NOT ILLUSTRATED

34-43-03-01

34-43-03  
FIG. 01  
PAGE 2  
JAN 20/09

BRI



757

PARTS CATALOG (MAINTENANCE)

FIG ITEM	PART NUMBER	1 2 3 4 5 6 7	NOMENCLATURE	EFFECT FROM TO	UNITS PER ASSY
1					
10	230068		.WAVEGUIDE-FLEXIBLE SUPPLIER CODE: V54647 SPECIFICATION NUMBER: S220T118-12	002004 006100 107107 121503 904949 952999	1
15	233545		.WAVEGUIDE-RIGID SUPPLIER CODE: V54647 SPECIFICATION NUMBER: S220T118-7 OPTIONAL PART: TR642758 V06351	002004 006100 107107 121503 904949 952999	1
- 75	284N1413-5		WAVEGUIDE INSTL-SINGLE X-BAND WEATHER RDR FOR NHA SEE: 24-00-58-05D	101102 108120 504903	RF
- 75	MODREF10225		WAVEGUIDE INSTL-SINGLE X-BAND WEATHER RDR MODULE NUMBER: 284N1413-5 REV A	103106	1
80	L8006K5		.BOLT- SUPPLIER CODE: V06725 SPECIFICATION NUMBER: BACB30MY6K5 POSITION DATA: NEAR SIDE	101106 108120 504903	8
85	NAS1801-08-8		.SCREW	101106 108120 504903	8
90	MS35338-42		.WASHER	101106 108120 504903	8
95	NAS1149D0363J		.WASHER- POSITION DATA: FAR SIDE	101106 108120 504903	8

MISSING ITEM NUMBERS NOT APPLICABLE

- ITEM NOT ILLUSTRATED

34-43-03-01

34-43-03  
FIG. 01  
PAGE 3  
JAN 20/09

BRI



757

PARTS CATALOG (MAINTENANCE)

FIG ITEM	PART NUMBER	1 2 3 4 5 6 7	NOMENCLATURE	EFFECT FROM TO	UNITS PER ASSY
1 100	BH003043	.	NUT- SUPPLIER CODE: V27238 SPECIFICATION NUMBER: BACN10HR3C OPTIONAL PART: H97-3 V15653 SL7060C1032 V11815 101LH9031-3 V72962 67832A1032 V56878 BH00304-3 V27238 BMN10HRC3 V97928 BMN5024C3 V97928 CR59073 V62554 H973 V15653 SL70603 V11815 101LH90313 V72962 67832A3 V56878 POSITION DATA: FAR SIDE	101106 108120 504903	8
105	S220T118-25	.	WAVEGUIDE-FLEXIBLE	101106 108120 504903	1
110	233545	.	WAVEGUIDE-RIGID SUPPLIER CODE: V54647 SPECIFICATION NUMBER: S220T118-7 OPTIONAL PART: TR642758 V06351	101106 108120 504903	1
- 145	284N1413-6		WAVEGUIDE INSTL-SINGLE X-BAND WEATHER RDR FOR NHA SEE: 24-00-58-05D	101102 108120	RF

MISSING ITEM NUMBERS NOT APPLICABLE

- ITEM NOT ILLUSTRATED

34-43-03-01

34-43-03  
FIG. 01  
PAGE 4  
JAN 20/09

BRI



757

PARTS CATALOG (MAINTENANCE)

FIG ITEM	PART NUMBER	1 2 3 4 5 6 7	NOMENCLATURE	EFFECT FROM TO	UNITS PER ASSY
1					
- 145	MODREF10226		WAVEGUIDE INSTL-SINGLE X-BAND WEATHER RDR MODULE NUMBER: 284N1413-6 REV A	103106	1
155	230068		.WAVEGUIDE-FLEXIBLE SUPPLIER CODE: V54647 SPECIFICATION NUMBER: S220T118-12	101106 108120	1
160	NAS1801-08-8		ATTACHING PARTS .SCREW	101106 108120	4
165	MS35338-42		.WASHER  -----*-----	101106 108120	4

MISSING ITEM NUMBERS NOT APPLICABLE

- ITEM NOT ILLUSTRATED

BRI

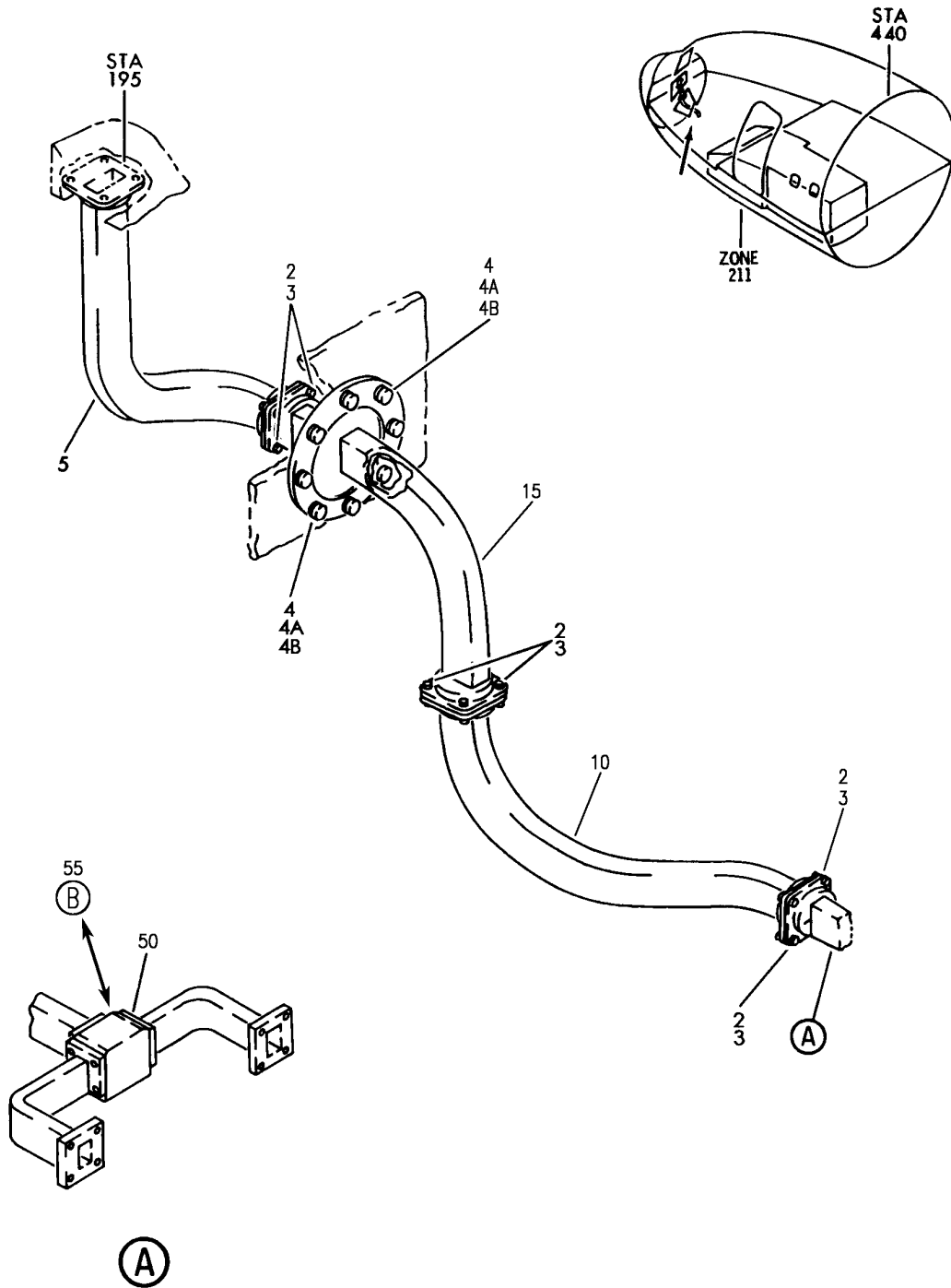
34-43-03-01

BOEING PROPRIETARY - Copyright © - Unpublished Work - See title page for details.

34-43-03  
FIG. 01  
PAGE 5  
JAN 20/09



**BOEING**  
757  
PARTS CATALOG (MAINTENANCE)



Y 34-430301A SHT 1 REV 269

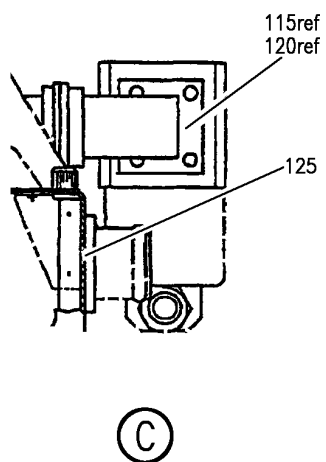
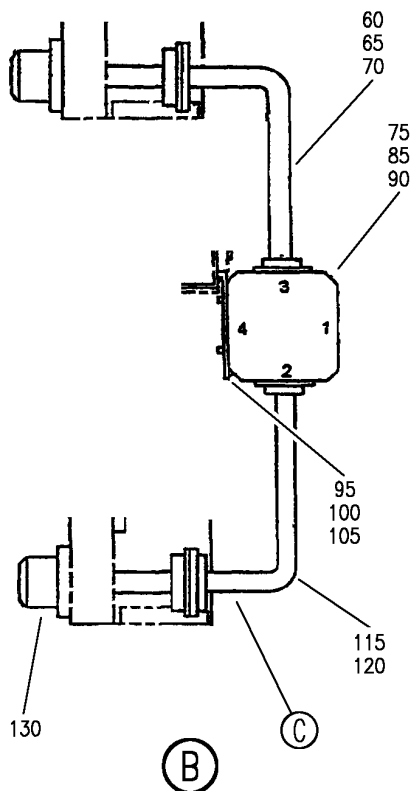
WAVEGUIDE INSTL-DUAL X-BAND WEATHER RDR  
FIGURE 1A (SHEET 1)

**34-43-03-01A**

BRI  
JAN 20/09

34-43-03-01A  
PAGE 0

**BOEING**  
757  
PARTS CATALOG (MAINTENANCE)



Y 34-430301A SHT 2 REV 269

WAVEGUIDE INSTL-DUAL X-BAND WEATHER RDR  
FIGURE 1A (SHEET 2)

**34-43-03-01A**

BRI  
JAN 20/09

34-43-03-01A  
PAGE 0A



757

PARTS CATALOG (MAINTENANCE)

FIG ITEM	PART NUMBER	1 2 3 4 5 6 7	NOMENCLATURE	EFFECT FROM TO	UNITS PER ASSY
1 A			WAVEGUIDE INSTL-DUAL X-BAND WEATHER RDR	504903 950951	
- 1	284N1413-4		WAVEGUIDE INSTL-DUAL X-BAND WEATHER RDR FOR NHA SEE: 24-00-58-01B	950951	RF
- 1	284N1413-7		WAVEGUIDE INSTL-DUAL X-BAND WEATHER RDR FOR NHA SEE: 24-00-58-05D	504903	RF
2	NAS1801-08-8		.SCREW	504903 950951	12
3	MS35338-42		.WASHER	950951	12
3	BACW10EC08S		.WASHER-	504903	12
4	L8006K5		.BOLT-	504903 950951	8
			SUPPLIER CODE: V06725 SPECIFICATION NUMBER: BACB30MY6K5 POSITION DATA: NEAR SIDE		
4A	AN960JD10		.WASHER- POSITION DATA: FAR SIDE	504903 950951	8

MISSING ITEM NUMBERS NOT APPLICABLE

- ITEM NOT ILLUSTRATED

BRI

34-43-03-01A

BOEING PROPRIETARY - Copyright © - Unpublished Work - See title page for details.

34-43-03  
FIG. 01A  
PAGE 1  
JAN 20/09



757

PARTS CATALOG (MAINTENANCE)

FIG ITEM	PART NUMBER	1 2 3 4 5 6 7	NOMENCLATURE	EFFECT FROM TO	UNITS PER ASSY
1 A 4 B	BH003043	.	NUT- SUPPLIER CODE: V27238 SPECIFICATION NUMBER: BACN10HR3C OPTIONAL PART: H97-3 V15653 SL7060C1032 V11815 101LH9031-3 V72962 67832A1032 V56878 BH00304-3 V27238 BMN10HRC3 V97928 BMN5024C3 V97928 CR59073 V62554 H973 V15653 SL70603 V11815 101LH90313 V72962 67832A3 V56878	504903 950951	8
5	232963	.	WAVEGUIDE-FLEXIBLE SUPPLIER CODE: V54647 SPECIFICATION NUMBER: S220T118-6 OPTIONAL PART: TFT64147 V06351	950951	1
5	237623	.	WAVEGUIDE-FLEXIBLE SUPPLIER CODE: V54647 SPECIFICATION NUMBER: S220T118-25 OPTIONAL PART: S220T118-25	504903 950951	1

MISSING ITEM NUMBERS NOT APPLICABLE

- ITEM NOT ILLUSTRATED

34-43-03-01A

34-43-03  
FIG. 01A  
PAGE 2  
JAN 20/09

BRI

BOEING PROPRIETARY - Copyright © - Unpublished Work - See title page for details.



757

PARTS CATALOG (MAINTENANCE)

FIG ITEM	PART NUMBER	1 2 3 4 5 6 7	NOMENCLATURE	EFFECT FROM TO	UNITS PER ASSY
1 A					
10	230632		.WAVEGUIDE-FLEXIBLE SUPPLIER CODE: V54647 SPECIFICATION NUMBER: S220T118-13	504903 950951	1
15	233545		.WAVEGUIDE-RIGID SUPPLIER CODE: V54647 SPECIFICATION NUMBER: S220T118-7 OPTIONAL PART: TR642758 V06351	504903 950951	1

MISSING ITEM NUMBERS NOT APPLICABLE

- ITEM NOT ILLUSTRATED

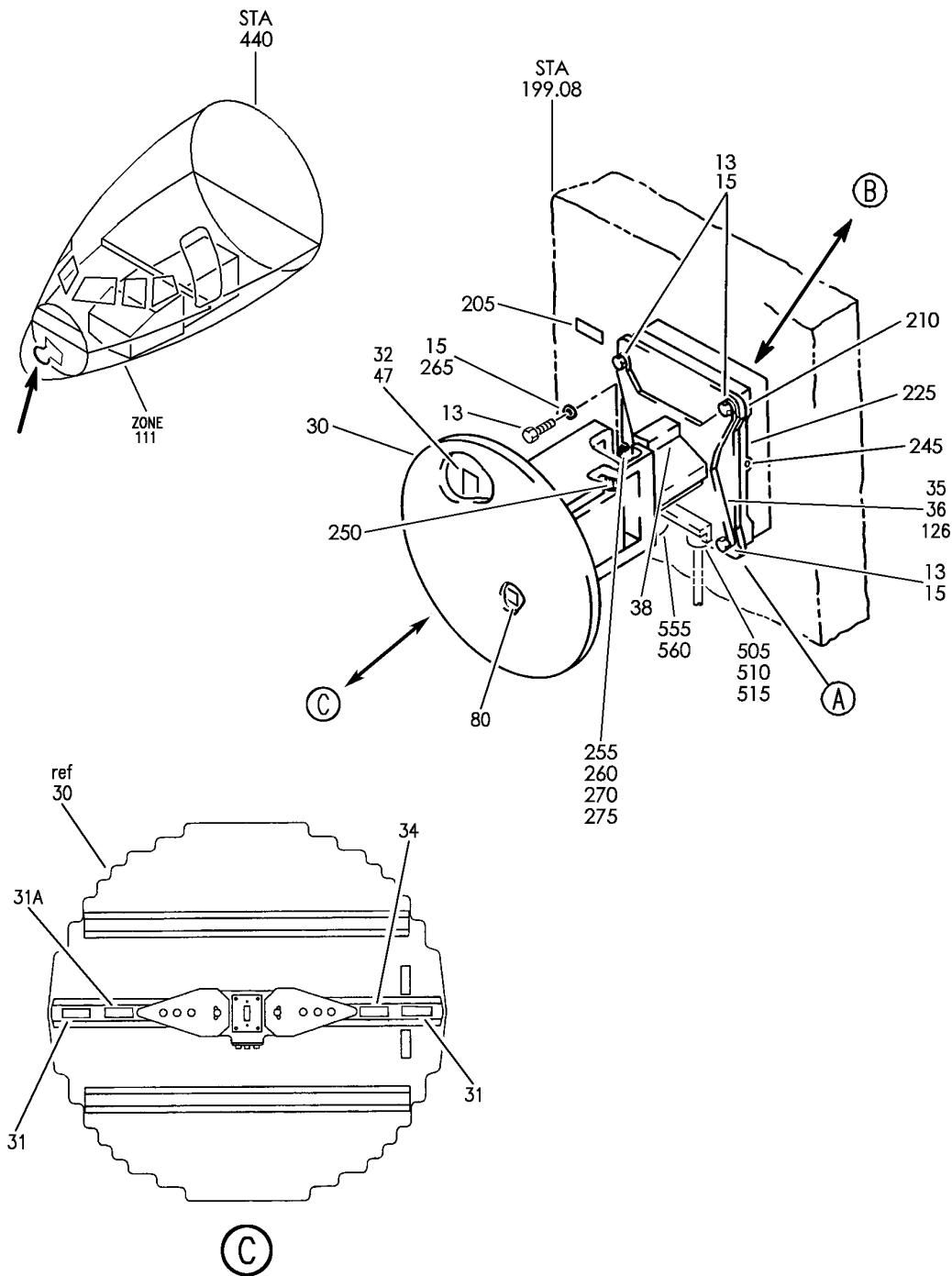
BRI

34-43-03-01A

BOEING PROPRIETARY - Copyright © - Unpublished Work - See title page for details.

34-43-03  
FIG. 01A  
PAGE 3  
JAN 20/09

**BOEING**  
757  
PARTS CATALOG (MAINTENANCE)



Y 34-430302 SHT 1 REV 289

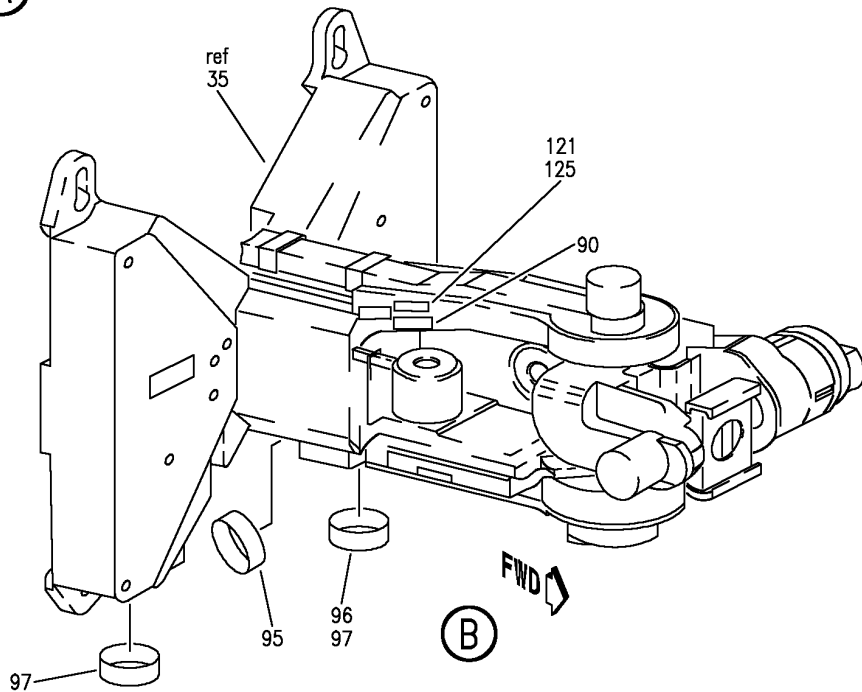
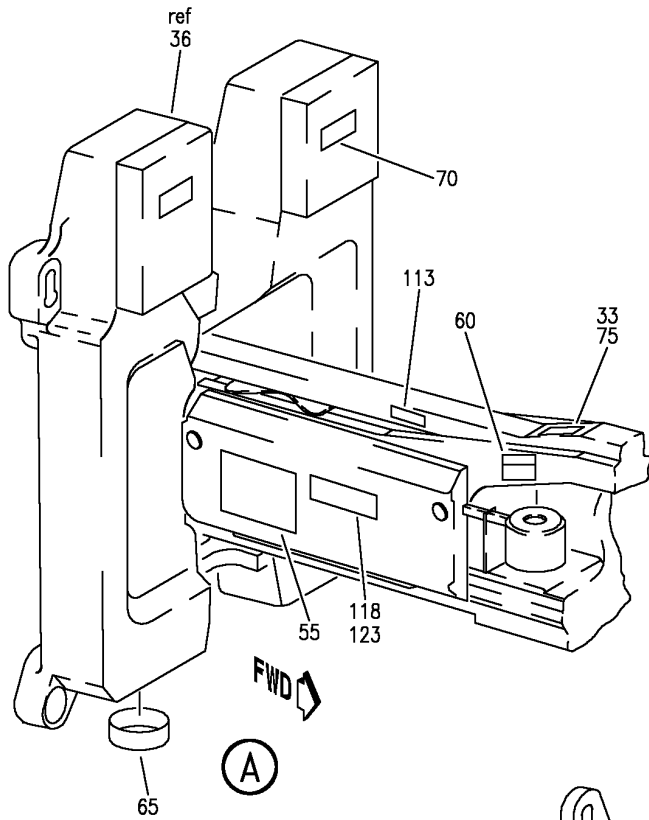
ANTENNA AND SUPPORT INSTL-WEATHER RDR  
FIGURE 2 (SHEET 1)

**34-43-03-02**

BRI  
MAY 28/07

34-43-03-02  
PAGE 0

**BOEING**  
757  
PARTS CATALOG (MAINTENANCE)



Y 34-430302 SH1 2 REV 277

ANTENNA AND SUPPORT INSTL-WEATHER RDR  
FIGURE 2 (SHEET 2)

**34-43-03-02**

BRI  
MAY 28/07

34-43-03-02  
PAGE 0A



757

PARTS CATALOG (MAINTENANCE)

FIG ITEM	PART NUMBER	1 2 3 4 5 6 7	NOMENCLATURE	EFFECT FROM TO	UNITS PER ASSY
2			ANTENNA AND SUPPORT INSTL-WEATHER RDR	002004 006999	
- 5	284N1415-4		ANTENNA INSTL-WEATHER RDR FOR NHA SEE: 24-00-58-01B	107107	RF
- 5	284N1415-10		ANTENNA INSTL-WEATHER RDR FOR NHA SEE: 24-00-58-01B	904949 952952	RF
- 5	284N1415-14		ANTENNA INSTL-WEATHER RDR FOR NHA SEE: 24-00-58-01B	002004 006008 121503 953999	RF
- 5	284N1415-19		ANTENNA INSTL-WEATHER RDR FOR NHA SEE: 24-00-58-01B	009100 950951	RF
- 9	284N1415-41		ANTENNA INSTL-WEATHER RDR FOR NHA SEE: 24-00-58-05D	504903	RF
- 9	284N1415-46		ANTENNA INSTL-WEATHER RDR FOR NHA SEE: 24-00-58-05D	101102	RF
- 9	284N1415-56		ANTENNA INSTL-WEATHER RDR FOR NHA SEE: 24-00-58-05D	108120	RF
- 11	MODREF203111		ANTENNA INSTL-WEATHER RDR MODULE NUMBER: 284N1415-65 REV C	106106	1
- 11	MODREF33329		ANTENNA INSTL-WEATHER RDR MODULE NUMBER: 284N1415-65 REV A	103105	1
13	BACB30LJ6-8		.BOLT-	107107 904949 952952	4
13	BACB30LM6-8		.BOLT-	002004 006100 103106 121503 950951 953999	4
13	NAS6706-8		.BOLT-	101102 108120	4
15	AN960JD616		.WASHER-	504903 002004 006100 107107 121503 904999	4

MISSING ITEM NUMBERS NOT APPLICABLE

- ITEM NOT ILLUSTRATED

34-43-03-02

34-43-03  
FIG. 02  
PAGE 1  
JAN 20/09

BRI

BOEING PROPRIETARY - Copyright © - Unpublished Work - See title page for details.





757

PARTS CATALOG (MAINTENANCE)

FIG ITEM	PART NUMBER	1 2 3 4 5 6 7	NOMENCLATURE	EFFECT FROM TO	UNITS PER ASSY
2					
15	NAS1149D0663H	.	WASHER-	101106 108120 504903	4
30	2041446-0402	.	ANTENNA- SUPPLIER CODE: V97896 FUNCTIONAL DESCRIPTION: RADIATES AND RECEIVES WEATHER RADAR SIGNALS. SPECIFICATION NUMBER: S220T109-202 ELECTRICAL EQUIP NUMBER: M00269 COMPONENT MAINT MANUAL REF: 34-41-11 OPTIONAL PART: 2041446-0401 V27914	002004 006102 107107 504951 953999	1
30	622-5137-001	.	ANTENNA- SUPPLIER CODE: V4V792 ELECTRICAL EQUIP NUMBER: M00269	952952	1
30	2041446-0402	.	ANTENNA- SUPPLIER CODE: V97896 FUNCTIONAL DESCRIPTION: RADIATES AND RECEIVES WEATHER RADAR SIGNALS. SPECIFICATION NUMBER: S220T109-202 ELECTRICAL EQUIP NUMBER: M00269 COMPONENT MAINT MANUAL REF: 34-41-11	121903 950951 953999	1
30	2041446-0401	.	ANTENNA- SUPPLIER CODE: V97896 FUNCTIONAL DESCRIPTION: RADIATES AND RECEIVES WEATHER RADAR SIGNALS. ELECTRICAL EQUIP NUMBER: M00269 COMPONENT MAINT MANUAL REF: 34-41-11 OPTIONAL PART: 2041446-0402 V27914	002004 006102 107107 504951 953999	1

MISSING ITEM NUMBERS NOT APPLICABLE

- ITEM NOT ILLUSTRATED

34-43-03-02

34-43-03  
FIG. 02  
PAGE 2  
MAY 20/09

BRI

 **BOEING**  
757  
**PARTS CATALOG (MAINTENANCE)**

FIG ITEM	PART NUMBER	1 2 3 4 5 6 7	NOMENCLATURE	EFFECT FROM TO	UNITS PER ASSY
2					
30	622-5137-601	.	ANTENNA- SUPPLIER CODE: V4V792 FUNCTIONAL DESCRIPTION: RADIATES AND RECEIVES WEATHER RADAR SIGNALS. ELECTRICAL EQUIP NUMBER: M00269 COMPONENT MAINT MANUAL REF: 34-45-53	103106 108120	1
31	280-1368-650	..	LABEL- SUPPLIER CODE: V12998	103106 108120 952952	2
31A	829-0200-004	..	PLATE-IDENT SUPPLIER CODE: V12998	103106 108120 952952	1
34	635-2492-001	..	PLATE-IDENT SUPPLIER CODE: V4V792 CONFIG CHG DATA FROM A CMM: SUPSD BY 635-2492-004 SUPSD BY 635-2492-010	103106 108120 952952	1
34	635-2492-004	..	PLATE-IDENT SUPPLIER CODE: V4V792 CONFIG CHG DATA FROM A CMM: SUPSD BY 635-2492-011 SUPERSEDES 635-2492-001	952952	1
34	635-2492-010	..	PLATE-IDENT SUPPLIER CODE: V4V792 CONFIG CHG DATA FROM A CMM: SUPSD BY 635-2492-016 SUPERSEDES 635-2492-001	103106 108120	1
34	635-2492-011	..	PLATE-IDENT SUPPLIER CODE: V4V792 CONFIG CHG DATA FROM A CMM: SUPERSEDES 635-2492-004	952952	1
34	635-2492-016	..	PLATE-IDENT SUPPLIER CODE: V4V792 CONFIG CHG DATA FROM A CMM: SUPERSEDES 635-2492-010	103106 108120	1

MISSING ITEM NUMBERS NOT APPLICABLE

— ITEM NOT ILLUSTRATED

BRI

# 34-43-03-02

BOEING PROPRIETARY - Copyright © - Unpublished Work - See title page for details.

34-43-03  
FIG. 02  
PAGE 3  
MAY 20/09



757

PARTS CATALOG (MAINTENANCE)

FIG ITEM	PART NUMBER	1 2 3 4 5 6 7	NOMENCLATURE	EFFECT FROM TO	UNITS PER ASSY
2					
35	622-5135-202	.	DRIVE-WXR SUPPLIER CODE: V4V792 FUNCTIONAL DESCRIPTION: PROVIDES WR FLAT PLATE MOUNTING AND THE DRIVE ASSEMBLY FOR SCAN, ELEVATION ANGLE, AND PITCH AND ROLL STABILIZATION. ELECTRICAL EQUIP NUMBER: M00269T COMPONENT MAINT MANUAL REF: 34-45-22	108120	1
35	BCREFX039	.	DRIVE-(CUSTOMER FURNISHED) SUPPLIER CODE: V97896 OVERLENGTH PART NUMBER: XA2041444-0401SEEIPC PART MODIFICATION LEVEL: MOD 1 REQD ELECTRICAL EQUIP NUMBER: M00269T	953999	1
35	622-5135-002	.	DRIVE-(CUSTOMER FURNISHED) SUPPLIER CODE: V4V792 FUNCTIONAL DESCRIPTION: PROVIDES WR FLAT PLATE MOUNTING AND THE DRIVE ASSEMBLY FOR SCAN, ELEVATION ANGLE, AND PITCH AND ROLL STABILIZATION. ELECTRICAL EQUIP NUMBER: M00269T COMPONENT MAINT MANUAL REF: 34-45-22 OPTIONAL PART: 622-5135-202 V4V792 FOR SPARES PROCURE: 622-5135-202 V4V792	952952	1

MISSING ITEM NUMBERS NOT APPLICABLE

- ITEM NOT ILLUSTRATED

34-43-03-02

34-43-03  
FIG. 02  
PAGE 4  
MAY 20/09

BRI



757

PARTS CATALOG (MAINTENANCE)

FIG ITEM	PART NUMBER	1 2 3 4 5 6 7	NOMENCLATURE	EFFECT FROM TO	UNITS PER ASSY
2	35 622-5135-002		.DRIVE-WXR SUPPLIER CODE: V4V792 FUNCTIONAL DESCRIPTION: PROVIDES WR FLAT PLATE MOUNTING AND THE DRIVE ASSEMBLY FOR SCAN, ELEVATION ANGLE, AND PITCH AND ROLL STABILIZATION. ELECTRICAL EQUIP NUMBER: M00269T COMPONENT MAINT MANUAL REF: 34-45-22 FOR SPARES PROCURE: 622-5135-202 V4V792	108120	1
	35 622-5135-202		.DRIVE-(CUSTOMER FURNISHED) SUPPLIER CODE: V4V792 FUNCTIONAL DESCRIPTION: PROVIDES WR FLST PLATE MOUNTING AND THE DRIVE ASSEMBLY FOR SCAN, ELEVATION ANGLE, AND PITCH AND ROLL STABILIZATION. ELECTRICAL EQUIP NUMBER: M00269T COMPONENT MAINT MANUAL REF: 34-45-22 OPTIONAL PART: 622-5135-002 V4V792	952952	1
	36 622-5135-802		.DRIVE- SUPPLIER CODE: V4V792 ELECTRICAL EQUIP NUMBER: M00269T	103106	1
	38 659-2720-002		.EXTENSION-WAVEGUIDE SUPPLIER CODE: V4V792 ELECTRICAL EQUIP NUMBER: M10807	108120	1
	60 280-1368-670		.. LABEL- SUPPLIER CODE: V12998	108120 952952	2

MISSING ITEM NUMBERS NOT APPLICABLE

- ITEM NOT ILLUSTRATED

34-43-03-02

34-43-03  
FIG. 02  
PAGE 5  
MAY 20/09

BRI



757

PARTS CATALOG (MAINTENANCE)

FIG ITEM	PART NUMBER	1 2 3 4 5 6 7	NOMENCLATURE	EFFECT FROM TO	UNITS PER ASSY
2					
75	280-1368-650	..	LABEL- SUPPLIER CODE: V12998	952952	2
80	635-2492-001	..	PLATE-IDENT SUPPLIER CODE: V4V792	103106 108120 952952	1
- 83	829-0200-007	..	PLATE-IDENT SUPPLIER CODE: V4V792	108120 952952	1
- 85	635-2490-001	..	PLATE-IDENT SUPPLIER CODE: V4V792	108120 952952	1
- 86	635-2490-001	..	PLATE-IDENT SUPPLIER CODE: V4V792	108120 952952	1
- 86	635-2490-006	..	PLATE-IDENT SUPPLIER CODE: V4V792 CONFIG CHG DATA FROM A CMM: SUPSD BY 635-2490-006 SUPSD BY 635-2490-015	108120 952952	1
- 86	635-2490-015	..	PLATE-IDENT SUPPLIER CODE: V4V792 CONFIG CHG DATA FROM A CMM: SUPERSEDES 635-2490-001	108120 952952	1
- 87	347-1268-000	..	SCREW- SUPPLIER CODE: V4V792 -----*----- ATTACHING PARTS	108120 952952	2
90	647-9675-001	..	LABEL-CAUTION SUPPLIER CODE: V4V792	108120 952952	2
95	MS90376-24Y	..	CAP-CONNECTOR CONFIG CHG DATA FROM A CMM: SUPSD BY MS90376-24YF	952952	1
95	MS90376-24YF	..	CAP-CONNECTOR CONFIG CHG DATA FROM A CMM: SUPERSEDES MS90376-24Y	952952	1
96	MS90376-24Y	..	CAP-CONNECTOR CONFIG CHG DATA FROM A CMM: SUPSD BY CEP24	108120 952952	1

MISSING ITEM NUMBERS NOT APPLICABLE

- ITEM NOT ILLUSTRATED

34-43-03-02

34-43-03  
FIG. 02  
PAGE 6  
MAY 20/09

BRI



757

PARTS CATALOG (MAINTENANCE)

FIG ITEM	PART NUMBER	1 2 3 4 5 6 7	NOMENCLATURE	EFFECT FROM TO	UNITS PER ASSY
2	96 CEP24		..CAP-CONNECTOR SUPPLIER CODE: V99017 CONFIG CHG DATA FROM A CMM: SUPERSEDES MS90376-24Y	108120 952952	1
- 110	838-7011-010		..LABEL- SUPPLIER CODE: V12998	108120 952952	1
113	838-7011-010		..LABEL- SUPPLIER CODE: V12998	108120 952952	1
- 115	280-3778-100		..LABEL-INFORMATION SUPPLIER CODE: V93108 OPTIONAL SUPPLIER CODE: 12998	952952	1
118	280-3778-100		..LABEL-INFORMATION SUPPLIER CODE: V12998 OPTIONAL SUPPLIER CODE: 12998	108120 952952	1
- 120	280-2745-120		..LABEL-ESDS WARNING SUPPLIER CODE: V12998	108120 952952	1
121	280-2745-120		..LABEL-ESDS WARNING SUPPLIER CODE: VOBU16	108120 952952	1
123	280-2745-120		..LABEL-ESDS WARNING SUPPLIER CODE: V12998	108120 952952	1
125	280-1368-670		..LABEL- SUPPLIER CODE: V12998	108120 952952	2
R R R R R R R R R R R R	126 2041444-0405		.DRIVE UNIT- SUPPLIER CODE: V97896 SPECIFICATION NUMBER: S220T109-701 ELECTRICAL EQUIP NUMBER: M00269T COMPONENT MAINT MANUAL REF: 34-41-11 QUALIFIED I/W DATA: 2041444-0406 MAY REPLACE 2041444-0405 SUBJECT TO CUSTOMER PREFERENCE	002004 006102 107107 904949 953999	1

MISSING ITEM NUMBERS NOT APPLICABLE

- ITEM NOT ILLUSTRATED

34-43-03-02

34-43-03  
FIG. 02  
PAGE 7  
MAY 20/09

BRI



757

PARTS CATALOG (MAINTENANCE)

FIG ITEM	PART NUMBER	1 2 3 4 5 6 7	NOMENCLATURE	EFFECT FROM TO	UNITS PER ASSY
2 126	2041444-0405		.DRIVE UNIT- SUPPLIER CODE: V97896 SPECIFICATION NUMBER: S220T109-701 ELECTRICAL EQUIP NUMBER: M00269T COMPONENT MAINT MANUAL REF: 34-41-11 QUALIFIED I/W DATA: 2041444-0406 MAY REPLACE 2041444-0405 SUBJECT TO CUSTOMER PREFERENCE	121503	1
R R R R R R R R R R R	126		.DRIVE-ANT. SUPPLIER CODE: V97896 FUNCTIONAL DESCRIPTION: PROVIDES WR FLAT PLATE MOUNTING AND THE DRIVE ASSEMBLY FOR SCAN, ELEVATION ANGLE, AND PITCH AND ROLL STABILIZATION. ELECTRICAL EQUIP NUMBER: M00269T COMPONENT MAINT MANUAL REF: 34-41-11	002004 006102 107107 904949 953999	1

MISSING ITEM NUMBERS NOT APPLICABLE

- ITEM NOT ILLUSTRATED

34-43-03-02

34-43-03  
FIG. 02  
PAGE 8  
MAY 20/09

BRI



757

PARTS CATALOG (MAINTENANCE)

FIG ITEM	PART NUMBER	1 2 3 4 5 6 7	NOMENCLATURE	EFFECT FROM TO	UNITS PER ASSY
2 126	2041444-0406	.DRIVE UNIT-DUAL	SUPPLIER CODE: V97896 FUNCTIONAL DESCRIPTION: PROVIDES WR FLAT PLATE MOUNTING AND THE DRIVE ASSEMBLY FOR SCAN, ELEVATION ANGLE, AND PITCH AND ROLL STABILIZATION. SPECIFICATION NUMBER: S220T109-702 ELECTRICAL EQUIP NUMBER: M00269T COMPONENT MAINT MANUAL REF: 34-41-11 QUALIFIED I/W DATA: 2041444-0406 MAY REPLACE 2041444-0405 SUBJECT TO CUSTOMER PREFERENCE OPTIONAL PART: 2041444-0402 V27914	504903 950951	1
	126	2041444-0402	.DRIVE-UNIT SUPPLIER CODE: V97896 FUNCTIONAL DESCRIPTION: PROVIDES WR FLAT PLATE MOUNTING AND THE DRIVE ASSEMBLY FOR SCAN, ELEVATION ANGLE, AND PITCH AND ROLL STABILIZATION. ELECTRICAL EQUIP NUMBER: M00269T COMPONENT MAINT MANUAL REF: 34-41-11 OPTIONAL PART: 2041444-0406 V27914	504903 950951	1

MISSING ITEM NUMBERS NOT APPLICABLE

- ITEM NOT ILLUSTRATED

34-43-03-02

34-43-03  
FIG. 02  
PAGE 9  
MAY 20/09

BRI





757

PARTS CATALOG (MAINTENANCE)

FIG ITEM	PART NUMBER	1 2 3 4 5 6 7	NOMENCLATURE	EFFECT FROM TO	UNITS PER ASSY
2 126	2041444-0401		.DRIVE-ANT. SUPPLIER CODE: V97896 FUNCTIONAL DESCRIPTION: PROVIDES WR FLAT PLATE MOUNTING AND THE DRIVE ASSEMBLY FOR SCAN, ELEVATION ANGLE, AND PITCH AND ROLL STABILIZATION. ELECTRICAL EQUIP NUMBER: M00269T COMPONENT MAINT MANUAL REF: 34-41-11	121503	1
- 129	2088286-0010		..MARKER- SUPPLIER CODE: V97896	002004 006102 107107 121951 953999	1
- 132	2088286-0040		..MARKER- SUPPLIER CODE: V27914	002004 006102 107107 121951 953999	1
- 135	2088286-0050		..MARKER- SUPPLIER CODE: V97896	002004 006102 107107 121951 953999	1
- 138	2088286-0060		..MARKER- SUPPLIER CODE: V97896	002004 006102 107107 121951 953999	1
- 141	2088286-0070		..MARKER- SUPPLIER CODE: V97896	002004 006102 107107 121951 953999	1
- 144	2088286-0080		..MARKER- SUPPLIER CODE: V97896	002004 006102 107107 121951 953999	1
- 147	2088286-0090		..MARKER- SUPPLIER CODE: V97896	002004 006102 107107 121951 953999	1

MISSING ITEM NUMBERS NOT APPLICABLE

- ITEM NOT ILLUSTRATED

34-43-03-02

34-43-03  
FIG. 02  
PAGE 10  
MAY 20/09

BRI



757

PARTS CATALOG (MAINTENANCE)

FIG ITEM	PART NUMBER	1 2 3 4 5 6 7	NOMENCLATURE	EFFECT FROM TO	UNITS PER ASSY
2					
- 150	2088286-0100		.. MARKER- SUPPLIER CODE: V97896	002004 006102 107107 121951 953999	3
- 153	2088286-0110		.. MARKER- SUPPLIER CODE: V97896	002004 006102 107107 121951 953999	2
- 156	2088286-0120		.. MARKER- SUPPLIER CODE: V97896	002004 006102 107107 121951 953999	1
- 159	2088286-0130		.. MARKER- SUPPLIER CODE: V97896	002004 006102 107107 121951 953999	1
- 162	2088286-0140		.. MARKER- SUPPLIER CODE: V97896	002004 006102 107107 121951 953999	1
- 165	2088286-0150		.. MARKER- SUPPLIER CODE: V97896	002004 006102 107107 121951 953999	1
- 168	2088286-0160		.. MARKER- SUPPLIER CODE: V97896	002004 006102 107107 121951 953999	1
- 171	2088286-0170		.. MARKER- SUPPLIER CODE: V97896	002004 006102 107107 121951 953999	1
- 174	2088286-0180		.. MARKER- SUPPLIER CODE: V97896	002004 006102 107107 121951 953999	1

MISSING ITEM NUMBERS NOT APPLICABLE

- ITEM NOT ILLUSTRATED

34-43-03-02

34-43-03  
FIG. 02  
PAGE 11  
MAY 20/09

BRI



757

PARTS CATALOG (MAINTENANCE)

FIG ITEM	PART NUMBER	1 2 3 4 5 6 7	NOMENCLATURE	EFFECT FROM TO	UNITS PER ASSY
2					
- 177	2088286-0190		.. MARKER- SUPPLIER CODE: V97896	002004 006102 107107 121951 953999	1
- 180	2088286-0200		.. MARKER- SUPPLIER CODE: V97896	002004 006102 107107 121951 953999	1
- 183	2088286-0210		.. MARKER- SUPPLIER CODE: V97896	002004 006102 107107 121951 953999	2
- 186	2088286-0220		.. MARKER- SUPPLIER CODE: V97896	002004 006102 107107 121951 953999	2
- 189	2088286-0230		.. MARKER- SUPPLIER CODE: V97896	002004 006102 107107 121951 953999	1
- 192	2088286-0240		.. MARKER- SUPPLIER CODE: V97896	002004 006102 107107 121951 953999	1
- 195	2088286-0250		.. MARKER- SUPPLIER CODE: V97896	002004 006102 107107 121951 953999	1
- 200	284N1415-1		SUPPORT INSTL-WEATHER RDR (NAVIGATION ONLY) FOR NHA/OTHER SYS DET SEE: 24-00-58-01B	002004 006008 107107 121503 904949 952999	RF
- 200	284N1415-17		SUPPORT INSTL-WEATHER RDR (NAVIGATION ONLY) FOR NHA/OTHER SYS DET SEE: 24-00-58-01B 24-00-58-05	009102 108120 504903 950951	RF

MISSING ITEM NUMBERS NOT APPLICABLE

- ITEM NOT ILLUSTRATED

34-43-03-02

34-43-03  
FIG. 02  
PAGE 12  
MAY 20/09

BRI



757

PARTS CATALOG (MAINTENANCE)

FIG ITEM	PART NUMBER	1 2 3 4 5 6 7	NOMENCLATURE	EFFECT FROM TO	UNITS PER ASSY
2					
- 200	MODREF30872		SUPPORT INSTL-WEATHER RDR (NAVIGATION ONLY) MODULE NUMBER: 284N1415-17 REV B FOR OTHER SYS DETAILS SEE: 11-21-10-01	103106	1
205	BAC27NEX0682		.MARKER-ALUMINUM FOIL- PLACARD CONTENT: M00269 MOUNT-ANTENNA, WEATHER RADAR	002004 006999	1
210	65B40048-1		.MOUNT ASSY-	002004 006008 107107 121503 904949 952999	1
210	65B40048-4		.MOUNT ASSY-	009106 108120 504903 950951	1
- 215	BACB30LJ4-4		ATTACHING PARTS .BOLT	002004 006999	5
- 220	NAS1149D0463J		.WASHER-	002004 006999	5
225	65B40049-1		-----*----- .SUPPORT ASSY- OPTIONAL PART: 65B40049-4	002004 006999	1
225	65B40049-4		.SUPPORT ASSY- OPTIONAL PART: 65B40049-1	002004 006999	1
- 230	BACB30LJ4-6		ATTACHING PARTS .BOLT	002004 006999	6
- 235	NAS1149D0463J		.WASHER-	002004 006999	12
- 240	PLH54C		.NUT- SUPPLIER CODE: V62554 SPECIFICATION NUMBER: BACN10YR4C OPTIONAL PART: H52732-4C V15653	002004 006999	6
245	69B12133-1		-----*----- .SHIM	002004 006999	AR

MISSING ITEM NUMBERS NOT APPLICABLE

- ITEM NOT ILLUSTRATED

34-43-03-02

34-43-03  
FIG. 02  
PAGE 13  
MAY 20/09

BRI



757

PARTS CATALOG (MAINTENANCE)

FIG ITEM	PART NUMBER	1 2 3 4 5 6 7	NOMENCLATURE	EFFECT FROM TO	UNITS PER ASSY
2					
250	287N1404-26	.	JUMPER ASSY	009106 108120 504903 950951	1
255	NAS1801-3-9	.	ATTACHING PARTS SCREW-	101102 108120 504903	1
255	BACS12HN3-9	.	SCREW-	009100 103106 950951	1
260	BACW10EC3S	.	WASHER-	009106 108120 504903 950951	1
265	AN960JD616	.	WASHER	009106 108120 504903 950951	1
270	NAS1149D0316H	.	WASHER	009106 108120 504903 950951	2
275	MS21042L3	.	NUT-	101102 108120 504903	1
275	PLH53CD	.	NUT- SUPPLIER CODE: VF0224 SPECIFICATION NUMBER: BACN10YR3CD OPTIONAL PART: H52732-3CD V15653 -----*-----	009100 103106 950951	1
- 500	286N2021-003		WIRE BUNDLE ASSY	002004 006100 107107 121503 904999	1
- 500	286N2021-301		WIRE BUNDLE ASSY-	101102 108120	1
- 500	286N2021-305		WIRE BUNDLE ASSY	504903	1
- 500	286N2021-701		WIRE BUNDLE ASSY	103106	1
510	MS3475W22-55S	.	PLUG- ELECTRICAL EQUIP NUMBER: D00167 WIRING DIAGRAM REF: 344312	002004 006999	1

MISSING ITEM NUMBERS NOT APPLICABLE

- ITEM NOT ILLUSTRATED

34-43-03-02

34-43-03  
FIG. 02  
PAGE 14  
MAY 20/09

BRI



757

PARTS CATALOG (MAINTENANCE)

FIG ITEM	PART NUMBER	1 2 3 4 5 6 7	NOMENCLATURE	EFFECT FROM TO	UNITS PER ASSY
2 515	G4993-2212-1-5N		.BACKSHELL- SUPPLIER CODE: V06324 ELECTRICAL EQUIP NUMBER: D00167T WIRING DIAGRAM REF: 344312 OPTIONAL PART: G9263AS2206KNF3 V06324	002004 006999	1
515	G9263AS2206KNF3		.BACKSHELL- SUPPLIER CODE: V06324 ELECTRICAL EQUIP NUMBER: D00167T WIRING DIAGRAM REF: 344312 OPTIONAL PART: G4993-2212-1-5N V06324	002004 006999	1
- 550	286N2031-001		WIRE BUNDLE ASSY	950951	1
- 550	286N2031-303		WIRE BUNDLE ASSY	504903	1
555	MS3475W22-55S		.PLUG- ELECTRICAL EQUIP NUMBER: D01519 WIRING DIAGRAM REF: 344322	504903 950951	1
560	G9263AB2206KNF		.BACKSHELL- SUPPLIER CODE: V06324 ELECTRICAL EQUIP NUMBER: D01519T WIRING DIAGRAM REF: 344322	504903 950951	1

MISSING ITEM NUMBERS NOT APPLICABLE

- ITEM NOT ILLUSTRATED

34-43-03-02

34-43-03  
FIG. 02  
PAGE 15  
MAY 20/09

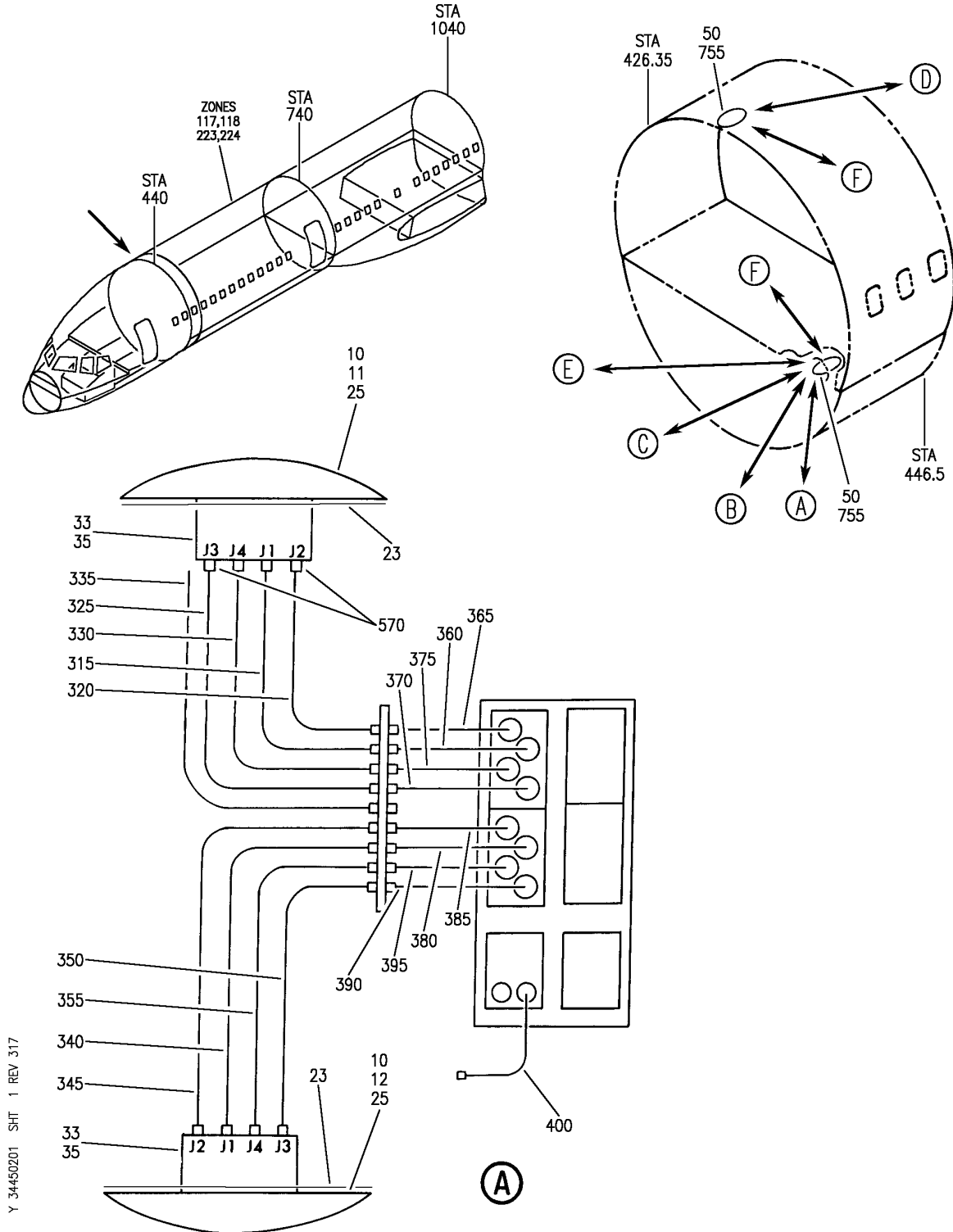
BRI

**TRAFFIC ALERT AND COLLISION  
AVOIDANCE SYSTEM (TCAS)**

BRI  
MAY 28/07

34-45-00  
SECTION TITLE  
PAGE 1

**BOEING**  
757  
**PARTS CATALOG (MAINTENANCE)**



ANTENNA INSTL-TCAS  
FIGURE 1 (SHEET 1)

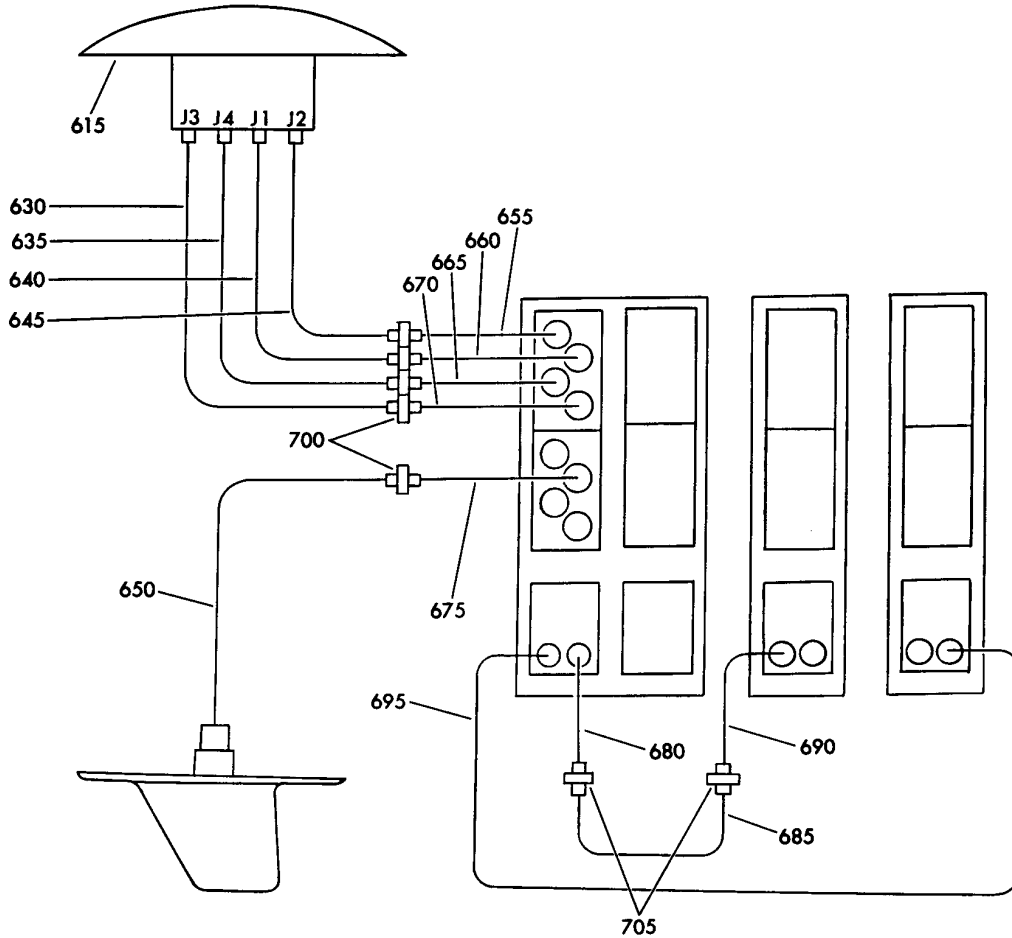
**34-45-02-01**

BRI  
JAN 20/08

34-45-02-01  
PAGE 0



**BOEING**  
757  
PARTS CATALOG (MAINTENANCE)



Y 34450201 SHT 2 REV 191

(B)

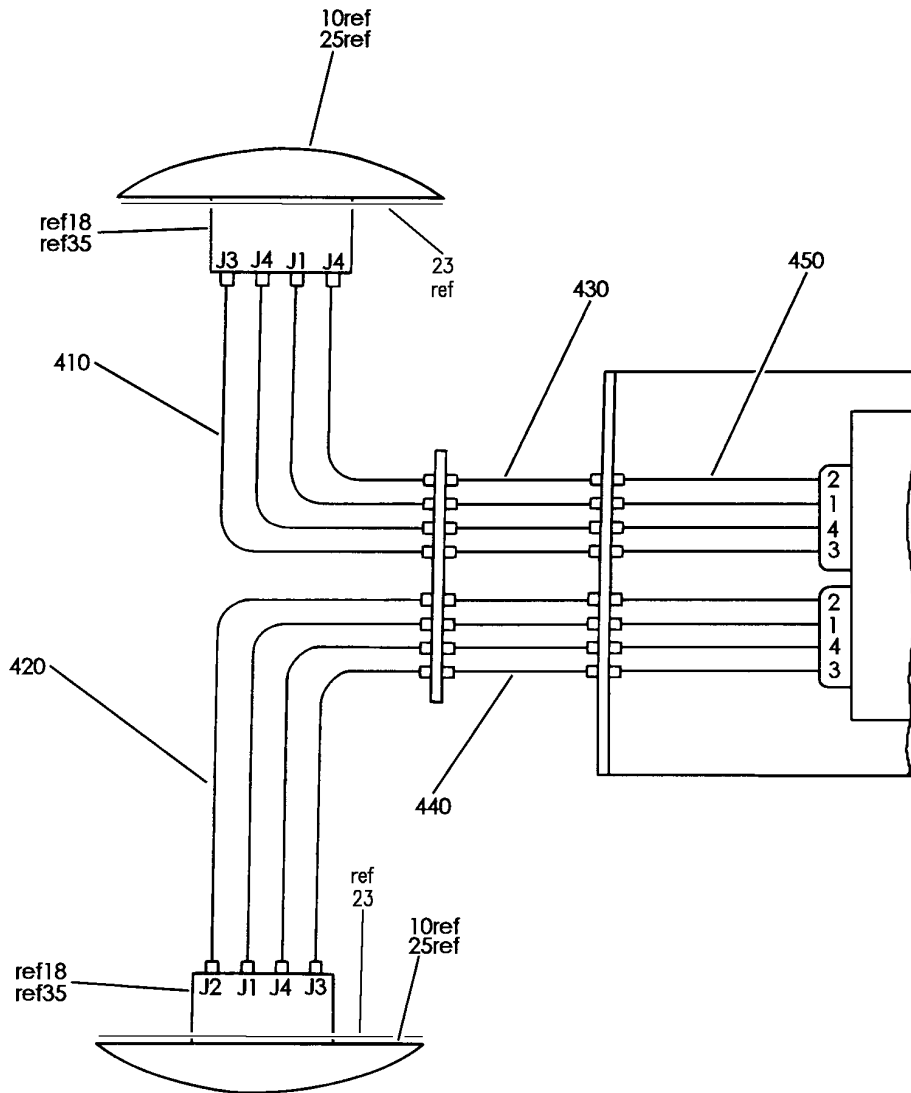
ANTENNA INSTL-TCAS  
FIGURE 1 (SHEET 2)

**34-45-02-01**

BRI  
MAY 28/07

34-45-02-01  
PAGE 0A

**BOEING**  
757  
PARTS CATALOG (MAINTENANCE)



(C)

Y 34-450201 SH1 3 REV 279

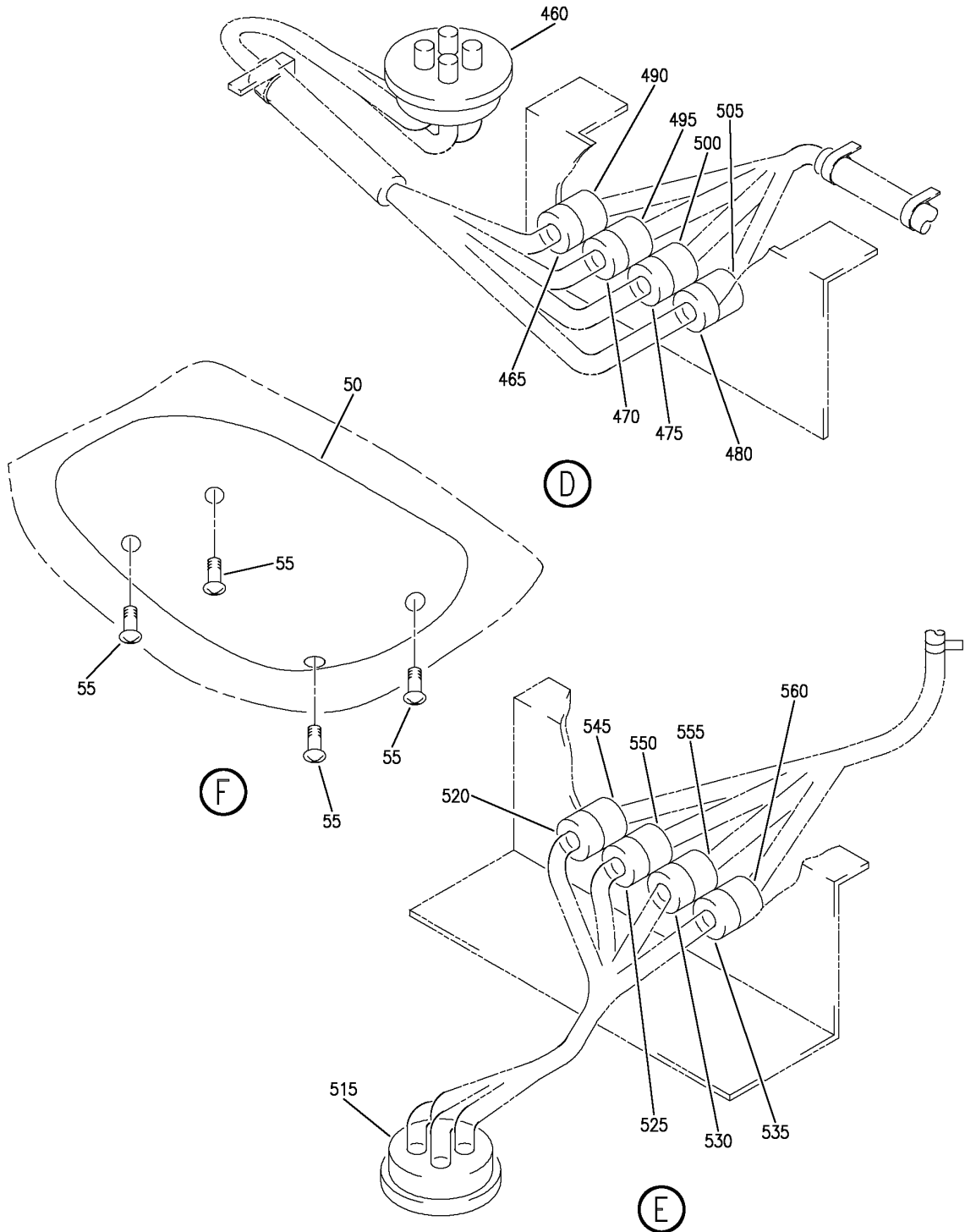
ANTENNA INSTL-TCAS  
FIGURE 1 (SHEET 3)

**34-45-02-01**

BRI  
MAY 28/07

34-45-02-01  
PAGE 0B

**BOEING**  
757  
PARTS CATALOG (MAINTENANCE)



Y 34-450201 SH1 4 REV 317

ANTENNA INSTL-TCAS  
FIGURE 1 (SHEET 4)

**34-45-02-01**

BRI  
JAN 20/08

34-45-02-01  
PAGE 0C



757

PARTS CATALOG (MAINTENANCE)

FIG ITEM	PART NUMBER	1 2 3 4 5 6 7	NOMENCLATURE	EFFECT FROM TO	UNITS PER ASSY
1			ANTENNA INSTL-TCAS	002004 006106 108120 504903 950951 953999	
- 1	284N1169-1		ANTENNA INSTL-TCAS TOP FOR NHA SEE: 24-00-58-01B	950951 953999	RF
- 1	284N1169-3		ANTENNA INSTL-TCAS TOP FOR NHA SEE: 24-00-58-01B	002004 006100	RF
- 2	284N1169-63		ANTENNA INSTL-TCAS POSITION DATA: TOP FOR NHA SEE: 24-00-58-05C	108120	RF
- 2	MODREF23982		ANTENNA INSTL-TCAS MODULE NUMBER: 284N1169-63 REV B POSITION DATA: TOP	103106	1
- 5	284N1169-2		ANTENNA INSTL-TCAS BOTTOM POST AIRLINE MOD: PCR83 VALP FOR NHA SEE: 24-00-58-01B	950951 953999	RF
- 5	284N1169-4		ANTENNA INSTL-TCAS BOTTOM FOR NHA SEE: 24-00-58-01B	002004 006100	RF
- 6	284N1169-50		ANTENNA INSTL-TCAS POSITION DATA: BOTTOM FOR NHA SEE: 24-00-58-05C	101102	RF
- 6	284N1169-42		ANTENNA INSTL-TCAS POSITION DATA: BOTTOM FOR NHA SEE: 24-00-58-05C	504903	RF
- 6	284N1169-64		ANTENNA INSTL-TCAS POSITION DATA: BOTTOM FOR NHA SEE: 24-00-58-05C	108120	RF

MISSING ITEM NUMBERS NOT APPLICABLE

- ITEM NOT ILLUSTRATED

BRI

34-45-02-01

34-45-02  
FIG. 01  
PAGE 1  
JAN 20/09

**BOEING**  
757  
**PARTS CATALOG (MAINTENANCE)**

FIG ITEM	PART NUMBER	1 2 3 4 5 6 7	NOMENCLATURE	EFFECT FROM TO	UNITS PER ASSY
1					
- 7	284N1169-49		ANTENNA INSTL-TCAS POSITION DATA: BOTTOM FOR NHA SEE: 24-00-58-05C	101102	RF
- 7	284N1169-41		ANTENNA INSTL-TCAS POSITION DATA: BOTTOM FOR NHA SEE: 24-00-58-05C	504903	RF
- 7	MODREF23983		ANTENNA INSTL-TCAS MODULE NUMBER: 284N1169-64 REV B POSITION DATA: BOTTOM	103106	1
R	10	7514081-901	.ANTENNA-DIRECTIONAL SUPPLIER CODE: V1WYD3 ELECTRICAL EQUIP NUMBER: M10820 M10821	002004 006102 504903	1
R	10	071-50001-8102	.ANTENNA-DIRECTIONAL SUPPLIER CODE: V97896 ELECTRICAL EQUIP NUMBER: M10820 M10821	950951	1
R	10	622-8973-001	.ANTENNA-DIRECTIONAL SUPPLIER CODE: V4V792 FUNCTIONAL DESCRIPTION: SINGLE-PIECE DIRECTIONAL ANTENNA FOR THE TRAFFIC ALERTING AND COLLISION AVOIDANCE SYSTEM ELECTRICAL EQUIP NUMBER: M10820 M10821 COMPONENT MAINT MANUAL REF: 34-40-73	103106 108120	1
R	- 15	NAS623-3-11	ATTACHING PARTS .SCREW-	002004 006106 108120 504903 950951	4
R			-----*-----		

MISSING ITEM NUMBERS NOT APPLICABLE

- ITEM NOT ILLUSTRATED

BRI

# 34-45-02-01

BOEING PROPRIETARY - Copyright © - Unpublished Work - See title page for details.

34-45-02  
FIG. 01  
PAGE 2  
MAY 20/09



757

PARTS CATALOG (MAINTENANCE)

FIG ITEM	PART NUMBER	1 2 3 4 5 6 7	NOMENCLATURE	EFFECT FROM TO	UNITS PER ASSY
1					
- 19	NAS1611-240	..0	RING	002004 006102 504903 953999	1
25	622-8973-001	.	ANTENNA-DIRECTIONAL SUPPLIER CODE: V4V792 FUNCTIONAL DESCRIPTION: SINGLE-PIECE DIRECTIONAL ANTENNA FOR THE TRAFFIC ALERTING AND COLLISION AVOIDANCE SYSTEM ELECTRICAL EQUIP NUMBER: M10820 M10821 COMPONENT MAINT MANUAL REF: 34-40-73 ATTACHING PARTS		1
- 30	NAS623-3-11	.	SCREW	953999	4
33	NAS1611-153	..	PACKING- USED ON: 071-50001-8102	950951	1
35	NAS1601-153	..	PACKING-	953999	1
- 40	066-50000-8101	.	PROCESSOR-TCAS E3-3 SHELF SUPPLIER CODE: V97896 ELECTRICAL EQUIP NUMBER: M09124 COMPONENT MAINT MANUAL REF: 34-45-01 PRE SERVICE BULLETIN: M-4079 V27914 REWORKED BY SB: TPA-81A-34-28 V27914 TPA-81A-34-34 V27914 TPA-81A-34-42 V27914 TPA-81A-34-61 V27914	950951	1

MISSING ITEM NUMBERS NOT APPLICABLE

- ITEM NOT ILLUSTRATED

34-45-02-01

34-45-02  
FIG. 01  
PAGE 3  
MAY 20/09

BRI



757

## PARTS CATALOG (MAINTENANCE)

FIG ITEM	PART NUMBER	1 2 3 4 5 6 7	NOMENCLATURE	EFFECT FROM TO	UNITS PER ASSY
1					
- 40	066-50000-0107	.	PROCESSOR-TCAS E3-3 SHELF SUPPLIER CODE: V27914 ELECTRICAL EQUIP NUMBER: M09124 COMPONENT MAINT MANUAL REF: 34-45-01 POST SERVICE BULLETIN: M-4079 V27914 PRE SERVICE BULLETIN: M-4195 V27914	950951	1
- 40	066-50000-2120	.	COMPUTER-TCAS E3-3 SHELF SUPPLIER CODE: V97896 ELECTRICAL EQUIP NUMBER: M09124 POST SERVICE BULLETIN: TPA-81A-34-94 V27914	950951	1
- 102	286N2363-001	..	WIRE BUNDLE ASSY-J1 TO PROCESSOR, TOP ANTENNA POST AIRLINE MOD: E.O.3492R188 VALP	950951	1
- 105	286N2361-001	..	WIRE BUNDLE ASSY-J1 TO PROCESSOR, TOP ANTENNA POST AIRLINE MOD: E.O.3492R188 VALP	950951	1
- 106	286N1171-007	..	WIRE BUNDLE ASSY-J1 TO PROCESSOR, TOP ANTENNA REWORKED BY ALERT SB: 34A0222 POST AIRLINE MOD: E.O.3492R188 VALP	950951	1
- 112	286N2363-002	..	WIRE BUNDLE ASSY-J2 TO PROCESSOR, TOP ANTENNA POST AIRLINE MOD: E.O.3492R188 VALP	950951	1

MISSING ITEM NUMBERS NOT APPLICABLE

- ITEM NOT ILLUSTRATED

BRI

# 34-45-02-01

BOEING PROPRIETARY - Copyright © - Unpublished Work - See title page for details.

34-45-02  
FIG. 01  
PAGE 4  
JAN 20/09



757

## PARTS CATALOG (MAINTENANCE)

FIG ITEM	PART NUMBER	1 2 3 4 5 6 7	NOMENCLATURE	EFFECT FROM TO	UNITS PER ASSY
1					
- 115	286N2361-002		..WIRE BUNDLE ASSY-J2 TO PROCESSOR, TOP ANTENNA POST AIRLINE MOD: E.O.3492R188 VALP	950951	1
- 116	286N1171-008		..WIRE BUNDLE ASSY-J2 TO PROCESSOR, TOP ANTENNA REWORKED BY ALERT SB: 34A0222 POST AIRLINE MOD: E.O.3492R188 VALP	950951	1
- 122	286N2363-003		..WIRE BUNDLE ASSY-J3 TO PROCESSOR, TOP ANTENNA POST AIRLINE MOD: E.O.3492R188 VALP	950951	1
- 125	286N2361-003		..WIRE BUNDLE ASSY-J3 TO PROCESSOR, TOP ANTENNA POST AIRLINE MOD: E.O.3492R188 VALP	950951	1
- 126	286N1171-009		..WIRE BUNDLE ASSY-J3 TO PROCESSOR, TOP ANTENNA REWORKED BY ALERT SB: 34A0222 POST AIRLINE MOD: E.O.3492R188 VALP	950951	1
- 132	286N2363-004		..WIRE BUNDLE ASSY-J4 TO PROCESSOR, TOP ANTENNA POST AIRLINE MOD: E.O.3492R188 VALP	950951	1
- 135	286N2361-004		..WIRE BUNDLE ASSY-J4 TO PROCESSOR, TOP ANTENNA POST AIRLINE MOD: E.O.3492R188 VALP	950951	1
- 136	286N1171-010		..WIRE BUNDLE ASSY-J4 TO PROCESSOR, TOP ANTENNA REWORKED BY ALERT SB: 34A0222 POST AIRLINE MOD: E.O.3492R188 VALP	950951	1

MISSING ITEM NUMBERS NOT APPLICABLE

- ITEM NOT ILLUSTRATED

BRI

# 34-45-02-01

BOEING PROPRIETARY - Copyright © - Unpublished Work - See title page for details.

34-45-02  
FIG. 01  
PAGE 5  
JAN 20/09





757

## PARTS CATALOG (MAINTENANCE)

FIG ITEM	PART NUMBER	1 2 3 4 5 6 7	NOMENCLATURE	EFFECT FROM TO	UNITS PER ASSY
1					
- 152	286N2367-002		..WIRE BUNDLE ASSY-J2 TO PROCESSOR, BOTTOM ANTENNA POST AIRLINE MOD: E.O.3492R188 VALP	950951	1
- 155	286N2365-002		..WIRE BUNDLE ASSY-J2 TO PROCESSOR, BOTTOM ANTENNA POST AIRLINE MOD: E.O.3492R188 VALP	950951	1
- 156	286N1171-013		..CABLE ASSY-J2 TO PROCESSOR, BOTTOM ANTENNA REWORKED BY ALERT SB: 34A0222 POST AIRLINE MOD: E.O.3492R188 VALP	950951	1
- 162	286N2367-003		..WIRE BUNDLE ASSY-J3 TO PROCESSOR, BOTTOM ANTENNA POST AIRLINE MOD: E.O.3492R188 VALP	950951	1
- 165	286N2365-003		..WIRE BUNDLE ASSY-J3 TO PROCESSOR, BOTTOM ANTENNA POST AIRLINE MOD: E.O.3492R188 VALP	950951	1
- 166	286N1171-014		..WIRE BUNDLE ASSY-J3 TO PROCESSOR, BOTTOM ANTENNA REWORKED BY ALERT SB: 34A0222 POST AIRLINE MOD: E.O.3492R188 VALP	950951	1
- 172	286N2367-004		..WIRE BUNDLE ASSY-J4 TO PROCESSOR, BOTTOM ANTENNA POST AIRLINE MOD: E.O.3492R188 VALP	950951	1

MISSING ITEM NUMBERS NOT APPLICABLE

- ITEM NOT ILLUSTRATED

BRI

# 34-45-02-01

BOEING PROPRIETARY - Copyright © - Unpublished Work - See title page for details.

34-45-02  
FIG. 01  
PAGE 6  
JAN 20/09



757

PARTS CATALOG (MAINTENANCE)

FIG ITEM	PART NUMBER	1 2 3 4 5 6 7	NOMENCLATURE	EFFECT FROM TO	UNITS PER ASSY
1					
- 175	286N2365-004		..WIRE BUNDLE ASSY-J4 TO PROCESSOR, BOTTOM ANTENNA POST AIRLINE MOD: E.O.3492R188 VALP	950951	1
- 176	286N1171-015		..CABLE ASSY-J4 TO PROCESSOR, BOTTOM ANTENNA REWORKED BY ALERT SB: 34A0222 POST AIRLINE MOD: E.O.3492R188 VALP	950951	1
- 205	CNS822		..CONNECTOR- SUPPLIER CODE: VK6807	953999	1
- 210	CTR822		..CONNECTOR- SUPPLIER CODE: VK6807	953999	1
- 215	3C142B605		.CABLE ASSY-144.0 IN. LONG SUPPLIER CODE: VK6807	953999	1
- 220	3C142B606		.CABLE ASSY-144.0 IN. LONG SUPPLIER CODE: VK6807	953999	1
- 225	3C142B607		.CABLE ASSY-144.0 IN. LONG SUPPLIER CODE: VK6807	953999	1
- 230	3C142B608		.CABLE ASSY-144.0 IN. LONG SUPPLIER CODE: VK6807	953999	1
- 235	CNS722		..CONNECTOR- SUPPLIER CODE: VK6807	953999	1
- 240	CTS722		..CONNECTOR- SUPPLIER CODE: VK6807	953999	1
- 245	3C142B610		.CABLE ASSY-12.0 IN. LONG SUPPLIER CODE: VK6807	953999	1
- 250	3C142B611		.CABLE ASSY-12.0 IN. LONG SUPPLIER CODE: VK6807	953999	1
- 255	3C142B612		.CABLE ASSY-12.0 IN. LONG SUPPLIER CODE: VK6807	953999	1

MISSING ITEM NUMBERS NOT APPLICABLE

- ITEM NOT ILLUSTRATED

34-45-02-01

34-45-02  
FIG. 01  
PAGE 7  
JAN 20/09

BRI



757

PARTS CATALOG (MAINTENANCE)

FIG ITEM	PART NUMBER	1 2 3 4 5 6 7	NOMENCLATURE	EFFECT FROM TO	UNITS PER ASSY
1					
- 260	3C142B613		.CABLE ASSY-12.0 IN. LONG SUPPLIER CODE: VK6807	953999	1
- 265	3C142B614		.CABLE ASSY-12.0 IN. LONG SUPPLIER CODE: VK6807	953999	1
- 270	3C142B615		.CABLE ASSY-12.0 IN. LONG SUPPLIER CODE: VK6807	953999	1
- 275	3C142B616		.CABLE ASSY-12.0 IN. LONG SUPPLIER CODE: VK6807	953999	1
- 280	3C142B617		.CABLE ASSY-12.0 IN. LONG SUPPLIER CODE: VK6807	953999	1
- 285	BN3722		..CONNECTOR- SUPPLIER CODE: VK6807	953999	1
- 290	320-1066-015		..CONNECTOR- SUPPLIER CODE: VK6807	953999	1
- 295	320-1066-012		..CONNECTOR- SUPPLIER CODE: VK6807	953999	1
- 300	3C142B631		.CABLE ASSY-16.0 IN. LONG SUPPLIER CODE: VK6807	953999	1
- 305	BN3722		..CONNECTOR- SUPPLIER CODE: VK6807	953999	1
- 310	349-0013-000		..CONNECTOR- SUPPLIER CODE: VK6807	953999	1
- 455	286N2363-009		WIRE BUNDLE ASSY-TOP ANT.	011100 504903	RF
- 455	286N2363-003		WIRE BUNDLE ASSY	002004 006010 950951 953999	RF
- 455	286N2363-301		WIRE BUNDLE ASSY	101102 108120	RF
- 455	286N2363-702		WIRE BUNDLE ASSY	103106	RF

MISSING ITEM NUMBERS NOT APPLICABLE

- ITEM NOT ILLUSTRATED

BRI

34-45-02-01

BOEING PROPRIETARY - Copyright © - Unpublished Work - See title page for details.

34-45-02  
FIG. 01  
PAGE 8  
JAN 20/09



757

PARTS CATALOG (MAINTENANCE)

FIG ITEM	PART NUMBER	1 2 3 4 5 6 7	NOMENCLATURE	EFFECT FROM TO	UNITS PER ASSY
1 460	KA59-439M06		.CONNECTOR- SUPPLIER CODE: V91836 ELECTRICAL EQUIP NUMBER: D01585 D01587 D01589 D01591 WIRING DIAGRAM REF: 344502	002004 006105 108120 504903 950951 953999	4
460	126-71-9		.CONNECTOR- SUPPLIER CODE: V05574 ELECTRICAL EQUIP NUMBER: D01585 D01587 D01589 D01591 WIRING DIAGRAM REF: 344502	103106	4
465	2435-74-1		.PLUG- ELECTRICAL EQUIP NUMBER: D41161P WIRING DIAGRAM REF: 344502	002004 006105 108120 504903 950951 953999	1
465	2435-84-1		.PLUG- SUPPLIER CODE: V05574 ELECTRICAL EQUIP NUMBER: D41161P WIRING DIAGRAM REF: 344502	103106	1
470	2435-74-6		.PLUG- ELECTRICAL EQUIP NUMBER: D41163P WIRING DIAGRAM REF: 344502	002004 006105 108120 504903 950951 953999	1
470	2435-84-6		.PLUG- SUPPLIER CODE: V05574 ELECTRICAL EQUIP NUMBER: D41163P WIRING DIAGRAM REF: 344502	103106	1

MISSING ITEM NUMBERS NOT APPLICABLE

- ITEM NOT ILLUSTRATED

34-45-02-01

34-45-02  
FIG. 01  
PAGE 9  
JAN 20/09

BRI



757

PARTS CATALOG (MAINTENANCE)

FIG ITEM	PART NUMBER	1 2 3 4 5 6 7	NOMENCLATURE	EFFECT FROM TO	UNITS PER ASSY
1 475	2435-74-11		.PLUG- ELECTRICAL EQUIP NUMBER: D41165P WIRING DIAGRAM REF: 344502	002004 006105 108120 504903 950951 953999	1
475	2435-84-11		.PLUG- SUPPLIER CODE: V05574 ELECTRICAL EQUIP NUMBER: D41165P WIRING DIAGRAM REF: 344502	103106	1
480	2435-74-16		.PLUG- ELECTRICAL EQUIP NUMBER: D41167P WIRING DIAGRAM REF: 344502	002004 006105 108120 504903 950951 953999	1
480	2435-84-16		.PLUG- SUPPLIER CODE: V05574 ELECTRICAL EQUIP NUMBER: D41167P WIRING DIAGRAM REF: 344502	103106	1
- 485	286N2361-005		WIRE BUNDLE ASSY-TOP ANT.	011100 504903	RF
- 485	286N2361-301		WIRE BUNDLE ASSY- POSITION DATA: TOP ANTENNA	101102 108120	RF
- 485	286N2361-003		WIRE BUNDLE ASSY	002004 006010 950951 953999	RF
- 485	286N2361-701		WIRE BUNDLE ASSY	103106	RF
490	2431-76-1		.RECEPTACLE- ELECTRICAL EQUIP NUMBER: D41161J WIRING DIAGRAM REF: 344502	002004 006102 108120 504903 950951 953999	1
490	2431-88-1		.RECEPTACLE- SUPPLIER CODE: V05574 ELECTRICAL EQUIP NUMBER: D41161J WIRING DIAGRAM REF: 344502	103106	1

MISSING ITEM NUMBERS NOT APPLICABLE

- ITEM NOT ILLUSTRATED

BRI

34-45-02-01

34-45-02  
FIG. 01  
PAGE 10  
JAN 20/09



757

PARTS CATALOG (MAINTENANCE)

FIG ITEM	PART NUMBER	1 2 3 4 5 6 7	NOMENCLATURE	EFFECT FROM TO	UNITS PER ASSY
1 495	2431-76-6		.RECEPTACLE- ELECTRICAL EQUIP NUMBER: D41163J WIRING DIAGRAM REF: 344502	002004 006102 108120 504903 950951 953999 103106	1
495	2431-88-6		.RECEPTACLE- SUPPLIER CODE: V05574 ELECTRICAL EQUIP NUMBER: D41163J WIRING DIAGRAM REF: 344502		1
500	2431-76-11		.RECEPTACLE- ELECTRICAL EQUIP NUMBER: D41165J WIRING DIAGRAM REF: 344502	002004 006102 108120 504903 950951 953999 103106	1
500	2431-88-11		.RECEPTACLE- SUPPLIER CODE: V05574 ELECTRICAL EQUIP NUMBER: D41165J WIRING DIAGRAM REF: 344502		1
505	2431-76-16		.RECEPTACLE- ELECTRICAL EQUIP NUMBER: D41167J WIRING DIAGRAM REF: 344502	002004 006102 108120 504903 950951 953999 103106	1
505	2431-88-16		.RECEPTACLE- SUPPLIER CODE: V05574 ELECTRICAL EQUIP NUMBER: D41167J WIRING DIAGRAM REF: 344502		1
- 510	286N2367-008		WIRE BUNDLE ASSY-BOTTOM ANT.	011100 504903	RF
- 510	286N2367-004		WIRE BUNDLE ASSY	002004 006010 950951 953999	RF
- 510	286N2367-301		WIRE BUNDLE ASSY	101102 108120	RF
- 510	286N2367-702		WIRE BUNDLE ASSY	103106	RF

MISSING ITEM NUMBERS NOT APPLICABLE

- ITEM NOT ILLUSTRATED

34-45-02-01

34-45-02  
FIG. 01  
PAGE 11  
JAN 20/09

BRI



757

PARTS CATALOG (MAINTENANCE)

FIG ITEM	PART NUMBER	1 2 3 4 5 6 7	NOMENCLATURE	EFFECT FROM TO	UNITS PER ASSY
1 515	KA59-438M06		.PLUG- SUPPLIER CODE: V91836 ELECTRICAL EQUIP NUMBER: D01593 D01595 D01597 D01599 WIRING DIAGRAM REF: 344502	002004 006102 108120 504903 950951 953999	4
515	125-88-9		.PLUG- ELECTRICAL EQUIP NUMBER: D01593 D01595 D01597 D01599 WIRING DIAGRAM REF: 344502	103106	4
520	2435-74-1		.PLUG- ELECTRICAL EQUIP NUMBER: D41171P WIRING DIAGRAM REF: 344502	002004 006102 108120 504903 950951 953999	1
520	2435-81-1		.PLUG- SUPPLIER CODE: V91836 ELECTRICAL EQUIP NUMBER: D41171P WIRING DIAGRAM REF: 344502	103106	1
525	2435-74-6		.PLUG- ELECTRICAL EQUIP NUMBER: D41173P WIRING DIAGRAM REF: 344502	002004 006102 108120 504903 950951 953999	1
525	2435-81-6		.PLUG- SUPPLIER CODE: V91836 ELECTRICAL EQUIP NUMBER: D41173P WIRING DIAGRAM REF: 344502	103106	1

MISSING ITEM NUMBERS NOT APPLICABLE

- ITEM NOT ILLUSTRATED

34-45-02-01

34-45-02  
FIG. 01  
PAGE 12  
JAN 20/09

BRI



757

PARTS CATALOG (MAINTENANCE)

FIG ITEM	PART NUMBER	1 2 3 4 5 6 7	NOMENCLATURE	EFFECT FROM TO	UNITS PER ASSY
1 530	2435-74-11		.PLUG- ELECTRICAL EQUIP NUMBER: D41177P WIRING DIAGRAM REF: 344502	002004 006102 108120 504903 950951 953999	1
530	2435-81-11		.PLUG- SUPPLIER CODE: V91836 ELECTRICAL EQUIP NUMBER: D41177P WIRING DIAGRAM REF: 344502	103106	1
535	2435-74-16		.PLUG- ELECTRICAL EQUIP NUMBER: D41179P WIRING DIAGRAM REF: 344502	002004 006102 108120 504903 950951 953999	1
535	2435-81-16		.PLUG- SUPPLIER CODE: V91836 ELECTRICAL EQUIP NUMBER: D41179P WIRING DIAGRAM REF: 344502	103106	1
- 540	286N2365-007		WIRE BUNDLE ASSY-BOTTOM ANT.	011100 504903	RF
- 540	286N2365-003		WIRE BUNDLE ASSY	002004 006010 950951 953999	RF
- 540	286N2365-301		WIRE BUNDLE ASSY	101102 108120	RF
- 540	286N2365-701		WIRE BUNDLE ASSY	103106	RF
545	2431-74-1		.RECEPTACLE- ELECTRICAL EQUIP NUMBER: D41171J WIRING DIAGRAM REF: 344502	002004 006102 108120 504903 950951 953999	1
545	2431-84-1		.RECEPTACLE- SUPPLIER CODE: V05574 ELECTRICAL EQUIP NUMBER: D41171J WIRING DIAGRAM REF: 344502	103106	1

MISSING ITEM NUMBERS NOT APPLICABLE

- ITEM NOT ILLUSTRATED

34-45-02-01

34-45-02  
FIG. 01  
PAGE 13  
JAN 20/09

BRI





757

PARTS CATALOG (MAINTENANCE)

FIG ITEM	PART NUMBER	1 2 3 4 5 6 7	NOMENCLATURE	EFFECT FROM TO	UNITS PER ASSY
1 550	2431-74-6		.RECEPTACLE- ELECTRICAL EQUIP NUMBER: D41173J WIRING DIAGRAM REF: 344502	002004 006102 108120 504903 950951 953999	1
550	2431-84-6		.RECEPTACLE- SUPPLIER CODE: V05574 ELECTRICAL EQUIP NUMBER: D41173J WIRING DIAGRAM REF: 344502	103106	1
555	2431-74-11		.RECEPTACLE- ELECTRICAL EQUIP NUMBER: D41177J WIRING DIAGRAM REF: 344502	002004 006102 108120 504903 950951 953999	1
555	2431-84-11		.RECEPTACLE- SUPPLIER CODE: V05574 ELECTRICAL EQUIP NUMBER: D41177J WIRING DIAGRAM REF: 344502	103106	1
560	2431-74-16		.RECEPTACLE- ELECTRICAL EQUIP NUMBER: D41179J WIRING DIAGRAM REF: 344502	002004 006102 108120 504903 950951 953999	1
560	2431-84-16		.RECEPTACLE- SUPPLIER CODE: V05574 ELECTRICAL EQUIP NUMBER: D41179J WIRING DIAGRAM REF: 344502	103106	1

MISSING ITEM NUMBERS NOT APPLICABLE

- ITEM NOT ILLUSTRATED

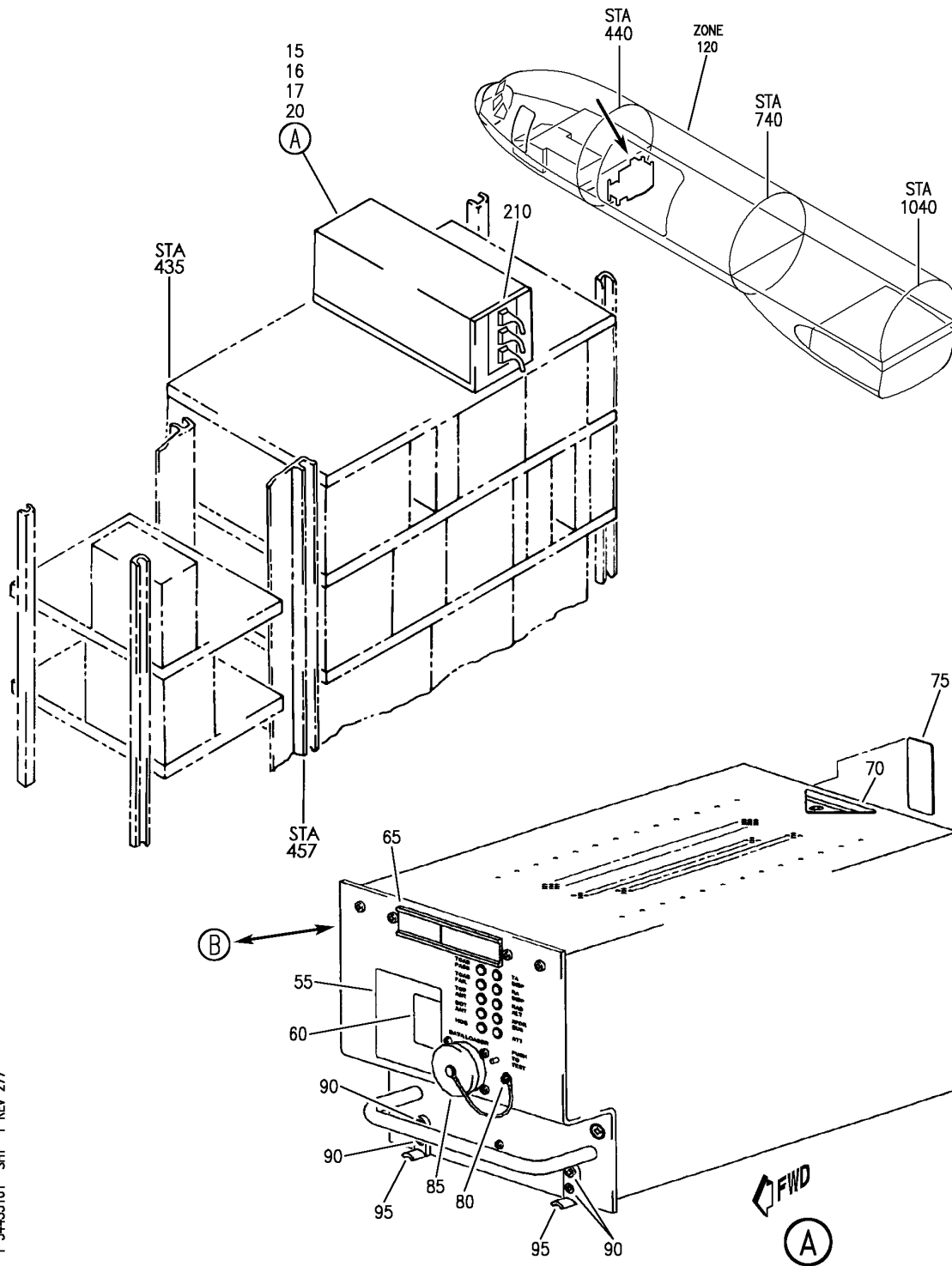
BRI

34-45-02-01

BOEING PROPRIETARY - Copyright © - Unpublished Work - See title page for details.

34-45-02  
FIG. 01  
PAGE 14  
JAN 20/09

**BOEING**  
757  
PARTS CATALOG (MAINTENANCE)



Y 34-455101 SH1 1 REV 277

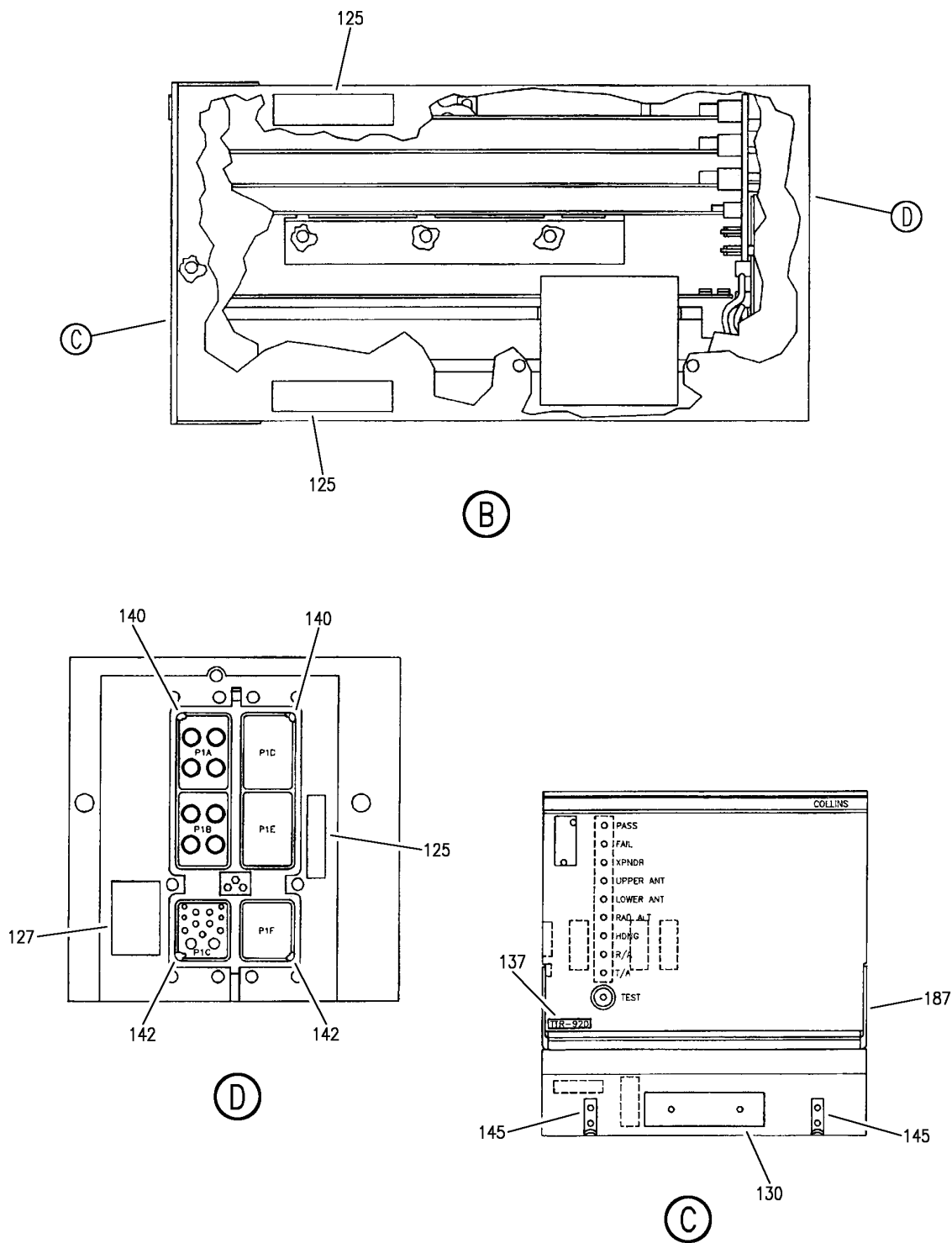
EQUIPMENT INST-MAIN ELECTRONICS EQPT CTR (TCAS SYSTEM ONLY)  
FIGURE 1 (SHEET 1)

**34-45-51-01**

BRI  
MAY 28/07

34-45-51-01  
PAGE 0

**BOEING**  
757  
PARTS CATALOG (MAINTENANCE)



Y 34-455101 SH1 2 REV 285

EQUIPMENT INST-MAIN ELECTRONICS EQPT CTR (TCAS SYSTEM ONLY)  
FIGURE 1 (SHEET 2)

**34-45-51-01**

BRI  
MAY 28/07

34-45-51-01  
PAGE 0A

**BOEING**  
757  
**PARTS CATALOG (MAINTENANCE)**

FIG ITEM	PART NUMBER	1 2 3 4 5 6 7	NOMENCLATURE	EFFECT FROM TO	UNITS PER ASSY
1			EQUIPMENT INSTL-MAIN ELECTRONICS EQPT CTR (TCAS SYSTEM ONLY)	002004 006100 121949 952999	
- 1	284N1800-16		EQUIPMENT INSTL-MAIN ELECTRONICS EQPT CTR (TCAS SYSTEM ONLY) FOR NHA/OTHER SYS DET SEE: 24-00-58-01	121503 904949	RF
- 2	284N1800-32		EQUIPMENT INSTL-MAIN ELECTRONICS EQPT CTR (TCAS SYSTEM ONLY) FOR NHA/OTHER SYS DET SEE: 24-00-58-01	952999	RF
- 2	284N1800-34		EQUIPMENT INSTL-MAIN ELECTRONICS EQPT CTR (TCAS SYSTEM ONLY) FOR NHA/OTHER SYS DET SEE: 24-00-58-01	002004 006100	RF
- 4	284N1800-88		EQUIPMENT INSTL-MAIN ELECTRONICS EQPT CTR (TCAS SYSTEM ONLY) FOR NHA/OTHER SYS DET SEE: 24-00-58-05E	505505	RF
- 4	284N1800-190		EQUIPMENT INSTL-MAIN ELECTRONICS EQPT CTR (TCAS SYSTEM ONLY) FOR NHA/OTHER SYS DET SEE: 24-00-58-05E	504504 506903	RF
R R R R R R R R R R	- 10	4066010-903	.COMPUTER-TCAS FLYAWAY SUPPLIER CODE: V1WYD3 ELECTRICAL EQUIP NUMBER: M10819 COMPONENT MAINT MANUAL REF: 34-43-04 PRE SERVICE BULLETIN: 34-0207R1 POST RAPID REVISION: RR92034-5	002004	1

MISSING ITEM NUMBERS NOT APPLICABLE

- ITEM NOT ILLUSTRATED

BRI

# 34-45-51-01

BOEING PROPRIETARY - Copyright © - Unpublished Work - See title page for details.

34-45-51  
FIG. 01  
PAGE 1  
MAY 20/09

FIG ITEM		PART NUMBER	1 2 3 4 5 6 7 NOMENCLATURE	EFFECT FROM TO	UNITS PER ASSY	
R R R R R R R R R R R R R R R R R R R	1					
	- 10	4066010-904	.COMPUTER-TCAS FLYAWAY SUPPLIER CODE: V1WYD3 FUNCTIONAL DESCRIPTION: DETERMINES THE TRAJECTORY OF OTHER AIRCRAFT EQUIPPED WITH ATC/MODE C OR S TRANSPONDERS TO PROVIDE WARNING OF POTENTIAL COLLISION HAZARDS AND PROVIDE GUIDANCE FOR OPTIMUM VERTICAL AVOIDANCE MANEUVER. ELECTRICAL EQUIP NUMBER: M10819 COMPONENT MAINT MANUAL REF: 34-43-04	002004	1	
		15	622-8971-011	.COMPUTER-TCAS SUPPLIER CODE: V4V792 ELECTRICAL EQUIP NUMBER: M10819 COMPONENT MAINT MANUAL REF: 34-40-71	953999	1
		15	622-8971-012	.COMPUTER-TCAS SUPPLIER CODE: V4V792 ELECTRICAL EQUIP NUMBER: M10819 COMPONENT MAINT MANUAL REF: 34-40-88	953999	1
		15	4066010-903	.COMPUTER-TCAS SUPPLIER CODE: V1WYD3 ELECTRICAL EQUIP NUMBER: M10819 COMPONENT MAINT MANUAL REF: 34-43-04 PRE SERVICE BULLETIN: 34-0207R1	006017	1
	MISSING ITEM NUMBERS NOT APPLICABLE					

- ITEM NOT ILLUSTRATED

# 34-45-51-01

BRI

BOEING PROPRIETARY - Copyright © - Unpublished Work - See title page for details.

34-45-51  
FIG. 01  
PAGE 2  
MAY 20/09



757

PARTS CATALOG (MAINTENANCE)

FIG ITEM	PART NUMBER	1 2 3 4 5 6 7	NOMENCLATURE	EFFECT FROM TO	UNITS PER ASSY
1	15 4066010-904		.COMPUTER-TCAS SUPPLIER CODE: V1WYD3 FUNCTIONAL DESCRIPTION: DETERMINES THE TRAJECTORY OF OTHER AIRCRAFT EQUIPPED WITH ATC/MODE C OR S TRANSPONDERS TO PROVIDE WARNING OF POTENTIAL COLLISION HAZARDS AND PROVIDE GUIDANCE FOR OPTIMUM VERTICAL AVOIDANCE MANEUVER. ELECTRICAL EQUIP NUMBER: M10819 COMPONENT MAINT MANUAL REF: 34-43-04 PRE SERVICE BULLETIN: 34-0207R1	002004 006100	1
	15 066-50000-0508		.COMPUTER-TCAS SUPPLIER CODE: V97896 FUNCTIONAL DESCRIPTION: DETERMINES THE TRAJECTORY OF OTHER AIRCRAFT EQUIPPED WITH ATC/MODE C OR S TRANSPONDERS TO PROVIDE WARNING OF POTENTIAL COLLISION HAZARDS AND PROVIDE GUIDANCE FOR OPTIMUM VERTICAL AVOIDANCE MANEUVER. ELECTRICAL EQUIP NUMBER: M10819 WIRING DIAGRAM REF: 344501 COMPONENT MAINT MANUAL REF: 34-45-01 POST SERVICE BULLETIN: 34-0115 POST SERVICE BULLETIN: TPA-81A-34-72R1 V27914	953999	1

MISSING ITEM NUMBERS NOT APPLICABLE

- ITEM NOT ILLUSTRATED

34-45-51-01

34-45-51  
FIG. 01  
PAGE 3  
MAY 20/09

BRI



757

PARTS CATALOG (MAINTENANCE)

FIG ITEM	PART NUMBER	1 2 3 4 5 6 7	NOMENCLATURE	EFFECT FROM TO	UNITS PER ASSY
R R	16	622-8971-020	.COMPUTER-TCAS SUPPLIER CODE: V4V792 FUNCTIONAL DESCRIPTION: DETERMINEDES THE TRAJECTORY OF OTHER AIRCRAFT EQUIPPED WITH ATC/MODE C OR S TRANSPONDERS TO PROVIDE WARNING OF POTENTIAL COLLISION HAZARDS AND PROVIDE GUIDANCE FOR OPTIMUM VERTICAL AVOIDANCE MANEUVER. ELECTRICAL EQUIP NUMBER: M10819 COMPONENT MAINT MANUAL REF: 34-40-88	953999	1
	16	7517900-10001	.COMPUTER-TCAS SUPPLIER CODE: V1WYD3 FUNCTIONAL DESCRIPTION: DETERMINES THE TRAJECTORY OF OTHER AIRCRAFT EQUIPPED WITH ATC/MODE C OR S TRANSPONDER TO PROVIDE WARNING OF POTENTIAL COLLISION HAZARDS AND PROVIDE GUIDANCE FOR OPTIMUM VERTICAL AVOIDANCE MANEUVER. ELECTRICAL EQUIP NUMBER: M10819 COMPONENT MAINT MANUAL REF: 34-43-11	504903	1

MISSING ITEM NUMBERS NOT APPLICABLE

- ITEM NOT ILLUSTRATED

34-45-51-01

34-45-51  
FIG. 01  
PAGE 4  
MAY 20/09

BRI

 **BOEING**  
757  
**PARTS CATALOG (MAINTENANCE)**

FIG ITEM	PART NUMBER	1 2 3 4 5 6 7	NOMENCLATURE	EFFECT FROM TO	UNITS PER ASSY
1	16 7517900-10001	.	COMPUTER-TCAS SUPPLIER CODE: V1WYD3 FUNCTIONAL DESCRIPTION: DETERMINES THE TRAJECTORY OF OTHER AIRCRAFT EQUIPPED WITH ATC/MODE C OR S TRANSPONDER TO PROVIDE WARNING OF POTENTIAL COLLISION HAZARDS AND PROVIDE GUIDANCE FOR OPTIMUM VERTICAL AVOIDANCE MANEUVER. ELECTRICAL EQUIP NUMBER: M10819 COMPONENT MAINT MANUAL REF: 34-43-11 PRE SERVICE BULLETIN: 34-0207R1	002004 006100	1
	20 7517900-10003	.	COMPUTER-TCAS SUPPLIER CODE: V1WYD3 FUNCTIONAL DESCRIPTION: DETERMINES THE TRAJECTORY OF OTHER AIRCRAFT EQUIPPED WITH ATC/MODE C OR S TRANSPONDERS TO PROVIDE WARNING OF POTENTIAL COLLISION HAZARDS AND PROVIDE GUIDANCE FOR OPTIMUM VERTICAL AVOIDANCE MANEUVER. ELECTRICAL EQUIP NUMBER: M10819 COMPONENT MAINT MANUAL REF: 34-43-11 POST SERVICE BULLETIN: 34-0207R1	002004 006100	1
	55 7021570-23	..	PLATE-IDENT SUPPLIER CODE: V58960 SB DATA FROM A CMM: POST 7517900-34-2	002004 006100 504903	1
	60 7021570-58	..	PLATE-IDENT SUPPLIER CODE: V58960	002004 006100 504903	1

MISSING ITEM NUMBERS NOT APPLICABLE

— ITEM NOT ILLUSTRATED

BRI

# 34-45-51-01

BOEING PROPRIETARY - Copyright © - Unpublished Work - See title page for details.

34-45-51  
FIG. 01  
PAGE 5  
JAN 20/09





757

PARTS CATALOG (MAINTENANCE)

FIG ITEM	PART NUMBER	1 2 3 4 5 6 7	NOMENCLATURE	EFFECT FROM TO	UNITS PER ASSY
1					
60	7517944-1	..	PLATE-IDENT SUPPLIER CODE: V58960	002004 006100 504903	1
65	7000037-208	..	PLATE- SUPPLIER CODE: V58960	002004 006100 504903	1
70	4039590-3	..	DECAL- SUPPLIER CODE: V58960	002004 006100 504903	1
75	7006226-1	..	PLATE-INSTUCTION SUPPLIER CODE: V58960	002004 006100 504903	1
80	7516275-414	..	SCREW- SUPPLIER CODE: V58960	002004 006100 504903	1
85	MS27511B18R	..	COVER- SUPPLIER CODE: V58960 MISCELLANEOUS DATA: HONEYWELL PART NO. 4008027-118	002004 006100 504903	1
90	MS24693C28	..	SCREW	002004 006100 504903	4
95	NAS622CT2	..	HOOK- MISCELLANEOUS DATA: HONEYWELL PART 2500923-2	002004 006100 504903	2
125	280-2745-120	..	LABEL-ESDS WARNING SUPPLIER CODE: V12998	953999	3
127	280-1368-040	..	LABEL-PRESSURE SENS SUPPLIER CODE: V12998	953999	1
130	685-2580-001	..	PLATE-IDENT SUPPLIER CODE: V4V792 CONFIG CHG DATA FROM A CMM: SUPSD BY 685-2580-003	953999	1
130	685-2580-003	..	PLATE-IDENT SUPPLIER CODE: V4V792 CONFIG CHG DATA FROM A CMM: SUPERSEDES 685-2580-001	953999	1
130	685-2580-003	..	PLATE-IDENT SUPPLIER CODE: V4V792 ATTACHING PARTS	953999	1
- 132	MS51957-1B	..	SCREW	953999	2

MISSING ITEM NUMBERS NOT APPLICABLE

- ITEM NOT ILLUSTRATED

34-45-51-01

34-45-51  
FIG. 01  
PAGE 6  
JAN 20/09

BRI



757

PARTS CATALOG (MAINTENANCE)

FIG ITEM	PART NUMBER	1 2 3 4 5 6 7	NOMENCLATURE	EFFECT FROM TO	UNITS PER ASSY
1					
- 135	MS35338-134	..	WASHER -----*-----	953999	2
137	827-0338-001	..	PLATE-IDENT SUPPLIER CODE: V4V792	953999	1
140	025-1157-001	..	CAP-PROTECTIVE SUPPLIER CODE: V71468 OPTIONAL PART: 4041437-5 V58960	953999	2
140	211600-2	..	CAP-DUST SUPPLIER CODE: V00779	953999	2
142	025-1158-001	..	CAP-PROTECTIVE SUPPLIER CODE: V71468 OPTIONAL PART: 4041437-6 V58960	953999	2
145	768-3436-001	..	HOLD DOWN- SUPPLIER CODE: V4V792	953999	2
145	827-0107-001	..	HOOK-HOLD DOWN SUPPLIER CODE: V4V792 ATTACHING PARTS	953999	2
- 147	MS20426AD5-7	..	RIVET	953999	4
- 147	MS20426AD5-6	..	RIVET -----*-----	953999	4
- 150	641-8914-002	..	SHIM- SUPPLIER CODE: V4V792	953999	2
- 152	827-0355-001	..	CABLE- SUPPLIER CODE: V4V792 CONFIG CHG DATA FROM A CMM: SUPSD BY 827-4310-002	953999	RF
- 152	827-4310-002	..	CABLE- SUPPLIER CODE: V4V792 CONFIG CHG DATA FROM A CMM: SUPERSEDES 827-0355-001	953999	RF
- 155	827-0324-009	..	MARKER-IDENT SUPPLIER CODE: V4V792 USED ON: 827-0355-001	953999	1

MISSING ITEM NUMBERS NOT APPLICABLE

- ITEM NOT ILLUSTRATED

BRI

34-45-51-01

34-45-51  
FIG. 01  
PAGE 7  
JAN 20/09



757

PARTS CATALOG (MAINTENANCE)

FIG ITEM	PART NUMBER	1 2 3 4 5 6 7	NOMENCLATURE	EFFECT FROM TO	UNITS PER ASSY
1					
- 155	827-0324-011	..	MARKER-IDENT SUPPLIER CODE: V4V792 USED ON: 827-4310-002	953999	1
- 157	827-0324-010	..	MARKER-IDENT SUPPLIER CODE: V4V792	953999	1
- 160	280-3778-100	..	LABEL-INFORMATION SUPPLIER CODE: V12998 OPTIONAL SUPPLIER CODE: 12998	953999	1
- 162	827-0324-012	..	MARKER- SUPPLIER CODE: V4V792	953999	1
- 165	827-0324-001	..	MARKER-IDENT SUPPLIER CODE: V4V792	953999	1
- 167	827-0324-002	..	MARKER-IDENT SUPPLIER CODE: V4V792	953999	1
- 170	827-0324-003	..	MARKER-IDENT SUPPLIER CODE: V4V792	953999	1
- 172	827-0324-004	..	MARKER-IDENT SUPPLIER CODE: V4V792	953999	1
- 175	827-0324-005	..	MARKER-IDENT SUPPLIER CODE: V4V792	953999	1
- 177	827-0324-006	..	MARKER-IDENT SUPPLIER CODE: V4V792	953999	1
- 180	827-0324-007	..	MARKER-IDENT SUPPLIER CODE: V4V792	953999	1
- 185	827-0324-008	..	MARKER-IDENT SUPPLIER CODE: V4V792	953999	1
187	651-2408-006	..	HANDLE ASSY- SUPPLIER CODE: V4V792	953999	1
- 189	652-5421-001	..	SCREW- SUPPLIER CODE: V4V792	953999	1

MISSING ITEM NUMBERS NOT APPLICABLE

- ITEM NOT ILLUSTRATED

34-45-51-01

34-45-51  
FIG. 01  
PAGE 8  
JAN 20/09

BRI



757

PARTS CATALOG (MAINTENANCE)

FIG ITEM	PART NUMBER	1 2 3 4 5 6 7	NOMENCLATURE	EFFECT FROM TO	UNITS PER ASSY
1					
- 191	827-3555-001	..	SCREW- SUPPLIER CODE: V4V792	953999	1
- 193	768-3178-001	..	WASHER- SUPPLIER CODE: V4V792	953999	4
- 195	629-6905-001	..	STOP-COVER SUPPLIER CODE: V4V792	953999	1
- 197	MS21042-06	..	NUT	953999	1
- 200	286N1171-001		-----*----- WIRE BUNDLE ASSY- REWORKED BY ALERT SB: 34A022	121503	RF
- 200	286N1171-006		WIRE BUNDLE ASSY- REWORKED BY SB: 34-0132 34-0200 REWORKED BY ALERT SB: 34A022	002004 006100 952999	RF
- 200	286N1171-383		WIRE BUNDLE ASSY	505505	RF
- 202	286N1171-359		WIRE BUNDLE ASSY- REWORKED BY ALERT SB: 34A022	504504 506506	RF
- 202	286N1171-441		WIRE BUNDLE ASSY- REWORKED BY ALERT SB: 34A022	507903	RF
210	BKAE67405-54-40	.PLUG-	SUPPLIER CODE: V71468 ELECTRICAL EQUIP NUMBER: D01583 WIRING DIAGRAM REF: 344501	002004 006017 121503 952999	1
210	BCREF123139	.PLUG-	OVERLENGTH PART NUMBER: BKAC3-68135-21-40 ELECTRICAL EQUIP NUMBER: D01583 WIRING DIAGRAM REF: 344501	018100 504903	1

MISSING ITEM NUMBERS NOT APPLICABLE

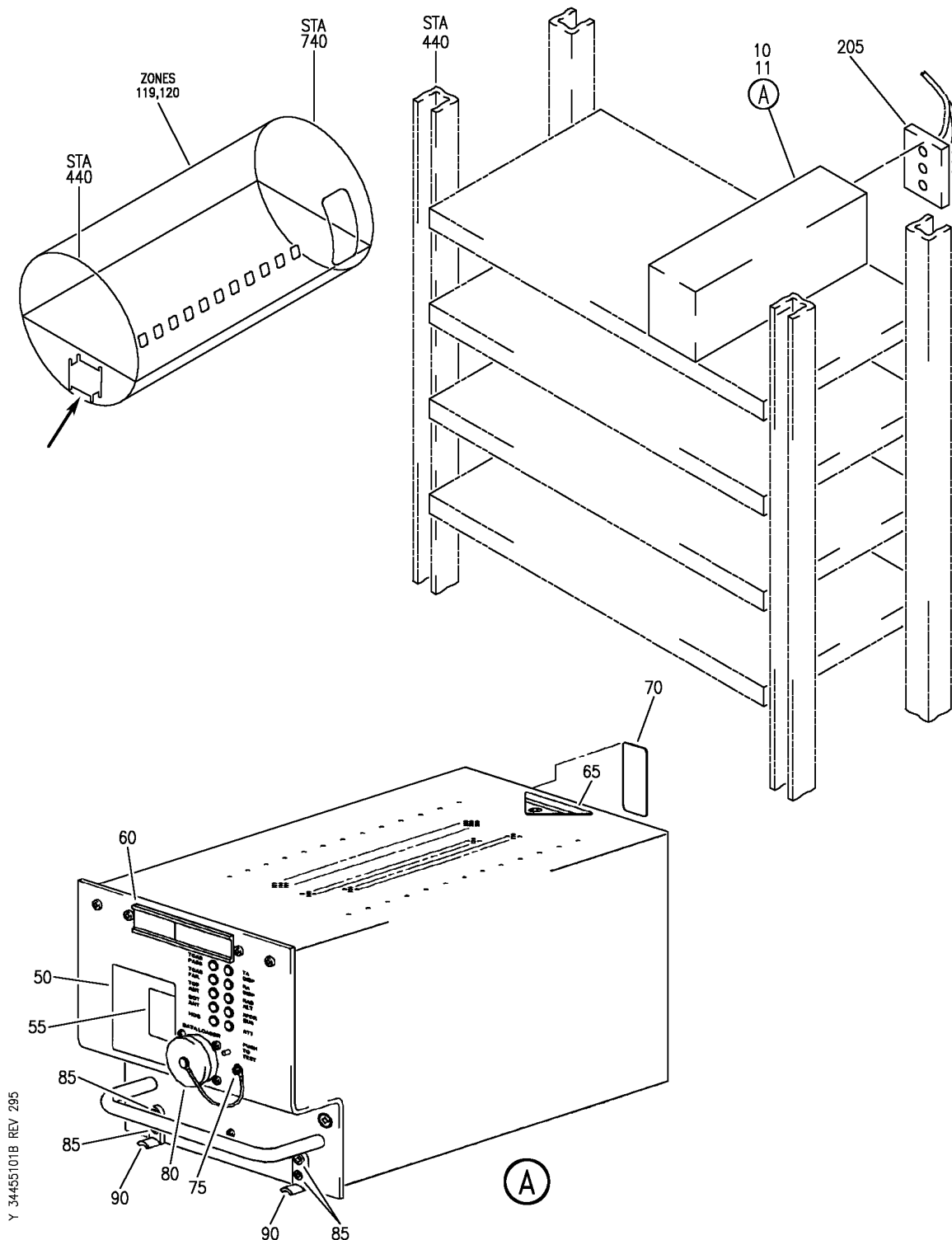
- ITEM NOT ILLUSTRATED

BRI

34-45-51-01

34-45-51  
FIG. 01  
PAGE 9  
JAN 20/09

**BOEING**  
757  
PARTS CATALOG (MAINTENANCE)



Y 34-45-51-01B REV 295

EQUIPMENT INSTL-MAIN ELECTRONICS EQPT CTR (TCAS SYSTEM ONLY)  
FIGURE 1B

**34-45-51-01B**

BRI  
MAY 28/07

34-45-51-01B  
PAGE 0



757

PARTS CATALOG (MAINTENANCE)

FIG ITEM	PART NUMBER	1 2 3 4 5 6 7 NOMENCLATURE	EFFECT FROM TO	UNITS PER ASSY
1B		EQUIPMENT INSTL-MAIN ELECTRONICS EQPT CTR (TCAS SYSTEM ONLY)	101102	
-	3 284N1800-140	EQUIPMENT INSTL-MAIN ELECTRONICS EQPT CTR (TCAS SYSTEM ONLY) FOR NHA/OTHER SYS DET SEE: 24-00-58-05E	101101	RF
-	3 284N1800-141	EQUIPMENT INSTL-MAIN ELECTRONICS EQPT CTR (TCAS SYSTEM ONLY) FOR NHA/OTHER SYS DET SEE: 24-00-58-05E	102102	RF
R R	10 4066010-904	.COMPUTER-TCAS SUPPLIER CODE: V1WYD3 FUNCTIONAL DESCRIPTION: DETERMINES THE TRAJECTORY OF OTHER AIRCRAFT EQUIPPED WITH ATC/MODE C OR S TRANSPONDERS TO PROVIDE WARNING OF POTENTIAL COLLISION HAZARDS AND PROVIDE GUIDANCE FOR OPTIMUM VERTICAL AVOIDANCE MANEUVER. ELECTRICAL EQUIP NUMBER: M10819 COMPONENT MAINT MANUAL REF: 34-43-04 OPTIONAL PART: 7517900-10001 V58960 PRE SERVICE BULLETIN: 34-0207R1	101102	1

MISSING ITEM NUMBERS NOT APPLICABLE

- ITEM NOT ILLUSTRATED

BRI

34-45-51-01B

34-45-51  
FIG. 01B  
PAGE 1  
MAY 20/09



**757  
PARTS CATALOG (MAINTENANCE)**

FIG ITEM	PART NUMBER	1 2 3 4 5 6 7 NOMENCLATURE	EFFECT FROM TO	UNITS PER ASSY
1B 10	7517900-10001	.COMPUTER-TCAS SUPPLIER CODE: V1WYD3 FUNCTIONAL DESCRIPTION: DETERMINES THE TRAJECTORY OF OTHER AIRCRAFT EQUIPPED WITH ATC/MODE C OR S TRANSPONDERS TO PROVIDE WARNING OF POTENTIAL COLLISION HAZARDS AND PROVIDE GUIDANCE FOR OPTIMUM VERTICAL AVOIDANCE MANEUVER. ELECTRICAL EQUIP NUMBER: M10819 COMPONENT MAINT MANUAL REF: 34-43-11 OPTIONAL PART: 4066010-904 V58960 PRE SERVICE BULLETIN: 34-0207R1	101102	1

R  
R  
R  
R  
R  
R  
R  
R  
R  
R  
R  
R  
R  
R  
R  
R  
R  
R  
R  
R  
R  
R

MISSING ITEM NUMBERS NOT APPLICABLE

- ITEM NOT ILLUSTRATED

# 34-45-51-01B

34-45-51  
FIG. 01B  
PAGE 2  
MAY 20/09

BRI


**BOEING**  
 757  
**PARTS CATALOG (MAINTENANCE)**

FIG ITEM	PART NUMBER	1 2 3 4 5 6 7	NOMENCLATURE	EFFECT FROM TO	UNITS PER ASSY
R R	1B 10	7517900-10003	.COMPUTER- SUPPLIER CODE: V1WYD3 FUNCTIONAL DESCRIPTION: DETERMINES THE TRAJECTORY OF OTHER AIRCRAFT EQUIPPED WITH ATC/MODE C OR S TRANSPONDERS TO PROVIDE WARNING OF POTENTIAL COLLISION HAZARDS AND PROVIDE GUIDANCE FOR OPTIMUM VERTICAL AVOIDANCE MANEUVER. ELECTRICAL EQUIP NUMBER: M10819 COMPONENT MAINT MANUAL REF: 34-43-11 POST SERVICE BULLETIN: 34-0207R1 34-0193R1 QUALIFIED SB I/W DATA: DO NOT TCAS COMPUTER 7517900-10003 SOFTWARE MOD A IF ROCKWELL/ COLLINS TRANSPONDERS 833-1338-001 ARE INSTALLED	101102	1
	50	7021570-23	..PLATE-IDENT SUPPLIER CODE: V58960 SB DATA FROM A CMM: POST 7517900-34-2	101102	1
	55	7021570-58	..PLATE-IDENT SUPPLIER CODE: V58960	101102	1
	55	7517944-1	..PLATE-IDENT SUPPLIER CODE: V58960	101102	1
	60	7000037-208	..PLATE- SUPPLIER CODE: V58960	101102	1
	65	4039590-3	..DECAL- SUPPLIER CODE: V58960	101102	1
	70	7006226-1	..PLATE-INSTUCTION SUPPLIER CODE: V58960	101102	1
	MISSING ITEM NUMBERS NOT APPLICABLE				

— ITEM NOT ILLUSTRATED

# 34-45-51-01B

34-45-51  
 FIG. 01B  
 PAGE 3  
 MAY 20/09

BRI

BOEING PROPRIETARY - Copyright © - Unpublished Work - See title page for details.





757

PARTS CATALOG (MAINTENANCE)

FIG ITEM	PART NUMBER	1 2 3 4 5 6 7	NOMENCLATURE	EFFECT FROM TO	UNITS PER ASSY
1B					
75	7516275-414	..	SCREW- SUPPLIER CODE: V58960	101102	1
80	MS27511B18R	..	COVER- SUPPLIER CODE: V58960 MISCELLANEOUS DATA: HONEYWELL PART NO. 4008027-118	101102	1
85	MS24693C28	..	SCREW	101102	4
90	NAS622CT2	..	HOOK- MISCELLANEOUS DATA: HONEYWELL PART 2500923-2	101102	2
- 201	286N1171-353		WIRE BUNDLE ASSY- REWORKED BY ALERT SB: 34A0222	101101	RF
- 201	286N1171-355		WIRE BUNDLE ASSY- REWORKED BY ALERT SB: 34A0222	102102	RF
205	BCREF123139	.	PLUG- OVERLENGTH PART NUMBER: BKAC3-68135-21-40 ELECTRICAL EQUIP NUMBER: D01583 WIRING DIAGRAM REF: 344501	101102	1

MISSING ITEM NUMBERS NOT APPLICABLE

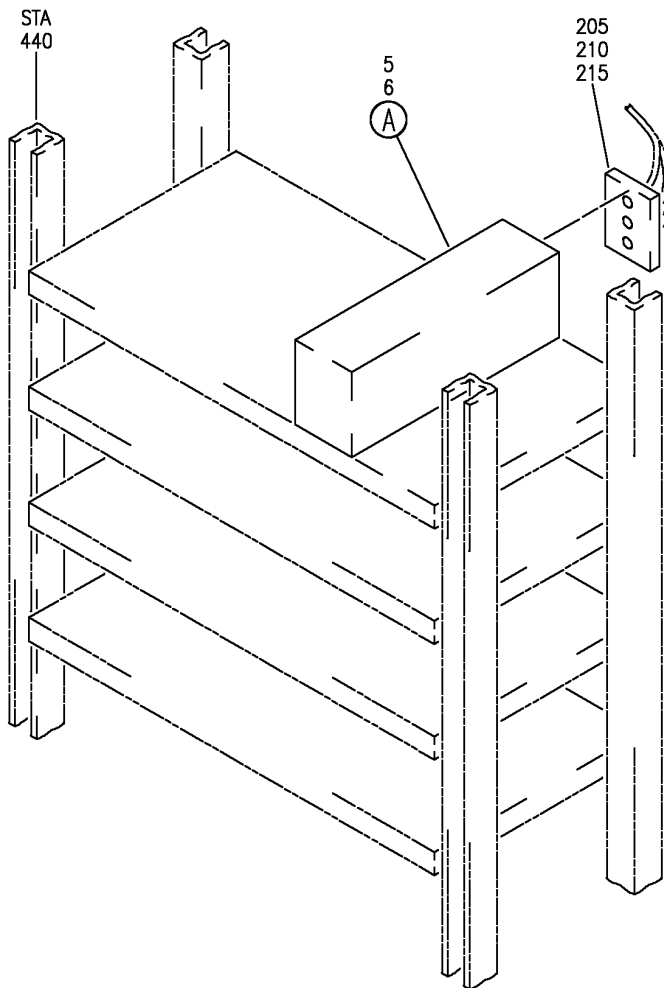
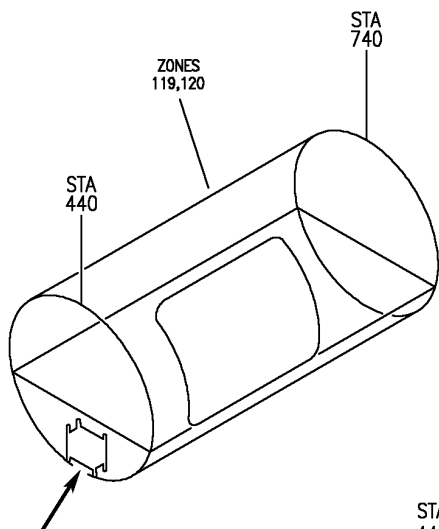
- ITEM NOT ILLUSTRATED

**34-45-51-01B**

34-45-51  
FIG. 01B  
PAGE 4  
JAN 20/09

BRI

**BOEING**  
757  
PARTS CATALOG (MAINTENANCE)



Y 34-45-51-08 SH1 1 REV 262

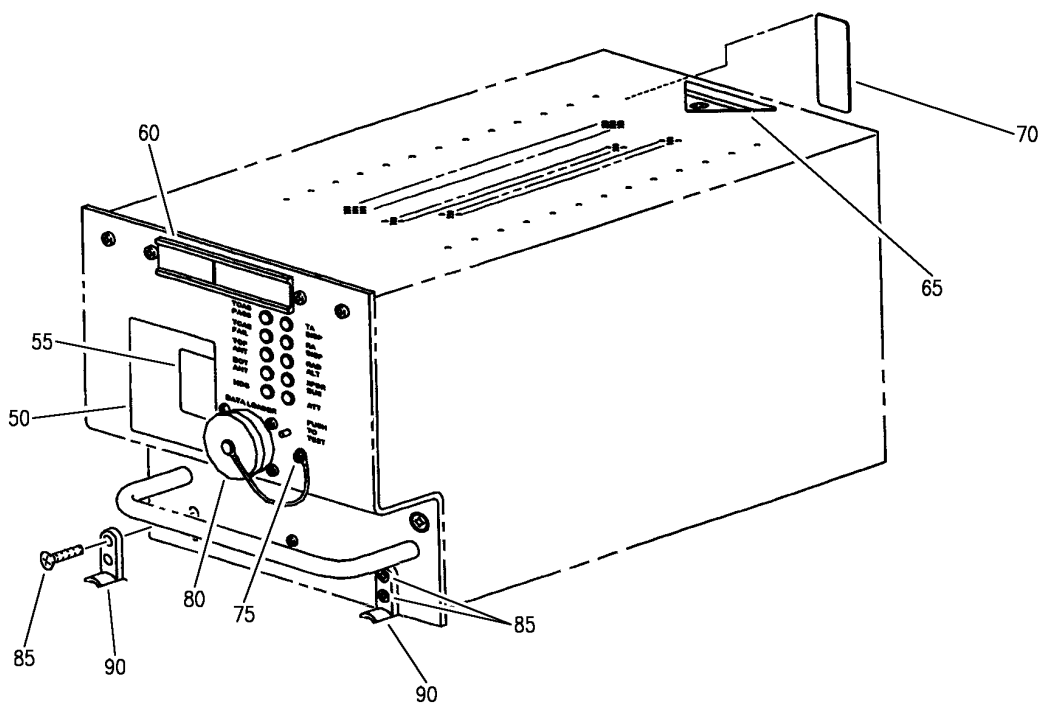
EQUIPMENT INSTL-MAIN ELECT EQPT CTR TCAS COMPUTER  
FIGURE 8 (SHEET 1)

**34-45-51-08**

BRI  
JAN 20/09

34-45-51-08  
PAGE 0

**BOEING**  
757  
PARTS CATALOG (MAINTENANCE)



(A)

Y 34-455108 SH1 2 REV 262

EQUIPMENT INSTL-MAIN ELECT EQPT CTR TCAS COMPUTER  
FIGURE 8 (SHEET 2)

**34-45-51-08**

BRI  
JAN 20/09

34-45-51-08  
PAGE 0A



757

PARTS CATALOG (MAINTENANCE)

FIG ITEM	PART NUMBER	1 2 3 4 5 6 7	NOMENCLATURE	EFFECT FROM TO	UNITS PER ASSY
8			EQUIPMENT INSTL-MAIN ELECT EQPT CTR TCAS COMPUTER	103106 108120	
- 1	284N4000-340015		EQUIPMENT INSTL-MAIN ELECT EQPT CTR TCAS COMPUTER	108120	RF
- 2	MODREF22698		FOR NHA SEE: 24-00-58-05F EQUIPMENT INSTL-MAIN ELECT EQPT CTR TCAS COMPUTER	103106	1
5	622-8971-020		MODULE NUMBER: 284N4000-340084 REV B .COMPUTER- SUPPLIER CODE: V4V792 FUNCTIONAL DESCRIPTION: DETERMINES THE TRAJECTORY OF OTHER AIRCRAFT EQUIPPED WITH ATC/MODE C OR S TRANSPONDERS TO PROVIDE WARNING OF POTENTIAL COLLISION HAZARDS AND PROVIDE GUIDANCE FOR OPTIMUM VERTICAL AVOIDANCE MANEUVER. ELECTRICAL EQUIP NUMBER: M10819 WIRING DIAGRAM REF: 344501 COMPONENT MAINT MANUAL REF: 34-40-88	108120	1

MISSING ITEM NUMBERS NOT APPLICABLE

- ITEM NOT ILLUSTRATED

BRI

34-45-51-08

34-45-51  
FIG. 08  
PAGE 1  
JAN 20/09



757

PARTS CATALOG (MAINTENANCE)

FIG ITEM	PART NUMBER	1 2 3 4 5 6 7	NOMENCLATURE	EFFECT FROM TO	UNITS PER ASSY
8	5 622-8971-022		.COMPUTER- SUPPLIER CODE: V4V792 FUNCTIONAL DESCRIPTION: DETERMINES THE TRAJECTORY OF OTHER AIRCRAFT EQUIPPED WITH ATC/MODE C OR S TRANSPONDERS TO PROVIDE WARNING OF POTENTIAL COLLISION HAZARDS AND PROVIDE GUIDANCE FOR OPTIMUM VERTICAL AVOIDANCE MANEUVER. ELECTRICAL EQUIP NUMBER: M10819 WIRING DIAGRAM REF: 344501 COMPONENT MAINT MANUAL REF: 34-40-88	108120	1
	6 822-1293-002		.COMPUTER- SUPPLIER CODE: V4V792 FUNCTIONAL DESCRIPTION: DETERMINES THE TRAJECTORY OF OTHER AIRCRAFT EQUIPPED WITH ATC/MODE C OR S TRANSPONDERS TO PROVIDE WARNING OF POTENTIAL COLLISION HAZARDS AND PROVIDE GUIDANCE FOR OPTIMUM VERTICAL AVOIDANCE MANEUVER. ELECTRICAL EQUIP NUMBER: M10819 COMPONENT MAINT MANUAL REF: 34-40-69	103106	1
- 200	286N1171-405		WIRE BUNDLE ASSY- REWORKED BY ALERT SB: 34A0222	108120	RF
- 201	286N1171-601		WIRE BUNDLE ASSY	103105	RF
- 202	286N1171-602		WIRE BUNDLE ASSY	106106	1

MISSING ITEM NUMBERS NOT APPLICABLE

- ITEM NOT ILLUSTRATED

34-45-51-08

34-45-51  
FIG. 08  
PAGE 2  
JAN 20/09

BRI



757

PARTS CATALOG (MAINTENANCE)

FIG ITEM	PART NUMBER	1 2 3 4 5 6 7	NOMENCLATURE	EFFECT FROM TO	UNITS PER ASSY
8	205 BKAE67405-54-40	.	PLUG- SUPPLIER CODE: V71468 ELECTRICAL EQUIP NUMBER: D01583 WIRING DIAGRAM REF: 344501	108120	1
	205 BCREP15786	.	PLUG- OVERLENGTH PART NUMBER: BACC66K35F40AK01 ELECTRICAL EQUIP NUMBER: D01583 WIRING DIAGRAM REF: 344501	103106	1
	210 RBGP48-116N	.	BLOCK- SUPPLIER CODE: V09922 SPECIFICATION NUMBER: S280W601-116 ELECTRICAL EQUIP NUMBER: D01583T D01583U WIRING DIAGRAM REF: 344501	103106	2
	215 125-96-9	.	PLUG- SUPPLIER CODE: V91836 ELECTRICAL EQUIP NUMBER: D01583AU D01583BU WIRING DIAGRAM REF: 344502	103106	2

MISSING ITEM NUMBERS NOT APPLICABLE

- ITEM NOT ILLUSTRATED

34-45-51-08

34-45-51  
FIG. 08  
PAGE 3  
JAN 20/09

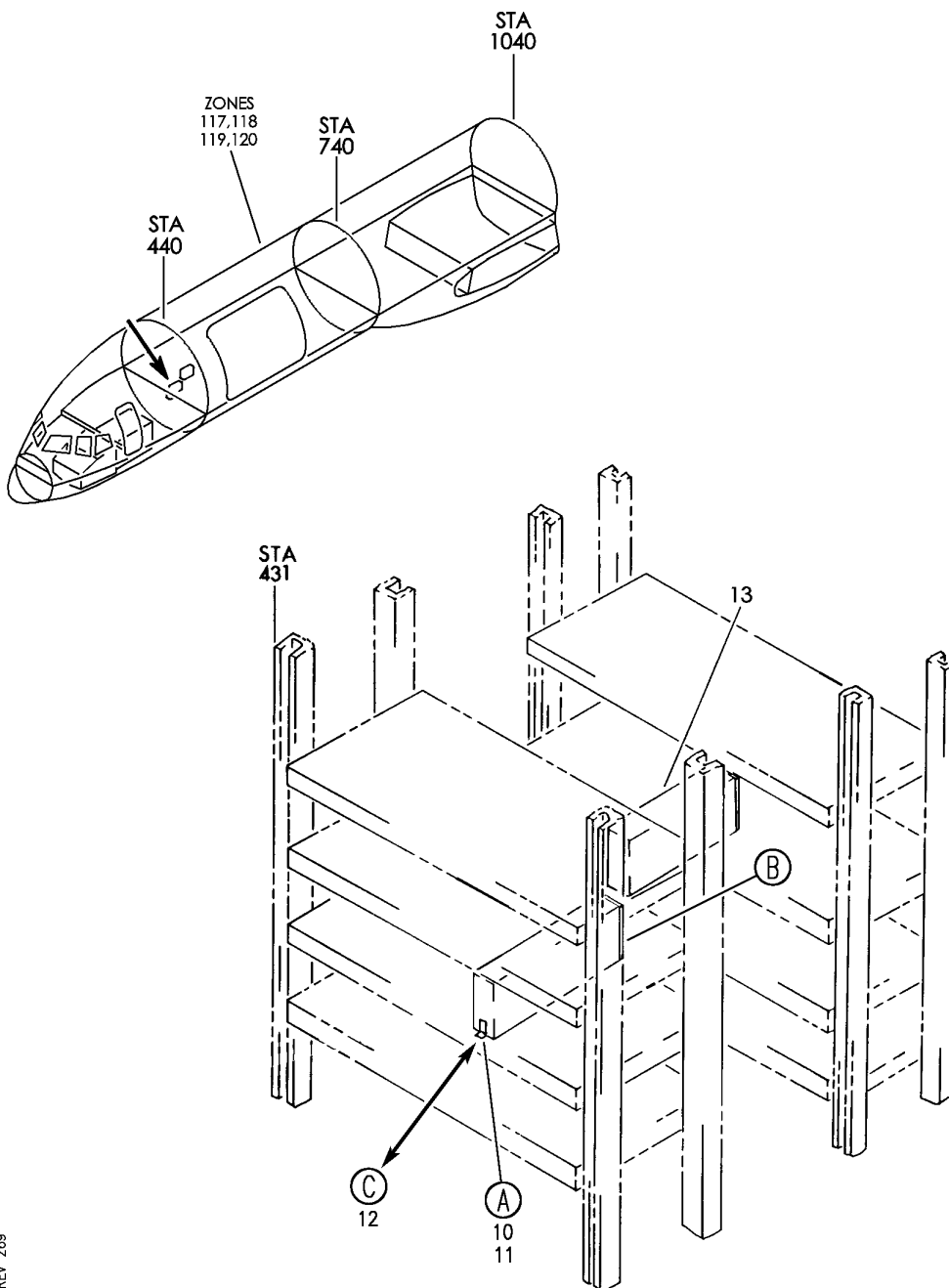
BRI

## GROUND PROXIMITY WARNING SYSTEM (GPWS)

BRI  
MAY 28/07

34-46-00  
SECTION TITLE  
PAGE 1

**BOEING**  
757  
PARTS CATALOG (MAINTENANCE)



Y 34460101 SH1 1 REV 269

EQUIPMENT INSTL-MAIN ELECTRONIC EQUIP. CTR (GROUND PROXIMITY WARNING SYSTEM ONLY)  
FIGURE 1 (SHEET 1)

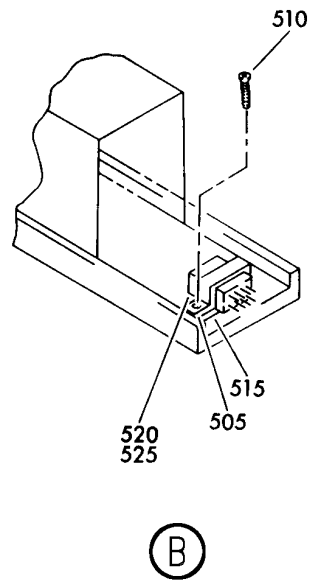
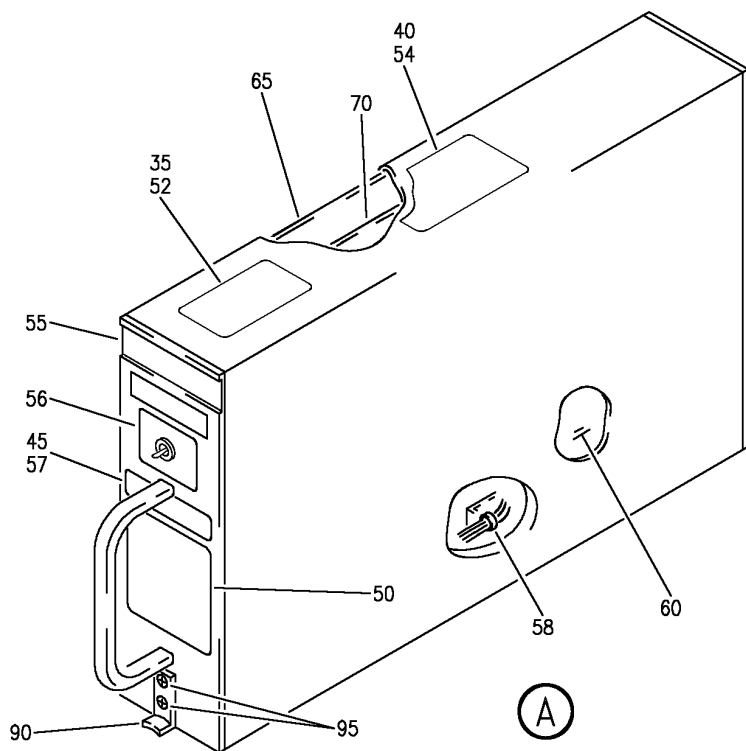
BRI  
MAY 28/07

**34-46-01-01**

34-46-01-01  
PAGE 0



**BOEING**  
757  
PARTS CATALOG (MAINTENANCE)



Y 34-460101 SH1 2 REV 276

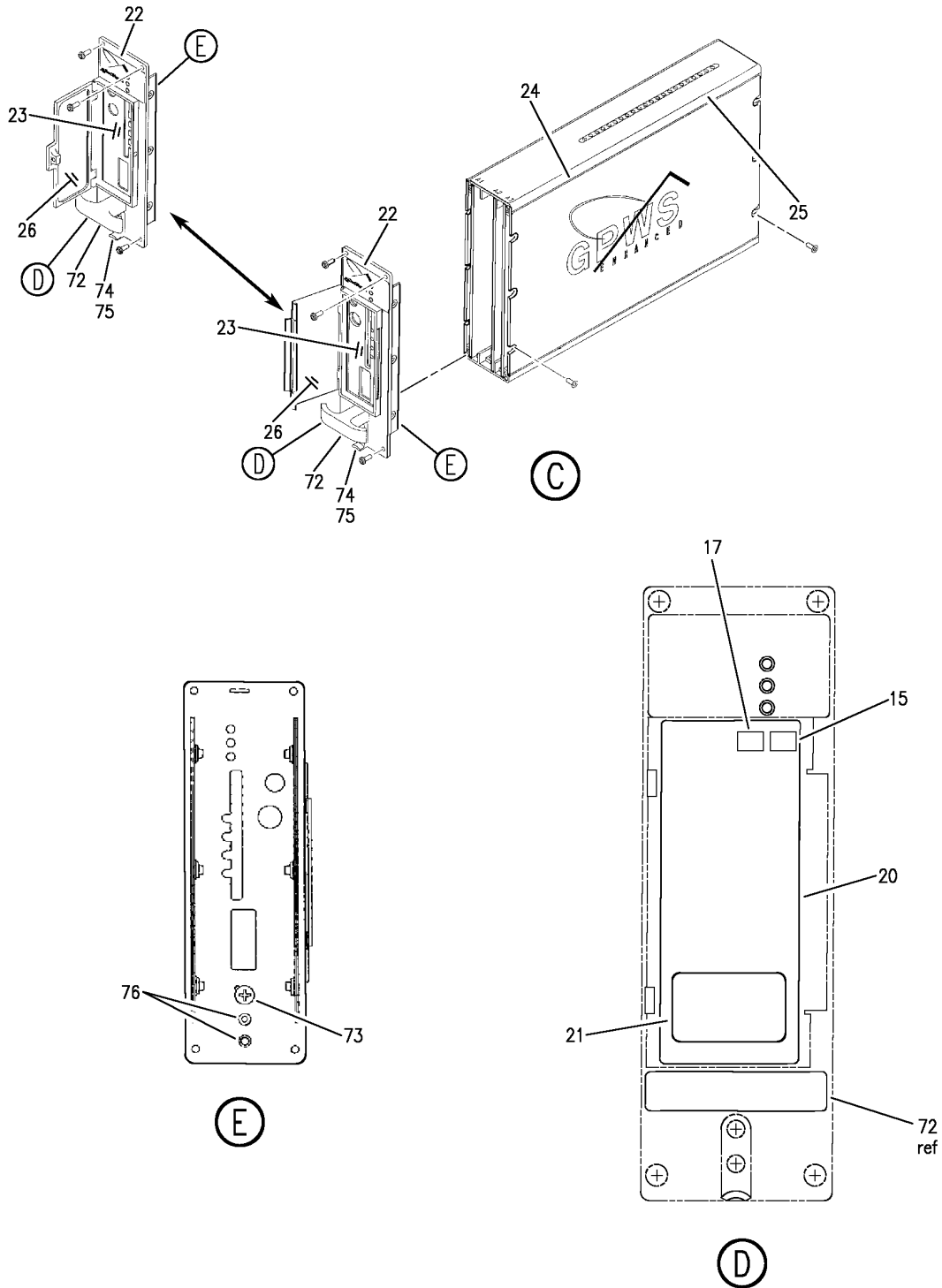
EQUIPMENT INSTL-MAIN ELECTRONIC EQUIP. CTR (GROUND PROXIMITY WARNING SYSTEM ONLY)  
FIGURE 1 (SHEET 2)

BRI  
MAY 28/07

**34-46-01-01**

34-46-01-01  
PAGE 0A

**BOEING**  
757  
PARTS CATALOG (MAINTENANCE)



Y 34-460101 SH1 3 REV 275

EQUIPMENT INSTL-MAIN ELECTRONIC EQUIP. CTR (GROUND PROXIMITY WARNING SYSTEM ONLY)  
FIGURE 1 (SHEET 3)

BRI  
MAY 28/07

**34-46-01-01**

34-46-01-01  
PAGE 08



757

PARTS CATALOG (MAINTENANCE)

FIG ITEM	PART NUMBER	1 2 3 4 5 6 7	NOMENCLATURE	EFFECT FROM TO	UNITS PER ASSY
1			EQUIPMENT INSTL-MAIN ELECTRONIC EQUIP. CTR (GROUND PROXIMITY WARNING SYSTEM ONLY)	002004 006100 107107 121999	
- 2	284N1307-33		EQUIPMENT INSTL-MAIN ELECTRONICS EQPT CTR (GROUND PROXIMITY WARNING SYSTEM ONLY) FOR NHA/OTHER SYS DET SEE: 24-00-58-01	107107	RF
- 2	284N1800-32		EQUIPMENT INSTL-MAIN ELECTRONICS EQPT CTR (GROUND PROXIMITY WARNING SYSTEM ONLY) FOR NHA/OTHER SYS DET SEE: 24-00-58-01	952999	RF
- 4	284N1800-16		EQUIPMENT INSTL-MAIN ELECTRONICS EQPT CTR (GROUND PROXIMITY WARNING SYSTEM ONLY) FOR NHA/OTHER SYS DET SEE: 24-00-58-01	121503 904949	RF
- 5	284N1800-34		EQUIPMENT INSTL-MAIN ELECTRONICS EQPT CTR (GROUND PROXIMITY WARNING SYSTEM ONLY) FOR NHA/OTHER SYS DET SEE: 24-00-58-01	002004 006100	RF
- 5	284N1800-38		EQUIPMENT INSTL-MAIN ELECTRONICS EQPT CTR (GROUND PROXIMITY WARNING SYSTEM ONLY) FOR NHA/OTHER SYS DET SEE: 24-00-58-01	950951	RF
- 7	284N1800-88		EQUIPMENT INSTL-MAIN ELECTRONICS EQPT CTR (GROUND PROXIMITY WARNING SYSTEM ONLY) FOR NHA/OTHER SYS DET SEE: 24-00-58-05E	505505	RF
- 8	284N1800-190		EQUIPMENT INSTL-MAIN ELECTRONICS EQPT CTR (GROUND PROXIMITY WARNING SYSTEM ONLY) FOR NHA/OTHER SYS DET SEE: 24-00-58-05E	504504 506903	RF

MISSING ITEM NUMBERS NOT APPLICABLE

- ITEM NOT ILLUSTRATED

34-46-01-01

34-46-01  
FIG. 01  
PAGE 1  
JAN 20/09

BRI



757

PARTS CATALOG (MAINTENANCE)

FIG ITEM	PART NUMBER	1 2 3 4 5 6 7	NOMENCLATURE	EFFECT FROM TO	UNITS PER ASSY
1 10	965-0648-002		.COMPUTER ASSY- SUPPLIER CODE: V97896 SPECIFICATION NUMBER: S220T102-203 SB DATA FROM A CMM: PRE SB 8 ELECTRICAL EQUIP NUMBER: M00147 COMPONENT MAINT MANUAL REF: 34-45-23 QUALIFIED I/W DATA: 965-0577-001 OR -002 I/W 965-0648-002 UNTIL ACTIVATION OF WINDSHEAR DETECTION SYS AT WHICH TIME 965-0648-002 MUST BE INSTALLED	002004 107107 121503 904949 952952	1
10	965-0648-004		.COMPUTER ASSY- SUPPLIER CODE: V97896 SPECIFICATION NUMBER: S220T102-205 SB DATA FROM A CMM: POST SB 7 POST SB 8 ELECTRICAL EQUIP NUMBER: M00147 COMPONENT MAINT MANUAL REF: 34-45-23 OPTIONAL PART: 965-0648-003 V97896	002004 107107 121503 904949 952952	1
10	965-0648-003		.COMPUTER ASSY- SUPPLIER CODE: V97896 SPECIFICATION NUMBER: S220T102-204 ELECTRICAL EQUIP NUMBER: M00147 COMPONENT MAINT MANUAL REF: 34-45-25 OPTIONAL PART: 965-0648-004 V97896	002004 107107 121503 904949 952952	1

MISSING ITEM NUMBERS NOT APPLICABLE

- ITEM NOT ILLUSTRATED

34-46-01-01

34-46-01  
FIG. 01  
PAGE 2  
JAN 20/09

BRI



757

PARTS CATALOG (MAINTENANCE)

FIG ITEM	PART NUMBER	1 2 3 4 5 6 7 NOMENCLATURE	EFFECT FROM TO	UNITS PER ASSY
1 10	965-0648-005	.COMPUTER ASSY- SUPPLIER CODE: V97896 SPECIFICATION NUMBER: S220T102-206 ELECTRICAL EQUIP NUMBER: M00147 COMPONENT MAINT MANUAL REF: 34-45-27 QUALIFIED I/W DATA: -008 INTERCHANGEABLE WITH -005 EXCEPT FOR ACFT HAVING ANY OF THE FOLLOWING ALTITUDE CALLOUT OPTIONS ACTIVATED WHICH REQUIRE THE -008 TO BE INSTALLED: OPTIONS 16,24 48,56 USING REDUCED VOLUME MODE 6 PROGRAM PIN SELECTED AND OPTIONS 64,65 AND 500 SMART CALLOUT	002004 107107 121503 904949 952952	1

MISSING ITEM NUMBERS NOT APPLICABLE

- ITEM NOT ILLUSTRATED

**34-46-01-01**

34-46-01  
FIG. 01  
PAGE 3  
JAN 20/09

BRI



757

PARTS CATALOG (MAINTENANCE)

FIG ITEM	PART NUMBER	1 2 3 4 5 6 7 NOMENCLATURE	EFFECT FROM TO	UNITS PER ASSY
1 10	965-0648-008	.COMPUTER ASSY- SUPPLIER CODE: V97896 SPECIFICATION NUMBER: S220T102-209 ELECTRICAL EQUIP NUMBER: M00147 COMPONENT MAINT MANUAL REF: 34-45-27 QUALIFIED I/W DATA: -008 INTERCHANGEABLE WITH -005 EXCEPT FOR ACFT HAVING ANY OF THE FOLLOWING ALTITUDE CALLOUT OPTIONS ACTIVATED WHICH REQUIRE THE -008 TO BE INSTALLED: OPTIONS 16,24,48,56 USING REDUCED VOLUME MODE 6 PROGRAM PIN SELECTED AND OPTIONS 64,65 AND 500 SMART CALLOUT. 965-0648-008 I/W 965-0648-009 EXCEPT FOR A/C HAVING ANY OF THE ALTITUDE CALLOUT OPTIONS GREATER THAN 66 ACTIVATED WHICH REQUIRE 965-0648-009 TO BE INSTALLED	002004 006100 107107 121503 904999	1

MISSING ITEM NUMBERS NOT APPLICABLE

- ITEM NOT ILLUSTRATED

**34-46-01-01**

34-46-01  
FIG. 01  
PAGE 4  
JAN 20/09

BRI



757

PARTS CATALOG (MAINTENANCE)

FIG ITEM	PART NUMBER	1 2 3 4 5 6 7	NOMENCLATURE	EFFECT FROM TO	UNITS PER ASSY
1 12	BCREF15545		.COMPUTER ASSY-ENHANCED GPWS SUPPLIER CODE: V97896 FUNCTIONAL DESCRIPTION: PROVIDES FLIGHT CREW WITH WARNING AND CAUTION ALERTS WHEN AN IMPENDING HAZARDOUS CONDITION EXISTS RELATIVE TO TERRAIN CLEARANCE OVERLENGTH PART NUMBER: 965-0976-003-206-206 MISCELLANEOUS DATA: HONEYWELL PART NO. 960-0239-010 ELECTRICAL EQUIP NUMBER: M00147 COMPONENT MAINT MANUAL REF: 34-45-36 POST AIRLINE MOD: EOC-757-034G249 VBAA REFERENCE AIRLINE MOD: CIC B757/IPC/99-0132 VBAA	504506	1

MISSING ITEM NUMBERS NOT APPLICABLE

- ITEM NOT ILLUSTRATED

BRI

34-46-01-01

BOEING PROPRIETARY - Copyright © - Unpublished Work - See title page for details.

34-46-01  
FIG. 01  
PAGE 5  
JAN 20/09



757

PARTS CATALOG (MAINTENANCE)

FIG ITEM	PART NUMBER	1 2 3 4 5 6 7	NOMENCLATURE	EFFECT FROM TO	UNITS PER ASSY
1 12	BCREF16073		.COMPUTER ASSY-ENHANCED GPWS SUPPLIER CODE: V97896 FUNCTIONAL DESCRIPTION: PROVIDES FLIGHT CREW WITH WARNING AND CAUTION ALERTS WHEN AN IMPENDING HAZARDOUS CONDITION EXISTS RELATIVE TO TERRAIN CLEARANCE. OVERLENGTH PART NUMBER: 965-0976-003-206-207 MISCELLANEOUS DATA: HONEYWELL PART NO. 960-0329-016 ELECTRICAL EQUIP NUMBER: M00147 COMPONENT MAINT MANUAL REF: 34-45-36 PRE AIRLINE MOD: EOC-B757-034G249 VBAA REFERENCE AIRLINE MOD: CIC B757/IPC/99-0132 VBAA	504903	1

MISSING ITEM NUMBERS NOT APPLICABLE

- ITEM NOT ILLUSTRATED

BRI

34-46-01-01

BOEING PROPRIETARY - Copyright © - Unpublished Work - See title page for details.

34-46-01  
FIG. 01  
PAGE 6  
JAN 20/09





757

PARTS CATALOG (MAINTENANCE)

FIG ITEM	PART NUMBER	1 2 3 4 5 6 7	NOMENCLATURE	EFFECT FROM TO	UNITS PER ASSY
1 12	BCREF17394		.COMPUTER ASSY-ENHANCED GPWS SUPPLIER CODE: V97896 FUNCTIONAL DESCRIPTION: PROVIDES FLIGHT CREW WITH WARNING AND CAUTION ALERTS WHEN AN IMPENDING HAZARDOUS CONDITION EXISTS RELATIVE TO TERRAIN CLEARANCE OVERLENGTH PART NUMBER: 965-0976-003-212-212 MISCELLANEOUS DATA: HONEYWELL PART NO. 960-0329-015 ELECTRICAL EQUIP NUMBER: M00147 WIRING DIAGRAM REF: 344611 COMPONENT MAINT MANUAL REF: 34-45-36 POST SERVICE BULLETIN: 34-0200	952952	1
- 18	402-6072-061		.. LABEL- SUPPLIER CODE: V96876 SB DATA FROM A CMM: 965-0976-003-34-24	504506	2
- 18	402-6070-206		.. LABEL- SUPPLIER CODE: V96876	504506	2
- 18	402-6070-212		.. LABEL- SUPPLIER CODE: V96876 SB DATA FROM A CMM: 965-0976-003-34-40	952952	2
- 18	402-6072-062		.. LABEL- SUPPLIER CODE: V96876	504506	2
- 19	402-6072-061		.. LABEL- SUPPLIER CODE: V96876	504903	1
- 19	402-6072-062		.. LABEL- SUPPLIER CODE: V96876	504903	1
- 19	402-6072-066		.. LABEL- SUPPLIER CODE: V96876	504903	1

MISSING ITEM NUMBERS NOT APPLICABLE

- ITEM NOT ILLUSTRATED

34-46-01-01

34-46-01  
FIG. 01  
PAGE 7  
JAN 20/09

BRI



757

PARTS CATALOG (MAINTENANCE)

FIG ITEM	PART NUMBER	1 2 3 4 5 6 7	NOMENCLATURE	EFFECT FROM TO	UNITS PER ASSY
1					
- 19	402-6072-091	..	LABEL- SUPPLIER CODE: V96876	952952	1
- 19	402-6070-207	..	LABEL- SUPPLIER CODE: V96876	504903	1
- 19	402-6072-063	..	LABEL- SUPPLIER CODE: V96876 SB DATA FROM A CMM: POST 965-0976-003-34-70	504903	1
20	402-6068-014	..	LABEL-IDENT SUPPLIER CODE: V96876 CONFIG CHG DATA FROM A CMM: SUPSD BY 402-6068-096	504903	1
20	402-6068-096	..	LABEL-IDENT SUPPLIER CODE: V96876 CONFIG CHG DATA FROM A CMM: SUPERSEDES 402-6068-014	504903	1
20	402-6068-096	..	LABEL-IDENT SUPPLIER CODE: V96876	952952	1
21	620-1818-001	..	LABEL- SUPPLIER CODE: V96876	504506	1
22	402-6068-001	..	LABEL-LOGO SUPPLIER CODE: V96876 OPTIONAL PART: 402-6068-104 V96876	952952	1
22	402-6068-104	..	LABEL-LOGO SUPPLIER CODE: V96876 OPTIONAL PART: 402-6068-001 V96876	952952	1
23	402-6068-011	..	LABEL- SUPPLIER CODE: V96876 POSITION DATA: FRONT	952952	1

MISSING ITEM NUMBERS NOT APPLICABLE

- ITEM NOT ILLUSTRATED

BRI

34-46-01-01

BOEING PROPRIETARY - Copyright © - Unpublished Work - See title page for details.

34-46-01  
FIG. 01  
PAGE 8  
JAN 20/09



757

PARTS CATALOG (MAINTENANCE)

FIG ITEM	PART NUMBER	1 2 3 4 5 6 7	NOMENCLATURE	EFFECT FROM TO	UNITS PER ASSY
1					
24	402-6068-004	..	LABEL- SUPPLIER CODE: V96876 POSITION DATA: SIDE OPTIONAL PART: 402-6068-105 V96876	952952	1
24	402-6068-105	..	LABEL- SUPPLIER CODE: V96876 POSITION DATA: SIDE OPTIONAL PART: 402-6068-004 V96876	952952	1
25	402-6068-005	..	LABEL- SUPPLIER CODE: V96876 POSITION DATA: TOP CONFIG CHG DATA FROM A CMM: REPLD BY 402-6068-117	952952	1
25	402-6068-117	..	LABEL- SUPPLIER CODE: V96876 POSITION DATA: TOP CONFIG CHG DATA FROM A CMM: REPLS 402-6068-005	952952	1
26	402-6068-107	..	LABEL- SUPPLIER CODE: V96876 SB DATA FROM A CMM: 965-0976-003-34-40	952952	1
- 28	402-6068-102	..	LABEL- SUPPLIER CODE: V96876	952952	1
35	620-1354-002	..	PLATE-PATENT SUPPLIER CODE: V97896	002004 006100 107107 121503 904999	1
40	643-0406-001	..	PLATE-CAUTION SUPPLIER CODE: V97896	002004 006100 107107 121503 904999	1

MISSING ITEM NUMBERS NOT APPLICABLE

- ITEM NOT ILLUSTRATED

34-46-01-01

34-46-01  
FIG. 01  
PAGE 9  
JAN 20/09

BRI

BOEING PROPRIETARY - Copyright © - Unpublished Work - See title page for details.



757

PARTS CATALOG (MAINTENANCE)

FIG ITEM	PART NUMBER	1 2 3 4 5 6 7	NOMENCLATURE	EFFECT FROM TO	UNITS PER ASSY
1					
45	643-0519-001		.. LABEL- SUPPLIER CODE: V97896	002004 006100 107107 121503 904999	1
50	620-1636-001		.. PLATE-IDENT SUPPLIER CODE: V97896 CONFIG CHG DATA FROM A CMM: SUPSD BY 620-1636-005 USED ON: 965-0648-005	002004 107107 121503 904949 952952	1
50	620-1636-005		.. PLATE-IDENT SUPPLIER CODE: V97896 CONFIG CHG DATA FROM A CMM: SUPERSEDES 20-1636-001 USED ON: 965-0648-005	002004 107107 121503 904949 952952	1
50	620-1732-001		.. PLATE-IDENT SUPPLIER CODE: V97896 USED ON: 965-0648-008 BCREF17394	002004 006100 107107 121503 904999	1
52	620-1354-002		.. PLATE-PATENT SUPPLIER CODE: V97896	002004 006100 107107 121503 904999	1
54	643-0406-001		.. PLATE-CAUTION SUPPLIER CODE: V97896	002004 006100 107107 121503 904999	1
56	620-1589-001		.. PLATE-SWITCH SUPPLIER CODE: V97896	002004 006100 107107 121503 904999	1
57	643-0519-001		.. LABEL-PATENT SUPPLIER CODE: V97896	002004 006100 107107 121503 904999	1

MISSING ITEM NUMBERS NOT APPLICABLE

- ITEM NOT ILLUSTRATED

BRI

34-46-01-01

BOEING PROPRIETARY - Copyright © - Unpublished Work - See title page for details.

34-46-01  
FIG. 01  
PAGE 10  
JAN 20/09



757

PARTS CATALOG (MAINTENANCE)

FIG ITEM	PART NUMBER	1 2 3 4 5 6 7	NOMENCLATURE	EFFECT FROM TO	UNITS PER ASSY
1					
58	PLT1M		..TIE-CABLE SUPPLIER CODE: V06383 OPTIONAL PART: T18R VU3384	002004 006100 107107 121503 904999	1
58	T18R		..TIE- SUPPLIER CODE: VU3384 OPTIONAL PART: 89176-0001 VS5006 OPTIONAL PART: PLT1M V06383	002004 006100 107107 121503 904999	1
60	722-3833-001		..PROCESSOR-(ESDS) SUPPLIER CODE: V97896 SB DATA FROM A CMM: PRE SB 1 OPTIONAL PART: 722-3833-002 V97896 USED ON: 965-0648-005	002004 107107 121503 904949 952952	1
60	722-3833-002		..PROCESSOR-(ESDS) SUPPLIER CODE: V97896 SB DATA FROM A CMM: PRE SB 1 OPTIONAL PART: 722-3833-001 V97896 USED ON: 965-0648-005	002004 107107 121503 904949 952952	1
60	722-3833-003		..PROCESSOR-(ESDS) SUPPLIER CODE: V97896 SB DATA FROM A CMM: POST SB 1 OPTIONAL PART: 722-3833-004 V97896 722-3937-001 V97896 USED ON: 965-0648-005	002004 107107 121503 904949 952952	1

MISSING ITEM NUMBERS NOT APPLICABLE

- ITEM NOT ILLUSTRATED

34-46-01-01

34-46-01  
FIG. 01  
PAGE 11  
JAN 20/09

BRI

 **BOEING**  
757  
**PARTS CATALOG (MAINTENANCE)**

FIG ITEM	PART NUMBER	1 2 3 4 5 6 7	NOMENCLATURE	EFFECT FROM TO	UNITS PER ASSY
1					
60	722-3833-004	..	PROCESSOR-(ESDS) SUPPLIER CODE: V97896 SB DATA FROM A CMM: POST SB 1 OPTIONAL PART: 722-3833-003 V97896 722-3937-001 V97896 USED ON: 965-0648-005	002004 107107 121503 904949 952952	1
60	722-3937-001	..	PROCESSOR-(ESDS) SUPPLIER CODE: V97896 OPTIONAL PART: 722-3833-003 V97896 722-3833-004 V97896 USED ON: 965-0648-005	002004 107107 121503 904949 952952	1
60	722-3833-007	..	PROCESSOR-(ESDS) SUPPLIER CODE: V97896 OPTIONAL PART: 722-3833-008 V97896 722-3937-003 V97896 USED ON: 965-0648-008 BCREF17394	002004 006100 107107 121503 904999	1
60	722-3833-008	..	PROCESSOR-(ESDS) SUPPLIER CODE: V97896 OPTIONAL PART: 722-3833-007 V97896 722-3937-003 V97896 USED ON: 965-0648-008 BCREF17394	002004 006100 107107 121503 904999	1

MISSING ITEM NUMBERS NOT APPLICABLE

— ITEM NOT ILLUSTRATED

BRI

# 34-46-01-01

BOEING PROPRIETARY - Copyright © - Unpublished Work - See title page for details.

34-46-01  
FIG. 01  
PAGE 12  
JAN 20/09



757

PARTS CATALOG (MAINTENANCE)

FIG ITEM	PART NUMBER	1 2 3 4 5 6 7	NOMENCLATURE	EFFECT FROM TO	UNITS PER ASSY
1 60	722-3937-003		.. PROCESSOR-(ESDS) SUPPLIER CODE: V97896 OPTIONAL PART: 722-3833-007 V97896 722-3833-008 V97896 USED ON: 965-0648-008 BCREF17394	002004 006100 107107 121503 904999	1
65	722-3834-001		.. INPUT-(ESDS) SUPPLIER CODE: V97896 SB DATA FROM A CMM: PRE SB 3 OPTIONAL PART: 722-3834-002 V97896 USED ON: 965-0648-005 965-0648-008 BCREF17394	002004 006008 107107 121503 904999	1
65	722-3834-002		.. INPUT-(ESDS) SUPPLIER CODE: V97896 SB DATA FROM A CMM: PRE SB 3 OPTIONAL PART: 722-3834-001 V97896 USED ON: 965-0648-005 965-0648-008 BCREF17394	002004 006008 107107 121503 904999	1

MISSING ITEM NUMBERS NOT APPLICABLE

- ITEM NOT ILLUSTRATED

34-46-01-01

34-46-01  
FIG. 01  
PAGE 13  
JAN 20/09

BRI



757

PARTS CATALOG (MAINTENANCE)

FIG ITEM	PART NUMBER	1 2 3 4 5 6 7	NOMENCLATURE	EFFECT FROM TO	UNITS PER ASSY
1 65	722-3834-007		.. INPUT-(ESDS) SUPPLIER CODE: V97896 SB DATA FROM A CMM: POST SB 3 OPTIONAL PART: 722-3834-008 V97896 722-3834-015 V97896 722-3834-016 V97896 USED ON: 965-0648-005 965-0648-008 BCREf17394	002004 006008 107107 121503 904999	1
65	722-3834-008		.. INPUT-(ESDS) SUPPLIER CODE: V97896 SB DATA FROM A CMM: POST SB 3 OPTIONAL PART: 722-3834-007 V97896 722-3834-015 V97896 722-3834-016 V97896 USED ON: 965-0648-005 965-0648-008 BCREf17394	002004 006008 107107 121503 904999	1
65	722-3834-015		.. INPUT-(ESDS) SUPPLIER CODE: V97896 OPTIONAL PART: 722-3834-007 V97896 722-3834-008 V97896 722-3834-016 V97896 USED ON: 965-0648-005 965-0648-008	002004 006008 107107 121503 904999	1

MISSING ITEM NUMBERS NOT APPLICABLE

- ITEM NOT ILLUSTRATED

34-46-01-01

34-46-01  
FIG. 01  
PAGE 14  
JAN 20/09

BRI





757

PARTS CATALOG (MAINTENANCE)

FIG ITEM	PART NUMBER	1 2 3 4 5 6 7	NOMENCLATURE	EFFECT FROM TO	UNITS PER ASSY
1 65	722-3834-016		.. INPUT-(ESDS) SUPPLIER CODE: V97896 OPTIONAL PART: 722-3834-007 V97896 722-3834-008 V97896 722-3834-015 V97896 USED ON: 965-0648-005 965-0648-008	002004 006008 107107 121503 904999	1
70	722-3832-001		.. POWER SUPPLY-(ESDS) SUPPLIER CODE: V97896 OPTIONAL PART: 722-3832-003 V97896 USED ON: 965-0648-005	002004 107107 121503 904949 952952	1
70	722-3832-003		.. POWER SUPPLY-(ESDE) SUPPLIER CODE: V97896 OPTIONAL PART: 722-3832-001 V97896 USED ON: 965-0648-005	002004 107107 121503 904949 952952	1
70	722-3832-002		.. POWER SUPPLY-(ESDS) SUPPLIER CODE: V97896 OPTIONAL PART: 722-3832-004 V97896 USED ON: 965-0648-005	002004 107107 121503 904949 952952	1
70	722-3832-004		.. POWER SUPPLY-(ESDS) SUPPLIER CODE: V97896 OPTIONAL PART: 722-3832-002 V97896 USED ON: 965-0648-005	002004 107107 121503 904949 952952	1

MISSING ITEM NUMBERS NOT APPLICABLE

- ITEM NOT ILLUSTRATED

34-46-01-01

34-46-01  
FIG. 01  
PAGE 15  
JAN 20/09

BRI



757

PARTS CATALOG (MAINTENANCE)

FIG ITEM	PART NUMBER	1 2 3 4 5 6 7	NOMENCLATURE	EFFECT FROM TO	UNITS PER ASSY
1	70 722-3832-005		..POWER SUPPLY-(ESDS) SUPPLIER CODE: V97896 OPTIONAL PART: 722-3832-007 V97896 722-4038-001 V97896 USED ON: 965-0648-008 BCREF17394	002004 006100 107107 121503 904999	1
	70 722-3832-007		..POWER SUPPLY-(ESDS) SUPPLIER CODE: V97896 OPTIONAL PART: 722-3832-005 V97896 722-4038-001 V97896 USED ON: 965-0648-008 BCREF17394	002004 006100 107107 121503 904999	1
	70 722-3832-006		..POWER SUPPLY-(ESDS) SUPPLIER CODE: V97896 OPTIONAL PART: 722-3832-008 V97896 722-4038-001 V97896 USED ON: 965-0648-008 BCREF17394	002004 006100 107107 121503 904999	1
	70 722-3832-008		..POWER SUPPLY-(ESDS) SUPPLIER CODE: V97896 OPTIONAL PART: 722-3832-006 V97896 722-4038-001 V97896 USED ON: 965-0648-008 BCREF17394	002004 006100 107107 121503 904999	1

MISSING ITEM NUMBERS NOT APPLICABLE

- ITEM NOT ILLUSTRATED

34-46-01-01

34-46-01  
FIG. 01  
PAGE 16  
JAN 20/09

BRI

 **BOEING**  
757  
**PARTS CATALOG (MAINTENANCE)**

FIG ITEM	PART NUMBER	1 2 3 4 5 6 7	NOMENCLATURE	EFFECT FROM TO	UNITS PER ASSY
1					
70	722-4038-001		.. POWER SUPPLY-(ESDS) SUPPLIER CODE: V97896 OPTIONAL PART: 722-3832-005 V97896 722-3832-006 V97896 722-3832-007 V97896 722-3832-008 V97896 USED ON: 965-0648-008 BCREF17394	002004 006100 107107 121503 904999	1
72	401-8103-001		.. HANDLE- SUPPLIER CODE: V96876 OPTIONAL PART: AE020-1 V08730	952952	1
72	AE020-1		.. HANDLE- SUPPLIER CODE: V08730 OPTIONAL PART: 401-8103-001 V97896 ATTACHING PARTS	952952	1
73	MS24693C72		.. SCREW- OPTIONAL PART: 431-0025-547 V97896	952952	1
73	431-0025-547		.. SCREW- SUPPLIER CODE: V97896 OPTIONAL PART: MS24693C72 -----*-----	952952	1
74	405-0255-001		.. HOOK- SUPPLIER CODE: V97896 ATTACHING PARTS	952952	1
75	MS24693C26		.. SCREW- OPTIONAL PART: 431-0026-506 V97896	952952	2

MISSING ITEM NUMBERS NOT APPLICABLE

— ITEM NOT ILLUSTRATED

BRI

# 34-46-01-01

BOEING PROPRIETARY - Copyright © - Unpublished Work - See title page for details.

34-46-01  
FIG. 01  
PAGE 17  
JAN 20/09



757

PARTS CATALOG (MAINTENANCE)

FIG ITEM	PART NUMBER	1 2 3 4 5 6 7	NOMENCLATURE	EFFECT FROM TO	UNITS PER ASSY
1					
75	431-0026-506	..	SCREW- SUPPLIER CODE: V97896 OPTIONAL PART: MS24693C26	952952	2
76	FE632EF	..	NUT- SUPPLIER CODE: V46384 OPTIONAL PART: 46LNK060 V03694 432-0122-002 V97896	952952	2
76	46LNK060	..	NUT- SUPPLIER CODE: V03694 OPTIONAL PART: FE632EF V46384 432-0122-002 V97896	952952	2
76	432-0122-002	..	NUT- SUPPLIER CODE: V97896 OPTIONAL PART: FE632EF V46384 46LNK060 V03694	952952	2
			-----*-----		
90	NAS622CT2	..	HOOK- USED ON: 965-0577-001 965-0577-002 965-0577-015 965-0648-001 965-0648-002 USED ON: 965-0648-004	006100 950951 953999	1
90	405-0255-001	..	HOOK- SUPPLIER CODE: V97896 USED ON: 965-0648-008 BCREF17394	002004 006100 107107 121503 904999	1
90	405-0255-001	..	HOOK- SUPPLIER CODE: V97896	504903	1

MISSING ITEM NUMBERS NOT APPLICABLE

- ITEM NOT ILLUSTRATED

34-46-01-01

34-46-01  
FIG. 01  
PAGE 18  
JAN 20/09

BRI

**BOEING**  
757  
**PARTS CATALOG (MAINTENANCE)**

FIG ITEM	PART NUMBER	1 2 3 4 5 6 7	NOMENCLATURE	EFFECT FROM TO	UNITS PER ASSY
1			ATTACHING PARTS		
95	MS24693C27		.. SCREW	002004 006100 107107 121999	2
- 300	286N1175-001		-----*----- WIRE BUNDLE ASSY- REWORKED BY SB: 22-0063	121503 904949	RF
- 300	286N1175-002		WIRE BUNDLE ASSY-	107107	RF
- 300	286N1175-006		WIRE BUNDLE ASSY- REWORKED BY SB: 22-0063 34-0200	002004 006100 950999	RF
- 301	286N1175-383		WIRE BUNDLE ASSY- POST MOD REVISION: MR69020-3	504504	RF
- 303	286N1175-379		WIRE BUNDLE ASSY	506506	RF
- 303	286N1175-381		WIRE BUNDLE ASSY	505505	RF
- 303	286N1175-387		WIRE BUNDLE ASSY	507903	RF
355	BACC66F11C0801		.CONNECTOR- ELECTRICAL EQUIP NUMBER: D00433 WIRING DIAGRAM REF: 344611 POST MOD REVISION: MR69020-3	002004 006100 107107 121999	1

MISSING ITEM NUMBERS NOT APPLICABLE

- ITEM NOT ILLUSTRATED

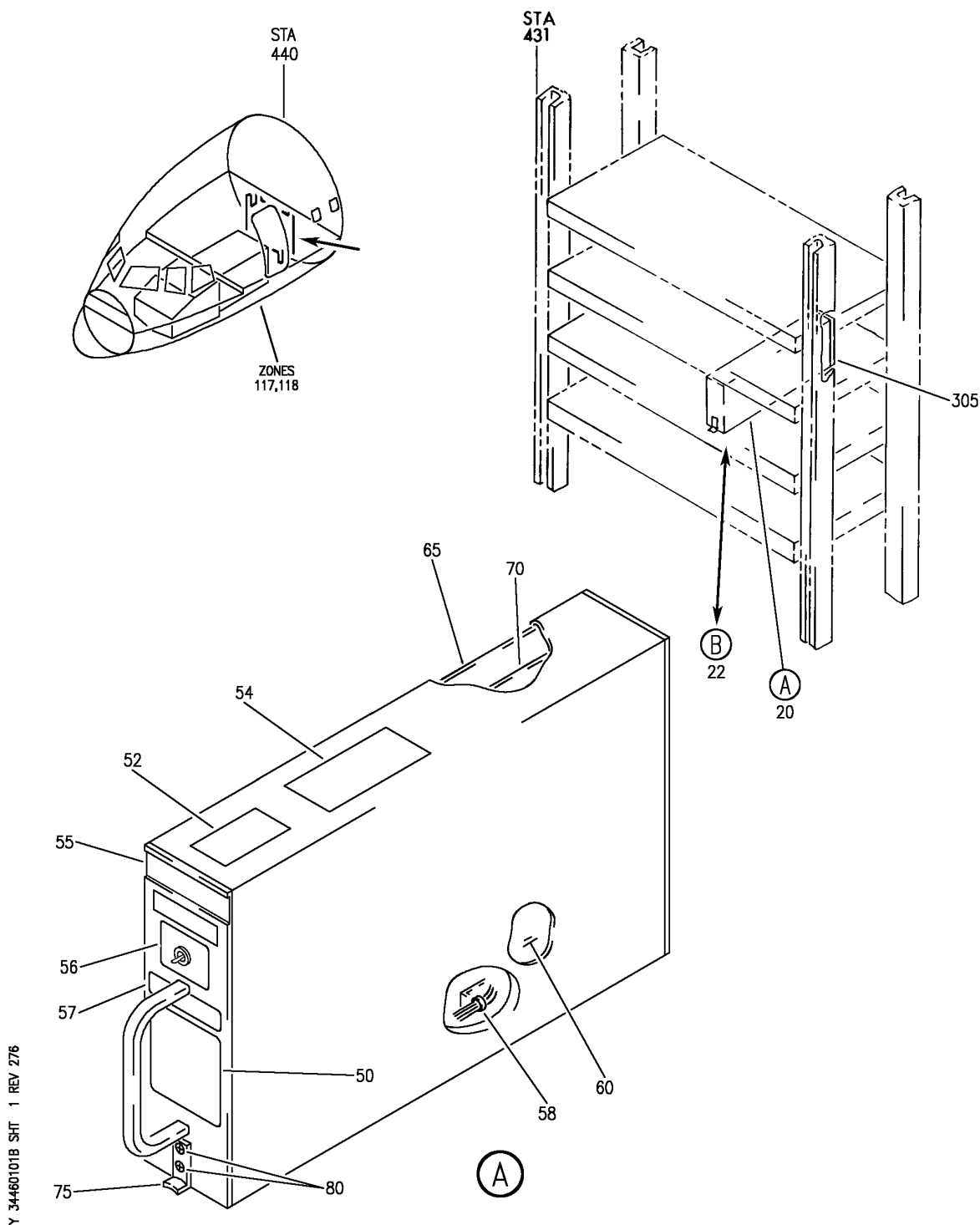
BRI

# 34-46-01-01

BOEING PROPRIETARY - Copyright © - Unpublished Work - See title page for details.

34-46-01  
FIG. 01  
PAGE 19  
JAN 20/09

**BOEING**  
757  
PARTS CATALOG (MAINTENANCE)



Y 34-460101B SHT 1 REV 276

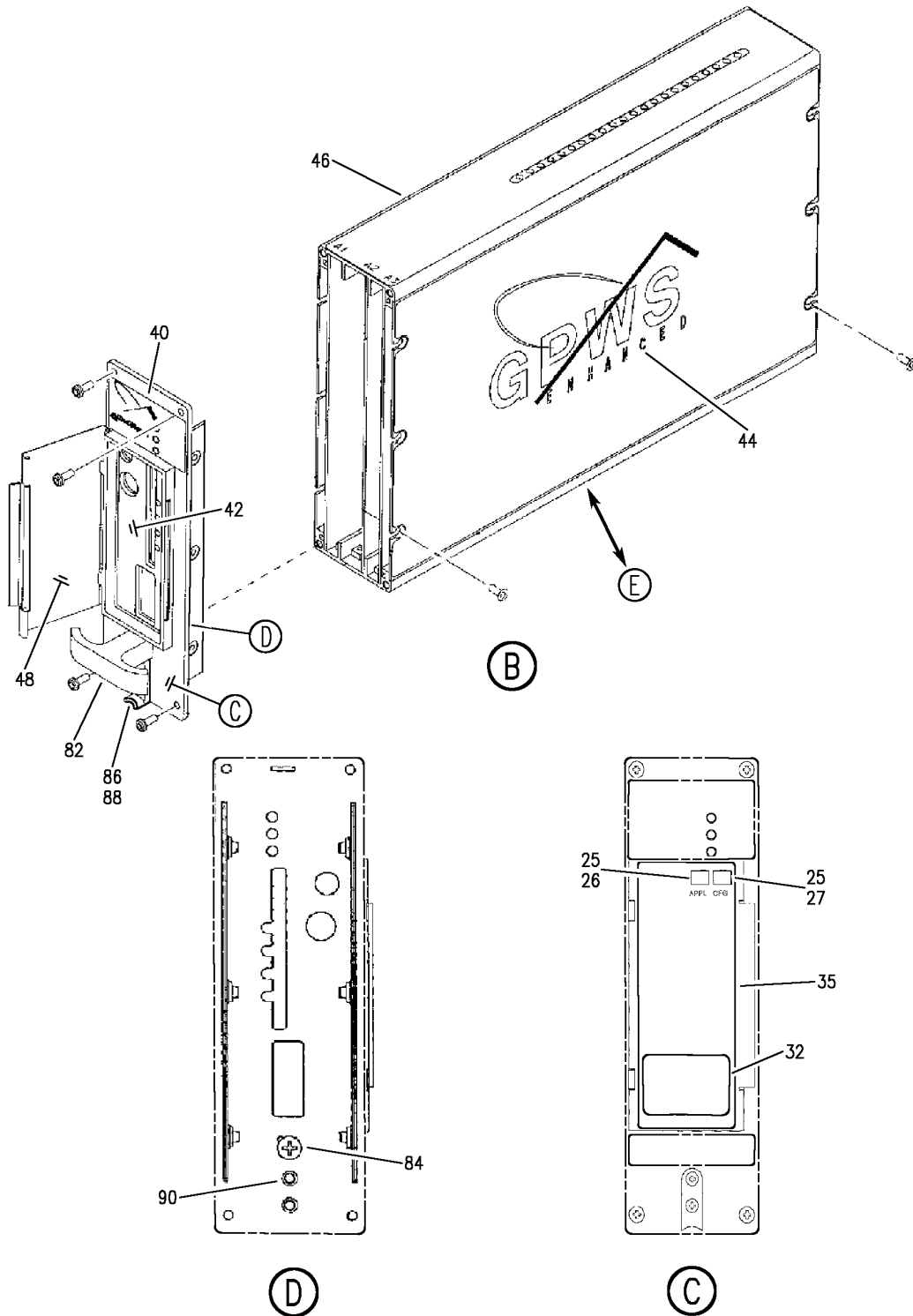
EQUIPMENT INSTL-MAIN ELECTRONICS EQPT CTR (GROUND PROXIMITY WARNING SYSTEM ONLY)  
FIGURE 1B (SHEET 1)

BRI  
MAY 28/07

**34-46-01-01B**

34-46-01-01B  
PAGE 0

**BOEING**  
757  
PARTS CATALOG (MAINTENANCE)



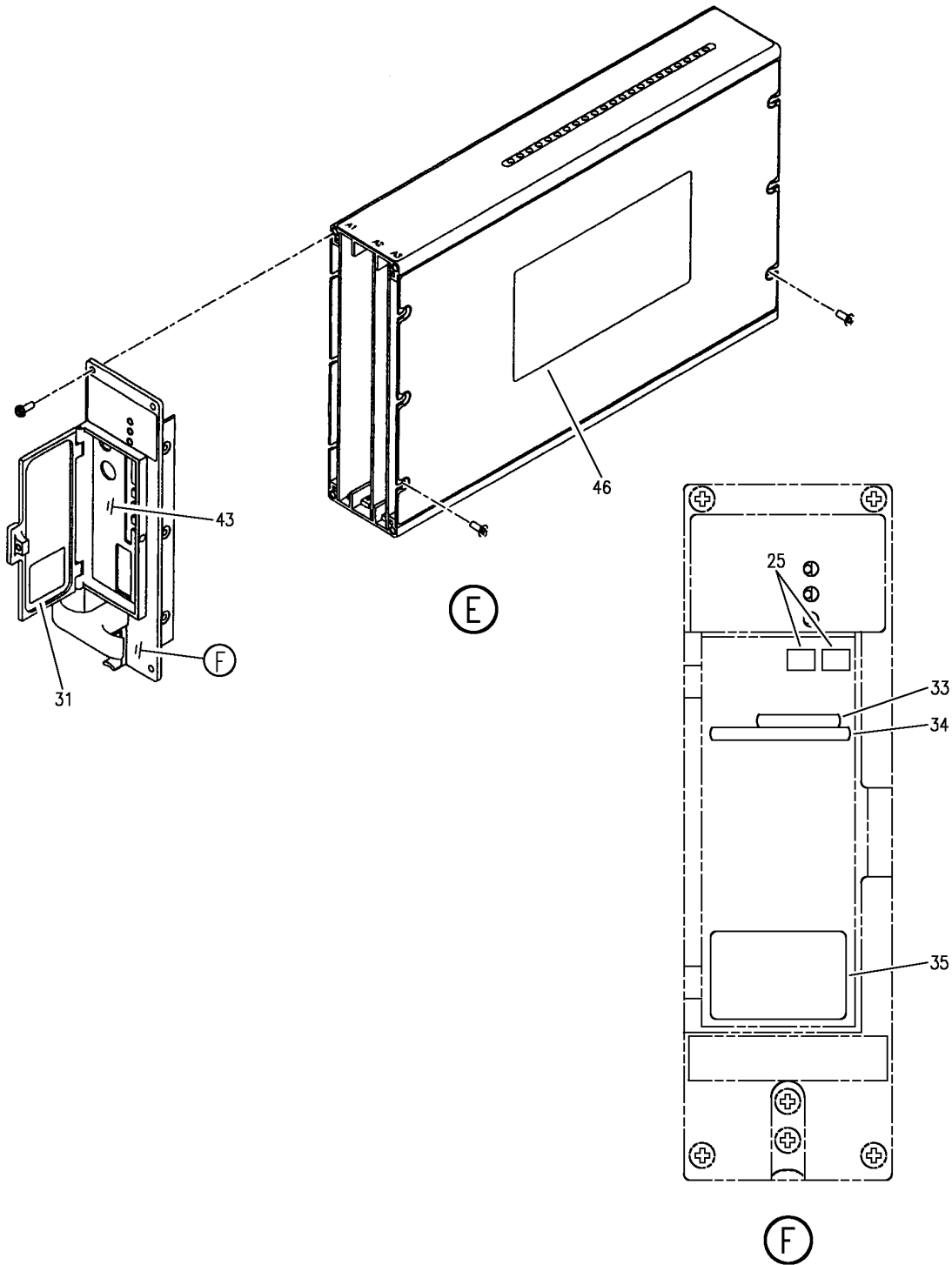
EQUIPMENT INSTL-MAIN ELECTRONICS EQPT CTR (GROUND PROXIMITY WARNING SYSTEM ONLY)  
FIGURE 1B (SHEET 2)

BRI  
MAY 28/07

**34-46-01-01B**

34-46-01-01B  
PAGE 0A

**BOEING**  
757  
PARTS CATALOG (MAINTENANCE)



Y 34-460101B SHT 3 REV 284

EQUIPMENT INSTL-MAIN ELECTRONICS EQPT CTR (GROUND PROXIMITY WARNING SYSTEM ONLY)  
FIGURE 1B (SHEET 3)

BRI  
MAY 28/07

**34-46-01-01B**

34-46-01-01B  
PAGE 0B





757

PARTS CATALOG (MAINTENANCE)

FIG ITEM	PART NUMBER	1 2 3 4 5 6 7	NOMENCLATURE	EFFECT FROM TO	UNITS PER ASSY
1B			EQUIPMENT INSTL-MAIN ELECTRONICS EQPT CTR (GROUND PROXIMITY WARNING SYSTEM ONLY)	101102	
- 2	284N1800-140		EQUIPMENT INSTL-MAIN ELECTRONICS EQPT CTR (GROUND PROXIMITY WARNING SYSTEM ONLY)	101101	RF
- 2	284N1800-141		FOR NHA/OTHER SYS DET SEE: 24-00-58-05E		
			EQUIPMENT INSTL-MAIN ELECTRONICS EQPT CTR (GROUND PROXIMITY WARNING SYSTEM ONLY)	102102	RF
			FOR NHA/OTHER SYS DET SEE: 24-00-58-05E		
20	965-0648-009		.COMPUTER ASSY-GND PROXIMITY SUPPLIER CODE: V97896 FUNCTIONAL DESCRIPTION: PROVIDES FLIGHT CREW WITH WARNING AND CAUTION ALERTS WHEN AN IMPENDING HAZARDOUS CONDITION EXISTS RELATIVE TO TERRAIN CLEARANCE. SPECIFICATION NUMBER: S220T102-210 ELECTRICAL EQUIP NUMBER: M00147 WIRING DIAGRAM REF: 344611 COMPONENT MAINT MANUAL REF: 34-45-27 QUALIFIED I/W DATA: 965-0648-008 I/W 965-0648-009 EXCEPT FOR A/C HAVING ANY OF THE ALTITUDE CALLOUT OPTIONS GREATER THAN 66 ACTIVATED WHICH REQUIRE 965-0648-009 TO BE INSTALLED	101101	1

MISSING ITEM NUMBERS NOT APPLICABLE

- ITEM NOT ILLUSTRATED

34-46-01-01B

34-46-01  
FIG. 01B  
PAGE 1  
JAN 20/09

BRI



757

PARTS CATALOG (MAINTENANCE)

FIG ITEM	PART NUMBER	1 2 3 4 5 6 7	NOMENCLATURE	EFFECT FROM TO	UNITS PER ASSY
1B 22	BCREF16073	.	COMPUTER ASSY-ENHANCED GPWS SUPPLIER CODE: V97896 FUNCTIONAL DESCRIPTION: PROVIDES FLIGHT CREW WITH WARNING AND CAUTION ALERTS WHEN AN IMPENDING HAZARDOUS CONDITION EXISTS RELATIVE TO TERRAIN CLEARANCE. OVERLENGTH PART NUMBER: 965-0976-003-206-207 MISCELLANEOUS DATA: HONEYWELL PART NO. V960-0329-016 ELECTRICAL EQUIP NUMBER: M00147 COMPONENT MAINT MANUAL REF: 34-45-36 PRE SERVICE BULLETIN: 34-0220	102102	1
22	BCREF17394	.	COMPUTER ASSY-ENHANCED GPWS SUPPLIER CODE: V97896 FUNCTIONAL DESCRIPTION: PROVIDES FLIGHT CREW WITH WARNING AND CAUTION ALERTS WHEN AN IMPENDING HAZARDOUS CONDITION EXISTS RELATIVE TO TERRAIN CLEARANCE OVERLENGTH PART NUMBER: 965-0976-003-212-212 MISCELLANEOUS DATA: HONEYWELL PART NO. 960-0329-015 ELECTRICAL EQUIP NUMBER: M00147 WIRING DIAGRAM REF: 344611 COMPONENT MAINT MANUAL REF: 34-45-36 POST SERVICE BULLETIN: 34-0220	102102	1
- 30	402-6072-061	..	LABEL- SUPPLIER CODE: V96876	102102	1

MISSING ITEM NUMBERS NOT APPLICABLE

- ITEM NOT ILLUSTRATED

34-46-01-01B

34-46-01  
FIG. 01B  
PAGE 2  
JAN 20/09

BRI



757

PARTS CATALOG (MAINTENANCE)

FIG ITEM	PART NUMBER	1 2 3 4 5 6 7	NOMENCLATURE	EFFECT FROM TO	UNITS PER ASSY
1B					
- 30	402-6072-062	..	LABEL- SUPPLIER CODE: V96876	102102	1
- 30	402-6072-066	..	LABEL- SUPPLIER CODE: V96876	102102	1
- 30	402-6070-207	..	LABEL- SUPPLIER CODE: V96876	102102	1
- 30	402-6072-063	..	LABEL- SUPPLIER CODE: V96876 SB DATA FROM A CMM: POST 965-0976-003-34-59	102102	1
32	620-1818-001	..	LABEL- SUPPLIER CODE: V96876	102102	1
35	402-6068-014	..	LABEL- SUPPLIER CODE: V96876 CONFIG CHG DATA FROM A CMM: SUPSD BY 402-6068-096	102102	1
35	402-6068-096	..	LABEL- SUPPLIER CODE: V96876 CONFIG CHG DATA FROM A CMM: SUPERSEDES 402-6068-014	102102	1
50	620-1767-001	..	PLATE-IDENT SUPPLIER CODE: V97896 CONFIG CHG DATA FROM A CMM: REPLD BY 620-1767-002	101101	1
50	620-1767-002	..	PLATE-IDENT SUPPLIER CODE: V97896 CONFIG CHG DATA FROM A CMM: REPLACES 620-1767-001	101101	1
52	620-1354-002	..	PLATE-PATENT SUPPLIER CODE: V97896	101102	1
54	643-0406-001	..	PLATE-CAUTION SUPPLIER CODE: V97896	101102	1
55	620-1356-002	..	PLATE-LOGO SUPPLIER CODE: V97896	101101	1
56	620-1589-001	..	PLATE-SWITCH SUPPLIER CODE: V97896	101102	1

MISSING ITEM NUMBERS NOT APPLICABLE

- ITEM NOT ILLUSTRATED

34-46-01-01B

34-46-01  
FIG. 01B  
PAGE 3  
JAN 20/09

BRI

BOEING PROPRIETARY - Copyright © - Unpublished Work - See title page for details.



757

PARTS CATALOG (MAINTENANCE)

FIG ITEM	PART NUMBER	1 2 3 4 5 6 7	NOMENCLATURE	EFFECT FROM TO	UNITS PER ASSY
1B					
57	643-0519-001	..	LABEL-PATENT SUPPLIER CODE: V97896	101102	1
58	PLT1M	..	TIE-CABLE SUPPLIER CODE: V06383 OPTIONAL PART: T18R VU3384	101102	1
58	T18R	..	TIE- SUPPLIER CODE: VU3384 OPTIONAL PART: 89176-0001 VS5006 OPTIONAL PART: PLT1M V06383	101102	1
60	722-3833-009	..	PROCESSOR-(ESDE) SUPPLIER CODE: V97896 OPTIONAL PART: 722-3833-010 V97896 722-3937-004 V97896	101101	1
60	722-3833-010	..	PROCESSOR-(ESDE) SUPPLIER CODE: V97896 OPTIONAL PART: 722-3833-009 V97896 722-3937-004 V97896	101101	1
60	722-3937-004	..	PROCESSOR-(ESDE) SUPPLIER CODE: V97896 OPTIONAL PART: 722-3833-009 V97896 722-3833-010 V97896	101101	1

MISSING ITEM NUMBERS NOT APPLICABLE

- ITEM NOT ILLUSTRATED

BRI

34-46-01-01B

BOEING PROPRIETARY - Copyright © - Unpublished Work - See title page for details.

34-46-01  
FIG. 01B  
PAGE 4  
JAN 20/09



757

PARTS CATALOG (MAINTENANCE)

FIG ITEM	PART NUMBER	1 2 3 4 5 6 7	NOMENCLATURE	EFFECT FROM TO	UNITS PER ASSY
1B 65	722-3834-003		.. INPUT-(ESDE) SUPPLIER CODE: V97896 OPTIONAL PART: 722-3834-004 V97896 722-3834-011 V97896 722-3834-012 V97896 722-3834-018 V97896 722-3834-022 V97896	101101	1
65	722-3834-004		.. INPUT-(ESDE) SUPPLIER CODE: V97896 OPTIONAL PART: 722-3834-003 V97896 722-3834-011 V97896 722-3834-012 V97896 722-3834-018 V97896 722-3834-022 V97896	101101	1
65	722-3834-011		.. INPUT-(ESDE) SUPPLIER CODE: V97896 OPTIONAL PART: 722-3834-003 V97896 722-3834-004 V97896 722-3834-012 V97896 722-3834-018 V97896 722-3834-022 V97896	101101	1

MISSING ITEM NUMBERS NOT APPLICABLE

- ITEM NOT ILLUSTRATED

BRI

**34-46-01-01B**

BOEING PROPRIETARY - Copyright © - Unpublished Work - See title page for details.

34-46-01  
FIG. 01B  
PAGE 5  
MAY 28/07



757

PARTS CATALOG (MAINTENANCE)

FIG ITEM	PART NUMBER	1 2 3 4 5 6 7	NOMENCLATURE	EFFECT FROM TO	UNITS PER ASSY
1B 65	722-3834-012		.. INPUT-(ESDE) SUPPLIER CODE: V97896 OPTIONAL PART: 722-3834-003 V97896 722-3834-004 V97896 722-3834-011 V97896 722-3834-018 V97896 722-3834-022 V97896	101101	1
65	722-3834-018		.. INPUT-(ESDE) SUPPLIER CODE: V97896 OPTIONAL PART: 722-3834-003 V97896 722-3834-004 V97896 722-3834-011 V97896 722-3834-012 V97896 722-3834-022 V97896	101101	1
65	722-3834-022		.. INPUT-(ESDE) SUPPLIER CODE: V97896 OPTIONAL PART: 722-3834-003 V97896 722-3834-004 V97896 722-3834-011 V97896 722-3834-012 V97896 722-3834-018 V97896	101101	1

MISSING ITEM NUMBERS NOT APPLICABLE

- ITEM NOT ILLUSTRATED

BRI

34-46-01-01B

BOEING PROPRIETARY - Copyright © - Unpublished Work - See title page for details.

34-46-01  
FIG. 01B  
PAGE 6  
MAY 28/07



757

PARTS CATALOG (MAINTENANCE)

FIG ITEM	PART NUMBER	1 2 3 4 5 6 7	NOMENCLATURE	EFFECT FROM TO	UNITS PER ASSY
1B					
70	722-3832-009	..	POWER SUPPLY-(ESDE) SUPPLIER CODE: V97896 OPTIONAL PART: 722-3832-011 V97896 722-4038-002 V97896	101101	1
70	722-3832-011	..	POWER SUPPLY-(ESDE) SUPPLIER CODE: V97896 OPTIONAL PART: 722-3832-009 V97896 722-4038-002 V97896	101101	1
70	722-4038-002	..	POWER SUPPLY-(ESDE) SUPPLIER CODE: V97896 OPTIONAL PART: 722-3832-009 V97896 722-3832-011 V97896	101101	1
70	722-3832-010	..	POWER SUPPLY-(ESDE) SUPPLIER CODE: V97896 OPTIONAL PART: 722-3832-012 V97896	101101	1
70	722-3832-012	..	POWER SUPPLY-(ESDE) SUPPLIER CODE: V97896 OPTIONAL PART: 722-3832-010 V97896	101101	1
75	405-0255-001	..	HOOK- SUPPLIER CODE: V97896 ATTACHING PARTS	101102	1
80	MS24693C27	..	SCREW -----*-----	101102	2
- 300	286N1175-351		WIRE BUNDLE ASSY	101101	RF
- 301	286N1175-353		WIRE BUNDLE ASSY	102102	RF

MISSING ITEM NUMBERS NOT APPLICABLE

- ITEM NOT ILLUSTRATED

34-46-01-01B

34-46-01  
FIG. 01B  
PAGE 7  
JAN 20/09

BRI

BOEING PROPRIETARY - Copyright © - Unpublished Work - See title page for details.



757

PARTS CATALOG (MAINTENANCE)

FIG ITEM	PART NUMBER	1 2 3 4 5 6 7	NOMENCLATURE	EFFECT FROM TO	UNITS PER ASSY
1B 305	BCREF101436		.CONNECTOR- OVERLENGTH PART NUMBER: BACC66F11C08AC01 ELECTRICAL EQUIP NUMBER: D00433 WIRING DIAGRAM REF: 344611	101102	1

MISSING ITEM NUMBERS NOT APPLICABLE

- ITEM NOT ILLUSTRATED

BRI

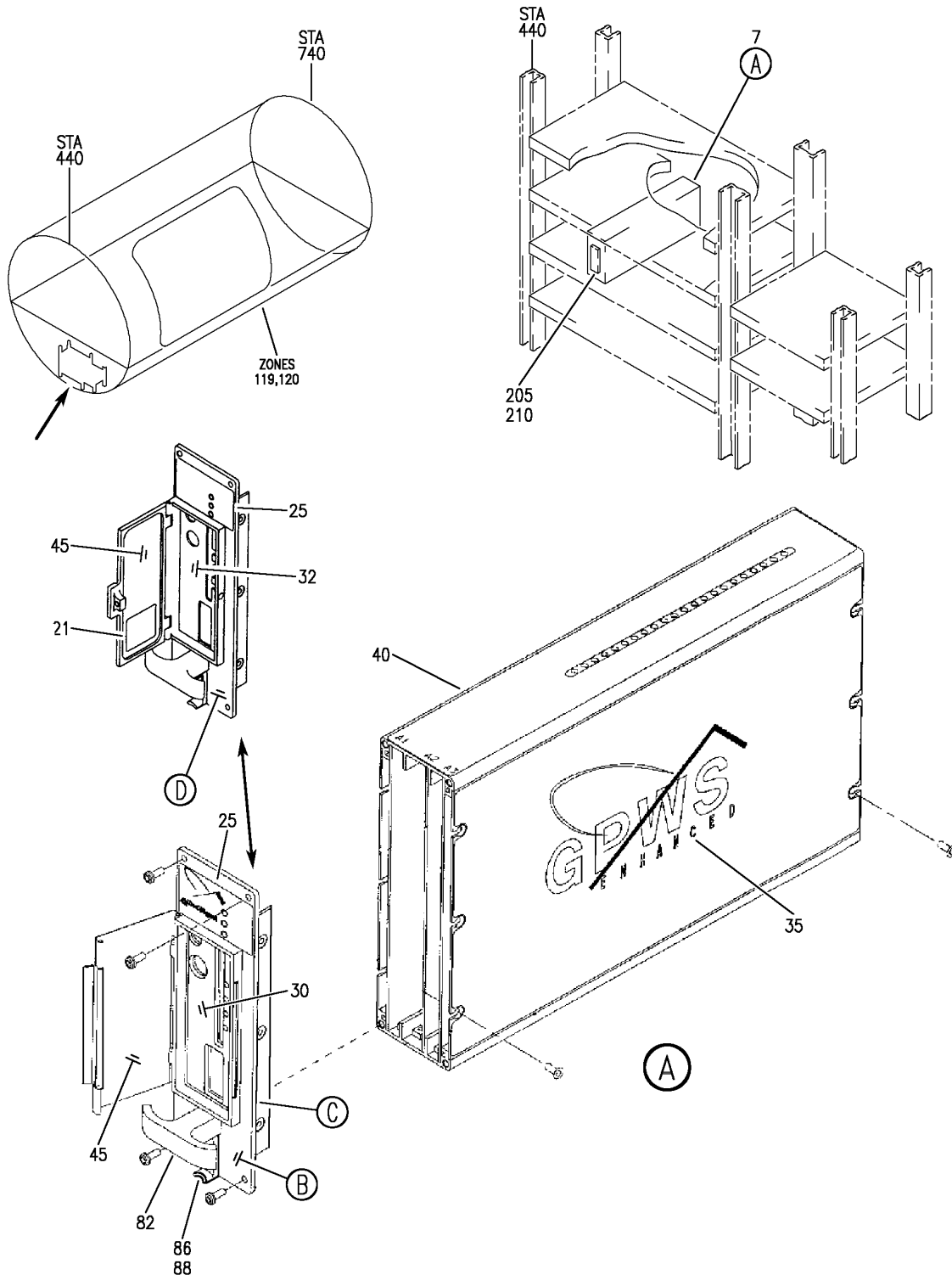
**34-46-01-01B**

BOEING PROPRIETARY - Copyright © - Unpublished Work - See title page for details.

34-46-01  
FIG. 01B  
PAGE 8  
JAN 20/09



**BOEING**  
757  
PARTS CATALOG (MAINTENANCE)



Y 34460108 SHT 1 REV 331

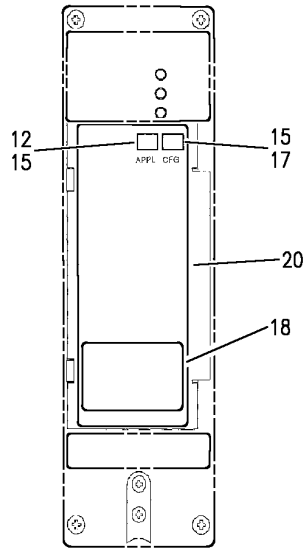
EQUIPMENT INSTL-MAIN ELECTRONICS EQPT CTR GND PROXIMITY COMPUTER  
FIGURE 8 (SHEET 1)

**34-46-01-08**

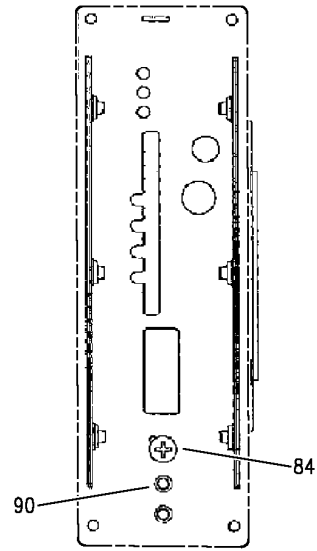
BRI  
JAN 20/09

34-46-01-08  
PAGE 0

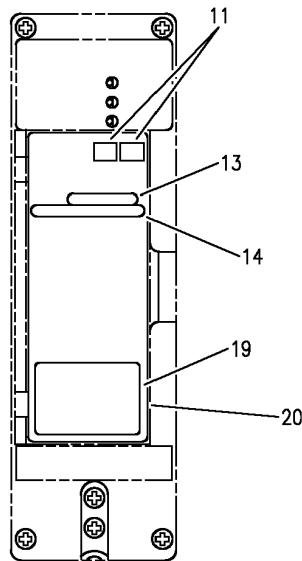
**BOEING**  
757  
PARTS CATALOG (MAINTENANCE)



(B)



(C)



(D)

Y 34460108 SH1 2 REV 331

EQUIPMENT INSTL-MAIN ELECTRONICS EQPT CTR GND PROXIMITY COMPUTER  
FIGURE 8 (SHEET 2)

**34-46-01-08**

BRI  
JAN 20/09

34-46-01-08  
PAGE 0A



757

PARTS CATALOG (MAINTENANCE)

FIG ITEM	PART NUMBER	1 2 3 4 5 6 7	NOMENCLATURE	EFFECT FROM TO	UNITS PER ASSY
8			EQUIPMENT INSTL-MAIN ELECTRONICS EQPT CTR GND PROXIMITY COMPUTER	103106 108120	
- 1	284N4000-340082		EQUIPMENT INSTL-MAIN ELECTRONICS EQPT CTR GND PROXIMITY COMPUTER	108120	RF
- 1	MODREF10444		FOR NHA SEE: 24-00-58-05F EQUIPMENT INSTL-MAIN ELECTRONICS EQPT CTR GND PROXIMITY COMPUTER	103106	1
7	BCREF17394		MODULE NUMBER: 284N4000-340082 REV A .COMPUTER ASSY-ENHANCED GPWS SUPPLIER CODE: V97896 FUNCTIONAL DESCRIPTION: PROVIDES FLIGHT CREW WITH WARNING AND CAUTION ALERTS WHEN AN IMPENDING HAZARDOUS CONDITION EXISTS RELATIVE TO TERRAIN CLEARANCE. OVERLENGTH PART NUMBER: 965-0976-003-212-212 MISCELLANEOUS DATA: HONEYWELL PART NO. 960-0329-015 ELECTRICAL EQUIP NUMBER: M00147 COMPONENT MAINT MANUAL REF: 34-45-36 QUALIFIED I/W DATA: BCREF17394/965-0976-003- 212-212 MAY REPLACE BCREF16073/965-0976-003- 206-207 UPON INCORPORATION OF SERVICE BULLETIN 757-34-0220, 757-34-0221 OR 757-34-0209.	103106 108120	1

MISSING ITEM NUMBERS NOT APPLICABLE

- ITEM NOT ILLUSTRATED

34-46-01-08

34-46-01  
FIG. 08  
PAGE 1  
JAN 20/09

BRI



757

PARTS CATALOG (MAINTENANCE)

FIG ITEM	PART NUMBER	1 2 3 4 5 6 7	NOMENCLATURE	EFFECT FROM TO	UNITS PER ASSY
8	7 BCRE50601		.COMPUTER ASSY-ENHANCED GPWC SUPPLIER CODE: V97896 FUNCTIONAL DESCRIPTION: PROVIDES FLIGHT CREW WITH WARNING AND CAUTION ALERTS WHEN AN IMPENDING HAZARDOUS CONDITION EXISTS RELATIVE TO TERRAIN CLEARANCE. OVERLENGTH PART NUMBER: 965-0976-003-222-222 MISCELLANEOUS DATA: HONEYWELL PART NO. 960-0329-024 ELECTRICAL EQUIP NUMBER: M00147 COMPONENT MAINT MANUAL REF: 34-45-36 POST SERVICE BULLETIN: V97896	103106 108120	1
- 10	402-6072-091		.. LABEL- SUPPLIER CODE: V96876	103106 108120	1
12	402-6072-092		.. LABEL- SUPPLIER CODE: V96876 SB DATA FROM A CMM: POST 965-0976-003-34-70	103106 108120	1
15	402-6070-212		.. LABEL- SUPPLIER CODE: V96876 SB DATA FROM A CMM: 965-0976-003-34-40	103106 108120	2
18	620-1818-001		.. LABEL-IDENT SUPPLIER CODE: V96876	103106 108120	1
20	402-6068-096		.. LABEL-IDENT SUPPLIER CODE: V96876	103106 108120	1
25	402-6068-001		.. LABEL-LOGO SUPPLIER CODE: V96876 OPTIONAL PART: 402-6068-104 V96876	103106 108120	1

MISSING ITEM NUMBERS NOT APPLICABLE

- ITEM NOT ILLUSTRATED

34-46-01-08

34-46-01  
FIG. 08  
PAGE 2  
JAN 20/09

BRI



757

PARTS CATALOG (MAINTENANCE)

FIG ITEM	PART NUMBER	1 2 3 4 5 6 7	NOMENCLATURE	EFFECT FROM TO	UNITS PER ASSY
8					
25	402-6068-104	..	LABEL-LOGO SUPPLIER CODE: V96876 OPTIONAL PART: 402-6068-001 V96876	103106 108120	1
30	402-6068-011	..	LABEL- SUPPLIER CODE: V96876 POSITION DATA: FRONT	103106 108120	1
35	402-6068-004	..	LABEL- SUPPLIER CODE: V96876 POSITION DATA: SIDE OPTIONAL PART: 402-6068-105 V96876	103106 108120	1
35	402-6068-105	..	LABEL- SUPPLIER CODE: V96876 POSITION DATA: SIDE OPTIONAL PART: 402-6068-004 V96876	103106 108120	1
40	402-6068-005	..	LABEL- SUPPLIER CODE: V96876 POSITION DATA: TOP CONFIG CHG DATA FROM A CMM: REPLD BY 402-6068-117	103106 108120	1
40	402-6068-117	..	LABEL- SUPPLIER CODE: V96876 POSITION DATA: TOP CONFIG CHG DATA FROM A CMM: REPLS 402-6068-005	103106 108120	1
45	402-6068-107	..	LABEL- SUPPLIER CODE: V96876 SB DATA FROM A CMM: 965-0976-003-34-40	103106 108120	1
- 48	402-6068-102	..	LABEL- SUPPLIER CODE: V96876	103106 108120	1

MISSING ITEM NUMBERS NOT APPLICABLE

- ITEM NOT ILLUSTRATED

34-46-01-08

34-46-01  
FIG. 08  
PAGE 3  
JAN 20/09

BRI



757

PARTS CATALOG (MAINTENANCE)

FIG ITEM	PART NUMBER	1 2 3 4 5 6 7	NOMENCLATURE	EFFECT FROM TO	UNITS PER ASSY
8					
82	401-8103-001	..	HANDLE- SUPPLIER CODE: V96876 OPTIONAL PART: AE020-1 V08730	103106 108120	1
82	AE020-1	..	HANDLE- SUPPLIER CODE: V08730 OPTIONAL PART: 401-8103-001 V97896 ATTACHING PARTS	103106 108120	1
84	MS24693C72	..	SCREW- OPTIONAL PART: 431-0025-547 V97896	103106 108120	1
84	431-0025-547	..	SCREW- SUPPLIER CODE: V97896 OPTIONAL PART: MS24693C72 -----*-----	103106 108120	1
86	405-0255-001	..	HOOK- SUPPLIER CODE: V97896 ATTACHING PARTS	103106 108120	1
88	MS24693C26	..	SCREW- OPTIONAL PART: 431-0026-506 V97896	103106 108120	2
88	431-0026-506	..	SCREW- SUPPLIER CODE: V97896 OPTIONAL PART: MS24693C26	103106 108120	2
90	FE632EF	..	NUT- SUPPLIER CODE: V46384 OPTIONAL PART: 46LNK060 V03694 432-0122-002 V97896	103106 108120	2

MISSING ITEM NUMBERS NOT APPLICABLE

- ITEM NOT ILLUSTRATED

34-46-01-08

34-46-01  
FIG. 08  
PAGE 4  
JAN 20/09

BRI

BOEING PROPRIETARY - Copyright © - Unpublished Work - See title page for details.



757

PARTS CATALOG (MAINTENANCE)

FIG ITEM	PART NUMBER	1 2 3 4 5 6 7	NOMENCLATURE	EFFECT FROM TO	UNITS PER ASSY
8					
90	46LNK060	..NUT-	SUPPLIER CODE: V03694 OPTIONAL PART: FE632EF V46384 432-0122-002 V97896	103106 108120	2
90	432-0122-002	..NUT-	SUPPLIER CODE: V97896 OPTIONAL PART: FE632EF V46384 46LNK060 V03694	103106 108120	2
- 200	286N1175-602	-----*-----	WIRE BUNDLE ASSY	103106	RF
- 203	286N1175-401		WIRE BUNDLE ASSY-	108120	RF
205	BACC66F11C0801	.CONNECTOR-	ELECTRICAL EQUIP NUMBER: D00433 WIRING DIAGRAM REF: 344611	103106 108120	1
210	RBGP48-116N	.BLOCK-	SUPPLIER CODE: V09922 SPECIFICATION NUMBER: S280W601-116 ELECTRICAL EQUIP NUMBER: D00433T WIRING DIAGRAM REF: 344611	103106	1

MISSING ITEM NUMBERS NOT APPLICABLE

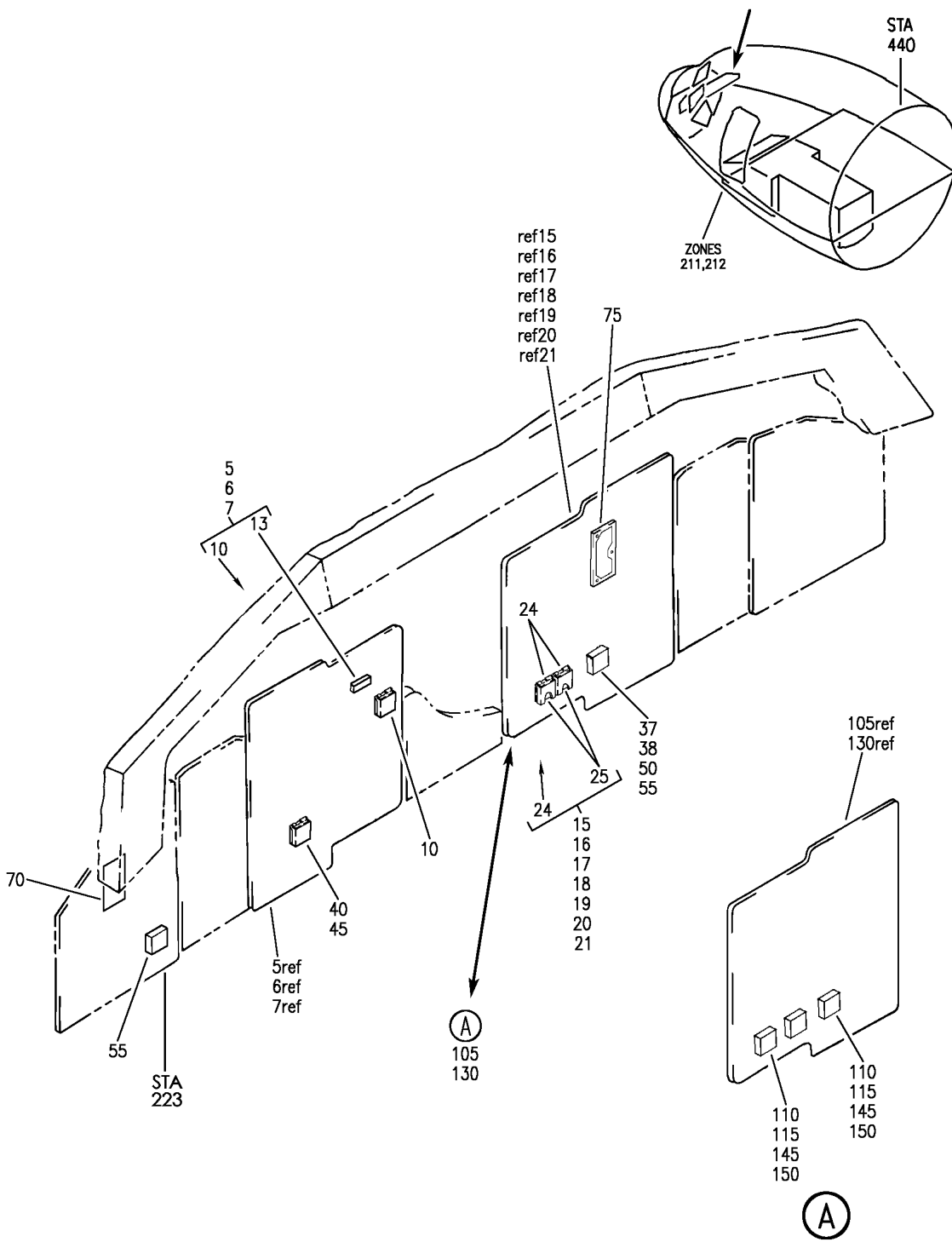
- ITEM NOT ILLUSTRATED

34-46-01-08

34-46-01  
FIG. 08  
PAGE 5  
JAN 20/09

BRI

**BOEING**  
757  
PARTS CATALOG (MAINTENANCE)



Y 34465101 REV 277

PANEL INSTL-CAPT AND FIRST OFFICER FWD (GROUND PROXIMITY WARNING SYSTEM ONLY)  
FIGURE 1

**34-46-51-01**

BRI  
MAY 28/07

34-46-51-01  
PAGE 0





757

PARTS CATALOG (MAINTENANCE)

FIG ITEM	PART NUMBER	1 2 3 4 5 6 7	NOMENCLATURE	EFFECT FROM TO	UNITS PER ASSY
1			PANEL INSTL-CAPT AND FIRST OFFICER FWD (GROUND PROXIMITY WARNING SYSTEM ONLY)	002004 006010 107107 121503 904999	
- 1	233N2101-1		PANEL INSTL-CAPT AND FIRST OFFICER (GROUND PROXIMITY WARNING SYSTEM ONLY) POSITION DATA: FWD VARIABLE DRAWING REF: 233N2101-5003 233N2101-5004 233N2101-5037 233N2101-5039 233N2101-5041 FOR NHA/OTHER SYS DET SEE: 25-10-00-05A	002004 006010 121503 904999	RF
6	233N2221-62		.MODULE ASSY-P1-3	121503 904949	RF
7	233N2221-59		.MODULE ASSY-P1-3	107107	RF
7	233N2221-51		.MODULE ASSY-P1-3	002004 006010 950999	RF
10	BCREFA0531		..SWITCH ASSY-LIGHTED PUSH BUTTON IND GND/PROX G/S INHB SUPPLIER CODE: V81590 OVERLENGTH PART NUMBER: 433-673-1004-4070 SPECIFICATION NUMBER: S231T290-4070 ELECTRICAL EQUIP NUMBER: N10015 OPTIONAL PART: S231T290-5070 PRE SERVICE LETTER: 33-027 FOR DETAILS SEE: 33-13-00-44	002004 006010 107107 121503 904999	1

MISSING ITEM NUMBERS NOT APPLICABLE

- ITEM NOT ILLUSTRATED

BRI

34-46-51-01

BOEING PROPRIETARY - Copyright © - Unpublished Work - See title page for details.

34-46-51  
FIG. 01  
PAGE 1  
JAN 20/09



757

PARTS CATALOG (MAINTENANCE)

FIG ITEM	PART NUMBER	1 2 3 4 5 6 7	NOMENCLATURE	EFFECT FROM TO	UNITS PER ASSY
1	10 851-30768-2070		..SWITCH ASSY-LIGHTED PUSH BUTTON IND GND/PROX G/S INHB SUPPLIER CODE: V96182 SPECIFICATION NUMBER: S231T290-2070 ELECTRICAL EQUIP NUMBER: N10015 FOR DETAILS SEE: 33-13-00-24	002004 006010 107107 121503 904999	1
	10 851-30768-3070		..SWITCH ASSY-LIGHTED PUSH BUTTON IND GND/PROX G/S INHB SUPPLIER CODE: V96182 SPECIFICATION NUMBER: S231T290-3070 ELECTRICAL EQUIP NUMBER: N10015 OPTIONAL PART: S231T290-5070 FOR DETAILS SEE: 33-13-00-34	002004 006010 107107 121503 904999	1
	10 S231T290-5070		..SWITCH ASSY-LIGHTED PUSH BUTTON IND GND/PROX G/S INHB ELECTRICAL EQUIP NUMBER: N10015 OPTIONAL PART: BCREFA0531 V81590 4336731004-4270 V81590 851-30768-3070 V96182	002004 006010 107107 121503 904999	1

MISSING ITEM NUMBERS NOT APPLICABLE

- ITEM NOT ILLUSTRATED

34-46-51-01

34-46-51  
FIG. 01  
PAGE 2  
JAN 20/09

BRI



757

PARTS CATALOG (MAINTENANCE)

FIG ITEM	PART NUMBER	1 2 3 4 5 6 7	NOMENCLATURE	EFFECT FROM TO	UNITS PER ASSY
1 10	4336731004-4270		..SWITCH ASSY-LIGHTED PUSHBUTTON IND GND/PROX G/S INHB SUPPLIER CODE: V81590 SPECIFICATION NUMBER: S231T290-4270 MISCELLANEOUS DATA: WHEN REPLACING THE PUSHBUTTON SWITCH ASSY OR THE MASTER MODULE WITHIN, VERIFY THAT A CONFIG D MASTER MODULE P/N 13203-001 IS INSTALLED IN LIEU OF ANY EARLIER CONFIGURATION MASTER MODULES. ELECTRICAL EQUIP NUMBER: N10015 OPTIONAL PART: S231T290-5070 851-35100-5070 V96812 POST SERVICE LETTER: 33-027	002004 006010 107107 121503 904999	1
10	851-35100-5070		..SWITCH ASSY-LIGHTED PUSHBUTTON IND GND/PROX G/S INHB SUPPLIER CODE: V96182 ELECTRICAL EQUIP NUMBER: N10015 OPTIONAL PART: 4336731004-4270 V81590	002004 006010 950999	1
13	BCREF9430		..LIGHT ASSY-WINDSHEAR IND SUPPLIER CODE: V81590 OVERLENGTH PART NUMBER: 434-674-1031-2308 SPECIFICATION NUMBER: S231T300-2308 ELECTRICAL EQUIP NUMBER: L00649	002004 006010 107107 121503 904999	1
15	233N2222-53		.MODULE ASSY-P3-1 PRE ALERT SB: 33A0044	107107	RF

MISSING ITEM NUMBERS NOT APPLICABLE

- ITEM NOT ILLUSTRATED

34-46-51-01

34-46-51  
FIG. 01  
PAGE 3  
JAN 20/09

BRI



757

PARTS CATALOG (MAINTENANCE)

FIG ITEM	PART NUMBER	1 2 3 4 5 6 7	NOMENCLATURE	EFFECT FROM TO	UNITS PER ASSY
1					
17	233N2222-77	.	MODULE ASSY-P3-1 PRE SERVICE BULLETIN: 34-0200 PRE ALERT SB: 33A0044	002004 006010 950999	RF
17	233N2222-85	.	MODULE ASSY-P3-1 PRE ALERT SB: 33A0044R1	121503 904949	RF
17	233N2222-1077	.	MODULE ASSY-P3-1 POST ALERT SB: 33A0044	002004 006010 950951 953999	RF
20	233N2222-1053	.	MODULE ASSY-P3-1 POST ALERT SB: 33A0044	107107	RF
21	233N2222-1085	.	MODULE ASSY-P3-1 POST ALERT SB: 33A0044R1	121503 904949	RF
24	433-100-002	..	GUARD-SWITCH SUPPLIER CODE: V81590 SPECIFICATION NUMBER: S231T290-821 QUALIFIED I/W DATA: 851-30768-801 OR -811 OR 433-100-002 TOGETHER WITH S231T290-2XXX PUSHBUTTON SWITCH I/W 433-100-002 TOGETHER WITH S231T290-1XXX OR -3XXX OR -4XXX OR -5XXX QUALIFIED OPTIONAL DATA: (S231T290-801 OR S231T290-811 IS OPTIONAL TO S231T290-821 FOR USE WITH S231T290-2000 SERIES SWITCHES ONLY)	002004 006010 107107 121503 904999	2

MISSING ITEM NUMBERS NOT APPLICABLE

- ITEM NOT ILLUSTRATED

34-46-51-01

34-46-51  
FIG. 01  
PAGE 4  
JAN 20/09

BRI



757

PARTS CATALOG (MAINTENANCE)

FIG ITEM	PART NUMBER	1 2 3 4 5 6 7	NOMENCLATURE	EFFECT FROM TO	UNITS PER ASSY
1	25 BCREFA0524		..SWITCH ASSY-LIGHTED PUSH BUTTON IND OVRD SUPPLIER CODE: V81590 OVERLENGTH PART NUMBER: 433-673-1001-1057 SPECIFICATION NUMBER: S231T290-1057 ELECTRICAL EQUIP NUMBER: S10172 S10231 FOR DETAILS SEE: 33-13-00-14	107107	2
	25 BCREFA0524		..SWITCH ASSY-LIGHTED PUSH BUTTON IND OVRD SUPPLIER CODE: V81590 OVERLENGTH PART NUMBER: 433-673-1004-4057 SPECIFICATION NUMBER: S231T290-4057 ELECTRICAL EQUIP NUMBER: S10172 S10231 OPTIONAL PART: S231T290-5057 851-35100-5057 V96182 PRE SERVICE LETTER: 33-027 FOR DETAILS SEE: 33-13-00-44	002004 006010 107107 121503 904999	2

MISSING ITEM NUMBERS NOT APPLICABLE

- ITEM NOT ILLUSTRATED

34-46-51-01

34-46-51  
FIG. 01  
PAGE 5  
JAN 20/09

BRI



757

PARTS CATALOG (MAINTENANCE)

FIG ITEM	PART NUMBER	1 2 3 4 5 6 7	NOMENCLATURE	EFFECT FROM TO	UNITS PER ASSY
1 25	851-30768-2057		..SWITCH ASSY-LIGHTED PUSH BUTTON IND OVRD SUPPLIER CODE: V96182 SPECIFICATION NUMBER: S231T290-2057 ELECTRICAL EQUIP NUMBER: S10172 S10231 QUALIFIED I/W DATA: 851-30768-2057 TOGETHER WITH 851-30768-801 OR -811 OR 433-100-002 SWITCHGUARD I/W BCREF7682 OR 851-30768-3057 BCREFA0524 OR S231T290-5057 T/W 433-100-002 SWITCHGUARD FOR DETAILS SEE: 33-13-00-24	107107	2
25	851-30768-3057		..SWITCH ASSY-LIGHTED PUSH BUTTON IND OVRD SUPPLIER CODE: V96182 SPECIFICATION NUMBER: S231T290-3057 MISCELLANEOUS DATA: SWITCHGUARD ELECTRICAL EQUIP NUMBER: S10172 S10231 OPTIONAL PART: S231T290-5057 FOR DETAILS SEE: 33-13-00-34	002004 006010 107107 121503 904999	2

MISSING ITEM NUMBERS NOT APPLICABLE

- ITEM NOT ILLUSTRATED

BRI

34-46-51-01

BOEING PROPRIETARY - Copyright © - Unpublished Work - See title page for details.

34-46-51  
FIG. 01  
PAGE 6  
JAN 20/09



757

PARTS CATALOG (MAINTENANCE)

FIG ITEM	PART NUMBER	1 2 3 4 5 6 7	NOMENCLATURE	EFFECT FROM TO	UNITS PER ASSY
1 25	S231T290-5057		..SWITCH ASSY-LIGHTED PUSH BUTTON IND OVRD ELECTRICAL EQUIP NUMBER: S10172 S10231 QUALIFIED I/W DATA: 851-30768-2057 TOGETHER WITH 851-30768-801 OR -811 OR 433-100-002 SWITCHGUARD I/W BCREFA0524 OR 851-30768-3057 BCREFA0524 OR S231T290-5057 T/W 433-100-002 SWITCHGUARD OPTIONAL PART: 851-30768-3057 V96182 BCREFA0524 V81590 851-35100-5057 V96182 PRE SERVICE BULLETIN: 34-0200	002004 006010 107107 121503 904999	2
25	851-35100-5057		..SWITCH ASSY-LIGHTED PUSH BUTTON IND OVRD SUPPLIER CODE: V96182 ELECTRICAL EQUIP NUMBER: S10172 S10231 OPTIONAL PART: BCREFA0524 V81590 S231T290-5057	002004 006010 950999	2

MISSING ITEM NUMBERS NOT APPLICABLE

- ITEM NOT ILLUSTRATED

BRI

34-46-51-01

BOEING PROPRIETARY - Copyright © - Unpublished Work - See title page for details.

34-46-51  
FIG. 01  
PAGE 7  
JAN 20/09



757

PARTS CATALOG (MAINTENANCE)

FIG ITEM	PART NUMBER	1 2 3 4 5 6 7	NOMENCLATURE	EFFECT FROM TO	UNITS PER ASSY
1 25	4336731004-4257		..SWITCH ASSY-LIGHTED PUSH BUTTON IND OVRD SUPPLIER CODE: V81590 SPECIFICATION NUMBER: S231T290-4257 MISCELLANEOUS DATA: WHEN REPLACING THE PUSHBUTTON SWITCH ASSY OR THE MASTER MODULE WITHIN, VERIFY THAT A CONFIG D MASTER MODULE P/N 13203-001 IS INSTALLED IN LIEU OF ANY EARLIER CONFIGURATION MASTER MODULES. ELECTRICAL EQUIP NUMBER: S10172 S10231	002004 006010 107107 121503 904999	2
38	4336731004-4257		..SWITCH ASSY-LIGHTED PUSH BUTTON IND OVRD SUPPLIER CODE: V81590 SPECIFICATION NUMBER: S231T290-4257 MISCELLANEOUS DATA: WHEN REPLACING THE PUSHBUTTON SWITCH ASSY OR THE MASTER MODULE WITHIN, VERIFY THAT A CONFIG D MASTER MODULE P/N 13203-001 IS INSTALLED IN LIEU OF ANY EARLIER CONFIGURATION MASTER MODULES. ELECTRICAL EQUIP NUMBER: S10680 POST SERVICE LETTER: 33-027	950951	1
- 100	233N2222-329		.MODULE ASSY- COMPONENT MAINT MANUAL REF: 31-11-49 POST SERVICE BULLETIN: 34-0200 PRE ALERT SB: 33A0044	952952	RF

MISSING ITEM NUMBERS NOT APPLICABLE

- ITEM NOT ILLUSTRATED

34-46-51-01

34-46-51  
FIG. 01  
PAGE 8  
JAN 20/09

BRI





757

PARTS CATALOG (MAINTENANCE)

FIG ITEM	PART NUMBER	1 2 3 4 5 6 7	NOMENCLATURE	EFFECT FROM TO	UNITS PER ASSY
1 - 100	233N2222-1329	.	MODULE ASSY- COMPONENT MAINT MANUAL REF: 31-11-49 POST ALERT SB: 33A0044	952952	RF
105	233N2222-111	..	MODULE ASSY- PRE ALERT SB: 33A0044	952952	RF
105	233N2222-1111	...	MODULE ASSY- POST ALERT SB: 33A0044	952952	RF
110	433-100-002	...	GUARD-SWITCH SUPPLIER CODE: V81590 SPECIFICATION NUMBER: S231T290-821 QUALIFIED I/W DATA: 851-30768-801 OR -811 OR 433-100-002 TOGETHER WITH S231T290-2XXX PUSHBUTTON SWITCH I/W 433-100-002 TOGETHER WITH S231T290-1XXX OR -3XXX OR -4XXX OR -5XXX	952952	3
115	BCREFA0524	...	SWITCH ASSY-LIGHTED PUSH BUTTON IND OVRD SUPPLIER CODE: V81590 OVERLENGTH PART NUMBER: 433-673-1004-4057 SPECIFICATION NUMBER: S231T290-4057 ELECTRICAL EQUIP NUMBER: S10172 S10231 S10680 POST SERVICE BULLETIN: 34-0200 FOR DETAILS SEE: 33-13-00-44	952952	3

MISSING ITEM NUMBERS NOT APPLICABLE

- ITEM NOT ILLUSTRATED

BRI

34-46-51-01

BOEING PROPRIETARY - Copyright © - Unpublished Work - See title page for details.

34-46-51  
FIG. 01  
PAGE 9  
JAN 20/09



757

PARTS CATALOG (MAINTENANCE)

FIG ITEM	PART NUMBER	1 2 3 4 5 6 7	NOMENCLATURE	EFFECT FROM TO	UNITS PER ASSY
1 115	4336731004-4257		...SWITCH ASSY-LIGHTED PUSHBUTTON IND SUPPLIER CODE: V81590 SPECIFICATION NUMBER: S231T290-4257 MISCELLANEOUS DATA: WHEN REPLACING THE PUSHBUTTON SWITCH ASSY OR THE MASTER MODULE WITHIN, VERIFY THAT A CONFIG D MASTER MODULE P/N 13203-001 IS INSTALLED IN LIEU OF ANY EARLIER CONFIGURATION MASTER MODULES. ELECTRICAL EQUIP NUMBER: S10172 S10231 S10680	952952	3

MISSING ITEM NUMBERS NOT APPLICABLE

- ITEM NOT ILLUSTRATED

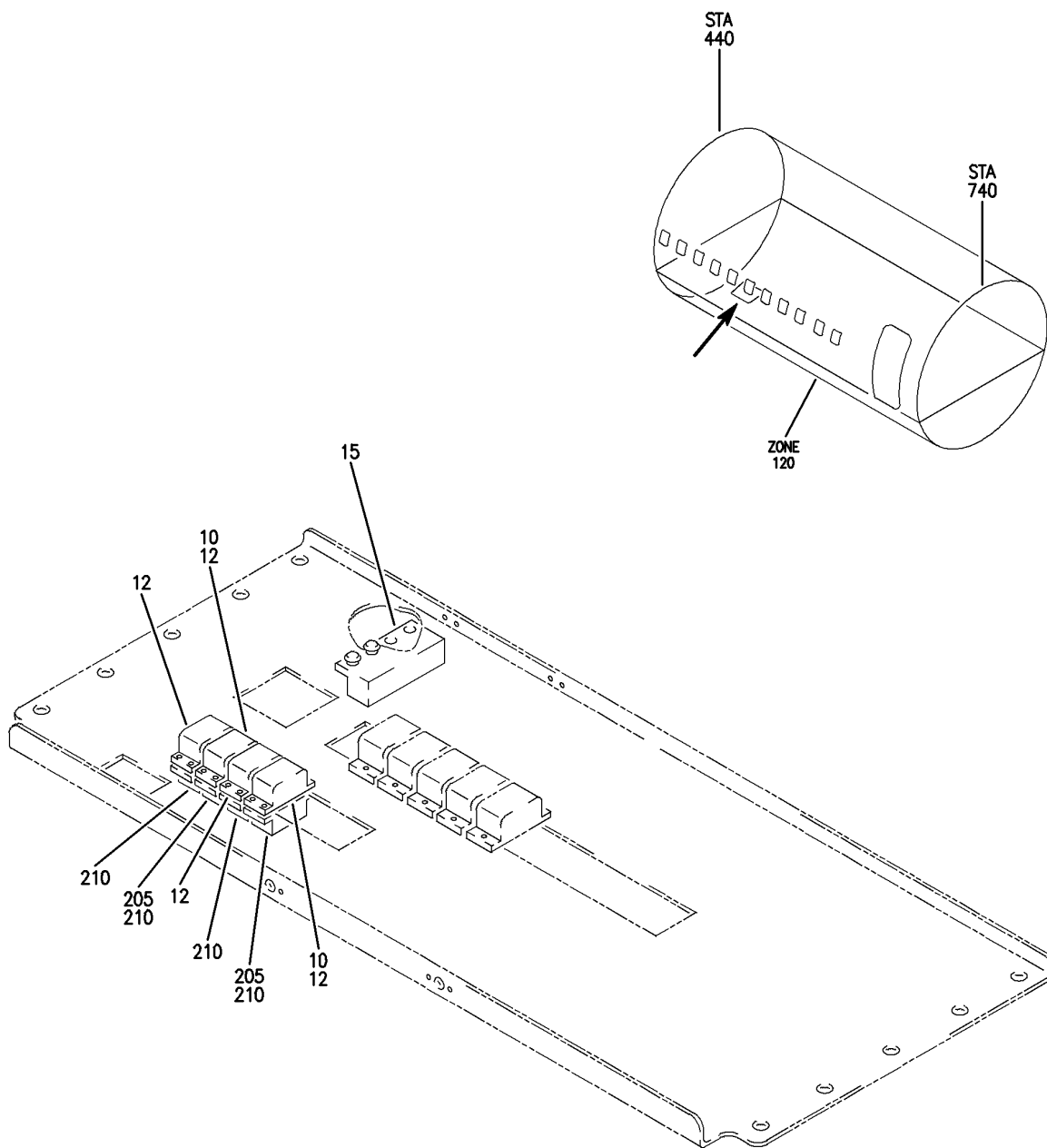
BRI

34-46-51-01

BOEING PROPRIETARY - Copyright © - Unpublished Work - See title page for details.

34-46-51  
FIG. 01  
PAGE 10  
JAN 20/09

**BOEING**  
757  
PARTS CATALOG (MAINTENANCE)



Y 34465101A REV 226

PANEL INSTL-P65 MISC RELAY (GROUND PROXIMITY WARNING SYSTEM ONLY)  
FIGURE 1A

**34-46-51-01A**

BRI  
JAN 20/09

34-46-51-01A  
PAGE 0



757

PARTS CATALOG (MAINTENANCE)

FIG ITEM	PART NUMBER	1 2 3 4 5 6 7	NOMENCLATURE	EFFECT FROM TO	UNITS PER ASSY
1 A			PANEL INSTL-P65 MISC RELAY (GROUND PROXIMITY WARNING SYSTEM ONLY)	103106 108120	
- 1	284N1747-406		PANEL INSTL-P65 MISC RELAY (GROUND PROXIMITY WARNING SYSTEM ONLY) FOR NHA/OTHER SYS DET SEE: 24-00-58-05E	108120	RF
- 2	MODREF31315		PANEL INSTL-P65 MISC RELAY (GROUND PROXIMITY WARNING SYSTEM ONLY) MODULE NUMBER: 284N1747-402 REV B FOR OTHER SYS DETAILS SEE: 31-01-65-01 33-37-52-01A 34-22-02-04 38-32-35-01A 52-34-05-01	103105	1
- 2	MODREF34778		PANEL INSTL-P65 MISC RELAY (GROUND PROXIMITY WARNING SYSTEM ONLY) MODULE NUMBER: 284N1747-402 REV C FOR OTHER SYS DETAILS SEE: 31-01-65-01 33-37-52-01A 34-22-02-04 38-32-35-01A 52-34-05-01	106106	1
10	W460F1A		.RELAY- SUPPLIER CODE: VF0219 SPECIFICATION NUMBER: BACR13CE2 OPTIONAL PART: 3SAH5-13-4K1 V01526 3SAH1326A2 V01526 ELECTRICAL EQUIP NUMBER: K10783 K10785	108120	2

MISSING ITEM NUMBERS NOT APPLICABLE

- ITEM NOT ILLUSTRATED

BRI

**34-46-51-01A**

BOEING PROPRIETARY - Copyright © - Unpublished Work - See title page for details.

34-46-51  
FIG. 01A  
PAGE 1  
JAN 20/09



757

PARTS CATALOG (MAINTENANCE)

FIG ITEM	PART NUMBER	1 2 3 4 5 6 7	NOMENCLATURE	EFFECT FROM TO	UNITS PER ASSY
1 A 12	W460F1A		.RELAY- SUPPLIER CODE: VF0219 SPECIFICATION NUMBER: BACR13CE2 OPTIONAL PART: 3SAH5-13-4K1 V01526 3SAH1326A2 V01526 ELECTRICAL EQUIP NUMBER: K10783 K10784 K10785 K10786	103106	4
15	YHLZG16-1		.BLOCK-GND SUPPLIER CODE: V09922 ELECTRICAL EQUIP NUMBER: GD3886 ATTACHING PARTS	108120	1
- 20	BACR15BB5ADC		.RIVET- SIZE DETERMINED ON INSTL. -----*-----	108120	4
- 200	286N0814-304		WIRE BUNDLE ASSY-	108120	RF
- 200	286N0814-701		WIRE BUNDLE ASSY	103106	RF
205	RSE120027		.SOCKET- SUPPLIER CODE: V58982 SPECIFICATION NUMBER: BACS16AF1 OPTIONAL PART: 451120-027 V58982 ELECTRICAL EQUIP NUMBER: D03521 D03525 WIRING DIAGRAM REF: 344614	108120	2

MISSING ITEM NUMBERS NOT APPLICABLE

- ITEM NOT ILLUSTRATED

34-46-51-01A

34-46-51  
FIG. 01A  
PAGE 2  
JAN 20/09

BRI



757

PARTS CATALOG (MAINTENANCE)

FIG ITEM	PART NUMBER	1 2 3 4 5 6 7	NOMENCLATURE	EFFECT FROM TO	UNITS PER ASSY
1 A 210	RSE120027		. SOCKET- SUPPLIER CODE: V58982 SPECIFICATION NUMBER: BACS16AF1 OPTIONAL PART: 451120-027 V58982 ELECTRICAL EQUIP NUMBER: D03521 D03523 D03525 D03527 WIRING DIAGRAM REF: 344614	103106	4

MISSING ITEM NUMBERS NOT APPLICABLE

- ITEM NOT ILLUSTRATED

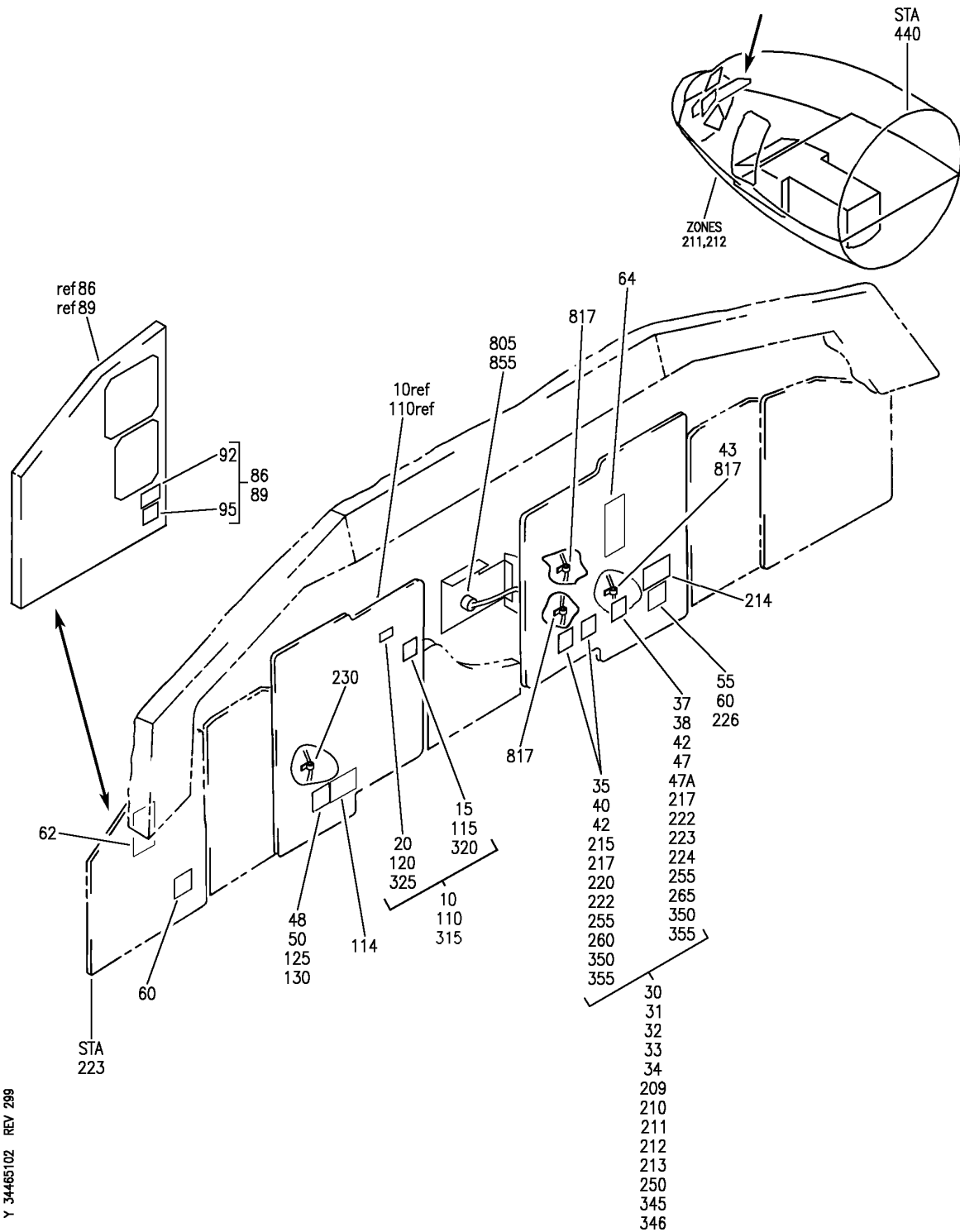
BRI

34-46-51-01A

BOEING PROPRIETARY - Copyright © - Unpublished Work - See title page for details.

34-46-51  
FIG. 01A  
PAGE 3  
JAN 20/09

**BOEING**  
757  
PARTS CATALOG (MAINTENANCE)



Y 34-465102 REV 299

PANEL INSTL-CAPT AND FIRST OFFICER FWD AND P1-3 AND P3-1 (GROUND PROXIMITY WARNING SYSTEM ONLY)  
FIGURE 2

**34-46-51-02**

BRI  
MAY 28/07

34-46-51-02  
PAGE 0



757

PARTS CATALOG (MAINTENANCE)

FIG ITEM	PART NUMBER	1 2 3 4 5 6 7	NOMENCLATURE	EFFECT FROM TO	UNITS PER ASSY
2			PANEL INSTL-CAPT AND FIRST OFFICER FWD AND P1-3 AND P3-1 (GROUND PROXIMITY WARNING SYSTEM ONLY)	011106 108120 504903	
- 1	233N2101-1		PANEL INSTL-CAPT AND FIRST OFFICER (GROUND PROXIMITY WARNING SYSTEM ONLY) POSITION DATA: FWD VARIABLE DRAWING REF: 233N2101-5039 FOR NHA/OTHER SYS DET SEE: 25-10-00-05A	011100	RF
- 5	233N2221-301		.MODULE ASSY-P1-3 COMPONENT MAINT MANUAL REF: 31-11-48	011100	RF
10	233N2221-51		..MODULE ASSY-	011100	RF
15	BCREFA0531		...SWITCH ASSY-LIGHTED PUSH BUTTON IND GND/PROX G/S INHB SUPPLIER CODE: V81590 OVERLENGTH PART NUMBER: 433-673-1004-4070 SPECIFICATION NUMBER: S231T290-4070 ELECTRICAL EQUIP NUMBER: N10015 FOR DETAILS SEE: 33-13-00-44	011100	1
15	851-30768-2070		...SWITCH ASSY-LIGHTED PUSH BUTTON IND GND/PROX G/S INHB SUPPLIER CODE: V96182 SPECIFICATION NUMBER: S231T290-2070 ELECTRICAL EQUIP NUMBER: N10015 FOR DETAILS SEE: 33-13-00-24	011100	1

MISSING ITEM NUMBERS NOT APPLICABLE

- ITEM NOT ILLUSTRATED

34-46-51-02

34-46-51  
FIG. 02  
PAGE 1  
JAN 20/09

BRI





757

PARTS CATALOG (MAINTENANCE)

FIG ITEM	PART NUMBER	1 2 3 4 5 6 7	NOMENCLATURE	EFFECT FROM TO	UNITS PER ASSY
2					
15	851-30768-3070	...	SWITCH ASSY-LIGHTED PUSH BUTTON IND GND/PROX G/S INHB SUPPLIER CODE: V96182 SPECIFICATION NUMBER: S231T290-3070 ELECTRICAL EQUIP NUMBER: N10015 FOR DETAILS SEE: 33-13-00-34	011100	1
15	S231T290-5070	...	SWITCH ASSY-LIGHTED PUSH BUTTON IND GND/PROX G/S INHB ELECTRICAL EQUIP NUMBER: N10015 OPTIONAL PART: 4336731004-4270 V81590	011100	1
15	4336731004-4270	...	SWITCH ASSY-LIGHTED PUSHBUTTON IND GND/PROX G/S INHB SUPPLIER CODE: V81590 SPECIFICATION NUMBER: S231T290-4270 MISCELLANEOUS DATA: WHEN REPLACING THE PUSHBUTTON SWITCH ASSY OR THE MASTER MODULE WITHIN, VERIFY THAT A CONFIG D MASTER MODULE P/N 13203-001 IS INSTALLED IN LIEU OF ANY EARLIER CONFIGURATION MASTER MODULES. ELECTRICAL EQUIP NUMBER: N10015 OPTIONAL PART: 851-35100-5070 V96812 S231T290-5070	011100	1

MISSING ITEM NUMBERS NOT APPLICABLE

- ITEM NOT ILLUSTRATED

34-46-51-02

34-46-51  
FIG. 02  
PAGE 2  
JAN 20/09

BRI



757

PARTS CATALOG (MAINTENANCE)

FIG ITEM	PART NUMBER	1 2 3 4 5 6 7	NOMENCLATURE	EFFECT FROM TO	UNITS PER ASSY
2					
15	851-35100-5070		...SWITCH ASSY-LIGHTED PUSHBUTTON IND GND/PROX G/S INHB SUPPLIER CODE: V96182 ELECTRICAL EQUIP NUMBER: N10015 OPTIONAL PART: 4336731004-4270 V81590	011100	1
20	BCREF9430		...LIGHT ASSY-WINDSHEAR IND SUPPLIER CODE: V81590 OVERLENGTH PART NUMBER: 434-674-1031-2308 SPECIFICATION NUMBER: S231T300-2308 ELECTRICAL EQUIP NUMBER: L00649	011100	1
- 25	233N2222-301		.MODULE ASSY-P3-1 COMPONENT MAINT MANUAL REF: 31-11-49 PRE ALERT SB: 33A0044	011100	RF
- 25	233N2222-1301		.MODULE ASSY-P3-1 COMPONENT MAINT MANUAL REF: 31-11-49 POST ALERT SB: 33A0044	011100	RF
30	233N2222-77		..MODULE ASSY- PRE ALERT SB: 33A0044	011100	RF
30	233N2222-1077		..MODULE ASSY- POST ALERT SB: 33A0044	011100	RF
35	433-100-002		...GUARD-SWITCH SUPPLIER CODE: V81590 SPECIFICATION NUMBER: S231T290-821 QUALIFIED I/W DATA: 851-30768-801 OR -811 OR 433-100-002 TOGETHER WITH S231T290-2XXX PUSHBUTTON SWITCH I/W 433-100-002 TOGETHER WITH S231T290-1XXX OR -3XXX OR -4XXX OR -5XXX	011100	2

MISSING ITEM NUMBERS NOT APPLICABLE

- ITEM NOT ILLUSTRATED

34-46-51-02

34-46-51  
FIG. 02  
PAGE 3  
JAN 20/09

BRI



757

PARTS CATALOG (MAINTENANCE)

FIG ITEM	PART NUMBER	1 2 3 4 5 6 7	NOMENCLATURE	EFFECT FROM TO	UNITS PER ASSY
2	40 BCREFA0524		...SWITCH ASSY-LIGHTED PUSH BUTTON IND OVRD SUPPLIER CODE: V81590 OVERLENGTH PART NUMBER: 433-673-1004-4057 SPECIFICATION NUMBER: S231T290-4057 ELECTRICAL EQUIP NUMBER: S10172 S10231 OPTIONAL PART: S231T290-5057 851-35100-5057 V96182 FOR DETAILS SEE: 33-13-00-44	011100	2
	40 851-30768-3057		...SWITCH ASSY-LIGHTED PUSH BUTTON IND OVRD SUPPLIER CODE: V96182 SPECIFICATION NUMBER: S231T290-3057 ELECTRICAL EQUIP NUMBER: S10172 S10231 FOR DETAILS SEE: 33-13-00-34	011100	2
	40 S231T290-5057		...SWITCH ASSY-LIGHTED PUSH BUTTON IND OVRD ELECTRICAL EQUIP NUMBER: S10172 S10231 QUALIFIED I/W DATA: 851-30768-2057 TOGETHER WITH 851-30768-801 -811 OR 433-100-002 SWITCHGUARD I/W BCREF7682 851-30768-3057 S231T290-4057 OR -5057 TOGETHER WITH 433-100-002 SWITCHGUARD OPTIONAL PART: BCREFA0524 V81590 851-35100-5057 V96182	011100	2

MISSING ITEM NUMBERS NOT APPLICABLE

- ITEM NOT ILLUSTRATED

34-46-51-02

34-46-51  
FIG. 02  
PAGE 4  
JAN 20/09

BRI



757

PARTS CATALOG (MAINTENANCE)

FIG ITEM	PART NUMBER	1 2 3 4 5 6 7	NOMENCLATURE	EFFECT FROM TO	UNITS PER ASSY
2	40 851-35100-5057		...SWITCH ASSY-LIGHTED PUSH BUTTON IND OVRD SUPPLIER CODE: V96182 ELECTRICAL EQUIP NUMBER: S10172 S10231 OPTIONAL PART: BCREFA0524 V81590 S231T290-5057	011100	2
	40 4336731004-4257		...SWITCH ASSY-LIGHTED PUSH BUTTON IND OVRD SUPPLIER CODE: V81590 SPECIFICATION NUMBER: S231T290-4257 MISCELLANEOUS DATA: WHEN REPLACING THE PUSHBUTTON SWITCH ASSY OR THE MASTER MODULE WITHIN, VERIFY THAT A CONFIG D MASTER MODULE P/N 13203-001 IS INSTALLED IN LIEU OF ANY EARLIER CONFIGURATION MASTER MODULES. ELECTRICAL EQUIP NUMBER: S10172 S10231	011100	2
- 100	233N2103-10		PANEL INSTL-P1-3 (GROUND PROXIMITY WARNING SYSTEM ONLY) FOR NHA/OTHER SYS DET SEE: 25-10-00-15B	108120	RF
- 100	233N2103-72		PANEL INSTL-P1-3 (GROUND PROXIMITY WARNING SYSTEM ONLY) FOR NHA/OTHER SYS DET SEE: 25-10-00-15B	101102	RF
- 100	233N2103-280		PANEL INSTL-P1-3 (GROUND PROXIMITY WARNING SYSTEM ONLY) FOR NHA/OTHER SYS DET SEE: 25-10-00-15B	504903	RF
- 105	233N2221-301		.MODULE ASSY- COMPONENT MAINT MANUAL REF: 31-11-48	101102 108120	RF

MISSING ITEM NUMBERS NOT APPLICABLE

- ITEM NOT ILLUSTRATED

34-46-51-02

34-46-51  
FIG. 02  
PAGE 5  
JAN 20/09

BRI



757

PARTS CATALOG (MAINTENANCE)

FIG ITEM	PART NUMBER	1 2 3 4 5 6 7	NOMENCLATURE	EFFECT FROM TO	UNITS PER ASSY
2					
- 105	233N2221-317		.MODULE ASSY- COMPONENT MAINT MANUAL REF: 31-11-48	504903	RF
- 105	RR92002-134A101		.MODULE ASSY- POST RAPID REVISION: RR92002-134A	504504 506506	RF
- 105	233N2221-326		.MODULE ASSY- COMPONENT MAINT MANUAL REF: 31-11-48	101102 108120	RF
- 105	233N2221-320		.MODULE ASSY- COMPONENT MAINT MANUAL REF: 31-11-48	101102 108120	RF
- 105	233N2221-328		.MODULE ASSY- COMPONENT MAINT MANUAL REF: 31-11-48	101102 108120	RF
110	233N2221-51		..MODULE ASSY- USED ON: 233N2221-301	101102 108120	RF
110	233N2221-81		..MODULE ASSY- USED ON: 233N2221-320 233N2221-326 233N2221-328	101102 108120	RF
115	851-30768-2070		...SWITCH ASSY-LIGHTED PUSH BUTTON IND GND/PROX G/S INHB SUPPLIER CODE: V96182 SPECIFICATION NUMBER: S231T290-2070 ELECTRICAL EQUIP NUMBER: N10015 FOR DETAILS SEE: 33-13-00-24	101102 108120	1
115	851-30768-3070		...SWITCH ASSY-LIGHTED PUSH BUTTON IND GND/PROX G/S INHB SUPPLIER CODE: V96182 SPECIFICATION NUMBER: S231T290-3070 ELECTRICAL EQUIP NUMBER: N10015 FOR DETAILS SEE: 33-13-00-34	101102 108120	1

MISSING ITEM NUMBERS NOT APPLICABLE

- ITEM NOT ILLUSTRATED

BRI

34-46-51-02

34-46-51  
FIG. 02  
PAGE 6  
JAN 20/09



757

PARTS CATALOG (MAINTENANCE)

FIG ITEM	PART NUMBER	1 2 3 4 5 6 7	NOMENCLATURE	EFFECT FROM TO	UNITS PER ASSY
2 115	BCREFA0531		...SWITCH ASSY-LIGHTED PUSH BUTTON IND GND/PROX G/S INHB SUPPLIER CODE: V81590 OVERLENGTH PART NUMBER: 433-673-1004-4070 SPECIFICATION NUMBER: S231T290-4070 ELECTRICAL EQUIP NUMBER: N10015 FOR DETAILS SEE: 33-13-00-44	101102 108120	1
115	S231T290-5070		...SWITCH ASSY-LIGHTED PUSH BUTTON IND GND/PROX G/S INHB ELECTRICAL EQUIP NUMBER: N10015 OPTIONAL PART: 4336731004-4270 V81590	101102 108120	1
115	BCREFA1641		...SWITCH ASSY-LIGHTED PUSH BUTTON IND GND/PROX G/S INHB SUPPLIER CODE: V81590 OVERLENGTH PART NUMBER: 433-673-1004-4107 SPECIFICATION NUMBER: S231T290-4107 ELECTRICAL EQUIP NUMBER: N10015 POST RAPID REVISION: RR92002-134A	504504 506506	1

MISSING ITEM NUMBERS NOT APPLICABLE

- ITEM NOT ILLUSTRATED

BRI

34-46-51-02

BOEING PROPRIETARY - Copyright © - Unpublished Work - See title page for details.

34-46-51  
FIG. 02  
PAGE 7  
JAN 20/09



757

PARTS CATALOG (MAINTENANCE)

FIG ITEM	PART NUMBER	1 2 3 4 5 6 7	NOMENCLATURE	EFFECT FROM TO	UNITS PER ASSY
2 115	4336731004-4270		...SWITCH ASSY-LIGHTED PUSHBUTTON IND GND/PROX G/S INHB SUPPLIER CODE: V81590 SPECIFICATION NUMBER: S231T290-4270 MISCELLANEOUS DATA: WHEN REPLACING THE PUSHBUTTON SWITCH ASSY OR THE MASTER MODULE WITHIN, VERIFY THAT A CONFIG D MASTER MODULE P/N 13203-001 IS INSTALLED IN LIEU OF ANY EARLIER CONFIGURATION MASTER MODULES. ELECTRICAL EQUIP NUMBER: N10015 OPTIONAL PART: S231T290-5070 851-35100-5070 V96182	101102 108120	1
115	851-35100-5070		...SWITCH ASSY-LIGHTED PUSHBUTTON IND GND/PROX G/S INHB SUPPLIER CODE: V96182 ELECTRICAL EQUIP NUMBER: N10015 OPTIONAL PART: 4336731004-4270 V81590	101102 108120	1
120	BCREF9430		...LIGHT ASSY-WINDSHEAR IND SUPPLIER CODE: V81590 OVERLENGTH PART NUMBER: 434-674-1031-2308 SPECIFICATION NUMBER: S231T300-2308 ELECTRICAL EQUIP NUMBER: L00649	101102 108120 504903	1
- 200	233N2103-17		PANEL INSTL-P3-1 (GROUND PROXIMITY WARNING SYSTEM ONLY) FOR NHA/OTHER SYS DET SEE: 25-10-00-15B	101101	RF

MISSING ITEM NUMBERS NOT APPLICABLE

- ITEM NOT ILLUSTRATED

34-46-51-02

34-46-51  
FIG. 02  
PAGE 8  
JAN 20/09

BRI



757

PARTS CATALOG (MAINTENANCE)

FIG ITEM	PART NUMBER	1 2 3 4 5 6 7	NOMENCLATURE	EFFECT FROM TO	UNITS PER ASSY
2					
- 201	233N2103-217		PANEL INSTL-P3-1 (GROUND PROXIMITY WARNING SYSTEM ONLY) FOR NHA/OTHER SYS DET SEE: 25-10-00-15B	102102	RF
- 201	233N2103-254		PANEL INSTL-P3-1 (GROUND PROXIMITY WARNING SYSTEM ONLY) FOR NHA/OTHER SYS DET SEE: 25-10-00-15B	504903	RF
- 202	233N2103-371		PANEL INSTL-P3-1 (GROUND PROXIMITY WARNING SYSTEM ONLY) FOR NHA/OTHER SYS DET SEE: 25-10-00-15B	108120	RF
- 205	233N2222-301		.MODULE ASSY- COMPONENT MAINT MANUAL REF: 31-11-49 PRE ALERT SB: 33A0044	101101	RF
- 205	233N2222-321		.MODULE ASSY- COMPONENT MAINT MANUAL REF: 31-11-49 PRE ALERT SB: 33A0044	102102	RF
- 205	233N2222-1301		.MODULE ASSY- COMPONENT MAINT MANUAL REF: 31-11-49 POST ALERT SB: 33A0044	101101	RF
- 205	233N2222-1321		.MODULE ASSY- COMPONENT MAINT MANUAL REF: 31-11-49 POST ALERT SB: 33A0044	102102	RF
- 205	233N2222-326		.MODULE ASSY- COMPONENT MAINT MANUAL REF: 31-11-49 PRE ALERT SB: 33A0044	504903	RF
- 206	233N2222-334		.MODULE ASSY- COMPONENT MAINT MANUAL REF: 31-11-49 PRE ALERT SB: 33A0044	504903	RF

MISSING ITEM NUMBERS NOT APPLICABLE

- ITEM NOT ILLUSTRATED

34-46-51-02

34-46-51  
FIG. 02  
PAGE 9  
JAN 20/09

BRI

BOEING PROPRIETARY - Copyright © - Unpublished Work - See title page for details.





757

PARTS CATALOG (MAINTENANCE)

FIG ITEM	PART NUMBER	1 2 3 4 5 6 7	NOMENCLATURE	EFFECT FROM TO	UNITS PER ASSY
2					
- 206	233N2222-329		.MODULE ASSY- COMPONENT MAINT MANUAL REF: 31-11-49 PRE ALERT SB: 33A0044	102102	RF
- 207	233N2222-347		.MODULE ASSY- COMPONENT MAINT MANUAL REF: 31-11-49 PRE ALERT SB: 33A0044	504903	RF
- 207	233N2222-342		.MODULE ASSY- COMPONENT MAINT MANUAL REF: 31-11-49 PRE ALERT SB: 33A0044	102102 108120	RF
- 207	233N2222-1342		.MODULE ASSY- COMPONENT MAINT MANUAL REF: 31-11-49 POST ALERT SB: 33A0044	102102 108120	RF
- 207	233N2222-1329		.MODULE ASSY- COMPONENT MAINT MANUAL REF: 31-11-49 POST ALERT SB: 33A0044	102102	RF
- 208	233N2222-1326		.MODULE ASSY- COMPONENT MAINT MANUAL REF: 31-11-49 POST ALERT SB: 33A0044	504903	RF
- 208	233N2222-1334		.MODULE ASSY- COMPONENT MAINT MANUAL REF: 31-11-49 POST ALERT SB: 33A0044	504903	RF
- 208	233N2222-1347		.MODULE ASSY- COMPONENT MAINT MANUAL REF: 31-11-49 POST ALERT SB: 33A0044	504903	RF
210	233N2222-77		..MODULE ASSY- PRE ALERT SB: 33A0044	101101	RF
210	233N2222-100		..MODULE ASSY- USED ON: 233N2222-321 PRE ALERT SB: 33A0044	102102	RF

MISSING ITEM NUMBERS NOT APPLICABLE

- ITEM NOT ILLUSTRATED

34-46-51-02

34-46-51  
FIG. 02  
PAGE 10  
JAN 20/09

BRI

BOEING PROPRIETARY - Copyright © - Unpublished Work - See title page for details.



757

PARTS CATALOG (MAINTENANCE)

FIG ITEM	PART NUMBER	1 2 3 4 5 6 7	NOMENCLATURE	EFFECT FROM TO	UNITS PER ASSY
2					
210	233N2222-1077		..MODULE ASSY- POST ALERT SB: 33A0044	101101	RF
210	233N2222-105		..MODULE ASSY- USED ON: 233N2222-326 PRE ALERT SB: 33A0044	504903	RF
211	233N2222-111		..MODULE ASSY- USED ON: 233N2222-329 PRE ALERT SB: 33A0044	102102	RF
211	233N2222-116		..MODULE ASSY- USED ON: 233N2222-334 PRE ALERT SB: 33A0044	504903	RF
211	233N2222-122		..MODULE ASSY- USED ON: 233N2222-342 PRE ALERT SB: 33A0044	102102 108120	RF
212	233N2222-127		..MODULE ASSY- USED ON: 233N2222-347 PRE ALERT SB: 33A0044	504903	RF
212	233N2222-1100		..MODULE ASSY- USED ON: 233N2222-1321 POST ALERT SB: 33A0044	102102	RF
212	233N2222-1111		..MODULE ASSY- USED ON: 233N2222-1329 POST ALERT SB: 33A0044	102102	RF
212	233N2222-1122		..MODULE ASSY- USED ON: 233N2222-1342 POST ALERT SB: 33A0044	102102 108120	RF
213	233N2222-1105		..MODULE ASSY- USED ON: 233N2222-1326 POST ALERT SB: 33A0044	504903	RF

MISSING ITEM NUMBERS NOT APPLICABLE

- ITEM NOT ILLUSTRATED

34-46-51-02

34-46-51  
FIG. 02  
PAGE 11  
JAN 20/09

BRI

BOEING PROPRIETARY - Copyright © - Unpublished Work - See title page for details.



757

PARTS CATALOG (MAINTENANCE)

FIG ITEM	PART NUMBER	1 2 3 4 5 6 7	NOMENCLATURE	EFFECT FROM TO	UNITS PER ASSY
2					
213	233N2222-1116	..	MODULE ASSY- USED ON: 233N2222-1334 POST ALERT SB: 33A0044	504903	RF
213	233N2222-1127	..	MODULE ASSY- USED ON: 233N2222-1347 POST ALERT SB: 33A0044	504903	RF
215	433-100-002	...	GUARD-SWITCH SUPPLIER CODE: V81590 SPECIFICATION NUMBER: S231T290-821 QUALIFIED I/W DATA: 851-30768-801 OR -811 OR 433-100-002 TOGETHER WITH S231T290-2XXX PUSHBUTTON SWITCH I/W 433-100-002 TOGETHER WITH S231T290-1XXX OR -3XXX OR -4XXX OR -5XXX USED ON: 233N2222-77 233N2222-78 233N2222-82 233N2222-89 233N2222-90 233N2222-95 233N2222-96 233N2222-97 233N2222-99 233N2222-119 233N2222-134 233N2222-1077 233N2222-1078 233N2222-1082 233N2222-1089 233N2222-1090 233N2222-1096 233N2222-1099 233N2222-1119	101101	2
217	433-100-002	...	GUARD-SWITCH SUPPLIER CODE: V81590 SPECIFICATION NUMBER: S231T290-821 QUALIFIED I/W DATA:	102102 108120 504903	3

MISSING ITEM NUMBERS NOT APPLICABLE

- ITEM NOT ILLUSTRATED

34-46-51-02

34-46-51  
FIG. 02  
PAGE 12  
JAN 20/09

BRI



757

PARTS CATALOG (MAINTENANCE)

FIG ITEM	PART NUMBER	1 2 3 4 5 6 7 NOMENCLATURE	EFFECT FROM TO	UNITS PER ASSY
2		<p>851-30768-801 OR -811 OR  433-100-002 TOGETHER  WITH S231T290-2XXX  PUSHBUTTON SWITCH I/W  433-100-002 TOGETHER  WITH S231T290-1XXX OR  -3XXX OR -4XXX OR -5XXX  USED ON:  233N2222-98  233N2222-100  233N2222-103  233N2222-105  233N2222-111  233N2222-113  233N2222-114  233N2222-116  233N2222-117  233N2222-118  233N2222-120  233N2222-121  233N2222-122  233N2222-123  233N2222-124  233N2222-125  233N2222-126  233N2222-127  233N2222-128  233N2222-129  233N2222-130  233N2222-131  233N2222-135  233N2222-146  233N2222-149  233N2222-1098  233N2222-1100  233N2222-1103  233N2222-1105  233N2222-1111  233N2222-1113  233N2222-1114  233N2222-1116  233N2222-1117  233N2222-1118  233N2222-1120  233N2222-1121  233N2222-1122  233N2222-1123  233N2222-1124  233N2222-1125</p>		

MISSING ITEM NUMBERS NOT APPLICABLE

- ITEM NOT ILLUSTRATED

34-46-51-02

34-46-51  
FIG. 02  
PAGE 13  
JAN 20/09

BRI



757

PARTS CATALOG (MAINTENANCE)

FIG ITEM	PART NUMBER	1 2 3 4 5 6 7 NOMENCLATURE	EFFECT FROM TO	UNITS PER ASSY
2	220 BCREFA0524	233N2222-1127 233N2222-1128 233N2222-1129 233N2222-1130 233N2222-1131 ...SWITCH ASSY-LIGHTED PUSH BUTTON IND OVRD SUPPLIER CODE: V81590 OVERLENGTH PART NUMBER: 433-673-1004-4057 SPECIFICATION NUMBER: S231T290-4057 ELECTRICAL EQUIP NUMBER: S10172 S10231 OPTIONAL PART: S231T290-5057 851-35100-5057 V96182 USED ON: 233N2222-119 233N2222-77 233N2222-78 233N2222-89 233N2222-90 233N2222-96 233N2222-97 233N2222-99 233N2222-1077 233N2222-1078 233N2222-1089 233N2222-1090 233N2222-1096 233N2222-1099 233N2222-1119 FOR DETAILS SEE: 33-13-00-44	101101	2

MISSING ITEM NUMBERS NOT APPLICABLE

- ITEM NOT ILLUSTRATED

BRI

34-46-51-02

BOEING PROPRIETARY - Copyright © - Unpublished Work - See title page for details.

34-46-51  
FIG. 02  
PAGE 14  
JAN 20/09



757

PARTS CATALOG (MAINTENANCE)

FIG ITEM	PART NUMBER	1 2 3 4 5 6 7	NOMENCLATURE	EFFECT FROM TO	UNITS PER ASSY
2 220	S231T290-5057		...SWITCH ASSY-LIGHTED PUSH BUTTON IND OVRD ELECTRICAL EQUIP NUMBER: S10172 S10231 QUALIFIED I/W DATA: 851-30768-2057 TOGETHER WITH 851-30768-801 -811 OR 433-100-002 SWITCHGUARD I/W BCREF7682 851-30768-3057 S231T290-4057 OR -5057 TOGETHER WITH 433-100-002 SWITCHGUARD OPTIONAL PART: BCREFA0524 V81590 851-35100-5057 V96182	101101	2
220	851-30768-3057		...SWITCH ASSY-LIGHTED PUSH BUTTON IND OVRD SUPPLIER CODE: V96182 SPECIFICATION NUMBER: S231T290-3057 ELECTRICAL EQUIP NUMBER: S10172 S10231 FOR DETAILS SEE: 33-13-00-34	101101	2

MISSING ITEM NUMBERS NOT APPLICABLE

- ITEM NOT ILLUSTRATED

BRI

34-46-51-02

BOEING PROPRIETARY - Copyright © - Unpublished Work - See title page for details.

34-46-51  
FIG. 02  
PAGE 15  
JAN 20/09



757

PARTS CATALOG (MAINTENANCE)

FIG ITEM	PART NUMBER	1 2 3 4 5 6 7	NOMENCLATURE	EFFECT FROM TO	UNITS PER ASSY
2 220	4336731004-4257	...	SWITCH ASSY-LIGHTED PUSHBUTTON IND SUPPLIER CODE: V81590 SPECIFICATION NUMBER: S231T290-4257 MISCELLANEOUS DATA: WHEN REPLACING THE PUSHBUTTON SWITCH ASSY OR THE MASTER MODULE WITHIN, VERIFY THAT A CONFIG D MASTER MODULE P/N 13203-001 IS INSTALLED IN LIEU OF ANY EARLIER CONFIGURATION MASTER MODULES. ELECTRICAL EQUIP NUMBER: S10172 S10231 USED ON: 233N2222-134 233N2222-150	101101	2
220	851-35100-5057	...	SWITCH ASSY-LIGHTED PUSH BUTTON IND OVRD SUPPLIER CODE: V96182 ELECTRICAL EQUIP NUMBER: S10172 S10231 OPTIONAL PART: BCREFA0524 V81590 S231T290-5057	101101	2
222	BCREFA0524	...	SWITCH ASSY-LIGHTED PUSH BUTTON IND OVRD SUPPLIER CODE: V81590 OVERLENGTH PART NUMBER: 433-673-1004-4057 SPECIFICATION NUMBER: S231T290-4057 ELECTRICAL EQUIP NUMBER: S10172 S10231 S10680 USED ON: 233N2222-111 233N2222-113 233N2222-114	102102 108120 504903	3

MISSING ITEM NUMBERS NOT APPLICABLE

- ITEM NOT ILLUSTRATED

34-46-51-02

34-46-51  
FIG. 02  
PAGE 16  
JAN 20/09

BRI



757

PARTS CATALOG (MAINTENANCE)

FIG ITEM	PART NUMBER	1 2 3 4 5 6 7	NOMENCLATURE	EFFECT FROM TO	UNITS PER ASSY
2			233N2222-116 233N2222-117 233N2222-118 233N2222-120 233N2222-121 233N2222-122 233N2222-123 233N2222-124 233N2222-125 233N2222-126 233N2222-127 233N2222-128 233N2222-129 233N2222-130 233N2222-131 233N2222-98 233N2222-100 233N2222-103 233N2222-105 233N2222-1098 233N2222-1100 233N2222-1103 233N2222-1105 233N2222-1111 233N2222-1113 233N2222-1114 233N2222-1116 233N2222-1117 233N2222-1118 233N2222-1120 233N2222-1121 233N2222-1122 233N2222-1123 233N2222-1124 233N2222-1125 233N2222-1127 233N2222-1128 233N2222-1129 233N2222-1130 233N2222-1131 FOR DETAILS SEE: 33-13-00-44		

MISSING ITEM NUMBERS NOT APPLICABLE

- ITEM NOT ILLUSTRATED

BRI

34-46-51-02

BOEING PROPRIETARY - Copyright © - Unpublished Work - See title page for details.

34-46-51  
FIG. 02  
PAGE 17  
JAN 20/09





757

PARTS CATALOG (MAINTENANCE)

FIG ITEM	PART NUMBER	1 2 3 4 5 6 7	NOMENCLATURE	EFFECT FROM TO	UNITS PER ASSY
2 222	4336731004-4257		...SWITCH ASSY-LIGHTED PUSHBUTTON IND SUPPLIER CODE: V81590 SPECIFICATION NUMBER: S231T290-4257 MISCELLANEOUS DATA: WHEN REPLACING THE PUSHBUTTON SWITCH ASSY OR THE MASTER MODULE WITHIN, VERIFY THAT A CONFIG D MASTER MODULE P/N 13203-001 IS INSTALLED IN LIEU OF ANY EARLIER CONFIGURATION MASTER MODULES. ELECTRICAL EQUIP NUMBER: S10172 S10231 S10680 USED ON: 233N2222-135 233N2222-146 233N2222-149 233N2222-151 233N2222-154	102102 108120 504903	3

MISSING ITEM NUMBERS NOT APPLICABLE

- ITEM NOT ILLUSTRATED

BRI

34-46-51-02

BOEING PROPRIETARY - Copyright © - Unpublished Work - See title page for details.

34-46-51  
FIG. 02  
PAGE 18  
JAN 20/09



757

PARTS CATALOG (MAINTENANCE)

FIG ITEM	PART NUMBER	1 2 3 4 5 6 7	NOMENCLATURE	EFFECT FROM TO	UNITS PER ASSY
2 - 302	MODREF31741		PANEL INSTL-P1-3 AND P3-1 (GROUND PROXIMITY WARNING SYSTEM ONLY) MODULE NUMBER: 233N2103-425 REV A FOR OTHER SYS DETAILS SEE: 11-31-01-38 22-11-02-03 22-14-01-03 22-31-02-01 22-34-51-02 26-17-51-05 27-51-57-03 27-58-00-02 27-81-00-01 29-21-55-02 31-11-11-19 31-11-16-01 31-11-26-38 31-25-01-03 31-41-52-02 31-51-52-02 32-35-52-03 32-41-52-02 32-42-55-03 32-46-00-01 32-61-51-03 33-13-57-01A 33-16-52-03 34-12-01-03 34-13-01-03 34-13-02-01 34-13-05-01 34-13-06-01 34-16-51-03 34-21-02-02 34-22-02-02 34-22-05-01A 34-22-06-01 34-24-01-03 34-32-00-02 34-51-02-02 34-57-00-01 34-61-01-07 34-61-02-02 77-41-01-01 79-33-51-05	103105	1

MISSING ITEM NUMBERS NOT APPLICABLE

- ITEM NOT ILLUSTRATED

BRI

# 34-46-51-02

BOEING PROPRIETARY - Copyright © - Unpublished Work - See title page for details.

34-46-51  
FIG. 02  
PAGE 19  
JAN 20/09



757

PARTS CATALOG (MAINTENANCE)

FIG ITEM	PART NUMBER	1 2 3 4 5 6 7	NOMENCLATURE	EFFECT FROM TO	UNITS PER ASSY
2 - 302	MODREF104335		PANEL INSTL-P1-3 AND P3-1 (GROUND PROXIMITY WARNING SYSTEM ONLY) MODULE NUMBER: 233N2103-425 REV B FOR OTHER SYS DETAILS SEE: 11-31-01-38 22-11-02-03 22-14-01-03 22-31-02-01 22-34-51-02 26-17-51-05 27-51-57-03 27-58-00-02 27-81-00-01 29-21-55-02 31-11-11-19 31-11-16-01 31-11-26-38 31-25-01-03 31-41-52-02 31-51-52-02 32-35-52-03 32-41-52-02 32-42-55-03 32-46-00-01 32-61-51-03 33-13-57-01A 33-16-52-03 34-12-01-03 34-13-01-03 34-13-02-01 34-13-05-01 34-13-06-01 34-16-51-03 34-21-02-02 34-22-02-02 34-22-05-01A 34-22-06-01 34-24-01-03 34-32-00-02 34-51-02-02 34-57-00-01 34-61-01-07 34-61-02-02 77-41-01-01 79-33-51-05	106106	1

MISSING ITEM NUMBERS NOT APPLICABLE

- ITEM NOT ILLUSTRATED

BRI

# 34-46-51-02

BOEING PROPRIETARY - Copyright © - Unpublished Work - See title page for details.

34-46-51  
FIG. 02  
PAGE 20  
JAN 20/09



757

PARTS CATALOG (MAINTENANCE)

FIG ITEM	PART NUMBER	1 2 3 4 5 6 7	NOMENCLATURE	EFFECT FROM TO	UNITS PER ASSY
2					
- 310	233N2221-325	.	MODULE ASSY-P1-3 COMPONENT MAINT MANUAL REF: 31-11-48	103106	RF
315	233N2221-81	..	MODULE ASSY- USED ON: 233N2221-320 233N2221-326 233N2221-328	103106	RF
320	BCREFA0531	...	SWITCH ASSY-LIGHTED PUSHBUTTON IND GND/PROX G/S INHB SUPPLIER CODE: V81590 OVERLENGTH PART NUMBER: 433-673-1004-4070 SPECIFICATION NUMBER: S231T290-4070 ELECTRICAL EQUIP NUMBER: N10015 USED ON: 233N2221-51 233N2221-70 233N2221-72 233N2221-81 FOR DETAILS SEE: 33-13-00-44	103106	1

MISSING ITEM NUMBERS NOT APPLICABLE

- ITEM NOT ILLUSTRATED

34-46-51-02

34-46-51  
FIG. 02  
PAGE 21  
JAN 20/09

BRI



757

PARTS CATALOG (MAINTENANCE)

FIG ITEM	PART NUMBER	1 2 3 4 5 6 7	NOMENCLATURE	EFFECT FROM TO	UNITS PER ASSY
2 320	4336731004-4270		...SWITCH ASSY-LIGHTED PUSHBUTTON IND GND/PROX G/S INHIB SUPPLIER CODE: V81590 SPECIFICATION NUMBER: S231T290-4270 MISCELLANEOUS DATA: WHEN REPLACING THE PUSHBUTTON SWITCH ASSY OR THE MASTER MODULE WITHIN, VERIFY THAT A CONFIG D MASTER MODULE P/N 13203-001 IS INSTALLED IN LIEU OF ANY EARLIER CONFIGURATION MASTER MODULES. ELECTRICAL EQUIP NUMBER: N10015 OPTIONAL PART: 851-35100-5070 V96182 USED ON: 233N2221-51 233N2221-70 233N2221-72 233N2221-81 233N2221-83	103106	1
320	851-35100-5070		...SWITCH ASSY-LIGHTED PUSHBUTTON IND GND/PROX G/S INHIB SUPPLIER CODE: V96182 ELECTRICAL EQUIP NUMBER: N10015 OPTIONAL PART: 4336731004-4270 V81590 USED ON: 233N2221-51 233N2221-72 233N2221-81	103106	1

MISSING ITEM NUMBERS NOT APPLICABLE

- ITEM NOT ILLUSTRATED

BRI

34-46-51-02

BOEING PROPRIETARY - Copyright © - Unpublished Work - See title page for details.

34-46-51  
 FIG. 02  
 PAGE 22  
 JAN 20/09



757

PARTS CATALOG (MAINTENANCE)

FIG ITEM	PART NUMBER	1 2 3 4 5 6 7	NOMENCLATURE	EFFECT FROM TO	UNITS PER ASSY
2 325	BCREF9430		...LIGHT ASSY-WINDSHEAR IND SUPPLIER CODE: V81590 OVERLENGTH PART NUMBER: 434-674-1031-2308 SPECIFICATION NUMBER: S231T300-2308 ELECTRICAL EQUIP NUMBER: L00649	103106	1
- 341	233N2222-379		.MODULE ASSY-P3-1 COMPONENT MAINT MANUAL REF: 31-11-49	103106	RF
345	233N2222-153		..MODULE ASSY-	103106	RF
350	4336731004-4257		...SWITCH ASSY-LIGHTED PUSHBUTTON IND SUPPLIER CODE: V81590 SPECIFICATION NUMBER: S231T290-4257 MISCELLANEOUS DATA: WHEN REPLACING THE PUSHBUTTON SWITCH ASSY OR THE MASTER MODULE WITHIN, VERIFY THAT A CONFIG D MASTER MODULE P/N 13203-001 IS INSTALLED IN LIEU OF ANY EARLIER CONFIGURATION MASTER MODULES. ELECTRICAL EQUIP NUMBER: S10172 S10231 S10680 USED ON: 233N2222-136 233N2222-146 233N2222-149 233N2222-151 233N2222-152 233N2222-153 233N2222-155 233N2222-135 233N2222-157	103106	3

MISSING ITEM NUMBERS NOT APPLICABLE

- ITEM NOT ILLUSTRATED

34-46-51-02

34-46-51  
FIG. 02  
PAGE 23  
JAN 20/09

BRI



757

PARTS CATALOG (MAINTENANCE)

FIG ITEM	PART NUMBER	1 2 3 4 5 6 7	NOMENCLATURE	EFFECT FROM TO	UNITS PER ASSY
2 355	433-100-002		. . . GUARD-SWITCH SUPPLIER CODE: V81590 SPECIFICATION NUMBER: S231T290-821 QUALIFIED I/W DATA: 851-30768-801 OR -811 OR 433-100-002 TOGETHER WITH S231T290-2XXX PUSHBUTTON SWITCH I/W 433-100-002 TOGETHER WITH S231T290-1XXX OR -3XXX OR -4XXX OR -5XXX	103106	3

MISSING ITEM NUMBERS NOT APPLICABLE

- ITEM NOT ILLUSTRATED

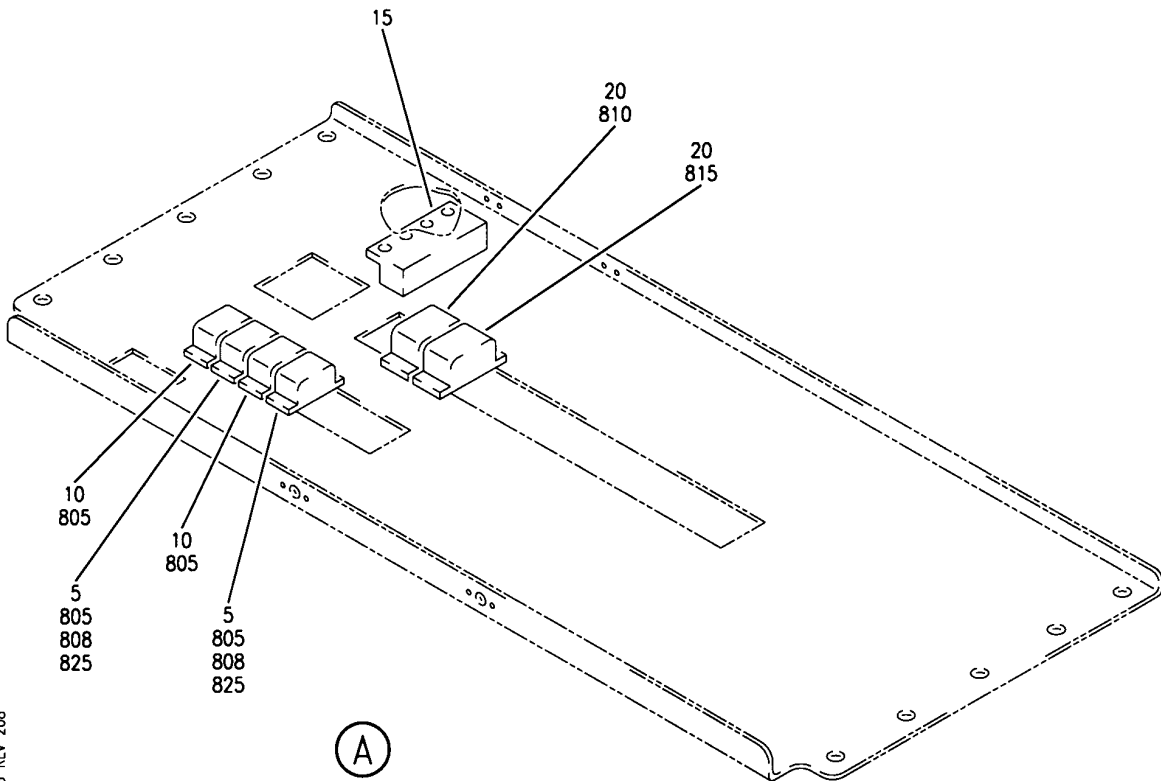
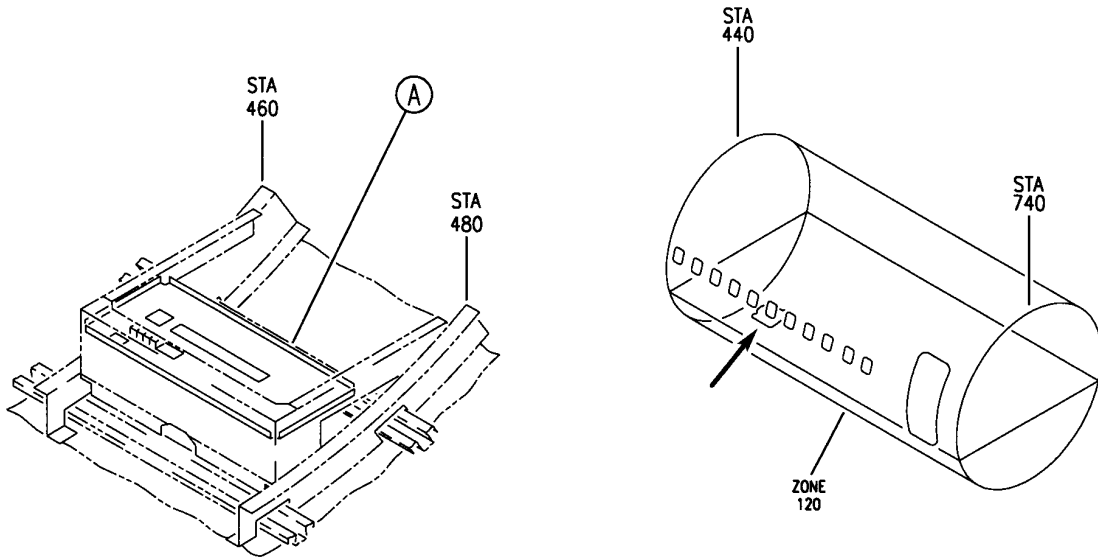
BRI

34-46-51-02

BOEING PROPRIETARY - Copyright © - Unpublished Work - See title page for details.

34-46-51  
FIG. 02  
PAGE 24  
JAN 20/09

**BOEING**  
757  
PARTS CATALOG (MAINTENANCE)



Y 34465103B REV 208

OPTION PACKAGE ASSY-P65 MISC ELECTRONIC EQPT CTR (GROUND PROXIMITY WARNING SYSTEM ONLY)  
FIGURE 3B

BRI  
JAN 20/08

**34-46-51-03B**

34-46-51-03B  
PAGE 0





757

PARTS CATALOG (MAINTENANCE)

FIG ITEM	PART NUMBER	1 2 3 4 5 6 7	NOMENCLATURE	EFFECT FROM TO	UNITS PER ASSY
3B			OPTION PACKAGE ASSY-P65 MISC ELECTRONIC EQPT CTR (GROUND PROXIMITY WARNING SYSTEM ONLY)	101102 504903	
- 1	284N1747-1002		PACKAGE ASSY-OPTION P65 MISC ELECTRONIC EQPT CTR (GROUND PROXIMITY WARNING SYSTEM ONLY)	504903	RF
5	W460F1A		FOR NHA SEE: 31-01-65-01A .RELAY- SUPPLIER CODE: VF0219 SPECIFICATION NUMBER: BACR13CE2 OPTIONAL PART: 3SAH5-13-4K1 V01526 3SAH1326A2 V01526 ELECTRICAL EQUIP NUMBER: K10783 K10785	101102 504903	2
10	W460F1A		.RELAY- SUPPLIER CODE: VF0219 SPECIFICATION NUMBER: BACR13CE2 OPTIONAL PART: 3SAH5-13-4K1 V01526 3SAH1326A2 V01526 ELECTRICAL EQUIP NUMBER: K10784 K10786	504903	2
15	YHLZG16-1		.BLOCK- SUPPLIER CODE: V09922 ELECTRICAL EQUIP NUMBER: GD03886	101102 504903	1

MISSING ITEM NUMBERS NOT APPLICABLE

- ITEM NOT ILLUSTRATED

34-46-51-03B

34-46-51  
FIG. 03B  
PAGE 1  
JAN 20/09

BRI



757

PARTS CATALOG (MAINTENANCE)

FIG ITEM	PART NUMBER	1 2 3 4 5 6 7	NOMENCLATURE	EFFECT FROM TO	UNITS PER ASSY
3B 20	ES410-1538		.RELAY- SUPPLIER CODE: V99699 SPECIFICATION NUMBER: BACR13CG2AB OPTIONAL PART: KD4L018 V35344 BR230DS0115 V56623 KD4L036 V58657 FCA410-63 V78290 ELECTRICAL EQUIP NUMBER: K10789 K10790	101102 504903	2

MISSING ITEM NUMBERS NOT APPLICABLE

- ITEM NOT ILLUSTRATED

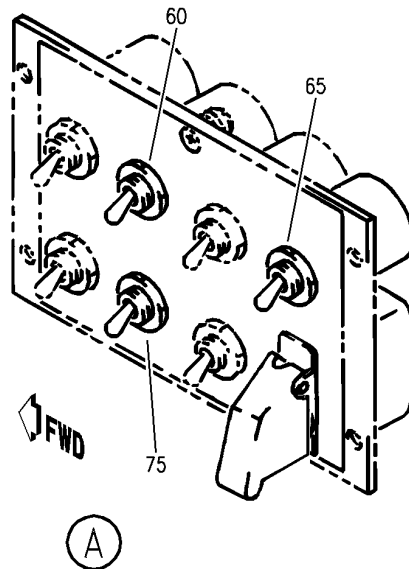
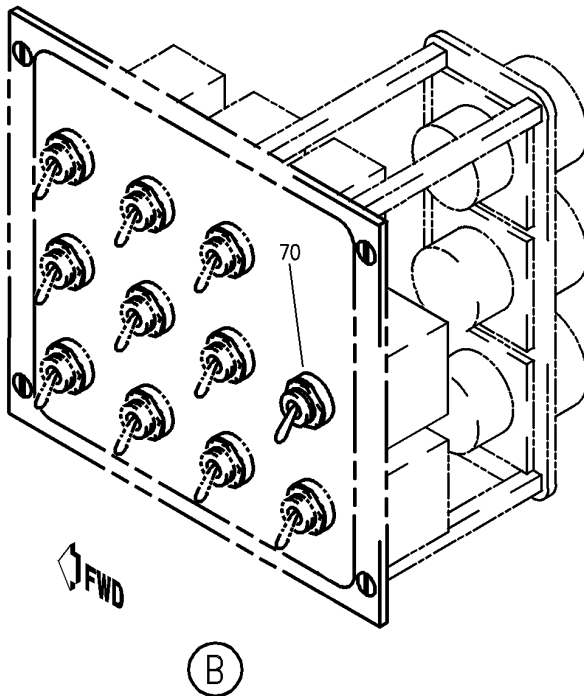
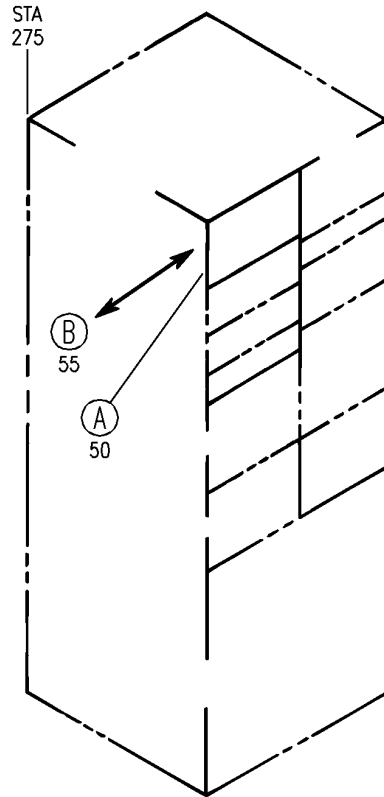
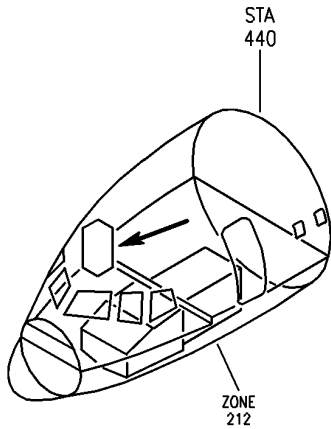
BRI

34-46-51-03B

BOEING PROPRIETARY - Copyright © - Unpublished Work - See title page for details.

34-46-51  
FIG. 03B  
PAGE 2  
JAN 20/09

**BOEING**  
757  
PARTS CATALOG (MAINTENANCE)



Y 34465105 REV 231

PANEL INSTL-P61 R SIDEWALL (GROUND PROXIMITY WARNING SYSTEM ONLY)  
FIGURE 5

**34-46-51-05**

BRI  
MAY 28/07

34-46-51-05  
PAGE 0



757

PARTS CATALOG (MAINTENANCE)

FIG ITEM	PART NUMBER	1 2 3 4 5 6 7	NOMENCLATURE	EFFECT FROM TO	UNITS PER ASSY
5			PANEL INSTL-P61 R SIDEWALL (GROUND PROXIMITY WARNING SYSTEM ONLY)	002004 006999	
- 1	233N7401-1		PANEL INSTL-P61 SIDEWALL (GROUND PROXIMITY WARNING SYSTEM ONLY) POSITION DATA: R VARIABLE DRAWING REF: 233N7401-5004 233N7401-5005 233N7401-5036 233N7401-5038 233N7401-5042 FOR NHA/OTHER SYS DET SEE: 25-10-00-05A	002004 006100 107107 121503 904999	RF
- 2	233N7403-28		PANEL INSTL-P61 SIDEWALL (GROUND PROXIMITY WARNING SYSTEM ONLY) POSITION DATA: R FOR NHA/OTHER SYS DET SEE: 25-10-00-15B	101101	RF
- 3	233N7403-117		PANEL INSTL-P61 SIDEWALL (GROUND PROXIMITY WARNING SYSTEM ONLY) POSITION DATA: R FOR NHA/OTHER SYS DET SEE: 25-10-00-15B	504903	RF
- 4	233N7403-128		PANEL INSTL-P61 SIDEWALL (GROUND PROXIMITY WARNING SYSTEM ONLY) POSITION DATA: R FOR NHA/OTHER SYS DET SEE: 25-10-00-15B	102102	RF
- 5	233N7403-158		PANEL INSTL-P61 SIDEWALL (GROUND PROXIMITY WARNING SYSTEM ONLY) POSITION DATA: R FOR NHA/OTHER SYS DET SEE: 25-10-00-15B	108120	RF

MISSING ITEM NUMBERS NOT APPLICABLE

- ITEM NOT ILLUSTRATED

34-46-51-05

34-46-51  
FIG. 05  
PAGE 1  
JAN 20/09

BRI



757

PARTS CATALOG (MAINTENANCE)

FIG ITEM	PART NUMBER	1 2 3 4 5 6 7	NOMENCLATURE	EFFECT FROM TO	UNITS PER ASSY
5 - 8	MODREF33342		PANEL INSTL- (GROUND PROXIMITY WARNING SYSTEM ONLY) MODULE NUMBER: 233N7403-171 REV A FOR OTHER SYS DETAILS SEE: 11-32-01-98 21-58-51-04 22-21-51-01 23-41-52-01 24-22-73-02 26-18-53-02 26-21-52-01 26-22-52-01 26-23-52-03 27-23-51-02 28-41-51-04 29-22-52-01 30-11-52-01 30-41-51-04 31-14-16-87 31-31-04-01 31-41-53-01 31-51-51-01 34-12-54-01 34-21-51-02 34-61-53-03	103106	1
50	233N7501-23		.PANEL ASSY-TEST SUPPLIER CODE: V89954 NOT APPROVED FOR ETOPS. SB DATA FROM A CMM: PRE 233N7501-31-01 PRE 233N7501-31-03 ELECTRICAL EQUIP NUMBER: M10398 COMPONENT MAINT MANUAL REF: 31-51-61	504903 950951	RF
50	233N7501-35		.PANEL ASSY-TEST SUPPLIER CODE: V89954 ELECTRICAL EQUIP NUMBER: M10398 COMPONENT MAINT MANUAL REF: 31-51-61 POST SERVICE BULLETIN: 24-0048	107107 904949 952952	RF

MISSING ITEM NUMBERS NOT APPLICABLE

- ITEM NOT ILLUSTRATED

34-46-51-05

34-46-51  
FIG. 05  
PAGE 2  
JAN 20/09

BRI



757

PARTS CATALOG (MAINTENANCE)

FIG ITEM	PART NUMBER	1 2 3 4 5 6 7	NOMENCLATURE	EFFECT FROM TO	UNITS PER ASSY
5 50	233N7501-36		.PANEL ASSY-TEST SUPPLIER CODE: V89954 SB DATA FROM A CMM: POST 233N7501-31-03 ELECTRICAL EQUIP NUMBER: M10398 COMPONENT MAINT MANUAL REF: 31-51-61 QUALIFIED I/W DATA: 233N7501-36 CAN REPLACE 233N7501-35,BUT 233N7501-35 CANNOT REPLACE 233N7501-36 IF VICKER HMG, 520850 OR 3022008-000 IS INSTALLED.	002004 006102 108503 953999	RF
55	233N7501-41		.PANEL ASSY-TEST SUPPLIER CODE: V89954 ELECTRICAL EQUIP NUMBER: M10398 COMPONENT MAINT MANUAL REF: 31-51-61	103106	RF
65	64AT22-7		..SWITCH- SUPPLIER CODE: V91929 SPECIFICATION NUMBER: BACS30EM44 OPTIONAL PART: 64AT11-7 V91929 A3-1110-04-1 V81640 A3-1110-04 V81640	107107 504903 950951	1
65	68AT22-7		..SWITCH- SUPPLIER CODE: V91929 SPECIFICATION NUMBER: BACS30ES44 OPTIONAL PART: 68AT11-7 V91929 A3-1114-04-1 V81640 A3-1114-04 V81640	002004 006102 108503 904949 952999	1

MISSING ITEM NUMBERS NOT APPLICABLE

- ITEM NOT ILLUSTRATED

34-46-51-05

34-46-51  
FIG. 05  
PAGE 3  
JAN 20/09

BRI



757

PARTS CATALOG (MAINTENANCE)

FIG ITEM	PART NUMBER	1 2 3 4 5 6 7	NOMENCLATURE	EFFECT FROM TO	UNITS PER ASSY
5 70	68AT22-7		.. SWITCH-TG SUPPLIER CODE: V91929 ELECTRICAL EQUIP NUMBER: S00004	103106	1

MISSING ITEM NUMBERS NOT APPLICABLE

- ITEM NOT ILLUSTRATED

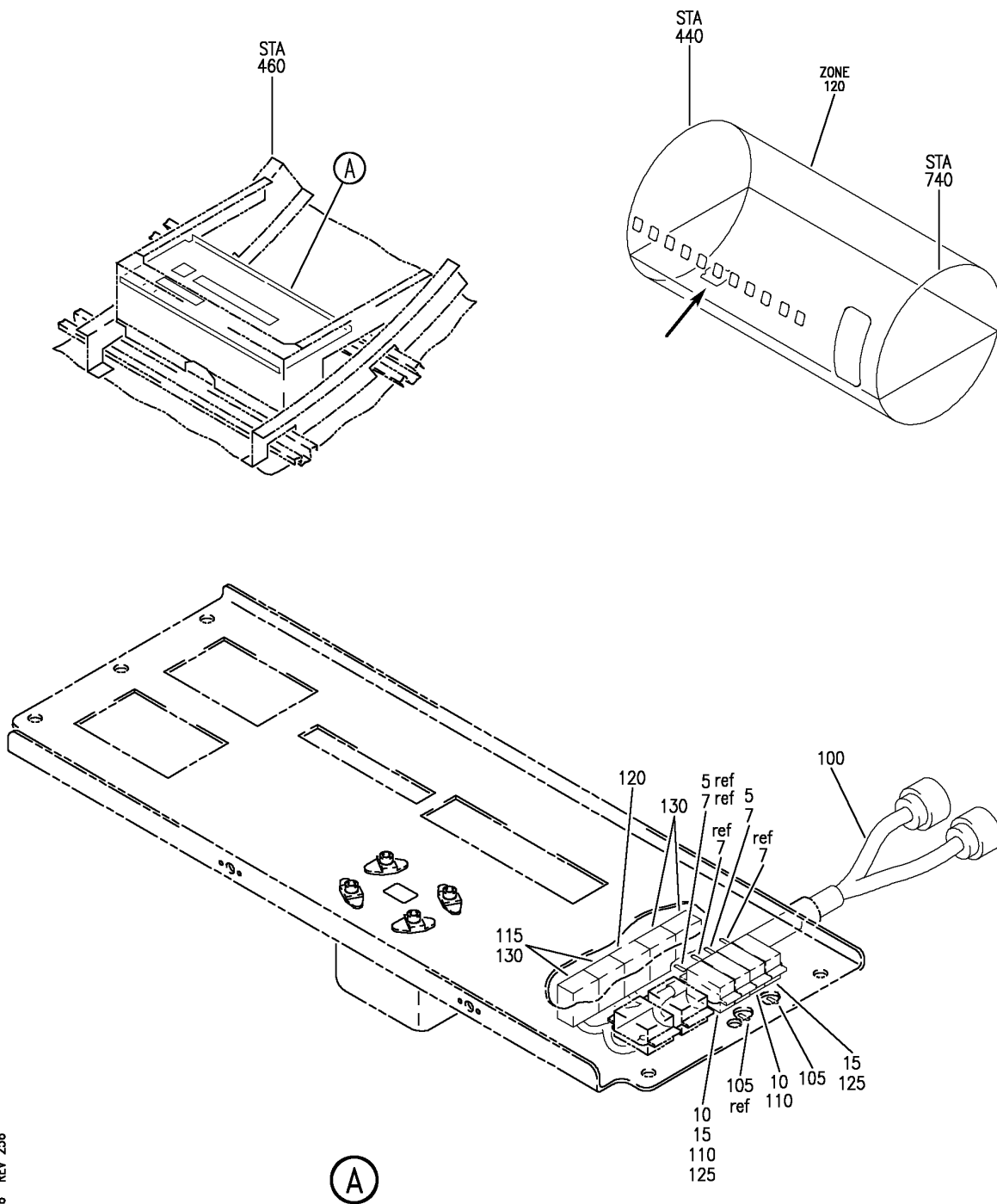
BRI

34-46-51-05

BOEING PROPRIETARY - Copyright © - Unpublished Work - See title page for details.

34-46-51  
FIG. 05  
PAGE 4  
JAN 20/09

**BOEING**  
757  
PARTS CATALOG (MAINTENANCE)



Y 34465106 REV 256

PANEL ASSY-P65 MISC ELECTRONIC EQPT CTR (GROUND PROXIMITY WARNING SYSTEM ONLY)

FIGURE 6

**34-46-51-06**

BRI  
JAN 20/09

34-46-51-06  
PAGE 0





757

PARTS CATALOG (MAINTENANCE)

FIG ITEM	PART NUMBER	1 2 3 4 5 6 7	NOMENCLATURE	EFFECT FROM TO	UNITS PER ASSY
6			PANEL ASSY-P65 MISC ELECTRONIC EQPT CTR (GROUND PROXIMITY WARNING SYSTEM ONLY)	952952	
- 1	284N1747-3		PANEL ASSY-P65 MISC ELECTRONIC EQPT CTR (GROUND PROXIMITY WARNING SYSTEM ONLY) POST SERVICE BULLETIN: 34-0200 REWORKED BY SB: 34-0200 FOR NHA/OTHER SYS DET SEE: 31-01-65-03	952952	RF
5	BAC27TEX6739		.MARKER SHEET-01054 (INCLUDES DECALS IDENTIFIED ON THE ILLUSTRATION)	952952	AR
10	W460F1A		.RELAY- SUPPLIER CODE: VF0219 SPECIFICATION NUMBER: BACR13CE2 OPTIONAL PART: 3SAH5-13-4K1 V01526 3SAH1326A2 V01526 ELECTRICAL EQUIP NUMBER: K10783 K10785 WIRING DIAGRAM REF: 344614	952952	2
100	829N0010-137A		WIRE BUNDLE ASSY- MANUFACTURED FROM: 286N0814-310 POST SERVICE BULLETIN: 34-0200	952952	RF
105	BAC27TEX6739		.MARKER SHEET-BLANK (INCLUDES DECALS IDENTIFIED ON THE ILLUSTRATION)	952952	AR

MISSING ITEM NUMBERS NOT APPLICABLE

- ITEM NOT ILLUSTRATED

34-46-51-06

34-46-51  
FIG. 06  
PAGE 1  
JAN 20/09

BRI



757

PARTS CATALOG (MAINTENANCE)

FIG ITEM	PART NUMBER	1 2 3 4 5 6 7	NOMENCLATURE	EFFECT FROM TO	UNITS PER ASSY
6 110	RSE120027		. SOCKET-TERR WXR SUPPLIER CODE: V58982 SPECIFICATION NUMBER: BACS16AF1 OPTIONAL PART: 451120-027 V58982 ELECTRICAL EQUIP NUMBER: D03521 D03525 WIRING DIAGRAM REF: 344614	952952	2
115	RBTB20-4		. TERMINAL- SUPPLIER CODE: V09922 SPECIFICATION NUMBER: S280W555-104 ELECTRICAL EQUIP NUMBER: TB0187Y WIRING DIAGRAM REF: 344614 OPTIONAL PART: RBTB20-4W V09922	952952	2
115	RBTB20-4W		. TERMINAL- SUPPLIER CODE: V09922 SPECIFICATION NUMBER: S280W555-104 ELECTRICAL EQUIP NUMBER: TB0187Y WIRING DIAGRAM REF: 344614 OPTIONAL PART: RBTB20-4 V09922	952952	2

MISSING ITEM NUMBERS NOT APPLICABLE

- ITEM NOT ILLUSTRATED

34-46-51-06

34-46-51  
FIG. 06  
PAGE 2  
JAN 20/09

BRI



757

PARTS CATALOG (MAINTENANCE)

FIG ITEM	PART NUMBER	1 2 3 4 5 6 7	NOMENCLATURE	EFFECT FROM TO	UNITS PER ASSY
6 120	RBTB20-8W		. TERMINAL- SUPPLIER CODE: V09922 SPECIFICATION NUMBER: S280W555-108 ELECTRICAL EQUIP NUMBER: TB0187Z WIRING DIAGRAM REF: 344614 OPTIONAL PART: MBLOCK20-108 V14283 RBTB20-8 V09922 SK0325-108 V58982	952952	1

MISSING ITEM NUMBERS NOT APPLICABLE

- ITEM NOT ILLUSTRATED

BRI

34-46-51-06

BOEING PROPRIETARY - Copyright © - Unpublished Work - See title page for details.

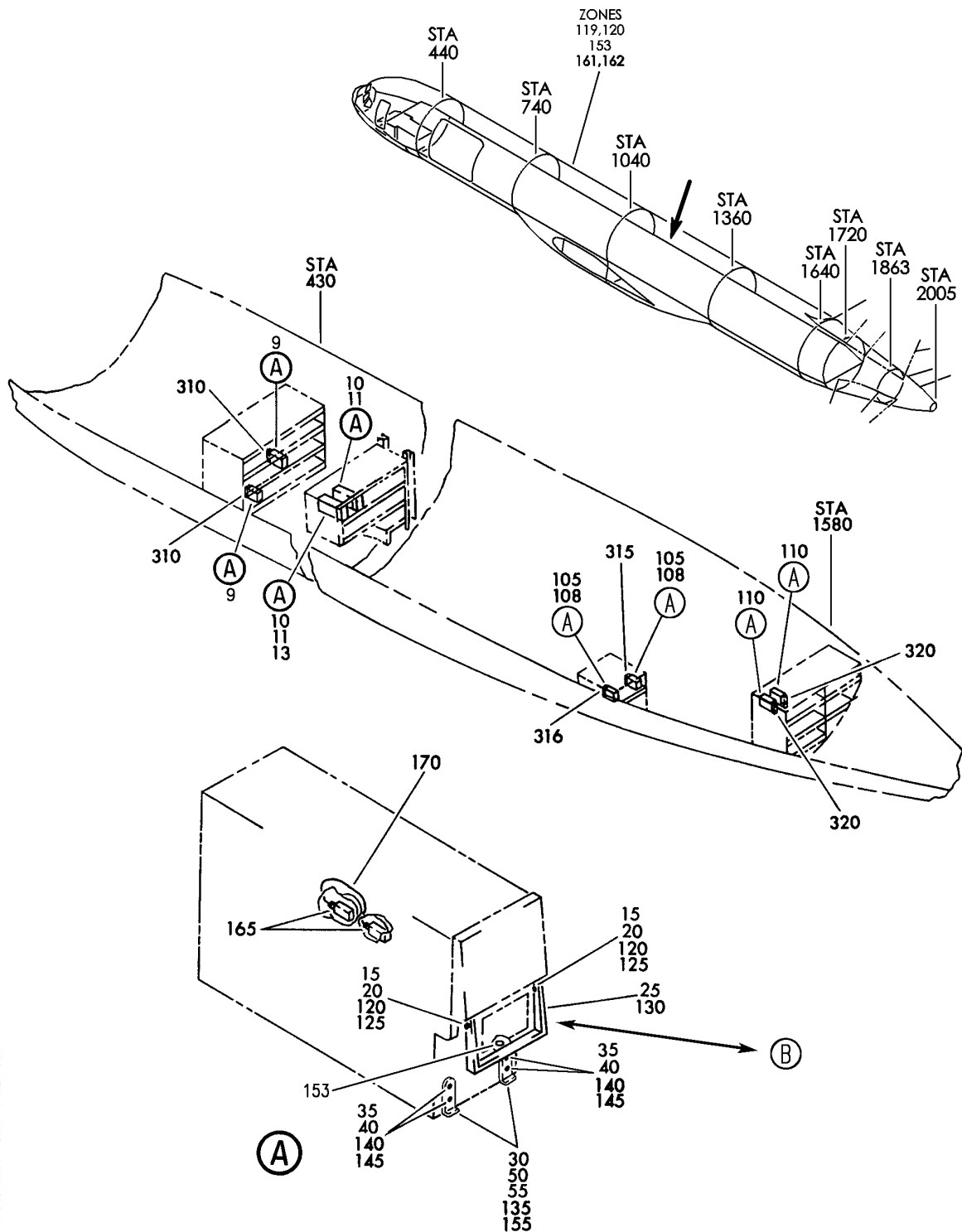
34-46-51  
FIG. 06  
PAGE 3  
JAN 20/09

## VHF OMNIDIRECTIONAL RANGE (VOR) SYSTEM

BRI  
MAY 28/07

34-51-00  
SECTION TITLE  
PAGE 1

**BOEING**  
757  
PARTS CATALOG (MAINTENANCE)



Y 34510101\_SHT 1 REV 331

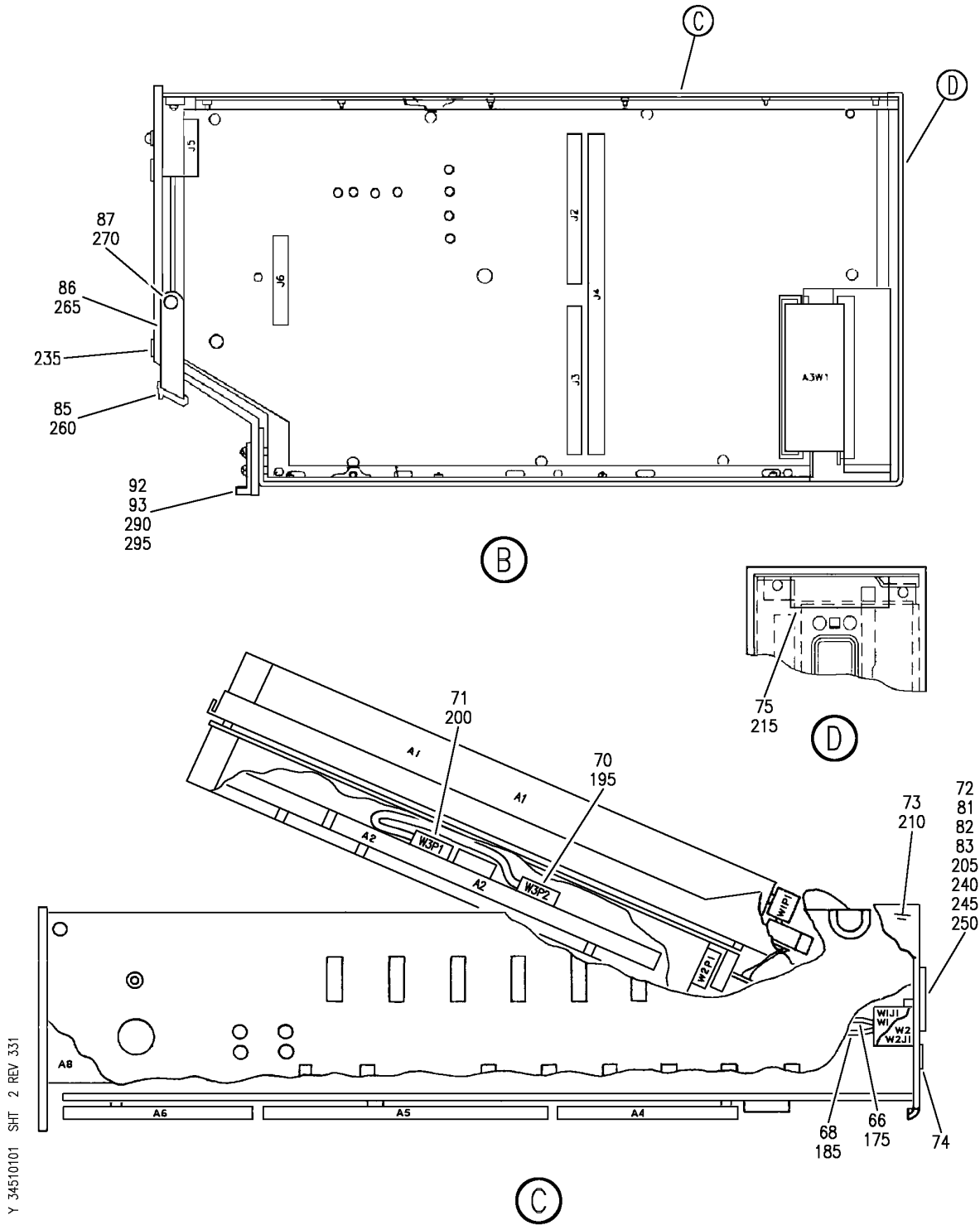
EQUIPMENT INSTL-MAIN ELECTRONICS AND E6 AFT EQPT CTR (VOR SYSTEM ONLY)  
FIGURE 1 (SHEET 1)

**34-51-01-01**

BRI  
JAN 20/09

34-51-01-01  
PAGE 0

**BOEING**  
757  
PARTS CATALOG (MAINTENANCE)



Y 34510101 SH1 2 REV 331

EQUIPMENT INSTL-MAIN ELECTRONICS AND E6 AFT EQPT CTR (VOR SYSTEM ONLY)  
FIGURE 1 (SHEET 2)

**34-51-01-01**

BRI  
JAN 20/09

34-51-01-01  
PAGE 0A



757

PARTS CATALOG (MAINTENANCE)

FIG ITEM	PART NUMBER	1 2 3 4 5 6 7	NOMENCLATURE	EFFECT FROM TO	UNITS PER ASSY
1			EQUIPMENT INSTL-MAIN ELECTRONICS AND E6 AFT EQPT CTR (VOR SYSTEM ONLY)	002004 006100 107107 121999	
- 1	284N1307-33		EQUIPMENT INSTL-MAIN ELECTRONICS EQPT CTR (VOR SYSTEM ONLY) FOR NHA/OTHER SYS DET SEE: 24-00-58-01	107107	RF
- 4	284N1800-32		EQUIPMENT INSTL-MAIN ELECTRONICS EQPT CTR (VOR SYSTEM ONLY) FOR NHA/OTHER SYS DET SEE: 24-00-58-01	952999	RF
- 4	284N1800-34		EQUIPMENT INSTL-MAIN ELECTRONICS EQPT CTR (VOR SYSTEM ONLY) FOR NHA/OTHER SYS DET SEE: 24-00-58-01	002004 006100	RF
- 4	284N1800-38		EQUIPMENT INSTL-MAIN ELECTRONICS EQPT CTR (VOR SYSTEM ONLY) FOR NHA/OTHER SYS DET SEE: 24-00-58-01	950951	RF
- 6	284N1800-16		EQUIPMENT INSTL-MAIN ELECTRONICS EQPT CTR (VOR SYSTEM ONLY) FOR NHA/OTHER SYS DET SEE: 24-00-58-01	121503 904949	RF
- 7	284N1800-88		EQUIPMENT INSTL-MAIN ELECTRONICS EQPT CTR (VOR SYSTEM ONLY) FOR NHA/OTHER SYS DET SEE: 24-00-58-05E	505505	RF
- 8	284N1800-190		EQUIPMENT INSTL-MAIN ELECTRONICS EQPT CTR (VOR SYSTEM ONLY) FOR NHA/OTHER SYS DET SEE: 24-00-58-05E	504504 506903	RF

MISSING ITEM NUMBERS NOT APPLICABLE

- ITEM NOT ILLUSTRATED

34-51-01-01

34-51-01  
FIG. 01  
PAGE 1  
JAN 20/09

BRI

# **BOEING** 757 PARTS CATALOG (MAINTENANCE)

FIG ITEM	PART NUMBER	1 2 3 4 5 6 7	NOMENCLATURE	EFFECT FROM TO	UNITS PER ASSY
1					
10	2041231-3609		.RECEIVER ASSY- SUPPLIER CODE: V97896 SPECIFICATION NUMBER: S220T104-104 MISCELLANEOUS DATA: 2041231-3609 DOES NOT MEET ICAO ANNEX 10 FM IMMUNITY STANDARDS ELECTRICAL EQUIP NUMBER: M00186 M00187 COMPONENT MAINT MANUAL REF: 34-55-31 OPTIONAL PART: 2041231-3608 V27914	107107 121503	2
10	2041231-3608		.RECEIVER ASSY- SUPPLIER CODE: V97896 MISCELLANEOUS DATA: 2041231-3608 DOES NOT MEET ICAO ANNEX 10 FM IMMUNITY STANDARDS ELECTRICAL EQUIP NUMBER: M00186 M00187 COMPONENT MAINT MANUAL REF: 34-55-31 QUALIFIED OPTIONAL DATA: FOR NE311-NE325, P/N 2041231-3618 OR 2041231- 3609 OPTIONAL TO 2041231 -3608 IN SHIPSETS OF QTY 2 ONLY. FOR NE326-NE360, P/N 2041231-3618 OR 2041231- -3609 OR 2041231-3608 OPTIONAL TO 066-50012- 0101 IN SHIPSETS OF QTY 2 ONLY. OPTIONAL PART: 2041231-3609 V27914	002004 006017 904949 953999	2
			MISSING ITEM NUMBERS NOT APPLICABLE		

R  
R  
R  
R  
R  
R  
R  
R  
R  
R  
R  
R  
R  
R  
R  
R  
R  
R  
R  
R  
R  
R

— ITEM NOT ILLUSTRATED

# 34-51-01-01

34-51-01  
FIG. 01  
PAGE 2  
MAY 20/09

BRI





757

PARTS CATALOG (MAINTENANCE)

FIG ITEM	PART NUMBER	1 2 3 4 5 6 7	NOMENCLATURE	EFFECT FROM TO	UNITS PER ASSY
1 10	2041231-3608		.RECEIVER ASSY- SUPPLIER CODE: V97896 MISCELLANEOUS DATA: 2041231-3608 DOES NOT MEET ICAO ANNEX 10 FM IMMUNITY STANDARDS ELECTRICAL EQUIP NUMBER: M00186 M00187 COMPONENT MAINT MANUAL REF: 34-55-31 QUALIFIED I/W DATA: 2041231-3608 IS I/W 2041231-3618 EXCEPT 2041231-3618 PROVIDES FM IMMUNITY PROTECTION 822-0297-001 MEETS ICAD ANNEX 10 FM IMMUNITY REQUIREMENTS. I/W AS A SHIPSET ONLY OPTIONAL PART: 2041231-3609 V27914	121503	2

MISSING ITEM NUMBERS NOT APPLICABLE

- ITEM NOT ILLUSTRATED

BRI

34-51-01-01

BOEING PROPRIETARY - Copyright © - Unpublished Work - See title page for details.

34-51-01  
FIG. 01  
PAGE 3  
JAN 20/09

**BOEING**  
757  
**PARTS CATALOG (MAINTENANCE)**

FIG ITEM	PART NUMBER	1 2 3 4 5 6 7	NOMENCLATURE	EFFECT FROM TO	UNITS PER ASSY
R R	1 10	2041231-3609	<p>.RECEIVER ASSY- SUPPLIER CODE: V97896 SPECIFICATION NUMBER: S220T104-104 MISCELLANEOUS DATA: 2041231-3609 DOES NOT MEET ICAO ANNEX 10 FM IMMUNITY STANDARDS ELECTRICAL EQUIP NUMBER: M00186 M00187 COMPONENT MAINT MANUAL REF: 34-55-31 QUALIFIED OPTIONAL DATA: FOR NE311-NE325, P/N 2041231-3618 OR 2041231- 3609 OPTIONAL TO 2041231 -3608 IN SHIPSETS OF QTY 2 ONLY. FOR NE326-NE360, P/N 2041231-3618 OR 2041231- -3609 OR 2041231-3608 OPTIONAL TO 066-50012- 0101 IN SHIPSETS OF QTY 2 ONLY. OPTIONAL PART: 2041231-3608 V27914</p>	<p>002004 006017 904949</p>	2
	10	822-0297-001	<p>.RECEIVER ASSY- SUPPLIER CODE: V4V792 FUNCTIONAL DESCRIPTION: AIDS NAVIGATION BY PROVIDING POSITION FIXING, COURSE AND BEARING INFORMATION RELATIVE TO GROUND TRANSMITTER STATIONS. ELECTRICAL EQUIP NUMBER: M00186 M00187 COMPONENT MAINT MANUAL REF: 34-55-91 QUALIFIED I/W DATA: 822-0297-001 MEETS ICAD ANNEX 10 FM IMMUNITY REQUIREMENTS. I/W AS A SHIPSET ONLY</p>	<p>950951</p>	2
MISSING ITEM NUMBERS NOT APPLICABLE					

**BOEING**  
757  
**PARTS CATALOG (MAINTENANCE)**

FIG ITEM	PART NUMBER	1 2 3 4 5 6 7	NOMENCLATURE	EFFECT FROM TO	UNITS PER ASSY
1 R	11 822-0726-103		.RECEIVER- SUPPLIER CODE: V4V792 ELECTRICAL EQUIP NUMBER: M00186 M00187 COMPONENT MAINT MANUAL REF: 34-55-70	950952	2
	11 2041231-3617		.RECEIVER- SUPPLIER CODE: V97896 ELECTRICAL EQUIP NUMBER: M00186 M00187 COMPONENT MAINT MANUAL REF: 34-55-31 OPTIONAL PART: 2041231-3618 V27914	018100	2

MISSING ITEM NUMBERS NOT APPLICABLE

— ITEM NOT ILLUSTRATED

# 34-51-01-01

34-51-01  
FIG. 01  
PAGE 5  
MAY 20/09

BRI



757

PARTS CATALOG (MAINTENANCE)

FIG ITEM	PART NUMBER	1 2 3 4 5 6 7	NOMENCLATURE	EFFECT FROM TO	UNITS PER ASSY
1 R	11 066-50012-0101	.	RECEIVER- SUPPLIER CODE: V97896 FUNCTIONAL DESCRIPTION: AIDS NAVIGATION BY PROVIDING POSITION FIXING, COURSE AND BEARING INFORMATION RELATIVE TO GROUND TRANSMITTER STATIONS. ELECTRICAL EQUIP NUMBER: M00186 M00187 COMPONENT MAINT MANUAL REF: 34-55-33 QUALIFIED I/W DATA: 2041231-3608 IS I/W 066-50012-0101 IN SHIPSETS ONLY 2041231-3618 IS I/W 066-50012-0101 IN SHIPSETS ONLY QUALIFIED OPTIONAL DATA: FOR NE311-NE325, P/N 2041231-3618 OR 2041231- 3609 OPTIONAL TO 2041231- -3608 IN SHIPSETS OF QTY 2 ONLY. FOR NE326-NE360, P/N 2041231-3618 OR 2041231- -3609 OR 2041231-3608 OPTIONAL TO 066-50012- 0101 IN SHIPSETS OF QTY 2 ONLY.	018100 504903	2

MISSING ITEM NUMBERS NOT APPLICABLE

- ITEM NOT ILLUSTRATED

# 34-51-01-01

34-51-01  
FIG. 01  
PAGE 6  
MAY 20/09

BRI



757

PARTS CATALOG (MAINTENANCE)

FIG ITEM	PART NUMBER	1 2 3 4 5 6 7	NOMENCLATURE	EFFECT FROM TO	UNITS PER ASSY
1 11	066-50012-0101		.RECEIVER- SUPPLIER CODE: V97896 FUNCTIONAL DESCRIPTION: AIDS NAVIGATION BY PROVIDING POSITION FIXING, COURSE AND BEARING INFORMATION RELATIVE TO GROUND TRANSMITTER STATIONS. ELECTRICAL EQUIP NUMBER: M00186 M00187 COMPONENT MAINT MANUAL REF: 34-55-33 QUALIFIED I/W DATA: 2041231-3608 IS I/W 066-50012-0101 IN SHIPSETS ONLY 2041231-3618 IS I/W 066-50012-0101 IN SHIPSETS ONLY QUALIFIED OPTIONAL DATA: P/N 2041231-3618 OR 2041231-3609 OR 2041231-3608 OPTIONAL TO 066-50012-0101 IN SHIPSETS OF QTY 2 ONLY.	018100 504903	2
	11 2041231-3618		.RECEIVER- SUPPLIER CODE: V97896 ELECTRICAL EQUIP NUMBER: M00186 M00187 COMPONENT MAINT MANUAL REF: 34-55-31 QUALIFIED I/W DATA: 2041231-3618 IS I/W 066-50012-0101 IN SHIPSETS ONLY QUALIFIED OPTIONAL DATA: P/N 2041231-3618 OR 2041231-3609 OR 2041231-3608 OPTIONAL TO 066-50012-0101 IN SHIPSETS OF QTY 2 ONLY.	018100 504903	2

MISSING ITEM NUMBERS NOT APPLICABLE

- ITEM NOT ILLUSTRATED

34-51-01-01

34-51-01  
FIG. 01  
PAGE 7  
MAY 20/09

BRI



757

PARTS CATALOG (MAINTENANCE)

FIG ITEM	PART NUMBER	1 2 3 4 5 6 7	NOMENCLATURE	EFFECT FROM TO	UNITS PER ASSY
R R	1 11	622-5220-103	.RECEIVER- SUPPLIER CODE: V4V792 MISCELLANEOUS DATA: 622-5220-103 DOES NOT MEET ICAO ANNEX 10 FM IMMUNITY STANDARDS ELECTRICAL EQUIP NUMBER: M00186 M00187 COMPONENT MAINT MANUAL REF: 34-55-70	950952	2
	11	2041231-3618	.RECEIVER- SUPPLIER CODE: V97896 MISCELLANEOUS DATA: (2041231-3618 IS I/W 066-50012-0101 IN SHIPSETS ONLY) ELECTRICAL EQUIP NUMBER: M00186 M00187 COMPONENT MAINT MANUAL REF: 34-55-31 QUALIFIED OPTIONAL DATA: FOR NE311-NE325, P/N 2041231-3618 OR 2041231- 3609 OPTIONAL TO 2041231 -3608 IN SHIPSETS OF QTY 2 ONLY. FOR NE326-NE360, P/N 2041231-3618 OR 2041231- -3609 OR 2041231-3608 OPTIONAL TO 066-50012- 0101 IN SHIPSETS OF QTY 2 ONLY. OPTIONAL PART: 2041231-3617 V27914	018100 504903	2
	15	3611334-0001	..SCREW-SPECIAL SUPPLIER CODE: V97896	002004 006100 107107 950951	2
	20	36028-3458	..WASHER-FLAT SUPPLIER CODE: V97896	002004 006100 107107 950951	2

MISSING ITEM NUMBERS NOT APPLICABLE

- ITEM NOT ILLUSTRATED

BRI

34-51-01-01

BOEING PROPRIETARY - Copyright © - Unpublished Work - See title page for details.

34-51-01  
FIG. 01  
PAGE 8  
MAY 20/09



757

PARTS CATALOG (MAINTENANCE)

FIG ITEM	PART NUMBER	1 2 3 4 5 6 7	NOMENCLATURE	EFFECT FROM TO	UNITS PER ASSY
1					
25	2040266-0502	..	HANDLE- SUPPLIER CODE: V97896	002004 006100 107107 950951	1
30	39035-0001	..	H00K- SUPPLIER CODE: V97896	002004 006100 107107 950951	2
			ATTACHING PARTS		
35	MS35216-12	..	SCREW- CONFIG CHG DATA FROM A CMM: REPLD BY MS35216-16 EFF S/N1001 AND ABOVE	002004 006100 107107 950951	4
35	MS35216-16	..	SCREW- CONFIG CHG DATA FROM A CMM: REPLS MS35216-12 EFF S/N1001 AND ABOVE	002004 006100 107107 950951	4
40	MS35338-135	..	WASHER	002004 006100 107107 950951	4
			-----*-----		
- 45	MS51957-30	..	SCREW	952999	4
50	503-4970-001	..	H00K-HOLDOWN SUPPLIER CODE: V4V792	952999	2
55	641-8914-001	..	SHIM-HOLDDOWN SUPPLIER CODE: V4V792	952999	2
66	696-4644-002	..	MARKER-BAND SUPPLIER CODE: V4V792	950952	1
- 67	635-5508-004	..	MARKER-BAND SUPPLIER CODE: V4V792	950952	1
68	646-4644-005	..	MARKER-BAND SUPPLIER CODE: V4V792	950952	1
- 69	646-4644-003	..	MARKER-BAND SUPPLIER CODE: V4V792	950952	1
70	646-4644-001	..	MARKER-BAND SUPPLIER CODE: V4V792	950952	1
71	646-4644-004	..	MARKER-BAND SUPPLIER CODE: V4V792	950952	1

MISSING ITEM NUMBERS NOT APPLICABLE

- ITEM NOT ILLUSTRATED

34-51-01-01

34-51-01  
FIG. 01  
PAGE 9  
JAN 20/09

BRI

 **BOEING**  
757  
**PARTS CATALOG (MAINTENANCE)**

FIG ITEM	PART NUMBER	1 2 3 4 5 6 7	NOMENCLATURE	EFFECT FROM TO	UNITS PER ASSY
1					
72	280-2745-010	..	LABEL-ESDS WARNING SUPPLIER CODE: V12998	950952	1
73	280-2745-130	..	LABEL-ESDS WARNING SUPPLIER CODE: V12998	950952	1
75	838-7013-020	..	LABEL-FCC SUPPLIER CODE: V12998	950952	1
- 76	646-0086-001	..	PLATE-IDENT SUPPLIER CODE: V4V792 SB DATA FROM A CMM: VOR-700-34-5 ATTACHING PARTS	950952	1
- 77	P347-1268-000	..	SCREW- SUPPLIER CODE: V77250 -----*-----	950952	2
- 78	829-0200-007	..	PLATE-MOD SUPPLIER CODE: V4V792	950952	1
81	025-1156-001	..	CAP-PROTECTIVE SUPPLIER CODE: V71468 MISCELLANEOUS DATA: ROCKWELL COLLINS P/N 370-0505-030	950952	1
82	025-1155-001	..	CAP-PROTECTIVE SUPPLIER CODE: V71468 MISCELLANEOUS DATA: ROCKWELL COLLINS P/N 370-0505-040	950952	1
83	211600-1	..	CAP-DUST SUPPLIER CODE: V00779 MISCELLANEOUS DATA: ROCKWELL COLLINS P/N 370-0081-010	950952	1
- 84	651-2408-003	..	HANDLE ASSY- SUPPLIER CODE: V4V792	950952	1
85	768-3386-002	...	BAR-GRIP SUPPLIER CODE: V4V792	950952	1
86	768-3387-020	...	STRAP- SUPPLIER CODE: V4V792	950952	1

MISSING ITEM NUMBERS NOT APPLICABLE

- ITEM NOT ILLUSTRATED

BRI

# 34-51-01-01

34-51-01  
FIG. 01  
PAGE 10  
JAN 20/09





757

PARTS CATALOG (MAINTENANCE)

FIG ITEM	PART NUMBER	1 2 3 4 5 6 7	NOMENCLATURE	EFFECT FROM TO	UNITS PER ASSY
1	87 629-6905-001		.. STOP- SUPPLIER CODE: V4V792 ATTACHING PARTS	950952	1
-	88 651-2411-001		.. SCREW- SUPPLIER CODE: V4V792 CONFIG CHG DATA FROM A CMM: SUPSD BY 652-5421-001	950952	2
-	88 652-5421-001		... SCREW- SUPPLIER CODE: V4V792 CONFIG CHG DATA FROM A CMM: SUPERSEDES 651-2411-001	950952	2
-	89 328-0368-000		.. SCREW- SUPPLIER CODE: VOGT70	950952	2
-	90 768-3178-001		.. WASHER- SUPPLIER CODE: V4V792	950952	4
-	91 M45938-5-4		.. NUT	950952	2
	92 503-4970-001		.. HOOK-HOLDDOWN SUPPLIER CODE: V4V792	950952	2
	93 641-8914-001		.. SHIM-HOLDDOWN SUPPLIER CODE: V4V792 ATTACHING PARTS	950952	2
-	94 MS1957-28		.. SCREW	950952	4
-	100 284N1686-3		EQUIPMENT INSTL-E6 EQPT CTR (VOR SYSTEM ONLY) POSITION DATA: AFT FOR NHA/OTHER SYS DET SEE: 24-00-58-01	121503 904949	RF

MISSING ITEM NUMBERS NOT APPLICABLE

- ITEM NOT ILLUSTRATED

BRI

34-51-01-01

BOEING PROPRIETARY - Copyright © - Unpublished Work - See title page for details.

34-51-01  
FIG. 01  
PAGE 11  
JAN 20/09

 **BOEING**  
757  
**PARTS CATALOG (MAINTENANCE)**

FIG ITEM	PART NUMBER	1 2 3 4 5 6 7	NOMENCLATURE	EFFECT FROM TO	UNITS PER ASSY
R R	110	2041231-3609	.RECEIVER ASSY- SUPPLIER CODE: V97896 SPECIFICATION NUMBER: S220T104-104 MISCELLANEOUS DATA: 2041231-3609 DOES NOT MEET ICAO ANNEX 10 FM IMMUNITY STANDARDS ELECTRICAL EQUIP NUMBER: M00186 M00187 COMPONENT MAINT MANUAL REF: 34-55-31 OPTIONAL PART: 2041231-3608 V27914	121503 904949	2
	110	2041231-3608	.RECEIVER ASSY- SUPPLIER CODE: V97896 MISCELLANEOUS DATA: 2041231-3608 DOES NOT MEET ICAO ANNEX 10 FM IMMUNITY STANDARDS ELECTRICAL EQUIP NUMBER: M00186 M00187 COMPONENT MAINT MANUAL REF: 34-55-31 OPTIONAL PART: 2041231-3609 V27914	121503 904949	2
	120	3611334-0001	..SCREW-SPECIAL SUPPLIER CODE: V97896	121503 904949	2
	125	36028-3458	..WASHER-FLAT SUPPLIER CODE: V97896	121503 904949	2
	130	2040266-0502	..HANDLE- SUPPLIER CODE: V97896	121503 904949	1
	135	39035-0001	..HOOK- SUPPLIER CODE: V97896	121503 904949	2
	140	MS35216-12	..SCREW- ATTACHING PARTS CONFIG CHG DATA FROM A CMM: REPLD BY MS35216-16 EFF S/N1001 AND ABOVE	121503 904949	4
	MISSING ITEM NUMBERS NOT APPLICABLE				

— ITEM NOT ILLUSTRATED

# 34-51-01-01

34-51-01  
FIG. 01  
PAGE 12  
MAY 20/09

BRI



757

PARTS CATALOG (MAINTENANCE)

FIG ITEM	PART NUMBER	1 2 3 4 5 6 7	NOMENCLATURE	EFFECT FROM TO	UNITS PER ASSY
1					
140	MS35216-16	..	SCREW- CONFIG CHG DATA FROM A CMM: REPLS MS35216-12 EFF S/N1001 AND ABOVE	121503 904949	4
145	MS35338-135	..	WASHER	121503 904949	4
- 300	286N1011-002		WIRE BUNDLE ASSY	121503 904949	RF
- 300	286N1423-005		WIRE BUNDLE ASSY-	107107	RF
- 300	286N1423-006		WIRE BUNDLE ASSY-	002004 006100 950951	RF
- 300	286N1423-001		WIRE BUNDLE ASSY	121503 904949	RF
- 304	286N1423-015		WIRE BUNDLE ASSY-	952999	RF
- 305	286N1013-002		WIRE BUNDLE ASSY	121503 904949	RF
320	NIC66F11C0201	.CON	CONNECTOR- SUPPLIER CODE: V00779 SPECIFICATION NUMBER: BACC66F11C0201 ELECTRICAL EQUIP NUMBER: D00231 D00235 WIRING DIAGRAM REF: 345111 345121	121503 904949	1

MISSING ITEM NUMBERS NOT APPLICABLE

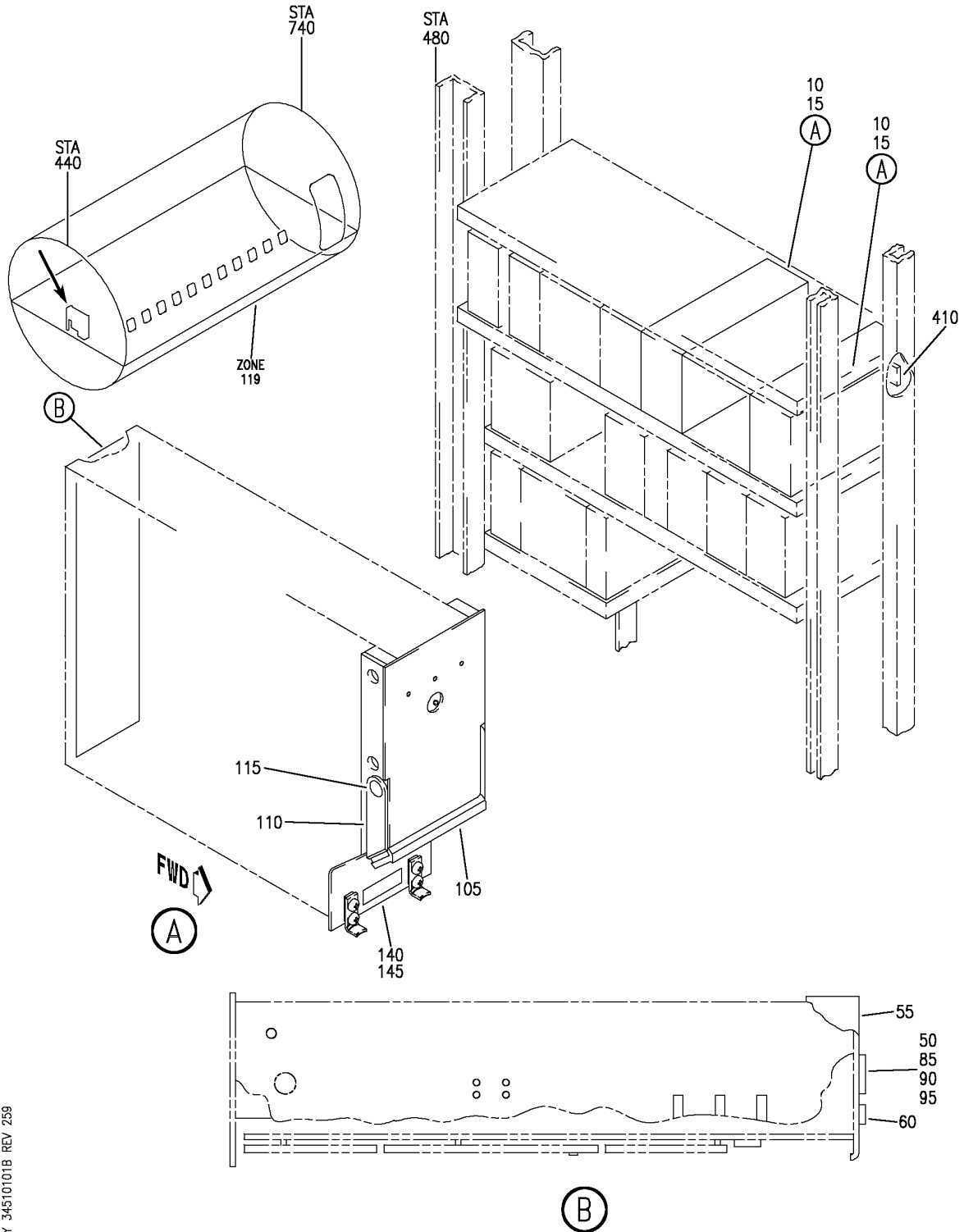
- ITEM NOT ILLUSTRATED

34-51-01-01

34-51-01  
FIG. 01  
PAGE 13  
MAY 20/09

BRI

**BOEING**  
757  
PARTS CATALOG (MAINTENANCE)



Y 34510101B REV 259

EQUIPMENT INSTL-MAIN ELECTRONICS EQPT CTR (VOR SYSTEM ONLY)  
FIGURE 1B

**34-51-01-01B**

BRI  
MAY 28/07

34-51-01-01B  
PAGE 0



757

PARTS CATALOG (MAINTENANCE)

FIG ITEM	PART NUMBER	1 2 3 4 5 6 7	NOMENCLATURE	EFFECT FROM TO	UNITS PER ASSY
1B			EQUIPMENT INSTL-MAIN ELECTRONICS EQPT CTR (VOR SYSTEM ONLY)	101102	
- 3	284N1800-140		EQUIPMENT INSTL-MAIN ELECTRONICS EQPT CTR (VOR SYSTEM ONLY) FOR NHA/OTHER SYS DET SEE: 24-00-58-05E	101101	RF
- 3	284N1800-141		EQUIPMENT INSTL-MAIN ELECTRONICS EQPT CTR (VOR SYSTEM ONLY) FOR NHA/OTHER SYS DET SEE: 24-00-58-05E	102102	RF
R R	10 2041231-3617		.RECEIVER- SUPPLIER CODE: V97896 ELECTRICAL EQUIP NUMBER: M00186 M00187 COMPONENT MAINT MANUAL REF: 34-55-31 OPTIONAL PART: 2041231-3618 V27914	101102	2
	10 2041231-3618		.RECEIVER- SUPPLIER CODE: V97896 ELECTRICAL EQUIP NUMBER: M00186 M00187 COMPONENT MAINT MANUAL REF: 34-55-31 OPTIONAL PART: 2041231-3617 V27914	101102	2
- 70	829-0181-002		..PLATE-IDENT SUPPLIER CODE: V4V792	101102	1
- 300	286N1332-301		WIRE BUNDLE ASSY	101102	RF
- 310	BCREF117749		.CONNECTOR- OVERLENGTH PART NUMBER: BACC66F11C02AB01 ELECTRICAL EQUIP NUMBER: D00235 WIRING DIAGRAM REF: 345111	101102	1
- 400	286N1423-340		WIRE BUNDLE ASSY	101102	RF

MISSING ITEM NUMBERS NOT APPLICABLE

- ITEM NOT ILLUSTRATED

34-51-01-01B

34-51-01  
FIG. 01B  
PAGE 1  
MAY 20/09

BRI



757  
PARTS CATALOG (MAINTENANCE)

FIG ITEM	PART NUMBER	1 2 3 4 5 6 7	NOMENCLATURE	EFFECT FROM TO	UNITS PER ASSY
1B 410	NIC66F11C0201		.CONNECTOR- SUPPLIER CODE: V00779 SPECIFICATION NUMBER: BACC66F11C0201 ELECTRICAL EQUIP NUMBER: D00235 WIRING DIAGRAM REF: 345121	101101	1

MISSING ITEM NUMBERS NOT APPLICABLE

- ITEM NOT ILLUSTRATED

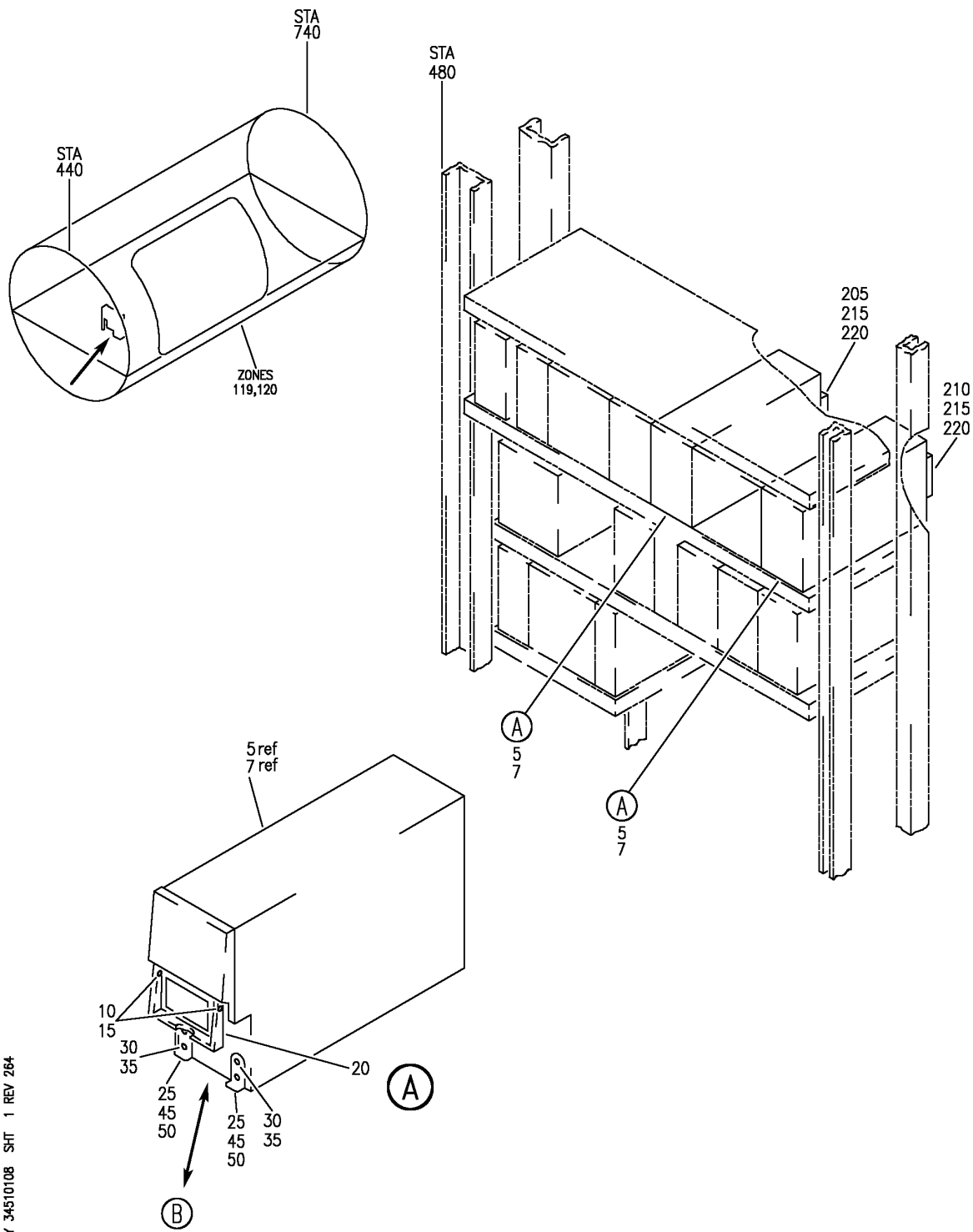
BRI

34-51-01-01B

BOEING PROPRIETARY - Copyright © - Unpublished Work - See title page for details.

34-51-01  
FIG. 01B  
PAGE 2  
MAY 28/07

**BOEING**  
757  
PARTS CATALOG (MAINTENANCE)



Y 34510108 SH1 1 REV 264

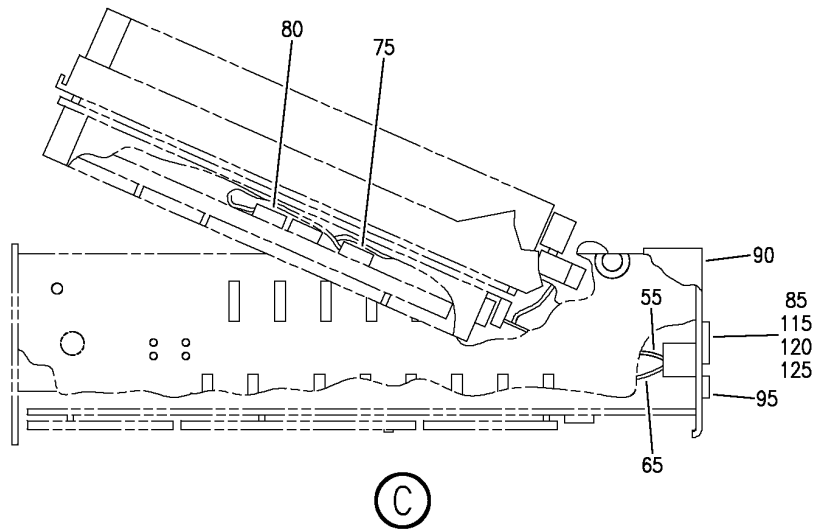
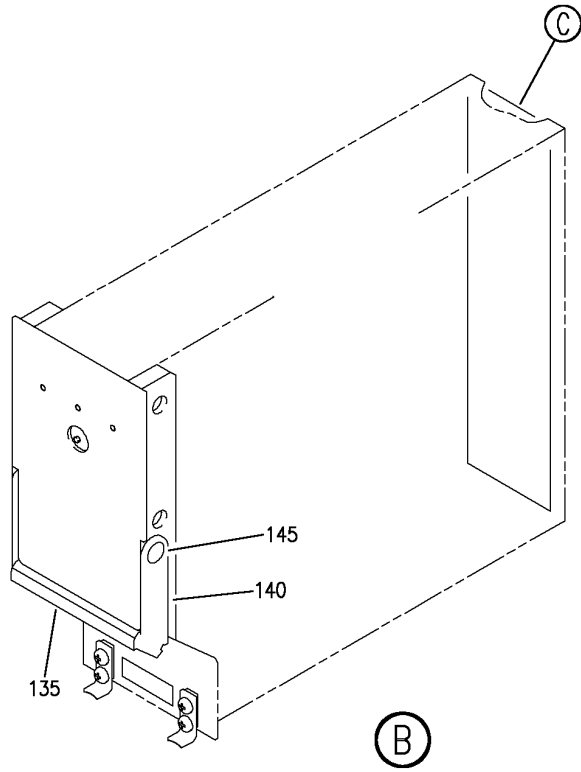
EQUIPMENT INSTL-MAIN ELECTRONICS EQPT CTR VHF OMNIDIRECTIONAL RANGING MARKER  
FIGURE 8 (SHEET 1)

BRI  
JAN 20/09

**34-51-01-08**

34-51-01-08  
PAGE 0

**BOEING**  
757  
PARTS CATALOG (MAINTENANCE)



Y 34510108 SH1 2 REV 259

EQUIPMENT INSTL-MAIN ELECTRONICS EQPT CTR VHF OMNIDIRECTIONAL RANGING MARKER  
FIGURE 8 (SHEET 2)

BRI  
JAN 20/09

**34-51-01-08**

34-51-01-08  
PAGE 0A



**BOEING**  
757  
**PARTS CATALOG (MAINTENANCE)**

FIG ITEM	PART NUMBER	1 2 3 4 5 6 7	NOMENCLATURE	EFFECT FROM TO	UNITS PER ASSY
8			EQUIPMENT INSTL-MAIN ELECTRONICS EQPT CTR VHF OMNIDIRECTIONAL RANGING MARKER	103106 108120	
- 1	284N4000-340042		EQUIPMENT INSTL-MAIN ELECTRONICS EQPT CTR VHF OMNIDIRECTIONAL RANGING MARKER FOR NHA SEE: 24-00-58-05F	108120	RF
- 1	MODREF10242		EQUIPMENT INSTL-MAIN ELECTRONICS EQPT CTR VHF OMNIDIRECTIONAL RANGING MARKER MODULE NUMBER: 284N4000-340007 REV A	103106	1
5	822-0726-103		.RECEIVER- SUPPLIER CODE: V4V792 ELECTRICAL EQUIP NUMBER: M00186 M00187 COMPONENT MAINT MANUAL REF: 34-55-70 POST RAPID REVISION: RR92057-3A-A	108120	2
5	622-5220-103		.RECEIVER- SUPPLIER CODE: V4V792 MISCELLANEOUS DATA: 622-5220-103 DOES NOT MEET ICAO ANNEX 10 FM IMMUNITY STANDARDS ELECTRICAL EQUIP NUMBER: M00186 M00187 COMPONENT MAINT MANUAL REF: 34-55-70	108120	2
5	822-0726-103		.RECEIVER- SUPPLIER CODE: V4V792 ELECTRICAL EQUIP NUMBER: M00186 M00187 COMPONENT MAINT MANUAL REF: 34-55-70	103106	2

R  
R  
R  
R  
R  
R  
R  
R  
R  
R  
R  
R  
R  
R  
R  
R  
R  
R  
R  
R  
R  
R

MISSING ITEM NUMBERS NOT APPLICABLE

- ITEM NOT ILLUSTRATED

BRI

34-51-01-08

34-51-01  
FIG. 08  
PAGE 1  
MAY 20/09



757

PARTS CATALOG (MAINTENANCE)

FIG ITEM	PART NUMBER	1 2 3 4 5 6 7	NOMENCLATURE	EFFECT FROM TO	UNITS PER ASSY
8					
5	622-5220-103		.RECEIVER- SUPPLIER CODE: V4V792 MISCELLANEOUS DATA: 622-5220-103 DOES NOT MEET ICAO ANNEX 10 FM IMMUNITY STANDARDS ELECTRICAL EQUIP NUMBER: M00186 M00187 COMPONENT MAINT MANUAL REF: 34-55-70	103106	2
R					
R					
R					
R					
R					
R					
R					
R					
R					
R					
R					
R					
R					
7	822-0297-001		.RECEIVER ASSY- SUPPLIER CODE: V4V792 FUNCTIONAL DESCRIPTION: AIDS NAVIGATION BY PROVIDING POSITION FIXING, COURSE AND BEARING INFORMATION RELATIVE TO GROUND TRANSMITTER STATIONS. ELECTRICAL EQUIP NUMBER: M00186 M00187 COMPONENT MAINT MANUAL REF: 34-55-91	108120	2
7	822-0297-001		.RECEIVER ASSY- SUPPLIER CODE: V4V792 FUNCTIONAL DESCRIPTION: AIDS NAVIGATION BY PROVIDING POSITION FIXING, COURSE AND BEARING INFORMATION RELATIVE TO GROUND TRANSMITTER STATIONS. ELECTRICAL EQUIP NUMBER: M00186 M00187 COMPONENT MAINT MANUAL REF: 34-55-91	103106	2
-	40 MS51957-30		..SCREW	108120	4
	45 503-4970-001		..HOOK-HOLDDOWN SUPPLIER CODE: V4V792	108120	2
	50 641-8914-001		..SHIM-HOLDDOWN SUPPLIER CODE: V4V792	108120	2

MISSING ITEM NUMBERS NOT APPLICABLE

- ITEM NOT ILLUSTRATED

BRI

34-51-01-08

34-51-01  
FIG. 08  
PAGE 2  
MAY 20/09

 **BOEING**  
757  
**PARTS CATALOG (MAINTENANCE)**

FIG ITEM	PART NUMBER	1 2 3 4 5 6 7	NOMENCLATURE	EFFECT FROM TO	UNITS PER ASSY
8	55 696-4644-002		.. MARKER-BAND SUPPLIER CODE: V4V792	108120	1
- 60	635-5508-004		.. MARKER-BAND SUPPLIER CODE: V4V792	108120	1
65	646-4644-005		.. MARKER-BAND SUPPLIER CODE: V4V792	108120	1
- 70	646-4644-003		.. MARKER-BAND SUPPLIER CODE: V4V792	108120	1
75	646-4644-001		.. MARKER-BAND SUPPLIER CODE: V4V792	108120	1
80	646-4644-004		.. MARKER-BAND SUPPLIER CODE: V4V792	108120	1
85	280-2745-010		.. LABEL-ESDS WARNING SUPPLIER CODE: V12998	108120	1
90	280-2745-130		.. LABEL-ESDS WARNING SUPPLIER CODE: V12998	108120	1
95	838-7013-020		.. LABEL-FCC SUPPLIER CODE: V12998	108120	1
- 100	829-0200-007		.. PLATE-MOD SUPPLIER CODE: V4V792	108120	1
- 105	646-0086-001		.. PLATE-IDENT SUPPLIER CODE: V4V792 SB DATA FROM A CMM: VOR-700-34-5	108120	1
- 105	829-0181-002		.. PLATE-IDENT SUPPLIER CODE: V4V792	108120	1
- 110	P347-1268-000		ATTACHING PARTS .. SCREW- SUPPLIER CODE: V77250 -----*-----	108120	2
115	025-1156-001		.. CAP-PROTECTIVE SUPPLIER CODE: V71468 MISCELLANEOUS DATA: ROCKWELL COLLINS P/N 370-0505-030	108120	1

MISSING ITEM NUMBERS NOT APPLICABLE

- ITEM NOT ILLUSTRATED

BRI

# 34-51-01-08

BOEING PROPRIETARY - Copyright © - Unpublished Work - See title page for details.

34-51-01  
FIG. 08  
PAGE 3  
MAY 20/09

 **BOEING**  
757  
**PARTS CATALOG (MAINTENANCE)**

FIG ITEM	PART NUMBER	1 2 3 4 5 6 7	NOMENCLATURE	EFFECT FROM TO	UNITS PER ASSY
8					
120	025-1155-001	..	CAP-PROTECTIVE SUPPLIER CODE: V71468 MISCELLANEOUS DATA: ROCKWELL COLLINS P/N 370-0505-040	108120	1
125	211600-1	..	CAP-DUST SUPPLIER CODE: V00779 MISCELLANEOUS DATA: ROCKWELL COLLINS P/N 370-0081-010	108120	1
- 130	651-2408-003	..	HANDLE ASSY- SUPPLIER CODE: V4V792	108120	1
135	768-3386-002	...	BAR-GRIP SUPPLIER CODE: V4V792	108120	1
140	768-3387-020	...	STRAP- SUPPLIER CODE: V4V792	108120	1
145	629-6905-001	..	STOP- SUPPLIER CODE: V4V792 ATTACHING PARTS	108120	1
- 150	651-2411-001	..	SCREW- SUPPLIER CODE: V4V792 CONFIG CHG DATA FROM A CMM: SUPSD BY 652-5421-001	108120	2
- 150	652-5421-001	...	SCREW- SUPPLIER CODE: V4V792 CONFIG CHG DATA FROM A CMM: SUPERSEDES 651-2411-001	108120	2
- 155	328-0368-000	..	SCREW- SUPPLIER CODE: VOGT70	108120	2
- 160	768-3178-001	..	WASHER- SUPPLIER CODE: V4V792	108120	4
- 165	M45938-5-4	..	NUT -----*-----	108120	2
- 201	286N1423-383		WIRE BUNDLE ASSY-	108108	RF
- 202	286N1423-369		WIRE BUNDLE ASSY-	109120	RF
- 202	286N1423-601		WIRE BUNDLE ASSY	103106	RF

MISSING ITEM NUMBERS NOT APPLICABLE

- ITEM NOT ILLUSTRATED

BRI

# 34-51-01-08

34-51-01  
FIG. 08  
PAGE 4  
MAY 20/09



757

PARTS CATALOG (MAINTENANCE)

FIG ITEM	PART NUMBER	1 2 3 4 5 6 7	NOMENCLATURE	EFFECT FROM TO	UNITS PER ASSY
8	205	BCREF117749	.CONNECTOR- OVERLENGTH PART NUMBER: BACC66F11C02AB01 ELECTRICAL EQUIP NUMBER: D00231 WIRING DIAGRAM REF: 345111	108120	1
	210	NIC66F11C0201	.CONNECTOR- SUPPLIER CODE: V00779 SPECIFICATION NUMBER: BACC66F11C0201 ELECTRICAL EQUIP NUMBER: D00235 WIRING DIAGRAM REF: 345121	108120	1
	215	BCREF47914	.CONNECTOR- OVERLENGTH PART NUMBER: BACC66F11C02AE01 ELECTRICAL EQUIP NUMBER: D00231 D00235 WIRING DIAGRAM REF: 345111 345121	103106	2
	220	RBGP48-116N	.BLOCK- SUPPLIER CODE: V09922 SPECIFICATION NUMBER: S280W601-116 ELECTRICAL EQUIP NUMBER: D00231T D00235T WIRING DIAGRAM REF: 345111 345121	103106	2

MISSING ITEM NUMBERS NOT APPLICABLE

- ITEM NOT ILLUSTRATED

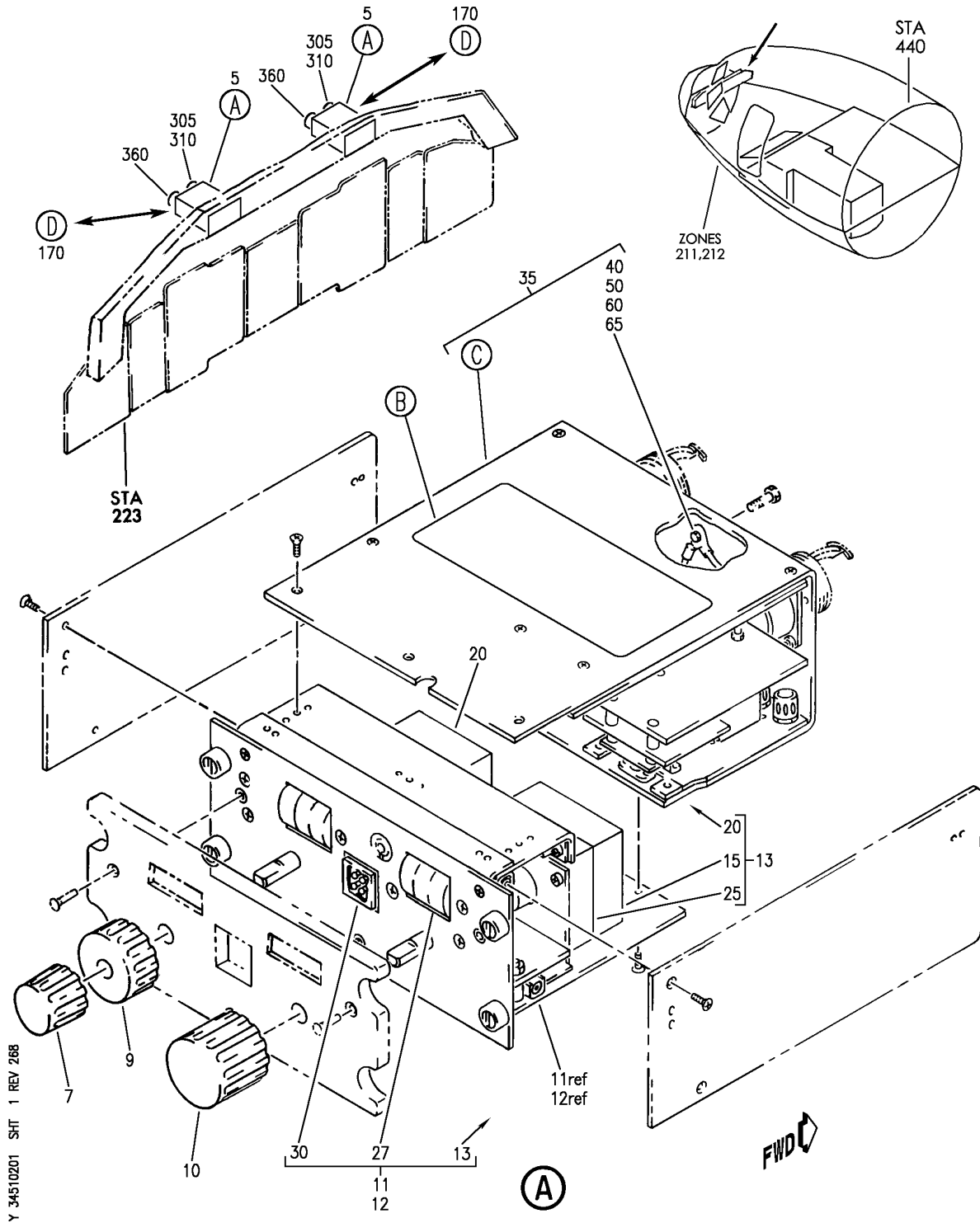
BRI

34-51-01-08

BOEING PROPRIETARY - Copyright © - Unpublished Work - See title page for details.

34-51-01  
FIG. 08  
PAGE 5  
MAY 20/09

**BOEING**  
757  
PARTS CATALOG (MAINTENANCE)



Y 34510201 SHT 1 REV 268

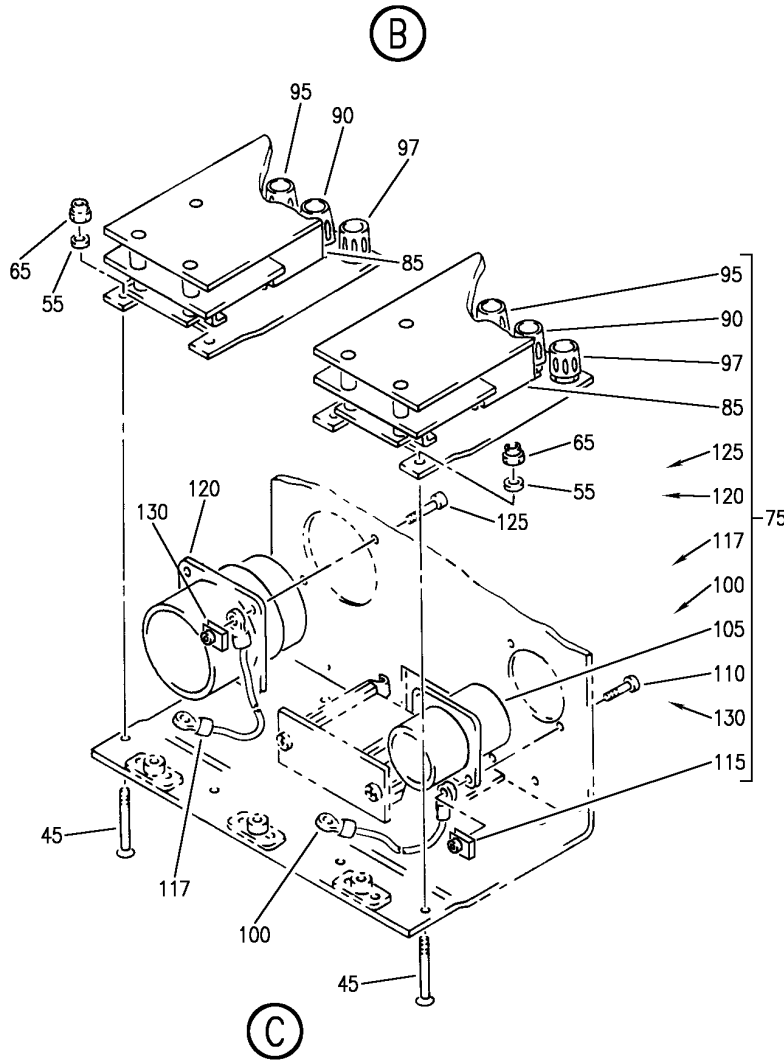
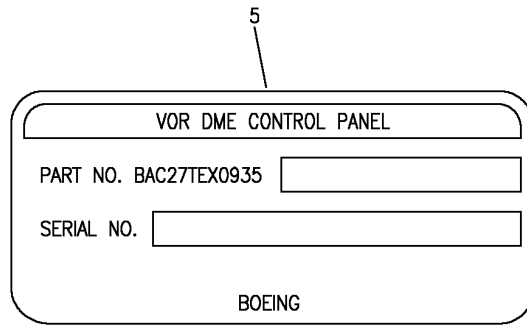
PANEL INSTL-CAPT AND FIRST OFFICER FWD (VOR SYSTEM ONLY)  
FIGURE 1 (SHEET 1)

**34-51-02-01**

BRI  
MAY 28/07

34-51-02-01  
PAGE 0

**BOEING**  
757  
**PARTS CATALOG (MAINTENANCE)**



Y 34-510201 SH1 2 REV 2688

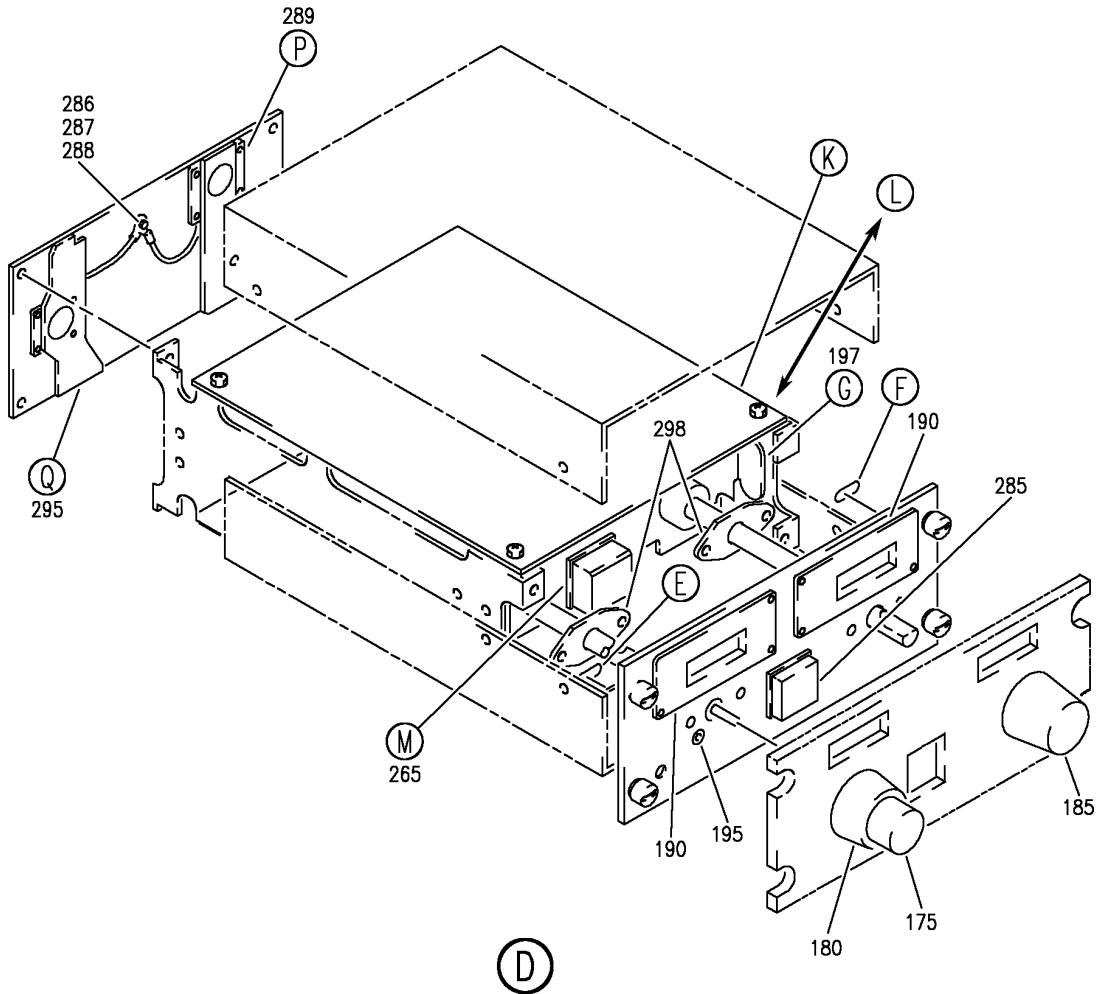
PANEL INSTL-CAPT AND FIRST OFFICER FWD (VOR SYSTEM ONLY)  
FIGURE 1 (SHEET 2)

**34-51-02-01**

BRI  
MAY 28/07

34-51-02-01  
PAGE 0A

**BOEING**  
757  
PARTS CATALOG (MAINTENANCE)



Y 34-51-02-01 SH1 3 REV 268

173  
DS1

E

173  
DS2

F

PANEL INSTL-CAPT AND FIRST OFFICER FWD (VOR SYSTEM ONLY)  
FIGURE 1 (SHEET 3)

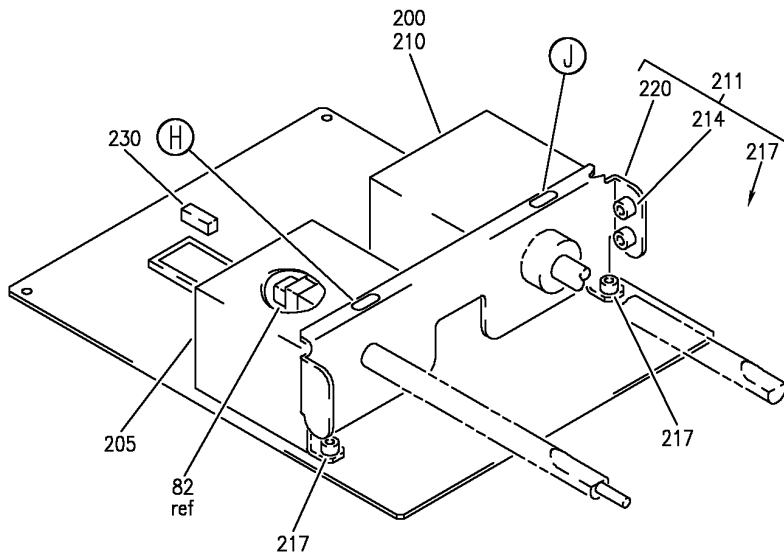
**34-51-02-01**

BRI  
MAY 28/07

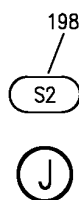
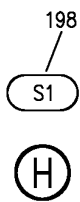
34-51-02-01  
PAGE 08



**BOEING**  
757  
PARTS CATALOG (MAINTENANCE)



(G)



Y 34-51-02-01 SH1 4 REV 268

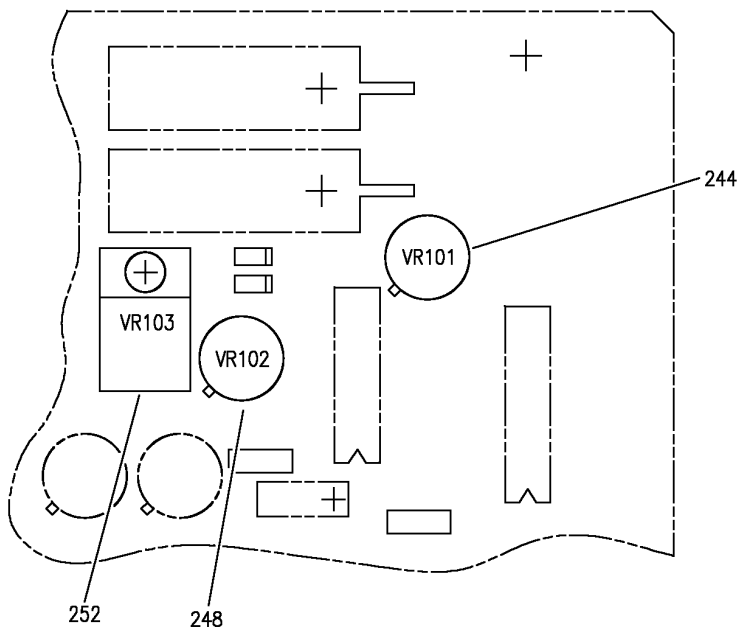
PANEL INSTL-CAPT AND FIRST OFFICER FWD (VOR SYSTEM ONLY)  
FIGURE 1 (SHEET 4)

**34-51-02-01**

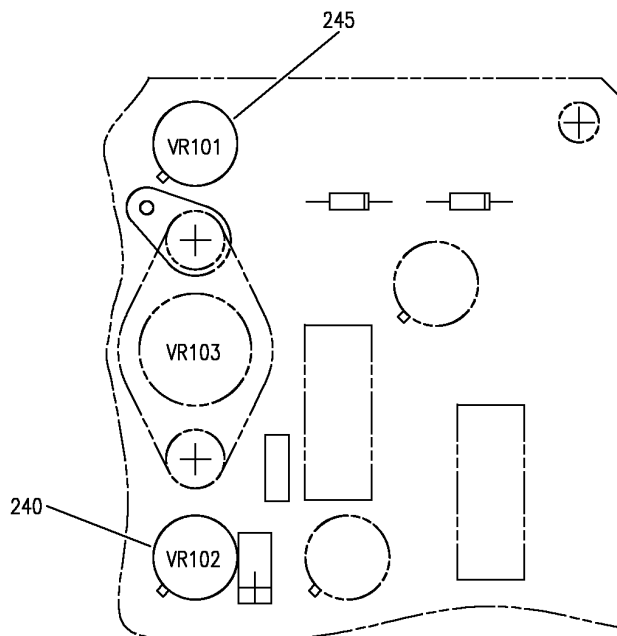
BRI  
MAY 28/07

34-51-02-01  
PAGE 0C

**BOEING**  
757  
PARTS CATALOG (MAINTENANCE)



(K)



(L)

Y 34-51-02-01 SH-5 REV 268

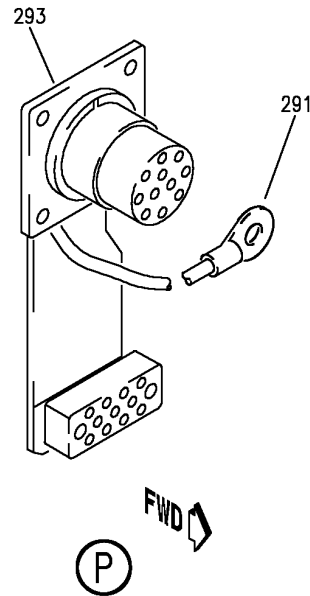
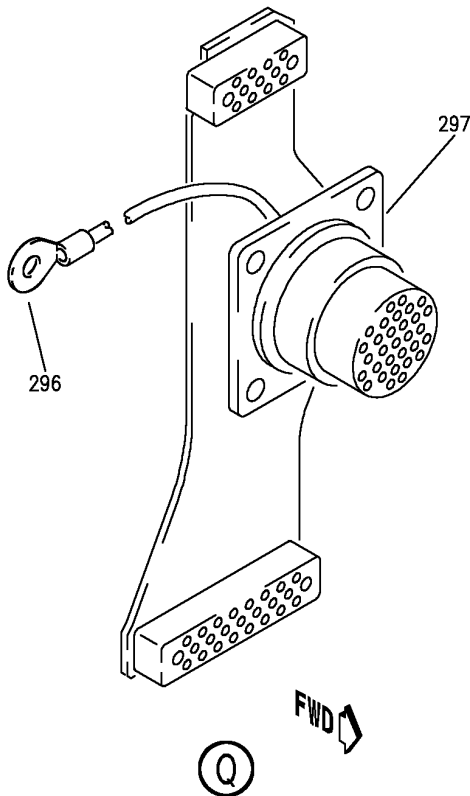
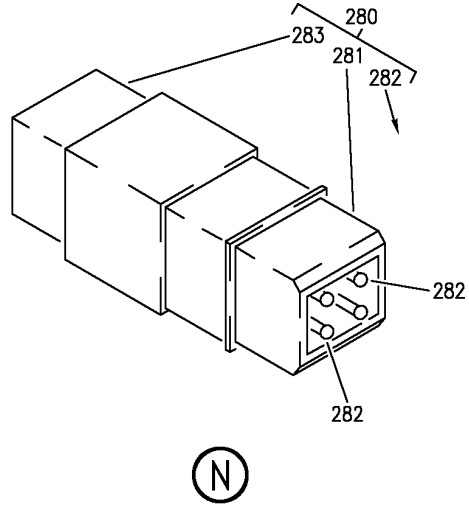
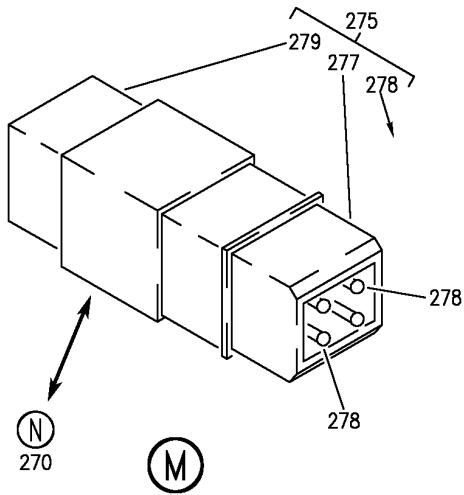
PANEL INSTL-CAPT AND FIRST OFFICER FWD (VOR SYSTEM ONLY)  
FIGURE 1 (SHEET 5)

**34-51-02-01**

BRI  
MAY 28/07

34-51-02-01  
PAGE 00

**BOEING**  
757  
**PARTS CATALOG (MAINTENANCE)**



Y 34-510201 SH1 6 REV 268

PANEL INSTL-CAPT AND FIRST OFFICER FWD (VOR SYSTEM ONLY)  
FIGURE 1 (SHEET 6)

**34-51-02-01**

BRI  
MAY 28/07

34-51-02-01  
PAGE 0E



757

PARTS CATALOG (MAINTENANCE)

FIG ITEM	PART NUMBER	1 2 3 4 5 6 7	NOMENCLATURE	EFFECT FROM TO	UNITS PER ASSY
1			PANEL INSTL-CAPT AND FIRST OFFICER FWD (VOR SYSTEM ONLY)	002004 006100 107107 121503 904999	
- 1	233N2101-1		PANEL INSTL-CAPT AND FIRST OFFICER (VOR SYSTEM ONLY) POSITION DATA: FWD VARIABLE DRAWING REF: 233N2101-5003 233N2101-5004 233N2101-5037 233N2101-5039 233N2101-5041 FOR NHA/OTHER SYS DET SEE: 25-10-00-05A	002004 006100 107107 121503 904999	RF
5	285T0021-16		.PANEL ASSY-CONT SUPPLIER CODE: V89954 ELECTRICAL EQUIP NUMBER: M00091 M00092 COMPONENT MAINT MANUAL REF: 34-51-51	002004 006100 107107 121503 904999	RF
6	BAC27TEX0935		..MARKER-ALUMINUM FOIL SUPPLIER CODE: V89954	002004 006100 107107 121503 904999	1
7	RD240-117		..KNOB- SUPPLIER CODE: V81590	002004 006100 107107 121503 904999	1
9	RC445-115		..KNOB- SUPPLIER CODE: V81590	002004 006100 107107 121503 904999	1
10	RD242-105		..KNOB- SUPPLIER CODE: V81590	002004 006100 107107 121503 904999	1

MISSING ITEM NUMBERS NOT APPLICABLE

- ITEM NOT ILLUSTRATED

BRI

34-51-02-01

34-51-02  
FIG. 01  
PAGE 1  
JAN 20/09



757

PARTS CATALOG (MAINTENANCE)

FIG ITEM	PART NUMBER	1 2 3 4 5 6 7	NOMENCLATURE	EFFECT FROM TO	UNITS PER ASSY
1					
11	285T0116-19	..	MODULE ASSY-FRONT SUPPLIER CODE: V89954 OPTIONAL PART: 285T0116-23 V89954	002004 006100 107107 121503 904999	1
11	285T0116-23	..	MODULE ASSY-FRONT SUPPLIER CODE: V89954 OPTIONAL PART: 285T0116-19 V89954	002004 006100 107107 121503 904999	1
12	285T0116-17	...	CIRCUIT ASSY- SUPPLIER CODE: V89954 USED ON: 285T0116-19	002004 006100 107107 121503 904999	1
12	285T0116-24	...	CIRCUIT ASSY- SUPPLIER CODE: V89954 USED ON: 285T0116-23	002004 006100 107107 121503 904999	1
13	285T0087-19	....	SWITCH ASSY- SUPPLIER CODE: V89954 OPTIONAL PART: 285T0087-24 V89954	002004 006100 107107 121503 904999	1
13	285T0087-24	....	SWITCH ASSY- SUPPLIER CODE: V89954 OPTIONAL PART: 285T0087-19 V89954	002004 006100 107107 121503 904999	1
15	3-436208-2	.....	SWITCH- SUPPLIER CODE: V00779 OPTIONAL PART: 3-436208-3 V00779	002004 006100 107107 121503 904999	1
15	3-436208-3	.....	SWITCH- SUPPLIER CODE: V00779 OPTIONAL PART: 3-436208-2 V00779	002004 006100 107107 121503 904999	1

MISSING ITEM NUMBERS NOT APPLICABLE

- ITEM NOT ILLUSTRATED

34-51-02-01

34-51-02  
FIG. 01  
PAGE 2  
JAN 20/09

BRI

BOEING PROPRIETARY - Copyright © - Unpublished Work - See title page for details.

**BOEING**  
757  
**PARTS CATALOG (MAINTENANCE)**

FIG ITEM	PART NUMBER	1 2 3 4 5 6 7	NOMENCLATURE	EFFECT FROM TO	UNITS PER ASSY
1					
20	3-436210-2	.....	SWITCH- SUPPLIER CODE: V00779 USED ON: 285T0087-19	002004 006100 107107 121503 904999	1
20	4-436210-2	.....	SWITCH- SUPPLIER CODE: V00779 USED ON: 285T0087-24	002004 006100 107107 121503 904999	1
20	4-436210-2	.....	SWITCH- SUPPLIER CODE: V00779 USED ON: 285T0087-19	002004 006100 107107 121503 904999	1
20	447613-1	.....	SWITCH- SUPPLIER CODE: V00779 USED ON: 285T0087-19	002004 006100 107107 121503 904999	1
20	3-436210-2	.....	SWITCH- SUPPLIER CODE: V00779 OPTIONAL PART: 4-436210-2 V00779 USED ON: 285T0087-24	002004 006100 107107 121503 904999	1
20	447613-1	.....	SWITCH- SUPPLIER CODE: V00779 USED ON: 285T0087-24	002004 006100 107107 121503 904999	1
25	774000-006	.....	GEAR ASSY- SUPPLIER CODE: V79142	002004 006100 107107 121503 904999	1
27	285T0444-23	.....	DISPLAY ASSY- SUPPLIER CODE: V89954 QUALIFIED OPTIONAL DATA: 285T0087-23 AND -24 TOGETHER ARE OPTIONAL TO 285T0444-30 AND -32 TOGETHER. USED ON: 285T0116-24	002004 006100 107107 121503 904999	1

MISSING ITEM NUMBERS NOT APPLICABLE

— ITEM NOT ILLUSTRATED

BRI

# 34-51-02-01

BOEING PROPRIETARY - Copyright © - Unpublished Work - See title page for details.

34-51-02  
FIG. 01  
PAGE 3  
JAN 20/09

**BOEING**  
757  
**PARTS CATALOG (MAINTENANCE)**

FIG ITEM	PART NUMBER	1 2 3 4 5 6 7	NOMENCLATURE	EFFECT FROM TO	UNITS PER ASSY
1					
27	285T0444-24	.....	DISPLAY ASSY- SUPPLIER CODE: V89954 QUALIFIED OPTIONAL DATA: 285T0087-23 AND -24 TOGETHER ARE OPTIONAL TO 285T0444-30 AND -32 TOGETHER. USED ON: 285T0116-24	002004 006100 107107 121503 904999	1
27	285T0444-30	.....	DISPLAY ASSY- SUPPLIER CODE: V89954 QUALIFIED OPTIONAL DATA: 285T0087-23 AND -24 TOGETHER ARE OPTIONAL TO 285T0444-30 AND -32 TOGETHER. USED ON: 285T0116-24	002004 006100 107107 121503 904999	1
27	285T0444-32	.....	DISPLAY ASSY- SUPPLIER CODE: V89954 QUALIFIED OPTIONAL DATA: 285T0087-23 AND -24 TOGETHER ARE OPTIONAL TO 285T0444-30 AND -32 TOGETHER. USED ON: 285T0116-24	002004 006100 107107 121503 904999	1
27	285T0444-13	.....	DISPLAY ASSY- SUPPLIER CODE: V89954 USED ON: 285T0116-17	002004 006100 107107 121503 904999	1
27	285T0444-14	.....	DISPLAY ASSY- SUPPLIER CODE: V89954 USED ON: 285T0116-17	002004 006100 107107 121503 904999	1
- 28	NAS514P440-4P	.....	ATTACHING PARTS SCREW	002004 006100 107107 121503 904999	6
-----*-----					
MISSING ITEM NUMBERS NOT APPLICABLE					

- ITEM NOT ILLUSTRATED

BRI

# 34-51-02-01

BOEING PROPRIETARY - Copyright © - Unpublished Work - See title page for details.

34-51-02  
FIG. 01  
PAGE 4  
JAN 20/09



757

PARTS CATALOG (MAINTENANCE)

FIG ITEM	PART NUMBER	1 2 3 4 5 6 7	NOMENCLATURE	EFFECT FROM TO	UNITS PER ASSY
1	30	BCREF5428	....SWITCH ASSY-FRONT VOR MODULE SUPPLIER CODE: V81590 OVERLENGTH PART NUMBER: 311-711-1016-010	002004 006100 107107 121503 904999	1
	35	285T0117-16	..MODULE ASSY-REAR SUPPLIER CODE: V89954	002004 006100 107107 121503 904999	1
	40	NAS1801-04-6	...SCREW	002004 006100 107107 121503 904999	1
	45	NAS514P440-4P	...SCREW	002004 006100 107107 121503 904999	4
	50	NAS620-4L	...WASHER	002004 006100 107107 121503 904999	1
	55	AN960PD4L	...WASHER	002004 006100 107107 121503 904999	4
	60	MS35649-242	...NUT	002004 006100 107107 121503 904999	1
	65	92-1660-40	...NUT SUPPLIER CODE: V72962 SPECIFICATION NUMBER: BACN10DN40 OPTIONAL PART: 92-1660-440 V15653	002004 006100 107107 121503 904999	5
75	285T0117-18	...MODULE ASSY-ELECT. SUPPLIER CODE: V89954	002004 006100 107107 121503 904999	1	

MISSING ITEM NUMBERS NOT APPLICABLE

- ITEM NOT ILLUSTRATED

BRI

34-51-02-01

34-51-02  
FIG. 01  
PAGE 5  
JAN 20/09





757

PARTS CATALOG (MAINTENANCE)

FIG ITEM	PART NUMBER	1 2 3 4 5 6 7	NOMENCLATURE	EFFECT FROM TO	UNITS PER ASSY
1 - 80	285T0433-11	.....	POWER SUPPLY ASSY-CONT PWR SUPPLIER CODE: V89954 COMPONENT MAINT MANUAL REF: 34-09-53 OPTIONAL PART: 285T0433-13 V89954 285T0542-1 V89954 285T0542-2 V89954	002004 006100 107107 121503 904999	2
- 80	285T0433-13	.....	POWER SUPPLY ASSY-CONT PWR SUPPLIER CODE: V89954 COMPONENT MAINT MANUAL REF: 34-09-53 OPTIONAL PART: 285T0433-11 V89954 285T0542-1 V89954 285T0542-2 V89954	002004 006100 107107 121503 904999	2
- 80	285T0542-1	.....	POWER SUPPLY ASSY-CONT PWR SUPPLIER CODE: V89954 COMPONENT MAINT MANUAL REF: 34-09-52 OPTIONAL PART: 285T0433-11 V89954 285T0433-13 V89954 285T0542-2 V89954	002004 006100 107107 121503 904999	2

MISSING ITEM NUMBERS NOT APPLICABLE

- ITEM NOT ILLUSTRATED

34-51-02-01

34-51-02  
FIG. 01  
PAGE 6  
JAN 20/09

BRI



757

PARTS CATALOG (MAINTENANCE)

FIG ITEM	PART NUMBER	1 2 3 4 5 6 7	NOMENCLATURE	EFFECT FROM TO	UNITS PER ASSY
1 - 80	285T0542-2		.....POWER SUPPLY ASSY-CONT PWR SUPPLIER CODE: V89954 COMPONENT MAINT MANUAL REF: 34-51-51 OPTIONAL PART: 285T0433-11 V89954 285T0433-13 V89954 285T0542-1 V89954	002004 006100 107107 121503 904999	2
85	182-14482-5		.....TRANSFORMER- SUPPLIER CODE: V89954 USED ON: 285T0433-11 285T0433-13	002004 006100 107107 121503 904999	1
90	UA78M12HMQB		.....MICROCIRCUIT-TYPE 78 M12 SUPPLIER CODE: V07263 SPECIFICATION NUMBER: 280-22002-327 OPTIONAL PART: 78M12HMQB V07263 OPTIONAL PART: SG7812T883B V34333	002004 006100 107107 121503 904999	1

MISSING ITEM NUMBERS NOT APPLICABLE

- ITEM NOT ILLUSTRATED

34-51-02-01

34-51-02  
 FIG. 01  
 PAGE 7  
 JAN 20/09

BRI



757

PARTS CATALOG (MAINTENANCE)

FIG ITEM	PART NUMBER	1 2 3 4 5 6 7	NOMENCLATURE	EFFECT FROM TO	UNITS PER ASSY
1 90	SG7812T883B	.....	MICROCIRCUIT-TYPE 78M12 SUPPLIER CODE: V34333 SPECIFICATION NUMBER: 280T1020-529 OPTIONAL PART: SG7812T883 V34333 SG7812T883C V34333 UA78M12HMQB V07263 IP78M12H883 VU4637 IP78M12H883B VU4637 IP78M12H883C VU4637 OPTIONAL PART: UA78M12HMQB V07263	002004 006100 107107 121503 904999	1
95	UA79M12HMQB	.....	REGULATOR-VOLTAGE SUPPLIER CODE: V27014 SPECIFICATION NUMBER: 280T1020-531 USED ON: 285T0433-11 285T0433-13	002004 006100 107107 121503 904999	1
97	UA79M05HMQB	.....	REGULATOR-VOLTAGE SUPPLIER CODE: V07263 SPECIFICATION NUMBER: 280T1020-326 USED ON: 285T0433-11 285T0433-13	002004 006100 107107 121503 904999	1
100	AA820-04	.....	TERMINAL SUPPLIER CODE: V98410 SPECIFICATION NUMBER: BACT12AC48 OPTIONAL PART: R1880SN V14726 320553 V00779	002004 006100 107107 121503 904999	1

MISSING ITEM NUMBERS NOT APPLICABLE

- ITEM NOT ILLUSTRATED

34-51-02-01

34-51-02  
FIG. 01  
PAGE 8  
JAN 20/09

BRI

 **BOEING**  
757  
**PARTS CATALOG (MAINTENANCE)**

FIG ITEM	PART NUMBER	1 2 3 4 5 6 7	NOMENCLATURE	EFFECT FROM TO	UNITS PER ASSY
1 105	BACC45FN12-12P	.....	CONNECTOR	002004 006100 107107 121503 904999	1
110	NAS1801-04-5	.....	ATTACHING PARTS SCREW	002004 006100 107107 121503 904999	2
115	K19798-04	.....	NUT SUPPLIER CODE: V15653 SPECIFICATION NUMBER: BACN10NW1 OPTIONAL PART: RMA4812-160-40 V72962 293162 V60119 -----*-----	002004 006100 107107 121503 904999	2
117	AA820-04	.....	TERMINAL SUPPLIER CODE: V98410 SPECIFICATION NUMBER: BACT12AC48 OPTIONAL PART: R1880SN V14726 320553 V00779	002004 006100 107107 121503 904999	1
120	BACC45FN18-31P	.....	CONNECTOR	002004 006100 107107 121503 904999	1
125	NAS1801-04-5	.....	ATTACHING PARTS SCREW	002004 006100 107107 121503 904999	2

MISSING ITEM NUMBERS NOT APPLICABLE

— ITEM NOT ILLUSTRATED

BRI

# 34-51-02-01

BOEING PROPRIETARY - Copyright © - Unpublished Work - See title page for details.

34-51-02  
FIG. 01  
PAGE 9  
JAN 20/09

**BOEING**  
757  
**PARTS CATALOG (MAINTENANCE)**

FIG ITEM	PART NUMBER	1 2 3 4 5 6 7	NOMENCLATURE	EFFECT FROM TO	UNITS PER ASSY
1 130	K19798-04	.....	NUT SUPPLIER CODE: V15653 SPECIFICATION NUMBER: BACN10NW1 OPTIONAL PART: RMA4812-160-40 V72962 293162 V60119	002004 006100 107107 121503 904999	2
170	285T0554-3	-----*	.PANEL ASSY-CONT SUPPLIER CODE: V89954 ELECTRICAL EQUIP NUMBER: M00091 M00092 COMPONENT MAINT MANUAL REF: 34-51-61 OPTIONAL PART: 285T0554-5 V89954	002004 006100 107107 121503 904999	RF
170	285T0554-5		.PANEL ASSY-CONT SUPPLIER CODE: V89954 ELECTRICAL EQUIP NUMBER: M00091 M00092 COMPONENT MAINT MANUAL REF: 34-51-61 OPTIONAL PART: 285T0554-3 V89954	002004 006100 107107 121503 904999	RF
170	285T0021-19		.PANEL ASSY-CONT SUPPLIER CODE: V89954 COMPONENT MAINT MANUAL REF: 34-51-51	002004 006100 107107 121503 904999	RF
173	BAC27TEX3349	..	DECALSET	002004 006100 107107 121503 904999	1
175	RD240-117	..	KNOB- SUPPLIER CODE: V81590	002004 006100 107107 121503 904999	1

MISSING ITEM NUMBERS NOT APPLICABLE

— ITEM NOT ILLUSTRATED

BRI

# 34-51-02-01

BOEING PROPRIETARY - Copyright © - Unpublished Work - See title page for details.

34-51-02  
FIG. 01  
PAGE 10  
MAY 20/09



757

PARTS CATALOG (MAINTENANCE)

FIG ITEM	PART NUMBER	1 2 3 4 5 6 7	NOMENCLATURE	EFFECT FROM TO	UNITS PER ASSY
1 180	RC445-115	..	.. KNOB- SUPPLIER CODE: V81590	002004 006100 107107 121503 904999	1
185	RD242-104	..	.. KNOB- SUPPLIER CODE: V81590	002004 006100 107107 121503 904999	1
190	S182-10809-3	..	.. MODULE-LIQUID CRYSTAL DISPLAY FOR SPARES PROCURE: S182-10809-4	002004 006100 107107 121503 904999	2
195	800000121-1	..	.. CONNECTOR- SUPPLIER CODE: V05617	002004 006100 107107 121503 904999	1
197	285T0559-1	..	.. MODULE ASSY- SUPPLIER CODE: V89954 QUALIFIED OPTIONAL DATA: 285T0559-1 IS OPTIONAL TO 285T0559-4 USED WITH ASSOCIATED PARTS USED ON: 285T0554-5	002004 006100 107107 121503 904999	1
197	285T0559-4	..	.. MODULE ASSY- SUPPLIER CODE: V89954 QUALIFIED OPTIONAL DATA: 285T0559-1 IS OPTIONAL TO 285T0559-4 USED WITH ASSOCIATED PARTS USED ON: 285T0554-5	002004 006100 107107 121503 904999	1
197	285T0559-1	..	.. MODULE ASSY- SUPPLIER CODE: V89954 USED ON: 285T0554-3	002004 006100 107107 121503 904999	1
198	BAC27TEX3349	...	... DECALSET- PLACARD CONTENT: S1, S2	002004 006100 107107 121503 904999	1

MISSING ITEM NUMBERS NOT APPLICABLE

- ITEM NOT ILLUSTRATED

34-51-02-01

34-51-02  
FIG. 01  
PAGE 11  
MAY 20/09

BRI



757

PARTS CATALOG (MAINTENANCE)

FIG ITEM	PART NUMBER	1 2 3 4 5 6 7	NOMENCLATURE	EFFECT FROM TO	UNITS PER ASSY
1 200	3-436208-2	...	SWITCH- SUPPLIER CODE: V00779 OPTIONAL PART: 3-436208-3 V00779 447610-1 V00779	002004 006100 107107 121503 904999	1
200	3-436208-3	...	SWITCH- SUPPLIER CODE: V00779 OPTIONAL PART: 3-436208-2 V00779 447610-1 V00779	002004 006100 107107 121503 904999	1
200	447610-1	...	SWITCH- SUPPLIER CODE: V00779 OPTIONAL PART: 3-436208-2 V00779 3-436208-3 V00779	002004 006100 107107 121503 904999	1
- 202	BACS12BE02-22	...	ATTACHING PARTS SCREW- OPTIONAL PART: NAS1635-02-22 USED ON: 285T0559-1	002004 006100 107107 121503 904999	2
- 202	NAS1635-02-22	...	SCREW- OPTIONAL PART: BACS12BE02-22 USED ON: 285T0559-1	002004 006100 107107 121503 904999	2
- 202	BACS12BE02-22	...	SCREW- OPTIONAL PART: NAS1635-02-22 NAS1635-02-24 USED ON: 285T0559-2 285T0559-4 285T0559-5	002004 006100 107107 121503 904999	2

MISSING ITEM NUMBERS NOT APPLICABLE

- ITEM NOT ILLUSTRATED

34-51-02-01

34-51-02  
FIG. 01  
PAGE 12  
JAN 20/09

BRI



757

PARTS CATALOG (MAINTENANCE)

FIG ITEM	PART NUMBER	1 2 3 4 5 6 7	NOMENCLATURE	EFFECT FROM TO	UNITS PER ASSY
1					
- 202	NAS1635-02-22	...	SCREW- OPTIONAL PART: BACS12BE02-22 NAS1635-02-24 USED ON: 285T0559-2 285T0559-4 285T0559-5	002004 006100 107107 121503 904999	2
- 202	NAS1635-02-24	...	SCREW- OPTIONAL PART: BACS12BE02-22 NAS1635-02-22 USED ON: 285T0559-2 285T0559-4 285T0559-5	002004 006100 107107 121503 904999	2
- 203	MS35649-222	...	NUT	002004 006100 107107 121503 904999	2
			-----*-----		
205	4-436210-2	...	SWITCH- SUPPLIER CODE: V00779	002004 006100 107107 121503 904999	1
			ATTACHING PARTS		
- 207	BACS12BE02-24	...	SCREW- OPTIONAL PART: NAS1635-02-24	002004 006100 107107 121503 904999	2
- 207	NAS1635-02-24	...	SCREW- OPTIONAL PART: BACS12BE02-24	002004 006100 107107 121503 904999	2
- 208	MS35649-222	...	NUT	002004 006100 107107 121503 904999	2
			-----*-----		
210	774000-006	...	GEAR ASSY- SUPPLIER CODE: V79142	002004 006100 107107 121503 904999	1

MISSING ITEM NUMBERS NOT APPLICABLE

- ITEM NOT ILLUSTRATED

BRI

34-51-02-01

BOEING PROPRIETARY - Copyright © - Unpublished Work - See title page for details.

34-51-02  
FIG. 01  
PAGE 13  
JAN 20/09





757

PARTS CATALOG (MAINTENANCE)

FIG ITEM	PART NUMBER	1 2 3 4 5 6 7	NOMENCLATURE	EFFECT FROM TO	UNITS PER ASSY
1 211	285T0551-1		...INTERCOSTAL ASSY- SUPPLIER CODE: V89954 OPTIONAL PART: 285T0551-11 V89954 285T0551-6 V89954 285T0551-9 V89954	002004 006100 107107 121503 904999	1
211	285T0551-11		...INTERCOSTAL ASSY- SUPPLIER CODE: V89954 OPTIONAL PART: 285T0551-1 V89954 285T0551-6 V89954 285T0551-9 V89954	002004 006100 107107 121503 904999	1
211	285T0551-6		...INTERCOSTAL ASSY- SUPPLIER CODE: V89954 OPTIONAL PART: 285T0551-1 V89954 285T0551-11 V89954 285T0551-9 V89954	002004 006100 107107 121503 904999	1
211	285T0551-9		...INTERCOSTAL ASSY- SUPPLIER CODE: V89954 OPTIONAL PART: 285T0551-1 V89954 285T0551-11 V89954 285T0551-6 V89954	002004 006100 107107 121503 904999	1
- 212	NAS1801-04-5		ATTACHING PARTS ...SCREW	002004 006100 107107 121503 904999	2

MISSING ITEM NUMBERS NOT APPLICABLE

- ITEM NOT ILLUSTRATED

34-51-02-01

34-51-02  
FIG. 01  
PAGE 14  
JAN 20/09

BRI

BOEING PROPRIETARY - Copyright © - Unpublished Work - See title page for details.



757

PARTS CATALOG (MAINTENANCE)

FIG ITEM	PART NUMBER	1 2 3 4 5 6 7	NOMENCLATURE	EFFECT FROM TO	UNITS PER ASSY
1					
- 213	AN960-4L		...WASHER	002004 006100 107107 121503 904999	2
214	LAC440-1		-----*----- ....NUT-PRESS SUPPLIER CODE: V46384	002004 006100 107107 121503 904999	2
217	FE0X440		....NUT-PRESS SUPPLIER CODE: V46384 USED ON: 285T0551-1 285T0551-11	002004 006100 107107 121503 904999	2
217	FE0440EF		....NUT-PRESS SUPPLIER CODE: V46384 USED ON: 285T0551-6 285T0551-9	002004 006100 107107 121503 904999	2
220	285T0551-4		....BRACKET- SUPPLIER CODE: V89954 USED ON: 285T0551-1 285T0551-6	002004 006100 107107 121503 904999	1
220	285T0551-10		....BRACKET- SUPPLIER CODE: V89954 USED ON: 285T0551-9 285T0551-11	002004 006100 107107 121503 904999	1
- 225	285T0571-1		...CIRCUIT ASSY-PRINTED SUPPLIER CODE: V89954 OPTIONAL PART: 285T0571-8 V89954 285T0571-10 V89954 USED ON: 285T0559-1 285T0559-2	002004 006100 107107 121503 904999	1

MISSING ITEM NUMBERS NOT APPLICABLE

- ITEM NOT ILLUSTRATED

34-51-02-01

34-51-02  
FIG. 01  
PAGE 15  
JAN 20/09

BRI

 **BOEING**  
757  
**PARTS CATALOG (MAINTENANCE)**

FIG ITEM	PART NUMBER	1 2 3 4 5 6 7	NOMENCLATURE	EFFECT FROM TO	UNITS PER ASSY
1					
- 225	285T0571-8	...	CIRCUIT ASSY-PRINTED SUPPLIER CODE: V89954 OPTIONAL PART: 285T0571-1 V89954 285T0571-10 V89954 USED ON: 285T0559-1 285T0559-2	002004 006100 107107 121503 904999	1
- 225	285T0571-10	...	CIRCUIT ASSY-PRINTED SUPPLIER CODE: V89954 OPTIONAL PART: 285T0571-1 V89954 285T0571-8 V89954 USED ON: 285T0559-1 285T0559-2	002004 006100 107107 121503 904999	1
- 225	285T0571-12	...	CIRCUIT ASSY-PRINTED SUPPLIER CODE: V89954 USED ON: 285T0559-4 285T0559-5	002004 006100 107107 121503 904999	1
230	HS1-3182-8	....	DRIVER-LINE SUPPLIER CODE: V34371 OPTIONAL PART: HS3182-2 V34371 HS1-3182-2 V34371 USED ON: 285T0571-12 USED ON: 285T0571-1 285T0571-10 285T0571-8	002004 006100 107107 121503 904999	1

MISSING ITEM NUMBERS NOT APPLICABLE

- ITEM NOT ILLUSTRATED

BRI

# 34-51-02-01

BOEING PROPRIETARY - Copyright © - Unpublished Work - See title page for details.

34-51-02  
FIG. 01  
PAGE 16  
JAN 20/09



757

PARTS CATALOG (MAINTENANCE)

FIG ITEM	PART NUMBER	1 2 3 4 5 6 7	NOMENCLATURE	EFFECT FROM TO	UNITS PER ASSY
1 230	HS3182-2	.....	DRIVER-LINE SUPPLIER CODE: V34371 OPTIONAL PART: HS1-3182-2 V34371 HS1-3182-8 V34371 USED ON: 285T0571-12 USED ON: 285T0571-1 285T0571-10 285T0571-8	002004 006100 107107 121503 904999	1
230	HS1-3182-2	.....	DRIVER-LINE SUPPLIER CODE: V34371 OPTIONAL PART: HS1-3182-8 V34371 HS3182-2 V34371 USED ON: 285T0571-12 USED ON: 285T0571-1 285T0571-10 285T0571-8	002004 006100 107107 121503 904999	1
- 235	285T0562-7	..	CIRCUIT ASSY-CONT PWR SUPPLIER CODE: V89954 COMPONENT MAINT MANUAL REF: 34-09-60 OPTIONAL PART: 285T0562-11 V89954 285T0562-12 V89954 USED ON: 285T0554-5	002004 006100 107107 121503 904999	1

MISSING ITEM NUMBERS NOT APPLICABLE

- ITEM NOT ILLUSTRATED

34-51-02-01

34-51-02  
FIG. 01  
PAGE 17  
JAN 20/09

BRI



757

PARTS CATALOG (MAINTENANCE)

FIG ITEM	PART NUMBER	1 2 3 4 5 6 7	NOMENCLATURE	EFFECT FROM TO	UNITS PER ASSY
1					
- 235	285T0562-11	..	CIRCUIT ASSY-CONT PWR SUPPLIER CODE: V89954 COMPONENT MAINT MANUAL REF: 34-09-60 OPTIONAL PART: 285T0562-7 V89954 285T0562-12 V89954 USED ON: 285T0554-5	002004 006100 107107 121503 904999	1
- 235	285T0562-12	..	CIRCUIT ASSY-CONT PWR SUPPLIER CODE: V89954 COMPONENT MAINT MANUAL REF: 34-09-60 OPTIONAL PART: 285T0562-7 V89954 285T0562-11 V89954 USED ON: 285T0554-5	002004 006100 107107 121503 904999	1
- 235	285T0562-7	..	CIRCUIT ASSY- PWR SUPPLIER CODE: V89954 COMPONENT MAINT MANUAL REF: 34-09-60 USED ON: 285T0554-3	002004 006100 107107 121503 904999	1
- 235	285T0562-11	..	CIRCUIT ASSY- PWR SUPPLIER CODE: V89954 COMPONENT MAINT MANUAL REF: 34-09-60 USED ON: 285T0554-3	002004 006100 107107 121503 904999	1

MISSING ITEM NUMBERS NOT APPLICABLE

- ITEM NOT ILLUSTRATED

BRI

34-51-02-01

BOEING PROPRIETARY - Copyright © - Unpublished Work - See title page for details.

34-51-02  
FIG. 01  
PAGE 18  
JAN 20/09



757

PARTS CATALOG (MAINTENANCE)

FIG ITEM	PART NUMBER	1 2 3 4 5 6 7	NOMENCLATURE	EFFECT FROM TO	UNITS PER ASSY
1					
- 235	285T0562-12		..CIRCUIT ASSY- PWR SUPPLIER CODE: V89954 COMPONENT MAINT MANUAL REF: 34-09-60 USED ON: 285T0554-3	002004 006100 107107 121503 904999	1
240	UA79M15HMQB		...MICROCIRCUIT- SUPPLIER CODE: V07263 SPECIFICATION NUMBER: 280-22002-332 OPTIONAL PART: 79M15HMQB V07263 USED ON: 285T0562-7 USED ON: 285T0562-11	002004 006100 107107 121503 904999	1
244	SG7815T883B		...MICROCIRCUIT- SUPPLIER CODE: V34333 SPECIFICATION NUMBER: 280T1020-549 USED ON: 285T0562-12 USED ON: 285T0562-11	002004 006100 107107 121503 904999	1
245	UA78M15HMQB		...MICROCIRCUIT- SUPPLIER CODE: V07263 SPECIFICATION NUMBER: 280-22002-328 USED ON: 285T0562-7 USED ON: 285T0562-11	002004 006100 107107 121503 904999	1
248	SG7915T883B		...MICROCIRCUIT- SUPPLIER CODE: V34333 SPECIFICATION NUMBER: 280T1020-553 USED ON: 285T0562-12	002004 006100 107107 121503 904999	1

MISSING ITEM NUMBERS NOT APPLICABLE

- ITEM NOT ILLUSTRATED

BRI

34-51-02-01

34-51-02  
FIG. 01  
PAGE 19  
JAN 20/09



757

PARTS CATALOG (MAINTENANCE)

FIG ITEM	PART NUMBER	1 2 3 4 5 6 7	NOMENCLATURE	EFFECT FROM TO	UNITS PER ASSY
1 252	OM7805AHM		...MICROCIRCUIT- SUPPLIER CODE: V69210 SPECIFICATION NUMBER: 280T1020-579 USED ON: 285T0562-12	002004 006100 107107 121503 904999	1
265	285T0582-1		..CABLE ASSY-AUTO/MANUAL SWITCH SUPPLIER CODE: V89954 USED ON: 285T0554-3	002004 006100 107107 121503 904999	1
265	285T0582-1		..CABLE ASSY-AUTO/MANUAL SWITCH SUPPLIER CODE: V89954 QUALIFIED OPTIONAL DATA: 285T0582-1 OPTIONAL TO 285T0582-3 OPTIONAL TO 285T0582-5 OPTIONAL TO 285T0582-6 WHEN USED WITH ASSOCIATED PARTS USED ON: 285T0554-5	002004 006100 107107 121503 904999	1
265	285T0582-3		..CABLE ASSY-AUTO/MANUAL SWITCH SUPPLIER CODE: V89954 QUALIFIED OPTIONAL DATA: 285T0582-1 OPTIONAL TO 285T0582-3 OPTIONAL TO 285T0582-5 OPTIONAL TO 285T0582-6 WHEN USED WITH ASSOCIATED PARTS USED ON: 285T0554-5	002004 006100 107107 121503 904999	1
265	285T0582-5		..CABLE ASSY-AUTO/MANUAL SWITCH SUPPLIER CODE: V89954 QUALIFIED OPTIONAL DATA: 285T0582-1 OPTIONAL TO 285T0582-3 OPTIONAL TO 285T0582-5 OPTIONAL TO 285T0582-6 WHEN USED WITH ASSOCIATED PARTS USED ON: 285T0554-5	002004 006100 107107 121503 904999	1

MISSING ITEM NUMBERS NOT APPLICABLE

- ITEM NOT ILLUSTRATED

34-51-02-01

34-51-02  
FIG. 01  
PAGE 20  
JAN 20/09

BRI



757

PARTS CATALOG (MAINTENANCE)

FIG ITEM	PART NUMBER	1 2 3 4 5 6 7	NOMENCLATURE	EFFECT FROM TO	UNITS PER ASSY
1 265	285T0582-6		..CABLE ASSY-AUTO/MANUAL SWITCH SUPPLIER CODE: V89954 QUALIFIED OPTIONAL DATA: 285T0582-1 OPTIONAL TO 285T0582-3 OPTIONAL TO 285T0582-5 OPTIONAL TO 285T0582-6 WHEN USED WITH ASSOCIATED PARTS USED ON: 285T0554-5	002004 006100 107107 121503 904999	1
270	285T0582-4		...SWITCH ASSY-LT SUPPLIER CODE: V89954 QUALIFIED OPTIONAL DATA: 285T0582-4 OPTIONAL TO BCREFA0732 OPTIONAL TO BCREFA1545 OPTIONAL TO BCREF8180 OPTIONAL TO BCREF8634 OPTIONAL TO 10199-405 OPTIONAL TO 13789-001 OPTIONAL TO 14120-001 USED WITH ASSOCIATED ITEMS OPTIONAL PART: BCREFA0732 V81590 BCREFA1545 V81590 USED ON: 285T0582-3	002004 006100 107107 121503 904999	1

MISSING ITEM NUMBERS NOT APPLICABLE

- ITEM NOT ILLUSTRATED

34-51-02-01

34-51-02  
 FIG. 01  
 PAGE 21  
 JAN 20/09

BRI





757

PARTS CATALOG (MAINTENANCE)

FIG ITEM	PART NUMBER	1 2 3 4 5 6 7	NOMENCLATURE	EFFECT FROM TO	UNITS PER ASSY
1 275	BCREF8180		...SWITCH ASSY-LT SUPPLIER CODE: V81590 OVERLENGTH PART NUMBER: 411-811-0982-001R QUALIFIED OPTIONAL DATA: 285T0582-4 OPTIONAL TO BCREF8180 OPTIONAL TO BCREF8634 OPTIONAL TO 10199-405 OPTIONAL TO 13789-001 OPTIONAL TO 14120-001 USED WITH ASSOCIATED ITEMS OPTIONAL PART: BCREF8634 V81590 USED ON: 285T0582-1	002004 006100 107107 121503 904999	1
275	BCREF8634		...SWITCH ASSY-LT SUPPLIER CODE: V81590 OVERLENGTH PART NUMBER: 411-811-0982-002 QUALIFIED OPTIONAL DATA: 285T0582-4 OPTIONAL TO BCREF8180 OPTIONAL TO BCREF8634 OPTIONAL TO 10199-405 OPTIONAL TO 13789-001 OPTIONAL TO 14120-001 USED WITH ASSOCIATED ITEMS OPTIONAL PART: BCREF8180 V81590 USED ON: 285T0582-1	002004 006100 107107 121503 904999	1

MISSING ITEM NUMBERS NOT APPLICABLE

- ITEM NOT ILLUSTRATED

BRI

34-51-02-01

BOEING PROPRIETARY - Copyright © - Unpublished Work - See title page for details.

34-51-02  
 FIG. 01  
 PAGE 22  
 JAN 20/09



757

PARTS CATALOG (MAINTENANCE)

FIG ITEM	PART NUMBER	1 2 3 4 5 6 7	NOMENCLATURE	EFFECT FROM TO	UNITS PER ASSY
1 275	BCREFA0732		... SWITCH ASSY-LT SUPPLIER CODE: V81590 OVERLENGTH PART NUMBER: 411-811-0982-003 QUALIFIED OPTIONAL DATA: 285T0582-4 OPTIONAL TO BCREFA0732 OPTIONAL TO BCREFA1545 OPTIONAL TO BCREF8180 OPTIONAL TO BCREF8634 OPTIONAL TO 10199-405 OPTIONAL TO 13789-001 OPTIONAL TO 14120-001 USED WITH ASSOCIATED ITEMS OPTIONAL PART: BCREFA1545 V81590 285T0582-4 V89954 USED ON: 285T0582-3	002004 006100 107107 121503 904999	1
275	BCREFA1545		... SWITCH ASSY-LT SUPPLIER CODE: V81590 OVERLENGTH PART NUMBER: 411-811-0982-004 QUALIFIED OPTIONAL DATA: 285T0582-4 OPTIONAL TO BCREFA0732 OPTIONAL TO BCREFA1545 OPTIONAL TO BCREF8180 OPTIONAL TO BCREF8634 OPTIONAL TO 10199-405 OPTIONAL TO 13789-001 OPTIONAL TO 14120-001 USED WITH ASSOCIATED ITEMS OPTIONAL PART: BCREFA0732 V81590 285T0582-4 V89954 USED ON: 285T0582-3	002004 006100 107107 121503 904999	1

MISSING ITEM NUMBERS NOT APPLICABLE

- ITEM NOT ILLUSTRATED

BRI

34-51-02-01

34-51-02  
FIG. 01  
PAGE 23  
JAN 20/09



757

PARTS CATALOG (MAINTENANCE)

FIG ITEM	PART NUMBER	1 2 3 4 5 6 7	NOMENCLATURE	EFFECT FROM TO	UNITS PER ASSY
1 275	10199-405		...SWITCH ASSY-LT SUPPLIER CODE: V81590 QUALIFIED OPTIONAL DATA: 285T0582-4 OPTIONAL TO BCREFA0732 OPTIONAL TO BCREFA1545 OPTIONAL TO BCREF8180 OPTIONAL TO BCREF8634 OPTIONAL TO 10199-405 OPTIONAL TO 13789-001 OPTIONAL TO 14120-001 USED WITH ASSOCIATED ITEMS OPTIONAL PART: 13789-001 V81590 USED ON: 285T0582-5	002004 006100 107107 121503 904999	1
275	13789-001		...SWITCH ASSY-LT SUPPLIER CODE: V81590 QUALIFIED OPTIONAL DATA: 285T0582-4 OPTIONAL TO BCREFA0732 OPTIONAL TO BCREFA1545 OPTIONAL TO BCREF8180 OPTIONAL TO BCREF8634 OPTIONAL TO 10199-405 OPTIONAL TO 13789-001 OPTIONAL TO 14120-001 USED WITH ASSOCIATED ITEMS OPTIONAL PART: 10199-405 V81590 USED ON: 285T0582-5	002004 006100 107107 121503 904999	1
277	811-0982-001R		....CAP ASSY-SPLIT DISPLAY SUPPLIER CODE: V81590 USED ON: BCREF8180	002004 006100 107107 121503 904999	1
277	811-0982-002		....CAP ASSY-SPLIT DISPLAY SUPPLIER CODE: V81590 USED ON: BCREF8634	002004 006100 107107 121503 904999	1

MISSING ITEM NUMBERS NOT APPLICABLE

- ITEM NOT ILLUSTRATED

34-51-02-01

34-51-02  
FIG. 01  
PAGE 24  
JAN 20/09

BRI



757

PARTS CATALOG (MAINTENANCE)

FIG ITEM	PART NUMBER	1 2 3 4 5 6 7	NOMENCLATURE	EFFECT FROM TO	UNITS PER ASSY
1					
277	811-0982-003	....	CAP ASSY-SPLIT DISPLAY SUPPLIER CODE: V81590 USED ON: BCREFA0732	002004 006100 107107 121503 904999	1
277	811-0982-004	....	CAP ASSY-SPLIT DISPLAY SUPPLIER CODE: V81590 USED ON: BCREFA1545	002004 006100 107107 121503 904999	1
278	6839AS15	.....	LAMP- SUPPLIER CODE: V81590	002004 006100 107107 121503 904999	4
279	411-0982-001R	....	BASE ASSY- SUPPLIER CODE: V81590 USED ON: BCREF8180	002004 006100 107107 121503 904999	1
279	411-0982-002	....	BASE ASSY- SUPPLIER CODE: V81590 USED ON: BCREF8634	002004 006100 107107 121503 904999	1
279	411-0982-003	....	BASE ASSY- SUPPLIER CODE: V81590 USED ON: BCREFA0732	002004 006100 107107 121503 904999	1
279	411-0982-004	....	BASE ASSY- SUPPLIER CODE: V81590 USED ON: BCREFA1545	002004 006100 107107 121503 904999	1

MISSING ITEM NUMBERS NOT APPLICABLE

- ITEM NOT ILLUSTRATED

34-51-02-01

34-51-02  
FIG. 01  
PAGE 25  
JAN 20/09

BRI

BOEING PROPRIETARY - Copyright © - Unpublished Work - See title page for details.



757

PARTS CATALOG (MAINTENANCE)

FIG ITEM	PART NUMBER	1 2 3 4 5 6 7	NOMENCLATURE	EFFECT FROM TO	UNITS PER ASSY
1 280	BCREF8634	.....	SWITCH ASSY-LT SUPPLIER CODE: V81590 OVERLENGTH PART NUMBER: 411-811-0982-002 QUALIFIED OPTIONAL DATA: 285T0582-4 OPTIONAL TO BCREFA0732 OPTIONAL TO BCREFA1545 OPTIONAL TO BCREF8180 OPTIONAL TO BCREF8634 OPTIONAL TO 10199-405 OPTIONAL TO 13789-001 OPTIONAL TO 14120-001 USED WITH ASSOCIATED ITEMS USED ON: 285T0582-4	002004 006100 107107 121503 904999	1
281	811-0982-002	.....	CAP ASSY-SPLIT DISPLAY SUPPLIER CODE: V81590	002004 006100 107107 121503 904999	1
282	6839AS15	.....	LAMP- SUPPLIER CODE: V81590	002004 006100 107107 121503 904999	4
283	411-0982-002	.....	BASE ASSY- SUPPLIER CODE: V81590	002004 006100 107107 121503 904999	1
285	14120-001	..	SWITCH ASSY-LT SUPPLIER CODE: V81590 QUALIFIED OPTIONAL DATA: 285T0582-4 OPTIONAL TO BCREFA0732 OPTIONAL TO BCREFA1545 OPTIONAL TO BCREF8180 OPTIONAL TO BCREF8634 OPTIONAL TO 10199-405 OPTIONAL TO 13789-001 OPTIONAL TO 14120-001 USED WITH ASSOCIATED ITEMS USED ON: 285T0554-5	002004 006100 107107 121503 904999	1

MISSING ITEM NUMBERS NOT APPLICABLE

- ITEM NOT ILLUSTRATED

34-51-02-01

34-51-02  
FIG. 01  
PAGE 26  
JAN 20/09

BRI



757

PARTS CATALOG (MAINTENANCE)

FIG ITEM	PART NUMBER	1 2 3 4 5 6 7	NOMENCLATURE	EFFECT FROM TO	UNITS PER ASSY
1 286	NAS1801-06-7	..	SCREW	002004 006100 107107 121503 904999	1
287	AN960D6L	..	WASHER	002004 006100 107107 121503 904999	2
288	BRH10A06	..	NUT SUPPLIER CODE: V52828 SPECIFICATION NUMBER: BACN10JCO6 OPTIONAL PART: H10-06BAC V15653 RMLH9075-62W V72962 VN303A62 V92215 96-62 V80539 NS202101-62 V80539 T6S632J V11815	002004 006100 107107 121503 904999	1
289	285T0563-1	..	FLEX ASSY-CONN INTERFACE SUPPLIER CODE: V89954 USED ON: 285T0554-3	002004 006100 107107 121503 904999	1
289	285T0563-1	..	FLEX ASSY-CONN INTERFACE SUPPLIER CODE: V89954 OPTIONAL PART: 285T0563-7 V89954 USED ON: 285T0554-5	002004 006100 107107 121503 904999	1
289	285T0563-7	..	FLEX ASSY-CONN INTERFACE SUPPLIER CODE: V89954 OPTIONAL PART: 285T0563-1 V89954 USED ON: 285T0554-5	002004 006100 107107 121503 904999	1

MISSING ITEM NUMBERS NOT APPLICABLE

- ITEM NOT ILLUSTRATED

34-51-02-01

34-51-02  
FIG. 01  
PAGE 27  
JAN 20/09

BRI



757

PARTS CATALOG (MAINTENANCE)

FIG ITEM	PART NUMBER	1 2 3 4 5 6 7	NOMENCLATURE	EFFECT FROM TO	UNITS PER ASSY
1					
291	51863-6	...	TERMINAL SUPPLIER CODE: V00779 SPECIFICATION NUMBER: BACT12AR222	002004 006100 107107 121503 904999	1
293	CN0942-37PN	...	CONNECTOR- SUPPLIER CODE: V76530	002004 006100 107107 121503 904999	1
295	285T0575-1	..	FLEX ASSY-CONN INTERFACE SUPPLIER CODE: V89954 USED ON: 285T0554-3	002004 006100 107107 121503 904999	1
295	285T0575-1	..	FLEX ASSY-CONN INTERFACE SUPPLIER CODE: V89954 OPTIONAL PART: 285T0575-8 V89954 USED ON: 285T0554-5	002004 006100 107107 121503 904999	1
295	285T0575-8	..	FLEX ASSY-CONN INTERFACE SUPPLIER CODE: V89954 OPTIONAL PART: 285T0575-1 V89954 USED ON: 285T0554-5	002004 006100 107107 121503 904999	1
296	51863-6	...	TERMINAL SUPPLIER CODE: V00779 SPECIFICATION NUMBER: BACT12AR222	002004 006100 107107 121503 904999	1
297	CN0942-048PN	...	CONNECTOR- SUPPLIER CODE: V13556	002004 006100 107107 121503 904999	1
298	WCS225-8	..	RETAINER-SHAFT SUPPLIER CODE: V51074 USED ON: 285T0554-5 285T0554-6	002004 006100 107107 121503 904999	2

MISSING ITEM NUMBERS NOT APPLICABLE

- ITEM NOT ILLUSTRATED

34-51-02-01

34-51-02  
FIG. 01  
PAGE 28  
JAN 20/09

BRI

BOEING PROPRIETARY - Copyright © - Unpublished Work - See title page for details.



757

PARTS CATALOG (MAINTENANCE)

FIG ITEM	PART NUMBER	1 2 3 4 5 6 7	NOMENCLATURE	EFFECT FROM TO	UNITS PER ASSY
1					
- 300	286N2041-001		WIRE BUNDLE ASSY	002004 006100 107107 121503 904999	RF
- 303	286N2051-001		WIRE BUNDLE ASSY	002004 006100 107107 121503 904999	RF
305	BACC10GH12		.CLAMP- ELECTRICAL EQUIP NUMBER: D00263T WIRING DIAGRAM REF: 345511	002004 006100 107107 121503 904999	1
310	BACC45FT12-12S		.CONNECTOR- ELECTRICAL EQUIP NUMBER: D00263 D00265 WIRING DIAGRAM REF: 345511 345521	002004 006100 107107 121503 904999	1
- 350	286N2041-001		WIRE BUNDLE ASSY	002004 006100 107107 121503 904999	RF
- 355	286N2051-001		WIRE BUNDLE ASSY	002004 006100 107107 121503 904999	RF
360	BACC45FT18A31S		.CONNECTOR- ELECTRICAL EQUIP NUMBER: D00259 D00261 WIRING DIAGRAM REF: 345112 345121	002004 006100 107107 121503 904999	1

MISSING ITEM NUMBERS NOT APPLICABLE

- ITEM NOT ILLUSTRATED

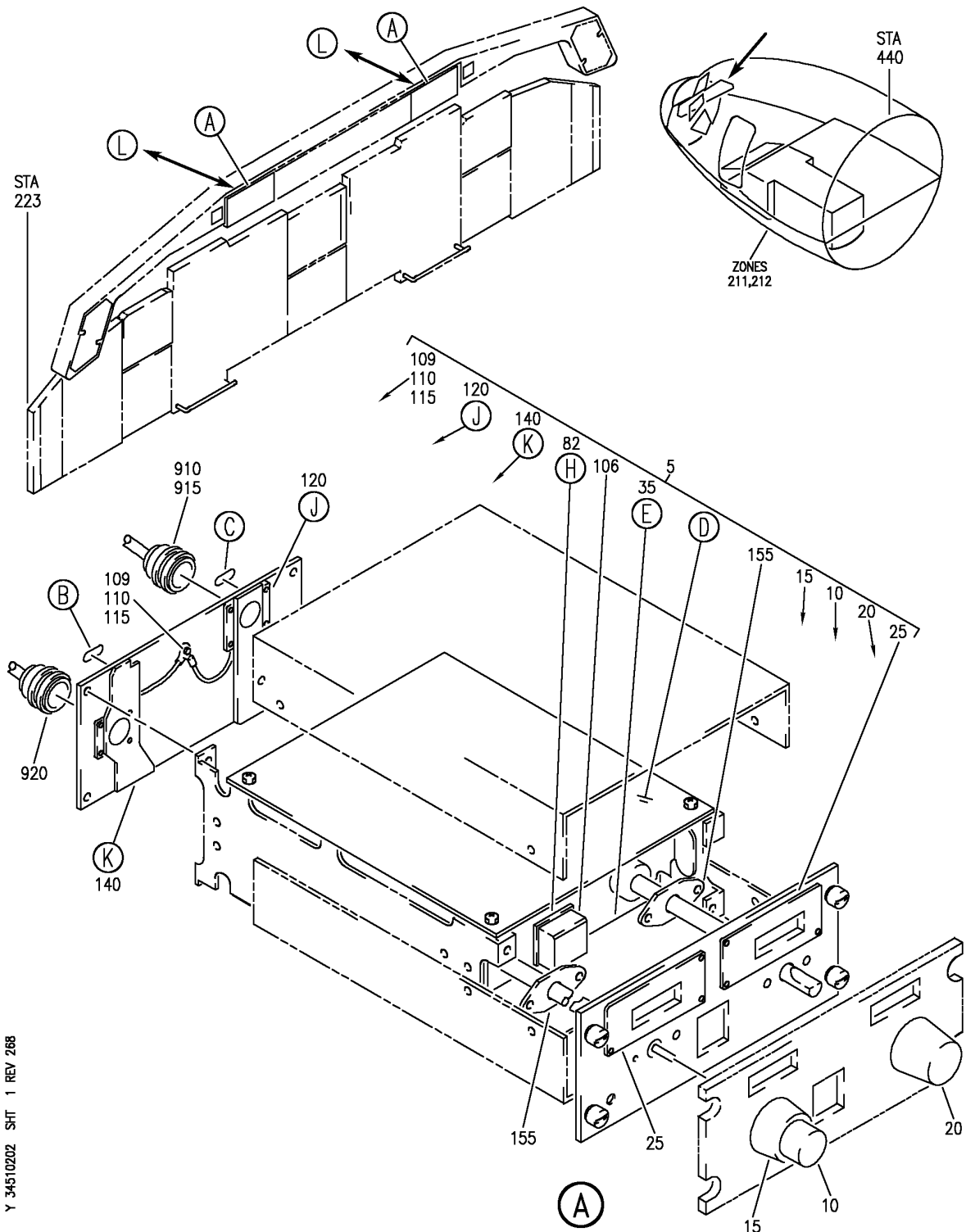
34-51-02-01

34-51-02  
FIG. 01  
PAGE 29  
JAN 20/09

BRI



**BOEING**  
757  
PARTS CATALOG (MAINTENANCE)



Y 34-51-02-02 SHT 1 REV 268

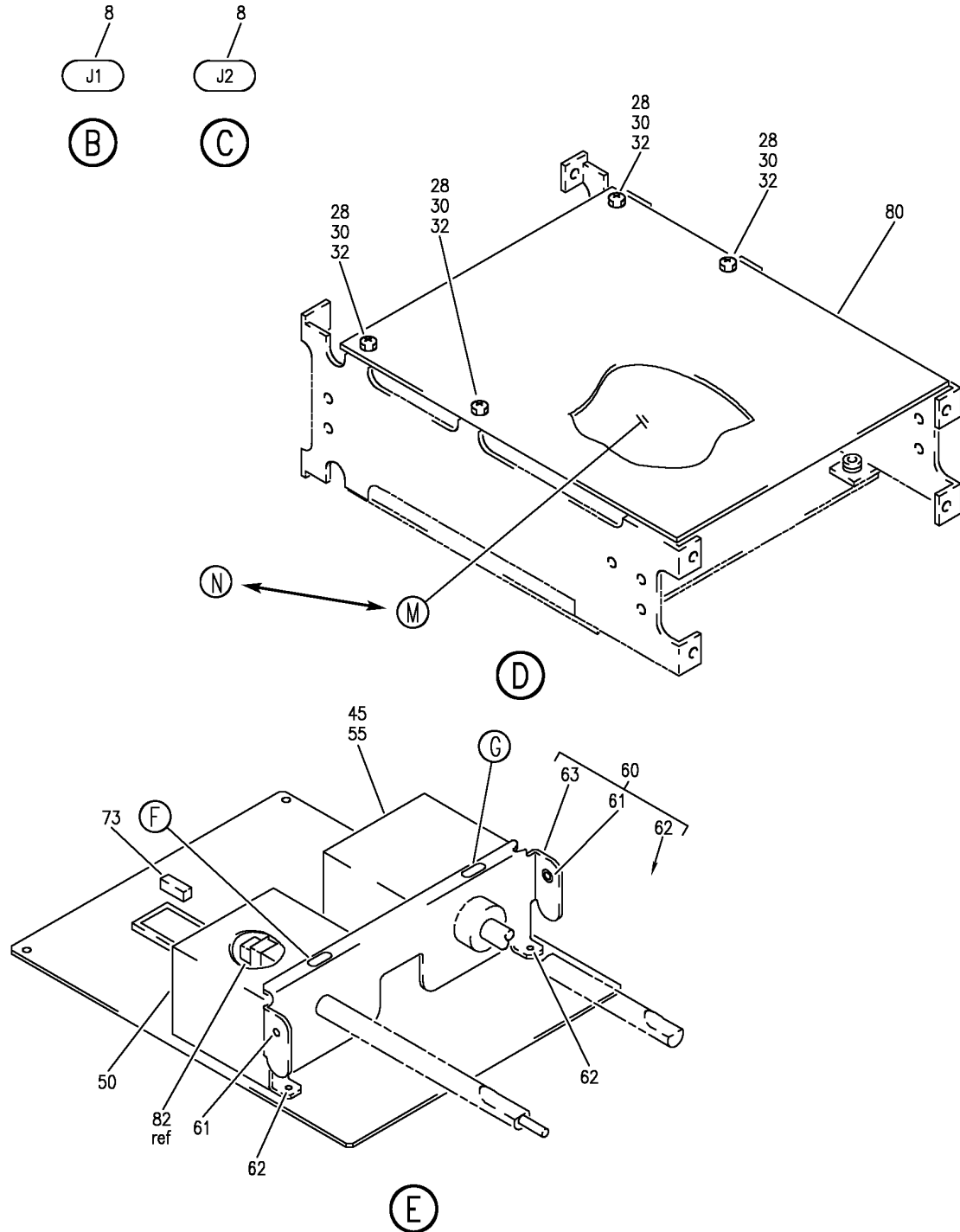
PANEL INSTL-CONT (VOR SYSTEM ONLY)  
FIGURE 2 (SHEET 1)

**34-51-02-02**

BRI  
MAY 28/07

34-51-02-02  
PAGE 0

**BOEING**  
757  
PARTS CATALOG (MAINTENANCE)



Y 34-51-02-02 SHT 2 REV 2688

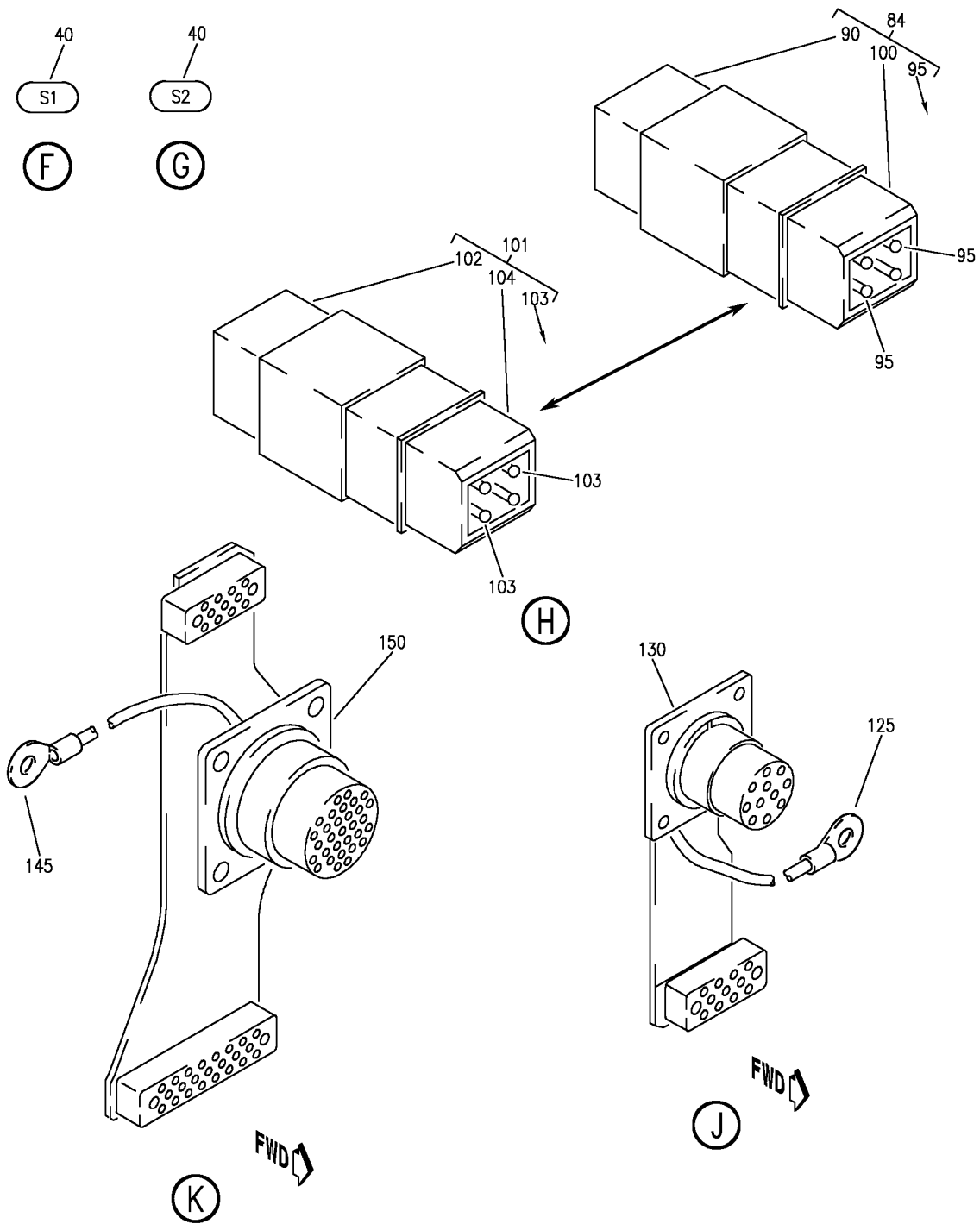
PANEL INSTL-CONT (VOR SYSTEM ONLY)  
FIGURE 2 (SHEET 2)

**34-51-02-02**

BRI  
MAY 28/07

34-51-02-02  
PAGE 0A


**BOEING**  
 757  
**PARTS CATALOG (MAINTENANCE)**



Y 34-510202 SH1 3 REV 268

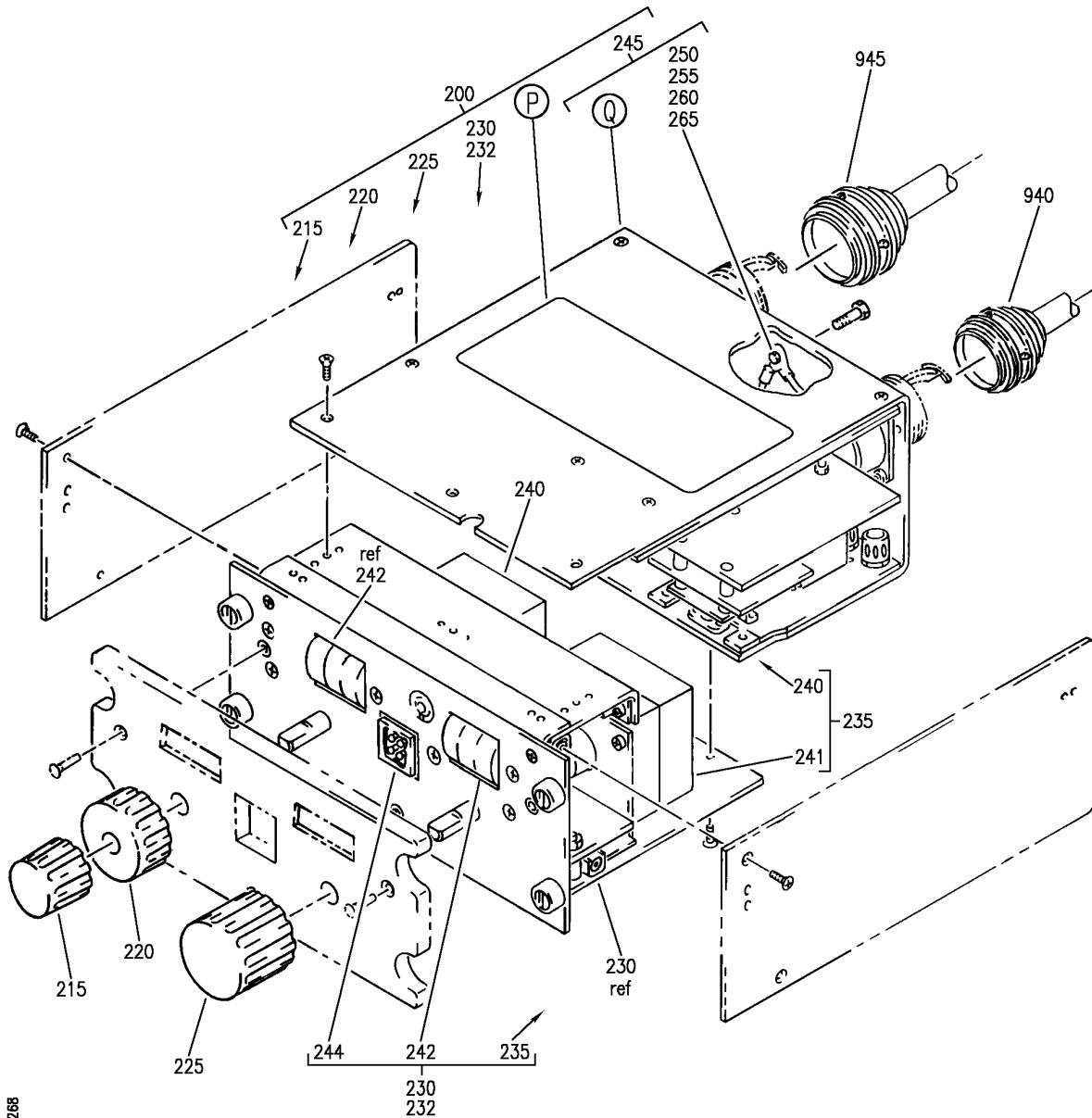
PANEL INSTL-CONT (VOR SYSTEM ONLY)  
 FIGURE 2 (SHEET 3)

**34-51-02-02**

BRI  
 MAY 28/07

34-51-02-02  
 PAGE 0B

**BOEING**  
757  
PARTS CATALOG (MAINTENANCE)



Y 34510202 SH 4 REV 268

(L)

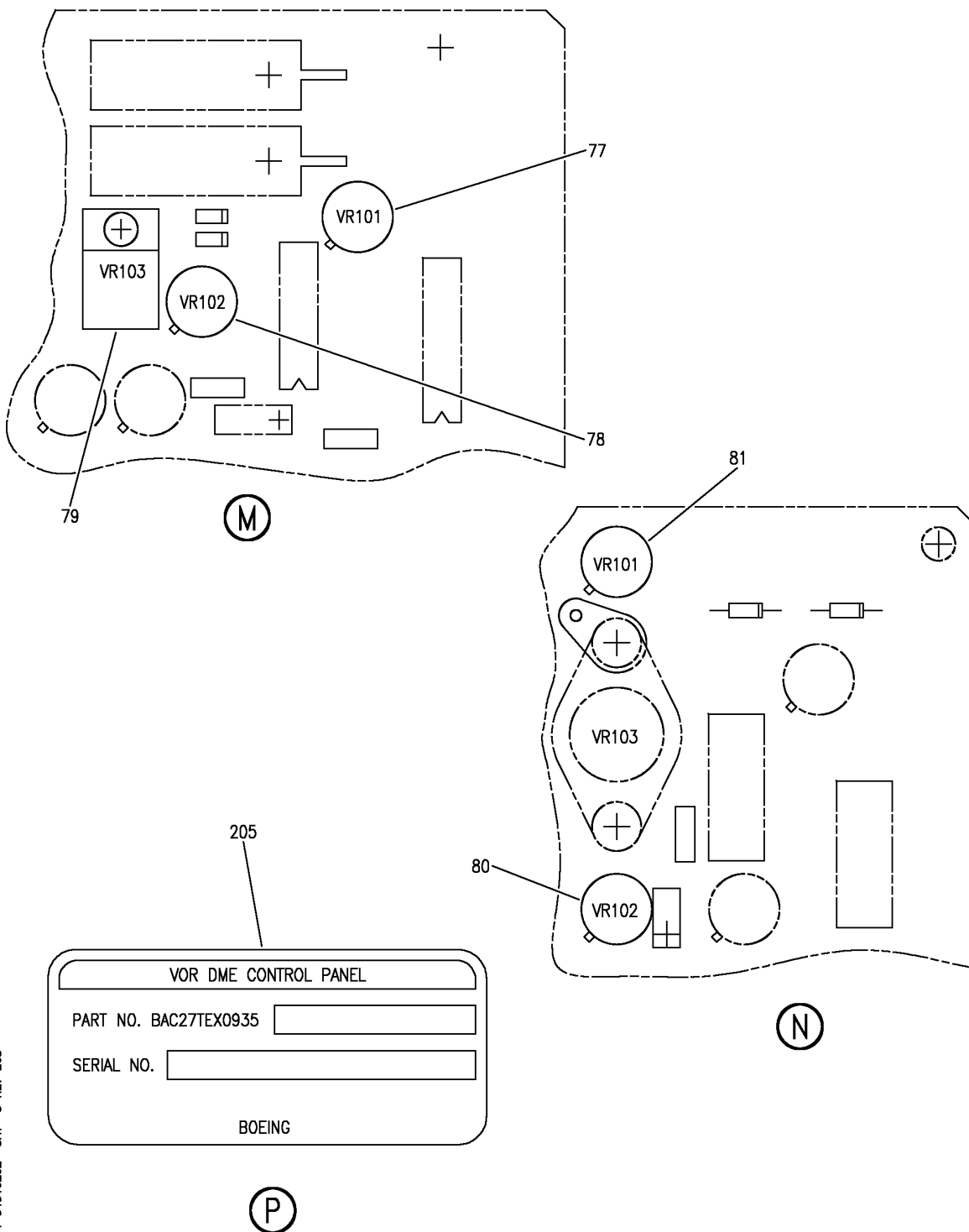
PANEL INSTL-CONT (VOR SYSTEM ONLY)  
FIGURE 2 (SHEET 4)

**34-51-02-02**

BRI  
MAY 28/07

34-51-02-02  
PAGE 0C

**BOEING**  
757  
PARTS CATALOG (MAINTENANCE)



Y 34-51-02-02 SHT 5 REV 268

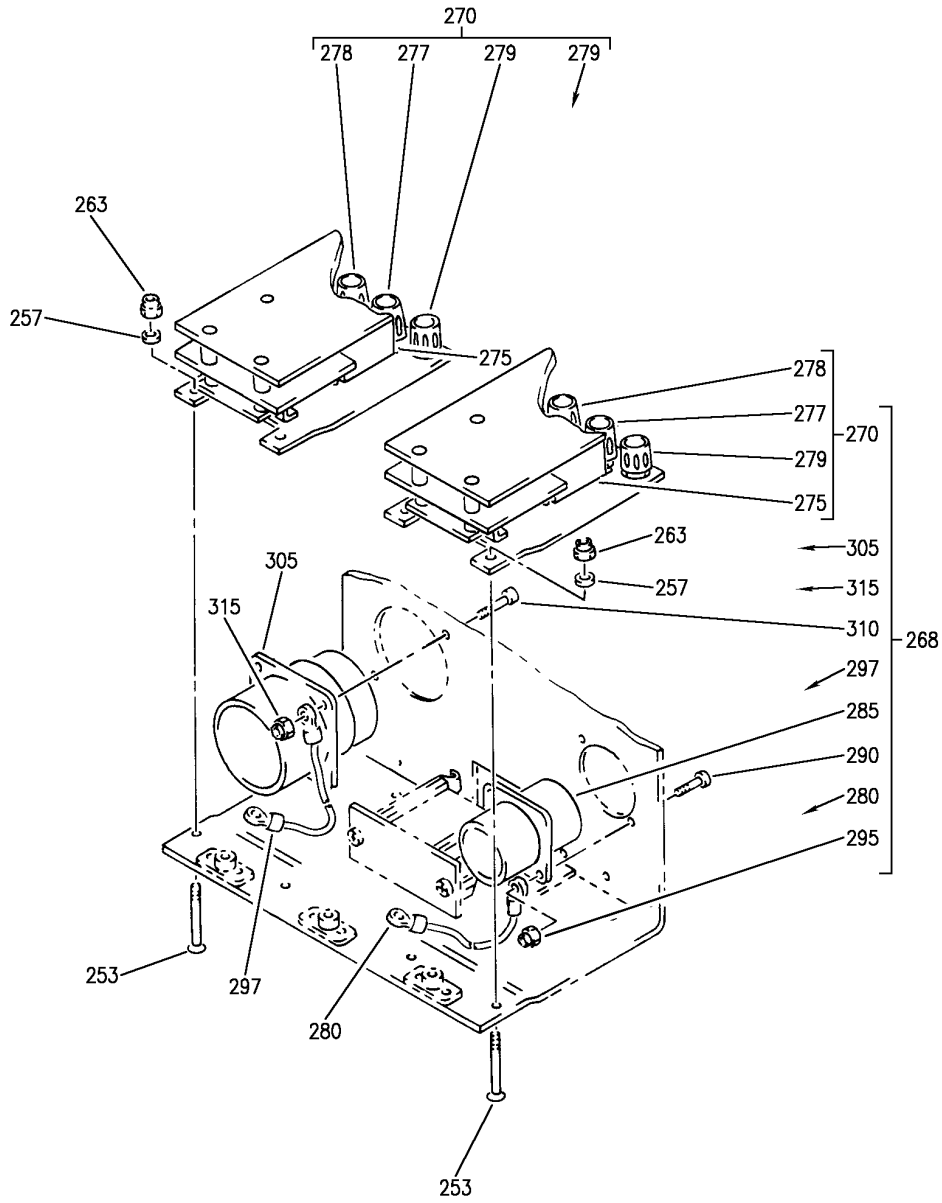
PANEL INSTL-CONT (VOR SYSTEM ONLY)  
FIGURE 2 (SHEET 5)

**34-51-02-02**

BRI  
MAY 28/07

34-51-02-02  
PAGE 00

**BOEING**  
757  
PARTS CATALOG (MAINTENANCE)



Y 34-51-02-02 SHT 6 REV 268

PANEL INSTL-CONT (VOR SYSTEM ONLY)  
FIGURE 2 (SHEET 6)

**34-51-02-02**

BRI  
MAY 28/07

34-51-02-02  
PAGE 0E



757

PARTS CATALOG (MAINTENANCE)

FIG ITEM	PART NUMBER	1 2 3 4 5 6 7	NOMENCLATURE	EFFECT FROM TO	UNITS PER ASSY
2			PANEL INSTL-CONT (VOR SYSTEM ONLY)	101106 108120 504903	
- 1	233N2103-32		PANEL INSTL-CONT (VOR SYSTEM ONLY) FOR NHA/OTHER SYS DET SEE: 25-10-00-15B	101102 108120 504903	RF

MISSING ITEM NUMBERS NOT APPLICABLE

- ITEM NOT ILLUSTRATED

BRI

34-51-02-02

BOEING PROPRIETARY - Copyright © - Unpublished Work - See title page for details.

34-51-02  
FIG. 02  
PAGE 1  
JAN 20/09



757

PARTS CATALOG (MAINTENANCE)

FIG ITEM	PART NUMBER	1 2 3 4 5 6 7	NOMENCLATURE	EFFECT FROM TO	UNITS PER ASSY
2 - 3	MODREF31741		PANEL INSTL-CONT (VOR SYSTEM ONLY) MODULE NUMBER: 233N2103-425 REV A FOR OTHER SYS DETAILS SEE: 11-31-01-38 22-11-02-03 22-14-01-03 22-31-02-01 22-34-51-02 26-17-51-05 27-51-57-03 27-58-00-02 27-81-00-01 29-21-55-02 31-11-11-19 31-11-16-01 31-11-26-38 31-25-01-03 31-41-52-02 31-51-52-02 32-35-52-03 32-41-52-02 32-42-55-03 32-46-00-01 32-61-51-03 33-13-57-01 A 33-16-52-03 34-12-01-03 34-13-01-03 34-13-02-01 34-13-05-01 34-13-06-01 34-16-51-03 34-21-02-02 34-22-02-02 34-22-05-01 A 34-22-06-01 34-24-01-03 34-32-00-02 34-46-51-02 34-57-00-01 34-61-01-07 34-61-02-02 77-41-01-01 79-33-51-05	103105	1

MISSING ITEM NUMBERS NOT APPLICABLE

- ITEM NOT ILLUSTRATED

BRI

# 34-51-02-02

BOEING PROPRIETARY - Copyright © - Unpublished Work - See title page for details.

34-51-02  
FIG. 02  
PAGE 2  
JAN 20/09





757

PARTS CATALOG (MAINTENANCE)

FIG ITEM	PART NUMBER	1 2 3 4 5 6 7	NOMENCLATURE	EFFECT FROM TO	UNITS PER ASSY
2 - 3	MODREF104335		PANEL INSTL-CONT (VOR SYSTEM ONLY) MODULE NUMBER: 233N2103-425 REV B FOR OTHER SYS DETAILS SEE: 11-31-01-38 22-11-02-03 22-14-01-03 22-31-02-01 22-34-51-02 26-17-51-05 27-51-57-03 27-58-00-02 27-81-00-01 29-21-55-02 31-11-11-19 31-11-16-01 31-11-26-38 31-25-01-03 31-41-52-02 31-51-52-02 32-35-52-03 32-41-52-02 32-42-55-03 32-46-00-01 32-61-51-03 33-13-57-01A 33-16-52-03 34-12-01-03 34-13-01-03 34-13-02-01 34-13-05-01 34-13-06-01 34-16-51-03 34-21-02-02 34-22-02-02 34-22-05-01A 34-22-06-01 34-24-01-03 34-32-00-02 34-46-51-02 34-57-00-01 34-61-01-07 34-61-02-02 77-41-01-01 79-33-51-05	106106	1

MISSING ITEM NUMBERS NOT APPLICABLE

- ITEM NOT ILLUSTRATED

BRI

34-51-02-02

34-51-02  
FIG. 02  
PAGE 3  
JAN 20/09



757

PARTS CATALOG (MAINTENANCE)

FIG ITEM	PART NUMBER	1 2 3 4 5 6 7	NOMENCLATURE	EFFECT FROM TO	UNITS PER ASSY
R R R R R	2				
	5	285T0554-3	.PANEL ASSY-CONT SUPPLIER CODE: V89954 ELECTRICAL EQUIP NUMBER: M00091 M00092 COMPONENT MAINT MANUAL REF: 34-51-61 OPTIONAL PART: 285T0554-5 V89954	101106 108120 504903	RF
	5	285T0554-5	.PANEL ASSY-CONT SUPPLIER CODE: V89954 ELECTRICAL EQUIP NUMBER: M00091 M00092 COMPONENT MAINT MANUAL REF: 34-51-61 OPTIONAL PART: 285T0554-3 V89954	101106 108120 504903	RF
	5	285T0021-19	.PANEL ASSY-CONT SUPPLIER CODE: V89954 COMPONENT MAINT MANUAL REF: 34-51-51	101106 108120 504903	RF
	8	BAC27TEX3349	..DECALSET	101106 108120 504903	1
	10	RD240-117	..KNOB- SUPPLIER CODE: V81590	101106 108120 504903	1
	15	RC445-115	..KNOB- SUPPLIER CODE: V81590	101106 108120 504903	1
	20	RD242-104	..KNOB- SUPPLIER CODE: V81590	101106 108120 504903	1
	25	S182-10809-3	..MODULE-LIQUID CRYSTAL	101106 108120 504903	2
	28	NAS1801-04-5	..SCREW	101106 108120 504903	4
30	AN960-4L	..WASHER	101106 108120 504903	4	

MISSING ITEM NUMBERS NOT APPLICABLE

- ITEM NOT ILLUSTRATED

34-51-02-02

34-51-02  
FIG. 02  
PAGE 4  
MAY 20/09

BRI



757

PARTS CATALOG (MAINTENANCE)

FIG ITEM	PART NUMBER	1 2 3 4 5 6 7	NOMENCLATURE	EFFECT FROM TO	UNITS PER ASSY
2					
32	MS35338-40	..	WASHER	101106 108120 504903	4
35	285T0559-1	..	MODULE ASSY- SUPPLIER CODE: V89954 QUALIFIED OPTIONAL DATA: 285T0559-1 IS OPTIONAL TO 285T0559-4 USED WITH ASSOCIATED PARTS USED ON: 285T0554-5	101106 108120 504903	1
35	285T0559-4	..	MODULE ASSY- SUPPLIER CODE: V89954 QUALIFIED OPTIONAL DATA: 285T0559-1 IS OPTIONAL TO 285T0559-4 USED WITH ASSOCIATED PARTS USED ON: 285T0554-5	101106 108120 504903	1
35	285T0559-1	..	MODULE ASSY- SUPPLIER CODE: V89954 USED ON: 285T0554-5	101106 108120 504903	1
40	BAC27TEX3349	...	DECALSET	101106 108120 504903	2
45	3-436208-2	...	SWITCH- SUPPLIER CODE: V00779 OPTIONAL PART: 3-436208-3 V00779 447610-1 V00779	101106 108120 504903	1
45	3-436208-3	...	SWITCH- SUPPLIER CODE: V00779 OPTIONAL PART: 3-436208-2 V00779 447610-1 V00779	101106 108120 504903	1

MISSING ITEM NUMBERS NOT APPLICABLE

- ITEM NOT ILLUSTRATED

34-51-02-02

34-51-02  
FIG. 02  
PAGE 5  
MAY 20/09

BRI

BOEING PROPRIETARY - Copyright © - Unpublished Work - See title page for details.



757

PARTS CATALOG (MAINTENANCE)

FIG ITEM	PART NUMBER	1 2 3 4 5 6 7	NOMENCLATURE	EFFECT FROM TO	UNITS PER ASSY
2	45 447610-1		... SWITCH- SUPPLIER CODE: V00779 OPTIONAL PART: 3-436208-2 V00779 3-436208-3 V00779 ATTACHING PARTS	101106 108120 504903	1
- 47	BACS12BE02-22		... SCREW- OPTIONAL PART: NAS1635-02-22 USED ON: 285T0559-1	101106 108120 504903	2
- 47	NAS1635-02-22		... SCREW- OPTIONAL PART: BACS12BE02-22 USED ON: 285T0559-1	101106 108120 504903	2
- 47	BACS12BE02-22		... SCREW- OPTIONAL PART: NAS1635-02-22 NAS1635-02-24 USED ON: 285T0559-2 285T0559-4 285T0559-5	101106 108120 504903	2
- 47	NAS1635-02-22		... SCREW- OPTIONAL PART: BACS12BE02-22 NAS1635-02-24 USED ON: 285T0559-2 285T0559-4 285T0559-5	101106 108120 504903	2
- 47	NAS1635-02-24		... SCREW- OPTIONAL PART: BACS12BE02-22 NAS1635-02-22 USED ON: 285T0559-2 285T0559-4 285T0559-5	101106 108120 504903	2
- 48	MS35649-222		... NUT  -----*-----	101106 108120 504903	2

MISSING ITEM NUMBERS NOT APPLICABLE

- ITEM NOT ILLUSTRATED

34-51-02-02

34-51-02  
FIG. 02  
PAGE 6  
JAN 20/09

BRI

BOEING PROPRIETARY - Copyright © - Unpublished Work - See title page for details.

 **BOEING**  
757  
**PARTS CATALOG (MAINTENANCE)**

FIG ITEM	PART NUMBER	1 2 3 4 5 6 7	NOMENCLATURE	EFFECT FROM TO	UNITS PER ASSY
2	50 4-436210-2		...SWITCH- SUPPLIER CODE: V00779 ATTACHING PARTS	101106 108120 504903	1
- 52	BACS12BE02-24		...SCREW- OPTIONAL PART: NAS1635-02-24	101106 108120 504903	2
- 52	NAS1635-02-24		...SCREW- OPTIONAL PART: BACS12BE02-24	101106 108120 504903	2
- 53	MS35649-222		...NUT	101106 108120 504903	2
			-----*-----		
55	774000-006		...GEAR ASSY- SUPPLIER CODE: V79142	101106 108120 504903	1
60	285T0551-1		...INTERCOSTAL ASSY- SUPPLIER CODE: V89954 OPTIONAL PART: 285T0551-11 V89954 285T0551-6 V89954 285T0551-9 V89954	101106 108120 504903	1
60	285T0551-11		...INTERCOSTAL ASSY- SUPPLIER CODE: V89954 OPTIONAL PART: 285T0551-1 V89954 285T0551-6 V89954 285T0551-9 V89954	101106 108120 504903	1
60	285T0551-6		...INTERCOSTAL ASSY- SUPPLIER CODE: V89954 OPTIONAL PART: 285T0551-1 V89954 285T0551-11 V89954 285T0551-9 V89954	101106 108120 504903	1

MISSING ITEM NUMBERS NOT APPLICABLE

- ITEM NOT ILLUSTRATED

BRI

# 34-51-02-02

BOEING PROPRIETARY - Copyright © - Unpublished Work - See title page for details.

34-51-02  
FIG. 02  
PAGE 7  
JAN 20/09



757

PARTS CATALOG (MAINTENANCE)

FIG ITEM	PART NUMBER	1 2 3 4 5 6 7	NOMENCLATURE	EFFECT FROM TO	UNITS PER ASSY
2	60 285T0551-9		...INTERCOSTAL ASSY- SUPPLIER CODE: V89954 OPTIONAL PART: 285T0551-1 V89954 285T0551-11 V89954 285T0551-6 V89954	101106 108120 504903	1
	61 LAC440-1		....NUT-PRESS SUPPLIER CODE: V46384	101106 108120 504903	2
	62 FE0X440		....NUT-PRESS SUPPLIER CODE: V46384 USED ON: 285T0551-1 285T0551-11	101106 108120 504903	2
	62 FE0440EF		....NUT-PRESS SUPPLIER CODE: V46384 USED ON: 285T0551-6 285T0551-9	101106 108120 504903	2
	63 285T0551-4		....BRACKET- SUPPLIER CODE: V89954 USED ON: 285T0551-1 285T0551-6	101106 108120 504903	1
	63 285T0551-10		....BRACKET- SUPPLIER CODE: V89954 USED ON: 285T0551-9 285T0551-11 ATTACHING PARTS	101106 108120 504903	1
-	65 NAS1801-04-5		...SCREW	101106 108120 504903	2
-	70 AN960-4L		...WASHER  -----*-----	101106 108120 504903	2

MISSING ITEM NUMBERS NOT APPLICABLE

- ITEM NOT ILLUSTRATED

BRI

34-51-02-02

BOEING PROPRIETARY - Copyright © - Unpublished Work - See title page for details.

34-51-02  
FIG. 02  
PAGE 8  
JAN 20/09



757

PARTS CATALOG (MAINTENANCE)

FIG ITEM	PART NUMBER	1 2 3 4 5 6 7	NOMENCLATURE	EFFECT FROM TO	UNITS PER ASSY
2					
- 71	285T0571-1		...CIRCUIT ASSY-PRINTED SUPPLIER CODE: V89954 OPTIONAL PART: 285T0571-8 V89954 285T0571-10 V89954 USED ON: 285T0559-1 285T0559-2	101106 108120 504903	1
- 71	285T0571-8		...CIRCUIT ASSY-PRINTED SUPPLIER CODE: V89954 OPTIONAL PART: 285T0571-1 V89954 285T0571-10 V89954 USED ON: 285T0559-1 285T0559-2	101106 108120 504903	1
- 71	285T0571-10		...CIRCUIT ASSY-PRINTED SUPPLIER CODE: V89954 OPTIONAL PART: 285T0571-1 V89954 285T0571-8 V89954 USED ON: 285T0559-1 285T0559-2	101106 108120 504903	1
- 71	285T0571-12		...CIRCUIT ASSY-PRINTED SUPPLIER CODE: V89954 USED ON: 285T0559-4 285T0559-5	101106 108120 504903	1

MISSING ITEM NUMBERS NOT APPLICABLE

- ITEM NOT ILLUSTRATED

34-51-02-02

34-51-02  
FIG. 02  
PAGE 9  
JAN 20/09

BRI



757

PARTS CATALOG (MAINTENANCE)

FIG ITEM	PART NUMBER	1 2 3 4 5 6 7	NOMENCLATURE	EFFECT FROM TO	UNITS PER ASSY
2	73 HS1-3182-8	.....	DRIVER-LINE SUPPLIER CODE: V34371 OPTIONAL PART: HS3182-2 V34371 HS1-3182-2 V34371 USED ON: 285T0571-12 USED ON: 285T0571-1 285T0571-10 285T0571-8	101106 108120 504903	1
	73 HS3182-2	.....	DRIVER-LINE SUPPLIER CODE: V34371 OPTIONAL PART: HS1-3182-2 V34371 HS1-3182-8 V34371 USED ON: 285T0571-12 USED ON: 285T0571-1 285T0571-10 285T0571-8	101106 108120 504903	1
	73 HS1-3182-2	.....	DRIVER-LINE SUPPLIER CODE: V34371 OPTIONAL PART: HS1-3182-8 V34371 HS3182-2 V34371 USED ON: 285T0571-12 USED ON: 285T0571-1 285T0571-10 285T0571-8	101106 108120 504903	1

MISSING ITEM NUMBERS NOT APPLICABLE

- ITEM NOT ILLUSTRATED

34-51-02-02

34-51-02  
FIG. 02  
PAGE 10  
JAN 20/09

BRI





757

PARTS CATALOG (MAINTENANCE)

FIG ITEM	PART NUMBER	1 2 3 4 5 6 7	NOMENCLATURE	EFFECT FROM TO	UNITS PER ASSY
2 - 75	285T0562-7		..CIRCUIT ASSY- PWR SUPPLIER CODE: V89954 COMPONENT MAINT MANUAL REF: 34-09-60 OPTIONAL PART: 285T0562-11 V89954 285T0562-12 V89954 USED ON: 285T0554-5	101106 108120 504903	1
- 75	285T0562-11		..CIRCUIT ASSY- PWR SUPPLIER CODE: V89954 COMPONENT MAINT MANUAL REF: 34-09-60 OPTIONAL PART: 285T0562-7 V89954 285T0562-12 V89954 USED ON: 285T0554-5	101106 108120 504903	1
- 75	285T0562-12		..CIRCUIT ASSY- PWR SUPPLIER CODE: V89954 COMPONENT MAINT MANUAL REF: 34-09-60 OPTIONAL PART: 285T0562-7 V89954 285T0562-11 V89954 USED ON: 285T0554-5	101106 108120 504903	1
- 75	285T0562-7		..CIRCUIT ASSY- PWR SUPPLIER CODE: V89954 COMPONENT MAINT MANUAL REF: 34-09-60 USED ON: 285T0554-3	101106 108120 504903	1

MISSING ITEM NUMBERS NOT APPLICABLE

- ITEM NOT ILLUSTRATED

BRI

34-51-02-02

34-51-02  
FIG. 02  
PAGE 11  
JAN 20/09



757

PARTS CATALOG (MAINTENANCE)

FIG ITEM	PART NUMBER	1 2 3 4 5 6 7	NOMENCLATURE	EFFECT FROM TO	UNITS PER ASSY
2					
- 75	285T0562-11	..	CIRCUIT ASSY- PWR SUPPLIER CODE: V89954 COMPONENT MAINT MANUAL REF: 34-09-60 USED ON: 285T0554-3	101106 108120 504903	1
- 75	285T0562-12	..	CIRCUIT ASSY- PWR SUPPLIER CODE: V89954 COMPONENT MAINT MANUAL REF: 34-09-60 USED ON: 285T0554-3	101106 108120 504903	1
77	SG7815T883B	...	MICROCIRCUIT- SUPPLIER CODE: V34333 SPECIFICATION NUMBER: 280T1020-549 USED ON: 285T0562-12	101106 108120 504903	1
78	SG7915T883B	...	MICROCIRCUIT- SUPPLIER CODE: V34333 SPECIFICATION NUMBER: 280T1020-553 USED ON: 285T0562-12	101106 108120 504903	1
79	OM7805AHM	...	MICROCIRCUIT- SUPPLIER CODE: V69210 SPECIFICATION NUMBER: 280T1020-579 USED ON: 285T0562-12	101106 108120 504903	1
80	UA79M15HMQB	...	MICROCIRCUIT- SUPPLIER CODE: V07263 SPECIFICATION NUMBER: 280-22002-332 OPTIONAL PART: 79M15HMQB V07263 USED ON: 285T0562-7 USED ON: 285T0562-11	101106 108120 504903	1

MISSING ITEM NUMBERS NOT APPLICABLE

- ITEM NOT ILLUSTRATED

34-51-02-02

34-51-02  
FIG. 02  
PAGE 12  
JAN 20/09

BRI



757

PARTS CATALOG (MAINTENANCE)

FIG ITEM	PART NUMBER	1 2 3 4 5 6 7	NOMENCLATURE	EFFECT FROM TO	UNITS PER ASSY
2	81 UA78M15HMQB		...MICROCIRCUIT- SUPPLIER CODE: V07263 SPECIFICATION NUMBER: 280-22002-328 USED ON: 285T0562-7 USED ON: 285T0562-11	101106 108120 504903	1
	82 285T0582-1		..CABLE ASSY-AUTO/MANUAL SWITCH SUPPLIER CODE: V89954 USED ON: 285T0554-3	101106 108120 504903	1
	82 285T0582-1		..CABLE ASSY-AUTO/MANUAL SWITCH SUPPLIER CODE: V89954 QUALIFIED OPTIONAL DATA: 285T0582-1 OPTIONAL TO 285T0582-3 OPTIONAL TO 285T0582-5 OPTIONAL TO 285T0582-6 WHEN USED WITH ASSOCIATED PARTS USED ON: 285T0554-5	101106 108120 504903	1
	82 285T0582-3		..CABLE ASSY-AUTO/MANUAL SWITCH SUPPLIER CODE: V89954 QUALIFIED OPTIONAL DATA: 285T0582-1 OPTIONAL TO 285T0582-3 OPTIONAL TO 285T0582-5 OPTIONAL TO 285T0582-6 WHEN USED WITH ASSOCIATED PARTS USED ON: 285T0554-5	101106 108120 504903	1

MISSING ITEM NUMBERS NOT APPLICABLE

- ITEM NOT ILLUSTRATED

34-51-02-02

34-51-02  
FIG. 02  
PAGE 13  
JAN 20/09

BRI



757

PARTS CATALOG (MAINTENANCE)

FIG ITEM	PART NUMBER	1 2 3 4 5 6 7	NOMENCLATURE	EFFECT FROM TO	UNITS PER ASSY
2					
82	285T0582-5		..CABLE ASSY-AUTO/MANUAL SWITCH SUPPLIER CODE: V89954 QUALIFIED OPTIONAL DATA: 285T0582-1 OPTIONAL TO 285T0582-3 OPTIONAL TO 285T0582-5 OPTIONAL TO 285T0582-6 WHEN USED WITH ASSOCIATED PARTS USED ON: 285T0554-5	101106 108120 504903	1
82	285T0582-6		..CABLE ASSY-AUTO/MANUAL SWITCH SUPPLIER CODE: V89954 QUALIFIED OPTIONAL DATA: 285T0582-1 OPTIONAL TO 285T0582-3 OPTIONAL TO 285T0582-5 OPTIONAL TO 285T0582-6 WHEN USED WITH ASSOCIATED PARTS USED ON: 285T0554-5	101106 108120 504903	1
84	285T0582-4		...SWITCH ASSY-MOMENTARY ACTION LT SUPPLIER CODE: V89954 QUALIFIED OPTIONAL DATA: 285T0582-4 OPTIONAL TO BCREFA0732 OPTIONAL TO BCREFA1545 OPTIONAL TO BCREF8180 OPTIONAL TO BCREF8634 OPTIONAL TO 10199-405 OPTIONAL TO 13789-001 OPTIONAL TO 14120-001 USED WITH ASSOCIATED ITEMS OPTIONAL PART: BCREFA0732 V81590 BCREFA1545 V81590 USED ON: 285T0582-3	101106 108120 504903	1

MISSING ITEM NUMBERS NOT APPLICABLE

- ITEM NOT ILLUSTRATED

34-51-02-02

34-51-02  
FIG. 02  
PAGE 14  
JAN 20/09

BRI



757

PARTS CATALOG (MAINTENANCE)

FIG ITEM	PART NUMBER	1 2 3 4 5 6 7	NOMENCLATURE	EFFECT FROM TO	UNITS PER ASSY
2	85 BCREFA0732		... SWITCH ASSY-MOMENTARY ACTION LT SUPPLIER CODE: V81590 OVERLENGTH PART NUMBER: 411-811-0982-001R QUALIFIED OPTIONAL DATA: 285T0582-4 OPTIONAL TO BCREFA0732 OPTIONAL TO BCREFA1545 OPTIONAL TO BCREFA8180 OPTIONAL TO BCREFA8634 OPTIONAL TO 10199-405 OPTIONAL TO 13789-001 OPTIONAL TO 14120-001 USED WITH ASSOCIATED ITEMS OPTIONAL PART: BCREFA8634 V81590 USED ON: 285T0582-1	101106 108120 504903	1
	85 BCREFA0732		... SWITCH ASSY-MOMENTARY ACTION LT SUPPLIER CODE: V81590 OVERLENGTH PART NUMBER: 411-811-0982-003 QUALIFIED OPTIONAL DATA: 285T0582-4 OPTIONAL TO BCREFA0732 OPTIONAL TO BCREFA1545 OPTIONAL TO BCREFA8180 OPTIONAL TO BCREFA8634 OPTIONAL TO 10199-405 OPTIONAL TO 13789-001 OPTIONAL TO 14120-001 USED WITH ASSOCIATED ITEMS OPTIONAL PART: BCREFA1545 V81590 285T0582-4 V89954 USED ON: 285T0582-3	101106 108120 504903	1

MISSING ITEM NUMBERS NOT APPLICABLE

- ITEM NOT ILLUSTRATED

BRI

34-51-02-02

BOEING PROPRIETARY - Copyright © - Unpublished Work - See title page for details.

34-51-02  
FIG. 02  
PAGE 15  
JAN 20/09



757

PARTS CATALOG (MAINTENANCE)

FIG ITEM	PART NUMBER	1 2 3 4 5 6 7	NOMENCLATURE	EFFECT FROM TO	UNITS PER ASSY
2	85 BCREFA8634		... SWITCH ASSY-MOMENTARY ACTION LT SUPPLIER CODE: V81590 OVERLENGTH PART NUMBER: 411-811-0982-002 QUALIFIED OPTIONAL DATA: 285T0582-4 OPTIONAL TO BCREFA0732 OPTIONAL TO BCREFA1545 OPTIONAL TO BCREFA8180 OPTIONAL TO BCREFA8634 OPTIONAL TO 10199-405 OPTIONAL TO 13789-001 OPTIONAL TO 14120-001 USED WITH ASSOCIATED ITEMS OPTIONAL PART: BCREFA8180 V81590 USED ON: 285T0582-1	101106 108120 504903	1
	85 BCREFA1545		... SWITCH ASSY-MOMENTARY ACTION LT SUPPLIER CODE: V81590 OVERLENGTH PART NUMBER: 411-811-0982-004 QUALIFIED OPTIONAL DATA: 285T0582-4 OPTIONAL TO BCREFA0732 OPTIONAL TO BCREFA1545 OPTIONAL TO BCREFA8180 OPTIONAL TO BCREFA8634 OPTIONAL TO 10199-405 OPTIONAL TO 13789-001 OPTIONAL TO 14120-001 USED WITH ASSOCIATED ITEMS OPTIONAL PART: BCREFA0732 V81590 285T0582-4 V89954 USED ON: 285T0582-3	101106 108120 504903	1

MISSING ITEM NUMBERS NOT APPLICABLE

- ITEM NOT ILLUSTRATED

BRI

34-51-02-02

BOEING PROPRIETARY - Copyright © - Unpublished Work - See title page for details.

34-51-02  
FIG. 02  
PAGE 16  
JAN 20/09

 **BOEING**  
757  
**PARTS CATALOG (MAINTENANCE)**

FIG ITEM	PART NUMBER	1 2 3 4 5 6 7	NOMENCLATURE	EFFECT FROM TO	UNITS PER ASSY
2					
85	10199-405		...SWITCH ASSY-MODEL 427 SUPPLIER CODE: V81590 QUALIFIED OPTIONAL DATA: 285T0582-4 OPTIONAL TO BCREFA0732 OPTIONAL TO BCREFA1545 OPTIONAL TO BCREF8180 OPTIONAL TO BCREF8634 OPTIONAL TO 10199-405 OPTIONAL TO 13789-001 OPTIONAL TO 14120-001 USED WITH ASSOCIATED ITEMS OPTIONAL PART: 13789-001 V81590 USED ON: 285T0582-5	101106 108120 504903	1
85	13789-001		...SWITCH ASSY-MODEL 427 SUPPLIER CODE: V81590 QUALIFIED OPTIONAL DATA: 285T0582-4 OPTIONAL TO BCREFA0732 OPTIONAL TO BCREFA1545 OPTIONAL TO BCREF8180 OPTIONAL TO BCREF8634 OPTIONAL TO 10199-405 OPTIONAL TO 13789-001 OPTIONAL TO 14120-001 USED WITH ASSOCIATED ITEMS OPTIONAL PART: 10199-405 V81590 USED ON: 285T0582-5	101106 108120 504903	1
85	14120-001		...SWITCH ASSY-CRIMP SUPPLIER CODE: V81590 USED ON: 285T0582-5	101106 108120 504903	1
90	811-0982-001R		....CAP ASSY-SPLIT DISPLAY SUPPLIER CODE: V81590 USED ON: BCREF8180	101106 108120 504903	1

MISSING ITEM NUMBERS NOT APPLICABLE

— ITEM NOT ILLUSTRATED

BRI

# 34-51-02-02

BOEING PROPRIETARY - Copyright © - Unpublished Work - See title page for details.

34-51-02  
FIG. 02  
PAGE 17  
JAN 20/09



757

PARTS CATALOG (MAINTENANCE)

FIG ITEM	PART NUMBER	1 2 3 4 5 6 7	NOMENCLATURE	EFFECT FROM TO	UNITS PER ASSY
2					
90	811-0982-002	....	CAP ASSY-SPLIT DISPLAY SUPPLIER CODE: V81590 USED ON: BCREF8634	101106 108120 504903	1
90	811-0982-003	....	CAP ASSY-SPLIT DISPLAY SUPPLIER CODE: V81590 USED ON: BCREFA0732	101106 108120 504903	1
90	811-0982-004	....	CAP ASSY-SPLIT DISPLAY SUPPLIER CODE: V81590 USED ON: BCREFA1545	101106 108120 504903	1
95	6839AS15	.....	LAMP- SUPPLIER CODE: V81590	101106 108120 504903	4
100	411-0982-001R	....	BASE ASSY- SUPPLIER CODE: V81590 USED ON: BCREF8180	101106 108120 504903	1
100	411-0982-002	....	BASE ASSY- SUPPLIER CODE: V81590 USED ON: BCREF8634	101106 108120 504903	1
100	411-0982-003	....	BASE ASSY- SUPPLIER CODE: V81590 USED ON: BCREFA0732	101106 108120 504903	1
100	411-0982-004	....	BASE ASSY- SUPPLIER CODE: V81590 USED ON: BCREFA1545	101106 108120 504903	1

MISSING ITEM NUMBERS NOT APPLICABLE

- ITEM NOT ILLUSTRATED

34-51-02-02

34-51-02  
FIG. 02  
PAGE 18  
JAN 20/09

BRI





757

PARTS CATALOG (MAINTENANCE)

FIG ITEM	PART NUMBER	1 2 3 4 5 6 7	NOMENCLATURE	EFFECT FROM TO	UNITS PER ASSY
2 101	BCREF8634	.....	SWITCH ASSY-LT SUPPLIER CODE: V81590 OVERLENGTH PART NUMBER: 411-811-0982-002 QUALIFIED OPTIONAL DATA: 285T0582-4 OPTIONAL TO BCREFA0732 OPTIONAL TO BCREFA1545 OPTIONAL TO BCREF8180 OPTIONAL TO BCREF8634 OPTIONAL TO 10199-405 OPTIONAL TO 13789-001 OPTIONAL TO 14120-001 USED WITH ASSOCIATED ITEMS USED ON: 285T0582-4	101106 108120 504903	1
102	811-0982-002	.....	CAP ASSY-SPLIT DISPLAY SUPPLIER CODE: V81590	101106 108120 504903	1
103	6839AS15	.....	LAMP- SUPPLIER CODE: V81590	101106 108120 504903	4
104	411-0982-002	.....	BASE ASSY- SUPPLIER CODE: V81590	101106 108120 504903	1
106	14120-001	..	SWITCH ASSY-LT SUPPLIER CODE: V81590 QUALIFIED OPTIONAL DATA: 285T0582-4 OPTIONAL TO BCREFA0732 OPTIONAL TO BCREFA1545 OPTIONAL TO BCREF8180 OPTIONAL TO BCREF8634 OPTIONAL TO 10199-405 OPTIONAL TO 13789-001 OPTIONAL TO 14120-001 USED WITH ASSOCIATED ITEMS USED ON: 285T0554-5	101106 108120 504903	1
109	NAS1801-06-7	..	SCREW	101106 108120 504903	1
110	AN960D6L	..	WASHER	101106 108120 504903	2

MISSING ITEM NUMBERS NOT APPLICABLE

- ITEM NOT ILLUSTRATED

34-51-02-02

34-51-02  
FIG. 02  
PAGE 19  
JAN 20/09

BRI



757

PARTS CATALOG (MAINTENANCE)

FIG ITEM	PART NUMBER	1 2 3 4 5 6 7	NOMENCLATURE	EFFECT FROM TO	UNITS PER ASSY
2 115	BRH10A06	..	NUT SUPPLIER CODE: V52828 SPECIFICATION NUMBER: BACN10JC06 OPTIONAL PART: H10-06BAC V15653 RMLH9075-62W V72962 VN303A62 V92215 96-62 V80539 NS202101-62 V80539 T6S632J V11815	101106 108120 504903	1
120	285T0563-1	..	FLEX ASSY-CONN INTERFACE SUPPLIER CODE: V89954 USED ON: 285T0554-3	101106 108120 504903	1
120	285T0563-1	..	FLEX ASSY-CONN INTERFACE SUPPLIER CODE: V89954 OPTIONAL PART: 285T0563-7 V89954 USED ON: 285T0554-5	101106 108120 504903	1
120	285T0563-7	..	FLEX ASSY-CONN INTERFACE SUPPLIER CODE: V89954 OPTIONAL PART: 285T0563-1 V89954 USED ON: 285T0554-5	101106 108120 504903	1
125	51863-6	...	TERMINAL SUPPLIER CODE: V00779 SPECIFICATION NUMBER: BACT12AR222	101106 108120 504903	1
130	CN0942-37PN	...	CONNECTOR- SUPPLIER CODE: V76530	101106 108120 504903	1

MISSING ITEM NUMBERS NOT APPLICABLE

- ITEM NOT ILLUSTRATED

34-51-02-02

34-51-02  
FIG. 02  
PAGE 20  
JAN 20/09

BRI



757

PARTS CATALOG (MAINTENANCE)

FIG ITEM	PART NUMBER	1 2 3 4 5 6 7	NOMENCLATURE	EFFECT FROM TO	UNITS PER ASSY
2					
140	285T0575-1		.. FLEX ASSY-CONN INTERFACE SUPPLIER CODE: V89954 USED ON: 285T0554-3	101106 108120 504903	1
140	285T0575-1		.. FLEX ASSY-CONN INTERFACE SUPPLIER CODE: V89954 OPTIONAL PART: 285T0575-8 V89954 USED ON: 285T0554-5	101106 108120 504903	1
140	285T0575-8		.. FLEX ASSY-CONN INTERFACE SUPPLIER CODE: V89954 OPTIONAL PART: 285T0575-1 V89954 USED ON: 285T0554-5	101106 108120 504903	1
145	51863-6		... TERMINAL SUPPLIER CODE: V00779 SPECIFICATION NUMBER: BACT12AR222	101106 108120 504903	1
150	CN0942-048PN		... CONNECTOR- SUPPLIER CODE: V13556	101106 108120 504903	1
155	WCS225-8		.. RETAINER-SHAFT SUPPLIER CODE: V51074 USED ON: 285T0554-5 285T0554-6	101106 108120 504903	2
200	285T0021-16		. PANEL ASSY-CONT SUPPLIER CODE: V89954 ELECTRICAL EQUIP NUMBER: M00091 M00092 COMPONENT MAINT MANUAL REF: 34-51-51	101106 108120 504903	RF
205	BAC27TEX0935		.. MARKER-ALUMINUM FOIL SUPPLIER CODE: V89954	101106 108120 504903	1
215	RC445-115		.. KNOB- SUPPLIER CODE: V81590	101106 108120 504903	1

MISSING ITEM NUMBERS NOT APPLICABLE

- ITEM NOT ILLUSTRATED

34-51-02-02

34-51-02  
FIG. 02  
PAGE 21  
JAN 20/09

BRI



757

PARTS CATALOG (MAINTENANCE)

FIG ITEM	PART NUMBER	1 2 3 4 5 6 7	NOMENCLATURE	EFFECT FROM TO	UNITS PER ASSY
2					
220	RD240-117	..	KNOB- SUPPLIER CODE: V81590	101106 108120 504903	1
225	RD242-105	..	KNOB- SUPPLIER CODE: V81590	101106 108120 504903	1
230	285T0116-19	..	MODULE ASSY-FRONT SUPPLIER CODE: V89954 OPTIONAL PART: 285T0116-23 V89954	101106 108120 504903	1
230	285T0116-23	..	MODULE ASSY-FRONT SUPPLIER CODE: V89954 OPTIONAL PART: 285T0116-19 V89954	101106 108120 504903	1
232	285T0116-17	...	CIRCUIT ASSY- SUPPLIER CODE: V89954 USED ON: 285T0116-19	101106 108120 504903	1
232	285T0116-24	...	CIRCUIT ASSY- SUPPLIER CODE: V89954 USED ON: 285T0116-23	101106 108120 504903	1
235	285T0087-19	....	SWITCH ASSY- SUPPLIER CODE: V89954 OPTIONAL PART: 285T0087-24 V89954	101106 108120 504903	1
235	285T0087-24	....	SWITCH ASSY- SUPPLIER CODE: V89954 OPTIONAL PART: 285T0087-19 V89954	101106 108120 504903	1
240	3-436210-2	.....	SWITCH- SUPPLIER CODE: V00779 USED ON: 285T0087-19	101106 108120 504903	1

MISSING ITEM NUMBERS NOT APPLICABLE

- ITEM NOT ILLUSTRATED

34-51-02-02

34-51-02  
FIG. 02  
PAGE 22  
JAN 20/09

BRI

BOEING PROPRIETARY - Copyright © - Unpublished Work - See title page for details.

 **BOEING**  
757  
**PARTS CATALOG (MAINTENANCE)**

FIG ITEM	PART NUMBER	1 2 3 4 5 6 7	NOMENCLATURE	EFFECT FROM TO	UNITS PER ASSY
2					
240	4-436210-2	.....	SWITCH- SUPPLIER CODE: V00779 OPTIONAL PART: 3-436210-2 V00779 USED ON: 285T0087-24	101106 108120 504903	1
240	3-436210-2	.....	SWITCH- SUPPLIER CODE: V00779 OPTIONAL PART: 4-436210-2 V00779 USED ON: 285T0087-24	101106 108120 504903	1
240	447613-1	.....	SWITCH- SUPPLIER CODE: V00779 USED ON: 285T0087-24	101106 108120 504903	1
240	4-436210-2	.....	SWITCH- SUPPLIER CODE: V00779 USED ON: 285T0087-19	101106 108120 504903	1
240	447613-1	.....	SWITCH- SUPPLIER CODE: V00779 USED ON: 285T0087-19	101106 108120 504903	1
241	3-436208-2	.....	SWITCH- SUPPLIER CODE: V00779 OPTIONAL PART: 3-436208-3 V00779	101106 108120 504903	1
241	3-436208-3	.....	SWITCH- SUPPLIER CODE: V00779 OPTIONAL PART: 3-436208-2 V00779	101106 108120 504903	1

MISSING ITEM NUMBERS NOT APPLICABLE

— ITEM NOT ILLUSTRATED

BRI

# 34-51-02-02

BOEING PROPRIETARY - Copyright © - Unpublished Work - See title page for details.

34-51-02  
FIG. 02  
PAGE 23  
JAN 20/09



757

PARTS CATALOG (MAINTENANCE)

FIG ITEM	PART NUMBER	1 2 3 4 5 6 7	NOMENCLATURE	EFFECT FROM TO	UNITS PER ASSY
2 242	285T0444-23	.....	DISPLAY ASSY- SUPPLIER CODE: V89954 QUALIFIED OPTIONAL DATA: 285T0087-23 AND -24 TOGETHER ARE OPTIONAL TO 285T0444-30 AND -32 TOGETHER. USED ON: 285T0116-24	101106 108120 504903	1
242	285T0444-24	.....	DISPLAY ASSY- SUPPLIER CODE: V89954 QUALIFIED OPTIONAL DATA: 285T0087-23 AND -24 TOGETHER ARE OPTIONAL TO 285T0444-30 AND -32 TOGETHER. USED ON: 285T0116-24	101106 108120 504903	1
242	285T0444-30	.....	DISPLAY ASSY- SUPPLIER CODE: V89954 QUALIFIED OPTIONAL DATA: 285T0087-23 AND -24 TOGETHER ARE OPTIONAL TO 285T0444-30 AND -32 TOGETHER. USED ON: 285T0116-24	101106 108120 504903	1
242	285T0444-32	.....	DISPLAY ASSY- SUPPLIER CODE: V89954 QUALIFIED OPTIONAL DATA: 285T0087-23 AND -24 TOGETHER ARE OPTIONAL TO 285T0444-30 AND -32 TOGETHER. USED ON: 285T0116-24	101106 108120 504903	1
242	285T0444-13	.....	DISPLAY ASSY- SUPPLIER CODE: V89954 USED ON: 285T0116-17	101106 108120 504903	1

MISSING ITEM NUMBERS NOT APPLICABLE

- ITEM NOT ILLUSTRATED

34-51-02-02

34-51-02  
FIG. 02  
PAGE 24  
JAN 20/09

BRI



757

PARTS CATALOG (MAINTENANCE)

FIG ITEM	PART NUMBER	1 2 3 4 5 6 7	NOMENCLATURE	EFFECT FROM TO	UNITS PER ASSY
2					
242	285T0444-14	....	DISPLAY ASSY- SUPPLIER CODE: V89954 USED ON: 285T0116-17 ATTACHING PARTS	101106 108120 504903	1
- 243	NAS514P440-4P	....	SCREW	101106 108120 504903	6
			-----*-----		
244	BCREF5428	....	SWITCH ASSY-FRONT VOR MODULE SUPPLIER CODE: V81590 OVERLENGTH PART NUMBER: 311-711-1016-010	101106 108120 504903	1
245	285T0117-16	..	MODULE ASSY-REAR SUPPLIER CODE: V89954	101106 108120 504903	1
250	NAS1801-04-6	...	SCREW	101106 108120 504903	1
253	NAS514P440-4P	...	SCREW	101106 108120 504903	4
255	NAS620-4L	...	WASHER	101106 108120 504903	1
257	AN960PD4L	...	WASHER	101106 108120 504903	4
260	MS35649-242	...	NUT	101106 108120 504903	1
263	92-1660-40	...	NUT SUPPLIER CODE: V72962 SPECIFICATION NUMBER: BACN10DN40 OPTIONAL PART: 92-1660-440 V15653	101106 108120 504903	4

MISSING ITEM NUMBERS NOT APPLICABLE

- ITEM NOT ILLUSTRATED

BRI

34-51-02-02

34-51-02  
FIG. 02  
PAGE 25  
JAN 20/09

 **BOEING**  
757  
**PARTS CATALOG (MAINTENANCE)**

FIG ITEM	PART NUMBER	1 2 3 4 5 6 7	NOMENCLATURE	EFFECT FROM TO	UNITS PER ASSY
2 265	92-1660-40	...	NUT SUPPLIER CODE: V72962 SPECIFICATION NUMBER: BACN10DN40 OPTIONAL PART: 92-1660-440 V15653	101106 108120 504903	1
268	285T0117-18	...	MODULE ASSY-ELECT. SUPPLIER CODE: V89954	101106 108120 504903	1
270	285T0542-1	....	POWER SUPPLY ASSY- SUPPLIER CODE: V89954 COMPONENT MAINT MANUAL REF: 34-09-52 OPTIONAL PART: 285T0433-11 V89954 285T0433-13 V89954 285T0542-2 V89954	101106 108120 504903	2
270	285T0542-2	....	POWER SUPPLY ASSY- SUPPLIER CODE: V89954 COMPONENT MAINT MANUAL REF: 34-09-52 OPTIONAL PART: 285T0433-11 V89954 285T0433-13 V89954 285T0542-1 V89954	101106 108120 504903	2
270	285T0433-11	....	POWER SUPPLY ASSY- SUPPLIER CODE: V89954 COMPONENT MAINT MANUAL REF: 34-09-53 OPTIONAL PART: 285T0433-13 V89954 285T0542-1 V89954 285T0542-2 V89954	101106 108120 504903	2

MISSING ITEM NUMBERS NOT APPLICABLE

— ITEM NOT ILLUSTRATED

BRI

# 34-51-02-02

BOEING PROPRIETARY - Copyright © - Unpublished Work - See title page for details.

34-51-02  
FIG. 02  
PAGE 26  
JAN 20/09





757

PARTS CATALOG (MAINTENANCE)

FIG ITEM	PART NUMBER	1 2 3 4 5 6 7	NOMENCLATURE	EFFECT FROM TO	UNITS PER ASSY
2 270	285T0433-13	.....	POWER SUPPLY ASSY- SUPPLIER CODE: V89954 COMPONENT MAINT MANUAL REF: 34-09-53 OPTIONAL PART: 285T0433-11 V89954 285T0542-1 V89954 285T0542-2 V89954	101106 108120 504903	2
275	182-14482-5	.....	TRANSFORMER- SUPPLIER CODE: V89954 USED ON: 285T0433-11 285T0433-13	101106 108120 504903	1
277	UA78M12HMQB	.....	MICROCIRCUIT-TYPE 78M12 SUPPLIER CODE: V07263 SPECIFICATION NUMBER: 280-22002-327 OPTIONAL PART: 78M12HMQB V07263 USED ON: 285T0433-11 285T0433-13	101106 108120 504903	1

MISSING ITEM NUMBERS NOT APPLICABLE

- ITEM NOT ILLUSTRATED

34-51-02-02

34-51-02  
FIG. 02  
PAGE 27  
JAN 20/09

BRI



757

PARTS CATALOG (MAINTENANCE)

FIG ITEM	PART NUMBER	1 2 3 4 5 6 7	NOMENCLATURE	EFFECT FROM TO	UNITS PER ASSY
2 277	SG7812T883B	.....	MICROCIRCUIT-TYPE 78M12 SUPPLIER CODE: V34333 SPECIFICATION NUMBER: 280T1020-529 OPTIONAL PART: SG7812T883 V34333 SG7812T883C V34333 UA78M12HMQB V07263 IP78M12H883 VU4637 IP78M12H883B VU4637 IP78M12H883C VU4637 OPTIONAL PART: UA78M12HMQB V07263	101106 108120 504903	1
278	UA79M12HMQB	.....	REGULATOR-VOLTAGE SUPPLIER CODE: V27014 SPECIFICATION NUMBER: 280T1020-531 USED ON: 285T0433-11 285T0433-13	101106 108120 504903	1
279	UA79M05HMQB	.....	REGULATOR-VOLTAGE SUPPLIER CODE: V07263 SPECIFICATION NUMBER: 280T1020-326 USED ON: 285T0433-11 285T0433-13	101106 108120 504903	1
280	AA820-04	.....	TERMINAL SUPPLIER CODE: V98410 SPECIFICATION NUMBER: BACT12AC48 OPTIONAL PART: R1880SN V14726 320553 V00779	101106 108120 504903	1

MISSING ITEM NUMBERS NOT APPLICABLE

- ITEM NOT ILLUSTRATED

34-51-02-02

34-51-02  
FIG. 02  
PAGE 28  
JAN 20/09

BRI

 **BOEING**  
757  
**PARTS CATALOG (MAINTENANCE)**

FIG ITEM	PART NUMBER	1 2 3 4 5 6 7	NOMENCLATURE	EFFECT FROM TO	UNITS PER ASSY
2					
285	BACC45FN12-12P	....	CONNECTOR	101106 108120 504903	1
			ATTACHING PARTS		
290	NAS1801-04-5	....	SCREW	101106 108120 504903	2
295	K19798-04	....	NUT	101106 108120 504903	2
			SUPPLIER CODE: V15653		
			SPECIFICATION NUMBER: BACN10NW1		
			OPTIONAL PART: RMA4812-160-40 V72962 293162 V60119		
			-----*-----		
297	AA820-04	....	TERMINAL	101106 108120 504903	1
			SUPPLIER CODE: V98410		
			SPECIFICATION NUMBER: BACT12AC48		
			OPTIONAL PART: R1880SN V14726 320553 V00779		
305	BACC45FN18-31P	....	CONNECTOR	101106 108120 504903	1
			ATTACHING PARTS		
310	NAS1801-04-5	....	SCREW	101106 108120 504903	2
315	K19798-04	....	NUT	101106 108120 504903	2
			SUPPLIER CODE: V15653		
			SPECIFICATION NUMBER: BACN10NW1		
			OPTIONAL PART: RMA4812-160-40 V72962 293162 V60119		
			-----*-----		
- 901	286N2041-319		WIRE BUNDLE ASSY	101102	RF
- 901	286N2041-326		WIRE BUNDLE ASSY	504903	RF
- 901	286N2041-328		WIRE BUNDLE ASSY	108120	RF

MISSING ITEM NUMBERS NOT APPLICABLE

- ITEM NOT ILLUSTRATED

BRI

# 34-51-02-02

BOEING PROPRIETARY - Copyright © - Unpublished Work - See title page for details.

34-51-02  
FIG. 02  
PAGE 29  
JAN 20/09



757

PARTS CATALOG (MAINTENANCE)

FIG ITEM	PART NUMBER	1 2 3 4 5 6 7	NOMENCLATURE	EFFECT FROM TO	UNITS PER ASSY
2					
- 901	286N2041-701		WIRE BUNDLE ASSY-	103106	RF
910	BACC10GH12		.CLAMP-	101106	1
			ELECTRICAL EQUIP NUMBER:	108120	
			D00263T	504903	
			WIRING DIAGRAM REF:		
			345511		
915	BACC45FT12-12S		.CONNECTOR-	101106	1
			ELECTRICAL EQUIP NUMBER:	108120	
			D00263	504903	
			WIRING DIAGRAM REF:		
			345511		
920	BACC45FT18A31S		.CONNECTOR-	101106	1
			ELECTRICAL EQUIP NUMBER:	108120	
			D00259	504903	
			WIRING DIAGRAM REF:		
			345112		
			345111		
- 930	286N2051-303		WIRE BUNDLE ASSY	101102	RF
- 930	286N2051-316		WIRE BUNDLE ASSY	504903	RF
- 931	286N2051-321		WIRE BUNDLE ASSY-	108120	RF
- 931	286N2051-701		WIRE BUNDLE ASSY	103106	RF
940	BACC45FT12A12S		.CONNECTOR-	101106	1
			ELECTRICAL EQUIP NUMBER:	108120	
			D00265	504903	
			WIRING DIAGRAM REF:		
			345521		
945	BACC45FT18A31S		.CONNECTOR-	101106	1
			ELECTRICAL EQUIP NUMBER:	108120	
			D00261	504903	
			WIRING DIAGRAM REF:		
			345121		

MISSING ITEM NUMBERS NOT APPLICABLE

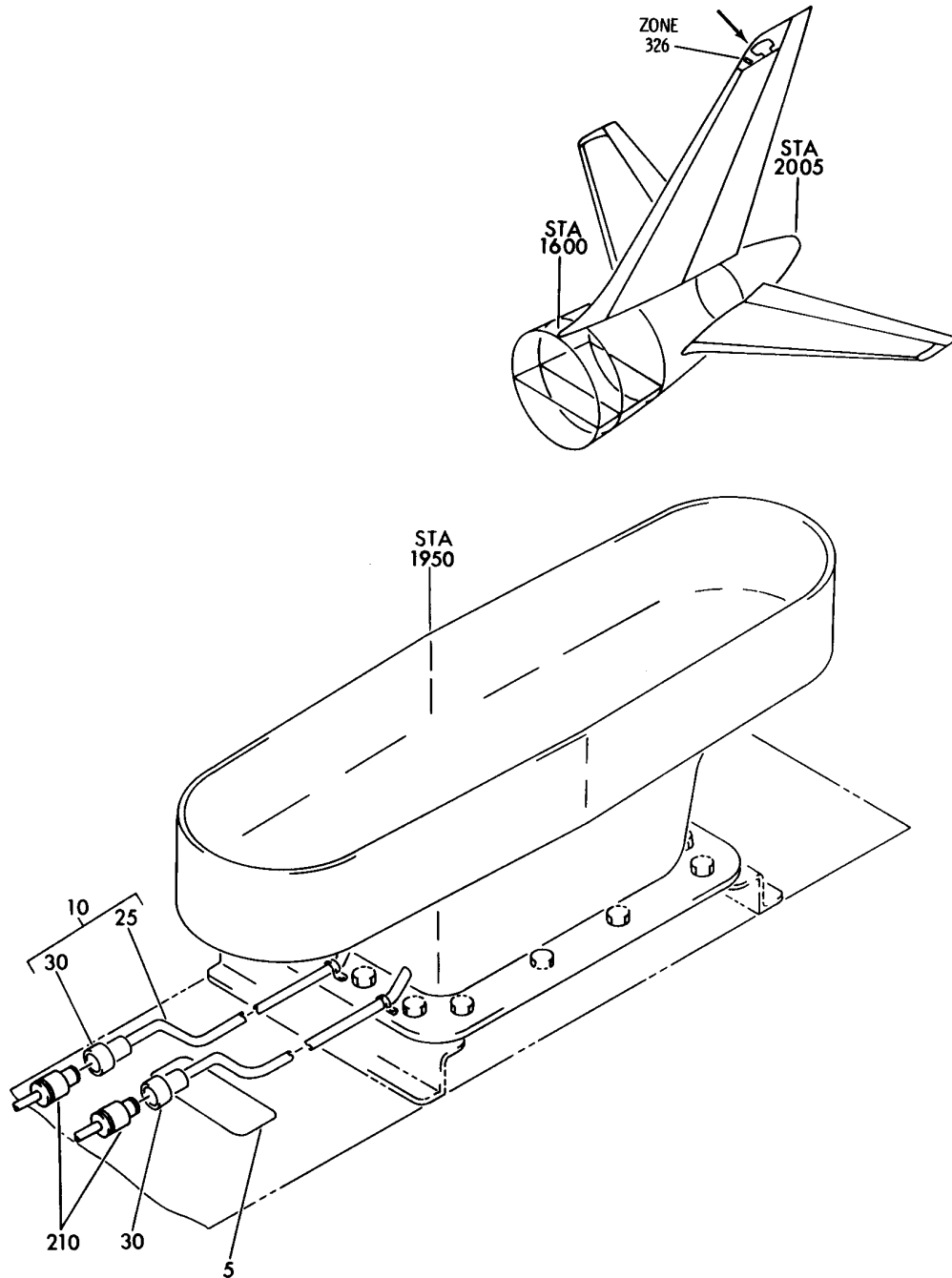
- ITEM NOT ILLUSTRATED

BRI

34-51-02-02

34-51-02  
FIG. 02  
PAGE 30  
JAN 20/09

**BOEING**  
757  
PARTS CATALOG (MAINTENANCE)



Y 34510301 REV 155

ANTENNA INSTL-VOR VERTICAL TAIL  
FIGURE 1

**34-51-03-01**

BRI  
MAY 28/07

34-51-03-01  
PAGE 0



757

PARTS CATALOG (MAINTENANCE)

FIG ITEM	PART NUMBER	1 2 3 4 5 6 7	NOMENCLATURE	EFFECT FROM TO	UNITS PER ASSY
1			ANTENNA INSTL-VOR VERTICAL TAIL	002004 006999	
- 1	284N1703-1		ANTENNA INSTL-VOR VERTICAL TAIL FOR NHA SEE: 24-00-58-01B 24-00-58-05	002004 006102 107999	RF
- 1	MODREF9130		ANTENNA INSTL-VOR VERTICAL TAIL MODULE NUMBER: 284N1703-1 REV A	103106	1
5	BAC27NEL0342		.MARKER-ALUMINUM FOIL- PLACARD CONTENT: ANTENNA VOR M00262	002004 006999	1
10	DMN56-1		.ANTENNA ASSY-VHF OMNIDIRECTIONAL RANGING SUPPLIER CODE: V00752 FUNCTIONAL DESCRIPTION: RECEIVES VOR SIGNALS FOR NAVIGATION SPECIFICATION NUMBER: S220T114-101 ELECTRICAL EQUIP NUMBER: M00262 OPTIONAL PART: 261D1318-1 V00752	002004 006999	1
10	261D1318-1		.ANTENNA ASSY-VHF OMNIDIRECTIONAL RANGING SUPPLIER CODE: V00752 FUNCTIONAL DESCRIPTION: RECEIVES VOR SIGNALS FOR NAVIGATION. SPECIFICATION NUMBER: S220T114-101 ELECTRICAL EQUIP NUMBER: M00262 OPTIONAL PART: DMN56-1 V00752	002004 006999	1
- 15	BACB30NM3K4		ATTACHING PARTS .BOLT	002004 006999	14
- 20	AN960PD10		.WASHER	002004 006999	14
			-----*-----		

MISSING ITEM NUMBERS NOT APPLICABLE

- ITEM NOT ILLUSTRATED

34-51-03-01

34-51-03  
FIG. 01  
PAGE 1  
JAN 20/09

BRI



757

PARTS CATALOG (MAINTENANCE)

FIG ITEM	PART NUMBER	1 2 3 4 5 6 7	NOMENCLATURE	EFFECT FROM TO	UNITS PER ASSY
1					
25	RG58CU		..CABLE-FLEXIBLE COAX. SUPPLIER CODE: V91836	002004 006999	AR
30	KD59-161		..PLUG-TYPE C SUPPLIER CODE: V91836	002004 006999	2
- 200	286N2827-303		WIRE BUNDLE ASSY	504903	RF
- 200	286N2827-001		WIRE BUNDLE ASSY	002004 006100 107107 121503 904951 952999	RF
- 200	286N2827-002		WIRE BUNDLE ASSY-	108120	RF
- 200	286N2827-301		WIRE BUNDLE ASSY-	101102	RF
- 200	286N2827-302		WIRE BUNDLE ASSY-	103106	RF
- 200	286N2827-701		WIRE BUNDLE ASSY	108120	RF
- 205	286N2825-302		WIRE BUNDLE ASSY-	952999	RF
- 205	286N2825-002		WIRE BUNDLE ASSY-	101102	RF
- 205	286N2825-305		WIRE BUNDLE ASSY-	504903	RF
- 205	286N2825-307		WIRE BUNDLE ASSY	002004	RF
- 205	286N2825-001		WIRE BUNDLE ASSY-	006100 107107 121503 904951	
- 206	286N2825-701		WIRE BUNDLE ASSY	103106	RF
210	KD19-105M06		.RECEPTACLE- SUPPLIER CODE: V91836 ELECTRICAL EQUIP NUMBER: D00597 D00621 WIRING DIAGRAM REF: 345111 345121	107107 121503 904949	1
210	KD1966		.RECEPTACLE- SUPPLIER CODE: V91836 ELECTRICAL EQUIP NUMBER: D00597 D00621 WIRING DIAGRAM REF: 345111 345121	002004 006102 108120 504903 950999	1

MISSING ITEM NUMBERS NOT APPLICABLE

- ITEM NOT ILLUSTRATED

BRI

34-51-03-01

BOEING PROPRIETARY - Copyright © - Unpublished Work - See title page for details.

34-51-03  
FIG. 01  
PAGE 2  
JAN 20/09



757

PARTS CATALOG (MAINTENANCE)

FIG ITEM	PART NUMBER	1 2 3 4 5 6 7	NOMENCLATURE	EFFECT FROM TO	UNITS PER ASSY
1 210	791-6-9		.RECEPTACLE- SUPPLIER CODE: V91836 ELECTRICAL EQUIP NUMBER: D00597 D00621 WIRING DIAGRAM REF: 345111 345121	103106	1

MISSING ITEM NUMBERS NOT APPLICABLE

- ITEM NOT ILLUSTRATED

BRI

34-51-03-01

BOEING PROPRIETARY - Copyright © - Unpublished Work - See title page for details.

34-51-03  
FIG. 01  
PAGE 3  
JAN 20/09

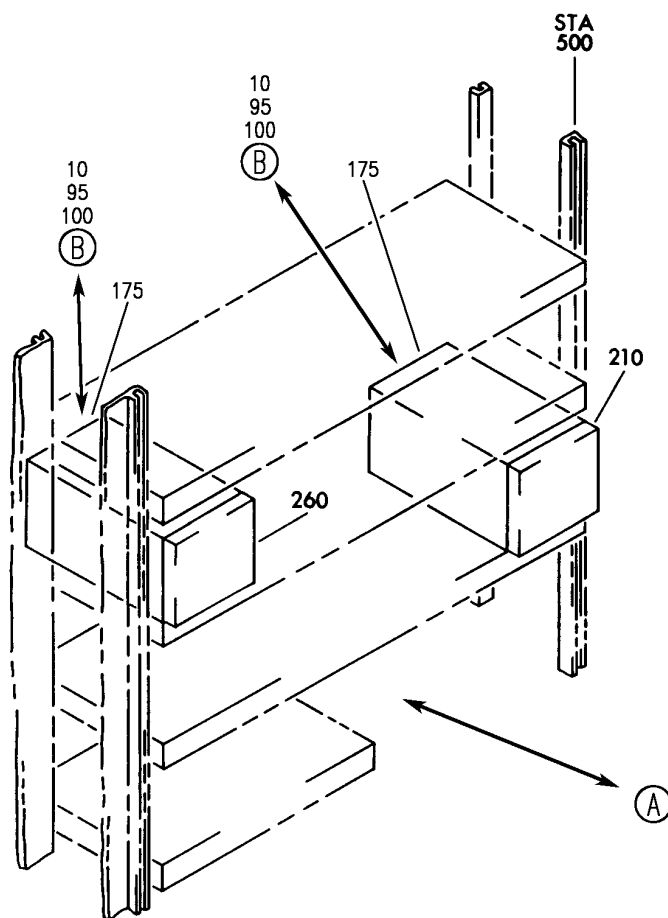
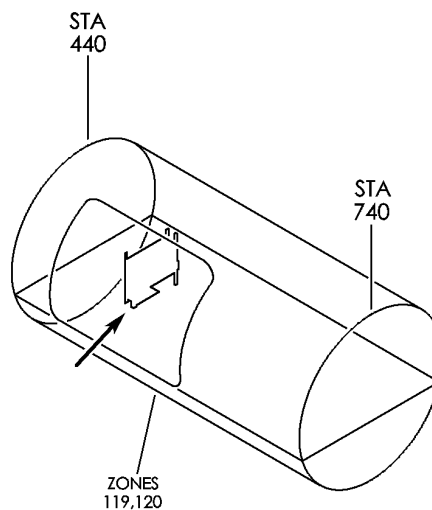


**AIR TRAFFIC CONTROL (ATC)/MODE  
S TRANSPONDER SYSTEM**

BRI  
MAY 28/07

34-53-00  
SECTION TITLE  
PAGE 1

**BOEING**  
757  
PARTS CATALOG (MAINTENANCE)



Y 34530101 SH1 1 REV 290

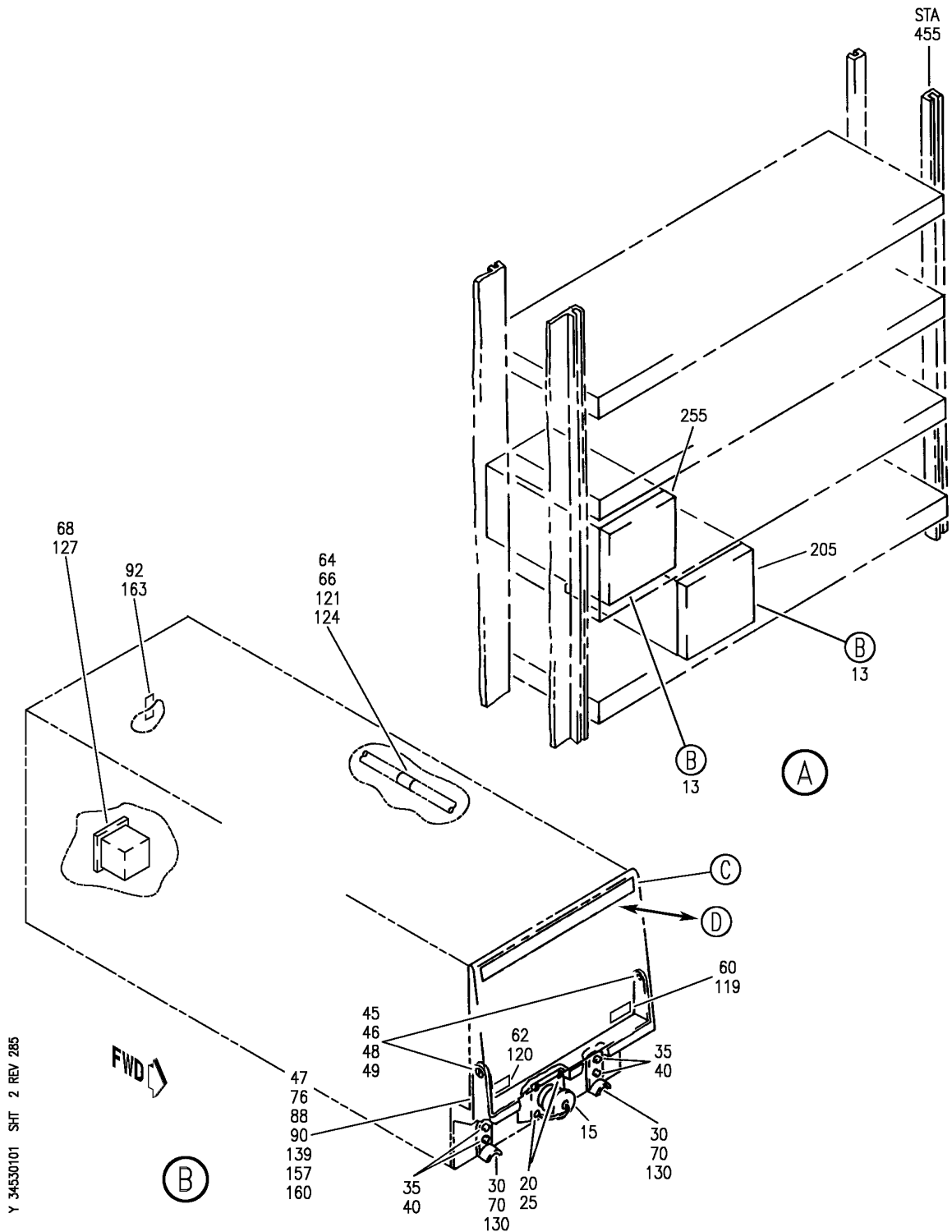
EQUIPMENT INSTL-MAIN ELECTRONICS EQPT CTR (ATC SYSTEM ONLY)  
FIGURE 1 (SHEET 1)

**34-53-01-01**

BRI  
MAY 28/07

34-53-01-01  
PAGE 0

**BOEING**  
757  
PARTS CATALOG (MAINTENANCE)



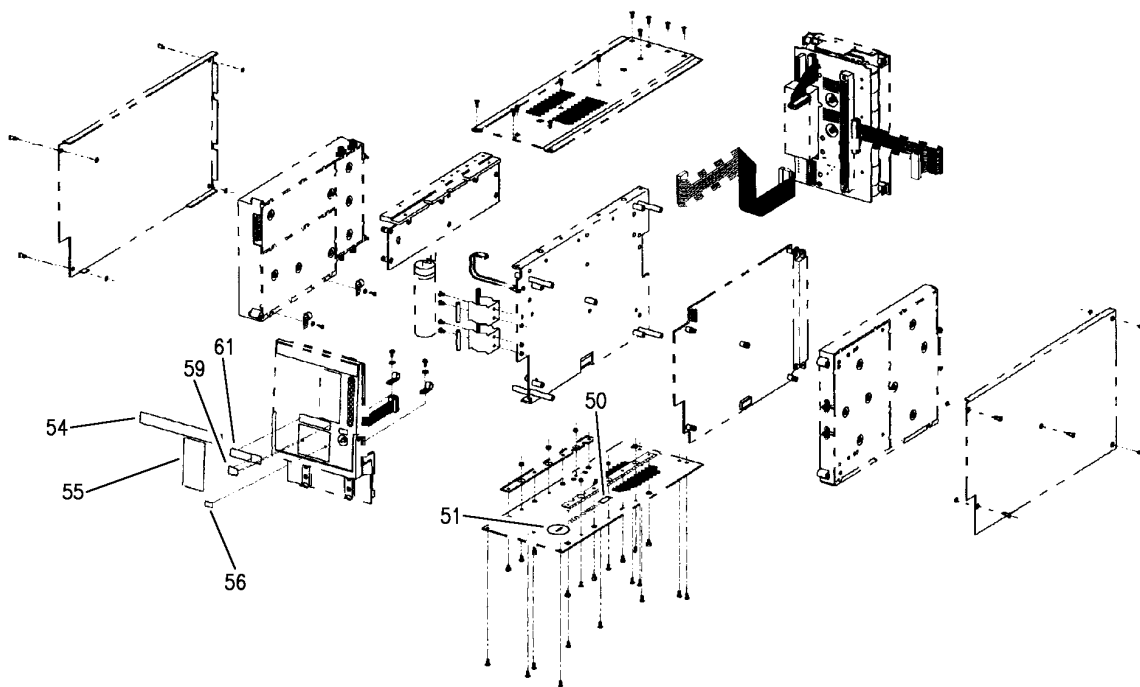
EQUIPMENT INSTL-MAIN ELECTRONICS EQPT CTR (ATC SYSTEM ONLY)  
FIGURE 1 (SHEET 2)

**34-53-01-01**

BRI  
MAY 28/07

34-53-01-01  
PAGE 0A

**BOEING**  
757  
PARTS CATALOG (MAINTENANCE)



(C)

Y 34530101 SH1 3 REV 291

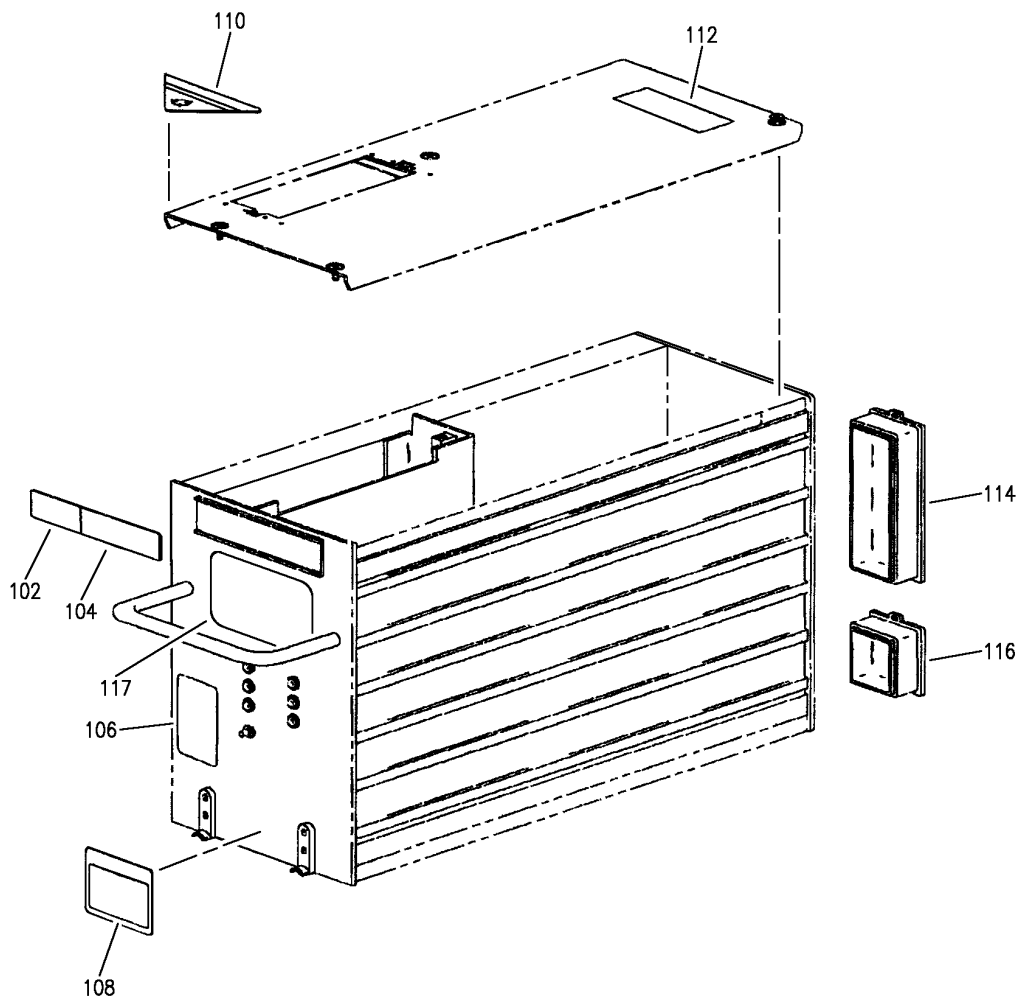
EQUIPMENT INSTL-MAIN ELECTRONICS EQPT CTR (ATC SYSTEM ONLY)  
FIGURE 1 (SHEET 3)

**34-53-01-01**

BRI  
MAY 28/07

34-53-01-01  
PAGE 0B

**BOEING**  
757  
PARTS CATALOG (MAINTENANCE)



Y 34530101 SH1 4 REV 285

EQUIPMENT INSTL-MAIN ELECTRONICS EQPT CTR (ATC SYSTEM ONLY)  
FIGURE 1 (SHEET 4)

**34-53-01-01**

BRI  
MAY 28/07

34-53-01-01  
PAGE 0C



757

PARTS CATALOG (MAINTENANCE)

FIG ITEM	PART NUMBER	1 2 3 4 5 6 7	NOMENCLATURE	EFFECT FROM TO	UNITS PER ASSY
1			EQUIPMENT INSTL-MAIN ELECTRONICS EQPT CTR (ATC SYSTEM ONLY)	002004 006100 107107 121999 952999	
- 2	284N1800-32		EQUIPMENT INSTL-MAIN ELECTRONICS EQPT CTR (ATC SYSTEM ONLY) FOR NHA/OTHER SYS DET SEE: 24-00-58-01		RF
- 2	284N1307-33		EQUIPMENT INSTL-MAIN ELECTRONICS EQPT CTR (ATC SYSTEM ONLY) FOR NHA/OTHER SYS DET SEE: 24-00-58-01	107107	RF
- 4	284N1800-16		EQUIPMENT INSTL-MAIN ELECTRONICS EQPT CTR (ATC SYSTEM ONLY) FOR NHA/OTHER SYS DET SEE: 24-00-58-01	121503 904949	RF
- 5	284N1800-34		EQUIPMENT INSTL-MAIN ELECTRONICS EQPT CTR (ATC SYSTEM ONLY) FOR NHA/OTHER SYS DET SEE: 24-00-58-01	002004 006100	RF
- 5	284N1800-38		EQUIPMENT INSTL-MAIN ELECTRONICS EQPT CTR (ATC SYSTEM ONLY) FOR NHA/OTHER SYS DET SEE: 24-00-58-01	950951	RF
- 8	284N1800-88		EQUIPMENT INSTL-MAIN ELECTRONICS EQPT CTR (ATC SYSTEM ONLY) FOR NHA/OTHER SYS DET SEE: 24-00-58-05E	505505	RF
- 9	284N1800-190		EQUIPMENT INSTL-MAIN ELECTRONICS EQPT CTR (ATC SYSTEM ONLY) FOR NHA/OTHER SYS DET SEE: 24-00-58-05E	504504 506903	RF

MISSING ITEM NUMBERS NOT APPLICABLE

- ITEM NOT ILLUSTRATED

BRI

34-53-01-01

34-53-01  
FIG. 01  
PAGE 1  
JAN 20/09



757

PARTS CATALOG (MAINTENANCE)

FIG ITEM	PART NUMBER	1 2 3 4 5 6 7	NOMENCLATURE	EFFECT FROM TO	UNITS PER ASSY	
R R R R R R R R R R R R R R R	1 10	7517800-10002	.TRANSPONDER- SUPPLIER CODE: V1WYD3 FUNCTIONAL DESCRIPTION: PROVIDES AIRPLANE ALTI- TUDE AND IDENTIFICATION DATA TO GROUND FACILI- TIES ENABLING THEM TO MONITOR AIRPLANE LOCATION IN FLIGHT. ELECTRICAL EQUIP NUMBER: M10141 M10142 COMPONENT MAINT MANUAL REF: 34-52-08	504903	2	
	10	066-01127-0000	.TRANSPONDER- SUPPLIER CODE: V97896 ELECTRICAL EQUIP NUMBER: M10141 M10142 COMPONENT MAINT MANUAL REF: 34-54-36	121503 904949	2	
	10	066-01127-1101	.TRANSPONDER- SUPPLIER CODE: V97896 ELECTRICAL EQUIP NUMBER: M10141 M10142 COMPONENT MAINT MANUAL REF: 34-54-36 POST SERVICE BULLETIN: TRA67A34-111 V27914 TRA67A34-13 V27914	950951	2	
	MISSING ITEM NUMBERS NOT APPLICABLE					

- ITEM NOT ILLUSTRATED

**34-53-01-01**

34-53-01  
FIG. 01  
PAGE 2  
MAY 20/09

BRI



757

PARTS CATALOG (MAINTENANCE)

FIG ITEM	PART NUMBER	1 2 3 4 5 6 7	NOMENCLATURE	EFFECT FROM TO	UNITS PER ASSY
1					
13	2041599-6508	.	TRANSPONDER ASSY-ATC SUPPLIER CODE: V97896 SPECIFICATION NUMBER: S220T100-204 ELECTRICAL EQUIP NUMBER: M10141 M10142 COMPONENT MAINT MANUAL REF: 34-52-33 QUALIFIED I/W DATA: 2041599-6508 I/W 2041599-6510 EXCEPT PER CUSTOMER PREFERENCE	107107	2
15	2089045-0703	..	CAP-PROTECTIVE SUPPLIER CODE: V97896	107107	1
20	6430-0404	..	SCREW-BDG HEAD SUPPLIER CODE: V97896	107107	4
25	MS35337-78	..	WASHER	107107	4
30	39035-0001	..	HOOK-HOLD DOWN SUPPLIER CODE: V97896	107107	2
30	09000717-0001	..	HOOK-HOLD DOWN SUPPLIER CODE: V97896	121503 904951	2
35	6430-0404	..	ATTACHING PARTS SCREW-BDG HEAD SUPPLIER CODE: V97896	107107	4
35	08906127-0007	..	SCREW- SUPPLIER CODE: V97896	121503 904951	4
40	MS35337-78	..	WASHER	107107	4
45	3611334-0001	..	SCREW-SHOULDER SUPPLIER CODE: V97896	107107	2
46	36028-3458	..	WASHER-FLAT SUPPLIER CODE: V97896	107107	2
47	2040266-0504	..	HANDLE- SUPPLIER CODE: V97896	107107	1
47	07300868-0003	..	HANDLE- SUPPLIER CODE: V97896	121503 904951	1

MISSING ITEM NUMBERS NOT APPLICABLE

- ITEM NOT ILLUSTRATED

34-53-01-01

34-53-01  
FIG. 01  
PAGE 3  
JAN 20/09

BRI

BOEING PROPRIETARY - Copyright © - Unpublished Work - See title page for details.





**757  
PARTS CATALOG (MAINTENANCE)**

FIG ITEM	PART NUMBER	1 2 3 4 5 6 7	NOMENCLATURE	EFFECT FROM TO	UNITS PER ASSY
1			ATTACHING PARTS		
48	08906914-0000	..	SCREW- SUPPLIER CODE: V97896	121503 904951	2
			-----*-----		
49	08908200-0002	..	SHIM- SUPPLIER CODE: V97896	121503 904951	2
50	057-05284-1101	..	PLACARD- SUPPLIER CODE: V97896	950951	1
			USED ON: 066-01127-1101		
50	057-05284-0000	..	PLACARD- SUPPLIER CODE: V97896	121503 904949	1
			USED ON: 066-01127-0000		
51	057-01694-0000	..	PLACARD-MOD SUPPLIER CODE: V97896	950951	1
- 53	057-05287-0102	..	PLACARD-LEVEL PART OF SW MOD 0102 SUPPLIER CODE: V97896	950951	1
			CONFIG CHG DATA FROM A CMM: SUPSD BY 057-05287-0105		
			USED ON: 066-01127-1101		
- 53	057-05287-0105	..	PLACARD-LEVEL PART OF SW MOD 0105 S/N4054 SUPPLIER CODE: V97896	950951	1
			CONFIG CHG DATA FROM A CMM: SUPSDS 057-05287-0102		
			USED ON: 066-01127-1101		
- 53	057-05287-0104	..	PLACARD-LEVEL PART OF SW MOD 0104 S/N4356 SUPPLIER CODE: V97896	950951	1
			USED ON: 066-01127-1101		

MISSING ITEM NUMBERS NOT APPLICABLE

- ITEM NOT ILLUSTRATED

# 34-53-01-01

34-53-01  
FIG. 01  
PAGE 4  
JAN 20/09

BRI



757

PARTS CATALOG (MAINTENANCE)

FIG ITEM	PART NUMBER	1 2 3 4 5 6 7	NOMENCLATURE	EFFECT FROM TO	UNITS PER ASSY
1					
- 53	057-05287-0106	..	PLACARD-LEVEL PART OF SW MOD 0106 S/N5047 SUPPLIER CODE: V97896 USED ON: 066-01127-1101	950951	1
- 53	057-05287-0107	..	PLACARD-LEVEL PART OF SW MOD 0107 S/N7082 SUPPLIER CODE: V97896 USED ON: 066-01127-1101	950951	1
- 53	057-05287-0109	..	PLACARD-LEVEL PART OF SW MOD 0109 SUPPLIER CODE: V97896 USED ON: 066-01127-1101	950951	1
- 53	057-05287-0110	..	PLACARD-LEVEL PART OF SW MOD 0110 SUPPLIER CODE: V97896 USED ON: 066-01127-1101	950951	1
54	05703626-0000	..	PLATE- SUPPLIER CODE: V97896 CONFIG CHG DATA FROM A CMM: SUPSD BY 057-05929-0002 USED ON: 066-01127-0000 066-01127-1101 066-01127-1301	121503 904951	1
54	057-05929-0002	..	PLATE- SUPPLIER CODE: V97896 USED ON: 066-01127-1101 066-01127-1301	121503 904951	1
55	057-05147-0000	..	LABEL- SUPPLIER CODE: V97896	950951	1
56	057-03627-0000	..	LABEL-TEST BUTTON SUPPLIER CODE: V97896	950951	1

MISSING ITEM NUMBERS NOT APPLICABLE

- ITEM NOT ILLUSTRATED

34-53-01-01

34-53-01  
FIG. 01  
PAGE 5  
JAN 20/09

BRI

**BOEING**  
757  
**PARTS CATALOG (MAINTENANCE)**

FIG ITEM	PART NUMBER	1 2 3 4 5 6 7	NOMENCLATURE	EFFECT FROM TO	UNITS PER ASSY
1	61 057-03266-0002		. . PLACARD- SUPPLIER CODE: V97896	950951	1
R	95 4061400-905		. TRANSPONDER- SUPPLIER CODE: V1WYD3 FUNCTIONAL DESCRIPTION: PROVIDES AIRPLANE ALTITUDE AND IDENTIFICATION DATA TO GROUND FACILITIES ENABLING THEM TO MONITOR AIRPLANE LOCATION IN FLIGHT. ELECTRICAL EQUIP NUMBER: M10141 M10142 COMPONENT MAINT MANUAL REF: 34-44-02	002004 006100	2
R	95 7517800-10002		. TRANSPONDER- SUPPLIER CODE: V1WYD3 FUNCTIONAL DESCRIPTION: PROVIDES AIRPLANE ALTITUDE AND IDENTIFICATION DATA TO GROUND FACILITIES ENABLING THEM TO MONITOR AIRPLANE LOCATION IN FLIGHT. ELECTRICAL EQUIP NUMBER: M10141 M10142 COMPONENT MAINT MANUAL REF: 34-52-08	002004 006100	2
R	100 622-7878-120		. TRANSPONDER ASSY- SUPPLIER CODE: V4V792 ELECTRICAL EQUIP NUMBER: M10141 M10142 COMPONENT MAINT MANUAL REF: 34-50-75	952952	2

MISSING ITEM NUMBERS NOT APPLICABLE

— ITEM NOT ILLUSTRATED

BRI

# 34-53-01-01

BOEING PROPRIETARY - Copyright © - Unpublished Work - See title page for details.

34-53-01  
FIG. 01  
PAGE 6  
MAY 20/09



757

PARTS CATALOG (MAINTENANCE)

FIG ITEM	PART NUMBER	1 2 3 4 5 6 7	NOMENCLATURE	EFFECT FROM TO	UNITS PER ASSY
R R R R R R R R R R R R	100	622-7878-201	. TRANSPONDER- SUPPLIER CODE: V4V792 FUNCTIONAL DESCRIPTION: PROVIDES AIRPLANE ALTITUDE AND IDENTIFICATION DATA TO GROUND FACILITIES ENABLING THEM TO MONITOR AIRPLANE LOCATION IN FLIGHT. ELECTRICAL EQUIP NUMBER: M10141 M10142 COMPONENT MAINT MANUAL REF: 34-50-74	953999	2
	102	4036046-1	.. PLATE-DESIGNATION SUPPLIER CODE: V58960 USED ON: 4061400-905	002004 006100	1
	104	4036046-32	.. PLATE-DESIGNATION SUPPLIER CODE: V58960 USED ON: 4061400-905	002004 006100	1
	106	4082191-1	.. PLATE-INSTRUCTION SUPPLIER CODE: V58960 USED ON: 4061400-905	002004 006100	1
	108	4061948-4	.. PLATE-IDENT SUPPLIER CODE: V58960 CONFIG CHG DATA FROM A CMM: REPLD BY 4065516-679 USED ON: 4061400-905	002004 006100	1
	108	4065516-679	.. PLATE-IDENT SUPPLIER CODE: V58960 CONFIG CHG DATA FROM A CMM: REPLACES 4061948-4 USED ON: 4061400-905	002004 006100	1

MISSING ITEM NUMBERS NOT APPLICABLE

- ITEM NOT ILLUSTRATED

34-53-01-01

34-53-01  
FIG. 01  
PAGE 7  
MAY 20/09

BRI



757

PARTS CATALOG (MAINTENANCE)

FIG ITEM	PART NUMBER	1 2 3 4 5 6 7	NOMENCLATURE	EFFECT FROM TO	UNITS PER ASSY
1 110	4039590-13	..	DECAL- SUPPLIER CODE: V58960 USED ON: 4061400-905	002004 006100	1
112	4061839-3	..	DECAL- SUPPLIER CODE: V58960 CONFIG CHG DATA FROM A CMM: REPLD BY 4065516-315 USED ON: 4061400-905	002004 006100	1
112	4065516-315	..	PLATE-IDENT SUPPLIER CODE: V58960 CONFIG CHG DATA FROM A CMM: REPLACES 4061839-3 USED ON: 4061400-905	002004 006100	1
114	025-1158-001	..	CAP-PROTECTIVE SUPPLIER CODE: V71468 CONFIG CHG DATA FROM A CMM: REPLACED BY 244-02-033 OPTIONAL PART: 4041437-6 V58960 USED ON: 4061400-905	002004 006100	1
114	244-02-033	..	CAP-PROTECTIVE SUPPLIER CODE: VF6507 CONFIG CHG DATA FROM A CMM: REPLACES 025-1158-001 USED ON: 4061400-905	002004 006100	1
116	025-1157-001	..	CAP-PROTECTIVE SUPPLIER CODE: V71468 CONFIG CHG DATA FROM A CMM: REPLACED BY 244-02-032 OPTIONAL PART: 4041437-5 V58960 USED ON: 4061400-905	002004 006100	1

MISSING ITEM NUMBERS NOT APPLICABLE

- ITEM NOT ILLUSTRATED

34-53-01-01

34-53-01  
FIG. 01  
PAGE 8  
JAN 20/09

BRI



757

PARTS CATALOG (MAINTENANCE)

FIG ITEM	PART NUMBER	1 2 3 4 5 6 7	NOMENCLATURE	EFFECT FROM TO	UNITS PER ASSY
1 116	244-02-032		..CAP-PROTECTIVE SUPPLIER CODE: VF6507 CONFIG CHG DATA FROM A CMM: REPLACES 025-1157-001 USED ON: 4061400-905	002004 006100	1
119	685-7223-003		..PLATE-IDENT SUPPLIER CODE: V4V792 CONFIG CHG DATA FROM A CMM: SUPSD BY 685-7223-010 SUPSD BY 685-7223-011 SUPSD BY 685-7223-012 USED ON: 622-7878-200 622-7878-201 622-7878-301	953999	1
119	685-7223-011		..PLATE-IDENT SUPPLIER CODE: V4V792 CONFIG CHG DATA FROM A CMM: SUPERSEDES 685-7223-003 USED ON: 622-7878-201	953999	1
119	685-7223-001		..PLATE-IDENT SUPPLIER CODE: V4V792 CONFIG CHG DATA FROM A CMM: SUPSD BY 685-7223-008 USED ON: 622-7878-120	952952	1
119	685-7223-008		..PLATE-IDENT SUPPLIER CODE: V4V792 CONFIG CHG DATA FROM A CMM: SUPERSEDES 685-7223-001 USED ON: 622-7878-120	952952	1
120	646-5066-001		..STRIP-IDENT SUPPLIER CODE: V4V792 USED ON: 622-7878-120 622-7878-200 622-7878-201 622-7878-301	952999	1

MISSING ITEM NUMBERS NOT APPLICABLE

- ITEM NOT ILLUSTRATED

34-53-01-01

34-53-01  
FIG. 01  
PAGE 9  
JAN 20/09

BRI



757

PARTS CATALOG (MAINTENANCE)

FIG ITEM	PART NUMBER	1 2 3 4 5 6 7	NOMENCLATURE	EFFECT FROM TO	UNITS PER ASSY
1 121	687-9634-003		..MARKER-IDENT P201 SUPPLIER CODE: V4V792 USED ON: 622-7878-120 622-7878-200 622-7878-201 622-7878-301	952999	1
124	687-9634-004		..MARKER-IDENT SUPPLIER CODE: V4V792 USED ON: 622-7878-120 622-7878-200 622-7878-201 622-7878-301	952999	1
127	211600-2		..CAP-DUST SUPPLIER CODE: V00779 USED ON: 622-7878-120 622-7878-200 622-7878-201 622-7878-301	952999	1
130	503-4970-001		..HOOK-HOLDDOWN SUPPLIER CODE: V4V792 USED ON: 622-7878-120 622-7878-200 622-7878-201 622-7878-301	952999	2
- 133	330-1716-280		ATTACHING PARTS ..SCREW- SUPPLIER CODE: V4V792 -----*-----	952999	4
- 136	641-8914-001		..SHIM- SUPPLIER CODE: V4V792 USED ON: 622-7878-120 622-7878-200 622-7878-201 622-7878-301	952999	2

MISSING ITEM NUMBERS NOT APPLICABLE

- ITEM NOT ILLUSTRATED

34-53-01-01

34-53-01  
FIG. 01  
PAGE 10  
JAN 20/09

BRI

 **BOEING**  
757  
**PARTS CATALOG (MAINTENANCE)**

FIG ITEM	PART NUMBER	1 2 3 4 5 6 7	NOMENCLATURE	EFFECT FROM TO	UNITS PER ASSY
1 139	651-2408-004		..HANDLE ASSY- SUPPLIER CODE: V4V792 CONFIG CHG DATA FROM A CMM: SUPSD BY 651-2408-015 USED ON: 622-7878-120 622-7878-200 622-7878-201 622-7878-301	952999	1
139	651-2408-015		..HANDLE ASSY- SUPPLIER CODE: V4V792 CONFIG CHG DATA FROM A CMM: SUPERSEDES 651-2408-004 USED ON: 622-7878-120 622-7878-200 622-7878-201 622-7878-301 ATTACHING PARTS	952999	1
- 142	328-0368-000		..SCREW- SUPPLIER CODE: V08664	952999	2
- 145	652-5421-001		..SCREW- SUPPLIER CODE: V4V792	952999	2
- 148	768-3178-001		..WASHER- SUPPLIER CODE: V4V792	952999	4
- 151	MS21042-06		..NUT	952999	2
157	768-3387-021		-----*----- ...STRAP- SUPPLIER CODE: V4V792 USED ON: 651-2408-004	952999	1
157	647-9983-001		...STRAP- SUPPLIER CODE: V4V792 USED ON: 651-2408-015	952999	1
160	768-3386-003		...BAR-GRIP SUPPLIER CODE: V4V792	952999	1

MISSING ITEM NUMBERS NOT APPLICABLE

- ITEM NOT ILLUSTRATED

BRI

# 34-53-01-01

BOEING PROPRIETARY - Copyright © - Unpublished Work - See title page for details.

34-53-01  
FIG. 01  
PAGE 11  
JAN 20/09





757

PARTS CATALOG (MAINTENANCE)

FIG ITEM	PART NUMBER	1 2 3 4 5 6 7	NOMENCLATURE	EFFECT FROM TO	UNITS PER ASSY
1					
- 162	629-6905-001		.. STOP- SUPPLIER CODE: V4V792 USED ON: 622-7878-120 622-7878-200 622-7878-201 622-7878-301	952999	2
163	280-2745-120		.. LABEL-ESDS WARNING SUPPLIER CODE: V12998 USED ON: 622-7878-120 622-7878-200 622-7878-201 622-7878-301	952999	2
- 200	286N1433-002		WIRE BUNDLE ASSY- REWORKED BY ALERT SB: 34A022	904949	RF
- 200	286N1433-003		WIRE BUNDLE ASSY- REWORKED BY SB: 31-0090 REWORKED BY ALERT SB: 34A022	107107	RF
- 201	286N1433-016		WIRE BUNDLE ASSY- REWORKED BY ALERT SB: 34A022	011017 950951	RF
- 201	286N1433-017		WIRE BUNDLE ASSY- REWORKED BY ALERT SB: 34A022	121503	RF
- 201	286N1433-026		WIRE BUNDLE ASSY- REWORKED BY SB: 34-0200 REWORKED BY ALERT SB: 34A022	952999	RF
- 201	286N1433-027		WIRE BUNDLE ASSY- REWORKED BY ALERT SB: 34A022	002004 006010 018100	RF
- 203	286N1433-346		WIRE BUNDLE ASSY- REWORKED BY ALERT SB: 34A022	504903	RF
210	BCREF9171		. CONNECTOR- OVERLENGTH PART NUMBER: BACC66H123C05AD01 ELECTRICAL EQUIP NUMBER: D00251 WIRING DIAGRAM REF: 345311	002004 006100 107107 121999	1

MISSING ITEM NUMBERS NOT APPLICABLE

- ITEM NOT ILLUSTRATED

34-53-01-01

34-53-01  
FIG. 01  
PAGE 12  
JAN 20/09

BRI



757

PARTS CATALOG (MAINTENANCE)

FIG ITEM	PART NUMBER	1 2 3 4 5 6 7	NOMENCLATURE	EFFECT FROM TO	UNITS PER ASSY
1					
- 250	286N1423-001		WIRE BUNDLE ASSY	121503 904949	RF
- 250	286N1423-005		WIRE BUNDLE ASSY	107107	RF
- 250	286N1423-006		WIRE BUNDLE ASSY-	002004 006100 950951	RF
- 251	286N1423-015		WIRE BUNDLE ASSY-	952999	RF
- 252	286N1423-338		WIRE BUNDLE ASSY	504504 506903	RF
260	BCREF9171		.CONNECTOR- OVERLENGTH PART NUMBER: BACC66H123C05AD01 ELECTRICAL EQUIP NUMBER: D00253 WIRING DIAGRAM REF: 345321	002004 006100 107107 121999	1

MISSING ITEM NUMBERS NOT APPLICABLE

- ITEM NOT ILLUSTRATED

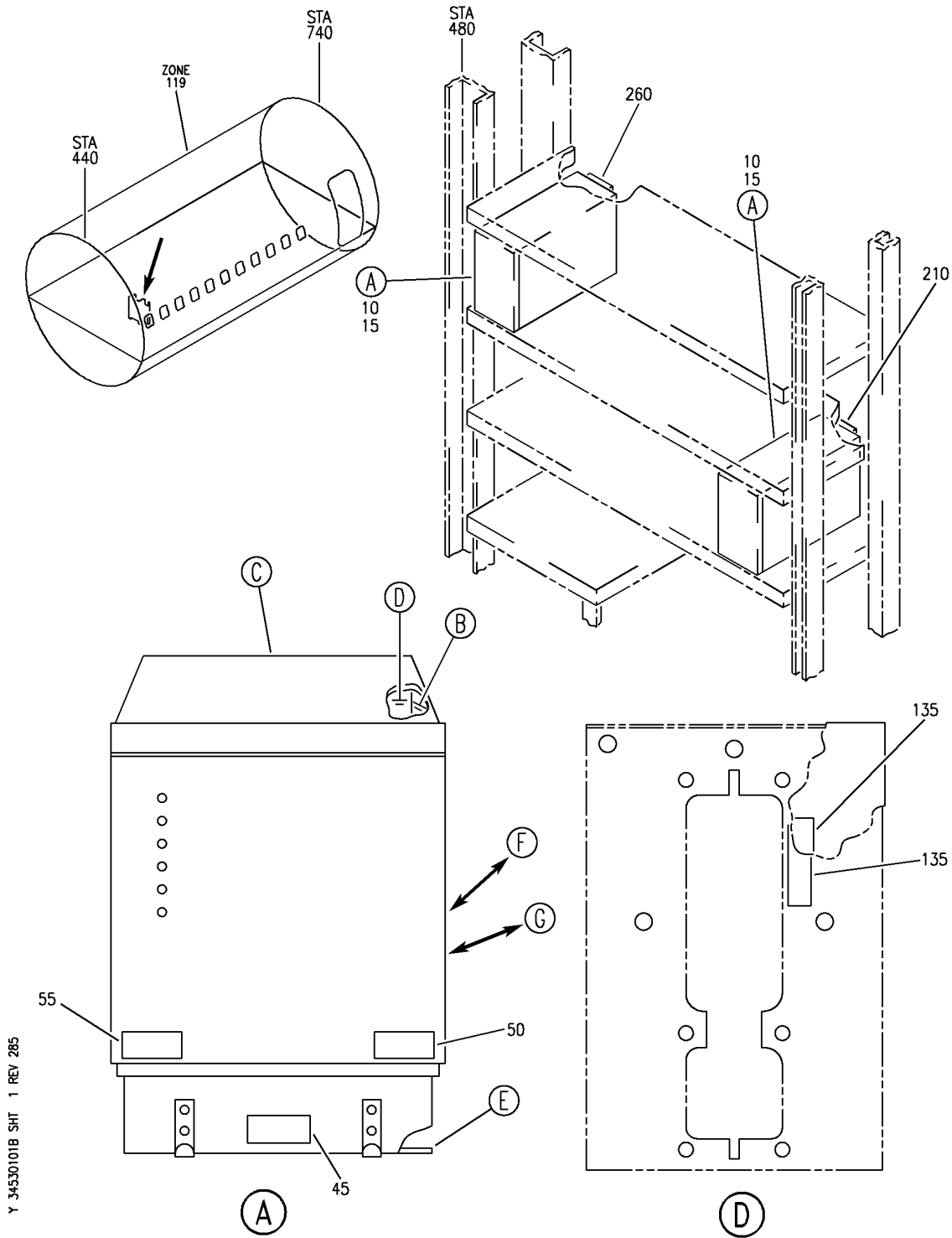
BRI

34-53-01-01

BOEING PROPRIETARY - Copyright © - Unpublished Work - See title page for details.

34-53-01  
FIG. 01  
PAGE 13  
JAN 20/09


**BOEING**  
 757  
**PARTS CATALOG (MAINTENANCE)**



Y 34530101B SHT 1 REV 285

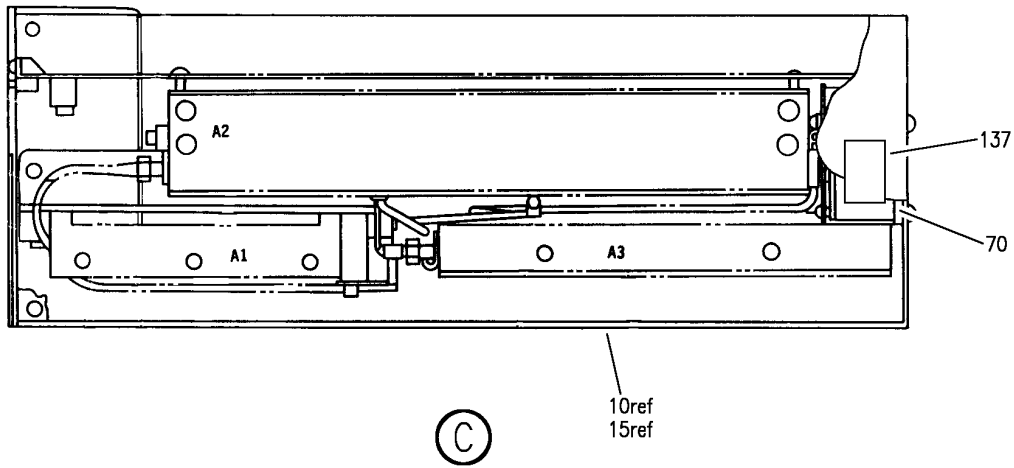
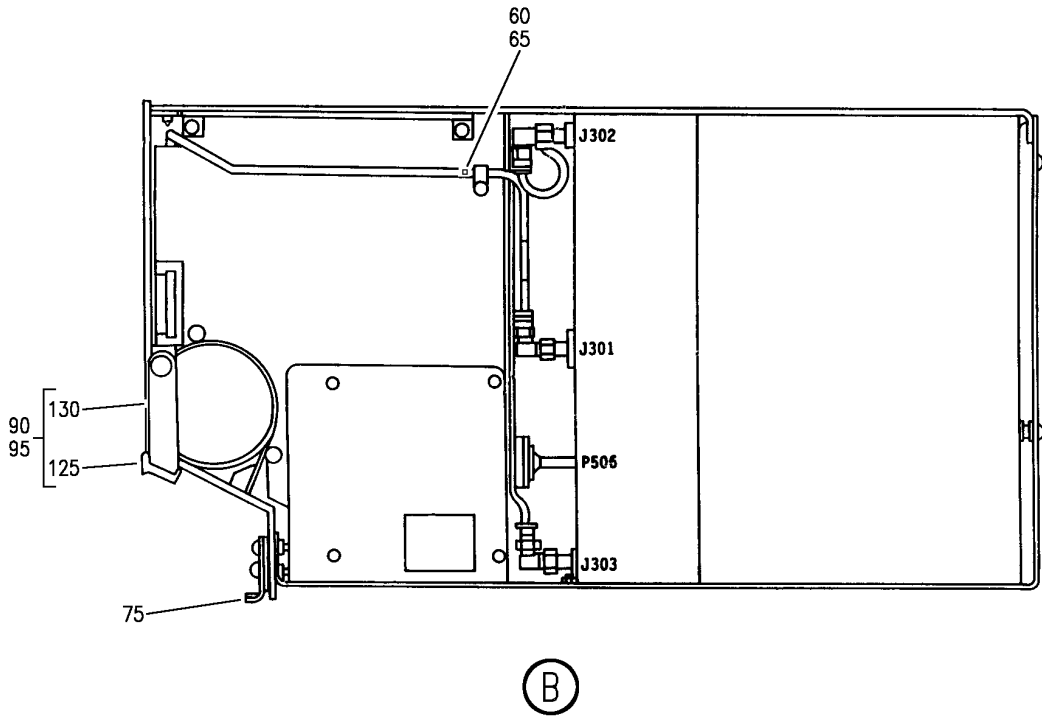
EQUIPMENT INSTL-MAIN ELECTRONICS EQPT CTR (ATC SYSTEM ONLY)  
FIGURE 1B (SHEET 1)

**34-53-01-01B**

BRI  
MAY 28/07

34-53-01-01B  
PAGE 0

**BOEING**  
757  
PARTS CATALOG (MAINTENANCE)



Y 34530101B SHT 2 REV 277

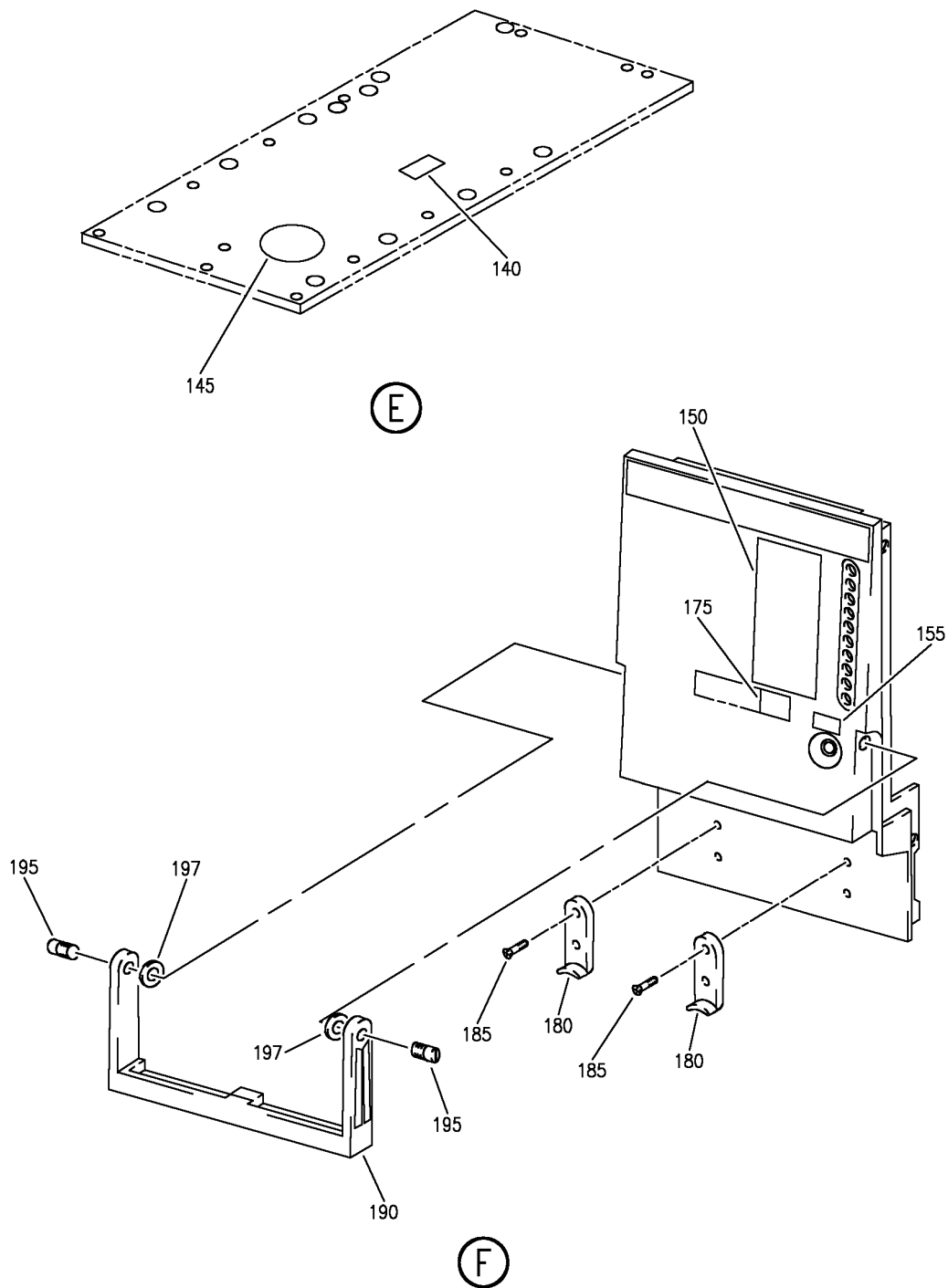
EQUIPMENT INSTL-MAIN ELECTRONICS EQPT CTR (ATC SYSTEM ONLY)  
FIGURE 1B (SHEET 2)

**34-53-01-01B**

BRI  
MAY 28/07

34-53-01-01B  
PAGE 0A

**BOEING**  
757  
PARTS CATALOG (MAINTENANCE)



Y 34530101B SHT 3 REV 291

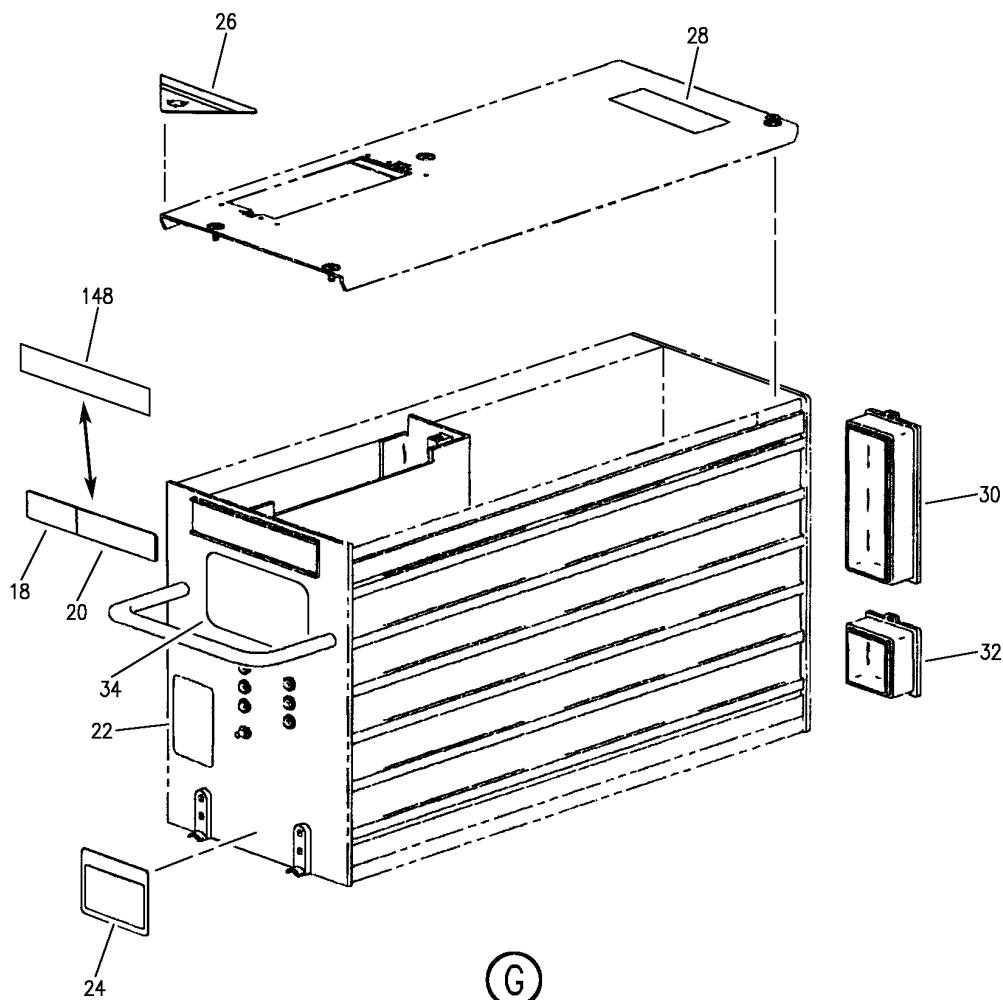
EQUIPMENT INSTL-MAIN ELECTRONICS EQPT CTR (ATC SYSTEM ONLY)  
FIGURE 1B (SHEET 3)

**34-53-01-01B**

BRI  
MAY 28/07

34-53-01-01B  
PAGE 0B

**BOEING**  
757  
PARTS CATALOG (MAINTENANCE)



Y 34530101B SHT 4 REV 291

EQUIPMENT INSTL-MAIN ELECTRONICS EQPT CTR (ATC SYSTEM ONLY)  
FIGURE 1B (SHEET 4)

**34-53-01-01B**

BRI  
MAY 28/07

34-53-01-01B  
PAGE 0C

**BOEING**  
757  
**PARTS CATALOG (MAINTENANCE)**

FIG ITEM	PART NUMBER	1 2 3 4 5 6 7	NOMENCLATURE	EFFECT FROM TO	UNITS PER ASSY
1B			EQUIPMENT INSTL-MAIN ELECTRONICS EQPT CTR (ATC SYSTEM ONLY)	101102	
- 2	284N1800-140		EQUIPMENT INSTL-MAIN ELECTRONICS EQPT CTR (ATC SYSTEM ONLY) FOR NHA/OTHER SYS DET SEE: 24-00-58-05E	101101	RF
- 2	284N1800-141		EQUIPMENT INSTL-MAIN ELECTRONICS EQPT CTR (ATC SYSTEM ONLY) FOR NHA/OTHER SYS DET SEE: 24-00-58-05E	102102	RF
10	4061400-905		.TRANSPONDER- SUPPLIER CODE: V1WYD3 FUNCTIONAL DESCRIPTION: PROVIDES AIRPLANE ALTITUDE AND IDENTIFICATION DATA TO GROUND FACILITIES ENABLING THEM TO MONITOR AIRPLANE LOCATION IN FLIGHT. ELECTRICAL EQUIP NUMBER: M10141 M10142 COMPONENT MAINT MANUAL REF: 34-44-02 OPTIONAL PART: 7517800-10002 V58960	101102	RF

R  
R  
R  
R  
R  
R  
R  
R  
R  
R  
R  
R  
R  
R  
R  
R  
R  
R  
R  
R  
R  
R

MISSING ITEM NUMBERS NOT APPLICABLE

- ITEM NOT ILLUSTRATED

BRI

# 34-53-01-01B

BOEING PROPRIETARY - Copyright © - Unpublished Work - See title page for details.

34-53-01  
FIG. 01B  
PAGE 1  
MAY 20/09

 **BOEING**  
757  
**PARTS CATALOG (MAINTENANCE)**

FIG ITEM	PART NUMBER	1 2 3 4 5 6 7	NOMENCLATURE	EFFECT FROM TO	UNITS PER ASSY
1B					
R R R R R R R R R R R R R R R R	10 7517800-10002		.TRANSPONDER- SUPPLIER CODE: V1WYD3 FUNCTIONAL DESCRIPTION: PROVIDES AIRPLANE ALTITUDE AND IDENTIFICATION DATA TO GROUND FACILITIES ENABLING THEM TO MONITOR AIRPLANE LOCATION IN FLIGHT. ELECTRICAL EQUIP NUMBER: M10141 M10142 COMPONENT MAINT MANUAL REF: 34-52-08 OPTIONAL PART: 4061400-905 V58960	101102	RF
	18 4036046-1		..PLATE-DESIGNATION SUPPLIER CODE: V58960 USED ON: 4061400-905	101102	1
	20 4036046-32		..PLATE-DESIGNATION SUPPLIER CODE: V58960 USED ON: 4061400-905	101102	1
	22 4082191-1		..PLATE-INSTRUCTION SUPPLIER CODE: V58960 USED ON: 4061400-905	101102	1
	24 4061948-4		..PLATE-IDENT SUPPLIER CODE: V58960 CONFIG CHG DATA FROM A CMM: REPLD BY 4065516-679	101102	1
	24 4065516-679		..PLATE-IDENT SUPPLIER CODE: V58960 CONFIG CHG DATA FROM A CMM: REPLACES 4061948-4	101102	1
	26 4039590-13		..DECAL- SUPPLIER CODE: V58960 USED ON: 4061400-905	101102	1

MISSING ITEM NUMBERS NOT APPLICABLE

— ITEM NOT ILLUSTRATED

BRI

# 34-53-01-01B

BOEING PROPRIETARY - Copyright © - Unpublished Work - See title page for details.

34-53-01  
FIG. 01B  
PAGE 2  
MAY 20/09





757

PARTS CATALOG (MAINTENANCE)

FIG ITEM	PART NUMBER	1 2 3 4 5 6 7	NOMENCLATURE	EFFECT FROM TO	UNITS PER ASSY
1B 28	4061839-3	..	DECAL- SUPPLIER CODE: V58960 CONFIG CHG DATA FROM A CMM: REPLACED BY 4065516-315 USED ON: 4061400-905	101102	1
28	4065516-315	..	PLATE-IDENT SUPPLIER CODE: V58960 CONFIG CHG DATA FROM A CMM: REPLACES 4061839-3 USED ON: 4061400-905	101102	1
30	025-1158-001	..	CAP-PROTECTIVE SUPPLIER CODE: V71468 CONFIG CHG DATA FROM A CMM: REPLACED BY 244-02-033 OPTIONAL PART: 4041437-6 V58960 USED ON: 4061400-905	101102	1
30	244-02-033	..	CAP-PROTECTIVE SUPPLIER CODE: VF6507 CONFIG CHG DATA FROM A CMM: REPLACES 025-1158-001 USED ON: 4061400-905	101102	1
32	025-1157-001	..	CAP-PROTECTIVE SUPPLIER CODE: V71468 CONFIG CHG DATA FROM A CMM: REPLACED BY 244-02-032 OPTIONAL PART: 4041437-5 V58960 USED ON: 4061400-905	101102	1
32	244-02-032	..	CAP-PROTECTIVE SUPPLIER CODE: VF6507 CONFIG CHG DATA FROM A CMM: REPLACES 025-1157-001 USED ON: 4061400-905	101102	1

MISSING ITEM NUMBERS NOT APPLICABLE

- ITEM NOT ILLUSTRATED

**34-53-01-01B**

34-53-01  
FIG. 01B  
PAGE 3  
MAY 20/09

BRI

BOEING PROPRIETARY - Copyright © - Unpublished Work - See title page for details.



757

PARTS CATALOG (MAINTENANCE)

FIG ITEM	PART NUMBER	1 2 3 4 5 6 7	NOMENCLATURE	EFFECT FROM TO	UNITS PER ASSY
1B 34	4077450-2		.. PLATE-IDENT SUPPLIER CODE: V07416 USED ON: 4061400-905	101102	1
- 200	286N1433-351		WIRE BUNDLE ASSY- REWORKED BY ALERT SB: 34A0222	101101	RF
- 200	286N1433-354		WIRE BUNDLE ASSY- REWORKED BY ALERT SB: 34A0222	102102	RF
210	BCREF9171		.CONNECTOR- OVERLENGTH PART NUMBER: BACC66H123C05AD01 ELECTRICAL EQUIP NUMBER: D00251 WIRING DIAGRAM REF: 345311	101102	1
- 250	286N1423-340		WIRE BUNDLE ASSY	101101	RF
- 251	286N1423-344		WIRE BUNDLE ASSY	102102	RF
260	BCREF9171		.CONNECTOR- OVERLENGTH PART NUMBER: BACC66H123C05AD01 ELECTRICAL EQUIP NUMBER: D00253 WIRING DIAGRAM REF: 345321	101102	1

MISSING ITEM NUMBERS NOT APPLICABLE

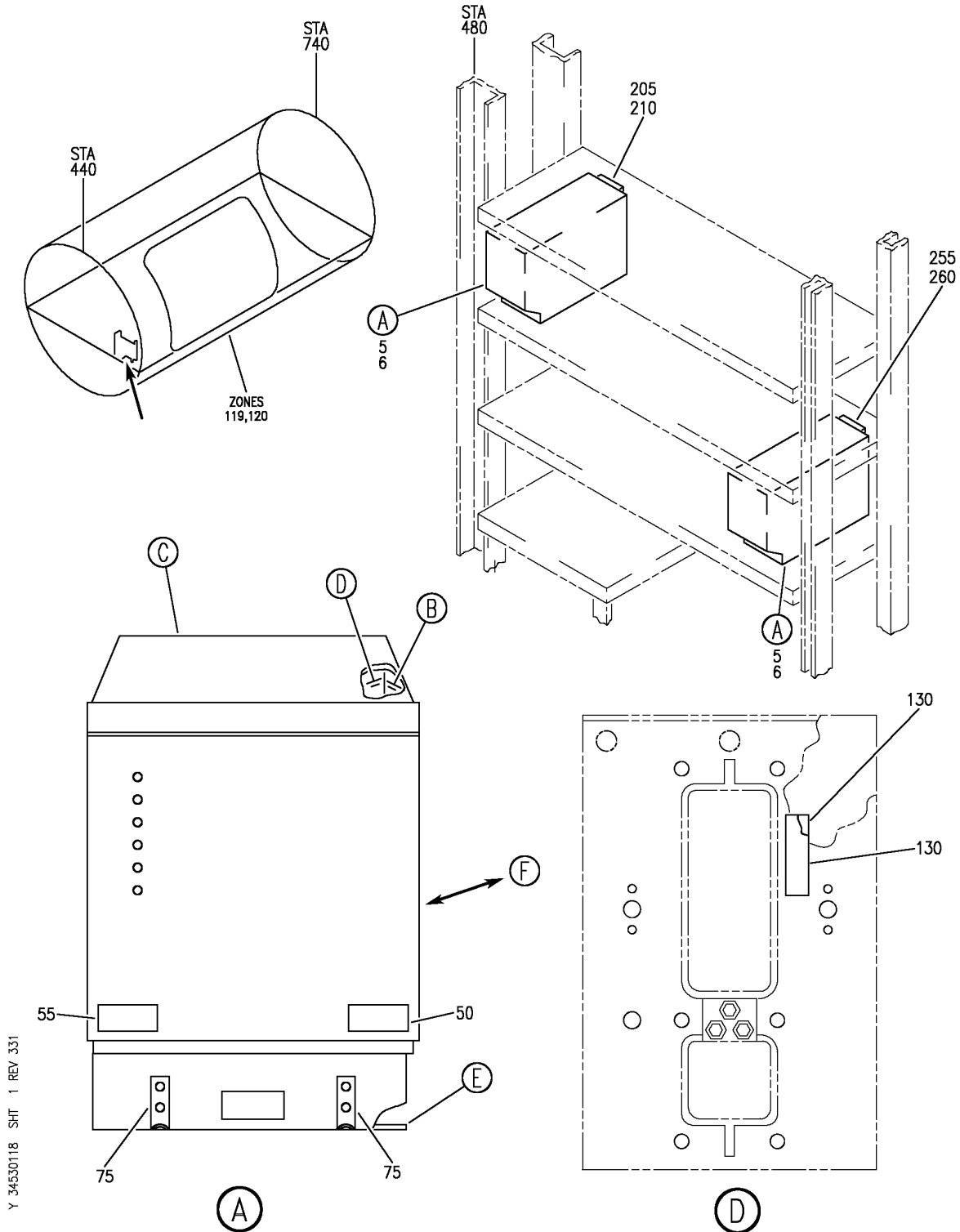
- ITEM NOT ILLUSTRATED

**34-53-01-01B**

34-53-01  
FIG. 01B  
PAGE 4  
MAY 20/09

BRI

**BOEING**  
757  
PARTS CATALOG (MAINTENANCE)



Y 34530118 SH1 1 REV 331

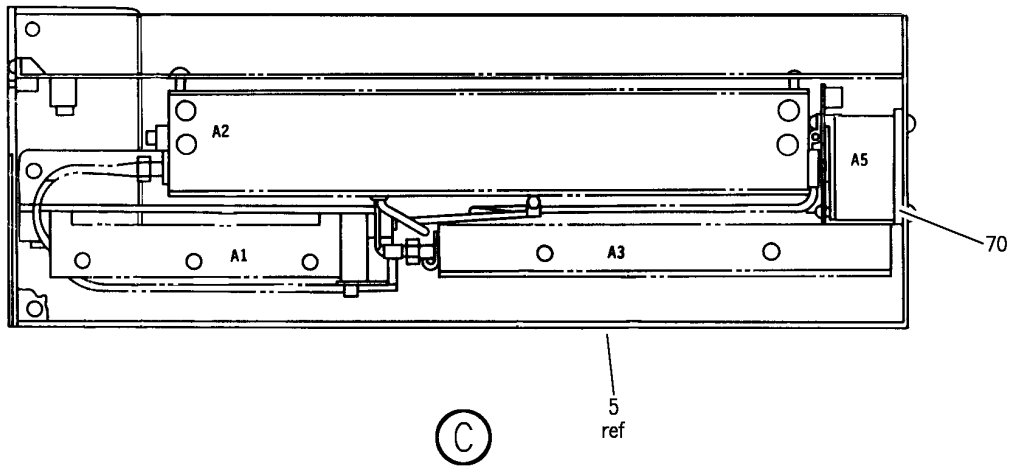
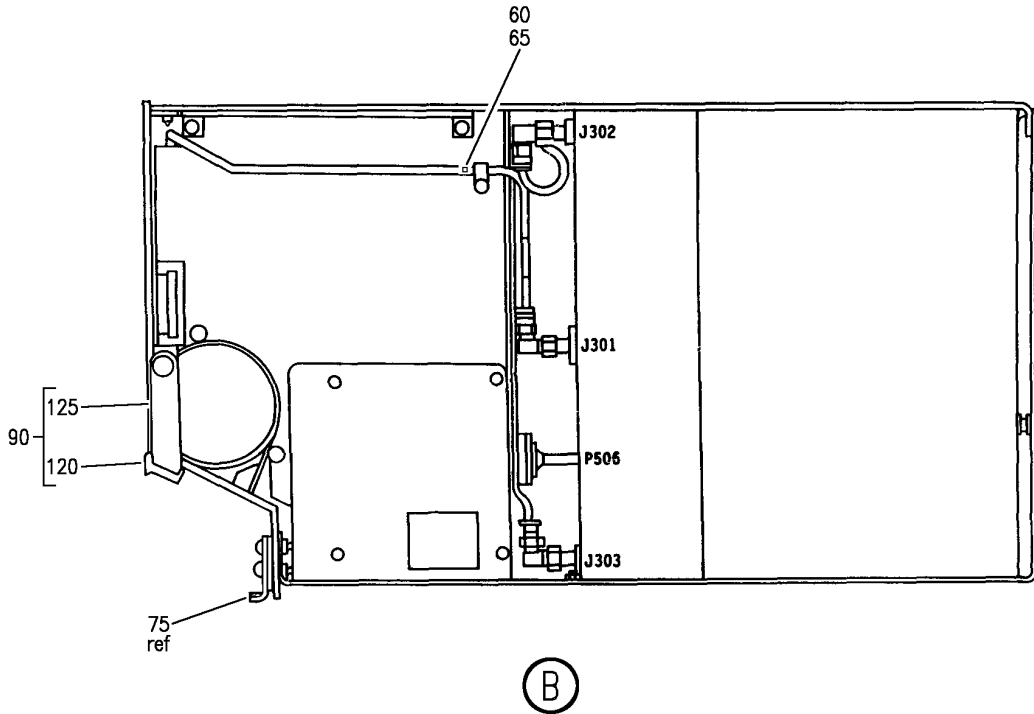
EQUIPMENT INSTL-MAIN ELECTRONICS EQPT CTR AIR TRAFFIC CONT XPDR  
FIGURE 18 (SHEET 1)

BRI  
JAN 20/09

**34-53-01-18**

34-53-01-18  
PAGE 0

**BOEING**  
757  
PARTS CATALOG (MAINTENANCE)



Y 34530118 SH1 2 REV 290

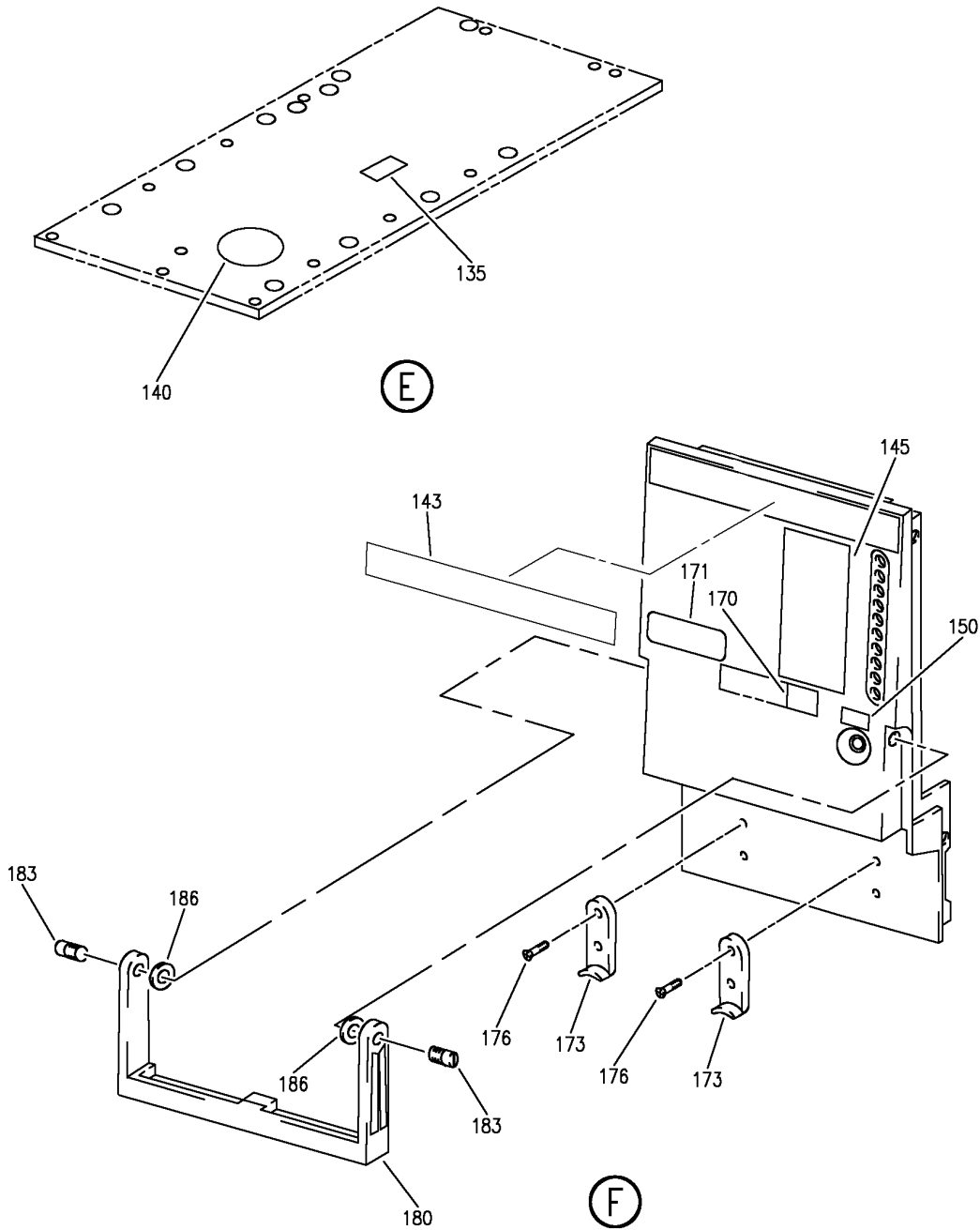
EQUIPMENT INSTL-MAIN ELECTRONICS EQPT CTR AIR TRAFFIC CONT XPNDR  
FIGURE 18 (SHEET 2)

**34-53-01-18**

BRI  
JAN 20/09

34-53-01-18  
PAGE 0A

**BOEING**  
757  
PARTS CATALOG (MAINTENANCE)



Y 34530118 SH1 3 REV 331

EQUIPMENT INSTL-MAIN ELECTRONICS EQPT CTR AIR TRAFFIC CONT XPNDR  
FIGURE 18 (SHEET 3)

**34-53-01-18**

BRI  
JAN 20/09

34-53-01-18  
PAGE 0B


  
**BOEING**
  
 757
   
**PARTS CATALOG (MAINTENANCE)**

FIG ITEM	PART NUMBER	1 2 3 4 5 6 7	NOMENCLATURE	EFFECT FROM TO	UNITS PER ASSY
18			EQUIPMENT INSTL-MAIN	103106	
			ELECTRONICS EQPT CTR AIR	108120	
- 1	284N4000-340066		TRAFFIC CONT XPNDR		
			EQUIPMENT INSTL-MAIN	108120	RF
			ELECTRONICS EQPT CTR AIR		
			TRAFFIC CONT XPNDR		
			FOR NHA SEE:		
			24-00-58-05F		
- 2	MODREF29994		EQUIPMENT INSTL-MAIN ELEX	103105	1
			EQPT CTR AIR TRAFFIC		
			CONT XPNDR		
			MODULE NUMBER:		
			284N4000-340085 REV B		
- 2	MODREF206825		EQUIPMENT INSTL-MAIN ELEX	106106	1
			EQPT CTR AIR TRAFFIC		
			CONT XPNDR		
			MODULE NUMBER:		
			284N4000-340091 REV A		
5	822-0336-001		.TRANSPONDER-	108120	2
			SUPPLIER CODE:		
			V4V792		
			FUNCTIONAL DESCRIPTION:		
			PROVIDES AIRPLANE		
			ALTITUDE AND		
			IDENTIFICATION DATA TO		
			GROUND FACILITIES		
			ENABLING THEM TO MONITOR		
			AIRPLANE LOCATION IN		
			FLIGHT.		
			ELECTRICAL EQUIP NUMBER:		
			M10141		
			M10142		
			COMPONENT MAINT MANUAL REF:		
			34-50-92		
5	822-1338-002		.TRANSPONDER-ATC	103105	2
			SUPPLIER CODE:		
			V4V792		
			ELECTRICAL EQUIP NUMBER:		
			M10141		
			M10142		
			QUALIFIED I/W DATA:		
			822-1338-003 MAY REPLACE		
			822-1338-001 OR		
			822-1338-002 IN SHIPSETS		
			ONLY.		

MISSING ITEM NUMBERS NOT APPLICABLE

- ITEM NOT ILLUSTRATED

BRI

# 34-53-01-18

BOEING PROPRIETARY - Copyright © - Unpublished Work - See title page for details.

34-53-01  
 FIG. 18  
 PAGE 1  
 MAY 20/09



757

PARTS CATALOG (MAINTENANCE)

FIG ITEM	PART NUMBER	1 2 3 4 5 6 7	NOMENCLATURE	EFFECT FROM TO	UNITS PER ASSY
R R R R R R R R R R	18 5	822-1338-003	.TRANSPONDER- SUPPLIER CODE: V4V792 FUNCTIONAL DESCRIPTION: PROVIDES AIRPLANE ALTITUDE AND IDENTIFICATION DATA TO GROUND FACILITIES ENABLING THEM TO MONITOR AIRPLANE LOCATION IN FLIGHT. ELECTRICAL EQUIP NUMBER: M10141 M10142	106106	2
	50	685-7223-003	..PLATE-IDENT SUPPLIER CODE: V4V792 CONFIG CHG DATA FROM A CMM: SUPSD BY 685-7223-011 USED ON: 622-7878-201	108120	1
	50	685-7223-011	..PLATE-IDENT SUPPLIER CODE: V4V792 CONFIG CHG DATA FROM A CMM: SUPERSEDES 685-7223-003 USED ON: 622-7878-201	108120	1
	55	646-5066-001	..STRIP-IDENT SUPPLIER CODE: V4V792 USED ON: 622-7878-201	108120	1
	60	687-9634-003	..MARKER-IDENT P201 SUPPLIER CODE: V4V792 USED ON: 622-7878-201	108120	1
	65	687-9634-004	..MARKER-IDENT P301 SUPPLIER CODE: V4V792 USED ON: 622-7878-201	108120	1
	70	211600-2	..CAP-DUST SUPPLIER CODE: V00779 USED ON: 622-7878-201	108120	1

MISSING ITEM NUMBERS NOT APPLICABLE

- ITEM NOT ILLUSTRATED

34-53-01-18

34-53-01  
FIG. 18  
PAGE 2  
MAY 20/09

BRI



757

PARTS CATALOG (MAINTENANCE)

FIG ITEM	PART NUMBER	1 2 3 4 5 6 7	NOMENCLATURE	EFFECT FROM TO	UNITS PER ASSY
18					
75	503-4970-001	..	HOOK-HOLDDOWN SUPPLIER CODE: V4V792 USED ON: 622-7878-201 ATTACHING PARTS	108120	2
- 80	330-1716-280	..	SCREW- SUPPLIER CODE: V4V792 -----*-----	108120	4
- 85	641-8914-001	..	SHIM- SUPPLIER CODE: V4V792 USED ON: 622-7878-201	108120	2
90	651-2408-004	..	HANDLE ASSY- SUPPLIER CODE: V4V792 CONFIG CHG DATA FROM A CMM: SUPSD BY 651-2408-015 USED ON: 622-7878-201	108120	1
90	651-2408-015	..	HANDLE ASSY- SUPPLIER CODE: V4V792 CONFIG CHG DATA FROM A CMM: SUPERSEDES 651-2408-004 USED ON: 622-7878-201 ATTACHING PARTS	108120	1
- 95	328-0368-000	..	SCREW- SUPPLIER CODE: V08664	108120	2
- 100	652-5421-001	..	SCREW- SUPPLIER CODE: V4V792	108120	2
- 105	768-3178-001	..	WASHER- SUPPLIER CODE: V4V792	108120	4
- 110	MS21042-06	..	NUT -----*-----	108120	2
- 115	629-6905-001	..	STOP- SUPPLIER CODE: V4V792	108120	2
120	768-3387-021	...	STRAP- SUPPLIER CODE: V4V792 USED ON: 651-2408-004	108120	1

MISSING ITEM NUMBERS NOT APPLICABLE

- ITEM NOT ILLUSTRATED

34-53-01-18

34-53-01  
FIG. 18  
PAGE 3  
JAN 20/09

BRI

BOEING PROPRIETARY - Copyright © - Unpublished Work - See title page for details.





757

PARTS CATALOG (MAINTENANCE)

FIG ITEM	PART NUMBER	1 2 3 4 5 6 7	NOMENCLATURE	EFFECT FROM TO	UNITS PER ASSY
18					
120	647-9983-001	...	STRAP- SUPPLIER CODE: V4V792 USED ON: 651-2408-015	108120	1
125	768-3386-003	...	BAR-GRIP SUPPLIER CODE: V4V792	108120	1
130	280-2745-120	..	LABEL-ESDS WARNING SUPPLIER CODE: V12998 USED ON: 622-7878-201	108120	2
- 201	286N1423-383		WIRE BUNDLE ASSY-	108108	RF
- 202	286N1423-369		WIRE BUNDLE ASSY-	109120	RF
- 202	286N1423-601		WIRE BUNDLE ASSY-	103105	RF
- 202	286N1423-602		WIRE BUNDLE ASSY-	106106	RF
205	BCREF9171	.	CONNECTOR- OVERLENGTH PART NUMBER: BACC66H123C05AD01 ELECTRICAL EQUIP NUMBER: D00253 WIRING DIAGRAM REF: 345321	108120	1
205	BCREF13313	.	CONNECTOR- OVERLENGTH PART NUMBER: BACC66H123C05AK01 ELECTRICAL EQUIP NUMBER: D00253 WIRING DIAGRAM REF: 345321	103106	1
210	RBGP48-116N	.BLOCK-	SUPPLIER CODE: V09922 SPECIFICATION NUMBER: S280W601-116 ELECTRICAL EQUIP NUMBER: D00253T WIRING DIAGRAM REF: 345321	103106	1

MISSING ITEM NUMBERS NOT APPLICABLE

- ITEM NOT ILLUSTRATED

34-53-01-18

34-53-01  
FIG. 18  
PAGE 4  
JAN 20/09

BRI



757

PARTS CATALOG (MAINTENANCE)

FIG ITEM	PART NUMBER	1 2 3 4 5 6 7	NOMENCLATURE	EFFECT FROM TO	UNITS PER ASSY
18 211	349-1112-002		.CONTACT- SUPPLIER CODE: V71468 SPECIFICATION NUMBER: BACC47EN4A ELECTRICAL EQUIP NUMBER: D00253AT D00253BT WIRING DIAGRAM REF: 345321	103106	2
212	125-91-9		.PLUG- SUPPLIER CODE: V91836 ELECTRICAL EQUIP NUMBER: D00253AU D00253BU WIRING DIAGRAM REF: 345321	103106	2
- 250	286N1433-371		WIRE BUNDLE ASSY- REWORKED BY ALERT SB: 34A0222	108108	RF
- 252	286N1433-353		WIRE BUNDLE ASSY- REWORKED BY ALERT SB: 34A0222	109120	RF
- 254	286N1433-601		WIRE BUNDLE ASSY-	103105	RF
- 254	286N1433-602		WIRE BUNDLE ASSY-	106106	RF
255	BCREF9171		.CONNECTOR- OVERLENGTH PART NUMBER: BACC66H123C05AD01 ELECTRICAL EQUIP NUMBER: D00251 WIRING DIAGRAM REF: 345311 REWORKED BY SB: 34-0234	108120	1
255	BCREF13313		.CONNECTOR- OVERLENGTH PART NUMBER: BACC66H123C05AK01 ELECTRICAL EQUIP NUMBER: D00251 WIRING DIAGRAM REF: 345311	103106	1

MISSING ITEM NUMBERS NOT APPLICABLE

- ITEM NOT ILLUSTRATED

34-53-01-18

34-53-01  
FIG. 18  
PAGE 5  
JAN 20/09

BRI



757

PARTS CATALOG (MAINTENANCE)

FIG ITEM	PART NUMBER	1 2 3 4 5 6 7	NOMENCLATURE	EFFECT FROM TO	UNITS PER ASSY
18 260	RBGP48-116N		.BLOCK- SUPPLIER CODE: V09922 SPECIFICATION NUMBER: S280W601-116 ELECTRICAL EQUIP NUMBER: D00251T WIRING DIAGRAM REF: 345311	103106	1
265	349-1112-002		.CONTACT- SUPPLIER CODE: V71468 SPECIFICATION NUMBER: BACC47EN4A ELECTRICAL EQUIP NUMBER: D00251AT D00251BT WIRING DIAGRAM REF: 345311	103106	2
270	125-91-9		.PLUG- SUPPLIER CODE: V91836 ELECTRICAL EQUIP NUMBER: D00251AU D00251BT WIRING DIAGRAM REF: 345311	103106	2

MISSING ITEM NUMBERS NOT APPLICABLE

- ITEM NOT ILLUSTRATED

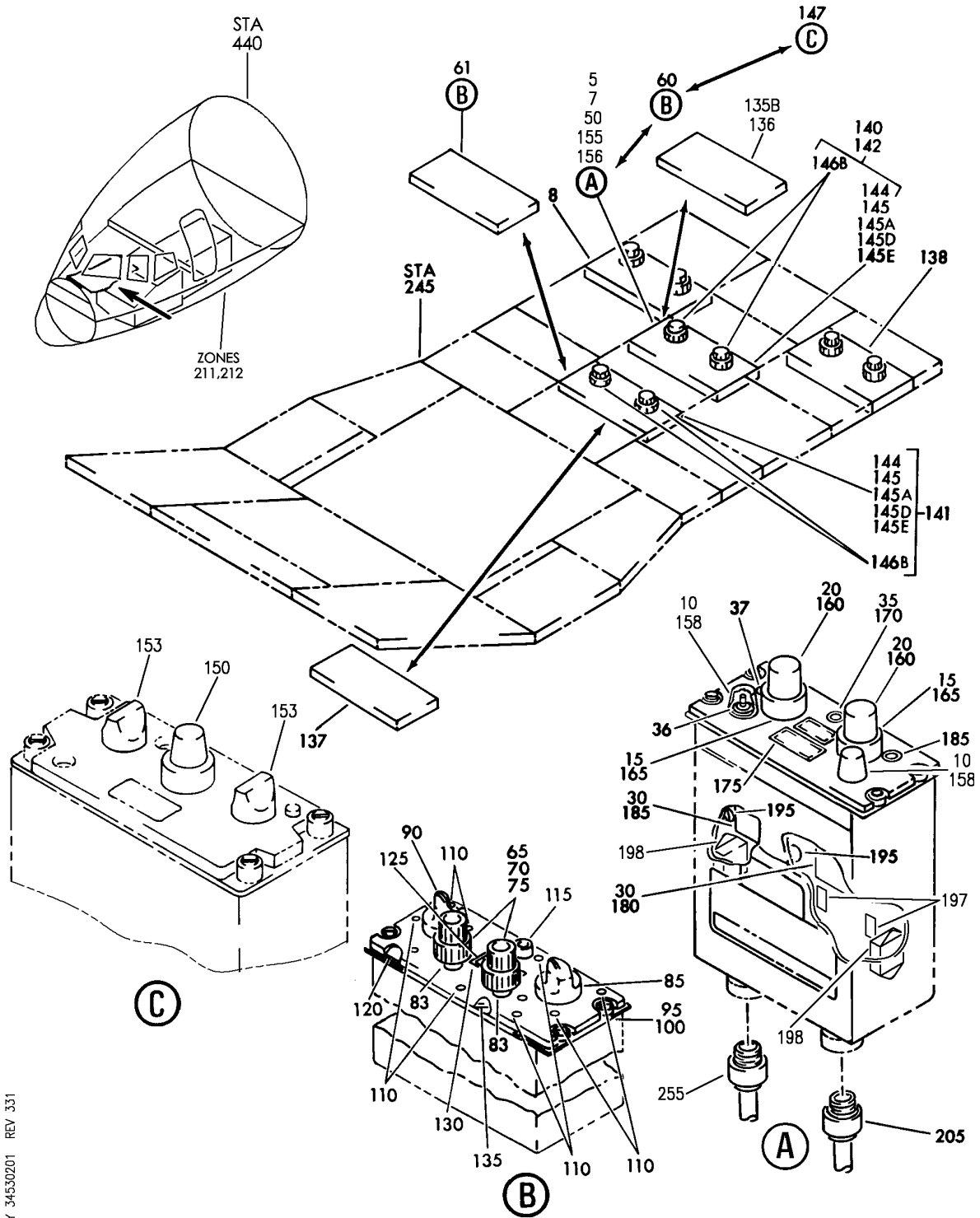
BRI

# 34-53-01-18

BOEING PROPRIETARY - Copyright © - Unpublished Work - See title page for details.

34-53-01  
FIG. 18  
PAGE 6  
JAN 20/09

**BOEING**  
757  
PARTS CATALOG (MAINTENANCE)



Y 34-530201 REV 331

PANEL INSTL-P8 ELECTRONIC (AIR TRAFFIC CONTROL SYSTEM ONLY)  
FIGURE 1 (SHEET 1)

**34-53-02-01**

BRI  
JAN 20/09

34-53-02-01  
PAGE 0



757

PARTS CATALOG (MAINTENANCE)

FIG ITEM	PART NUMBER	1 2 3 4 5 6 7	NOMENCLATURE	EFFECT FROM TO	UNITS PER ASSY
1			PANEL INSTL-P8 ELECTRONIC (AIR TRAFFIC CONTROL SYSTEM ONLY)	002004 006100 103107 121503 904999	
- 1	233N6101-1		PANEL INSTL-P8 ELECTRONIC (AIR TRAFFIC CONTROL SYSTEM ONLY) VARIABLE DRAWING REF: 233N6101-5004 233N6101-5022 233N6101-5028 233N6101-5041 233N6101-5042 233N6101-5046 FOR NHA/OTHER SYS DET SEE: 25-10-00-05A	002004 006100 103107 121503 904999	RF
5	285T0026-10		.PANEL ASSY-DUAL AIR TRAFFIC CONT SUPPLIER CODE: V89954 COMPONENT MAINT MANUAL REF: 34-53-51	103107	RF
10	TT377-101		..KNOB- SUPPLIER CODE: V81590 OPTIONAL PART: 285T0026-12 V89954 SA309-101 V12324	103107	2
10	SA309-101		..KNOB- SUPPLIER CODE: V81590 OPTIONAL PART: 285T0026-12 V89954 TT377-101 V12324	103107	2
10	285T0026-12		..KNOB- SUPPLIER CODE: V89954 OPTIONAL PART: SA309-101 V12324 TT377-101 V12324	103107	2

MISSING ITEM NUMBERS NOT APPLICABLE

- ITEM NOT ILLUSTRATED

BRI

34-53-02-01

34-53-02  
FIG. 01  
PAGE 1  
JAN 20/09



757

PARTS CATALOG (MAINTENANCE)

FIG ITEM	PART NUMBER	1 2 3 4 5 6 7	NOMENCLATURE	EFFECT FROM TO	UNITS PER ASSY
1					
15	RC446-107		.. KNOB- SUPPLIER CODE: V81590	103107	2
20	RD238-130		.. KNOB- SUPPLIER CODE: V81590	103107	2
30	3-436210-3		.. SWITCH- SUPPLIER CODE: V00779	103107	2
35	WCS229-1		.. SWITCH- SUPPLIER CODE: V51074	103107	1
36	50SP45-01-2-02N		.. SWITCH- SUPPLIER CODE: V81073	103107	1
37	800000121-1		.. CONNECTOR- SUPPLIER CODE: V05617	103107	1
60	071-01503-1501		. PANEL ASSY-DUAL AIR TRAFFIC CONT SUPPLIER CODE: V97896 FUNCTIONAL DESCRIPTION: ALLOWS FLIGHT CREW TO SELECT ATC TRANSPONDER IDENT CODE TO FACILITATE GROUND TRACKING OF ACFT POSITION. ELECTRICAL EQUIP NUMBER: M10140 COMPONENT MAINT MANUAL REF: 34-45-10 FUNCTIONAL REFERENCE: LIGHTS FOR DETAILS SEE 33-13-51-52K NAVIGATION FOR DETAILS SEE 34-53-02-50D	950951	1

R  
R  
R  
R  
R  
R  
R  
R  
R  
R  
R  
R  
R  
R  
R  
R  
R  
R  
R  
R  
R

MISSING ITEM NUMBERS NOT APPLICABLE

- ITEM NOT ILLUSTRATED

**34-53-02-01**

34-53-02  
FIG. 01  
PAGE 2  
MAY 20/09

BRI

**BOEING**  
757  
**PARTS CATALOG (MAINTENANCE)**

FIG ITEM	PART NUMBER	1 2 3 4 5 6 7	NOMENCLATURE	EFFECT FROM TO	UNITS PER ASSY
1	G6992-12		.PANEL ASSY-DUAL AIR TRAFFIC CONT TCAS II SUPPLIER CODE: V99837 FUNCTIONAL DESCRIPTION: PROVIDES SELECTION OF A 4-DIGIT REPLY CODE FOR ONE OR TWO ATC/MODE S TRANSPONDER ENABLES TRANSPONDER AND TCAS TO BE SET TO TEST STANDBY TRANSPONDER ONLY FULL TCAS OR TRAFFIC ADVISORY ONLY MODE OF OPERATION ELECTRICAL EQUIP NUMBER: M10140 COMPONENT MAINT MANUAL REF: 34-50-22 POST RAPID REVISION: RR92034-1 FUNCTIONAL REFERENCE: LIGHTS FOR DETAILS SEE 33-13-51-52U NAVIGATION FOR DETAILS SEE 34-53-02-50J	002004 006100	1
140	622-8594-001		.PANEL ASSY-DUAL AIR TRAFFIC CONT SUPPLIER CODE: V4V792 ELECTRICAL EQUIP NUMBER: M10140 COMPONENT MAINT MANUAL REF: 34-50-76 FUNCTIONAL REFERENCE: LIGHTS FOR DETAILS SEE 33-13-51-52L NAVIGATION FOR DETAILS SEE 34-53-02-50E	952952	1

MISSING ITEM NUMBERS NOT APPLICABLE

— ITEM NOT ILLUSTRATED

BRI

# 34-53-02-01

BOEING PROPRIETARY - Copyright © - Unpublished Work - See title page for details.

34-53-02  
FIG. 01  
PAGE 3  
MAY 20/09



757

PARTS CATALOG (MAINTENANCE)

FIG ITEM	PART NUMBER	1 2 3 4 5 6 7	NOMENCLATURE	EFFECT FROM TO	UNITS PER ASSY	
R R	140	071-01478-0002	.PANEL ASSY-DUAL AIR TRAFFIC CONT SUPPLIER CODE: V97896 ELECTRICAL EQUIP NUMBER: M10140 COMPONENT MAINT MANUAL REF: 34-50-73	121503 904949	1	
	147	622-8974-314	.PANEL ASSY-DUAL AIR TRAFFIC CONT SUPPLIER CODE: V4V792 ELECTRICAL EQUIP NUMBER: M10140 COMPONENT MAINT MANUAL REF: 34-40-78 FUNCTIONAL REFERENCE: LIGHTS FOR DETAILS SEE 33-13-51-52G NAVIGATION FOR DETAILS SEE 34-53-02-50A	953999	RF	
	155	285T0555-1	.PANEL ASSY-DUAL AIR TRAFFIC CONT SUPPLIER CODE: V89954 COMPONENT MAINT MANUAL REF: 34-53-61	103107	RF	
	155	285T0555-3	.PANEL ASSY-DUAL AIR TRAFFIC CONT-M10140 SUPPLIER CODE: V89954 COMPONENT MAINT MANUAL REF: 34-53-61	103107	RF	
	158	SA309-101	..KNOB- SUPPLIER CODE: V81590	103107 121503 904949	2	
	160	RD238-130	..KNOB- SUPPLIER CODE: V81590	103107 121503 904949	2	
	165	RC446-107	..KNOB- SUPPLIER CODE: V81590	103107 121503 904949	2	
	170	WCS229-1	..SWITCH- SUPPLIER CODE: V51074	103107 121503 904949	1	
	MISSING ITEM NUMBERS NOT APPLICABLE					

- ITEM NOT ILLUSTRATED

34-53-02-01

34-53-02  
FIG. 01  
PAGE 4  
MAY 20/09

BRI





757

PARTS CATALOG (MAINTENANCE)

FIG ITEM	PART NUMBER	1 2 3 4 5 6 7	NOMENCLATURE	EFFECT FROM TO	UNITS PER ASSY
1					
175	S182-10809-3	..	MODULE-LIQUID CRYSTAL DISPLAY FOR SPARES PROCURE: S182-10809-4	103107 121503 904949	1
180	3-436210-3	..	SWITCH- SUPPLIER CODE: V00779	103107 121503 904949	2
185	800000121-1	..	CONNECTOR- SUPPLIER CODE: V05617	103107 121503 904949	1
195	UA79M15HMQB	..	MICROCIRCUIT- SUPPLIER CODE: V07263 SPECIFICATION NUMBER: 280-22002-332 OPTIONAL PART: 79M15HMQB V07263	103107 121503 904949	2
197	HS1-3182-8	..	DRIVER-LINE SUPPLIER CODE: V34371 OPTIONAL PART: HS3182-2 V34371 HS1-3182-2 V34371	103107 121503 904949	2
197	HS3182-2	..	DRIVER-LINE SUPPLIER CODE: V34371 OPTIONAL PART: HS1-3182-2 V34371 HS1-3182-8 V34371	103107 121503 904949	2
197	HS1-3182-2	..	DRIVER-LINE SUPPLIER CODE: V34371 OPTIONAL PART: HS1-3182-8 V34371 HS3182-2 V34371	103107 121503 904949	2
- 200	286N2075-001		WIRE BUNDLE ASSY-(AIR TRAFFIC CONTROL SYSTEM ONLY)	002004 006100 103107 950999	RF
- 200	286N2075-004		WIRE BUNDLE ASSY-(AIR TRAFFIC CONTROL SYSTEM ONLY)	121503 904949	RF

MISSING ITEM NUMBERS NOT APPLICABLE

- ITEM NOT ILLUSTRATED

34-53-02-01

34-53-02  
FIG. 01  
PAGE 5  
JAN 20/09

BRI



757

PARTS CATALOG (MAINTENANCE)

FIG ITEM	PART NUMBER	1 2 3 4 5 6 7	NOMENCLATURE	EFFECT FROM TO	UNITS PER ASSY
1 205	BACC45FT16A24S7	.	CONNECTOR- ELECTRICAL EQUIP NUMBER: D00255 WIRING DIAGRAM REF: 345311	002004 006100 103107 121503 904999	1
- 250	286N2077-004		WIRE BUNDLE ASSY-(AIR TRAFFIC CONTROL SYSTEM ONLY)	121503 904949	RF
- 250	286N2077-002		WIRE BUNDLE ASSY-(AIR TRAFFIC CONTROL SYSTEM ONLY)	002004 006100 103107 950999	RF
255	BACC45FT16A24S8	.	CONNECTOR- ELECTRICAL EQUIP NUMBER: D00257 WIRING DIAGRAM REF: 345321	002004 006100 103107 121503 904999	1

MISSING ITEM NUMBERS NOT APPLICABLE

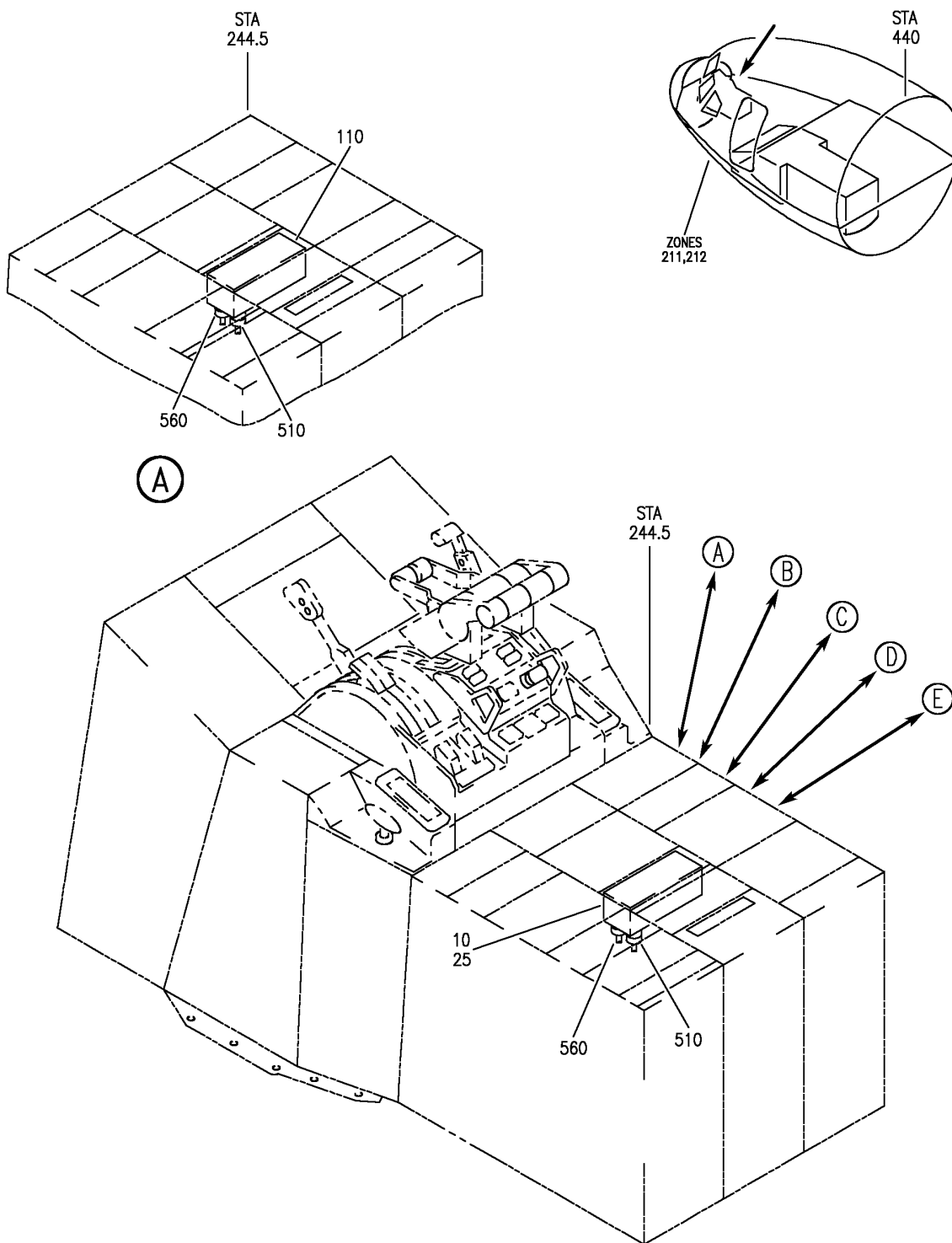
- ITEM NOT ILLUSTRATED

34-53-02-01

34-53-02  
FIG. 01  
PAGE 6  
JAN 20/09

BRI

**BOEING**  
757  
PARTS CATALOG (MAINTENANCE)



Y 34530202 SH1 1 REV 264

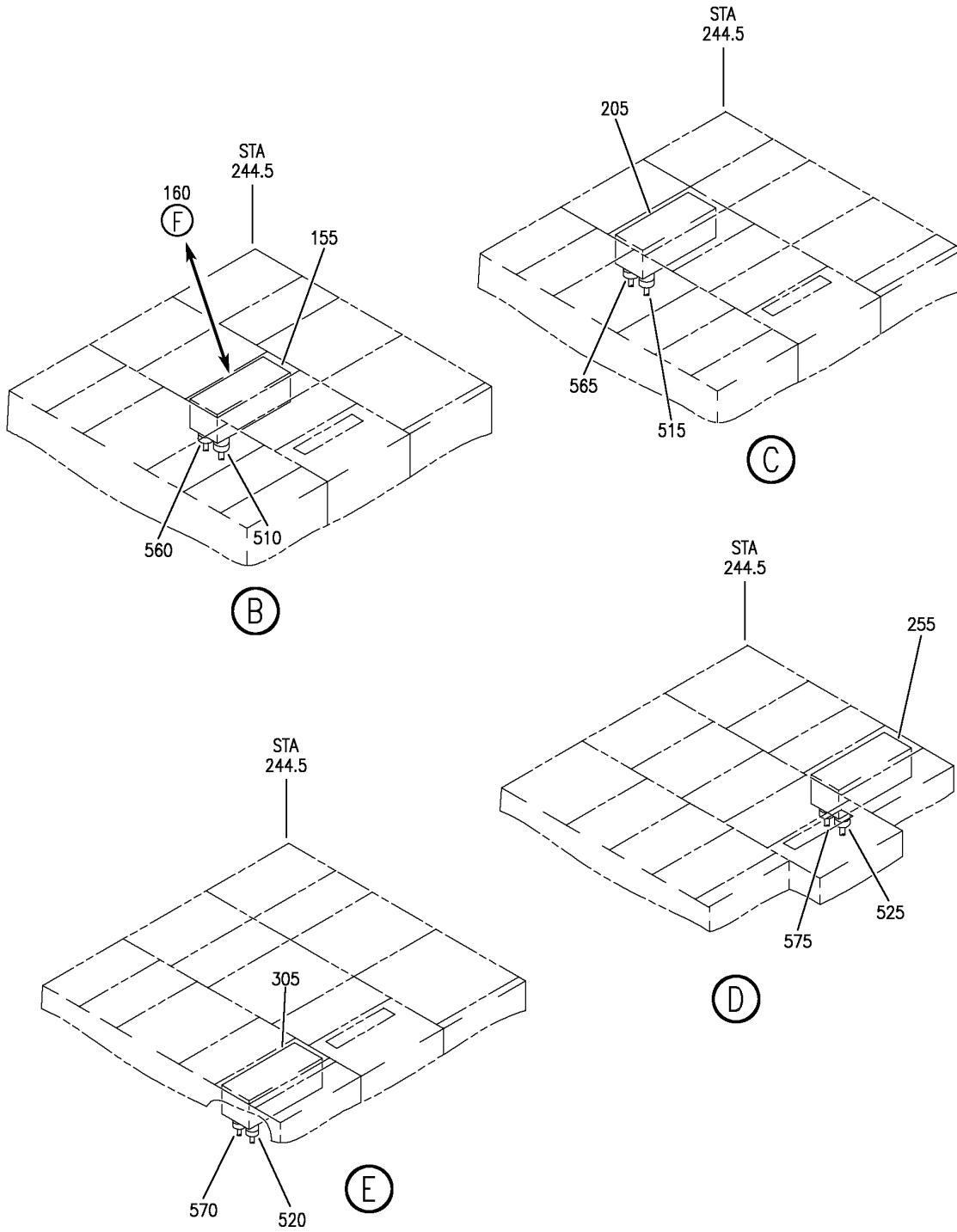
PANEL INSTL-P8, P9, P10 ELECTRONICS (ATC SYSTEM ONLY)  
FIGURE 2 (SHEET 1)

**34-53-02-02**

BRI  
MAY 28/07

34-53-02-02  
PAGE 0

**BOEING**  
757  
PARTS CATALOG (MAINTENANCE)



Y 34-530202 SH1 2 REV 255

PANEL INSTL-P8, P9, P10 ELECTRONICS (ATC SYSTEM ONLY)  
FIGURE 2 (SHEET 2)

**34-53-02-02**

BRI  
MAY 28/07

34-53-02-02  
PAGE 0A



**757**  
**PARTS CATALOG (MAINTENANCE)**

FIG ITEM	PART NUMBER	1 2 3 4 5 6 7	NOMENCLATURE	EFFECT FROM TO	UNITS PER ASSY
2			PANEL INSTL-P8, P9, P10 ELECTRONICS (ATC SYSTEM ONLY)	101106 108120 504903 108120	
- 3	233N6103-62		PANEL INSTL-P8, P9, P10 ELECTRONICS (ATC SYSTEM ONLY)	108120	RF
10	G6992-12		FOR NHA/OTHER SYS DET SEE: 25-10-00-15B .PANEL ASSY-DUAL AIR TRAFFIC CONT SUPPLIER CODE: V99837 FUNCTIONAL DESCRIPTION: PROVIDES SELECTION OF A 4-DIGIT REPLY CODE FOR ONE OR TWO ATC/MODE S TRANSPONDER ENABLES TRANSPONDER AND TCAS TO BE SET TO TEST STANDBY TRANSPONDER ONLY FULL TCAS OR TRAFFIC ADVISORY ONLY MODE OF OPERATION ELECTRICAL EQUIP NUMBER: M10140 COMPONENT MAINT MANUAL REF: 34-50-22 FUNCTIONAL REFERENCE: LIGHTS FOR DETAILS SEE 33-13-51-52U NAVIGATION FOR DETAILS SEE 34-53-02-50J	108120	1

R  
R  
R  
R  
R  
R  
R  
R  
R  
R  
R  
R  
R  
R  
R  
R  
R  
R  
R  
R  
R  
R

MISSING ITEM NUMBERS NOT APPLICABLE

- ITEM NOT ILLUSTRATED

# 34-53-02-02

34-53-02  
FIG. 02  
PAGE 1  
MAY 20/09

BRI



757

PARTS CATALOG (MAINTENANCE)

FIG ITEM	PART NUMBER	1 2 3 4 5 6 7	NOMENCLATURE	EFFECT FROM TO	UNITS PER ASSY
2 - 101	MODREF33990		PANEL INSTL-P8, P9, P10 ELECTRONICS (ATC SYSTEM ONLY) MODULE NUMBER: 233N6103-253 REV B FOR OTHER SYS DETAILS SEE: 11-31-05-66F 23-12-02-03 23-51-01-05 26-11-02-01 26-11-54-02A 26-12-51-03 26-17-51-06 26-21-01-02 26-22-03-03 26-23-52-04A 27-11-23-03 27-21-23-03 27-28-02-01A 31-11-31-02 31-11-36-78 31-11-41-02 31-41-03-02 33-13-01-07 34-22-02-03 34-31-02-02 34-43-02-02 34-57-02-03 34-61-02-03	103106	1

MISSING ITEM NUMBERS NOT APPLICABLE

- ITEM NOT ILLUSTRATED

**34-53-02-02**

34-53-02  
FIG. 02  
PAGE 2  
JAN 20/09

BRI



757

PARTS CATALOG (MAINTENANCE)

FIG ITEM	PART NUMBER	1 2 3 4 5 6 7	NOMENCLATURE	EFFECT FROM TO	UNITS PER ASSY
2 110	G6992-12		.PANEL ASSY-DUAL AIR TRAFFIC CONT SUPPLIER CODE: V99837 FUNCTIONAL DESCRIPTION: PROVIDES SELECTION OF A 4-DIGIT REPLY CODE FOR ONE OR TWO ATC/MODE S TRANSPONDER ENABLES TRANSPONDER AND TCAS TO BE SET TO TEST STANDBY TRANSPONDER ONLY FULL TCAS OR TRAFFIC ADVISORY ONLY MODE OF OPERATION ELECTRICAL EQUIP NUMBER: M10140 COMPONENT MAINT MANUAL REF: 34-50-22 FUNCTIONAL REFERENCE: LIGHTS FOR DETAILS SEE 33-13-51-52U NAVIGATION FOR DETAILS SEE 34-53-02-50J	103106	1
- 250	233N6103-122		PANEL INSTL-P8, P9, P10 ELECTRONICS (ATC SYSTEM ONLY) FOR NHA/OTHER SYS DET SEE: 25-10-00-15B	504903	RF
255	G6990-24		.PANEL ASSY-DUAL AIR TRAFFIC CONT/TCAS SUPPLIER CODE: V99837 ELECTRICAL EQUIP NUMBER: M10140 COMPONENT MAINT MANUAL REF: 34-50-20 FUNCTIONAL REFERENCE: LIGHTS FOR DETAILS SEE 33-13-51-52M NAVIGATION FOR DETAILS SEE 34-53-02-50G	504903	1

MISSING ITEM NUMBERS NOT APPLICABLE

- ITEM NOT ILLUSTRATED

34-53-02-02

34-53-02  
FIG. 02  
PAGE 3  
MAY 20/09

BRI



**757  
PARTS CATALOG (MAINTENANCE)**

FIG ITEM	PART NUMBER	1 2 3 4 5 6 7	NOMENCLATURE	EFFECT FROM TO	UNITS PER ASSY
2					
- 300	233N6103-28		PANEL INSTL-P8, P9, P10 ELECTRONICS (ATC SYSTEM ONLY) FOR NHA/OTHER SYS DET SEE: 25-10-00-15B	101101	RF
- 300	233N6103-128		PANEL INSTL-P8, P9, P10 ELECTRONICS (ATC SYSTEM ONLY) FOR NHA/OTHER SYS DET SEE: 25-10-00-15B	102102	RF
305	G6992-12		.PANEL ASSY-DUAL AIR TRAFFIC CONT SUPPLIER CODE: V99837 FUNCTIONAL DESCRIPTION: PROVIDES SELECTION OF A 4-DIGIT REPLY CODE FOR ONE OR TWO ATC/MODE S TRANSPONDER ENABLES TRANSPONDER AND TCAS TO BE SET TO TEST STANDBY TRANSPONDER ONLY FULL TCAS OR TRAFFIC ADVISORY ONLY MODE OF OPERATION ELECTRICAL EQUIP NUMBER: M10140 COMPONENT MAINT MANUAL REF: 34-50-22 FUNCTIONAL REFERENCE: LIGHTS FOR DETAILS SEE 33-13-51-52U NAVIGATION FOR DETAILS SEE 34-53-02-50J	101102	1
- 500	286N2075-309		WIRE BUNDLE ASSY-	101102	RF
- 500	286N2075-320		WIRE BUNDLE ASSY	108120	RF
- 500	286N2075-323		WIRE BUNDLE ASSY	504903	RF
- 502	286N2075-701		WIRE BUNDLE ASSY	103106	RF
510	BACC45FT16A24S7		.CONNECTOR- ELECTRICAL EQUIP NUMBER: D00255 WIRING DIAGRAM REF: 345311	103106 108120	1
520	BACC45FT16A24S7		.CONNECTOR- ELECTRICAL EQUIP NUMBER: D00255 WIRING DIAGRAM REF: 345311	101102	1
MISSING ITEM NUMBERS NOT APPLICABLE					

- ITEM NOT ILLUSTRATED

# 34-53-02-02

34-53-02  
FIG. 02  
PAGE 4  
MAY 20/09

BRI





757

PARTS CATALOG (MAINTENANCE)

FIG ITEM	PART NUMBER	1 2 3 4 5 6 7	NOMENCLATURE	EFFECT FROM TO	UNITS PER ASSY
2					
525	BACC45FT16A24S7		.CONNECTOR- ELECTRICAL EQUIP NUMBER: D00255 WIRING DIAGRAM REF: 345311	504903	1
- 550	286N2077-304		WIRE BUNDLE ASSY	101102	RF
- 550	286N2077-314		WIRE BUNDLE ASSY	504903	RF
- 551	286N2077-320		WIRE BUNDLE ASSY	108120	RF
- 551	286N2077-701		WIRE BUNDLE ASSY	103106	RF
560	BACC45FT16A24S8		.CONNECTOR- ELECTRICAL EQUIP NUMBER: D00257 WIRING DIAGRAM REF: 345321	103106 108120	1
570	BACC45FT16A24S8		.CONNECTOR- ELECTRICAL EQUIP NUMBER: D00257 WIRING DIAGRAM REF: 345321	101102	1
575	BACC45FT16A24S8		.CONNECTOR- ELECTRICAL EQUIP NUMBER: D00257 WIRING DIAGRAM REF: 345321	504903	1

MISSING ITEM NUMBERS NOT APPLICABLE

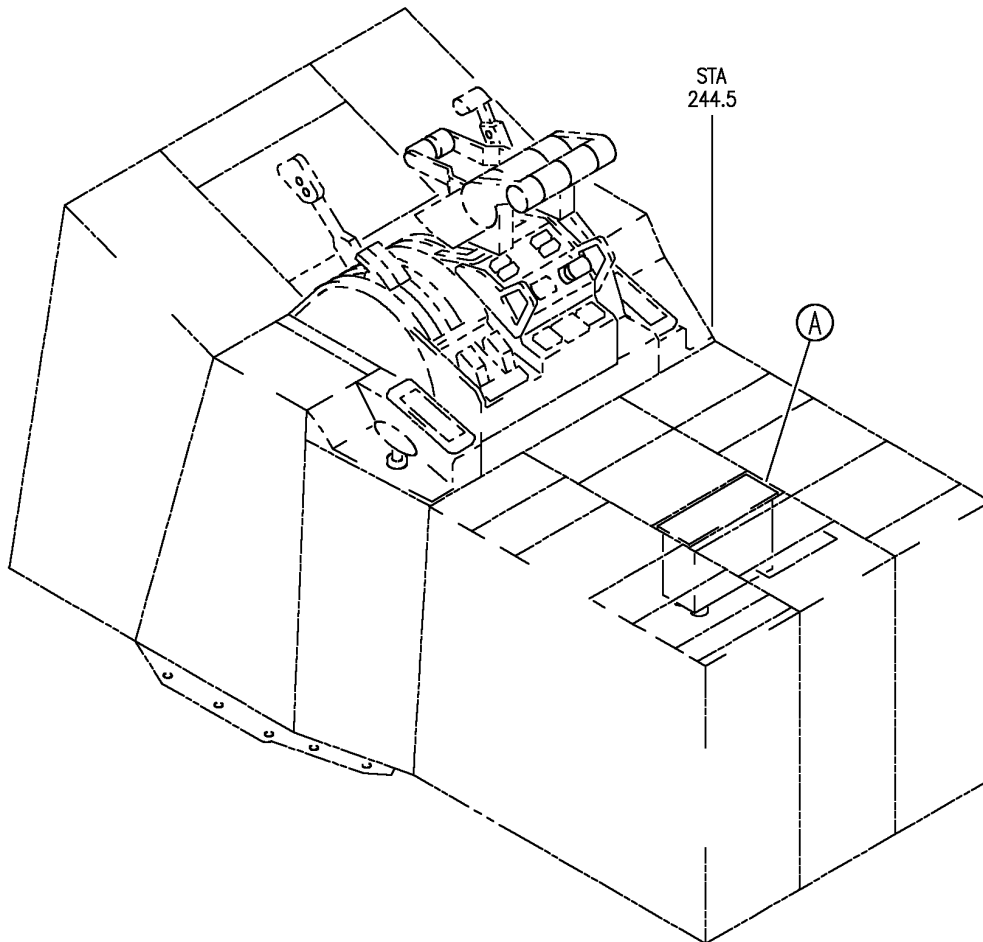
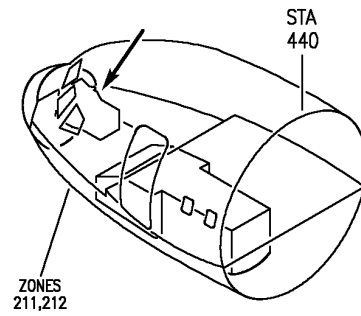
- ITEM NOT ILLUSTRATED

34-53-02-02

34-53-02  
FIG. 02  
PAGE 5  
MAY 20/09

BRI

**BOEING**  
757  
PARTS CATALOG (MAINTENANCE)



Y 34-530250A SHT 1 REV 258

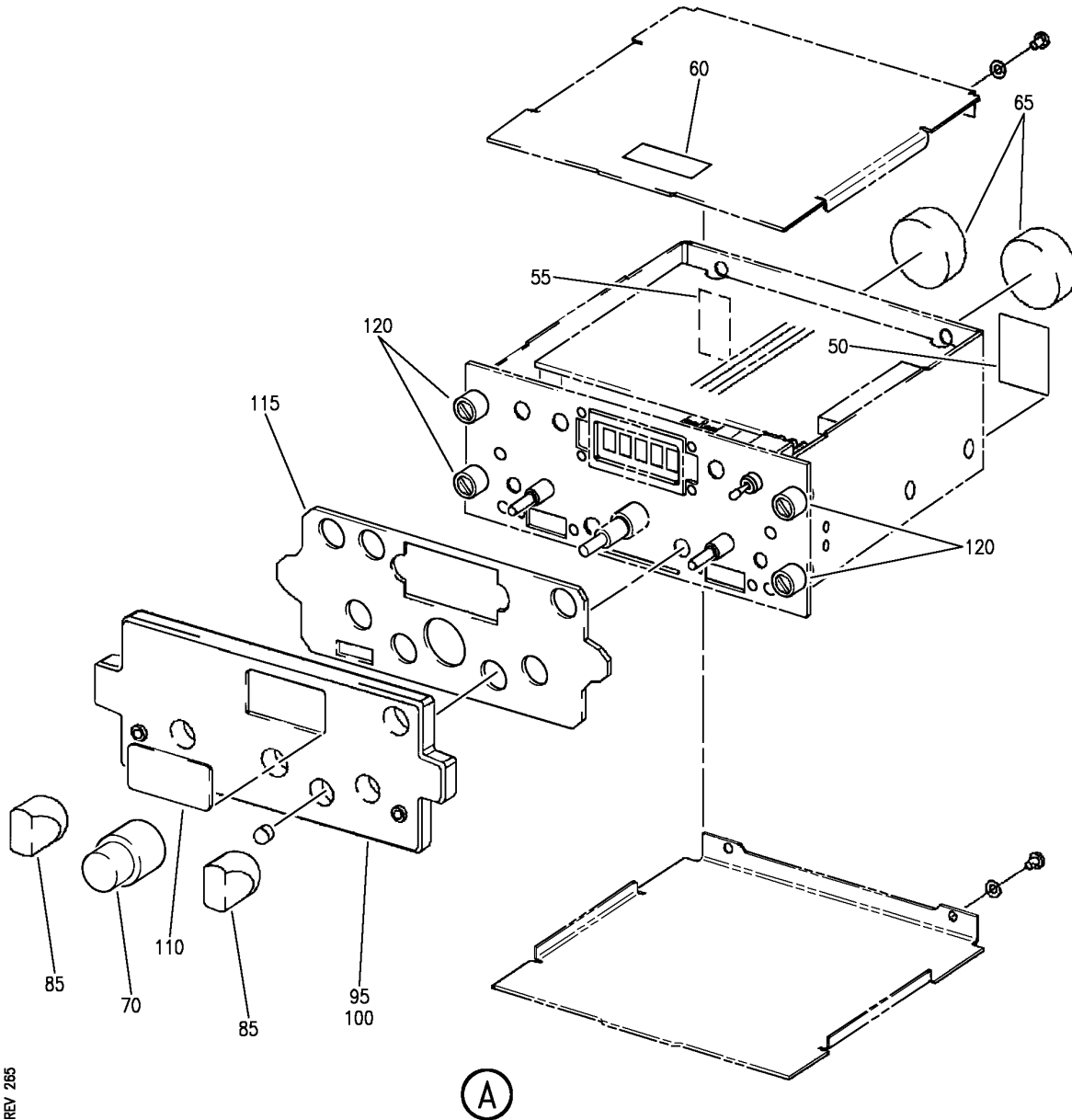
PANEL ASSY-DUAL AIR TRAFFIC CONT (NAVIGATION ONLY) (CUSTOMER FURNISHED)  
FIGURE 50A (SHEET 1)

**34-53-02-50A**

BRI  
JAN 20/09

34-53-02-50A  
PAGE 0

**BOEING**  
 757  
 PARTS CATALOG (MAINTENANCE)



Y 34530250A SHT 2 REV 265

PANEL ASSY-DUAL AIR TRAFFIC CONT (NAVIGATION ONLY) (CUSTOMER FURNISHED)  
 FIGURE 50A (SHEET 2)

**34-53-02-50A**

BRI  
 JAN 20/09

34-53-02-50A  
 PAGE 0A



757

PARTS CATALOG (MAINTENANCE)

FIG ITEM	PART NUMBER	1 2 3 4 5 6 7	NOMENCLATURE	EFFECT FROM TO	UNITS PER ASSY
50A			PANEL ASSY-DUAL AIR TRAFFIC CONT (NAVIGATION ONLY) (CUSTOMER FURNISHED)	953999	
R R R R R R R R	- 1 622-8974-314		PANEL ASSY-DUAL AIR TRAFFIC CONT (NAVIGATION ONLY) SUPPLIER CODE: V4V792 ELECTRICAL EQUIP NUMBER: M10140 COMPONENT MAINT MANUAL REF: 34-40-78 FOR NHA/OTHER SYS DET SEE: 34-53-02-01	953999	RF
	50 685-2588-001		.PLATE-IDENT SUPPLIER CODE: V4V792 CONFIG CHG DATA FROM A CMM: SUPSD BY 685-2588-003	953999	1
	50 685-2588-003		.PLATE-IDENT SUPPLIER CODE: V4V792 CONFIG CHG DATA FROM A CMM: SUPERSEDES 685-2588-001	953999	1
	55 778-0993-001		.MODEL CHART-MOD SUPPLIER CODE: V4V792 CONFIG CHG DATA FROM A CMM: SUPSD BY 838-7015-010	953999	1
	55 838-7015-010		.PLATE-MOD SUPPLIER CODE: V4V792 CONFIG CHG DATA FROM A CMM: SUPSDS 778-0993-001	953999	1
	55 838-7015-020		.PLATE-MOD SUPPLIER CODE: V12998 CONFIG CHG DATA FROM A CMM: SUPSD BY 829-0200-034 SUPERSEDES 838-7015-010	953999	1
	55 829-0200-034		.PLATE-MOD SUPPLIER CODE: V12998 CONFIG CHG DATA FROM A CMM: SUPERSEDES 838-7015-020	953999	1
	60 280-2745-020		.LABEL-ESDS SUPPLIER CODE: V12998	953999	1

MISSING ITEM NUMBERS NOT APPLICABLE

- ITEM NOT ILLUSTRATED

34-53-02-50A

34-53-02  
FIG. 50A  
PAGE 1  
MAY 20/09

BRI

BOEING PROPRIETARY - Copyright © - Unpublished Work - See title page for details.



757

PARTS CATALOG (MAINTENANCE)

FIG ITEM	PART NUMBER	1 2 3 4 5 6 7	NOMENCLATURE	EFFECT FROM TO	UNITS PER ASSY
50A 65	MS90376-18YF	.CAP-	MISCELLANEOUS DATA: ROCKWELL COLLINS SPEC 359-7602-110	953999	2
70	281-0673-020	.KNOB-BROWN CONCENTRIC	SUPPLIER CODE: V86797 CONFIG CHG DATA FROM A CMM: SUPSD BY CKS720-102	953999	1
70	CKS720-102	.KNOB-BROWN CONCENTRIC	SUPPLIER CODE: V15084 SB DATA FROM A CMM: TTC-920-34-13 CONFIG CHG DATA FROM A CMM: SUPERSEDES 281-0673-020 MISCELLANEOUS DATA: ROCKWELL COLLINS SPEC 841-7019-020	953999	1
- 75	AN565F4H3	ATTACHING PARTS .SETSCREW-	CONFIG CHG DATA FROM A CMM: SUPSD BY M71CR440-3E MISCELLANEOUS DATA: ROCKWELL COLLINS SPEC 335-0236-000	953999	2
- 75	M71CR440-3E	.SETSCREW-	CONFIG CHG DATA FROM A CMM: SUPERSEDES AN565F4H3 MISCELLANEOUS DATA: ROCKWELL COLLINS SPEC 335-0191-000	953999	2
- 80	AN565F6H3	.SETSCREW-	CONFIG CHG DATA FROM A CMM: SUPSD BY 335-0193-000 MISCELLANEOUS DATA: ROCKWELL COLLINS SPEC 335-0243-000	953999	2
- 80	335-0193-000	.SETSCREW-	SUPPLIER CODE: V08226 CONFIG CHG DATA FROM A CMM: SUPERSEDES AN565F6H3 -----*-----	953999	2

MISSING ITEM NUMBERS NOT APPLICABLE

- ITEM NOT ILLUSTRATED

34-53-02-50A

34-53-02  
FIG. 50A  
PAGE 2  
JAN 20/09

BRI



757

PARTS CATALOG (MAINTENANCE)

FIG ITEM	PART NUMBER	1 2 3 4 5 6 7	NOMENCLATURE	EFFECT FROM TO	UNITS PER ASSY
50A 85	TT377-101		.KNOB-BROWN TACTILE SUPPLIER CODE: V81590 MISCELLANEOUS DATA: ROCKWELL COLLINS SPEC 281-0672-020	953999	2
- 90	AN565F4H3		.SETSCREW- MISCELLANEOUS DATA: ROCKWELL COLLINS SPEC 335-0236-000	953999	4
100	836-7079-001		.PANEL-LT BROWN SUPPLIER CODE: V4V792	953999	1
- 105	110X031-70SL		..PACKING-SILICONE SUPPLIER CODE: V62351 MISCELLANEOUS DATA: ROCKWELL COLLINS SPEC 200-2457-030	953999	AR
110	840-2022-010		..WINDOW- SUPPLIER CODE: V66083 CONFIG CHG DATA FROM A CMM: SUPSD BY 840-2027-010	953999	1
110	840-2027-010		..WINDOW- SUPPLIER CODE: V66083 CONFIG CHG DATA FROM A CMM: SUPSD BY 840-2022-010 SUPERSEDES 840-2022-010	953999	1
115	827-0732-001		.GASKET- SUPPLIER CODE: V4V792 CONFIG CHG DATA FROM A CMM: SUPSD BY 830-0574-001 SUPSD BY 830-0575-001 SUPSD BY 830-0575-002	953999	1
115	830-0575-001		.GASKET- SUPPLIER CODE: V4V792 CONFIG CHG DATA FROM A CMM: SUPERSEDES 827-0732-001	953999	1

MISSING ITEM NUMBERS NOT APPLICABLE

- ITEM NOT ILLUSTRATED

34-53-02-50A

34-53-02  
FIG. 50A  
PAGE 3  
JAN 20/09

BRI

BOEING PROPRIETARY - Copyright © - Unpublished Work - See title page for details.



**757  
PARTS CATALOG (MAINTENANCE)**

FIG ITEM	PART NUMBER	1 2 3 4 5 6 7	NOMENCLATURE	EFFECT FROM TO	UNITS PER ASSY
50A 120	PFSC35-38ACBB	.	STUD ASSY- SUPPLIER CODE: V72794 CONFIG CHG DATA FROM A CMM: SUPSD BY PFSC35-38ADSEB MISCELLANEOUS DATA: ROCKWELL COLLINS SPEC 012-0039-010	953999	4
120	PFSC35-38ADSEB	.	STUD ASSY- SUPPLIER CODE: V72794 CONFIG CHG DATA FROM A CMM: SUPERSEDES PFSC35-38ACBB MISCELLANEOUS DATA: ROCKWELL COLLINS SPEC 012-0039-050	953999	4

MISSING ITEM NUMBERS NOT APPLICABLE

— ITEM NOT ILLUSTRATED

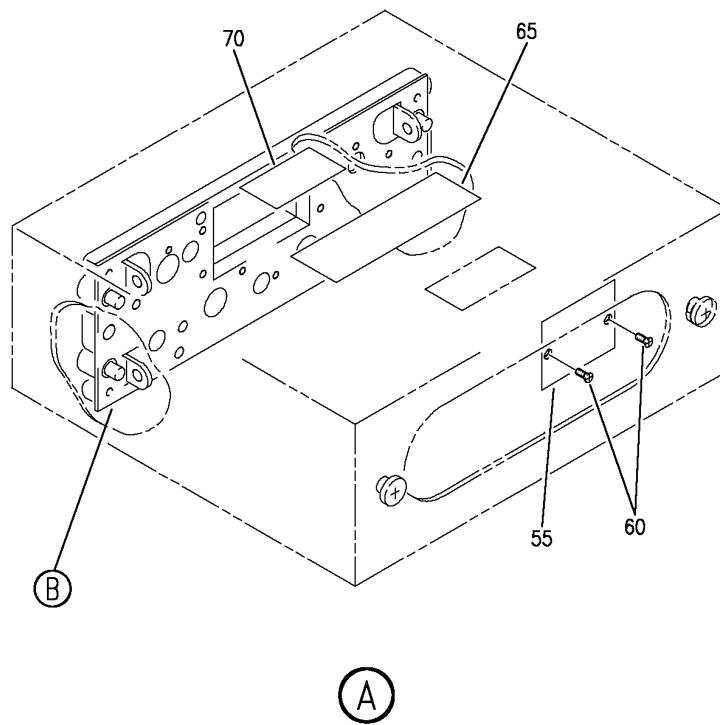
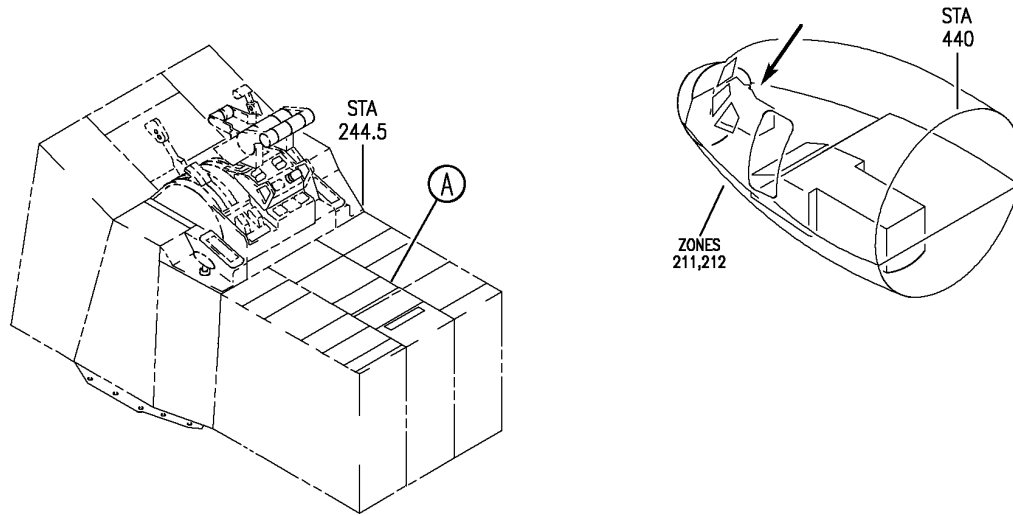
BRI

# 34-53-02-50A

BOEING PROPRIETARY - Copyright © - Unpublished Work - See title page for details.

34-53-02  
FIG. 50A  
PAGE 4  
JAN 20/09

**BOEING**  
757  
PARTS CATALOG (MAINTENANCE)



Y 34-530250D SHT 1 REV 258

PANEL ASSY-DUAL AIR TRAFFIC CONT (NAVIGATION ONLY)  
FIGURE 50D (SHEET 1)

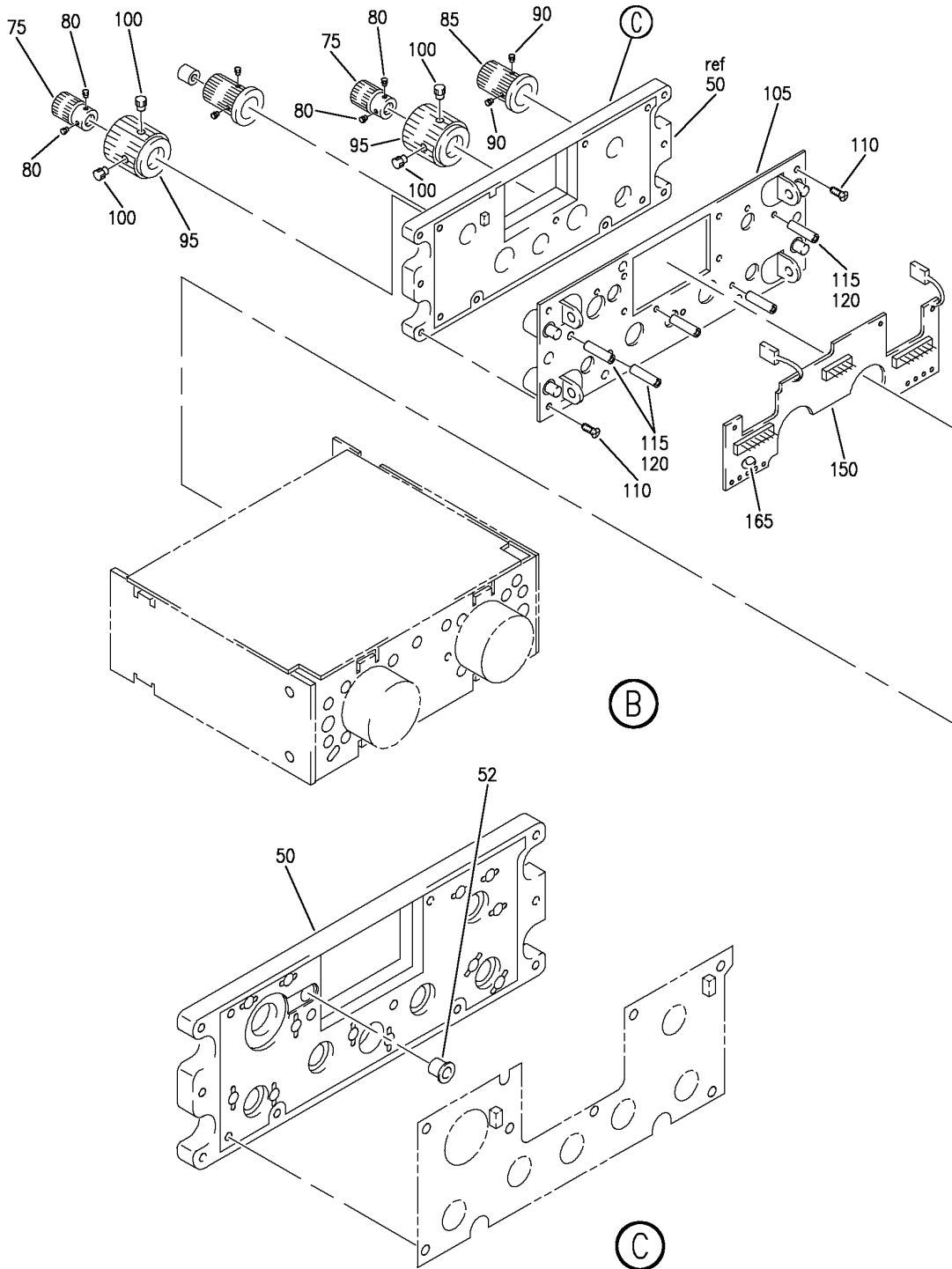
**34-53-02-50D**

BRI  
JAN 20/09

34-53-02-50D  
PAGE 0



**BOEING**  
757  
**PARTS CATALOG (MAINTENANCE)**



Y 34-530250D SHT 2 REV 308

PANEL ASSY-DUAL AIR TRAFFIC CONT (NAVIGATION ONLY)  
FIGURE 50D (SHEET 2)

**34-53-02-50D**

BRI  
JAN 20/09

34-53-02-50D  
PAGE 0A



757  
PARTS CATALOG (MAINTENANCE)

FIG ITEM	PART NUMBER	1 2 3 4 5 6 7	NOMENCLATURE	EFFECT FROM TO	UNITS PER ASSY
50D			PANEL ASSY-DUAL AIR TRAFFIC CONT (NAVIGATION ONLY)	950951	
R R R R R R R R R R R R R R	- 5 071-01503-1501		PANEL ASSY-DUAL AIR TRAFFIC CONT (NAVIGATION ONLY) SUPPLIER CODE: V97896 FUNCTIONAL DESCRIPTION: ALLOWS FLIGHT CREW TO SELECT ATC TRANSPONDER IDENT CODE TO FACILITATE GROUND TRACKING OF ACFT POSITION. ELECTRICAL EQUIP NUMBER: M10140 COMPONENT MAINT MANUAL REF: 34-45-10 FOR NHA/OTHER SYS DET SEE: 34-53-02-01	950951	RF
	50 200-04936-0011		.PANEL ASSY-28V ATC LAMP SUPPLIER CODE: V27914	950951	RF
	55 057-05239-0001		.TAG-SERIAL NO. SUPPLIER CODE: V27914	950951	1
	60 6332-0203		ATTACHING PARTS .SCREW- SUPPLIER CODE: V27914	950951	2
	65 057-01540-0000		-----*----- .TAG-WARNING HV SUPPLIER CODE: V27914	950951	1
	70 057-01764-0000		.TAG-WARNING 5V SUPPLIER CODE: V27914	950951	1
	75 076-01762-0004		.KNOB- SUPPLIER CODE: V27914	950951	2
	80 086-06204-0004		ATTACHING PARTS .SCREW- SUPPLIER CODE: V27914	950951	4
	85 076-01762-0004		-----*----- .KNOB- SUPPLIER CODE: V27914	950951	1

MISSING ITEM NUMBERS NOT APPLICABLE

- ITEM NOT ILLUSTRATED

34-53-02-50D

34-53-02  
FIG. 50D  
PAGE 1  
MAY 20/09

BRI



757

PARTS CATALOG (MAINTENANCE)

FIG ITEM	PART NUMBER	1 2 3 4 5 6 7	NOMENCLATURE	EFFECT FROM TO	UNITS PER ASSY
50D			ATTACHING PARTS		
90	086-06200-0004		.SCREW- SUPPLIER CODE: V27914 -----*-----	950951	2
95	076-01761-0005		.KNOB- SUPPLIER CODE: V27914	950951	2
100	086-06204-0006		ATTACHING PARTS .SCREW- SUPPLIER CODE: V27914 -----*-----	950951	4
105	047-09271-0007		.PLATE-FRONT SUPPLIER CODE: V27914	950951	1
110	089-06632-0003		ATTACHING PARTS .SCREW- SUPPLIER CODE: V27914 -----*-----	950951	14
120	076-02145-0011		.STANDOFF- SUPPLIER CODE: V27914	950951	5

MISSING ITEM NUMBERS NOT APPLICABLE

- ITEM NOT ILLUSTRATED

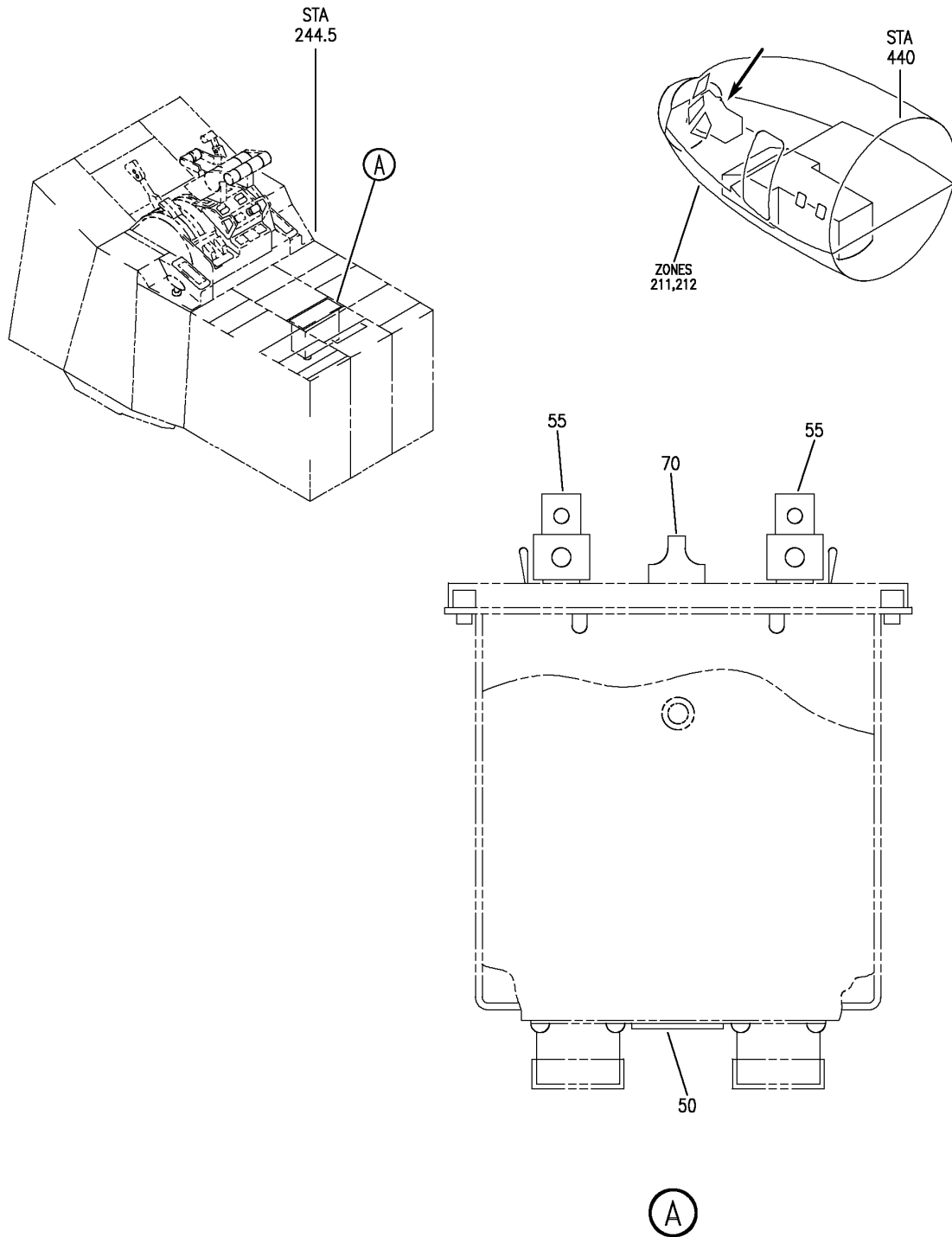
BRI

**34-53-02-50D**

BOEING PROPRIETARY - Copyright © - Unpublished Work - See title page for details.

34-53-02  
FIG. 50D  
PAGE 2  
MAY 20/09

**BOEING**  
757  
PARTS CATALOG (MAINTENANCE)



Y 34-53-02-50E REV 258

PANEL ASSY-DUAL AIR TRAFFIC CONT (NAVIGATION ONLY)  
FIGURE 50E

**34-53-02-50E**

BRI  
JAN 20/09

34-53-02-50E  
PAGE 0

**BOEING**  
757  
**PARTS CATALOG (MAINTENANCE)**

FIG ITEM	PART NUMBER	1 2 3 4 5 6 7	NOMENCLATURE	EFFECT FROM TO	UNITS PER ASSY	
R R R R R R R R R R	50E					
	- 1	622-8594-001		PANEL ASSY-DUAL AIR TRAFFIC CONT (NAVIGATION ONLY)	952952	
				PANEL ASSY-DUAL AIR TRAFFIC CONT (NAVIGATION ONLY)	952952	RF
				SUPPLIER CODE: V4V792		
				ELECTRICAL EQUIP NUMBER: M10140		
				COMPONENT MAINT MANUAL REF: 34-50-76		
				FOR NHA/OTHER SYS DET SEE: 34-53-02-01		
	50	685-7224-001		.PLATE-IDENT	952952	1
				SUPPLIER CODE: V4V792		
	55	281-0673-020		.KNOB-CONCENTRIC	952952	2
			SUPPLIER CODE: V86797			
			ATTACHING PARTS			
- 60	AN565F4H3		.SETSCREW-	952952	4	
			MISCELLANEOUS DATA: ROCKWELL COLLINS SPEC 335-0236-000			
- 65	AN565F6H3		.SETSCREW-	952952	2	
			MISCELLANEOUS DATA: ROCKWELL COLLINS SPEC 335-0243-000			
			-----*-----			
70	TT377-101		.KNOB-TACTILE	952952	1	
			SUPPLIER CODE: V81590			
			MISCELLANEOUS DATA: ROCKWELL COLLINS SPEC 281-0672-020			

MISSING ITEM NUMBERS NOT APPLICABLE

- ITEM NOT ILLUSTRATED

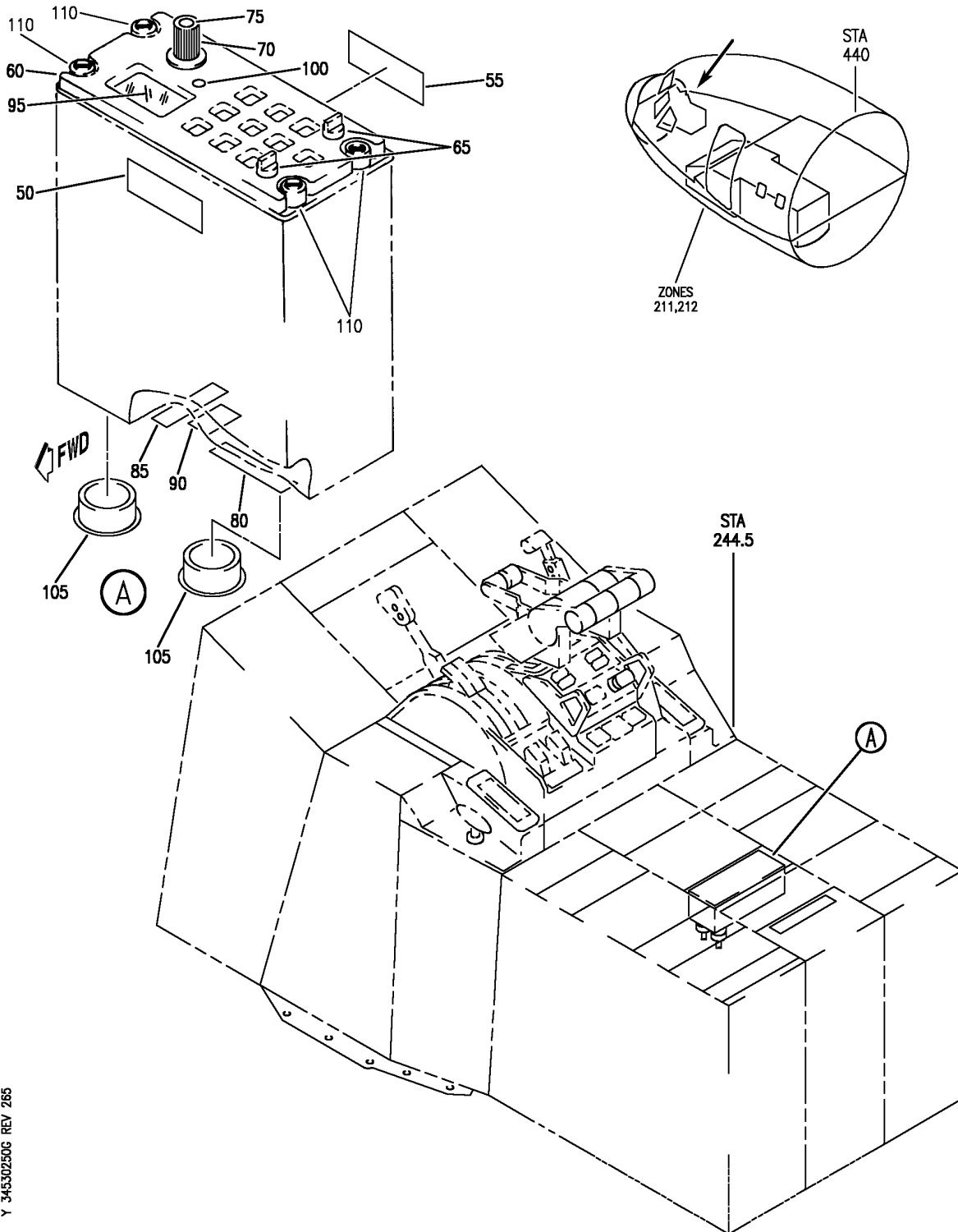
BRI

# 34-53-02-50E

BOEING PROPRIETARY - Copyright © - Unpublished Work - See title page for details.

34-53-02  
FIG. 50E  
PAGE 1  
MAY 20/09

**BOEING**  
757  
PARTS CATALOG (MAINTENANCE)



Y 34-530250G REV 265

PANEL ASSY-DUAL AIR TRAFFIC CONT (NAVIGATION ONLY)  
FIGURE 50G

**34-53-02-50G**

BRI  
JAN 20/09

34-53-02-50G  
PAGE 0

**BOEING**  
757  
**PARTS CATALOG (MAINTENANCE)**

FIG ITEM	PART NUMBER	1 2 3 4 5 6 7	NOMENCLATURE	EFFECT FROM TO	UNITS PER ASSY
50G			PANEL ASSY-DUAL AIR TRAFFIC CONT (NAVIGATION ONLY)	504903	
- 10	G6990-24		PANEL ASSY-DUAL AIR TRAFFIC CONT (NAVIGATION ONLY) SUPPLIER CODE: V99837 ELECTRICAL EQUIP NUMBER: M10140 COMPONENT MAINT MANUAL REF: 34-50-20 FOR NHA/OTHER SYS DET SEE: 34-53-02-02	504903	RF
	50 600A38009		.LABEL-STATIC SUPPLIER CODE: V99837	504903	1
	55 600A38451		.LABEL-STATIC SUPPLIER CODE: V99837	504903	1
	60 600A39021		.PANEL-FRONT SUPPLIER CODE: V99837	504903	1
	65 600B30162-007		.KN0B- SUPPLIER CODE: V70487	504903	2
R	70 600A15365-324		.KN0B- SUPPLIER CODE: V99837	504903	1
R	75 600A30915-011		.BUTTON-INDT TEST SUPPLIER CODE: V99837	504903	1
R	80 600A35705A002		.NAMEPLATE-TSO SUPPLIER CODE: V70487	504903	1
R	85 600A37952-006		.NAMEPLATE- SUPPLIER CODE: V70487	504903	1
R	90 600A31593		.NAMEPLATE-MOD STATUS SUPPLIER CODE: V70487	504903	1
R	95 600A16097-009		.WINDOW-GLASS SUPPLIER CODE: V70487	504903	1
	100 600A38716-002		.LENS-FAIL SUPPLIER CODE: V70487	504903	1
	105 214-0118		.COVER-CONN J1, J2 SUPPLIER CODE: V99017	504903	2

MISSING ITEM NUMBERS NOT APPLICABLE

- ITEM NOT ILLUSTRATED

BRI

# 34-53-02-50G

BOEING PROPRIETARY - Copyright © - Unpublished Work - See title page for details.

34-53-02  
FIG. 50G  
PAGE 1  
MAY 20/09



757

PARTS CATALOG (MAINTENANCE)

FIG ITEM	PART NUMBER	1 2 3 4 5 6 7	NOMENCLATURE	EFFECT FROM TO	UNITS PER ASSY
50G 110	280-0197		. FASTENER- SUPPLIER CODE: V72794	504903	4

MISSING ITEM NUMBERS NOT APPLICABLE

- ITEM NOT ILLUSTRATED

BRI

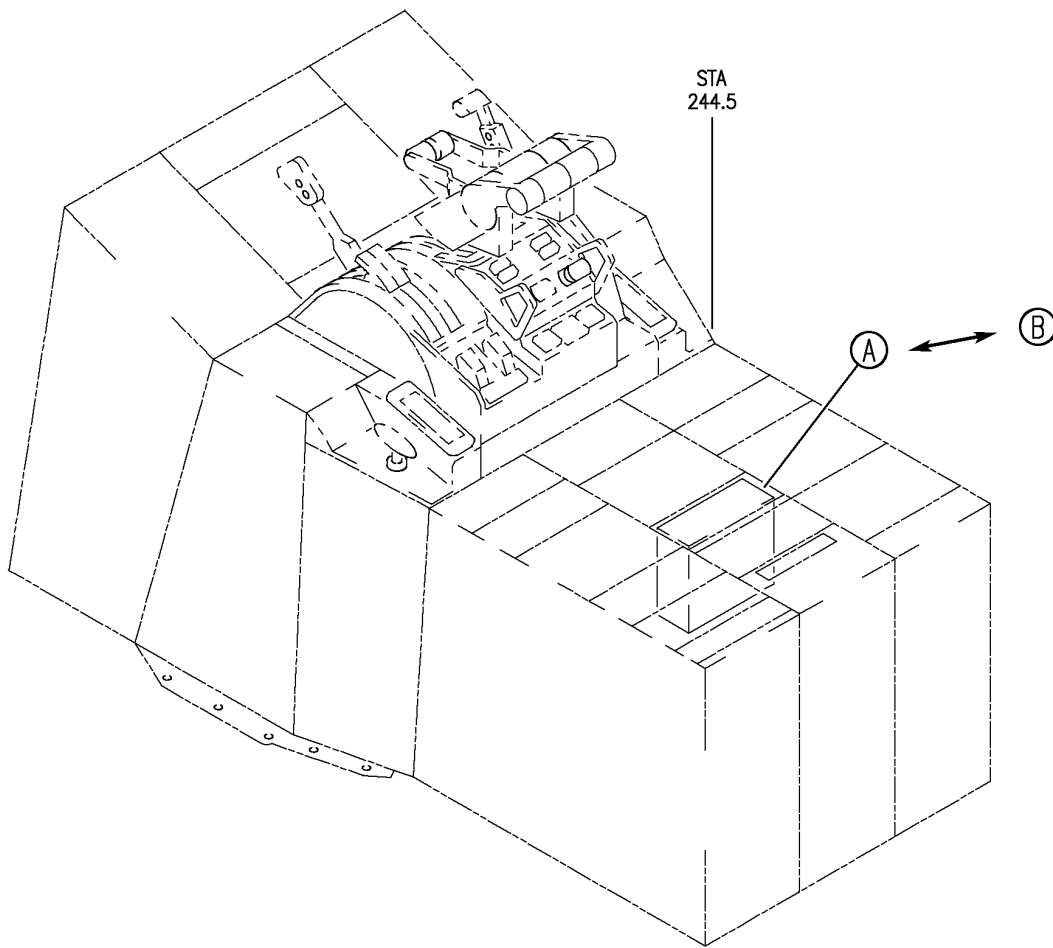
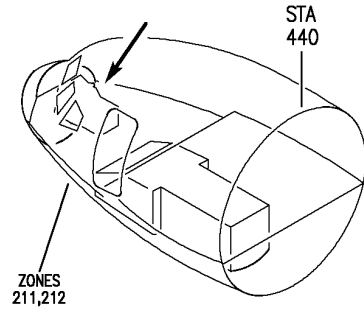
**34-53-02-50G**

BOEING PROPRIETARY - Copyright © - Unpublished Work - See title page for details.

34-53-02  
FIG. 50G  
PAGE 2  
JAN 20/09



**BOEING**  
757  
PARTS CATALOG (MAINTENANCE)



Y 34-530250J SHT 1 REV 307

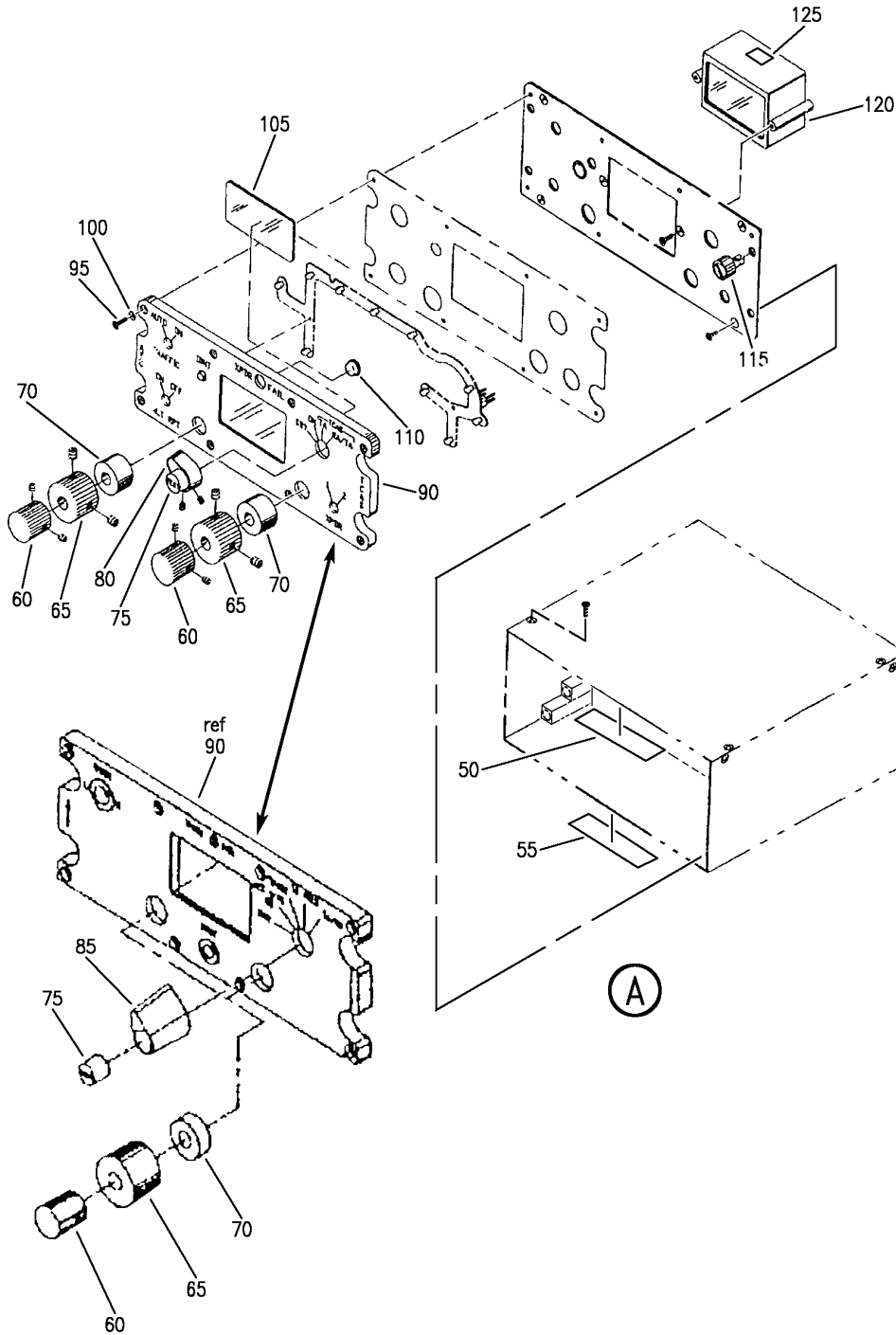
PANEL ASSY-DUAL AIR TRAFFIC CONT (NAVIGATION ONLY)  
FIGURE 50J (SHEET 1)

**34-53-02-50J**

BRI  
MAY 28/07

34-53-02-50J  
PAGE 0

**BOEING**  
757  
PARTS CATALOG (MAINTENANCE)



Y 34-530250J SHT 2 REV 264

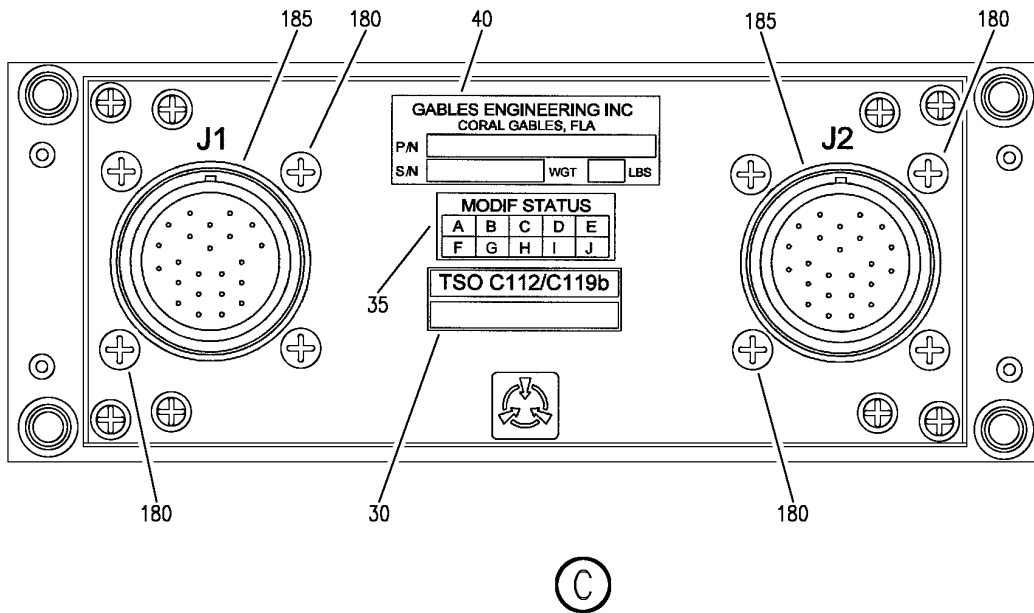
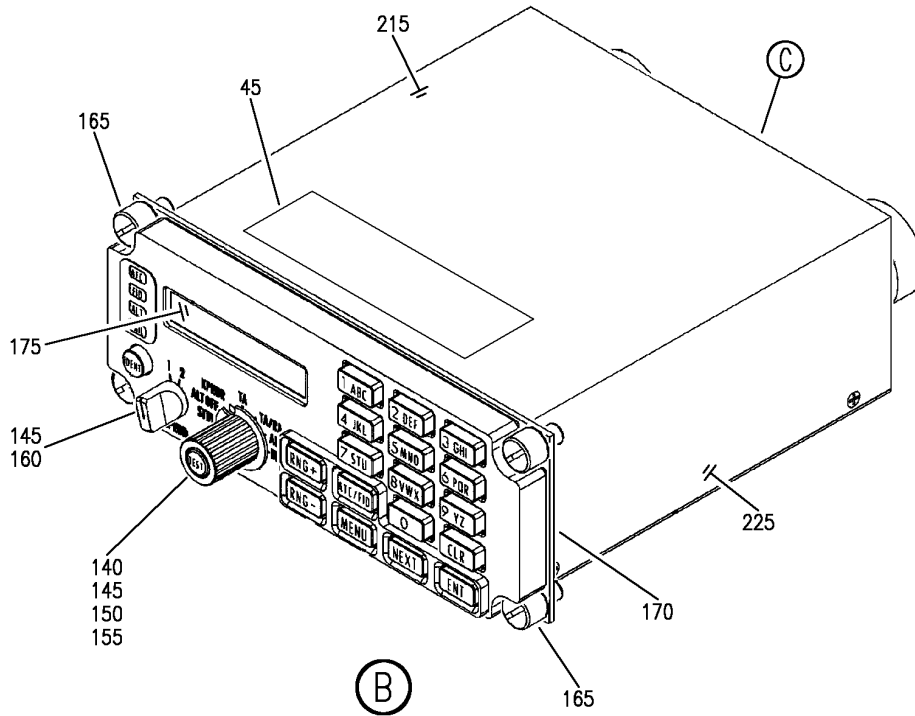
PANEL ASSY-DUAL AIR TRAFFIC CONT (NAVIGATION ONLY)  
FIGURE 50J (SHEET 2)

**34-53-02-50J**

BRI  
MAY 28/07

34-53-02-50J  
PAGE 0A


**BOEING**  
 757  
**PARTS CATALOG (MAINTENANCE)**



Y 34530250J SHT 3 REV 307

PANEL ASSY-DUAL AIR TRAFFIC CONT (NAVIGATION ONLY)  
 FIGURE 50J (SHEET 3)

**34-53-02-50J**

BRI  
 MAY 28/07

34-53-02-50J  
 PAGE 0B

**BOEING**  
757  
**PARTS CATALOG (MAINTENANCE)**

FIG ITEM	PART NUMBER	1 2 3 4 5 6 7	NOMENCLATURE	EFFECT FROM TO	UNITS PER ASSY
50J	G6992-12		PANEL ASSY-DUAL AIR TRAFFIC CONT (NAVIGATION ONLY)	002004 006106 108120	RF
		- 1	PANEL ASSY-DUAL AIR TRAFFIC CONT (NAVIGATION ONLY) SUPPLIER CODE: V99837 FUNCTIONAL DESCRIPTION: PROVIDES SELECTION OF A 4-DIGIT REPLY CODE FOR ONE OR TWO ATC/MODE S TRANSPONDER ENABLES TRANSPONDER AND TCAS TO BE SET TO TEST STANDBY TRANSPONDER ONLY FULL TCAS OR TRAFFIC ADVISORY ONLY MODE OF OPERATION ELECTRICAL EQUIP NUMBER: M10140 COMPONENT MAINT MANUAL REF: 34-50-22 FOR NHA/OTHER SYS DET SEE: 34-53-02-02	103106 108120	
- 10	G6992-12		PANEL ASSY-DUAL AIR TRAFFIC CONT (NAVIGATION ONLY)	002004 006102	RF
			PANEL ASSY-DUAL AIR TRAFFIC CONT (NAVIGATION ONLY) SUPPLIER CODE: V99837 FUNCTIONAL DESCRIPTION: PROVIDES SELECTION OF A 4-DIGIT REPLY CODE FOR ONE OR TWO ATC/MODE S TRANSPONDER ENABLES TRANSPONDER AND TCAS TO BE SET TO TEST STANDBY TRANSPONDER ONLY FULL TCAS OR TRAFFIC ADVISORY ONLY MODE OF OPERATION ELECTRICAL EQUIP NUMBER: M10140 COMPONENT MAINT MANUAL REF: 34-50-22 POST RAPID REVISION: RR92034-1 FOR NHA/OTHER SYS DET SEE: 34-53-02-01 34-53-02-02		

MISSING ITEM NUMBERS NOT APPLICABLE

- ITEM NOT ILLUSTRATED

# 34-53-02-50J

34-53-02  
FIG. 50J  
PAGE 1  
MAY 20/09

BRI



757

PARTS CATALOG (MAINTENANCE)

FIG ITEM	PART NUMBER	1 2 3 4 5 6 7	NOMENCLATURE	EFFECT FROM TO	UNITS PER ASSY
50J 50	600A38009		.LABEL-CAUTION STATIC ELECTRICITY SUPPLIER CODE: V99837 POSITION DATA: TOP USED ON: G6992-12	002004 006106 108120	1
55	600A38451		.LABEL-WARNING ELECTROSTATIC SUPPLIER CODE: V99837 POSITION DATA: BOTTOM USED ON: G6992-12	002004 006106 108120	1
60	600A15365-322		.KN0B- SUPPLIER CODE: V99837 USED ON: G6992-12	002004 006106 108120	2
65	600A15365-321		.KN0B- SUPPLIER CODE: V99837 USED ON: G6992-12	002004 006106 108120	2
70	600A26836E004		.KN0B- SUPPLIER CODE: V99837 USED ON: G6992-12	002004 006106 108120	2
75	600A30915-019		.BUTTON- SUPPLIER CODE: V99837 USED ON: G6992-12	002004 006106 108120	1
80	600A38573-003		.KN0B- SUPPLIER CODE: V99837 USED ON: G6992-12	002004 006106 108120	1
85	514-0092		.CAP- SUPPLIER CODE: V95146 USED ON: G6992-12	002004 006106 108120	1

MISSING ITEM NUMBERS NOT APPLICABLE

- ITEM NOT ILLUSTRATED

34-53-02-50J

34-53-02  
FIG. 50J  
PAGE 2  
MAY 20/09

BRI

BOEING PROPRIETARY - Copyright © - Unpublished Work - See title page for details.



757

PARTS CATALOG (MAINTENANCE)

FIG ITEM	PART NUMBER	1 2 3 4 5 6 7	NOMENCLATURE	EFFECT FROM TO	UNITS PER ASSY
50J					
90	600A39515		.PANEL-FRONT SUPPLIER CODE: V99837 USED ON: G6992-12	002004 006106 108120	1
95	600A27014-008		.SCREW- SUPPLIER CODE: V99837 USED ON: G6992-12	002004 006106 108120	8
100	600A31266-005		.WASHER- SUPPLIER CODE: V99837 USED ON: G6992-12	002004 006106 108120	8
105	600A16097-009		.WINDOW-GLASS SUPPLIER CODE: V70487 USED ON: G6992-12	002004 006106 108120	1
110	600A38716-002		.LENS- SUPPLIER CODE: V70487 USED ON: G6992-12	002004 006106 108120	1
115	248-0197		.FASTENER- SUPPLIER CODE: V72794 USED ON: G6992-12	002004 006106 108120	4
120	700C38603-003		.DISPLAY-CRYSTAL LIQUID SUPPLIER CODE: V99837 USED ON: G6992-12	002004 006106 108120	1
125	600A38451		..LABEL-WARNING ELECTROSTATIC SUPPLIER CODE: V99837 USED ON: G6992-12	002004 006106 108120	1

MISSING ITEM NUMBERS NOT APPLICABLE

- ITEM NOT ILLUSTRATED

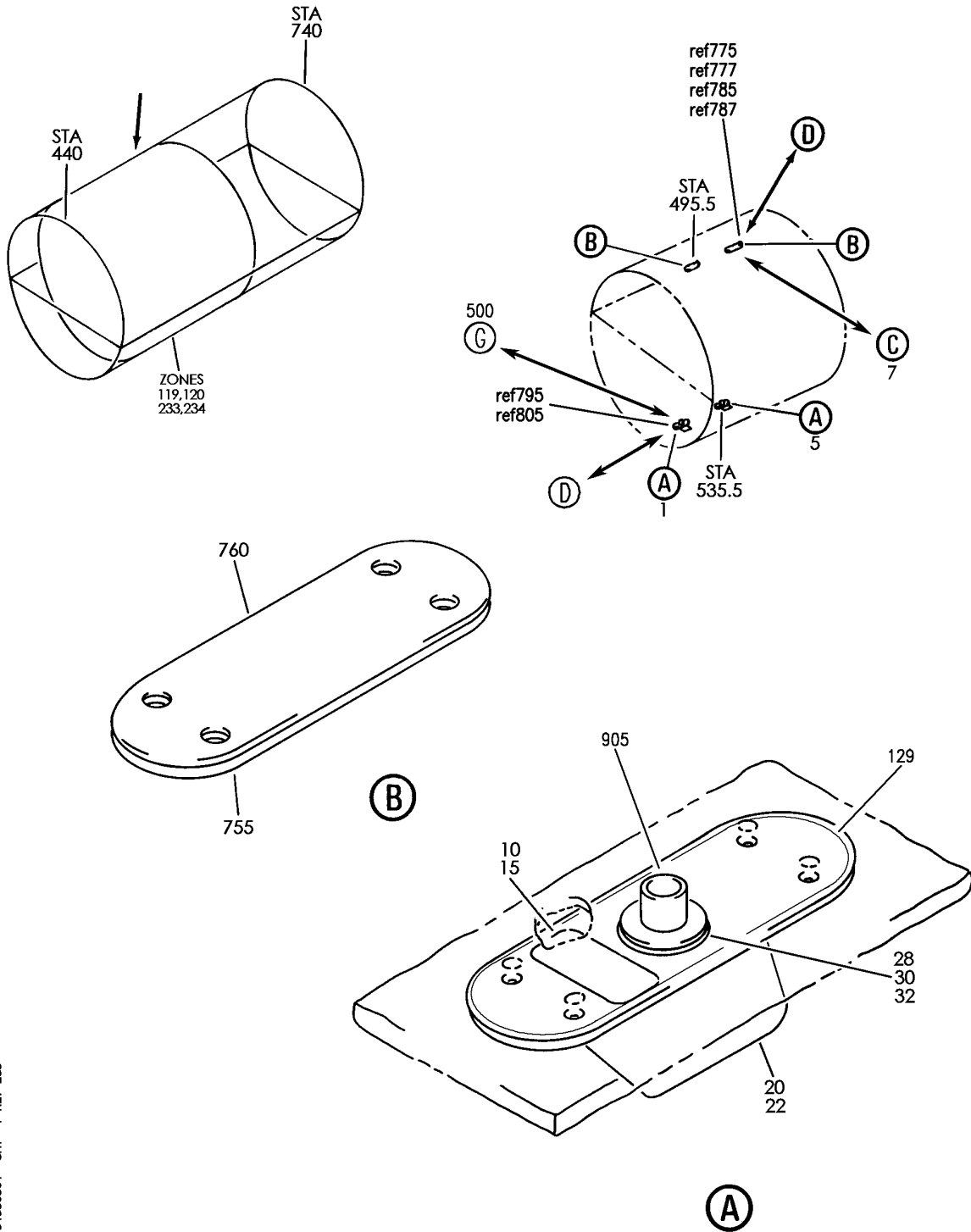
34-53-02-50J

34-53-02  
FIG. 50J  
PAGE 3  
MAY 20/09

BRI

BOEING PROPRIETARY - Copyright © - Unpublished Work - See title page for details.

**BOEING**  
757  
PARTS CATALOG (MAINTENANCE)



Y 34530301 SH1 1 REV 283

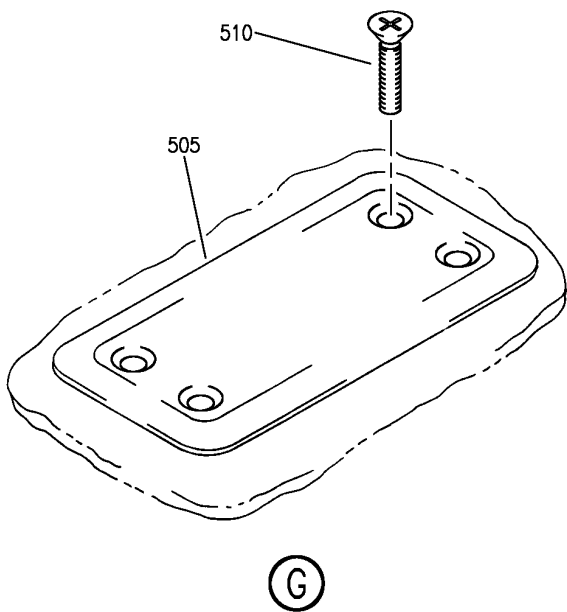
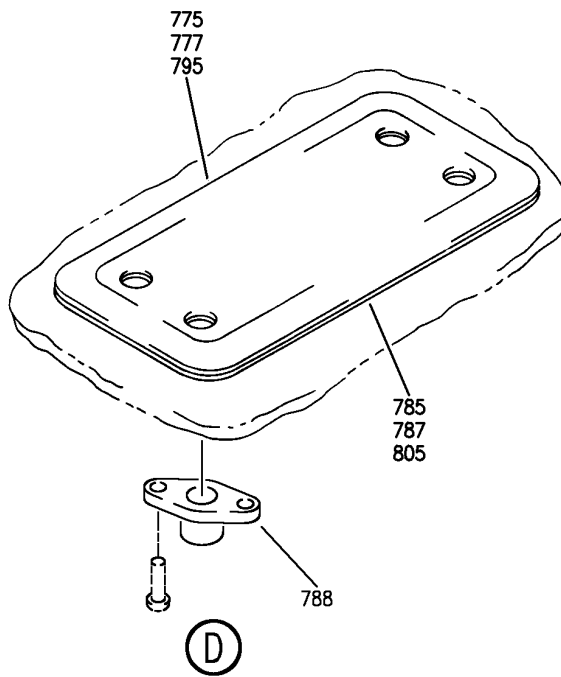
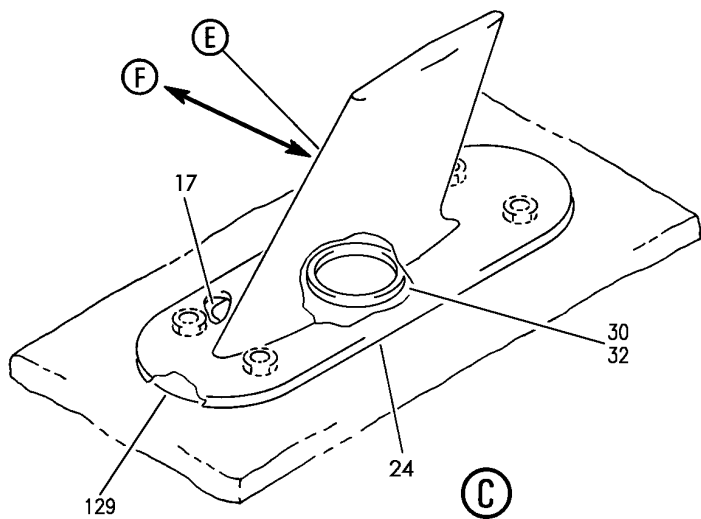
ANTENNA AND COVER PLATE INSTL-ATC  
FIGURE 1 (SHEET 1)

**34-53-03-01**

BRI  
MAY 28/07

34-53-03-01  
PAGE 0

**BOEING**  
757  
PARTS CATALOG (MAINTENANCE)



Y 34530301 SH1 2 REV 283

ANTENNA AND COVER PLATE INSTL-ATC  
FIGURE 1 (SHEET 2)

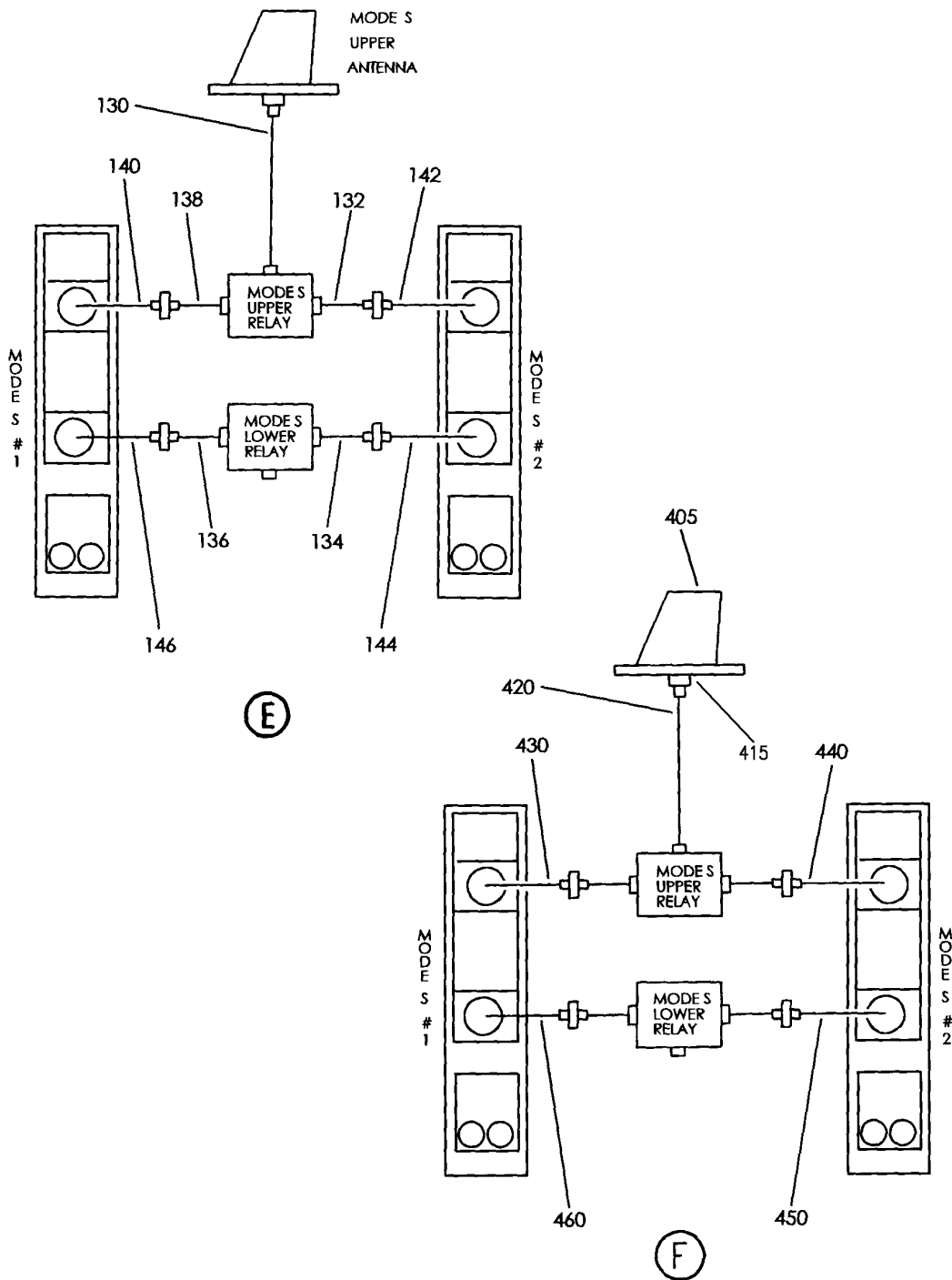
**34-53-03-01**

BRI  
MAY 28/07

34-53-03-01  
PAGE 0A




**BOEING**  
 757  
**PARTS CATALOG (MAINTENANCE)**



Y 34530301 SHT 3 REV 252

ANTENNA AND COVER PLATE INSTL-ATC  
FIGURE 1 (SHEET 3)

**34-53-03-01**

BRI  
MAY 28/07

34-53-03-01  
PAGE 0B

 **BOEING**  
757  
**PARTS CATALOG (MAINTENANCE)**

FIG ITEM	PART NUMBER	1 2 3 4 5 6 7	NOMENCLATURE	EFFECT FROM TO	UNITS PER ASSY
1			ANTENNA AND COVER	002004	
- 1	284N1347-1		PLATE INSTL-ATC ANTENNA INSTL-ATC SYS POSITION DATA: L BOTTOM FOR NHA SEE: 24-00-58-01B	006999 107107	RF
- 5	284N1347-2		ANTENNA INSTL-ATC SYS POSITION DATA: R BOTTOM FOR NHA SEE: 24-00-58-01B	107107	RF
- 5	284N1347-8		ANTENNA INSTL-ATC SYS POSITION DATA: R BOTTOM FOR NHA SEE: 24-00-58-01B 24-00-58-05	002004 006102 108999	RF
- 5	MODREF9914		ANTENNA INSTL-ATC SYS MODULE NUMBER: 284N1347-8 REV A	103106	1
- 7	284N1347-7		ANTENNA INSTL-ATC SYS POSITION DATA: R TOP FOR NHA SEE: 24-00-58-01B 24-00-58-05	002004 006102 108999	RF
- 7	MODREF9913		ANTENNA INSTL-ATC SYS MODULE NUMBER: 284N1347-7 REV A	103106	1
10	BAC27NEX0764		.DECAL- PLACARD CONTENT: M10143 LEFT BOTTOM XPDR ANTENNA USED ON: 284N1347-1	107107	1
15	BAC27NEX0765		.DECAL- PLACARD CONTENT: M10144 RIGHT BOTTOM XPDR ANTENNA USED ON: 284N1347-2	107107	1
15	BAC27NEX2402		.DECAL- PLACARD CONTENT: M10144 ATC ANTENNA BOTTOM SYSTEM USED ON: 284N1347-8 MODREF9914	002004 006102 108999	1

MISSING ITEM NUMBERS NOT APPLICABLE

- ITEM NOT ILLUSTRATED

BRI

# 34-53-03-01

BOEING PROPRIETARY - Copyright © - Unpublished Work - See title page for details.

34-53-03  
FIG. 01  
PAGE 1  
JAN 20/09



757

PARTS CATALOG (MAINTENANCE)

FIG ITEM	PART NUMBER	1 2 3 4 5 6 7	NOMENCLATURE	EFFECT FROM TO	UNITS PER ASSY
1	17 BAC27NEX2403		.DECAL- PLACARD CONTENT: M10769 ATC ANTENNA TOP SYSTEM USED ON: 284N1347-7 657N3871-1001 MODREF9913	002004 006106 108999	1
	20 DM1601354-001		.ANTENNA-BAND SUPPLIER CODE: V00752 POSITION DATA: L FUNCTIONAL DESCRIPTION: RECEIVES/TRANSMITS ATC TRANSPONDER OR DME SIGNALS. SPECIFICATION NUMBER: S220T116-1 ELECTRICAL EQUIP NUMBER: M10144 USED ON: 284N1347-2 284N1347-6 284N1347-8 MODREF9914	002004 006999	1
	22 DM1601354-001		.ANTENNA-BAND SUPPLIER CODE: V00752 POSITION DATA: L FUNCTIONAL DESCRIPTION: RECEIVES/TRANSMITS ATC TRANSPONDER OR DME SIGNALS. SPECIFICATION NUMBER: S220T116-1 ELECTRICAL EQUIP NUMBER: M10143 USED ON: 284N1347-1 284N1347-5	107107	1

MISSING ITEM NUMBERS NOT APPLICABLE

- ITEM NOT ILLUSTRATED

BRI

34-53-03-01

BOEING PROPRIETARY - Copyright © - Unpublished Work - See title page for details.

34-53-03  
FIG. 01  
PAGE 2  
JAN 20/09

 **BOEING**  
757  
**PARTS CATALOG (MAINTENANCE)**

FIG ITEM	PART NUMBER	1 2 3 4 5 6 7	NOMENCLATURE	EFFECT FROM TO	UNITS PER ASSY
1	24 DM1601354-001		. ANTENNA-BAND SUPPLIER CODE: V00752 POSITION DATA: L FUNCTIONAL DESCRIPTION: RECEIVES/TRANSMITS ATC TRANSPONDER OR DME SIGNALS. SPECIFICATION NUMBER: S220T116-1 ELECTRICAL EQUIP NUMBER: M10769 USED ON: 284N1347-7 657N3871-1001 MODREF9913 ATTACHING PARTS	002004 006106 108999	1
- 25	BACB30NN3K5		.BOLT- USED ON: 284N1347-1 284N1347-2 284N1347-5 284N1347-6	107107	4
- 25	BACB30NN3K4		.BOLT- USED ON: 284N1347-4 284N1347-7 284N1347-1 MODREF9913	002004 006106 108999	4
- 25	BACB30NN3K5		.BOLT- USED ON: 284N1347-6 284N1347-8 MODREF9914	002004 006106 108999	4
	30 MS9068-028		-----*----- ..PACKING-	002004 006999	1
- 55	286N4449-001		..WIRE BUNDLE ASSY-TOP ANTENNA TO UPPER ATC RELAY POST AIRLINE MOD: E.O.3492R188 VALP	950951	1

MISSING ITEM NUMBERS NOT APPLICABLE

- ITEM NOT ILLUSTRATED

BRI

# 34-53-03-01

BOEING PROPRIETARY - Copyright © - Unpublished Work - See title page for details.

34-53-03  
FIG. 01  
PAGE 3  
JAN 20/09



757

## PARTS CATALOG (MAINTENANCE)

FIG ITEM	PART NUMBER	1 2 3 4 5 6 7	NOMENCLATURE	EFFECT FROM TO	UNITS PER ASSY
1					
- 70	286N4455-001		..WIRE BUNDLE ASSY-UPPER ATC RELAY TO RIGHT TRANSPONDER POST AIRLINE MOD: E.O.3492R188 VALP	950951	1
- 75	286N1423-014		..WIRE BUNDLE ASSY-UPPER ATC RELAY TO RIGHT TRANSPONDER POST AIRLINE MOD: E.O.3492R188 VALP	950951	1
- 90	286N4451-001		..WIRE BUNDLE ASSY-UPPER ATC RELAY TO LEFT TRANSPONDER POST AIRLINE MOD: E.O.3492R188 VALP	950951	1
- 95	286N1433-005		..CABLE ASSY-UPPER ATC RELAY TO LEFT TRANSPONDER POST AIRLINE MOD: E.O.3492R188 VALP	950951	1
- 105	286N4465-001		..WIRE BUNDLE ASSY-BOTTOM ANTENNA TO UPPER ATC RELAY POST AIRLINE MOD: E.O.3492R188 VALP	950951	1
- 118	286N4457-001		..WIRE BUNDLE ASSY-LOWER ATC RELAY TO RIGHT TRANSPONDER POST AIRLINE MOD: E.O.3492R188 VALP	950951	1
- 120	286N1423-001		..WIRE BUNDLE ASSY-LOWER ATC RELAY TO RIGHT TRANSPONDER POST AIRLINE MOD: E.O.3492R188 VALP	950951	1
- 126	286N4453-001		..WIRE BUNDLE ASSY-LOWER ATC RELAY TO LEFT TRANSPONDER POST AIRLINE MOD: E.O.3492R188 VALP	950951	1

MISSING ITEM NUMBERS NOT APPLICABLE

- ITEM NOT ILLUSTRATED

BRI

34-53-03-01

BOEING PROPRIETARY - Copyright © - Unpublished Work - See title page for details.

34-53-03  
FIG. 01  
PAGE 4  
JAN 20/09



757

PARTS CATALOG (MAINTENANCE)

FIG ITEM	PART NUMBER	1 2 3 4 5 6 7	NOMENCLATURE	EFFECT FROM TO	UNITS PER ASSY
1					
- 128	286N4433-001		..CABLE ASSY-LOWER ATC RELAY TO LEFT TRANSPONDER POST AIRLINE MOD: E.O.3492R188 VALP	950951	1
- 770	143N1079-1		COVER PLATE INSTL- POSITION DATA: TOP, STA 535.50 POST SERVICE BULLETIN: 53-0055 FOR NHA SEE: 53-00-00-02	107107	RF
775	143N3405-1		.PLATE-COVER ATTACHING PARTS	107107	1
- 780	BACB30NN3K5		.BOLT -----*-----	107107	4
785	143N3406-1		.GASKET	107107	1
788	NS203158-3		.NUTPLATE SUPPLIER CODE: V80539 SPECIFICATION NUMBER: BACN10JZ3C2CDM OPTIONAL PART: F52063-3 V15653 ATTACHING PARTS	107107	4
- 789	BACR15BA4D2		.RIVET -----*-----	107107	8

MISSING ITEM NUMBERS NOT APPLICABLE

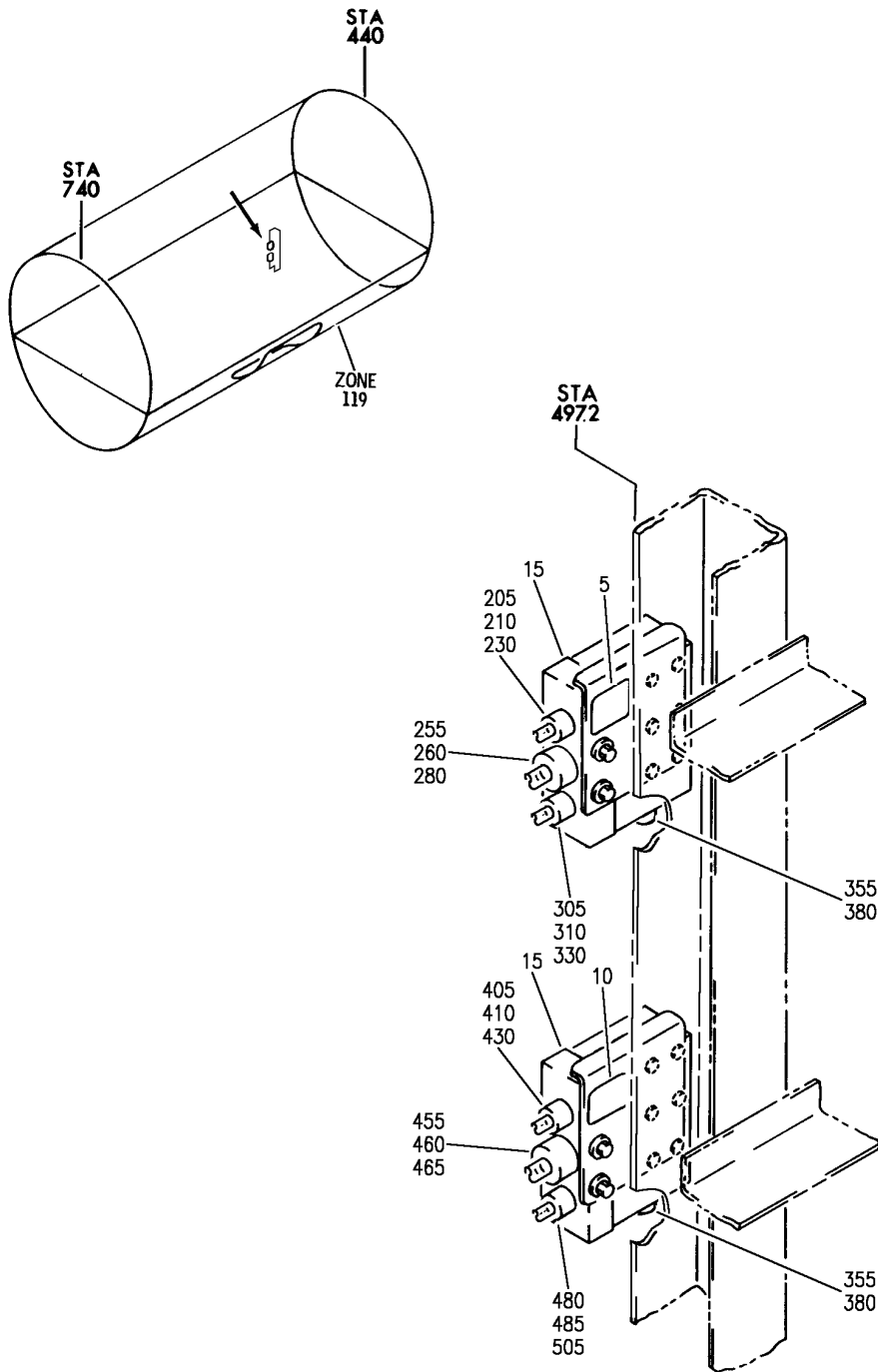
- ITEM NOT ILLUSTRATED

34-53-03-01

34-53-03  
FIG. 01  
PAGE 5  
JAN 20/09

BRI

**BOEING**  
 757  
 PARTS CATALOG (MAINTENANCE)



Y 34530302 REV 248

RELAY INSTL-ATC ANT. SWITCHING  
 FIGURE 2

**34-53-03-02**

BRI  
 MAY 28/07

34-53-03-02  
 PAGE 0



757

PARTS CATALOG (MAINTENANCE)

FIG ITEM	PART NUMBER	1 2 3 4 5 6 7	NOMENCLATURE	EFFECT FROM TO	UNITS PER ASSY
2			RELAY INSTL-ATC ANT. SWITCHING	002004 006106 108999	
- 1	284N1880-1		RELAY INSTL-ATC ANT. SWITCHING FOR NHA SEE: 24-00-58-01A	002004 006010 121503 904999	RF
- 1	284N1880-2		RELAY INSTL-ATC ANT. SWITCHING FOR NHA SEE: 24-00-58-01A	011100	RF
- 1	284N1880-4		RELAY INSTL-ATC ANT. SWITCHING FOR NHA SEE: 24-00-58-05A	101101	RF
- 1	284N1880-7		RELAY INSTL-ATC ANT. SWITCHING FOR NHA SEE: 24-00-58-05A	102102 108120 504903	RF
- 1	MODREF9346		RELAY INSTL-ATC ANT. SWITCHING MODULE NUMBER: 284N1880-7 REV A	103106	1
5	BAC27NEX2370		.DECAL- PLACARD CONTENT: TOP ATC ANT. SW S10563	002004 006106 108999	1
10	BAC27NEX2371		.DECAL- PLACARD CONTENT: BOT ATC ANT. SW S10564	002004 006106 108999	1

MISSING ITEM NUMBERS NOT APPLICABLE

- ITEM NOT ILLUSTRATED

34-53-03-02

34-53-03  
FIG. 02  
PAGE 1  
JAN 20/09

BRI

BOEING PROPRIETARY - Copyright © - Unpublished Work - See title page for details.





757

PARTS CATALOG (MAINTENANCE)

FIG ITEM	PART NUMBER	1 2 3 4 5 6 7	NOMENCLATURE	EFFECT FROM TO	UNITS PER ASSY
2 15	D2-729B001		.SWITCH- SUPPLIER CODE: V08719 FUNCTIONAL DESCRIPTION: PROVIDES SWITCHING BETWEEN THE LEFT AND RIGHT TRANSPONDERS MISCELLANEOUS DATA: (D2-729B001 INTERCHANGEABLE WITH D2-729B005 IN SHIPSETS) ELECTRICAL EQUIP NUMBER: S10563 S10564 QUALIFIED I/W DATA: D2-729B003 OR 402-167 MAY REPLACE D2-729B001 IN SHIPSETS ONLY. D2-729B001 INTERCHANGEABLE WITH D2-729B005 IN SHIPSETS. QUALIFIED OPTIONAL DATA: (D2-729B005 OPTIONAL TO D2-729-B001 BY SHIPSET ONLY)	002004 006010 121503 904999	2
15	D2-729B005		.SWITCH- SUPPLIER CODE: V08719 MISCELLANEOUS DATA: (D2-729B003 INTERCHANGEABLE WITH D2-729B005 IN SHIPSETS) (D2-729B005 MAY BE USED WITH 622-7878-120) ELECTRICAL EQUIP NUMBER: S10563 S10564 QUALIFIED I/W DATA: D2-729B001 INTERCHANGEABLE WITH D2-729B005 IN SHIPSETS. QUALIFIED OPTIONAL DATA: (D2-729B005 OPTIONAL TO D2-729B001 BY SHIPSET ONLY)	002004 006010 121503 904999	2

MISSING ITEM NUMBERS NOT APPLICABLE

- ITEM NOT ILLUSTRATED

BRI

34-53-03-02

BOEING PROPRIETARY - Copyright © - Unpublished Work - See title page for details.

34-53-03  
FIG. 02  
PAGE 2  
JAN 20/09



757

PARTS CATALOG (MAINTENANCE)

FIG ITEM	PART NUMBER	1 2 3 4 5 6 7	NOMENCLATURE	EFFECT FROM TO	UNITS PER ASSY
2 15	D2-729B003		.SWITCH- SUPPLIER CODE: V08719 FUNCTIONAL DESCRIPTION: PROVIDES SWITCHING BETWEEN THE LEFT AND RIGHT TRANSPONDERS MISCELLANEOUS DATA: (D2-729B003 INTERCHANGEABLE WITH D2-729B005 IN SHIPSETS) (D2-729B003 IS NOT USED WITH 622-7878-120) ELECTRICAL EQUIP NUMBER: S10563 S10564 QUALIFIED I/W DATA: D2-729B003 OR 402-167 MAY REPLACE D2-729B001 IN SHIPSETS ONLY. 402-167 INTERCHANGEABLE WITH D2-729B003 IN SHIPSETS.	002004 006100 121503 904999	2
15	402-167		.SWITCH- SUPPLIER CODE: V00471 FUNCTIONAL DESCRIPTION: PROVIDES SWITCHING BETWEEN THE LEFT AND RIGHT TRANSPONDERS ELECTRICAL EQUIP NUMBER: S10563 S10564 QUALIFIED I/W DATA: 402-167 INTERCHANGEABLE WITH D2-729B003 IN SHIPSETS. QUALIFIED SB I/W DATA: (I/W D2-729B001) POST AIRLINE MOD: PCR83 VALP	950951	2

MISSING ITEM NUMBERS NOT APPLICABLE

- ITEM NOT ILLUSTRATED

34-53-03-02

34-53-03  
FIG. 02  
PAGE 3  
JAN 20/09

BRI



757

PARTS CATALOG (MAINTENANCE)

FIG ITEM	PART NUMBER	1 2 3 4 5 6 7	NOMENCLATURE	EFFECT FROM TO	UNITS PER ASSY
2 15	402-167		.SWITCH- SUPPLIER CODE: V00471 FUNCTIONAL DESCRIPTION: PROVIDES SWITCHING BETWEEN THE LEFT AND RIGHT TRANSPONDERS ELECTRICAL EQUIP NUMBER: S10563 S10564 QUALIFIED I/W DATA: 402-167 INTERCHANGEABLE WITH D2-729B003 IN SHIPSETS. ATTACHING PARTS	101106 108120 504903	2
- 20	NAS1801-3-26		.SCREW-	002004 006106 108999	4
- 25	NAS1149D0363J		.WASHER-	002004 006106 108999	4
- 30	MS21042L3		.NUT-	002004 006106 108999	4
- 200	286N4451-001		-----*----- WIRE BUNDLE ASSY	002004 006100 121503 904999	1
- 200	286N4451-301		WIRE BUNDLE ASSY	101102 108120	1
- 200	286N4451-303		WIRE BUNDLE ASSY	504903	1
210	KA59-353M06		.PLUG- SUPPLIER CODE: V91836 ELECTRICAL EQUIP NUMBER: D01429 WIRING DIAGRAM REF: 345212 345311	002004 006102 108999	1
- 250	286N4449-001		WIRE BUNDLE ASSY	002004 006100 121503 904999	1
- 250	286N4449-302		WIRE BUNDLE ASSY	101102 108120	1
- 250	286N4449-307		WIRE BUNDLE ASSY	504903	1

MISSING ITEM NUMBERS NOT APPLICABLE

- ITEM NOT ILLUSTRATED

34-53-03-02

34-53-03  
FIG. 02  
PAGE 4  
JAN 20/09

BRI



757

PARTS CATALOG (MAINTENANCE)

FIG ITEM	PART NUMBER	1 2 3 4 5 6 7	NOMENCLATURE	EFFECT FROM TO	UNITS PER ASSY
2 260	KN59-329M06		.PLUG- SUPPLIER CODE: V91836 ELECTRICAL EQUIP NUMBER: D01431 WIRING DIAGRAM REF: 345212 345311	002004 006102 108999	1
- 300	286N4455-001		WIRE BUNDLE ASSY	002004 006100 121503 904999	1
- 300	286N4455-301		WIRE BUNDLE ASSY	101102 108120	1
- 300	286N4455-304		WIRE BUNDLE ASSY	504903	1
310	KD59-180M06		.PLUG- SUPPLIER CODE: V91836 ELECTRICAL EQUIP NUMBER: D01433 WIRING DIAGRAM REF: 345212 345321	002004 006102 108999	1
- 350	286N2077-002		WIRE BUNDLE ASSY	002004 006100 950999	1
- 350	286N2077-004		WIRE BUNDLE ASSY	121503 904949	1
- 350	286N2077-304		WIRE BUNDLE ASSY	101102	1
- 351	286N2077-314		WIRE BUNDLE ASSY	504903	1
- 351	286N2077-320		WIRE BUNDLE ASSY	108120	1
355	MS3126F10-6S		.CONNECTOR- ELECTRICAL EQUIP NUMBER: D01427 D01435 WIRING DIAGRAM REF: 345311	002004 006102 108999	2
- 400	286N4453-001		WIRE BUNDLE ASSY	002004 006100 121503 904999	1
- 400	286N4453-301		WIRE BUNDLE ASSY	101102 108120	1
- 400	286N4453-304		WIRE BUNDLE ASSY	504903	1

MISSING ITEM NUMBERS NOT APPLICABLE

- ITEM NOT ILLUSTRATED

34-53-03-02

34-53-03  
FIG. 02  
PAGE 5  
JAN 20/09

BRI



757

PARTS CATALOG (MAINTENANCE)

FIG ITEM	PART NUMBER	1 2 3 4 5 6 7	NOMENCLATURE	EFFECT FROM TO	UNITS PER ASSY
2 410	KA59-353M06		.PLUG- SUPPLIER CODE: V91836 ELECTRICAL EQUIP NUMBER: D01437 WIRING DIAGRAM REF: 345212 345311	002004 006102 108999	1
- 450	286N4465-002		WIRE BUNDLE ASSY	002004 006100 121503 904999	1
- 450	286N4465-302		WIRE BUNDLE ASSY	101102 108120	1
- 450	286N4465-305		WIRE BUNDLE ASSY	504903	1
460	KN59-329M06		.PLUG- SUPPLIER CODE: V91836 ELECTRICAL EQUIP NUMBER: D01439 WIRING DIAGRAM REF: 345212 345311	002004 006102 108999	1
- 475	286N4457-001		WIRE BUNDLE ASSY	002004 006100 121503 904999	1
- 475	286N4457-301		WIRE BUNDLE ASSY	101102 108120	1
- 475	286N4457-304		WIRE BUNDLE ASSY	504903	1
485	KD59-180M06		.PLUG- SUPPLIER CODE: V91836 ELECTRICAL EQUIP NUMBER: D01441 WIRING DIAGRAM REF: 345212 345321	002004 006102 108999	1

MISSING ITEM NUMBERS NOT APPLICABLE

- ITEM NOT ILLUSTRATED

BRI

34-53-03-02

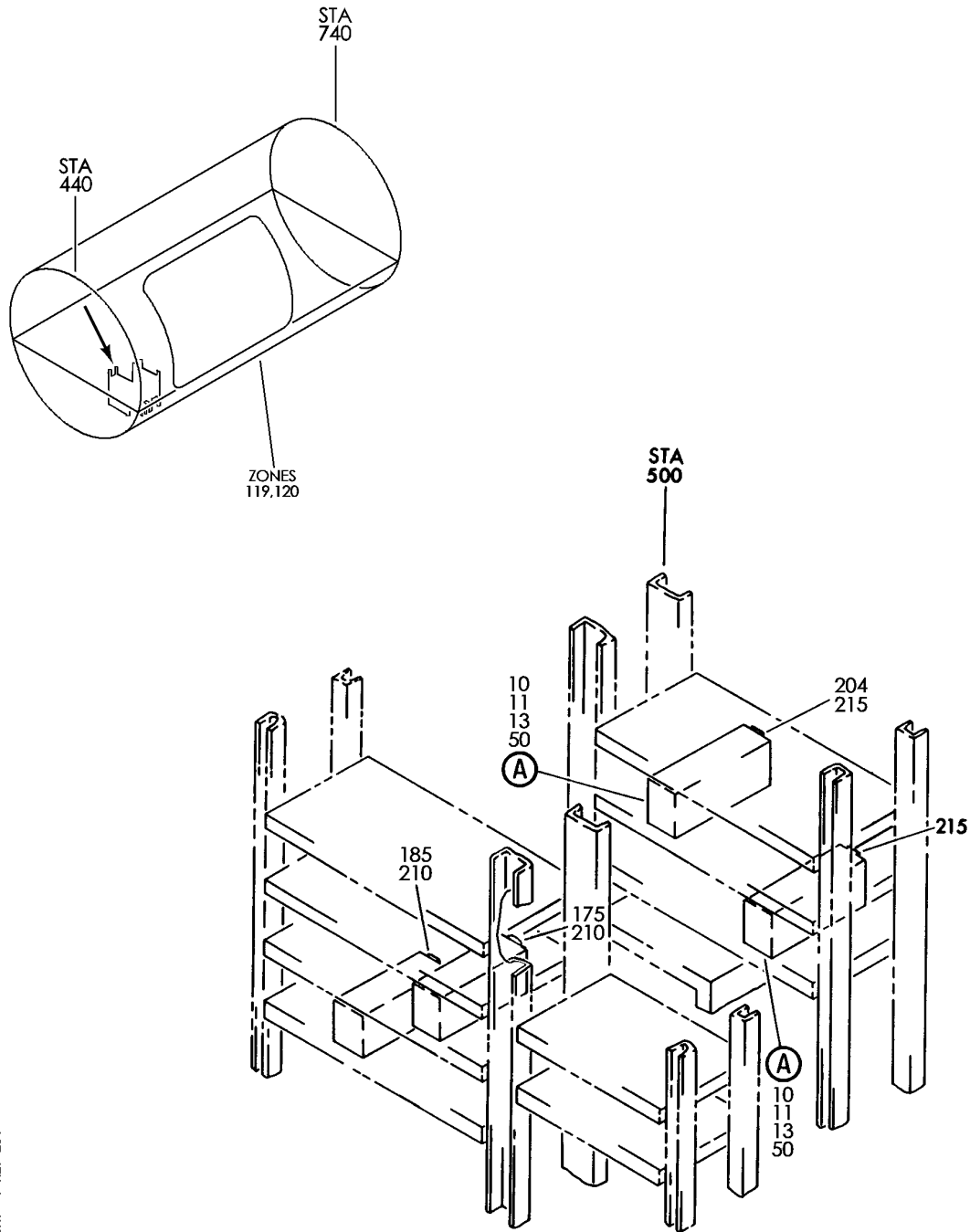
34-53-03  
FIG. 02  
PAGE 6  
JAN 20/09

## DISTANCE MEASURING EQUIPMENT (DME) SYSTEM

BRI  
MAY 28/07

34-55-00  
SECTION TITLE  
PAGE 1

**BOEING**  
757  
PARTS CATALOG (MAINTENANCE)



Y 34550101 SH1 1 REV 254

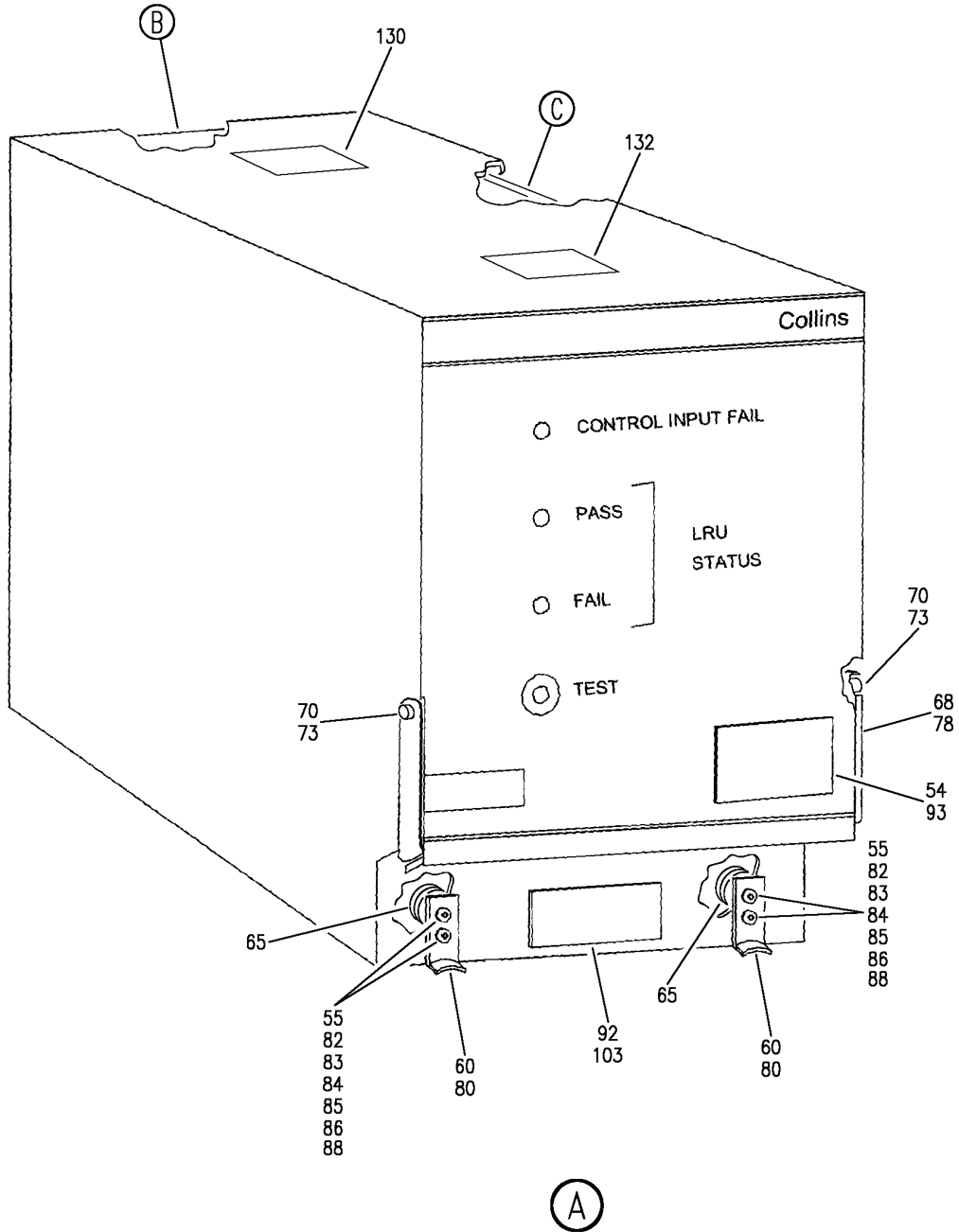
EQUIPMENT INSTL-MAIN ELECTRONICS EQPT CTR (DME SYSTEM ONLY)  
FIGURE 1 (SHEET 1)

**34-55-01-01**

BRI  
MAY 28/07

34-55-01-01  
PAGE 0

**BOEING**  
757  
PARTS CATALOG (MAINTENANCE)



Y 34550101 SHT 2 REV 259

EQUIPMENT INSTL-MAIN ELECTRONICS EQPT CTR (DME SYSTEM ONLY)  
FIGURE 1 (SHEET 2)

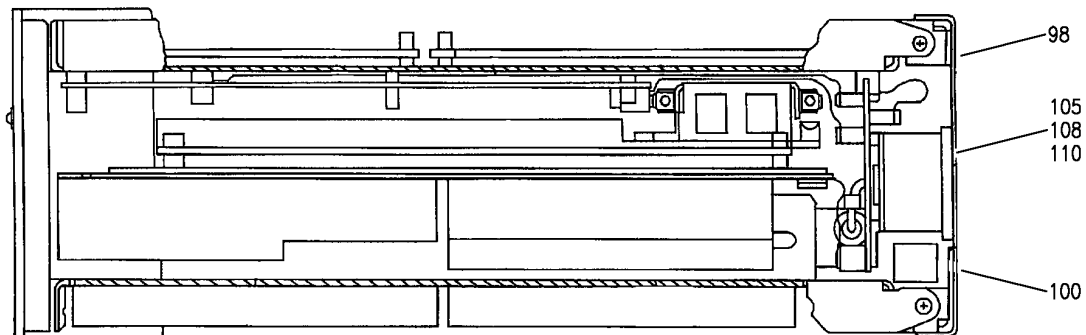
**34-55-01-01**

BRI  
MAY 28/07

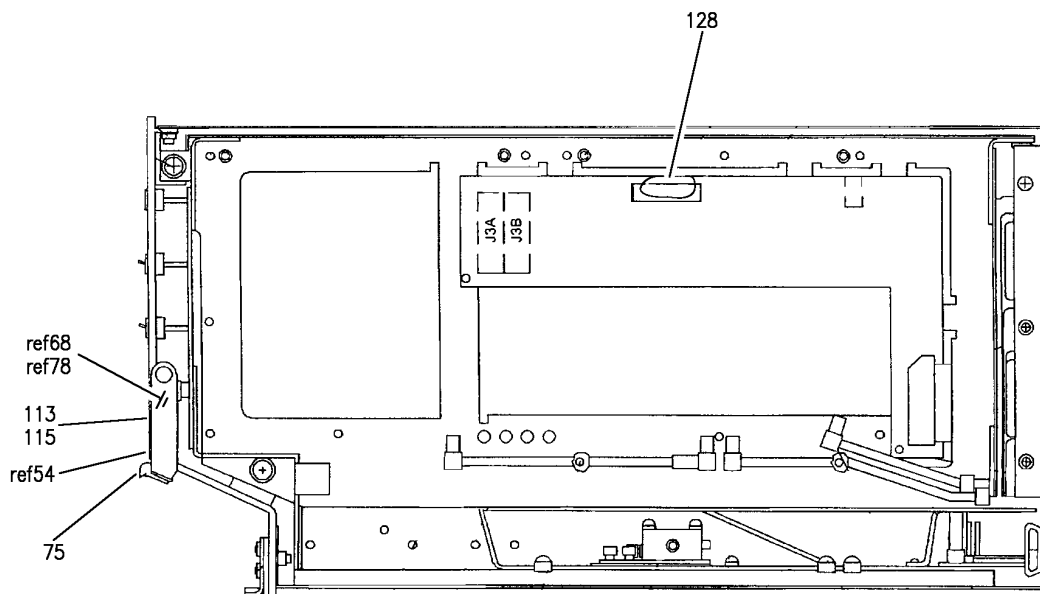
34-55-01-01  
PAGE 0A



**BOEING**  
757  
PARTS CATALOG (MAINTENANCE)



(B)



(C)

Y 34550101 SH-T 3 REV 259

EQUIPMENT INSTL-MAIN ELECTRONICS EQPT CTR (DME SYSTEM ONLY)  
FIGURE 1 (SHEET 3)

**34-55-01-01**

BRI  
MAY 28/07

34-55-01-01  
PAGE 0B



757

PARTS CATALOG (MAINTENANCE)

FIG ITEM	PART NUMBER	1 2 3 4 5 6 7	NOMENCLATURE	EFFECT FROM TO	UNITS PER ASSY
1			EQUIPMENT INSTL-MAIN ELECTRONICS EQPT CTR (DME SYSTEM ONLY)	002004 006100 107107 121999 952999	
- 2	284N1800-32		EQUIPMENT INSTL-MAIN ELECTRONICS EQPT CTR (DME SYSTEM ONLY) FOR NHA/OTHER SYS DET SEE: 24-00-58-01		RF
- 2	284N1307-33		EQUIPMENT INSTL-MAIN ELECTRONICS EQPT CTR (DME SYSTEM ONLY) FOR NHA/OTHER SYS DET SEE: 24-00-58-01	107107	RF
- 4	284N1800-16		EQUIPMENT INSTL-MAIN ELECTRONICS EQPT CTR (DME SYSTEM ONLY) FOR NHA/OTHER SYS DET SEE: 24-00-58-01	121503 904949	RF
- 5	284N1800-34		EQUIPMENT INSTL-MAIN ELECTRONICS EQPT CTR (DME SYSTEM ONLY) FOR NHA/OTHER SYS DET SEE: 24-00-58-01	002004 006100	RF
- 5	284N1800-38		EQUIPMENT INSTL-MAIN ELECTRONICS EQPT CTR (DME SYSTEM ONLY) FOR NHA/OTHER SYS DET SEE: 24-00-58-01	950951	RF
- 7	284N1800-88		EQUIPMENT INSTL-MAIN ELECTRONICS EQPT CTR (DME SYSTEM ONLY) FOR NHA/OTHER SYS DET SEE: 24-00-58-05E	505505	RF
- 9	284N1800-190		EQUIPMENT INSTL-MAIN ELECTRONICS EQPT CTR (DME SYSTEM ONLY) FOR NHA/OTHER SYS DET SEE: 24-00-58-05E	504504 506903	RF

MISSING ITEM NUMBERS NOT APPLICABLE

- ITEM NOT ILLUSTRATED

34-55-01-01

34-55-01  
FIG. 01  
PAGE 1  
JAN 20/09

BRI



757

PARTS CATALOG (MAINTENANCE)

FIG ITEM	PART NUMBER	1 2 3 4 5 6 7	NOMENCLATURE	EFFECT FROM TO	UNITS PER ASSY
1 10	2041167-3703		. INTERROGATOR ASSY-DME SUPPLIER CODE: V97896 MISCELLANEOUS DATA: (622-4540-001 IS I/W 2041167-3703 AS A SHIPSET ONLY) ELECTRICAL EQUIP NUMBER: M00123 M00124 COMPONENT MAINT MANUAL REF: 34-51-33 QUALIFIED I/W DATA: 622-4540-001 IS I/W 2041167-3703 AS A SHIPSET ONLY I/W IN SHIPSETS ONLY 2041167-3703 IS I/W 066-50013-0101 IN SHIPSETS ONLY 2041167-3703 AND 066-50013-0101 ARE INTERCHANGEABLE IF FMC PIP SCANNING DME FUNCTION IS NOT REQUIRED. OPTIONAL PART: 2041167-3704 V27914	002004 006100 953999	2
	2041167-3704		. INTERROGATOR ASSY-DME SUPPLIER CODE: V97896 SPECIFICATION NUMBER: S220T105-102 ELECTRICAL EQUIP NUMBER: M00123 M00124 COMPONENT MAINT MANUAL REF: 34-51-33 QUALIFIED I/W DATA: 2041167-3702 I/W 2041167-3704 EXCEPT SUBJECT TO CUSTOMER PREFERENCE	107107	2

MISSING ITEM NUMBERS NOT APPLICABLE

- ITEM NOT ILLUSTRATED

34-55-01-01

34-55-01  
FIG. 01  
PAGE 2  
MAY 20/09

BRI



757

PARTS CATALOG (MAINTENANCE)

FIG ITEM	PART NUMBER	1 2 3 4 5 6 7	NOMENCLATURE	EFFECT FROM TO	UNITS PER ASSY
R R R R R R R R R R	1 10	2041167-3704	.INTERROGATOR ASSY-DME SUPPLIER CODE: V97896 SPECIFICATION NUMBER: S220T105-102 ELECTRICAL EQUIP NUMBER: M00123 M00124 COMPONENT MAINT MANUAL REF: 34-51-33 OPTIONAL PART: 2041167-3703 V27914	002004 006100 504949	2
	10	066-50013-0101	.INTERROGATOR ASSY-DME SUPPLIER CODE: V97896 FUNCTIONAL DESCRIPTION: COMPUTES THE SLANT-RANGE DISTANCE TO THE TUNED GROUND STATION USING TRANSMITTED AND RECEIVED RF SIGNALS. ELECTRICAL EQUIP NUMBER: M00123 M00124 COMPONENT MAINT MANUAL REF: 34-51-35 QUALIFIED I/W DATA: 2041167-3703 IS I/W 066-50013-0101 IN SHIPSETS ONLY 2041167-3703 AND 066-50013-0101 ARE INTERCHANGEABLE IF FMC PIP SCANNING DME FUNCTION IS NOT REQUIRED.	002004 006100 953999	2
R R R R R R R R R	50	622-4540-001	.INTERROGATOR ASSY-DME SUPPLIER CODE: V4V792 MISCELLANEOUS DATA: (622-4540-001 IS I/W 2041167-3703 AS A SHIPSET ONLY) ELECTRICAL EQUIP NUMBER: M00123 M00124 COMPONENT MAINT MANUAL REF: 34-52-70	950999	2

MISSING ITEM NUMBERS NOT APPLICABLE

- ITEM NOT ILLUSTRATED

34-55-01-01

34-55-01  
FIG. 01  
PAGE 3  
MAY 20/09

BRI

 **BOEING**  
757  
**PARTS CATALOG (MAINTENANCE)**

FIG ITEM	PART NUMBER	1 2 3 4 5 6 7	NOMENCLATURE	EFFECT FROM TO	UNITS PER ASSY
R R	1 50	822-0329-001	. INTERROGATOR ASSY-DME SUPPLIER CODE: V4V792 FUNCTIONAL DESCRIPTION: COMPUTES THE SLANT-RANGE DISTANCE TO THE TUNED GROUND STATION USING TRANSMITTED AND RECEIVED RF SIGNALS. ELECTRICAL EQUIP NUMBER: M00123 M00124 COMPONENT MAINT MANUAL REF: 34-52-91	950999	2
	50	2041167-3706	. INTERROGATOR ASSY-DME SUPPLIER CODE: V97896 ELECTRICAL EQUIP NUMBER: M00123 M00124 COMPONENT MAINT MANUAL REF: 34-51-34	950999	2
	50	066-50013-0101	. INTERROGATOR ASSY-DME SUPPLIER CODE: V97896 FUNCTIONAL DESCRIPTION: COMPUTES THE SLANT-RANGE DISTANCE TO THE TUNED GROUND STATION USING TRANSMITTED AND RECEIVED RF SIGNALS. ELECTRICAL EQUIP NUMBER: M00123 M00124 COMPONENT MAINT MANUAL REF: 34-51-35	950999	2
	54	830-1098-001	.. PLATE-IDENT SUPPLIER CODE: V4V792	950999	1
	55	MS51957-30	.. SCREW	952999	4
	60	503-4970-001	.. HOOK-HOLDOWN SUPPLIER CODE: V4V792	952999	2
	65	641-8914-001	.. SHIM-HOLD DOWN SUPPLIER CODE: V4V792	952999	2

MISSING ITEM NUMBERS NOT APPLICABLE

— ITEM NOT ILLUSTRATED

BRI

# 34-55-01-01

BOEING PROPRIETARY - Copyright © - Unpublished Work - See title page for details.

34-55-01  
FIG. 01  
PAGE 4  
MAY 20/09



757

PARTS CATALOG (MAINTENANCE)

FIG ITEM	PART NUMBER	1 2 3 4 5 6 7	NOMENCLATURE	EFFECT FROM TO	UNITS PER ASSY
1					
68	3603608-0003	..	HANDLE- SUPPLIER CODE: V27914 CONFIG CHG DATA FROM A CMM: REPLD BY 2040266-0503 EFF S/N 1001	002004 006100 107107 121503 904949	1
68	2040266-0503	..	HANDLE- SUPPLIER CODE: V97896 CONFIG CHG DATA FROM A CMM: REPLS 3603608-0003 EFF S/N 1001	002004 006100 107107 121503 904949	1
68	651-2408-004	..	HANDLE ASSY- SUPPLIER CODE: V4V792	950999	1
68	2040266-0503	..	HANDLE- SUPPLIER CODE: V97896 USED ON: 2041167-3706 ATTACHING PARTS	950999	1
70	46054-0002	..	SCREW-FLAT HEAD SUPPLIER CODE: V27914 CONFIG CHG DATA FROM A CMM: REPLD BY 3611334-0001 EFF S/N 1001	002004 006100 107107 121503 904949	2
70	3611334-0001	..	SCREW-SHOULDER SUPPLIER CODE: V97896 CONFIG CHG DATA FROM A CMM: REPLS 46054-0002 EFF S/N 1001	002004 006100 107107 121503 904949	2
70	3611334-0001	..	SCREW-SHOULDER SUPPLIER CODE: V97896 USED ON: 2041167-3706	950999	2
73	2080077-0012	..	WASHER-LOCK SUPPLIER CODE: V97896 CONFIG CHG DATA FROM A CMM: REPLD BY 36028-3458 EFF S/N 1001	002004 006100 107107 121503 904949	2

MISSING ITEM NUMBERS NOT APPLICABLE

- ITEM NOT ILLUSTRATED

34-55-01-01

34-55-01  
FIG. 01  
PAGE 5  
MAY 20/09

BRI



757

PARTS CATALOG (MAINTENANCE)

FIG ITEM	PART NUMBER	1 2 3 4 5 6 7	NOMENCLATURE	EFFECT FROM TO	UNITS PER ASSY
1					
73	36028-3458	..	WASHER-FLAT SUPPLIER CODE: V97896 CONFIG CHG DATA FROM A CMM: REPLS 2080077-0012 EFF S/N 1001	002004 006100 107107 121503 904949	2
73	36028-3458	..	WASHER-FLAT SUPPLIER CODE: V97896 USED ON: 2041167-3706 -----*-----	950999	2
75	768-3386-003	...	BAR- SUPPLIER CODE: V4V792 USED ON: 651-2408-004	950999	1
78	768-3387-021	...	STRAP- SUPPLIER CODE: V4V792 USED ON: 651-2408-004	950999	1
80	39035-0001	..	HOOK-HOLD DOWN SUPPLIER CODE: V97896 USED ON: 2041167-3702 2041167-3704 2041167-3706	002004 006100 107107 121503 904999	2
80	503-4970-001	..	HOOK-HOLDDOWN SUPPLIER CODE: V4V792 ATTACHING PARTS	950999	2
82	MS35216-13	..	SCREW- USED ON: 2041167-3706	950999	3
83	MS35216-12	..	SCREW- CONFIG CHG DATA FROM A CMM: REPLD BY MS35216-13 EFF S/N 1001	002004 006100 107107 121503 904949	4
83	MS35216-13	..	SCREW- CONFIG CHG DATA FROM A CMM: REPLS MS35216-12 EFF S/N 1001	002004 006100 107107 121503 904949	4
83	MS51957-30	..	SCREW-	950999	4

MISSING ITEM NUMBERS NOT APPLICABLE

- ITEM NOT ILLUSTRATED

34-55-01-01

34-55-01  
FIG. 01  
PAGE 6  
MAY 20/09

BRI

BOEING PROPRIETARY - Copyright © - Unpublished Work - See title page for details.



757

PARTS CATALOG (MAINTENANCE)

FIG ITEM	PART NUMBER	1 2 3 4 5 6 7	NOMENCLATURE	EFFECT FROM TO	UNITS PER ASSY
1					
84	MS35216-15	..	SCREW- USED ON: 2041167-3706	950999	1
85	MS35338-78	..	WASHER- CONFIG CHG DATA FROM A CMM: REPLD MS35337-78 EFF S/N 1001	002004 006100 107107 121503 904949	4
85	MS35337-78	..	WASHER- CONFIG CHG DATA FROM A CMM: REPLS MS35338-78 EFF S/N 1001	002004 006100 107107 121503 904949	4
86	MS35337-78	..	WASHER- USED ON: 2041167-3706	950999	4
88	MS35216-15	..	SCREW	002004 006100 107107 121503 904949 950999	4
- 90	641-8914-001	..	SHIM-HOLDDOWN SUPPLIER CODE: V4V792 -----*-----	950999	2
92	685-7297-001	..	PLATE-IDENT SUPPLIER CODE: V4V792 USED ON: 822-0329-001	950999	1
93	646-0095-001	..	PLATE-IDENT SUPPLIER CODE: V4V792 CONFIG CHG DATA FROM A CMM: SUPSD BY 646-0095-003 USED ON: 622-4540-001	950999	1
93	646-0095-003	..	PLATE-IDENT SUPPLIER CODE: V4V792 CONFIG CHG DATA FROM A CMM: SUPSDS 646-0095-001 USED ON: 622-4540-023	950999	1

MISSING ITEM NUMBERS NOT APPLICABLE

- ITEM NOT ILLUSTRATED

BRI

34-55-01-01

BOEING PROPRIETARY - Copyright © - Unpublished Work - See title page for details.

34-55-01  
FIG. 01  
PAGE 7  
MAY 20/09





757

PARTS CATALOG (MAINTENANCE)

FIG ITEM	PART NUMBER	1 2 3 4 5 6 7	NOMENCLATURE	EFFECT FROM TO	UNITS PER ASSY
1			ATTACHING PARTS		
- 95	P347-0018-000		.. SCREW- SUPPLIER CODE: V77250 USED ON: 622-4540-001 -----*-----	950999	2
98	280-2745-020		.. LABEL- SUPPLIER CODE: V12998 USED ON: 622-4540-001 822-0329-001	950999	1
100	280-2745-130		.. LABEL- SUPPLIER CODE: V12998 USED ON: 622-4540-001 822-0329-001	950999	1
103	829-0200-007		.. PLATE- SUPPLIER CODE: V4V792 USED ON: 622-4540-001	950999	1
105	025-1157-001		.. CAP-PROTECTIVE SUPPLIER CODE: V71468 CONFIG CHG DATA FROM A CMM: SUPSD BY 211600-2 OPTIONAL PART: 4041437-5 V58960 USED ON: 622-4540-001	950999	1
108	025-1158-001		.. CAP-PROTECTIVE SUPPLIER CODE: V71468 CONFIG CHG DATA FROM A CMM: SUPSD BY 211600-2 OPTIONAL PART: 4041437-6 V58960 USED ON: 622-4540-001	950999	1

MISSING ITEM NUMBERS NOT APPLICABLE

- ITEM NOT ILLUSTRATED

BRI

34-55-01-01

BOEING PROPRIETARY - Copyright © - Unpublished Work - See title page for details.

34-55-01  
FIG. 01  
PAGE 8  
MAY 20/09



757

PARTS CATALOG (MAINTENANCE)

FIG ITEM	PART NUMBER	1 2 3 4 5 6 7	NOMENCLATURE	EFFECT FROM TO	UNITS PER ASSY
1					
110	211600-2	..	CAP-DUST SUPPLIER CODE: V00779 CONFIG CHG DATA FROM A CMM: SUPSDS 025-1157-001 SUPSDS 025-1158-001 USED ON: 622-4540-001	950999	1
110	211600-2	..	CAP-DUST SUPPLIER CODE: V00779 USED ON: 622-4540-023 822-0329-001	950999	1
113	629-6836-068	..	PLATE-IDENT SUPPLIER CODE: V4V792	950999	1
115	629-6905-001	..	STOP-COVER SUPPLIER CODE: V4V792	950999	1
- 118	328-0368-000	..	ATTACHING PARTS SCREW- SUPPLIER CODE: V08664	950999	2
- 120	651-2411-001	..	SCREW- SUPPLIER CODE: V4V792 CONFIG CHG DATA FROM A CMM: SUPSD BY 652-5421-001	950999	2
- 120	652-5421-001	..	SCREW- SUPPLIER CODE: V4V792 CONFIG CHG DATA FROM A CMM: SUPSDS 651-2411-001	950999	2
- 123	768-3178-001	..	WASHER- SUPPLIER CODE: V4V792	950999	4
- 125	MS21042-06	..	NUT- -----*-----	950999	2
128	280-3778-100	..	LABEL- SUPPLIER CODE: VOBU16 OPTIONAL SUPPLIER CODE: 12998	950999	1
130	838-7020-020	..	LABEL-CAUTION SUPPLIER CODE: V4V792 USED ON: 822-0329-001	950999	1

MISSING ITEM NUMBERS NOT APPLICABLE

- ITEM NOT ILLUSTRATED

34-55-01-01

34-55-01  
FIG. 01  
PAGE 9  
MAY 20/09

BRI



757

PARTS CATALOG (MAINTENANCE)

FIG ITEM	PART NUMBER	1 2 3 4 5 6 7	NOMENCLATURE	EFFECT FROM TO	UNITS PER ASSY
1 132	838-7013-020		.. LABEL-ESDS WARNING SUPPLIER CODE: V12998 USED ON: 822-0329-001	950999	1
- 200	286N1433-002		WIRE BUNDLE ASSY- REWORKED BY ALERT SB: 34A0222	904949	RF
- 200	286N1433-003		WIRE BUNDLE ASSY- REWORKED BY ALERT SB: 34A0222	107107	RF
- 200	286N1433-009		WIRE BUNDLE ASSY- REWORKED BY ALERT SB: 34A0222	504903	RF
- 201	286N1433-016		WIRE BUNDLE ASSY- REWORKED BY ALERT SB: 34A0222	011017 950951	RF
- 201	286N1433-017		WIRE BUNDLE ASSY- REWORKED BY ALERT SB: 34A0222	121503	RF
- 201	286N1433-026		WIRE BUNDLE ASSY- REWORKED BY SB: 34-0200 REWORKED BY ALERT SB: 34A0222	952999	RF
- 201	286N1433-027		WIRE BUNDLE ASSY- REWORKED BY ALERT SB: 34A0222	002004 006010 018100	RF
204	BCREFA1011		.CONNECTOR- OVERLENGTH PART NUMBER: BACC66H125C03AD01 ELECTRICAL EQUIP NUMBER: D00243 WIRING DIAGRAM REF: 345521	002004 006100 107107 121503 904999	1
- 205	286N1423-001		WIRE BUNDLE ASSY	121503 904949	RF
- 205	286N1423-005		WIRE BUNDLE ASSY	107107	RF
- 205	286N1423-006		WIRE BUNDLE ASSY-	002004 006100 504903 950951	RF
- 206	286N1423-015		WIRE BUNDLE ASSY-	952999	RF
- 207	286N1423-338		WIRE BUNDLE ASSY	504504 506903	RF
- 207	286N1433-346		WIRE BUNDLE ASSY- REWORKED BY ALERT SB: 34A0222	504903	RF

MISSING ITEM NUMBERS NOT APPLICABLE

- ITEM NOT ILLUSTRATED

34-55-01-01

34-55-01  
FIG. 01  
PAGE 10  
MAY 20/09

BRI



757

PARTS CATALOG (MAINTENANCE)

FIG ITEM	PART NUMBER	1 2 3 4 5 6 7	NOMENCLATURE	EFFECT FROM TO	UNITS PER ASSY
1 215	BCREFA1011		.CONNECTOR- OVERLENGTH PART NUMBER: BACC66H125C03AD01 ELECTRICAL EQUIP NUMBER: D00243 WIRING DIAGRAM REF: 345521	002004 006100 107107 121503 904999	1

MISSING ITEM NUMBERS NOT APPLICABLE

- ITEM NOT ILLUSTRATED

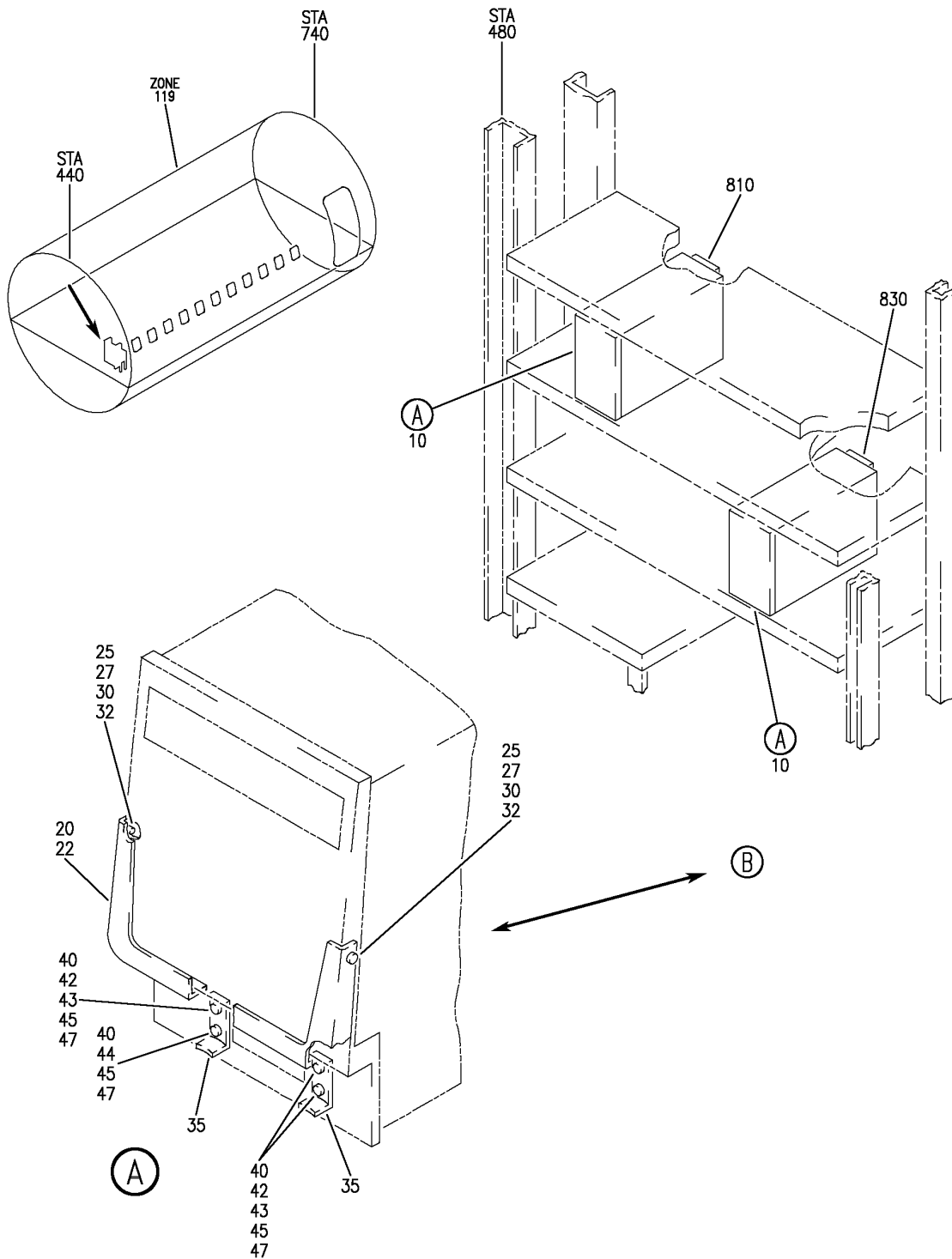
BRI

34-55-01-01

BOEING PROPRIETARY - Copyright © - Unpublished Work - See title page for details.

34-55-01  
FIG. 01  
PAGE 11  
MAY 20/09

**BOEING**  
757  
PARTS CATALOG (MAINTENANCE)



Y 34550101B SHT 1 REV 259

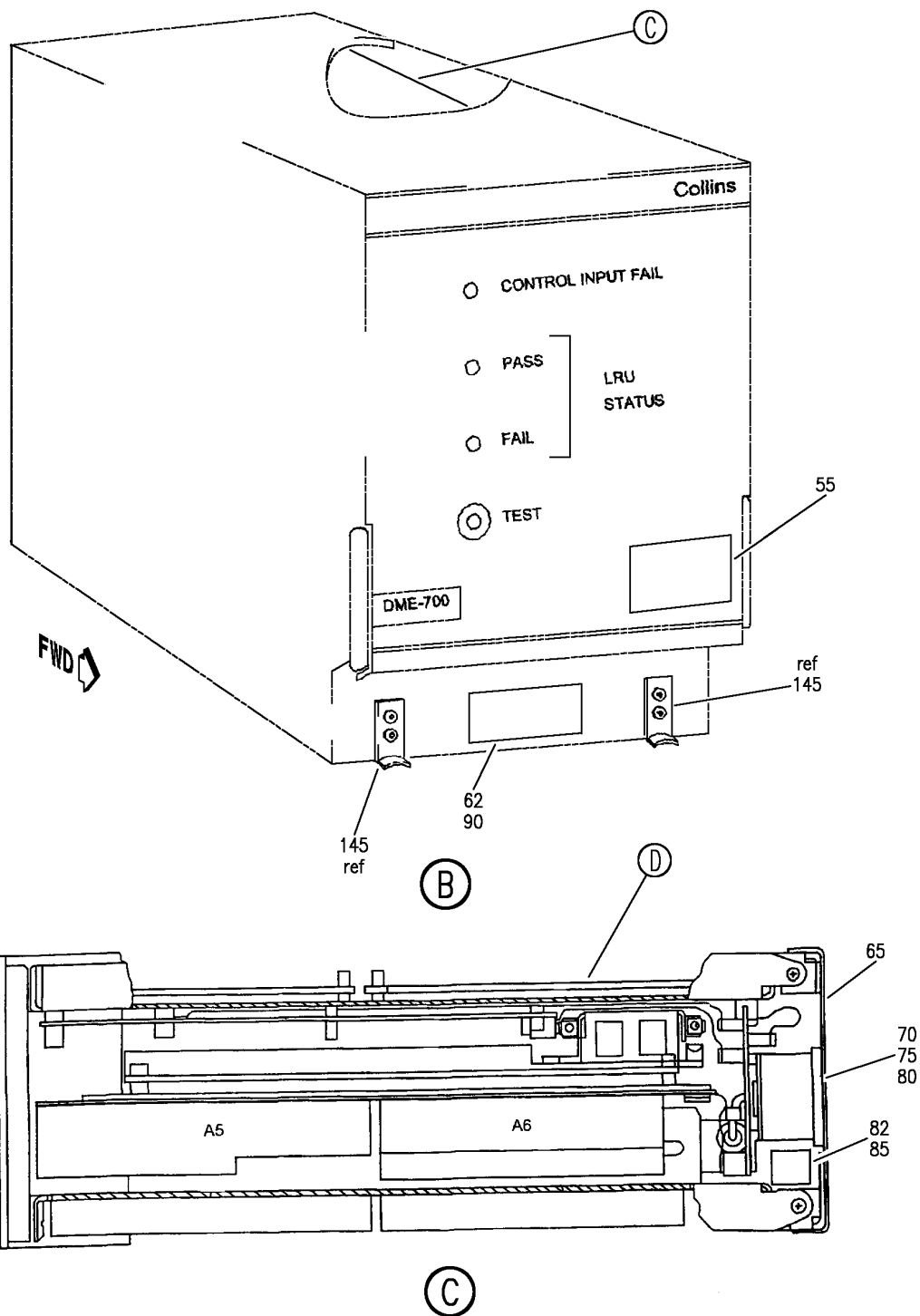
EQUIPMENT INSTL-MAIN ELECTRONICS EQPT CTR (DME SYSTEM ONLY)  
FIGURE 1B (SHEET 1)

**34-55-01-01B**

BRI  
MAY 28/07

34-55-01-01B  
PAGE 0

**BOEING**  
757  
PARTS CATALOG (MAINTENANCE)



Y 34550101B SHT 2 REV 259

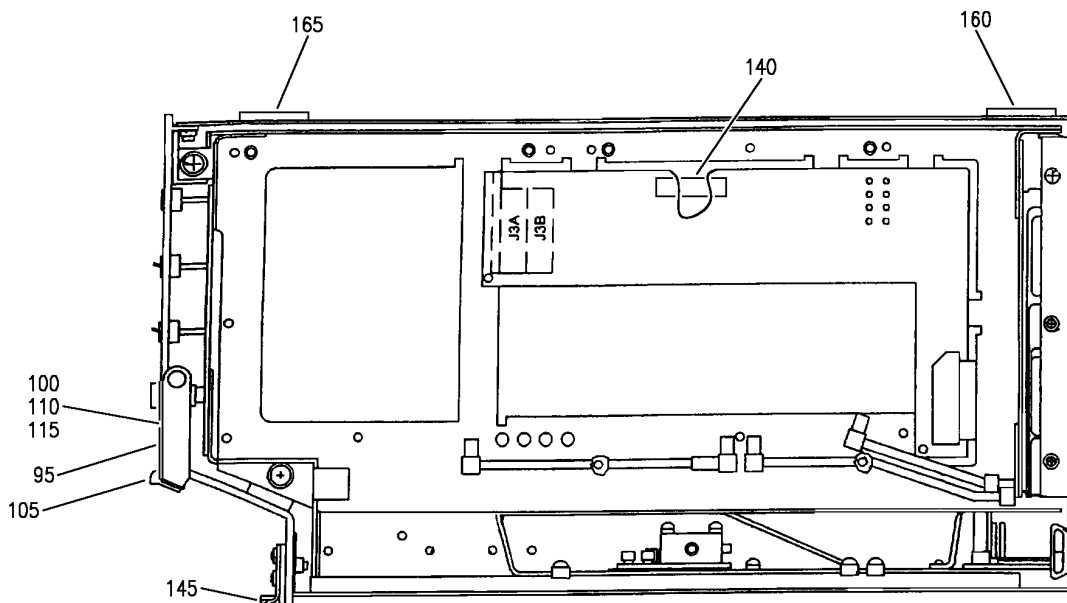
EQUIPMENT INSTL-MAIN ELECTRONICS EQPT CTR (DME SYSTEM ONLY)  
FIGURE 1B (SHEET 2)

**34-55-01-01B**

BRI  
MAY 28/07

34-55-01-01B  
PAGE 0A

**BOEING**  
757  
PARTS CATALOG (MAINTENANCE)



Y 34550101B SHT 3 REV 259

EQUIPMENT INSTL-MAIN ELECTRONICS EQPT CTR (DME SYSTEM ONLY)  
FIGURE 1B (SHEET 3)

**34-55-01-01B**

BRI  
MAY 28/07

34-55-01-01B  
PAGE 0B

**BOEING**  
757  
**PARTS CATALOG (MAINTENANCE)**

FIG ITEM	PART NUMBER	1 2 3 4 5 6 7	NOMENCLATURE	EFFECT FROM TO	UNITS PER ASSY
1B			EQUIPMENT INSTL-MAIN ELECTRONICS EQPT CTR (DME SYSTEM ONLY)	101102	
- 3	284N1800-140		EQUIPMENT INSTL-MAIN ELECTRONICS EQPT CTR (DME SYSTEM ONLY)	101101	RF
- 3	284N1800-141		FOR NHA/OTHER SYS DET SEE: 24-00-58-05E		
			EQUIPMENT INSTL-MAIN ELECTRONICS EQPT CTR (DME SYSTEM ONLY)	102102	RF
			FOR NHA/OTHER SYS DET SEE: 24-00-58-05E		
R	10	2041167-3703	.INTERROGATOR ASSY-DME	101102	2
R			SUPPLIER CODE:		
R			V97896		
R			ELECTRICAL EQUIP NUMBER:		
R			M00123		
R			M00124		
R			COMPONENT MAINT MANUAL REF:		
R			34-51-33		
R			QUALIFIED I/W DATA:		
R			2041167-3703 AND		
R			066-50013-0101 ARE		
R			INTERCHANGEABLE IF FMC		
R			PIP SCANNING DME		
R			FUNCTION IS NOT		
R			REQUIRED.		
R			OPTIONAL PART:		
R			2041167-3704		
R			V27914		
R	10	2041167-3704	.INTERROGATOR ASSY-DME	101102	2
R			SUPPLIER CODE:		
R			V97896		
R			SPECIFICATION NUMBER:		
R			S220T105-102		
R			ELECTRICAL EQUIP NUMBER:		
R			M00123		
R			M00124		
R			COMPONENT MAINT MANUAL REF:		
R			34-51-33		
R			OPTIONAL PART:		
R			2041167-3703		
R			V27914		

MISSING ITEM NUMBERS NOT APPLICABLE

- ITEM NOT ILLUSTRATED

BRI

# 34-55-01-01B

BOEING PROPRIETARY - Copyright © - Unpublished Work - See title page for details.

34-55-01  
FIG. 01B  
PAGE 1  
MAY 20/09





757

PARTS CATALOG (MAINTENANCE)

FIG ITEM	PART NUMBER	1 2 3 4 5 6 7	NOMENCLATURE	EFFECT FROM TO	UNITS PER ASSY
1B					
20	3603608-0003	..	HANDLE- SUPPLIER CODE: V27914 CONFIG CHG DATA FROM A CMM: REPLD BY 2040266-0503 EFF S/N 1001	101102	1
20	2040266-0503	..	HANDLE- SUPPLIER CODE: V97896 CONFIG CHG DATA FROM A CMM: REPLS 3603608-0003 EFF S/N 1001	101102	1
25	46054-0002	..	ATTACHING PARTS SCREW-FLAT HEAD SUPPLIER CODE: V27914 CONFIG CHG DATA FROM A CMM: REPLD BY 3611334-0001 EFF S/N 1001	101102	2
25	3611334-0001	..	SCREW-SHOULDER SUPPLIER CODE: V97896 CONFIG CHG DATA FROM A CMM: REPLS 46054-0002 EFF S/N 1001	101102	2
30	2080077-0012	..	WASHER-LOCK SUPPLIER CODE: V97896 CONFIG CHG DATA FROM A CMM: REPLD BY 36028-3458 EFF S/N 1001	101102	2
30	36028-3458	..	WASHER-FLAT SUPPLIER CODE: V97896 CONFIG CHG DATA FROM A CMM: REPLS 2080077-0012 EFF S/N 1001	101102	2
35	39035-0001	..	-----*----- HOOK-HOLD DOWN SUPPLIER CODE: V97896 ATTACHING PARTS	101102	2
40	MS35216-12	..	SCREW- CONFIG CHG DATA FROM A CMM: REPLD BY MS35216-13 EFF S/N 1001	101102	4

MISSING ITEM NUMBERS NOT APPLICABLE

- ITEM NOT ILLUSTRATED

34-55-01-01B

34-55-01  
FIG. 01B  
PAGE 2  
JAN 20/09

BRI

BOEING PROPRIETARY - Copyright © - Unpublished Work - See title page for details.



757

PARTS CATALOG (MAINTENANCE)

FIG ITEM	PART NUMBER	1 2 3 4 5 6 7	NOMENCLATURE	EFFECT FROM TO	UNITS PER ASSY
1B					
42	MS35216-13	..	SCREW- CONFIG CHG DATA FROM A CMM: REPLS MS35216-12 EFF S/N 1001	101102	3
45	MS35338-78	..	WASHER- CONFIG CHG DATA FROM A CMM: REPLD MS35337-78 EFF S/N 1001	101102	4
45	MS35337-78	..	WASHER- CONFIG CHG DATA FROM A CMM: REPLS MS35338-78 EFF S/N 1001	101102	4
- 800	286N1423-340		WIRE BUNDLE ASSY	101102	RF
- 801	286N1423-344		WIRE BUNDLE ASSY	102102	RF
- 820	286N1433-351		WIRE BUNDLE ASSY- REWORKED BY ALERT SB: 34A0222	101101	RF
- 820	286N1433-354		WIRE BUNDLE ASSY- REWORKED BY ALERT SB: 34A0222	102102	RF

MISSING ITEM NUMBERS NOT APPLICABLE

- ITEM NOT ILLUSTRATED

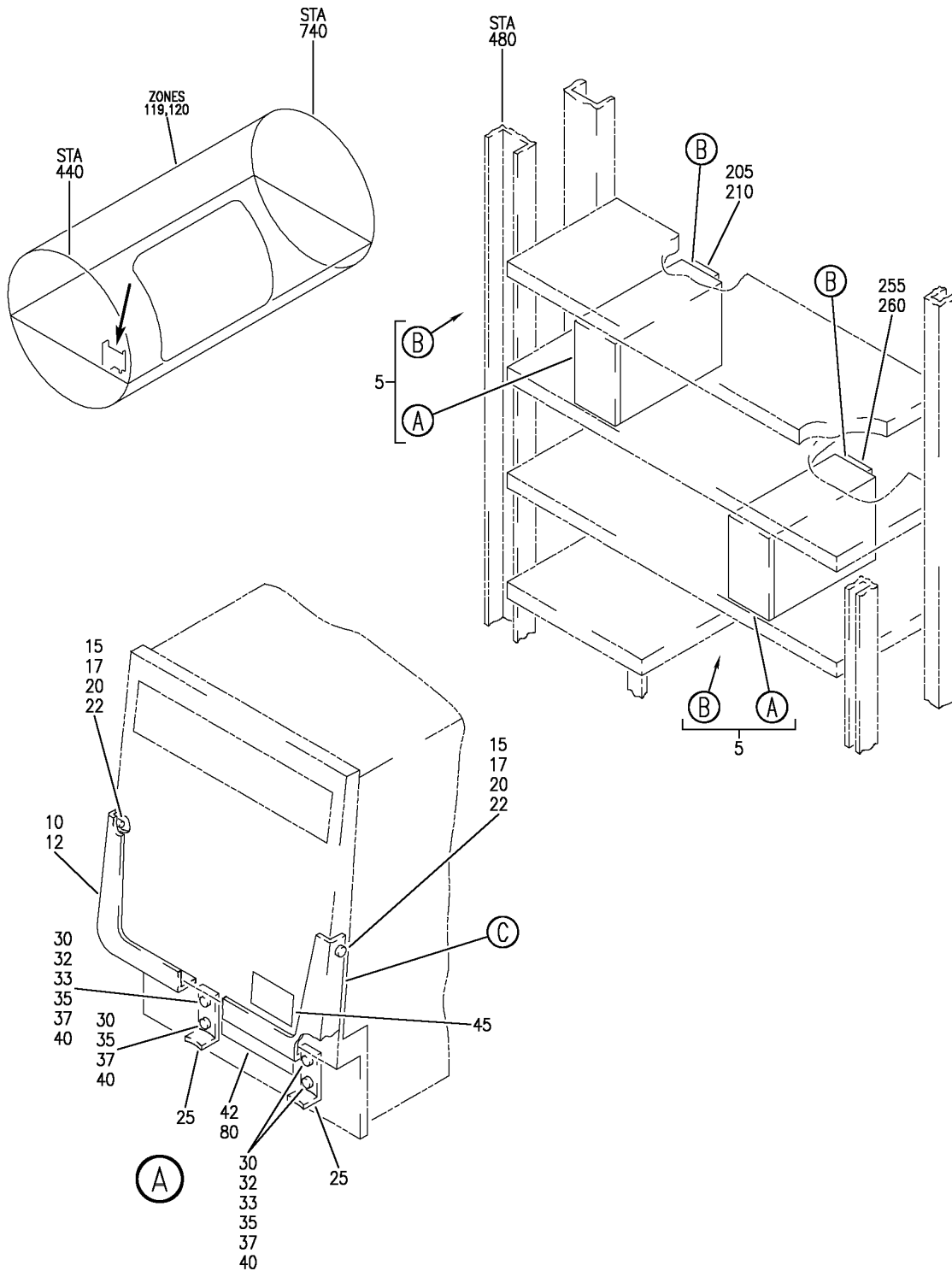
34-55-01-01B

34-55-01  
FIG. 01B  
PAGE 3  
JAN 20/09

BRI

BOEING PROPRIETARY - Copyright © - Unpublished Work - See title page for details.

**BOEING**  
757  
PARTS CATALOG (MAINTENANCE)



Y 34550108 SH1 1 REV 259

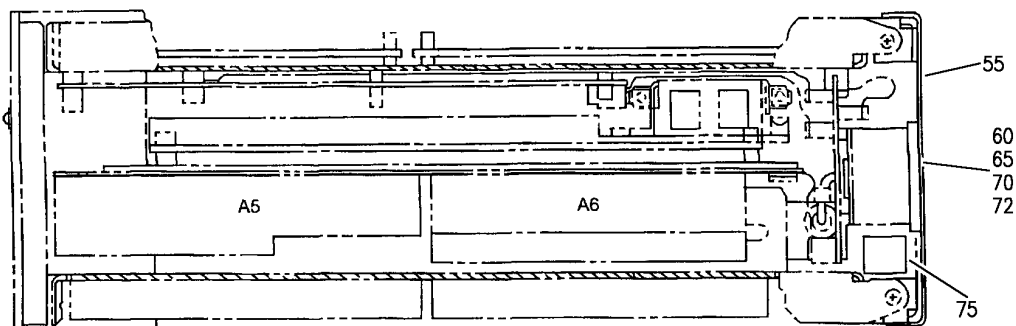
EQUIPMENT INSTL-MAIN ELECTRONICS EQPT CTR DME INTERROGATOR  
FIGURE 8 (SHEET 1)

**34-55-01-08**

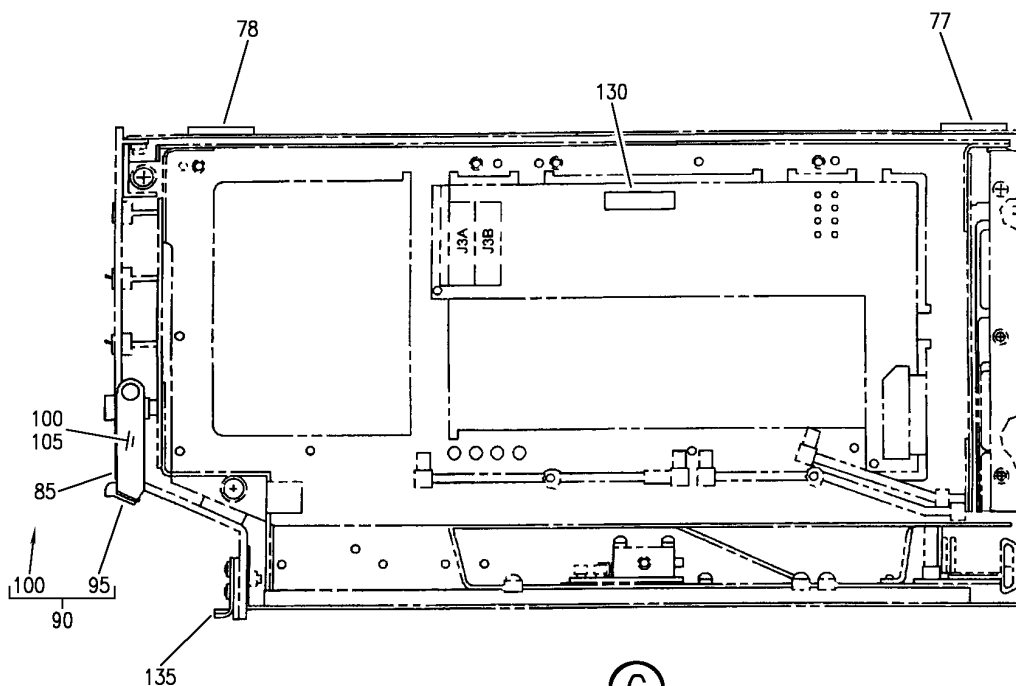
BRI  
JAN 20/09

34-55-01-08  
PAGE 0

**BOEING**  
757  
PARTS CATALOG (MAINTENANCE)



(B)



(C)

Y 34550108 SHT 2 REV 259

EQUIPMENT INSTL-MAIN ELECTRONICS EQPT CTR DME INTERROGATOR  
FIGURE 8 (SHEET 2)

**34-55-01-08**

BRI  
JAN 20/09

34-55-01-08  
PAGE 0A



757

PARTS CATALOG (MAINTENANCE)

FIG ITEM	PART NUMBER	1 2 3 4 5 6 7	NOMENCLATURE	EFFECT FROM TO	UNITS PER ASSY
8			EQUIPMENT INSTL-MAIN ELECTRONICS EQPT CTR DME INTERROGATOR	103106 108120	
- 1	284N4000-340020		EQUIPMENT INSTL-MAIN ELECTRONICS EQPT CTR DME INTERROGATOR	108120	RF
- 1	MODREF10240		FOR NHA SEE: 24-00-58-05F		
			EQUIPMENT INSTL-MAIN ELECTRONICS EQPT CTR DME INTERROGATOR	103106	1
5	822-0329-001		MODULE NUMBER: 284N4000-340005 REV A .INTERROGATOR ASSY- SUPPLIER CODE: V4V792	108120	2
R			FUNCTIONAL DESCRIPTION: COMPUTES THE SLANT-RANGE DISTANCE TO THE TUNED GROUND STATION USING TRANSMITTED AND RECEIVED RF SIGNALS.		
R			ELECTRICAL EQUIP NUMBER: M00123 M00124		
R			COMPONENT MAINT MANUAL REF: 34-52-91		
R			.INTERROGATOR ASSY- SUPPLIER CODE: V97896	108120	2
R			FUNCTIONAL DESCRIPTION: COMPUTES THE SLANT-RANGE DISTANCE TO THE TUNED GROUND STATION USING TRANSMITTED AND RECEIVED RF SIGNALS.		
R			ELECTRICAL EQUIP NUMBER: M00123 M00124		
R			COMPONENT MAINT MANUAL REF: 34-51-35		
R			.INTERROGATOR ASSY- SUPPLIER CODE: V4V792	108120	2
R			ELECTRICAL EQUIP NUMBER: M00123 M00124		
R			COMPONENT MAINT MANUAL REF: 34-52-70		

MISSING ITEM NUMBERS NOT APPLICABLE

- ITEM NOT ILLUSTRATED

34-55-01-08

34-55-01  
FIG. 08  
PAGE 1  
MAY 20/09

BRI



757

PARTS CATALOG (MAINTENANCE)

FIG ITEM	PART NUMBER	1 2 3 4 5 6 7	NOMENCLATURE	EFFECT FROM TO	UNITS PER ASSY
R R R R R R R	8				
	5	2041167-3703	.INTERROGATOR ASSY- SUPPLIER CODE: V97896 ELECTRICAL EQUIP NUMBER: M00123 M00124 COMPONENT MAINT MANUAL REF: 34-51-33	108120	2
	5	822-0329-001	.INTERROGATOR ASSY- SUPPLIER CODE: V4V792 FUNCTIONAL DESCRIPTION: COMPUTES THE SLANT-RANGE DISTANCE TO THE TUNED GROUND STATION USING TRANSMITTED AND RECEIVED RF SIGNALS. ELECTRICAL EQUIP NUMBER: M00123 M00124 COMPONENT MAINT MANUAL REF: 34-52-91	103106	2
	5	066-50013-0101	.INTERROGATOR ASSY- SUPPLIER CODE: V97896 FUNCTIONAL DESCRIPTION: COMPUTES THE SLANT-RANGE DISTANCE TO THE TUNED GROUND STATION USING TRANSMITTED AND RECEIVED RF SIGNALS. ELECTRICAL EQUIP NUMBER: M00123 M00124 COMPONENT MAINT MANUAL REF: 34-51-35	103106	2
5	622-4540-001	.INTERROGATOR ASSY- SUPPLIER CODE: V4V792 ELECTRICAL EQUIP NUMBER: M00123 M00124 COMPONENT MAINT MANUAL REF: 34-52-70	103106	2	

MISSING ITEM NUMBERS NOT APPLICABLE

- ITEM NOT ILLUSTRATED

34-55-01-08

34-55-01  
FIG. 08  
PAGE 2  
MAY 20/09

BRI



757

PARTS CATALOG (MAINTENANCE)

FIG ITEM	PART NUMBER	1 2 3 4 5 6 7	NOMENCLATURE	EFFECT FROM TO	UNITS PER ASSY
8					
5	2041167-3703		. INTERROGATOR ASSY- SUPPLIER CODE: V97896 ELECTRICAL EQUIP NUMBER: M00123 M00124 COMPONENT MAINT MANUAL REF: 34-51-33	103106	2
10	3603608-0003		.. HANDLE- SUPPLIER CODE: V27914 CONFIG CHG DATA FROM A CMM: REPLD BY 2040266-0503 EFF S/N 1001	103106 108120	1
10	2040266-0503		.. HANDLE- SUPPLIER CODE: V97896 CONFIG CHG DATA FROM A CMM: REPLS 3603608-0003 EFF S/N 1001	103106 108120	1
15	46054-0002		ATTACHING PARTS .. SCREW-FLAT HEAD SUPPLIER CODE: V27914 CONFIG CHG DATA FROM A CMM: REPLD BY 3611334-0001 EFF S/N 1001	103106 108120	2
15	3611334-0001		.. SCREW-SHOULDER SUPPLIER CODE: V97896 CONFIG CHG DATA FROM A CMM: REPLS 46054-0002 EFF S/N 1001	103106 108120	2
20	2080077-0012		.. WASHER-LOCK SUPPLIER CODE: V97896 CONFIG CHG DATA FROM A CMM: REPLD BY 36028-3458 EFF S/N 1001	103106 108120	2
20	36028-3458		.. WASHER-FLAT SUPPLIER CODE: V97896 CONFIG CHG DATA FROM A CMM: REPLS 2080077-0012 EFF S/N 1001	103106 108120	2
25	39035-0001		-----*----- .. HOOK-HOLD DOWN SUPPLIER CODE: V97896	103106 108120	2

MISSING ITEM NUMBERS NOT APPLICABLE

- ITEM NOT ILLUSTRATED

34-55-01-08

34-55-01  
FIG. 08  
PAGE 3  
MAY 20/09

BRI

**BOEING**  
757  
**PARTS CATALOG (MAINTENANCE)**

FIG ITEM	PART NUMBER	1 2 3 4 5 6 7	NOMENCLATURE	EFFECT FROM TO	UNITS PER ASSY
8			ATTACHING PARTS		
30	MS35216-12		.. SCREW- CONFIG CHG DATA FROM A CMM: REPLD BY MS35216-13 EFF S/N 1001	103106 108120	4
32	MS35216-13		.. SCREW- CONFIG CHG DATA FROM A CMM: REPLS MS35216-12 EFF S/N 1001 USED ON: 2041167-3703 2041167-3704	103106 108120	3
35	MS35338-78		.. WASHER- CONFIG CHG DATA FROM A CMM: REPLD MS35337-78 EFF S/N 1001	103106 108120	4
35	MS35337-78		.. WASHER- CONFIG CHG DATA FROM A CMM: REPLS MS35338-78 EFF S/N 1001	103106 108120	4
42	685-7297-001		-----*----- .. PLATE-IDENT SUPPLIER CODE: V4V792 USED ON: 822-0329-001	103106 108120	1
45	646-0095-001		.. PLATE-IDENT SUPPLIER CODE: V4V792 CONFIG CHG DATA FROM A CMM: SUPSD BY 646-0095-003 USED ON: 622-4540-001	103106 108120	1
45	646-0095-003		.. PLATE-IDENT SUPPLIER CODE: V4V792 CONFIG CHG DATA FROM A CMM: SUPSDS 646-0095-001 USED ON: 622-4540-001	103106 108120	1
- 50	P347-0018-000		ATTACHING PARTS .. SCREW- SUPPLIER CODE: V77250 USED ON: 622-4540-001 -----*-----	103106 108120	2

MISSING ITEM NUMBERS NOT APPLICABLE

- ITEM NOT ILLUSTRATED

BRI

# 34-55-01-08

BOEING PROPRIETARY - Copyright © - Unpublished Work - See title page for details.

34-55-01  
FIG. 08  
PAGE 4  
MAY 20/09





757

PARTS CATALOG (MAINTENANCE)

FIG ITEM	PART NUMBER	1 2 3 4 5 6 7	NOMENCLATURE	EFFECT FROM TO	UNITS PER ASSY
8					
55	280-2745-020		.. LABEL- SUPPLIER CODE: V12998 USED ON: 622-4540-001 822-0329-001	103106 108120	1
60	025-1157-001		.. CAP-PROTECTIVE SUPPLIER CODE: V71468 CONFIG CHG DATA FROM A CMM: SUPSD BY 211600-2 OPTIONAL PART: 4041437-5 V58960 USED ON: 622-4540-001	103106 108120	1
65	025-1158-001		.. CAP-PROTECTIVE SUPPLIER CODE: V71468 CONFIG CHG DATA FROM A CMM: SUPSD BY 211600-2 OPTIONAL PART: 4041437-6 V58960 USED ON: 622-4540-001	103106 108120	1
70	211600-2		.. CAP-DUST SUPPLIER CODE: V00779 CONFIG CHG DATA FROM A CMM: SUPSDS 025-1157-001 SUPSDS 025-1158-001 USED ON: 622-4540-001	103106 108120	1
72	211600-2		.. CAP-DUST SUPPLIER CODE: V00779 USED ON: 822-0329-001	103106 108120	1
75	280-2745-130		.. LABEL- SUPPLIER CODE: V12998 USED ON: 622-4540-001 822-0329-001	103106 108120	1

MISSING ITEM NUMBERS NOT APPLICABLE

- ITEM NOT ILLUSTRATED

BRI

34-55-01-08

BOEING PROPRIETARY - Copyright © - Unpublished Work - See title page for details.

34-55-01  
FIG. 08  
PAGE 5  
MAY 20/09



757

PARTS CATALOG (MAINTENANCE)

FIG ITEM	PART NUMBER	1 2 3 4 5 6 7	NOMENCLATURE	EFFECT FROM TO	UNITS PER ASSY
8					
77	838-7020-020	..	LABEL-CAUTION SUPPLIER CODE: V4V792 USED ON: 822-0329-001	103106 108120	1
78	838-7013-020	..	LABEL-ESDS WARNING SUPPLIER CODE: V12998 USED ON: 822-0329-001	103106 108120	1
80	829-0200-007	..	PLATE- SUPPLIER CODE: V4V792 USED ON: 622-4540-001	103106 108120	1
85	629-6836-068	..	PLATE-IDENT SUPPLIER CODE: V4V792	103106 108120	1
85	830-1098-001	..	PLATE-IDENT SUPPLIER CODE: V4V792 USED ON: 822-0329-001	103106 108120	1
90	651-2408-004	..	HANDLE ASSY- SUPPLIER CODE: V4V792 USED ON: 622-4540-001 822-0329-001	103106 108120	1
95	768-3386-003	...	BAR- SUPPLIER CODE: V4V792	103106 108120	1
100	768-3387-021	...	STRAP-HANDLE SUPPLIER CODE: V4V792	103106 108120	1
105	629-6905-001	..	STOP-COVER SUPPLIER CODE: V4V792 ATTACHING PARTS	103106 108120	2
- 110	328-0368-000	..	SCREW- SUPPLIER CODE: V08664	103106 108120	2
- 115	651-2411-001	..	SCREW- SUPPLIER CODE: V4V792 CONFIG CHG DATA FROM A CMM: SUPSD BY 652-5421-001	103106 108120	2

MISSING ITEM NUMBERS NOT APPLICABLE

- ITEM NOT ILLUSTRATED

34-55-01-08

34-55-01  
FIG. 08  
PAGE 6  
MAY 20/09

BRI



757

PARTS CATALOG (MAINTENANCE)

FIG ITEM	PART NUMBER	1 2 3 4 5 6 7	NOMENCLATURE	EFFECT FROM TO	UNITS PER ASSY
8					
- 115	652-5421-001	..	SCREW- SUPPLIER CODE: V4V792 CONFIG CHG DATA FROM A CMM: SUPSD BY 651-2411-001	103106 108120	2
- 120	768-3178-001	..	WASHER- SUPPLIER CODE: V4V792	103106 108120	4
- 125	MS21042-06	..	NUT-	103106 108120	2
			-----*-----		
130	280-3778-100	..	LABEL-INFORMATION SUPPLIER CODE: VOBU16 OPTIONAL SUPPLIER CODE: 12998 USED ON: 622-4540-001 822-0329-001	103106 108120	1
135	503-4970-001	..	HOOK-HOLDDOWN SUPPLIER CODE: V4V792 USED ON: 622-4540-001 822-0329-001	103106 108120	2
- 140	MS51957-30		ATTACHING PARTS .. SCREW- USED ON: 622-4540-001 822-0329-001	103106 108120	4
- 145	641-8914-001	..	SHIM- SUPPLIER CODE: V4V792 USED ON: 622-4540-001 822-0329-001	103106 108120	2
			-----*-----		
- 201	286N1423-383		WIRE BUNDLE ASSY-	108108	RF
- 202	286N1423-369		WIRE BUNDLE ASSY-	109120	RF
- 202	286N1423-601		WIRE BUNDLE ASSY	103106	RF
205	BCREFA1011	.	CONNECTOR- OVERLENGTH PART NUMBER: BACC66H125C03AD01 ELECTRICAL EQUIP NUMBER: D00243 WIRING DIAGRAM REF: 345521	108120	1

MISSING ITEM NUMBERS NOT APPLICABLE

- ITEM NOT ILLUSTRATED

34-55-01-08

34-55-01  
FIG. 08  
PAGE 7  
MAY 20/09

BRI



757

PARTS CATALOG (MAINTENANCE)

FIG ITEM	PART NUMBER	1 2 3 4 5 6 7	NOMENCLATURE	EFFECT FROM TO	UNITS PER ASSY
8 205	BCREF47913		.CONNECTOR- OVERLENGTH PART NUMBER: BACC66H125C03AK01 ELECTRICAL EQUIP NUMBER: D00243 WIRING DIAGRAM REF: 345521	103106	1
210	RBGP48-116N		.BLOCK- SUPPLIER CODE: V09922 SPECIFICATION NUMBER: S280W601-116 ELECTRICAL EQUIP NUMBER: D00243T WIRING DIAGRAM REF: 345521	103106	1
- 250	286N1433-371		WIRE BUNDLE ASSY- REWORKED BY ALERT SB: 34A0222	108108	RF
- 252	286N1433-353		WIRE BUNDLE ASSY- REWORKED BY ALERT SB: 34A0222	109120	RF
- 254	286N1433-601		WIRE BUNDLE ASSY	103106	RF
255	BCREFA1011		.CONNECTOR- OVERLENGTH PART NUMBER: BACC66H125C03AD01 ELECTRICAL EQUIP NUMBER: D00239 WIRING DIAGRAM REF: 345511	108120	1
255	BCREF47913		.CONNECTOR- OVERLENGTH PART NUMBER: BACC66H125C03AK01 ELECTRICAL EQUIP NUMBER: D00239 WIRING DIAGRAM REF: 345511	103106	1
260	RBGP48-116N		.BLOCK- SUPPLIER CODE: V09922 SPECIFICATION NUMBER: S280W601-116 ELECTRICAL EQUIP NUMBER: D00239T WIRING DIAGRAM REF: 345511	103106	1

MISSING ITEM NUMBERS NOT APPLICABLE

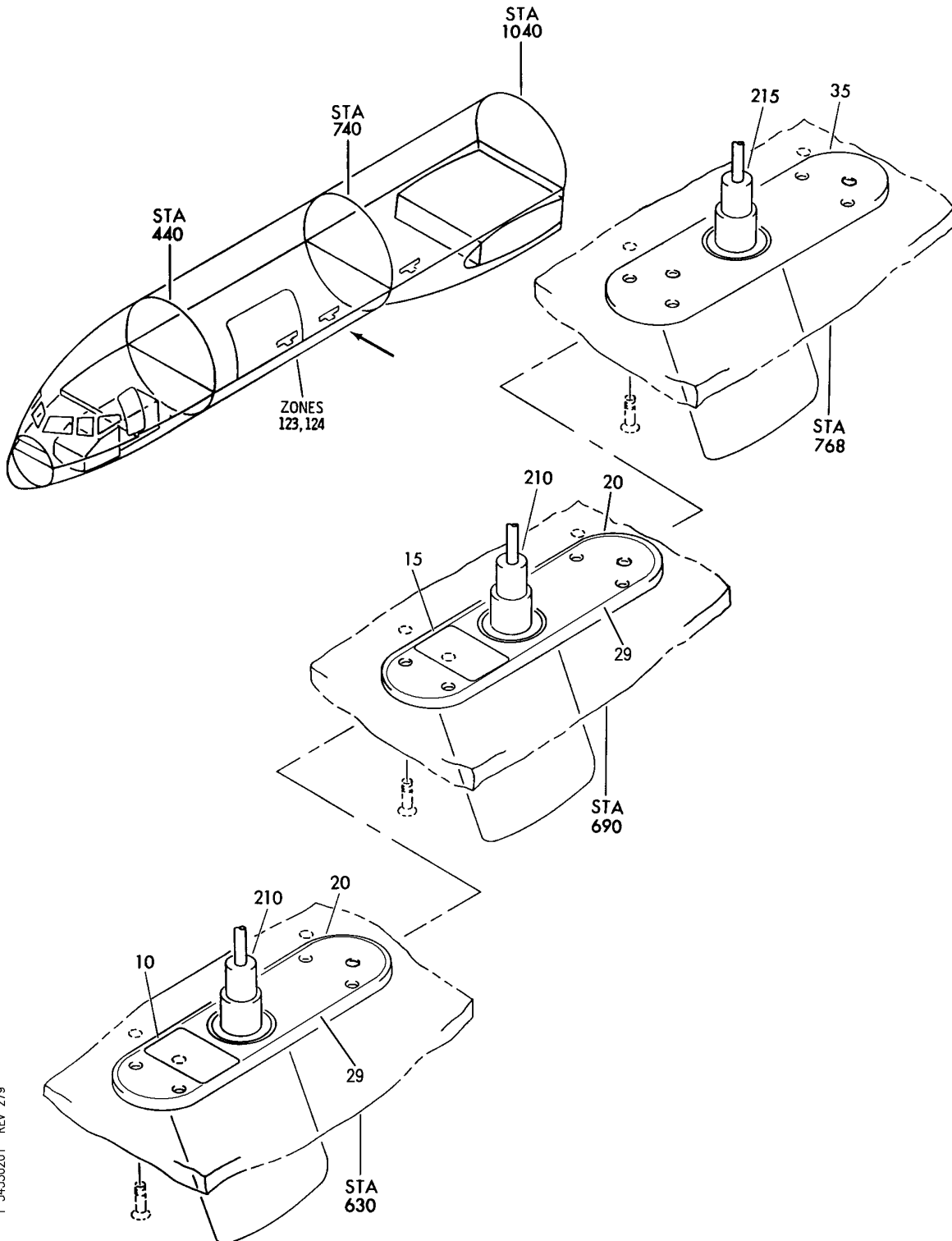
- ITEM NOT ILLUSTRATED

34-55-01-08

34-55-01  
FIG. 08  
PAGE 8  
MAY 20/09

BRI

**BOEING**  
757  
PARTS CATALOG (MAINTENANCE)



Y 34550201 REV 279

ANTENNA INSTL-DME  
FIGURE 1

**34-55-02-01**

BRI  
MAY 28/07

34-55-02-01  
PAGE 0



**757  
PARTS CATALOG (MAINTENANCE)**

FIG ITEM	PART NUMBER	1 2 3 4 5 6 7	NOMENCLATURE	EFFECT FROM TO	UNITS PER ASSY
1			ANTENNA INSTL-DME	002004 006999	
- 1	284N1346-1		ANTENNA INSTL-DME POSITION DATA: LH FOR NHA SEE: 24-00-58-01B 24-00-58-05	002004 006102 107999	RF
- 1	MODREF9911		ANTENNA INSTL-DME MODULE NUMBER: 284N1346-1 REV A POSITION DATA: LH	103106	1
- 5	284N1346-2		ANTENNA INSTL-DME POSITION DATA: RH FOR NHA SEE: 24-00-58-01B 24-00-58-05	002004 006102 107999	RF
- 5	MODREF9912		ANTENNA INSTL-DME MODULE NUMBER: 284N1346-2 REV A POSITION DATA: RH	103106	1
10	BAC27NEX0757		.DECAL- POSITION DATA: LH SIDE PLACARD CONTENT: M00263 ANTENNA-DME,LEFT	002004 006999	1
15	BAC27NEX0758		.DECAL- POSITION DATA: RH SIDE PLACARD CONTENT: M00264 ANTENNA-DME,RIGHT	002004 006999	1
20	DM1601354-001		.ANTENNA-L BAND SUPPLIER CODE: V00752 FUNCTIONAL DESCRIPTION: RECEIVES/TRANSMITS ATC TRANSPONDER OR DME SIGNALS. SPECIFICATION NUMBER: S220T116-1 ELECTRICAL EQUIP NUMBER: M00263 M00264	002004 006999	1

MISSING ITEM NUMBERS NOT APPLICABLE

- ITEM NOT ILLUSTRATED

BRI

# 34-55-02-01

BOEING PROPRIETARY - Copyright © - Unpublished Work - See title page for details.

34-55-02  
FIG. 01  
PAGE 1  
JAN 20/09



757

PARTS CATALOG (MAINTENANCE)

FIG ITEM	PART NUMBER	1 2 3 4 5 6 7	NOMENCLATURE	EFFECT FROM TO	UNITS PER ASSY
1			ATTACHING PARTS		
- 25	BACB30NN3K5		.BOLT-	002004 006999	4
- 200	286N4053-001		-----*----- WIRE BUNDLE ASSY	002004 006100 107107 121503 904999	RF
- 200	286N4053-302		WIRE BUNDLE ASSY-	108120	RF
- 205	286N4055-001		WIRE BUNDLE ASSY-	107107	RF
- 205	286N4055-002		WIRE BUNDLE ASSY-	002004 006010 121503 904999	RF
- 205	286N4055-003		WIRE BUNDLE ASSY-	011100	RF
- 205	286N4055-301		WIRE BUNDLE ASSY-	108120	RF
210	KD59-180M06		.PLUG- SUPPLIER CODE: V91836 ELECTRICAL EQUIP NUMBER: D00237 D00241 WIRING DIAGRAM REF: 345511 345521	002004 006100 107503 904999	1

MISSING ITEM NUMBERS NOT APPLICABLE

- ITEM NOT ILLUSTRATED

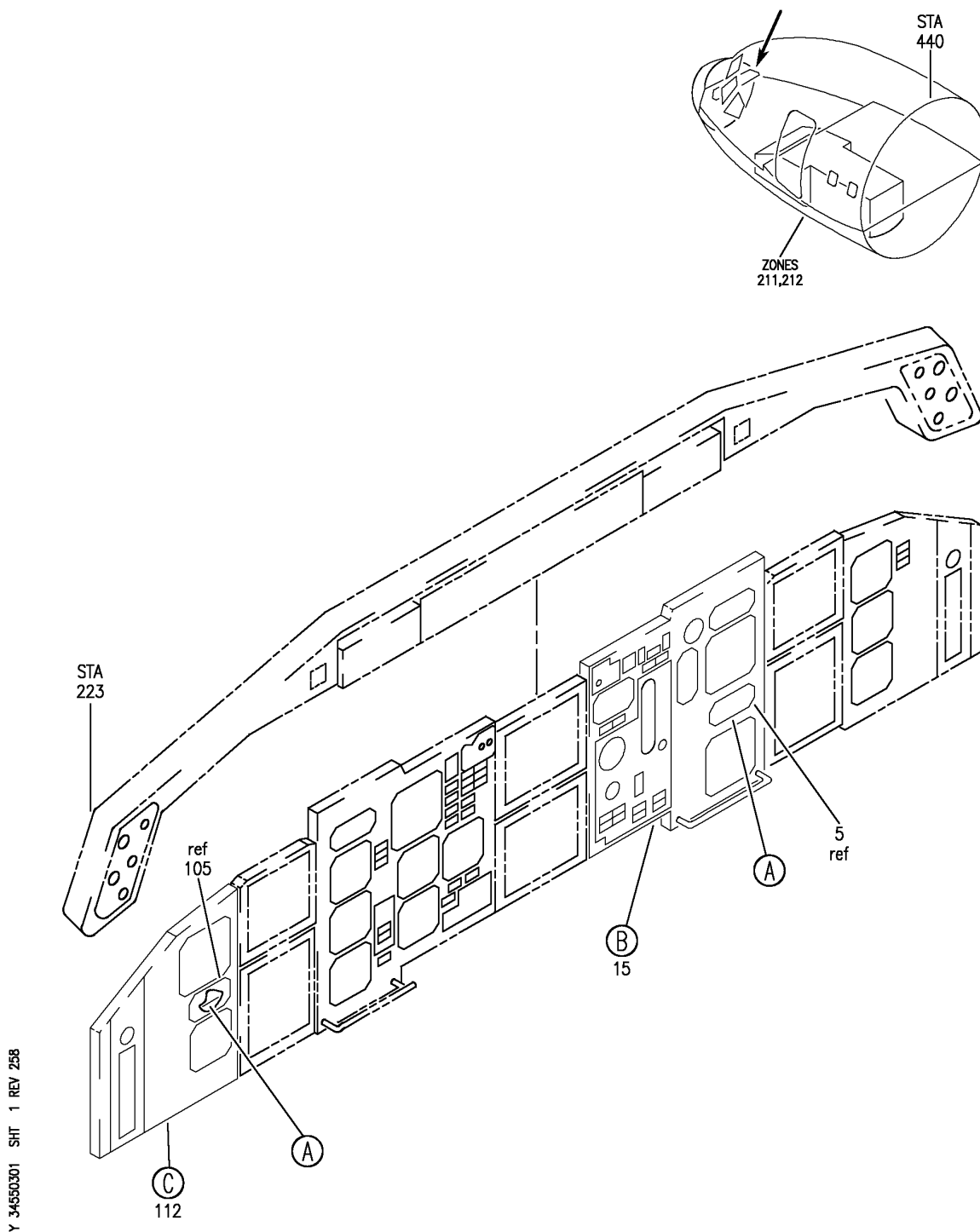
BRI

34-55-02-01

BOEING PROPRIETARY - Copyright © - Unpublished Work - See title page for details.

34-55-02  
FIG. 01  
PAGE 2  
JAN 20/09

**BOEING**  
757  
PARTS CATALOG (MAINTENANCE)



Y 34550301 SH1 1 REV 258

PANEL INSTL-PILOTS FWD P3-1 AND P1-1 (DUAL DISTANCE INDICATOR ONLY)  
FIGURE 1 (SHEET 1)

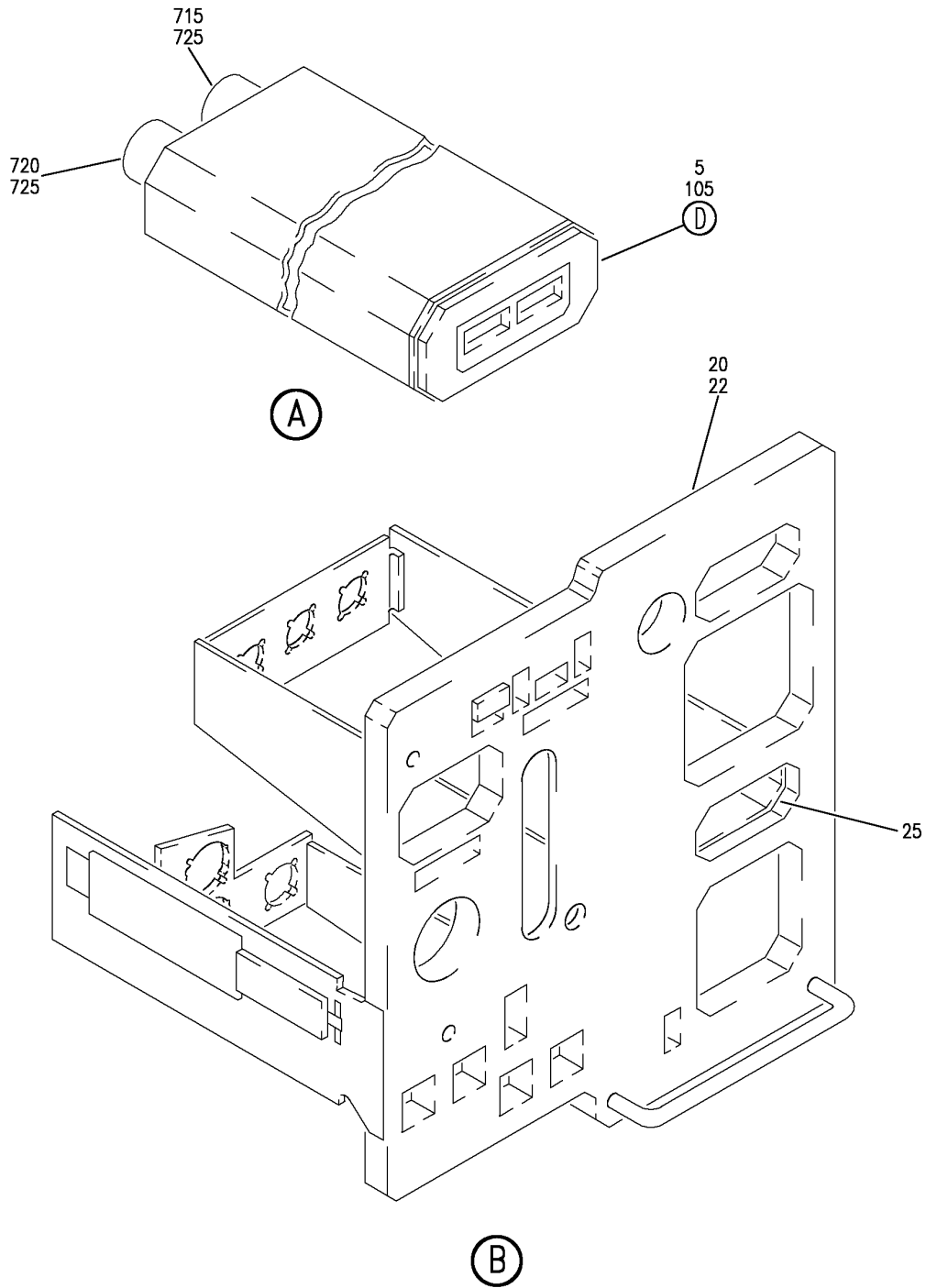
BRI  
JAN 20/09

**34-55-03-01**

34-55-03-01  
PAGE 0



**BOEING**  
757  
PARTS CATALOG (MAINTENANCE)



Y 34550301 SH1 2 REV 258

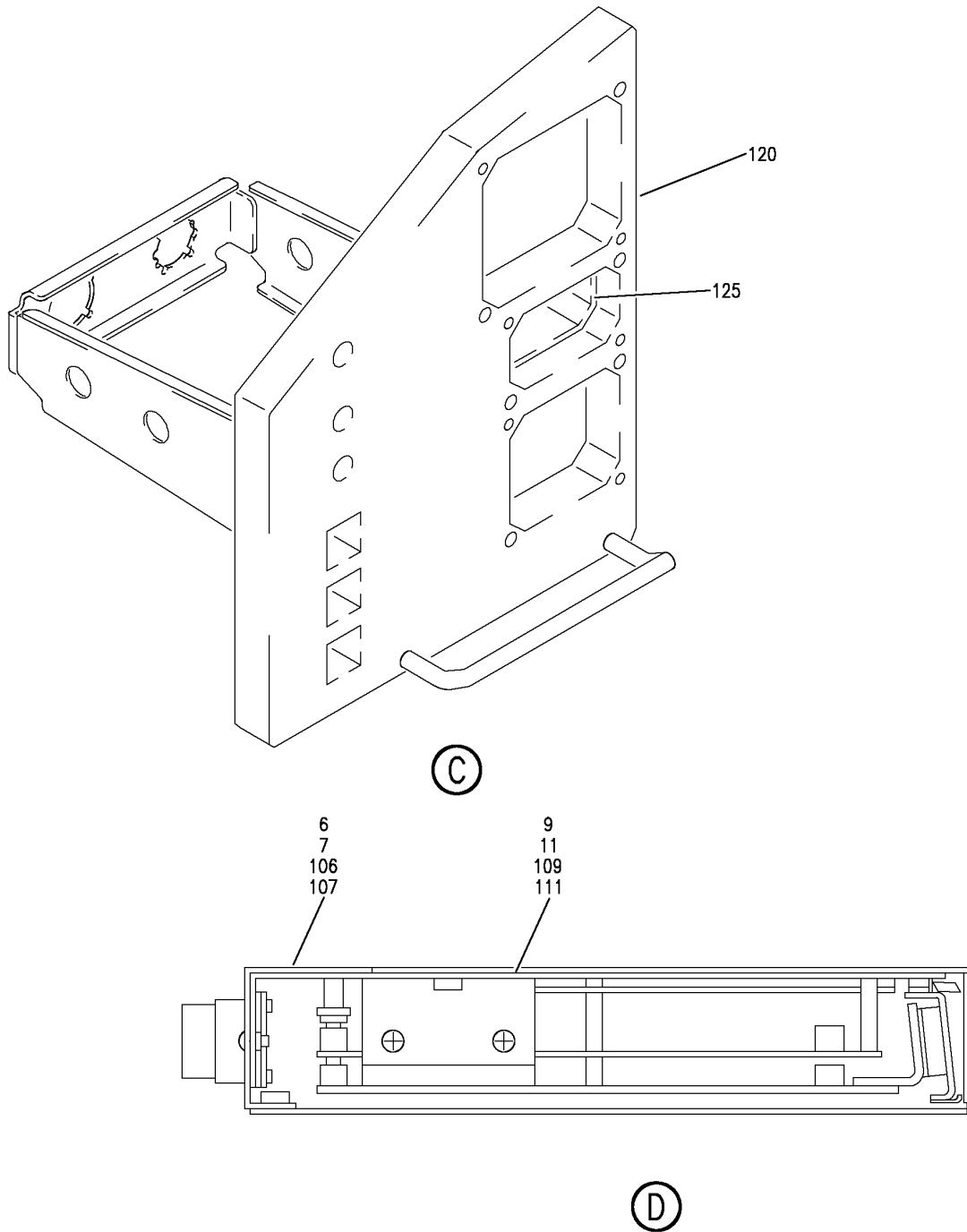
PANEL INSTL-PILOTS FWD P3-1 AND P1-1 (DUAL DISTANCE INDICATOR ONLY)  
FIGURE 1 (SHEET 2)

**34-55-03-01**

BRI  
JAN 20/09

34-55-03-01  
PAGE 0A

**BOEING**  
757  
PARTS CATALOG (MAINTENANCE)



Y 34-55-03-01 SHT 3 REV 258

PANEL INSTL-PILOTS FWD P3-1 AND P1-1 (DUAL DISTANCE INDICATOR ONLY)  
FIGURE 1 (SHEET 3)

**34-55-03-01**

BRI  
JAN 20/09

34-55-03-01  
PAGE 08



757

PARTS CATALOG (MAINTENANCE)

FIG ITEM	PART NUMBER	1 2 3 4 5 6 7	NOMENCLATURE	EFFECT FROM TO	UNITS PER ASSY
1			PANEL INSTL-PILOTS FWD P3-1 AND P1-1 (DUAL DISTANCE INDICATOR ONLY)	504903	
- 1	233N2103-254		PANEL INSTL-PILOTS P3-1 (DUAL DISTANCE INDICATOR ONLY) POSITION DATA: FWD FOR NHA/OTHER SYS DET SEE: 25-10-00-15B	504903	RF
5	622-5990-302		. INDICATOR-DUAL DISTANCE SUPPLIER CODE: V4V792 SPECIFICATION NUMBER: S242T403-302 ELECTRICAL EQUIP NUMBER: N10031 COMPONENT MAINT MANUAL REF: 34-22-76 FUNCTIONAL REFERENCE: LIGHTS FOR DETAILS SEE 33-13-51-52E	504903	1
6	646-0157-001		.. PLATE-IDENT SUPPLIER CODE: V4V792	504903	1
7	646-0157-000		.. PLATE-IDENT SUPPLIER CODE: V4V792	504903	1
- 8	MS51959-3B		.. SCREW	504903	2
9	280-2745-010		.. LABEL-ESDS SUPPLIER CODE: V12998	504903	1
11	280-2745-120		.. LABEL- SUPPLIER CODE: V12998	504903	1
15	233N2222-326		. MODULE ASSY- COMPONENT MAINT MANUAL REF: 31-11-49 PRE ALERT SB: 33A0044	504903	RF
15	233N2222-334		. MODULE ASSY- COMPONENT MAINT MANUAL REF: 31-11-49 PRE ALERT SB: 33A0044	504903	RF

MISSING ITEM NUMBERS NOT APPLICABLE

- ITEM NOT ILLUSTRATED

34-55-03-01

34-55-03  
FIG. 01  
PAGE 1  
JAN 20/09

BRI



757

PARTS CATALOG (MAINTENANCE)

FIG ITEM	PART NUMBER	1 2 3 4 5 6 7	NOMENCLATURE	EFFECT FROM TO	UNITS PER ASSY
1					
15	233N2222-347		.MODULE ASSY- COMPONENT MAINT MANUAL REF: 31-11-49 PRE ALERT SB: 33A0044	504903	RF
15	233N2222-1326		.MODULE ASSY- COMPONENT MAINT MANUAL REF: 31-11-49 POST ALERT SB: 33A0044	504903	RF
15	233N2222-1334		.MODULE ASSY- COMPONENT MAINT MANUAL REF: 31-11-49 POST ALERT SB: 33A0044	504903	RF
15	233N2222-1347		.MODULE ASSY- COMPONENT MAINT MANUAL REF: 31-11-49 POST ALERT SB: 33A0044	504903	RF
20	233N2222-105		..MODULE ASSY- USED ON: 233N2222-326 PRE ALERT SB: 33A0044	504903	RF
20	233N2222-116		..MODULE ASSY- USED ON: 233N2222-334 PRE ALERT SB: 33A0044	504903	RF
20	233N2222-127		..MODULE ASSY- USED ON: 233N2222-347 PRE ALERT SB: 33A0044	504903	RF
20	233N2222-1105		..MODULE ASSY- USED ON: 233N2222-1326 POST ALERT SB: 33A0044	504903	RF
20	233N2222-1116		..MODULE ASSY- USED ON: 233N2222-1334 POST ALERT SB: 33A0044	504903	RF

MISSING ITEM NUMBERS NOT APPLICABLE

- ITEM NOT ILLUSTRATED

34-55-03-01

34-55-03  
FIG. 01  
PAGE 2  
JAN 20/09

BRI

BOEING PROPRIETARY - Copyright © - Unpublished Work - See title page for details.



757

PARTS CATALOG (MAINTENANCE)

FIG ITEM	PART NUMBER	1 2 3 4 5 6 7	NOMENCLATURE	EFFECT FROM TO	UNITS PER ASSY
1					
20	233N2222-1127	..	MODULE ASSY- USED ON: 233N2222-1347 POST ALERT SB: 33A0044	504903	RF
25	123-32161G	...	CLAMP- SUPPLIER CODE: V33463	504903	1
- 100	233N2103-152	PANEL	INSTL-PILOTS P1-1 (DUAL DISTANCE INDICATOR ONLY) POSITION DATA: FWD FOR NHA/OTHER SYS DET SEE: 25-10-00-15B	504903	RF
105	622-5990-302	.INDICATOR-	DUAL DISTANCE SUPPLIER CODE: V4V792 SPECIFICATION NUMBER: S242T403-302 ELECTRICAL EQUIP NUMBER: N10030 COMPONENT MAINT MANUAL REF: 34-22-76 FUNCTIONAL REFERENCE: LIGHTS FOR DETAILS SEE 33-13-51-52E	504903	2
106	646-0157-001	..	PLATE-IDENT SUPPLIER CODE: V4V792	504903	1
107	646-0157-000	..	PLATE-IDENT SUPPLIER CODE: V4V792	504903	1
- 108	MS51959-3B	..	SCREW -----*-----	504903	2
109	280-2745-010	..	LABEL-ESDS SUPPLIER CODE: V12998	504903	1
111	280-2745-120	..	LABEL- SUPPLIER CODE: V12998	504903	1
112	233N2220-315	.MODULE	ASSY- COMPONENT MAINT MANUAL REF: 31-11-47	504903	RF
115	233N2220-27	..	MODULE ASSY	504903	RF

MISSING ITEM NUMBERS NOT APPLICABLE

- ITEM NOT ILLUSTRATED

34-55-03-01

34-55-03  
FIG. 01  
PAGE 3  
JAN 20/09

BRI

BOEING PROPRIETARY - Copyright © - Unpublished Work - See title page for details.



757

PARTS CATALOG (MAINTENANCE)

FIG ITEM	PART NUMBER	1 2 3 4 5 6 7	NOMENCLATURE	EFFECT FROM TO	UNITS PER ASSY
1	123-32161G		. . . CLAMP- SUPPLIER CODE: V33463	504903	1
- 700	286N0001-357		WIRE BUNDLE ASSY-P1-1 REWORKED BY ALERT SB: 34A0222	505505 507903	RF
- 700	286N0001-382		WIRE BUNDLE ASSY-P1-1 REWORKED BY ALERT SB: 34A0222	504504 506506	RF
- 705	286N0003-355		WIRE BUNDLE ASSY-P3-1 REWORKED BY ALERT SB: 34A0222	504903	RF
715	BACC45FT12-12S9		. CONNECTOR- ELECTRICAL EQUIP NUMBER: D00795 D00811 WIRING DIAGRAM REF: 345511	504903	1
720	BCREF3315		. CONNECTOR- OVERLENGTH PART NUMBER: BACC45FT12-12S10 ELECTRICAL EQUIP NUMBER: D00797 D00813 WIRING DIAGRAM REF: 345521	504903	1
725	BACC10GH12		. CLAMP- ELECTRICAL EQUIP NUMBER: D00795T D00797T D00811T D00813T WIRING DIAGRAM REF: 345521	504903	2

MISSING ITEM NUMBERS NOT APPLICABLE

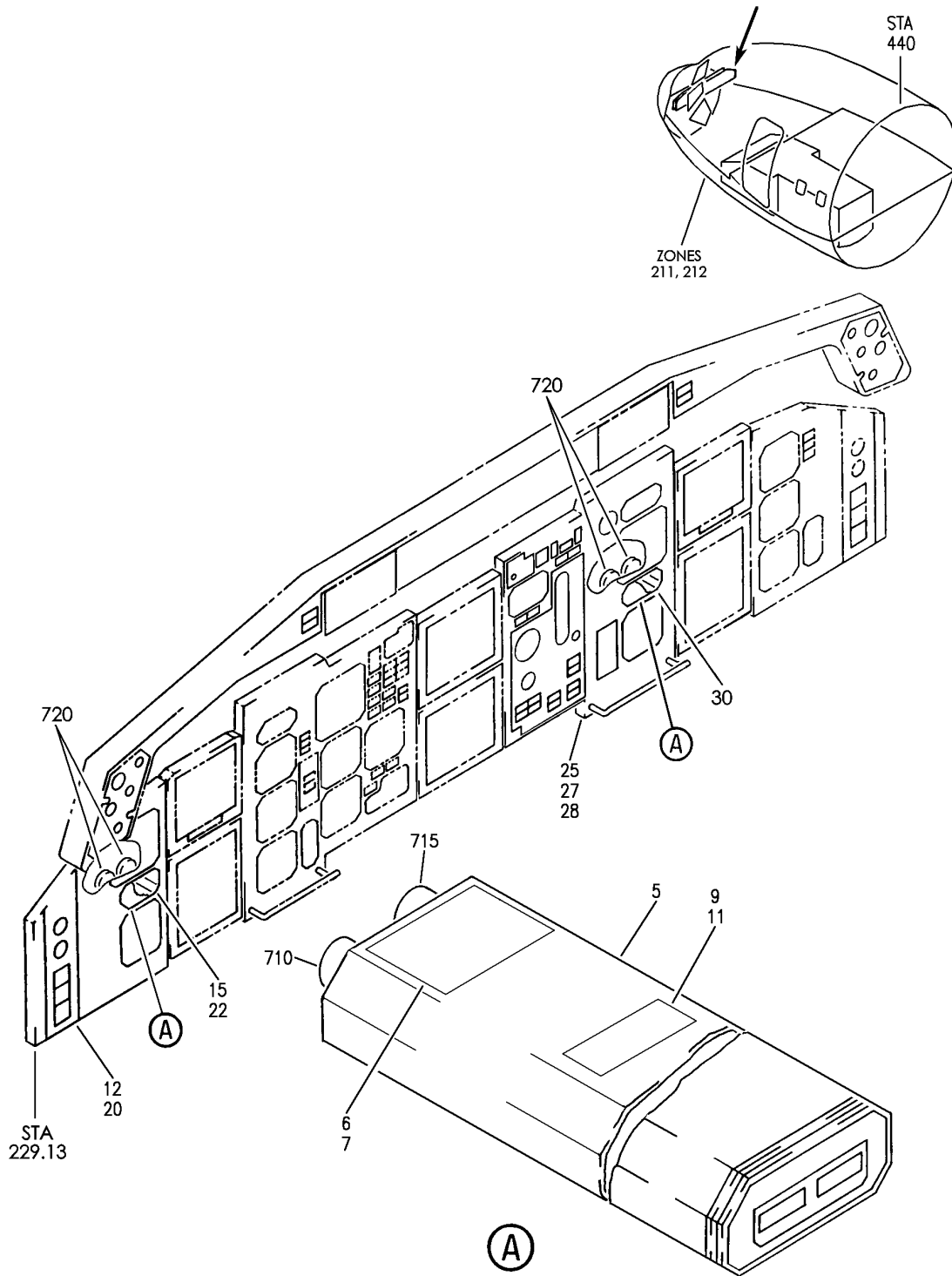
- ITEM NOT ILLUSTRATED

BRI

34-55-03-01

34-55-03  
FIG. 01  
PAGE 4  
JAN 20/09

**BOEING**  
757  
PARTS CATALOG (MAINTENANCE)



Y 34550302 REV 319

PANEL INSTL-CAPT AND FIRST OFFICER (DUAL DISTANCE INDICATOR ONLY)  
FIGURE 2

**34-55-03-02**

BRI  
JAN 20/08

34-55-03-02  
PAGE 0



757

PARTS CATALOG (MAINTENANCE)

FIG ITEM	PART NUMBER	1 2 3 4 5 6 7	NOMENCLATURE	EFFECT FROM TO	UNITS PER ASSY
2			PANEL INSTL-CAPT AND FIRST OFFICER (DUAL DISTANCE INDICATOR ONLY)	121503 904949	
- 1	233N2101-1		PANEL INSTL-CAPT AND FIRST OFFICER (DUAL DISTANCE INDICATOR ONLY) POSITION DATA: FWD VARIABLE DRAWING REF: 233N2101-5003 FOR NHA/OTHER SYS DET SEE: 25-10-00-05A	121503 904949	RF
5	622-5990-302		. INDICATOR-DUAL DISTANCE SUPPLIER CODE: V4V792 SPECIFICATION NUMBER: S242T403-302 ELECTRICAL EQUIP NUMBER: N10030 N10031 COMPONENT MAINT MANUAL REF: 34-22-76 FUNCTIONAL REFERENCE: LIGHTS FOR DETAILS SEE 33-13-51-52E	121503 904949	2
5	622-5990-001		. INDICATOR-DUAL DISTANCE SUPPLIER CODE: V4V792 SPECIFICATION NUMBER: S242T403-301 ELECTRICAL EQUIP NUMBER: N10030 N10031 COMPONENT MAINT MANUAL REF: 34-22-76 FUNCTIONAL REFERENCE: LIGHTS FOR DETAILS SEE 33-13-51-52E	121503 904949	2
6	646-0157-001		.. PLATE-IDENT SUPPLIER CODE: V4V792	121503 904949	1
7	646-0157-000		.. PLATE-IDENT SUPPLIER CODE: V4V792	121503 904949	1

MISSING ITEM NUMBERS NOT APPLICABLE

- ITEM NOT ILLUSTRATED

34-55-03-02

34-55-03  
FIG. 02  
PAGE 1  
JAN 20/09

BRI





757

PARTS CATALOG (MAINTENANCE)

FIG ITEM	PART NUMBER	1 2 3 4 5 6 7	NOMENCLATURE	EFFECT FROM TO	UNITS PER ASSY
2			ATTACHING PARTS		
- 8	MS51959-3B		.. SCREW	121503 904949	2
			-----*-----		
9	280-2745-010		.. LABEL-ESDS	121503 904949	1
			SUPPLIER CODE: V12998		
11	280-2745-120		.. LABEL-	121503 904949	1
			SUPPLIER CODE: V12998		
12	233N2220-13		.MODULE ASSY-P1-1	121503 904949	RF
15	123-32161G		.. CLAMP-	121503 904949	1
			SUPPLIER CODE: V33463		
25	233N2222-85		.MODULE ASSY-P3-1	121503 904949	RF
			PRE ALERT SB: 33A0044R1		
25	233N2222-1085		.MODULE ASSY-P3-1	121503 904949	RF
			POST ALERT SB: 33A0044R1		
30	123-32161G		.. CLAMP-	121503 904949	1
			SUPPLIER CODE: V33463		
- 700	286N0001-002		WIRE BUNDLE ASSY-P1-1	121503 904949	RF
			REWORKED BY ALERT SB: 34A0222		
- 705	286N0003-002		WIRE BUNDLE ASSY-P3-1	121503 904949	RF
			REWORKED BY ALERT SB: 34A0222		
710	BACC45FT12-12S9		.CONNECTOR-	121503 904949	1
			ELECTRICAL EQUIP NUMBER: D00795 D00811		
			WIRING DIAGRAM REF: 345511		
715	BCREF3315		.CONNECTOR-	121503 904949	1
			OVERLENGTH PART NUMBER: BACC45FT12-12S10		
			ELECTRICAL EQUIP NUMBER: D00797 D00813		
			WIRING DIAGRAM REF: 345521		

MISSING ITEM NUMBERS NOT APPLICABLE

- ITEM NOT ILLUSTRATED

34-55-03-02

34-55-03  
FIG. 02  
PAGE 2  
JAN 20/09

BRI



757

PARTS CATALOG (MAINTENANCE)

FIG ITEM	PART NUMBER	1 2 3 4 5 6 7	NOMENCLATURE	EFFECT FROM TO	UNITS PER ASSY
2 720	BACC10GH12		.CLAMP- ELECTRICAL EQUIP NUMBER: D00795T D00797T D00811T D00813T WIRING DIAGRAM REF: 345511 345521	121503 904949	2

MISSING ITEM NUMBERS NOT APPLICABLE

- ITEM NOT ILLUSTRATED

BRI

34-55-03-02

BOEING PROPRIETARY - Copyright © - Unpublished Work - See title page for details.

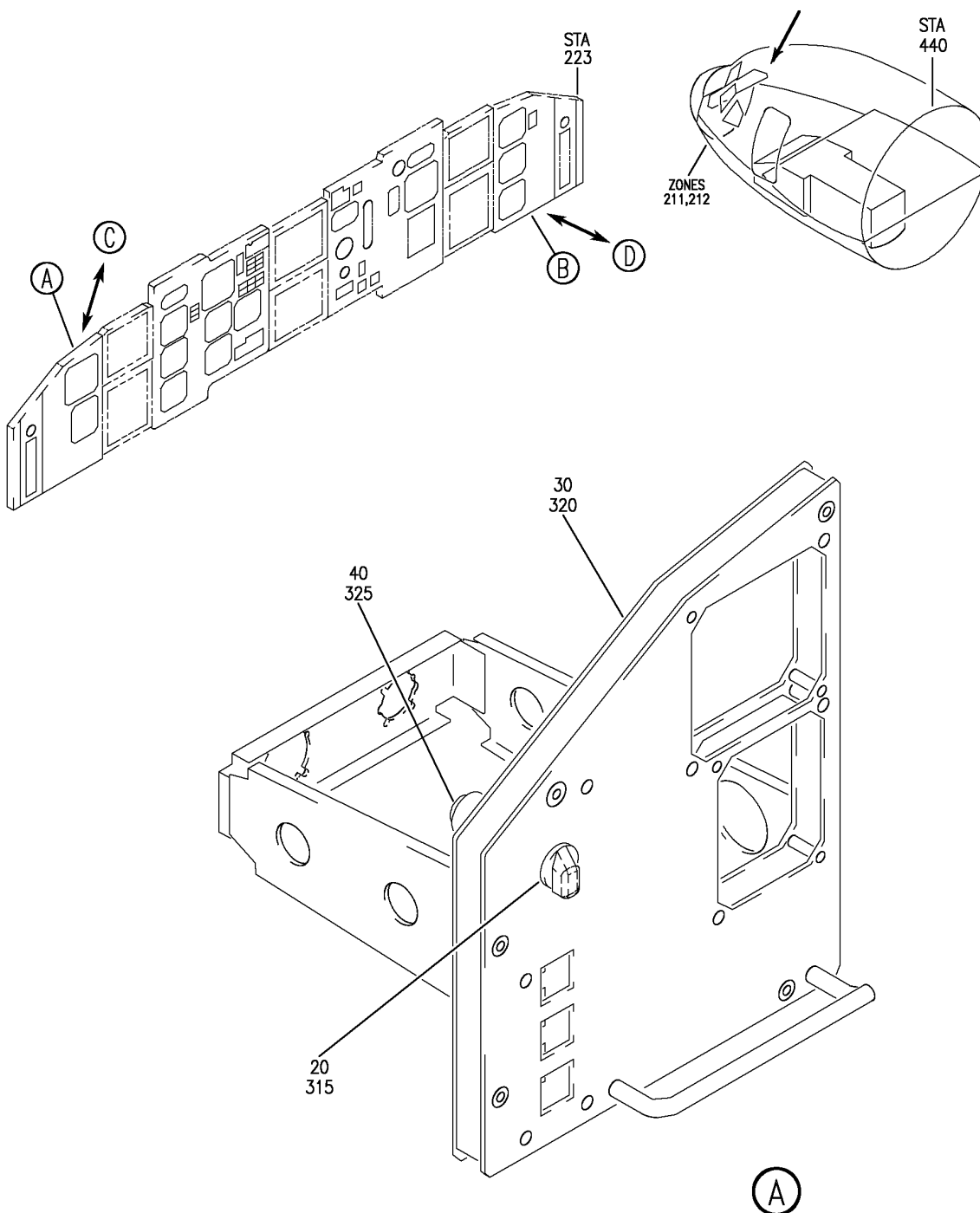
34-55-03  
FIG. 02  
PAGE 3  
JAN 20/09

## **AUTOMATIC DIRECTION FINDER (ADF) SYSTEM**

BRI  
MAY 28/07

34-57-00  
SECTION TITLE  
PAGE 1

**BOEING**  
757  
PARTS CATALOG (MAINTENANCE)



Y 34570001 SH1 1 REV 323

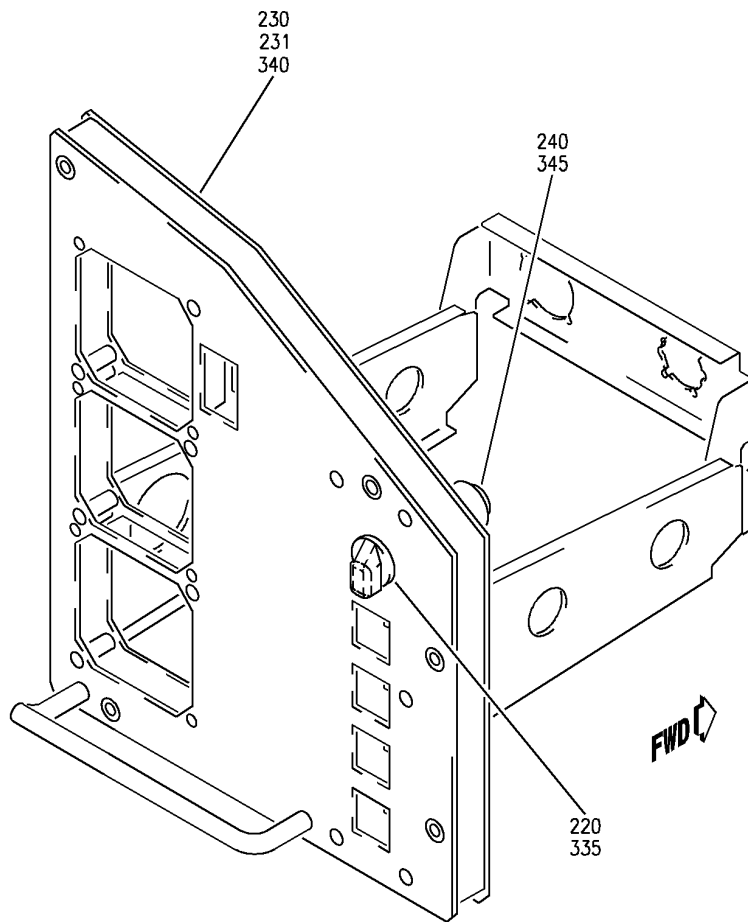
PANEL INSTL-P1-1 AND P3-3 (AUTOMATIC DIRECTION FINDER SYSTEM ONLY)  
FIGURE 1 (SHEET 1)

**34-57-00-01**

BRI  
MAY 20/08

34-57-00-01  
PAGE 0

**BOEING**  
757  
PARTS CATALOG (MAINTENANCE)



(B)

Y 34570001 SH1 2 REV 294

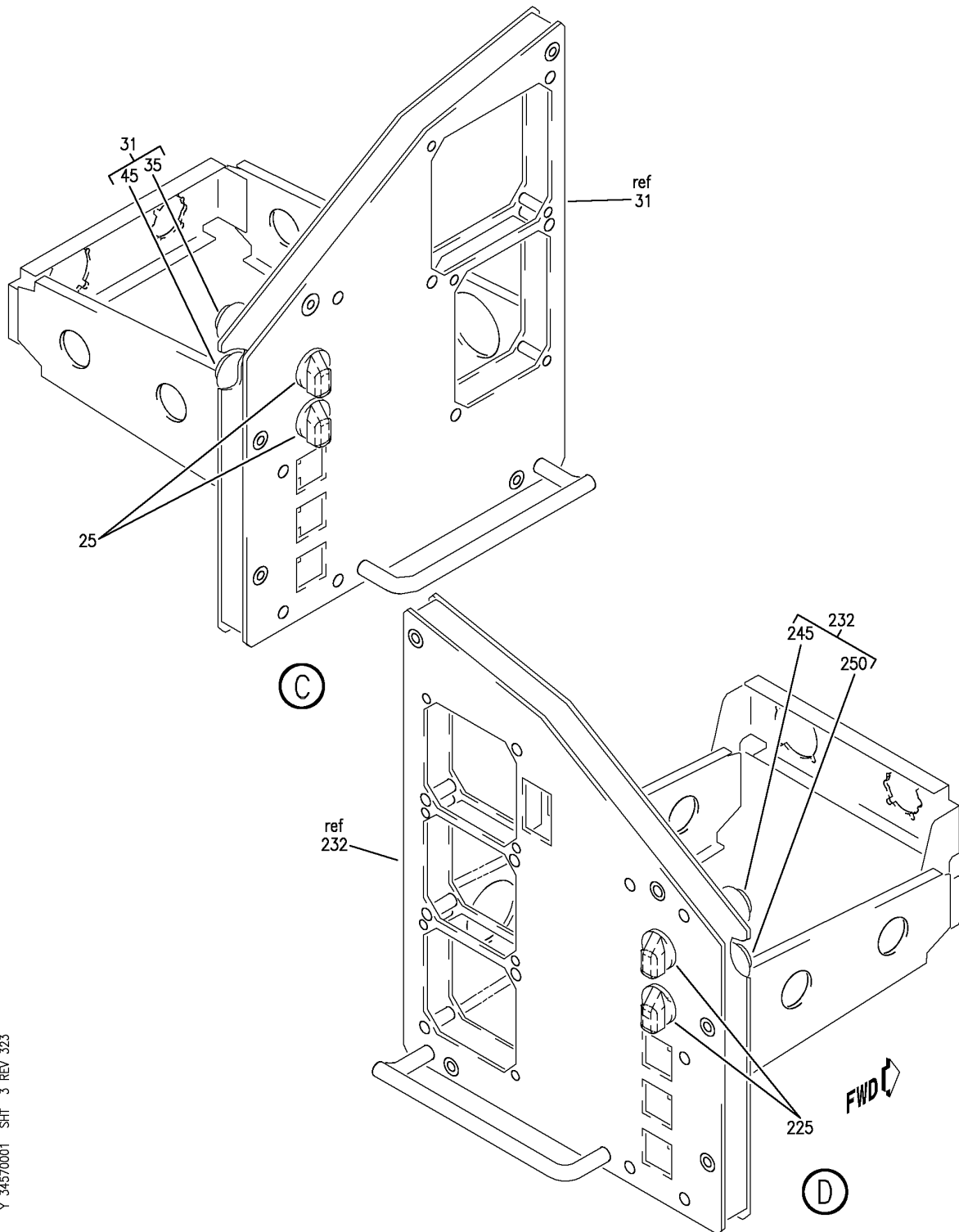
PANEL INSTL-P1-1 AND P3-3 (AUTOMATIC DIRECTION FINDER SYSTEM ONLY)  
FIGURE 1 (SHEET 2)

**34-57-00-01**

BRI  
MAY 28/07

34-57-00-01  
PAGE 0A

**BOEING**  
757  
PARTS CATALOG (MAINTENANCE)



Y 34570001 SH1 3 REV 323

PANEL INSTL-P1-1 AND P3-3 (AUTOMATIC DIRECTION FINDER SYSTEM ONLY)  
FIGURE 1 (SHEET 3)

**34-57-00-01**

BRI  
MAY 20/08

34-57-00-01  
PAGE 08



757

PARTS CATALOG (MAINTENANCE)

FIG ITEM	PART NUMBER	1 2 3 4 5 6 7	NOMENCLATURE	EFFECT FROM TO	UNITS PER ASSY
1			PANEL INSTL-P1-1 AND P3-3 (AUTOMATIC DIRECTION FINDER SYSTEM ONLY)	101106 108120 504903	
- 1	233N2103-7		PANEL INSTL-P1-1 (AUTOMATIC DIRECTION FINDER SYSTEM ONLY) FOR NHA/OTHER SYS DET SEE: 25-10-00-15B	101101	RF
- 1	233N2103-107		PANEL INSTL-P1-1 (AUTOMATIC DIRECTION FINDER SYSTEM ONLY) FOR NHA/OTHER SYS DET SEE: 25-10-00-15B	102102 108120	RF
- 2	233N2103-152		PANEL INSTL-P1-1 (AUTOMATIC DIRECTION FINDER SYSTEM ONLY) FOR NHA/OTHER SYS DET SEE: 25-10-00-15B	504903	RF
- 10	233N2220-309		.MODULE ASSY- COMPONENT MAINT MANUAL REF: 31-11-47 QUALIFIED I/W DATA: 233N2220-329 CAN REPLACE 233N2220-309 FOR NT383-NT399 AIRCRAFT ONLY	101102 108120	RF
- 10	233N2220-315		.MODULE ASSY- COMPONENT MAINT MANUAL REF: 31-11-47	504903	RF
20	BP248-127		..KNOB- SUPPLIER CODE: V81590	101102 108120 504903	1
30	233N2220-21		..MODULE ASSY-	101102 108120	RF
30	233N2220-27		..MODULE ASSY	504903	RF
40	AC45-0008-2		...SWITCH- SUPPLIER CODE: V91812 ELECTRICAL EQUIP NUMBER: S00001 OPTIONAL PART: AC45-0008-1 V91812 AC45-0008 V91812	108120 504903	1

MISSING ITEM NUMBERS NOT APPLICABLE

- ITEM NOT ILLUSTRATED

BRI

34-57-00-01

34-57-00  
FIG. 01  
PAGE 1  
JAN 20/09



757

PARTS CATALOG (MAINTENANCE)

FIG ITEM	PART NUMBER	1 2 3 4 5 6 7	NOMENCLATURE	EFFECT FROM TO	UNITS PER ASSY
1					
40	AC45-0008-1		...SWITCH- SUPPLIER CODE: V91812 ELECTRICAL EQUIP NUMBER: S00001 OPTIONAL PART: AC45-0008-2 V91812 AC45-0008 V91812	504903	1
40	AC45-0008		...SWITCH- SUPPLIER CODE: V91812 ELECTRICAL EQUIP NUMBER: S00001 OPTIONAL PART: AC45-0008-2 V91812 AC45-0008-1 V91812	504903	1
- 200	233N2103-28		PANEL INSTL-P3-3 (AUTOMATIC DIRECTION FINDER SYSTEM ONLY) FOR NHA/OTHER SYS DET SEE: 25-10-00-15B	108120	RF
- 200	233N2103-55		PANEL INSTL-P3-3 (AUTOMATIC DIRECTION FINDER SYSTEM ONLY) FOR NHA/OTHER SYS DET SEE: 25-10-00-15B	504903	RF
- 200	233N2103-73		PANEL INSTL-P3-3 (AUTOMATIC DIRECTION FINDER SYSTEM ONLY) FOR NHA/OTHER SYS DET SEE: 25-10-00-15B	101102	RF
- 210	233N2223-306		.MODULE ASSY- COMPONENT MAINT MANUAL REF: 31-11-50 QUALIFIED I/W DATA: 233N2223-338 CAN REPLACE 233N2223-306 FOR NT383-NT399 AIRCRAFT ONLY.	101102 108120	RF
220	BP248-127		..KNOB- SUPPLIER CODE: V81590	101102 108120	1
230	233N2223-22		..MODULE ASSY-	504903 101102 108120	RF

MISSING ITEM NUMBERS NOT APPLICABLE

- ITEM NOT ILLUSTRATED

34-57-00-01

34-57-00  
FIG. 01  
PAGE 2  
JAN 20/09

BRI





757

PARTS CATALOG (MAINTENANCE)

FIG ITEM	PART NUMBER	1 2 3 4 5 6 7	NOMENCLATURE	EFFECT FROM TO	UNITS PER ASSY
1 240	AC45-0008-2	...	SWITCH- SUPPLIER CODE: V91812 ELECTRICAL EQUIP NUMBER: S00009 OPTIONAL PART: AC45-0008-1 V91812 AC45-0008 V91812	101102 108120 504903	1
240	AC45-0008-1	...	SWITCH- SUPPLIER CODE: V91812 ELECTRICAL EQUIP NUMBER: S00009 OPTIONAL PART: AC45-0008-2 V91812 AC45-0008 V91812	101102 108120 504903	1
240	AC45-0008	...	SWITCH- SUPPLIER CODE: V91812 ELECTRICAL EQUIP NUMBER: S00009 OPTIONAL PART: AC45-0008-2 V91812 AC45-0008-1 V91812	101102 108120 504903	1
250	AC45-0008	...	SWITCH- SUPPLIER CODE: V91812 ELECTRICAL EQUIP NUMBER: S00010	101102 108120 504903	1

MISSING ITEM NUMBERS NOT APPLICABLE

- ITEM NOT ILLUSTRATED

34-57-00-01

34-57-00  
FIG. 01  
PAGE 3  
JAN 20/09

BRI



757

PARTS CATALOG (MAINTENANCE)

FIG ITEM	PART NUMBER	1 2 3 4 5 6 7	NOMENCLATURE	EFFECT FROM TO	UNITS PER ASSY
1 - 301	MODREF31741		PANEL INSTL-P1-1 AND P3-3 (AUTOMATIC DIRECTION FINDER SYSTEM ONLY) MODULE NUMBER: 233N2103-425 REV A FOR OTHER SYS DETAILS SEE: 11-31-01-38 22-11-02-03 22-14-01-03 22-31-02-01 22-34-51-02 26-17-51-05 27-51-57-03 27-58-00-02 27-81-00-01 29-21-55-02 31-11-11-19 31-11-16-01 31-11-26-38 31-25-01-03 31-41-52-02 31-51-52-02 32-35-52-03 32-41-52-02 32-42-55-03 32-46-00-01 32-61-51-03 33-13-57-01A 33-16-52-03 34-12-01-03 34-13-01-03 34-13-02-01 34-13-05-01 34-13-06-01 34-16-51-03 34-21-02-02 34-22-02-02 34-22-05-01A 34-22-06-01 34-24-01-03 34-32-00-02 34-46-51-02 34-51-02-02 34-61-01-07 34-61-02-02 77-41-01-01 79-33-51-05	103105	1

MISSING ITEM NUMBERS NOT APPLICABLE

- ITEM NOT ILLUSTRATED

# 34-57-00-01

34-57-00  
FIG. 01  
PAGE 4  
JAN 20/09

BRI



757

PARTS CATALOG (MAINTENANCE)

FIG ITEM	PART NUMBER	1 2 3 4 5 6 7	NOMENCLATURE	EFFECT FROM TO	UNITS PER ASSY
1 - 302	MODREF104335		PANEL INSTL-P1-1 AND P3-3 (AUTOMATIC DIRECTION FINDER SYSTEM ONLY) MODULE NUMBER: 233N2103-425 REV B FOR OTHER SYS DETAILS SEE: 11-31-01-38 22-11-02-03 22-14-01-03 22-31-02-01 22-34-51-02 26-17-51-05 27-51-57-03 27-58-00-02 27-81-00-01 29-21-55-02 31-11-11-19 31-11-16-01 31-11-26-38 31-25-01-03 31-41-52-02 31-51-52-02 32-35-52-03 32-41-52-02 32-42-55-03 32-46-00-01 32-61-51-03 33-13-57-01A 33-16-52-03 34-12-01-03 34-13-01-03 34-13-02-01 34-13-05-01 34-13-06-01 34-16-51-03 34-21-02-02 34-22-02-02 34-22-05-01A 34-22-06-01 34-24-01-03 34-32-00-02 34-46-51-02 34-51-02-02 34-61-01-07 34-61-02-02 77-41-01-01 79-33-51-05	106106	1

MISSING ITEM NUMBERS NOT APPLICABLE

- ITEM NOT ILLUSTRATED

# 34-57-00-01

34-57-00  
FIG. 01  
PAGE 5  
JAN 20/09

BRI



757

PARTS CATALOG (MAINTENANCE)

FIG ITEM	PART NUMBER	1 2 3 4 5 6 7	NOMENCLATURE	EFFECT FROM TO	UNITS PER ASSY
1					
- 310	233N2220-328		.MODULE ASSY-P1-1 COMPONENT MAINT MANUAL REF: 31-11-47	103106	RF
315	BP248-127		..KNOB- SUPPLIER CODE: V81590	103106	1
320	233N2220-42		..MODULE ASSY- USED ON: 233N2220-325 233N2220-328	103106	RF
325	AC45-0008-2		...SWITCH- SUPPLIER CODE: V91812 ELECTRICAL EQUIP NUMBER: S00001	103106	1
- 330	233N2223-337		.MODULE ASSY-P3-3 COMPONENT MAINT MANUAL REF: 31-11-50	103106	RF
335	BP248-127		..KNOB- SUPPLIER CODE: V81590	103106	1
340	233N2223-62		..MODULE ASSY- USED ON: 233N2223-335 233N2223-337	103106	RF
345	AC45-0008-2		...SWITCH- SUPPLIER CODE: V91812 ELECTRICAL EQUIP NUMBER: S00009	103106	1

MISSING ITEM NUMBERS NOT APPLICABLE

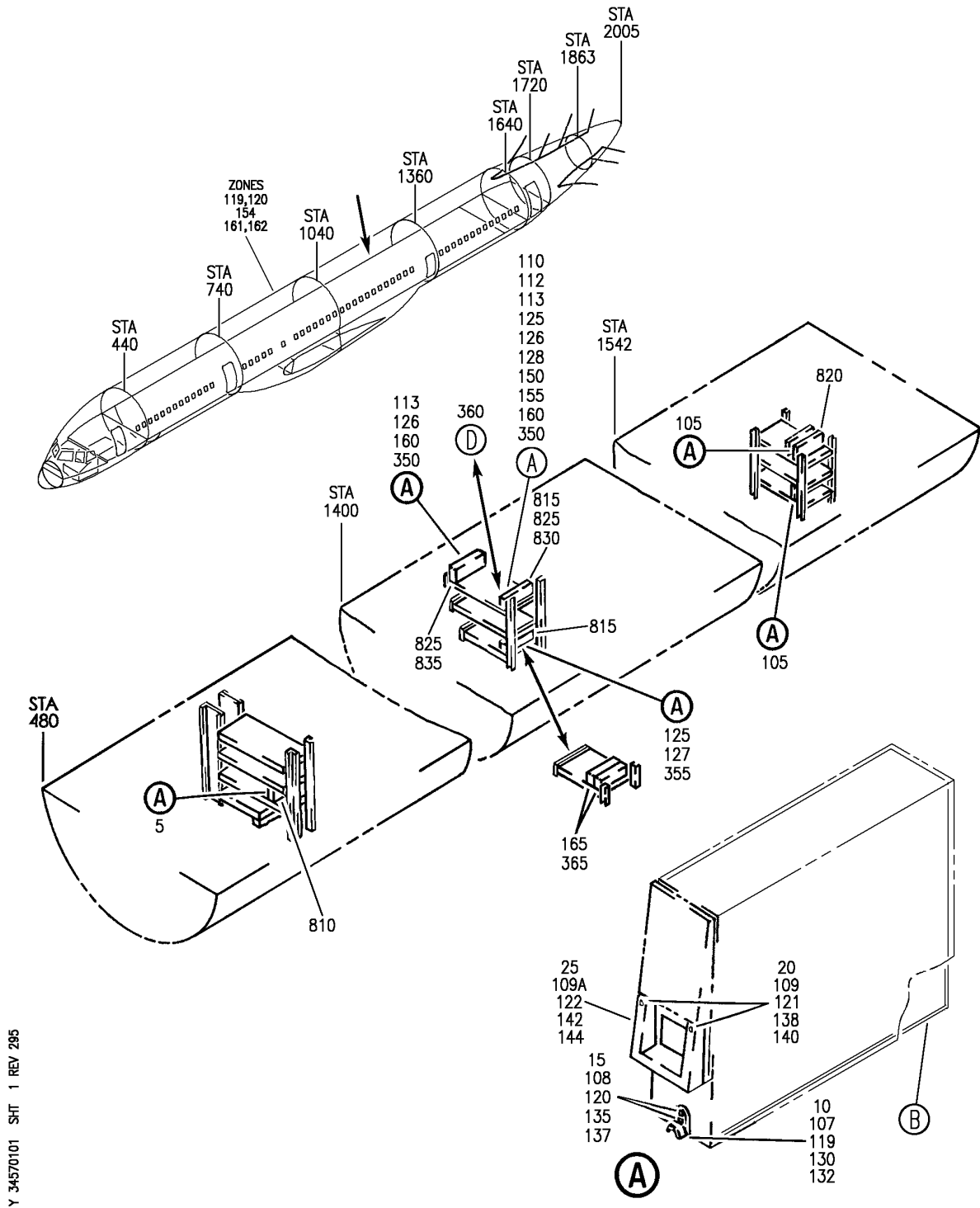
- ITEM NOT ILLUSTRATED

34-57-00-01

34-57-00  
FIG. 01  
PAGE 6  
JAN 20/09

BRI

**BOEING**  
757  
PARTS CATALOG (MAINTENANCE)



Y 34570101 SHT 1 REV 295

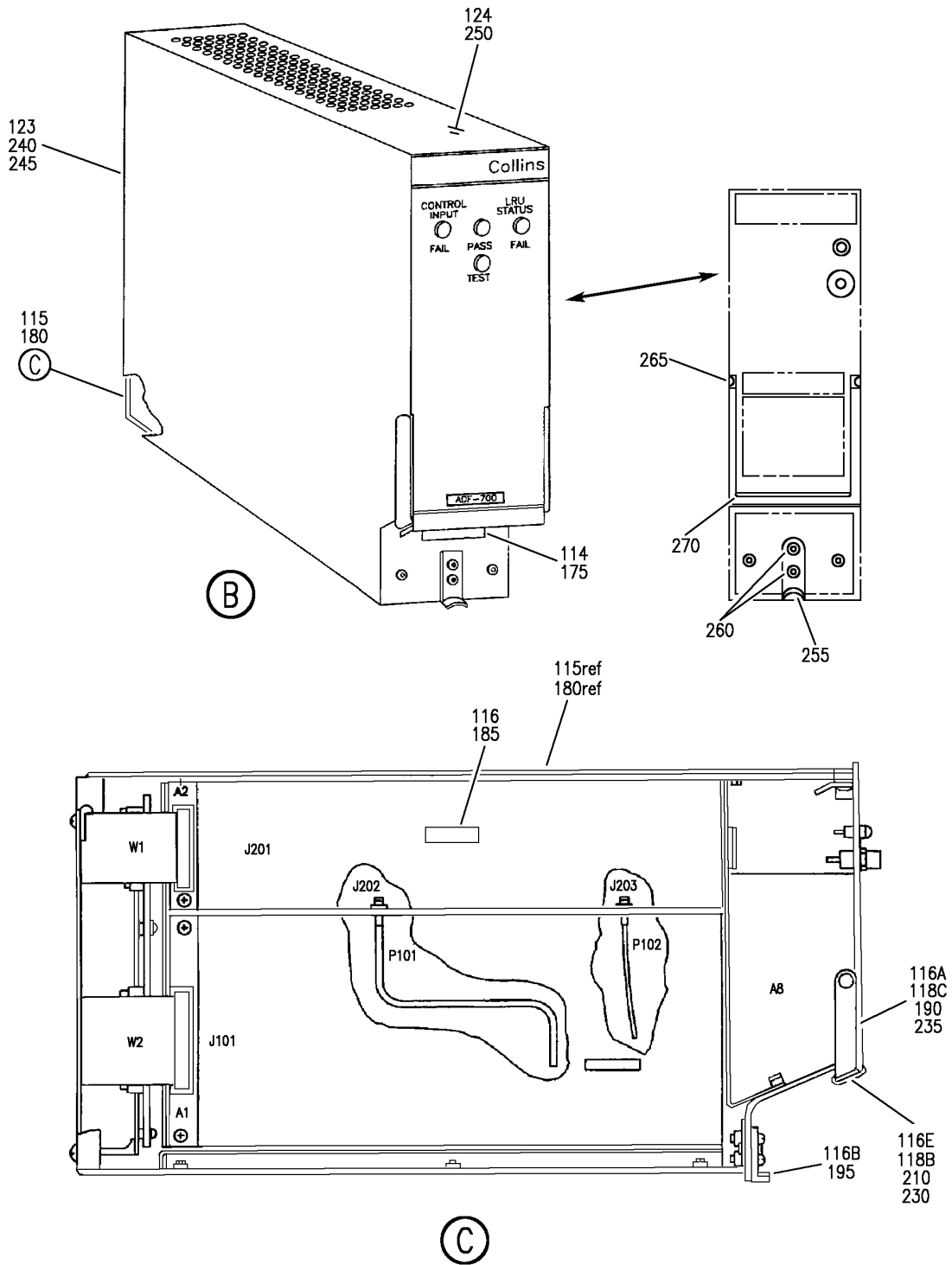
EQUIPMENT INSTL-MAIN ELECTRONIC AND E6 AFT EQPT CTR (ADF SYSTEM ONLY)  
FIGURE 1 (SHEET 1)

**34-57-01-01**

BRI  
MAY 28/07

34-57-01-01  
PAGE 0


**BOEING**  
 757  
**PARTS CATALOG (MAINTENANCE)**



Y 34570101 SHT 2 REV 276

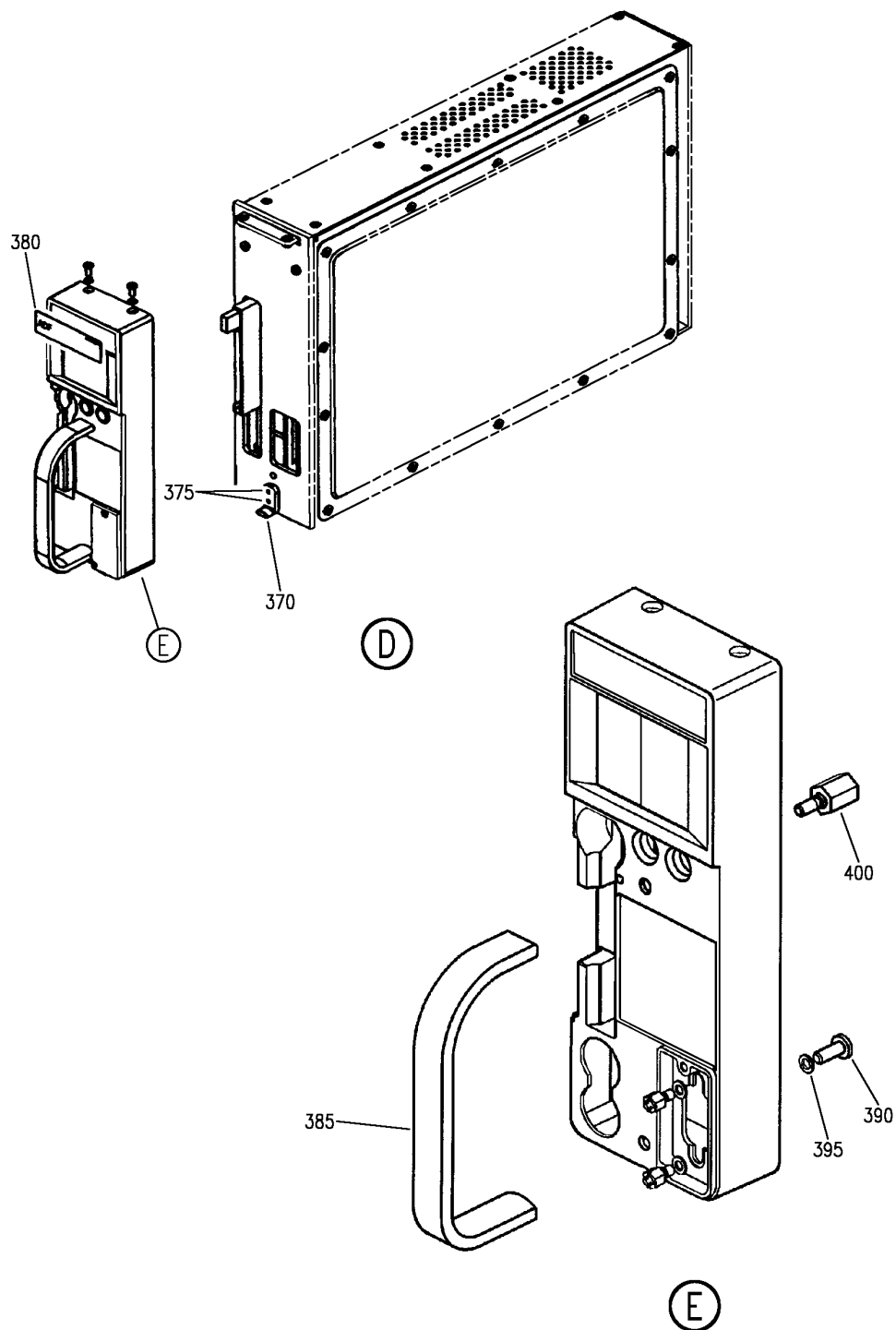
EQUIPMENT INSTL-MAIN ELECTRONIC AND E6 AFT EQPT CTR (ADF SYSTEM ONLY)  
 FIGURE 1 (SHEET 2)

**34-57-01-01**

BRI  
 MAY 28/07

34-57-01-01  
 PAGE 0A

**BOEING**  
757  
PARTS CATALOG (MAINTENANCE)



Y 34570101 SH1 3 REV 295

EQUIPMENT INSTL-MAIN ELECTRONIC AND E6 AFT EQPT CTR (ADF SYSTEM ONLY)  
FIGURE 1 (SHEET 3)

**34-57-01-01**

BRI  
MAY 28/07

34-57-01-01  
PAGE 08

**BOEING**  
757  
**PARTS CATALOG (MAINTENANCE)**

FIG ITEM	PART NUMBER	1 2 3 4 5 6 7	NOMENCLATURE	EFFECT FROM TO	UNITS PER ASSY
1			EQUIPMENT INSTL-MAIN ELECTRONIC AND E6 AFT EQPT CTR (ADF SYSTEM ONLY)	002004 006102 107107 121999	
- 100	284N1500-1		EQUIPMENT INSTL-E6 EQPT CTR (ADF SYSTEM ONLY) POSITION DATA: AFT VARIABLE DRAWING REF: 284N1500-5012 284N1500-5032 284N1500-5034 284N1500-5036 FOR NHA/OTHER SYS DET SEE: 24-00-58-01	002004 006100 107107 950999	RF
- 101	284N1686-3		EQUIPMENT INSTL-E6 EQPT CTR (ADF SYSTEM ONLY) POSITION DATA: AFT FOR NHA/OTHER SYS DET SEE: 24-00-58-01	121503 904949	RF
- 102	284N1500-21		EQUIPMENT INSTL-E6 EQPT CTR (ADF SYSTEM ONLY) POSITION DATA: AFT FOR NHA/OTHER SYS DET SEE: 24-00-58-05D	101102	RF
- 102	284N1500-25		EQUIPMENT INSTL-E6 EQPT CTR (ADF SYSTEM ONLY) POSITION DATA: AFT FOR NHA/OTHER SYS DET SEE: 24-00-58-05D	504903	RF
R R R R R R R	105	2041168-7512	.RECEIVER ASSY-ADF SUPPLIER CODE: V97896 ELECTRICAL EQUIP NUMBER: M00215 M00216 COMPONENT MAINT MANUAL REF: 34-53-31	904949	2
	105	2041168-7512	.RECEIVER ASSY-ADF SUPPLIER CODE: V97896 ELECTRICAL EQUIP NUMBER: M00215 M00216 COMPONENT MAINT MANUAL REF: 34-53-31	121503	2

MISSING ITEM NUMBERS NOT APPLICABLE

- ITEM NOT ILLUSTRATED

BRI

# 34-57-01-01

BOEING PROPRIETARY - Copyright © - Unpublished Work - See title page for details.

34-57-01  
FIG. 01  
PAGE 1  
MAY 20/09





757

PARTS CATALOG (MAINTENANCE)

FIG ITEM	PART NUMBER	1 2 3 4 5 6 7	NOMENCLATURE	EFFECT FROM TO	UNITS PER ASSY
1 107	39035-0001		..HOOK-HOLD DOWN SUPPLIER CODE: V97896	121503 904949	1
108	MS35216-13		ATTACHING PARTS ..SCREW-	121503 904949	2
108	MS35216-14		CONFIG CHG DATA FROM A CMM: REPLD BY MS35216-14, EFF S/N1001 ..SCREW-	121503 904949	2
109	3611334-0001		CONFIG CHG DATA FROM A CMM: REPLS MS35216-13, EFF S/N1001 -----*----- ..SCREW-SPECIAL SUPPLIER CODE: V97896	121503 904949	2
109A	2040266-0501		..HANDLE- SUPPLIER CODE: V97896	121503 904949	1
126	2041168-7510		.RECEIVER ASSY-ADF SUPPLIER CODE: V97896 SPECIFICATION NUMBER: S220T106-108 ELECTRICAL EQUIP NUMBER: M00215 M00216 COMPONENT MAINT MANUAL REF: 34-53-31 QUALIFIED I/W DATA: 2041168-7510 I/W 2041168-7511 EXCEPT SUBJECT TO CUSTOMER PREFERENCE 822-0299-001 & 622-5404-003 I/W 2041168-7510 & 2041683-7504. REFER TO 244U0903 FOR PROPER PROGRAM PIN CONFIGURATION.	107107	2

MISSING ITEM NUMBERS NOT APPLICABLE

- ITEM NOT ILLUSTRATED

BRI

34-57-01-01

BOEING PROPRIETARY - Copyright © - Unpublished Work - See title page for details.

34-57-01  
FIG. 01  
PAGE 2  
MAY 20/09



757

PARTS CATALOG (MAINTENANCE)

FIG ITEM	PART NUMBER	1 2 3 4 5 6 7	NOMENCLATURE	EFFECT FROM TO	UNITS PER ASSY
R R	126	2041168-7510	.RECEIVER ASSY-ADF SUPPLIER CODE: V97896 SPECIFICATION NUMBER: S220T106-108 ELECTRICAL EQUIP NUMBER: M00215 M00216 COMPONENT MAINT MANUAL REF: 34-53-31 QUALIFIED I/W DATA: 822-0299-001 & 622-5404-003 I/W 2041168-7510 & 2041683-7504. REFER TO 244U0903 FOR PROPER PROGRAM PIN CONFIGURATION.	002004 006100	2
	128	2041168-7510	.RECEIVER ASSY-ADF SUPPLIER CODE: V97896 SPECIFICATION NUMBER: S220T106-108 ELECTRICAL EQUIP NUMBER: M00215 COMPONENT MAINT MANUAL REF: 34-53-31 QUALIFIED I/W DATA: 822-0299-001 & 622-5404-003 I/W 2041168-7510 & 2041683-7504. REFER TO 244U0903 FOR PROPER PROGRAM PIN CONFIGURATION.	504903	1
	130	39035-0001	..HOOK-HOLD DOWN SUPPLIER CODE: V97896	002004 006100 107107	1
	132	39035-0001	..HOOK-HOLD DOWN SUPPLIER CODE: V97896	950951	1
	135	MS35216-13	..SCREW- CONFIG CHG DATA FROM A CMM: REPLD BY MS35216-14, EFF S/N1001	002004 006100 107107	2

MISSING ITEM NUMBERS NOT APPLICABLE

- ITEM NOT ILLUSTRATED

34-57-01-01

34-57-01  
FIG. 01  
PAGE 3  
MAY 20/09

BRI



**757  
PARTS CATALOG (MAINTENANCE)**

FIG ITEM	PART NUMBER	1 2 3 4 5 6 7	NOMENCLATURE	EFFECT FROM TO	UNITS PER ASSY
1					
135	MS35216-14	..	SCREW- CONFIG CHG DATA FROM A CMM: REPLS MS35216-13, EFF S/N1001	002004 006100 107107	2
137	MS35216-13	..	SCREW- CONFIG CHG DATA FROM A CMM: REPLD BY MS35216-14, EFF S/N1001	950951	2
137	MS35216-14	..	SCREW- CONFIG CHG DATA FROM A CMM: REPLS MS35216-13, EFF S/N1001	950951	2
138	3611334-0001	..	SCREW-SPECIAL SUPPLIER CODE: V97896	002004 006100 107107	2
140	3611334-0001	..	SCREW-SPECIAL SUPPLIER CODE: V97896	950951	2
142	2040266-0501	..	HANDLE- SUPPLIER CODE: V97896	002004 006100 107107	1
144	2040266-0501	..	HANDLE- SUPPLIER CODE: V97896	950951	1
155	622-5222-102	.RECEIVER ASSY-ADF SUPPLIER CODE: V4V792 ELECTRICAL EQUIP NUMBER: M00215 COMPONENT MAINT MANUAL REF: 34-53-70 QUALIFIED I/W DATA: 622-5222-001 I/W 622-5222-102 EXCEPT SUBJECT TO CUSTOMER PREFERENCE	950951	1	

R  
R  
R  
R  
R  
R  
R  
R  
R  
R  
R

MISSING ITEM NUMBERS NOT APPLICABLE

— ITEM NOT ILLUSTRATED

# 34-57-01-01

34-57-01  
FIG. 01  
PAGE 4  
MAY 20/09

BRI



757

PARTS CATALOG (MAINTENANCE)

FIG ITEM	PART NUMBER	1 2 3 4 5 6 7	NOMENCLATURE	EFFECT FROM TO	UNITS PER ASSY
1	822-0299-001		.RECEIVER ASSY- SUPPLIER CODE: V4V792 FUNCTIONAL DESCRIPTION: AIDS NAVIGATION BY PROVIDING BEARING TO SELECTED GROUND BASED SIGNAL SOURCES. ELECTRICAL EQUIP NUMBER: M00215 COMPONENT MAINT MANUAL REF: 34-53-91 QUALIFIED I/W DATA: 822-0299-001 & 622-5404-003 I/W 2041168-7510 & 2041683-7504. REFER TO 244U0903 FOR PROPER PROGRAM PIN CONFIGURATION. FOR DETAILS SEE: 34-57-01-50	950951	1
160	622-5222-102		.RECEIVER ASSY-ADF SUPPLIER CODE: V4V792 ELECTRICAL EQUIP NUMBER: M00215 M00216 COMPONENT MAINT MANUAL REF: 34-53-70 QUALIFIED I/W DATA: 622-5222-001 I/W 622-5222-102 EXCEPT SUBJECT TO CUSTOMER PREFERENCE	952999	2
175	646-0070-000		..PLATE-IDENT SUPPLIER CODE: V4V792 CONFIG CHG DATA FROM A CMM: SUPSD BY 646-0070-001 USED ON: 622-5222-001	950951	1

MISSING ITEM NUMBERS NOT APPLICABLE

- ITEM NOT ILLUSTRATED

**34-57-01-01**

34-57-01  
FIG. 01  
PAGE 5  
MAY 20/09

BRI



757

PARTS CATALOG (MAINTENANCE)

FIG ITEM	PART NUMBER	1 2 3 4 5 6 7	NOMENCLATURE	EFFECT FROM TO	UNITS PER ASSY
1					
175	646-0070-000	..	PLATE-IDENT SUPPLIER CODE: V4V792 CONFIG CHG DATA FROM A CMM: SUPSD BY 646-0070-001 USED ON: 622-5222-001 622-5222-102	952999	1
175	646-0070-001	..	PLATE-IDENT SUPPLIER CODE: V4V792 CONFIG CHG DATA FROM A CMM: SUPERSEDES 646-0070-000 USED ON: 622-5222-001	950951	1
175	646-0070-001	..	PLATE-IDENT SUPPLIER CODE: V4V792 CONFIG CHG DATA FROM A CMM: SUPERSEDES 646-0070-000 USED ON: 622-5222-001 622-5222-102	952999	1
180	641-0847-102	..	CHASSIS-RCVR SUPPLIER CODE: V4V792 USED ON: 622-5222-102	950951	1
180	641-0847-102	..	CHASSIS-RCVR SUPPLIER CODE: V4V792 USED ON: 622-5222-102	952999	1
185	280-2745-010	...	LABEL-ESDS WARNING SUPPLIER CODE: V12998	950951	3
185	280-2745-010	...	LABEL-ESDS WARNING SUPPLIER CODE: V12998	952999	3
190	629-6836-067	...	STRIP-IDENT SUPPLIER CODE: V4V792	950951	1
190	629-6836-067	...	STRIP-IDENT SUPPLIER CODE: V4V792	952999	1
195	503-4970-001	...	HOOK-HOLDDOWN SUPPLIER CODE: V4V792	950951	1

MISSING ITEM NUMBERS NOT APPLICABLE

- ITEM NOT ILLUSTRATED

34-57-01-01

34-57-01  
FIG. 01  
PAGE 6  
JAN 20/09

BRI

BOEING PROPRIETARY - Copyright © - Unpublished Work - See title page for details.



757

PARTS CATALOG (MAINTENANCE)

FIG ITEM	PART NUMBER	1 2 3 4 5 6 7	NOMENCLATURE	EFFECT FROM TO	UNITS PER ASSY
1					
195	503-4970-001		...HOOK-HOLDDOWN SUPPLIER CODE: V4V792 ATTACHING PARTS	952999	1
- 200	MS51957-30		...SCREW	950951	2
- 200	MS51957-30		...SCREW	952999	2
- 205	641-8914-001		...SHIM-HOLDDOWN SUPPLIER CODE: V4V792	950951	1
- 205	641-8914-001		...SHIM-HOLDDOWN SUPPLIER CODE: V4V792 -----*-----	952999	1
210	651-2408-002		...HANDLE ASSY- SUPPLIER CODE: V4V792	950951	1
210	651-2408-002		...HANDLE ASSY- SUPPLIER CODE: V4V792 ATTACHING PARTS	952999	1
- 215	651-2411-001		...SCREW- SUPPLIER CODE: V4V792 CONFIG CHG DATA FROM A CMM: SUPSD BY 652-5421-001	950951	2
- 215	651-2411-001		...SCREW- SUPPLIER CODE: V4V792 CONFIG CHG DATA FROM A CMM: SUPSD BY 652-5421-001	952999	2
- 215	652-5421-001		...SCREW- SUPPLIER CODE: V4V792 CONFIG CHG DATA FROM A CMM: SUPERSEDES 651-2411-001	950951	2
- 215	652-5421-001		...SCREW- SUPPLIER CODE: V4V792 CONFIG CHG DATA FROM A CMM: SUPERSEDES 651-2411-001	952999	2
- 220	768-3178-001		...WASHER- SUPPLIER CODE: V4V792	950951	4
- 220	768-3178-001		...WASHER- SUPPLIER CODE: V4V792	952999	4
- 225	MS21042-06		...NUT	950951	2
- 225	MS21042-06		...NUT -----*-----	952999	2

MISSING ITEM NUMBERS NOT APPLICABLE

- ITEM NOT ILLUSTRATED

34-57-01-01

34-57-01  
FIG. 01  
PAGE 7  
JAN 20/09

BRI



757

PARTS CATALOG (MAINTENANCE)

FIG ITEM	PART NUMBER	1 2 3 4 5 6 7	NOMENCLATURE	EFFECT FROM TO	UNITS PER ASSY
1					
230	768-3386-001	...	BAR-GRIP SUPPLIER CODE: V4V792	950951	1
230	768-3386-001	...	BAR-GRIP SUPPLIER CODE: V4V792	952999	1
235	768-3387-019	...	STRAP- SUPPLIER CODE: V4V792	950951	1
235	768-3387-019	...	STRAP- SUPPLIER CODE: V4V792	952999	1
240	025-1156-001	..	CAP-PROTECTIVE SUPPLIER CODE: V71468 CONFIG CHG DATA FROM A CMM: SUPSD BY 211600-1 USED ON: 622-5222-001 622-5222-102	950951	1
240	025-1156-001	..	CAP-PROTECTIVE SUPPLIER CODE: V71468 CONFIG CHG DATA FROM A CMM: SUPSD BY 211600-1 USED ON: 622-5222-001 622-5222-102	952999	1
245	025-1155-001	..	CAP-PROTECTIVE SUPPLIER CODE: V71468 CONFIG CHG DATA FROM A CMM: SUPSD BY 211600-1 USED ON: 622-5222-001 622-5222-102	950951	1
245	025-1155-001	..	CAP-PROTECTIVE SUPPLIER CODE: V71468 CONFIG CHG DATA FROM A CMM: SUPSD BY 211600-1 USED ON: 622-5222-001 622-5222-102	952999	1

MISSING ITEM NUMBERS NOT APPLICABLE

- ITEM NOT ILLUSTRATED

BRI

34-57-01-01

BOEING PROPRIETARY - Copyright © - Unpublished Work - See title page for details.

34-57-01  
FIG. 01  
PAGE 8  
JAN 20/09



757

PARTS CATALOG (MAINTENANCE)

FIG ITEM	PART NUMBER	1 2 3 4 5 6 7	NOMENCLATURE	EFFECT FROM TO	UNITS PER ASSY
1 245	211600-1		..CAP-DUST SUPPLIER CODE: V00779 CONFIG CHG DATA FROM A CMM: SUPERSEDES 025-1156-001 SUPERSEDES 025-1155-001 USED ON: 622-5222-001 622-5222-102	950951	1
245	211600-1		..CAP-DUST SUPPLIER CODE: V00779 CONFIG CHG DATA FROM A CMM: SUPERSEDES 025-1156-001 SUPERSEDES 025-1155-001 USED ON: 622-5222-001 622-5222-102	952999	1
250	280-2745-130		..LABEL-ESDS WARNING SUPPLIER CODE: V12998 USED ON: 622-5222-001 622-5222-102	950951	1
250	280-2745-130		..LABEL-ESDS WARNING SUPPLIER CODE: V12998 USED ON: 622-5222-001 622-5222-102	952999	1
350	066-50014-0101		.RECEIVER ASSY-ADF SUPPLIER CODE: V97896 FUNCTIONAL DESCRIPTION: AIDS NAVIGATION BY PROVIDING BEARING TO SELECTED GROUND BASED SIGNAL SOURCES. ELECTRICAL EQUIP NUMBER: M00215 M00216 COMPONENT MAINT MANUAL REF: 34-53-33	002004 006100	2
370	39035-0005		..HOOK-SUPT SUPPLIER CODE: V97896	002004 006100	1

MISSING ITEM NUMBERS NOT APPLICABLE

- ITEM NOT ILLUSTRATED

34-57-01-01

34-57-01  
FIG. 01  
PAGE 9  
JAN 20/09

BRI





757

PARTS CATALOG (MAINTENANCE)

FIG ITEM	PART NUMBER	1 2 3 4 5 6 7	NOMENCLATURE	EFFECT FROM TO	UNITS PER ASSY
1			ATTACHING PARTS		
375	6732-0605		.. SCREW- SUPPLIER CODE: V97896 CONFIG CHG DATA FROM A CMM: REPLD BY 6732-0608	002004 006100	2
375	6732-0608		.. SCREW- SUPPLIER CODE: V97896 CONFIG CHG DATA FROM A CMM: REPLACES 6732-0605	002004 006100	2
			-----*-----		
380	05750012-0004		.. LABEL- SUPPLIER CODE: V97896	002004 006100	1
385	04750436-0001		.. HANDLE- SUPPLIER CODE: V97896	002004 006100	1
390	MS51957-27		ATTACHING PARTS .. SCREW	002004 006100	1
395	MS35338-79		.. WASHER	002004 006100	1
			-----*-----		
400	04750434-0002		.. STANDOFF- SUPPLIER CODE: V97896	002004 006100	1
- 800	286N1001-007		WIRE BUNDLE ASSY-	002004 006100 950999	RF
- 800	286N1001-008		WIRE BUNDLE ASSY	107107	RF
- 800	286N1011-002		WIRE BUNDLE ASSY	121503 904949	RF
- 805	286N1013-002		WIRE BUNDLE ASSY	121503 904949	RF
820	NIC66F11C0501		.CONNECTOR- SUPPLIER CODE: V00779 SPECIFICATION NUMBER: BACC66F11C0501 ELECTRICAL EQUIP NUMBER: D00245 WIRING DIAGRAM REF: 345721	121503 904949	1

MISSING ITEM NUMBERS NOT APPLICABLE

- ITEM NOT ILLUSTRATED

BRI

34-57-01-01

34-57-01  
FIG. 01  
PAGE 10  
JAN 20/09



757

PARTS CATALOG (MAINTENANCE)

FIG ITEM	PART NUMBER	1 2 3 4 5 6 7	NOMENCLATURE	EFFECT FROM TO	UNITS PER ASSY
1 825	NIC66F11C0501		.CONNECTOR- SUPPLIER CODE: V00779 SPECIFICATION NUMBER: BACC66F11C0501 ELECTRICAL EQUIP NUMBER: D00245 D00443 WIRING DIAGRAM REF: 345711 345721	107107 952999	1
830	NIC66F11C0501		.CONNECTOR- SUPPLIER CODE: V00779 SPECIFICATION NUMBER: BACC66F11C0501 ELECTRICAL EQUIP NUMBER: D00245 WIRING DIAGRAM REF: 345711 USED ON: 286N1001-007	002004 006100 950951	1

MISSING ITEM NUMBERS NOT APPLICABLE

- ITEM NOT ILLUSTRATED

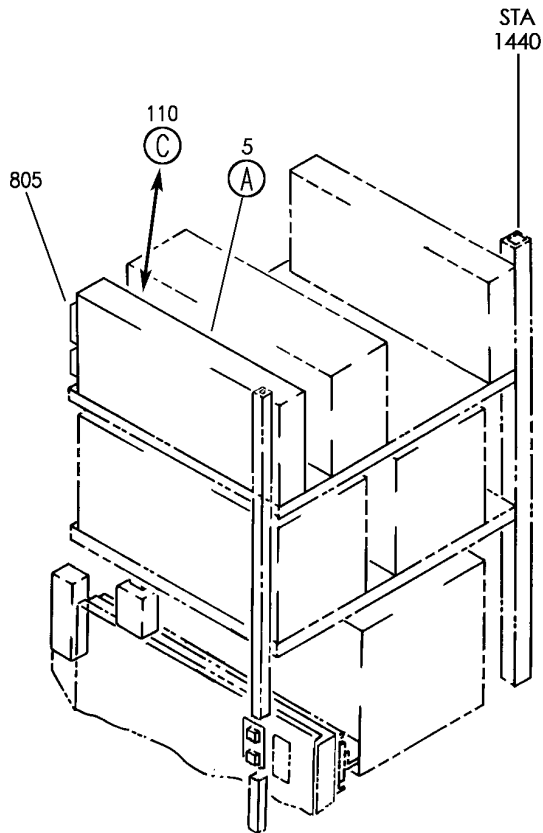
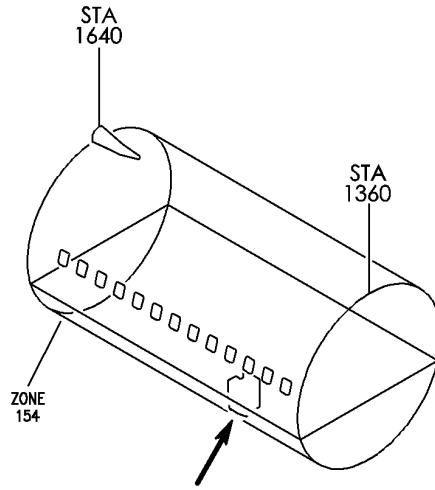
BRI

34-57-01-01

BOEING PROPRIETARY - Copyright © - Unpublished Work - See title page for details.

34-57-01  
FIG. 01  
PAGE 11  
JAN 20/09

**BOEING**  
757  
PARTS CATALOG (MAINTENANCE)



Y 34570105 SH1 1 REV 295

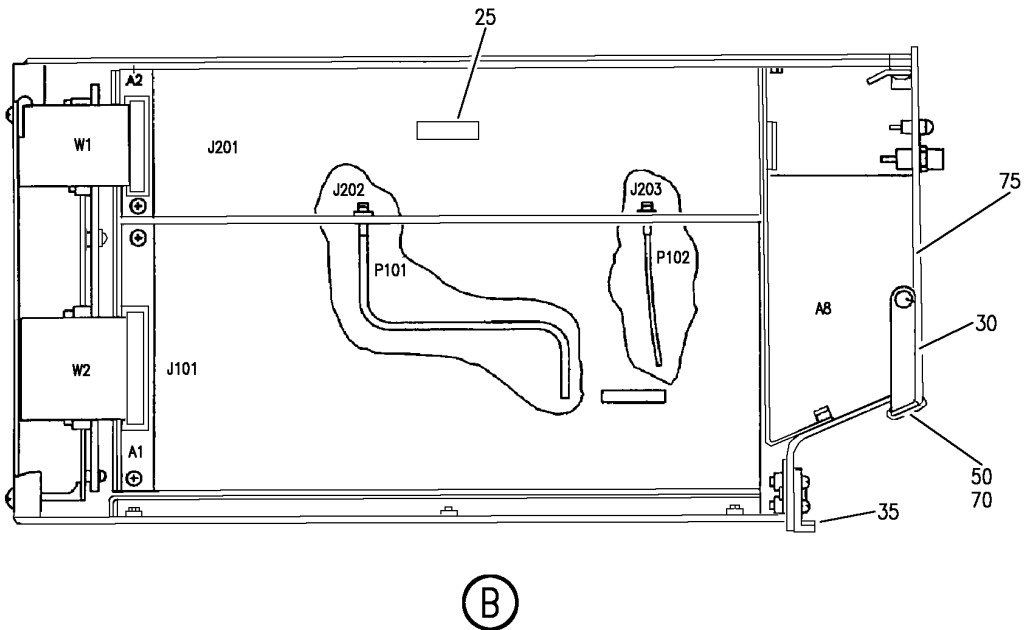
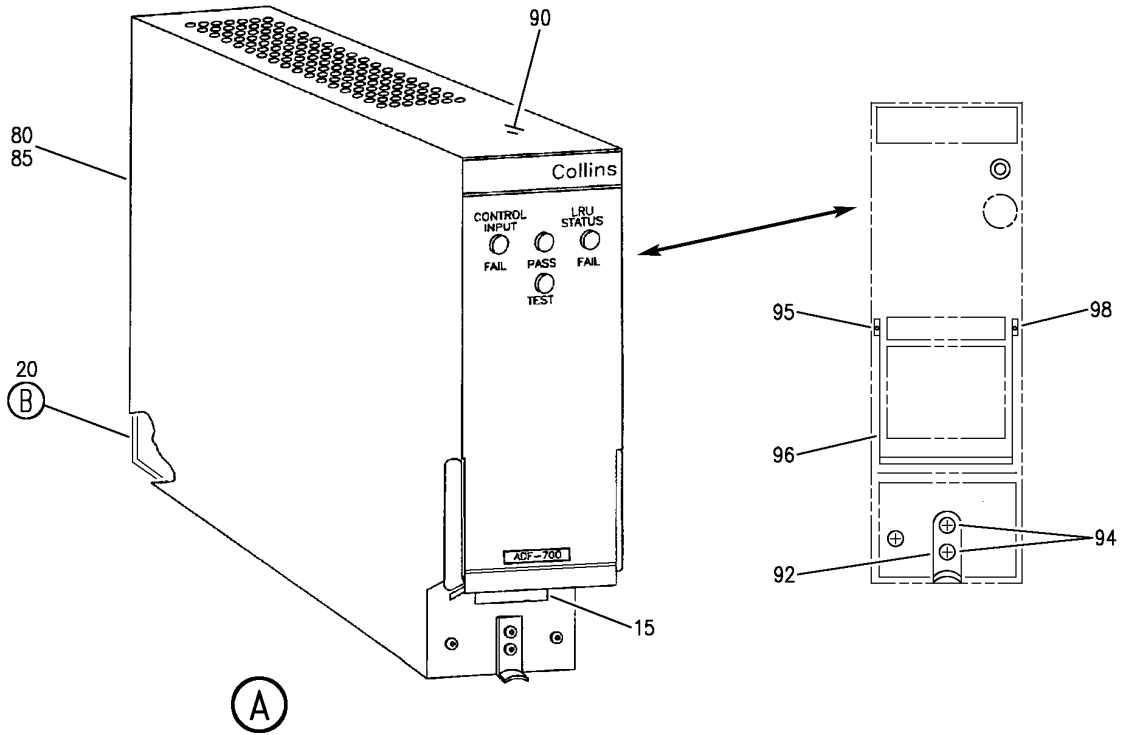
EQUIPMENT INSTL-E6 AFT EQPT CTR L ADF RCVR  
FIGURE 5 (SHEET 1)

**34-57-01-05**

BRI  
JAN 20/09

34-57-01-05  
PAGE 0


**BOEING**  
 757  
**PARTS CATALOG (MAINTENANCE)**



Y 34570105 SHT 2 REV 276

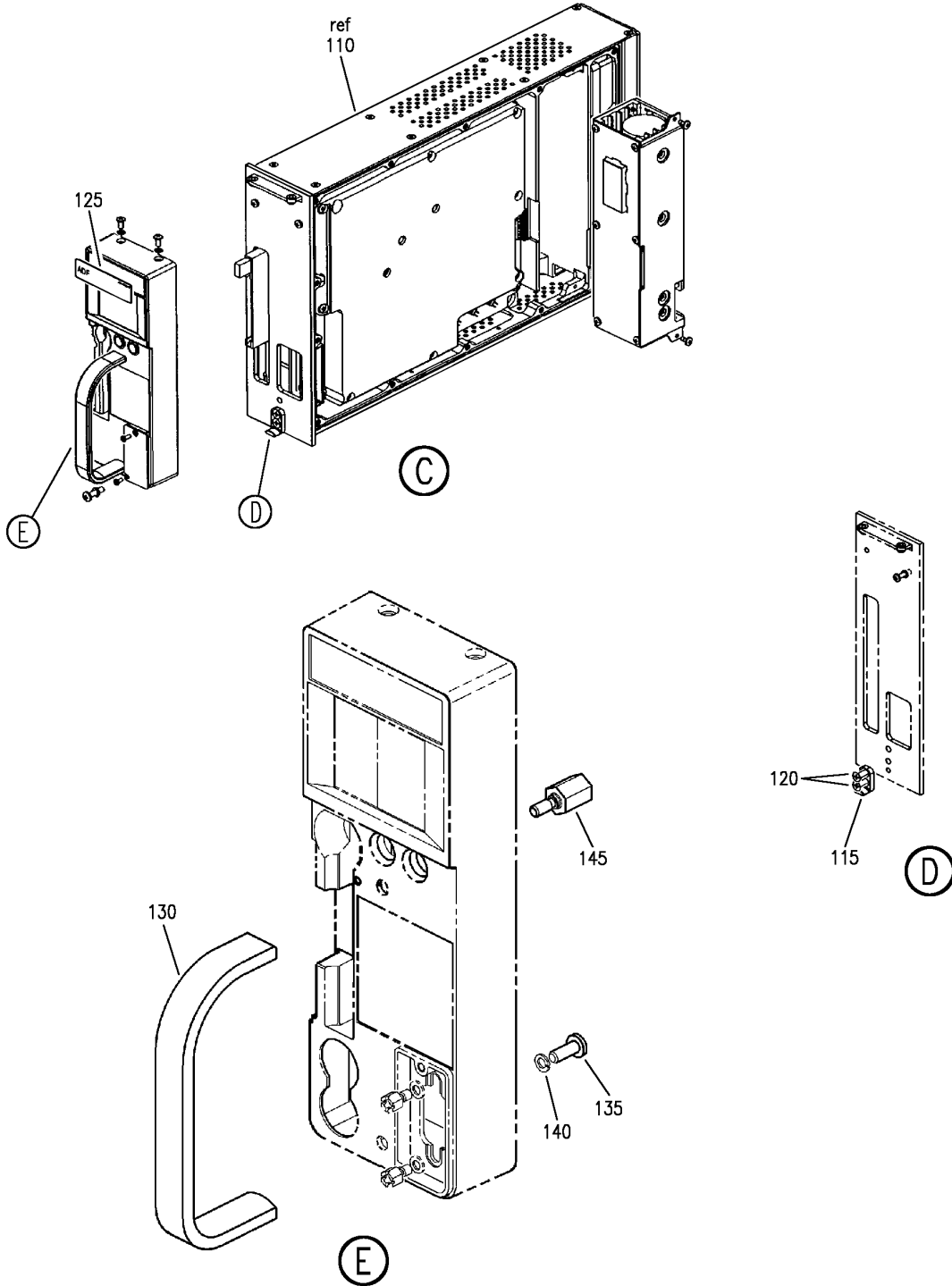
EQUIPMENT INSTL-E6 AFT EQPT CTR L ADF RCVR  
FIGURE 5 (SHEET 2)

**34-57-01-05**

BRI  
JAN 20/09

34-57-01-05  
PAGE 0A

**BOEING**  
757  
PARTS CATALOG (MAINTENANCE)



Y 34570105 SHT 3 REV 295

EQUIPMENT INSTL-E6 AFT EQPT CTR L ADF RCVR  
FIGURE 5 (SHEET 3)

**34-57-01-05**

BRI  
JAN 20/09

34-57-01-05  
PAGE 0B



757

PARTS CATALOG (MAINTENANCE)

FIG ITEM	PART NUMBER	1 2 3 4 5 6 7	NOMENCLATURE	EFFECT FROM TO	UNITS PER ASSY
5			EQUIPMENT INSTL-E6 AFT EQPT CTR L ADF RCVR	108120	
- 1	284N6000-340013		EQUIPMENT INSTL-E6 AFT EQPT CTR L ADF RCVR FOR NHA SEE: 24-00-58-05F	108120	RF
5	622-5222-102		.RECEIVER ASSY- SUPPLIER CODE: V4V792 ELECTRICAL EQUIP NUMBER: M00215 COMPONENT MAINT MANUAL REF: 34-53-70	108120	1
15	646-0070-000		..PLATE-IDENT SUPPLIER CODE: V4V792 CONFIG CHG DATA FROM A CMM: SUPSD BY 646-0070-001	108120	1
15	646-0070-001		..PLATE-IDENT SUPPLIER CODE: V4V792 CONFIG CHG DATA FROM A CMM: SUPERSEDES 646-0070-000	108120	1
20	641-0847-102		..CHASSIS-RCVR SUPPLIER CODE: V4V792	108120	1
25	280-2745-010		...LABEL-ESDS WARNING SUPPLIER CODE: V12998	108120	3
30	629-6836-067		...STRIP-IDENT SUPPLIER CODE: V4V792	108120	1
35	503-4970-001		...HOOK-HOLDDOWN SUPPLIER CODE: V4V792	108120	1
- 40	MS51957-30		ATTACHING PARTS ...SCREW	108120	2
- 45	641-8914-001		...SHIM-HOLDDOWN SUPPLIER CODE: V4V792	108120	1
50	651-2408-002		-----*----- ...HANDLE ASSY- SUPPLIER CODE: V4V792	108120	1

MISSING ITEM NUMBERS NOT APPLICABLE

- ITEM NOT ILLUSTRATED

34-57-01-05

34-57-01  
FIG. 05  
PAGE 1  
JAN 20/09

BRI

BOEING PROPRIETARY - Copyright © - Unpublished Work - See title page for details.

 **BOEING**  
757  
**PARTS CATALOG (MAINTENANCE)**

FIG ITEM	PART NUMBER	1 2 3 4 5 6 7	NOMENCLATURE	EFFECT FROM TO	UNITS PER ASSY
5			ATTACHING PARTS		
- 55	651-2411-001	...	SCREW- SUPPLIER CODE: V4V792 CONFIG CHG DATA FROM A CMM: SUPSD BY 652-5421-001	108120	2
- 55	652-5421-001	...	SCREW- SUPPLIER CODE: V4V792 CONFIG CHG DATA FROM A CMM: SUPERSEDES 651-2411-001	108120	2
- 60	768-3178-001	...	WASHER- SUPPLIER CODE: V4V792	108120	4
- 65	MS21042-06	...	NUT	108120	2
			-----*-----		
70	768-3386-001	...	BAR-GRIP SUPPLIER CODE: V4V792	108120	1
75	768-3387-019	...	STRAP- SUPPLIER CODE: V4V792	108120	1
80	025-1156-001	..	CAP-PROTECTIVE SUPPLIER CODE: V71468 CONFIG CHG DATA FROM A CMM: SUPSD BY 211600-1	108120	1
85	025-1155-001	..	CAP-PROTECTIVE SUPPLIER CODE: V71468 CONFIG CHG DATA FROM A CMM: SUPSD BY 211600-1	108120	1
85	211600-1	..	CAP-DUST SUPPLIER CODE: V00779 CONFIG CHG DATA FROM A CMM: SUPERSEDES 025-1156-001 SUPERSEDES 025-1155-001	108120	1
90	280-2745-130	..	LABEL-ESDS WARNING SUPPLIER CODE: V12998	108120	1
- 801	286N1001-331		WIRE BUNDLE ASSY	108120	RF

MISSING ITEM NUMBERS NOT APPLICABLE

- ITEM NOT ILLUSTRATED

BRI

# 34-57-01-05

BOEING PROPRIETARY - Copyright © - Unpublished Work - See title page for details.

34-57-01  
FIG. 05  
PAGE 2  
JAN 20/09



757

PARTS CATALOG (MAINTENANCE)

FIG ITEM	PART NUMBER	1 2 3 4 5 6 7	NOMENCLATURE	EFFECT FROM TO	UNITS PER ASSY
5 805	NIC66F11C0501		.CONNECTOR- SUPPLIER CODE: V00779 SPECIFICATION NUMBER: BACC66F11C0501 ELECTRICAL EQUIP NUMBER: D00245 WIRING DIAGRAM REF: 345711	108120	1

MISSING ITEM NUMBERS NOT APPLICABLE

- ITEM NOT ILLUSTRATED

BRI

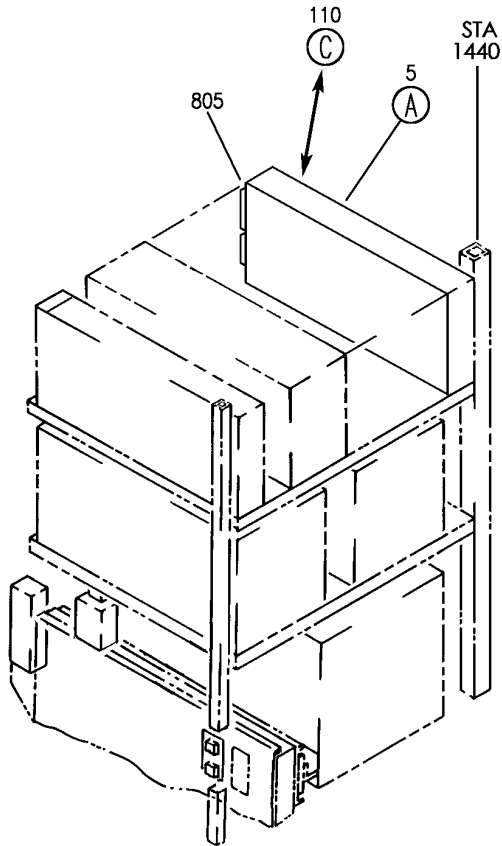
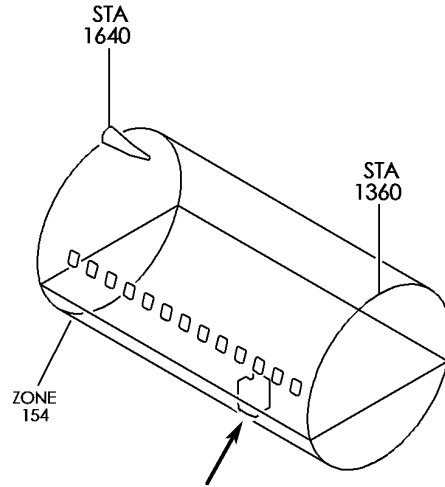
34-57-01-05

BOEING PROPRIETARY - Copyright © - Unpublished Work - See title page for details.

34-57-01  
FIG. 05  
PAGE 3  
JAN 20/09



**BOEING**  
757  
PARTS CATALOG (MAINTENANCE)



Y 34570106 SH1 1 REV 295

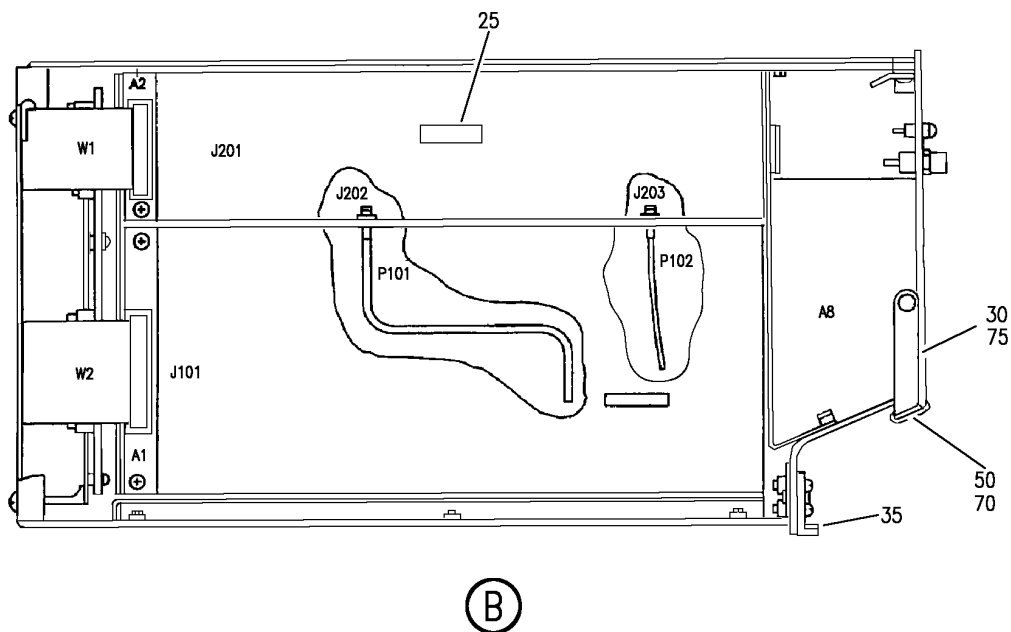
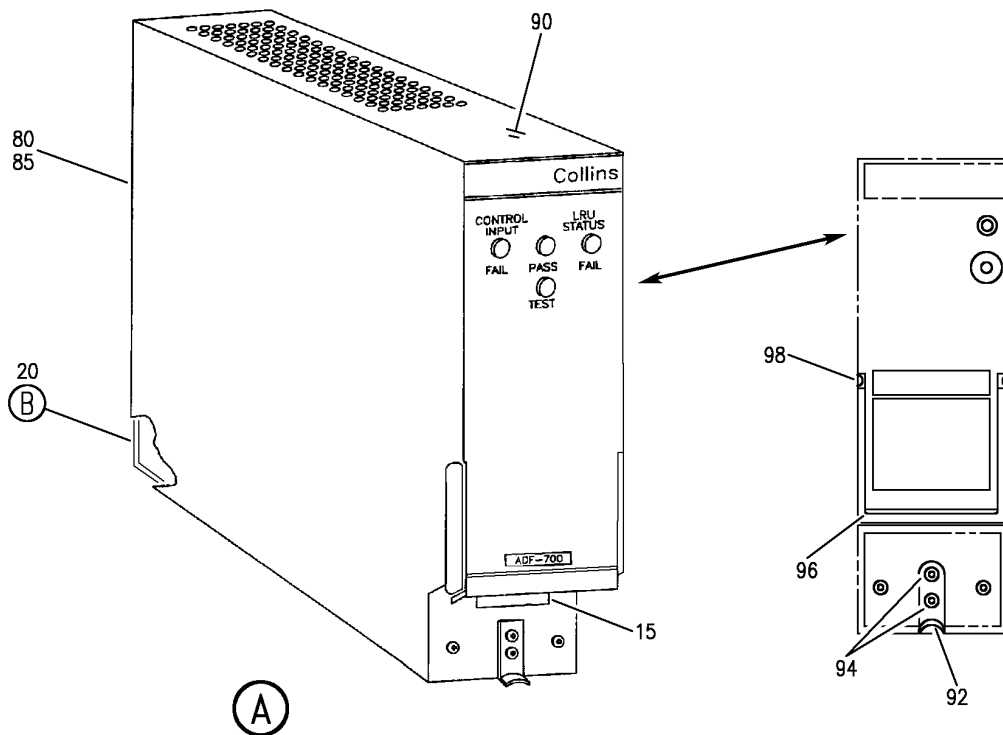
EQUIPMENT INSTL-E6 AFT EQPT CTR R ADF RCVR  
FIGURE 6 (SHEET 1)

**34-57-01-06**

BRI  
JAN 20/09

34-57-01-06  
PAGE 0


**BOEING**  
 757  
**PARTS CATALOG (MAINTENANCE)**



Y 34570106 SH1 2 REV 276

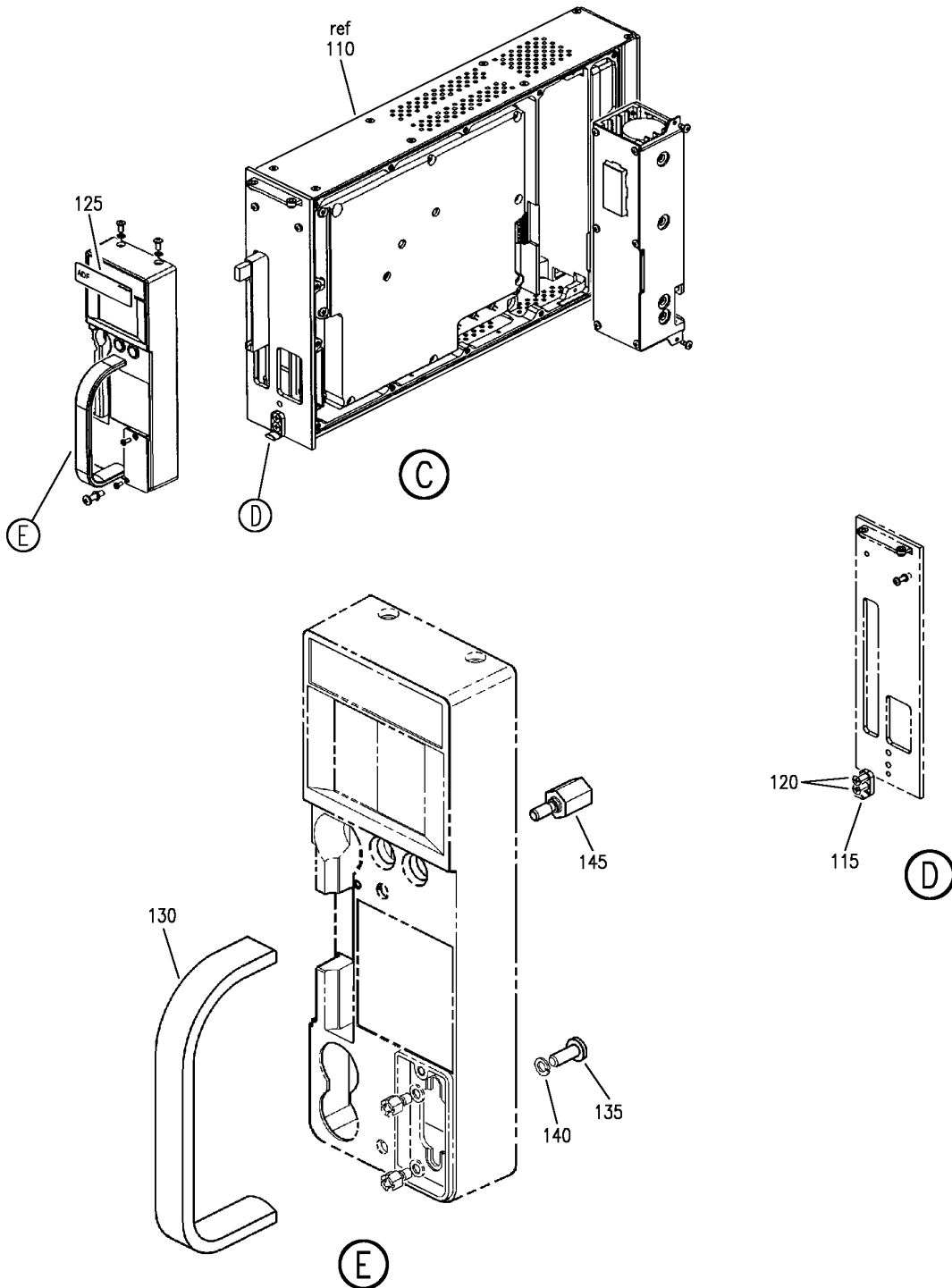
EQUIPMENT INSTL-E6 AFT EQPT CTR R ADF RCVR  
FIGURE 6 (SHEET 2)

**34-57-01-06**

BRI  
JAN 20/09

34-57-01-06  
PAGE 0A

**BOEING**  
757  
PARTS CATALOG (MAINTENANCE)



Y 34570106 SHT 3 REV 295

EQUIPMENT INSTL-E6 AFT EQPT CTR R ADF RCVR  
FIGURE 6 (SHEET 3)

**34-57-01-06**

BRI  
JAN 20/09

34-57-01-06  
PAGE 0B

 **BOEING**  
757  
**PARTS CATALOG (MAINTENANCE)**

FIG ITEM	PART NUMBER	1 2 3 4 5 6 7	NOMENCLATURE	EFFECT FROM TO	UNITS PER ASSY
6			EQUIPMENT INSTL-E6 AFT EQPT CTR R ADF RCVR	108120	
- 1	284N6000-340014		EQUIPMENT INSTL-E6 AFT EQPT CTR R ADF RCVR	108120	RF
			FOR NHA SEE: 24-00-58-05F		
5	622-5222-102		.RECEIVER ASSY- SUPPLIER CODE: V4V792	108120	1
			ELECTRICAL EQUIP NUMBER: M00216		
			COMPONENT MAINT MANUAL REF: 34-53-70		
15	646-0070-000		..PLATE-IDENT SUPPLIER CODE: V4V792	108120	1
			CONFIG CHG DATA FROM A CMM: SUPSD BY 646-0070-001		
15	646-0070-001		..PLATE-IDENT SUPPLIER CODE: V4V792	108120	1
			CONFIG CHG DATA FROM A CMM: SUPERSEDES 646-0070-000		
20	641-0847-102		..CHASSIS-RCVR SUPPLIER CODE: V4V792	108120	1
25	280-2745-010		...LABEL-ESDS WARNING SUPPLIER CODE: V12998	108120	3
30	629-6836-067		...STRIP-IDENT SUPPLIER CODE: V4V792	108120	1
35	503-4970-001		...HOOK-HOLDDOWN SUPPLIER CODE: V4V792	108120	1
35	503-4970-001		...HOOK-HOLDDOWN SUPPLIER CODE: V4V792	108120	1
- 40	MS51957-30		ATTACHING PARTS ...SCREW	108120	2
- 45	641-8914-001		...SHIM-HOLDDOWN SUPPLIER CODE: V4V792	108120	1
			-----*-----		
50	651-2408-002		...HANDLE ASSY- SUPPLIER CODE: V4V792	108120	1

MISSING ITEM NUMBERS NOT APPLICABLE

- ITEM NOT ILLUSTRATED

BRI

**34-57-01-06**

34-57-01  
FIG. 06  
PAGE 1  
JAN 20/09



757

PARTS CATALOG (MAINTENANCE)

FIG ITEM	PART NUMBER	1 2 3 4 5 6 7	NOMENCLATURE	EFFECT FROM TO	UNITS PER ASSY
6			ATTACHING PARTS		
- 55	651-2411-001	...	SCREW- SUPPLIER CODE: V4V792 CONFIG CHG DATA FROM A CMM: SUPSD BY 652-5421-001	108120	2
- 55	652-5421-001	...	SCREW- SUPPLIER CODE: V4V792 CONFIG CHG DATA FROM A CMM: SUPERSEDES 651-2411-001	108120	2
- 60	768-3178-001	...	WASHER- SUPPLIER CODE: V4V792	108120	4
- 65	MS21042-06	...	NUT	108120	2
			-----*-----		
70	768-3386-001	...	BAR-GRIP SUPPLIER CODE: V4V792	108120	1
75	768-3387-019	...	STRAP- SUPPLIER CODE: V4V792	108120	1
80	025-1156-001	..	CAP-PROTECTIVE SUPPLIER CODE: V71468 CONFIG CHG DATA FROM A CMM: SUPSD BY 211600-1	108120	1
85	025-1155-001	..	CAP-PROTECTIVE SUPPLIER CODE: V71468 CONFIG CHG DATA FROM A CMM: SUPSD BY 211600-1	108120	1
85	211600-1	..	CAP-DUST SUPPLIER CODE: V00779 CONFIG CHG DATA FROM A CMM: SUPERSEDES 025-1156-001 SUPERSEDES 025-1155-001	108120	1
90	280-2745-130	..	LABEL-ESDS WARNING SUPPLIER CODE: V12998	108120	1
- 800	286N1003-301		WIRE BUNDLE ASSY	108120	1

MISSING ITEM NUMBERS NOT APPLICABLE

- ITEM NOT ILLUSTRATED

BRI

34-57-01-06

34-57-01  
FIG. 06  
PAGE 2  
JAN 20/09



757  
PARTS CATALOG (MAINTENANCE)

FIG ITEM	PART NUMBER	1 2 3 4 5 6 7	NOMENCLATURE	EFFECT FROM TO	UNITS PER ASSY
6 805	NIC66F11C0501		.CONNECTOR- SUPPLIER CODE: V00779 SPECIFICATION NUMBER: BACC66F11C0501 ELECTRICAL EQUIP NUMBER: D00443 WIRING DIAGRAM REF: 345721	108120	1

MISSING ITEM NUMBERS NOT APPLICABLE

- ITEM NOT ILLUSTRATED

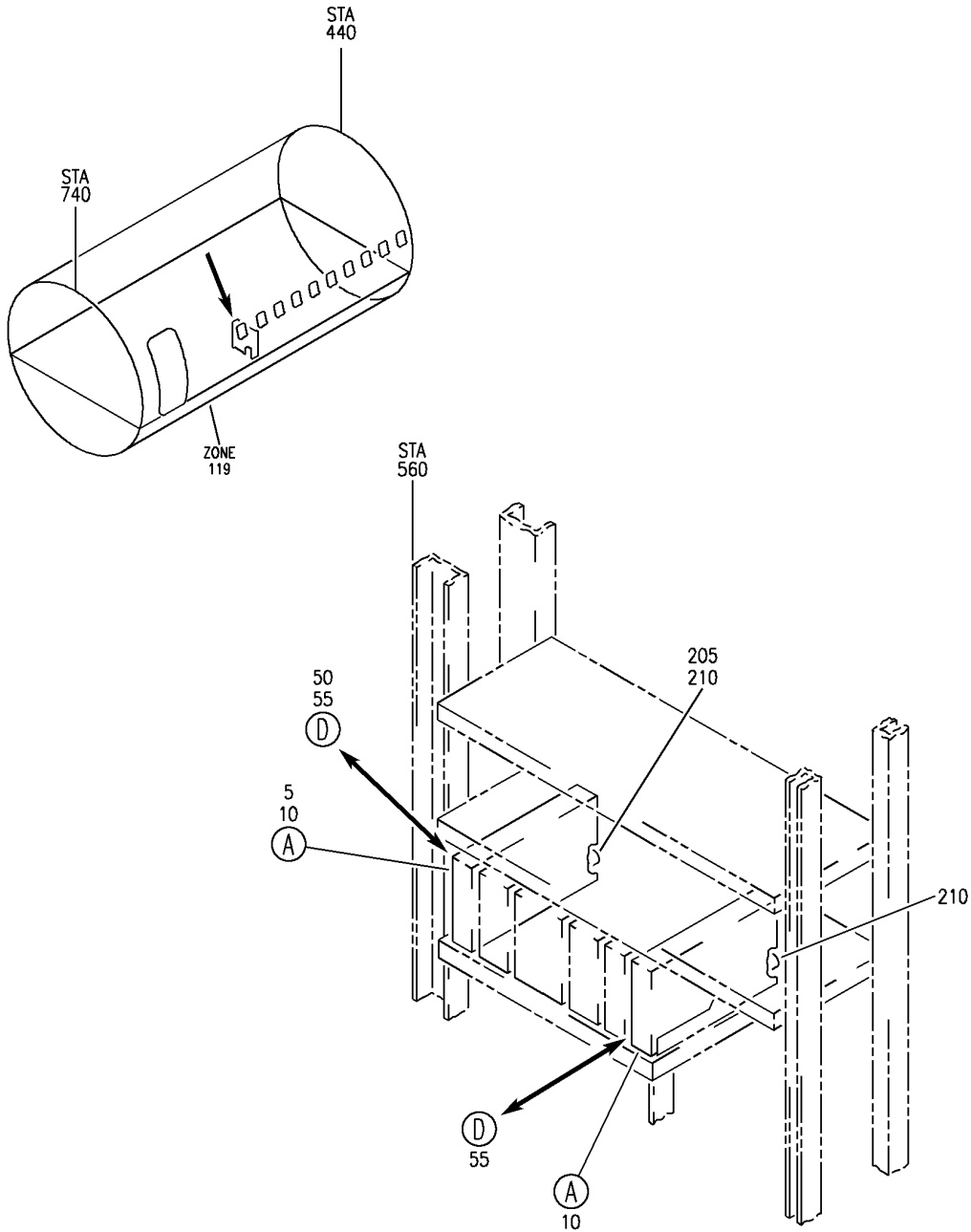
BRI

34-57-01-06

BOEING PROPRIETARY - Copyright © - Unpublished Work - See title page for details.

34-57-01  
FIG. 06  
PAGE 3  
JAN 20/09

**BOEING**  
757  
PARTS CATALOG (MAINTENANCE)



Y 34570107 SHT 1 REV 302

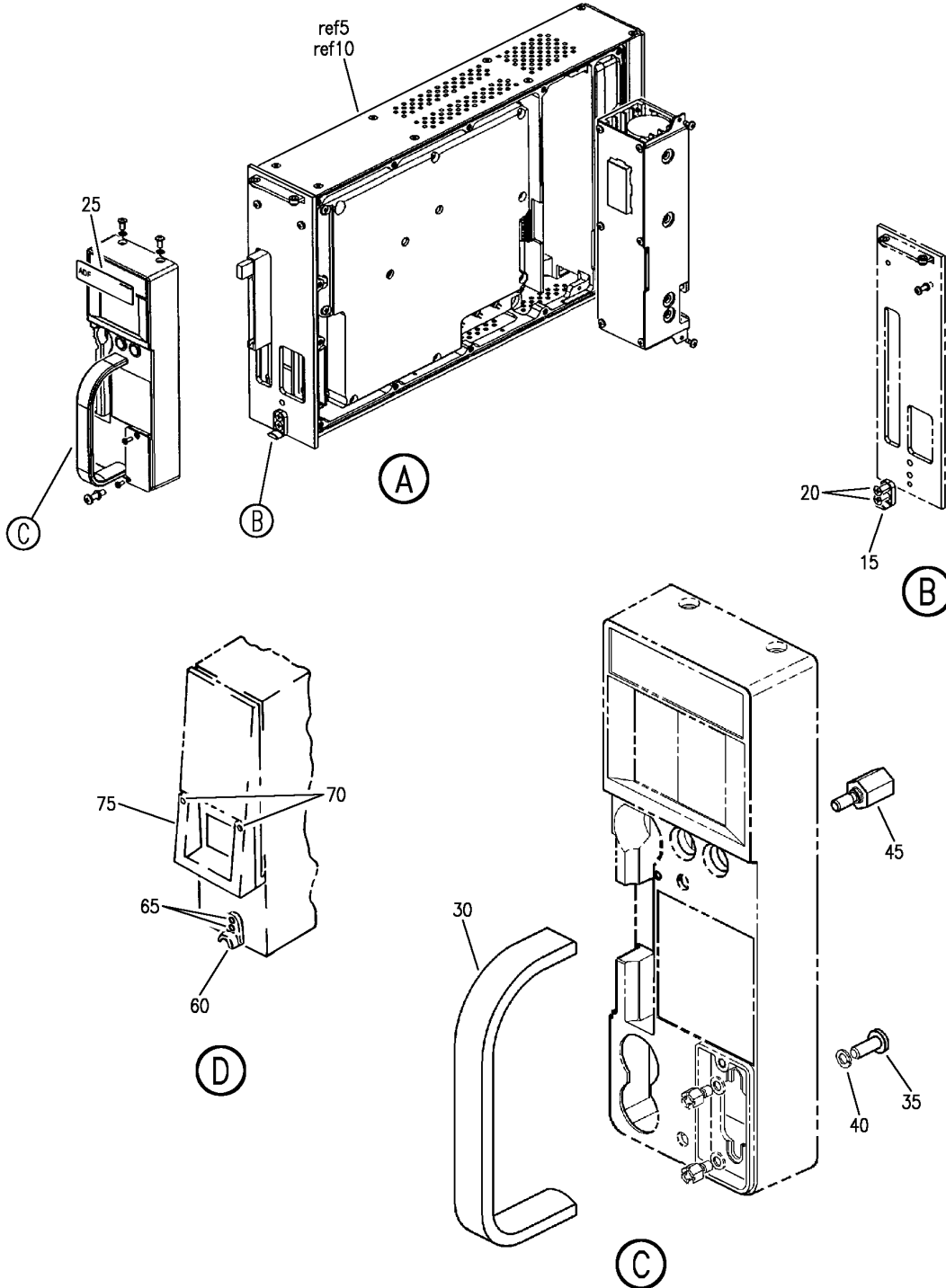
EQUIPMENT INSTL-E5 EQPT CTR ADF RCVR  
FIGURE 7 (SHEET 1)

**34-57-01-07**

BRI  
JAN 20/09

34-57-01-07  
PAGE 0

**BOEING**  
757  
PARTS CATALOG (MAINTENANCE)



Y 34-57-01-07 SHT 2 REV 302

EQUIPMENT INSTL-E5 EQPT CTR ADF RCVR  
FIGURE 7 (SHEET 2)

**34-57-01-07**

BRI  
JAN 20/09

34-57-01-07  
PAGE 0A





757

PARTS CATALOG (MAINTENANCE)

FIG ITEM	PART NUMBER	1 2 3 4 5 6 7	NOMENCLATURE	EFFECT FROM TO	UNITS PER ASSY
7			EQUIPMENT INSTL-E5 EQPT CTR ADF RCVR	103106	
- 1	MODREF31514		EQUIPMENT INSTL-E5 EQPT CTR ADF RCVR	103106	1
10	822-0299-001		MODULE NUMBER: 284N4000-340089 REV A .RECEIVER ASSY-ADF SUPPLIER CODE: V4V792 FUNCTIONAL DESCRIPTION: AIDS NAVIGATION BY PROVIDING BEARING TO SELECTED GROUND BASED SIGNAL SOURCES. ELECTRICAL EQUIP NUMBER: M00215 M00216 COMPONENT MAINT MANUAL REF: 34-53-90 FOR DETAILS SEE: 34-57-01-50	103106	2
- 200	286N1286-702		WIRE BUNDLE ASSY	103106	RF
210	NIC66F11C0501		.CONNECTOR- SUPPLIER CODE: V00779 SPECIFICATION NUMBER: BACC66F11C0501 ELECTRICAL EQUIP NUMBER: D00245 D00443 WIRING DIAGRAM REF: 345711 345721	103106	2

MISSING ITEM NUMBERS NOT APPLICABLE

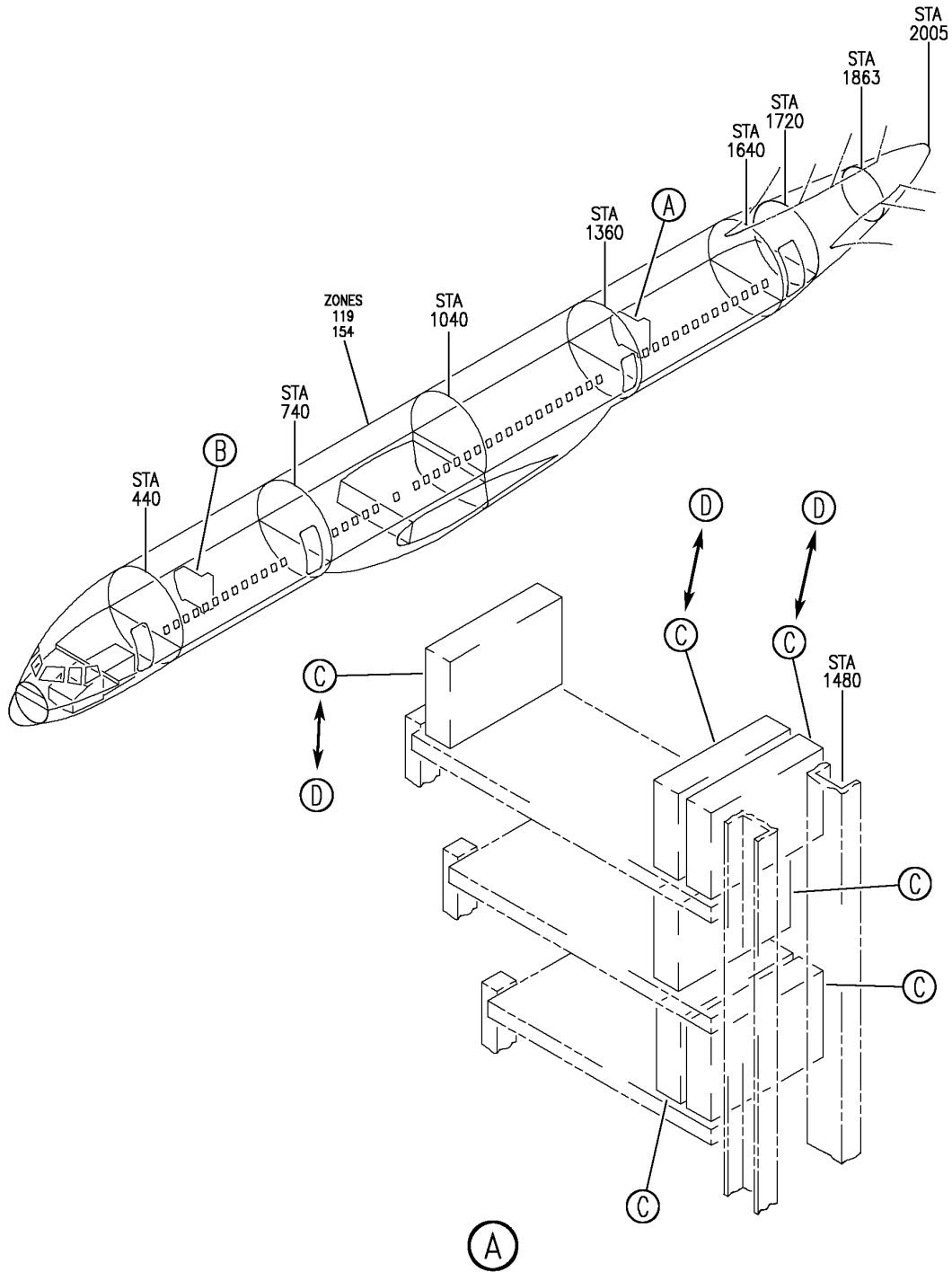
- ITEM NOT ILLUSTRATED

**34-57-01-07**

34-57-01  
FIG. 07  
PAGE 1  
JAN 20/09

BRI

**BOEING**  
757  
PARTS CATALOG (MAINTENANCE)



Y 34570150 SH1 1 REV 258

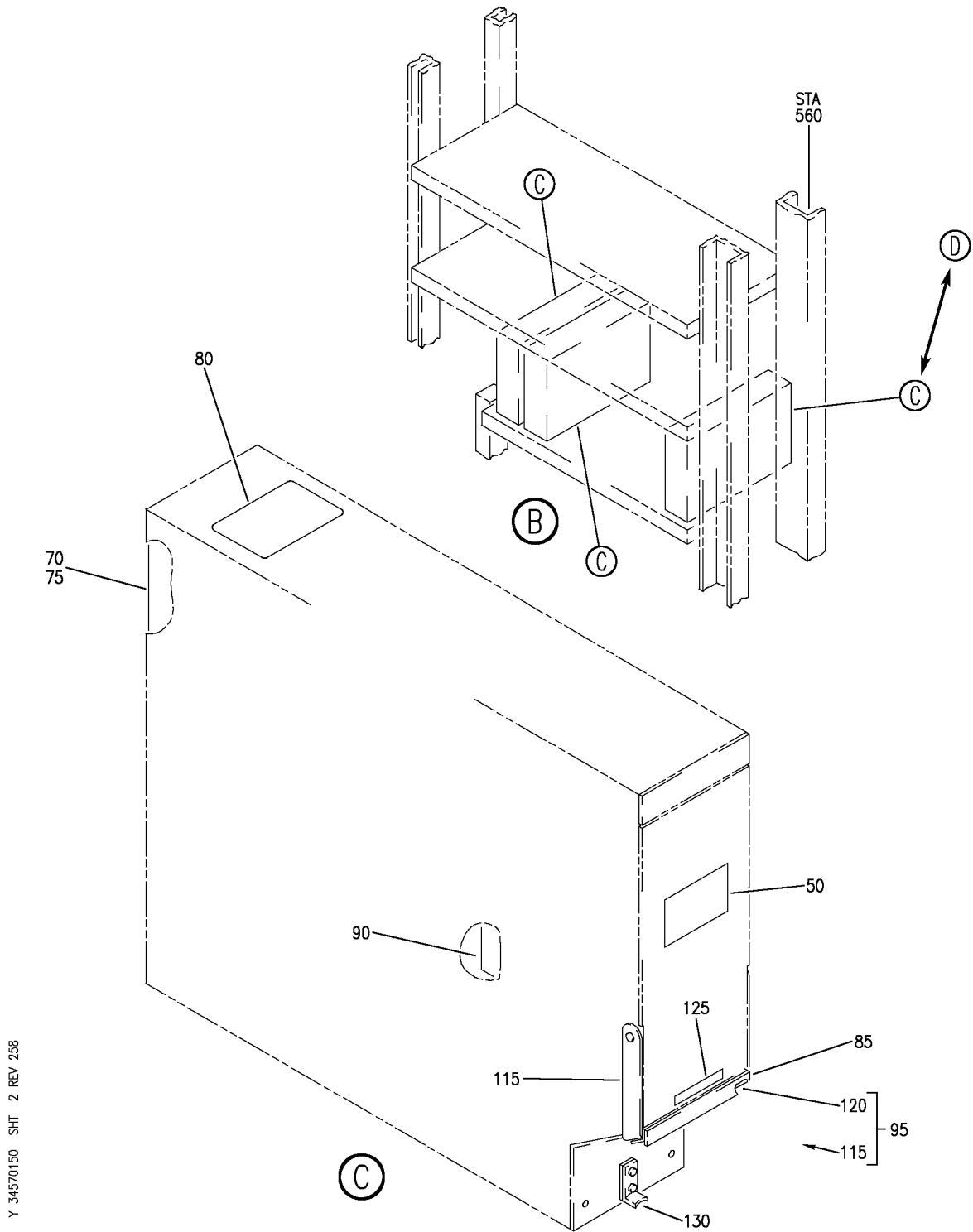
RECEIVER ASSY-ADF  
FIGURE 50 (SHEET 1)

**34-57-01-50**

BRI  
JAN 20/09

34-57-01-50  
PAGE 0

**BOEING**  
757  
PARTS CATALOG (MAINTENANCE)



Y 34570150 SHT 2 REV 258

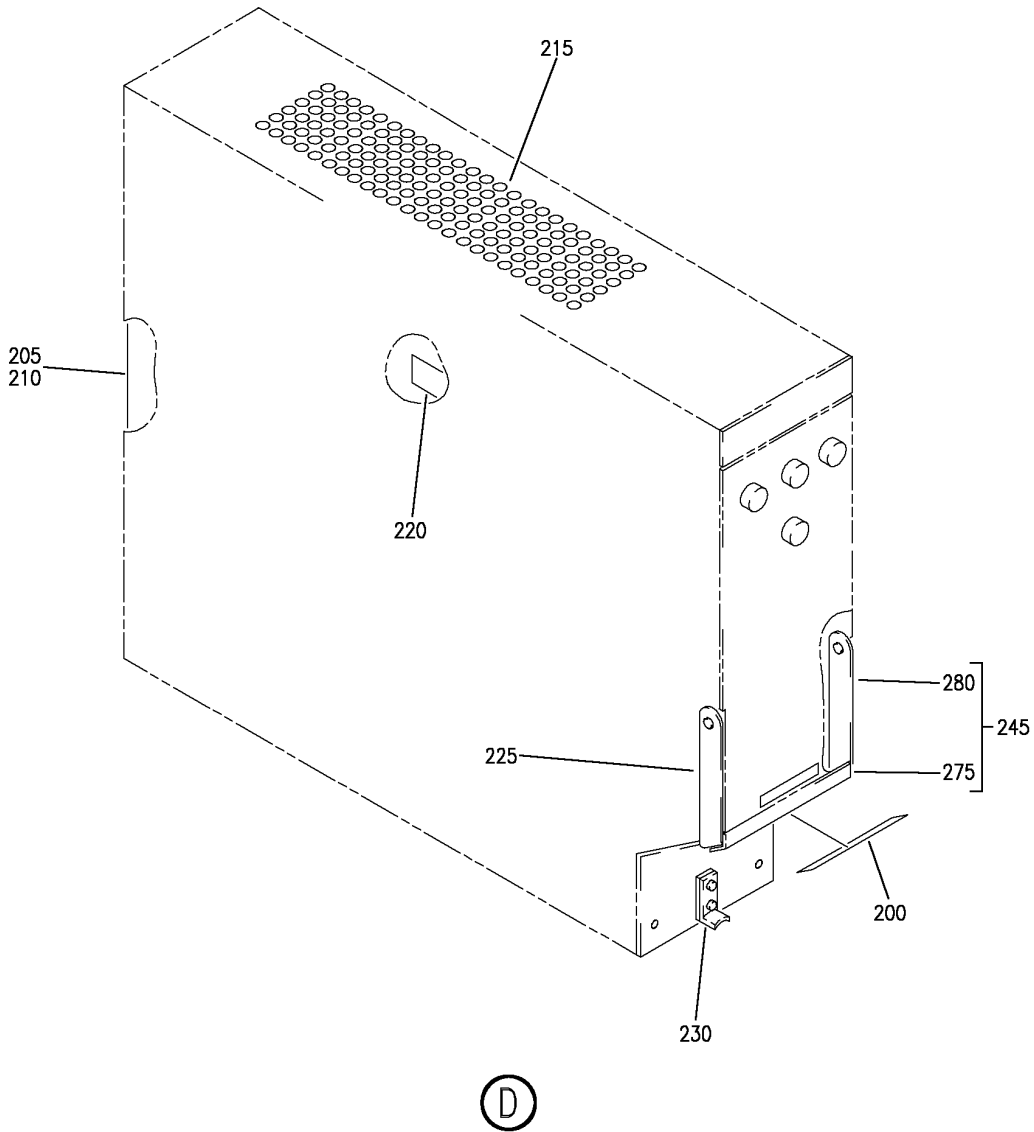
RECEIVER ASSY-ADF  
FIGURE 50 (SHEET 2)

**34-57-01-50**

BRI  
JAN 20/09

34-57-01-50  
PAGE 0A

**BOEING**  
757  
PARTS CATALOG (MAINTENANCE)



Y 34570150 SH1 3 REV 258

RECEIVER ASSY-ADF  
FIGURE 50 (SHEET 3)

**34-57-01-50**

BRI  
JAN 20/09

34-57-01-50  
PAGE 0B



757

PARTS CATALOG (MAINTENANCE)

FIG ITEM	PART NUMBER	1 2 3 4 5 6 7	NOMENCLATURE	EFFECT FROM TO	UNITS PER ASSY
50			RECEIVER ASSY-ADF	103105	
- 1	822-0299-001		RECEIVER ASSY-ADF SUPPLIER CODE: V4V792 FUNCTIONAL DESCRIPTION: AIDS NAVIGATION BY PROVIDING BEARING TO SELECTED GROUND BASED SIGNAL SOURCES. SB DATA FROM A CMM: POST ADF-900-34-3 ELECTRICAL EQUIP NUMBER: M00215 M00216 COMPONENT MAINT MANUAL REF: 34-53-90 FOR NHA SEE: 34-57-01-07	950951 103105	RF
- 5	822-0299-001		RECEIVER ASSY- SUPPLIER CODE: V4V792 FUNCTIONAL DESCRIPTION: AIDS NAVIGATION BY PROVIDING BEARING TO SELECTED GROUND BASED SIGNAL SOURCES. SB DATA FROM A CMM: POST ADF-900-34-3 ELECTRICAL EQUIP NUMBER: M00215 COMPONENT MAINT MANUAL REF: 34-53-91 QUALIFIED I/W DATA: 822-0299-001 & 622-5404-003 I/W 2041168-7510 & 2041683-7504. REFER TO 244U0903 FOR PROPER PROGRAM PIN CONFIGURATION. FOR NHA SEE: 34-57-01-01	950951	RF

R  
R  
R  
R  
R  
R  
R  
R  
R  
R  
R  
R  
R  
R  
R  
R  
R  
R  
R  
R  
R  
R

MISSING ITEM NUMBERS NOT APPLICABLE

- ITEM NOT ILLUSTRATED

**34-57-01-50**

34-57-01  
FIG. 50  
PAGE 1  
MAY 20/09

BRI



**757  
PARTS CATALOG (MAINTENANCE)**

FIG ITEM	PART NUMBER	1 2 3 4 5 6 7	NOMENCLATURE	EFFECT FROM TO	UNITS PER ASSY
50 - 5	822-0299-001		RECEIVER ASSY- SUPPLIER CODE: V4V792 FUNCTIONAL DESCRIPTION: AIDS NAVIGATION BY PROVIDING BEARING TO SELECTED GROUND BASED SIGNAL SOURCES. SB DATA FROM A CMM: POST ADF-900-34-3 ELECTRICAL EQUIP NUMBER: M00215 COMPONENT MAINT MANUAL REF: 34-53-90	103105	RF
50	685-7312-001		.NAMEPLATE- SUPPLIER CODE: V4V792 CONFIG CHG DATA FROM A CMM: SUPSD BY 685-7312-002 USED ON: 822-0299-001 USED ON: 822-0299-001	103105	1
50	685-7312-001		.NAMEPLATE- SUPPLIER CODE: V4V792 CONFIG CHG DATA FROM A CMM: SUPSD BY 685-7312-002 USED ON: 822-0299-001 USED ON: 822-0299-001	950951	1
50	685-7312-002		.NAMEPLATE-IDENT SUPPLIER CODE: V4V792 CONFIG CHG DATA FROM A CMM: SUPERSEDES 685-7312-001 SUPSD BY 685-7312-003 USED ON: 822-0299-001 USED ON: 822-0299-001	103105	1

MISSING ITEM NUMBERS NOT APPLICABLE

- ITEM NOT ILLUSTRATED

BRI

# 34-57-01-50

BOEING PROPRIETARY - Copyright © - Unpublished Work - See title page for details.

34-57-01  
FIG. 50  
PAGE 2  
JAN 20/09



757

PARTS CATALOG (MAINTENANCE)

FIG ITEM	PART NUMBER	1 2 3 4 5 6 7	NOMENCLATURE	EFFECT FROM TO	UNITS PER ASSY
50	685-7312-002		.NAMEPLATE-IDENT SUPPLIER CODE: V4V792 CONFIG CHG DATA FROM A CMM: SUPERSEDES 685-7312-001 SUPSD BY 685-7312-003 USED ON: 822-0299-001 USED ON: 822-0299-001	950951	1
50	685-7312-003		.NAMEPLATE-IDENT SUPPLIER CODE: V4V792 CONFIG CHG DATA FROM A CMM: SUPERSEDES 685-7312-002 USED ON: 822-0299-001 USED ON: 822-0299-001	103105	1
50	685-7312-003		.NAMEPLATE-IDENT SUPPLIER CODE: V4V792 CONFIG CHG DATA FROM A CMM: SUPERSEDES 685-7312-002 USED ON: 822-0299-001 USED ON: 822-0299-001	950951	1
- 55	MS51957-2B		ATTACHING PARTS .SCREW- USED ON: 822-0299-001 USED ON: 822-0299-001	103105	8
- 55	MS51957-2B		.SCREW- USED ON: 822-0299-001 USED ON: 822-0299-001	950951	8
- 60	P330-4057-070		.SCREW- SUPPLIER CODE: V77250 USED ON: 822-0299-001 USED ON: 822-0299-001	103105	4

MISSING ITEM NUMBERS NOT APPLICABLE

- ITEM NOT ILLUSTRATED

34-57-01-50

34-57-01  
FIG. 50  
PAGE 3  
JAN 20/09

BRI



757

PARTS CATALOG (MAINTENANCE)

FIG ITEM	PART NUMBER	1 2 3 4 5 6 7	NOMENCLATURE	EFFECT FROM TO	UNITS PER ASSY
50					
- 60	P330-4057-070		.SCREW- SUPPLIER CODE: V77250 USED ON: 822-0299-001 USED ON: 822-0299-001	950951	4
- 65	MS51957-27B		.SCREW- USED ON: 822-0299-001 USED ON: 822-0299-001	103105	4
- 65	MS51957-27B		.SCREW- USED ON: 822-0299-001 USED ON: 822-0299-001	950951	4
			-----*-----		
70	280-2745-130		.LABEL-ESDS WARNING SUPPLIER CODE: VOBU16 USED ON: 822-0299-001 USED ON: 822-0299-001	103105	1
70	280-2745-130		.LABEL-ESDS WARNING SUPPLIER CODE: VOBU16 USED ON: 822-0299-001 USED ON: 822-0299-001	950951	1
75	211600-1		.CAP-DUST SUPPLIER CODE: V00779 USED ON: 822-0299-001 USED ON: 822-0299-001	103105	1
75	211600-1		.CAP-DUST SUPPLIER CODE: V00779 USED ON: 822-0299-001 USED ON: 822-0299-001	950951	1

MISSING ITEM NUMBERS NOT APPLICABLE

- ITEM NOT ILLUSTRATED

34-57-01-50

34-57-01  
FIG. 50  
PAGE 4  
JAN 20/09

BRI

BOEING PROPRIETARY - Copyright © - Unpublished Work - See title page for details.





757

PARTS CATALOG (MAINTENANCE)

FIG ITEM	PART NUMBER	1 2 3 4 5 6 7	NOMENCLATURE	EFFECT FROM TO	UNITS PER ASSY
50					
80	838-7020-020		. LABEL-CAUTION SUPPLIER CODE: V12998 USED ON: 822-0299-001 USED ON: 822-0299-001	103105	1
80	838-7020-020		. LABEL-CAUTION SUPPLIER CODE: V12998 USED ON: 822-0299-001 USED ON: 822-0299-001	950951	1
85	829-0200-007		. PLATE-IDENT SUPPLIER CODE: V4V792 USED ON: 822-0299-001 USED ON: 822-0299-001	103105	1
85	829-0200-007		. PLATE-IDENT SUPPLIER CODE: V4V792 USED ON: 822-0299-001 USED ON: 822-0299-001	950951	1
90	838-7013-030		. LABEL- SUPPLIER CODE: V12998 USED ON: 822-0299-001 USED ON: 822-0299-001	103105	2
90	838-7013-030		. LABEL- SUPPLIER CODE: V12998 USED ON: 822-0299-001 USED ON: 822-0299-001	950951	2
95	651-2408-002		. HANDLE ASSY- SUPPLIER CODE: V4V792 USED ON: 822-0299-001 USED ON: 822-0299-001	103105	1

MISSING ITEM NUMBERS NOT APPLICABLE

- ITEM NOT ILLUSTRATED

34-57-01-50

34-57-01  
FIG. 50  
PAGE 5  
JAN 20/09

BRI

BOEING PROPRIETARY - Copyright © - Unpublished Work - See title page for details.



757

PARTS CATALOG (MAINTENANCE)

FIG ITEM	PART NUMBER	1 2 3 4 5 6 7	NOMENCLATURE	EFFECT FROM TO	UNITS PER ASSY
50					
95	651-2408-002		.HANDLE ASSY- SUPPLIER CODE: V4V792 USED ON: 822-0299-001 USED ON: 822-0299-001	950951	1
- 100	653-2532-001		ATTACHING PARTS .SCREW- SUPPLIER CODE: V4V792 CONFIG CHG DATA FROM A CMM: SUPSD BY 830-6883-001 USED ON: 822-0299-001 USED ON: 822-0299-001	103105	2
- 100	653-2532-001		.SCREW- SUPPLIER CODE: V4V792 CONFIG CHG DATA FROM A CMM: SUPSD BY 830-6883-001 USED ON: 822-0299-001 USED ON: 822-0299-001	950951	2
- 100	830-6883-001		.SCREW- SUPPLIER CODE: V4V792 CONFIG CHG DATA FROM A CMM: SUPERSEDES 653-2532-001 USED ON: 822-0299-001 USED ON: 822-0299-001	103105	2
- 100	830-6883-001		.SCREW- SUPPLIER CODE: V4V792 CONFIG CHG DATA FROM A CMM: SUPERSEDES 653-2532-001 USED ON: 822-0299-001 USED ON: 822-0299-001	950951	2

MISSING ITEM NUMBERS NOT APPLICABLE

- ITEM NOT ILLUSTRATED

BRI

34-57-01-50

34-57-01  
FIG. 50  
PAGE 6  
JAN 20/09



757

PARTS CATALOG (MAINTENANCE)

FIG ITEM	PART NUMBER	1 2 3 4 5 6 7	NOMENCLATURE	EFFECT FROM TO	UNITS PER ASSY
50					
- 105	768-3178-001		.WASHER- SUPPLIER CODE: V4V792 USED ON: 822-0299-001 USED ON: 822-0299-001	103105	4
- 105	768-3178-001		.WASHER- SUPPLIER CODE: V4V792 USED ON: 822-0299-001 USED ON: 822-0299-001	950951	4
- 110	MS21042-06		.NUT- USED ON: 822-0299-001 USED ON: 822-0299-001	103105	2
- 110	MS21042-06		.NUT- USED ON: 822-0299-001 USED ON: 822-0299-001	950951	2
			-----*-----		
115	768-3387-019		..STRAP- SUPPLIER CODE: V4V792	103105	1
115	768-3387-019		..STRAP- SUPPLIER CODE: V4V792	950951	1
120	768-3386-001		..BAR-GRIP SUPPLIER CODE: V4V792	103105	1
120	768-3386-001		..BAR-GRIP SUPPLIER CODE: V4V792	950951	1
125	830-1102-001		.STRIP-IDENTIFICATION SUPPLIER CODE: V4V792 USED ON: 822-0299-001 USED ON: 822-0299-001	103105	1

MISSING ITEM NUMBERS NOT APPLICABLE

- ITEM NOT ILLUSTRATED

BRI

34-57-01-50

34-57-01  
FIG. 50  
PAGE 7  
JAN 20/09



757

PARTS CATALOG (MAINTENANCE)

FIG ITEM	PART NUMBER	1 2 3 4 5 6 7	NOMENCLATURE	EFFECT FROM TO	UNITS PER ASSY
50 125	830-1102-001		.STRIP-IDENTIFICATION SUPPLIER CODE: V4V792 USED ON: 822-0299-001 USED ON: 822-0299-001	950951	1
130	503-4970-001		.HOOK-HOLDDOWN SUPPLIER CODE: V4V792 USED ON: 822-0299-001 USED ON: 822-0299-001	103105	1
130	503-4970-001		.HOOK-HOLDDOWN SUPPLIER CODE: V4V792 USED ON: 822-0299-001 USED ON: 822-0299-001	950951	1
- 135	MS51957-28		ATTACHING PARTS .SCREW- USED ON: 822-0299-001 USED ON: 822-0299-001	103105	2
- 135	MS51957-28		.SCREW- USED ON: 822-0299-001 USED ON: 822-0299-001	950951	2
- 140	641-8914-001		-----*----- .SHIM- SUPPLIER CODE: V4V792 USED ON: 822-0299-001 USED ON: 822-0299-001	103105	1
- 140	641-8914-001		.SHIM- SUPPLIER CODE: V4V792 USED ON: 822-0299-001 USED ON: 822-0299-001	950951	1

MISSING ITEM NUMBERS NOT APPLICABLE

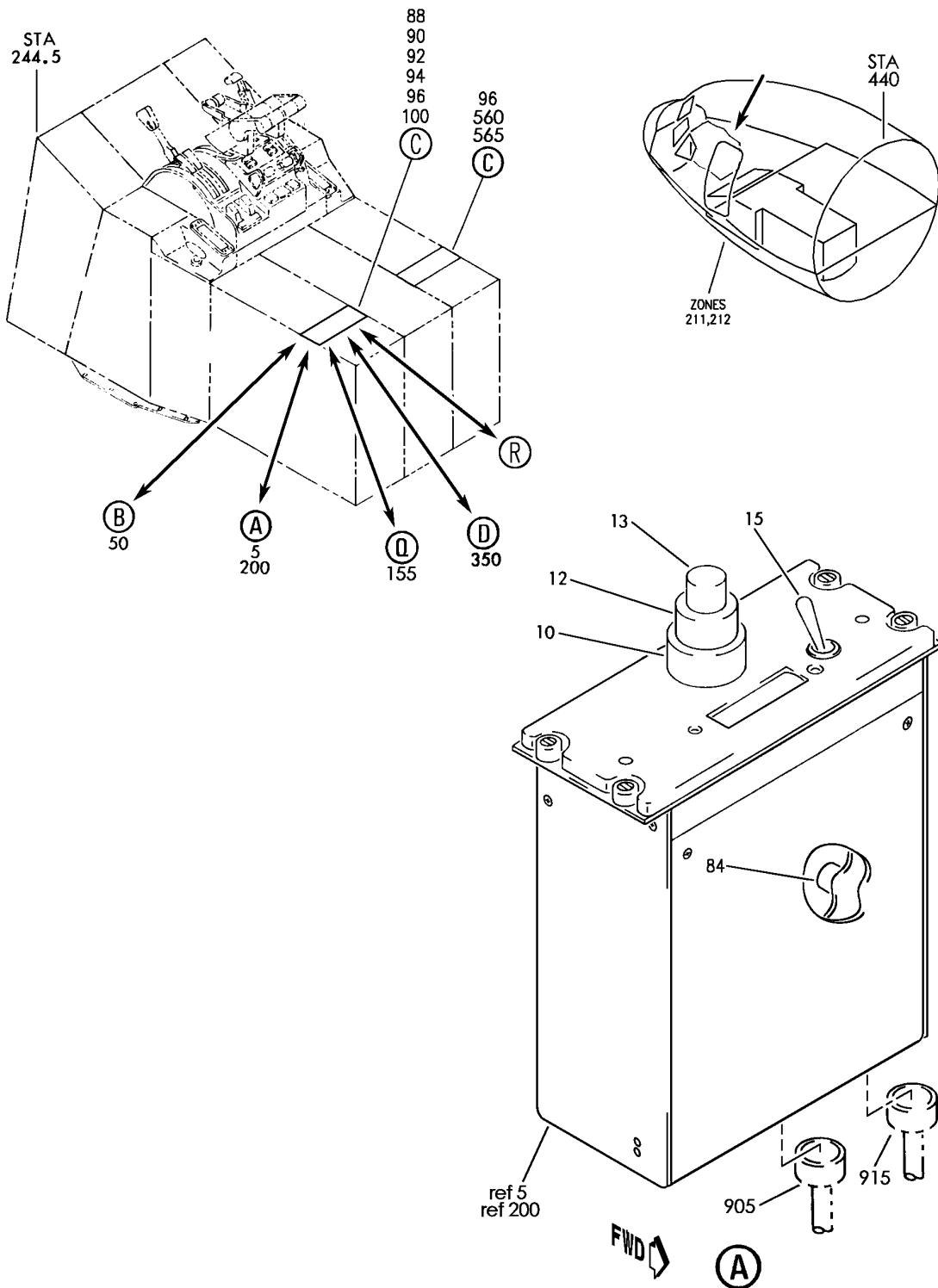
- ITEM NOT ILLUSTRATED

34-57-01-50

34-57-01  
FIG. 50  
PAGE 8  
JAN 20/09

BRI

**BOEING**  
757  
PARTS CATALOG (MAINTENANCE)



Y 34570201 SH1 1 REV 331

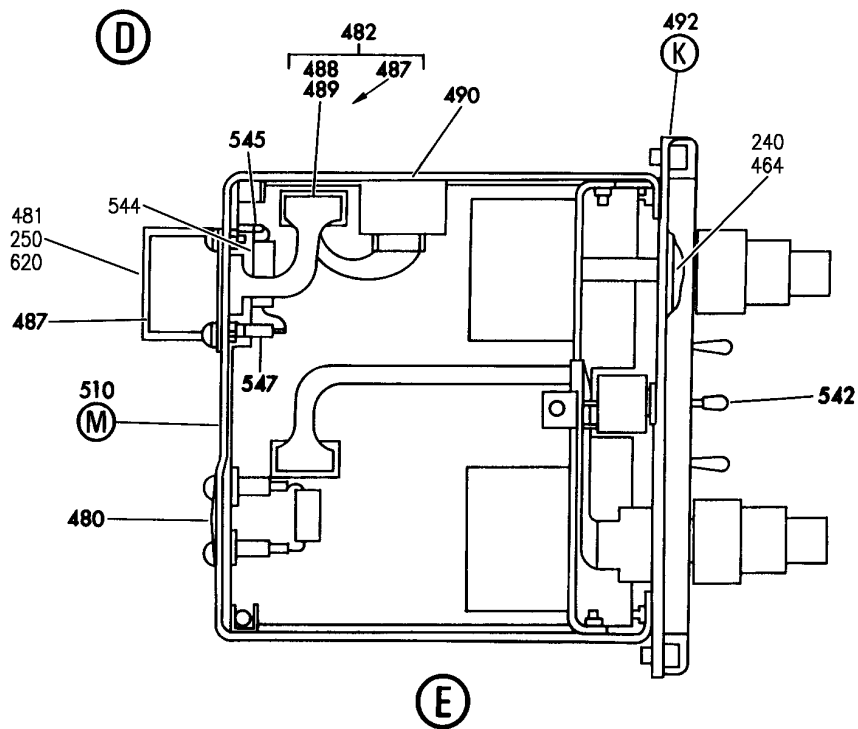
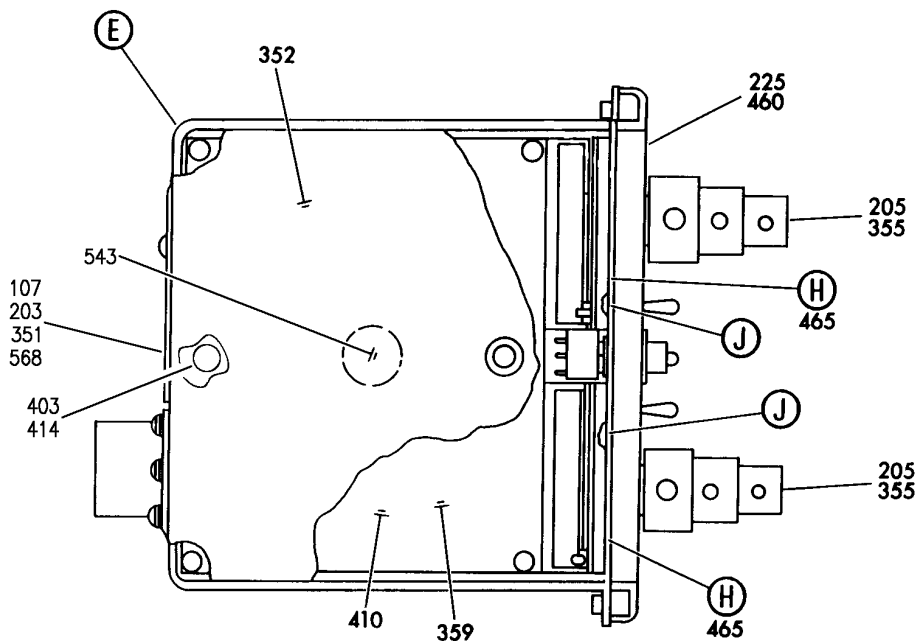
PANEL INSTL-P8,P9,P10 ELECTRONICS (AUTOMATIC DIRECTION FINDER SYSTEM ONLY)  
FIGURE 1 (SHEET 1)

**34-57-02-01**

BRI  
JAN 20/09

34-57-02-01  
PAGE 0


**BOEING**  
 757  
**PARTS CATALOG (MAINTENANCE)**



Y 34570201 SH1 2 REV 261

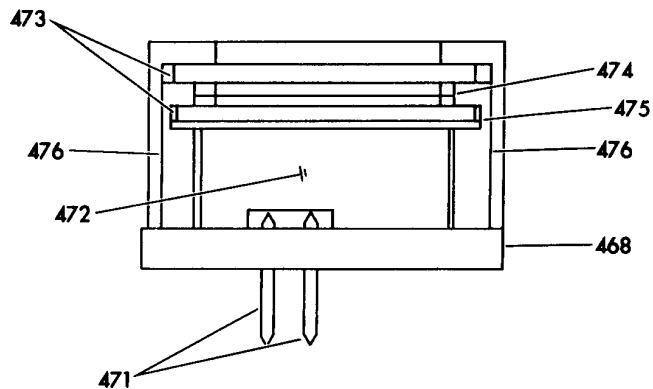
PANEL INSTL-P8,P9,P10 ELECTRONICS (AUTOMATIC DIRECTION FINDER SYSTEM ONLY)  
 FIGURE 1 (SHEET 2)

**34-57-02-01**

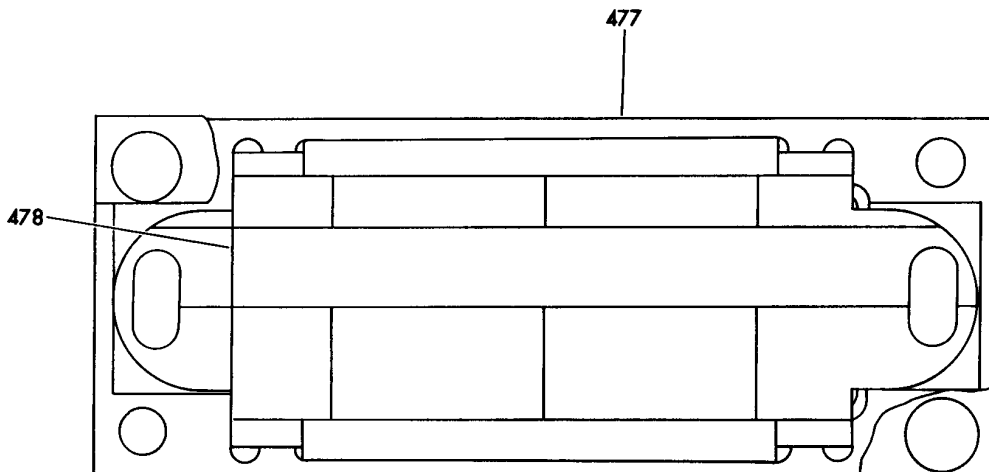
BRI  
 JAN 20/09

34-57-02-01  
 PAGE 0A

**BOEING**  
757  
PARTS CATALOG (MAINTENANCE)



(H)



(J)

Y 34570201 SH1 3 REV 257

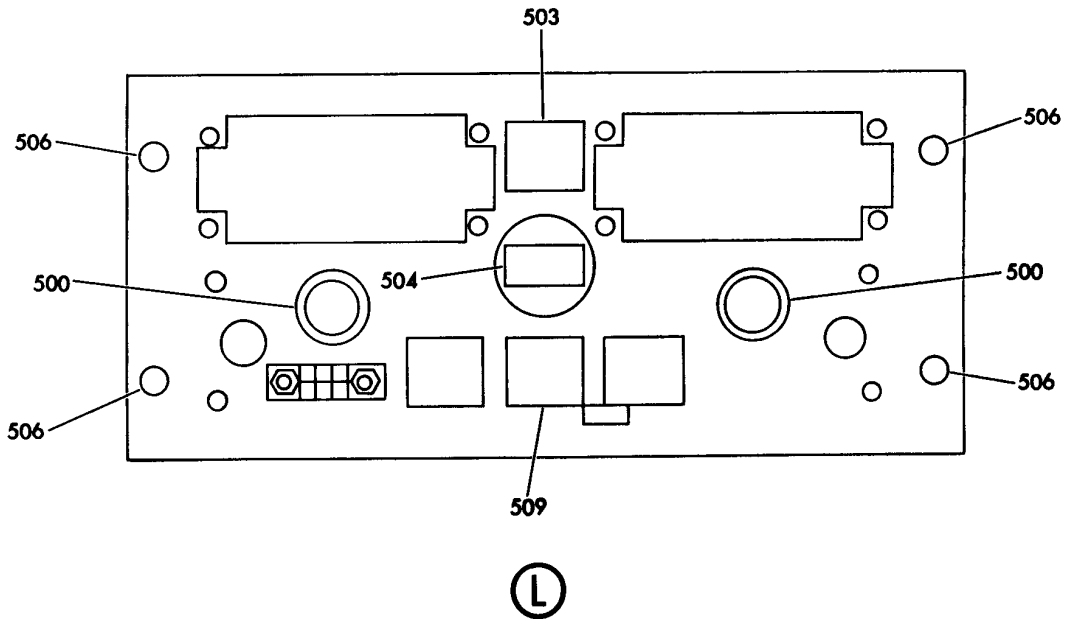
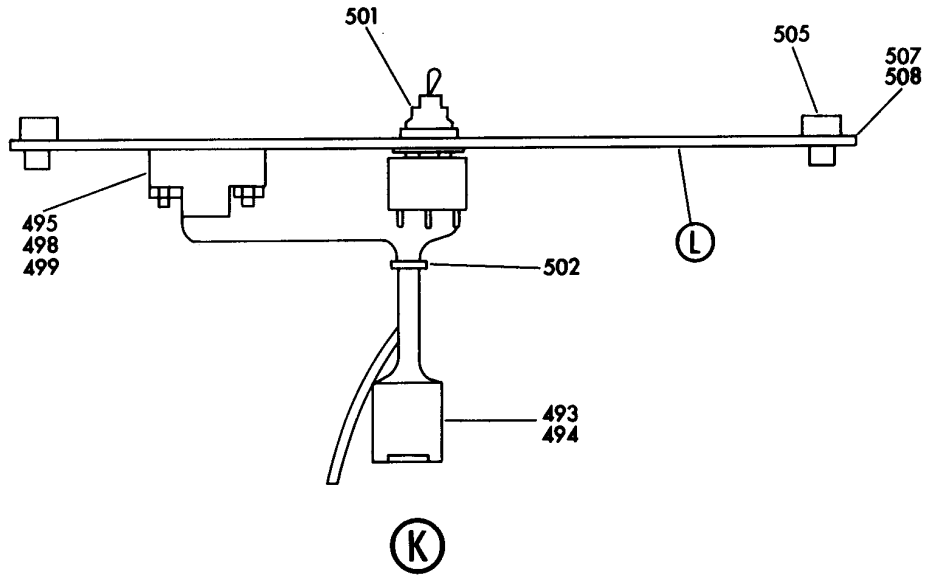
PANEL INSTL-P8,P9,P10 ELECTRONICS (AUTOMATIC DIRECTION FINDER SYSTEM ONLY)  
FIGURE 1 (SHEET 3)

BRI  
JAN 20/09

**34-57-02-01**

34-57-02-01  
PAGE 0B


**BOEING**  
 757  
**PARTS CATALOG (MAINTENANCE)**



Y 34570201 SHIT 4 REV 257

PANEL INSTL-P8,P9,P10 ELECTRONICS (AUTOMATIC DIRECTION FINDER SYSTEM ONLY)  
 FIGURE 1 (SHEET 4)

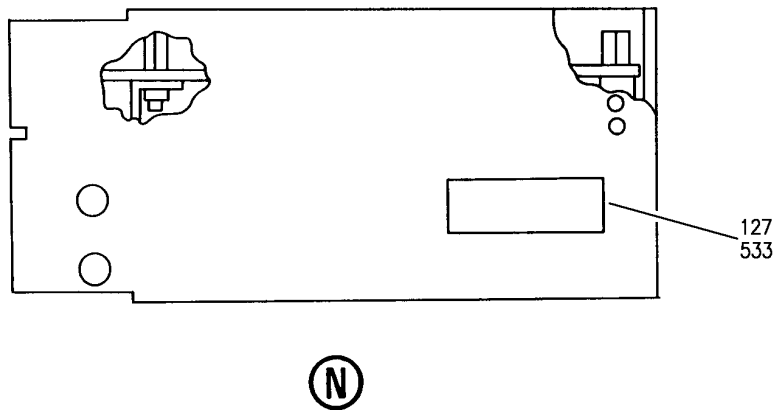
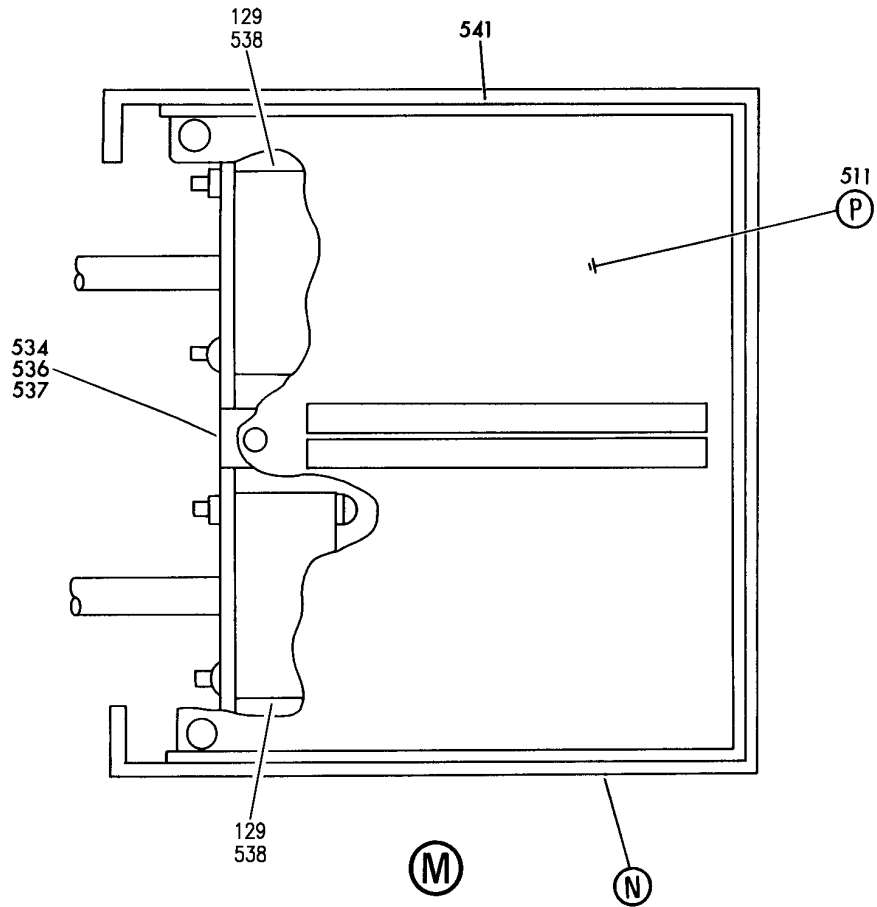
BRI  
JAN 20/09

# 34-57-02-01

34-57-02-01  
 PAGE 0C



**BOEING**  
757  
PARTS CATALOG (MAINTENANCE)



Y 34-570201 SH1 5 REV 288

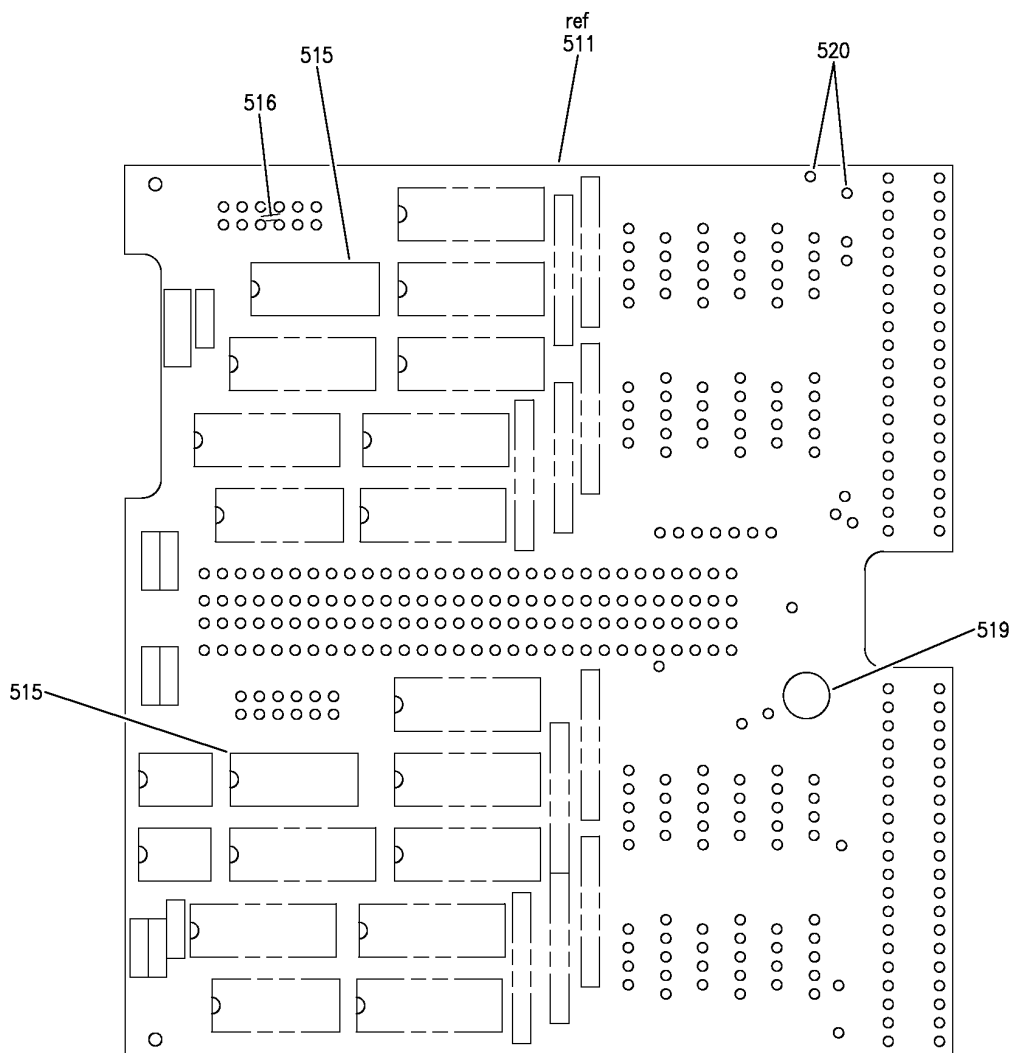
PANEL INSTL-P8,P9,P10 ELECTRONICS (AUTOMATIC DIRECTION FINDER SYSTEM ONLY)  
FIGURE 1 (SHEET 5)

BRI  
JAN 20/09

**34-57-02-01**

34-57-02-01  
PAGE 0D

**BOEING**  
757  
**PARTS CATALOG (MAINTENANCE)**



Y 34-57-02-01 SH-T 6 REV 257

(P)

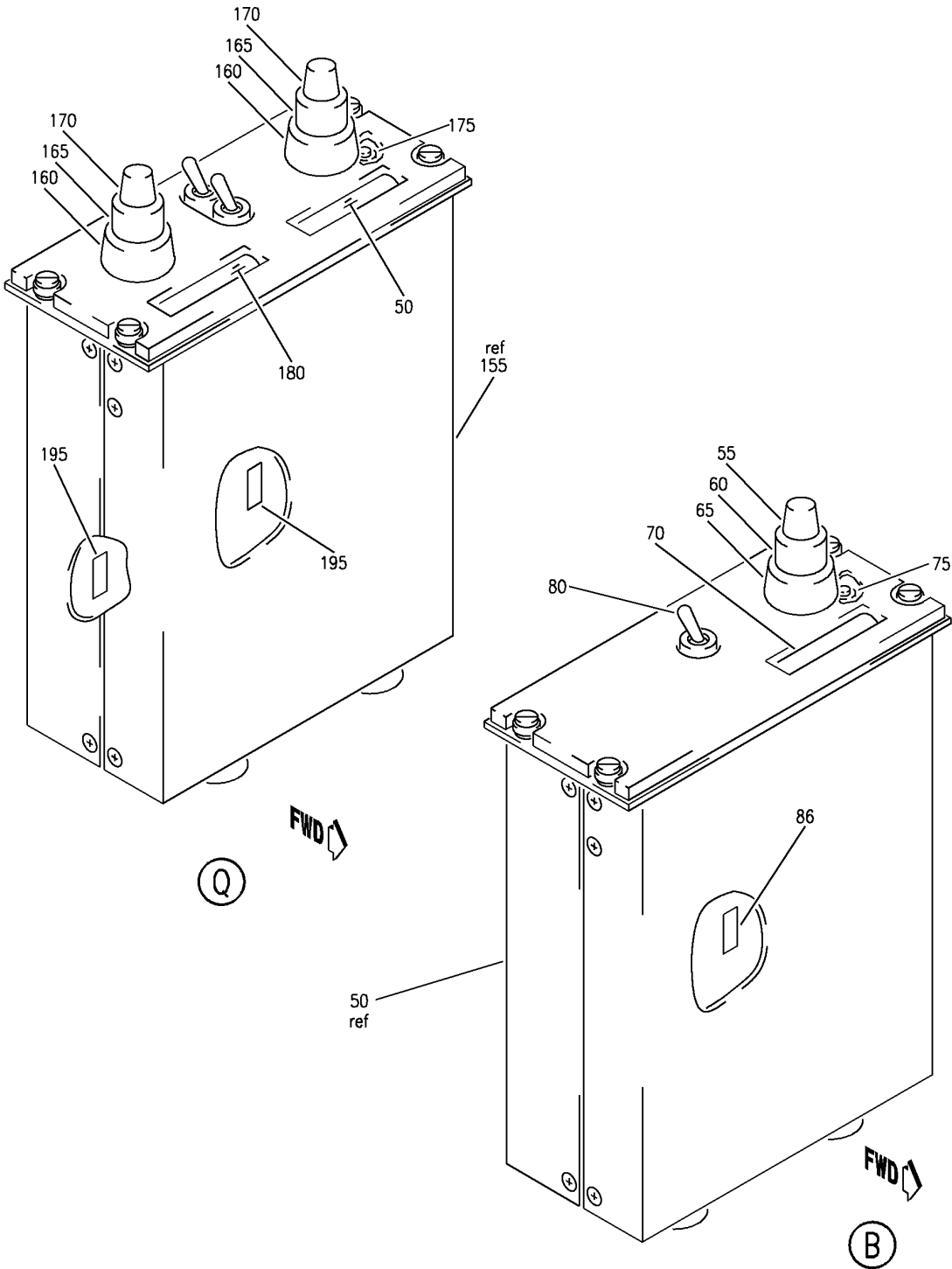
PANEL INSTL-P8,P9,P10 ELECTRONICS (AUTOMATIC DIRECTION FINDER SYSTEM ONLY)  
FIGURE 1 (SHEET 6)

BRI  
JAN 20/09

**34-57-02-01**

34-57-02-01  
PAGE 0E


**BOEING**  
 757  
**PARTS CATALOG (MAINTENANCE)**



Y 34570201 SHT 7 REV 305

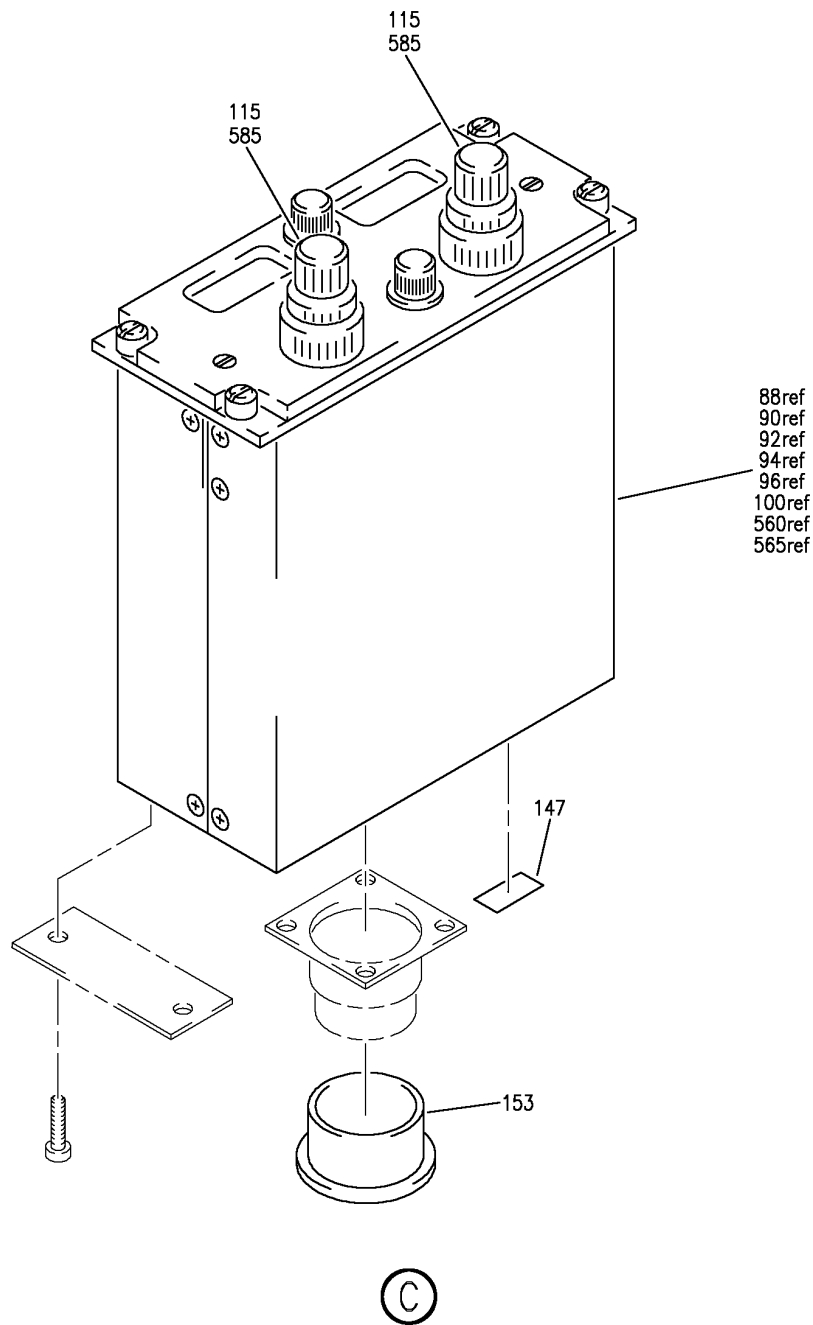
PANEL INSTL-P8,P9,P10 ELECTRONICS (AUTOMATIC DIRECTION FINDER SYSTEM ONLY)  
 FIGURE 1 (SHEET 7)

**34-57-02-01**

BRI  
JAN 20/09

34-57-02-01  
 PAGE OF

**BOEING**  
757  
PARTS CATALOG (MAINTENANCE)



Y 34-57-02-01 SH-T 8 REV 331

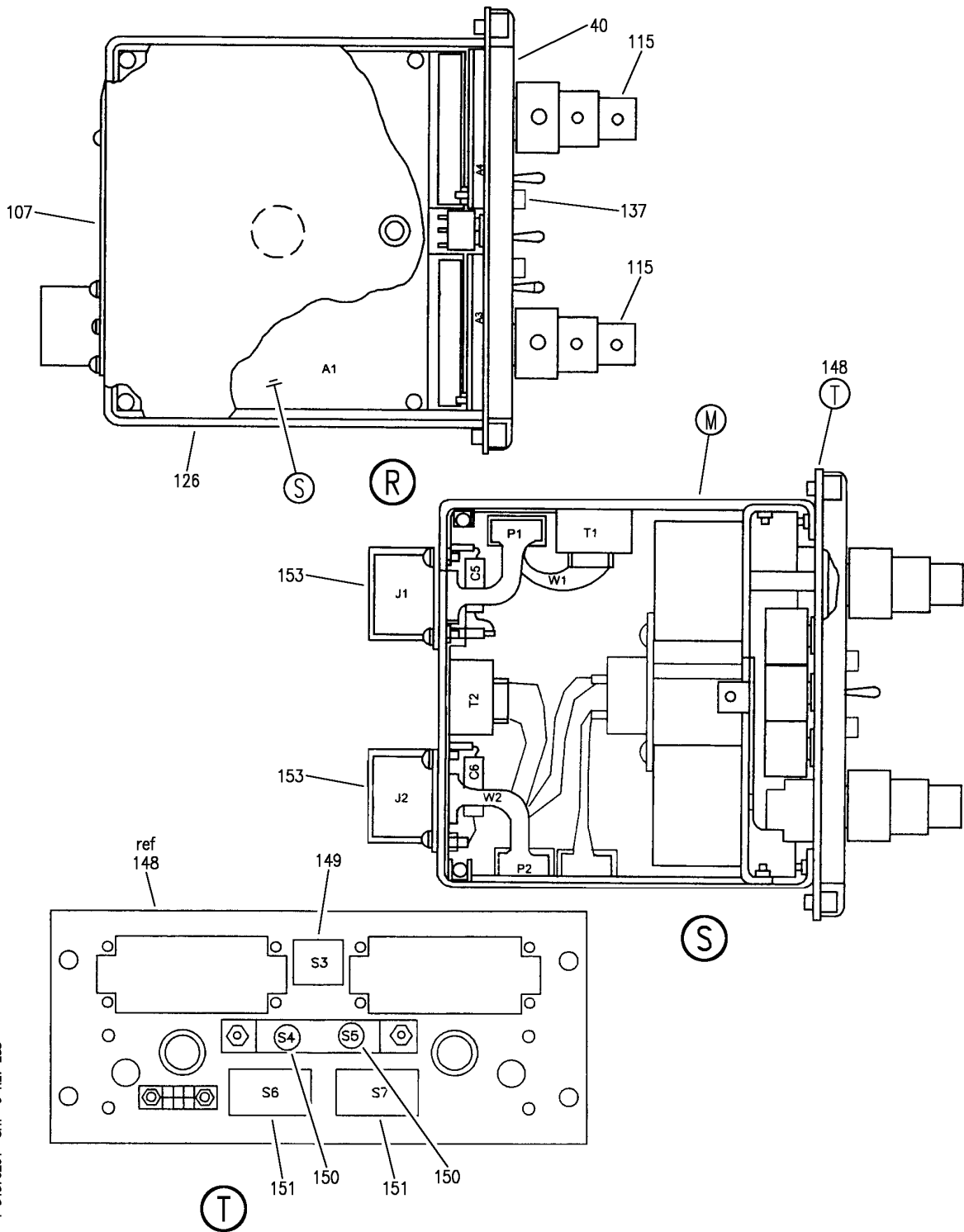
PANEL INSTL-P8,P9,P10 ELECTRONICS (AUTOMATIC DIRECTION FINDER SYSTEM ONLY)  
FIGURE 1 (SHEET 8)

BRI  
JAN 20/09

**34-57-02-01**

34-57-02-01  
PAGE 08

**BOEING**  
757  
**PARTS CATALOG (MAINTENANCE)**



Y 34-570201 SHT 9 REV 288

PANEL INSTL-P8,P9,P10 ELECTRONICS (AUTOMATIC DIRECTION FINDER SYSTEM ONLY)  
FIGURE 1 (SHEET 9)

**34-57-02-01**

BRI  
JAN 20/09

34-57-02-01  
PAGE 0H

 **BOEING**  
757  
**PARTS CATALOG (MAINTENANCE)**

FIG ITEM	PART NUMBER	1 2 3 4 5 6 7	NOMENCLATURE	EFFECT FROM TO	UNITS PER ASSY
1			PANEL INSTL-P8,P9,P10 ELECTRONICS (AUTOMATIC DIRECTION FINDER SYSTEM ONLY)	950951	
- 1	233N6101-1		PANEL INSTL-P8 ELECTRONICS (AUTOMATIC DIRECTION FINDER SYSTEM ONLY) VARIABLE DRAWING REF: 233N6101-5046 FOR NHA/OTHER SYS DET SEE: 25-10-00-05A	950951	RF
5	285T0027-14		.PANEL ASSY-ADF CONT SUPPLIER CODE: V89954 ELECTRICAL EQUIP NUMBER: M01046 COMPONENT MAINT MANUAL REF: 34-57-51	950951	RF
10	RC445-116		..KNOB- SUPPLIER CODE: V81590	950951	1
12	RC446-107		..KNOB- SUPPLIER CODE: V81590	950951	1
13	RD238-130		..KNOB- SUPPLIER CODE: V81590	950951	1
15	T1-0051		..SWITCH- SUPPLIER CODE: V21649	950951	1
17	800000121-1		..CONNECTOR- SUPPLIER CODE: V05617	950951	1
25	3-436211-1		..SWITCH- SUPPLIER CODE: V00779	950951	1
50	285T0556-1		.PANEL ASSY-ADF CONT SUPPLIER CODE: V89954 ELECTRICAL EQUIP NUMBER: M00085 COMPONENT MAINT MANUAL REF: 34-57-61	950951	RF
55	RD238-130		..KNOB- SUPPLIER CODE: V81590	950951	1
60	RC446-102		..KNOB- SUPPLIER CODE: V81590	950951	1

MISSING ITEM NUMBERS NOT APPLICABLE

- ITEM NOT ILLUSTRATED

BRI

# 34-57-02-01

BOEING PROPRIETARY - Copyright © - Unpublished Work - See title page for details.

34-57-02  
FIG. 01  
PAGE 1  
JAN 20/09



757

PARTS CATALOG (MAINTENANCE)

FIG ITEM	PART NUMBER	1 2 3 4 5 6 7	NOMENCLATURE	EFFECT FROM TO	UNITS PER ASSY
1					
65	RC445-116		.. KNOB- SUPPLIER CODE: V81590	950951	1
70	S182-10809-3		.. MODULE-LIQUID CRYSTAL DISPLAY FOR SPARES PROCURE: S182-10809-4	950951	1
72	285T0580-1		.. GASKET- SUPPLIER CODE: V89954 OPTIONAL PART: 285T0580-2 V89954	950951	1
72	285T0580-2		.. GASKET ASSY- SUPPLIER CODE: V89954 OPTIONAL PART: 285T0580-1 V89954	950951	1
75	800000121-1		.. CONNECTOR- SUPPLIER CODE: V05617 QUALIFIED OPTIONAL DATA: (OPT TO 90-42303-1 USED WITH ASSOCIATED ITEMS)	950951	1
75	90-42303-1		.. CONNECTOR- SUPPLIER CODE: V51074 QUALIFIED OPTIONAL DATA: (OPT TO 800000121-1 USED WITH ASSOCIATED ITEMS)	950951	1
80	T1-0073		.. SWITCH- SUPPLIER CODE: V21649	950951	1
84	UA79M15HMQB		.. MICROCIRCUIT- SUPPLIER CODE: V07263 SPECIFICATION NUMBER: 280-22002-332 OPTIONAL PART: 79M15HMQB V07263	950951	1

MISSING ITEM NUMBERS NOT APPLICABLE

- ITEM NOT ILLUSTRATED

34-57-02-01

34-57-02  
FIG. 01  
PAGE 2  
JAN 20/09

BRI

BOEING PROPRIETARY - Copyright © - Unpublished Work - See title page for details.



757

PARTS CATALOG (MAINTENANCE)

FIG ITEM	PART NUMBER	1 2 3 4 5 6 7	NOMENCLATURE	EFFECT FROM TO	UNITS PER ASSY
1 86	HS1-3182-8		.. DRIVER-LINE SUPPLIER CODE: V34371 OPTIONAL PART: HS3182-2 V34371 HS1-3182-2 V34371	950951	1
86	HS3182-2		.. DRIVER-LINE SUPPLIER CODE: V34371 OPTIONAL PART: HS1-3182-2 V34371 HS1-3182-8 V34371	950951	1
86	HS1-3182-2		.. DRIVER-LINE SUPPLIER CODE: V34371 OPTIONAL PART: HS1-3182-8 V34371 HS3182-2 V34371	950951	1
- 900 905	286N2231-007 BACC45FT16A24S6		WIRE BUNDLE ASSY .CONNECTOR- ELECTRICAL EQUIP NUMBER: D00431 WIRING DIAGRAM REF: 345711	950951 950951	RF 1

MISSING ITEM NUMBERS NOT APPLICABLE

- ITEM NOT ILLUSTRATED

34-57-02-01

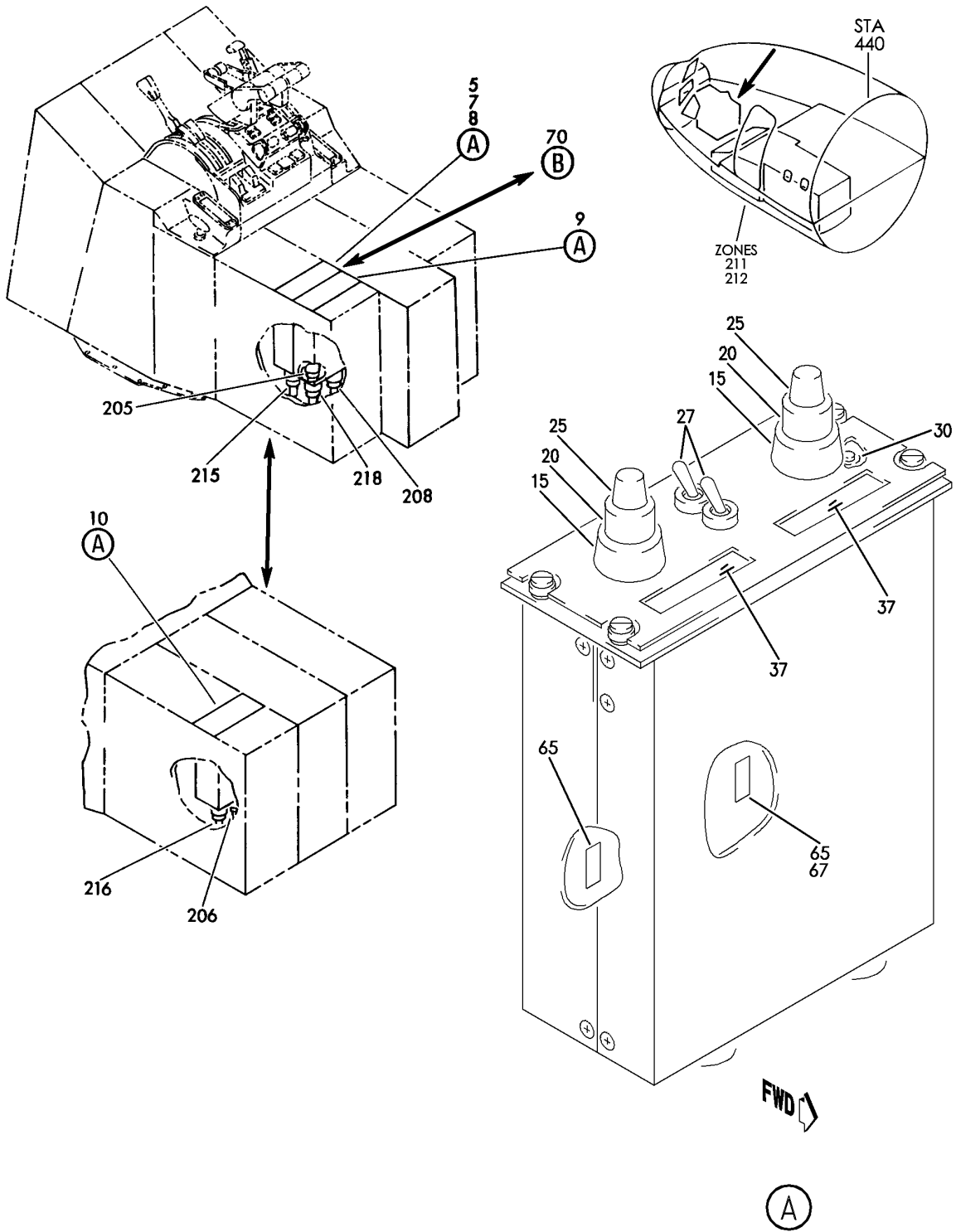
34-57-02  
FIG. 01  
PAGE 3  
JAN 20/09

BRI

BOEING PROPRIETARY - Copyright © - Unpublished Work - See title page for details.



**BOEING**  
757  
PARTS CATALOG (MAINTENANCE)



Y 34-570202 SHT 1 REV 288

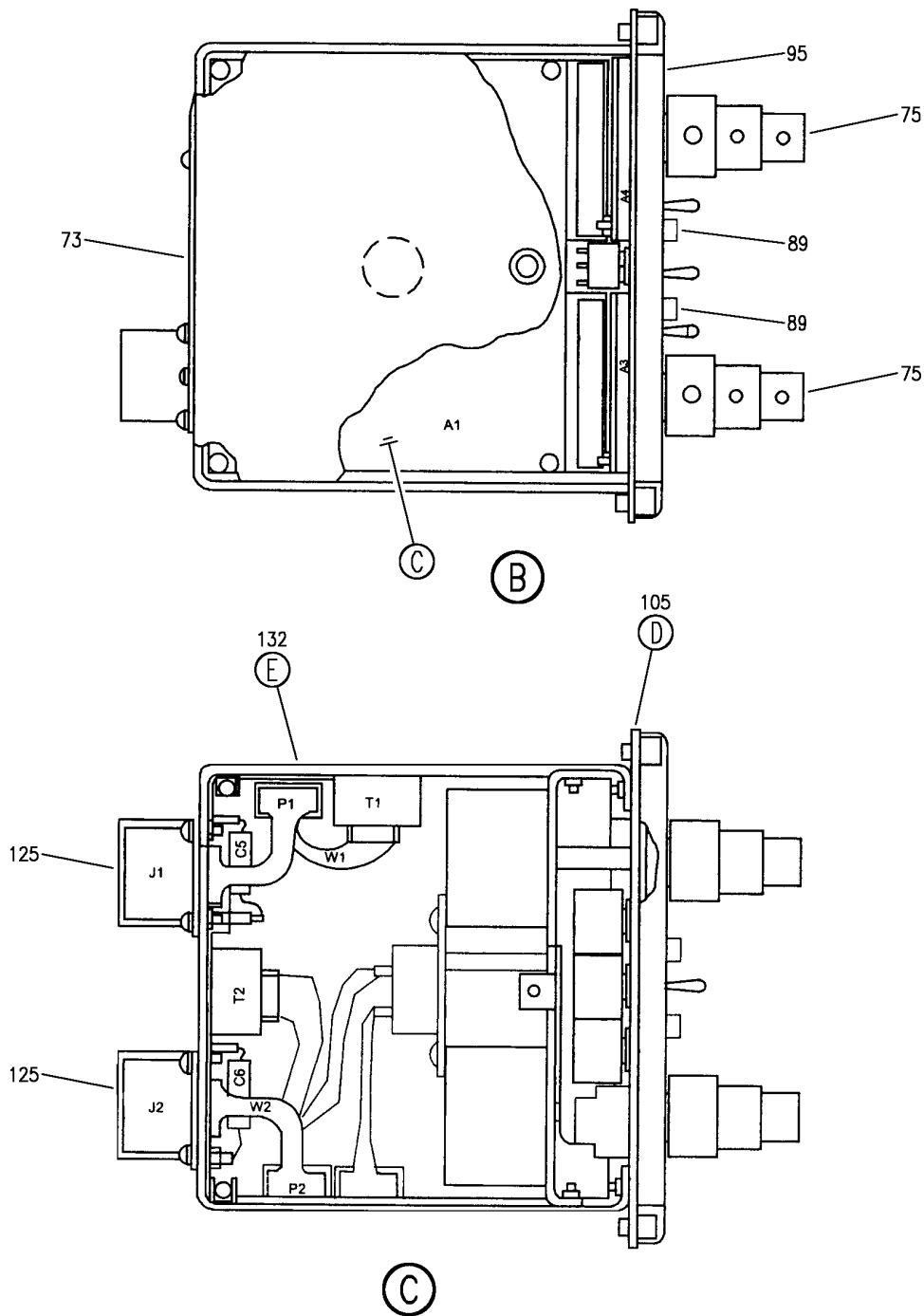
PANEL INSTL-P8, P9, P10 ELECTRONICS (AUTOMATIC DIRECTION FINDER SYSTEM ONLY)  
FIGURE 2 (SHEET 1)

**34-57-02-02**

BRI  
MAY 28/07

34-57-02-02  
PAGE 0

**BOEING**  
757  
PARTS CATALOG (MAINTENANCE)



Y 34-57-02-02 SHT 2 REV 315

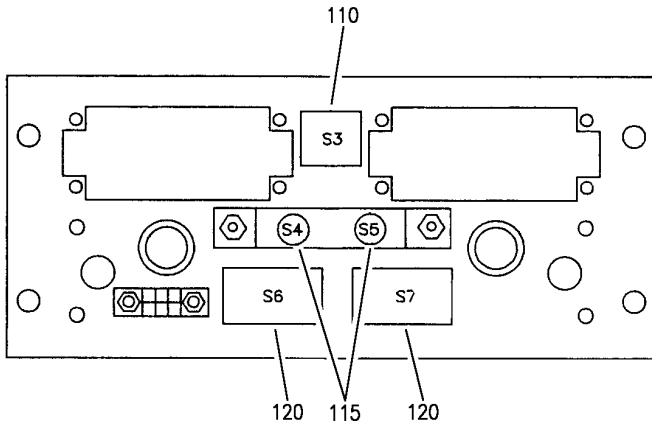
PANEL INSTL-P8, P9, P10 ELECTRONICS (AUTOMATIC DIRECTION FINDER SYSTEM ONLY)  
FIGURE 2 (SHEET 2)

**34-57-02-02**

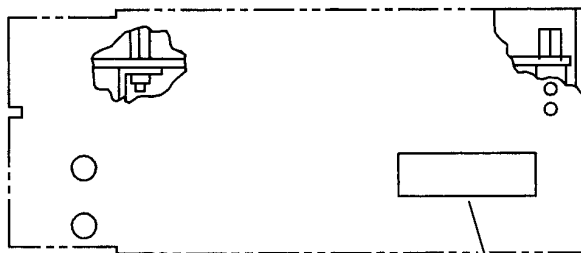
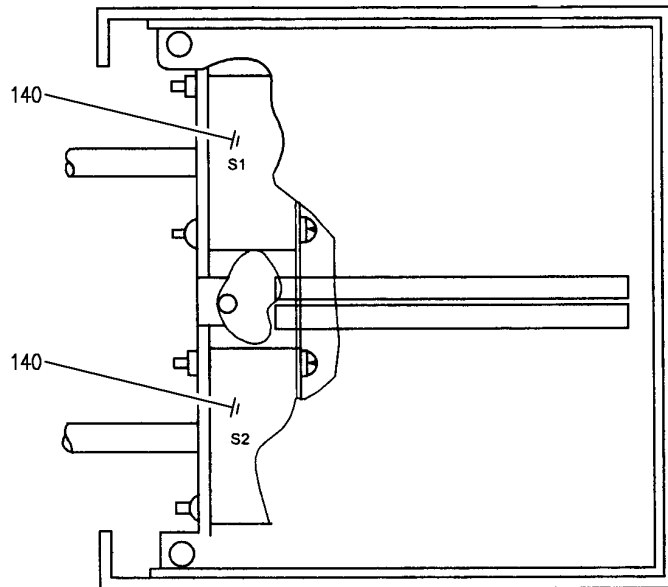
BRI  
SEP 28/07

34-57-02-02  
PAGE 0A

**BOEING**  
757  
PARTS CATALOG (MAINTENANCE)



(D)



Y 34-570202 SH1 3 REV 288

(F)

PANEL INSTL-P8, P9, P10 ELECTRONICS (AUTOMATIC DIRECTION FINDER SYSTEM ONLY)  
FIGURE 2 (SHEET 3)

BRI  
MAY 28/07

**34-57-02-02**

34-57-02-02  
PAGE 08

**BOEING**  
757  
**PARTS CATALOG (MAINTENANCE)**

FIG ITEM	PART NUMBER	1 2 3 4 5 6 7	NOMENCLATURE	EFFECT FROM TO	UNITS PER ASSY
2			PANEL INSTL-P8, P9, P10 ELECTRONICS (AUTOMATIC DIRECTION FINDER SYSTEM ONLY)	002004 006100 107107 121503 904949 952999	
- 1	233N6101-1		PANEL INSTL-P8 ELECTRONICS (AUTOMATIC DIRECTION FINDER SYSTEM ONLY) VARIABLE DRAWING REF: 233N6101-5004 233N6101-5028 233N6101-5041 233N6101-5042 FOR NHA/OTHER SYS DET SEE: 25-10-00-05A	002004 006100 107107 121503 904949 952999	RF
R R R R R R	5	285T0557-1	.PANEL ASSY-ADF CONT SUPPLIER CODE: V89954 ELECTRICAL EQUIP NUMBER: M01046 COMPONENT MAINT MANUAL REF: 34-57-62	121503 904949	RF
	10	285T0537-1	.PANEL ASSY-ADF CONT SUPPLIER CODE: V89954 ELECTRICAL EQUIP NUMBER: M01046 COMPONENT MAINT MANUAL REF: 34-57-53	002004 006100 107107 953999	RF
	10	285T0557-1	.PANEL ASSY-ADF CONT SUPPLIER CODE: V89954 ELECTRICAL EQUIP NUMBER: M01046 COMPONENT MAINT MANUAL REF: 34-57-62	002004 006100 107107 953999	RF
	15	RC445-116	..KNOB- SUPPLIER CODE: V81590	002004 006100 107107 121503 904949 953999	2
	20	RD446-107	..KNOB- SUPPLIER CODE: V12324 USED ON: 285T0027-15 285T0537-1	107107 121503 904949	2

MISSING ITEM NUMBERS NOT APPLICABLE

- ITEM NOT ILLUSTRATED

BRI

# 34-57-02-02

BOEING PROPRIETARY - Copyright © - Unpublished Work - See title page for details.

34-57-02  
FIG. 02  
PAGE 1  
MAY 20/09



757

PARTS CATALOG (MAINTENANCE)

FIG ITEM	PART NUMBER	1 2 3 4 5 6 7	NOMENCLATURE	EFFECT FROM TO	UNITS PER ASSY
2	20 RC446-102		.. KNOB- SUPPLIER CODE: V81590 USED ON: 285T0557-1 285T0557-2	002004 006100 107107 121503 904949 953999	2
	25 RD238-130		.. KNOB- SUPPLIER CODE: V81590	002004 006100 107107 121503 904949 953999	2
	27 T1-0073		.. SWITCH- SUPPLIER CODE: V21649 USED ON: 285T0537-1 285T0557-1	002004 006100 107107 121503 904949 953999	2
	30 800000121-1		.. CONNECTOR- SUPPLIER CODE: V05617 USED ON: 285T0537-1 285T0557-1 285T0557-2	002004 006100 107107 121503 904949 953999	1
	37 S182-10809-3		.. MODULE- USED ON: 285T0557-1 285T0557-2 FOR SPARES PROCURE: S182-10809-4	002004 006100 107107 121503 904949 953999	2
-	52 285T0562-1		.. CIRCUIT ASSY- SUPPLIER CODE: V89954 COMPONENT MAINT MANUAL REF: 34-09-60 OPTIONAL PART: 285T0562-9 V89954 285T0562-10 V89954	002004 006100 107107 121503 904949 953999	2

MISSING ITEM NUMBERS NOT APPLICABLE

- ITEM NOT ILLUSTRATED

34-57-02-02

34-57-02  
FIG. 02  
PAGE 2  
MAY 20/09

BRI



757

PARTS CATALOG (MAINTENANCE)

FIG ITEM	PART NUMBER	1 2 3 4 5 6 7	NOMENCLATURE	EFFECT FROM TO	UNITS PER ASSY
2					
- 52	285T0562-9		..CIRCUIT ASSY- SUPPLIER CODE: V89954 COMPONENT MAINT MANUAL REF: 34-09-60 OPTIONAL PART: 285T0562-1 V89954 285T0562-10 V89954	002004 006100 107107 121503 904949 953999	2
- 52	285T0562-10		..CIRCUIT ASSY- SUPPLIER CODE: V89954 COMPONENT MAINT MANUAL REF: 34-09-60 OPTIONAL PART: 285T0562-1 V89954	002004 006100 107107 121503 904949 953999	2
57	UA79M15HMQB		..MICROCIRCUIT- SUPPLIER CODE: V07263 SPECIFICATION NUMBER: 280-22002-332 OPTIONAL PART: 79M15HMQB V07263 USED ON: 285T0557-1 285T0557-2	002004 006100 107107 121503 904949 953999	1
65	HS1-3182-8		..DRIVER-LINE SUPPLIER CODE: V34371 OPTIONAL PART: HS3182-2 V34371 HS1-3182-2 V34371	002004 006100 107107 121503 904949 953999	2
65	HS3182-2		..DRIVER-LINE SUPPLIER CODE: V34371 OPTIONAL PART: HS1-3182-2 V34371 HS1-3182-8 V34371	002004 006100 107107 121503 904949 953999	2

MISSING ITEM NUMBERS NOT APPLICABLE

- ITEM NOT ILLUSTRATED

BRI

34-57-02-02

34-57-02  
FIG. 02  
PAGE 3  
JAN 20/09



757

PARTS CATALOG (MAINTENANCE)

FIG ITEM	PART NUMBER	1 2 3 4 5 6 7	NOMENCLATURE	EFFECT FROM TO	UNITS PER ASSY
2					
65	HS1-3182-2	..	DRIVER-LINE SUPPLIER CODE: V34371 OPTIONAL PART: HS1-3182-8 V34371 HS3182-2 V34371	002004 006100 107107 121503 904949 953999	2
R	70	622-6830-001	.PANEL ASSY-ADF FREQUENCY DFP-713 SUPPLIER CODE: V4V792 ELECTRICAL EQUIP NUMBER: M01046 COMPONENT MAINT MANUAL REF: 34-53-76 FUNCTIONAL REFERENCE: LIGHTS FOR DETAILS SEE 33-13-51-52B	952952	1
R					
R					
R					
R					
R					
R					
R					
R					
R					
	73	651-1843-001	..PLATE-IDENT SUPPLIER CODE: V4V792	952952	1
	75	281-0673-050	..KNOB- SUPPLIER CODE: V86797	952952	2
-	80	AN565F4H3	..SETSCREW	952952	4
-	83	AN565F6H3	..SETSCREW	952952	4
-	86	AN565F8H2	..SETSCREW	952952	4
	89	647-9082-002	..PUSHBUTTON- SUPPLIER CODE: V4V792	952952	2
-	92	7062-01	..CAP-SWITCH SUPPLIER CODE: V09353	952952	3
	95	754-0558-001	..PANEL-LT-BROWN SUPPLIER CODE: V4V792 CONFIG CHG DATA FROM A CMM: SUPSD BY 754-0558-004	952952	1
	95	754-0558-004	..PANEL-LT-BROWN SUPPLIER CODE: V4V792 CONFIG CHG DATA FROM A CMM: SUPSDS 754-0558-001	952952	1
-	100	827-4155-001	...WINDOW- SUPPLIER CODE: V4V792	952952	2

MISSING ITEM NUMBERS NOT APPLICABLE

- ITEM NOT ILLUSTRATED

34-57-02-02

34-57-02  
FIG. 02  
PAGE 4  
MAY 20/09

BRI



757

PARTS CATALOG (MAINTENANCE)

FIG ITEM	PART NUMBER	1 2 3 4 5 6 7	NOMENCLATURE	EFFECT FROM TO	UNITS PER ASSY
2					
- 100	827-1455-001	...	WINDOW- SUPPLIER CODE: V4V792 CONFIG CHG DATA FROM A CMM: SUPSDS 827-4155-001	952952	2
- 100	840-2022-010	...	WINDOW- SUPPLIER CODE: V66083 CONFIG CHG DATA FROM A CMM: SUPSDS 827-1455-001	952952	2
105	652-5786-001	..	PLATE ASSY-DISPLAY SUPPLIER CODE: V4V792	952952	1
110	7211SYZQ	...	SWITCH-TOGGLE SUPPLIER CODE: V09353 CONFIG CHG DATA FROM A CMM: SUPSD BY M83731-10-321	952952	1
110	M83731-10-321	...	SWITCH-TOGGLE SUPPLIER CODE: V55459 CONFIG CHG DATA FROM A CMM: SUPERSEDES 7211SYZQ	952952	1
115	39YY2121-2	...	SWITCH- SUPPLIER CODE: V81073 CONFIG CHG DATA FROM A CMM: SUPSD BY SA1BV20	952952	2
115	SA1BV20	...	SWITCH- SUPPLIER CODE: V55459 CONFIG CHG DATA FROM A CMM: SUPSDS 39YY2121-2	952952	2
120	7411SYZGE	...	SWITCH-TOGGLE SUPPLIER CODE: V09353 CONFIG CHG DATA FROM A CMM: SUPSD BY M83731-21-321	952952	2
120	M83731-21-321	...	SWITCH-TOGGLE SUPPLIER CODE: V55459 CONFIG CHG DATA FROM A CMM: SUPERSEDES 7411SYZGE	952952	2
125	MS90376-18Y	..	COVER-ELEC CONN CONFIG CHG DATA FROM A CMM: SUPSD BY MS90376-18YF	952952	1
125	MS90376-18YF	..	CAP-DUST CONFIG CHG DATA FROM A CMM: SUPSDS MS90376-18Y	952952	1

MISSING ITEM NUMBERS NOT APPLICABLE

- ITEM NOT ILLUSTRATED

34-57-02-02

34-57-02  
FIG. 02  
PAGE 5  
JAN 20/09

BRI

BOEING PROPRIETARY - Copyright © - Unpublished Work - See title page for details.





757

PARTS CATALOG (MAINTENANCE)

FIG ITEM	PART NUMBER	1 2 3 4 5 6 7	NOMENCLATURE	EFFECT FROM TO	UNITS PER ASSY
2					
- 130	778-0993-001	..	MODEL CHART- SUPPLIER CODE: V4V792	952952	1
132	652-5790-001	..	CHASSIS ASSY-CONT SUPPLIER CODE: V4V792	952952	1
135	280-2745-120	...	LABEL-ESDS WARNING SUPPLIER CODE: V12998	952952	1
140	1918DDPREL20-3	...	SWITCH-ROTARY SUPPLIER CODE: V76854 CONFIG CHG DATA FROM A CMM: SUPSD BY 1918	952952	2
140	1918	...	SWITCH-ROTARY SUPPLIER CODE: V82104 CONFIG CHG DATA FROM A CMM: SUPERSEDES 1918DDPREL20-3 ATTACHING PARTS	952952	2
- 145	P343-2644-000	...	SCREW-MACHINE STAINLESS STEEL 0.112-40 X 1.375 SUPPLIER CODE: V77250 CONFIG CHG DATA FROM A CMM: SUPSD BY MS51957-23	952952	4
- 145	MS51957-23	...	SCREW- CONFIG CHG DATA FROM A CMM: SUPERSEDES P343-2644-000	952952	4
- 150	MS15795-803	...	WASHER	952952	4
- 200	286N2229-005		WIRE BUNDLE ASSY- (AUTOMATIC DIRECTION FINDER SYSTEM ONLY)	121503 904949	RF
- 200	286N2229-008		WIRE BUNDLE ASSY- (AUTOMATIC DIRECTION FINDER SYSTEM ONLY)	107107	RF
- 200	286N2229-011		WIRE BUNDLE ASSY- (AUTOMATIC DIRECTION FINDER SYSTEM ONLY)	002004 006100	RF
- 200	286N2229-012		WIRE BUNDLE ASSY- (AUTOMATIC DIRECTION FINDER SYSTEM ONLY)	952999	RF

MISSING ITEM NUMBERS NOT APPLICABLE

- ITEM NOT ILLUSTRATED

34-57-02-02

34-57-02  
FIG. 02  
PAGE 6  
JAN 20/09

BRI

BOEING PROPRIETARY - Copyright © - Unpublished Work - See title page for details.



757

PARTS CATALOG (MAINTENANCE)

FIG ITEM	PART NUMBER	1 2 3 4 5 6 7	NOMENCLATURE	EFFECT FROM TO	UNITS PER ASSY
2					
205	BACC45FT16A24S9	.	CONNECTOR- ELECTRICAL EQUIP NUMBER: D00783 WIRING DIAGRAM REF: 345721	121503 904949	1
206	BACC45FT16A24S9	.	CONNECTOR- ELECTRICAL EQUIP NUMBER: D00783 WIRING DIAGRAM REF: 345721	002004 006100 107107 952999	1
- 210	286N2227-005		WIRE BUNDLE ASSY- (AUTOMATIC DIRECTION FINDER SYSTEM ONLY)	121503 904949	RF
- 210	286N2227-017		WIRE BUNDLE ASSY- (AUTOMATIC DIRECTION FINDER SYSTEM ONLY)	002004 006100 107107 952999	RF
215	BACC45FT16A24S6	.	CONNECTOR- ELECTRICAL EQUIP NUMBER: D00781 WIRING DIAGRAM REF: 345711	121503 904949	1
216	BACC45FT16A24S6	.	CONNECTOR- ELECTRICAL EQUIP NUMBER: D00781 WIRING DIAGRAM REF: 345711	002004 006100 107107 952999	1

MISSING ITEM NUMBERS NOT APPLICABLE

- ITEM NOT ILLUSTRATED

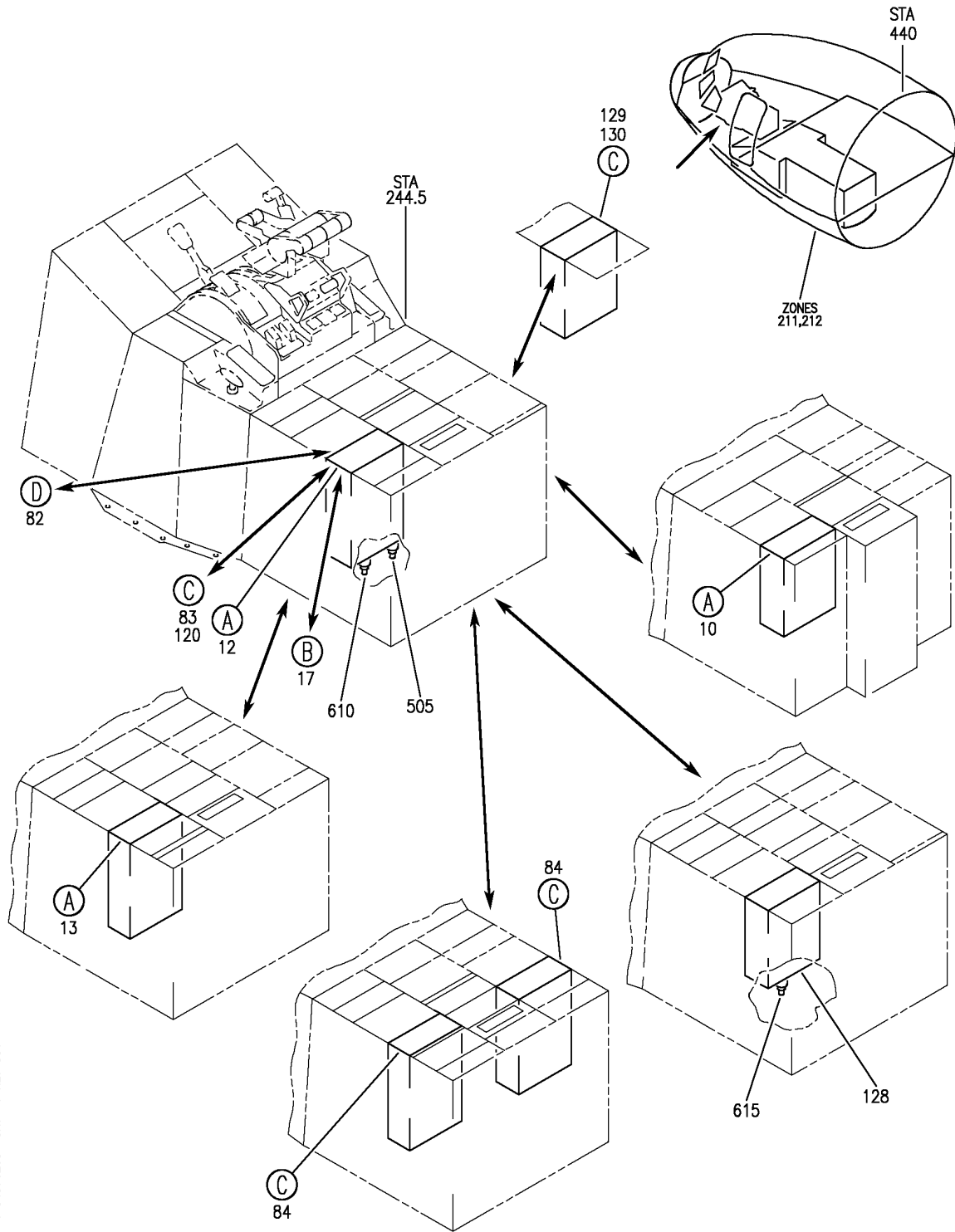
BRI

34-57-02-02

BOEING PROPRIETARY - Copyright © - Unpublished Work - See title page for details.

34-57-02  
FIG. 02  
PAGE 7  
JAN 20/09

**BOEING**  
757  
PARTS CATALOG (MAINTENANCE)



Y 34-57-02-03 SH-1 REV 331

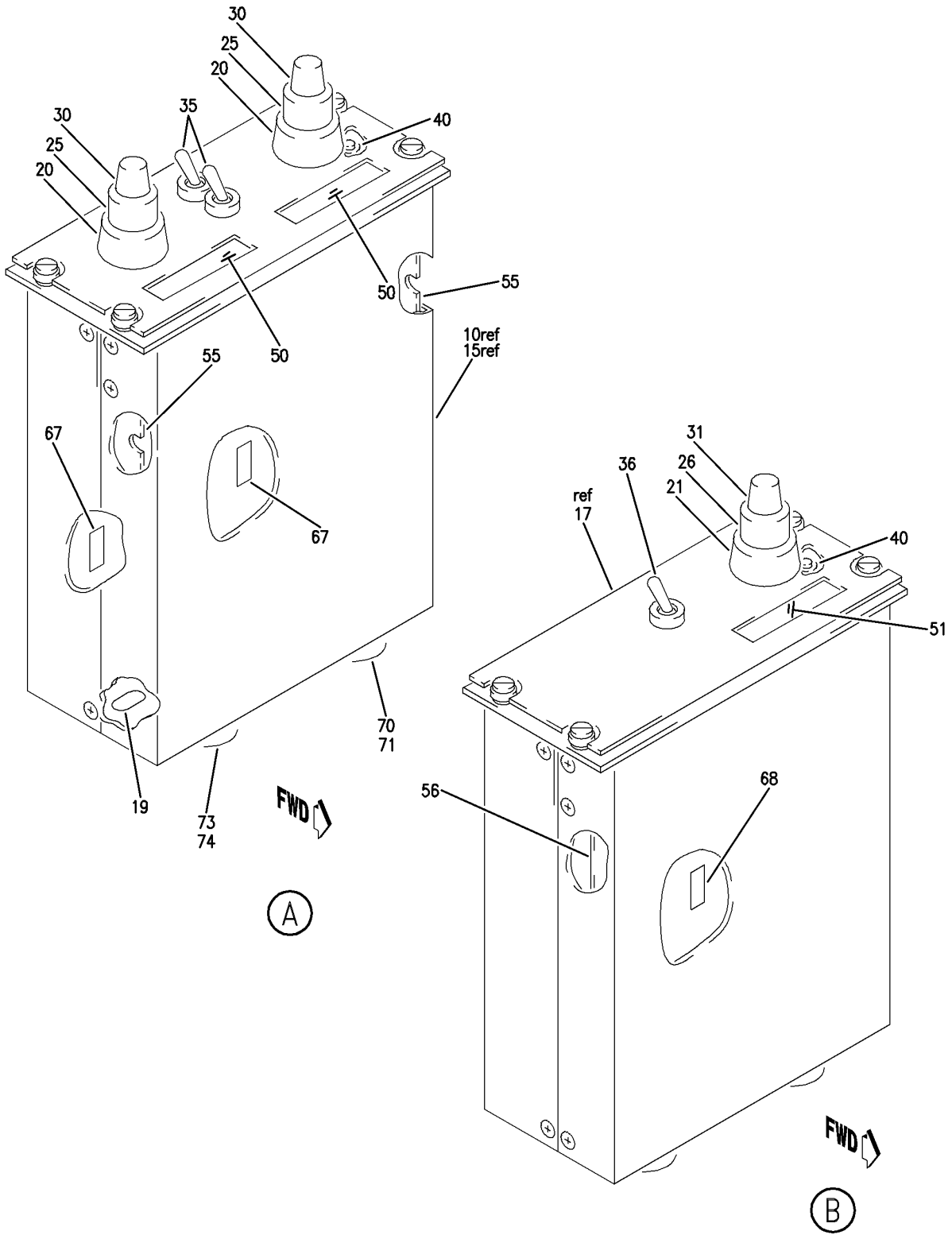
PANEL INSTL-P8, P9, P10 ELECTRONICS (AUTOMATIC DIRECTION FINDER SYSTEM ONLY)  
FIGURE 3 (SHEET 1)

**34-57-02-03**

BRI  
JAN 20/09

34-57-02-03  
PAGE 0


**BOEING**  
 757  
**PARTS CATALOG (MAINTENANCE)**



Y 34570203 SHT 2 REV 235

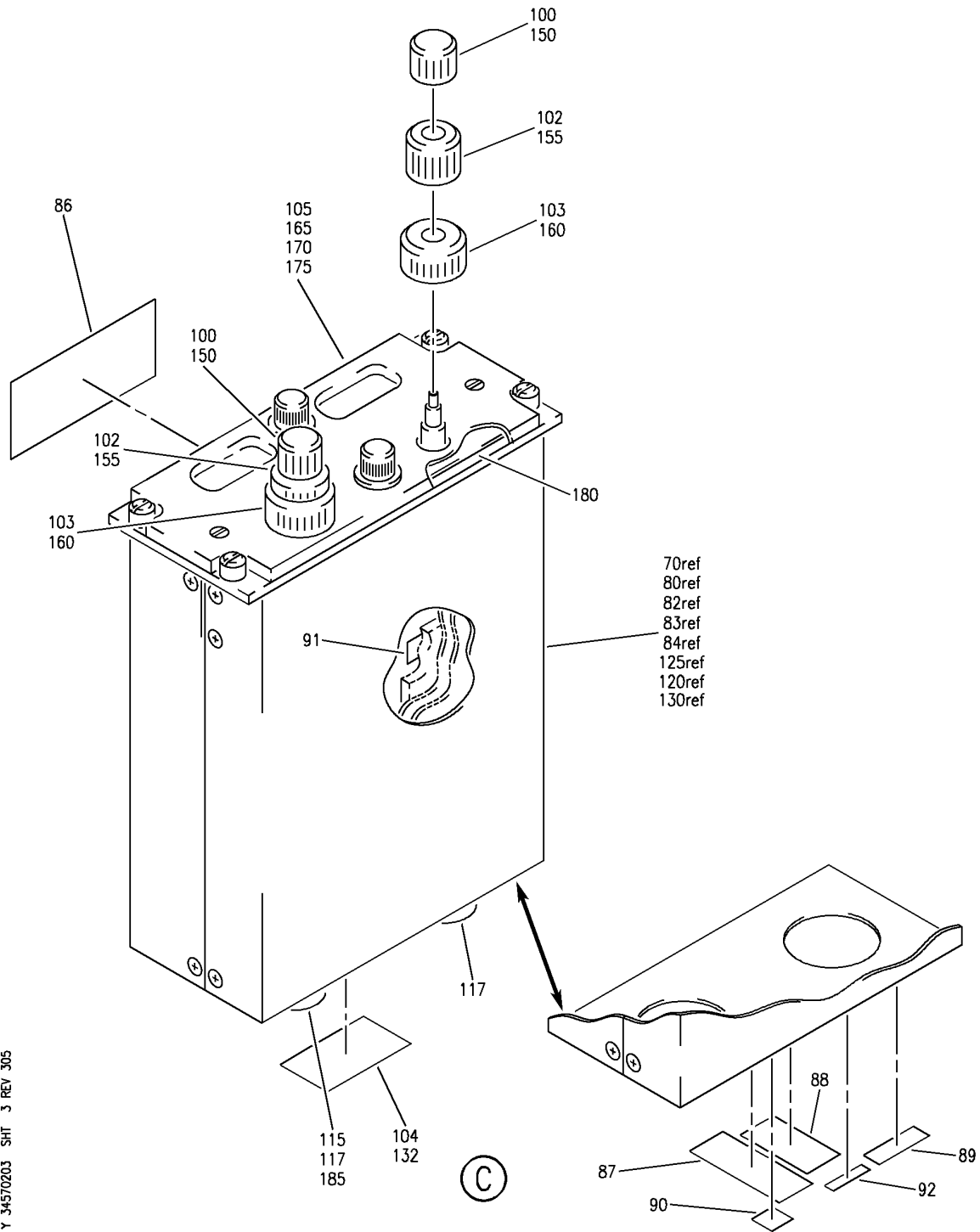
PANEL INSTL-P8, P9, P10 ELECTRONICS (AUTOMATIC DIRECTION FINDER SYSTEM ONLY)  
 FIGURE 3 (SHEET 2)

BRI  
MAY 28/07

# 34-57-02-03

34-57-02-03  
 PAGE 0A

**BOEING**  
757  
PARTS CATALOG (MAINTENANCE)



Y 34570203 SH1 3 REV 305

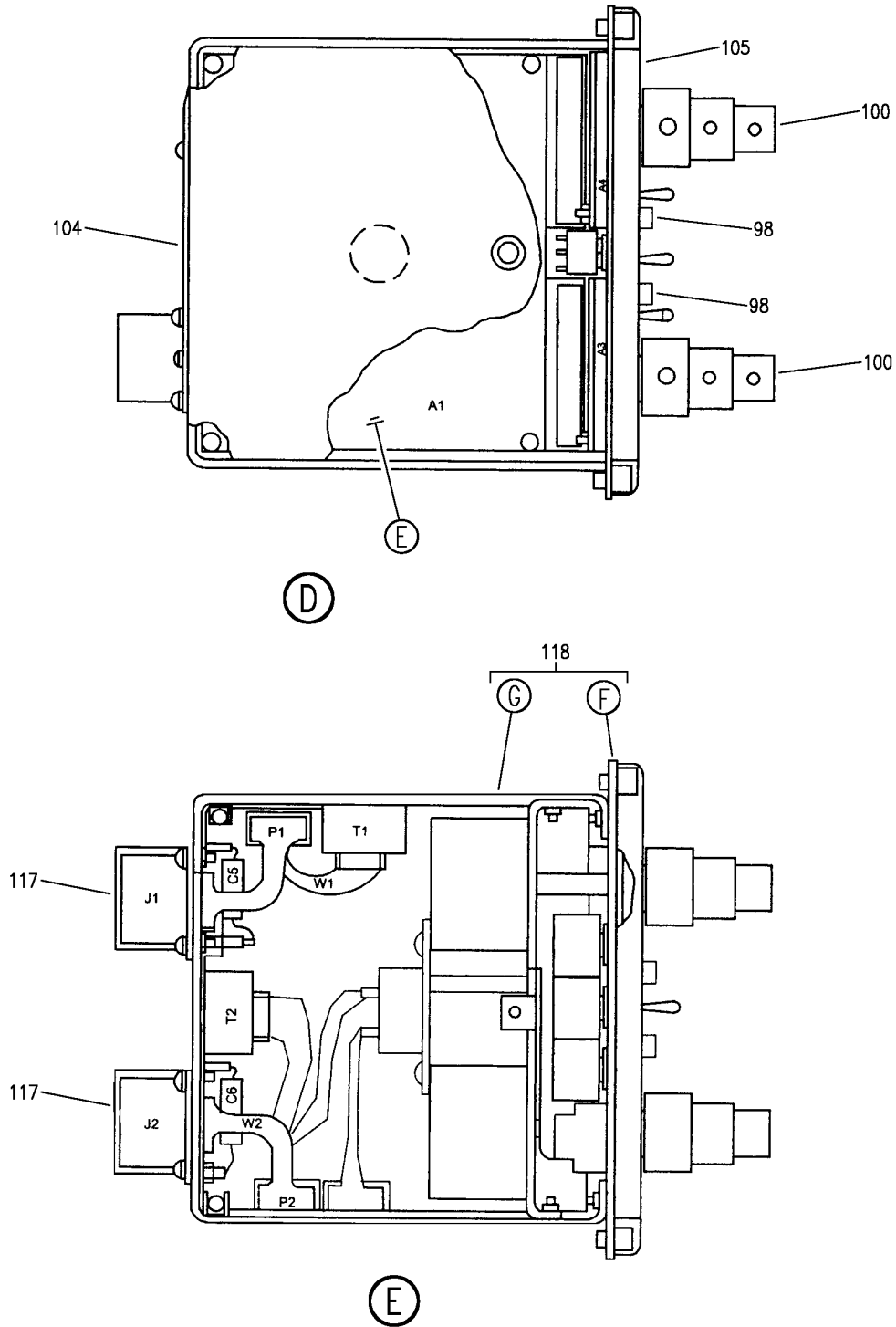
PANEL INSTL-P8, P9, P10 ELECTRONICS (AUTOMATIC DIRECTION FINDER SYSTEM ONLY)  
FIGURE 3 (SHEET 3)

BRI  
MAY 28/07

**34-57-02-03**

34-57-02-03  
PAGE 0B

**BOEING**  
757  
PARTS CATALOG (MAINTENANCE)



Y 34-570203 SH1 4 REV 288

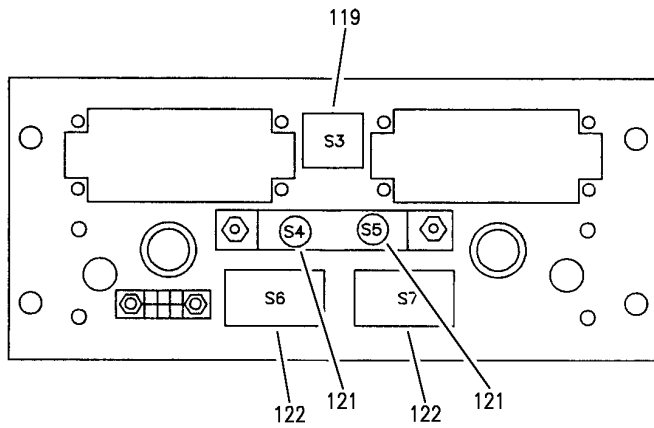
PANEL INSTL-P8, P9, P10 ELECTRONICS (AUTOMATIC DIRECTION FINDER SYSTEM ONLY)  
FIGURE 3 (SHEET 4)

BRI  
MAY 28/07

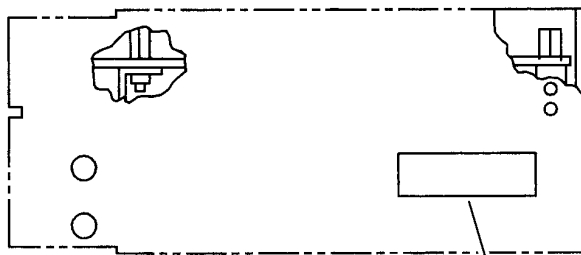
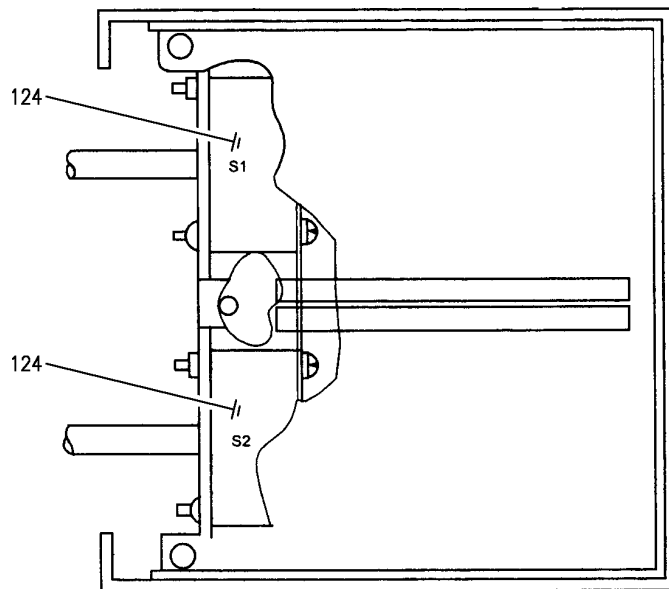
**34-57-02-03**

34-57-02-03  
PAGE 0C

**BOEING**  
757  
PARTS CATALOG (MAINTENANCE)



(F)



Y 34-570203 SH1 5 REV 288

(H)

PANEL INSTL-P8, P9, P10 ELECTRONICS (AUTOMATIC DIRECTION FINDER SYSTEM ONLY)  
FIGURE 3 (SHEET 5)

BRI  
MAY 28/07

**34-57-02-03**

34-57-02-03  
PAGE 0D



757

PARTS CATALOG (MAINTENANCE)

FIG ITEM	PART NUMBER	1 2 3 4 5 6 7	NOMENCLATURE	EFFECT FROM TO	UNITS PER ASSY
3			PANEL INSTL-P8, P9, P10 ELECTRONICS (AUTOMATIC DIRECTION FINDER SYSTEM ONLY)	101106 108120 504903	
- 1	233N6103-28		PANEL INSTL-P8, P9, P10 ELECTRONICS (AUTOMATIC DIRECTION FINDER SYSTEM ONLY) FOR NHA/OTHER SYS DET SEE: 25-10-00-15B	101101	RF
- 1	233N6103-122		PANEL INSTL-P8, P9, P10 ELECTRONICS (AUTOMATIC DIRECTION FINDER SYSTEM ONLY) FOR NHA/OTHER SYS DET SEE: 25-10-00-15B	504903	RF
- 2	233N6103-128		PANEL INSTL-P8, P9, P10 ELECTRONICS (AUTOMATIC DIRECTION FINDER SYSTEM ONLY) FOR NHA/OTHER SYS DET SEE: 25-10-00-15B	102102	RF
- 6	233N6103-62		PANEL INSTL-P8, P9, P10 ELECTRONICS (AUTOMATIC DIRECTION FINDER SYSTEM ONLY) FOR NHA/OTHER SYS DET SEE: 25-10-00-15B	108120	RF

MISSING ITEM NUMBERS NOT APPLICABLE

- ITEM NOT ILLUSTRATED

34-57-02-03

34-57-02  
FIG. 03  
PAGE 1  
JAN 20/09

BRI





757

PARTS CATALOG (MAINTENANCE)

FIG ITEM	PART NUMBER	1 2 3 4 5 6 7	NOMENCLATURE	EFFECT FROM TO	UNITS PER ASSY
3 -	8 MODREF33990		PANEL INSTL-P8, P9, P10 ELECTRONICS (AUTOMATIC DIRECTION FINDER SYSTEM ONLY) MODULE NUMBER: 233N6103-253 REV B FOR OTHER SYS DETAILS SEE: 11-31-05-66F 23-12-02-03 23-51-01-05 26-11-02-01 26-11-54-02A 26-12-51-03 26-17-51-06 26-21-01-02 26-22-03-03 26-23-52-04A 27-11-23-03 27-21-23-03 27-28-02-01A 31-11-31-02 31-11-36-78 31-11-41-02 31-41-03-02 33-13-01-07 34-22-02-03 34-31-02-02 34-43-02-02 34-53-02-02 34-61-02-03	103106	1
	10 285T0557-1		.PANEL ASSY-ADF CONT SUPPLIER CODE: V89954 ELECTRICAL EQUIP NUMBER: M01046 COMPONENT MAINT MANUAL REF: 34-57-62	504903	RF
	10 285T0537-1		.PANEL ASSY-ADF CONT SUPPLIER CODE: V89954 ELECTRICAL EQUIP NUMBER: M01046 COMPONENT MAINT MANUAL REF: 34-57-53	504903	RF

MISSING ITEM NUMBERS NOT APPLICABLE

- ITEM NOT ILLUSTRATED

**34-57-02-03**

34-57-02  
FIG. 03  
PAGE 2  
JAN 20/09

BRI



757

PARTS CATALOG (MAINTENANCE)

FIG ITEM	PART NUMBER	1 2 3 4 5 6 7	NOMENCLATURE	EFFECT FROM TO	UNITS PER ASSY
3					
12	285T0557-1		.PANEL ASSY-ADF CONT SUPPLIER CODE: V89954 ELECTRICAL EQUIP NUMBER: M01046 COMPONENT MAINT MANUAL REF: 34-57-62	103106	RF
12	285T0537-1		.PANEL ASSY-ADF CONT SUPPLIER CODE: V89954 ELECTRICAL EQUIP NUMBER: M01046 COMPONENT MAINT MANUAL REF: 34-57-53	103106	RF
13	285T0557-1		.PANEL ASSY-ADF CONT SUPPLIER CODE: V89954 ELECTRICAL EQUIP NUMBER: M01046 COMPONENT MAINT MANUAL REF: 34-57-62	101102	RF
13	285T0537-1		.PANEL ASSY-ADF CONT SUPPLIER CODE: V89954 ELECTRICAL EQUIP NUMBER: M01046 COMPONENT MAINT MANUAL REF: 34-57-53	101102	RF
19	BAC27TEX3349		..DECALSET	101106 504903	1
20	RC445-116		..KNOB- SUPPLIER CODE: V81590 USED ON: 285T0557-1 285T0557-2	101106 504903	2
25	RC446-102		..KNOB- SUPPLIER CODE: V81590 USED ON: 285T0557-1 285T0557-2	101106 504903	2
30	RD238-130		..KNOB- SUPPLIER CODE: V81590 USED ON: 285T0557-1 285T0557-2	101106 504903	2

MISSING ITEM NUMBERS NOT APPLICABLE

- ITEM NOT ILLUSTRATED

34-57-02-03

34-57-02  
FIG. 03  
PAGE 3  
JAN 20/09

BRI

BOEING PROPRIETARY - Copyright © - Unpublished Work - See title page for details.



757

PARTS CATALOG (MAINTENANCE)

FIG ITEM	PART NUMBER	1 2 3 4 5 6 7	NOMENCLATURE	EFFECT FROM TO	UNITS PER ASSY
3					
35	T1-0073	..	SWITCH- SUPPLIER CODE: V21649 USED ON: 285T0557-1 285T0557-2	101106 504903	2
36	T1-0073	..	SWITCH- SUPPLIER CODE: V21649 USED ON: 285T0556-1	101102 504903	1
40	800000121-1	..	CONNECTOR- SUPPLIER CODE: V05617	101106 504903	1
40	90-42303-1	..	CONNECTOR- SUPPLIER CODE: V51074	101106 504903	1
50	S182-10809-3	..	MODULE- USED ON: 285T0557-1 285T0557-2	101106 504903	2
55	285T0562-1	..	CIRCUIT ASSY- SUPPLIER CODE: V89954 COMPONENT MAINT MANUAL REF: 34-09-60 OPTIONAL PART: 285T0562-9 V89954 285T0562-10 V89954 USED ON: 285T0557-1 285T0557-2	101106 504903	2
55	285T0562-9	..	CIRCUIT ASSY- SUPPLIER CODE: V89954 COMPONENT MAINT MANUAL REF: 34-09-60 OPTIONAL PART: 285T0562-1 V89954 285T0562-10 V89954 USED ON: 285T0557-1 285T0557-2	101106 504903	2

MISSING ITEM NUMBERS NOT APPLICABLE

- ITEM NOT ILLUSTRATED

34-57-02-03

34-57-02  
FIG. 03  
PAGE 4  
JAN 20/09

BRI

BOEING PROPRIETARY - Copyright © - Unpublished Work - See title page for details.



757

PARTS CATALOG (MAINTENANCE)

FIG ITEM	PART NUMBER	1 2 3 4 5 6 7	NOMENCLATURE	EFFECT FROM TO	UNITS PER ASSY
3					
55	285T0562-10	..	CIRCUIT ASSY- SUPPLIER CODE: V89954 COMPONENT MAINT MANUAL REF: 34-09-60 OPTIONAL PART: 285T0562-1 V89954 285T0562-9 V89954 USED ON: 285T0557-1 285T0557-2	101106 504903	2
- 60	UA79M15HMQB	..	MICROCIRCUIT- SUPPLIER CODE: V07263 SPECIFICATION NUMBER: 280-22002-332 OPTIONAL PART: 79M15HMQB V07263	101106 504903	1
- 65	BAC27TEX4182	..	MARKER- SUPPLIER CODE: V89954	101106 504903	1
67	HS1-3182-8	..	DRIVER-LINE SUPPLIER CODE: V34371 OPTIONAL PART: HS3182-2 V34371 HS1-3182-2 V34371	101106 504903	2
67	HS3182-2	..	DRIVER-LINE SUPPLIER CODE: V34371 OPTIONAL PART: HS1-3182-2 V34371 HS1-3182-8 V34371	101106 504903	2
67	HS1-3182-2	..	DRIVER-LINE SUPPLIER CODE: V34371 OPTIONAL PART: HS1-3182-8 V34371 HS3182-2 V34371	101106 504903	2

MISSING ITEM NUMBERS NOT APPLICABLE

- ITEM NOT ILLUSTRATED

BRI

34-57-02-03

34-57-02  
FIG. 03  
PAGE 5  
JAN 20/09



757

PARTS CATALOG (MAINTENANCE)

FIG ITEM	PART NUMBER	1 2 3 4 5 6 7	NOMENCLATURE	EFFECT FROM TO	UNITS PER ASSY
3					
70	285T0577-1	..	CONNECTOR-INTERFACE SUPPLIER CODE: V89954 OPTIONAL PART: 285T0577-9 V89954	101106 504903	1
70	285T0577-9	..	CONNECTOR-INTERFACE SUPPLIER CODE: V89954 OPTIONAL PART: 285T0577-1 V89954	101106 504903	1
71	CN0942-044P6	...	CONNECTOR- SUPPLIER CODE: V13556	101106 504903	1
73	285T0577-2	..	CONNECTOR-INTERFACE SUPPLIER CODE: V89954 OPTIONAL PART: 285T0577-10 V89954	101106 504903	1
73	285T0577-10	..	CONNECTOR-INTERFACE SUPPLIER CODE: V89954 OPTIONAL PART: 285T0577-2 V89954	101106 504903	1
74	CN0942-044P9	...	CONNECTOR- SUPPLIER CODE: V13556 ATTACHING PARTS	101106 504903	1
- 76	NAS1801-04-6	..	SCREW	101106 504903	4
- 79	K19798-04	..	NUT SUPPLIER CODE: V15653 SPECIFICATION NUMBER: BACN10NW1 OPTIONAL PART: RMA4812-160-40 V72962 293162 V60119 -----*-----	101106 504903	4

MISSING ITEM NUMBERS NOT APPLICABLE

- ITEM NOT ILLUSTRATED

34-57-02-03

34-57-02  
FIG. 03  
PAGE 6  
JAN 20/09

BRI

BOEING PROPRIETARY - Copyright © - Unpublished Work - See title page for details.

 **BOEING**  
757  
**PARTS CATALOG (MAINTENANCE)**

FIG ITEM	PART NUMBER	1 2 3 4 5 6 7	NOMENCLATURE	EFFECT FROM TO	UNITS PER ASSY
3					
R	82	G7403-01	.PANEL ASSY-ADF CONT SUPPLIER CODE: V99837 FUNCTIONAL DESCRIPTION: ALLOWS THE FLIGHT CREW TO TUNE THE ADF RECEIVER TO THE APPROPRIATE FREQUENCY FOR THE GROUND STATION BEING USED TO AID NAVIGATION ELECTRICAL EQUIP NUMBER: M01046	108120	1
R	86	600A38009	..LABEL-STATIC CAUTION SUPPLIER CODE: V99837	108120	1
R	87	600A37952-070	..NAMEPLATE-UNIT IDENT SUPPLIER CODE: V99837	108120	1
R	88	600A31593	..NAMEPLATE-MOD STATUS SUPPLIER CODE: V99837	108120	1
R	89	600A37973A012	..NAMEPLATE-TSO SUPPLIER CODE: V99837	108120	1
R	90	600A38451	..LABEL-STATIC CAUTION SUPPLIER CODE: V99837	108120	1
R	91	600A44782-0023D	..LABEL-SOFTWARE LEVEL 023D SUPPLIER CODE: V99837	108120	1
R	92	600A46061-121	..LABEL-SUPPLEMENTAL IDENT SUPPLIER CODE: V99837	108120	1
-	93	AN565F4H3	..SETSCREW	108120	4
-	94	AN565F6H3	..SETSCREW	108120	4
-	95	AN565F8H2	..SETSCREW	108120	4
	100	281-0673-050	..KNOB-CONCENTRIC SUPPLIER CODE: V86797	108120	2
	102	608-6381-005	..KNOB- SUPPLIER CODE: V4V792	108120	2
	103	608-6380-005	..KNOB-PRESSED SUPPLIER CODE: V4V792	108120	2

MISSING ITEM NUMBERS NOT APPLICABLE

- ITEM NOT ILLUSTRATED

BRI

# 34-57-02-03

BOEING PROPRIETARY - Copyright © - Unpublished Work - See title page for details.

34-57-02  
FIG. 03  
PAGE 7  
MAY 20/09



757

PARTS CATALOG (MAINTENANCE)

FIG ITEM	PART NUMBER	1 2 3 4 5 6 7	NOMENCLATURE	EFFECT FROM TO	UNITS PER ASSY
3					
105	754-0557-001		.. PANEL-LT-BROWN SUPPLIER CODE: V4V792 CONFIG CHG DATA FROM A CMM: SUPSD BY 754-0557-004	108120	1
105	754-0557-004		.. PANEL-LT-BROWN SUPPLIER CODE: V4V792 CONFIG CHG DATA FROM A CMM: SUPERSEDES 754-0557-001	108120	1
- 501	286N2229-301		WIRE BUNDLE ASSY-	108120	RF
- 501	286N2229-309		WIRE BUNDLE ASSY	504903	RF
- 501	286N2229-310		WIRE BUNDLE ASSY	101102	RF
- 502	286N2229-701		WIRE BUNDLE ASSY	103106	RF
505	BACC45FT16A24S9		.CONNECTOR- ELECTRICAL EQUIP NUMBER: D00783 WIRING DIAGRAM REF: 345721	101106 108120 504903	1
- 602	286N2227-042		WIRE BUNDLE ASSY	504903	RF
- 602	286N2227-301		WIRE BUNDLE ASSY-	108120	RF
- 602	286N2227-302		WIRE BUNDLE ASSY-	101102	RF
- 603	286N2227-701		WIRE BUNDLE ASSY	103106	RF
610	BACC45FT16A24S6		.CONNECTOR- ELECTRICAL EQUIP NUMBER: D00781 WIRING DIAGRAM REF: 345711	101106 108120 504903	1

MISSING ITEM NUMBERS NOT APPLICABLE

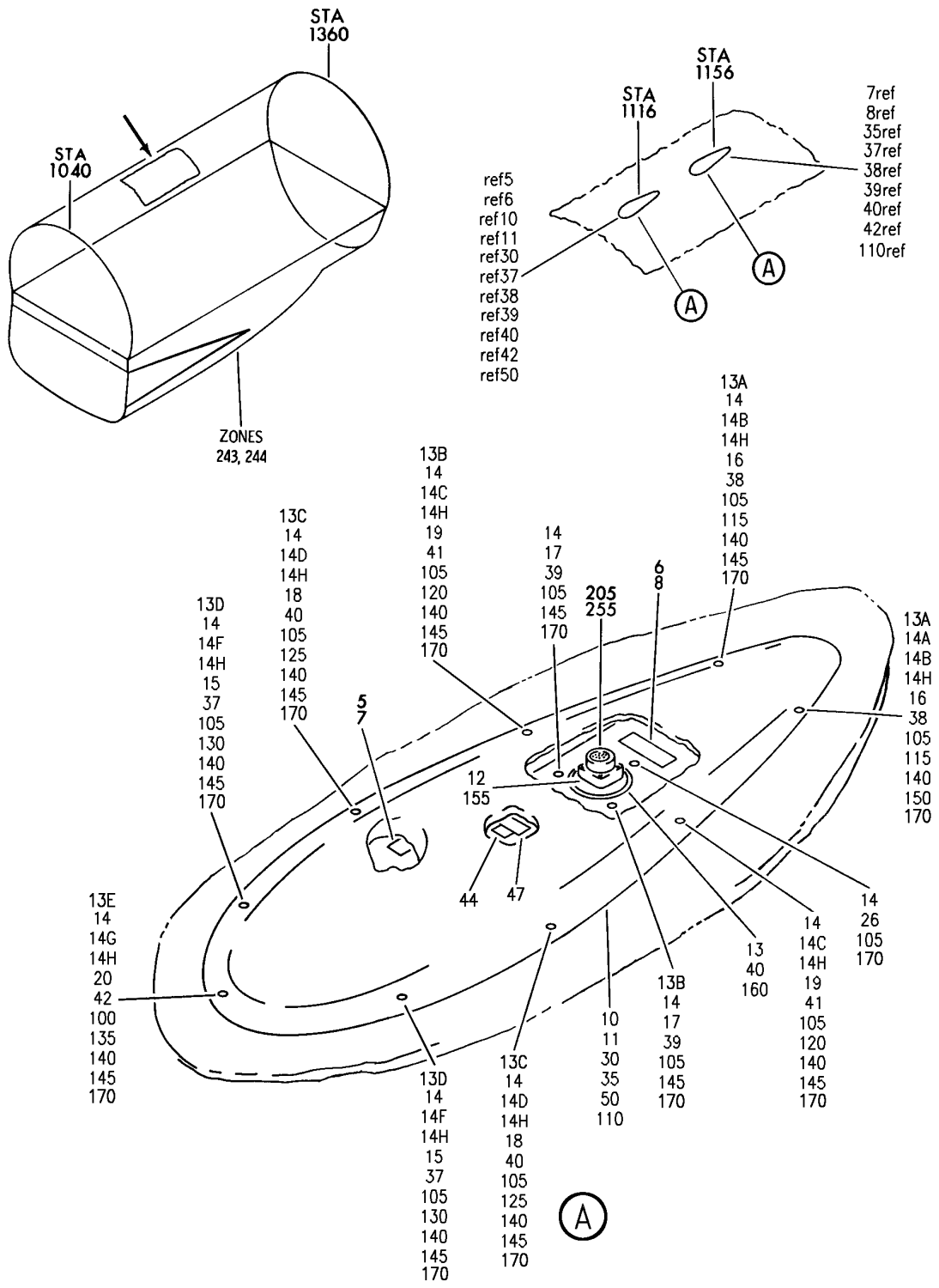
- ITEM NOT ILLUSTRATED

34-57-02-03

34-57-02  
FIG. 03  
PAGE 8  
JAN 20/09

BRI

**BOEING**  
757  
PARTS CATALOG (MAINTENANCE)



Y 34-57-03-01 REV 287

ANTENNA INSTL-ADF SENSE LOOP  
FIGURE 1

# 34-57-03-01

BRI  
MAY 28/07

34-57-03-01  
PAGE 0





757

PARTS CATALOG (MAINTENANCE)

FIG ITEM	PART NUMBER	1 2 3 4 5 6 7	NOMENCLATURE	EFFECT FROM TO	UNITS PER ASSY
1			ANTENNA INSTL-ADF SENSE LOOP	002004 006107 121999	
- 1	284N1448-17		ANTENNA INSTL-ADF SENSE LOOP FOR NHA SEE: 24-00-58-01B	002004 006100 121503 904949 952999	RF
- 2	MODREF10488		ANTENNA INSTL-ADF SENSE LOOP MODULE NUMBER: 284N1448-48 REV A	103106	1
- 3	284N1448-6		ANTENNA INSTL-ADF SENSE LOOP FOR NHA SEE: 24-00-58-01B	107107	RF
- 3	284N1448-26		ANTENNA INSTL-ADF SENSE LOOP FOR NHA SEE: 24-00-58-05D	504903	RF
- 3	284N1448-40		ANTENNA INSTL-ADF SENSE LOOP FOR NHA SEE: 24-00-58-05D	101102	RF
6	BAC27TEX1354		.DECAL- PLACARD CONTENT: M00265	002004 006107 121949 952999	1
8	BAC27NEX1674		.DECAL- PLACARD CONTENT: M00266	002004 006102 107107 121949 952999	1
10	2041683-7504		.ANTENNA ASSY-ADF SUPPLIER CODE: V97896 SPECIFICATION NUMBER: S220T113-104 ELECTRICAL EQUIP NUMBER: M00265 COMPONENT MAINT MANUAL REF: 34-53-11 QUALIFIED I/W DATA: 622-5404-003 MUST BE INSTALLED WITH 822-0299-001 RECEIVER. 2041683-7504 MUST BE INSTALLED WITH 2041168-7510 RECEIVER.	101102 107107 953999	1

MISSING ITEM NUMBERS NOT APPLICABLE

- ITEM NOT ILLUSTRATED

BRI

34-57-03-01

34-57-03  
FIG. 01  
PAGE 1  
JAN 20/09

**BOEING**  
757  
PARTS CATALOG (MAINTENANCE)

FIG ITEM	PART NUMBER	1 2 3 4 5 6 7	NOMENCLATURE	EFFECT FROM TO	UNITS PER ASSY
R R	1				
	10	2041683-7504	.ANTENNA ASSY-ADF SUPPLIER CODE: V97896 SPECIFICATION NUMBER: S220T113-104 ELECTRICAL EQUIP NUMBER: M00265 COMPONENT MAINT MANUAL REF: 34-53-11 QUALIFIED I/W DATA: 622-5404-003 MUST BE INSTALLED WITH 822-0299-001 RECEIVER. 2041683-7504 MUST BE INSTALLED WITH 2041168-7510 RECEIVER.	002004 006100 121503 904949 953999	1
	10	2041683-7507	.ANTENNA ASSY-ADF SUPPLIER CODE: V97896 FUNCTIONAL DESCRIPTION: RECEIVES RADIO NAVIGATION SIGNALS TRANSMITTED FROM GROUND STATION. ELECTRICAL EQUIP NUMBER: M00265 COMPONENT MAINT MANUAL REF: 34-53-71	002004 006100 121503 904949 953999	1
	10	2041683-7507	.ANTENNA ASSY-ADF SUPPLIER CODE: V97896 FUNCTIONAL DESCRIPTION: RECEIVES RADIO NAVIGATION SIGNALS TRANSMITTED FROM GROUND STATION. ELECTRICAL EQUIP NUMBER: M00265 COMPONENT MAINT MANUAL REF: 34-53-71	101102 107107 953999	1
	11	2041683-7503	.ANTENNA ASSY-ADF SUPPLIER CODE: V97896 SPECIFICATION NUMBER: S220T113-103 ELECTRICAL EQUIP NUMBER: M00265 COMPONENT MAINT MANUAL REF: 34-53-11	101102 107107 953999	1

MISSING ITEM NUMBERS NOT APPLICABLE

— ITEM NOT ILLUSTRATED

BRI

**34-57-03-01**

BOEING PROPRIETARY - Copyright © - Unpublished Work - See title page for details.

34-57-03  
FIG. 01  
PAGE 2  
MAY 20/09

 **BOEING**  
757  
**PARTS CATALOG (MAINTENANCE)**

FIG ITEM	PART NUMBER	1 2 3 4 5 6 7	NOMENCLATURE	EFFECT FROM TO	UNITS PER ASSY
R R R R R R R R	11	2041683-7503	. ANTENNA ASSY-ADF SUPPLIER CODE: V97896 SPECIFICATION NUMBER: S220T113-103 ELECTRICAL EQUIP NUMBER: M00265 COMPONENT MAINT MANUAL REF: 34-53-11	002004 006100 121503 904949 953999	1
	12	24336-0001	.. CONNECTOR- SUPPLIER CODE: V27914 USED ON: 2041683-7503	002004 006100 107107 121503 904949 953999	1
	13	36030-0019	.. PACKING- SUPPLIER CODE: V27914 USED ON: 2041683-7503	002004 006100 107107 121503 904949 953999	1
	14B	3603817-0003	.. SCREW- SUPPLIER CODE: V96906	002004 006100 107107 121503 904949 953999	2
	14C	3603817-0006	.. SCREW- SUPPLIER CODE: V96906	002004 006100 107107 121503 904949 953999	2
	14D	3603817-0004	.. SCREW- SUPPLIER CODE: V96906	002004 006100 107107 121503 904949 953999	2
	14F	3603817-0005	.. SCREW- SUPPLIER CODE: V96906	002004 006100 107107 121503 904949 953999	2
	MISSING ITEM NUMBERS NOT APPLICABLE				

- ITEM NOT ILLUSTRATED

# 34-57-03-01

34-57-03  
FIG. 01  
PAGE 3  
MAY 20/09

BRI

**BOEING**  
757  
**PARTS CATALOG (MAINTENANCE)**

FIG ITEM	PART NUMBER	1 2 3 4 5 6 7	NOMENCLATURE	EFFECT FROM TO	UNITS PER ASSY
1 14G	3603817-0001		.. SCREW- SUPPLIER CODE: V96906	002004 006100 107107 121503 904949 953999	1
14H	36039-3414		.. WASHER- SUPPLIER CODE: V96906	002004 006100 107107 121503 904949 953999	9
R R	30 622-5404-003		. ANTENNA ASSY-ADF SUPPLIER CODE: V4V792 MISCELLANEOUS DATA: (622-5404-001 622-5404-002 OR 622-5404-003 INTERCHANGEABLE EXCEPT SUBJECT TO CUST PREFERENCE) ELECTRICAL EQUIP NUMBER: M00265 COMPONENT MAINT MANUAL REF: 34-53-71	504903 952952	1
	30 822-5404-001		. ANTENNA ASSY-ADF LOOP/SENSE SUPPLIER CODE: V4V792 FUNCTIONAL DESCRIPTION: RECEIVES RADIO NAVIGATION SIGNALS TRANSMITTED FROM GROUND STATION. ELECTRICAL EQUIP NUMBER: M00265	103106	1

MISSING ITEM NUMBERS NOT APPLICABLE

— ITEM NOT ILLUSTRATED

BRI

# 34-57-03-01

BOEING PROPRIETARY - Copyright © - Unpublished Work - See title page for details.

34-57-03  
FIG. 01  
PAGE 4  
MAY 20/09



757

PARTS CATALOG (MAINTENANCE)

FIG ITEM	PART NUMBER	1 2 3 4 5 6 7	NOMENCLATURE	EFFECT FROM TO	UNITS PER ASSY
R R R R R R R R R R R	1 35 622-5404-003		. ANTENNA ASSY-ADF SUPPLIER CODE: V4V792 MISCELLANEOUS DATA: (622-5404-001 622-5404-002 OR 622-5404-003 INTERCHANGEABLE EXCEPT SUBJECT TO CUST PREFERENCE) ELECTRICAL EQUIP NUMBER: M00266 COMPONENT MAINT MANUAL REF: 34-53-71	103106 504903 952952	1
	37 646-3813-008		.. SCREW- SUPPLIER CODE: V4V792 CONFIG CHG DATA FROM A CMM: SUPSD BY 652-0307-008 OPTIONAL PART: 646-3813-002 V4V792 641-0853-002 V4V792 641-0853-005 V4V792	103106 504903 952952	2
	37 646-3813-002		.. SCREW- SUPPLIER CODE: V4V792 CONFIG CHG DATA FROM A CMM: SUPSD BY 646-3813-008 OPTIONAL PART: 646-3813-008 V4V792 641-0853-002 V4V792 641-0853-005 V4V792	103106 504903 952952	2

MISSING ITEM NUMBERS NOT APPLICABLE

- ITEM NOT ILLUSTRATED

34-57-03-01

34-57-03  
FIG. 01  
PAGE 5  
MAY 20/09

BRI



757

PARTS CATALOG (MAINTENANCE)

FIG ITEM	PART NUMBER	1 2 3 4 5 6 7	NOMENCLATURE	EFFECT FROM TO	UNITS PER ASSY
1 37	641-0853-002	..	SCREW- SUPPLIER CODE: V4V792 CONFIG CHG DATA FROM A CMM: SUPSD BY 646-3813-002 OPTIONAL PART: 646-3813-008 V4V792 646-3813-002 V4V792 641-0853-005 V4V792	103106 504903 952952	2
37	641-0853-005	..	SCREW- SUPPLIER CODE: V4V792 CONFIG CHG DATA FROM A CMM: SUPSD BY 641-0853-002 OPTIONAL PART: 646-3813-008 V4V792 646-3813-002 V4V792 641-0853-002 V4V792	103106 504903 952952	2
38	646-3813-008	..	SCREW- SUPPLIER CODE: V4V792 CONFIG CHG DATA FROM A CMM: SUPSD BY 652-0307-008 OPTIONAL PART: 646-3813-004 V4V792 641-0853-004 V4V792 641-0853-005 V4V792	103106 504903 952952	2
38	646-3813-004	..	SCREW- SUPPLIER CODE: V4V792 OPTIONAL PART: 646-3813-008 V4V792 641-0853-004 V4V792 641-0853-005 V4V792	103106 504903 952952	2

MISSING ITEM NUMBERS NOT APPLICABLE

- ITEM NOT ILLUSTRATED

BRI

34-57-03-01

BOEING PROPRIETARY - Copyright © - Unpublished Work - See title page for details.

34-57-03  
FIG. 01  
PAGE 6  
JAN 20/09



757

PARTS CATALOG (MAINTENANCE)

FIG ITEM	PART NUMBER	1 2 3 4 5 6 7	NOMENCLATURE	EFFECT FROM TO	UNITS PER ASSY
1 38	641-0853-004	..	SCREW- SUPPLIER CODE: V4V792 CONFIG CHG DATA FROM A CMM: SUPSD BY 641-0853-001 OPTIONAL PART: 646-3813-008 V4V792 646-3813-004 V4V792 641-0853-005 V4V792	103106 504903 952952	2
38	641-0853-005	..	SCREW- SUPPLIER CODE: V4V792 CONFIG CHG DATA FROM A CMM: SUPSD BY 641-0853-002 OPTIONAL PART: 646-3813-008 V4V792 646-3813-004 V4V792 641-0853-004 V4V792	103106 504903 952952	2
39	646-3813-008	..	SCREW- SUPPLIER CODE: V4V792 CONFIG CHG DATA FROM A CMM: SUPSD BY 652-0307-008 OPTIONAL PART: 646-3813-006 V4V792 641-0853-006 V4V792 641-0853-003 V4V792	103106 504903 952952	2
39	646-3813-006	..	SCREW- SUPPLIER CODE: V4V792 OPTIONAL PART: 646-3813-008 V4V792 641-0853-006 V4V792 641-0853-003 V4V792	103106 504903 952952	2

MISSING ITEM NUMBERS NOT APPLICABLE

- ITEM NOT ILLUSTRATED

34-57-03-01

34-57-03  
FIG. 01  
PAGE 7  
JAN 20/09

BRI



757

PARTS CATALOG (MAINTENANCE)

FIG ITEM	PART NUMBER	1 2 3 4 5 6 7	NOMENCLATURE	EFFECT FROM TO	UNITS PER ASSY
1 39	641-0853-006	..	SCREW- SUPPLIER CODE: V4V792 OPTIONAL PART: 646-3813-008 V4V792 646-3813-006 V4V792 641-0853-003 V4V792	103106 504903 952952	2
39	641-0853-003	..	SCREW- SUPPLIER CODE: V4V792 OPTIONAL PART: 646-3813-008 V4V792 646-3813-006 V4V792 641-0853-006 V4V792	103106 504903 952952	2
40	646-3813-008	..	SCREW- SUPPLIER CODE: V4V792 CONFIG CHG DATA FROM A CMM: SUPSD BY 652-0307-008 OPTIONAL PART: 646-3813-005 V4V792 641-0853-005 V4V792 641-0853-002 V4V792	103106 504903 952952	2
40	646-3813-005	..	SCREW- SUPPLIER CODE: V4V792 OPTIONAL PART: 646-3813-008 V4V792 641-0853-005 V4V792 641-0853-002 V4V792	103106 504903 952952	2

MISSING ITEM NUMBERS NOT APPLICABLE

- ITEM NOT ILLUSTRATED

BRI

34-57-03-01

BOEING PROPRIETARY - Copyright © - Unpublished Work - See title page for details.

34-57-03  
FIG. 01  
PAGE 8  
JAN 20/09





757

PARTS CATALOG (MAINTENANCE)

FIG ITEM	PART NUMBER	1 2 3 4 5 6 7	NOMENCLATURE	EFFECT FROM TO	UNITS PER ASSY
1					
40	646-0853-005		.. SCREW- SUPPLIER CODE: V4V792 OPTIONAL PART: 646-3813-008 V4V792 646-3813-005 V4V792 641-0853-002 V4V792	103106 504903 952952	2
40	646-0853-002		.. SCREW- SUPPLIER CODE: V4V792 OPTIONAL PART: 646-3813-008 V4V792 646-3813-005 V4V792 641-0853-005 V4V792	103106 504903 952952	2
41	646-3813-008		.. SCREW- SUPPLIER CODE: V4V792 CONFIG CHG DATA FROM A CMM: SUPSD BY 652-0307-008 OPTIONAL PART: 646-3813-003 V4V792 641-0853-003 V4V792 641-0853-002 V4V792	103106 504903 952952	2
41	646-3813-003		.. SCREW- SUPPLIER CODE: V4V792 OPTIONAL PART: 646-3813-008 V4V792 641-0853-003 V4V792 641-0853-002 V4V792	103106 504903 952952	2

MISSING ITEM NUMBERS NOT APPLICABLE

- ITEM NOT ILLUSTRATED

34-57-03-01

34-57-03  
FIG. 01  
PAGE 9  
JAN 20/09

BRI



757

PARTS CATALOG (MAINTENANCE)

FIG ITEM	PART NUMBER	1 2 3 4 5 6 7	NOMENCLATURE	EFFECT FROM TO	UNITS PER ASSY
1					
41	641-0853-003	..	SCREW- SUPPLIER CODE: V4V792 OPTIONAL PART: 646-3813-008 V4V792 646-3813-003 V4V792 641-0853-002 V4V792	103106 504903 952952	2
41	641-0853-002	..	SCREW- SUPPLIER CODE: V4V792 CONFIG CHG DATA FROM A CMM: SUPSD BY 646-3813-002 OPTIONAL PART: 646-3813-008 V4V792 646-3813-003 V4V792 641-0853-003 V4V792	103106 504903 952952	2
42	646-3813-007	..	SCREW- SUPPLIER CODE: V4V792 CONFIG CHG DATA FROM A CMM: SUPSD BY 652-0307-007 OPTIONAL PART: 646-3813-001 V4V792 641-0853-001 V4V792 641-0853-004 V4V792	103106 504903 952952	1
42	646-3813-001	..	SCREW- SUPPLIER CODE: V4V792 CONFIG CHG DATA FROM A CMM: SUPSD BY 646-3813-007 OPTIONAL PART: 646-3813-007 V4V792 641-0853-001 V4V792 641-0853-004 V4V792	103106 504903 952952	1

MISSING ITEM NUMBERS NOT APPLICABLE

- ITEM NOT ILLUSTRATED

BRI

34-57-03-01

34-57-03  
FIG. 01  
PAGE 10  
JAN 20/09



757

PARTS CATALOG (MAINTENANCE)

FIG ITEM	PART NUMBER	1 2 3 4 5 6 7	NOMENCLATURE	EFFECT FROM TO	UNITS PER ASSY
1					
42	641-0853-001	..	SCREW- SUPPLIER CODE: V4V792 CONFIG CHG DATA FROM A CMM: SUPSD BY 646-3813-001 OPTIONAL PART: 646-3813-007 V4V792 646-3813-001 V4V792 641-0853-004 V4V792	103106 504903 952952	1
42	641-0853-004	..	SCREW- SUPPLIER CODE: V4V792 CONFIG CHG DATA FROM A CMM: SUPSD BY 641-0853-001 OPTIONAL PART: 646-3813-007 V4V792 646-3813-001 V4V792 641-0853-001 V4V792	103106 504903 952952	1
44	646-0071-001	..	PLATE-IDENT SUPPLIER CODE: V4V792	103106 504903 952952	1
45	M25988-3-230	..	PACKING	103106	1
45	M25988-3-230	..	PACKING	504903	1
47	778-0993-001	..	MODEL CHART- SUPPLIER CODE: V4V792	103106 504903 952952	1
110	2041683-7504	.	ANTENNA ASSY-ADF SUPPLIER CODE: V97896 SPECIFICATION NUMBER: S220T113-104 ELECTRICAL EQUIP NUMBER: M00266 COMPONENT MAINT MANUAL REF: 34-53-11 QUALIFIED I/W DATA: 622-5404-003 MUST BE INSTALLED WITH 822-0299-001 RECEIVER. 2041683-7504 MUST BE INSTALLED WITH 2041168-7510 RECEIVER.	101102 107107	1

MISSING ITEM NUMBERS NOT APPLICABLE

- ITEM NOT ILLUSTRATED

34-57-03-01

34-57-03  
FIG. 01  
PAGE 11  
JAN 20/09

BRI

 **BOEING**  
757  
**PARTS CATALOG (MAINTENANCE)**

FIG ITEM	PART NUMBER	1 2 3 4 5 6 7	NOMENCLATURE	EFFECT FROM TO	UNITS PER ASSY
R R	1 110	2041683-7504	.ANTENNA ASSY-ADF SUPPLIER CODE: V97896 SPECIFICATION NUMBER: S220T113-104 ELECTRICAL EQUIP NUMBER: M00266 COMPONENT MAINT MANUAL REF: 34-53-11 QUALIFIED I/W DATA: 622-5404-003 MUST BE INSTALLED WITH 822-0299-001 RECEIVER. 2041683-7504 MUST BE INSTALLED WITH 2041168-7510 RECEIVER.	002004 006100 121503 904949 953999	1
	110	2041683-7507	.ANTENNA ASSY-ADF SUPPLIER CODE: V97896 FUNCTIONAL DESCRIPTION: RECEIVES RADIO NAVIGATION SIGNALS TRANSMITTED FROM GROUND STATION. ELECTRICAL EQUIP NUMBER: M00266 COMPONENT MAINT MANUAL REF: 34-53-71	002004 006100 121503 904949 953999	1
	110	2041683-7507	.ANTENNA ASSY-ADF SUPPLIER CODE: V97896 FUNCTIONAL DESCRIPTION: RECEIVES RADIO NAVIGATION SIGNALS TRANSMITTED FROM GROUND STATION. ELECTRICAL EQUIP NUMBER: M00266 COMPONENT MAINT MANUAL REF: 34-53-71	101102 107107	1
	110	2041683-7503	.ANTENNA ASSY-ADF SUPPLIER CODE: V97896 SPECIFICATION NUMBER: S220T113-103 ELECTRICAL EQUIP NUMBER: M00266 COMPONENT MAINT MANUAL REF: 34-53-11	101102 107107	1

MISSING ITEM NUMBERS NOT APPLICABLE

— ITEM NOT ILLUSTRATED

BRI

# 34-57-03-01

BOEING PROPRIETARY - Copyright © - Unpublished Work - See title page for details.

34-57-03  
FIG. 01  
PAGE 12  
MAY 20/09



757

PARTS CATALOG (MAINTENANCE)

FIG ITEM	PART NUMBER	1 2 3 4 5 6 7	NOMENCLATURE	EFFECT FROM TO	UNITS PER ASSY
R R R R R R R	110	2041683-7503	. ANTENNA ASSY-ADF SUPPLIER CODE: V97896 SPECIFICATION NUMBER: S220T113-103 ELECTRICAL EQUIP NUMBER: M00266 COMPONENT MAINT MANUAL REF: 34-53-11	002004 006100 121503 904949 953999	1
	115	3603817-0003	.. SCREW- SUPPLIER CODE: V96906	002004 006100 107107 121503 904949 953999	2
	120	3603817-0006	.. SCREW- SUPPLIER CODE: V96906	002004 006100 107107 121503 904949 953999	2
	125	3603817-0004	.. SCREW- SUPPLIER CODE: V96906	002004 006100 107107 121503 904949 953999	2
	130	3603817-0005	.. SCREW- SUPPLIER CODE: V96906	002004 006100 107107 121503 904949 953999	2
	135	3603817-0001	.. SCREW- SUPPLIER CODE: V96906	002004 006100 107107 121503 904949 953999	1
	140	36039-3414	.. WASHER- SUPPLIER CODE: V96906	002004 006100 107107 121503 904949 953999	9

MISSING ITEM NUMBERS NOT APPLICABLE

- ITEM NOT ILLUSTRATED

34-57-03-01

34-57-03  
FIG. 01  
PAGE 13  
MAY 20/09

BRI



**757  
PARTS CATALOG (MAINTENANCE)**

FIG ITEM	PART NUMBER	1 2 3 4 5 6 7	NOMENCLATURE	EFFECT FROM TO	UNITS PER ASSY
1					
145	8051814-0002	..	SCREW-CAPTIVE SUPPLIER CODE: V96906 USED ON: 2041683-7504	002004 006100 107107 121503 904949	11
150	8051814-0001	..	SCREW-CAPTIVE SUPPLIER CODE: V96906 USED ON: 2041683-7504	002004 006100 107107 121503 904949	1
155	24336-0001	..	CONNECTOR- SUPPLIER CODE: V27914 USED ON: 2041683-7503	002004 006100 107107 121503 904949 953999	1
160	36030-0019	..	PACKING- SUPPLIER CODE: V27914 USED ON: 2041683-7503	002004 006100 107107 121503 904949 953999	1
170	NS203158-3	.NUTPLATE SUPPLIER CODE: V80539 SPECIFICATION NUMBER: BACN10JZ3C2CDM OPTIONAL PART: F52063-3 V15653		101106 504903	12
170	NS202492-02	.NUTPLATE SUPPLIER CODE: V80539 SPECIFICATION NUMBER: BACN10JZ3A2CDM OPTIONAL PART: 102F9219-3 V72962 F51643-3BAC V15653		002004 006100 107107 121503 904999	12
- 175	BACR15BA4AD	.RIVET- SIZE DETERMINED ON INSTL.		002004 006107 121949 952999	24
- 200	286N2727-006	WIRE BUNDLE ASSY-		121503 904949	RF

MISSING ITEM NUMBERS NOT APPLICABLE

- ITEM NOT ILLUSTRATED

# 34-57-03-01

34-57-03  
FIG. 01  
PAGE 14  
MAY 20/09

BRI

BOEING PROPRIETARY - Copyright © - Unpublished Work - See title page for details.



757

PARTS CATALOG (MAINTENANCE)

FIG ITEM	PART NUMBER	1 2 3 4 5 6 7	NOMENCLATURE	EFFECT FROM TO	UNITS PER ASSY
1					
- 200	286N2727-007		WIRE BUNDLE ASSY-	002004 006100 107107 952999	RF
- 200	286N2727-009		WIRE BUNDLE ASSY-	504903	RF
- 200	286N2727-301		WIRE BUNDLE ASSY-	101102	RF
- 201	286N5741-601		WIRE BUNDLE ASSY	103106	RF
205	BCREF6369		.PLUG- SUPPLIER CODE: V13556 OVERLENGTH PART NUMBER: C0909A20N16SN995 ELECTRICAL EQUIP NUMBER: D00267 WIRING DIAGRAM REF: 345711	002004 006107 121949 952999	1
- 250	286N2729-005		WIRE BUNDLE ASSY-	121503 904949	RF
- 250	286N2729-006		WIRE BUNDLE ASSY	107107	RF
- 250	286N2729-007		WIRE BUNDLE ASSY-	002004 006100 952999	RF
- 250	286N2729-008		WIRE BUNDLE ASSY-	504903	RF
- 250	286N2729-301		WIRE BUNDLE ASSY-	101102	RF
- 252	286N5741-601		WIRE BUNDLE ASSY	103106	RF
255	BCREF6369		.PLUG- SUPPLIER CODE: V13556 OVERLENGTH PART NUMBER: C0909A20N16SN995 ELECTRICAL EQUIP NUMBER: D00445 WIRING DIAGRAM REF: 345721	002004 006107 121949 952999	1

MISSING ITEM NUMBERS NOT APPLICABLE

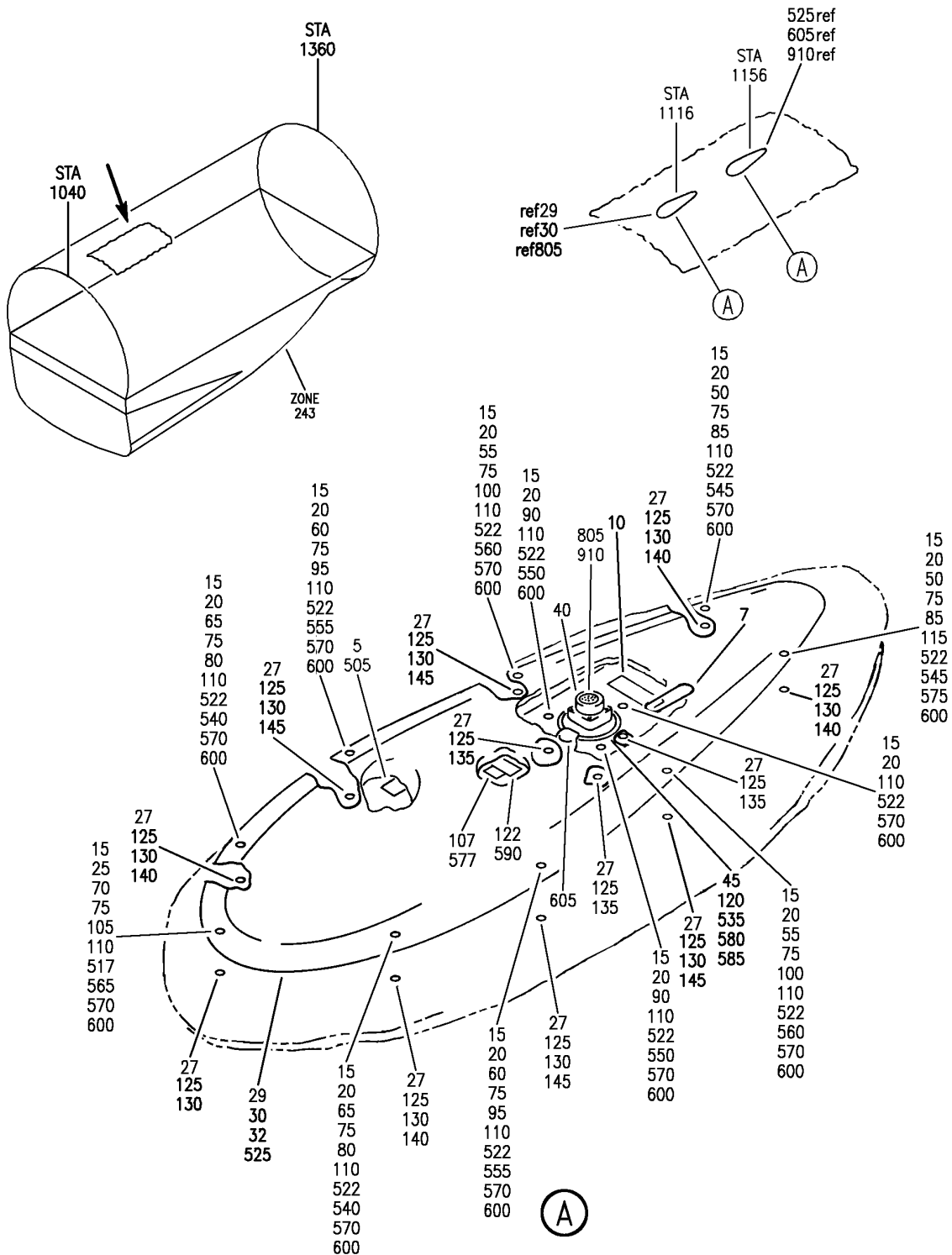
- ITEM NOT ILLUSTRATED

34-57-03-01

34-57-03  
FIG. 01  
PAGE 15  
MAY 20/09

BRI

**BOEING**  
757  
**PARTS CATALOG (MAINTENANCE)**



Y 34-57-03-01A REV 295

ANTENNA INSTL-ADF SENSE LOOP  
FIGURE 1A

**34-57-03-01A**

BRI  
MAY 28/07

34-57-03-01A  
PAGE 0



**BOEING**  
757  
**PARTS CATALOG (MAINTENANCE)**

FIG ITEM	PART NUMBER	1 2 3 4 5 6 7	NOMENCLATURE	EFFECT FROM TO	UNITS PER ASSY
1 A			ANTENNA INSTL-ADF SENSE LOOP	002004 006100 103503 904999	
- 1	284N1448-16		ANTENNA INSTL-ADF SENSE LOOP FOR NHA SEE: 24-00-58-01B	950951	RF
- 2	284N1448-47		ANTENNA INSTL-ADF SENSE LOOP FOR NHA SEE: 24-00-58-05D	108120	RF
10	BAC27TEX1354		.DECAL- PLACARD CONTENT: M00265	108120 950951	1
15	10-32		.SCREW-SOCKET HD CAP SUPPLIER CODE: V83945	108120 950951	12
27	NS203158-3		.NUTPLATE- SUPPLIER CODE: V80539 SPECIFICATION NUMBER: BACN10JZ3C2CDM OPTIONAL PART: F52063-3 V15653	108120	12
27	NS202492-02		.NUTPLATE- SUPPLIER CODE: V80539 SPECIFICATION NUMBER: BACN10JZ3A2CDM OPTIONAL PART: 102F9219-3 V72962 F51643-3BAC V15653	002004 006100 107107 121503 904999	12
- 28	BACR15BA4AD		ATTACHING PARTS .RIVET- SIZE DETERMINED ON INSTL. -----*-----	108120 950951	24

MISSING ITEM NUMBERS NOT APPLICABLE

- ITEM NOT ILLUSTRATED

BRI

# 34-57-03-01A

BOEING PROPRIETARY - Copyright © - Unpublished Work - See title page for details.

34-57-03  
FIG. 01A  
PAGE 1  
JAN 20/09



757

PARTS CATALOG (MAINTENANCE)

FIG ITEM	PART NUMBER	1 2 3 4 5 6 7	NOMENCLATURE	EFFECT FROM TO	UNITS PER ASSY
1 A 30	622-5404-003	.	ANTENNA ASSY-ADF (CUSTOMER FURNISHED) SUPPLIER CODE: V4V792 MISCELLANEOUS DATA: (622-5404-001 622-5404-002 OR 622-5404-003 INTERCHANGEABLE EXCEPT SUBJECT TO CUST PREFERENCE) ELECTRICAL EQUIP NUMBER: M00265 COMPONENT MAINT MANUAL REF: 34-53-71	950951	1
80	646-3813-008	..	SCREW- SUPPLIER CODE: V4V792 CONFIG CHG DATA FROM A CMM: SUPSD BY 652-0307-008 OPTIONAL PART: 646-3813-002 V4V792 641-0853-002 V4V792 641-0853-005 V4V792	950951	2
80	646-3813-002	..	SCREW- SUPPLIER CODE: V4V792 CONFIG CHG DATA FROM A CMM: SUPSD BY 646-3813-008 OPTIONAL PART: 646-3813-008 V4V792 641-0853-002 V4V792 641-0853-005 V4V792	950951	2

MISSING ITEM NUMBERS NOT APPLICABLE

- ITEM NOT ILLUSTRATED

34-57-03-01A

34-57-03  
FIG. 01A  
PAGE 2  
JAN 20/09

BRI

BOEING PROPRIETARY - Copyright © - Unpublished Work - See title page for details.



757

PARTS CATALOG (MAINTENANCE)

FIG ITEM	PART NUMBER	1 2 3 4 5 6 7	NOMENCLATURE	EFFECT FROM TO	UNITS PER ASSY
1 A 80	641-0853-002	..	SCREW- SUPPLIER CODE: V4V792 CONFIG CHG DATA FROM A CMM: SUPSD BY 646-3813-002 OPTIONAL PART: 646-3813-008 V4V792 646-3813-002 V4V792 641-0853-005 V4V792	950951	2
80	641-0853-005	..	SCREW- SUPPLIER CODE: V4V792 CONFIG CHG DATA FROM A CMM: SUPSD BY 641-0853-002 OPTIONAL PART: 646-3813-008 V4V792 646-3813-002 V4V792 641-0853-002 V4V792	950951	2
80	652-0307-008	..	SCREW- SUPPLIER CODE: V4V792 CONFIG CHG DATA FROM A CMM: SUPSDS 646-3813-008	950951	2
85	646-3813-008	..	SCREW- SUPPLIER CODE: V4V792 CONFIG CHG DATA FROM A CMM: SUPSD BY 652-0307-008 OPTIONAL PART: 646-3813-004 V4V792 641-0853-004 V4V792 641-0853-005 V4V792	950951	2

MISSING ITEM NUMBERS NOT APPLICABLE

- ITEM NOT ILLUSTRATED

**34-57-03-01A**

34-57-03  
FIG. 01A  
PAGE 3  
JAN 20/09

BRI

BOEING PROPRIETARY - Copyright © - Unpublished Work - See title page for details.



757

PARTS CATALOG (MAINTENANCE)

FIG ITEM	PART NUMBER	1 2 3 4 5 6 7	NOMENCLATURE	EFFECT FROM TO	UNITS PER ASSY
1 A 85	646-3813-004	..	SCREW- SUPPLIER CODE: V4V792 OPTIONAL PART: 646-3813-008 V4V792 641-0853-004 V4V792 641-0853-005 V4V792	950951	2
85	641-0853-004	..	SCREW- SUPPLIER CODE: V4V792 CONFIG CHG DATA FROM A CMM: SUPSD BY 641-0853-001 OPTIONAL PART: 646-3813-008 V4V792 646-3813-004 V4V792 641-0853-005 V4V792	950951	2
85	641-0853-005	..	SCREW- SUPPLIER CODE: V4V792 CONFIG CHG DATA FROM A CMM: SUPSD BY 641-0853-002 OPTIONAL PART: 646-3813-008 V4V792 646-3813-004 V4V792 641-0853-004 V4V792	950951	2
85	652-0307-008	..	SCREW- SUPPLIER CODE: V4V792 CONFIG CHG DATA FROM A CMM: SUPSDS 646-3813-008	950951	2

MISSING ITEM NUMBERS NOT APPLICABLE

- ITEM NOT ILLUSTRATED

34-57-03-01A

34-57-03  
FIG. 01A  
PAGE 4  
JAN 20/09

BRI



**757  
PARTS CATALOG (MAINTENANCE)**

FIG ITEM	PART NUMBER	1 2 3 4 5 6 7	NOMENCLATURE	EFFECT FROM TO	UNITS PER ASSY
1 A 90	646-3813-008	..	SCREW- SUPPLIER CODE: V4V792 CONFIG CHG DATA FROM A CMM: SUPSD BY 652-0307-008 OPTIONAL PART: 646-3813-006 V4V792 641-0853-006 V4V792 641-0853-003 V4V792	950951	2
90	646-3813-006	..	SCREW- SUPPLIER CODE: V4V792 OPTIONAL PART: 646-3813-008 V4V792 641-0853-006 V4V792 641-0853-003 V4V792	950951	2
90	641-0853-006	..	SCREW- SUPPLIER CODE: V4V792 OPTIONAL PART: 646-3813-008 V4V792 646-3813-006 V4V792 641-0853-003 V4V792	950951	2
90	641-0853-003	..	SCREW- SUPPLIER CODE: V4V792 OPTIONAL PART: 646-3813-008 V4V792 646-3813-006 V4V792 641-0853-006 V4V792	950951	2
90	652-0307-008	..	SCREW- SUPPLIER CODE: V4V792 CONFIG CHG DATA FROM A CMM: SUPSDS 646-3813-008	950951	2

MISSING ITEM NUMBERS NOT APPLICABLE

— ITEM NOT ILLUSTRATED

# 34-57-03-01A

34-57-03  
FIG. 01A  
PAGE 5  
JAN 20/09

BRI

BOEING PROPRIETARY - Copyright © - Unpublished Work - See title page for details.



757

PARTS CATALOG (MAINTENANCE)

FIG ITEM	PART NUMBER	1 2 3 4 5 6 7	NOMENCLATURE	EFFECT FROM TO	UNITS PER ASSY
1 A					
95	646-3813-008	..	SCREW- SUPPLIER CODE: V4V792 CONFIG CHG DATA FROM A CMM: SUPSD BY 652-0307-008 OPTIONAL PART: 646-3813-005 V4V792 641-0853-005 V4V792 641-0853-002 V4V792	950951	2
95	646-3813-005	..	SCREW- SUPPLIER CODE: V4V792 OPTIONAL PART: 646-3813-008 V4V792 641-0853-005 V4V792 641-0853-002 V4V792	950951	2
95	646-0853-005	..	SCREW- SUPPLIER CODE: V4V792 OPTIONAL PART: 646-3813-008 V4V792 646-3813-005 V4V792 641-0853-002 V4V792	950951	2
95	646-0853-002	..	SCREW- SUPPLIER CODE: V4V792 OPTIONAL PART: 646-3813-008 V4V792 646-3813-005 V4V792 641-0853-005 V4V792	950951	2
95	652-0307-008	..	SCREW- SUPPLIER CODE: V4V792 CONFIG CHG DATA FROM A CMM: SUPSDS 646-3813-008	950951	2

MISSING ITEM NUMBERS NOT APPLICABLE

- ITEM NOT ILLUSTRATED

34-57-03-01A

34-57-03  
FIG. 01A  
PAGE 6  
JAN 20/09

BRI

BOEING PROPRIETARY - Copyright © - Unpublished Work - See title page for details.



757

PARTS CATALOG (MAINTENANCE)

FIG ITEM	PART NUMBER	1 2 3 4 5 6 7	NOMENCLATURE	EFFECT FROM TO	UNITS PER ASSY
1 A 100	646-3813-008	..	SCREW- SUPPLIER CODE: V4V792 CONFIG CHG DATA FROM A CMM: SUPSD BY 652-0307-008 OPTIONAL PART: 646-3813-003 V4V792 641-0853-003 V4V792 641-0853-002 V4V792	950951	2
100	646-3813-003	..	SCREW- SUPPLIER CODE: V4V792 OPTIONAL PART: 646-3813-008 V4V792 641-0853-003 V4V792 641-0853-002 V4V792	950951	2
100	641-0853-003	..	SCREW- SUPPLIER CODE: V4V792 OPTIONAL PART: 646-3813-008 V4V792 646-3813-003 V4V792 641-0853-002 V4V792	950951	2
100	641-0853-002	..	SCREW- SUPPLIER CODE: V4V792 CONFIG CHG DATA FROM A CMM: SUPSD BY 646-3813-002 OPTIONAL PART: 646-3813-008 V4V792 646-3813-003 V4V792 641-0853-003 V4V792	950951	2
100	652-0307-008	..	SCREW- SUPPLIER CODE: V4V792 CONFIG CHG DATA FROM A CMM: SUPSDS 646-3813-008	950951	2

MISSING ITEM NUMBERS NOT APPLICABLE

- ITEM NOT ILLUSTRATED

34-57-03-01A

34-57-03  
FIG. 01A  
PAGE 7  
JAN 20/09

BRI

BOEING PROPRIETARY - Copyright © - Unpublished Work - See title page for details.



757

PARTS CATALOG (MAINTENANCE)

FIG ITEM	PART NUMBER	1 2 3 4 5 6 7	NOMENCLATURE	EFFECT FROM TO	UNITS PER ASSY
1 A 105	646-3813-007	..	SCREW- SUPPLIER CODE: V4V792 CONFIG CHG DATA FROM A CMM: SUPSD BY 652-0307-007 OPTIONAL PART: 646-3813-001 V4V792 641-0853-001 V4V792 641-0853-004 V4V792	950951	1
105	646-3813-001	..	SCREW- SUPPLIER CODE: V4V792 CONFIG CHG DATA FROM A CMM: SUPSD BY 646-3813-007 OPTIONAL PART: 646-3813-007 V4V792 641-0853-001 V4V792 641-0853-004 V4V792	950951	1
105	641-0853-001	..	SCREW- SUPPLIER CODE: V4V792 CONFIG CHG DATA FROM A CMM: SUPSD BY 646-3813-001 OPTIONAL PART: 646-3813-007 V4V792 646-3813-001 V4V792 641-0853-004 V4V792	950951	1
105	641-0853-004	..	SCREW- SUPPLIER CODE: V4V792 CONFIG CHG DATA FROM A CMM: SUPSD BY 641-0853-001 OPTIONAL PART: 646-3813-007 V4V792 646-3813-001 V4V792 641-0853-001 V4V792	950951	1

MISSING ITEM NUMBERS NOT APPLICABLE

- ITEM NOT ILLUSTRATED

**34-57-03-01A**

34-57-03  
FIG. 01A  
PAGE 8  
JAN 20/09

BRI

BOEING PROPRIETARY - Copyright © - Unpublished Work - See title page for details.





757

PARTS CATALOG (MAINTENANCE)

FIG ITEM	PART NUMBER	1 2 3 4 5 6 7	NOMENCLATURE	EFFECT FROM TO	UNITS PER ASSY
1A 105	652-0307-007	..	SCREW- SUPPLIER CODE: V4V792 CONFIG CHG DATA FROM A CMM: SUPSDS 646-3813-007	950951	2
107	646-0071-001	..	PLATE-IDENT SUPPLIER CODE: V4V792	950951	1
120	M25988-3-230	..	PACKING-	950951	1
122	778-0993-001	..	MODEL CHART- SUPPLIER CODE: V4V792	950951	1
- 500	284N1448-50		ANTENNA INSTL-ADF SENSE LOOP FOR NHA SEE: 24-00-58-05D	108120	RF
- 500	MODREF10491		ANTENNA INSTL-ADF SENSE LOOP MODULE NUMBER: 284N1448-51 REV A	103106	1
505	BAC27NEX1674	.	DECAL- PLACARD CONTENT: M00266	103106 108120	1
517	NAS1351N3-12P	.	SCREW	103106	1
522	NAS1351N3-24P	.	SCREW-	103106	11
525	622-5404-003	.	ANTENNA ASSY-ADF SUPPLIER CODE: V4V792 MISCELLANEOUS DATA: (622-5404-001 622-5404-002 OR 622-5404-003 INTERCHANGEABLE EXCEPT SUBJECT TO CUST PREFERENCE) ELECTRICAL EQUIP NUMBER: M00265 COMPONENT MAINT MANUAL REF: 34-53-71	108120	1

MISSING ITEM NUMBERS NOT APPLICABLE

- ITEM NOT ILLUSTRATED

34-57-03-01A

34-57-03  
FIG. 01A  
PAGE 9  
JAN 20/09

BRI

BOEING PROPRIETARY - Copyright © - Unpublished Work - See title page for details.

 **BOEING**  
757  
**PARTS CATALOG (MAINTENANCE)**

FIG ITEM	PART NUMBER	1 2 3 4 5 6 7	NOMENCLATURE	EFFECT FROM TO	UNITS PER ASSY
1A 525	822-5404-001	.	ANTENNA ASSY-ADF LOOP/SENSE (CUSTOMER FURNISHED) SUPPLIER CODE: V4V792 FUNCTIONAL DESCRIPTION: RECEIVES RADIO NAVIGATION SIGNALS TRANSMITTED FROM GROUND STATION. ELECTRICAL EQUIP NUMBER: M00266	103106	1
535	36030-0019	..	PACKING- SUPPLIER CODE: V27914	103106	1
540	646-3813-008	..	SCREW- SUPPLIER CODE: V4V792 CONFIG CHG DATA FROM A CMM: SUPSD BY 652-0307-008 OPTIONAL PART: 646-3813-002 V4V792 641-0853-002 V4V792 641-0853-005 V4V792	108120	2
540	646-3813-002	..	SCREW- SUPPLIER CODE: V4V792 CONFIG CHG DATA FROM A CMM: SUPSD BY 646-3813-008 OPTIONAL PART: 646-3813-008 V4V792 641-0853-002 V4V792 641-0853-005 V4V792	108120	2

MISSING ITEM NUMBERS NOT APPLICABLE

— ITEM NOT ILLUSTRATED

BRI

# 34-57-03-01A

BOEING PROPRIETARY - Copyright © - Unpublished Work - See title page for details.

34-57-03  
FIG. 01A  
PAGE 10  
JAN 20/09



757

PARTS CATALOG (MAINTENANCE)

FIG ITEM	PART NUMBER	1 2 3 4 5 6 7	NOMENCLATURE	EFFECT FROM TO	UNITS PER ASSY
1 A 540	641-0853-002		.. SCREW- SUPPLIER CODE: V4V792 CONFIG CHG DATA FROM A CMM: SUPSD BY 646-3813-002 OPTIONAL PART: 646-3813-008 V4V792 646-3813-002 V4V792 641-0853-005 V4V792	108120	2
540	641-0853-005		.. SCREW- SUPPLIER CODE: V4V792 CONFIG CHG DATA FROM A CMM: SUPSD BY 641-0853-002 OPTIONAL PART: 646-3813-008 V4V792 646-3813-002 V4V792 641-0853-002 V4V792	108120	2
540	652-0307-008		.. SCREW- SUPPLIER CODE: V4V792 CONFIG CHG DATA FROM A CMM: SUPSDS 646-3813-008	108120	2
545	646-3813-008		.. SCREW- SUPPLIER CODE: V4V792 CONFIG CHG DATA FROM A CMM: SUPSD BY 652-0307-008 OPTIONAL PART: 646-3813-004 V4V792 641-0853-004 V4V792 641-0853-005 V4V792	108120	2

MISSING ITEM NUMBERS NOT APPLICABLE

- ITEM NOT ILLUSTRATED

**34-57-03-01A**

34-57-03  
FIG. 01A  
PAGE 11  
JAN 20/09

BRI

BOEING PROPRIETARY - Copyright © - Unpublished Work - See title page for details.



757

PARTS CATALOG (MAINTENANCE)

FIG ITEM	PART NUMBER	1 2 3 4 5 6 7	NOMENCLATURE	EFFECT FROM TO	UNITS PER ASSY
1 A 545	646-3813-004		.. SCREW- SUPPLIER CODE: V4V792 OPTIONAL PART: 646-3813-008 V4V792 641-0853-004 V4V792 641-0853-005 V4V792	108120	2
545	641-0853-004		.. SCREW- SUPPLIER CODE: V4V792 CONFIG CHG DATA FROM A CMM: SUPSD BY 641-0853-001 OPTIONAL PART: 646-3813-008 V4V792 646-3813-004 V4V792 641-0853-005 V4V792	108120	2
545	641-0853-005		.. SCREW- SUPPLIER CODE: V4V792 CONFIG CHG DATA FROM A CMM: SUPSD BY 641-0853-002 OPTIONAL PART: 646-3813-008 V4V792 646-3813-004 V4V792 641-0853-004 V4V792	108120	2
545	652-0307-008		.. SCREW- SUPPLIER CODE: V4V792 CONFIG CHG DATA FROM A CMM: SUPSDS 646-3813-008	108120	2

MISSING ITEM NUMBERS NOT APPLICABLE

- ITEM NOT ILLUSTRATED

**34-57-03-01A**

34-57-03  
FIG. 01A  
PAGE 12  
JAN 20/09

BRI



757

PARTS CATALOG (MAINTENANCE)

FIG ITEM	PART NUMBER	1 2 3 4 5 6 7	NOMENCLATURE	EFFECT FROM TO	UNITS PER ASSY
1 A 550	646-3813-008	..	SCREW- SUPPLIER CODE: V4V792 CONFIG CHG DATA FROM A CMM: SUPSD BY 652-0307-008 OPTIONAL PART: 646-3813-006 V4V792 641-0853-006 V4V792 641-0853-003 V4V792	108120	2
550	646-3813-006	..	SCREW- SUPPLIER CODE: V4V792 OPTIONAL PART: 646-3813-008 V4V792 641-0853-006 V4V792 641-0853-003 V4V792	108120	2
550	641-0853-006	..	SCREW- SUPPLIER CODE: V4V792 OPTIONAL PART: 646-3813-008 V4V792 646-3813-006 V4V792 641-0853-003 V4V792	108120	2
550	641-0853-003	..	SCREW- SUPPLIER CODE: V4V792 OPTIONAL PART: 646-3813-008 V4V792 646-3813-006 V4V792 641-0853-006 V4V792	108120	2
550	652-0307-008	..	SCREW- SUPPLIER CODE: V4V792 CONFIG CHG DATA FROM A CMM: SUPSDS 646-3813-008	108120	2

MISSING ITEM NUMBERS NOT APPLICABLE

- ITEM NOT ILLUSTRATED

34-57-03-01A

34-57-03  
FIG. 01A  
PAGE 13  
JAN 20/09

BRI

BOEING PROPRIETARY - Copyright © - Unpublished Work - See title page for details.



757

PARTS CATALOG (MAINTENANCE)

FIG ITEM	PART NUMBER	1 2 3 4 5 6 7	NOMENCLATURE	EFFECT FROM TO	UNITS PER ASSY
1 A 555	646-3813-008	..	SCREW- SUPPLIER CODE: V4V792 CONFIG CHG DATA FROM A CMM: SUPSD BY 652-0307-008 OPTIONAL PART: 646-3813-005 V4V792 641-0853-005 V4V792 641-0853-002 V4V792	108120	2
555	646-3813-005	..	SCREW- SUPPLIER CODE: V4V792 OPTIONAL PART: 646-3813-008 V4V792 641-0853-005 V4V792 641-0853-002 V4V792	108120	2
555	646-0853-005	..	SCREW- SUPPLIER CODE: V4V792 OPTIONAL PART: 646-3813-008 V4V792 646-3813-005 V4V792 641-0853-002 V4V792	108120	2
555	646-0853-002	..	SCREW- SUPPLIER CODE: V4V792 OPTIONAL PART: 646-3813-008 V4V792 646-3813-005 V4V792 641-0853-005 V4V792	108120	2
555	652-0307-008	..	SCREW- SUPPLIER CODE: V4V792 CONFIG CHG DATA FROM A CMM: SUPSDS 646-3813-008	108120	2

MISSING ITEM NUMBERS NOT APPLICABLE

- ITEM NOT ILLUSTRATED

BRI

34-57-03-01A

BOEING PROPRIETARY - Copyright © - Unpublished Work - See title page for details.

34-57-03  
FIG. 01A  
PAGE 14  
JAN 20/09



757

PARTS CATALOG (MAINTENANCE)

FIG ITEM	PART NUMBER	1 2 3 4 5 6 7	NOMENCLATURE	EFFECT FROM TO	UNITS PER ASSY
1 A 560	646-3813-008	..	SCREW- SUPPLIER CODE: V4V792 CONFIG CHG DATA FROM A CMM: SUPSD BY 652-0307-008 OPTIONAL PART: 646-3813-003 V4V792 641-0853-003 V4V792 641-0853-002 V4V792	108120	2
560	646-3813-003	..	SCREW- SUPPLIER CODE: V4V792 OPTIONAL PART: 646-3813-008 V4V792 641-0853-003 V4V792 641-0853-002 V4V792	108120	2
560	641-0853-003	..	SCREW- SUPPLIER CODE: V4V792 OPTIONAL PART: 646-3813-008 V4V792 646-3813-003 V4V792 641-0853-002 V4V792	108120	2
560	641-0853-002	..	SCREW- SUPPLIER CODE: V4V792 CONFIG CHG DATA FROM A CMM: SUPSD BY 646-3813-002 OPTIONAL PART: 646-3813-008 V4V792 646-3813-003 V4V792 641-0853-003 V4V792	108120	2
560	652-0307-008	..	SCREW- SUPPLIER CODE: V4V792 CONFIG CHG DATA FROM A CMM: SUPSDS 646-3813-008	108120	2

MISSING ITEM NUMBERS NOT APPLICABLE

- ITEM NOT ILLUSTRATED

34-57-03-01A

34-57-03  
FIG. 01A  
PAGE 15  
JAN 20/09

BRI

BOEING PROPRIETARY - Copyright © - Unpublished Work - See title page for details.



757

PARTS CATALOG (MAINTENANCE)

FIG ITEM	PART NUMBER	1 2 3 4 5 6 7	NOMENCLATURE	EFFECT FROM TO	UNITS PER ASSY
1 A 565	646-3813-007	..	SCREW- SUPPLIER CODE: V4V792 CONFIG CHG DATA FROM A CMM: SUPSD BY 652-0307-007 OPTIONAL PART: 646-3813-001 V4V792 641-0853-001 V4V792 641-0853-004 V4V792	108120	1
565	646-3813-001	..	SCREW- SUPPLIER CODE: V4V792 CONFIG CHG DATA FROM A CMM: SUPSD BY 646-3813-007 OPTIONAL PART: 646-3813-007 V4V792 641-0853-001 V4V792 641-0853-004 V4V792	108120	1
565	641-0853-001	..	SCREW- SUPPLIER CODE: V4V792 CONFIG CHG DATA FROM A CMM: SUPSD BY 646-3813-001 OPTIONAL PART: 646-3813-007 V4V792 646-3813-001 V4V792 641-0853-004 V4V792	108120	1
565	641-0853-004	..	SCREW- SUPPLIER CODE: V4V792 CONFIG CHG DATA FROM A CMM: SUPSD BY 641-0853-001 OPTIONAL PART: 646-3813-007 V4V792 646-3813-001 V4V792 641-0853-001 V4V792	108120	1

MISSING ITEM NUMBERS NOT APPLICABLE

- ITEM NOT ILLUSTRATED

**34-57-03-01A**

34-57-03  
FIG. 01A  
PAGE 16  
JAN 20/09

BRI

BOEING PROPRIETARY - Copyright © - Unpublished Work - See title page for details.





757

PARTS CATALOG (MAINTENANCE)

FIG ITEM	PART NUMBER	1 2 3 4 5 6 7	NOMENCLATURE	EFFECT FROM TO	UNITS PER ASSY
1A 565	652-0307-007	..	SCREW- SUPPLIER CODE: V4V792 CONFIG CHG DATA FROM A CMM: SUPSDS 646-3813-007	108120	2
577	646-0071-001	..	PLATE-IDENT SUPPLIER CODE: V4V792	108120	1
580	M25988-3-230	..	PACKING	108120	1
590	778-0993-001	..	MODEL CHART- SUPPLIER CODE: V4V792	108120	1
- 800	286N2727-007		WIRE BUNDLE ASSY	950951	RF
- 800	286N2727-301		WIRE BUNDLE ASSY-	108120	RF
805	BCREF6369	.	PLUG- SUPPLIER CODE: V13556 OVERLENGTH PART NUMBER: C0909A20N16SN995 ELECTRICAL EQUIP NUMBER: D00267 WIRING DIAGRAM REF: 345711	103106 108120 950951	1
- 900	286N2729-302		WIRE BUNDLE ASSY	108120	RF
- 901	286N5741-601		WIRE BUNDLE ASSY	103106	1
910	BCREF6369	.	PLUG- SUPPLIER CODE: V13556 OVERLENGTH PART NUMBER: C0909A20N16SN995 ELECTRICAL EQUIP NUMBER: D00445 WIRING DIAGRAM REF: 345721	103106 108120	1

MISSING ITEM NUMBERS NOT APPLICABLE

- ITEM NOT ILLUSTRATED

34-57-03-01A

34-57-03  
FIG. 01A  
PAGE 17  
JAN 20/09

BRI

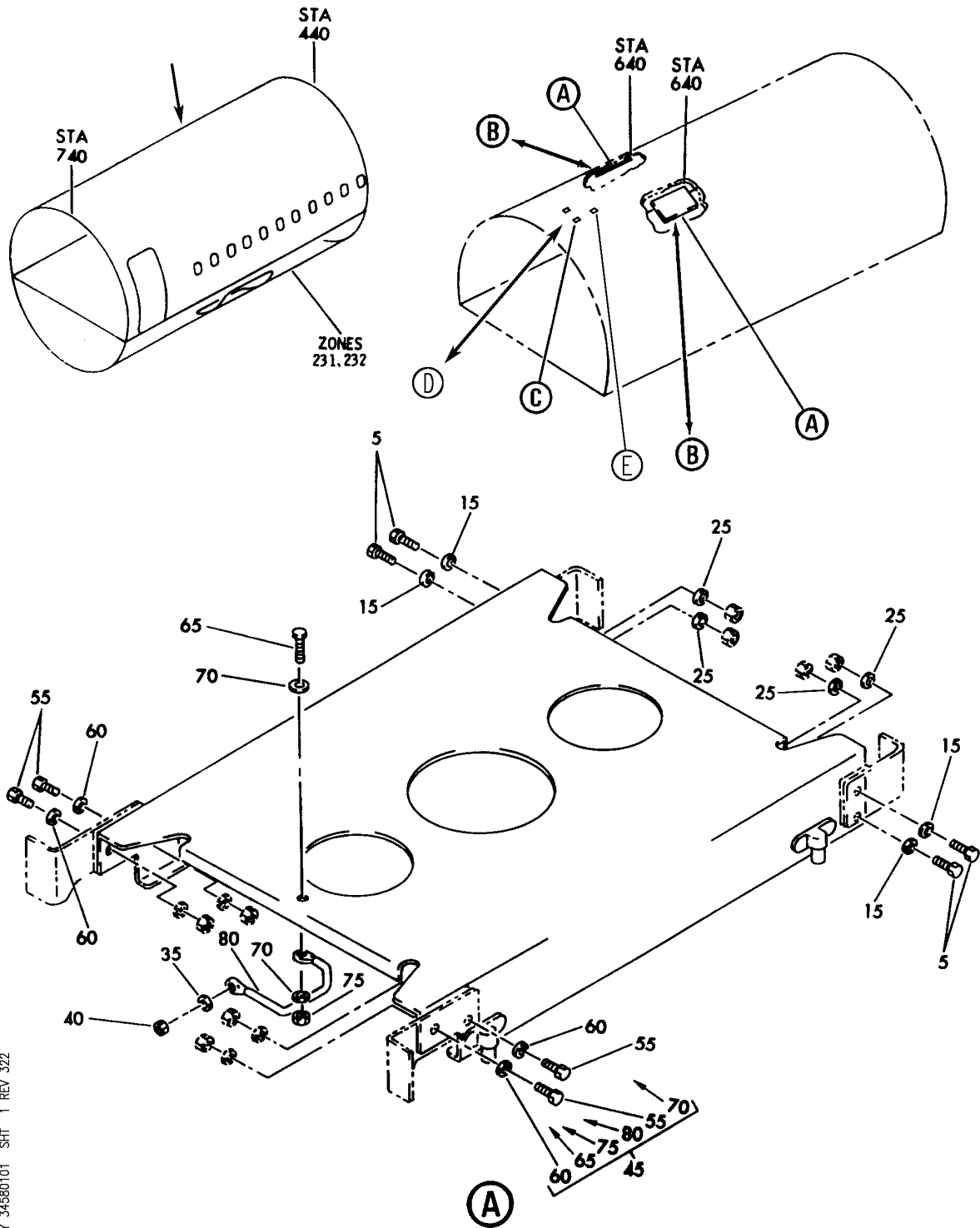
BOEING PROPRIETARY - Copyright © - Unpublished Work - See title page for details.

## GLOBAL POSITIONING SYSTEM (GPS)

BRI  
MAY 28/07

34-58-00  
SECTION TITLE  
PAGE 1

**BOEING**  
757  
PARTS CATALOG (MAINTENANCE)



Y 34580101 SHT 1 REV 322

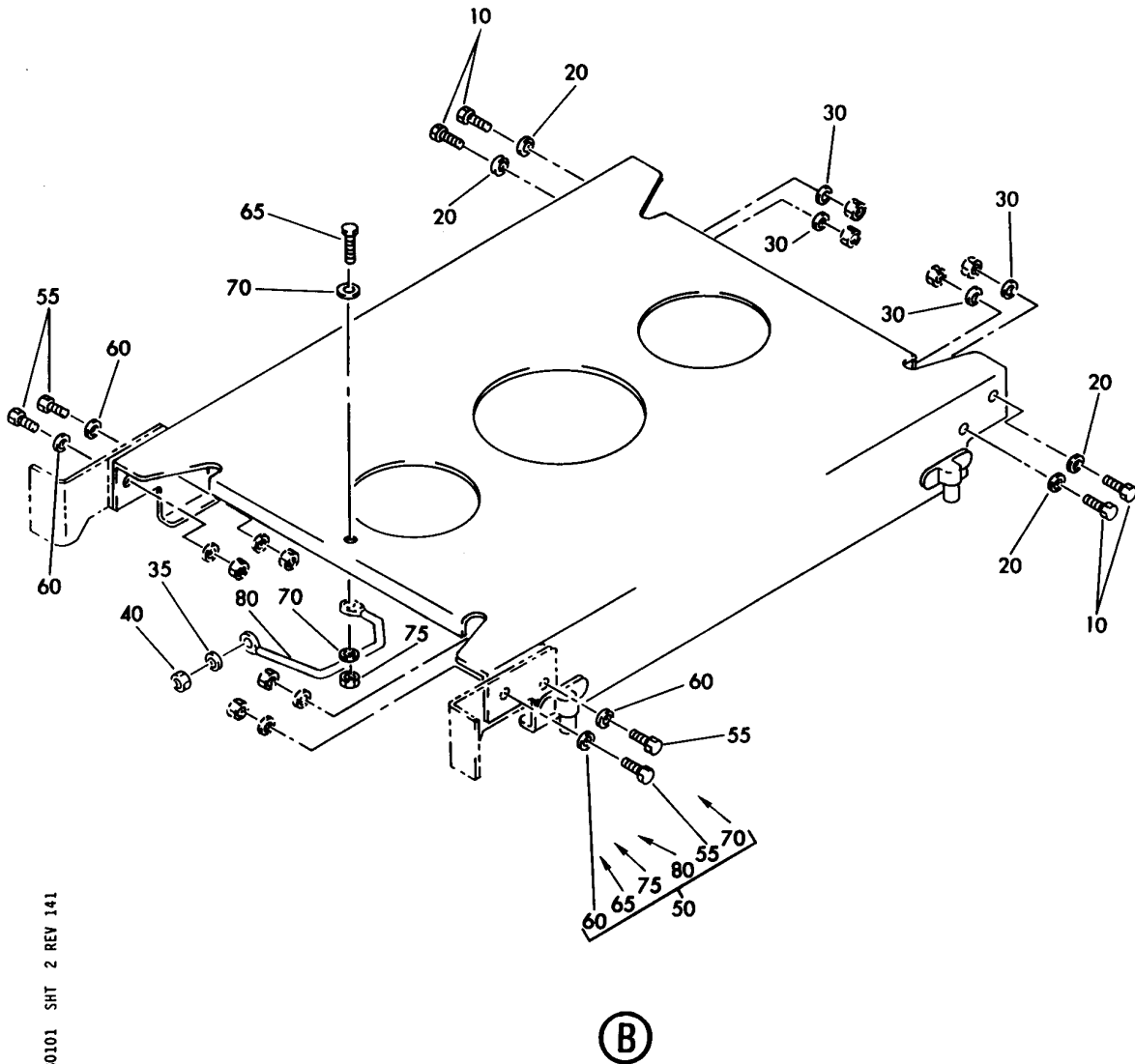
UNIT AND PANEL INSTL-ANT. AND SENSOR GPS  
FIGURE 1 (SHEET 1)

**34-58-01-01**

BRI  
MAY 20/08

34-58-01-01  
PAGE 0

**BOEING**  
757  
PARTS CATALOG (MAINTENANCE)



Y 34580101 SHT 2 REV 141

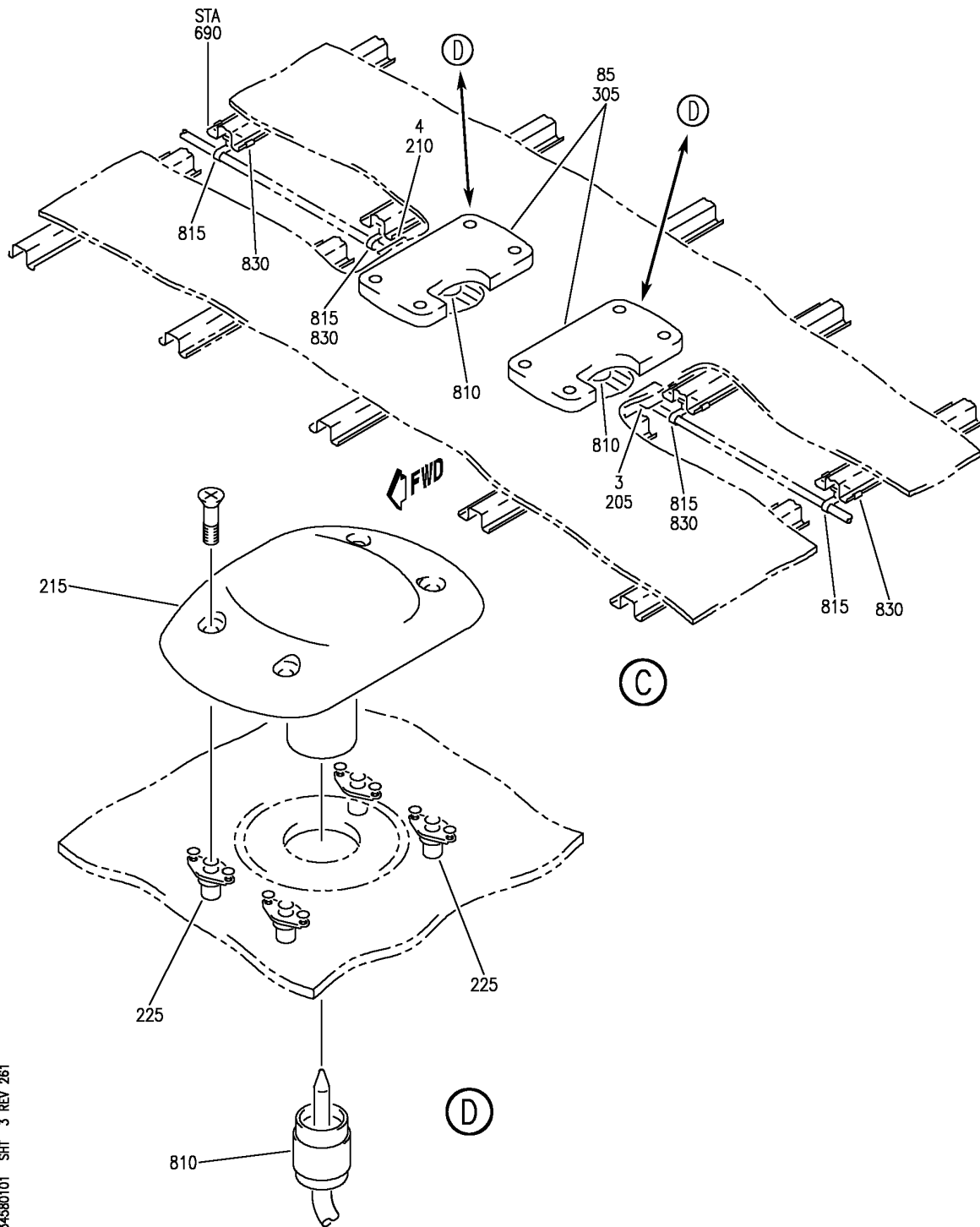
UNIT AND PANEL INSTL-ANT. AND SENSOR GPS  
FIGURE 1 (SHEET 2)

**34-58-01-01**

BRI  
MAY 28/07

34-58-01-01  
PAGE 0A

**BOEING**  
757  
PARTS CATALOG (MAINTENANCE)



Y 34580101 SHT 3 REV 261

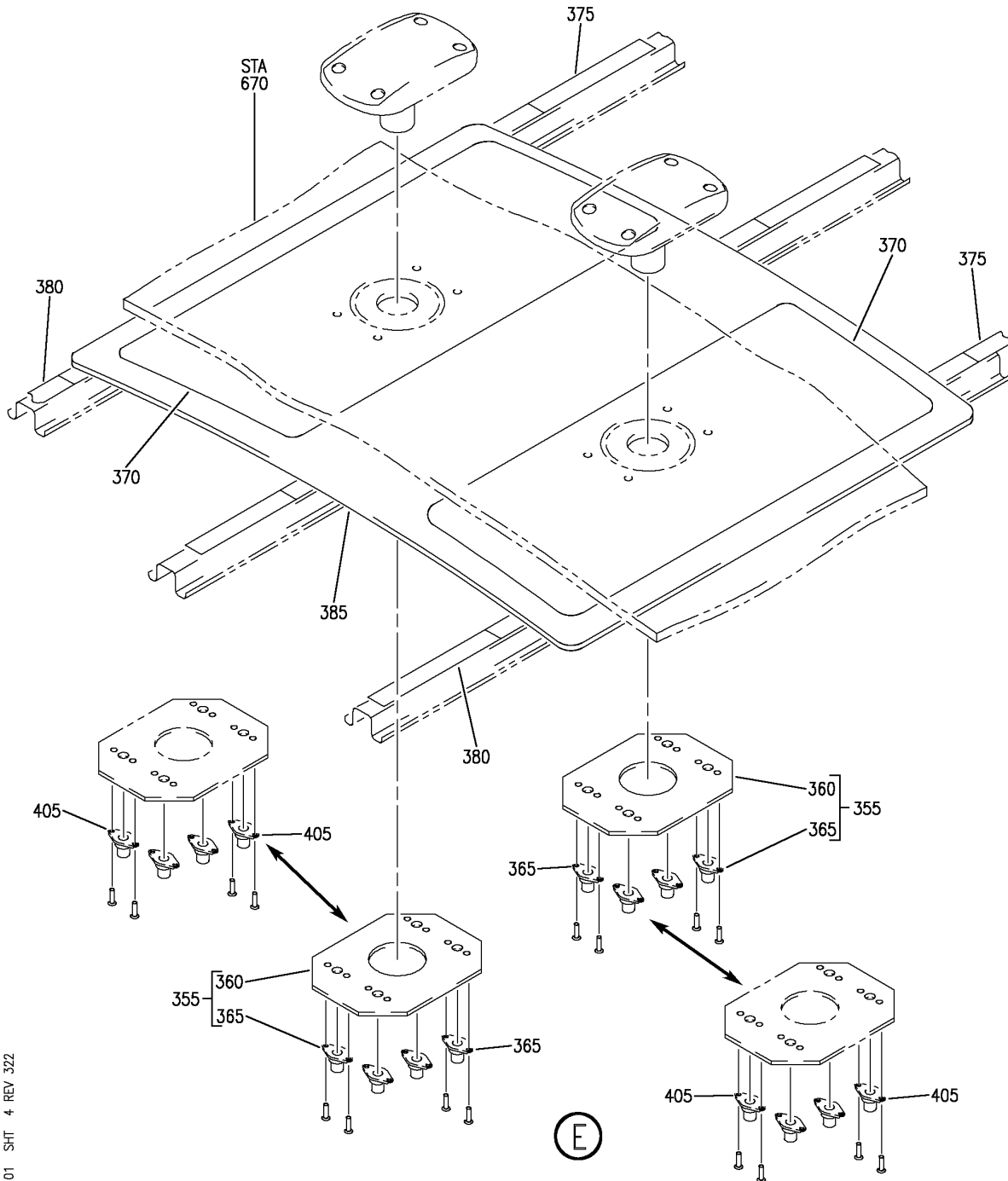
UNIT AND PANEL INSTL-ANT. AND SENSOR GPS  
FIGURE 1 (SHEET 3)

**34-58-01-01**

BRI  
MAY 28/07

34-58-01-01  
PAGE 0B

**BOEING**  
757  
**PARTS CATALOG (MAINTENANCE)**



Y 34-580101\_SHT 4 REV 322

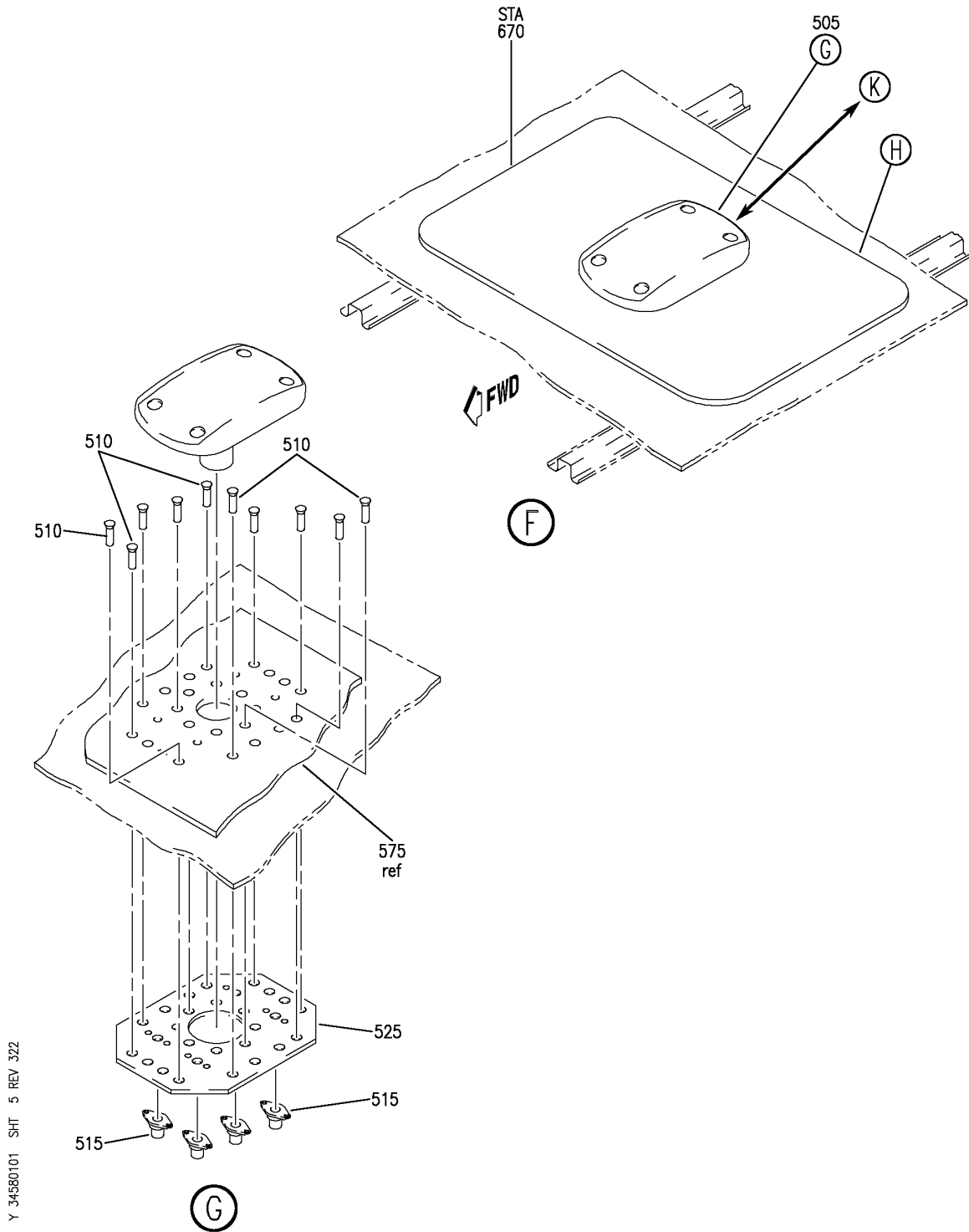
UNIT AND PANEL INSTL-ANT. AND SENSOR GPS  
FIGURE 1 (SHEET 4)

**34-58-01-01**

BRI  
MAY 20/08

34-58-01-01  
PAGE 0C

**BOEING**  
757  
PARTS CATALOG (MAINTENANCE)



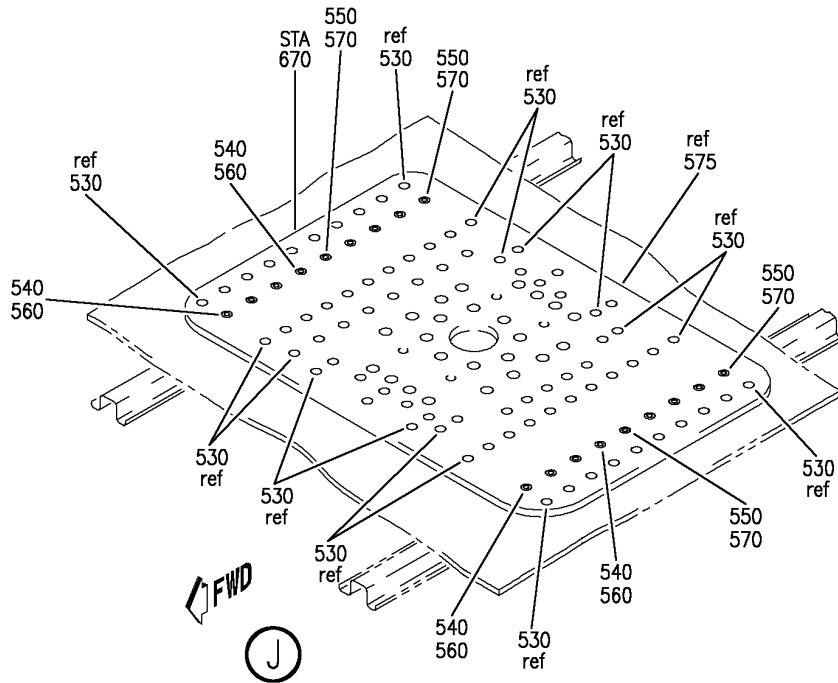
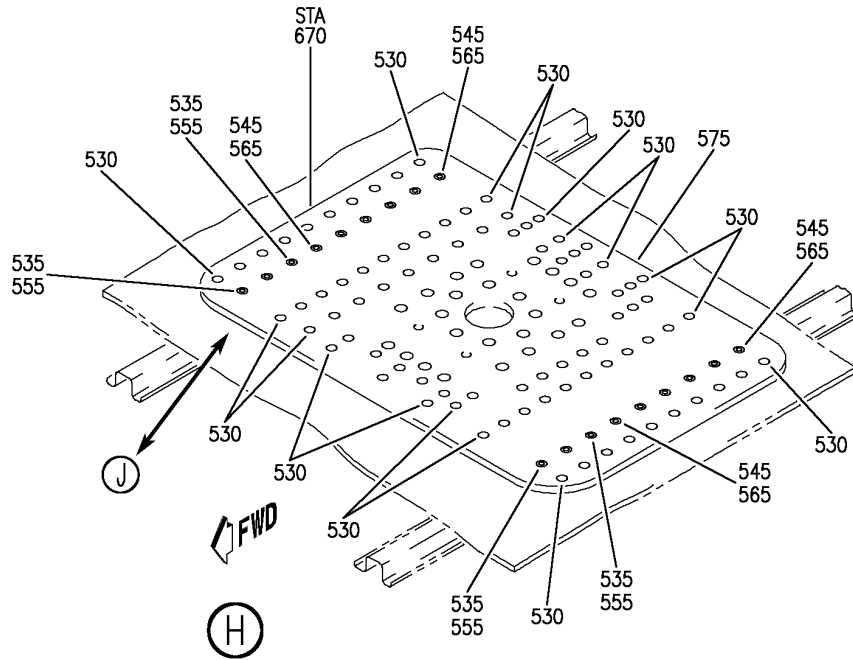
UNIT AND PANEL INSTL-ANT. AND SENSOR GPS  
FIGURE 1 (SHEET 5)

**34-58-01-01**

BRI  
MAY 20/08

34-58-01-01  
PAGE 0D

**BOEING**  
757  
PARTS CATALOG (MAINTENANCE)



Y 34-580101 SH1 6 REV 322

UNIT AND PANEL INSTL-ANT. AND SENSOR GPS  
FIGURE 1 (SHEET 6)

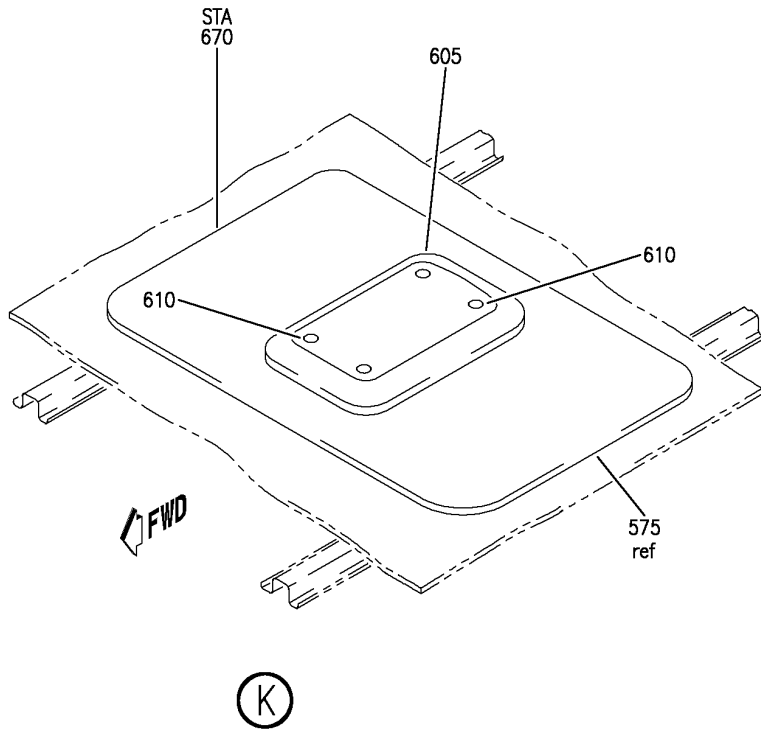
**34-58-01-01**

BRI  
MAY 20/08

34-58-01-01  
PAGE 0E



**BOEING**  
757  
PARTS CATALOG (MAINTENANCE)



Y 34-580101 SH1 7 REV 322

UNIT AND PANEL INSTL-ANT. AND SENSOR GPS  
FIGURE 1 (SHEET 7)

BRI  
MAY 20/08

**34-58-01-01**

34-58-01-01  
PAGE OF



757

PARTS CATALOG (MAINTENANCE)

FIG ITEM	PART NUMBER	1 2 3 4 5 6 7	NOMENCLATURE	EFFECT FROM TO	UNITS PER ASSY
1			UNIT AND PANEL INSTL-ANT. AND SENSOR GPS	101120 504903 950951	
- 1	284N1191-3		UNIT INSTL-ANT. AND SENSOR GPS POSITION DATA: LH FOR NHA SEE: 24-00-58-01B	950951	RF
- 2	284N1191-4		UNIT INSTL-ANT. AND SENSOR GPS POSITION DATA: RH FOR NHA SEE: 24-00-58-01B	950951	RF
10	NAS6703U5		.BOLT	950951	4
20	AN960C10L		.WASHER-	950951	4
30	AN960JD10L		.WASHER-	950951	4
35	AN960D10L		.WASHER-	950951	1
40	MS35650-305T		.NUT	950951	1
50	284N1196-25		.PAN ASSY-	950951	1
55	NAS6703U5		..BOLT	950951	4
60	AN960C10L		..WASHER	950951	4
65	VNS1924CA1-8		..STUD SUPPLIER CODE: V5M902 SPECIFICATION NUMBER: BACS53B1EA1 OPTIONAL PART: VNS1924CA3-1-8 V92215	950951	1
70	AN960D10L		..WASHER-	950951	2
75	MS35650-305T		..NUT-	950951	1
80	740A20-6		..JUMPER ASSY SUPPLIER CODE: V91812 SPECIFICATION NUMBER: BACJ40A20-6 OPTIONAL PART: TJEJ40A20-6 V33483 RBEJ20-6 V1GK47	950951	1
- 200	284N1191-7		ANTENNA INSTL- FOR NHA SEE: 24-00-58-05C 24-00-58-05	101102 108120 504903	RF

MISSING ITEM NUMBERS NOT APPLICABLE

- ITEM NOT ILLUSTRATED

BRI

34-58-01-01

34-58-01  
FIG. 01  
PAGE 1  
JAN 20/09



757

PARTS CATALOG (MAINTENANCE)

FIG ITEM	PART NUMBER	1 2 3 4 5 6 7	NOMENCLATURE	EFFECT FROM TO	UNITS PER ASSY
1					
- 200	MODREF9214		ANTENNA INSTL- MODULE NUMBER: 284N1191-7 REV A	103106	1
- 202	824N4003-1		ANTENNA INSTL-GPS POSITION DATA: STA 690 POST SERVICE BULLETIN: 34-0400	107107	RF
205	BAC27NEX3002		.DECAL- PLACARD CONTENT: M11247 LEFT GPS ANTENNA	101120 504903	1
210	BAC27NEX3003		.DECAL- PLACARD CONTENT: M11248 RIGHT GPS ANTENNA	101120 504903	1
215	S67-1575-133		.ANTENNA-GPS SUPPLIER CODE: V13691 SPECIFICATION NUMBER: S242T104-102 ELECTRICAL EQUIP NUMBER: M11247 M11248 WIRING DIAGRAM REF: 345811 345821 POST SERVICE BULLETIN: 34-0400	101120 504903	2
- 220	BACB30LU3-8		ATTACHING PARTS .BOLT-	101106 108120 504903	8
- 220	BACB30LH3-8		.BOLT- POST SERVICE BULLETIN: 34-0400	107107	8
- 350	813N0001-9		-----*----- STRUCTURAL PROVISION INSTL- GPS ANTENNA POSITION DATA: STA 690 POST SERVICE BULLETIN: 34-0400	107107	1
355	69-78269-1		.TRIPLER ASSY-GPS ANTENNA	107107	2
360	69-78269-2		..TRIPLER	107107	1

MISSING ITEM NUMBERS NOT APPLICABLE

- ITEM NOT ILLUSTRATED

34-58-01-01

34-58-01  
FIG. 01  
PAGE 2  
JAN 20/09

BRI

BOEING PROPRIETARY - Copyright © - Unpublished Work - See title page for details.

**BOEING**  
757  
**PARTS CATALOG (MAINTENANCE)**

FIG ITEM	PART NUMBER	1 2 3 4 5 6 7	NOMENCLATURE	EFFECT FROM TO	UNITS PER ASSY
1 365	NS202492-02		..NUTPLATE- SUPPLIER CODE: V80539 SPECIFICATION NUMBER: BACN10JZ3A2CDM OPTIONAL PART: 102F9219-3 V72962 F51643-3BAC V15653 BACN10JZ3A4CDM	107107	4
365	NS202492A02		..NUTPLATE- SUPPLIER CODE: V80539 SPECIFICATION NUMBER: BACN10JZ3A4CDM OPTIONAL PART: 102F9221-3 V72962 F51645-3BAC V15653 BACN10JZ3A2CDM	107107	4
370	143N3112-2		.FILLER	107107	2
375	BACF3T01C10-60		.FILLER-TAPERED	107107	3
380	BACF3T01C10-65		.FILLER-TAPERED	107107	3
385	143N3112-1		.DOUBLER-GPS ANTENNA	107107	1
- 390	BACR15FV5KE5		.RIVET	107107	AR
- 800	286N4079-702		WIRE BUNDLE ASSY	103106	RF
810	125-88-9		.PLUG- ELECTRICAL EQUIP NUMBER: D02003 D02003 D02009 WIRING DIAGRAM REF: 345811 345821	103106	1

R  
R  
R  
R  
R  
R  
R  
R

MISSING ITEM NUMBERS NOT APPLICABLE

- ITEM NOT ILLUSTRATED

BRI

# 34-58-01-01

BOEING PROPRIETARY - Copyright © - Unpublished Work - See title page for details.

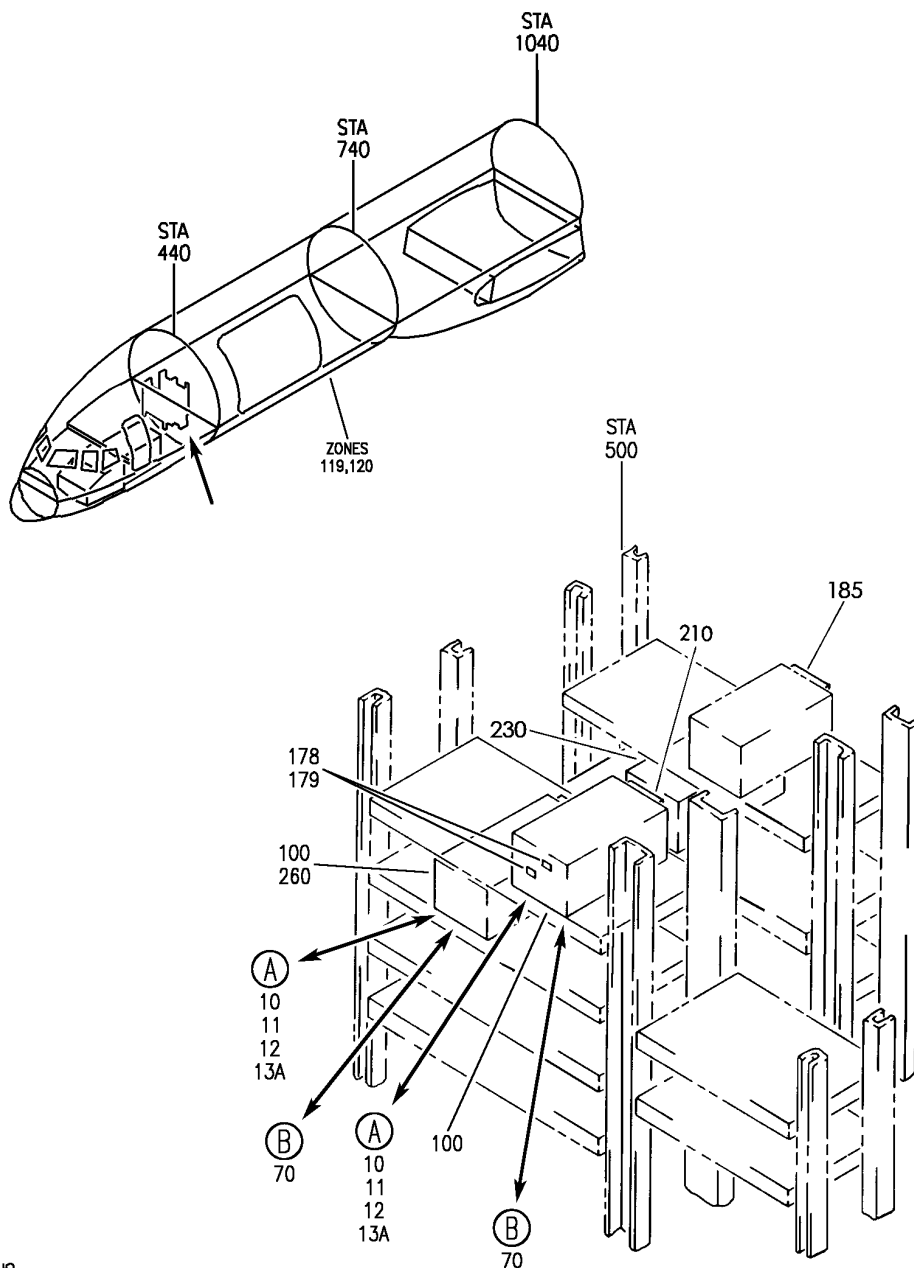
34-58-01  
FIG. 01  
PAGE 3  
MAY 20/09

## FLIGHT MANAGEMENT COMPUTING SYSTEM (FMCS)

BRI  
MAY 28/07

34-61-00  
SECTION TITLE  
PAGE 1

**BOEING**  
757  
PARTS CATALOG (MAINTENANCE)



Y 34610101 SHT 1 REV 295

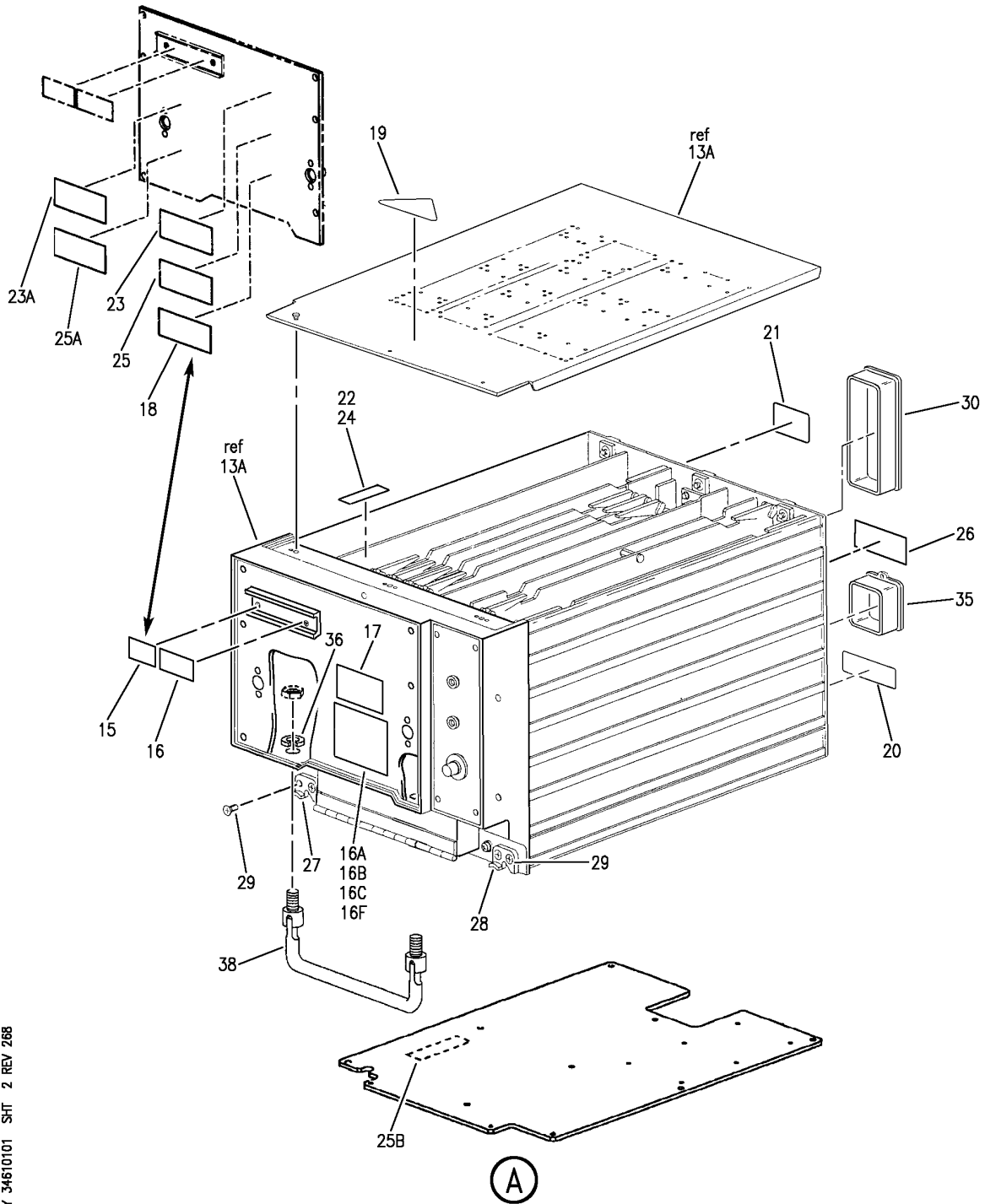
EQUIPMENT AND SOFTWARE INSTL-MAIN ELECTRONICS EQPT CTR (FLIGHT MANAGEMENT COMPUTER SYSTEM ONLY)  
FIGURE 1 (SHEET 1)

BRI  
MAY 28/07

**34-61-01-01**

34-61-01-01  
PAGE 0

**BOEING**  
757  
PARTS CATALOG (MAINTENANCE)



Y 34610101 SH1 2 REV 268

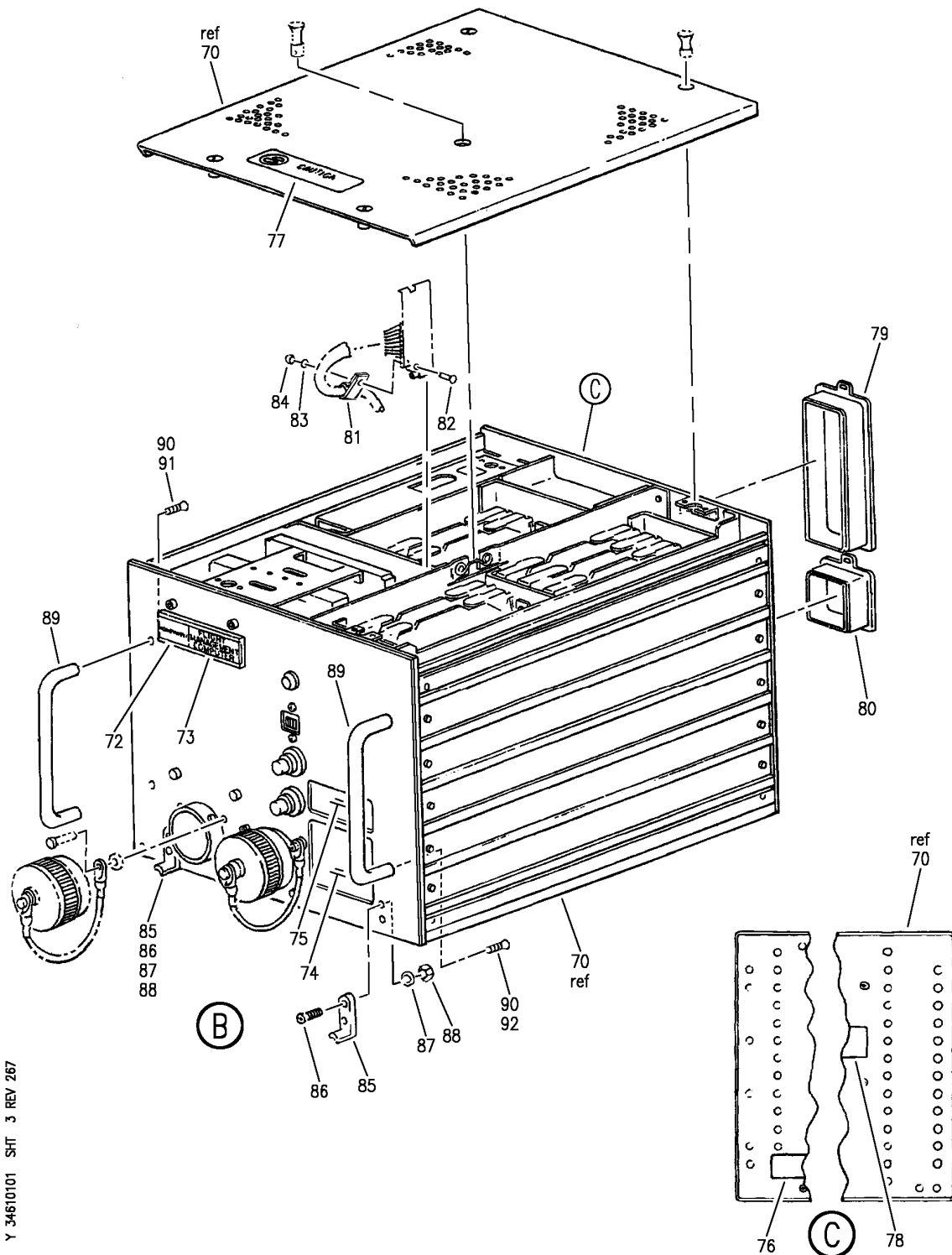
EQUIPMENT AND SOFTWARE INSTL-MAIN ELECTRONICS EQPT CTR (FLIGHT MANAGEMENT COMPUTER SYSTEM ONLY)  
FIGURE 1 (SHEET 2)

**34-61-01-01**

BRI  
MAY 28/07

34-61-01-01  
PAGE 0A

**BOEING**  
757  
PARTS CATALOG (MAINTENANCE)



Y 34610101 SHT 3 REV 267

EQUIPMENT AND SOFTWARE INSTL-MAIN ELECTRONICS EQPT CTR (FLIGHT MANAGEMENT COMPUTER SYSTEM ONLY)  
FIGURE 1 (SHEET 3)

BRI  
MAY 28/07

**34-61-01-01**

34-61-01-01  
PAGE 0B





757

PARTS CATALOG (MAINTENANCE)

FIG ITEM	PART NUMBER	1 2 3 4 5 6 7	NOMENCLATURE	EFFECT FROM TO	UNITS PER ASSY
1			EQUIPMENT AND SOFTWARE INSTL-MAIN ELECTRONICS EQPT CTR (FLIGHT MANAGEMENT COMPUTER SYSTEM ONLY)	101102 504903	
- 8	284N1800-88		EQUIPMENT INSTL-MAIN ELECTRONICS EQPT CTR (FLIGHT MANAGEMENT COMPUTER SYSTEM ONLY) FOR NHA/OTHER SYS DET SEE: 24-00-58-05E	505505	RF
- 9	284N1800-190		EQUIPMENT INSTL-MAIN ELECTRONICS EQPT CTR (FLIGHT MANAGEMENT COMPUTER SYSTEM ONLY) FOR NHA/OTHER SYS DET SEE: 24-00-58-05E	504504 506903	RF
13A	4052506-955		.COMPUTER ASSY-FLIGHT (CUSTOMER FURNISHED) SUPPLIER CODE: V58960 SPECIFICATION NUMBER: S242T102-455 ELECTRICAL EQUIP NUMBER: M00134 M00135 COMPONENT MAINT MANUAL REF: 34-61-56 SOFTWARE DRAWING REF: 34-61-01-01	504903	2
15	4036046-1		..PLATE-DESIGNATION SUPPLIER CODE: V58960 USED ON: 4052500-928 4052500-962	504903	1
16	4036046-6		..PLATE-DESIGNATION SUPPLIER CODE: V58960 USED ON: 4052500-928 4052500-962	504903	1
18	4065516-549		..PLATE-IDENT SUPPLIER CODE: V58960 CONFIG CHG DATA FROM A CMM: REPLD BY 4078256-260 USED ON: 4052506-955	504903	1

MISSING ITEM NUMBERS NOT APPLICABLE

- ITEM NOT ILLUSTRATED

BRI

34-61-01-01

34-61-01  
FIG. 01  
PAGE 1  
JAN 20/09



757

PARTS CATALOG (MAINTENANCE)

FIG ITEM	PART NUMBER	1 2 3 4 5 6 7	NOMENCLATURE	EFFECT FROM TO	UNITS PER ASSY
1					
18	4078256-260	..	PLATE-IDENT SUPPLIER CODE: V58960 CONFIG CHG DATA FROM A CMM: REPLS 4065516-549 USED ON: 4052506-955	504903	1
19	4039590-3	..	DECAL- SUPPLIER CODE: V58960 USED ON: 4052500-928 4052500-962	504903	1
20	4078256-355	..	PLATE-IDENT SUPPLIER CODE: V58960 USED ON: 4052506-955	504903	1
21	4021834-11	..	PLATE-DESIGNATION SUPPLIER CODE: V58960 USED ON: 4052500-928 4052500-962	504903	1
22	4065516-613	..	PLATE-IDENT SUPPLIER CODE: V58960 USED ON: 4052506-955	504903	1
23	4089643-59	..	PLATE-IDENT SUPPLIER CODE: V58960 USED ON: 4052506-955	504903	1
23A	4085643-264	..	LABEL- SUPPLIER CODE: V58960 USED ON: 4052506-955	504903	1
25	4078256-238	..	PLATE-IDENT SUPPLIER CODE: V58960 USED ON: 4052506-955	504903	1
25A	4089643-60	..	PLATE-IDENT SUPPLIER CODE: V58960 USED ON: 4052506-955	504903	1

MISSING ITEM NUMBERS NOT APPLICABLE

- ITEM NOT ILLUSTRATED

34-61-01-01

34-61-01  
FIG. 01  
PAGE 2  
JAN 20/09

BRI

BOEING PROPRIETARY - Copyright © - Unpublished Work - See title page for details.



757

PARTS CATALOG (MAINTENANCE)

FIG ITEM	PART NUMBER	1 2 3 4 5 6 7	NOMENCLATURE	EFFECT FROM TO	UNITS PER ASSY
1 25B	4078256-368		.. PLATE-IDENT SUPPLIER CODE: V58960 USED ON: 4052506-955	504903	1
26	4078256-687		.. PLATE-IDENT SUPPLIER CODE: V58960 USED ON: 4052506-955	504903	1
30	025-1157-001		.. CAP-DUST SUPPLIER CODE: V71468 MISCELLANEOUS DATA: HONEYWELL PART NO. 4041437-5 OPTIONAL PART: 4041437-5 V58960 USED ON: 4052500-928 4052500-962	504903	1
35	025-1158-001		.. CAP-DUST SUPPLIER CODE: V71468 MISCELLANEOUS DATA: HONEYWELL PART NO. 4041437-6 OPTIONAL PART: 4041437-6 V58960 USED ON: 4052500-928 4052500-962	504903	1
- 45	4052650		.. SWITCH ASSY-FAULT SUPPLIER CODE: V58960 USED ON: 4052500-928 4052500-962	504903	1
- 203	286N1171-359		WIRE BUNDLE ASSY- REWORKED BY ALERT SB: 34A022	504504 506506	RF
- 204	286N1171-441		WIRE BUNDLE ASSY- REWORKED BY ALERT SB: 34A022	507903	RF

MISSING ITEM NUMBERS NOT APPLICABLE

- ITEM NOT ILLUSTRATED

34-61-01-01

34-61-01  
FIG. 01  
PAGE 3  
JAN 20/09

BRI



757

## PARTS CATALOG (MAINTENANCE)

FIG ITEM	PART NUMBER	1 2 3 4 5 6 7	NOMENCLATURE	EFFECT FROM TO	UNITS PER ASSY
1	210	BACC66H21C04	.CONNECTOR- ELECTRICAL EQUIP NUMBER: D00173 WIRING DIAGRAM REF: 346111	504903	1
-	253	286N1173-359	WIRE BUNDLE ASSY- REWORKED BY ALERT SB: 34A0222	504504 506506	RF
-	254	286N1173-447	WIRE BUNDLE ASSY- REWORKED BY ALERT SB: 34A0222	507903	RF
	260	BACC66H21C0401	.CONNECTOR- ELECTRICAL EQUIP NUMBER: D00177 WIRING DIAGRAM REF: 346111 346123	504903	1
-	510	240N2056-220	SOFTWARE INSTL-FMC OPC FOR NHA SEE: 25-10-00-22	504903	RF
-	515	3470BCG00551	.SOFTWARE-FMC OPC MISCELLANEOUS DATA: DISKETTE: 1 DISK USED WITH: 4052506-955 FOR SPARES PROCURE: 240N2057-22 POST SERVICE BULLETIN: 31-0124	504903	2
-	710	240N2055-60	SOFTWARE INSTL-FMCS FOR NHA SEE: 25-10-00-21	504903	RF
-	715	3415HNP02C05	.SOFTWARE-FMCS OPS SUPPLIER CODE: V58960 USED WITH: 4052506-955 FOR SPARES PROCURE: S242T102-6004 V58960 PS4083821-905 V58960 POST SERVICE BULLETIN: 34-0186 PRE SERVICE BULLETIN: 34-0224 POST SERVICE LETTER: 34-128	101102 504903	2

MISSING ITEM NUMBERS NOT APPLICABLE

- ITEM NOT ILLUSTRATED

BRI

34-61-01-01

BOEING PROPRIETARY - Copyright © - Unpublished Work - See title page for details.

34-61-01  
FIG. 01  
PAGE 4  
JAN 20/09



757

PARTS CATALOG (MAINTENANCE)

FIG ITEM	PART NUMBER	1 2 3 4 5 6 7	NOMENCLATURE	EFFECT FROM TO	UNITS PER ASSY
1 - 715	3419HNP02C09		.SOFTWARE-OP PROGRAM (OPS) SUPPLIER CODE: V58960 MISCELLANEOUS DATA: DISKETTE QTY: 7 DISKS PEGASUS 2005 OPS USED WITH: 4052506-955 FOR SPARES PROCURE: PS4083821-909 V58960 POST SERVICE BULLETIN: 34-0324	504903	2
- 720	3412HNP02E05		.SOFTWARE-FMCS FIDO SUPPLIER CODE: V58960 MISCELLANEOUS DATA: DISKETTE QTY: 1 DISK VENDOR USES SPEC AS PART NUMBER FOR DISKETTE SET USED WITH: 4052506-955 FOR SPARES PROCURE: S242T102-6204 V58960 POST SERVICE BULLETIN: 34-0186 POST SERVICE LETTER: 34-128	101102 504903	2
- 720	341FHNP02E09		.SOFTWARE-FMCS FIDO SUPPLIER CODE: V58960 MISCELLANEOUS DATA: DISKETTE QTY: 1 DISK PEGASUS 2005 FIDO USED WITH: 4052506-955 FOR SPARES PROCURE: PS4084944-110 V58960 POST SERVICE BULLETIN: 34-0324	504903	2

MISSING ITEM NUMBERS NOT APPLICABLE

- ITEM NOT ILLUSTRATED

34-61-01-01

34-61-01  
FIG. 01  
PAGE 5  
JAN 20/09

BRI



757

PARTS CATALOG (MAINTENANCE)

FIG ITEM	PART NUMBER	1 2 3 4 5 6 7	NOMENCLATURE	EFFECT FROM TO	UNITS PER ASSY
1 - 725	3416HNP02D01		.SOFTWARE-FMCS AMI SUPPLIER CODE: V58960 MISCELLANEOUS DATA: DISKETTE:1 DISK VENDOR USES SPEC AS PART NUMBER FOR DISKETTE SET USED WITH: 4052506-955 FOR SPARES PROCURE: S242T102-6100 V58960	504903	2

MISSING ITEM NUMBERS NOT APPLICABLE

- ITEM NOT ILLUSTRATED

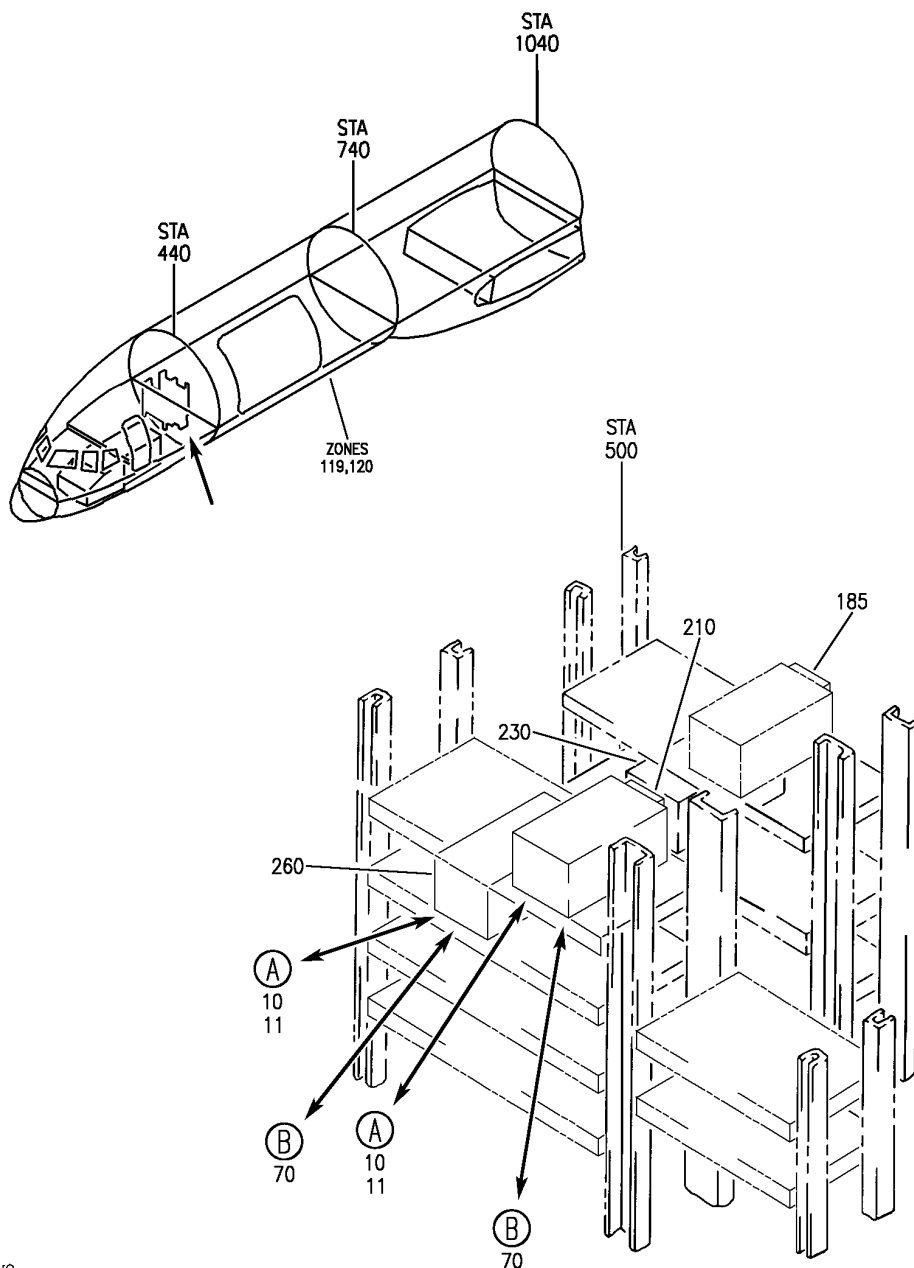
BRI

34-61-01-01

BOEING PROPRIETARY - Copyright © - Unpublished Work - See title page for details.

34-61-01  
FIG. 01  
PAGE 6  
JAN 20/09

**BOEING**  
757  
PARTS CATALOG (MAINTENANCE)



Y 34610101A SHT 1 REV 316

EQUIPMENT AND SOFTWARE INSTL-MAIN ELECTRONICS EQPT CTR (FLIGHT MANAGEMENT COMPUTER SYSTEM ONLY)  
FIGURE 1A (SHEET 1)

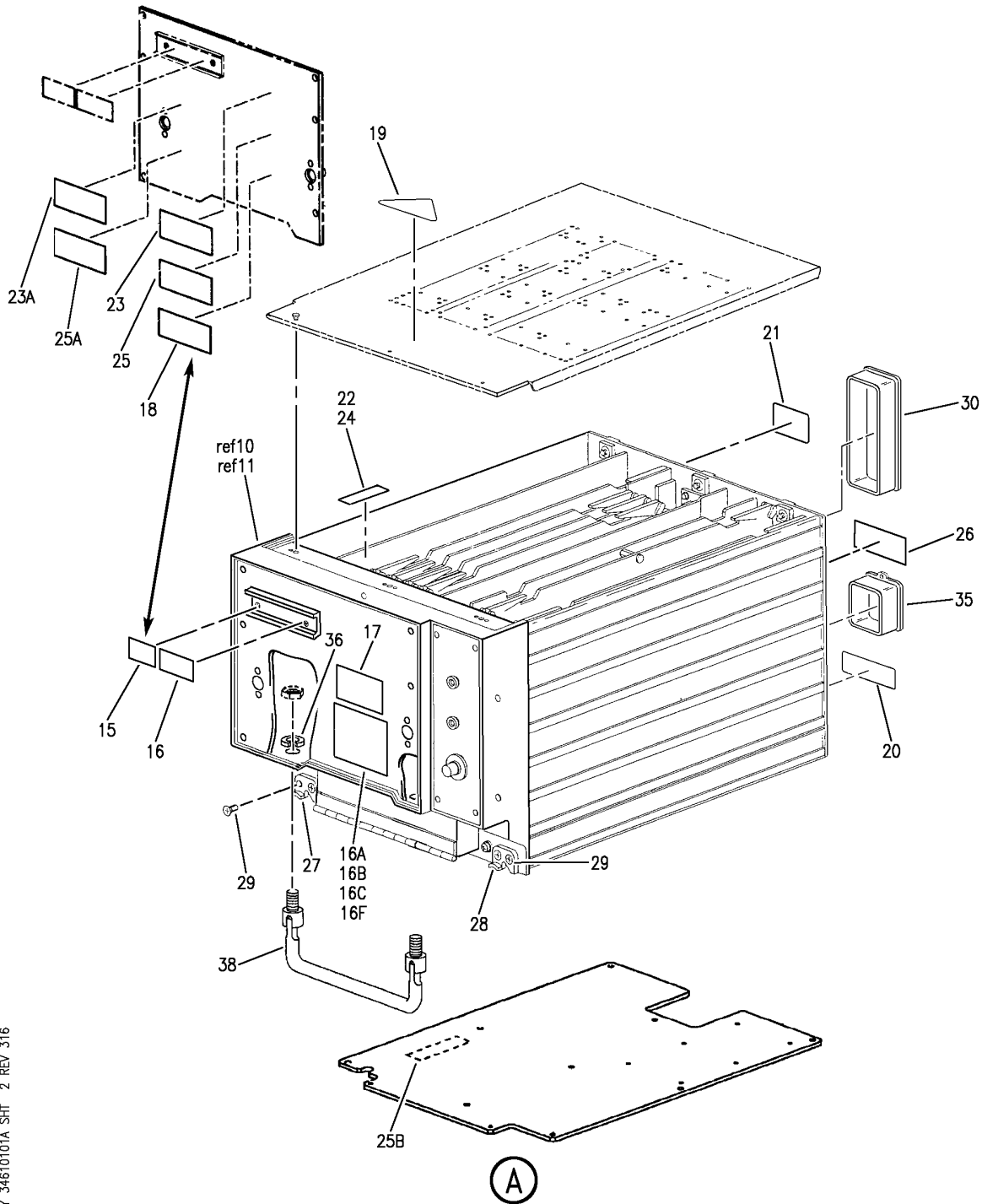
BRI  
JAN 20/08

**34-61-01-01A**

34-61-01-01A  
PAGE 0

BOEING PROPRIETARY - Copyright © - Unpublished Work - See title page for details.

**BOEING**  
757  
PARTS CATALOG (MAINTENANCE)



Y 34610101A SHT 2 REV 316

EQUIPMENT AND SOFTWARE INSTL-MAIN ELECTRONICS EQPT CTR (FLIGHT MANAGEMENT COMPUTER SYSTEM ONLY)  
FIGURE 1A (SHEET 2)

BRI  
JAN 20/08

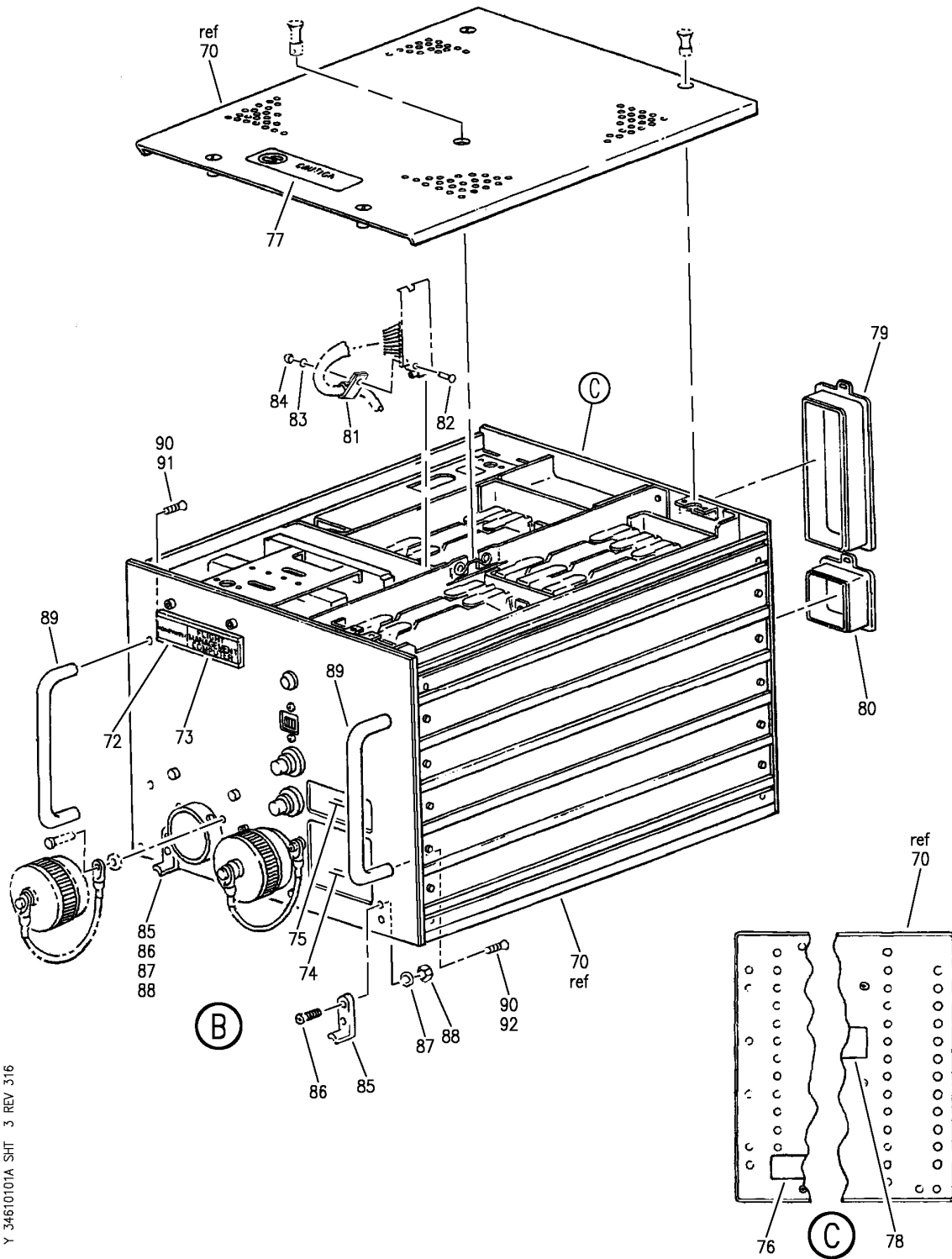
**34-61-01-01A**

34-61-01-01A  
PAGE 0A

BOEING PROPRIETARY - Copyright © - Unpublished Work - See title page for details.



**BOEING**  
757  
PARTS CATALOG (MAINTENANCE)



Y 34610101A SHT 3 REV 316

EQUIPMENT AND SOFTWARE INSTL-MAIN ELECTRONICS EQPT CTR (FLIGHT MANAGEMENT COMPUTER SYSTEM ONLY)  
FIGURE 1A (SHEET 3)

BRI  
JAN 20/08

**34-61-01-01A**

34-61-01-01A  
PAGE 0B



757

PARTS CATALOG (MAINTENANCE)

FIG ITEM	PART NUMBER	1 2 3 4 5 6 7	NOMENCLATURE	EFFECT FROM TO	UNITS PER ASSY
1 A			EQUIPMENT AND SOFTWARE INSTL-MAIN ELECTRONICS EQPT CTR (FLIGHT MANAGEMENT COMPUTER SYSTEM ONLY)	002004 006100 107107 121503 904999	
- 2	284N1307-33		EQUIPMENT INSTL-MAIN ELECTRONICS EQPT CTR (FLIGHT MANAGEMENT COMPUTER SYSTEM ONLY) FOR NHA/OTHER SYS DET SEE: 24-00-58-01	107107	RF
- 2	284N1800-32		EQUIPMENT INSTL-MAIN ELECTRONICS EQPT CTR (FLIGHT MANAGEMENT COMPUTER SYSTEM ONLY) FOR NHA/OTHER SYS DET SEE: 24-00-58-01	952999	RF
- 4	284N1800-16		EQUIPMENT INSTL-MAIN ELECTRONICS EQPT CTR (FLIGHT MANAGEMENT COMPUTER SYSTEM ONLY) FOR NHA/OTHER SYS DET SEE: 24-00-58-01	121503 904949	RF
- 5	284N1800-34		EQUIPMENT INSTL-MAIN ELECTRONICS EQPT CTR (FLIGHT MANAGEMENT COMPUTER SYSTEM ONLY) FOR NHA/OTHER SYS DET SEE: 24-00-58-01	002004 006100	RF
- 5	284N1800-38		EQUIPMENT INSTL-MAIN ELECTRONICS EQPT CTR (FLIGHT MANAGEMENT COMPUTER SYSTEM ONLY) FOR NHA/OTHER SYS DET SEE: 24-00-58-01	950951	RF

MISSING ITEM NUMBERS NOT APPLICABLE

- ITEM NOT ILLUSTRATED

34-61-01-01A

34-61-01  
FIG. 01A  
PAGE 1  
JAN 20/09

BRI



757

PARTS CATALOG (MAINTENANCE)

FIG ITEM	PART NUMBER	1 2 3 4 5 6 7	NOMENCLATURE	EFFECT FROM TO	UNITS PER ASSY
1A 10	4052500-960	.	COMPUTER ASSY- SUPPLIER CODE: V58960 SPECIFICATION NUMBER: S242T102-329 ELECTRICAL EQUIP NUMBER: M00134 M00135 WIRING DIAGRAM REF: 346111 346121 COMPONENT MAINT MANUAL REF: 34-61-36 OPTIONAL PART: 4052500-940 V58960 PRE SERVICE BULLETIN: 34-0119 34-0192R1 34-0379R2 34-0379R3 PRE SERVICE BULLETIN: 4052500-34-SW25 V58960	002004 006100 952999	2
10	4052500-925	.	COMPUTER ASSY- SUPPLIER CODE: V58960 SPECIFICATION NUMBER: S242T102-225 ELECTRICAL EQUIP NUMBER: M00134 M00135 COMPONENT MAINT MANUAL REF: 34-61-36 PRE SERVICE BULLETIN: 34-0192R1 34-0379R2 34-0379R3 POST RAPID REVISION: RR92028-6	002004 006100 952999	2

MISSING ITEM NUMBERS NOT APPLICABLE

- ITEM NOT ILLUSTRATED

BRI

34-61-01-01A

BOEING PROPRIETARY - Copyright © - Unpublished Work - See title page for details.

34-61-01  
FIG. 01A  
PAGE 2  
JAN 20/09



757

PARTS CATALOG (MAINTENANCE)

FIG ITEM	PART NUMBER	1 2 3 4 5 6 7	NOMENCLATURE	EFFECT FROM TO	UNITS PER ASSY
1 A 10	4052500-926	.	COMPUTER ASSY- SUPPLIER CODE: V58960 SPECIFICATION NUMBER: S242T102-226 ELECTRICAL EQUIP NUMBER: M00134 M00135 COMPONENT MAINT MANUAL REF: 34-61-36 PRE SERVICE BULLETIN: 34-0192R1 34-0379R2 34-0379R3	002004 006100 952999	2
11	4052500-961	.	COMPUTER ASSY- SUPPLIER CODE: V58960 SPECIFICATION NUMBER: S242T102-330 ELECTRICAL EQUIP NUMBER: M00134 M00135 WIRING DIAGRAM REF: 346111 346121 COMPONENT MAINT MANUAL REF: 34-61-36 POST SERVICE BULLETIN: 34-0119 PRE SERVICE BULLETIN: 34-0154 34-0192R1 34-0379R2 34-0379R3 POST SERVICE BULLETIN: 4052500-34-SW25 V58960 PRE SERVICE BULLETIN: 4052500-34-6030 V58960	002004 006100 952952	2

MISSING ITEM NUMBERS NOT APPLICABLE

- ITEM NOT ILLUSTRATED

BRI

**34-61-01-01A**

BOEING PROPRIETARY - Copyright © - Unpublished Work - See title page for details.

34-61-01  
FIG. 01A  
PAGE 3  
JAN 20/09



757

PARTS CATALOG (MAINTENANCE)

FIG ITEM	PART NUMBER	1 2 3 4 5 6 7	NOMENCLATURE	EFFECT FROM TO	UNITS PER ASSY
1 A 11	4052500-962	.	COMPUTER ASSY- SUPPLIER CODE: V58960 SPECIFICATION NUMBER: S242T102-331 ELECTRICAL EQUIP NUMBER: M00134 M00135 COMPONENT MAINT MANUAL REF: 34-61-36 POST SERVICE BULLETIN: 34-0154 PRE SERVICE BULLETIN: 34-0192R1 34-0379R1 34-0379R2 34-0379R3 PRE ALERT SB: 34A0260 POST SERVICE BULLETIN: 4052500-34-6030R1 V58960 PRE SERVICE BULLETIN: 4052500-34-6037 V58960 4052500-34-6035R1 V58960	002004 006100 107107 121503 950951 953999	2

MISSING ITEM NUMBERS NOT APPLICABLE

- ITEM NOT ILLUSTRATED

BRI

**34-61-01-01A**

BOEING PROPRIETARY - Copyright © - Unpublished Work - See title page for details.

34-61-01  
FIG. 01A  
PAGE 4  
JAN 20/09



757

PARTS CATALOG (MAINTENANCE)

FIG ITEM	PART NUMBER	1 2 3 4 5 6 7	NOMENCLATURE	EFFECT FROM TO	UNITS PER ASSY
1 A 11	4052500-928	.	COMPUTER ASSY- SUPPLIER CODE: V58960 SPECIFICATION NUMBER: S242T102-228 ELECTRICAL EQUIP NUMBER: M00134 M00135 WIRING DIAGRAM REF: 346111 346121 COMPONENT MAINT MANUAL REF: 34-61-36 POST SERVICE BULLETIN: 34-0192R1 PRE SERVICE BULLETIN: 34-0379R2 34-0379R3 POST SERVICE BULLETIN: V58960 4252500-34-6035R1 V58960 PRE SERVICE BULLETIN: V58960	002004 006100	2
11	4052500-964	.	COMPUTER ASSY- SUPPLIER CODE: V58960 SPECIFICATION NUMBER: S242T102-333 ELECTRICAL EQUIP NUMBER: M00134 M00135 PRE SERVICE BULLETIN: 34-0192R1 34-0379R2 34-0379R3 POST ALERT SB: 34A0260 POST SERVICE BULLETIN: 4052500-34-6037 V58960	002004 006100	2

MISSING ITEM NUMBERS NOT APPLICABLE

- ITEM NOT ILLUSTRATED

BRI

34-61-01-01A

BOEING PROPRIETARY - Copyright © - Unpublished Work - See title page for details.

34-61-01  
FIG. 01A  
PAGE 5  
JAN 20/09



757

PARTS CATALOG (MAINTENANCE)

FIG ITEM	PART NUMBER	1 2 3 4 5 6 7	NOMENCLATURE	EFFECT FROM TO	UNITS PER ASSY
1A 11	4052506-955	.	COMPUTER ASSY-FLIGHT (CUSTOMER FURNISHED) SUPPLIER CODE: V58960 SPECIFICATION NUMBER: S242T102-455 ELECTRICAL EQUIP NUMBER: M00134 M00135 COMPONENT MAINT MANUAL REF: 34-61-56 SOFTWARE DRAWING REF: 34-61-01-01A POST SERVICE BULLETIN: 34-0379R1 34-0379R2 34-0379R3 34-0422  TEMPORARY BREAKDOWN FOR: 4052500-964	009009 015015 107107 904949          002004 006100	2
16A	4040029-16	..	PLATE-IDENT SUPPLIER CODE: V58960 CONFIG CHG DATA FROM A CMM: REPLD BY 4061948-23 USED ON: 4052500-950 4052500-940 4052500-960 4052500-970 4052500-925 4052500-926 4052500-927 4052500-961	002004 006100 107107 121503 950999	1

MISSING ITEM NUMBERS NOT APPLICABLE

- ITEM NOT ILLUSTRATED

BRI

**34-61-01-01A**

BOEING PROPRIETARY - Copyright © - Unpublished Work - See title page for details.

34-61-01  
FIG. 01A  
PAGE 6  
JAN 20/09



757

PARTS CATALOG (MAINTENANCE)

FIG ITEM	PART NUMBER	1 2 3 4 5 6 7	NOMENCLATURE	EFFECT FROM TO	UNITS PER ASSY
1A 16B	4061948-23		.. PLATE-IDENT SUPPLIER CODE: V58960 SB DATA FROM A CMM: PRE 4052500-34-19 CONFIG CHG DATA FROM A CMM: REPLD BY 4065516-600 REPLS 4040029-16 USED ON: 4052500-950 4052500-960 4052500-970 4052500-925 4052500-926 4052500-927 4052500-940 4052500-961	002004 006100 107107 121503 950999	1
16C	4065516-600		.. PLATE-IDENT SUPPLIER CODE: V58960 SB DATA FROM A CMM: POST 4052500-34-19 CONFIG CHG DATA FROM A CMM: REPLS 4061948-23 USED ON: 4052500-950 4052500-940 4052500-960 4052500-970 4052500-925 4052500-926 4052500-927 4052500-961	002004 006100 107107 121503 950999	1
16F	4065516-600		.. PLATE-IDENT SUPPLIER CODE: V58960 USED ON: 4052500-928 4052500-962 4052500-963	002004 006100	1

MISSING ITEM NUMBERS NOT APPLICABLE

- ITEM NOT ILLUSTRATED

BRI

34-61-01-01A

BOEING PROPRIETARY - Copyright © - Unpublished Work - See title page for details.

34-61-01  
FIG. 01A  
PAGE 7  
JAN 20/09





757

PARTS CATALOG (MAINTENANCE)

FIG ITEM	PART NUMBER	1 2 3 4 5 6 7	NOMENCLATURE	EFFECT FROM TO	UNITS PER ASSY
1A 17	4017178-1		..PLATE-IDENT SUPPLIER CODE: V07416 OPTIONAL SUPPLIER CODE: 4J649 USED ON: 4052500-925 4052500-926 4052500-927 4052500-928 4052500-940 4052500-950 4052500-960 4052500-961 4052500-962 4052500-963 4052500-970	002004 006100 107107 121503 950999	1
18	4065516-549		..PLATE-IDENT SUPPLIER CODE: V58960 CONFIG CHG DATA FROM A CMM: REPLD BY 4078256-260 USED ON: 4052506-955	009009 015015 107107 904949	1
18	4078256-260		..PLATE-IDENT SUPPLIER CODE: V58960 CONFIG CHG DATA FROM A CMM: REPLS 4065516-549 USED ON: 4052506-955	009009 015015 107107 904949	1
20	4078256-355		..PLATE-IDENT SUPPLIER CODE: V58960 USED ON: 4052506-955	009009 015015 107107 904949	1

MISSING ITEM NUMBERS NOT APPLICABLE

- ITEM NOT ILLUSTRATED

34-61-01-01A

34-61-01  
 FIG. 01A  
 PAGE 8  
 JAN 20/09

BRI

BOEING PROPRIETARY - Copyright © - Unpublished Work - See title page for details.



757

PARTS CATALOG (MAINTENANCE)

FIG ITEM	PART NUMBER	1 2 3 4 5 6 7	NOMENCLATURE	EFFECT FROM TO	UNITS PER ASSY
1 A					
20	4040029-18		.. PLATE-IDENT SUPPLIER CODE: V58960 CONFIG CHG DATA FROM A CMM: REPLD BY 4061948-1 USED ON: 4052500-950 4052500-940 4052500-960 4052500-970 4052500-925 4052500-926 4052500-927 4052500-961	002004 006100 107107 121503 950999	1
20	4061948-1		.. PLATE-IDENT SUPPLIER CODE: V58960 SB DATA FROM A CMM: PRE 4052500-34-19 CONFIG CHG DATA FROM A CMM: REPLD BY 4065516-601 REPLS 4040029-18 USED ON: 4052500-950 4052500-940 4052500-960 4052500-970 4052500-925 4052500-926 4052500-927 4052500-961	002004 006100 107107 121503 950999	1
20	4065516-601		.. PLATE-IDENT SUPPLIER CODE: V58960 SB DATA FROM A CMM: POST 4052500-34-19 CONFIG CHG DATA FROM A CMM: REPLS 4061948-1 USED ON: 4052500-950 4052500-940 4052500-960 4052500-970 4052500-925 4052500-926 4052500-927 4052500-961	002004 006100 107107 121503 950999	1

MISSING ITEM NUMBERS NOT APPLICABLE

- ITEM NOT ILLUSTRATED

34-61-01-01A

34-61-01  
FIG. 01A  
PAGE 9  
JAN 20/09

BRI



757

PARTS CATALOG (MAINTENANCE)

FIG ITEM	PART NUMBER	1 2 3 4 5 6 7	NOMENCLATURE	EFFECT FROM TO	UNITS PER ASSY
1A					
20	4065516-601	..	PLATE-IDENT SUPPLIER CODE: V58960 USED ON: 4052500-928 4052500-962 4052500-963	002004 006100	1
22	4065516-613	..	PLATE-IDENT SUPPLIER CODE: V58960 USED ON: 4052506-955	009009 015015 107107 904949	1
23	4089643-59	..	PLATE-IDENT SUPPLIER CODE: V58960 USED ON: 4052506-955	009009 015015 107107 904949	1
23A	4085643-264	..	LABEL- SUPPLIER CODE: V58960 USED ON: 4052506-955	009009 015015 107107 904949	1
24	4061839-5	..	DECAL-IDENT SUPPLIER CODE: V58960 CONFIG CHG DATA FROM A CMM: REPLD BY 4065516-613 USED ON: 4052500-950 4052500-940 4052500-960 4052500-970 4052500-925 4052500-926 4052500-927 4052500-961	002004 006100 107107 121503 950999	AR

MISSING ITEM NUMBERS NOT APPLICABLE

- ITEM NOT ILLUSTRATED

BRI

34-61-01-01A

BOEING PROPRIETARY - Copyright © - Unpublished Work - See title page for details.

34-61-01  
FIG. 01A  
PAGE 10  
JAN 20/09

 **BOEING**  
757  
**PARTS CATALOG (MAINTENANCE)**

FIG ITEM	PART NUMBER	1 2 3 4 5 6 7	NOMENCLATURE	EFFECT FROM TO	UNITS PER ASSY
1 A					
24	4065516-613	..	PLATE-IDENT SUPPLIER CODE: V58960 CONFIG CHG DATA FROM A CMM: REPLS 4061839-5 USED ON: 4052500-950 4052500-940 4052500-960 4052500-970 4052500-925 4052500-926 4052500-927 4052500-961	002004 006100 107107 121503 950999	AR
24	4065516-613	..	PLATE-IDENT SUPPLIER CODE: V58960 USED ON: 4052500-928 4052500-962 4052500-963	002004 006100	1
25	4078256-238	..	PLATE-IDENT SUPPLIER CODE: V58960 USED ON: 4052506-955	009009 015015 107107 904949	1
25A	4089643-60	..	PLATE-IDENT SUPPLIER CODE: V58960 USED ON: 4052506-955	009009 015015 107107 904949	1
25B	4078256-368	..	PLATE-IDENT SUPPLIER CODE: V58960 USED ON: 4052506-955	009009 015015 107107 904949	1
26	4078256-687	..	PLATE-IDENT SUPPLIER CODE: V58960 USED ON: 4052506-955	009009 015015 107107 904949	1

MISSING ITEM NUMBERS NOT APPLICABLE

— ITEM NOT ILLUSTRATED

BRI

# 34-61-01-01A

BOEING PROPRIETARY - Copyright © - Unpublished Work - See title page for details.

34-61-01  
FIG. 01A  
PAGE 11  
JAN 20/09



757

PARTS CATALOG (MAINTENANCE)

FIG ITEM	PART NUMBER	1 2 3 4 5 6 7	NOMENCLATURE	EFFECT FROM TO	UNITS PER ASSY
1 A 27	4052551		.. HOOK- SUPPLIER CODE: V58960 USED ON: 4052500-950 4052500-940 4052500-970 4052500-925 4052500-926 4052500-927 4052500-928 4052500-960 4052500-961 4052500-962 4052500-963	002004 006100 107107 121503 950999	1
28	4052550		.. HOOK- SUPPLIER CODE: V58960 USED ON: 4052500-950 4052500-940 4052500-970 4052500-960 4052500-925 4052500-926 4052500-927 4052500-928 4052500-961 4052500-962 4052500-963	002004 006100 107107 121503 950999	1
29	MS24693C28		ATTACHING PARTS .. SCREW- MISCELLANEOUS DATA: HONEYWELL PART NO. 2504188-226  -----*-----	002004 006100 107107 121503 950999	4

MISSING ITEM NUMBERS NOT APPLICABLE

- ITEM NOT ILLUSTRATED

BRI

34-61-01-01A

BOEING PROPRIETARY - Copyright © - Unpublished Work - See title page for details.

34-61-01  
 FIG. 01A  
 PAGE 12  
 JAN 20/09



757

PARTS CATALOG (MAINTENANCE)

FIG ITEM	PART NUMBER	1 2 3 4 5 6 7	NOMENCLATURE	EFFECT FROM TO	UNITS PER ASSY
1 A 36	MS35338-141		.. WASHER- CONFIG CHG DATA FROM A CMM: REPLD BY 0164-13 USED ON: 4052500-925 4052500-926 4052500-927 4052500-928 4052500-940 4052500-950 4052500-960 4052500-961 4052500-962 4052500-963 4052500-970	002004 006100 107107 121503 950999	2
36	0164-13		.. WASHER- SUPPLIER CODE: V58960 CONFIG CHG DATA FROM A CMM: REPLS MS35338-141 USED ON: 4052500-925 4052500-926 4052500-927 4052500-928 4052500-940 4052500-950 4052500-960 4052500-961 4052500-962 4052500-963 4052500-970	002004 006100 107107 121503 950999	2

MISSING ITEM NUMBERS NOT APPLICABLE

- ITEM NOT ILLUSTRATED

BRI

34-61-01-01A

BOEING PROPRIETARY - Copyright © - Unpublished Work - See title page for details.

34-61-01  
FIG. 01A  
PAGE 13  
JAN 20/09



757

PARTS CATALOG (MAINTENANCE)

FIG ITEM	PART NUMBER	1 2 3 4 5 6 7	NOMENCLATURE	EFFECT FROM TO	UNITS PER ASSY
1 A 38	12103A3724		..HANDLE- SUPPLIER CODE: V06540 CONFIG CHG DATA FROM A CMM: REPLD BY 66667-2200 MISCELLANEOUS DATA: HONEYWELL PART NO. 4009224 USED ON: 4052500-925 4052500-926 4052500-927 4052500-928 4052500-940 4052500-950 4052500-960 4052500-961 4052500-962 4052500-963 4052500-970	002004 006100 107107 121503 950999	1
38	66667-2200		..HANDLE- SUPPLIER CODE: V06540 CONFIG CHG DATA FROM A CMM: REPLS 12103A3724 MISCELLANEOUS DATA: HONEYWELL PART NO. 4009224 OPTIONAL PART: VTC868 V08730 USED ON: 4052500-925 4052500-926 4052500-927 4052500-928 4052500-940 4052500-950 4052500-960 4052500-961 4052500-962 4052500-963 4052500-970	002004 006100 107107 121503 950999	1

MISSING ITEM NUMBERS NOT APPLICABLE

- ITEM NOT ILLUSTRATED

34-61-01-01A

34-61-01  
FIG. 01A  
PAGE 14  
JAN 20/09

BRI



757

PARTS CATALOG (MAINTENANCE)

FIG ITEM	PART NUMBER	1 2 3 4 5 6 7	NOMENCLATURE	EFFECT FROM TO	UNITS PER ASSY
1 A 38	VTC868		.. HANDLE- SUPPLIER CODE: V08730 OPTIONAL PART: 66667-2200 V06540 USED ON: 4052500-925 4052500-926 4052500-927 4052500-928 4052500-940 4052500-950 4052500-960 4052500-961 4052500-962 4052500-963 4052500-970	002004 006100 107107 121503 950999	1
- 48	PS4052520-162		. SOFTWARE-PRODUCT SUPPLIER CODE: V58960 USED WITH: 4052500-962 HARDWARE REFERENCE SEE: 34-61-01-01A PRE SERVICE BULLETIN: 34-0379R1 POST SERVICE BULLETIN: 4052500-34-6030R1 V58960 PRE SERVICE BULLETIN: V58960	107107 950951	RF
- 48	PS4052520-128		. SOFTWARE-PRODUCT SUPPLIER CODE: V58960 USED WITH: 4052500-928 HARDWARE REFERENCE SEE: 34-61-01-01A PRE SERVICE BULLETIN: 34-0379R2 POST SERVICE BULLETIN: 4052500-34-6035 V58960 4052500-34-6035R1 V58960	002004 006100	RF

MISSING ITEM NUMBERS NOT APPLICABLE

- ITEM NOT ILLUSTRATED

# 34-61-01-01A

34-61-01  
FIG. 01A  
PAGE 15  
JAN 20/09

BRI





757

PARTS CATALOG (MAINTENANCE)

FIG ITEM	PART NUMBER	1 2 3 4 5 6 7	NOMENCLATURE	EFFECT FROM TO	UNITS PER ASSY
1 A - 51	3419HNP02C09	.	SOFTWARE-FMCS OPS SUPPLIER CODE: V58960 MISCELLANEOUS DATA: DISKETTE QTY: 7 DISKS PEGASUS 2005 OPS USED WITH: 4052506-955 FOR SPARES PROCURE: PS4083821-909 V58960 POST SERVICE BULLETIN: 34-0422	904949	2
- 52	3419HNP02C09	.	SOFTWARE-FMCS OPS SUPPLIER CODE: V58960 MISCELLANEOUS DATA: DISKETTE QTY: 7 DISKS PEGASUS 2005 OPS USED WITH: 4052506-955 HARDWARE REFERENCE SEE: 34-61-01-01A FOR SPARES PROCURE: PS4083821-909 V58960 POST SERVICE BULLETIN: 34-0379R1 34-0379R2 34-0379R3	009009 015015 107107	1
- 54	3416HNP02D01	.	SOFTWARE-FMCS AMI SUPPLIER CODE: V58960 MISCELLANEOUS DATA: DISKETTE QTY: 1 DISK VENDOR USES SPEC AS PART NUMBER FOR DISKETTE SET USED WITH: 4052506-955 FOR SPARES PROCURE: S242T102-6100 V58960 POST SERVICE BULLETIN: 34-0422	904949	2

MISSING ITEM NUMBERS NOT APPLICABLE

- ITEM NOT ILLUSTRATED

**34-61-01-01A**

34-61-01  
FIG. 01A  
PAGE 16  
JAN 20/09

BRI



757

PARTS CATALOG (MAINTENANCE)

FIG ITEM	PART NUMBER	1 2 3 4 5 6 7	NOMENCLATURE	EFFECT FROM TO	UNITS PER ASSY
1 A - 57	341FHNP02E09		.SOFTWARE-FMCS FIDO SUPPLIER CODE: V58960 MISCELLANEOUS DATA: DISKETTE QTY: 1 DISK PEGASUS 2005 FIDO USED WITH: 4052506-955 FOR SPARES PROCURE: PS4084944-110 V58960 POST SERVICE BULLETIN: 34-0422	904949	2
- 58	341FHNP02E09		.SOFTWARE-FMCS FIDO SUPPLIER CODE: V58960 MISCELLANEOUS DATA: DISKETTE QTY: 1 DISK PEGASUS 2005 FIDO USED WITH: 4052506-955 FOR SPARES PROCURE: PS4084944-110 V58960 POST SERVICE BULLETIN: 34-0379R1 34-0379R2 34-0379R3	009009 015015 107107	1
- 59	3417BCG016U4		.SOFTWARE-FMC OPC MISCELLANEOUS DATA: DISKETTE QTY: 1 DISK USED WITH: 4052506-955 FOR SPARES PROCURE: 240N2057-195 POST SERVICE BULLETIN: 34-0403R1 PRE SERVICE BULLETIN: 34-0399R1	009009	1

MISSING ITEM NUMBERS NOT APPLICABLE

- ITEM NOT ILLUSTRATED

BRI

34-61-01-01A

BOEING PROPRIETARY - Copyright © - Unpublished Work - See title page for details.

34-61-01  
FIG. 01A  
PAGE 17  
JAN 20/09



757

PARTS CATALOG (MAINTENANCE)

FIG ITEM	PART NUMBER	1 2 3 4 5 6 7	NOMENCLATURE	EFFECT FROM TO	UNITS PER ASSY
1 A					
- 59	3416BCG016U5		.SOFTWARE-FMC OPC MISCELLANEOUS DATA: DISKETTE QTY: 1 DISK USED WITH: 4052506-955 FOR SPARES PROCURE: 240N2057-196 POST SERVICE BULLETIN: 34-0404R1 PRE SERVICE BULLETIN: 31-0173R1 34-0403R1 34-0399R1	009009	1
- 59	3411BCG016U2		.SOFTWARE-FMC OPC MISCELLANEOUS DATA: DISKETTE QTY: 1 DISK USED WITH: 4052506-955 FOR SPARES PROCURE: 240N2057-193 POST SERVICE BULLETIN: 31-0173R1 PRE SERVICE BULLETIN: 34-0403R1 34-0399R1	009009	1
R R R R R R R R R R R R R R R	- 59	3417BCG016V7	.SOFTWARE-FMC OPC MISCELLANEOUS DATA: DISKETTE: 1 DISK USED WITH: 4052506-955 FOR SPARES PROCURE: 240N2057-208 POST SERVICE BULLETIN: 31-0173R2 PRE SERVICE BULLETIN: 34-0404R2	015015	1
R R R R R R R R R R	- 59	340ABCG01J88	.SOFTWARE-FMC OPC MISCELLANEOUS DATA: DISKETTE: 1 DISK USED WITH: 4052506-955 FOR SPARES PROCURE: 240N2057-219 POST SERVICE BULLETIN: 34-0403R2	015015	1

MISSING ITEM NUMBERS NOT APPLICABLE

- ITEM NOT ILLUSTRATED

**34-61-01-01A**

34-61-01  
FIG. 01A  
PAGE 18  
MAY 20/09

BRI

 **BOEING**  
757  
**PARTS CATALOG (MAINTENANCE)**

FIG ITEM	PART NUMBER	1 2 3 4 5 6 7	NOMENCLATURE	EFFECT FROM TO	UNITS PER ASSY
1A					
R R R R R R R R R R	- 59 3404BCG01J86		.SOFTWARE-FMC OPC MISCELLANEOUS DATA: DISKETTE QTY: 1 DISK USED WITH: 4052506-955 FOR SPARES PROCURE: 240N2057-217 POST SERVICE BULLETIN: 34-0404R2 PRE SERVICE BULLETIN: 34-0403R2	015015	2
	- 60 3409BCG00N35		.SOFTWARE-FMC OPC MISCELLANEOUS DATA: DISKETTE: 1 DISK USED WITH: 4052506-955 FOR SPARES PROCURE: 240N2057-59 POST SERVICE BULLETIN: 34-0379R1 PRE SERVICE BULLETIN: 34-0377R1 34-0399	107107	1
R R R R R R R R	- 60 3478BCG01668		.SOFTWARE-FMC OPC MISCELLANEOUS DATA: DISKETTE: 1 DISK USED WITH: 4052506-955 FOR SPARES PROCURE: 240N2057-149 POST SERVICE BULLETIN: 34-0379R3 PRE SERVICE BULLETIN: 31-0173R2	015015	1
	- 61 3411BCG00T73		.SOFTWARE-FMCS OPC SUPPLIER CODE: V58960 MISCELLANEOUS DATA: DISKETTE:1 SET USED WITH: 4052506-955 S242T102-455 FOR SPARES PROCURE: 284T2057-119 V58960 POST SERVICE BULLETIN: 34-0422	904949	2

MISSING ITEM NUMBERS NOT APPLICABLE

- ITEM NOT ILLUSTRATED

BRI

# 34-61-01-01A

BOEING PROPRIETARY - Copyright © - Unpublished Work - See title page for details.

34-61-01  
FIG. 01A  
PAGE 19  
MAY 20/09



757

PARTS CATALOG (MAINTENANCE)

FIG ITEM	PART NUMBER	1 2 3 4 5 6 7	NOMENCLATURE	EFFECT FROM TO	UNITS PER ASSY
1 A - 62	3471BCG01670		.SOFTWARE-FMC OPC SUPPLIER CODE: V58960 MISCELLANEOUS DATA: DISKETTE: 1 DISK USED WITH: 4052506-955 FOR SPARES PROCURE: 240N2057-151 POST SERVICE BULLETIN: 34-0377R1 PRE SERVICE BULLETIN: 34-0404 34-0399 31-0173	107107	1
- 62	3477BCG016-76		.SOFTWARE-FMC OPC SUPPLIER CODE: V58960 USED WITH: 4052506-955 FOR SPARES PROCURE: 240N2057-157 POST SERVICE BULLETIN: 31-0173 PRE SERVICE BULLETIN: 34-0404 34-0399	107107	1
- 63	3460BCG00TF3		.SOFTWARE-FMC OPC MISCELLANEOUS DATA: DISKETTE QTY:1 DISK USED WITH: 4052506-955 FOR SPARES PROCURE: 240N2057-96 POST SERVICE BULLETIN: 34-0379R2 PRE SERVICE BULLETIN: 34-0404R1 31-0173R1 34-0403R1 34-0399R1 POST SERVICE BULLETIN: 4052500-34-0030 V58960	009009	1

MISSING ITEM NUMBERS NOT APPLICABLE

- ITEM NOT ILLUSTRATED

**34-61-01-01A**

34-61-01  
FIG. 01A  
PAGE 20  
MAY 20/09

BRI



757

PARTS CATALOG (MAINTENANCE)

FIG ITEM	PART NUMBER	1 2 3 4 5 6 7	NOMENCLATURE	EFFECT FROM TO	UNITS PER ASSY
1 A - 64	3474BCG01664	.	SOFTWARE-FMC OPC SUPPLIER CODE: V58960 MISCELLANEOUS DATA: DISKETTE: 1 DISK USED WITH: 4052506-955 HARDWARE REFERENCE SEE: 34-61-01-01A FOR SPARES PROCURE: 240N2057-145 POST SERVICE BULLETIN: 34-0404 34-0399R1	009009 107107	1
- 64	3416BCG016R2	.	SOFTWARE-FMC OPC SUPPLIER CODE: V58960 MISCELLANEOUS DATA: DISKETTE: 1 DISK USED WITH: 4052506-955 HARDWARE REFERENCE SEE: 34-61-01-01A FOR SPARES PROCURE: 240N2057-173 POST SERVICE BULLETIN: 34-0399 34-0403 PRE SERVICE BULLETIN: 34-0404	107107	1
- 64	3417BCG016R3	.	SOFTWARE-FMC OPC SUPPLIER CODE: V58960 MISCELLANEOUS DATA: DISKETTE: 1 DISK USED WITH: 4052506-955 HARDWARE REFERENCE SEE: 34-61-01-01A FOR SPARES PROCURE: 240N2057-174 POST SERVICE BULLETIN: 34-0399 PRE SERVICE BULLETIN: 34-0403 34-0404	107107	1

MISSING ITEM NUMBERS NOT APPLICABLE

- ITEM NOT ILLUSTRATED

# 34-61-01-01A

34-61-01  
FIG. 01A  
PAGE 21  
MAY 20/09

BRI



757

PARTS CATALOG (MAINTENANCE)

FIG ITEM	PART NUMBER	1 2 3 4 5 6 7	NOMENCLATURE	EFFECT FROM TO	UNITS PER ASSY
1A - 65	3416HNP02D01		.SOFTWARE-FMCS AMI SUPPLIER CODE: V58960 MISCELLANEOUS DATA: DISKETTE QTY: 1 DISK USED WITH: 4052506-955 HARDWARE REFERENCE SEE: 34-61-01-01A FOR SPARES PROCURE: S242T102-6100 V58960 POST SERVICE BULLETIN: 34-0379R1 34-0379R2 34-0379R3	009009 015015 107107	1
- 200	286N1171-001		WIRE BUNDLE ASSY- REWORKED BY SB: 22-0063 REWORKED BY ALERT SB: 34A022	121503 904949	RF
- 200	286N1171-002		WIRE BUNDLE ASSY- REWORKED BY SB: 34-0132 REWORKED BY ALERT SB: 34A022	107107	RF
- 200	286N1171-006		WIRE BUNDLE ASSY- REWORKED BY SB: 22-0063 34-0132 34-0200 REWORKED BY ALERT SB: 34A022	002004 006100 950999	RF
210	BACC66H21C04		.CONNECTOR- ELECTRICAL EQUIP NUMBER: D00173 WIRING DIAGRAM REF: 346111 REWORKED BY SB: 31-0127	002004 006100 107107 121503 904999	1
- 250	286N1173-001		WIRE BUNDLE ASSY- REWORKED BY SB: 22-0063 REWORKED BY ALERT SB: 34A022	121503 904949	RF

MISSING ITEM NUMBERS NOT APPLICABLE

- ITEM NOT ILLUSTRATED

**34-61-01-01A**

34-61-01  
FIG. 01A  
PAGE 22  
MAY 20/09

BRI



757

PARTS CATALOG (MAINTENANCE)

FIG ITEM	PART NUMBER	1 2 3 4 5 6 7	NOMENCLATURE	EFFECT FROM TO	UNITS PER ASSY
1 A					
- 250	286N1173-002		WIRE BUNDLE ASSY- REWORKED BY SB: 34-0132	107107	RF
- 250	286N1173-006		REWORKED BY ALERT SB: 34A022 WIRE BUNDLE ASSY- REWORKED BY SB: 22-0063 34-0132 34-0200	002004 006100 950999	RF
260	BACC66H21C0401		REWORKED BY ALERT SB: 34A022 .CONNECTOR- ELECTRICAL EQUIP NUMBER: D00177 WIRING DIAGRAM REF: 346111 346123 REWORKED BY SB: 31-0127	002004 006100 107107 121503 904999	1

MISSING ITEM NUMBERS NOT APPLICABLE

- ITEM NOT ILLUSTRATED

BRI

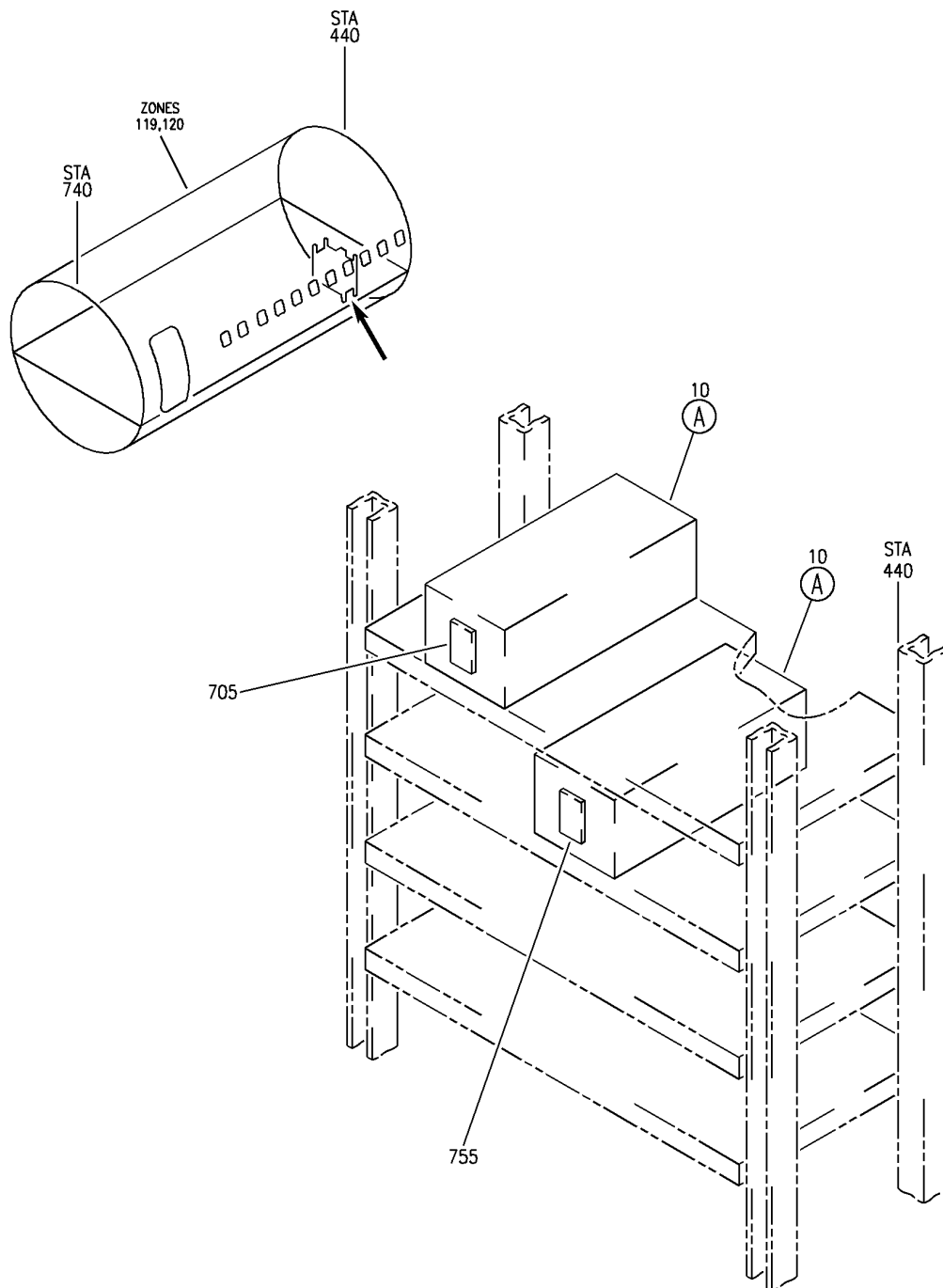
34-61-01-01A

BOEING PROPRIETARY - Copyright © - Unpublished Work - See title page for details.

34-61-01  
FIG. 01A  
PAGE 23  
MAY 20/09



**BOEING**  
757  
PARTS CATALOG (MAINTENANCE)



Y 34610101B SHT 1 REV 298

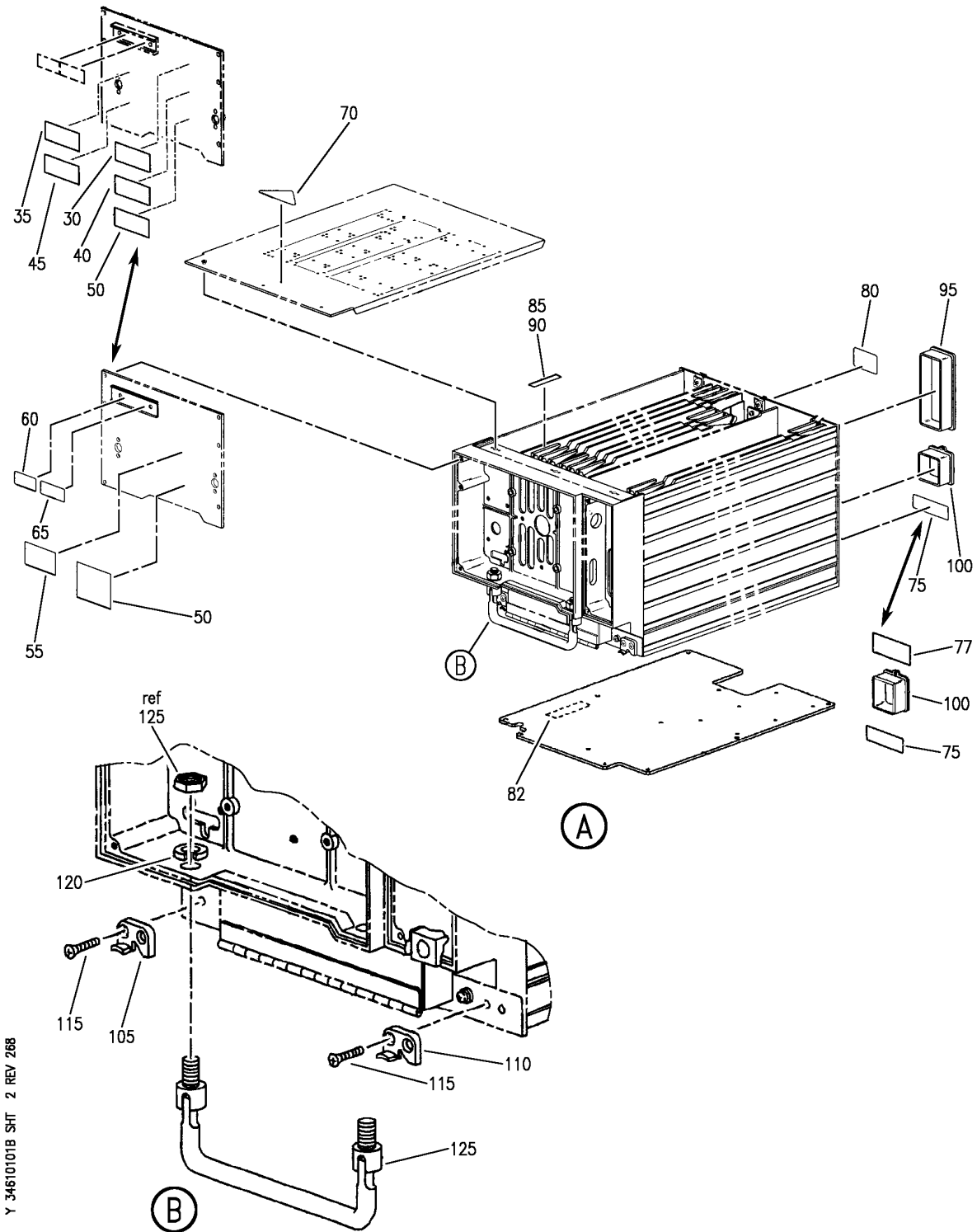
EQUIPMENT INSTL-MAIN ELECTRONICS EQPT CTR (FLIGHT MANAGEMENT COMPUTER SYSTEM ONLY)  
FIGURE 1B (SHEET 1)

BRI  
MAY 28/07

**34-61-01-01B**

34-61-01-01B  
PAGE 0

**BOEING**  
757  
PARTS CATALOG (MAINTENANCE)



EQUIPMENT INSTL-MAIN ELECTRONICS EQPT CTR (FLIGHT MANAGEMENT COMPUTER SYSTEM ONLY)  
FIGURE 1B (SHEET 2)

BRI  
MAY 28/07

**34-61-01-01B**

34-61-01-01B  
PAGE 0A



757

PARTS CATALOG (MAINTENANCE)

FIG ITEM	PART NUMBER	1 2 3 4 5 6 7	NOMENCLATURE	EFFECT FROM TO	UNITS PER ASSY
1B			EQUIPMENT INSTL-MAIN ELECTRONICS EQPT CTR (FLIGHT MANAGEMENT COMPUTER SYSTEM ONLY)	101102	
- 2	284N1800-140		EQUIPMENT INSTL-MAIN ELECTRONICS EQPT CTR (FLIGHT MANAGEMENT COMPUTER SYSTEM ONLY) FOR NHA/OTHER SYS DET SEE: 24-00-58-05E	101101	RF
- 2	284N1800-141		EQUIPMENT INSTL-MAIN ELECTRONICS EQPT CTR (FLIGHT MANAGEMENT COMPUTER SYSTEM ONLY) FOR NHA/OTHER SYS DET SEE: 24-00-58-05E	102102	RF
10	4052506-955		.COMPUTER ASSY-FLIGHT MANAGEMENT COMPUTER SUPPLIER CODE: V58960 SPECIFICATION NUMBER: S242T102-455 ELECTRICAL EQUIP NUMBER: M00134 M00135 COMPONENT MAINT MANUAL REF: 34-61-56 SOFTWARE DRAWING REF: 34-61-01-01B	101102	2
30	4089643-59		..PLATE-IDENT SUPPLIER CODE: V58960 USED ON: 4052506-955	101102	1
35	4089643-264		..LABEL- SUPPLIER CODE: V58960 USED ON: 4052506-955	101102	1
40	4078256-238		..PLATE-IDENT SUPPLIER CODE: V58960 USED ON: 4052506-955	101102	1
45	4089643-60		..PLATE-IDENT SUPPLIER CODE: V58960 USED ON: 4052506-955	101102	1

MISSING ITEM NUMBERS NOT APPLICABLE

- ITEM NOT ILLUSTRATED

**34-61-01-01B**

34-61-01  
FIG. 01B  
PAGE 1  
JAN 20/09

BRI

BOEING PROPRIETARY - Copyright © - Unpublished Work - See title page for details.



757

PARTS CATALOG (MAINTENANCE)

FIG ITEM	PART NUMBER	1 2 3 4 5 6 7	NOMENCLATURE	EFFECT FROM TO	UNITS PER ASSY
1B					
50	4065516-549	..	PLATE-IDENT SUPPLIER CODE: V58960 CONFIG CHG DATA FROM A CMM: REPLD BY 4078256-260 USED ON: 4052506-955	101102	1
50	4078256-260	..	PLATE-IDENT SUPPLIER CODE: V58960 CONFIG CHG DATA FROM A CMM: REPLS 4065516-549 USED ON: 4052506-955	101102	1
60	4036046-1	..	PLATE-DESIGNATION SUPPLIER CODE: V58960 USED ON: 4052506-930 4052506-941 4052506-955 4052500-962	101102	1
65	4036046-6	..	PLATE-DESIGNATION SUPPLIER CODE: V58960 USED ON: 4052506-930 4052506-941 4052506-955 4052500-962	101102	1
70	4039590-3	..	DECAL- SUPPLIER CODE: V58960 USED ON: 4052506-930 4052506-941 4052506-955 4052500-962	101102	1
75	4078256-355	..	PLATE-IDENT SUPPLIER CODE: V58960 USED ON: 4052506-955	101102	1
77	4078256-687	..	PLATE-IDENT SUPPLIER CODE: V58960 USED ON: 4052506-955	101102	1

MISSING ITEM NUMBERS NOT APPLICABLE

- ITEM NOT ILLUSTRATED

34-61-01-01B

34-61-01  
FIG. 01B  
PAGE 2  
JAN 20/09

BRI

BOEING PROPRIETARY - Copyright © - Unpublished Work - See title page for details.



757

PARTS CATALOG (MAINTENANCE)

FIG ITEM	PART NUMBER	1 2 3 4 5 6 7	NOMENCLATURE	EFFECT FROM TO	UNITS PER ASSY
1B 80	4021834-11		.. PLATE-DESIGNATION SUPPLIER CODE: V58960 USED ON: 4052506-930 4052506-941 4052506-955 4052500-962	101102	1
82	4078256-368		.. PLATE-IDENT SUPPLIER CODE: V58960 USED ON: 4052506-955	101102	1
90	4065516-613		.. PLATE-IDENT SUPPLIER CODE: V58960 USED ON: 4052506-955	101102	1
95	025-1157-001		.. CAP-DUST SUPPLIER CODE: V71468 MISCELLANEOUS DATA: HONEYWELL SPEC NO. 4041437-5 OPTIONAL PART: 4041437-5 V58960 USED ON: 4052506-930 4052506-941 4052506-955 4052500-962	101102	1
100	025-1158-001		.. CAP-DUST SUPPLIER CODE: V71468 MISCELLANEOUS DATA: HONEYWELL SPEC NO. 4041437-6 OPTIONAL PART: 4041437-6 V58960 USED ON: 4052506-930 4052506-941 4052506-955 4052500-962	101102	1
- 510	240N2056-150		SOFTWARE INSTL-FMC FOR NHA SEE: 25-10-00-22	101101	RF

MISSING ITEM NUMBERS NOT APPLICABLE

- ITEM NOT ILLUSTRATED

34-61-01-01B

34-61-01  
FIG. 01B  
PAGE 3  
JAN 20/09

BRI

BOEING PROPRIETARY - Copyright © - Unpublished Work - See title page for details.



757

PARTS CATALOG (MAINTENANCE)

FIG ITEM	PART NUMBER	1 2 3 4 5 6 7	NOMENCLATURE	EFFECT FROM TO	UNITS PER ASSY
1B					
- 510	240N2056-240		SOFTWARE INSTL-FMC FOR NHA SEE: 25-10-00-22	102102	RF
- 515	3472BCG00535		.SOFTWARE-FMC OPC MISCELLANEOUS DATA: DISKETTE:1 DISK USED WITH: 4052506-955 FOR SPARES PROCURE: 240N2057-15 PRE SERVICE BULLETIN: 34-0181	101101	2
- 515	3472BCG00553		.SOFTWARE-FMC OPC MISCELLANEOUS DATA: DISKETTE:1 DISK USED WITH: 4052506-955 FOR SPARES PROCURE: 240N2057-24 POST SERVICE BULLETIN: 34-0181 PRE SERVICE BULLETIN: 34-0197	101102	2
- 516	341ABCG005V8		.SOFTWARE-FMC OPC MISCELLANEOUS DATA: DISKETTE:1 DISK USED WITH: 4052506-955 FOR SPARES PROCURE: 240N2057-40 POST SERVICE BULLETIN: 34-0197	101102	2
- 610	240N2055-40		SOFTWARE INSTL-FMCS FOR NHA SEE: 25-10-00-21	101101	RF
- 610	240N2055-60		SOFTWARE INSTL-FMCS FOR NHA SEE: 25-10-00-21	102102	RF

MISSING ITEM NUMBERS NOT APPLICABLE

- ITEM NOT ILLUSTRATED

**34-61-01-01B**

34-61-01  
FIG. 01B  
PAGE 4  
JAN 20/09

BRI



757

PARTS CATALOG (MAINTENANCE)

FIG ITEM	PART NUMBER	1 2 3 4 5 6 7	NOMENCLATURE	EFFECT FROM TO	UNITS PER ASSY
1B - 615	3413HNP02C03	.	SOFTWARE-FMCS OPS SUPPLIER CODE: V58960 MISCELLANEOUS DATA: DISKETTE:7 DISK VENDOR USES SPEC AS PART NUMBER FOR DISKETTE SET USED WITH: 4052506-955 FOR SPARES PROCURE: S242T102-6002 PRE SERVICE BULLETIN: 34-0181 34-0324	101101	2
- 615	3414HNP02C04	.	SOFTWARE-FMCS OPS SUPPLIER CODE: V58960 MISCELLANEOUS DATA: DISKETTE QTY: 7 DISKS VENDOR USES SPEC AS PART NUMBER FOR DISKETTE SET USED WITH: 4052506-955 FOR SPARES PROCURE: S242T102-6003 POST SERVICE BULLETIN: 34-0181 PRE SERVICE BULLETIN: 34-0186 34-0224 34-0324	101102	2
- 616	3419HNP02C09	.	SOFTWARE-OP PROGRAM (OPS) SUPPLIER CODE: V58960 MISCELLANEOUS DATA: DISKETTE QTY: 7 DISKS PEGASUS 2005 OPS USED WITH: 4052506-955 FOR SPARES PROCURE: PS4083821-909 V58960 POST SERVICE BULLETIN: 34-0324	101102	2

MISSING ITEM NUMBERS NOT APPLICABLE

- ITEM NOT ILLUSTRATED

34-61-01-01B

34-61-01  
FIG. 01B  
PAGE 5  
JAN 20/09

BRI



757

PARTS CATALOG (MAINTENANCE)

FIG ITEM	PART NUMBER	1 2 3 4 5 6 7	NOMENCLATURE	EFFECT FROM TO	UNITS PER ASSY
1B - 617	3417HNP02C07		.SOFTWARE-FMCS OPS SUPPLIER CODE: V58960 MISCELLANEOUS DATA: DISKETTE QTY: 1 DISKS OBTAIN SOFTWARE FROM REMOTE DATA STATION(RDS) NOTE: PEG2002 OPS USED WITH: 4052506-955 FOR SPARES PROCURE: PS4083821-907 V58960 POST SERVICE BULLETIN: 34-0274 PRE SERVICE BULLETIN: 34-0324 PRE ALERT SB: 34A0258	101102	1
- 617	3418HNP02C08		.SOFTWARE-FMCS OPS SUPPLIER CODE: V58960 MISCELLANEOUS DATA: DISKETTE QTY: 1 DISKS OBTAIN SOFTWARE FROM REMOTE DATA STATION(RDS) NOTE: PEG2002 OPS USED WITH: 4052506-955 FOR SPARES PROCURE: PS4083821-908 V58960 PRE SERVICE BULLETIN: 34-0324 POST ALERT SB: 34A0258	101102	1

MISSING ITEM NUMBERS NOT APPLICABLE

- ITEM NOT ILLUSTRATED

BRI

34-61-01-01B

BOEING PROPRIETARY - Copyright © - Unpublished Work - See title page for details.

34-61-01  
FIG. 01B  
PAGE 6  
JAN 20/09





757

PARTS CATALOG (MAINTENANCE)

FIG ITEM	PART NUMBER	1 2 3 4 5 6 7	NOMENCLATURE	EFFECT FROM TO	UNITS PER ASSY
1B - 618	3415HNP02C05		.SOFTWARE-FMCS OPS SUPPLIER CODE: V58960 MISCELLANEOUS DATA: DISKETTE:7 DISKS VENDOR USES SPEC AS PART NUMBER FOR DISKETTE SET USED WITH: 4052506-955 FOR SPARES PROCURE: S242T102-6004 POST SERVICE BULLETIN: 34-0186 PRE SERVICE BULLETIN: 34-0224 34-0324	101102	1
- 618	3416HNP02C06		.SOFTWARE-FMCS OPS SUPPLIER CODE: V58960 MISCELLANEOUS DATA: DISKETTE QTY: 7 DISKS USED WITH: 4052506-955 FOR SPARES PROCURE: PS4083821-906 V58960 POST SERVICE BULLETIN: 34-0224 PRE SERVICE BULLETIN: 34-0274 34-0324	101102	1
- 620	3415HNP02E03		.SOFTWARE-FMCS FIDO SUPPLIER CODE: V58960 MISCELLANEOUS DATA: DISKETTE:1 DISK VENDOR USES SPEC AS PART NUMBER FOR DISKETTE SET USED WITH: 4052506-955 FOR SPARES PROCURE: S242T102-6202 PRE SERVICE BULLETIN: 34-0181 34-0324	101101	2

MISSING ITEM NUMBERS NOT APPLICABLE

- ITEM NOT ILLUSTRATED

**34-61-01-01B**

34-61-01  
FIG. 01B  
PAGE 7  
JAN 20/09

BRI



757

PARTS CATALOG (MAINTENANCE)

FIG ITEM	PART NUMBER	1 2 3 4 5 6 7	NOMENCLATURE	EFFECT FROM TO	UNITS PER ASSY
1B - 620	3412HNPO2E04		.SOFTWARE-FMCS FIDO SUPPLIER CODE: V58960 MISCELLANEOUS DATA: DISKETTE:1 DISK VENDOR USES SPEC AS PART NUMBER FOR DISKETTE SET USED WITH: 4052506-955 FOR SPARES PROCURE: S242T102-6203 POST SERVICE BULLETIN: 34-0181 PRE SERVICE BULLETIN: 34-0186 34-0224 34-0324	101102	2
- 621	341FHNP02E09		.SOFTWARE-FMCS FIDO SUPPLIER CODE: V58960 MISCELLANEOUS DATA: DISKETTE QTY: 1 DISK PEGASUS 2005 FIDO USED WITH: 4052506-955 FOR SPARES PROCURE: PS4084944-110 V58960 POST SERVICE BULLETIN: 34-0324	101102	2
- 622	3411HNPO2E07		.SOFTWARE-FMCS FIDO SUPPLIER CODE: V58960 MISCELLANEOUS DATA: DISKETTE QTY: 1 DISK OBTAIN SOFTWARE FROM REMOTE DATA STATION(RDS) NOTE: PEG2002 FIDO USED WITH: 4052506-955 FOR SPARES PROCURE: PS4084944-108 V58960 POST SERVICE BULLETIN: 34-0274 PRE SERVICE BULLETIN: 34-0324 PRE ALERT SB: 34A0258	101102	1

MISSING ITEM NUMBERS NOT APPLICABLE

- ITEM NOT ILLUSTRATED

**34-61-01-01B**

34-61-01  
FIG. 01B  
PAGE 8  
JAN 20/09

BRI



757

PARTS CATALOG (MAINTENANCE)

FIG ITEM	PART NUMBER	1 2 3 4 5 6 7	NOMENCLATURE	EFFECT FROM TO	UNITS PER ASSY
1B - 622	341EHNP02E08		.SOFTWARE-FMCS FIDO SUPPLIER CODE: V58960 MISCELLANEOUS DATA: DISKETTE QTY: 1 DISK OBTAIN SOFTWARE FROM REMOTE DATA STATION(RDS) NOTE: PEG2002 FIDO USED WITH: 4052506-955 FOR SPARES PROCURE: PS4084944-109 V58960 PRE SERVICE BULLETIN: 34-0324 POST ALERT SB: 34A0258	101102	1
- 625	3416HNP02D01		.SOFTWARE-FMCS AMI SUPPLIER CODE: V58960 MISCELLANEOUS DATA: DISKETTE:1 DISK VENDOR USES SPEC AS PART NUMBER FOR DISKETTE SET USED WITH: 4052506-955 FOR SPARES PROCURE: S242T102-6100	101102	2
- 630	3413HNP02E05		.SOFTWARE-FMCS FIDO SUPPLIER CODE: V58960 MISCELLANEOUS DATA: DISKETTE QTY: 1 DISK VENDOR USES SPEC AS PART NUMBER FOR DISKETTE SET USED WITH: 4052506-955 FOR SPARES PROCURE: S242T102-6204 POST SERVICE BULLETIN: 34-0186 PRE SERVICE BULLETIN: 34-0224 34-0324	101102	1

MISSING ITEM NUMBERS NOT APPLICABLE

- ITEM NOT ILLUSTRATED

BRI

**34-61-01-01B**

BOEING PROPRIETARY - Copyright © - Unpublished Work - See title page for details.

34-61-01  
FIG. 01B  
PAGE 9  
JAN 20/09



757

PARTS CATALOG (MAINTENANCE)

FIG ITEM	PART NUMBER	1 2 3 4 5 6 7	NOMENCLATURE	EFFECT FROM TO	UNITS PER ASSY
1B - 630	3410HNP02E06		.SOFTWARE-FMCS FIDO SUPPLIER CODE: V58960 MISCELLANEOUS DATA: DISKETTE QTY: 1 DISK USED WITH: 4052506-955 FOR SPARES PROCURE: PS4084944-107 V58960 POST SERVICE BULLETIN: 34-0224 PRE SERVICE BULLETIN: 34-0274 34-0324	101102	1
- 700	286N1171-353		WIRE BUNDLE ASSY- REWORKED BY ALERT SB: 34A0222	101101	RF
- 701	286N1171-355		WIRE BUNDLE ASSY- REWORKED BY ALERT SB: 34A0222	102102	RF
705	BACC66H21C04		.CONNECTOR- ELECTRICAL EQUIP NUMBER: D00173 WIRING DIAGRAM REF: 346111	101102	1
- 750	286N1173-353		WIRE BUNDLE ASSY- REWORKED BY ALERT SB: 34A0222	101101	RF
- 751	286N1173-354		WIRE BUNDLE ASSY- REWORKED BY ALERT SB: 34A0222	102102	RF
755	BACC66H21C0401		.CONNECTOR- ELECTRICAL EQUIP NUMBER: D00177 WIRING DIAGRAM REF: 346123	101102	1

MISSING ITEM NUMBERS NOT APPLICABLE

- ITEM NOT ILLUSTRATED

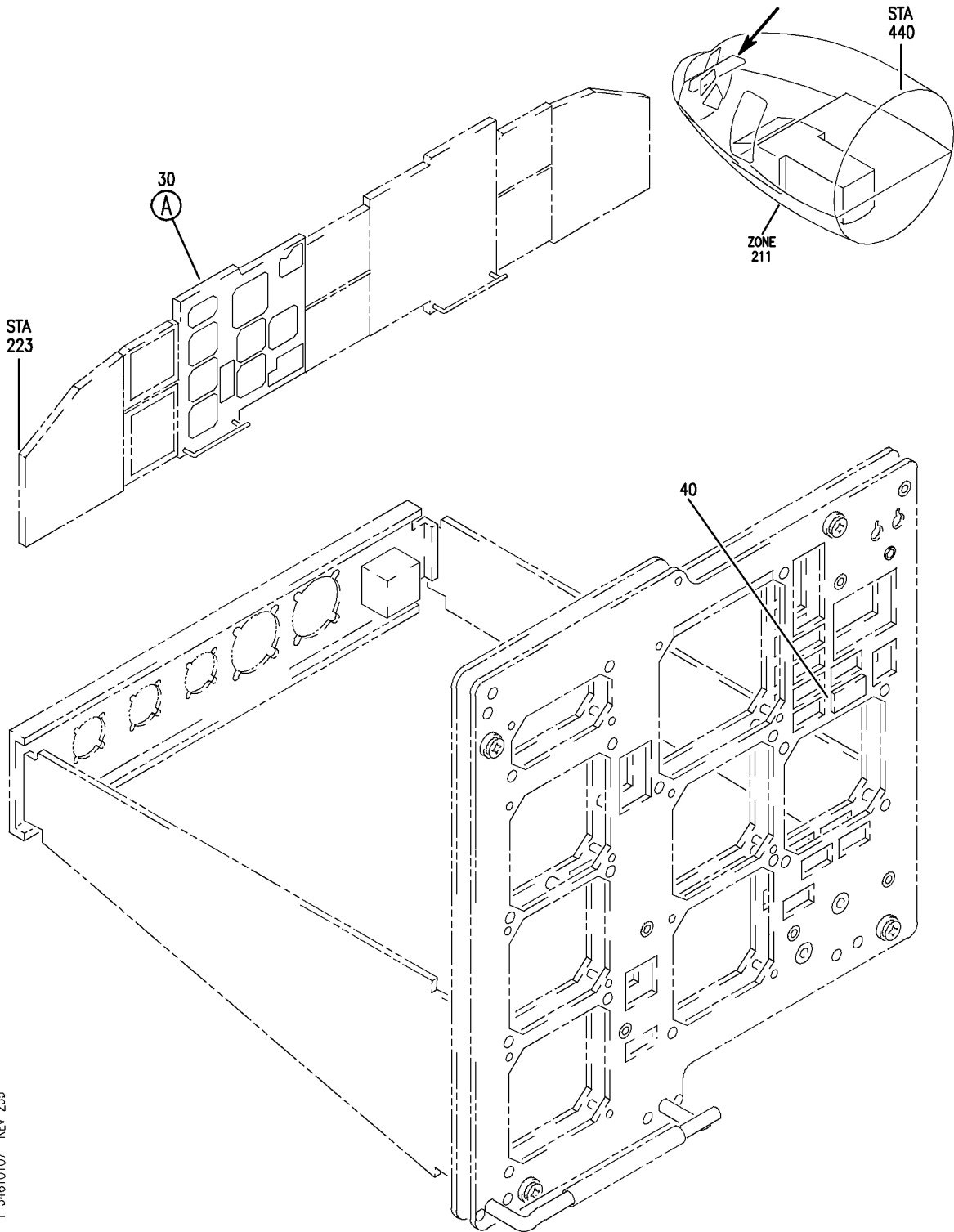
**34-61-01-01B**

34-61-01  
FIG. 01B  
PAGE 10  
JAN 20/09

BRI

BOEING PROPRIETARY - Copyright © - Unpublished Work - See title page for details.

**BOEING**  
757  
PARTS CATALOG (MAINTENANCE)



Y 34610107 REV 235

PANEL INSTL-P1-3 (FLIGHT MANAGEMENT COMPUTER ONLY)  
FIGURE 7

**34-61-01-07**

BRI  
MAY 28/07

34-61-01-07  
PAGE 0



**757  
PARTS CATALOG (MAINTENANCE)**

FIG ITEM	PART NUMBER	1 2 3 4 5 6 7	NOMENCLATURE	EFFECT FROM TO	UNITS PER ASSY
7			PANEL INSTL-P1-3 (FLIGHT MANAGEMENT COMPUTER ONLY)	101106 108120 504903	
- 1	233N2103-10		PANEL INSTL-P1-3 (FLIGHT MANAGEMENT COMPUTER ONLY) FOR NHA/OTHER SYS DET SEE: 25-10-00-15B	108120	RF
- 1	233N2103-72		PANEL INSTL-P1-3 (FLIGHT MANAGEMENT COMPUTER ONLY) FOR NHA/OTHER SYS DET SEE: 25-10-00-15B	101102	RF
- 1	233N2103-280		PANEL INSTL-P1-3 (FLIGHT MANAGEMENT COMPUTER ONLY) FOR NHA/OTHER SYS DET SEE: 25-10-00-15B	504903	RF

MISSING ITEM NUMBERS NOT APPLICABLE

- ITEM NOT ILLUSTRATED

BRI

# 34-61-01-07

BOEING PROPRIETARY - Copyright © - Unpublished Work - See title page for details.

34-61-01  
FIG. 07  
PAGE 1  
JAN 20/09



757

PARTS CATALOG (MAINTENANCE)

FIG ITEM	PART NUMBER	1 2 3 4 5 6 7	NOMENCLATURE	EFFECT FROM TO	UNITS PER ASSY
7 - 5	MODREF31741		PANEL INSTL-P1-3 (FLIGHT MANAGEMENT COMPUTER ONLY) MODULE NUMBER: 233N2103-425 REV A FOR OTHER SYS DETAILS SEE: 11-31-01-38 22-11-02-03 22-14-01-03 22-31-02-01 22-34-51-02 26-17-51-05 27-51-57-03 27-58-00-02 27-81-00-01 29-21-55-02 31-11-11-19 31-11-16-01 31-11-26-38 31-25-01-03 31-41-52-02 31-51-52-02 32-35-52-03 32-41-52-02 32-42-55-03 32-46-00-01 32-61-51-03 33-13-57-01A 33-16-52-03 34-12-01-03 34-13-01-03 34-13-02-01 34-13-05-01 34-13-06-01 34-16-51-03 34-21-02-02 34-22-02-02 34-22-05-01A 34-22-06-01 34-24-01-03 34-32-00-02 34-46-51-02 34-51-02-02 34-57-00-01 77-41-01-01 79-33-51-05 FOR ADDITIONAL DETAILS SEE: 34-61-02-02	103105	1

MISSING ITEM NUMBERS NOT APPLICABLE

- ITEM NOT ILLUSTRATED

BRI

# 34-61-01-07

BOEING PROPRIETARY - Copyright © - Unpublished Work - See title page for details.

34-61-01  
FIG. 07  
PAGE 2  
JAN 20/09



757

PARTS CATALOG (MAINTENANCE)

FIG ITEM	PART NUMBER	1 2 3 4 5 6 7	NOMENCLATURE	EFFECT FROM TO	UNITS PER ASSY
7 - 5	MODREF104335		PANEL INSTL-P1-3 (FLIGHT MANAGEMENT COMPUTER ONLY) MODULE NUMBER: 233N2103-425 REV B FOR OTHER SYS DETAILS SEE: 11-31-01-38 22-11-02-03 22-14-01-03 22-31-02-01 22-34-51-02 26-17-51-05 27-51-57-03 27-58-00-02 27-81-00-01 29-21-55-02 31-11-11-19 31-11-16-01 31-11-26-38 31-25-01-03 31-41-52-02 31-51-52-02 32-35-52-03 32-41-52-02 32-42-55-03 32-46-00-01 32-61-51-03 33-13-57-01A 33-16-52-03 34-12-01-03 34-13-01-03 34-13-02-01 34-13-05-01 34-13-06-01 34-16-51-03 34-21-02-02 34-22-02-02 34-22-05-01A 34-22-06-01 34-24-01-03 34-32-00-02 34-46-51-02 34-51-02-02 34-57-00-01 77-41-01-01 79-33-51-05 FOR ADDITIONAL DETAILS SEE: 34-61-02-02	106106	1

MISSING ITEM NUMBERS NOT APPLICABLE

- ITEM NOT ILLUSTRATED

34-61-01-07

34-61-01  
FIG. 07  
PAGE 3  
JAN 20/09

BRI





757

PARTS CATALOG (MAINTENANCE)

FIG ITEM	PART NUMBER	1 2 3 4 5 6 7	NOMENCLATURE	EFFECT FROM TO	UNITS PER ASSY
7					
- 20	233N2221-301		.MODULE ASSY- COMPONENT MAINT MANUAL REF: 31-11-48	101102 108120	RF
- 20	233N2221-317		.MODULE ASSY- COMPONENT MAINT MANUAL REF: 31-11-48	505505 507903	RF
- 20	RR92002-134A101		.MODULE ASSY- POST RAPID REVISION: RR92002-134A	504504 506506	RF
- 20	233N2221-320		.MODULE ASSY- COMPONENT MAINT MANUAL REF: 31-11-48	101102 108120	RF
- 20	233N2221-325		.MODULE ASSY- COMPONENT MAINT MANUAL REF: 31-11-48	103106	RF
- 20	233N2221-326		.MODULE ASSY- COMPONENT MAINT MANUAL REF: 31-11-48	101102 108120	RF
- 21	233N2221-328		.MODULE ASSY- COMPONENT MAINT MANUAL REF: 31-11-48	101102 108120	RF
30	233N2221-51		..MODULE ASSY- USED ON: 233N2221-301	101102 108120	RF
30	233N2221-74		..MODULE ASSY	504903	RF
30	233N2221-81		..MODULE ASSY- USED ON: 233N2221-320 233N2221-326 233N2221-328	101106 108120	RF

MISSING ITEM NUMBERS NOT APPLICABLE

- ITEM NOT ILLUSTRATED

34-61-01-07

34-61-01  
FIG. 07  
PAGE 4  
JAN 20/09

BRI

BOEING PROPRIETARY - Copyright © - Unpublished Work - See title page for details.



757

PARTS CATALOG (MAINTENANCE)

FIG ITEM	PART NUMBER	1 2 3 4 5 6 7	NOMENCLATURE	EFFECT FROM TO	UNITS PER ASSY
7 40	BCREF8566		...LIGHT ASSY-FMC IND SUPPLIER CODE: V81590 OVERLENGTH PART NUMBER: 434-674-1031-2227 SPECIFICATION NUMBER: S231T300-2227 ELECTRICAL EQUIP NUMBER: L00471 OPTIONAL PART: BCREF6230 V81590 USED ON: 233N2221-49 233N2221-51 233N2221-54 233N2221-70 233N2221-71 233N2221-72 233N2221-73 233N2221-74 233N2221-75 233N2221-80 233N2221-81 233N2221-83 FOR DETAILS SEE: 33-14-70-03	101106 108120 504903	1

MISSING ITEM NUMBERS NOT APPLICABLE

- ITEM NOT ILLUSTRATED

BRI

# 34-61-01-07

BOEING PROPRIETARY - Copyright © - Unpublished Work - See title page for details.

34-61-01  
FIG. 07  
PAGE 5  
JAN 20/09



757

PARTS CATALOG (MAINTENANCE)

FIG ITEM	PART NUMBER	1 2 3 4 5 6 7	NOMENCLATURE	EFFECT FROM TO	UNITS PER ASSY
7 40	BCREF6230		...LIGHT ASSY-FMC IND SUPPLIER CODE: V81590 OVERLENGTH PART NUMBER: 434-674-1005-1227 SPECIFICATION NUMBER: S231T300-1227 OPTIONAL PART: BCREF8566 V81590 USED ON: 233N2221-49 233N2221-51 233N2221-54 233N2221-70 233N2221-71 233N2221-72 233N2221-73 233N2221-74 233N2221-75 233N2221-80 233N2221-81 FOR DETAILS SEE: 33-14-70-03	101106 108120 504903	1

MISSING ITEM NUMBERS NOT APPLICABLE

- ITEM NOT ILLUSTRATED

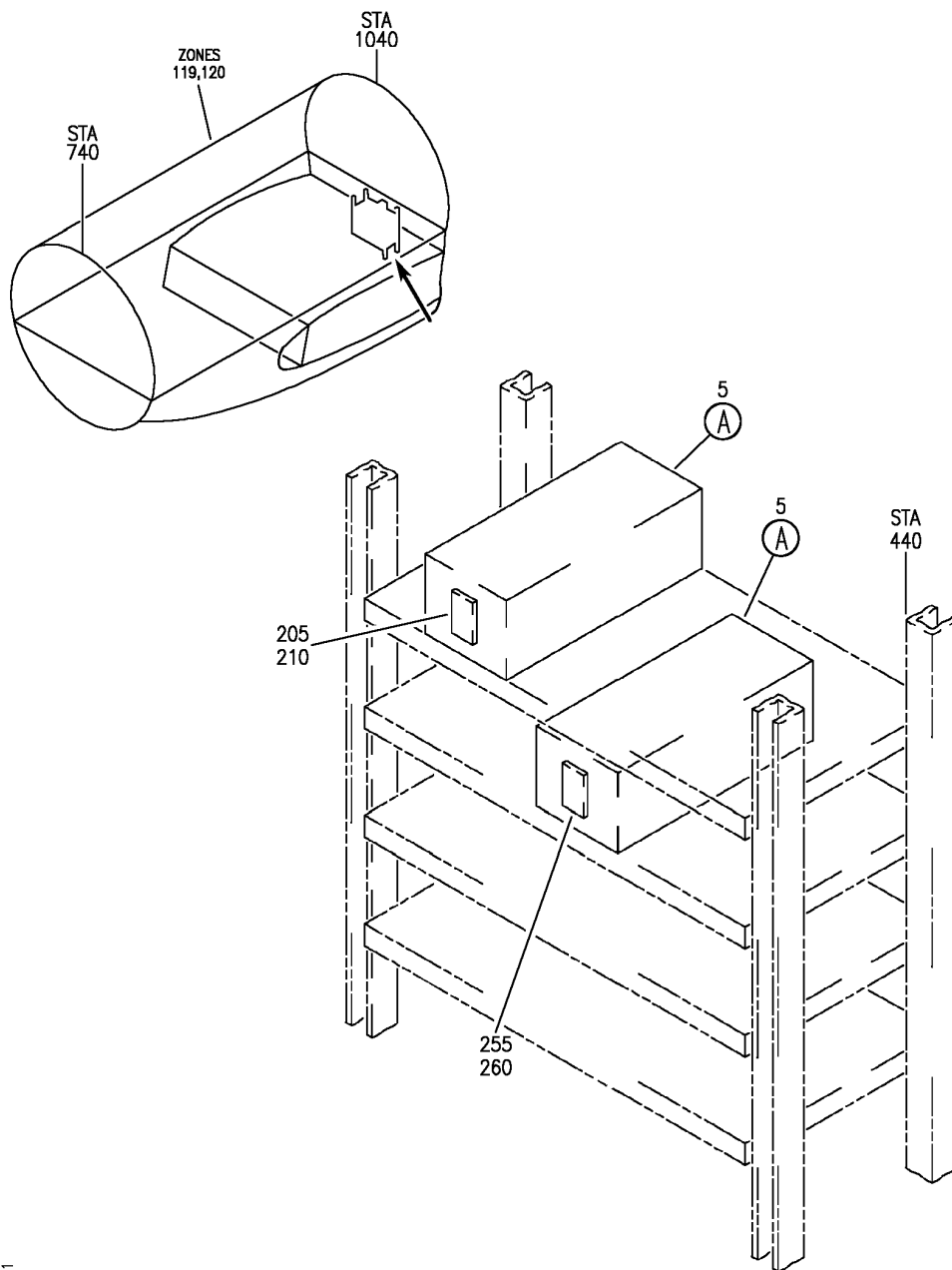
BRI

34-61-01-07

BOEING PROPRIETARY - Copyright © - Unpublished Work - See title page for details.

34-61-01  
FIG. 07  
PAGE 6  
JAN 20/09

**BOEING**  
757  
PARTS CATALOG (MAINTENANCE)



Y 34610108 SH1 1 REV 331

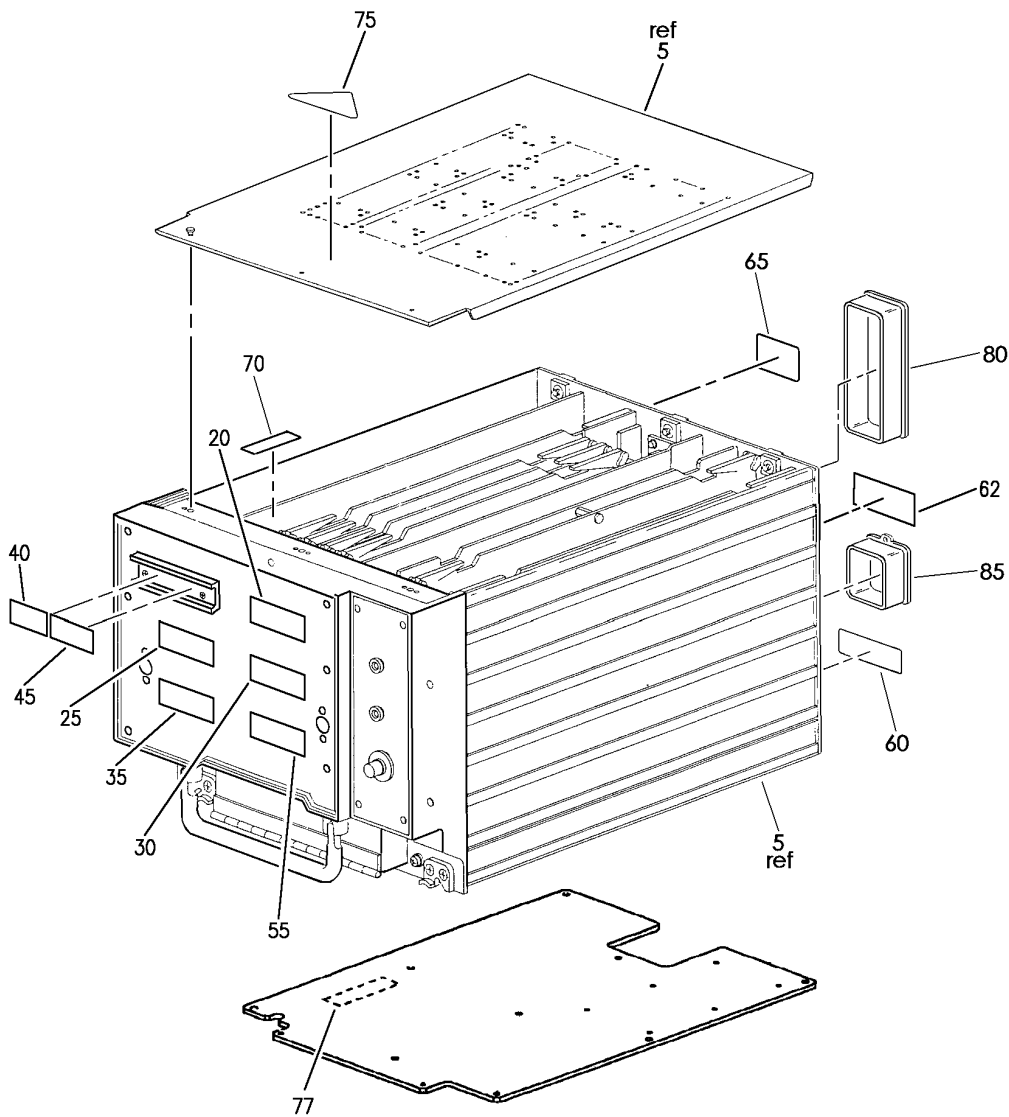
EQUIPMENT AND SOFTWARE INSTL- MAIN ELECTRONICS EQPT CTR FMC  
FIGURE 8 (SHEET 1)

**34-61-01-08**

BRI  
JAN 20/09

34-61-01-08  
PAGE 0

**BOEING**  
757  
PARTS CATALOG (MAINTENANCE)



Y 34610108 SH1 2 REV 289

EQUIPMENT AND SOFTWARE INSTL- MAIN ELECTRONICS EQPT CTR FMC  
FIGURE 8 (SHEET 2)

**34-61-01-08**

BRI  
JAN 20/09

34-61-01-08  
PAGE 0A

BOEING PROPRIETARY - Copyright © - Unpublished Work - See title page for details.



757

PARTS CATALOG (MAINTENANCE)

FIG ITEM	PART NUMBER	1 2 3 4 5 6 7	NOMENCLATURE	EFFECT FROM TO	UNITS PER ASSY
8			EQUIPMENT AND SOFTWARE INSTL- MAIN ELECTRONICS EQPT CTR FMC	103106 108120	
- 1	284N4000-340023		EQUIPMENT INSTL-MAIN ELECTRONICS EQPT CTR FMC FOR NHA SEE: 24-00-58-05F	108120	RF
- 1	MODREF22689		EQUIPMENT INSTL-MAIN ELECTRONICS EQPT CTR FMC MODULE NUMBER: 284N4000-340023 REV B	103106	1
5	4052506-955		.COMPUTER ASSY- SUPPLIER CODE: V58960 SPECIFICATION NUMBER: S242T102-455 ELECTRICAL EQUIP NUMBER: M00134 M00135 COMPONENT MAINT MANUAL REF: 34-61-56 SOFTWARE DRAWING REF: 34-61-01-08	103106 108120	2
20	4089643-59		..PLATE-IDENT SUPPLIER CODE: V58960	103106 108120	1
25	4085643-264		..LABEL- SUPPLIER CODE: V58960	103106 108120	1
30	4078256-238		..PLATE-IDENT SUPPLIER CODE: V58960	103106 108120	1
35	4089643-60		..PLATE-IDENT SUPPLIER CODE: V58960	103106 108120	1
40	4036046-1		..PLATE-DESIGNATION SUPPLIER CODE: V58960	103106 108120	1
45	4036046-6		..PLATE-DESIGNATION SUPPLIER CODE: V58960	103106 108120	1
55	4065516-549		..PLATE-IDENT SUPPLIER CODE: V58960 CONFIG CHG DATA FROM A CMM: REPLD BY 4078256-260	103106 108120	1

MISSING ITEM NUMBERS NOT APPLICABLE

- ITEM NOT ILLUSTRATED

BRI

34-61-01-08

34-61-01  
FIG. 08  
PAGE 1  
JAN 20/09



757

PARTS CATALOG (MAINTENANCE)

FIG ITEM	PART NUMBER	1 2 3 4 5 6 7	NOMENCLATURE	EFFECT FROM TO	UNITS PER ASSY
8					
55	4078256-260	..	PLATE-IDENT SUPPLIER CODE: V58960 CONFIG CHG DATA FROM A CMM: REPLS 4065516-549	103106 108120	1
60	4078256-355	..	PLATE-IDENT SUPPLIER CODE: V58960	103106 108120	1
62	4078256-687	..	PLATE-IDENT SUPPLIER CODE: V58960	103106 108120	1
65	4021834-11	..	PLATE-DESIGNATION SUPPLIER CODE: V58960	103106 108120	1
70	4065516-613	..	PLATE-IDENT SUPPLIER CODE: V58960 USED ON: 4052506-955 4052500-963	103106 108120	5
75	4039590-3	..	DECAL- SUPPLIER CODE: V58960	103106 108120	1
77	4078256-368	..	PLATE-IDENT SUPPLIER CODE: V58960	103106 108120	1
80	025-1157-001	..	CAP-DUST SUPPLIER CODE: V71468 MISCELLANEOUS DATA: HONEYWELL PART NO. 4041437-5 OPTIONAL PART: 4041437-5 V58960	103106 108120	1
85	025-1158-001	..	CAP-DUST SUPPLIER CODE: V71468 MISCELLANEOUS DATA: HONEYWELL PART NO. 4041437-6 OPTIONAL PART: 4041437-6 V58960	103106 108120	1
- 90	4052650	..	SWITCH ASSY-FAULT SUPPLIER CODE: V58960	103106 108120	1
- 201	286N1171-601		WIRE BUNDLE ASSY	103106	RF

MISSING ITEM NUMBERS NOT APPLICABLE

- ITEM NOT ILLUSTRATED

34-61-01-08

34-61-01  
FIG. 08  
PAGE 2  
JAN 20/09

BRI



757

PARTS CATALOG (MAINTENANCE)

FIG ITEM	PART NUMBER	1 2 3 4 5 6 7	NOMENCLATURE	EFFECT FROM TO	UNITS PER ASSY
8					
- 203	286N1171-405		WIRE BUNDLE ASSY- REWORKED BY ALERT SB: 34A0222	108120	RF
248	BACC66H21C04		.CONNECTOR- ELECTRICAL EQUIP NUMBER: D00173 WIRING DIAGRAM REF: 346111	103106 108120	1
249	S280W601-116		.BACKSHELL-GND ELECTRICAL EQUIP NUMBER: D00173T WIRING DIAGRAM REF: 346111	103106	1
- 252	286N1173-601		WIRE BUNDLE ASSY	103106	RF
- 253	286N1173-434		WIRE BUNDLE ASSY- REWORKED BY ALERT SB: 34A0222	108120	RF
255	BACC66H21C0401		.CONNECTOR- ELECTRICAL EQUIP NUMBER: D00177 WIRING DIAGRAM REF: 346123	103106 108120	1
260	S280W601-116		.BACKSHELL-GND ELECTRICAL EQUIP NUMBER: D00177T WIRING DIAGRAM REF: 346123	103106	1
- 500	240N2056-320		SOFTWARE INSTL-FMC OPC FOR NHA SEE: 25-10-00-22	108120	RF
- 503	MODREF33895		SOFTWARE INSTL-FMC OPC MODULE NUMBER: 240N2056-480 REV A	103104	1
- 504	MODREF174782		SOFTWARE INSTL-FMC OPC MODULE NUMBER: 240N2056-480 REV B	105105	1
- 504	MODREF187450		SOFTWARE INSTL-FMC OPC MODULE NUMBER: 240N2056-490 REV A	106106	1
- 505	3412BCG005V0		.SOFTWARE-FMC OPC SUPPLIER CODE: V58960 MISCELLANEOUS DATA: DISKETTE QTY: 1 DISK USED WITH: 4052506-955 FOR SPARES PROCURE: 240N2057-38	108120	2

MISSING ITEM NUMBERS NOT APPLICABLE

- ITEM NOT ILLUSTRATED

34-61-01-08

34-61-01  
FIG. 08  
PAGE 3  
JAN 20/09

BRI





757

PARTS CATALOG (MAINTENANCE)

FIG ITEM	PART NUMBER	1 2 3 4 5 6 7	NOMENCLATURE	EFFECT FROM TO	UNITS PER ASSY
8					
- 505	341ABCG00T96		.SOFTWARE-FMC OPC MISCELLANEOUS DATA: DISKETTE QTY:1 DISK USED WITH: 4052506-955 FOR SPARES PROCURE: 240N2057-79 PRE SERVICE BULLETIN: 34-0284	103104	2
- 507	3465BCG00TA1		.SOFTWARE-FMC OPC SUPPLIER CODE: V58960 MISCELLANEOUS DATA: DISKETTE QTY: UNK USED WITH: 4052506-955 FOR SPARES PROCURE: 240N2057-84 POST SERVICE BULLETIN: 34-0284	103105	2
- 507	3460BCG00TA4		.SOFTWARE-FMC OPC SUPPLIER CODE: V58960 MISCELLANEOUS DATA: DISKETTE QTY: UNK USED WITH: 4052506-955 FOR SPARES PROCURE: 240N2057-87	106106	2
- 507	340BBCG00N37		.SOFTWARE-FMC OPC MISCELLANEOUS DATA: DISKETTE QTY: 1 DISK FOR SPARES PROCURE: 240N2057-61 POST SERVICE BULLETIN: 34-0227	108120	2
- 550	240N2055-70		SOFTWARE INSTL-FMCS FOR NHA SEE: 25-10-00-20	108120	RF

MISSING ITEM NUMBERS NOT APPLICABLE

- ITEM NOT ILLUSTRATED

34-61-01-08

34-61-01  
FIG. 08  
PAGE 4  
JAN 20/09

BRI



757

PARTS CATALOG (MAINTENANCE)

FIG ITEM	PART NUMBER	1 2 3 4 5 6 7	NOMENCLATURE	EFFECT FROM TO	UNITS PER ASSY
8					
- 557	3419HNP02C09	.	SOFTWARE-FMCS OPS SUPPLIER CODE: V58960 MISCELLANEOUS DATA: DISKETTE QTY: 7 DISKS PEGASUS 2005 OPS USED WITH: 4052506-955 FOR SPARES PROCURE: PS4083821-909 V58960 POST SERVICE BULLETIN: 34-0324	108120	1
- 562	341FHNP02E09	.	SOFTWARE-FMCS FIDO SUPPLIER CODE: V58960 MISCELLANEOUS DATA: DISKETTE QTY: 1 DISK PEGASUS 2005 FIDO USED WITH: 4052506-955 FOR SPARES PROCURE: PS4084944-110 V58960 POST SERVICE BULLETIN: 34-0324	108120	1
- 565	3416HNP02D01	.	SOFTWARE-FMCS AMI SUPPLIER CODE: V58960 MISCELLANEOUS DATA: DISKETTE:1 DISK VENDOR USES SPEC AS PART NUMBER FOR DISKETTE SET USED WITH: 4052506-955 FOR SPARES PROCURE: S242T102-6100 V58960	108120	2
- 575	MODREF34451		SOFTWARE INSTL-FMCS MODULE NUMBER: 240N2055-100 REV A	103105	1
- 575	MODREF195260		SOFTWARE INSTL-FMCS MODULE NUMBER: 240N2055-100 REV B	106106	1

MISSING ITEM NUMBERS NOT APPLICABLE

- ITEM NOT ILLUSTRATED

34-61-01-08

34-61-01  
FIG. 08  
PAGE 5  
JAN 20/09

BRI



757

PARTS CATALOG (MAINTENANCE)

FIG ITEM	PART NUMBER	1 2 3 4 5 6 7	NOMENCLATURE	EFFECT FROM TO	UNITS PER ASSY
8 - 581	341FHNP02E09		.SOFTWARE-FMCS FIDO SUPPLIER CODE: V58960 MISCELLANEOUS DATA: DISKETTE QTY: 1 DISK PEGASUS 2005 FIDO USED WITH: 4052506-955 FOR SPARES PROCURE: PS4084944-110 V58960 POST SERVICE BULLETIN: 34-0324	103106	2
- 586	3419HNP02C09		.SOFTWARE-OP PROGRAM (OPS) SUPPLIER CODE: V58960 MISCELLANEOUS DATA: DISKETTE QTY: 7 DISKS PEGASUS 2005 OPS USED WITH: 4052506-955 FOR SPARES PROCURE: PS4083821-909 V58960 POST SERVICE BULLETIN: 34-0324	103106	2
- 590	3416HNP02D01		.SOFTWARE-FMCS AMI SUPPLIER CODE: V58960 MISCELLANEOUS DATA: DISKETTE QTY:1 DISK USED WITH: 4052506-955 FOR SPARES PROCURE: S242T102-6100 V58960	103106	2

MISSING ITEM NUMBERS NOT APPLICABLE

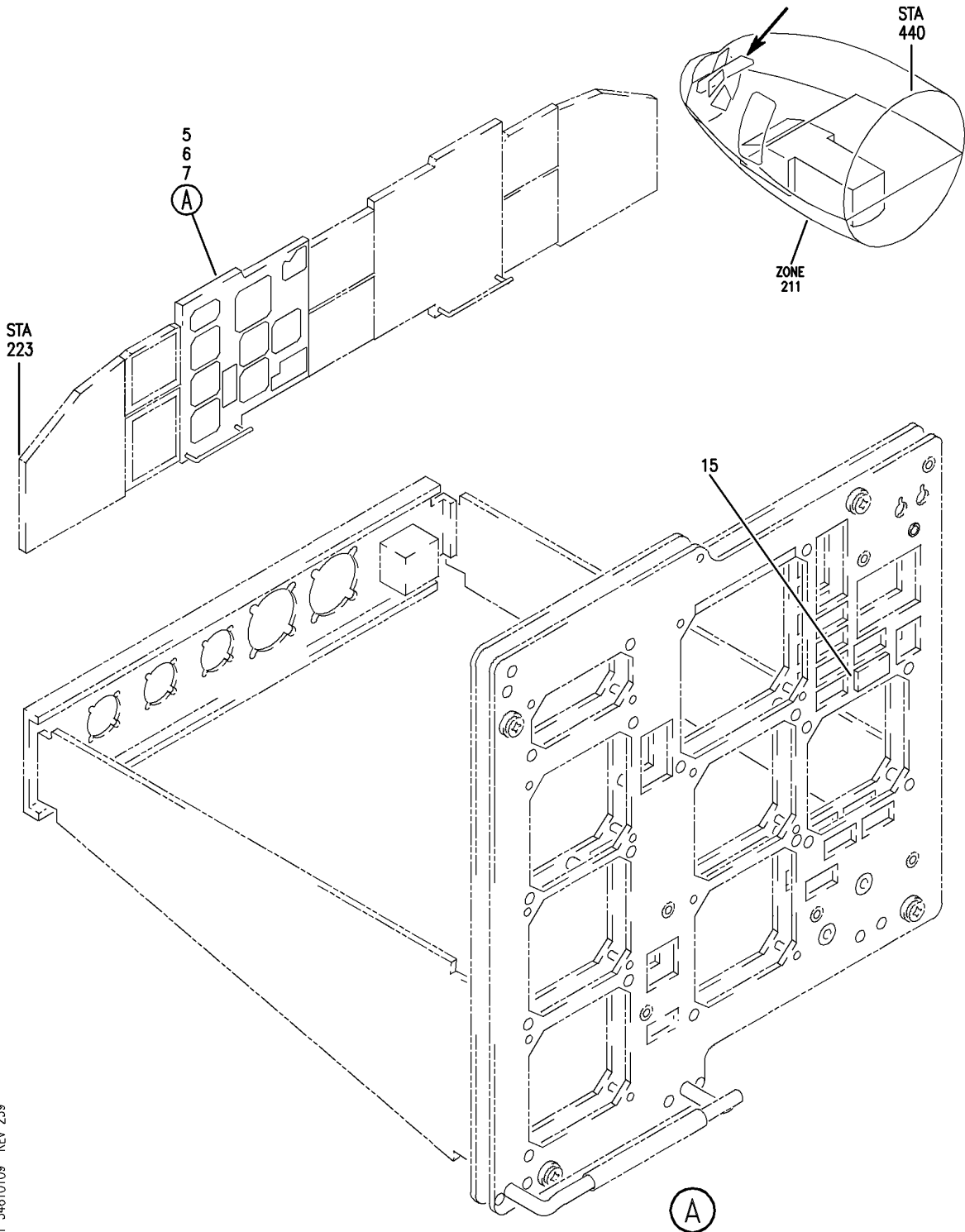
- ITEM NOT ILLUSTRATED

34-61-01-08

34-61-01  
FIG. 08  
PAGE 6  
JAN 20/09

BRI

**BOEING**  
757  
PARTS CATALOG (MAINTENANCE)



Y 34610108 REV 259

PANEL INSTL-CAPT AND FIRST OFFICER FWD (FLIGHT MANAGEMENT COMPUTER ONLY)  
FIGURE 9

BRI  
MAY 28/07

**34-61-01-09**

34-61-01-09  
PAGE 0



757

PARTS CATALOG (MAINTENANCE)

FIG ITEM	PART NUMBER	1 2 3 4 5 6 7	NOMENCLATURE	EFFECT FROM TO	UNITS PER ASSY
9			PANEL INSTL-CAPT AND FIRST OFFICER FWD (FLIGHT MANAGEMENT COMPUTER ONLY)	002004 006010 107107 121503 904999	
- 1	233N2101-1		PANEL INSTL-CAPT AND FIRST OFFICER (FLIGHT MANAGEMENT COMPUTER ONLY) POSITION DATA: FWD VARIABLE DRAWING REF: 233N2101-5003 233N2101-5004 233N2101-5037 233N2101-5039 233N2101-5041 FOR NHA/OTHER SYS DET SEE: 25-10-00-05A	002004 006010 107107 121503 904999	RF
6	233N2221-51		.MODULE ASSY-P1-3	002004 006010 950999	RF
7	233N2221-59		.MODULE ASSY-P1-3	107107	RF
7	233N2221-62		.MODULE ASSY-P1-3	121503 904949	RF
15	BCREF8566		..LIGHT ASSY-A/T DISC. IND SUPPLIER CODE: V81590 OVERLENGTH PART NUMBER: 434-674-1031-2227 SPECIFICATION NUMBER: S231T300-2227 ELECTRICAL EQUIP NUMBER: L00471 OPTIONAL PART: BCREF6230 V81590 USED ON: 233N2221-15 233N2221-16 233N2221-17 233N2221-23 233N2221-24 233N2221-25 233N2221-26 233N2221-27 233N2221-28 233N2221-29 233N2221-30 233N2221-31	002004 006010 107107 121503 904999	1

MISSING ITEM NUMBERS NOT APPLICABLE

- ITEM NOT ILLUSTRATED

BRI

34-61-01-09

34-61-01  
FIG. 09  
PAGE 1  
JAN 20/09



757

PARTS CATALOG (MAINTENANCE)

FIG ITEM	PART NUMBER	1 2 3 4 5 6 7 NOMENCLATURE	EFFECT FROM TO	UNITS PER ASSY
9		233N2221-32 233N2221-33 233N2221-34 233N2221-35 233N2221-36 233N2221-37 233N2221-39 233N2221-40 233N2221-41 233N2221-43 233N2221-44 233N2221-45 233N2221-46 233N2221-48 233N2221-49 233N2221-51 233N2221-52 233N2221-54 233N2221-55 233N2221-56 233N2221-58 233N2221-59 233N2221-61 233N2221-62 233N2221-63 233N2221-64 233N2221-65 233N2221-66 FOR DETAILS SEE: 33-14-70-03 ..LIGHT ASSY-A/T DISC. IND SUPPLIER CODE: V81590 OVERLENGTH PART NUMBER: 434-674-1005-1227 SPECIFICATION NUMBER: S231T300-1227 OPTIONAL PART: BCREf8566 V81590 USED ON: 233N2221-15 233N2221-16 233N2221-17 233N2221-23 233N2221-24 233N2221-25 233N2221-26 233N2221-27 MISSING ITEM NUMBERS NOT APPLICABLE		
15	BCREF6230		002004 006010 107107 121503 904999	1

- ITEM NOT ILLUSTRATED

34-61-01-09

34-61-01  
 FIG. 09  
 PAGE 2  
 JAN 20/09

BRI



757

PARTS CATALOG (MAINTENANCE)

FIG ITEM	PART NUMBER	1 2 3 4 5 6 7	NOMENCLATURE	EFFECT FROM TO	UNITS PER ASSY
9			233N2221-28 233N2221-29 233N2221-30 233N2221-31 233N2221-32 233N2221-33 233N2221-34 233N2221-35 233N2221-36 233N2221-37 233N2221-39 233N2221-40 233N2221-41 233N2221-43 233N2221-44 233N2221-45 233N2221-46 233N2221-48 233N2221-49 233N2221-51 233N2221-52 233N2221-54 233N2221-55 233N2221-56 233N2221-58 233N2221-59 233N2221-61 233N2221-62 233N2221-63 233N2221-64 233N2221-65 233N2221-66 FOR DETAILS SEE: 33-14-70-03		

MISSING ITEM NUMBERS NOT APPLICABLE

- ITEM NOT ILLUSTRATED

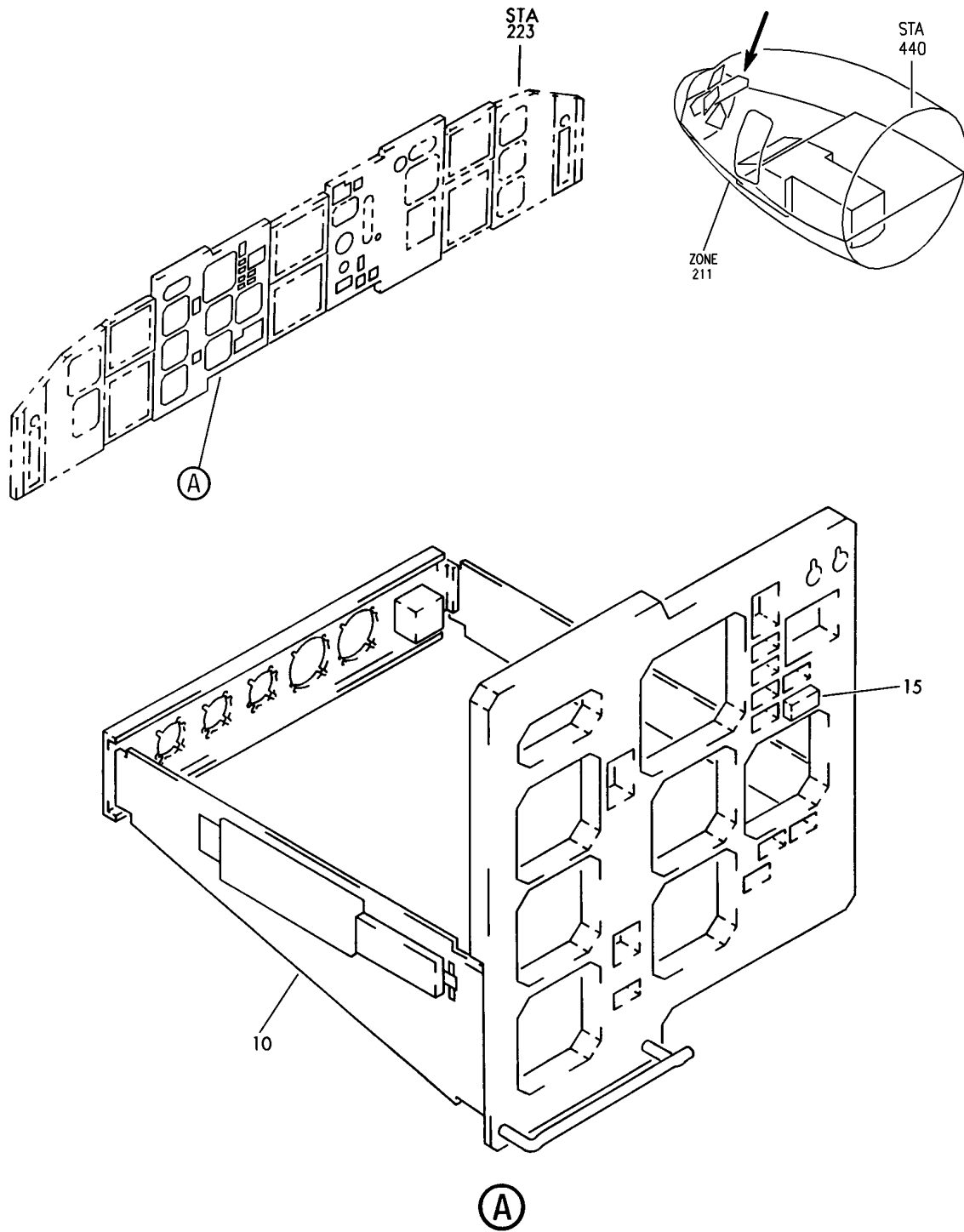
BRI

34-61-01-09

BOEING PROPRIETARY - Copyright © - Unpublished Work - See title page for details.

34-61-01  
FIG. 09  
PAGE 3  
JAN 20/09

**BOEING**  
757  
PARTS CATALOG (MAINTENANCE)



Y 34610110 REV 239

PANEL INSTL-CAPT AND FIRST OFFICER FWD (FLIGHT MANAGEMENT COMPUTER ONLY)  
FIGURE 10

BRI  
MAY 28/07

**34-61-01-10**

34-61-01-10  
PAGE 0





757

PARTS CATALOG (MAINTENANCE)

FIG ITEM	PART NUMBER	1 2 3 4 5 6 7	NOMENCLATURE	EFFECT FROM TO	UNITS PER ASSY
10			PANEL INSTL-CAPT AND FIRST OFFICER FWD (FLIGHT MANAGEMENT COMPUTER ONLY)	011100	
- 1	233N2101-1		PANEL INSTL-CAPT AND FIRST OFFICER (FLIGHT MANAGEMENT COMPUTER ONLY)	011100	RF
			POSITION DATA: FWD VARIABLE DRAWING REF: 233N2101-5039 FOR NHA/OTHER SYS DET SEE: 25-10-00-05A		
- 5	233N2221-301		.MODULE ASSY-P1-3 COMPONENT MAINT MANUAL REF: 31-11-48	011100	RF
10	233N2221-51		..MODULE ASSY	011100	RF
15	BCREF8566		...LIGHT ASSY-A/T DISC. IND SUPPLIER CODE: V81590 OVERLENGTH PART NUMBER: 434-674-1031-2227 SPECIFICATION NUMBER: S231T300-2227 ELECTRICAL EQUIP NUMBER: L00471 OPTIONAL PART: BCREF6230 V81590 FOR DETAILS SEE: 33-14-70-03	011100	1
			...LIGHT ASSY-A/T DISC. IND SUPPLIER CODE: V81590 OVERLENGTH PART NUMBER: 434-674-1005-1227 SPECIFICATION NUMBER: S231T300-1227 OPTIONAL PART: BCREF8566 V81590 FOR DETAILS SEE: 33-14-70-03		
15	BCREF6230			011100	1

MISSING ITEM NUMBERS NOT APPLICABLE

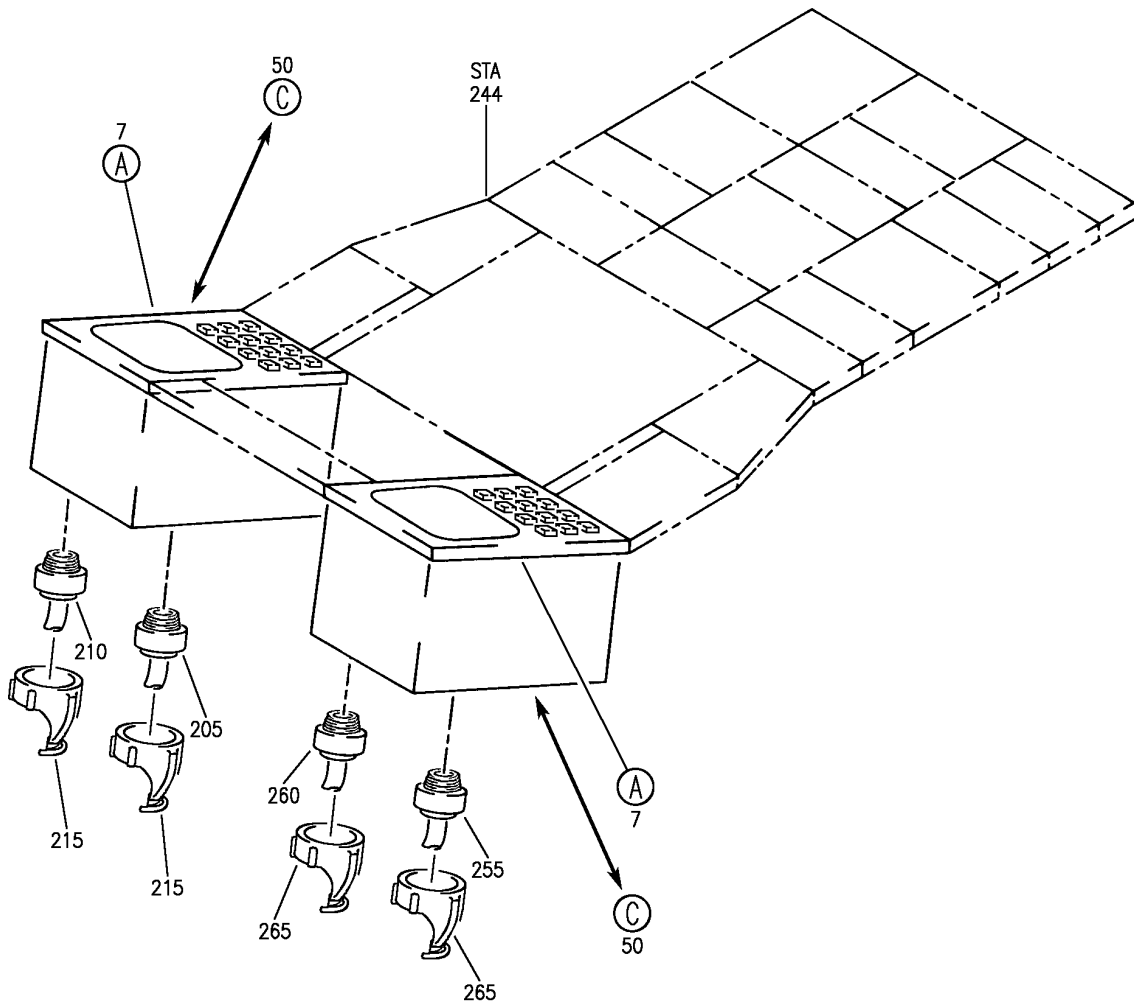
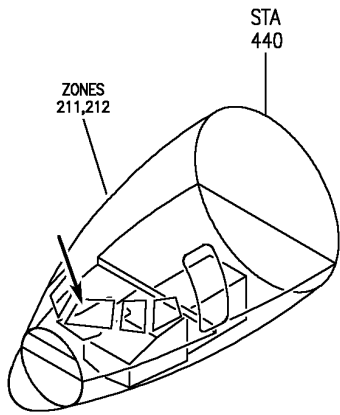
- ITEM NOT ILLUSTRATED

34-61-01-10

34-61-01  
FIG. 10  
PAGE 1  
JAN 20/09

BRI

**BOEING**  
757  
PARTS CATALOG (MAINTENANCE)



Y 34610201 SH1 1 REV 264

PANEL INSTL-P8,P9,P10 ELECTRONICS (FLIGHT MANAGEMENT COMPUTER SYSTEM ONLY)  
FIGURE 1 (SHEET 1)

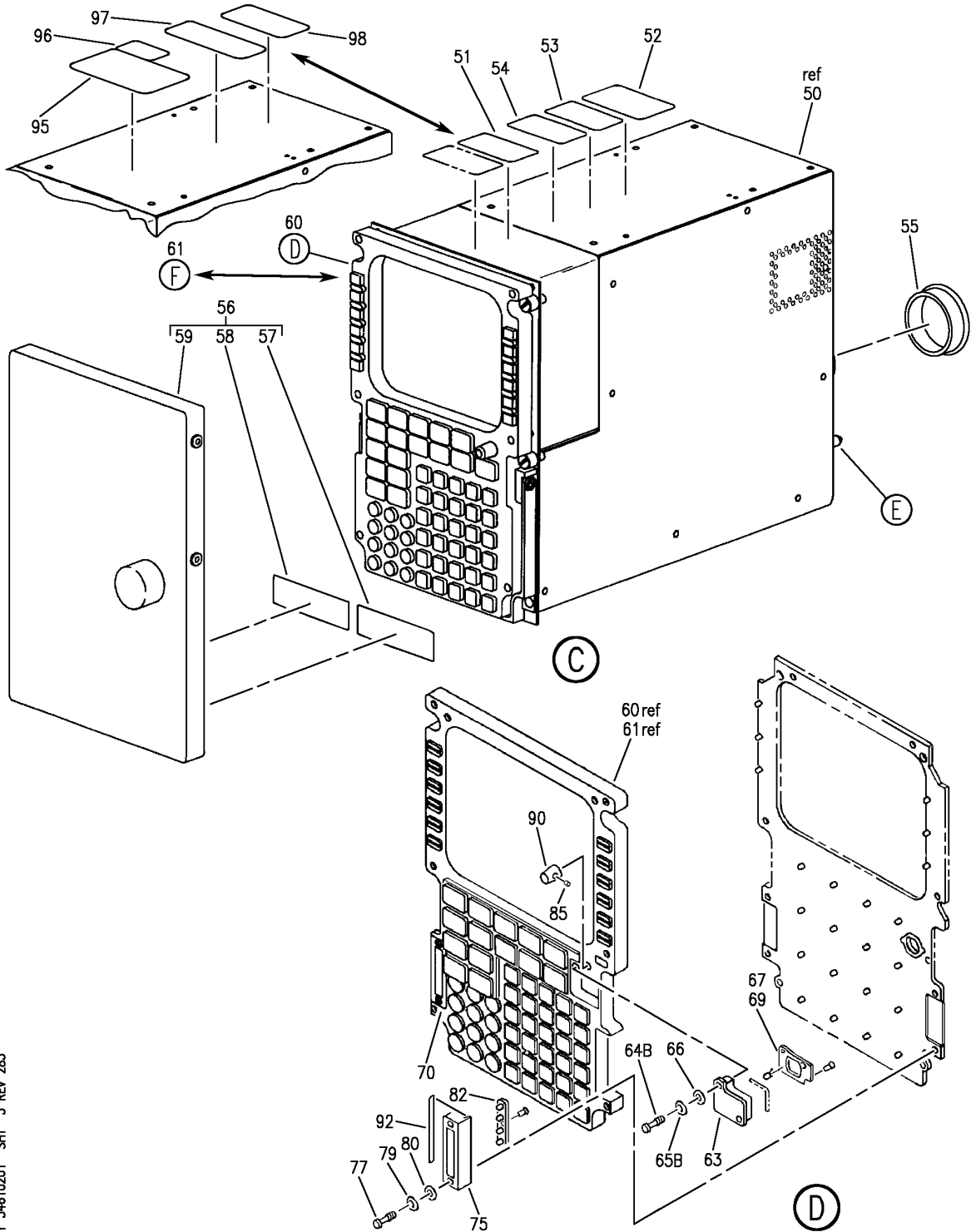
BRI  
MAY 28/07

**34-61-02-01**

34-61-02-01  
PAGE 0




**BOEING**  
 757  
**PARTS CATALOG (MAINTENANCE)**



Y 34610201 SHT 3 REV 283

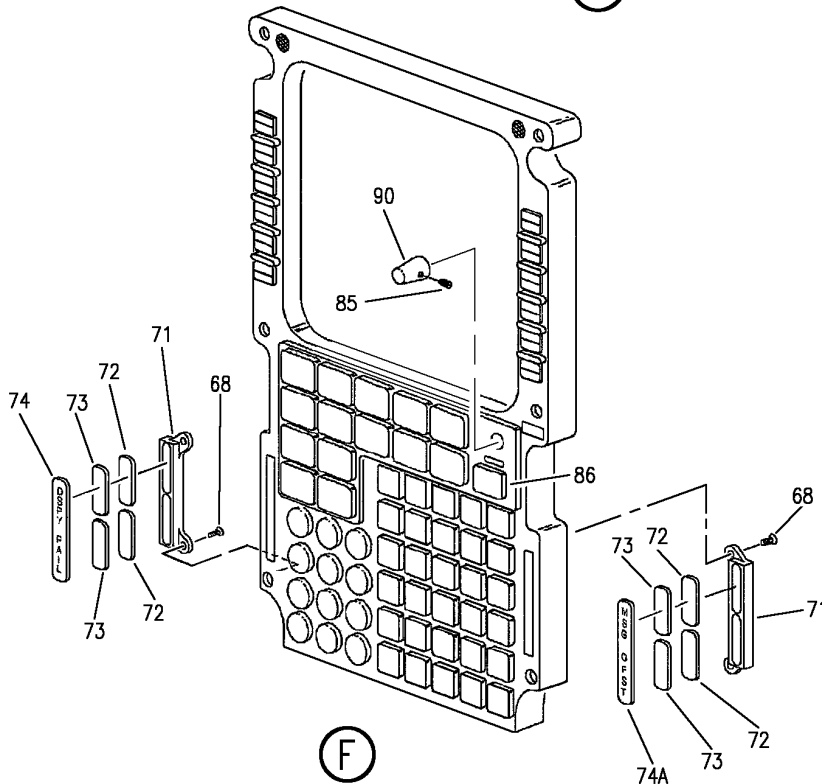
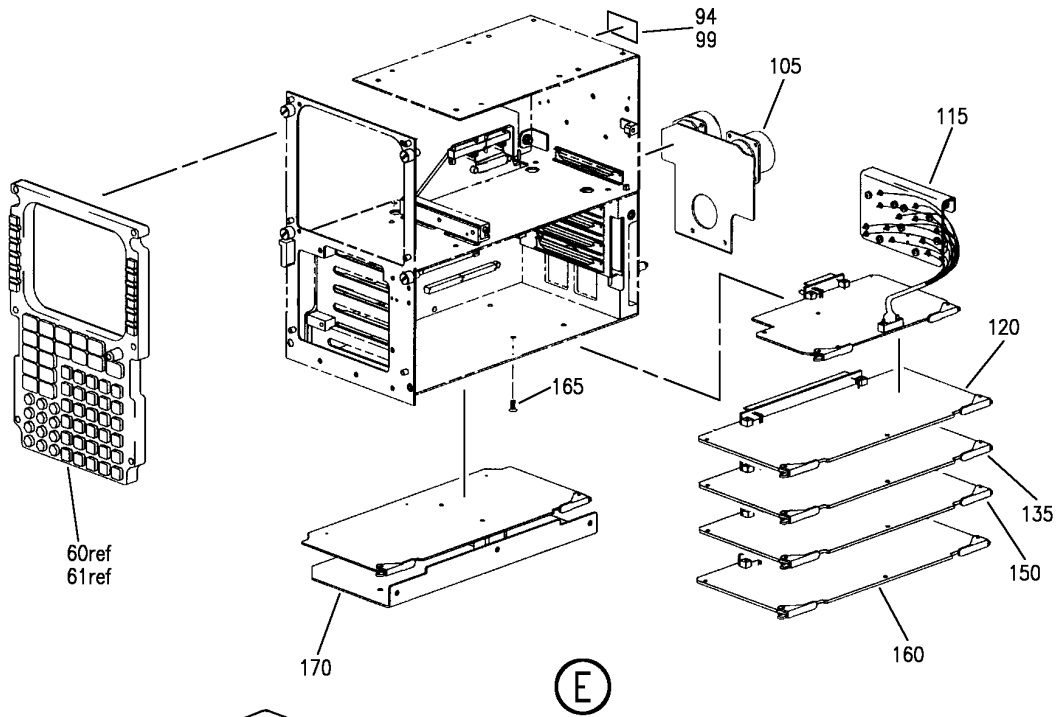
PANEL INSTL-P8,P9,P10 ELECTRONICS (FLIGHT MANAGEMENT COMPUTER SYSTEM ONLY)  
 FIGURE 1 (SHEET 3)

BRI  
MAY 28/07

# 34-61-02-01

34-61-02-01  
 PAGE 0B

**BOEING**  
757  
PARTS CATALOG (MAINTENANCE)



Y 34610201 SHIT 4 REV 283

PANEL INSTL-P8,P9,P10 ELECTRONICS (FLIGHT MANAGEMENT COMPUTER SYSTEM ONLY)  
FIGURE 1 (SHEET 4)

BRI  
MAY 28/07

**34-61-02-01**

34-61-02-01  
PAGE 0C



757

PARTS CATALOG (MAINTENANCE)

FIG ITEM	PART NUMBER	1 2 3 4 5 6 7	NOMENCLATURE	EFFECT FROM TO	UNITS PER ASSY
1			PANEL INSTL-P8,P9,P10 ELECTRONICS (FLIGHT MANAGEMENT COMPUTER SYSTEM ONLY)	002004 006100 107107 121503 904999	
- 1	233N6101-1		PANEL INSTL-P8 ELECTRONIC (FLIGHT MANAGEMENT COMPUTER SYSTEM ONLY) VARIABLE DRAWING REF: 233N6101-5004 233N6101-5028 233N6101-5041 233N6101-5042 233N6101-5046 FOR NHA/OTHER SYS DET SEE: 25-10-00-05A	002004 006100 107107 121503 904999	RF
7	4038170-904		.PANEL ASSY-FLIGHT MANAGEMENT COMPUTER CONT SUPPLIER CODE: V58960 SPECIFICATION NUMBER: S242T102-102 ELECTRICAL EQUIP NUMBER: M00076 M00077 COMPONENT MAINT MANUAL REF: 34-61-20 PRE SERVICE BULLETIN: 34-0414 34-0416 FUNCTIONAL REFERENCE: LIGHTS FOR DETAILS SEE 33-13-58-03	002004 006100 107107 121503 904999	2

MISSING ITEM NUMBERS NOT APPLICABLE

- ITEM NOT ILLUSTRATED

34-61-02-01

34-61-02  
FIG. 01  
PAGE 1  
JAN 20/09

BRI



757

PARTS CATALOG (MAINTENANCE)

FIG ITEM	PART NUMBER	1 2 3 4 5 6 7	NOMENCLATURE	EFFECT FROM TO	UNITS PER ASSY
1	7 4038170-905		.PANEL ASSY-FLIGHT MANAGEMENT COMPUTER CONT SUPPLIER CODE: V58960 SPECIFICATION NUMBER: S242T102-103 ELECTRICAL EQUIP NUMBER: M00076 M00077 COMPONENT MAINT MANUAL REF: 34-61-20 PRE SERVICE BULLETIN: 34-0414 34-0416 QUALIFIED SB I/W DATA: 4038170-930) FUNCTIONAL REFERENCE: LIGHTS FOR DETAILS SEE 33-13-58-03	002004 006100 107107 121503 904999	2
	8 4040029-20		..PLATE-IDENT SUPPLIER CODE: V58960 CONFIG CHG DATA FROM A CMM: REPL BY 4065516-657	002004 006100 107107 121503 904999	1
	8 4065516-657		..PLATE-IDENT SUPPLIER CODE: V58960 CONFIG CHG DATA FROM A CMM: REPLS 4040029-20	002004 006100 107107 121503 904999	1
	9 4021834-11		..PLATE-DESIGNATION SUPPLIER CODE: V58960	002004 006100 107107 121503 904999	1
	10 4032147		..PLATE-DESIGNATION SUPPLIER CODE: V58960 OPTIONAL SUPPLIER CODE: 4J649	002004 006100 107107 121503 904999	1
	11 4017178-1		..PLATE-IDENT SUPPLIER CODE: V58960 OPTIONAL SUPPLIER CODE: 4J649	002004 006100 107107 121503 904999	1

MISSING ITEM NUMBERS NOT APPLICABLE

- ITEM NOT ILLUSTRATED

34-61-02-01

34-61-02  
FIG. 01  
PAGE 2  
JAN 20/09

BRI



757

PARTS CATALOG (MAINTENANCE)

FIG ITEM	PART NUMBER	1 2 3 4 5 6 7	NOMENCLATURE	EFFECT FROM TO	UNITS PER ASSY
1					
12	EP20	..	COVER- SUPPLIER CODE: V99017 CONFIG CHG DATA FROM A CMM: REPL BY MS90376-20Y MISCELLANEOUS DATA: HONEYWELL PART NO. 733395-485	002004 006100 107107 121503 904999	1
12	MS90376-20Y	..	CAP- CONFIG CHG DATA FROM A CMM: REPL BY CEP20 MISCELLANEOUS DATA: HONEYWELL PART NO. 733395-485	002004 006100 107107 121503 904999	1
12	CEP20	..	COVER- SUPPLIER CODE: V99017 CONFIG CHG DATA FROM A CMM: REPLS MS90376-20Y MISCELLANEOUS DATA: HONEYWELL PART NO. 733395-485	002004 006100 107107 121503 904999	1
13	4071536-1	..	COVER- SUPPLIER CODE: V58960 MISCELLANEOUS DATA: HONEYWELL PART NO. 4077505	002004 006100 107107 121503 904999	1
14	4040317-902	..	KEYBOARD ASSY- SUPPLIER CODE: V58960 CONFIG CHG DATA FROM A CMM: REPLD BY 865-000002-2 REPLD BY 865-000058-1 COMPONENT MAINT MANUAL REF: 24-09-06	002004 006100 107107 121503 904999	1
14	865-000002-2	..	KEYBOARD ASSY- SUPPLIER CODE: V58960 CONFIG CHG DATA FROM A CMM: REPLACES 4040317-902 MISCELLANEOUS DATA: HONEYWELL PART NO. 4040317-902 COMPONENT MAINT MANUAL REF: 24-09-06	002004 006100 107107 121503 904999	1

MISSING ITEM NUMBERS NOT APPLICABLE

- ITEM NOT ILLUSTRATED

34-61-02-01

34-61-02  
FIG. 01  
PAGE 3  
JAN 20/09

BRI

BOEING PROPRIETARY - Copyright © - Unpublished Work - See title page for details.





757

PARTS CATALOG (MAINTENANCE)

FIG ITEM	PART NUMBER	1 2 3 4 5 6 7	NOMENCLATURE	EFFECT FROM TO	UNITS PER ASSY
1	14 865-000058-1		..KEYBOARD ASSY- SUPPLIER CODE: V58960 CONFIG CHG DATA FROM A CMM: REPLS 4040317-902	002004 006100 107107 121503 904999	1
	15 565-000044-1		...BUTTON ASSY- SUPPLIER CODE: V58960	002004 006100 107107 121503 904999	1
	ATTACHING PARTS				
- 16	365-000036-1		...SCREW-CAPTIVE PHN CRES 2-56X5-16 SUPPLIER CODE: V58960 CONFIG CHG DATA FROM A CMM: REPL BY 365-000036-2	002004 006100 107107 121503 904999	2
- 16	365-000036-2		...SCREW-CAPTIVE PHN CRES 2-56X3-8 SUPPLIER CODE: V58960 CONFIG CHG DATA FROM A CMM: REPLS 365-000036-1	002004 006100 107107 121503 904999	2
- 17	MS35338-134		...WASHER	002004 006100 107107 121503 904999	2
- 18	NAS620-2		...WASHER- CONFIG CHG DATA FROM A CMM: REPL BY NAS620C2	002004 006100 107107 121503 904999	2
- 18A	NAS620C2		...WASHER- CONFIG CHG DATA FROM A CMM: REPLS NAS620-2	002004 006100 107107 121503 904999	4
- 19	365-000356-1		-----*----- ...SEAL- SUPPLIER CODE: V58960	002004 006100 107107 121503 904999	1
- 19A	MS51960-1		...SCREW	002004 006100 107107 121503 904999	2

MISSING ITEM NUMBERS NOT APPLICABLE

- ITEM NOT ILLUSTRATED

34-61-02-01

34-61-02  
FIG. 01  
PAGE 4  
JAN 20/09

BRI

BOEING PROPRIETARY - Copyright © - Unpublished Work - See title page for details.



757

PARTS CATALOG (MAINTENANCE)

FIG ITEM	PART NUMBER	1 2 3 4 5 6 7	NOMENCLATURE	EFFECT FROM TO	UNITS PER ASSY
1					
- 19B	365-000437-1		...INSULATOR- SUPPLIER CODE: V58960	002004 006100 107107 121503 904999	1
20	565-000042-1		...BOARD ASSY-PRINTED WIRING SUPPLIER CODE: V58960 CONFIG CHG DATA FROM A CMM: REPLD BY 565-000227-1	002004 006100 107107 121503 904999	1
20	565-000227-1		...BOARD ASSY-PRINTED WIRING SUPPLIER CODE: V58960 CONFIG CHG DATA FROM A CMM: REPLS 565-000042-1	002004 006100 107107 121503 904999	1
- 23	100-150067-1		....LAMP- SUPPLIER CODE: V58960	002004 006100 107107 121503 904999	2
25	565-000047-2		...ANNUNCIATOR ASSY- SUPPLIER CODE: V58960	002004 006100 107107 121503 904999	1
30	565-000047-1		...ANNUNCIATOR ASSY- SUPPLIER CODE: V58960	002004 006100 107107 121503 904999	1
35	565-000043-1		...BOARD ASSY-PRINTED WIRING SUPPLIER CODE: V58960 CONFIG CHG DATA FROM A CMM: REPLD BY 565-000228-1	002004 006100 107107 121503 904999	1
35	565-000228-1		...BOARD ASSY-PRINTED WIRING SUPPLIER CODE: V58960 CONFIG CHG DATA FROM A CMM: REPLS 565-000043-1	002004 006100 107107 121503 904999	1

MISSING ITEM NUMBERS NOT APPLICABLE

- ITEM NOT ILLUSTRATED

34-61-02-01

34-61-02  
FIG. 01  
PAGE 5  
JAN 20/09

BRI

**BOEING**  
757  
**PARTS CATALOG (MAINTENANCE)**

FIG ITEM	PART NUMBER	1 2 3 4 5 6 7	NOMENCLATURE	EFFECT FROM TO	UNITS PER ASSY
R R	1 50	4077880-908	.PANEL ASSY-FLIGHT MANAGEMENT CDU SUPPLIER CODE: V58960 FUNCTIONAL DESCRIPTION: OPERATE CONTROL PANEL FOR SUBSYSTEMS AND PROVIDE BACKUP FUNCTIONS FOR NAVIGATION, FLIGHT PLANNING, RADIO TUNING AND EFIS/EICAS PANEL CONTROL SPECIFICATION NUMBER: S242T102-161 ELECTRICAL EQUIP NUMBER: M00076 M00077 COMPONENT MAINT MANUAL REF: 34-61-57 POST SERVICE BULLETIN: 34-0414 34-0416 FUNCTIONAL REFERENCE: 33-13-58-03 PLACARDS AND MARKINGS FOR DETAILS SEE 11-31-05-60	009009 107107	2
	51	4089643-160	..PLATE-IDENT SUPPLIER CODE: V58960 CONFIG CHG DATA FROM A CMM: REPLACES 4085643-200 USED ON: 4077880-908	009009 107107	1
	52	4078256-260	..PLATE-IDENT SUPPLIER CODE: V58960 CONFIG CHG DATA FROM A CMM: REPLACES 4078256-639 REPLACES 4078256-779 USED ON: 4077880-903 4077880-908	009009 107107	1

MISSING ITEM NUMBERS NOT APPLICABLE

— ITEM NOT ILLUSTRATED

# 34-61-02-01

34-61-02  
FIG. 01  
PAGE 6  
MAY 20/09

BRI



757

PARTS CATALOG (MAINTENANCE)

FIG ITEM	PART NUMBER	1 2 3 4 5 6 7	NOMENCLATURE	EFFECT FROM TO	UNITS PER ASSY
1					
52	4078256-779	..	PLATE-IDENT SUPPLIER CODE: V58960 CONFIG CHG DATA FROM A CMM: REPLD BY 4078256-260 USED ON: 4077880-908	009009 107107	1
53	4078256-238	..	PLATE-IDENT SUPPLIER CODE: V58960 CONFIG CHG DATA FROM A CMM: REPLACES 4078256-778 USED ON: 4077880-908	009009 107107	1
53	4078256-778	..	PLATE-IDENT SUPPLIER CODE: V58960 CONFIG CHG DATA FROM A CMM: REPLD BY 4078256-238 USED ON: 4077880-908	009009 107107	1
54	4078256-238	..	PLATE-IDENT SUPPLIER CODE: V58960 CONFIG CHG DATA FROM A CMM: REPLACES BY 4078256-778 USED ON: 4077880-908	009009 107107	1
54	4078256-778	..	PLATE-IDENT SUPPLIER CODE: V58960 CONFIG CHG DATA FROM A CMM: REPLACES 4078256-238 REPLD BY 4089643-161 USED ON: 4077880-908	009009 107107	1
54	4089643-161	..	PLATE-IDENT SUPPLIER CODE: V58960 CONFIG CHG DATA FROM A CMM: REPLACES 4078256-778 USED ON: 4077880-908	009009 107107	1

MISSING ITEM NUMBERS NOT APPLICABLE

- ITEM NOT ILLUSTRATED

BRI

34-61-02-01

BOEING PROPRIETARY - Copyright © - Unpublished Work - See title page for details.

34-61-02  
FIG. 01  
PAGE 7  
JAN 20/09



757

PARTS CATALOG (MAINTENANCE)

FIG ITEM	PART NUMBER	1 2 3 4 5 6 7	NOMENCLATURE	EFFECT FROM TO	UNITS PER ASSY
1	55 CEP22	..	COVER- SUPPLIER CODE: V99017 MISCELLANEOUS DATA: HONEYWELL SPEC NO. 733395-486 OPTIONAL PART: EP22 V99017 USED ON: 4077880-903 4077880-908	009009 107107	1
	55 EP22	..	COVER- SUPPLIER CODE: V99017 OPTIONAL PART: CEP22 V99017 USED ON: 4077880-903 4077880-908	009009 107107	1
	56 4077505-903	..	COVER- SUPPLIER CODE: V58960 USED ON: 4077880-903 4077880-908	009009 107107	1
	57 4076844-1	...	PLATE-ID SUPPLIER CODE: V58960	009009 107107	1
	58 4076843-1	...	PLATE-ID SUPPLIER CODE: V58960	009009 107107	1
	59 4077504-1	...	COVER- SUPPLIER CODE: V99017	009009 107107	1
	61 4058655-2	..	KEYBOARD ASSY-A10 SUPPLIER CODE: V58960 COMPONENT MAINT MANUAL REF: 24-09-68 USED ON: 4077880-903 4077880-908	009009 107107	1
	63 565-000044-4	...	BUTTON ASSY- SUPPLIER CODE: V58960 USED ON: 4058655-2	009009 107107	1

MISSING ITEM NUMBERS NOT APPLICABLE

- ITEM NOT ILLUSTRATED

34-61-02-01

34-61-02  
FIG. 01  
PAGE 8  
JAN 20/09

BRI



757

PARTS CATALOG (MAINTENANCE)

FIG ITEM	PART NUMBER	1 2 3 4 5 6 7	NOMENCLATURE	EFFECT FROM TO	UNITS PER ASSY
1					
68	NAS662COR3	...	SCREW	009009 107107	4
70	565-000276-6	...	ANNUNCIATOR ASSY- SUPPLIER CODE: V58960 USED ON: 4058655-2	009009 107107	1
71	565-000217-1	...	REFLECTOR ASSY- SUPPLIER CODE: V05617	009009 107107	2
72	360-000031-67	...	FILTER-COLORSHIFT SUPPLIER CODE: V05617 OPTIONAL PART: 360-000031-86 V05617	009009 107107	4
73	360-000031-86	...	FILTER-COLORSHIFT SUPPLIER CODE: V05617 OPTIONAL PART: 360-000031-67 V05617	009009 107107	4
74	365-000858-2	...	LENS- SUPPLIER CODE: V05617	009009 107107	1
74A	365-000858-1	...	LENS- SUPPLIER CODE: V05617	009009 107107	1
75	565-000276-5	...	ANNUNCIATOR ASSY- SUPPLIER CODE: V58960 USED ON: 4058655-2	009009 107107	1
85	MS51021-101	...	SETSCREW- USED ON: 4058655-2	009009 107107	1
86	565-000523-601	...	PUSHBUTTON ASSY- SUPPLIER CODE: V05617	009009 107107	1
90	365-000038-1	...	KNOB- SUPPLIER CODE: V58960 USED ON: 4058655-2	009009 107107	1

MISSING ITEM NUMBERS NOT APPLICABLE

- ITEM NOT ILLUSTRATED

34-61-02-01

34-61-02  
FIG. 01  
PAGE 9  
JAN 20/09

BRI



757

PARTS CATALOG (MAINTENANCE)

FIG ITEM	PART NUMBER	1 2 3 4 5 6 7	NOMENCLATURE	EFFECT FROM TO	UNITS PER ASSY
1					
94	4078256-718	..	PLATE-IDENT SUPPLIER CODE: V58960 CONFIG CHG DATA FROM A CMM: REPLD BY 4089643-157 USED ON: 4077880-903 4077880-908	009009 107107	1
94	4089643-157	..	PLATE-IDENT SUPPLIER CODE: V58960 CONFIG CHG DATA FROM A CMM: REPLACES 4078256-718 USED ON: 4077880-903 4077880-908	009009 107107	1
105	4077874-1030	..	CARD ASSY-CKT INTERCONNECT A12 SUPPLIER CODE: V58960 COMPONENT MAINT MANUAL REF: 34-61-72	009009 107107	1
115	4058658-930	..	COMPONENTS ASSY-ELECT. A7 DEFLECTION AMP SUPPLIER CODE: V58960 COMPONENT MAINT MANUAL REF: 34-61-70	009009 107107	1
120	4077888-1007	..	CARD ASSY-CKT, CHARACTER GENERATOR A6 SUPPLIER CODE: V58960 COMPONENT MAINT MANUAL REF: 34-61-69	009009 107107	1
- 125	4061839-10	...	DECAL- SUPPLIER CODE: V58960	009009 107107	2
- 130	4061839-7	...	DECAL- SUPPLIER CODE: V58960	009009 107107	1
135	4077887-1002	..	CARD ASSY-CKT, ARINC I/O A4 SUPPLIER CODE: V58960 COMPONENT MAINT MANUAL REF: 34-61-68 USED ON: 4077880-903 4077880-908	009009 107107	1

MISSING ITEM NUMBERS NOT APPLICABLE

- ITEM NOT ILLUSTRATED

34-61-02-01

34-61-02  
FIG. 01  
PAGE 10  
JAN 20/09

BRI



757

PARTS CATALOG (MAINTENANCE)

FIG ITEM	PART NUMBER	1 2 3 4 5 6 7	NOMENCLATURE	EFFECT FROM TO	UNITS PER ASSY
1					
- 140	4061839-10	...	DECAL- SUPPLIER CODE: V58960	009009 107107	8
- 145	4061839-13	...	DECAL- SUPPLIER CODE: V58960	009009 107107	1
150	4077886-1030	..	CARD ASSY-CKT, DISCRETE I/O A3 SUPPLIER CODE: V58960 COMPONENT MAINT MANUAL REF: 34-61-67 OPTIONAL PART: 4077886-1002 V58960 USED ON: 4077880-903 4077880-908	009009 107107	1
150	4077886-1002	..	CARD ASSY-CKT, DISCRETE I/O A3 SUPPLIER CODE: V58960 COMPONENT MAINT MANUAL REF: 34-61-67 OPTIONAL PART: 4077886-1030 V58960 USED ON: 4077880-903 4077880-908	009009 107107	1
- 155	4061839-7	...	DECAL- SUPPLIER CODE: V58960	009009 107107	1
160	4072804-1002	..	CARD ASSY-CKT, PROCESSOR MEMORY A2 SUPPLIER CODE: V58960	009009 107107	1
165	MS24693C27	..	SCREW- MISCELLANEOUS DATA: HONEYWELL PART NO. 2504188-225	009009 107107	5
170	4053502-951	..	COMPONENTS ASSY-ELECT. A1 LV PWR SUPPLY SUPPLIER CODE: V58960 COMPONENT MAINT MANUAL REF: 34-61-65	009009 107107	1

MISSING ITEM NUMBERS NOT APPLICABLE

- ITEM NOT ILLUSTRATED

34-61-02-01

34-61-02  
FIG. 01  
PAGE 11  
JAN 20/09

BRI



 **BOEING**  
757  
**PARTS CATALOG (MAINTENANCE)**

FIG ITEM	PART NUMBER	1 2 3 4 5 6 7	NOMENCLATURE	EFFECT FROM TO	UNITS PER ASSY
1					
- 200	286N2331-021		WIRE BUNDLE ASSY-(FLIGHT MANAGEMENT COMPUTER SYSTEM ONLY)	002004 006010	RF
- 200	286N2331-002		WIRE BUNDLE ASSY-(FLIGHT MANAGEMENT COMPUTER SYSTEM ONLY)	121503 904949	RF
- 200	286N2331-005		WIRE BUNDLE ASSY-(FLIGHT MANAGEMENT COMPUTER SYSTEM ONLY)	950999	RF
- 200	286N2331-007		WIRE BUNDLE ASSY-(FLIGHT MANAGEMENT COMPUTER SYSTEM ONLY)	107107	RF
- 201	286N2331-025		WIRE BUNDLE ASSY-(FLIGHT MANAGEMENT COMPUTER SYSTEM ONLY)	011100	RF
205	BACC45FT18A31S		.CONNECTOR- ELECTRICAL EQUIP NUMBER: D00171 WIRING DIAGRAM REF: 346111	002004 006100 107107 121503 904999	1
- 250	286N2333-002		WIRE BUNDLE ASSY-(FLIGHT MANAGEMENT COMPUTER SYSTEM ONLY)	121503 904949	RF
- 250	286N2333-004		WIRE BUNDLE ASSY-(FLIGHT MANAGEMENT COMPUTER SYSTEM ONLY)	107107	RF
- 250	286N2333-005		WIRE BUNDLE ASSY-(FLIGHT MANAGEMENT COMPUTER SYSTEM ONLY)	950951	RF
- 250	286N2333-011		WIRE BUNDLE ASSY-(FLIGHT MANAGEMENT COMPUTER SYSTEM ONLY)	952999	RF
- 250	286N2333-021		WIRE BUNDLE ASSY-(FLIGHT MANAGEMENT COMPUTER SYSTEM ONLY)	002004 006010	RF
- 250	286N2333-015		WIRE BUNDLE ASSY-(FLIGHT MANAGEMENT COMPUTER SYSTEM ONLY)	011100	RF
255	BACC45FT18A31S		.CONNECTOR- ELECTRICAL EQUIP NUMBER: D00175 WIRING DIAGRAM REF: 346121	002004 006100 107107 121503 904999	1

MISSING ITEM NUMBERS NOT APPLICABLE

- ITEM NOT ILLUSTRATED

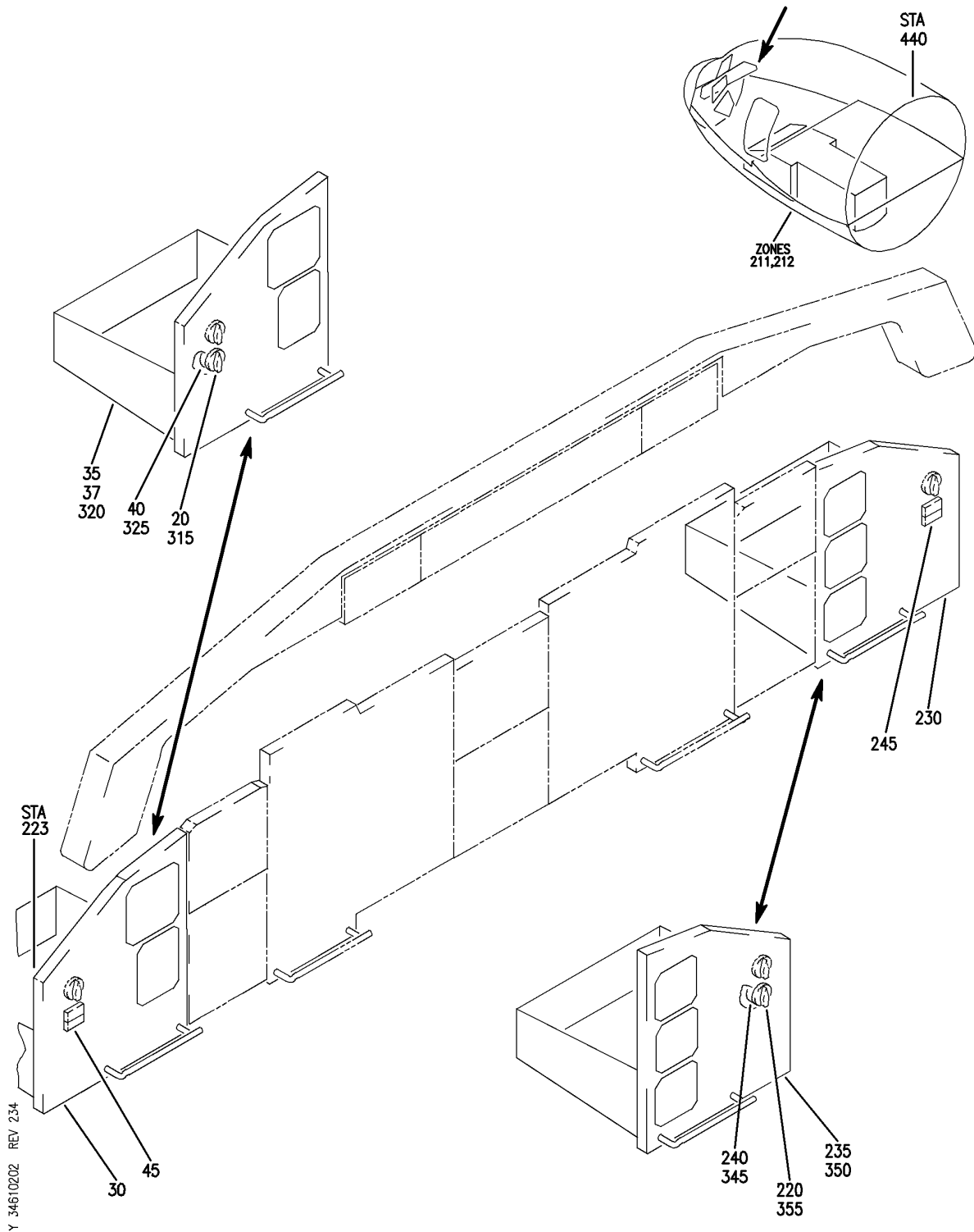
BRI

# 34-61-02-01

34-61-02  
FIG. 01  
PAGE 12  
JAN 20/09

BOEING PROPRIETARY - Copyright © - Unpublished Work - See title page for details.

**BOEING**  
757  
PARTS CATALOG (MAINTENANCE)



PANEL INSTL-P1-1 AND P3-3 (FLIGHT MANAGEMENT COMPUTER CONTROL/DISPLAY UNIT ONLY)  
FIGURE 2

BRI  
MAY 28/07

**34-61-02-02**

34-61-02-02  
PAGE 0



757

PARTS CATALOG (MAINTENANCE)

FIG ITEM	PART NUMBER	1 2 3 4 5 6 7	NOMENCLATURE	EFFECT FROM TO	UNITS PER ASSY
2			PANEL INSTL-P1-1 AND P3-3 (FLIGHT MANAGEMENT COMPUTER CONTROL/DISPLAY UNIT ONLY)	101106 108120 504903	
- 1	233N2103-7		PANEL INSTL-P1-1 (FLIGHT MANAGEMENT COMPUTER CONTROL/DISPLAY UNIT ONLY) FOR NHA/OTHER SYS DET SEE: 25-10-00-15B	101101	RF
- 1	233N2103-107		PANEL INSTL-P1-1 (FLIGHT MANAGEMENT COMPUTER CONTROL/DISPLAY UNIT ONLY) FOR NHA/OTHER SYS DET SEE: 25-10-00-15B	102102 108120	RF
- 2	233N2103-152		PANEL INSTL-P1-1 (FLIGHT MANAGEMENT COMPUTER CONTROL/DISPLAY UNIT ONLY) FOR NHA/OTHER SYS DET SEE: 25-10-00-15B	504903	RF
- 10	233N2220-309		.MODULE ASSY- COMPONENT MAINT MANUAL REF: 31-11-47 QUALIFIED I/W DATA: 233N2220-329 CAN REPLACE 233N2220-309 FOR NT383-NT399 AIRCRAFT ONLY	101102 108120	RF
- 10	233N2220-315		.MODULE ASSY- COMPONENT MAINT MANUAL REF: 31-11-47	504903	RF
20	BP248-127		..KNOB- SUPPLIER CODE: V81590	101102 108120 504903	1
35	233N2220-21		..MODULE ASSY-	101102 108120	RF
35	233N2220-27		..MODULE ASSY	504903	RF
40	AC45-0082		...SWITCH- SUPPLIER CODE: V91812 ELECTRICAL EQUIP NUMBER: S00002	101102 108120 504903	1

MISSING ITEM NUMBERS NOT APPLICABLE

- ITEM NOT ILLUSTRATED

BRI

34-61-02-02

BOEING PROPRIETARY - Copyright © - Unpublished Work - See title page for details.

34-61-02  
FIG. 02  
PAGE 1  
JAN 20/09



757

PARTS CATALOG (MAINTENANCE)

FIG ITEM	PART NUMBER	1 2 3 4 5 6 7	NOMENCLATURE	EFFECT FROM TO	UNITS PER ASSY
2 45	BCREFA0501		...SWITCH ASSY- SUPPLIER CODE: V81590 OVERLENGTH PART NUMBER: 433-673-1004-4001 SPECIFICATION NUMBER: S231T290-4001 MISCELLANEOUS DATA: WHEN REPLACING THE PUSHBUTTON SWITCH ASSY OR THE MASTER MODULE WITHIN, VERIFY THAT A CONFIG D MASTER MODULE P/N 13206-001 IS INSTALLED IN LIEU OF ANY EARLIER CONFIGURATION MASTER MODULES. FOR DETAILS SEE: 33-13-00-43	101102 108120 504903	1
- 200	233N2103-28		PANEL INSTL-P3-3 (FLIGHT MANAGEMENT COMPUTER CONTROL/DISPLAY UNIT ONLY) FOR NHA/OTHER SYS DET SEE: 25-10-00-15B	108120	RF
- 200	233N2103-55		PANEL INSTL-P3-3 (FLIGHT MANAGEMENT COMPUTER CONTROL/DISPLAY UNIT ONLY) FOR NHA/OTHER SYS DET SEE: 25-10-00-15B	504903	RF
- 200	233N2103-73		PANEL INSTL-P3-3 (FLIGHT MANAGEMENT COMPUTER CONTROL/DISPLAY UNIT ONLY) FOR NHA/OTHER SYS DET SEE: 25-10-00-15B	101102	RF
- 210	233N2223-306		.MODULE ASSY- COMPONENT MAINT MANUAL REF: 31-11-50 QUALIFIED I/W DATA: 233N2223-338 CAN REPLACE 233N2223-306 FOR NT383-NT399 AIRCRAFT ONLY.	101102 108120	RF
- 210	233N2223-313		.MODULE ASSY- COMPONENT MAINT MANUAL REF: 31-11-50	504903	RF

MISSING ITEM NUMBERS NOT APPLICABLE

- ITEM NOT ILLUSTRATED

34-61-02-02

34-61-02  
FIG. 02  
PAGE 2  
JAN 20/09

BRI



757

PARTS CATALOG (MAINTENANCE)

FIG ITEM	PART NUMBER	1 2 3 4 5 6 7	NOMENCLATURE	EFFECT FROM TO	UNITS PER ASSY
2					
220	BP248-127	..	KN0B- SUPPLIER CODE: V81590 POST SERVICE BULLETIN: 34-0238	101102 108120 504903	1
230	233N2223-22	..	MODULE ASSY-	101102 108120	RF
230	233N2223-29	..	MODULE ASSY	504903	RF
240	AC45-0082	...	SWITCH- SUPPLIER CODE: V91812 ELECTRICAL EQUIP NUMBER: S00010	101102 108120 504903	1
245	BCREFA0501	...	SWITCH ASSY- SUPPLIER CODE: V81590 OVERLENGTH PART NUMBER: 433-673-1004-4001 SPECIFICATION NUMBER: S231T290-4001 MISCELLANEOUS DATA: WHEN REPLACING THE PUSHBUTTON SWITCH ASSY OR THE MASTER MODULE WITHIN, VERIFY THAT A CONFIG D MASTER MODULE P/N 13206-001 IS INSTALLED IN LIEU OF ANY EARLIER CONFIGURATION MASTER MODULES. OPTIONAL PART: S231T290-5001 851-35100-5001 V96182 FOR DETAILS SEE: 33-13-00-43	101102 108120 504903	1
245	S231T290-5001	...	SWITCH ASSY- OPTIONAL PART: BCREFA0501 V81590 4336731004-4201 V81590 851-35100-5001 V96182	101102 108120 504903	1

MISSING ITEM NUMBERS NOT APPLICABLE

- ITEM NOT ILLUSTRATED

BRI

34-61-02-02

BOEING PROPRIETARY - Copyright © - Unpublished Work - See title page for details.

34-61-02  
FIG. 02  
PAGE 3  
JAN 20/09



757

PARTS CATALOG (MAINTENANCE)

FIG ITEM	PART NUMBER	1 2 3 4 5 6 7	NOMENCLATURE	EFFECT FROM TO	UNITS PER ASSY
2					
245	851-30768-2001	...	SWITCH ASSY- SUPPLIER CODE: V96182 SPECIFICATION NUMBER: S231T290-2001 FOR DETAILS SEE: 33-13-00-23	101102 108120 504903	1
245	851-30768-3001	...	SWITCH ASSY- SUPPLIER CODE: V96182 SPECIFICATION NUMBER: S231T290-3001 FOR DETAILS SEE: 33-13-00-23	101102 108120 504903	1
245	851-35100-5001	...	SWITCH ASSY- SUPPLIER CODE: V96182 OPTIONAL PART: 4336731004-4201 V81590 BCREFA0501 V81590 S231T290-5001	101102 108120 504903	1
245	4336731004-4201	...	SWITCH ASSY- SUPPLIER CODE: V81590 SPECIFICATION NUMBER: S231T290-4201 OPTIONAL PART: 851-35100-5001 V81590 S231T290-5001	101102 108120	1
- 301	MODREF31741		PANEL INSTL-P1-1 AND P3-3 (FLIGHT MANAGEMENT COMPUTER CONTROL/DISPLAY UNIT ONLY) MODULE NUMBER: 233N2103-425 REV A FOR OTHER SYS DETAILS SEE: 11-31-01-38 22-11-02-03 22-14-01-03 22-31-02-01 22-34-51-02 26-17-51-05 27-51-57-03 27-58-00-02 27-81-00-01 29-21-55-02	103105	1

MISSING ITEM NUMBERS NOT APPLICABLE

- ITEM NOT ILLUSTRATED

34-61-02-02

34-61-02  
FIG. 02  
PAGE 4  
JAN 20/09

BRI



757

PARTS CATALOG (MAINTENANCE)

FIG ITEM	PART NUMBER	1 2 3 4 5 6 7 NOMENCLATURE	EFFECT FROM TO	UNITS PER ASSY
2		31-11-11-19 31-11-16-01 31-11-26-38 31-25-01-03 31-41-52-02 31-51-52-02 32-35-52-03 32-41-52-02 32-42-55-03 32-46-00-01 32-61-51-03 33-13-57-01 A 33-16-52-03 34-12-01-03 34-13-01-03 34-13-02-01 34-13-05-01 34-13-06-01 34-16-51-03 34-21-02-02 34-22-02-02 34-22-05-01 A 34-22-06-01 34-24-01-03 34-32-00-02 34-46-51-02 34-51-02-02 34-57-00-01 77-41-01-01 79-33-51-05 FOR ADDITIONAL DETAILS SEE: 34-61-01-07 - 302 MODREF104335 PANEL INSTL-P1-1 AND P3-3 (FLIGHT MANAGEMENT COMPUTER CONTROL/DISPLAY UNIT ONLY) MODULE NUMBER: 233N2103-425 REV B FOR OTHER SYS DETAILS SEE: 11-31-01-38 22-11-02-03 22-14-01-03 22-31-02-01 22-34-51-02 26-17-51-05 27-51-57-03 27-58-00-02 27-81-00-01 29-21-55-02 MISSING ITEM NUMBERS NOT APPLICABLE	106106	1

- ITEM NOT ILLUSTRATED

**34-61-02-02**

34-61-02  
 FIG. 02  
 PAGE 5  
 JAN 20/09

BRI



757

PARTS CATALOG (MAINTENANCE)

FIG ITEM	PART NUMBER	1 2 3 4 5 6 7	NOMENCLATURE	EFFECT FROM TO	UNITS PER ASSY
2			31-11-11-19 31-11-16-01 31-11-26-38 31-25-01-03 31-41-52-02 31-51-52-02 32-35-52-03 32-41-52-02 32-42-55-03 32-46-00-01 32-61-51-03 33-13-57-01A 33-16-52-03 34-12-01-03 34-13-01-03 34-13-02-01 34-13-05-01 34-13-06-01 34-16-51-03 34-21-02-02 34-22-02-02 34-22-05-01A 34-22-06-01 34-24-01-03 34-32-00-02 34-46-51-02 34-51-02-02 34-57-00-01 77-41-01-01 79-33-51-05 FOR ADDITIONAL DETAILS SEE: 34-61-01-07		
- 310	233N2220-328		.MODULE ASSY-P1-1 COMPONENT MAINT MANUAL REF: 31-11-47	103106	RF
315	BP248-127		..KNOB- SUPPLIER CODE: V81590	103106	1
320	233N2220-42		..MODULE ASSY- USED ON: 233N2220-325 233N2220-328	103106	RF
325	AC45-0082		...SWITCH-ROTARY SUPPLIER CODE: V91812 ELECTRICAL EQUIP NUMBER: S00002	103106	1

MISSING ITEM NUMBERS NOT APPLICABLE

- ITEM NOT ILLUSTRATED

# 34-61-02-02

34-61-02  
FIG. 02  
PAGE 6  
JAN 20/09

BRI





757

PARTS CATALOG (MAINTENANCE)

FIG ITEM	PART NUMBER	1 2 3 4 5 6 7	NOMENCLATURE	EFFECT FROM TO	UNITS PER ASSY
2 - 340	233N2223-337	.	MODULE ASSY-P3-3 COMPONENT MAINT MANUAL REF: 31-11-50	103106	RF
345	BP248-127	..	KNOB- SUPPLIER CODE: V81590	103106	1
350	233N2223-62	..	MODULE ASSY- USED ON: 233N2223-335 233N2223-337	103106	RF
355	AC45-0082	...	SWITCH-ROTARY SUPPLIER CODE: V91812 ELECTRICAL EQUIP NUMBER: S00010	103106	1

MISSING ITEM NUMBERS NOT APPLICABLE

- ITEM NOT ILLUSTRATED

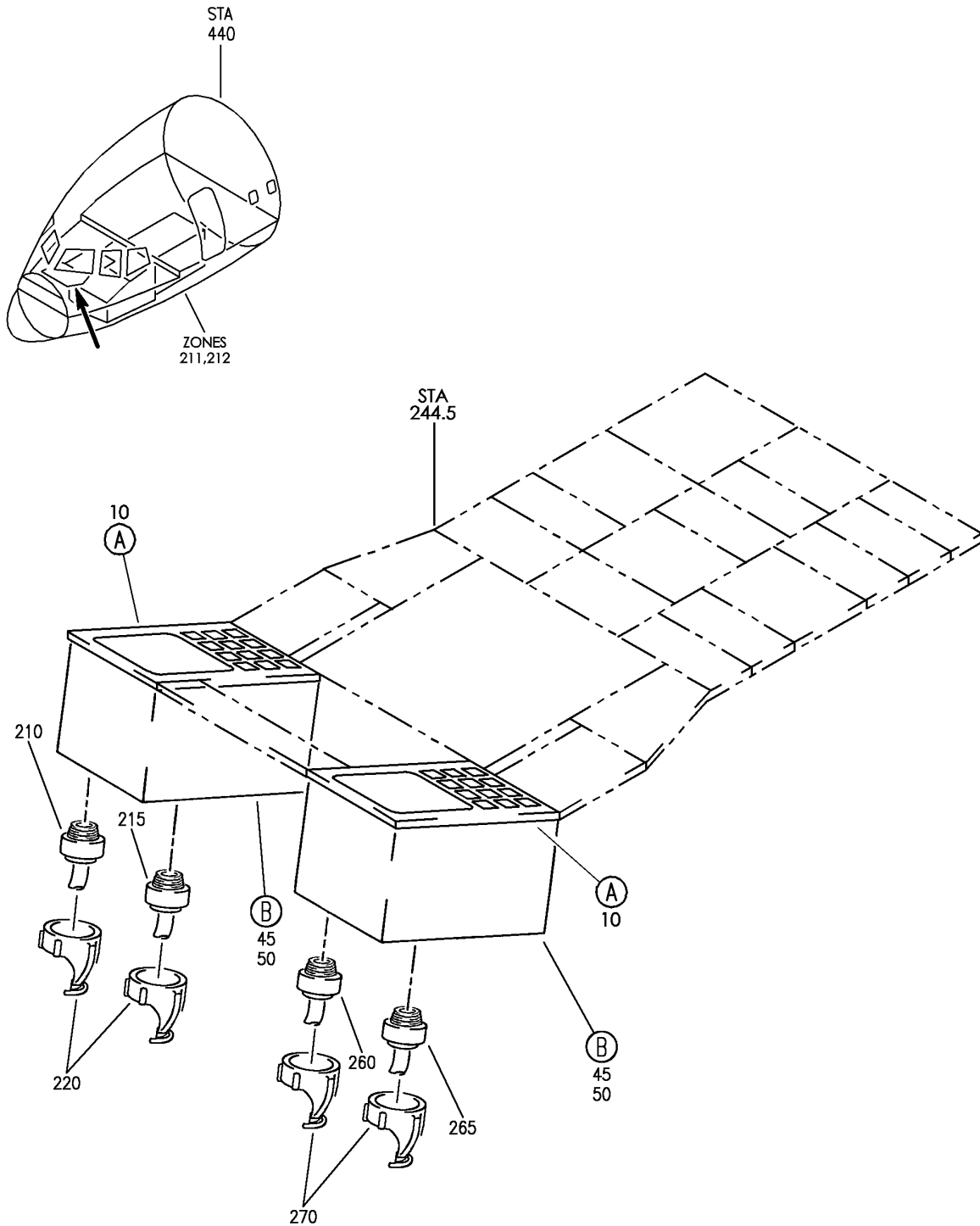
BRI

34-61-02-02

BOEING PROPRIETARY - Copyright © - Unpublished Work - See title page for details.

34-61-02  
FIG. 02  
PAGE 7  
JAN 20/09

**BOEING**  
757  
PARTS CATALOG (MAINTENANCE)



Y 34610203 SH1 1 REV 275

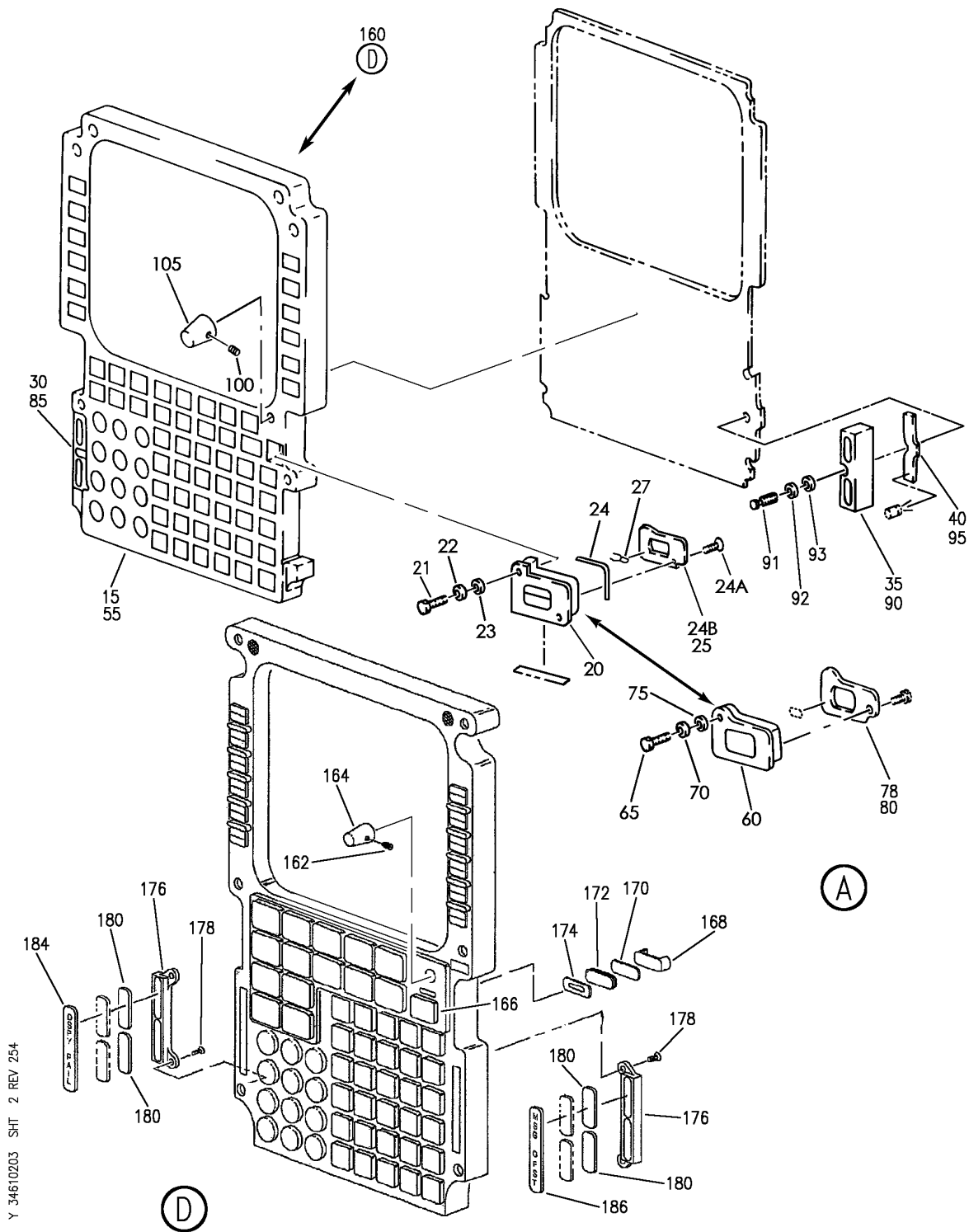
PANEL INSTL-P8,P9,P10 ELECTRONICS (FLIGHT MANAGEMENT COMPUTER SYSTEM ONLY)  
FIGURE 3 (SHEET 1)

BRI  
MAY 28/07

**34-61-02-03**

34-61-02-03  
PAGE 0

**BOEING**  
757  
PARTS CATALOG (MAINTENANCE)



Y 34610203 SHT 2 REV 254

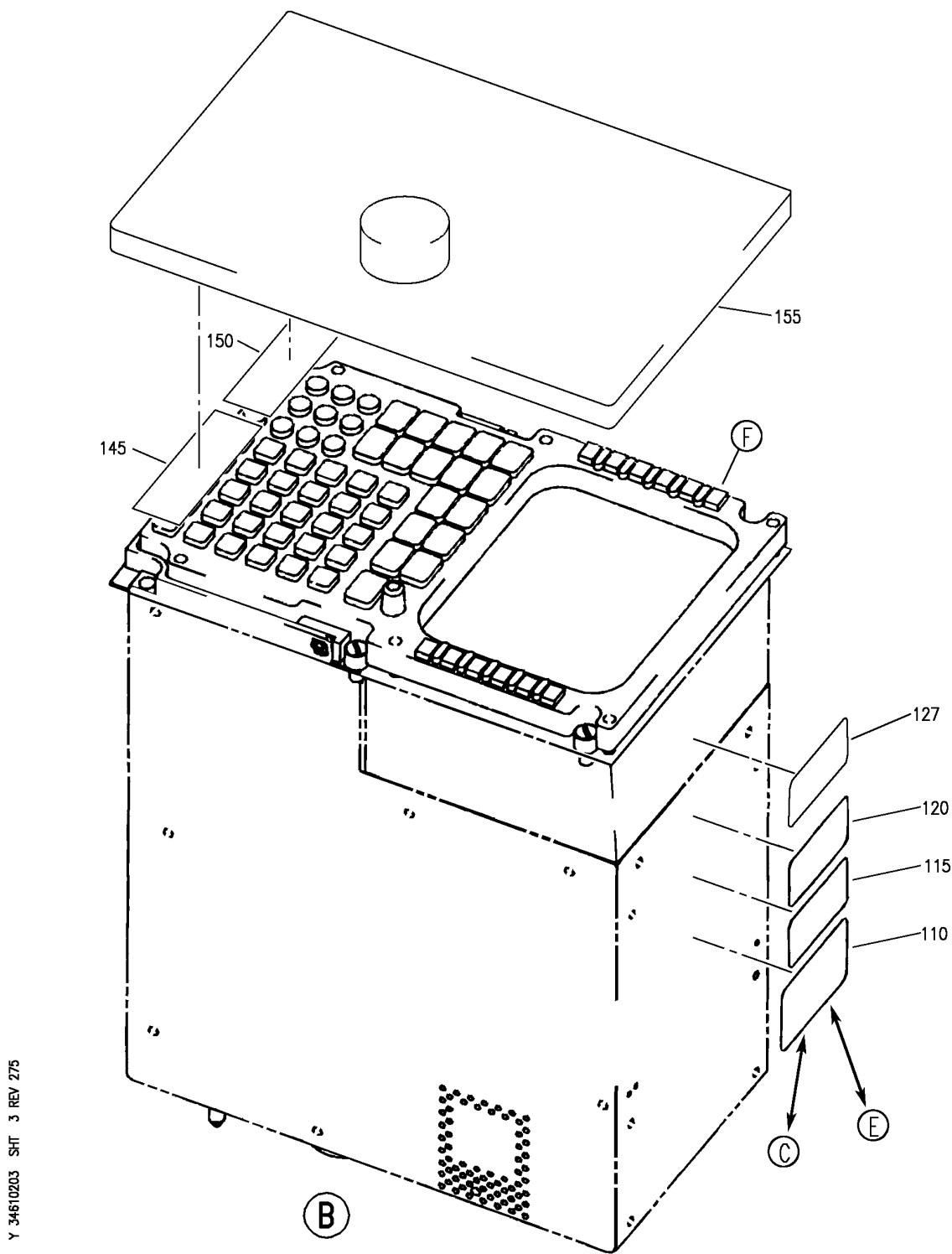
PANEL INSTL-P8,P9,P10 ELECTRONICS (FLIGHT MANAGEMENT COMPUTER SYSTEM ONLY)  
FIGURE 3 (SHEET 2)

BRI  
MAY 28/07

**34-61-02-03**

34-61-02-03  
PAGE 0A

**BOEING**  
757  
PARTS CATALOG (MAINTENANCE)



Y 34610203 SH 3 REV 275

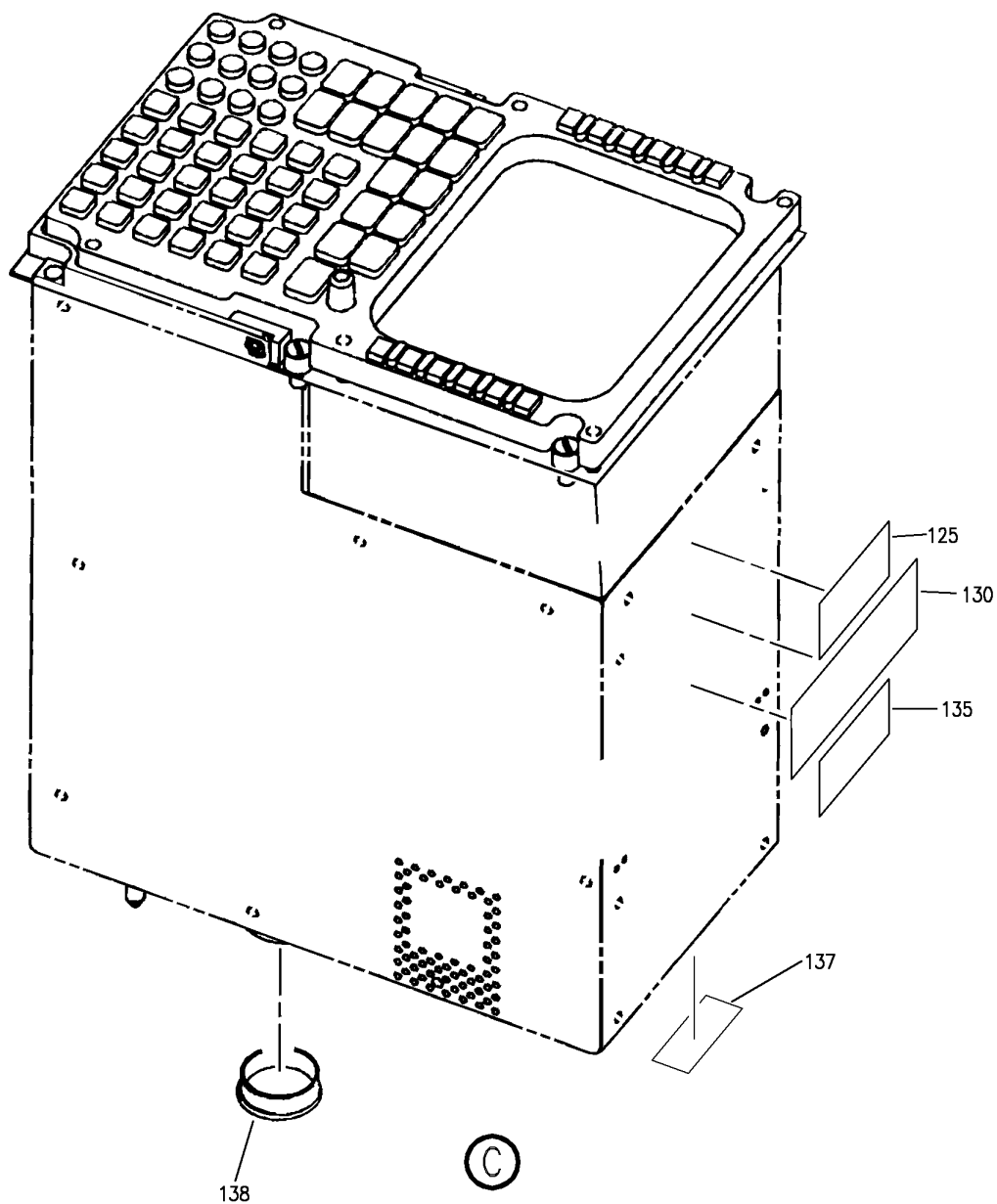
PANEL INSTL-P8,P9,P10 ELECTRONICS (FLIGHT MANAGEMENT COMPUTER SYSTEM ONLY)  
FIGURE 3 (SHEET 3)

BRI  
MAY 28/07

**34-61-02-03**

34-61-02-03  
PAGE 0B

**BOEING**  
757  
PARTS CATALOG (MAINTENANCE)



Y 34610203 SH1 4 REV 283

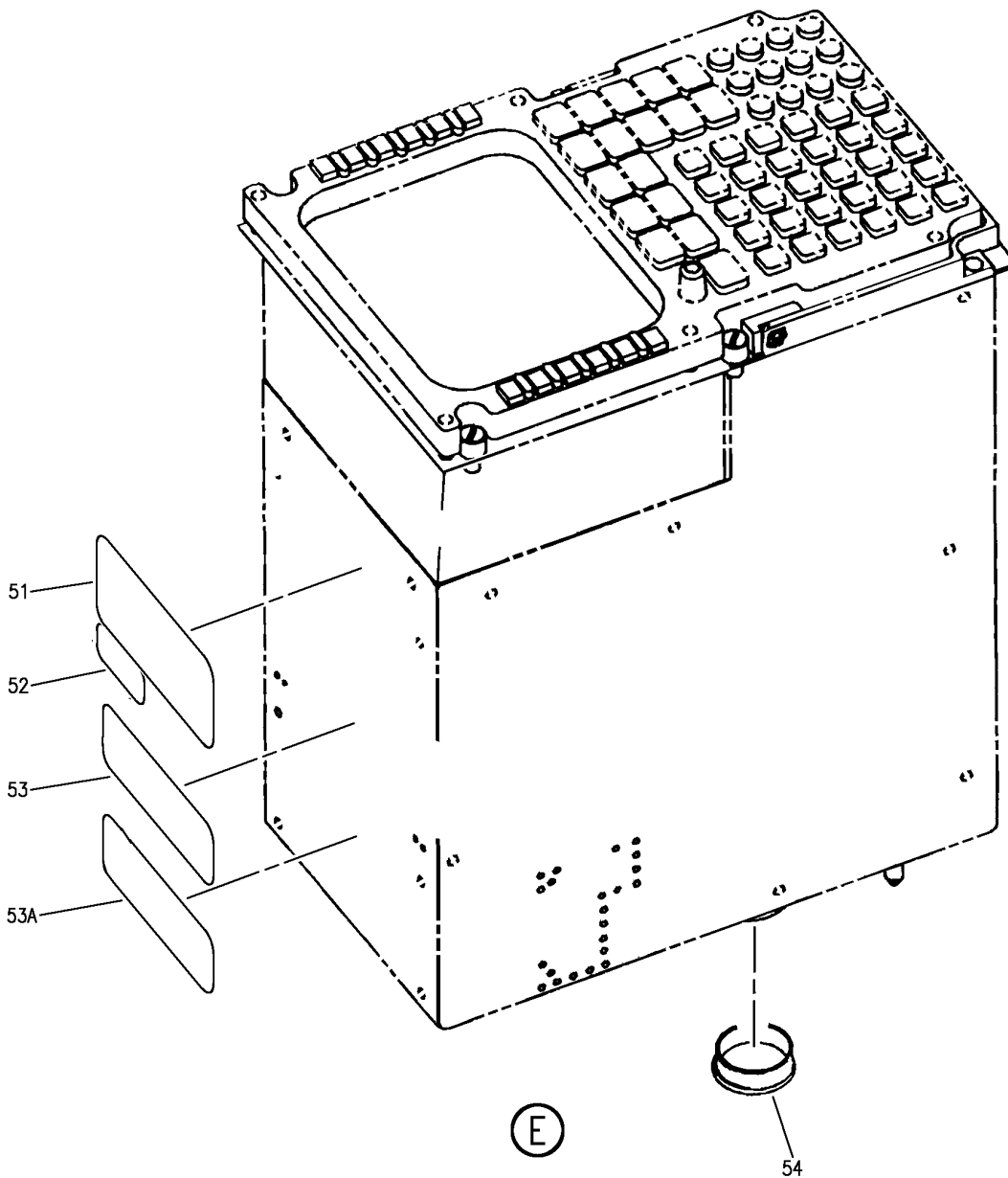
PANEL INSTL-P8,P9,P10 ELECTRONICS (FLIGHT MANAGEMENT COMPUTER SYSTEM ONLY)  
FIGURE 3 (SHEET 4)

BRI  
MAY 28/07

**34-61-02-03**

34-61-02-03  
PAGE 0C

**BOEING**  
757  
PARTS CATALOG (MAINTENANCE)



Y 34610203 SHT 5 REV 283

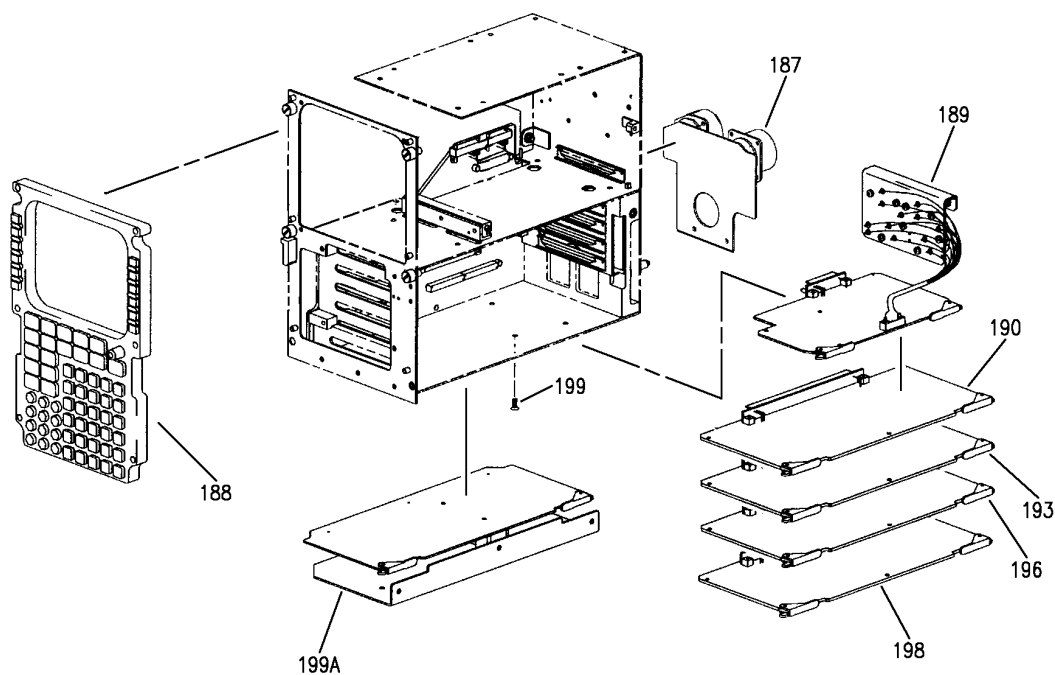
PANEL INSTL-P8,P9,P10 ELECTRONICS (FLIGHT MANAGEMENT COMPUTER SYSTEM ONLY)  
FIGURE 3 (SHEET 5)

BRI  
MAY 28/07

**34-61-02-03**

34-61-02-03  
PAGE 0D

**BOEING**  
757  
PARTS CATALOG (MAINTENANCE)



(F)

Y 34-61-02-03 SHT 6 REV 274

PANEL INSTL-P8,P9,P10 ELECTRONICS (FLIGHT MANAGEMENT COMPUTER SYSTEM ONLY)  
FIGURE 3 (SHEET 6)

BRI  
MAY 28/07

**34-61-02-03**

34-61-02-03  
PAGE 0E



757

PARTS CATALOG (MAINTENANCE)

FIG ITEM	PART NUMBER	1 2 3 4 5 6 7	NOMENCLATURE	EFFECT FROM TO	UNITS PER ASSY
3			PANEL INSTL-P8,P9,P10 ELECTRONICS (FLIGHT MANAGEMENT COMPUTER SYSTEM ONLY)	101106 108120 504903	
- 2	233N6103-28		PANEL INSTL-P8,P9,P10 ELECTRONICS (FLIGHT MANAGEMENT COMPUTER SYSTEM ONLY) FOR NHA/OTHER SYS DET SEE: 25-10-00-15B	101101	RF
- 2	233N6103-62		PANEL INSTL-P8,P9,P10 ELECTRONICS (FLIGHT MANAGEMENT COMPUTER SYSTEM ONLY) FOR NHA/OTHER SYS DET SEE: 25-10-00-15B	108120	RF
- 3	233N6103-122		PANEL INSTL-P8,P9,P10 ELECTRONICS (FLIGHT MANAGEMENT COMPUTER SYSTEM ONLY) FOR NHA/OTHER SYS DET SEE: 25-10-00-15B	504903	RF
- 3	233N6103-128		PANEL INSTL-P8,P9,P10 ELECTRONICS (FLIGHT MANAGEMENT COMPUTER SYSTEM ONLY) FOR NHA/OTHER SYS DET SEE: 25-10-00-15B	102102	RF

MISSING ITEM NUMBERS NOT APPLICABLE

- ITEM NOT ILLUSTRATED

34-61-02-03

34-61-02  
FIG. 03  
PAGE 1  
JAN 20/09

BRI





757

PARTS CATALOG (MAINTENANCE)

FIG ITEM	PART NUMBER	1 2 3 4 5 6 7	NOMENCLATURE	EFFECT FROM TO	UNITS PER ASSY
3 -	8 MODREF33990		PANEL INSTL-P8,P9,P10 ELECTRONICS (FLIGHT MANAGEMENT COMPUTER SYSTEM ONLY) MODULE NUMBER: 233N6103-253 REV B FOR OTHER SYS DETAILS SEE: 11-31-05-66F 23-12-02-03 23-51-01-05 26-11-02-01 26-11-54-02A 26-12-51-03 26-17-51-06 26-21-01-02 26-22-03-03 26-23-52-04A 27-11-23-03 27-21-23-03 27-28-02-01A 31-11-31-02 31-11-36-78 31-11-41-02 31-41-03-02 33-13-01-07 34-22-02-03 34-31-02-02 34-43-02-02 34-53-02-02 34-57-02-03	103106	1
	10 4038170-905		.PANEL ASSY-FMC CONT SUPPLIER CODE: V58960 SPECIFICATION NUMBER: S242T102-103 ELECTRICAL EQUIP NUMBER: M00076 M00077 COMPONENT MAINT MANUAL REF: 34-61-20 QUALIFIED SB I/W DATA: 4038170-930) FUNCTIONAL REFERENCE: LIGHTS FOR DETAILS SEE 33-13-58-03	108120	2

MISSING ITEM NUMBERS NOT APPLICABLE

- ITEM NOT ILLUSTRATED

BRI

34-61-02-03

34-61-02  
FIG. 03  
PAGE 2  
JAN 20/09



757

PARTS CATALOG (MAINTENANCE)

FIG ITEM	PART NUMBER	1 2 3 4 5 6 7	NOMENCLATURE	EFFECT FROM TO	UNITS PER ASSY
3					
10	4038170-904	.	PANEL ASSY-FMC CONT SUPPLIER CODE: V58960 SPECIFICATION NUMBER: S242T102-102 ELECTRICAL EQUIP NUMBER: M00076 M00077 COMPONENT MAINT MANUAL REF: 34-61-20 FUNCTIONAL REFERENCE: LIGHTS FOR DETAILS SEE 33-13-58-03	108120	2
15	4040317-902	..	KEYBOARD ASSY- SUPPLIER CODE: V58960 CONFIG CHG DATA FROM A CMM: REPLD BY 865-000002-2 REPLD BY 865-000058-1 COMPONENT MAINT MANUAL REF: 24-09-06	108120	1
15	865-000002-2	..	KEYBOARD ASSY- SUPPLIER CODE: V58960 CONFIG CHG DATA FROM A CMM: REPLS 4040317-902 COMPONENT MAINT MANUAL REF: 24-09-06	108120	1
15	865-000058-1	..	KEYBOARD ASSY- SUPPLIER CODE: V58960 CONFIG CHG DATA FROM A CMM: REPLS 4040317-902	108120	1
20	565-000044-1	...	BUTTON ASSY- SUPPLIER CODE: V58960 ATTACHING PARTS	108120	1
21	365-000036-1	...	SCREW-CAPTIVE PHN CRES 2-56X5-16 SUPPLIER CODE: V58960 CONFIG CHG DATA FROM A CMM: REPL BY 365-000036-2	108120	2

MISSING ITEM NUMBERS NOT APPLICABLE

- ITEM NOT ILLUSTRATED

34-61-02-03

34-61-02  
FIG. 03  
PAGE 3  
JAN 20/09

BRI



757

PARTS CATALOG (MAINTENANCE)

FIG ITEM	PART NUMBER	1 2 3 4 5 6 7	NOMENCLATURE	EFFECT FROM TO	UNITS PER ASSY
3					
21	365-000036-2	...	SCREW-CAPTIVE PHN CRES 2-56X3-8 SUPPLIER CODE: V58960 CONFIG CHG DATA FROM A CMM: REPLS 365-000036-1	108120	2
22	MS35338-134	...	WASHER	108120	2
23	NAS620-2	...	WASHER- CONFIG CHG DATA FROM A CMM: REPL BY NAS620C2	108120	2
- 23A	NAS620C2	...	WASHER- CONFIG CHG DATA FROM A CMM: REPLS NAS620-2 -----*-----	108120	4
24	365-000356-1	...	SEAL- SUPPLIER CODE: V58960	108120	1
24A	MS51960-1	...	SCREW	108120	2
24B	365-000437-1	...	INSULATOR- SUPPLIER CODE: V58960	108120	1
25	565-000042-1	...	BOARD ASSY-PRINTED WIRING SUPPLIER CODE: V58960 CONFIG CHG DATA FROM A CMM: REPLD BY 565-000227-1	108120	1
25	565-000227-1	...	BOARD ASSY-PRINTED WIRING SUPPLIER CODE: V58960 CONFIG CHG DATA FROM A CMM: REPLS 565-000042-1	108120	1
27	100-150067-1	....	LAMP- SUPPLIER CODE: V58960	108120	2
30	565-000047-2	...	ANNUNCIATOR ASSY- SUPPLIER CODE: V58960	108120	1
35	565-000047-1	...	ANNUNCIATOR ASSY- SUPPLIER CODE: V58960	108120	1
40	565-000043-1	...	BOARD ASSY-PRINTED WIRING SUPPLIER CODE: V58960 CONFIG CHG DATA FROM A CMM: REPLD BY 565-000228-1	108120	1

MISSING ITEM NUMBERS NOT APPLICABLE

- ITEM NOT ILLUSTRATED

34-61-02-03

34-61-02  
FIG. 03  
PAGE 4  
JAN 20/09

BRI



757

PARTS CATALOG (MAINTENANCE)

FIG ITEM	PART NUMBER	1 2 3 4 5 6 7	NOMENCLATURE	EFFECT FROM TO	UNITS PER ASSY
3	40 565-000228-1		...BOARD ASSY-PRINTED WIRING SUPPLIER CODE: V58960 CONFIG CHG DATA FROM A CMM: REPLS 565-000043-1	108120	1
	45 4077880-902		.PANEL ASSY-FLIGHT MANAGEMENT CDU SUPPLIER CODE: V58960 FUNCTIONAL DESCRIPTION: OPERATE CONTROL PANEL FOR SUBSYSTEMS AND PROVIDE BACKUP FUNCTIONS FOR NAVIGATION, FLIGHT PLANNING, RADIO TUNING AND EFIS/EICAS PANEL CONTROL SPECIFICATION NUMBER: S242T102-155 ELECTRICAL EQUIP NUMBER: M00076 M00077 COMPONENT MAINT MANUAL REF: 34-61-57	101101	2
	45 4077880-903		.PANEL ASSY-FLIGHT MANAGEMENT CDU SUPPLIER CODE: V58960 FUNCTIONAL DESCRIPTION: OPERATE CONTROL PANEL FOR SUBSYSTEMS AND PROVIDE BACKUP FUNCTIONS FOR NAVIGATION, FLIGHT PLANNING, RADIO TUNING AND EFIS/EICAS PANEL CONTROL SPECIFICATION NUMBER: S242T102-156 ELECTRICAL EQUIP NUMBER: M00076 M00077 COMPONENT MAINT MANUAL REF: 34-61-57	101106 108120 504903	2

MISSING ITEM NUMBERS NOT APPLICABLE

- ITEM NOT ILLUSTRATED

34-61-02-03

34-61-02  
FIG. 03  
PAGE 5  
JAN 20/09

BRI



757

PARTS CATALOG (MAINTENANCE)

FIG ITEM	PART NUMBER	1 2 3 4 5 6 7	NOMENCLATURE	EFFECT FROM TO	UNITS PER ASSY
3	45 4058650-950		.PANEL ASSY-FLIGHT MANAGEMENT CDU SUPPLIER CODE: V58960 FUNCTIONAL DESCRIPTION: OPERATE CONTROL PANEL FOR SUBSYSTEMS AND PROVIDE BACKUP FUNCTIONS FOR NAVIGATION, FLIGHT PLANNING, RADIO TUNING AND EFIS/EICAS PANEL CONTROL SPECIFICATION NUMBER: S242T102-153 ELECTRICAL EQUIP NUMBER: M00076 M00077 COMPONENT MAINT MANUAL REF: 34-61-37	101106 108120 504903	2
50	4077880-908		.PANEL ASSY-FLIGHT MANAGEMENT CDU SUPPLIER CODE: V58960 FUNCTIONAL DESCRIPTION: OPERATE CONTROL PANEL FOR SUBSYSTEMS AND PROVIDE BACKUP FUNCTIONS FOR NAVIGATION, FLIGHT PLANNING, RADIO TUNING AND EFIS/EICAS PANEL CONTROL SPECIFICATION NUMBER: S242T102-161 ELECTRICAL EQUIP NUMBER: M00076 M00077 COMPONENT MAINT MANUAL REF: 34-61-57 FUNCTIONAL REFERENCE: LIGHTS FOR DETAILS SEE 33-13-58-03	101106 108120 504903	2
54	CEP22		..COVER- SUPPLIER CODE: V99017 OPTIONAL PART: EP22 V99017	101106 108120 504903	1

MISSING ITEM NUMBERS NOT APPLICABLE

- ITEM NOT ILLUSTRATED

34-61-02-03

34-61-02  
FIG. 03  
PAGE 6  
JAN 20/09

BRI



757

PARTS CATALOG (MAINTENANCE)

FIG ITEM	PART NUMBER	1 2 3 4 5 6 7	NOMENCLATURE	EFFECT FROM TO	UNITS PER ASSY
3					
54	EP22		..COVER- SUPPLIER CODE: V99017 OPTIONAL PART: CEP22 V99017	101106 108120 504903	1
60	565-000044-4		...BUTTON ASSY- SUPPLIER CODE: V05617 USED ON: 865-000060-1 865-000060-2 865-000060-3	101106 108120 504903	1
60	565-000044-2		...BUTTON ASSY- SUPPLIER CODE: V05617 CONFIG CHG DATA FROM A CMM: REPLS 565-000044-1 USED ON: 865-000014-2 865-000014-5 ATTACHING PARTS	101106 108120 504903	1
65	365-000036-2		...SCREW-CAPTIVE PNH CRES 2-56X3-8 SUPPLIER CODE: V05617 CONFIG CHG DATA FROM A CMM: REPLS 365-000036-1	101106 108120 504903	2
70	MS35338-134		...WASHER	101106 108120 504903	2
- 76	NAS620C2		...WASHER- CONFIG CHG DATA FROM A CMM: REPLS NAS620-2 -----*-----	101106 108120 504903	4
78	365-000437-1		....INSULATOR- SUPPLIER CODE: V05617 USED ON: 565-000044-2 565-000044-4	101106 108120 504903	1

MISSING ITEM NUMBERS NOT APPLICABLE

- ITEM NOT ILLUSTRATED

34-61-02-03

34-61-02  
FIG. 03  
PAGE 7  
JAN 20/09

BRI

BOEING PROPRIETARY - Copyright © - Unpublished Work - See title page for details.

 **BOEING**  
757  
**PARTS CATALOG (MAINTENANCE)**

FIG ITEM	PART NUMBER	1 2 3 4 5 6 7	NOMENCLATURE	EFFECT FROM TO	UNITS PER ASSY
3					
80	565-000227-1	....	BOARD ASSY-PRINTED WIRING SUPPLIER CODE: V05617 CONFIG CHG DATA FROM A CMM: REPLD BY 565-000227-2 USED ON: 565-000044-2 565-000044-4	101106 108120 504903	1
80	565-000227-2	....	BOARD ASSY-PRINTED WIRING SUPPLIER CODE: V05617 CONFIG CHG DATA FROM A CMM: REPLS 565-000227-1 USED ON: 565-000044-1 565-000044-2	101106 108120 504903	1
85	565-000276-6	...	ANNUNCIATOR ASSY- SUPPLIER CODE: V05617 CONFIG CHG DATA FROM A CMM: REPLACES 565-000047-6 USED ON: 865-000014-5 865-000060-1 865-000060-2 865-000060-3	101106 108120 504903	1
90	565-000276-5	...	ANNUNCIATOR ASSY- SUPPLIER CODE: V05617 USED ON: 865-000014-5 865-000060-1 865-000060-2 865-000060-3	101106 108120 504903	1
91	365-000036-2	...	ATTACHING PARTS SCREW- SUPPLIER CODE: V05617 CONFIG CHG DATA FROM A CMM: REPLS 365-000036-1	101106 108120 504903	4
92	MS35338-134	...	WASHER	101106 108120 504903	4
93	NAS620C2	...	WASHER- CONFIG CHG DATA FROM A CMM: REPLS NAS620C2L -----*-----	101106 108120 504903	4

MISSING ITEM NUMBERS NOT APPLICABLE

— ITEM NOT ILLUSTRATED

BRI

# 34-61-02-03

BOEING PROPRIETARY - Copyright © - Unpublished Work - See title page for details.

34-61-02  
FIG. 03  
PAGE 8  
JAN 20/09



757

PARTS CATALOG (MAINTENANCE)

FIG ITEM	PART NUMBER	1 2 3 4 5 6 7	NOMENCLATURE	EFFECT FROM TO	UNITS PER ASSY
3					
95	565-000228-1	...	BOARD ASSY-PRINTED WIRING SUPPLIER CODE: V58960	101106 108120 504903	1
97	365-000304-8	...	LABEL- SUPPLIER CODE: V05617 USED ON: 865-000014-5 865-000060-1 865-000060-2 865-000060-3	101106 108120 504903	1
100	MS51021-101	...	SETSCREW	101106 108120 504903	1
105	365-000038-1	...	KNOB- SUPPLIER CODE: V05617	101106 108120 504903	1
110	4078256-468	..	PLATE-IDENT SUPPLIER CODE: V58960 USED ON: 4077880-902	101101	1
125	4021834-11	..	PLATE-DESIGNATION SUPPLIER CODE: V58960 USED ON: 4077880-902 4077880-903 4058650-930 4058650-931 4058650-950	101106 108120 504903	1
130	4032147	..	PLATE-DESIGNATION SUPPLIER CODE: V07416 MISCELLANEOUS DATA: HONEYWELL PART NO. 4032147 OPTIONAL SUPPLIER CODE: 4J649 USED ON: 4077880-902 4077880-903 4077880-908 4058650-930 4058650-931 4058650-950	101106 108120 504903	1

MISSING ITEM NUMBERS NOT APPLICABLE

- ITEM NOT ILLUSTRATED

34-61-02-03

34-61-02  
FIG. 03  
PAGE 9  
JAN 20/09

BRI





757

PARTS CATALOG (MAINTENANCE)

FIG ITEM	PART NUMBER	1 2 3 4 5 6 7	NOMENCLATURE	EFFECT FROM TO	UNITS PER ASSY
3					
135	4023099-9		.. PLATE-INSTRUCTION SUPPLIER CODE: V07416 MISCELLANEOUS DATA: HONEYWELL PART NO. 4023099-9 OPTIONAL SUPPLIER CODE: 4J649 USED ON: 4077880-902 4077880-903 4077880-908 4058650-930 4058650-931 4058650-950	101106 108120 504903	1
- 201	286N2331-334		WIRE BUNDLE ASSY	101101	RF
- 201	286N2331-335		WIRE BUNDLE ASSY	102102	RF
- 201	286N2331-339		WIRE BUNDLE ASSY	504903	RF
- 202	286N2331-357		WIRE BUNDLE ASSY-	108120	RF
210	BACC45FT20A41S6		.CONNECTOR- ELECTRICAL EQUIP NUMBER: D01487 WIRING DIAGRAM REF: 346111	101102 108120 504903	1
215	BACC45FT20A41S		.CONNECTOR- ELECTRICAL EQUIP NUMBER: D00171 WIRING DIAGRAM REF: 346111	101102 108120 504903	1
- 251	286N2333-328		WIRE BUNDLE ASSY	101101	RF
- 251	286N2333-329		WIRE BUNDLE ASSY	102102	RF
- 251	286N2333-331		WIRE BUNDLE ASSY	504903	RF
- 253	286N2333-354		WIRE BUNDLE ASSY	108120	RF
260	BACC45FT20A41S6		.CONNECTOR- ELECTRICAL EQUIP NUMBER: D01489 WIRING DIAGRAM REF: 346121	101102 108120 504903	1
265	BACC45FT20A41S		.CONNECTOR- ELECTRICAL EQUIP NUMBER: D00175 WIRING DIAGRAM REF: 346121	101102 108120 504903	1

MISSING ITEM NUMBERS NOT APPLICABLE

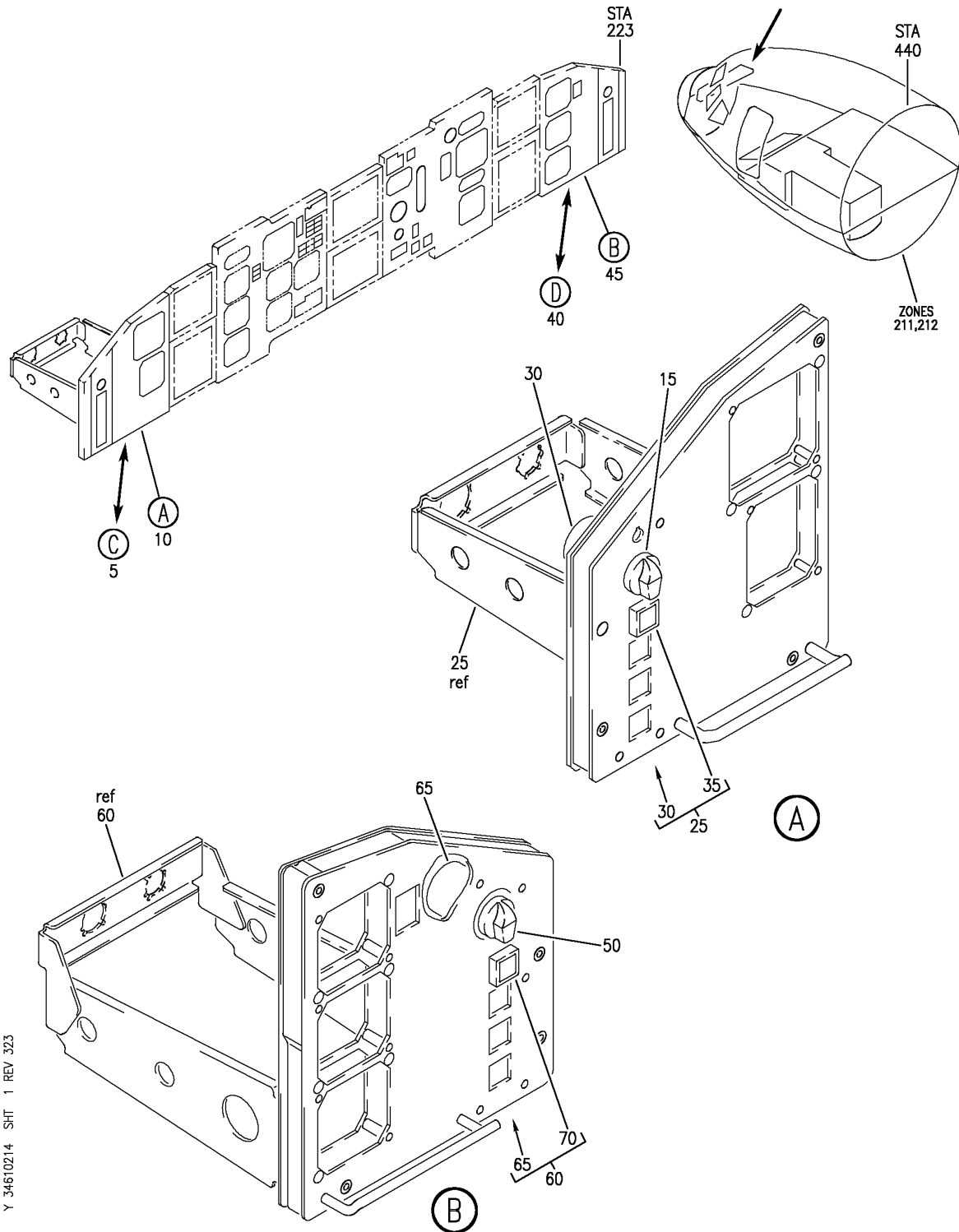
- ITEM NOT ILLUSTRATED

34-61-02-03

34-61-02  
FIG. 03  
PAGE 10  
JAN 20/09

BRI

**BOEING**  
757  
**PARTS CATALOG (MAINTENANCE)**



Y 34610214 SH1 1 REV 323

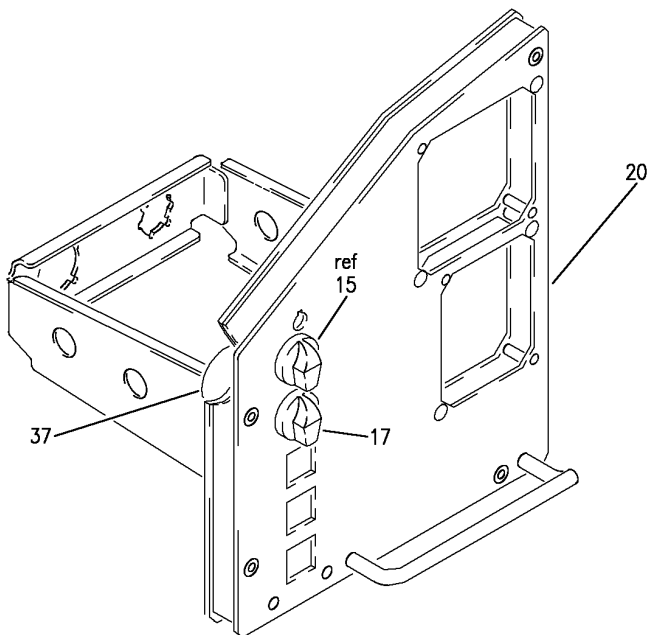
PANEL INSTL-CAPT AND FIRST OFFICER FWD (FLIGHT MANAGEMENT COMPUTER CONTROL DISPLAY UNIT ONLY)  
FIGURE 14

BRI  
MAY 20/08

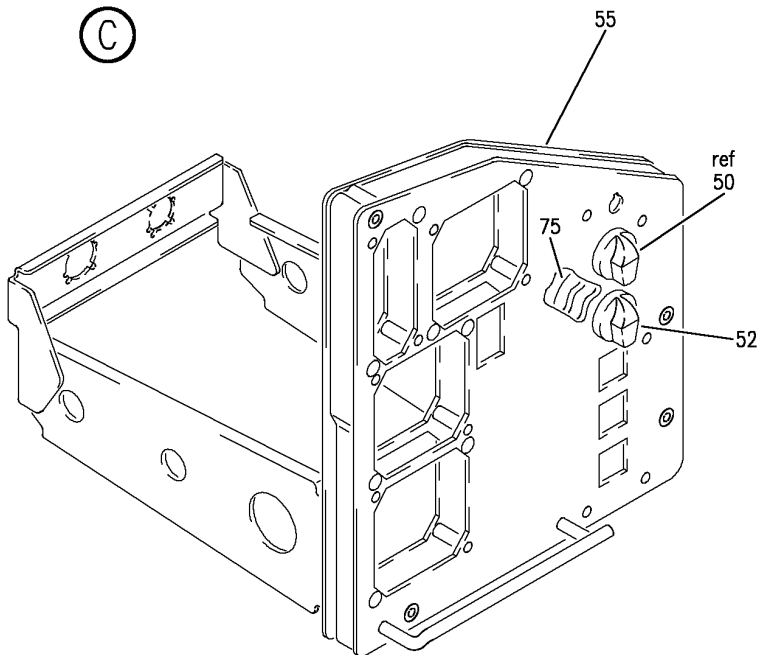
**34-61-02-14**

34-61-02-14  
PAGE 0

**BOEING**  
757  
PARTS CATALOG (MAINTENANCE)



(C)



(D)

Y 34610214 SH1 2 REV 325

PANEL INSTL-CAPT AND FIRST OFFICER FWD (FLIGHT MANAGEMENT COMPUTER CONTROL DISPLAY UNIT ONLY)

FIGURE 14

**34-61-02-14**

BRI  
SEP 20/08

34-61-02-14  
PAGE 0A



757

PARTS CATALOG (MAINTENANCE)

FIG ITEM	PART NUMBER	1 2 3 4 5 6 7	NOMENCLATURE	EFFECT FROM TO	UNITS PER ASSY
14			PANEL INSTL-CAPT AND FIRST OFFICER FWD (FLIGHT MANAGEMENT COMPUTER CONTROL DISPLAY UNIT ONLY)	011100	
- 1	233N2101-1		PANEL INSTL-CAPT AND FIRST OFFICER (FLIGHT MANAGEMENT COMPUTER CONTROL DISPLAY UNIT ONLY) POSITION DATA: FWD VARIABLE DRAWING REF: 233N2101-5039 FOR NHA/OTHER SYS DET SEE: 25-10-00-05A	011100	RF
10	233N2220-301		.MODULE ASSY-P1-1 COMPONENT MAINT MANUAL REF: 31-11-47	011100	RF
25	233N2220-10		..MODULE ASSY-	011100	RF
35	BCREFA0501		...SWITCH ASSY-LIGHTED PUSH BUTTON IND ALTN SUPPLIER CODE: V81590 OVERLENGTH PART NUMBER: 433-673-1004-4001 SPECIFICATION NUMBER: S231T290-4001 MISCELLANEOUS DATA: WHEN REPLACING THE PUSHBUTTON SWITCH ASSY OR THE MASTER MODULE WITHIN, VERIFY THAT A CONFIG D MASTER MODULE P/N 13206-001 IS INSTALLED IN LIEU OF ANY EARLIER CONFIGURATION MASTER MODULES. OPTIONAL PART: S231T290-5001 851-35100-5001 V96182 FOR DETAILS SEE: 33-13-00-43	011100	1

MISSING ITEM NUMBERS NOT APPLICABLE

- ITEM NOT ILLUSTRATED

34-61-02-14

34-61-02  
FIG. 14  
PAGE 1  
JAN 20/09

BRI



757

PARTS CATALOG (MAINTENANCE)

FIG ITEM	PART NUMBER	1 2 3 4 5 6 7	NOMENCLATURE	EFFECT FROM TO	UNITS PER ASSY
14					
35	851-30768-2001	...	SWITCH ASSY-LIGHTED PUSH BUTTON IND ALTN SUPPLIER CODE: V96182 SPECIFICATION NUMBER: S231T290-2001 FOR DETAILS SEE: 33-13-00-23	011100	1
35	851-30768-3001	...	SWITCH ASSY-LIGHTED PUSH BUTTON IND ALTN SUPPLIER CODE: V96182 SPECIFICATION NUMBER: S231T290-3001 FOR DETAILS SEE: 33-13-00-23	011100	1
35	S231T290-5001	...	SWITCH ASSY-LIGHTED PUSH BUTTON IND ALTN OPTIONAL PART: BCREFA0501 V81590 851-35100-5001 V96182	011100	1
35	851-35100-5001	...	SWITCH ASSY-LIGHTED PUSH BUTTON IND ALTN SUPPLIER CODE: V96182 OPTIONAL PART: BCREFA0501 V81590 S231T290-5001	011100	1
35	4336731004-4201	...	SWITCH ASSY-LIGHTED PUSHBUTTON IND SUPPLIER CODE: V81590 SPECIFICATION NUMBER: S231T290-4201 ELECTRICAL EQUIP NUMBER: S10567	011100	1
45	233N2223-301	.	MODULE ASSY-P3-3 COMPONENT MAINT MANUAL REF: 31-11-50	011100	RF
60	233N2223-12	..	MODULE ASSY-	011100	RF

MISSING ITEM NUMBERS NOT APPLICABLE

- ITEM NOT ILLUSTRATED

34-61-02-14

34-61-02  
FIG. 14  
PAGE 2  
JAN 20/09

BRI

BOEING PROPRIETARY - Copyright © - Unpublished Work - See title page for details.



757

PARTS CATALOG (MAINTENANCE)

FIG ITEM	PART NUMBER	1 2 3 4 5 6 7	NOMENCLATURE	EFFECT FROM TO	UNITS PER ASSY
14 70	BCREFA0501		...SWITCH ASSY-LIGHTED PUSH BUTTON IND ALTN SUPPLIER CODE: V81590 OVERLENGTH PART NUMBER: 433-673-1004-4001 SPECIFICATION NUMBER: S231T290-4001 MISCELLANEOUS DATA: WHEN REPLACING THE PUSHBUTTON SWITCH ASSY OR THE MASTER MODULE WITHIN, VERIFY THAT A CONFIG D MASTER MODULE P/N 13206-001 IS INSTALLED IN LIEU OF ANY EARLIER CONFIGURATION MASTER MODULES. OPTIONAL PART: 851-35100-5001 V81590 S231T290-5001 FOR DETAILS SEE: 33-13-00-43	011100	1
70	851-30768-2001		...SWITCH ASSY-LIGHTED PUSH BUTTON IND ALTN SUPPLIER CODE: V96182 SPECIFICATION NUMBER: S231T290-2001 FOR DETAILS SEE: 33-13-00-23	011100	1
70	851-30768-3001		...SWITCH ASSY-LIGHTED PUSH BUTTON IND ALTN SUPPLIER CODE: V96182 SPECIFICATION NUMBER: S231T290-3001 FOR DETAILS SEE: 33-13-00-33	011100	1
70	S231T290-5001		...SWITCH ASSY-LIGHTED PUSH BUTTON IND ALTN OPTIONAL PART: 851-35100-5001 V81590 BCREFA0501 V81590	011100	1

MISSING ITEM NUMBERS NOT APPLICABLE

- ITEM NOT ILLUSTRATED

34-61-02-14

34-61-02  
FIG. 14  
PAGE 3  
JAN 20/09

BRI



757

PARTS CATALOG (MAINTENANCE)

FIG ITEM	PART NUMBER	1 2 3 4 5 6 7	NOMENCLATURE	EFFECT FROM TO	UNITS PER ASSY
14 70	851-35100-5001		...SWITCH ASSY-LIGHTED PUSH BUTTON IND ALTN SUPPLIER CODE: V81590 OPTIONAL PART: BCREFA0501 V81590 S231T290-5001	011100	1
70	4336731004-4201		...SWITCH ASSY-LIGHTED PUSHBUTTON IND SUPPLIER CODE: V81590 SPECIFICATION NUMBER: S231T290-4201 ELECTRICAL EQUIP NUMBER: S10567	011100	1

MISSING ITEM NUMBERS NOT APPLICABLE

- ITEM NOT ILLUSTRATED

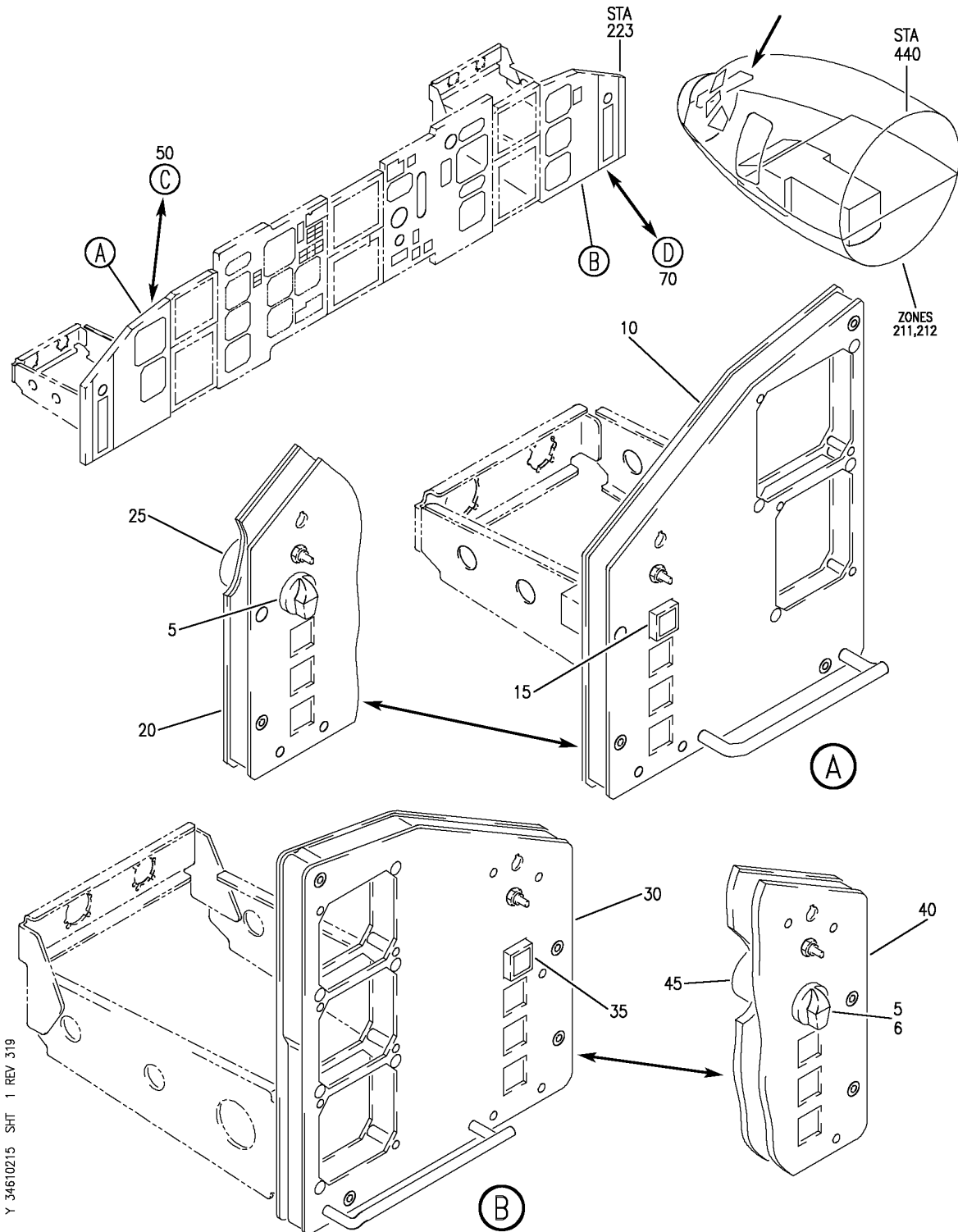
BRI

34-61-02-14

BOEING PROPRIETARY - Copyright © - Unpublished Work - See title page for details.

34-61-02  
FIG. 14  
PAGE 4  
JAN 20/09

**BOEING**  
757  
PARTS CATALOG (MAINTENANCE)



Y 34610215 SHT 1 REV 319

PANEL INSTL-CAPT AND FIRST OFFICER FWD (FLIGHT MANAGEMENT COMPUTER CONTROL/DISPLAY UNIT ONLY)  
FIGURE 15 (SHEET 1)

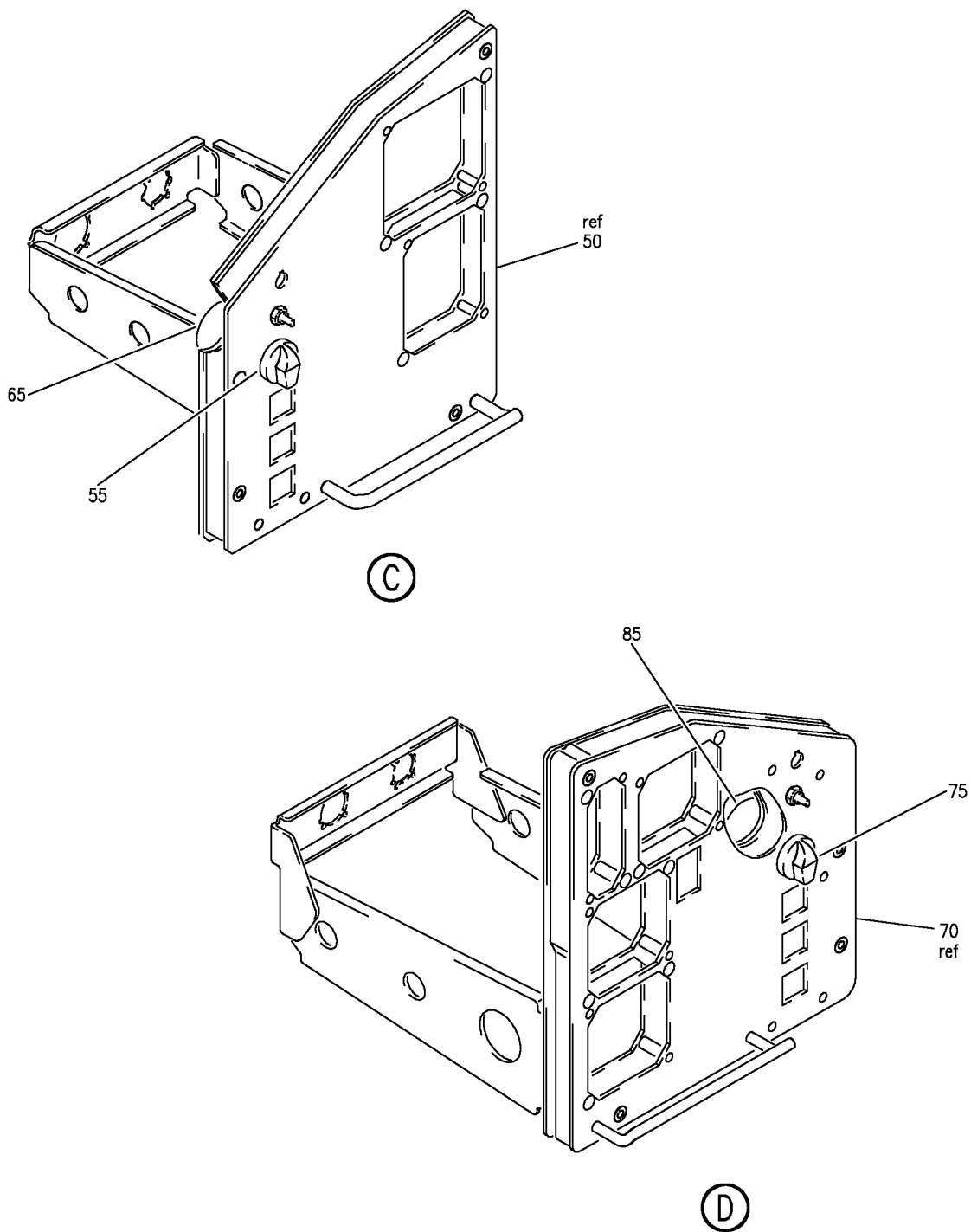
BRI  
JAN 20/08

**34-61-02-15**

34-61-02-15  
PAGE 0



**BOEING**  
757  
PARTS CATALOG (MAINTENANCE)



Y 34610215 SH1 2 REV 263

PANEL INSTL-CAPT AND FIRST OFFICER FWD (FLIGHT MANAGEMENT COMPUTER CONTROL/DISPLAY UNIT ONLY)  
FIGURE 15 (SHEET 2)

BRI  
MAY 28/07

**34-61-02-15**

34-61-02-15  
PAGE 0A



757

PARTS CATALOG (MAINTENANCE)

FIG ITEM	PART NUMBER	1 2 3 4 5 6 7	NOMENCLATURE	EFFECT FROM TO	UNITS PER ASSY
15			PANEL INSTL-CAPT AND FIRST OFFICER FWD (FLIGHT MANAGEMENT COMPUTER CONTROL/DISPLAY UNIT ONLY)	002004 006010 107107 121503 904999	
- 1	233N2101-1		PANEL INSTL-CAPT AND FIRST OFFICER (FLIGHT MANAGEMENT COMPUTER CONTROL/DISPLAY UNIT ONLY) POSITION DATA: FWD VARIABLE DRAWING REF: 233N2101-5003 233N2101-5004 233N2101-5037 233N2101-5039 233N2101-5041 FOR NHA/OTHER SYS DET SEE: 25-10-00-05A	002004 006010 107107 121503 904999	RF
5	BP248-127		.KNOB- SUPPLIER CODE: V81590 POST SERVICE BULLETIN: 34-0414	107107	2
10	233N2220-7		.MODULE ASSY-P1-1 PRE SERVICE BULLETIN: 34-0414	107107	RF
10	233N2220-10		.MODULE ASSY-P1-1 PRE SERVICE BULLETIN: 34-0416	002004 006010 950999	RF
10	233N2220-13		.MODULE ASSY-P1-1	121503 904949	RF

MISSING ITEM NUMBERS NOT APPLICABLE

- ITEM NOT ILLUSTRATED

34-61-02-15

34-61-02  
FIG. 15  
PAGE 1  
JAN 20/09

BRI



757

PARTS CATALOG (MAINTENANCE)

FIG ITEM	PART NUMBER	1 2 3 4 5 6 7	NOMENCLATURE	EFFECT FROM TO	UNITS PER ASSY
15 15	BCREF7679		..SWITCH ASSY-LIGHTED PUSH BUTTON IND ALTN SUPPLIER CODE: V81590 OVERLENGTH PART NUMBER: 433-673-1001-1001 SPECIFICATION NUMBER: S231T290-1001 MISCELLANEOUS DATA: WHEN REPLACING THE PUSHBUTTON SWITCH ASSY OR THE MASTER MODULE WITHIN, VERIFY THAT A CONFIG D MASTER MODULE P/N 13206-001 IS INSTALLED IN LIEU OF ANY EARLIER CONFIGURATION MASTER MODULES. FOR DETAILS SEE: 33-13-00-13	107107	1
15	BCREFA0501		..SWITCH ASSY-LIGHTED PUSH BUTTON IND ALTN SUPPLIER CODE: V81590 OVERLENGTH PART NUMBER: 433-673-1004-4001 SPECIFICATION NUMBER: S231T290-4001 MISCELLANEOUS DATA: WHEN REPLACING THE PUSHBUTTON SWITCH ASSY OR THE MASTER MODULE WITHIN, VERIFY THAT A CONFIG D MASTER MODULE P/N 13206-001 IS INSTALLED IN LIEU OF ANY EARLIER CONFIGURATION MASTER MODULES. OPTIONAL PART: S231T290-5001 851-35100-5001 V96182 PRE SERVICE LETTER: 33-027 FOR DETAILS SEE: 33-13-00-43	002004 006010 107107 121503 904999	1

MISSING ITEM NUMBERS NOT APPLICABLE

- ITEM NOT ILLUSTRATED

34-61-02-15

34-61-02  
FIG. 15  
PAGE 2  
JAN 20/09

BRI



757

PARTS CATALOG (MAINTENANCE)

FIG ITEM	PART NUMBER	1 2 3 4 5 6 7	NOMENCLATURE	EFFECT FROM TO	UNITS PER ASSY
15	851-30768-2001	..	SWITCH ASSY-LIGHTED PUSH BUTTON IND ALTN SUPPLIER CODE: V96182 SPECIFICATION NUMBER: S231T290-2001 FOR DETAILS SEE: 33-13-00-23	002004 006010 107107 121503 904999	1
15	851-30768-3001	..	SWITCH ASSY-LIGHTED PUSH BUTTON IND ALTN SUPPLIER CODE: V96182 SPECIFICATION NUMBER: S231T290-3001 OPTIONAL PART: S231T290-5001 FOR DETAILS SEE: 33-13-00-23	002004 006010 107107 121503 904999	1
15	S231T290-5001	..	SWITCH ASSY-LIGHTED PUSH BUTTON IND ALTN OPTIONAL PART: BCREFA0501 V81590 851-30768-3001 V96182 851-35100-5001 V96182	002004 006010 107107 121503 904999	1
15	851-35100-5001	..	SWITCH ASSY-LIGHTED PUSH BUTTON IND ALTN SUPPLIER CODE: V96182 OPTIONAL PART: BCREFA0501 V81590 S231T290-5001	002004 006010 950999	1
15	4336731004-4201	..	SWITCH ASSY-LIGHTED PUSHBUTTON IND SUPPLIER CODE: V81590 SPECIFICATION NUMBER: S231T290-4201 ELECTRICAL EQUIP NUMBER: S10567 POST SERVICE LETTER: 33-027	002004 006010 107107 121503 904999	1
30	233N2223-8	.	MODULE ASSY-P3-3 PRE SERVICE BULLETIN: 34-0414	107107	RF

MISSING ITEM NUMBERS NOT APPLICABLE

- ITEM NOT ILLUSTRATED

34-61-02-15

34-61-02  
FIG. 15  
PAGE 3  
JAN 20/09

BRI



757

PARTS CATALOG (MAINTENANCE)

FIG ITEM	PART NUMBER	1 2 3 4 5 6 7	NOMENCLATURE	EFFECT FROM TO	UNITS PER ASSY
15					
30	233N2223-12	.	MODULE ASSY-P3-3 PRE SERVICE BULLETIN: 34-0416	002004 006010 950999	RF
30	233N2223-15	.	MODULE ASSY-P3-3	121503 904949	RF
35	BCREF7679	..	SWITCH ASSY-LIGHTED PUSH BUTTON IND ALTN SUPPLIER CODE: V81590 OVERLENGTH PART NUMBER: 433-673-1001-1001 SPECIFICATION NUMBER: S231T290-1001 MISCELLANEOUS DATA: WHEN REPLACING THE PUSHBUTTON SWITCH ASSY OR THE MASTER MODULE WITHIN, VERIFY THAT A CONFIG D MASTER MODULE P/N 13206-001 IS INSTALLED IN LIEU OF ANY EARLIER CONFIGURATION MASTER MODULES. PRE SERVICE BULLETIN: 34-0414 FOR DETAILS SEE: 33-13-00-13	107107	1

MISSING ITEM NUMBERS NOT APPLICABLE

- ITEM NOT ILLUSTRATED

34-61-02-15

34-61-02  
FIG. 15  
PAGE 4  
JAN 20/09

BRI



757

PARTS CATALOG (MAINTENANCE)

FIG ITEM	PART NUMBER	1 2 3 4 5 6 7	NOMENCLATURE	EFFECT FROM TO	UNITS PER ASSY
15 35	BCREFA0501		.. SWITCH ASSY-LIGHTED PUSH BUTTON IND ALTN SUPPLIER CODE: V81590 OVERLENGTH PART NUMBER: 433-673-1004-4001 SPECIFICATION NUMBER: S231T290-4001 MISCELLANEOUS DATA: WHEN REPLACING THE PUSHBUTTON SWITCH ASSY OR THE MASTER MODULE WITHIN, VERIFY THAT A CONFIG D MASTER MODULE P/N 13206-001 IS INSTALLED IN LIEU OF ANY EARLIER CONFIGURATION MASTER MODULES. OPTIONAL PART: S231T290-5001 851-35100-5001 V96182 PRE SERVICE BULLETIN: 34-0414 PRE SERVICE LETTER: 33-027 FOR DETAILS SEE: 33-13-00-43	002004 006010 107107 121503 904999	1
35	851-30768-2001		.. SWITCH ASSY-LIGHTED PUSH BUTTON IND ALTN SUPPLIER CODE: V96182 SPECIFICATION NUMBER: S231T290-2001 PRE SERVICE BULLETIN: 34-0414 FOR DETAILS SEE: 33-13-00-23	002004 006010 107107 121503 904999	1

MISSING ITEM NUMBERS NOT APPLICABLE

- ITEM NOT ILLUSTRATED

34-61-02-15

34-61-02  
 FIG. 15  
 PAGE 5  
 JAN 20/09

BRI



757

PARTS CATALOG (MAINTENANCE)

FIG ITEM	PART NUMBER	1 2 3 4 5 6 7	NOMENCLATURE	EFFECT FROM TO	UNITS PER ASSY
15 35	851-30768-3001		..SWITCH ASSY-LIGHTED PUSH BUTTON IND ALTN SUPPLIER CODE: V96182 SPECIFICATION NUMBER: S231T290-3001 OPTIONAL PART: S231T290-5001 PRE SERVICE BULLETIN: 34-0414 FOR DETAILS SEE: 33-13-00-33	002004 006010 107107 121503 904999	1
35	S231T290-5001		..SWITCH ASSY-LIGHTED PUSH BUTTON IND ALTN OPTIONAL PART: 851-30768-3001 V96182 BCREFA0501 V81590 851-35100-5001 V96182 PRE SERVICE BULLETIN: 34-0414	002004 006010 107107 121503 904999	1
35	851-35100-5001		..SWITCH ASSY-LIGHTED PUSH BUTTON IND ALTN SUPPLIER CODE: V96182 OPTIONAL PART: BCREFA0501 V81590 S231T290-5001	002004 006010 950999	1
35	4336731004-4201		..SWITCH ASSY-LIGHTED PUSHBUTTON IND SUPPLIER CODE: V81590 SPECIFICATION NUMBER: S231T290-4201 ELECTRICAL EQUIP NUMBER: S10567 PRE SERVICE BULLETIN: 34-0414 POST SERVICE LETTER: 33-027	002004 006010 107107 121503 904999	1

MISSING ITEM NUMBERS NOT APPLICABLE

- ITEM NOT ILLUSTRATED

34-61-02-15

34-61-02  
FIG. 15  
PAGE 6  
JAN 20/09

BRI

**BOEING**  
757  
**PARTS CATALOG (MAINTENANCE)**

FIG ITEM	PART NUMBER	1 2 3 4 5 6 7	NOMENCLATURE	EFFECT FROM TO	UNITS PER ASSY
15					
45	AC45-0082		.. SWITCH- SUPPLIER CODE: V91812 ELECTRICAL EQUIP NUMBER: S00010 POST SERVICE BULLETIN: 34-0414	107107	1
50	823N0001-3		.MODULE ASSY-P1-1 POST SERVICE BULLETIN: 34-0414 34-0416	009009 107107	RF
55	BP248-127		.. KNOB- SUPPLIER CODE: V81590 POST SERVICE BULLETIN: 34-0414 34-0416	009009 107107	1
- 60	823N0001-203		.. PANEL ASSY- POST SERVICE BULLETIN: 34-0414 34-0416	009009 107107	RF
65	AC45-0082		... SWITCH- SUPPLIER CODE: V91812	009009 107107	1
70	233N2223-334		.MODULE ASSY-P3-3 POST SERVICE BULLETIN: 34-0414 34-0416	009009 107107	RF
75	BP248-127		.. KNOB- SUPPLIER CODE: V81590	009009 107107	1
- 80	233N2223-61		..MODULE SUB ASSY-P3-3 POST SERVICE BULLETIN: 34-0414 34-0416	009009 107107	RF
85	AC45-0082		... SWITCH- SUPPLIER CODE: V91812	009009 107107	1

MISSING ITEM NUMBERS NOT APPLICABLE

- ITEM NOT ILLUSTRATED

BRI

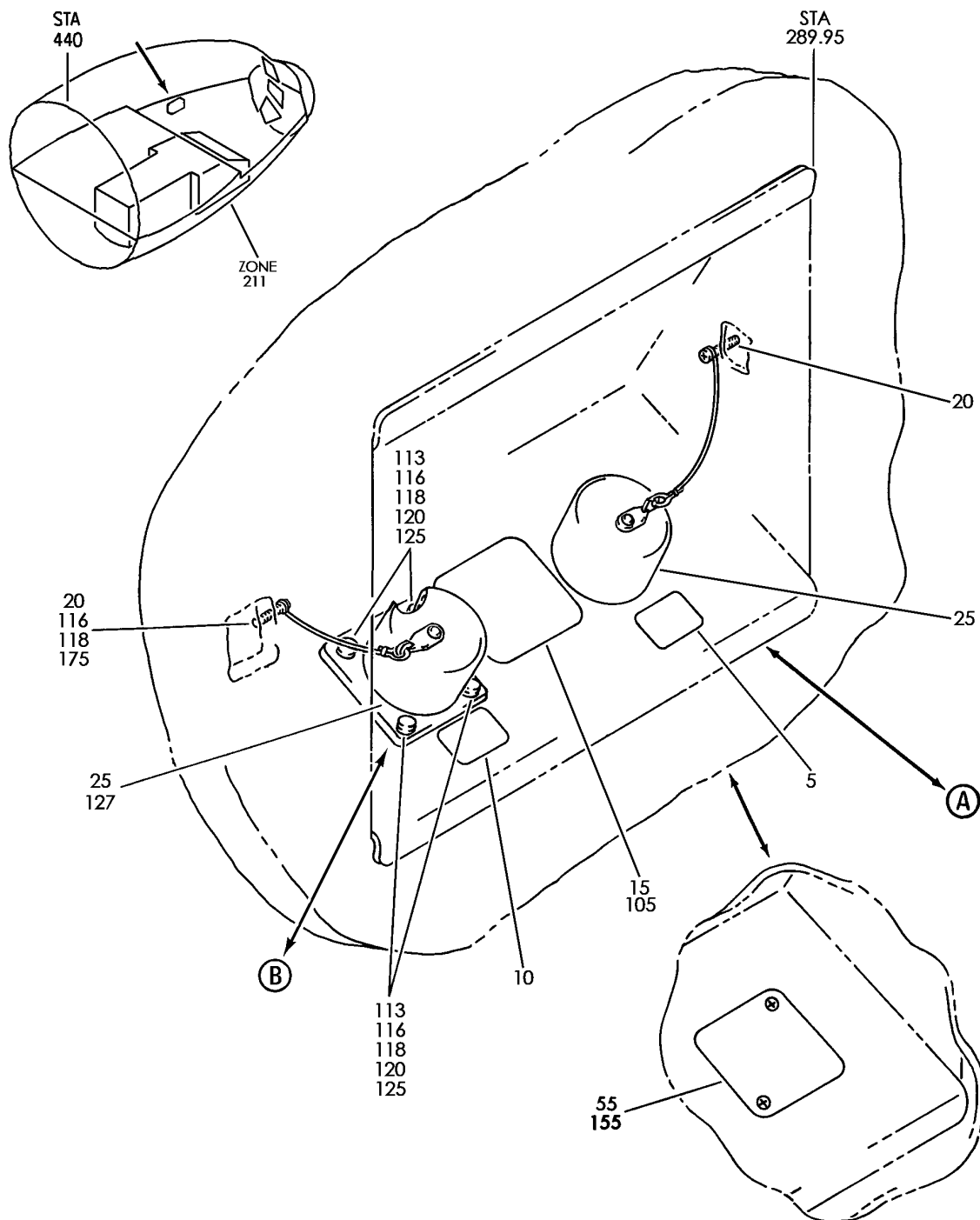
# 34-61-02-15

BOEING PROPRIETARY - Copyright © - Unpublished Work - See title page for details.

34-61-02  
FIG. 15  
PAGE 7  
JAN 20/09



**BOEING**  
757  
PARTS CATALOG (MAINTENANCE)



Y 34615101 SHT 1 REV 243

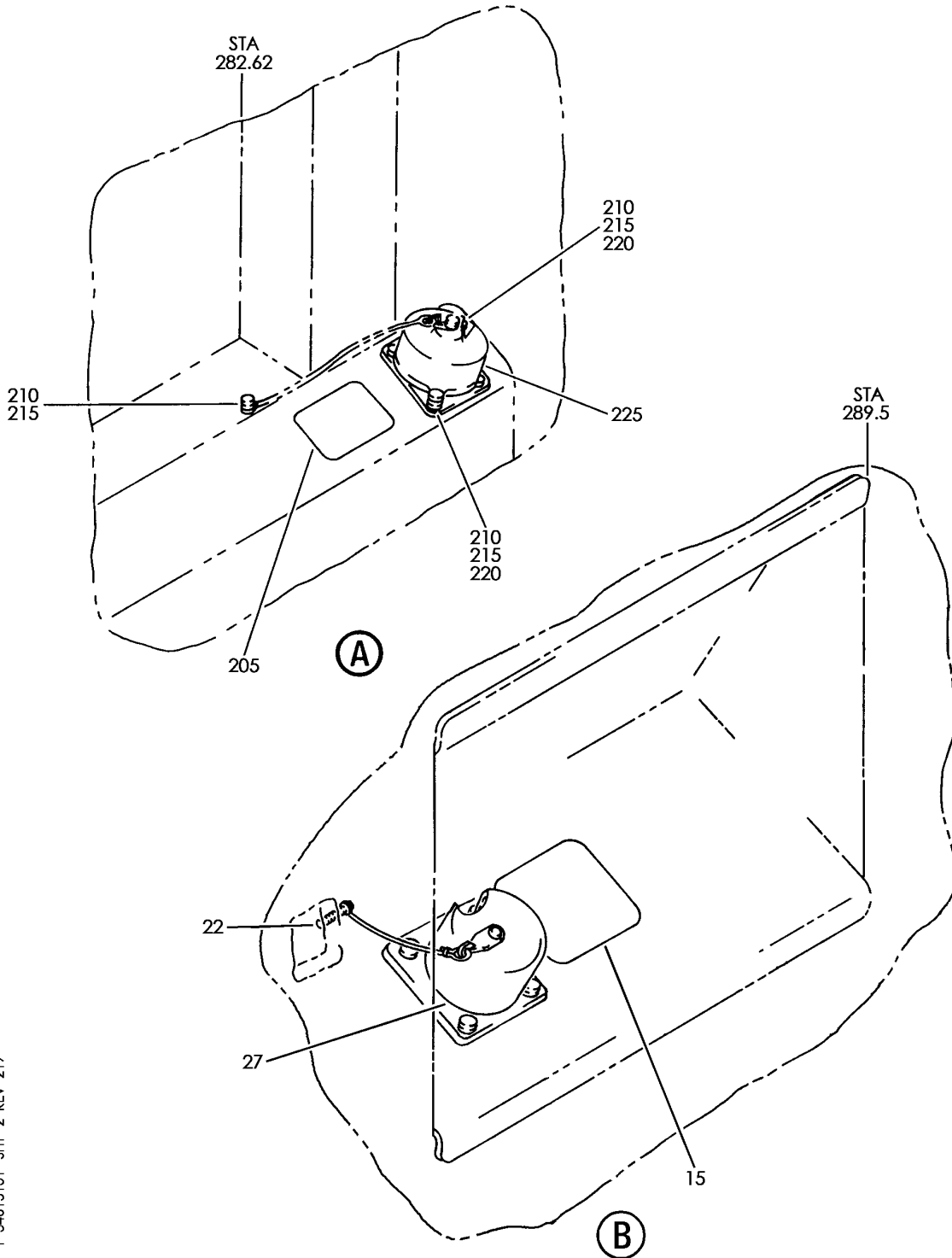
CONNECTOR AND COVERPLATE INSTL-FLIGHT MANAGEMENT COMPUTER SYS LOADER  
FIGURE 1 (SHEET 1)

**34-61-51-01**

BRI  
MAY 28/07

34-61-51-01  
PAGE 0

**BOEING**  
757  
PARTS CATALOG (MAINTENANCE)



Y 34615101 SHT 2 REV 219

CONNECTOR AND COVERPLATE INSTL-FLIGHT MANAGEMENT COMPUTER SYS LOADER  
FIGURE 1 (SHEET 2)

**34-61-51-01**

BRI  
MAY 28/07

34-61-51-01  
PAGE 0A

**BOEING**  
757  
**PARTS CATALOG (MAINTENANCE)**

FIG ITEM	PART NUMBER	1 2 3 4 5 6 7	NOMENCLATURE	EFFECT FROM TO	UNITS PER ASSY
1			CONNECTOR AND COVERPLATE INSTL-FLIGHT MANAGEMENT COMPUTER SYS LOADER	002004 006101 103107 121503 904999	
- 1	232N4336-2		CONNECTOR INSTL-FLIGHT MANAGEMENT COMPUTER SYS LOADER FOR NHA SEE: 25-10-00-05C	002004 006010 107107 121503 904999	RF
15	BAC27NFDE0059		.DECAL- PLACARD CONTENT: FMC DATA BASE LOADER	002004 006010 107107 121503 904999	1
22	NAS600-5P		.SCREW	002004 006010 107107 121503 904999	1
27	M83723-60-218AC		.COVER-PROTECTIVE OPTIONAL PART: MS27295-5 V96096	002004 006010 107107 121503 904999	1
27	MS27295-5		.COVER-PROTECTIVE OPTIONAL PART: M83723-60-218AC	002004 006010 107107 121503 904999	1
- 32	BACS12CB04-6		ATTACHING PARTS .SCREW	002004 006010 107107 121503 904999	2
- 40	K19798-04		.NUT SUPPLIER CODE: V15653 SPECIFICATION NUMBER: BACN10NW1 OPTIONAL PART: RMA4812-160-40 V72962 293162 V60119 -----*-----	002004 006010 107107 121503 904999	2

MISSING ITEM NUMBERS NOT APPLICABLE

- ITEM NOT ILLUSTRATED

BRI

# 34-61-51-01

BOEING PROPRIETARY - Copyright © - Unpublished Work - See title page for details.

34-61-51  
FIG. 01  
PAGE 1  
JAN 20/09



757

PARTS CATALOG (MAINTENANCE)

FIG ITEM	PART NUMBER	1 2 3 4 5 6 7	NOMENCLATURE	EFFECT FROM TO	UNITS PER ASSY
1					
- 100	232N4336-5		CONNECTOR INSTL-FLIGHT MANAGEMENT COMPUTER SYS LOADER FOR NHA SEE: 25-10-00-05C	011017	RF
- 100	232N4336-7		CONNECTOR INSTL-FLIGHT MANAGEMENT COMPUTER SYS LOADER FOR NHA SEE: 25-10-00-05C	018100 103106	RF
- 100	232N4336-10		CONNECTOR INSTL-FLIGHT MANAGEMENT COMPUTER SYS LOADER FOR NHA SEE: 25-10-00-10A	101101	RF
105	BAC27NFDE0059		.DECAL- PLACARD CONTENT: FMC DATA BASE LOADER	011101 103106	1
110	NAS600-5P		.SCREW-	011017	1
113	GAL0007-4-375F		.FASTENER ASSY- SUPPLIER CODE: V62063 OPTIONAL PART: 232N4336-11	018101 103106	5
113	232N4336-11		.KIT ASSY-SUBSTITUTE OPTIONAL PART: GAL0007-4-375F V62063	018101 103106	5
116	NAS1801-04-6		..SCREW	101101	5
118	NAS1149FN432P		..WASHER	101101	5
120	BACS12CB04-6		.SCREW-	011017	4
125	K19798-04		.NUT- SUPPLIER CODE: V15653 SPECIFICATION NUMBER: BACN10NW1 OPTIONAL PART: RMA4812-160-40 V72962 293162 V60119	011017 011017	4
125	132003		.NUT- SUPPLIER CODE: V76530 SPECIFICATION NUMBER: BACN10XP1	018101 103106	4
127	M83723-60-218AC		.COVER-PROTECTIVE	011101 103106	1

MISSING ITEM NUMBERS NOT APPLICABLE

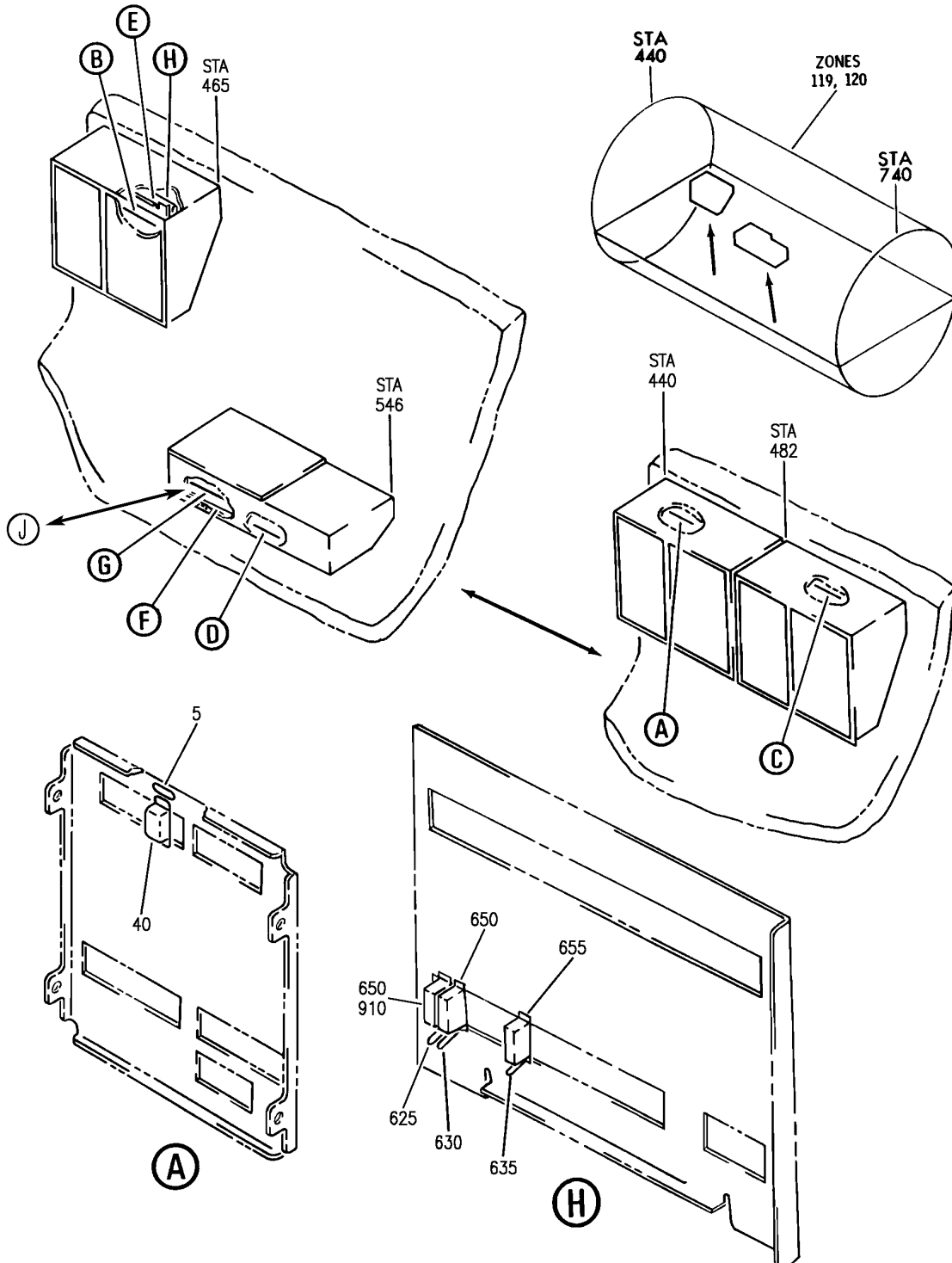
- ITEM NOT ILLUSTRATED

34-61-51-01

34-61-51  
FIG. 01  
PAGE 2  
JAN 20/09

BRI

**BOEING**  
757  
PARTS CATALOG (MAINTENANCE)



Y 34615201\_SHT 1 REV 316

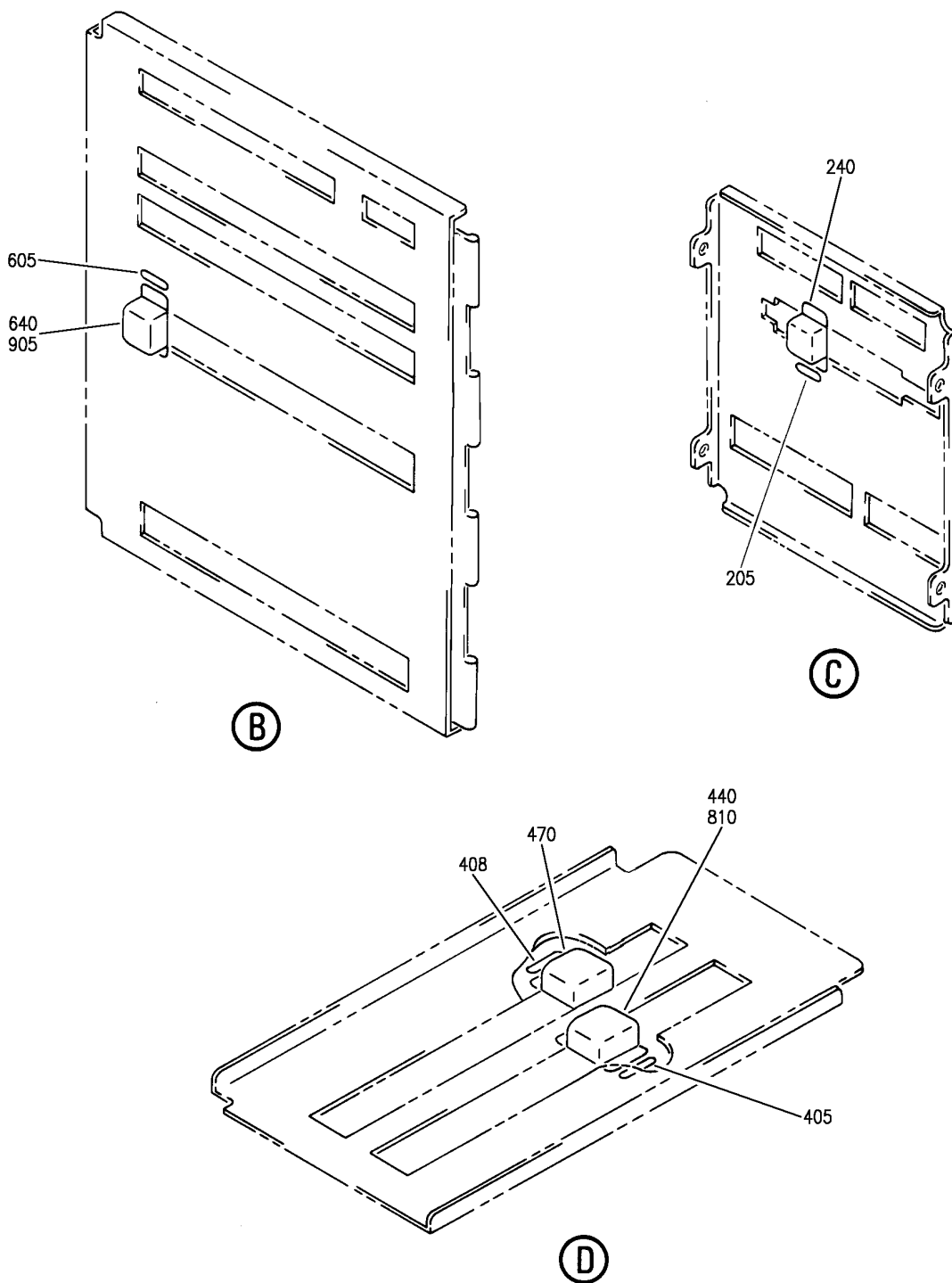
PANEL AND SHIELD ASSY-P36 AND P37 MISC ELEC EQPT (FLIGHT MANAGEMENT COMPUTER SYSTEM ONLY)  
FIGURE 1 (SHEET 1)

BRI  
JAN 20/08

**34-61-52-01**

34-61-52-01  
PAGE 0

**BOEING**  
757  
PARTS CATALOG (MAINTENANCE)



Y 34615201 SH1 2 REV 316

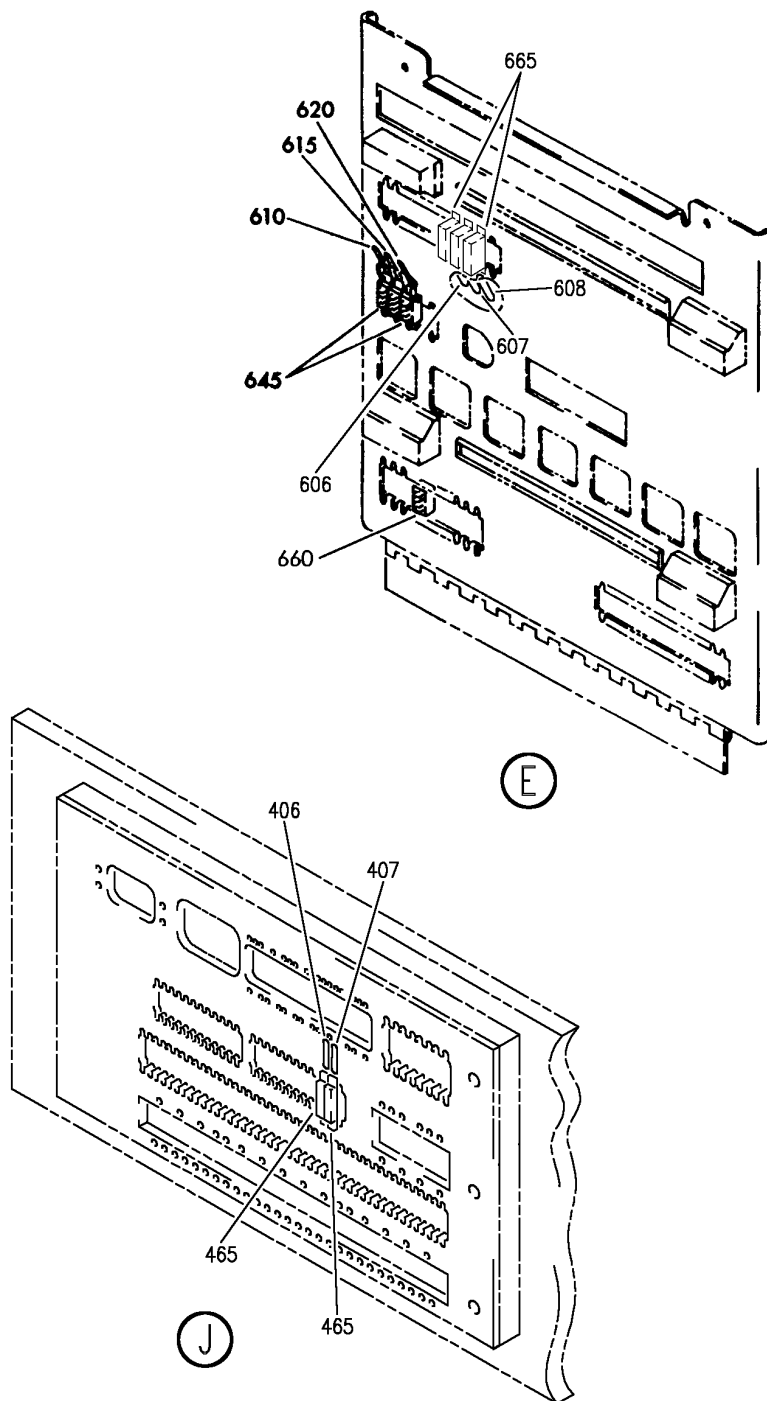
PANEL AND SHIELD ASSY-P36 AND P37 MISC ELEC EQPT (FLIGHT MANAGEMENT COMPUTER SYSTEM ONLY)  
FIGURE 1 (SHEET 2)

BRI  
JAN 20/08

**34-61-52-01**

34-61-52-01  
PAGE 0A

**BOEING**  
757  
PARTS CATALOG (MAINTENANCE)



Y 34615201 SHT 3 REV 316

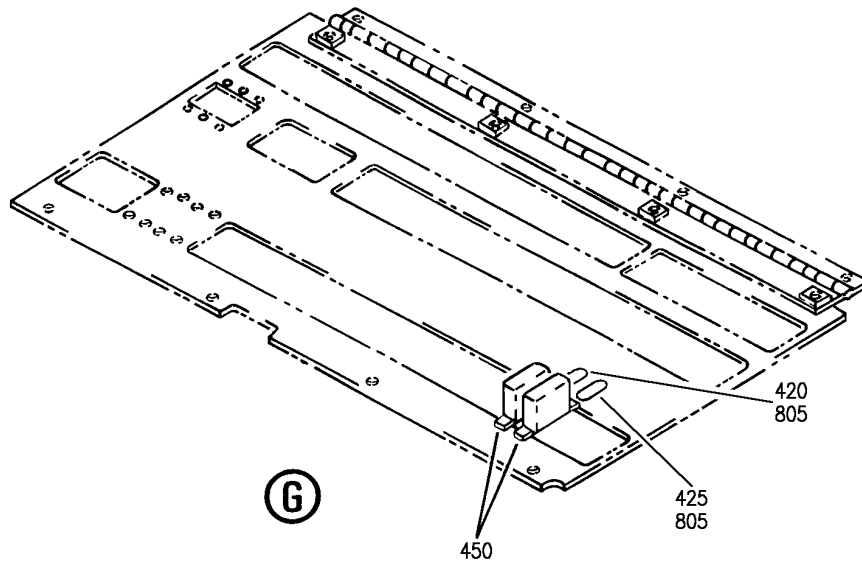
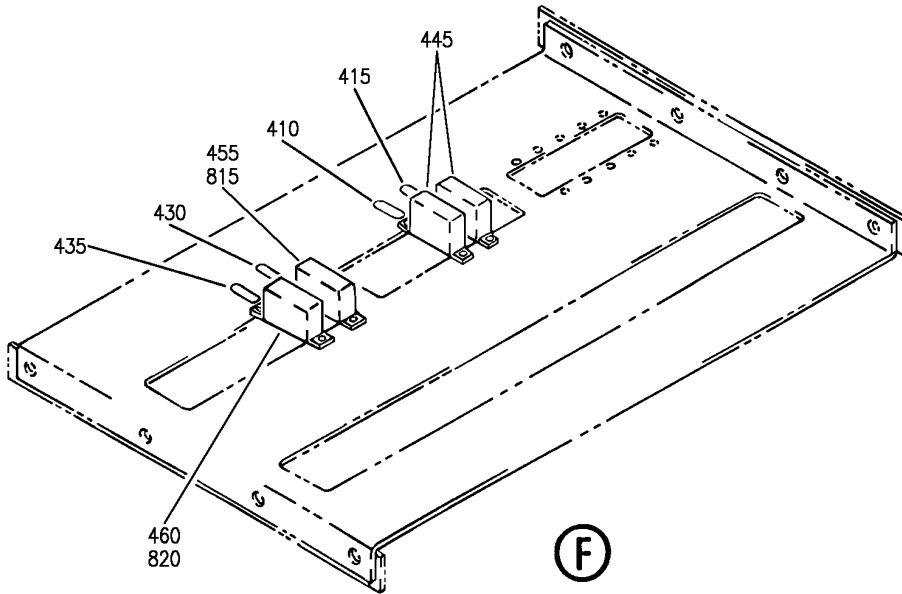
PANEL AND SHIELD ASSY-P36 AND P37 MISC ELEC EQPT (FLIGHT MANAGEMENT COMPUTER SYSTEM ONLY)  
FIGURE 1 (SHEET 3)

BRI  
JAN 20/08

**34-61-52-01**

34-61-52-01  
PAGE 08

**BOEING**  
757  
PARTS CATALOG (MAINTENANCE)



Y 34615201 SH1 4 REV 265

PANEL AND SHIELD ASSY-P36 AND P37 MISC ELEC EQPT (FLIGHT MANAGEMENT COMPUTER SYSTEM ONLY)  
FIGURE 1 (SHEET 4)

BRI  
MAY 28/07

**34-61-52-01**

34-61-52-01  
PAGE 0C





757

PARTS CATALOG (MAINTENANCE)

FIG ITEM	PART NUMBER	1 2 3 4 5 6 7	NOMENCLATURE	EFFECT FROM TO	UNITS PER ASSY
1			PANEL AND SHIELD ASSY-P36 AND P37 MISC ELEC EQPT (FLIGHT MANAGEMENT COMPUTER SYSTEM ONLY)	002004 006100 107107 121503 904999	
- 400	284N1125-1		PANEL ASSY-P36 MISC RELAY (FLIGHT MANAGEMENT COMPUTER SYSTEM ONLY) POSITION DATA: L VARIABLE DRAWING REF: 284N1125-5023 284N1125-5030 284N1125-5049 284N1125-5050 284N1125-5054 REWORKED BY SB: 34-0200 REWORKED BY ALERT SB: 27A0130 FOR NHA/OTHER SYS DET SEE: 31-01-36-01B	002004 006100 107107 121503 904999	RF
405	BAC27NEX1696		.DECAL- PLACARD CONTENT: K757	002004 006100 107107 121503 904999	1
406	BAC27NEX2385		.DECAL- PLACARD CONTENT: K2067 POST SERVICE BULLETIN: 34-0416	009009	1
407	BAC27NEX2383		.DECAL- PLACARD CONTENT: K2065 POST SERVICE BULLETIN: 34-0416	009009	1
408	BAC27NEX2372		.DECAL- PLACARD CONTENT: K10639 POST SERVICE BULLETIN: 34-0416	009009	1

MISSING ITEM NUMBERS NOT APPLICABLE

- ITEM NOT ILLUSTRATED

BRI

34-61-52-01

BOEING PROPRIETARY - Copyright © - Unpublished Work - See title page for details.

34-61-52  
FIG. 01  
PAGE 1  
JAN 20/09



757

PARTS CATALOG (MAINTENANCE)

FIG ITEM	PART NUMBER	1 2 3 4 5 6 7	NOMENCLATURE	EFFECT FROM TO	UNITS PER ASSY
1 440	ES410-1538		.RELAY- SUPPLIER CODE: V99699 SPECIFICATION NUMBER: BACR13CG2AB OPTIONAL PART: KD4L018 V35344 BR230DS0115 V56623 KD4L036 V58657 FCA410-63 V78290 ELECTRICAL EQUIP NUMBER: K00757	002004 006100 107107 121503 904999	1
465	XD4N		.RELAY- SUPPLIER CODE: V58657 ELECTRICAL EQUIP NUMBER: K02065 K02067 POST SERVICE BULLETIN: 34-0416	009009	2
470	ES410-1538		.RELAY- SUPPLIER CODE: V99699 SPECIFICATION NUMBER: BACR13CG2AB OPTIONAL PART: KD4L018 V35344 BR230DS0115 V56623 KD4L036 V58657 FCA410-63 V78290 ELECTRICAL EQUIP NUMBER: K10639 POST SERVICE BULLETIN: 34-0416	009009	1

MISSING ITEM NUMBERS NOT APPLICABLE

- ITEM NOT ILLUSTRATED

34-61-52-01

34-61-52  
FIG. 01  
PAGE 2  
JAN 20/09

BRI



757

PARTS CATALOG (MAINTENANCE)

FIG ITEM	PART NUMBER	1 2 3 4 5 6 7	NOMENCLATURE	EFFECT FROM TO	UNITS PER ASSY
1 - 600	284N1127-1		PANEL ASSY-P37 MISC RELAY R (FLIGHT MANAGEMENT COMPUTER SYSTEM ONLY) VARIABLE DRAWING REF: 284N1127-5028 284N1127-5039 284N1127-5063 284N1127-5064 284N1127-5068 REWORKED BY SB: 33-0039 34-0200 REWORKED BY ALERT SB: 27A0130 FOR NHA/OTHER SYS DET SEE: 31-01-37-01B	002004 006100 107107 121503 904999	RF
605	BAC27NEX1697		.DECAL- PLACARD CONTENT: K758	002004 006100 107107 121503 904999	1
606	BAC27NEX2384		.DECAL- PLACARD CONTENT: K2066 POST SERVICE BULLETIN: 34-0416	009009	1
607	BAC27NEX2386		.DECAL- PLACARD CONTENT: K2068 POST SERVICE BULLETIN: 34-0416	009009	1
608	BAC27NEX2387		.DECAL- PLACARD CONTENT: K2069 POST SERVICE BULLETIN: 34-0416	009009	1

MISSING ITEM NUMBERS NOT APPLICABLE

- ITEM NOT ILLUSTRATED

BRI

34-61-52-01

BOEING PROPRIETARY - Copyright © - Unpublished Work - See title page for details.

34-61-52  
FIG. 01  
PAGE 3  
JAN 20/09



757

PARTS CATALOG (MAINTENANCE)

FIG ITEM	PART NUMBER	1 2 3 4 5 6 7	NOMENCLATURE	EFFECT FROM TO	UNITS PER ASSY
1 640	ES410-1538		.RELAY- SUPPLIER CODE: V99699 SPECIFICATION NUMBER: BACR13CG2AB OPTIONAL PART: KD4L018 V35344 BR230DS0115 V56623 KD4L036 V58657 FCA410-63 V78290 ELECTRICAL EQUIP NUMBER: K00758 WIRING DIAGRAM REF: 346125	002004 006100 107107 121503 904999	1
665	XD4N		.RELAY- SUPPLIER CODE: V58657 ELECTRICAL EQUIP NUMBER: K02066 K02068 K02069 POST SERVICE BULLETIN: 34-0416	009009	3
- 800	286N1260-005		WIRE BUNDLE ASSY- REWORKED BY ALERT SB: 27A0130	002004 006100	RF
- 800	286N1260-002		WIRE BUNDLE ASSY- REWORKED BY ALERT SB: 27A0130	121503 904949	RF
810	BACS16W1		.SOCKET- ELECTRICAL EQUIP NUMBER: D02524 WIRING DIAGRAM REF: 346115	002004 006100 121503 904949	1
- 900	286N1270-005		WIRE BUNDLE ASSY- REWORKED BY ALERT SB: 34A0222 27A0130	002004 006100 950999	RF
- 900	286N1270-002		WIRE BUNDLE ASSY- REWORKED BY ALERT SB: 34A0222 27A0130	121503 904949	RF
- 900	286N1270-003		WIRE BUNDLE ASSY- REWORKED BY ALERT SB: 34A0222	107107	RF

MISSING ITEM NUMBERS NOT APPLICABLE

- ITEM NOT ILLUSTRATED

34-61-52-01

34-61-52  
FIG. 01  
PAGE 4  
JAN 20/09

BRI



757

PARTS CATALOG (MAINTENANCE)

FIG ITEM	PART NUMBER	1 2 3 4 5 6 7	NOMENCLATURE	EFFECT FROM TO	UNITS PER ASSY
1 905	BACS16W1		. SOCKET- ELECTRICAL EQUIP NUMBER: D02526 WIRING DIAGRAM REF: 346125	002004 006100 107107 121503 904999	1

MISSING ITEM NUMBERS NOT APPLICABLE

- ITEM NOT ILLUSTRATED

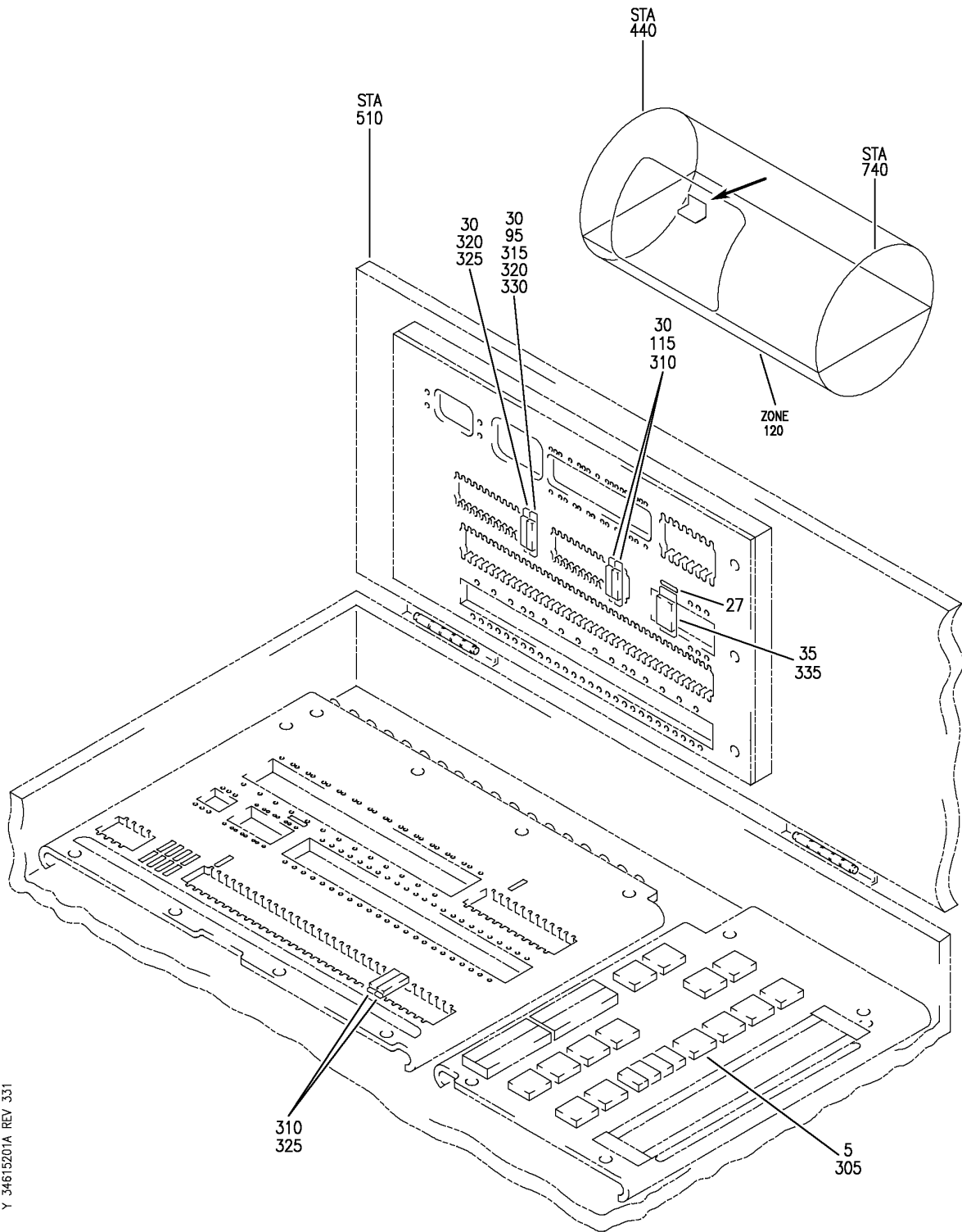
BRI

# 34-61-52-01

BOEING PROPRIETARY - Copyright © - Unpublished Work - See title page for details.

34-61-52  
FIG. 01  
PAGE 5  
JAN 20/09

**BOEING**  
 757  
 PARTS CATALOG (MAINTENANCE)



Y 34615201A REV 331

OPTION PACKAGE ASSY-P36 MISC RELAY L (FLIGHT MANAGEMENT COMPUTER SYSTEM ONLY)  
 FIGURE 1A

BRI  
 JAN 20/09

**34-61-52-01A**

34-61-52-01A  
 PAGE 0



757

PARTS CATALOG (MAINTENANCE)

FIG ITEM	PART NUMBER	1 2 3 4 5 6 7	NOMENCLATURE	EFFECT FROM TO	UNITS PER ASSY
1 A			OPTION PACKAGE ASSY-P36 MISC RELAY L (FLIGHT MANAGEMENT COMPUTER SYSTEM ONLY)	101102 504903	
- 1	284N1125-1018		OPTION PACKAGE ASSY-P36 MISC RELAY L (FLIGHT MANAGEMENT COMPUTER SYSTEM ONLY) REWORKED BY ALERT SB: 27A0130 FOR NHA/OTHER SYS DET SEE: 31-01-36-05	101102 504903	RF
5	ES410-1538		.RELAY- SUPPLIER CODE: V99699 SPECIFICATION NUMBER: BACR13CG2AB OPTIONAL PART: KD4L018 V35344 BR230DS0115 V56623 KD4L036 V58657 FCA410-63 V78290 ELECTRICAL EQUIP NUMBER: K00757	101102 504903	1
- 25	284N1125-1004		OPTION PACKAGE ASSY-P36 MISC RELAY L (FLIGHT MANAGEMENT COMPUTER SYSTEM ONLY) REWORKED BY ALERT SB: 27A0130 FOR NHA/OTHER SYS DET SEE: 31-01-36-05	101102	RF

MISSING ITEM NUMBERS NOT APPLICABLE

- ITEM NOT ILLUSTRATED

34-61-52-01A

34-61-52  
FIG. 01A  
PAGE 1  
JAN 20/09

BRI

BOEING PROPRIETARY - Copyright © - Unpublished Work - See title page for details.



757

PARTS CATALOG (MAINTENANCE)

FIG ITEM	PART NUMBER	1 2 3 4 5 6 7	NOMENCLATURE	EFFECT FROM TO	UNITS PER ASSY
1A 30	W260F4AM11		.RELAY- SUPPLIER CODE: VF0219 SPECIFICATION NUMBER: BACR13CD2 OPTIONAL PART: BR16S233 V09026 EE4AA005 V35344 3SAV1338A2 V01526 HFW1206K03 V58614 HFW1204K01 V71482 ELECTRICAL EQUIP NUMBER: K02065 K02067 K10695 K10696	101102	4
- 110	284N1125-1029		OPTION PACKAGE ASSY-P36 MISC RELAY L (FLIGHT MANAGEMENT COMPUTER SYSTEM ONLY) REWORKED BY ALERT SB: 27A0130 FOR NHA/OTHER SYS DET SEE: 31-01-36-05	504903	RF
115	XD4N		.RELAY- SUPPLIER CODE: V58657 ELECTRICAL EQUIP NUMBER: K02065 K02067	504903	2
- 301	286N1260-358		WIRE BUNDLE ASSY- REWORKED BY ALERT SB: 27A0130	101102	RF
- 301	286N1260-364		WIRE BUNDLE ASSY- REWORKED BY ALERT SB: 27A0130	504903	RF
305	BACS16W1		.SOCKET- ELECTRICAL EQUIP NUMBER: D02524 WIRING DIAGRAM REF: 346115	101102 504903	1

MISSING ITEM NUMBERS NOT APPLICABLE

- ITEM NOT ILLUSTRATED

34-61-52-01A

34-61-52  
FIG. 01A  
PAGE 2  
JAN 20/09

BRI





757

PARTS CATALOG (MAINTENANCE)

FIG ITEM	PART NUMBER	1 2 3 4 5 6 7	NOMENCLATURE	EFFECT FROM TO	UNITS PER ASSY
1A 310	RSE120026		.SOCKET- SUPPLIER CODE: V58982 SPECIFICATION NUMBER: BACS16AG1 OPTIONAL PART: 451120-026 V58982 ELECTRICAL EQUIP NUMBER: D01913 D01915 D02275 D02279 WIRING DIAGRAM REF: 346119 346129 346116	101102	4
320	RSE120026		.SOCKET- SUPPLIER CODE: V58982 SPECIFICATION NUMBER: BACS16AG1 OPTIONAL PART: 451120-026 V58982 ELECTRICAL EQUIP NUMBER: D02275 D02279 WIRING DIAGRAM REF: 346116	504903	2

MISSING ITEM NUMBERS NOT APPLICABLE

- ITEM NOT ILLUSTRATED

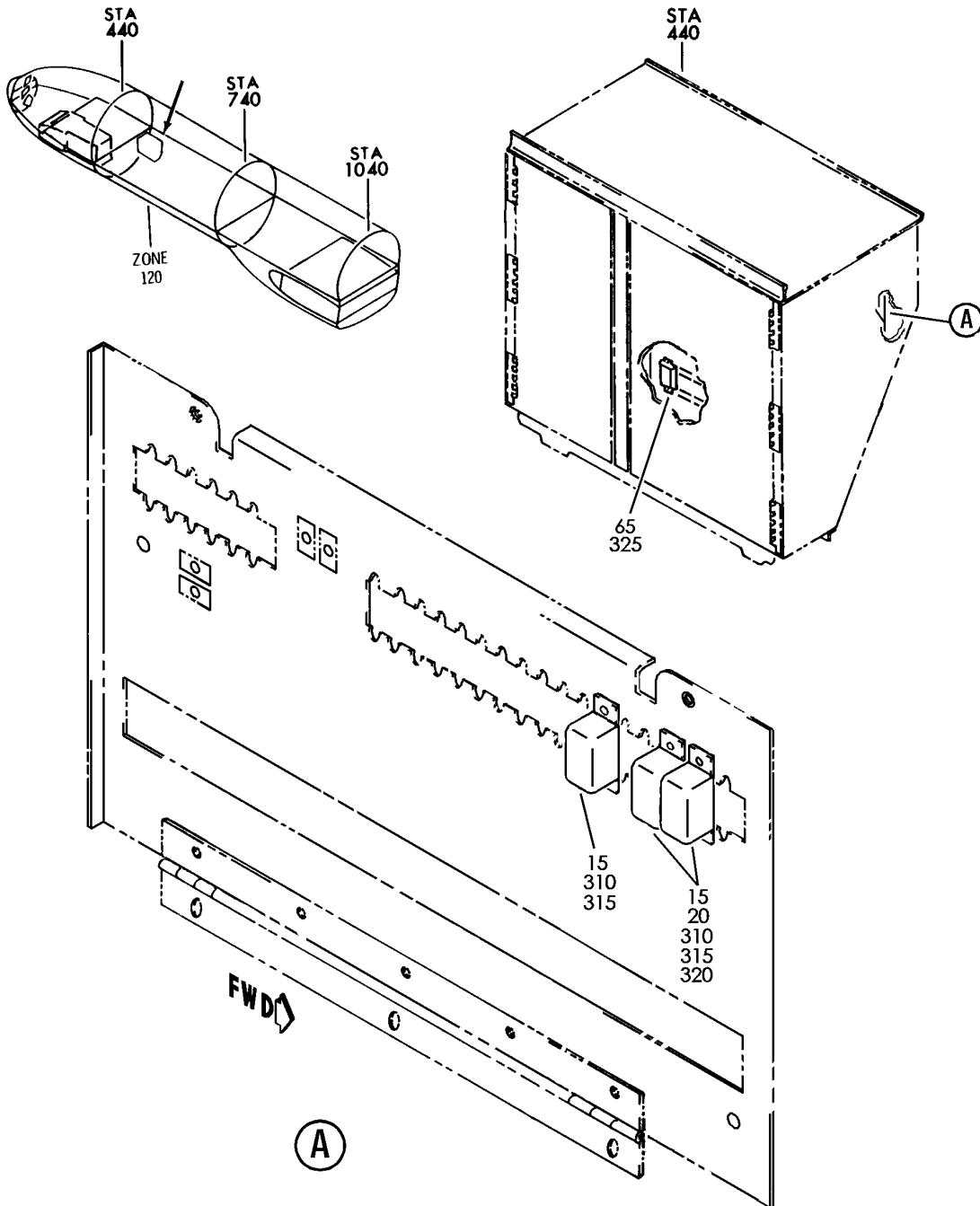
BRI

34-61-52-01A

BOEING PROPRIETARY - Copyright © - Unpublished Work - See title page for details.

34-61-52  
FIG. 01A  
PAGE 3  
JAN 20/09

**BOEING**  
757  
PARTS CATALOG (MAINTENANCE)



Y 34615201B REV 226

PACKAGE ASSY-OPTION P37 MISC RELAY (FLIGHT MANAGEMENT COMPUTER SYSTEM ONLY)  
FIGURE 1B

BRI  
MAY 28/07

**34-61-52-01B**

34-61-52-01B  
PAGE 0



757

PARTS CATALOG (MAINTENANCE)

FIG ITEM	PART NUMBER	1 2 3 4 5 6 7	NOMENCLATURE	EFFECT FROM TO	UNITS PER ASSY
1B			PACKAGE ASSY-OPTION P37 MISC RELAY (FLIGHT MANAGEMENT COMPUTER SYSTEM ONLY)	101102 504903	
- 1	284N1127-1010		PACKAGE ASSY-OPTION P37 MISC RELAY (FLIGHT MANAGEMENT COMPUTER SYSTEM ONLY) MISCELLANEOUS DATA: FLIGHT MANAGEMENT COMPUTER REWORKED BY ALERT SB: 27A0130 FOR NHA SEE: 31-01-37-02	101102	RF
- 1	284N1127-1086		PACKAGE ASSY-OPTION P37 MISC RELAY (FLIGHT MANAGEMENT COMPUTER SYSTEM ONLY) MISCELLANEOUS DATA: FLIGHT MANAGEMENT COMPUTER REWORKED BY ALERT SB: 27A0130 FOR NHA SEE: 31-01-37-02	504903	RF
10	XD4N		.RELAY- SUPPLIER CODE: V58657 ELECTRICAL EQUIP NUMBER: K02066 K02068 K02069	504903	3

MISSING ITEM NUMBERS NOT APPLICABLE

- ITEM NOT ILLUSTRATED

BRI

34-61-52-01B

BOEING PROPRIETARY - Copyright © - Unpublished Work - See title page for details.

34-61-52  
FIG. 01B  
PAGE 1  
JAN 20/09



757

PARTS CATALOG (MAINTENANCE)

FIG ITEM	PART NUMBER	1 2 3 4 5 6 7	NOMENCLATURE	EFFECT FROM TO	UNITS PER ASSY
1B 15	W260F4AM11		.RELAY- SUPPLIER CODE: VF0219 SPECIFICATION NUMBER: BACR13CD2 OPTIONAL PART: BR16S233 V09026 EE4AA005 V35344 3SAV1338A2 V01526 HFW1206K03 V58614 HFW1204K01 V71482 ELECTRICAL EQUIP NUMBER: K02066 K02068 K02069	101102	3
- 50	284N1127-1041		PACKAGE ASSY-OPTION P37 MISC RELAY (FLIGHT MANAGEMENT COMPUTER SYSTEM ONLY) MISCELLANEOUS DATA: 757 MAJOR MODEL REWORKED BY ALERT SB: 27A0130 FOR NHA/OTHER SYS DET SEE: 31-01-37-02	101102 504903	RF
65	ES410-1538		.RELAY- SUPPLIER CODE: V99699 SPECIFICATION NUMBER: BACR13CG2AB OPTIONAL PART: KD4L018 V35344 BR230DS0115 V56623 KD4L036 V58657 FCA410-63 V78290 ELECTRICAL EQUIP NUMBER: K00758	101102 504903	1

MISSING ITEM NUMBERS NOT APPLICABLE

- ITEM NOT ILLUSTRATED

34-61-52-01B

34-61-52  
FIG. 01B  
PAGE 2  
JAN 20/09

BRI

BOEING PROPRIETARY - Copyright © - Unpublished Work - See title page for details.



757

PARTS CATALOG (MAINTENANCE)

FIG ITEM	PART NUMBER	1 2 3 4 5 6 7	NOMENCLATURE	EFFECT FROM TO	UNITS PER ASSY
1B - 300	286N1270-336		WIRE BUNDLE ASSY- REWORKED BY ALERT SB: 34A0222 27A0130	504903	RF
- 301	286N1270-361		WIRE BUNDLE ASSY- REWORKED BY ALERT SB: 34A0222 27A0130	101101	RF
- 302	286N1270-399		WIRE BUNDLE ASSY- REWORKED BY ALERT SB: 34A0222 27A0130	102102	RF
310	SO-1064-007		.SOCKET- SUPPLIER CODE: V35344 ELECTRICAL EQUIP NUMBER: D02277 D02281 D02283 WIRING DIAGRAM REF: 346126	504903	3
315	RSE120026		.SOCKET- SUPPLIER CODE: V58982 SPECIFICATION NUMBER: BACS16AG1 OPTIONAL PART: 451120-026 V58982 ELECTRICAL EQUIP NUMBER: D02277 D02281 D02283 WIRING DIAGRAM REF: 346126	101102	3
325	BACS16W1		.SOCKET- ELECTRICAL EQUIP NUMBER: D02526 WIRING DIAGRAM REF: 346125	101102 504903	1

MISSING ITEM NUMBERS NOT APPLICABLE

- ITEM NOT ILLUSTRATED

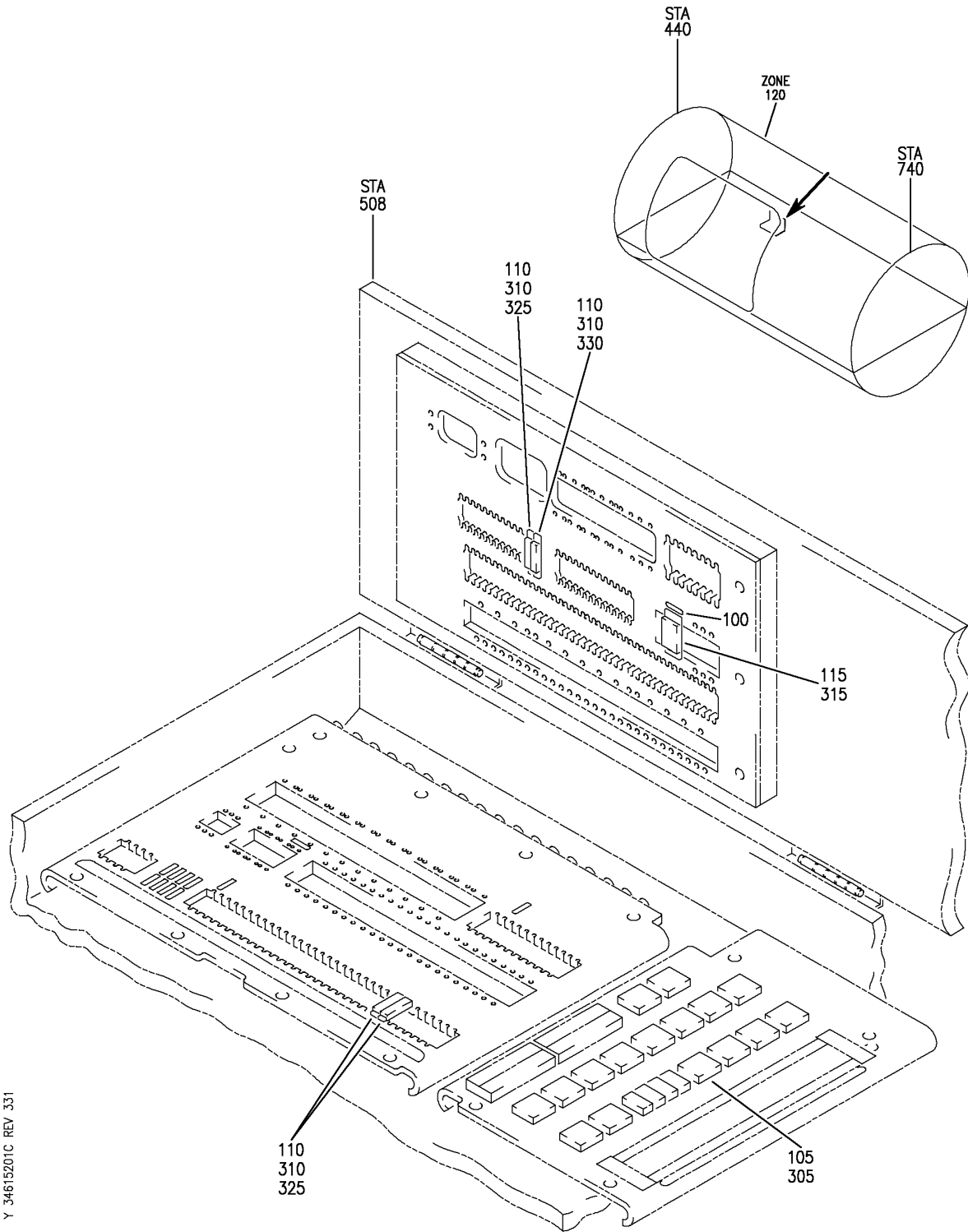
**34-61-52-01B**

34-61-52  
FIG. 01B  
PAGE 3  
JAN 20/09

BRI

BOEING PROPRIETARY - Copyright © - Unpublished Work - See title page for details.

**BOEING**  
 757  
 PARTS CATALOG (MAINTENANCE)



Y 34615201C REV 331

PANEL INSTL-P36 L MISC RELAY (FMCS ONLY)  
 FIGURE 1C

**34-61-52-01C**

BRI  
 JAN 20/09

34-61-52-01C  
 PAGE 0



757

PARTS CATALOG (MAINTENANCE)

FIG ITEM	PART NUMBER	1 2 3 4 5 6 7	NOMENCLATURE	EFFECT FROM TO	UNITS PER ASSY
1C			PANEL INSTL-P36 L MISC RELAY (FMCS ONLY)	103106 108120	
- 3	284N1125-94		PANEL INSTL-P36 L MISC RELAY (FMCS ONLY)	108120	RF
- 7	MODREF31944		FOR NHA/OTHER SYS DET SEE: 24-00-58-05C PANEL INSTL-P36 L MISC RELAY (FMCS ONLY)	103106	1
			MODULE NUMBER: 284N1125-123 REV A FOR OTHER SYS DETAILS SEE: 11-36-08-03C 21-25-71-02C 21-33-71-02C 21-51-56-01C 21-58-71-02C 23-12-00-05 23-31-54-01C 23-34-52-01C 24-21-51-01A 26-15-71-02C 26-16-71-01C 26-22-71-01C 27-48-52-03C 27-51-71-03C 27-58-71-02C 27-62-71-03C 29-11-71-03C 29-21-71-01C 30-21-71-03C 30-34-51-01C 31-01-36-01 32-09-02-03C 32-35-71-01C 32-42-71-02C 32-44-71-02C 32-61-71-02C 34-12-71-02C 34-21-71-02C 34-22-52-01C 36-11-71-02C 73-21-55-01C 74-31-71-02C 76-11-71-02C 77-12-71-01C 78-34-71-02C 78-36-71-02C 80-11-71-02C		

MISSING ITEM NUMBERS NOT APPLICABLE

- ITEM NOT ILLUSTRATED

**34-61-52-01C**

34-61-52  
FIG. 01C  
PAGE 1  
JAN 20/09

BRI



757

PARTS CATALOG (MAINTENANCE)

FIG ITEM	PART NUMBER	1 2 3 4 5 6 7	NOMENCLATURE	EFFECT FROM TO	UNITS PER ASSY
1C 105	ES410-1538		.RELAY- SUPPLIER CODE: V99699 SPECIFICATION NUMBER: BACR13CG2AB OPTIONAL PART: KD4L018 V35344 BR230DS0115 V56623 KD4L036 V58657 FCA410-63 V78290 ELECTRICAL EQUIP NUMBER: K00757	103106 108120	1
110	W260F4AM11		.RELAY- SUPPLIER CODE: VF0219 SPECIFICATION NUMBER: BACR13CD2 OPTIONAL PART: BR16S233 V09026 EE4AA005 V35344 3SAV1338A2 V01526 HFW1206K03 V58614 HFW1204K01 V71482 ELECTRICAL EQUIP NUMBER: K02065 K02067 K10695 K10696	103106 108120	4
- 300	286N1260-357		WIRE BUNDLE ASSY	108120	RF
- 302	286N1260-601		WIRE BUNDLE ASSY	103106	RF
305	BACS16W1		.SOCKET- ELECTRICAL EQUIP NUMBER: D02524 WIRING DIAGRAM REF: 346115	103106 108120	1

MISSING ITEM NUMBERS NOT APPLICABLE

- ITEM NOT ILLUSTRATED

34-61-52-01C

34-61-52  
FIG. 01C  
PAGE 2  
JAN 20/09

BRI

BOEING PROPRIETARY - Copyright © - Unpublished Work - See title page for details.





757

PARTS CATALOG (MAINTENANCE)

FIG ITEM	PART NUMBER	1 2 3 4 5 6 7	NOMENCLATURE	EFFECT FROM TO	UNITS PER ASSY
1C 310	RSE120026		. SOCKET- SUPPLIER CODE: V58982 SPECIFICATION NUMBER: BACS16AG1 OPTIONAL PART: 451120-026 V58982 ELECTRICAL EQUIP NUMBER: D01913 D01915 D02275 D02279 WIRING DIAGRAM REF: 346119 346129 346116	103106 108120	4

MISSING ITEM NUMBERS NOT APPLICABLE

- ITEM NOT ILLUSTRATED

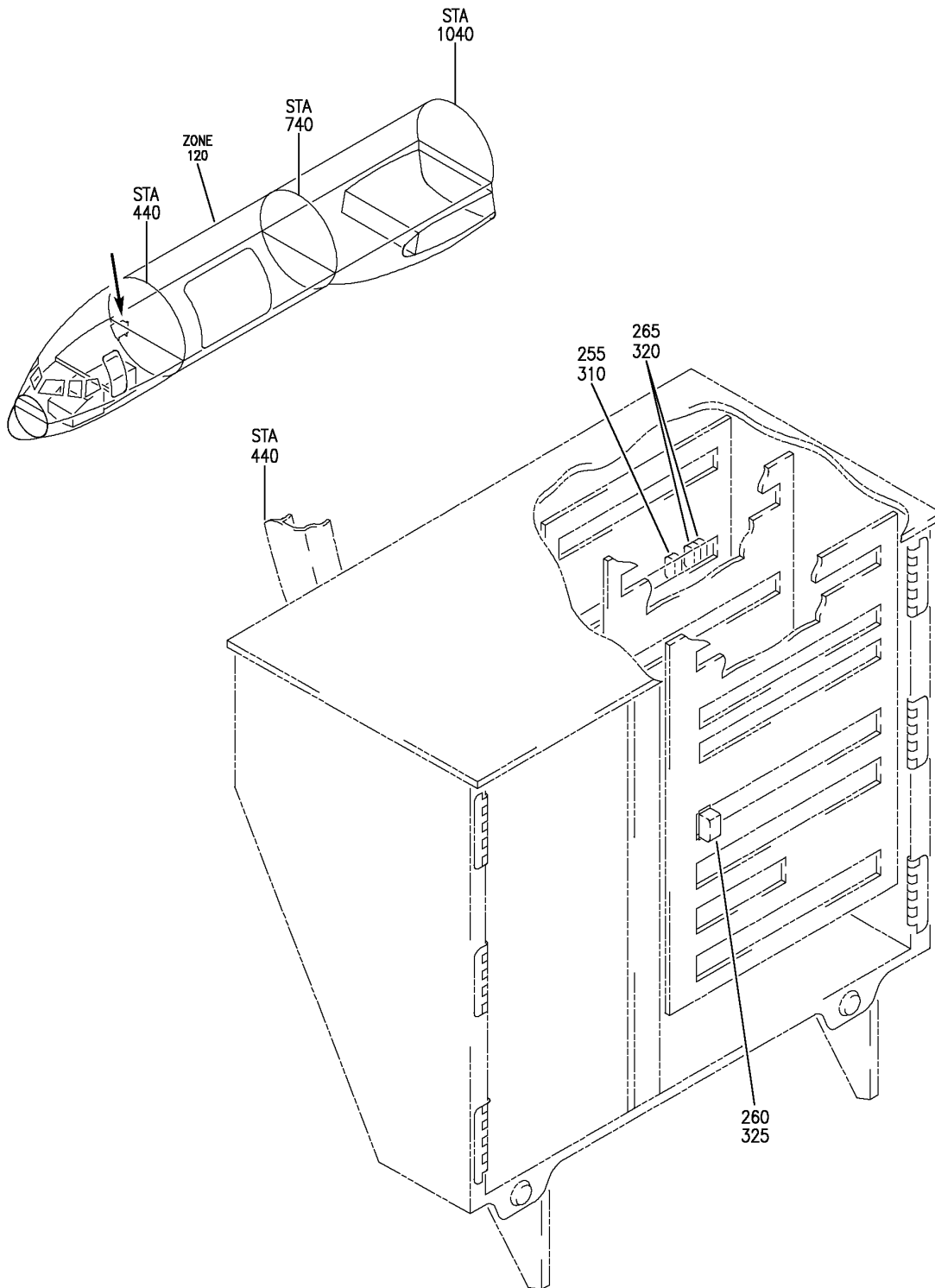
BRI

34-61-52-01C

BOEING PROPRIETARY - Copyright © - Unpublished Work - See title page for details.

34-61-52  
FIG. 01C  
PAGE 3  
JAN 20/09

**BOEING**  
757  
PARTS CATALOG (MAINTENANCE)



Y 34615201D REV 331

PANEL INSTL-P37 R MISC RELAY (FMCS ONLY)  
FIGURE 1D

**34-61-52-01D**

BRI  
JAN 20/09

34-61-52-01D  
PAGE 0



757

PARTS CATALOG (MAINTENANCE)

FIG ITEM	PART NUMBER	1 2 3 4 5 6 7	NOMENCLATURE	EFFECT FROM TO	UNITS PER ASSY
1 D			PANEL INSTL-P37 R MISC RELAY (FMCS ONLY)	103106	
- 1	MODREF185037		PANEL INSTL-P37 R MISC RELAY (FMCS ONLY)	108120	1
			MODULE NUMBER: 284N1127-169 REV D	106106	
			FOR OTHER SYS DETAILS SEE:		
			11-36-12-02A		
			21-25-71-02D		
			21-44-71-02D		
			21-45-31-01D		
			21-51-55-01D		
			21-58-71-02D		
			21-61-71-02D		
			23-31-51-05		
			24-21-51-05		
			24-51-01-02		
			24-51-02-03		
			24-51-58-02D		
			27-62-71-03D		
			28-22-71-03D		
			29-21-71-01D		
			30-11-71-02D		
			30-21-71-03D		
			30-31-71-02D		
			30-32-71-02D		
			30-33-71-02D		
			30-34-51-01D		
			31-01-37-10		
			31-31-71-02D		
			32-09-02-04D		
			32-42-71-02D		
			32-61-71-02D		
			33-43-55-01D		
			33-51-71-01D		
			34-12-71-02D		
			34-25-50-01D		
			35-21-71-02D		
			36-11-71-02D		
			38-15-71-02D		
			73-21-55-01D		
			74-31-71-02D		
			76-11-71-02D		
			77-12-71-01D		
			78-34-71-02D		
			78-36-71-02D		
			80-11-71-02D		

MISSING ITEM NUMBERS NOT APPLICABLE

- ITEM NOT ILLUSTRATED

**34-61-52-01D**

34-61-52  
FIG. 01D  
PAGE 1  
JAN 20/09

BRI



757

PARTS CATALOG (MAINTENANCE)

FIG ITEM	PART NUMBER	1 2 3 4 5 6 7	NOMENCLATURE	EFFECT FROM TO	UNITS PER ASSY
1 D					
- 3	284N1127-118		PANEL INSTL-P37 R MISC RELAY (FMCS ONLY) FOR NHA/OTHER SYS DET SEE: 24-00-58-05C	108108	RF
- 4	284N1127-139		PANEL INSTL-P37 R MISC RELAY (FMCS ONLY) FOR NHA/OTHER SYS DET SEE: 24-00-58-05C	109120	RF

MISSING ITEM NUMBERS NOT APPLICABLE

- ITEM NOT ILLUSTRATED

BRI

34-61-52-01D

BOEING PROPRIETARY - Copyright © - Unpublished Work - See title page for details.

34-61-52  
FIG. 01D  
PAGE 2  
JAN 20/09



757

PARTS CATALOG (MAINTENANCE)

FIG ITEM	PART NUMBER	1 2 3 4 5 6 7	NOMENCLATURE	EFFECT FROM TO	UNITS PER ASSY
1 D - 8	MODREF31945		PANEL INSTL-P37 R MISC RELAY (FMCS ONLY) MODULE NUMBER: 284N1127-169 REV B FOR OTHER SYS DETAILS SEE: 11-36-12-02A 21-25-71-02D 21-44-71-02D 21-45-31-01D 21-51-55-01D 21-58-71-02D 21-61-71-02D 23-31-51-05 24-21-51-05 24-51-01-02 24-51-02-03 24-51-58-02D 27-62-71-03D 28-22-71-03D 29-21-71-01D 30-11-71-02D 30-21-71-03D 30-31-71-02D 30-32-71-02D 30-33-71-02D 30-34-51-01D 31-01-37-10 31-31-71-02D 32-09-02-04D 32-42-71-02D 32-61-71-02D 33-43-55-01D 33-51-71-01D 34-12-71-02D 34-25-50-01D 35-21-71-02D 36-11-71-02D 38-15-71-02D 73-21-55-01D 74-31-71-02D 76-11-71-02D 77-12-71-01D 78-34-71-02D 78-36-71-02D 80-11-71-02D	103103	1

MISSING ITEM NUMBERS NOT APPLICABLE

- ITEM NOT ILLUSTRATED

BRI

# 34-61-52-01D

BOEING PROPRIETARY - Copyright © - Unpublished Work - See title page for details.

34-61-52  
FIG. 01D  
PAGE 3  
JAN 20/09



757

PARTS CATALOG (MAINTENANCE)

FIG ITEM	PART NUMBER	1 2 3 4 5 6 7	NOMENCLATURE	EFFECT FROM TO	UNITS PER ASSY
1 D - 9	MODREF34305		PANEL INSTL-P37 R MISC RELAY (FMCS ONLY) MODULE NUMBER: 284N1127-169 REV C FOR OTHER SYS DETAILS SEE: 11-36-12-02A 21-25-71-02D 21-44-71-02D 21-45-31-01D 21-51-55-01D 21-58-71-02D 21-61-71-02D 23-31-51-05 24-21-51-05 24-51-01-02 24-51-02-03 24-51-58-02D 27-62-71-03D 28-22-71-03D 29-21-71-01D 30-11-71-02D 30-21-71-03D 30-31-71-02D 30-32-71-02D 30-33-71-02D 30-34-51-01D 31-01-37-10 31-31-71-02D 32-09-02-04D 32-42-71-02D 32-61-71-02D 33-43-55-01D 33-51-71-01D 34-12-71-02D 34-25-50-01D 35-21-71-02D 36-11-71-02D 38-15-71-02D 73-21-55-01D 74-31-71-02D 76-11-71-02D 77-12-71-01D 78-34-71-02D 78-36-71-02D 80-11-71-02D	104105	1

MISSING ITEM NUMBERS NOT APPLICABLE

- ITEM NOT ILLUSTRATED

BRI

34-61-52-01D

BOEING PROPRIETARY - Copyright © - Unpublished Work - See title page for details.

34-61-52  
FIG. 01D  
PAGE 4  
JAN 20/09



757

PARTS CATALOG (MAINTENANCE)

FIG ITEM	PART NUMBER	1 2 3 4 5 6 7	NOMENCLATURE	EFFECT FROM TO	UNITS PER ASSY
1D 255	W260F4AM11		.RELAY- SUPPLIER CODE: VF0219 SPECIFICATION NUMBER: BACR13CD2 OPTIONAL PART: BR16S233 V09026 EE4AA005 V35344 3SAV1338A2 V01526 HFW1206K03 V58614 HFW1204K01 V71482 ELECTRICAL EQUIP NUMBER: K02069	103106 108120	1
260	ES410-1538		.RELAY- SUPPLIER CODE: V99699 SPECIFICATION NUMBER: BACR13CG2AB OPTIONAL PART: KD4L018 V35344 BR230DS0115 V56623 KD4L036 V58657 FCA410-63 V78290 ELECTRICAL EQUIP NUMBER: K00758	103106 108120	1

MISSING ITEM NUMBERS NOT APPLICABLE

- ITEM NOT ILLUSTRATED

BRI

34-61-52-01D

BOEING PROPRIETARY - Copyright © - Unpublished Work - See title page for details.

34-61-52  
FIG. 01D  
PAGE 5  
JAN 20/09



757

PARTS CATALOG (MAINTENANCE)

FIG ITEM	PART NUMBER	1 2 3 4 5 6 7	NOMENCLATURE	EFFECT FROM TO	UNITS PER ASSY
1D 265	W260F4AM11		.RELAY- SUPPLIER CODE: VF0219 SPECIFICATION NUMBER: BACR13CD2 OPTIONAL PART: BR16S233 V09026 EE4AA005 V35344 3SAV1338A2 V01526 HFW1206K03 V58614 HFW1204K01 V71482 ELECTRICAL EQUIP NUMBER: K02066 K02068	103106 108120	2
- 300	286N1270-360		WIRE BUNDLE ASSY- REWORKED BY ALERT SB: 34A0222	108120	RF
- 302 310	286N1270-602 RSE120026		WIRE BUNDLE ASSY .SOCKET- SUPPLIER CODE: V58982 SPECIFICATION NUMBER: BACS16AG1 OPTIONAL PART: 451120-026 V58982 ELECTRICAL EQUIP NUMBER: D02283 WIRING DIAGRAM REF: 346126	103106 103106 108120	RF 1
320	RSE120026		.SOCKET- SUPPLIER CODE: V58982 SPECIFICATION NUMBER: BACS16AG1 OPTIONAL PART: 451120-026 V58982 ELECTRICAL EQUIP NUMBER: D02277 D02281 WIRING DIAGRAM REF: 346126	103106 108120	2

MISSING ITEM NUMBERS NOT APPLICABLE

- ITEM NOT ILLUSTRATED

34-61-52-01D

34-61-52  
FIG. 01D  
PAGE 6  
JAN 20/09

BRI

BOEING PROPRIETARY - Copyright © - Unpublished Work - See title page for details.





757

PARTS CATALOG (MAINTENANCE)

FIG ITEM	PART NUMBER	1 2 3 4 5 6 7	NOMENCLATURE	EFFECT FROM TO	UNITS PER ASSY
1 D 325	BACS16W1		. SOCKET- ELECTRICAL EQUIP NUMBER: D02526 WIRING DIAGRAM REF: 346125	103106 108120	1

MISSING ITEM NUMBERS NOT APPLICABLE

- ITEM NOT ILLUSTRATED

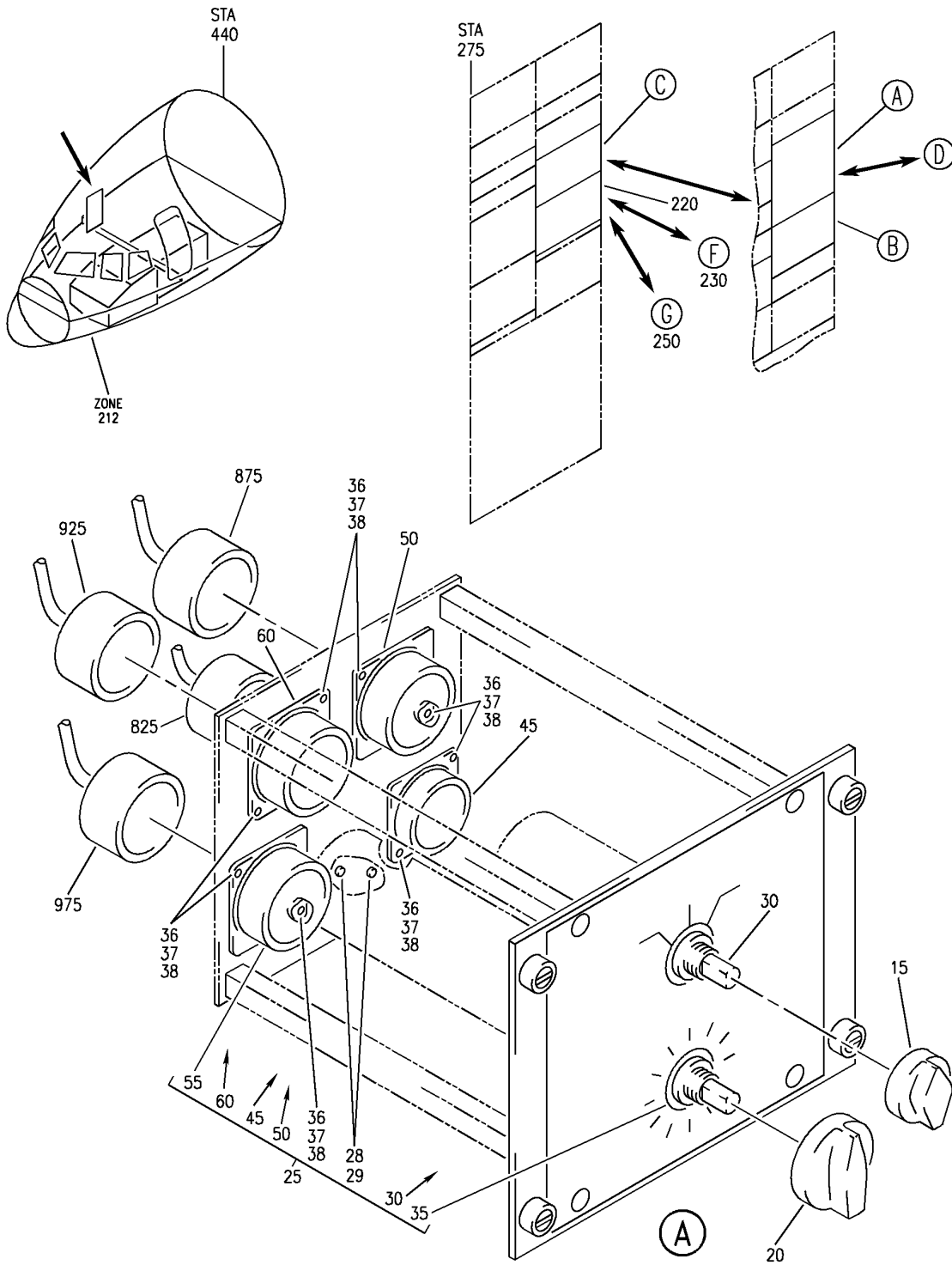
BRI

34-61-52-01D

BOEING PROPRIETARY - Copyright © - Unpublished Work - See title page for details.

34-61-52  
FIG. 01D  
PAGE 7  
JAN 20/09

**BOEING**  
757  
PARTS CATALOG (MAINTENANCE)



Y 34615303 SHT 1 REV 302

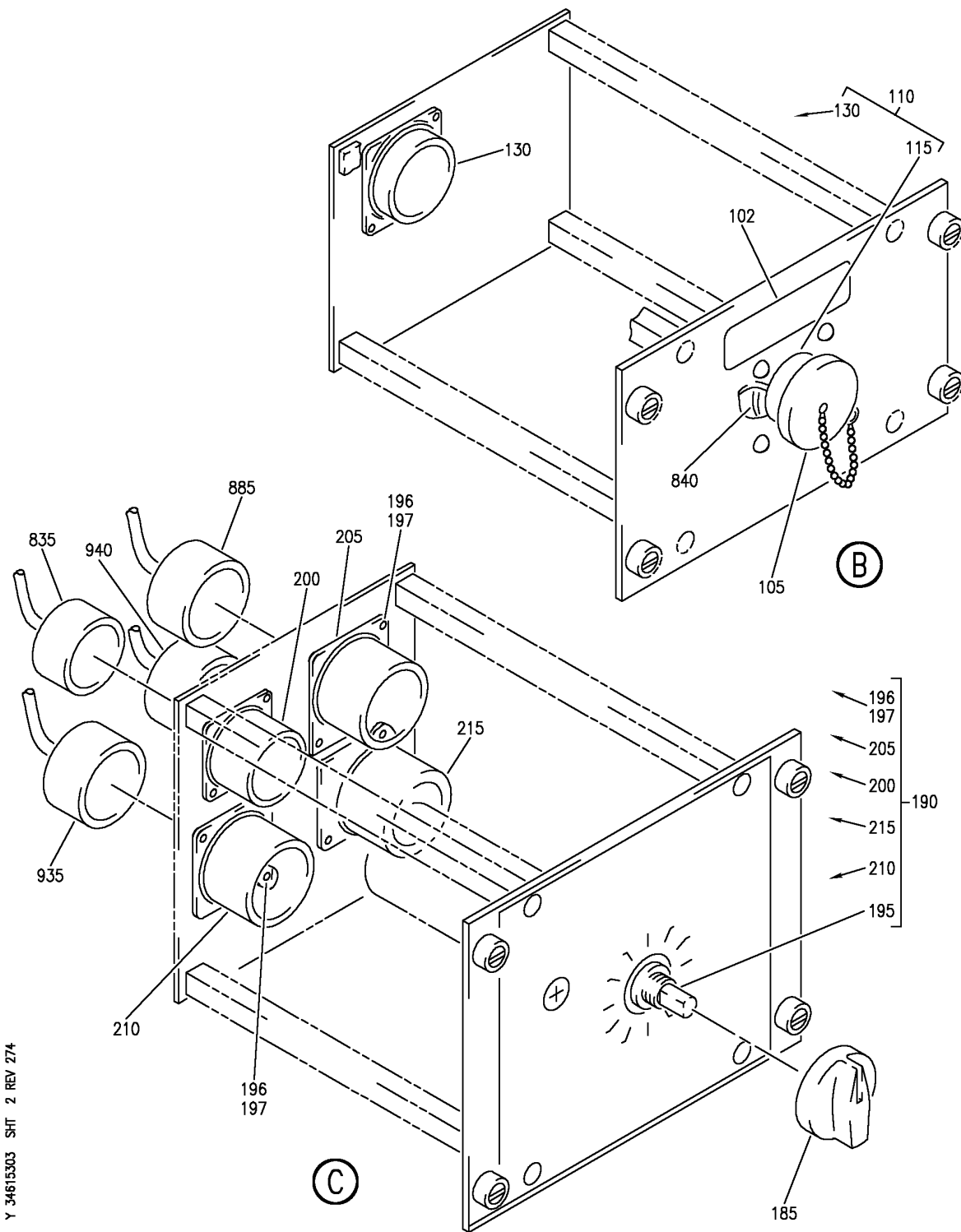
PANEL INSTL-P61 R SIDEWALL (FLIGHT MANAGEMENT COMPUTER SYSTEM ONLY)  
FIGURE 3 (SHEET 1)

**34-61-53-03**

BRI  
MAY 28/07

34-61-53-03  
PAGE 0

**BOEING**  
757  
PARTS CATALOG (MAINTENANCE)



Y 34615303 SH1 2 REV 274

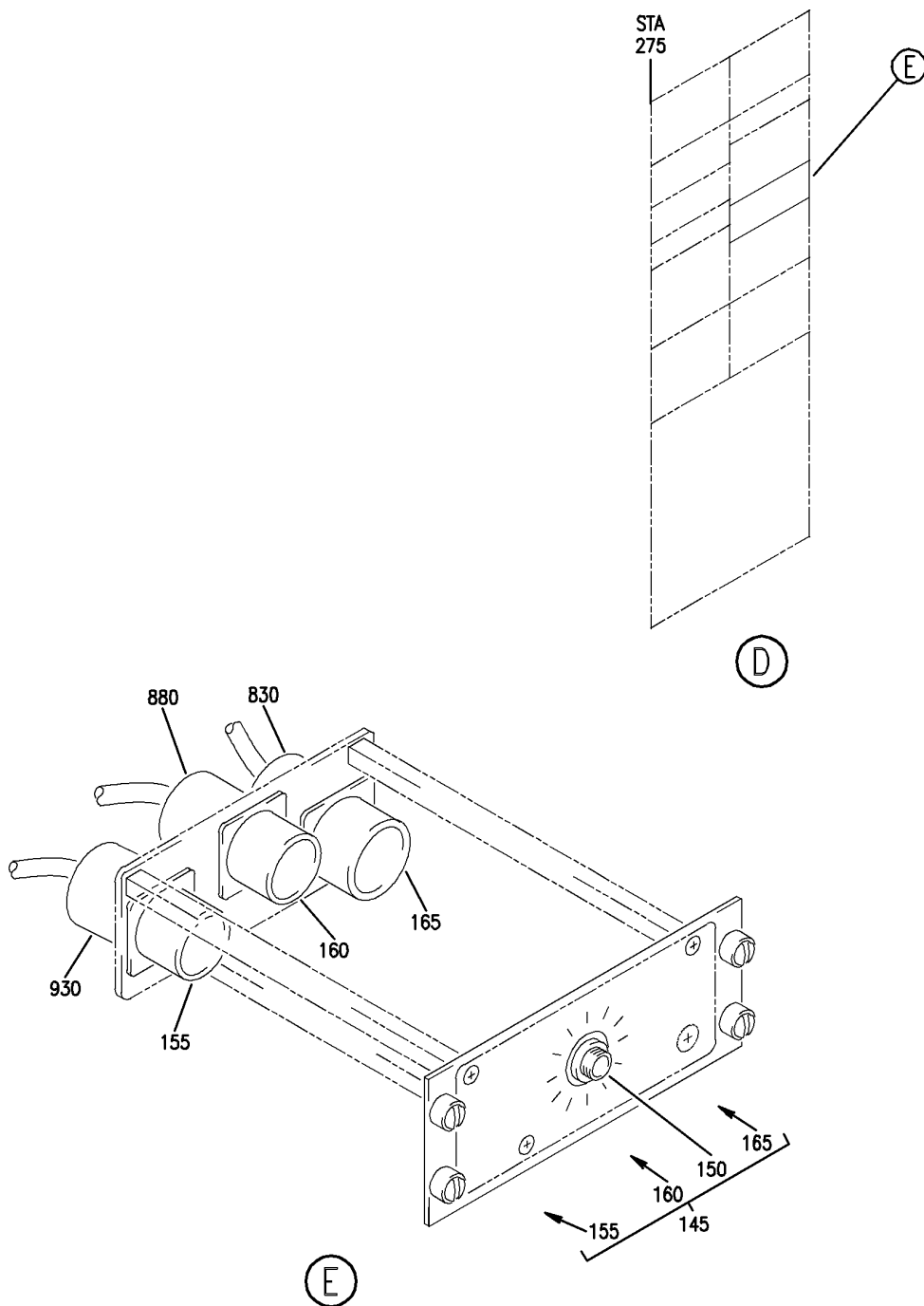
PANEL INSTL-P61 R SIDEWALL (FLIGHT MANAGEMENT COMPUTER SYSTEM ONLY)  
FIGURE 3 (SHEET 2)

**34-61-53-03**

BRI  
MAY 28/07

34-61-53-03  
PAGE 0A

**BOEING**  
757  
PARTS CATALOG (MAINTENANCE)



Y 34615303 SHT 3 REV 231

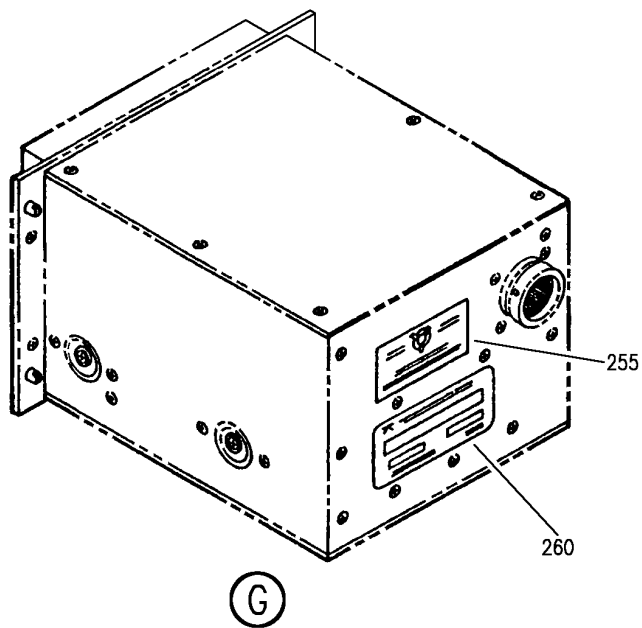
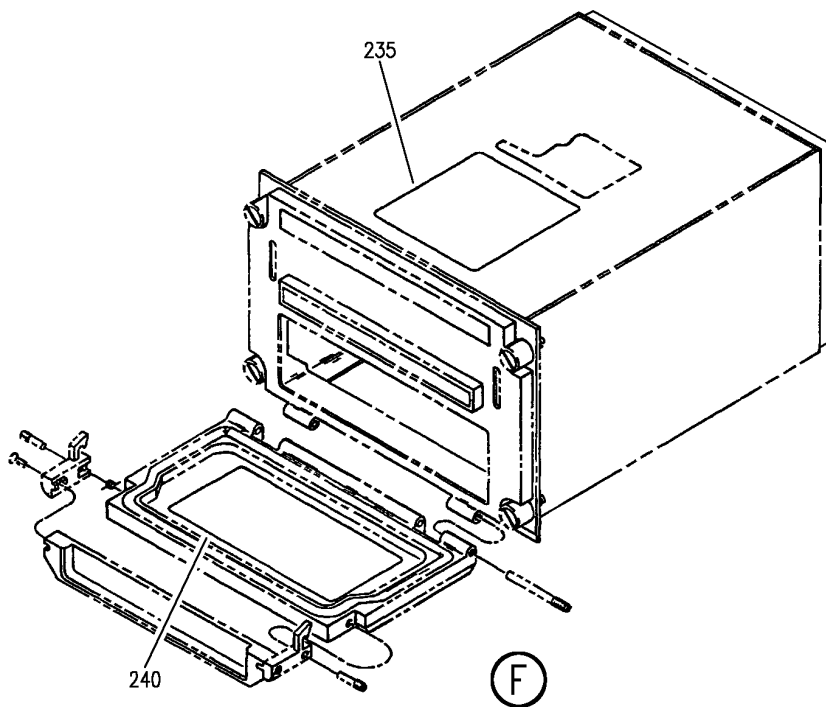
PANEL INSTL-P61 R SIDEWALL (FLIGHT MANAGEMENT COMPUTER SYSTEM ONLY)  
FIGURE 3 (SHEET 3)

BRI  
MAY 28/07

**34-61-53-03**

34-61-53-03  
PAGE 0B

**BOEING**  
757  
PARTS CATALOG (MAINTENANCE)



Y 34615303 SH1 4 REV 302

PANEL INSTL-P61 R SIDEWALL (FLIGHT MANAGEMENT COMPUTER SYSTEM ONLY)  
FIGURE 3 (SHEET 4)

BRI  
MAY 28/07

**34-61-53-03**

34-61-53-03  
PAGE 0C



757

PARTS CATALOG (MAINTENANCE)

FIG ITEM	PART NUMBER	1 2 3 4 5 6 7	NOMENCLATURE	EFFECT FROM TO	UNITS PER ASSY
3			PANEL INSTL-P61 R SIDEWALL (FLIGHT MANAGEMENT COMPUTER SYSTEM ONLY)	102106 108120 504903	
- 1	233N7403-117		PANEL INSTL-P61 SIDEWALL (FLIGHT MANAGEMENT COMPUTER SYSTEM ONLY) POSITION DATA: R FOR NHA/OTHER SYS DET SEE: 25-10-00-15B	504903	RF
- 1	233N7403-128		PANEL INSTL-P61 SIDEWALL (FLIGHT MANAGEMENT COMPUTER SYSTEM ONLY) POSITION DATA: R FOR NHA/OTHER SYS DET SEE: 25-10-00-15B	102102	RF
- 3	233N7403-158		PANEL INSTL-P61 SIDEWALL (FLIGHT MANAGEMENT COMPUTER SYSTEM ONLY) POSITION DATA: R FOR NHA/OTHER SYS DET SEE: 25-10-00-15B	108120	RF

MISSING ITEM NUMBERS NOT APPLICABLE

- ITEM NOT ILLUSTRATED

34-61-53-03

34-61-53  
FIG. 03  
PAGE 1  
JAN 20/09

BRI



757

PARTS CATALOG (MAINTENANCE)

FIG ITEM	PART NUMBER	1 2 3 4 5 6 7	NOMENCLATURE	EFFECT FROM TO	UNITS PER ASSY
3 - 7	MODREF33342		PANEL INSTL- (FLIGHT MANAGEMENT COMPUTER SYSTEM ONLY) MODULE NUMBER: 233N7403-171 REV A FOR OTHER SYS DETAILS SEE: 11-32-01-98 21-58-51-04 22-21-51-01 23-41-52-01 24-22-73-02 26-18-53-02 26-21-52-01 26-22-52-01 26-23-52-03 27-23-51-02 28-41-51-04 29-22-52-01 30-11-52-01 30-41-51-04 31-14-16-87 31-31-04-01 31-41-53-01 31-51-51-01 34-12-54-01 34-21-51-02 34-46-51-05	103106	1
- 10	233N7500-305		.PANEL ASSY-AIRBORNE DATA LOADER SUPPLIER CODE: V89954 ELECTRICAL EQUIP NUMBER: M01737 COMPONENT MAINT MANUAL REF: 34-61-03	102106 108120 504903	RF
15	BP247-192		..KNOB- SUPPLIER CODE: V81590	102106 108120 504903	1
20	BP250-101		..KNOB- SUPPLIER CODE: V81590	102106 108120 504903	1
25	233N7500-13		..PANEL ASSY- SUPPLIER CODE: V89954	102106 108120 504903	1
28	NAS1676C0		...WASHER	102106 108120 504903	2

MISSING ITEM NUMBERS NOT APPLICABLE

- ITEM NOT ILLUSTRATED

34-61-53-03

34-61-53  
FIG. 03  
PAGE 2  
JAN 20/09

BRI



757

PARTS CATALOG (MAINTENANCE)

FIG ITEM	PART NUMBER	1 2 3 4 5 6 7	NOMENCLATURE	EFFECT FROM TO	UNITS PER ASSY
3					
29	NAS671C0	...	NUT	102106 108120 504903	4
30	3600-5755	...	SWITCH-ROTARY SUPPLIER CODE: V31946	102106 108120 504903	1
35	59YY50002	...	SWITCH-ROTARY SUPPLIER CODE: V81073	102106 108120 504903	1
36	MS51957-14	...	SCREW	102106 108120 504903	8
37	NAS1149CN432R	...	WASHER	102106 108120 504903	8
38	K19798-04	...	NUT SUPPLIER CODE: V15653 SPECIFICATION NUMBER: BACN10NW1 OPTIONAL PART: RMA4812-160-40 V72962 293162 V60119	102106 108120 504903	8
- 40	233N7500-16	...	WIRE BUNDLE ASSY- SUPPLIER CODE: V89954	102106 108120 504903	1
45	MS27508E18A53S	....	CONNECTOR	102106 108120 504903	1
50	BACC45FN24-61P	....	CONNECTOR	102106 108120 504903	1
55	BACC45FN22-55P	....	CONNECTOR	102106 108120 504903	1
60	BACC45FN24-61P6	....	CONNECTOR	102106 108120 504903	1
- 100	233N7519-300	.	PANEL ASSY-DATA TRANSFER UNIT RCPT SUPPLIER CODE: V89954 ELECTRICAL EQUIP NUMBER: M01736 COMPONENT MAINT MANUAL REF: 34-61-04	102106 108120 504903	RF

MISSING ITEM NUMBERS NOT APPLICABLE

- ITEM NOT ILLUSTRATED

34-61-53-03

34-61-53  
FIG. 03  
PAGE 3  
JAN 20/09

BRI





757

PARTS CATALOG (MAINTENANCE)

FIG ITEM	PART NUMBER	1 2 3 4 5 6 7	NOMENCLATURE	EFFECT FROM TO	UNITS PER ASSY
3					
102	BAC27NFDE257	..	DECAL- SUPPLIER CODE: V89954 PLACARD CONTENT: DATA TRANSFER UNIT RECEPTACLE	102106 108120 504903	1
105	MS27511C18C	..	COVER	102106 108120 504903	1
110	233N7519-1	..	MODULE ASSY- SUPPLIER CODE: V89954 USED ON: 233N7519-300	102106 108120 504903	1
115	MS27508E18A53S	...	CONNECTOR- USED ON: 233N7519-1 ATTACHING PARTS	102106 108120 504903	1
- 120	MS51957-16	...	SCREW	102106 108120 504903	4
- 125	K19798-04	...	NUT SUPPLIER CODE: V15653 SPECIFICATION NUMBER: BACN10NW1 OPTIONAL PART: RMA4812-160-40 V72962 293162 V60119 -----*-----	102106 108120 504903	4
130	MS27508E18A53P	...	CONNECTOR  ATTACHING PARTS	102106 108120 504903	1
- 135	MS51957-14	...	SCREW	102106 108120 504903	3

MISSING ITEM NUMBERS NOT APPLICABLE

- ITEM NOT ILLUSTRATED

34-61-53-03

34-61-53  
FIG. 03  
PAGE 4  
JAN 20/09

BRI

BOEING PROPRIETARY - Copyright © - Unpublished Work - See title page for details.

**BOEING**  
757  
**PARTS CATALOG (MAINTENANCE)**

FIG ITEM	PART NUMBER	1 2 3 4 5 6 7	NOMENCLATURE	EFFECT FROM TO	UNITS PER ASSY
3					
- 140	K19798-04		...NUT SUPPLIER CODE: V15653 SPECIFICATION NUMBER: BACN10NW1 OPTIONAL PART: RMA4812-160-40 V72962 293162 V60119 -----*-----	102106 108120 504903	3
- 800	286N0069-317		WIRE BUNDLE ASSY	102102	RF
- 800	286N0069-320		WIRE BUNDLE ASSY	504903	RF
- 800	286N0069-331		WIRE BUNDLE ASSY	108120	RF
- 801	286N0069-701		WIRE BUNDLE ASSY	103106	RF
825	MS27473T18A53P		.PLUG- ELECTRICAL EQUIP NUMBER: D01645 WIRING DIAGRAM REF: 313215 346117	102106 108120 504903	1
840	MS27473T18A53S		.PLUG- ELECTRICAL EQUIP NUMBER: D01651 WIRING DIAGRAM REF: 313215	102106 108120 504903	1
- 850	286N2241-346		WIRE BUNDLE ASSY- REWORKED BY ALERT SB: 34A0222	505505 507903	RF
- 851	286N2241-353		WIRE BUNDLE ASSY- REWORKED BY ALERT SB: 34A0222	102102	RF
- 851	286N2241-364		WIRE BUNDLE ASSY- REWORKED BY ALERT SB: 34A0222	504504 506506	RF
- 852	286N2241-392		WIRE BUNDLE ASSY- REWORKED BY ALERT SB: 34A0222	108120	RF
- 853	286N2241-601		WIRE BUNDLE ASSY	103106	RF
875	BACC45FT24A61S		.CONNECTOR- ELECTRICAL EQUIP NUMBER: D01647 WIRING DIAGRAM REF: 221113 232211 313215 314135 346117	102106 108120 504903	1

MISSING ITEM NUMBERS NOT APPLICABLE

- ITEM NOT ILLUSTRATED

BRI

# 34-61-53-03

34-61-53  
FIG. 03  
PAGE 5  
JAN 20/09

BOEING PROPRIETARY - Copyright © - Unpublished Work - See title page for details.



757

PARTS CATALOG (MAINTENANCE)

FIG ITEM	PART NUMBER	1 2 3 4 5 6 7	NOMENCLATURE	EFFECT FROM TO	UNITS PER ASSY
3					
- 900	286N2253-350		WIRE BUNDLE ASSY- REWORKED BY ALERT SB: 34A0222	504903	RF
- 900	286N2253-361		WIRE BUNDLE ASSY- REWORKED BY ALERT SB: 34A0222	102102	RF
- 901	286N2253-415		WIRE BUNDLE ASSY- REWORKED BY ALERT SB: 34A0222	108120	RF
- 902	286N2253-601		WIRE BUNDLE ASSY	103106	RF
925	BACC45FT24A61S6		.CONNECTOR- ELECTRICAL EQUIP NUMBER: D03575 WIRING DIAGRAM REF: 232239 313215 342229	102106 108120 504903	1
- 950	286N2245-322		WIRE BUNDLE ASSY	102102	RF
- 950	286N2245-325		WIRE BUNDLE ASSY	504903	RF
- 950	286N2245-333		WIRE BUNDLE ASSY	108120	RF
- 951	286N2245-702		WIRE BUNDLE ASSY-	103106	RF
975	BACC45FT22A55S		.CONNECTOR- ELECTRICAL EQUIP NUMBER: D01649 WIRING DIAGRAM REF: 313215	102106 108120 504903	1

MISSING ITEM NUMBERS NOT APPLICABLE

- ITEM NOT ILLUSTRATED

34-61-53-03

34-61-53  
FIG. 03  
PAGE 6  
JAN 20/09

BRI