

757-204/236
ILLUSTRATED PARTS CATALOGUE

CHAPTER 35 – OXYGEN

THOMSONFLY CUSTOMISATIONS

Technical Engineering Order:

TEO/757/1347/G0 Issue 7

Title : Emergency and Safety Equipment Group 0 Aircraft

Modification Classification : **Minor/Major**

ATA Chapter(s) : 11, 25, 35

Aircraft Effectivities :	Type	Variable No.	Serial No.
757 (Group 0)	B757-204	NB422, NB426, NB427 NB429, NB430, NB432 NB433, NB435, NB436 NB437, NB438, NT431 NT432	26963, 26966, 26967 26267, 25626, 27235 27236, 27238, 27208 27220, 27234, 28834 28836

Certificate of Design

I hereby certify that this Technical Engineering Order defines the changes associated with the relevant Modification Summary.

The technical information contained within or associated with this document has been approved under the authority of the EASA Approval No. EASA.21J.049

Office of Airworthiness (or Nominee) Approved:



Date: 14/05/09

MODIFICATION NUMBER : TEO/757/1347/G0
 PART 21 APPROVAL REF: EASA.21J.049




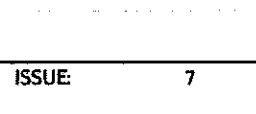
ISSUE: 7



Thomsonfly Ltd.
 London Luton Airport
 Bedfordshire
 LU2 9ND
 England

Record Drawing Office Instructions (DOI) Numbers raised as a result of this modification

DOI No.	Details

Compiled	: Philip Noel	Signed: 	Date: 6-5-09
Avionics Checked	: Anton Heissig	Signed: 	Date: 6-5-09
Airframe Checked	: Richard Perkins	Signed: 	Date: 14/05/09
Stress Checked	: Mark Evans	Signed: 	Date: 6-5-09

MODIFICATION NUMBER : TEO/757/1347/G0 ISSUE: 7
 PART 21 APPROVAL REF: EASA.21J.049

Record Drawing Office Instructions (DOI) Numbers raised as a result of this modification

<u>DOI No.</u>	<u>Details</u>

Compiled	: Philip Noel	Signed:	Date:
Avionics Checked	: Anton Heissig	Signed:	Date:
Airframe Checked	: Richard Perkins	Signed: 	Date: 14/05/09.
Stress Checked	: Mark Evans	Signed:	Date:

 MODIFICATION NUMBER : TEO/757/1347/G0 ISSUE: 7
 PART 21 APPROVAL REF: EASA.21J.049

1. Contents

1.	Contents	3
2.	Revision History-	4
3.	Document required for Continued airworthiness	5
4.	Modification Details	6
4.1	Description.....	6
4.2	Parts Required Per Aircraft.....	6
4.2.1	New Parts List	6
4.2.2	New Rotable Parts List.....	8
4.2.3	Existing Parts List.....	9
4.2.4	Existing ETOPS Parts List (Only required for ETOPS flights)	10
4.3	Parts Removed Per Aircraft	10
4.4	Documents & Drawings Required.....	11
5.	Accomplishment Instructions	11
5.	Part E – Removal of Safety equipment of ‘End of lease’	33
5.1.1	Parts Required.....	33
5.1.2	Parts Removed.....	33
5.1.3	Documents & Drawings Required.....	34
5.2	Accomplishment instruction.....	34

 MODIFICATION NUMBER : TEO/757/1347/G0 ISSUE: 7
 PART 21 APPROVAL REF: EASA.21J.049

2. Revision History-

Issue	Date	Raised Issue Details	Sheets Affected
1	26.09.08	Initial Issue	All
2	07.11.08	Part numbers corrected, Extension seat belt, Washer headed screws, Washers, Hex head screws, Oxygen masks. Fault log 396 & 397 added.	All
3	21.11.08	Safety equipment moved forward one compartment forward of door 4L, typo errors corrected.	All
4	16.12.08	Large dividers (-002) replaced with small dividers (-000). NT431 & NT432 differences added, Door 2L & Door 2R and new SE Lopa added to 757-1470. PN	8, 13, 14, 17-20, 22-29
5	02.02.09	Smoke hood bracket changed from E28183 to E28095-02 also 3 required not 1, Oxygen brackets moved from 'existing parts' to 'New parts'. STO statement made on page 8, Nasal Cannulas pt/No. changed and AV1000001 – Oxygen bottle bag added. PN	2, 6, 8, 11, 17, 18, 24, 26
6	24.02.09	Minor typographical changes highlighted in red. Alternate seal Pt/No and Demo seat belt Pt/No. added. Drawing 757-1470 up-issued to issue 6.	8, 11, 18-20, 27, 29, 30
7	14/05/09	Part E added to Remove Thomson safety equipment for 'End of lease'	6, 33, 34, 35

MODIFICATION NUMBER : TEO/757/1347/G0 ISSUE: 7
 PART 21 APPROVAL REF: EASA.21J.049

3. Document required for Continued airworthiness

Documents Affected	:	Aircraft Maintenance Manual	Yes/ No
		Aircraft Modification Record	Yes/ No
		Wiring Diagram Manual	Yes /No
		Illustrated Parts Catalogue	Yes/ No
		Line E.T.O.P.S. Manual	Yes /No
		MEL	Yes /No
		Weight Schedule	Yes/ No
		Maintenance Schedule	Yes /No
		Configuration Manual	Yes /No
		Operation Manual	Yes /No
		Flight Manual	Yes /No
		Cabin/Emergency Manual	Yes /No
		Simulator	Yes /No
		Capability List	Yes /No
		Advisory Bulletin	Yes /No
		Other (Please Specify)	Yes /No

*NB It is the manual owners responsibility to ensure that any changes brought about by the introduction of this modification are incorporated into said manuals.

4. Modification Details

4.1 Description

This modification has been raised to harmonize First Choice Airways and ThomsonFly Boeing 757 fleets of their safety equipment. The equipment has been previously installed by approved Thomsonfly & AES modifications and this mod repositions the existing equipment to make a fleet standard. This TEO relates to the safety equipment layout for group 0 Boeing 757 aircraft.

This modification is in four parts:

- Part A – Potting of inserts**
- Part B – Re-installation of existing safety equipment.
(Only required if Part C can not be completed in time)**
- Part C – Kitting Equipment**
- Part D – New Safety Equipment installation**
- Part E – Removal of Safety equipment of 'End of lease'.**

4.2 Parts Required Per Aircraft

4.2.1 New Parts List

The following is a list of new parts required on the aircraft to complete the modification.

<u>Parts Number</u>	<u>Equipment</u>	<u>Qty</u>
KIT-757-1347-G0-000	Parts kit – Group 0	1
.1025407	Nasal Cannulas	3*
.AV1000001	Bag – STO Elite Oxygen	3*
.520-25-1023	Bracket – Emergency medical Kit	1
BACB20J-4A	Bracket – Oxygen Bottle (1)	12
BACB20J-5A	Bracket – Oxygen Bottle (2)	12
.757-1210-045	Decal – Extension seat belts	2
.767-1210-1054	Decal – Emergency response kit	1
.757-1210-543	Decal – Latch closed load limit 103lbs/46kgs	2
.757-1210-546	Decal – Latch closed load limit 67lbs/30kgs	3
.757-1210-549	Decal – Latch closed load limit 34lbs/15kgs	1

MODIFICATION NUMBER : TEO/757/1347/G0 ISSUE: 7
 PART 21 APPROVAL REF: EASA.21J.049

.757-1210-551	Decal – Smoke hood	3
.757-1484-000	Valise – Cart restraint strap	1
.757-1485-000	Small Divider Panel	5
.767-1210-004	Decal – Demonstration kit	2
.767-1210-1052	Decal – STO Oxygen	1
.767-1210-1053	Decal – Emergency Medical kit	1
.767-1210-1065	Decal – PRM Harness	1
.767-1210-1066	Decal – Emergency equipment only	3
.767-1210-791	Decal – Defibrillator	2
.767-1845-000	Bracket - FAK	2
.767-1845-003	Bracket – Defibrillator	1
.767-1845-004	12 Inch Pallet	1
.767-1845-005	24 Inch Pallet	2
.767-1845-007	36 Inch Pallet	2
.767-1845-010	22.25 Inch Pallet	1
.767-1845-217	Bracket – Lower	4
.767-1845-218	Bracket – Upper	4
.767-1855-000	Valise – PRM Harness	1
.767-1856-000	Valise – Extension seat belts	2
.767-1857-000	Valise – demo kit	4
.767-1858-000	Valise – Spare lifejacket	2
.767-1859-000	Valise - Infant lifejacket	2
.AB001-666	Gash bags	6
.BACS12FA3K12	Washer Head screw	28
.NAS1149F0332P	Washer	105
.ATDKL0155	STO Bracket assembly	1

MODIFICATION NUMBER : TEO/757/1347/G0 ISSUE: 7
 PART 21 APPROVAL REF: **EASA.21J.049**

.BAC29PPS14153	Decal – Baby survival cot	2
.BAC29PPS21000	Decal – Mandatory First Aid Kit	3
.BAC29PPS28228	Decal – Spare lifejacket	1
.BAC29PPS4698	Decal – Infant lifejacket	2
.BAC29UPPS0134	Decal – Megaphone	3
.BAC29UPPS0136	Decal – Fire Extinguisher	1
.BAC29UPPS0137	Decal – Portable oxygen	1
.E28095-02	Bracket - Smoke hood	3
.FGA2000001AMFRUHAS	Cover – Crash Axe	1
.PP2TBLACK	Seal – Black (Alt. Pt/No.PP2TYELLOW)	6
.BACN10JC3	Nut	24
.MS24694S52	C'sk Screw	34
.NAS1801-3-6	Screw	81
.NAS1836-3-10	Potted insert	47
.EPOCAST1618D/B	Potting compound (Alt. Pt/No.MAGNOBOND92-1AB)	A/R
R00283	Velcro 1" - Loop	A/R
.2010-5-011-1849	Extension seat belts	24

4.2.2 New Rotable Parts List

Parts Number	Equipment	Qty
.520002-10	Emergency Medical kit	1
.52004-07	Emergency Response kit	1
..2438	AMBU resuscitator	1
.AV2008397	STO Oxygen Bottles	3*
.737-1102-000	Defibrillator – FR2	1
.767-1854-000	IMEK	1
.E28180-10	Smoke Hood	1

MODIFICATION NUMBER : TEO/757/1347/G0 ISSUE: 7
PART 21 APPROVAL REF: EASA.21J.049

*STO Oxygen bottles, Nasal Cannulas & Bag (STO Elite Oxy) to be fitted before 1st May 2009, if deviation during harmonization input a carry forward defect to be raised to reflect this anomaly.

4.2.3 Existing Parts List

The following is a list of existing parts on the aircraft and are required to be re-used in this modification. The associated brackets for these parts are to be re-used for the installation on the aircraft unless otherwise stated in the TEO.

<u>Parts Number</u>	<u>Equipment</u>	<u>Qty</u>
BA51015-3	BCF Fire Extinguisher	7
42D8331	Crash axe	2
5500-A1A-BF23A	Portable oxygen bottle	12
174095-66	Spare oxygen mask	12*(a)
ACR/EM-1A	Megaphone	3
E28180-10	Smoke hood	9
83001133	Laerdal pocket mask	2
MXP210-00	Smoke goggles	4
767-1461-000	Wheelchair	1
S1823502-02	ELT Beacon	2
289-1002	Demo oxygen mask	4
	Clear safety goggles	2*(b)
P2-07-0001-201S	Emergency torch DME EF-1	8
SOLAR2002	Emergency torch	2
	SEP Manual	1*(b)
757-1243-000	Mandatory first aid kit	3
A312305A03RFD	Adult lifejacket	235 *(c)
105MK1	Infant lifejacket	18 *(d)
A4414A	Demo lifejacket	4
A312305A03RFD	Spare lifejacket	2

MODIFICATION NUMBER : TEO/757/1347/G0 ISSUE: 7
PART 21 APPROVAL REF: EASA.21J.049

737-2729-000	Demo seat belt	4
ASR609	Passenger restraint kit	1
A312305A04RFD	Crew lifejacket	11 *(e)
767-1477-000	PRM Harness	1
2000-105YCAA	Baby survival cot	6*(f)
FKKB-35KL	Fireproof gloves	2
BA21479-1	Bracket – BCF Extinguisher	7
69-64084-1	Bracket – Megaphone	3
757-1071-000	Cart restraint strap	1
E28183	Bracket – Smoke hood	7

*(a) Alt. Pt/No.28314-12

*(b) Commercial part

*(c) Alt. Pt/No.102MK2BA or A312300A03

*(d) Alt. Pt/No.A316100A00 or A316101A00RFD

*(e) Alt. Pt/No. 102MK2BA or A312300A03

*(f) Alt. Pt/No.2000-105YCAASP

4.2.4 Existing ETOPS Parts List (Only required for ETOPS flights)

757-1048-008	Survival pack (Doors 1 & 4)	4
757-1048-010	Survival pack (Doors 2)	2
00033061	46 man Liferaft	3

4.3 Parts Removed Per Aircraft

<u>PART NO.</u>	<u>DESCRIPTION</u>
767-1729-000	IMEK
767-1697-000	Defibrillator (FR)
BMK001	Doctors Medical kit
00033061	Liferaft – 46 man
757-1048-008	Survival pack (Single lane)
757-1048-010	Survival pack (Dual lane)

MODIFICATION NUMBER : TEO/757/1347/G0 ISSUE: 7
PART 21 APPROVAL REF: EASA.21J.049

4.4 Documents & Drawings Required

<u>DOCUMENT/DRAWING No.</u>	<u>TITLE</u>	<u>ISSUE</u>
757-1470	Safety equipment layout T'Fly/T'FLY (-204)	6
757-1045	Emergency equipment layout (-204)	26
757-1485	Harmonization overhead bin divider panels (B757)	2
767-1845	Safety Equipment Assembly	3

5. Accomplishment Instructions

General Notes to be adhered to during installation process

Part A and Part C contain the information required to carry out this modification. If the aircraft can only have the modification carried out in parts then Part B of this TEO is to be adhered to.

Potting of inserts to be done with adhesive EPOCAST 1618D/B (Alt. Pt/No.MAGNOBOND92-1AB) in accordance with Boeing process specification BAC5583.

Do not drill for new inserts if a new insert is within 1.25" (centre to centre) of an existing insert. If such a conflict occurs the design office is to be notified immediately.

Ensure the FR2 defibrillator being installed onto the aircraft is in the Declaration of Design and Performance Authorized Serial Number List.

For installation details refer to drawing 757-1470.

The following safety equipment is already installed on the aircraft in the locations indicated on the LOPA drawing (757-1470 Sheet 2) and will not be removed or relocated.

<u>PART NO.</u>	<u>Location</u>	<u>QTY</u>
BA51015S-3	Fire Extinguisher - Flight Deck, Doors 2L, 3L, 3R, 4L & 4R	6
42D8331	Crash Axe - Flight Deck	1
ACR/EM-1A	Megaphone	2
E28180-10	Smoke Hood – Flight deck, Door 3L & 3R & at Door 4L & 4R	6
Commercial Part	Fireproof Gloves – Flight Deck & Door 4L	2
83001133	Laerdal Pocket mask – Door 4L	1
MXP210	Smoke goggles- Flight Deck	4
767-1461-000	Wheelchair – Fwd of toilets Door 3L	1
S1823502-02	ELT's will remain in there existing locations	2

MODIFICATION NUMBER : TEO/757/1347/G0 ISSUE: 7
PART 21 APPROVAL REF: EASA.21J.049

289-1002	Demo Oxygen Masks – Door 2R	2
Commercial Part	Clear Safety Goggles will remain in existing location	1
P2-07-0001-201S	All Emergency Torches DME EF-1 will remain in existing locations	8
SOLAR2002	Emergency torches (flight deck)	2
757-1243-000	FAK – Door 2R	1
A312305A03RFD	All Life Jackets will remain in existing locations	235
A4414A	Demo Lifejackets – Door 2R	2
737-2729-000	Demo Seat Belts – Door 2R	2
A312305A04RFD	Lifejacket Crew will remain in existing locations	12
767-1477-000	PRM Harness – Door 2R	1

Part A – Potting of Inserts

A1. RHS stowage compartment between STA402.2 to STA500. Refer to installation drawing 757-1470 sheet 3.

There is nothing installed in this area to be removed

- A1.1 Assemble 36" Pallet (Pt/No.767-1845-007), Lower bracket (Pt/No.767-1845-217) and Small divider panel (Pt/No.757-1485-000) using 3 bolts (Pt/No.NAS1801-3-6) and washers (Pt/No.NAS1149F0332P) to attach the bracket to the pallet and 3 Screws (Pt/No.BACS12FA3K12) and Nuts (Pt/No.BACN10JC3) to attach the divider panel to the Bracket/Pallet assembly. Note: ensure the Screw tails are facing the pallet. Loosely attach the upper bracket (Pt/No.767-1845-218) using 2 Screws (Pt/No.BACS12FA3K12) and Nuts (Pt/No.BACN10JC3), the height of the bracket will need to be adjusted when the position of the pallet has been finalised.
- A1.2 Position the 12" pallets assembly as per T'Fly drawing 757-1470, mark the 4 insert positions through the pallet. Remove the Pallet assembly, label as Kit 1 (see Part C) and retain for installation in Part D.
- A1.3 Position the 36" pallets assembly as per T'Fly drawing 757-1470, mark the 6 insert positions through the pallet, adjust the upper bracket to the upper surface of the overhead compartment and mark the 2 insert positions. Remove the Pallet assembly, label as Kit 2 (see Part C) and retain for installation in Part D.
- A1.4 Drill and pot all 12 inserts (Pt/No.NAS1836-3-10) using potting compound (Pt/No.EPOCAST1618D/B) in accordance with Boeing process specification BAC5583.

A2. LHS stowage compartment between STA620 to STA680. Refer to installation drawing 757-1470 sheet 4. (NB422 to NB438 only)

Remove the following equipment, brackets and equipment panels from the stowage

compartment; Retain all parts and hardware for reinstallation.

A2.1

Part	Description	Quantity
E28180-10	Smoke hood	2
757-1223-000	Bracket – Smoke hoods	1

A2.2 Assemble 24" Pallet (Pt/No.767-1845-005), Lower bracket (Pt/No.767-1845-217) and Small divider panel (Pt/No.757-1485-000) using 3 bolts (Pt/No.NAS1801-3-6) and washers (Pt/No.NAS1149F0332P) to attach the bracket to the pallet and 3 Screws (Pt/No.BACS12FA3K12) and Nuts (Pt/No.BACN10JC3) to attach the divider panel to the Bracket/Pallet assembly. Note: ensure the Screw tails are facing the pallet. Loosely attach the upper bracket (Pt/No.767-1845-218) using 2 Screws (Pt/No.BACS12FA3K12) and Nuts (Pt/No.BACN10JC3), the height of the bracket will need to be adjusted when the position of the pallet has been finalised.

A2.3 Position the 36" pallets assembly as per T'Fly drawing 757-1470, mark the 6 insert positions through the pallet, adjust the upper bracket to the upper surface of the overhead compartment and mark the 2 insert positions. Remove the Pallet assembly, label as Kit 3 (see Part C) and retain for installation in Part D.

A2.4 Drill and pot all 8 inserts (Pt/No.NAS1836-3-10) using potting compound (Pt/No.EPOCAST1618D/B) in accordance with Boeing process specification BAC5583.

A3. RHS stowage compartment between STA620 to STA680. Refer to installation drawing 757-1470 sheet 5.

There are no Pallet installations in this area.

A4. LHS stowage compartment between STA1160 to STA1220. Refer to installation drawing 757-1470 sheet 6.

There is nothing installed in this area to be removed

A4.1 Assemble 36" Pallet (Pt/No.767-1845-007), Lower bracket (Pt/No.767-1845-217) and Small divider panel (Pt/No.757-1485-000) using 3 bolts (Pt/No.NAS1801-3-6) and washers (Pt/No.NAS1149F0332P) to attach the bracket to the pallet and 3 Screws (Pt/No.BACS12FA3K12) and Nuts (Pt/No.BACN10JC3) to attach the divider panel to the Bracket/Pallet assembly. Note: ensure the Screw tails are facing the pallet. Loosely attach the upper bracket (Pt/No.767-1845-218) using 2 Screws (Pt/No.BACS12FA3K12) and Nuts (Pt/No.BACN10JC3), the height of the bracket will need to be adjusted when the position of the pallet has been finalised.

A4.2 Position the 36" pallet assembly as per T'Fly drawing 757-1470, mark the 6 insert positions through the pallet, adjust the upper bracket to the upper surface of the overhead compartment and mark the 2 insert positions. Remove the Pallet assembly,

label as Kit 5 (see Part C) and retain for installation in Part D.

- A4.3 Drill and pot all 8 inserts (Pt/No.NAS1836-3-10) using potting compound (Pt/No.EPOCAST1618D/B) in accordance with Boeing process specification BAC5583.

A5. RHS stowage compartment between STA1220 to STA1278.3 Refer to installation drawing 757-1470 sheet 7.

There are no Pallet installations in this area.

A6. LHS stowage compartment between STA1500 to STA1560 Refer to installation drawing 757-1470 sheet 8.

There is nothing installed in this area to be removed

- A6.1 Assemble 24" Pallet (Pt/No.767-1845-005), Lower bracket (Pt/No.767-1845-217) and Small divider panel (Pt/No.757-1485-000) using 3 bolts (Pt/No.NAS1801-3-6) and washers (Pt/No.NAS1149F0332P) to attach the bracket to the pallet and 3 Screws (Pt/No.BACS12FA3K12) and Nuts (Pt/No.BACN10JC3) to attach the divider panel to the Bracket/Pallet assembly. Note: ensure the Screw tails are facing the pallet. Loosely attach the upper bracket (Pt/No.767-1845-218) using 2 Screws (Pt/No.BACS12FA3K12) and Nuts (Pt/No.BACN10JC3), the height of the bracket will need to be adjusted when the position of the pallet has been finalised.
- A6.2 Position the 24" pallets assembly as per T'Fly drawing 757-1470, mark the 6 insert positions through the pallet, adjust the upper bracket to the upper surface of the overhead compartment and mark the 2 insert positions. Remove the Pallet assembly, label as Kit 7 (see Part C) and retain for installation in Part D.

Drill and pot all 8 inserts (Pt/No.NAS1836-3-10) using potting compound (Pt/No.EPOCAST1618D/B) in accordance with Boeing process specification BAC5583.

A7. LHS stowage compartment between STA1560 to STA1610.48. Refer to installation drawing 757-1470 sheet 9

Remove the following equipment from the stowage compartment; Retain all parts for reinstallation.

A7.1

Part	Description	Quantity
None		

- A7.2 Assemble 12" Pallet (Pt/No.767-1845-004), Lower bracket (Pt/No.767-1845-217) and

MODIFICATION NUMBER : TEO/757/1347/G0 ISSUE: 7
 PART 21 APPROVAL REF: EASA.21J.049

Small divider panel (Pt/No.757-1485-000) using 3 bolts (Pt/No.NAS1801-3-6) and washers (Pt/No.NAS1149F0332P) to attach the bracket to the pallet and 3 Screws (Pt/No.BACS12FA3K12) and Nuts (Pt/No.BACN10JC3) to attach the divider panel to the Bracket/Pallet assembly. Note: ensure the Screw tails are facing the pallet. Loosely attach the upper bracket (Pt/No.767-1845-218) using 2 Screws (Pt/No.BACS12FA3K12) and Nuts (Pt/No.BACN10JC3), the height of the bracket will need to be adjusted when the position of the pallet has been finalised.

A7.3 Position the 22.25" pallet as per T'Fly drawing 757-1470, mark the 6 insert positions through the pallet. Remove the Pallet assembly, label as Kit 8 (see Part C) and retain for installation in Part D.

A7.4 Position the 12" pallet assembly as per T'Fly drawing 757-1470, mark the 4 insert positions through the pallet, adjust the upper bracket to the upper surface of the overhead compartment and mark the 2 insert positions. Remove the Pallet assembly, label as Kit 8 (see Part C) and retain for installation in Part D.

Drill and pot all 12 inserts (Pt/No.NAS1836-3-10) using potting compound (Pt/No.EPOCAST1618D/B) in accordance with Boeing process specification BAC5583.

Part B – Re-installation of existing safety equipment.
(Only required if Part C can not be completed in time)

<p>B1. RHS stowage compartment between STA402.2 to STA500</p> <p>B1.1 No equipment was removed from this area.</p>
<p>B2. LHS stowage compartment between STA620 to STA680 (NB422 to NB438 only)</p> <p>B2.1 Re-install removed items as listed in A2 back into the stowage compartment as per the original condition.</p>
<p>B3. RHS stowage compartment between STA620 to STA680</p> <p>B3.1 No equipment was removed from this area.</p>
<p>B4. LHS stowage compartment between STA1160 to STA1220</p> <p>B4.1 No equipment was removed from this area.</p>
<p>B5. RHS stowage compartment between STA1220 to STA1278.3</p> <p>B5.1 No equipment was removed from this area.</p>
<p>B6. LHS stowage compartment between STA1500 to STA1560</p> <p>B6.1 No equipment was removed from this area.</p>
<p>B7. RHS stowage compartment between STA1560 to STA1610.48</p> <p>B7.1 No equipment was removed from this area.</p>

 MODIFICATION NUMBER : TEO/757/1347/G0 ISSUE: 7
 PART 21 APPROVAL REF: EASA.21J.049

Part C – Kitting Equipment

The following safety equipment & pallets should be grouped together prior to installation into aircraft.

Kits 1 & 2 for area between RHS STA402.2 to STA500

Kit No.	Parts	Equipment	Qty.	
1	767-1845-004	12 Inch Pallet	1	
	E28180-10	Smoke Hood	1	*
	E28183	Bracket - Smoke hood	1	*
	MS24694S52	C'sk Screw	4	
	NAS1801-3-6	Screw	4	
	NAS1149F0332P	Washer	4	
	757-1210-551	Decal – Smoke hood	1	
	767-1210-1066	Decal – Emergency equipment only	1	

* Items that have been removed from the current safety equipment and retained for re-installation.

Kit No.	Parts	Equipment	Qty.	
2	767-1845-007	36 Inch Pallet	1	
	757-1485-000	Small Divider Panel	1	
	767-1845-217	Bracket – Lower	1	
	767-1845-218	Bracket – Upper	1	
	5500-A1A-BF23A	Oxygen Bottle	2	*
	174095-66	Spare Oxygen masks	2	*
	BACB20J5A	Bracket – Oxygen Bottle (Lower)	2	*
	BACB20J4A	Bracket – Oxygen Bottle (Upper)	2	*
	E28180-10	Smoke Hood	1	*
	E28095-02	Bracket - Smoke hood	1	
	BA51015-3	BCF Extinguisher	1	*
	BA21479-1	Bracket – BCF Extinguisher	1	*
	ACREM-1A	Megaphone	1	*
	69-64064-1	Bracket - megaphone	1	*
	757-1243-000	Mandatory First Aid Kit	1	*
	767-1845-000	Bracket - FAK	1	
	MS24694S52	C'sk Screw	6	
	NAS1801-3-6	Screw	32	
	BACS12FA3K12	Washer Head screw	9	
	NAS1149F0332P	Washer	41	

MODIFICATION NUMBER : TEO/757/1347/G0 ISSUE: 7
PART 21 APPROVAL REF: EASA.21J.049

	BACN10JC3	Nut	9	
	2000-105YCAA	Baby survival cots	3	*
	105MK1	Infant lifejackets	9	*
	767-1859-000	Valise - Infant lifejacket	1	
	PP2TBLACK	Seal - Black	3	
	AB001-666	Gash bags	3	
	83001133	Laerdal pocket mask	1	*
	-	SEP Manual	1	
	BAC29PPS4698	Decal – Infant lifejacket	1	
	BAC29PPS14153	Decal – Baby survival cot	1	
	BAC29PPS21000	Decal – Mandatory First Aid Kit	1	
	BAC29UPPS0136	Decal – Fire Extinguisher	1	
	BAC29UPPS0137	Decal – Portable oxygen	1	
	BAC29UPPS0134	Decal – Megaphone	1	
	757-1210-551	Decal – Smoke hood	1	
	757-1210-546	Decal – Latch closed load limit 67lbs/30kgs	1	

* Items that have been removed from the current safety equipment and retained for re-installation.

Kit 3 for area between LHS STA620 to STA680 (NB422 to NB438 only)

Kit No.	Parts	Equipment	Qty.	
3	767-1845-005	24 Inch Pallet	1	
	757-1485-000	Small Divider Panel	1	
	767-1845-217	Bracket – Lower	1	
	767-1845-218	Bracket – Upper	1	
	E28180-10	Smoke Hood	2	*
	E28095-02	Bracket - Smoke hood	2	
	MS24694S52	C'sk Screw	6	
	NAS1801-3-6	Screw	13	
	BACS12FA3K12	Washer Head screw	5	
	NAS1149F0332P	Washer	18	
	BACN10JC3	Nut	5	
	757-1701-000	Cart restraint strap	1	
	757-1484-000	Valise – Cart restraint strap	1	
	757-1210-551	Decal – Smoke hood	1	
	757-1210-543	Decal – Latch closed load limit 103lbs/46kgs	1	

* Items that have been removed from the current safety equipment and retained for re-installation.

MODIFICATION NUMBER : TEO/757/1347/G0 ISSUE: 7
 PART 21 APPROVAL REF: EASA.21J.049

Kit 3A for area between LHS STA620 to STA680 (NT431 & NT432 only)

Kit No.	Parts	Equipment	Qty.	
	757-1701-000	Cart restraint strap	1	*
	757-1484-000	Valise – Cart restraint strap	1	

Kit 4 for area between RHS STA620 to STA680

Kit No.	Parts	Equipment	Qty.	
4	767-1477-000	PRM Harness	1	*
	767-1855-000	Valise – PRM Harness	1	
	2010-5-011-1849	Extension seat belts	12	
	767-1856-000	Valise – Extension seat belts	1	
	289-1002	Demo Oxygen mask	2	*
	A4414A	Demo lifejacket	2	*
	2010-5-011-1849	Demo Seat belt (Alt.737-2729-000)	2	*
	767-1857-000	Valise – demo kit	2	
	757-1048-010	Survival packs (ETOPS flight only)	2	*
	767-1210-1065	Decal – PRM Harness	1	
	767-1210-004	Decal – Demonstration kit	1	
	757-1210-045	Decal – Extension seat belts	1	
	BAC29PPS21000	Decal – Mandatory First Aid Kit	1	
	BAC29UPPS0134	Decal – Megaphone	1	

* Items that have been removed from the current safety equipment and retained for re-installation.

Kit 5 for area between LHS STA1160 to STA1220

Kit No.	Parts	Equipment	Qty.	
5	767-1845-007	36 Inch Pallet	1	
	757-1485-000	Small Divider Panel	1	
	767-1845-217	Bracket – Lower	1	
	767-1845-218	Bracket – Upper	1	
	520002-10	Emergency Medical kit	1	
	520-25-1023	Bracket – Emergency medical Kit	1	
	737-1102-000	Defibrillator – FR2	1	
	767-1845-003	Bracket – Defibrillator	1	
	52004-07	Emergency Response kit	1	
	MS24694S52	C'sk Screw	6	
	NAS1801-3-6	Screw	9	
	BACS12FA3K12	Washer Head screw	9	

MODIFICATION NUMBER : TEO/757/1347/G0 ISSUE: 7
PART 21 APPROVAL REF: EASA.21J.049

	NAS1149F0332P	Washer	14	
	BACN10JC3	Nut	5	
	767-1210-1053	Decal – Emergency Medical kit	1	
	767-1210-791	Decal – Defibrillator	2	
	757-1210-251	Decal – Wheelchair	1	
	767-1210-1054	Decal – Emergency response kit	1	
	757-1210-546	Decal – Latch closed load limit 67lbs/30kgs	1	

* Items that have been removed from the current safety equipment and retained for re-installation.

Kit 6 for area between RHS STA1220 to STA1260

Kit No.	Parts	Equipment	Qty.	
6	2010-5-011-1849	Extension seat belts	12	*
	767-1856-000	Valise – Extension seat belts	1	
	289-1002	Demo Oxygen mask	2	*
	A4414A	Demo lifejacket	2	*
	2010-5-011-1849	Demo Seat belt (Alt.737-2729-000)	2	*
	767-1857-000	Valise – demo kit	2	
	2000-105YCAA	Baby survival cots	3	*
	105MK1	Infant lifejackets	9	*
	767-1859-000	Valise – Infant lifejackets	1	
	PP2TBLACK	Seal - Black	3	
	A312305A03RFD	Spare lifejackets	2	*
	767-1858-000	Valise – Spare lifejacket	2	
	BAC29PPS28228	Decal – Spare lifejacket	1	
	767-1210-004	Decal – Demonstration kit	1	
	757-1210-045	Decal – Extension seat belts	1	
	BAC29PPS4698	Decal – Infant lifejacket	1	
	BAC29PPS14153	Decal – Baby survival cot	1	
	767-1210-1066	Decal – Emergency equipment only	1	

* Items that have been removed from the current safety equipment and retained for re-installation.

Kit 7 for area between LHS STA1500 to STA1560

Kit No.	Parts	Equipment	Qty.	
7	767-1845-005	24 Inch Pallet	1	
	757-1485-000	Small Divider Panel	1	
	767-1845-217	Bracket – Lower	1	

MODIFICATION NUMBER : TEO/757/1347/G0 ISSUE: 7
 PART 21 APPROVAL REF: EASA.21J.049

	767-1845-218	Bracket – Upper	1	
	ATDKL0155	STO Bracket assembly	1	
	AV2008397	STO Oxygen Assembly	3	
	1025407	Nasal Cannulas	3	
	AV1000001	Bag – Elite Oxy bottle	3	
	MS24694S52	C’sk Screw	6	
	NAS1801-3-6	Screw	9	
	BACS12FA3K12	Washer Head screw	5	
	NAS1149F0332P	Washer	14	
	BACN10JC3	Nut	5	
	767-1210-1052	Decal – STO Oxygen	1	
	757-1210-543	Decal – Latch closed load limit 103lbs/46kgs	1	

* Items that have been removed from the current safety equipment and retained for re-installation.

Kit 8 for area between LHS STA1560 to STA1610.48

Kit No.	Parts	Equipment	Qty.	
8	767-1845-010	22.25 Inch Pallet	1	
	767-1845-004	12 Inch Pallet	1	
	757-1485-000	Small Divider Panel	1	
	767-1845-217	Bracket – Lower	1	
	767-1845-218	Bracket – Upper	1	
	757-1243-000	First Aid Kit	1	*
	767-1845-000	Bracket – First aid kit	1	
	42D8331	Crash Axe	1	*
	FGA2000001AMFRUHAS	Cover – Crash Axe	1	*
	MS24694S52	C’sk Screw	10	
	NAS1801-3-6	Screw	14	
	NAS1149F0332P	Washer	24	
	BACS12FA3K12	Washer headed screws	5	
	NAS1801-3-6	Screw	5	
	BACN10JC3	Nut	5	
	83001133	Laerdal pocket mask	1	*
	ASR609	Passenger restraint kit	1	*
	FKK8-35KL	Fireproof gloves	1	*
	AB001-666	Fireproof Gash Bags	3	
	R00283	Velcro 1"- Loop	A/R	

MODIFICATION NUMBER : TEO/757/1347/G0
 PART 21 APPROVAL REF: EASA.21J.049

ISSUE: 7

	BAC29PPS21000	Decal – Mandatory First Aid Kit	1	
	BAC29UPPS0134	Decal – Megaphone	1	
	767-1210-1066	Decal – Emergency equipment only	1	
	757-1210-546	Decal – Latch closed load limit 67lbs/30kgs	1	
	757-1210-549	Decal – Latch closed load limit 34lbs/15kgs	1	

* Items that have been removed from the current safety equipment and retained for re-installation.

Note: Once Part D installation commences it must be completed IN FULL before aircraft can be released into service.

Part D – New Safety Equipment installation

Before commencing Parts D1 to D10 the following items will be required to be removed from the position below some of these items will be required to be installed at other positions within the cabin area. For the other items removed these can all be routed to stores.

With reference to T'Fly drawing 757-1045 remove the following:-

- a) Megaphone (Pt/No.ACR/EM-1A), Resuscitation mask (Pt/No.83001133), Smoke hood (Pt/No.E28180-10), 2off Oxygen Bottles (Pt/No.5500-B1A-BF23A) including attached mask and additional masks (Pt/No.174095-66), First Aid Kit (Pt/No.757-1243-000), BCF Fire extinguisher (Pt/No.BA51015S3), 3off Baby survival Cots (Pt/No.2000-105YCAA) SEP Manual (Commercial part), 9off Infant lifejackets (Pt/No.105MK1) and 3 off Fireproof gash Bag (Pt/No.AB001-235) from the LHS OHC between STA381.7 to STA440.
- b) Remove all redundant Brackets/Document stowage's/Plates/Dividers from overhead compartment between STA387.1 to STA500, left hand side.
- c) Defibrillator (Pt/No. 767-1697-000), IMEK (Pt/No.767-1729-000) from OHC above Door 3R, Note, do not remove the IMEK Bracket, new IMEK to be installed. Remove the divider panel and associated brackets.
- d) Resuscitation mask (Pt/No.83001133), First Aid Kit (Pt/No.757-1243-000), 3off Baby survival Cots (Pt/No.2000-105YCAA), 9off Infant lifejackets (Pt/No.105MK1) and 3 off Fireproof gash Bag (Pt/No.AB001-235), Passenger Restraint Kit (Pt/No.ASR609), Fireproof Gloves (Commercial part), 2off Spare adult lifejackets Pt/No.A312305A03RFD) from the LHS OHC between STA1610.48 to STA1635.3.
- e) Crash Axe (Pt/No.42D8331) from under the attendant seat at Door 4R.

Extension seat belts

- a) Remove 8off Extension Seat belts (Pt/No.501848-433-1849) from Door 2L attendant seat.
- b) Remove 4off Extension Seat belts (Pt/No.501848-433-1849) from Door 3L attendant seat.
- c) Remove 4off Extension Seat belts (Pt/No.501848-433-1849) from Door 3R attendant seat.
- d) Remove 8off Extension Seat belts (Pt/No.501848-433-1849) from Door 4L attendant seat.

Send all extension seat belts to stores as serviceable

MODIFICATION NUMBER : TEO/757/1347/G0 ISSUE: 7
PART 21 APPROVAL REF: EASA.21J.049

The following installations are in conjunction with T'Fly drawing 757-1470.

D1. RHS stowage compartment between STA402.2 to STA500. Refer to installation drawing 757-1470

There is no safety equipment that needs to be removed from these stowage compartments;

- D1.1 Remove the existing loading placards located inside the stowage compartment stating the current allowable load on the stowage bins.
- D1.2 Using items from Kit 1 & 2, install the 12" pallet and the 36" pallet and small divider as per T'Fly drawing 767-1470, using 4 off MS24694S52 screws on the 12" pallet, 6 off MS24694S52 screws for the 36" pallet and 2 off NAS1801-3-6 bolts for each upper divider bracket.

Note: the Pallets and dividers should be already assembled, if not please refer to A1.2 & A1.3.

The following equipment is to be installed on the 12" pallet and Small divider assembly.

- D1.3 Install the Smoke bracket (Pt/No.E28183) on to the 12" pallet at the **SH2** position using 4 off NAS1801-3-(*) and NAS1149F0332P washers.
- D1.4 Install the Smoke Hood (Pt/No.E28180-10) onto its appropriate bracket and retain.

The following equipment is to be installed on the 36" pallet and small divider assembly.

- D1.5 Referring to Installation drawing 757-1470 position and secure the two oxygen bottle brackets at **OXY1** & **OXY2** positions and secure using 10 off NAS1801-3-(*) bolts and NAS1149F0332P washers.

Note: Use the shorter position for the rear oxy bottle bracket for the 120ltr bottles.

- D1.6 Position and secure the BCF extinguisher bracket at **BCF** position using 4 off NAS1801-3-(*) bolts and NAS1149F0332P washers.
- D1.7 Install the Smoke bracket (Pt/No.E28095-02) on top of the **FAK** Bracket (Pt/No.767-1845-000) at **SH** position using 4 off NAS1801-3-(*) and NAS1149F0332P washers. Position and secure the assembly on to the pallet at the **FAK** position using 6 off NAS1801-3-(*) Bolts and NAS1149F0332P washers.
- D1.8 Install the megaphone bracket on the small divider panel as per the installation drawing 757-1470 at the **MPHN** position using 4 off BACS12FA3K12 screws with BACN10JC3 nuts and NAS1149F0332P washers.
- D1.9 Install two Oxygen Bottles (Pt/No.5500-A1A-BF23A), BCF Extinguisher (Pt/No.BA51015-3), Smoke Hood (Pt/No.E28180-10), Megaphone (Pt/No.ACREM-1A) and Mandatory First Aid Kit (Pt/No.757-1243-000) onto there appropriate brackets and retain.

The following Loose equipment is to be installed with reference to 757-1470 into the overhead compartment as indicated on the installation drawing.

Part	Description	Quantity
174095-66*	Spare Oxygen Mask	2
83001133	Pocket Mask	1
-	SEP Manual	1
2000-105YCAA	Baby survival Cots	3
105MK1**	Infant lifejacket	9
757-1483-000	Valise – Infant lifejacket	1
AB001-666	Fireproof Gash bag	3
757-1048-008	Survival pack (ETOPS flights only)	2

* Alternate parts: 28314-12

** Alternate parts: A316100A00 or A316101A00RFD

D1.10 Remove the Infant Lifejackets from the existing T'Fly valise and placed into the new YELLOW Thomson valise (Pt/No.757-1483-000) and seal using 3 seals (Pt/No.PP2TBLACK).

Decal removal and installation.

D1.11 Remove all decals from the outside door panel and from the rear panel of the inside of the overhead compartment.

D1.12 Ensure that the area's where the new placard will be installed is clean of dust and grease.

D1.13 Position the new placards as per the installation drawing 757-1470 on to the outside of the bin.

D1.14 Position the weight limitation into each section of the overhead compartment as indicated on the T'Fly drawing 757-1470

D2. LHS stowage compartment between STA620 to STA680. Refer to installation drawing 757-1470 (NB422 to NB438 only)

D2.1 Remove the following equipment from the stowage compartment;

Part	Description	Quantity
E28180-10	Smoke hood	2
757-1223-000	Bracket – Smoke hood	1

D2.2 Remove the existing loading placards located inside the stowage compartment stating the current allowable load on the stowage bins.

D2.3 Using items from Kit 3, install the 24" pallet with the small divider as per T'Fly drawing 767-1470, using 6off MS24694S52 screws on the 36" pallet and 2off NAS1801-3-6 bolts for upper divider bracket.

Note: the Pallet and divider should be already assembled, if not please refer to A2.2 & A2.3.

The following equipment is to be installed on the 24" pallet and small divider assembly.

D2.4 Install the Smoke brackets (Pt/No.E28095-02) on to the pallet at the **SH1** & **SH2** positions using 8off NAS1801-3-(*) Bolts and NAS1149F0332P washers.

D2.5 Install two Smoke Hoods (Pt/No.E28180-10) onto there appropriate brackets and retain.

The following Loose equipment is to be installed with reference to 757-1470 into the overhead compartment as indicated on the installation drawing.

Part	Description	Quantity
757-1701-000	Cart restraint strap	1
757-1484-000	Valise – cart restraint strap	1

Decal removal and installation.

D2.6 Remove all decals from the outside door panel and from the rear panel of the inside of the overhead compartment.

D2.7 Ensure that the area's where the new placard will be installed is clean of dust and grease.

D2.8 Position the new placards are per the installation drawing 757-1470 on to the outside of the bin.

D2.9 Position the weight limitation into each section of the overhead compartment as indicated on the T'Fly drawing 757-1470

D2. LHS stowage compartment between STA620 to STA680. Refer to installation drawing 757-1470 (NT431 to NT432 only)

D2.1 No equipment is required to be removed from this compartment;

Part	Description	Quantity
None		

The following Loose equipment is to be installed with reference to 757-1470 into the overhead compartment as indicated on the installation drawing.

Part	Description	Quantity
757-1701-000	Cart restraint strap	1
757-1484-000	Valise – cart restraint strap	1

D2.2 Remove the Cart restraint strap from its old valise and place into new valise (Pt/No.757-1484-000), discard old valise.

D3. RHS stowage compartment between STA620 to STA680. Refer to installation drawing 757-1470 (NB422 to NB438 only)

There is no safety equipment that needs to be removed from these stowage compartments;

The following Loose equipment is to be installed with reference to 757-1470 into the overhead compartment as indicated on the installation drawing.

Part	Description	Quantity
767-1477-000	PRM Harness	1
767-1855-000	Valise – PRM Harness	1
2010-5-011-1849	Extension seat belts	12
767-1856-000	Valise – Extension Seat belts	1
289-1002	Demo Oxygen mask	2
A4414A	Demo lifejacket	2
737-2729-000	Demo Seat belts	2
767-1857-000	Valise – Demo equipment	2
757-1048-010	Survival pack (ETOPS flights only)	2

D3.1 Place the new Extension seat belts (Pt/No.2010-5-011-1849) into the new YELLOW Thomson valise (Pt/No.767-1856-000).

D3.2 Remove all the demo equipment from the existing T'FLY valise and placed into the new YELLOW Thomson valise (Pt/No.767-1857-000).

Decal removal and installation.

D3.3 Remove all decals from the outside door panel of the overhead compartment.

D3.4 Ensure that the area's where the new placard will be installed is clean of dust and grease.

D3.5 Position the new placards as per the installation drawing 757-1470 on to the outside of the bin.

D3 RHS stowage compartment between STA620 to STA680. Refer to installation drawing 757-1470 (NT431 & NT432 only)

D3.1 If there are three divider panels installed in the OVHC removed the forward divider panel and pallet including brackets and fasteners.

D3.2 Remove the megaphone and associated brackets from the pallet and reposition on the aft face of the mid divider panels as per "View on Arrow A" on sheet 5 757-1470. (Note: if required install upper bracket (Pt/No.767-1845-217) to the top of the divider panel as per new divider panels).

The following Loose equipment is to be installed with reference to 757-1470 into the overhead compartment as indicated on the installation drawing.

Part	Description	Quantity
767-1477-000	PRM Harness	1
767-1855-000	Valise – PRM Harness	1
2010-5-011-1849	Extension seat belts	12
767-1856-000	Valise – Extension Seat belts	1
289-1002	Demo Oxygen mask	2
A4414A	Demo lifejacket	2
737-2729-000	Demo Seat belts	2
767-1857-000	Valise – Demo equipment	2
757-1048-010	Survival pack (ETOPS flights only)	2

D3.3 Place the new Extension seat belts (Pt/No.2010-5-011-1849) into the new YELLOW Thomson valise (Pt/No.767-1856-000).

D3.4 Remove all the demo equipment from the existing T'FLY valise and placed into the new YELLOW Thomson valise (Pt/No.767-1857-000).

Decal removal and installation.

D3.5 Remove all decals from the outside door panel of the overhead compartment.

D3.6 Ensure that the area's where the new placard will be installed is clean of dust and grease.

D3.7 Position the new placards are per the installation drawing 757-1470 on to the outside of the bin.

D3.7 Position the weight limitation into each section of the overhead compartment as indicated on the T'Fly drawing 757-1470 (Item 102 only for NT431 & NT432)

D4. LHS stowage compartment between STA1160 to STA1220. Refer to installation drawing 757-1470

There is no safety equipment that needs to be removed from these stowage compartments;

D4.1 Using items from Kit 5, install the 36" pallet with the small divider as per T'Fly drawing 767-1470, using 6off MS24694S52 screws on the 36" pallet and 2off NAS1801-3-6 bolts for each upper divider bracket.

Note: the Pallet and divider should be already assembled, if not please refer to A4.2 & A4.3.

The following equipment is to be installed on the 36" pallet and small divider assembly.

D4.2 Referring to Installation drawing 757-1470 position and secure the defibrillator bracket at DEFIB position and secure using 4 off NAS1801-3-(*) bolts and NAS1149F0332P washers.

D4.3 Position and secure the Emergency medical kit bracket at **EMK** position using 4 off NAS1801-3-(*) bolts and NAS1149F0332P washers.

D4.4 Install the FR2 Defibrillator (Pt/No.737-1103-000) & Emergency Medical Kit (Pt/No.520002-10) onto there appropriate brackets and retain.

The following Loose equipment is to be installed with reference to 757-1470 into the overhead compartment as indicated on the installation drawing.

Part	Description	Quantity
52004-07	Emergency response kit	1

Decal removal and installation.

D4.5 Remove all decals from the outside door panel and from the rear panel of the inside of the overhead compartment.

D4.6 Ensure that the area's where the new placard will be installed is clean of dust and grease.

D4.7 Position the new placards are per the installation drawing 757-1470 on to the outside of the bin.

D4.8 Position the weight limitation into each section of the overhead compartment as indicated on the T'Fly drawing 757-1470

D5. RHS stowage compartment between STA1220 to STA1260. Refer to installation drawing 757-1470

There is no safety equipment that needs to be removed from these stowage compartments;

D5.1 Remove the existing loading placards located inside the stowage compartment stating the current allowable load on the stowage bins.

The following Loose equipment is to be installed with reference to 757-1470 into the overhead compartment as indicated on the installation drawing.

Part	Description	Quantity
289-1002	Demo Oxygen mask	2
A4414A	Demo lifejacket	2
737-2729	Demo Seat belt	2
767-1857-000	Valise – Demo equipment	2
2010-5-011-1849	Extension seat belts	12
767-1856-000	Valise – Extension Seat belts	1
2000-105YCAA	Baby survival Cots	3
105MK1*	Infant lifejacket	9
757-1483-000	Valise – Infant lifejacket	1
A312305A03RFD**	Spare Lifejacket	2
767-1858-000	Valise – Spare lifejacket	2

MODIFICATION NUMBER : TEO/757/1347/G0 ISSUE: 7
 PART 21 APPROVAL REF: EASA.21J.049

* Alternate parts: A316100A00 or A316101A00RFD

** Alternate parts: A312300A03 or 102MK2BA

D5.2 Remove all the demo equipment from the existing T'FLY valise and placed into the new YELLOW Thomson valise (Pt/No.767-1857-000).

D5.3 Place the new Extension seat belts (Pt/No.2010-5-011-1849) into the new YELLOW Thomson valise (Pt/No.767-1856-000).

D5.4 Remove the Infant lifejackets from the existing T'FLY valise and placed into the new YELLOW Thomson valise (Pt/No.757-1483-000) and seal using 3 seals (Pt/No.PP2TBLACK).

D5.5 Remove the Spare lifejackets from the existing T'FLY valise and placed into the new YELLOW Thomson valise (Pt/No.767-1858-000). Note one lifejacket per valise.

Decal removal and installation.

D5.6 Remove all decals from the outside door panel of the overhead compartment.

D5.7 Ensure that the area's where the new placard will be installed is clean of dust and grease.

D5.8 Position the new placards are per the installation drawing 757-1470 on to the outside of the bin.

D6. RHS stowage compartment between STA1320 to STA1380. Refer to installation drawing 757-1470

D6.1 Remove the following equipment from the stowage compartment;

Part	Description	Quantity	**
767-1729-000	IMEK	1	**

** Return to stores as unserviceable and send to Aeromedic for disposal.

D6.2 Install the new IMEK (In-flight medical emergency Kit) (Pt/No.767-1854-000) onto there appropriate brackets and retain.

There is no loose equipment installed in this area.

D7. LHS stowage compartment between STA1500 to STA1560. Refer to installation drawing 757-1470

There is no safety equipment that needs to be removed from these stowage compartments;

D7.1 Remove the existing loading placards located inside the stowage compartment stating the current allowable load on the stowage bins.

D7.2 Using items from Kit 7, install the 24" pallet with the small divider as per T'Fly drawing 767-1470, using 6 off MS24694S52 screws on the 24" pallet and 2 off NAS1801-3-6 bolts for the upper divider bracket.

Note: the Pallet and divider should be already assembled, if not please refer to A8.2 & A8.3.

The following equipment is to be installed on the 24" pallet and small divider assembly.

D7.3 Referring to Installation drawing 757-1470 position and secure the STO oxygen bottle Assembly at the STO position and secure using 6 off NAS1801-3-(*) bolts and NAS1149F0332P washers.

Note: The STO assembly (Pt/No.ATDKL0155) includes three STO oxygen bottles (Pt/No.AV2008397) & Nasal Cannulas (Pt/No.AV2008202).

There is no loose equipment installed in this area.

Decal removal and installation.

D7.4 Remove all decals from the outside door panel and from the rear panel of the inside of the overhead compartment.

D7.5 Ensure that the area's where the new placard will be installed is clean of dust and grease.

D7.6 Position the new placards as per the installation drawing 757-1470 on to the outside of the bin.

D7.7 Position the weight limitation into each section of the overhead compartment as indicated on the T'Fly drawing 757-1470.

D8. LHS stowage compartment between STA1560 to STA1610.48 & STA1610.48 to STA1635.3. Refer to installation drawing 757-1470

D8.1 Remove the following equipment from the stowage compartment between STA1610.48 to STA1635.3;

Part	Description	Quantity
83001133	Laerdal Pocket mask	1
105MK1	Infant lifejackets	9
A312305A03RFD	Spare lifejacket	2
Commercial part	Fireproof Gloves	1
ASR609	Passenger restraint kit	1
2000-105YCAA	Baby survival cot	3
BMK001**	Doctors Medical Kit	1**
AB001-235	Fireproof gash bag	3

** Return to stores as unserviceable and send to Aeromedic for disposal.

Any other existing dividers or mounting plates are to be removed and discarded.

D8.2 Remove the existing loading placards located inside the stowage compartment between STA1560 to 1610.48 stating the current allowable load on the stowage bins.

D8.3 Using items from Kit 8, install the 22.25" pallet and the 12" pallet and small divider as per T'Fly drawing 767-1470, using 4off MS24694S52 screws on the 12" pallet, 6off MS24694S52 screws for the 36" pallet and 2off NAS1801-3-6 bolts for each upper divider bracket.

Note: the Pallets and dividers should be already assembled, if not please refer to A7.2.

The following equipment is to be installed on the 22.25" pallet.

D8.4 Position and secure the First aid kit bracket assembly on to the pallet at the FAK position using 6off NAS1801-3-(*) Bolts and NAS1149F0332P washers.

D8.5 Install the Mandatory First Aid Kit (Pt/No.757-1243-000) onto there appropriate brackets and retain.

The following equipment is to be installed on the 12" pallet.

D8.6 Position and secure the Crash axe assembly on to the pallet using 2 strips of self adhesive loop Velcro (Pt/No.R00283) as per illustrated on reference dwg:757-1470 sheet 9.

D8.7 Install the Crash Axe (Pt/No.42D8331) into its stowage assembly.

The following Loose equipment is to be installed with reference to 757-1470 into the overhead compartment as indicated on the installation drawing.

Part	Description	Quantity
83001133	Pocket Mask	1
ASR609	Passenger restraint Kit	1
FKK8-35KL	Fireproof gloves	1
AB001-666	Fireproof Gash bag	3

Decal removal and installation.

D8.8 Remove all decals from the outside door panel and from the rear panel of the inside of the overhead compartment.

D8.9 Ensure that the area's where the new placard will be installed is clean of dust and grease.

D8.10 Position the new placards are per the installation drawing 757-1470 on to the outside of the bin.

Position the weight limitation into each section of the overhead compartment as indicated on the T'Fly drawing 757-1470

MODIFICATION NUMBER : TEO/757/1347/G0 ISSUE: 7
 PART 21 APPROVAL REF: EASA.21J.049

5. Part E – Removal of Safety equipment for ‘End of lease’.
5.1.1 Parts Required

<u>Parts Number</u>	<u>Equipment</u>	<u>Qty</u>
None		

5.1.2 Parts Removed

<u>Parts Number</u>	<u>Equipment</u>	<u>Qty</u>
.520002-10	Emergency Medical kit	1
.520-25-1023	Bracket – Emergency medical Kit	1
.52004-07	Emergency Response kit	1
.757-1071-000	Cart restraint strap	1
.757-1484-000	Valise – Cart restraint strap	1
.737-1102-000	Defibrillator – FR2	1
.767-1845-003	Bracket – Defibrillator	1
767-1477-000	PRM Harness	1
.767-1855-000	Valise – PRM Harness	1
.767-1210-1065	Decal - PRM Harness	1
.AB001-666	Gash bags	6
.ATDKL0155	STO Bracket assembly	1
..AV2008397	STO Oxygen Bottles	3
..1025407	Nasal Cannulas	3
..AV1000001	Bag – STO Elite Oxygen	3
.83001133	Laerdal pocket mask	2
.767-1461-000	Wheelchair	1
.	SEP Manual	1
.ASR609	Passenger restraint kit	1

 MODIFICATION NUMBER : TEO/757/1347/G0 ISSUE: 7
 PART 21 APPROVAL REF: EASA.21J.049

.FKKB-35KL	Fireproof gloves	1
.767-1854-000	IMEK	1
.416N1014-51	Bracket – IMEK	1
.767-1845-007	36" Pallet	1
.767-1845-005	24" Pallet	1
.757-1485-000	Divider panel	2
.767-1845-217	Upper divider bracket	2
.767-1845-218	Lower divider bracket	2

5.1.3 Documents & Drawings Required

<u>DOCUMENT/DRAWING No.</u>	<u>TITLE</u>	<u>ISSUE</u>
757-1492	Safety equipment layout 'End of Lease' (-204)	1
757-1470	Safety equipment layout (-204)	6
757-1485	Harmonization overhead bin divider panels (B757)	2
767-1845	Safety Equipment Assembly	3

5.2 Accomplishment instruction

With reference to both TA drawings: 757-1470 & 757-1492 remove the following items and label all items correctly and send to LTN stores as serviceable.

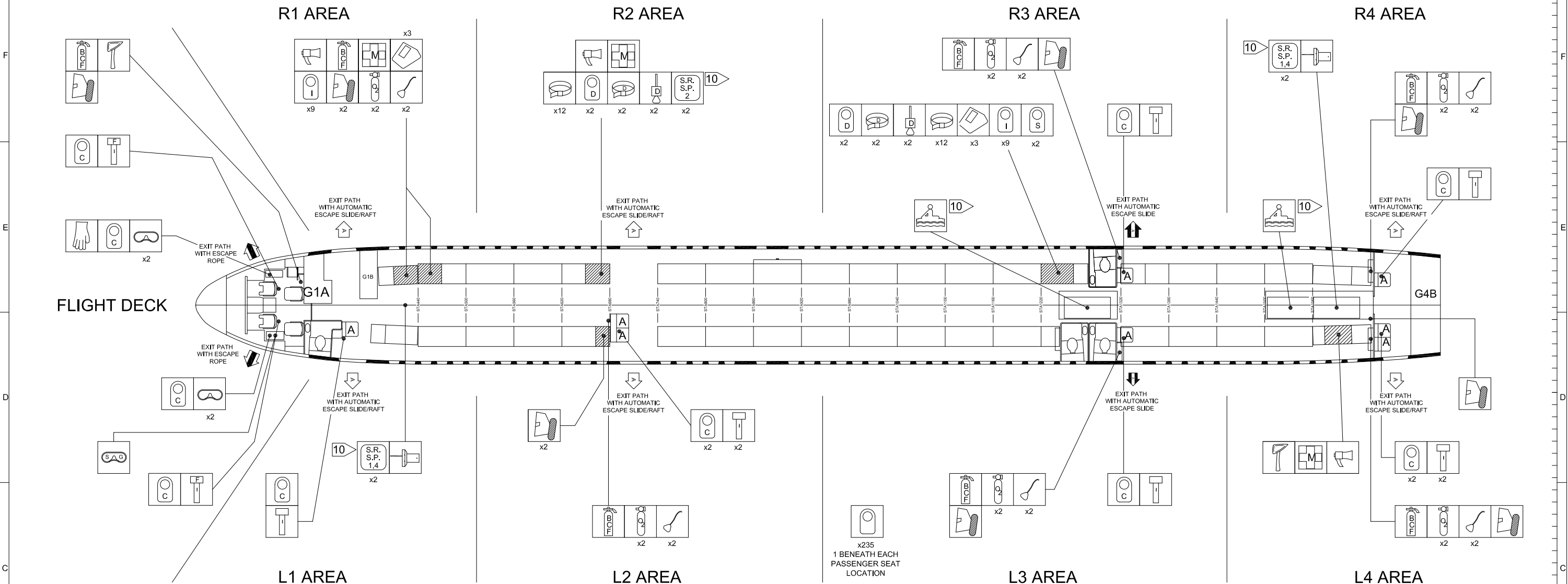
- 5.2.1 Aft Door R1, remove Laerdal pocket mask (Pt/No.83001133), SEP Manual (Commercial Item) & 3 fire proof gash bags (Pt/No.AB001-666).
- 5.2.2 Fwd Door L2, remove Cart restraint strap (Pt/No.757-1071-000) & cart restraint strap valise (Pt/No.757-1484-000).
- 5.2.3 Fwd Door R2, remove PRM Harness (Pt/No.767-1477-000), PRM harness valise (Pt/No.767-1855-000) & PRM harness decal (Pt/No.767-1210-1065) from OVC door.
- 5.2.4 Fwd Door L3, remove EMK (Pt/No.520002-10), EMK bracket (Pt/No.520-25-1023), FR2 Defibrillator (Pt/No.737-1102-000), Defib Bracket (Pt/No.767-1845-003), ERK (Pt/No.52004-07), 36" pallet (Pt/No.767-1845-007) and divider panel (Pt/No.757-1485-000) and associated brackets (Lower – Pt/No.767-1845-218, Upper – Pt/No.767-1845-217). Remove load limit placard (item 102 on Dwg: 757-1470) and install new Load limit placard (Item 107 on Dwg: 757-1492). Remove all decals from the outside of the OVC door.

MODIFICATION NUMBER : TEO/757/1347/G0 ISSUE: 7
 PART 21 APPROVAL REF: EASA.21J.049

- 5.2.5 Fwd Door L3, Fwd LAV bulkhead (STA.1244), remove wheelchair (Pt/No.767-1461-000) and restraint strap assembly (Pt/No.767-1480-000).
- 5.2.6 Aft Door R3, remove IMEK (Pt/No.767-1854-000) and IMEK bracket (Pt/No.416N1014-51).
- 5.2.7 STA1500 to STA1560 (LHS), remove the 3 STO oxygen bottles (Pt/No.AV2008397), 3 oxygen bags (Pt/No.AV1000001), 3 Nasal Cannulas (Pt/No.1025407), STO stowage assembly (Pt/No.ATCKL0155), 24" pallet (Pt/No.767-1845-005), divider panel (Pt/No.757-1485-000) and associated brackets (Lower – Pt/No.767-1845-218, Upper – Pt/No.767-1845-217). Remove load limit placard (item 100 on Dwg: 757-1470) and install new Load limit placard (Item 107 on Dwg: 757-1492). Remove the STO oxygen decal (Pt/No.767-1210-1052) from the outside of the OVC door.
- 5.2.8 Fwd Door L4, remove Laerdal pocket mask (Pt/No.83001133), 3 fireproof gash bags (Pt/No.AB001-666), passenger restraint kit (Pt/No.ASR609) & fireproof gloves (Pt/No.FKKB-35KL).

MODIFICATION NUMBER : TEO/757/1347/G0 ISSUE: 7
PART 21 APPROVAL REF: **EASA.21J.049**

DO NOT SCALE DRAWINGS - IF IN DOUBT ASK - REPORT ALL ERRORS TO DRAWING OFFICE



	7	BCF EXTINGUISHER	BA51015S3 (ALT. BA51015GS3)
	2	CRASH AXE	42D8331
	12	PORTABLE OXYGEN BOTTLE AND MASK	5500-A1A-BF23A 174095-66 MASK (ALT. MASK P/No.28314-12)
	12	SPARE OXYGEN MASK	174095-66 (ALT. P/No.28314-12)
	3	POWER MEGAPHONE	ACR/EM-1A
	10	SMOKE HOOD DRAGER 'OXYCREW'	E28180-10
	1	FIREPROOF GLOVES	FKKB-35KL
	2	ELT BEACON	S1823502-02
	24	EXTENSION SEAT BELT	2010-5-011-1849
	4	SMOKE GOGGLES	MXP210-00
	1	CLEAR SAFETY GOGGLES	

	4	DEMONSTRATION LIFEJACKET	A4414A 737-2814-000
	4	DEMONSTRATION SEAT BELT	737-2729-000
	4	DEMONSTRATION OXYGEN MASK	289-1002
	235	LIFEJACKET	A312305A03RFD (ALT: A312300A03) (ALT: 102MK2BA)
	18	INFANT LIFEJACKET	105 MK1 (ALT: A316100A00) (ALT: A316101A00RFD)
	2	SPARE LIFEJACKET	A312305A03RFD (ALT: A312300A03) (ALT: 102MK2BA)
	12	LIFEJACKET CREW	A312305A04RFD
	8	EMERGENCY TORCH DME EF-1	P2-07-0001-201S
	2	EMERGENCY TORCH	SOLAR 2002
	6	BABY SURVIVAL COT	2000-105YCAA (ALT: 2000-105YCAASP)
	3	MANDATORY FIRST AID KIT	757-1243-000

	2	46 MAN LIFERAFT	00033061	(INSTALL LIFERAFTS FOR ETOPS/OVERWATER FLIGHTS).
	2	SLIDE RAFT SURVIVAL PACK	757-1048-010 ALT P/No.757-1048-014	(INSTALL LIFERAFTS FOR ETOPS/OVERWATER FLIGHTS).
	4	SLIDE RAFT SURVIVAL PACK	757-1048-008 ALT P/No.757-1048-012	(INSTALL LIFERAFTS FOR ETOPS/OVERWATER FLIGHTS).

x235
1 BENEATH EACH PASSENGER SEAT LOCATION

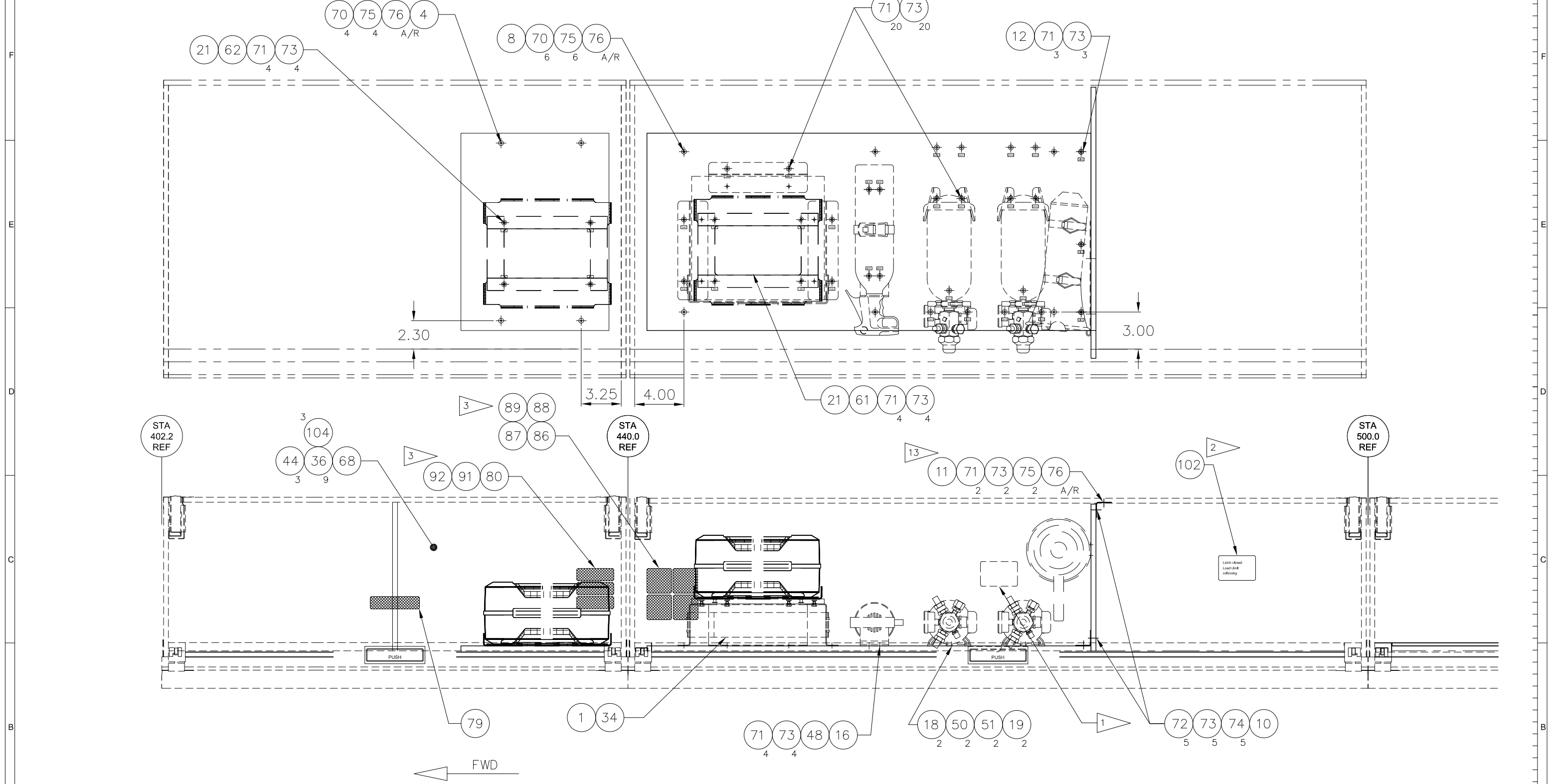
- NOTES
- REMOVE ALL WEIGHT LIMITATION PLACARDS FROM THE INSIDE OF THE EFFECTED OHC'S.
 - POSITION NEW OHC WEIGHT LIMITATION CENTRAL ON THE REAR FACE OF THE BIN.
 - POSITION THE EQUIPMENT DECALS ON THE OHC DOOR RELATIVE TO THE EQUIPMENT INSTALLED, ALIGN THE PLACARDS 1.0" FROM THE EDGE OF THE BIN DOOR, VERTICALLY CENTRAL (AS DRAWN).
 - POSITION 'EMERGENCY EQUIPMENT ONLY - NO PASSENGER STOWAGE' PLACARD ABOVE THE OHC DOOR HANDLE WITH THE LOWER EDGE OF THE PLACARD APPROXIMATELY 3.0" ABOVE THE HANDLE.
 - POTTING OF INSERTS TO BE DONE WITH EPOCAST 1618D/B (ALT. MAGNOBOND92-1AB) ADHESIVE PER BOEING PROCESS BAC5583.
 - INSERTS TO BE DRILLED USING PALLET PANEL AS A TEMPLATE.
- ONLY TO BE INSTALLED FOR ETOPS FLIGHT OPERATIONS.
 11 ALL EQUIPMENT IS INSTALLED BY MOD/757/1347, EXCEPT WHERE NOTED.
 12 BOEING INSTALLED WEIGHT LIMITATION DECAL, DO NOT REMOVE.

EFFECTIVITY
NB422 TO NB438

PART NO.	USED ON
1	
2	
3	
4	
5	
6	

No. OFF	No. OFF	MAP REF.	ITEM No.	PART NUMBER	DESCRIPTION	MATL.	SPECN.	RUL. DIM.	PROT. TR. CODE
© THOMSONFLY LTD. THIS DESIGN IS COPYRIGHT AND IS NOT TO BE REPRODUCED, USED FOR MANUFACTURE OR OTHERWISE WITHOUT THE EXPRESS PERMISSION OF THOMSONFLY LTD.									
DRN. BY	Philip Noel	APP. BY	Richard Perkins	PART MARK TO WHERE SHOWN THUS					
DATE	30.04.2009	STRESS	Mark Evans	LIMITS TO UNLESS OTHERWISE STATED					
CHK. BY	Richard Perkins		06/05/09	ALL DIMENSIONS IN INCHES					
757-1492-000				THIRD ANGLE PROJECTION		SCALE N.T.S.		SEE NOTE 11	
SAFETY EQUIPMENT LAYOUT									
T'FLY/FCA (-204) "END OF LEASE"									
SHEET 2 OF 10 SHEETS									
757-1492									

DO NOT SCALE DRAWINGS - IF IN DOUBT ASK - REPORT ALL ERRORS TO DRAWING OFFICE



NOTES:

- 1 REMOVE ALL WEIGHT LIMITATION PLACARDS FROM THE INSIDE OF THE EFFECTED OHC'S.
- 2 POSITION NEW OHC WEIGHT LIMITATION CENTRAL ON THE REAR FACE OF THE BIN.
- 3 POSITION THE EQUIPMENT DECALS ON THE OHC DOOR RELATIVE TO THE EQUIPMENT INSTALLED, ALIGN THE PLACARDS 1.0" FROM THE EDGE OF THE BIN DOOR, VERTICALLY CENTRAL (AS DRAWN).
- 4 POSITION 'EMERGENCY EQUIPMENT ONLY - NO PASSENGER STOWAGE' PLACARD ABOVE THE OHC DOOR HANDLE WITH THE LOWER EDGE OF THE PLACARD APPROXIMATELY 3.0" ABOVE THE HANDLE.
- 5 POTTING OF INSERTS TO BE DONE WITH EPOCAST1618D/B (ALT. MAGNOBOND92-1AB) ADHESIVE PER BOEING PROCESS BAC5583.
- 6 INSERTS TO BE DRILLED USING PALLET PANEL AS A TEMPLATE.

AFT DOOR R1

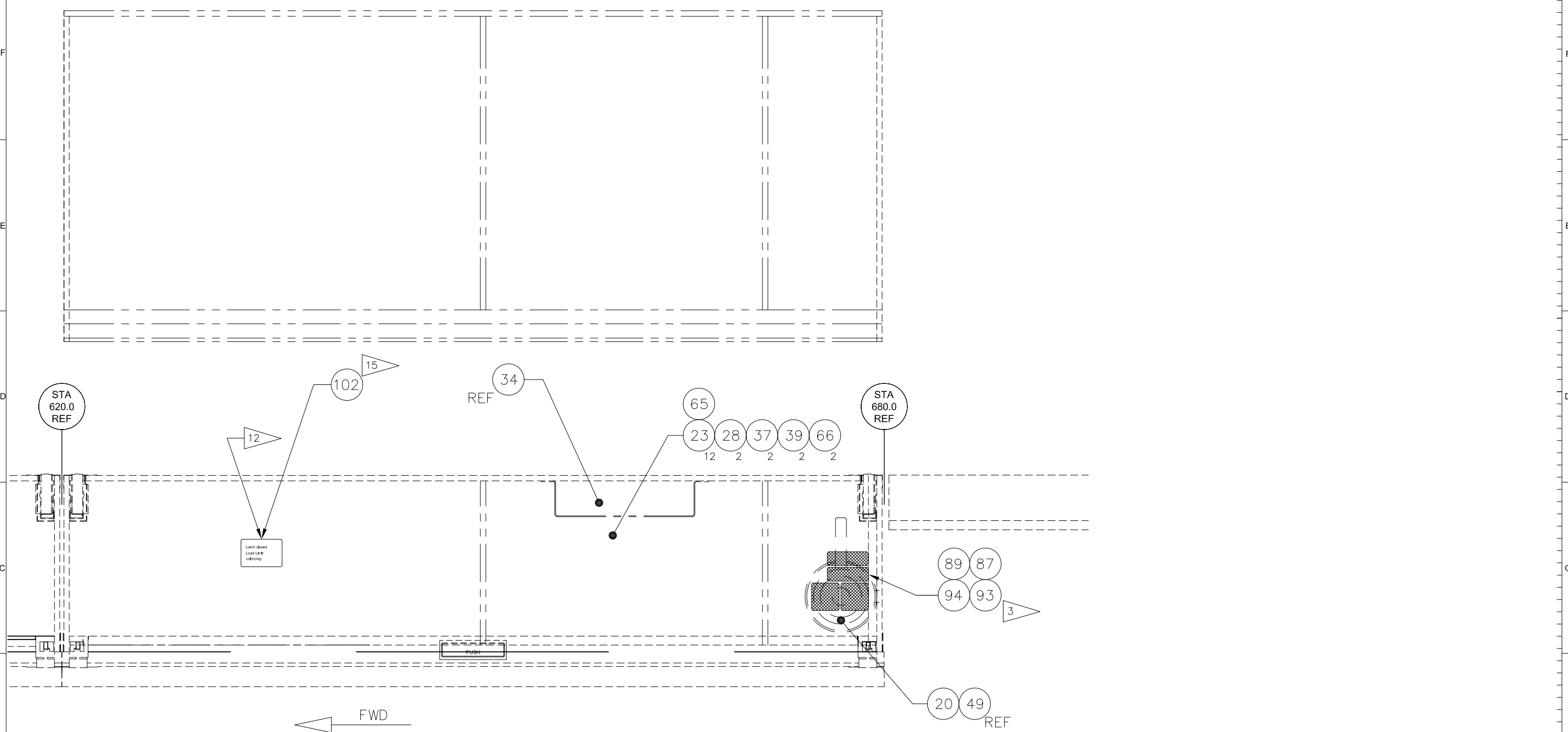
VIEW LOOKING OUTBOARD
UNUSED INSERTS REMOVED FOR CLARITY

PART NO.	USED ON
1	
2	
3	
4	
5	
6	
7	
8	
9	
10	

No. OFF	No. OFF	MAP REF.	ITEM No.	PART NUMBER	DESCRIPTION	MATL.	SPECN	RUL. DIM.	PROT. TR. CODE	
1	A/D	HAND	ISS.	SEE SHEET 1						
© THOMSONFLY LTD. THIS DESIGN IS COPYRIGHT AND IS NOT TO BE REPRODUCED, USED FOR MANUFACTURE OR OTHERWISE WITHOUT THE EXPRESS PERMISSION OF THOMSONFLY LTD.										
DRN. BY		PHILIP NOEL		APP. BY		RICHARD PERKINS		PART MARK TO WHERE SHOWN THUS		
DATE		30.04.2009		STRESS		MARK EVANS		LIMITS TO UNLESS OTHERWISE STATED		
CH. BY		RICHARD PERKINS		SCALE		06/05/09		ALL DIMENSIONS IN INCHES		
PART NUMBER		757-1492-000		MODIFICATION NUMBER		MOD-757-1347		SHEET 3 OF 10 SHEETS		
TITLE		THIRD ANGLE PROJECTION SAFETY EQUIPMENT LAYOUT T'FLY/FCA (-204) "END OF LEASE"								
757-1492										



DO NOT SCALE DRAWINGS - IF IN DOUBT ASK - REPORT ALL ERRORS TO DRAWING OFFICE



NOTES:

- 1 REMOVE ALL WEIGHT LIMITATION PLACARDS FROM THE INSIDE OF THE EFFECTED OHC'S.
- 2 POSITION NEW OHC WEIGHT LIMITATION CENTRAL ON THE REAR FACE OF THE BIN.
- 3 POSITION THE EQUIPMENT DECALS ON THE OHC DOOR RELATIVE TO THE EQUIPMENT INSTALLED, ALIGN THE PLACARDS 1.0" FROM THE EDGE OF THE BIN DOOR, VERTICALLY CENTRAL (AS DRAWN).
- 4 POSITION 'EMERGENCY EQUIPMENT ONLY - NO PASSENGER STOWAGE' PLACARD ABOVE THE OHC DOOR HANDLE WITH THE LOWER EDGE OF THE PLACARD APPROXIMATELY 3.0" ABOVE THE HANDLE.
- 5 POTTING OF INSERTS TO BE DONE WITH EPOCAST1618D/B (ALT. MAGNOBOND92-1AB) ADHESIVE PER BOEING PROCESS BAC5583.
- 6 INSERTS TO BE DRILLED USING PALLET PANEL AS A TEMPLATE.
- 12 BOEING INSTALLED WEIGHT LIMITATION DECAL, DO NOT REMOVE.

FWD DOOR R2
VIEW LOOKING OUTBOARD

PART NO.	USED ON
1	
2	
3	
4	
5	
6	
7	
8	
9	
10	

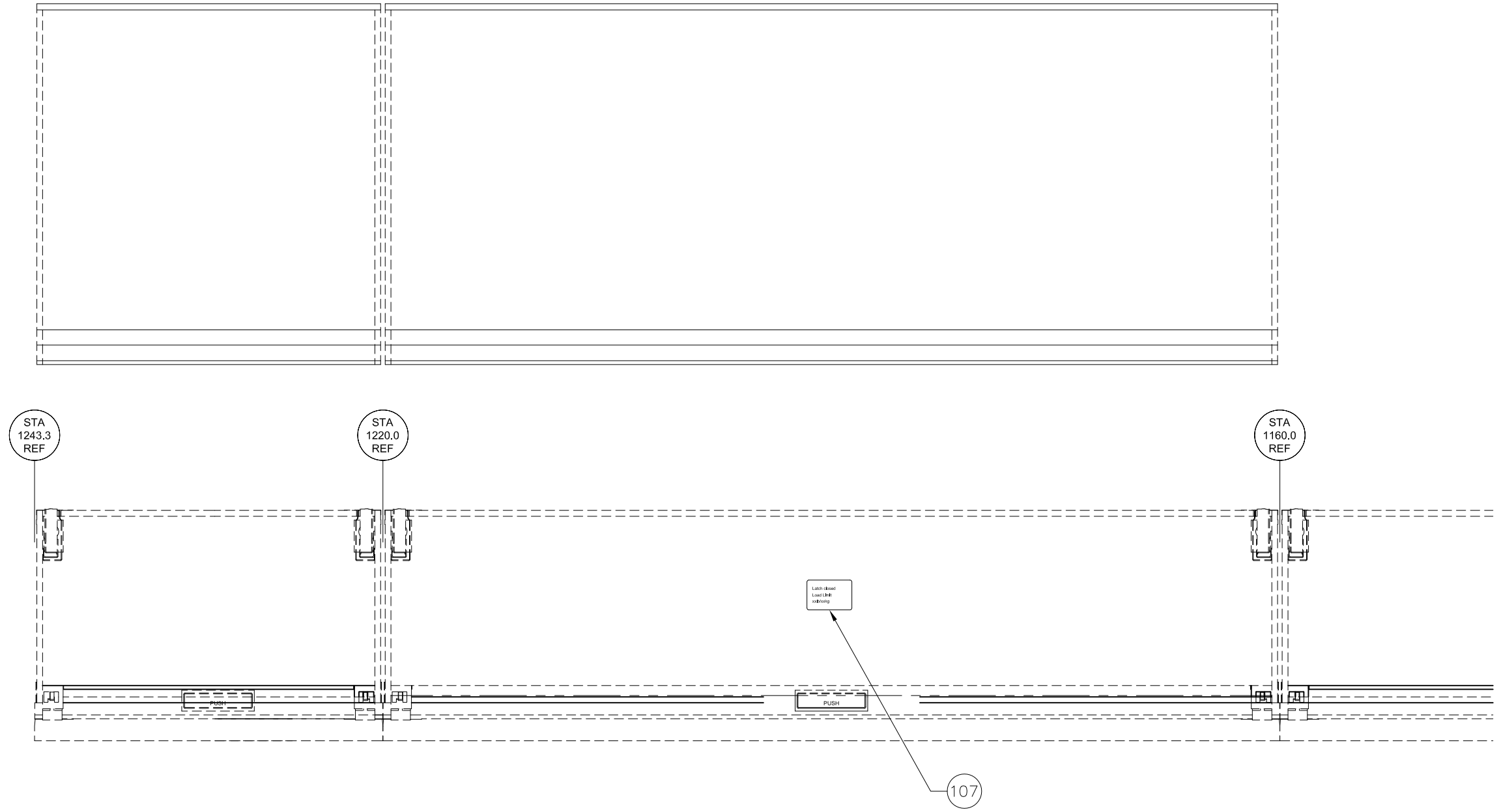
No. OFF	No. OFF	MAP REF.	ITEM No.	PART NUMBER	DESCRIPTION	MATL.	SPECN.	RUL. DIM.	PROT. TR. CODE
1	1	ISS.		SEE SHEET 1					
© THOMSONFLY LTD. THIS DESIGN IS COPYRIGHT AND IS NOT TO BE REPRODUCED, USED FOR MANUFACTURE OR OTHERWISE WITHOUT THE EXPRESS PERMISSION OF THOMSONFLY LTD.									
DRN. BY: PHILIP NOEL		APP. BY: RICHARD PERKINS		PART MARK TO WHERE SHOWN THUS					
DATE: 30.04.2009		STRESS: MARK EVANS		LIMITS TO UNLESS OTHERWISE STATED					
CH. BY: RICHARD PERKINS		06/05/09		ALL DIMENSIONS IN INCHES					
THIRD ANGLE PROJECTION				SCALE: N.T.S.		MODIFICATION NUMBER: MOD-757-1347		SHEET 5 OF 10 SHEETS	
TITLE: SAFETY EQUIPMENT LAYOUT T'FLY/FCA (-204) "END OF LEASE"									
757-1492									

757-1492

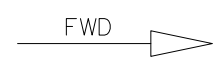


1	DRAWING ISSUE
06/05/09	ISSUE DATE
RICHARD PERKINS	APPROVAL
NEW DRAWING	DRAWING CHANGE

DO NOT SCALE DRAWINGS - IF IN DOUBT ASK - REPORT ALL ERRORS TO DRAWING OFFICE



FWD DOOR L3
VIEW LOOKING OUTBOARD
UNUSED INSERTS REMOVED FOR CLARITY



NOTES:

- 1 REMOVE ALL WEIGHT LIMITATION PLACARDS FROM THE INSIDE OF THE EFFECTED OHC'S.
- 2 POSITION NEW OHC WEIGHT LIMITATION CENTRAL ON THE REAR FACE OF THE BIN.

PART NO.	USED ON
1	
2	
3	
4	
5	
6	
7	
8	
9	
10	

No. OFF	No. OFF	MAP REF.	ITEM No.	PART NUMBER	DESCRIPTION	MATL.	SPECN.	RUL. DIM.	PROT. TR. CODE										
1			ISS.		SEE SHEET 1														
© THOMSONFLY LTD. THIS DESIGN IS COPYRIGHT AND IS NOT TO BE REPRODUCED, USED FOR MANUFACTURE OR OTHERWISE WITHOUT THE EXPRESS PERMISSION OF THOMSONFLY LTD.																			
DRW. BY		PHILIP NOEL		APP. BY		RICHARD PERKINS		PART MARK TO WHERE SHOWN THUS											
DATE		30.04.2009		STRESS		MARK EVANS		LIMITS TO UNLESS OTHERWISE STATED											
CH. BY		RICHARD PERKINS		DATE		06/05/09		ALL DIMENSIONS IN INCHES											
THIRD ANGLE PROJECTION				SCALE		N.T.S.		MODIFICATION NUMBER MOD-757-1347											
TITLE				SAFETY EQUIPMENT LAYOUT T'FLY/FCA (-204)		"END OF LEASE"		SHEET 6 OF 10 SHEETS											
<table border="1" style="width: 100%;"> <tr> <td colspan="10" style="text-align: center;">757-1492</td> </tr> </table>										757-1492									
757-1492																			

757-1492

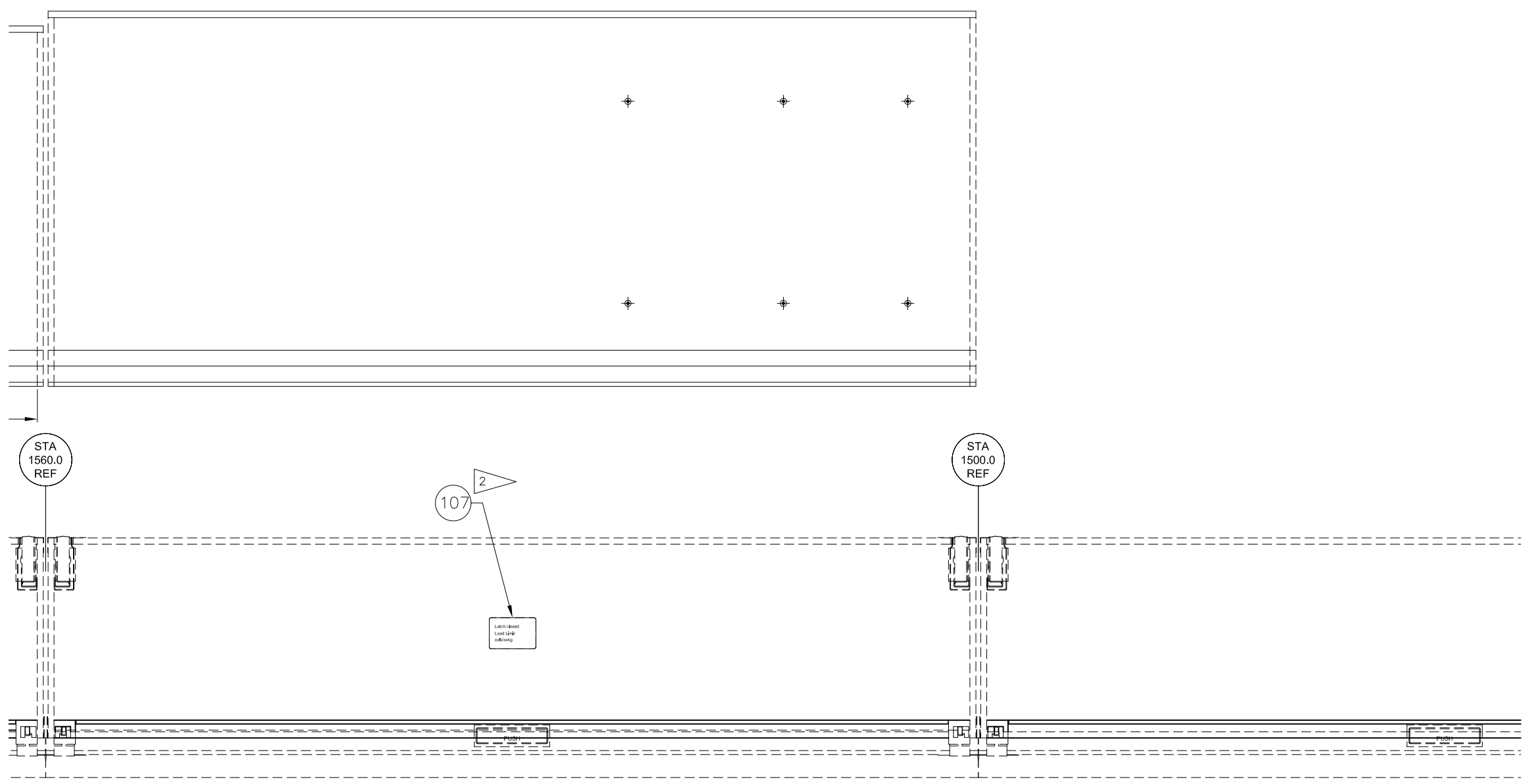


1	DRAWING ISSUE
06/05/09	ISSUE DATE
RICHARD PERKINS	APPROVAL
NEW DRAWING	DRAWING CHANGE

DO NOT SCALE DRAWINGS - IF IN DOUBT ASK - REPORT ALL ERRORS TO DRAWING OFFICE

NOTES:

- 1 REMOVE ALL WEIGHT LIMITATION PLACARDS FROM THE INSIDE OF THE EFFECTED OHC'S.
- 2 POSITION NEW OHC WEIGHT LIMITATION CENTRAL ON THE REAR FACE OF THE BIN.



STA1500 to STA1560 (LHS)

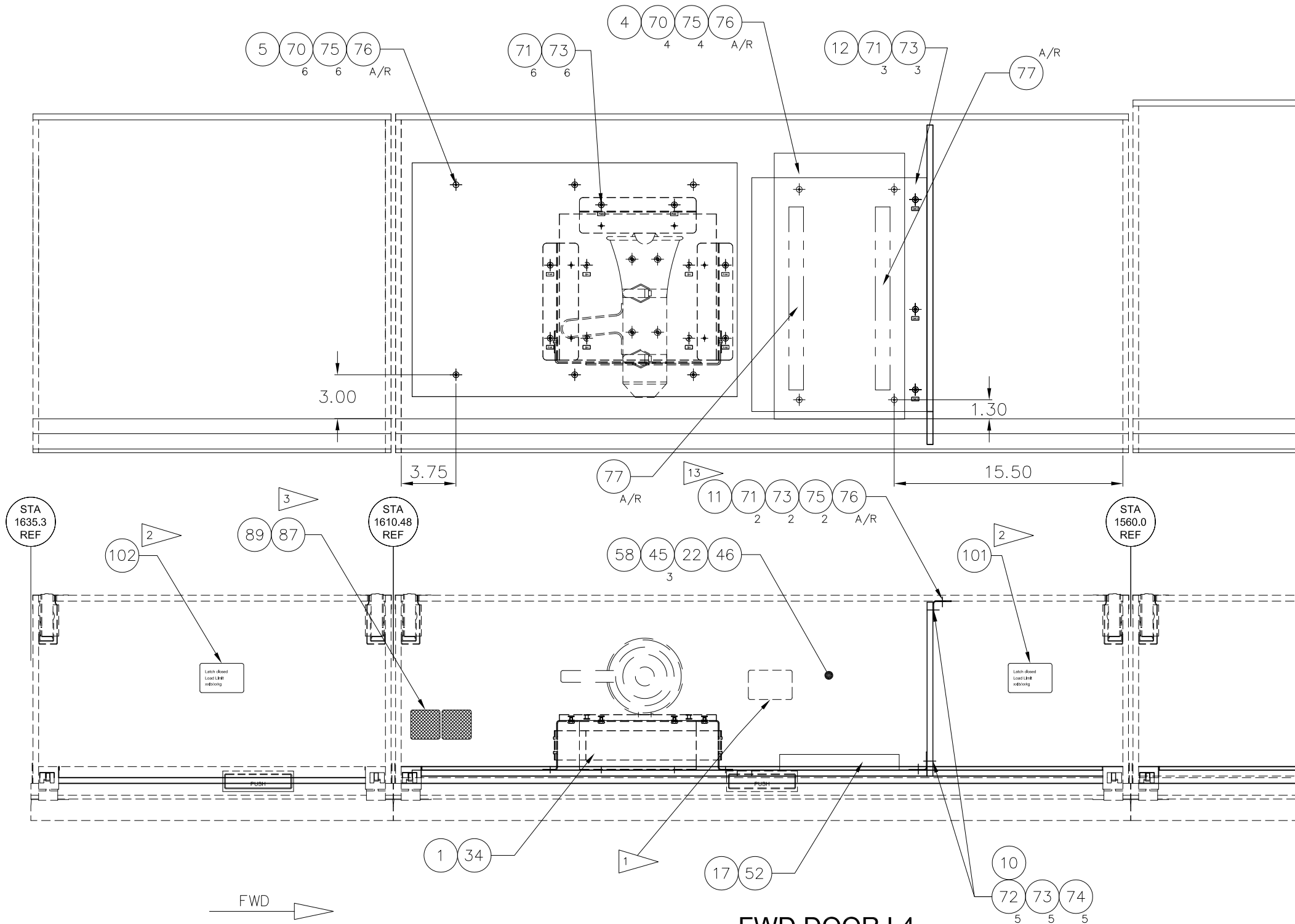
VIEW LOOKING OUTBOARD
UNUSED INSERTS REMOVED FOR CLARITY



PART NO.	USED ON
1	
2	
3	
4	
5	
6	
7	
8	
9	
10	
11	
12	
13	
14	

No. OFF	No. OFF	MAP REF.	ITEM No.	PART NUMBER	DESCRIPTION	MATL.	SPECN.	RUL. DIM.	PROT. TR. CODE
1									
© THOMSONFLY LTD. THIS DESIGN IS COPYRIGHT AND IS NOT TO BE REPRODUCED, USED FOR MANUFACTURE OR OTHERWISE WITHOUT THE EXPRESS PERMISSION OF THOMSONFLY LTD.									
				DRN BY PHILIP NOEL	APP BY RICHARD PERKINS	PART MARK TO WHERE SHOWN THUS			
				DATE 30.04.2009	STRESS MARK EVANS	LIMITS TO UNLESS OTHERWISE STATED			
				CH BY RICHARD PERKINS	06/05/09	ALL DIMENSIONS IN INCHES			
				THIRD ANGLE PROJECTION		SCALE N.T.S.	MODIFICATION NUMBER MOD-757-1347		
				SAFETY EQUIPMENT LAYOUT T'FLY/FCA (-204)		SHEET 8 OF 10 SHEETS			
				"END OF LEASE"		757-1492			

DO NOT SCALE DRAWINGS - IF IN DOUBT ASK - REPORT ALL ERRORS TO DRAWING OFFICE



FWD DOOR L4
VIEW LOOKING OUTBOARD
UNUSED INSERTS REMOVED FOR CLARITY

- NOTES:**
- 1 > REMOVE ALL WEIGHT LIMITATION PLACARDS FROM THE INSIDE OF THE EFFECTED OHC'S.
 - 2 > POSITION NEW OHC WEIGHT LIMITATION CENTRAL ON THE REAR FACE OF THE BIN.
 - 3 > POSITION THE EQUIPMENT DECALS ON THE OHC DOOR RELATIVE TO THE EQUIPMENT INSTALLED, ALIGN THE PLACARDS 1.0" FROM THE EDGE OF THE BIN DOOR, VERTICALLY CENTRAL (AS DRAWN).
 - 4 > POSITION 'EMERGENCY EQUIPMENT ONLY - NO PASSENGER STOWAGE' PLACARD ABOVE THE OHC DOOR HANDLE WITH THE LOWER EDGE OF THE PLACARD APPROXIMATELY 3.0" ABOVE THE HANDLE.
 - 5 POTTING OF INSERTS TO BE DONE WITH EPOCAST1618D/B (ALT. MAGNOBOND92-1AB) ADHESIVE PER BOEING PROCESS BAC5583.
 - 6 INSERTS TO BE DRILLED USING PALLET PANEL AS A TEMPLATE.

PART NO.	USED ON

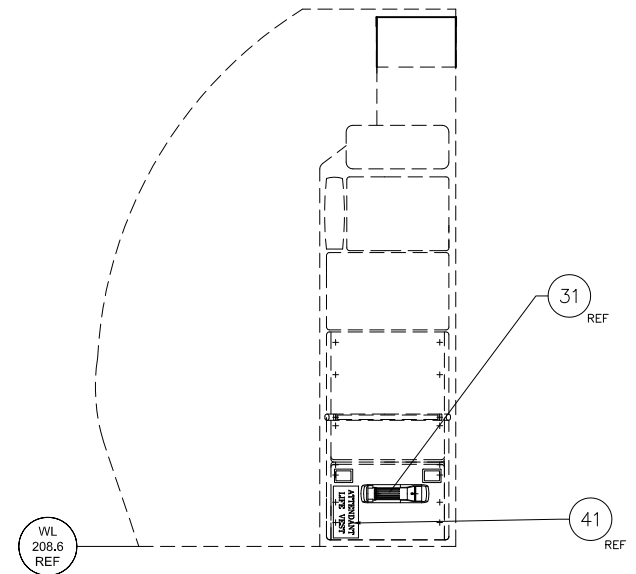
No. OFF		MAP REF.		ITEM No.		PART NUMBER		DESCRIPTION		MATERIAL		SPECIFICATION		RUL. DIM.		PROT. TR. CODE	
1		1		ISS.		757-1492-000		SEE SHEET 1									
© THOMSONFLY LTD. THIS DESIGN IS COPYRIGHT AND IS NOT TO BE REPRODUCED, USED FOR MANUFACTURE OR OTHERWISE WITHOUT THE EXPRESS PERMISSION OF THOMSONFLY LTD.																	
DRN. BY		PHILIP NOEL		APP. BY		RICHARD PERKINS		DATE		30.04.2009		STRESS		MARK EVANS		PART MARK TO WHERE SHOWN THIS	
CH. BY		RICHARD PERKINS		DATE		06/05/09		SCALE		N.T.S.		MODIFICATION NUMBER		MOD-757-1347		LIMITS TO UNLESS OTHERWISE STATED	
THIRD ANGLE PROJECTION										SCALE		N.T.S.		ALL DIMENSIONS IN INCHES			
TITLE										SAFETY EQUIPMENT LAYOUT T'FLY/FCA (-204)		SHEET 9 OF 10 SHEETS		757-1492			

757-1492

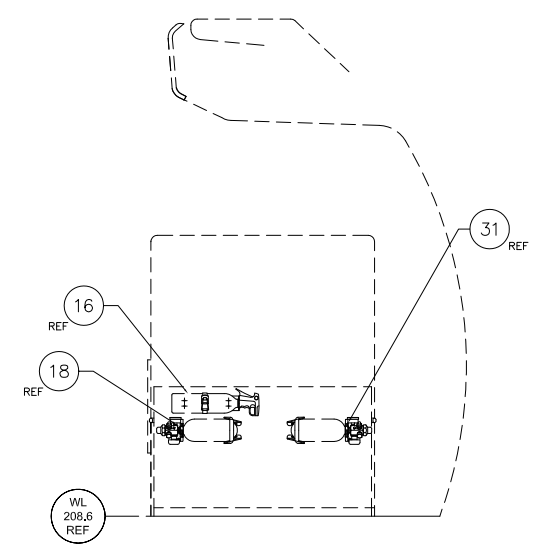


1	DRAWING ISSUE
06/05/09	ISSUE DATE
RICHARD PERKINS	APPROVAL
NEW DRAWING	DRAWING CHANGE

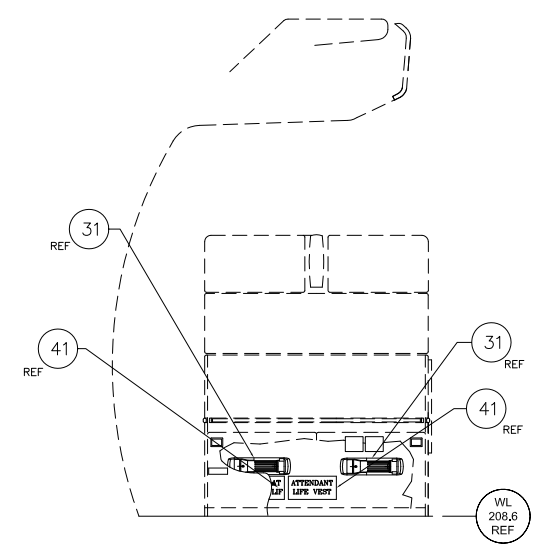
DO NOT SCALE DRAWINGS - IF IN DOUBT ASK - REPORT ALL ERRORS TO DRAWING OFFICE



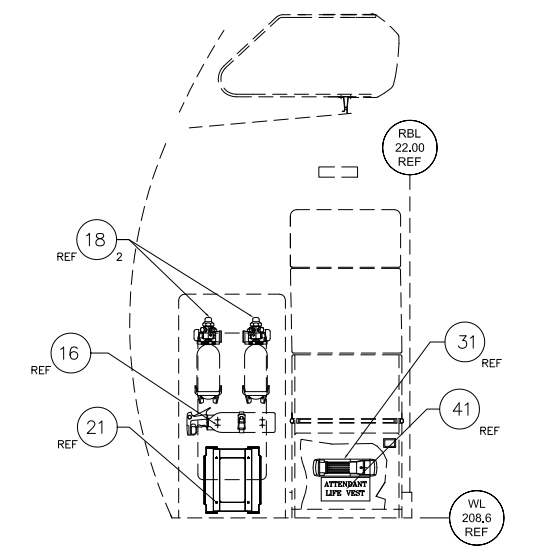
FWD DOOR L1
VIEW LOOKING FWD



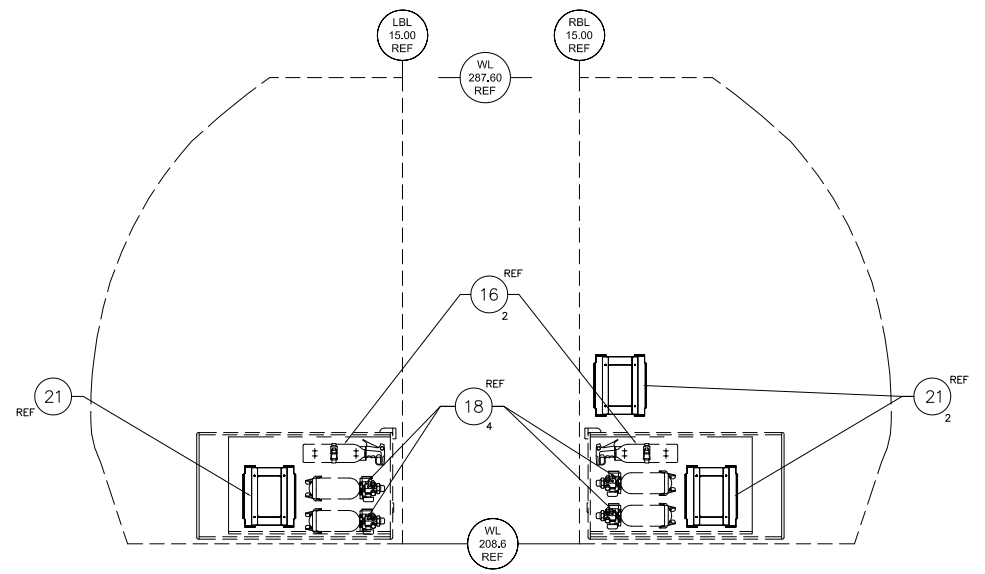
FWD DOOR L2
VIEW LOOKING AFT



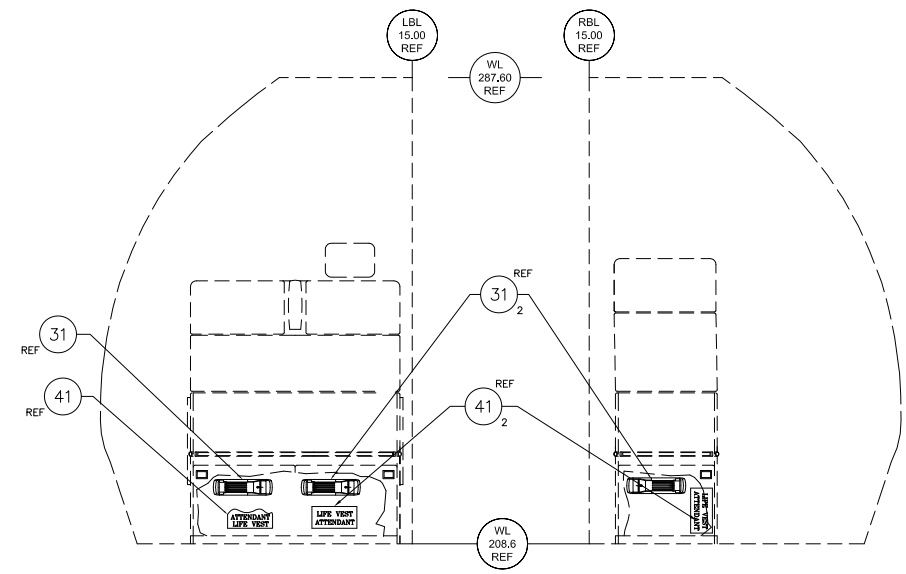
FWD DOOR L2
VIEW LOOKING FWD



FWD DOOR L3
VIEW LOOKING FWD

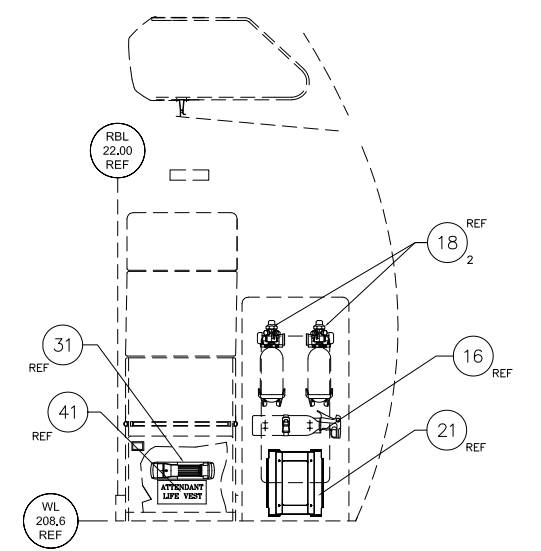


FWD DOOR L4
VIEW LOOKING AFT



FWD DOOR L4
VIEW LOOKING FWD

FWD DOOR R4
VIEW LOOKING FWD



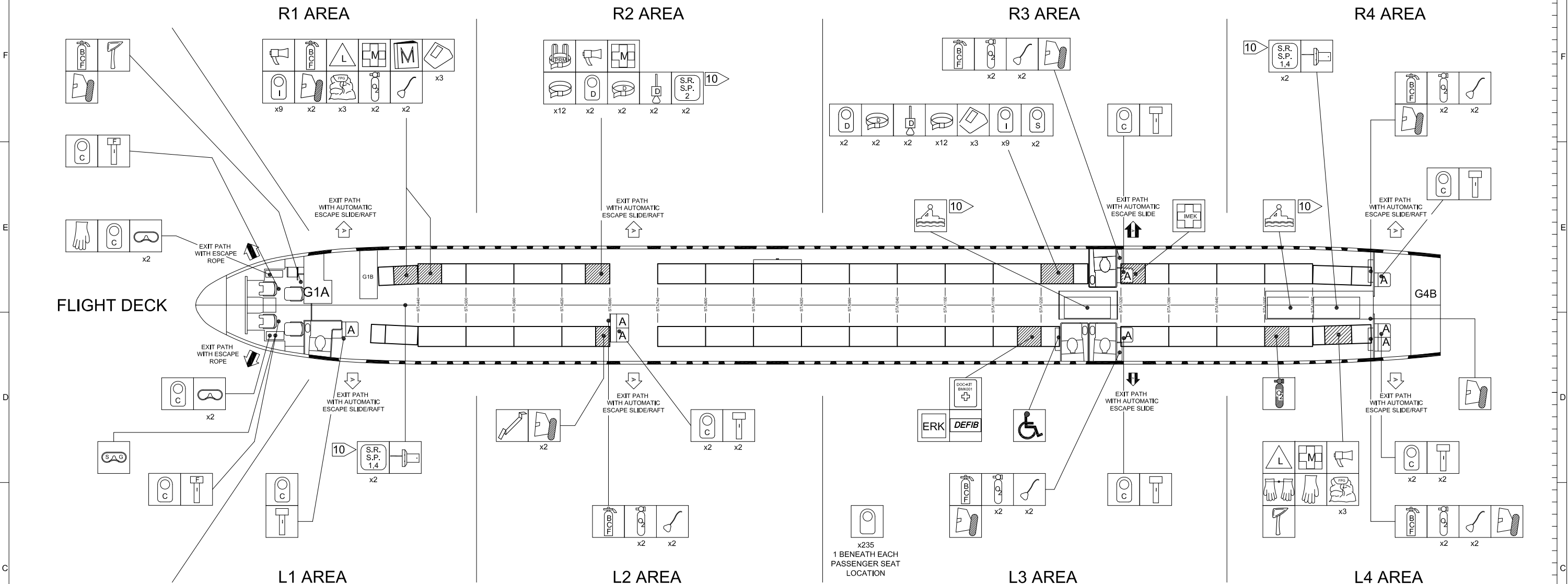
FWD DOOR R3
VIEW LOOKING FWD

PART NO.	USED ON

No. OFF	No. OFF	MAP REF.	ITEM No.	PART NUMBER	DESCRIPTION	MATL.	SPECN.	RUL. DIM.	PROT. TR. CODE
SEE SHEET 1									
© THOMSONFLY LTD. THIS DESIGN IS COPYRIGHT AND IS NOT TO BE REPRODUCED, USED FOR MANUFACTURE OR OTHERWISE WITHOUT THE EXPRESS PERMISSION OF THOMSONFLY LTD.									
				DRN. BY PHILIP NOEL	APP. BY RICHARD PERKINS	PART MARK TO WHERE SHOWN THUS			
				DATE 30.04.2009	STRESS MARK EVANS	LIMITS TO UNLESS OTHERWISE STATED			
				CH. BY RICHARD PERKINS	SCALE 06/05/09	ALL DIMENSIONS IN INCHES			
				THIRD ANGLE PROJECTION		SCALE N.T.S.		MODIFICATION NUMBER MOD-757-1347	
				TITLE SAFETY EQUIPMENT LAYOUT T'FLY/FCA (-204) "END OF LEASE"		SCALE N.T.S.		SHEET 10 OF 10 SHEETS	
757-1492									

6	5	4	3	2	1	DRAWING ISSUE
24.02.09	30.01.09	05.12.08	21.11.08	05.11.08	26.09.08	ISSUE DATE
R.PERKINS	D.JACKSON	R.PERKINS	R.PERKINS	R.PERKINS	R.PERKINS	APPROVAL
SEE SHEET 1 FOR UP-ISSUE INFORMATION	NASAL CANNULAS & ELITE OXY BOTTLE BAGS ADDED TO STO OXYGEN. NOTE 5 AMENDED.	LARGE DIVIDER PANELS (-002) REPLACED WITH SMALL DIVIDER PANELS (-000). QUANTITY CHANGED. G-BYAK & G-BAY LOPA AND DOOR 2L DIFFERENCES ADDED IN SHEETS 11, 12 & 13. MODIFICATION TO ITEM 11 SLOTS ON SHEET 10.	EQUIPMENT MOVED FORWARD OF DOOR 4L INTO OVHC BETWEEN STA.1500 TO STA.1610.48	AGS PART NUMBERS CHANGED. EXTENSION SEAT BELT PART NUMBER CHANGED. A NUMBER OF TYPO ERRORS CORRECTED.	NEW DRAWING	DRAWING CHANGE

DO NOT SCALE DRAWINGS - IF IN DOUBT ASK - REPORT ALL ERRORS TO DRAWING OFFICE



	7	BCF EXTINGUISHER	BA51015S3 (ALT. BA51015GS3)
	2	CRASH AXE	42D8331
	12	PORTABLE OXYGEN BOTTLE AND MASK	5500-A1A-BF23A 174095-66 MASK (ALT. MASK P/No.28314-12)
	12	SPARE OXYGEN MASK	174095-66 (ALT. P/No.28314-12)
	3	POWER MEGAPHONE	ACR/EM-1A
	10	SMOKE HOOD DRAGER 'OXYCREW'	E28180-10
	2	FIREPROOF GLOVES	FKK8-35KL
	2	LAERDAL POCKET MASK	83001133
	24	EXTENSION SEAT BELT	2010-5-011-1849
	4	SMOKE GOGGLES	MXP210-00
	1	WHEELCHAIR	767-1461-000

	3	STO BOTTLES, NASAL CANNULAS & ELITE OXG BAG.	ATDKL0155 (ALSO 1025407 & AV1000001)
	2	ELT BEACON	S1823502 -02
	4	DEMONSTRATION OXYGEN MASK	289-1002
	1	EMERGENCY MEDICAL KIT	520002-10
	1	CLEAR SAFETY GOGGLES	
	1	PASSENGER RESTRAINT KIT	767-1598-000 (ALT. ASR609)
	12	LIFEJACKET CREW	A312305A04RFD
	8	EMERGENCY TORCH DME EF-1	P2-07-0001-201S
	2	EMERGENCY TORCH	SOLAR 2002
	1	SEP MANUALS	
	1	IMEK FIRST AID KIT	767-1854-000
	3	MANDATORY FIRST AID KIT	757-1243-000

	235	LIFEJACKET	A312305A03RFD (ALT: A312300A03) (ALT: :102MK2BA)
	18	INFANT LIFEJACKET	105 MK1 (ALT: A316100A00) (ALT: A316101A00RFD)
	4	DEMONSTRATION LIFEJACKET	A4414A 737-2814-000
	2	SPARE LIFEJACKET	A312305A03RFD (ALT: A312300A03) (ALT: :102MK2BA)
	4	DEMONSTRATION SEAT BELT	737-2729-000
	2	46 MAN LIFERAFT	00033061
	2	SLIDE RAFT SURVIVAL PACK	757-1048-010 ALT P/No.757-1048-014
	4	SLIDE RAFT SURVIVAL PACK	757-1048-008 ALT P/No.757-1048-012
		DEFIBRILLATOR	737-1102-000
	1	PRM HARNESS	767-1477-000
	6	BABY SURVIVAL COT	2000-105YCAA (ALT: 2000-105YCAASP)
	6	FIREPROOF GASH BAG	AB001-666

	1	CART RESTRAINT STRAP	757-1071-000 (ALT:AA1001-011-2251)
	1	EMERGENCY RESPONSE KIT	52004-07

- NOTES
- REMOVE ALL WEIGHT LIMITATION PLACARDS FROM THE INSIDE OF THE EFFECTED OHC'S.
 - POSITION NEW OHC WEIGHT LIMITATION CENTRAL ON THE REAR FACE OF THE BIN.
 - POSITION THE EQUIPMENT DECALS ON THE OHC DOOR RELATIVE TO THE EQUIPMENT INSTALLED, ALIGN THE PLACARDS 1.0" FROM THE EDGE OF THE BIN DOOR, VERTICALLY CENTRAL (AS DRAWN).
 - POSITION 'EMERGENCY EQUIPMENT ONLY - NO PASSENGER STOWAGE' PLACARD ABOVE THE OHC DOOR HANDLE WITH THE LOWER EDGE OF THE PLACARD APPROXIMATELY 3.0" ABOVE THE HANDLE.
 - POTTING OF INSERTS TO BE DONE WITH EPOCAST 1618D/B (ALT. MAGNOBOND92-1AB) ADHESIVE PER BOEING PROCESS BAC5583.
 - INSERTS TO BE DRILLED USING PALLET PANEL AS A TEMPLATE.
 - DECAL TO BE INSTALLED UP TO THE 1ST MAY 2009 WHEN THE DECAL WILL BE REMOVED
 - DECAL TO BE INSTALLED ON THE 1ST MAY 2009 WHEN FR2 DEFIBRILLATOR BECOMES ACTIVE.
 - ITEM 42 'LIFEPAK500' DEFIBRILLATOR, ITEM 58 'STRAP' & ITEM 77 'FOOTMAN LOOPS' TO BE REMOVED ON 1ST MAY 2009.
 - ONLY TO BE INSTALLED FOR ETOPS FLIGHT OPERATIONS.
 - ALL EQUIPMENT IS INSTALLED BY MOD/757/1347, EXCEPT WHERE NOTED.
 - BOEING INSTALLED WEIGHT LIMITATION DECAL, DO NOT REMOVE.
 - SLOT HOLES IN UPPER BRACKET IF REQUIRED AS PER DETAIL 'B' ON SHEET 10.
 - SHEET 2 LOPA APPLICABLE TO NB422 TO NB438 AND SHEET 11 LOPA APPLICABLE TO NT431 & NT432
 - APPLICABLE TO NT431 & NT432

(INSTALL LIFERAFTS FOR ETOPS/OVERWATER FLIGHTS).

(INSTALL LIFERAFTS FOR ETOPS/OVERWATER FLIGHTS).

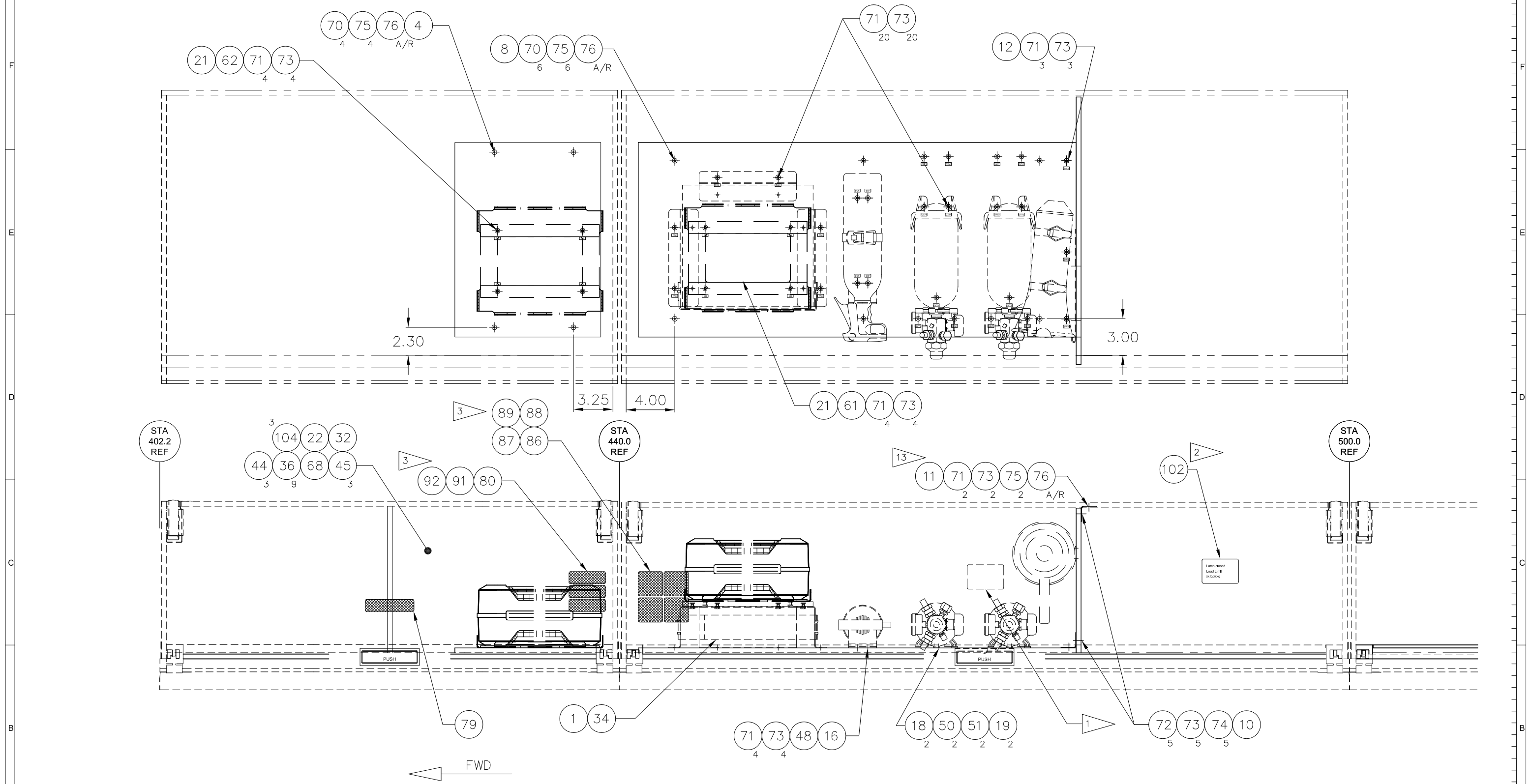
(INSTALL LIFERAFTS FOR ETOPS/OVERWATER FLIGHTS).

EFFECTIVITY
NB422 TO NB438

No. OFF	No. OFF	MAP REF.	ITEM No.	PART NUMBER	DESCRIPTION	MATL.	SPECN.	RUL. DBL.	PROT. TR. CODE
6				757-1470-000	SAFETY EQUIPMENT LAYOUT T'FLY/FCA (-204)				
© THOMSONFLY LTD. THIS DESIGN IS COPYRIGHT AND IS NOT TO BE REPRODUCED, USED FOR MANUFACTURE OR OTHERWISE WITHOUT THE EXPRESS PERMISSION OF THOMSONFLY LTD.									
DRN BY	Philip Noel	APP. BY	R.PERKINS	DATE	28-02-2008	STRESS	MARK EVANS	PART MARK TO WHERE SHOWN THIS LIMITS TO UNLESS OTHERWISE STATED	
CH. BY	R.PERKINS	26.09.08		ALL DIMENSIONS IN INCHES		MODIFICATION NUMBER		SEE NOTE 11	
THIRD ANGLE PROJECTION				SCALE		N.T.S.		SHEET 2 OF 13 SHEETS	
757-1470-000									
7 5 7 - 1 4 7 0									

6	5	4	3	2	1	DRAWING ISSUE
24.02.09	30.01.09	05.12.08	21.11.08	05.11.08	26.09.08	ISSUE DATE
R.PERKINS	D.JACKSON	R.PERKINS	R.PERKINS	R.PERKINS	R.PERKINS	APPROVAL
ITEM 19 ADDED TO OXY BOTTLE POSITION.	ITEM 62 WAS ITEM 61 (SMOKE HOOD BKT) NOTE 5 AMENDED	LARGE DIVIDER PANELS (-002) REPLACED WITH SMALL DIVIDER PANELS (-000). QUANTITY CHANGED. G-BYAK & G-BYAY LOPA AND DOOR 2L DIFFERENCES ADDED IN SHEETS 11, 12 & 13. MODIFICATION TO ITEM 11 SLOTS ON SHEET 10.	EQUIPMENT MOVED FORWARD OF DOOR 4L INTO OVHC BETWEEN STA.1560 TO STA.1610.48	AGS PART NUMBERS CHANGED. EXTENSION SEAT BELT PART NUMBER CHANGED. A NUMBER OF TYPO ERRORS CORRECTED.	NEW DRAWING	DRAWING CHANGE
PN	PN	PN	PN	PN		

DO NOT SCALE DRAWINGS - IF IN DOUBT ASK - REPORT ALL ERRORS TO DRAWING OFFICE



- NOTES:**
- 1 REMOVE ALL WEIGHT LIMITATION PLACARDS FROM THE INSIDE OF THE EFFECTED OHC'S.
 - 2 POSITION NEW OHC WEIGHT LIMITATION CENTRAL ON THE REAR FACE OF THE BIN.
 - 3 POSITION THE EQUIPMENT DECALS ON THE OHC DOOR RELATIVE TO THE EQUIPMENT INSTALLED, ALIGN THE PLACARDS 1.0" FROM THE EDGE OF THE BIN DOOR, VERTICALLY CENTRAL (AS DRAWN).
 - 4 POSITION 'EMERGENCY EQUIPMENT ONLY - NO PASSENGER STOWAGE' PLACARD ABOVE THE OHC DOOR HANDLE WITH THE LOWER EDGE OF THE PLACARD APPROXIMATELY 3.0" ABOVE THE HANDLE.
 - 5 POTTING OF INSERTS TO BE DONE WITH EPOCAST1618D/B (ALT. MAGNOBOND92-1AB) ADHESIVE PER BOEING PROCESS BAC5583.
 - 6 INSERTS TO BE DRILLED USING PALLET PANEL AS A TEMPLATE.

AFT DOOR R1
VIEW LOOKING OUTBOARD
UNUSED INSERTS REMOVED FOR CLARITY

PART NO.	USED ON
1	
2	
3	
4	
5	
6	
7	
8	
9	
10	

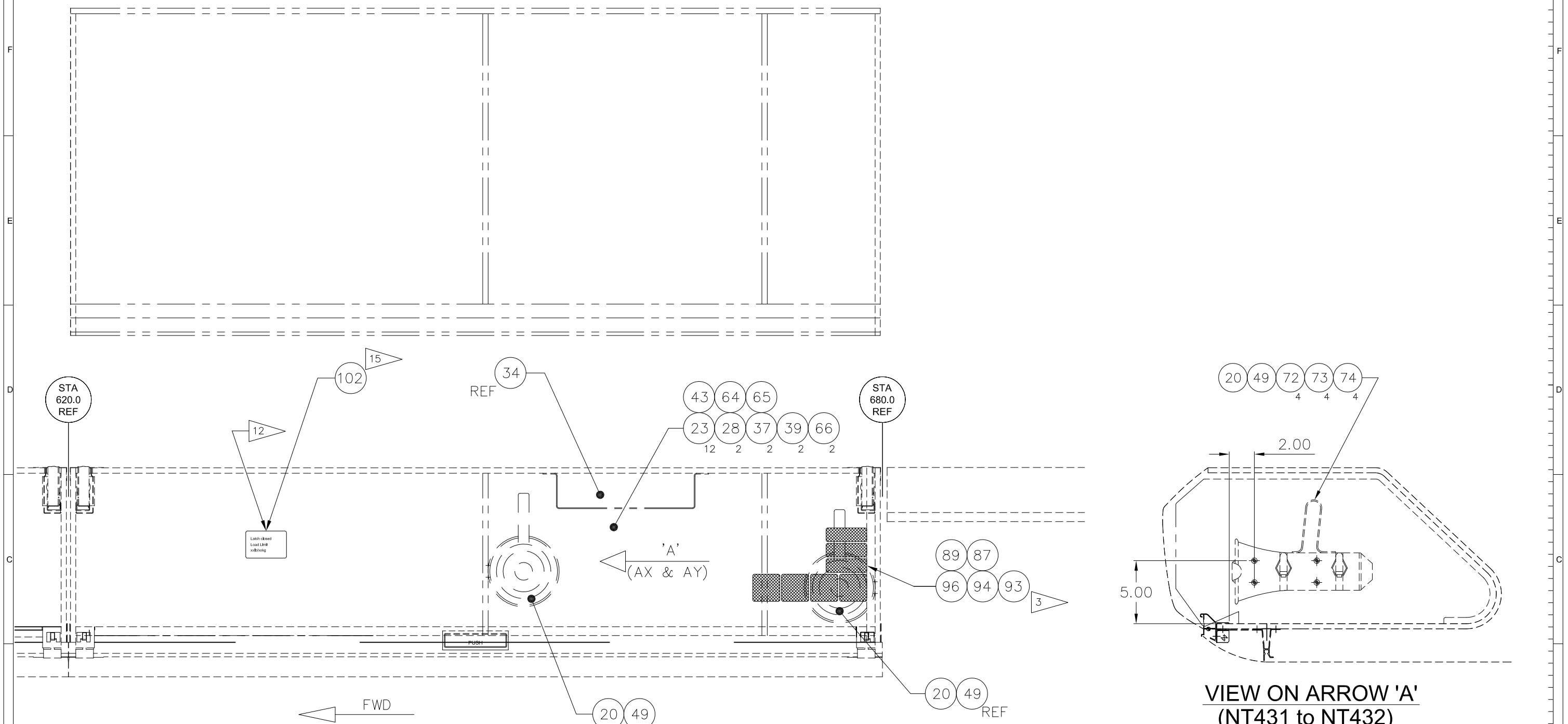
No. OFF		MAP REF.		ITEM No.	PART NUMBER		DESCRIPTION		MATL.	SPECN.	RUL. DIM.	PROT. TR. CODE
A/D		HAND ISS.			© THOMSONFLY LTD. THIS DESIGN IS COPYRIGHT AND IS NOT TO BE REPRODUCED, USED FOR MANUFACTURE OR OTHERWISE WITHOUT THE EXPRESS PERMISSION OF THOMSONFLY LTD.				OR REMARKS ▲			
6					DRN. BY PHILIP NOEL		APP. BY R.PERKINS 26.09.08		PART MARK TO WHERE SHOWN THUS			
					DATE 01.09.2008		STRESS MARK EVANS		LIMITS TO UNLESS OTHERWISE STATED			
					CH. BY R.PERKINS 26.09.08				ALL DIMENSIONS IN INCHES			
					THIRD ANGLE PROJECTION		SCALE N.T.S.		MODIFICATION NUMBER MOD-757-1347			
					SAFETY EQUIPMENT LAYOUT TFLY/FCA (-204)				SHEET 3 OF 13 SHEETS			
									757-1470			

757-1470



6	5	4	3	2	1	DRAWING ISSUE
24.02.09	30.01.09	05.12.08	21.11.08	05.11.08	26.09.08	ISSUE DATE
R.PERKINS	D.JACKSON	R.PERKINS	R.PERKINS	R.PERKINS	R.PERKINS	APPROVAL
SEE SHEET 1 FOR UP-ISSUE INFORMATION.	SEE SHEETS 1, 2, 3, 4, 8 & 11 FOR DWG UPDATES. NOTE 5 AMENDED.	LARGE DIVIDER PANELS (4002) REPLACED WITH SMALL DIVIDER PANELS (4000). QUANTITY CHANGED. G-BYAX & G-BYAY LOPA AND DOOR 2L DIFFERENCES ADDED IN SHEETS 11, 12 & 13. MODIFICATION TO ITEM 11 SLOTS ON SHEET 10.	EQUIPMENT MOVED FORWARD OF DOOR 4L INTO OVHC BETWEEN STA.1560 TO STA.1610.48	AGS PART NUMBERS CHANGED. EXTENSION CHANGED. PART NUMBER CHANGED. A NUMBER OF TYPO ERRORS CORRECTED.	NEW DRAWING	DRAWING CHANGE
PN	PN	PN	PN	PN		

DO NOT SCALE DRAWINGS - IF IN DOUBT ASK - REPORT ALL ERRORS TO DRAWING OFFICE



- NOTES:**
- 1 REMOVE ALL WEIGHT LIMITATION PLACARDS FROM THE INSIDE OF THE EFFECTED OHC'S.
 - 2 POSITION NEW OHC WEIGHT LIMITATION CENTRAL ON THE REAR FACE OF THE BIN.
 - 3 POSITION THE EQUIPMENT DECALS ON THE OHC DOOR RELATIVE TO THE EQUIPMENT INSTALLED, ALIGN THE PLACARDS 1.0" FROM THE EDGE OF THE BIN DOOR, VERTICALLY CENTRAL (AS DRAWN).
 - 4 POSITION 'EMERGENCY EQUIPMENT ONLY - NO PASSENGER STOWAGE' PLACARD ABOVE THE OHC DOOR HANDLE WITH THE LOWER EDGE OF THE PLACARD APPROXIMATELY 3.0" ABOVE THE HANDLE.
 - 5 POTTING OF INSERTS TO BE DONE WITH EPOCAST1618D/B (ALT. MAGNOBOND92-1AB) ADHESIVE PER BOEING PROCESS BAC5583.
 - 6 INSERTS TO BE DRILLED USING PALLET PANEL AS A TEMPLATE.
 - 12 BOEING INSTALLED WEIGHT LIMITATION DECAL, DO NOT REMOVE.

FWD DOOR R2
VIEW LOOKING OUTBOARD

PART NO.	USED ON

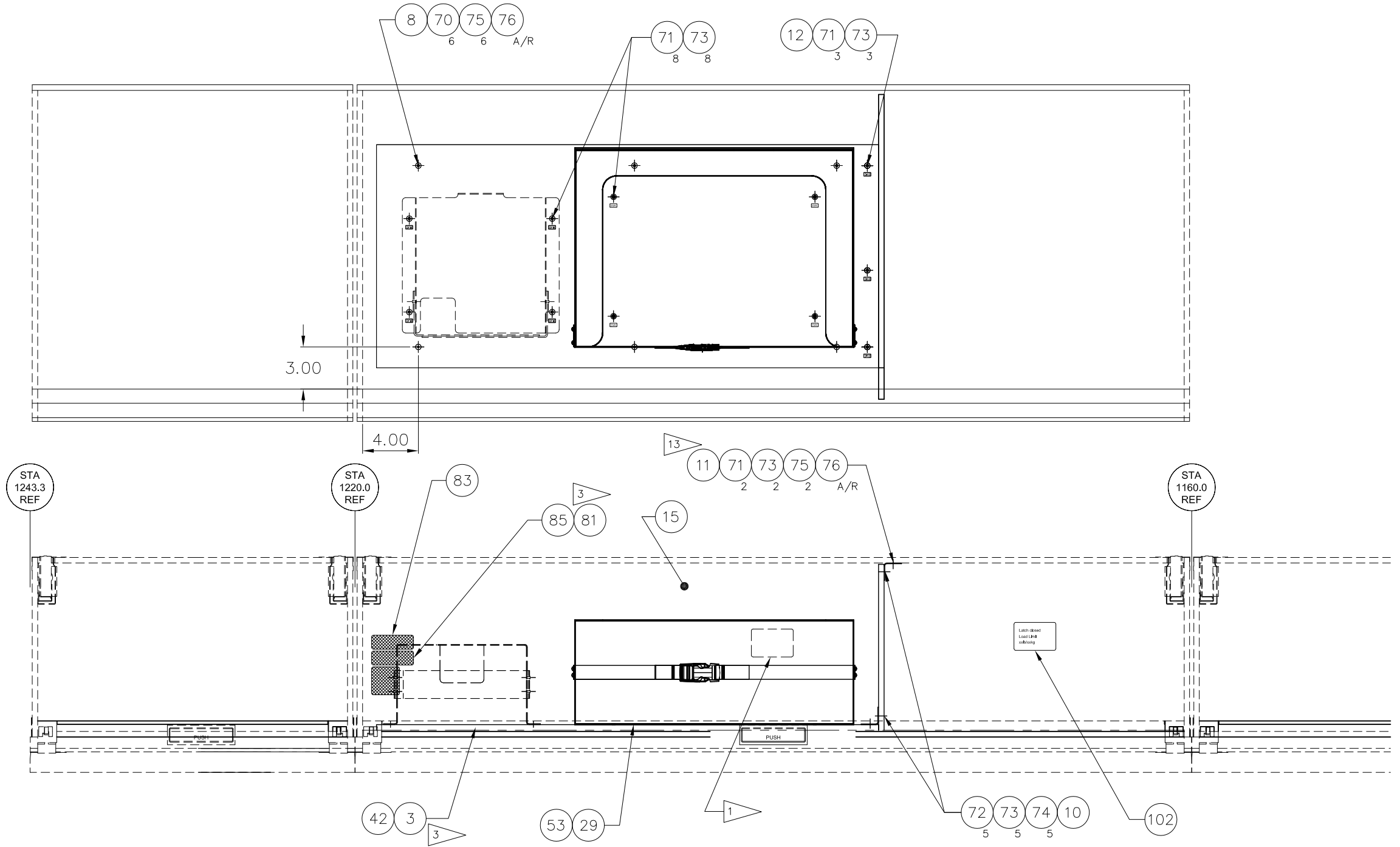
No. OFF		MAP REF.		ITEM No.	PART NUMBER		DESCRIPTION		MATL.	SPECN.	RUL. DIM.	PROT. TR. CODE
6	ISS.				SEE SHEET 1		THOMSONFLY LTD. THIS DESIGN IS COPYRIGHT AND IS NOT TO BE REPRODUCED, USED FOR MANUFACTURE OR OTHERWISE WITHOUT THE EXPRESS PERMISSION OF THOMSONFLY LTD.					
DRN. BY: PHILIP NOEL		APP. BY: R.PERKINS 26.09.08		PART MARK TO WHERE SHOWN THUS		DATE: 01.09.2008		STRESS: MARK EVANS		LIMITS TO UNLESS OTHERWISE STATED		
CH. BY: R.PERKINS 26.09.08		SCALE: N.T.S.		MODIFICATION NUMBER: MOD-757-1347		TITLE: THIRD ANGLE PROJECTION		SHEET 5 OF 13 SHEETS		ALL DIMENSIONS IN INCHES		
757-1470-000		SAFETY EQUIPMENT LAYOUT T'FLY/FCA (-204)		757-1470								

757-1470



6	5	4	3	2	1	DRAWING ISSUE
24.02.09	30.01.09	05.12.08	21.11.08	05.11.08	26.09.08	ISSUE DATE
R.PERKINS	D.JACKSON	R.PERKINS	R.PERKINS	R.PERKINS	R.PERKINS	APPROVAL
SEE SHEET 1 FOR UP-ISSUE INFORMATION.	SEE SHEETS 1, 2, 3, 4, 8 & 11 FOR DWG UPDATES. NOTE 5 AMENDED.	LARGE DIVIDER PANELS (-002) REPLACED WITH SMALL DIVIDER PANELS (-000). QUANTITY CHANGED. G-BYAX & G-BYAY LOPA AND DOOR 2L DIFFERENCES ADDED IN SHEETS 11, 12 & 13. MODIFICATION TO ITEM 11 SLOTS ON SHEET 10.	EQUIPMENT MOVED FORWARD OF DOOR 4L INTO OVHC BETWEEN STA.1560 TO STA.1610.48	AGS PART NUMBERS CHANGED. EXTENSION SEAT BELT PART NUMBER CHANGED. A NUMBER OF TYPO ERRORS CORRECTED.	NEW DRAWING	DRAWING CHANGE

DO NOT SCALE DRAWINGS - IF IN DOUBT ASK - REPORT ALL ERRORS TO DRAWING OFFICE



FWD DOOR L3

VIEW LOOKING OUTBOARD
UNUSED INSERTS REMOVED FOR CLARITY



NOTES:

- 1 REMOVE ALL WEIGHT LIMITATION PLACARDS FROM THE INSIDE OF THE EFFECTED OHC'S.
- 2 POSITION NEW OHC WEIGHT LIMITATION CENTRAL ON THE REAR FACE OF THE BIN.
- 3 POSITION THE EQUIPMENT DECALS ON THE OHC DOOR RELATIVE TO THE EQUIPMENT INSTALLED, ALIGN THE PLACARDS 1.0" FROM THE EDGE OF THE BIN DOOR, VERTICALLY CENTRAL (AS DRAWN).
- 4 POSITION 'EMERGENCY EQUIPMENT ONLY - NO PASSENGER STOWAGE' PLACARD ABOVE THE OHC DOOR HANDLE WITH THE LOWER EDGE OF THE PLACARD APPROXIMATELY 3.0" ABOVE THE HANDLE.
- 5 POTTING OF INSERTS TO BE DONE WITH EPOCAST1618D/B (ALT. MAGNOBOND92-1AB) ADHESIVE PER BOEING PROCESS BAC5583.
- 6 INSERTS TO BE DRILLED USING PALLET PANEL AS A TEMPLATE.

PART NO.	USED ON

No. OFF		MAP REF.		ITEM No.		PART NUMBER		DESCRIPTION		MATERIAL		SPECN.		RUL. DIM.		PROT. TR. CODE	
A/D		HAND		6		ISS.		SEE SHEET 1		THOMSONFLY LTD. THIS DESIGN IS COPYRIGHT AND IS NOT TO BE REPRODUCED, USED FOR MANUFACTURE OR OTHERWISE WITHOUT THE EXPRESS PERMISSION OF THOMSONFLY LTD.		OR REMARKS		▲			
DRN BY		DATE		APP BY		DATE		STRESS		PART MARK TO WHERE SHOWN THUS		LIMITS TO UNLESS OTHERWISE STATED		ALL DIMENSIONS IN INCHES			
PHILIP NOEL		01.09.2008		R.PERKINS		26.09.08		MARK EVANS									
CH BY		R.PERKINS		26.09.08													
THIRD ANGLE PROJECTION		SCALE		N.T.S.		MODIFICATION NUMBER		MOD-757-1347		SHEET 6 OF 13 SHEETS		757-1470					
SAFETY EQUIPMENT LAYOUT T'FLY/FCA (-204)																	

757-1470

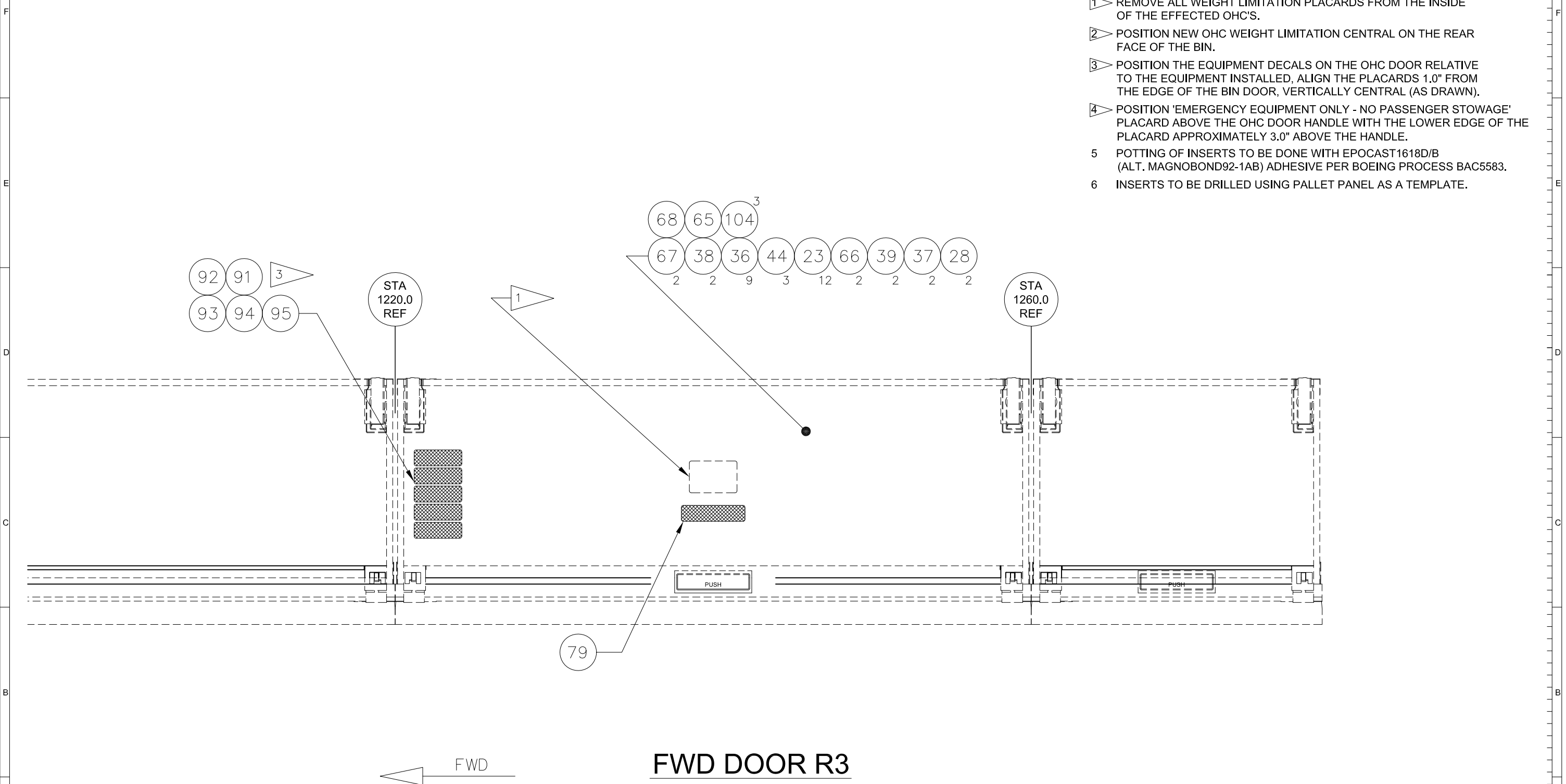


6	5	4	3	2	1	DRAWING ISSUE
24.02.09	30.01.09	05.12.08	21.11.08	05.11.08	26.09.08	ISSUE DATE
R.PERKINS	D.JACKSON	R.PERKINS	R.PERKINS	R.PERKINS	R.PERKINS	APPROVAL
SEE SHEET 1 FOR UP-ISSUE INFORMATION.	SEE SHEETS 1, 2, 3, 4, 8 & 11 FOR DWG UPDATES. NOTE 5 AMENDED.	LARGE DIVIDER PANELS (-002) REPLACED WITH SMALL DIVIDER PANELS (-000). QUANTITY CHANGED. G-BYAK & G-BYAY LOPA AND DOOR 2L DIFFERENCES ADDED IN SHEETS 11, 12 & 13. MODIFICATION TO ITEM 11 SLOTS ON SHEET 10.	EQUIPMENT MOVED FORWARD OF DOOR 4L INTO OVHC BETWEEN STA.1560 TO STA.1610.48	AGS PART NUMBERS CHANGED. EXTENSION CHANGED. A NUMBER OF TYPED ERRORS CORRECTED.	NEW DRAWING	DRAWING CHANGE
PN	PN	PN	PN	PN	PN	

DO NOT SCALE DRAWINGS - IF IN DOUBT ASK - REPORT ALL ERRORS TO DRAWING OFFICE

NOTES:

- 1 REMOVE ALL WEIGHT LIMITATION PLACARDS FROM THE INSIDE OF THE EFFECTED OHC'S.
- 2 POSITION NEW OHC WEIGHT LIMITATION CENTRAL ON THE REAR FACE OF THE BIN.
- 3 POSITION THE EQUIPMENT DECALS ON THE OHC DOOR RELATIVE TO THE EQUIPMENT INSTALLED, ALIGN THE PLACARDS 1.0" FROM THE EDGE OF THE BIN DOOR, VERTICALLY CENTRAL (AS DRAWN).
- 4 POSITION 'EMERGENCY EQUIPMENT ONLY - NO PASSENGER STOWAGE' PLACARD ABOVE THE OHC DOOR HANDLE WITH THE LOWER EDGE OF THE PLACARD APPROXIMATELY 3.0" ABOVE THE HANDLE.
- 5 POTTING OF INSERTS TO BE DONE WITH EPOCAST1618D/B (ALT. MAGNOBOND92-1AB) ADHESIVE PER BOEING PROCESS BAC5583.
- 6 INSERTS TO BE DRILLED USING PALLET PANEL AS A TEMPLATE.



FWD DOOR R3
VIEW LOOKING OUTBOARD

PART NO.	USED ON

No. OFF	No. OFF	MAP REF.	ITEM No.	PART NUMBER	DESCRIPTION	MATL.	SPECN.	RUL. DIM.	PROT. TR. CODE
6	6	ISS.					OR REMARKS ▲		
© THOMSONFLY LTD. THIS DESIGN IS COPYRIGHT AND IS NOT TO BE REPRODUCED, USED FOR MANUFACTURE OR OTHERWISE WITHOUT THE EXPRESS PERMISSION OF THOMSONFLY LTD.									
DRN. BY	PHILIP NOEL	APP. BY	R.PERKINS	DATE	01.09.2008	STRESS	MARK EVANS	PART MARK TO WHERE SHOWN THUS	
CH. BY	R.PERKINS	DATE	26.09.08	LIMITS TO UNLESS OTHERWISE STATED		ALL DIMENSIONS IN INCHES			
THIRD ANGLE PROJECTION				SCALE	N.T.S.	MODIFICATION NUMBER	MOD-757-1347		
SAFETY EQUIPMENT LAYOUT T'FLY/FCA (-204)				SHEET 7 OF 13 SHEETS		757-1470			

757-1470

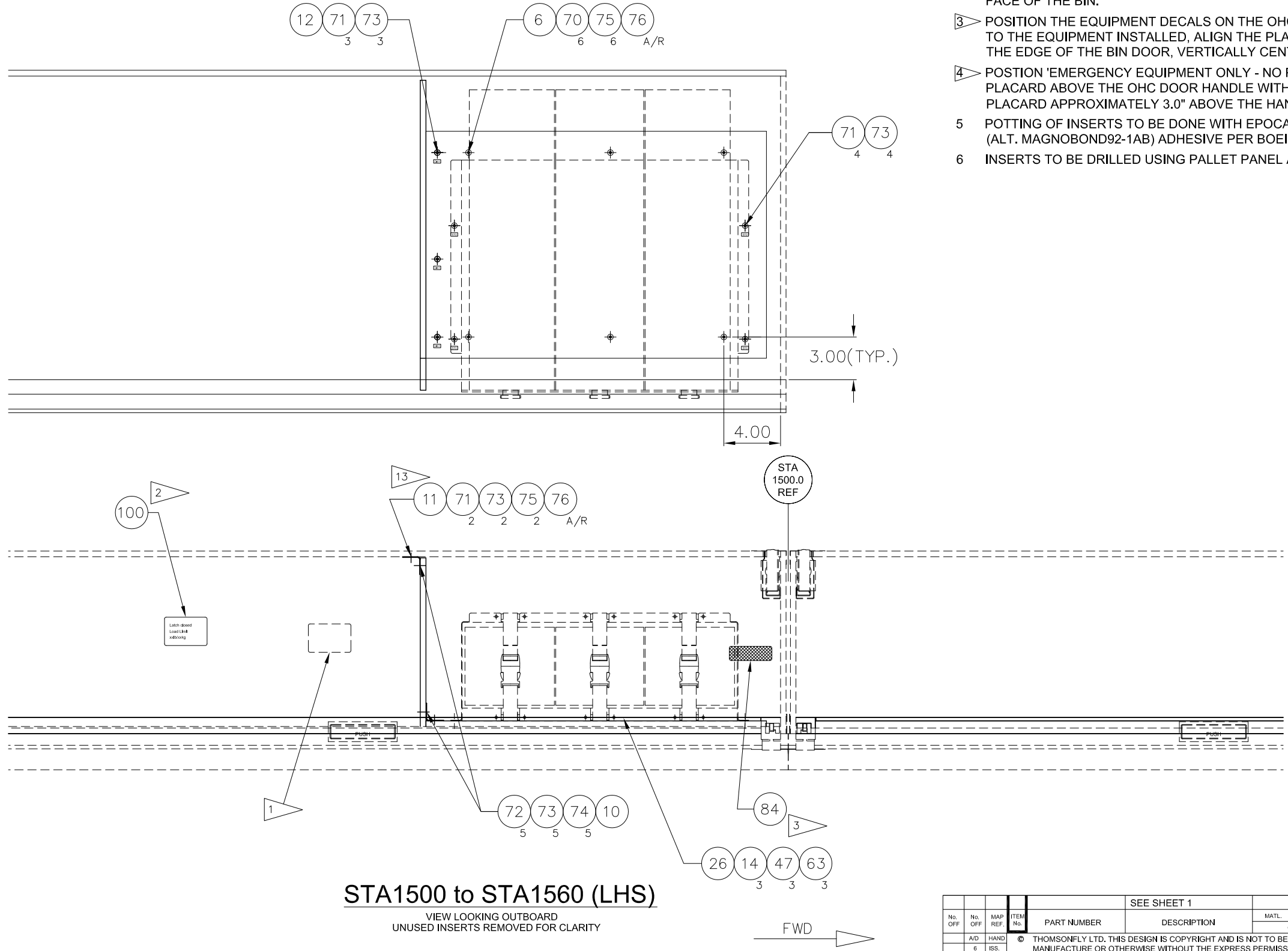


6	5	4	3	2	1	DRAWING ISSUE
24.02.09	30.01.09	05.12.08	21.11.08	05.11.08	26.09.08	ISSUE DATE
R.PERKINS	D.JACKSON	R.PERKINS	R.PERKINS	R.PERKINS	R.PERKINS	APPROVAL
SEE SHEET 1 FOR UP-ISSUE INFORMATION.	ITEMS 47 & 63 ADDED TO STO OXYGEN INSTALLATION. NOTE 5 AMENDED.	LARGE DIVIDER PANELS (4002) REPLACED WITH SMALL DIVIDER PANELS (4000). QUANTITY CHANGED. G-BYAX & G-BYAY LOPA AND DOOR ZL DIFFERENCES ADDED IN SHEETS 11, 12 & 13. MODIFICATION TO ITEM 11 SLOTS ON SHEET 10.	EQUIPMENT MOVED FORWARD OF DOOR 4L INTO OVHC BETWEEN STA.1560 TO STA.1610.48	AGS PART NUMBERS CHANGED. EXTENSION SEAT BELT PART NUMBER CHANGED. A NUMBER OF TYPO ERRORS CORRECTED.	NEW DRAWING	DRAWING CHANGE

DO NOT SCALE DRAWINGS - IF IN DOUBT ASK - REPORT ALL ERRORS TO DRAWING OFFICE

NOTES:

- 1 REMOVE ALL WEIGHT LIMITATION PLACARDS FROM THE INSIDE OF THE EFFECTED OHC'S.
- 2 POSITION NEW OHC WEIGHT LIMITATION CENTRAL ON THE REAR FACE OF THE BIN.
- 3 POSITION THE EQUIPMENT DECALS ON THE OHC DOOR RELATIVE TO THE EQUIPMENT INSTALLED, ALIGN THE PLACARDS 1.0" FROM THE EDGE OF THE BIN DOOR, VERTICALLY CENTRAL (AS DRAWN).
- 4 POSITION 'EMERGENCY EQUIPMENT ONLY - NO PASSENGER STOWAGE' PLACARD ABOVE THE OHC DOOR HANDLE WITH THE LOWER EDGE OF THE PLACARD APPROXIMATELY 3.0" ABOVE THE HANDLE.
- 5 POTTING OF INSERTS TO BE DONE WITH EPOCAST1618D/B (ALT. MAGNOBOND92-1AB) ADHESIVE PER BOEING PROCESS BAC5583.
- 6 INSERTS TO BE DRILLED USING PALLET PANEL AS A TEMPLATE.



STA1500 to STA1560 (LHS)

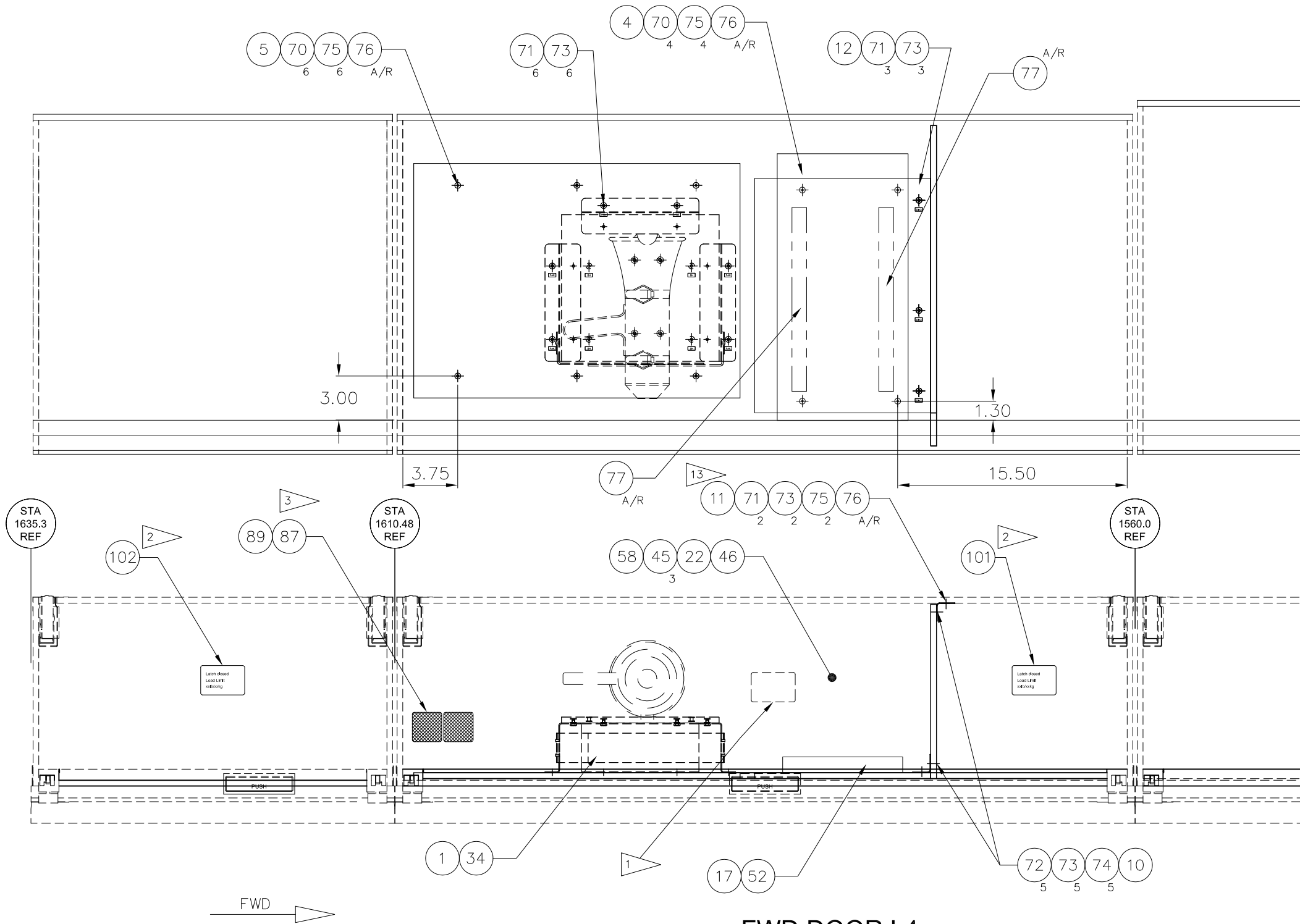
VIEW LOOKING OUTBOARD
UNUSED INSERTS REMOVED FOR CLARITY

No. OFF	No. OFF	MAP REF.	ITEM No.	PART NUMBER	DESCRIPTION	MATL.	SPECN.	RUL. DIM.	PROT. TR. CODE
6	6		ISS.	© THOMSONFLY LTD. THIS DESIGN IS COPYRIGHT AND IS NOT TO BE REPRODUCED, USED FOR MANUFACTURE OR OTHERWISE WITHOUT THE EXPRESS PERMISSION OF THOMSONFLY LTD.					
				DRN BY PHILIP NOEL	APP BY R.PERKINS 26.09.08				PART MARK TO WHERE SHOWN THUS
				DATE 01.09.2008	STRESS MARK EVANS				LIMITS TO UNLESS OTHERWISE STATED
				CH. BY R.PERKINS 26.09.08					ALL DIMENSIONS IN INCHES
									MODIFICATION NUMBER MOD-757-1347
									SHEET 8 OF 13 SHEETS
									757-1470

PART NO.	USED ON
1	
2	
3	
4	
5	
6	
7	
8	
9	
10	
11	
12	
13	
14	

6	5	4	3	2	1	DRAWING ISSUE
24.02.09	30.01.09	05.12.08	21.11.08	05.11.08	26.09.08	ISSUE DATE
R.PERKINS	D.JACKSON	R.PERKINS	R.PERKINS	R.PERKINS	R.PERKINS	APPROVAL
SEE SHEET 1 FOR UP-ISSUE INFORMATION.	SEE SHEETS 1, 2, 3, 4, 6 & 11 FOR DWG UPDATES. NOTE 5 AMENDED.	LARGE DIVIDER PANELS (-002) REPLACED WITH SMALL DIVIDER PANELS (-000). QUANTITY CHANGED. G-BYAX & G-BYAY LOCA AND DOOR 2L DIFFERENCES ADDED IN SHEETS 11, 12 & 13. MODIFICATION TO ITEM 11 SLOTS ON SHEET 10.	EQUIPMENT MOVED FORWARD OF DOOR 4L INTO OVHC BETWEEN STA.1560 TO STA.1610.48	AGS PART NUMBERS CHANGED. EXTENSION SEAT BELT PART NUMBER CHANGED. A NUMBER OF TYPO ERRORS CORRECTED.	NEW DRAWING	DRAWING CHANGE
PN	PN	PN	PN	PN	PN	

DO NOT SCALE DRAWINGS - IF IN DOUBT ASK - REPORT ALL ERRORS TO DRAWING OFFICE



FWD DOOR L4
VIEW LOOKING OUTBOARD
UNUSED INSERTS REMOVED FOR CLARITY
(NB422 to NB438)

- NOTES:**
- 1 REMOVE ALL WEIGHT LIMITATION PLACARDS FROM THE INSIDE OF THE EFFECTED OHC'S.
 - 2 POSITION NEW OHC WEIGHT LIMITATION CENTRAL ON THE REAR FACE OF THE BIN.
 - 3 POSITION THE EQUIPMENT DECALS ON THE OHC DOOR RELATIVE TO THE EQUIPMENT INSTALLED, ALIGN THE PLACARDS 1.0" FROM THE EDGE OF THE BIN DOOR, VERTICALLY CENTRAL (AS DRAWN).
 - 4 POSITION 'EMERGENCY EQUIPMENT ONLY - NO PASSENGER STOWAGE' PLACARD ABOVE THE OHC DOOR HANDLE WITH THE LOWER EDGE OF THE PLACARD APPROXIMATELY 3.0" ABOVE THE HANDLE.
 - 5 POTTING OF INSERTS TO BE DONE WITH EPOCAST1618D/B (ALT. MAGNOBOND92-1AB) ADHESIVE PER BOEING PROCESS BAC5583.
 - 6 INSERTS TO BE DRILLED USING PALLET PANEL AS A TEMPLATE.

PART NO.	USED ON

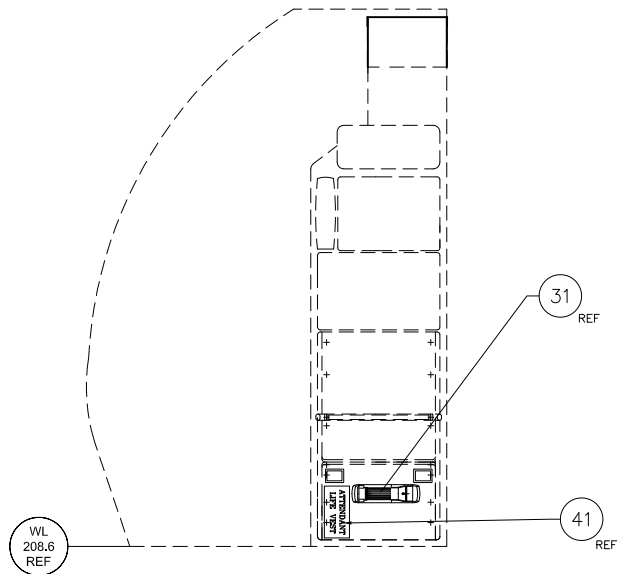
No. OFF		No. MAP		ITEM		PART NUMBER		DESCRIPTION		SEE SHEET 1		MATERIAL		SPECIFICATION		RULING		DIMENSIONS		PROT. TR. CODE	
A/D		H/AND		REF.		NO.		NO.		NO.		NO.		NO.		NO.		NO.		NO.	
6		ISS.																			
© THOMSONFLY LTD. THIS DESIGN IS COPYRIGHT AND IS NOT TO BE REPRODUCED. USED FOR MANUFACTURE OR OTHERWISE WITHOUT THE EXPRESS PERMISSION OF THOMSONFLY LTD.																					
DRN. BY		PHILIP NOEL		APP. BY		R.PERKINS		DATE		01.09.2008		STRESS		MARK EVANS		PART MARK TO WHERE SHOWN THIS		LIMITS TO UNLESS OTHERWISE STATED		ALL DIMENSIONS IN INCHES	
CH. BY		R.PERKINS		DATE		26.09.08															
THIRD ANGLE PROJECTION										SCALE		N.T.S.		MODIFICATION NUMBER		MOD-757-1347		SHEET 9 OF 13 SHEETS		757-1470	
SAFETY EQUIPMENT LAYOUT T'FLY/FCA (-204)																					

757-1470

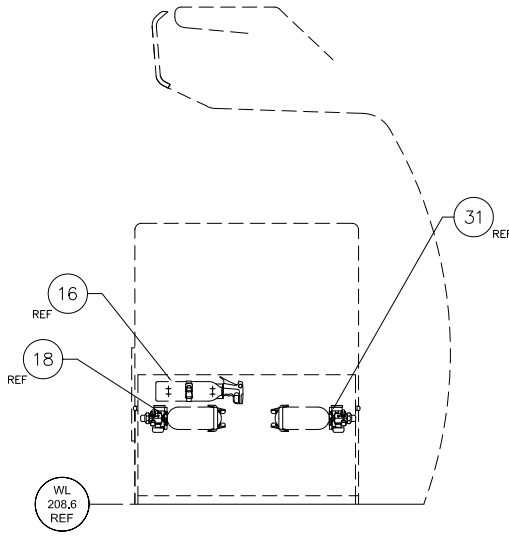


6	5	4	3	2	1	DRAWING ISSUE
24.02.09	30.01.09	05.12.08	21.11.08	05.11.08	26.09.08	ISSUE DATE
R.PERKINS	D.JACKSON	R.PERKINS	R.PERKINS	R.PERKINS	R.PERKINS	APPROVAL
SEE SHEET 1 FOR UP-ISSUE INFORMATION.	SEE SHEETS 1, 2, 3, 4, 8 & 11 FOR DWG UPDATES.	LARGE DIVIDER PANELS (402) REPLACED WITH SMALL DIVIDER PANELS (400). QUANTITY CHANGED. G-BYAX & G-BYAX LOPA AND DOOR 2L DIFFERENCES ADDED IN SHEETS 11, 12 & 13. MODIFICATION TO ITEM 11 SLOTS ON SHEET 10.	EQUIPMENT MOVED FORWARD OF DOOR 4L INTO OVHC BETWEEN STA.1560 TO STA.1610.48	AGS PART NUMBERS CHANGED. EXTENSION SEAT BELT PART NUMBER CHANGED. A NUMBER OF TYPO ERRORS CORRECTED.	NEW DRAWING	DRAWING CHANGE
PN	PN	PN	PN	PN		

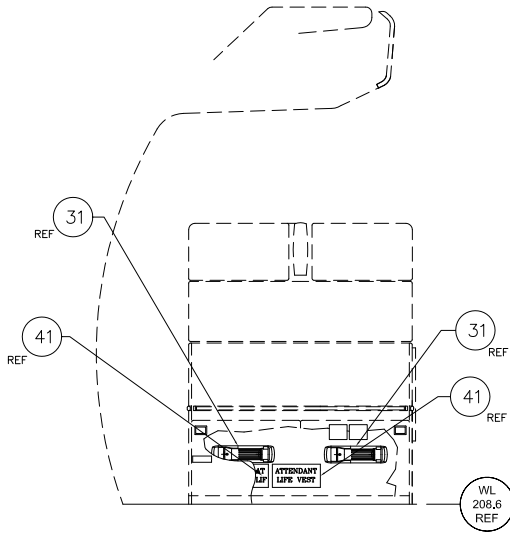
DO NOT SCALE DRAWINGS - IF IN DOUBT ASK - REPORT ALL ERRORS TO DRAWING OFFICE



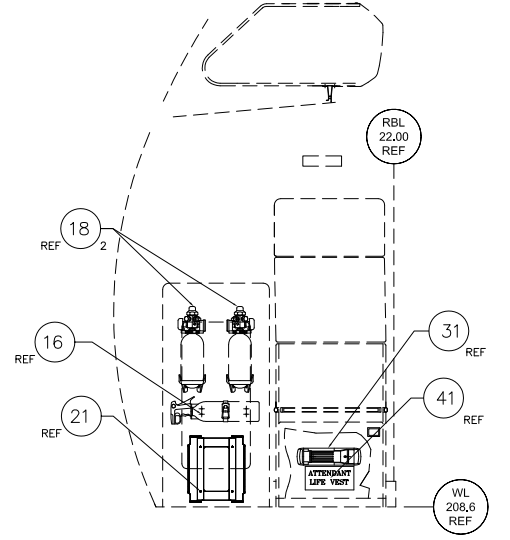
FWD DOOR L1
VIEW LOOKING FWD



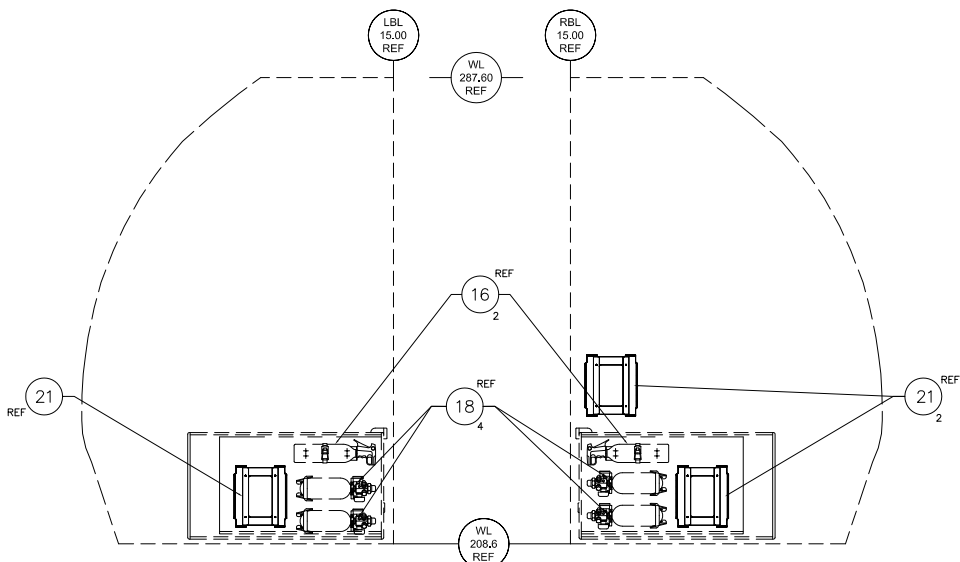
FWD DOOR L2
VIEW LOOKING AFT



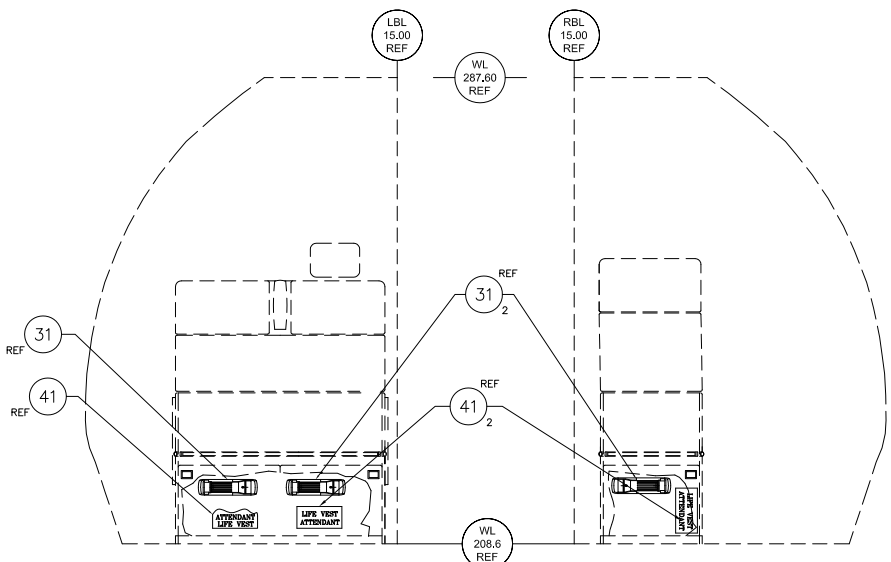
FWD DOOR L2
VIEW LOOKING FWD



FWD DOOR L3
VIEW LOOKING FWD

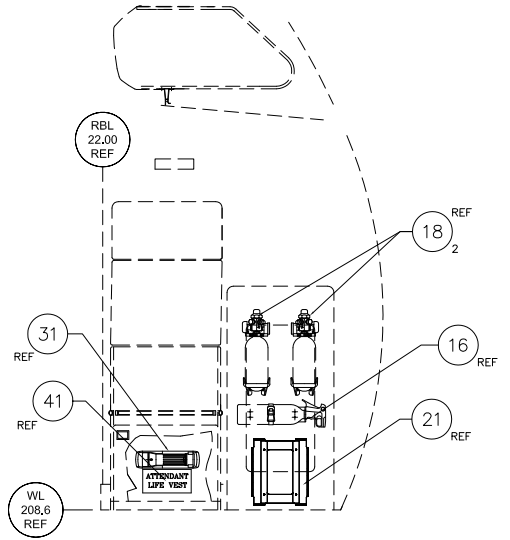


FWD DOOR L4
VIEW LOOKING AFT

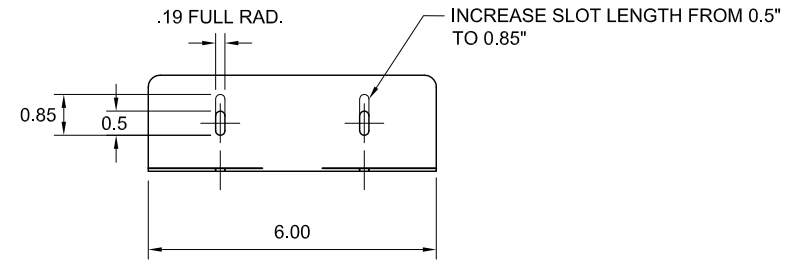


FWD DOOR L4
VIEW LOOKING FWD

FWD DOOR R4
VIEW LOOKING FWD



FWD DOOR R3
VIEW LOOKING FWD



DETAIL 'B'
MODIFICATION TO UPPER BRACKET
(Pt/No.767-1845-217) IF REQUIRED.

PART NO.	USED ON

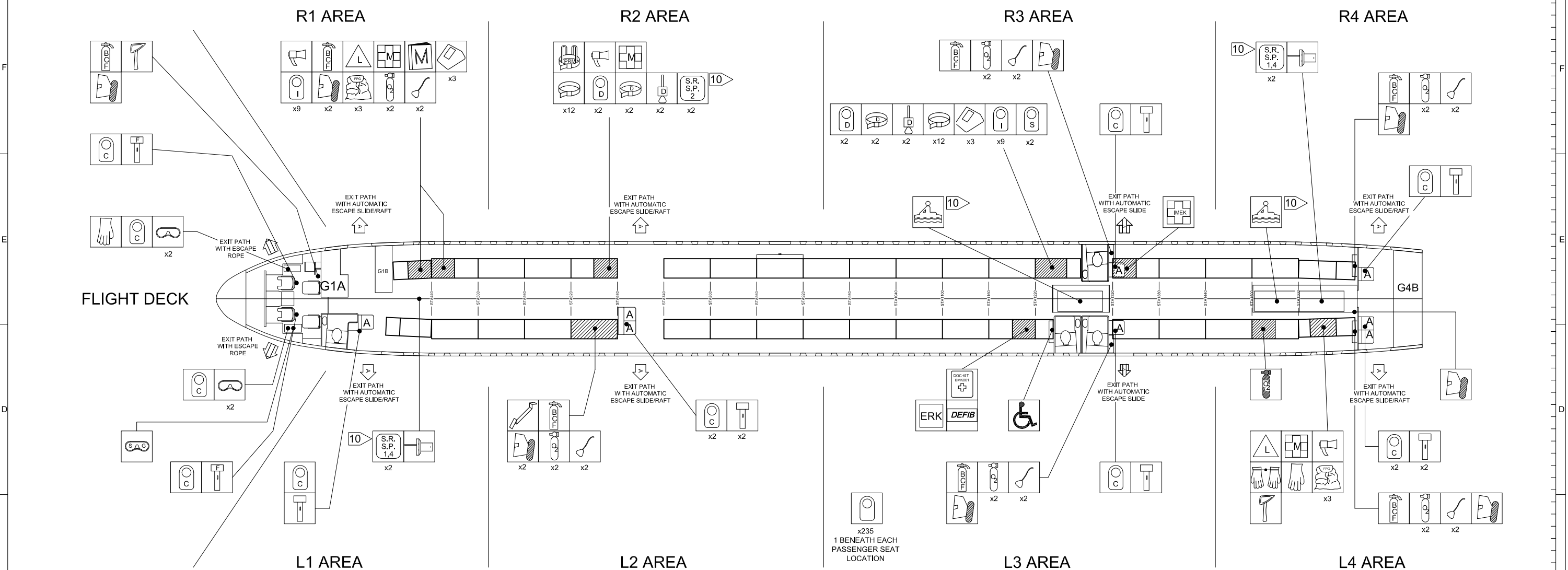
No. OFF		MAP REF.	ITEM No.	PART NUMBER		DESCRIPTION		MATL.	SPECN.	RUL. DIM.	PROT. TR. CODE
A/D		HAND	ISS.	© THOMSONFLY LTD. THIS DESIGN IS COPYRIGHT AND IS NOT TO BE REPRODUCED, USED FOR MANUFACTURE OR OTHERWISE WITHOUT THE EXPRESS PERMISSION OF THOMSONFLY LTD.		SEE SHEET 1		OR REMARKS ▲			
6		6	ISS.	DRN. BY	PHILIP NOEL	APP. BY	R.PERKINS 26.09.08	PART MARK TO WHERE SHOWN THUS		LIMITS TO UNLESS OTHERWISE STATED	
				DATE	01.09.2008	STRESS	MARK EVANS	ALL DIMENSIONS IN INCHES		MODIFICATION NUMBER MOD-757-1347	
				CH. BY	R.PERKINS 26.09.08	THIRD ANGLE PROJECTION		SCALE	N.T.S.	SHEET 10 OF 13 SHEETS	
				757-1470-000		SAFETY EQUIPMENT LAYOUT T'FLY/FCA (-204)				757-1470	

757-1470



6	5	4	3	2	1	DRAWING ISSUE
24.02.09	30.01.09	05.12.08	21.11.08	05.11.08	26.09.08	ISSUE DATE
R.PERKINS	D.JACKSON	R.PERKINS	R.PERKINS	R.PERKINS	R.PERKINS	APPROVAL
SEE SHEET 1 FOR UP-ISSUE INFORMATION.	NASAL CANNULAS & ELITE OXY BOTTLE BAGS ADDED TO STO OXYGEN.	LARGE DIVIDER PANELS (4032) REPLACED WITH SMALL DIVIDER PANELS (4000). QUANTITY CHANGED. G-BYAX & G-BYAX LOPA AND DOOR ZL DIFFERENCES ADDED IN SHEETS 11, 12 & 13. MODIFICATION TO ITEM 11 SLOTS ON SHEET 10.	EQUIPMENT MOVED FORWARD OF DOOR 4L INTO OVHC BETWEEN STA.1560 TO STA.1610.48	AGS PART NUMBERS CHANGED. EXTENSION SEAT BELT PART NUMBER CHANGED. A NUMBER OF TYPO ERRORS CORRECTED.		DRAWING CHANGE
	PN	PN	PN	PN		

DO NOT SCALE DRAWINGS - IF IN DOUBT ASK - REPORT ALL ERRORS TO DRAWING OFFICE



	7	BCF EXTINGUISHER	BA51015S3 (ALT. BA51015GS3)
	2	CRASH AXE	42D8331
	12	PORTABLE OXYGEN BOTTLE AND MASK	5500-A1A-BF23A 174095-66 MASK (ALT. MASK P/No.28314-12)
	12	SPARE OXYGEN MASK	174095-66 (ALT. P/No.28314-12)
	3	POWER MEGAPHONE	ACR/EM-1A
	10	SMOKE HOOD DRAGER 'OXYCREW'	E28180-10
	2	FIREPROOF GLOVES	FKK8-35KL
	2	LAERDAL POCKET MASK	83001133
	24	EXTENSION SEAT BELT	2010-5-011-1849
	4	SMOKE GOGGLES	MXP210-00
	1	WHEELCHAIR	767-1461-000

	3	STO BOTTLES, NASAL CANNULAS & ELITE OXG BAG.	ATDKL0155 (ALSO 1025407 & AV1000001)
	2	ELT BEACON	S1823502 -02
	4	DEMONSTRATION OXYGEN MASK	289-1002
	1	EMERGENCY MEDICAL KIT	520002-10
	1	CLEAR SAFETY GOGGLES	
	1	PASSENGER RESTRAINT KIT	767-1598-000 (ALT. ASR609)
	12	LIFEJACKET CREW	A312305A04RFD
	8	EMERGENCY TORCH DME EF-1	P2-07-0001-201S
	2	EMERGENCY TORCH	SOLAR 2002
	1	SEP MANUALS	
	1	IMEK FIRST AID KIT	767-1854-000
	3	MANDATORY FIRST AID KIT	757-1243-000

	235	LIFEJACKET	A312305A03RFD (ALT: A312300A03) (ALT:102MK2BA)
	18	INFANT LIFEJACKET	105 MK1 (ALT: A316100A00) (ALT: A316101A00RFD)
	4	DEMONSTRATION LIFEJACKET	A4414A 737-2814-000
	2	SPARE LIFEJACKET	A312305A03RFD (ALT: A312300A03) (ALT:102MK2BA)
	4	DEMONSTRATION SEAT BELT	737-2729-000
	2	46 MAN LIFERAFT	00033061
	2	SLIDE RAFT SURVIVAL PACK	757-1048-010 ALT P/No.757-1048-014
	4	SLIDE RAFT SURVIVAL PACK	757-1048-008 ALT P/No.757-1048-012
	1	DEFIBRILLATOR	737-1102-000
	1	PRM HARNESS	767-1477-000
	6	BABY SURVIVAL COT	2000-105YCAA (ALT: 2000-105YCAASP)
	6	FIREPROOF GASH BAG	AB001-666

	1	CART RESTRAINT STRAP	757-1071-000 (ALT. P/No.757-1071-000)
	1	EMERGENCY RESPONSE KIT	52004-07

(INSTALL LIFERAFTS FOR ETOPS/OVERWATER FLIGHTS).

(INSTALL LIFERAFTS FOR ETOPS/OVERWATER FLIGHTS).

(INSTALL LIFERAFTS FOR ETOPS/OVERWATER FLIGHTS).

EFFECTIVITY NT431 & NT432

PART NO.	USED ON

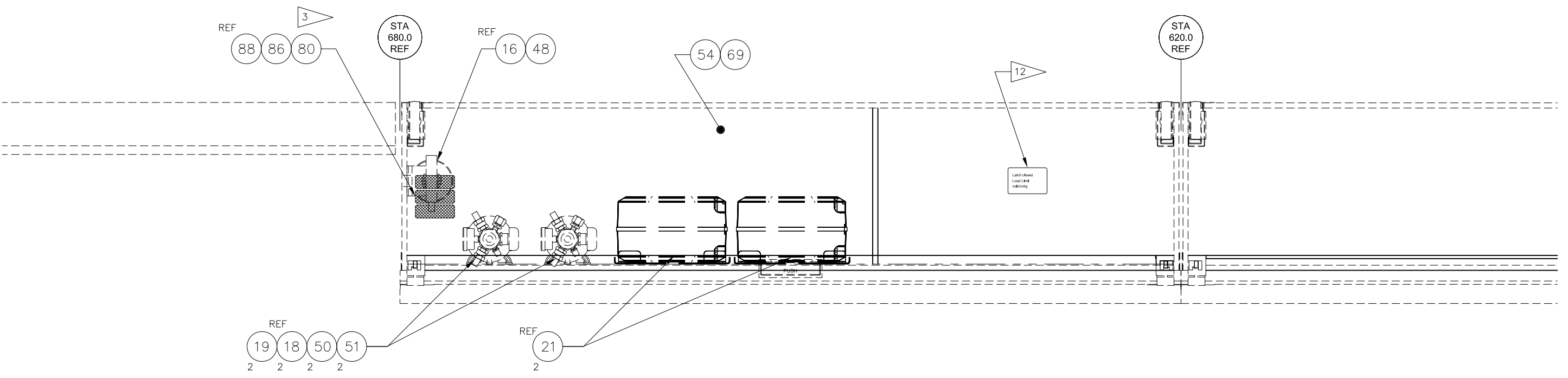
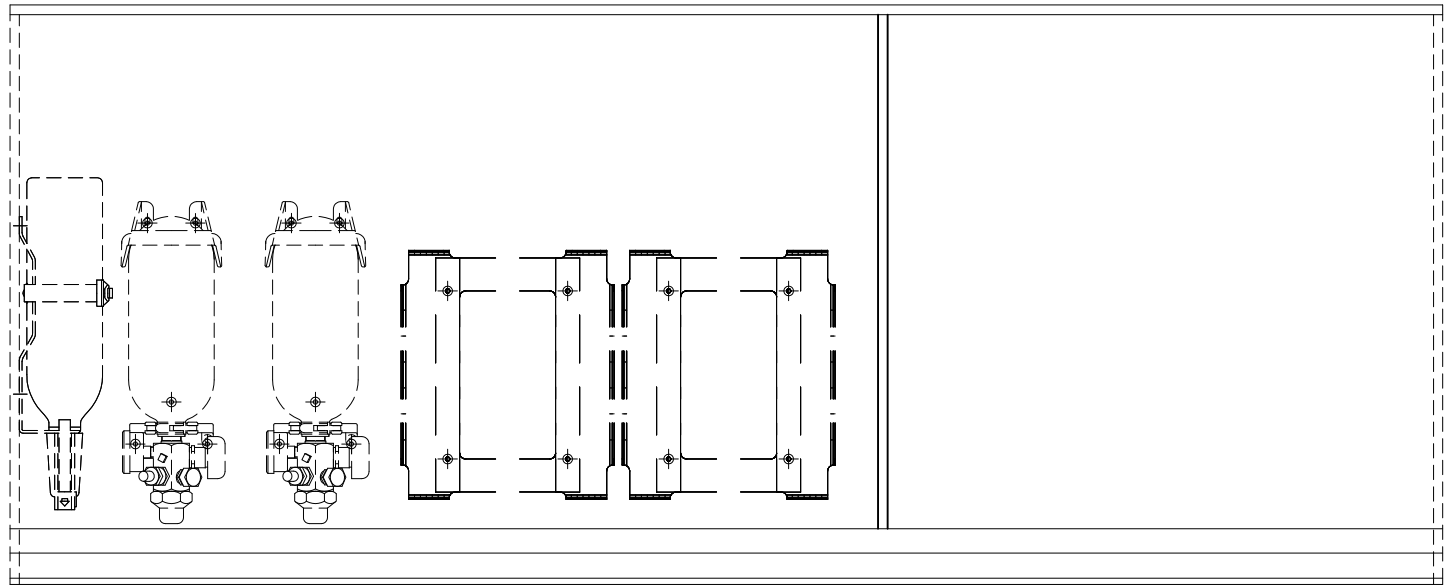
No. OFF		No. REF.		MAP REF.		ITEM No.		PART NUMBER		DESCRIPTION		MATERIAL		SPECN.		RUL. DIM.		PROT. TR. CODE	
SEE SHEET 1																			
© THOMSONFLY LTD. THIS DESIGN IS COPYRIGHT AND IS NOT TO BE REPRODUCED, USED FOR MANUFACTURE OR OTHERWISE WITHOUT THE EXPRESS PERMISSION OF THOMSONFLY LTD.																			
DRN. BY		PHILIP NOEL		APP. BY		R.PERKINS 26.09.08		PART MARK TO WHERE SHOWN THUS											
DATE		01.09.2008		STRESS		MARK EVANS		LIMITS TO UNLESS OTHERWISE STATED											
CH. BY		R.PERKINS 26.09.08		ALL DIMENSIONS IN INCHES															
PART NUMBER		757-1470-000		MODIFICATION NUMBER		MOD-757-1347		SHEET 11 OF 13 SHEETS											
TITLE		THIRD ANGLE PROJECTION		SCALE		N.T.S.		SAFETY EQUIPMENT LAYOUT T'FLY/FCA (-204)											
757-1470																			

757-1470



6	5	4	3	2	1	DRAWING ISSUE
24.02.09	30.01.09	05.12.08	21.11.08	05.11.08	26.09.08	ISSUE DATE
R.PERKINS	D.JACKSON	R.PERKINS	R.PERKINS	R.PERKINS	R.PERKINS	APPROVAL
ITEM 19 ADDED TO OXY BOTTLE POSITION.	SEE SHEETS 1, 2, 3, 4, 8 & 11 FOR DWG UPDATES.	LARGE DIVIDER PANELS (-002) REPLACED WITH SMALL DIVIDER PANELS (-000). QUANTITY CHANGED. G-BYAX & G-BYAX LOPA AND DOOR 2L DIFFERENCES ADDED IN SHEETS 11, 12 & 13. MODIFICATION TO ITEM 11 SLOTS ON SHEET 10.	EQUIPMENT MOVED FORWARD OF DOOR 4L INTO OVHC BETWEEN STA.1560 TO STA.1610.48	AGS PART NUMBERS CHANGED. EXTENSION SEAT BELT PART NUMBER CHANGED. A NUMBER OF TYPO ERRORS CORRECTED.	NEW DRAWING	DRAWING CHANGE
PN	PN	PN	PN	PN		

DO NOT SCALE DRAWINGS - IF IN DOUBT ASK - REPORT ALL ERRORS TO DRAWING OFFICE



FWD DOOR L2
 VIEW LOOKING OUTBOARD
 UNUSED INSERTS REMOVED FOR CLARITY
 (NT431 to NT432)

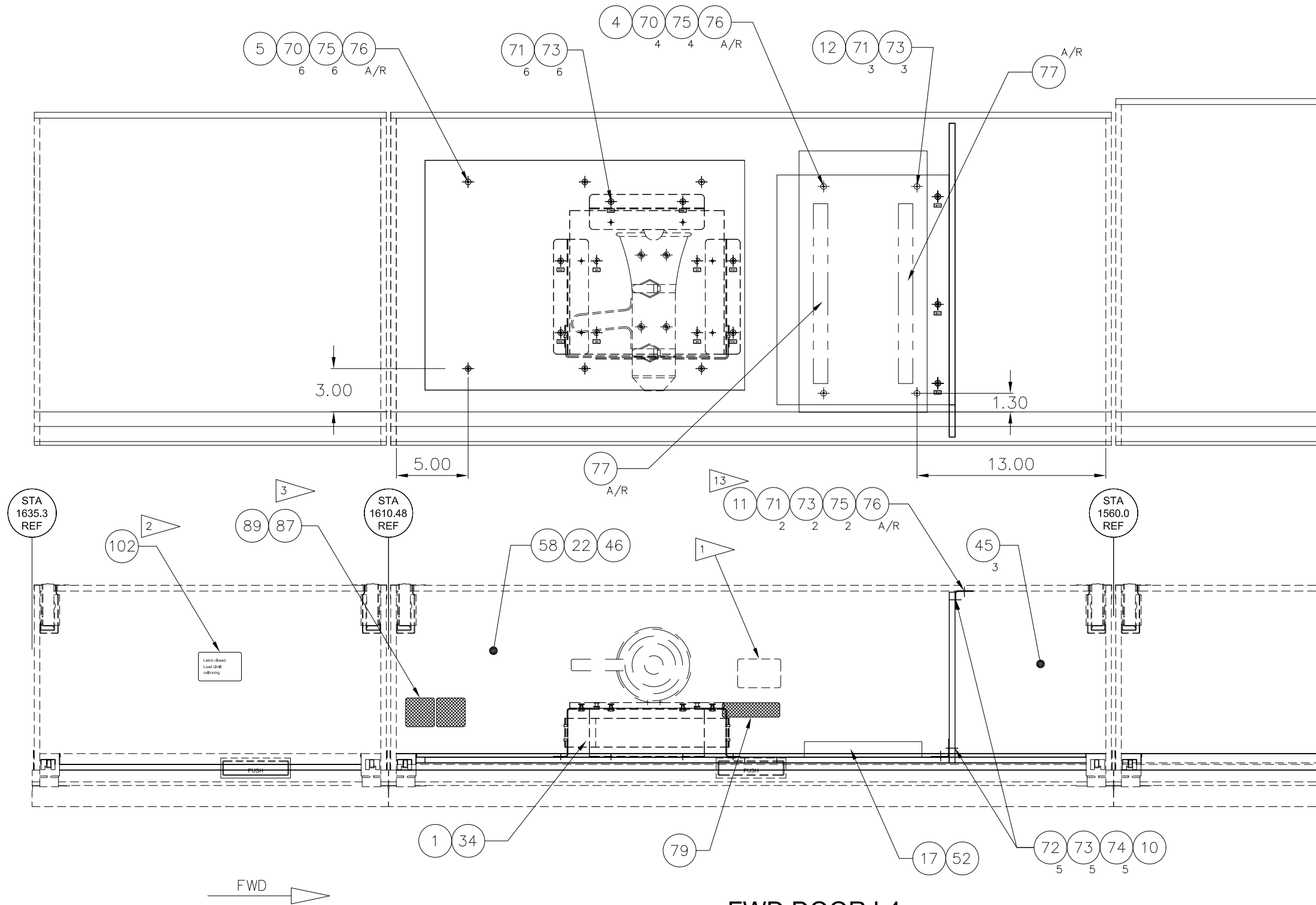


PART NO.	USED ON

No. OFF		MAP REF.	ITEM No.	SEE SHEET 1		MATL.	SPECN.	RUL. DIM.	PROT. TR. CODE
A/D		HAND	ISS.	© THOMSONFLY LTD. THIS DESIGN IS COPYRIGHT AND IS NOT TO BE REPRODUCED, USED FOR MANUFACTURE OR OTHERWISE WITHOUT THE EXPRESS PERMISSION OF THOMSONFLY LTD.		OR REMARKS ▲			
6		6	ISS.	DRN. BY PHILIP NOEL	APP. BY R.PERKINS 26.09.08	PART MARK TO WHERE SHOWN THUS			
				DATE 01.09.2008	STRESS MARK EVANS	LIMITS TO UNLESS OTHERWISE STATED			
				CH. BY R.PERKINS 26.09.08		ALL DIMENSIONS IN INCHES			
				THIRD ANGLE PROJECTION		SCALE	N.T.S.		MODIFICATION NUMBER MOD-757-1347
				TITLE SAFETY EQUIPMENT LAYOUT T'FLY/FCA (-204)				SHEET 12 OF 13 SHEETS	
								757-1470	

6	5	4	3	2	1	DRAWING ISSUE
24.02.09	30.01.09	05.12.08	21.11.08	05.11.08	26.09.08	ISSUE DATE
R.PERKINS	D.JACKSON	R.PERKINS	R.PERKINS	R.PERKINS	R.PERKINS	APPROVAL
SEE SHEET 1 FOR UP-ISSUE INFORMATION.	SEE SHEETS 1, 2, 3, 4, 6 & 11 FOR DWG UPDATES. NOTE 5 AMENDED.	LARGE DIVIDER PANELS (-002) REPLACED WITH SMALL DIVIDER PANELS (-000). QUANTITY CHANGED. G-BYAX & G-BYAY LOPA. DOOR 2L & 4L DIFFERENCES ADDED IN SHEETS 11, 12 & 13. MODIFICATION TO ITEM 11 SLOTS ON SHEET 10.	EQUIPMENT MOVED FORWARD OF DOOR 4L INTO OVHC BETWEEN STA.1560 TO STA.1610.48	AGS PART NUMBERS CHANGED. EXTENSION CHANGED. PART NUMBER CHANGED. A NUMBER OF TYPO ERRORS CORRECTED.	NEW DRAWING	DRAWING CHANGE
PN	PN	PN	PN	PN	PN	

DO NOT SCALE DRAWINGS - IF IN DOUBT ASK - REPORT ALL ERRORS TO DRAWING OFFICE



FWD DOOR L4
VIEW LOOKING OUTBOARD
UNUSED INSERTS REMOVED FOR CLARITY
(NT431 to NT432)

NOTES:

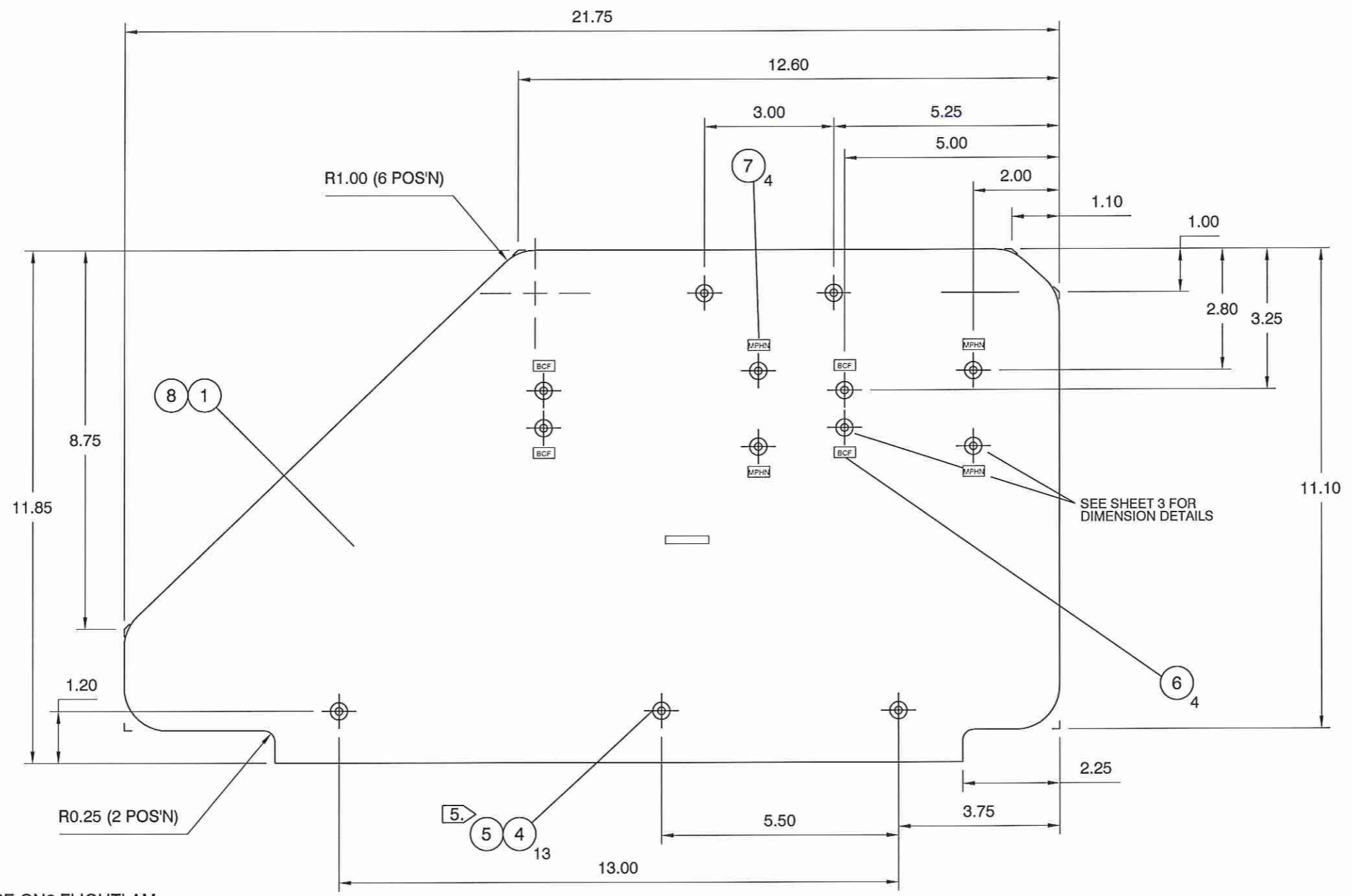
- 1 REMOVE ALL WEIGHT LIMITATION PLACARDS FROM THE INSIDE OF THE EFFECTED OHC'S.
- 2 POSITION NEW OHC WEIGHT LIMITATION CENTRAL ON THE REAR FACE OF THE BIN.
- 3 POSITION THE EQUIPMENT DECALS ON THE OHC DOOR RELATIVE TO THE EQUIPMENT INSTALLED, ALIGN THE PLACARDS 1.0" FROM THE EDGE OF THE BIN DOOR, VERTICALLY CENTRAL (AS DRAWN).
- 4 POSITION 'EMERGENCY EQUIPMENT ONLY - NO PASSENGER STOWAGE' PLACARD ABOVE THE OHC DOOR HANDLE WITH THE LOWER EDGE OF THE PLACARD APPROXIMATELY 3.0" ABOVE THE HANDLE.
- 5 POTTING OF INSERTS TO BE DONE WITH EPOCAST1618D/B (ALT. MAGNOBOND92-1AB) ADHESIVE PER BOEING PROCESS BAC5583.
- 6 INSERTS TO BE DRILLED USING PALLET PANEL AS A TEMPLATE.

PART NO.	USED ON

No. OFF	No. OFF	MAP REF.	ITEM No.	PART NUMBER	DESCRIPTION	MATL.	SPECN.	RUL. DIM.	PROT. TR. CODE
THOMSONFLY LTD. THIS DESIGN IS COPYRIGHT AND IS NOT TO BE REPRODUCED. USED FOR MANUFACTURE OR OTHERWISE WITHOUT THE EXPRESS PERMISSION OF THOMSONFLY LTD.									
				DRN. BY PHILIP NOEL	APP. BY R.PERKINS 26.09.08	PART MARK TO WHERE SHOWN THUS			
				DATE 01.09.2008	STRESS MARK EVANS	LIMITS TO UNLESS OTHERWISE STATED			
				CH. BY R.PERKINS 26.09.08	ALL DIMENSIONS IN INCHES				
THIRD ANGLE PROJECTION			SCALE	N.T.S.		MODIFICATION NUMBER		MOD-757-1347	
TITLE						SHEET 13 OF 13 SHEETS		757-1470	
SAFETY EQUIPMENT LAYOUT T'FLY/FCA (-204)									

DO NOT SCALE DRAWINGS - IF IN DOUBT ASK - REPORT ALL ERRORS TO DRAWING OFFICE

Perkins
04/11/08



NOTES.

1. MAKE FROM .40" CORE GN2 FLITELAM (ALT. MATERIAL: EURO COMPOSITES EC-PA235E-10.20).
2. EDGE FILL .10" TYP, USING EDGE FILLER, ITEM 8 AT ALL EXPOSED EDGES.
3. APPLY ONE COAT OF BMS 10-11, TYPE I PRIMER. APPLY TWO COATS OF BMS 10-83 TYPE 1 (AERODEX WB9000 WHITE)
4. REMOVE ALL SHARP CORNERS.
5. INSTALL INSERT ITEM 4 IN Ø.561/.566 THRU PANEL REMOVE ALL LOOSE FIBRES, POT INSERT USING ITEM 5 EPOSCAST 1816D/B FILL ALL VOIDS.
6. STORE MIX AND APPLY ADHESIVES & FILLERS I.A.W MANUFACTURERS DATA SHEETS.
7. PART MARK PART NUMBER, MANUFACTURES NAME & "EPA" WITH INDELIBLE PEN AT POSITION IDENTIFIED BY SYMBOL.

ITEM 0 - DIVIDER PANEL ASSY - SMALL (-000)

A/R	A/R	QTY	PART NUMBER	DESCRIPTION	MATL	SPECL	RUL DIM	FROTTL CODE
8			ARALDITE 252A/B	EDGE FILLING COMPOUND				▲ ALTERNATIVE - REDUX 252
4	4		767-1210-1040	DECAL - MPHIN				
4	4		767-1210-1039	DECAL - BCF				
A/R	A/R		5	EPOCAST 1816D/B	POTTING COMPOUND			
13	13		4	NAS1834-3-400	THRU-SERT			▲ ALTERNATIVE - SL603-3-400S
1			3	-203	PANEL BLANK (LARGE)		0.4"	GN2 FLITELAM
			-2		DIVIDER PANEL (LRG) ASSY			
			1	-201	PANEL BLANK (SMALL)		0.4"	GN2 FLITELAM
			-0		DIVIDER PANEL (SML) ASSY			

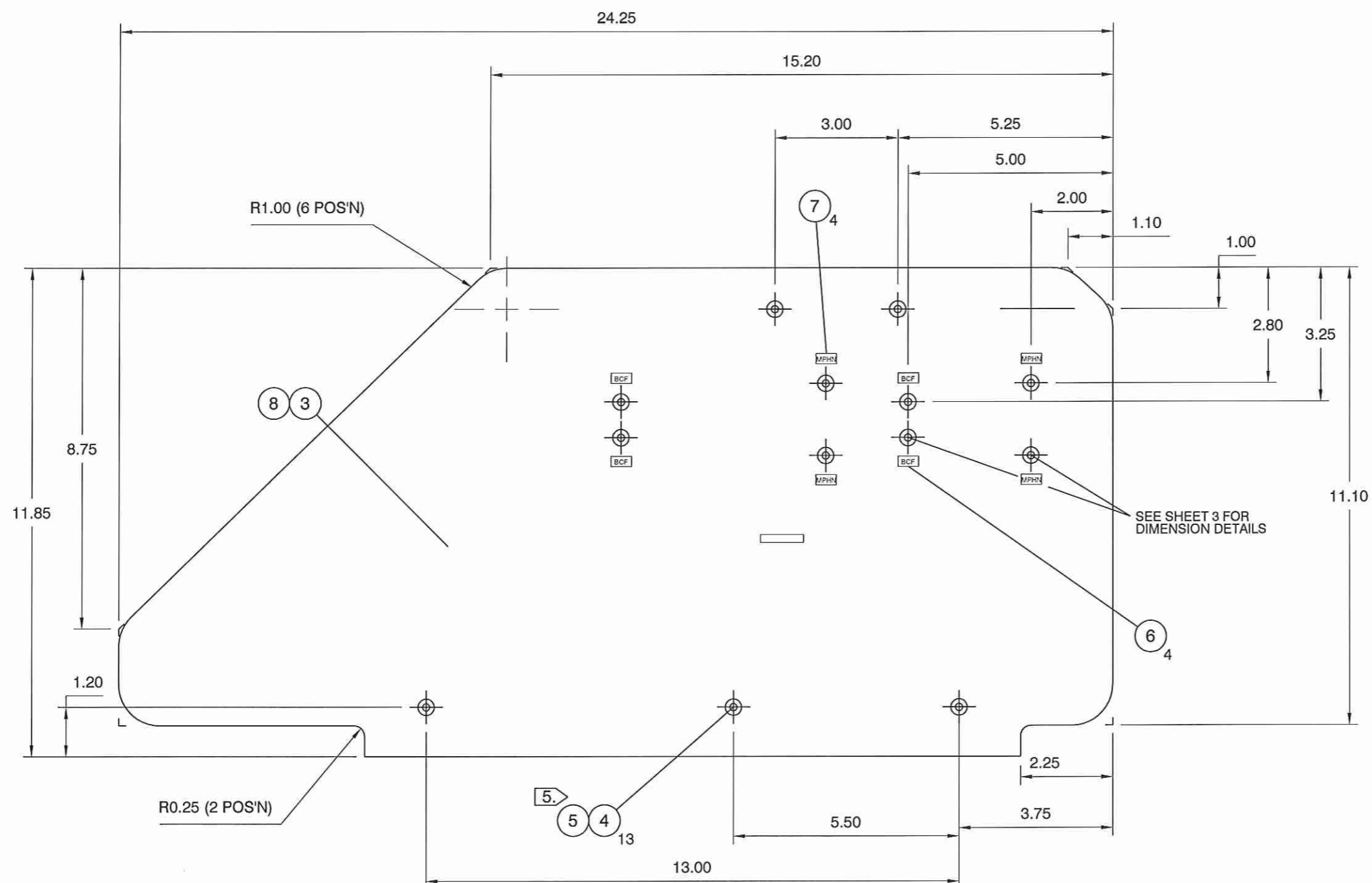
No. OFF	No. AD	MAP REF.	ITEM No.	PART NUMBER	DESCRIPTION	MATL	SPECL	RUL DIM	FROTTL CODE
2	2								

DRN BY	PHILIP NOEL	APP BY	R.PERKINS 05.08.08	PART MARK TO WHERE SHOWN THIS
DATE	09-07-2008	STRESS	M.EVANS 05.08.08	LIMITS TO ±0.015 UNLESS OTHERWISE STATED
CHK BY	R.PERKINS 05.08.08			ALL DIMENSIONS IN INCHES
THIRD ANGLE PROJECTION		SCALE	N.T.S.	MODIFICATION NUMBER MOD/757/1347
TITLE				SHEET 1 OF 3 SHEETS
HARMANIZATION OVERHEAD BIN DIVIDER PANELS (B757)				757-1485

PART NO.	USED ON

DO NOT SCALE DRAWINGS - IF IN DOUBT ASK - REPORT ALL ERRORS TO DRAWING OFFICE

Review out 11/08



SEE SHEET 3 FOR DIMENSION DETAILS

NOTES.

1. MAKE FROM .40" CORE GN2 FLIGHTLAM.
(ALT. MATERIAL: EURO COMPOSITES EC-PA235E-10.20).
2. EDGE FILL .10" TYP, USING EDGE FILLER, ITEM 8 AT ALL EXPOSED EDGES.
3. APPLY ONE COAT OF BMS 10-11, TYPE I PRIMER.
APPLY TWO COATS OF BMS 10-83 TYPE 1 (AERODEX WB9000 WHITE)
4. REMOVE ALL SHARP CORNERS.
5. INSTALL INSERT ITEM 4 IN Ø.561/.566 THRU PANEL REMOVE ALL LOOSE FIBRES,
POT INSERT USING ITEM 5 EPOSCAST 1816D/B FILL ALL VOIDS.
6. STORE MIX AND APPLY ADHESIVES & FILLERS I.A.W MANUFACTURERS DATA SHEETS.
7. PART MARK PART NUMBER, MANUFACTURES NAME & "EPA" WITH INDELIBLE PEN
AT POSITION IDENTIFIED BY SYMBOL.

ITEM 2 - DIVIDER PANEL ASSY - LARGE (-002)

PART NO.	USED ON

No. OFF		MAP REF		ITEM No		PART NUMBER		DESCRIPTION		MATERIAL		SPECN		RUL DIM		PROT TR CODE	
2		2		ISS		757-1485-002		(SEE SHEET 1)									
© THOMSONFLY LTD. THIS DESIGN IS COPYRIGHT AND IS NOT TO BE REPRODUCED, USED FOR MANUFACTURE OR OTHERWISE WITHOUT THE EXPRESS PERMISSION OF THOMSONFLY LTD.																	
DRN BY		PHILIP NOEL		APP BY		R. PERKINS 05.08.08		DATE		09-07-2008		STRESS		M. EVANS 05.08.08		PART MARK TO WHERE SHOWN THIS	
CH BY		R. PERKINS 05.08.08														LIMITS TO ±0.015 UNLESS OTHERWISE STATED	
ALL DIMENSIONS IN INCHES																	
THIRD ANGLE PROJECTION SCALE N.T.S. MODIFICATION NUMBER MOD/757/1347																	
TITLE HARMANIZATION OVERHEAD BIN DIVIDER PANELS (B757) SHEET 2 OF 3 SHEETS																	
7 5 7 - 1 4 8 5																	

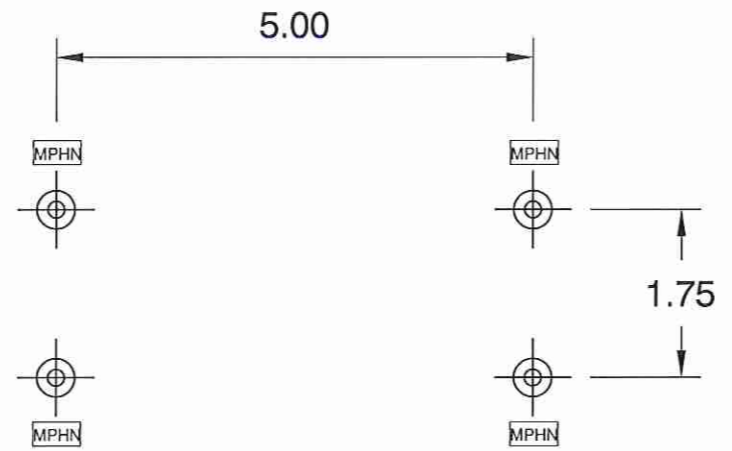
757-1485



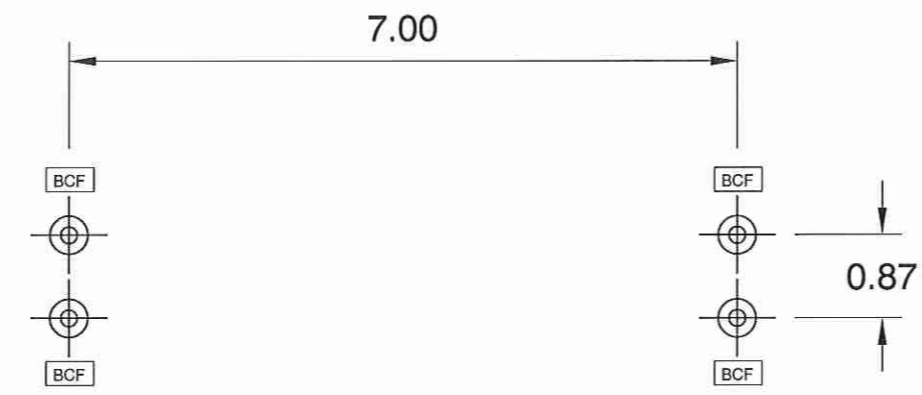
1	05.08.08	DRAWING ISSUE
R. PERKINS		ISSUE DATE
NEW DRAWING		APPROVAL
		DRAWING CHANGE

DO NOT SCALE DRAWINGS - IF IN DOUBT ASK - REPORT ALL ERRORS TO DRAWING OFFICE

Perkins
04/11/08



TYP. MEGAPHONE INSERT LAYOUT.



TYP. BCF EXTINGUISHER INSERT LAYOUT.

PART NO.	USED ON

No. OFF		MAP REF.	ITEM No.	(SEE SHEET 1)		MATL.	SPECN.	RUL. DIM.	PROT. TR. CODE
2	2	ISS		PART NUMBER	DESCRIPTION				
© THOMSONFLY LTD. THIS DESIGN IS COPYRIGHT AND IS NOT TO BE REPRODUCED, USED FOR MANUFACTURE OR OTHERWISE WITHOUT THE EXPRESS PERMISSION OF THOMSONFLY LTD.									
757-1485-002	757-1485-000	PART NUMBER	DN BY	PHILIP NOEL	APP. BY	R. PERKINS 05.08.08	PART MARK TO WHERE SHOWN THIS		
			DATE	09-07-2008	STRESS	M. EVANS 05.08.08	LIMITS TO ± 0.015 UNLESS OTHERWISE STATED		
			CH BY	R. PERKINS 05.08.08	ALL DIMENSIONS IN INCHES				
THIRD ANGLE PROJECTION		SCALE	N.T.S.		MODIFICATION NUMBER	MOD/757/1347		SHEET 3 OF 3 SHEETS	
TITLE		HARMANIZATION OVERHEAD BIN DIVIDER PANELS (B757)			757-1485-000		757-1485		



757-204/236

PUBLICATION REVISION
ILLUSTRATED PARTS CATALOGUE

CHAPTER 35 – OXYGEN

35 EFFECTIVE PAGES

CH-SECT-UNIT-FIG	PAGE, NO.	DATE	CH-SECT-UNIT-FIG	PAGE NO.	DATE
* 35 CONTENTS	1	DEC 03			
35-11-51-01	1	NOV 00			
* 35-31-07-05	0	DEC 03			
* 35-31-07-05	0A	DEC 03			
* 35-31-07-05	0B	DEC 03			
* 35-31-07-05	0C	DEC 03			
* 35-31-07-05	0D	DEC 03			
* 35-31-07-05	0E	DEC 03			
* 35-31-07-05	0F	DEC 03			
* 35-31-07-05	1	DEC 03			
* 35-31-07-29	0	DEC 03			
* 35-31-07-29	1	DEC 03			
* 35-31-07-53	0	DEC 03			
* 35-31-07-53	1	DEC 03			

* INDICATES PAGES CHANGED OR ADDED BY THE CURRENT REVISION

757-204/236

PUBLICATION REVISION
ILLUSTRATED PARTS CATALOGUE

CHAPTER 35 – OXYGEN

TABLE OF CONTENTS

<u>SUBJECT</u>	<u>CHAPTER SECTION UNIT</u>	<u>FIGURE</u>
CREW OXYGEN SYSTEM	35-11-00	
PANEL INSTL – CREW OXY	35-11-51	01
PORTABLE OXYGEN EQUIPMENT	35-31-00	
R EQUIPMENT INSTL – MISC EMER (OXYGEN ONLY)	35-31-07	05
R EQUIPMENT INSTL – MISC EMER (OXYGEN ONLY)	35-31-07	29
R EQUIPMENT INSTL – MISC EMER (OXYGEN ONLY)	35-31-07	53

757-204/236

PUBLICATION REVISION

ILLUSTRATED PARTS CATALOGUE

FIG. ITEM	PART NUMBER	DESCRIPTION	EFFECT FROM -TO	UNITS PER ASSY
01		PANEL INSTL - CREW OXY		
		<u>MOD/757/1057 ISSUE:3</u>		
- 1	417N4400-3	PANEL INSTL - CREW OXY FILL FOR NHA SEE: 25-20-00-01A	002 - 004 006 - 899	RF
* 200	757-1081-000	. PIPE ASSEMBLY		1

* Not Illustrated

35-11-51

35-11-51-01

REV. NO: 29

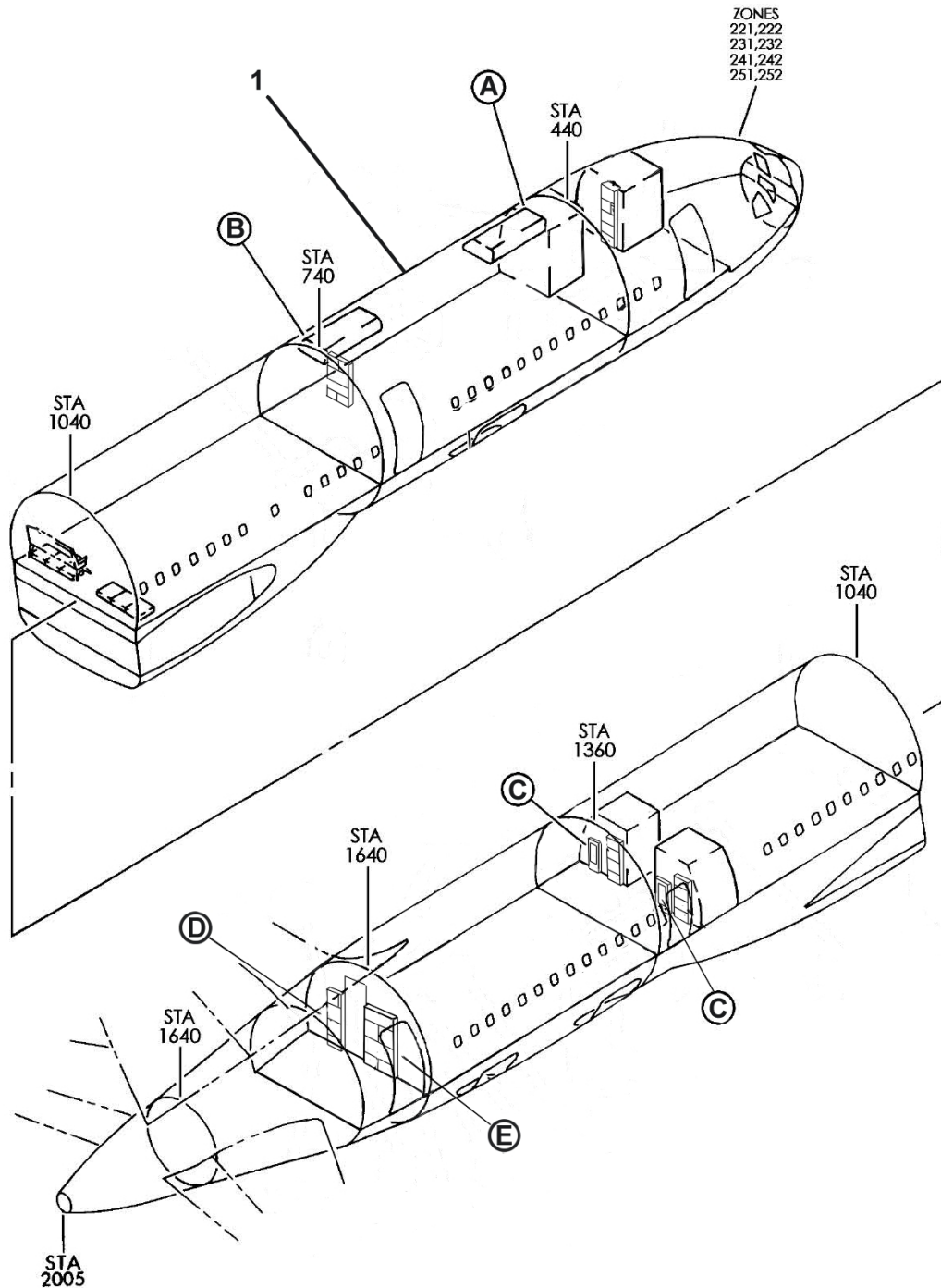
FIG. 01
PAGE 1

DATE: NOV 00

DISK FILE REF: 115101.DOC

757-204/236

PUBLICATION REVISION
ILLUSTRATED PARTS CATALOGUE

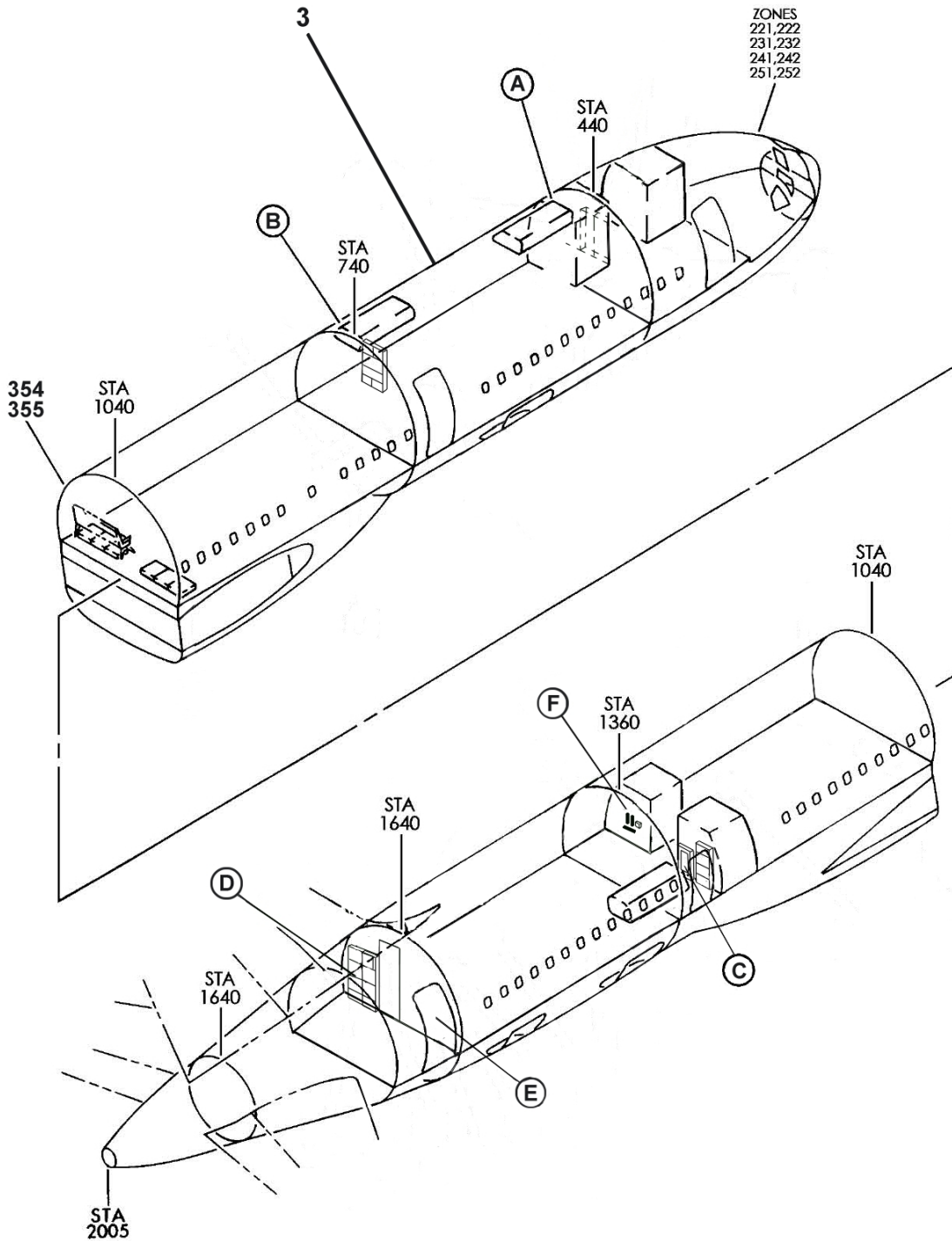


EQUIPMENT INSTL-MISC EMER (OXYGEN ONLY)
FIGURE 05

35-31-07-05

757-204/236

PUBLICATION REVISION
ILLUSTRATED PARTS CATALOGUE

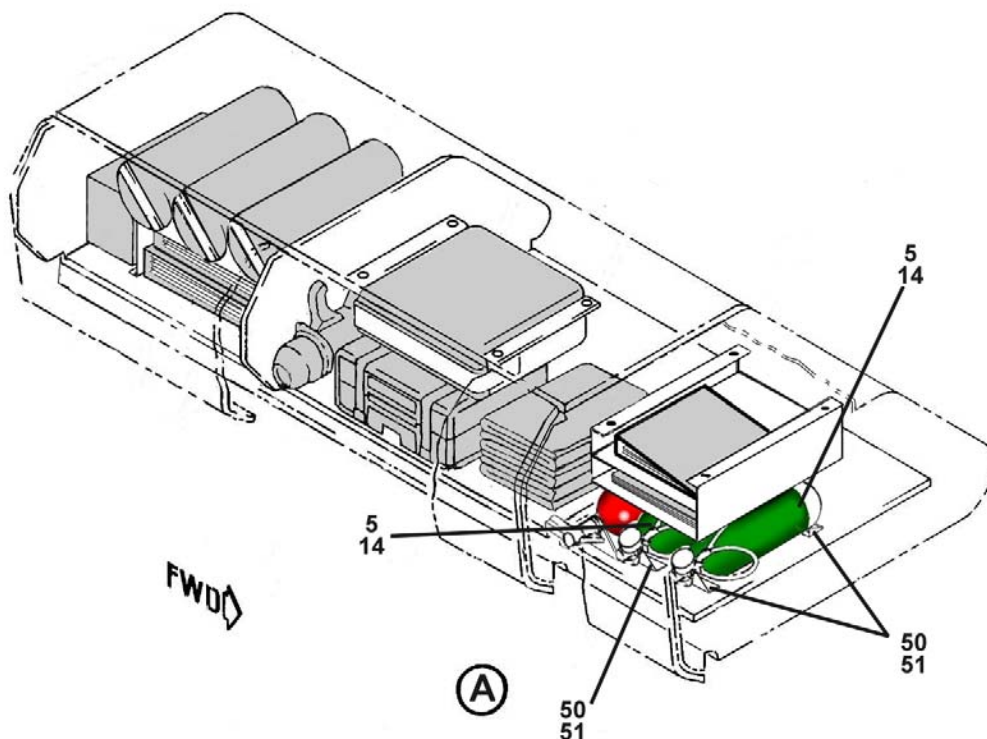
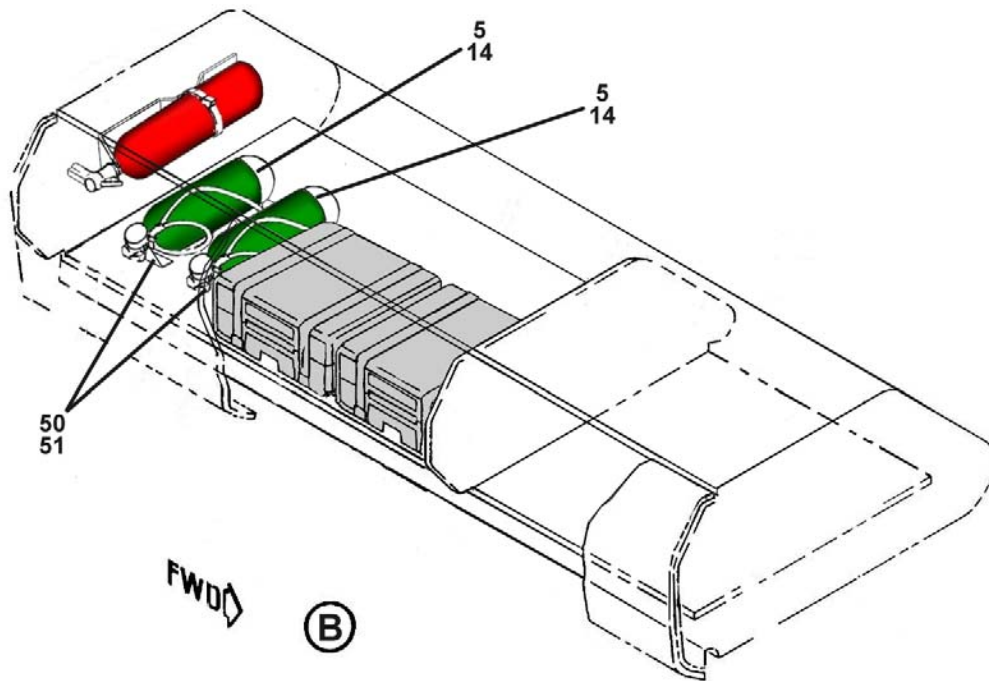


EQUIPMENT INSTL-MISC EMER (OXYGEN ONLY)
FIGURE 05

35-31-07-05

757-204/236

PUBLICATION REVISION
ILLUSTRATED PARTS CATALOGUE

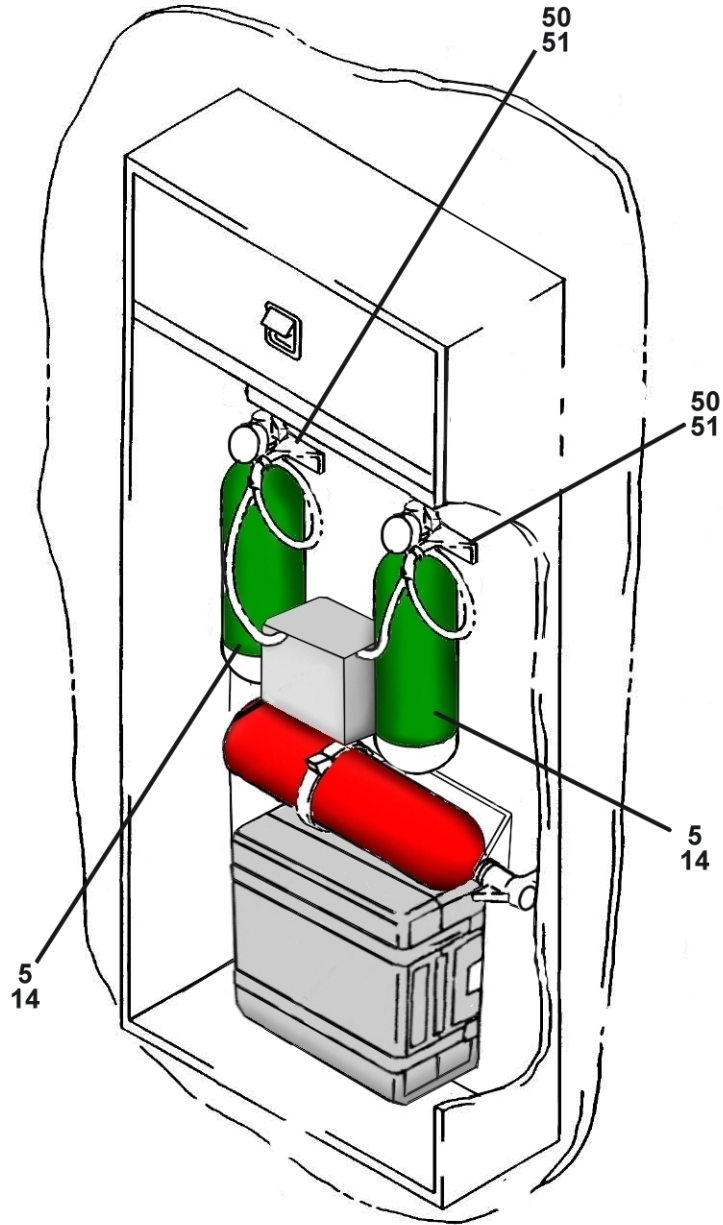


EQUIPMENT INSTL-MISC EMER (OXYGEN ONLY)
FIGURE 05

35-31-07-05

757-204/236

PUBLICATION REVISION
ILLUSTRATED PARTS CATALOGUE



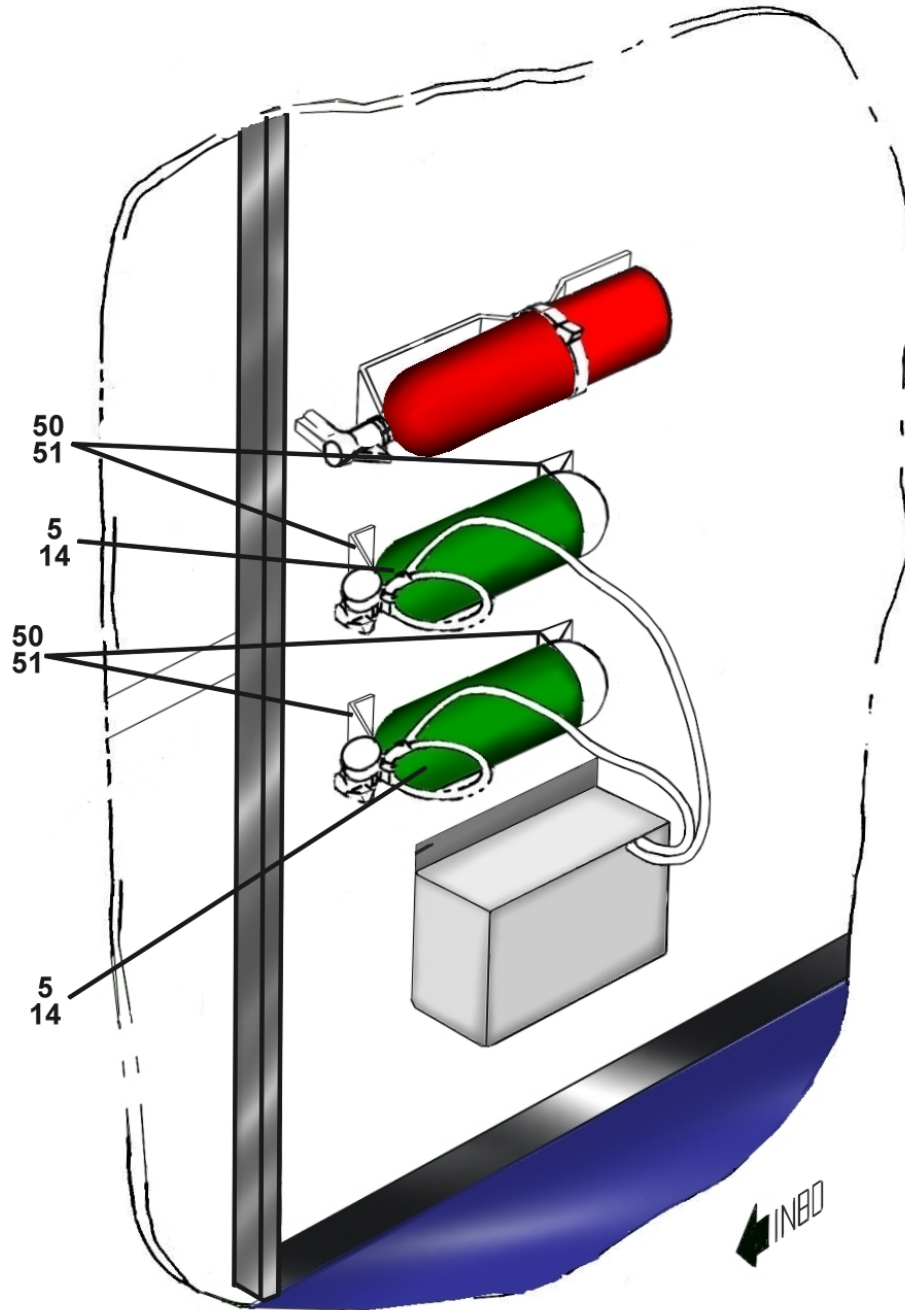
©

EQUIPMENT INSTL-MISC EMER (OXYGEN ONLY)
FIGURE 05

35-31-07-05

757-204/236

PUBLICATION REVISION
ILLUSTRATED PARTS CATALOGUE



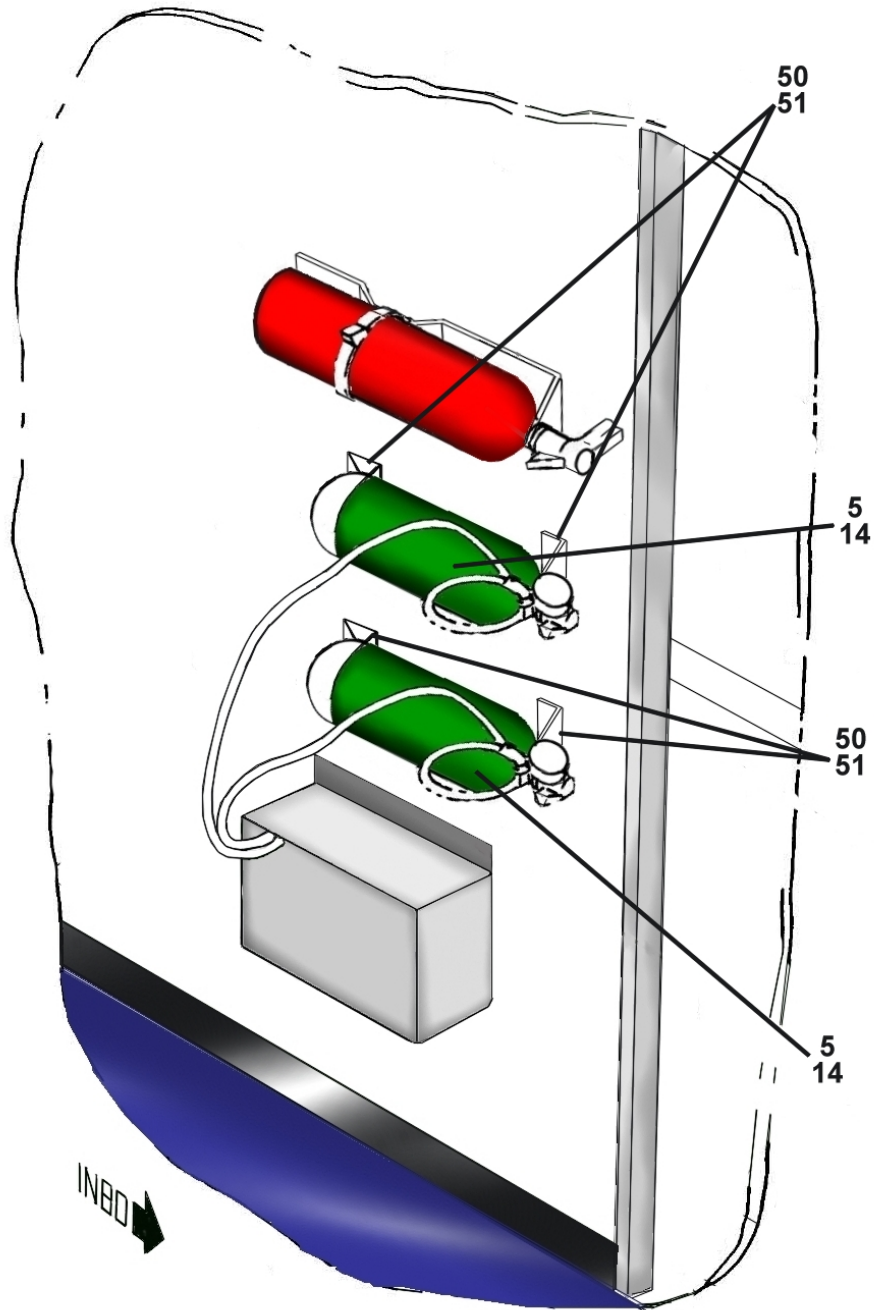
Ⓓ

EQUIPMENT INSTL-MISC EMER (OXYGEN ONLY)
FIGURE 05

35-31-07-05

757-204/236

PUBLICATION REVISION
ILLUSTRATED PARTS CATALOGUE



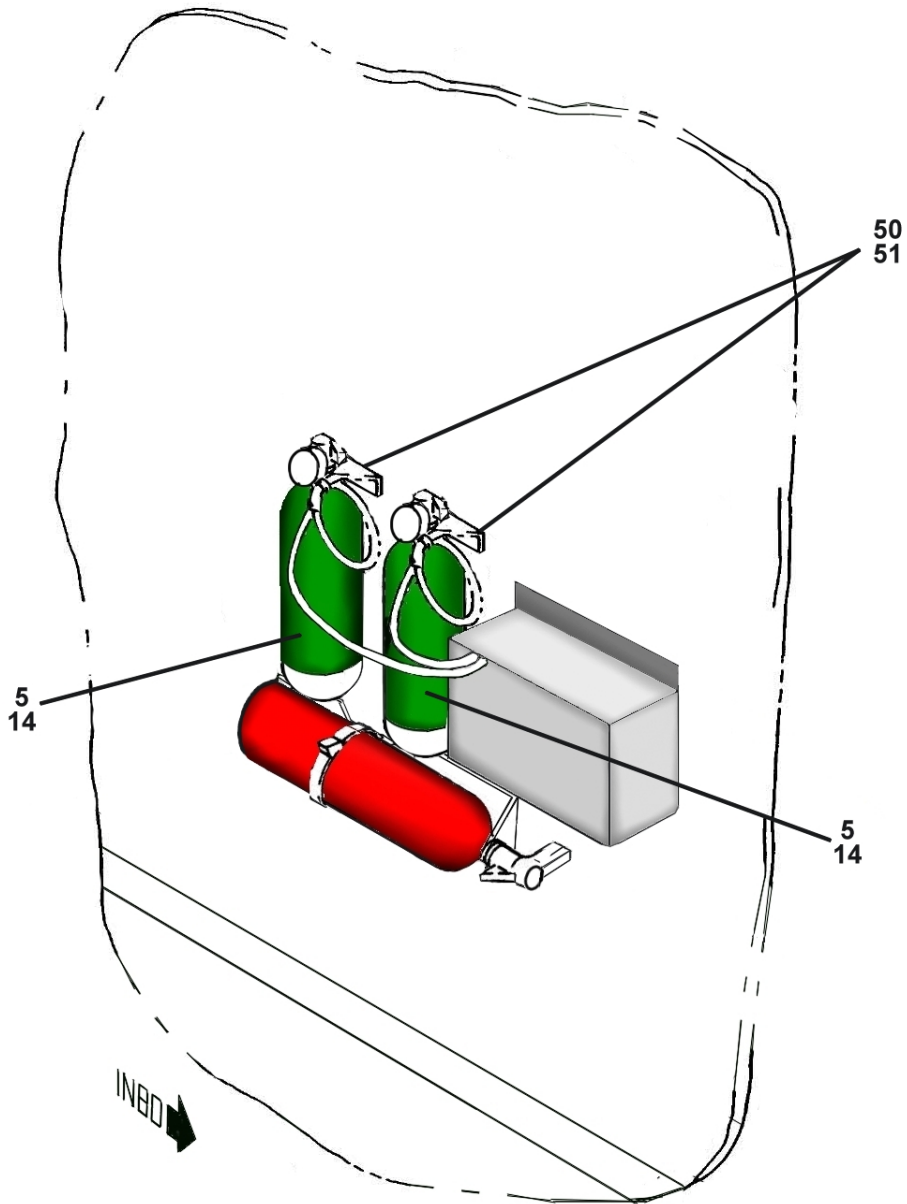
(E)

EQUIPMENT INSTL-MISC EMER (OXYGEN ONLY)
FIGURE 05

35-31-07-05

757-204/236

PUBLICATION REVISION
ILLUSTRATED PARTS CATALOGUE



(F)

EQUIPMENT INSTL-MISC EMER (OXYGEN ONLY)
FIGURE 05

35-31-07-05

757-204/236

PUBLICATION REVISION
ILLUSTRATED PARTS CATALOGUE

FIG. ITEM	PART NUMBER	DESCRIPTION	EFFECT FROM -TO	UNITS PER ASSY
05		EQUIPMENT INSTL-MISC EMER (OXYGEN ONLY) <u>MOD/757/1201 ISSUE: 3</u> <u>MOD/757/1202 ISSUE: 4</u> Including DOI's 1078, 1152, 1176, 1179, 1224, 1274 & 1294		RF
1	757-1284	SAFETY EQUIPMENT LAYOUT	904	RF
3	757-1285	SAFETY EQUIPMENT LAYOUT	905	RF
5	WKA34456-4	. BOTTLE – PORTABLE OXYGEN (RPL BY 5500-A1A-BF23A)	904 - 905	14
5	WKA34456A4	. BOTTLE – PORTABLE OXYGEN (RPL BY 5500-A1A-BF23A)	904 - 905	14
5	5500-A1A-BF23A	. BOTTLE – PORTABLE OXYGEN (RPLS WKA34456-4 & WKA34456A4)	904 – 905	12
14	114015-04	. MASK – THERAPEUTIC OXYGEN (RPL BY 28314-12)	904 – 905	14
14	114015-05	. MASK – THERAPEUTIC OXYGEN (RPL BY 28314-12)	904 – 905	14
14	28314-12	. MASK – THERAPEUTIC OXYGEN (RPLS 114015-04 & 114015-05)	904 – 905	24
50	AE35400	. BRACKET – PORTABLE OXYGEN (RPL BY BACB20J1A & BACB20J3A)	904 - 905	14
50	BACB20J1A	. BRACKET – PORTABLE OXYGEN (RPLS AE35400)	904 - 905	12
51	BACB20J3A	. BRACKET – PORTABLE OXYGEN (RPLS AE35400)	904 - 905	12
*	55	NAS603-9P . SCREW	904 - 905	60
*	65	NAS43DD3-16 . SPACER	904 - 905	60

* Not Illustrated

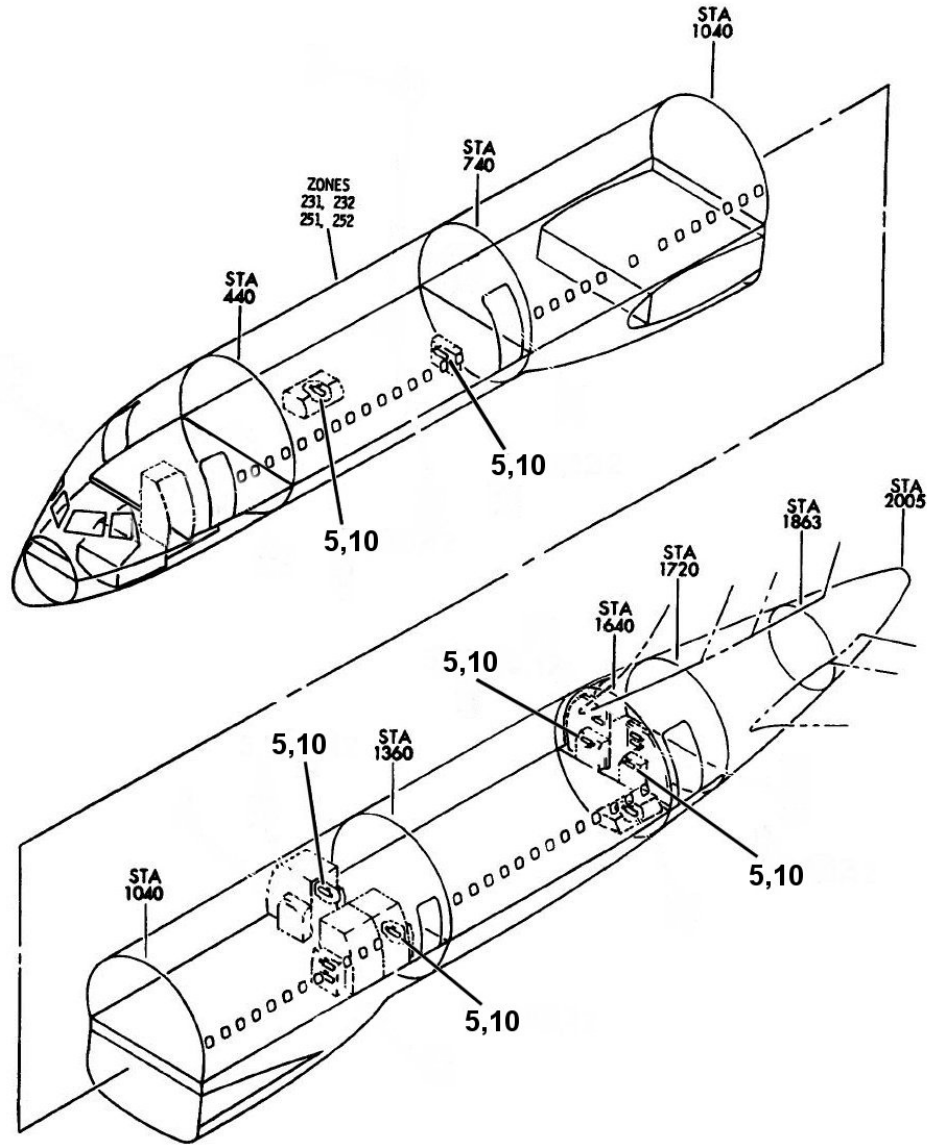
35-31-07-05



Britannia

757-204/236

PUBLICATION REVISION
ILLUSTRATED PARTS CATALOGUE



EQUIPMENT INSTL-MISC EMER (OXYGEN ONLY)
FIGURE 29 (SHEET 1)



757-204/236

PUBLICATION REVISION
ILLUSTRATED PARTS CATALOGUE

FIG.	ITEM	PART NUMBER	DESCRIPTION	EFFECT FROM -TO	UNITS PER ASSY
29			EQUIPMENT INSTL – MISC EMER (OXYGEN ONLY)		RF
			<u>MOD/757/1037 ISSUE: 12</u> Including DOI's 1176, 1248, 1274 & 1294		
29		757-1045	SAFETY EQUIPMENT LAYOUT	002 – 099	RF
	5	5500A1ABF23A	. BOTTLE – PORTABLE OXYGEN	002 - 010	12
	10	28301-02	. MASK – OXYGEN (PORTABLE) (RPL BY 174095-66)	002 - 010	14
	10	28314-12	. MASK – OXYGEN (PORTABLE) (RPL BY 174095-66)	002 - 010	14
	10	174095-66	. MASK – OXYGEN (PORTABLE) (RPLS 28301-02 & 28314-12)	002 - 010	24
	12	28301-02	. MASK – OXYGEN (PORTABLE) (RPL BY 174095-66)	011 – 099	12
	12	28314-12	. MASK – OXYGEN (PORTABLE) (RPL BY 174095-66)	011 – 099	12
	12	174095-66	. MASK – OXYGEN (PORTABLE) (RPLS 28301-02 & 28314-12)	011 – 099	24
	15	H3-1060-1	. BRACKET SPECIFICATION NUMBER: BACB20J1A	002 - 010	12
*	20	NAS1801-3-11	. SCREW	002 - 010	72
*	25	NAS1149D0316J	. WASHER	002 - 010	72
*	30	NAS43DD3-16FC	. SPACER	002 - 010	72
			* * *		
	35	H3-1402-1	. BRACKET	002 - 010	12
*	40	69-77812-1	. SPACER	002 - 010	12
*	45	NAS1801-3-12	. SCREW	002 - 010	48
*	50	NAS1149D0316J	. WASHER	002 - 010	48
			* * *		

* Not Illustrated

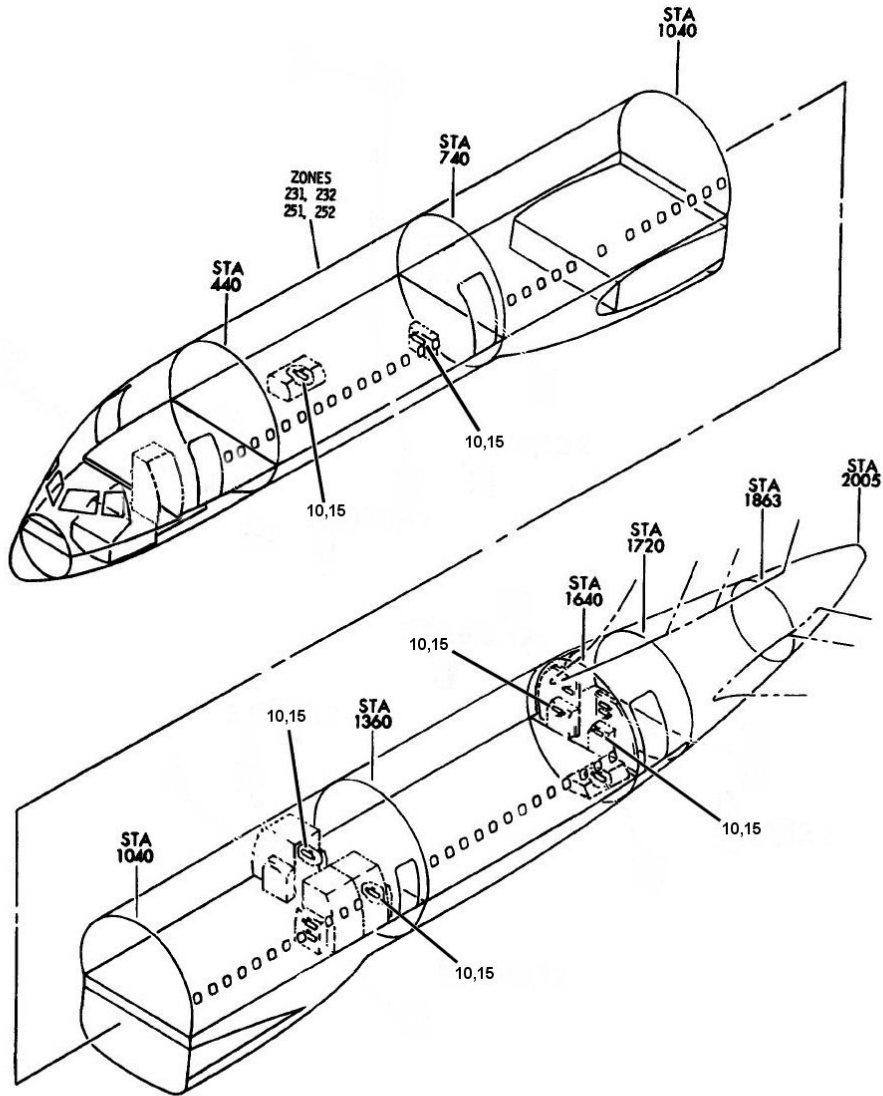
35-31-07-29

REV. NO: 35
DATE: DEC 03

35-31-07
FIG. 29
PAGE 1

757-204/236

PUBLICATION REVISION
ILLUSTRATED PARTS CATALOGUE



EQUIPMENT INSTL-MISC EMER (OXYGEN ONLY)
FIGURE 53 (SHEET 1)



757-204/236

PUBLICATION REVISION
ILLUSTRATED PARTS CATALOGUE

FIG.	ITEM	PART NUMBER	DESCRIPTION	EFFECT FROM -TO	UNITS PER ASSY
53			EQUIPMENT INSTL – MISC EMER (OXYGEN ONLY) <u>MOD/757/1037 ISSUE: 12</u> Including DOI's 1176, 1248, 1274 & 1294		RF
53		757-1045	SAFETY EQUIPMENT LAYOUT	101 - 899	RF
	10	174095-66	. MASK – OXYGEN (PORTABLE) (RPLS 28301-02)	101 - 899	24
	10	28301-02	. MASK – OXYGEN (PORTABLE) (RPL BY 174095-66)	101 - 899	12

* Not Illustrated

35-31-07-53

REV. NO: 35
DATE: DEC 03

35-31-07
FIG. 53
PAGE 1

B757 MANUAL SUPPLEMENT - ATP 3510
SECTION 2 CHAPTER 35
CONTROL PAGE - INITIAL ISSUE

- A. File the attached Temporary Revision/Alerts in the Manual Supplement in ATA Chapter/Section/Subject/Page sequence
- B. File this Control Page in front of the Chapter TRs/Alerts.
- C. The following list shows active TRs/Alerts together with TRs/Alerts added by this control page.

Chapter Section Subject	Page	TR/Alert No.
35-21-04-30	13	* BA 35-546
35-21-04-30	18	* BA 35-547
35-21-52-01	4	* BA 35-548
35-21-52-02	4	* BA 35-549
35-21-52-07	3	* BA 35-550
35-21-52-31	4	* BA 35-551

- D. Remove and Destroy the following TRs/Alerts:

* Indicates TRs/Alerts issued with this control page

**ATP
TEMPORARY
REVISION**

NB322

B757

TR Page 1 of 1
19 August, 1999

**ILLUSTRATED PARTS CATALOGUE
TEMPORARY REVISION No. 35-546**

THIS TEMPORARY REVISION IS ISSUED BY BRITISH AIRWAYS ENGINEERING (TECHNICAL INFORMATION SERVICES, G2, TBA, S401, P. O. BOX 10, HEATHROW AIRPORT, HOUNSLOW, MIDDLESEX TW6 2JA).
CAA DESIGN APPROVAL No. DAI/8566/78.

Manual Reference 35-21-04-30 Page 13

REASON FOR REVISION

Operating experience has highlighted the need for a placard to be fitted on all oxygen generators to emphasise the requirement for safe handling and transporting of the generators, in line with C.A.A and F.A.A regulations.

ACTION

Fig Item	Part Number	Nomenclature	Effect	Units/ Assy
30 -43A	PCBM-8674	ATTACHING PARTS . . .PLACARD (FOR ITEM 43 , PT No. 117003-14)	002002	1

Originator: J. Wivell
Reference: EOC-VAR-35G038
Workbook: JS 35-007

35-21-04-30
Page 13

←

**ATP
TEMPORARY
REVISION**

NB322

B757

TR Page 1 of 1

19 August, 1999

ILLUSTRATED PARTS CATALOGUE

TEMPORARY REVISION No. 35-547

THIS TEMPORARY REVISION IS ISSUED BY BRITISH AIRWAYS ENGINEERING (TECHNICAL INFORMATION SERVICES, G2, TBA, S401, P. O. BOX 10, HEATHROW AIRPORT, HOUNSLOW, MIDDLESEX TW6 2JA).
CAA DESIGN APPROVAL No. DAI/8566/78.

Manual Reference 35-21-04-30 Page 18

REASON FOR REVISION

Operating experience has highlighted the need for a placard to be fitted on all oxygen generators to emphasise the requirement for safe handling and transporting of the generators, in line with C.A.A and F.A.A regulations.

ACTION

Fig Item	Part Number	Nomenclature	Effect	Units/ Assy
30 -350A	PCBM-8674	ATTACHING PARTS . . .PLACARD (FOR ITEM 350 , PT No. 117003-12)	002002	1

Fig Item	Part Number	Nomenclature	Effect	Units/ Assy
30 -355A	PCBM-8674	ATTACHING PARTS . . .PLACARD (FOR ITEM 355 , PT No. 117003-14)	002002	1

Originator: J. Wivell
Reference: EOC-VAR-35G038
Workbook: JS 35-007

35-21-04-30
Page 18

**ATP
TEMPORARY
REVISION**

NB322

B757

TR Page 1 of 1

19 August, 1999

ILLUSTRATED PARTS CATALOGUE

TEMPORARY REVISION No. 35-548

THIS TEMPORARY REVISION IS ISSUED BY BRITISH AIRWAYS ENGINEERING (TECHNICAL INFORMATION SERVICES, G2, TBA, S401, P. O. BOX 10, HEATHROW AIRPORT, HOUNSLOW, MIDDLESEX TW6 2JA).
CAA DESIGN APPROVAL No. DAI/8566/78.

Manual Reference 35-21-52-01 Page 4

REASON FOR REVISION

Operating experience has highlighted the need for a placard to be fitted on all oxygen generators to emphasise the requirement for safe handling and transporting of the generators, in line with C.A.A and F.A.A regulations.

ACTION

Fig Item	Part Number	Nomenclature	Effect	Units/ Assy
1 -140A	PCBM-8674	ATTACHING PARTS . . .PLACARD (FOR ITEM 140 , PT No. 117003-12)	002002	1

Originator: J. Wivell
Reference: EOC-VAR-35G038
Workbook: JS 35-007

35-21-52-01
Page 4

**ATP
TEMPORARY
REVISION**

NB322

B757

TR Page 1 of 1

19 August, 1999

**ILLUSTRATED PARTS CATALOGUE
TEMPORARY REVISION No. 35-549**

THIS TEMPORARY REVISION IS ISSUED BY BRITISH AIRWAYS ENGINEERING (TECHNICAL INFORMATION SERVICES, G2, TBA, S401, P. O. BOX 10, HEATHROW AIRPORT, HOUNSLOW, MIDDLESEX TW6 2JA).
CAA DESIGN APPROVAL No. DAI/8566/78.

Manual Reference 35-21-52-02 Page 4

REASON FOR REVISION

Operating experience has highlighted the need for a placard to be fitted on all oxygen generators to emphasise the requirement for safe handling and transporting of the generators, in line with C.A.A and F.A.A regulations.

ACTION

Fig Item	Part Number	Nomenclature	Effect	Units/ Assy
2 -150A	PCBM-8674	ATTACHING PARTS . . .PLACARD (FOR ITEM 150 , PT No. 117003-12)	002002	1

Originator: J. Wivell
Reference: EOC-VAR-35G038
Workbook: JS 35-007

35-21-52-02
Page 4

←

**ATP
TEMPORARY
REVISION**

NB322

B757

TR Page 1 of 1

19 August, 1999

ILLUSTRATED PARTS CATALOGUE

TEMPORARY REVISION No. 35-550

THIS TEMPORARY REVISION IS ISSUED BY BRITISH AIRWAYS ENGINEERING (TECHNICAL INFORMATION SERVICES, G2, TBA, S401, P. O. BOX 10, HEATHROW AIRPORT, HOUNSLOW, MIDDLESEX TW6 2JA).
CAA DESIGN APPROVAL No. DA1/8566/78.

Manual Reference 35-21-52-07 Page 3

REASON FOR REVISION

Operating experience has highlighted the need for a placard to be fitted on all oxygen generators to emphasise the requirement for safe handling and transporting of the generators, in line with C.A.A and F.A.A regulations.

ACTION

Fig Item	Part Number	Nomenclature	Effect	Units/ Assy
7 -90A	PCBM-8674	ATTACHING PARTS . . .PLACARD (FOR ITEM 90 , PT No. 117003-12)	002002	1

Originator: J. Wivell
Reference: EOC-VAR-35G038
Workbook: JS 35-007

35-21-52-07
Page 3

←

**ATP
TEMPORARY
REVISION**

NB322

B757

TR Page 1 of 1
19 August, 1999

**ILLUSTRATED PARTS CATALOGUE
TEMPORARY REVISION No. 35-551**

THIS TEMPORARY REVISION IS ISSUED BY BRITISH AIRWAYS ENGINEERING (TECHNICAL INFORMATION SERVICES, G2, TBA, S401, P. O. BOX 10, HEATHROW AIRPORT, HOUNSLOW, MIDDLESEX TW6 2JA).
CAA DESIGN APPROVAL No. DAI/8566/78.

Manual Reference 35-21-52-31 Page 4

REASON FOR REVISION

Operating experience has highlighted the need for a placard to be fitted on all oxygen generators to emphasise the requirement for safe handling and transporting of the generators, in line with C.A.A and F.A.A regulations.

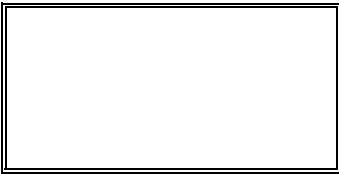
ACTION

Fig Item	Part Number	Nomenclature	Effect	Units/ Assy
31 -295A	PCBM-8674	ATTACHING PARTS . . .PLACARD (FOR ITEM 295 , PT No. 117003-12)	002002	1

Originator: J. Wivell
Reference: EOC-VAR-35G038
Workbook: JS 35-007

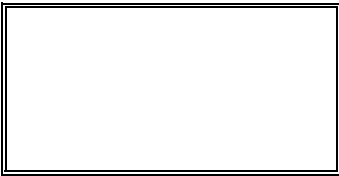
35-21-52-31
Page 4

←



**ENGINEERING DEPARTMENT
ENGINEERING ORDER**

Number: EO757-35-004R1	Date: 10/09/04
Title: INSTALLATION AND REMOVAL OF SABRE ELITE THERAPUTIC OXYGEN BOTTLES	
Paragraphs: 1. Classification 2. Authorization 3. Originator 4. Description 5. Reason for Revision 6. Effectivity 7. Timescale 8. Manuals/Docs/AFM 9. Wt & Bal 10. Manhour Estimate	
1.	Recommended/Safety
2.	FLS-B757-1152PTB
3.	PS/Fleet Projects
4.	<p>This EO is raised to install a stowage bag, containing 3 x 2 litre oxygen bottles for long haul flights and 2 x 2 litre oxygen bottles for short haul flights, to provide therapeutic oxygen in flight according to an individual passengers medical need. The bag and bottles will be installed in a dedicated overhead bin that has already been provisioned with a mounting plate and straps to secure the bag containing the oxygen bottles during take off and landing.</p> <p>This EO is in two parts:</p> <p>Part A Installs the stowage bag and oxygen bottles Part B Removes the stowage bag and oxygen bottles</p> <p>The installation of the mounting plate and securing straps were previously provisioned by the following modifications: FLS-B757-1152PTB</p>
5.	This revision is to inform the installation of either two or three oxygen bottles, depending on instruction from customer services.
6.	All B757 Fleet
7.	As required
8.	I.P.C
9.	B757 24.2lbs (11 kg) @ STN 1547
10.	1 MAN HOUR

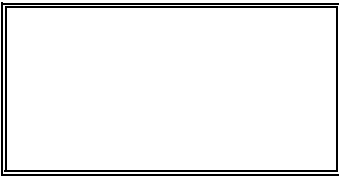


**ENGINEERING DEPARTMENT
ENGINEERING ORDER WORK SHEET**

Number: EO757-35-004R1

Date: 10/09/04

Item	Description	Mech	Insp
	<p>SAFETY PRECAUTIONS</p> <p>WARNING: KEEP MATERIALS THAT WILL BURN AWAY FROM THE PRESSURIZED OXYGEN, OIL, GREASE, FLAMMABLE SOLVENTS, DUST, LINT, METAL FILINGS, OR OTHER COMBUSTIBLE MATERIALS WHICH CAN EXPLODE IF IT GETS NEAR PRESSURIZED OXYGEN.</p>		
PART A – INSTALLATION OF THERAPEUTIC OXYGEN BOTTLES AND STOWAGE BAG			
1.	<p>In order to complete this task the following items are required:</p> <ul style="list-style-type: none"> • Therapeutic Oxygen Bottle Part No 2008397 – Qty 2, unless stated otherwise • Black Oxygen Bottle Bag No FINELTBG20HKHD – Qty 2, unless stated otherwise • Stowage Container Bag Part No FINELTSTOWBGC20X –Qty 1 • Nasal Cannula Part No SAB2008202 – Qty 2, unless stated otherwise 		
2.	<p>Location Details:</p> <p>B757 – Locate the first double overhead bin from the rear of the aircraft above seat row 37 LH</p>		
3.	<p>Refer to Figures 1-4</p> <ul style="list-style-type: none"> a) Ensure that all oxygen bottles needed for journey are fully charged. Ensure that the oxygen valve is opened fully in order to obtain a correct reading of the oxygen contained. (Prior to stowage make sure the valve is fully closed) b) Install each of the oxygen bottles into the individual black oxygen bottle bags, ensure that the contents gauge is in view through the cut out on the bag hood. c) Ensure that a ‘nasal cannula’ is inserted into the pocket on each black bag. d) Install both bottles into the main green stowage container bag. e) Ensure that any other Emergency Equipment located in the bin is fully secure and will not impede the oxygen stowage container during flight. 		
4.	<p>Refer to Figures 1-4</p> <p>Place the green ‘stowage container bag’ on to the mounting plate found in the relevant bin, making sure that the decal ‘Crew Only – Passenger Supplementary Therapeutic Oxygen’ which is installed on the bag is facing inboard. This must be visible to crew and passengers.</p>		
5.	<p>Refer to Figures 1-4</p> <p>Ensure the two secure straps on the mounting plate are fastened and secure around the stowage container bag and that they do not interfere with the closing of the overhead bin.</p>		

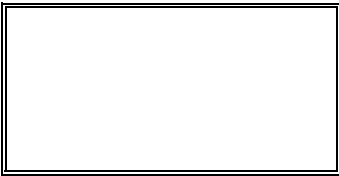


**ENGINEERING DEPARTMENT
ENGINEERING ORDER WORK SHEET**

Number: EO757-35-004R1

Date: 10/09/04

Item	Description	Mech	Insp
6.	Raise a B Defect stating that the Therapeutic Oxygen Bottles Qty 2/3 and green stowge container bag has been fitted in the relevant overhead bin.		
7.	<p>Certificate of Release to Service in respect of: EO757-35-004 Certifies that the work specified except as otherwise specified was carried out in accordance with JAR-145 and in respect to that work the aircraft/aircraft component is considered ready for release to service.</p> <p>SIGN: _____ AUTH: _____</p> <p>NAME: _____ DATE: _____</p>		
PART – B REMOVAL OF THERAPEUTIC OXYGEN BOTTLES AND STOWAGE			
1.	<p>Location Details:</p> <p>B757 – Locate the first double overhead bin from the rear of the aircraft above seat row 37 LH</p>		
2.	<p>Remove the Stowage Container Bag containing the oxygen bottles from the mounting plate found in the relevant bin, by unfastening the secure straps around the bag on the mounting plate.</p> <p>After removal ensure that the mounting plate straps are secure and fastened, and do not interfere with the closing of the overhead bin.</p>		

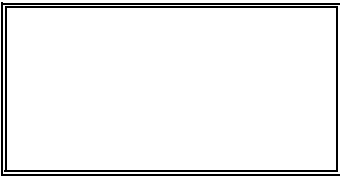


ENGINEERING DEPARTMENT ENGINEERING ORDER WORK SHEET

Number: EO757-35-004R1

Date: 10/09/04

Item	Description	Mech	Insp
3.	<p>RE-CERTIFY AND ROUTE TO AIR2000 STORES:</p> <p>For MAN, LGW and DUB line stations, the Oxygen Bottles and bag are to be re-certified and kept at the stores location at these bases. Ensure that the bottles are fully charged prior to storage and the stores location must be entered on AMICOS. The re-certification must also indicate that the bottles have been charged.</p> <p>For all other Line Bases the Therapeutic Oxygen Bottles and container bag are to be re-certified and routed to Air2000 stores at Warrington. The bottles must be fully charged prior to shipment to Warrington – this is to be carried out at the line station where the bottles are removed, the re-certification must also indicate that the bottles have been charged.</p> <p>Info : See attached Sabre Elite refilling Instructions Issue A for re-charging.</p>		
4.	<p>Ensure that the B Defect previously raised for the fit-ment of the Therapeutic Oxygen Bottles has been cleared.</p> <p>Certification of Release to Service in respect of: EO757-35-004</p> <p>Certifies that the work specified except as otherwise specified was carried out in accordance with JAR – 145 and in respect to that work the aircraft/aircraft component is considered ready for release to service.</p>		
	<p>SIGN: _____ AUTH: _____</p> <p>NAME: _____ DATE: _____</p>		

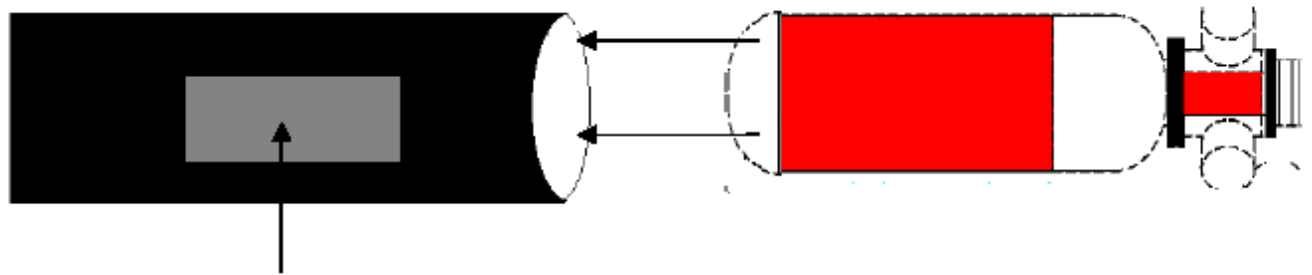


**ENGINEERING DEPARTMENT
ENGINEERING ORDER CONTINUATION SHEET**

Number: EO757-35-004R1

Date: 10/09/04

FIGURE 1



Pocket for Nasal Cannula

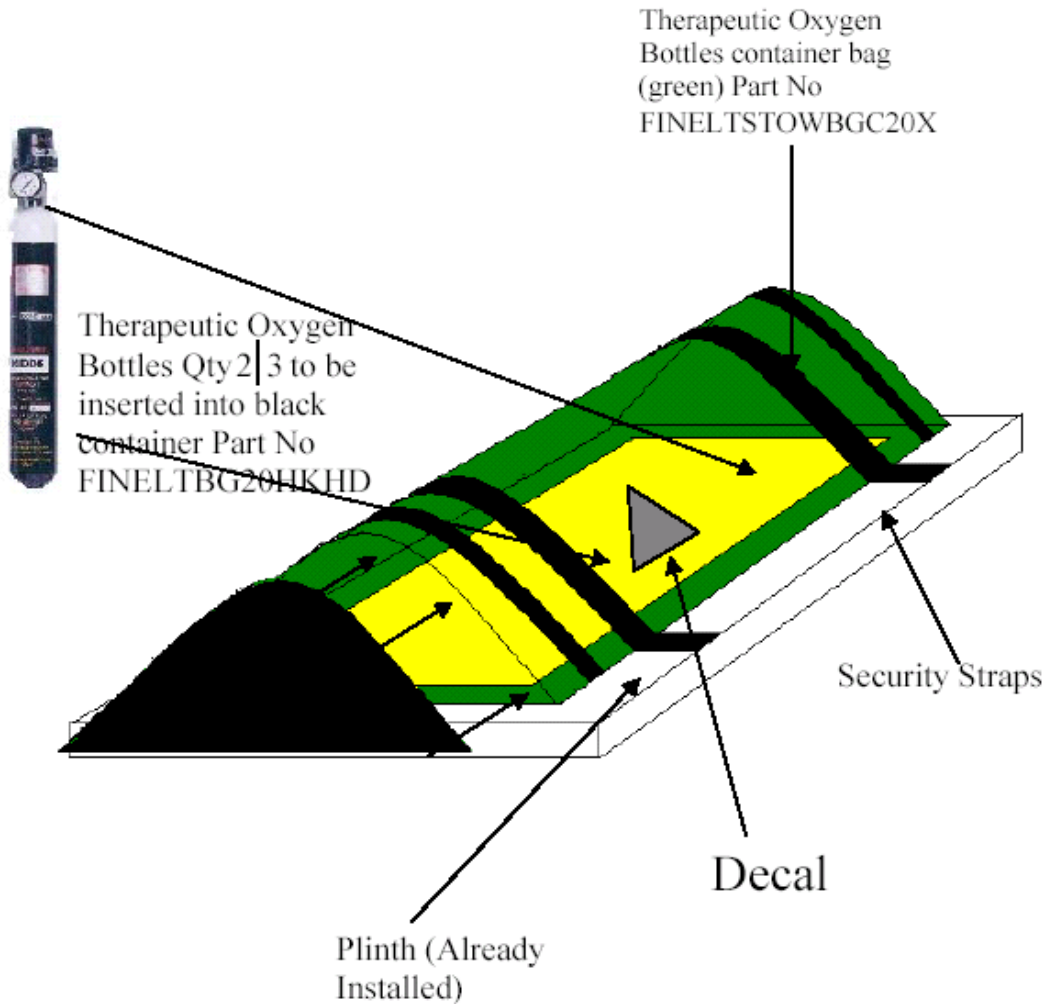


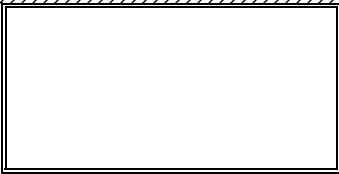
**ENGINEERING DEPARTMENT
ENGINEERING ORDER QUERY FORM**

Number: EO757-35-004R1

Date: 14/07/04

FIGURE 2



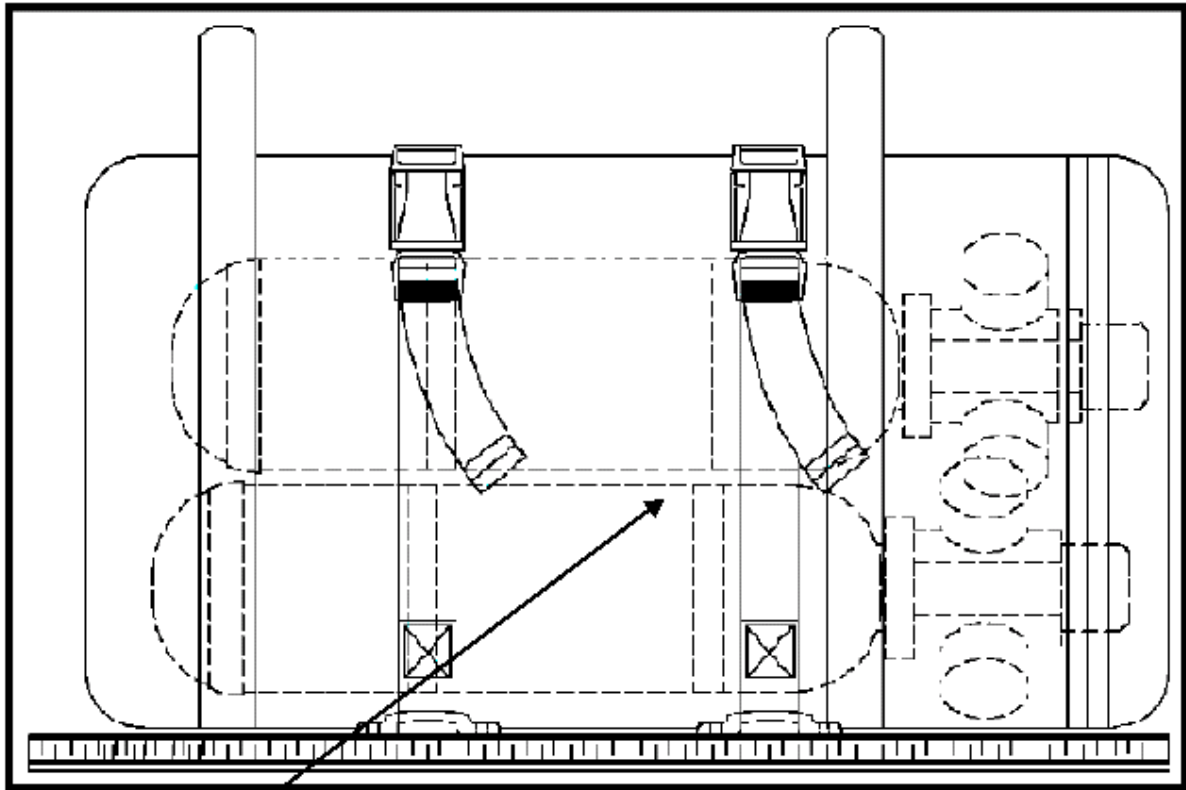


**ENGINEERING DEPARTMENT
ENGINEERING ORDER QUERY FORM**

Number: EO757-35-004R1

Date: 14/07/04

FIGURE 3



Therapeutic Oxygen Bottles

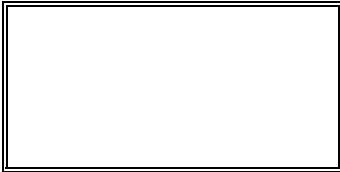
**ENGINEERING DEPARTMENT
ENGINEERING ORDER QUERY FORM**

Number: EO757-35-004R1

Date: 14/07/04

FIGURE 4





**ENGINEERING DEPARTMENT
MATERIALS & TOOLING REQUIREMENT**

Number: EO757-35-004R1

Date: 14/07/04

Task Kit No: EO757-35-004R1		A/C: B757 Fleet		Due Date:
Part Number	Description	Qty Per Aircraft	Batch Number	Comments
2008397	Therapeutic Oxygen Bottle	2/3		
FINELTBG20HKHD	Black Oxygen Bottle Bag	2/3		
FINELTSTOWBGC20X	Stowage Container Bag	1		
SAB2008202	Nasal Cannula	2/3		
A2000-722	Decal	1		

Goods Complete:.....(Date) Location:..... Signed:.....(Stores)



www.aesglobal.com

JAR21 APPR: CAA.JA.02304

MODIFICATION TITLE:
INTRODUCTION OF FLEET STANDARD
EMERGENCY EQUIPMENT

MODIFICATION No.
AES-757-248
ISSUE 2
Page 1 of 9

A/C TYPE: B757 A/C VARIANT: -200 A/C REG: See Para 2 A/C SERIAL No: See Para 2

Retro. Action:
SEE SHT. YES/NO

Certificate of Airworthiness Category:
PUBLIC TRANSPORT - PASSENGER

Classification:
MAJOR/MINOR

Project No.: **0247**

Performance Group: **TURBINE JET**

ATA: 25, 35

Reason for Modification:
OPERATOR REQUEST

Reports: None

WEIGHT CHANGE
SEE SECTION 5.5.1

ELECTRICAL LOAD
SEE SECTION 5.5.2

NOISE
SEE SECTION 5.3.1

DOCUMENTS
SEE SECTION 11.0

CERTIFICATE OF DESIGN

I hereby certify that this modification defines all the changes associated with this certificate.

The technical information contained in this document has been approved under the authority of
JAA Design Organisation Approval No CAA.JA.02304

I further certify that, with the exceptions listed below, the design of this modification complies with the requirements specified by the CAA as the certification basis for this type of aircraft and with any additional requirements notified by the CAA in respect of the particular modification.

EXCEPTIONS

NONE

APPROVAL STATUS
COMPLETE/INCOMPLETE (see section 10)

CAA STC No.: NOT APPLICABLE

JAA STC No.: NOT APPLICABLE

ISSUE	1	2					
DRN No.	0614	0842					
APPROVAL DATE	MAE 30.03.04	M A E 13.07.04					

ISSUE	RAISE ISSUE DETAIL	SHEETS AFFECTED
2	Drawing 0762-256-757 added, effective for G-OOBA/BB only. Drawings 0684-256-757, 0702-256-757 and 0745-256-757 up-issued. Drawing 0808-256-757 added, effective G-OOOY only. Addition of G-OOBI and G-OOBJ and related documents and drawings. References to G-OOOD deleted - indicated by cross-through line. MEI-311 up-issued. DOIs 0194, 0196 0199, 0204, 0207, 0215, 0217 added QN-AES-757-248-11 added Change indicated by a vertical line.	8 2, 8, 9 2, 8, 9 9 9

ISSUE	DATE	COMPILED	CVE / APP STRUCTURES	CVE / APP DESIGN	CVE / APP SYSTEMS	DOCUMENTS AFFECTED	SEE SHT
1	09.03.04	A BATEMAN	M EVANS	A DOLBY	A HEISSIG	MMEL MAINT MANUAL	5
2	13.07.04	A BATEMAN	M A E	A M D	A L H	WDM REPAIR MANUAL	
						FLIGHT MANUAL CREW MANUAL	
						MAINT. SCHEDULE PART CATALOGUE*	
						* OPERATORS RESPONSIBILITY	

DETAILS OF MODIFICATION

1.0 Introduction

- 1.1** This modification introduces a fleet-wide standard for the operators B757-200 aircraft, relating to emergency equipment layout and specification.
- 1.2** This modification relocates items of emergency equipment into the overhead stowage compartments (OHSC) or positions that are easily accessible by the crew.

2.0 Modification Definition

- 2.1** This modification relocates items of emergency equipment providing a common location. Minor differences are kept to a minimum and are specific to the operator interior arrangement i.e. attendant seat locations. This modification is for the operator's 757 fleet, as listed below.

AIRCRAFT REG	MODEL/TYPE	SERIAL NUMBER	VARIABLE NUMBER
G-CPEP	757-2YO	25268	NB322
G-CPEU	757-236	29941	NT404
G-CPEV	757-236	29943	NT406
G-OO0B	757-28A	23822	NA442
G-OO0C	757-28A	24017	NA443
G-OO0D	757-28A	24235	NA447
G-OO0G	757-23A	24292	NB134
G-OO0K	757-236	25054	NA346
G-OO0X	757-2YO	26158	NB329
G-OO0Y	757-28A	28203	NT232
G-OO0Z	757-236	25593	NA352
G-O0BA	757-28A	32446	NT245
G-O0BB	757-28A	32447	NT246
G-O0BC	757-28A	33098	NJ001
G-O0BD	757-28A	33099	NJ002
G-O0BE	757-28A	33100	NJ003
G-O0BF	757-28A	33101	NJ004
G-O0BG	757-236	29944	NT407
G-O0BH	757-236	29942	NT405
G-O0BI	757-2B7	27146	NB506
G-O0BJ	757-2B7	27147	NB507

- 2.2** All items of emergency equipment are located in positions that facilitate ease of access for members of the crew.
- 2.3** Appropriate placarding is introduced to indicate equipment locations and the contents of the OHSC.

3.0 Approval Procedures

3.1 This modification certification/approval/validation has been carried out in accordance with JAR 21.

4.0 Basis of Certification/Validation/Approval

4.1 CAA Certification/Validation/Approval Basis For The Aircraft/Modification

For -200 A/C: Reference is made to JAR25 ch. 16 which meets or exceeds the type certificate, i.e. FAR25 Amendment 25-1 thru' 25-41 and elected later Amendments, per UK TCDS FA28 issue 5.

The following design requirements are addressed within this modification:

JAR 25.303	Factor of Safety
JAR 25.305	Strength and Deformation
JAR 25.307	Proof of Structure
JAR 25.321	Flight Loads (General)
JAR 25.333	Flight Manoeuvre Envelope
JAR 25.337	Limit Manoeuvring Load Factors
JAR 25.341	Gust and Turbulence Load
FAR 25.561 *	General (Emergency Landing Conditions)
JAR 25.601	General (Design and Construction)
JAR 25.603	Materials
JAR 25.605	Fabrication Methods
JAR 25.613	Material Strength Properties and Design Values
JAR 25.787	Stowage Compartments
JAR 25.789	Retention of Items of Mass In Passenger and Crew Compartments and Galleys
JAR 25.851	Fire Extinguishers
JAR 25.1411	General – Safety Equipment
JAR 25.1415	Ditching Equipment
JAR 25.1421	Megaphones
JAR 25.1439	Protective Breathing Equipment
JAR 25.1441	Oxygen Equipment and Supply
JAR 25.1447	Equipment Standards for Dispensing Oxygen
JAR 25.1561	Placards and Markings (Safety Equipment)

* FAR 25.561 - Pre amendment 25-64 per D6-55441 in respect of inertia load factors.

4.2 Design Requirements For Certificate Of Airworthiness

Not Applicable

4.3 Environmental Requirements

The aircraft noise requirements are detailed in CAA Noise Certificate No. 58&77, UK TCDS FA28 refers.

4.4 Design Requirements Associated With Operational Approvals

The following JAR OPS-1 requirements have been addressed within this modification:

JAR OPS-1.640	Torches
JAR OPS-1.730	Seat Belt and Extension Seat Belt
JAR OPS-1.745	First Aid Kits (FAK)
JAR OPS-1.755	Emergency Medical Kit (EMK)
JAR OPS-1.760	First Aid Oxygen
JAR OPS-1.770	Supplemental Oxygen
JAR OPS-1.780	Crew Protective Breathing Equipment
JAR OPS-1.790	Fire Extinguishers
JAR OPS-1.795	Crash Axes and Crow Bars
JAR OPS-1.805	Means of Emergency Evacuation
JAR OPS-1.810	Megaphones
JAR OPS-1.820	Emergency Locator Transmitter (ELT)
JAR OPS-1.825	Life Jackets
JAR OPS-1.830	Life Rafts (& Survival ELTs for over water flights)
JAR OPS-1.835	Survival Equipment

The following CAA Air Navigation Order has been addressed within this modification:

CAA ANO	Air Navigation Order 2000
Schedule 4	

5.0 Compliance with the Basis of Certification/Validation/Approval

5.1 Compliance with the Certification/Validation/Approval Basis for the Aircraft/Modification.

5.1.1 Embodiment of this modification does not affect the certification basis of the aircraft.

5.1.2 **JAR 25.303 Thru 25.333, 25.337, 25.341, 25.787, 25.789 and FAR 25.561:** The emergency equipment brackets and means of fixing are common to build standards employed by the aircraft constructor. The overall change in furnishing gross weight attributed by the addition of the individual items of emergency equipment is negligible and is within the capacity of overhead stowage compartments which are dedicated for the stowage of various items of emergency equipment. Items of mass, i.e. emergency equipment installations satisfy loading conditions attributed to emergency landing and flight inertia as these items are installed in similar locations by the aircraft constructor at build on various B757 model aircraft.

- 5.1.3 **JAR 25.601, 25.603, 25.605 & 25.613:** The emergency equipment brackets and means of fixing are common to build standards employed by the aircraft constructor.
- 5.1.4 **JAR 25.851:** All fire extinguishers are BCF and a total of 9 are carried, exceeding the stated requirement. DES-REV 0081 refers.
- 5.1.5 **JAR 25.1421:** The equipment is suitably restrained, easily accessible to the crew. Continued compliance with the stated requirement is maintained. Refer to DES-REV 0081.
- 5.1.6 **JAR 25.1439:** Equipment is readily accessible and located in common positions across the fleet. Equipment is CAA approved (AR00640 refers). Continued compliance with the stated requirement is maintained. Refer to DES-REV 0081.
- 5.1.7 **JAR 25.1441 and 25.1447:** The existing automatically deployed oxygen masks are retained; they are conveniently located for use by passengers and crew. Crew Portable Oxygen Bottles incorporate a gauge indicating available quantity of oxygen. The portable oxygen bottles are located in similar positions to the operator's aircraft, NT232 S/N 28203, at delivery. Continued compliance with the stated requirement is maintained. Refer to DES-REV 0081.
- 5.1.8 **JAR 25.1411:** All safety equipment is readily and directly accessible by crew. Equipment is located in OHSC and on bulkhead walls and is placarded for contents and location. All equipment is located so as to avoid inadvertent damage. Continued compliance with the stated requirement is maintained. Refer to DES-REV 0081.
- 5.1.9 **JAR 25.1561:** Each piece of equipment, located in the OHSC, on bulkheads and under seats, is placarded accordingly. Equipment is restrained in position by dedicated stowage provisions or a relevant mechanical bracket common to build standard design. Continued compliance with the stated requirement is maintained. Refer to DES-REV 0081.
- 5.1.10 **Additional equipment requirements for ETOPS flights**
- 5.1.10.1 **JAR 25.1411 and 25.1415:** Liferafts and survival packs are stowed in readily accessible overhead stowage compartments and is placarded for contents and location. All equipment is located so as to avoid inadvertent damage. Compliance with the stated requirement is maintained.

5.2 Compliance With Design Requirements For Certificate Of Airworthiness

- 5.2.1 Not applicable

5.3 Compliance with Environmental Requirements

5.3.1 Embodiment of this modification does not affect the existing noise certificate.

5.4 Compliance with Design Requirements Associated with Operational Approvals

5.4.1 **JAR OPS-1.790:** All fire extinguishers are BCF and a total of 9 are carried, exceeding the stated requirement. DES-REV 0081 refers.

5.4.2 **JAR OPS-1.810:** The equipment is suitably restrained, easily accessible to the crew. Continued compliance with the stated requirement is maintained. Refer to DES-REV 0081.

5.4.3 **JAR OPS-1.780:** Equipment is readily accessible and located in common positions across the fleet. Equipment is CAA approved (AR00640 refers). Continued compliance with the stated requirement is maintained. Refer to DES-REV 0081.

5.4.4 **JAR OPS-1.770:** The existing automatically deployed oxygen masks are retained; they are conveniently located for use by passengers and crew. Crew Portable Oxygen Bottles incorporate a gauge indicating available quantity of oxygen. The portable oxygen bottles are located in similar positions to the operator's aircraft, NT232 S/N 28203, at delivery. Continued compliance with the stated requirement is maintained. Refer to DES-REV 0081.

5.4.5 **JAR OPS-1.640:** This requirement is satisfied by the provision of 1 torch at each designated crew station. Continued compliance with the stated requirement is maintained. Refer to DES-REV 0081.

5.4.6 **JAR OPS-1.730, 1.745, 1.755, 1.760, 1.795, 1.805, 1.820 and 1.825:** All safety equipment carried meets the above requirements. Continued compliance with the stated requirement is maintained. Refer to DES-REV 0081.

5.4.7 **ANO Schedule 4, Scale A, L2, H:** The equipment carried satisfies these requirements. Continued compliance with the stated requirement is maintained. Refer to DES-REV 0081.

5.4.8 Additional equipment required for ETOPS flights

5.4.8.1 **JAR OPS-1.830 and 1.835:** Two survival ELT's are installed (one in the Flight Deck and one in the rear galley area). The installed ELT's are capable of transmitting distress frequencies prescribed in ICAO Annex 10, Volume V, Chapter 2. Compliance with the stated requirement is maintained.

5.4.8.2 **ANO Schedule 4, Scale K, U, V:** The equipment carried satisfies these requirements. Compliance with the stated requirement is maintained.

5.5 Required (Amendments to) Manuals and other Documents Including Mandatory Placards.

5.5.1 Embodiment of this modification results in a negligible weight change.

5.5.2 Electrical Load Demand: Embodiment of this modification does not affect the electrical load demand. Emergency flight and battery discharge times are unaffected.

5.5.3 The aircraft Flight Manual is not affected by this modification.

5.5.4 A supplement to the existing Illustrated Parts Catalogue (IPC) may be produced at the operator's discretion.

5.5.5 Post modification all systems disturbed by this modification shall be tested in accordance with the applicable maintenance manual chapters.

6.0 Conditions Affecting This Approval

6.1 The compatibility of this modification with other previously approved modifications installed on the particular aircraft must be verified by the installer. Where the potential for interactions between modifications exists, the advice of the Design Organisation/CAA shall be sought.

6.2 It is the operator's responsibility to ensure that the ELT unit is coded in accordance with ICAO Annex 10 and registered with the National Agency responsible for initiating Search and Rescue.

7.0 Continued Airworthiness

7.1 The influence of the modification on Airworthiness Directive, Service Bulletin eligibility and other data must be considered and the publications monitored accordingly. The maintenance schedule for the aircraft should include reference to this material additional to the original design. Co-ordination is the responsibility of the operator.

8.0 Survey

8.1 No further survey is required.

9.0 Authorisation of Release to Service

9.1 In addition to the actions required by the procedures for release to service following maintenance or modification, the following actions must be completed prior to signing the Certificate of Release to Service:

- a) All actions and ground test procedures specified by the modification instructions must be completed satisfactorily.
- b) It must be verified that the documents or amendments to documents, above are as specified, including any changes specified under Section 8 above.

10.0 Approval

10.1 This Minor modification AES-757-248 (MCA-AES-757-248) and related instructions has been approved under the authority of JAA Design Organisation Approval no. CAA.JA.02304.

11.0 Documents Required

11.1 New Drawings Introduced

<u>Drawing Number</u>	<u>Issue</u>	<u>Title</u>
0683-256-757	1	Emergency Equipment Layout – G-CPEU/EV; G-OOBG/BH
0684-256-757	2	Emergency Equipment Installation (Pax Cabin)
0695-256-757	1	Divider/Base (Reduced)
0696-256-757	1	Divider/Base (Standard)
0701-256-757	1	Emergency Equipment Instl'n (Flight Deck) - G-OOBG/BH
0702-256-757	2	Emergency Equipment Installation (Rear Vestibule)
0704-256-757	1	Divider (Reduced)
0705-256-757	1	Divider (Standard)
0712-256-757	1	First Aid Kit Mounting Bracket
0713-256-757	1	Pallet (Reduced)
0741-256-757	1	Emergency Equipment Layout – G-OOBC/BD/BE/BF
0742-256-757	1	Emergency Equipment Layout – G-OOOK
0743-256-757	1	Emergency Equipment Layout – G-CPEP
0744-256-757	1	Emergency Equipment Layout – G-OOOB/OC/OD
0745-256-757	2	Emergency Equipment Layout – G-OOBA/BB
0746-256-757	1	Emergency Equipment Layout – G-OOOY
0747-256-757	1	Emergency Equipment Layout – G-OOOZ
0748-256-757	1	Emergency Equipment Layout – G-OOOG
0752-256-757	1	Emergency Equipment Installation (Pax Cabin) - G-OOBC/BD/BE/BF
0753-256-757	1	Divider - Big Bin
0755-256-757	1	Divider - Big Bin (Reduced)
0757-256-757	1	Emergency Equipment Layout – G-OOOX
0762-256-757	1	RH OHSC Installation STA 400-500 - G-OOBA/BB
0776-256-757	2	Emergency Equipment Layout – G-OOBI/BJ
0780-256-757	1	Emergency Equipment Installation (Flight Deck) – G-OOBI/BJ
0808-256-757	1	Emergency Equipment Installation (Survival Packs) – G-OOOY

11.2 Existing Drawings Also Required (for reference)

<u>Drawing Number</u>	<u>Issue</u>	<u>Title</u>
57\256\1852	5	Emergency Equipment Layout – G-OOOB
57\256\1934	6	Emergency Equipment Layout – G-OOOX
0161-256-757	4	Emergency Equipment Layout – G-CPEP
0248-256-757	2	Emergency Equipment Layout – G-OOOK
0249-256-757	1	Emergency Equipment Installation – G-OOOK
0255-256-757	1	Emergency Equipment Layout – G-OOOY
0321-256-757	3	Emergency Equipment Layout – G-CPEU/EV; G-OOBG/BH
0443-256-757	2	Emergency Equipment Installation (ELT - Flight Deck) – G-OOBC/BD/BE
0465-256-757	4	Emergency Equipment Layout – G-OOOC
0514-256-757	3	Emergency Equipment Layout – G-OOBC/BD/BE/BF
0550-256-757	4	Emergency Equipment Layout – G-OOOD
0560-256-757	4	Emergency Equipment Layout – G-OOBA/BB
0605-256-757	1	Emergency Equipment Installation (ETOPS) – G-CPEP
0618-256-757	1	Emergency Equipment Layout – G-OOOG
0634-256-757	1	Emergency Equipment Layout – G-OOOZ

11.3 Reports/Documents

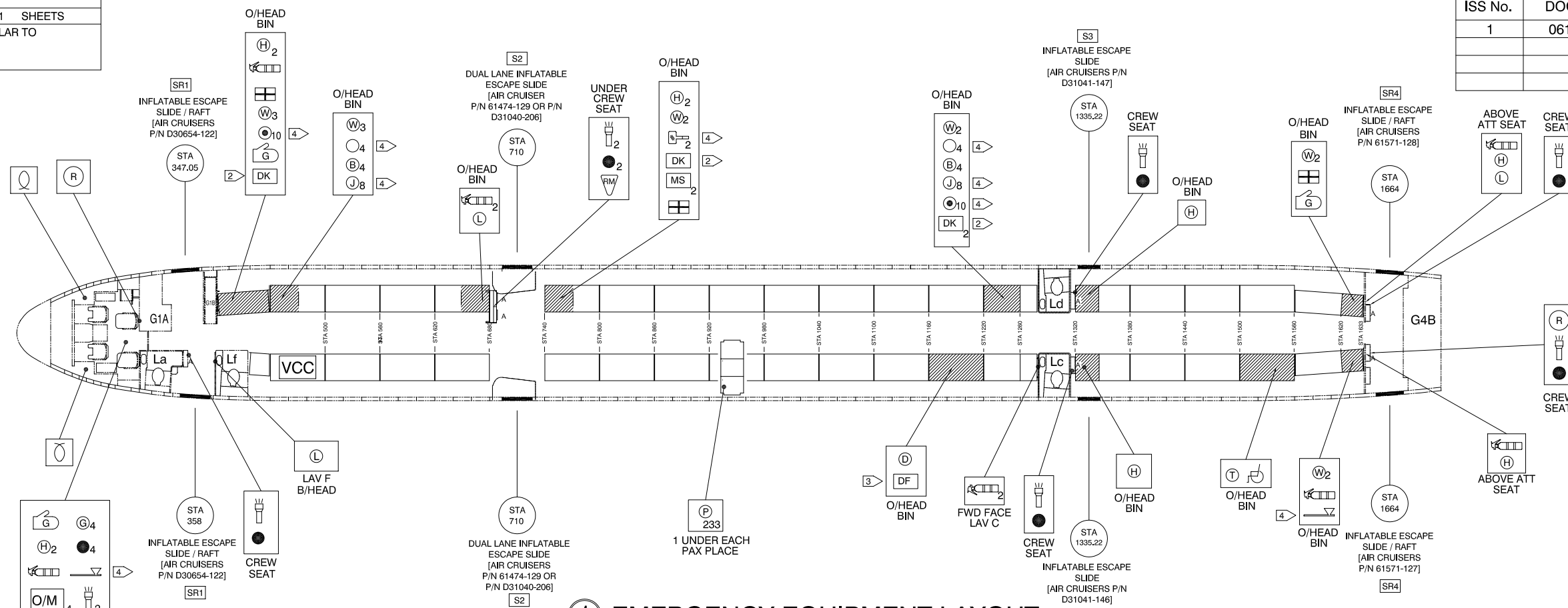
<u>Document Number</u>	<u>Issue</u>	<u>Title</u>
MEI-288	1	Embodiment Instructions - G-OOOG
MEI-289	1	Embodiment Instructions - G-OOOK
MEI-290	1	Embodiment Instructions - G-OOOY
MEI-291	1	Embodiment Instructions - G-CPEU/EV
MEI-310	1	Embodiment Instructions - G-OOBG/BH
MEI-311	2	Embodiment Instructions - G-OOBC/BD/BE/BF
MEI-312	1	Embodiment Instructions - G-CPEP
MEI-313	1	Embodiment Instructions - G-OOOX
MEI-314	2	Embodiment Instructions - G-OOBA/BB
MEI-315	1	Embodiment Instructions - G-OOOB
MEI-316	1	Embodiment Instructions - G-OOOZ
MEI-319	1	Embodiment Instructions - G-OOOC
MEI-320	4	Embodiment Instructions - G-OOOD
MEI-354	2	Embodiment Instructions - G-OOBI/BJ
DOI 0194	1	Divider panel alteration - Effectivity G-OOBA/BB
DOI 0196	1	Move First Aid Kit - Effectivity G-OOBA/BB
DOI 0199	1	Extension Bracket for rear FAK - Effectivity G-OOBC/BD/BE/BF
DOI 0204	1	Bracket Installation (Aft Bulkhead) - G-OOBG/BH
DOI 0207	1	Instl'n of Emerg. Equip. Aft RH Bulkhead Only - G-OOBG
DOI 0215	1	Relocation of Emerg. Equip. 1L Bulkhead - G-OOBI/BJ
DOI 0217	1	Location of Emerg. Equip. on Rear Bulkhead - G-OOBI/BJ
QN-AES-757-248-11	1	Fire Extinguisher Part Number
DES-REV 0081	1	Design Review Summary - Compliance Checklist

0683-256-757

SHEET 1 OF 1 SHEETS
DRAWING SIMILAR TO
N/A

REVISIONS

DRG ISS No.	RELEASE DOC.	ISSUE DATE:	DRG CHANGE	APP BY:
1	0614	MAR 2004	NEW	MAE



① EMERGENCY EQUIPMENT LAYOUT
G-CPEU/EV; G-OOBG/BH

AES LTD
OFFICIAL ISSUE
DATE: 10.03.2004
COPY

- LEGEND -

Ⓚ	8	BABYCOT	A346600A00
☒	9	BCF EXTINGUISHER	BA51015G3
☒	2	CRASH AXE	42D8331
●	11	CREW LIFEJACKET	00002264
☒	1	DEFIBRILLATOR	LIFEPAK 500
☒	4	DEMO KIT	SEE NOTE 2
Ⓚ	1	DOCTORS BOX	STAKIT 600
☒	2	ESCAPE ROPE	
SR1	2	ESCAPE SLIDE / RAFT	SINGLE LANE D30654-122
S2	2	ESCAPE SLIDE - DUAL	DUAL LANE 61479-129 OR D31040-206
S3	2	ESCAPE SLIDE	SINGLE LANE D31041-146 (LH) D31041-147 (RH)
SR4	2	ESCAPE SLIDE / RAFT	SINGLE LANE 61571-127 (LH) 61571-128 (RH)
Ⓚ	20	EXTENSION SEAT BELT	501848-417-1849
☒	3	FIRST AID KIT	AMMFAK1
☒	3	GLOVES, PROTECTIVE	FKK8-35L
☒	16	JUNIOR LIFEJACKET	00002260
☒	3	LOUD HAILER	ACR/EM-1

MS	2	MEDI-SLINGS	MEDISLING
O/M	4	OXYGEN MASK-CREW	MC10-08-109
P	233	PAX LIFEJACKET	00002256
W	14	PORTABLE OXYGEN	5500-B1A-BF23A
R	2	RADIO BEACON	500-12Y (FLT DK) 453-5004 (4R W/BRK)
☒	1	RESUSCITATION MASK	820003 OR 820040 OR SIMILAR
Ⓚ	4	SMOKE GOGGLES	MXP210-00
Ⓚ	10	SMOKE HOOD	E28180-10
☒	1	THERAPEUTIC OXYGEN PROVISION	
☒	9	TORCH	P2-07-0001-214 OR P2-07-0001-101
☒	1	TRAVEL WHEELCHAIR	2520502
VCC	1	VIDEO CONTROL CENTRE	
☒	2	VIEWING MIRROR	A20046

NOTES.

- 1 > EACH PORTABLE OXYGEN BOTTLE SHALL HAVE ONE MASK ATTACHED TO THE BOTTLE PLUS ONE ADDITIONAL MASK CONTAINED IN A POUCH STRAPPED TO THE SIDE OF THE BOTTLE.
- 2 > DEMO EQUIPMENT CONTAINED IN A DEMO KIT POUCH IS INDICATED BY: DK
EACH DEMO POUCH CONTAINS THE FOLLOWING EQPT [4 KITS REQ]
DEMO LIFEJACKET - RFD 102 YELLOW OR 40982002
DEMO OXYGEN MASK - SIERRA 289-701-27
DEMO EXT SEAT BELT - AM SAFE 501848-417-1849.
SAFETY CARD
- 3 > CARRIAGE OF THE DEFIBRILLATOR IS THE RESPONSIBILITY OF THE OPERATOR.
- 4 > CONTAINED IN POUCH

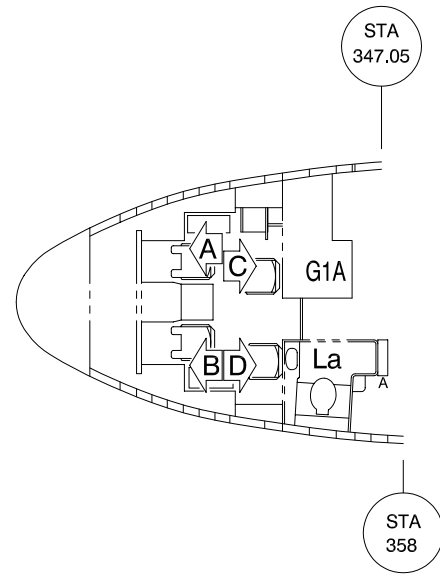
No. OFF	MAP REF	ITEM No.	PART NUMBER	ITEM ISS	KEYWORD / DESCRIPTION	MATERIAL	SPECIFICATION	DIMENSIONS	TREATMENT
		1	-001	1	EMERGENCY EQUIPMENT LAYOUT				
A/D	HAND	DRAWN BY: A BATEMAN			DATE: MAR 2004	MODIFICATION No: AES-757-248			
1	ISS	CHECKED BY: S SHAW			SCALE: N/A	JAR APP.: CAA.JA.02304			
		STRESS: M EVANS			LIMITS: N/A	THIRD ANGLE PROJECTION:			
		APPROVED: A DOLBY			SURFACE FINISH: N/A	DIMENSIONS IN: INCHES			
TITLE: EMERGENCY EQUIP. LAYOUT G-CPEU/EV; G-OOBG/BH									
0683-256-757 -001 PART NUMBER						<p>©2004 ALL RIGHTS RESERVED. THE INFORMATION CONTAINED HEREIN IS PROPRIETARY TO AEROSPACE ENGINEERING SOLUTIONS LIMITED AND SHALL NOT BE REPRODUCED OR DISCLOSED WITHOUT THE OWNERS WRITTEN PERMISSION.</p>			
						PT No	NHA	No. OFF	EFFECTIVITY
						-001	AES-757-248	1	B757-236 G-CPEU G-CPEV G-OOBG G-OOBH
						0683-256-757			
						SHEET 1 OF 1 SHEETS			

0701-256-757

SHEET 1 OF 3 SHEETS
DRAWING SIMILAR TO
N/A

REVISIONS

DRG ISS No.	RELEASE DOC.	ISSUE DATE:	DRG CHANGE	APP BY:
1	0658	MAR 2004	NEW	M A E



AES LTD
OFFICIAL ISSUE
DATE: 18.03.04
COPY

1 EQUIPMENT INSTALATION (FLIGHTDECK) 1

NOTES:

- 1 THIS DRG INSTALLS ITEMS OF EQUIPMENT WITHIN THE FLIGHTDECK
- 2 WHEN RELOCATING EXISTING EQUIPMENT RETAIN / SALVAGE EXISTING FASTENERS AND RE-USE WHERE POSSIBLE.
- 3 INSTALL ALL INSERTS IN DIA 0.452/0.457 x 0.35 DEEP. BOND IN POSITION USING ARALDITE 420A/B. STORE, MIX AND APPLY ADHESIVE IAW MANUFACTURERES DATA SHEETS. ENSURE AREAS TO BE BONDED ARE FREE OF DIRT AND GREASE.
- 4 ATTACH PLACARD IN APPROXIMATE POSITION SHOWN.
- 5 PROTECTIVE TREATMENT: APPLY ALOCROME 1200 PER SRM STANDARD PRACTICE. FINISH: PRIME AND PAINT TO MATCH AREA WHERE EQUIPEMENT IS INSTALLED.
- 6 USE THIS EXISTING HOLE AS LOCATING POINT.
- 7 INSTALL MOBILE PHONE STOWAGE P/N 212-01-001 IN ACCORDANCE WITH OPERATOR E.O 757-25-067 AT THE LOCATION SHOWN ON SHEET 2.
- 8 STOPWATCH: INSTALL STOPWATCH P/N 343-420 IN ACCORDANCE WITH OPERATOR E.O. ATT/757/1248 WITH THE FOLLOWING EXCEPTIONS. LOCATION OF STOPWATCH TO BE INDICATED AS ON SHEET 3. (2 PLACES)
- 9 TOOLBOX: INSTALL CREW TOOLBOX ON THE FORWARD FACE OF GALLEY 1A IN ACCORDANCE WITH MODIFICATION MON/757/25/1367 WITH THE FOLLOWING EXCEPTIONS: LOCATION OF STOWAGE TO BE AS INDICATED ON SHEET 2.
- 10 USE BRACKETRY SUPPLIED WITH EQUIPMENT AS TEMPLATE FOR HOLE PATTERN
- 11 INSTALL ALL INSERTS IN DIA 0.452/0.457 X 0.21" DEEP. BOND IN POSITION USING ARALDITE 420A/B. STORE, MIX AND APPLY ADHESIVE IAW MANUFACTURERES DATA SHEETS. ENSURE AREAS TO BE BONDED ARE FREE OF DIRT AND GREASE.

REF	MAP	ITEM	PART NUMBER	ITEM	KEYWORD / DESCRIPTION	MATERIAL	SPECIFICATION	DIMENSIONS	EST WEIGHT	
			0701-256-757-105	1	PLATE	AL ALLOY	2024-T3, QQ-A-250/5	*.063 THK		
1	79		806HOOK1INCHSA		FR QUALITY VELCRO 1" HOOK		COLOUR: GREY			
1	77		806LOOP1INCHSA		FR QUALITY VELCRO 1" LOOP		COLOUR: GREY			
4	75		NAS1836-3-07		INSERT, 10/32 0.21" LG					11
1	73		69B41608-7		STRAP					
1	71		69B41608-6		STRAP					
1	69		NAS43DD6-62		SPACER					
1	67		NAS43DD4-62		SPACER					
4	65		NAS43DD3-14		SPACER					
2	63		BACW10P168L		WASHER					
2	61		BACS12ER3K5		SCREW 3/16					
1	59		BACS12GU3K20		SCREW 3/16					
4	57		BACS12GU3K8		SCREW 3/16					
1	53		A2000-109		PLACARD FIRE EXT (SYMBOLIC)					4
1	51		A2000-250		PLACARD ELT					4
2	49		A2000-319		PLACARD SMOKEHOOD					4
1	47		A2000-113		PLACARD ARROW					4
2	REF	43	E0767-25-097-001		STOPWATCH BRACKET (OPP SUPPLIED)		(REF MOD ATT/757-1248)			8
20		41	AN960C10		WASHER NO 10		NAS1149C0863R			
1	37		232N4704-117		SPARE BULB STOWAGE					
24	35		NAS603-6P		SCREW, 10-32, 3/8" LG					
9	33		NAS1149D0316J		WASHER					
30	31		NAS1836-3-11		INSERT, 10-32, 11/32" LG		ALTERNATIVE SL607-3-6			
A/R	29		ARALDITE 420A/B		ADHESIVE					
1	REF	25	551-508-757		TOOLBOX (OPERATOR SUPPLIED)				7.5 LBS	9
1	REF	23	212-01-001		MOBILE PHONE STOWAGE		(MGR SUPPLY, REF E0757-25-067)			7
2	REF	21	343-420		STOPWATCH		(COML SUPPLY)			
1	19		BA50102-3		BRACKET FIRE EXT.					
1	17		BA51015-3		BCF FIRE EXTINGUISHER		ALT BA51015G3, ALT BA51015S3		4.4 LBS	
1	15		232T4102-2		CRASH AXE COVER ASSY		BOEING			
1	13		42D8331-443		CRASH AXE				2.2 LBS	
1	11		A0861		ELT MOUNTING BRACKET		H R SMITH			
1	9		500-12Y		ELT		H R SMITH		1.3 LBS	
2	7		P2-07-0001-201		TORCH		ALT P/N P2-07-0001-212		1.5 LBS	
2	5		E28183-04		BRACKET SMOKEHOOD					
2	3		E28180-10		SMOKEHOOD				6.6 LBS	
			-001	1	EQUIPMENT INSTALLATION					ALL

No. OFF	MAP REF	ITEM No.	PART NUMBER	ITEM ISS	KEYWORD / DESCRIPTION	MATERIAL	SPECIFICATION	DIMENSIONS	EST WEIGHT	
A/D	HAND	DRAWN BY:		DATE:	MODIFICATION No:					
1	ISS	B MANDALIA		MAR 2004	AES-757-248					
		CHECKED BY:		SCALE:	JAA APP.: CAA.JA.02304					
		S SHAW		1:100 AT A3 U.O.S.						
		STRESS:		LIMITS:	THIRD ANGLE PROJECTION:					
		M EVANS		N/A						
		APPROVED:		SURFACE FINISH:	DIMENSIONS IN:					
		A DOLBY		N/A	INCHES					
		TITLE:		EQUIPMENT INSTALLATION FLIGHTDECK						

0701-256-757-001

PART NUMBER

PT No	NHA	No. OFF	EFFECTIVITY
-001	AES-757-248	1	B757-200 FLEET

©2004 ALL RIGHTS RESERVED. THE INFORMATION CONTAINED HEREIN IS PROPRIETARY TO AEROSPACE ENGINEERING SOLUTIONS LIMITED AND SHALL NOT BE REPRODUCED OR DISCLOSED WITHOUT THE OWNERS WRITTEN PERMISSION.

1.5	40
1.0	30
0.5	20
0	10
0	0

IN MM

0701-256-757

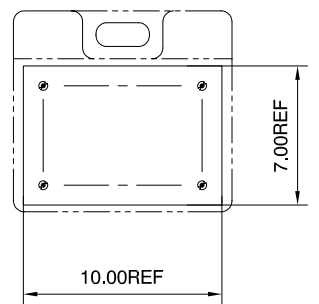
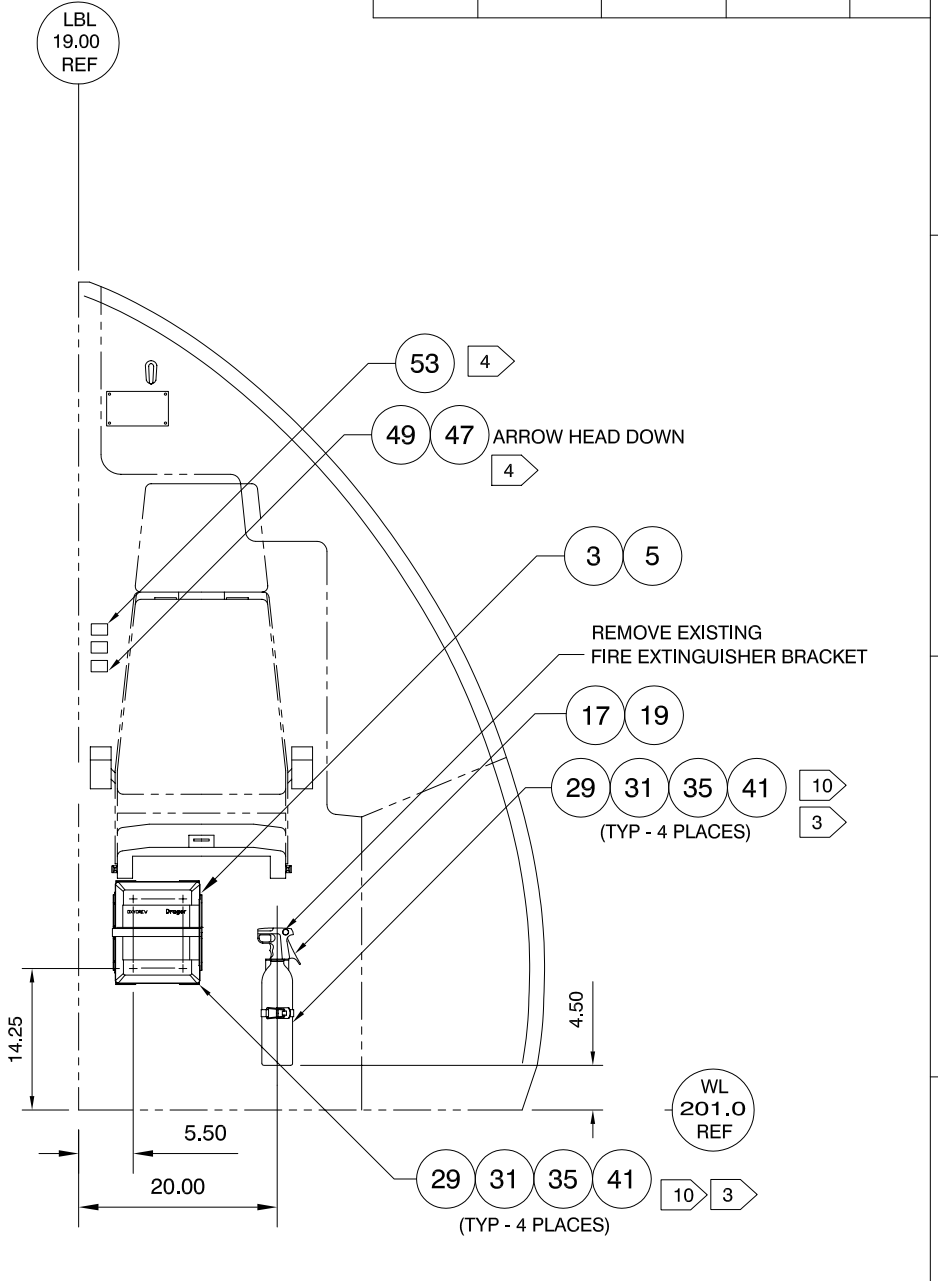
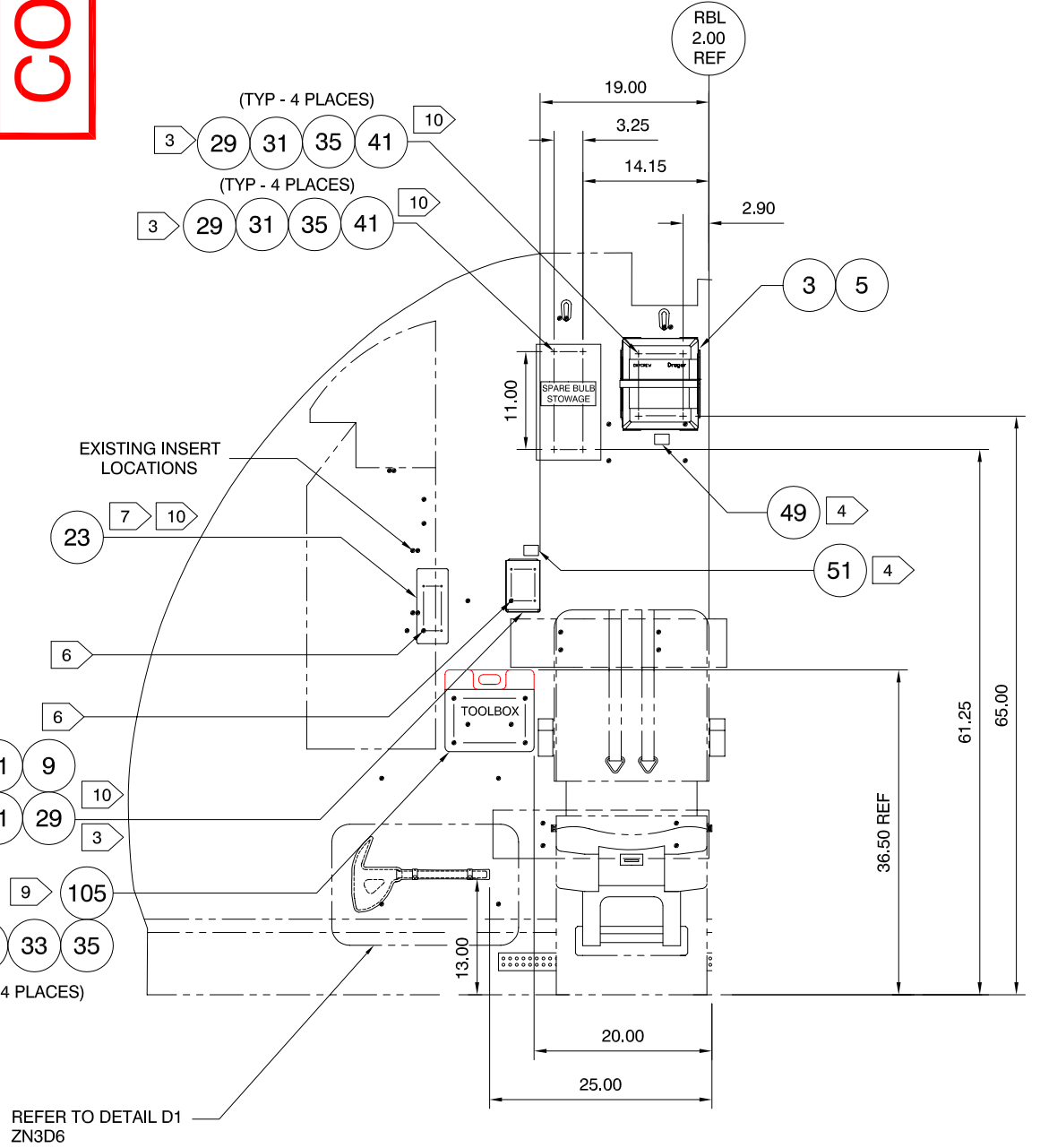
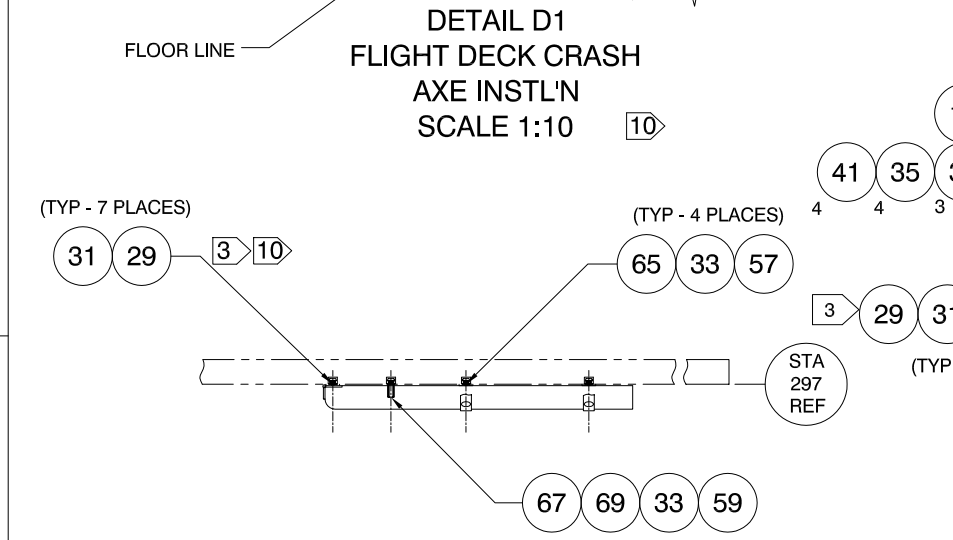
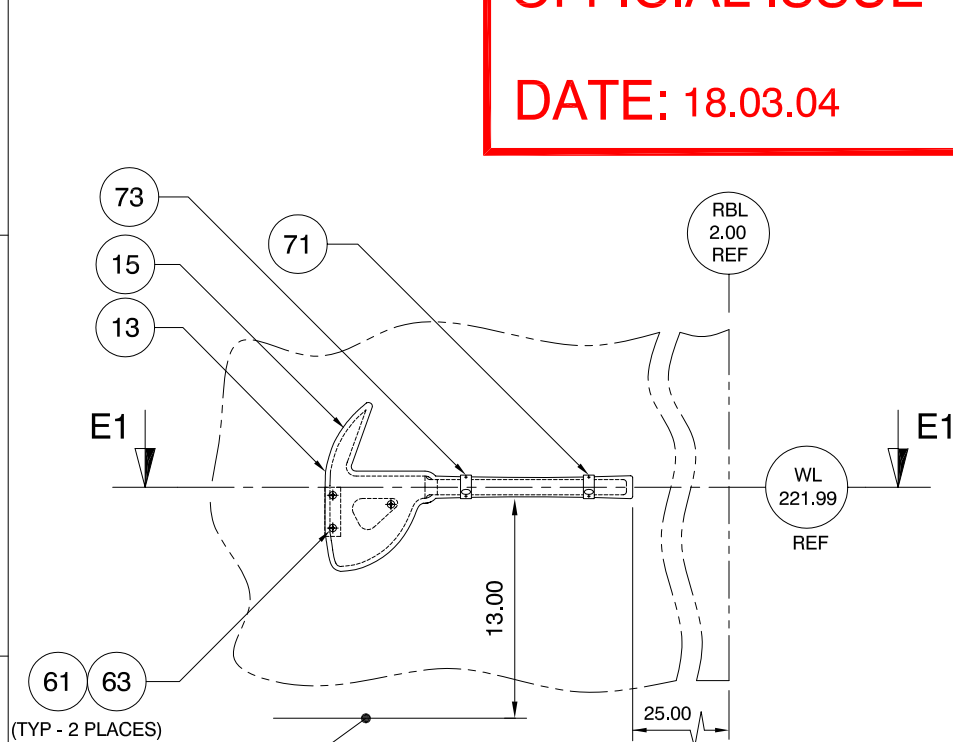
SHEET 1 OF 3 SHEETS

0701-256-757

SHEET 2 OF 3 SHEETS
DRAWING SIMILAR TO
N/A

AES LTD
OFFICIAL ISSUE
DATE: 18.03.04
COPY

REVISIONS				
DRG ISS No.	RELEASE DOC.	ISSUE DATE:	DRG CHANGE	APP BY:
1	0658	MAR 2004	NEW	M A E



MAP REF	ITEM No.	PART NUMBER	ITEM ISS	KEYWORD / DESCRIPTION	MATERIAL	SPECIFICATION	DIMENSIONS	TREATMENT
1	B MANDALIA							
DRAWN BY:		DATE:		MODIFICATION No:		OR REMARKS		
B MANDALIA		MAR 2004		AES-757-248		©2004 ALL RIGHTS RESERVED. THE INFORMATION CONTAINED HEREIN IS PROPRIETARY TO AEROSPACE ENGINEERING SOLUTIONS LIMITED AND SHALL NOT BE REPRODUCED OR DISCLOSED WITHOUT THE OWNERS WRITTEN PERMISSION.		
CHECKED BY:		SCALE:		JAA APP.: CAA.JA.02304		PT No	NHA	No. OFF
S SHAW		1:10 AT A3 U.O.S.				-001	NHA	1
STRESS:		LIMITS:		THIRD ANGLE PROJECTION:		EFFECTIVITY		
M EVANS		±.020 U.O.S.				B757-200 FLEET		
APPROVED:		SURFACE FINISH:		DIMENSIONS IN:		0701-256-757		
A DOLBY		N/A		INCHES		SHEET 2 OF 3 SHEETS		
TITLE:		EQUIPMENT INSTALLATION FLIGHTDECK						

0701-256-757

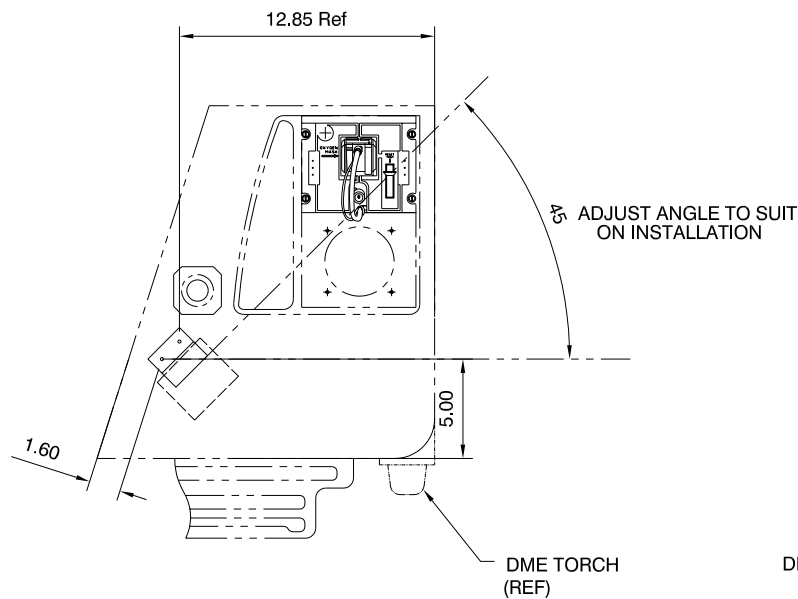
SHEET 3 OF 3 SHEETS

DRAWING SIMILAR TO

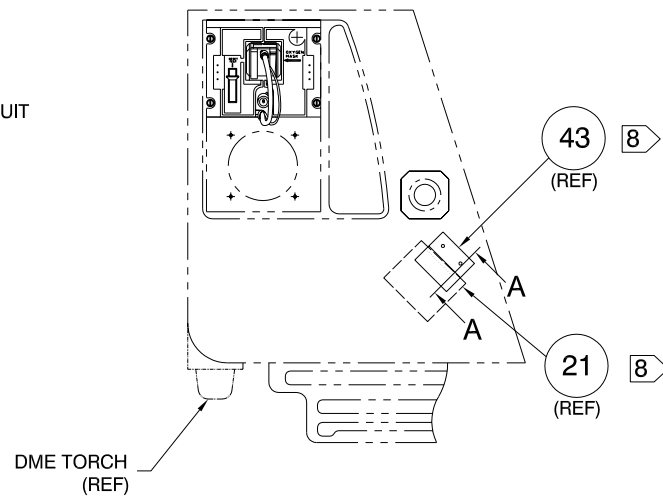
N/A

REVISIONS

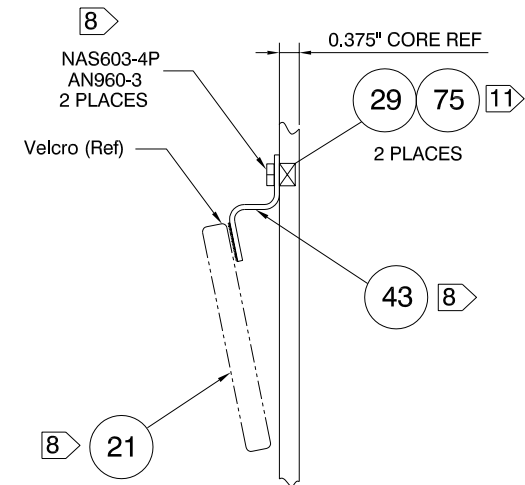
DRG ISS No.	RELEASE DOC.	ISSUE DATE:	DRG CHANGE	APP BY:
1	0658	MAR 2004	NEW	M A E



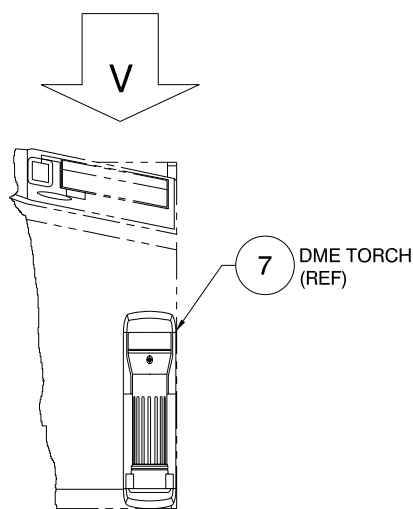
VIEW ON ARROW 'V'
FLIGHTDECK LH



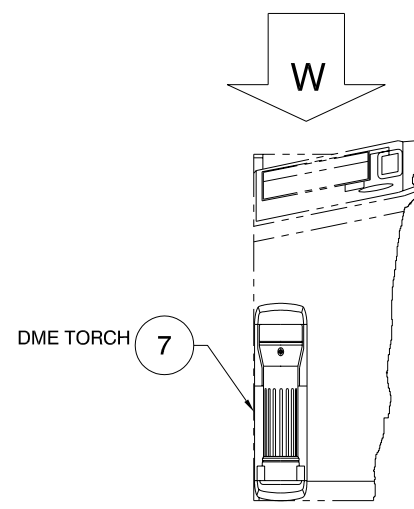
VIEW ON ARROW 'W'
FLIGHTDECK RH
(DIMENSIONS OPPOSITE TO LHS)



SECTION A - A
STOPWATCH BRKT INSTL
RH SIDE SHOWN - LH SIDE OPPOSITE
SCALE 1:1



VIEW ON ARROW 'B'
FLIGHTDECK LH
SCALE 1:10



VIEW ON ARROW 'A'
FLIGHTDECK RH
SCALE 1:10

AES LTD
OFFICIAL ISSUE
DATE: 18.03.04
COPY

MAP REF	ITEM No.	PART NUMBER	ITEM ISS	KEYWORD / DESCRIPTION	MATERIAL	SPECIFICATION	DIMENSIONS	TREATMENT	OR REMARKS
1				SEE SHEET 1					
0701-256-757-001	DRAWN BY: B MANDALIA		DATE: MAR 2004		MODIFICATION No: AES-757-248				
	CHECKED BY: S SHAW		SCALE: 1:10 AT A3 U.O.S.		JAA APP.: CAA.JA.02304				
	STRESS: M EVANS		LIMITS: ±.020 U.O.S.		THIRD ANGLE PROJECTION:				
	APPROVED: A DOLBY		SURFACE FINISH: N/A		DIMENSIONS IN: INCHES				
TITLE: EQUIPMENT INSTALLATION] FLIGHTDECK									
<small>©2004 ALL RIGHTS RESERVED. THE INFORMATION CONTAINED HEREIN IS PROPRIETARY TO AEROSPACE ENGINEERING SOLUTIONS LIMITED AND SHALL NOT BE REPRODUCED OR DISCLOSED WITHOUT THE OWNERS WRITTEN PERMISSION.</small>									
PT No		NHA		No. OFF		EFFECTIVITY			
SEE SHEET 1									
0701-256-757 SHEET 3 OF 3 SHEETS									

MOD No. AES-757-248

DESIGN ORGANISATION INSTRUCTION

APPLICABILITY: G-OOBG / BH G-OOBI / BJ	AFFECTED DOCUMENT: 0702-256-757 ISSUE 1
ORIGIN OF QUERY FCA	AUTHORITY DESIGN
REASON: OPERATOR REQUEST	

This DOI provides dimensional data to position the emergency equipment on the aft face of the rear RH bulkhead P/No 413N3108-76 avoiding the existing internal framework.

Other than dimensional data indicated herein the installation is carried out per DRG 0702-256-757.

Use equipment brackets as template (dimensions indicated are ref only). See figures 1 and 2 for details.

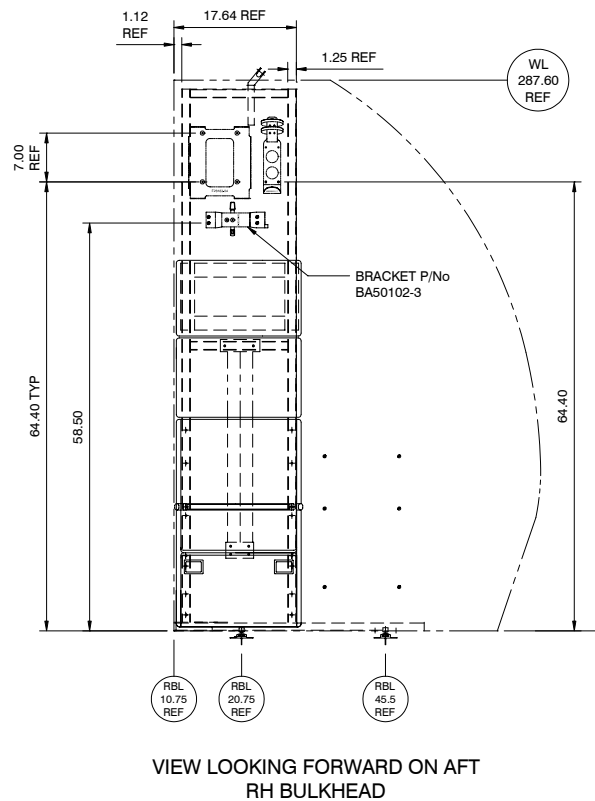


FIGURE 1

DISTRIBUTION	
PRINTS:	H HARTLEY

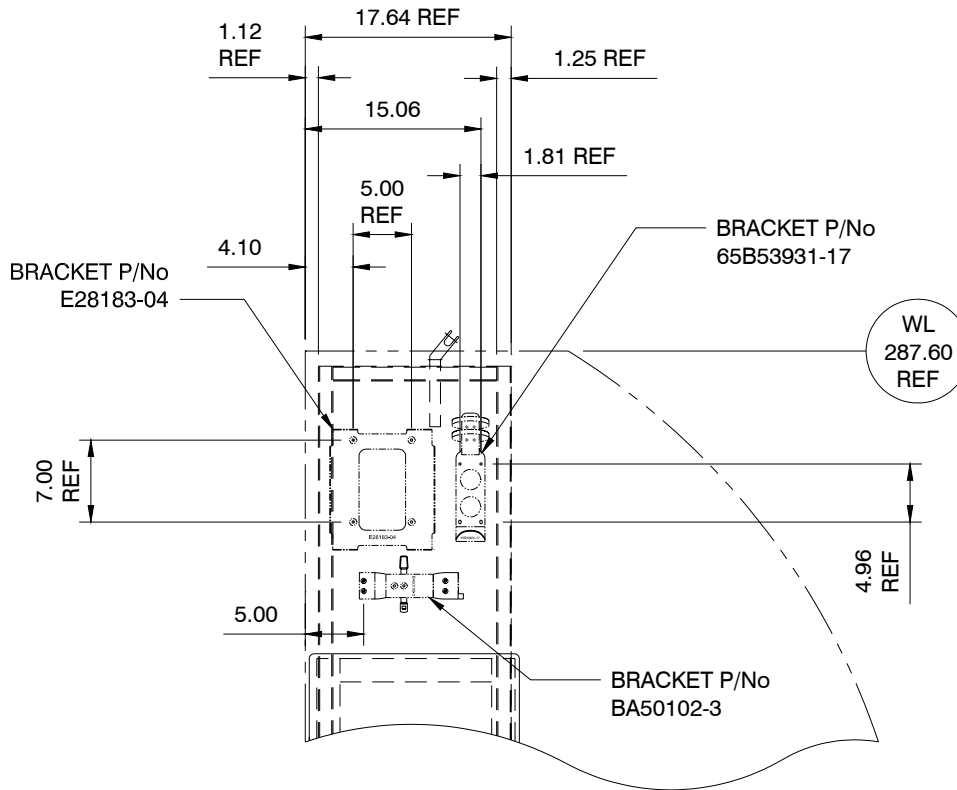
COMPILED BY:	A BATEMAN
APPROVED BY:	A M D
AVIONICS / STRESS:	A M D
DATE:	19.05.04

MOD No. AES-757-248

DESIGN ORGANISATION INSTRUCTION

APPLICABILITY: G-OOBG / BH G-OOBI / BJ	AFFECTED DOCUMENT: 0702-256-757 ISSUE 1
ORIGIN OF QUERY FCA	AUTHORITY DESIGN

REASON: OPERATOR REQUEST



**DETAILED VIEW
INSERT PATTERN**

FIGURE 2

DISTRIBUTION	
PRINTS:	H HARTLEY

COMPILED BY:	A BATEMAN
APPROVED BY:	A M D
AVIONICS / STRESS:	A M D
DATE:	19.05.04



www.aesglobal.com
 TEL: 44 (0)1279 818010
 FAX: 44 (0)1279 647683

AES Limited
 28 Golds Nurseries Business Park
 Elsenham
 Essex
 CM22 6JX

DOI No: **0207**

MOD No. AES-757-248

DESIGN ORGANISATION INSTRUCTION

APPLICABILITY: G-OOBG (NT405)			AFFECTED DOCUMENT: AES-757-192 AES-757-248		
ORIGIN OF QUERY FCA			AUTHORITY DESIGN		
REASON: INSTALLATION OF EMERGENCY EQUIPMENT TO AFT RH BULKHEAD					
			MECH SIG.	INSP STAMP	
THIS INSTRUCTION SUPERCEDES DOI-191 INTRODUCED VIA MODIFICATION AES-757-192. THE REQUIRED EMERGENCY EQUIPMENT IS TO BE INSTALLED TO CONFORM WITH SUBSEQUENT MODIFICATION AES-757-248.			N/A	N/A	
THESE INSTRUCTIONS ARE DIRECTLY EXTRACTED FROM MEI 310 WHICH INTRODUCES EMERGENCY EQUIPMENT. THIS DOI IS SPECIFIC TO AIRCRAFT G-OOBG AND ONCE EMBODIED MEETS THE SAME STANDARD CONTAINED WITHIN MEI 310 (MOD No AES-757-248).					
DRGS / DOCS REQD:-					
0683-256-757		ISS 1 EMERG EQUIPT LAYOUT			
0702-256-757		ISS 1 (INSTLN -102) EMERG INSTLN VESTIBULE			
DOI-0204		ISS 1 INSERT LOCATIONS			

DISTRIBUTION	
PRINTS:	P. SIGLEY(FCA)

COMPILED BY:	M JOHNSON
APPROVED BY:	AMD
AVIONICS / STRESS:	MAE
DATE:	10.06.04



www.aesglobal.com
 TEL: 44 (0)1279 818010
 FAX: 44 (0)1279 647683

AES Limited
 28 Golds Nurseries Business Park
 Elsenham
 Essex
 CM22 6JX

DOI No: **0207**

MOD No. AES-757-248

DESIGN ORGANISATION INSTRUCTION

APPLICABILITY: G-OOBG (NT405)		AFFECTED DOCUMENT: AES-757-192 AES-757-248	
ORIGIN OF QUERY FCA		AUTHORITY DESIGN	
REASON: INSTALLATION OF EMERGENCY EQUIPMENT TO AFT RH BULKHEAD			
		MECH SIG.	INSP STAMP
1.0	REFER TO DRG 0702-256-757 (INSTLN-102) LOCATION: ABOVE 4R CREW SEAT Install the following equipment in the subject area. (INSERTS ALREADY INSTALLED PER DOI – 0204)		
	Description	Qty	Part Number
	Smoke hood	1	E28180-10
	Bracket Smoke hood	1	E28183-04
	Screw, 10-32, 3/8 LG	4	NAS603-6P
	Washer No 10	4	AN960C10
	Placard Smoke hood	1	A2000-319
	 Fire Extinguisher	 1	 BA51015G3
	Bracket BCF Extg	1	BA50102-3
	Screw, 10-32, 3/8 LG	4	NAS603-6P
	Washer No 10	4	AN960C10
	Placard BCF Ext (Sym)	1	A2000-109
	 Loudhailer	 1	 ACR-EM1
	Bracket Loudhailer	1	65B53931-17
	Screw, 10-32, 3/8 LG	4	NAS603-6P
	Washer No 10	4	AN960C10
	Placard Loudhailer (Pict)	1	A2000-130
	Attach the indicated placards (See Drg.AES-0702-256-757-102).		
DISTRIBUTION		COMPILED BY: M JOHNSON	
PRINTS:	P. SIGLEY(FCA)	APPROVED BY: AMD	
		AVIONICS / STRESS: MAE	
		DATE: 10.06.04	



www.aesglobal.com
 TEL: 44 (0)1279 818010
 FAX: 44 (0)1279 647683

AES Limited
 28 Golds Nurseries Business Park
 Elsenham
 Essex
 CM22 6JX

DOI No: **0207**

MOD No. AES-757-248

DESIGN ORGANISATION INSTRUCTION

APPLICABILITY: G-OOBG (NT405)		AFFECTED DOCUMENT: AES-757-192 AES-757-248																			
ORIGIN OF QUERY FCA		AUTHORITY DESIGN																			
REASON: INSTALLATION OF EMERGENCY EQUIPMENT TO AFT RH BULKHEAD																					
		MECH SIG.	INSP STAMP																		
1.1	REFER TO DRG 0702-256-757 (INSTLN -102) LOCATION DOOR 4R CREW SEAT Install the following equipment under crew seat. <table border="1"> <thead> <tr> <th>Description</th> <th>Qty</th> <th>Part Number</th> </tr> </thead> <tbody> <tr> <td>Torch</td> <td>1</td> <td>P2-07-0001-214</td> </tr> <tr> <td>Placard Torch (Sym)</td> <td>1</td> <td>A2000-161</td> </tr> <tr> <td colspan="3">(Existing Provisions)</td> </tr> <tr> <td>Crew Lifejacket</td> <td>1</td> <td>00002264</td> </tr> <tr> <td>Placard Crew Lifejacket</td> <td></td> <td>A2000-159</td> </tr> </tbody> </table> Attach the indicated placards (See Drg. AES-0702-256-757-102).		Description	Qty	Part Number	Torch	1	P2-07-0001-214	Placard Torch (Sym)	1	A2000-161	(Existing Provisions)			Crew Lifejacket	1	00002264	Placard Crew Lifejacket		A2000-159	
Description	Qty	Part Number																			
Torch	1	P2-07-0001-214																			
Placard Torch (Sym)	1	A2000-161																			
(Existing Provisions)																					
Crew Lifejacket	1	00002264																			
Placard Crew Lifejacket		A2000-159																			

DISTRIBUTION	
PRINTS:	P. SIGLEY(FCA)

COMPILED BY:	M JOHNSON
APPROVED BY:	AMD
AVIONICS / STRESS:	MAE
DATE:	10.06.04



www.aesglobal.com
TEL: 44 (0)1279 818010
FAX: 44 (0)1279 647683

AES Limited
28 Golds Nurseries Business Park
Elsenham
Essex
CM22 6JX

QUERY NOTE		AES REF No.: QN-AES-757-248-11 (COMPLETED BY AES STAFF ONLY)
AIRCRAFT TYPE: Boeing 757	APPLICANTS NAME: Pete Sigley	
REGISTRATION: G-OOBG	DATE: 12/07/2004	
LOCATION: Monarch Manchester	APPLICANTS FAX No: 0161 489 0238	
DRAWING (S) / P/N AFFECTED: DOI No 0207	APPLICANTS TEL No: 0161 489 0173	
<p>With reference to DOI No 0207 "INSTALLATION OF EMERGENCY EQUIPMENT TO AFT RH BULKHEAD" page 2 item 1.0.</p> <p>First Choice Materials have issued a new part number for the fire extinguisher, which is BA51015S3. We request that this new number can be used in place of the old number, which is BA51015G3.</p>		

DESIGN RESPONSE TO QUERY NOTE	
DRAWING (S) TO BE AMENDED YES / NO	DATE AMENDED:
(AEROSPACE ENGINEERING SOLUTIONS LIMITED DESIGN OFFICE USE ONLY)	
<p>AGREED. THE USE OF EITHER BA51015S3 OR BA51015-3 ARE ACCEPTABLE FOR USE BY FIRST CHOICE CREW.</p> <p>ALL DOCUMENTS WITH REFERENCE TO P/N BA51015G3 WILL BE REPLACED WITH EITHER BA51015-3 OR BA51015S3 ITEMS AT NEXT RAISE IN ISSUE.</p> <p>BACKGROUND INFORMATION ONLY:</p> <p><i>SUFFIX 'G' INDICATES A GAGE AT THE BOTTOM OF THE BOTTLE</i></p> <p><i>SUFFIX 'S' INDICATES A SHORT TRIGGER MECHANISM.</i></p> <p><i>FIRST CHOICE CREW TRAINED TO USE -3 OR S3 ITEMS ONLY.</i></p>	
COMPILED BY A DOLBY	APPROVED BY: M A E (13.07.04)


BOEING
 757
PARTS CATALOG (MAINTENANCE)

CH-SECT-UNIT-FIG	PAGE NO.	DATE	CH-SECT-UNIT-FIG	PAGE NO.	DATE
*35	1	MAY 20/09	35-11-10- 1	8	JAN 20/09
*35	2	MAY 20/09	35-11-12- 1	0	MAY 28/07
*35	3	MAY 20/09	35-11-12- 1	0A	MAY 28/07
*35	4	MAY 20/09	35-11-12- 1	0B	MAY 28/07
*35	5	MAY 20/09	35-11-12- 1	0C	MAY 28/07
*35	6	MAY 20/09	35-11-12- 1	1	JAN 20/09
*35	7	MAY 20/09	35-11-12- 1	2	JAN 20/09
*35	8	MAY 20/09	35-11-12- 1	3	JAN 20/09
35-11-00	1	MAY 28/07	35-11-12- 1	4	JAN 20/09
35-11-00- 1	0	MAY 28/07	35-11-12- 1	5	JAN 20/09
35-11-00- 1	1	JAN 20/09	35-11-12- 1	6	JAN 20/09
35-11-00- 2	0	MAY 28/07	35-11-51- 5	0	MAY 28/07
35-11-00- 2	1	JAN 20/09	35-11-51- 5	0A	MAY 28/07
35-11-05- 1	0	MAY 28/07	35-11-51- 5	0B	MAY 28/07
35-11-05- 1	1	JAN 20/09	35-11-51- 5	0C	MAY 28/07
35-11-05- 1	2	JAN 20/09	35-11-51- 5	1	JAN 20/09
35-11-05- 1	3	JAN 20/09	35-11-51- 5	2	JAN 20/09
35-11-06- 1	0	MAY 28/07	35-11-51- 5	3	JAN 20/09
35-11-06- 1	0A	MAY 28/07	*35-11-51- 5	4	MAY 20/09
35-11-06- 1	1	JAN 20/09	35-11-51- 5	5	JAN 20/09
*35-11-06- 1	2	MAY 20/09	35-11-51- 5	6	JAN 20/09
35-11-06- 1	3	JAN 20/09	35-11-51- 5	7	JAN 20/09
*35-11-06- 1	4	MAY 20/09	35-11-51- 5	8	JAN 20/09
*35-11-06- 1	5	MAY 20/09	35-11-51- 5	9	JAN 20/09
*35-11-06- 1	6	MAY 20/09	35-11-51- 7	0	MAY 28/07
*35-11-06- 1	7	MAY 20/09	*35-11-51- 7	1	MAY 20/09
*35-11-06- 1	8	MAY 20/09	*35-11-51- 7	2	MAY 20/09
*35-11-06- 1	9	MAY 20/09	*35-11-51- 7	3	MAY 20/09
*35-11-06- 1	10	MAY 20/09	*35-11-51- 7	4	MAY 20/09
35-11-06- 5	0	MAY 28/07	*35-11-51- 7	5	MAY 20/09
35-11-06- 5	0A	MAY 28/07	*35-11-51- 7	6	MAY 20/09
35-11-06- 5	0B	MAY 28/07	*35-11-51- 7	7	MAY 20/09
35-11-06- 5	1	JAN 20/09	*35-11-51- 7	8	MAY 20/09
35-11-06- 5	2	JAN 20/09	35-11-51-10	0	MAY 28/07
35-11-06- 5	3	JAN 20/09	35-11-51-10	0A	MAY 28/07
35-11-06- 5	4	JAN 20/09	35-11-51-10	1	JAN 20/09
35-11-06- 5	5	JAN 20/09	35-11-51-10	2	JAN 20/09
35-11-06-50	0	MAY 28/07	35-11-51-10	3	JAN 20/09
35-11-06-50	1	JAN 20/09	35-11-51-10	4	JAN 20/09
35-11-06-50	2	JAN 20/09	35-11-51-10	5	JAN 20/09
35-11-09- 1	0	MAY 28/07	35-11-51-10	6	JAN 20/09
35-11-09- 1	1	JAN 20/09	35-11-51-10	7	JAN 20/09
35-11-10- 1	0	MAY 28/07	35-11-51-10	8	JAN 20/09
35-11-10- 1	0A	MAY 28/07	35-11-51-16	0	MAY 28/07
35-11-10- 1	1	JAN 20/09	35-11-51-16	0A	MAY 28/07
35-11-10- 1	2	JAN 20/09	35-11-51-16	0B	MAY 28/07
35-11-10- 1	3	JAN 20/09	35-11-51-16	0C	MAY 28/07
35-11-10- 1	4	JAN 20/09	35-11-51-16	0D	MAY 28/07
35-11-10- 1	5	JAN 20/09	35-11-51-16	0E	MAY 28/07
35-11-10- 1	6	JAN 20/09	35-11-51-16	0F	MAY 28/07
35-11-10- 1	7	JAN 20/09	35-11-51-16	0G	MAY 28/07

* THE ASTERISK INDICATES PAGES CHANGED OR ADDED BY THE CURRENT REVISION

BRI
MAY 20/09

35 - LIST OF EFFECTIVE PAGES
PAGE 1



757
PARTS CATALOG (MAINTENANCE)

CH-SECT-UNIT-FIG	PAGE NO.	DATE	CH-SECT-UNIT-FIG	PAGE NO.	DATE
35-11-51-16	0H	MAY 28/07	35-11-52- 1	3	JAN 20/09
35-11-51-16	1	JAN 20/09	35-11-52- 1	4	JAN 20/09
35-11-51-16	2	JAN 20/09	35-11-52- 1	5	JAN 20/09
35-11-51-16	3	JAN 20/09	35-11-52- 1	6	JAN 20/09
35-11-51-16	4	JAN 20/09	35-11-52- 1	7	JAN 20/09
35-11-51-16	5	JAN 20/09	35-11-52- 1	8	JAN 20/09
35-11-51-16	6	JAN 20/09	35-11-52- 1A	0	JAN 20/09
35-11-51-16	7	JAN 20/09	35-11-52- 1A	0A	MAY 28/07
35-11-51-17	0	MAY 28/07	35-11-52- 1A	1	JAN 20/09
35-11-51-17	0A	MAY 28/07	35-11-52- 1A	2	JAN 20/09
35-11-51-17	0B	MAY 28/07	35-11-52- 1A	3	JAN 20/09
35-11-51-17	0C	MAY 28/07	35-11-52- 1A	4	JAN 20/09
35-11-51-17	0D	MAY 28/07	35-11-52- 1A	5	JAN 20/09
35-11-51-17	0E	MAY 28/07	35-11-52- 1A	6	JAN 20/09
35-11-51-17	0F	MAY 28/07	35-11-52- 1A	7	JAN 20/09
35-11-51-17	0G	MAY 28/07	35-11-52- 1A	8	JAN 20/09
35-11-51-17	1	JAN 20/09	35-11-52- 1A	9	JAN 20/09
35-11-51-17	2	JAN 20/09	35-11-52- 1A	10	JAN 20/09
35-11-51-17	3	JAN 20/09	35-11-52- 2	0	JAN 20/09
35-11-51-17	4	JAN 20/09	35-11-52- 2	1	JAN 20/09
35-11-51-17	5	JAN 20/09	35-11-55- 1	0	MAY 28/07
35-11-51-17	6	JAN 20/09	35-11-55- 1	1	JAN 20/09
35-11-51-17	7	JAN 20/09	35-11-55- 1	2	JAN 20/09
35-11-51-17	8	JAN 20/09	35-11-55- 1	3	JAN 20/09
35-11-51-17	9	JAN 20/09	35-11-71- 1	0	MAY 28/07
35-11-51-17	10	JAN 20/09	35-11-71- 1	1	JAN 20/09
35-11-51-17	11	JAN 20/09	35-11-71- 1	2	JAN 20/09
35-11-51-17	12	JAN 20/09	35-21-00	1	MAY 28/07
35-11-51-17	13	JAN 20/09	35-21-00- 1G	0	JAN 20/09
35-11-51-17	14	JAN 20/09	35-21-00- 1G	0A	JAN 20/09
35-11-51-19	0	JAN 20/09	35-21-00- 1G	0B	JAN 20/09
35-11-51-19	0A	JAN 20/09	35-21-00- 1G	1	JAN 20/09
35-11-51-19	0B	JAN 20/09	35-21-00- 1G	2	JAN 20/09
35-11-51-19	0C	JAN 20/09	35-21-00- 1G	3	JAN 20/09
35-11-51-19	0D	JAN 20/09	35-21-00- 2A	0	JAN 20/09
35-11-51-19	1	JAN 20/09	35-21-00- 2A	0A	JAN 20/09
35-11-51-19	2	JAN 20/09	35-21-00- 2A	0B	JAN 20/09
35-11-51-19	3	JAN 20/09	35-21-00- 2A	0C	JAN 20/09
35-11-51-19	4	JAN 20/09	35-21-00- 2A	1	JAN 20/09
35-11-51-19	5	JAN 20/09	35-21-00- 2A	2	JAN 20/09
35-11-51-19	6	JAN 20/09	35-21-00- 2A	3	JAN 20/09
35-11-51-19	7	JAN 20/09	35-21-00- 5	0	JAN 20/09
*35-11-51-19	8	MAY 20/09	35-21-00- 5	0A	JAN 20/09
*35-11-51-19	9	MAY 20/09	35-21-00- 5	1	JAN 20/09
*35-11-51-19	10	MAY 20/09	35-21-00- 5	2	JAN 20/09
*35-11-51-19	11	MAY 20/09	35-21-00- 5	3	JAN 20/09
*35-11-51-19	12	MAY 20/09	35-21-00- 5	4	JAN 20/09
35-11-52- 1	0	MAY 28/07	35-21-00- 5A	0	JAN 20/09
35-11-52- 1	0A	MAY 28/07	35-21-00- 5A	0A	JAN 20/09
35-11-52- 1	1	JAN 20/09	35-21-00- 5A	1	JAN 20/09
35-11-52- 1	2	JAN 20/09	35-21-00-11	0	JAN 20/09

* THE ASTERISK INDICATES PAGES CHANGED OR ADDED BY THE CURRENT REVISION


BOEING
 757
PARTS CATALOG (MAINTENANCE)

CH-SECT-UNIT-FIG	PAGE NO.	DATE	CH-SECT-UNIT-FIG	PAGE NO.	DATE
35-21-00-11	0A	JAN 20/09	35-21-04- 2	12	JAN 20/09
35-21-00-11	0B	JAN 20/09	35-21-04- 2	13	JAN 20/09
35-21-00-11	0C	JAN 20/09	35-21-04- 2	14	JAN 20/09
35-21-00-11	0D	JAN 20/09	35-21-04- 2	15	JAN 20/09
35-21-00-11	0E	JAN 20/09	35-21-04- 2	16	JAN 20/09
35-21-00-11	1	JAN 20/09	35-21-04- 2	17	JAN 20/09
35-21-00-11	2	JAN 20/09	35-21-04- 2	18	JAN 20/09
35-21-00-11	3	JAN 20/09	35-21-04- 2	19	JAN 20/09
35-21-00-13B	0	MAY 28/07	35-21-04- 2	20	JAN 20/09
35-21-00-13B	0A	MAY 28/07	35-21-04- 2	21	JAN 20/09
35-21-00-13B	0B	MAY 28/07	35-21-04- 2A	0	JAN 20/09
35-21-00-13B	1	JAN 20/09	35-21-04- 2A	0A	JAN 20/09
35-21-00-13B	2	JAN 20/09	35-21-04- 2A	1	JAN 20/09
35-21-00-13B	3	JAN 20/09	35-21-04- 2A	2	JAN 20/09
35-21-00-18A	0	JAN 20/09	35-21-04- 2D	0	JAN 20/09
35-21-00-18A	0A	JAN 20/09	*35-21-04- 2D	1	MAY 20/09
35-21-00-18A	0B	JAN 20/09	*35-21-04- 2D	2	MAY 20/09
35-21-00-18A	1	JAN 20/09	35-21-04-20	0	MAY 28/07
35-21-00-18A	2	JAN 20/09	35-21-04-20	0A	MAY 28/07
35-21-00-18A	3	JAN 20/09	35-21-04-20	0B	MAY 28/07
35-21-00-19A	0	JAN 20/09	35-21-04-20	0C	MAY 28/07
35-21-00-19A	0A	JAN 20/09	35-21-04-20	0D	MAY 28/07
35-21-00-19A	0B	JAN 20/09	35-21-04-20	0E	MAY 28/07
35-21-00-19A	1	JAN 20/09	35-21-04-20	0F	MAY 28/07
35-21-00-19A	2	JAN 20/09	35-21-04-20	0G	MAY 28/07
35-21-00-19A	3	JAN 20/09	35-21-04-20	0H	MAY 28/07
35-21-04- 1A	0	JAN 20/09	35-21-04-20	1	JAN 20/09
35-21-04- 1A	0A	JAN 20/09	*35-21-04-20	2	MAY 20/09
35-21-04- 1A	1	JAN 20/09	*35-21-04-20	3	MAY 20/09
35-21-04- 1A	2	JAN 20/09	35-21-04-20	4	JAN 20/09
35-21-04- 2	0	JAN 20/09	35-21-04-20	5	JAN 20/09
35-21-04- 2	0A	JAN 20/09	35-21-04-20	6	JAN 20/09
35-21-04- 2	0B	JAN 20/09	35-21-04-20	7	JAN 20/09
35-21-04- 2	0C	JAN 20/09	35-21-04-20	8	JAN 20/09
35-21-04- 2	0D	JAN 20/09	35-21-04-20	9	JAN 20/09
35-21-04- 2	0E	JAN 20/09	35-21-04-20	10	JAN 20/09
35-21-04- 2	0F	JAN 20/09	35-21-04-20	11	JAN 20/09
35-21-04- 2	0G	JAN 20/09	35-21-04-20	12	JAN 20/09
35-21-04- 2	0H	JAN 20/09	35-21-04-20	13	JAN 20/09
35-21-04- 2	0I	JAN 20/09	35-21-04-20	14	JAN 20/09
35-21-04- 2	1	JAN 20/09	35-21-04-20	15	JAN 20/09
35-21-04- 2	2	JAN 20/09	35-21-04-20	16	JAN 20/09
35-21-04- 2	3	JAN 20/09	35-21-04-20	17	JAN 20/09
35-21-04- 2	4	JAN 20/09	35-21-04-20	18	JAN 20/09
35-21-04- 2	5	JAN 20/09	35-21-04-20	19	JAN 20/09
35-21-04- 2	6	JAN 20/09	35-21-04-20	20	JAN 20/09
35-21-04- 2	7	JAN 20/09	35-21-04-20	21	JAN 20/09
35-21-04- 2	8	JAN 20/09	35-21-04-20	22	JAN 20/09
35-21-04- 2	9	JAN 20/09	35-21-04-20	23	JAN 20/09
35-21-04- 2	10	JAN 20/09	35-21-04-20A	0	MAY 28/07
35-21-04- 2	11	JAN 20/09	35-21-04-20A	1	JAN 20/09

* THE ASTERISK INDICATES PAGES CHANGED OR ADDED BY THE CURRENT REVISION

BRI
MAY 20/09

35 - LIST OF EFFECTIVE PAGES
PAGE 3



757

PARTS CATALOG (MAINTENANCE)

CH-SECT-UNIT-FIG	PAGE NO.	DATE	CH-SECT-UNIT-FIG	PAGE NO.	DATE
35-21-04-20A	2	JAN 20/09	35-21-04-35	3	JAN 20/09
35-21-04-26	0	JAN 20/09	35-21-04-35	4	JAN 20/09
35-21-04-26	0A	JAN 20/09	35-21-04-35	5	JAN 20/09
35-21-04-26	0B	JAN 20/09	35-21-04-35	6	JAN 20/09
35-21-04-26	1	JAN 20/09	35-21-04-35	7	JAN 20/09
35-21-04-26	2	JAN 20/09	35-21-04-35	8	JAN 20/09
35-21-04-26	3	JAN 20/09	*35-21-04-35	9	MAY 20/09
35-21-04-26	4	JAN 20/09	*35-21-04-35	10	MAY 20/09
35-21-04-26	5	JAN 20/09	*35-21-04-35	11	MAY 20/09
35-21-04-30	0	SEP 28/07	*35-21-04-35	12	MAY 20/09
35-21-04-30	0A	SEP 28/07	*35-21-04-35	13	MAY 20/09
35-21-04-30	0B	SEP 28/07	35-21-04-38	0	MAY 28/07
35-21-04-30	0C	MAY 28/07	35-21-04-38	0A	MAY 28/07
35-21-04-30	0D	MAY 28/07	35-21-04-38	0B	MAY 28/07
35-21-04-30	0E	SEP 28/07	35-21-04-38	0C	MAY 28/07
35-21-04-30	0F	MAY 28/07	35-21-04-38	1	JAN 20/09
35-21-04-30	0G	MAY 28/07	35-21-04-38	2	JAN 20/09
35-21-04-30	0H	MAY 28/07	35-21-04-38	3	JAN 20/09
35-21-04-30	0I	SEP 28/07	35-21-04-38	4	JAN 20/09
35-21-04-30	1	JAN 20/09	35-21-04-38	5	JAN 20/09
35-21-04-30	2	JAN 20/09	35-21-04-38	6	JAN 20/09
35-21-04-30	3	JAN 20/09	35-21-04-38	7	JAN 20/09
35-21-04-30	4	JAN 20/09	35-21-04-38	8	JAN 20/09
35-21-04-30	5	JAN 20/09	35-21-04-38	9	JAN 20/09
35-21-04-30	6	JAN 20/09	35-21-04-38	10	JAN 20/09
35-21-04-30	7	JAN 20/09	35-21-04-39	0	MAY 28/07
35-21-04-30	8	JAN 20/09	35-21-04-39	0A	MAY 28/07
35-21-04-30	9	JAN 20/09	35-21-04-39	1	JAN 20/09
35-21-04-30	10	JAN 20/09	*35-21-04-39	2	MAY 20/09
*35-21-04-30	11	MAY 20/09	*35-21-04-39	3	MAY 20/09
*35-21-04-30	12	MAY 20/09	35-21-04-40	0	JAN 20/09
35-21-04-31B	0	JAN 20/09	35-21-04-40	1	JAN 20/09
35-21-04-31B	0A	JAN 20/09	35-21-04-40	2	JAN 20/09
35-21-04-31B	1	JAN 20/09	35-21-04-40	3	JAN 20/09
35-21-04-31B	2	JAN 20/09	35-21-04-42	0	SEP 28/07
35-21-04-31B	3	JAN 20/09	35-21-04-42	0A	MAY 28/07
35-21-04-31B	4	JAN 20/09	35-21-04-42	0B	MAY 28/07
35-21-04-31C	0	JAN 20/09	35-21-04-42	0C	MAY 28/07
35-21-04-31C	1	JAN 20/09	35-21-04-42	0D	MAY 28/07
35-21-04-31C	2	JAN 20/09	35-21-04-42	0E	SEP 28/07
35-21-04-34A	0	JAN 20/09	35-21-04-42	1	JAN 20/09
35-21-04-34A	1	JAN 20/09	35-21-04-42	2	JAN 20/09
35-21-04-34A	2	JAN 20/09	35-21-04-42	3	JAN 20/09
35-21-04-34A	3	JAN 20/09	35-21-04-42	4	JAN 20/09
35-21-04-35	0	MAY 28/07	35-21-04-42	5	JAN 20/09
35-21-04-35	0A	MAY 28/07	35-21-04-42	6	JAN 20/09
35-21-04-35	0B	MAY 28/07	35-21-04-42	7	JAN 20/09
35-21-04-35	0C	MAY 28/07	35-21-04-45	0	JAN 20/09
35-21-04-35	0D	MAY 28/07	35-21-04-45	0A	JAN 20/09
35-21-04-35	1	JAN 20/09	35-21-04-45	0B	JAN 20/09
35-21-04-35	2	JAN 20/09	35-21-04-45	1	JAN 20/09

* THE ASTERISK INDICATES PAGES CHANGED OR ADDED BY THE CURRENT REVISION



757

PARTS CATALOG (MAINTENANCE)

CH-SECT-UNIT-FIG	PAGE NO.	DATE	CH-SECT-UNIT-FIG	PAGE NO.	DATE
35-21-04-45	2	JAN 20/09	35-21-05- 2C	1	JAN 20/09
35-21-04-48	0	MAY 28/07	35-21-05- 2E	0	JAN 20/09
35-21-04-48	0A	MAY 28/07	35-21-05- 2E	0A	JAN 20/09
35-21-04-48	1	JAN 20/09	35-21-05- 2E	1	JAN 20/09
35-21-04-48	2	JAN 20/09	35-21-05- 2E	2	JAN 20/09
35-21-04-48	3	JAN 20/09	35-21-05- 7	0	JAN 20/09
35-21-04-48	4	JAN 20/09	35-21-05- 7	1	JAN 20/09
35-21-04-48	5	JAN 20/09	35-21-05- 7	2	JAN 20/09
35-21-04-48	6	JAN 20/09	35-21-05- 9	0	MAY 28/07
35-21-04-50A	0	JAN 20/09	35-21-05- 9	0A	MAY 28/07
35-21-04-50A	0A	JAN 20/09	35-21-05- 9	0B	MAY 28/07
35-21-04-50A	1	JAN 20/09	35-21-05- 9	0C	MAY 28/07
35-21-04-66D	0	JAN 20/09	35-21-05- 9	0D	MAY 28/07
35-21-04-66D	1	JAN 20/09	35-21-05- 9	0E	MAY 28/07
35-21-04-66D	2	JAN 20/09	35-21-05- 9	0F	MAY 28/07
*35-21-04-70	0	MAY 20/09	35-21-05- 9	1	JAN 20/09
35-21-04-70	0A	JAN 20/09	35-21-05- 9	2	JAN 20/09
35-21-04-70	1	JAN 20/09	35-21-05- 9	3	JAN 20/09
35-21-04-70	2	JAN 20/09	35-21-05- 9	4	JAN 20/09
35-21-04-70	3	JAN 20/09	35-21-05- 9	5	JAN 20/09
35-21-04-70	4	JAN 20/09	35-21-05- 9	6	JAN 20/09
*35-21-04-70	5	MAY 20/09	35-21-05- 9	7	JAN 20/09
35-21-04-71	0	JAN 20/09	35-21-05- 9	8	JAN 20/09
35-21-04-71	1	JAN 20/09	35-21-05- 9	9	JAN 20/09
35-21-04-71	2	JAN 20/09	35-21-05- 9	10	JAN 20/09
35-21-04-71	3	JAN 20/09	35-21-05-10	0	JAN 20/09
35-21-04-78	0	JAN 20/09	35-21-05-10	1	JAN 20/09
35-21-04-78	0A	JAN 20/09	35-21-05-10	2	JAN 20/09
35-21-04-78	0B	JAN 20/09	35-21-05-10A	0	SEP 28/07
35-21-04-78	1	JAN 20/09	35-21-05-10A	1	JAN 20/09
35-21-04-78	2	JAN 20/09	35-21-05-12	0	JAN 20/09
35-21-04-80A	0	SEP 28/07	35-21-05-12	1	JAN 20/09
35-21-04-80A	0A	MAY 28/07	35-21-05-20A	0	MAY 28/07
35-21-04-80A	0B	SEP 28/07	35-21-05-20A	0A	MAY 28/07
35-21-04-80A	1	JAN 20/09	35-21-05-20A	1	JAN 20/09
35-21-04-92A	0	JAN 20/09	35-21-05-20A	2	JAN 20/09
35-21-04-92A	0A	JAN 20/09	35-21-05-26	0	JAN 20/09
35-21-04-92A	1	JAN 20/09	35-21-05-26	0A	JAN 20/09
35-21-05- 1A	0	JAN 20/09	35-21-05-26	0B	JAN 20/09
35-21-05- 1A	1	JAN 20/09	35-21-05-26	0C	JAN 20/09
35-21-05- 2	0	MAY 28/07	35-21-05-26	1	JAN 20/09
35-21-05- 2	0A	MAY 28/07	35-21-05-26	2	JAN 20/09
35-21-05- 2	1	JAN 20/09	35-21-05-26	3	JAN 20/09
35-21-05- 2	2	JAN 20/09	35-21-05-26	4	JAN 20/09
35-21-05- 2	3	JAN 20/09	35-21-05-26	5	JAN 20/09
35-21-05- 2A	0	MAY 28/07	35-21-05-26	6	JAN 20/09
35-21-05- 2A	0A	MAY 28/07	35-21-05-26	7	JAN 20/09
35-21-05- 2A	1	JAN 20/09	35-21-05-30	0	SEP 28/07
35-21-05- 2A	2	JAN 20/09	35-21-05-30	0A	MAY 28/07
35-21-05- 2A	3	JAN 20/09	35-21-05-30	0B	MAY 28/07
35-21-05- 2C	0	JAN 20/09	35-21-05-30	0C	MAY 28/07

* THE ASTERISK INDICATES PAGES CHANGED OR ADDED BY THE CURRENT REVISION


BOEING
 757
PARTS CATALOG (MAINTENANCE)

CH-SECT-UNIT-FIG	PAGE NO.	DATE	CH-SECT-UNIT-FIG	PAGE NO.	DATE
35-21-05-30	0D	MAY 28/07	35-21-06- 1C	0	JAN 20/09
35-21-05-30	0E	MAY 28/07	35-21-06- 1C	1	JAN 20/09
35-21-05-30	0F	MAY 28/07	35-21-06- 4	0	MAY 28/07
35-21-05-30	0G	MAY 28/07	35-21-06- 4	0A	MAY 28/07
35-21-05-30	0H	MAY 28/07	35-21-06- 4	0B	MAY 28/07
35-21-05-30	0I	MAY 28/07	35-21-06- 4	0C	MAY 28/07
35-21-05-30	0J	MAY 28/07	35-21-06- 4	0D	MAY 28/07
35-21-05-30	1	JAN 20/09	35-21-06- 4	0E	MAY 28/07
35-21-05-30	2	JAN 20/09	35-21-06- 4	0F	MAY 28/07
35-21-05-30	3	JAN 20/09	35-21-06- 4	0G	MAY 28/07
35-21-05-30	4	JAN 20/09	35-21-06- 4	1	JAN 20/09
35-21-05-30	5	JAN 20/09	35-21-06- 4	2	JAN 20/09
35-21-05-30	6	JAN 20/09	35-21-06- 4	3	JAN 20/09
35-21-05-30	7	JAN 20/09	35-21-06- 4	4	JAN 20/09
35-21-05-30	8	JAN 20/09	35-21-06- 4	5	JAN 20/09
35-21-05-30	9	JAN 20/09	35-21-06- 4	6	JAN 20/09
35-21-05-30	10	JAN 20/09	35-21-06- 4A	0	MAY 28/07
35-21-05-30	11	JAN 20/09	35-21-06- 4A	0A	MAY 28/07
35-21-05-30	12	JAN 20/09	35-21-06- 4A	0B	MAY 28/07
35-21-05-30	13	JAN 20/09	35-21-06- 4A	1	JAN 20/09
35-21-05-30	14	JAN 20/09	35-21-06- 4A	2	JAN 20/09
35-21-05-30	15	JAN 20/09	35-21-06- 4A	3	JAN 20/09
35-21-05-30	16	JAN 20/09	35-21-06- 4A	4	JAN 20/09
35-21-05-30	17	JAN 20/09	35-21-06- 5	0	JAN 20/09
35-21-05-30	18	JAN 20/09	35-21-06- 5	0A	JAN 20/09
35-21-05-30	19	JAN 20/09	35-21-06- 5	1	JAN 20/09
35-21-05-30	20	JAN 20/09	35-21-06- 5	2	JAN 20/09
35-21-05-31B	0	JAN 20/09	35-21-06- 5	3	JAN 20/09
*35-21-05-31B	0A	MAY 20/09	35-21-06- 5	4	JAN 20/09
35-21-05-31B	1	JAN 20/09	35-21-06- 7A	0	JAN 20/09
35-21-05-31B	2	JAN 20/09	35-21-06- 7A	0A	JAN 20/09
*35-21-05-31B	3	MAY 20/09	35-21-06- 7A	1	JAN 20/09
35-21-05-31C	0	JAN 20/09	35-21-06- 8	0	JAN 20/09
35-21-05-31C	0A	JAN 20/09	35-21-06- 8	1	JAN 20/09
35-21-05-31C	1	JAN 20/09	35-21-06- 8	2	JAN 20/09
35-21-05-31C	2	JAN 20/09	35-21-06-10	0	MAY 28/07
35-21-05-34A	0	JAN 20/09	35-21-06-10	0A	MAY 28/07
*35-21-05-34A	0A	MAY 20/09	35-21-06-10	0B	MAY 28/07
35-21-05-34A	1	JAN 20/09	35-21-06-10	0C	MAY 28/07
*35-21-05-34A	2	MAY 20/09	35-21-06-10	0D	MAY 28/07
35-21-05-50A	0	JAN 20/09	35-21-06-10	1	JAN 20/09
35-21-05-50A	1	JAN 20/09	35-21-06-10	2	JAN 20/09
35-21-05-66D	0	JAN 20/09	35-21-06-10	3	JAN 20/09
35-21-05-66D	1	JAN 20/09	35-21-06-10	4	JAN 20/09
35-21-05-66D	2	JAN 20/09	35-21-06-10	5	JAN 20/09
35-21-05-66D	3	JAN 20/09	35-21-06-10A	0	MAY 28/07
35-21-05-71	0	JAN 20/09	35-21-06-10A	0A	MAY 28/07
35-21-05-71	1	JAN 20/09	35-21-06-10A	1	JAN 20/09
35-21-05-71	2	JAN 20/09	35-21-06-11	0	JAN 20/09
35-21-06- 1B	0	JAN 20/09	35-21-06-11	1	JAN 20/09
35-21-06- 1B	1	JAN 20/09	35-21-06-11	2	JAN 20/09

* THE ASTERISK INDICATES PAGES CHANGED OR ADDED BY THE CURRENT REVISION



757

PARTS CATALOG (MAINTENANCE)

CH-SECT-UNIT-FIG	PAGE NO.	DATE	CH-SECT-UNIT-FIG	PAGE NO.	DATE
35-21-06-14	0	JAN 20/09	35-21-51- 1	4	JAN 20/09
35-21-06-14	1	JAN 20/09	35-21-51- 1	5	JAN 20/09
35-21-06-20A	0	MAY 28/07	35-21-51- 1	6	JAN 20/09
35-21-06-20A	0A	MAY 28/07	35-21-51- 3	0	MAY 28/07
35-21-06-20A	1	JAN 20/09	35-21-51- 3	1	JAN 20/09
35-21-06-20A	2	JAN 20/09	35-21-51- 3	2	JAN 20/09
35-21-06-26	0	JAN 20/09	35-21-51- 3	3	JAN 20/09
35-21-06-26	0A	JAN 20/09	35-21-51- 3	4	JAN 20/09
35-21-06-26	0B	JAN 20/09	35-21-51- 4	0	MAY 28/07
35-21-06-26	1	JAN 20/09	35-21-51- 4	1	JAN 20/09
35-21-06-26	2	JAN 20/09	35-21-51- 4	2	JAN 20/09
35-21-06-26	3	JAN 20/09	35-21-51- 4	3	JAN 20/09
35-21-06-30	0	SEP 28/07	35-21-51- 4	4	JAN 20/09
35-21-06-30	0A	MAY 28/07	35-21-51- 4	5	JAN 20/09
35-21-06-30	0B	MAY 28/07	35-21-51- 4	6	JAN 20/09
35-21-06-30	0C	SEP 28/07	35-21-51- 4	7	JAN 20/09
35-21-06-30	0D	MAY 28/07	35-21-51- 4	8	JAN 20/09
35-21-06-30	0E	MAY 28/07	35-21-51- 4	9	JAN 20/09
35-21-06-30	0F	MAY 28/07	35-21-51- 4	10	JAN 20/09
35-21-06-30	0G	MAY 28/07	35-21-52-10	0	JAN 20/09
35-21-06-30	0H	SEP 28/07	35-21-52-10	0A	JAN 20/09
35-21-06-30	0I	MAY 28/07	35-21-52-10	0B	JAN 20/09
35-21-06-30	1	JAN 20/09	35-21-52-10	1	JAN 20/09
35-21-06-30	2	JAN 20/09	35-21-52-10	2	JAN 20/09
35-21-06-30	3	JAN 20/09	35-21-52-10	3	JAN 20/09
35-21-06-30	4	JAN 20/09	35-21-71- 2	0	MAY 28/07
35-21-06-30	5	JAN 20/09	35-21-71- 2	1	JAN 20/09
35-21-06-30	6	JAN 20/09	35-21-71- 2	2	JAN 20/09
35-21-06-30	7	JAN 20/09	35-21-71- 2	3	JAN 20/09
35-21-06-30	8	JAN 20/09	35-21-71- 2	4	JAN 20/09
35-21-06-31B	0	JAN 20/09	35-21-71- 2B	0	MAY 28/07
35-21-06-31B	1	JAN 20/09	35-21-71- 2B	1	JAN 20/09
35-21-06-31B	2	JAN 20/09	35-21-71- 2B	2	JAN 20/09
35-21-06-31B	3	JAN 20/09	35-21-71- 2D	0	JAN 20/09
35-21-06-31C	0	JAN 20/09	35-21-71- 2D	1	JAN 20/09
35-21-06-31C	1	JAN 20/09	35-21-71- 2D	2	JAN 20/09
35-21-06-34A	0	JAN 20/09	35-21-71- 2D	3	JAN 20/09
35-21-06-34A	1	JAN 20/09	35-21-71- 2D	4	JAN 20/09
35-21-06-50A	0	JAN 20/09	35-21-71- 2D	5	JAN 20/09
35-21-06-50A	0A	JAN 20/09	35-21-71- 2D	6	JAN 20/09
35-21-06-50A	1	JAN 20/09	35-31-00	1	MAY 28/07
35-21-06-66D	0	JAN 20/09	35-31-00- 1G	0	JAN 20/09
35-21-06-66D	1	JAN 20/09	35-31-00- 1G	0A	JAN 20/09
35-21-06-66D	2	JAN 20/09	35-31-00- 1G	1	JAN 20/09
35-21-06-71	0	JAN 20/09	35-31-00-30A	0	JAN 20/09
35-21-06-71	1	JAN 20/09	35-31-00-30A	0A	JAN 20/09
35-21-06-71	2	JAN 20/09	35-31-00-30A	1	JAN 20/09
35-21-51- 1	0	MAY 28/07	35-31-07- 5	0	MAY 28/07
35-21-51- 1	1	JAN 20/09	35-31-07- 5	0A	MAY 28/07
35-21-51- 1	2	JAN 20/09	35-31-07- 5	1	JAN 20/09
35-21-51- 1	3	JAN 20/09	35-31-07- 5	2	JAN 20/09

* THE ASTERISK INDICATES PAGES CHANGED OR ADDED BY THE CURRENT REVISION

 **BOEING**
757
PARTS CATALOG (MAINTENANCE)

CHAPTER 35 — OXYGEN

TABLE OF CONTENTS

SUBJECT	CC-SS-UU	FIGURE	EFFECT
CREW OXYGEN SYSTEM	35-11-00		
CYLINDER INSTL-CREW OXY	35-11-06	01	002004 006999
EQUIPMENT INSTL-OXY MASK AND BOX	35-11-51	19	103106
FURNISHING INSTL-FLIGHT DECK MISC	35-11-51	07	002004
DETACHABLE EMER EQPT (CREW OXYGEN			006100
MASK/STOWAGE MASK ONLY)			107107 121503 904999
INDICATOR INSTL-OXY DISCH	35-11-09	01	002004 006999
MASK AND TUBE INSTL - CREW OXY FIRST	35-11-51	16	002004
OBSERVER			006999
MASK ASSY-OXY	35-11-10	01	002004 006999
MASK INSTL-CREW OXY AND TUBING SECOND	35-11-51	17	002004
OBSERVER			006949 952999
MASK INSTL-CREW OXY CAPT AND FIRST	35-11-51	05	002004
OFFICER			006999
OPTION COLLECTOR-REMOTE CREW OXY FILL	35-11-00	02	101102
STA AVAILABLE			
OPTIONS COLLECTOR-AVAILABLE CREW OXY CYL	35-11-00	01	101102 108120 504903
PANEL ASSY-(OXYGEN PRESSURE INDICATOR	35-11-05	01	008105
ONLY)			107107 121949
PANEL ASSY-P37 MISC RELAY R (CREW	35-11-71	01	008100
OXYGEN SYSTEM ONLY)			107107 121503 904949
PANEL INSTL-CREW OXY FILL	35-11-12	01	008107 121949
RACK INSTL-CREW OXY CYL SPRT	35-11-06	05	002004 006999
REGULATOR INSTL-OXY MASK FLIGHT DECK	35-11-52	02	108120
SUPPORT ASSY-CREW OXY TANK	35-11-06	50	002004 006951

 **BOEING**
757
PARTS CATALOG (MAINTENANCE)

CHAPTER 35 — OXYGEN

TABLE OF CONTENTS

SUBJECT	CC-SS-UU	FIGURE	EFFECT
TUBING INSTL-CREW OXY SYS	35-11-52	01	002004 006100 107107 121503 904999
TUBING INSTL-CREW OXY SYS	35-11-52	01A	101106 108120 504903
VALVE AND TUBING INSTL-OXY	35-11-51	10	002004 006999
VALVE ASSY-FILLER OXY	35-11-55	01	008100



BOEING
757
PARTS CATALOG (MAINTENANCE)

CHAPTER 35 — OXYGEN

TABLE OF CONTENTS

SUBJECT	CC-SS-UU	FIGURE	EFFECT
PASSENGER OXYGEN SYSTEM	35-21-00		
BOX ASSY- ATTENDANT SVCE UNIT OXY (OXYGEN MASK ONLY)	35-21-05	02	101102 121999
BOX ASSY-AFT ATTENDANTS SERVICE UNIT OXYGEN DOOR LATCH ACTUATOR ONLY	35-21-06	05	107107
BOX ASSY-LAV SVCE UNIT OXY (OXYGEN-GENERATOR ONLY)	35-21-04	80A	101102
BOX ASSY-OXY (DOOR LATCH ACTUATOR ONLY)	35-21-06	04A	107107 121949 952999
BOX ASSY-OXY (DOOR LATCH ACTUATOR ONLY)	35-21-06	10A	101102
BOX ASSY-OXY (DOOR LATCH ACTUATOR ONLY)	35-21-06	11	107107
BOX ASSY-OXY (DOOR LATCH ACTUATOR ONLY)	35-21-06	20A	002004 006100 121503
BOX ASSY-OXY (DOOR LATCH ACTUATOR ONLY)	35-21-06	31C	109120
BOX ASSY-OXY (DOOR LATCH ACTUATOR ONLY)	35-21-06	50A	504903
BOX ASSY-OXY (OXYGEN GENERATOR ONLY)	35-21-04	02A	950951
BOX ASSY-OXY (OXYGEN GENERATOR ONLY)	35-21-04	20A	002004 006100 121503
BOX ASSY-OXY (OXYGEN GENERATOR ONLY)	35-21-04	92A	103106
BOX ASSY-OXY (PASSENGER OXYGEN MASK ONLY)	35-21-05	02C	103106
BOX ASSY-OXY (PASSENGER OXYGEN MASK ONLY)	35-21-05	02E	950951
BOX ASSY-OXY (PASSENGER OXYGEN MASK ONLY)	35-21-05	10	107107
BOX ASSY-OXY (PASSENGER OXYGEN MASK ONLY)	35-21-05	10A	101102 108120
BOX ASSY-OXY (PASSENGER OXYGEN MASK ONLY)	35-21-05	12	107107
BOX ASSY-OXY (PASSENGER OXYGEN MASK ONLY)	35-21-05	20A	002004 006100 121503 950999
BOX ASSY-OXY (PASSENGER OXYGEN MASK ONLY)	35-21-05	50A	504903
BOX ASSY-OXY (PASSENGER OXYGEN SYSTEM ONLY)	35-21-00	02A	950951

 **BOEING**
757
PARTS CATALOG (MAINTENANCE)

CHAPTER 35 — OXYGEN

TABLE OF CONTENTS

SUBJECT	CC-SS-UU	FIGURE	EFFECT
BOX ASSY-OXY ATTENDANTS AND LAV SVCE UNIT (OXYGEN MASK ONLY)	35-21-05	02A	107107 904949
BOX ASSY-OXY ATTENDANTS SERVICE UNIT (OXYGEN GENERATOR ONLY)	35-21-04	01A	103106
BOX ASSY-OXY ATTENDANTS SERVICE UNIT (PASSENGER OXYGEN MASK ONLY)	35-21-05	01A	103106
BOX ASSY-OXY DOOR 1 AND 2 (DOOR LATCH ACTUATOR ONLY)	35-21-06	01B	103106
BOX ASSY-OXY DOOR 4 (DOOR LATCH ACTUATOR ONLY)	35-21-06	01C	103106
BOX ASSY-OXY LAV SVCE UNIT (OXYGEN GENERATOR ONLY)	35-21-04	50A	504903
BOX ASSY-OXY LAVATORY SERVICE UNIT (DOOR LATCH ACTUATOR ONLY)	35-21-06	07A	103106
BOX ASSY-OXYGEN (DOOR LATCH ACTUATOR ONLY)	35-21-06	14	107107
BOX ASSY-OXYGEN (PASSENGER OXYGEN SYSTEM ONLY)	35-21-00	05A	107107
BOX ASSY-PASS. OXYGEN (DOOR LATCH ACTUATOR ONLY)	35-21-06	04	002004 006102 108999
LAVATORY INSTL-ATZ (PASSENGER OXYGEN SYSTEM ONLY)	35-21-00	01G	103106
LAVATORY INSTL-BAB MODULE A, C, D AND F SEAT TRACK MOUNTED (OXYGEN ONLY)	35-21-00	18A	504903
LAVATORY INSTL-BRI MODULE A, B, C AND D (OXYGEN ONLY)	35-21-00	13B	002004 006102
LAVATORY INSTL-ILF (PASSENGER OXYGEN SYSTEM ONLY)	35-21-00	11	108120
LAVATORY INSTL-INT MODULE A, C, D AND F SEAT TRACK MOUNTED (OXYGEN ONLY)	35-21-00	19A	121503
LAVATORY INSTL-MODULE A B, C, AND D (OXYGEN ONLY)	35-21-04	48	107107 904949 952952
LAVATORY INSTL-MODULE A, C, D, G AND S WITH HEADER (OXYGEN/GENERATOR ONLY)	35-21-04	78	950951 953999
MODULE INSTL-LAV (OXYGEN GENERATOR ONLY)	35-21-04	39	107107 904949 952952

 **BOEING**
757
PARTS CATALOG (MAINTENANCE)

CHAPTER 35 — OXYGEN

TABLE OF CONTENTS

SUBJECT	CC-SS-UU	FIGURE	EFFECT
PACKAGE ASSY-OPTION P37 MISC RELAY (OXYGEN ONLY)	35-21-71	02B	101102 504903
PANEL AND CEILING ASSY (OXYGEN GENERATOR ONLY)	35-21-04	38	002004 006102 107949 952952
PANEL ASSY-AFT CLG (OXYGEN GENERATOR ONLY)	35-21-04	42	101102 108999
PANEL ASSY-ATTENDANT OXYGEN (GENERATOR ONLY)	35-21-04	45	953999
PANEL ASSY-CLG (OXYGEN GENERATOR ONLY)	35-21-04	40	107107
PANEL ASSY-DOOR NO. 2 FLAT (OXYGEN ONLY) (FLYAWAY)	35-21-52	10	504504 506506
PANEL ASSY-P37 MISC RELAY (OXYGEN ONLY) R	35-21-71	02	002004 006100 107107 121503 904999
PANEL INSTL-P37 R MISC RELAY (OXYGEN ONLY)	35-21-71	02D	103106 108120
PANEL INSTL-P5 OVHD (PASSENGER OXYGEN SYSTEM ONLY)	35-21-51	01	002004 006010 107107 121503 904999
PANEL INSTL-P5 OVHD (PASSENGER OXYGEN SYSTEM ONLY)	35-21-51	03	011100
PANEL INSTL-P5 OVHD (PASSENGER OXYGEN SYSTEM ONLY)	35-21-51	04	101106 108120 504903
SERVICE UNIT ASSY-PASS. (DOOR LATCH ACTUATOR ONLY)	35-21-06	08	103106 108120
SERVICE UNIT ASSY-PASS. (DOOR LATCH ACTUATOR ONLY)	35-21-06	31B	103106 108120
SERVICE UNIT ASSY-PASS. (DOOR LATCH ACTUATOR ONLY)	35-21-06	34A	103106 108120
SERVICE UNIT ASSY-PASS. (DOOR LATCH ACTUATOR ONLY)	35-21-06	66D	504903
SERVICE UNIT ASSY-PASS. (DOOR LATCH ACTUATOR ONLY)	35-21-06	71	108120



BOEING
757
PARTS CATALOG (MAINTENANCE)

CHAPTER 35 — OXYGEN

TABLE OF CONTENTS

SUBJECT	CC-SS-UU	FIGURE	EFFECT
SERVICE UNIT ASSY-PASS. (OXYGEN GENERATOR ONLY)	35-21-04	31B	103106 108120
SERVICE UNIT ASSY-PASS. (OXYGEN GENERATOR ONLY)	35-21-04	31C	109120
SERVICE UNIT ASSY-PASS. (OXYGEN GENERATOR ONLY)	35-21-04	34A	103106 108120
SERVICE UNIT ASSY-PASS. (OXYGEN GENERATOR ONLY)	35-21-04	66D	504903
SERVICE UNIT ASSY-PASS. (OXYGEN GENERATOR ONLY)	35-21-04	70	103106 108120
SERVICE UNIT ASSY-PASS. (OXYGEN GENERATOR ONLY)	35-21-04	71	108120
SERVICE UNIT ASSY-PASS. (PASSENGER OXYGEN MASK ONLY)	35-21-05	07	103106 108120
SERVICE UNIT ASSY-PASS. (PASSENGER OXYGEN MASK ONLY)	35-21-05	31B	103106 108120
SERVICE UNIT ASSY-PASS. (PASSENGER OXYGEN MASK ONLY)	35-21-05	31C	109120
SERVICE UNIT ASSY-PASS. (PASSENGER OXYGEN MASK ONLY)	35-21-05	34A	103106 108120
SERVICE UNIT ASSY-PASS. (PASSENGER OXYGEN MASK ONLY)	35-21-05	66D	504903
SERVICE UNIT ASSY-PASS. (PASSENGER OXYGEN MASK ONLY)	35-21-05	71	108120
SERVICE UNIT ASSY-PASS. OVERDOOR (PASSENGER OXYGEN SYSTEM ONLY)	35-21-00	05	107107
SERVICE UNIT ASSY-UNDERBIN AND OVERDOOR PASS. (OXYGEN GENERATOR ONLY)	35-21-04	26	950951
SERVICE UNIT ASSY-UNDERBIN AND OVERDOOR PASS. AND ATTENDANT (OXYGEN ONLY)	35-21-04	02	107107
SERVICE UNIT ASSY-UNDERBIN AND OVERDOOR PASS. AND ATTENDANT (OXYGEN ONLY)	35-21-04	20	121503 904949
SERVICE UNIT ASSY-23 INCH, UNDERBIN (WITHOUT SPEAKER)	35-21-04	02D	107107
SERVICE UNIT INSTL-PASS (DOOR LATCH ACTUATOR ONLY)	35-21-06	10	011102
SERVICE UNIT INSTL-PASS (DOOR LATCH ACTUATOR ONLY)	35-21-06	26	950951



BOEING
757
PARTS CATALOG (MAINTENANCE)

CHAPTER 35 — OXYGEN

TABLE OF CONTENTS

SUBJECT	CC-SS-UU	FIGURE	EFFECT
SERVICE UNIT INSTL-PASS (DOOR LATCH ACTUATOR ONLY)	35-21-06	30	002004 006010 952999
SERVICE UNIT INSTL-PASS (OXYGEN GENERATOR ONLY)	35-21-04	30	002004 006010 952999
SERVICE UNIT INSTL-PASS (PASSENGER OXYGEN MASK ONLY)	35-21-05	26	950951
SERVICE UNIT INSTL-PASS (PASSENGER OXYGEN MASK ONLY)	35-21-05	30	002004 006010 952999
SERVICE UNIT INSTL-PASS. (OXYGEN GENERATOR ONLY)	35-21-04	35	011102
SERVICE UNIT INSTL-PASS. (PASSENGER OXYGEN MASK ONLY)	35-21-05	09	011102


BOEING
 757
PARTS CATALOG (MAINTENANCE)

CHAPTER 35 — OXYGEN

TABLE OF CONTENTS

SUBJECT	CC-SS-UU	FIGURE	EFFECT
PORTABLE OXYGEN EQUIPMENT	35-31-00		
BOTTLE AND FILLER INSTL-PORTABLE OXY-	35-31-51	05	107107 121503 904949
EQUIPMENT INSTL-MISC EMER (OXYGEN ONLY)	35-31-00	01G	108120
EQUIPMENT INSTL-MISC EMER (OXYGEN ONLY)	35-31-00	30A	103106
EQUIPMENT INSTL-MISC EMER (OXYGEN ONLY)	35-31-07	28	952999
EQUIPMENT INSTL-MISC EMER (OXYGEN ONLY)	35-31-07	29	002004 006100
EQUIPMENT INSTL-MISC EMER (OXYGEN ONLY)	35-31-07	53	101102
EQUIPMENT INSTL-MISC. EMER (OXYGEN ONLY)	35-31-07	05	121503 904949
EQUIPMENT INSTL-MISC. EMER (OXYGEN ONLY)	35-31-07	14	107107
EQUIPMENT INSTL-MISC. EMER (OXYGEN ONLY)	35-31-07	33	950951
EQUIPMENT INSTL-MISC. EMER (OXYGEN ONLY)	35-31-07	39	504504 506506

CREW OXYGEN SYSTEM

BRI
MAY 28/07

35-11-00
SECTION TITLE
PAGE 1

 **BOEING**
757
PARTS CATALOG (MAINTENANCE)

NON-ILLUSTRATED FIGURE

THE ITEMS REFLECTED IN THIS FIGURE ARE INTENTIONALLY
NON-ILLUSTRATED. THEY ARE REFERENCED TO EITHER A
NEXT HIGHER OR NEXT LOWER ASSEMBLY/INSTALLATION FIGURE.

OPTIONS COLLECTOR-AVAILABLE CREW OXY CYL
FIGURE 1

35-11-00-01

BRI
MAY 28/07

35-11-00-01
PAGE 0



757

PARTS CATALOG (MAINTENANCE)

FIG ITEM	PART NUMBER	1 2 3 4 5 6 7	NOMENCLATURE	EFFECT FROM TO	UNITS PER ASSY
1			OPTIONS COLLECTOR-AVAILABLE CREW OXY CYL	101102 108120 504903	
- 1	935N1102-1		OPTIONS COLLECTOR-AVAILABLE CREW OXY CYL	101102 108120 504903	1
- 10	417N4220-11		.CYLINDER INSTL-CREW OXY 115 SCF FUNCTIONAL REFERENCE: PLACARDS AND MARKINGS FOR DETAILS SEE 11-32-04-01 OXYGEN FOR DETAILS SEE 35-11-06-01	101102 108120 504903	1

MISSING ITEM NUMBERS NOT APPLICABLE

- ITEM NOT ILLUSTRATED

BRI

35-11-00-01

BOEING PROPRIETARY - Copyright © - Unpublished Work - See title page for details.

35-11-00
FIG. 01
PAGE 1
JAN 20/09

 **BOEING**
757
PARTS CATALOG (MAINTENANCE)

NON-ILLUSTRATED FIGURE

THE ITEMS REFLECTED IN THIS FIGURE ARE INTENTIONALLY
NON-ILLUSTRATED. THEY ARE REFERENCED TO EITHER A
NEXT HIGHER OR NEXT LOWER ASSEMBLY/INSTALLATION FIGURE.

OPTION COLLECTOR-REMOTE CREW OXY FILL STA AVAILABLE
FIGURE 2

35-11-00-02

BRI
MAY 28/07

35-11-00-02
PAGE 0



757

PARTS CATALOG (MAINTENANCE)

FIG ITEM	PART NUMBER	1 2 3 4 5 6 7	NOMENCLATURE	EFFECT FROM TO	UNITS PER ASSY
2			OPTION COLLECTOR-REMOTE CREW OXY FILL STA AVAILABLE	101102	
- 1	935N1104-1		OPTION COLLECTOR-REMOTE CREW OXY FILL STA AVAILABLE	101102	1
- 5	417N4400-2		.PANEL INSTL-CREW OXY FILL FOR DETAILS SEE: 35-11-12-01	101102	1

MISSING ITEM NUMBERS NOT APPLICABLE

- ITEM NOT ILLUSTRATED

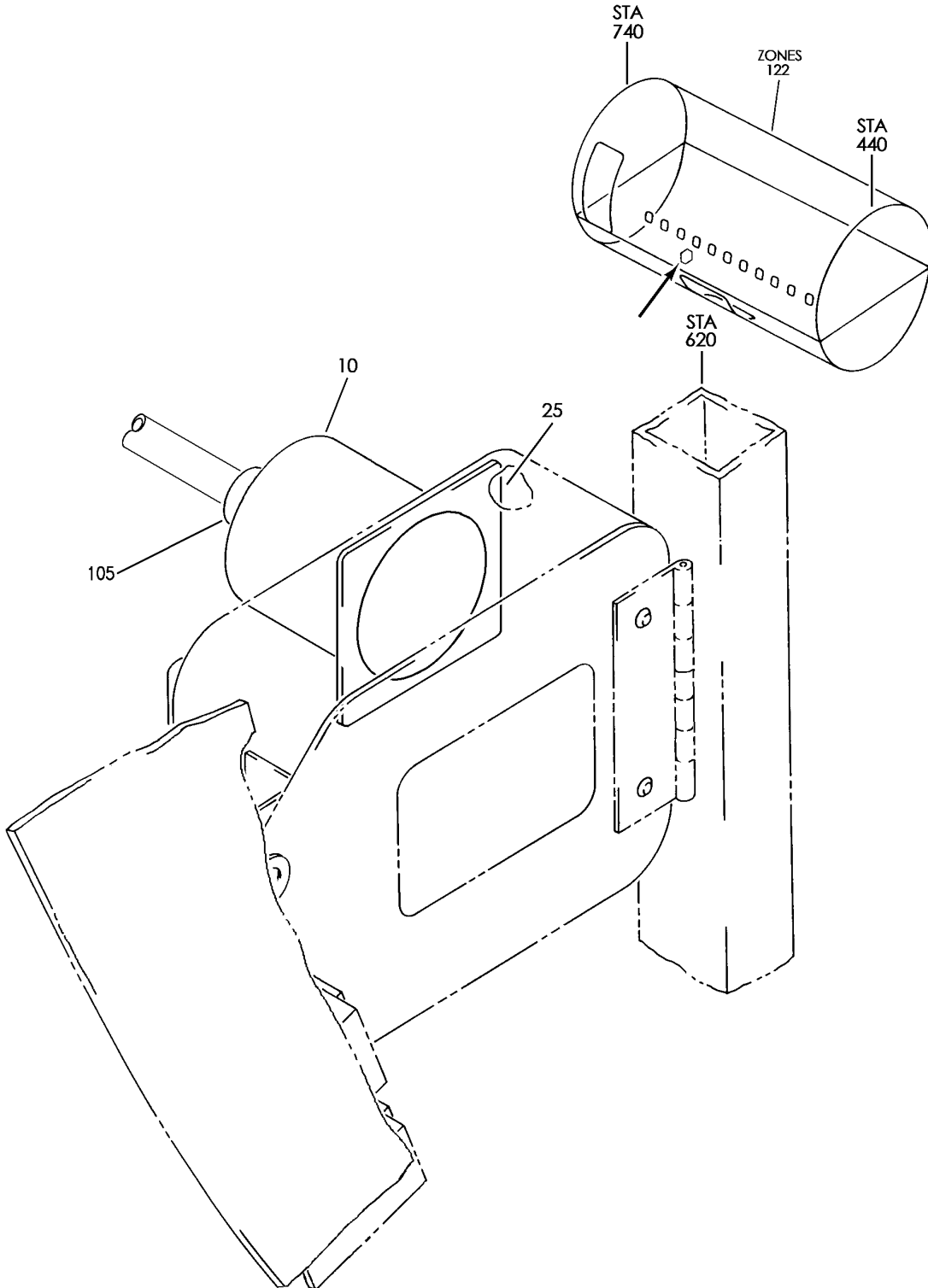
BRI

35-11-00-02

BOEING PROPRIETARY - Copyright © - Unpublished Work - See title page for details.

35-11-00
FIG. 02
PAGE 1
JAN 20/09

BOEING
757
PARTS CATALOG (MAINTENANCE)



Y 35110501 REV 259

PANEL ASSY-(OXYGEN PRESSURE INDICATOR ONLY)

FIGURE 1

35-11-05-01

BRI
MAY 28/07

35-11-05-01
PAGE 0



757

PARTS CATALOG (MAINTENANCE)

FIG ITEM	PART NUMBER	1 2 3 4 5 6 7	NOMENCLATURE	EFFECT FROM TO	UNITS PER ASSY
1			PANEL ASSY-(OXYGEN PRESSURE INDICATOR ONLY)	008105 107107 121949	
- 1	417N4401-1		PANEL ASSY-(OXYGEN PRESSURE INDICATOR ONLY) OPTIONAL PART: 417N4401-12 FOR NHA/OTHER SYS DET SEE: 35-11-12-01	107107 121949	RF
- 1	417N4401-8		PANEL ASSY-(OXYGEN PRESSURE INDICATOR ONLY) OPTIONAL PART: 417N4401-13 FOR NHA/OTHER SYS DET SEE: 35-11-12-01	101102	RF
- 1	417N4401-9		PANEL ASSY-(OXYGEN PRESSURE INDICATOR ONLY) OPTIONAL PART: 417N4401-14 FOR NHA/OTHER SYS DET SEE: 35-11-12-01	008100	RF
- 1	417N4401-12		PANEL ASSY-(OXYGEN PRESSURE INDICATOR ONLY) OPTIONAL PART: 417N4401-1 FOR NHA/OTHER SYS DET SEE: 35-11-12-01	107107 121949	RF
- 1	417N4401-13		PANEL ASSY-(OXYGEN PRESSURE INDICATOR ONLY) OPTIONAL PART: 417N4401-8 FOR NHA/OTHER SYS DET SEE: 35-11-12-01	101102	RF
- 1	417N4401-14		PANEL ASSY-(OXYGEN PRESSURE INDICATOR ONLY) OPTIONAL PART: 417N4401-9 FOR NHA/OTHER SYS DET SEE: 35-11-12-01	008100	RF
- 1	417N4401-16		PANEL ASSY-(OXYGEN PRESSURE INDICATOR ONLY) FOR NHA/OTHER SYS DET SEE: 35-11-12-01	103105	RF

MISSING ITEM NUMBERS NOT APPLICABLE

- ITEM NOT ILLUSTRATED

35-11-05-01

35-11-05
FIG. 01
PAGE 1
JAN 20/09

BRI



757

PARTS CATALOG (MAINTENANCE)

FIG ITEM	PART NUMBER	1 2 3 4 5 6 7	NOMENCLATURE	EFFECT FROM TO	UNITS PER ASSY
1					
10	182972		.INDICATOR- SUPPLIER CODE: V61349 FUNCTIONAL DESCRIPTION: PROVIDES PRESSURE INDICATION OF OXYGEN SYSTEM SPECIFICATION NUMBER: 10-60735-2 ELECTRICAL EQUIP NUMBER: N10023 COMPONENT MAINT MANUAL REF: 35-11-05 ATTACHING PARTS	008105 107107 121949	1
- 15	NAS602-14P		.SCREW	008105 107107 121949	4
- 20	NAS1149CN832R		.WASHER	008105 107107 121949	4
			-----*-----		
25	417N4405-2		.GASKET	008105 107107 121949	1
- 100	286N4473-002		WIRE BUNDLE ASSY- REWORKED BY ALERT SB: 34A022	121503 904949	RF
- 100	286N4473-003		WIRE BUNDLE ASSY- REWORKED BY ALERT SB: 34A022	107107	RF
- 100	286N4473-021		WIRE BUNDLE ASSY- REWORKED BY ALERT SB: 34A022	008100	RF
- 100	286N4473-601		WIRE BUNDLE ASSY	103105	RF
- 101	286N4473-368		WIRE BUNDLE ASSY- REWORKED BY ALERT SB: 34A022	504504 506903	RF
- 101	286N4473-390		WIRE BUNDLE ASSY- REWORKED BY ALERT SB: 34A022	505505	RF
- 101	286N4473-363		WIRE BUNDLE ASSY- REWORKED BY ALERT SB: 34A022	101101	RF
- 101	286N4473-365		WIRE BUNDLE ASSY- REWORKED BY ALERT SB: 34A022	102102	RF

MISSING ITEM NUMBERS NOT APPLICABLE

- ITEM NOT ILLUSTRATED

35-11-05-01

35-11-05
FIG. 01
PAGE 2
JAN 20/09

BRI



757

PARTS CATALOG (MAINTENANCE)

FIG ITEM	PART NUMBER	1 2 3 4 5 6 7	NOMENCLATURE	EFFECT FROM TO	UNITS PER ASSY
1 105	BACC45FT10-5S		.CONNECTOR- ELECTRICAL EQUIP NUMBER: D04012 WIRING DIAGRAM REF: 351113	008105 107107 121949	1

MISSING ITEM NUMBERS NOT APPLICABLE

- ITEM NOT ILLUSTRATED

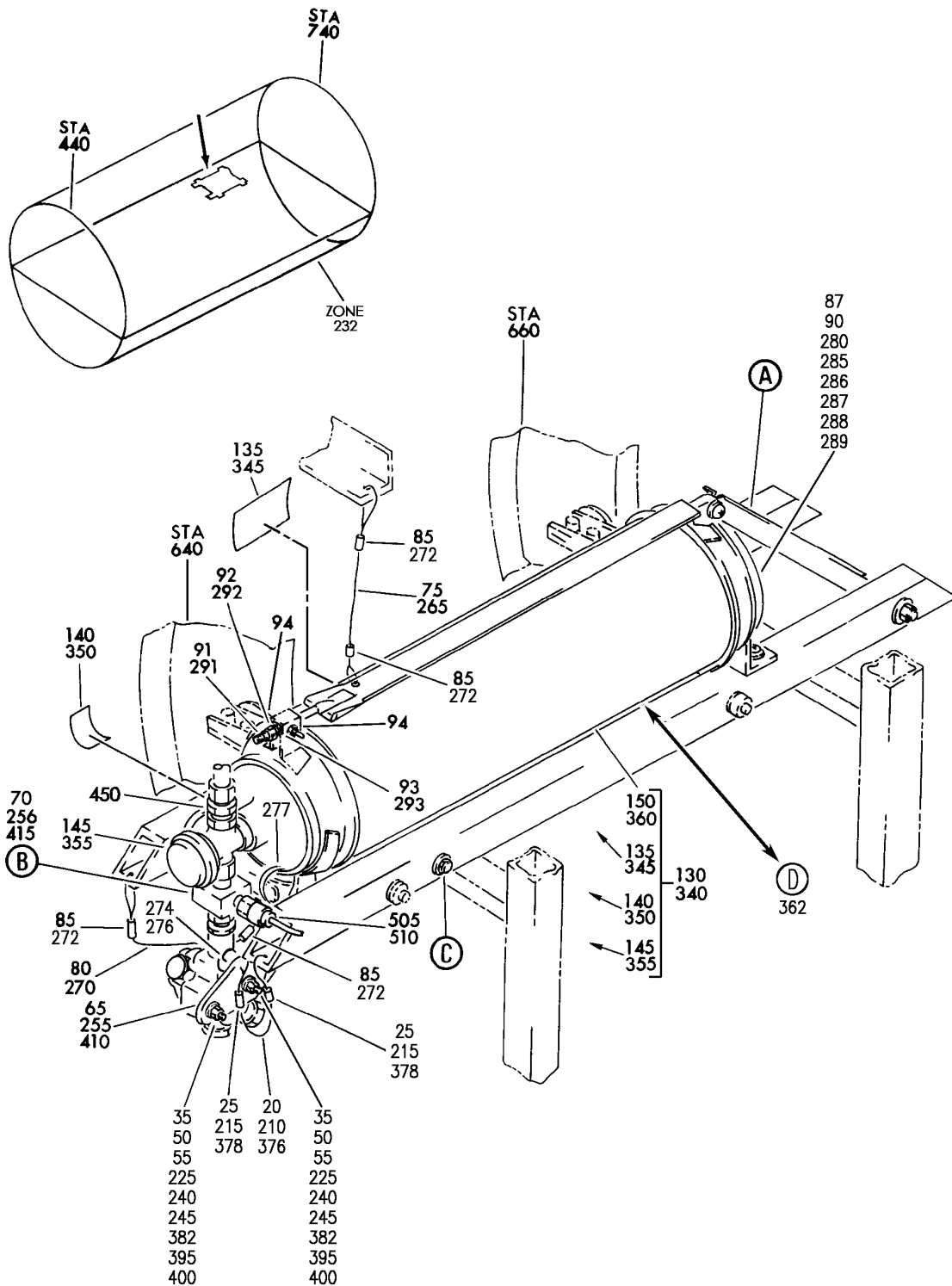
BRI

35-11-05-01

BOEING PROPRIETARY - Copyright © - Unpublished Work - See title page for details.

35-11-05
FIG. 01
PAGE 3
JAN 20/09

BOEING
757
PARTS CATALOG (MAINTENANCE)



Y 35110601 SH1 1 REV 273

CYLINDER INSTL-CREW OXY
FIGURE 1 (SHEET 1)

35-11-06-01

BRI
MAY 28/07

35-11-06-01
PAGE 0



757

PARTS CATALOG (MAINTENANCE)

FIG ITEM	PART NUMBER	1 2 3 4 5 6 7	NOMENCLATURE	EFFECT FROM TO	UNITS PER ASSY
1			CYLINDER INSTL-CREW OXY	002004	
- 200	417N4220-5		CYLINDER INSTL-CREW OXY (OXYGEN ONLY) VARIABLE DRAWING REF: 417N4220-5002 FOR NHA/OTHER SYS DET SEE: 25-20-00-01A	006999 952999	RF
- 200	417N4220-6		CYLINDER INSTL-CREW OXY (OXYGEN ONLY) FOR NHA/OTHER SYS DET SEE: 25-20-00-01A 25-20-00-01E	002004 006100 107107 121503 904951	RF
- 200	417N4220-11		CYLINDER INSTL-CREW OXY (OXYGEN ONLY) FOR NHA/OTHER SYS DET SEE: 35-11-00-01	101102 108120 504903	RF
- 200	MODREF25730		CYLINDER INSTL-CREW OXY (OXYGEN ONLY) MODULE NUMBER: 417N4220-18 REV B FOR OTHER SYS DETAILS SEE: 11-32-04-01	103105	1
- 201	MODREF184621		CYLINDER INSTL-CREW OXY (OXYGEN ONLY) MODULE NUMBER: 417N4220-18 REV C FOR OTHER SYS DETAILS SEE: 11-32-04-01	106106	1
265	CL100-3A70		.CABLE- SUPPLIER CODE: V99862 SPECIFICATION NUMBER: BACC13Y3A70	952999	1
265	CL100-3A55		.CABLE- SUPPLIER CODE: V99862 SPECIFICATION NUMBER: BACC13Y3A55	002004 006951	1
270	CL100-3A90		.CABLE SUPPLIER CODE: V99862 SPECIFICATION NUMBER: BACC13Y3A90	002004 006999	1

MISSING ITEM NUMBERS NOT APPLICABLE

- ITEM NOT ILLUSTRATED

35-11-06-01

35-11-06
FIG. 01
PAGE 1
JAN 20/09

BRI



757

PARTS CATALOG (MAINTENANCE)

FIG ITEM	PART NUMBER	1 2 3 4 5 6 7	NOMENCLATURE	EFFECT FROM TO	UNITS PER ASSY
1					
272	CL4F		. FERRULE SUPPLIER CODE: V99862 SPECIFICATION NUMBER: BACF22U2 OPTIONAL PART: 325167 V00779	002004 006999	4
274	474W2090-148		. ELBOW ASSY- OPTIONAL PART: BACE21BM0505J	103105	1
274	474W2090-151		. ELBOW ASSY	106106	1
276	BACE21BM0505J		. ELBOW- OPTIONAL PART: 474W2090-148	103105	1
277	PLT4SM		. STRAP SUPPLIER CODE: V06383 SPECIFICATION NUMBER: BACS38K2 OPTIONAL PART: T05L0 V53421	103106	1
280	417N4221-4		. RING ASSY-SPRT OPTIONAL PART: 21410 V94581 ST1228 V14242	952999	1
280	21410		. SUPPORT ASSY- SUPPLIER CODE: V94581 OPTIONAL PART: ST1228 V14242 417N4221-4 FOR DETAILS SEE: 35-11-06-50	952999	1
280	ST1228		. CRADLE ASSY- SUPPLIER CODE: V14242 OPTIONAL PART: 21410 V94581 417N4221-4	952999	1

MISSING ITEM NUMBERS NOT APPLICABLE

- ITEM NOT ILLUSTRATED

35-11-06-01

35-11-06
FIG. 01
PAGE 2
MAY 20/09

BRI



757

PARTS CATALOG (MAINTENANCE)

FIG ITEM	PART NUMBER	1 2 3 4 5 6 7	NOMENCLATURE	EFFECT FROM TO	UNITS PER ASSY
1 285	417N4221-3		.RING ASSY-SPRT OPTIONAL PART: 3145 V94581 ST1221 V14242	002004 006951	1
285	3145		.SUPPORT ASSY- SUPPLIER CODE: V94581 OPTIONAL PART: ST1221 V14242 417N4221-3 FOR DETAILS SEE: 35-11-06-50	002004 006951	1
285	ST1221		.SUPPORT ASSY- SUPPLIER CODE: V14242 OPTIONAL PART: 3145 V94581 417N4221-3	002004 006951	1
288	21410		..SUPPORT ASSY- SUPPLIER CODE: V94581 USED ON: 417N4221-4	952999	1
288	ST1228		..CRADLE ASSY- SUPPLIER CODE: V14242 USED ON: 417N4221-4	952999	1
289	3145		..SUPPORT ASSY- SUPPLIER CODE: V94581 USED ON: 417N4221-3	002004 006951	1
289	ST1221		..SUPPORT ASSY- SUPPLIER CODE: V14242 USED ON: 417N4221-3	002004 006951	1
291	FT4JF350E		...BOLT- SUPPLIER CODE: V14242 USED ON: ST1221	002004 006951	1

MISSING ITEM NUMBERS NOT APPLICABLE

- ITEM NOT ILLUSTRATED

35-11-06-01

35-11-06
FIG. 01
PAGE 3
JAN 20/09

BRI

BOEING PROPRIETARY - Copyright © - Unpublished Work - See title page for details.



757

PARTS CATALOG (MAINTENANCE)

FIG ITEM	PART NUMBER	1 2 3 4 5 6 7	NOMENCLATURE	EFFECT FROM TO	UNITS PER ASSY
1					
292	MS21042-4	. . .	NUT- USED ON: ST1221	002004 006951	1
293	VS1203	. . .	TRUNNION- SUPPLIER CODE: V14242 USED ON: ST1221	002004 006951	1
295	BACB30NT3K4	.	BOLT	002004 006999	1
300	BACB30NT3K2	.	BOLT	002004 006999	2
305	BACB30NT3K17	.	BOLT	002004 006999	2
310	AN960C10L	.	WASHER	002004 006100 107107 121503 904999	5
310	NAS1149C0332R	.	WASHER	101106 108120 504903	5
315	417N4235-3	.	SPACER	002004 006999	2
320	BRH10C3	.	NUT SUPPLIER CODE: V52828 SPECIFICATION NUMBER: BACN10JC3C OPTIONAL PART: T6C1032J V11815 97-02 V80539 101LH9075-3W V72962 VN303B02 V92215 NS202101S02 V80539 H31-3BAC V15653	002004 006999	1

R
R
R
R
R
R
R
R

MISSING ITEM NUMBERS NOT APPLICABLE

- ITEM NOT ILLUSTRATED

35-11-06-01

35-11-06
FIG. 01
PAGE 4
MAY 20/09

BRI



757

PARTS CATALOG (MAINTENANCE)

FIG ITEM	PART NUMBER	1 2 3 4 5 6 7	NOMENCLATURE	EFFECT FROM TO	UNITS PER ASSY
1 325	BRH10C3D	.	NUT SUPPLIER CODE: V52828 SPECIFICATION NUMBER: BACN10JC3CD OPTIONAL PART: T6C1032JCD V11815 NS202486-02 V80539 102LH9075-3W V72962 H51650-3BAC V15653	002004 006999	4
R R R R	330 417T4650-17	.	BRACE	002004 006999	1
	335 417T4650-18	.	BRACE	002004 006999	1
	340 801307-06	.	CYLINDER ASSY- SUPPLIER CODE: V53655 SPECIFICATION NUMBER: 60B50087-93 COMPONENT MAINT MANUAL REF: 35-21-57	952999	1

MISSING ITEM NUMBERS NOT APPLICABLE

- ITEM NOT ILLUSTRATED

BRI

35-11-06-01

BOEING PROPRIETARY - Copyright © - Unpublished Work - See title page for details.

35-11-06
FIG. 01
PAGE 5
MAY 20/09



757

PARTS CATALOG (MAINTENANCE)

FIG ITEM	PART NUMBER	1 2 3 4 5 6 7	NOMENCLATURE	EFFECT FROM TO	UNITS PER ASSY
1 350	10003753		.. LABEL- SUPPLIER CODE: V53655 PLACARD CONTENT: INSTALL VALVE OUTLET CAP WITH 350-400 IN LB TORQUE USED ON: 801307-00 801307-06 801307-07	002004 006999	1
355	801308-31		.. VALVE- SUPPLIER CODE: V53655 USED ON: 801307-00 801307-06	002004 006999	1
360	10003366		.. CYLINDER- SUPPLIER CODE: V53655 USED ON: 801307-06	952999	1
360	10003367		.. CYLINDER- SUPPLIER CODE: V53655 USED ON: 801307-00 801307-07	002004 006951	1
376	CL100-3A45		. CABLE SUPPLIER CODE: V99862 SPECIFICATION NUMBER: BACC13Y3A45	002004 006999	1
378	CL4F		. FERRULE SUPPLIER CODE: V99862 SPECIFICATION NUMBER: BACF22U2 OPTIONAL PART: 325167 V00779	002004 006999	2
380	BACB30NT3K22		. BOLT	002004 006999	1
382	BACB30NT3K4		. BOLT	002004 006999	2
385	BACW10P271TF		. WASHER	002004 006999	2

MISSING ITEM NUMBERS NOT APPLICABLE

- ITEM NOT ILLUSTRATED

35-11-06-01

35-11-06
FIG. 01
PAGE 7
MAY 20/09

BRI



757

PARTS CATALOG (MAINTENANCE)

FIG ITEM	PART NUMBER	1 2 3 4 5 6 7	NOMENCLATURE	EFFECT FROM TO	UNITS PER ASSY
R R R R R R R R R R	1 395	AN960C10L	.WASHER	002004 006100 107107 121503 904999	3
	395	NAS1149C0332R	.WASHER	101106 108120 504903	3
	400	BRH10C3D	.NUT SUPPLIER CODE: V52828 SPECIFICATION NUMBER: BACN10JC3CD OPTIONAL PART: T6C1032JCD V11815 NS202486-02 V80539 102LH9075-3W V72962 H51650-3BAC V15653	002004 006999	3
	405	417N4235-8	.SPACER	002004 006999	1
	410	417N4227-3	.ARM-	002004 006951	1
	410	417N4227-4	.ARM	952999	1
	415	803163-01	.REGULATOR ASSY- SUPPLIER CODE: V53655 ELECTRICAL EQUIP NUMBER: TS0120 COMPONENT MAINT MANUAL REF: 35-12-03	002004 006999	1
	415	803163-11	.REGULATOR ASSY- SUPPLIER CODE: V53655 ELECTRICAL EQUIP NUMBER: TS0120 COMPONENT MAINT MANUAL REF: 35-12-03	002004 006999	1
	417	10005957	..LABEL-IDENT SUPPLIER CODE: V53655	002004 006999	1
	418	MS21913J5	..PLUG	002004 006999	1
420	10003108	..TRANSDUCER- SUPPLIER CODE: V53655	002004 006999	1	

MISSING ITEM NUMBERS NOT APPLICABLE

- ITEM NOT ILLUSTRATED

35-11-06-01

35-11-06
FIG. 01
PAGE 8
MAY 20/09

BRI



757

PARTS CATALOG (MAINTENANCE)

FIG ITEM	PART NUMBER	1 2 3 4 5 6 7	NOMENCLATURE	EFFECT FROM TO	UNITS PER ASSY
1					
420	831SG250-20R	..	TRANSDUCER- SUPPLIER CODE: V20768	002004 006999	1
420	A300-8120M0	..	TRANSDUCER- SUPPLIER CODE: VU0427 SPECIFICATION NUMBER: 10-62238-1 OPTIONAL PART: 10008792 V53655	002004 006999	1
420	10008792	..	TRANSDUCER- SUPPLIER CODE: V53655 SPECIFICATION NUMBER: 10-62238-1 OPTIONAL PART: A300-8120M0 VU0427	002004 006999	1
425	801321-07	..	COUPLING- SUPPLIER CODE: V53655	002004 006999	1
430	MS9385-05	..	PACKING-PREFORMED	002004 006999	2
435	MS21902J5	..	UNION-FLARELESS TUBE	002004 006999	2
440	27660-08	..	REGULATOR- SUPPLIER CODE: V53655 SPECIFICATION NUMBER: 10-60900-9 COMPONENT MAINT MANUAL REF: 35-11-26	002004 006999	1
- 455	286N4473-320		WIRE BUNDLE ASSY- REWORKED BY ALERT SB: 34A022	108120	RF
- 500	286N4473-002		WIRE BUNDLE ASSY- REWORKED BY ALERT SB: 34A022	121503 904949	RF
- 500	286N4473-003		WIRE BUNDLE ASSY- REWORKED BY ALERT SB: 34A022	107107	RF
- 500	286N4473-006		WIRE BUNDLE ASSY- REWORKED BY SB: 31-0127R1 34-0200 REWORKED BY ALERT SB: 34A022	950999	RF

MISSING ITEM NUMBERS NOT APPLICABLE

- ITEM NOT ILLUSTRATED

35-11-06-01

35-11-06
FIG. 01
PAGE 9
MAY 20/09

BRI



757

PARTS CATALOG (MAINTENANCE)

FIG ITEM	PART NUMBER	1 2 3 4 5 6 7	NOMENCLATURE	EFFECT FROM TO	UNITS PER ASSY
1					
- 500	286N4473-021		WIRE BUNDLE ASSY- REWORKED BY ALERT SB: 34A0222	002004 006100	RF
- 502	286N4473-363		WIRE BUNDLE ASSY- REWORKED BY ALERT SB: 34A0222	101101	RF
- 502	286N4473-365		WIRE BUNDLE ASSY- REWORKED BY ALERT SB: 34A0222	102102	RF
- 503	286N4473-368		WIRE BUNDLE ASSY- REWORKED BY ALERT SB: 34A0222	504504 506903	RF
- 503	286N4473-390		WIRE BUNDLE ASSY- REWORKED BY ALERT SB: 34A0222	505505	RF
510	BACC45FT10-5S		.CONNECTOR- ELECTRICAL EQUIP NUMBER: D02284 WIRING DIAGRAM REF: 351113	002004 006100 107107 121503 904949 952999	1
510	BACC45FT10D5S		.CONNECTOR- ELECTRICAL EQUIP NUMBER: D02284 WIRING DIAGRAM REF: 351113	101102 950951	1

MISSING ITEM NUMBERS NOT APPLICABLE

- ITEM NOT ILLUSTRATED

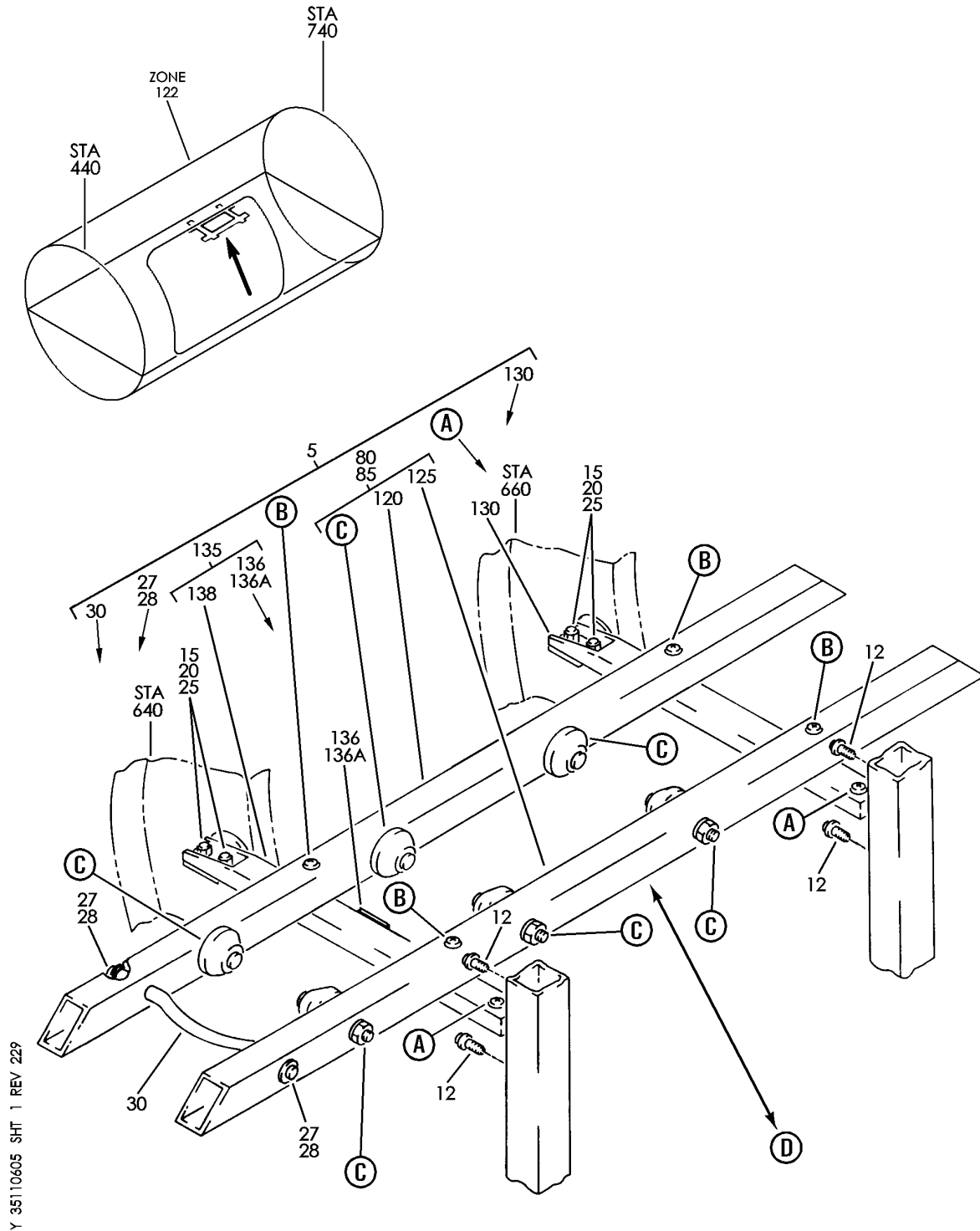
BRI

35-11-06-01

BOEING PROPRIETARY - Copyright © - Unpublished Work - See title page for details.

35-11-06
FIG. 01
PAGE 10
MAY 20/09

BOEING
757
PARTS CATALOG (MAINTENANCE)



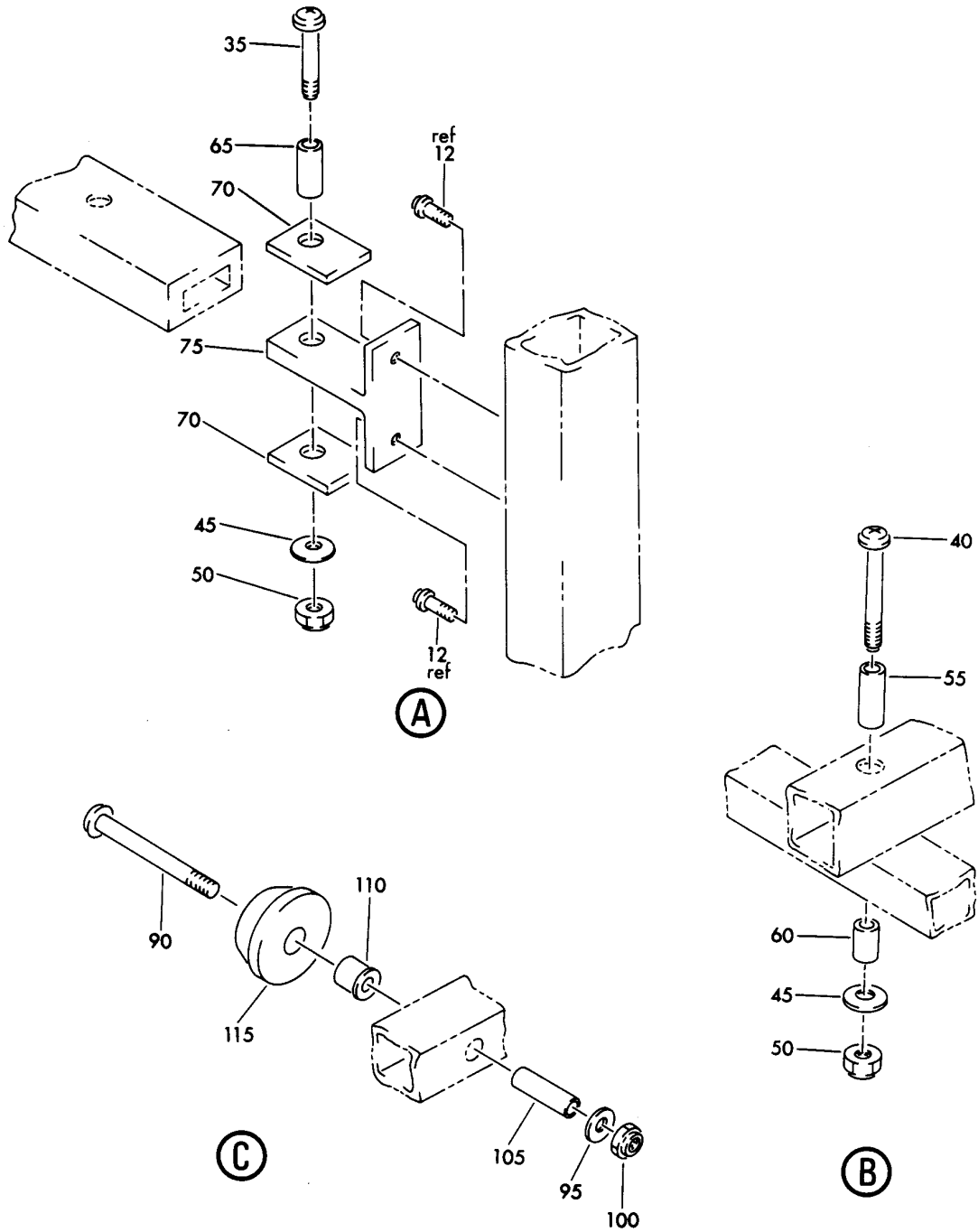
RACK INSTL-CREW OXY CYL SPRT
FIGURE 5 (SHEET 1)

35-11-06-05

BRI
MAY 28/07

35-11-06-05
PAGE 0

BOEING
757
PARTS CATALOG (MAINTENANCE)



Y 35110605 SHT 2 REV 034

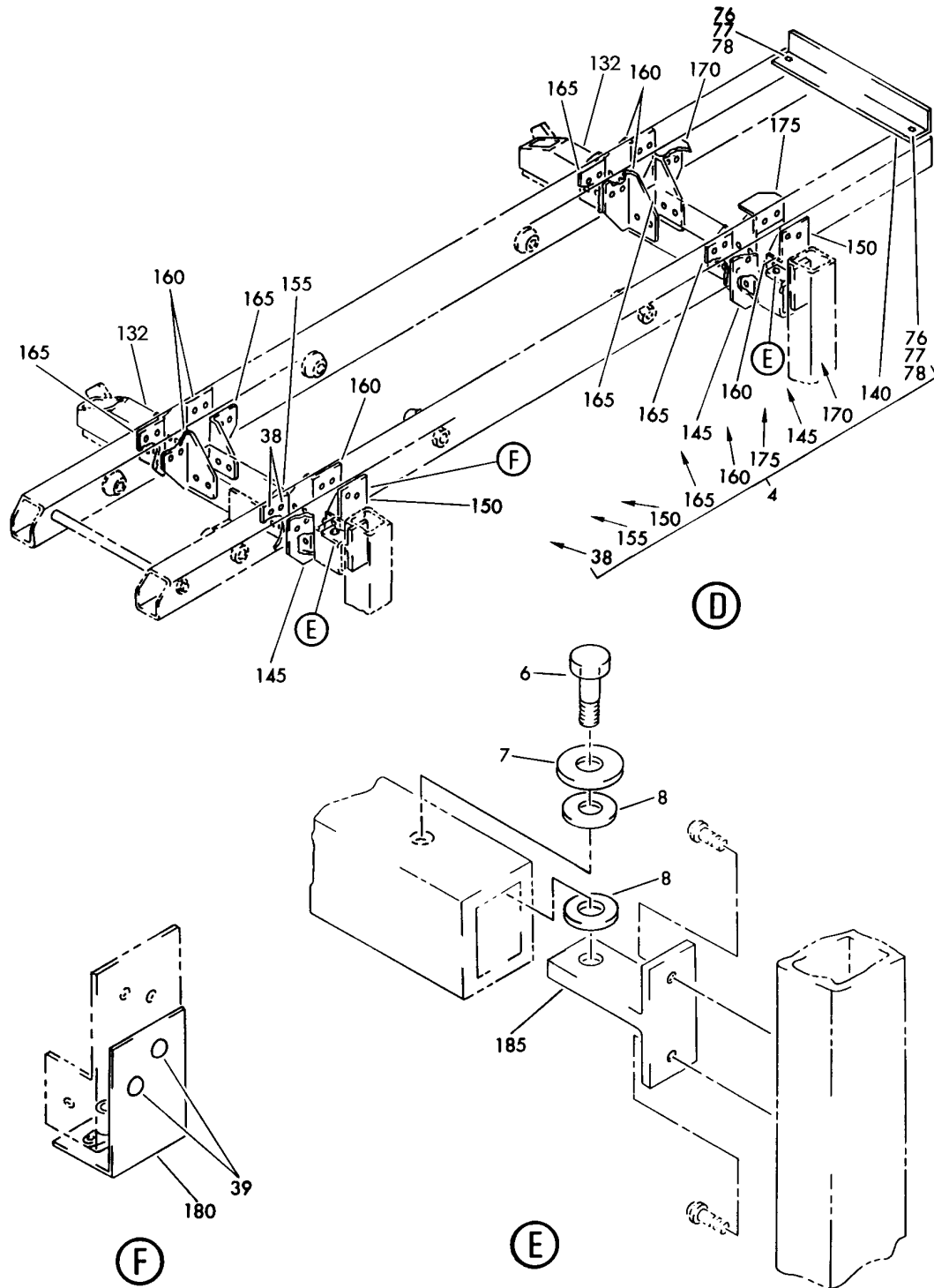
RACK INSTL-CREW OXY CYL SPRT
FIGURE 5 (SHEET 2)

35-11-06-05

BRI
MAY 28/07

35-11-06-05
PAGE 0A

BOEING
757
PARTS CATALOG (MAINTENANCE)



Y 35110605 SHT 3 REV 217

RACK INSTL-CREW OXY CYL SPRT
FIGURE 5 (SHEET 3)

35-11-06-05

BRI
MAY 28/07

35-11-06-05
PAGE 0B



757

PARTS CATALOG (MAINTENANCE)

FIG ITEM	PART NUMBER	1 2 3 4 5 6 7	NOMENCLATURE	EFFECT FROM TO	UNITS PER ASSY
5			RACK INSTL-CREW OXY CYL SPRT	002004 006999	
- 1	417N4222-2		RACK INSTL-CREW OXY CYL SPRT	002004 006102	RF
			FOR NHA SEE: 25-20-00-03A 25-20-00-08	107107 121506 904999	
- 1	417N4222-7		RACK INSTL-SPRT	108120	RF
			FOR NHA SEE: 25-20-00-08	507903	
- 1	MODREF18089		RACK INSTL-SPRT	103106	1
			MODULE NUMBER: 417N4222-7 REV A		
4	417N4223-8		.RACK ASSY-	002004	1
			USED ON: 417N4222-2	006102 107107 121506 904999	
4	417N4223-23		.RACK ASSY-	103106	1
				108120 507903	
			ATTACHING PARTS		
6	BACB30PF4-4		.BOLT-	002004	2
				006999	
7	AN970-4		.WASHER-	002004	2
				006999	
8	417N4235-11		.WASHER-	002004	4
				006999	
15	BACB30NT3K2		.BOLT-	002004	4
				006999	
20	AN960C10L		.WASHER-	002004	4
			USED ON: 417N4222-1 417N4222-2 417N4222-6	006102 107107 121506 904999	
20	NAS1149C0332R		.WASHER-	103106	4
			USED ON: 417N4222-7 MODREF18089	108120 507903	

MISSING ITEM NUMBERS NOT APPLICABLE

- ITEM NOT ILLUSTRATED

BRI

35-11-06-05

BOEING PROPRIETARY - Copyright © - Unpublished Work - See title page for details.

35-11-06
FIG. 05
PAGE 1
JAN 20/09



757

PARTS CATALOG (MAINTENANCE)

FIG ITEM	PART NUMBER	1 2 3 4 5 6 7	NOMENCLATURE	EFFECT FROM TO	UNITS PER ASSY
5	25 BRH10C3		.NUT- SUPPLIER CODE: V52828 SPECIFICATION NUMBER: BACN10JC3C OPTIONAL PART: T6C1032J V11815 97-02 V80539 101LH9075-3W V72962 VN303B02 V92215 NS202101S02 V80539 H31-3BAC V15653	002004 006100 107107 121503 904999	4
	25 BRH10C3D		.NUT- SUPPLIER CODE: V52828 SPECIFICATION NUMBER: BACN10JC3CD OPTIONAL PART: T6C1032JCD V11815 NS202486-02 V80539 102LH9075-3W V72962 H51650-3BAC V15653	002004 006999	4
	27 MS24665-132		-----*----- ..PIN-	002004 006102 107107 121506 904999	2
	27 BACP18BC02C04P		..PIN- OPTIONAL PART: MS24665-132	103106 108120 507903	2
	27 MS24665-132		..PIN- OPTIONAL PART: BACP18BC02C04P	103106 108120 507903	2
	28 AN960C516L		..WASHER- USED ON: 417N4223-1 417N4223-8 417N4223-20	002004 006102 107107 121506 904999	2

MISSING ITEM NUMBERS NOT APPLICABLE

- ITEM NOT ILLUSTRATED

35-11-06-05

35-11-06
FIG. 05
PAGE 2
JAN 20/09

BRI



757

PARTS CATALOG (MAINTENANCE)

FIG ITEM	PART NUMBER	1 2 3 4 5 6 7	NOMENCLATURE	EFFECT FROM TO	UNITS PER ASSY
5					
28	NAS1149C0532R	..	WASHER- USED ON: 417N4223-23	103106 108120 507903	2
30	417N4232-1	..	CLAMP- OPTIONAL PART: 417N4232-2 USED ON: 417N4223-8 417N4223-20	002004 006999	1
30	417N4232-2	..	CLAMP- OPTIONAL PART: 417N4232-1	002004 006999	1
37	NAS1398D6-3	..	RIVET- OPTIONAL PART: BACR15FR6E3 USED ON: 417N4223-8 417N4223-20	002004 006102 107107 121506 904999	58
38	NAS1399D6-2	..	RIVET-	002004 006999	2
76	NAS623-3-2	..	SCREW-	002004 006999	2
77	AN960PD10L	..	WASHER- USED ON: 417N4223-1 417N4223-8 417N4223-20	002004 006102 107107 121506 904999	2
77	NAS1149D0316J	..	WASHER- USED ON: 417N4223-23	103106 108120 507903	2
78	MS21042L3	..	NUT-	002004 006999	2
80	417N4223-9	..	RAIL ASSY-	002004 006999	1
85	417N4223-11	..	RAIL ASSY-	002004 006999	1
90	BACB30NT3K25	...	BOLT-	002004 006999	3
95	AN960C10L	...	WASHER-	002004 006999	3

MISSING ITEM NUMBERS NOT APPLICABLE

- ITEM NOT ILLUSTRATED

35-11-06-05

35-11-06
FIG. 05
PAGE 3
JAN 20/09

BRI

BOEING PROPRIETARY - Copyright © - Unpublished Work - See title page for details.



757

PARTS CATALOG (MAINTENANCE)

FIG ITEM	PART NUMBER	1 2 3 4 5 6 7	NOMENCLATURE	EFFECT FROM TO	UNITS PER ASSY
5 100	BRH10C3D	...	NUT- SUPPLIER CODE: V52828 SPECIFICATION NUMBER: BACN10JC3CD OPTIONAL PART: T6C1032JCD V11815 NS202486-02 V80539 102LH9075-3W V72962 H51650-3BAC V15653	002004 006999	3
105	417N4235-3	...	SPACER-	002004 006999	3
110	BACB28X3C045	...	SLEEVE-	002004 006999	3
115	69B50572-1	...	ROLLER-	002004 006999	3
120	417N4223-10	...	RAIL- USED ON: 417N4223-9	002004 006999	1
125	417N4223-12	...	RAIL- USED ON: 417N4223-11	002004 006999	1
130	417N4223-14	..	RAIL-	002004 006100 107107 121503 904999	1
132	417N4223-14	..	RAIL	103106 108120 507903	2
135	417N4223-13	..	RAIL ASSY- USED ON: 417N4223-8	002004 006102 107107 121506 904999	1
135	417N4223-19	..	RAIL ASSY- USED ON: 417N4223-20	101102 108120 504903	1
136	417N4235-9	...	CLIP- USED ON: 417N4223-13 417N4223-19	101102 108120 504903	1
136A	417N4235-9	...	CLIP- USED ON: 417N4223-19	108120 507903	1

MISSING ITEM NUMBERS NOT APPLICABLE

- ITEM NOT ILLUSTRATED

35-11-06-05

35-11-06
FIG. 05
PAGE 4
JAN 20/09

BRI

BOEING PROPRIETARY - Copyright © - Unpublished Work - See title page for details.



757

PARTS CATALOG (MAINTENANCE)

FIG ITEM	PART NUMBER	1 2 3 4 5 6 7	NOMENCLATURE	EFFECT FROM TO	UNITS PER ASSY
5			ATTACHING PARTS		
- 137	NAS13986D6	...	RIVET- SIZE DETERMINED ON INSTL.	101102 108120 504903	2
			-----*-----		
138	417N4223-14	...	RAIL	101102 108120 504903	1
140	417N4223-15	..	ANGLE-	002004 006999	1
145	417N4235-5	..	CLIP-	002004 006999	2
150	417N4235-4	..	CLIP-	002004 006999	2
155	417N4235-7	..	CLIP-	002004 006999	1
160	417N4234-2	..	CLIP-	002004 006999	6
165	417N4234-1	..	CLIP-	002004 006999	5
170	417N4235-1	..	CLIP-	002004 006999	1
175	417N4235-2	..	CLIP-	002004 006999	1
185	417N4233-2	.	BRACKET-	002004 006999	2
			ATTACHING PARTS		
- 190	BACB30UY6-350	.	BOLT-	002004 006999	4
			-----*-----		

MISSING ITEM NUMBERS NOT APPLICABLE

- ITEM NOT ILLUSTRATED

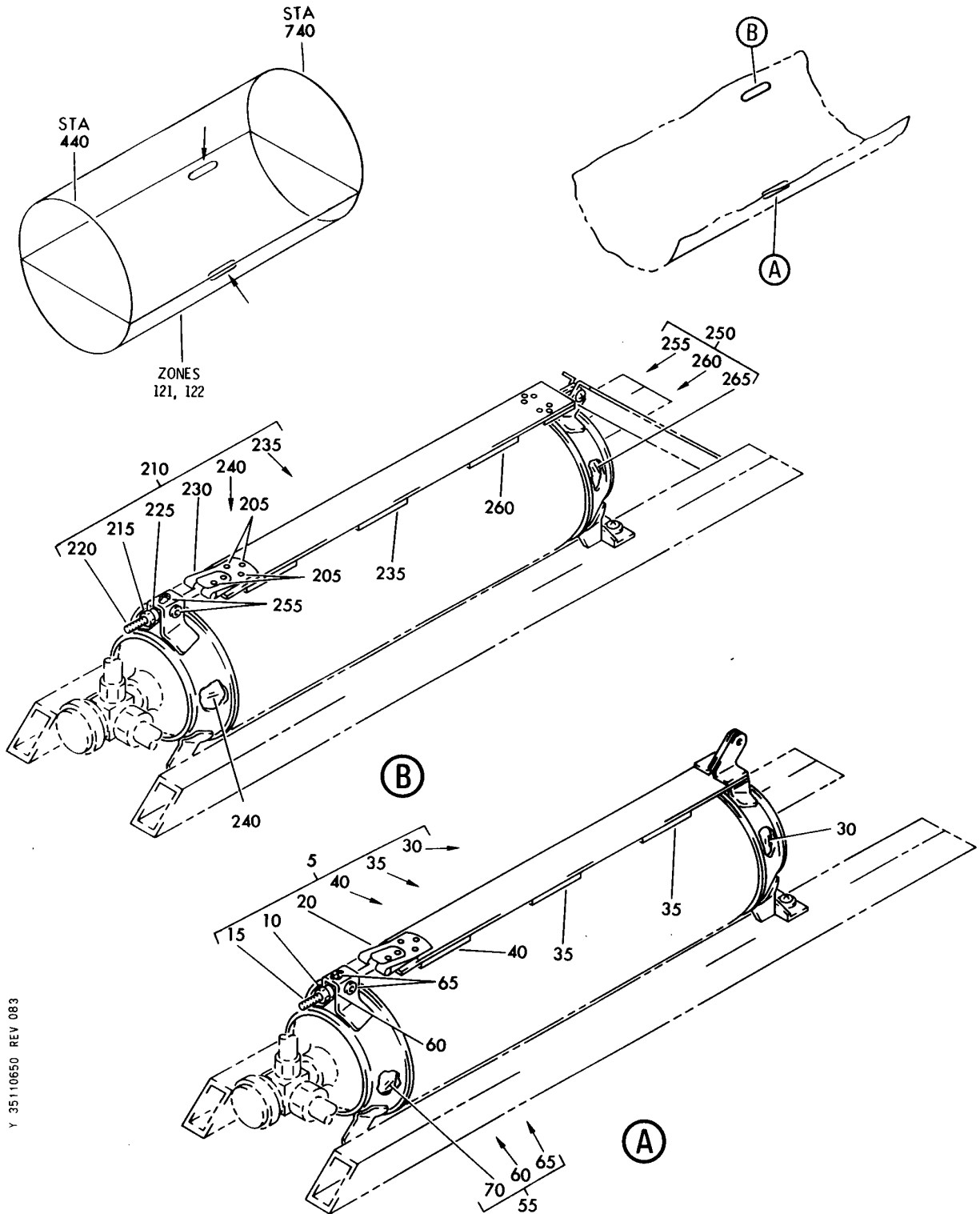
BRI

35-11-06-05

BOEING PROPRIETARY - Copyright © - Unpublished Work - See title page for details.

35-11-06
FIG. 05
PAGE 5
JAN 20/09

BOEING
757
PARTS CATALOG (MAINTENANCE)



Y 35110650 REV 083

SUPPORT ASSY-CREW OXY TANK
FIGURE 50

35-11-06-50

BRI
MAY 28/07

35-11-06-50
PAGE 0



757

PARTS CATALOG (MAINTENANCE)

FIG ITEM	PART NUMBER	1 2 3 4 5 6 7	NOMENCLATURE	EFFECT FROM TO	UNITS PER ASSY
50			SUPPORT ASSY-CREW OXY TANK	002004 006951	
- 1	3145		SUPPORT ASSY-CREW OXY TANK SUPPLIER CODE: V94581 FOR NHA SEE: 35-11-06-01	002004 006951	RF
5	3145-1		. HALF ASSY-REAR SUPPLIER CODE: V94581	002004 006951	1
10	MS21042-4		.. NUT-	002004 006951	1
15	200S4-350		.. BOLT-T SUPPLIER CODE: V94581	002004 006951	1
20	3145-5		.. TACKON-QUICK RELEASE SUPPLIER CODE: V94581	002004 006951	1
- 25	MS20426AD3-4		.. RIVET	002004 006951	5
30	3145-35		.. PAD-CONE SUPPLIER CODE: V94581	002004 006951	1
35	3145-37		.. PAD- SUPPLIER CODE: V94581	002004 006951	2
40	3145-41		.. PAD- SUPPLIER CODE: V94581	002004 006951	1
- 45	140		.. ADHESIVE- SUPPLIER CODE: V71983	002004 006951	AR
- 50	A4094		.. PRIMER- SUPPLIER CODE: V71983	002004 006951	AR
55	3145-2		. HALF ASSY-FRONT SUPPLIER CODE: V94581	002004 006951	1
60	201P4-75-75		.. TRUNNION- SUPPLIER CODE: V94581	002004 006951	1
65	6L1FF		.. WASHER-SHOULDER SUPPLIER CODE: V94581	002004 006951	2
70	3145-35		.. PAD-CONE SUPPLIER CODE: V94581	002004 006951	1

MISSING ITEM NUMBERS NOT APPLICABLE

- ITEM NOT ILLUSTRATED

35-11-06-50

35-11-06
FIG. 50
PAGE 1
JAN 20/09

BRI



757

PARTS CATALOG (MAINTENANCE)

FIG ITEM	PART NUMBER	1 2 3 4 5 6 7	NOMENCLATURE	EFFECT FROM TO	UNITS PER ASSY
50					
- 75	140		.. ADHESIVE- SUPPLIER CODE: V71983	002004 006951	AR
- 80	A4094		.. PRIMER- SUPPLIER CODE: V71983	002004 006951	AR

MISSING ITEM NUMBERS NOT APPLICABLE

- ITEM NOT ILLUSTRATED

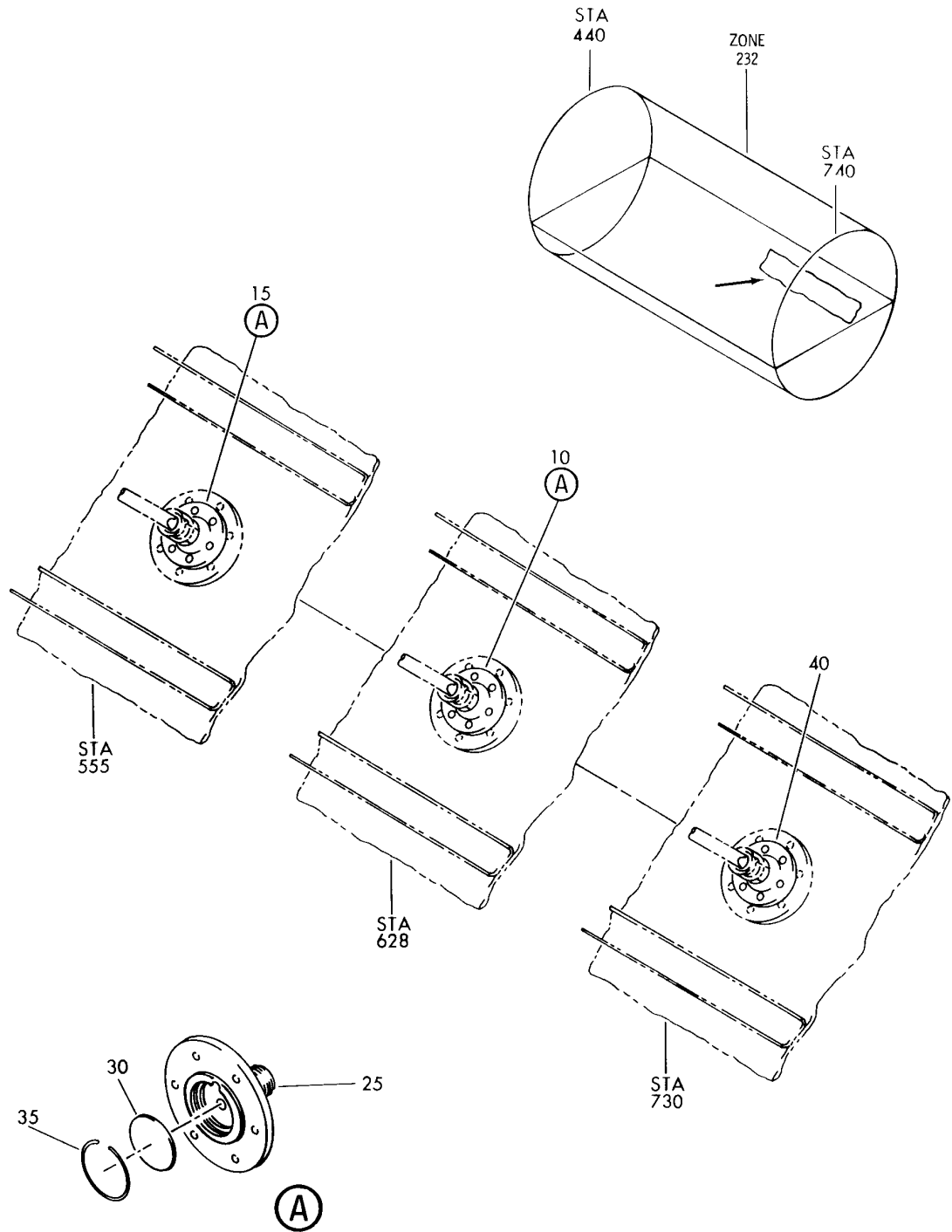
BRI

35-11-06-50

BOEING PROPRIETARY - Copyright © - Unpublished Work - See title page for details.

35-11-06
FIG. 50
PAGE 2
JAN 20/09

BOEING
757
PARTS CATALOG (MAINTENANCE)



INDICATOR INSTL-OXY DISCH
FIGURE 1

35-11-09-01

BRI
MAY 28/07

35-11-09-01
PAGE 0



757

PARTS CATALOG (MAINTENANCE)

FIG ITEM	PART NUMBER	1 2 3 4 5 6 7	NOMENCLATURE	EFFECT FROM TO	UNITS PER ASSY
1			INDICATOR INSTL-OXY DISCH	002004 006999	
- 1	417N4320-1		INDICATOR INSTL-OXY DISCH FOR NHA SEE: 25-20-00-03A 25-20-00-08	002004 006102 107999	RF
- 1	MODREF18092		INDICATOR INSTL-OXY DISCH MODULE NUMBER: 417N4320-1 REV A	103106	1
15	802642		.INDICATOR ASSY- SUPPLIER CODE: V61423	002004 006999	1
- 20	BACR15CE4D		ATTACHING PARTS .RIVET- SIZE DETERMINED ON INSTL. -----*-----	002004 006999	6
25	241731		..BODY- SUPPLIER CODE: V61423	002004 006999	1
30	203337		..DISC- SUPPLIER CODE: V61423	002004 006999	1
35	17917		..RING-SPLIT SUPPLIER CODE: V61423	002004 006999	1

MISSING ITEM NUMBERS NOT APPLICABLE

- ITEM NOT ILLUSTRATED

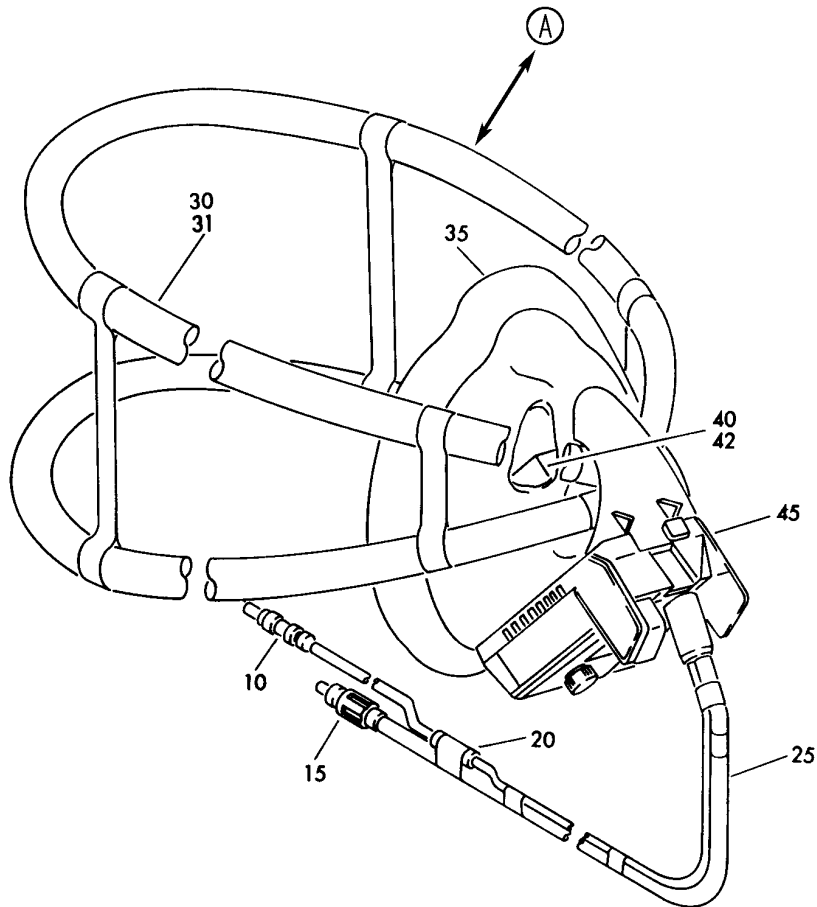
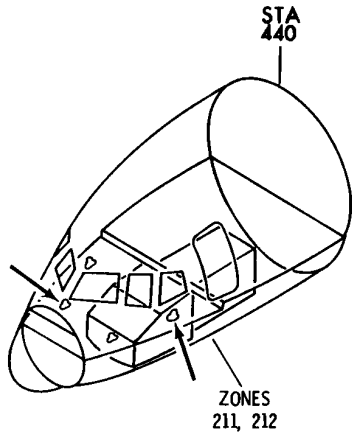
BRI

35-11-09-01

BOEING PROPRIETARY - Copyright © - Unpublished Work - See title page for details.

35-11-09
FIG. 01
PAGE 1
JAN 20/09

BOEING
757
PARTS CATALOG (MAINTENANCE)



Y 35111001 SHT 1 REV 275

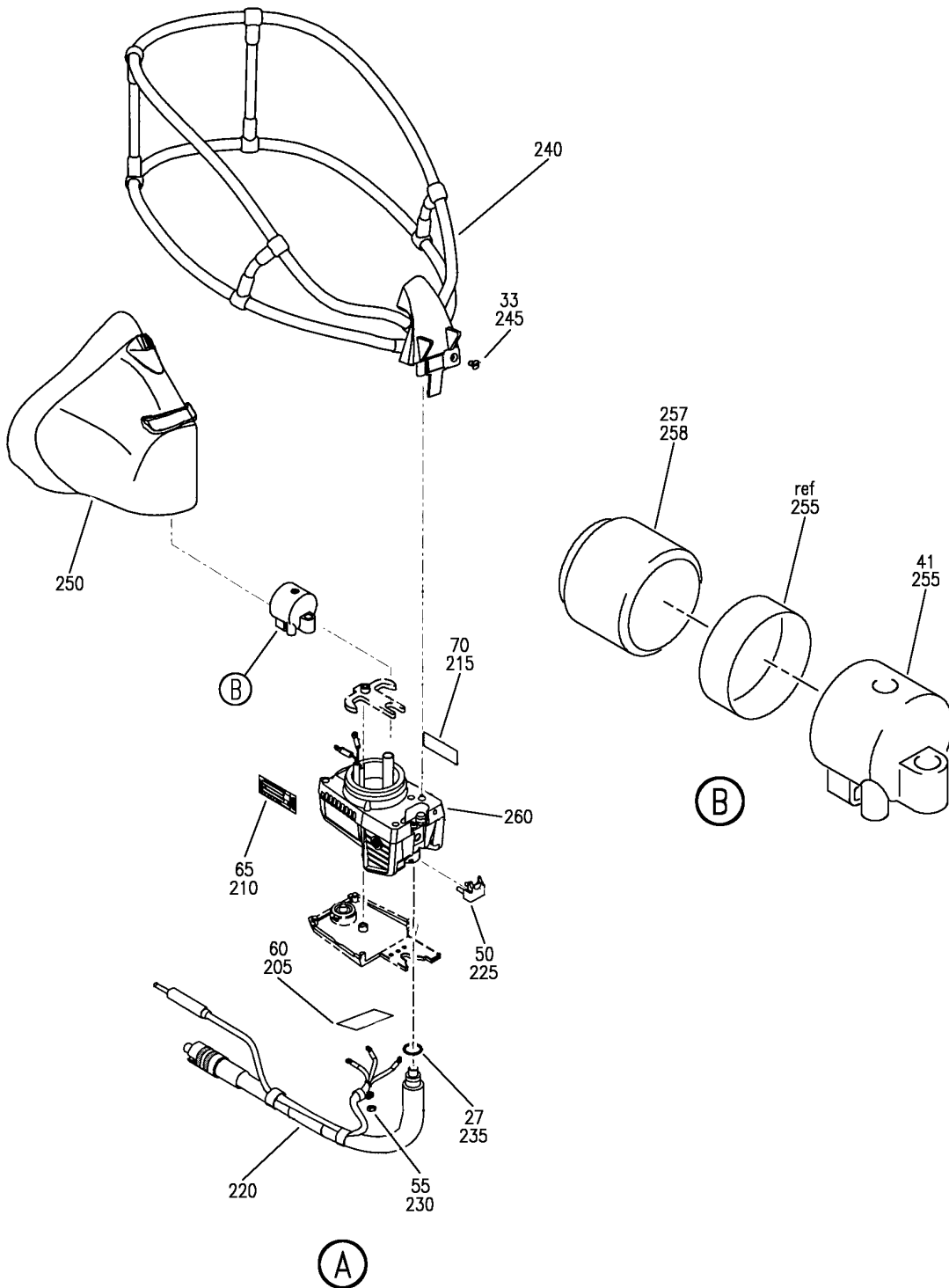
MASK ASSY-OXY
FIGURE 1 (SHEET 1)

35-11-10-01

BRI
MAY 28/07

35-11-10-01
PAGE 0

BOEING
757
PARTS CATALOG (MAINTENANCE)



Y 35111001 SH1 2 REV 283

MASK ASSY-OXY
FIGURE 1 (SHEET 2)

35-11-10-01

BRI
MAY 28/07

35-11-10-01
PAGE 0A



757

PARTS CATALOG (MAINTENANCE)

FIG ITEM	PART NUMBER	1 2 3 4 5 6 7	NOMENCLATURE	EFFECT FROM TO	UNITS PER ASSY
1			MASK ASSY-OXY	002004 006999	
- 1	MC10-25-104		MASK ASSY-OXY (CUSTOMER FURNISHED) SUPPLIER CODE: VF5341 FUNCTIONAL DESCRIPTION: PROVIDES EMERGENCY FLIGHT CREW BREATHING COMPONENT MAINT MANUAL REF: 35-13-63 FOR NHA SEE: 35-11-51-07	002004 006100 107107 950999	RF
- 1	MC10-25-101		MASK ASSY-OXY SUPPLIER CODE: VF5341 COMPONENT MAINT MANUAL REF: 35-13-63 FOR NHA SEE: 25-64-51-01A	101102	RF
- 1	MC10-25-104		MASK ASSY-OXY SUPPLIER CODE: VF5341 FUNCTIONAL DESCRIPTION: PROVIDES EMERGENCY FLIGHT CREW BREATHING COMPONENT MAINT MANUAL REF: 35-13-63 FOR NHA SEE: 25-64-51-01A	101102	RF
- 1	MC10-25-101		MASK ASSY-OXY (CUSTOMER FURNISHED) SUPPLIER CODE: VF5341 COMPONENT MAINT MANUAL REF: 35-13-63 FOR NHA SEE: 35-11-51-07	107107 950951	RF
10	LEMOFOM3		.PLUG- SUPPLIER CODE: VF5341	002004 006102 107107 952999	1
10	LEMOFOM3		.PLUG- SUPPLIER CODE: VF5341	950951	1
10	LEMOFOM304-2		.PLUG- SUPPLIER CODE: VF5341	002004 006102 107120 952999	1

MISSING ITEM NUMBERS NOT APPLICABLE

- ITEM NOT ILLUSTRATED

35-11-10-01

35-11-10
FIG. 01
PAGE 1
JAN 20/09

BRI



757

PARTS CATALOG (MAINTENANCE)

FIG ITEM	PART NUMBER	1 2 3 4 5 6 7	NOMENCLATURE	EFFECT FROM TO	UNITS PER ASSY
1					
15	DMZ14		. FITTING-INLET SUPPLIER CODE: VF5341	002004 006102 107107 952999	1
15	DMZ14		. FITTING-INLET SUPPLIER CODE: VF5341	950951	1
15	DMZ12		. FITTING-INLET SUPPLIER CODE: VF5341	002004 006102 107120 952999	1
20	CE287TRBA		. PREAMPLIFIER- SUPPLIER CODE: V10875	121503 904949	1
25	DTS4032		. HOSE ASSY- SUPPLIER CODE: VF5341	950951	1
25	DTS4032		. HOSE ASSY- SUPPLIER CODE: VF5341	002004 006102 107107 952999	1
27	R4SL1010		. PACKING- SUPPLIER CODE: VF0229	950951	1
27	R4SL1010		. PACKING- SUPPLIER CODE: VF0229	002004 006102 107107 952999	1
30	MXH15-1		. HARNESS-PNEU SUPPLIER CODE: VF5341	002004 006102 107107 121503 904949	1
30	MXH15-2		. HARNESS-PNEU SUPPLIER CODE: VF5341 MISCELLANEOUS DATA: (PNC 86-182-A)	002004 006102 107120 952999	1
30	MXH15-2		. HARNESS-PNEU SUPPLIER CODE: VF5341	950951	1
30	MXH15-2		. HARNESS-PNEU SUPPLIER CODE: VF5341	002004 006102 107107 952999	1

MISSING ITEM NUMBERS NOT APPLICABLE

- ITEM NOT ILLUSTRATED

BRI

35-11-10-01

35-11-10
FIG. 01
PAGE 2
JAN 20/09



757

PARTS CATALOG (MAINTENANCE)

FIG ITEM	PART NUMBER	1 2 3 4 5 6 7	NOMENCLATURE	EFFECT FROM TO	UNITS PER ASSY
1					
31	MXH15-1		.HARNESS-PNEU FIRST OBSERVERS CONSOLE, AND THE P61 PANEL ONLY SUPPLIER CODE: VF5341	002004 006102 107107 952999	1
31	MXH15-2		.HARNESS-PNEU FIRST OBSERVERS CONSOLE, AND THE P61 PANEL ONLY SUPPLIER CODE: VF5341 POST AIRLINE MOD: ECOFO409 VAAL	002004 006102 107107 952999	1
33	YSQ1ZD020006APA		.SCREW- SUPPLIER CODE: VF0110	950951	1
33	YSQ1ZD020006APA		.SCREW- SUPPLIER CODE: VF0110	002004 006102 107107 952999	1
35	MXM23		.MASK- SUPPLIER CODE: VF5341	002004 006102 107107 952999	1
35	MXM23		.MASK- SUPPLIER CODE: VF5341	950951	1
40	MXA1016		.MICROPHONE ASSY- SUPPLIER CODE: VF5341	002004 006102 107107 952999	1
40	MXA1016		.MICROPHONE ASSY- SUPPLIER CODE: VF5341	950951	1
42	P1333		..MICROPHONE- SUPPLIER CODE: VF5341	002004 006102 107107 952999	1
42	P1333		..MICROPHONE- SUPPLIER CODE: VF5341	950951	1
45	RMC1018-1		.REGULATOR- SUPPLIER CODE: VF5341	950951	1

MISSING ITEM NUMBERS NOT APPLICABLE

- ITEM NOT ILLUSTRATED

35-11-10-01

35-11-10
FIG. 01
PAGE 3
JAN 20/09

BRI

BOEING PROPRIETARY - Copyright © - Unpublished Work - See title page for details.



757

PARTS CATALOG (MAINTENANCE)

FIG ITEM	PART NUMBER	1 2 3 4 5 6 7	NOMENCLATURE	EFFECT FROM TO	UNITS PER ASSY
1					
45	RMC1018-1		.REGULATOR- SUPPLIER CODE: VF5341	002004 006102 107107 952999	1
50	419628		.BLOCK-LOCKING SUPPLIER CODE: VF5341	950951	1
50	419628		.BLOCK-LOCKING SUPPLIER CODE: VF5341	002004 006102 107107 952999	1
55	023037		.NUT- SUPPLIER CODE: VF5341	950951	1
55	023037		.NUT- SUPPLIER CODE: VF5341	002004 006102 107107 952999	1
60	080589		.LABEL- SUPPLIER CODE: VF5341	950951	1
60	080589		.LABEL- SUPPLIER CODE: VF5341	002004 006102 107107 952999	1
65	080223		.NAMEPLATE- SUPPLIER CODE: VF5341	950951	1
65	080223		.NAMEPLATE- SUPPLIER CODE: VF5341	002004 006102 107107 952999	1
70	080573		.PLATE-FUNCTIONAL TEST SUPPLIER CODE: VF5341	950951	1
70	080573		.PLATE-FUNCTIONAL TEST SUPPLIER CODE: VF5341	002004 006102 107107 952999	1
- 200	MC10-08-103		MASK ASSY-OXY SUPPLIER CODE: VF5341 COMPONENT MAINT MANUAL REF: 35-13-63 FOR NHA SEE: 35-11-51-07	121503 904949	RF

MISSING ITEM NUMBERS NOT APPLICABLE

- ITEM NOT ILLUSTRATED

BRI

35-11-10-01

35-11-10
FIG. 01
PAGE 4
JAN 20/09



757

PARTS CATALOG (MAINTENANCE)

FIG ITEM	PART NUMBER	1 2 3 4 5 6 7	NOMENCLATURE	EFFECT FROM TO	UNITS PER ASSY
1 - 200	MC10-08-107		MASK ASSY-OXY (CUSTOMER FURNISHED) SUPPLIER CODE: VF5341 FUNCTIONAL DESCRIPTION: PROVIDES EMERGENCY FLIGHT CREW BREATHING COMPONENT MAINT MANUAL REF: 35-13-63 OPTIONAL PART: MC10-08-127 VF5341 FOR NHA SEE: 25-64-51-01A 35-11-51-07	002004 006102 107107 950999	RF
- 200	MC10-08-109		MASK ASSY-OXY (CUSTOMER FURNISHED) SUPPLIER CODE: VF5341 COMPONENT MAINT MANUAL REF: 35-13-63 QUALIFIED I/W DATA: PN MC10-08-109 AND PN MC10-08-209 ARE INTERCHANGEABLE PER CUSTOMER PREFERENCE. PN MC10-08-209 HAS PROVISIONS FOR THE MXG SERIES SMOKE GOGGLES. PN MC10-08-109 CAN BE MODIFIED TO PN MC10-08-209 BY INCORPORATION OF SUPPLIER SERVICE BULLETIN MC10-35-70 FOR NHA SEE: 35-11-51-19	103106	RF
- 200	MC10-08-123		MASK ASSY-OXY (CUSTOMER FURNISHED) SUPPLIER CODE: VF5341 COMPONENT MAINT MANUAL REF: 35-13-63 FOR NHA SEE: 25-64-51-01A	504903	RF

MISSING ITEM NUMBERS NOT APPLICABLE

- ITEM NOT ILLUSTRATED

BRI

35-11-10-01

35-11-10
FIG. 01
PAGE 5
JAN 20/09



757

PARTS CATALOG (MAINTENANCE)

FIG ITEM	PART NUMBER	1 2 3 4 5 6 7	NOMENCLATURE	EFFECT FROM TO	UNITS PER ASSY
1					
- 200	MC10-08-127		MASK ASSY-OXY (CUSTOMER FURNISHED) SUPPLIER CODE: VF5341 COMPONENT MAINT MANUAL REF: 35-13-63 OPTIONAL PART: MC10-08-107 VF5341 FOR NHA SEE: 25-64-51-01A 35-11-51-07	018102	RF
- 201	MC10-08-209		MASK ASSY-OXY (CUSTOMER FURNISHED) SUPPLIER CODE: VF5341 COMPONENT MAINT MANUAL REF: 35-13-63 QUALIFIED I/W DATA: PN MC10-08-109 AND PN MC10-08-209 ARE INTERCHANGEABLE PER CUSTOMER PREFERENCE. PN MC10-08-209 HAS PROVISIONS FOR THE MXG SERIES SMOKE GOGGLES. PN MC10-08-109 CAN BE MODIFIED TO PN MC10-08-209 BY INCORPORATION OF SUPPLIER SERVICE BULLETIN MC10-35-70 FOR NHA SEE: 35-11-51-19	103106	RF
205	080590		.LABEL- TSO TYPE 2 SUPPLIER CODE: VF5341	103106 121949	1
205	080590		.LABEL- TSO TYPE 2 SUPPLIER CODE: VF5341	950951	1
210	080223		.NAMEPLATE- SUPPLIER CODE: VF5341	103106 121949	1
210	080223		.NAMEPLATE- SUPPLIER CODE: VF5341	950951	1

MISSING ITEM NUMBERS NOT APPLICABLE

- ITEM NOT ILLUSTRATED

35-11-10-01

35-11-10
FIG. 01
PAGE 6
JAN 20/09

BRI



757

PARTS CATALOG (MAINTENANCE)

FIG ITEM	PART NUMBER	1 2 3 4 5 6 7	NOMENCLATURE	EFFECT FROM TO	UNITS PER ASSY
1					
215	080573		.PLATE- SUPPLIER CODE: VF5341	103106 121949	1
215	080573		.PLATE- SUPPLIER CODE: VF5341	950951	1
220	DT4032		.HOSE ASSY- SUPPLIER CODE: VF5341	103106 121949	1
220	DT4035		.HOSE ASSY- SUPPLIER CODE: VF5341	002004 006102 107107 952999	1
220	DT4035		.HOSE ASSY- SUPPLIER CODE: VF5341	950951	1
225	419628		.BLOCK-LOCKING SUPPLIER CODE: VF5341	103106 121949	1
225	419628		.BLOCK-LOCKING SUPPLIER CODE: VF5341	950951	1
230	023037		.NUT- SUPPLIER CODE: VF5341	103106 121949	1
230	023037		.NUT- SUPPLIER CODE: VF5341	950951	1
235	R4SL1010		..PACKING- SUPPLIER CODE: VF0229	103106 121949	1
235	R4SL1010		..PACKING- SUPPLIER CODE: VF0229	950951	1
240	MXH15-2		.HARNES- SUPPLIER CODE: VF5341	103106 121949	1
240	MXH15-2		.HARNES- SUPPLIER CODE: VF5341	950951	1
245	YSQ1ZD020006APA		.SCREW- SUPPLIER CODE: VF0110	103106 121949	1
245	YSQ1ZD020006APA		.SCREW- SUPPLIER CODE: VF0110	950951	1
250	MXM23		.MASK- SUPPLIER CODE: VF5341	103106 121949	1

MISSING ITEM NUMBERS NOT APPLICABLE

- ITEM NOT ILLUSTRATED

35-11-10-01

35-11-10
FIG. 01
PAGE 7
JAN 20/09

BRI

BOEING PROPRIETARY - Copyright © - Unpublished Work - See title page for details.



757

PARTS CATALOG (MAINTENANCE)

FIG ITEM	PART NUMBER	1 2 3 4 5 6 7	NOMENCLATURE	EFFECT FROM TO	UNITS PER ASSY
1					
250	MXM23		.MASK- SUPPLIER CODE: VF5341	950951	1
255	MXA1016		.MICROPHONE ASSY- SUPPLIER CODE: VF5341	103106 121949	1
255	MXA1016		.MICROPHONE ASSY- SUPPLIER CODE: VF5341	950951	1
257	P1333		..MICROPHONE- SUPPLIER CODE: VF0042	103106 121949	1
257	P1333		..MICROPHONE- SUPPLIER CODE: VF0042	950951	1
260	RMC1007-1		.REGULATOR- SUPPLIER CODE: VF5341	103106 121949	1
260	RMC1007-1		.REGULATOR- SUPPLIER CODE: VF5341	950951	1

MISSING ITEM NUMBERS NOT APPLICABLE

- ITEM NOT ILLUSTRATED

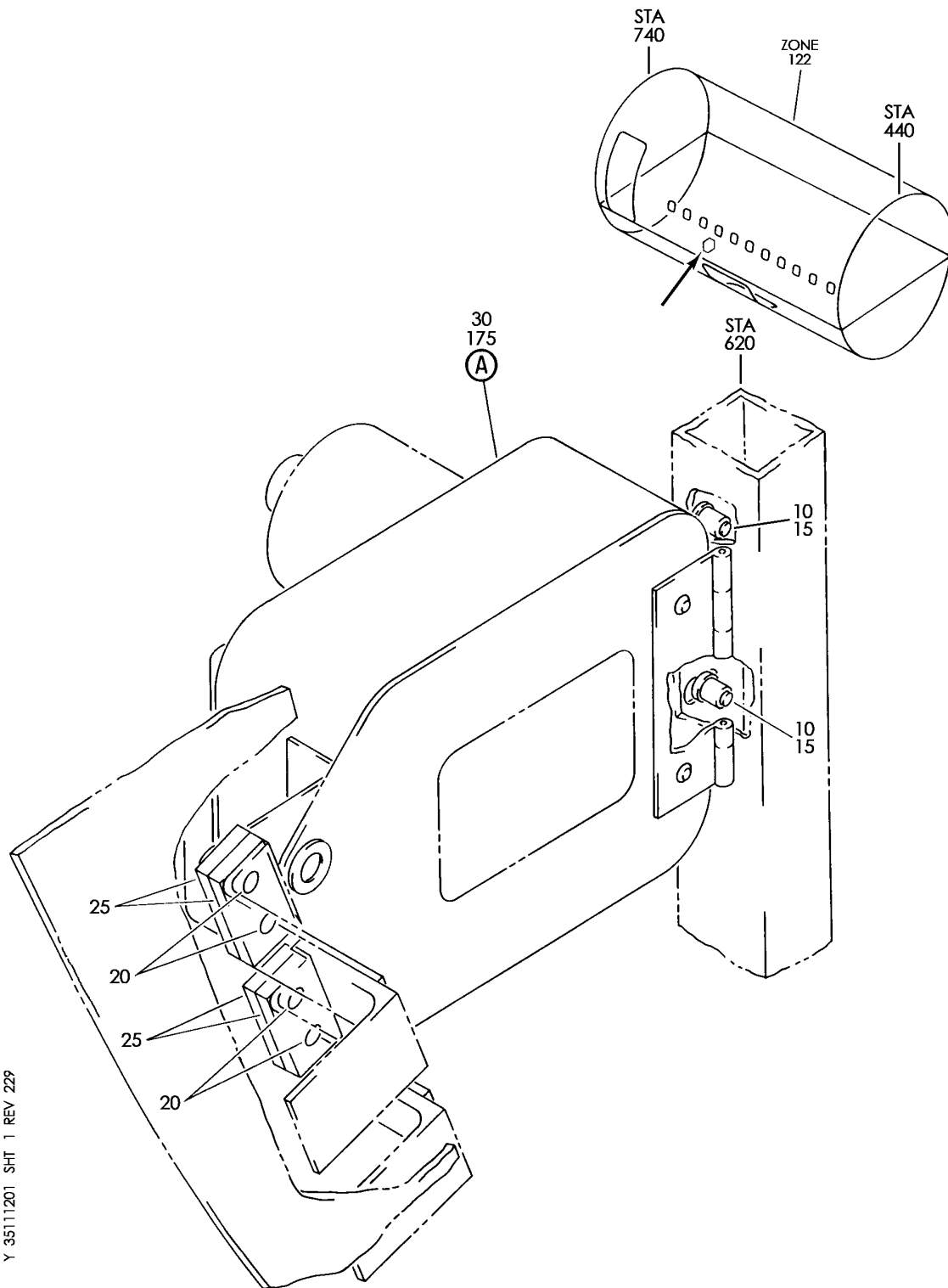
BRI

35-11-10-01

BOEING PROPRIETARY - Copyright © - Unpublished Work - See title page for details.

35-11-10
FIG. 01
PAGE 8
JAN 20/09

BOEING
757
PARTS CATALOG (MAINTENANCE)



Y 35111201 SHT 1 REV 229

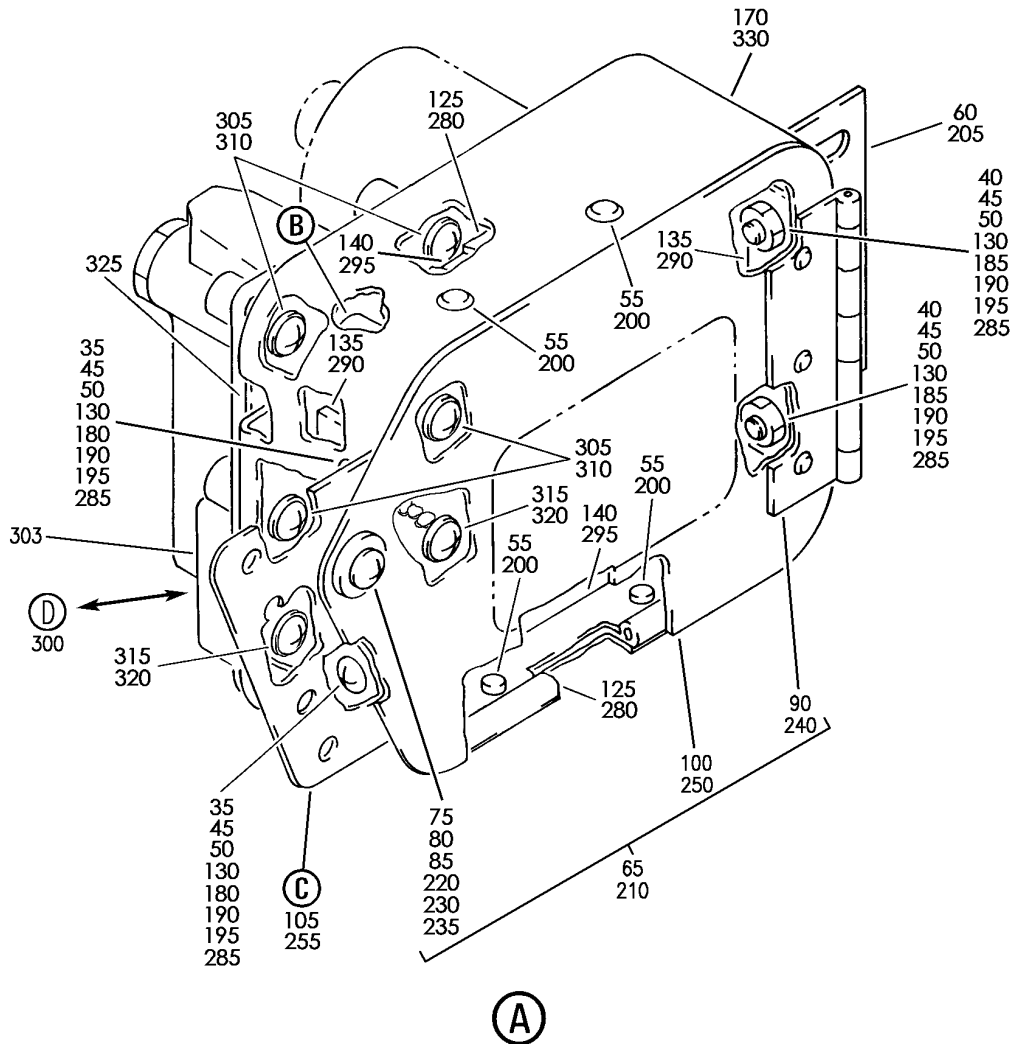
PANEL INSTL-CREW OXY FILL
FIGURE 1 (SHEET 1)

35-11-12-01

BRI
MAY 28/07

35-11-12-01
PAGE 0

BOEING
757
PARTS CATALOG (MAINTENANCE)



Y 35111201 SHT 2 REV 300

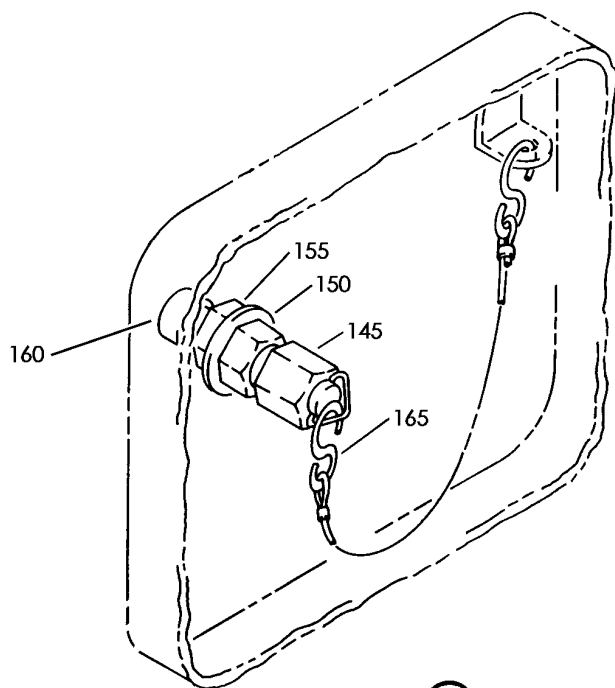
PANEL INSTL-CREW OXY FILL
FIGURE 1 (SHEET 2)

35-11-12-01

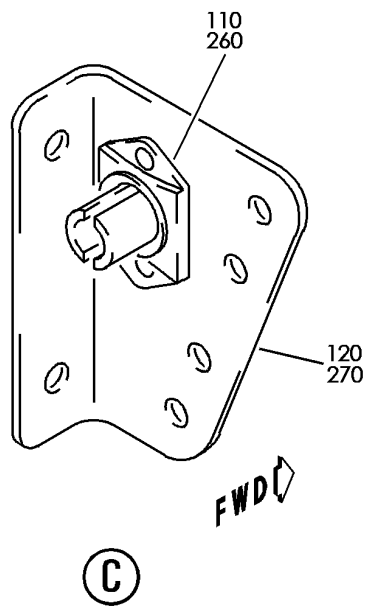
BRI
MAY 28/07

35-11-12-01
PAGE 0A

BOEING
757
PARTS CATALOG (MAINTENANCE)



(B)



(C)

Y 35111201 SHT 3 REV 229

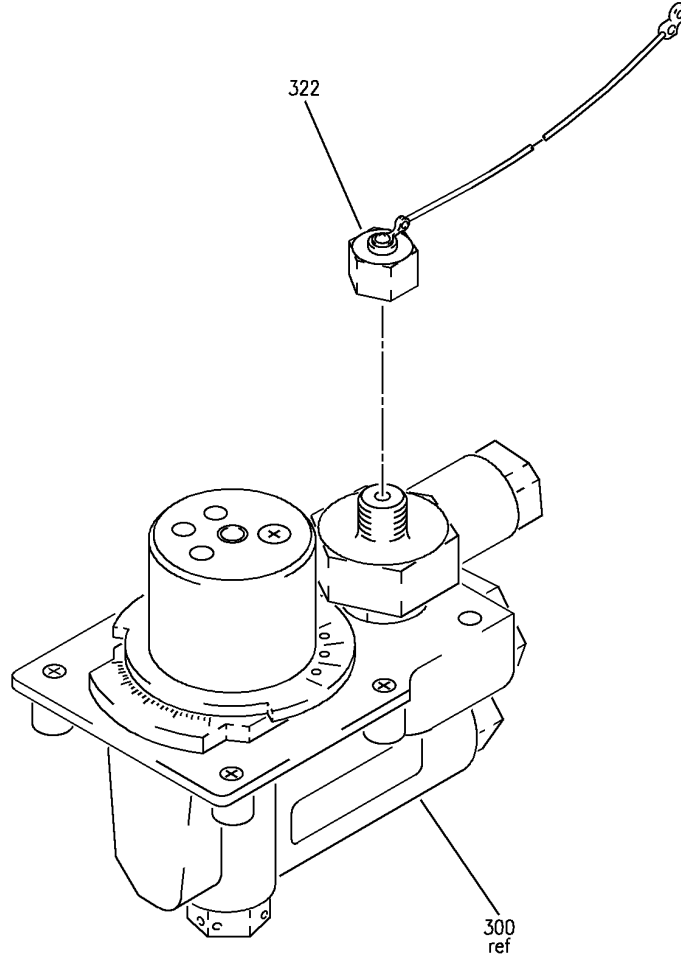
PANEL INSTL-CREW OXY FILL
FIGURE 1 (SHEET 3)

35-11-12-01

BRI
MAY 28/07

35-11-12-01
PAGE 0B

BOEING
757
PARTS CATALOG (MAINTENANCE)



(D)

Y 3511201 SHT 4 REV 300

PANEL INSTL-CREW OXY FILL
FIGURE 1 (SHEET 4)

35-11-12-01

BRI
MAY 28/07

35-11-12-01
PAGE 0C



757

PARTS CATALOG (MAINTENANCE)

FIG ITEM	PART NUMBER	1 2 3 4 5 6 7	NOMENCLATURE	EFFECT FROM TO	UNITS PER ASSY
1			PANEL INSTL-CREW OXY FILL	008107 121949	
- 1	417N4400-1		PANEL INSTL-CREW OXY FILL FOR NHA SEE: 25-20-00-01E 25-20-00-11	107107 121949	RF
- 1	417N4400-2		PANEL INSTL-CREW OXY FILL FOR NHA SEE: 35-11-00-02	101102	RF
- 1	417N4400-3		PANEL INSTL-CREW OXY FILL FOR NHA SEE: 25-20-00-01A	008100	RF
- 1	MODREF18093		PANEL INSTL-CREW OXY FILL MODULE NUMBER: 417N4400-5 REV A	103106	1
10	BACB30NT3K4		.BOLT	008107 121949	2
15	BACB28X3D009		.BUSHING	008107 121949	2
20	BACR15CE5D		.RIVET- SIZE DETERMINED ON INSTL.	008107 121949	4
25	417N4401-7		.FILLER	008107 121949	4
175	417N4401-1		.PANEL ASSY-(OXYGEN FILL FITTING ONLY) OPTIONAL PART: 417N4401-12 FUNCTIONAL REFERENCE: PLACARDS AND MARKINGS FOR DETAILS SEE 11-37-04-01 OXYGEN FOR DETAILS SEE 35-11-05-01	107107 121949	1
175	417N4401-8		.PANEL ASSY-(OXYGEN FILL FITTING ONLY) OPTIONAL PART: 417N4401-13 FUNCTIONAL REFERENCE: PLACARDS AND MARKINGS FOR DETAILS SEE 11-37-04-01 OXYGEN FOR DETAILS SEE 35-11-05-01	101102	1

MISSING ITEM NUMBERS NOT APPLICABLE

- ITEM NOT ILLUSTRATED

BRI

35-11-12-01

35-11-12
FIG. 01
PAGE 1
JAN 20/09



757

PARTS CATALOG (MAINTENANCE)

FIG ITEM	PART NUMBER	1 2 3 4 5 6 7	NOMENCLATURE	EFFECT FROM TO	UNITS PER ASSY
1 175	417N4401-9		.PANEL ASSY-(OXYGEN FILL FITTING ONLY) OPTIONAL PART: 417N4401-14 FUNCTIONAL REFERENCE: PLACARDS AND MARKINGS FOR DETAILS SEE 11-37-04-01 OXYGEN FOR DETAILS SEE 35-11-05-01	008100	1
175	417N4401-12		.PANEL ASSY-(OXYGEN FILL FITTING ONLY) OPTIONAL PART: 417N4401-1 FUNCTIONAL REFERENCE: PLACARDS AND MARKINGS FOR DETAILS SEE 11-37-04-01 OXYGEN FOR DETAILS SEE 35-11-05-01	107107 121949	1
175	417N4401-13		.PANEL ASSY-(OXYGEN FILL FITTING ONLY) OPTIONAL PART: 417N4401-8 FUNCTIONAL REFERENCE: PLACARDS AND MARKINGS FOR DETAILS SEE 11-37-04-01 OXYGEN FOR DETAILS SEE 35-11-05-01	101102	1
175	417N4401-14		.PANEL ASSY-(OXYGEN FILL FITTING ONLY) OPTIONAL PART: 417N4401-9 FUNCTIONAL REFERENCE: PLACARDS AND MARKINGS FOR DETAILS SEE 11-37-04-01 OXYGEN FOR DETAILS SEE 35-11-05-01	008100	1

MISSING ITEM NUMBERS NOT APPLICABLE

- ITEM NOT ILLUSTRATED

35-11-12-01

35-11-12
FIG. 01
PAGE 2
JAN 20/09

BRI



757

PARTS CATALOG (MAINTENANCE)

FIG ITEM	PART NUMBER	1 2 3 4 5 6 7	NOMENCLATURE	EFFECT FROM TO	UNITS PER ASSY
1					
175	417N4401-16		.PANEL ASSY-(OXYGEN FILL FITTING ONLY) FUNCTIONAL REFERENCE: PLACARDS AND MARKINGS FOR DETAILS SEE 11-37-04-01 OXYGEN FOR DETAILS SEE 35-11-05-01	103106	1
180	BACB30NT3K4		..BOLT- USED ON: 417N4401-1 417N4401-8 417N4401-9	008102 107107 121949	2
180	BACB30NT3K3		..BOLT- USED ON: 417N4401-12 417N4401-13 417N4401-14	008102 107107 121949	2
180	BACB30NT3K3		..BOLT	103106	2
185	BACB30NT3K5		..BOLT- USED ON: 417N4401-1 417N4401-8 417N4401-9	008102 107107 121949	2
185	BACB30NT3K4		..BOLT- USED ON: 417N4401-12 417N4401-13 417N4401-14	008102 107107 121949	2
185	BACB30NT3K4		..BOLT	103106	2
190	NAS1149C0332R		..WASHER	008107 121949	4
195	BRH10C3D		..NUT SUPPLIER CODE: V52828 SPECIFICATION NUMBER: BACN10JC3CD OPTIONAL PART: T6C1032JCD V11815 NS202486-02 V80539 102LH9075-3W V72962 H51650-3BAC V15653	008107 121949	4

MISSING ITEM NUMBERS NOT APPLICABLE

- ITEM NOT ILLUSTRATED

35-11-12-01

35-11-12
FIG. 01
PAGE 3
JAN 20/09

BRI

BOEING PROPRIETARY - Copyright © - Unpublished Work - See title page for details.



757

PARTS CATALOG (MAINTENANCE)

FIG ITEM	PART NUMBER	1 2 3 4 5 6 7	NOMENCLATURE	EFFECT FROM TO	UNITS PER ASSY
1					
200	NAS1738E5-3	..	RIVET- USED ON: 417N4401-1 417N4401-8 417N4401-9	008102 107107 121949	4
205	417N4404-3	..	BRACKET	008102 107107 121949	1
205	417N4404-6	..	BRACKET	103106	1
210	417N4401-2	..	DOOR ASSY	008107 121949	1
220	40S119-5-1AA	...	STUD ASSY SUPPLIER CODE: V71286 SPECIFICATION NUMBER: BACS21X5AR	008107 121949	1
230	4002N	...	GROMMET SUPPLIER CODE: V71286 SPECIFICATION NUMBER: BACG20X3 OPTIONAL PART: 1142901-2 V60119	008107 121949	1
235	BACR12X1	...	RING	008107 121949	1
240	417N4401-5	...	HINGE	008107 121949	1
- 245	BACR15BB4D	...	RIVET- ATTACHING PARTS SIZE DETERMINED ON INSTL. -----*-----	008107 121949	3
250	417N4402-1	...	DOOR	008107 121949	1
255	417N4404-1	..	BRACKET ASSY	008102 107107 121949	1
255	417N4404-4	..	BRACKET ASSY	103106	1
260	BACR11X3C	...	RECEPTACLE ASSY	008102 107107 121949	1
260	BACR11AV3C	...	RECEPTACLE ATTACHING PARTS	103106	1
- 265	BACR15BA4FD	...	RIVET- ATTACHING PARTS SIZE DETERMINED ON INSTL. -----*-----	008107 121949	2
270	417N4404-2	...	BRACKET	008102 107107 121949	1

MISSING ITEM NUMBERS NOT APPLICABLE

- ITEM NOT ILLUSTRATED

BRI

35-11-12-01

35-11-12
FIG. 01
PAGE 4
JAN 20/09



757

PARTS CATALOG (MAINTENANCE)

FIG ITEM	PART NUMBER	1 2 3 4 5 6 7	NOMENCLATURE	EFFECT FROM TO	UNITS PER ASSY
1					
270	417N4404-5	...	BRACKET	103106	1
280	417N4401-6	..	SEAL- USED ON: 417N4401-1 417N4401-8 417N4401-9	008102 107107 121949	2
285	NAS43DD3-4	..	SPACER- USED ON: 417N4401-1 417N4401-8 417N4401-9	008102 107107 121949	4
290	417N4401-3	..	CLAMP- USED ON: 417N4401-1 417N4401-8 417N4401-9	008102 107107 121949	2
295	417N4401-4	..	CLAMP- USED ON: 417N4401-1 417N4401-8 417N4401-9	008102 107107 121949	2
300	2279-003-11	..	VALVE- SUPPLIER CODE: V04577 SPECIFICATION NUMBER: S417N440-1 COMPONENT MAINT MANUAL REF: 35-09-03	103107 121949	1
300	2279-003-13	..	VALVE- SUPPLIER CODE: V04577 SPECIFICATION NUMBER: S417N440-2 COMPONENT MAINT MANUAL REF: 35-09-03	101102	1
303	B11174-1	..	VALVE ASSY- SUPPLIER CODE: V04577 SPECIFICATION NUMBER: S417N440-3 COMPONENT MAINT MANUAL REF: 35-09-03 FOR DETAILS SEE: 35-11-55-01 ATTACHING PARTS	008100	1
305	NAS603-11P	..	SCREW	008107 121949	4
310	NAS1149C0332R	..	WASHER	008107 121949	4

MISSING ITEM NUMBERS NOT APPLICABLE

- ITEM NOT ILLUSTRATED

35-11-12-01

35-11-12
FIG. 01
PAGE 5
JAN 20/09

BRI

BOEING PROPRIETARY - Copyright © - Unpublished Work - See title page for details.



757

PARTS CATALOG (MAINTENANCE)

FIG ITEM	PART NUMBER	1 2 3 4 5 6 7	NOMENCLATURE	EFFECT FROM TO	UNITS PER ASSY
1					
315	AN500A8-8	..	SCREW	008107 121949	2
320	NAS1149CN832R	..	WASHER	008107 121949	2
			-----*-----		
322	2279-501-2-3	...	CAP-CHARGE FITTING SUPPLIER CODE: V04577	103107 121949	1
325	417N4405-1	..	GASKET	008107 121949	1
330	417N4403-1	..	PANEL ASSY	008107 121949	1

MISSING ITEM NUMBERS NOT APPLICABLE

- ITEM NOT ILLUSTRATED

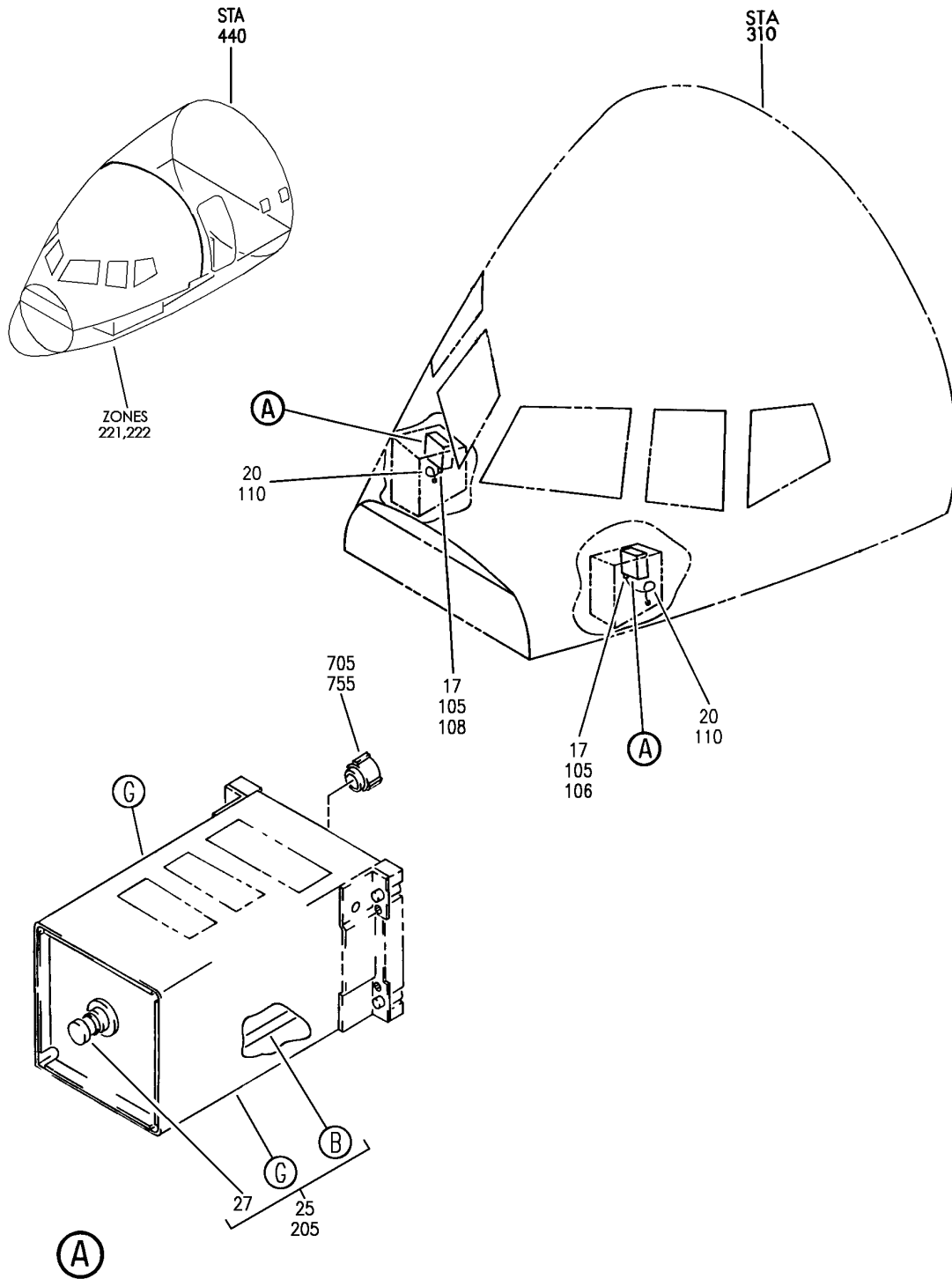
BRI

35-11-12-01

BOEING PROPRIETARY - Copyright © - Unpublished Work - See title page for details.

35-11-12
FIG. 01
PAGE 6
JAN 20/09

BOEING
757
PARTS CATALOG (MAINTENANCE)



Y 35115105 SHT 1 REV 288

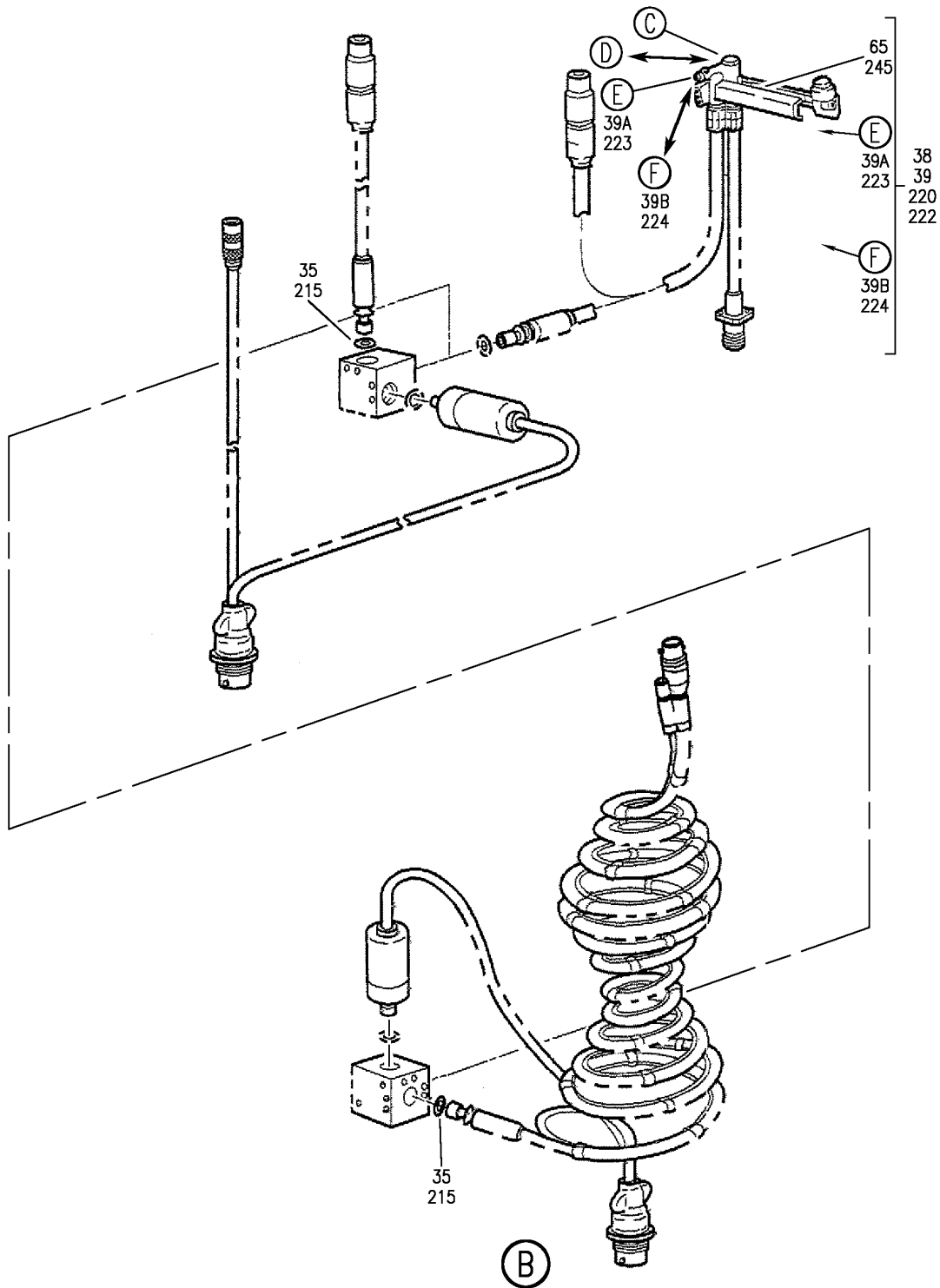
MASK INSTL-CREW OXY CAPT AND FIRST OFFICER
FIGURE 5 (SHEET 1)

35-11-51-05

BRI
MAY 28/07

35-11-51-05
PAGE 0

BOEING
757
PARTS CATALOG (MAINTENANCE)



Y 35115105 SHT 2 REV 288

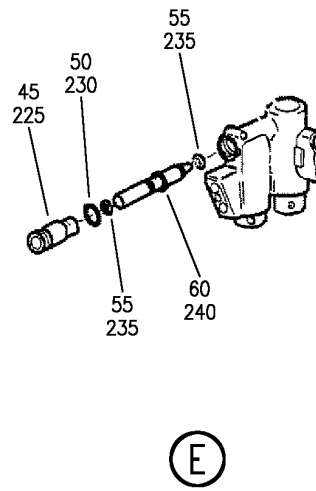
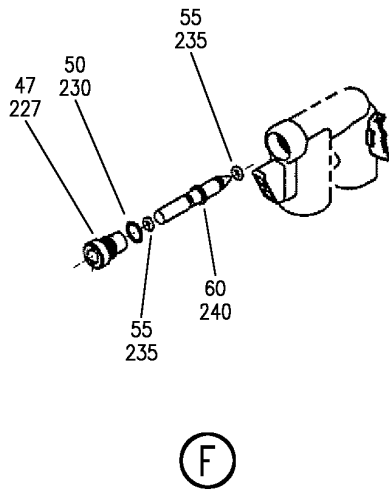
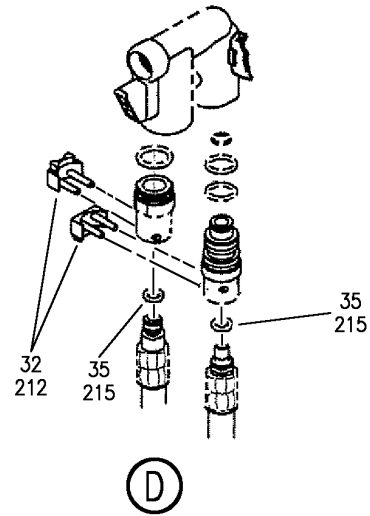
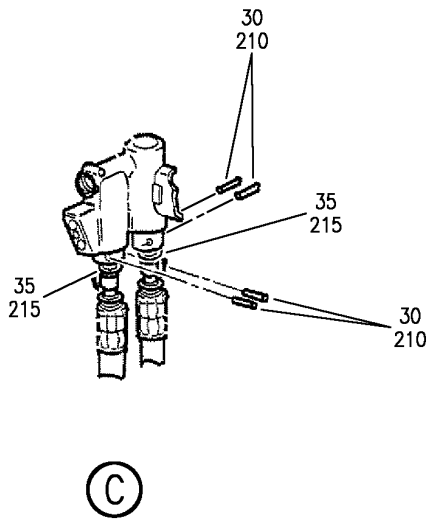
MASK INSTL-CREW OXY CAPT AND FIRST OFFICER
FIGURE 5 (SHEET 2)

35-11-51-05

BRI
MAY 28/07

35-11-51-05
PAGE 0A

BOEING
757
PARTS CATALOG (MAINTENANCE)



Y 35115105 SHT 3 REV 288

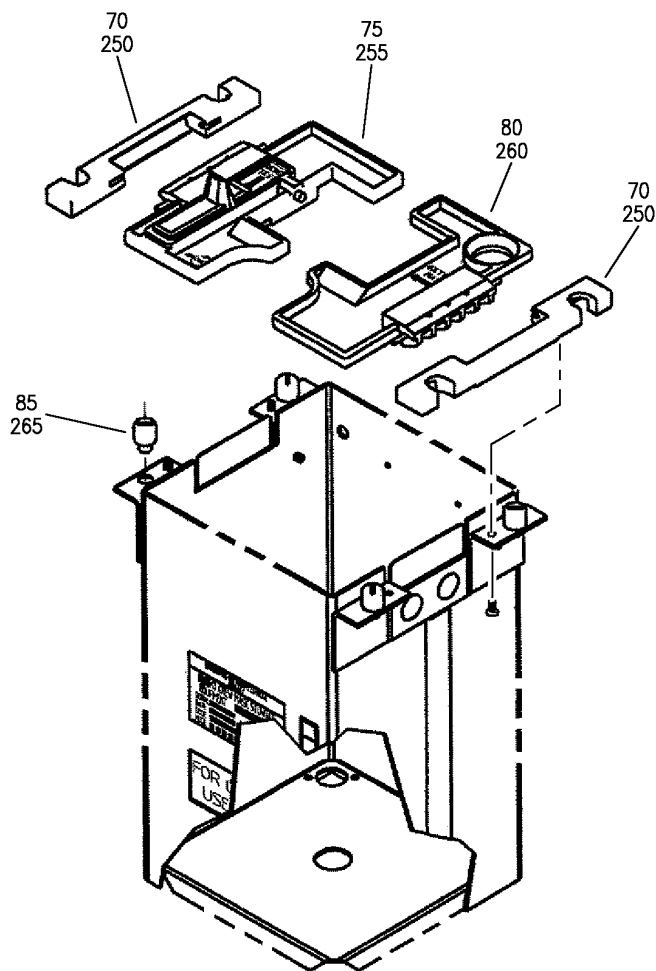
MASK INSTL-CREW OXY CAPT AND FIRST OFFICER
FIGURE 5 (SHEET 3)

35-11-51-05

BRI
MAY 28/07

35-11-51-05
PAGE 0B

BOEING
757
PARTS CATALOG (MAINTENANCE)



(G)

Y 35115105 SH1 4 REV 288

MASK INSTL-CREW OXY CAPT AND FIRST OFFICER
FIGURE 5 (SHEET 4)

35-11-51-05

BRI
MAY 28/07

35-11-51-05
PAGE 0C



757

PARTS CATALOG (MAINTENANCE)

FIG ITEM	PART NUMBER	1 2 3 4 5 6 7	NOMENCLATURE	EFFECT FROM TO	UNITS PER ASSY
5			MASK INSTL-CREW OXY CAPT AND FIRST OFFICER	002004 006999	
- 1	232N8001-115		MASK INSTL-CREW OXY CAPT	106106	RF
- 1	232N8001-1		MASK INSTL-CREW OXY CAPT	002004 006010	RF
			FOR NHA SEE: 25-10-00-05	107107 121503 904999	
- 1	232N8001-65		MASK INSTL-CREW OXY CAPT	011100	RF
			FOR NHA SEE: 25-10-00-05		
- 1	232N8001-97		MASK INSTL-CREW OXY CAPT	101102 504903	RF
			FOR NHA SEE: 25-10-00-10B		
- 1	232N8001-201		MASK INSTL-CREW OXY CAPT	108120	RF
			FOR NHA SEE: 25-10-00-10A		
- 5	232N8001-2		MASK INSTL-CREW OXY FIRST OFFICER	002004 006010	RF
			FOR NHA SEE: 25-10-00-05	107107 121503 904999	
- 5	232N8001-66		MASK INSTL-CREW OXY FIRST OFFICER	011100	RF
			FOR NHA SEE: 25-10-00-05		
- 5	232N8001-116		MASK INSTL-CREW OXY FIRST OFFICER	106106	RF
- 5	232N8001-98		MASK INSTL-CREW OXY FIRST OFFICER	101102 504903	RF
			FOR NHA SEE: 25-10-00-10B		
- 5	232N8001-251		MASK INSTL-CREW OXY FIRST OFFICER	108120	RF
			FOR NHA SEE: 25-10-00-10A		

MISSING ITEM NUMBERS NOT APPLICABLE

- ITEM NOT ILLUSTRATED

35-11-51-05

35-11-51
FIG. 05
PAGE 1
JAN 20/09

BRI



757

PARTS CATALOG (MAINTENANCE)

FIG ITEM	PART NUMBER	1 2 3 4 5 6 7	NOMENCLATURE	EFFECT FROM TO	UNITS PER ASSY
5 17	AP1010M0505	.ELBOW-	SUPPLIER CODE: V01673 SPECIFICATION NUMBER: BACE21AW0505M OPTIONAL PART: AP1010-0505M V01673 DB0E21AW0505M V14798 ER10633M0505M V88334 FER1569-0505M V14397 W30833-0505M V11328 4671114-0505M V50948 AFP334-0505M V30974 DB0E21AW0505M V61498 US2109-0505M V50808 AFP344-0505M V30794 BACE21BT0505JN	002004 006102 106999	1
17	AP1042JN0505	.ELBOW-	SUPPLIER CODE: V01673 SPECIFICATION NUMBER: BACE21BT0505JN OPTIONAL PART: BACE21AW0505M	002004 006102 106999	1
20	38001-81	.HOSE ASSY-	SUPPLIER CODE: V24984 SPECIFICATION NUMBER: 60B50059-81 OPTIONAL PART: 9513-20S5-24-0 V92114 ZH784-81 V02214 835-01-81 V92114 PRE ALERT SB: 35A0015R2	101102 504903	1

MISSING ITEM NUMBERS NOT APPLICABLE

- ITEM NOT ILLUSTRATED

35-11-51-05

35-11-51
FIG. 05
PAGE 2
JAN 20/09

BRI



757

PARTS CATALOG (MAINTENANCE)

FIG ITEM	PART NUMBER	1 2 3 4 5 6 7	NOMENCLATURE	EFFECT FROM TO	UNITS PER ASSY
5					
20	38001-70		.HOSE ASSY- SUPPLIER CODE: V24984 SPECIFICATION NUMBER: 60B50059-70 OPTIONAL PART: 9513-20S5-18-0 V92114 ZH784-20 V02217 835-01-70 V92114 PRE ALERT SB: 35A0035R2	002004 006100 107107 121503 904949 952999	1
20	38001-607		.HOSE ASSY- SUPPLIER CODE: V24984 SPECIFICATION NUMBER: 60B50059-607 POST ALERT SB: 35A0015	101102 106106 108120 504903	1
20	38001-606		.HOSE ASSY- SUPPLIER CODE: V24984 SPECIFICATION NUMBER: 60B50059-606 POST ALERT SB: 35A0015	002004 006100 107107 121503 904999	1
25	MXP147		.BOX ASSY- SUPPLIER CODE: VF5341 FUNCTIONAL DESCRIPTION: PROVIDES READY-FOR-USE STOWAGE OF THE OXYGEN MASK ELECTRICAL EQUIP NUMBER: M00933 M00934 COMPONENT MAINT MANUAL REF: 35-11-79	011102 106106 504903	1
25	MXP402		.BOX ASSY- SUPPLIER CODE: VF5341 ELECTRICAL EQUIP NUMBER: M00933 M00934 COMPONENT MAINT MANUAL REF: 35-11-11	002004 006010 107107 121503 904999	1

MISSING ITEM NUMBERS NOT APPLICABLE

- ITEM NOT ILLUSTRATED

35-11-51-05

35-11-51
FIG. 05
PAGE 3
JAN 20/09

BRI



757

PARTS CATALOG (MAINTENANCE)

FIG ITEM	PART NUMBER	1 2 3 4 5 6 7	NOMENCLATURE	EFFECT FROM TO	UNITS PER ASSY
R R R R R R R	5				
	25	MXP402-3	.BOX ASSY- SUPPLIER CODE: VF5341 ELECTRICAL EQUIP NUMBER: M00933 M00934 COMPONENT MAINT MANUAL REF: 35-11-11	108120	1
	27	DL64R83PN059	..CONNECTOR- SUPPLIER CODE: V11139	002004 006102 106999	1
	30	042001	..PIN- SUPPLIER CODE: VF5341 CONFIG CHG DATA FROM A CMM: SUPSD BY 415461	011102 106106 504903	4
	32	415461	..BLOCK- SUPPLIER CODE: VF5341 SB DATA FROM A CMM: POST BS MXP100-35-37 CONFIG CHG DATA FROM A CMM: SUPSDS 042001	011102 106106 504903	2
	35	R4SL1010	..PACKING-4 9X1 9 50D5 SUPPLIER CODE: VF0229	011102 106106 504903	AR
	38	406535	..PNEUMATIC SYS ASSY- SUPPLIER CODE: VF5341 CONFIG CHG DATA FROM A CMM: SUPSD BY 447183	011102 106106 504903	1
	39	447183	..PNEUMATIC SYS ASSY- SUPPLIER CODE: VF5341 SB DATA FROM A CMM: POST BS MXP100-35-37 CONFIG CHG DATA FROM A CMM: SUPSDS 406535	011102 106106 504903	1
	39A	406927	...VALVE-ON-OFF SUPPLIER CODE: VF5341 CONFIG CHG DATA FROM A CMM: SUPSD BY 446982	011102 106106 504903	1

MISSING ITEM NUMBERS NOT APPLICABLE

- ITEM NOT ILLUSTRATED

35-11-51-05

35-11-51
FIG. 05
PAGE 4
MAY 20/09

BRI



757

PARTS CATALOG (MAINTENANCE)

FIG ITEM	PART NUMBER	1 2 3 4 5 6 7	NOMENCLATURE	EFFECT FROM TO	UNITS PER ASSY
5 39B	446982		... VALVE-ON-OFF SUPPLIER CODE: VF5341 SB DATA FROM A CMM: POST MXP100-35-57 CONFIG CHG DATA FROM A CMM: SUPERSEDES 406927	011102 106106 504903	1
45	412757	 SLIDER-EXH SUPPLIER CODE: VF5341 CONFIG CHG DATA FROM A CMM: SUPSD BY 415790	011102 106106 504903	1
47	415790	 BUSHING- SUPPLIER CODE: VF5341 SB DATA FROM A CMM: POST BS MXP100-35-37 CONFIG CHG DATA FROM A CMM: SUPSDS 412757	011102 106106 504903	1
50	I101112SL1002	 PACKING-6X1 50D6 SUPPLIER CODE: VF5341 OPTIONAL PART: H144685 VF5341	011102 106106 504903	1
50	H144685	 PACKING-6X1 50D6 SUPPLIER CODE: VF5341 OPTIONAL PART: I101112SL1002 VF5341	011102 106106 504903	1
55	R00PB701	 PACKING- SUPPLIER CODE: VF0229	011102 106106 504903	2
60	412449	 PISTON- SUPPLIER CODE: VF5341	011102 106106 504903	1
65	412149		... COVER- SUPPLIER CODE: VF5341	011102 106106 504903	1
70	440914		.. BAR- SUPPLIER CODE: VF5341	011102 106106 504903	2
75	440912		.. DOOR- SUPPLIER CODE: VF5341 POSITION DATA: LH	011102 106106 504903	1

MISSING ITEM NUMBERS NOT APPLICABLE

- ITEM NOT ILLUSTRATED

35-11-51-05

35-11-51
FIG. 05
PAGE 5
JAN 20/09

BRI



757

PARTS CATALOG (MAINTENANCE)

FIG ITEM	PART NUMBER	1 2 3 4 5 6 7	NOMENCLATURE	EFFECT FROM TO	UNITS PER ASSY
5					
80	440911		.. DOOR- SUPPLIER CODE: VF5341 POSITION DATA: RH	011102 106106 504903	1
85	PFSC3-1-2-38A		.. LOCK- SUPPLIER CODE: VF0304	011102 106106 504903	4
- 100	MODREF7177		TUBE INSTL-CREW OXY CAPT MODULE NUMBER: 232N8001-121 REV A	103103	1
- 100	MODREF7178		TUBE INSTL-CREW OXY FIRST OFFICER MODULE NUMBER: 232N8001-122 REV A	103103	1
- 100	MODREF33487		TUBE INSTL-CREW OXY CAPT MODULE NUMBER: 232N8001-121 REV C	104106	1
- 100	MODREF33488		TUBE INSTL-CREW OXY FIRST OFFICER MODULE NUMBER: 232N8001-122 REV C	104106	1
105	AP1042JN0505		. ELBOW- SUPPLIER CODE: V01673 SPECIFICATION NUMBER: BACE21BT0505JN OPTIONAL PART: BACE21AW0505M	103103	1

MISSING ITEM NUMBERS NOT APPLICABLE

- ITEM NOT ILLUSTRATED

35-11-51-05

35-11-51
FIG. 05
PAGE 6
JAN 20/09

BRI



757

PARTS CATALOG (MAINTENANCE)

FIG ITEM	PART NUMBER	1 2 3 4 5 6 7	NOMENCLATURE	EFFECT FROM TO	UNITS PER ASSY
5 105	AP1010M0505		.ELBOW- SUPPLIER CODE: V01673 SPECIFICATION NUMBER: BACE21AW0505M OPTIONAL PART: AP1010-0505M V01673 DB0E21AW0505M V14798 ER10633M0505M V88334 FER1569-0505M V14397 W30833-0505M V11328 4671114-0505M V50948 AFP334-0505M V30974 DB0E21AW0505M V61498 US2109-0505M V50808 AFP344-0505M V30794 BACE21BT0505JN	103103	1
106	474W2090-51		.ELBOW ASSY- OPTIONAL PART: BACE21AW0505M USED ON: MODREF33487	104106	1

MISSING ITEM NUMBERS NOT APPLICABLE

- ITEM NOT ILLUSTRATED

BRI

35-11-51-05

BOEING PROPRIETARY - Copyright © - Unpublished Work - See title page for details.

35-11-51
FIG. 05
PAGE 7
JAN 20/09



757

PARTS CATALOG (MAINTENANCE)

FIG ITEM	PART NUMBER	1 2 3 4 5 6 7	NOMENCLATURE	EFFECT FROM TO	UNITS PER ASSY
5 106	AP1010M0505		.ELBOW- SUPPLIER CODE: V01673 SPECIFICATION NUMBER: BACE21AW0505M OPTIONAL PART: AP1010-0505M V01673 DB0E21AW0505M V14798 ER10633M0505M V88334 FER1569-0505M V14397 W30833-0505M V11328 4671114-0505M V50948 AFP334-0505M V30974 DB0E21AW0505M V61498 US2109-0505M V50808 AFP344-0505M V30794 474W2090-51 USED ON: MODREF33487	104106	1
108	474W2090-51		.ELBOW ASSY- OPTIONAL PART: BACE21BT0505JN USED ON: MODREF33488	104106	1
108	AP1042JN0505		.ELBOW- SUPPLIER CODE: V01673 SPECIFICATION NUMBER: BACE21BT0505JN OPTIONAL PART: 474W2090-51 USED ON: MODREF33488	104106	1
110	38001-607		.HOSE ASSY- SUPPLIER CODE: V24984 SPECIFICATION NUMBER: 60B50059-607	103106	1
- 700	286N2295-004		WIRE BUNDLE ASSY	107107	RF

MISSING ITEM NUMBERS NOT APPLICABLE

- ITEM NOT ILLUSTRATED

35-11-51-05

35-11-51
FIG. 05
PAGE 8
JAN 20/09

BRI



757

PARTS CATALOG (MAINTENANCE)

FIG ITEM	PART NUMBER	1 2 3 4 5 6 7	NOMENCLATURE	EFFECT FROM TO	UNITS PER ASSY
5					
- 700	286N2295-012		WIRE BUNDLE ASSY-	002004 006010 950999	RF
- 700	286N2295-015		WIRE BUNDLE ASSY	121503 904949	RF
- 701	286N2295-028		WIRE BUNDLE ASSY	011100	RF
- 702	286N2295-319		WIRE BUNDLE ASSY	504903	RF
- 703	286N2295-322		WIRE BUNDLE ASSY	101102	RF
- 703	286N2295-328		WIRE BUNDLE ASSY-	108120	RF
- 704	286N2295-701		WIRE BUNDLE ASSY	103106	RF
705	BACC45FT8A3S		.CONNECTOR- ELECTRICAL EQUIP NUMBER: D00535 WIRING DIAGRAM REF: 235121	002004 006107 121999	1
705	MS3126F10-6S		.CONNECTOR- ELECTRICAL EQUIP NUMBER: D00535 WIRING DIAGRAM REF: 235121	108120	1
- 750	286N2297-002		WIRE BUNDLE ASSY	107107	RF
- 750	286N2297-009		WIRE BUNDLE ASSY-	002004 006010 950999	RF
- 750	286N2297-015		WIRE BUNDLE ASSY	121503 904949	RF
- 751	286N2297-028		WIRE BUNDLE ASSY	011100	RF
- 752	286N2297-320		WIRE BUNDLE ASSY	101102	RF
- 753	286N2297-325		WIRE BUNDLE ASSY	504903	RF
- 753	286N2297-329		WIRE BUNDLE ASSY-	108120	RF
- 754	286N2297-701		WIRE BUNDLE ASSY	103106	RF
755	BACC45FT8A3S		.CONNECTOR- ELECTRICAL EQUIP NUMBER: D00545 WIRING DIAGRAM REF: 235111	002004 006107 121999	1
755	MS3126F10-6S		.CONNECTOR- ELECTRICAL EQUIP NUMBER: D00545 WIRING DIAGRAM REF: 235111	108120	1

MISSING ITEM NUMBERS NOT APPLICABLE

- ITEM NOT ILLUSTRATED

BRI

35-11-51-05

35-11-51
FIG. 05
PAGE 9
JAN 20/09

 **BOEING**
757
PARTS CATALOG (MAINTENANCE)

NON-ILLUSTRATED FIGURE

THE ITEMS REFLECTED IN THIS FIGURE ARE INTENTIONALLY
NON-ILLUSTRATED. THEY ARE REFERENCED TO EITHER A
NEXT HIGHER OR NEXT LOWER ASSEMBLY/INSTALLATION FIGURE.

FURNISHING INSTL-FLIGHT DECK MISC DETACHABLE EMER EQPT (CREW OXYGEN MASK/STOWAGE MASK ONLY)

FIGURE 7

35-11-51-07

BRI
MAY 28/07

35-11-51-07
PAGE 0



757

PARTS CATALOG (MAINTENANCE)

FIG ITEM	PART NUMBER	1 2 3 4 5 6 7	NOMENCLATURE	EFFECT FROM TO	UNITS PER ASSY
7			FURNISHING INSTL-FLIGHT DECK MISC DETACHABLE EMER EQPT (CREW OXYGEN MASK/STOWAGE MASK ONLY)	002004 006100 107107 121503 904999	
- 1	230N0101-1		FURNISHINGS INSTL-FLIGHT DECK MISC DETACHABLE EMER EQPT (CREW OXYGEN MASK/STOWAGE BOX ONLY) VARIABLE DRAWING REF: 230N0101-103 230N0101-123 230N0101-143 230N0101-144 230N0101-147	002004 006100 107107 121503 904999	RF
- 20	MC10-08-103		.MASK ASSY-OXY SUPPLIER CODE: VF5341 COMPONENT MAINT MANUAL REF: 35-13-63 STOWED ITEM DATA: (INSTALL (1) EACH IN THE CAPT AND F/O FWD CONSOLE, FIRST OBSERVERS CONSOLE, AND THE P61 PANEL) FOR DETAILS SEE: 35-11-10-01	121503 904949	4
- 35	MC10-25-104		.MASK ASSY-OXY SUPPLIER CODE: VF5341 FUNCTIONAL DESCRIPTION: PROVIDES EMERGENCY FLIGHT CREW BREATHING COMPONENT MAINT MANUAL REF: 35-13-63 STOWED ITEM DATA: (FOR CAPTAIN, F/O, IST OBS AND 2ND OBS, CONNECT MASK TO FITTINGS IN OXYGEN STOWAGE BOX OUTBOARD OF CREW POSITION, COIL HOSE ASSY AND STOW IN BOX WITH MASK ON TOP OF HOSE AND PIN IN LH DOOR ENGAGED IN MASK) FOR DETAILS SEE: 35-11-10-01	107107	4

R
R
R
R
R
R
R
R
R
R
R
R
R
R
R
R
R
R
R
R
R
R

MISSING ITEM NUMBERS NOT APPLICABLE

- ITEM NOT ILLUSTRATED

35-11-51-07

35-11-51
FIG. 07
PAGE 1
MAY 20/09

BRI

BOEING
757
PARTS CATALOG (MAINTENANCE)

FIG ITEM	PART NUMBER	1 2 3 4 5 6 7	NOMENCLATURE	EFFECT FROM TO	UNITS PER ASSY
R R R R R R R	7 - 70	10100C1A	.MASK-PORTABLE OXY BOTTLE SUPPLIER CODE: V53655 STOWED ITEM DATA: (STOWED ON PORTABLE OXYGEN BOTTLE WITH ELASTIC BAND)	904949	1
	- 70	10100C1A	.MASK-PORTABLE OXY BOTTLE SUPPLIER CODE: V53655 STOWED ITEM DATA: (STOWED ON PORTABLE OXYGEN BOTTLE WITH ELASTIC BAND)	121503	1
R R	- 145	MC10-25-104	.MASK ASSY-OXY SUPPLIER CODE: VF5341 FUNCTIONAL DESCRIPTION: PROVIDES EMERGENCY FLIGHT CREW BREATHING COMPONENT MAINT MANUAL REF: 35-13-63 STOWED ITEM DATA: CONNECT MASK TO FITTING IN OXYGEN BOX OUTBOARD OF CREW POSOTION, COIL HOSE ASSY AND STOW IN BOX WITH MASK ON ON TOP OF HOSE AND PIN IN LH DOOR ENGAGED IN MASK FOR DETAILS SEE: 35-11-10-01	950951	3

MISSING ITEM NUMBERS NOT APPLICABLE

- ITEM NOT ILLUSTRATED

BRI

35-11-51-07

BOEING PROPRIETARY - Copyright © - Unpublished Work - See title page for details.

35-11-51
FIG. 07
PAGE 4
MAY 20/09


BOEING
 757
PARTS CATALOG (MAINTENANCE)

FIG ITEM	PART NUMBER	1 2 3 4 5 6 7	NOMENCLATURE	EFFECT FROM TO	UNITS PER ASSY
7 - 160	MC10-25-124		.MASK ASSY-OXY (CUSTOMER FURNISHED) SUPPLIER CODE: VF5341 FUNCTIONAL DESCRIPTION: THE CREW BREATHING REGULATOR MC10-SERIES IS AN EMERGENCY BREATHING DEVICE MADE FOR AIR CREWS THAT FLY AT HIGH ALTITUDES. COMPONENT MAINT MANUAL REF: 35-13-63 FOR DETAILS SEE: 35-11-10-01	002004 006100 952999	4

R
R
R
R
R
R
R
R
R
R
R
R

MISSING ITEM NUMBERS NOT APPLICABLE

- ITEM NOT ILLUSTRATED

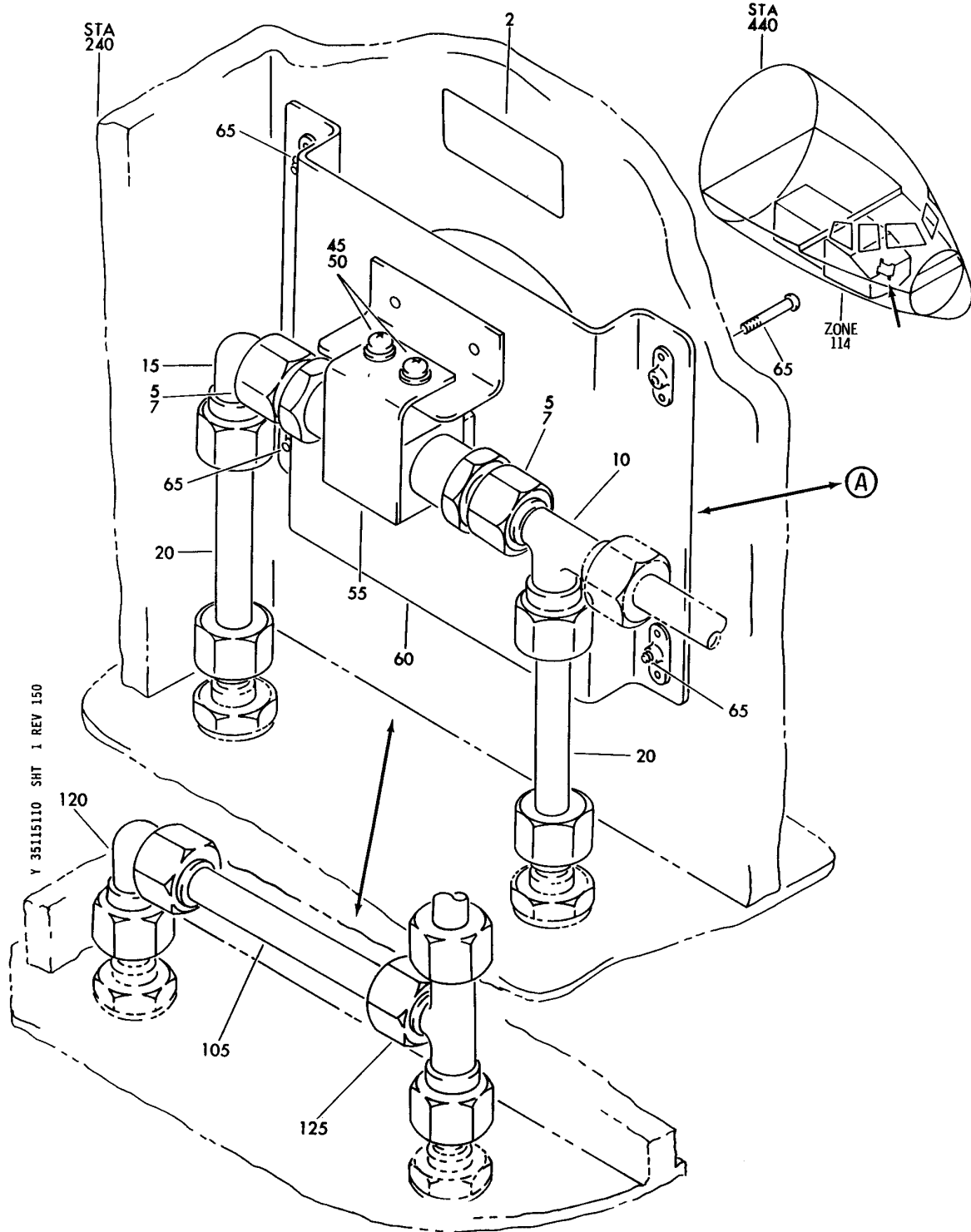
BRI

35-11-51-07

BOEING PROPRIETARY - Copyright © - Unpublished Work - See title page for details.

35-11-51
 FIG. 07
 PAGE 8
 MAY 20/09

BOEING
757
PARTS CATALOG (MAINTENANCE)



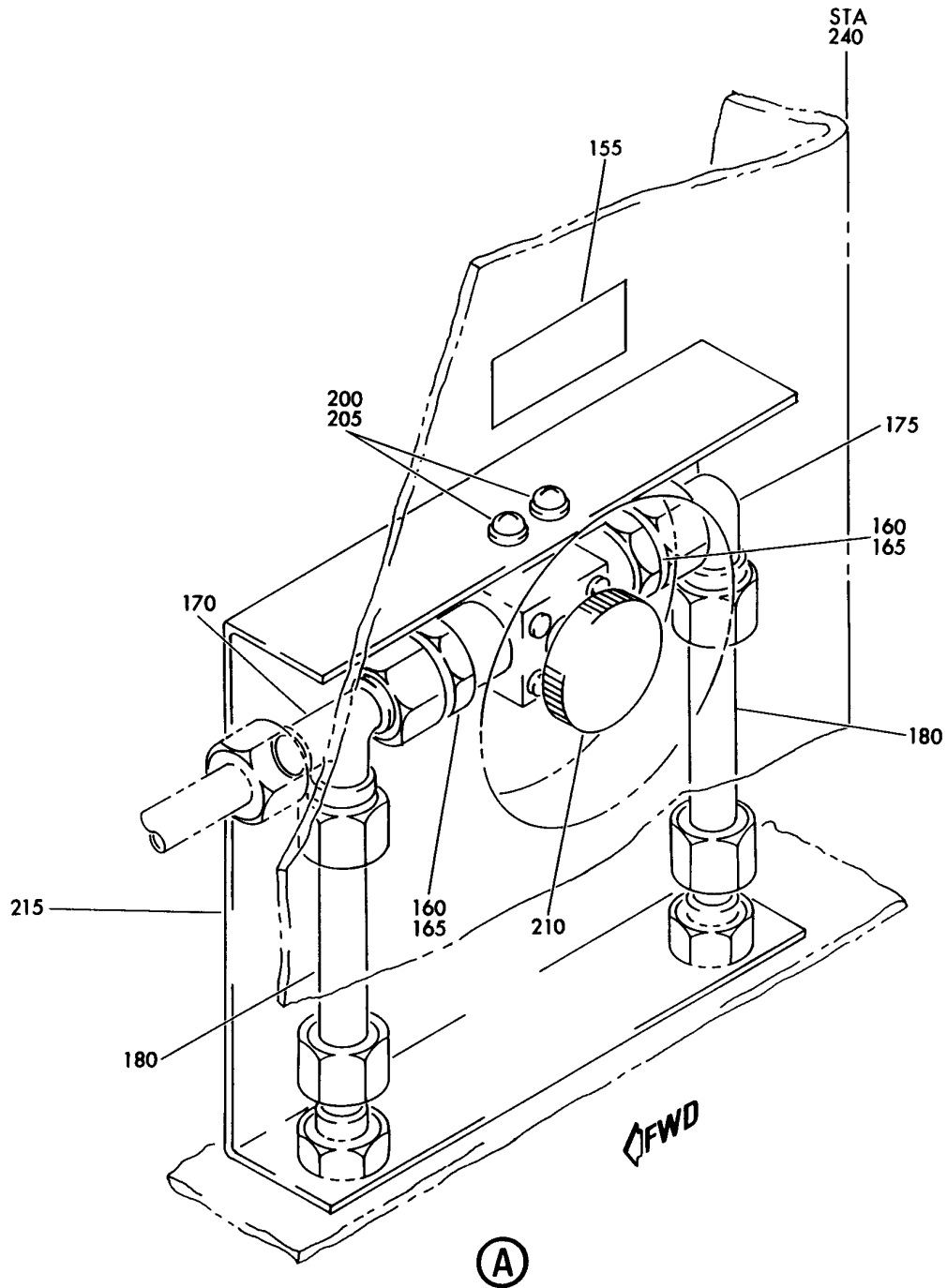
VALVE AND TUBING INSTL-OXY
FIGURE 10 (SHEET 1)

35-11-51-10

BRI
MAY 28/07

35-11-51-10
PAGE 0

BOEING
757
PARTS CATALOG (MAINTENANCE)



Y 35115110 SHT 2 REV 150

VALVE AND TUBING INSTL-OXY
FIGURE 10 (SHEET 2)

35-11-51-10

BRI
MAY 28/07

35-11-51-10
PAGE 0A



757

PARTS CATALOG (MAINTENANCE)

FIG ITEM	PART NUMBER	1 2 3 4 5 6 7	NOMENCLATURE	EFFECT FROM TO	UNITS PER ASSY
10			VALVE AND TUBING INSTL-OXY	002004	
- 1	232N8002-1		VALVE INSTL-OXY FOR NHA SEE: 25-10-00-05	006999 107107	RF
- 1	232N8002-7		VALVE INSTL-OXY FOR NHA SEE: 25-10-00-05	121503 904949	RF
2	BAC27DPA265		.MARKER-ALUMINUM FOIL- CREW OXYGEN	107107 121503 904949	1
5	MS21902J5		.UNION	107107 121503 904949	2
7	R1131-905		.PACKING- SUPPLIER CODE: V57268 SPECIFICATION NUMBER: BACP11K5 OPTIONAL PART: 3-905S383-70 V02697 1090-05 V95272 150701-05 V95272 AS568-905S32 V11314 BACP11K5A	107107 121503 904949	2
7	BACP11K5A		.PACKING- OPTIONAL PART: BACP11K5	107107 121503 904949	2

MISSING ITEM NUMBERS NOT APPLICABLE

- ITEM NOT ILLUSTRATED

BRI

35-11-51-10

BOEING PROPRIETARY - Copyright © - Unpublished Work - See title page for details.

35-11-51
FIG. 10
PAGE 1
JAN 20/09



757

PARTS CATALOG (MAINTENANCE)

FIG ITEM	PART NUMBER	1 2 3 4 5 6 7	NOMENCLATURE	EFFECT FROM TO	UNITS PER ASSY
10					
10	AP1013M050505	. TEE-	SUPPLIER CODE: V01673 SPECIFICATION NUMBER: BACT16AY050505M OPTIONAL PART: AP1013-050505M V01673 ER10604M050505 V88334 FER1573-050505M V14397 W30804M050505 V11328 4671113-050505M V50948 US1930-050505M V50808 DB0T16AY050505M V14798 AFP310-050505M V30974 BCREF116712	107107 121503 904949	1
10	BCREF116712	. TEE-	OVERLENGTH PART NUMBER: BACT16BR050505JN OPTIONAL PART: BACT16AY050505M	121503 904949	1

MISSING ITEM NUMBERS NOT APPLICABLE

- ITEM NOT ILLUSTRATED

BRI

35-11-51-10

BOEING PROPRIETARY - Copyright © - Unpublished Work - See title page for details.

35-11-51
FIG. 10
PAGE 2
JAN 20/09



757

PARTS CATALOG (MAINTENANCE)

FIG ITEM	PART NUMBER	1 2 3 4 5 6 7	NOMENCLATURE	EFFECT FROM TO	UNITS PER ASSY
10 15	AP1010M0505	.ELBOW-	SUPPLIER CODE: V01673 SPECIFICATION NUMBER: BACE21AW0505M OPTIONAL PART: AP1010-0505M V01673 DBOE21AW0505M V14798 ER10633M0505M V88334 FER1569-0505M V14397 W30833-0505M V11328 4671114-0505M V50948 AFP334-0505M V30974 DBOE21AW0505M V61498 US2109-0505M V50808 AFP344-0505M V30794	107107 121503 904949	1
20	232N8002-2	.TUBE ASSY-	TUBING MATERIAL: .312 IN. OD .020 IN. WALL 4.00 IN. LG ST	107107 121503 904949	2
- 25	BACN10CS05JN	..NUT		107107 121503 904949	2
- 30	AP2097HP05	..SLEEVE	SUPPLIER CODE: V01673 SPECIFICATION NUMBER: BACS13BX05HP OPTIONAL PART: 2-02903-05HP V11328 35235VN05 V08199 AFP175V05P V30974 DBOS13BX05HP V14798	107107 121503 904949	2
45	NAS602-8P	.SCREW		107107	2

MISSING ITEM NUMBERS NOT APPLICABLE

- ITEM NOT ILLUSTRATED

35-11-51-10

35-11-51
FIG. 10
PAGE 3
JAN 20/09

BRI



757

PARTS CATALOG (MAINTENANCE)

FIG ITEM	PART NUMBER	1 2 3 4 5 6 7	NOMENCLATURE	EFFECT FROM TO	UNITS PER ASSY
10					
50	AN960PD8		.WASHER	107107	2
55	8020022-1		.VALVE-SHUTOFF	107107	1
			SUPPLIER CODE:	121503	
			V04577	904949	
			SPECIFICATION NUMBER:		
			S417N450-1		
60	232N8003-6		.BRACKET ASSY-	121503	1
				904949	
60	232N8003-5		.BRACKET ASSY-	107107	1
			ATTACHING PARTS		
65	SFSW10F14DL12BN		.SCREW-	107107	4
			SUPPLIER CODE:	121503	
			V12324	904949	
			-----*-----		
70	BACS12FA3K7		..SCREW	121503	2
				904949	
75	AN960JD10		..WASHER	121503	4
				904949	
80	MS21042L3		..NUT	121503	2
				904949	
85	232N8003-11		..SEAL	121503	1
				904949	
90	232N8003-7		..BRACKET	121503	1
				904949	
95	232N8003-9		..BRACKET	121503	1
				904949	
- 100	232N8002-5		TUBING INSTL-OXY	002004	RF
			FOR NHA SEE:	006102	
			25-10-00-05	950999	
			25-10-00-10A		
- 100	MODREF7266		TUBING INSTL-OXY	103103	1
			MODULE NUMBER:		
			232N8002-11 REV A		
- 100	MODREF34170		TUBING INSTL-OXY	104106	1
			MODULE NUMBER:		
			232N8002-11 REV B		
105	232N8002-4		.TUBE ASSY-	103106	1
			TUBING MATERIAL:		
			.3125 IN. OD X .020 IN.		
			WALL X 3.8 IN. LG COLD		
			REDUCED TUBING 21-6-9		
			PER BMS7-185		
105	232N8002-6		.TUBE ASSY-	002004	1
			TUBING MATERIAL:	006102	
			.312 IN. OD .020 IN.	950999	
			WALL 3.70 IN. LG		
			ST		

MISSING ITEM NUMBERS NOT APPLICABLE

- ITEM NOT ILLUSTRATED

BRI

35-11-51-10

35-11-51
FIG. 10
PAGE 4
JAN 20/09



757

PARTS CATALOG (MAINTENANCE)

FIG ITEM	PART NUMBER	1 2 3 4 5 6 7	NOMENCLATURE	EFFECT FROM TO	UNITS PER ASSY
10					
- 110	AP2097HP05	..	SLEEVE SUPPLIER CODE: V01673 SPECIFICATION NUMBER: BACS13BX05HP OPTIONAL PART: 2-02903-05HP V11328 35235VN05 V08199 AFP175V05P V30974 DBOS13BX05HP V14798	002004 006106 950999	2
- 115	BACN10CS05JN	..	NUT	002004 006106 950999	2
120	AP1042JN0505	.ELBOW-	SUPPLIER CODE: V01673 SPECIFICATION NUMBER: BACE21BT0505JN OPTIONAL PART: BACE21AW0505M 474W2090-51	002004 006106 950999	1

MISSING ITEM NUMBERS NOT APPLICABLE

- ITEM NOT ILLUSTRATED

35-11-51-10

35-11-51
FIG. 10
PAGE 5
JAN 20/09

BRI



757

PARTS CATALOG (MAINTENANCE)

FIG ITEM	PART NUMBER	1 2 3 4 5 6 7	NOMENCLATURE	EFFECT FROM TO	UNITS PER ASSY
10 120	AP1010M0505		.ELBOW- SUPPLIER CODE: V01673 SPECIFICATION NUMBER: BACE21AW0505M OPTIONAL PART: AP1010-0505M V01673 DB0E21AW0505M V14798 ER10633M0505M V88334 FER1569-0505M V14397 W30833-0505M V11328 4671114-0505M V50948 AFP334-0505M V30974 DB0E21AW0505M V61498 US2109-0505M V50808 AFP344-0505M V30794 BACE21BT0505JN	002004 006103 950999	1
120	474W2090-51		.ELBOW ASSY- OPTIONAL PART: BACE21BT0505JN	104106	1
125	BCREF116712		.TEE- OVERLENGTH PART NUMBER: BACT16BR050505JN OPTIONAL PART: BACT16AY050505M 474W2090-157	002004 006106 950999	1

MISSING ITEM NUMBERS NOT APPLICABLE

- ITEM NOT ILLUSTRATED

BRI

35-11-51-10

BOEING PROPRIETARY - Copyright © - Unpublished Work - See title page for details.

35-11-51
FIG. 10
PAGE 6
JAN 20/09



757

PARTS CATALOG (MAINTENANCE)

FIG ITEM	PART NUMBER	1 2 3 4 5 6 7	NOMENCLATURE	EFFECT FROM TO	UNITS PER ASSY
10 125	AP1013M050505	. TEE-	SUPPLIER CODE: V01673 SPECIFICATION NUMBER: BACT16AY050505M OPTIONAL PART: AP1013-050505M V01673 ER10604M050505 V88334 FER1573-050505M V14397 W30804M050505 V11328 4671113-050505M V50948 US1930-050505M V50808 DBOT16AY050505M V14798 AFP310-050505M V30974 BCREF116712	002004 006103 950999	1
125	474W2090-157	. TEE-	OPTIONAL PART: BCREF116712	104106	1
- 150	232N8002-8	VALVE INSTL-OXY FOR NHA SEE: 25-10-00-10A		108120 504903	RF
155	BAC27DPA265	. MARKER-ALUMINUM FOIL- CREW OXYGEN		108120 504903	1
160	MS21902J5	. UNION		108120 504903	2
165	R1131-905	. PACKING- SUPPLIER CODE: V57268 SPECIFICATION NUMBER: BACP11K5 OPTIONAL PART: 3-905S383-70 V02697 1090-05 V95272 150701-05 V95272 AS568-905S32 V11314 BACP11K5A		108120 504903	2

MISSING ITEM NUMBERS NOT APPLICABLE

- ITEM NOT ILLUSTRATED

35-11-51-10

35-11-51
FIG. 10
PAGE 7
JAN 20/09

BRI



757

PARTS CATALOG (MAINTENANCE)

FIG ITEM	PART NUMBER	1 2 3 4 5 6 7	NOMENCLATURE	EFFECT FROM TO	UNITS PER ASSY
10					
165	BACP11K5A		.PACKING- OPTIONAL PART: BACP11K5	108120 504903	2
170	BCREF116712		.TEE- OVERLENGTH PART NUMBER: BACT16BR050505JN	108120 504903	1
175	AP1042JN0505		.ELBOW SUPPLIER CODE: V01673 SPECIFICATION NUMBER: BACE21BT0505JN	108120 504903	1
180	232N8002-2		.TUBE ASSY- TUBING MATERIAL: .312 IN. OD .020 IN. WALL 4.00 IN. LG ST	108120 504903	2
- 185	BACN10CS05JN		..NUT	108120 504903	2
- 190	AP2097HP05		..SLEEVE SUPPLIER CODE: V01673 SPECIFICATION NUMBER: BACS13BX05HP OPTIONAL PART: 2-02903-05HP V11328 35235VN05 V08199 AFP175V05P V30974 DBOS13BX05HP V14798	108120 504903	2
200	BACS12FA3K4		.SCREW	108120 504903	2
205	BRC600-10-3		.NUT SUPPLIER CODE: V52828 SPECIFICATION NUMBER: BACN10YD2 OPTIONAL PART: 130121 V60119	108120 504903	2
210	8020022-1		.VALVE-SHUTOFF SUPPLIER CODE: V04577 SPECIFICATION NUMBER: S417N450-1	108120 504903	1
215	232N8003-12		.BRACKET ASSY	108120 504903	1

MISSING ITEM NUMBERS NOT APPLICABLE

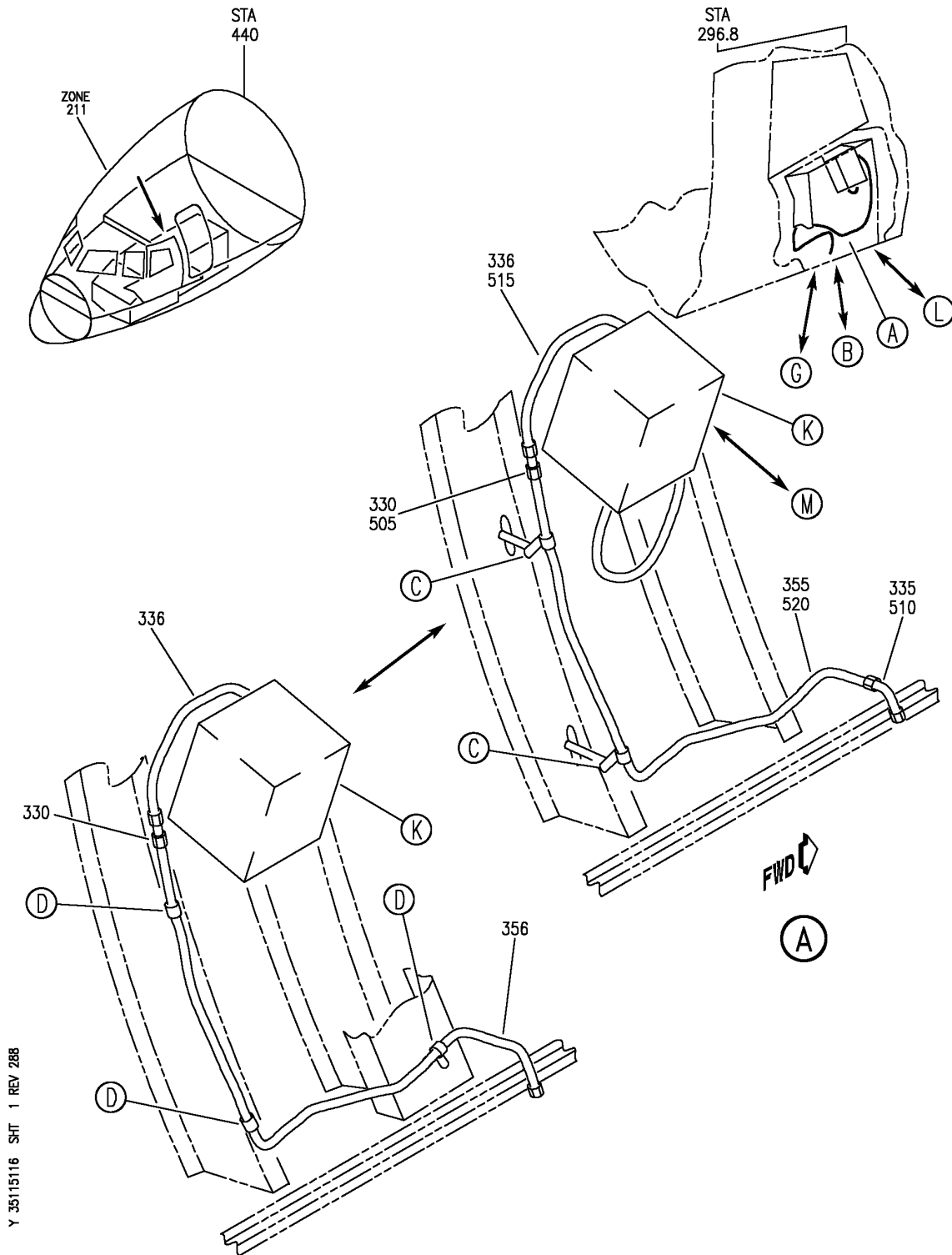
- ITEM NOT ILLUSTRATED

35-11-51-10

35-11-51
FIG. 10
PAGE 8
JAN 20/09

BRI

BOEING
757
PARTS CATALOG (MAINTENANCE)



Y 35115116 SHT 1 REV 288

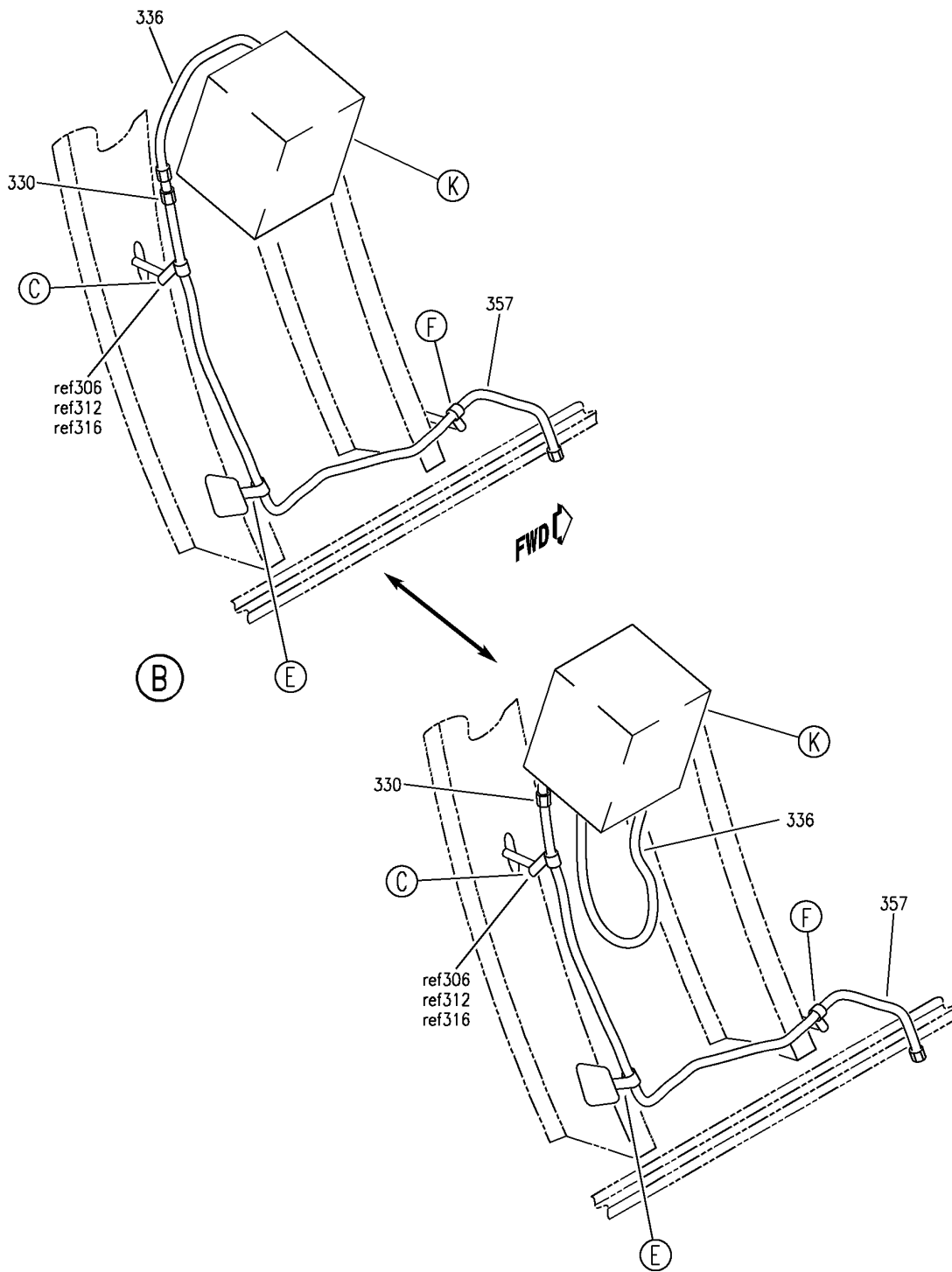
MASK AND TUBE INSTL - CREW OXY FIRST OBSERVER
FIGURE 16 (SHEET 1)

35-11-51-16

BRI
MAY 28/07

35-11-51-16
PAGE 0

BOEING
757
PARTS CATALOG (MAINTENANCE)



Y 35115116 SH1 2 REV 288

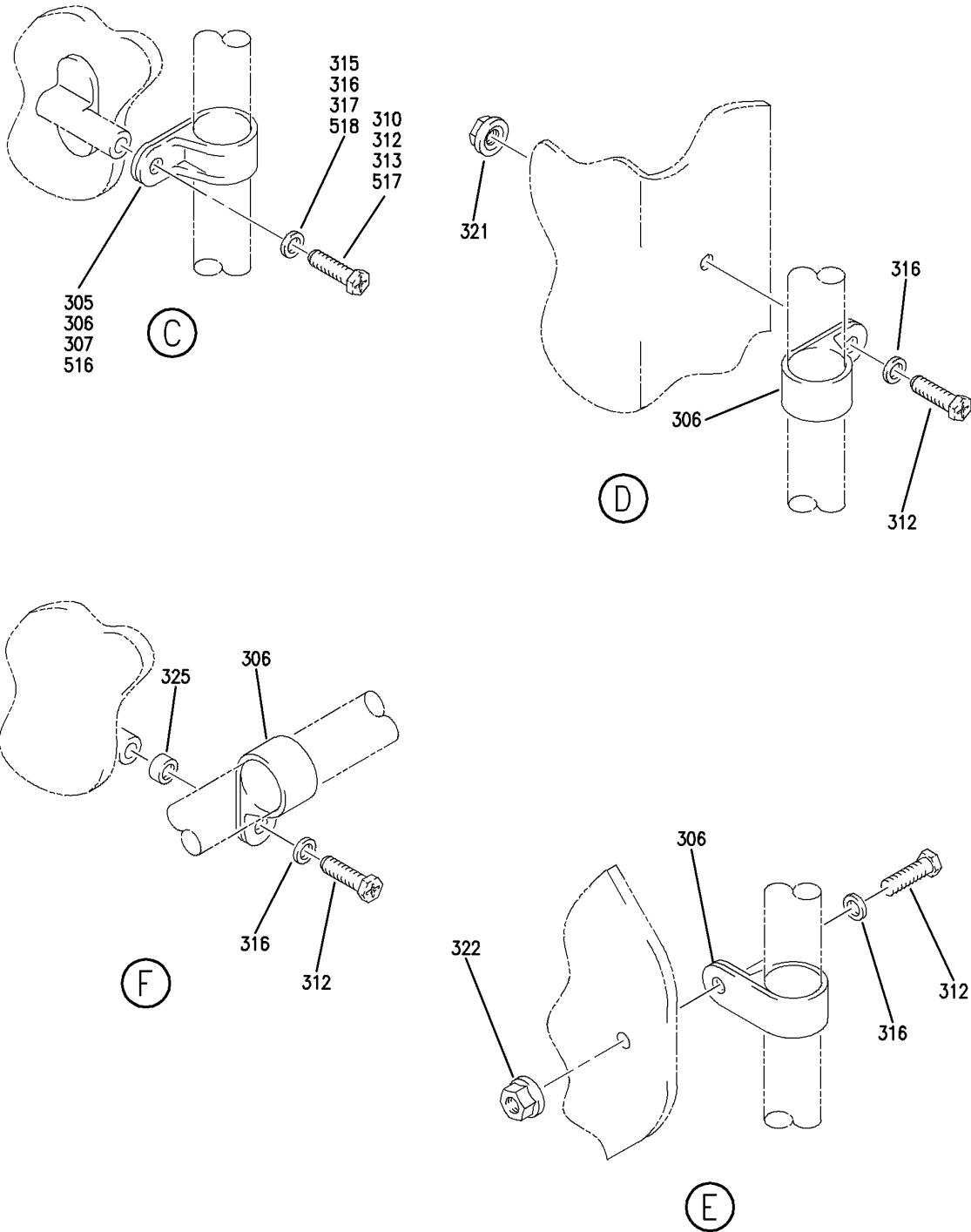
MASK AND TUBE INSTL - CREW OXY FIRST OBSERVER
FIGURE 16 (SHEET 2)

35-11-51-16

BRI
MAY 28/07

35-11-51-16
PAGE 0A

BOEING
757
PARTS CATALOG (MAINTENANCE)



Y 35115116 SHT 3 REV 237

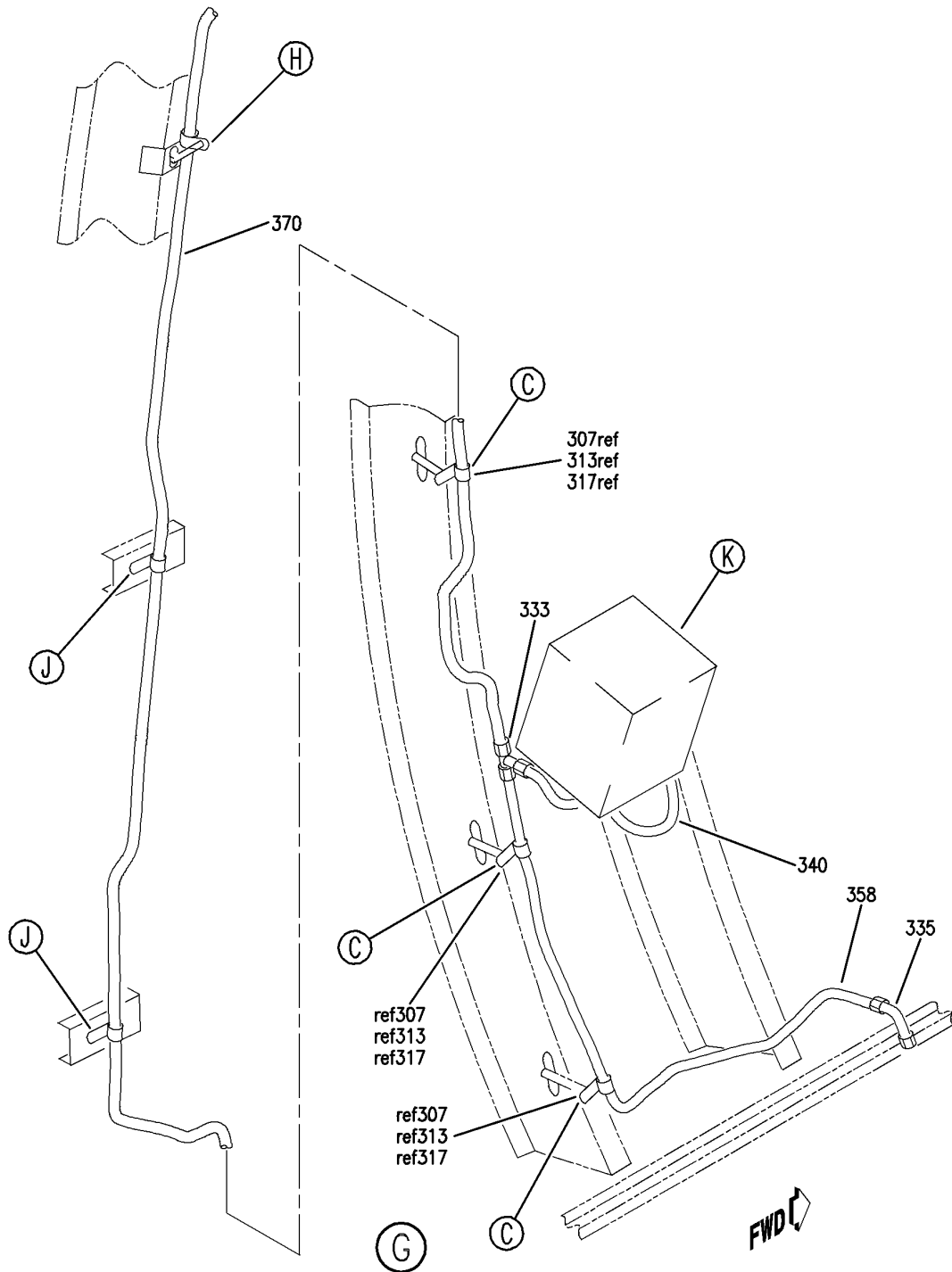
MASK AND TUBE INSTL - CREW OXY FIRST OBSERVER
FIGURE 16 (SHEET 3)

35-11-51-16

BRI
MAY 28/07

35-11-51-16
PAGE 0B

BOEING
757
PARTS CATALOG (MAINTENANCE)



Y 35115116 SHT 4 REV 237

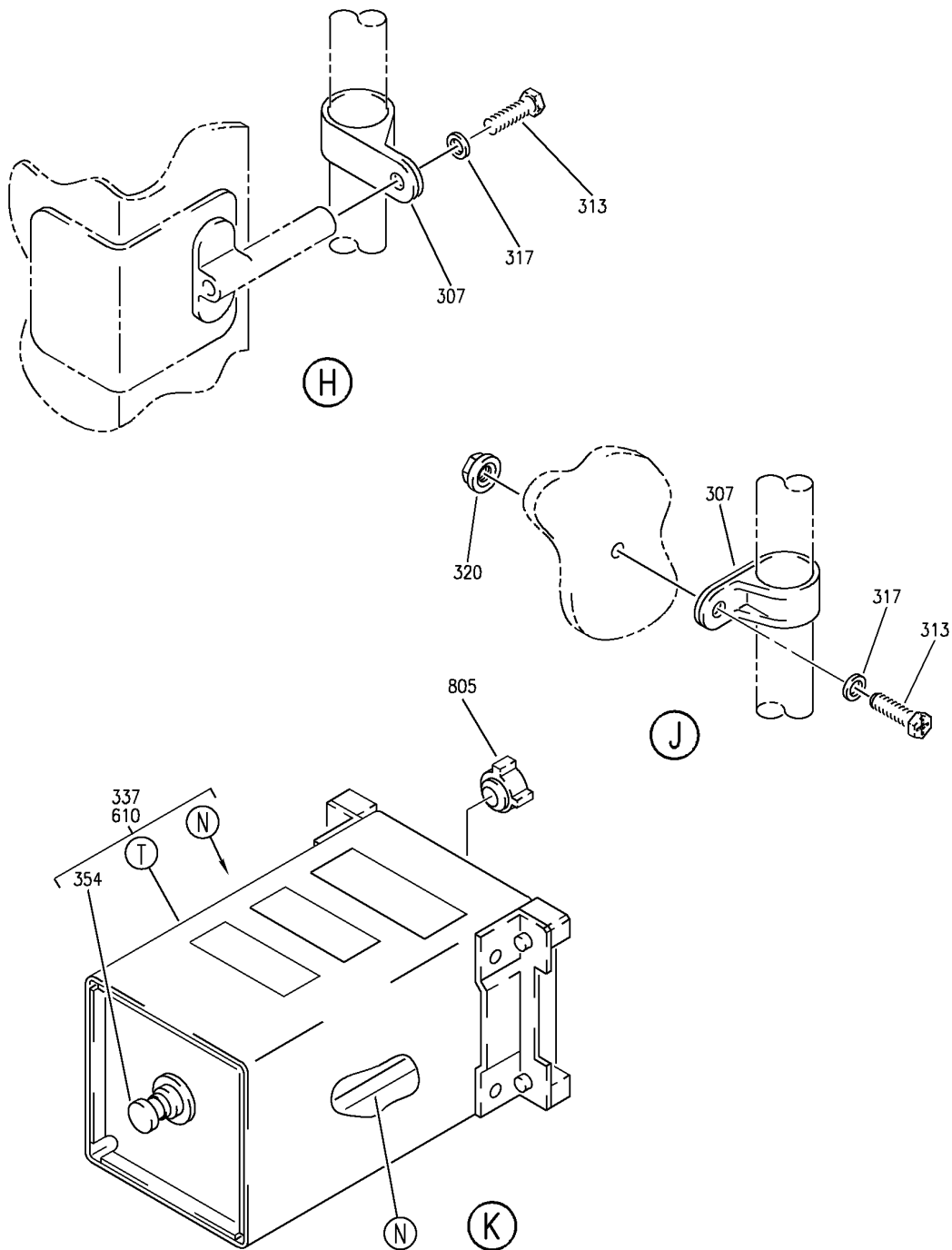
MASK AND TUBE INSTL - CREW OXY FIRST OBSERVER
FIGURE 16 (SHEET 4)

35-11-51-16

BRI
MAY 28/07

35-11-51-16
PAGE 0C

BOEING
757
PARTS CATALOG (MAINTENANCE)



Y 35115116 SHT 5 REV 288

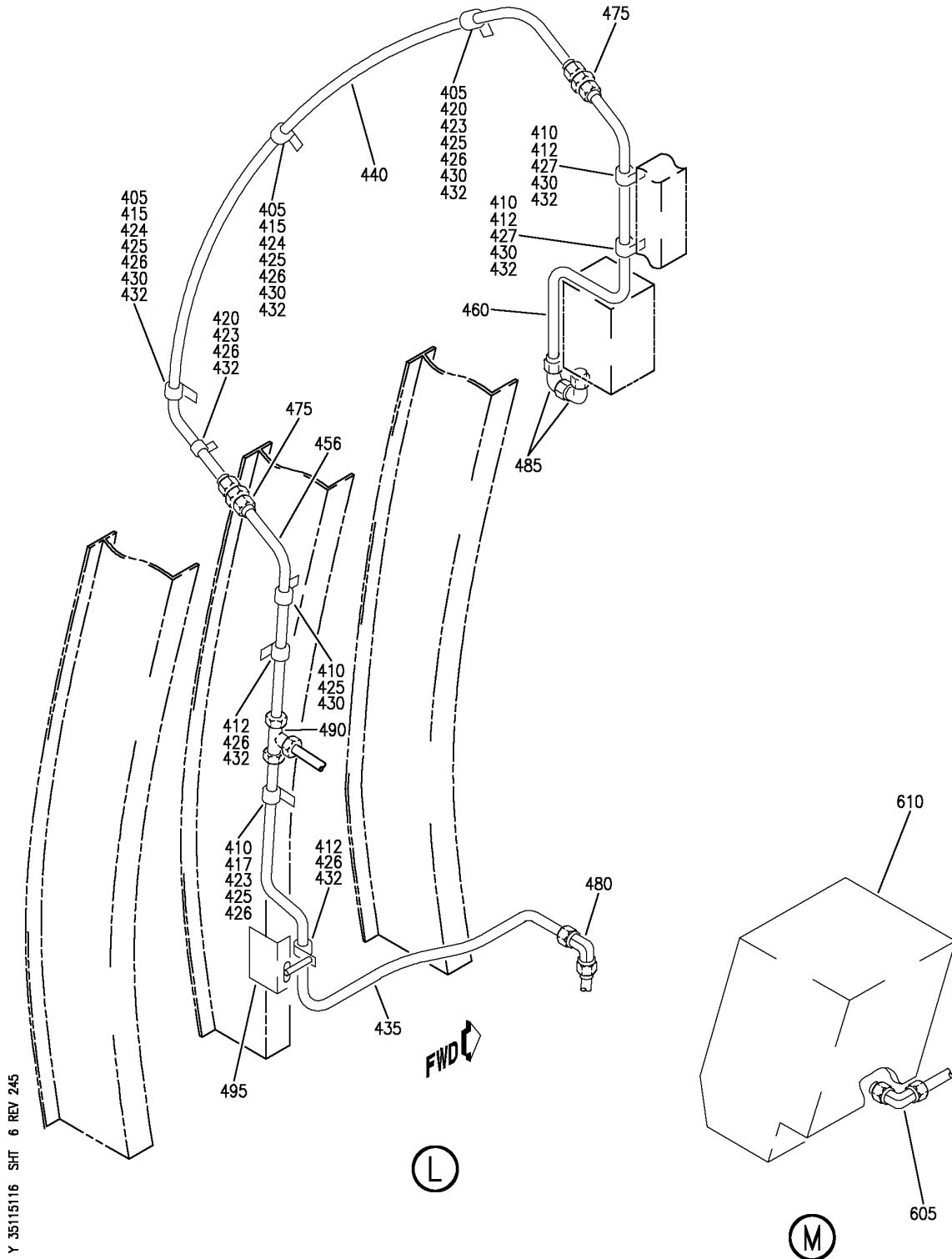
MASK AND TUBE INSTL - CREW OXY FIRST OBSERVER
FIGURE 16 (SHEET 5)

35-11-51-16

BRI
MAY 28/07

35-11-51-16
PAGE 0D

BOEING
757
PARTS CATALOG (MAINTENANCE)



Y 35115116 SH1 6 REV 245

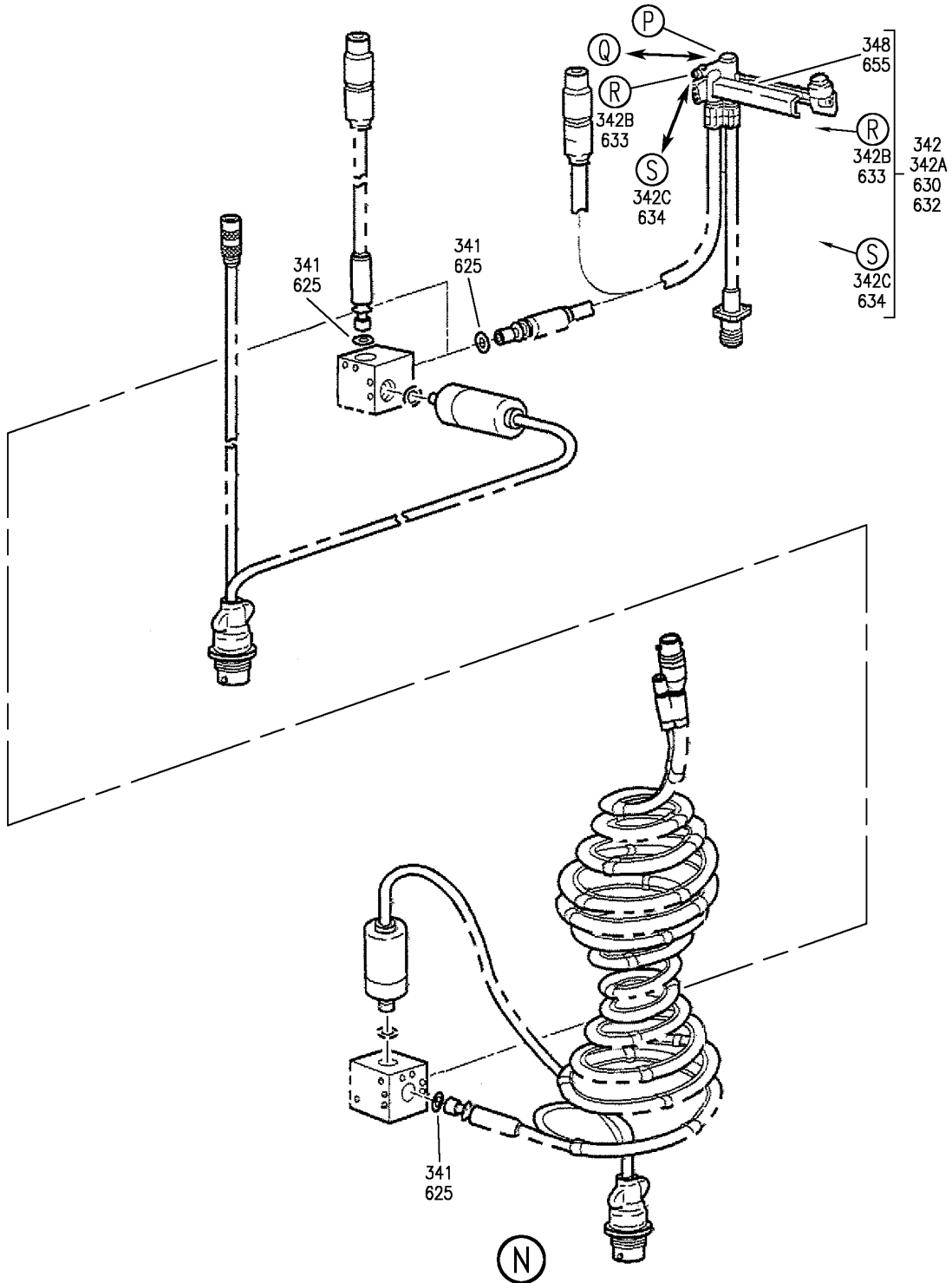
MASK AND TUBE INSTL - CREW OXY FIRST OBSERVER
FIGURE 16 (SHEET 6)

35-11-51-16

BRI
MAY 28/07

35-11-51-16
PAGE 0E

BOEING
757
PARTS CATALOG (MAINTENANCE)



Y 35115116 SH-T 7 REV 288

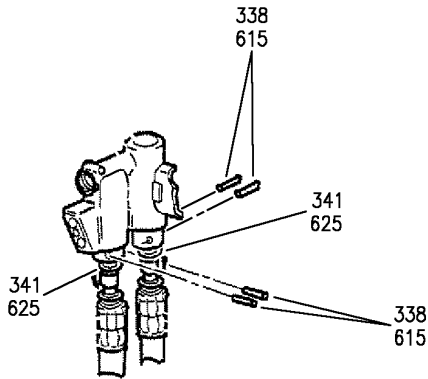
MASK AND TUBE INSTL - CREW OXY FIRST OBSERVER
FIGURE 16 (SHEET 7)

35-11-51-16

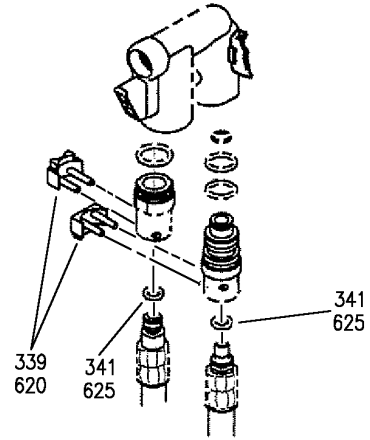
BRI
MAY 28/07

35-11-51-16
PAGE OF

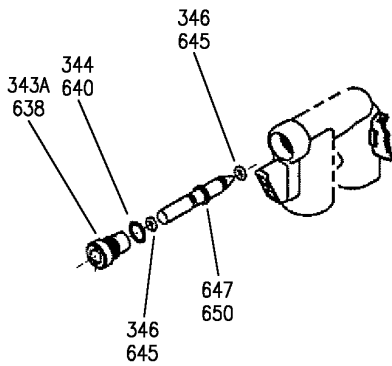
BOEING
757
PARTS CATALOG (MAINTENANCE)



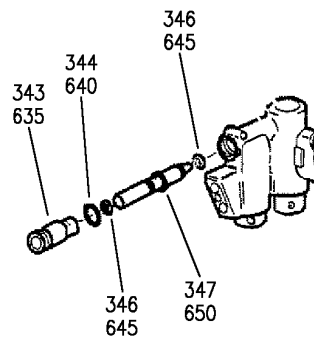
(P)



(Q)



(S)



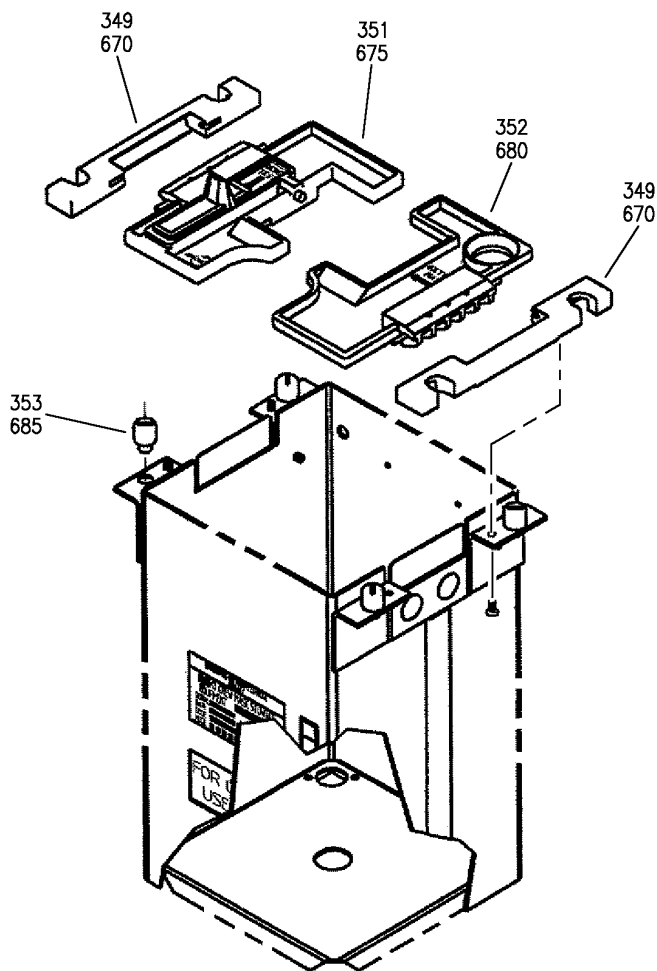
(R)

Y 35115116 SH1 8 REV 288

MASK AND TUBE INSTL - CREW OXY FIRST OBSERVER
FIGURE 16 (SHEET 8)

35-11-51-16

BOEING
757
PARTS CATALOG (MAINTENANCE)



Y 35115116 SH1 9 REV 288

MASK AND TUBE INSTL - CREW OXY FIRST OBSERVER
FIGURE 16 (SHEET 9)

35-11-51-16

BRI
MAY 28/07

35-11-51-16
PAGE 0H



757

PARTS CATALOG (MAINTENANCE)

FIG ITEM	PART NUMBER	1 2 3 4 5 6 7	NOMENCLATURE	EFFECT FROM TO	UNITS PER ASSY
16			MASK AND TUBE INSTL - CREW OXY FIRST OBSERVER	002004 006999	
- 290	232N8001-67		MASK INSTL-CREW OXY FIRST OBSERVER FOR NHA SEE: 25-10-00-05 25-10-00-10	011102 504903	RF
- 295	232N8001-109		MASK INSTL-CREW OXY FIRST OBSERVER	106106	RF
- 300	232N8001-19		MASK INSTL-CREW OXY FIRST OBSERVER FOR NHA SEE: 25-10-00-05	002004 006010 107107 121503 904999	RF
- 300	232N8001-301		MASK INSTL-CREW OXY FIRST OBSERVER FOR NHA SEE: 25-10-00-10A	108120	RF
305	BACC10DK		.CLAMP- SIZE DETERMINED ON INSTL.	002004 006102 106999	2
310	NAS1801-3		ATTACHING PARTS .SCREW- SIZE DETERMINED ON INSTL.	002004 006102 106999	2
315	AN960PD10L		.WASHER-	002004 006102 106999	2
315	AN960JD10L		.WASHER-	002004 006102 106999	2
330	MS21902J5		-----*----- .UNION-	002004 006102 106999	1
335	AP1042JN0505		.ELBOW- SUPPLIER CODE: V01673 SPECIFICATION NUMBER: BACE21BT0505JN OPTIONAL PART: BACE21AW0505M	002004 006102 106999	1

MISSING ITEM NUMBERS NOT APPLICABLE

- ITEM NOT ILLUSTRATED

35-11-51-16

35-11-51
FIG. 16
PAGE 1
JAN 20/09

BRI



757

PARTS CATALOG (MAINTENANCE)

FIG ITEM	PART NUMBER	1 2 3 4 5 6 7	NOMENCLATURE	EFFECT FROM TO	UNITS PER ASSY
16 335	AP1010M0505	.ELBOW-	SUPPLIER CODE: V01673 SPECIFICATION NUMBER: BACE21AW0505M OPTIONAL PART: AP1010-0505M V01673 DB0E21AW0505M V14798 ER10633M0505M V88334 FER1569-0505M V14397 W30833-0505M V11328 4671114-0505M V50948 AFP334-0505M V30974 DB0E21AW0505M V61498 US2109-0505M V50808 AFP344-0505M V30794 BACE21BT0505JN	002004 006102 106999	1
336	38001-70	.HOSE ASSY-	SUPPLIER CODE: V24984 SPECIFICATION NUMBER: 60B50059-70 OPTIONAL PART: 9513-20S5-18-0 V92114 ZH784-20 V02217 835-01-70 V92114 PRE ALERT SB: 35A0015R2	002004 006102 107107 121949 952999	1
336	38001-606	.HOSE ASSY-	SUPPLIER CODE: V24984 SPECIFICATION NUMBER: 60B50059-606 POST ALERT SB: 35A0015 35A0015R2	002004 006102 106999	1

MISSING ITEM NUMBERS NOT APPLICABLE

- ITEM NOT ILLUSTRATED

35-11-51-16

35-11-51
FIG. 16
PAGE 2
JAN 20/09

BRI



757

PARTS CATALOG (MAINTENANCE)

FIG ITEM	PART NUMBER	1 2 3 4 5 6 7	NOMENCLATURE	EFFECT FROM TO	UNITS PER ASSY
16 337	MXP147		.BOX ASSY- SUPPLIER CODE: VF5341 FUNCTIONAL DESCRIPTION: PROVIDES READY-FOR-USE STOWAGE OF THE OXYGEN MASK ELECTRICAL EQUIP NUMBER: M10256 COMPONENT MAINT MANUAL REF: 35-11-79	002004 006107 121999	1
337	MXP402-3		.BOX ASSY- SUPPLIER CODE: VF5341 ELECTRICAL EQUIP NUMBER: M10256 COMPONENT MAINT MANUAL REF: 35-11-11	108120	1
338	042001		..PIN- SUPPLIER CODE: VF5341 CONFIG CHG DATA FROM A CMM: SUPSD BY 415461	002004 006107 121999	4
339	415461		..BLOCK-LOCKING SUPPLIER CODE: VF5341 SB DATA FROM A CMM: POST MXP100-35-57 CONFIG CHG DATA FROM A CMM: SUPERSEDES 042001	002004 006107 121999	2
341	R4SL1010		..PACKING-4 9X1 9 50D5 SUPPLIER CODE: VF0229	002004 006107 121999	AR
342	406535		..PNEUMATIC SYS ASSY- SUPPLIER CODE: VF5341 CONFIG CHG DATA FROM A CMM: SUPSD BY 447183	002004 006107 121999	1
342A	447183		..PNEUMATIC SYS ASSY- SUPPLIER CODE: VF5341 SB DATA FROM A CMM: POST MXP100-35-57 CONFIG CHG DATA FROM A CMM: SUPERSEDES 406535	002004 006107 121999	1

MISSING ITEM NUMBERS NOT APPLICABLE

- ITEM NOT ILLUSTRATED

35-11-51-16

35-11-51
FIG. 16
PAGE 3
JAN 20/09

BRI



757

PARTS CATALOG (MAINTENANCE)

FIG ITEM	PART NUMBER	1 2 3 4 5 6 7	NOMENCLATURE	EFFECT FROM TO	UNITS PER ASSY
16 342B	406927	...	VALVE-ON-OFF SUPPLIER CODE: VF5341 CONFIG CHG DATA FROM A CMM: SUPSD BY 446982	002004 006107 121999	1
342C	446982	...	VALVE-ON-OFF SUPPLIER CODE: VF5341 SB DATA FROM A CMM: POST MXP100-35-57 CONFIG CHG DATA FROM A CMM: SUPERSEDES 406927	002004 006107 121999	1
343	412757	SLIDER-EXH SUPPLIER CODE: VF5341 CONFIG CHG DATA FROM A CMM: SUPSD BY 415790	002004 006107 121999	1
343A	415790	BUSHING-EXH SUPPLIER CODE: VF5341 SB DATA FROM A CMM: POST MXP100-35-57 CONFIG CHG DATA FROM A CMM: SUPERSEDES 412757	002004 006107 121999	1
344	I101112SL1002	PACKING-6X1 50D6 SUPPLIER CODE: VF5341 OPTIONAL PART: H144685 VF5341	002004 006107 121999	1
344	H144685	PACKING-6X1 50D6 SUPPLIER CODE: VF5341 OPTIONAL PART: I101112SL1002 VF5341	002004 006107 121999	1
346	R00PB701	...	PACKING- SUPPLIER CODE: VF0229	002004 006107 121999	2
347	412449	PISTON- SUPPLIER CODE: VF5341	002004 006107 121999	1
348	412149	...	COVER- SUPPLIER CODE: VF5341	002004 006107 121999	1
349	440914	..	BAR-HINGE SUPPLIER CODE: VF5341	002004 006107 121999	2

MISSING ITEM NUMBERS NOT APPLICABLE

- ITEM NOT ILLUSTRATED

35-11-51-16

35-11-51
FIG. 16
PAGE 4
JAN 20/09

BRI

BOEING PROPRIETARY - Copyright © - Unpublished Work - See title page for details.



757

PARTS CATALOG (MAINTENANCE)

FIG ITEM	PART NUMBER	1 2 3 4 5 6 7	NOMENCLATURE	EFFECT FROM TO	UNITS PER ASSY
16 351	440912	..	DOOR- SUPPLIER CODE: VF5341 POSITION DATA: LH	002004 006107 121999	1
352	440911	..	DOOR- SUPPLIER CODE: VF5341 POSITION DATA: RH	002004 006107 121999	1
353	PFSC3-1-2-38A	..	LOCK- SUPPLIER CODE: VF0304	002004 006107 121999	4
354	DL64R83PN059	..	CONNECTOR- SUPPLIER CODE: V11139	002004 006102 106999	1
355	232N8001-20	.	TUBE ASSY- TUBING MATERIAL: .312 IN. OD .020 IN. WALL 35.75 IN. LG ST	002004 006010 107107 121503 904999	1
355	232N8001-82	.	TUBE ASSY- TUBING MATERIAL: .3125 IN. OD X .020 IN. WALL X 36.7 IN. LG COLD REDUCED TUBING 21-6-9 PER BMS7-185	011102 106106 108120 504903	1
- 360	BACN10CS05JN	..	NUT	002004 006102 106999	2
- 365	AP2097HP05	..	SLEEVE SUPPLIER CODE: V01673 SPECIFICATION NUMBER: BACS13BX05HP OPTIONAL PART: 2-02903-05HP V11328 35235VN05 V08199 AFP175V05P V30974 DBOS13BX05HP V14798	002004 006102 106999	2
- 500	MODREF33489		TUBE INSTL-CREW OXY FIRST OBSERVER MODULE NUMBER: 232N8001-123 REV B	103106	1

MISSING ITEM NUMBERS NOT APPLICABLE

- ITEM NOT ILLUSTRATED

35-11-51-16

35-11-51
FIG. 16
PAGE 5
JAN 20/09

BRI



757

PARTS CATALOG (MAINTENANCE)

FIG ITEM	PART NUMBER	1 2 3 4 5 6 7	NOMENCLATURE	EFFECT FROM TO	UNITS PER ASSY
16 505	MS21902J5	.	UNION- OPTIONAL PART: 474W2090-145	103106	1
505	474W2090-145	.	UNION- OPTIONAL PART: MS21902J5	103106	1
510	AP1042JN0505	.	ELBOW- SUPPLIER CODE: V01673 SPECIFICATION NUMBER: BACE21BT0505JN OPTIONAL PART: 474W2090-51	103106	1
510	474W2090-51	.	ELBOW ASSY- OPTIONAL PART: BACE21BT0505JN	103106	1
515	38001-606	.	HOSE ASSY- SUPPLIER CODE: V24984 SPECIFICATION NUMBER: 60B50059-606	103106	1
516	BACC10DK	.	CLAMP- SIZE DETERMINED ON INSTL. ATTACHING PARTS	103106	2
517	NAS1801-3	.	SCREW- SIZE DETERMINED ON INSTL.	103106	2
518	AN960PD10L	.	WASHER-	103106	2
518	AN960JD10L	.	WASHER-	103106	2
			-----*-----		
520	232N8001-82	.	TUBE ASSY- TUBING MATERIAL: .3125 IN. OD X .020 IN. WALL X 36.7 IN. LG COLD REDUCED TUBING 21-6-9 PER BMS7-185	103106	1
- 525	BACN10CS05JN	..	NUT	103106	2

MISSING ITEM NUMBERS NOT APPLICABLE

- ITEM NOT ILLUSTRATED

BRI

35-11-51-16

35-11-51
FIG. 16
PAGE 6
JAN 20/09



757

PARTS CATALOG (MAINTENANCE)

FIG ITEM	PART NUMBER	1 2 3 4 5 6 7	NOMENCLATURE	EFFECT FROM TO	UNITS PER ASSY
16					
- 530	AP2097HP05	..	SLEEVE SUPPLIER CODE: V01673 SPECIFICATION NUMBER: BACS13BX05HP OPTIONAL PART: 2-02903-05HP V11328 35235VN05 V08199 AFP175V05P V30974 DBOS13BX05HP V14798	103106	2
633	406927	...	VALVE-ON-OFF SUPPLIER CODE: VF5341 CONFIG CHG DATA FROM A CMM: SUPSD BY 446982	002004 006102 107107 121999	1
- 800	286N2293-002		WIRE BUNDLE ASSY	107107	RF
- 800	286N2293-010		WIRE BUNDLE ASSY	002004 006100 950999	RF
- 801	286N2293-317		WIRE BUNDLE ASSY	504903	RF
- 801	286N2293-319		WIRE BUNDLE ASSY	101102	RF
- 801	286N2293-322		WIRE BUNDLE ASSY	108120	RF
- 802	286N2293-011		WIRE BUNDLE ASSY	121503 904949	RF
- 802	286N2293-701		WIRE BUNDLE ASSY	103106	RF
805	BACC45FT8A3S	.CONNECTOR-	ELECTRICAL EQUIP NUMBER: D00527 WIRING DIAGRAM REF: 235141	002004 006107 121999	1
805	MS3126F10-6S	.CONNECTOR-	ELECTRICAL EQUIP NUMBER: D00527 WIRING DIAGRAM REF: 235141	108120	1

MISSING ITEM NUMBERS NOT APPLICABLE

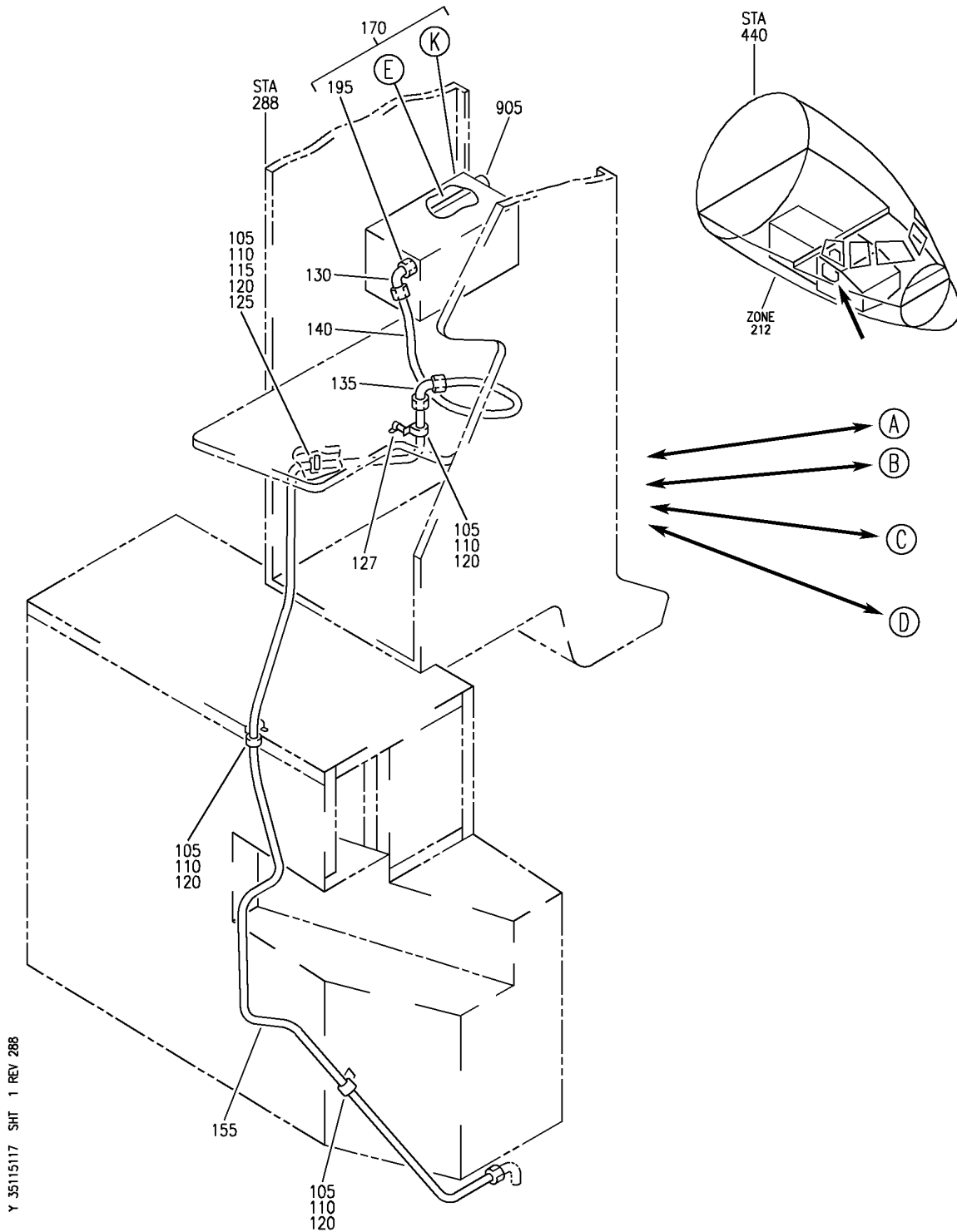
- ITEM NOT ILLUSTRATED

35-11-51-16

35-11-51
FIG. 16
PAGE 7
JAN 20/09

BRI

BOEING
757
PARTS CATALOG (MAINTENANCE)



Y 35115117 SHT 1 REV 288

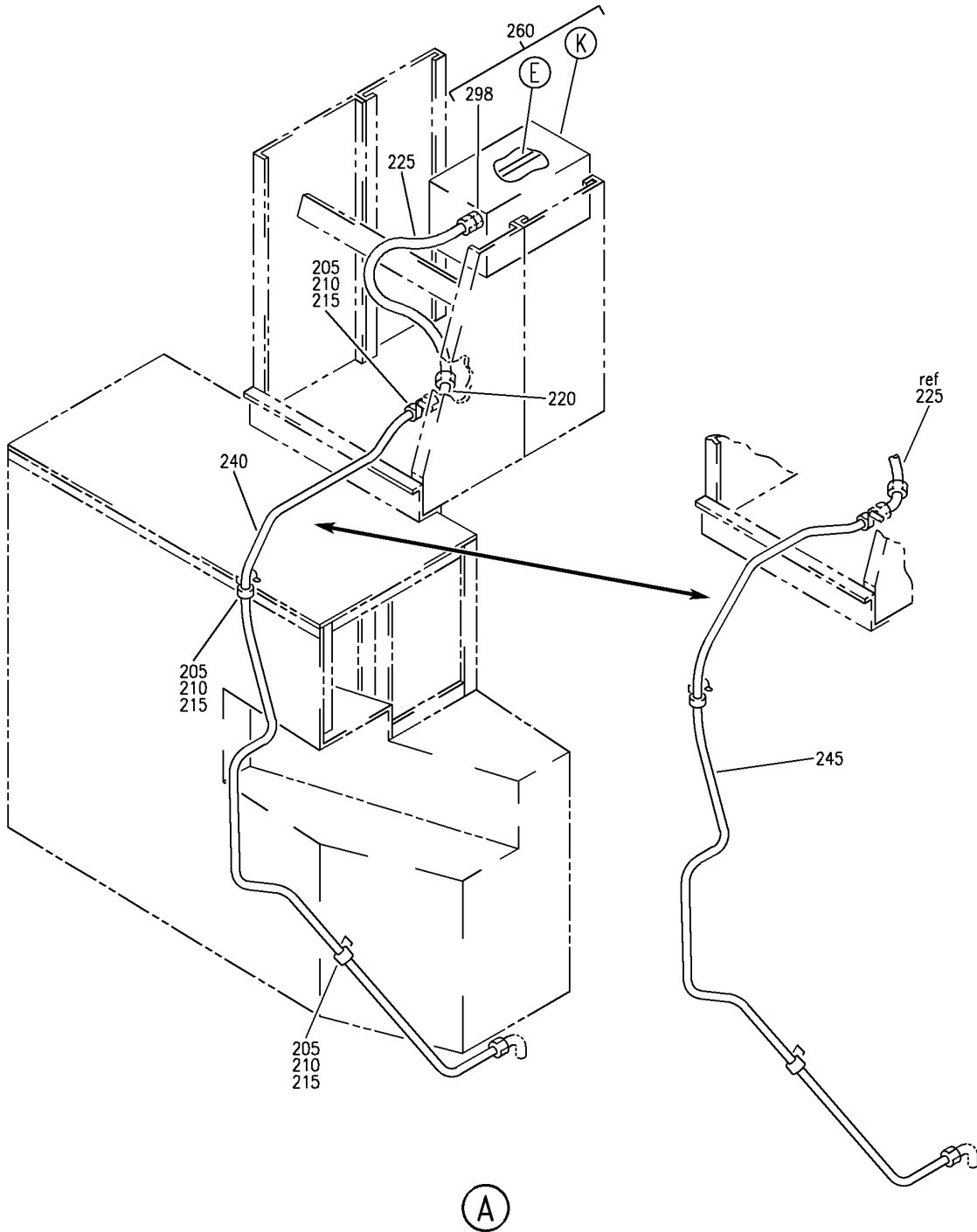
MASK INSTL-CREW OXY AND TUBING SECOND OBSERVER
FIGURE 17 (SHEET 1)

35-11-51-17

BRI
MAY 28/07

35-11-51-17
PAGE 0

BOEING
757
PARTS CATALOG (MAINTENANCE)



Y 35115117 SHT 2 REV 288

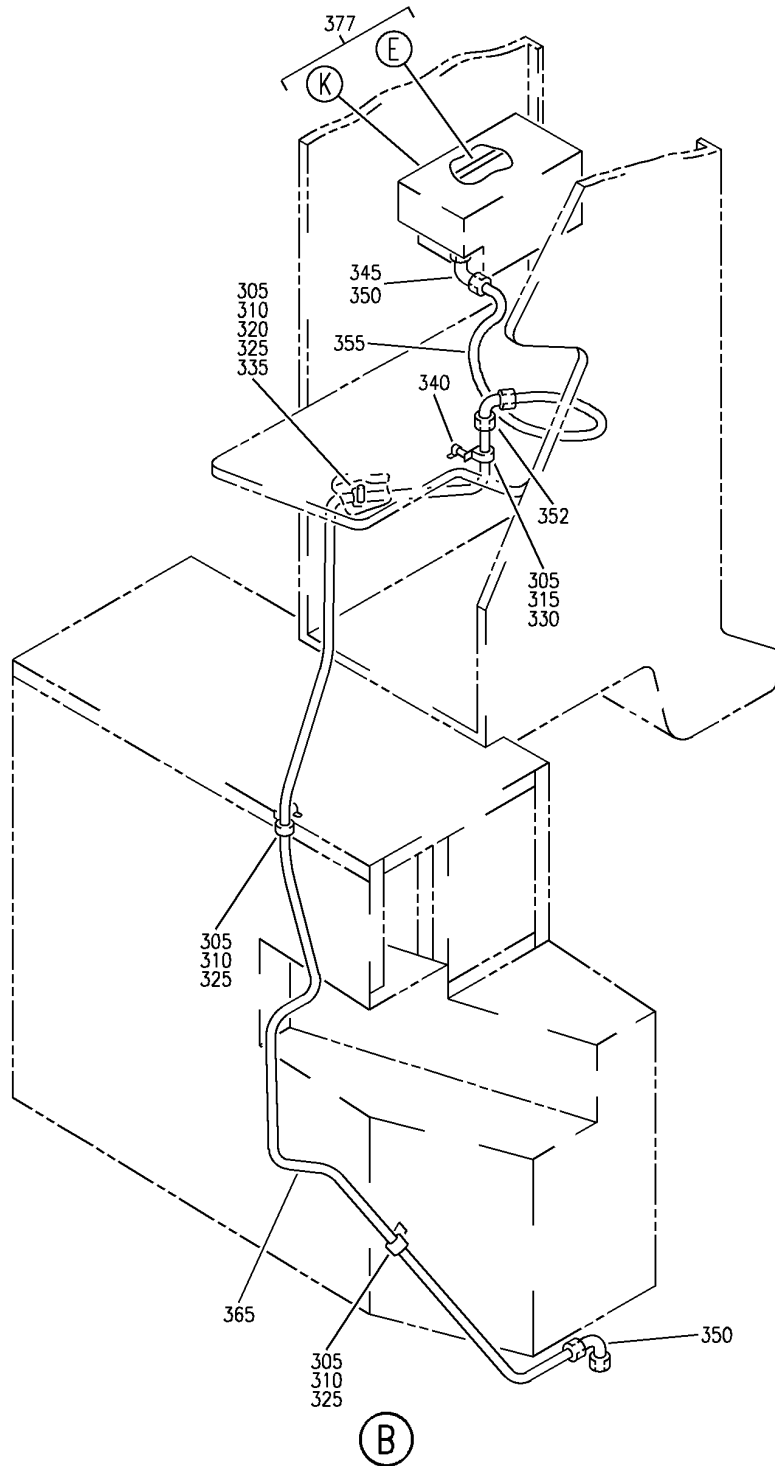
MASK INSTL-CREW OXY AND TUBING SECOND OBSERVER
FIGURE 17 (SHEET 2)

35-11-51-17

BRI
MAY 28/07

35-11-51-17
PAGE 0A

BOEING
757
PARTS CATALOG (MAINTENANCE)



Y 35115117 SH1 3 REV 288

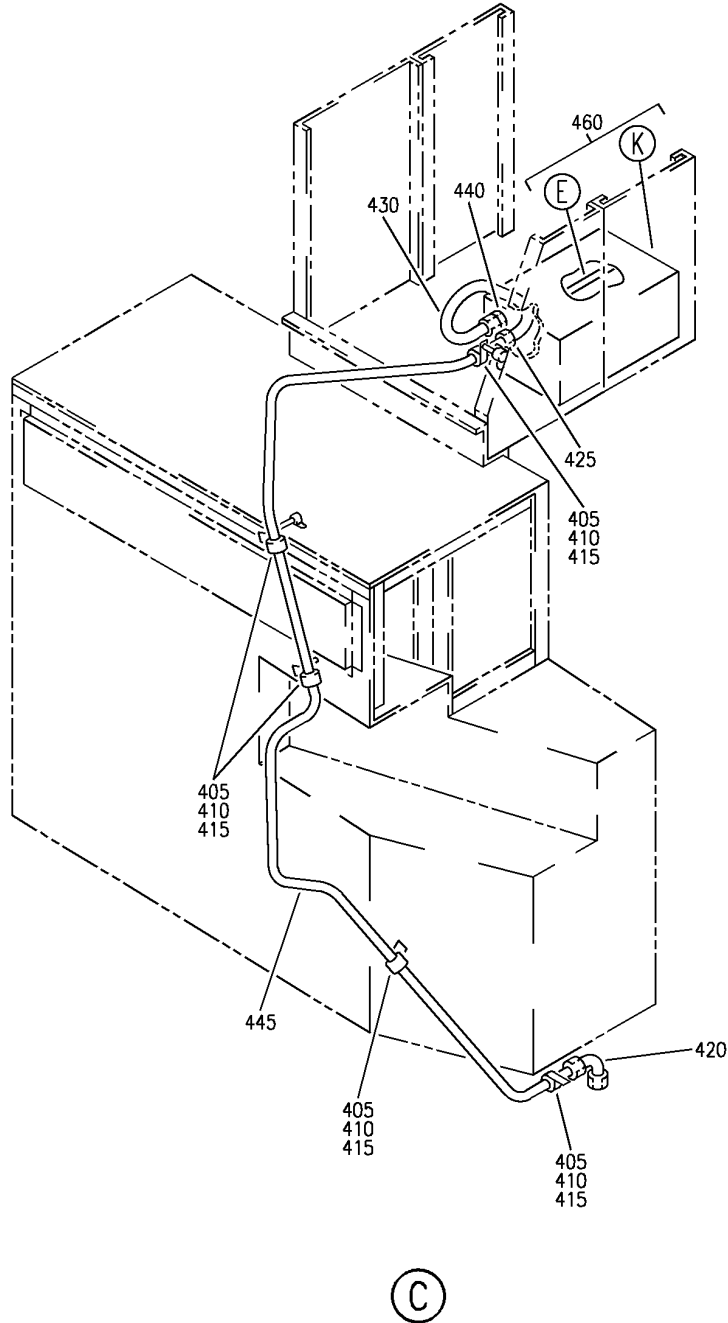
MASK INSTL-CREW OXY AND TUBING SECOND OBSERVER
FIGURE 17 (SHEET 3)

35-11-51-17

BRI
MAY 28/07

35-11-51-17
PAGE 0B

BOEING
757
PARTS CATALOG (MAINTENANCE)



Y 35115117 SHT 4 REV 288

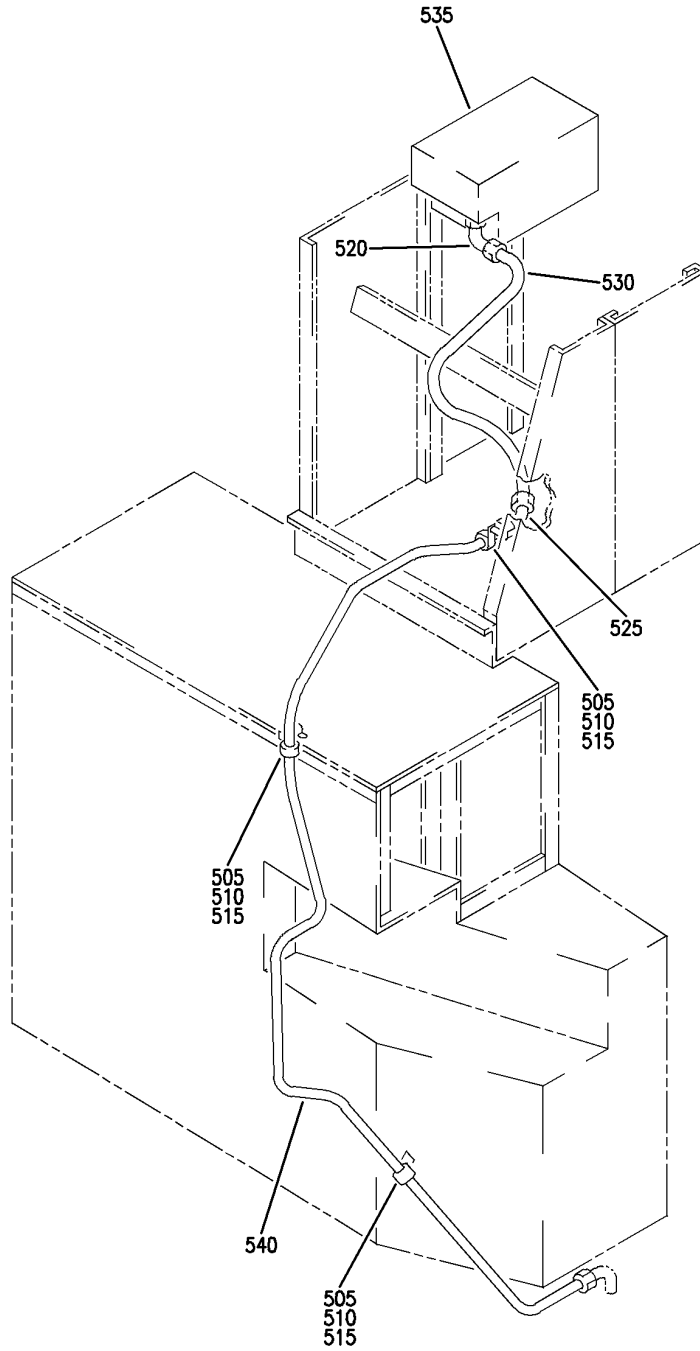
MASK INSTL-CREW OXY AND TUBING SECOND OBSERVER
FIGURE 17 (SHEET 4)

35-11-51-17

BRI
MAY 28/07

35-11-51-17
PAGE 0C

BOEING
757
PARTS CATALOG (MAINTENANCE)



(D)

Y 35115117 SHT 5 REV 238

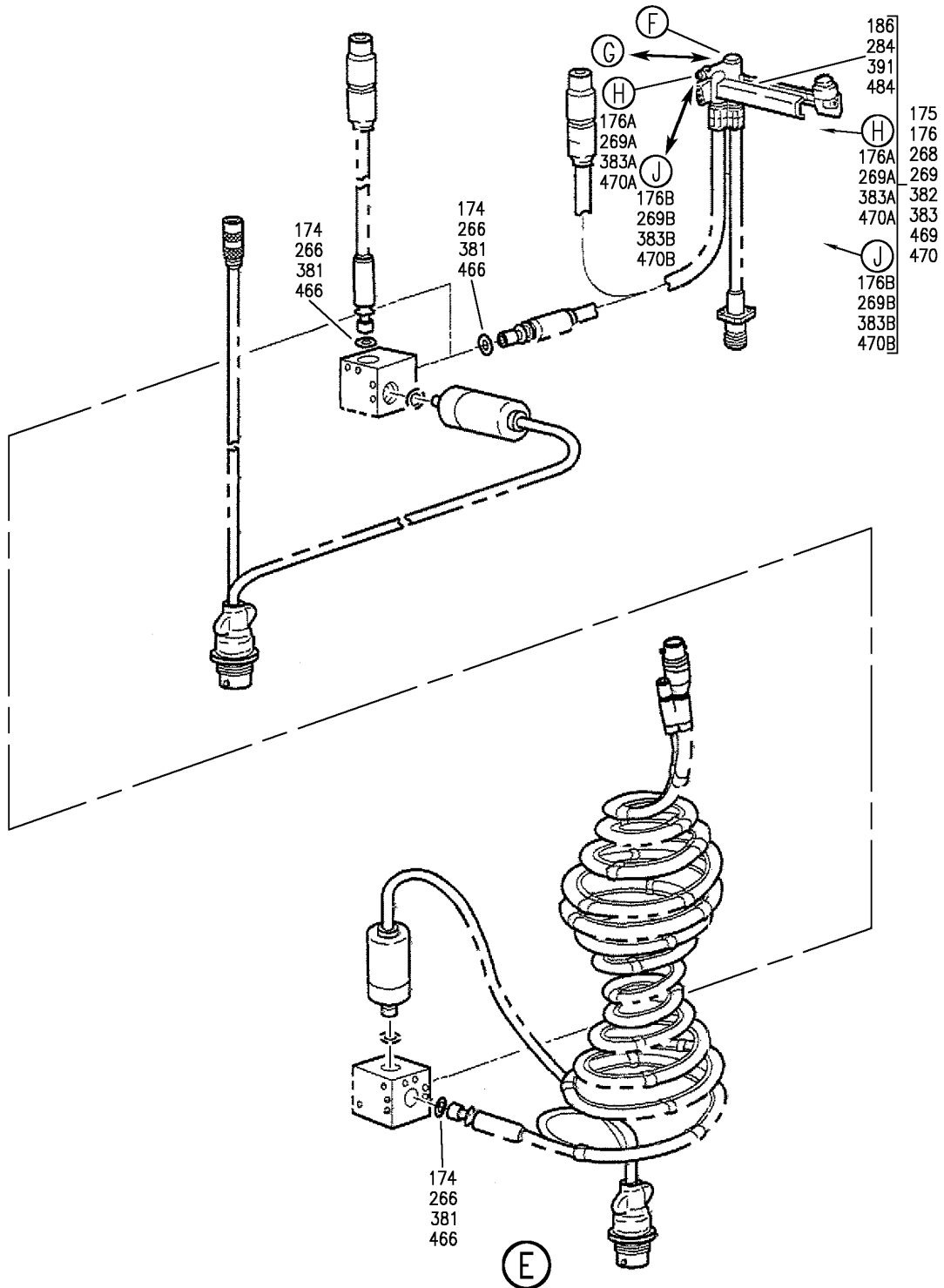
MASK INSTL-CREW OXY AND TUBING SECOND OBSERVER
FIGURE 17 (SHEET 5)

35-11-51-17

BRI
MAY 28/07

35-11-51-17
PAGE 0D

BOEING
757
PARTS CATALOG (MAINTENANCE)



Y 35115117 SH1 6 REV 288

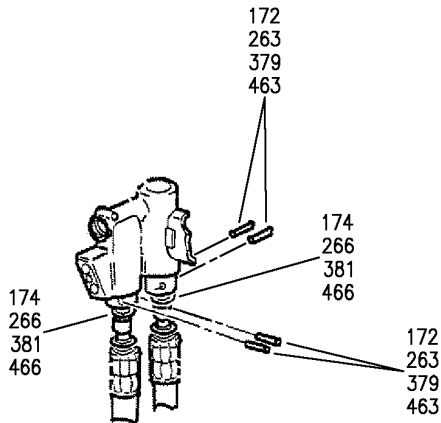
MASK INSTL-CREW OXY AND TUBING SECOND OBSERVER
FIGURE 17 (SHEET 6)

35-11-51-17

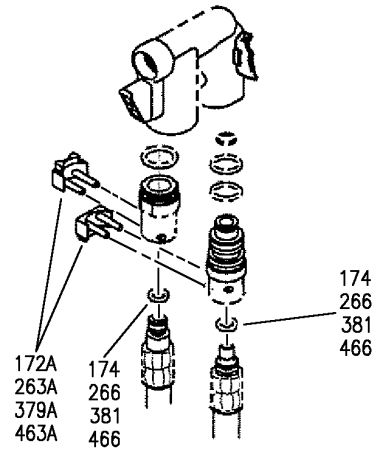
BRI
MAY 28/07

35-11-51-17
PAGE 0E

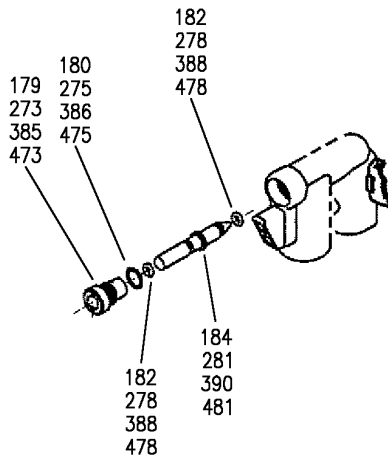
BOEING
757
PARTS CATALOG (MAINTENANCE)



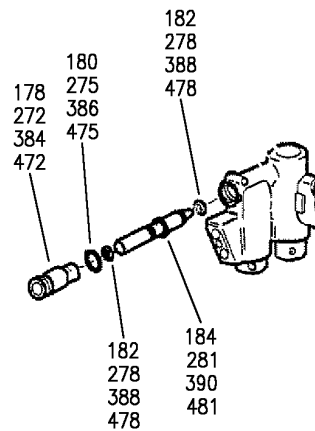
(F)



(G)



(J)



(H)

Y 35115117 SH1 7 REV 288

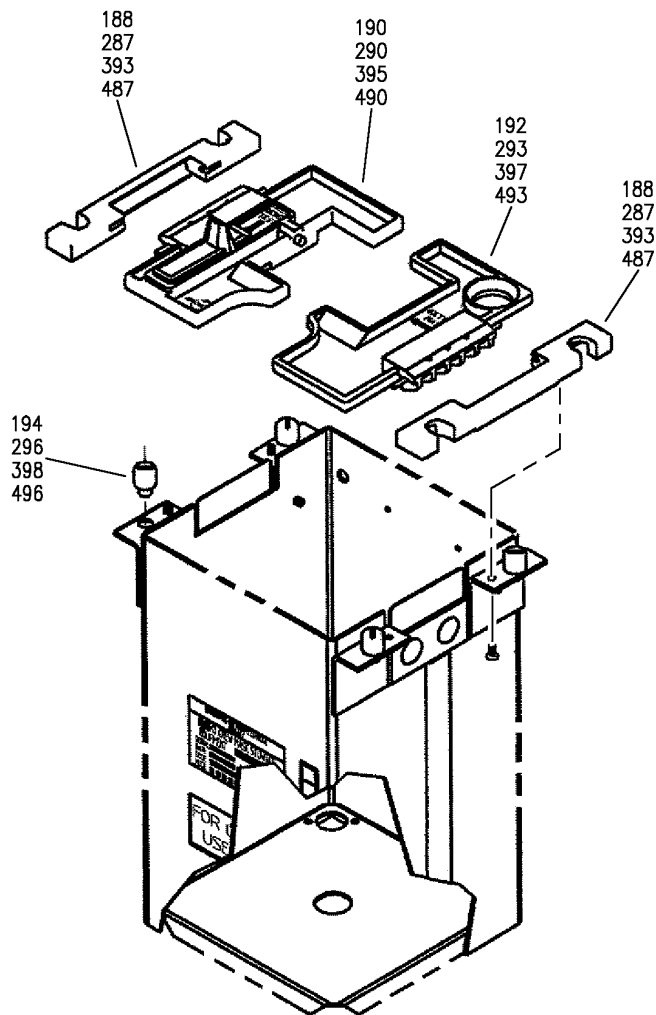
MASK INSTL-CREW OXY AND TUBING SECOND OBSERVER
FIGURE 17 (SHEET 7)

35-11-51-17

BRI
MAY 28/07

35-11-51-17
PAGE OF

BOEING
757
PARTS CATALOG (MAINTENANCE)



(K)

Y 35115117 SH1 8 REV 288

MASK INSTL-CREW OXY AND TUBING SECOND OBSERVER
FIGURE 17 (SHEET 8)

35-11-51-17

BRI
MAY 28/07

35-11-51-17
PAGE 06



757

PARTS CATALOG (MAINTENANCE)

FIG ITEM	PART NUMBER	1 2 3 4 5 6 7	NOMENCLATURE	EFFECT FROM TO	UNITS PER ASSY
17			MASK INSTL-CREW OXY AND TUBING	002004 006949	
- 100	232N8001-90		SECOND OBSERVER MASK INSTL-CREW OXY SECOND OBSERVER	952999 017102 504903	RF
- 100	232N8001-68		FOR NHA SEE: 25-10-00-10A MASK INSTL-CREW OXY SECOND OBSERVER	011016	RF
			FOR NHA SEE: 25-10-00-05		
105	BACC10DK		.CLAMP-	011102	4
			SIZE DETERMINED ON INSTL. ATTACHING PARTS	504903	
110	NAS1801-3		.SCREW-	011102	4
			SIZE DETERMINED ON INSTL.	504903	
115	NAS42DD6-48		.SPACER	011102	1
				504903	
120	AN960JD10L		.WASHER-	011102	4
				504903	
120	AN960PD10L		.WASHER-	011102	4
				504903	
125	MS21042L3		.NUT	011102	1
				504903	
			-----*-----		
127	WSI332-4		.NUTPLATE	011102	1
			SUPPLIER CODE: V04169	504903	
			SPECIFICATION NUMBER: BACN10GH3-4		
130	AP1042JN0505		.ELBOW-	011102	1
			SUPPLIER CODE: V01673	504903	
			SPECIFICATION NUMBER: BACE21BT0505JN		
			OPTIONAL PART: BACE21AW0505M		

MISSING ITEM NUMBERS NOT APPLICABLE

- ITEM NOT ILLUSTRATED

BRI

35-11-51-17

BOEING PROPRIETARY - Copyright © - Unpublished Work - See title page for details.

35-11-51
FIG. 17
PAGE 1
JAN 20/09



757

PARTS CATALOG (MAINTENANCE)

FIG ITEM	PART NUMBER	1 2 3 4 5 6 7	NOMENCLATURE	EFFECT FROM TO	UNITS PER ASSY
17 130	AP1010M0505	.ELBOW-	SUPPLIER CODE: V01673 SPECIFICATION NUMBER: BACE21AW0505M OPTIONAL PART: AP1010-0505M V01673 DB0E21AW0505M V14798 ER10633M0505M V88334 FER1569-0505M V14397 W30833-0505M V11328 4671114-0505M V50948 AFP334-0505M V30974 DB0E21AW0505M V61498 US2109-0505M V50808 AFP344-0505M V30794 BACE21BT0505JN	011102 504903	1
135	MS21904J5	.ELBOW-		011102 504903	1
140	38001-70	.HOSE ASSY-	SUPPLIER CODE: V24984 SPECIFICATION NUMBER: 60B50059-70 OPTIONAL PART: 9513-20S5-18-0 V92114 ZH784-20 V02217 835-01-70 V92114 PRE ALERT SB: 35A0015R2	011102 504903	1

MISSING ITEM NUMBERS NOT APPLICABLE

- ITEM NOT ILLUSTRATED

35-11-51-17

35-11-51
FIG. 17
PAGE 2
JAN 20/09

BRI



757

PARTS CATALOG (MAINTENANCE)

FIG ITEM	PART NUMBER	1 2 3 4 5 6 7	NOMENCLATURE	EFFECT FROM TO	UNITS PER ASSY
17 140	38001-606		.HOSE ASSY- SUPPLIER CODE: V24984 SPECIFICATION NUMBER: 60B50059-606 POST ALERT SB: 35A0015R2	011102 504903	1
155	232N8001-88		.TUBE ASSY- TUBING MATERIAL: .3125 IN. OD X .02 IN. WALL X 64.6 IN. LG COLD REDUCED TUBING 21-6-9 PER BMS7-185	017102 504903	1
155	232N8001-73		.TUBE ASSY- TUBING MATERIAL: .02 WALL X .3125 O.D. CRES TUBING (WELDED) 21-6-9 PER BMS7-185	011016	1
- 160	BACN10CS05JN		..NUT	011102 504903	2
- 165	AP2097HP05		..SLEEVE SUPPLIER CODE: V01673 SPECIFICATION NUMBER: BACS13BX05HP OPTIONAL PART: 2-02903-05HP V11328 35235VN05 V08199 AFP175V05P V30974 DBOS13BX05HP V14798	011102 504903	2
170	MXP147		.BOX ASSY-STOWAGE SUPPLIER CODE: VF5341 FUNCTIONAL DESCRIPTION: PROVIDES READY-FOR-USE STOWAGE OF THE OXYGEN MASK ELECTRICAL EQUIP NUMBER: M10257 COMPONENT MAINT MANUAL REF: 35-11-79	017102 504903	1

MISSING ITEM NUMBERS NOT APPLICABLE

- ITEM NOT ILLUSTRATED

35-11-51-17

35-11-51
FIG. 17
PAGE 3
JAN 20/09

BRI



757

PARTS CATALOG (MAINTENANCE)

FIG ITEM	PART NUMBER	1 2 3 4 5 6 7	NOMENCLATURE	EFFECT FROM TO	UNITS PER ASSY
17 170	MXP147-3		.BOX ASSY-STOWAGE OXY COLLECTOR SUPPLIER CODE: VF5341 ELECTRICAL EQUIP NUMBER: M10257 COMPONENT MAINT MANUAL REF: 35-11-79	011016	1
172	042001		..PIN- SUPPLIER CODE: VF5341 CONFIG CHG DATA FROM A CMM: SUPSD BY 415461	011102 504903	4
172A	415461		..BLOCK- SUPPLIER CODE: VF5341 SB DATA FROM A CMM: POST BS MXP100-35-37 CONFIG CHG DATA FROM A CMM: SUPSDS 042001	011102 504903	2
174	R4SL1010		..PACKING-4 9X1 9 50D5 SUPPLIER CODE: VF0229	011102 504903	4
175	406535		..PNEUMATIC SYS ASSY- SUPPLIER CODE: VF5341 CONFIG CHG DATA FROM A CMM: SUPSD BY 447183	011102 504903	1
176	447183		..PNEUMATIC SYS ASSY- SUPPLIER CODE: VF5341 SB DATA FROM A CMM: POST BS MXP100-35-37 CONFIG CHG DATA FROM A CMM: SUPSDS 406535	011102 504903	1
176A	406927		...VALVE- SUPPLIER CODE: VF5341 CONFIG CHG DATA FROM A CMM: SUPSD BY 446982	011102 504903	1
176B	446982		...VALVE- SUPPLIER CODE: VF5341 SB DATA FROM A CMM: POST MXP100-35-57 CONFIG CHG DATA FROM A CMM: SUPSDS 406927	011102 504903	1

MISSING ITEM NUMBERS NOT APPLICABLE

- ITEM NOT ILLUSTRATED

35-11-51-17

35-11-51
FIG. 17
PAGE 4
JAN 20/09

BRI



757

PARTS CATALOG (MAINTENANCE)

FIG ITEM	PART NUMBER	1 2 3 4 5 6 7	NOMENCLATURE	EFFECT FROM TO	UNITS PER ASSY
17 178	412757	SLIDER-EXH SUPPLIER CODE: VF5341 CONFIG CHG DATA FROM A CMM: SUPSD BY 415790	011102 504903	1
179	415790	BUSHING- SUPPLIER CODE: VF5341 SB DATA FROM A CMM: POST BS MXP100-35-37 CONFIG CHG DATA FROM A CMM: SUPSDS 412757	011102 504903	1
180	I101112SL1002	PACKING-6X1 50D6 SUPPLIER CODE: VF5341	011102 504903	1
182	R00PB701	PACKING- SUPPLIER CODE: VF0229	011102 504903	2
184	412449	PISTON- SUPPLIER CODE: VF5341	011102 504903	1
186	412149	...	COVER- SUPPLIER CODE: VF5341	011102 504903	1
188	440914	..	BAR- SUPPLIER CODE: VF5341	011102 504903	2
190	440912	..	DOOR- SUPPLIER CODE: VF5341 POSITION DATA: LH	011102 504903	1
192	440911	..	DOOR- SUPPLIER CODE: VF5341 POSITION DATA: RH	011102 504903	1
194	PFSC3-1-2-38A	..	LOCK- SUPPLIER CODE: VF0304	011102 504903	4
195	DL64R83PN059	..	CONNECTOR- SUPPLIER CODE: V11139	011102 504903	1
- 200	232N8001-12		MASK INSTL-CREW OXY SECOND OBSERVER FOR NHA SEE: 25-10-00-05	107107 904949	RF

MISSING ITEM NUMBERS NOT APPLICABLE

- ITEM NOT ILLUSTRATED

35-11-51-17

35-11-51
FIG. 17
PAGE 5
JAN 20/09

BRI

BOEING PROPRIETARY - Copyright © - Unpublished Work - See title page for details.



757

PARTS CATALOG (MAINTENANCE)

FIG ITEM	PART NUMBER	1 2 3 4 5 6 7	NOMENCLATURE	EFFECT FROM TO	UNITS PER ASSY
17					
- 200	232N8001-16		MASK INSTL-CREW OXY SECOND OBSERVER FOR NHA SEE: 25-10-00-05	002004 006010 952999	RF
- 200	232N8001-57		MASK INSTL-CREW OXY SECOND OBSERVER FOR NHA SEE: 25-10-00-05	121503	RF
205	BACC10DK		.CLAMP- SIZE DETERMINED ON INSTL.	002004 006010 107107 121503 904949 952999	3
210	NAS1801-3		ATTACHING PARTS .SCREW- SIZE DETERMINED ON INSTL.	002004 006010 107107 121503 904949 952999	3
215	AN960JD10L		.WASHER-	002004 006010 107107 121503 904949 952999	3
215	AN960PD10L		.WASHER-	002004 006010 107107 121503 904949 952999	3
220	MS21904J5		-----*----- .ELBOW	002004 006010 107107 121503 904949 952999	1

MISSING ITEM NUMBERS NOT APPLICABLE

- ITEM NOT ILLUSTRATED

BRI

35-11-51-17

BOEING PROPRIETARY - Copyright © - Unpublished Work - See title page for details.

35-11-51
FIG. 17
PAGE 6
JAN 20/09



757

PARTS CATALOG (MAINTENANCE)

FIG ITEM	PART NUMBER	1 2 3 4 5 6 7	NOMENCLATURE	EFFECT FROM TO	UNITS PER ASSY
17 225	38001-70		.HOSE ASSY- SUPPLIER CODE: V24984 SPECIFICATION NUMBER: 60B50059-70 OPTIONAL PART: 9513-20S5-18-0 V92114 ZH784-20 V02217 835-01-70 V92114 PRE ALERT SB: 35A0015R2	002004 006010 107107 121503 904949 952999	1
225	38001-606		.HOSE ASSY- SUPPLIER CODE: V24984 SPECIFICATION NUMBER: 60B50059-606 POST ALERT SB: 35A0015R2	002004 006010 107107 121503 904949 952999	1
245	232N8001-15		.TUBE ASSY- TUBING MATERIAL: .3125 IN. OD X .02 IN. WALL X 58.2 IN. LG COLD REDUCED TUBING 21-6-9 PER BMS7-185	002004 006010 107107 121503 904949 952999	1
- 250	BACN10CS05JN		..NUT	002004 006010 107107 121503 904949 952999	2
- 255	AP2097HP05		..SLEEVE SUPPLIER CODE: V01673 SPECIFICATION NUMBER: BACS13BX05HP OPTIONAL PART: 2-02903-05HP V11328 35235VN05 V08199 AFP175V05P V30974 DBOS13BX05HP V14798	002004 006010 107107 121503 904949 952999	2

MISSING ITEM NUMBERS NOT APPLICABLE

- ITEM NOT ILLUSTRATED

35-11-51-17

35-11-51
FIG. 17
PAGE 7
JAN 20/09

BRI



757

PARTS CATALOG (MAINTENANCE)

FIG ITEM	PART NUMBER	1 2 3 4 5 6 7	NOMENCLATURE	EFFECT FROM TO	UNITS PER ASSY
17 260	MXP147		.BOX ASSY-STOWAGE SUPPLIER CODE: VF5341 FUNCTIONAL DESCRIPTION: PROVIDES READY-FOR-USE STOWAGE OF THE OXYGEN MASK ELECTRICAL EQUIP NUMBER: M10257 COMPONENT MAINT MANUAL REF: 35-11-79	002004 006010 107107 121503 904949 952999	1
263	042001		..PIN- SUPPLIER CODE: VF5341 CONFIG CHG DATA FROM A CMM: SUPSD BY 415461	002004 006010 107107 121503 904949 952999	4
263A	415461		..BLOCK- SUPPLIER CODE: VF5341 SB DATA FROM A CMM: POST BS MXP100-35-37 CONFIG CHG DATA FROM A CMM: SUPSDS 042001	002004 006010 107107 121503 904949 952999	2
266	R4SL1010		..PACKING-4 9X1 9 50D5 SUPPLIER CODE: VF0229	002004 006010 107107 121503 904949 952999	4
268	406535		..PNEUMATIC SYS ASSY- SUPPLIER CODE: VF5341 CONFIG CHG DATA FROM A CMM: SUPSD BY 447183	002004 006010 107107 121503 904949 952999	1
269	447183		..PNEUMATIC SYS ASSY- SUPPLIER CODE: VF5341 SB DATA FROM A CMM: POST BS MXP100-35-37 CONFIG CHG DATA FROM A CMM: SUPSDS 406535	002004 006010 107107 121503 904949 952999	1
269A	406927		..VALVE- SUPPLIER CODE: VF5341 CONFIG CHG DATA FROM A CMM: SUPSD BY 446982	002004 006010 107107 121503 904949 952999	1

MISSING ITEM NUMBERS NOT APPLICABLE

- ITEM NOT ILLUSTRATED

35-11-51-17

35-11-51
FIG. 17
PAGE 8
JAN 20/09

BRI



757

PARTS CATALOG (MAINTENANCE)

FIG ITEM	PART NUMBER	1 2 3 4 5 6 7	NOMENCLATURE	EFFECT FROM TO	UNITS PER ASSY
17 269B	446982		.. VALVE- SUPPLIER CODE: VF5341 SB DATA FROM A CMM: POST MXP100-35-57 CONFIG CHG DATA FROM A CMM: SUPSDS 406927	002004 006010 107107 121503 904949 952999	1
272	412757	 SLIDER-EXH SUPPLIER CODE: VF5341 CONFIG CHG DATA FROM A CMM: SUPSD BY 415790	002004 006010 107107 121503 904949 952999	1
273	415790	 BUSHING- SUPPLIER CODE: VF5341 SB DATA FROM A CMM: POST BS MXP100-35-37 CONFIG CHG DATA FROM A CMM: SUPSDS 412757	002004 006010 107107 121503 904949 952999	1
275	I101112SL1002	 PACKING-6X1 50D6 SUPPLIER CODE: VF5341	002004 006010 107107 121503 904949 952999	1
278	R00PB701	 PACKING- SUPPLIER CODE: VF0229	002004 006010 107107 121503 904949 952999	1
281	412449	 PISTON- SUPPLIER CODE: VF5341	002004 006010 107107 121503 904949 952999	1
284	412149		... COVER- SUPPLIER CODE: VF5341	002004 006010 107107 121503 904949 952999	1

MISSING ITEM NUMBERS NOT APPLICABLE

- ITEM NOT ILLUSTRATED

35-11-51-17

35-11-51
FIG. 17
PAGE 9
JAN 20/09

BRI

BOEING PROPRIETARY - Copyright © - Unpublished Work - See title page for details.



757

PARTS CATALOG (MAINTENANCE)

FIG ITEM	PART NUMBER	1 2 3 4 5 6 7	NOMENCLATURE	EFFECT FROM TO	UNITS PER ASSY
17 287	440914	..	BAR- SUPPLIER CODE: VF5341	002004 006010 107107 121503 904949 952999	2
290	440912	..	DOOR- SUPPLIER CODE: VF5341 POSITION DATA: LH	002004 006010 107107 121503 904949 952999	1
293	440911	..	DOOR- SUPPLIER CODE: VF5341 POSITION DATA: RH	002004 006010 107107 121503 904949 952999	1
296	PFSC3-1-2-38A	..	LOCK- SUPPLIER CODE: VF0304	002004 006010 107107 121503 904949 952999	4
298	DL64R83PN059	..	CONNECTOR- SUPPLIER CODE: V11139	002004 006010 107107 121503 904949 952999	1
- 300	232N8001-401		MASK INSTL-CREW OXY SECOND OBSERVER FOR NHA SEE: 25-10-00-10A	108120	RF
- 300	MODREF33490		TUBING INSTL-OXY SECOND OBSERVER MODULE NUMBER: 232N8001-124 REV C	103106	1
305	BACC10DK	.	CLAMP- SIZE DETERMINED ON INSTL.	108120	4
305	BACC10DK5	.	CLAMP- SIZE DETERMINED ON INSTL. ATTACHING PARTS	103106	4
310	NAS1801-3	.	SCREW- SIZE DETERMINED ON INSTL.	103106 108120	3
315	NAS1801-3	.	SCREW- SIZE DETERMINED ON INSTL.	108120	1
315	NAS1801-3-7	.	SCREW	103106	1

MISSING ITEM NUMBERS NOT APPLICABLE

- ITEM NOT ILLUSTRATED

35-11-51-17

35-11-51
FIG. 17
PAGE 10
JAN 20/09

BRI



757

PARTS CATALOG (MAINTENANCE)

FIG ITEM	PART NUMBER	1 2 3 4 5 6 7	NOMENCLATURE	EFFECT FROM TO	UNITS PER ASSY
17					
320	NAS42DD6-48	.	SPACER	103106 108120	1
325	AN960JD10L	.	WASHER-	103106 108120	3
325	AN960PD10L	.	WASHER-	103106 108120	3
330	AN960JD10L	.	WASHER-	108120	1
330	AN960PD10L	.	WASHER-	108120	1
330	NAS1149D0332J	.	WASHER	103106	1
335	MS21042L3	.	NUT	103106 108120	1
			-----*-----		
340	WSI332-4	.	NUTPLATE	103106 108120	1
			SUPPLIER CODE: V04169		
			SPECIFICATION NUMBER: BACN10GH3-4		
345	AP1042JN0505	.	ELBOW-	103106 108120	1
			SUPPLIER CODE: V01673		
			SPECIFICATION NUMBER: BACE21BT0505JN		
			OPTIONAL PART: BACE21AW0505M		
			POST SERVICE BULLETIN: 25-0222		

MISSING ITEM NUMBERS NOT APPLICABLE

- ITEM NOT ILLUSTRATED

35-11-51-17

35-11-51
FIG. 17
PAGE 11
JAN 20/09

BRI



757

PARTS CATALOG (MAINTENANCE)

FIG ITEM	PART NUMBER	1 2 3 4 5 6 7	NOMENCLATURE	EFFECT FROM TO	UNITS PER ASSY
17 345	AP1010M0505		.ELBOW- SUPPLIER CODE: V01673 SPECIFICATION NUMBER: BACE21AW0505M OPTIONAL PART: AP1010-0505M V01673 DB0E21AW0505M V14798 ER10633M0505M V88334 FER1569-0505M V14397 W30833-0505M V11328 4671114-0505M V50948 AFP334-0505M V30974 DB0E21AW0505M V61498 US2109-0505M V50808 AFP344-0505M V30794 BACE21BT0505JN POST SERVICE BULLETIN: 25-0222	103106 108120	1
350	AP1042JN0505		.ELBOW- SUPPLIER CODE: V01673 SPECIFICATION NUMBER: BACE21BT0505JN OPTIONAL PART: BACE21AW0505M	103106	2

MISSING ITEM NUMBERS NOT APPLICABLE

- ITEM NOT ILLUSTRATED

BRI

35-11-51-17

BOEING PROPRIETARY - Copyright © - Unpublished Work - See title page for details.

35-11-51
FIG. 17
PAGE 12
JAN 20/09



757

PARTS CATALOG (MAINTENANCE)

FIG ITEM	PART NUMBER	1 2 3 4 5 6 7	NOMENCLATURE	EFFECT FROM TO	UNITS PER ASSY
17 350	AP1010M0505	.ELBOW-	SUPPLIER CODE: V01673 SPECIFICATION NUMBER: BACE21AW0505M OPTIONAL PART: AP1010-0505M V01673 DB0E21AW0505M V14798 ER10633M0505M V88334 FER1569-0505M V14397 W30833-0505M V11328 4671114-0505M V50948 AFP334-0505M V30974 DB0E21AW0505M V61498 US2109-0505M V50808 AFP344-0505M V30794 BACE21BT0505JN	103106	2
352	BACE21BL0505J	.ELBOW-	OPTIONAL PART: 474W2090-147	103106 108120	1
352	474W2090-147	.ELBOW ASSY-	OPTIONAL PART: BACE21BL0505J	103106	1
355	38001-606	.HOSE ASSY-	SUPPLIER CODE: V24984 SPECIFICATION NUMBER: 60B50059-606 POST SERVICE BULLETIN: 25-0222	103106 108120	1
365	232N8001-88	.TUBE ASSY-	TUBING MATERIAL: .3125 IN. OD X .02 IN. WALL X 64.6 IN. LG COLD REDUCED TUBING 21-6-9 PER BMS7-185 POST SERVICE BULLETIN: 25-0222	103106 108120	1

MISSING ITEM NUMBERS NOT APPLICABLE

- ITEM NOT ILLUSTRATED

35-11-51-17

35-11-51
FIG. 17
PAGE 13
JAN 20/09

BRI



757

PARTS CATALOG (MAINTENANCE)

FIG ITEM	PART NUMBER	1 2 3 4 5 6 7	NOMENCLATURE	EFFECT FROM TO	UNITS PER ASSY
17					
- 370	BACN10CS05JN	..	NUT- OPTIONAL PART: 474W2090-51	103106 108120	2
- 370	474W2090-51	..	ELBOW ASSY- OPTIONAL PART: BACN10CS05JN	103106	2
- 375	AP2097HP05	..	SLEEVE SUPPLIER CODE: V01673 SPECIFICATION NUMBER: BACS13BX05HP OPTIONAL PART: 2-02903-05HP V11328 35235VN05 V08199 AFP175V05P V30974 DBOS13BX05HP V14798	103106 108120	2
377	MXP402-3	.BOX	ASSY- SUPPLIER CODE: VF5341 ELECTRICAL EQUIP NUMBER: M10257 COMPONENT MAINT MANUAL REF: 35-11-11	108120	1
- 900	286W0041-005		WIRE BUNDLE ASSY	121503 904949	RF
- 900	286W0041-006		WIRE BUNDLE ASSY	002004 006100	RF
- 900	286W0041-305		WIRE BUNDLE ASSY	101102	RF
- 900	286W0041-308		WIRE BUNDLE ASSY	504903	RF
905	C0909A08-03SN	.CONNECTOR-	SUPPLIER CODE: V13556 SPECIFICATION NUMBER: BACC63BN08-3S OPTIONAL PART: 48-63N08-3S V02660 R071208-3S V41118 ELECTRICAL EQUIP NUMBER: D00555 WIRING DIAGRAM REF: 235151	002004 006102 121949	1

MISSING ITEM NUMBERS NOT APPLICABLE

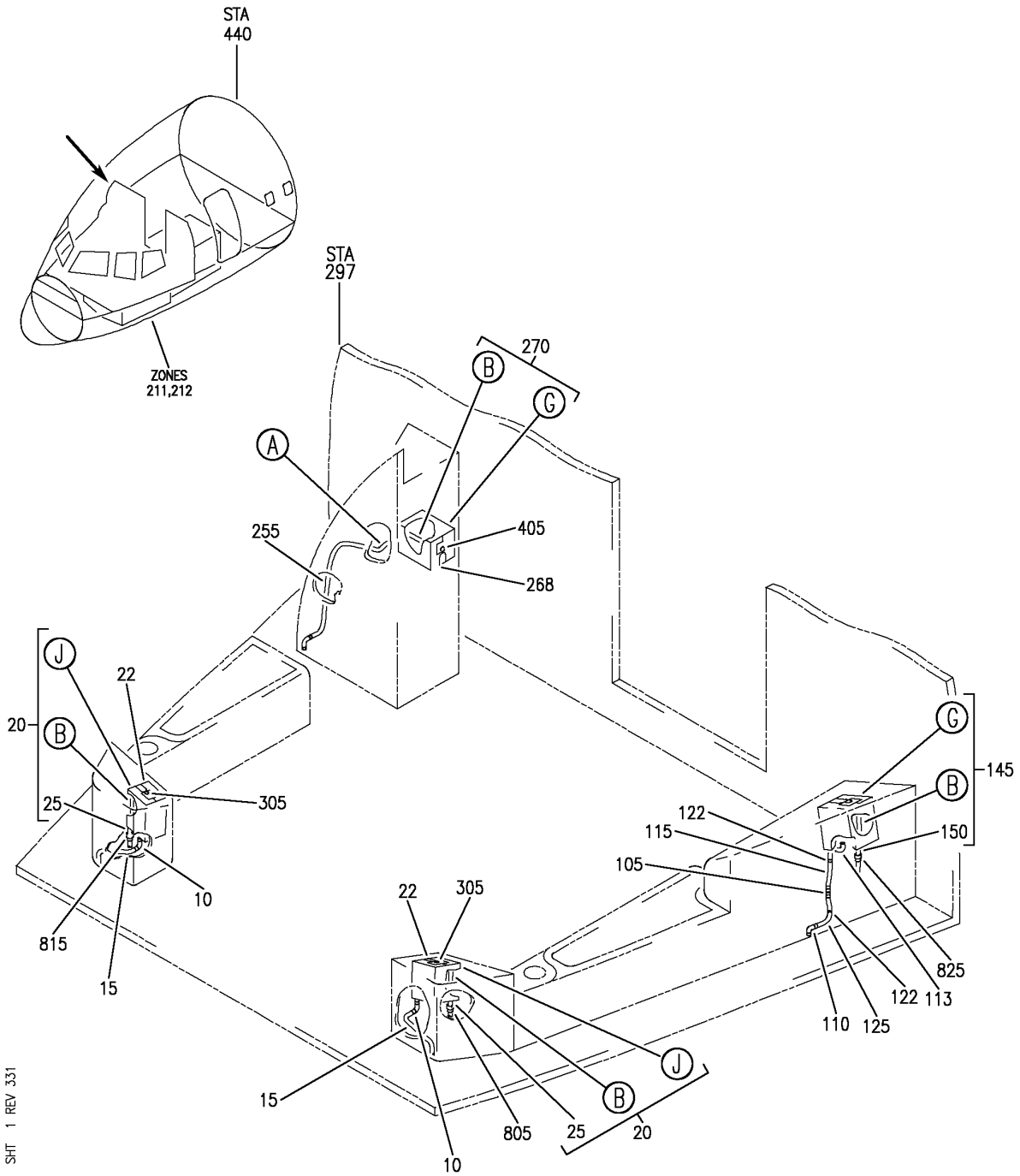
- ITEM NOT ILLUSTRATED

35-11-51-17

35-11-51
FIG. 17
PAGE 14
JAN 20/09

BRI

BOEING
757
PARTS CATALOG (MAINTENANCE)



Y 35115119 SH1 1 REV 331

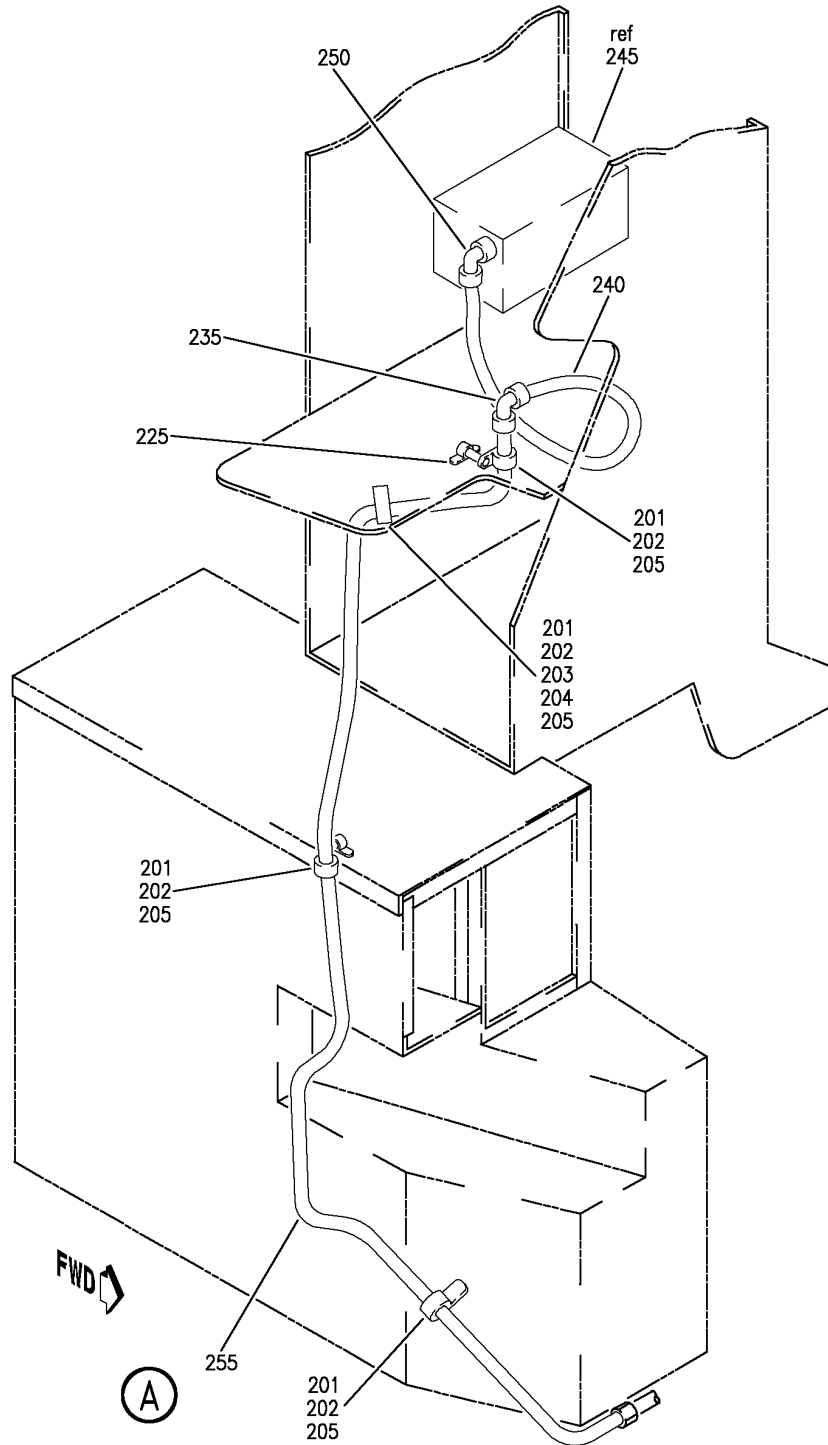
EQUIPMENT INSTL-OXY MASK AND BOX
FIGURE 19 (SHEET 1)

35-11-51-19

BRI
JAN 20/09

35-11-51-19
PAGE 0

BOEING
757
PARTS CATALOG (MAINTENANCE)



Y 35115119 SH1 2 REV 258

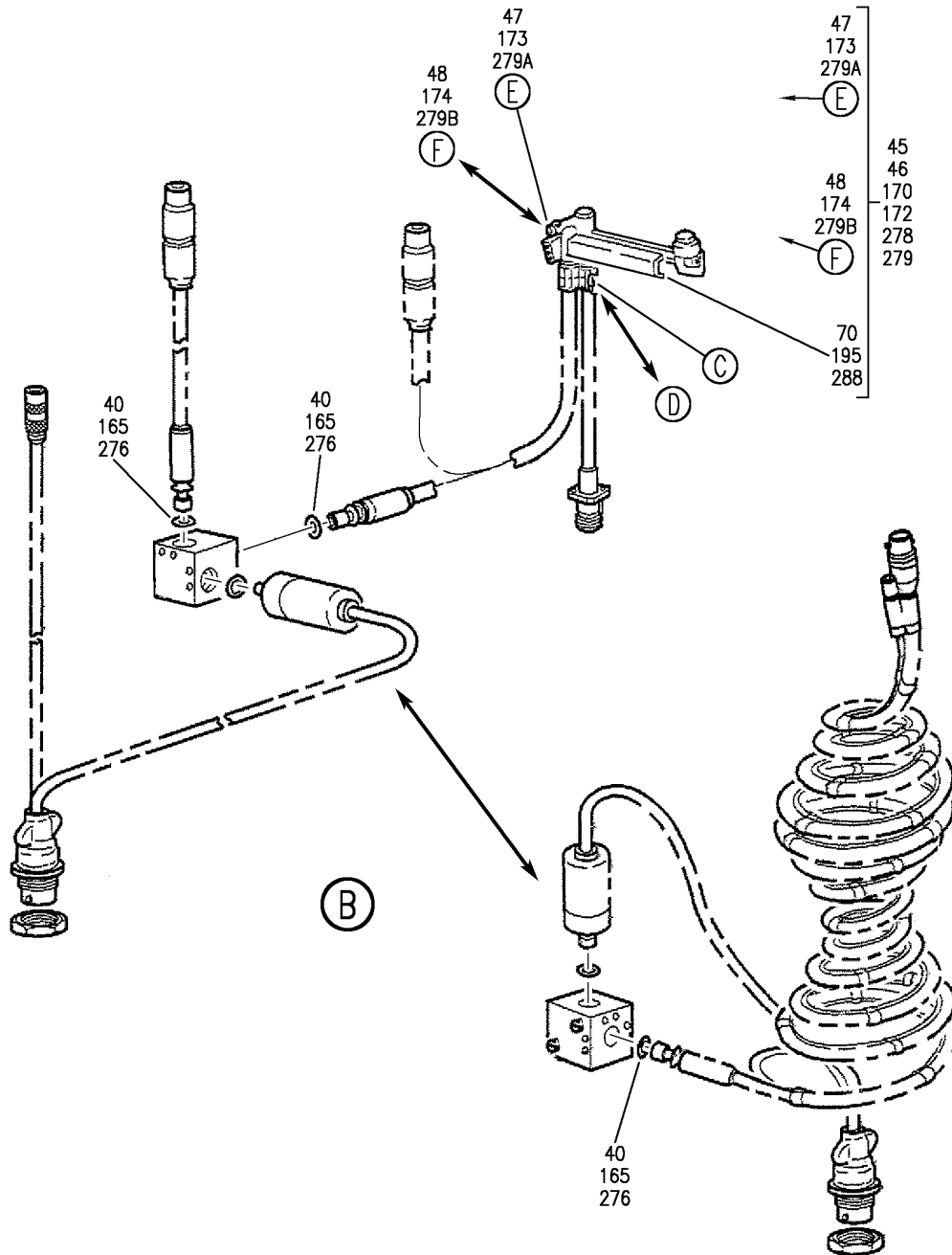
EQUIPMENT INSTL-OXY MASK AND BOX
FIGURE 19 (SHEET 2)

35-11-51-19

BRI
JAN 20/09

35-11-51-19
PAGE 0A


BOEING
 757
PARTS CATALOG (MAINTENANCE)



Y 35115119 SH1 3 REV 288

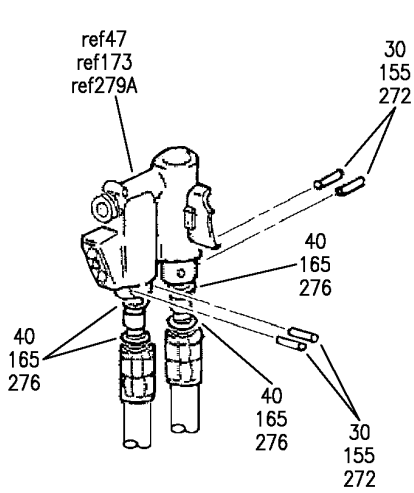
EQUIPMENT INSTL-OXY MASK AND BOX
FIGURE 19 (SHEET 3)

35-11-51-19

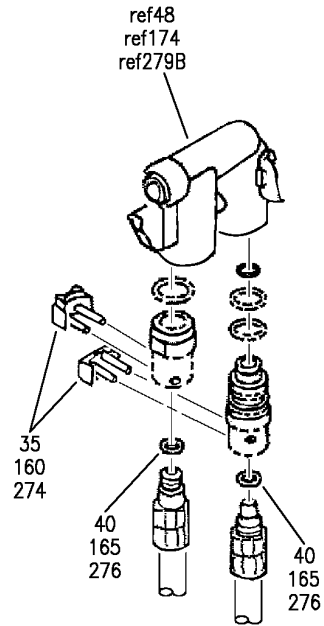
BRI
JAN 20/09

35-11-51-19
PAGE 0B

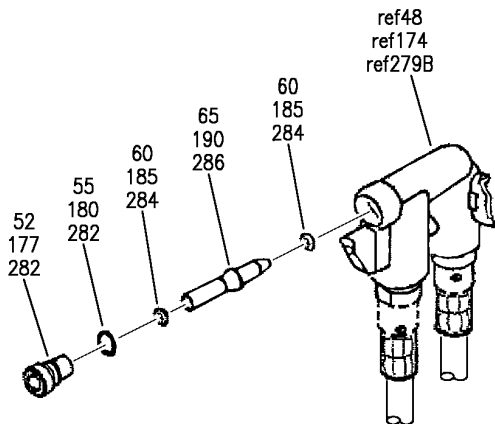
BOEING
757
PARTS CATALOG (MAINTENANCE)



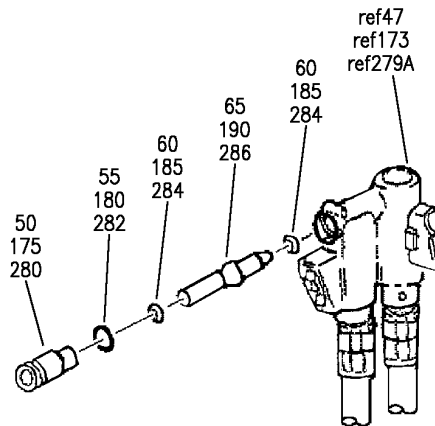
(C)



(D)



(F)



(E)

Y 35115119 SHIT 4 REV 288

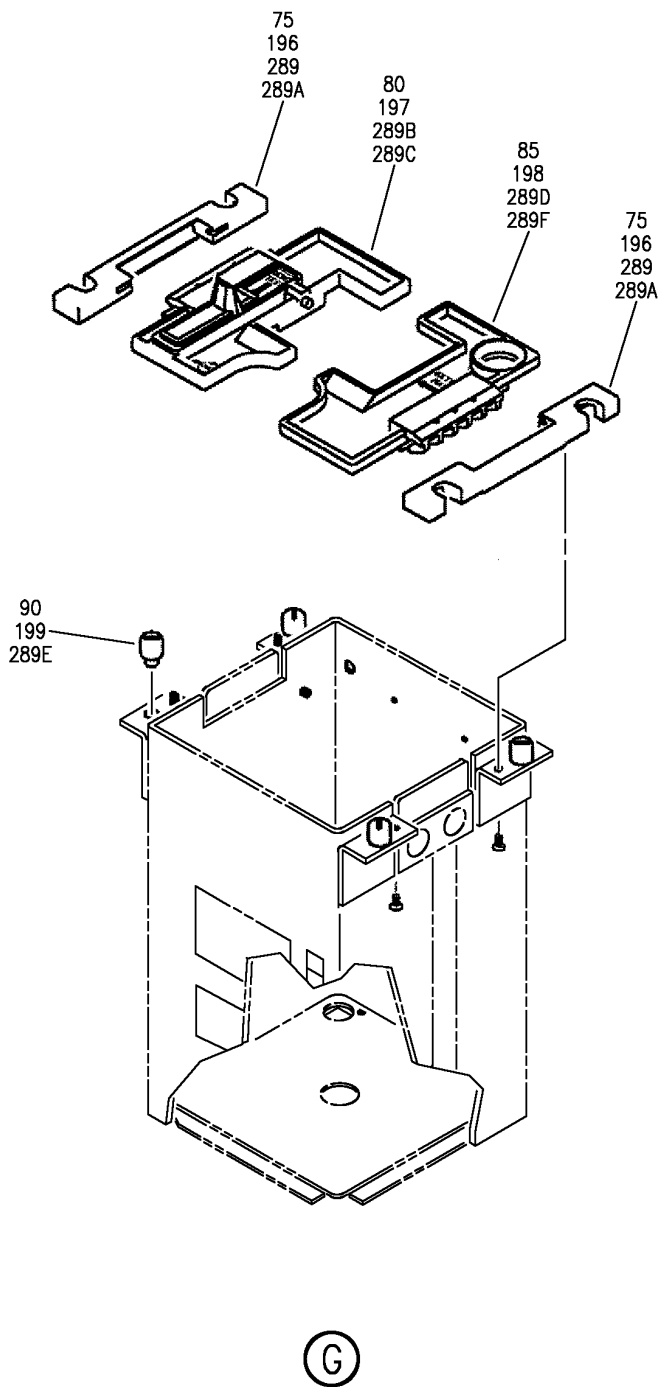
EQUIPMENT INSTL-OXY MASK AND BOX
FIGURE 19 (SHEET 4)

35-11-51-19

BRI
JAN 20/09

35-11-51-19
PAGE 0C

BOEING
757
PARTS CATALOG (MAINTENANCE)



Y 35115119 SH1 5 REV 288

EQUIPMENT INSTL-OXY MASK AND BOX
FIGURE 19 (SHEET 5)

35-11-51-19

BRI
JAN 20/09

35-11-51-19
PAGE 0D



757

PARTS CATALOG (MAINTENANCE)

FIG ITEM	PART NUMBER	1 2 3 4 5 6 7	NOMENCLATURE	EFFECT FROM TO	UNITS PER ASSY
19			EQUIPMENT INSTL-OXY MASK AND BOX	103106	
- 2	MODREF33992		EQUIPMENT INSTL-SMALL OXY BOX CAPT STOWAGE, ORAL-NASAL, EROS MODULE NUMBER: 232N8100-108 REV B	103106	1
- 5	MODREF33993		EQUIPMENT INSTL-SMALL OXY BOX FIRST OFFICER, ORAL-NASAL, EROS MODULE NUMBER: 232N8100-208 REV B	103106	1
20	MXP147		.BOX ASSY-STOWAGE SUPPLIER CODE: VF5341 FUNCTIONAL DESCRIPTION: PROVIDES READY-FOR-USE STOWAGE OF THE OXYGEN MASK ELECTRICAL EQUIP NUMBER: M00933 M00934 COMPONENT MAINT MANUAL REF: 35-11-79	103106	1
30	042001		..PIN- SUPPLIER CODE: VF5341 CONFIG CHG DATA FROM A CMM: SUPSD BY 415461	103106	4
35	415461		..BLOCK-LOCKING SUPPLIER CODE: VF5341 SB DATA FROM A CMM: POST MXP100-35-57 CONFIG CHG DATA FROM A CMM: SUPERSEDES 042001	103106	2
40	R4SL1010		..PACKING-4 9X1 9 50D5 SUPPLIER CODE: VF0229	103106	AR
45	406535		..PNEUMATIC SYS ASSY- SUPPLIER CODE: VF5341 CONFIG CHG DATA FROM A CMM: SUPSD BY 447183	103106	1

MISSING ITEM NUMBERS NOT APPLICABLE

- ITEM NOT ILLUSTRATED

35-11-51-19

35-11-51
FIG. 19
PAGE 1
JAN 20/09

BRI



757

PARTS CATALOG (MAINTENANCE)

FIG ITEM	PART NUMBER	1 2 3 4 5 6 7	NOMENCLATURE	EFFECT FROM TO	UNITS PER ASSY
19					
46	447183		..PNEUMATIC SYS ASSY- SUPPLIER CODE: VF5341 SB DATA FROM A CMM: POST MXP100-35-57 CONFIG CHG DATA FROM A CMM: SUPERSEDES 406535	103106	1
47	406927		...VALVE-ON-OFF SUPPLIER CODE: VF5341 CONFIG CHG DATA FROM A CMM: SUPSD BY 446982	103106	1
48	446982		...VALVE-ON-OFF SUPPLIER CODE: VF5341 SB DATA FROM A CMM: POST MXP100-35-57 CONFIG CHG DATA FROM A CMM: SUPERSEDES 406927	103106	1
50	412757	SLIDER-EXH SUPPLIER CODE: VF5341 CONFIG CHG DATA FROM A CMM: SUPSD BY 415790	103106	1
52	415790	BUSHING-EXH SUPPLIER CODE: VF5341 SB DATA FROM A CMM: POST MXP100-35-57 CONFIG CHG DATA FROM A CMM: SUPERSEDES 412757	103106	1
55	I101112SL1002	PACKING-6X1 50D6 SUPPLIER CODE: VF5341 OPTIONAL PART: H144685 VF5341	103106	1
55	H144685	PACKING-6X1 50D6 SUPPLIER CODE: VF5341 OPTIONAL PART: I101112SL1002 VF5341	103106	1
60	R00PB701	PACKING- SUPPLIER CODE: VF0229	103106	2
65	412449	PISTON- SUPPLIER CODE: VF5341	103106	1

MISSING ITEM NUMBERS NOT APPLICABLE

- ITEM NOT ILLUSTRATED

35-11-51-19

35-11-51
FIG. 19
PAGE 2
JAN 20/09

BRI

BOEING PROPRIETARY - Copyright © - Unpublished Work - See title page for details.



757

PARTS CATALOG (MAINTENANCE)

FIG ITEM	PART NUMBER	1 2 3 4 5 6 7	NOMENCLATURE	EFFECT FROM TO	UNITS PER ASSY
19					
70	412149	...	COVER- SUPPLIER CODE: VF5341	103106	1
75	440914	..	BAR-HINGE SUPPLIER CODE: VF5341 USED ON: MXP147	103106	2
80	440912	..	DOOR- SUPPLIER CODE: VF5341 POSITION DATA: LH USED ON: MXP147	103106	1
85	440911	..	DOOR- SUPPLIER CODE: VF5341 POSITION DATA: RH USED ON: MXP147	103106	1
90	PFSC3-1-2-38A	..	LOCK- SUPPLIER CODE: VF0304	103106	4
- 100	MODREF33994		EQUIPMENT INSTL-SMALL OXY BOX FIRST OBSERVER STOWAGE, ORO-NASAL, EROS MODULE NUMBER: 232N8100-308 REV B	103106	1
145	MXP147	.	BOX ASSY-STOWAGE SUPPLIER CODE: VF5341 FUNCTIONAL DESCRIPTION: PROVIDES READY-FOR-USE STOWAGE OF THE OXYGEN MASK ELECTRICAL EQUIP NUMBER: M10256 COMPONENT MAINT MANUAL REF: 35-11-79	103106	1
150	DL64R83PN059	..	CONNECTOR- SUPPLIER CODE: V11139	103106	1
155	042001	..	PIN- SUPPLIER CODE: VF5341 CONFIG CHG DATA FROM A CMM: SUPSD BY 415461	103106	4

MISSING ITEM NUMBERS NOT APPLICABLE

- ITEM NOT ILLUSTRATED

35-11-51-19

35-11-51
FIG. 19
PAGE 3
JAN 20/09

BRI



757

PARTS CATALOG (MAINTENANCE)

FIG ITEM	PART NUMBER	1 2 3 4 5 6 7	NOMENCLATURE	EFFECT FROM TO	UNITS PER ASSY
19 160	415461		..BLOCK-LOCKING SUPPLIER CODE: VF5341 SB DATA FROM A CMM: POST MXP100-35-57 CONFIG CHG DATA FROM A CMM: SUPERSEDES 042001	103106	2
165	R4SL1010		..PACKING-4 9X1 9 50D5 SUPPLIER CODE: VF0229	103106	AR
170	406535		..PNEUMATIC SYS ASSY- SUPPLIER CODE: VF5341 CONFIG CHG DATA FROM A CMM: SUPSD BY 447183	103106	1
172	447183		..PNEUMATIC SYS ASSY- SUPPLIER CODE: VF5341 SB DATA FROM A CMM: POST MXP100-35-57 CONFIG CHG DATA FROM A CMM: SUPERSEDES 406535	103106	1
173	406927		...VALVE-ON-OFF SUPPLIER CODE: VF5341 CONFIG CHG DATA FROM A CMM: SUPSD BY 446982	103106	1
174	446982		...VALVE-ON-OFF SUPPLIER CODE: VF5341 SB DATA FROM A CMM: POST MXP100-35-57 CONFIG CHG DATA FROM A CMM: SUPERSEDES 406927	103106	1
175	412757	SLIDER-EXH SUPPLIER CODE: VF5341 CONFIG CHG DATA FROM A CMM: SUPSD BY 415790	103106	1
177	415790	BUSHING-EXH SUPPLIER CODE: VF5341 SB DATA FROM A CMM: POST MXP100-35-57 CONFIG CHG DATA FROM A CMM: SUPERSEDES 412757	103106	1

MISSING ITEM NUMBERS NOT APPLICABLE

- ITEM NOT ILLUSTRATED

35-11-51-19

35-11-51
FIG. 19
PAGE 4
JAN 20/09

BRI



757

PARTS CATALOG (MAINTENANCE)

FIG ITEM	PART NUMBER	1 2 3 4 5 6 7	NOMENCLATURE	EFFECT FROM TO	UNITS PER ASSY
19					
180	I101112SL1002	PACKING-6X1 50D6 SUPPLIER CODE: VF5341 OPTIONAL PART: H144685 VF5341	103106	1
180	H144685	PACKING-6X1 50D6 SUPPLIER CODE: VF5341 OPTIONAL PART: I101112SL1002 VF5341	103106	1
185	R00PB701	PACKING- SUPPLIER CODE: VF0229	103106	2
190	412449	PISTON- SUPPLIER CODE: VF5341	103106	1
195	412149	...	COVER- SUPPLIER CODE: VF5341	103106	1
196	440914	..	BAR-HINGE SUPPLIER CODE: VF5341 USED ON: MXP147	103106	2
197	440912	..	DOOR- SUPPLIER CODE: VF5341 POSITION DATA: LH USED ON: MXP147	103106	1
198	440911	..	DOOR- SUPPLIER CODE: VF5341 POSITION DATA: RH USED ON: MXP147	103106	1
199	PFSC3-1-2-38A	..	LOCK- SUPPLIER CODE: VF0304	103106	4
- 200	MODREF33995		EQUIPMENT INSTL-SMALL OXY BOX SECOND OBSERVER, ORO-NASAL, EROS MODULE NUMBER: 232N8100-408 REV B	103106	1

MISSING ITEM NUMBERS NOT APPLICABLE

- ITEM NOT ILLUSTRATED

35-11-51-19

35-11-51
FIG. 19
PAGE 5
JAN 20/09

BRI

BOEING PROPRIETARY - Copyright © - Unpublished Work - See title page for details.



757

PARTS CATALOG (MAINTENANCE)

FIG ITEM	PART NUMBER	1 2 3 4 5 6 7	NOMENCLATURE	EFFECT FROM TO	UNITS PER ASSY
19 268	MXP147		.BOX ASSY-STOWAGE SUPPLIER CODE: VF5341 FUNCTIONAL DESCRIPTION: PROVIDES READY-FOR-USE STOWAGE OF THE OXYGEN MASK ELECTRICAL EQUIP NUMBER: M10256 COMPONENT MAINT MANUAL REF: 35-11-79	103106	1
272	042001		..PIN- SUPPLIER CODE: VF5341 CONFIG CHG DATA FROM A CMM: SUPSD BY 415461	103106	4
274	415461		..BLOCK-LOCKING SUPPLIER CODE: VF5341 SB DATA FROM A CMM: POST MXP100-35-57 CONFIG CHG DATA FROM A CMM: SUPERSEDES 042001	103106	2
276	R4SL1010		..PACKING-4 9X1 9 50D5 SUPPLIER CODE: VF0229	103106	AR
278	406535		..PNEUMATIC SYS ASSY- SUPPLIER CODE: VF5341 CONFIG CHG DATA FROM A CMM: SUPSD BY 447183	103106	1
279	447183		..PNEUMATIC SYS ASSY- SUPPLIER CODE: VF5341 SB DATA FROM A CMM: POST MXP100-35-57 CONFIG CHG DATA FROM A CMM: SUPERSEDES 406535	103106	1
279A	406927		...VALVE-ON-OFF SUPPLIER CODE: VF5341 CONFIG CHG DATA FROM A CMM: SUPSD BY 446982	103106	1

MISSING ITEM NUMBERS NOT APPLICABLE

- ITEM NOT ILLUSTRATED

35-11-51-19

35-11-51
FIG. 19
PAGE 6
JAN 20/09

BRI



757

PARTS CATALOG (MAINTENANCE)

FIG ITEM	PART NUMBER	1 2 3 4 5 6 7	NOMENCLATURE	EFFECT FROM TO	UNITS PER ASSY
19 279B	446982		... VALVE-ON-OFF SUPPLIER CODE: VF5341 SB DATA FROM A CMM: POST MXP100-35-57 CONFIG CHG DATA FROM A CMM: SUPERSEDES 406927	103106	1
280	412757	 SLIDER-EXH SUPPLIER CODE: VF5341 CONFIG CHG DATA FROM A CMM: SUPSD BY 415790	103106	1
281	415790	 BUSHING-EXH SUPPLIER CODE: VF5341 SB DATA FROM A CMM: POST MXP100-35-57 CONFIG CHG DATA FROM A CMM: SUPERSEDES 412757	103106	1
282	I101112SL1002	 PACKING-6X1 50D6 SUPPLIER CODE: VF5341 OPTIONAL PART: H144685 VF5341	103106	1
282	H144685	 PACKING-6X1 50D6 SUPPLIER CODE: VF5341 OPTIONAL PART: I101112SL1002 VF5341	103106	1
284	R00PB701	 PACKING- SUPPLIER CODE: VF0229	103106	2
286	412449	 PISTON- SUPPLIER CODE: VF5341	103106	1
288	412149		... COVER- SUPPLIER CODE: VF5341	103106	1
289	440914		.. BAR-HINGE SUPPLIER CODE: VF5341 USED ON: MXP147	103106	2

MISSING ITEM NUMBERS NOT APPLICABLE

- ITEM NOT ILLUSTRATED

35-11-51-19

35-11-51
FIG. 19
PAGE 7
JAN 20/09

BRI



757

PARTS CATALOG (MAINTENANCE)

FIG ITEM	PART NUMBER	1 2 3 4 5 6 7	NOMENCLATURE	EFFECT FROM TO	UNITS PER ASSY
19 289B	440912		.. DOOR- SUPPLIER CODE: VF5341 POSITION DATA: LH USED ON: MXP147	103106	1
289D	440911		.. DOOR- SUPPLIER CODE: VF5341 POSITION DATA: RH USED ON: MXP147	103106	1
289E	PFSC3-1-2-38A		.. LOCK- SUPPLIER CODE: VF0304	103106	4
- 300	MODREF23412		EQUIPMENT INSTL-OXY MASK ORO-NASAL CAPT AND FIRST OFFICER, AUTO. PRESSURE MODULE NUMBER: 232N8100-603 REV B	103106	1
305	MC10-08-109		. MASK ASSY-OXY SUPPLIER CODE: VF5341 COMPONENT MAINT MANUAL REF: 35-13-63 QUALIFIED I/W DATA: PN MC10-08-109 AND PN MC10-08-209 ARE INTERCHANGEABLE PER CUSTOMER PREFERENCE. PN MC10-08-209 HAS PROVISIONS FOR THE MXG SERIES SMOKE GOGGLES. PN MC10-08-109 CAN BE MODIFIED TO PN MC10-08-209 BY INCORPORATION OF SUPPLIER SERVICE BULLETIN MC10-35-70 FOR DETAILS SEE: 35-11-10-01	103106	2

R
R
R
R
R
R
R
R
R
R
R
R
R
R
R
R
R
R
R
R
R
R

MISSING ITEM NUMBERS NOT APPLICABLE

- ITEM NOT ILLUSTRATED

35-11-51-19

35-11-51
FIG. 19
PAGE 8
MAY 20/09

BRI



757

PARTS CATALOG (MAINTENANCE)

FIG ITEM	PART NUMBER	1 2 3 4 5 6 7	NOMENCLATURE	EFFECT FROM TO	UNITS PER ASSY
R R	19 305	MC10-08-209	.MASK ASSY-OXY SUPPLIER CODE: VF5341 COMPONENT MAINT MANUAL REF: 35-13-63 QUALIFIED I/W DATA: PN MC10-08-109 AND PN MC10-08-209 ARE INTERCHANGEABLE PER CUSTOMER PREFERENCE. PN MC10-08-209 HAS PROVISIONS FOR THE MXG SERIES SMOKE GOGGLES. PN MC10-08-109 CAN BE MODIFIED TO PN MC10-08-209 BY INCORPORATION OF SUPPLIER SERVICE BULLETIN MC10-35-70 FOR DETAILS SEE: 35-11-10-01	103106	2
	- 350	MODREF23415	EQUIPMENT INSTL-OXY MASK ORO-NASAL FIRST OBSERVER AUTO. PRESSURE MODULE NUMBER: 232N8100-703 REV B	103103	1
	- 350	MODREF27460	EQUIPMENT INSTL-OXY MASK ORO-NASAL FIRST OBSERVER AUTO. PRESSURE MODULE NUMBER: 232N8100-703 REV C	104106	1

MISSING ITEM NUMBERS NOT APPLICABLE

- ITEM NOT ILLUSTRATED

35-11-51-19

35-11-51
FIG. 19
PAGE 9
MAY 20/09

BRI

BOEING
757
PARTS CATALOG (MAINTENANCE)

FIG ITEM	PART NUMBER	1 2 3 4 5 6 7	NOMENCLATURE	EFFECT FROM TO	UNITS PER ASSY
19	MC10-08-109		.MASK ASSY-OXY SUPPLIER CODE: VF5341 COMPONENT MAINT MANUAL REF: 35-13-63 QUALIFIED I/W DATA: PN MC10-08-109 AND PN MC10-08-209 ARE INTERCHANGEABLE PER CUSTOMER PREFERENCE. PN MC10-08-209 HAS PROVISIONS FOR THE MXG SERIES SMOKE GOGGLES. PN MC10-08-109 CAN BE MODIFIED TO PN MC10-08-209 BY INCORPORATION OF SUPPLIER SERVICE BULLETIN MC10-35-70 FOR DETAILS SEE: 35-11-10-01	103106	1
355	MC10-08-209		.MASK ASSY-OXY SUPPLIER CODE: VF5341 COMPONENT MAINT MANUAL REF: 35-13-63 QUALIFIED I/W DATA: PN MC10-08-109 AND PN MC10-08-209 ARE INTERCHANGEABLE PER CUSTOMER PREFERENCE. PN MC10-08-209 HAS PROVISIONS FOR THE MXG SERIES SMOKE GOGGLES. PN MC10-08-109 CAN BE MODIFIED TO PN MC10-08-209 BY INCORPORATION OF SUPPLIER SERVICE BULLETIN MC10-35-70 FOR DETAILS SEE: 35-11-10-01	103106	1
- 400	MODREF23418		EQUIPMENT INSTL-OXY MASK ORO-NASAL SECOND OBSERVER AUTO. PRESSURE MODULE NUMBER: 232N8100-803 REV B	103106	1

MISSING ITEM NUMBERS NOT APPLICABLE

- ITEM NOT ILLUSTRATED

35-11-51-19

35-11-51
FIG. 19
PAGE 10
MAY 20/09

BRI



757

PARTS CATALOG (MAINTENANCE)

FIG ITEM	PART NUMBER	1 2 3 4 5 6 7	NOMENCLATURE	EFFECT FROM TO	UNITS PER ASSY
19	MC10-08-109		.MASK ASSY-OXY SUPPLIER CODE: VF5341 COMPONENT MAINT MANUAL REF: 35-10-04 QUALIFIED I/W DATA: PN MC10-08-109 AND PN MC10-08-209 ARE INTERCHANGEABLE PER CUSTOMER PREFERENCE. PN MC10-08-209 HAS PROVISIONS FOR THE MXG SERIES SMOKE GOGGLES. PN MC10-08-109 CAN BE MODIFIED TO PN MC10-08-209 BY INCORPORATION OF SUPPLIER SERVICE BULLETIN MC10-35-70 FOR DETAILS SEE: 35-11-10-01	103106	1
405	MC10-08-209		.MASK ASSY-OXY SUPPLIER CODE: VF5341 COMPONENT MAINT MANUAL REF: 35-10-04 QUALIFIED I/W DATA: PN MC10-08-109 AND PN MC10-08-209 ARE INTERCHANGEABLE PER CUSTOMER PREFERENCE. PN MC10-08-209 HAS PROVISIONS FOR THE MXG SERIES SMOKE GOGGLES. PN MC10-08-109 CAN BE MODIFIED TO PN MC10-08-209 BY INCORPORATION OF SUPPLIER SERVICE BULLETIN MC10-35-70 FOR DETAILS SEE: 35-11-10-01	103106	1
- 801	286N2297-701		WIRE BUNDLE ASSY	103106	RF
805	BACC45FT8A3S		.CONNECTOR- ELECTRICAL EQUIP NUMBER: D00545 WIRING DIAGRAM REF: 235111	103106	1
- 810	286N2295-701		WIRE BUNDLE ASSY	103106	RF

MISSING ITEM NUMBERS NOT APPLICABLE

- ITEM NOT ILLUSTRATED

35-11-51-19

35-11-51
FIG. 19
PAGE 11
MAY 20/09

BRI



757

PARTS CATALOG (MAINTENANCE)

FIG ITEM	PART NUMBER	1 2 3 4 5 6 7	NOMENCLATURE	EFFECT FROM TO	UNITS PER ASSY
19 815	BACC45FT8A3S		.CONNECTOR- ELECTRICAL EQUIP NUMBER: D00535 WIRING DIAGRAM REF: 235121	103106	1
- 820	286N2293-701		WIRE BUNDLE ASSY	103106	RF
825	BACC45FT8A3S		.CONNECTOR- ELECTRICAL EQUIP NUMBER: D00527 WIRING DIAGRAM REF: 235141	103106	1

MISSING ITEM NUMBERS NOT APPLICABLE

- ITEM NOT ILLUSTRATED

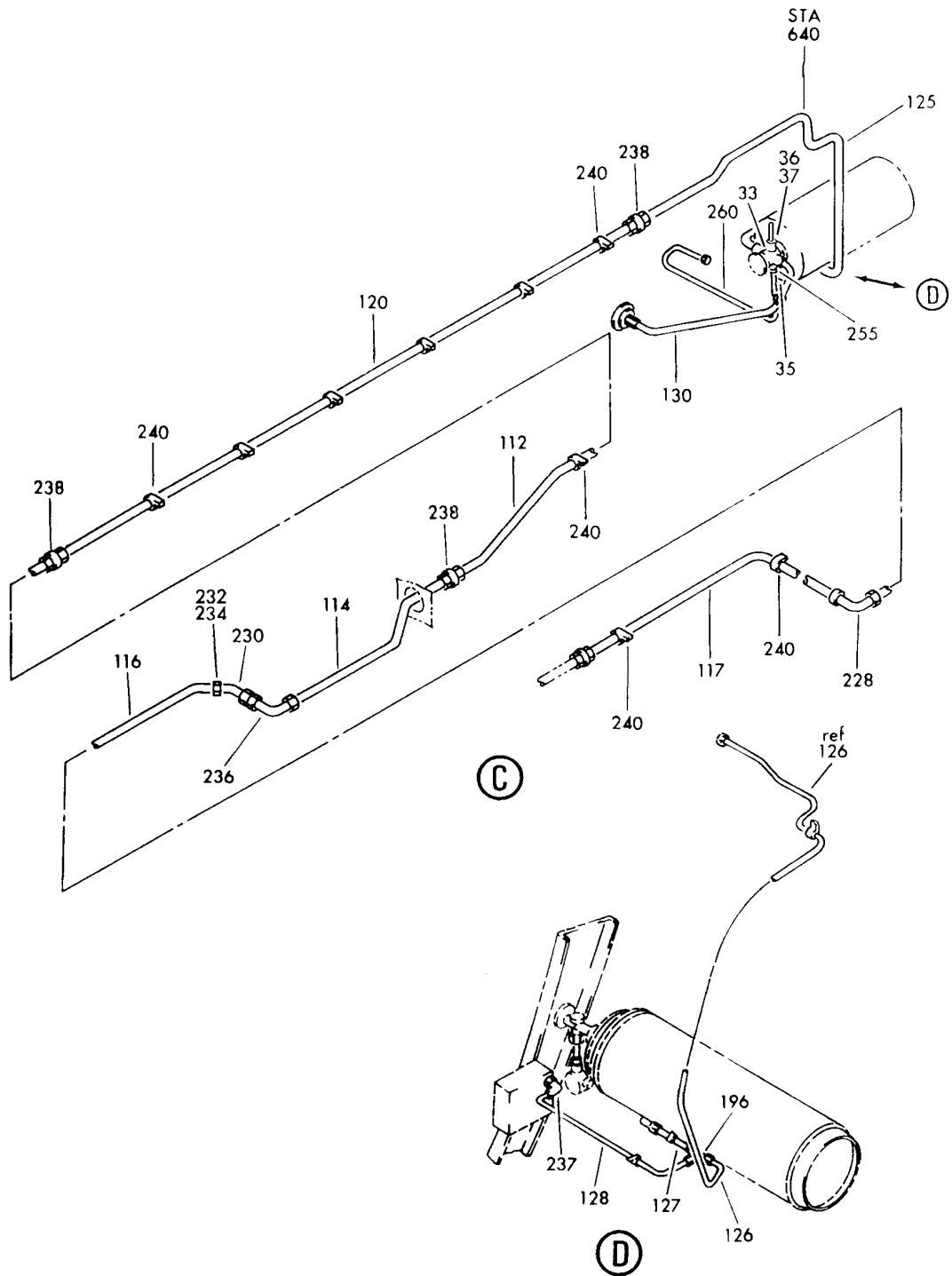
BRI

35-11-51-19

BOEING PROPRIETARY - Copyright © - Unpublished Work - See title page for details.

35-11-51
FIG. 19
PAGE 12
MAY 20/09

BOEING
757
PARTS CATALOG (MAINTENANCE)



Y 35115201 SHT 2 REV 202

TUBING INSTL-CREW OXY SYS
FIGURE 1 (SHEET 2)

35-11-52-01

BRI
MAY 28/07

35-11-52-01
PAGE 0A



757

PARTS CATALOG (MAINTENANCE)

FIG ITEM	PART NUMBER	1 2 3 4 5 6 7	NOMENCLATURE	EFFECT FROM TO	UNITS PER ASSY
1			TUBING INSTL-CREW OXY SYS	002004 006100 107107 121503 904999	
- 1	417N4700-30		TUBING INSTL-CREW OXY SYS VARIABLE DRAWING REF: 417N4700-50 417N4700-22 FOR NHA SEE: 25-20-00-01A 25-20-00-01E 25-20-00-03A	002004 006100 107107 121503 904999	RF
5	BACC10DK5		.CLAMP	002004 006100 107107 121503 904999	10
- 10	NAS1801-3-5		ATTACHING PARTS .SCREW	002004 006100 107107 121503 904999	10
- 15	AN960PD10		.WASHER	002004 006100 107107 121503 904999	10
16	BACS12CK3-12		-----*----- .SCREW-	002004 006100 107107 121503 904999	1
17	BACC10DK6		.CLAMP-	002004 006100 107107 121503 904999	11
- 18	NAS1801-3-6		ATTACHING PARTS .SCREW-	002004 006100 107107 121503 904999	11

MISSING ITEM NUMBERS NOT APPLICABLE

- ITEM NOT ILLUSTRATED

BRI

35-11-52-01

BOEING PROPRIETARY - Copyright © - Unpublished Work - See title page for details.

35-11-52
FIG. 01
PAGE 1
JAN 20/09



757

PARTS CATALOG (MAINTENANCE)

FIG ITEM	PART NUMBER	1 2 3 4 5 6 7	NOMENCLATURE	EFFECT FROM TO	UNITS PER ASSY
1					
- 19	AN960PD10		.WASHER	002004 006100 107107 121503 904999	11
			-----*-----		
20	BACC10DK5		.CLAMP-	107107 121503 904949 952999	3
			ATTACHING PARTS		
- 25	NAS1801-3-5		.SCREW	107107 121503 904949 952999	3
- 30	AN960PD10		.WASHER	107107 121503 904949 952999	3
			-----*-----		
35	96431-1		.HOSE ASSY- SUPPLIER CODE: V78570 SPECIFICATION NUMBER: 60B50060-1	002004 006100 107107 121503 904999	1
50	417N4700-3		.TUBE ASSY- TUBING MATERIAL: 5/16 IN. OD X .020 IN. WALL STAINLESS STEEL TUBING (WELDED) 21-6-9 PER BMS7-185	002004 006100 107107 121503 904999	1
55	417N4700-4		.TUBE ASSY- TUBING MATERIAL: .3125 IN. OD X .02 IN. WALL X 15.6 IN. LG BMS 7-185 21-6-9 COLD REDUCED TUBING	002004 006100 107107 121503 904999	1
60	417N4700-5		.TUBE ASSY- TUBING MATERIAL: .3125 IN. OD X .02 IN. WALL X 66.3 IN. LG BMS 7-185 21-6-9 COLD REDUCED TUBING	002004 006100 107107 121503 904999	1
65	417N4700-6		.TUBE ASSY- TUBING MATERIAL: .3125 IN, OD X .02 IN. WALL X 19.5 IN. LG BMS 7-185 21-6-9 COLD REDUCED TUBING	002004 006100 107107 121503 904999	1

MISSING ITEM NUMBERS NOT APPLICABLE

- ITEM NOT ILLUSTRATED

35-11-52-01

35-11-52
FIG. 01
PAGE 2
JAN 20/09

BRI



757

PARTS CATALOG (MAINTENANCE)

FIG ITEM	PART NUMBER	1 2 3 4 5 6 7	NOMENCLATURE	EFFECT FROM TO	UNITS PER ASSY
1					
70	417N4700-7		.TUBE ASSY- TUBING MATERIAL: .3125 IN. OD X .02 IN. WALL X 30.1 IN. LG BMS 7-185 21-6-9 COLD REDUCED TUBING	002004 006100 107107 121503 904999	1
75	417N4700-9		.TUBE ASSY- TUBING MATERIAL: .3125 IN. OD X .02 IN. WALL X 88.0 IN. LG BMS 7-185 21-6-9 COLD REDUCED TUBING	002004 006100 107107 121503 904999	1
80	417N4700-13		.TUBE ASSY- TUBING MATERIAL: .3125 IN. OD X .02 IN. WALL X 24.6 IN. LG BMS 7-185 21-6-9 COLD REDUCED TUBING	002004 006100 107107 121503 904999	1
- 85	BACN10CS05JN		..NUT	002004 006100 107107 121503 904999	2
- 90	AP2097HP05		..SLEEVE SUPPLIER CODE: V01673 SPECIFICATION NUMBER: BACS13BX05HP OPTIONAL PART: 2-02903-05HP V11328 35235VN05 V08199 AFP175V05P V30974 DBOS13BX05HP V14798	002004 006100 107107 121503 904999	2
112	417N4700-41		.TUBE ASSY- TUBING MATERIAL: .3125 IN. OD X .02 IN. WALL X 22.2 IN. LG BMS 7-185 21-6-9 COLD REDUCED TUBING	002004 006100 107107 121503 904949 952999	1
114	417N4700-42		.TUBE ASSY- TUBING MATERIAL: .3125 IN. OD X .02 IN. WALL X 22.6 IN. LG BMS 7-185 21-6-9 COLD REDUCED TUBING	002004 006100 107107 121503 904949 952999	1

MISSING ITEM NUMBERS NOT APPLICABLE

- ITEM NOT ILLUSTRATED

35-11-52-01

35-11-52
FIG. 01
PAGE 3
JAN 20/09

BRI



757

PARTS CATALOG (MAINTENANCE)

FIG ITEM	PART NUMBER	1 2 3 4 5 6 7	NOMENCLATURE	EFFECT FROM TO	UNITS PER ASSY
1					
116	417N4700-43		.TUBE ASSY- TUBING MATERIAL: .3125 IN. OD X .02 IN. WALL X 23.3 IN. LG BMS 7-185 21-6-9 COLD REDUCED TUBING	002004 006100 107107 121503 904949 952999	1
117	417N4700-44		.TUBE ASSY- TUBING MATERIAL: .3125 IN. OD X .02 IN. WALL X 34.6 IN. LG BMS 7-185 21-6-9 COLD REDUCED TUBING	002004 006100 107107 121503 904949 952999	1
120	417N4700-32		.TUBE ASSY- TUBING MATERIAL: .3125 IN. OD X .02 IN. WALL X 116.2 IN. LG BMS 7-185 21-6-9 COLD REDUCED TUBING	002004 006100 107107 121503 904949 952999	1
- 124	417N4700-56		.TUBE ASSY- TUBING MATERIAL: 5/16 IN. OD X .02 IN. WALL STAINLESS STEEL TUBING (WELDED) 21-6-9 PER BMS7-185	002004 006100 121503 950999	1
125	417N4700-33		.TUBE ASSY- TUBING MATERIAL: 5/16 IN. OD X .02 IN. WALL STAINLESS STEEL TUBING (WELDED) 21-6-9 PER BMS7-185	107107 904949	1
130	417N4700-34		.TUBE ASSY- TUBING MATERIAL: .3125 IN. OD X .02 IN. WALL X 31.4 IN. LG BMS 7-185 21-6-9 COLD REDUCED TUBING	002004 006100 107107 121503 904949 952999	1
- 135	BACN10CS05JN		..NUT- USED ON: 417N4700-33 417N4700-56	002004 006100 107107 121503 904999	2

MISSING ITEM NUMBERS NOT APPLICABLE

- ITEM NOT ILLUSTRATED

35-11-52-01

35-11-52
FIG. 01
PAGE 4
JAN 20/09

BRI



757

PARTS CATALOG (MAINTENANCE)

FIG ITEM	PART NUMBER	1 2 3 4 5 6 7	NOMENCLATURE	EFFECT FROM TO	UNITS PER ASSY
1					
- 135	BACN10CS05JN		..NUT- USED ON: 417N4700-32 417N4700-33 417N4700-34 417N4700-41 417N4700-42 417N4700-43 417N4700-44	002004 006100 107107 121503 904949 952999	2
- 140	AP2097HP05		..SLEEVE- SUPPLIER CODE: V01673 SPECIFICATION NUMBER: BACS13BX05HP OPTIONAL PART: 2-02903-05HP V11328 35235VN05 V08199 AFP175V05P V30974 DBOS13BX05HP V14798 USED ON: 417N4700-33 417N4700-56	002004 006100 107107 121503 904999	2
- 140	AP2097HP05		..SLEEVE- SUPPLIER CODE: V01673 SPECIFICATION NUMBER: BACS13BX05HP OPTIONAL PART: 2-02903-05HP V11328 35235VN05 V08199 AFP175V05P V30974 DBOS13BX05HP V14798 USED ON: 417N4700-32 417N4700-33 417N4700-34 417N4700-41 417N4700-42 417N4700-43 417N4700-44	002004 006100 107107 121503 904949 952999	2

MISSING ITEM NUMBERS NOT APPLICABLE

- ITEM NOT ILLUSTRATED

35-11-52-01

35-11-52
FIG. 01
PAGE 5
JAN 20/09

BRI



757

PARTS CATALOG (MAINTENANCE)

FIG ITEM	PART NUMBER	1 2 3 4 5 6 7	NOMENCLATURE	EFFECT FROM TO	UNITS PER ASSY
1 145	417N4700-10	. TUBE ASSY-	TUBING MATERIAL: .312 IN. OD X .02 IN. WALL X 43.25 IN. LG BMS 7-185 21-6-9 COLD REDUCED TUBING	107107 904949 952952	1
145	417N4700-58	. TUBE ASSY-	TUBING MATERIAL: .3125 IN. OD X .02 IN. WALL X 37.9 IN. LG BMS 7-185 21-6-9 COLD REDUCED TUBING	002004 006100 121503 953999	1
- 150	BACN10CS05JN	..NUT		002004 006100 107107 121503 904949 952999	2
- 155	AP2097HP05	..SLEEVE	SUPPLIER CODE: V01673 SPECIFICATION NUMBER: BACS13BX05HP OPTIONAL PART: 2-02903-05HP V11328 35235VN05 V08199 AFP175V05P V30974 DBOS13BX05HP V14798	002004 006100 107107 121503 904949 952999	2
160	417N4700-21	. TUBE ASSY-	TUBING MATERIAL: 5/16 IN. OD X .02 IN. WALL STAINLESS STEEL TUBING (WELDED) 21-6-9 PER BMS7-185	107107 904949 952952	1
160	417N4700-57	. TUBE ASSY-	TUBING MATERIAL: .3125 IN. OD X .02 IN. WALL X 64.8 IN. LG BMS 7-185 21-6-9 COLD REDUCED TUBING	002004 006100 121503 950951 953999	1
- 165	BACN10CS05JN	..NUT		002004 006100 107107 121503 904999	2

MISSING ITEM NUMBERS NOT APPLICABLE

- ITEM NOT ILLUSTRATED

35-11-52-01

35-11-52
FIG. 01
PAGE 6
JAN 20/09

BRI



757

PARTS CATALOG (MAINTENANCE)

FIG ITEM	PART NUMBER	1 2 3 4 5 6 7	NOMENCLATURE	EFFECT FROM TO	UNITS PER ASSY
1					
175	MS21924J5	.	UNION	002004 006100 107107 121503 904999	4
180	MS21908J5	.	ELBOW-	107107 121503 904949 952999	1
185	MS21902J5	.	UNION	002004 006100 107107 121503 904999	4
195	MS21905J5	.	TEE	002004 006100 107107 121503 904999	2
200	AP1008-05JL	.	CAP ASSY- SUPPLIER CODE: V01673 SPECIFICATION NUMBER: BACC14AD05JL OPTIONAL PART: US2103-05JL V50808	950951	1
210	AN924-5J	.	NUT	002004 006100 107107 121503 904999	4
215	AN960PD816	.	WASHER	002004 006100 107107 121503 904999	4
220	AN924-5J	.	NUT-	107107 121503 904949 952999	1
225	AN960PD816	.	WASHER-	107107 121503 904949 952999	1

MISSING ITEM NUMBERS NOT APPLICABLE

- ITEM NOT ILLUSTRATED

BRI

35-11-52-01

BOEING PROPRIETARY - Copyright © - Unpublished Work - See title page for details.

35-11-52
FIG. 01
PAGE 7
JAN 20/09



757

PARTS CATALOG (MAINTENANCE)

FIG ITEM	PART NUMBER	1 2 3 4 5 6 7	NOMENCLATURE	EFFECT FROM TO	UNITS PER ASSY
1					
246	MS21902J5	.	UNION-	002004 006100 107107 121503 904999	1
248	BACP11K5A	.	PACKING-	002004 006100 107107 121503 904999	1
255	MS21902J5	.	UNION-	107107 121503 904949	1
260	417N4700-49	.	TUBE ASSY- TUBING MATERIAL: .3125 IN. OD X .02 IN. WALL X 20.8 IN. LG BMS 7-185 21-6-9 COLD REDUCED TUBING	008100 107107 121503 904949	1
- 265	BACN10CS05JN	..	NUT	008100 107107 121503 904949	2
- 270	AP2097HP05	..	SLEEVE SUPPLIER CODE: V01673 SPECIFICATION NUMBER: BACS13BX05HP OPTIONAL PART: 2-02903-05HP V11328 35235VN05 V08199 AFP175V05P V30974 DB0S13BX05HP V14798	008100 107107 121503 904949	2

MISSING ITEM NUMBERS NOT APPLICABLE

- ITEM NOT ILLUSTRATED

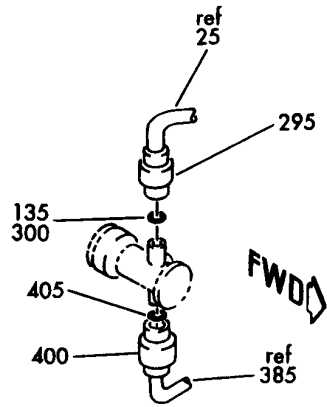
BRI

35-11-52-01

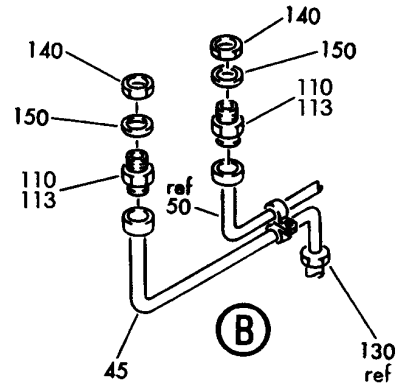
BOEING PROPRIETARY - Copyright © - Unpublished Work - See title page for details.

35-11-52
FIG. 01
PAGE 8
JAN 20/09

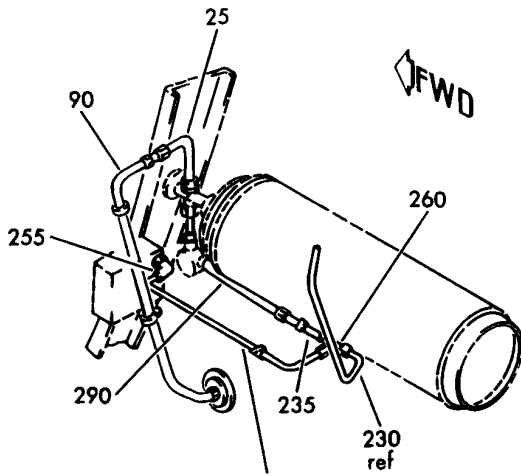

BOEING
 757
PARTS CATALOG (MAINTENANCE)



(A)



(B)



(C)

Y 35115201A SH1 2 REV 206

TUBING INSTL-CREW OXY SYS
FIGURE 1A (SHEET 2)

35-11-52-01A

BRI
MAY 28/07

35-11-52-01A
PAGE 0A



757

PARTS CATALOG (MAINTENANCE)

FIG ITEM	PART NUMBER	1 2 3 4 5 6 7	NOMENCLATURE	EFFECT FROM TO	UNITS PER ASSY
1 A			TUBING INSTL-CREW OXY SYS	101106 108120 504903	
- 1	417N4700-109		TUBING INSTL-CREW OXY SYS FOR NHA SEE: 25-20-00-08A	101102 504506	RF
- 1	417N4700-111		TUBING INSTL-CREW OXY SYS FOR NHA SEE: 25-20-00-08A	108120 507903	RF
- 1	MODREF25733		TUBING INSTL-CREW OXY SYS MODULE NUMBER: 417N4700-111 REV B	103103	1
- 1	MODREF34812		TUBING INSTL-CREW OXY SYS MODULE NUMBER: 417N4700-111 REV C	104106	1
- 5	BACC10DK5		.CLAMP	101106 108120 504903	25
- 10	BACS12CK312		.SCREW	101106 108120 504903	1
15	BACC10DK5		.CLAMP	101106 108120 504903	7
25	96431-1		.HOSE ASSY- SUPPLIER CODE: V78570 SPECIFICATION NUMBER: 60B50060-1	101106 108120 504903	1
30	417N4700-60		.TUBE ASSY- TUBING MATERIAL: .3125 IN. OD X .02 IN. WALL X 49.3 IN. LG BMS 7-185 21-6-9 COLD REDUCED TUBING	101106 108120 504903	1
35	417N4700-4		.TUBE ASSY- TUBING MATERIAL: .3125 IN. OD X .02 IN. WALL X 15.6 IN. LG BMS 7-185 21-6-9 COLD REDUCED TUBING	101106 108120 504903	1
40	417N4700-5		.TUBE ASSY- TUBING MATERIAL: .3125 IN. OD X .02 IN. WALL X 66.3 IN. LG BMS 7-185 21-6-9 COLD REDUCED TUBING	101106 108120 504903	1

MISSING ITEM NUMBERS NOT APPLICABLE

- ITEM NOT ILLUSTRATED

35-11-52-01A

35-11-52
FIG. 01A
PAGE 1
JAN 20/09

BRI

BOEING PROPRIETARY - Copyright © - Unpublished Work - See title page for details.



757

PARTS CATALOG (MAINTENANCE)

FIG ITEM	PART NUMBER	1 2 3 4 5 6 7	NOMENCLATURE	EFFECT FROM TO	UNITS PER ASSY
1A					
45	417N4700-6		.TUBE ASSY- TUBING MATERIAL: .3125 IN, OD X .02 IN. WALL X 19.5 IN. LG BMS 7-185 21-6-9 COLD REDUCED TUBING	101106 108120 504903	1
50	417N4700-7		.TUBE ASSY- TUBING MATERIAL: .3125 IN. OD X .02 IN. WALL X 30.1 IN. LG BMS 7-185 21-6-9 COLD REDUCED TUBING	101106 108120 504903	1
55	417N4700-57		.TUBE ASSY- TUBING MATERIAL: .3125 IN. OD X .02 IN. WALL X 64.8 IN. LG BMS 7-185 21-6-9 COLD REDUCED TUBING	101106 108120 504903	1
60	417N4700-13		.TUBE ASSY- TUBING MATERIAL: .3125 IN. OD X .02 IN. WALL X 24.6 IN. LG BMS 7-185 21-6-9 COLD REDUCED TUBING	101106 108120 504903	1
65	417N4700-44		.TUBE ASSY- TUBING MATERIAL: .3125 IN. OD X .02 IN. WALL X 34.6 IN. LG BMS 7-185 21-6-9 COLD REDUCED TUBING	101106 108120 504903	1
70	417N4700-43		.TUBE ASSY- TUBING MATERIAL: .3125 IN. OD X .02 IN. WALL X 23.3 IN. LG BMS 7-185 21-6-9 COLD REDUCED TUBING	101106 108120 504903	1
75	417N4700-42		.TUBE ASSY- TUBING MATERIAL: .3125 IN. OD X .02 IN. WALL X 22.6 IN. LG BMS 7-185 21-6-9 COLD REDUCED TUBING	101106 108120 504903	1
80	417N4700-41		.TUBE ASSY- TUBING MATERIAL: .3125 IN. OD X .02 IN. WALL X 22.2 IN. LG BMS 7-185 21-6-9 COLD REDUCED TUBING	101106 108120 504903	1

MISSING ITEM NUMBERS NOT APPLICABLE

- ITEM NOT ILLUSTRATED

35-11-52-01A

35-11-52
FIG. 01A
PAGE 2
JAN 20/09

BRI

BOEING PROPRIETARY - Copyright © - Unpublished Work - See title page for details.



757

PARTS CATALOG (MAINTENANCE)

FIG ITEM	PART NUMBER	1 2 3 4 5 6 7	NOMENCLATURE	EFFECT FROM TO	UNITS PER ASSY
1A					
85	417N4700-32	.	TUBE ASSY- TUBING MATERIAL: .3125 IN. OD X .02 IN. WALL X 116.2 IN. LG BMS 7-185 21-6-9 COLD REDUCED TUBING	101106 108120 504903	1
90	417N4700-34	.	TUBE ASSY- TUBING MATERIAL: .3125 IN. OD X .02 IN. WALL X 31.4 IN. LG BMS 7-185 21-6-9 COLD REDUCED TUBING	101106 108120 504903	1
- 95	AP2097HP05	..	SLEEVE SUPPLIER CODE: V01673 SPECIFICATION NUMBER: BACS13BX05HP OPTIONAL PART: 2-02903-05HP V11328 35235VN05 V08199 AFP175V05P V30974 DBOS13BX05HP V14798	101106 108120 504903	2
- 100	BACN10CS05JN	..	NUT	101106 108120 504903	2
105	MS21902J5	.	UNION- OPTIONAL PART: 474W2090-145	101106 108120 504903	7
105	474W2090-145	.	UNION- OPTIONAL PART: MS21902J5	103106	7
110	MS21924J5	.	UNION- OPTIONAL PART: 474W2090-65	101106 108120 504903	4
110	474W2090-65	.	UNION- OPTIONAL PART: MS21924J5	103103	4
115	MS21904J5	.	ELBOW-	101102 108120 504903	1

MISSING ITEM NUMBERS NOT APPLICABLE

- ITEM NOT ILLUSTRATED

35-11-52-01A

35-11-52
FIG. 01A
PAGE 3
JAN 20/09

BRI

BOEING PROPRIETARY - Copyright © - Unpublished Work - See title page for details.



757

PARTS CATALOG (MAINTENANCE)

FIG ITEM	PART NUMBER	1 2 3 4 5 6 7	NOMENCLATURE	EFFECT FROM TO	UNITS PER ASSY
1A 115	AP1042JN0505	.	ELBOW- SUPPLIER CODE: V01673 SPECIFICATION NUMBER: BACE21BT0505JN OPTIONAL PART: 474W2090-51	103106	1
115	474W2090-51	.	ELBOW ASSY- OPTIONAL PART: BACE21BT0505JN	103106	1
120	MS21907J5	.	ELBOW-	101102 108120 504903	1
120	BACE21BM0505J	.	ELBOW- OPTIONAL PART: 474W2090-148	103106	1
120	474W2090-148	.	ELBOW ASSY- OPTIONAL PART: BACE21BM0505J	103106	1
125	AP1010M0505	.	ELBOW- SUPPLIER CODE: V01673 SPECIFICATION NUMBER: BACE21AW0505M OPTIONAL PART: AP1010-0505M V01673 DB0E21AW0505M V14798 ER10633M0505M V88334 FER1569-0505M V14397 W30833-0505M V11328 4671114-0505M V50948 AFP334-0505M V30974 DB0E21AW0505M V61498 US2109-0505M V50808 AFP344-0505M V30794	101102 108120 504903	1
125	BACE21BL0505J	.	ELBOW- OPTIONAL PART: 474W2090-147	103106	1

MISSING ITEM NUMBERS NOT APPLICABLE

- ITEM NOT ILLUSTRATED

35-11-52-01A

35-11-52
FIG. 01A
PAGE 4
JAN 20/09

BRI



757

PARTS CATALOG (MAINTENANCE)

FIG ITEM	PART NUMBER	1 2 3 4 5 6 7	NOMENCLATURE	EFFECT FROM TO	UNITS PER ASSY
1A					
125	474W2090-147	.	ELBOW ASSY- OPTIONAL PART: BACE21BL0505J	103106	1
130	MS21905J5	.	TEE-	101102 108120 504903	2
130	BACT16BL050505J	.	TEE- OPTIONAL PART: 474W2090-50	103106	2
130	474W2090-50	.	TEE- OPTIONAL PART: BACT16BL050505J	103106	2
135	BACP11K5A	.	PACKING	101102 504506	1
140	AN924-5J	.	NUT-	101102 108120 504903	4
140	AS5178J05	.	NUT- OPTIONAL PART: 474W2090-142	103106	4
140	474W2090-142	.	NUT- OPTIONAL PART: AS5178J05	103106	4
145	AN924-5D	.	NUT-	101102 108120 504903	1
145	AS5178D05	.	NUT- OPTIONAL PART: 474W2090-146	103106	1
145	474W2090-146	.	NUT- OPTIONAL PART: AS5178D05	103106	1
150	AN960PD816	.	WASHER-	101102 108120 504903	4
150	NAS1149D0863J	.	WASHER- OPTIONAL PART: 474W2090-143	103106	4
150	474W2090-143	.	WASHER- OPTIONAL PART: NAS1149D0863J	103106	4
155	AN960KD816	.	WASHER-	101102 108120 504903	1
155	NAS1149D0863J	.	WASHER-	103106	1
- 160	417N4700-101		TUBING INSTL-CREW OXY SYS FOR NHA SEE: 25-20-00-11	101102 108120 504903	RF

MISSING ITEM NUMBERS NOT APPLICABLE

- ITEM NOT ILLUSTRATED

35-11-52-01A

35-11-52
FIG. 01A
PAGE 5
JAN 20/09

BRI

BOEING PROPRIETARY - Copyright © - Unpublished Work - See title page for details.

 **BOEING**
757
PARTS CATALOG (MAINTENANCE)

FIG ITEM	PART NUMBER	1 2 3 4 5 6 7	NOMENCLATURE	EFFECT FROM TO	UNITS PER ASSY
1A					
- 160	MODREF25732		TUBING INSTL-CREW OXY SYS MODULE NUMBER: 417N4700-101 REV B	103106	1
- 165	BACC10DK5		.CLAMP-	101106 108120 504903	2
175	417N4700-58		.TUBE ASSY- TUBING MATERIAL: .3125 IN. OD X .02 IN. WALL X 37.9 IN. LG BMS 7-185 21-6-9 COLD REDUCED TUBING	101106 108120 504903	1
- 180	AP2097HP05		..SLEEVE SUPPLIER CODE: V01673 SPECIFICATION NUMBER: BACS13BX05HP OPTIONAL PART: 2-02903-05HP V11328 35235VN05 V08199 AFP175V05P V30974 DBOS13BX05HP V14798	101106 108120 504903	2
- 185	BACN10CS05JN		..NUT	101106 108120 504903	2
190	MS21908J5		.ELBOW-	101102 108120 504903	1
190	BACE21BN0505J		.ELBOW-	103106	1
195	AN924-5J		.NUT-	101102 108120 504903	1
195	AS5178J05		.NUT-	103106	1
200	AN960PD816		.WASHER-	101102 108120 504903	1
200	NAS1149D0863J		.WASHER-	103106	1
- 265	417N4700-104		TUBE INSTL- FOR NHA SEE: 25-20-00-08	101102 504903	RF

MISSING ITEM NUMBERS NOT APPLICABLE

- ITEM NOT ILLUSTRATED

BRI

35-11-52-01A

BOEING PROPRIETARY - Copyright © - Unpublished Work - See title page for details.

35-11-52
FIG. 01A
PAGE 6
JAN 20/09



757

PARTS CATALOG (MAINTENANCE)

FIG ITEM	PART NUMBER	1 2 3 4 5 6 7	NOMENCLATURE	EFFECT FROM TO	UNITS PER ASSY
1A 270	417N4700-56	.	TUBE ASSY- TUBING MATERIAL: 5/16 IN. OD X .02 IN. WALL STAINLESS STEEL TUBING (WELDED) 21-6-9 PER BMS7-185	101102 504903	1
- 275	AP2097HP05	..	SLEEVE SUPPLIER CODE: V01673 SPECIFICATION NUMBER: BACS13BX05HP OPTIONAL PART: 2-02903-05HP V11328 35235VN05 V08199 AFP175V05P V30974 DBOS13BX05HP V14798	101102 504903	2
- 280	BACN10CS05JN	..	NUT	101102 504903	2
- 285	417N4700-106		HOSE INSTL- FOR NHA SEE: 25-20-00-09	101102 504506	RF
- 285	417N4700-115		TUBING INSTL- FOR NHA SEE: 25-20-00-08	108120 507903	RF
- 285	MODREF25735		TUBING INSTL- MODULE NUMBER: 417N4700-115 REV B	103106	1
290	96431-1	.	HOSE ASSY- SUPPLIER CODE: V78570 SPECIFICATION NUMBER: 60B50060-1	101106 108120 504903	1
295	MS21902J5	.	UNION	101106 108120 504903	1
300	BACP11K5A	.	PACKING	101106 108120 504903	1
350	417N4700-108		TUBE INSTL- FOR NHA SEE: 25-20-00-08A	101102 108120 504903	RF
350	MODREF18153		TUBE INSTL- MODULE NUMBER: 417N4700-108 REV A	103106	1

MISSING ITEM NUMBERS NOT APPLICABLE

- ITEM NOT ILLUSTRATED

35-11-52-01A

35-11-52
FIG. 01A
PAGE 7
JAN 20/09

BRI

BOEING PROPRIETARY - Copyright © - Unpublished Work - See title page for details.



757

PARTS CATALOG (MAINTENANCE)

FIG ITEM	PART NUMBER	1 2 3 4 5 6 7	NOMENCLATURE	EFFECT FROM TO	UNITS PER ASSY
1A 355	BACC10DK5	.	CLAMP	101106 108120 504903	4
365	417N4700-9	.	TUBE ASSY- TUBING MATERIAL: .3125 IN. OD X .02 IN. WALL X 88.0 IN. LG BMS 7-185 21-6-9 COLD REDUCED TUBING	101106 108120 504903	1
- 370	AP2097HP05	..	SLEEVE SUPPLIER CODE: V01673 SPECIFICATION NUMBER: BACS13BX05HP OPTIONAL PART: 2-02903-05HP V11328 35235VN05 V08199 AFP175V05P V30974 DBOS13BX05HP V14798	101106 108120 504903	2
- 375	BACN10CS05JN	..	NUT	101106 108120 504903	2
- 380	417N4700-50		TUBING INSTL-VARIABLE REMOTE FILL FOR NHA SEE: 25-20-00-11	101102 504903	RF
- 380	MODREF18160		TUBING INSTL-CREW OXY SYS MODULE NUMBER: 417N4700-50 REV A	103106	1
385	417N4700-49	.	TUBE ASSY- TUBING MATERIAL: .3125 IN. OD X .02 IN. WALL X 20.8 IN. LG BMS 7-185 21-6-9 COLD REDUCED TUBING	101106 504903	1

MISSING ITEM NUMBERS NOT APPLICABLE

- ITEM NOT ILLUSTRATED

35-11-52-01A

35-11-52
FIG. 01A
PAGE 8
JAN 20/09

BRI

BOEING PROPRIETARY - Copyright © - Unpublished Work - See title page for details.



757

PARTS CATALOG (MAINTENANCE)

FIG ITEM	PART NUMBER	1 2 3 4 5 6 7	NOMENCLATURE	EFFECT FROM TO	UNITS PER ASSY
1 A					
- 390	AP2097HP05	..	SLEEVE SUPPLIER CODE: V01673 SPECIFICATION NUMBER: BACS13BX05HP OPTIONAL PART: 2-02903-05HP V11328 35235VN05 V08199 AFP175V05P V30974 DBOS13BX05HP V14798	101106 504903	2
- 395	BACN10CS05JN	..	NUT	101106 504903	2
400	MS21902J5	.	UNION	101106 504903	1
405	BACP11K5A	.	PACKING	101106 504903	1
- 500	417N4700-116		TUBE INSTL- FOR NHA SEE: 25-20-00-08	108120	RF
- 500	MODREF18159		TUBE INSTL- MODULE NUMBER: 417N4700-116 REV A	103106	1
505	BACC10DK	.	CLAMP- SIZE DETERMINED ON INSTL. ATTACHING PARTS	103106 108120	10
- 510	NAS1801-3	.	SCREW- SIZE DETERMINED ON INSTL.	103106 108120	10
- 515	AN960JD10L	.	WASHER	103106 108120	10
- 520	BACN10FX	.	NUT- SIZE DETERMINED ON INSTL.	103106 108120	10
			-----*-----		
525	417N4700-62	.	TUBE ASSY- TUBING MATERIAL: .3125 IN. OD X .020 IN. WALL X 43.3 IN. LG BMS 7-185 21-6-9 COLD REDUCED TUBING	103106 108120	1

MISSING ITEM NUMBERS NOT APPLICABLE

- ITEM NOT ILLUSTRATED

35-11-52-01A

35-11-52
FIG. 01A
PAGE 9
JAN 20/09

BRI

BOEING PROPRIETARY - Copyright © - Unpublished Work - See title page for details.



757

PARTS CATALOG (MAINTENANCE)

FIG ITEM	PART NUMBER	1 2 3 4 5 6 7	NOMENCLATURE	EFFECT FROM TO	UNITS PER ASSY
1 A					
- 530	AP2097HP05	..	SLEEVE SUPPLIER CODE: V01673 SPECIFICATION NUMBER: BACS13BX05HP OPTIONAL PART: 2-02903-05HP V11328 35235VN05 V08199 AFP175V05P V30974 DBOS13BX05HP V14798	103106 108120	2
- 535	BACN10CS05JN	..	NUT	103106 108120	2
540	MS21902J5	.	UNION	103106 108120	3
550	MS21907J5	.	ELBOW	108120	1
555	MS21904J5	.	ELBOW	108120	1
560	BACE21AW0505J	.	ELBOW	108120	1
575	AN924-5D	.	NUT	103106 108120	1
580	AN960KD816	.	WASHER	108120	1
590	NAS42DD6-32FC	.	SPACER	108120	3
- 615	417N4700-113		TUBING INSTL-VARIABLE 115 SQUARE FOOT CYL FOR NHA SEE: 25-20-00-11	108120 507903	RF
- 615	MODREF25734		TUBING INSTL-VARIABLE 115 SQUARE FOOT CYL MODULE NUMBER: 417N4700-113 REV B	103106	1
- 620	BACE21BR0505JN	.	ELBOW	103106 108120 507903	1
- 625	96431-1	.	HOSE ASSY- SUPPLIER CODE: V78570 SPECIFICATION NUMBER: 60B50060-1	103106 108120 507903	1

MISSING ITEM NUMBERS NOT APPLICABLE

- ITEM NOT ILLUSTRATED

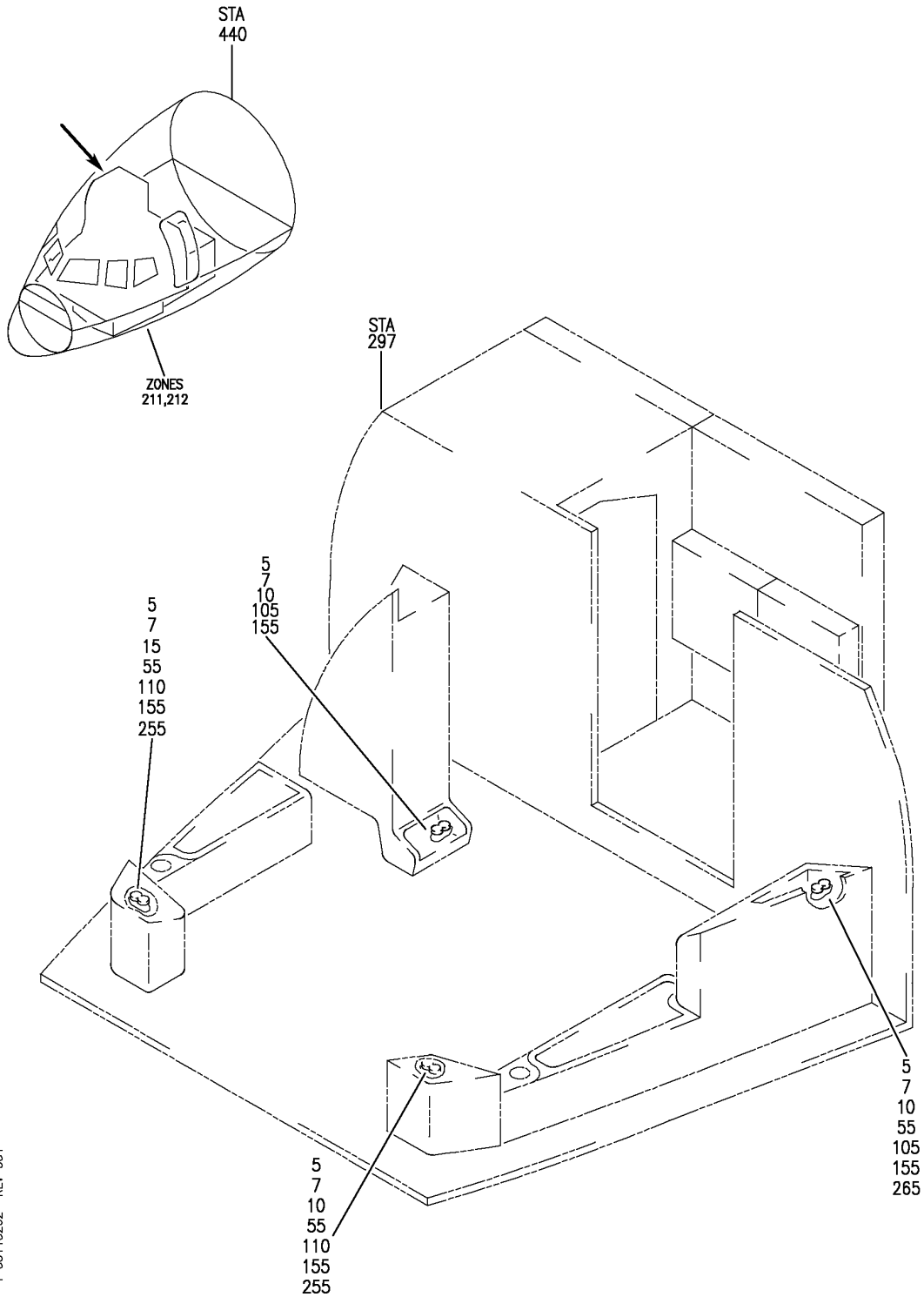
35-11-52-01A

35-11-52
FIG. 01A
PAGE 10
JAN 20/09

BRI

BOEING PROPRIETARY - Copyright © - Unpublished Work - See title page for details.

BOEING
 757
 PARTS CATALOG (MAINTENANCE)



Y 35115202 REV 331

REGULATOR INSTL-OXY MASK FLIGHT DECK
 FIGURE 2

35-11-52-02

BRI
 JAN 20/09

35-11-52-02
 PAGE 0



757

PARTS CATALOG (MAINTENANCE)

FIG ITEM	PART NUMBER	1 2 3 4 5 6 7	NOMENCLATURE	EFFECT FROM TO	UNITS PER ASSY
2			REGULATOR INSTL-OXY MASK FLIGHT DECK	108120	
- 150	232N8101-14		REGULATOR INSTL-OXY MASK FLIGHT DECK	108120	RF
155	MF10-02-11		FOR NHA SEE: 25-10-00-10A .MASK ASSY-OXY SUPPLIER CODE: VF5341 FUNCTIONAL DESCRIPTION: PROVIDES EMERGENCY FLIGHT CREW BREATHING COMPONENT MAINT MANUAL REF: 35-11-10	108120	4

MISSING ITEM NUMBERS NOT APPLICABLE

- ITEM NOT ILLUSTRATED

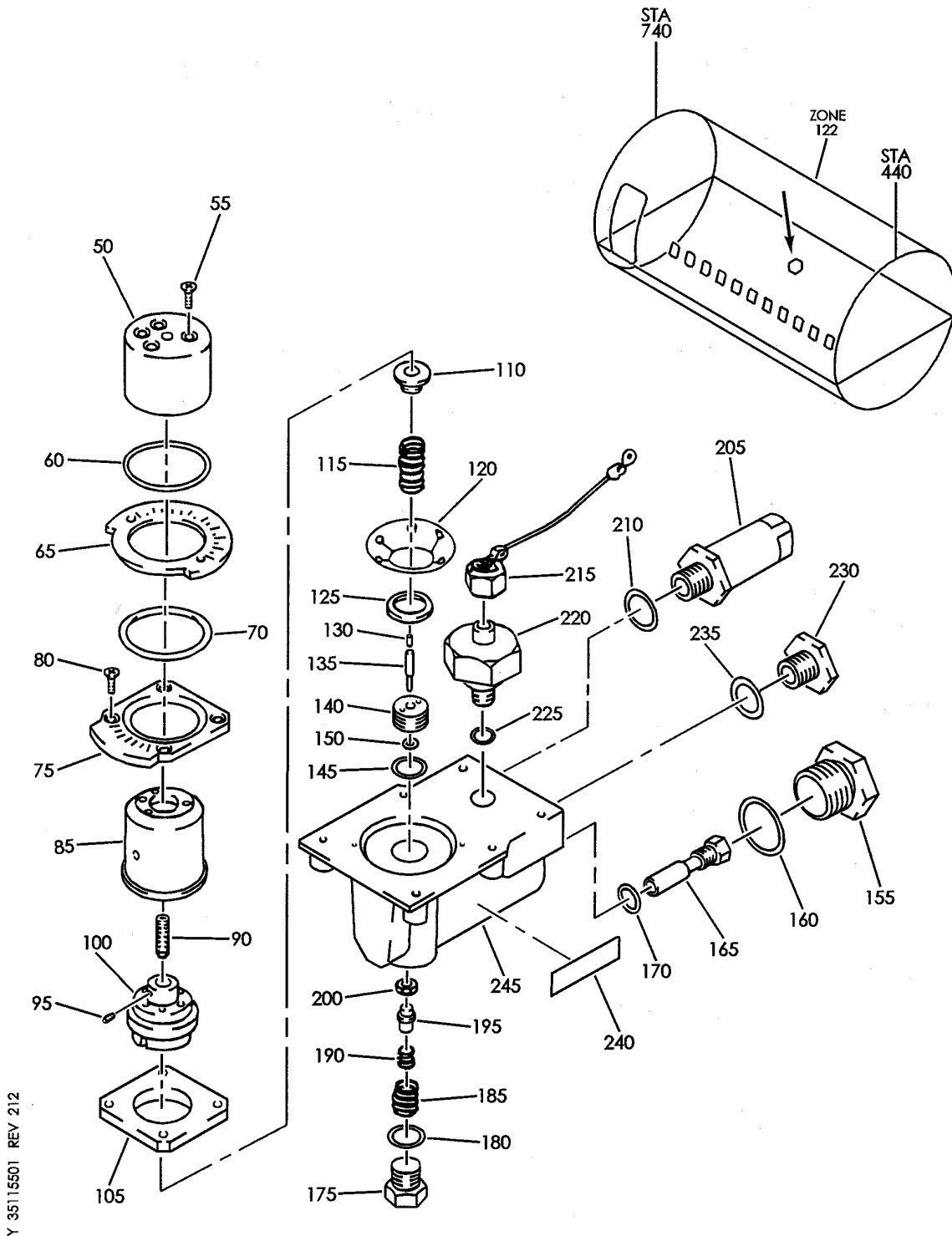
BRI

35-11-52-02

BOEING PROPRIETARY - Copyright © - Unpublished Work - See title page for details.

35-11-52
FIG. 02
PAGE 1
JAN 20/09

BOEING
757
PARTS CATALOG (MAINTENANCE)



VALVE ASSY-FILLER OXY
FIGURE 1

35-11-55-01

BRI
MAY 28/07

35-11-55-01
PAGE 0



757

PARTS CATALOG (MAINTENANCE)

FIG ITEM	PART NUMBER	1 2 3 4 5 6 7	NOMENCLATURE	EFFECT FROM TO	UNITS PER ASSY
1			VALVE ASSY-FILLER OXY	008100	
- 1	B11174-1		VALVE ASSY-FILLER, OXY SUPPLIER CODE: V04577 SPECIFICATION NUMBER: S417N440-3 COMPONENT MAINT MANUAL REF: 35-09-03 FOR NHA SEE: 35-11-12-01	008100	RF
50	2279-501-008-3		.COVER- SUPPLIER CODE: V04577 ATTACHING PARTS	008100	1
55	MS51959-13		.SCREW -----*-----	008100	3
60	2279-501-007-1		.RING-ANTI-FRICTION SUPPLIER CODE: V04577	008100	1
65	2279-501-8-1		.TEMPERATURE DIAL- SUPPLIER CODE: V04577	008100	1
70	MS28775-124		.PACKING	008100	1
75	2279-501-7-5		.PRESSURE DIAL- SUPPLIER CODE: V04577 ATTACHING PARTS	008100	1
80	MS51959-18		.SCREW -----*-----	008100	4
85	2279-501-005-3		.KNOB- SUPPLIER CODE: V04577 ATTACHING PARTS	008100	1
90	1588501100001-1		.SCREW-ADJUSTING SUPPLIER CODE: V04577 -----*-----	008100	1
95	CS9		.SETSCREW- SUPPLIER CODE: V00141	008100	1
100	1588501000012-1		.SCREW-DIAL GAUGE SUPPLIER CODE: V04577	008100	1
105	2279-501-4-1		.PLATE-SUB SUPPLIER CODE: V04577	008100	1
110	1588501000011-1		.HOLDER-SPRING, DIAL GAUGE SUPPLIER CODE: V04577	008100	1

MISSING ITEM NUMBERS NOT APPLICABLE

- ITEM NOT ILLUSTRATED

35-11-55-01

35-11-55
FIG. 01
PAGE 1
JAN 20/09

BRI



757

PARTS CATALOG (MAINTENANCE)

FIG ITEM	PART NUMBER	1 2 3 4 5 6 7	NOMENCLATURE	EFFECT FROM TO	UNITS PER ASSY
1					
115	1588501000021-1	.	SPRING-HELICAL, DIAL GAUGE SUPPLIER CODE: V04577	008100	1
120	2279-501-030-1	.	SPRING-BELLEVILLE SUPPLIER CODE: V04577	008100	1
125	158850100009-1	.	SEAT-BELLEVILLE SPRING SUPPLIER CODE: V04577	008100	1
130	2279-501-602-1	.	PIN-VALVE STEM, 0.375 INS LG SUPPLIER CODE: V04577	008100	1
135	2279-501-601-1	.	VALVE STEM- SUPPLIER CODE: V04577	008100	1
140	2279-501-002-1	.	GUIDE-VALVE STEM SUPPLIER CODE: V04577	008100	1
145	2279-501-003-1	.	GASKET-VALVE STEM SUPPLIER CODE: V04577	008100	1
150	AR10104-007A1Q	.	SEAL-2279-501-004-1 SUPPLIER CODE: V05939	008100	1
155	2279-501-013-1	.	PLUG- SUPPLIER CODE: V04577	008100	1
160	2279-501-012-1	.	GASKET- SUPPLIER CODE: V04577	008100	1
165	2279-501-5-1	.	FLOW INSERT- SUPPLIER CODE: V04577 MISCELLANEOUS DATA: MATCHED AND CALIBRATED ASSEMBLY	008100	1
170	2279-501-021-1	.	GASKET- SUPPLIER CODE: V04577	008100	1
175	2279-501-018-1	.	PLUG- SUPPLIER CODE: V04577	008100	1
180	2279-501-019-1	.	GASKET- SUPPLIER CODE: V04577	008100	1
185	2279-501-001-1	.	RETAINER-VALVE SPRING SUPPLIER CODE: V04577	008100	1

MISSING ITEM NUMBERS NOT APPLICABLE

- ITEM NOT ILLUSTRATED

35-11-55-01

35-11-55
FIG. 01
PAGE 2
JAN 20/09

BRI



757

PARTS CATALOG (MAINTENANCE)

FIG ITEM	PART NUMBER	1 2 3 4 5 6 7	NOMENCLATURE	EFFECT FROM TO	UNITS PER ASSY
1					
190	2279-501-028-1		.SPRING-HELICAL COMPRES. SUPPLIER CODE: V04577	008100	1
195	2279-501-026-1		.VALVE-INLET AND OUTLET SUPPLIER CODE: V04577	008100	1
200	2279-501-027-1		.SEAT- SUPPLIER CODE: V04577	008100	1
205	2279-501-3-1		.FILTER-OUTLET SUPPLIER CODE: V04577 MISCELLANEOUS DATA: SOLDERED ASSEMBLY	008100	1
210	2279-501-009-1		.GASKET- SUPPLIER CODE: V04577	008100	1
215	2279-501-2-1		.CAP-CHARGE FITTING SUPPLIER CODE: V04577	008100	1
220	1588-501-5-4		.FILTER- SUPPLIER CODE: V04577	008100	1
225	2279-501-029-1		.GASKET- SUPPLIER CODE: V04577	008100	1
230	2279-501-206-1		.PLUG- SUPPLIER CODE: V04577	008100	1
235	2279-501-000-1		.GASKET- SUPPLIER CODE: V04577	008100	1
240	B11030-1		.PLATE-IDENT. SUPPLIER CODE: V04577	008100	1
245	2279-501-1-1		.BODY-FILLER VALVE SUPPLIER CODE: V04577	008100	1

MISSING ITEM NUMBERS NOT APPLICABLE

- ITEM NOT ILLUSTRATED

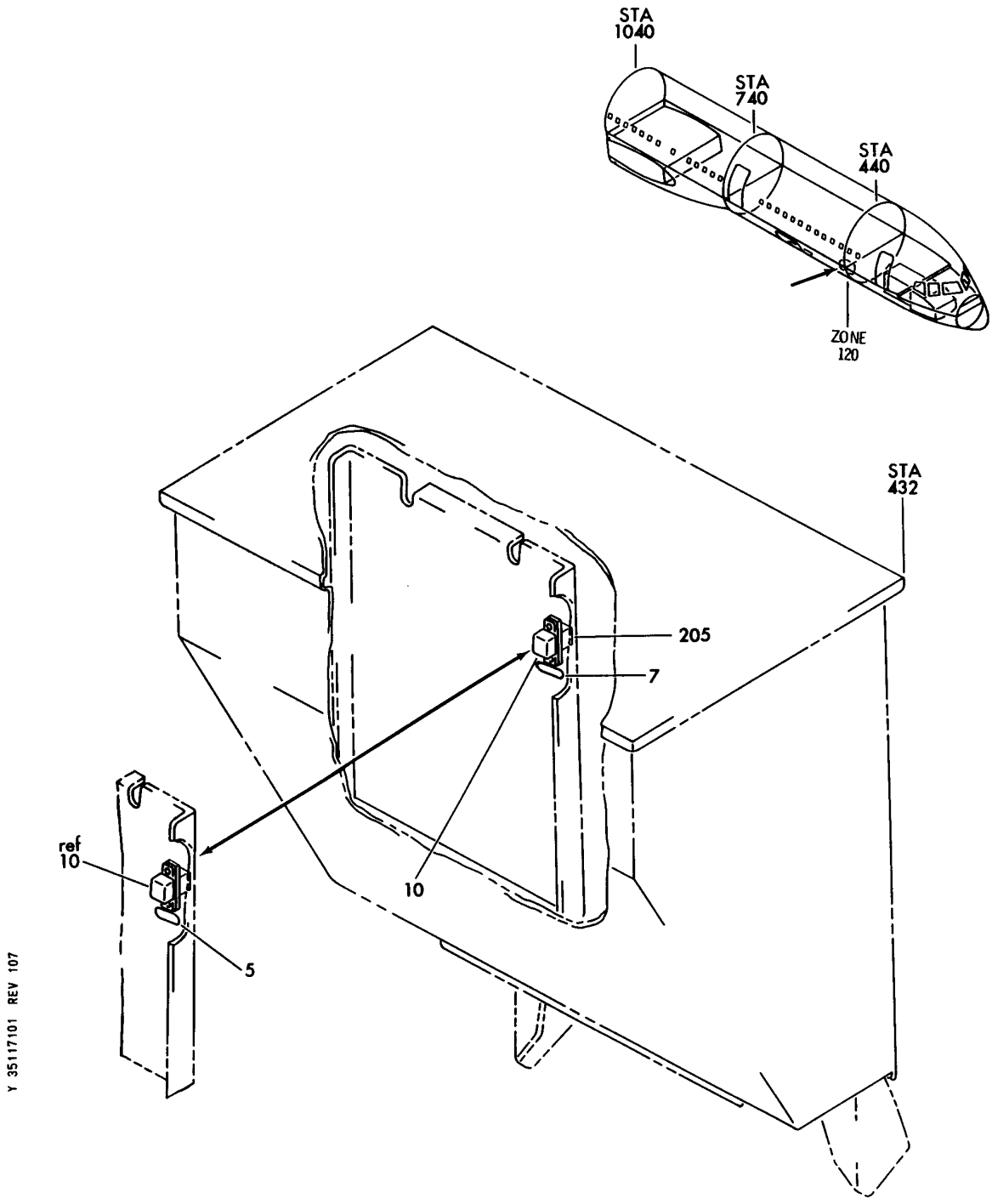
35-11-55-01

35-11-55
FIG. 01
PAGE 3
JAN 20/09

BRI

BOEING PROPRIETARY - Copyright © - Unpublished Work - See title page for details.

BOEING
757
PARTS CATALOG (MAINTENANCE)



Y 35117101 REV 107

PANEL ASSY-P37 MISC RELAY R (CREW OXYGEN SYSTEM ONLY)
FIGURE 1

35-11-71-01

BRI
MAY 28/07

35-11-71-01
PAGE 0

BOEING PROPRIETARY - Copyright © - Unpublished Work - See title page for details.



757

PARTS CATALOG (MAINTENANCE)

FIG ITEM	PART NUMBER	1 2 3 4 5 6 7	NOMENCLATURE	EFFECT FROM TO	UNITS PER ASSY
1			PANEL ASSY-P37 MISC RELAY R (CREW OXYGEN SYSTEM ONLY)	008100 107107 121503 904949	
- 1	284N1127-1		PANEL ASSY-P37 MISC RELAY R (CREW OXYGEN SYSTEM ONLY) VARIABLE DRAWING REF: 284N1127-5028 284N1127-5039 284N1127-5064 REWORKED BY SB: 33-0039 REWORKED BY ALERT SB: 27A0130 FOR NHA/OTHER SYS DET SEE: 31-01-37-01B	008100 107107 121503 904949	RF
5	BAC27NEX1219		.DECAL- PLACARD CONTENT: K10277	008100 107107 121503 904949	1
10	E210-1631		.RELAY- SUPPLIER CODE: V99699 SPECIFICATION NUMBER: BACR13CF2A OPTIONAL PART: BR246S0112 V56623 FCA210-70 V78290 E215-1050 V99699 JD4A017 V35344 BR64S104 V56623 61GB19-1A320 V98927 ELECTRICAL EQUIP NUMBER: K10277 WIRING DIAGRAM REF: 351113	008100 107107 121503 904949	1
- 200	286N1270-002		WIRE BUNDLE ASSY-(CREW OXYGEN SYSTEM ONLY) REWORKED BY ALERT SB: 27A0130 34A0222	121503 904949	RF

MISSING ITEM NUMBERS NOT APPLICABLE

- ITEM NOT ILLUSTRATED

BRI

35-11-71-01

35-11-71
FIG. 01
PAGE 1
JAN 20/09



757

PARTS CATALOG (MAINTENANCE)

FIG ITEM	PART NUMBER	1 2 3 4 5 6 7	NOMENCLATURE	EFFECT FROM TO	UNITS PER ASSY
1					
- 200	286N1270-003		WIRE BUNDLE ASSY-(CREW OXYGEN SYSTEM ONLY) REWORKED BY ALERT SB: 27A0130 34A0222	107107	RF
- 200	286N1270-005		WIRE BUNDLE ASSY-(CREW OXYGEN SYSTEM ONLY) REWORKED BY SB: 33-0039 REWORKED BY ALERT SB: 27A0130 34A0222	008100	RF
205	RSF116200		.SOCKET- SUPPLIER CODE: V58982 SPECIFICATION NUMBER: BACS16X1A OPTIONAL PART: 102-006-1 V09922 000300-1538 V05574 ELECTRICAL EQUIP NUMBER: D04112 WIRING DIAGRAM REF: 351113	008100 107107 121503 904949	1

MISSING ITEM NUMBERS NOT APPLICABLE

- ITEM NOT ILLUSTRATED

BRI

35-11-71-01

BOEING PROPRIETARY - Copyright © - Unpublished Work - See title page for details.

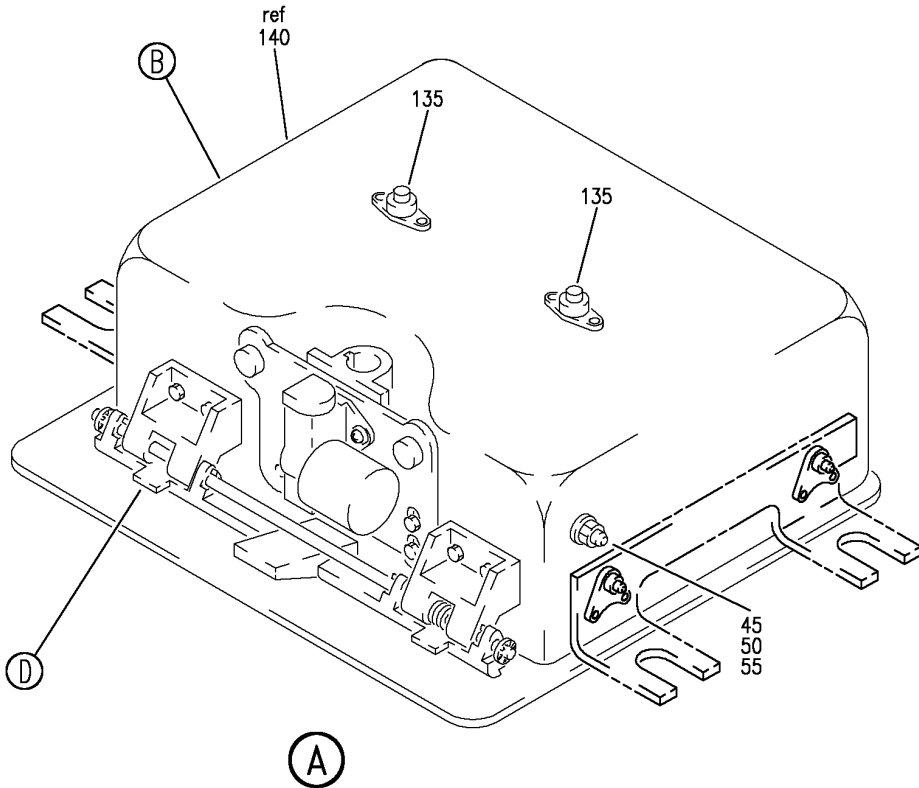
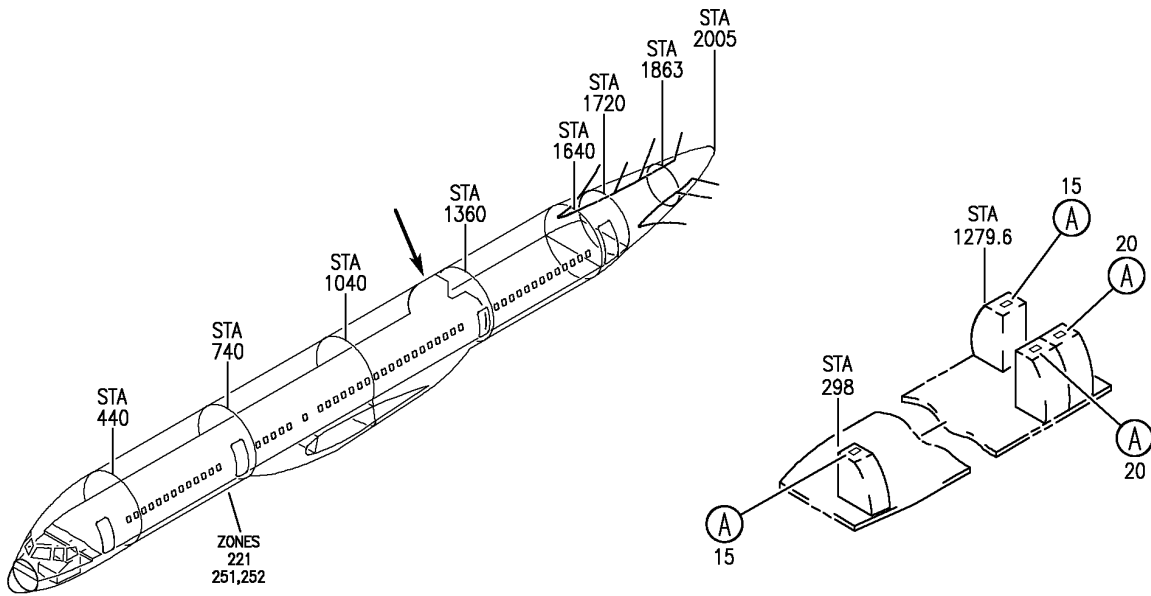
35-11-71
FIG. 01
PAGE 2
JAN 20/09

PASSENGER OXYGEN SYSTEM

BRI
MAY 28/07

35-21-00
SECTION TITLE
PAGE 1

BOEING
757
PARTS CATALOG (MAINTENANCE)



Y 35210001G SHT 1 REV 260

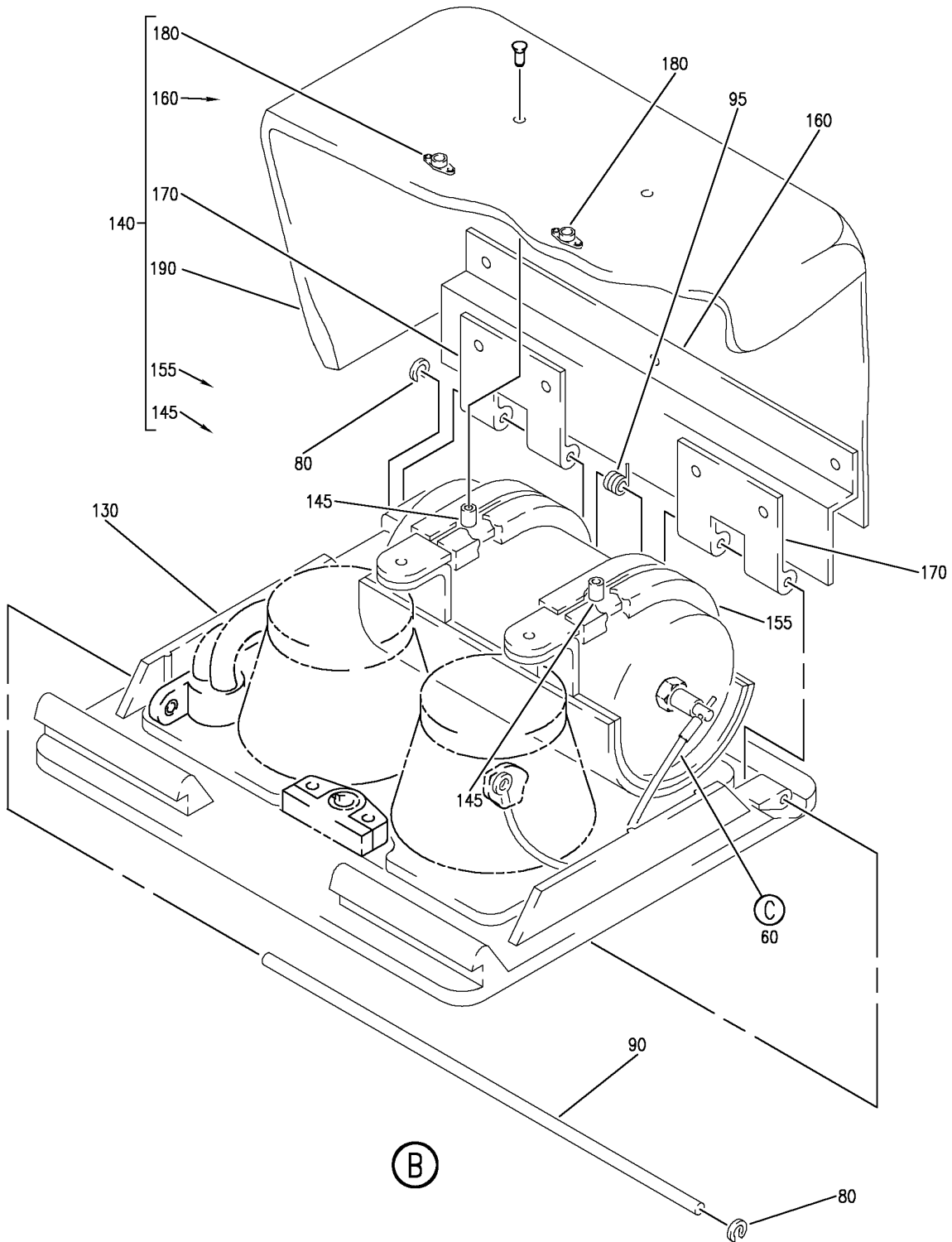
LAVATORY INSTL-ATZ (PASSENGER OXYGEN SYSTEM ONLY)
FIGURE 1G (SHEET 1)

35-21-00-01G

BRI
JAN 20/09

35-21-00-01G
PAGE 0

BOEING
757
PARTS CATALOG (MAINTENANCE)



Y 35210001G SHT 2 REV 260

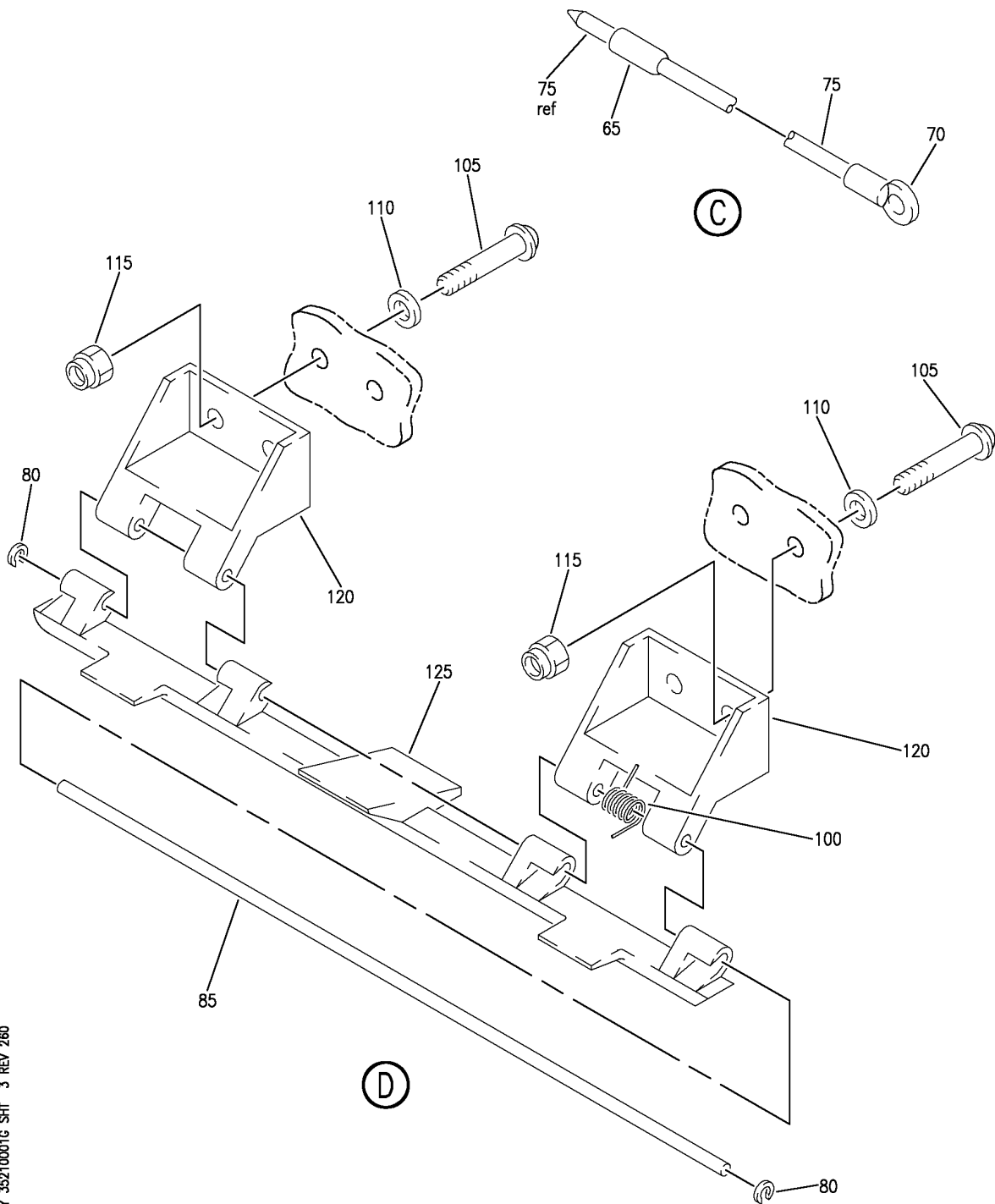
LAVATORY INSTL-ATZ (PASSENGER OXYGEN SYSTEM ONLY)
FIGURE 1G (SHEET 2)

35-21-00-01G

BRI
JAN 20/09

35-21-00-01G
PAGE 0A

BOEING
757
PARTS CATALOG (MAINTENANCE)



Y 35210001G SHT 3 REV 260

LAVATORY INSTL-ATZ (PASSENGER OXYGEN SYSTEM ONLY)
FIGURE 1G (SHEET 3)

35-21-00-01G

BRI
JAN 20/09

35-21-00-01G
PAGE 0B

BOEING PROPRIETARY - Copyright © - Unpublished Work - See title page for details.



757

PARTS CATALOG (MAINTENANCE)

FIG ITEM	PART NUMBER	1 2 3 4 5 6 7	NOMENCLATURE	EFFECT FROM TO	UNITS PER ASSY
1G			LAVATORY INSTL-ATZ (PASSENGER OXYGEN SYSTEM ONLY)	103106	
- 1	MODREF32791		LAVATORY INSTL-ATZ MODULE A (PASSENGER OXYGEN SYSTEM ONLY) MODULE NUMBER: 417N1158-144B REV A FOR OTHER SYS DETAILS SEE: 25-41-01-40E	103106	1
- 5	MODREF32792		LAVATORY INSTL-ATZ MODULE B-C (PASSENGER OXYGEN SYSTEM ONLY) MODULE NUMBER: 417N1158-145B REV A FOR OTHER SYS DETAILS SEE: 25-41-03-07K	103106	1
- 10	MODREF32793		LAVATORY INSTL-ATZ MODULE D (PASSENGER OXYGEN SYSTEM ONLY) MODULE NUMBER: 417N1158-146B REV A FOR OTHER SYS DETAILS SEE: 25-41-03-07K	103106	1
15	417N3810-137T		.BOX ASSY-OXY ELECTRICAL EQUIP NUMBER: M10373 COMPONENT MAINT MANUAL REF: 35-21-34 USED ON: MODREF32791 MODREF32793 FOR DETAILS SEE: 35-21-04-92A 35-21-05-02C 35-21-06-07A	103106	1
20	417N3810-137T		.BOX ASSY-OXY ELECTRICAL EQUIP NUMBER: M10373 COMPONENT MAINT MANUAL REF: 35-21-34 USED ON: MODREF32792 FOR DETAILS SEE: 35-21-04-92A 35-21-05-02C 35-21-06-07A	103106	2

MISSING ITEM NUMBERS NOT APPLICABLE

- ITEM NOT ILLUSTRATED

35-21-00-01G

35-21-00
FIG. 01G
PAGE 1
JAN 20/09

BRI



757

PARTS CATALOG (MAINTENANCE)

FIG ITEM	PART NUMBER	1 2 3 4 5 6 7	NOMENCLATURE	EFFECT FROM TO	UNITS PER ASSY
1G			ATTACHING PARTS		
- 25	NAS603-6P		.SCREW- USED ON: MODREF32791 MODREF32793	103106	4
- 30	NAS603-6P		.SCREW- USED ON: MODREF32792	103106	8
- 35	NAS1149D0332J		.WASHER- USED ON: MODREF32791 MODREF32793	103106	4
- 40	NAS1149D0332J		.WASHER- USED ON: MODREF32792	103106	8
			-----*-----		
45	BACS12FA08K5		..SCREW	103106	1
50	AN960JD8L		..WASHER	103106	1
55	MS21042L08		..NUT	103106	1
60	417N3137-2		..CABLE ASSY	103106	1
80	6100-9		..RETAINER- SUPPLIER CODE: V2X013	103106	4
85	MS20253P2-780		..PIN-HINGE	103106	1
90	MS20253P2-825		..PIN-HINGE	103106	1
95	417N3173-3		..SPRING	103106	1
100	417N3173-4		..SPRING	103106	1
105	BACS12FA08K5		..SCREW	103106	4
110	AN960JD8L		..WASHER	103106	4
115	MS21042L08		..NUT	103106	4
120	417N3133-3		..LATCH	103106	2
125	417N3133-2		..LATCH	103106	1
130	417N3830-2BB		..DOOR ASSY	103106	1
135	BACS12FA08K7		..SCREW	103106	2
140	417N3810-16		..BOX ASSY-OXY	103106	1
145	NAS42DD5-6FC		...SPACER	103106	2
			ATTACHING PARTS		
- 150	BACR15FP4E		...RIVET- SIZE DETERMINED ON INSTL. -----*-----	103106	2
155	417N3816-5		...SHIELD ASSY	103106	1
160	417N3811-4		...BRACKET	103106	1
			ATTACHING PARTS		
- 165	BACR15BA3D		...RIVET- SIZE DETERMINED ON INSTL. -----*-----	103106	3
170	417N3811-3		...HINGE	103106	2

MISSING ITEM NUMBERS NOT APPLICABLE

- ITEM NOT ILLUSTRATED

35-21-00-01G

35-21-00
FIG. 01G
PAGE 2
JAN 20/09

BRI

BOEING PROPRIETARY - Copyright © - Unpublished Work - See title page for details.



757

PARTS CATALOG (MAINTENANCE)

FIG ITEM	PART NUMBER	1 2 3 4 5 6 7	NOMENCLATURE	EFFECT FROM TO	UNITS PER ASSY
1G			ATTACHING PARTS		
- 175	BACR15BB4D		...RIVET- SIZE DETERMINED ON INSTL. -----*-----	103106	4
180	T8076S832		...NUTPLATE SUPPLIER CODE: V11815 SPECIFICATION NUMBER: BACN10JP08A OPTIONAL PART: MK1000-08BAC V15653 NS103197-82 V80539 RMA9201M82 V72962 VN202A1-82 V92215 BRM200A08 V52828	103106	2
- 185	BACR15CE3AD		ATTACHING PARTS ...RIVET- SIZE DETERMINED ON INSTL. -----*-----	103106	4
190	417N3813-6		...OXYGEN BOX	103106	1

MISSING ITEM NUMBERS NOT APPLICABLE

- ITEM NOT ILLUSTRATED

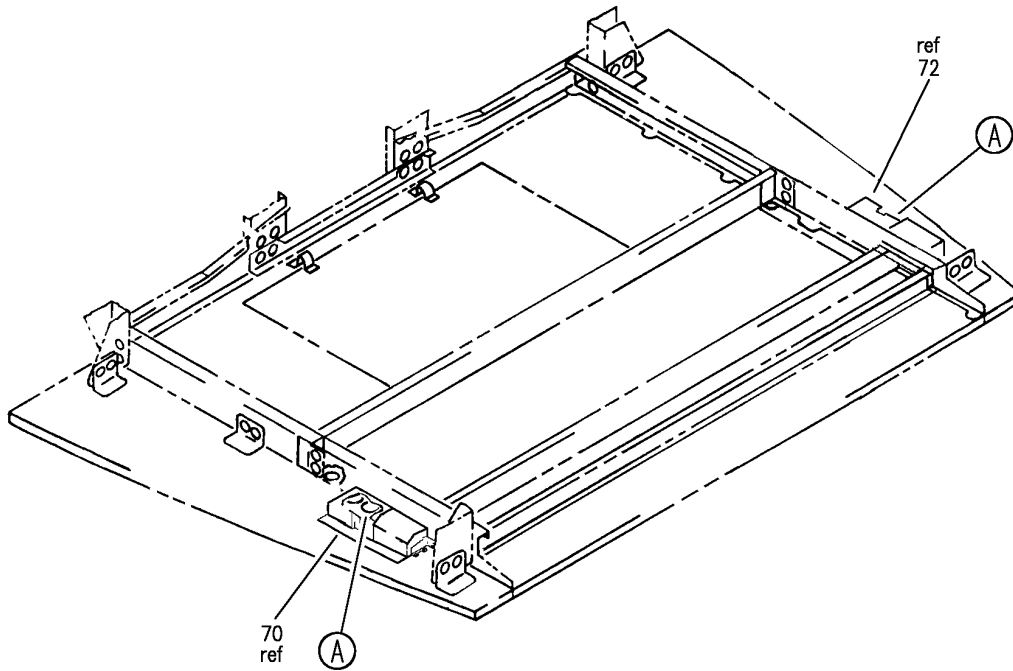
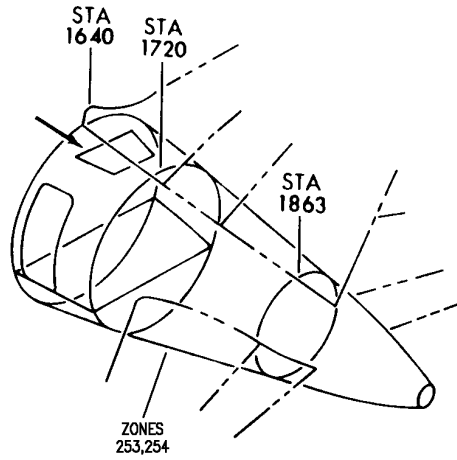
35-21-00-01G

35-21-00
FIG. 01G
PAGE 3
JAN 20/09

BRI

BOEING PROPRIETARY - Copyright © - Unpublished Work - See title page for details.

BOEING
757
PARTS CATALOG (MAINTENANCE)



Y 35210002A SHT 1 REV 295

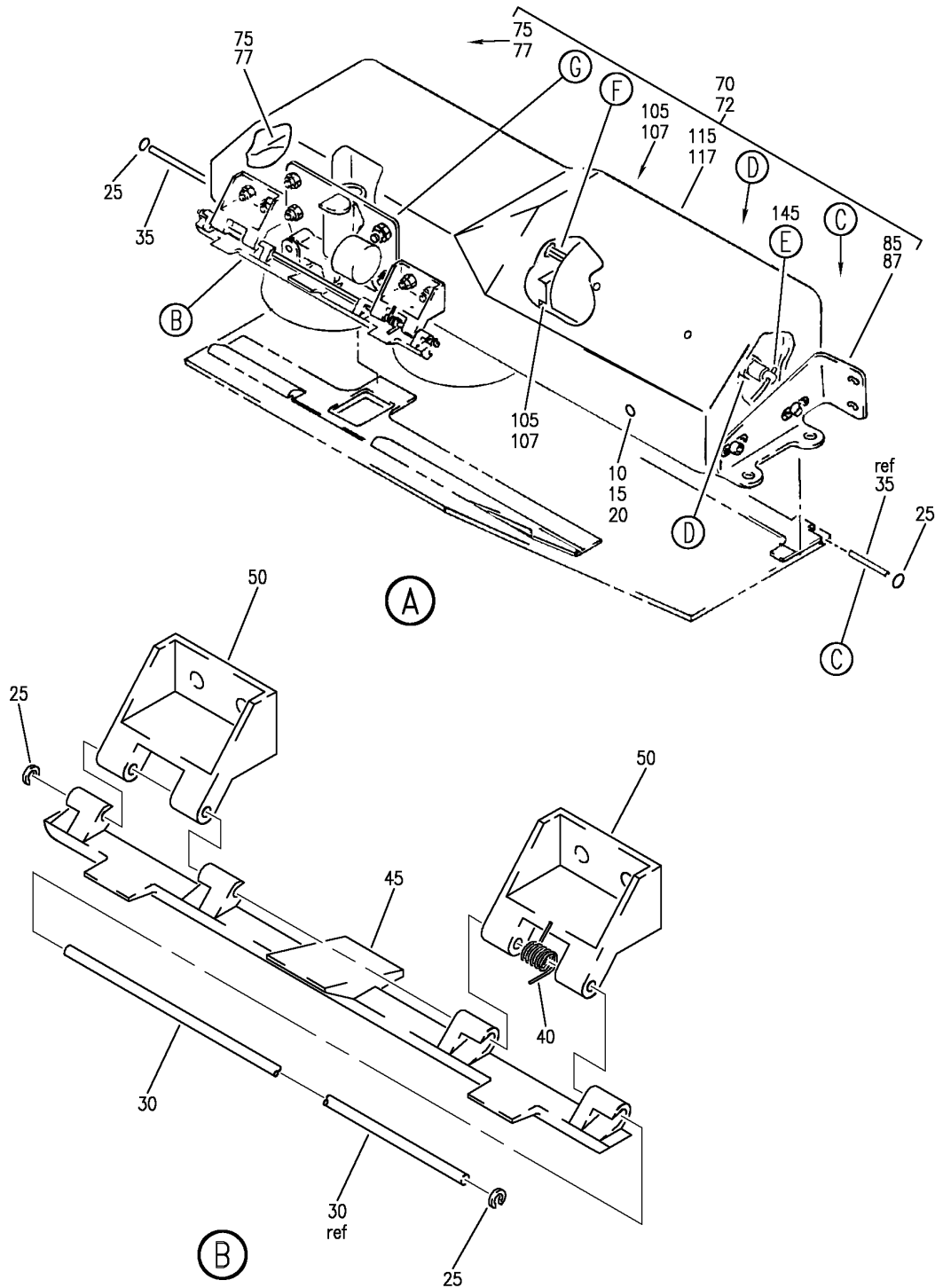
BOX ASSY-OXY (PASSENGER OXYGEN SYSTEM ONLY)
FIGURE 2A (SHEET 1)

35-21-00-02A

BRI
JAN 20/09

35-21-00-02A
PAGE 0

BOEING
757
PARTS CATALOG (MAINTENANCE)



Y 3521002A SHT 2 REV 295

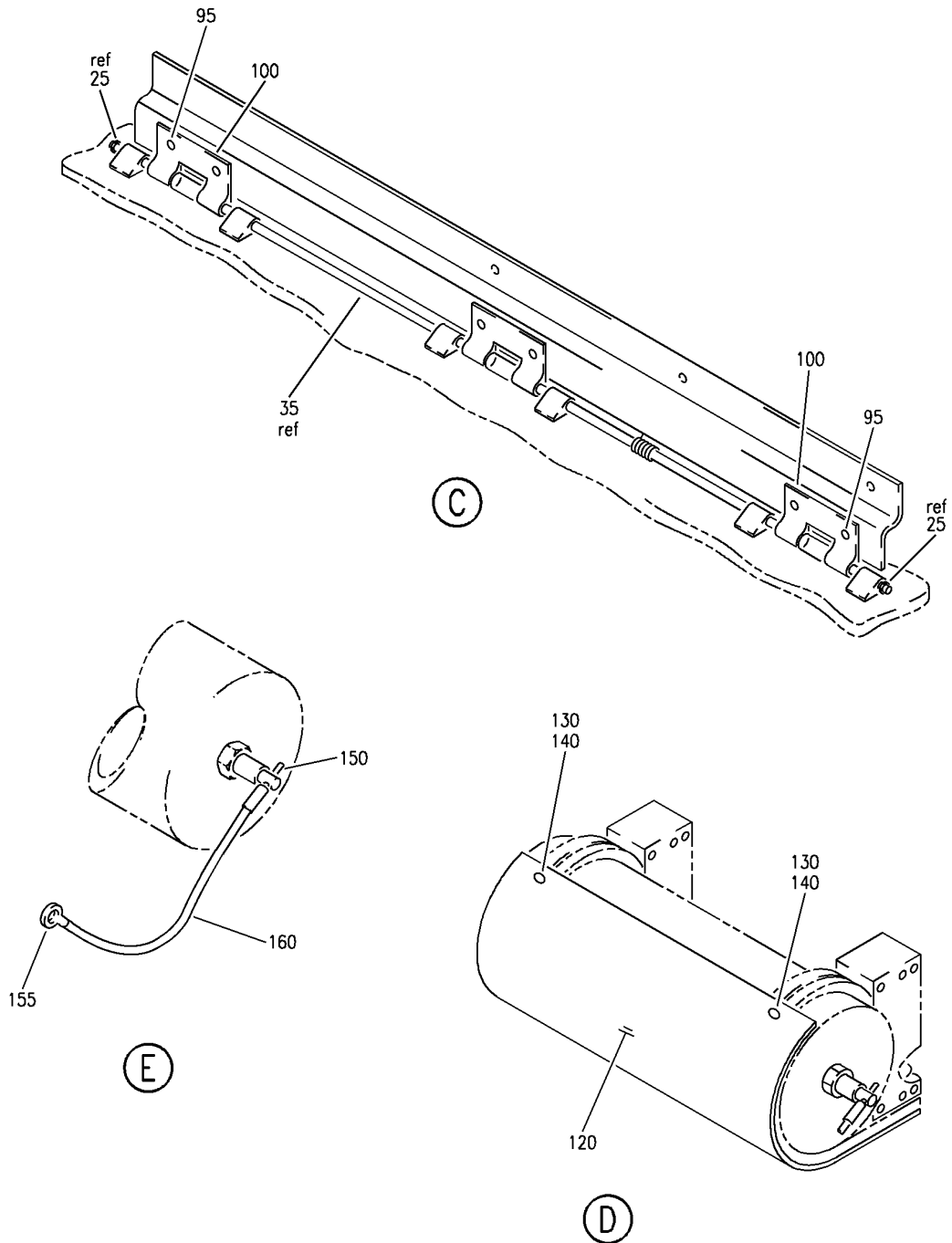
BOX ASSY-OXY (PASSENGER OXYGEN SYSTEM ONLY)
FIGURE 2A (SHEET 2)

35-21-00-02A

BRI
JAN 20/09

35-21-00-02A
PAGE 0A

BOEING
757
PARTS CATALOG (MAINTENANCE)



Y 35210002A SHT 3 REV 295

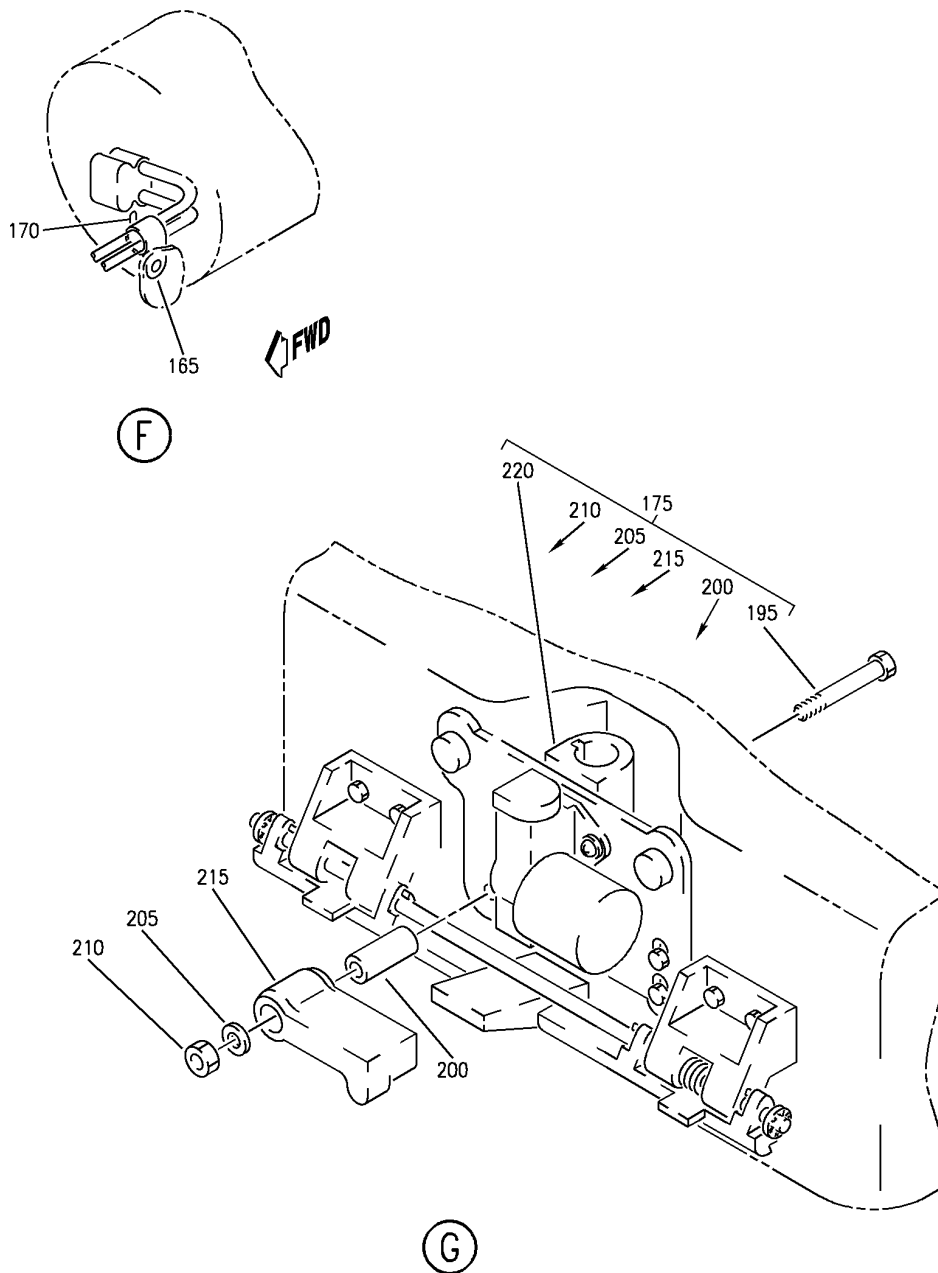
BOX ASSY-OXY (PASSENGER OXYGEN SYSTEM ONLY)
FIGURE 2A (SHEET 3)

35-21-00-02A

BRI
JAN 20/09

35-21-00-02A
PAGE 0B

BOEING
757
PARTS CATALOG (MAINTENANCE)



Y 35210002A SHT 4 REV 301

BOX ASSY-OXY (PASSENGER OXYGEN SYSTEM ONLY)
FIGURE 2A (SHEET 4)

35-21-00-02A

BRI
JAN 20/09

35-21-00-02A
PAGE 0C



757

PARTS CATALOG (MAINTENANCE)

FIG ITEM	PART NUMBER	1 2 3 4 5 6 7	NOMENCLATURE	EFFECT FROM TO	UNITS PER ASSY
2A			BOX ASSY-OXY (PASSENGER OXYGEN SYSTEM ONLY)	950951	
- 1	417N3820-11SP		BOX ASSY-OXY (PASSENGER OXYGEN SYSTEM ONLY) FOR NHA SEE: 25-22-02-18J	950951	RF
- 5	417N3820-12SP		BOX ASSY-OXY (PASSENGER OXYGEN SYSTEM ONLY) FOR NHA SEE: 25-22-02-18J	950951	RF
10	BACS12FA08K5		.SCREW	950951	1
15	AN960JD8L		.WASHER	950951	1
20	MS21042L08		.NUT	950951	1
25	6100-9		.RETAINER- SUPPLIER CODE: V2X013	950951	4
30	MS20253P2-780		.PIN-HINGE	950951	1
35	MS20253P2-1530		.PIN-HINGE	950951	1
40	417N3173-4		.SPRING	950951	1
45	417N3133-2		.LATCH	950951	1
50	417N3133-3		.LATCH ATTACHING PARTS	950951	2
- 55	BACS12FA08K5		.SCREW	950951	4
- 60	AN960JD8L		.WASHER	950951	4
- 65	MS21042L08		.NUT	950951	4
			-----*-----		
70	417N3820-9SP		.BOX ASSY-MTG USED ON: 417N3820-11SP	950951	1
72	417N3820-10SP		.BOX ASSY-MTG USED ON: 417N3820-12SP	950951	1
75	417N3136-135		..BRACKET- USED ON: 417N3820-9SP	950951	1
77	417N3136-137		..BRACKET- USED ON: 417N3820-10SP ATTACHING PARTS	950951	1
- 80	BACS12FA08K7		..SCREW	950951	2
			-----*-----		
85	417N3136-27		..BRACKET- USED ON: 417N3820-9SP	950951	1

MISSING ITEM NUMBERS NOT APPLICABLE

- ITEM NOT ILLUSTRATED

35-21-00-02A

35-21-00
FIG. 02A
PAGE 1
JAN 20/09

BRI

BOEING PROPRIETARY - Copyright © - Unpublished Work - See title page for details.



757

PARTS CATALOG (MAINTENANCE)

FIG ITEM	PART NUMBER	1 2 3 4 5 6 7	NOMENCLATURE	EFFECT FROM TO	UNITS PER ASSY
2A					
87	417N3136-28	..	BRACKET- USED ON: 417N3820-10SP ATTACHING PARTS	950951	1
- 90	BACS12FA08K7	..	SCREW -----*-----	950951	2
95	BACR15BA3D	..	RIVET	950951	6
100	417N3811-3	..	HINGE	950951	3
105	417N3136-37	..	BRACKET- USED ON: 417N3820-9SP	950951	1
107	417N3136-60	..	BRACKET- USED ON: 417N3820-10SP ATTACHING PARTS	950951	1
- 110	BACR15BA3D	..	RIVET -----*-----	950951	1
115	417N3817-9	..	BOX ASSY- USED ON: 417N3820-9SP	950951	1
117	417N3817-10	..	BOX ASSY- USED ON: 417N3820-10SP	950951	1
120	417N3816-3	..	SHIELD ASSY ATTACHING PARTS	950951	1
125	NAS42DD3-4FC	..	SPACER	950951	1
130	BACR15BB3A	..	RIVET	950951	3
135	AN960KD4L	..	WASHER	950951	1
140	AN960KD3	..	WASHER -----*-----	950951	2
145	417N3137-3	.	CABLE ASSY	950951	1
150	417N3137-6	..	PIN	950951	1
155	417N3137-7	..	EYE-CABLE	950951	1
160	417N3137-5	...	CABLE	950951	1
165	287T0011-1	.	CLAMP	950951	1
170	MS3367-4-9	.	STRAP	950951	1
175	417N3152-13SP	.	ACTUATOR ASSY-TEST ATTACHING PARTS	950951	1
- 180	BACS12FA08K7	.	SCREW	950951	3
- 185	AN960JD8L	.	WASHER	950951	3

MISSING ITEM NUMBERS NOT APPLICABLE

- ITEM NOT ILLUSTRATED

35-21-00-02A

35-21-00
FIG. 02A
PAGE 2
JAN 20/09

BRI

BOEING PROPRIETARY - Copyright © - Unpublished Work - See title page for details.



757

PARTS CATALOG (MAINTENANCE)

FIG ITEM	PART NUMBER	1 2 3 4 5 6 7	NOMENCLATURE	EFFECT FROM TO	UNITS PER ASSY
2A - 190	BRH10A08	.	NUT SUPPLIER CODE: V52828 SPECIFICATION NUMBER: BACN10JC08 OPTIONAL PART: H10-08BAC V15653 NS202101-82 V80539 RMLH9075-82W V72962 VN303A82 V92215 96-82 V80539 T6S832J V11815 -----*-----	950951	2
195	NAS514P632-14	..	SCREW	950951	1
200	NAS43DD1-38	..	SPACER	950951	1
205	AN960JD6L	..	WASHER	950951	1
210	MS21042L06	..	NUT	950951	1
215	417N3135-4	..	LEVER-ACTUATOR	950951	1
220	417N3150-2OSP	..	STOP ASSY	950951	1

MISSING ITEM NUMBERS NOT APPLICABLE

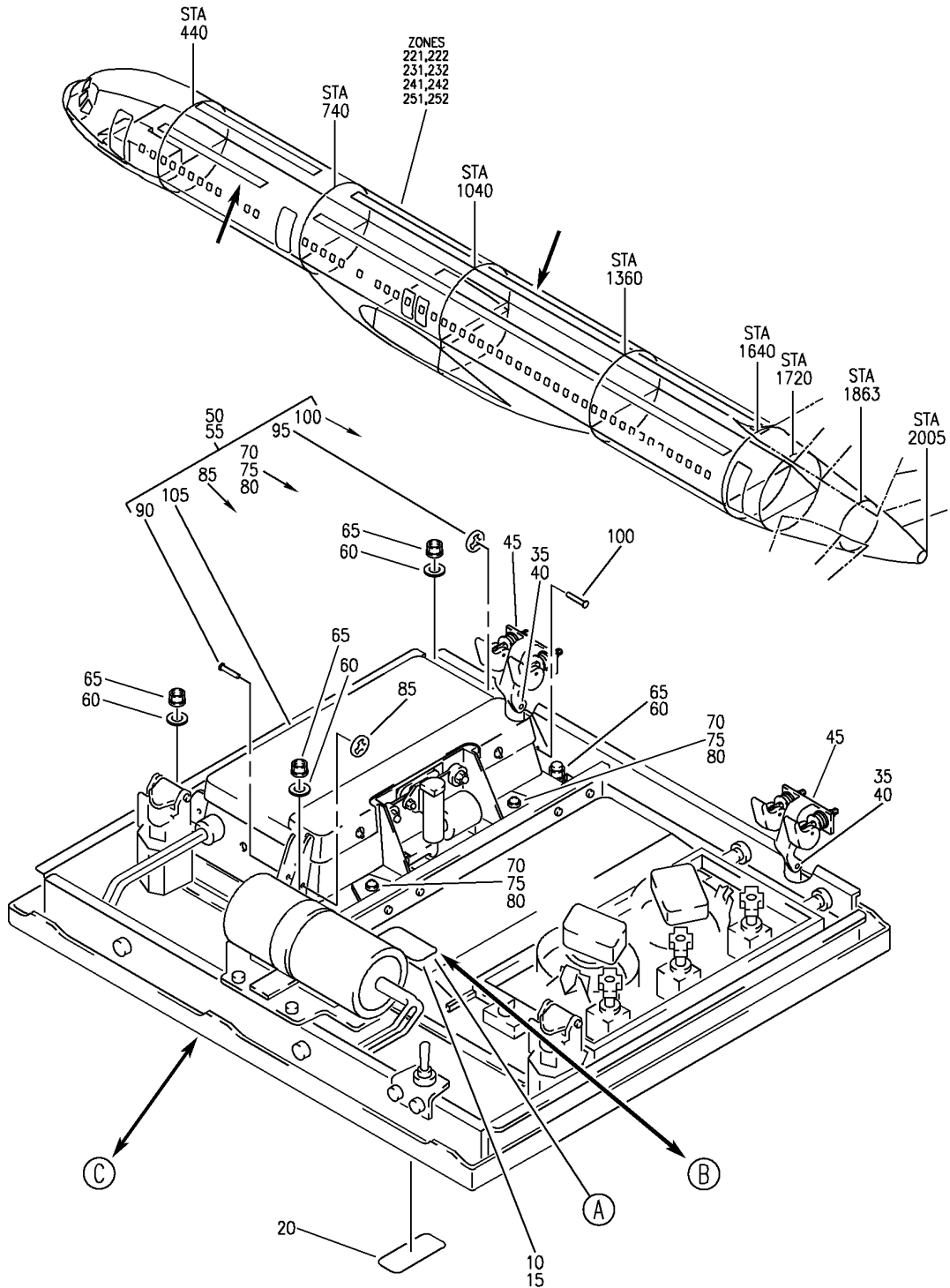
- ITEM NOT ILLUSTRATED

35-21-00-02A

35-21-00
FIG. 02A
PAGE 3
JAN 20/09

BRI

BOEING
757
PARTS CATALOG (MAINTENANCE)



Y 35210005 SHT 1 REV 295

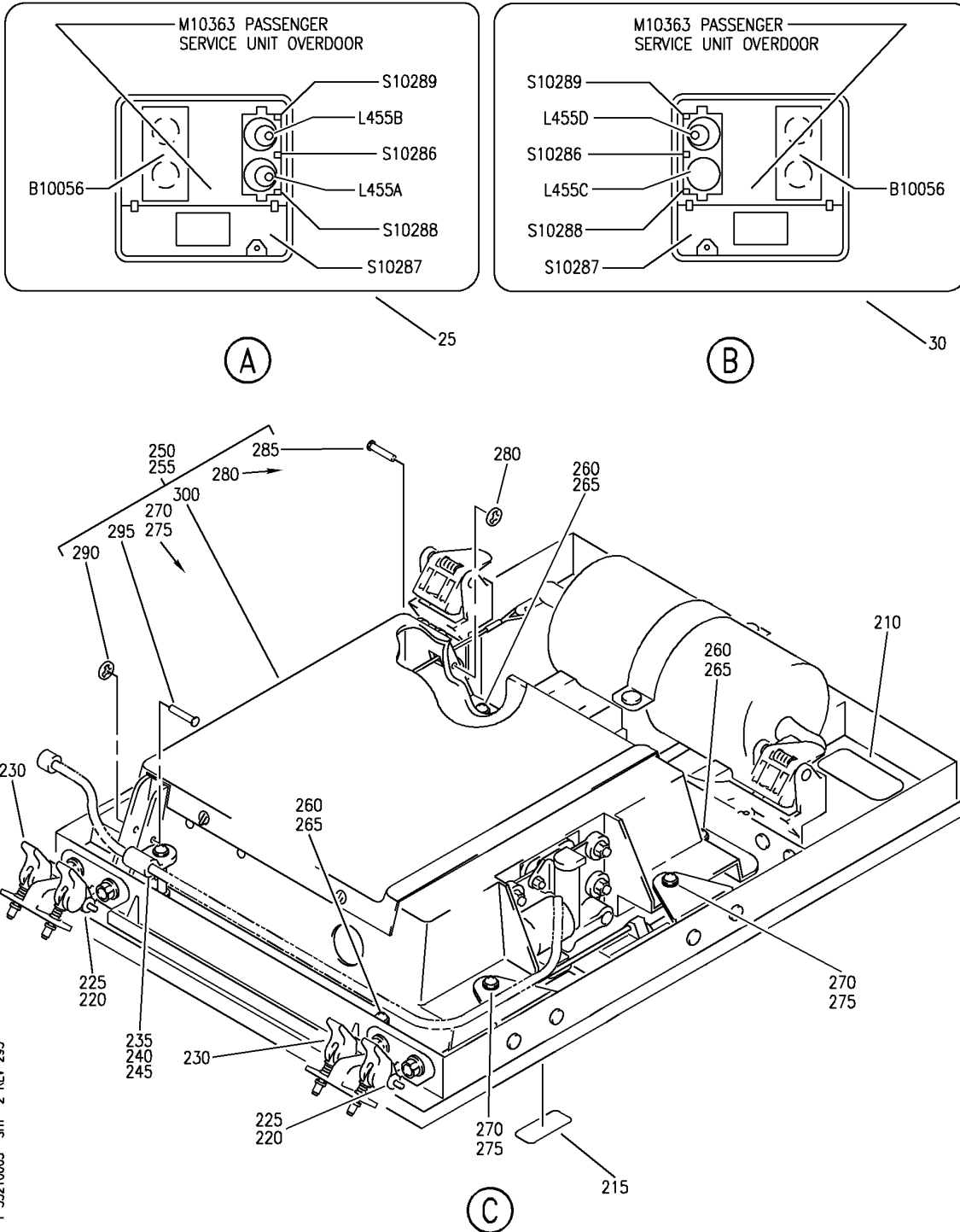
SERVICE UNIT ASSY-PASS. OVERDOOR (PASSENGER OXYGEN SYSTEM ONLY)
FIGURE 5 (SHEET 1)

35-21-00-05

BRI
JAN 20/09

35-21-00-05
PAGE 0

BOEING
757
PARTS CATALOG (MAINTENANCE)



Y 35210005 SHT 2 REV 295

SERVICE UNIT ASSY-PASS. OVERDOOR (PASSENGER OXYGEN SYSTEM ONLY)
FIGURE 5 (SHEET 2)

35-21-00-05

BRI
JAN 20/09

35-21-00-05
PAGE 0A



757

PARTS CATALOG (MAINTENANCE)

FIG ITEM	PART NUMBER	1 2 3 4 5 6 7	NOMENCLATURE	EFFECT FROM TO	UNITS PER ASSY
5			SERVICE UNIT ASSY-PASS. OVERDOOR (PASSENGER OXYGEN SYSTEM ONLY)	107107	
- 1	417N3200-5SP		SERVICE UNIT ASSY-PASS. (PASSENGER OXYGEN SYSTEM ONLY) POSITION DATA: OVERDOOR ELECTRICAL EQUIP NUMBER: M10363 COMPONENT MAINT MANUAL REF: 35-21-04 FOR NHA/OTHER SYS DET SEE: 25-23-01-03	107107	RF
- 1	417N3200-65SP		SERVICE UNIT ASSY-PASS. (PASSENGER OXYGEN SYSTEM ONLY) POSITION DATA: OVERDOOR ELECTRICAL EQUIP NUMBER: M10363 COMPONENT MAINT MANUAL REF: 35-21-04 FOR NHA/OTHER SYS DET SEE: 25-23-01-03	107107	RF
- 5	417N3200-6SP		SERVICE UNIT ASSY-PASS. (PASSENGER OXYGEN SYSTEM ONLY) POSITION DATA: OVERDOOR ELECTRICAL EQUIP NUMBER: M10473 COMPONENT MAINT MANUAL REF: 35-21-04 FOR NHA/OTHER SYS DET SEE: 25-23-01-03	107107	RF
- 5	417N3200-66SP		SERVICE UNIT ASSY-PASS. (PASSENGER OXYGEN SYSTEM ONLY) POSITION DATA: OVERDOOR ELECTRICAL EQUIP NUMBER: M10473 COMPONENT MAINT MANUAL REF: 35-21-04 FOR NHA/OTHER SYS DET SEE: 25-23-01-03	107107	RF

MISSING ITEM NUMBERS NOT APPLICABLE

- ITEM NOT ILLUSTRATED

35-21-00-05

35-21-00
FIG. 05
PAGE 1
JAN 20/09

BRI



757

PARTS CATALOG (MAINTENANCE)

FIG ITEM	PART NUMBER	1 2 3 4 5 6 7	NOMENCLATURE	EFFECT FROM TO	UNITS PER ASSY
5					
10	BAC27NPA0316		.MARKER-ALUMINUM FOIL PLACARD CONTENT: M10363 PASSENGER SERVICE UNIT OVERDOOR USED ON: 417N3200-5SP 417N3200-31SP 417N3200-47SP 417N3200-65SP	107107	1
15	BAC27NPA0320		.MARKER-ALUMINUM FOIL PLACARD CONTENT: M10473 PASSENGER SERVICE UNIT OVERDOOR USED ON: 417N3200-6SP 417N3200-32SP 417N3200-48SP 417N3200-66SP	107107	1
20	BAC27NPA0346		.MARKER-ALUMINUM FOIL PLACARD CONTENT: B10056	107107	1
35	6100-12		.RETAINER- SUPPLIER CODE: V97464	107107	2
40	BACR15BB4D10		.RIVET	107107	2
45	417N3213-1		.HINGE ASSY	107107	2
50	417N3130-10SP		.BOX ASSY-OXY COMPONENT MAINT MANUAL REF: 35-21-03 USED ON: 417N3200-5SP 417N3200-31SP FOR DETAILS SEE: 35-21-05-10 35-21-06-11	107107	1
50	417N3130-48SP		.BOX ASSY-OXY COMPONENT MAINT MANUAL REF: 35-21-03 USED ON: 417N3200-5SP 417N3200-37SP 417N3200-47SP FOR DETAILS SEE: 35-21-05-10 35-21-06-11	107107	1

MISSING ITEM NUMBERS NOT APPLICABLE

- ITEM NOT ILLUSTRATED

35-21-00-05

35-21-00
FIG. 05
PAGE 2
JAN 20/09

BRI



757

PARTS CATALOG (MAINTENANCE)

FIG ITEM	PART NUMBER	1 2 3 4 5 6 7	NOMENCLATURE	EFFECT FROM TO	UNITS PER ASSY
5					
50	417N3130-88SP		.BOX ASSY-OXY COMPONENT MAINT MANUAL REF: 35-21-03 USED ON: 417N3200-55SP 417N3200-65SP FOR DETAILS SEE: 35-21-05-10 35-21-06-11	107107	1
55	417N3130-9SP		.BOX ASSY-OXY COMPONENT MAINT MANUAL REF: 35-21-03 USED ON: 417N3200-6SP 417N3200-32SP FOR DETAILS SEE: 35-21-05-10 35-21-06-11	107107	1
55	417N3130-47SP		.BOX ASSY-OXY COMPONENT MAINT MANUAL REF: 35-21-03 USED ON: 417N3200-6SP 417N3200-38SP 417N3200-48SP FOR DETAILS SEE: 35-21-05-10 35-21-06-11	107107	1
55	417N3130-87SP		.BOX ASSY-OXY COMPONENT MAINT MANUAL REF: 35-21-02 USED ON: 417N3200-56SP 417N3200-66SP FOR DETAILS SEE: 35-21-05-10 35-21-06-11	107107	1
60	BACW10P193G		ATTACHING PARTS .WASHER	107107	4
65	BACN10YJ08		.NUT	107107	4
			-----*-----		
70	BACS12FA08K6		.. SCREW	107107	2
75	AN960PD8L		.. WASHER-	107107	2
			USED ON: 417N3130-9SP 417N3130-10SP 417N3130-47SP 417N3130-48SP		

MISSING ITEM NUMBERS NOT APPLICABLE

- ITEM NOT ILLUSTRATED

35-21-00-05

35-21-00
FIG. 05
PAGE 3
JAN 20/09

BRI



757

PARTS CATALOG (MAINTENANCE)

FIG ITEM	PART NUMBER	1 2 3 4 5 6 7	NOMENCLATURE	EFFECT FROM TO	UNITS PER ASSY
5					
80	AN960JD8L		.. WASHER- USED ON: 417N3130-87SP 417N3130-88SP	107107	2
85	6100-12		.. RETAINER- SUPPLIER CODE: V97464 USED ON: 417N3130-10SP 417N3130-48SP 417N3130-88SP	107107	1
90	MS20392-1C23		.. PIN- USED ON: 417N3130-10SP 417N3130-48SP 417N3130-88SP	107107	1
95	6100-12		.. RETAINER- SUPPLIER CODE: V97464 USED ON: 417N3130-9SP 417N3130-47SP 417N3130-87SP	107107	1
100	MS20392-1C23		.. PIN- USED ON: 417N3130-9SP 417N3130-47SP 417N3130-87SP	107107	1
105	417N3132-3		.. COVER	107107	1

MISSING ITEM NUMBERS NOT APPLICABLE

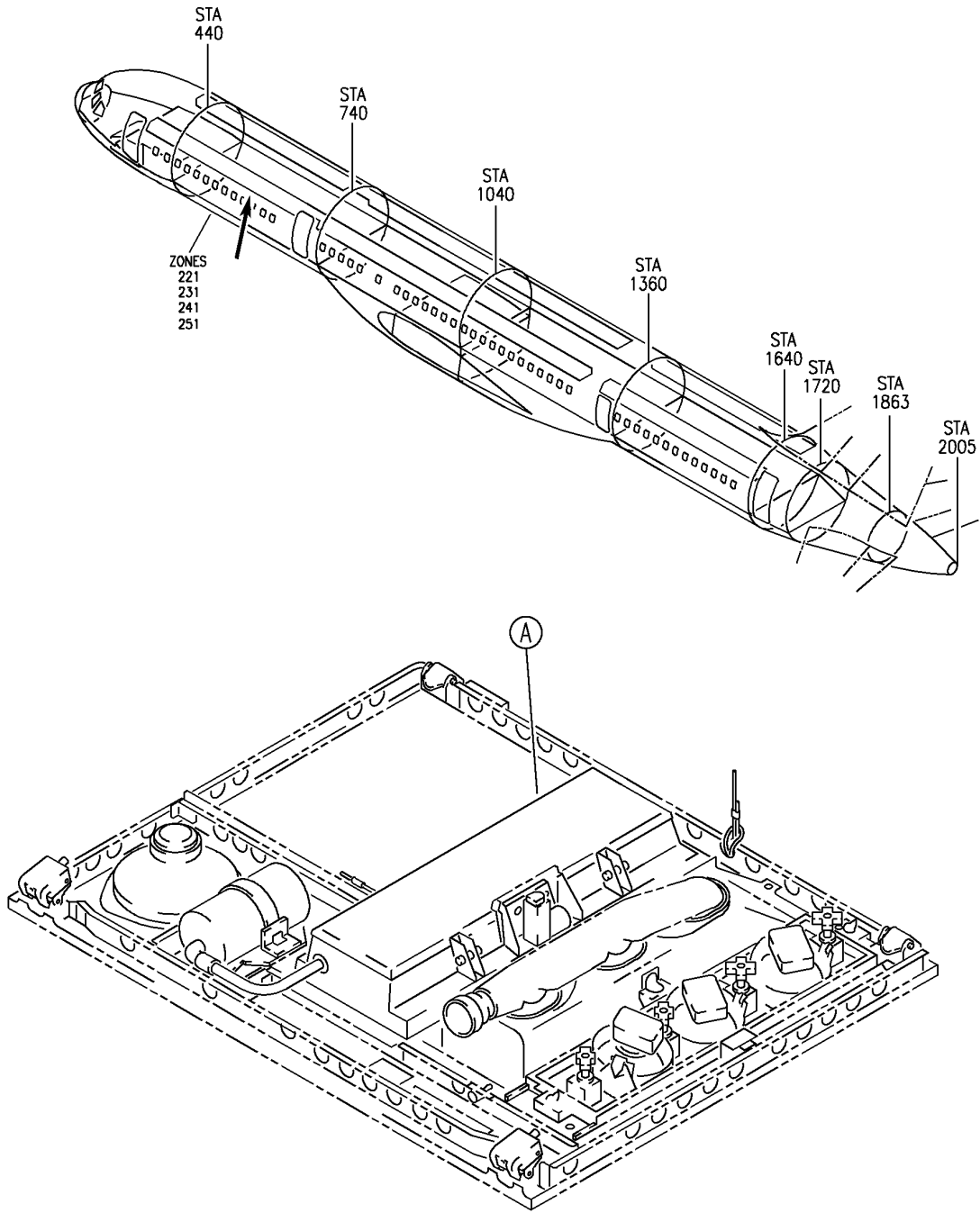
- ITEM NOT ILLUSTRATED

35-21-00-05

35-21-00
FIG. 05
PAGE 4
JAN 20/09

BRI

BOEING
757
PARTS CATALOG (MAINTENANCE)



Y 35210005A SHT 1 REV 295

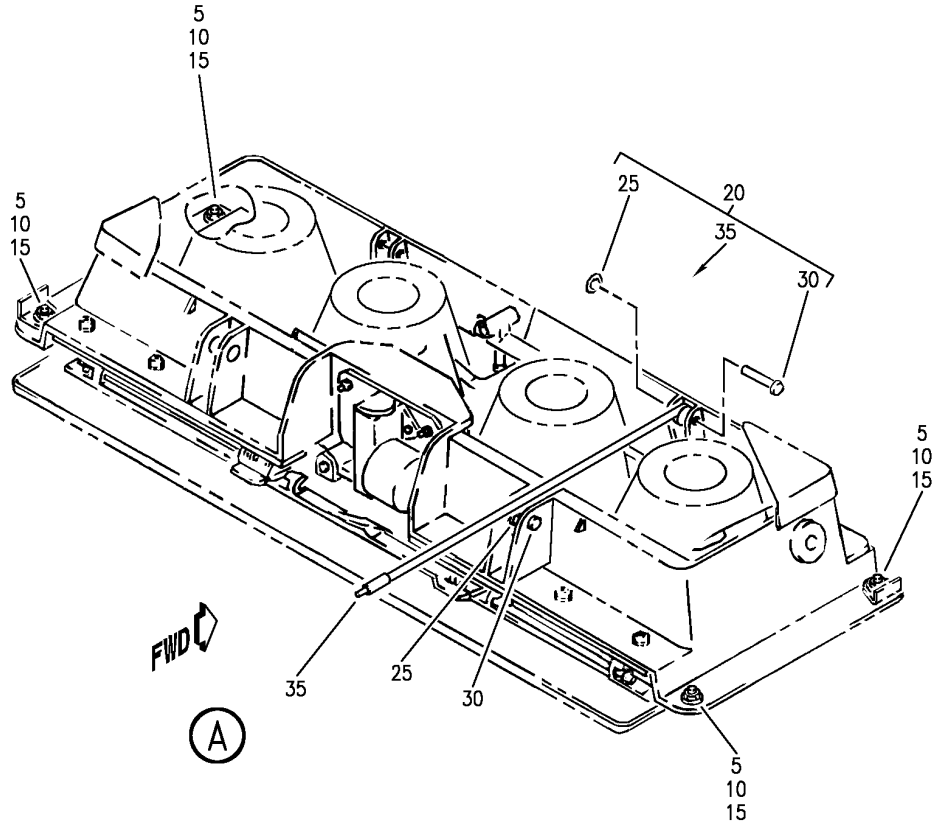
BOX ASSY-OXYGEN (PASSENGER OXYGEN SYSTEM ONLY)
FIGURE 5A (SHEET 1)

35-21-00-05A

BRI
JAN 20/09

35-21-00-05A
PAGE 0

BOEING
757
PARTS CATALOG (MAINTENANCE)



Y 35210005A SHT 2 REV 295

BOX ASSY-OXYGEN (PASSENGER OXYGEN SYSTEM ONLY)
FIGURE 5A (SHEET 2)

35-21-00-05A

BRI
JAN 20/09

35-21-00-05A
PAGE 0A



757

PARTS CATALOG (MAINTENANCE)

FIG ITEM	PART NUMBER	1 2 3 4 5 6 7	NOMENCLATURE	EFFECT FROM TO	UNITS PER ASSY
5A			BOX ASSY-OXYGEN (PASSENGER OXYGEN SYSTEM ONLY)	107107	
- 1	417N3100-323SP		SERVICE UNIT ASSY-PASS. 23 INCH (OXYGEN ONLY) POSITION DATA: UNDERBIN COMPONENT MAINT MANUAL REF: 25-23-33 FOR NHA/OTHER SYS DET SEE: 25-23-01-03	107107	RF
- 1	417N3100-513SP		SERVICE UNIT ASSY-PASS. 23 INCH (OXYGEN ONLY) POSITION DATA: UNDERBIN COMPONENT MAINT MANUAL REF: 25-23-33 FOR NHA/OTHER SYS DET SEE: 25-23-01-03	107107	RF
5	NAS43DD3-18		.SPACER	107107	4
10	BACW10P193G		.WASHER	107107	4
15	BACN10YJ08		.NUT	107107	4
20	417N3130-63SP		.BOX ASSY-OXY COMPONENT MAINT MANUAL REF: 35-21-02 USED ON: 417N3100-325SP FOR DETAILS SEE: 35-21-05-12 35-21-06-14	107107	1
20	417N3130-73SP		.BOX ASSY-OXY COMPONENT MAINT MANUAL REF: 35-21-02 USED ON: 417N3100-513SP FOR DETAILS SEE: 35-21-05-12 35-21-06-14	107107	1
25	6100-12		..RETAINER- SUPPLIER CODE: V97464	107107	2
30	MS20392-1C23		..PIN	107107	2
35	417N3137-1		..CABLE ASSY	107107	1

MISSING ITEM NUMBERS NOT APPLICABLE

- ITEM NOT ILLUSTRATED

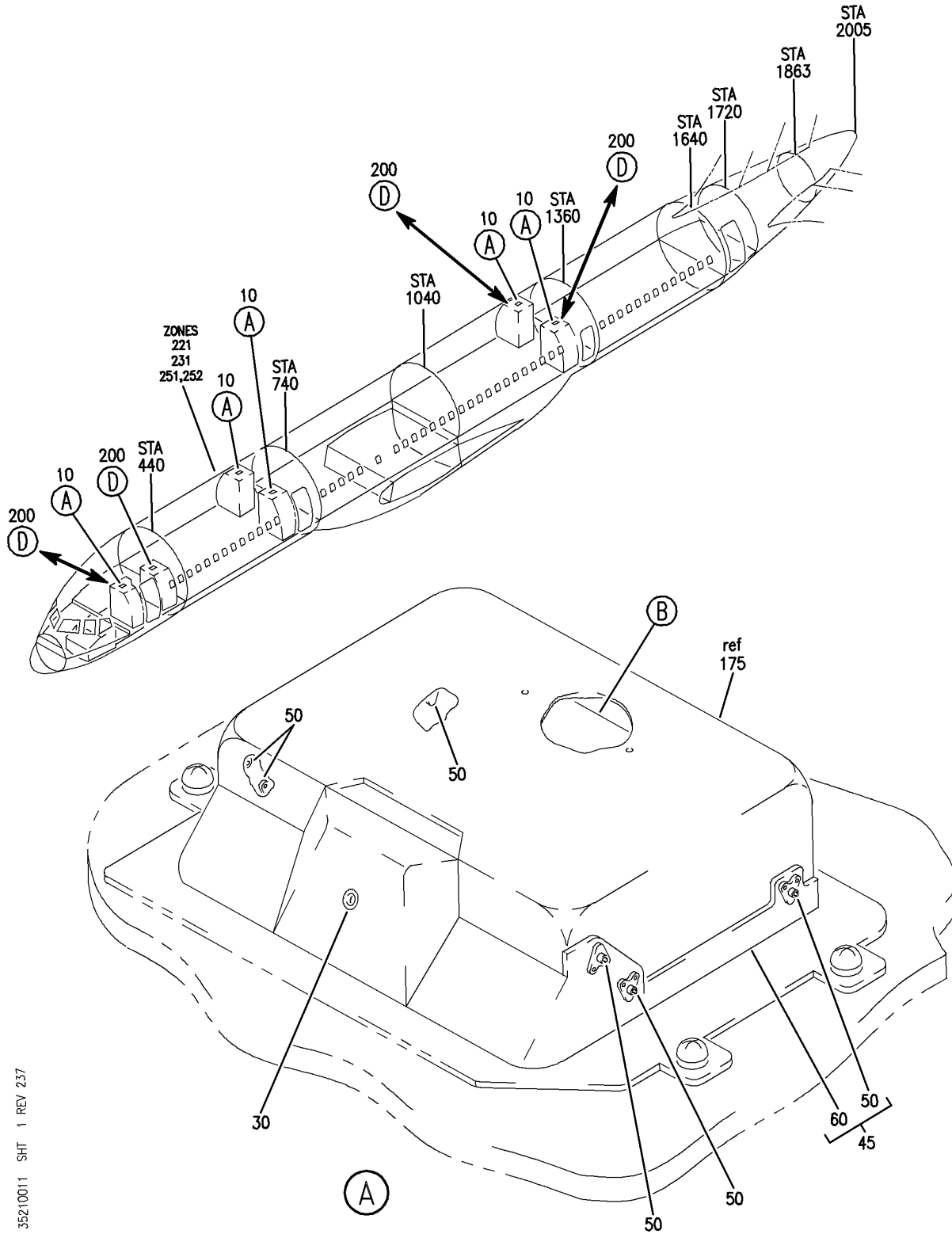
35-21-00-05A

35-21-00
FIG. 05A
PAGE 1
JAN 20/09

BRI

BOEING PROPRIETARY - Copyright © - Unpublished Work - See title page for details.

BOEING
757
PARTS CATALOG (MAINTENANCE)



Y 35210011 SH 1 REV 237

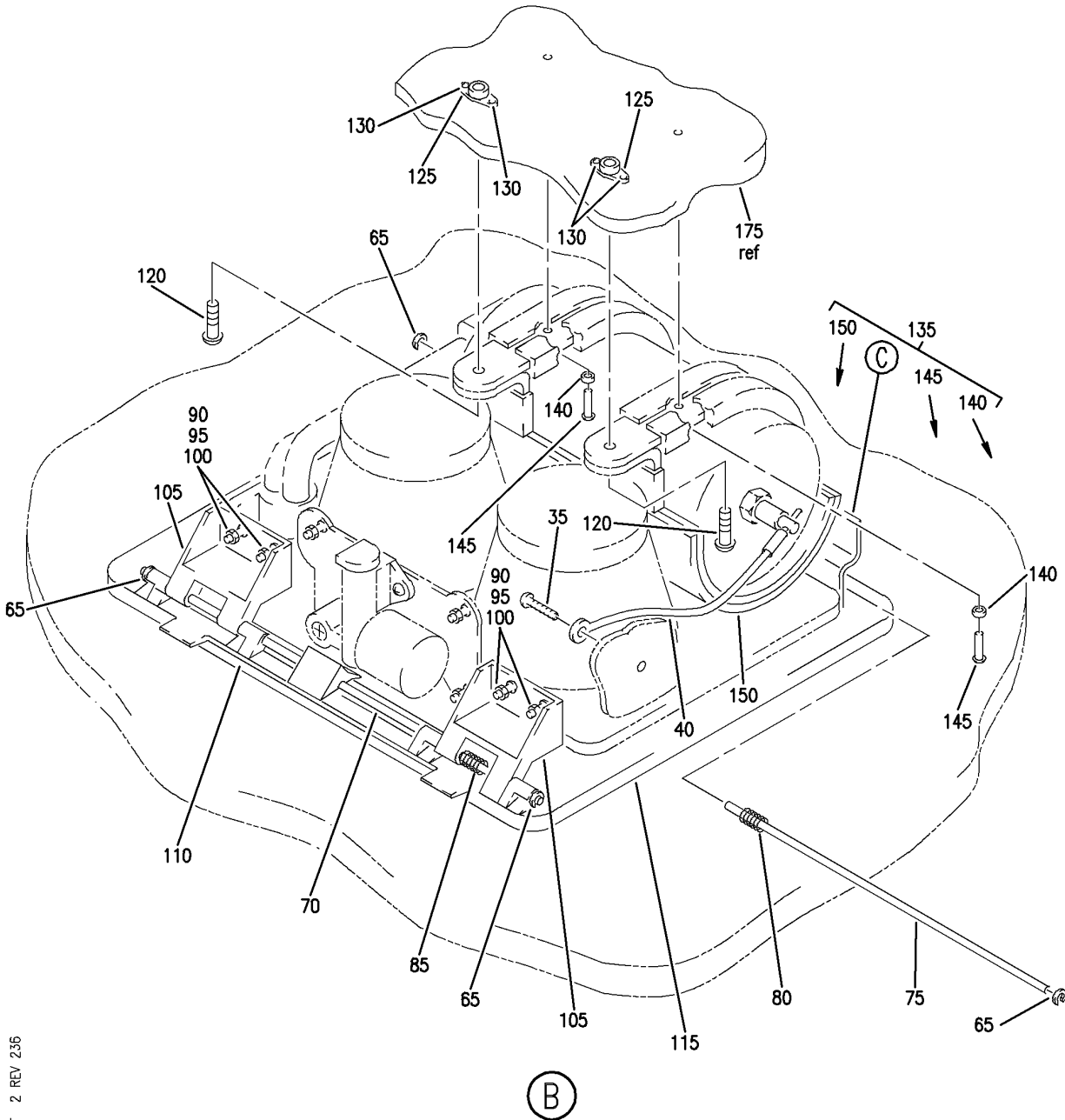
LAVATORY INSTL-ILF (PASSENGER OXYGEN SYSTEM ONLY)
FIGURE 11 (SHEET 1)

35-21-00-11

BRI
JAN 20/09

35-21-00-11
PAGE 0

BOEING
757
PARTS CATALOG (MAINTENANCE)



Y 35210011 SH 2 REV 236

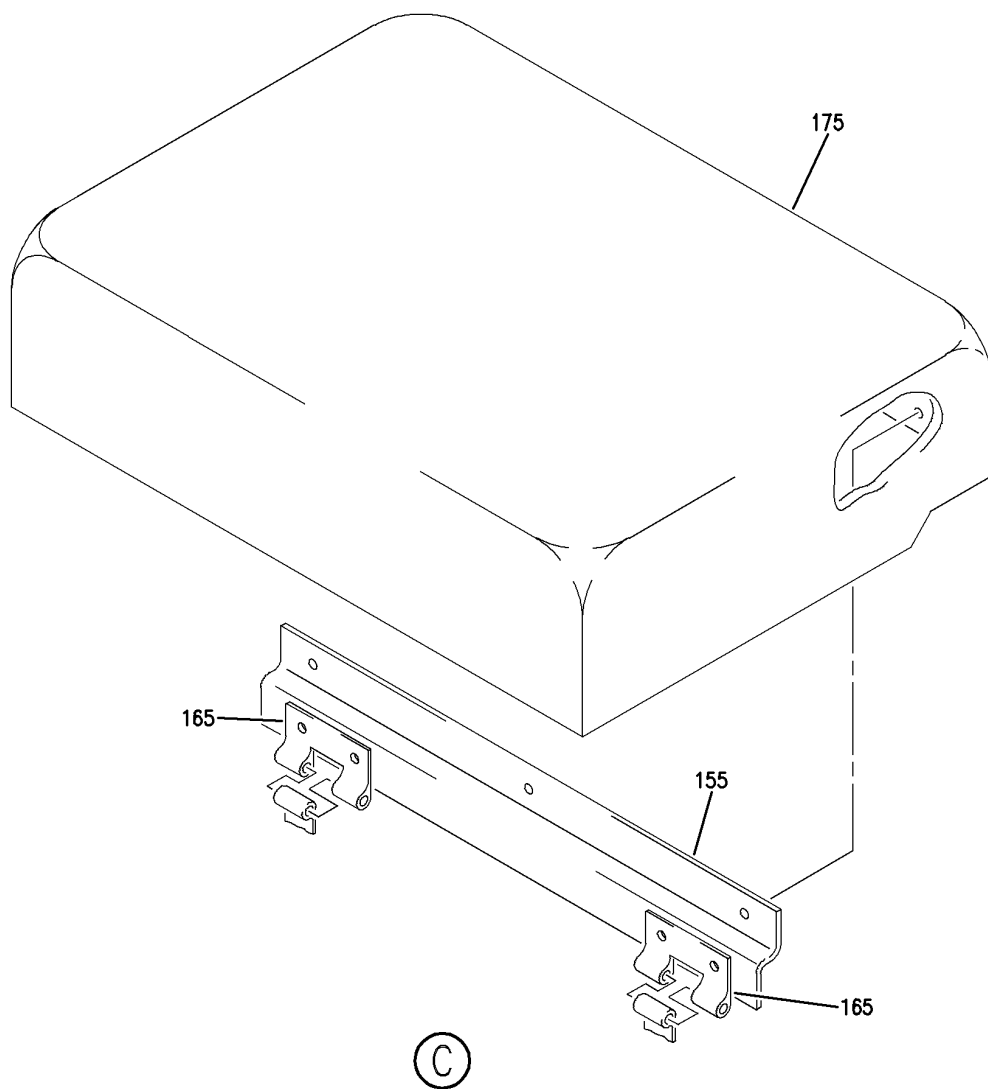
LAVATORY INSTL-ILF (PASSENGER OXYGEN SYSTEM ONLY)
FIGURE 11 (SHEET 2)

35-21-00-11

BRI
JAN 20/09

35-21-00-11
PAGE 0A

BOEING
757
PARTS CATALOG (MAINTENANCE)



Y 35210011 SHT 3 REV 235

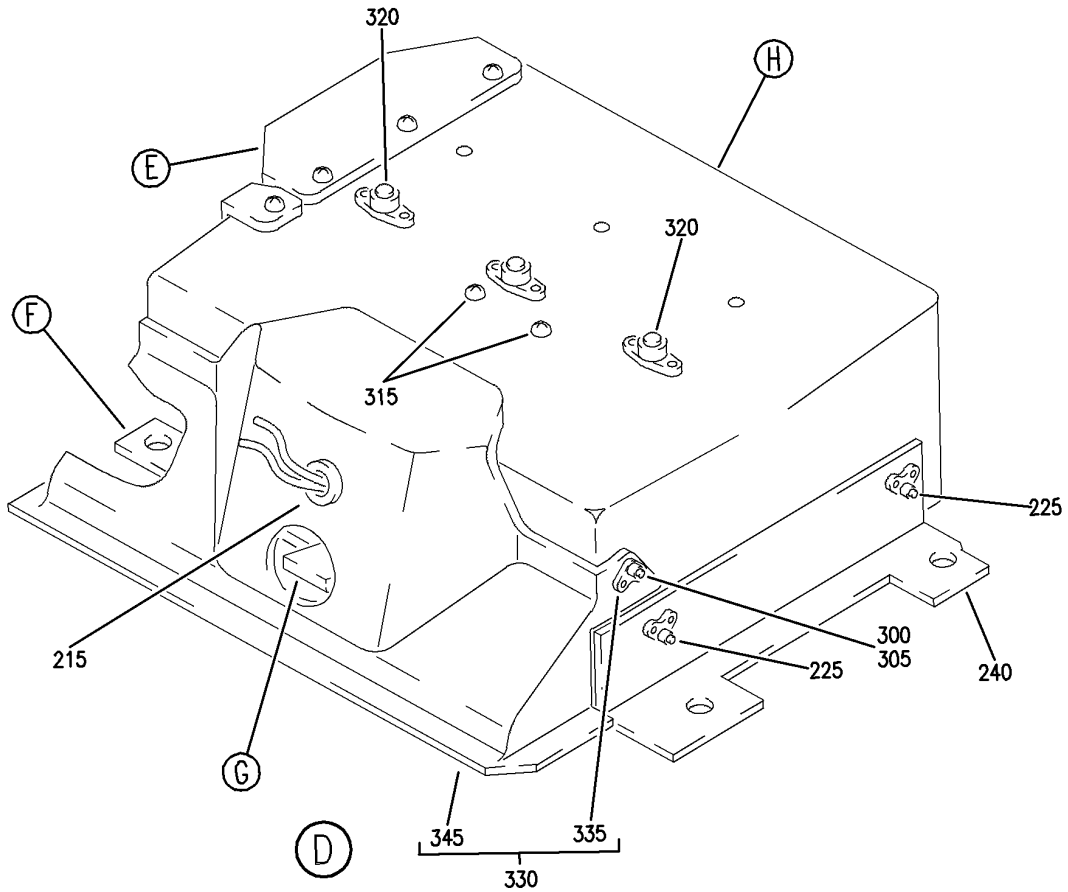
LAVATORY INSTL-ILF (PASSENGER OXYGEN SYSTEM ONLY)
FIGURE 11 (SHEET 3)

35-21-00-11

BRI
JAN 20/09

35-21-00-11
PAGE 08

BOEING
757
PARTS CATALOG (MAINTENANCE)



Y 35210011 SH 4 REV 237

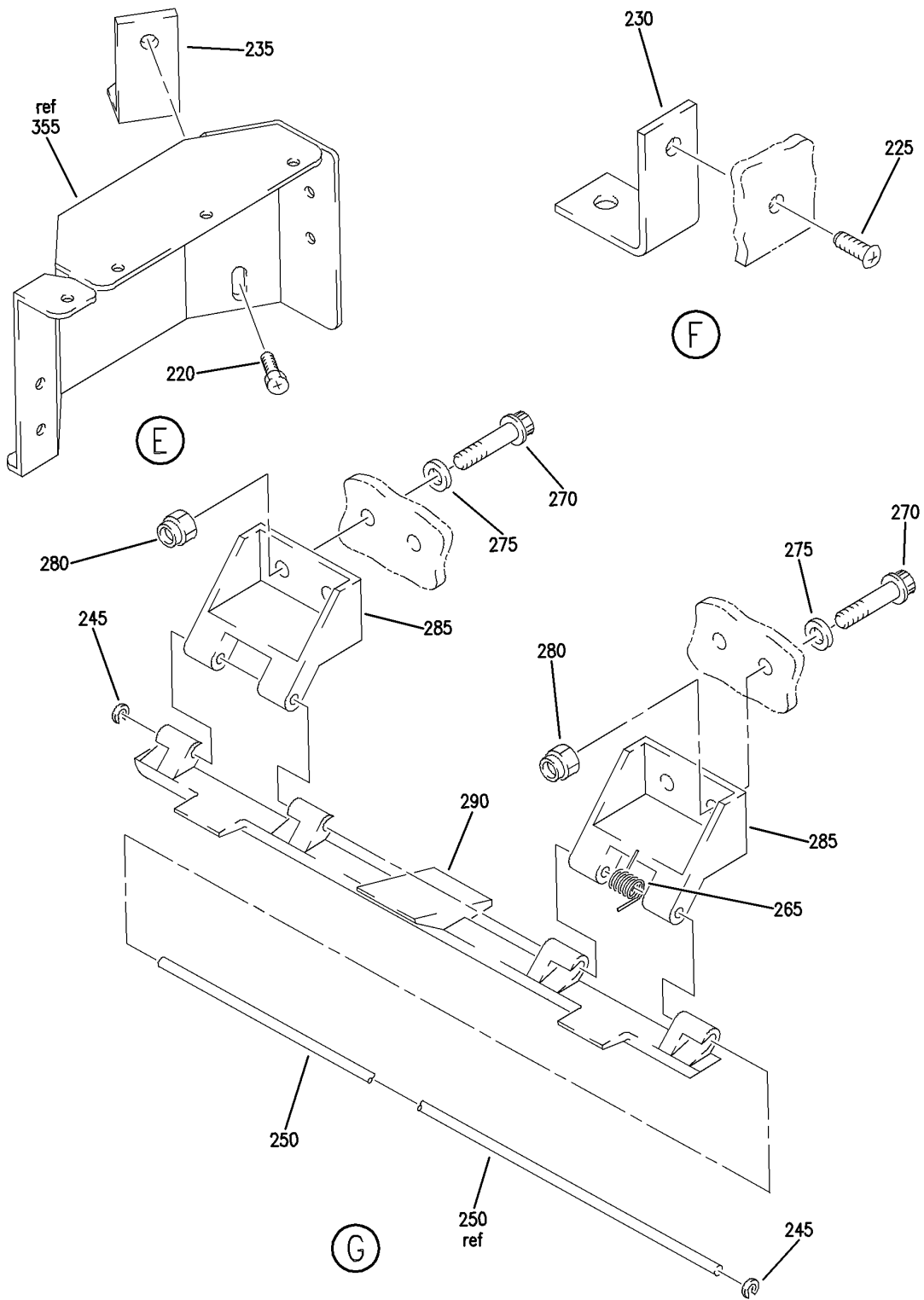
LAVATORY INSTL-ILF (PASSENGER OXYGEN SYSTEM ONLY)
FIGURE 11 (SHEET 4)

35-21-00-11

BRI
JAN 20/09

35-21-00-11
PAGE 0C

BOEING
757
PARTS CATALOG (MAINTENANCE)



Y 35210011 SH 5 REV 237

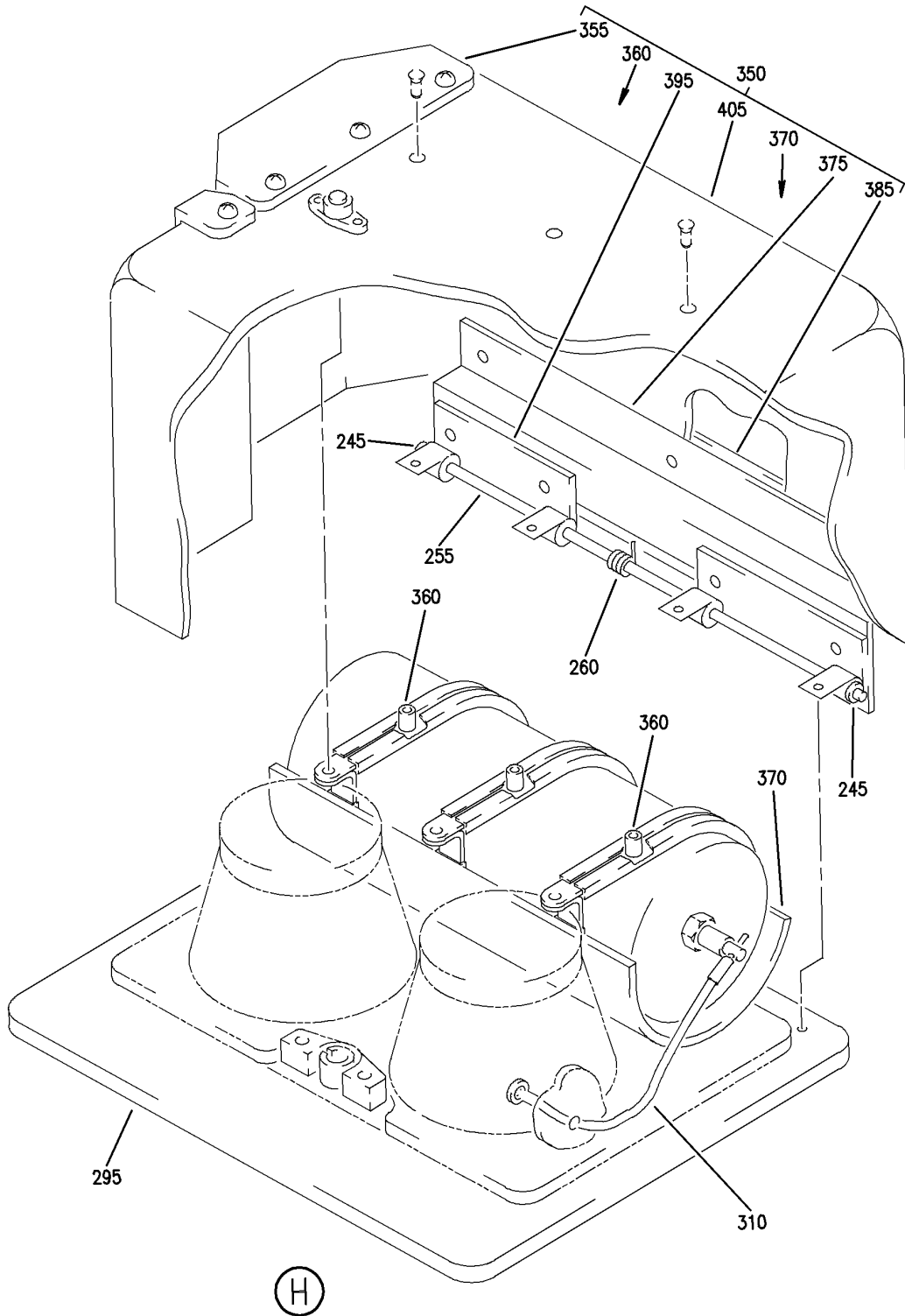
LAVATORY INSTL-ILF (PASSENGER OXYGEN SYSTEM ONLY)
FIGURE 11 (SHEET 5)

35-21-00-11

BRI
JAN 20/09

35-21-00-11
PAGE 0D

BOEING
757
PARTS CATALOG (MAINTENANCE)



Y 35210011 SH 6 REV 237

LAVATORY INSTL-ILF (PASSENGER OXYGEN SYSTEM ONLY)
FIGURE 11 (SHEET 6)

35-21-00-11

BRI
JAN 20/09

35-21-00-11
PAGE 0E

 **BOEING**
757
PARTS CATALOG (MAINTENANCE)

FIG ITEM	PART NUMBER	1 2 3 4 5 6 7	NOMENCLATURE	EFFECT FROM TO	UNITS PER ASSY
11			LAVATORY INSTL-ILF (PASSENGER OXYGEN SYSTEM ONLY)	108120	
- 2	417N1140-354SP		LAVATORY INSTL-ILF/NAB MODULE A, C, D AND S WITH HEADER (PASSENGER OXYGEN SYSTEM ONLY)	108120	RF
10	417N3810-118SP		.BOX ASSY-OXY COMPONENT MAINT MANUAL REF: 35-21-34 USED ON: 417N1140-321SP 417N1140-368SP 417N1140-335SP 417N1140-351B 417N1140-354SP 417N1140-364SP FOR DETAILS SEE: 35-21-04-80A 35-21-05-10A 35-21-06-10A ATTACHING PARTS	108120	4
- 15	NAS603-6P		.SCREW	108120	8
- 16	NAS603-6P		.SCREW-	108120	4
- 20	NAS603-6P		.SCREW	108120	4
- 25	NAS1149D0332J		.WASHER -----*-----	108120	16
30	MS35489-1		..GROMMET	108120	1
35	BACS12FA08K5		..SCREW	108120	1
40	417N3137-2		..CABLE ASSY	108120	1
45	417N3810-12		..SHROUD ASSY	108120	1
50	T8078S832BC		...NUTPLATE SUPPLIER CODE: V11815 SPECIFICATION NUMBER: BACN10JPO8CR OPTIONAL PART: MK3000-08BCBAC V15653 NS103199-82BC V80539 RMA9205M82BC V72962 VN203A2-82 V92215 BRM300A08K V52828	108120	6

MISSING ITEM NUMBERS NOT APPLICABLE

- ITEM NOT ILLUSTRATED

BRI

35-21-00-11

BOEING PROPRIETARY - Copyright © - Unpublished Work - See title page for details.

35-21-00
FIG. 11
PAGE 1
JAN 20/09



757

PARTS CATALOG (MAINTENANCE)

FIG ITEM	PART NUMBER	1 2 3 4 5 6 7	NOMENCLATURE	EFFECT FROM TO	UNITS PER ASSY
11			ATTACHING PARTS		
- 55	BACR15BA3AD	...	RIVET- SIZE DETERMINED ON INSTL. -----*-----	108120	12
60	417N3814-3	...	SHROUD	108120	1
65	6100-9	..	RETAINER- SUPPLIER CODE: V2X013	108120	4
70	MS20253P2-780	..	PIN-HINGE	108120	1
75	MS20253P2-825	..	PIN-HINGE	108120	1
80	417N3173-3	..	SPRING	108120	1
85	417N3173-4	..	SPRING	108120	1
90	BACS12FA08K5	..	SCREW	108120	4
95	AN960JD8L	..	WASHER	108120	4
100	MS21042L08	..	NUT	108120	4
105	417N3133-3	..	LATCH	108120	2
110	417N3133-2	..	LATCH	108120	1
115	417N3830-2SP	..	DOOR ASSY	108120	1
120	BACS12FA08K7	..	SCREW	108120	2
125	T8076S832	..	NUTPLATE SUPPLIER CODE: V11815 SPECIFICATION NUMBER: BACN10JP08A OPTIONAL PART: MK1000-08BAC V15653 NS103197-82 V80539 RMA9201M82 V72962 VN202A1-82 V92215 BRM200A08 V52828	108120	2
130	BACR15CE4AD	..	RIVET- SIZE DETERMINED ON INSTL.	108120	4
135	417N3810-16	..	BOX ASSY	108120	1
140	NAS42DD5-6FC	...	SPACER	108120	2
145	CR3252-4-3	...	RIVET- SUPPLIER CODE: V92215 SPECIFICATION NUMBER: BACR15FP4E3 SIZE DETERMINED ON INSTL.	108120	2
150	417N3816-5	...	SHIELD ASSY	108120	1
155	417N3811-4	...	BRACKET	108120	1

MISSING ITEM NUMBERS NOT APPLICABLE

- ITEM NOT ILLUSTRATED

35-21-00-11

35-21-00
FIG. 11
PAGE 2
JAN 20/09

BRI



757

PARTS CATALOG (MAINTENANCE)

FIG ITEM	PART NUMBER	1 2 3 4 5 6 7	NOMENCLATURE	EFFECT FROM TO	UNITS PER ASSY
11			ATTACHING PARTS		
- 160	BACR15BA3D		...RIVET- SIZE DETERMINED ON INSTL. -----*-----	108120	3
165	417N3811-3		...HINGE ATTACHING PARTS	108120	2
- 170	BACR15BB4D		...RIVET- SIZE DETERMINED ON INSTL. -----*-----	108120	4
175	417N3813-6		...OXYGEN BOX	108120	1

MISSING ITEM NUMBERS NOT APPLICABLE

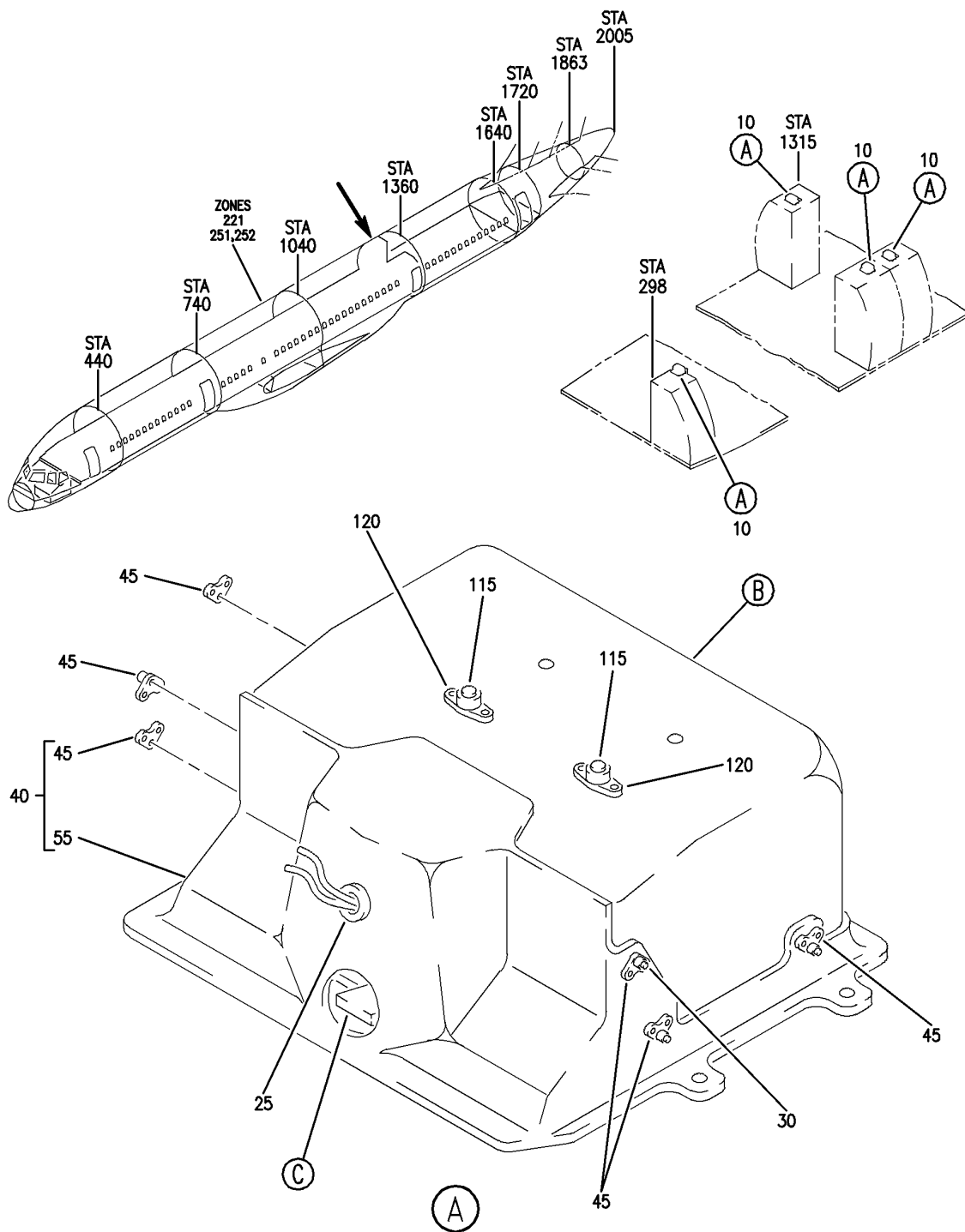
- ITEM NOT ILLUSTRATED

35-21-00-11

35-21-00
FIG. 11
PAGE 3
JAN 20/09

BRI

BOEING
757
PARTS CATALOG (MAINTENANCE)



Y 35210013B SHT 1 REV 240

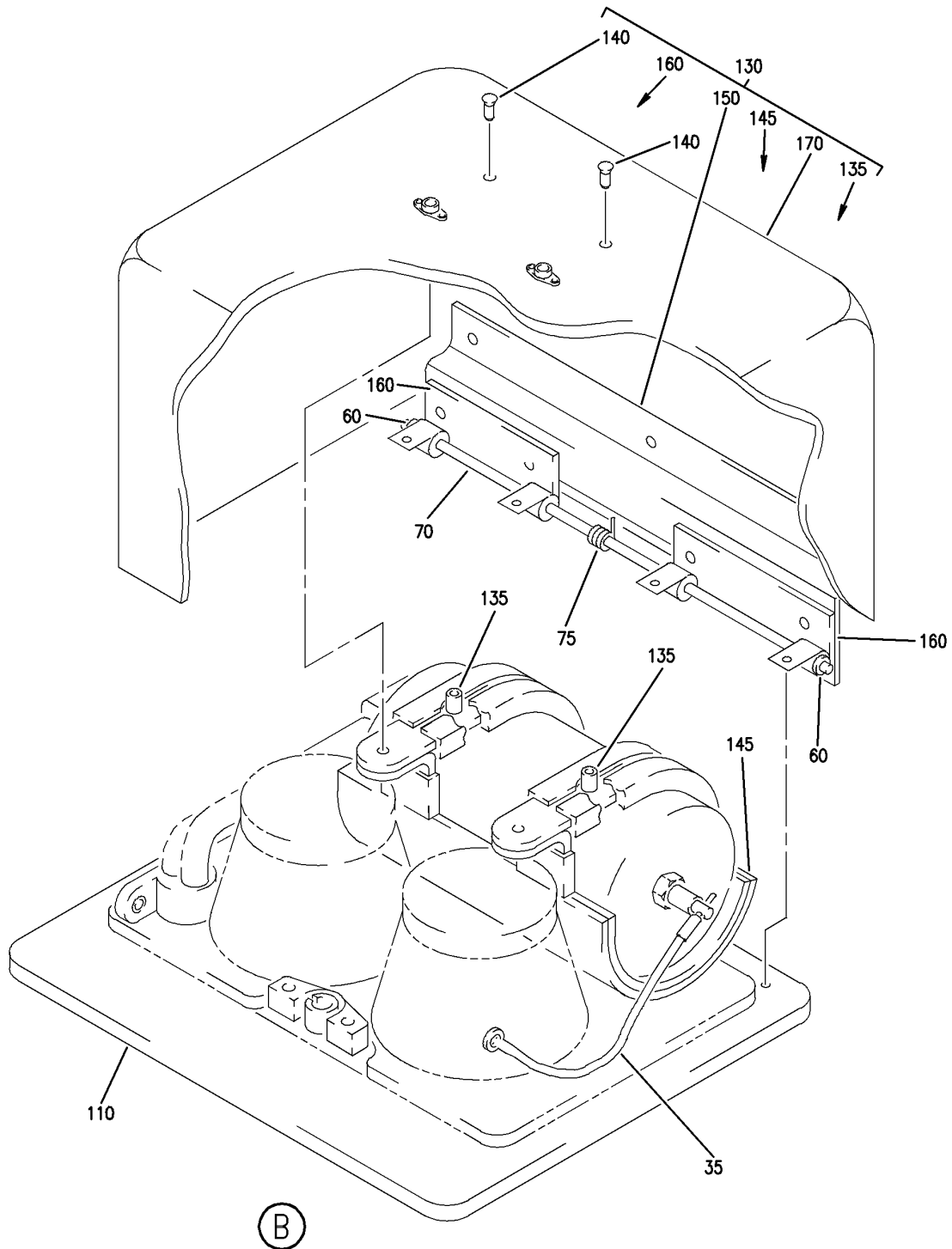
LAVATORY INSTL-BRI MODULE A, B, C AND D (OXYGEN ONLY)
FIGURE 13B (SHEET 1)

35-21-00-13B

BRI
MAY 28/07

35-21-00-13B
PAGE 0

BOEING
757
PARTS CATALOG (MAINTENANCE)



Y 35210013B SH1 2 REV 240

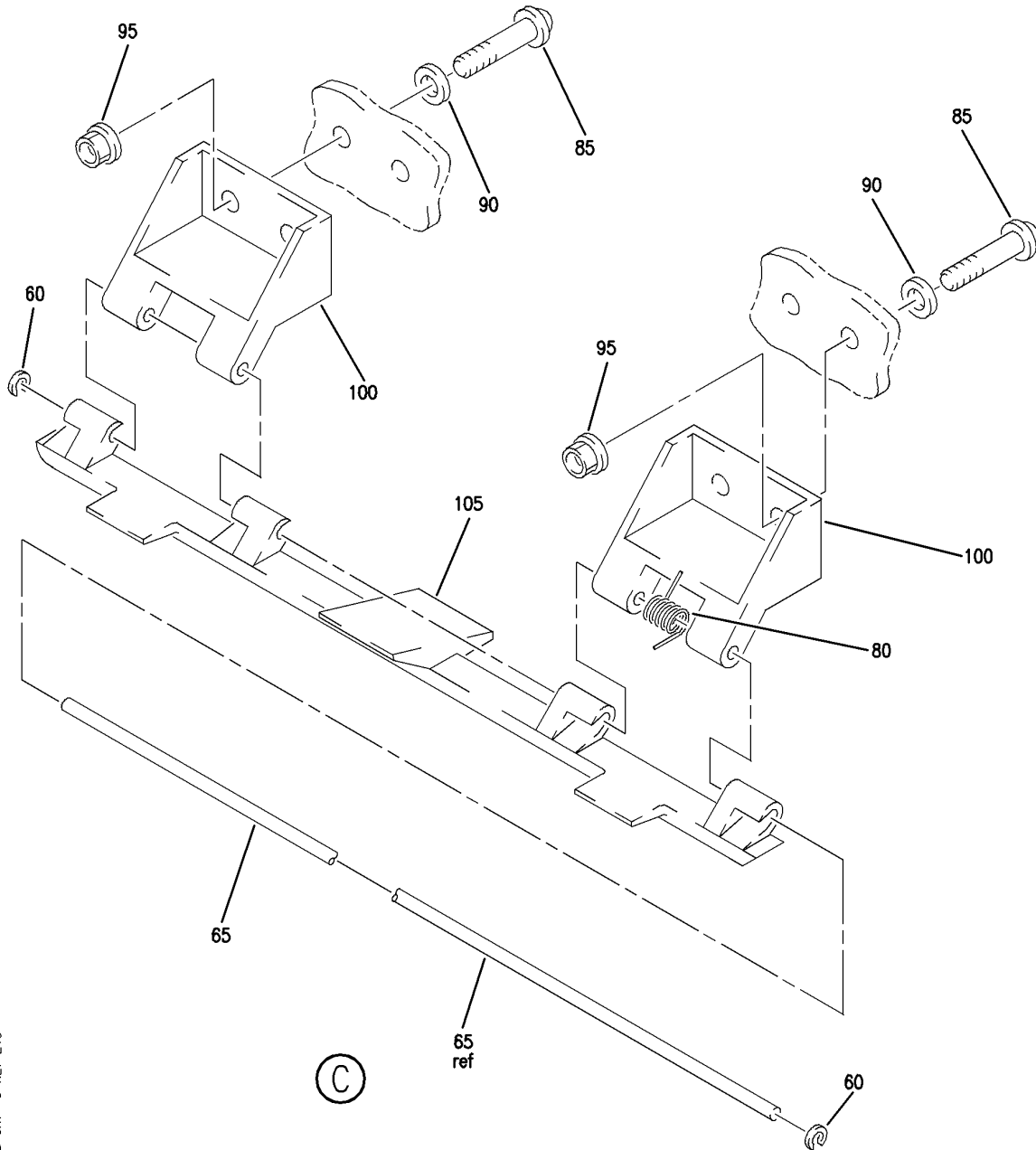
LAVATORY INSTL-BRI MODULE A, B, C AND D (OXYGEN ONLY)
FIGURE 13B (SHEET 2)

35-21-00-13B

BRI
MAY 28/07

35-21-00-13B
PAGE 0A

BOEING
757
PARTS CATALOG (MAINTENANCE)



Y 35210013B SHT 3 REV 240

LAVATORY INSTL-BRI MODULE A, B, C AND D (OXYGEN ONLY)
FIGURE 13B (SHEET 3)

35-21-00-13B

BRI
MAY 28/07

35-21-00-13B
PAGE 0B



757

PARTS CATALOG (MAINTENANCE)

FIG ITEM	PART NUMBER	1 2 3 4 5 6 7	NOMENCLATURE	EFFECT FROM TO	UNITS PER ASSY
13B			LAVATORY INSTL-BRI MODULE A, B, C AND D (OXYGEN ONLY)	002004 006102	
- 1	417N1140-43		LAVATORY INSTL-BRI MODULE A, B, C, AND D (OXYGEN ONLY) FOR NHA/OTHER SYS DET SEE: 25-20-00-01A 25-41-00-01	002004 006010	RF
- 1	417N1140-70		LAVATORY INSTL-BRI MODULE A, B, C, AND D (OXYGEN ONLY) FOR NHA/OTHER SYS DET SEE: 25-41-00-01	011100	RF
- 1	417N1140-342SP		LAVATORY INSTL-BRI MODULE A, B, C, AND D (OXYGEN ONLY) FOR NHA/OTHER SYS DET SEE: 25-20-00-07D	101102	RF
10	417N3810-118SP		.BOX ASSY-OXY COMPONENT MAINT MANUAL REF: 35-21-34 FOR DETAILS SEE: 35-21-04-80A 35-21-05-10A 35-21-06-10A	101102	4
10	417N3810-97SP		.BOX ASSY-OXY COMPONENT MAINT MANUAL REF: 35-21-34 FOR DETAILS SEE: 35-21-04-20A 35-21-05-20A 35-21-06-20A	002004 006100	4
- 15	NAS603-6P		ATTACHING PARTS .SCREW	002004 006102	16
- 20	AN960JD10L		.WASHER	002004 006100	16
- 20	NAS1149D0332J		.WASHER -----*-----	101102	16
25	MS35489-1		..GROMMET	002004 006102	1
30	BACS12FA08K5		..SCREW- POSITION DATA: FS	002004 006102	1
35	417N3137-2		..CABLE ASSY	002004 006102	1
40	417N3810-12		..SHROUD ASSY	002004 006102	1

MISSING ITEM NUMBERS NOT APPLICABLE

- ITEM NOT ILLUSTRATED

35-21-00-13B

35-21-00
FIG. 13B
PAGE 1
JAN 20/09

BRI



757

PARTS CATALOG (MAINTENANCE)

FIG ITEM	PART NUMBER	1 2 3 4 5 6 7	NOMENCLATURE	EFFECT FROM TO	UNITS PER ASSY
13B 45	T8078S832BC	...	NUTPLATE SUPPLIER CODE: V11815 SPECIFICATION NUMBER: BACN10JP08CR OPTIONAL PART: MK3000-08BCBAC V15653 NS103199-82BC V80539 RMA9205M82BC V72962 VN203A2-82 V92215 BRM300A08K V52828 ATTACHING PARTS	002004 006102	6
- 50	BACR15BA3AD	...	RIVET- SIZE DETERMINED ON INSTL. -----*-----	002004 006102	12
55	417N3814-3	...	SHROUD	002004 006102	1
60	6100-9	..	RETAINER- SUPPLIER CODE: V2X013	002004 006102	4
65	MS20253P2-780	..	PIN-HINGE	002004 006102	1
70	MS20253P2-825	..	PIN-HINGE	002004 006102	1
75	417N3173-3	..	SPRING	002004 006102	1
80	417N3173-4	..	SPRING	002004 006102	1
85	BACS12FA08K5	..	SCREW	002004 006102	4
90	AN960JD8L	..	WASHER	002004 006102	4
95	MS21042L08	..	NUT	002004 006102	4
100	417N3133-3	..	LATCH	002004 006102	2
105	417N3133-2	..	LATCH	002004 006102	1
110	417N3830-2SP	..	DOOR ASSY	002004 006102	1
115	BACS12FA08K7	..	SCREW	002004 006102	2

MISSING ITEM NUMBERS NOT APPLICABLE

- ITEM NOT ILLUSTRATED

35-21-00-13B

35-21-00
FIG. 13B
PAGE 2
JAN 20/09

BRI

BOEING PROPRIETARY - Copyright © - Unpublished Work - See title page for details.



757

PARTS CATALOG (MAINTENANCE)

FIG ITEM	PART NUMBER	1 2 3 4 5 6 7	NOMENCLATURE	EFFECT FROM TO	UNITS PER ASSY
13B 120	T8076S832	..	NUTPLATE SUPPLIER CODE: V11815 SPECIFICATION NUMBER: BACN10JP08A OPTIONAL PART: MK1000-08BAC V15653 NS103197-82 V80539 RMA9201M82 V72962 VN202A1-82 V92215 BRM200A08 V52828	002004 006102	2
125	BACR15CE4AD	..	RIVET- SIZE DETERMINED ON INSTL.	002004 006102	4
130	417N3810-16	..	BOX ASSY	002004 006102	1
135	NAS42DD5-6FC	...	SPACER- POSITION DATA: FS	002004 006102	2
140	CR3252-4-3	...	RIVET- SUPPLIER CODE: V92215 SPECIFICATION NUMBER: BACR15FP4E3 SIZE DETERMINED ON INSTL.	002004 006102	2
145	417N3816-5	...	SHIELD ASSY	002004 006102	1
150	417N3811-4	...	BRACKET	002004 006102	1
- 155	BACR15BA3D	...	ATTACHING PARTS RIVET- SIZE DETERMINED ON INSTL. -----*-----	002004 006102	3
160	417N3811-3	...	HINGE	002004 006102	2
- 165	BACR15BB4D	...	ATTACHING PARTS RIVET- SIZE DETERMINED ON INSTL. -----*-----	002004 006102	4
170	417N3813-6	...	OXYGEN BOX	002004 006102	1

MISSING ITEM NUMBERS NOT APPLICABLE

- ITEM NOT ILLUSTRATED

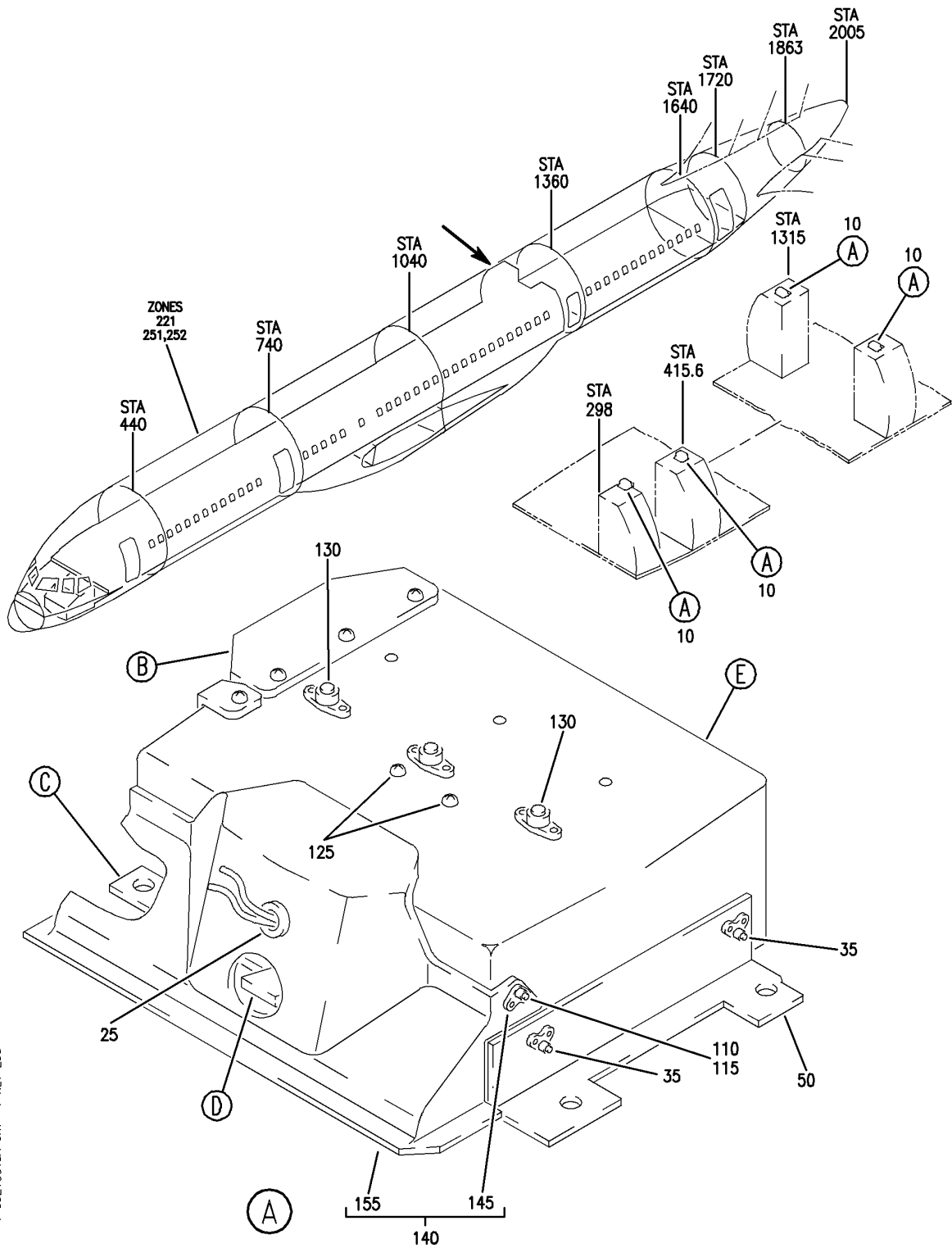
35-21-00-13B

35-21-00
FIG. 13B
PAGE 3
JAN 20/09

BRI

BOEING PROPRIETARY - Copyright © - Unpublished Work - See title page for details.

BOEING
757
PARTS CATALOG (MAINTENANCE)



Y 35210018A SH1 1 REV 238

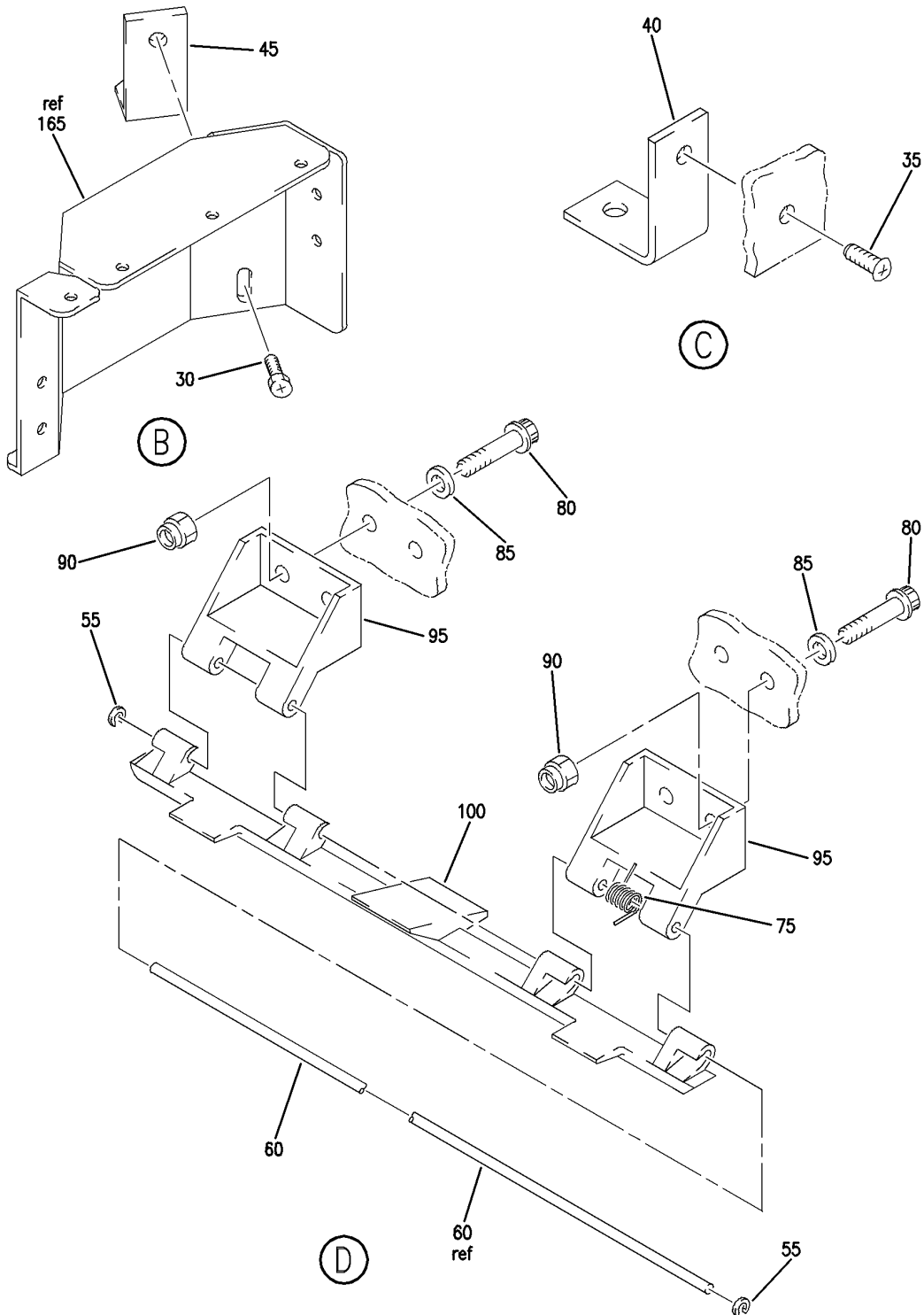
LAVATORY INSTL-BAB MODULE A, C, D AND F SEAT TRACK MOUNTED (OXYGEN ONLY)
FIGURE 18A (SHEET 1)

BRI
JAN 20/09

35-21-00-18A

35-21-00-18A
PAGE 0

BOEING
757
PARTS CATALOG (MAINTENANCE)



Y 35210018A SH1 2 REV 238

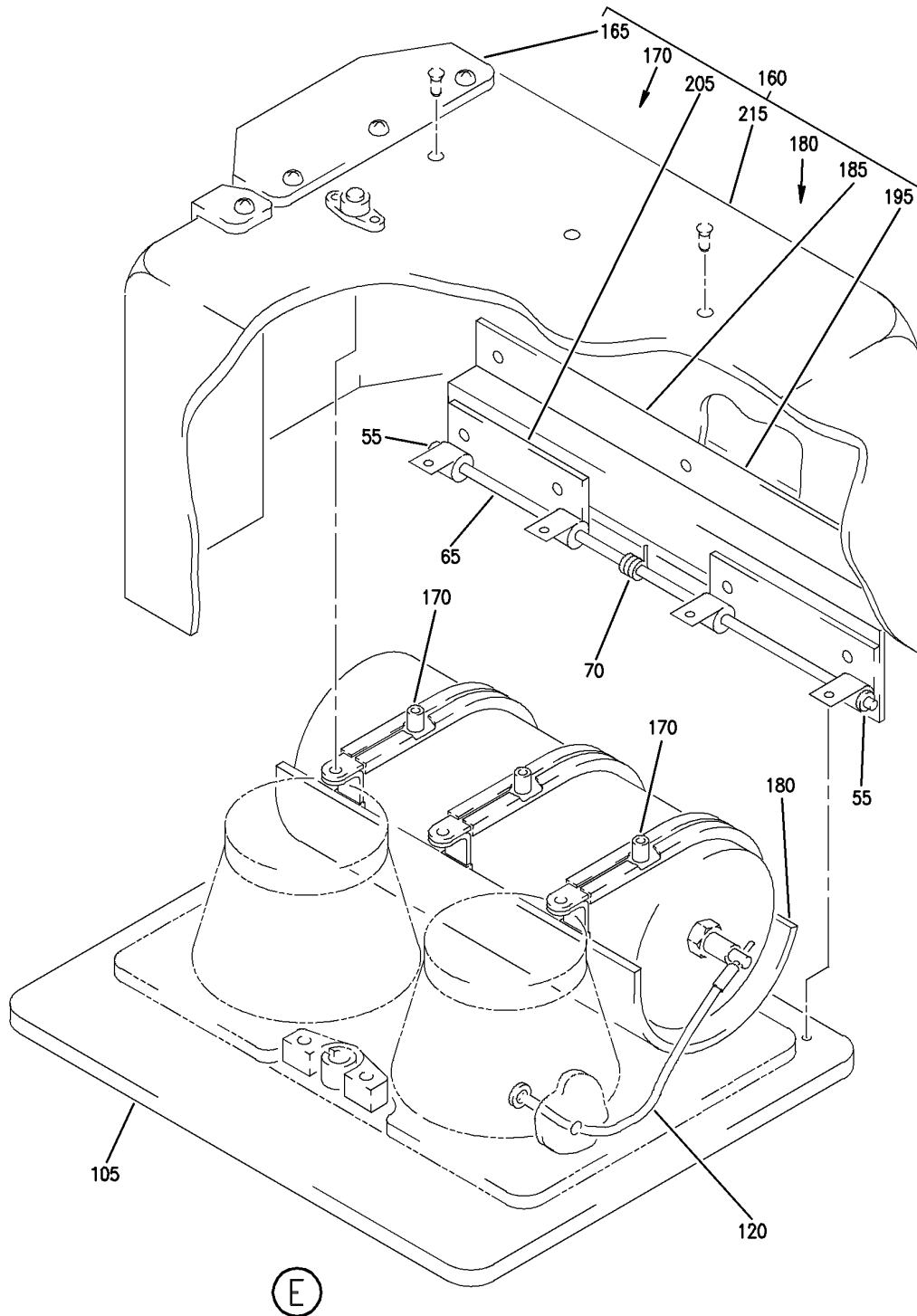
LAVATORY INSTL-BAB MODULE A, C, D AND F SEAT TRACK MOUNTED (OXYGEN ONLY)
FIGURE 18A (SHEET 2)

BRI
JAN 20/09

35-21-00-18A

35-21-00-18A
PAGE 0A

BOEING
757
PARTS CATALOG (MAINTENANCE)



Y 35210018A SH1 3 REV 238

LAVATORY INSTL-BAB MODULE A, C, D AND F SEAT TRACK MOUNTED (OXYGEN ONLY)
FIGURE 18A (SHEET 3)

BRI
JAN 20/09

35-21-00-18A

35-21-00-18A
PAGE 0B



757

PARTS CATALOG (MAINTENANCE)

FIG ITEM	PART NUMBER	1 2 3 4 5 6 7	NOMENCLATURE	EFFECT FROM TO	UNITS PER ASSY
18A			LAVATORY INSTL-BAB MODULE A, C, D AND F SEAT TRACK MOUNTED (OXYGEN ONLY)	504903	
- 1	417N1140-327SP		LAVATORY INSTL-BAB MODULE A, C, D AND F SEAT TRACK MOUNTED (OXYGEN ONLY)	504903	RF
			FOR NHA/OTHER SYS DET SEE: 25-20-00-07D		
10	417N3810-130SP		.BOX ASSY- FUNCTIONAL REFERENCE: OXYGEN FOR DETAILS SEE 35-21-04-50A 35-21-05-50A 35-21-06-50A	504903	4
			ATTACHING PARTS		
- 15	NAS603-6P		.SCREW	504903	16
- 20	NAS1149D0332J		.WASHER	504903	16
			-----*-----		
25	MS35489-1		..GROMMET	504903	1
30	NAS1802-08-5		..SCREW	504903	1
35	BACS12FA08K5		..SCREW	504903	3
40	417N3811-29		..BRACKET	504903	1
45	417N3811-31		..BRACKET	504903	1
50	417N3811-33		..BRACKET	504903	1
55	6100-9		..RETAINER- SUPPLIER CODE: V2X013	504903	4
60	MS20253P2-780		..PIN	504903	1
65	MS20253P2-825		..PIN	504903	1
70	417N3173-3		..SPRING	504903	1
75	417N3173-4		..SPRING	504903	1
80	BACS12FA08K5		..SCREW	504903	4
85	AN960JD8L		..WASHER	504903	4
90	MS21042L08		..NUT	504903	4
95	417N3133-3		..LATCH	504903	2
100	417N3133-2		..LATCH	504903	1
105	417N3830-12SP		..DOOR ASSY	504903	1
110	BACS12FA08K5		..SCREW	504903	1
115	AN960JD8L		..WASHER	504903	1
120	417N3137-2		..CABLE ASSY	504903	1
125	BACS12FA08K5		..SCREW	504903	2

MISSING ITEM NUMBERS NOT APPLICABLE

- ITEM NOT ILLUSTRATED

35-21-00-18A

35-21-00
FIG. 18A
PAGE 1
JAN 20/09

BRI



757

PARTS CATALOG (MAINTENANCE)

FIG ITEM	PART NUMBER	1 2 3 4 5 6 7	NOMENCLATURE	EFFECT FROM TO	UNITS PER ASSY
18A 130	T8076S832		..NUTPLATE SUPPLIER CODE: V11815 SPECIFICATION NUMBER: BACN10JP08A OPTIONAL PART: MK1000-08BAC V15653 NS103197-82 V80539 RMA9201M82 V72962 VN202A1-82 V92215 BRM200A08 V52828 ATTACHING PARTS	504903	3
- 135	BACR15CE3D		..RIVET- SIZE DETERMINED ON INSTL. -----*-----	504903	6
140	417N3810-72		..SHROUD ASSY	504903	1
145	T8078S832BC		...NUTPLATE SUPPLIER CODE: V11815 SPECIFICATION NUMBER: BACN10JP08CR OPTIONAL PART: MK3000-08BCBAC V15653 NS103199-82BC V80539 RMA9205M82BC V72962 VN203A2-82 V92215 BRM300A08K V52828 ATTACHING PARTS	504903	1
- 150	BACR15CE3D		...RIVET- SIZE DETERMINED ON INSTL. -----*-----	504903	2
155	417N3814-4		...SHROUD	504903	1
160	417N3810-70		..BOX ASSY	504903	1
165	417N3136-148		...BRACKET	504903	1
170	NAS42DD5-6FC		...SPACER	504903	3

MISSING ITEM NUMBERS NOT APPLICABLE

- ITEM NOT ILLUSTRATED

35-21-00-18A

35-21-00
FIG. 18A
PAGE 2
JAN 20/09

BRI

BOEING PROPRIETARY - Copyright © - Unpublished Work - See title page for details.

 **BOEING**
757
PARTS CATALOG (MAINTENANCE)

FIG ITEM	PART NUMBER	1 2 3 4 5 6 7	NOMENCLATURE	EFFECT FROM TO	UNITS PER ASSY
18A			ATTACHING PARTS		
- 175	CR3252-4-3		...RIVET- SUPPLIER CODE: V92215 SPECIFICATION NUMBER: BACR15FP4E3 SIZE DETERMINED ON INSTL. -----*-----	504903	3
180	417N3816-10		...SHIELD ASSY	504903	1
185	417N3811-4		...BRACKET ATTACHING PARTS	504903	1
- 190	BACR15BA3D		...RIVET- SIZE DETERMINED ON INSTL. -----*-----	504903	2
195	417N3811-26		...BRACKET ATTACHING PARTS	504903	1
- 200	BACR15BB4D		...RIVET- SIZE DETERMINED ON INSTL. -----*-----	504903	3
205	417N3811-3		...HINGE ATTACHING PARTS	504903	1
- 210	BACR15BB4D		...RIVET- SIZE DETERMINED ON INSTL. -----*-----	504903	4
215	417N3813-13		...BOX	504903	1

MISSING ITEM NUMBERS NOT APPLICABLE

- ITEM NOT ILLUSTRATED

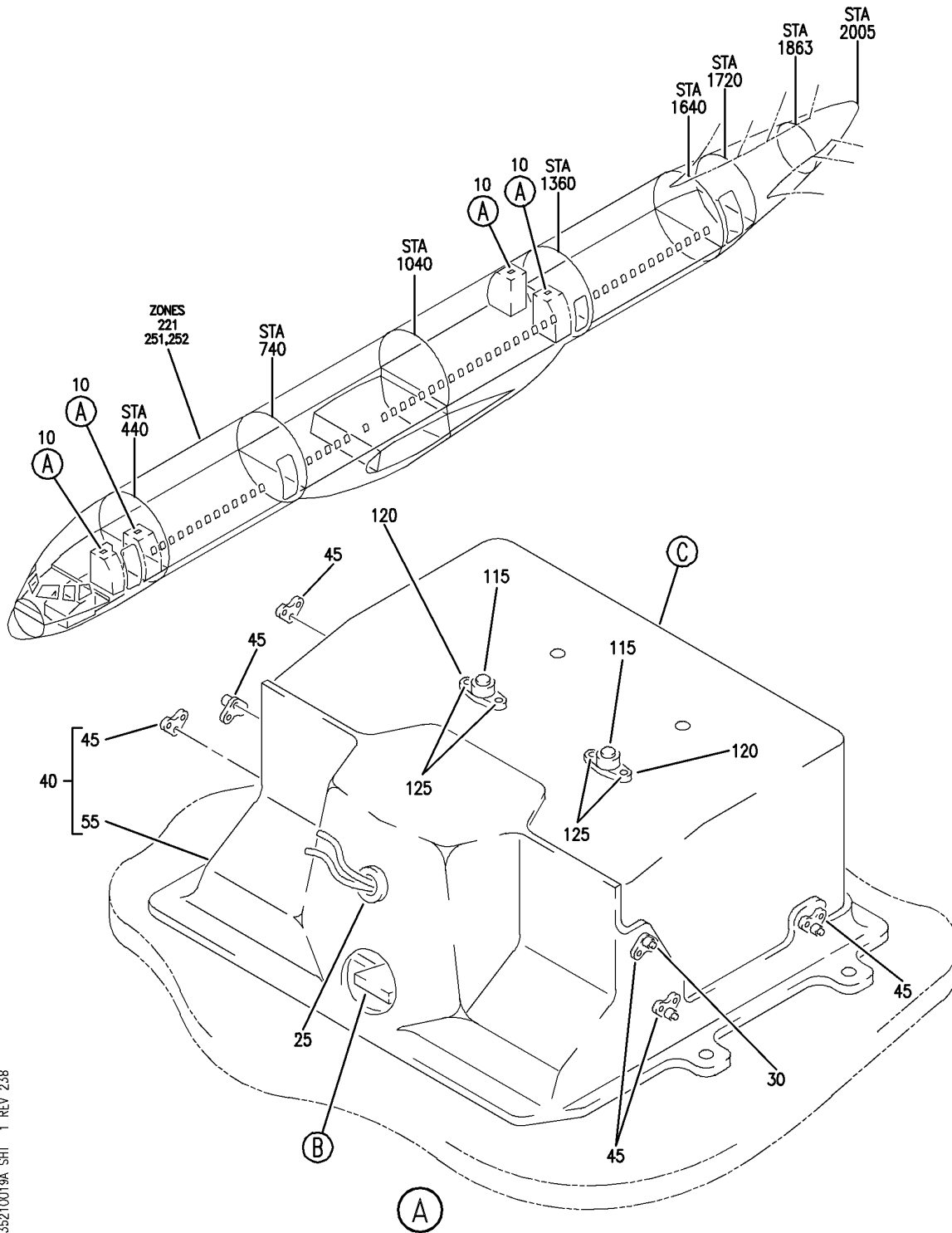
BRI

35-21-00-18A

BOEING PROPRIETARY - Copyright © - Unpublished Work - See title page for details.

35-21-00
FIG. 18A
PAGE 3
JAN 20/09

BOEING
757
PARTS CATALOG (MAINTENANCE)



Y 35210019A SHT 1 REV 238

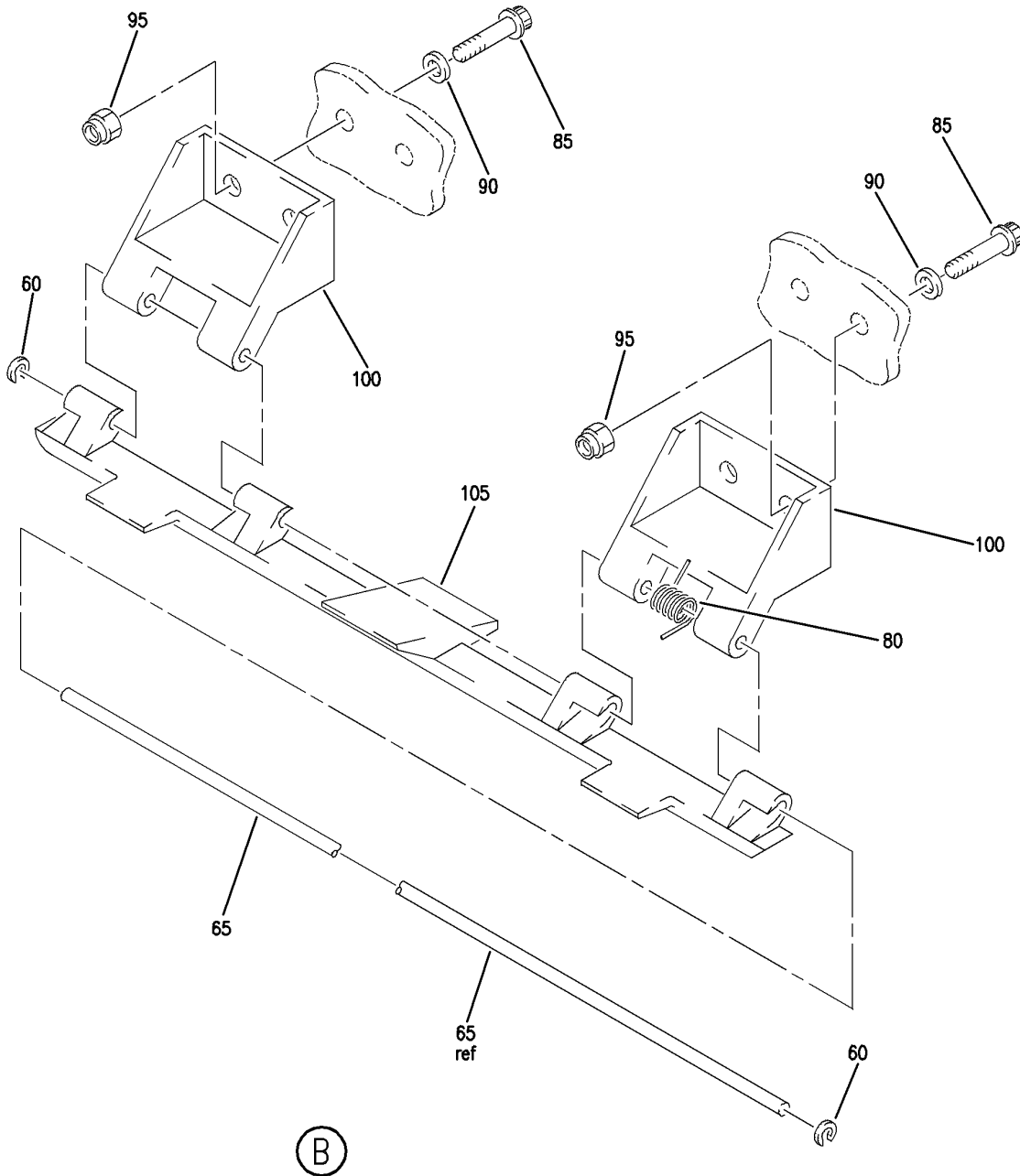
LAVATORY INSTL-INT MODULE A, C, D AND F SEAT TRACK MOUNTED (OXYGEN ONLY)
FIGURE 19A (SHEET 1)

BRI
JAN 20/09

35-21-00-19A

35-21-00-19A
PAGE 0

BOEING
757
PARTS CATALOG (MAINTENANCE)



Y 35210019A SH1 2 REV 238

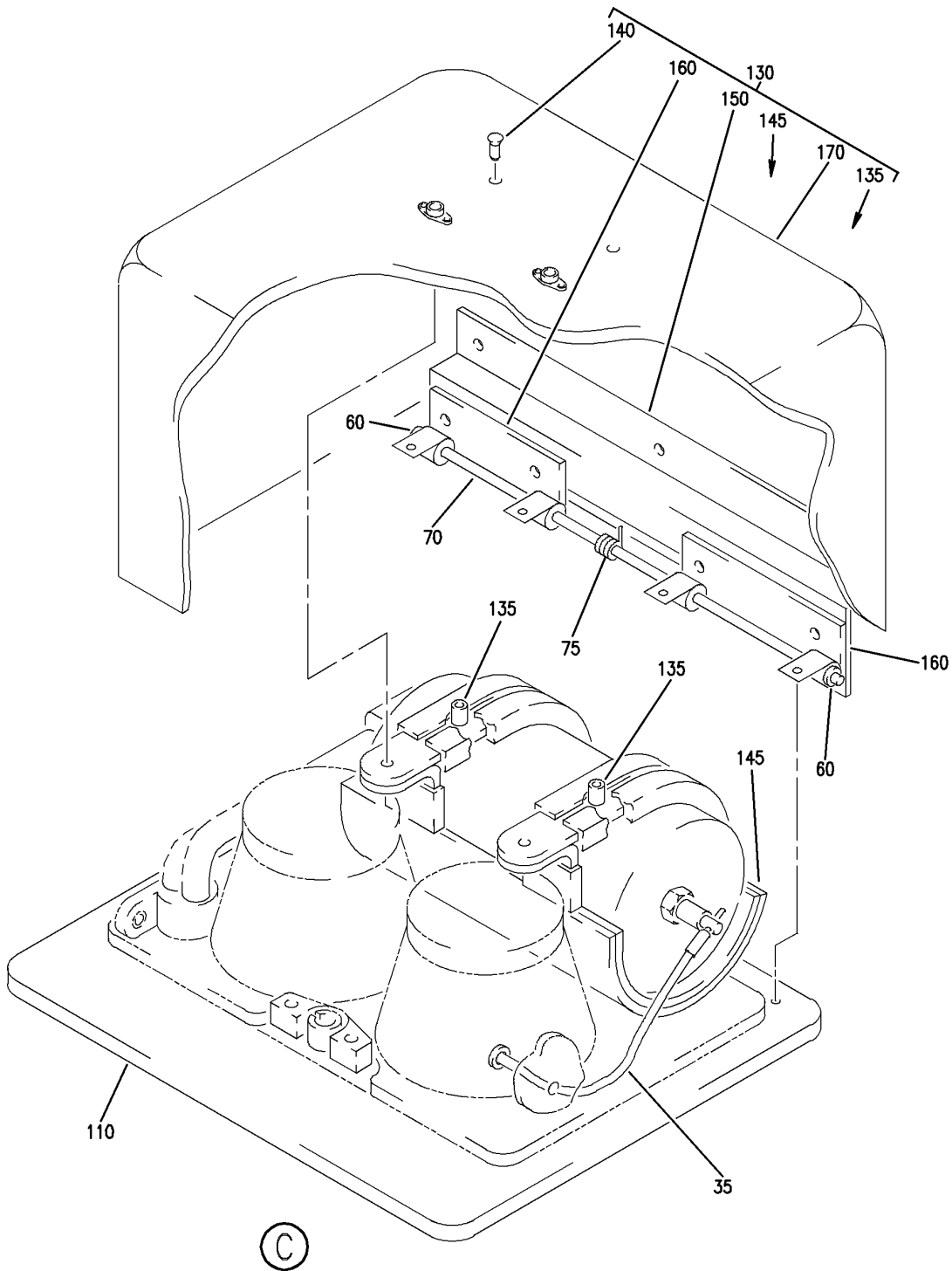
LAVATORY INSTL-INT MODULE A, C, D AND F SEAT TRACK MOUNTED (OXYGEN ONLY)
FIGURE 19A (SHEET 2)

BRI
JAN 20/09

35-21-00-19A

35-21-00-19A
PAGE 0A

BOEING
 757
 PARTS CATALOG (MAINTENANCE)



Y 35210019A SHT 3 REV 238

LAVATORY INSTL-INT MODULE A, C, D AND F SEAT TRACK MOUNTED (OXYGEN ONLY)
 FIGURE 19A (SHEET 3)

35-21-00-19A

BRI
 JAN 20/09

35-21-00-19A
 PAGE 0B



757

PARTS CATALOG (MAINTENANCE)

FIG ITEM	PART NUMBER	1 2 3 4 5 6 7	NOMENCLATURE	EFFECT FROM TO	UNITS PER ASSY
19A			LAVATORY INSTL-INT MODULE A, C, D AND F SEAT TRACK MOUNTED (OXYGEN ONLY)	121503	
- 1	417N1140-4		LAVATORY INSTL-INT MODULE A, C, D AND F SEAT TRACK MOUNTED (OXYGEN ONLY) FOR NHA/OTHER SYS DET SEE: 25-20-00-01E	121503	RF
10	417N3810-97SP		.BOX ASSY-OXY ELECTRICAL EQUIP NUMBER: M10373 COMPONENT MAINT MANUAL REF: 35-21-34 FOR DETAILS SEE: 35-21-04-20A 35-21-05-20A 35-21-06-20A	121503	4
- 15	NAS603-6P		ATTACHING PARTS .SCREW	121503	16
- 20	AN960JD10L		.WASHER -----*-----	121503	16
25	MS35489-1		..GROMMET	121503	1
30	BACS12FA08K5		..SCREW- POSITION DATA: FS	121503	1
35	417N3137-2		..CABLE ASSY	121503	1
40	417N3810-12		..SHROUD ASSY	121503	1
45	T8078S832BC		...NUTPLATE SUPPLIER CODE: V11815 SPECIFICATION NUMBER: BACN10JPO8CR OPTIONAL PART: MK3000-08BCBAC V15653 NS103199-82BC V80539 RMA9205M82BC V72962 VN203A2-82 V92215 BRM300A08K V52828	121503	6
- 50	BACR15BA3AD		ATTACHING PARTS ...RIVET- SIZE DETERMINED ON INSTL. -----*-----	121503	12

MISSING ITEM NUMBERS NOT APPLICABLE

- ITEM NOT ILLUSTRATED

35-21-00-19A

35-21-00
FIG. 19A
PAGE 1
JAN 20/09

BRI



757

PARTS CATALOG (MAINTENANCE)

FIG ITEM	PART NUMBER	1 2 3 4 5 6 7	NOMENCLATURE	EFFECT FROM TO	UNITS PER ASSY
19A					
55	417N3814-3	...	SHROUD	121503	1
60	6100-9	..	RETAINER- SUPPLIER CODE: V2X013	121503	4
65	MS20253P2-780	..	PIN-HINGE	121503	1
70	MS20253P2-825	..	PIN-HINGE	121503	1
75	417N3173-3	..	SPRING	121503	1
80	417N3173-4	..	SPRING	121503	1
85	BACS12FA08K5	..	SCREW	121503	4
90	AN960JD8L	..	WASHER	121503	4
95	MS21042L08	..	NUT	121503	4
100	417N3133-3	..	LATCH	121503	2
105	417N3133-2	..	LATCH	121503	1
110	417N3830-2SP	..	DOOR ASSY	121503	1
115	BACS12FA08K7	..	SCREW	121503	2
120	T8076S832	..	NUTPLATE SUPPLIER CODE: V11815 SPECIFICATION NUMBER: BACN10JP08A OPTIONAL PART: MK1000-08BAC V15653 NS103197-82 V80539 RMA9201M82 V72962 VN202A1-82 V92215 BRM200A08 V52828	121503	2
125	BACR15CE4AD	..	RIVET- SIZE DETERMINED ON INSTL.	121503	4
130	417N3810-16	..	BOX ASSY	121503	1
135	NAS42DD5-6FC	...	SPACER- POSITION DATA: FS	121503	2
140	CR3252-4-3	...	RIVET- SUPPLIER CODE: V92215 SPECIFICATION NUMBER: BACR15FP4E3 SIZE DETERMINED ON INSTL.	121503	2
145	417N3816-5	...	SHIELD ASSY	121503	1
150	417N3811-4	...	BRACKET ATTACHING PARTS	121503	1
- 155	BACR15BA3D	...	RIVET- SIZE DETERMINED ON INSTL. -----*-----	121503	3

MISSING ITEM NUMBERS NOT APPLICABLE

- ITEM NOT ILLUSTRATED

35-21-00-19A

35-21-00
FIG. 19A
PAGE 2
JAN 20/09

BRI

BOEING PROPRIETARY - Copyright © - Unpublished Work - See title page for details.



757

PARTS CATALOG (MAINTENANCE)

FIG ITEM	PART NUMBER	1 2 3 4 5 6 7	NOMENCLATURE	EFFECT FROM TO	UNITS PER ASSY
19A 160	417N3811-3		...HINGE ATTACHING PARTS	121503	2
- 165	BACR15BB4D		...RIVET- SIZE DETERMINED ON INSTL. -----*-----	121503	4
170	417N3813-6		...OXYGEN BOX	121503	1

MISSING ITEM NUMBERS NOT APPLICABLE

- ITEM NOT ILLUSTRATED

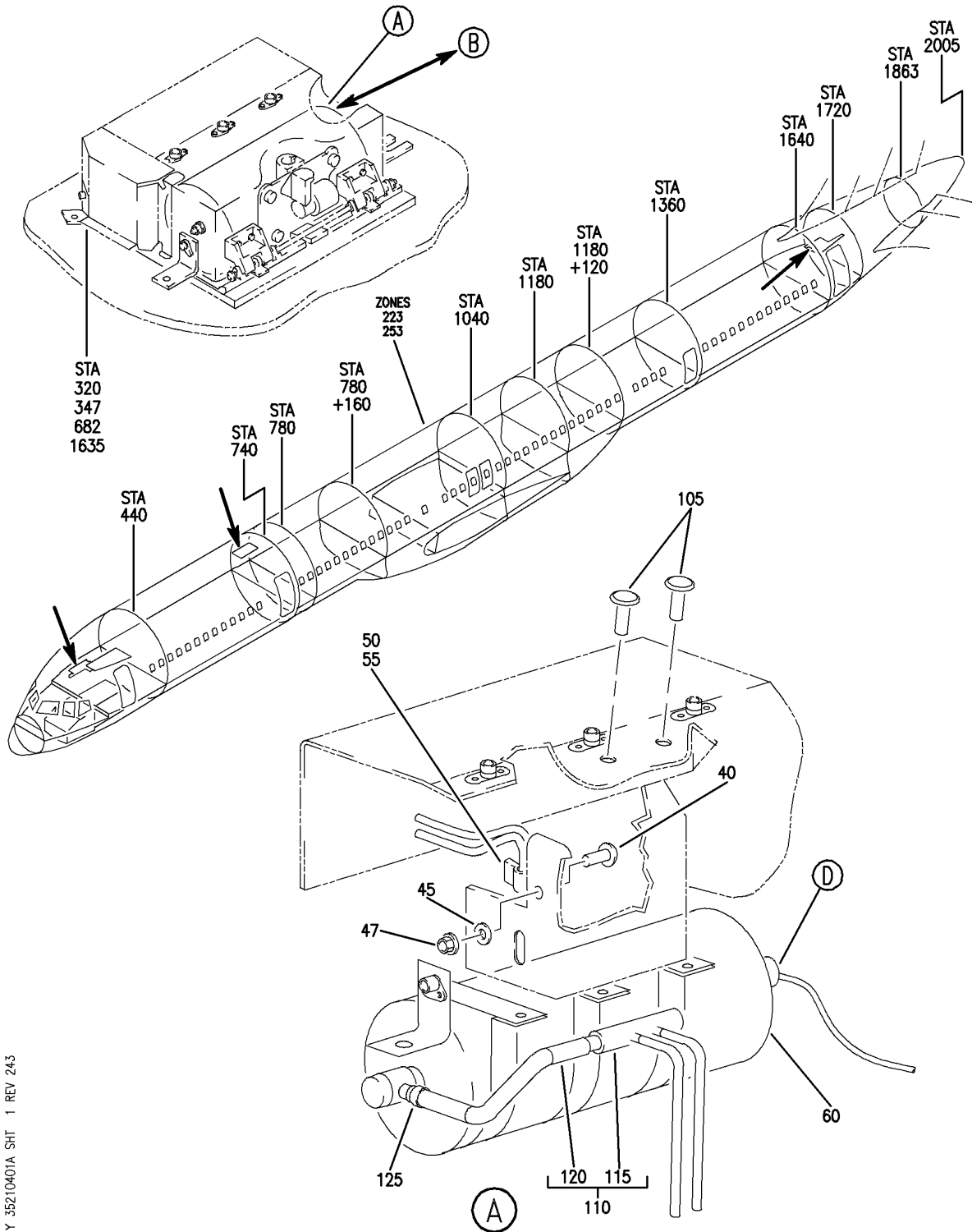
BRI

35-21-00-19A

BOEING PROPRIETARY - Copyright © - Unpublished Work - See title page for details.

35-21-00
FIG. 19A
PAGE 3
JAN 20/09

BOEING
757
PARTS CATALOG (MAINTENANCE)



Y 35210401A SH1 1 REV 243

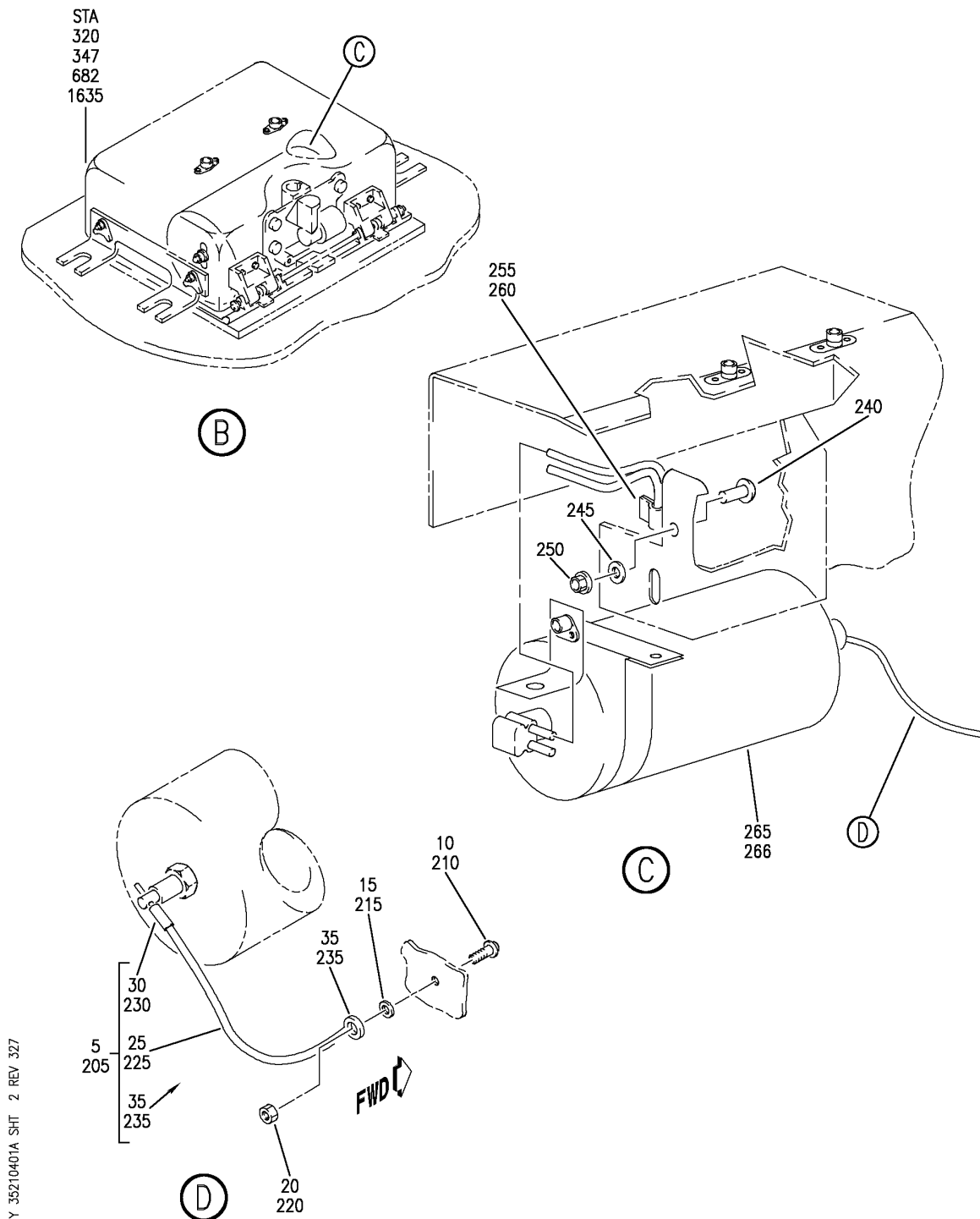
BOX ASSY-OXY ATTENDANTS SERVICE UNIT (OXYGEN GENERATOR ONLY)
FIGURE 1A (SHEET 1)

35-21-04-01A

BRI
JAN 20/09

35-21-04-01A
PAGE 0

BOEING
757
PARTS CATALOG (MAINTENANCE)



Y 35210401A SHT 2 REV 327

BOX ASSY-OXY ATTENDANTS SERVICE UNIT (OXYGEN GENERATOR ONLY)
FIGURE 1A (SHEET 2)

35-21-04-01A

BRI
JAN 20/09

35-21-04-01A
PAGE 0A



757

PARTS CATALOG (MAINTENANCE)

FIG ITEM	PART NUMBER	1 2 3 4 5 6 7	NOMENCLATURE	EFFECT FROM TO	UNITS PER ASSY
1 A			BOX ASSY-OXY ATTENDANTS SERVICE UNIT (OXYGEN GENERATOR ONLY)	103106	
- 200	417N3810-155B		BOX ASSY-OXY ATTENDANTS SERVICE UNIT (OXYGEN GENERATOR ONLY) ELECTRICAL EQUIP NUMBER: M11496 FOR NHA/OTHER SYS DET SEE: 25-22-02-40S 25-22-02-69A 25-22-02-69L 25-22-02-70D	103106	RF
205	417N3137-2		.CABLE ASSY ATTACHING PARTS	103106	1
210	BACS12FA08K5		.SCREW- POSITION DATA: FAR SIDE	103106	1
215	NAS1149DN816J		.WASHER	103106	1
220	MS21042L08		.NUT	103106	1
			-----*-----		
225	417N3137-5		..CABLE	103106	1
230	417N3137-6		..PIN	103106	1
235	417N3137-7		..EYE-CABLE	103106	1
240	BACS12FA08K7		.SCREW	103106	1
245	NAS1149DN816J		.WASHER	103106	1
250	MS21042L08		.NUT	103106	1
255	MS3367-4-9		.STRAP	103106	1
260	287T0011-1		.CLAMP	103106	1
265	E71720-00		.GENERATOR- SUPPLIER CODE: VD1379 SPECIFICATION NUMBER: S417T401-43 OPTIONAL PART: 117003-12 V16827 117080-02 V16827	103106	1
265	117003-12		.GENERATOR- SUPPLIER CODE: V16827 SPECIFICATION NUMBER: S417T401-25 OPTIONAL PART: E71720-00 VD1379	103106	1

MISSING ITEM NUMBERS NOT APPLICABLE

- ITEM NOT ILLUSTRATED

35-21-04-01A

35-21-04
FIG. 01A
PAGE 1
JAN 20/09

BRI

BOEING PROPRIETARY - Copyright © - Unpublished Work - See title page for details.



757

PARTS CATALOG (MAINTENANCE)

FIG ITEM	PART NUMBER	1 2 3 4 5 6 7	NOMENCLATURE	EFFECT FROM TO	UNITS PER ASSY
1 A 265	803000-02		.GENERATOR- SUPPLIER CODE: V53655 SPECIFICATION NUMBER: S417T401-31	103106	1
266	117080-02		.GENERATOR- SUPPLIER CODE: V16827 SPECIFICATION NUMBER: S417T401-61	103106	1

MISSING ITEM NUMBERS NOT APPLICABLE

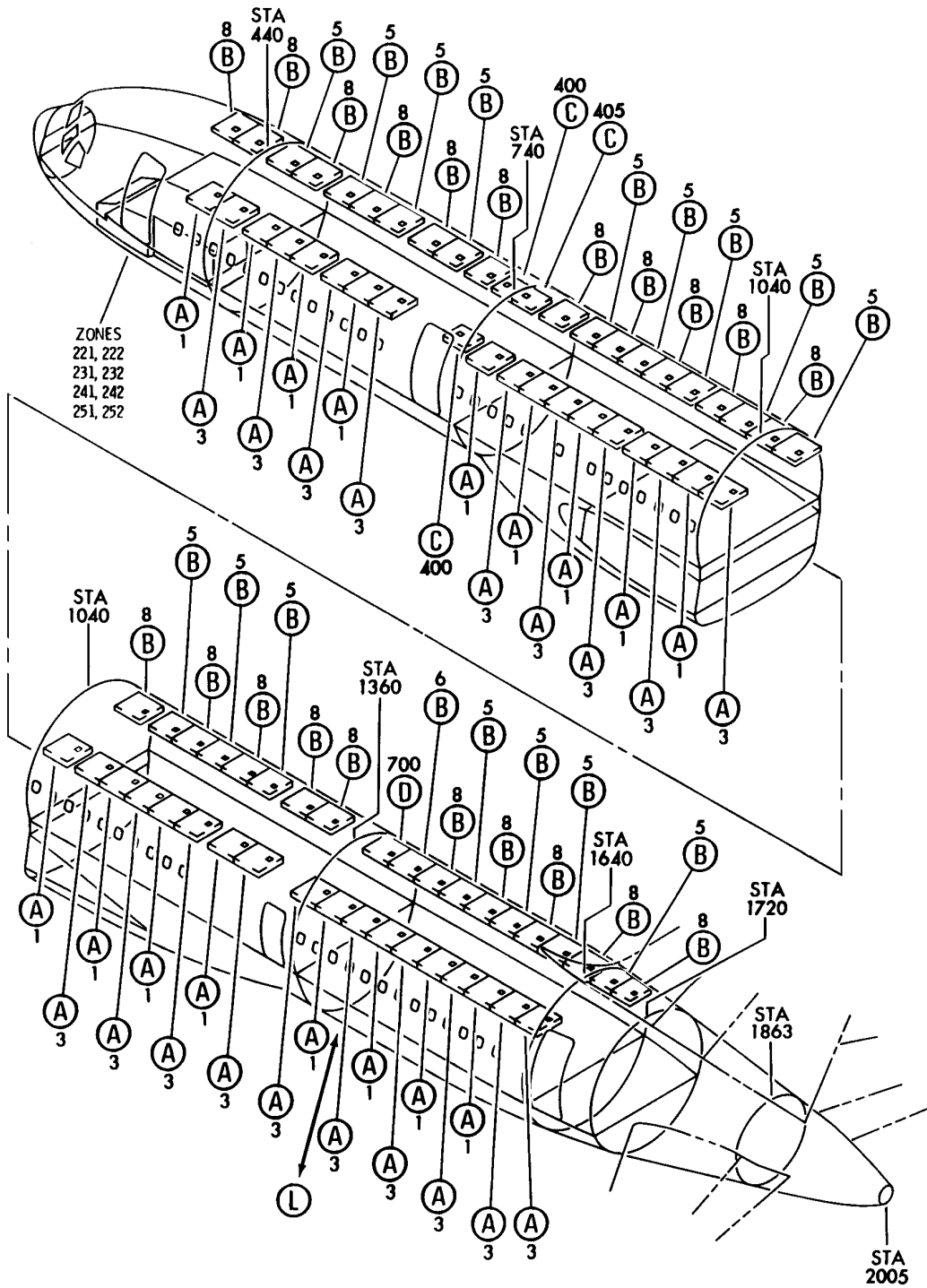
- ITEM NOT ILLUSTRATED

BRI

35-21-04-01A

BOEING PROPRIETARY - Copyright © - Unpublished Work - See title page for details.

35-21-04
FIG. 01A
PAGE 2
JAN 20/09

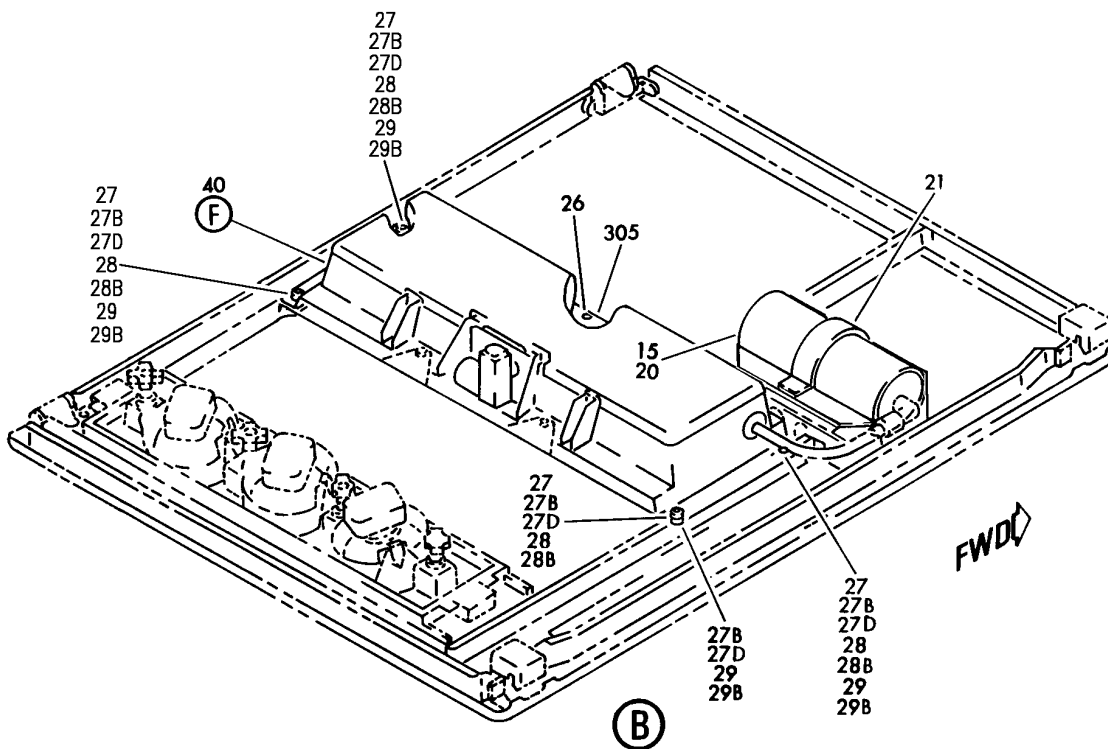
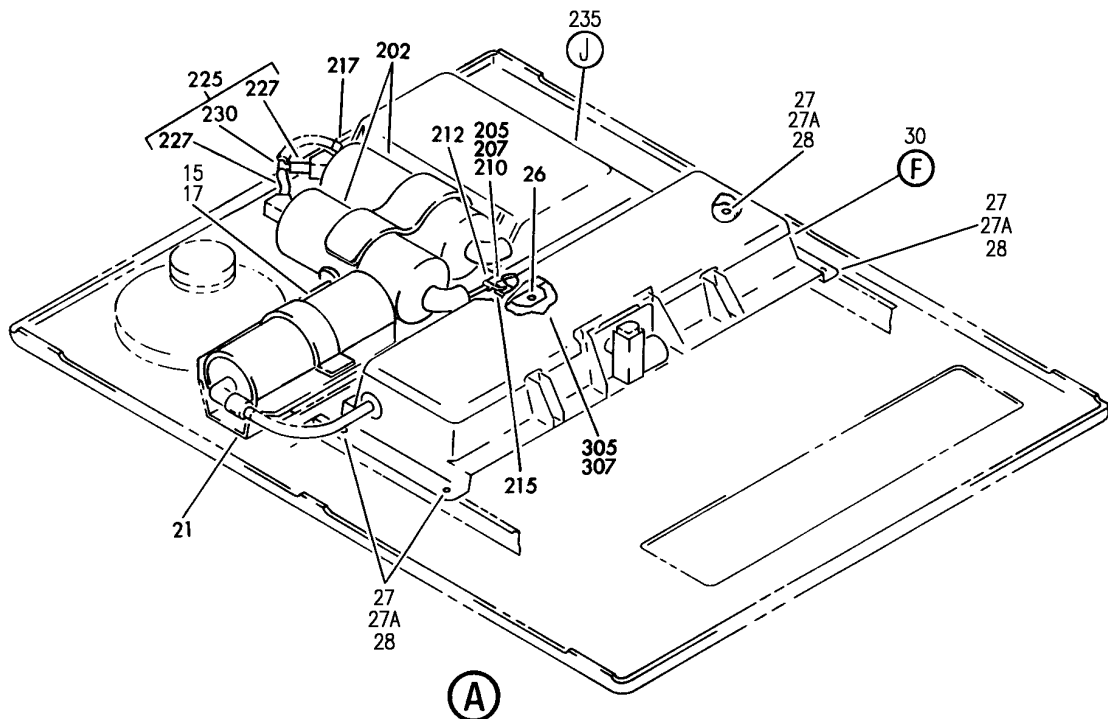


Y 35210402 SH 1 REV 285

SERVICE UNIT ASSY-UNDERBIN AND OVERDOOR PASS. AND ATTENDANT (OXYGEN ONLY)
FIGURE 2 (SHEET 1)

35-21-04-02

BOEING
757
PARTS CATALOG (MAINTENANCE)



Y 35210402 SHT 2 REV 295

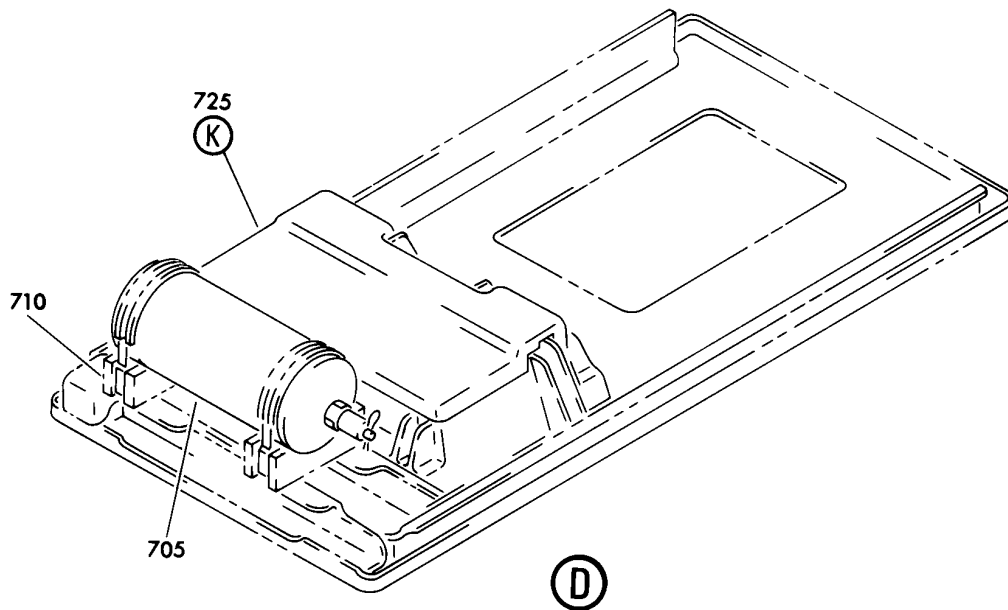
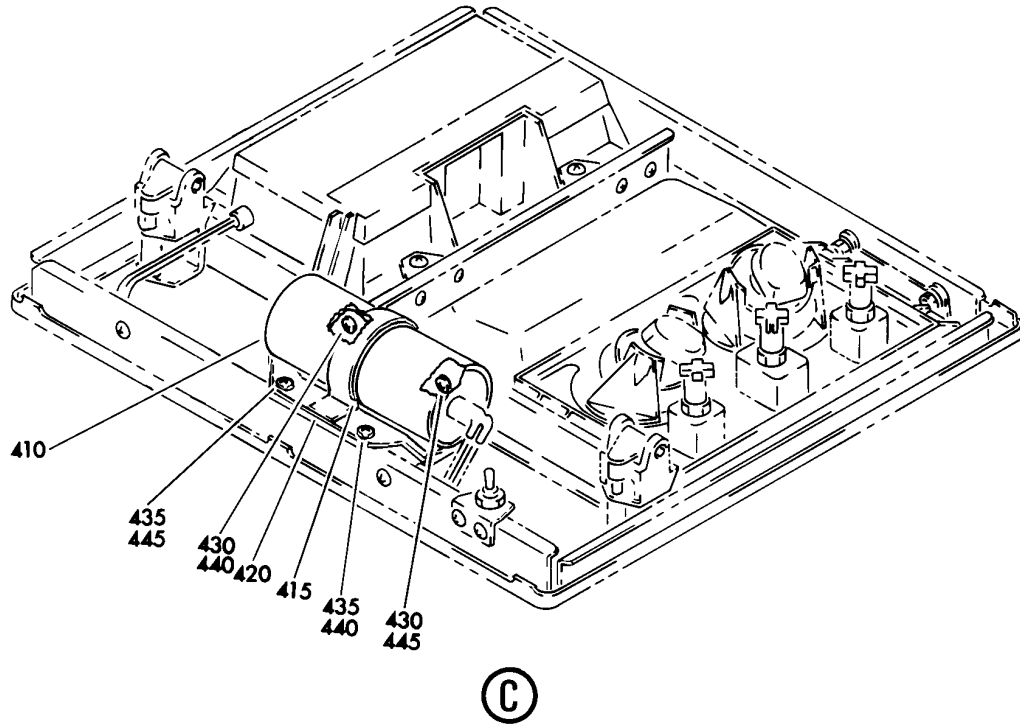
SERVICE UNIT ASSY-UNDERBIN AND OVERDOOR PASS. AND ATTENDANT (OXYGEN ONLY)
FIGURE 2 (SHEET 2)

35-21-04-02

BRI
JAN 20/09

35-21-04-02
PAGE 0A

BOEING
757
PARTS CATALOG (MAINTENANCE)



Y 35210402 SH1 3 REV 295

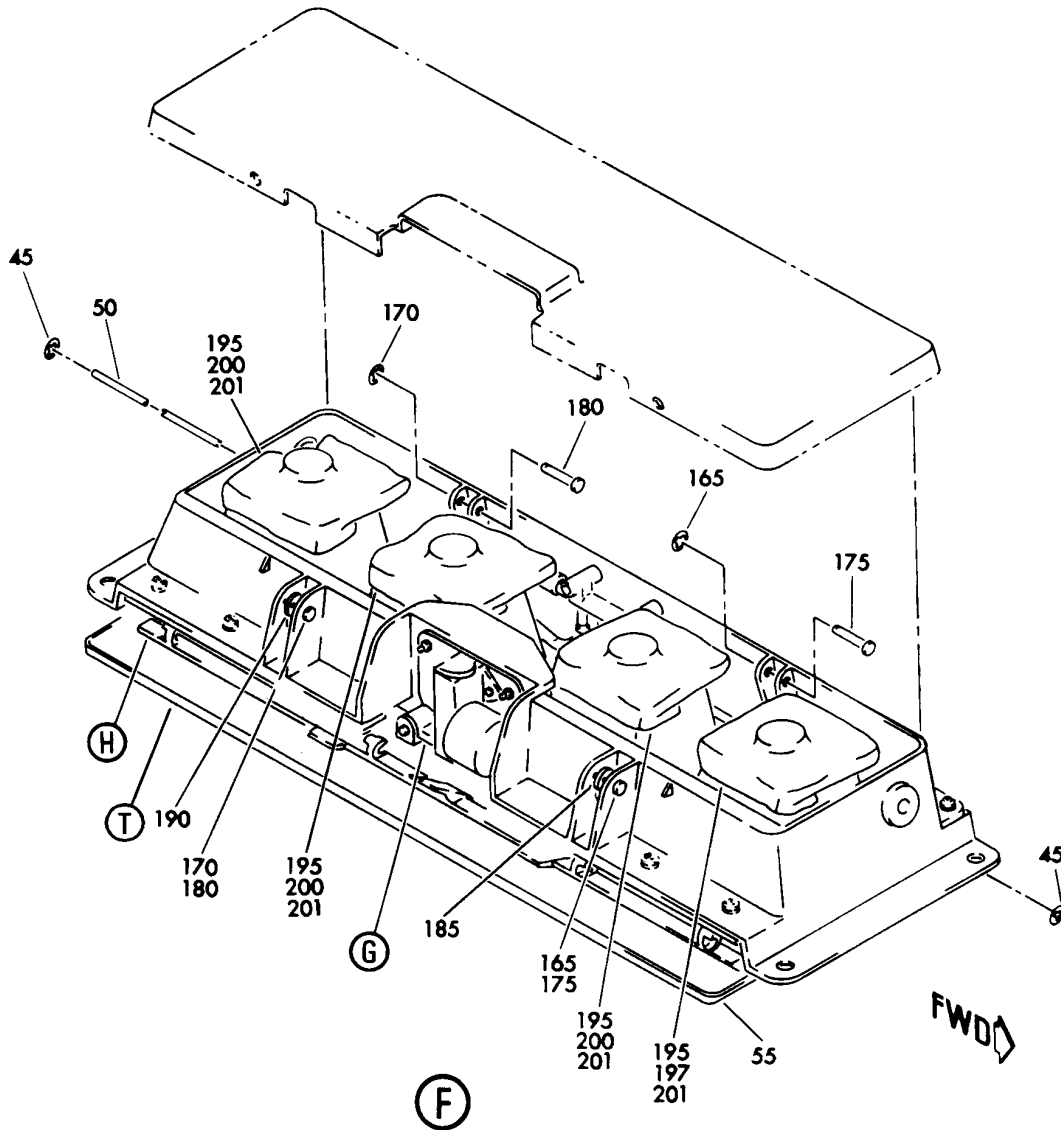
SERVICE UNIT ASSY-UNDERBIN AND OVERDOOR PASS. AND ATTENDANT (OXYGEN ONLY)
FIGURE 2 (SHEET 3)

BRI
JAN 20/09

35-21-04-02

35-21-04-02
PAGE 0B

BOEING
757
PARTS CATALOG (MAINTENANCE)



Y 35210402 SHT 4 REV 197

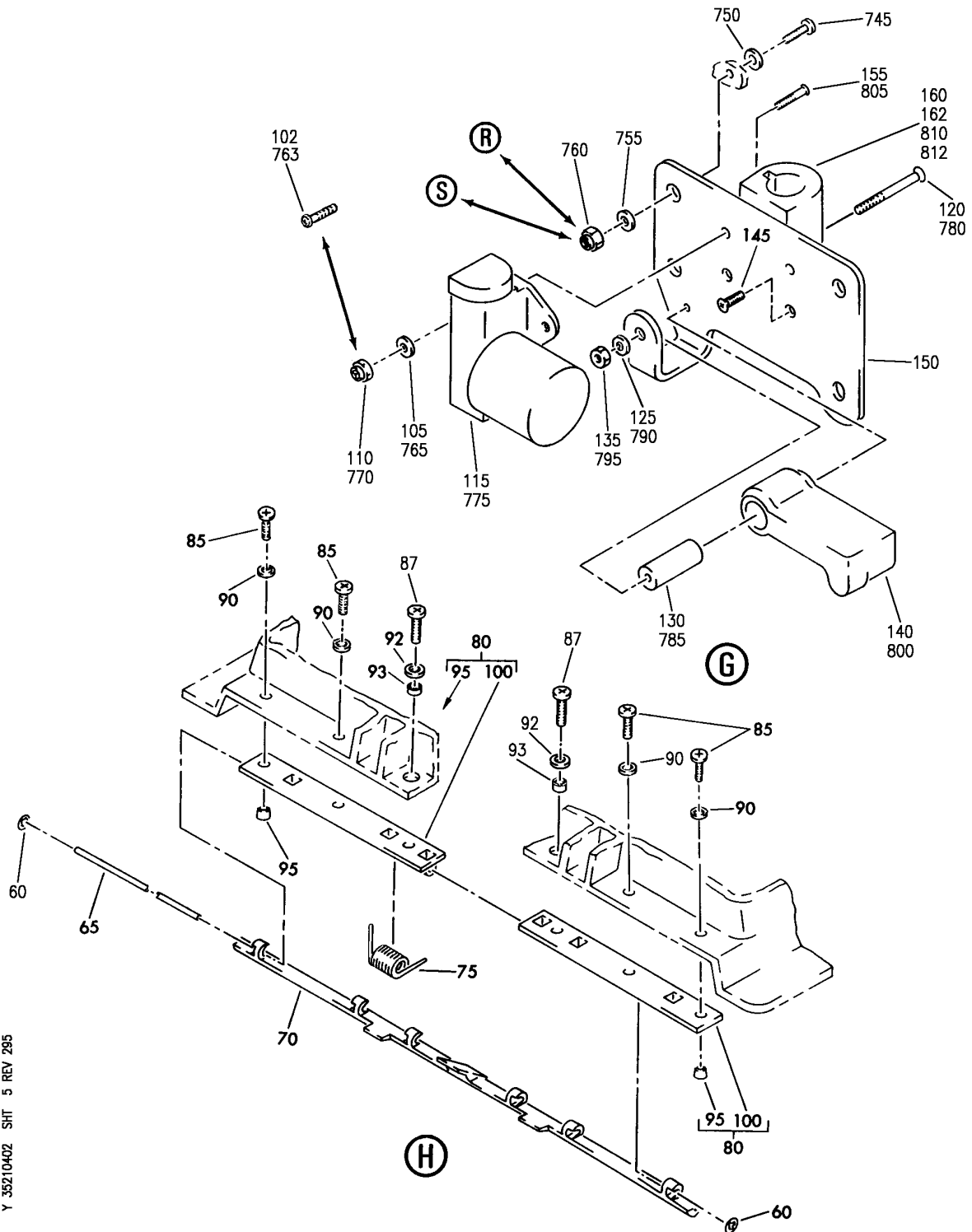
SERVICE UNIT ASSY-UNDERBIN AND OVERDOOR PASS. AND ATTENDANT (OXYGEN ONLY)
FIGURE 2 (SHEET 4)

BRI
JAN 20/09

35-21-04-02

35-21-04-02
PAGE 0C

BOEING
757
PARTS CATALOG (MAINTENANCE)



Y 35210402 SH1 5 REV 295

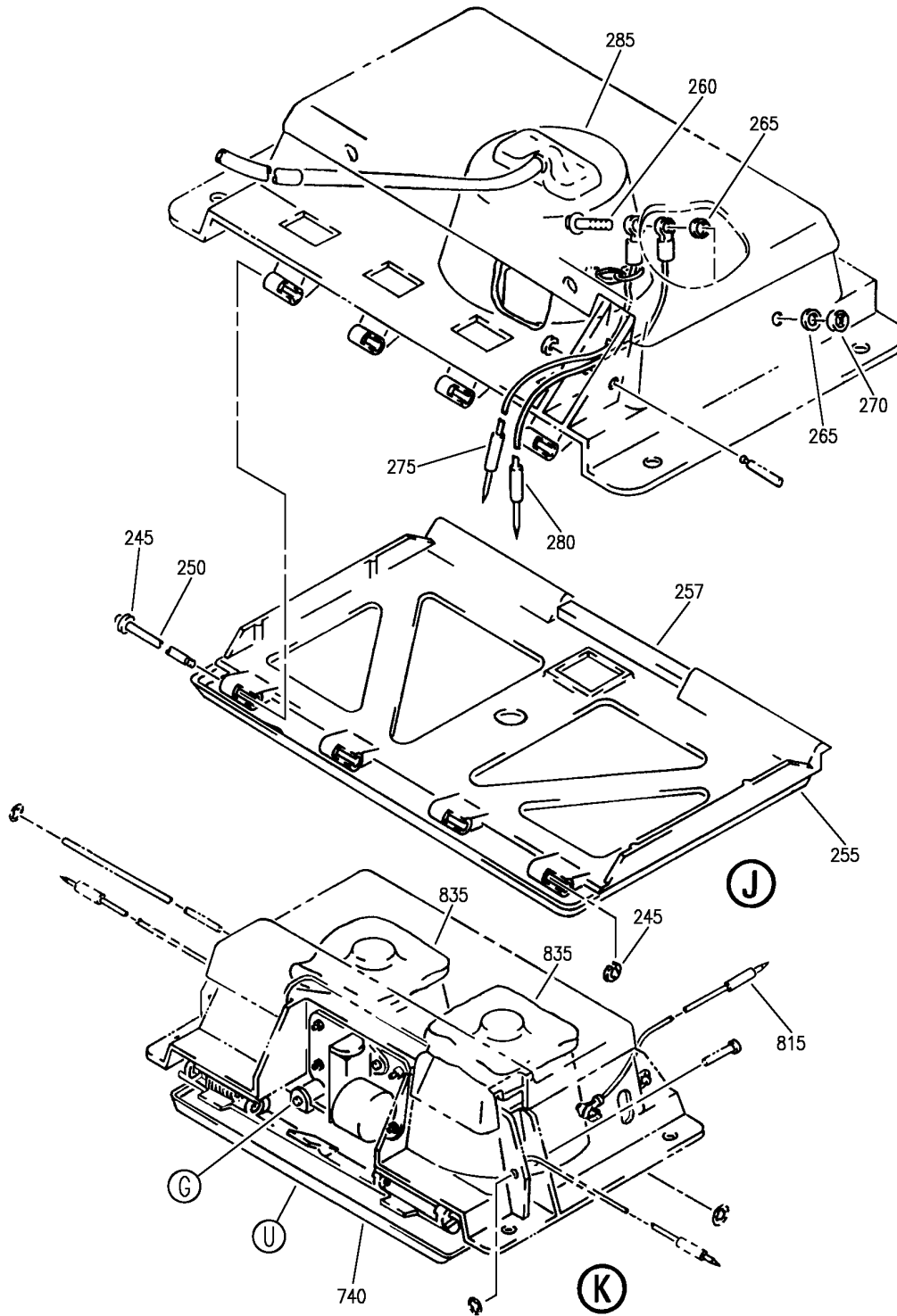
SERVICE UNIT ASSY-UNDERBIN AND OVERDOOR PASS. AND ATTENDANT (OXYGEN ONLY)
FIGURE 2 (SHEET 5)

35-21-04-02

BRI
JAN 20/09

35-21-04-02
PAGE 0D

BOEING
757
PARTS CATALOG (MAINTENANCE)



Y 35210402 SHT 6 REV 295

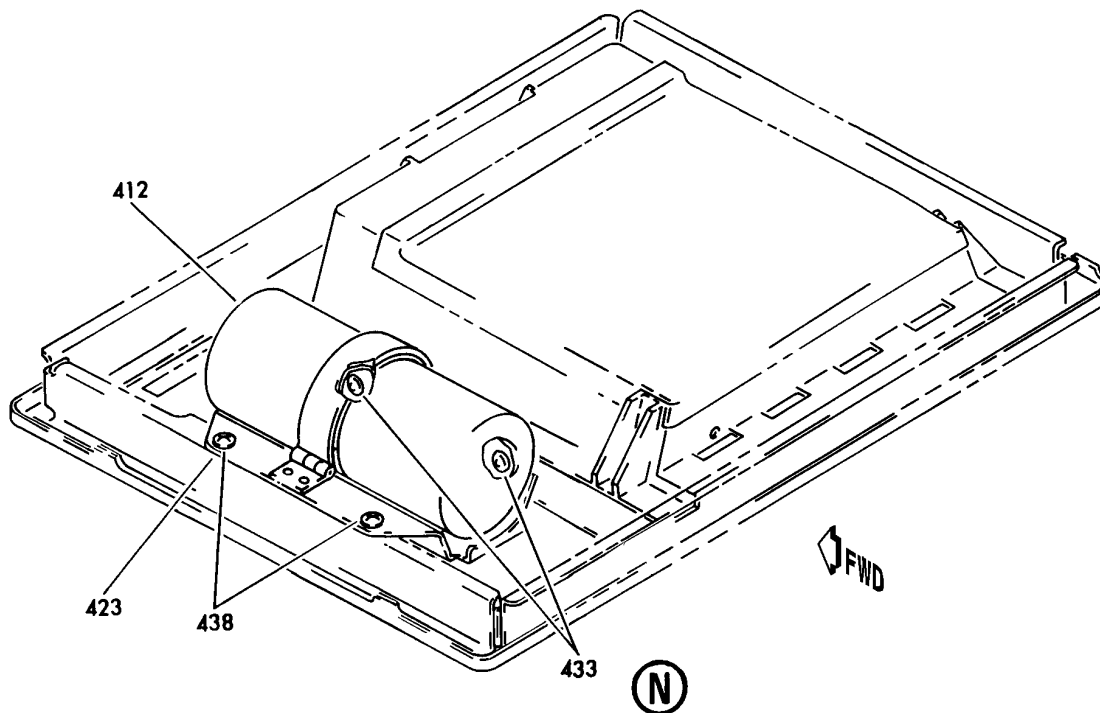
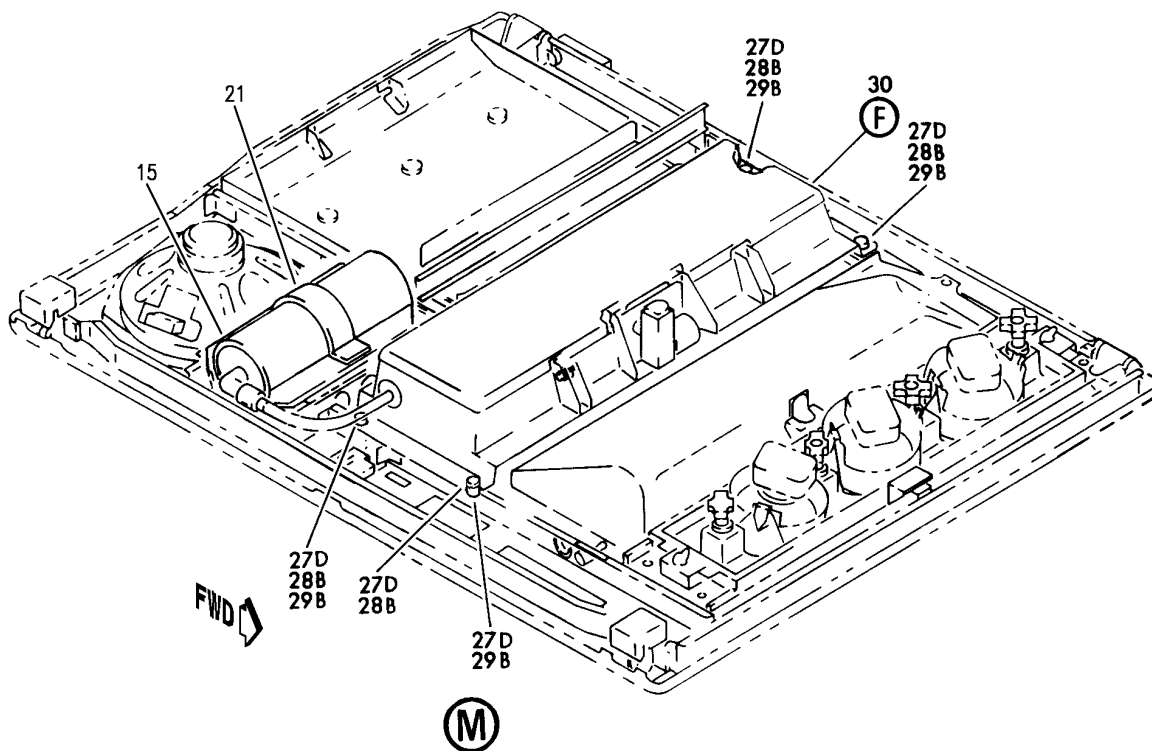
SERVICE UNIT ASSY-UNDERBIN AND OVERDOOR PASS. AND ATTENDANT (OXYGEN ONLY)
FIGURE 2 (SHEET 6)

35-21-04-02

BRI
JAN 20/09

35-21-04-02
PAGE 0E

BOEING
757
PARTS CATALOG (MAINTENANCE)



Y 35210402 SH1 8 REV 295

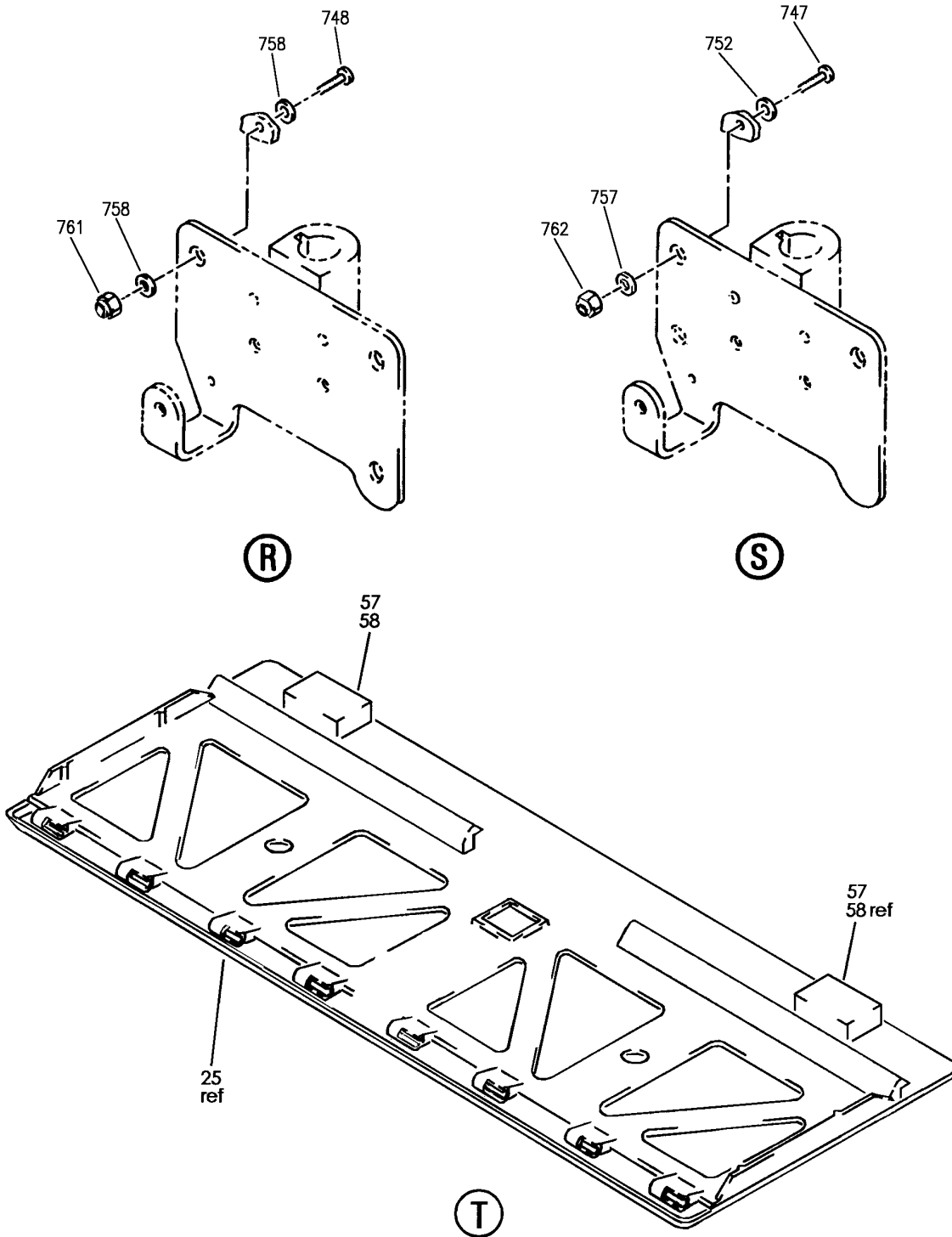
SERVICE UNIT ASSY-UNDERBIN AND OVERDOOR PASS. AND ATTENDANT (OXYGEN ONLY)
FIGURE 2 (SHEET 8)

35-21-04-02

BRI
JAN 20/09

35-21-04-02
PAGE 06

BOEING
757
PARTS CATALOG (MAINTENANCE)



Y 35210402 SH1 9 REV 295

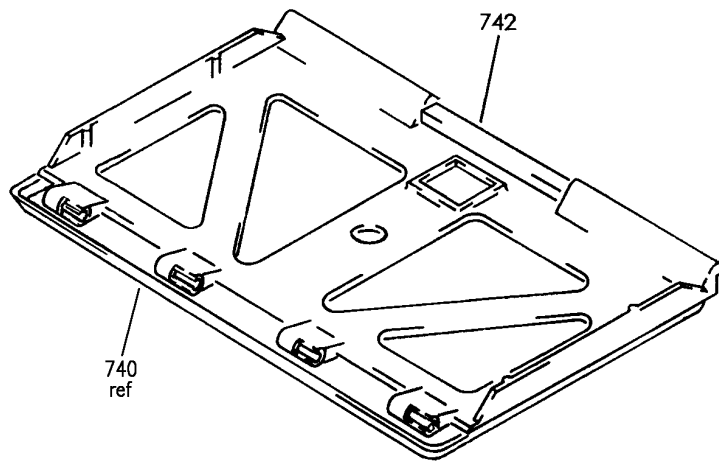
SERVICE UNIT ASSY-UNDERBIN AND OVERDOOR PASS. AND ATTENDANT (OXYGEN ONLY)
FIGURE 2 (SHEET 9)

BRI
JAN 20/09

35-21-04-02

35-21-04-02
PAGE 0H

BOEING
757
PARTS CATALOG (MAINTENANCE)



U

Y 35210402 SH1 10 REV 295

SERVICE UNIT ASSY-UNDERBIN AND OVERDOOR PASS. AND ATTENDANT (OXYGEN ONLY)
FIGURE 2 (SHEET 10)

BRI
JAN 20/09

35-21-04-02

35-21-04-02
PAGE 01

BOEING PROPRIETARY - Copyright © - Unpublished Work - See title page for details.



757

PARTS CATALOG (MAINTENANCE)

FIG ITEM	PART NUMBER	1 2 3 4 5 6 7	NOMENCLATURE	EFFECT FROM TO	UNITS PER ASSY
2			SERVICE UNIT ASSY-UNDERBIN AND OVERDOOR PASS. AND ATTENDANT (OXYGEN ONLY)	107107	
1	417N3100-391SP		SERVICE UNIT ASSY-PASS. (OXYGEN ONLY) POSITION DATA: UNDERBIN COMPONENT MAINT MANUAL REF: 25-23-30 FOR NHA/OTHER SYS DET SEE: 25-23-01-03 25-23-01-07 25-23-01-12	107107	RF
3	417N3100-393SP		SERVICE UNIT ASSY-PASS. (OXYGEN ONLY) POSITION DATA: UNDERBIN COMPONENT MAINT MANUAL REF: 25-23-30 FOR NHA/OTHER SYS DET SEE: 25-23-01-03 25-23-01-07 25-23-01-12	107107	RF
5	417N3100-382SP		SERVICE UNIT ASSY-PASS. (OXYGEN ONLY) POSITION DATA: UNDERBIN COMPONENT MAINT MANUAL REF: 25-23-33 FOR NHA/OTHER SYS DET SEE: 25-23-01-03 25-23-01-07 25-23-01-12	107107	RF
6	417N3100-386SP		SERVICE UNIT ASSY-PASS. (OXYGEN ONLY) POSITION DATA: UNDERBIN COMPONENT MAINT MANUAL REF: 25-23-33 FOR NHA/OTHER SYS DET SEE: 25-23-01-03 25-23-01-07 25-23-01-12	107107	RF
8	417N3100-384SP		SERVICE UNIT ASSY-PASS. (OXYGEN ONLY) POSITION DATA: UNDERBIN COMPONENT MAINT MANUAL REF: 25-23-33 FOR NHA/OTHER SYS DET SEE: 25-23-01-03 25-23-01-07 25-23-01-12	107107	RF

MISSING ITEM NUMBERS NOT APPLICABLE

- ITEM NOT ILLUSTRATED

35-21-04-02

35-21-04
FIG. 02
PAGE 1
JAN 20/09

BRI



757

PARTS CATALOG (MAINTENANCE)

FIG ITEM	PART NUMBER	1 2 3 4 5 6 7	NOMENCLATURE	EFFECT FROM TO	UNITS PER ASSY
2 15	117003-14		.GENERATOR-12 MINUTES 4 PERSON SUPPLIER CODE: V16827 SPECIFICATION NUMBER: S417T401-27 OPTIONAL PART: 803000-04 V53655 E71740-00 VD1379 USED ON: 417N3100-325SP 417N3100-327SP 417N3100-382SP 417N3100-384SP 417N3100-386SP 417N3100-391SP 417N3100-393SP 417N3100-400SP 417N3100-467SP 417N3100-469SP 417N3100-496SP 417N3100-498SP 417N3100-653SP 417N3100-655SP REFERENCE SERVICE BULLETIN: 35-0023 REWORKED BY SB: 117003-14-35-3 V16827	107107	1

MISSING ITEM NUMBERS NOT APPLICABLE

- ITEM NOT ILLUSTRATED

BRI

35-21-04-02

BOEING PROPRIETARY - Copyright © - Unpublished Work - See title page for details.

35-21-04
FIG. 02
PAGE 2
JAN 20/09



757

PARTS CATALOG (MAINTENANCE)

FIG ITEM	PART NUMBER	1 2 3 4 5 6 7	NOMENCLATURE	EFFECT FROM TO	UNITS PER ASSY
2 15	803000-04		.GENERATOR-12 MINUTES 4 PERSON SUPPLIER CODE: V53655 SPECIFICATION NUMBER: S417T401-33 OPTIONAL PART: 117003-14 V16827 E71740-00 VD1379 USED ON: 417N3100-325SP 417N3100-327SP 417N3100-382SP 417N3100-384SP 417N3100-386SP 417N3100-391SP 417N3100-393SP 417N3100-400SP 417N3100-467SP 417N3100-469SP 417N3100-496SP 417N3100-498SP 417N3100-653SP 417N3100-655SP	107107	1
15	E71740-00		.GENERATOR-12 MINUTES 4 PERSON SUPPLIER CODE: VD1379 SPECIFICATION NUMBER: S417T401-44 OPTIONAL PART: 117003-14 V16827 803000-04 V53655 117080-04 V16827	107107	1

MISSING ITEM NUMBERS NOT APPLICABLE

- ITEM NOT ILLUSTRATED

BRI

35-21-04-02

BOEING PROPRIETARY - Copyright © - Unpublished Work - See title page for details.

35-21-04
FIG. 02
PAGE 3
JAN 20/09



757

PARTS CATALOG (MAINTENANCE)

FIG ITEM	PART NUMBER	1 2 3 4 5 6 7	NOMENCLATURE	EFFECT FROM TO	UNITS PER ASSY
2 15	117080-04		.GENERATOR-12 MINUTES 4 PERSON SUPPLIER CODE: V16827 SPECIFICATION NUMBER: S417T401-60 OPTIONAL PART: E71740-00 VD1379 REFERENCE SERVICE BULLETIN: 35-0023 REWORKED BY SB: 117003-14-35-3 V16827	107107	1
17	E71740-00		.GENERATOR-12 MINUTES 4 PERSON SUPPLIER CODE: VD1379 SPECIFICATION NUMBER: S417T401-44 OPTIONAL PART: 117003-14 V16827 803000-04 V53655 117080-04 V16827	107107	1
21	417N3160-11		.BRACKET ASSY-GEN MTG ATTACHING PARTS	107107	1
- 22	BACS12FA08K6		.SCREW -----*-----	107107	4

MISSING ITEM NUMBERS NOT APPLICABLE

- ITEM NOT ILLUSTRATED

BRI

35-21-04-02

BOEING PROPRIETARY - Copyright © - Unpublished Work - See title page for details.

35-21-04
FIG. 02
PAGE 4
JAN 20/09



757

PARTS CATALOG (MAINTENANCE)

FIG ITEM	PART NUMBER	1 2 3 4 5 6 7	NOMENCLATURE	EFFECT FROM TO	UNITS PER ASSY
2 27B	BACW10P193G		. WASHER- USED ON: 417N3100-56SP 417N3100-58SP 417N3100-115SP 417N3100-119SP 417N3100-128SP 417N3100-325SP 417N3100-327SP 417N3100-328SP 417N3100-334SP 417N3100-338SP 417N3100-382SP 417N3100-384SP 417N3100-386SP 417N3100-391SP 417N3100-393SP 417N3100-400SP 417N3100-436SP 417N3100-438SP 417N3100-442SP 417N3100-467SP 417N3100-469SP 417N3100-496SP 417N3100-498SP 417N3100-653SP 417N3100-655SP	107107	8

MISSING ITEM NUMBERS NOT APPLICABLE

- ITEM NOT ILLUSTRATED

BRI

35-21-04-02

BOEING PROPRIETARY - Copyright © - Unpublished Work - See title page for details.

35-21-04
FIG. 02
PAGE 5
JAN 20/09



757

PARTS CATALOG (MAINTENANCE)

FIG ITEM	PART NUMBER	1 2 3 4 5 6 7	NOMENCLATURE	EFFECT FROM TO	UNITS PER ASSY
2 28	BACN10YJ08		.NUT- USED ON: 417N3100-56SP 417N3100-58SP 417N3100-115SP 417N3100-119SP 417N3100-128SP 417N3100-325SP 417N3100-327SP 417N3100-328SP 417N3100-334SP 417N3100-338SP 417N3100-382SP 417N3100-384SP 417N3100-386SP 417N3100-391SP 417N3100-393SP 417N3100-400SP 417N3100-436SP 417N3100-438SP 417N3100-442SP 417N3100-467SP 417N3100-469SP 417N3100-496SP 417N3100-498SP 417N3100-653SP 417N3100-655SP	107107	4

MISSING ITEM NUMBERS NOT APPLICABLE

- ITEM NOT ILLUSTRATED

BRI

35-21-04-02

BOEING PROPRIETARY - Copyright © - Unpublished Work - See title page for details.

35-21-04
FIG. 02
PAGE 6
JAN 20/09



757

PARTS CATALOG (MAINTENANCE)

FIG ITEM	PART NUMBER	1 2 3 4 5 6 7	NOMENCLATURE	EFFECT FROM TO	UNITS PER ASSY
2 29	NAS43DD3-18		. SPACER- USED ON: 417N3100-56SP 417N3100-58SP 417N3100-115SP 417N3100-119SP 417N3100-128SP 417N3100-325SP 417N3100-327SP 417N3100-328SP 417N3100-334SP 417N3100-338SP 417N3100-382SP 417N3100-384SP 417N3100-386SP 417N3100-391SP 417N3100-393SP 417N3100-400SP 417N3100-436SP 417N3100-438SP 417N3100-442SP 417N3100-467SP 417N3100-469SP 417N3100-496SP 417N3100-498SP 417N3100-653SP 417N3100-655SP	107107	4
30	417N3130-63SP		.BOX ASSY-OXY COMPONENT MAINT MANUAL REF: 35-21-02 USED ON: 417N3100-325SP 417N3100-327SP 417N3100-391SP 417N3100-393SP REWORKED BY ALERT SB: 35A0010	107107	1
30	417N3130-73SP		.BOX ASSY-OXY COMPONENT MAINT MANUAL REF: 35-21-02 USED ON: 417N3100-467SP 417N3100-469SP	107107	1

MISSING ITEM NUMBERS NOT APPLICABLE

- ITEM NOT ILLUSTRATED

BRI

35-21-04-02

BOEING PROPRIETARY - Copyright © - Unpublished Work - See title page for details.

35-21-04
FIG. 02
PAGE 7
JAN 20/09



757

PARTS CATALOG (MAINTENANCE)

FIG ITEM	PART NUMBER	1 2 3 4 5 6 7	NOMENCLATURE	EFFECT FROM TO	UNITS PER ASSY
2					
40	417N3130-64SP		.BOX ASSY-OXY COMPONENT MAINT MANUAL REF: 35-21-02 USED ON: 417N3100-382SP 417N3100-384SP 417N3100-386SP REWORKED BY ALERT SB: 35A0010	107107	1
40	417N3130-74SP		.BOX ASSY-OXY COMPONENT MAINT MANUAL REF: 35-21-02 USED ON: 417N3100-400SP 417N3100-496SP 417N3100-498SP	107107	1
40	417N3130-144SP		.BOX ASSY-OXY COMPONENT MAINT MANUAL REF: 35-21-02 USED ON: 417N3100-400SP 417N3100-496SP 417N3100-498SP	107107	1
45	6100-9		..RETAINER- SUPPLIER CODE: V2X013	107107	2
50	417N3130-12		..PIN-HINGE OPTIONAL PART: MS20253P2-1510	107107	1
50	MS20253P2-1510		..PIN-HINGE OPTIONAL PART: 417N3130-12	107107	1
55	417N3140-1SP		..DOOR ASSY	107107	1
57	417N3140-8		...FOAM-RIGID MANUFACTURED FROM: STOCK .70 X 1.00 X .25 TH. BMS 1-68, GRADE A, FORM III QUALIFIED OPTIONAL DATA: QTY (1) -5 OPTIONAL TO QTY (2) -8	107107	2

MISSING ITEM NUMBERS NOT APPLICABLE

- ITEM NOT ILLUSTRATED

35-21-04-02

35-21-04
FIG. 02
PAGE 8
JAN 20/09

BRI



757

PARTS CATALOG (MAINTENANCE)

FIG ITEM	PART NUMBER	1 2 3 4 5 6 7	NOMENCLATURE	EFFECT FROM TO	UNITS PER ASSY
2					
58	417N3140-5	...	FOAM-RIGID MANUFACTURED FROM: STOCK .25 X .25 X 17 BMS8-39 TYPE VIA CLASS A90, FOAM A, COMP B HT TR - QUALIFIED OPTIONAL DATA: QTY (1) -5 OPTIONAL TO QTY (2) -8	107107	1
60	6100-9	..	RETAINER- SUPPLIER CODE: V2X013	107107	2
65	417N3130-11	..	PIN-LATCH OPTIONAL PART: MS20253P2-1450	107107	1
65	MS20253P2-1450	..	PIN-HINGE OPTIONAL PART: 417N3130-11	107107	1
70	417N3133-1	..	LATCH	107107	1
75	417N3173-4	..	SPRING	107107	1
80	417N3133-4	..	LATCH ASSY ATTACHING PARTS	107107	2
85	BACS12FA08K6	..	SCREW-	107107	4
87	BACS12FA08K7	..	SCREW	107107	2
90	AN960JD8L	..	WASHER-	107107	4
92	BACW10P193G	..	WASHER	107107	2
93	NAS43DD3-4	..	SPACER	107107	2
			-----*-----		
95	6035-2BR185	...	INSERT- SUPPLIER CODE: V01556	107107	3
100	417N3133-5	...	LATCH	107107	1
102	NAS601-6P	..	SCREW- USED ON: 417N3130-33SP 417N3130-36SP 417N3130-63SP 417N3130-64SP 417N3130-66SP 417N3130-73SP 417N3130-74SP 417N3130-76SP	107107	2
105	NAS620-6L	..	WASHER-	107107	2

MISSING ITEM NUMBERS NOT APPLICABLE

- ITEM NOT ILLUSTRATED

35-21-04-02

35-21-04
FIG. 02
PAGE 9
JAN 20/09

BRI

BOEING PROPRIETARY - Copyright © - Unpublished Work - See title page for details.



757

PARTS CATALOG (MAINTENANCE)

FIG ITEM	PART NUMBER	1 2 3 4 5 6 7	NOMENCLATURE	EFFECT FROM TO	UNITS PER ASSY
2 115	78580-1ACTUATOR	..	ACTUATOR- SUPPLIER CODE: V09790 SPECIFICATION NUMBER: S417T402-2 ELECTRICAL EQUIP NUMBER: B10054 B10055	107107	1
120	NAS514P632-14	..	SCREW	107107	1
125	AN960JD6	..	WASHER- USED ON: 417N3130-33SP 417N3130-36SP 417N3130-63SP 417N3130-64SP 417N3130-66SP	107107	1
125	AN960JD6L	..	WASHER- USED ON: 417N3130-73SP 417N3130-74SP 417N3130-76SP	107107	1
130	NAS43DD1-38	..	SPACER	107107	1
135	BRH10A06	..	NUT- SUPPLIER CODE: V52828 SPECIFICATION NUMBER: BACN10JC06 OPTIONAL PART: H10-06BAC V15653 RMLH9075-62W V72962 VN303A62 V92215 96-62 V80539 NS202101-62 V80539 T6S632J V11815 USED ON: 417N3130-1SP 417N3130-4SP	107107	1

MISSING ITEM NUMBERS NOT APPLICABLE

- ITEM NOT ILLUSTRATED

35-21-04-02

35-21-04
FIG. 02
PAGE 10
JAN 20/09

BRI

 **BOEING**
757
PARTS CATALOG (MAINTENANCE)

FIG ITEM	PART NUMBER	1 2 3 4 5 6 7	NOMENCLATURE	EFFECT FROM TO	UNITS PER ASSY
2 135	MS21042L06		..NUT- USED ON: 417N3130-33SP 417N3130-36SP 417N3130-63SP 417N3130-64SP 417N3130-66SP 417N3130-73SP 417N3130-74SP 417N3130-76SP	107107	1
140	417N3135-1		..LEVER-ACTR RESET USED ON: 417N3130-1SP 417N3130-4SP 417N3130-33SP 417N3130-36SP 417N3130-63SP 417N3130-64SP 417N3130-66SP	107107	1
140	417N3135-3		..LEVER-ACTR RESET USED ON: 417N3130-73SP 417N3130-74SP 417N3130-76SP	107107	1
162	417N3150-2SP		..STOP ASSY-TEST USED ON: 417N3130-33SP 417N3130-36SP 417N3130-63SP 417N3130-64SP 417N3130-66SP 417N3130-73SP 417N3130-74SP 417N3130-76SP	107107	1
165	6100-12		..RETAINER- SUPPLIER CODE: V97464 USED ON: 417N3130-1SP 417N3130-33SP 417N3130-63SP 417N3130-73SP	107107	2

MISSING ITEM NUMBERS NOT APPLICABLE

— ITEM NOT ILLUSTRATED

BRI

35-21-04-02

BOEING PROPRIETARY - Copyright © - Unpublished Work - See title page for details.

35-21-04
FIG. 02
PAGE 11
JAN 20/09



757

PARTS CATALOG (MAINTENANCE)

FIG ITEM	PART NUMBER	1 2 3 4 5 6 7	NOMENCLATURE	EFFECT FROM TO	UNITS PER ASSY
2 170	6100-12		.. RETAINER- SUPPLIER CODE: V97464 USED ON: 417N3130-4SP 417N3130-36SP 417N3130-64SP 417N3130-66SP 417N3130-74SP 417N3130-76SP	107107	2
175	MS20392-1C23		.. PIN- USED ON: 417N3130-1SP 417N3130-33SP 417N3130-63SP 417N3130-73SP	107107	2
180	MS20392-1C23		.. PIN- USED ON: 417N3130-4SP 417N3130-36SP 417N3130-64SP 417N3130-66SP 417N3130-74SP 417N3130-76SP	107107	2
185	417N3137-1		.. CABLE ASSY- USED ON: 417N3130-1SP 417N3130-33SP 417N3130-63SP 417N3130-73SP	107107	1
190	417N3137-1		.. CABLE ASSY- USED ON: 417N3130-4SP 417N3130-36SP 417N3130-64SP 417N3130-66SP 417N3130-74SP 417N3130-76SP	107107	1
195	417T4205-93		.. MASK ASSY- USED ON: 417N3130-63SP REWORKED BY SB: 35-0014 REWORKED BY SB: 3500-98-07 V16827	107107	4

MISSING ITEM NUMBERS NOT APPLICABLE

- ITEM NOT ILLUSTRATED

35-21-04-02

35-21-04
FIG. 02
PAGE 12
JAN 20/09

BRI



757

PARTS CATALOG (MAINTENANCE)

FIG ITEM	PART NUMBER	1 2 3 4 5 6 7	NOMENCLATURE	EFFECT FROM TO	UNITS PER ASSY
2 195	417T4205-193		..MASK ASSY- MISCELLANEOUS DATA: (EQUIVALENT PURITAN- BENNETT (FSCM 02217) P/N IS 174080-193 EQUIVALENT SCOTT (FSCM 53655) P/N IS 289-601-806) COMPONENT MAINT MANUAL REF: 25-23-38 USED ON: 417N3130-73SP REWORKED BY SB: 35-0014 REWORKED BY SB: 3500-98-07 V16827	107107	4
201	417T4205-93		..MASK ASSY- USED ON: 417N3130-64SP REWORKED BY SB: 35-0014 REWORKED BY SB: 3500-98-07 V16827	107107	4
201	417T4205-193		..MASK ASSY- MISCELLANEOUS DATA: (EQUIVALENT PURITAN- BENNETT (FSCM 02217) P/N IS 174080-193 EQUIVALENT SCOTT (FSCM 53655) P/N IS 289-601-806) COMPONENT MAINT MANUAL REF: 25-23-38 USED ON: 417N3130-74SP REWORKED BY SB: 35-0014 REWORKED BY SB: 3500-98-07 V16827	107107	4

MISSING ITEM NUMBERS NOT APPLICABLE

- ITEM NOT ILLUSTRATED

35-21-04-02

35-21-04
 FIG. 02
 PAGE 13
 JAN 20/09

BRI



757

PARTS CATALOG (MAINTENANCE)

FIG ITEM	PART NUMBER	1 2 3 4 5 6 7	NOMENCLATURE	EFFECT FROM TO	UNITS PER ASSY
2 201	289-801-240		..MASK ASSY- SUPPLIER CODE: V53655 SPECIFICATION NUMBER: S418W001-100 COMPONENT MAINT MANUAL REF: 35-22-07 USED ON: 417N3130-144SP	107107	4
400	417N3200-5SP		SERVICE UNIT ASSY-PASS. (OXYGEN ONLY) POSITION DATA: OVERDOOR COMPONENT MAINT MANUAL REF: 35-21-04 FOR NHA/OTHER SYS DET SEE: 25-23-01-03	107107	RF
405	417N3200-6SP		SERVICE UNIT ASSY-PASS. (OXYGEN ONLY) POSITION DATA: OVERDOOR COMPONENT MAINT MANUAL REF: 35-21-04 FOR NHA/OTHER SYS DET SEE: 25-23-01-03	107107	RF
410	117003-12		.GENERATOR-2 PERSON SUPPLIER CODE: V16827 SPECIFICATION NUMBER: S417T401-25 OPTIONAL PART: 803000-02 V53655 E717200-00 VD1379	107107	1
410	803000-02		.GENERATOR-2 PERSON SUPPLIER CODE: V53655 SPECIFICATION NUMBER: S417T401-31 OPTIONAL PART: 117003-12 V16827	107107	1

MISSING ITEM NUMBERS NOT APPLICABLE

- ITEM NOT ILLUSTRATED

BRI

35-21-04-02

35-21-04
FIG. 02
PAGE 14
JAN 20/09



757

PARTS CATALOG (MAINTENANCE)

FIG ITEM	PART NUMBER	1 2 3 4 5 6 7	NOMENCLATURE	EFFECT FROM TO	UNITS PER ASSY
2					
410	117080-02		.GENERATOR-2 PERSON SUPPLIER CODE: V16827 SPECIFICATION NUMBER: S417T401-61 OPTIONAL PART: E71720-00 VD1379	107107	1
410	E71720-00		.GENERATOR-2 PERSON SUPPLIER CODE: VD1379 SPECIFICATION NUMBER: S417T401-43 OPTIONAL PART: 117003-12 V16827 117080-02 V16827	107107	1
415	417N3160-12		.FOAM	107107	1
420	417N3160-14		.BRACKET ASSY-GEN MTG ATTACHING PARTS	107107	1
430	BACS12FA08K7		.SCREW	107107	2
435	BACS12FA08K8		.SCREW	107107	2
440	AN960PD8L		.WASHER	107107	2
445	AN960JD8L		.WASHER	107107	2
			-----*-----		
700	417N3700-2SP		SERVICE UNIT ASSY-ATTENDANT (OXYGEN ONLY) POSITION DATA: UNDERBIN COMPONENT MAINT MANUAL REF: 35-21-05 FOR NHA/OTHER SYS DET SEE: 25-23-01-12	107107	RF
705	117003-12		.GENERATOR-2 PERSON SUPPLIER CODE: V16827 SPECIFICATION NUMBER: S417T401-25 OPTIONAL PART: 803000-02 V53655 E71720-00 VD1379	107107	1

MISSING ITEM NUMBERS NOT APPLICABLE

- ITEM NOT ILLUSTRATED

35-21-04-02

35-21-04
FIG. 02
PAGE 15
JAN 20/09

BRI

BOEING
757
PARTS CATALOG (MAINTENANCE)

FIG ITEM	PART NUMBER	1 2 3 4 5 6 7	NOMENCLATURE	EFFECT FROM TO	UNITS PER ASSY
2					
705	803000-02		.GENERATOR-2 PERSON SUPPLIER CODE: V53655 SPECIFICATION NUMBER: S417T401-31 OPTIONAL PART: 117003-12 V16827	107107	1
705	E71720-00		.GENERATOR-2 PERSON SUPPLIER CODE: VD1379 SPECIFICATION NUMBER: S417T401-43 OPTIONAL PART: 117003-12 V16827 117080-02 V16827	107107	1
705	117080-02		.GENERATOR-2 PERSON SUPPLIER CODE: V16827 SPECIFICATION NUMBER: S417T401-61 OPTIONAL PART: E71720-00 VD1379	107107	1
710	417T4250-4		.CLAMP ASSY-GEN ATTACHING PARTS	107107	1
- 715	NAS1801-3-6		.SCREW	107107	2
- 720	AN960PD10L		.WASHER	107107	2
			-----*-----		
725	417N3130-16SP		.BOX ASSY-OXY COMPONENT MAINT MANUAL REF: 35-21-03 REWORKED BY ALERT SB: 35A0010	107107	1
725	417N3130-50SP		.BOX ASSY-OXY COMPONENT MAINT MANUAL REF: 35-21-03 REWORKED BY ALERT SB: 35A0010	107107	1
725	417N3130-92SP		.BOX ASSY-OXY COMPONENT MAINT MANUAL REF: 35-21-03 ATTACHING PARTS	107107	1
- 730	BACW10P193G		.WASHER	107107	4
- 735	BACN10YJ08		.NUT	107107	4
			-----*-----		
740	417N3140-3SP		..DOOR ASSY	107107	1

MISSING ITEM NUMBERS NOT APPLICABLE

- ITEM NOT ILLUSTRATED

BRI

35-21-04-02

35-21-04
FIG. 02
PAGE 16
JAN 20/09



757

PARTS CATALOG (MAINTENANCE)

FIG ITEM	PART NUMBER	1 2 3 4 5 6 7	NOMENCLATURE	EFFECT FROM TO	UNITS PER ASSY
2					
742	417N3140-9	...	FOAM-RIGID MANUFACTURED FROM: STOCK .25 X 2.80 X .25 TH. BMS 1-68, GRADE A, FORM III OPTIONAL PART: 417N3140-6	107107	1
742	417N3140-6	...	FOAM-RIGID MANUFACTURED FROM: STOCK .25 X .25 X 2.90 BMS8-39, TYPE VI A, CLASS A90, FOAM A, COMP B OPTIONAL PART: 417N3140-9	107107	1
745	BACS12FA08K8	..	SCREW- USED ON: 417N3130-16SP	107107	4
747	BACS12FA08K8	..	SCREW- USED ON: 417N3130-50SP	107107	3
748	BACS12FA08K8	..	SCREW- USED ON: 417N3130-92SP	107107	3
750	BACW10P43AL	..	WASHER- USED ON: 417N3130-16SP	107107	4
752	BACW10P43AL	..	WASHER- USED ON: 417N3130-50SP	107107	3
755	AN960PD8L	..	WASHER- USED ON: 417N3130-16SP	107107	4
757	AN960PD8L	..	WASHER- USED ON: 417N3130-50SP	107107	3
758	AN960JD8L	..	WASHER- USED ON: 417N3130-92SP	107107	6

MISSING ITEM NUMBERS NOT APPLICABLE

- ITEM NOT ILLUSTRATED

35-21-04-02

35-21-04
FIG. 02
PAGE 17
JAN 20/09

BRI



757

PARTS CATALOG (MAINTENANCE)

FIG ITEM	PART NUMBER	1 2 3 4 5 6 7	NOMENCLATURE	EFFECT FROM TO	UNITS PER ASSY
2 760	BRH10A08		..NUT- SUPPLIER CODE: V52828 SPECIFICATION NUMBER: BACN10JC08 OPTIONAL PART: H10-08BAC V15653 NS202101-82 V80539 RMLH9075-82W V72962 VN303A82 V92215 96-82 V80539 T6S832J V11815 USED ON: 417N3130-16SP	107107	4
761	MS21042L08		..NUT- USED ON: 417N3130-92SP	107107	3
762	BRH10A08		..NUT- SUPPLIER CODE: V52828 SPECIFICATION NUMBER: BACN10JC08 OPTIONAL PART: H10-08BAC V15653 NS202101-82 V80539 RMLH9075-82W V72962 VN303A82 V92215 96-82 V80539 T6S832J V11815 USED ON: 417N3130-50SP	107107	3
763	NAS601-6P		..SCREW- USED ON: 417N3130-50SP 417N3130-92SP	107107	2
765	NAS620-6L		..WASHER-	107107	2

MISSING ITEM NUMBERS NOT APPLICABLE

- ITEM NOT ILLUSTRATED

35-21-04-02

35-21-04
 FIG. 02
 PAGE 18
 JAN 20/09

BRI



757

PARTS CATALOG (MAINTENANCE)

FIG ITEM	PART NUMBER	1 2 3 4 5 6 7	NOMENCLATURE	EFFECT FROM TO	UNITS PER ASSY
2 770	BRH10A06		..NUT- SUPPLIER CODE: V52828 SPECIFICATION NUMBER: BACN10JC06 OPTIONAL PART: H10-06BAC V15653 RMLH9075-62W V72962 VN303A62 V92215 96-62 V80539 NS202101-62 V80539 T6S632J V11815 USED ON: 417N3130-16SP	107107	2
775	78580-1ACTUATOR		..ACTUATOR- SUPPLIER CODE: V09790 SPECIFICATION NUMBER: S417T402-2 ELECTRICAL EQUIP NUMBER: B10058	107107	1
780	NAS514P632-14		..SCREW	107107	1
785	NAS43DD1-38		..SPACER	107107	1
790	AN960PD6		..WASHER- USED ON: 417N3130-16SP	107107	1
790	AN960JD6		..WASHER- USED ON: 417N3130-50SP	107107	1
790	AN960JD6L		..WASHER- USED ON: 417N3130-92SP	107107	1

MISSING ITEM NUMBERS NOT APPLICABLE

- ITEM NOT ILLUSTRATED

35-21-04-02

35-21-04
FIG. 02
PAGE 19
JAN 20/09

BRI



757

PARTS CATALOG (MAINTENANCE)

FIG ITEM	PART NUMBER	1 2 3 4 5 6 7	NOMENCLATURE	EFFECT FROM TO	UNITS PER ASSY
2 795	BRH10A06	..	NUT- SUPPLIER CODE: V52828 SPECIFICATION NUMBER: BACN10JC06 OPTIONAL PART: H10-06BAC V15653 RMLH9075-62W V72962 VN303A62 V92215 96-62 V80539 NS202101-62 V80539 T6S632J V11815 USED ON: 417N3130-16SP	107107	1
795	MS21042L06	..	NUT- USED ON: 417N3130-50SP 417N3130-92SP	107107	1
800	417N3135-1	..	LEVER-ACTR RESET USED ON: 417N3130-16SP 417N3130-50SP	107107	1
800	417N3135-3	..	LEVER-ACTR RESET USED ON: 417N3130-92SP	107107	1
805	77-06-106-13	..	STUD- SUPPLIER CODE: V94222 USED ON: 417N3130-16SP	107107	2
810	417N3150-1SP	..	STOP ASSY-TEST USED ON: 417N3130-16SP	107107	1
812	417N3150-2SP	..	STOP ASSY-TEST USED ON: 417N3130-50SP 417N3130-92SP	107107	1
815	417N3137-8	..	CABLE ASSY ATTACHING PARTS	107107	1
- 820	BACS12FA3K9	..	SCREW	107107	1
- 825	BACW10P43AL	..	WASHER	107107	2

MISSING ITEM NUMBERS NOT APPLICABLE

- ITEM NOT ILLUSTRATED

35-21-04-02

35-21-04
FIG. 02
PAGE 20
JAN 20/09

BRI

 **BOEING**
757
PARTS CATALOG (MAINTENANCE)

FIG ITEM	PART NUMBER	1 2 3 4 5 6 7	NOMENCLATURE	EFFECT FROM TO	UNITS PER ASSY
2 - 830	BRH10A3	..	NUT SUPPLIER CODE: V52828 SPECIFICATION NUMBER: BACN10JC3 OPTIONAL PART: H10-3BAC V15653 NS202101-02 V80539 RMLH9075-3W V72962 VN303A02 V92215 96-02 V80539 T6S1032J V11815	107107	1
- 830	MS21042L3	..	NUT-	107107	1
835	417T4205-67	..	MASK ASSY- MISCELLANEOUS DATA: (EQUIVALENT PURITAN- BENNETT (FSCM 02217) P/N IS 174080-67) USED ON: 417N3130-16SP 417N3130-50SP REWORKED BY SB: 35-0014 REWORKED BY SB: 3500-98-07 V16827	107107	2
835	417T4205-167	..	MASK ASSY- MISCELLANEOUS DATA: (EQUIVALENT PURITAN- BENNETT (FSCM 02217) P/N IS 174080-167 EQUIVALENT SCOTT (FSCM 53655) P/N IS 289-601-392) USED ON: 417N3130-92SP REWORKED BY SB: 35-0014 REWORKED BY SB: 3500-98-07 V16827	107107	2

MISSING ITEM NUMBERS NOT APPLICABLE

- ITEM NOT ILLUSTRATED

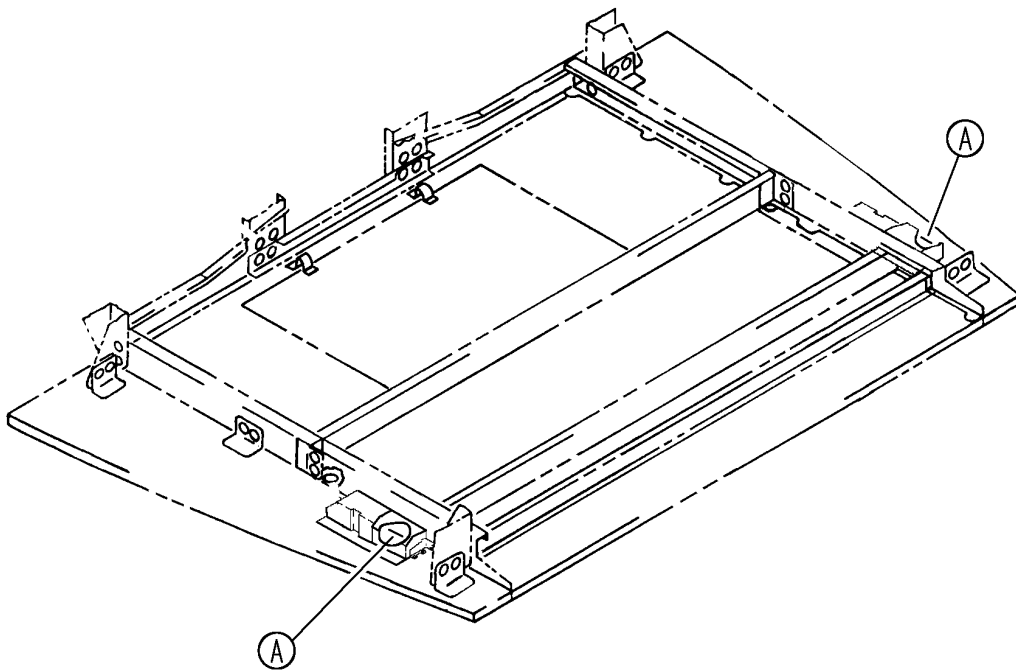
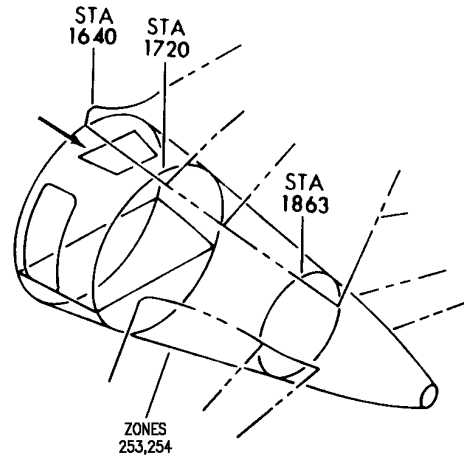
BRI

35-21-04-02

BOEING PROPRIETARY - Copyright © - Unpublished Work - See title page for details.

35-21-04
FIG. 02
PAGE 21
JAN 20/09

BOEING
757
PARTS CATALOG (MAINTENANCE)



Y 35210402A SHT 1 REV 295

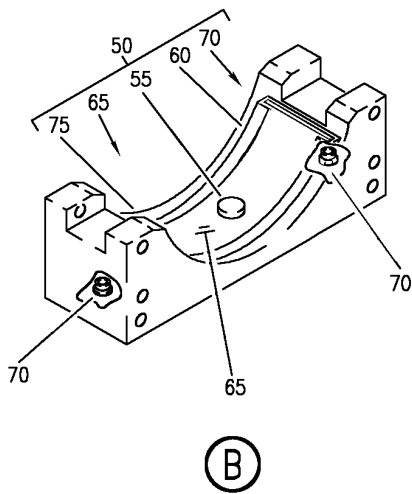
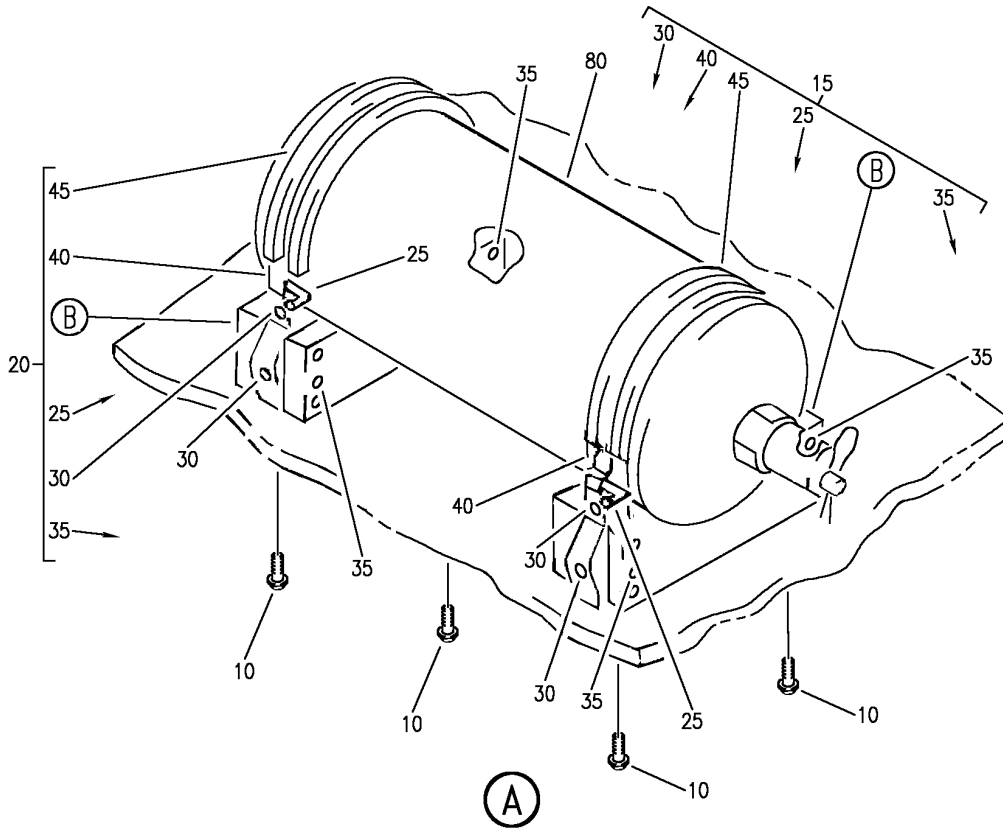
BOX ASSY-OXY (OXYGEN GENERATOR ONLY)
FIGURE 2A (SHEET 1)

35-21-04-02A

BRI
JAN 20/09

35-21-04-02A
PAGE 0

BOEING
757
PARTS CATALOG (MAINTENANCE)



Y 35210402A SHT 2 REV 285

BOX ASSY-OXY (OXYGEN GENERATOR ONLY)
FIGURE 2A (SHEET 2)

35-21-04-02A

BRI
JAN 20/09

35-21-04-02A
PAGE 0A



757

PARTS CATALOG (MAINTENANCE)

FIG ITEM	PART NUMBER	1 2 3 4 5 6 7	NOMENCLATURE	EFFECT FROM TO	UNITS PER ASSY
2A			BOX ASSY-OXY (OXYGEN GENERATOR ONLY)	950951	
- 1	417N3820-11SP		BOX ASSY-OXY (OXYGEN GENERATOR ONLY) FOR NHA SEE: 25-22-02-18J	950951	RF
- 5	417N3820-12SP		BOX ASSY-OXY (OXYGEN GENERATOR ONLY) FOR NHA SEE: 25-22-02-18J	950951	RF
10	BACS12FA08K6		.SCREW	950951	4
15	417T4250-3		.CLAMP ASSY-GEN	950951	1
20	417T4250-4		.CLAMP ASSY-GEN	950951	1
25	AN415-4		..PIN	950951	1
30	BACR15BB3AD		..RIVET	950951	2
35	5-64X11-8MDP		..PIN- SUPPLIER CODE: V00287 OPTIONAL PART: MS39086-26 CZ0781125 VONHT3	950951	2
35	MS39086-26		..PIN- OPTIONAL PART: CZ0781125 VONHT3 5-64X11-8MDP V00287	950951	2
35	CZ0781125		..PIN- SUPPLIER CODE: VONHT3 OPTIONAL PART: MS39086-26 5-64X11-8MDP V00287	950951	2
40	417T4250-7		..STRAP	950951	1
45	417T4250-6		..COVER-STRAP	950951	1
50	417T4255-1		..BLOCK ASSY	950951	1
55	MS21207C4-4		...SCREW	950951	1
60	417T4255-4		...COVER	950951	1
65	417T4255-3		...STRAP	950951	1
70	6041-3BRX375		...ULTRASERT II- SUPPLIER CODE: V26344	950951	2
75	417T4255-2		...BLOCK	950951	1

MISSING ITEM NUMBERS NOT APPLICABLE

- ITEM NOT ILLUSTRATED

35-21-04-02A

35-21-04
FIG. 02A
PAGE 1
JAN 20/09

BRI



757

PARTS CATALOG (MAINTENANCE)

FIG ITEM	PART NUMBER	1 2 3 4 5 6 7	NOMENCLATURE	EFFECT FROM TO	UNITS PER ASSY
2A 80	117003-12		.GENERATOR- SUPPLIER CODE: V16827 SPECIFICATION NUMBER: S417T401-25 OPTIONAL PART: 803000-02 V53655 E71720-00 VD1379	950951	1
80	803000-02		.GENERATOR- SUPPLIER CODE: V53655 SPECIFICATION NUMBER: S417T401-31 OPTIONAL PART: 117003-12 V16827	950951	1
80	117080-02		.GENERATOR- SUPPLIER CODE: V16827 SPECIFICATION NUMBER: S417T401-61 OPTIONAL PART: E71720-00 VD1379	950951	1
80	E71720-00		.GENERATOR- SUPPLIER CODE: VD1379 SPECIFICATION NUMBER: S417T401-43 OPTIONAL PART: 117003-12 V16827 117080-02 V16827	950951	1

MISSING ITEM NUMBERS NOT APPLICABLE

- ITEM NOT ILLUSTRATED

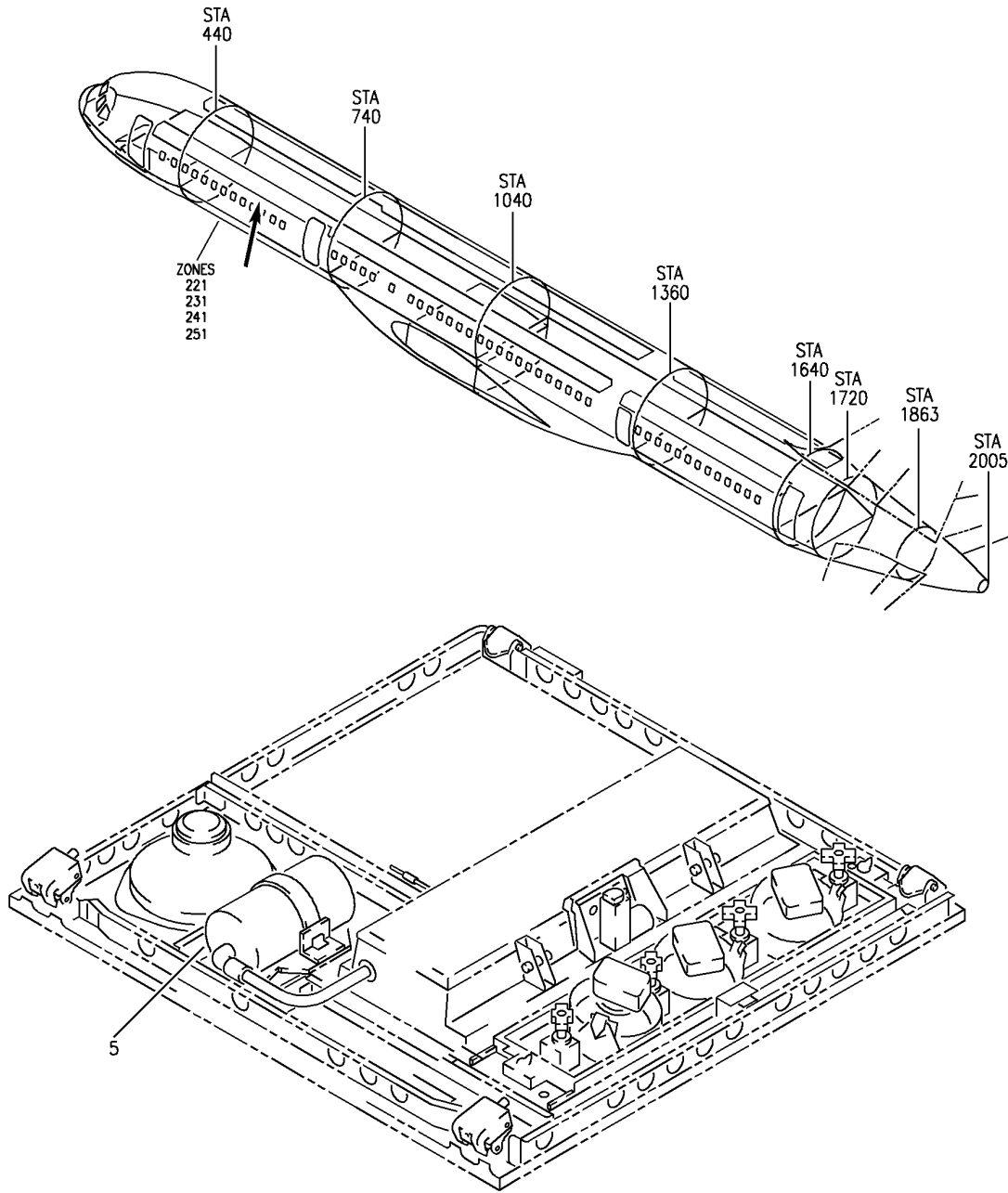
35-21-04-02A

35-21-04
FIG. 02A
PAGE 2
JAN 20/09

BRI

BOEING PROPRIETARY - Copyright © - Unpublished Work - See title page for details.

BOEING
757
PARTS CATALOG (MAINTENANCE)



Y 35210402D REV 295

SERVICE UNIT ASSY-23 INCH, UNDERBIN (WITHOUT SPEAKER)
FIGURE 2D

35-21-04-02D

BRI
JAN 20/09

35-21-04-02D
PAGE 0



757

PARTS CATALOG (MAINTENANCE)

FIG ITEM	PART NUMBER	1 2 3 4 5 6 7	NOMENCLATURE	EFFECT FROM TO	UNITS PER ASSY
2D			SERVICE UNIT ASSY-23 INCH, UNDERBIN (WITHOUT SPEAKER)	107107	
- 1	417N3100-323SP		SERVICE UNIT ASSY-PASS. 23 INCH (OXYGEN ONLY) POSITION DATA: UNDERBIN COMPONENT MAINT MANUAL REF: 25-23-33 FOR NHA/OTHER SYS DET SEE: 25-23-01-03	107107	RF
- 1	417N3100-513SP		SERVICE UNIT ASSY-PASS. 23 INCH (OXYGEN ONLY) POSITION DATA: UNDERBIN COMPONENT MAINT MANUAL REF: 25-23-33 FOR NHA/OTHER SYS DET SEE: 25-23-01-03	107107	RF
5	803000-04		.GENERATOR-12 MINUTES 4 PERSON SUPPLIER CODE: V53655 SPECIFICATION NUMBER: S417T401-33 OPTIONAL PART: 117003-14 V16827 E71740-00 VD1379	107107	1
5	117003-14		.GENERATOR-12 MINUTES 4 PERSON SUPPLIER CODE: V16827 SPECIFICATION NUMBER: S417T401-27 OPTIONAL PART: 803000-04 V53655 E71740-00 VD1379	107107	1

R
R
R
R
R
R
R
R
R
R

MISSING ITEM NUMBERS NOT APPLICABLE

- ITEM NOT ILLUSTRATED

35-21-04-02D

35-21-04
FIG. 02D
PAGE 1
MAY 20/09

BRI



757

PARTS CATALOG (MAINTENANCE)

FIG ITEM	PART NUMBER	1 2 3 4 5 6 7	NOMENCLATURE	EFFECT FROM TO	UNITS PER ASSY
2D 5	E71740-00		.GENERATOR-12 MINUTES 4 PERSON SUPPLIER CODE: VD1379 SPECIFICATION NUMBER: S417T401-44 OPTIONAL PART: 803000-04 V53655 117003-14 V16827 117080-04 V16827	107107	1
R R R R R R R R	5 117080-04		.GENERATOR-12 MINUTES 4 PERSON SUPPLIER CODE: V16827 SPECIFICATION NUMBER: S417T401-60 OPTIONAL PART: E71740-00 VD1379	107107	1

MISSING ITEM NUMBERS NOT APPLICABLE

- ITEM NOT ILLUSTRATED

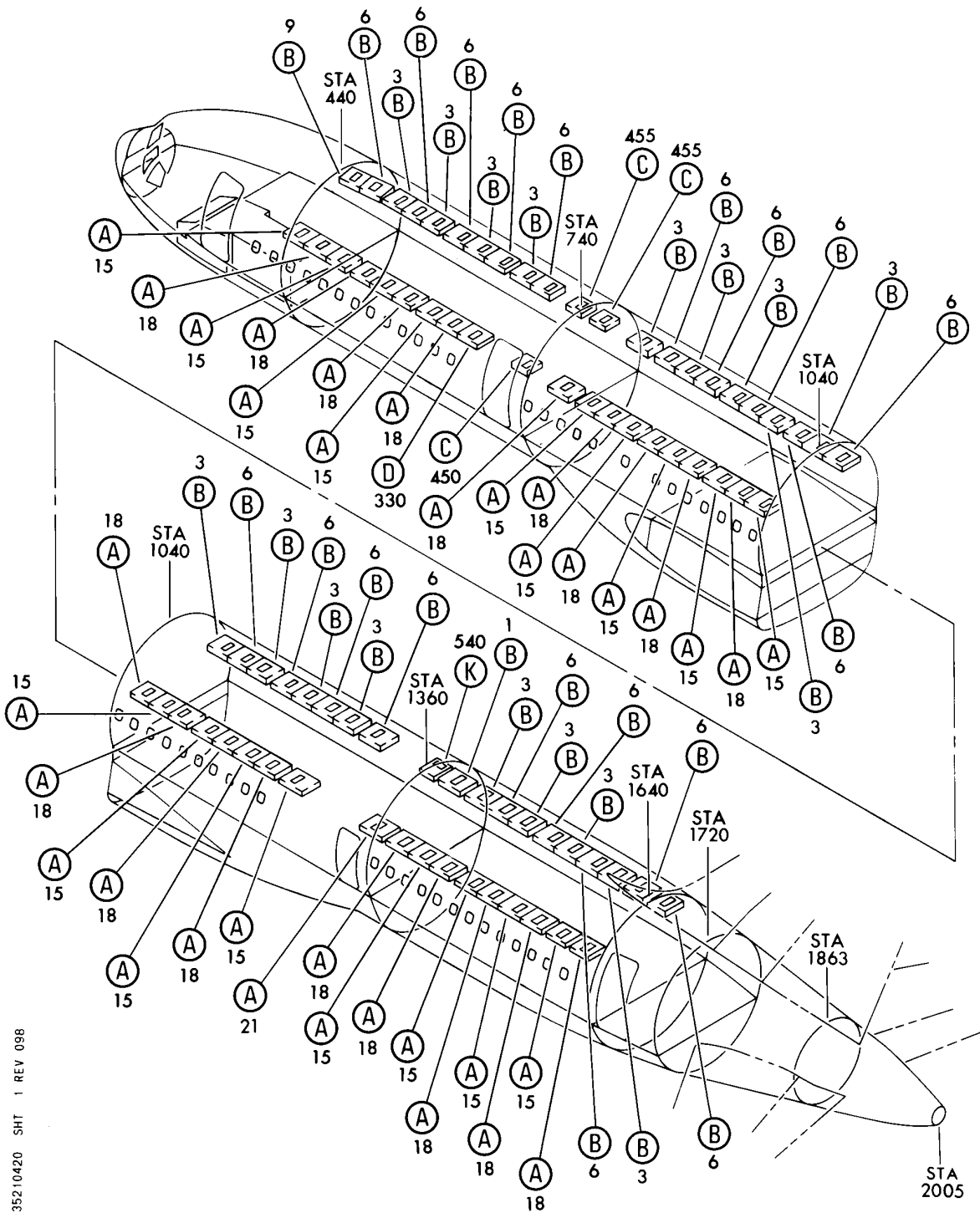
BRI

35-21-04-02D

BOEING PROPRIETARY - Copyright © - Unpublished Work - See title page for details.

35-21-04
FIG. 02D
PAGE 2
MAY 20/09

BOEING
757
PARTS CATALOG (MAINTENANCE)



Y 35210420 SHT 1 REV 098

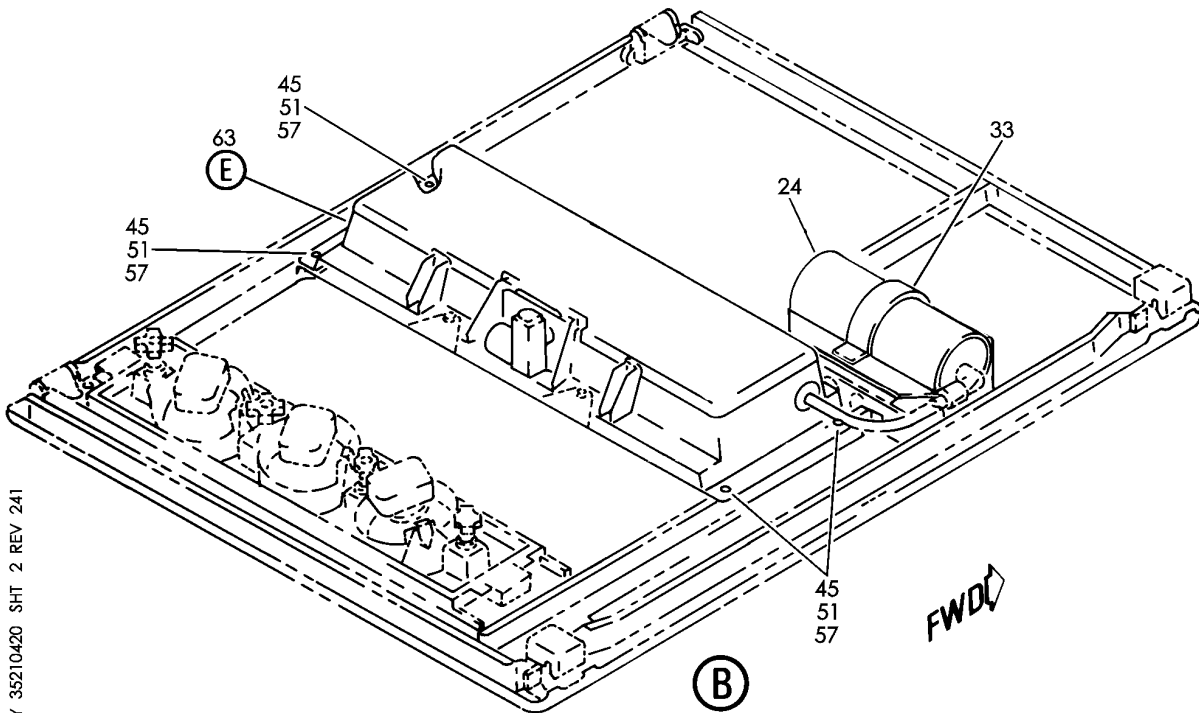
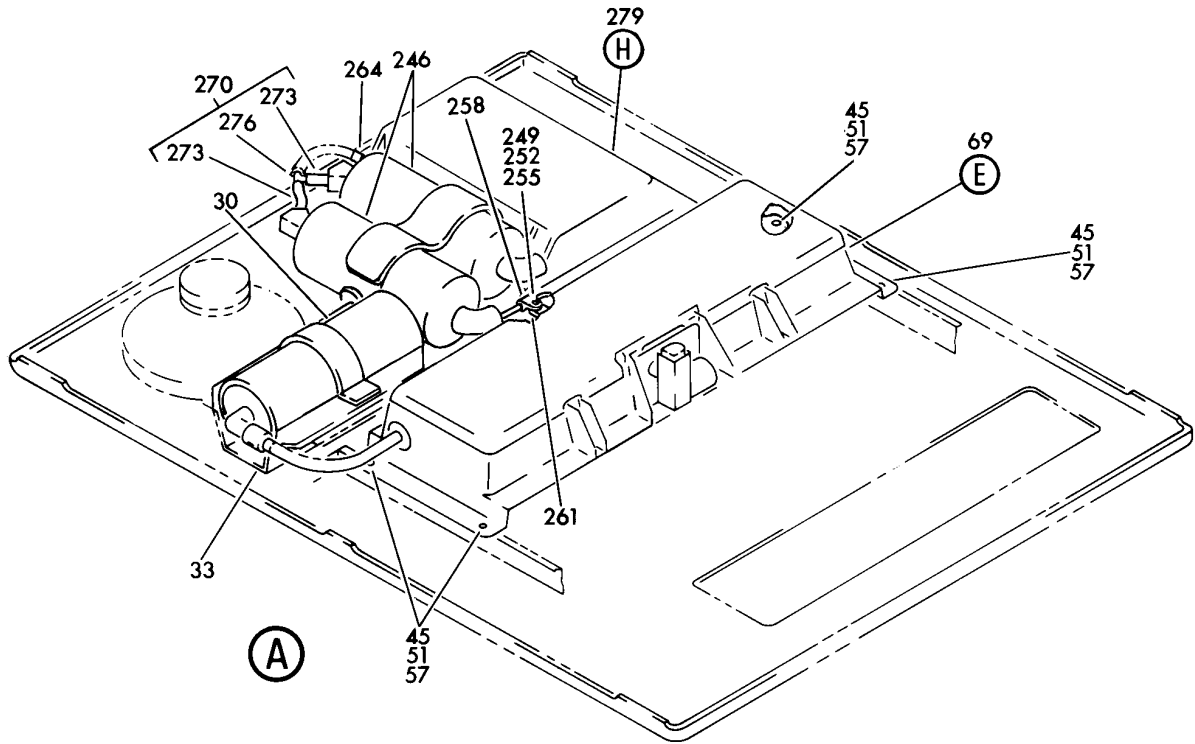
SERVICE UNIT ASSY-UNDERBIN AND OVERDOOR PASS. AND ATTENDANT (OXYGEN ONLY)
FIGURE 20 (SHEET 1)

35-21-04-20

BRI
MAY 28/07

35-21-04-20
PAGE 0

BOEING
757
PARTS CATALOG (MAINTENANCE)



Y 35210420 SHT 2 REV 241

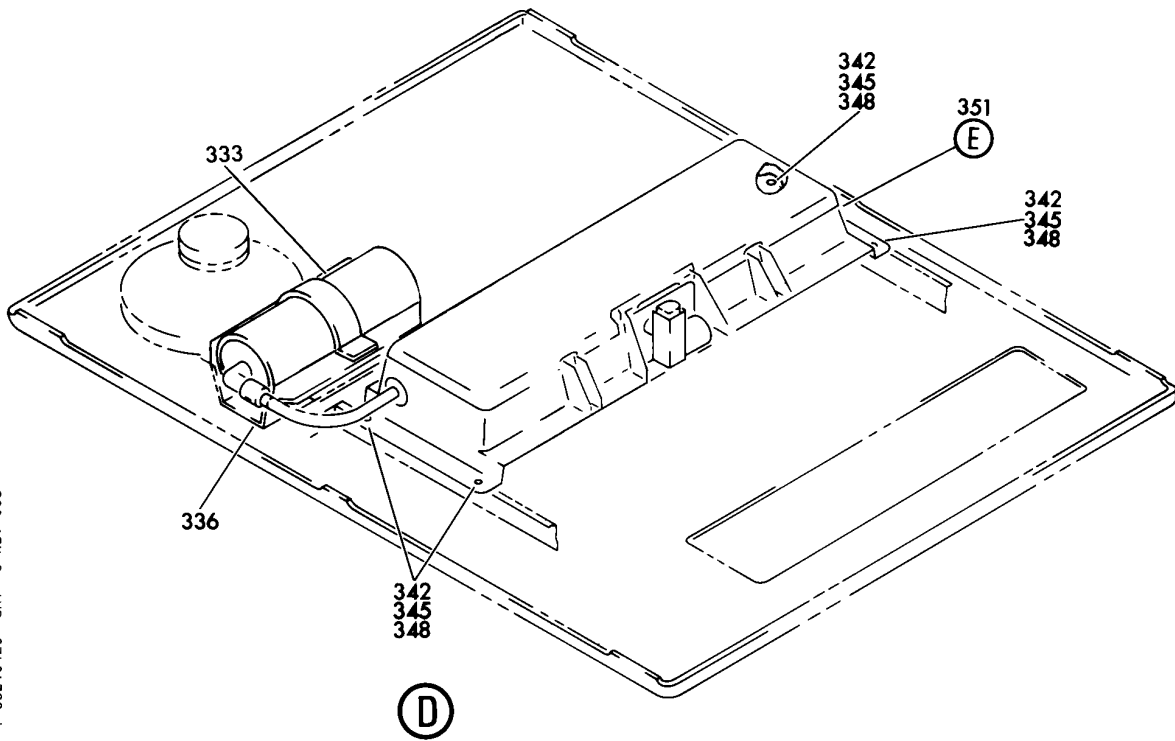
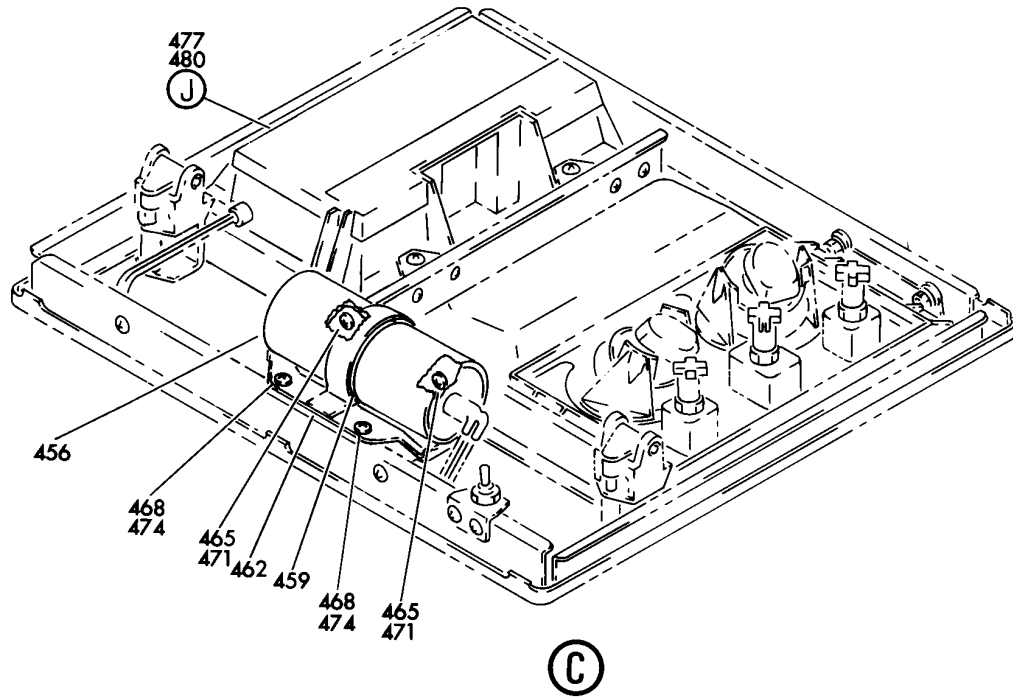
SERVICE UNIT ASSY-UNDERBIN AND OVERDOOR PASS. AND ATTENDANT (OXYGEN ONLY)
FIGURE 20 (SHEET 2)

BRI
MAY 28/07

35-21-04-20

35-21-04-20
PAGE 0A

BOEING
757
PARTS CATALOG (MAINTENANCE)



Y 35210420 SHT 3 REV 098

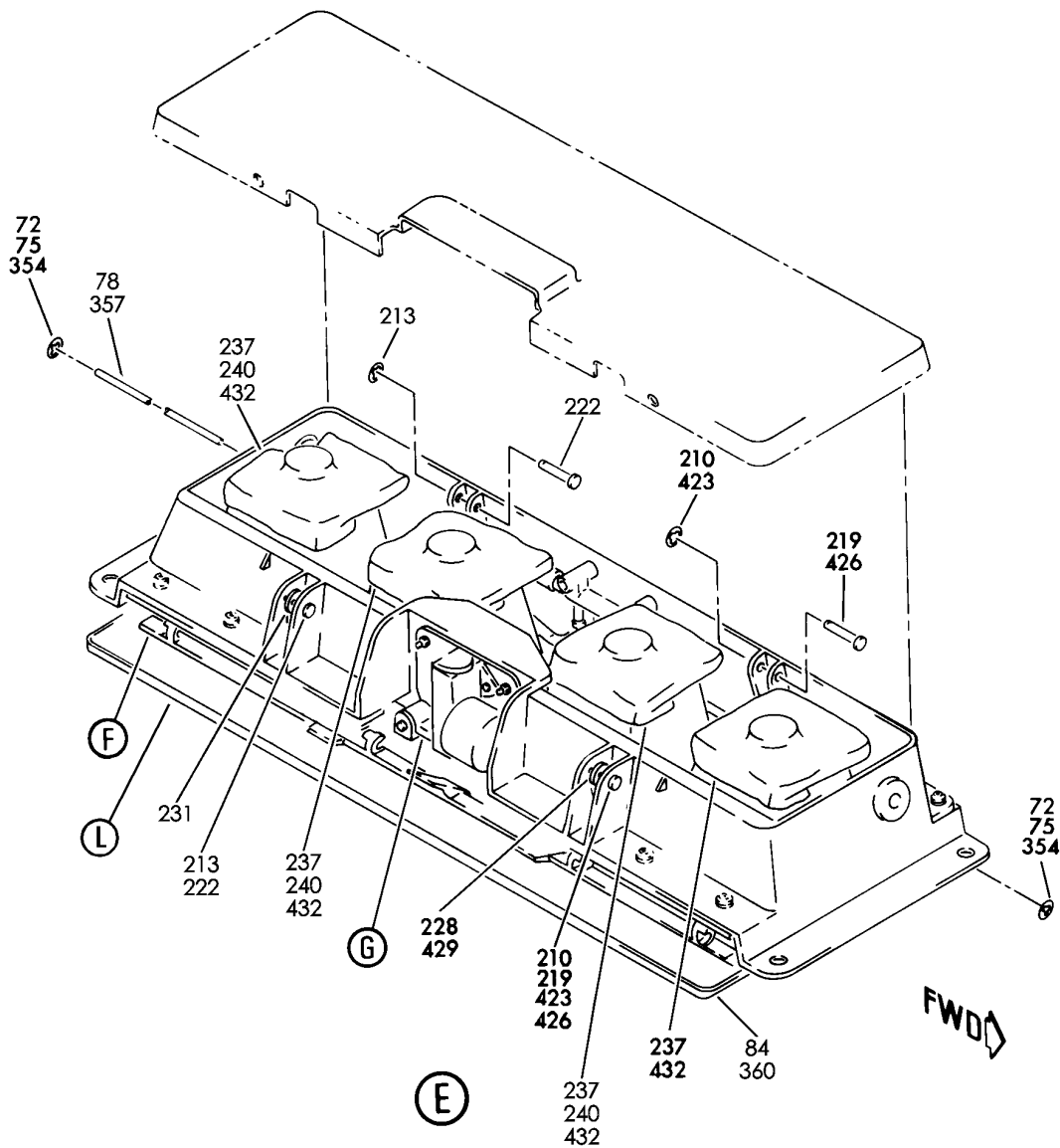
SERVICE UNIT ASSY-UNDERBIN AND OVERDOOR PASS. AND ATTENDANT (OXYGEN ONLY)
FIGURE 20 (SHEET 3)

35-21-04-20

BRI
MAY 28/07

35-21-04-20
PAGE 0B

BOEING
757
PARTS CATALOG (MAINTENANCE)



Y 35210420 SHT 4 REV 241

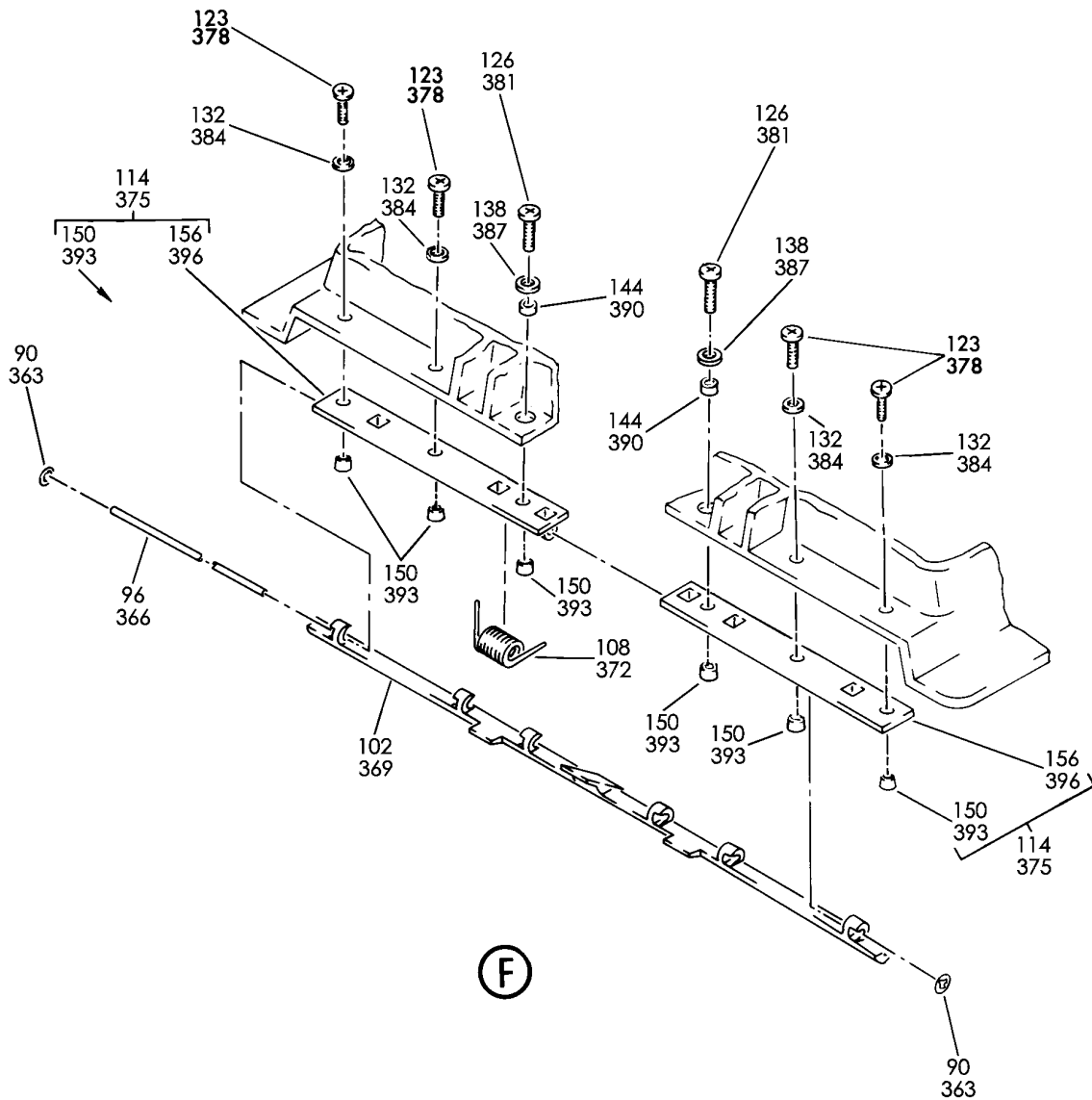
SERVICE UNIT ASSY-UNDERBIN AND OVERDOOR PASS. AND ATTENDANT (OXYGEN ONLY)
FIGURE 20 (SHEET 4)

35-21-04-20

BRI
MAY 28/07

35-21-04-20
PAGE 0C

BOEING
757
PARTS CATALOG (MAINTENANCE)



(F)

Y 35210420 SHT 5 REV 241

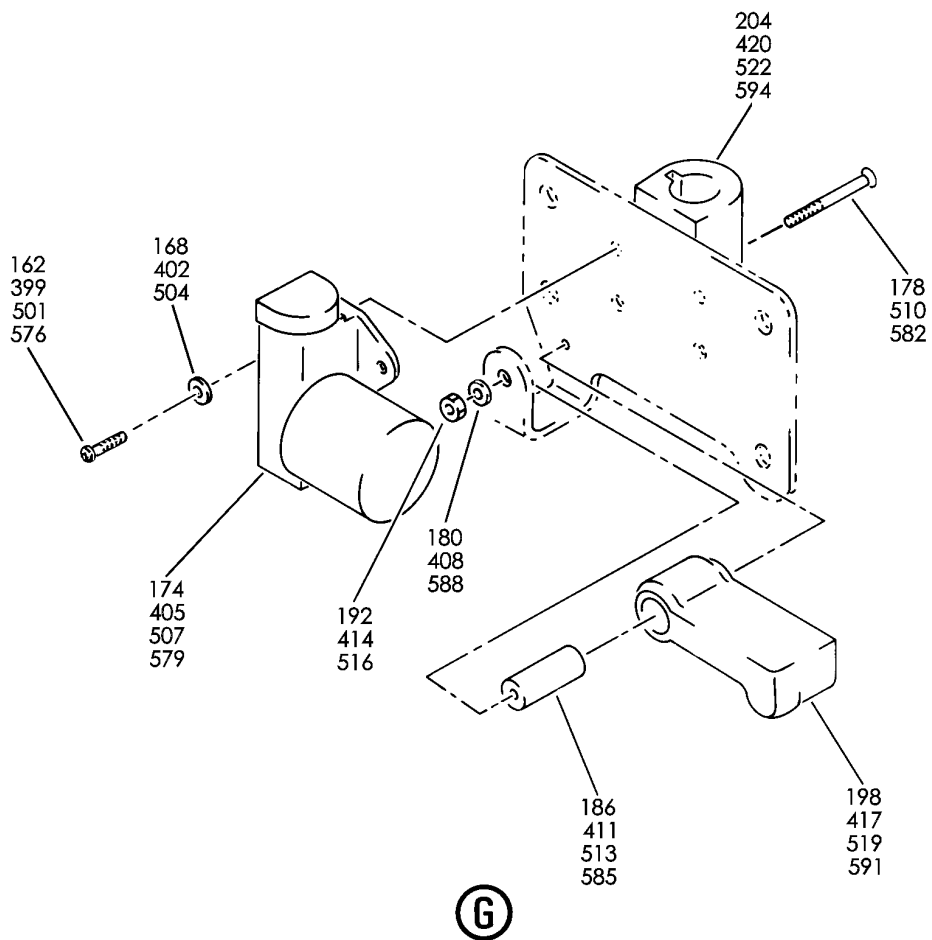
SERVICE UNIT ASSY-UNDERBIN AND OVERDOOR PASS. AND ATTENDANT (OXYGEN ONLY)
FIGURE 20 (SHEET 5)

35-21-04-20

BRI
MAY 28/07

35-21-04-20
PAGE 0D

BOEING
757
PARTS CATALOG (MAINTENANCE)



Y 35210420 SHT 6 REV 241

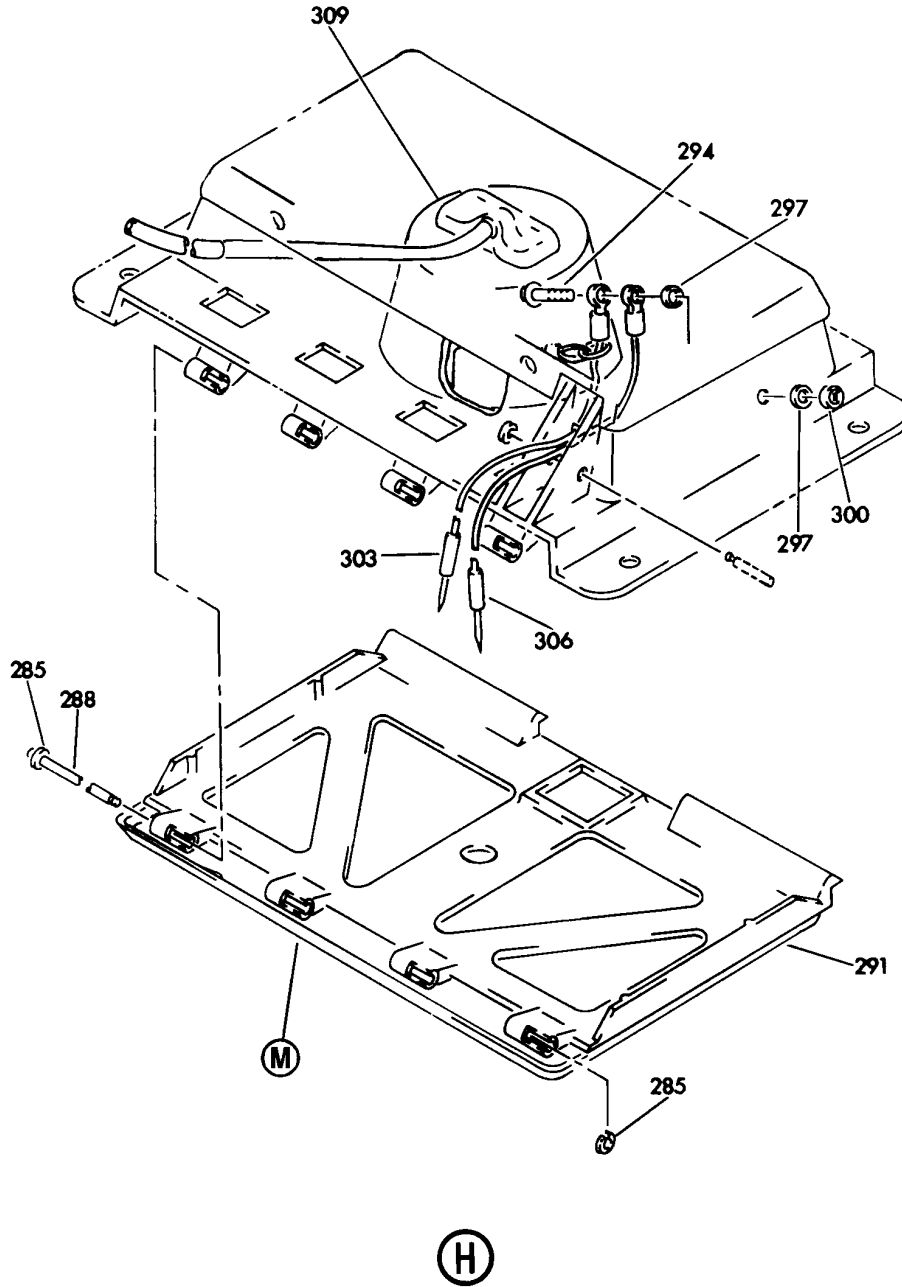
SERVICE UNIT ASSY-UNDERBIN AND OVERDOOR PASS. AND ATTENDANT (OXYGEN ONLY)
FIGURE 20 (SHEET 6)

35-21-04-20

BRI
MAY 28/07

35-21-04-20
PAGE 0E

BOEING
757
PARTS CATALOG (MAINTENANCE)



Y 35210420 SHT 7 REV 197

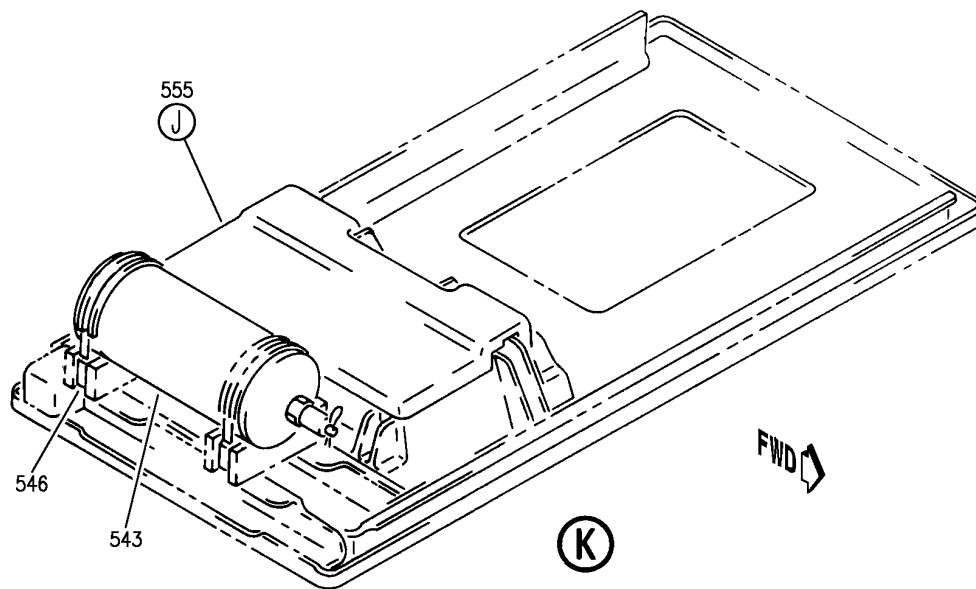
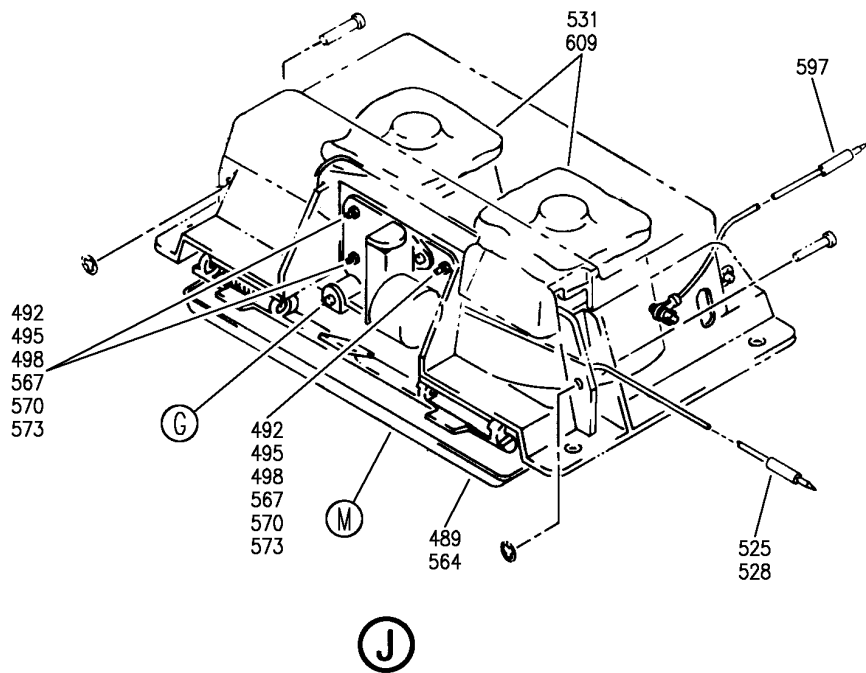
SERVICE UNIT ASSY-UNDERBIN AND OVERDOOR PASS. AND ATTENDANT (OXYGEN ONLY)
FIGURE 20 (SHEET 7)

35-21-04-20

BRI
MAY 28/07

35-21-04-20
PAGE OF

BOEING
757
PARTS CATALOG (MAINTENANCE)



Y 35210420 SH1 8 REV 271

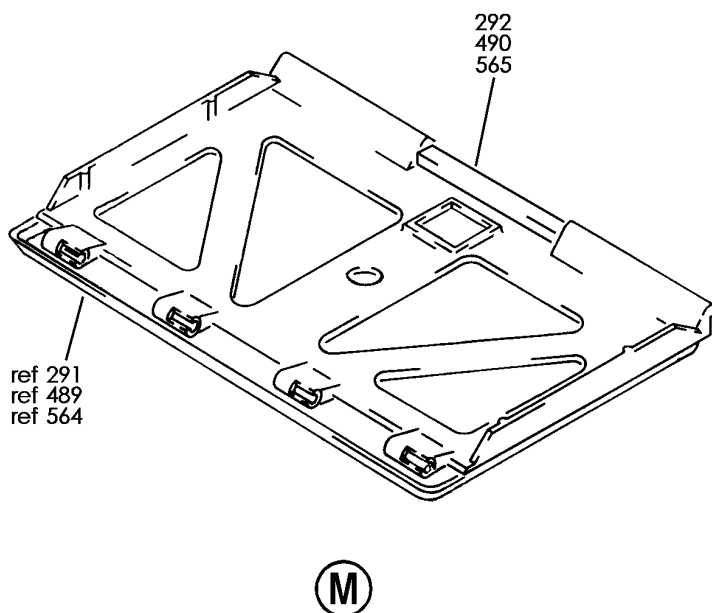
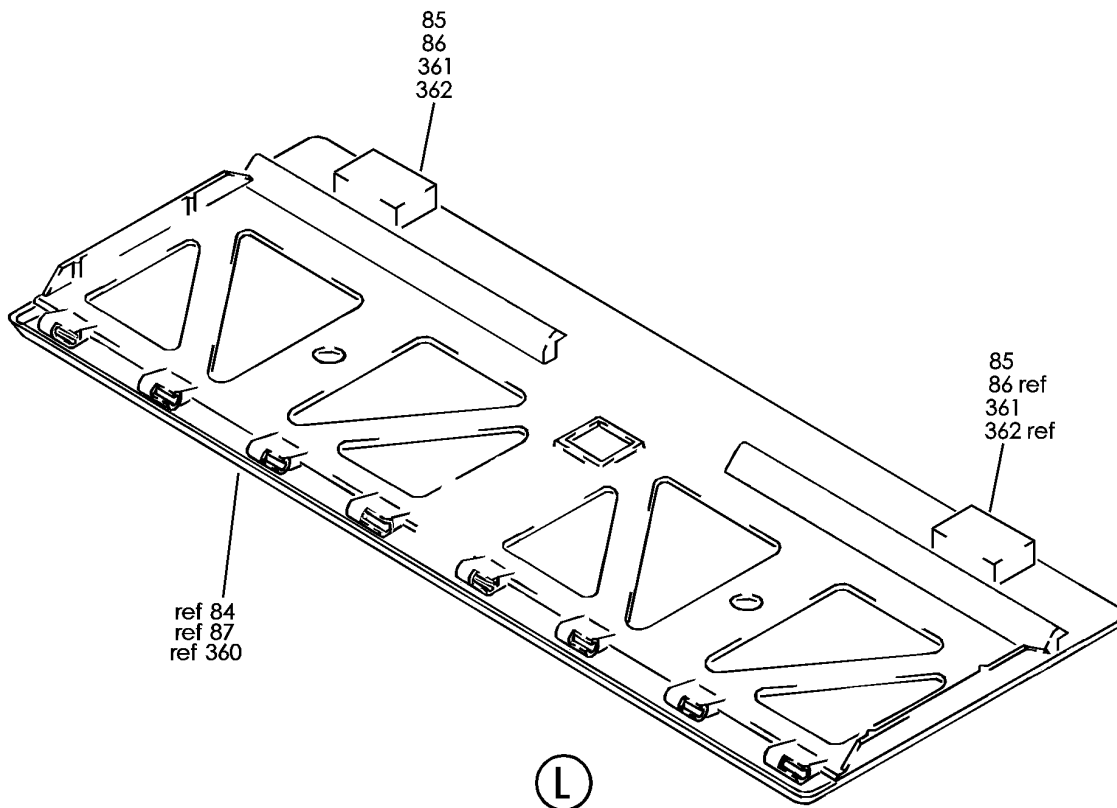
SERVICE UNIT ASSY-UNDERBIN AND OVERDOOR PASS. AND ATTENDANT (OXYGEN ONLY)
FIGURE 20 (SHEET 8)

BRI
MAY 28/07

35-21-04-20

35-21-04-20
PAGE 08

BOEING
757
PARTS CATALOG (MAINTENANCE)



Y 35210420 SH1 9 REV 241

SERVICE UNIT ASSY-UNDERBIN AND OVERDOOR PASS. AND ATTENDANT (OXYGEN ONLY)
FIGURE 20 (SHEET 9)

BRI
MAY 28/07

35-21-04-20

35-21-04-20
PAGE 0H



757

PARTS CATALOG (MAINTENANCE)

FIG ITEM	PART NUMBER	1 2 3 4 5 6 7	NOMENCLATURE	EFFECT FROM TO	UNITS PER ASSY
20			SERVICE UNIT ASSY-UNDERBIN AND OVERDOOR PASS. AND ATTENDANT (OXYGEN ONLY)	121503 904949	
1	417N3100-402SP		SERVICE UNIT ASSY-PASS. (OXYGEN ONLY) POSITION DATA: UNDERBIN COMPONENT MAINT MANUAL REF: 25-23-33 FOR NHA/OTHER SYS DET SEE: 25-23-01-73	121503 904949	RF
3	417N3100-406SP		SERVICE UNIT ASSY-PASS. (OXYGEN ONLY) POSITION DATA: UNDERBIN COMPONENT MAINT MANUAL REF: 25-23-33 FOR NHA/OTHER SYS DET SEE: 25-23-01-71 25-23-01-71A 25-23-01-72 25-23-01-73	121503 904949	RF
6	417N3100-408SP		SERVICE UNIT ASSY-PASS. (OXYGEN ONLY) POSITION DATA: UNDERBIN COMPONENT MAINT MANUAL REF: 25-23-33 FOR NHA/OTHER SYS DET SEE: 25-23-01-71 25-23-01-71A 25-23-01-72 25-23-01-73	121503 904949	RF
9	417N3100-408SP		SERVICE UNIT ASSY-PASS. (OXYGEN ONLY) POSITION DATA: UNDERBIN MISCELLANEOUS DATA: ALTERNATE CONFIGURATION COMPONENT MAINT MANUAL REF: 25-23-33 POST RAPID REVISION: RR92003-19 FOR NHA/OTHER SYS DET SEE: 25-23-01-71 25-23-01-71A	121503 904949	RF

MISSING ITEM NUMBERS NOT APPLICABLE

- ITEM NOT ILLUSTRATED

35-21-04-20

35-21-04
FIG. 20
PAGE 1
JAN 20/09

BRI



757

PARTS CATALOG (MAINTENANCE)

FIG ITEM	PART NUMBER	1 2 3 4 5 6 7	NOMENCLATURE	EFFECT FROM TO	UNITS PER ASSY
20 24	803000-03		.GENERATOR-OXYGEN MODULE OUTBD GENERATOR, 12 MINUTES, 3 PERSON. SUPPLIER CODE: V53655 SPECIFICATION NUMBER: S417T401-32 OPTIONAL PART: 117003-13 V16827 USED ON: 417N3100-402SP 417N3100-406SP 417N3100-408SP	121503 904949	1
24	117080-03		.GENERATOR-OXYGEN MODULE OUTBD GENERATOR, 12 MINUTE 3 PERSON. SUPPLIER CODE: V16827 SPECIFICATION NUMBER: S417T401-62 OPTIONAL PART: 117003-13 V16827 E71730-00 VD1379	121503 904949	1
24	E71730-00		.GENERATOR-OXYGEN MODULE OUTBD GENERATOR, 12 MINUTE 3 PERSON. SUPPLIER CODE: VD1379 SPECIFICATION NUMBER: S417T401-46 OPTIONAL PART: 117080-03 V16827	121503 904949	1

R
R
R
R
R
R
R
R
R

MISSING ITEM NUMBERS NOT APPLICABLE

- ITEM NOT ILLUSTRATED

35-21-04-20

35-21-04
FIG. 20
PAGE 3
MAY 20/09

BRI



757

PARTS CATALOG (MAINTENANCE)

FIG ITEM	PART NUMBER	1 2 3 4 5 6 7	NOMENCLATURE	EFFECT FROM TO	UNITS PER ASSY
20 30	117003-14		.GENERATOR-OXYGEN MODULE CENTER GENERATOR, 12 MINUTES 4 PERSON. SUPPLIER CODE: V16827 SPECIFICATION NUMBER: S417T401-27 OPTIONAL PART: 803000-04 V53655 E71740-00 VD1379 USED ON: 417N3100-643SP 417N3100-645SP 417N3100-647SP REFERENCE SERVICE BULLETIN: 35-0023 REWORKED BY SB: 117003-14-35-3 V16827	121503 904949	1
30	803000-04		.GENERATOR-OXYGEN MODULE CENTER GENERATOR, 12 MINUTES, 4 PERSON. SUPPLIER CODE: V53655 SPECIFICATION NUMBER: S417T401-33 OPTIONAL PART: 117003-14 V16827 E71740-00 VD1379 USED ON: 417N3100-643SP 417N3100-645SP 417N3100-647SP	121503 904949	1

MISSING ITEM NUMBERS NOT APPLICABLE

- ITEM NOT ILLUSTRATED

BRI

35-21-04-20

BOEING PROPRIETARY - Copyright © - Unpublished Work - See title page for details.

35-21-04
FIG. 20
PAGE 4
JAN 20/09



757

PARTS CATALOG (MAINTENANCE)

FIG ITEM	PART NUMBER	1 2 3 4 5 6 7	NOMENCLATURE	EFFECT FROM TO	UNITS PER ASSY
20					
30	E71740-00		.GENERATOR-OXYGEN MODULE CENTER 12 MINUTES 4 PERSON SUPPLIER CODE: VD1379 SPECIFICATION NUMBER: S417T401-44 OPTIONAL PART: 117003-14 V16827 803000-04 V53655 117080-04 V16827	121503 904949	1
30	117080-04		.GENERATOR-OXYGEN MODULE CENTER GENERATOR, 12 MINUTES 4 PERSON. SUPPLIER CODE: V16827 SPECIFICATION NUMBER: S417T401-60 OPTIONAL PART: E71740-00 VD1379	121503 904949	1
33	417N3160-11		.BRACKET ASSY-GEN MTG	121503 904949	1
- 39	BACS12FA08K6		ATTACHING PARTS .SCREW	121503 904949	4
45	BACW10P193G		-----*----- .WASHER	121503 904949	8
51	BACN10YJ08		.NUT	121503 904949	4
57	NAS43DD3-18		.SPACER	121503 904949	4
63	417N3130-76SP		.BOX ASSY-OXY COMPONENT MAINT MANUAL REF: 35-21-02 USED ON: 417N3100-402SP 417N3100-406SP 417N3100-408SP	121503 904949	1

MISSING ITEM NUMBERS NOT APPLICABLE

- ITEM NOT ILLUSTRATED

35-21-04-20

35-21-04
FIG. 20
PAGE 5
JAN 20/09

BRI



757

PARTS CATALOG (MAINTENANCE)

FIG ITEM	PART NUMBER	1 2 3 4 5 6 7	NOMENCLATURE	EFFECT FROM TO	UNITS PER ASSY
20					
69	417N3130-73SP		.BOX ASSY-OXY COMPONENT MAINT MANUAL REF: 35-21-02 USED ON: 417N3100-643SP 417N3100-645SP 417N3100-647SP	121503 904949	1
75	6100-9		..RETAINER- SUPPLIER CODE: V2X013	121503 904949	2
78	417N3130-12		..PIN-HINGE OPTIONAL PART: MS20253P2-1510	121503 904949	1
78	MS20253P2-1510		..PIN-HINGE OPTIONAL PART: 417N3130-12	121503 904949	1
84	417N3140-1SP		..DOOR ASSY	121503 904949	1
85	417N3140-8		...FOAM-RIGID MANUFACTURED FROM: STOCK .70 X 1.00 X .25 TH. BMS 1-68, GRADE A, FORM III QUALIFIED OPTIONAL DATA: QTY (1) -5 OPTIONAL TO QTY (2) -8	121503 904949	2
86	417N3140-5		...FOAM-RIGID MANUFACTURED FROM: STOCK .25 X .25 X 17 BMS8-39 TYPE VIA CLASS A90, FOAM A, COMP B HT TR - QUALIFIED OPTIONAL DATA: QTY (1) -5 OPTIONAL TO QTY (2) -8	121503 904949	1
90	6100-9		..RETAINER- SUPPLIER CODE: V2X013	121503 904949	2
96	417N3130-11		..PIN-LATCH OPTIONAL PART: MS20253P2-1450	121503 904949	1
96	MS20253P2-1450		..PIN-LATCH OPTIONAL PART: 417N3130-11	121503 904949	1
102	417N3133-1		..LATCH	121503 904949	1
108	417N3173-4		..SPRING	121503 904949	1

MISSING ITEM NUMBERS NOT APPLICABLE

- ITEM NOT ILLUSTRATED

35-21-04-20

35-21-04
FIG. 20
PAGE 6
JAN 20/09

BRI

BOEING PROPRIETARY - Copyright © - Unpublished Work - See title page for details.



757

PARTS CATALOG (MAINTENANCE)

FIG ITEM	PART NUMBER	1 2 3 4 5 6 7	NOMENCLATURE	EFFECT FROM TO	UNITS PER ASSY
20					
114	417N3133-4	..	LATCH ASSY	121503 904949	2
			ATTACHING PARTS		
123	BACS12FA08K6	..	SCREW	121503 904949	4
126	BACS12FA08K7	..	SCREW	121503 904949	2
132	AN960JD8L	..	WASHER	121503 904949	4
138	BACW10P193G	..	WASHER	121503 904949	2
144	NAS43DD3-4	..	SPACER	121503 904949	2
			-----*-----		
150	6035-2BR185	...	INSERT- SUPPLIER CODE: V01556	121503 904949	3
156	417N3133-5	...	LATCH	121503 904949	1
162	NAS601-6P	..	SCREW	121503 904949	2
168	NAS620-6L	..	WASHER	121503 904949	2
174	78580-1ACTUATOR	..	ACTUATOR- SUPPLIER CODE: V09790 SPECIFICATION NUMBER: S417T402-2	121503 904949	1
178	NAS514P632-14	..	SCREW	121503 904949	1
180	AN960JD6L	..	WASHER	121503 904949	1
186	NAS43DD1-38	..	SPACER	121503 904949	1
192	MS21042L06	..	NUT	121503 904949	1
198	417N3135-3	..	LEVER-ACTR RESET	121503 904949	1
204	417N3150-2SP	..	STOP ASSY-TEST	121503 904949	1
210	6100-12	..	RETAINER- SUPPLIER CODE: V97464 USED ON: 417N3130-73SP	121503 904949	2

MISSING ITEM NUMBERS NOT APPLICABLE

- ITEM NOT ILLUSTRATED

BRI

35-21-04-20

35-21-04
FIG. 20
PAGE 7
JAN 20/09



757

PARTS CATALOG (MAINTENANCE)

FIG ITEM	PART NUMBER	1 2 3 4 5 6 7	NOMENCLATURE	EFFECT FROM TO	UNITS PER ASSY
20					
213	6100-12		..RETAINER- SUPPLIER CODE: V97464 USED ON: 417N3130-76SP	121503 904949	2
219	MS20392-1C23		..PIN- USED ON: 417N3130-73SP	121503 904949	2
222	MS20392-1C23		..PIN- USED ON: 417N3130-76SP	121503 904949	2
228	417N3137-1		..CABLE ASSY- USED ON: 417N3130-73SP	121503 904949	1
231	417N3137-1		..CABLE ASSY- USED ON: 417N3130-76SP	121503 904949	1
237	417T4205-193		..MASK ASSY- MISCELLANEOUS DATA: (EQUIVALENT PURITAN- BENNETT (FSCM 02217) P/N IS 174080-193 EQUIVALENT SCOTT (FSCM 53655) P/N IS 289-601-806) COMPONENT MAINT MANUAL REF: 25-23-38 USED ON: 417N3130-73SP REWORKED BY SB: 35-0014 REWORKED BY SB: 3500-98-07 V16827	121503 904949	4

MISSING ITEM NUMBERS NOT APPLICABLE

- ITEM NOT ILLUSTRATED

BRI

35-21-04-20

BOEING PROPRIETARY - Copyright © - Unpublished Work - See title page for details.

35-21-04
FIG. 20
PAGE 8
JAN 20/09



757

PARTS CATALOG (MAINTENANCE)

FIG ITEM	PART NUMBER	1 2 3 4 5 6 7	NOMENCLATURE	EFFECT FROM TO	UNITS PER ASSY
20 240	417T4205-193		..MASK ASSY- MISCELLANEOUS DATA: (EQUIVALENT PURITAN- BENNETT (FSCM 02217) P/N IS 174080-193 EQUIVALENT SCOTT (FSCM 53655) P/N IS 289-601-806) COMPONENT MAINT MANUAL REF: 25-23-38 USED ON: 417N3130-76SP REWORKED BY SB: 35-0014 REWORKED BY SB: 3500-98-07 V16827	121503 904949	3
246	801386-11		.GENERATOR-1 PERSON SUPPLIER CODE: V53655 SPECIFICATION NUMBER: S417T401-29 USED ON: 417N3100-643SP 417N3100-645SP 417N3100-647SP	121503 904949	2
249	BACS12FA08K7		.SCREW- USED ON: 417N3100-643SP 417N3100-645SP 417N3100-647SP	121503 904949	1
252	AN960KD8L		.WASHER- USED ON: 417N3100-643SP 417N3100-645SP 417N3100-647SP	121503 904949	1

MISSING ITEM NUMBERS NOT APPLICABLE

- ITEM NOT ILLUSTRATED

35-21-04-20

35-21-04
FIG. 20
PAGE 9
JAN 20/09

BRI



757

PARTS CATALOG (MAINTENANCE)

FIG ITEM	PART NUMBER	1 2 3 4 5 6 7	NOMENCLATURE	EFFECT FROM TO	UNITS PER ASSY
20 255	BRH10A08	.NUT-	SUPPLIER CODE: V52828 SPECIFICATION NUMBER: BACN10JC08 OPTIONAL PART: H10-08BAC V15653 NS202101-82 V80539 RMLH9075-82W V72962 VN303A82 V92215 96-82 V80539 T6S832J V11815 USED ON: 417N3100-643SP 417N3100-645SP 417N3100-647SP	121503 904949	1
258	BACC10DK2	.CLAMP-	USED ON: 417N3100-643SP 417N3100-645SP 417N3100-647SP	121503 904949	1
261	417N3136-50	.BRACKET-MTG	USED ON: 417N3100-643SP 417N3100-645SP 417N3100-647SP	121503 904949	1
264	BACC10DK3	.CLAMP-	OPTIONAL PART: NMC1001-0 V03296 USED ON: 417N3100-643SP 417N3100-645SP 417N3100-647SP	121503 904949	1
264	NMC1001-0	.CLAMP-	SUPPLIER CODE: V03296 OPTIONAL PART: BACC10DK3 USED ON: 417N3100-643SP 417N3100-645SP 417N3100-647SP	121503 904949	1

MISSING ITEM NUMBERS NOT APPLICABLE

- ITEM NOT ILLUSTRATED

35-21-04-20

35-21-04
FIG. 20
PAGE 10
JAN 20/09

BRI



757

PARTS CATALOG (MAINTENANCE)

FIG ITEM	PART NUMBER	1 2 3 4 5 6 7	NOMENCLATURE	EFFECT FROM TO	UNITS PER ASSY
20			ATTACHING PARTS		
- 267	BACS12FA08K7		.SCREW	121503 904949	1
			-----*-----		
270	417N3138-11		.LINE ASSY-SUPPLY USED ON: 417N3100-643SP 417N3100-645SP 417N3100-647SP	121503 904949	1
273	417N3138-13		..HOSE-FLEXIBLE	121503 904949	2
276	417N3138-12		..CONNECTOR	121503 904949	1
279	417N3130-18SP		.BOX ASSY-OXY COMPONENT MAINT MANUAL REF: 35-21-03 USED ON: 417N3100-643SP 417N3100-645SP 417N3100-647SP	121503 904949	1
			ATTACHING PARTS		
- 282	BACN10YJ08		.NUT	121503 904949	4
			-----*-----		
285	6100-9		..RETAINER- SUPPLIER CODE: V2X013	121503 904949	2
288	417N3130-14		..PIN-HINGE OPTIONAL PART: MS20253P2-770	121503 904949	1
288	MS20253P2-770		..PIN-HINGE OPTIONAL PART: 417N3130-14	121503 904949	1
291	417N3140-4SP		..DOOR ASSY	121503 904949	1
292	417N3140-9		...FOAM-RIGID MANUFACTURED FROM: STOCK .25 X 2.80 X .25 TH. BMS 1-68, GRADE A, FORM III OPTIONAL PART: 417N3140-6	121503 904949	1

MISSING ITEM NUMBERS NOT APPLICABLE

- ITEM NOT ILLUSTRATED

35-21-04-20

35-21-04
FIG. 20
PAGE 11
JAN 20/09

BRI



757

PARTS CATALOG (MAINTENANCE)

FIG ITEM	PART NUMBER	1 2 3 4 5 6 7	NOMENCLATURE	EFFECT FROM TO	UNITS PER ASSY
20 292	417N3140-6	...	FOAM-RIGID MANUFACTURED FROM: STOCK .25 X .25 X 2.90 BMS8-39, TYPE VI A, CLASS A90, FOAM A, COMP B OPTIONAL PART: 417N3140-9	121503 904949	1
294	BACS12FA3K9	..	SCREW	121503 904949	1
297	AN960PD10	..	WASHER	121503 904949	2
300	BRH10A3	..	NUT SUPPLIER CODE: V52828 SPECIFICATION NUMBER: BACN10JC3 OPTIONAL PART: H10-3BAC V15653 NS202101-02 V80539 RMLH9075-3W V72962 VN303A02 V92215 96-02 V80539 T6S1032J V11815	121503 904949	1
303	417N3137-2	..	CABLE ASSY	121503 904949	1
306	417N3137-9	..	CABLE ASSY	121503 904949	1
309	417T4205-62	..	MASK ASSY- MISCELLANEOUS DATA: EQUIVALENT PURITAN- BENNETT (FSCM 02217) P/N IS 174080-62 REWORKED BY SB: 35-0014 REWORKED BY SB: 3500-98-07 V16827	121503 904949	1

MISSING ITEM NUMBERS NOT APPLICABLE

- ITEM NOT ILLUSTRATED

BRI

35-21-04-20

35-21-04
FIG. 20
PAGE 12
JAN 20/09



757

PARTS CATALOG (MAINTENANCE)

FIG ITEM	PART NUMBER	1 2 3 4 5 6 7	NOMENCLATURE	EFFECT FROM TO	UNITS PER ASSY
20 309	417T4205-162		..MASK ASSY- MISCELLANEOUS DATA: EQUIVALENT PURITAN-BENNETT (FSCM 02217) P/N IS 174080-162 EQUIVALENT SCOTT (FSCM 53655) P/N IS 289-601-812 REWORKED BY SB: 35-0014 REWORKED BY SB: 3500-98-07 V16827	121503 904949	1
330	417N3100-641SP		SERVICE UNIT ASSY-PASS. (OXYGEN ONLY) POSITION DATA: UNDERBIN FOR NHA/OTHER SYS DET SEE: 25-23-01-71 25-23-01-71A	121503 904949	RF
333	117003-14		.GENERATOR-OXYGEN MODULE CENTER GENERATOR, 12 MINUTES 4 PERSON. SUPPLIER CODE: V16827 SPECIFICATION NUMBER: S417T401-27 OPTIONAL PART: 803000-04 V53655 E71740-00 VD1379 REFERENCE SERVICE BULLETIN: 35-0023 REWORKED BY SB: 117003-14-35-3 V16827	121503 904949	1
333	803000-04		.GENERATOR-OXYGEN MODULE CENTER GENERATOR, 12 MINUTES, 4 PERSON. SUPPLIER CODE: V53655 SPECIFICATION NUMBER: S417T401-33 OPTIONAL PART: 117003-14 V16827 E71740-00 VD1379	121503 904949	1

MISSING ITEM NUMBERS NOT APPLICABLE

- ITEM NOT ILLUSTRATED

BRI

35-21-04-20

35-21-04
FIG. 20
PAGE 13
JAN 20/09



757

PARTS CATALOG (MAINTENANCE)

FIG ITEM	PART NUMBER	1 2 3 4 5 6 7	NOMENCLATURE	EFFECT FROM TO	UNITS PER ASSY
20 333	E71740-00		.GENERATOR-OXYGEN MODULE CENTER 12 MINUTES 4 PERSON SUPPLIER CODE: VD1379 SPECIFICATION NUMBER: S417T401-44 OPTIONAL PART: 117003-14 V16827 803000-04 V53655 117080-04 V16827	121503 904949	1
333	117080-04		.GENERATOR-OXYGEN MODULE CENTER GENERATOR, 12 MINUTES 4 PERSON. SUPPLIER CODE: V16827 SPECIFICATION NUMBER: S417T401-60 OPTIONAL PART: E71740-00 VD1379	121503 904949	1
336	417N3160-11		.BRACKET ASSY-GEN MTG	121503 904949	1
- 339	BACS12FA08K6		ATTACHING PARTS .SCREW	121503 904949	4
342	BACW10P193G		-----*----- .WASHER	121503 904949	8
345	BACN10YJ08		.NUT	121503 904949	4
348	NAS43DD3-18		.SPACER	121503 904949	4
351	417N3130-73SP		.BOX ASSY-OXY COMPONENT MAINT MANUAL REF: 35-21-02	121503 904949	1
354	6100-9		..RETAINER- SUPPLIER CODE: V2X013	121503 904949	2
357	417N3130-12		..PIN-HINGE OPTIONAL PART: MS20253P2-1510	121503 904949	1
357	MS20253P2-1510		..PIN-HINGE OPTIONAL PART: 417NM3130-12	121503 904949	1

MISSING ITEM NUMBERS NOT APPLICABLE

- ITEM NOT ILLUSTRATED

35-21-04-20

35-21-04
FIG. 20
PAGE 14
JAN 20/09

BRI



757

PARTS CATALOG (MAINTENANCE)

FIG ITEM	PART NUMBER	1 2 3 4 5 6 7	NOMENCLATURE	EFFECT FROM TO	UNITS PER ASSY
20					
360	417N3140-1SP	..	DOOR ASSY	121503 904949	1
361	417N3140-8	...	FOAM-RIGID MANUFACTURED FROM: STOCK .70 X 1.00 X .25 TH. BMS 1-68, GRADE A, FORM III QUALIFIED OPTIONAL DATA: QTY (1) -5 OPTIONAL TO QTY (2) -8	121503 904949	2
362	417N3140-5	...	FOAM-RIGID MANUFACTURED FROM: STOCK .25 X .25 X 17 BMS8-39 TYPE VIA CLASS A90, FOAM A, COMP B HT TR - QUALIFIED OPTIONAL DATA: QTY (1) -5 OPTIONAL TO QTY (2) -8	121503 904949	1
363	6100-9	..	RETAINER- SUPPLIER CODE: V2X013	121503 904949	2
366	417N3130-11	..	PIN-LATCH OPTIONAL PART: MS20253P2-1450	121503 904949	1
366	MS20253P2-1450	..	PIN-LATCH OPTIONAL PART: 417N3130-11	121503 904949	1
369	417N3133-1	..	LATCH	121503 904949	1
372	417N3173-4	..	SPRING	121503 904949	1
375	417N3133-4	..	LATCH ASSY	121503 904949	2
			ATTACHING PARTS		
378	BACS12FA08K6	..	SCREW	121503 904949	4
381	BACS12FA08K7	..	SCREW	121503 904949	2
384	AN960JD8L	..	WASHER	121503 904949	4
387	BACW10P193G	..	WASHER	121503 904949	2
390	NAS43DD3-4	..	SPACER	121503 904949	2
			-----*-----		
393	6035-2BR185	...	INSERT- SUPPLIER CODE: V01556	121503 904949	3

MISSING ITEM NUMBERS NOT APPLICABLE

- ITEM NOT ILLUSTRATED

35-21-04-20

35-21-04
FIG. 20
PAGE 15
JAN 20/09

BRI

BOEING PROPRIETARY - Copyright © - Unpublished Work - See title page for details.



757

PARTS CATALOG (MAINTENANCE)

FIG ITEM	PART NUMBER	1 2 3 4 5 6 7	NOMENCLATURE	EFFECT FROM TO	UNITS PER ASSY
20					
396	417N3133-5	...	LATCH	121503 904949	1
399	NAS601-6P	..	SCREW	121503 904949	2
402	NAS620-6L	..	WASHER	121503 904949	2
405	78580-1ACTUATOR	..	ACTUATOR- SUPPLIER CODE: V09790 SPECIFICATION NUMBER: S417T402-2	121503 904949	1
408	AN960JD6L	..	WASHER	121503 904949	1
411	NAS43DD1-38	..	SPACER	121503 904949	1
414	MS21042L06	..	NUT	121503 904949	1
417	417N3135-3	..	LEVER-ACTR RESET	121503 904949	1
420	417N3150-2SP	..	STOP ASSY-TEST	121503 904949	1
423	6100-12	..	RETAINER- SUPPLIER CODE: V97464	121503 904949	2
426	MS20392-1C23	..	PIN	121503 904949	2
429	417N3137-1	..	CABLE ASSY	121503 904949	1
432	417T4205-193	..	MASK ASSY- MISCELLANEOUS DATA: (EQUIVALENT PURITAN- BENNETT (FSCM 02217) P/N IS 174080-193 EQUIVALENT SCOTT (FSCM 53655) P/N IS 289-601-806) COMPONENT MAINT MANUAL REF: 25-23-38 REWORKED BY SB: 35-0014 REWORKED BY SB: 3500-98-07 V16827	121503 904949	4

MISSING ITEM NUMBERS NOT APPLICABLE

- ITEM NOT ILLUSTRATED

BRI

35-21-04-20

35-21-04
FIG. 20
PAGE 16
JAN 20/09



757

PARTS CATALOG (MAINTENANCE)

FIG ITEM	PART NUMBER	1 2 3 4 5 6 7	NOMENCLATURE	EFFECT FROM TO	UNITS PER ASSY
20 450	417N3200-77SP		SERVICE UNIT ASSY-PASS. (OXYGEN ONLY) POSITION DATA: OVERDOOR COMPONENT MAINT MANUAL REF: 35-21-04 FOR NHA/OTHER SYS DET SEE: 25-23-01-71 25-23-01-71A	121503 904949	RF
455	417N3200-78SP		SERVICE UNIT ASSY-PASS. (OXYGEN ONLY) POSITION DATA: OVERDOOR COMPONENT MAINT MANUAL REF: 35-21-04 FOR NHA/OTHER SYS DET SEE: 25-23-01-71 25-23-01-71A	121503 904949	RF
456	117003-12		.GENERATOR-PASSENGER OXYGEN GENERATOR 12 MINUTES, 2 PERSON.N SUPPLIER CODE: V16827 SPECIFICATION NUMBER: S417T401-25 OPTIONAL PART: 803000-02 V53655 E71720-00 VD1379	121503 904949	1
456	803000-02		.GENERATOR-2 PERSON PASSENGER OXYGEN SUPPLIER CODE: V53655 SPECIFICATION NUMBER: S417T401-31 OPTIONAL PART: 117003-12 V16827	121503 904949	1
456	117080-02		.GENERATOR-PASSENGER OXYGEN GENERATOR 12 MINUTES, 2 PERSON.N SUPPLIER CODE: V16827 SPECIFICATION NUMBER: S417T401-61 OPTIONAL PART: E71720-00 VD1379	121503 904949	1

MISSING ITEM NUMBERS NOT APPLICABLE

- ITEM NOT ILLUSTRATED

35-21-04-20

35-21-04
FIG. 20
PAGE 17
JAN 20/09

BRI



757

PARTS CATALOG (MAINTENANCE)

FIG ITEM	PART NUMBER	1 2 3 4 5 6 7	NOMENCLATURE	EFFECT FROM TO	UNITS PER ASSY
20 456	E71720-00		.GENERATOR-PASSENGER OXYGEN GENERATOR 12 MINUTES, 2 PERSON.N SUPPLIER CODE: VD1379 SPECIFICATION NUMBER: S417T401-43 OPTIONAL PART: 117003-12 V16827 117080-02 V16827	121503 904949	1
459	417N3160-12		.FOAM	121503 904949	1
462	417N3160-14		.BRACKET ASSY-GEN MTG	121503 904949	1
465	BACS12FA08K7		ATTACHING PARTS .SCREW	121503 904949	2
468	BACS12FA08K8		.SCREW	121503 904949	2
471	AN960PD8L		.WASHER	121503 904949	2
474	AN960JD8L		.WASHER	121503 904949	2
477	417N3130-88SP		-----*----- .BOX ASSY-OXY COMPONENT MAINT MANUAL REF: 35-21-02 USED ON: 417N3200-77SP	121503 904949	1
480	417N3130-87SP		.BOX ASSY-OXY COMPONENT MAINT MANUAL REF: 35-21-02 USED ON: 417N3200-78SP ATTACHING PARTS	121503 904949	1
- 483	BACW10P193G		.WASHER	121503 904949	4
- 486	BACN10YJ08		.NUT	121503 904949	4
489	417N3140-3SP		-----*----- .DOOR ASSY	121503 904949	1

MISSING ITEM NUMBERS NOT APPLICABLE

- ITEM NOT ILLUSTRATED

35-21-04-20

35-21-04
FIG. 20
PAGE 18
JAN 20/09

BRI



757

PARTS CATALOG (MAINTENANCE)

FIG ITEM	PART NUMBER	1 2 3 4 5 6 7	NOMENCLATURE	EFFECT FROM TO	UNITS PER ASSY
20 490	417N3140-9	...	FOAM-RIGID MANUFACTURED FROM: STOCK .25 X 2.80 X .25 TH. BMS 1-68, GRADE A, FORM III OPTIONAL PART: 417N3140-6	121503 904949	1
490	417N3140-6	...	FOAM-RIGID MANUFACTURED FROM: STOCK .25 X .25 X 2.90 BMS8-39, TYPE VI A, CLASS A90, FOAM A, COMP B OPTIONAL PART: 417N3140-9	121503 904949	1
492	BACS12FA08K8	..	SCREW	121503 904949	3
495	AN960JD8L	..	WASHER	121503 904949	6
498	MS21042L08	..	NUT	121503 904949	3
501	NAS601-6P	..	SCREW	121503 904949	2
504	NAS620-6L	..	WASHER	121503 904949	2
507	78580-1ACTUATOR	..	ACTUATOR- SUPPLIER CODE: V09790 SPECIFICATION NUMBER: S417T402-2 ELECTRICAL EQUIP NUMBER: B10058	121503 904949	1
510	NAS514P632-14	..	SCREW	121503 904949	1
513	NAS43DD1-38	..	SPACER	121503 904949	1
516	MS21042L06	..	NUT	121503 904949	1
519	417N3135-3	..	LEVER-ACTR RESET	121503 904949	1
522	417N3150-2SP	..	STOP ASSY-TEST	121503 904949	1
525	417N3137-3	..	CABLE ASSY- USED ON: 417N3130-88SP	121503 904949	1
528	417N3137-3	..	CABLE ASSY- USED ON: 417N3130-87SP	121503 904949	1

MISSING ITEM NUMBERS NOT APPLICABLE

- ITEM NOT ILLUSTRATED

35-21-04-20

35-21-04
FIG. 20
PAGE 19
JAN 20/09

BRI



757

PARTS CATALOG (MAINTENANCE)

FIG ITEM	PART NUMBER	1 2 3 4 5 6 7	NOMENCLATURE	EFFECT FROM TO	UNITS PER ASSY
20 531	417T4205-164		..MASK ASSY- QUALIFIED I/W DATA: 417T4205-164 MASK ASSEMBLY CAN REPLACE OR BE REPLACED BY 417T4205-64 MASK ASSEMBLY IF SERVICE BULLETIN 757-35A0006 HAS BEEN INCORPORATED. REWORKED BY SB: 35-0014 REWORKED BY SB: 3500-98-07 V16827	121503 904949	2
540	417N3700-18SP		SERVICE UNIT ASSY-ATTENDANT (OXYGEN ONLY) POSITION DATA: UNDERBIN COMPONENT MAINT MANUAL REF: 35-21-05 FOR NHA/OTHER SYS DET SEE: 25-23-01-73	121503 904949	RF
543	117003-12		.GENERATOR-PASSENGER OXYGEN GENERATOR 12 MINUTES, 2 PERSON. SUPPLIER CODE: V16827 SPECIFICATION NUMBER: S417T401-25 OPTIONAL PART: 803000-02 V53655 E71720-00 VD1379	121503 904949	1
543	803000-02		.GENERATOR-2 PERSON PASSENGER OXYGEN SUPPLIER CODE: V53655 SPECIFICATION NUMBER: S417T401-31 OPTIONAL PART: 117003-12 V16827	121503 904949	1

MISSING ITEM NUMBERS NOT APPLICABLE

- ITEM NOT ILLUSTRATED

BRI

35-21-04-20

BOEING PROPRIETARY - Copyright © - Unpublished Work - See title page for details.

35-21-04
FIG. 20
PAGE 20
JAN 20/09



757

PARTS CATALOG (MAINTENANCE)

FIG ITEM	PART NUMBER	1 2 3 4 5 6 7	NOMENCLATURE	EFFECT FROM TO	UNITS PER ASSY
20 543	E71720-00		.GENERATOR-OXYGEN CHEMICAL 2 PERSON 12 MINUTE SUPPLIER CODE: VD1379 SPECIFICATION NUMBER: S417T401-43 OPTIONAL PART: 117003-12 V16827 117080-02 V16827	121503 904949	1
543	117080-02		.GENERATOR-OXYGEN CHEMICAL 2 PERSON 12 MINUTE SUPPLIER CODE: V16827 SPECIFICATION NUMBER: S417T401-61 OPTIONAL PART: E71720-00 VD1379	121503 904949	1
546	417T4250-4		.CLAMP ASSY-GEN ATTACHING PARTS	121503 904949	1
- 549	NAS1801-3-6		.SCREW	121503 904949	2
- 552	AN960PD10L		.WASHER	121503 904949	2
555	417N3130-92SP		-----*----- .BOX ASSY-OXY COMPONENT MAINT MANUAL REF: 35-21-03 ATTACHING PARTS	121503 904949	1
- 558	BACW10P193G		.WASHER	121503 904949	4
- 561	BACN10YJ08		.NUT	121503 904949	4
564	417N3140-3SP		-----*----- ..DOOR ASSY	121503 904949	1
565	417N3140-9		...FOAM-RIGID MANUFACTURED FROM: STOCK .25 X 2.80 X .25 TH. BMS 1-68, GRADE A, FORM III OPTIONAL PART: 417N3140-6	121503 904949	1

MISSING ITEM NUMBERS NOT APPLICABLE

- ITEM NOT ILLUSTRATED

35-21-04-20

35-21-04
FIG. 20
PAGE 21
JAN 20/09

BRI



757

PARTS CATALOG (MAINTENANCE)

FIG ITEM	PART NUMBER	1 2 3 4 5 6 7	NOMENCLATURE	EFFECT FROM TO	UNITS PER ASSY
20					
565	417N3140-6	...	FOAM-RIGID MANUFACTURED FROM: STOCK .25 X .25 X 2.90 BMS8-39, TYPE VI A, CLASS A90, FOAM A, COMP B OPTIONAL PART: 417N3140-9	121503 904949	1
567	BACS12FA08K8	..	SCREW	121503 904949	3
570	AN960JD8L	..	WASHER	121503 904949	6
573	MS21042L08	..	NUT	121503 904949	3
576	NAS601-6P	..	SCREW	121503 904949	2
579	78580-1ACTUATOR	..	ACTUATOR- SUPPLIER CODE: V09790 SPECIFICATION NUMBER: S417T402-2 ELECTRICAL EQUIP NUMBER: B10058	121503 904949	1
582	NAS514P632-14	..	SCREW	121503 904949	1
585	NAS43DD1-38	..	SPACER	121503 904949	1
588	AN960JD6L	..	WASHER	121503 904949	1
591	417N3135-3	..	LEVER-ACTR RESET	121503 904949	1
594	417N3150-2SP	..	STOP ASSY-TEST	121503 904949	1
597	417N3137-8	..	CABLE ASSY	121503 904949	1
			ATTACHING PARTS		
- 600	BACS12FA3K9	..	SCREW	121503 904949	1
- 603	BACW10P43AL	..	WASHER	121503 904949	2
- 606	MS21042L3	..	NUT	121503 904949	1
			-----*		

MISSING ITEM NUMBERS NOT APPLICABLE

- ITEM NOT ILLUSTRATED

BRI

35-21-04-20

35-21-04
FIG. 20
PAGE 22
JAN 20/09



757

PARTS CATALOG (MAINTENANCE)

FIG ITEM	PART NUMBER	1 2 3 4 5 6 7	NOMENCLATURE	EFFECT FROM TO	UNITS PER ASSY
20 609	417T4205-167		..MASK ASSY- MISCELLANEOUS DATA: (EQUIVALENT PURITAN- BENNETT (FSCM 02217) P/N IS 174080-167 EQUIVALENT SCOTT (FSCM 53655) P/N 289-601-392) REWORKED BY SB: 35-0014 REWORKED BY SB: 3500-98-07 V16827	121503 904949	2

MISSING ITEM NUMBERS NOT APPLICABLE

- ITEM NOT ILLUSTRATED

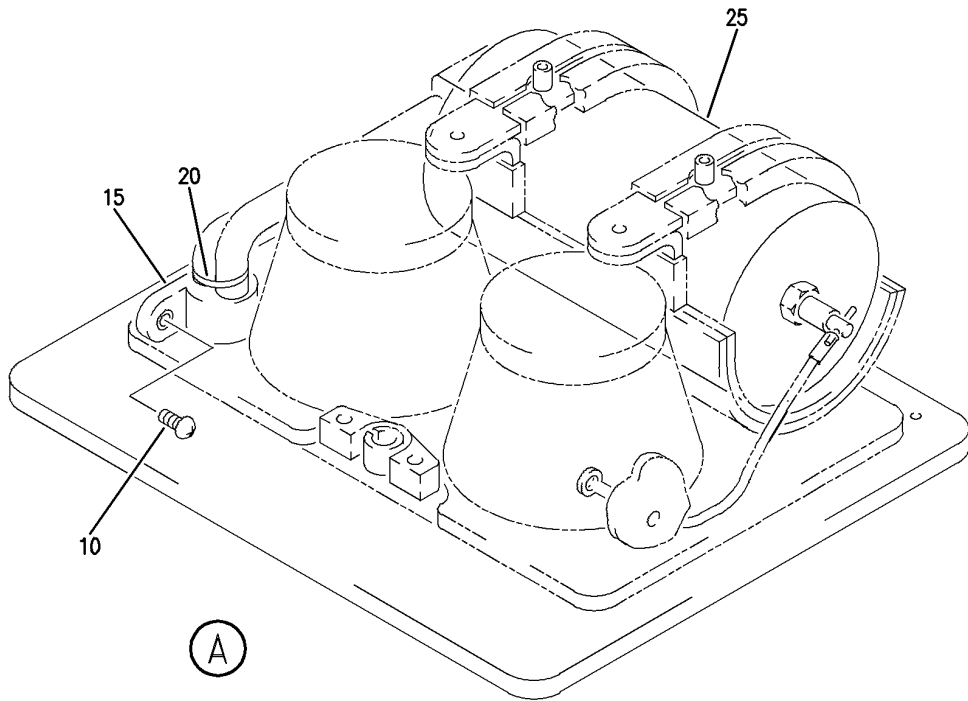
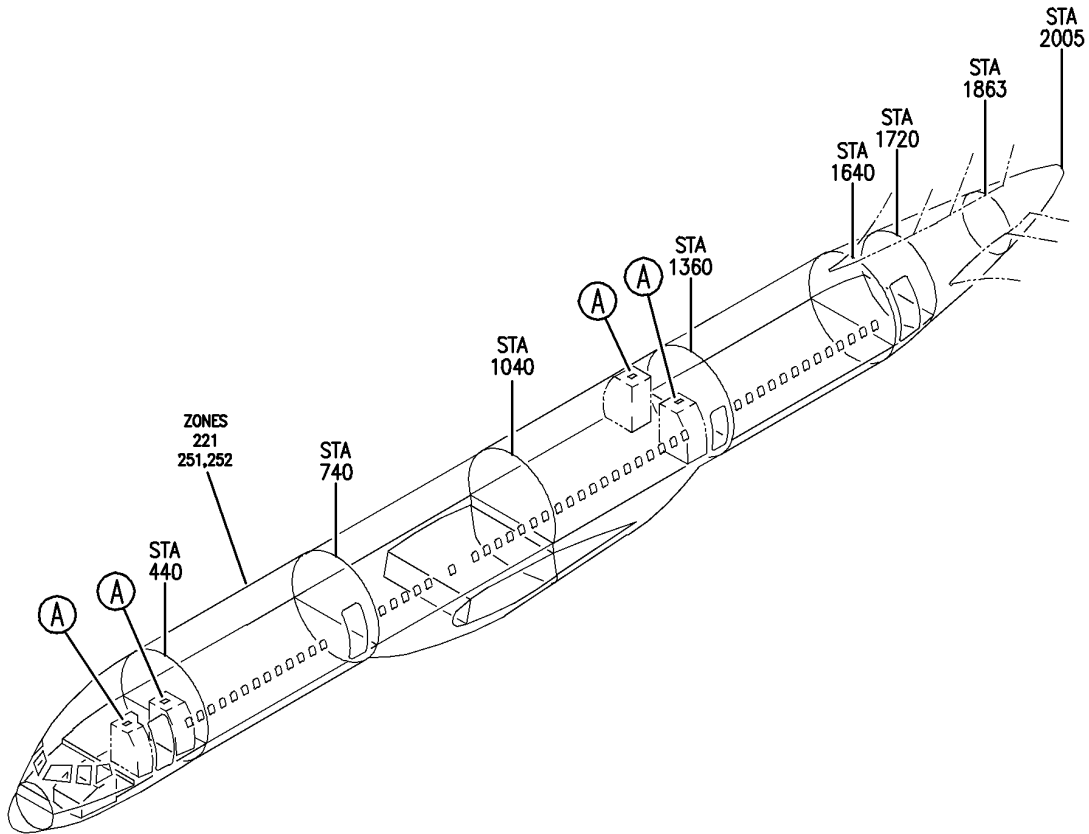
BRI

35-21-04-20

BOEING PROPRIETARY - Copyright © - Unpublished Work - See title page for details.

35-21-04
FIG. 20
PAGE 23
JAN 20/09

BOEING
757
PARTS CATALOG (MAINTENANCE)



Y 35210420A REV 237

BOX ASSY-OXY (OXYGEN GENERATOR ONLY)
FIGURE 20A

35-21-04-20A

BRI
MAY 28/07

35-21-04-20A
PAGE 0



757

PARTS CATALOG (MAINTENANCE)

FIG ITEM	PART NUMBER	1 2 3 4 5 6 7	NOMENCLATURE	EFFECT FROM TO	UNITS PER ASSY
20A			BOX ASSY-OXY (OXYGEN GENERATOR ONLY)	002004 006100 121503	
- 1	417N3810-97SP		BOX ASSY-OXY (OXYGEN GENERATOR ONLY) COMPONENT MAINT MANUAL REF: 35-21-34 FOR NHA/ADDITIONAL DET SEE: 35-21-00-13B 35-21-00-19A	002004 006100 121503	RF
10	BACS12FA08K7		.SCREW	002004 006100 121503	1
15	287T0011-1		.CLAMP	002004 006100 121503	1
20	MS3367-4-9		.STRAP	002004 006100 121503	1
25	117003-12		.GENERATOR- SUPPLIER CODE: V16827 SPECIFICATION NUMBER: S417T401-25 OPTIONAL PART: E71720-00 VD1379	002004 006100 121503	1
25	E71720-00		.GENERATOR- SUPPLIER CODE: VD1379 SPECIFICATION NUMBER: S417T401-43 OPTIONAL PART: 117003-12 V16827 117080-02 V16827	002004 006100 121503	1
25	803000-02		.GENERATOR- SUPPLIER CODE: V53655 SPECIFICATION NUMBER: S417T401-31	002004 006100 121503	1

MISSING ITEM NUMBERS NOT APPLICABLE

- ITEM NOT ILLUSTRATED

35-21-04-20A

35-21-04
FIG. 20A
PAGE 1
JAN 20/09

BRI



757

PARTS CATALOG (MAINTENANCE)

FIG ITEM	PART NUMBER	1 2 3 4 5 6 7	NOMENCLATURE	EFFECT FROM TO	UNITS PER ASSY
20A 25	117080-02		.GENERATOR- SUPPLIER CODE: V16827 SPECIFICATION NUMBER: S417T401-61 OPTIONAL PART: E71720-00 VD1379	002004 006100 121503	1

MISSING ITEM NUMBERS NOT APPLICABLE

- ITEM NOT ILLUSTRATED

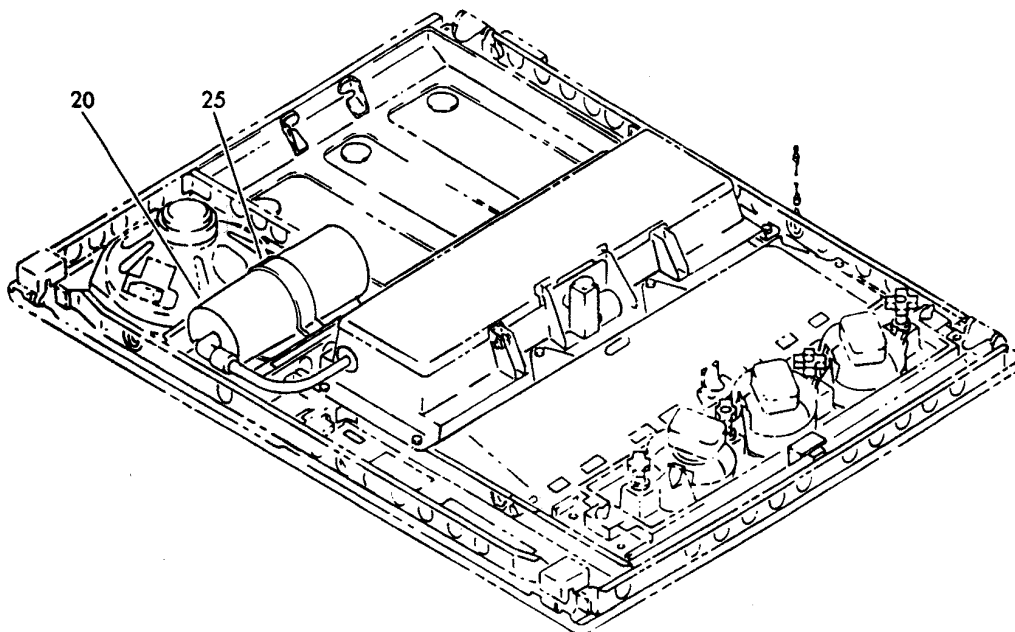
BRI

35-21-04-20A

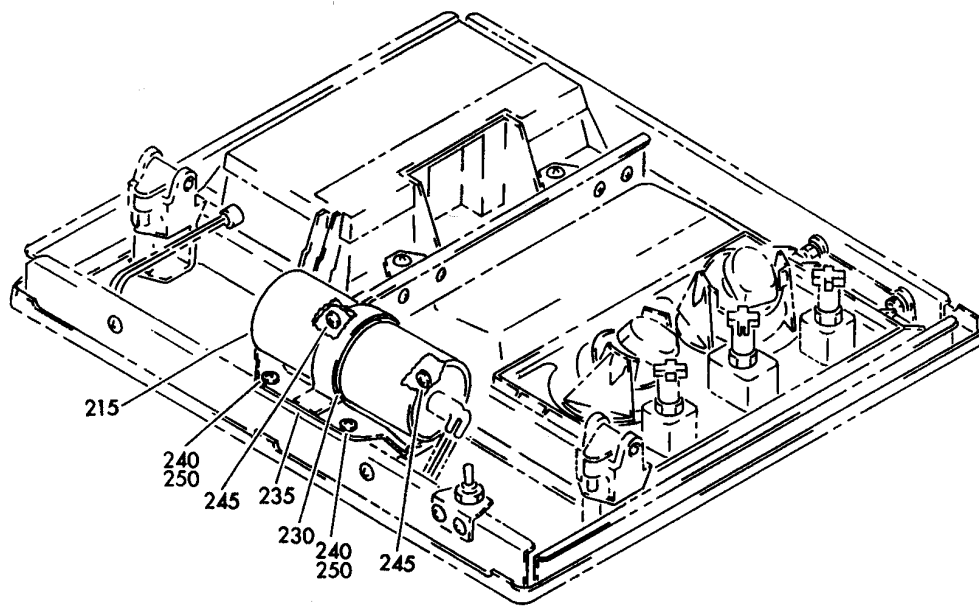
BOEING PROPRIETARY - Copyright © - Unpublished Work - See title page for details.

35-21-04
FIG. 20A
PAGE 2
JAN 20/09

BOEING
757
PARTS CATALOG (MAINTENANCE)



(A)



(B)

Y 35210426 SH1 2 REV 213

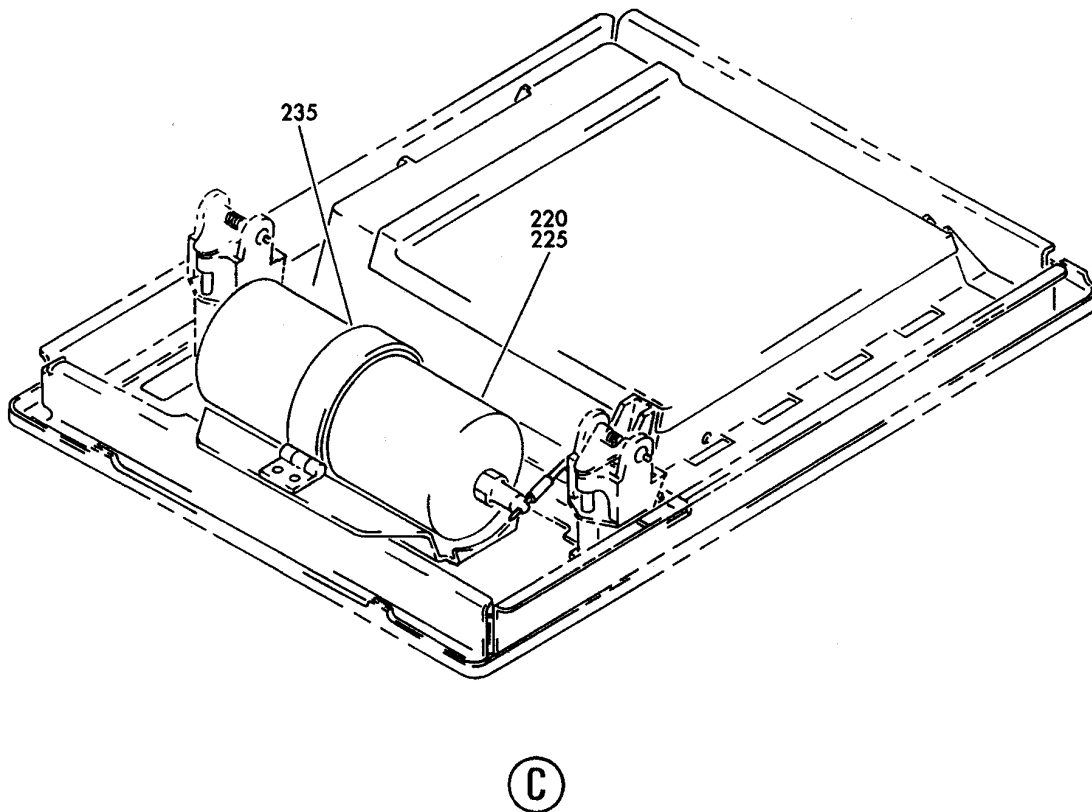
SERVICE UNIT ASSY-UNDERBIN AND OVERDOOR PASS. (OXYGEN GENERATOR ONLY)
FIGURE 26 (SHEET 2)

BRI
JAN 20/09

35-21-04-26

35-21-04-26
PAGE 0A

BOEING
757
PARTS CATALOG (MAINTENANCE)



Y 35210426 SHT 3 REV 213

SERVICE UNIT ASSY-UNDERBIN AND OVERDOOR PASS. (OXYGEN GENERATOR ONLY)
FIGURE 26 (SHEET 3)

BRI
JAN 20/09

35-21-04-26

35-21-04-26
PAGE 0B



757

PARTS CATALOG (MAINTENANCE)

FIG ITEM	PART NUMBER	1 2 3 4 5 6 7	NOMENCLATURE	EFFECT FROM TO	UNITS PER ASSY
26			SERVICE UNIT ASSY-UNDERBIN AND OVERDOOR PASS. (OXYGEN GENERATOR ONLY)	950951	
- 1	417N3001-159		SERVICE UNIT INSTL-PASS. (OXYGEN GENERATOR ONLY) FOR NHA/OTHER SYS DET SEE: 25-20-00-20A	950951	RF
3	417N3100-424SP		.SERVICE UNIT ASSY-PASS. POSITION DATA: UNDERBIN ELECTRICAL EQUIP NUMBER: M03012 COMPONENT MAINT MANUAL REF: 25-23-34	950951	RF
7	417N3100-415SP		.SERVICE UNIT ASSY-PASS. POSITION DATA: UNDERBIN ELECTRICAL EQUIP NUMBER: M03012 COMPONENT MAINT MANUAL REF: 25-23-34	950951	RF
17	417N3100-596SP		.SERVICE UNIT ASSY-PASS. POSITION DATA: UNDERBIN ELECTRICAL EQUIP NUMBER: M03012 COMPONENT MAINT MANUAL REF: 25-23-34	950951	RF
18	417N3100-595SP		.SERVICE UNIT ASSY-PASS. POSITION DATA: UNDERBIN ELECTRICAL EQUIP NUMBER: M03012 COMPONENT MAINT MANUAL REF: 25-23-34	950951	RF

MISSING ITEM NUMBERS NOT APPLICABLE

- ITEM NOT ILLUSTRATED

35-21-04-26

35-21-04
FIG. 26
PAGE 1
JAN 20/09

BRI



757

PARTS CATALOG (MAINTENANCE)

FIG ITEM	PART NUMBER	1 2 3 4 5 6 7	NOMENCLATURE	EFFECT FROM TO	UNITS PER ASSY
26 20	117003-14		..GENERATOR-12 MINUTES 4 PERSON SUPPLIER CODE: V16827 SPECIFICATION NUMBER: S417T401-27 OPTIONAL PART: 803000-04 V53655 E71740-00 VD1379 REFERENCE SERVICE BULLETIN: 35-0023 REWORKED BY SB: 117003-14-35-3 V16827	950951	1
20	E71740-00		..GENERATOR-12 MINUTES 4 PERSON SUPPLIER CODE: VD1379 SPECIFICATION NUMBER: S417T401-44 OPTIONAL PART: 117003-14 V16827 803000-04 V53655 117080-04 V16827	950951	1
20	803000-04		..GENERATOR-12 MINUTES 4 PERSON SUPPLIER CODE: V53655 SPECIFICATION NUMBER: S417T401-33 OPTIONAL PART: E71740-00 VD1379 117003-14 V16827	950951	1
20	117080-04		..GENERATOR-12 MINUTES 4 PERSON SUPPLIER CODE: V16827 SPECIFICATION NUMBER: S417T401-60 OPTIONAL PART: E71740-00 VD1379	950951	1

MISSING ITEM NUMBERS NOT APPLICABLE

- ITEM NOT ILLUSTRATED

35-21-04-26

35-21-04
FIG. 26
PAGE 2
JAN 20/09

BRI



757

PARTS CATALOG (MAINTENANCE)

FIG ITEM	PART NUMBER	1 2 3 4 5 6 7	NOMENCLATURE	EFFECT FROM TO	UNITS PER ASSY
26					
25	417N3160-11	..	BRACKET ASSY-MTG ATTACHING PARTS	950951	1
- 30	BACS12FA08K6	..	SCREW	950951	4
			-----*-----		
200	417N3200-62SP	.SERVICE UNIT ASSY-PASS. POSITION DATA: OVERDOOR ELECTRICAL EQUIP NUMBER: M10363 COMPONENT MAINT MANUAL REF: 35-21-04		950951	RF
205	417N3200-54SP	.SERVICE UNIT ASSY-PASS. POSITION DATA: OVERDOOR ELECTRICAL EQUIP NUMBER: M10362 COMPONENT MAINT MANUAL REF: 35-21-04		950951	RF
210	417N3200-53SP	.SERVICE UNIT ASSY-PASS. POSITION DATA: OVERDOOR ELECTRICAL EQUIP NUMBER: M10362 COMPONENT MAINT MANUAL REF: 35-21-04		950951	RF
215	117003-12	..GENERATOR-2 PERSON SUPPLIER CODE: V16827 SPECIFICATION NUMBER: S417T401-25 OPTIONAL PART: 803000-02 V53655 E71720-00 VD1379 USED ON: 417N3200-62SP		950951	1
215	803000-02	..GENERATOR-2 PERSON SUPPLIER CODE: V53655 SPECIFICATION NUMBER: S417T401-31 OPTIONAL PART: 117003-12 V16827 USED ON: 417N3200-62SP		950951	1

MISSING ITEM NUMBERS NOT APPLICABLE

- ITEM NOT ILLUSTRATED

35-21-04-26

35-21-04
FIG. 26
PAGE 3
JAN 20/09

BRI



757

PARTS CATALOG (MAINTENANCE)

FIG ITEM	PART NUMBER	1 2 3 4 5 6 7	NOMENCLATURE	EFFECT FROM TO	UNITS PER ASSY
26 215	117080-02		..GENERATOR-2 PERSON SUPPLIER CODE: V16827 SPECIFICATION NUMBER: S417T401-61 OPTIONAL PART: E71720-00 VD1379	950951	1
215	E71720-00		..GENERATOR-2 PERSON SUPPLIER CODE: VD1379 SPECIFICATION NUMBER: S417T401-43 OPTIONAL PART: 117003-12 V16827 117080-02 V16827	950951	1
220	117003-14		..GENERATOR-12 MINUTES 4 PERSON SUPPLIER CODE: V16827 SPECIFICATION NUMBER: S417T401-27 OPTIONAL PART: 803000-04 V53655 E71740-00 VD1379 USED ON: 417N3200-53SP REFERENCE SERVICE BULLETIN: 35-0023 REWORKED BY SB: 117003-14-35-3 V16827	950951	1
220	803000-04		..GENERATOR-12 MINUTES 4 PERSON SUPPLIER CODE: V53655 SPECIFICATION NUMBER: S417T401-33 OPTIONAL PART: 117003-14 V16827 E71740-00 VD1379 USED ON: 417N3200-53SP	950951	1

MISSING ITEM NUMBERS NOT APPLICABLE

- ITEM NOT ILLUSTRATED

35-21-04-26

35-21-04
FIG. 26
PAGE 4
JAN 20/09

BRI



757

PARTS CATALOG (MAINTENANCE)

FIG ITEM	PART NUMBER	1 2 3 4 5 6 7	NOMENCLATURE	EFFECT FROM TO	UNITS PER ASSY
26 220	E71740-00		..GENERATOR-12 MINUTES 4 PERSON SUPPLIER CODE: VD1379 SPECIFICATION NUMBER: S417T401-44 OPTIONAL PART: 117003-14 V16827 803000-04 V53655 117080-04 V16827	950951	1
220	117080-04		..GENERATOR-12 MINUTES 4 PERSON SUPPLIER CODE: V16827 SPECIFICATION NUMBER: S417T401-60 OPTIONAL PART: E71740-00 VD1379	950951	1
225	803000-03		..GENERATOR-3 PERSON SUPPLIER CODE: V53655 SPECIFICATION NUMBER: S417T401-32 USED ON: 417N3200-54SP	950951	1
230	417N3160-12		..FOAM- USED ON: 417N3200-62SP	950951	1
235	417N3160-4		..BRACKET ASSY-MTG ATTACHING PARTS	950951	1
240	BACS12FA08K8		..SCREW	950951	2
245	BACS12FA08K7		..SCREW	950951	2
250	AN960PD8L		..WASHER- USED ON: 417N3200-62SP -----*-----	950951	2

MISSING ITEM NUMBERS NOT APPLICABLE

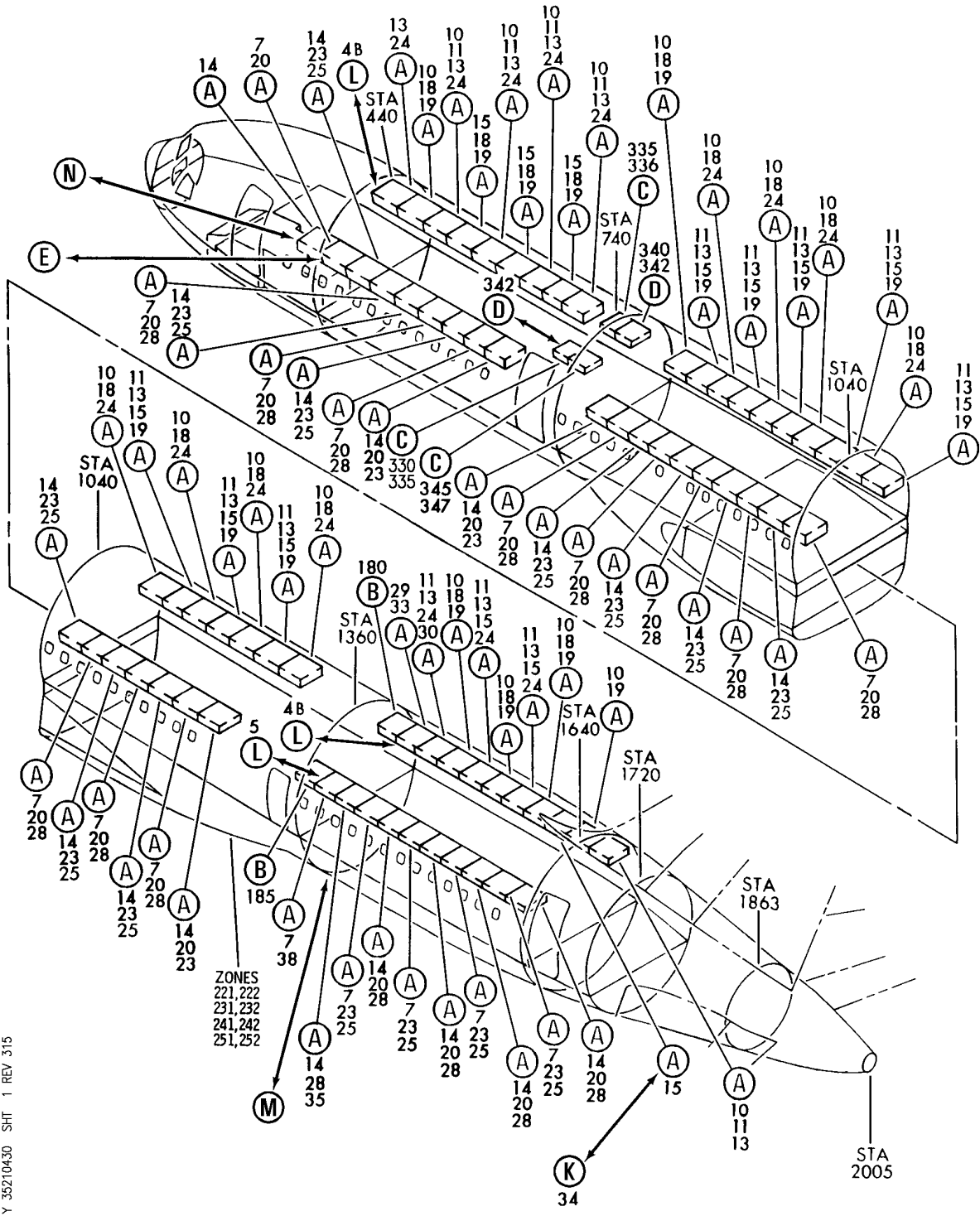
- ITEM NOT ILLUSTRATED

35-21-04-26

35-21-04
FIG. 26
PAGE 5
JAN 20/09

BRI


BOEING
 757
PARTS CATALOG (MAINTENANCE)



Y 352104-30 SHT 1 REV 315

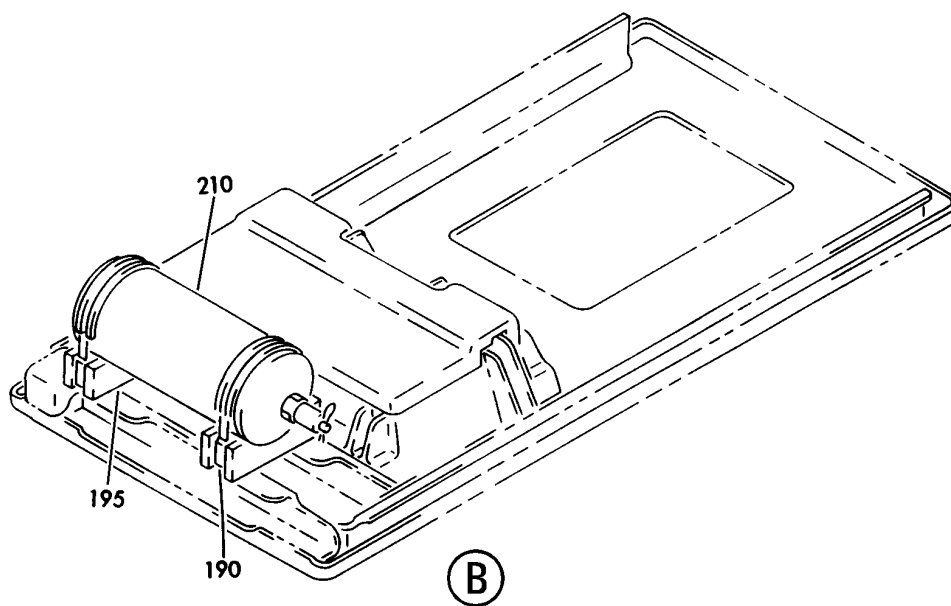
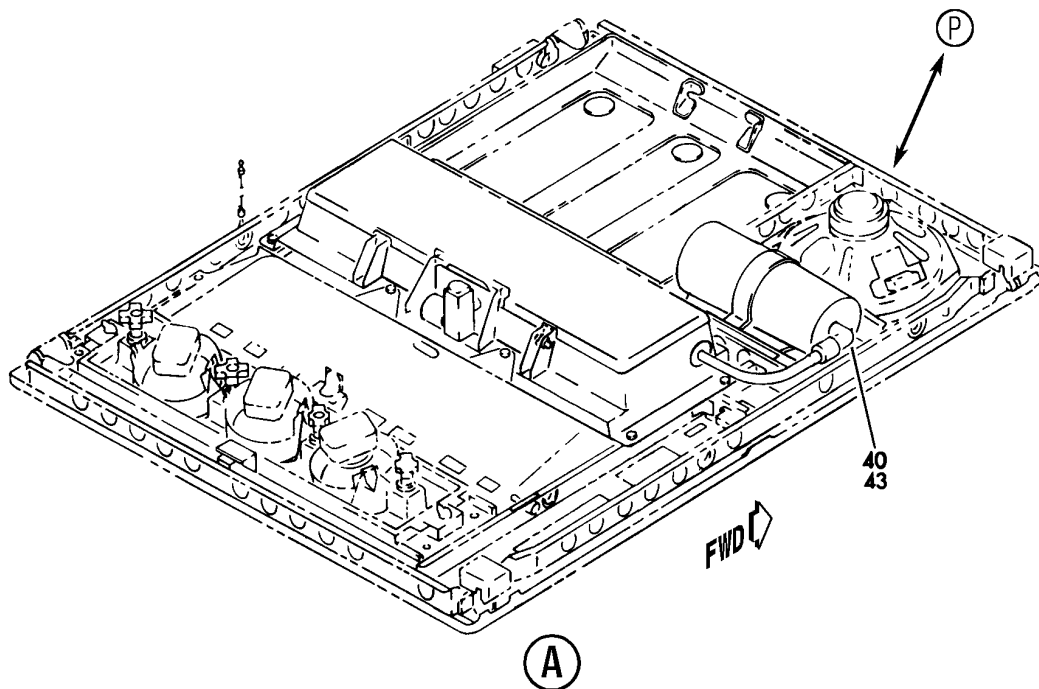
SERVICE UNIT INSTL-PASS (OXYGEN GENERATOR ONLY)
 FIGURE 30 (SHEET 1)

35-21-04-30

BRI
SEP 28/07

35-21-04-30
 PAGE 0

BOEING
757
PARTS CATALOG (MAINTENANCE)



Y 35210430 SHT 2 REV 315

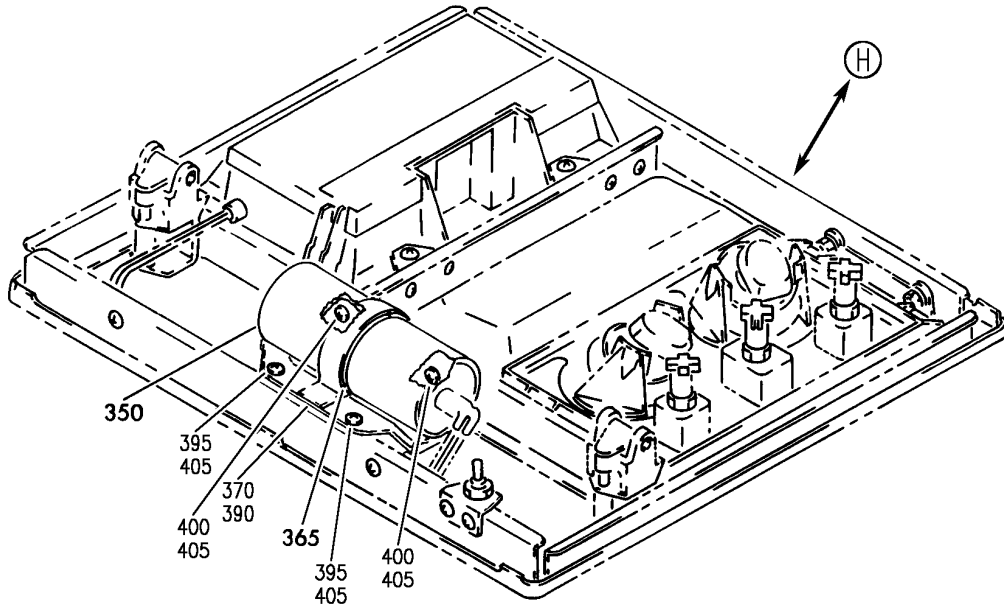
SERVICE UNIT INSTL-PASS (OXYGEN GENERATOR ONLY)
FIGURE 30 (SHEET 2)

35-21-04-30

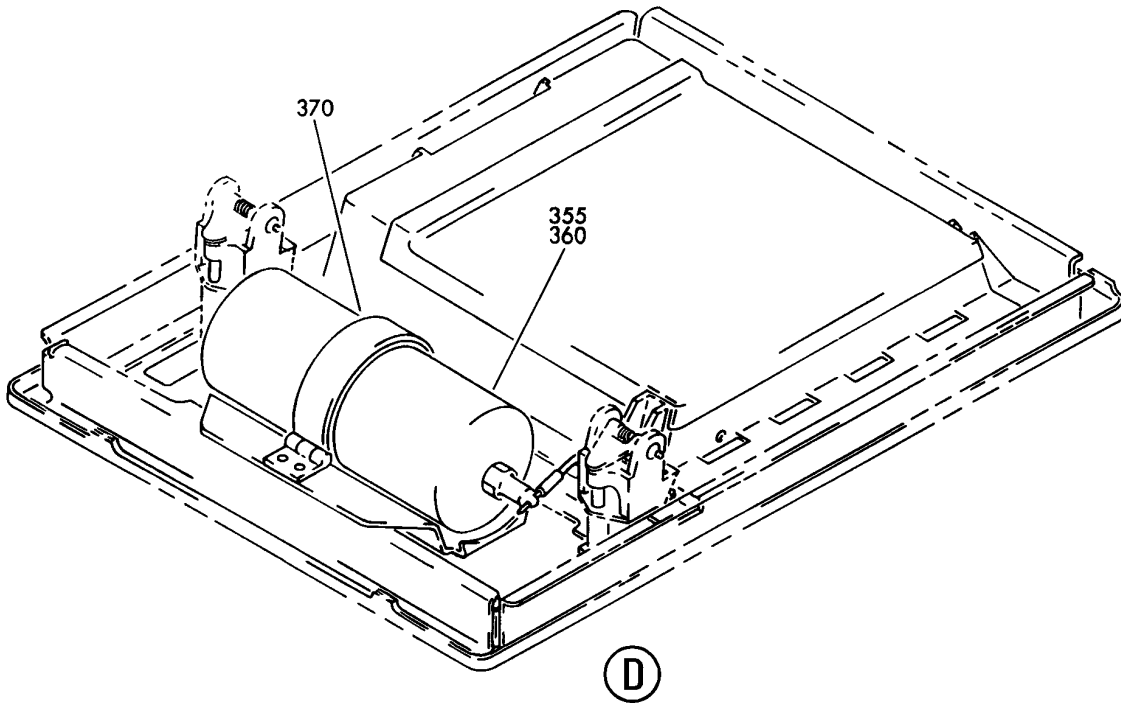
BRI
SEP 28/07

35-21-04-30
PAGE 0A

BOEING
757
PARTS CATALOG (MAINTENANCE)



(C)



(D)

Y 35210430 SHT 3 REV 315

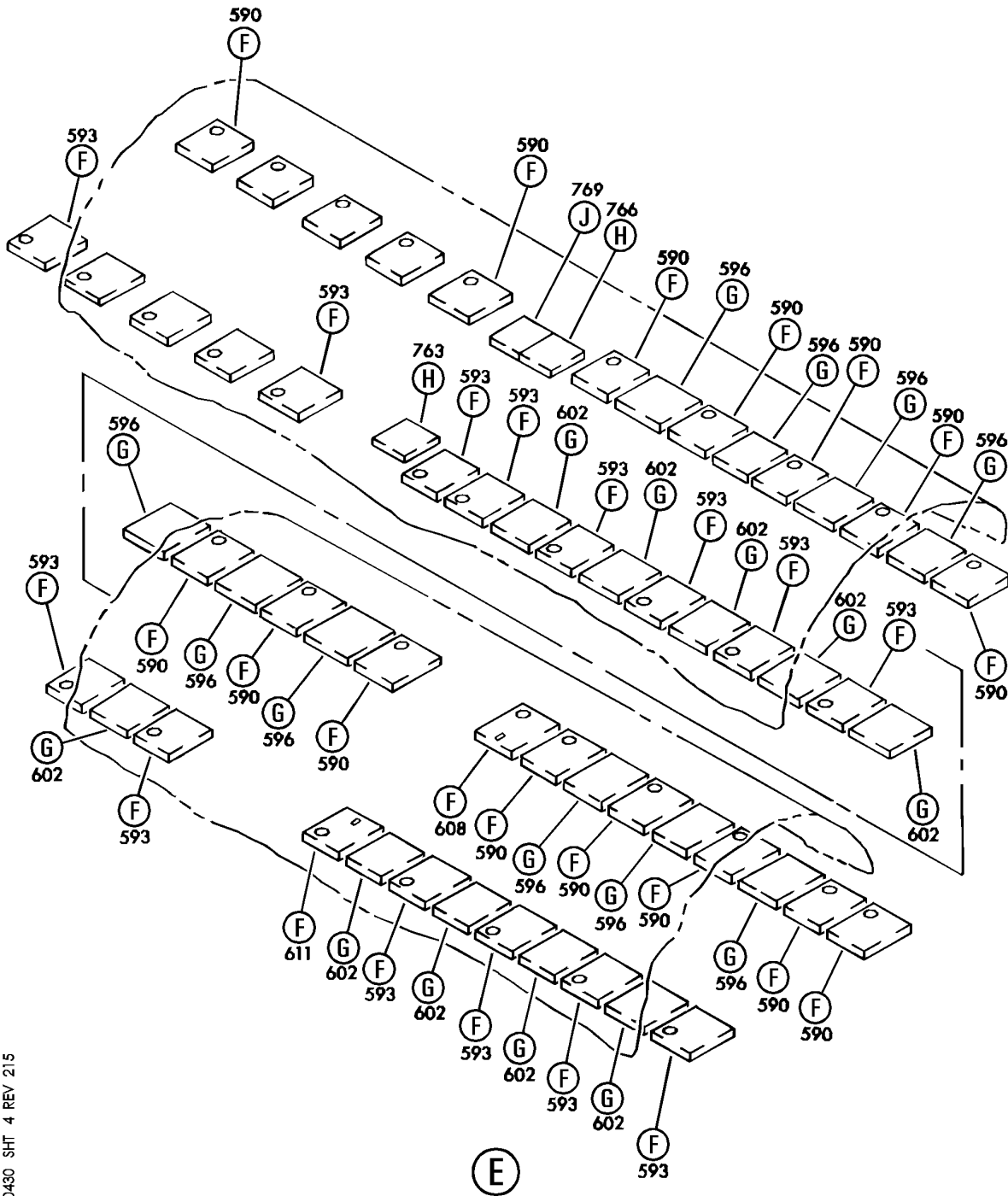
SERVICE UNIT INSTL-PASS (OXYGEN GENERATOR ONLY)
FIGURE 30 (SHEET 3)

35-21-04-30

BRI
SEP 28/07

35-21-04-30
PAGE 0B


BOEING
 757
PARTS CATALOG (MAINTENANCE)



Y 35210430 SH4 4 REV 215

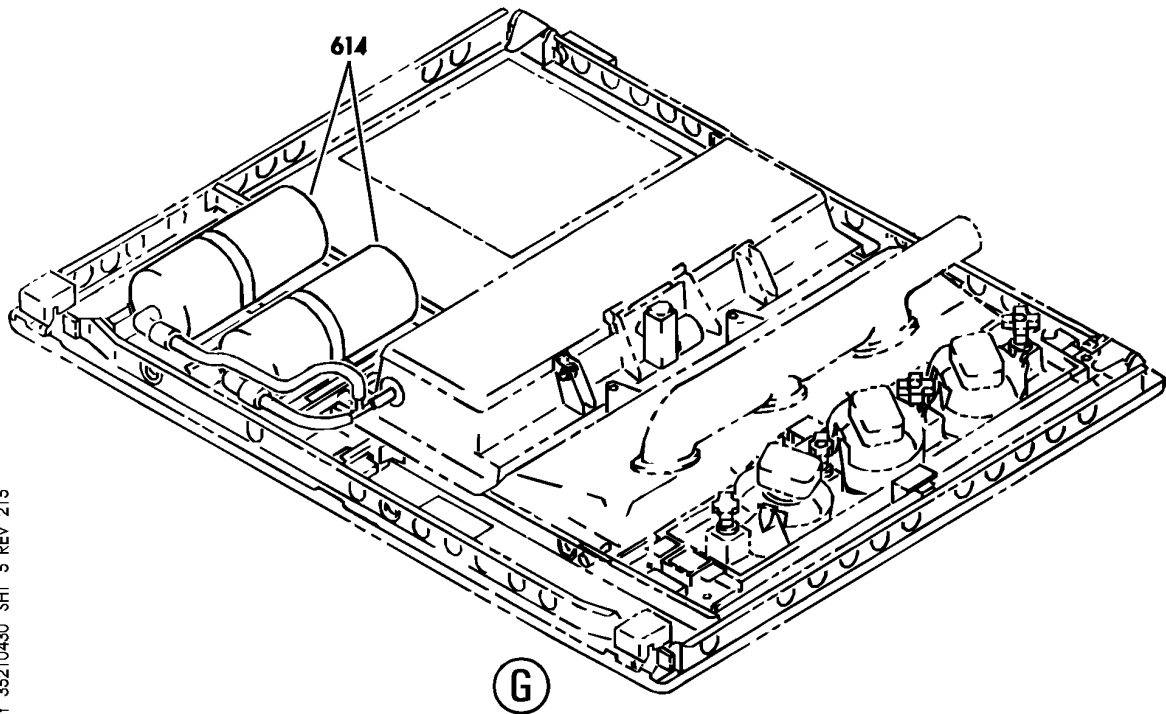
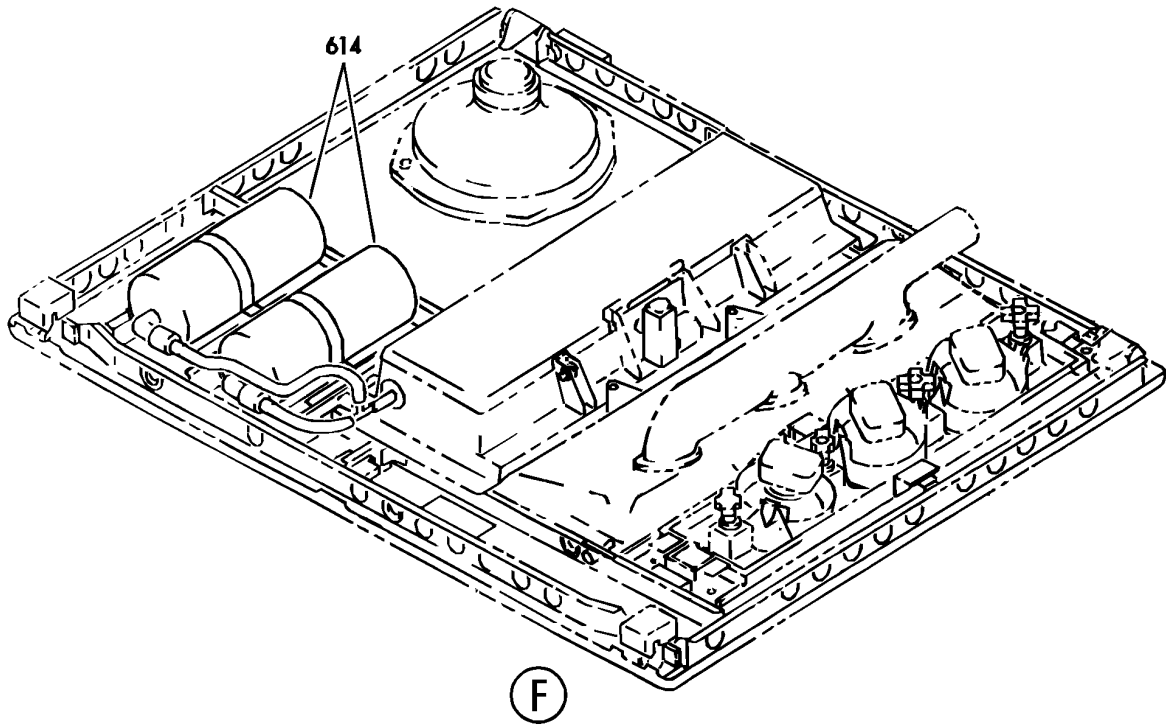
SERVICE UNIT INSTL-PASS (OXYGEN GENERATOR ONLY)
 FIGURE 30 (SHEET 4)

35-21-04-30

BRI
 MAY 28/07

35-21-04-30
 PAGE 0C

BOEING
757
PARTS CATALOG (MAINTENANCE)



Y 35210430 SHT 5 REV 215

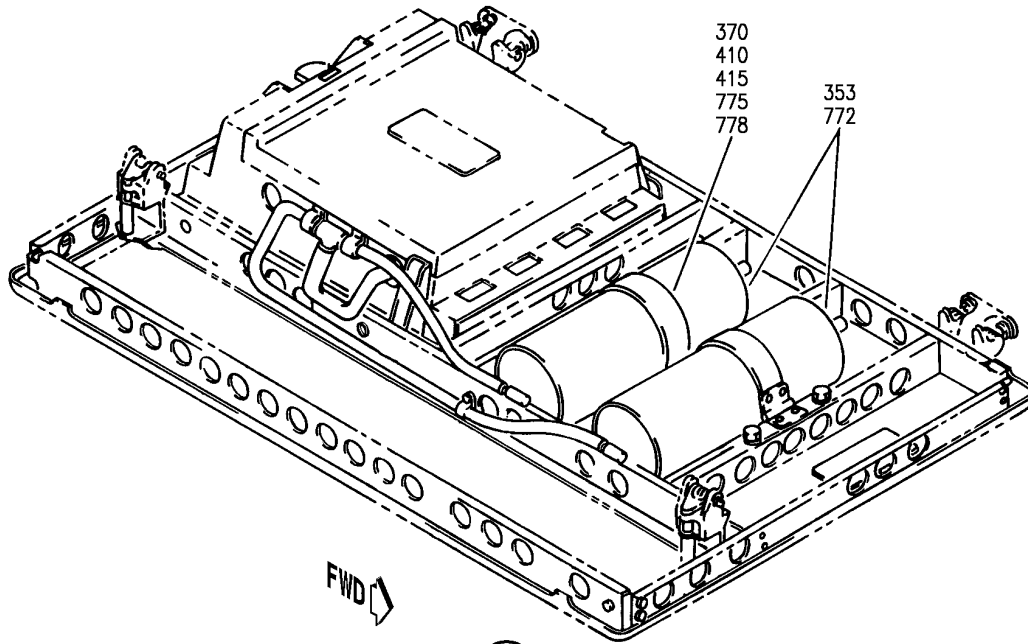
SERVICE UNIT INSTL-PASS (OXYGEN GENERATOR ONLY)
FIGURE 30 (SHEET 5)

35-21-04-30

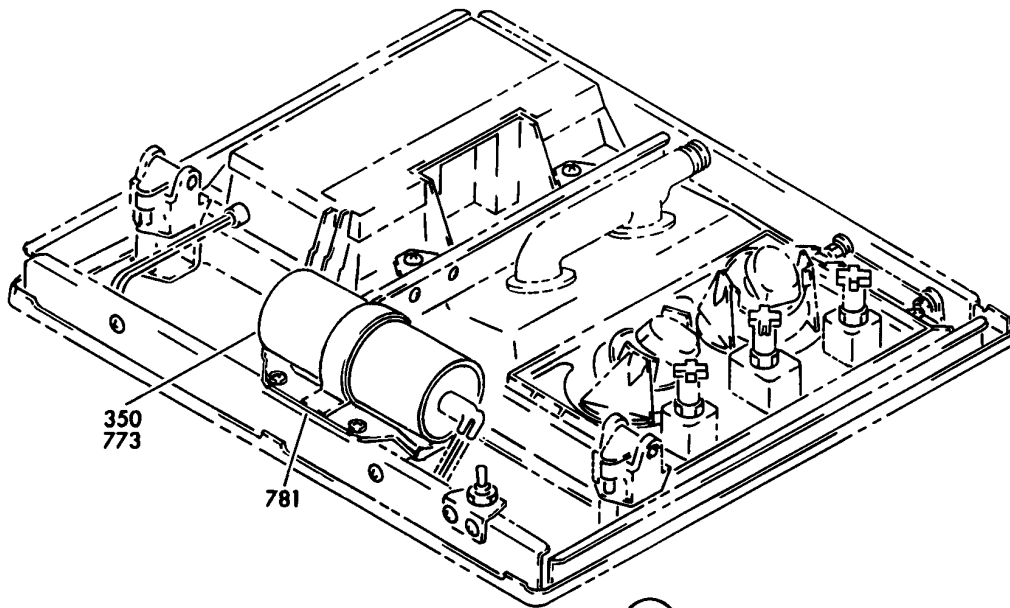
BRI
MAY 28/07

35-21-04-30
PAGE 0D

BOEING
757
PARTS CATALOG (MAINTENANCE)



(H)



(J)

Y 352104-30 SHT 6 REV 315

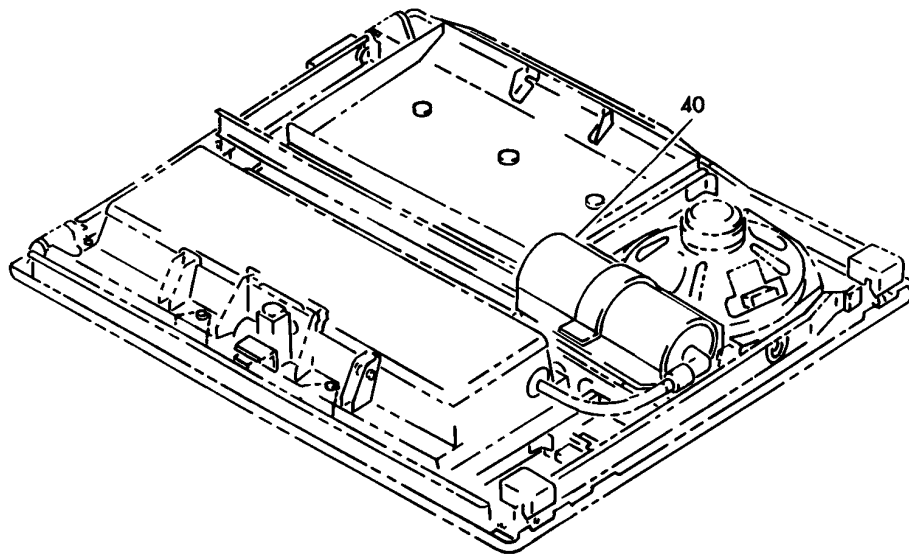
SERVICE UNIT INSTL-PASS (OXYGEN GENERATOR ONLY)
FIGURE 30 (SHEET 6)

35-21-04-30

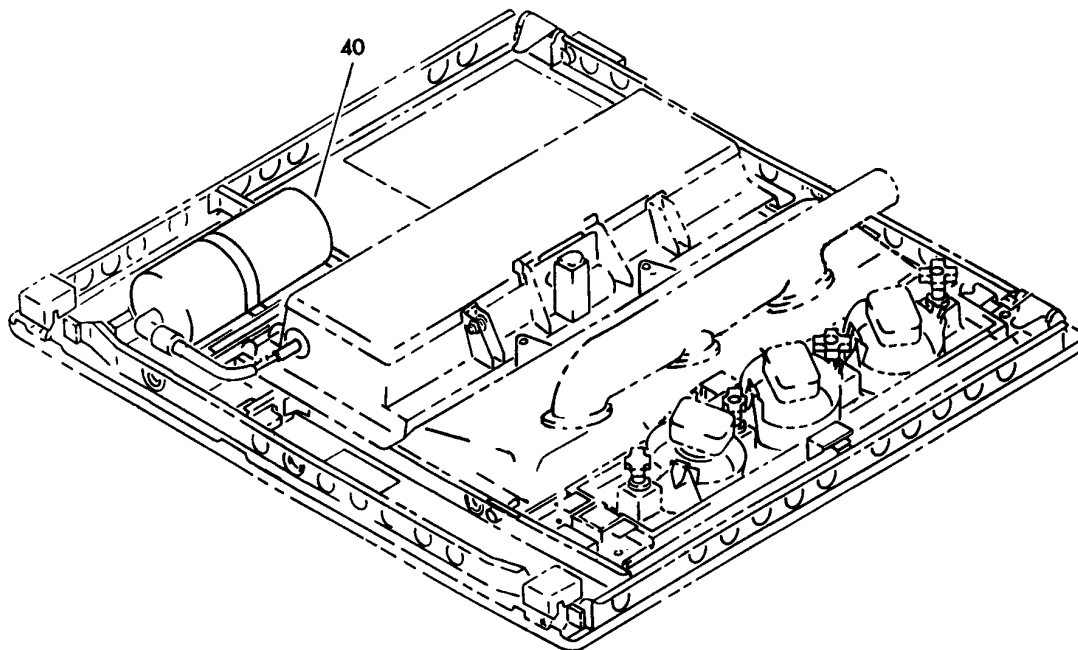
BRI
SEP 28/07

35-21-04-30
PAGE 0E

BOEING
757
PARTS CATALOG (MAINTENANCE)



(K)



(L)

Y 35210430 SHT 7 REV 215

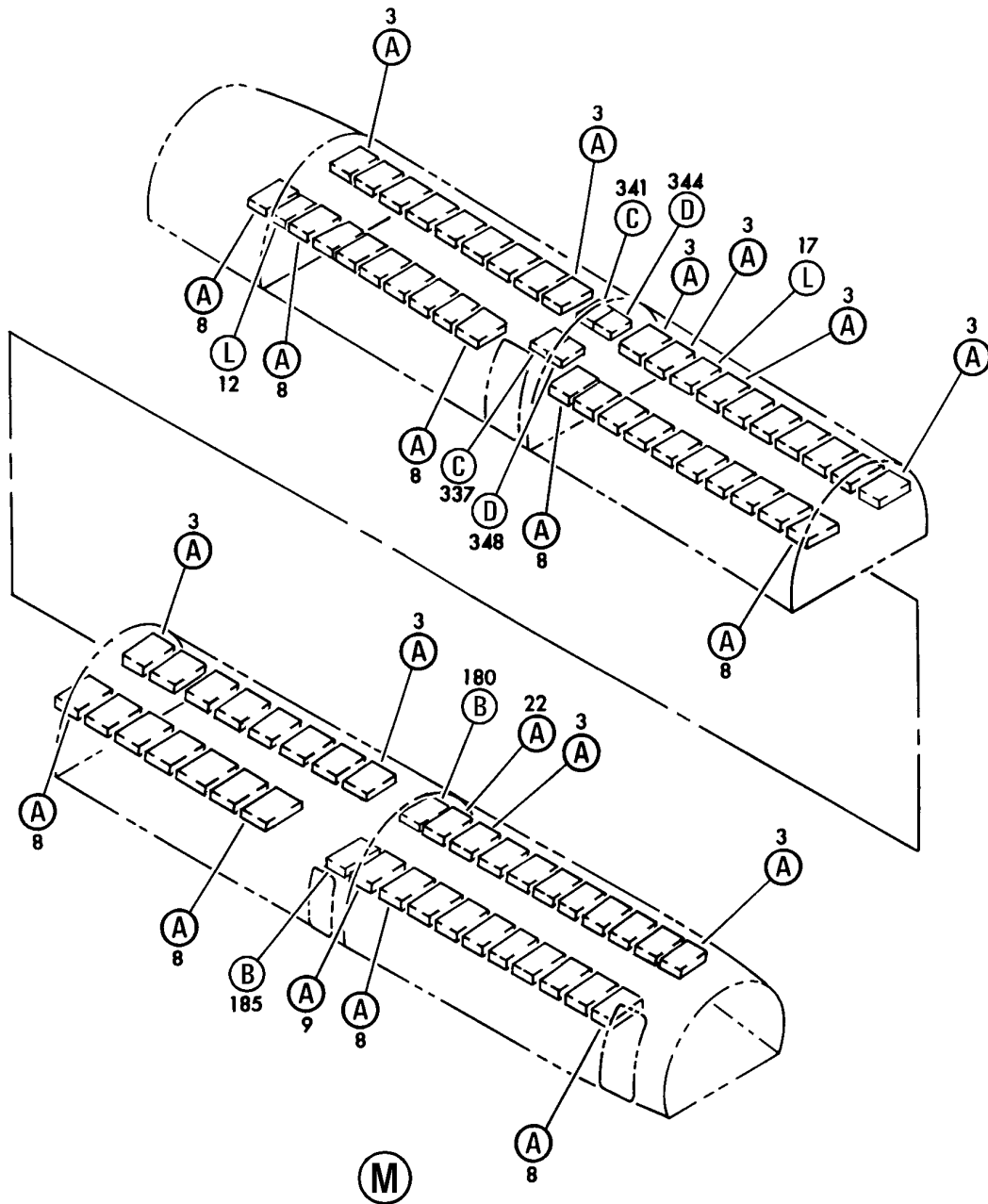
SERVICE UNIT INSTL-PASS (OXYGEN GENERATOR ONLY)
FIGURE 30 (SHEET 7)

35-21-04-30

BRI
MAY 28/07

35-21-04-30
PAGE OF

BOEING
757
PARTS CATALOG (MAINTENANCE)



Y 35210430 SH8 8 REV 215

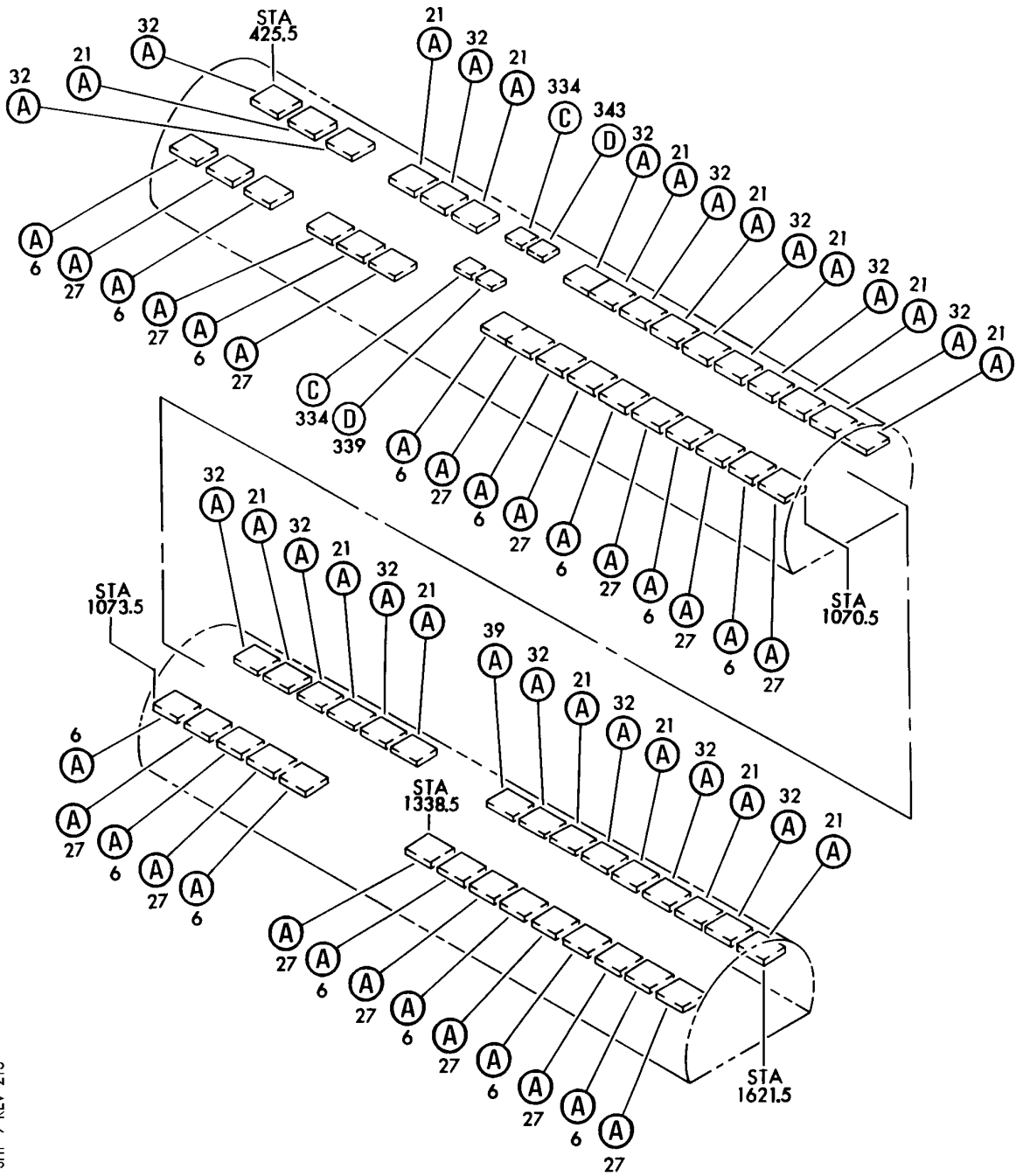
SERVICE UNIT INSTL-PASS (OXYGEN GENERATOR ONLY)
FIGURE 30 (SHEET 8)

35-21-04-30

BRI
MAY 28/07

35-21-04-30
PAGE 08

BOEING
757
PARTS CATALOG (MAINTENANCE)



Y 35210130 SHT 9 REV 215

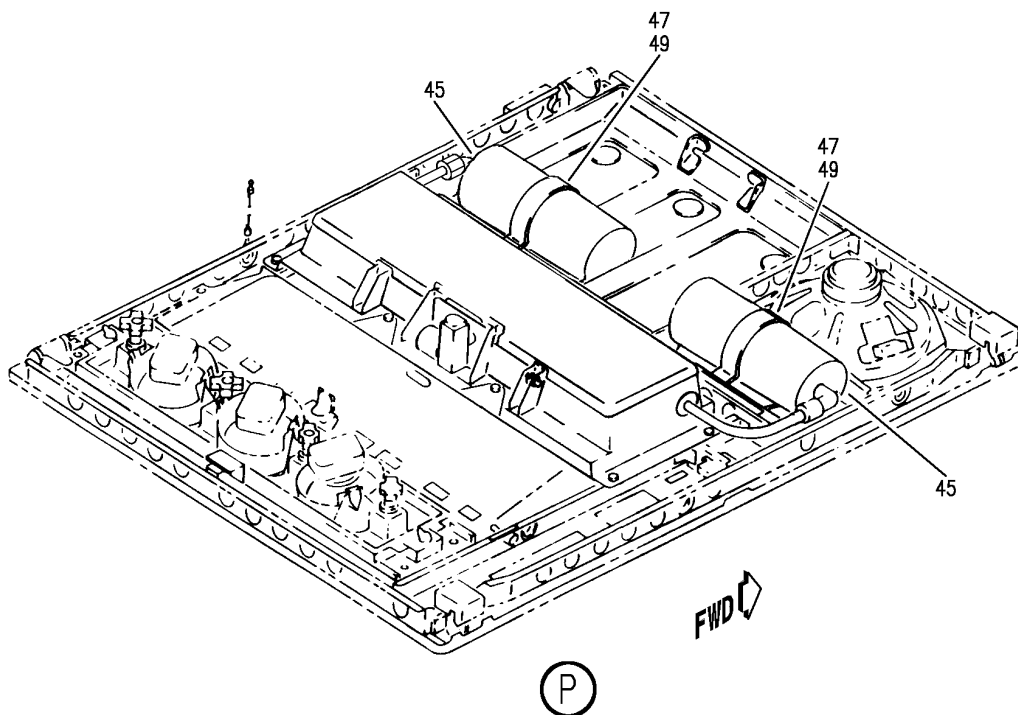
SERVICE UNIT INSTL-PASS (OXYGEN GENERATOR ONLY)
FIGURE 30 (SHEET 9)

35-21-04-30

BRI
MAY 28/07

35-21-04-30
PAGE 0H

BOEING
757
PARTS CATALOG (MAINTENANCE)



Y 35210430 SHT 10 REV 315

SERVICE UNIT INSTL-PASS (OXYGEN GENERATOR ONLY)
FIGURE 30 (SHEET 10)

35-21-04-30

BRI
SEP 28/07

35-21-04-30
PAGE 01



757

PARTS CATALOG (MAINTENANCE)

FIG ITEM	PART NUMBER	1 2 3 4 5 6 7	NOMENCLATURE	EFFECT FROM TO	UNITS PER ASSY
30			SERVICE UNIT INSTL-PASS (OXYGEN GENERATOR ONLY)	002004 006010 952999	
- 1	417N3001-132		SERVICE UNIT INSTL-PASS. (OXYGEN GENERATOR ONLY) FOR NHA/OTHER SYS DET SEE: 25-20-00-20A	952999	RF
- 1	417N3001-155		SERVICE UNIT INSTL-PASS. (OXYGEN GENERATOR ONLY) FOR NHA/OTHER SYS DET SEE: 25-20-00-20A	953999	RF
- 1	417N3001-157		SERVICE UNIT INSTL-PASS. (OXYGEN GENERATOR ONLY) FOR NHA/OTHER SYS DET SEE: 25-20-00-20A	006010	RF
- 1	417N3001-88		SERVICE UNIT INSTL-PASS. (OXYGEN GENERATOR ONLY) FOR NHA/OTHER SYS DET SEE: 25-20-00-20A	002004	RF
3	417N3100-444SP		.SERVICE UNIT ASSY-PASS. POSITION DATA: UNDERBIN COMPONENT MAINT MANUAL REF: 25-23-30	002004 006010	RF
8	417N3100-427SP		.SERVICE UNIT ASSY-PASS. POSITION DATA: UNDERBIN COMPONENT MAINT MANUAL REF: 25-23-33	002004 006010	RF
9	417N3100-425SP		.SERVICE UNIT ASSY-PASS. POSITION DATA: UNDERBIN COMPONENT MAINT MANUAL REF: 25-23-33	002004 006010	RF
12	417N3100-505SP		.SERVICE UNIT ASSY-PASS. POSITION DATA: UNDERBIN COMPONENT MAINT MANUAL REF: 25-23-37	002004 006010	RF
13	417N3100-426SP		.SERVICE UNIT ASSY-PASS. POSITION DATA: UNDERBIN COMPONENT MAINT MANUAL REF: 25-23-34	952999	RF
17	417N3100-508SP		.SERVICE UNIT ASSY-PASS. POSITION DATA: UNDERBIN COMPONENT MAINT MANUAL REF: 25-23-37	002004 006010	RF

MISSING ITEM NUMBERS NOT APPLICABLE

- ITEM NOT ILLUSTRATED

35-21-04-30

35-21-04
FIG. 30
PAGE 1
JAN 20/09

BRI



757

PARTS CATALOG (MAINTENANCE)

FIG ITEM	PART NUMBER	1 2 3 4 5 6 7	NOMENCLATURE	EFFECT FROM TO	UNITS PER ASSY
30					
18	417N3100-428SP	.	SERVICE UNIT ASSY-PASS. POSITION DATA: UNDERBIN COMPONENT MAINT MANUAL REF: 25-23-34	952999	RF
18	417N3100-296SP	.	SERVICE UNIT ASSY-PASS. POSITION DATA: UNDERBIN COMPONENT MAINT MANUAL REF: 25-23-34	952999	RF
22	417N3100-442SP	.	SERVICE UNIT ASSY-PASS. POSITION DATA: UNDERBIN COMPONENT MAINT MANUAL REF: 25-23-33	002004 006010	RF
23	417N3100-419SP	.	SERVICE UNIT ASSY-PASS. POSITION DATA: UNDERBIN COMPONENT MAINT MANUAL REF: 25-23-34	952999	RF
28	417N3100-421SP	.	SERVICE UNIT ASSY-PASS. POSITION DATA: UNDERBIN COMPONENT MAINT MANUAL REF: 25-23-34	952999	RF
33	417N3100-596SP	.	SERVICE UNIT ASSY-PASS. POSITION DATA: UNDERBIN COMPONENT MAINT MANUAL REF: 25-23-34	952999	RF
38	417N3100-595SP	.	SERVICE UNIT ASSY-PASS. POSITION DATA: UNDERBIN COMPONENT MAINT MANUAL REF: 25-23-34	952999	RF

MISSING ITEM NUMBERS NOT APPLICABLE

- ITEM NOT ILLUSTRATED

35-21-04-30

35-21-04
FIG. 30
PAGE 2
JAN 20/09

BRI



757

PARTS CATALOG (MAINTENANCE)

FIG ITEM	PART NUMBER	1 2 3 4 5 6 7	NOMENCLATURE	EFFECT FROM TO	UNITS PER ASSY
30 40	117003-14		..GENERATOR-OXYGEN MODULE CENTER GENERATOR, 12 MINUTES 4 PERSON. SUPPLIER CODE: V16827 SPECIFICATION NUMBER: S417T401-27 OPTIONAL PART: 803000-04 V53655 E71740-00 VD1379 REFERENCE SERVICE BULLETIN: 35-0023 REWORKED BY SB: 117003-14-35-3 V16827	002004 006010	1
40	803000-04		..GENERATOR-OXYGEN MODULE CENTER GENERATOR, 12 MINUTES, 4 PERSON. SUPPLIER CODE: V53655 SPECIFICATION NUMBER: S417T401-33 OPTIONAL PART: 117003-14 V16827 E71740-00 VD1379	002004 006010	1
40	E71740-00		..GENERATOR-OXYGEN MODULE CENTER 12 MINUTES 4 PERSON SUPPLIER CODE: VD1379 SPECIFICATION NUMBER: S417T401-44 OPTIONAL PART: 117003-14 V16827 803000-04 V53655 117080-04 V16827	002004 006010	1

MISSING ITEM NUMBERS NOT APPLICABLE

- ITEM NOT ILLUSTRATED

35-21-04-30

35-21-04
FIG. 30
PAGE 3
JAN 20/09

BRI



757

PARTS CATALOG (MAINTENANCE)

FIG ITEM	PART NUMBER	1 2 3 4 5 6 7	NOMENCLATURE	EFFECT FROM TO	UNITS PER ASSY
30 40	117080-04		..GENERATOR-OXYGEN MODULE CENTER GENERATOR, 12 MINUTES 4 PERSON. SUPPLIER CODE: V16827 SPECIFICATION NUMBER: S417T401-60 OPTIONAL PART: E71740-00 VD1379 REFERENCE SERVICE BULLETIN: 35-0023 REWORKED BY SB: 117003-14-35-3 V16827	002004 006010	1
43	117003-14		..GENERATOR-12 MINUTES 4 PERSON SUPPLIER CODE: V16827 SPECIFICATION NUMBER: S417T401-27 OPTIONAL PART: 803000-04 V53655 E71740-00 VD1379 REFERENCE SERVICE BULLETIN: 35-0023 REWORKED BY SB: 117003-14-35-3 V16827	952999	1
43	803000-04		..GENERATOR-12 MINUTES 4 PERSON SUPPLIER CODE: V53655 SPECIFICATION NUMBER: S417T401-33 OPTIONAL PART: 117003-14 V16827 E71740-00 VD1379	952999	1

MISSING ITEM NUMBERS NOT APPLICABLE

- ITEM NOT ILLUSTRATED

35-21-04-30

35-21-04
FIG. 30
PAGE 4
JAN 20/09

BRI



757

PARTS CATALOG (MAINTENANCE)

FIG ITEM	PART NUMBER	1 2 3 4 5 6 7	NOMENCLATURE	EFFECT FROM TO	UNITS PER ASSY
30					
43	E71740-00		..GENERATOR-12 MINUTES 4 PERSON SUPPLIER CODE: VD1379 SPECIFICATION NUMBER: S417T401-44 OPTIONAL PART: 117003-14 V16827 803000-04 V53655 117080-04 V16827	952999	1
43	117080-04		..GENERATOR-12 MINUTES 4 PERSON SUPPLIER CODE: V16827 SPECIFICATION NUMBER: S417T401-60 OPTIONAL PART: E71740-00 VD1379 REFERENCE SERVICE BULLETIN: 35-0023 REWORKED BY SB: 117003-14-35-3 V16827	952999	1
180	417N3700-22SP		.SERVICE UNIT ASSY- ATTENDANT POSITION DATA: UNDERBIN COMPONENT MAINT MANUAL REF: 35-21-05	002004 006010	RF
185	417N3700-21SP		.SERVICE UNIT ASSY- ATTENDANT POSITION DATA: UNDERBIN COMPONENT MAINT MANUAL REF: 35-21-05	002004 006010	RF
190	417T4250-3		..CLAMP ASSY	002004 006010	1
195	417T4250-4		..CLAMP ASSY	002004 006010	1
- 200	NAS1801-3-6		ATTACHING PARTS ..SCREW	002004 006010	4
- 205	AN960PD10L		..WASHER	002004 006010	4
			-----*-----		

MISSING ITEM NUMBERS NOT APPLICABLE

- ITEM NOT ILLUSTRATED

35-21-04-30

35-21-04
FIG. 30
PAGE 5
JAN 20/09

BRI



757

PARTS CATALOG (MAINTENANCE)

FIG ITEM	PART NUMBER	1 2 3 4 5 6 7	NOMENCLATURE	EFFECT FROM TO	UNITS PER ASSY
30 210	117003-12		.. GENERATOR-PASSENGER OXYGEN GENERATOR 12 MINUTES, 2 PERSON. SUPPLIER CODE: V16827 SPECIFICATION NUMBER: S417T401-25 OPTIONAL PART: E71720-00 VD1379	002004 006010	1
210	803000-02		.. GENERATOR-2 PERSON PASSENGER OXYGEN SUPPLIER CODE: V53655 SPECIFICATION NUMBER: S417T401-31	002004 006010	1
210	E71720-00		.. GENERATOR-OXYGEN CHEMICAL 2 PERSON 12 MINUTE SUPPLIER CODE: VD1379 SPECIFICATION NUMBER: S417T401-43 OPTIONAL PART: 117003-12 V16827 117080-02 V16827	002004 006010	1
210	117080-02		.. GENERATOR-OXYGEN CHEMICAL 2 PERSON 12 MINUTE SUPPLIER CODE: V16827 SPECIFICATION NUMBER: S417T401-61 OPTIONAL PART: E71720-00 VD1379	002004 006010	1
335	417N3200-62SP		.SERVICE UNIT ASSY-PASS. POSITION DATA: OVERDOOR COMPONENT MAINT MANUAL REF: 35-21-04	952999	RF
337	417N3200-78SP		.SERVICE UNIT ASSY-PASS. POSITION DATA: OVERDOOR COMPONENT MAINT MANUAL REF: 35-21-04	002004 006010	RF

MISSING ITEM NUMBERS NOT APPLICABLE

- ITEM NOT ILLUSTRATED

35-21-04-30

35-21-04
FIG. 30
PAGE 6
JAN 20/09

BRI



757

PARTS CATALOG (MAINTENANCE)

FIG ITEM	PART NUMBER	1 2 3 4 5 6 7	NOMENCLATURE	EFFECT FROM TO	UNITS PER ASSY
30					
340	417N3200-54SP	.	SERVICE UNIT ASSY-PASS. POSITION DATA: OVERDOOR COMPONENT MAINT MANUAL REF: 35-21-04	952999	RF
341	417N3200-77SP	.	SERVICE UNIT ASSY-PASS. POSITION DATA: OVERDOOR COMPONENT MAINT MANUAL REF: 35-21-04	002004 006010	RF
344	417N3200-54SP	.	SERVICE UNIT ASSY-PASS. POSITION DATA: OVERDOOR COMPONENT MAINT MANUAL REF: 35-21-04	002004 006010	RF
345	417N3200-53SP	.	SERVICE UNIT ASSY-PASS. POSITION DATA: OVERDOOR COMPONENT MAINT MANUAL REF: 35-21-04	952999	RF
348	417N3200-53SP	.	SERVICE UNIT ASSY-PASS. POSITION DATA: OVERDOOR COMPONENT MAINT MANUAL REF: 35-21-04	002004 006010	RF
350	117003-12	..	GENERATOR-2 PERSON SUPPLIER CODE: V16827 SPECIFICATION NUMBER: S417T401-25 OPTIONAL PART: 803000-02 V53655 E71720-00 VD1379 USED ON: 417N3200-62SP	952999	1
350	803000-02	..	GENERATOR-2 PERSON SUPPLIER CODE: V53655 SPECIFICATION NUMBER: S417T401-31 OPTIONAL PART: 117003-12 V16827 USED ON: 417N3200-62SP	952999	1

MISSING ITEM NUMBERS NOT APPLICABLE

- ITEM NOT ILLUSTRATED

35-21-04-30

35-21-04
FIG. 30
PAGE 7
JAN 20/09

BRI



757

PARTS CATALOG (MAINTENANCE)

FIG ITEM	PART NUMBER	1 2 3 4 5 6 7	NOMENCLATURE	EFFECT FROM TO	UNITS PER ASSY
30 350	117003-12		.. GENERATOR-PASSENGER OXYGEN GENERATOR 12 MINUTES, 2 PERSON. SUPPLIER CODE: V16827 SPECIFICATION NUMBER: S417T401-25 OPTIONAL PART: 803000-02 V53655 E71720-00 VD1379 USED ON: 417N3200-77SP 417N3200-78SP	002004 006010	1
350	803000-02		.. GENERATOR-2 PERSON PASSENGER OXYGEN SUPPLIER CODE: V53655 SPECIFICATION NUMBER: S417T401-31 OPTIONAL PART: 117003-12 V16827 USED ON: 417N3200-77SP 417N3200-78SP	002004 006010	1
350	117080-02		.. GENERATOR-2 PERSON SUPPLIER CODE: V16827 SPECIFICATION NUMBER: S417T401-61 OPTIONAL PART: E71720-00 VD1379	952999	1
350	E71720-00		.. GENERATOR-2 PERSON SUPPLIER CODE: V16827 SPECIFICATION NUMBER: S417T401-43 OPTIONAL PART: 117003-12 V16827 117080-02 V16827	952999	1

MISSING ITEM NUMBERS NOT APPLICABLE

- ITEM NOT ILLUSTRATED

BRI

35-21-04-30

BOEING PROPRIETARY - Copyright © - Unpublished Work - See title page for details.

35-21-04
FIG. 30
PAGE 8
JAN 20/09



757

PARTS CATALOG (MAINTENANCE)

FIG ITEM	PART NUMBER	1 2 3 4 5 6 7	NOMENCLATURE	EFFECT FROM TO	UNITS PER ASSY
30 350	117080-02		.. GENERATOR-PASSENGER OXYGEN GENERATOR 12 MINUTES, 2 PERSON. SUPPLIER CODE: V16827 SPECIFICATION NUMBER: S417T401-61 OPTIONAL PART: E71720-00 VD1379	002004 006010	1
350	E71720-00		.. GENERATOR-PASSENGER OXYGEN GENERATOR 12 MINUTES, 2 PERSON. SUPPLIER CODE: VD1379 SPECIFICATION NUMBER: S417T401-43 OPTIONAL PART: 117003-12 V16827 117080-02 V16827	002004 006010	1
355	117003-14		.. GENERATOR-OXYGEN MODULE CENTER GENERATOR, 12 MINUTES 4 PERSON. SUPPLIER CODE: V16827 SPECIFICATION NUMBER: S417T401-27 OPTIONAL PART: 803000-04 V53655 E71740-00 VD1379 USED ON: 417N3200-53SP REFERENCE SERVICE BULLETIN: 35-0023 REWORKED BY SB: 117003-14-35-3 V16827	002004 006010 952999	1

MISSING ITEM NUMBERS NOT APPLICABLE

- ITEM NOT ILLUSTRATED

35-21-04-30

35-21-04
FIG. 30
PAGE 9
JAN 20/09

BRI



757

PARTS CATALOG (MAINTENANCE)

FIG ITEM	PART NUMBER	1 2 3 4 5 6 7	NOMENCLATURE	EFFECT FROM TO	UNITS PER ASSY
30 355	803000-04		..GENERATOR-OXYGEN MODULE CENTER GENERATOR, 12 MINUTES, 4 PERSON. SUPPLIER CODE: V53655 SPECIFICATION NUMBER: S417T401-33 OPTIONAL PART: 117003-14 V16827 E71740-00 VD1379 USED ON: 417N3200-53SP	002004 006010 952999	1
355	E71740-00		..GENERATOR-OXYGEN MODULE CENTER 12 MINUTES 4 PERSON SUPPLIER CODE: VD1379 SPECIFICATION NUMBER: S417T401-44 OPTIONAL PART: 117003-14 V16827 803000-04 V53655 117080-04 V16827	002004 006010 952999	1
355	117080-04		..GENERATOR-OXYGEN MODULE CENTER GENERATOR, 12 MINUTES 4 PERSON. SUPPLIER CODE: V16827 SPECIFICATION NUMBER: S417T401-60 OPTIONAL PART: E71740-00 VD1379 REFERENCE SERVICE BULLETIN: 35-0023 REWORKED BY SB: 117003-14-35-3 V16827	002004 006010 952999	1

MISSING ITEM NUMBERS NOT APPLICABLE

- ITEM NOT ILLUSTRATED

BRI

35-21-04-30

35-21-04
FIG. 30
PAGE 10
JAN 20/09



757

PARTS CATALOG (MAINTENANCE)

FIG ITEM	PART NUMBER	1 2 3 4 5 6 7	NOMENCLATURE	EFFECT FROM TO	UNITS PER ASSY
30					
360	803000-03		..GENERATOR-3 PERSON SUPPLIER CODE: V53655 SPECIFICATION NUMBER: S417T401-32 USED ON: 417N3200-54SP	952999	1
360	803000-03		..GENERATOR-OXYGEN MODULE OUTBD GENERATOR, 12 MINUTES, 3 PERSON. SUPPLIER CODE: V53655 SPECIFICATION NUMBER: S417T401-32 OPTIONAL PART: 117003-13 V16827 USED ON: 417N3200-54SP	002004 006010	1
360	117003-13		..GENERATOR-OXYGEN MODULE OUTBD GENERATOR, 12 MINUTE 3 PERSON. SUPPLIER CODE: V16827 SPECIFICATION NUMBER: S417T401-26 OPTIONAL PART: 803000-03 V53655 117080-03 V16827 USED ON: 417N3200-54SP	002004 006010	1
360	117080-03		..GENERATOR-OXYGEN MODULE OUTBD GENERATOR, 12 MINUTE 3 PERSON. SUPPLIER CODE: V16827 SPECIFICATION NUMBER: S417T401-62 OPTIONAL PART: 117003-13 V16827 E71730-00 VD1379	002004 006010	1

R
R
R
R
R
R
R
R
R
R
R

MISSING ITEM NUMBERS NOT APPLICABLE

- ITEM NOT ILLUSTRATED

35-21-04-30

35-21-04
FIG. 30
PAGE 11
MAY 20/09

BRI

BOEING
757
PARTS CATALOG (MAINTENANCE)

FIG ITEM	PART NUMBER	1 2 3 4 5 6 7	NOMENCLATURE	EFFECT FROM TO	UNITS PER ASSY
R R R R R R R R	30 360	E71730-00	..GENERATOR-OXYGEN MODULE OUTBD GENERATOR, 12 MINUTE 3 PERSON. SUPPLIER CODE: VD1379 SPECIFICATION NUMBER: S417T401-45 OPTIONAL PART: 117080-03 VD1379	002004 006010	1
	365	417N3160-12	..FOAM- USED ON: 417N3200-62SP	952999	1
	365	417N3160-12	..FOAM- USED ON: 417N3200-77SP 417N3200-78SP	002004 006010	1
	370	417N3160-14	..BRACKET ASSY-MTG	002004 006010 952999	1
	- 375	BACS12FA08K8	ATTACHING PARTS ..SCREW	002004 006010 952999	2
	- 380	AN960PD8L	..WASHER	002004 006010 952999	2
			-----*		

MISSING ITEM NUMBERS NOT APPLICABLE

- ITEM NOT ILLUSTRATED

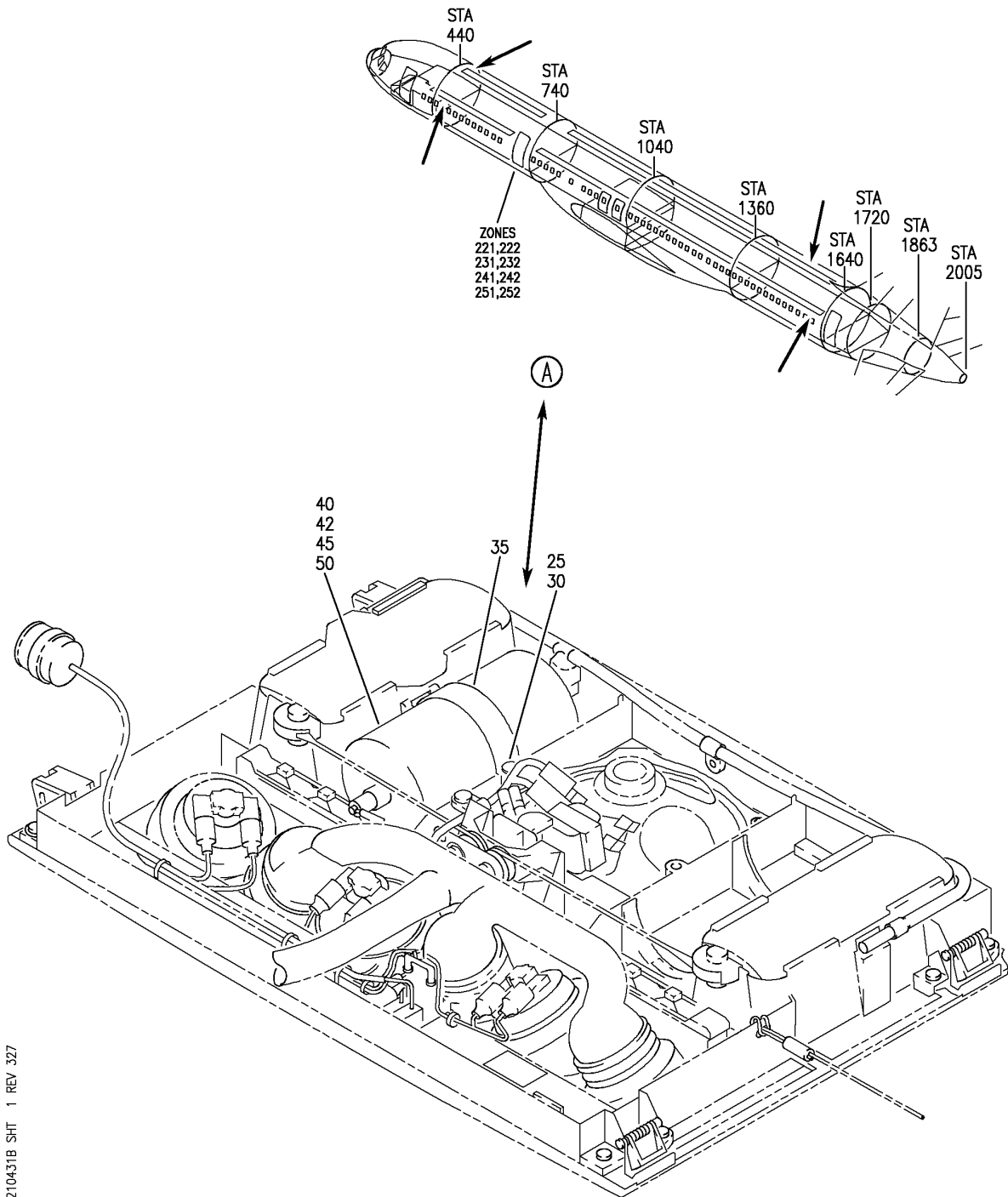
BRI

35-21-04-30

BOEING PROPRIETARY - Copyright © - Unpublished Work - See title page for details.

35-21-04
FIG. 30
PAGE 12
MAY 20/09

BOEING
757
PARTS CATALOG (MAINTENANCE)



Y 35210431B SHT 1 REV 327

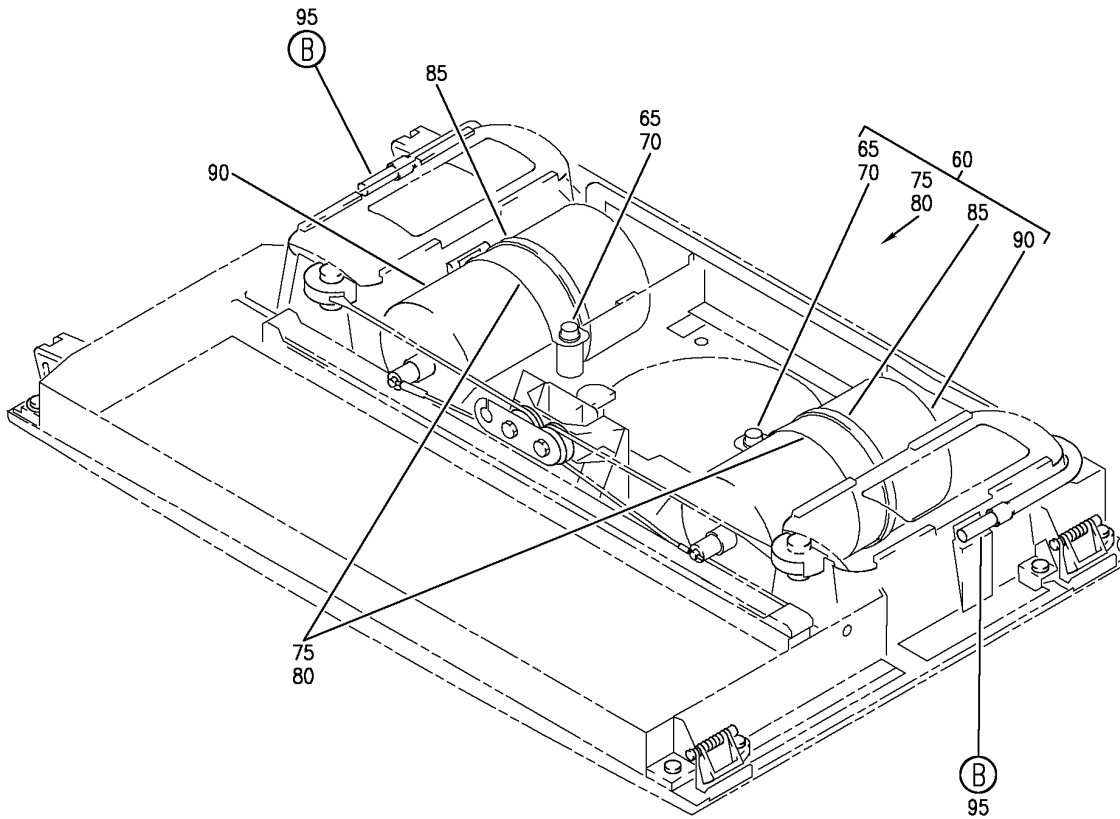
SERVICE UNIT ASSY-PASS. (OXYGEN GENERATOR ONLY)
FIGURE 31B

35-21-04-31B

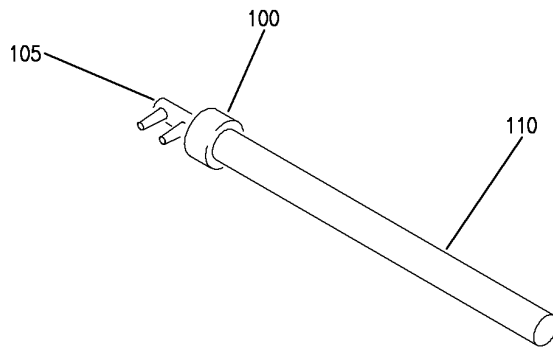
BRI
JAN 20/09

35-21-04-31B
PAGE 0

BOEING
757
PARTS CATALOG (MAINTENANCE)



(A)



(B)

Y 35210431B SHT 2 REV 314

SERVICE UNIT ASSY-PASS. (OXYGEN GENERATOR ONLY)
FIGURE 31B

35-21-04-31B

BRI
JAN 20/09

35-21-04-31B
PAGE 0A



757

PARTS CATALOG (MAINTENANCE)

FIG ITEM	PART NUMBER	1 2 3 4 5 6 7	NOMENCLATURE	EFFECT FROM TO	UNITS PER ASSY
31B			SERVICE UNIT ASSY-PASS. (OXYGEN GENERATOR ONLY)	103106 108120	
- 1	417N3011-401W		SERVICE UNIT ASSY-PASS. WITH SPKR AND GASPER (OXYGEN GENERATOR ONLY) POSITION DATA: LH ELECTRICAL EQUIP NUMBER: M10973 COMPONENT MAINT MANUAL REF: 25-23-38 FOR NHA/OTHER SYS DET SEE: 25-23-01-34A 25-23-01-76A	108120	RF
- 1	417N3011-401B		SERVICE UNIT ASSY-PASS. WITH 2K SPKR AND GASPER (OXYGEN GENERATOR ONLY) POSITION DATA: LH ELECTRICAL EQUIP NUMBER: M10973 FOR NHA/OTHER SYS DET SEE: 25-23-01-52B	103106	RF
- 10	417N3011-413M		SERVICE UNIT ASSY-PASS. NO SPKR WITH GASPER (OXYGEN GENERATOR ONLY) POSITION DATA: LH ELECTRICAL EQUIP NUMBER: M10973 COMPONENT MAINT MANUAL REF: 25-23-38 FOR NHA/OTHER SYS DET SEE: 25-23-01-34A 25-23-01-76A	108120	RF
- 10	417N3011-413B		SERVICE UNIT ASSY-PASS. NO SPKR WITH GASPER (OXYGEN GENERATOR ONLY) POSITION DATA: LH ELECTRICAL EQUIP NUMBER: M10973 FOR NHA/OTHER SYS DET SEE: 25-23-01-52B	103106	RF

MISSING ITEM NUMBERS NOT APPLICABLE

- ITEM NOT ILLUSTRATED

35-21-04-31B

35-21-04
FIG. 31B
PAGE 1
JAN 20/09

BRI



757

PARTS CATALOG (MAINTENANCE)

FIG ITEM	PART NUMBER	1 2 3 4 5 6 7	NOMENCLATURE	EFFECT FROM TO	UNITS PER ASSY
31B - 10	417N3011-713B		SERVICE UNIT ASSY-PASS. NO SPKR WITH GASPER (OXYGEN GENERATOR ONLY) POSITION DATA: LH ELECTRICAL EQUIP NUMBER: M10973 FOR NHA/OTHER SYS DET SEE: 25-23-01-34A 25-23-01-76A	108120	RF
- 20	417N3011-421D		SERVICE UNIT ASSY-PASS. WITH SPKR AND GASPER (OXYGEN GENERATOR ONLY) POSITION DATA: LH ELECTRICAL EQUIP NUMBER: M10983 COMPONENT MAINT MANUAL REF: 25-23-38 FOR NHA/OTHER SYS DET SEE: 25-23-01-34A 25-23-01-76A	108120	RF
- 20	417N3011-421B		SERVICE UNIT ASSY-PASS. WITH 2K SPKR, MUTING RELAY AND GASPER (OXYGEN GENERATOR ONLY) ELECTRICAL EQUIP NUMBER: M10983 FOR NHA/OTHER SYS DET SEE: 25-23-01-52B	103106	RF
25	NAS1801-08-6	.SCREW		108120	1
25	NAS1801-08-6	.SCREW		103106	1
30	NAS1149DN816J	.WASHER		108120	1
30	NAS1149DN816J	.WASHER		103106	1
35	417N3161-12	.STRAP-RETAINING		108120	1
35	417N3161-12	.STRAP-RETAINING		103106	1
40	E71740-00	.GENERATOR-12 MINUTES 4 PERSON SUPPLIER CODE: VD1379 SPECIFICATION NUMBER: S417T401-44 OPTIONAL PART: 117003-14 V16827 117080-04 V16827		108120	1

MISSING ITEM NUMBERS NOT APPLICABLE

- ITEM NOT ILLUSTRATED

35-21-04-31B

35-21-04
FIG. 31B
PAGE 2
JAN 20/09

BRI



757

PARTS CATALOG (MAINTENANCE)

FIG ITEM	PART NUMBER	1 2 3 4 5 6 7	NOMENCLATURE	EFFECT FROM TO	UNITS PER ASSY
31B 40	803000-04		.GENERATOR-12 MINUTES 4 PERSON SUPPLIER CODE: V53655 SPECIFICATION NUMBER: S417T401-33	108120	1
40	117003-14		.GENERATOR-12 MINUTES 4 PERSON SUPPLIER CODE: V16827 SPECIFICATION NUMBER: S417T401-27 OPTIONAL PART: E71740-00 VD1379	108120	1
40	E71740-00		.GENERATOR-12 MINUTES 4 PERSON SUPPLIER CODE: VD1379 SPECIFICATION NUMBER: S417T401-44	103106	1
42	117080-04		.GENERATOR-12 MINUTES 4 PERSON SUPPLIER CODE: V16827 SPECIFICATION NUMBER: S417T401-60 OPTIONAL PART: E71740-00 VD1379	108120	1
45	803000-04		.GENERATOR-12 MINUTES 4 PERSON SUPPLIER CODE: V53655 SPECIFICATION NUMBER: S417T401-33	103106	1
45	117080-04		.GENERATOR-12 MINUTES 4 PERSON SUPPLIER CODE: V16827 SPECIFICATION NUMBER: S417T401-60 OPTIONAL PART: E71740-00 VD1379	103106	1

MISSING ITEM NUMBERS NOT APPLICABLE

- ITEM NOT ILLUSTRATED

35-21-04-31B

35-21-04
FIG. 31B
PAGE 3
JAN 20/09

BRI

BOEING PROPRIETARY - Copyright © - Unpublished Work - See title page for details.



757

PARTS CATALOG (MAINTENANCE)

FIG ITEM	PART NUMBER	1 2 3 4 5 6 7	NOMENCLATURE	EFFECT FROM TO	UNITS PER ASSY
31B 45	117003-14		.GENERATOR-12 MINUTES 4 PERSON SUPPLIER CODE: V16827 SPECIFICATION NUMBER: S417T401-27 OPTIONAL PART: E71740-00 VD1379	103106	1
45	E71740-00		.GENERATOR-12 MINUTES 4 PERSON SUPPLIER CODE: VD1379 SPECIFICATION NUMBER: S417T401-44 OPTIONAL PART: 117003-14 V16827 117080-04 VD1379	103106	1

MISSING ITEM NUMBERS NOT APPLICABLE

- ITEM NOT ILLUSTRATED

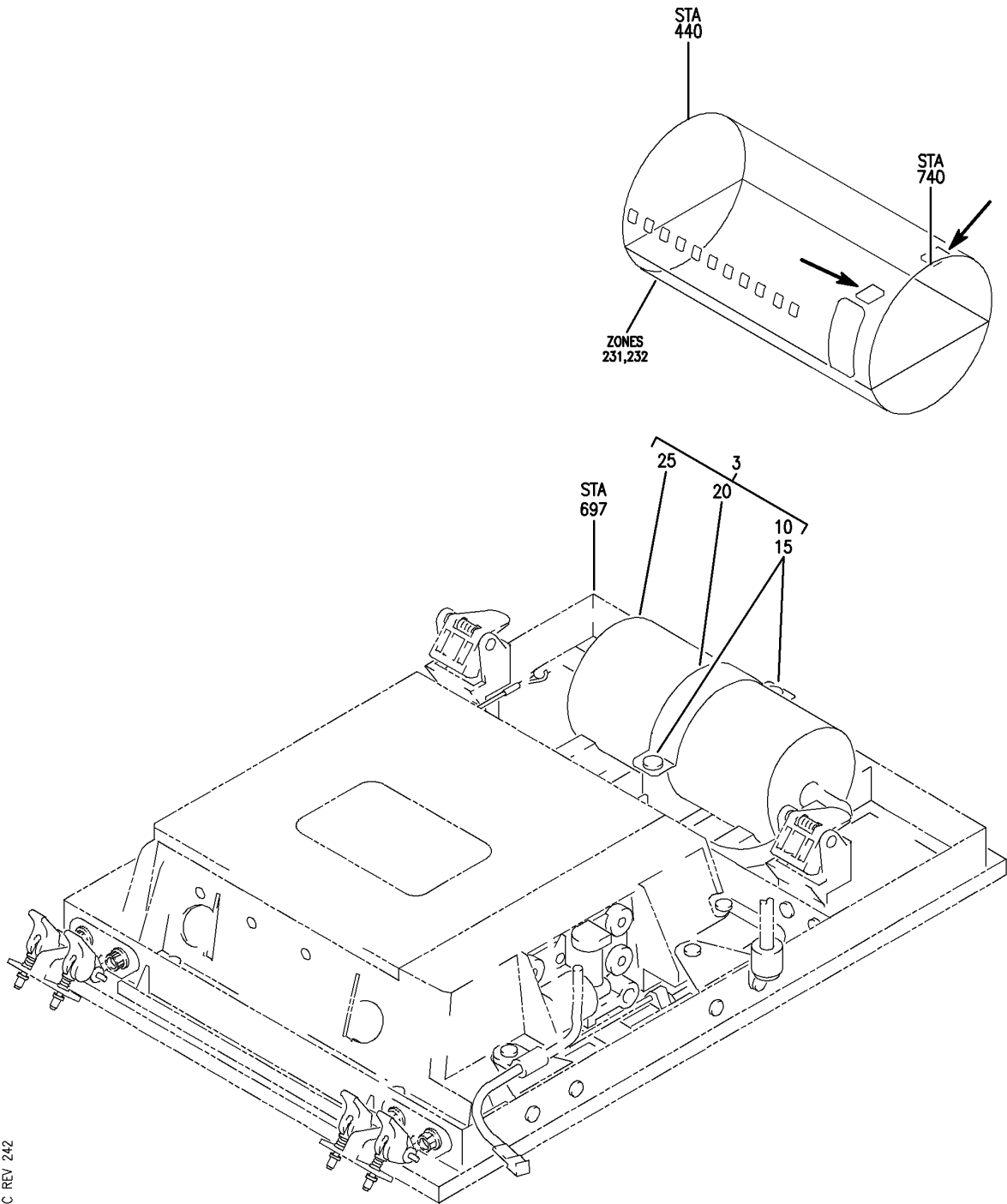
BRI

35-21-04-31B

BOEING PROPRIETARY - Copyright © - Unpublished Work - See title page for details.

35-21-04
FIG. 31B
PAGE 4
JAN 20/09

BOEING
757
PARTS CATALOG (MAINTENANCE)



Y 35210431C REV 242

SERVICE UNIT ASSY-PASS. (OXYGEN GENERATOR ONLY)
FIGURE 31C

35-21-04-31C

BRI
JAN 20/09

35-21-04-31C
PAGE 0



757

PARTS CATALOG (MAINTENANCE)

FIG ITEM	PART NUMBER	1 2 3 4 5 6 7	NOMENCLATURE	EFFECT FROM TO	UNITS PER ASSY
31C			SERVICE UNIT ASSY-PASS. (OXYGEN GENERATOR ONLY)	109120	
- 5	417N3051-151B		SERVICE UNIT ASSY-PASS. OXYGEN 12 MIN. WITH STREAMER (OXYGEN GENERATOR ONLY) ELECTRICAL EQUIP NUMBER: M11057 COMPONENT MAINT MANUAL REF: 25-23-39 FOR NHA/OTHER SYS DET SEE: 25-23-01-34A	109120	RF
10	NAS1801-08-6		.SCREW	109120	2
15	NAS1149DN816J		.WASHER	109120	2
20	417N3161-16		.BRACKET	109120	1
25	117003-14		.GENERATOR-12 MINUTES 4 PERSON SUPPLIER CODE: V16827 SPECIFICATION NUMBER: S417T401-27 OPTIONAL PART: 803000-04 V53655 E71740-00 VD1379	109120	1
25	803000-04		.GENERATOR-12 MINUTES 4 PERSON SUPPLIER CODE: V53655 SPECIFICATION NUMBER: S417T401-33 OPTIONAL PART: 117003-14 V16827 E71740-00 VD1379	109120	1

MISSING ITEM NUMBERS NOT APPLICABLE

- ITEM NOT ILLUSTRATED

35-21-04-31C

35-21-04
FIG. 31C
PAGE 1
JAN 20/09

BRI



757

PARTS CATALOG (MAINTENANCE)

FIG ITEM	PART NUMBER	1 2 3 4 5 6 7	NOMENCLATURE	EFFECT FROM TO	UNITS PER ASSY
31C 25	E71740-00		.GENERATOR-12 MINUTES 4 PERSON SUPPLIER CODE: VD1379 SPECIFICATION NUMBER: S417T401-44 OPTIONAL PART: 117003-14 V16827 803000-04 V53655 117080-04 V16827	109120	1
25	117080-04		.GENERATOR-12 MINUTES 4 PERSON SUPPLIER CODE: V16827 SPECIFICATION NUMBER: S417T401-60 OPTIONAL PART: E71740-00 VD1379	109120	1

MISSING ITEM NUMBERS NOT APPLICABLE

- ITEM NOT ILLUSTRATED

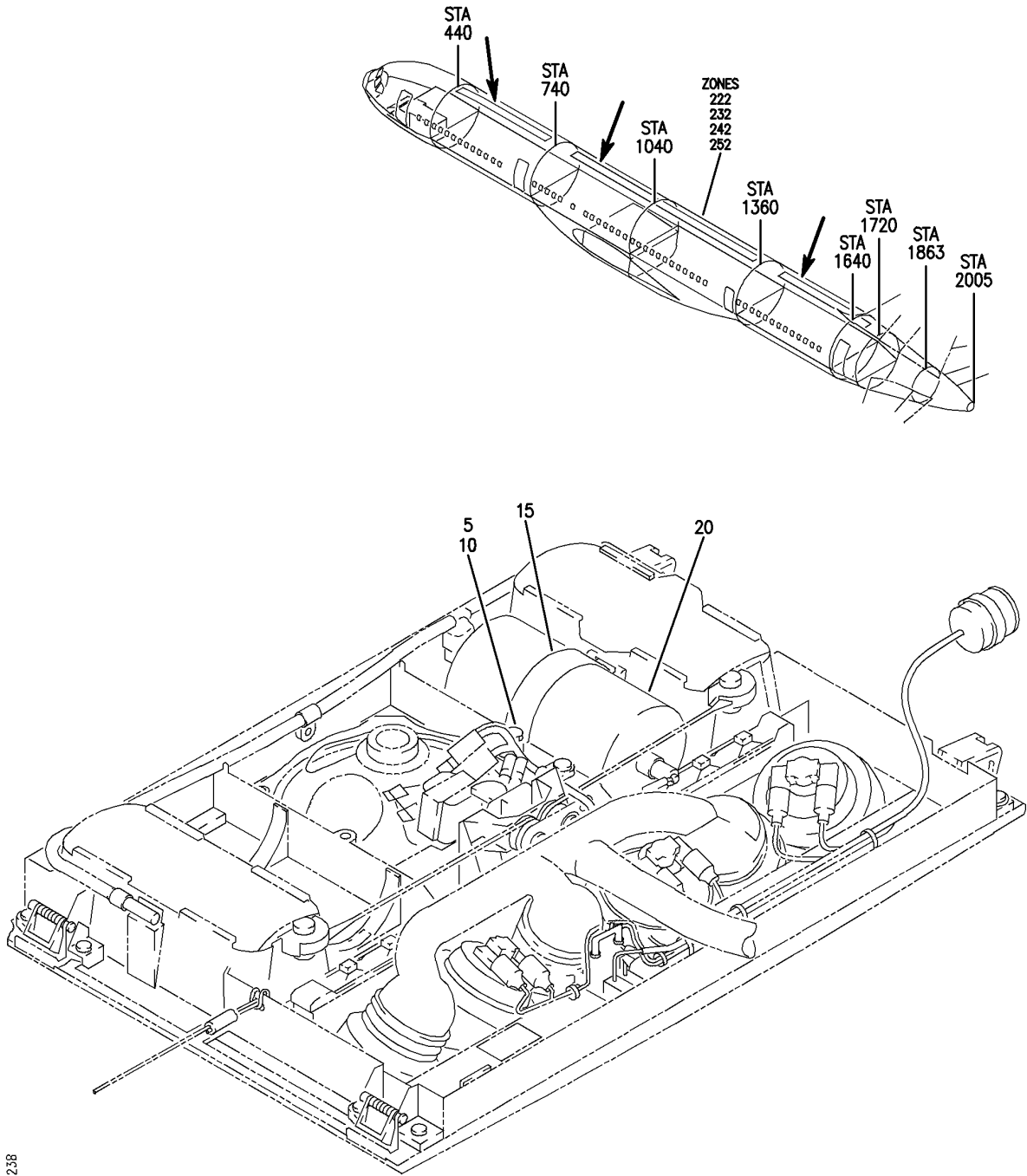
BRI

35-21-04-31C

BOEING PROPRIETARY - Copyright © - Unpublished Work - See title page for details.

35-21-04
FIG. 31C
PAGE 2
JAN 20/09

BOEING
757
PARTS CATALOG (MAINTENANCE)



Y 35210434A REV 238

SERVICE UNIT ASSY-PASS. (OXYGEN GENERATOR ONLY)
FIGURE 34A

35-21-04-34A

BRI
JAN 20/09

35-21-04-34A
PAGE 0



757

PARTS CATALOG (MAINTENANCE)

FIG ITEM	PART NUMBER	1 2 3 4 5 6 7	NOMENCLATURE	EFFECT FROM TO	UNITS PER ASSY
34A			SERVICE UNIT ASSY-PASS. (OXYGEN GENERATOR ONLY)	103106 108120	
- 1	417N3011-422C		SERVICE UNIT ASSY-PASS. WITH SPKR AND GASPER (OXYGEN GENRATOR ONLY) ELECTRICAL EQUIP NUMBER: M10983 COMPONENT MAINT MANUAL REF: 25-23-38 FOR NHA/OTHER SYS DET SEE: 25-23-01-34A 25-23-01-76A	108120	RF
- 1	417N3011-422B		SERVICE UNIT ASSY-PASS. WITH 2K SPKR, MUTING RELAY AND GASPER (OXYGEN GENERATOR ONLY) ELECTRICAL EQUIP NUMBER: M10983 COMPONENT MAINT MANUAL REF: 25-23-38 FOR NHA/OTHER SYS DET SEE: 25-23-01-52B	103106	RF
5	NAS1801-08-6	.	SCREW	108120	1
5	NAS1801-08-6	.	SCREW	103104	1
5	NAS1801-08-6	.	SCREW	105106	1
10	NAS1149DN816J	.	WASHER	108120	1
10	NAS1149DN816J	.	WASHER	103104	1
10	NAS1149DN816J	.	WASHER	105106	1
15	417N3161-12	.	STRAP-RETAINING	108120	1
15	417N3161-12	.	STRAP-RETAINING	103104	1
15	417N3161-12	.	STRAP-RETAINING	105106	1
20	E71740-00	.	GENERATOR-12 MINUTES 4 PERSON SUPPLIER CODE: VD1379 SPECIFICATION NUMBER: S417T401-44 OPTIONAL PART: 117003-14 V16827 117080-04 V16827	108120	1
20	803000-04	.	GENERATOR-12 MINUTES 4 PERSON SUPPLIER CODE: V53655 SPECIFICATION NUMBER: S417T401-33	108120	1

MISSING ITEM NUMBERS NOT APPLICABLE

- ITEM NOT ILLUSTRATED

35-21-04-34A

35-21-04
FIG. 34A
PAGE 1
JAN 20/09

BRI

BOEING PROPRIETARY - Copyright © - Unpublished Work - See title page for details.



757

PARTS CATALOG (MAINTENANCE)

FIG ITEM	PART NUMBER	1 2 3 4 5 6 7	NOMENCLATURE	EFFECT FROM TO	UNITS PER ASSY
34A 20	117003-14		.GENERATOR-12 MINUTES 4 PERSON SUPPLIER CODE: V16827 SPECIFICATION NUMBER: S417T401-27 OPTIONAL PART: E71740-00 VD1379	108120	1
20	E71740-00		.GENERATOR-12 MINUTES 4 PERSON SUPPLIER CODE: VD1379 SPECIFICATION NUMBER: S417T401-44 OPTIONAL PART: 117003-14 V16827 117080-04 V16827	103104	1
20	803000-04		.GENERATOR-12 MINUTES 4 PERSON SUPPLIER CODE: V53655 SPECIFICATION NUMBER: S417T401-33	103104	1
20	117003-14		.GENERATOR-12 MINUTES 4 PERSON SUPPLIER CODE: V16827 SPECIFICATION NUMBER: S417T401-27 OPTIONAL PART: E71740-00 VD1379	103104	1
20	E71740-00		.GENERATOR-12 MINUTES 4 PERSON SUPPLIER CODE: VD1379 SPECIFICATION NUMBER: S417T401-44 OPTIONAL PART: 117003-14 V16827 117080-04 V16827	105106	1

MISSING ITEM NUMBERS NOT APPLICABLE

- ITEM NOT ILLUSTRATED

35-21-04-34A

35-21-04
FIG. 34A
PAGE 2
JAN 20/09

BRI

BOEING PROPRIETARY - Copyright © - Unpublished Work - See title page for details.



757

PARTS CATALOG (MAINTENANCE)

FIG ITEM	PART NUMBER	1 2 3 4 5 6 7	NOMENCLATURE	EFFECT FROM TO	UNITS PER ASSY
34A 20	803000-04		.GENERATOR-12 MINUTES 4 PERSON SUPPLIER CODE: V53655 SPECIFICATION NUMBER: S417T401-33	105106	1
20	117003-14		.GENERATOR-12 MINUTES 4 PERSON SUPPLIER CODE: V16827 SPECIFICATION NUMBER: S417T401-27 OPTIONAL PART: E71740-00 VD1379	105106	1
20	117080-04		.GENERATOR-12 MINUTES 4 PERSON SUPPLIER CODE: V16827 SPECIFICATION NUMBER: S417T401-60 OPTIONAL PART: E71740-00 VD1379	108120	1
20	117080-04		.GENERATOR-12 MINUTES 4 PERSON SUPPLIER CODE: V16827 SPECIFICATION NUMBER: S417T401-60 OPTIONAL PART: E71740-00 VD1379	103104	1
20	117080-04		.GENERATOR-12 MINUTES 4 PERSON SUPPLIER CODE: V16827 SPECIFICATION NUMBER: S417T401-60 OPTIONAL PART: E71740-00 VD1379	105106	1

MISSING ITEM NUMBERS NOT APPLICABLE

- ITEM NOT ILLUSTRATED

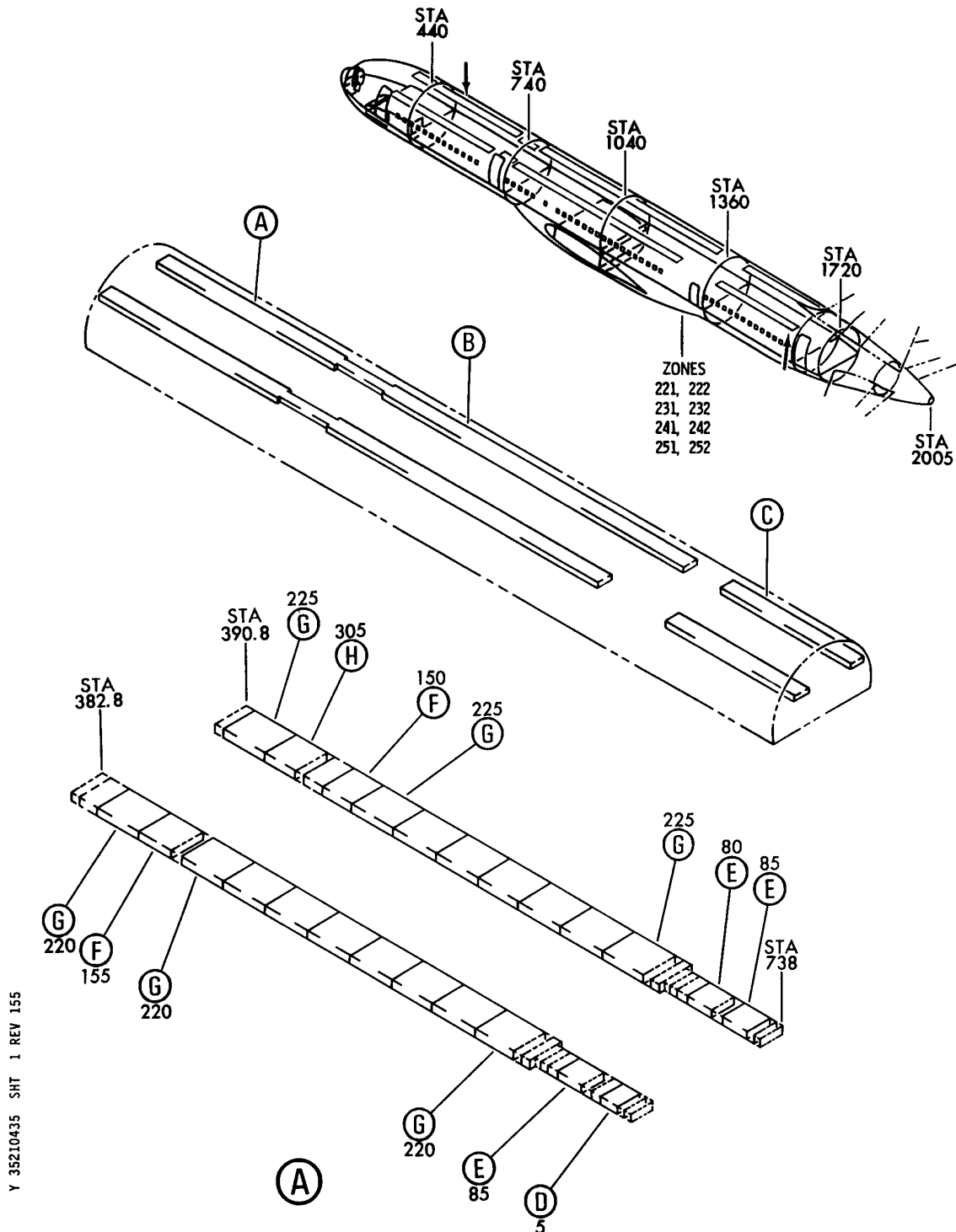
35-21-04-34A

35-21-04
FIG. 34A
PAGE 3
JAN 20/09

BRI

BOEING PROPRIETARY - Copyright © - Unpublished Work - See title page for details.

BOEING
757
PARTS CATALOG (MAINTENANCE)



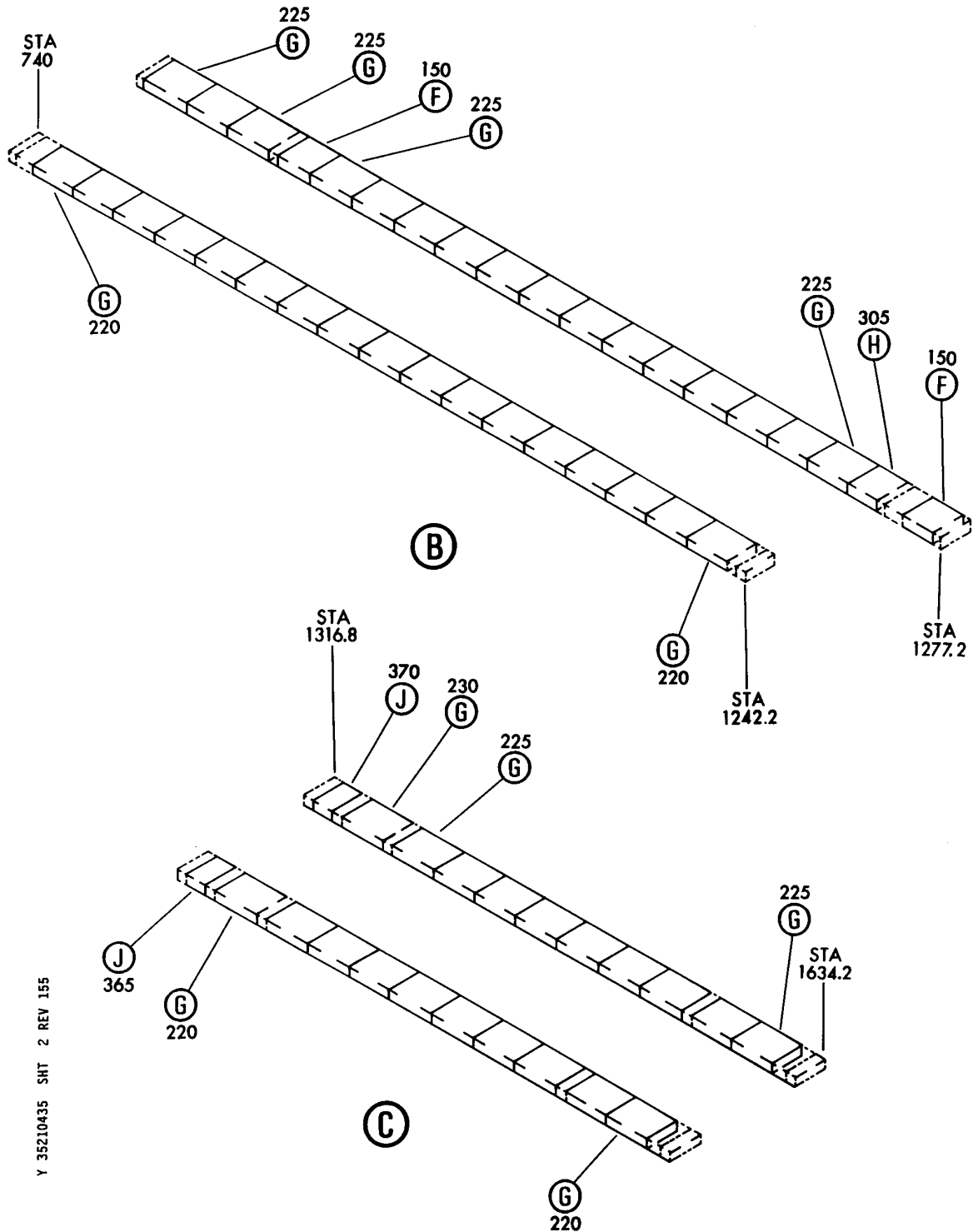
SERVICE UNIT INSTL-PASS. (OXYGEN GENERATOR ONLY)
FIGURE 35 (SHEET 1)

35-21-04-35

BRI
MAY 28/07

35-21-04-35
PAGE 0

BOEING
757
PARTS CATALOG (MAINTENANCE)



Y 35210435 SHT 2 REV 155

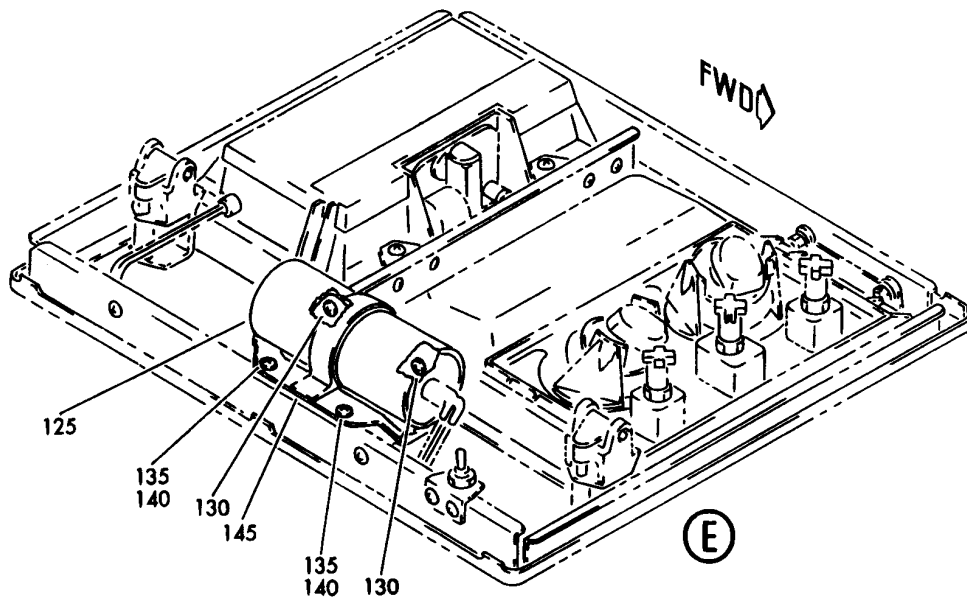
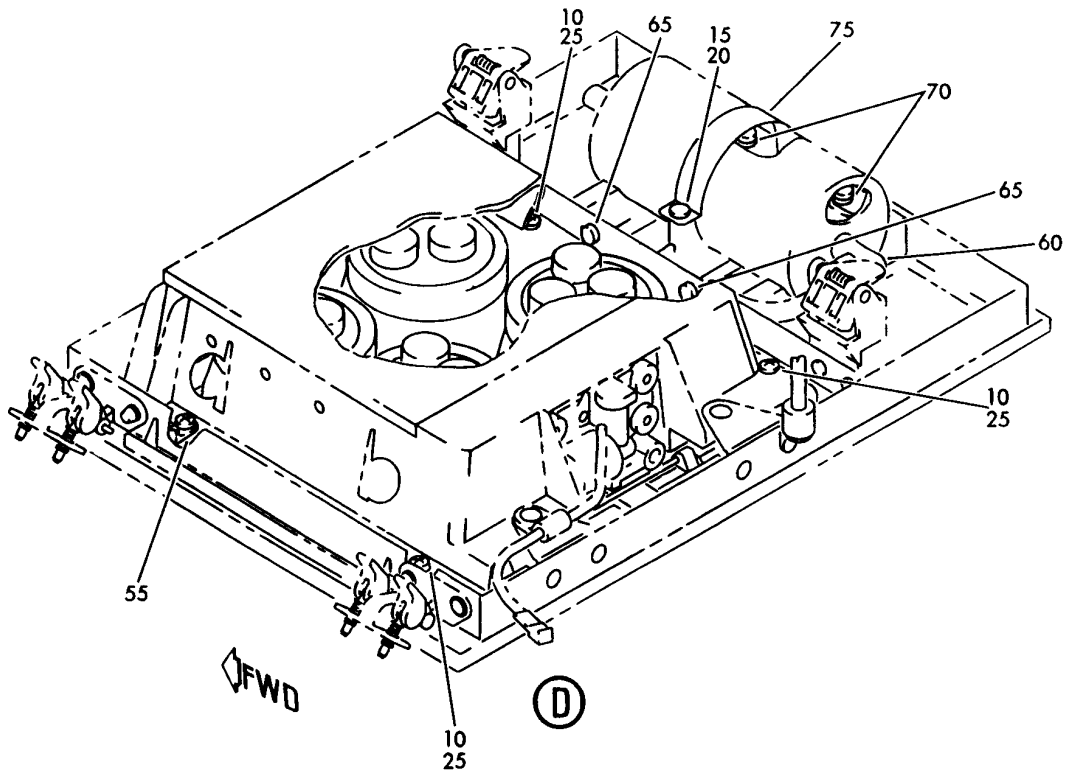
SERVICE UNIT INSTL-PASS. (OXYGEN GENERATOR ONLY)
FIGURE 35 (SHEET 2)

35-21-04-35

BRI
MAY 28/07

35-21-04-35
PAGE 0A

BOEING
757
PARTS CATALOG (MAINTENANCE)



Y 35210435 SHT 3 REV 207

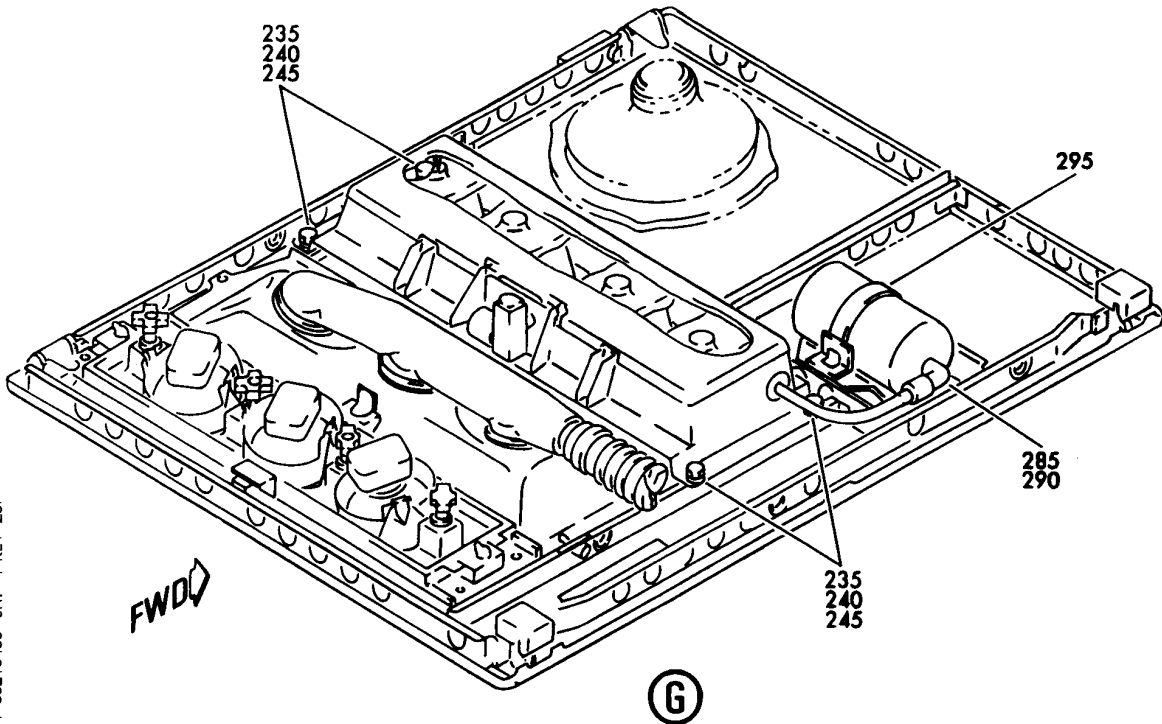
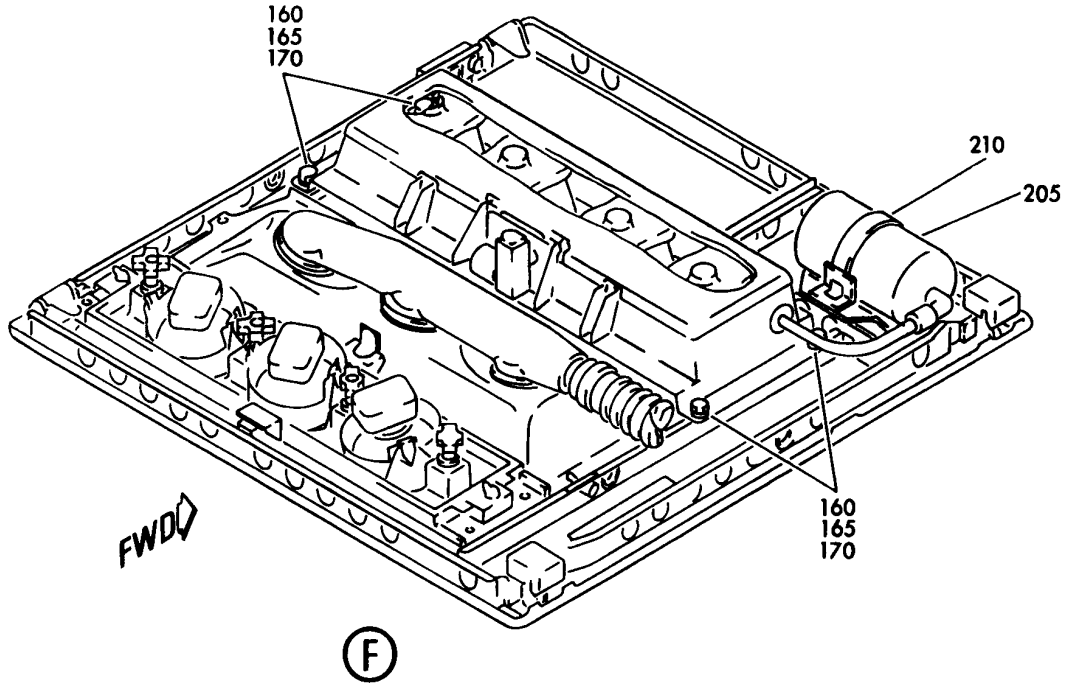
SERVICE UNIT INSTL-PASS. (OXYGEN GENERATOR ONLY)
FIGURE 35 (SHEET 3)

35-21-04-35

BRI
MAY 28/07

35-21-04-35
PAGE 0B

BOEING
 757
 PARTS CATALOG (MAINTENANCE)



Y 35210435 SH1 4 REV 207

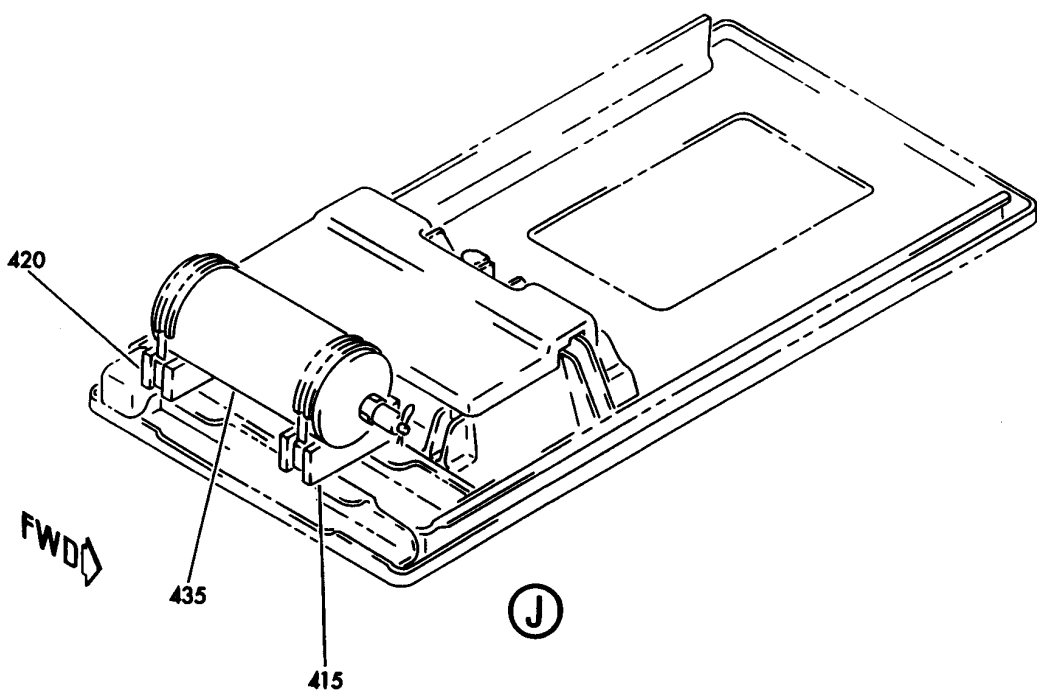
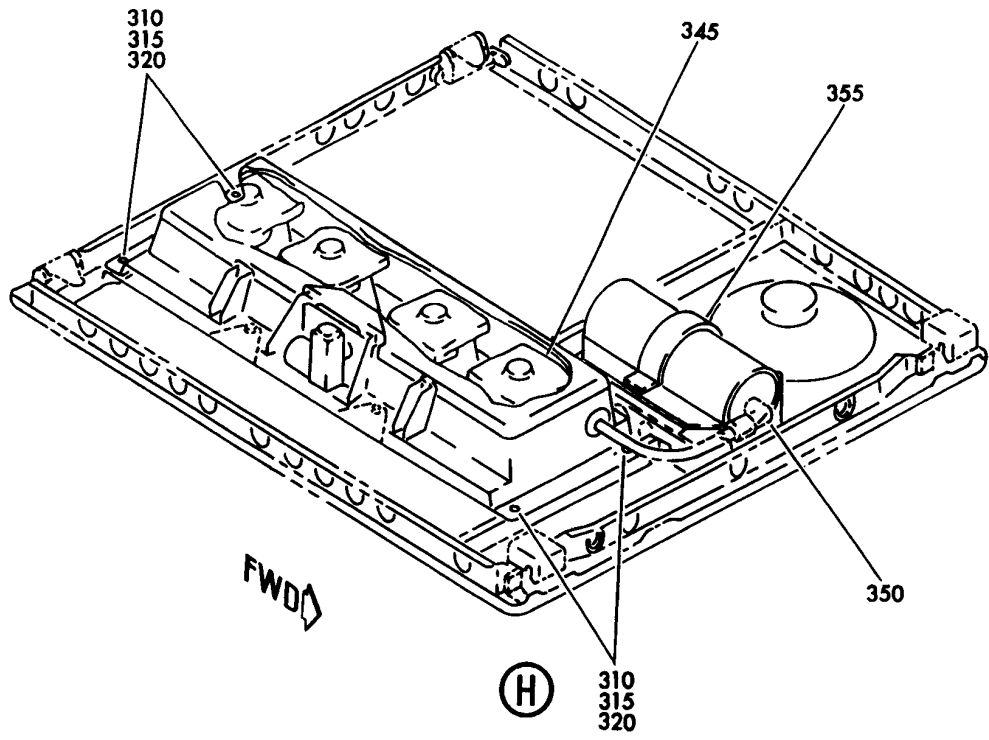
SERVICE UNIT INSTL-PASS. (OXYGEN GENERATOR ONLY)
 FIGURE 35 (SHEET 4)

35-21-04-35

BRI
 MAY 28/07

35-21-04-35
 PAGE 0C

BOEING
757
PARTS CATALOG (MAINTENANCE)



Y 35210435 SHT 5 REV 207

SERVICE UNIT INSTL-PASS. (OXYGEN GENERATOR ONLY)
FIGURE 35 (SHEET 5)

35-21-04-35

BRI
MAY 28/07

35-21-04-35
PAGE 0D



757

PARTS CATALOG (MAINTENANCE)

FIG ITEM	PART NUMBER	1 2 3 4 5 6 7	NOMENCLATURE	EFFECT FROM TO	UNITS PER ASSY
35			SERVICE UNIT INSTL-PASS. (OXYGEN GENERATOR ONLY)	011102	
- 1	417N3001-98		SERVICE UNIT INSTL-SERVICE (OXYGEN GENERATOR ONLY) FOR NHA/OTHER SYS DET SEE: 25-20-00-20A	011100	RF
- 1	417N3001-164SP		SERVICE UNIT INSTL-PASS. (OXYGEN GENERATOR ONLY) FOR NHA/OTHER SYS DET SEE: 25-20-00-20	101102	RF
- 5	417N3200-53SP		.SERVICE UNIT ASSY-PASS. ELECTRICAL EQUIP NUMBER: M10363 COMPONENT MAINT MANUAL REF: 35-21-04	011100	RF
- 5	417N3200-153SP		.SERVICE UNIT ASSY-PASS. POSITION DATA: FWD ELECTRICAL EQUIP NUMBER: M10363	101102	RF
10	BACS12FA08K7		..SCREW	011102	3
15	BACS12FA08K20		..SCREW	011102	1
20	NAS43DD3-56		..SPACER	011102	1
25	BACW10P193G		..WASHER	011102	3
55	BACC10DK4		..CLAMP	011102	1
60	117003-14		..GENERATOR-OXYGEN MODULE CENTER GENERATOR, 12 MINUTES 4 PERSON. SUPPLIER CODE: V16827 SPECIFICATION NUMBER: S417T401-27 OPTIONAL PART: 803000-04 V53655 E71740-00 VD1379 REFERENCE SERVICE BULLETIN: 35-0023 REWORKED BY SB: 117003-14-35-3 V16827	011102	1

MISSING ITEM NUMBERS NOT APPLICABLE

- ITEM NOT ILLUSTRATED

35-21-04-35

35-21-04
FIG. 35
PAGE 1
JAN 20/09

BRI



757

PARTS CATALOG (MAINTENANCE)

FIG ITEM	PART NUMBER	1 2 3 4 5 6 7	NOMENCLATURE	EFFECT FROM TO	UNITS PER ASSY
35 60	803000-04		..GENERATOR-OXYGEN MODULE CENTER GENERATOR, 12 MINUTES, 4 PERSON. SUPPLIER CODE: V53655 SPECIFICATION NUMBER: S417T401-33 OPTIONAL PART: 117003-14 V16827	011102	1
60	117080-04		..GENERATOR-OXYGEN MODULE CENTER GENERATOR, 12 MINUTES 4 PERSON. SUPPLIER CODE: V16827 SPECIFICATION NUMBER: S417T401-60 OPTIONAL PART: E71740-00 VD1379	011102	1
60	E71740-00		..GENERATOR-OXYGEN MODULE CENTER GENERATOR, 12 MINUTES 4 PERSON. SUPPLIER CODE: VD1379 SPECIFICATION NUMBER: S417T401-44 OPTIONAL PART: 117003-14 V16827 117080-04 V16827	011102	1
65	BACS12FA08K7		.. SCREW	011102	2
70	BACS12FA08K8		.. SCREW	011102	2
75	417N3160-14		..BRACKET ASSY	011102	1
80	417N3200-55SP		.SERVICE UNIT ASSY-PASS. ELECTRICAL EQUIP NUMBER: M10363 COMPONENT MAINT MANUAL REF: 35-21-04	011100	RF
80	417N3200-155SP		.SERVICE UNIT ASSY-PASS. WITHOUT GASPER POSITION DATA: OVERDOOR ELECTRICAL EQUIP NUMBER: M10363 COMPONENT MAINT MANUAL REF: 35-21-04	101102	RF

MISSING ITEM NUMBERS NOT APPLICABLE

- ITEM NOT ILLUSTRATED

35-21-04-35

35-21-04
FIG. 35
PAGE 2
JAN 20/09

BRI



757

PARTS CATALOG (MAINTENANCE)

FIG ITEM	PART NUMBER	1 2 3 4 5 6 7	NOMENCLATURE	EFFECT FROM TO	UNITS PER ASSY
35					
85	417N3200-56SP	.	SERVICE UNIT ASSY-PASS. ELECTRICAL EQUIP NUMBER: M10363 COMPONENT MAINT MANUAL REF: 35-21-04	011100	RF
85	417N3200-156SP	.	SERVICE UNIT ASSY-PASS. WITHOUT GASPER POSITION DATA: OVERDOOR ELECTRICAL EQUIP NUMBER: M10363 COMPONENT MAINT MANUAL REF: 35-21-04	101102	RF
125	117003-12	..	GENERATOR-PASSENGER OXYGEN GENERATOR 12 MINUTES, 2 PERSON. SUPPLIER CODE: V16827 SPECIFICATION NUMBER: S417T401-25 OPTIONAL PART: 803000-02 V53655 E71720-00 VD1379	011102	1
125	803000-02	..	GENERATOR-2 PERSON PASSENGER OXYGEN SUPPLIER CODE: V53655 SPECIFICATION NUMBER: S417T401-31 OPTIONAL PART: 117003-12 V16827	011102	1
125	117080-02	..	GENERATOR-PASSENGER OXYGEN GENERATOR 12 MINUTES, 2 PERSON. SUPPLIER CODE: V16827 SPECIFICATION NUMBER: S417T401-61 OPTIONAL PART: E71720-00 VD1379	011102	1

MISSING ITEM NUMBERS NOT APPLICABLE

- ITEM NOT ILLUSTRATED

35-21-04-35

35-21-04
FIG. 35
PAGE 3
JAN 20/09

BRI



757

PARTS CATALOG (MAINTENANCE)

FIG ITEM	PART NUMBER	1 2 3 4 5 6 7	NOMENCLATURE	EFFECT FROM TO	UNITS PER ASSY
35 125	E71720-00		.. GENERATOR-PASSENGER OXYGEN GENERATOR 12 MINUTES, 2 PERSON. SUPPLIER CODE: VD1379 SPECIFICATION NUMBER: S417T401-43 OPTIONAL PART: 117003-12 V16827 117080-02 V16827	011102	1
130	BACS12FA08K7		.. SCREW	011102	2
135	BACS12FA08K8		.. SCREW	011102	2
140	AN960PD8L		.. WASHER	011102	2
145	417N3160-14		.. BRACKET ASSY	011102	1
150	417N3100-508SP		. SERVICE UNIT ASSY-PASS. POSITION DATA: UNDERBIN ELECTRICAL EQUIP NUMBER: M03012 COMPONENT MAINT MANUAL REF: 25-23-37	011100	RF
150	417N3100-729B		. SERVICE UNIT ASSY-PASS. 22 IN. PARTIAL WITHOUT SPKR POSITION DATA: UNDERBIN ELECTRICAL EQUIP NUMBER: M03012 COMPONENT MAINT MANUAL REF: 25-23-37	101102	RF
155	417N3100-709SP		. SERVICE UNIT ASSY-PASS. 22 IN. PARTIAL WITHOUT SPKR POSITION DATA: UNDERBIN ELECTRICAL EQUIP NUMBER: M03012 COMPONENT MAINT MANUAL REF: 25-23-37	011100	RF
155	417N3100-725B		. SERVICE UNIT ASSY-PASS. 22 IN. PARTIAL WITHOUT SPKR POSITION DATA: UNDERBIN ELECTRICAL EQUIP NUMBER: M03012	101102	RF
160	NAS43DD3-18		.. SPACER	011102	4

MISSING ITEM NUMBERS NOT APPLICABLE

- ITEM NOT ILLUSTRATED

35-21-04-35

35-21-04
FIG. 35
PAGE 4
JAN 20/09

BRI

BOEING PROPRIETARY - Copyright © - Unpublished Work - See title page for details.



757

PARTS CATALOG (MAINTENANCE)

FIG ITEM	PART NUMBER	1 2 3 4 5 6 7	NOMENCLATURE	EFFECT FROM TO	UNITS PER ASSY
35					
165	BACW10P193G	..	WASHER	011102	8
170	BACN10YJ08	..	NUT	011102	4
205	117003-14	..	GENERATOR-OXYGEN MODULE CENTER GENERATOR, 12 MINUTES 4 PERSON. SUPPLIER CODE: V16827 SPECIFICATION NUMBER: S417T401-27 OPTIONAL PART: 803000-04 V53655 E71740-00 VD1379 REFERENCE SERVICE BULLETIN: 35-0023 REWORKED BY SB: 117003-14-35-3 V16827	011102	1
205	803000-04	..	GENERATOR-OXYGEN MODULE CENTER GENERATOR, 12 MINUTES, 4 PERSON. SUPPLIER CODE: V53655 SPECIFICATION NUMBER: S417T401-33 OPTIONAL PART: 117003-14 V16827 E71740-00 VD1379	011102	1
205	E71740-00	..	GENERATOR-OXYGEN MODULE CENTER 12 MINUTES 4 PERSON SUPPLIER CODE: VD1379 SPECIFICATION NUMBER: S417T401-44 OPTIONAL PART: 117003-14 V16827 803000-04 V53655 117080-04 V16827	011102	1

MISSING ITEM NUMBERS NOT APPLICABLE

- ITEM NOT ILLUSTRATED

35-21-04-35

35-21-04
FIG. 35
PAGE 5
JAN 20/09

BRI



757

PARTS CATALOG (MAINTENANCE)

FIG ITEM	PART NUMBER	1 2 3 4 5 6 7	NOMENCLATURE	EFFECT FROM TO	UNITS PER ASSY
35 205	117080-04		..GENERATOR-OXYGEN MODULE CENTER GENERATOR, 12 MINUTES 4 PERSON. SUPPLIER CODE: V16827 SPECIFICATION NUMBER: S417T401-60 OPTIONAL PART: E71740-00 VD1379	011102	1
210	417N3160-11		..BRACKET ASSY ATTACHING PARTS	011102	1
- 215	BACS12FA08K6		..SCREW -----*-----	011102	4
220	417N3100-707SP		.SERVICE UNIT ASSY-PASS. FULL WITH SPKR POSITION DATA: UNDERBIN ELECTRICAL EQUIP NUMBER: M03012 COMPONENT MAINT MANUAL REF: 25-23-30	011100	RF
220	417N3100-723B		.SERVICE UNIT ASSY-PASS. FULL WITH SPKR POSITION DATA: UNDERBIN ELECTRICAL EQUIP NUMBER: M03012 COMPONENT MAINT MANUAL REF: 25-23-30	101102	RF
225	417N3100-708SP		.SERVICE UNIT ASSY-PASS. FULL WITH SPKR POSITION DATA: UNDERBIN ELECTRICAL EQUIP NUMBER: M03012 COMPONENT MAINT MANUAL REF: 25-23-30	011100	RF
225	417N3100-724B		.SERVICE UNIT ASSY-PASS. FULL WITH SPKR POSITION DATA: UNDERBIN ELECTRICAL EQUIP NUMBER: M03012 COMPONENT MAINT MANUAL REF: 25-23-30	101102	RF

MISSING ITEM NUMBERS NOT APPLICABLE

- ITEM NOT ILLUSTRATED

35-21-04-35

35-21-04
FIG. 35
PAGE 6
JAN 20/09

BRI



757

PARTS CATALOG (MAINTENANCE)

FIG ITEM	PART NUMBER	1 2 3 4 5 6 7	NOMENCLATURE	EFFECT FROM TO	UNITS PER ASSY
35 230	417N3100-712SP	.	SERVICE UNIT ASSY-PASS. FULL WITH MUTED SPKR POSITION DATA: UNDERBIN ELECTRICAL EQUIP NUMBER: M10471 COMPONENT MAINT MANUAL REF: 25-23-30	011100	RF
230	417N3100-728B	.	SERVICE UNIT ASSY-PASS. FULL WITH MUTED SPKR POSITION DATA: UNDERBIN ELECTRICAL EQUIP NUMBER: M10471 COMPONENT MAINT MANUAL REF: 25-23-30	101102	RF
235	NAS43DD3-18	..	SPACER	011102	4
240	BACW10P193G	..	WASHER	011102	8
245	BACN10YJ08	..	NUT	011102	4
285	117003-14	..	GENERATOR-OXYGEN MODULE CENTER GENERATOR, 12 MINUTES 4 PERSON. SUPPLIER CODE: V16827 SPECIFICATION NUMBER: S417T401-27 OPTIONAL PART: 803000-04 V53655 E71740-00 VD1379 USED ON: 417N3100-707SP 417N3100-708SP REFERENCE SERVICE BULLETIN: 35-0023 REWORKED BY SB: 117003-14-35-3 V16827	011102	1

MISSING ITEM NUMBERS NOT APPLICABLE

- ITEM NOT ILLUSTRATED

35-21-04-35

35-21-04
FIG. 35
PAGE 7
JAN 20/09

BRI



757

PARTS CATALOG (MAINTENANCE)

FIG ITEM	PART NUMBER	1 2 3 4 5 6 7	NOMENCLATURE	EFFECT FROM TO	UNITS PER ASSY
35 285	803000-04		..GENERATOR-OXYGEN MODULE CENTER GENERATOR, 12 MINUTES, 4 PERSON. SUPPLIER CODE: V53655 SPECIFICATION NUMBER: S417T401-33 OPTIONAL PART: 117003-14 V16827 E71740-00 VD1379 USED ON: 417N3100-707SP 417N3100-708SP	011102	1
285	E71740-00		..GENERATOR-OXYGEN MODULE CENTER 12 MINUTES 4 PERSON SUPPLIER CODE: VD1379 SPECIFICATION NUMBER: S417T401-44 OPTIONAL PART: 117003-14 V16827 803000-04 V53655 117080-04 V16827	011102	1
285	117080-04		..GENERATOR-OXYGEN MODULE CENTER GENERATOR, 12 MINUTES 4 PERSON. SUPPLIER CODE: V16827 SPECIFICATION NUMBER: S417T401-60 OPTIONAL PART: E71740-00 VD1379	011102	1

MISSING ITEM NUMBERS NOT APPLICABLE

- ITEM NOT ILLUSTRATED

BRI

35-21-04-35

BOEING PROPRIETARY - Copyright © - Unpublished Work - See title page for details.

35-21-04
FIG. 35
PAGE 8
JAN 20/09



757

PARTS CATALOG (MAINTENANCE)

FIG ITEM	PART NUMBER	1 2 3 4 5 6 7	NOMENCLATURE	EFFECT FROM TO	UNITS PER ASSY
R R R R R R R R R R R	35 290	117003-13	..GENERATOR-OXYGEN MODULE OUTBD GENERATOR, 12 MINUTE 3 PERSON. SUPPLIER CODE: V16827 SPECIFICATION NUMBER: S417T401-26 OPTIONAL PART: 803000-03 V53655 117080-03 V16827 USED ON: 417N3100-712SP 417N3100-728B	011102	1
	290	803000-03	..GENERATOR-OXYGEN MODULE OUTBD GENERATOR, 12 MINUTES, 3 PERSON. SUPPLIER CODE: V53655 SPECIFICATION NUMBER: S417T401-32 OPTIONAL PART: 117003-13 V16827 USED ON: 417N3100-712SP 417N3100-728B	011102	1
	290	117080-03	..GENERATOR-OXYGEN MODULE OUTBD GENERATOR, 12 MINUTE 3 PERSON. SUPPLIER CODE: V16827 SPECIFICATION NUMBER: S417T401-62 OPTIONAL PART: 117003-13 V16827 E71730-00 VD1379	011102	1

MISSING ITEM NUMBERS NOT APPLICABLE

- ITEM NOT ILLUSTRATED

35-21-04-35

35-21-04
FIG. 35
PAGE 9
MAY 20/09

BRI

BOEING
757
PARTS CATALOG (MAINTENANCE)

FIG ITEM	PART NUMBER	1 2 3 4 5 6 7	NOMENCLATURE	EFFECT FROM TO	UNITS PER ASSY
R R R R R R R R R R	35 290	E71730-00	..GENERATOR-OXYGEN MODULE OUTBD GENERATOR, 12 MINUTE 3 PERSON. SUPPLIER CODE: VD1379 SPECIFICATION NUMBER: S417T401-45 OPTIONAL PART: 117080-03 V16827	011102	1
	295	417N3160-11	..BRACKET ASSY ATTACHING PARTS	011102	1
	- 300	BACS12FA08K6	..SCREW -----*-----	011102	4
	305	417N3100-516SP	.SERVICE UNIT ASSY-PASS. PARTIAL WITH SPKR POSITION DATA: UNDERBIN ELECTRICAL EQUIP NUMBER: M03013 COMPONENT MAINT MANUAL REF: 25-23-37	011100	RF
	305	417N3100-730B	.SERVICE UNIT ASSY-PASS. PARTIAL WITH SPKR POSITION DATA: FWD UNDERBIN ELECTRICAL EQUIP NUMBER: M03013	101102	RF
	310	NAS43DD3-18	..SPACER	011102	4
	315	BACW10P193G	..WASHER	011102	8
	320	BACN10YJ08	..NUT	011102	4
	350	117003-14	..GENERATOR-OXYGEN MODULE CENTER GENERATOR, 12 MINUTES 4 PERSON. SUPPLIER CODE: V16827 SPECIFICATION NUMBER: S417T401-27 OPTIONAL PART: 803000-04 V53655 E71740-00 VD1379 REFERENCE SERVICE BULLETIN: 35-0023 REWORKED BY SB: 117003-14-35-3 V16827	011102	1

MISSING ITEM NUMBERS NOT APPLICABLE

- ITEM NOT ILLUSTRATED

35-21-04-35

35-21-04
FIG. 35
PAGE 10
MAY 20/09

BRI

BOEING
757
PARTS CATALOG (MAINTENANCE)

FIG ITEM	PART NUMBER	1 2 3 4 5 6 7	NOMENCLATURE	EFFECT FROM TO	UNITS PER ASSY
35 350	803000-04		..GENERATOR-OXYGEN MODULE CENTER GENERATOR, 12 MINUTES, 4 PERSON. SUPPLIER CODE: V53655 SPECIFICATION NUMBER: S417T401-33 OPTIONAL PART: 117003-14 V16827 E71740-00 VD1379	011102	1
350	E71740-00		..GENERATOR-OXYGEN MODULE CENTER 12 MINUTES 4 PERSON SUPPLIER CODE: VD1379 SPECIFICATION NUMBER: S417T401-44 OPTIONAL PART: 117003-14 V16827 803000-04 V53655 117080-04 V16827	011102	1
350	117080-04		..GENERATOR-OXYGEN MODULE CENTER GENERATOR, 12 MINUTES 4 PERSON. SUPPLIER CODE: V16827 SPECIFICATION NUMBER: S417T401-60 OPTIONAL PART: E71740-00 VD1379	011102	1
355	417N3160-11		..BRACKET ASSY ATTACHING PARTS	011102	1
- 360	BACS12FA08K6		..SCREW -----*-----	011102	4
365	417N3700-21SP		.SERVICE UNIT ASSY-PASS. ATTENDANT POSITION DATA: UNDERBIN COMPONENT MAINT MANUAL REF: 35-21-05	011100	RF

MISSING ITEM NUMBERS NOT APPLICABLE

- ITEM NOT ILLUSTRATED

BRI

35-21-04-35

BOEING PROPRIETARY - Copyright © - Unpublished Work - See title page for details.

35-21-04
FIG. 35
PAGE 11
MAY 20/09



757

PARTS CATALOG (MAINTENANCE)

FIG ITEM	PART NUMBER	1 2 3 4 5 6 7	NOMENCLATURE	EFFECT FROM TO	UNITS PER ASSY
35					
365	417N3700-121SP	.	SERVICE UNIT ASSY-PASS. ATTENDANT POSITION DATA: UNDERBIN COMPONENT MAINT MANUAL REF: 35-21-05	101102	RF
365	417N3700-22SP	.	SERVICE UNIT ASSY-PASS. ATTENDANT POSITION DATA: UNDERBIN COMPONENT MAINT MANUAL REF: 35-21-05	101102	RF
370	417N3700-22SP	.	SERVICE UNIT ASSY-PASS. ATTENDANT POSITION DATA: UNDERBIN COMPONENT MAINT MANUAL REF: 35-21-05	011102	RF
370	417N3700-122SP	.	SERVICE UNIT ASSY-PASS. ATTENDANT POSITION DATA: UNDERBIN COMPONENT MAINT MANUAL REF: 35-21-05	101102	RF
- 385	BACW10P193G	..	WASHER	011102	4
- 390	BACN10YJ08	..	NUT	011102	4
			-----*-----		
415	417T4250-3	..	CLAMP ASSY	011102	1
420	417T4250-4	..	CLAMP ASSY	011102	1
			ATTACHING PARTS		
- 425	NAS1801-3-6	..	SCREW	011102	4
- 430	AN960PD10L	..	WASHER	011102	4
			-----*-----		
435	117003-12	..	GENERATOR-PASSENGER OXYGEN GENERATOR 12 MINUTES, 2 PERSON. SUPPLIER CODE: V16827 SPECIFICATION NUMBER: S417T401-25 OPTIONAL PART: 803000-02 V53655 E71720-00 VD1379	011102	1

MISSING ITEM NUMBERS NOT APPLICABLE

- ITEM NOT ILLUSTRATED

35-21-04-35

35-21-04
FIG. 35
PAGE 12
MAY 20/09

BRI



757

PARTS CATALOG (MAINTENANCE)

FIG ITEM	PART NUMBER	1 2 3 4 5 6 7	NOMENCLATURE	EFFECT FROM TO	UNITS PER ASSY
35 435	803000-02		.. GENERATOR-2 PERSON PASSENGER OXYGEN SUPPLIER CODE: V53655 SPECIFICATION NUMBER: S417T401-31 OPTIONAL PART: 117003-12 V16827	011102	1
435	E71720-00		.. GENERATOR-OXYGEN CHEMICAL 2 PERSON 12 MINUTE SUPPLIER CODE: VD1379 SPECIFICATION NUMBER: S417T401-43 OPTIONAL PART: 117003-12 V16827 117080-02 V16827	011102	1
435	117080-02		.. GENERATOR-OXYGEN CHEMICAL 2 PERSON 12 MINUTE SUPPLIER CODE: V16827 SPECIFICATION NUMBER: S417T401-61 OPTIONAL PART: E71720-00 VD1379	011102	1

MISSING ITEM NUMBERS NOT APPLICABLE

- ITEM NOT ILLUSTRATED

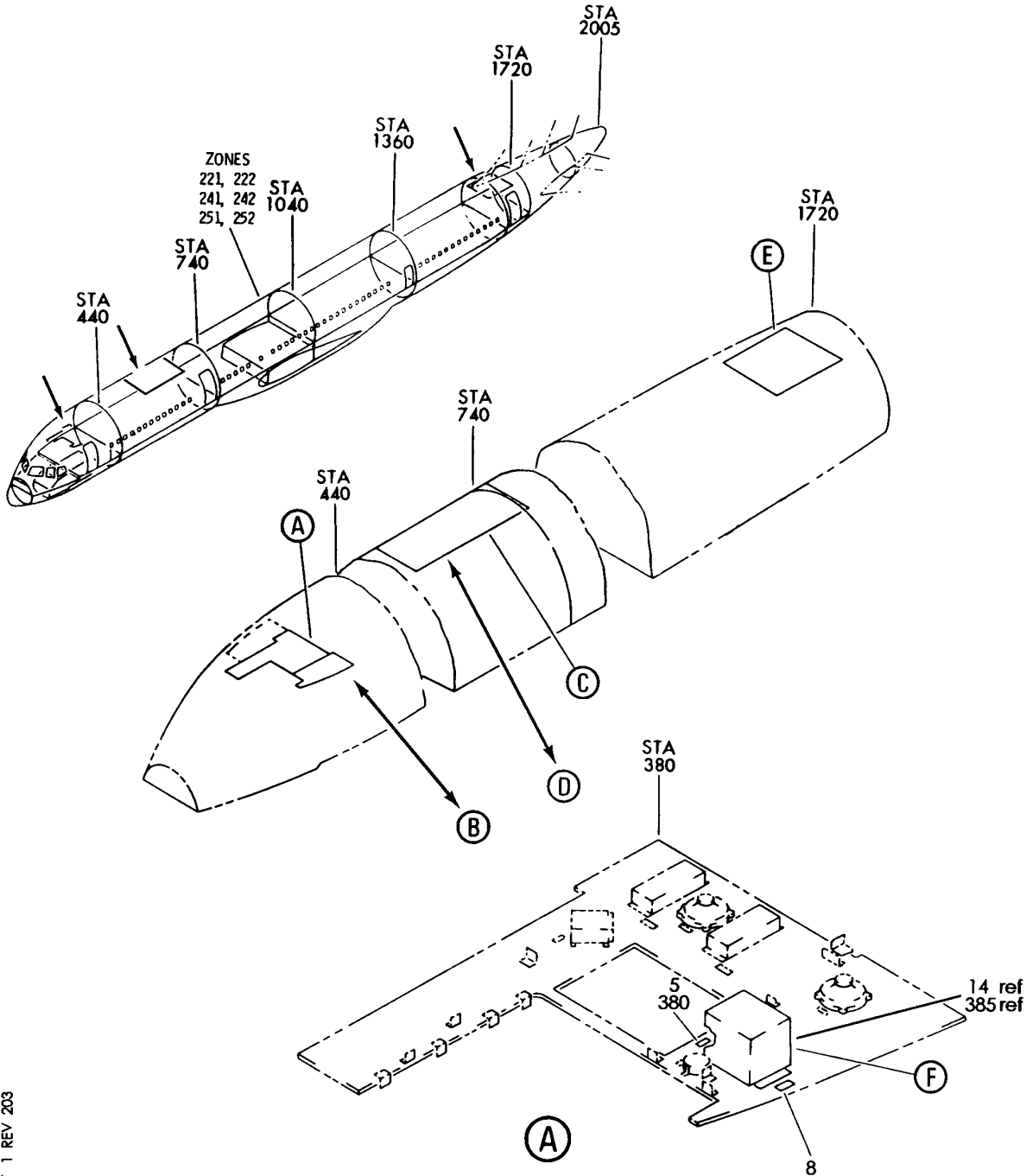
BRI

35-21-04-35

BOEING PROPRIETARY - Copyright © - Unpublished Work - See title page for details.

35-21-04
FIG. 35
PAGE 13
MAY 20/09

BOEING
757
PARTS CATALOG (MAINTENANCE)



Y 35210438 SHT 1 REV 203

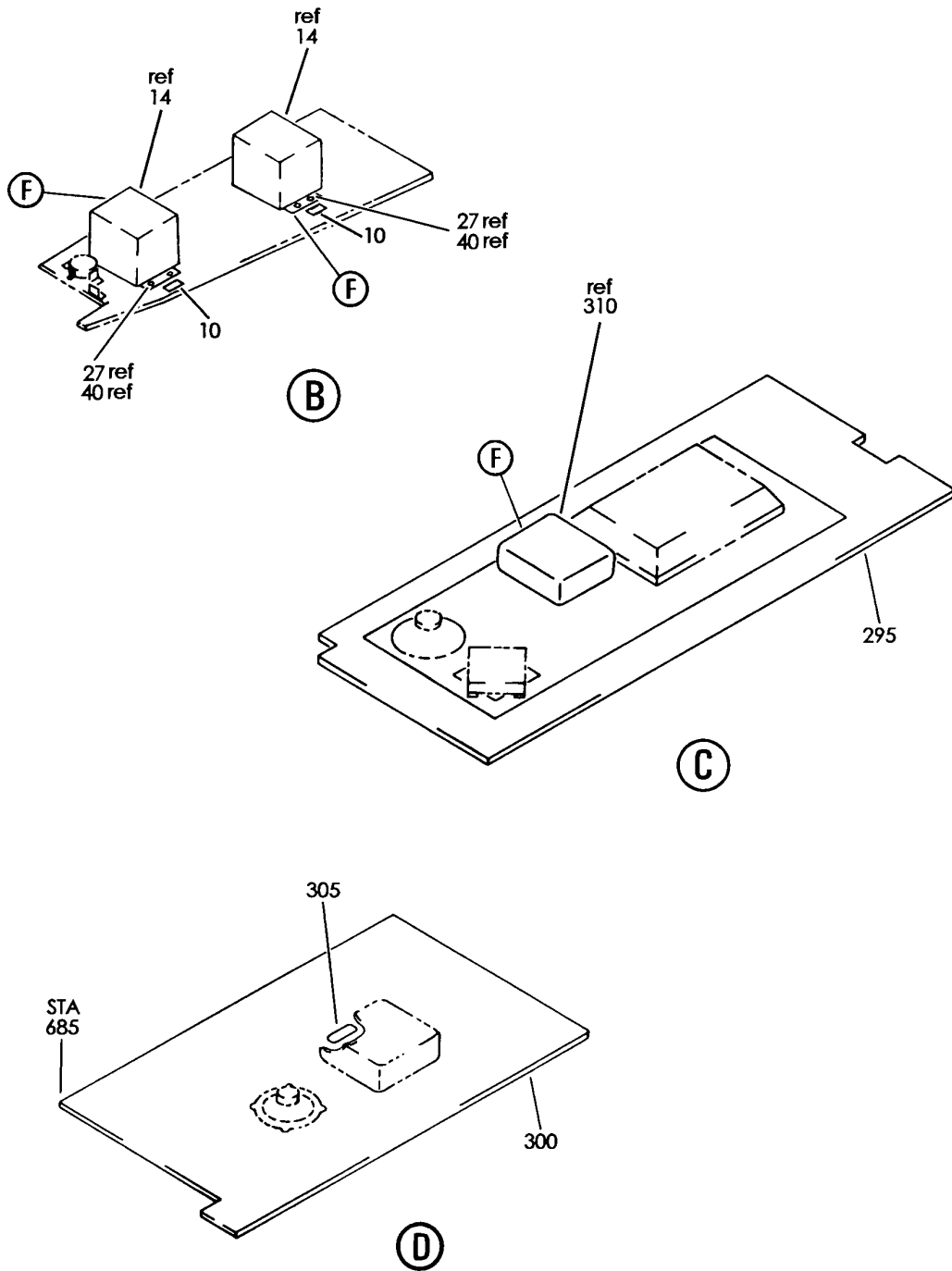
PANEL AND CEILING ASSY (OXYGEN GENERATOR ONLY)
FIGURE 38 (SHEET 1)

35-21-04-38

BRI
MAY 28/07

35-21-04-38
PAGE 0

BOEING
757
PARTS CATALOG (MAINTENANCE)



Y 35210438 SHT 2 REV 203

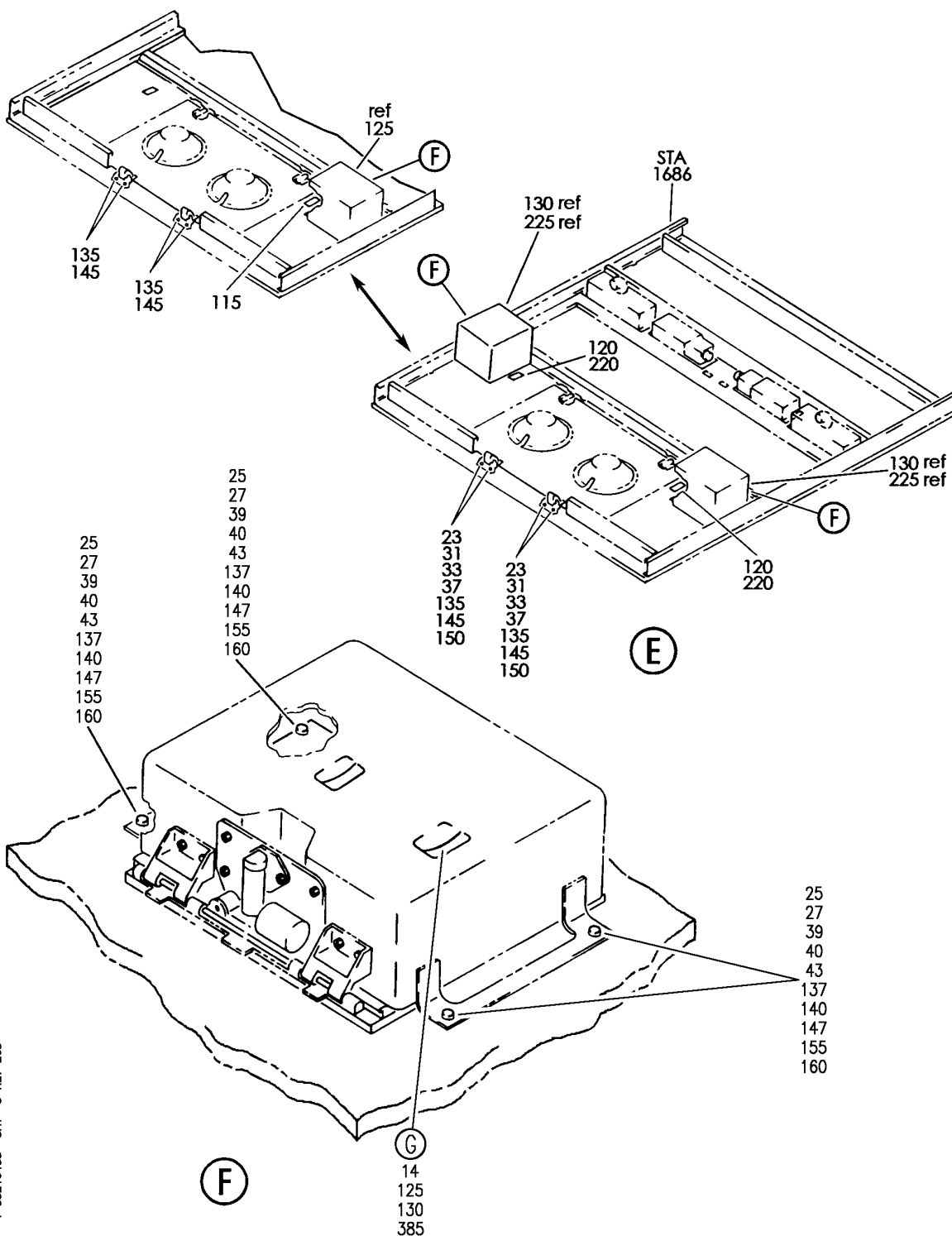
PANEL AND CEILING ASSY (OXYGEN GENERATOR ONLY)
FIGURE 38 (SHEET 2)

35-21-04-38

BRI
MAY 28/07

35-21-04-38
PAGE 0A

BOEING
757
PARTS CATALOG (MAINTENANCE)



Y 352104-38 SHT 3 REV 263

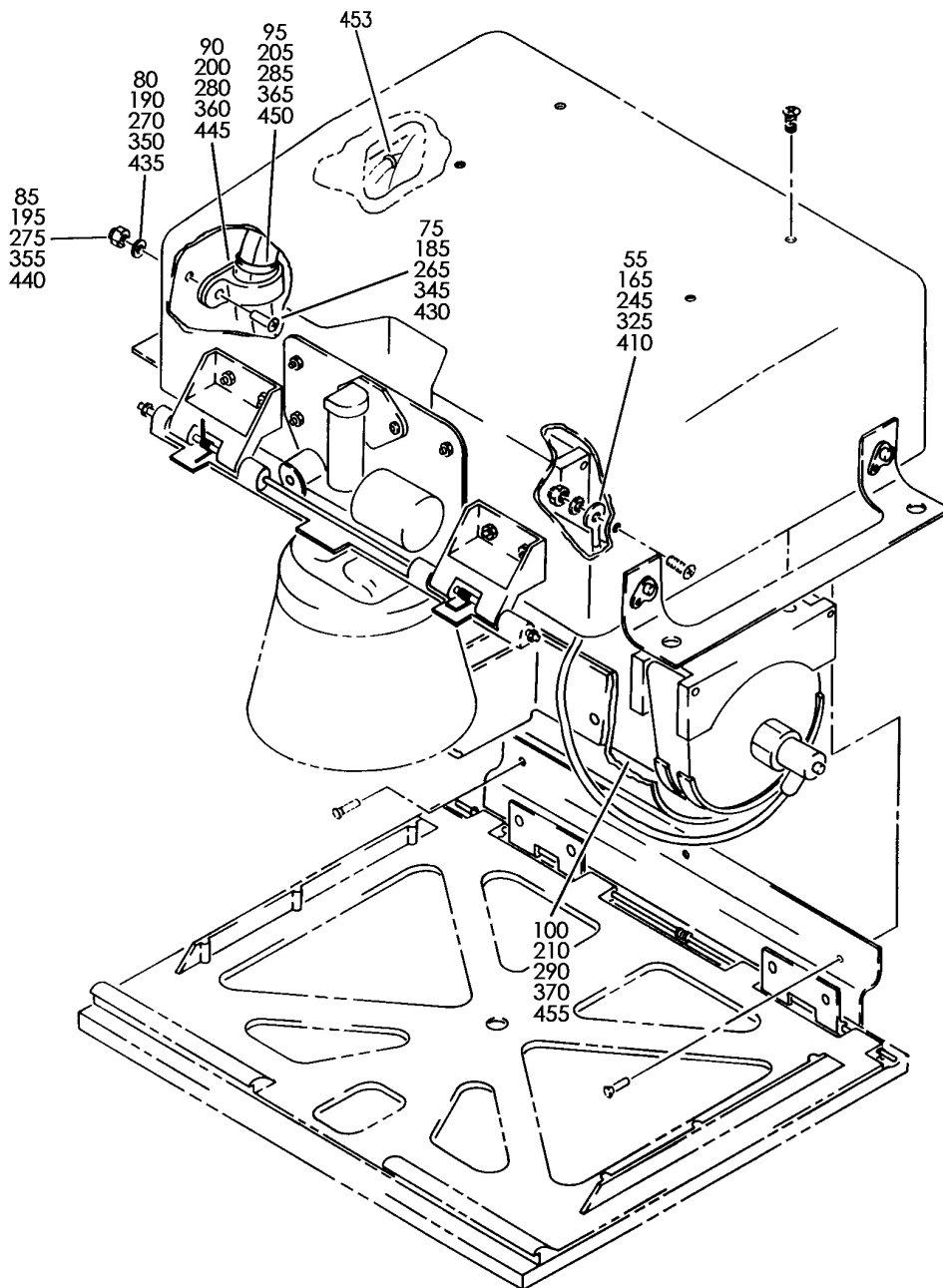
PANEL AND CEILING ASSY (OXYGEN GENERATOR ONLY)
FIGURE 38 (SHEET 3)

35-21-04-38

BRI
MAY 28/07

35-21-04-38
PAGE 0B

BOEING
757
PARTS CATALOG (MAINTENANCE)



(G)

PANEL AND CEILING ASSY (OXYGEN GENERATOR ONLY)
FIGURE 38 (SHEET 4)

35-21-04-38

BRI
MAY 28/07

35-21-04-38
PAGE 0C



757

PARTS CATALOG (MAINTENANCE)

FIG ITEM	PART NUMBER	1 2 3 4 5 6 7	NOMENCLATURE	EFFECT FROM TO	UNITS PER ASSY
38			PANEL AND CEILING ASSY (OXYGEN GENERATOR ONLY)	002004 006102 107949 952952	
- 1	411N3210-201SP		PANEL ASSY-ACOUSTICAL (OXYGEN GENERATOR ONLY) REWORKED BY SB: 25-0163R1 FOR NHA/OTHER SYS DET SEE: 25-22-02-29	107107	RF
- 2	411N3260-152SP		PANEL ASSY-FLAT (OXYGEN GENERATOR ONLY) FOR NHA/OTHER SYS DET SEE: 25-22-02-19	904949	RF
- 3	411N3260-135SP		PANEL ASSY-FLAT FLYAWAY (OXYGEN GENERATOR ONLY) FOR NHA/OTHER SYS DET SEE: 25-22-02-19B	904949	RF
- 3	411N3260-215SP		PANEL ASSY-FLAT FLYAWAY (OXYGEN GENERATOR ONLY) FOR NHA/OTHER SYS DET SEE: 25-22-02-19B	121503	RF
- 3	411N3260-239SP		PANEL ASSY-FLAT (OXYGEN GENERATOR ONLY)	121503	RF
- 3	411N3260-240SP		PANEL ASSY-FLAT (OXYGEN GENERATOR ONLY) FOR NHA/OTHER SYS DET SEE: 25-22-02-52	002004	RF
- 4	411N3260-324SP		PANEL ASSY-FLAT (OXYGEN GENERATOR ONLY)	006100	RF
- 4	411N3260-606SP		PANEL ASSY-FLAT (OXYGEN GENERATOR ONLY) FOR NHA/OTHER SYS DET SEE: 25-22-02-19E	101102	RF
- 4	411N3260-261SP		PANEL ASSY-FLAT (OXYGEN GENERATOR ONLY) FOR NHA/OTHER SYS DET SEE: 25-22-02-58B	952952	RF
5	BAC27NPA0302		.MARKER-ALUMINUM FOIL PLACARD CONTENT: M10373 ATTENDANTS OXYGEN BOX	107503 904949	1
8	BAC27NPA0302		.MARKER-ALUMINUM FOIL PLACARD CONTENT: M10373 ATTENDANTS OXYGEN BOX ELECTRICAL EQUIP NUMBER: M10373	002004 006100 952952	1

MISSING ITEM NUMBERS NOT APPLICABLE

- ITEM NOT ILLUSTRATED

35-21-04-38

35-21-04
FIG. 38
PAGE 1
JAN 20/09

BRI



757

PARTS CATALOG (MAINTENANCE)

FIG ITEM	PART NUMBER	1 2 3 4 5 6 7	NOMENCLATURE	EFFECT FROM TO	UNITS PER ASSY
38					
10	BAC27NPA0302		.MARKER-ALUMINUM FOIL PLACARD CONTENT: M10373 ATTENDANTS OXYGEN BOX ELECTRICAL EQUIP NUMBER: M10373	101102 108120	1
14	417N3810-1SP		.BOX ASSY-ATTENDANTS SVCE UNIT OXY ELECTRICAL EQUIP NUMBER: M10373 COMPONENT MAINT MANUAL REF: 35-21-34 FOR DETAILS SEE: 35-21-05-02A 35-21-06-04A	107107	1
14	417N3810-76SP		.BOX ASSY-ATTENDANTS SVCE UNIT OXY ELECTRICAL EQUIP NUMBER: M10373 COMPONENT MAINT MANUAL REF: 35-21-34 FOR DETAILS SEE: 35-21-05-02 35-21-06-04	121503 904949	1
14	417N3810-99SP		.BOX ASSY-ATTENDANTS SVCE UNIT OXY ELECTRICAL EQUIP NUMBER: M10373 COMPONENT MAINT MANUAL REF: 35-21-34 FOR DETAILS SEE: 35-21-05-02 35-21-06-04	952952	1
23	BACS12FA3K5		.SCREW-	107107	4
23	NAS1801-3-5		.SCREW-	121503 904949	4
23	BACS12GU3K5		.SCREW-	952952	4
24	BACS12GU3K5		.SCREW	108120	4
27	BACS12GU3K5		.SCREW-	002004 006100	8
34	AN960JD10LL		.WASHER	108120	4
37	AN960KD10L		.WASHER-	107107	4
37	AN960JD10LL		.WASHER-	107107	4
40	AN960JD10LL		.WASHER	002004 006100	8
45	417N3810-16		-----*----- ..BOX ASSY	108120	1

MISSING ITEM NUMBERS NOT APPLICABLE

- ITEM NOT ILLUSTRATED

35-21-04-38

35-21-04
FIG. 38
PAGE 2
JAN 20/09

BRI



757

PARTS CATALOG (MAINTENANCE)

FIG ITEM	PART NUMBER	1 2 3 4 5 6 7	NOMENCLATURE	EFFECT FROM TO	UNITS PER ASSY
38			ATTACHING PARTS		
- 47	NAS42DD5-6FC	..	SPACER	108120	2
- 50	CR3252-4-3	..	RIVET	108120	2
			SUPPLIER CODE: V92215		
			SPECIFICATION NUMBER: BACR15FP4E3		
			-----*-----		
55	417N3137-2	..	CABLE ASSY	101102 107503 904949 952952	1
55	417N3137-2	..	CABLE ASSY	002004 006100	1
			ATTACHING PARTS		
- 60	BACS12FA08K5	..	SCREW	002004 006100	1
- 60	BACS12FA08K5	..	SCREW	101102 107503 904949 952952	1
- 65	AN960PD8L	..	WASHER	002004 006100	1
- 65	AN960PD8L	..	WASHER	101102 107503 904949 952952	1
- 70	MS21042L08	..	NUT	121503 904949 952952	1
- 70	BRH10A08	..	NUT	107107	1
			SUPPLIER CODE: V52828		
			SPECIFICATION NUMBER: BACN10JC08		
			OPTIONAL PART: H10-08BAC V15653 NS202101-82 V80539 RMLH9075-82W V72962 VN303A82 V92215 96-82 V80539 T6S832J V11815		

MISSING ITEM NUMBERS NOT APPLICABLE

- ITEM NOT ILLUSTRATED

35-21-04-38

35-21-04
FIG. 38
PAGE 3
JAN 20/09

BRI



757

PARTS CATALOG (MAINTENANCE)

FIG ITEM	PART NUMBER	1 2 3 4 5 6 7	NOMENCLATURE	EFFECT FROM TO	UNITS PER ASSY
38					
- 70	MS21042L08	..	NUT	002004 006100	1
			-----*-----		
75	BACS12FA08K7	..	SCREW	002004 006100	1
75	BACS12FA08K7	..	SCREW	101102 107107 121503 904949 952952	1
80	AN960PD8L	..	WASHER	002004 006100	1
80	AN960PD8L	..	WASHER	101102 107107 121503 904949 952952	1
85	MS21042L08	..	NUT	121503 904949 952952	1
85	BRH10A08	..	NUT	107107	1
			SUPPLIER CODE: V52828		
			SPECIFICATION NUMBER: BACN10JC08		
			OPTIONAL PART: H10-08BAC V15653 NS202101-82 V80539 RMLH9075-82W V72962 VN303A82 V92215 96-82 V80539 T6S832J V11815		
85	MS21042L08	..	NUT	002004 006100	1
86	417N3137-6	...	PIN	108120	1
87	417N3137-7	...	EYE-CABLE	108120	1
88	417N3137-5	...	CABLE	108120	1
90	287T0011-1	..	CLAMP	101102 107503 904949 952952	1
90	287T0011-1	..	CLAMP	002004 006100	1

MISSING ITEM NUMBERS NOT APPLICABLE

- ITEM NOT ILLUSTRATED

35-21-04-38

35-21-04
FIG. 38
PAGE 4
JAN 20/09

BRI

BOEING PROPRIETARY - Copyright © - Unpublished Work - See title page for details.



757

PARTS CATALOG (MAINTENANCE)

FIG ITEM	PART NUMBER	1 2 3 4 5 6 7	NOMENCLATURE	EFFECT FROM TO	UNITS PER ASSY
38					
95	MS3367-4-9	..	STRAP	002004 006100	1
95	MS3367-4-9	..	STRAP	101102 107503 904949 952952	1
100	117003-12	..	GENERATOR-PASSENGER OXYGEN GENERATOR 12 MINUTES, 2 PERSON. SUPPLIER CODE: V16827 SPECIFICATION NUMBER: S417T401-25 OPTIONAL PART: 803000-02 V53655 E71720-00 VD1379	101102 107107 121503 904949 952952	1
100	803000-02	..	GENERATOR-2 PERSON PASSENGER OXYGEN SUPPLIER CODE: V53655 SPECIFICATION NUMBER: S417T401-31 OPTIONAL PART: 117003-12 V16827	101102 107107 121503 904949 952952	1
100	117003-12	..	GENERATOR-PASSENGER OXYGEN GENERATOR 12 MINUTES, 2 PERSON. SUPPLIER CODE: V16827 SPECIFICATION NUMBER: S417T401-25 OPTIONAL PART: 803000-02 V53655 E71720-00 VD1379	002004 006100	1
100	803000-02	..	GENERATOR-2 PERSON PASSENGER OXYGEN SUPPLIER CODE: V53655 SPECIFICATION NUMBER: S417T401-31 OPTIONAL PART: 117003-12 V16827	002004 006100	1

MISSING ITEM NUMBERS NOT APPLICABLE

- ITEM NOT ILLUSTRATED

35-21-04-38

35-21-04
FIG. 38
PAGE 5
JAN 20/09

BRI



757

PARTS CATALOG (MAINTENANCE)

FIG ITEM	PART NUMBER	1 2 3 4 5 6 7	NOMENCLATURE	EFFECT FROM TO	UNITS PER ASSY
38 100	E71720-00		..GENERATOR-OXYGEN CHEMICAL 2 PERSON 12 MINUTE SUPPLIER CODE: VD1379 SPECIFICATION NUMBER: S417T401-43 OPTIONAL PART: 117003-12 V16827 117080-02 V16827	101102 107107 121503 904949 952952	1
100	E71720-00		..GENERATOR-OXYGEN CHEMICAL 2 PERSON 12 MINUTE SUPPLIER CODE: VD1379 SPECIFICATION NUMBER: S417T401-43 OPTIONAL PART: 117003-12 V16827 117080-02 V16827	002004 006100	1
100	117080-02		..GENERATOR-OXYGEN CHEMICAL 2 PERSON 12 MINUTE SUPPLIER CODE: V16827 SPECIFICATION NUMBER: S417T401-61 OPTIONAL PART: E71720-00 VD1379	101102 107107 121503 904949 952952	1
100	117080-02		..GENERATOR-OXYGEN CHEMICAL 2 PERSON 12 MINUTE SUPPLIER CODE: V16827 SPECIFICATION NUMBER: S417T401-61 OPTIONAL PART: E71720-00 VD1379	002004 006100	1
115	BAC27NPA0302		.MARKER-ALUMINUM FOIL PLACARD CONTENT: M10373 ATTENDANTS OXYGEN BOX ATTACHING PARTS	121503 904949	1
135	BACS12FA3K5		.SCREW	121503 904949	4
145	AN960KD10L		.WASHER	121503 904949	4

MISSING ITEM NUMBERS NOT APPLICABLE

- ITEM NOT ILLUSTRATED

35-21-04-38

35-21-04
FIG. 38
PAGE 6
JAN 20/09

BRI



757

PARTS CATALOG (MAINTENANCE)

FIG ITEM	PART NUMBER	1 2 3 4 5 6 7	NOMENCLATURE	EFFECT FROM TO	UNITS PER ASSY
38					
150	AN960C10L	.	WASHER	121503 904949	4
			-----*-----		
165	417N3137-2	..	CABLE ASSY	121503 904949	1
			ATTACHING PARTS		
- 170	BACS12ER08K7	..	SCREW	121503 904949	1
- 175	AN960PD8L	..	WASHER	121503 904949	1
- 180	BRH10A08	..	NUT	121503 904949	1
			SUPPLIER CODE: V52828		
			SPECIFICATION NUMBER: BACN10JC08		
			OPTIONAL PART: H10-08BAC		
			V15653		
			NS202101-82		
			V80539		
			RMLH9075-82W		
			V72962		
			VN303A82		
			V92215		
			96-82		
			V80539		
			T6S832J		
			V11815		
			-----*-----		
185	BACS12ER08K7	..	SCREW	121503 904949	1
190	AN960PD8L	..	WASHER	121503 904949	1

MISSING ITEM NUMBERS NOT APPLICABLE

- ITEM NOT ILLUSTRATED

BRI

35-21-04-38

35-21-04
FIG. 38
PAGE 7
JAN 20/09



757

PARTS CATALOG (MAINTENANCE)

FIG ITEM	PART NUMBER	1 2 3 4 5 6 7	NOMENCLATURE	EFFECT FROM TO	UNITS PER ASSY
38 195	BRH10A08	..	NUT SUPPLIER CODE: V52828 SPECIFICATION NUMBER: BACN10JC08 OPTIONAL PART: H10-08BAC V15653 NS202101-82 V80539 RMLH9075-82W V72962 VN303A82 V92215 96-82 V80539 T6S832J V11815	121503 904949	1
205	MS3367-4-9	..	STRAP	121503 904949	1
210	117003-12	..	GENERATOR-PASSENGER OXYGEN GENERATOR 12 MINUTES, 2 PERSON. SUPPLIER CODE: V16827 SPECIFICATION NUMBER: S417T401-25 OPTIONAL PART: E71720-00 VD1379	121503 904949	1
210	803000-02	..	GENERATOR-2 PERSON PASSENGER OXYGEN SUPPLIER CODE: V53655 SPECIFICATION NUMBER: S417T401-31	121503 904949	1
210	E71720-00	..	GENERATOR-OXYGEN CHEMICAL 2 PERSON 12 MINUTE SUPPLIER CODE: VD1379 SPECIFICATION NUMBER: S417T401-43 OPTIONAL PART: 117003-12 V16827 117080-02 V16827	121503 904949	1

MISSING ITEM NUMBERS NOT APPLICABLE

- ITEM NOT ILLUSTRATED

35-21-04-38

35-21-04
FIG. 38
PAGE 8
JAN 20/09

BRI



757

PARTS CATALOG (MAINTENANCE)

FIG ITEM	PART NUMBER	1 2 3 4 5 6 7	NOMENCLATURE	EFFECT FROM TO	UNITS PER ASSY
38 210	117080-02		..GENERATOR-OXYGEN CHEMICAL 2 PERSON 12 MINUTE SUPPLIER CODE: V16827 SPECIFICATION NUMBER: S417T401-61 OPTIONAL PART: E71720-00 VD1379	121503 904949	1
- 375	411N3260-499SP		PANEL ASSY-FLAT FLYAWAY (OXYGEN ONLY) FOR NHA/OTHER SYS DET SEE: 25-22-02-19F	504903	RF
380	BAC27NPA0302		.MARKER-ALUMINUM FOIL PLACARD CONTENT: M10373 ATTENDANT OXYGEN BOX	504903	1
385	417N3810-121SP		.BOX ASSY-OXY (OXYGEN GENERATOR ONLY) ELECTRICAL EQUIP NUMBER: M10373 COMPONENT MAINT MANUAL REF: 35-21-34 FOR DETAILS SEE: 35-21-05-02 35-21-06-04 ATTACHING PARTS	504903	1
- 395	BACS12GU3K5		.SCREW	504903	4
- 405	NAS1149D0332J		.WASHER -----*-----	504903	4
410	417N3137-2		..CABLE ASSY ATTACHING PARTS	504903	1
- 415	BACS12FA08K5		..SCREW	504903	1
- 420	AN960PD8L		..WASHER	504903	1
- 425	MS21042L08		..NUT -----*-----	504903	1
430	BACS12FA08K7		..SCREW	504903	1
435	AN960JD8L		..WASHER-	504903	1
440	MS21042L08		..NUT	504903	1
445	287T0011-1		..CLAMP	504903	1
450	MS3367-4-9		..STRAP	504903	1
453	7-0505R		..CLAMP- SUPPLIER CODE: V25281	504903	1

MISSING ITEM NUMBERS NOT APPLICABLE

- ITEM NOT ILLUSTRATED

35-21-04-38

35-21-04
FIG. 38
PAGE 9
JAN 20/09

BRI



757

PARTS CATALOG (MAINTENANCE)

FIG ITEM	PART NUMBER	1 2 3 4 5 6 7	NOMENCLATURE	EFFECT FROM TO	UNITS PER ASSY
38 455	117003-22		.. GENERATOR- SUPPLIER CODE: V16827 SPECIFICATION NUMBER: S417T401-22 OPTIONAL PART: E72220-10 VD1379	504903	1
455	E72220-10		.. GENERATOR- SUPPLIER CODE: VD1379 SPECIFICATION NUMBER: S417T401-51 OPTIONAL PART: 117003-22 V16827	504903	1

MISSING ITEM NUMBERS NOT APPLICABLE

- ITEM NOT ILLUSTRATED

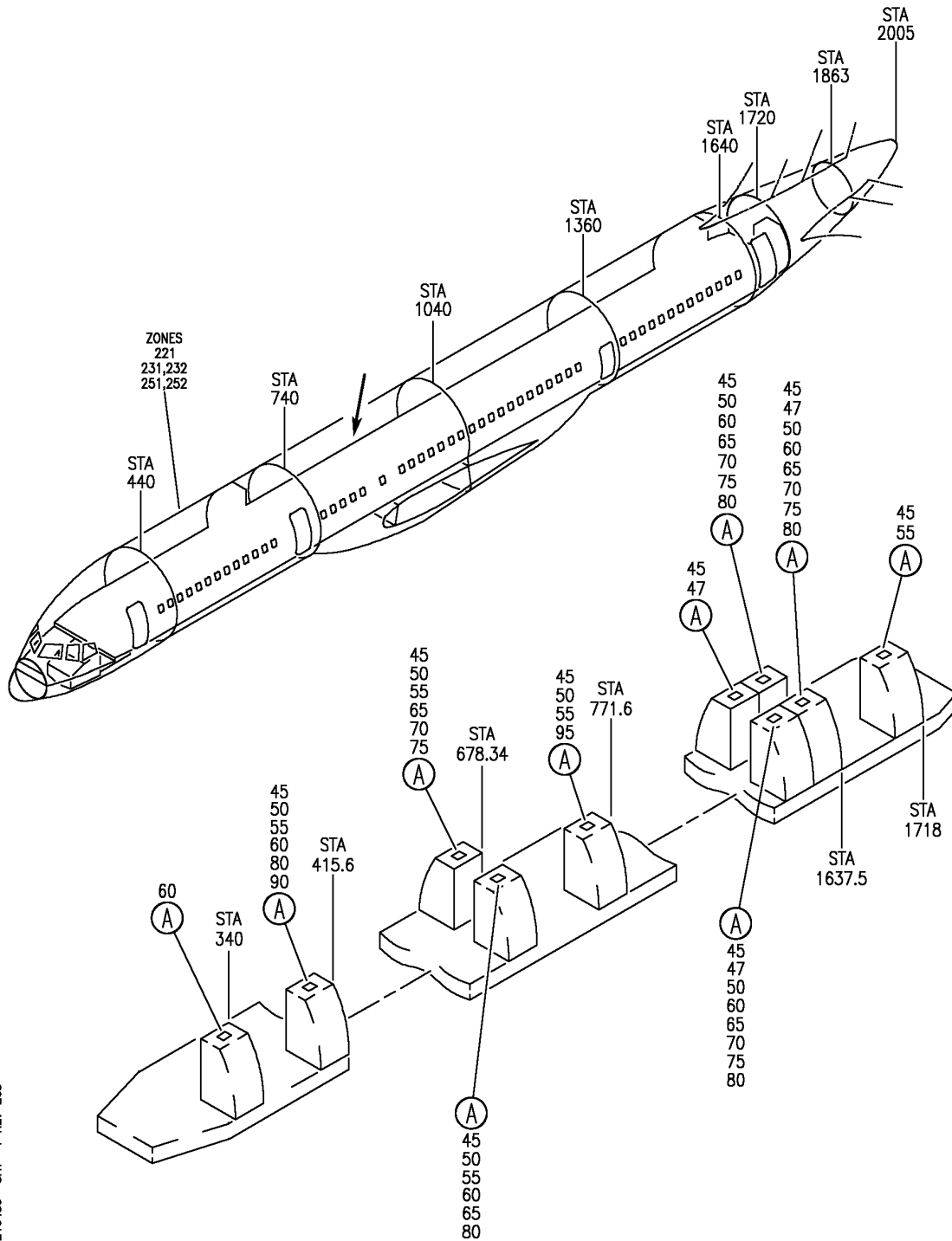
BRI

35-21-04-38

BOEING PROPRIETARY - Copyright © - Unpublished Work - See title page for details.

35-21-04
FIG. 38
PAGE 10
JAN 20/09

BOEING
757
PARTS CATALOG (MAINTENANCE)



Y 35210439 SH 1 REV 263

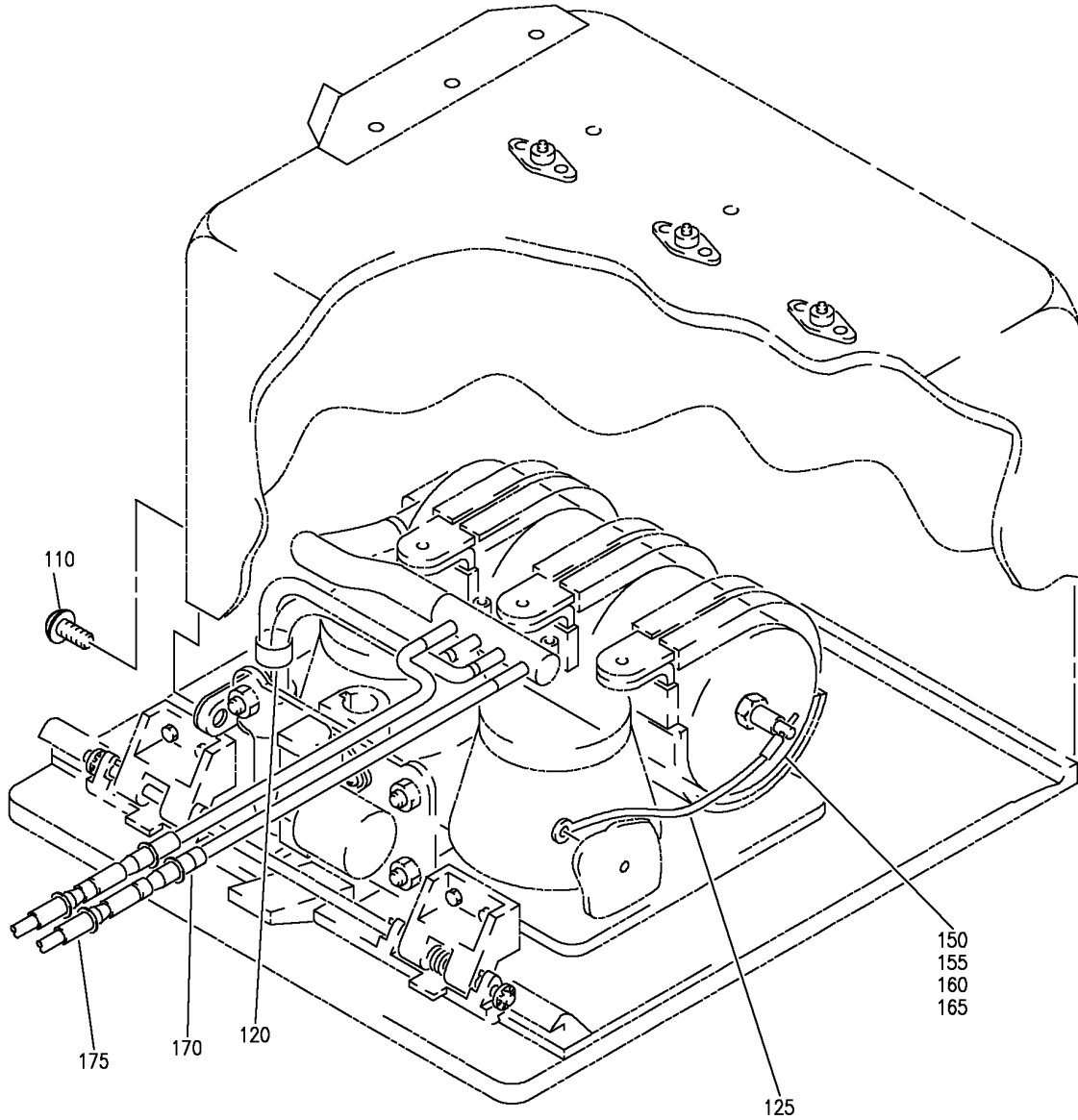
MODULE INSTL-LAV (OXYGEN GENERATOR ONLY)
FIGURE 39 (SHEET 1)

35-21-04-39

BRI
MAY 28/07

35-21-04-39
PAGE 0

BOEING
757
PARTS CATALOG (MAINTENANCE)



Y 35210439 SHT 2 REV 263

(A)

MODULE INSTL-LAV (OXYGEN GENERATOR ONLY)
FIGURE 39 (SHEET 2)

35-21-04-39

BRI
MAY 28/07

35-21-04-39
PAGE 0A



757

PARTS CATALOG (MAINTENANCE)

FIG ITEM	PART NUMBER	1 2 3 4 5 6 7	NOMENCLATURE	EFFECT FROM TO	UNITS PER ASSY
39			MODULE INSTL-LAV (OXYGEN GENERATOR ONLY)	107107 904949 952952	
- 1	417N1115-45		LAVATORY INSTL-MODULE S (OXYGEN GENERATOR ONLY) FOR NHA/OTHER SYS DET SEE: 25-20-00-01A	952952	RF
- 35	417N1107-18		LAVATORY INSTL-MODULE F (OXYGEN GENERATOR ONLY) FOR NHA/OTHER SYS DET SEE: 25-20-00-01E	107107	RF
- 35	417N1107-28		LAVATORY INSTL-MODULE F (OXYGEN GENERATOR ONLY) PRE SERVICE BULLETIN: 25-0162	904949	RF
45	417N3810-2SP		.BOX ASSY-LAV SVCE UNIT OXY ELECTRICAL EQUIP NUMBER: M10373 COMPONENT MAINT MANUAL REF: 35-21-34 FOR DETAILS SEE: 35-21-05-02A 35-21-06-04A	107107 904949	1
55	417N3810-97SP		.BOX ASSY-LAV SVCE UNIT OXY ELECTRICAL EQUIP NUMBER: M10373 COMPONENT MAINT MANUAL REF: 35-21-34 FOR DETAILS SEE: 35-21-05-20A 35-21-06-04	952952	1
- 100	NAS603-6P		ATTACHING PARTS .SCREW-	107107 904949	4
- 105	AN960JD10L		.WASHER-	107107 904949	4
110	BACS12FA08K7		-----*----- ..SCREW	107107 904949 952952	1
115	287T0011-1		..CLAMP	107107 904949 952952	1
120	MS3367-4-9		..STRAP	107107 904949 952952	1
125	417N3137-2		..CABLE ASSY	107107 904949 952952	1

MISSING ITEM NUMBERS NOT APPLICABLE

- ITEM NOT ILLUSTRATED

35-21-04-39

35-21-04
FIG. 39
PAGE 1
JAN 20/09

BRI

BOEING
757
PARTS CATALOG (MAINTENANCE)

FIG ITEM	PART NUMBER	1 2 3 4 5 6 7	NOMENCLATURE	EFFECT FROM TO	UNITS PER ASSY
39			ATTACHING PARTS		
- 130	BACS12FA08K5		.. SCREW	107107 904949 952952	1
150	803000-02		-----*----- .. GENERATOR-2 PERSON PASSENGER OXYGEN SUPPLIER CODE: V53655 SPECIFICATION NUMBER: S417T401-31 OPTIONAL PART: 117003-12 V16827	107107 904949 952952	1
R R R R R R R R R R	150	117003-12	.. GENERATOR-PASSENGER OXYGEN GENERATOR 12 MINUTES, 2 PERSON. SUPPLIER CODE: V16827 SPECIFICATION NUMBER: S417T401-25 OPTIONAL PART: 803000-02 V53655 E71720-00 VD1379	107107 904949 952952	1
R R R R R R R R	150	E71720-00	.. GENERATOR-OXYGEN CHEMICAL 2 PERSON 12 MINUTE SUPPLIER CODE: VD1379 SPECIFICATION NUMBER: S417T401-43 OPTIONAL PART: 117003-12 V16827 117080-02 V16827	107107 904949 952952	1
R R R R R R R R	150	117080-02	.. GENERATOR-PASSENGER OXYGEN GENERATOR 12 MINUTES, 2 PERSON. SUPPLIER CODE: V16827 SPECIFICATION NUMBER: S417T401-61 OPTIONAL PART: E71720-00 VD1379	107107 904949 952952	1

MISSING ITEM NUMBERS NOT APPLICABLE

- ITEM NOT ILLUSTRATED

BRI

35-21-04-39

BOEING PROPRIETARY - Copyright © - Unpublished Work - See title page for details.

35-21-04
FIG. 39
PAGE 2
MAY 20/09

BOEING
757
PARTS CATALOG (MAINTENANCE)

FIG ITEM	PART NUMBER	1 2 3 4 5 6 7	NOMENCLATURE	EFFECT FROM TO	UNITS PER ASSY
R R R R R R R R R R	39 165	117003-12	.. GENERATOR-PASSENGER OXYGEN GENERATOR 12 MINUTES, 2 PERSON. SUPPLIER CODE: V16827 SPECIFICATION NUMBER: S417T401-25 OPTIONAL PART: E71720-00 VD1379	107107 904949 952952	1
	165	803000-02	.. GENERATOR-2 PERSON PASSENGER OXYGEN SUPPLIER CODE: V53655 SPECIFICATION NUMBER: S417T401-31	107107 904949 952952	1
	165	117080-02	.. GENERATOR-PASSENGER OXYGEN GENERATOR 12 MINUTES, 2 PERSON. SUPPLIER CODE: V16827 SPECIFICATION NUMBER: S417T401-61 OPTIONAL PART: E71720-00 VD1379	107107 904949 952952	1
	165	E71720-00	.. GENERATOR-PASSENGER OXYGEN GENERATOR 12 MINUTES, 2 PERSON. SUPPLIER CODE: VD1379 SPECIFICATION NUMBER: S417T401-61 OPTIONAL PART: 117003-12 V16827 117080-02 V16827	107107 904949 952952	1

MISSING ITEM NUMBERS NOT APPLICABLE

— ITEM NOT ILLUSTRATED

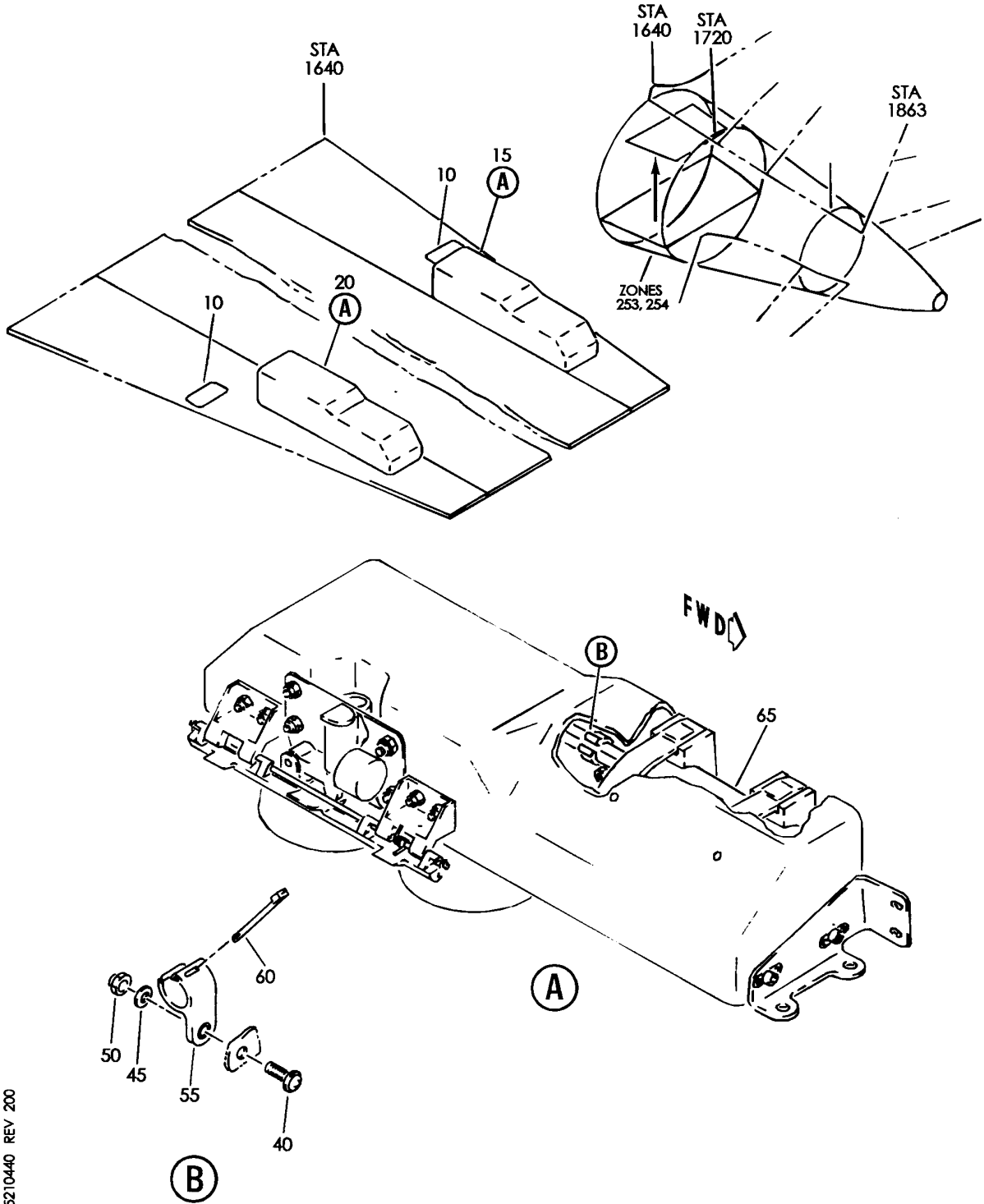
BRI

35-21-04-39

BOEING PROPRIETARY - Copyright © - Unpublished Work - See title page for details.

35-21-04
FIG. 39
PAGE 3
MAY 20/09

BOEING
757
PARTS CATALOG (MAINTENANCE)



Y 35210440 REV 200

PANEL ASSY-CLG (OXYGEN GENERATOR ONLY)
FIGURE 40

35-21-04-40

BRI
JAN 20/09

35-21-04-40
PAGE 0



757

PARTS CATALOG (MAINTENANCE)

FIG ITEM	PART NUMBER	1 2 3 4 5 6 7	NOMENCLATURE	EFFECT FROM TO	UNITS PER ASSY
40			PANEL ASSY-CLG (OXYGEN GENERATOR ONLY)	107107	
- 1	411N3210-89SP		PANEL ASSY-CLG (OXYGEN GENERATOR ONLY) FOR NHA/OTHER SYS DET SEE: 25-22-02-27	107107	RF
- 5	411N3210-104SP		PANEL ASSY-CLG (OXYGEN GENERATOR ONLY) FOR NHA/OTHER SYS DET SEE: 25-22-02-27	107107	RF
10	BAC27NPA0302		.MARKER-ALUMINUM FOIL PLACARD CONTENT: M10373 ATTENDANTS OXYGEN BOX	107107	1
15	417N3820-2SP		.BOX ASSY-OXY ELECTRICAL EQUIP NUMBER: M10373 COMPONENT MAINT MANUAL REF: 35-21-35 USED ON: 411N3210-104SP FOR DETAILS SEE: 35-21-06-05	107107	1
20	417N3820-1SP		.BOX ASSY-OXY ELECTRICAL EQUIP NUMBER: M10373 COMPONENT MAINT MANUAL REF: 35-21-35 USED ON: 411N3210-89SP FOR DETAILS SEE: 35-21-06-05	107107	1
- 25	BACS12FA08K5		ATTACHING PARTS .SCREW	107107	4
- 30	AN960KD8L		.WASHER -----*-----	107107	4
40	BACS12FA08K7		..SCREW	107107	1
45	AN960PD8L		..WASHER	107107	1

MISSING ITEM NUMBERS NOT APPLICABLE

- ITEM NOT ILLUSTRATED

35-21-04-40

35-21-04
FIG. 40
PAGE 1
JAN 20/09

BRI



757

PARTS CATALOG (MAINTENANCE)

FIG ITEM	PART NUMBER	1 2 3 4 5 6 7	NOMENCLATURE	EFFECT FROM TO	UNITS PER ASSY
40 50	BRH10A08	..	NUT SUPPLIER CODE: V52828 SPECIFICATION NUMBER: BACN10JC08 OPTIONAL PART: H10-08BAC V15653 NS202101-82 V80539 RMLH9075-82W V72962 VN303A82 V92215 96-82 V80539 T6S832J V11815	107107	1
55	287T0011-1	..	CLAMP	107107	1
60	MS3367-4-9	..	STRAP	107107	1
65	117003-12	..	GENERATOR- SUPPLIER CODE: V16827 SPECIFICATION NUMBER: S417T401-25 OPTIONAL PART: 803000-02 V53655 E71720-00 VD1379	107107	1
65	117080-02	..	GENERATOR- SUPPLIER CODE: V16827 SPECIFICATION NUMBER: S417T401-61 OPTIONAL PART: E71720-00 VD1379	107107	1
65	E71720-00	..	GENERATOR- SUPPLIER CODE: VD1379 SPECIFICATION NUMBER: S417T401-43 OPTIONAL PART: 117003-12 V16827 117080-02 V16827	107107	1

MISSING ITEM NUMBERS NOT APPLICABLE

- ITEM NOT ILLUSTRATED

35-21-04-40

35-21-04
FIG. 40
PAGE 2
JAN 20/09

BRI



757

PARTS CATALOG (MAINTENANCE)

FIG ITEM	PART NUMBER	1 2 3 4 5 6 7	NOMENCLATURE	EFFECT FROM TO	UNITS PER ASSY
40 70	803000-02		. . GENERATOR- SUPPLIER CODE: V53655 SPECIFICATION NUMBER: S417T401-31 OPTIONAL PART: 117003-12 V16827	107107	1

MISSING ITEM NUMBERS NOT APPLICABLE

- ITEM NOT ILLUSTRATED

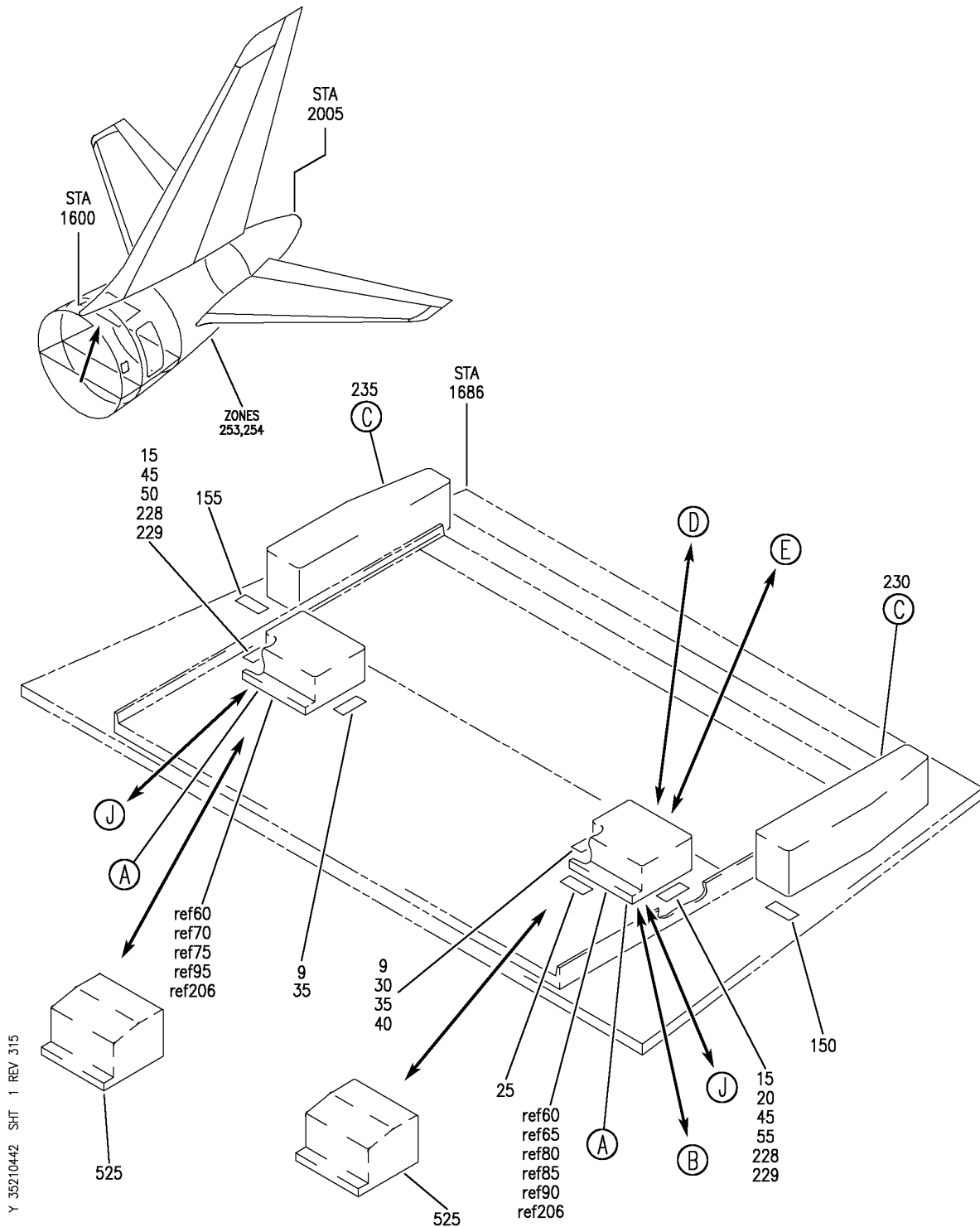
BRI

35-21-04-40

BOEING PROPRIETARY - Copyright © - Unpublished Work - See title page for details.

35-21-04
FIG. 40
PAGE 3
JAN 20/09

BOEING
757
PARTS CATALOG (MAINTENANCE)



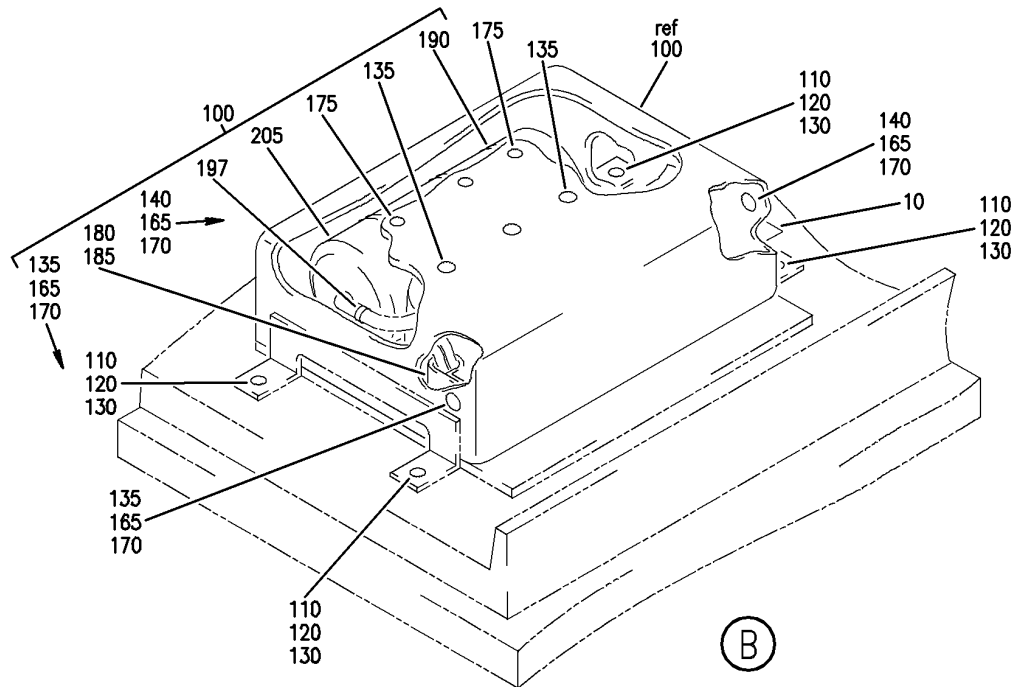
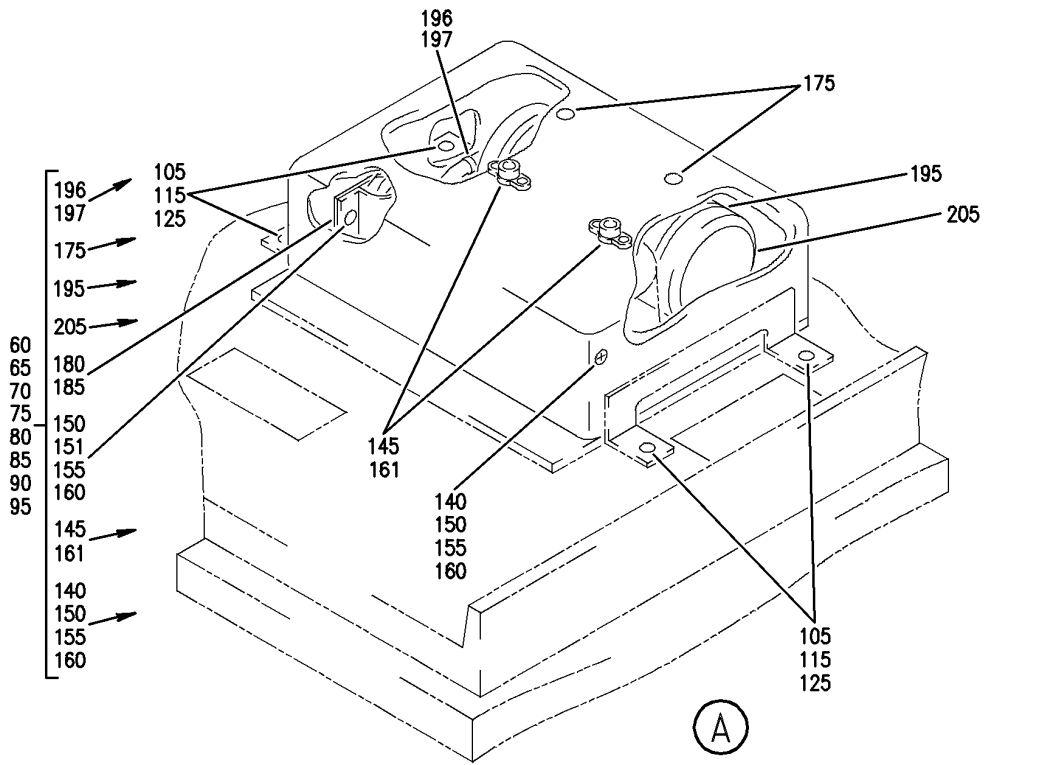
PANEL ASSY-AFT CLG (OXYGEN GENERATOR ONLY)
FIGURE 42 (SHEET 1)

35-21-04-42

BRI
SEP 28/07

35-21-04-42
PAGE 0

BOEING
757
PARTS CATALOG (MAINTENANCE)



Y 35210442 SHT 2 REV 247

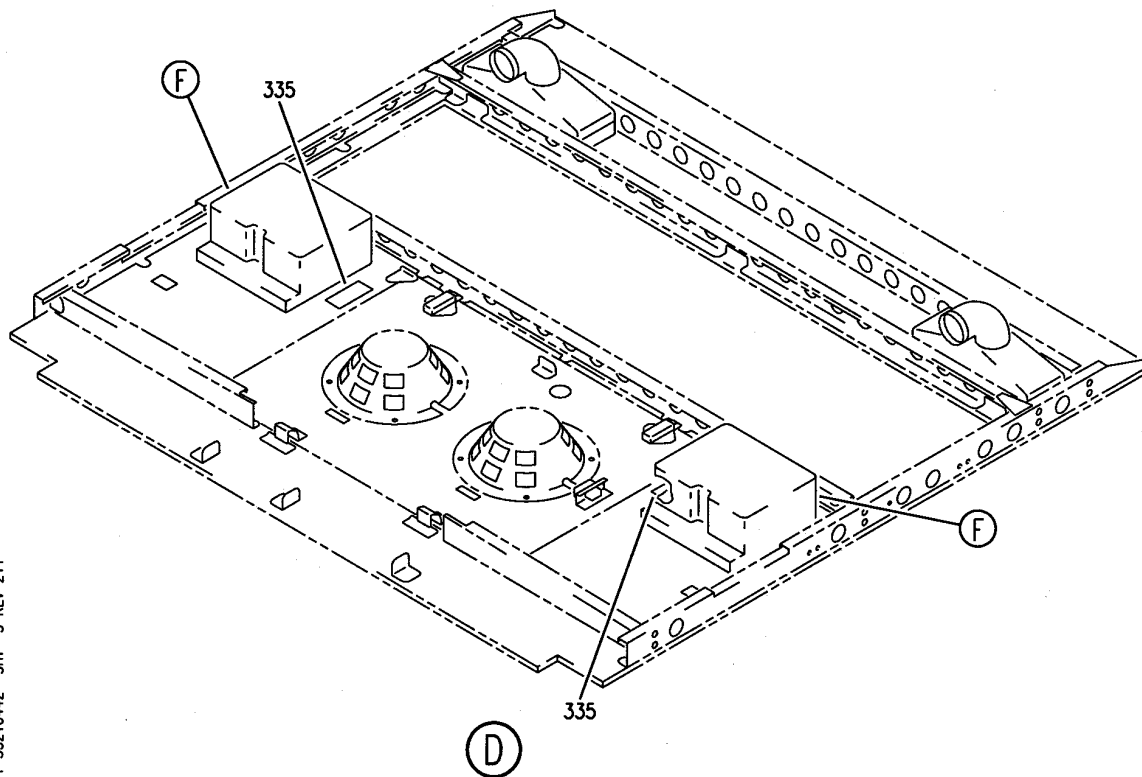
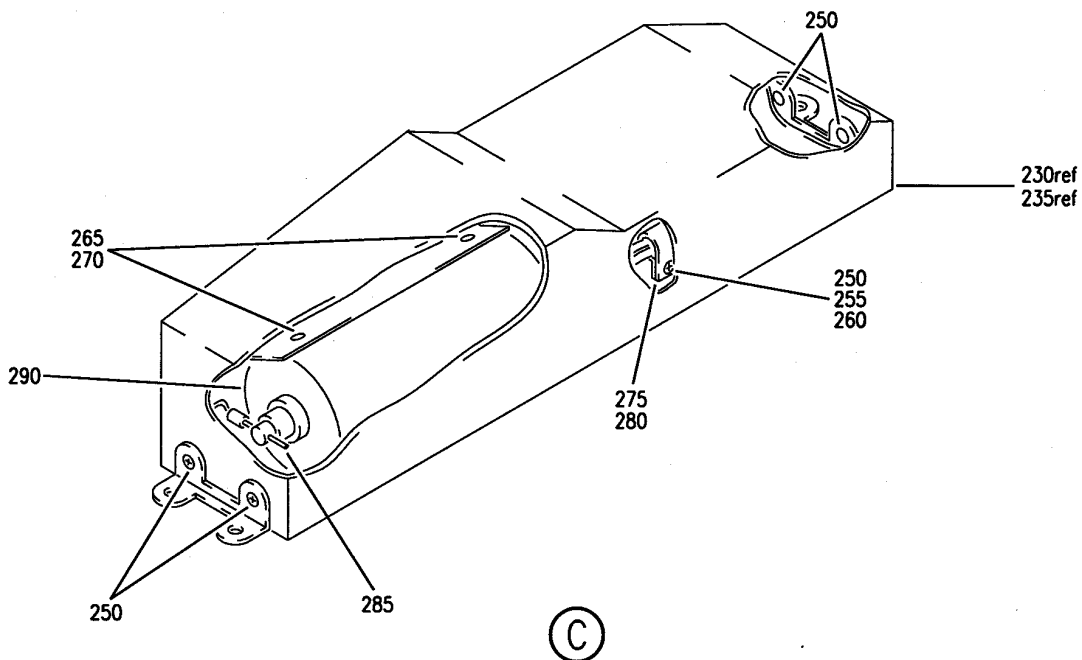
PANEL ASSY-AFT CLG (OXYGEN GENERATOR ONLY)
FIGURE 42 (SHEET 2)

35-21-04-42

BRI
MAY 28/07

35-21-04-42
PAGE 0A

BOEING
757
PARTS CATALOG (MAINTENANCE)



Y 35210442 SHT 3 REV 211

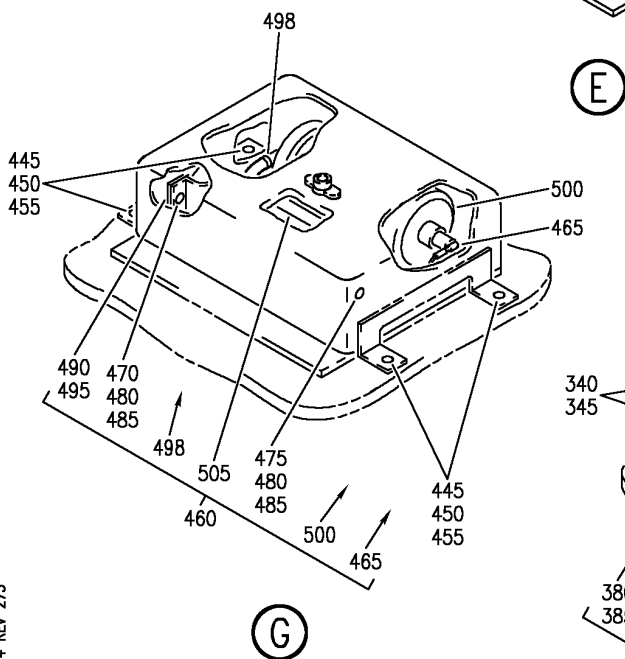
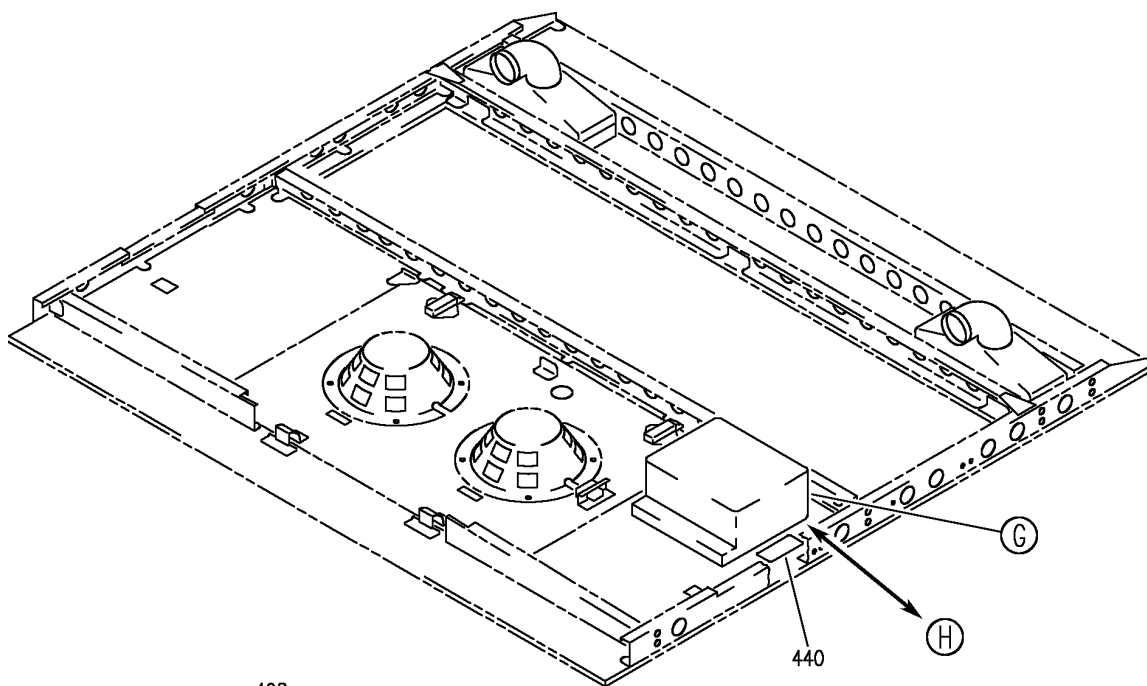
PANEL ASSY-AFT CLG (OXYGEN GENERATOR ONLY)
FIGURE 42 (SHEET 3)

35-21-04-42

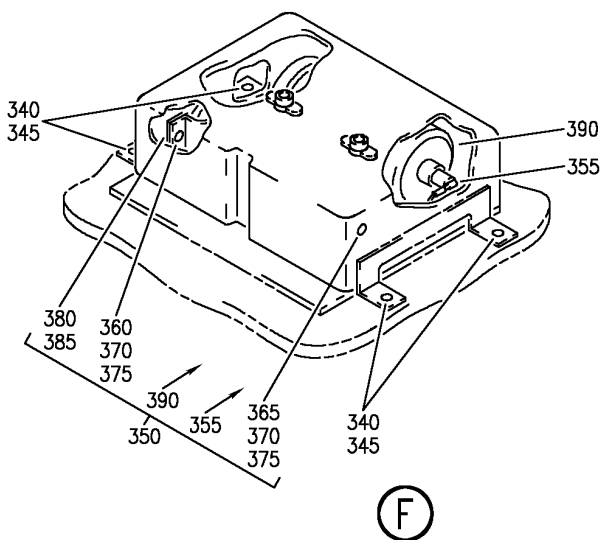
BRI
MAY 28/07

35-21-04-42
PAGE 0B

BOEING
757
PARTS CATALOG (MAINTENANCE)



(E)



(F)

Y 35210442 SHIT 4 REV 275

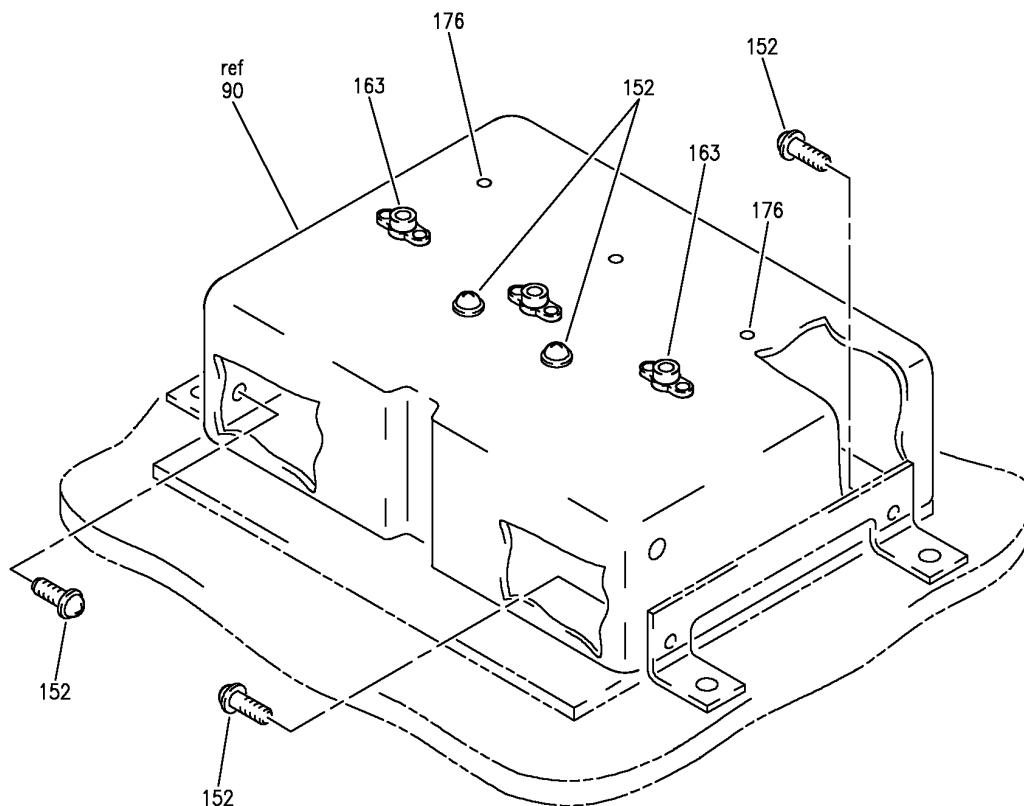
PANEL ASSY-AFT CLG (OXYGEN GENERATOR ONLY)
FIGURE 42 (SHEET 4)

35-21-04-42

BRI
MAY 28/07

35-21-04-42
PAGE 0C

BOEING
757
PARTS CATALOG (MAINTENANCE)



(H)

Y 35210442 SH1 5 REV 275

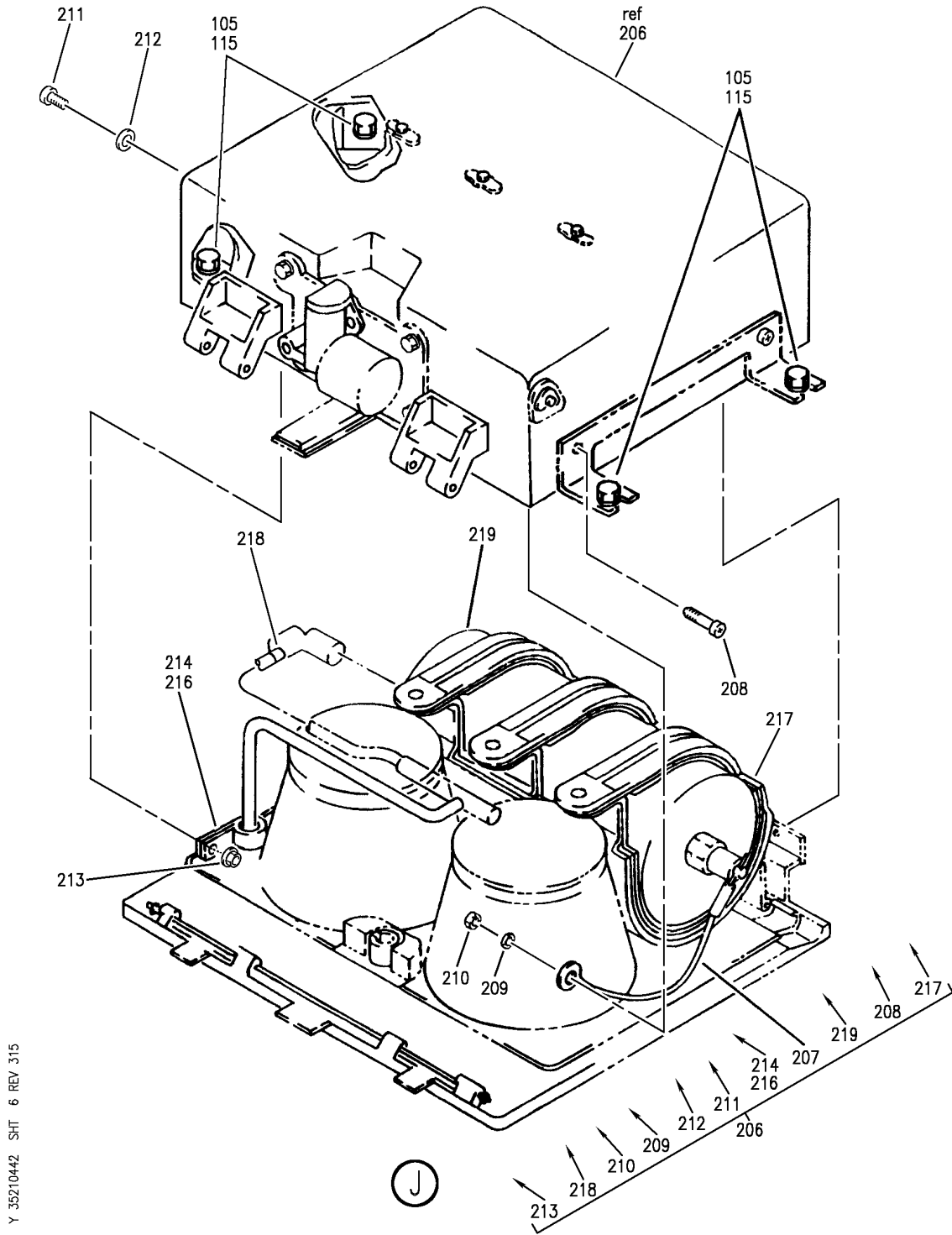
PANEL ASSY-AFT CLG (OXYGEN GENERATOR ONLY)
FIGURE 42 (SHEET 5)

35-21-04-42

BRI
MAY 28/07

35-21-04-42
PAGE 0D

BOEING
757
PARTS CATALOG (MAINTENANCE)



Y 35210442 SH-T 6 REV 315

PANEL ASSY-AFT CLG (OXYGEN GENERATOR ONLY)
FIGURE 42 (SHEET 6)

35-21-04-42

BRI
SEP 28/07

35-21-04-42
PAGE 0E



757

PARTS CATALOG (MAINTENANCE)

FIG ITEM	PART NUMBER	1 2 3 4 5 6 7	NOMENCLATURE	EFFECT FROM TO	UNITS PER ASSY
42			PANEL ASSY-AFT CLG (OXYGEN GENERATOR ONLY)	101102 108999	
- 1	411N3264-96SP		PANEL ASSY-CLG (OXYGEN GENERATOR ONLY) POSITION DATA: AFT FOR NHA/OTHER SYS DET SEE: 25-22-02-24	904949	RF
- 2	411N3264-149SP		PANEL ASSY-CLG (OXYGEN GENERATOR ONLY) POSITION DATA: AFT	950951	RF
- 2	411N3264-157SP		PANEL ASSY-CLG (OXYGEN GENERATOR ONLY) POSITION DATA: AFT FOR NHA/OTHER SYS DET SEE: 25-22-02-95A 25-22-02-03B	952999	RF
- 3	411N3264-251SP		PANEL ASSY-CLG (OXYGEN GENERATOR ONLY) POSITION DATA: AFT FOR NHA/OTHER SYS DET SEE: 25-22-02-18G	504903	RF
- 5	411N3264-261SP		PANEL ASSY-CLG (OXYGEN GENERATOR ONLY) POSITION DATA: AFT FOR NHA/OTHER SYS DET SEE: 25-22-02-03B	101102	RF
- 5	411N3264-288B		PANEL ASSY-CLG (OXYGEN GENERATOR ONLY) POSITION DATA: AFT FOR NHA/OTHER SYS DET SEE: 25-22-02-03E	108120	RF
9	BAC27NPA0302		.MARKER-ALUMINUM FOIL PLACARD CONTENT: M10373 ATTENDANTS OXYGEN BOX	121503 904949	2
20	BAC27NPA0302		.MARKER-ALUMINUM FOIL PLACARD CONTENT: M10373 ATTENDANTS OXYGEN BOX	108120 950951	1
45	BAC27NPA0302		.MARKER-ALUMINUM FOIL PLACARD CONTENT: M10373 ATTENDANTS OXYGEN BOX	101102 952999	2

MISSING ITEM NUMBERS NOT APPLICABLE

- ITEM NOT ILLUSTRATED

35-21-04-42

35-21-04
FIG. 42
PAGE 1
JAN 20/09

BRI



757

PARTS CATALOG (MAINTENANCE)

FIG ITEM	PART NUMBER	1 2 3 4 5 6 7	NOMENCLATURE	EFFECT FROM TO	UNITS PER ASSY
42					
55	BAC27NPA0302		.MARKER-ALUMINUM FOIL PLACARD CONTENT: M10373 ATTENDANTS OXYGEN BOX	504903	1
60	417N3810-76SP		.BOX ASSY-ATTENDANTS SVCE UNIT OXY ELECTRICAL EQUIP NUMBER: M10373 COMPONENT MAINT MANUAL REF: 35-21-34 FOR ADDITIONAL DETAILS SEE: 35-21-05-02 35-21-06-04	904949	2
60	417N3810-99SP		.BOX ASSY-ATTENDANTS SVCE UNIT OXY ELECTRICAL EQUIP NUMBER: M10373 COMPONENT MAINT MANUAL REF: 35-21-34 FOR ADDITIONAL DETAILS SEE: 35-21-05-02 35-21-06-04	952999	2
60	417N3810-121SP		.BOX ASSY-OXY ELECTRICAL EQUIP NUMBER: M10373 COMPONENT MAINT MANUAL REF: 35-21-34 FOR ADDITIONAL DETAILS SEE: 35-21-05-02 35-21-06-04	504903	2
60	417N3810-120SP		.BOX ASSY-OXY ELECTRICAL EQUIP NUMBER: M10373 COMPONENT MAINT MANUAL REF: 35-21-34 FOR ADDITIONAL DETAILS SEE: 35-21-05-02 35-21-06-04	101102	2
60	417N3810-120B		.BOX ASSY-OXY ELECTRICAL EQUIP NUMBER: M10373 COMPONENT MAINT MANUAL REF: 35-21-34	108120	2

MISSING ITEM NUMBERS NOT APPLICABLE

- ITEM NOT ILLUSTRATED

35-21-04-42

35-21-04
FIG. 42
PAGE 2
JAN 20/09

BRI



757

PARTS CATALOG (MAINTENANCE)

FIG ITEM	PART NUMBER	1 2 3 4 5 6 7	NOMENCLATURE	EFFECT FROM TO	UNITS PER ASSY
42					
90	417N3810-99SP		.BOX ASSY-ATTENDANTS SVCE UNIT OXY ELECTRICAL EQUIP NUMBER: M10373 COMPONENT MAINT MANUAL REF: 35-21-34 FOR ADDITIONAL DETAILS SEE: 35-21-05-02 35-21-06-04 ATTACHING PARTS	950951	1
105	NAS1801-3-5		.SCREW-	121503 904949	8
105	BACS12GU3K5		.SCREW-	101102 952999	8
110	BACS12GU3K5		.SCREW	108120 504903	4
115	AN960JD10LL		.WASHER-	950951 101102 121503 904949 952999	8
120	AN960JD10LL		.WASHER	950951	4
120	NAS1149D0316J		.WASHER	504903	4
125	AN960C10L		.WASHER-	101102 121503 904949 952999	8
130	AN960C10L		.WASHER	950951	4
130	NAS1149C0332R		.WASHER	504903	4
			-----*-----		
140	BACS12FA08K5		..SCREW	101102 952999	1
145	BACS12FA08K7		..SCREW	504903 950951	2
145	BACS12FA08K7		..SCREW	101102 952999	2
150	BACS12ER08K7		..SCREW	504903 950951	2
151	BACS12ER08K7		..SCREW	101102 952999	1
155	AN960PD8L		..WASHER	504903 950951	2
155	AN960JD8L		..WASHER	101102 952999	2

MISSING ITEM NUMBERS NOT APPLICABLE

- ITEM NOT ILLUSTRATED

35-21-04-42

35-21-04
FIG. 42
PAGE 3
JAN 20/09

BRI

 **BOEING**
757
PARTS CATALOG (MAINTENANCE)

FIG ITEM	PART NUMBER	1 2 3 4 5 6 7	NOMENCLATURE	EFFECT FROM TO	UNITS PER ASSY
42 160	BRH10A08	..	NUT SUPPLIER CODE: V52828 SPECIFICATION NUMBER: BACN10JC08 OPTIONAL PART: H10-08BAC V15653 NS202101-82 V80539 RMLH9075-82W V72962 VN303A82 V92215 96-82 V80539 T6S832J V11815	504903 950951	2
160	MS21042L08	..	NUT	101102 952999	2
161	T8076S832	..	NUTPLATE SUPPLIER CODE: V11815 SPECIFICATION NUMBER: BACN10JP08A OPTIONAL PART: MK1000-08BAC V15653 NS103197-82 V80539 RMA9201M82 V72962 VN202A1-82 V92215 BRM200A08 V52828	101102 952999	2
- 162	BACR15CE3AD	..	RIVET- SIZE DETERMINED ON INSTL. -----*-----	101102 952999	4
175	BACR15FP4E	..	RIVET- SIZE DETERMINED ON INSTL.	108951	2
175	BACR15FP4E	..	RIVET- SIZE DETERMINED ON INSTL.	101102 952999	2
180	287T0011-1	..	CLAMP	108951	1
180	287T0011-1	..	CLAMP	101102 952999	1
185	MS3367-4-9	..	STRAP	108949	1

MISSING ITEM NUMBERS NOT APPLICABLE

- ITEM NOT ILLUSTRATED

BRI

35-21-04-42

BOEING PROPRIETARY - Copyright © - Unpublished Work - See title page for details.

35-21-04
FIG. 42
PAGE 4
JAN 20/09

 **BOEING**
757
PARTS CATALOG (MAINTENANCE)

FIG ITEM	PART NUMBER	1 2 3 4 5 6 7	NOMENCLATURE	EFFECT FROM TO	UNITS PER ASSY
42					
185	MS3367-4-9	..	STRAP	101102 952999	1
195	417N3816-5	..	SHIELD ASSY	504903 950951	2
195	417N3816-5	..	SHIELD ASSY-	101102 952999	2
196	7-0505R	..	CLAMP- SUPPLIER CODE: V25281	504903	1
- 200	48-7190	..	CONNECTOR- SUPPLIER CODE: V02660	101102 952999	1
- 202	48-7191	..	RECEPTACLE- SUPPLIER CODE: V02660	101102 952999	1
205	117003-12	..	GENERATOR-PASSENGER OXYGEN GENERATOR 12 MINUTES, 2 PERSON. SUPPLIER CODE: V16827 SPECIFICATION NUMBER: S417T401-25 OPTIONAL PART: 803000-02 V53655 E71720-00 VD1379	121503 904949	1
205	117003-12	..	GENERATOR-OXY SUPPLIER CODE: V16827 SPECIFICATION NUMBER: S417T401-25 OPTIONAL PART: 803000-02 V53655 E71720-00 VD1379	108120	1
205	E72220-10	..	GENERATOR- SUPPLIER CODE: VD1379 SPECIFICATION NUMBER: S417T401-51 OPTIONAL PART: 117003-22 V16827	504903	1

MISSING ITEM NUMBERS NOT APPLICABLE

- ITEM NOT ILLUSTRATED

BRI

35-21-04-42

BOEING PROPRIETARY - Copyright © - Unpublished Work - See title page for details.

35-21-04
FIG. 42
PAGE 5
JAN 20/09



757

PARTS CATALOG (MAINTENANCE)

FIG ITEM	PART NUMBER	1 2 3 4 5 6 7	NOMENCLATURE	EFFECT FROM TO	UNITS PER ASSY
42 205	803000-02		.. GENERATOR-OXY SUPPLIER CODE: V53655 SPECIFICATION NUMBER: S417T401-31	108120	1
205	117003-22		.. GENERATOR-OXYGEN MODULE OUTBD GENERATOR, 22 MINUTES, 2 PERSON. SUPPLIER CODE: V16827 SPECIFICATION NUMBER: S417T401-22 OPTIONAL PART: E72220-10 VD1379	504903 952999	1
205	117003-22		.. GENERATOR-3 PERSON SUPPLIER CODE: V16827 SPECIFICATION NUMBER: S417T401-22	504903	1
205	E71720-00		.. GENERATOR-OXYGEN CHEMICAL 2 PERSON 12 MINUTE SUPPLIER CODE: VD1379 SPECIFICATION NUMBER: S417T401-43 OPTIONAL PART: 117003-12 V16827 117080-02 V16827	121503 904949	1
205	E71720-00		.. GENERATOR- SUPPLIER CODE: VD1379 SPECIFICATION NUMBER: S417T401-43 OPTIONAL PART: 117003-12 V16827 117080-02 V16827	108120	1
205	803000-02		.. GENERATOR-2 PERSON PASSENGER OXYGEN SUPPLIER CODE: V53655 SPECIFICATION NUMBER: S417T401-31	121503 904949	1

MISSING ITEM NUMBERS NOT APPLICABLE

- ITEM NOT ILLUSTRATED

35-21-04-42

35-21-04
FIG. 42
PAGE 6
JAN 20/09

BRI



757

PARTS CATALOG (MAINTENANCE)

FIG ITEM	PART NUMBER	1 2 3 4 5 6 7	NOMENCLATURE	EFFECT FROM TO	UNITS PER ASSY
42 205	117080-02		. . GENERATOR-PASSENGER OXYGEN GENERATOR 12 MINUTES, 2 PERSON. SUPPLIER CODE: V16827 SPECIFICATION NUMBER: S417T401-61 OPTIONAL PART: E71720-00 VD1379	121503 904949	1
205	117080-02		. . GENERATOR-OXY SUPPLIER CODE: V16827 SPECIFICATION NUMBER: S417T401-61 OPTIONAL PART: E71720-00 VD1379	108120	1

MISSING ITEM NUMBERS NOT APPLICABLE

- ITEM NOT ILLUSTRATED

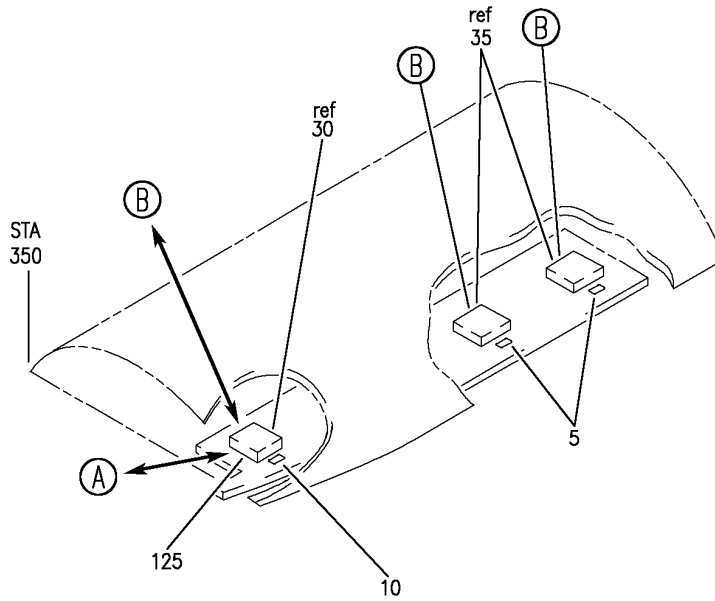
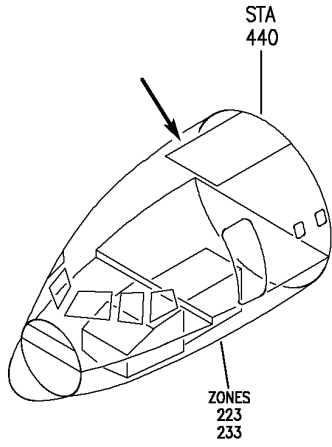
BRI

35-21-04-42

BOEING PROPRIETARY - Copyright © - Unpublished Work - See title page for details.

35-21-04
FIG. 42
PAGE 7
JAN 20/09

BOEING
757
PARTS CATALOG (MAINTENANCE)



Y 35210445 SH1 1 REV 314

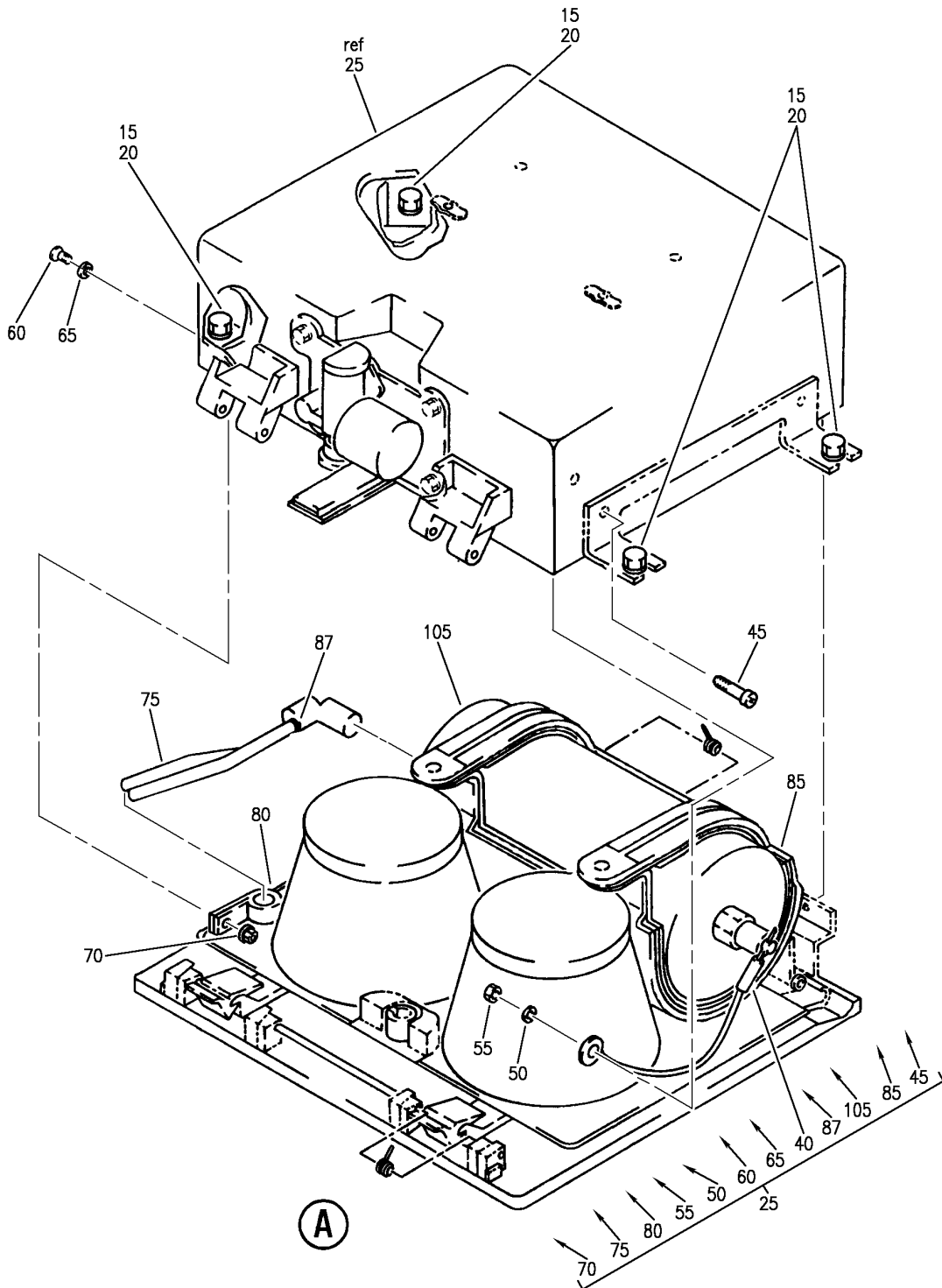
PANEL ASSY-ATTENDANT OXYGEN (GENERATOR ONLY)
FIGURE 45 (SHEET 1)

35-21-04-45

BRI
JAN 20/09

35-21-04-45
PAGE 0

BOEING
757
PARTS CATALOG (MAINTENANCE)



Y 35210445 SHT 2 REV 314

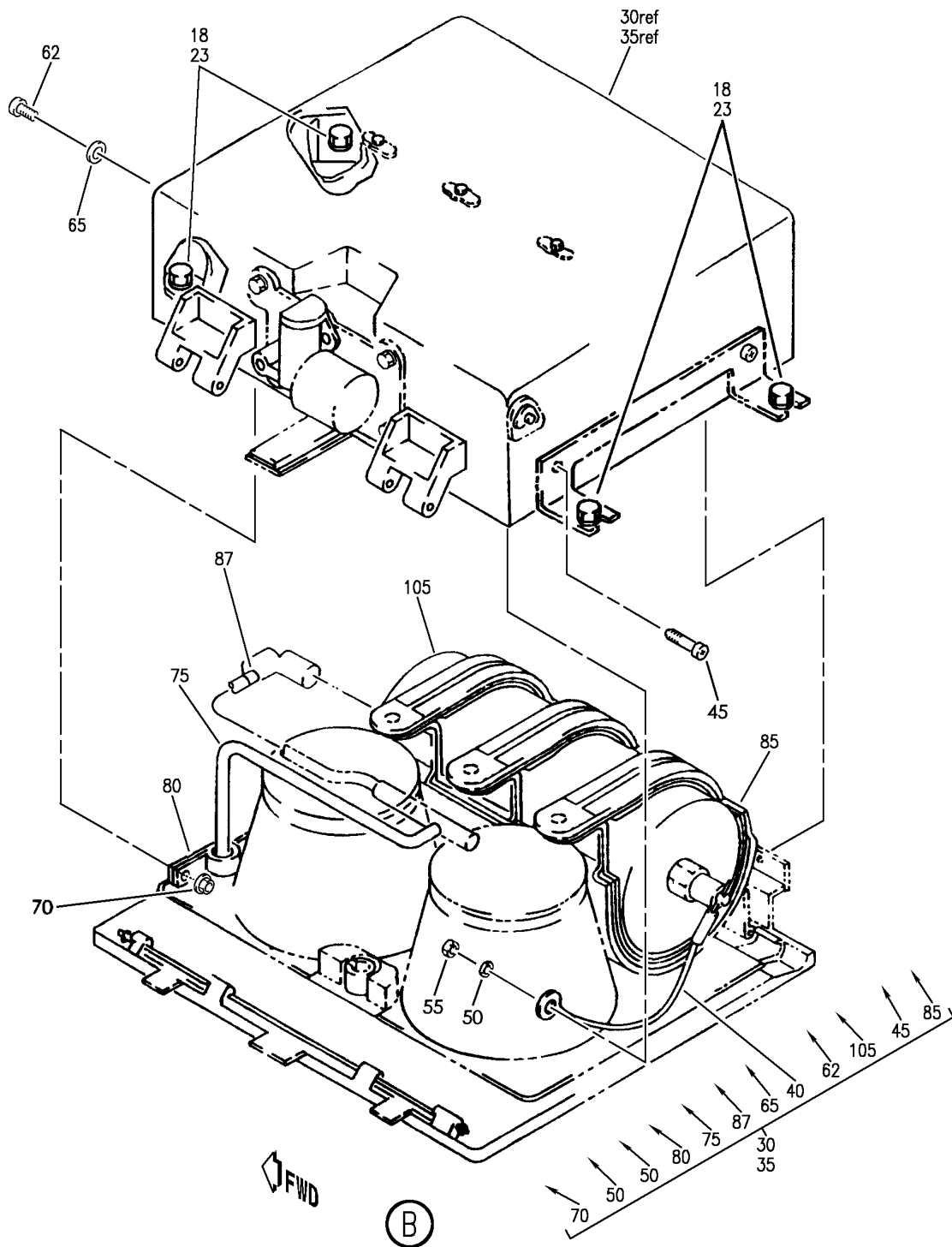
PANEL ASSY-ATTENDANT OXYGEN (GENERATOR ONLY)
FIGURE 45 (SHEET 2)

35-21-04-45

BRI
JAN 20/09

35-21-04-45
PAGE 0A

BOEING
757
PARTS CATALOG (MAINTENANCE)



Y 35210445 SH1 3 REV 314

PANEL ASSY-ATTENDANT OXYGEN (GENERATOR ONLY)
FIGURE 45 (SHEET 3)

35-21-04-45

BRI
JAN 20/09

35-21-04-45
PAGE 0B



757

PARTS CATALOG (MAINTENANCE)

FIG ITEM	PART NUMBER	1 2 3 4 5 6 7	NOMENCLATURE	EFFECT FROM TO	UNITS PER ASSY
45			PANEL ASSY-ATTENDANT OXYGEN (GENERATOR ONLY)	953999	
- 2	411N3260-295SP		PANEL ASSY-FLAT AAL (OXYGEN GENERATOR ONLY) FOR NHA/OTHER SYS DET SEE: 25-22-02-58B	953999	RF
10	BAC27NPA0302		.MARKER-ALUMINUM FOIL PLACARD CONTENT: M10373 ATTENDANTS OXYGEN BOX	953999	1
15	BACS12GU3K5		.SCREW-	953999	4
20	AN960JD10LL		.WASHER-	953999	4
25	417N3810-99SP		.BOX ASSY-ATTENDANTS SVCE UNIT OXY ELECTRICAL EQUIP NUMBER: M10373 COMPONENT MAINT MANUAL REF: 35-21-34 FOR ADDITIONAL DETAILS SEE: 35-21-05-02 35-21-06-04	953999	1
40	417N3137-2		..CABLE ASSY- ATTACHING PARTS	953999	1
45	BACS12FA08K5		..SCREW	953999	1
50	AN960JD8L		..WASHER	953999	1
55	MS21042L08		..NUT	953999	1
			-----*-----		
60	BACS12ER08K7		..SCREW	953999	1
62	BACS12FA08K7		..SCREW	953999	1
65	AN960JD8L		..WASHER	953999	1
70	MS21042L08		..NUT	953999	1
75	MS3367-4-9		..STRAP	953999	1
80	287T0011-1		..CLAMP	953999	1
85	417N3816-5		..SHIELD ASSY-	953999	1
105	117003-12		..GENERATOR-PASSENGER OXYGEN GENERATOR 12 MINUTES, 2 PERSON. SUPPLIER CODE: V16827 SPECIFICATION NUMBER: S417T401-25 OPTIONAL PART: 803000-02 V53655 E71720-00 VD1379	953999	1

MISSING ITEM NUMBERS NOT APPLICABLE

- ITEM NOT ILLUSTRATED

35-21-04-45

35-21-04
FIG. 45
PAGE 1
JAN 20/09

BRI



757

PARTS CATALOG (MAINTENANCE)

FIG ITEM	PART NUMBER	1 2 3 4 5 6 7	NOMENCLATURE	EFFECT FROM TO	UNITS PER ASSY
45 105	803000-02		..GENERATOR-2 PERSON PASSENGER OXYGEN SUPPLIER CODE: V53655 SPECIFICATION NUMBER: S417T401-31 OPTIONAL PART: 117003-12 V16827	953999	1
105	E71720-00		..GENERATOR-OXYGEN CHEMICAL 2 PERSON 12 MINUTE SUPPLIER CODE: VD1379 SPECIFICATION NUMBER: S417T401-43 OPTIONAL PART: 117003-12 V16827 117080-02 V16827	953999	1
105	117080-02		..GENERATOR-PASSENGER OXYGEN GENERATOR 12 MINUTES, 2 PERSON. SUPPLIER CODE: V16827 SPECIFICATION NUMBER: S417T401-61 OPTIONAL PART: E71720-00 VD1379	953999	1

MISSING ITEM NUMBERS NOT APPLICABLE

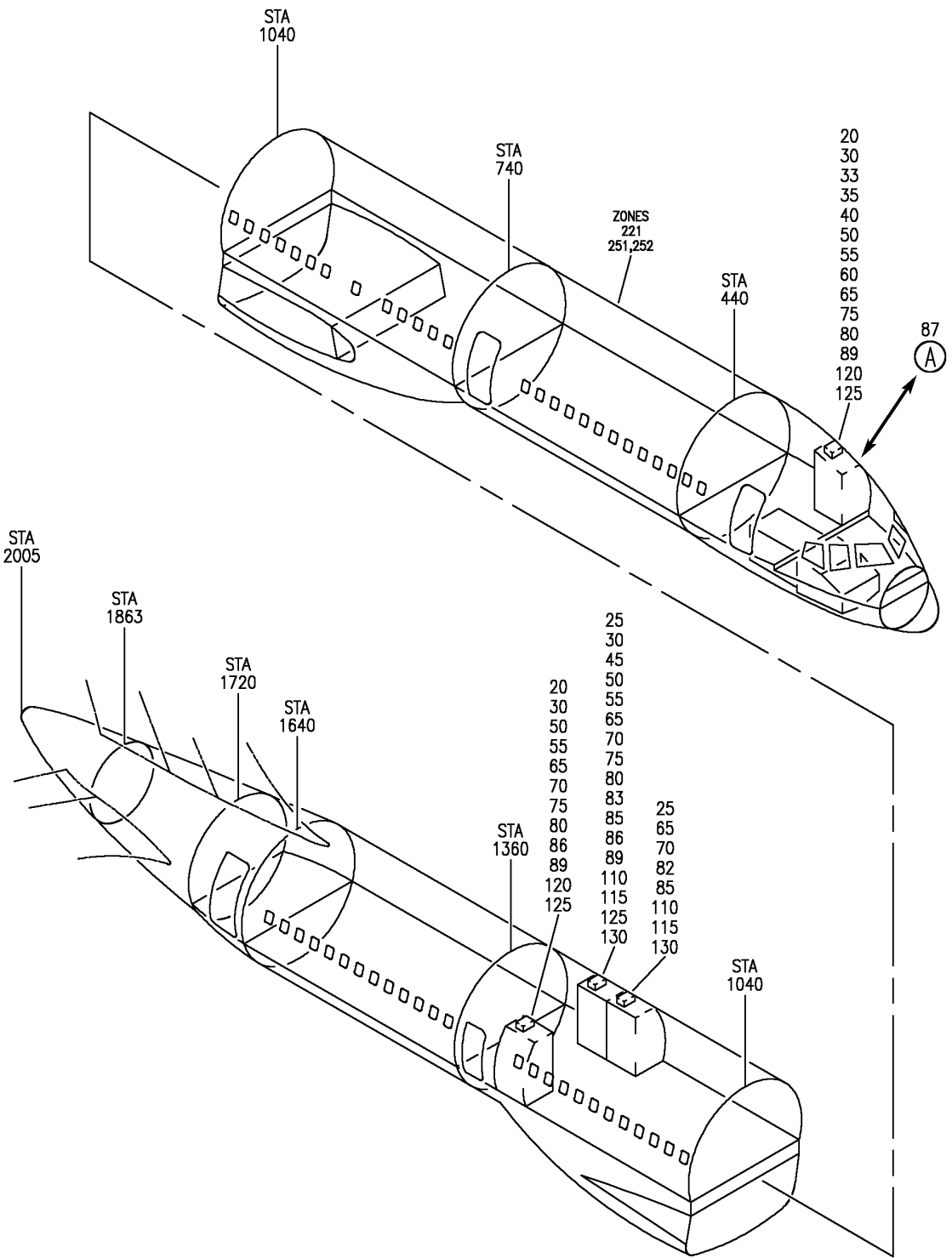
- ITEM NOT ILLUSTRATED

35-21-04-45

35-21-04
FIG. 45
PAGE 2
JAN 20/09

BRI

BOEING
757
PARTS CATALOG (MAINTENANCE)



Y 35210448 SH1 1 REV 272

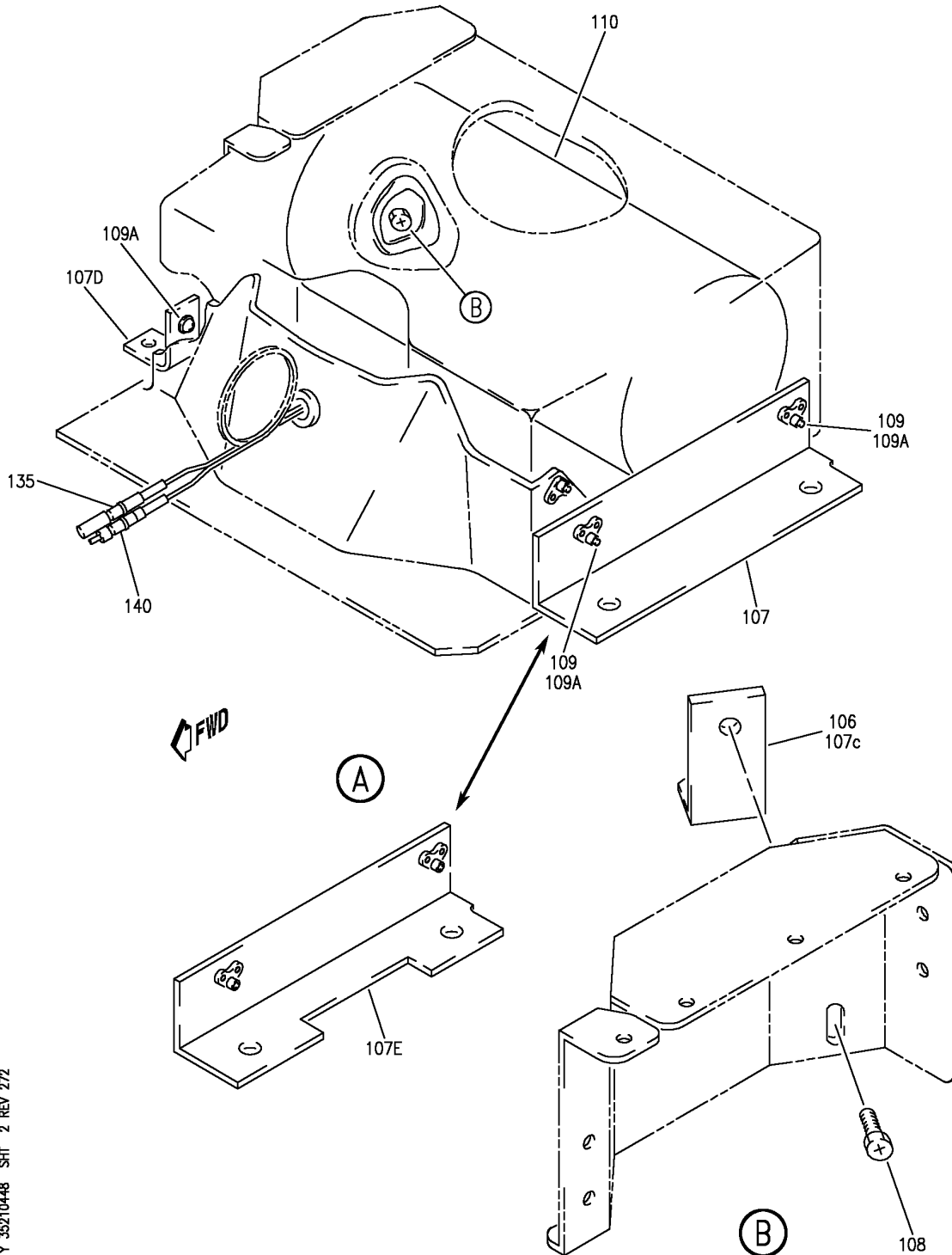
LAVATORY INSTL-MODULE A B, C, AND D (OXYGEN ONLY)
 FIGURE 48 (SHEET 1)

35-21-04-48

BRI
 MAY 28/07

35-21-04-48
 PAGE 0

BOEING
757
PARTS CATALOG (MAINTENANCE)



Y 35210448 SH1 2 REV 272

LAVATORY INSTL-MODULE A B, C, AND D (OXYGEN ONLY)
FIGURE 48 (SHEET 2)

35-21-04-48

BRI
MAY 28/07

35-21-04-48
PAGE 0A



757

PARTS CATALOG (MAINTENANCE)

FIG ITEM	PART NUMBER	1 2 3 4 5 6 7	NOMENCLATURE	EFFECT FROM TO	UNITS PER ASSY
48			LAVATORY INSTL-MODULE A B, C, AND D (OXYGEN ONLY)	107107 904949 952952	
- 1	417N1070-34		LAVATORY INSTL-MODULE A (OXYGEN ONLY) FOR NHA/OTHER SYS DET SEE: 25-20-00-01E	107107	RF
- 1	417N1070-51		LAVATORY INSTL-MODULE A (OXYGEN ONLY) FOR NHA/OTHER SYS DET SEE: 25-20-00-01E	904949	RF
- 3	417N1070-73		LAVATORY INSTL-MODULE A (OXYGEN ONLY) FOR NHA/OTHER SYS DET SEE: 25-20-00-01A	952952	RF
- 10	417N1069-27		LAVATORY INSTL-MODULE C (OXYGEN ONLY) FOR NHA/OTHER SYS DET SEE: 25-20-00-01E	107107	RF
- 11	417N1069-43		LAVATORY INSTL-MODULE C (OXYGEN ONLY) FOR NHA/OTHER SYS DET SEE: 25-20-00-01E	904949	RF
- 12	417N1069-53		LAVATORY INSTL-MODULE C (OXYGEN ONLY) FOR NHA/OTHER SYS DET SEE: 25-20-00-01A	952952	RF
- 15	417N1062-23		LAVATORY INSTL-MODULE D (OXYGEN ONLY) FOR NHA/OTHER SYS DET SEE: 25-20-00-01E	107107	RF
- 15	417N1062-43		LAVATORY INSTL-MODULE D (OXYGEN ONLY) FOR NHA/OTHER SYS DET SEE: 25-20-00-01E	904949	RF
- 17	417N1062-52		LAVATORY INSTL-MODULE D (OXYGEN ONLY) FOR NHA/OTHER SYS DET SEE: 25-20-00-01A	952952	RF
65	417N3810-97SP		.BOX ASSY-LAV SVCE UNIT OXY (OXYGEN-GENERATOR ONLY) ELECTRICAL EQUIP NUMBER: M10373 COMPONENT MAINT MANUAL REF: 35-21-34 FOR DETAILS SEE: 35-21-05-20A 35-21-06-04	952952	1

MISSING ITEM NUMBERS NOT APPLICABLE

- ITEM NOT ILLUSTRATED

35-21-04-48

35-21-04
FIG. 48
PAGE 1
JAN 20/09

BRI



757

PARTS CATALOG (MAINTENANCE)

FIG ITEM	PART NUMBER	1 2 3 4 5 6 7	NOMENCLATURE	EFFECT FROM TO	UNITS PER ASSY
48					
80	417N3810-2SP		.BOX ASSY-LAV SVCE UNIT OXY (OXYGEN-GENERATOR ONLY) ELECTRICAL EQUIP NUMBER: M10373 COMPONENT MAINT MANUAL REF: 35-21-34 FOR DETAILS SEE: 35-21-05-02A 35-21-06-04A	107107	1
80	417N3810-2SP		.BOX ASSY-LAV SVCE UNIT OXY (OXYGEN-GENERATOR ONLY) ELECTRICAL EQUIP NUMBER: M10373 COMPONENT MAINT MANUAL REF: 35-21-34 FOR DETAILS SEE: 35-21-05-02A 35-21-06-04A	107107	1
80	417N3810-2SP		.BOX ASSY-LAV SVCE UNIT OXY (OXYGEN-GENERATOR ONLY) ELECTRICAL EQUIP NUMBER: M10373 COMPONENT MAINT MANUAL REF: 35-21-34 FOR DETAILS SEE: 35-21-05-02A 35-21-06-04A	904949	1
87	417N3810-2SP		.BOX ASSY-LAV SVCE UNIT OXY ELECTRICAL EQUIP NUMBER: M10373 COMPONENT MAINT MANUAL REF: 35-21-34 FOR DETAILS SEE: 35-21-05-02A 35-21-06-04A	107107 904949	1
89	417N3810-2SP		.BOX ASSY-LAV SVCE UNIT OXY ELECTRICAL EQUIP NUMBER: M10373 COMPONENT MAINT MANUAL REF: 35-21-34 FOR DETAILS SEE: 35-21-05-02A 35-21-06-04A	107107 904949	1
- 90	NAS603-6P		ATTACHING PARTS .SCREW	904949 952952	4
- 90	NAS603-6P		.SCREW- LAV B	904949 952952	4

MISSING ITEM NUMBERS NOT APPLICABLE

- ITEM NOT ILLUSTRATED

35-21-04-48

35-21-04
FIG. 48
PAGE 2
JAN 20/09

BRI



757

PARTS CATALOG (MAINTENANCE)

FIG ITEM	PART NUMBER	1 2 3 4 5 6 7	NOMENCLATURE	EFFECT FROM TO	UNITS PER ASSY
48					
- 100	AN960KD10L	.	WASHER	904949 952952	4
- 100	AN960KD10L	.	WASHER- LAV B	904949 952952	4
			-----*-----		
110	117003-12	..	GENERATOR- SUPPLIER CODE: V16827 SPECIFICATION NUMBER: S417T401-25 OPTIONAL PART: 803000-02 V53655 E71720-00 VD1379	107107	1
110	803000-02	..	GENERATOR- SUPPLIER CODE: V53655 SPECIFICATION NUMBER: S417T401-31 OPTIONAL PART: 117003-12 V16827	107107	1
110	E71720-00	..	GENERATOR- SUPPLIER CODE: VD1379 SPECIFICATION NUMBER: S417T401-43 OPTIONAL PART: 117003-12 V16827 117080-02 V16827	107107	1
110	117003-12	..	GENERATOR- SUPPLIER CODE: V16827 SPECIFICATION NUMBER: S417T401-25 OPTIONAL PART: 803000-02 V53655 E71720-00 VD1379	107107	1

MISSING ITEM NUMBERS NOT APPLICABLE

- ITEM NOT ILLUSTRATED

35-21-04-48

35-21-04
FIG. 48
PAGE 3
JAN 20/09

BRI



757

PARTS CATALOG (MAINTENANCE)

FIG ITEM	PART NUMBER	1 2 3 4 5 6 7	NOMENCLATURE	EFFECT FROM TO	UNITS PER ASSY
48 110	803000-02		.. GENERATOR- SUPPLIER CODE: V53655 SPECIFICATION NUMBER: S417T401-31 OPTIONAL PART: 117003-12 V16827	107107	1
110	E71720-00		.. GENERATOR- SUPPLIER CODE: VD1379 SPECIFICATION NUMBER: S417T401-43 OPTIONAL PART: 117003-12 V16827 117080-02 V16827	107107	1
110	117003-12		.. GENERATOR-PASSENGER OXYGEN GENERATOR 12 MINUTES, 2 PERSON. SUPPLIER CODE: V16827 SPECIFICATION NUMBER: S417T401-25 OPTIONAL PART: 803000-02 V53655 E71720-00 VD1379	904949 952952	1
110	803000-02		.. GENERATOR-2 PERSON PASSENGER OXYGEN SUPPLIER CODE: V53655 SPECIFICATION NUMBER: S417T401-31 OPTIONAL PART: 117003-12 V16827	904949 952952	1

MISSING ITEM NUMBERS NOT APPLICABLE

- ITEM NOT ILLUSTRATED

35-21-04-48

35-21-04
FIG. 48
PAGE 4
JAN 20/09

BRI



757

PARTS CATALOG (MAINTENANCE)

FIG ITEM	PART NUMBER	1 2 3 4 5 6 7	NOMENCLATURE	EFFECT FROM TO	UNITS PER ASSY
48 110	E71720-00		..GENERATOR-OXYGEN CHEMICAL 2 PERSON 12 MINUTE SUPPLIER CODE: VD1379 SPECIFICATION NUMBER: S417T401-43 OPTIONAL PART: 117003-12 V16827 117080-02 V16827	904949 952952	1
110	117003-12		..GENERATOR-PASSENGER OXYGEN GENERATOR 12 MINUTES, 2 PERSON. LAV B SUPPLIER CODE: V16827 SPECIFICATION NUMBER: S417T401-25 OPTIONAL PART: 803000-02 V53655 E71720-00 VD1379	904949 952952	1
110	803000-02		..GENERATOR-2 PERSON PASSENGER OXYGEN LAV B SUPPLIER CODE: V53655 SPECIFICATION NUMBER: S417T401-31 OPTIONAL PART: 117003-12 V16827	904949 952952	1
110	E71720-00		..GENERATOR-OXYGEN CHEMICAL 2 PERSON 12 MINUTE LAV B SUPPLIER CODE: VD1379 SPECIFICATION NUMBER: S417T401-43 OPTIONAL PART: 117003-12 V16827 117080-02 V16827	904949 952952	1

MISSING ITEM NUMBERS NOT APPLICABLE

- ITEM NOT ILLUSTRATED

35-21-04-48

35-21-04
FIG. 48
PAGE 5
JAN 20/09

BRI



757

PARTS CATALOG (MAINTENANCE)

FIG ITEM	PART NUMBER	1 2 3 4 5 6 7	NOMENCLATURE	EFFECT FROM TO	UNITS PER ASSY
48 110	117080-02		.. GENERATOR- SUPPLIER CODE: V16827 SPECIFICATION NUMBER: S417T401-61 OPTIONAL PART: E71720-00 VD1379	107107	1
110	117080-02		.. GENERATOR- SUPPLIER CODE: V16827 SPECIFICATION NUMBER: S417T401-61 OPTIONAL PART: E71720-00 VD1379	107107	1
110	117080-02		.. GENERATOR-PASSENGER OXYGEN GENERATOR 12 MINUTES, 2 PERSON. SUPPLIER CODE: V16827 SPECIFICATION NUMBER: S417T401-61 OPTIONAL PART: E71720-00 VD1379	904949 952952	1
110	117080-02		.. GENERATOR-PASSENGER OXYGEN GENERATOR 12 MINUTES, 2 PERSON. LAV B SUPPLIER CODE: V16827 SPECIFICATION NUMBER: S417T401-61 OPTIONAL PART: E71720-00 VD1379	904949 952952	1

MISSING ITEM NUMBERS NOT APPLICABLE

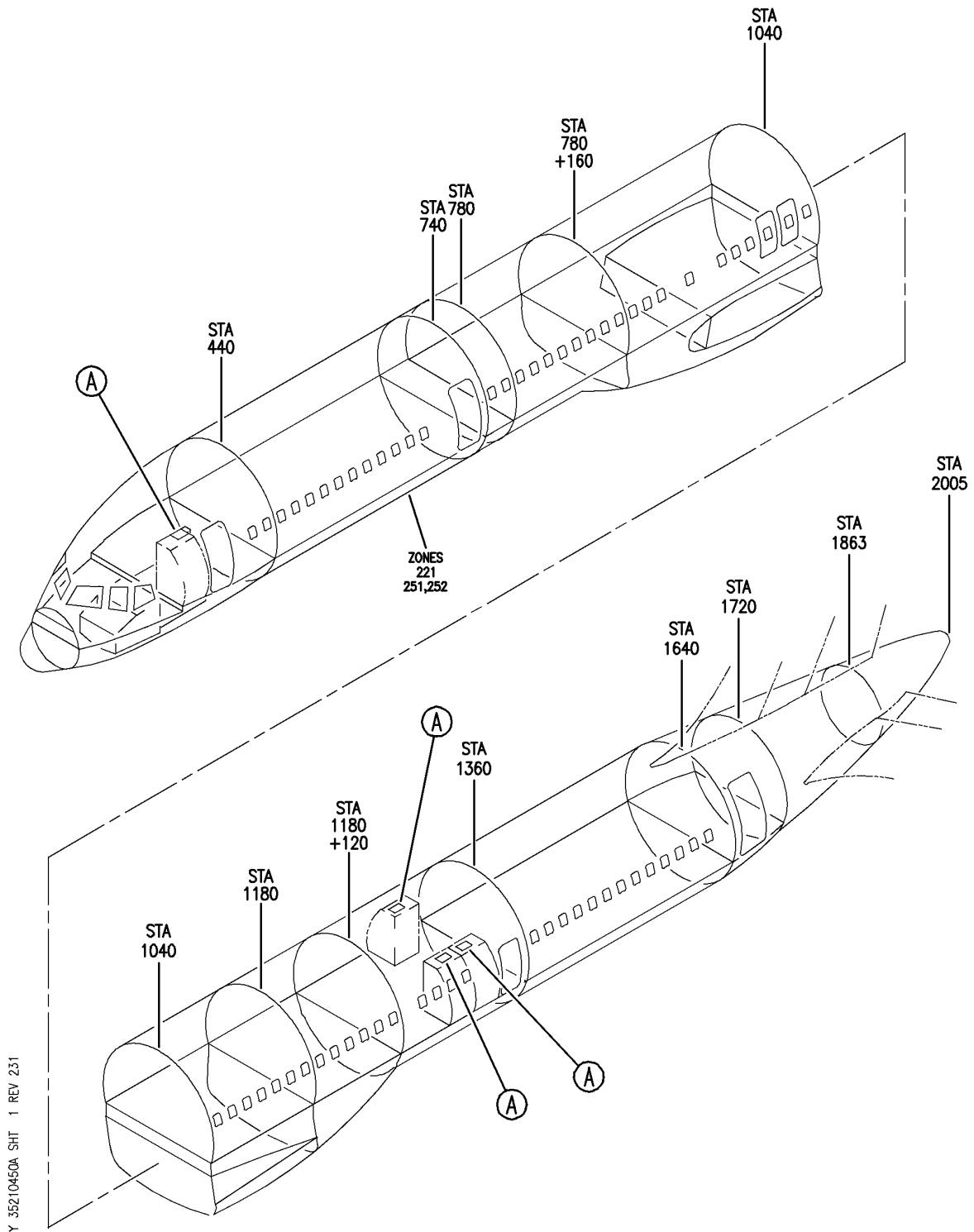
- ITEM NOT ILLUSTRATED

35-21-04-48

35-21-04
FIG. 48
PAGE 6
JAN 20/09

BRI

BOEING
757
PARTS CATALOG (MAINTENANCE)



Y 35210450A SH1 1 REV 231

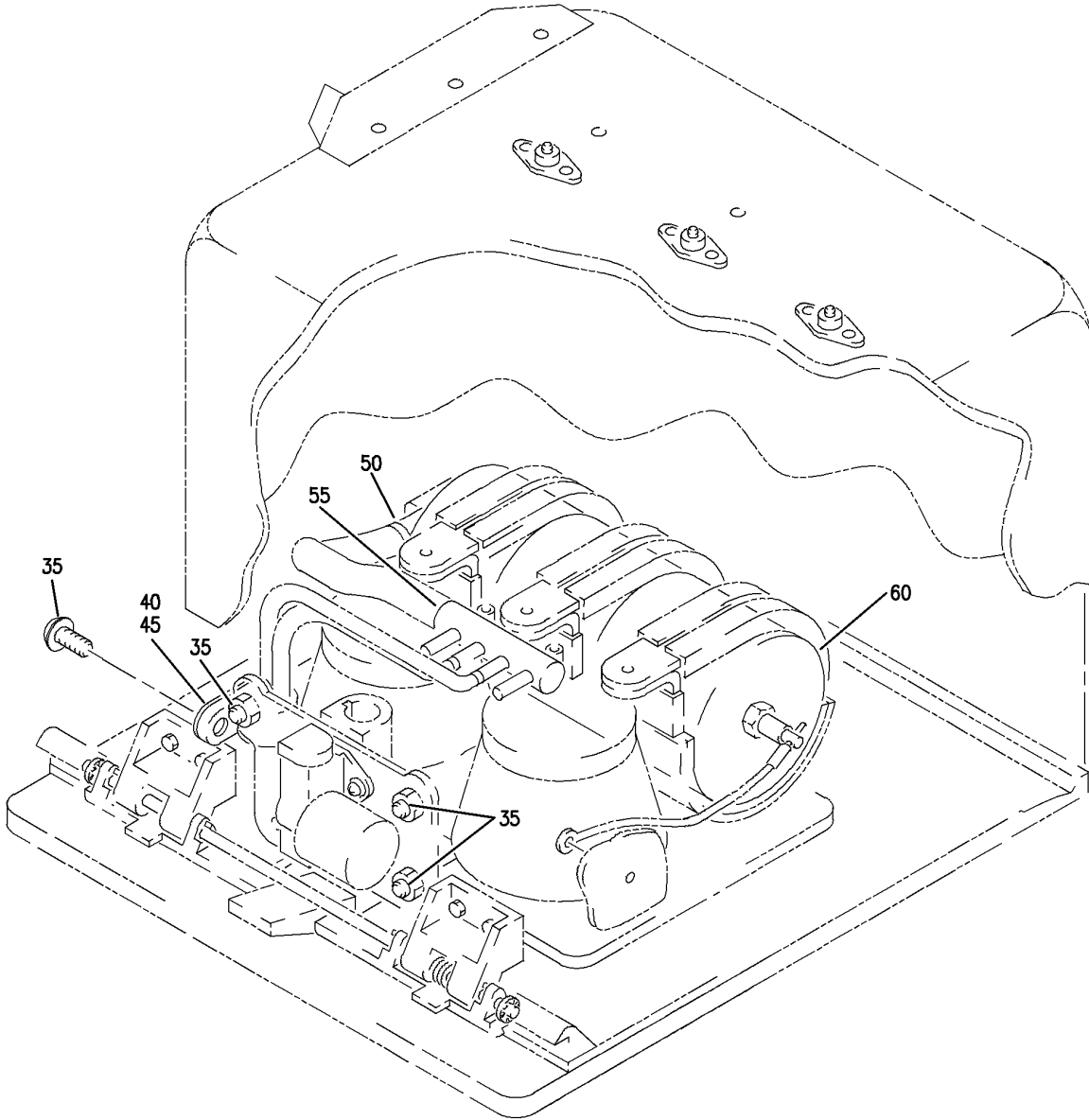
BOX ASSY-OXY LAV SVCE UNIT (OXYGEN GENERATOR ONLY)
FIGURE 50A (SHEET 1)

35-21-04-50A

BRI
JAN 20/09

35-21-04-50A
PAGE 0

BOEING
757
PARTS CATALOG (MAINTENANCE)



Y 35210450A SHT 2 REV 236

(A)

BOX ASSY-OXY LAV SVCE UNIT (OXYGEN GENERATOR ONLY)
FIGURE 50A (SHEET 2)

35-21-04-50A

BRI
JAN 20/09

35-21-04-50A
PAGE 0A

BOEING PROPRIETARY - Copyright © - Unpublished Work - See title page for details.



757

PARTS CATALOG (MAINTENANCE)

FIG ITEM	PART NUMBER	1 2 3 4 5 6 7	NOMENCLATURE	EFFECT FROM TO	UNITS PER ASSY
50A			BOX ASSY-OXY LAV SVCE UNIT (OXYGEN GENERATOR ONLY)	504903	
- 1	417N3810-130SP		BOX ASSY-OXY LAV SVCE UNIT (OXYGEN GENERATOR ONLY) FOR NHA/ADDITIONAL DET SEE: 35-21-00-18A	504903	RF
35	BACS12FA08K7		.SCREW	504903	4
40	287T0011-1		.CLAMP	504903	1
45	MS3367-4-9		.STRAP	504903	1
50	7-0505R		.CLAMP-	504903	1
			SUPPLIER CODE: V25281		
55	417N3138-22		.LINE ASSY	504903	1
60	E72220-10		.GENERATOR-	504903	1
			SUPPLIER CODE: VD1379 SPECIFICATION NUMBER: S417T401-51 OPTIONAL PART: 117003-22 V16827		
60	117003-22		.GENERATOR-	504903	1
			SUPPLIER CODE: V16827 SPECIFICATION NUMBER: S417T401-22 OPTIONAL PART: E72220-10 VD1379		

MISSING ITEM NUMBERS NOT APPLICABLE

- ITEM NOT ILLUSTRATED

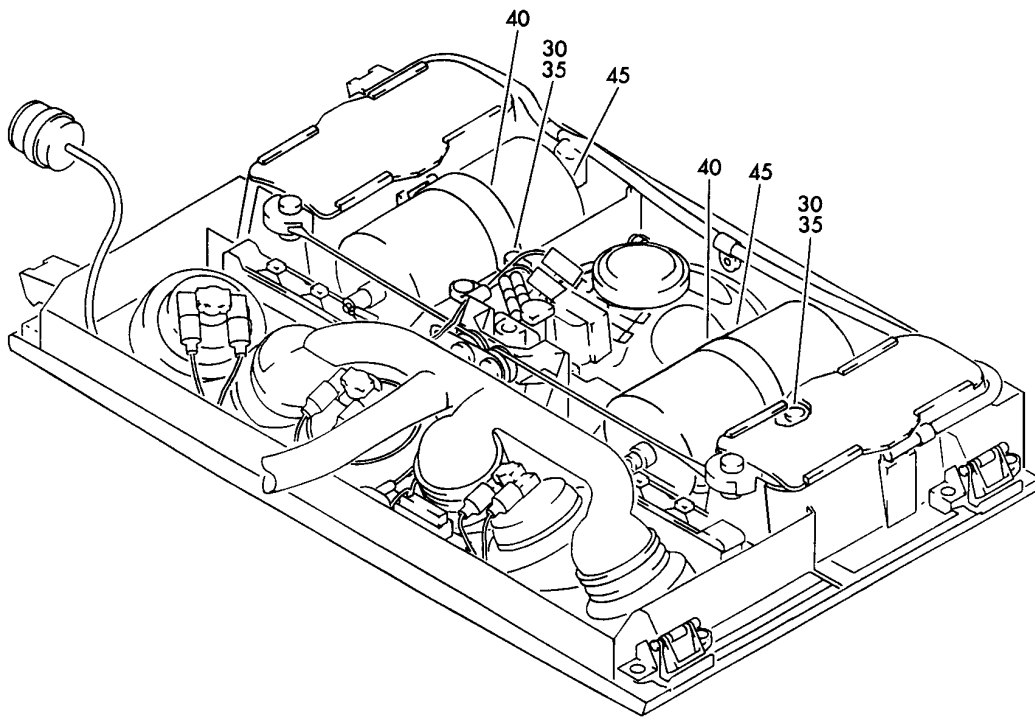
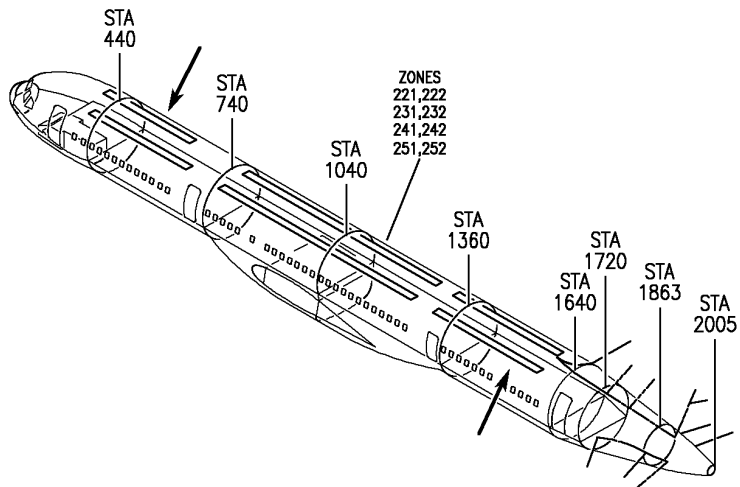
35-21-04-50A

35-21-04
FIG. 50A
PAGE 1
JAN 20/09

BRI

BOEING PROPRIETARY - Copyright © - Unpublished Work - See title page for details.

BOEING
757
PARTS CATALOG (MAINTENANCE)



Y 35210466D REV 252

SERVICE UNIT ASSY-PASS. (OXYGEN GENERATOR ONLY)
FIGURE 66D

35-21-04-66D

BRI
JAN 20/09

35-21-04-66D
PAGE 0



757

PARTS CATALOG (MAINTENANCE)

FIG ITEM	PART NUMBER	1 2 3 4 5 6 7	NOMENCLATURE	EFFECT FROM TO	UNITS PER ASSY
66D			SERVICE UNIT ASSY-PASS. (OXYGEN GENERATOR ONLY)	504903	
- 1	417N3011-363B		SERVICE UNIT ASSY-PASS. WITH SPKR AND GASPER 22 MIN. OXY (OXYGEN GENERATOR ONLY) POSITION DATA: LH ELECTRICAL EQUIP NUMBER: M10979 COMPONENT MAINT MANUAL REF: 25-23-38 FOR NHA/OTHER SYS DET SEE: 25-23-01-50B	504903	RF
- 3	417N3011-364B		SERVICE UNIT ASSY-PASS. WITH SPKR AND GASPER 22 MIN. OXY (OXYGEN GENERATOR ONLY) POSITION DATA: RH ELECTRICAL EQUIP NUMBER: M10979 COMPONENT MAINT MANUAL REF: 25-23-38 FOR NHA/OTHER SYS DET SEE: 25-23-01-50B	504903	RF
- 5	417N3011-365B		SERVICE UNIT ASSY-PASS. NO SPKR WITH GASPER 22 MIN. OXY (OXYGEN GENERATOR ONLY) POSITION DATA: LH ELECTRICAL EQUIP NUMBER: M10979 COMPONENT MAINT MANUAL REF: 25-23-38 FOR NHA/OTHER SYS DET SEE: 25-23-01-50B	504903	RF

MISSING ITEM NUMBERS NOT APPLICABLE

- ITEM NOT ILLUSTRATED

35-21-04-66D

35-21-04
FIG. 66D
PAGE 1
JAN 20/09

BRI



757

PARTS CATALOG (MAINTENANCE)

FIG ITEM	PART NUMBER	1 2 3 4 5 6 7	NOMENCLATURE	EFFECT FROM TO	UNITS PER ASSY
66D - 7	417N3011-366B		SERVICE UNIT ASSY-PASS. NO SPKR WITH GASPER 22 MIN. OXY (OXYGEN GENERATOR ONLY) POSITION DATA: RH ELECTRICAL EQUIP NUMBER: M10979 COMPONENT MAINT MANUAL REF: 25-23-38 FOR NHA/OTHER SYS DET SEE: 25-23-01-50B	504903	RF
30	NAS1801-08-6	.	SCREW	504903	2
35	NAS1149DN816J	.	WASHER	504903	2
40	417N3161-21	.	STRAP-	504903	2
			QUALIFIED I/W DATA: THE -24,-25 BRACKETS (QTY 1 EACH) ARE ONE-WAY REPLACEMENTS FOR THE -21 (QTY 2). NOTCH IN -24, -25 BRACKET MUST FACE TOWARD GENERATOR FIRING PIN. NOTCH ALLOWS BRACKET TO NOT INTERFERE WITH GENERATORS STIFFENING BEAD. NOTE: ONLY DRAGER HAS STIFFENING BEAD		
45	117003-22	.	GENERATOR- SUPPLIER CODE: V16827 SPECIFICATION NUMBER: S417T401-22	504903	2

MISSING ITEM NUMBERS NOT APPLICABLE

- ITEM NOT ILLUSTRATED

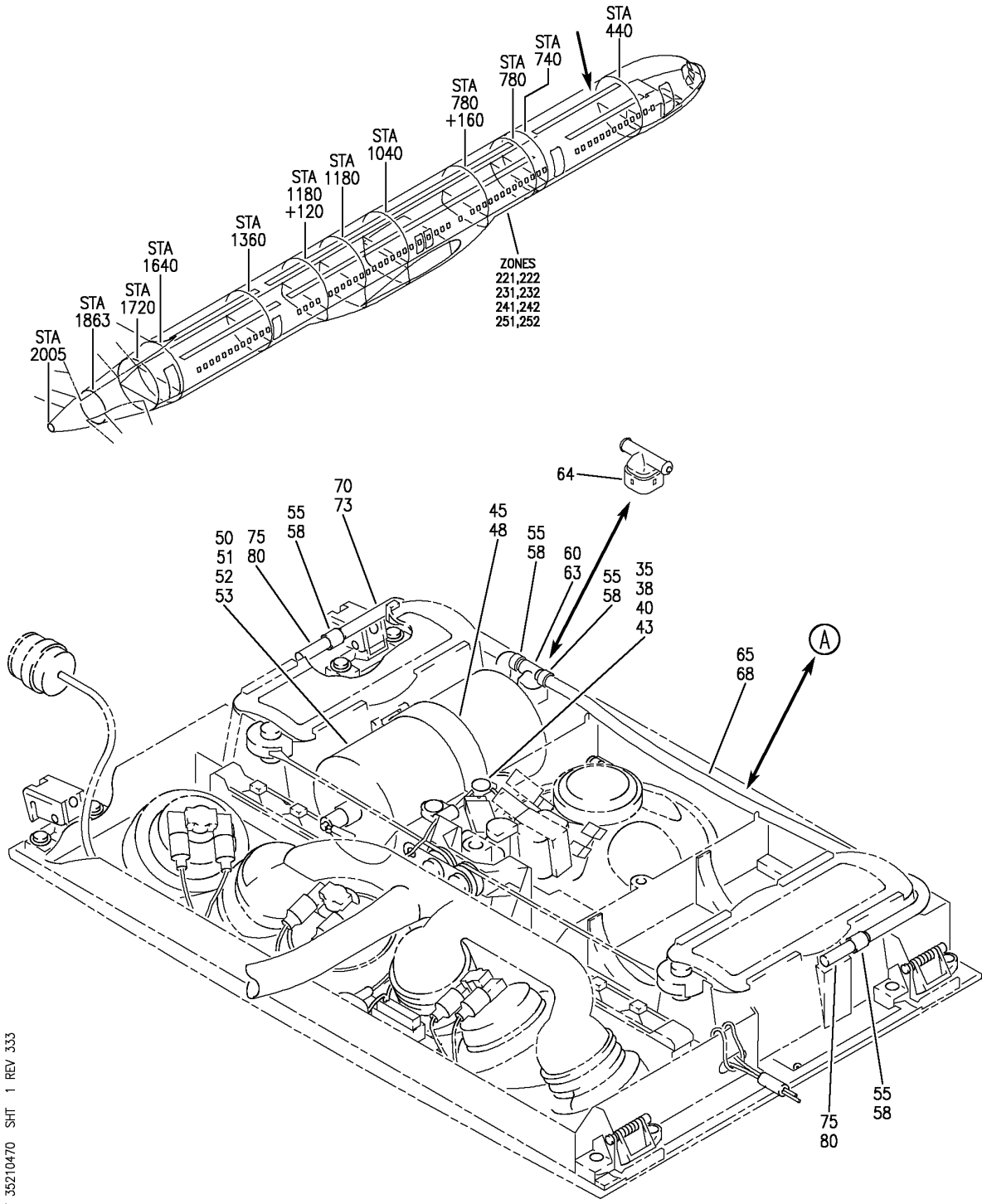
BRI

35-21-04-66D

BOEING PROPRIETARY - Copyright © - Unpublished Work - See title page for details.

35-21-04
FIG. 66D
PAGE 2
JAN 20/09

BOEING
757
PARTS CATALOG (MAINTENANCE)



Y 35210470 SHT 1 REV 333

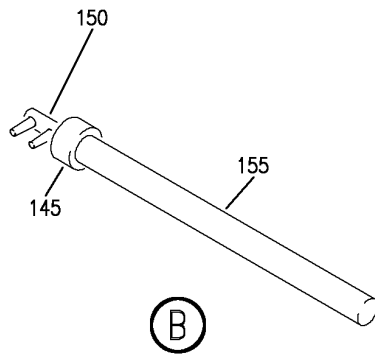
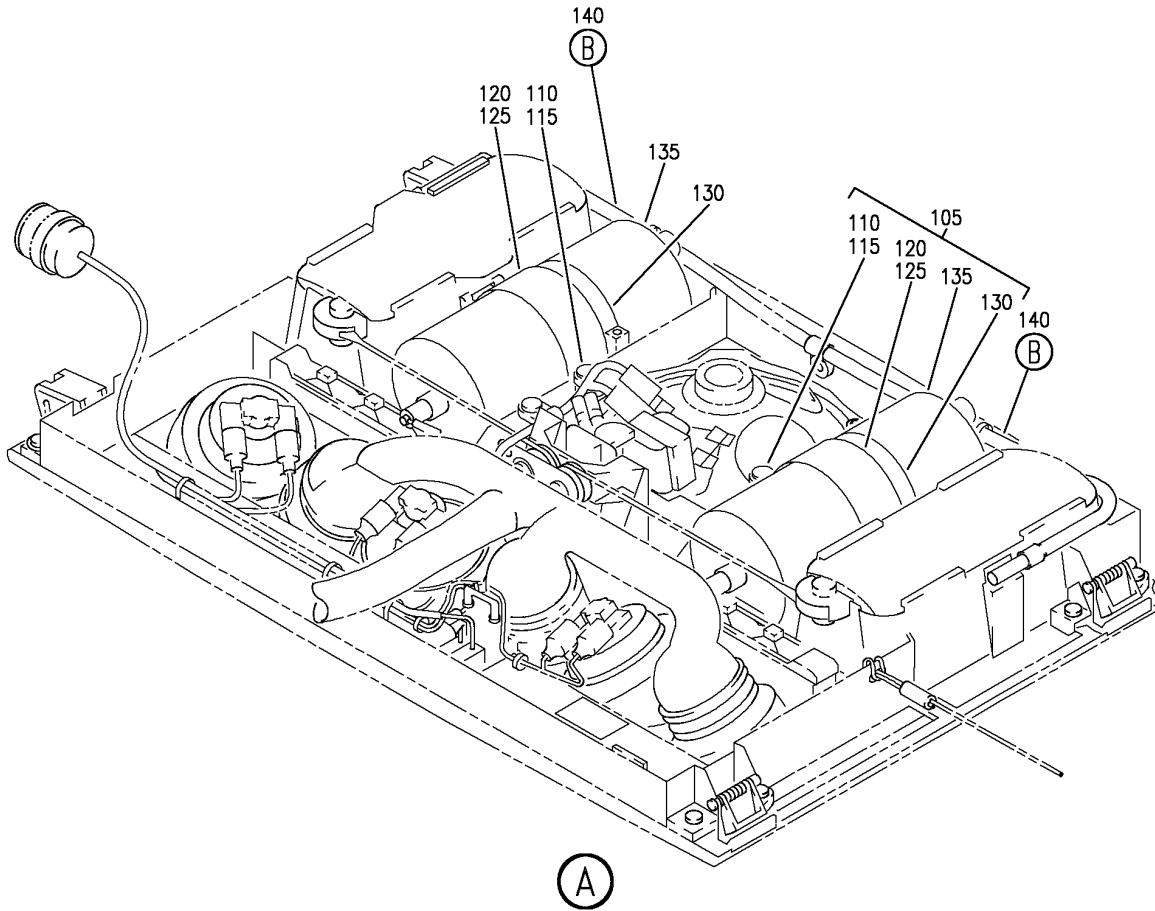
SERVICE UNIT ASSY-PASS. (OXYGEN GENERATOR ONLY)
FIGURE 70

35-21-04-70

BRI
MAY 20/09

35-21-04-70
PAGE 0

BOEING
757
PARTS CATALOG (MAINTENANCE)



Y 35210470 SH1 2 REV 314

SERVICE UNIT ASSY-PASS. (OXYGEN GENERATOR ONLY)
 FIGURE 70

35-21-04-70

BRI
 JAN 20/09

35-21-04-70
 PAGE 0A



757

PARTS CATALOG (MAINTENANCE)

FIG ITEM	PART NUMBER	1 2 3 4 5 6 7	NOMENCLATURE	EFFECT FROM TO	UNITS PER ASSY
70					
- 5	417N3011-202SP		SERVICE UNIT ASSY-PASS. (OXYGEN GENERATOR ONLY)	103106 108120	RF
- 5	417N3011-402SP		SERVICE UNIT ASSY-PASS. WITH SPKR AND GASPER (OXYGEN GENERATOR ONLY) POSITION DATA: RH ELECTRICAL EQUIP NUMBER: M10973 COMPONENT MAINT MANUAL REF: 25-23-38 FOR NHA/OTHER SYS DET SEE: 25-23-01-52B	103106 108120	RF
- 15	417N3011-214SP		SERVICE UNIT ASSY-PASS. NO SPKR WITH GASPER (OXYGEN GENERATOR ONLY) POSITION DATA: RH ELECTRICAL EQUIP NUMBER: M10973 COMPONENT MAINT MANUAL REF: 25-23-38 FOR NHA/OTHER SYS DET SEE: 25-23-01-52B	103106	RF

MISSING ITEM NUMBERS NOT APPLICABLE

- ITEM NOT ILLUSTRATED

35-21-04-70

35-21-04
FIG. 70
PAGE 1
JAN 20/09

BRI



757

PARTS CATALOG (MAINTENANCE)

FIG ITEM	PART NUMBER	1 2 3 4 5 6 7	NOMENCLATURE	EFFECT FROM TO	UNITS PER ASSY
70 - 15	417N3011-414SP		SERVICE UNIT ASSY-PASS. NO SPKR WITH GASPER (OXYGEN GENERATOR ONLY) POSITION DATA: RH ELECTRICAL EQUIP NUMBER: M10973 COMPONENT MAINT MANUAL REF: 25-23-38 FOR NHA/OTHER SYS DET SEE: 25-23-01-34A 25-23-01-52B 25-23-01-76A	103106 108120	RF
35	NAS1801-08-06	.	SCREW	108120	1
35	NAS1801-08-06	.	SCREW	105106	1
35	NAS1801-08-06	.	SCREW	103104	1
40	NAS1149DN816J	.	WASHER	108120	1
40	NAS1149DN816J	.	WASHER	105106	1
40	NAS1149DN816J	.	WASHER	103104	1
45	417N3161-12	.	STRAP-	108120	1
45	417N3161-12	.	STRAP-	105106	1
45	417N3161-12	.	STRAP-	103104	1
50	E71740-00	.	GENERATOR-12 MINUTES 4 PERSON SUPPLIER CODE: VD1379 SPECIFICATION NUMBER: S417T401-44 OPTIONAL PART: 117003-14 V16827 117080-04 V16827	108120	1
50	117003-14	.	GENERATOR-12 MINUTES 4 PERSON SUPPLIER CODE: V16827 SPECIFICATION NUMBER: S417T401-27 OPTIONAL PART: E71740-00 VD1379	108120	1
50	803000-04	.	GENERATOR-12 MINUTES 4 PERSON SUPPLIER CODE: V53655 SPECIFICATION NUMBER: S417T401-33	108120	1

MISSING ITEM NUMBERS NOT APPLICABLE

- ITEM NOT ILLUSTRATED

35-21-04-70

35-21-04
FIG. 70
PAGE 2
JAN 20/09

BRI



757

PARTS CATALOG (MAINTENANCE)

FIG ITEM	PART NUMBER	1 2 3 4 5 6 7	NOMENCLATURE	EFFECT FROM TO	UNITS PER ASSY
70					
51	E71740-00		.GENERATOR-12 MINUTES 4 PERSON SUPPLIER CODE: VD1379 SPECIFICATION NUMBER: S417T401-44 OPTIONAL PART: 117003-14 V16827 117080-04 V16827	105106	1
51	117003-14		.GENERATOR-12 MINUTES 4 PERSON SUPPLIER CODE: V16827 SPECIFICATION NUMBER: S417T401-27 OPTIONAL PART: E71740-00 VD1379	105106	1
51	803000-04		.GENERATOR-12 MINUTES 4 PERSON SUPPLIER CODE: V53655 SPECIFICATION NUMBER: S417T401-33	105106	1
51	E71740-00		.GENERATOR-12 MINUTES 4 PERSON SUPPLIER CODE: VD1379 SPECIFICATION NUMBER: S417T401-44 OPTIONAL PART: 117003-14 V16827 117080-04 V16827	103104	1
51	117003-14		.GENERATOR-12 MINUTES 4 PERSON SUPPLIER CODE: V16827 SPECIFICATION NUMBER: S417T401-27 OPTIONAL PART: E71740-00 VD1379	103104	1

MISSING ITEM NUMBERS NOT APPLICABLE

- ITEM NOT ILLUSTRATED

35-21-04-70

35-21-04
FIG. 70
PAGE 3
JAN 20/09

BRI



757

PARTS CATALOG (MAINTENANCE)

FIG ITEM	PART NUMBER	1 2 3 4 5 6 7	NOMENCLATURE	EFFECT FROM TO	UNITS PER ASSY
70					
51	803000-04		.GENERATOR-12 MINUTES 4 PERSON SUPPLIER CODE: V53655 SPECIFICATION NUMBER: S417T401-33	103104	1
52	117080-04		.GENERATOR-12 MINUTES 4 PERSON SUPPLIER CODE: V16827 SPECIFICATION NUMBER: S417T401-60 OPTIONAL PART: E71740-00 VD1379	108120	1
52	117080-04		.GENERATOR-12 MINUTES 4 PERSON SUPPLIER CODE: V16827 SPECIFICATION NUMBER: S417T401-60 OPTIONAL PART: E71740-00 VD1379	105106	1
52	117080-04		.GENERATOR-12 MINUTES 4 PERSON SUPPLIER CODE: V16827 SPECIFICATION NUMBER: S417T401-60 OPTIONAL PART: E71740-00 VD1379	103104	1
55	PLT2MM		.STRAP- SUPPLIER CODE: V06383	108120	4
55	PLT2MM		.STRAP- SUPPLIER CODE: V06383	105106	4
55	PLT2MM		.STRAP- SUPPLIER CODE: V06383	103104	4
58	PLT2MM2		.STRAP- SUPPLIER CODE: V06383	108120	4
58	PLT2MM2		.STRAP- SUPPLIER CODE: V06383	103104	4
60	417N3036-1		.CONNECTOR ASSY-TEE	108120	1

MISSING ITEM NUMBERS NOT APPLICABLE

- ITEM NOT ILLUSTRATED

35-21-04-70

35-21-04
FIG. 70
PAGE 4
JAN 20/09

BRI



757

PARTS CATALOG (MAINTENANCE)

FIG ITEM	PART NUMBER	1 2 3 4 5 6 7	NOMENCLATURE	EFFECT FROM TO	UNITS PER ASSY
70					
60	417N3036-1	.	CONNECTOR ASSY-TEE	105106	1
60	417N3036-1	.	CONNECTOR ASSY-TEE	103104	1
64	417N3036-5	.	CONNECTOR ASSY-TEE	103106	1
				108120	
65	417N3038-3	.	HOSE	108120	1
65	417N3038-3	.	HOSE-	105106	1
65	417N3038-3	.	HOSE	103104	1
70	417N3038-4	.	HOSE	108120	1
70	417N3038-4	.	HOSE-	105106	1
70	417N3038-4	.	HOSE	103104	1
75	417N3036-4	.	MANIFOLD	108120	2
75	417N3036-4	.	MANIFOLD-	105106	2
75	417N3036-4	.	MANIFOLD	103104	2

R
R

MISSING ITEM NUMBERS NOT APPLICABLE

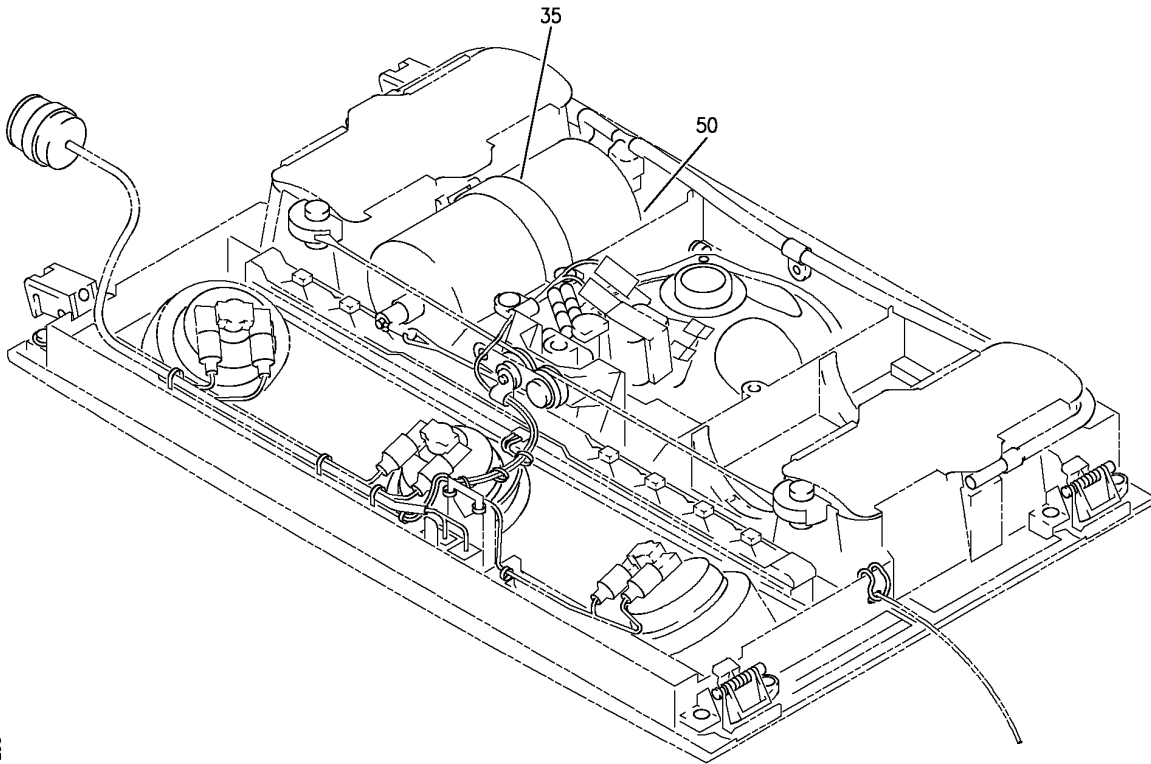
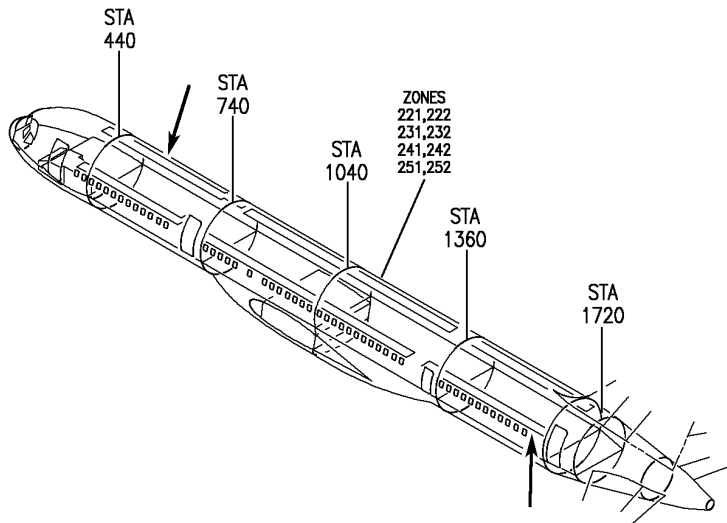
- ITEM NOT ILLUSTRATED

35-21-04-70

35-21-04
FIG. 70
PAGE 5
MAY 20/09

BRI

BOEING
757
PARTS CATALOG (MAINTENANCE)



Y 35210471 REV 253

SERVICE UNIT ASSY-PASS. (OXYGEN GENERATOR ONLY)
FIGURE 71

35-21-04-71

BRI
JAN 20/09

35-21-04-71
PAGE 0

 **BOEING**
757
PARTS CATALOG (MAINTENANCE)

FIG ITEM	PART NUMBER	1 2 3 4 5 6 7	NOMENCLATURE	EFFECT FROM TO	UNITS PER ASSY
71			SERVICE UNIT ASSY-PASS. (OXYGEN GENERATOR ONLY)	108120	
- 1	417N3011-309B		SERVICE UNIT ASSY-PASS. WITH SPKR AND NO GASPER (OXYGEN GENERATOR ONLY) POSITION DATA: LH ELECTRICAL EQUIP NUMBER: M10978 COMPONENT MAINT MANUAL REF: 25-23-38 FOR NHA/OTHER SYS DET SEE: 25-23-01-58B	108120	RF
- 5	417N3011-317B		SERVICE UNIT ASSY-PASS. NO SPKR AND NO GASPER (OXYGEN GENERATOR ONLY) POSITION DATA: LH ELECTRICAL EQUIP NUMBER: M10978 COMPONENT MAINT MANUAL REF: 25-23-38 FOR NHA/OTHER SYS DET SEE: 25-23-01-58B	108120	RF
- 10	417N3011-310B		SERVICE UNIT ASSY-PASS. WITH SPKR AND NO GASPER (OXYGEN GENERATOR ONLY) POSITION DATA: RH ELECTRICAL EQUIP NUMBER: M10978 COMPONENT MAINT MANUAL REF: 25-23-38 FOR NHA/OTHER SYS DET SEE: 25-23-01-58B	108120	RF
- 15	417N3011-318B		SERVICE UNIT ASSY-PASS. NO SPKR AND NO GASPER (OXYGEN GENERATOR ONLY) POSITION DATA: RH ELECTRICAL EQUIP NUMBER: M10978 COMPONENT MAINT MANUAL REF: 25-23-38 FOR NHA/OTHER SYS DET SEE: 25-23-01-58B	108120	RF

MISSING ITEM NUMBERS NOT APPLICABLE

- ITEM NOT ILLUSTRATED

BRI

35-21-04-71

BOEING PROPRIETARY - Copyright © - Unpublished Work - See title page for details.

35-21-04
FIG. 71
PAGE 1
JAN 20/09



757

PARTS CATALOG (MAINTENANCE)

FIG ITEM	PART NUMBER	1 2 3 4 5 6 7	NOMENCLATURE	EFFECT FROM TO	UNITS PER ASSY
71 - 20	417N3011-324B		SERVICE UNIT ASSY-PASS. WITH MUTED SPKR AND NO GASPER (OXYGEN GENERATOR ONLY) POSITION DATA: RH ELECTRICAL EQUIP NUMBER: M10981 COMPONENT MAINT MANUAL REF: 25-23-38 FOR NHA/OTHER SYS DET SEE: 25-23-01-58B	108120	RF
35	417N3161-12		.STRAP- ATTACHING PARTS	108120	1
- 40	NAS1801-08-6		.SCREW	108120	2
- 45	NAS1149DN816J		.WASHER	108120	2
			-----*-----		
50	117003-14		.GENERATOR-12 MINUTES 4 PERSON SUPPLIER CODE: V16827 SPECIFICATION NUMBER: S417T401-27 OPTIONAL PART: 803000-04 V53655 E71740-00 VD1379	108120	1
50	803000-04		.GENERATOR-12 MINUTES 4 PERSON SUPPLIER CODE: V53655 SPECIFICATION NUMBER: S417T401-33 OPTIONAL PART: 117003-14 V16827	108120	1
50	E71740-00		.GENERATOR-12 MINUTES 4 PERSON SUPPLIER CODE: VD1379 SPECIFICATION NUMBER: S417T401-44 OPTIONAL PART: 117003-14 V16827 117080-04 V16827	108120	1

MISSING ITEM NUMBERS NOT APPLICABLE

- ITEM NOT ILLUSTRATED

BRI

35-21-04-71

35-21-04
FIG. 71
PAGE 2
JAN 20/09



757

PARTS CATALOG (MAINTENANCE)

FIG ITEM	PART NUMBER	1 2 3 4 5 6 7	NOMENCLATURE	EFFECT FROM TO	UNITS PER ASSY
71 50	117080-04		.GENERATOR-12 MINUTES 4 PERSON SUPPLIER CODE: V16827 SPECIFICATION NUMBER: S417T401-60 OPTIONAL PART: E71740-00 VD1379	108120	1

MISSING ITEM NUMBERS NOT APPLICABLE

- ITEM NOT ILLUSTRATED

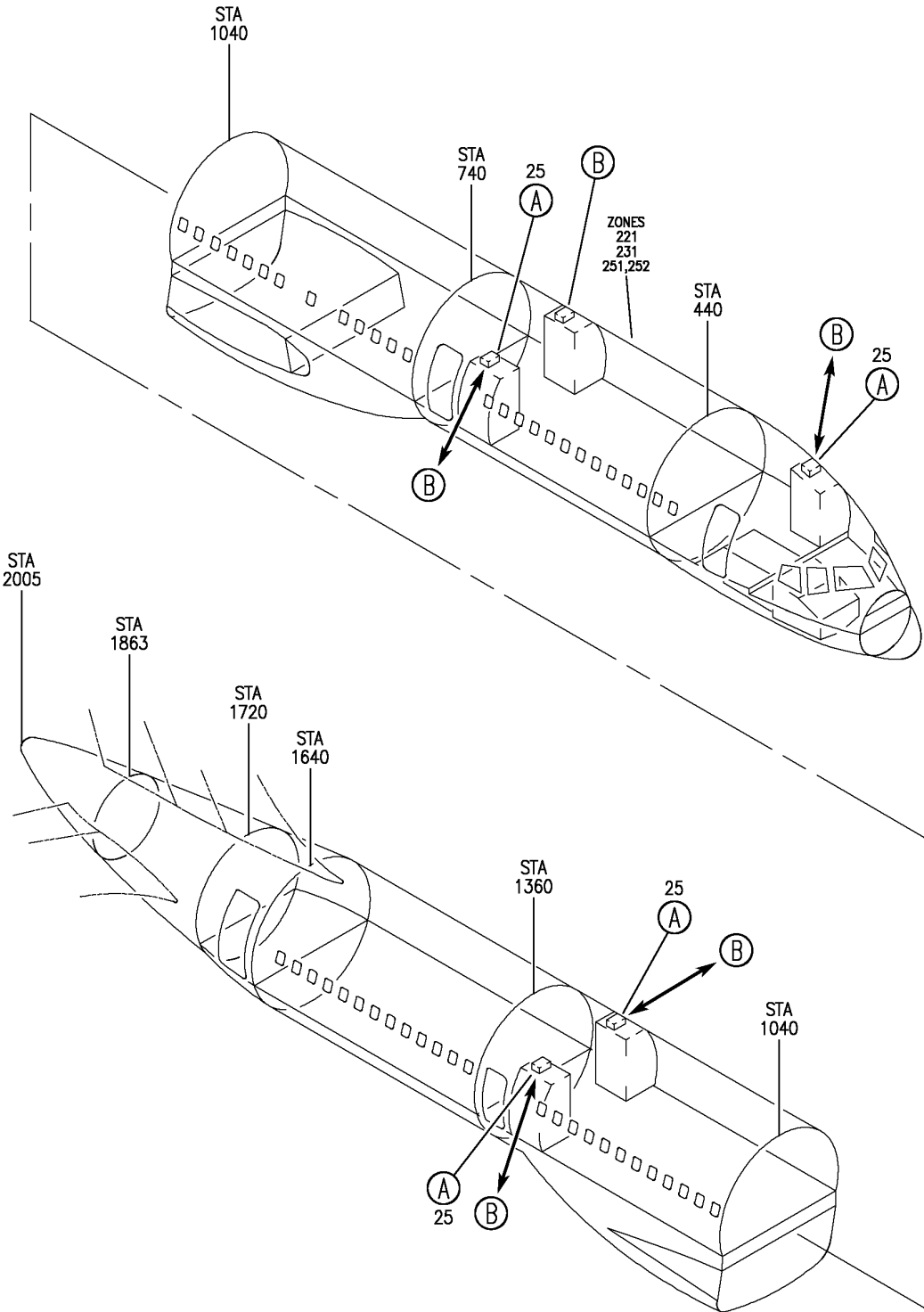
BRI

35-21-04-71

BOEING PROPRIETARY - Copyright © - Unpublished Work - See title page for details.

35-21-04
FIG. 71
PAGE 3
JAN 20/09

BOEING
757
PARTS CATALOG (MAINTENANCE)



Y 35210478 SHT 1 REV 315

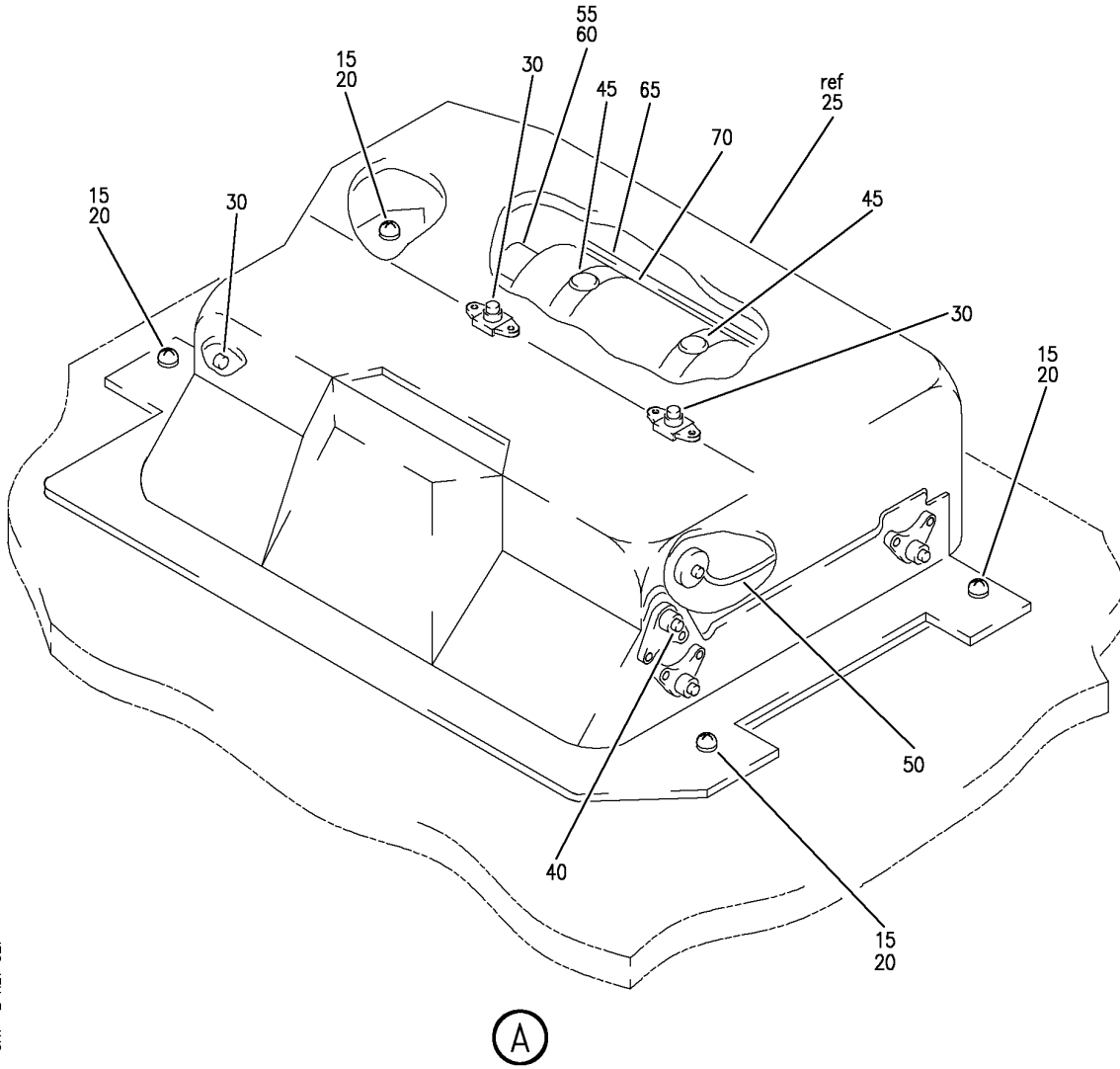
LAVATORY INSTL-MODULE A, C, D, G AND S WITH HEADER (OXYGEN/GENERATOR ONLY)
FIGURE 78 (SHEET 1)

BRI
JAN 20/09

35-21-04-78

35-21-04-78
PAGE 0

BOEING
757
PARTS CATALOG (MAINTENANCE)



Y 35210478 SH1 2 REV 327

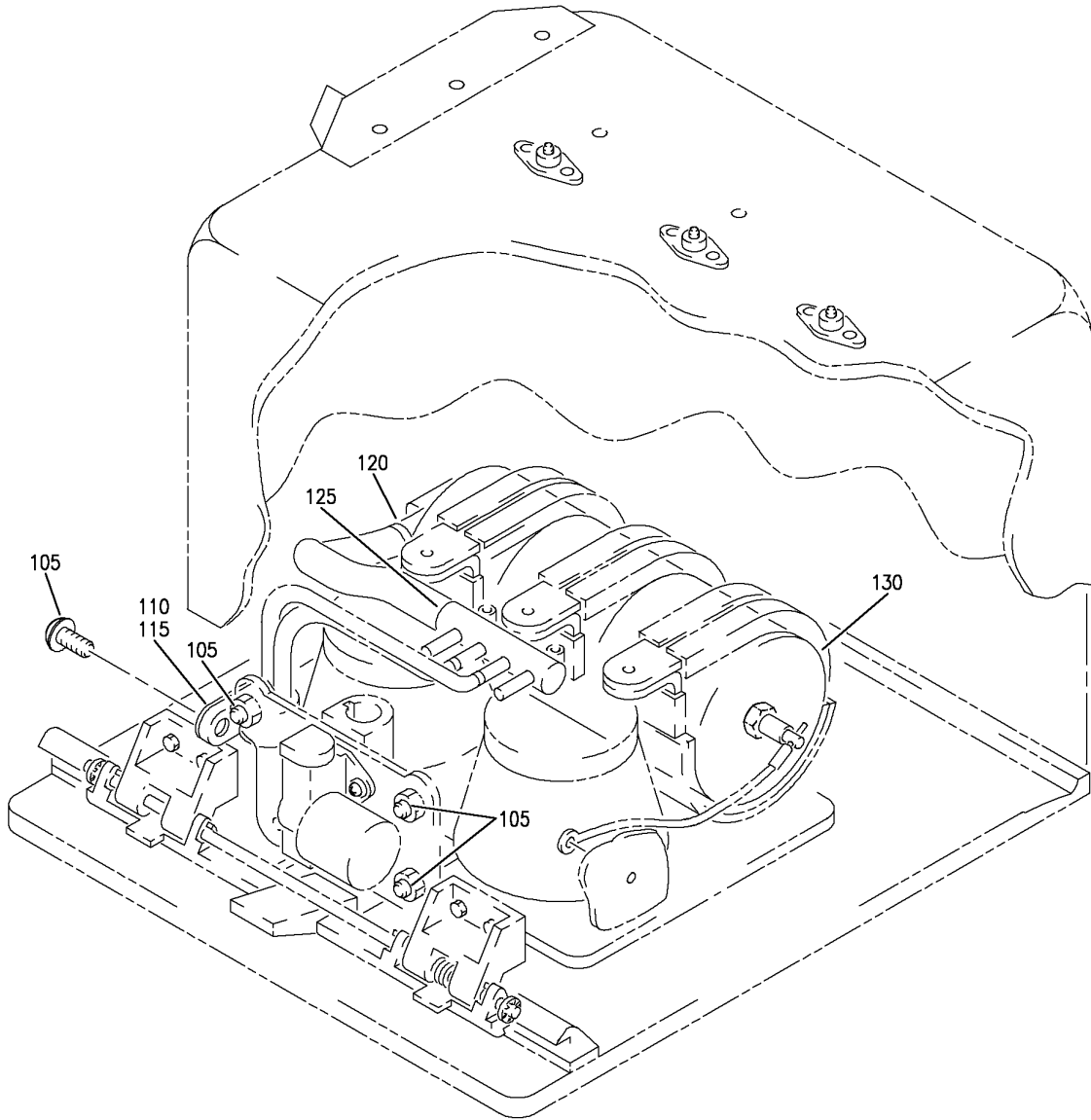
LAVATORY INSTL-MODULE A, C, D, G AND S WITH HEADER (OXYGEN/GENERATOR ONLY)
FIGURE 78 (SHEET 2)

BRI
JAN 20/09

35-21-04-78

35-21-04-78
PAGE 0A

BOEING
757
PARTS CATALOG (MAINTENANCE)



(B)

Y 35210478 SH1 3 REV 315

LAVATORY INSTL-MODULE A, C, D, G AND S WITH HEADER (OXYGEN/GENERATOR ONLY)
FIGURE 78 (SHEET 3)

BRI
JAN 20/09

35-21-04-78

35-21-04-78
PAGE 0B



757

PARTS CATALOG (MAINTENANCE)

FIG ITEM	PART NUMBER	1 2 3 4 5 6 7	NOMENCLATURE	EFFECT FROM TO	UNITS PER ASSY
78			LAVATORY INSTL-MODULE A, C, D, G AND S WITH HEADER (OXYGEN/GENERATOR ONLY)	950951 953999	
- 1	417N1140-50		LAVATORY INSTL-MOD A, C, D, AND S WITH HEADER (OXYGEN/GENERATOR ONLY) FOR NHA/OTHER SYS DET SEE: 25-41-00-01	950951	RF
- 1	417N1140-84		LAVATORY INSTL-MOD A, C, D, AND S WITH HEADER (OXYGEN/GENERATOR ONLY) FOR NHA/OTHER SYS DET SEE: 25-41-00-01	953999	RF
15	NAS603-6P		.SCREW-	950951 953999	AR
20	AN960JD10L		.WASHER-	950951 953999	AR
25	417N3810-97SP		.BOX ASSY-LAV SVCE UNIT OXY ELECTRICAL EQUIP NUMBER: M10373 COMPONENT MAINT MANUAL REF: 35-21-34 FOR DETAILS SEE: 35-21-06-04 35-21-05-20A	950951 953999	4
30	BACS12FA08K7		..SCREW	950951 953999	3
40	BACS12FA08K5		..SCREW	950951 953999	1
45	BACR15FP4E		..RIVET- SIZE DETERMINED ON INSTL.	950951 953999	2
50	417N3137-2		..CABLE ASSY	950951 953999	1
55	287T0011-1		..CLAMP	950951 953999	1
60	MS3367-4-9		..STRAP	950951 953999	1
65	417N3816-5		..SHIELD ASSY	950951 953999	1
70	117003-12		..GENERATOR- SUPPLIER CODE: V16827 SPECIFICATION NUMBER: S417T401-25 OPTIONAL PART: E71720-00 VD1379	950951 953999	1

MISSING ITEM NUMBERS NOT APPLICABLE

- ITEM NOT ILLUSTRATED

35-21-04-78

35-21-04
FIG. 78
PAGE 1
JAN 20/09

BRI



757

PARTS CATALOG (MAINTENANCE)

FIG ITEM	PART NUMBER	1 2 3 4 5 6 7	NOMENCLATURE	EFFECT FROM TO	UNITS PER ASSY
78					
70	803000-02		.. GENERATOR- SUPPLIER CODE: V53655 SPECIFICATION NUMBER: S417T401-31	950951 953999	1
70	E71720-00		.. GENERATOR- SUPPLIER CODE: VD1379 SPECIFICATION NUMBER: S417T401-43 OPTIONAL PART: 117003-12 V16827 117080-02 V16827	950951 953999	1
70	117080-02		.. GENERATOR- SUPPLIER CODE: V16827 SPECIFICATION NUMBER: S417T401-61 OPTIONAL PART: E71720-00 VD1379	950951 953999	1

MISSING ITEM NUMBERS NOT APPLICABLE

- ITEM NOT ILLUSTRATED

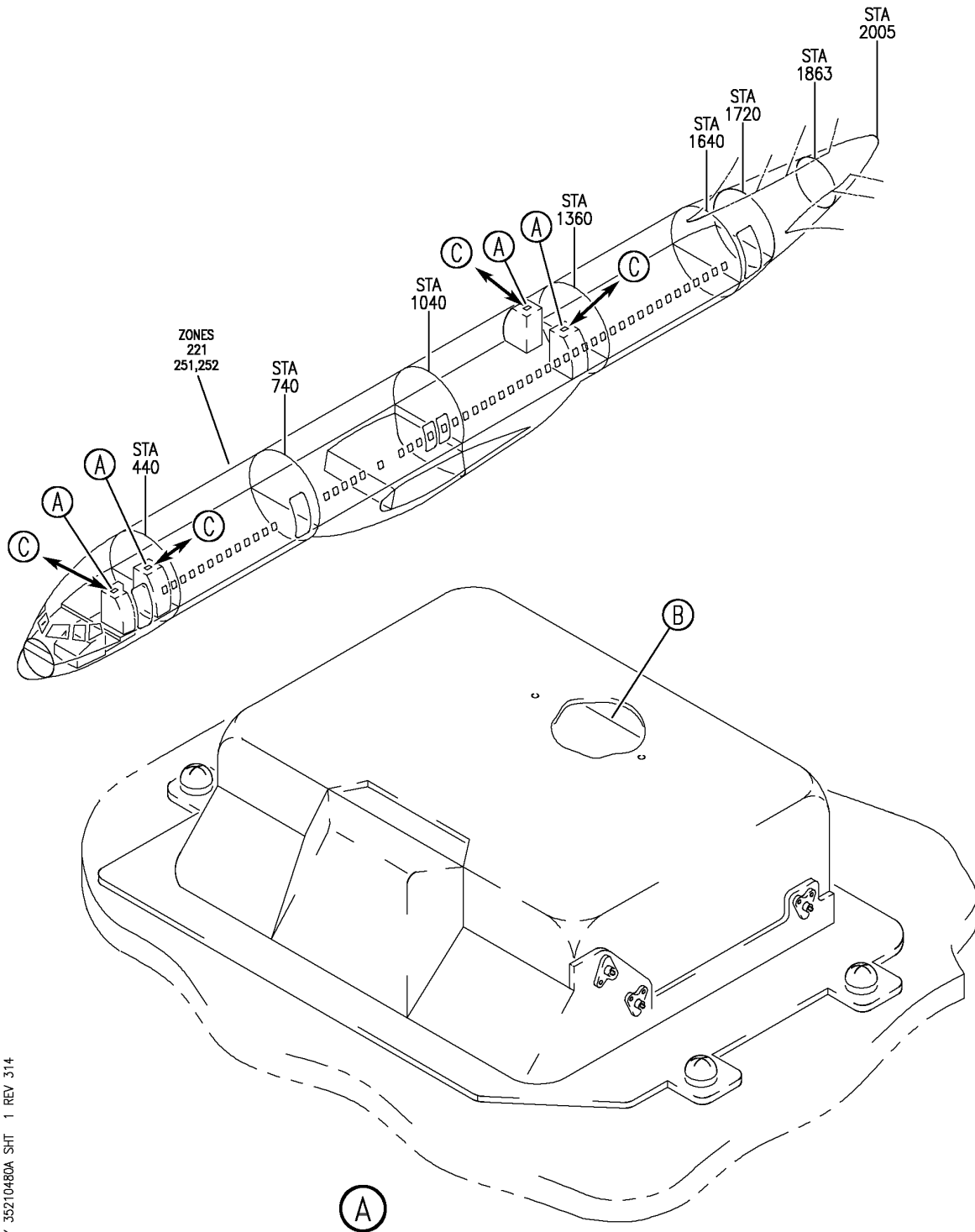
35-21-04-78

35-21-04
FIG. 78
PAGE 2
JAN 20/09

BRI

BOEING PROPRIETARY - Copyright © - Unpublished Work - See title page for details.

BOEING
757
PARTS CATALOG (MAINTENANCE)



Y 35210480A SHT 1 REV 314

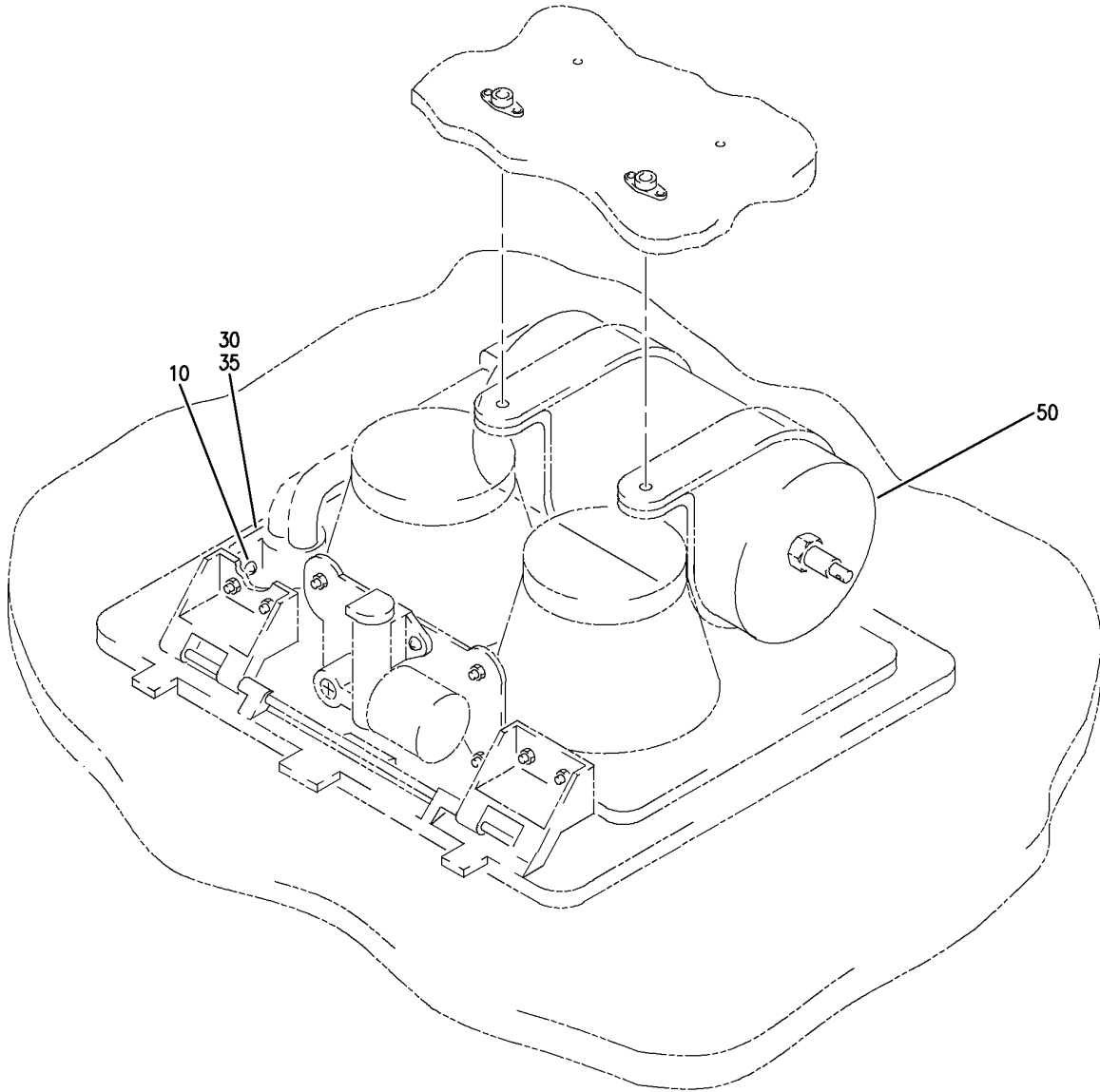
BOX ASSY-LAV SVCE UNIT OXY (OXYGEN-GENERATOR ONLY)
FIGURE 80A (SHEET 1)

35-21-04-80A

BRI
SEP 28/07

35-21-04-80A
PAGE 0

BOEING
757
PARTS CATALOG (MAINTENANCE)



(B)

Y 35210480A SHT 2 REV 235

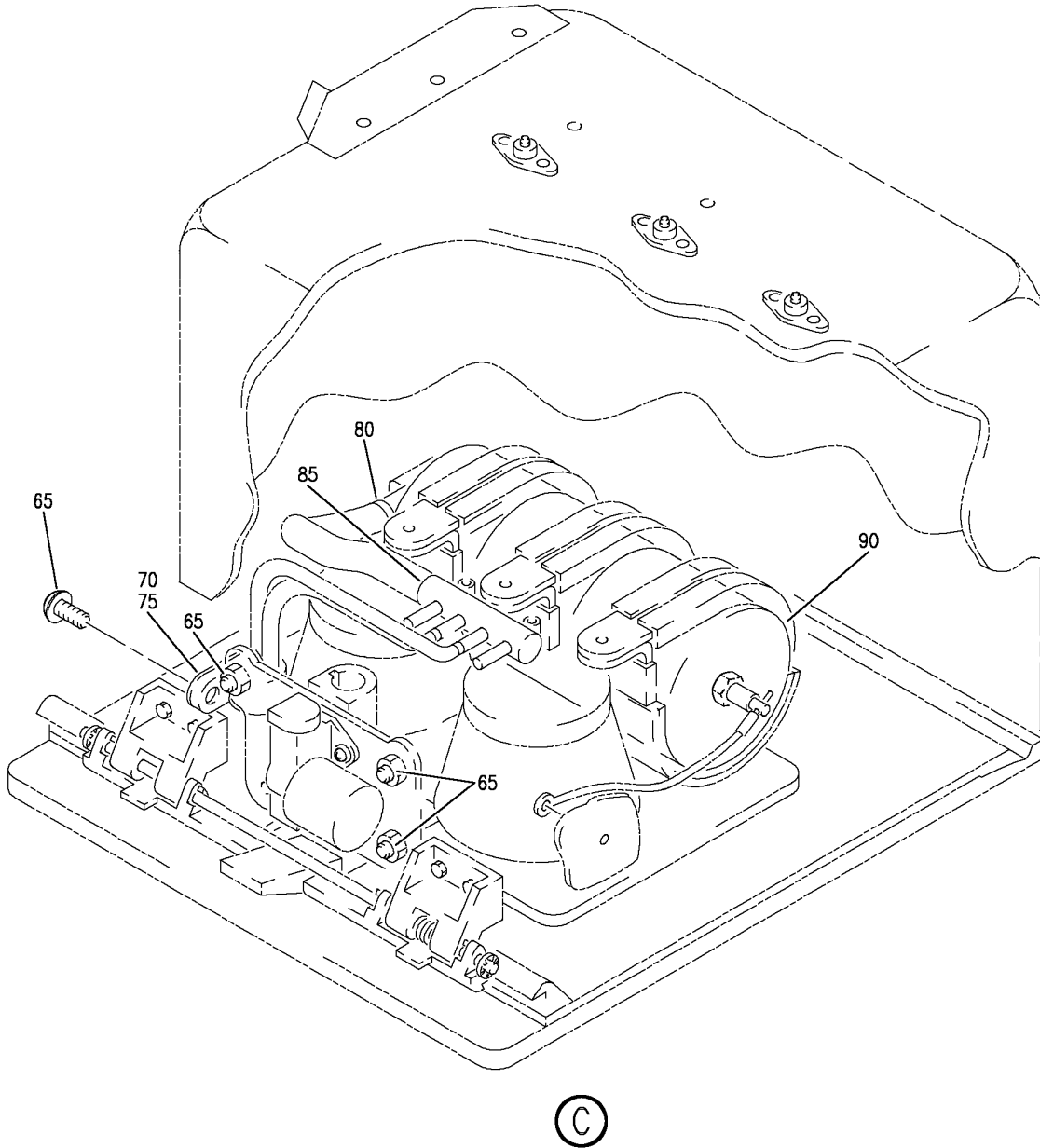
BOX ASSY-LAV SVCE UNIT OXY (OXYGEN-GENERATOR ONLY)
FIGURE 80A (SHEET 2)

35-21-04-80A

BRI
MAY 28/07

35-21-04-80A
PAGE 0A

BOEING
757
PARTS CATALOG (MAINTENANCE)



Y 35210480A SHT 3 REV 314

BOX ASSY-LAV SVCE UNIT OXY (OXYGEN-GENERATOR ONLY)
FIGURE 80A (SHEET 3)

35-21-04-80A

BRI
SEP 28/07

35-21-04-80A
PAGE 0B



757

PARTS CATALOG (MAINTENANCE)

FIG ITEM	PART NUMBER	1 2 3 4 5 6 7	NOMENCLATURE	EFFECT FROM TO	UNITS PER ASSY
80A			BOX ASSY-LAV SVCE UNIT OXY (OXYGEN-GENERATOR ONLY)	101102	
- 1	417N3810-118SP		BOX ASSY-LAV SVCE UNIT OXY (OXYGEN-GENERATOR ONLY) COMPONENT MAINT MANUAL REF: 35-21-34 FOR NHA/ADDITIONAL DET SEE: 35-21-00-11 35-21-00-13B	101102	RF
10	BACS12FA08K7		.SCREW	101102	1
30	287T0011-1		.CLAMP	101102	1
35	MS3367-4-9		.STRAP	101102	1
50	117003-12		.GENERATOR-PASSENGER OXYGEN GENERATOR 12 MINUTES, 2 PERSON. SUPPLIER CODE: V16827 SPECIFICATION NUMBER: S417T401-25 OPTIONAL PART: E71720-00 VD1379	101102	1
50	803000-02		.GENERATOR-2 PERSON PASSENGER OXYGEN SUPPLIER CODE: V53655 SPECIFICATION NUMBER: S417T401-31	101102	1
50	E71720-00		.GENERATOR-OXYGEN CHEMICAL 2 PERSON 12 MINUTE SUPPLIER CODE: VD1379 SPECIFICATION NUMBER: S417T401-43 OPTIONAL PART: 117003-12 V16827 117080-02 V16827	101102	1
50	117080-02		.GENERATOR-PASSENGER OXYGEN GENERATOR 12 MINUTES, 2 PERSON. SUPPLIER CODE: V16827 SPECIFICATION NUMBER: S417T401-61 OPTIONAL PART: E71720-00 VD1379	101102	1

MISSING ITEM NUMBERS NOT APPLICABLE

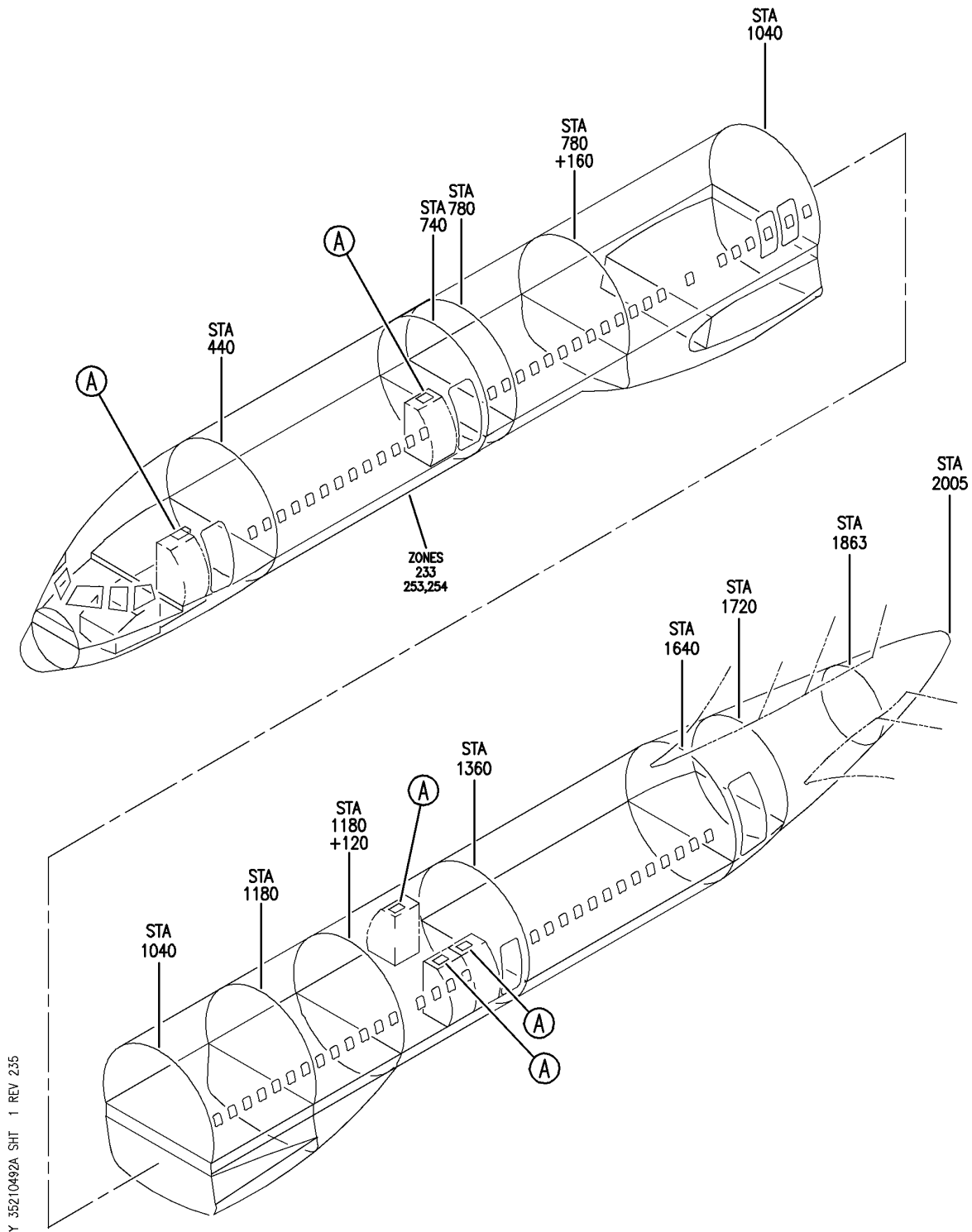
- ITEM NOT ILLUSTRATED

35-21-04-80A

35-21-04
FIG. 80A
PAGE 1
JAN 20/09

BRI

BOEING
757
PARTS CATALOG (MAINTENANCE)



Y 35210492A SH1 1 REV 235

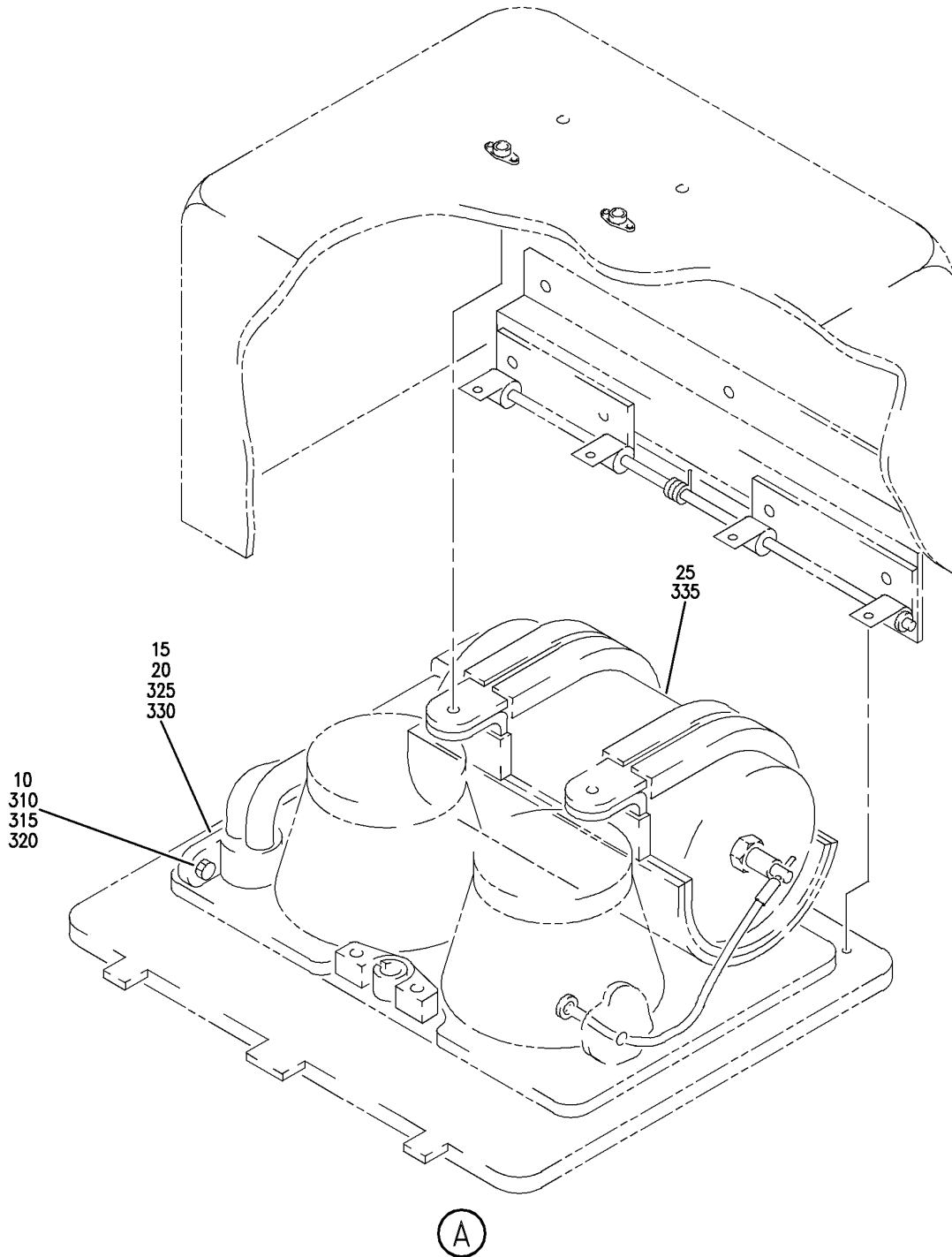
BOX ASSY-OXY (OXYGEN GENERATOR ONLY)
FIGURE 92A (SHEET 1)

35-21-04-92A

BRI
JAN 20/09

35-21-04-92A
PAGE 0

BOEING
757
PARTS CATALOG (MAINTENANCE)



Y 35210492A SH1 2 REV 235

BOX ASSY-OXY (OXYGEN GENERATOR ONLY)
FIGURE 92A (SHEET 2)

35-21-04-92A

BRI
JAN 20/09

35-21-04-92A
PAGE 0A



757

PARTS CATALOG (MAINTENANCE)

FIG ITEM	PART NUMBER	1 2 3 4 5 6 7	NOMENCLATURE	EFFECT FROM TO	UNITS PER ASSY
92A			BOX ASSY-OXY (OXYGEN GENERATOR ONLY)	103106	
- 300	417N3810-137T		BOX ASSY-LAV SVCE UNIT (OXYGEN GENERATOR ONLY) ELECTRICAL EQUIP NUMBER: M10373 COMPONENT MAINT MANUAL REF: 35-21-34 FOR NHA/ADDITIONAL DET SEE: 35-21-00-01G	103106	RF
310	BACS12FA08K7	.	SCREW	103106	1
315	AN960JD8L	.	WASHER	103106	1
320	MS21042L08	.	NUT	103106	1
325	287T0011-1	.	CLAMP	103106	1
330	MS3367-4-9	.	STRAP	103106	1
335	E71720-00	.	GENERATOR- SUPPLIER CODE: VD1379 SPECIFICATION NUMBER: S417T401-43 OPTIONAL PART: 117080-02 V16827 117003-12 V16827	103106	1
335	117003-12	.	GENERATOR- SUPPLIER CODE: V16827 SPECIFICATION NUMBER: S417T401-25 OPTIONAL PART: E71720-00 VD1379	103106	1
335	803000-02	.	GENERATOR- SUPPLIER CODE: V53655 SPECIFICATION NUMBER: S417T401-31	103106	1
335	117080-02	.	GENERATOR- SUPPLIER CODE: V16827 SPECIFICATION NUMBER: S417T401-61 OPTIONAL PART: E71720-00 VD1379	103106	1

MISSING ITEM NUMBERS NOT APPLICABLE

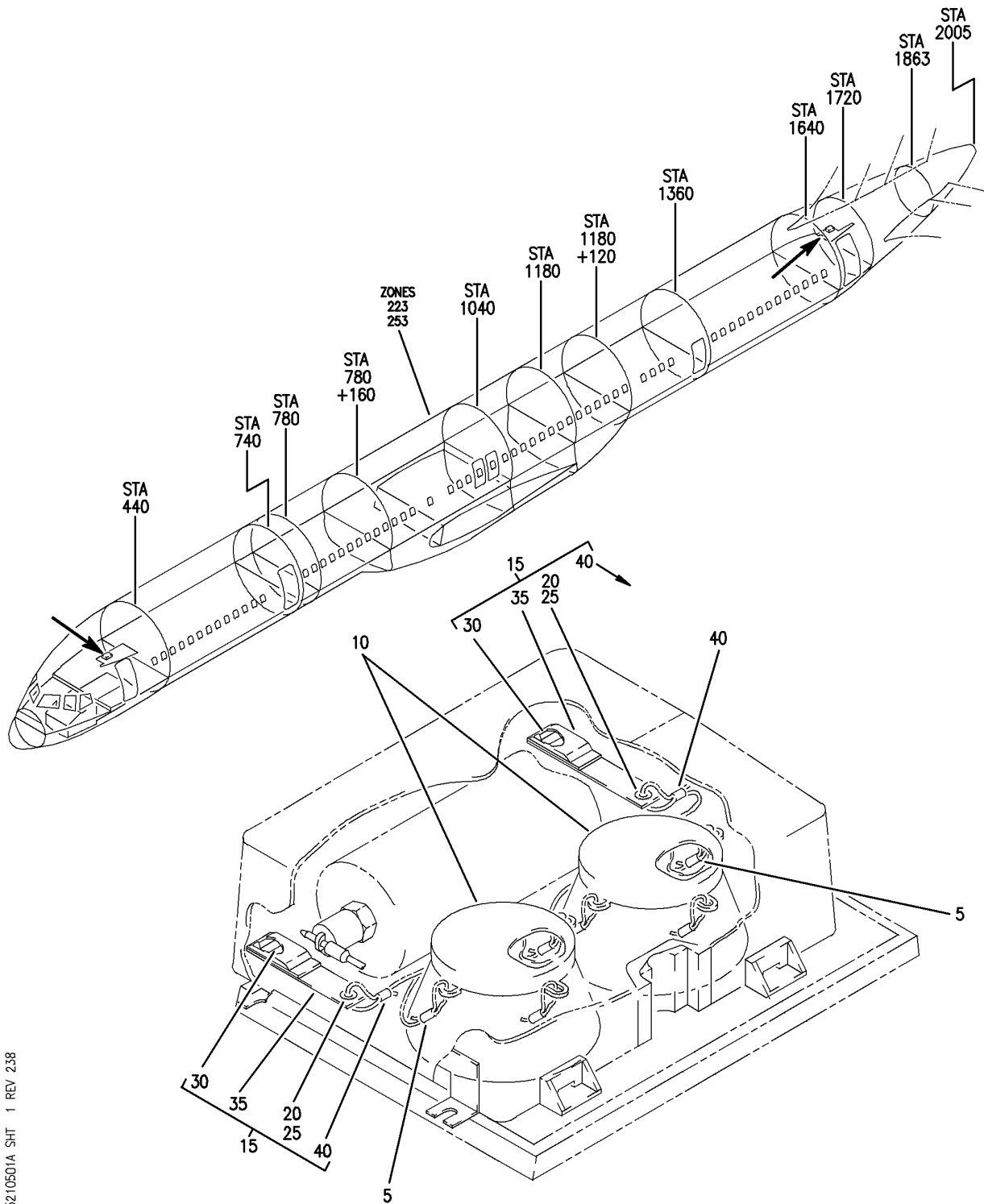
- ITEM NOT ILLUSTRATED

35-21-04-92A

35-21-04
FIG. 92A
PAGE 1
JAN 20/09

BRI

BOEING
757
PARTS CATALOG (MAINTENANCE)



Y 35210501A SHT 1 REV 238

BOX ASSY-OXY ATTENDANTS SERVICE UNIT (PASSENGER OXYGEN MASK ONLY)
FIGURE 1A

35-21-05-01A

BRI
JAN 20/09

35-21-05-01A
PAGE 0



757

PARTS CATALOG (MAINTENANCE)

FIG ITEM	PART NUMBER	1 2 3 4 5 6 7	NOMENCLATURE	EFFECT FROM TO	UNITS PER ASSY
1 A			BOX ASSY-OXY ATTENDANTS SERVICE UNIT (PASSENGER OXYGEN MASK ONLY)	103106	
- 1	417N3810-155B		BOX ASSY-OXY ATTENDANTS SERVICE UNIT (PASSENGER OXYGEN MASK ONLY) ELECTRICAL EQUIP NUMBER: M11496 FOR NHA/OTHER SYS DET SEE: 25-22-02-40S 25-22-02-69A 25-22-02-69L 25-22-02-70D	103106	RF
5	GSC128		.SLEEVE SUPPLIER CODE: V56501 SPECIFICATION NUMBER: BACS13S128C	103106	2
10	289-801-121		.MASK ASSY-OXYGEN SUPPLIER CODE: V53655 SPECIFICATION NUMBER: S418W001-121	103106	2
15	417T4263-1		.STREAMER ASSY	103106	2
20	MS20230WBP10		..WASHER	103106	1
25	MS20230GBP10		..GROMMET	103106	1
30	69-50420-4		..SHOT-WEIGHT	103106	16
35	69-50420-2		..STREAMER	103106	1
40	MS51844-82		..SLEEVE	103106	1
45	417T4263-2		..CORD	103106	1

MISSING ITEM NUMBERS NOT APPLICABLE

- ITEM NOT ILLUSTRATED

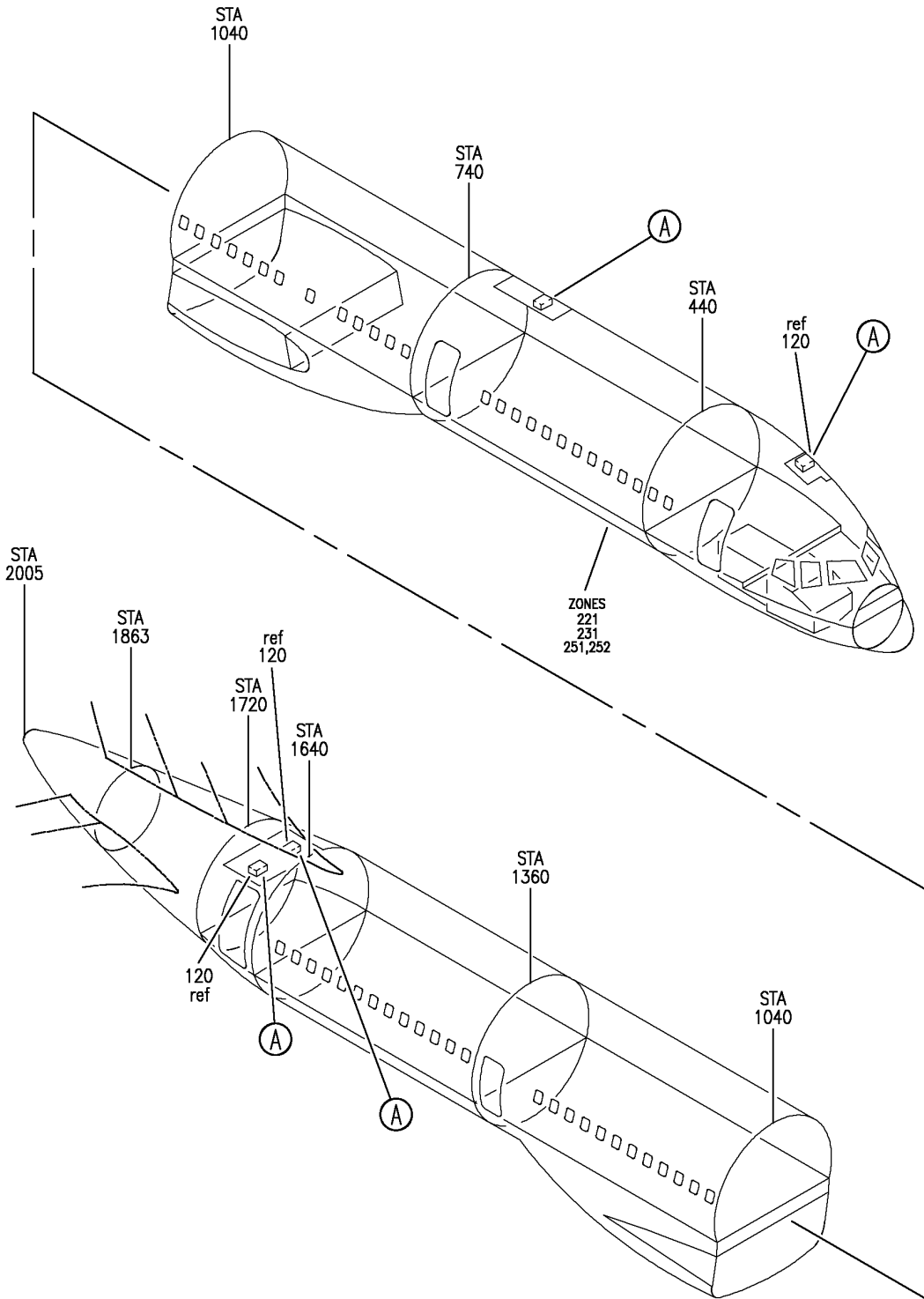
BRI

35-21-05-01A

BOEING PROPRIETARY - Copyright © - Unpublished Work - See title page for details.

35-21-05
FIG. 01A
PAGE 1
JAN 20/09

BOEING
757
PARTS CATALOG (MAINTENANCE)



Y 35210502 SH1 1 REV 254

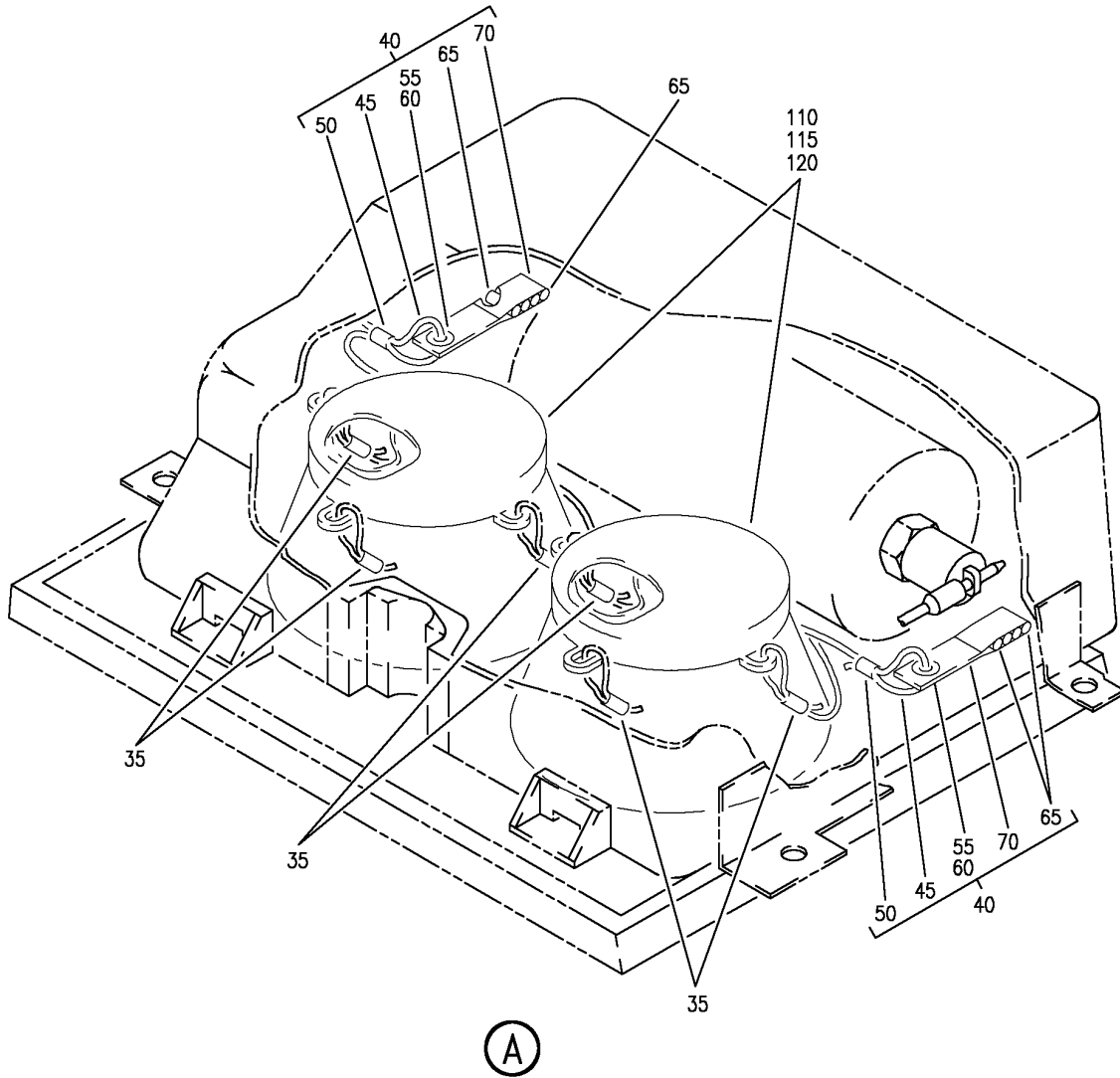
BOX ASSY- ATTENDANT SVCE UNIT OXY (OXYGEN MASK ONLY)
FIGURE 2 (SHEET 1)

35-21-05-02

BRI
MAY 28/07

35-21-05-02
PAGE 0

BOEING
757
PARTS CATALOG (MAINTENANCE)



Y 35210502 SH1 2 REV 254

BOX ASSY- ATTENDANT SVCE UNIT OXY (OXYGEN MASK ONLY)
FIGURE 2 (SHEET 2)

35-21-05-02

BRI
MAY 28/07

35-21-05-02
PAGE 0A



757

PARTS CATALOG (MAINTENANCE)

FIG ITEM	PART NUMBER	1 2 3 4 5 6 7	NOMENCLATURE	EFFECT FROM TO	UNITS PER ASSY
2			BOX ASSY- ATTENDANT SVCE UNIT OXY (OXYGEN MASK ONLY)	101102 121999	
- 1	417N3810-76SP		BOX ASSY-ATTENDANTS SVCE UNIT OXY (PASSENGER OXYGEN MASK ONLY) ELECTRICAL EQUIP NUMBER: M10373 COMPONENT MAINT MANUAL REF: 35-21-34 FOR NHA/ADDITIONAL DET SEE: 35-21-04-38	121503 904949	RF
- 1	417N3810-99SP		BOX ASSY-ATTENDANTS SVCE UNIT OXY (PASSENGER OXYGEN MASK ONLY) ELECTRICAL EQUIP NUMBER: M10373 COMPONENT MAINT MANUAL REF: 35-21-34 FOR NHA/ADDITIONAL DET SEE: 35-21-04-38 35-21-04-45 35-21-04-42	950999	RF
- 2	417N3810-120SP		BOX ASSY-OXY (PASSENGER OXYGEN MASK ONLY) COMPONENT MAINT MANUAL REF: 35-21-34 FOR NHA/ADDITIONAL DET SEE: 35-21-04-42	101102	RF
- 2	417N3810-121SP		BOX ASSY-OXY (PASSENGER OXYGEN MASK ONLY) COMPONENT MAINT MANUAL REF: 35-21-34 FOR NHA/ADDITIONAL DET SEE: 35-21-04-38 35-21-04-42	504903	RF
- 5	417N3810-76SP		BOX ASSY-ATTENDANTS SVCE UNIT OXY ELECTRICAL EQUIP NUMBER: M10373 COMPONENT MAINT MANUAL REF: 35-21-34 FOR NHA/ADDITIONAL DET SEE: 35-21-04-42	904949	RF
35	GSC128		.SLEEVE SUPPLIER CODE: V56501 SPECIFICATION NUMBER: BACS13S128C	101102	6

MISSING ITEM NUMBERS NOT APPLICABLE

- ITEM NOT ILLUSTRATED

35-21-05-02

35-21-05
FIG. 02
PAGE 1
JAN 20/09

BRI



757

PARTS CATALOG (MAINTENANCE)

FIG ITEM	PART NUMBER	1 2 3 4 5 6 7	NOMENCLATURE	EFFECT FROM TO	UNITS PER ASSY
2					
35	GSC128	.	SLEEVE SUPPLIER CODE: V56501 SPECIFICATION NUMBER: BACS13S128C	504903	6
40	417T4263-1	.	STREAMER ASSY	101102	2
40	417T4263-1	.	STREAMER ASSY-	504903	2
45	417T4263-2	..	CORD	101102	2
45	417T4263-2	..	CORD	504903	2
50	MS51844-82	..	SLEEVE	101102	2
50	MS51844-82	..	SLEEVE	504903	2
55	MS20230GBP10	..	GROMMET	101102	2
55	MS20230GBP10	..	GROMMET	504903	2
60	MS20230WBP10	..	WASHER	101102	2
60	MS20230WBP10	..	WASHER	504903	2
65	69-50420-4	..	SHOT-WEIGHT	504903	32
65	69-50420-4	..	SHOT-WEIGHT	101102	32
65	69-50420-4	..	SHOT-WEIGHT	504903	32
70	69-50420-2	..	STREAMER	101102	2
70	69-50420-2	..	STREAMER	504903	2
110	417T4205-163	.	MASK ASSY-OXY MISCELLANEOUS DATA: (EQUIVALENT PURITAN- BENNETT (FSCM 02217) P/N IS 174080-163 EQUIVALENT SCOTT (FSCM 53655) P/N IS 289-601-816) REWORKED BY SB: 35-0014 REWORKED BY SB: 3500-98-07 V16827	121503 950951	2
110	289-801-238	.	MASK ASSY-OXY SUPPLIER CODE: V53655 SPECIFICATION NUMBER: S418W001-102	121503 950951	2
110	289-801-238	.	MASK ASSY-OXY SUPPLIER CODE: V53655 SPECIFICATION NUMBER: S418W001-102	904949 952999	2

MISSING ITEM NUMBERS NOT APPLICABLE

- ITEM NOT ILLUSTRATED

BRI

35-21-05-02

35-21-05
FIG. 02
PAGE 2
JAN 20/09



757

PARTS CATALOG (MAINTENANCE)

FIG ITEM	PART NUMBER	1 2 3 4 5 6 7	NOMENCLATURE	EFFECT FROM TO	UNITS PER ASSY
2 110	417T4205-163		.MASK ASSY-OXY MISCELLANEOUS DATA: (EQUIVALENT PURITAN- BENNETT (FSCM 02217) P/N IS 174080-163 EQUIVALENT SCOTT (FSCM 53655) P/N IS 289-601-816) REWORKED BY SB: 35-0014 REWORKED BY SB: 3500-98-07 V16827	904949 952999	2
115	289-801-121		.MASK ASSY-OXY SUPPLIER CODE: V53655 SPECIFICATION NUMBER: S418W001-121	101102	2
115	289-801-121		.MASK ASSY-OXY SUPPLIER CODE: V53655 SPECIFICATION NUMBER: S418W001-121	504903	2

MISSING ITEM NUMBERS NOT APPLICABLE

- ITEM NOT ILLUSTRATED

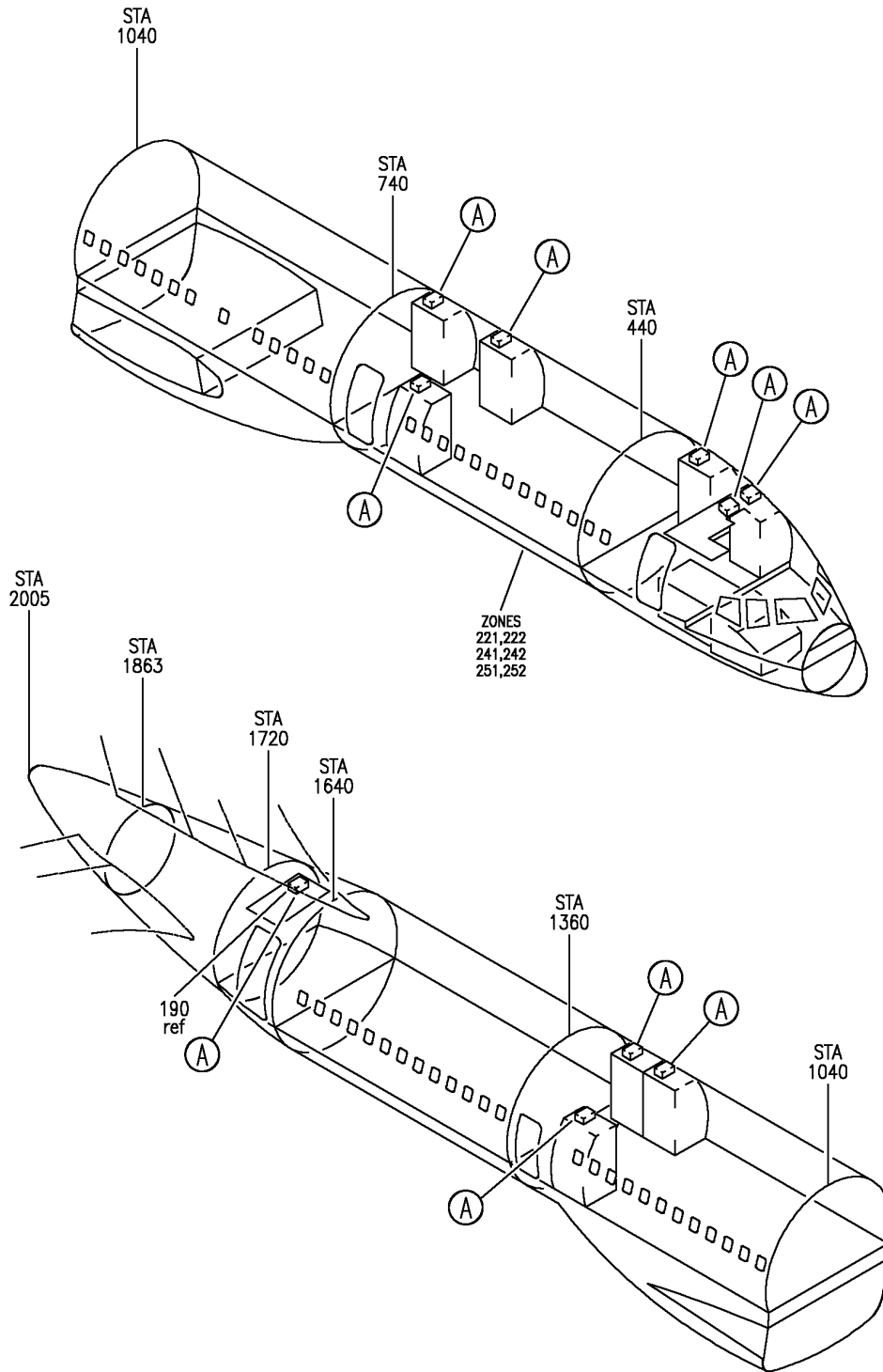
BRI

35-21-05-02

BOEING PROPRIETARY - Copyright © - Unpublished Work - See title page for details.

35-21-05
FIG. 02
PAGE 3
JAN 20/09

BOEING
757
PARTS CATALOG (MAINTENANCE)



Y 35210502A SHT 1 REV 257

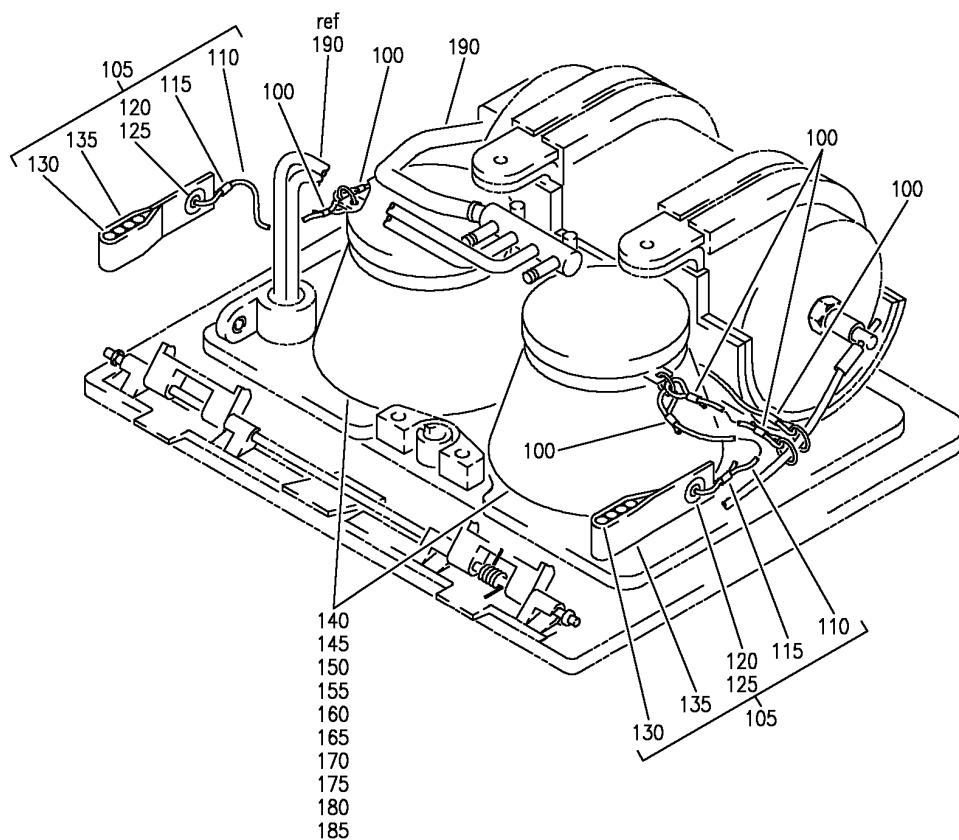
BOX ASSY-OXY ATTENDANTS AND LAV SVCE UNIT (OXYGEN MASK ONLY)
FIGURE 2A (SHEET 1)

35-21-05-02A

BRI
MAY 28/07

35-21-05-02A
PAGE 0

BOEING
757
PARTS CATALOG (MAINTENANCE)



(A)

Y 35210502A SH1 2 REV 257

BOX ASSY-OXY ATTENDANTS AND LAV SVCE UNIT (OXYGEN MASK ONLY)
FIGURE 2A (SHEET 2)

35-21-05-02A

BRI
MAY 28/07

35-21-05-02A
PAGE 0A



757

PARTS CATALOG (MAINTENANCE)

FIG ITEM	PART NUMBER	1 2 3 4 5 6 7	NOMENCLATURE	EFFECT FROM TO	UNITS PER ASSY
2A			BOX ASSY-OXY ATTENDANTS AND LAV SVCE UNIT (OXYGEN MASK ONLY)	107107 904949	
- 1	417N3810-1SP		BOX ASSY-ATTENDANTS SVCE UNIT OXY (OXYGEN MASK ONLY) ELECTRICAL EQUIP NUMBER: M10373 COMPONENT MAINT MANUAL REF: 35-21-34 FOR NHA/ADDITIONAL DET SEE: 35-21-04-38	107107	RF
- 25	417N3810-2SP		BOX ASSY-LAV SVCE UNIT OXY (OXYGEN MASK ONLY) ELECTRICAL EQUIP NUMBER: M10373 COMPONENT MAINT MANUAL REF: 35-21-34 FOR NHA/ADDITIONAL DET SEE: 35-21-04-48 35-21-04-39	107107 904949	RF
100	GSC128		. SLEEVE- SUPPLIER CODE: V56501 SPECIFICATION NUMBER: BACS13S128C USED ON: 417N3810-2SP 417N3810-14SP 417N3810-42SP	107107 904949	6
100	GSC128		. SLEEVE- SUPPLIER CODE: V56501 SPECIFICATION NUMBER: BACS13S128C LAV B USED ON: 417N3810-2SP	107107 904949	6
105	417T4263-1		. STREAMER ASSY- USED ON: 417N3810-2SP 417N3810-14SP 417N3810-42SP	107107 904949	2
105	417T4263-1		. STREAMER ASSY- LAV B USED ON: 417N3810-2SP	107107 904949	2
110	417T4263-2		.. CORD	107107 904949	2

MISSING ITEM NUMBERS NOT APPLICABLE

- ITEM NOT ILLUSTRATED

35-21-05-02A

35-21-05
FIG. 02A
PAGE 1
JAN 20/09

BRI



757

PARTS CATALOG (MAINTENANCE)

FIG ITEM	PART NUMBER	1 2 3 4 5 6 7	NOMENCLATURE	EFFECT FROM TO	UNITS PER ASSY
2A					
110	417T4263-2	..	CORD- LAV B	107107 904949	2
115	MS51844-82	..	SLEEVE	107107 904949	2
115	MS51844-82	..	SLEEVE- LAV B	107107 904949	2
120	MS20230GBP10	..	GROMMET	107107 904949	1
120	MS20230GBP10	..	GROMMET- LAV B	107107 904949	1
125	MS20230WBP10	..	WASHER	107107 904949	1
125	MS20230WBP10	..	WASHER- LAV B	107107 904949	1
130	69-50420-4	..	SHOT-WEIGHT	107107 904949	16
130	69-50420-4	..	SHOT-WEIGHT LAV B	107107 904949	16
135	69-50420-2	..	STREAMER	107107 904949	2
135	69-50420-2	..	STREAMER- LAV B	107107 904949	2
145	417T4205-16	.M	MASK ASSY-OXY MISCELLANEOUS DATA: EQUIVALENT PURITAN-BENNETT (FSCM 02217) P/N IS 174080-16 USED ON: 417N3810-2SP REWORKED BY SB: 35-0014 REWORKED BY SB: 3500-98-07 V16827	107107 904949	2
145	417T4205-116	.M	MASK ASSY-OXY MISCELLANEOUS DATA: EQUIVALENT PURITAN-BENNETT (FSCM 02217) P/N IS 174080-116 EQUIVALENT SCOTT (FSCM 53655) P/N IS 289-601-814 USED ON: 417N3810-2SP REWORKED BY SB: 35-0014 REWORKED BY SB: 3500-98-07 V16827	107107 904949	2

MISSING ITEM NUMBERS NOT APPLICABLE

- ITEM NOT ILLUSTRATED

35-21-05-02A

35-21-05
FIG. 02A
PAGE 2
JAN 20/09

BRI

BOEING PROPRIETARY - Copyright © - Unpublished Work - See title page for details.



757

PARTS CATALOG (MAINTENANCE)

FIG ITEM	PART NUMBER	1 2 3 4 5 6 7	NOMENCLATURE	EFFECT FROM TO	UNITS PER ASSY
2A 145	417T4205-16		.MASK ASSY-OXY LAV B MISCELLANEOUS DATA: EQUIVALENT PURITAN-BENNETT (FSCM 02217) P/N IS 174080-16 USED ON: 417N3810-2SP REWORKED BY SB: 35-0014 REWORKED BY SB: 3500-98-07 V16827	107107 904949	2
175	417T4205-63		.MASK ASSY-OXY MISCELLANEOUS DATA: EQUIVALENT PURITAN-BENNETT (FSCM 02217) P/N IS 174080-63 USED ON: 417N3810-1SP 417N3810-6SP REWORKED BY SB: 35-0014 REWORKED BY SB: 3500-98-07 V16827	107107	2

MISSING ITEM NUMBERS NOT APPLICABLE

- ITEM NOT ILLUSTRATED

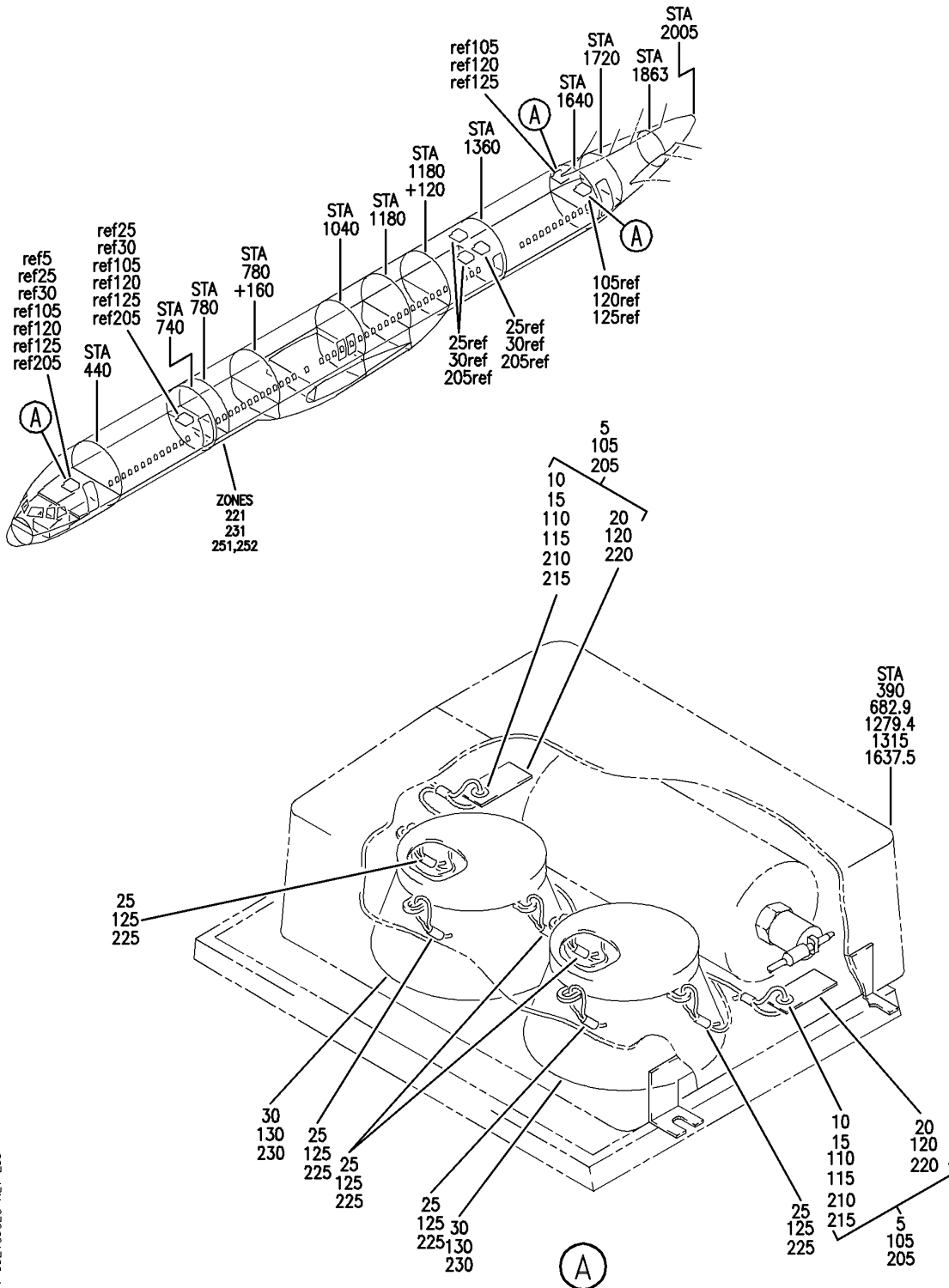
BRI

35-21-05-02A

BOEING PROPRIETARY - Copyright © - Unpublished Work - See title page for details.

35-21-05
FIG. 02A
PAGE 3
JAN 20/09

BOEING
757
PARTS CATALOG (MAINTENANCE)



Y 35210502C REV 235

BOX ASSY-OXY (PASSENGER OXYGEN MASK ONLY)
FIGURE 2C

35-21-05-02C

BRI
JAN 20/09

35-21-05-02C
PAGE 0



757

PARTS CATALOG (MAINTENANCE)

FIG ITEM	PART NUMBER	1 2 3 4 5 6 7	NOMENCLATURE	EFFECT FROM TO	UNITS PER ASSY
2C			BOX ASSY-OXY (PASSENGER OXYGEN MASK ONLY)	103106	
- 200	417N3810-137T		BOX ASSY-OXY (PASSENGER OXYGEN MASK ONLY) ELECTRICAL EQUIP NUMBER: M10373 COMPONENT MAINT MANUAL REF: 35-21-34 FOR NHA/ADDITIONAL DET SEE: 35-21-00-01G	103106	RF
205	417T4263-1	.	STREAMER ASSY	103106	2
210	MS20230WBP10	..	WASHER	103106	1
215	MS20230GBP10	..	GROMMET	103106	1
220	69-50420-2	..	STREAMER	103106	1
225	GSC128	.	SLEEVE SUPPLIER CODE: V56501 SPECIFICATION NUMBER: BACS13S128C	103106	6
230	289-801-237	.	MASK ASSY- SUPPLIER CODE: V53655 SPECIFICATION NUMBER: S418W001-104 MISCELLANEOUS DATA: S418W001-104 IS FULLY I/W 289-601-814 WHICH IS THE SCOTT AVIATION P/N FOR 417T4205-116	103106	2

MISSING ITEM NUMBERS NOT APPLICABLE

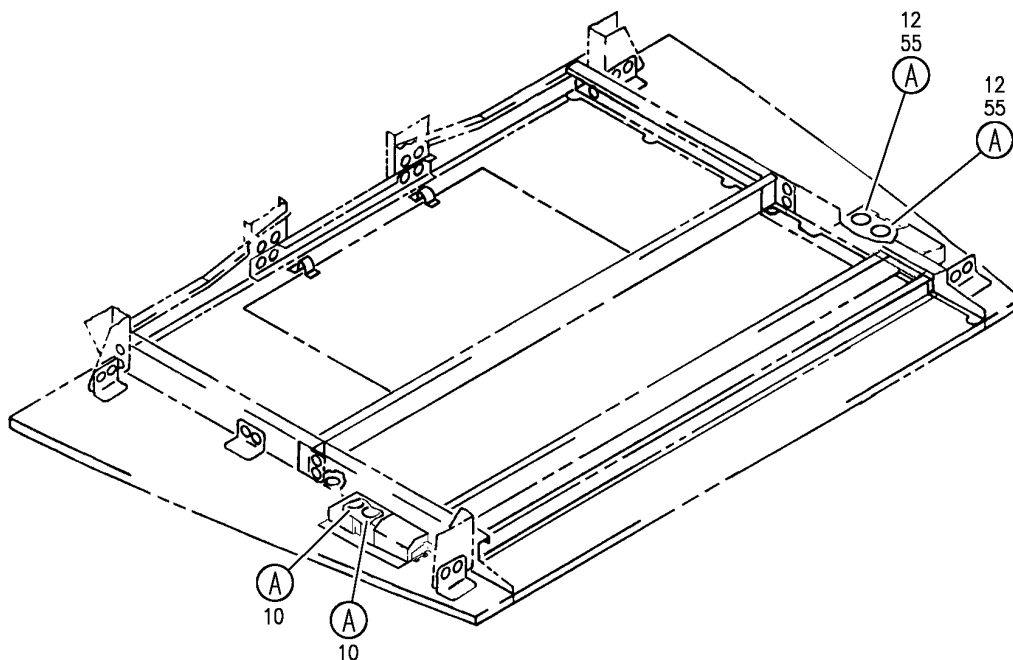
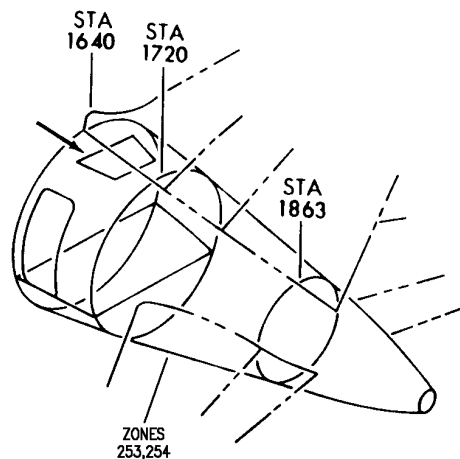
- ITEM NOT ILLUSTRATED

35-21-05-02C

35-21-05
FIG. 02C
PAGE 1
JAN 20/09

BRI

BOEING
757
PARTS CATALOG (MAINTENANCE)



Y 35210502E SHT 1 REV 301

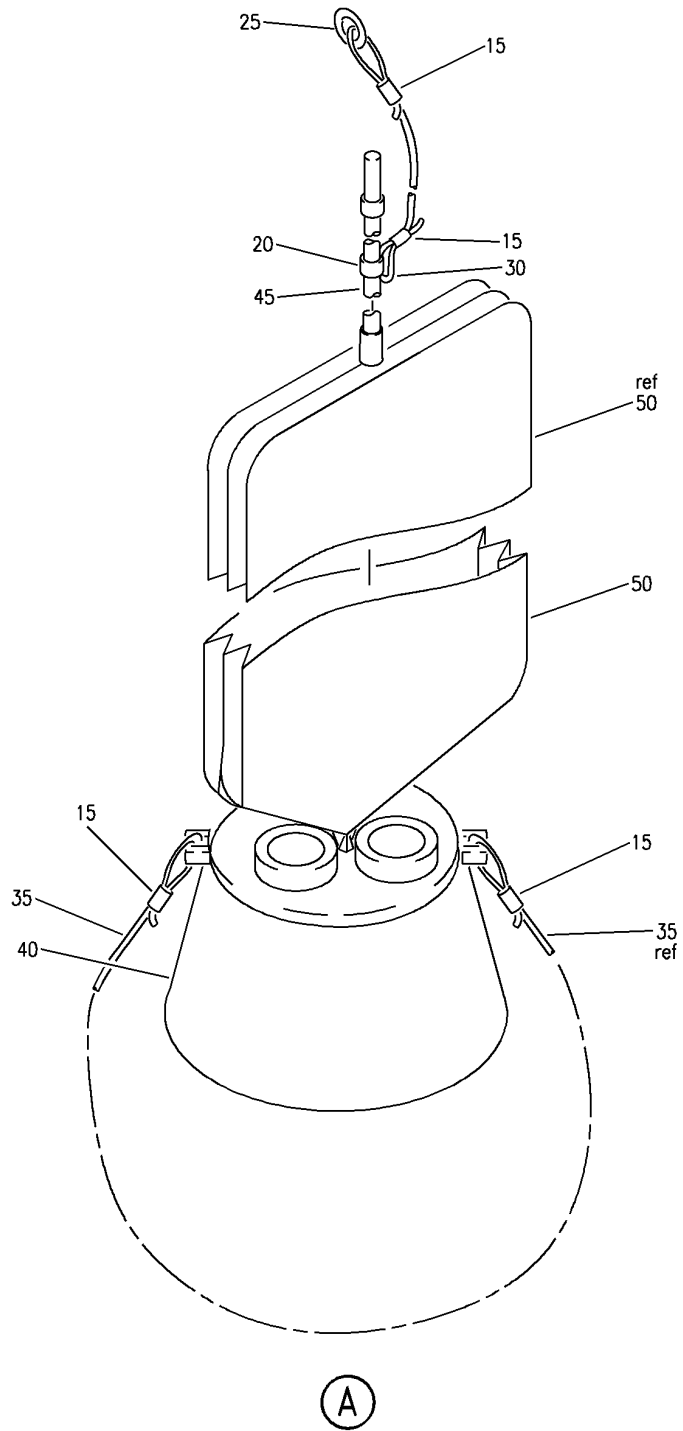
BOX ASSY-OXY (PASSENGER OXYGEN MASK ONLY)
FIGURE 2E (SHEET 1)

35-21-05-02E

BRI
JAN 20/09

35-21-05-02E
PAGE 0

BOEING
757
PARTS CATALOG (MAINTENANCE)



Y 35210502E SHT 2 REV 295

BOX ASSY-OXY (PASSENGER OXYGEN MASK ONLY)
FIGURE 2E (SHEET 2)

35-21-05-02E

BRI
JAN 20/09

35-21-05-02E
PAGE 0A



757

PARTS CATALOG (MAINTENANCE)

FIG ITEM	PART NUMBER	1 2 3 4 5 6 7	NOMENCLATURE	EFFECT FROM TO	UNITS PER ASSY
2E			BOX ASSY-OXY (PASSENGER OXYGEN MASK ONLY)	950951	
- 1	417N3820-11SP		BOX ASSY-OXY (PASSENGER OXYGEN MASK ONLY) FOR NHA SEE: 25-22-02-18J	950951	RF
- 5	417N3820-12SP		BOX ASSY-OXY (PASSENGER OXYGEN MASK ONLY) FOR NHA SEE: 25-22-02-18J	950951	RF
10	417T4205-163		.MASK ASSY-OXY MISCELLANEOUS DATA: EQUIVALENT PURITAN-BENNETT (FSCM 02217) P/N IS 174080-163 EQUIVALENT SCOTT (FSCM 53655) P/N IS 289-601-816 USED ON: 417N3820-11SP REWORKED BY SB: 35-0014 REWORKED BY SB: 3500-98-07 V16827	950951	2
12	417T4205-163		.MASK ASSY-OXY MISCELLANEOUS DATA: EQUIVALENT PURITAN-BENNETT (FSCM 02217) P/N IS 174080-163 EQUIVALENT SCOTT (FSCM 53655) P/N IS 289-601-816 OPTIONAL PART: 289-601-816 V53655 USED ON: 417N3820-12SP REWORKED BY SB: 35-0014 REWORKED BY SB: 3500-98-07 V16827	950951	2
15	417T4205-7		..CLAMP	950951	4
20	417T4205-11		..RETAINER-LOOP	950951	1
25	417T4205-96		..RING	950951	1

MISSING ITEM NUMBERS NOT APPLICABLE

- ITEM NOT ILLUSTRATED

35-21-05-02E

35-21-05
FIG. 02E
PAGE 1
JAN 20/09

BRI

BOEING PROPRIETARY - Copyright © - Unpublished Work - See title page for details.



757

PARTS CATALOG (MAINTENANCE)

FIG ITEM	PART NUMBER	1 2 3 4 5 6 7	NOMENCLATURE	EFFECT FROM TO	UNITS PER ASSY
2E					
30	417T4205-56	..	LANYARD-9.5 INCHES	950951	1
35	417T4205-6	..	STRAP	950951	1
40	417T4205-8	..	MASK	950951	1
45	417T4205-12	..	TUBING	950951	1
50	417T4205-9	..	BAG	950951	1
55	289-601-816	.M	MASK ASSY-	950951	2
			SUPPLIER CODE: V53655		
			OPTIONAL PART: 417T4205-163		
			USED ON: 417N3820-12SP		

MISSING ITEM NUMBERS NOT APPLICABLE

- ITEM NOT ILLUSTRATED

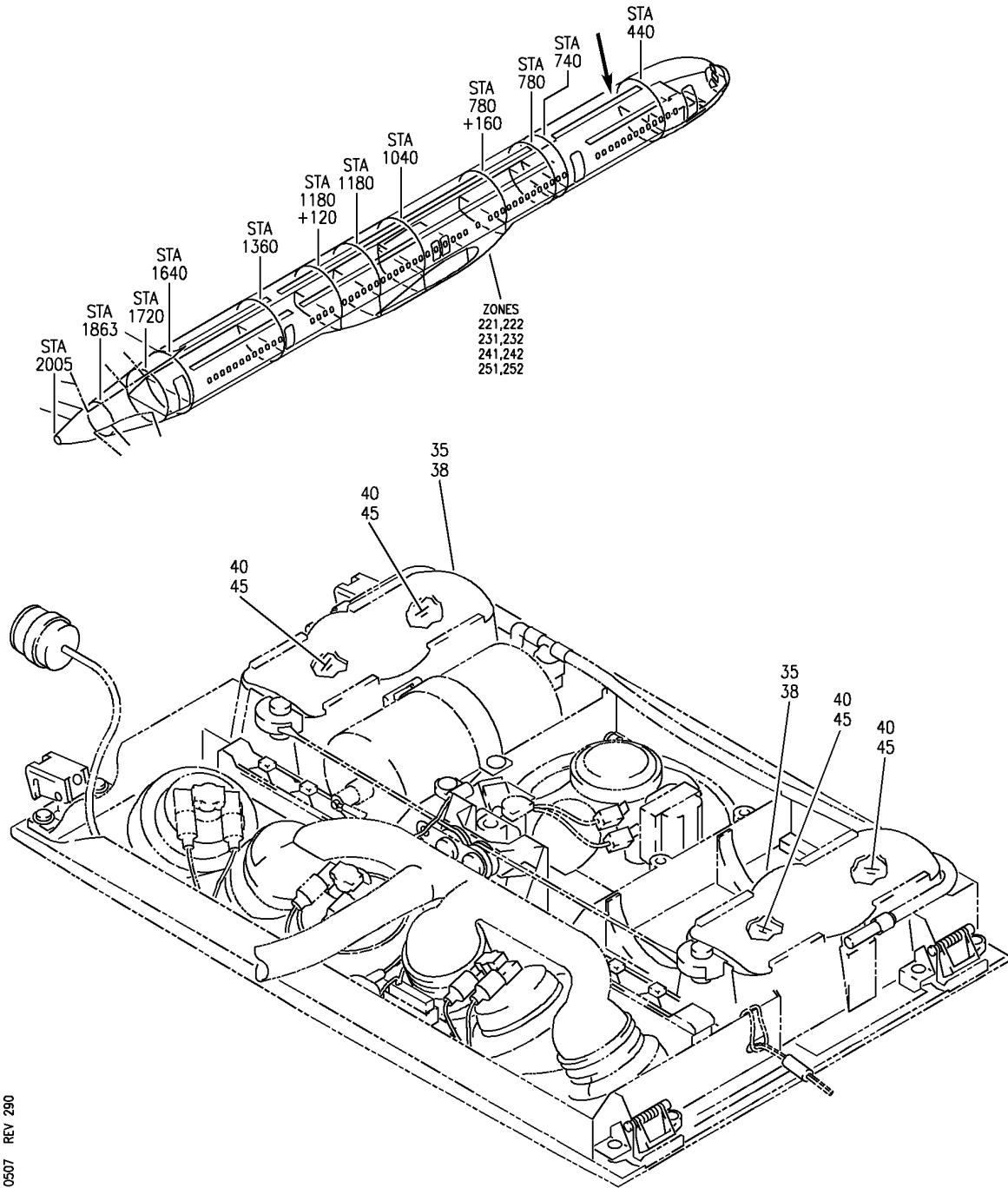
BRI

35-21-05-02E

BOEING PROPRIETARY - Copyright © - Unpublished Work - See title page for details.

35-21-05
FIG. 02E
PAGE 2
JAN 20/09

BOEING
757
PARTS CATALOG (MAINTENANCE)



Y 35210507 REV 290

SERVICE UNIT ASSY-PASS. (PASSENGER OXYGEN MASK ONLY)
FIGURE 7

35-21-05-07

BRI
JAN 20/09

35-21-05-07
PAGE 0



757

PARTS CATALOG (MAINTENANCE)

FIG ITEM	PART NUMBER	1 2 3 4 5 6 7	NOMENCLATURE	EFFECT FROM TO	UNITS PER ASSY
7			SERVICE UNIT ASSY-PASS. (PASSENGER OXYGEN MASK ONLY)	103106 108120	
- 5	417N3011-202SP		SERVICE UNIT ASSY-PASS. WITH SPKR AND GASPER (PASSENGER OXYGEN MASK ONLY) POSITION DATA: RH ELECTRICAL EQUIP NUMBER: M10973 COMPONENT MAINT MANUAL REF: 25-23-38 FOR NHA/OTHER SYS DET SEE: 25-23-01-52B	103106	RF
- 5	417N3011-402SP		SERVICE UNIT ASSY-PASS. WITH SPKR AND GASPER (PASSENGER OXYGEN MASK ONLY) POSITION DATA: RH ELECTRICAL EQUIP NUMBER: M10973 COMPONENT MAINT MANUAL REF: 25-23-38 FOR NHA/OTHER SYS DET SEE: 25-23-01-34A 25-23-01-52B 25-23-01-76A	103106 108120	RF
- 15	417N3011-214SP		SERVICE UNIT ASSY-PASS. NO SPKR WITH GASPER (PASSENGER OXYGEN MASK ONLY) POSITION DATA: RH ELECTRICAL EQUIP NUMBER: M10973 COMPONENT MAINT MANUAL REF: 25-23-38 FOR NHA/OTHER SYS DET SEE: 25-23-01-52B	103106	RF

MISSING ITEM NUMBERS NOT APPLICABLE

- ITEM NOT ILLUSTRATED

35-21-05-07

35-21-05
FIG. 07
PAGE 1
JAN 20/09

BRI



757

PARTS CATALOG (MAINTENANCE)

FIG ITEM	PART NUMBER	1 2 3 4 5 6 7	NOMENCLATURE	EFFECT FROM TO	UNITS PER ASSY
7 - 15	417N3011-414SP		SERVICE UNIT ASSY-PASS. NO SPKR WITH GASPER (PASSENGER OXYGEN MASK ONLY) POSITION DATA: RH ELECTRICAL EQUIP NUMBER: M10973 COMPONENT MAINT MANUAL REF: 25-23-38 FOR NHA/OTHER SYS DET SEE: 25-23-01-34A 25-23-01-52B 25-23-01-76A	103106 108120	RF
35	417N3132-9		.PLATE	108120	2
35	417N3132-9		.PLATE	105106	2
35	417N3132-9		.PLATE	103104	2
40	289-801-240		.MASK ASSY- SUPPLIER CODE: V53655 SPECIFICATION NUMBER: S418W001-100 COMPONENT MAINT MANUAL REF: 35-22-07	108120	4
40	289-801-240		.MASK ASSY- SUPPLIER CODE: V53655 SPECIFICATION NUMBER: S418W001-100 COMPONENT MAINT MANUAL REF: 35-22-07	105106	4
40	289-801-240		.MASK ASSY- SUPPLIER CODE: V53655 SPECIFICATION NUMBER: S418W001-100 COMPONENT MAINT MANUAL REF: 35-22-07	103104	4

MISSING ITEM NUMBERS NOT APPLICABLE

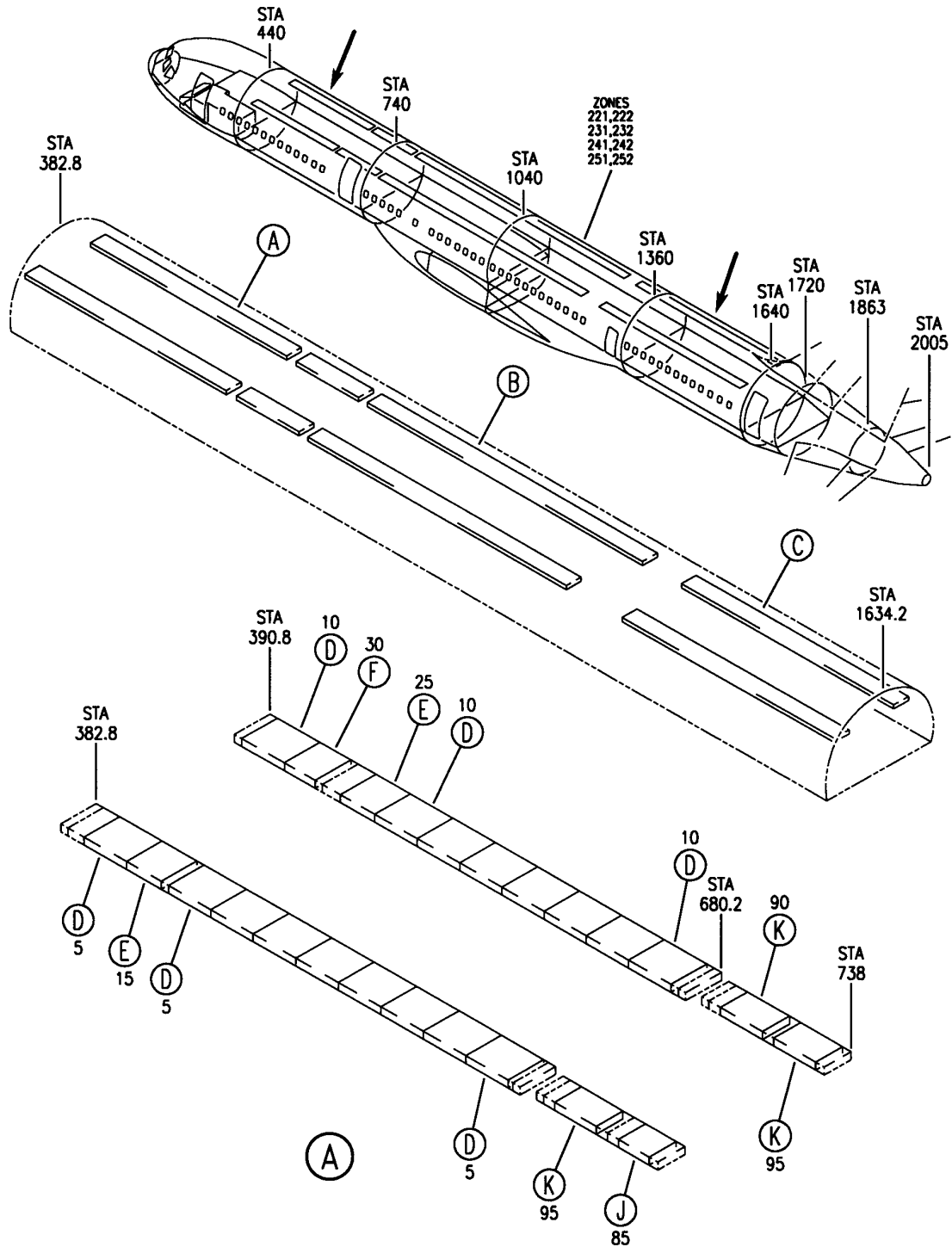
- ITEM NOT ILLUSTRATED

35-21-05-07

35-21-05
FIG. 07
PAGE 2
JAN 20/09

BRI

BOEING
757
PARTS CATALOG (MAINTENANCE)



Y 35210509 SHT 1 REV 207

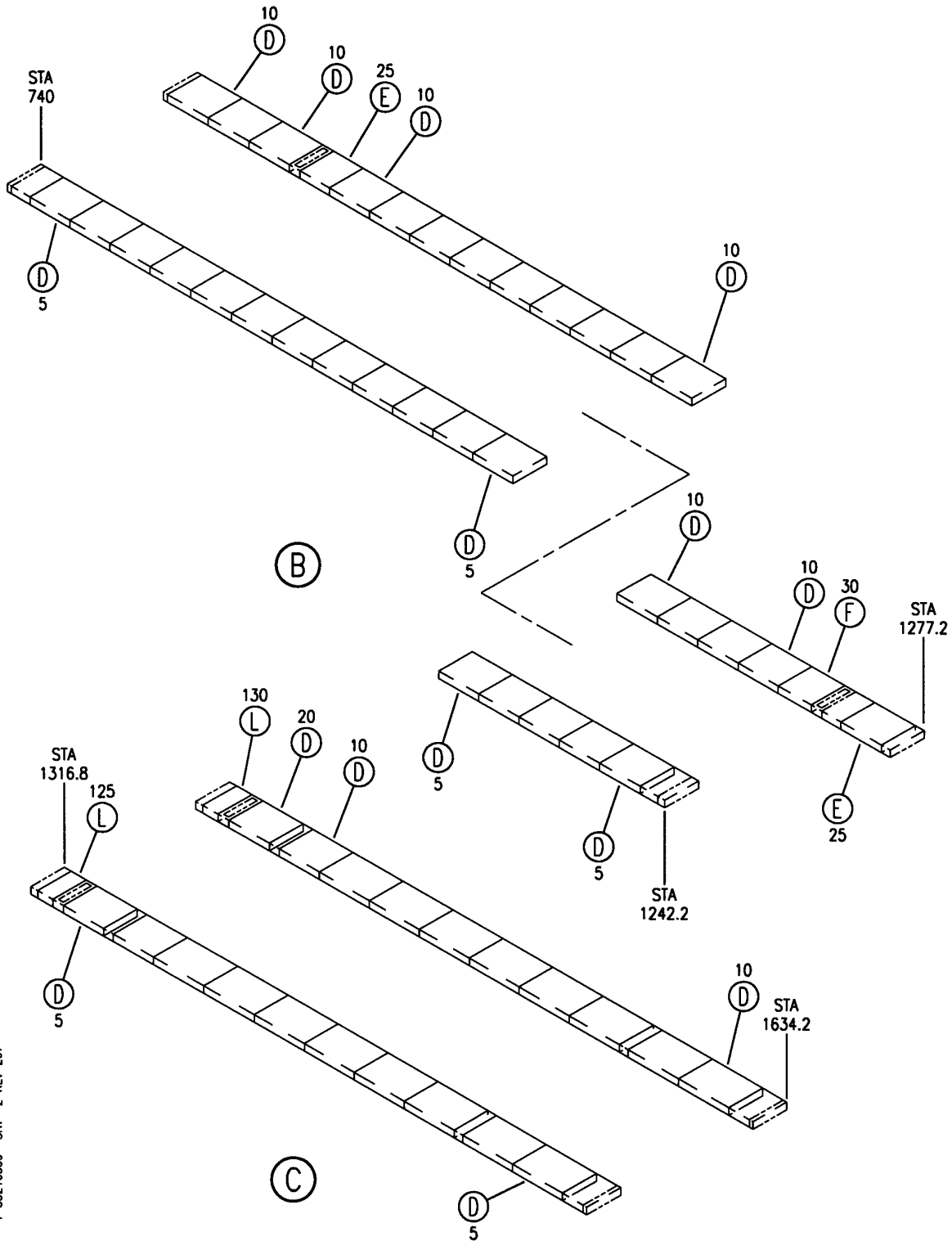
SERVICE UNIT INSTL-PASS. (PASSENGER OXYGEN MASK ONLY)
FIGURE 9 (SHEET 1)

35-21-05-09

BRI
MAY 28/07

35-21-05-09
PAGE 0


BOEING
 757
PARTS CATALOG (MAINTENANCE)



Y 35210509 SH1 2 REV 207

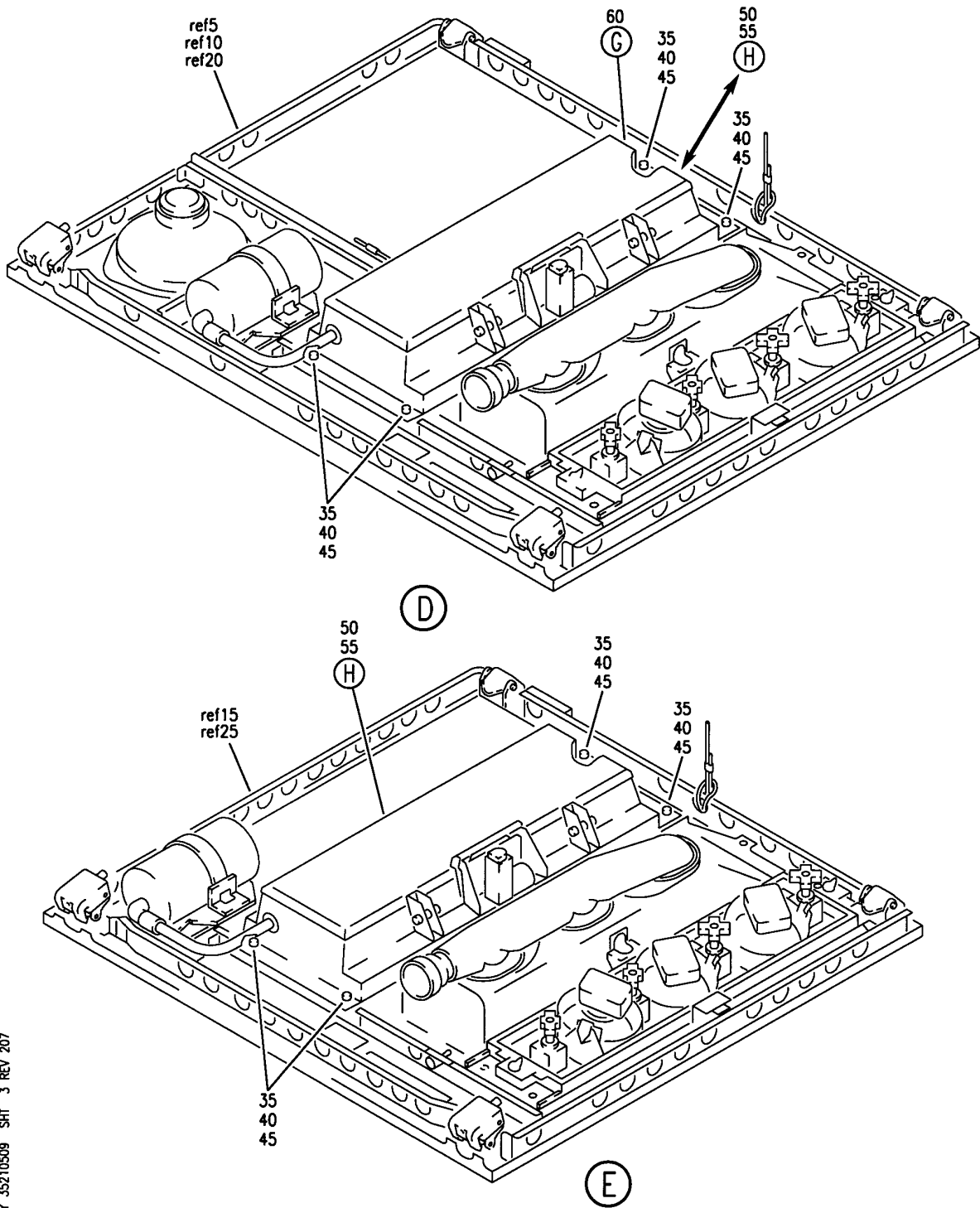
SERVICE UNIT INSTL-PASS. (PASSENGER OXYGEN MASK ONLY)
FIGURE 9 (SHEET 2)

35-21-05-09

BRI
MAY 28/07

35-21-05-09
PAGE 0A

BOEING
757
PARTS CATALOG (MAINTENANCE)



Y 35210509 SHT 3 REV 207

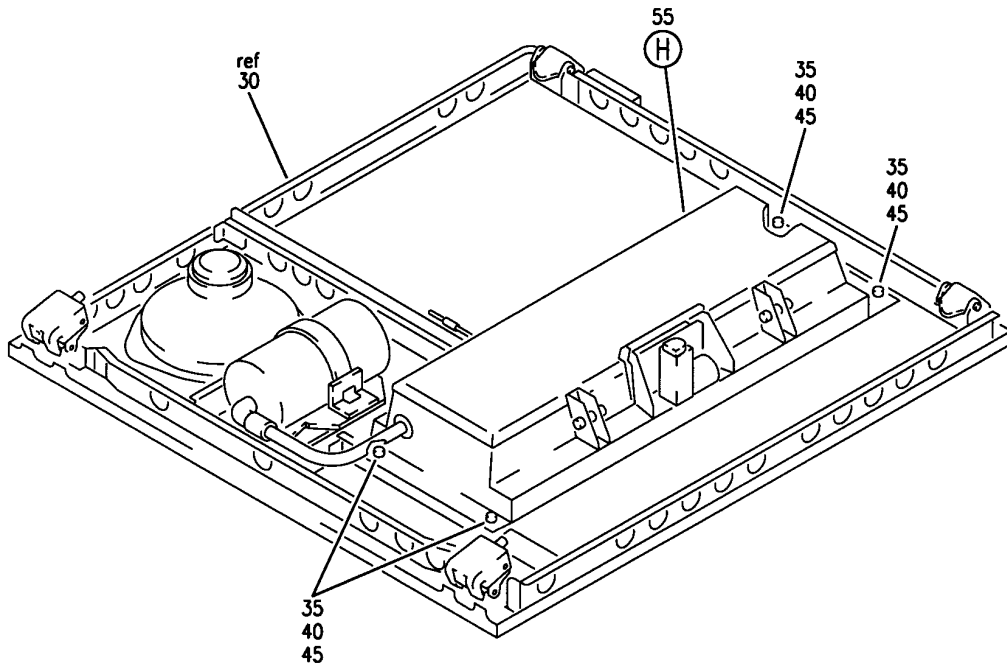
SERVICE UNIT INSTL-PASS. (PASSENGER OXYGEN MASK ONLY)
FIGURE 9 (SHEET 3)

35-21-05-09

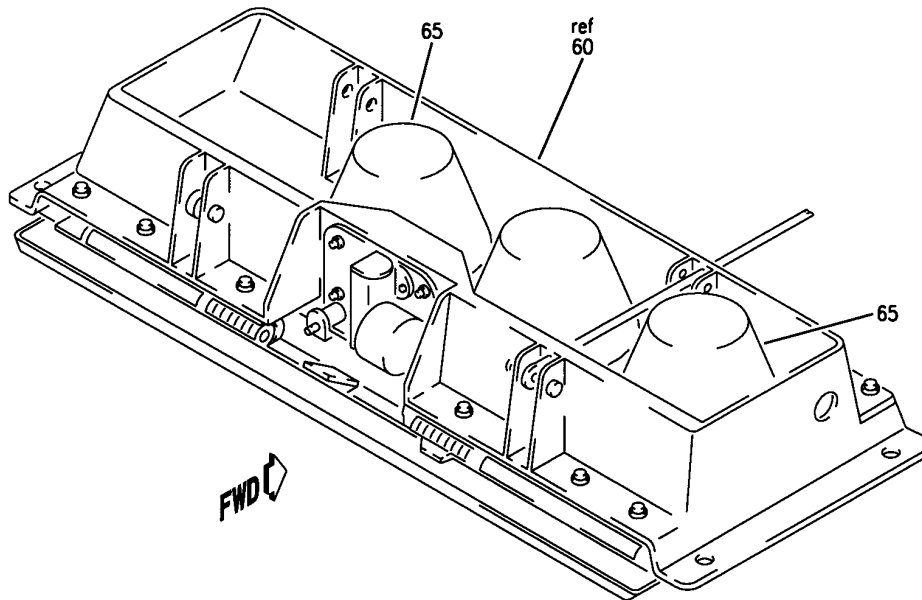
BRI
MAY 28/07

35-21-05-09
PAGE 0B

BOEING
757
PARTS CATALOG (MAINTENANCE)



(F)



(G)

Y 35210509 SHT 4 REV 207

SERVICE UNIT INSTL-PASS. (PASSENGER OXYGEN MASK ONLY)
FIGURE 9 (SHEET 4)

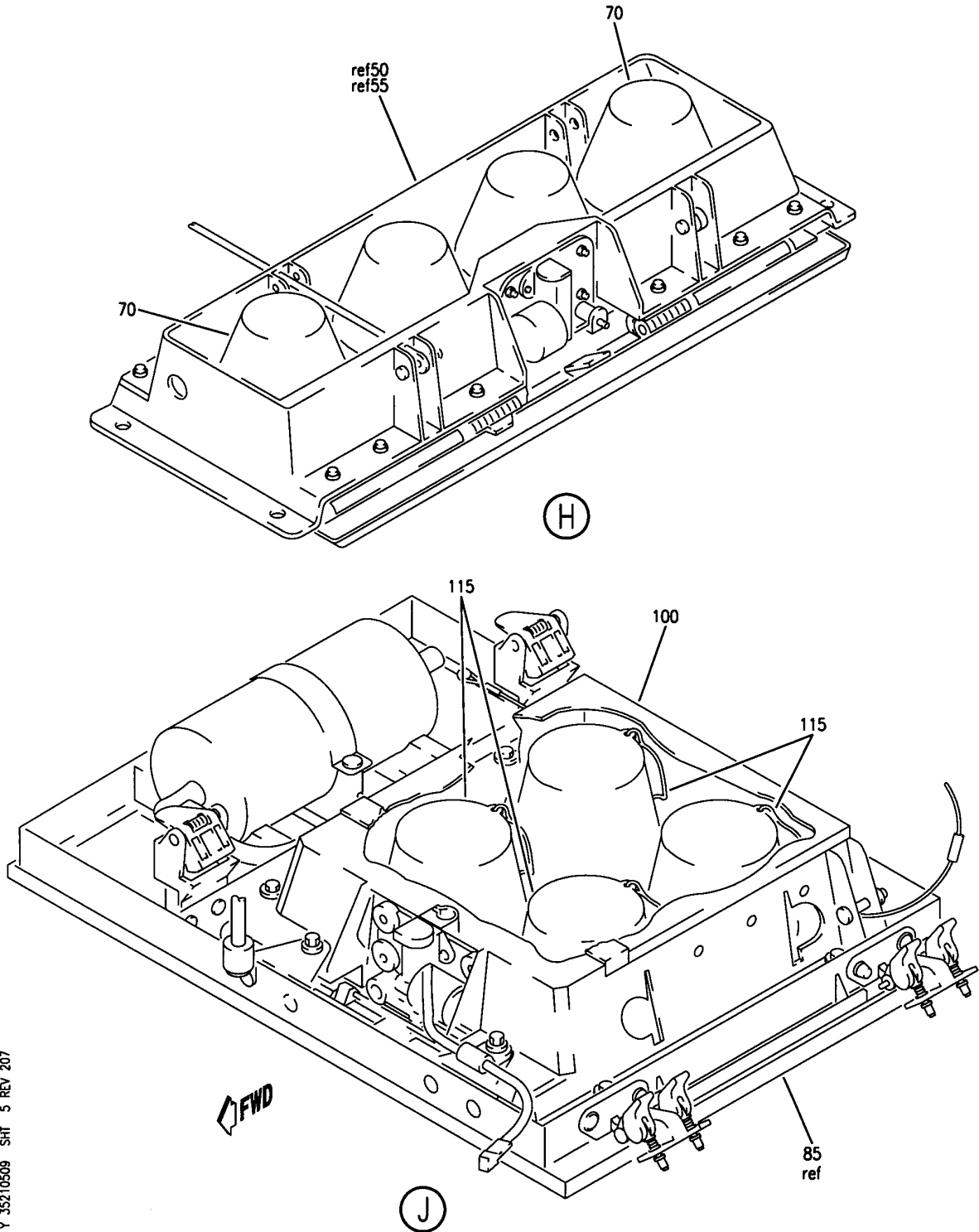
35-21-05-09

BRI
MAY 28/07

35-21-05-09
PAGE 0C

BOEING PROPRIETARY - Copyright © - Unpublished Work - See title page for details.

BOEING
 757
 PARTS CATALOG (MAINTENANCE)



Y 35210509 SHT 5 REV 207

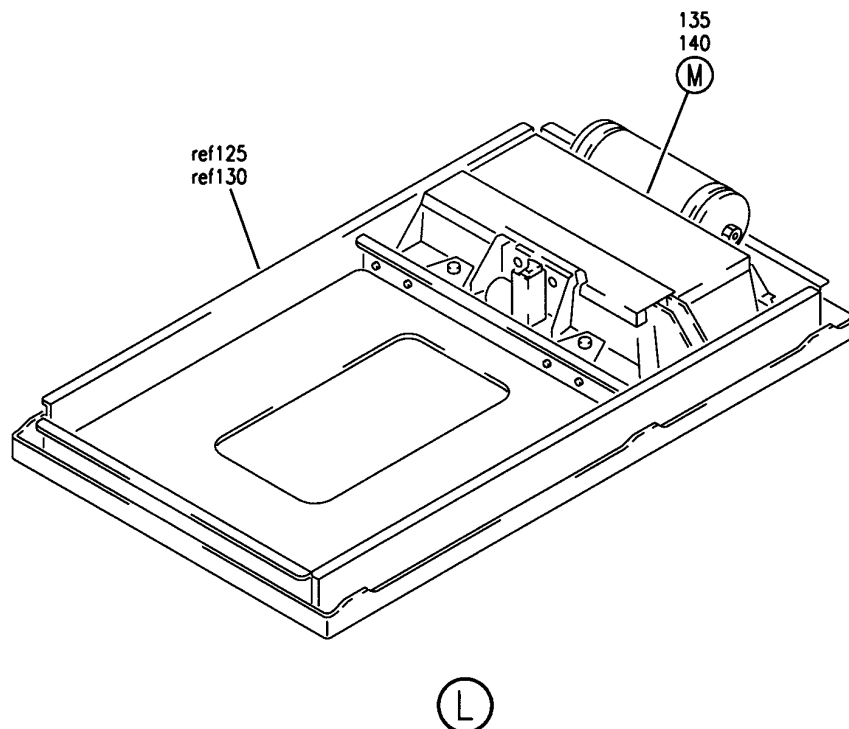
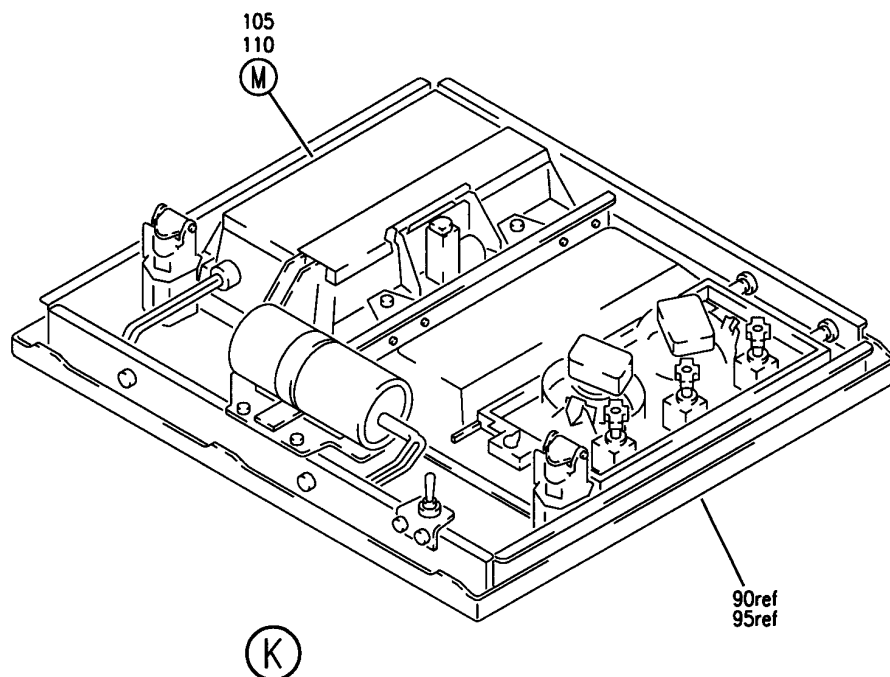
SERVICE UNIT INSTL-PASS. (PASSENGER OXYGEN MASK ONLY)
 FIGURE 9 (SHEET 5)

35-21-05-09

BRI
 MAY 28/07

35-21-05-09
 PAGE 0D

BOEING
757
PARTS CATALOG (MAINTENANCE)



Y 35210509 SHIT 6 REV 207

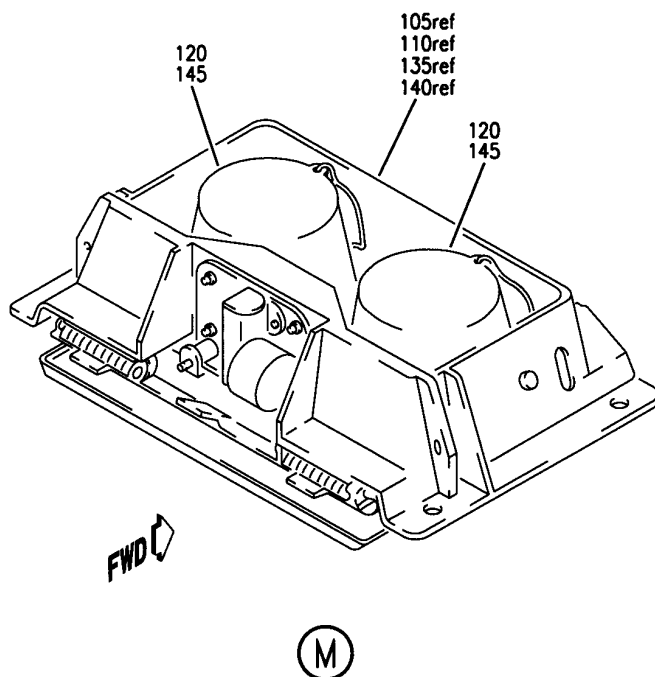
SERVICE UNIT INSTL-PASS. (PASSENGER OXYGEN MASK ONLY)
FIGURE 9 (SHEET 6)

35-21-05-09

BRI
MAY 28/07

35-21-05-09
PAGE 0E

BOEING
757
PARTS CATALOG (MAINTENANCE)



Y 35210509 SH1 7 REV 207

SERVICE UNIT INSTL-PASS. (PASSENGER OXYGEN MASK ONLY)
FIGURE 9 (SHEET 7)

35-21-05-09

BRI
MAY 28/07

35-21-05-09
PAGE OF



757

PARTS CATALOG (MAINTENANCE)

FIG ITEM	PART NUMBER	1 2 3 4 5 6 7	NOMENCLATURE	EFFECT FROM TO	UNITS PER ASSY
9			SERVICE UNIT INSTL-PASS. (PASSENGER OXYGEN MASK ONLY)	011102	
- 1	417N3001-164SP		SERVICE UNIT INSTL-PASS. (PASSENGER OXYGEN MASK ONLY)	101102	RF
- 1	417N3001-98		FOR NHA/OTHER SYS DET SEE: 25-20-00-20		
			SERVICE UNIT INSTL-PASS. (PASSENGER OXYGEN MASK ONLY)	011100	RF
			FOR NHA/OTHER SYS DET SEE: 25-20-00-20A		
5	417N3100-707SP		.SERVICE UNIT ASSY-PASS. FULL WITH SPKR POSITION DATA: UNDERBIN ELECTRICAL EQUIP NUMBER: M03012 COMPONENT MAINT MANUAL REF: 25-23-30	011100	RF
5	417N3100-723B		.SERVICE UNIT ASSY-PASS. FULL WITH SPKR POSITION DATA: UNDERBIN ELECTRICAL EQUIP NUMBER: M03012 COMPONENT MAINT MANUAL REF: 25-23-30	101102	RF
10	417N3100-708SP		.SERVICE UNIT ASSY-PASS. FULL WITH SPKR POSITION DATA: UNDERBIN ELECTRICAL EQUIP NUMBER: M03012 COMPONENT MAINT MANUAL REF: 25-23-30	011100	RF
10	417N3100-724B		.SERVICE UNIT ASSY-PASS. FULL WITH SPKR POSITION DATA: UNDERBIN ELECTRICAL EQUIP NUMBER: M03012 COMPONENT MAINT MANUAL REF: 25-23-30	101102	RF

MISSING ITEM NUMBERS NOT APPLICABLE

- ITEM NOT ILLUSTRATED

BRI

35-21-05-09

BOEING PROPRIETARY - Copyright © - Unpublished Work - See title page for details.

35-21-05
FIG. 09
PAGE 1
JAN 20/09



757

PARTS CATALOG (MAINTENANCE)

FIG ITEM	PART NUMBER	1 2 3 4 5 6 7	NOMENCLATURE	EFFECT FROM TO	UNITS PER ASSY
9					
15	417N3100-709SP		.SERVICE UNIT ASSY-PASS. 22 IN. PARTIAL WITHOUT SPKR POSITION DATA: UNDERBIN ELECTRICAL EQUIP NUMBER: M03012 COMPONENT MAINT MANUAL REF: 25-23-37	011100	RF
15	417N3100-725B		.SERVICE UNIT ASSY-PASS. 22 IN. PARTIAL WITHOUT SPKR POSITION DATA: UNDERBIN ELECTRICAL EQUIP NUMBER: M03012	101102	RF
20	417N3100-712SP		.SERVICE UNIT ASSY-PASS. FULL WITH MUTED SPKR POSITION DATA: UNDERBIN ELECTRICAL EQUIP NUMBER: M10471 COMPONENT MAINT MANUAL REF: 25-23-30	011100	RF
20	417N3100-728B		.SERVICE UNIT ASSY-PASS. FULL WITH MUTED SPKR POSITION DATA: UNDERBIN ELECTRICAL EQUIP NUMBER: M10471 COMPONENT MAINT MANUAL REF: 25-23-30	101102	RF
25	417N3100-508SP		.SERVICE UNIT ASSY-PASS. 22 IN. PARTIAL WITHOUT SPKR POSITION DATA: UNDERBIN ELECTRICAL EQUIP NUMBER: M03012 COMPONENT MAINT MANUAL REF: 25-23-37	011100	RF

MISSING ITEM NUMBERS NOT APPLICABLE

- ITEM NOT ILLUSTRATED

BRI

35-21-05-09

BOEING PROPRIETARY - Copyright © - Unpublished Work - See title page for details.

35-21-05
FIG. 09
PAGE 2
JAN 20/09



757

PARTS CATALOG (MAINTENANCE)

FIG ITEM	PART NUMBER	1 2 3 4 5 6 7	NOMENCLATURE	EFFECT FROM TO	UNITS PER ASSY
9					
25	417N3100-729B	.	SERVICE UNIT ASSY-PASS. 22 IN. PARTIAL WITHOUT SPKR POSITION DATA: UNDERBIN ELECTRICAL EQUIP NUMBER: M03012 COMPONENT MAINT MANUAL REF: 25-23-37	101102	RF
30	417N3100-516SP	.	SERVICE UNIT ASSY-PASS. PARTIAL WITH SPKR POSITION DATA: FWD UNDERBIN ELECTRICAL EQUIP NUMBER: M03013 COMPONENT MAINT MANUAL REF: 25-23-37	011100	RF
30	417N3100-730B	.	SERVICE UNIT ASSY-PASS. PARTIAL WITH SPKR POSITION DATA: FWD UNDERBIN ELECTRICAL EQUIP NUMBER: M03013	101102	RF
35	NAS43DD3-18	..	SPACER	011102	4
40	BACW10P193G	..	WASHER	011102	8
45	BACN10YJ08	..	NUT	011102	4
50	417N3130-73SP	..	BOX ASSY-4 MASK OXYGEN COMPONENT MAINT MANUAL REF: 35-21-02 USED ON: 417N3100-707SP 417N3100-709SP	011100	1
50	417N3130-143B	..	BOX ASSY-4 MASK OXYGEN COMPONENT MAINT MANUAL REF: 35-21-02 USED ON: 417N3100-723B 417N3100-725B	101102	1
55	417N3130-74SP	..	BOX ASSY-4 MASK OXYGEN COMPONENT MAINT MANUAL REF: 35-21-02 USED ON: 417N3100-708SP 417N3100-508SP 417N3100-516SP	011100	1

MISSING ITEM NUMBERS NOT APPLICABLE

- ITEM NOT ILLUSTRATED

35-21-05-09

35-21-05
FIG. 09
PAGE 3
JAN 20/09

BRI



757

PARTS CATALOG (MAINTENANCE)

FIG ITEM	PART NUMBER	1 2 3 4 5 6 7	NOMENCLATURE	EFFECT FROM TO	UNITS PER ASSY
9					
55	417N3130-144B	..	BOX ASSY-4 MASK OXYGEN COMPONENT MAINT MANUAL REF: 35-21-02 USED ON: 417N3100-724B 417N3100-729B 417N3100-730B	101102	1
55	417N3130-144SP	..	BOX ASSY-4 MASK OXYGEN COMPONENT MAINT MANUAL REF: 35-21-02 USED ON: 417N3100-708SP 417N3100-508SP 417N3100-516SP	011100	1
60	417N3130-76SP	..	BOX ASSY-4 MASK OXYGEN COMPONENT MAINT MANUAL REF: 35-21-02 USED ON: 417N3100-712SP	011100	1
60	417N3130-146B	..	BOX ASSY-4 MASK OXYGEN COMPONENT MAINT MANUAL REF: 35-21-02 USED ON: 417N3100-728B	101102	1
65	289-801-240	...	MASK ASSY-OXYGEN SUPPLIER CODE: V53655 SPECIFICATION NUMBER: S418W001-100 COMPONENT MAINT MANUAL REF: 35-22-07 USED ON: 417N3130-146B	101102	3

MISSING ITEM NUMBERS NOT APPLICABLE

- ITEM NOT ILLUSTRATED

35-21-05-09

35-21-05
FIG. 09
PAGE 4
JAN 20/09

BRI



757

PARTS CATALOG (MAINTENANCE)

FIG ITEM	PART NUMBER	1 2 3 4 5 6 7	NOMENCLATURE	EFFECT FROM TO	UNITS PER ASSY
9 65	417T4205-193		...MASK ASSY-OXYGEN BOX MISCELLANEOUS DATA: (EQUIVALENT PURITAN- BENNETT (FSCM 02217) P/N IS 174080-193 EQUIVALENT SCOTT (FSCM 53655) P/N IS 289-601-806) COMPONENT MAINT MANUAL REF: 25-23-38 USED ON: 417N3130-76SP REWORKED BY SB: 35-0014 35-0028 REWORKED BY SB: 3500-98-07 V16827 174080-35-01 V16827	011100	3
70	289-801-240		...MASK ASSY-OXYGEN SUPPLIER CODE: V53655 SPECIFICATION NUMBER: S418W001-100 COMPONENT MAINT MANUAL REF: 35-22-07 USED ON: 417N3130-143B 417N3130-144B	101102	4

MISSING ITEM NUMBERS NOT APPLICABLE

- ITEM NOT ILLUSTRATED

BRI

35-21-05-09

BOEING PROPRIETARY - Copyright © - Unpublished Work - See title page for details.

35-21-05
 FIG. 09
 PAGE 5
 JAN 20/09



757

PARTS CATALOG (MAINTENANCE)

FIG ITEM	PART NUMBER	1 2 3 4 5 6 7	NOMENCLATURE	EFFECT FROM TO	UNITS PER ASSY
9					
70	417T4205-193	...	MASK ASSY-OXYGEN BOX MISCELLANEOUS DATA: EQUIVALENT PURITAN-BENNETT (FSCM 02217) P/N IS 174080-193 EQUIVALENT SCOTT (FSCM 53655) P/N IS 289-601-806 COMPONENT MAINT MANUAL REF: 25-23-38 USED ON: 417N3130-73SP 417N3130-74SP REWORKED BY SB: 35-0014 35-0028 REWORKED BY SB: 3500-98-07 V16827 174080-35-01 V16827	011100	4
70	289-801-240	...	MASK ASSY-OXYGEN BOX SUPPLIER CODE: V53655 SPECIFICATION NUMBER: S418W001-100 COMPONENT MAINT MANUAL REF: 35-22-07 USED ON: 417N3130-144SP	011100	4
85	417N3200-153SP	.	SERVICE UNIT ASSY-PASS. POSITION DATA: FWD ELECTRICAL EQUIP NUMBER: M10363	101102	RF
85	417N3200-53SP	.	SERVICE UNIT ASSY-PASS. POSITION DATA: FWD ELECTRICAL EQUIP NUMBER: M10363 COMPONENT MAINT MANUAL REF: 35-21-04	011100	RF
90	417N3200-155SP	.	SERVICE UNIT ASSY-PASS. WITHOUT GASPEERS ELECTRICAL EQUIP NUMBER: M10363 COMPONENT MAINT MANUAL REF: 35-21-04	101102	RF

MISSING ITEM NUMBERS NOT APPLICABLE

- ITEM NOT ILLUSTRATED

35-21-05-09

35-21-05
FIG. 09
PAGE 6
JAN 20/09

BRI



757

PARTS CATALOG (MAINTENANCE)

FIG ITEM	PART NUMBER	1 2 3 4 5 6 7	NOMENCLATURE	EFFECT FROM TO	UNITS PER ASSY
9					
90	417N3200-55SP		.SERVICE UNIT ASSY-PASS. WITHOUT GASPERS ELECTRICAL EQUIP NUMBER: M10363 COMPONENT MAINT MANUAL REF: 35-21-04	011100	RF
95	417N3200-156SP		.SERVICE UNIT ASSY-PASS. WITHOUT GASPERS ELECTRICAL EQUIP NUMBER: M10363 COMPONENT MAINT MANUAL REF: 35-21-04	101102	RF
95	417N3200-56SP		.SERVICE UNIT ASSY-PASS. WITHOUT GASPERS ELECTRICAL EQUIP NUMBER: M10363 COMPONENT MAINT MANUAL REF: 35-21-04	011100	RF
100	417N3130-183SP		..BOX ASSY-4 MASK OXYGEN POSITION DATA: LEFT USED ON: 417N3200-153SP	101102	1
100	417N3130-93SP		..BOX ASSY-4 MASK OXYGEN POSITION DATA: LEFT COMPONENT MAINT MANUAL REF: 35-21-02 USED ON: 417N3200-53SP	011100	1
105	417N3130-168SP		..BOX ASSY-2 MASK OXYGEN POSITION DATA: RIGHT USED ON: 417N3200-155SP	101102	1
105	417N3130-88SP		.BOX ASSY-2 MASK OXYGEN USED ON: 417N3200-55SP	011100	1
110	417N3130-167SP		..BOX ASSY-2 MASK OXYGEN POSITION DATA: LEFT USED ON: 417N3200-156SP	101102	1
110	417N3130-87SP		..BOX ASSY-2 MASK OXYGEN USED ON: 417N3200-56SP	011100	1

MISSING ITEM NUMBERS NOT APPLICABLE

- ITEM NOT ILLUSTRATED

35-21-05-09

35-21-05
FIG. 09
PAGE 7
JAN 20/09

BRI



757

PARTS CATALOG (MAINTENANCE)

FIG ITEM	PART NUMBER	1 2 3 4 5 6 7	NOMENCLATURE	EFFECT FROM TO	UNITS PER ASSY
9 115	417T4205-162		<p>...MASK ASSY-OXYGEN MISCELLANEOUS DATA: EQUIVALENT PURITAN-BENNETT (FSCM 02217) P/N IS 174080-162 EQUIVALENT SCOTT (FSCM 53655) P/N IS 289-601-812 USED ON: 417N3130-93SP REWORKED BY SB: 35-0014 35-0028 REWORKED BY SB: 3500-98-07 V16827 174080-35-01 V16827</p>	011100	4
115	289-801-241		<p>...MASK ASSY-SUPPLIER CODE: V53655 SPECIFICATION NUMBER: S418W001-101 COMPONENT MAINT MANUAL REF: 35-22-07 USED ON: 417N3130-183SP</p>	011102	4
120	417T4205-164		<p>...MASK ASSY-OXYGEN QUALIFIED I/W DATA: 417T4205-164 MASK ASSEMBLY CAN REPLACE OR BE REPLACED BY 417T4205-64 MASK ASSEMBLY IF SERVICE BULLETIN 757-35A0006 HAS BEEN INCORPORATED. USED ON: 417N3130-87SP 417N3130-88SP REWORKED BY SB: 35-0014 35-0028 REWORKED BY SB: 3500-98-07 V16827 174080-35-01 V16827</p>	011100	2

MISSING ITEM NUMBERS NOT APPLICABLE

- ITEM NOT ILLUSTRATED

35-21-05-09

35-21-05
 FIG. 09
 PAGE 8
 JAN 20/09

BRI



757

PARTS CATALOG (MAINTENANCE)

FIG ITEM	PART NUMBER	1 2 3 4 5 6 7	NOMENCLATURE	EFFECT FROM TO	UNITS PER ASSY
9 120	289-801-124		...MASK ASSY- SUPPLIER CODE: V53655 SPECIFICATION NUMBER: S418W001-124 COMPONENT MAINT MANUAL REF: 35-22-07	101102	2
125	417N3700-121SP		.SERVICE UNIT ASSY-PASS. ATTENDANT POSITION DATA: UNDERBIN COMPONENT MAINT MANUAL REF: 35-21-05	101102	RF
125	417N3700-21SP		.SERVICE UNIT ASSY-PASS. ATTENDANT POSITION DATA: UNDERBIN COMPONENT MAINT MANUAL REF: 35-21-05	011100	RF
130	417N3700-122SP		.SERVICE UNIT ASSY-PASS. ATTENDANT POSITION DATA: UNDERBIN COMPONENT MAINT MANUAL REF: 35-21-05	101102	RF
130	417N3700-22SP		.SERVICE UNIT ASSY-PASS. ATTENDANT POSITION DATA: UNDERBIN COMPONENT MAINT MANUAL REF: 35-21-05	011102	RF
135	417N3130-169SP		..BOX ASSY-4 MASK OXYGEN POSITION DATA: LEFT USED ON: 417N3700-121SP	101102	1
135	417N3130-89SP		..BOX ASSY-4 MASK OXYGEN POSITION DATA: LEFT COMPONENT MAINT MANUAL REF: 35-21-03 USED ON: 417N3700-21SP	011100	1
140	417N3130-182SP		..BOX ASSY-4 MASK OXYGEN POSITION DATA: RIGHT USED ON: 417N3700-122SP	101102	1

MISSING ITEM NUMBERS NOT APPLICABLE

- ITEM NOT ILLUSTRATED

35-21-05-09

35-21-05
FIG. 09
PAGE 9
JAN 20/09

BRI



757

PARTS CATALOG (MAINTENANCE)

FIG ITEM	PART NUMBER	1 2 3 4 5 6 7	NOMENCLATURE	EFFECT FROM TO	UNITS PER ASSY
9 140	417N3130-92SP		..BOX ASSY-4 MASK OXYGEN POSITION DATA: RIGHT COMPONENT MAINT MANUAL REF: 35-21-03 USED ON: 417N3700-22SP	011100	1
145	289-801-240		...MASK ASSY-OXYGEN SUPPLIER CODE: V53655 SPECIFICATION NUMBER: S418W001-100 COMPONENT MAINT MANUAL REF: 35-22-07 USED ON: 417N3130-169SP 417N3130-182SP	101102	2
145	417T4205-167		...MASK ASSY-OXYGEN MISCELLANEOUS DATA: (EQUIVALENT PURITAN- BENNETT (FSCM 02217) P/N IS 174080-167 EQUIVALENT SCOTT (FSCM 53655) P/N IS 289-601-392) USED ON: 417N3130-89SP 417N3130-92SP REWORKED BY SB: 35-0014 35-0028 REWORKED BY SB: 3500-98-07 V16827 174080-35-01 V16827	011100	2

MISSING ITEM NUMBERS NOT APPLICABLE

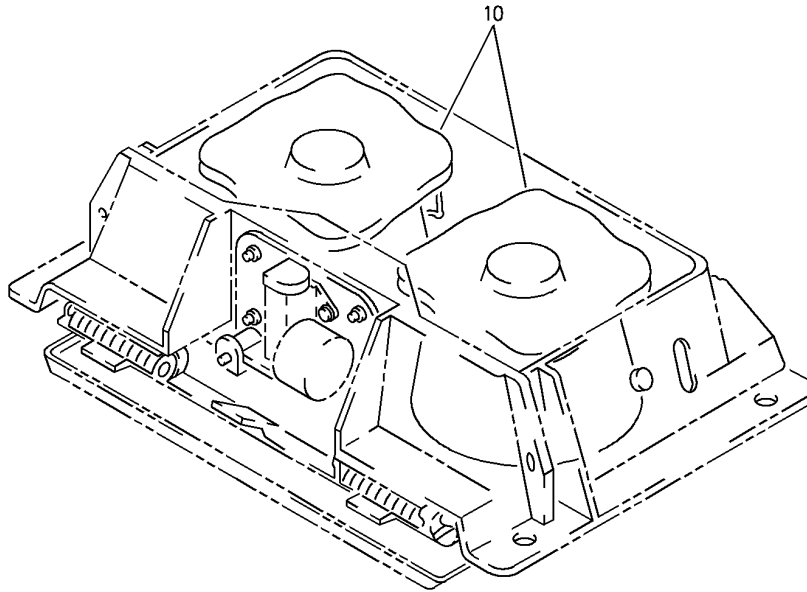
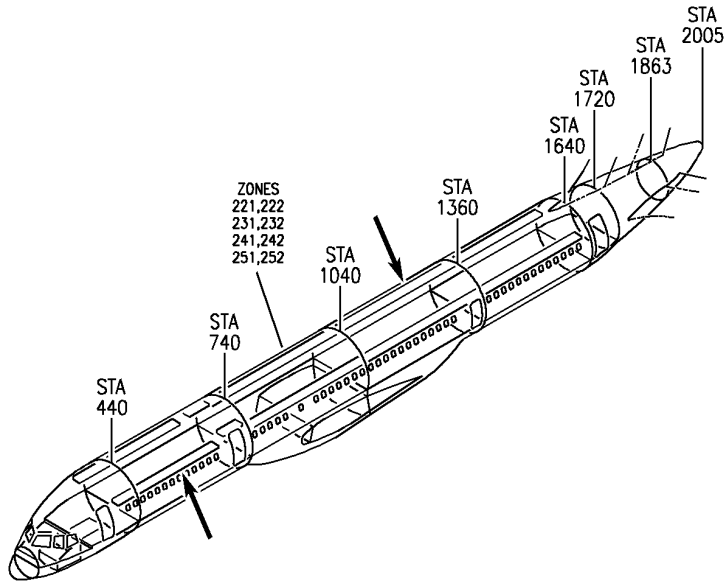
- ITEM NOT ILLUSTRATED

35-21-05-09

35-21-05
FIG. 09
PAGE 10
JAN 20/09

BRI

BOEING
757
PARTS CATALOG (MAINTENANCE)



Y 35210510 REV 295

BOX ASSY-OXY (PASSENGER OXYGEN MASK ONLY)
FIGURE 10

35-21-05-10

BRI
JAN 20/09

35-21-05-10
PAGE 0



757

PARTS CATALOG (MAINTENANCE)

FIG ITEM	PART NUMBER	1 2 3 4 5 6 7	NOMENCLATURE	EFFECT FROM TO	UNITS PER ASSY
10			BOX ASSY-OXY (PASSENGER OXYGEN MASK ONLY)	107107	
- 1	417N3130-9SP		BOX ASSY-OXY (PASSENGER OXYGEN MASK ONLY) COMPONENT MAINT MANUAL REF: 35-21-03 FOR NHA/ADDITIONAL DET SEE: 35-21-00-05	107107	RF
- 1	417N3130-47SP		BOX ASSY-OXY (PASSENGER OXYGEN MASK ONLY) COMPONENT MAINT MANUAL REF: 35-21-03 FOR NHA/ADDITIONAL DET SEE: 35-21-00-05	107107	RF
- 1	417N3130-87SP		BOX ASSY-OXY (PASSENGER OXYGEN MASK ONLY) COMPONENT MAINT MANUAL REF: 35-21-02 FOR NHA/ADDITIONAL DET SEE: 35-21-00-05	107107	RF
- 5	417N3130-10SP		BOX ASSY-OXY (PASSENGER OXYGEN MASK ONLY) COMPONENT MAINT MANUAL REF: 35-21-03 FOR NHA/ADDITIONAL DET SEE: 35-21-00-05	107107	RF
- 5	417N3130-48SP		BOX ASSY-OXY (PASSENGER OXYGEN MASK ONLY) COMPONENT MAINT MANUAL REF: 35-21-03 FOR NHA/ADDITIONAL DET SEE: 35-21-00-05	107107	RF
- 5	417N3130-88SP		BOX ASSY-OXY (PASSENGER OXYGEN MASK ONLY) COMPONENT MAINT MANUAL REF: 35-21-03 FOR NHA/ADDITIONAL DET SEE: 35-21-00-05	107107	RF

MISSING ITEM NUMBERS NOT APPLICABLE

- ITEM NOT ILLUSTRATED

35-21-05-10

35-21-05
FIG. 10
PAGE 1
JAN 20/09

BRI



757

PARTS CATALOG (MAINTENANCE)

FIG ITEM	PART NUMBER	1 2 3 4 5 6 7	NOMENCLATURE	EFFECT FROM TO	UNITS PER ASSY
10 10	417T4205-64		.MASK ASSY- QUALIFIED I/W DATA: 417T4205-164 MASK ASSEMBLY CAN REPLACE OR BE REPLACED BY 417T4205-64 MASK ASSEMBLY IF SERVICE BULLETIN 757-35A0006 HAS BEEN INCORPORATED. USED ON: 417N3130-9SP 417N3130-10SP 417N3130-47SP 417N3130-48SP REWORKED BY SB: 35-0014 REWORKED BY SB: 3500-98-07 V16827	107107	2
10	417T4205-164		.MASK ASSY- QUALIFIED I/W DATA: 417T4205-164 MASK ASSEMBLY CAN REPLACE OR BE REPLACED BY 417T4205-64 MASK ASSEMBLY IF SERVICE BULLETIN 757-35A0006 HAS BEEN INCORPORATED. USED ON: 417N3130-87SP 417N3130-88SP REWORKED BY SB: 35-0014 REWORKED BY SB: 3500-98-07 V16827	107107	2

MISSING ITEM NUMBERS NOT APPLICABLE

- ITEM NOT ILLUSTRATED

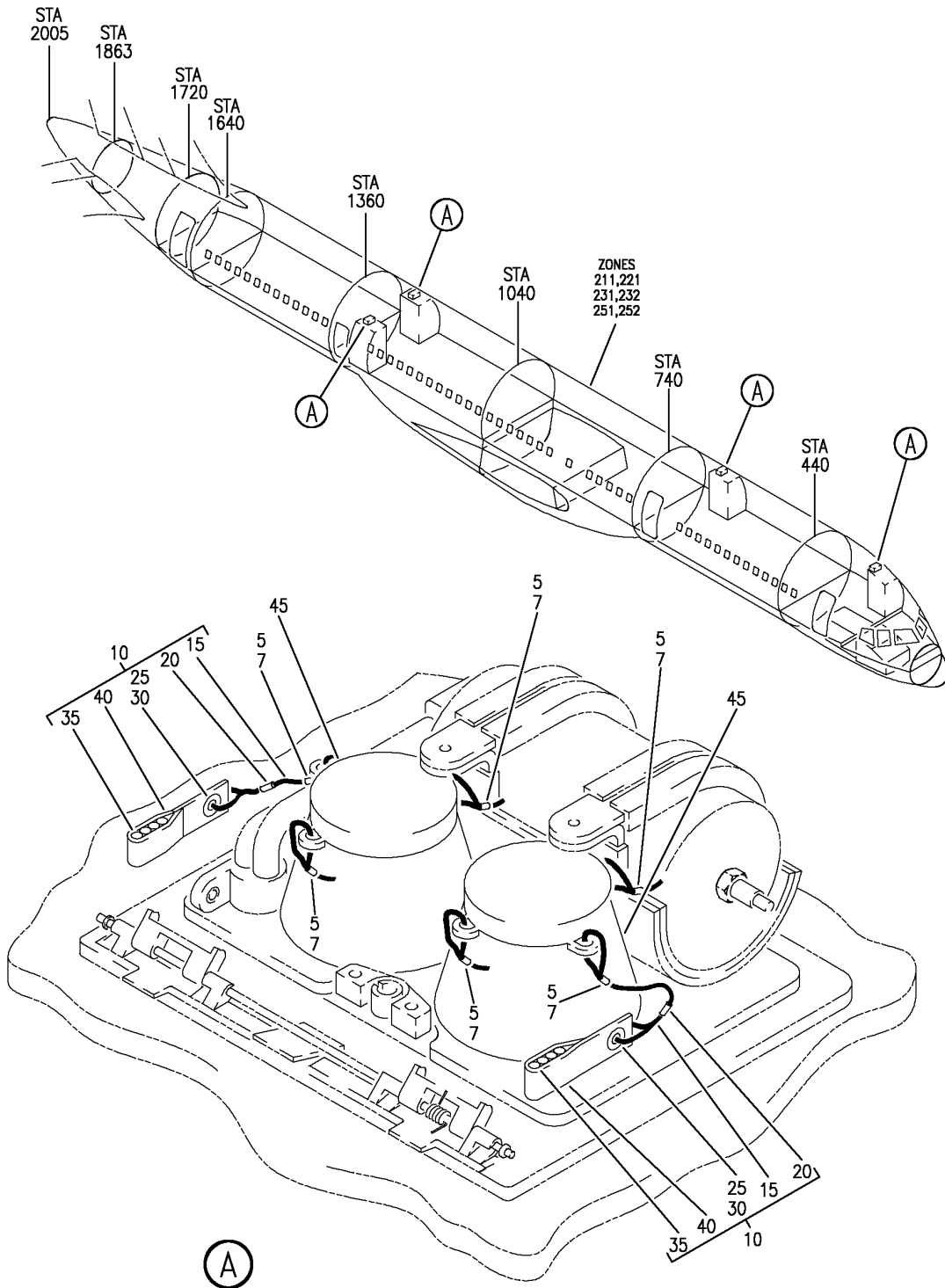
BRI

35-21-05-10

BOEING PROPRIETARY - Copyright © - Unpublished Work - See title page for details.

35-21-05
FIG. 10
PAGE 2
JAN 20/09

BOEING
757
PARTS CATALOG (MAINTENANCE)



Y 35210510A REV 314

BOX ASSY-OXY (PASSENGER OXYGEN MASK ONLY)
FIGURE 10A

35-21-05-10A

BRI
SEP 28/07

35-21-05-10A
PAGE 0



757

PARTS CATALOG (MAINTENANCE)

FIG ITEM	PART NUMBER	1 2 3 4 5 6 7	NOMENCLATURE	EFFECT FROM TO	UNITS PER ASSY
10A			BOX ASSY-OXY (PASSENGER OXYGEN MASK ONLY)	101102 108120	
- 1	417N3810-118SP		BOX ASSY-OXY (PASSENGER OXYGEN MASK ONLY) COMPONENT MAINT MANUAL REF: 35-21-34 FOR NHA/ADDITIONAL DET SEE: 35-21-00-11 35-21-00-13B	101102 108120	RF
5	GSC128		.SLEEVE- SUPPLIER CODE: V56501 SPECIFICATION NUMBER: BACS13S128C	101102 108120	3
10	417T4263-1		.STREAMER ASSY	101102 108120	2
15	417T4263-2		..CORD	101102 108120	1
20	MS51844-82		..SLEEVE	101102 108120	1
25	MS20230GBP10		..GROMMET	101102 108120	1
30	MS20230WBP10		..WASHER	101102 108120	1
35	69-50420-4		..SHOT-WEIGHT	101102 108120	16
40	69-50420-2		..STREAMER	101102 108120	1
45	289-801-237		.MASK ASSY-OXY SUPPLIER CODE: V53655 SPECIFICATION NUMBER: S418W001-104 MISCELLANEOUS DATA: S418W001-104 IS FULLY I/W 289-601-814 WHICH IS THE SCOTT AVIATION P/N FOR 417T4205-116	101102 108120	2

MISSING ITEM NUMBERS NOT APPLICABLE

- ITEM NOT ILLUSTRATED

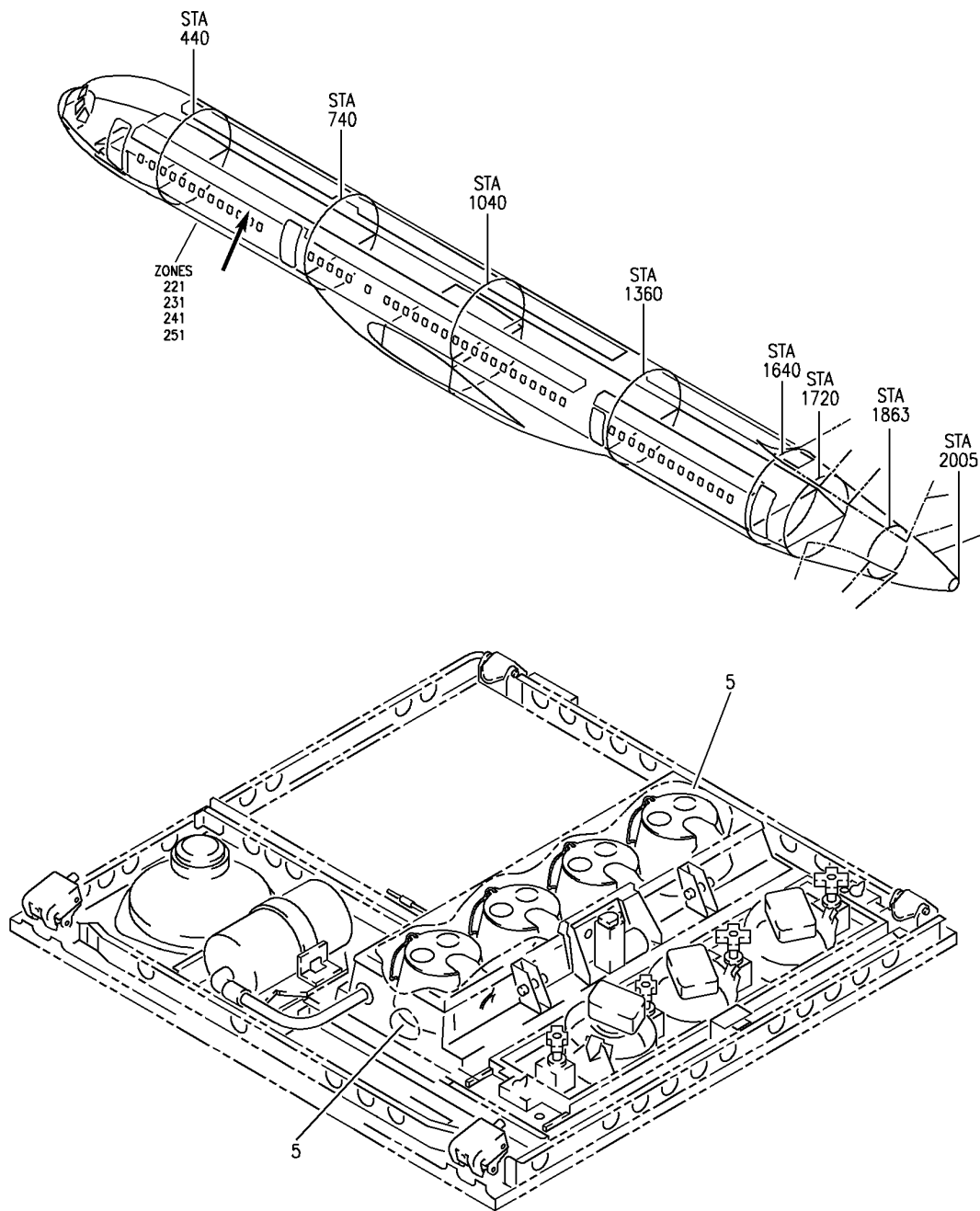
35-21-05-10A

35-21-05
FIG. 10A
PAGE 1
JAN 20/09

BRI

BOEING PROPRIETARY - Copyright © - Unpublished Work - See title page for details.

BOEING
757
PARTS CATALOG (MAINTENANCE)



Y 35210512 REV 295

BOX ASSY-OXY (PASSENGER OXYGEN MASK ONLY)
FIGURE 12

35-21-05-12

BRI
JAN 20/09

35-21-05-12
PAGE 0



757

PARTS CATALOG (MAINTENANCE)

FIG ITEM	PART NUMBER	1 2 3 4 5 6 7	NOMENCLATURE	EFFECT FROM TO	UNITS PER ASSY
12			BOX ASSY-OXY (PASSENGER OXYGEN MASK ONLY)	107107	
- 1	417N3130-63SP		BOX ASSY-OXY (PASSENGER OXYGEN MASK ONLY) COMPONENT MAINT MANUAL REF: 35-21-02 FOR NHA/ADDITIONAL DET SEE: 35-21-00-05A	107107	RF
- 1	417N3130-73SP		BOX ASSY-OXY COMPONENT MAINT MANUAL REF: 35-21-02 FOR NHA/ADDITIONAL DET SEE: 35-21-00-05A	107107	RF
5	417T4205-93		.MASK ASSY-OXY OPTIONAL PART: 289-801-240 REWORKED BY SB: 35-0014 REWORKED BY SB: 3500-98-07 V16827	107107	4
5	417T4205-193		.MASK ASSY-OXY MISCELLANEOUS DATA: EQUIVALENT PURITAN-BENNETT (FSCM 02217) P/N IS 174080-193 EQUIVALENT SCOTT (FSCM 53655) P/N IS 289-601-806 COMPONENT MAINT MANUAL REF: 25-23-38 REWORKED BY SB: 35-0014 REWORKED BY SB: 3500-98-07 V16827	107107	4
5	289-801-240		..MASK ASSY- SUPPLIER CODE: V53655 SPECIFICATION NUMBER: S418W001-100 COMPONENT MAINT MANUAL REF: 35-22-07 OPTIONAL PART: 417T4205-93	107107	4

MISSING ITEM NUMBERS NOT APPLICABLE

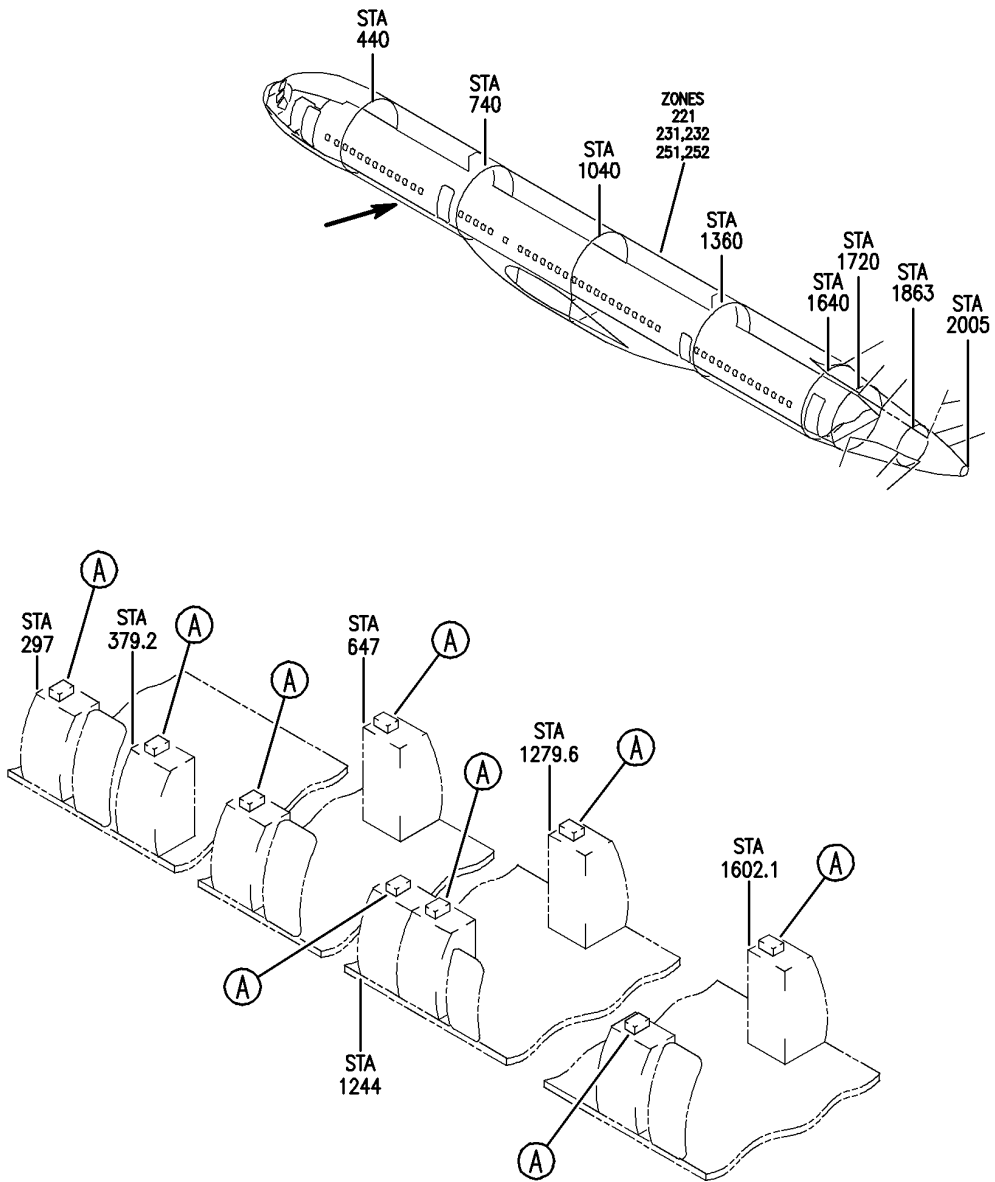
- ITEM NOT ILLUSTRATED

35-21-05-12

35-21-05
FIG. 12
PAGE 1
JAN 20/09

BRI

BOEING
757
PARTS CATALOG (MAINTENANCE)



Y 35210520A SH1 1 REV 237

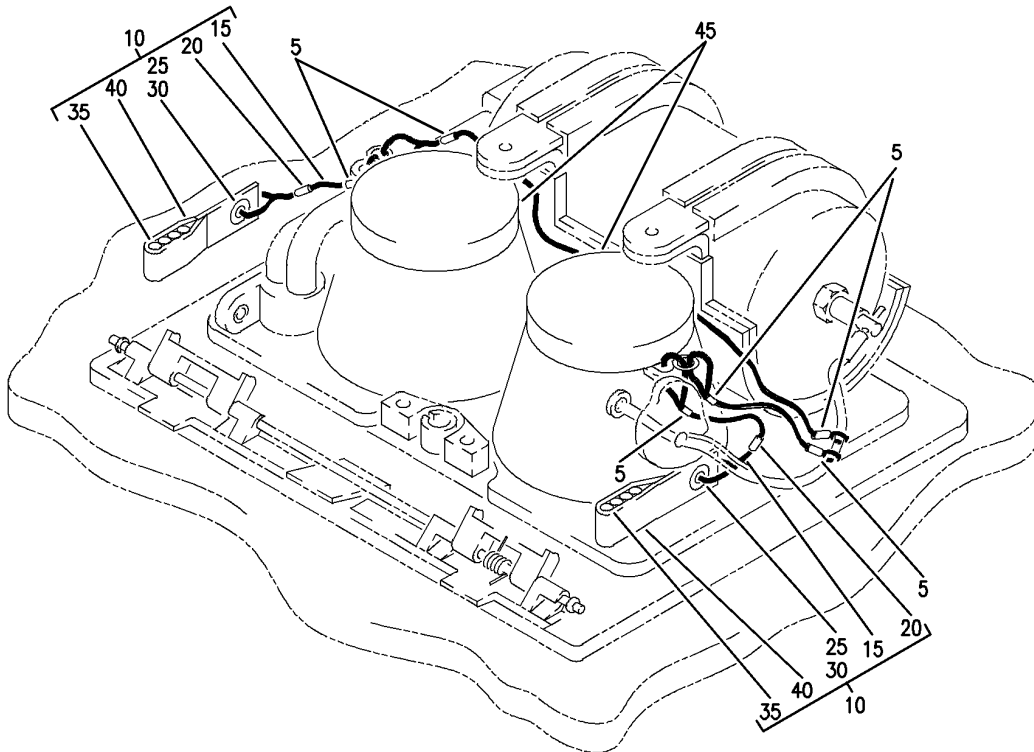
BOX ASSY-OXY (PASSENGER OXYGEN MASK ONLY)
FIGURE 20A (SHEET 1)

35-21-05-20A

BRI
MAY 28/07

35-21-05-20A
PAGE 0

BOEING
757
PARTS CATALOG (MAINTENANCE)



(A)

Y 35210520A SH1 2 REV 238

BOX ASSY-OXY (PASSENGER OXYGEN MASK ONLY)
FIGURE 20A (SHEET 2)

35-21-05-20A

BRI
MAY 28/07

35-21-05-20A
PAGE 0A



757

PARTS CATALOG (MAINTENANCE)

FIG ITEM	PART NUMBER	1 2 3 4 5 6 7	NOMENCLATURE	EFFECT FROM TO	UNITS PER ASSY
20A			BOX ASSY-OXY (PASSENGER OXYGEN MASK ONLY)	002004 006100 121503 950999	
- 1	417N3810-97SP		BOX ASSY-OXY (PASSENGER OXYGEN MASK ONLY) COMPONENT MAINT MANUAL REF: 35-21-34 FOR NHA/ADDITIONAL DET SEE: 35-21-00-13B 35-21-00-19A 35-21-04-39 35-21-04-48 35-21-04-78	002004 006100 121503 950999	RF
5	GSC128		. SLEEVE SUPPLIER CODE: V56501 SPECIFICATION NUMBER: BACS13S128C	002004 006100 121503 950999	6
10	417T4263-1		. STREAMER ASSY	002004 006100 121503 950999	2
15	417T4263-2		.. CORD	002004 006100 121503 950999	1
20	MS51844-82		.. SLEEVE	002004 006100 121503 950999	1
25	MS20230GBP10		.. GROMMET	002004 006100 121503 950999	1
30	MS20230WBP10		.. WASHER	002004 006100 121503 950999	1
35	69-50420-4		.. SHOT-WEIGHT	002004 006100 121503 950999	16
40	69-50420-2		.. STREAMER	002004 006100 121503 950999	1

MISSING ITEM NUMBERS NOT APPLICABLE

- ITEM NOT ILLUSTRATED

35-21-05-20A

35-21-05
FIG. 20A
PAGE 1
JAN 20/09

BRI

BOEING PROPRIETARY - Copyright © - Unpublished Work - See title page for details.



757

PARTS CATALOG (MAINTENANCE)

FIG ITEM	PART NUMBER	1 2 3 4 5 6 7	NOMENCLATURE	EFFECT FROM TO	UNITS PER ASSY
20A 45	417T4205-116		.MASK ASSY-OXY MISCELLANEOUS DATA: EQUIVALENT PURITAN-BENNETT (FSCM 02217) P/N IS 174080-116 EQUIVALENT SCOTT (FSCM 53655) P/N IS 289-601-814 USED ON: 417N3810-97SP REWORKED BY SB: 35-0014 REWORKED BY SB: 3500-98-07 V16827	121503 950999	2
45	289-801-237		.MASK ASSY-OXY SUPPLIER CODE: V53655 SPECIFICATION NUMBER: S418W001-104 MISCELLANEOUS DATA: S418W001-104 IS FULLY I/W 289-601-814 WHICH IS THE SCOTT AVIATION P/N FOR 417T4205-116 USED ON: 417N3810-97SP	121503 950999	2

MISSING ITEM NUMBERS NOT APPLICABLE

- ITEM NOT ILLUSTRATED

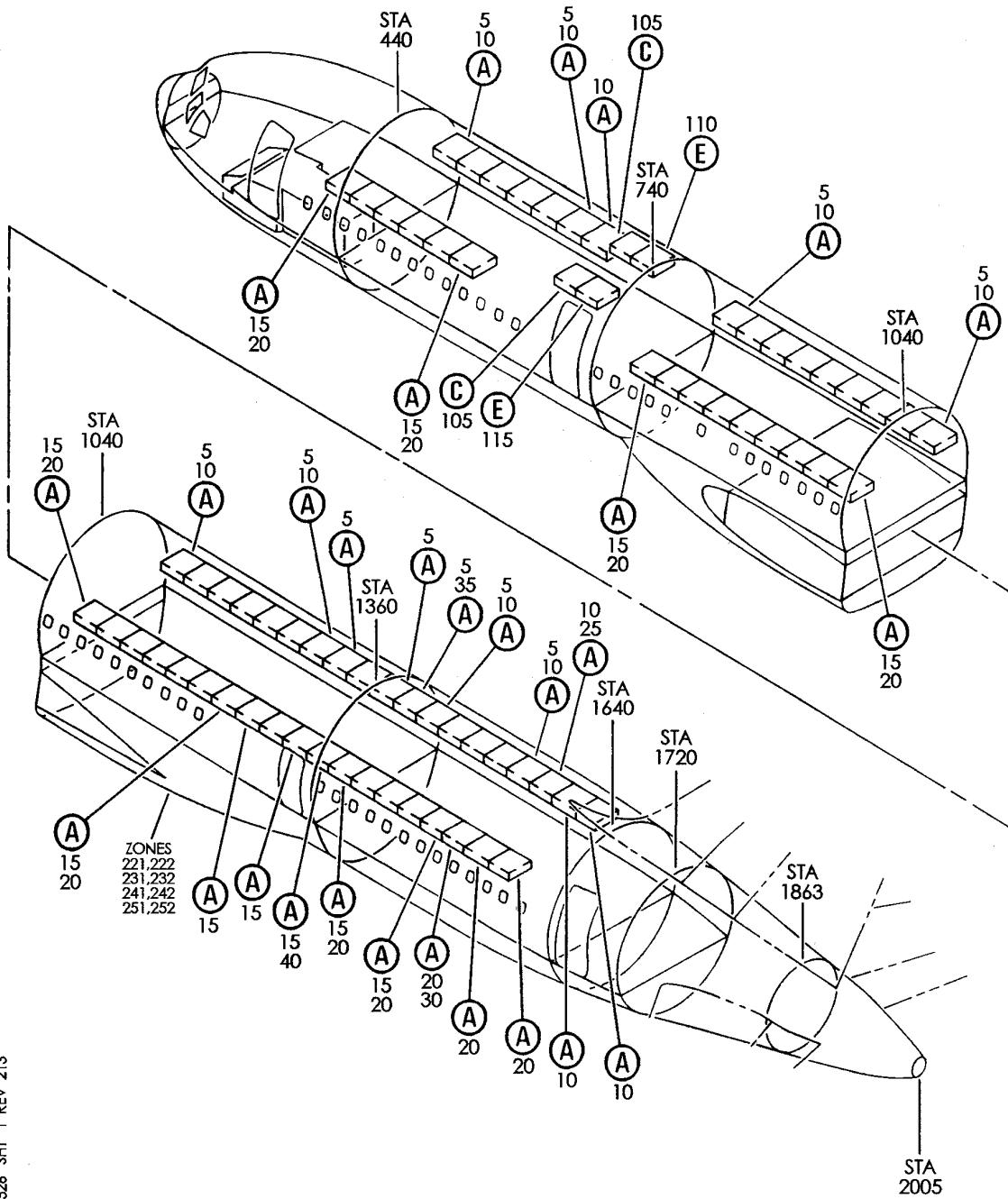
BRI

35-21-05-20A

BOEING PROPRIETARY - Copyright © - Unpublished Work - See title page for details.

35-21-05
FIG. 20A
PAGE 2
JAN 20/09

BOEING
757
PARTS CATALOG (MAINTENANCE)



Y 35210526 SHT 1 REV 213

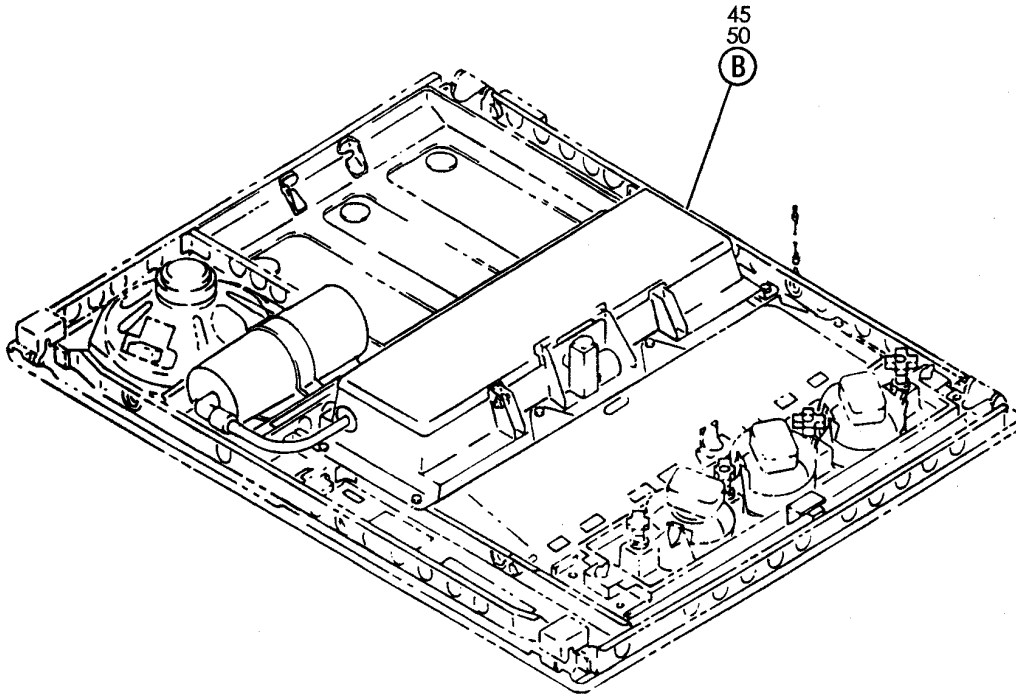
SERVICE UNIT INSTL-PASS (PASSENGER OXYGEN MASK ONLY)
FIGURE 26 (SHEET 1)

35-21-05-26

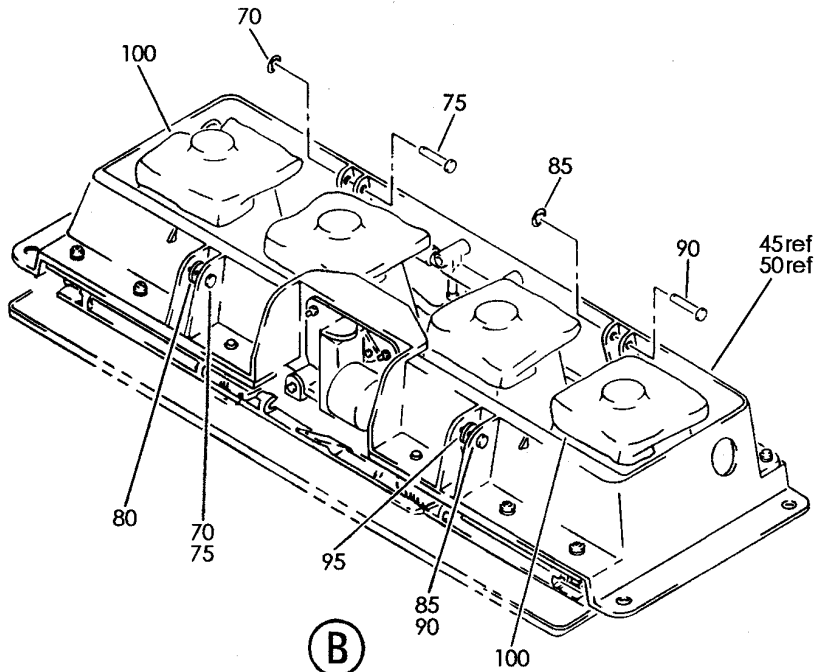
BRI
JAN 20/09

35-21-05-26
PAGE 0

BOEING
757
PARTS CATALOG (MAINTENANCE)



(A)



(B)

Y 35210526 SH1 2 REV 213

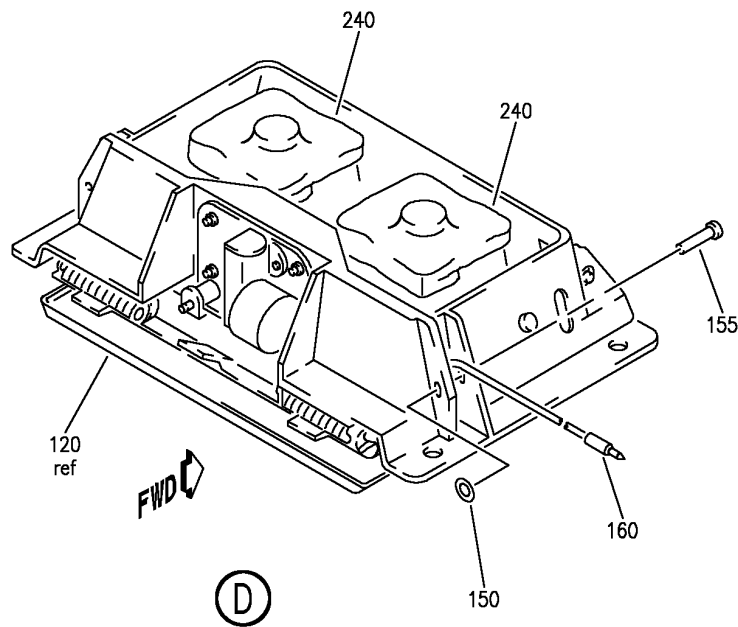
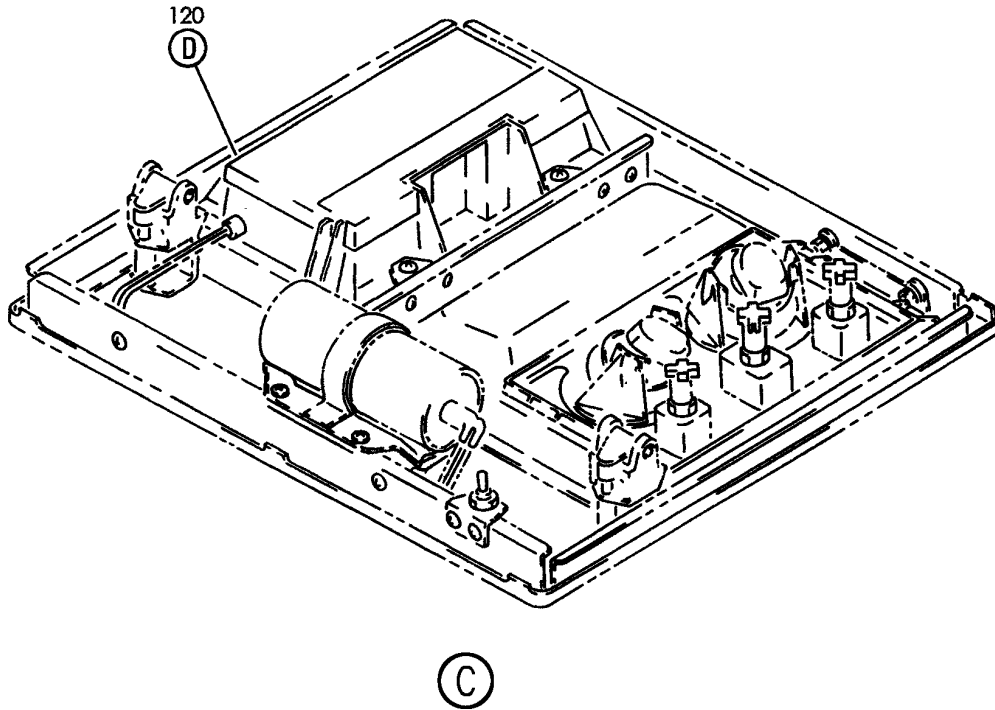
SERVICE UNIT INSTL-PASS (PASSENGER OXYGEN MASK ONLY)
FIGURE 26 (SHEET 2)

35-21-05-26

BRI
JAN 20/09

35-21-05-26
PAGE 0A

BOEING
757
PARTS CATALOG (MAINTENANCE)



Y 35210526 SH1 3 REV 271

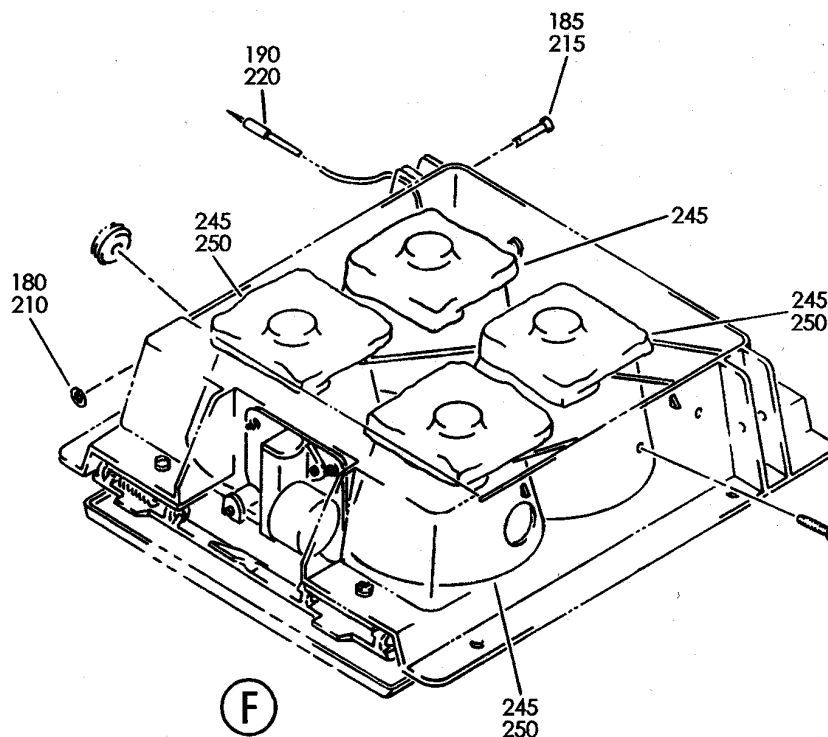
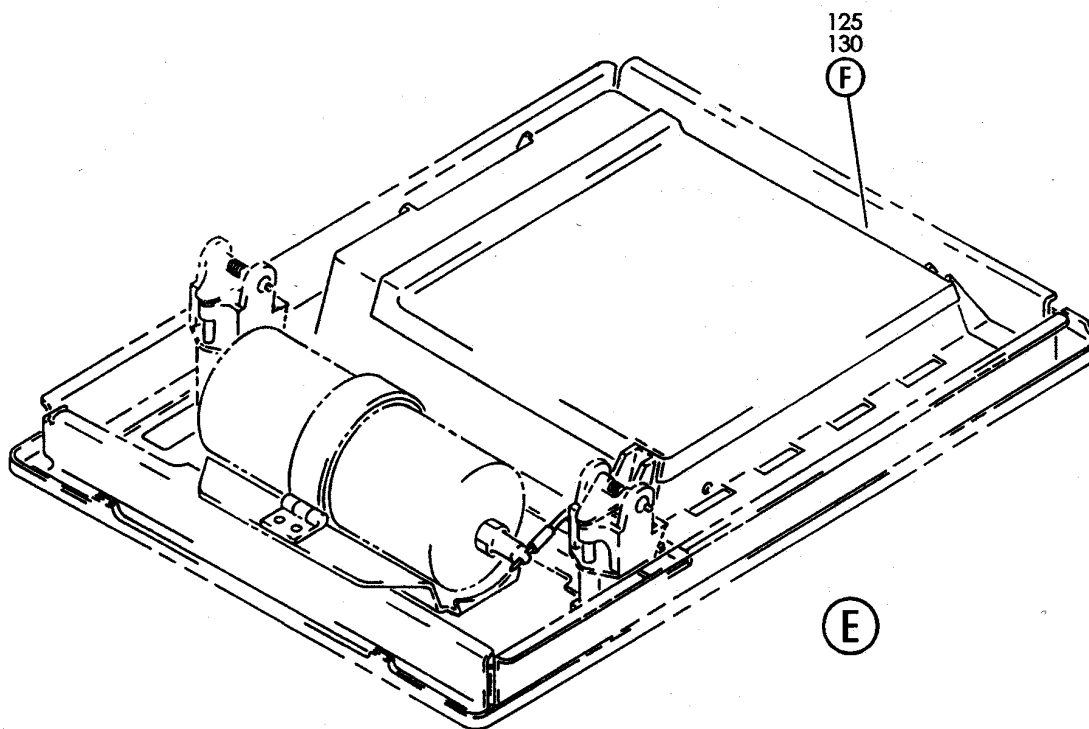
SERVICE UNIT INSTL-PASS (PASSENGER OXYGEN MASK ONLY)
FIGURE 26 (SHEET 3)

35-21-05-26

BRI
JAN 20/09

35-21-05-26
PAGE 0B

BOEING
757
PARTS CATALOG (MAINTENANCE)



Y 35210526 SHT 4 REV 213

SERVICE UNIT INSTL-PASS (PASSENGER OXYGEN MASK ONLY)
FIGURE 26 (SHEET 4)

35-21-05-26

BRI
JAN 20/09

35-21-05-26
PAGE 0C



757

PARTS CATALOG (MAINTENANCE)

FIG ITEM	PART NUMBER	1 2 3 4 5 6 7	NOMENCLATURE	EFFECT FROM TO	UNITS PER ASSY
26			SERVICE UNIT INSTL-PASS (PASSENGER OXYGEN MASK ONLY)	950951	
- 1	417N3001-159		SERVICE UNIT INSTL-PASS. (PASSENGER OXYGEN MASK ONLY) FOR NHA/OTHER SYS DET SEE: 25-20-00-20A	950951	RF
10	417N3100-424SP		.SERVICE UNIT ASSY-PASS. POSITION DATA: UNDERBIN ELECTRICAL EQUIP NUMBER: M03012 COMPONENT MAINT MANUAL REF: 25-23-34	950951	RF
20	417N3100-415SP		.SERVICE UNIT ASSY-PASS. POSITION DATA: UNDERBIN ELECTRICAL EQUIP NUMBER: M03012 COMPONENT MAINT MANUAL REF: 25-23-34	950951	RF
35	417N3100-596SP		.SERVICE UNIT ASSY-PASS. POSITION DATA: UNDERBIN ELECTRICAL EQUIP NUMBER: M03012 COMPONENT MAINT MANUAL REF: 25-23-34	950951	RF
40	417N3100-595SP		.SERVICE UNIT ASSY-PASS. POSITION DATA: UNDERBIN ELECTRICAL EQUIP NUMBER: M03012 COMPONENT MAINT MANUAL REF: 25-23-34	950951	RF
45	417N3130-74SP		..BOX ASSY-OXY COMPONENT MAINT MANUAL REF: 35-21-02 USED ON: 417N3100-424SP 417N3100-516SP 417N3100-596SP	950951	1

MISSING ITEM NUMBERS NOT APPLICABLE

- ITEM NOT ILLUSTRATED

35-21-05-26

35-21-05
FIG. 26
PAGE 1
JAN 20/09

BRI



757

PARTS CATALOG (MAINTENANCE)

FIG ITEM	PART NUMBER	1 2 3 4 5 6 7	NOMENCLATURE	EFFECT FROM TO	UNITS PER ASSY
26					
45	417N3130-144SP	..	BOX ASSY-OXY COMPONENT MAINT MANUAL REF: 35-21-02 USED ON: 417N3100-424SP 417N3100-516SP 417N3100-596SP	950951	1
50	417N3130-73SP	..	BOX ASSY-OXY COMPONENT MAINT MANUAL REF: 35-21-02 USED ON: 417N3100-415SP 417N3100-595SP ATTACHING PARTS	950951	1
- 55	NAS43DD3	..	SPACER	950951	4
- 60	BACW10P193G	..	WASHER	950951	8
- 65	BACN10YJ08	..	NUT	950951	4
			-----*-----		
70	6100-12	...	RETAINER- SUPPLIER CODE: V97464 USED ON: 417N3130-73SP	950951	2
75	MS20392-1C23	...	PIN- USED ON: 417N3130-73SP	950951	2
80	417N3137-1	...	CABLE ASSY- USED ON: 417N3130-73SP	950951	1
85	6100-12	...	RETAINER- SUPPLIER CODE: V97464 USED ON: 417N3130-74SP	950951	2
90	MS20392-1C23	...	PIN- USED ON: 417N3130-74SP	950951	2
95	417N3137-1	...	CABLE ASSY- USED ON: 417N3130-74SP	950951	1

MISSING ITEM NUMBERS NOT APPLICABLE

- ITEM NOT ILLUSTRATED

35-21-05-26

35-21-05
FIG. 26
PAGE 2
JAN 20/09

BRI



757

PARTS CATALOG (MAINTENANCE)

FIG ITEM	PART NUMBER	1 2 3 4 5 6 7	NOMENCLATURE	EFFECT FROM TO	UNITS PER ASSY
26 100	417T4205-193		...MASK ASSY- MISCELLANEOUS DATA: (EQUIVALENT PURITAN- BENNETT (FSCM 02217) P/N IS 174080-193 EQUIVALENT SCOTT (FSCM 53655) P/N IS 289-601-806) COMPONENT MAINT MANUAL REF: 25-23-38 USED ON: 417N3130-73SP 417N3130-74SP REWORKED BY SB: 35-0014 REWORKED BY SB: 3500-98-07 V16827	950951	4
100	289-801-240		...MASK ASSY- SUPPLIER CODE: V53655 SPECIFICATION NUMBER: S418W001-100 COMPONENT MAINT MANUAL REF: 35-22-07 USED ON: 417N3130-144SP	950951	4
105	417N3200-62SP		.SERVICE UNIT ASSY-PASS. POSITION DATA: OVERDOOR ELECTRICAL EQUIP NUMBER: M10363 COMPONENT MAINT MANUAL REF: 35-21-04	950951	RF
110	417N3200-54SP		.SERVICE UNIT ASSY-PASS. POSITION DATA: OVERDOOR ELECTRICAL EQUIP NUMBER: M10362 COMPONENT MAINT MANUAL REF: 35-21-04	950951	RF
115	417N3200-53SP		.SERVICE UNIT ASSY-PASS. POSITION DATA: OVERDOOR ELECTRICAL EQUIP NUMBER: M10362 COMPONENT MAINT MANUAL REF: 35-21-04	950951	RF

MISSING ITEM NUMBERS NOT APPLICABLE

- ITEM NOT ILLUSTRATED

35-21-05-26

35-21-05
 FIG. 26
 PAGE 3
 JAN 20/09

BRI



757

PARTS CATALOG (MAINTENANCE)

FIG ITEM	PART NUMBER	1 2 3 4 5 6 7	NOMENCLATURE	EFFECT FROM TO	UNITS PER ASSY
26 120	417N3130-88SP	..	BOX ASSY-OXY COMPONENT MAINT MANUAL REF: 35-21-02 USED ON: 417N3200-62SP	950951	1
125	417N3130-96SP	..	BOX ASSY-OXY COMPONENT MAINT MANUAL REF: 35-21-02 USED ON: 417N3200-54SP	950951	1
130	417N3130-93SP	..	BOX ASSY-OXY COMPONENT MAINT MANUAL REF: 35-21-02 USED ON: 417N3200-53SP	950951	1
- 135	BACS12FA08K7	..	SCREW- USED ON: 417N3200-54SP 417N3200-53SP	950951	4
- 140	BACW10P193G	..	WASHER	950951	4
- 145	BACN10YJ08	..	NUT- USED ON: 417N3200-62SP	950951	4
150	6100-12	...	RETAINER- SUPPLIER CODE: V97464 USED ON: 417N3130-88SP	950951	1
155	MS20392-1C23	...	PIN- USED ON: 417N3130-88SP	950951	1
160	417N3137-3	...	CABLE ASSY- USED ON: 417N3130-88SP	950951	1
- 165	BACS12FA08K8	...	SCREW- USED ON: 417N3130-88SP	950951	1
- 170	AN960JD8L	...	WASHER- USED ON: 417N3130-88SP	950951	2
- 175	MS21042L08	...	NUT- USED ON: 417N3130-88SP	950951	1

MISSING ITEM NUMBERS NOT APPLICABLE

- ITEM NOT ILLUSTRATED

35-21-05-26

35-21-05
FIG. 26
PAGE 4
JAN 20/09

BRI



757

PARTS CATALOG (MAINTENANCE)

FIG ITEM	PART NUMBER	1 2 3 4 5 6 7	NOMENCLATURE	EFFECT FROM TO	UNITS PER ASSY
26 180	6100-12		...RETAINER- SUPPLIER CODE: V97464 USED ON: 417N3130-93SP	950951	1
185	MS20392-1C23		...PIN- USED ON: 417N3130-93SP	950951	1
190	417N3137-4		...CABLE ASSY- USED ON: 417N3130-93SP ATTACHING PARTS	950951	1
- 195	BACS12FA3K8		...SCREW- USED ON: 417N3130-93SP	950951	1
- 200	BACW10P43AL		...WASHER- USED ON: 417N3130-93SP	950951	2
- 205	MS21042L3		...NUT- USED ON: 417N3130-93SP -----*-----	950951	1
210	6100-12		...RETAINER- SUPPLIER CODE: V97464 USED ON: 417N3130-96SP	950951	1
215	MS20392-1C23		...PIN- USED ON: 417N3130-96SP	950951	1
220	417N3137-4		...CABLE ASSY- USED ON: 417N3130-96SP ATTACHING PARTS	950951	1
- 225	BACS12FA3K8		...SCREW- USED ON: 417N3130-96SP	950951	1
- 230	BACW10P43AL		...WASHER- USED ON: 417N3130-96SP	950951	2
- 235	MS21042L3		...NUT- USED ON: 417N3130-96SP -----*-----	950951	1

MISSING ITEM NUMBERS NOT APPLICABLE

- ITEM NOT ILLUSTRATED

35-21-05-26

35-21-05
FIG. 26
PAGE 5
JAN 20/09

BRI

BOEING PROPRIETARY - Copyright © - Unpublished Work - See title page for details.



757

PARTS CATALOG (MAINTENANCE)

FIG ITEM	PART NUMBER	1 2 3 4 5 6 7	NOMENCLATURE	EFFECT FROM TO	UNITS PER ASSY
26 240	417T4205-164		...MASK ASSY- QUALIFIED I/W DATA: 417T4205-164 MASK ASSEMBLY CAN REPLACE OR BE REPLACED BY 417T4205-64 MASK ASSEMBLY IF SERVICE BULLETIN 757-35A0006 HAS BEEN INCORPORATED. USED ON: 417N3130-88SP REWORKED BY SB: 35-0014 REWORKED BY SB: 3500-98-07 V16827	950951	2
245	417T4205-162		...MASK ASSY- MISCELLANEOUS DATA: EQUIVALENT PURITAN- BENNETT (FSCM 02217) P/N IS 174080-162 EQUIVALENT SCOTT (FSCM 53655) P/N IS 289-601-812 USED ON: 417N3130-93SP REWORKED BY SB: 35-0014 REWORKED BY SB: 3500-98-07 V16827	950951	4
245	289-801-241		...MASK ASSY- SUPPLIER CODE: V53655 SPECIFICATION NUMBER: S418W001-101 COMPONENT MAINT MANUAL REF: 35-22-07	950951	4

MISSING ITEM NUMBERS NOT APPLICABLE

- ITEM NOT ILLUSTRATED

35-21-05-26

35-21-05
 FIG. 26
 PAGE 6
 JAN 20/09

BRI



757

PARTS CATALOG (MAINTENANCE)

FIG ITEM	PART NUMBER	1 2 3 4 5 6 7	NOMENCLATURE	EFFECT FROM TO	UNITS PER ASSY
26 250	417T4205-162		...MASK ASSY- MISCELLANEOUS DATA: EQUIVALENT PURITAN- BENNETT (FSCM 02217) P/N IS 174080-162 EQUIVALENT SCOTT (FSCM 53655) P/N IS 289-601-812 USED ON: 417N3130-96SP REWORKED BY SB: 35-0014 REWORKED BY SB: 3500-98-07 V16827	950951	3
250	289-801-241		...MASK ASSY- SUPPLIER CODE: V53655 SPECIFICATION NUMBER: S418W001-101 COMPONENT MAINT MANUAL REF: 35-22-07	950951	3

MISSING ITEM NUMBERS NOT APPLICABLE

- ITEM NOT ILLUSTRATED

BRI

35-21-05-26

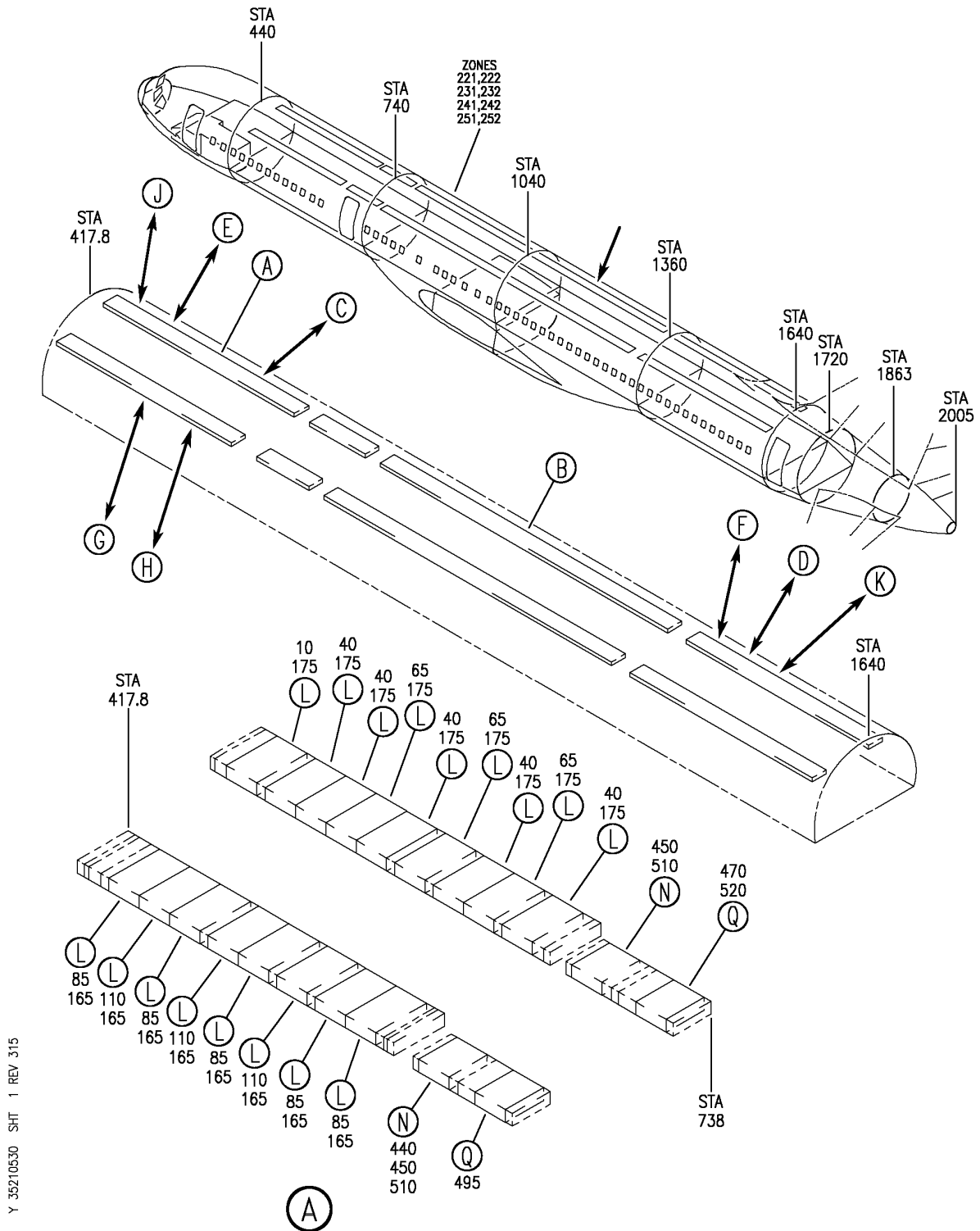
BOEING PROPRIETARY - Copyright © - Unpublished Work - See title page for details.

35-21-05
FIG. 26
PAGE 7
JAN 20/09

BOEING

757

PARTS CATALOG (MAINTENANCE)



Y 35210530 SHT 1 REV 315

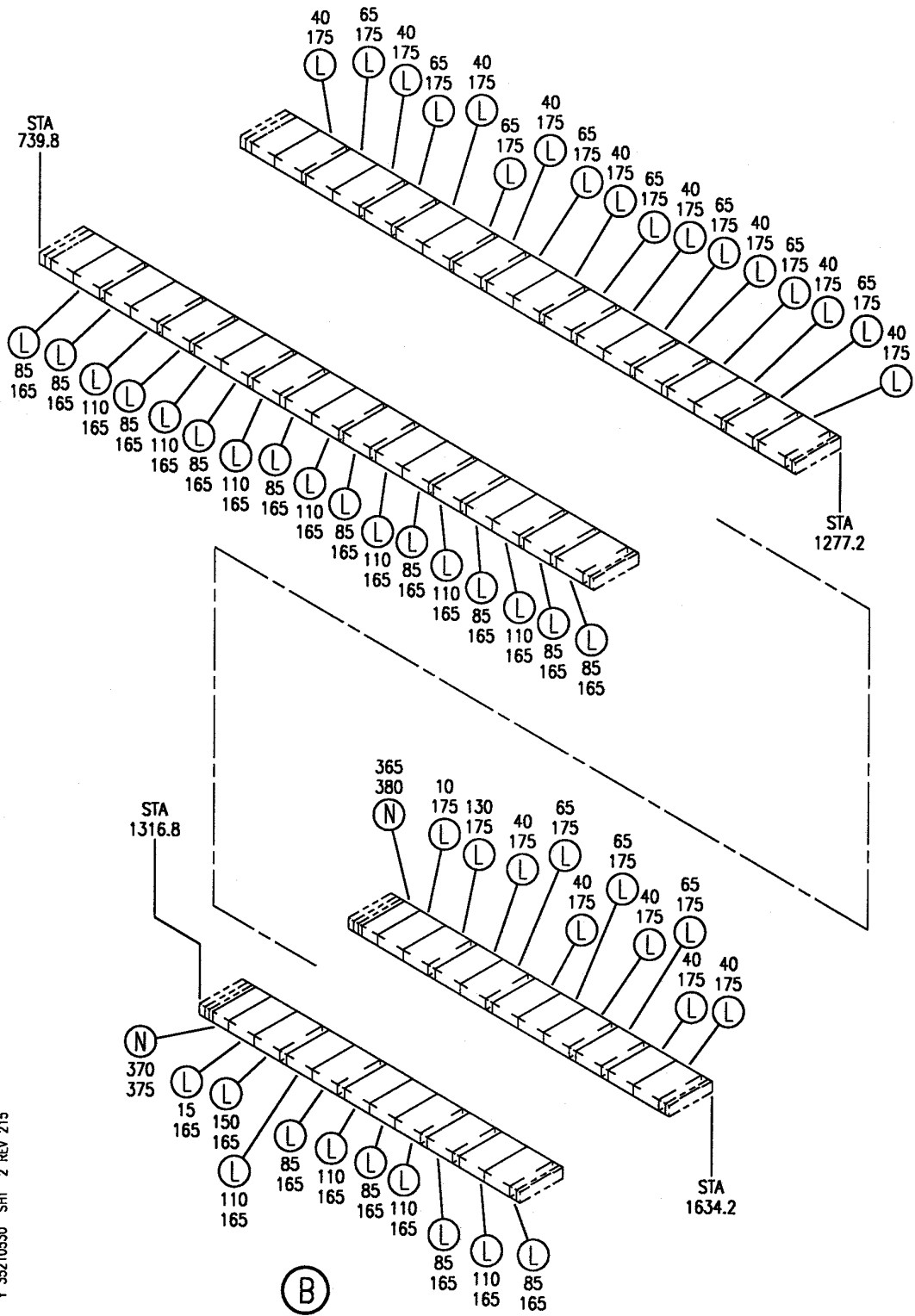
SERVICE UNIT INSTL-PASS (PASSENGER OXYGEN MASK ONLY)
FIGURE 30 (SHEET 1)

35-21-05-30

BRI
SEP 28/07

35-21-05-30
PAGE 0

BOEING
757
PARTS CATALOG (MAINTENANCE)



Y 35210530 SHIT 2 REV 215

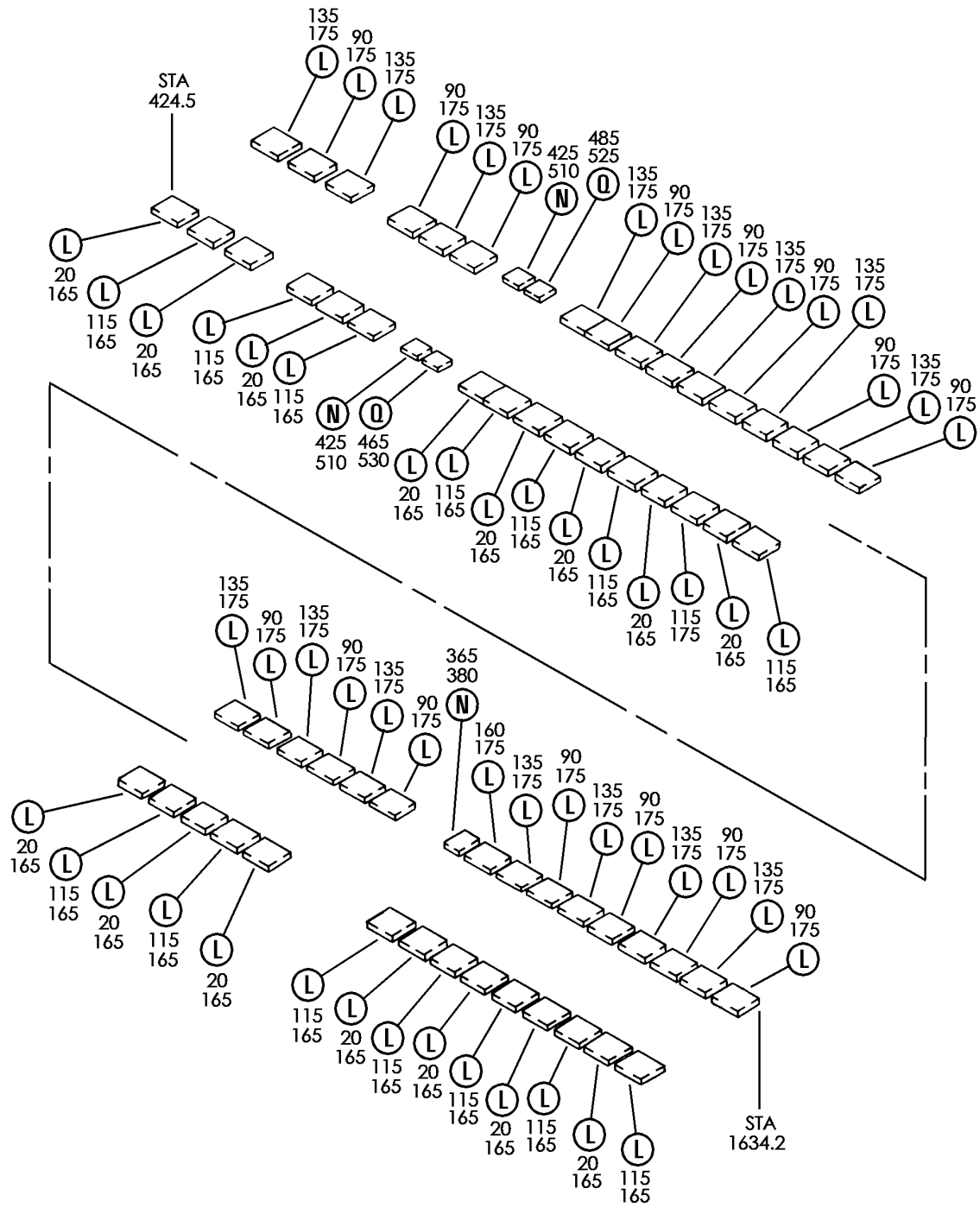
SERVICE UNIT INSTL-PASS (PASSENGER OXYGEN MASK ONLY)
FIGURE 30 (SHEET 2)

35-21-05-30

BRI
MAY 28/07

35-21-05-30
PAGE 0A

BOEING
757
PARTS CATALOG (MAINTENANCE)



Y 35210530 SHT 5 REV 215

(G)

SERVICE UNIT INSTL-PASS (PASSENGER OXYGEN MASK ONLY)
 FIGURE 30 (SHEET 5)

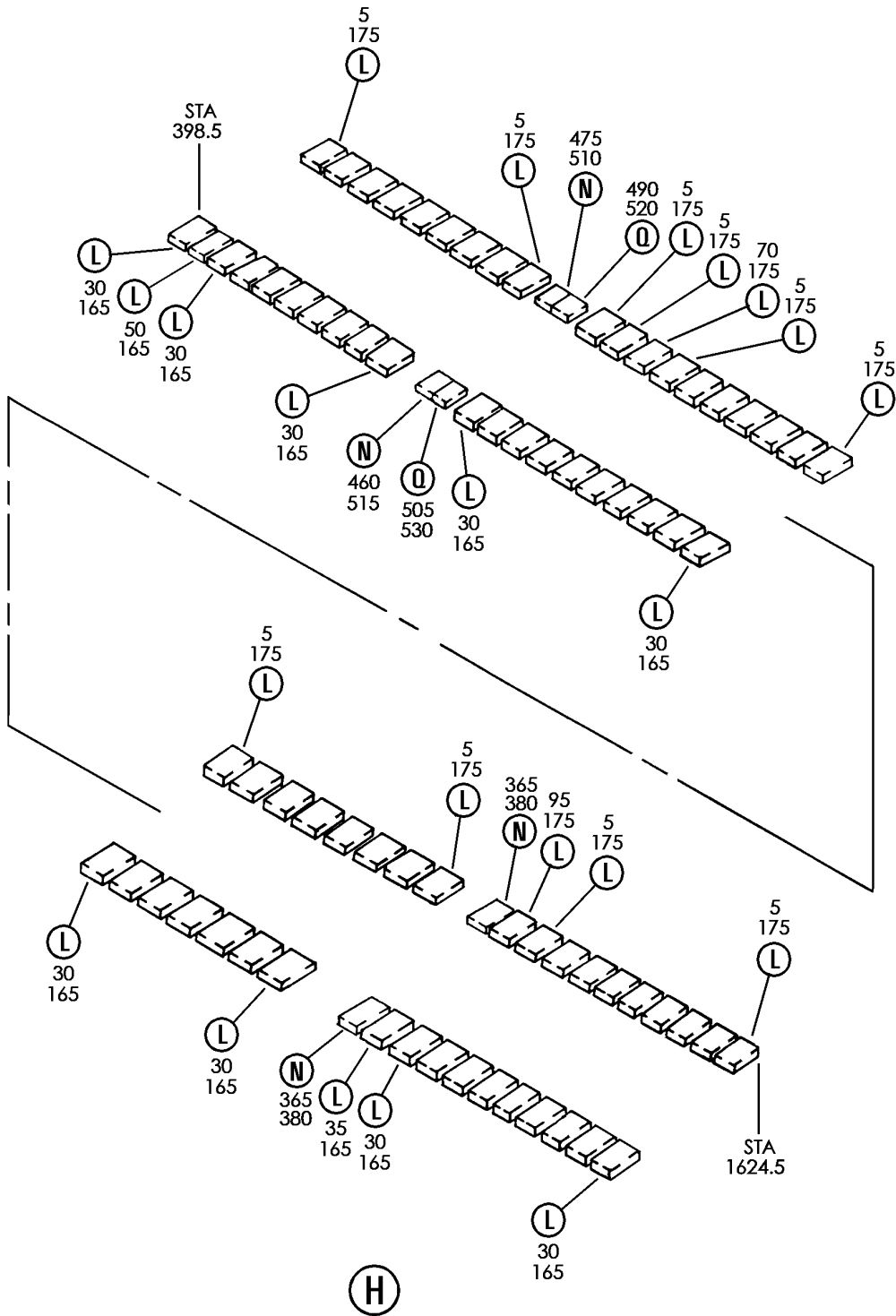
35-21-05-30

BRI
 MAY 28/07

35-21-05-30
 PAGE 0D

BOEING PROPRIETARY - Copyright © - Unpublished Work - See title page for details.

BOEING
757
PARTS CATALOG (MAINTENANCE)



Y 35210530 SHT 6 REV 215

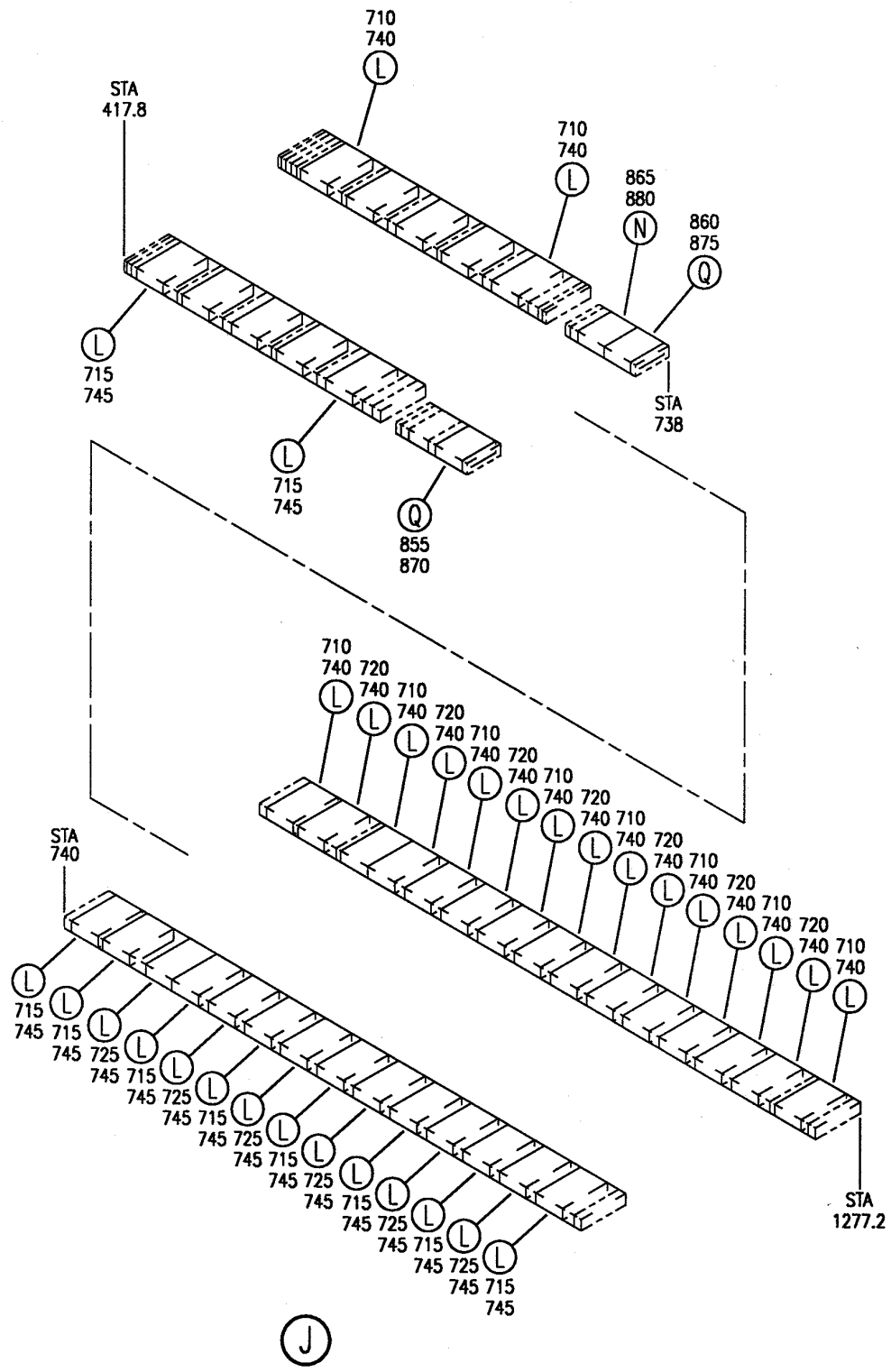
SERVICE UNIT INSTL-PASS (PASSENGER OXYGEN MASK ONLY)
FIGURE 30 (SHEET 6)

35-21-05-30

BRI
MAY 28/07

35-21-05-30
PAGE 0E

BOEING
757
PARTS CATALOG (MAINTENANCE)



Y 35210530 SHT 7 REV 215

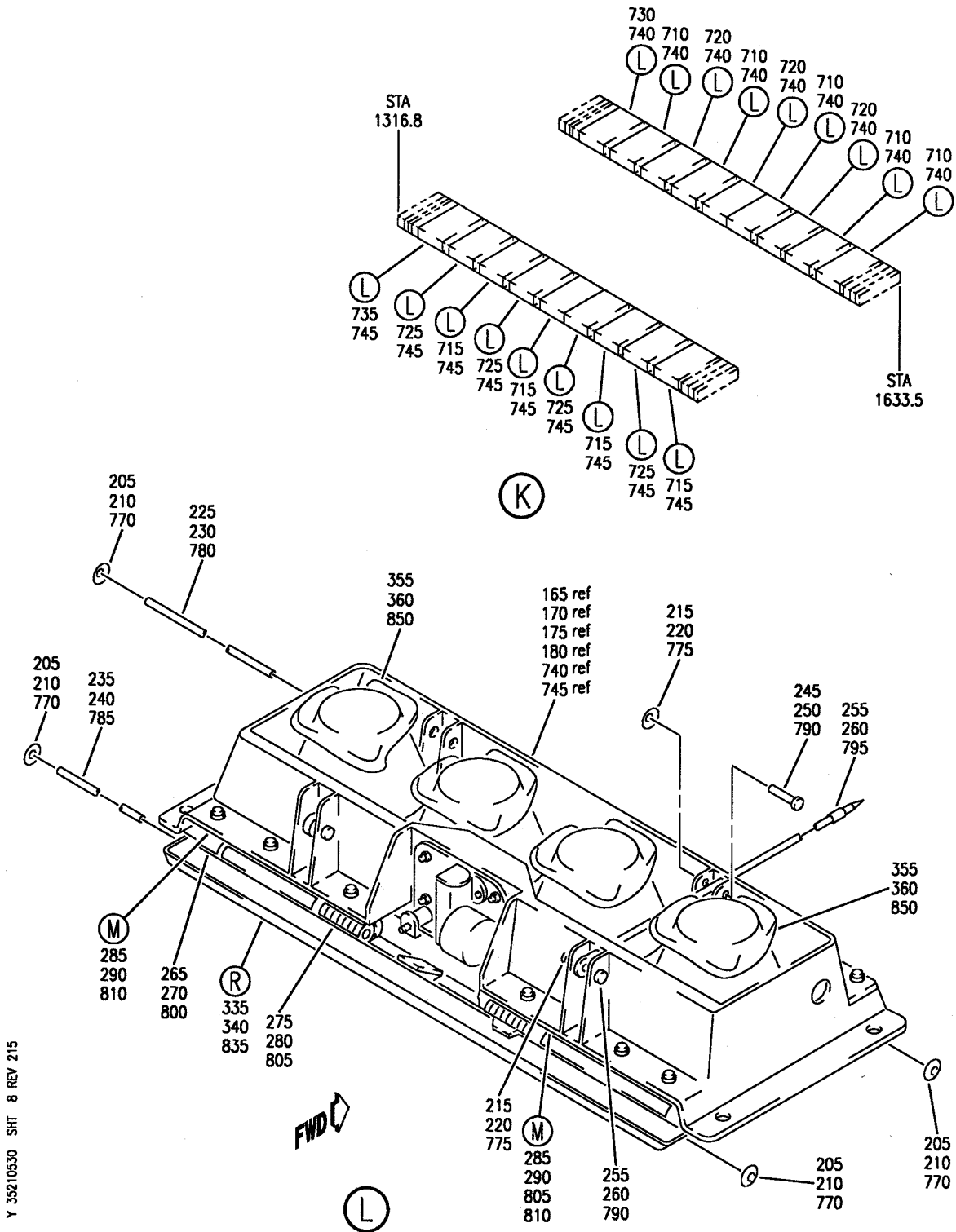
SERVICE UNIT INSTL-PASS (PASSENGER OXYGEN MASK ONLY)
FIGURE 30 (SHEET 7)

35-21-05-30

BRI
MAY 28/07

35-21-05-30
PAGE OF

BOEING
757
PARTS CATALOG (MAINTENANCE)



Y 35210530 SHT 8 REV 215

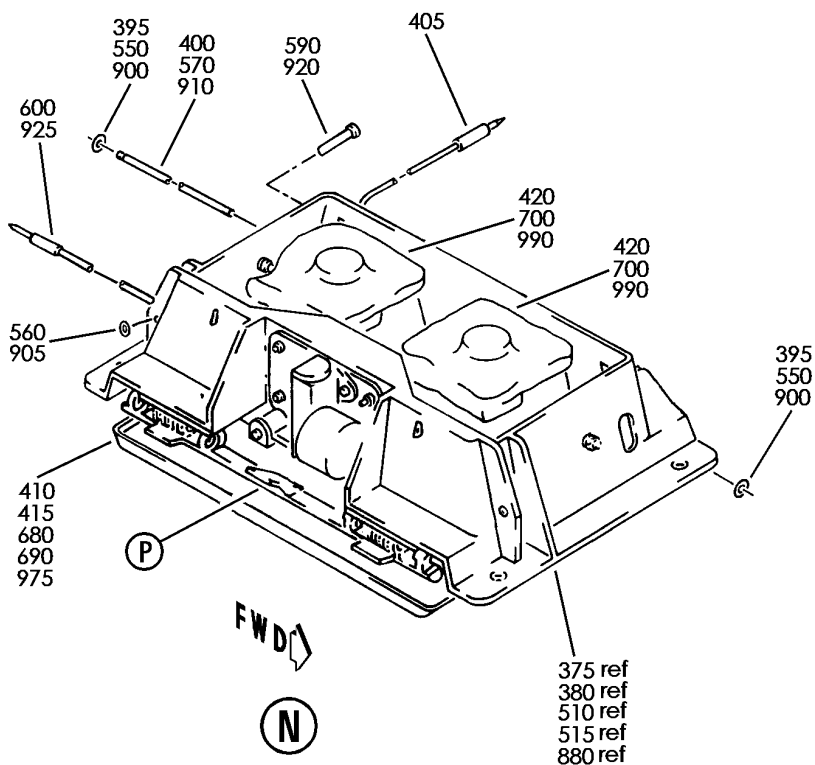
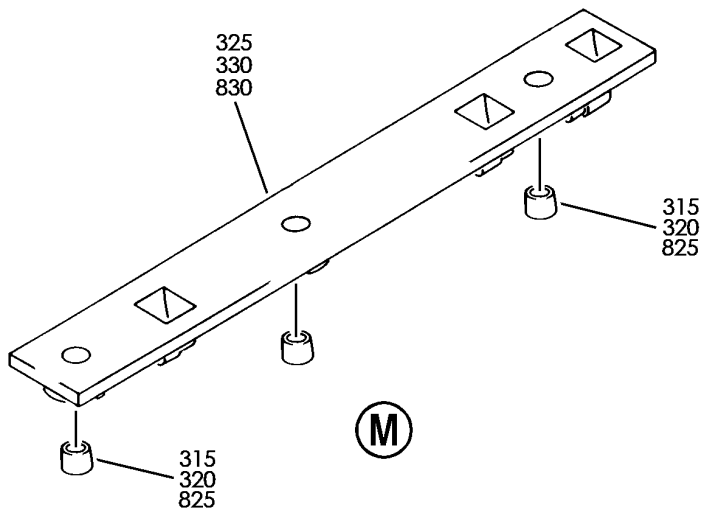
SERVICE UNIT INSTL-PASS (PASSENGER OXYGEN MASK ONLY)
FIGURE 30 (SHEET 8)

35-21-05-30

BRI
MAY 28/07

35-21-05-30
PAGE 0G

BOEING
757
PARTS CATALOG (MAINTENANCE)



Y 35210530 SH1 9 REV 271

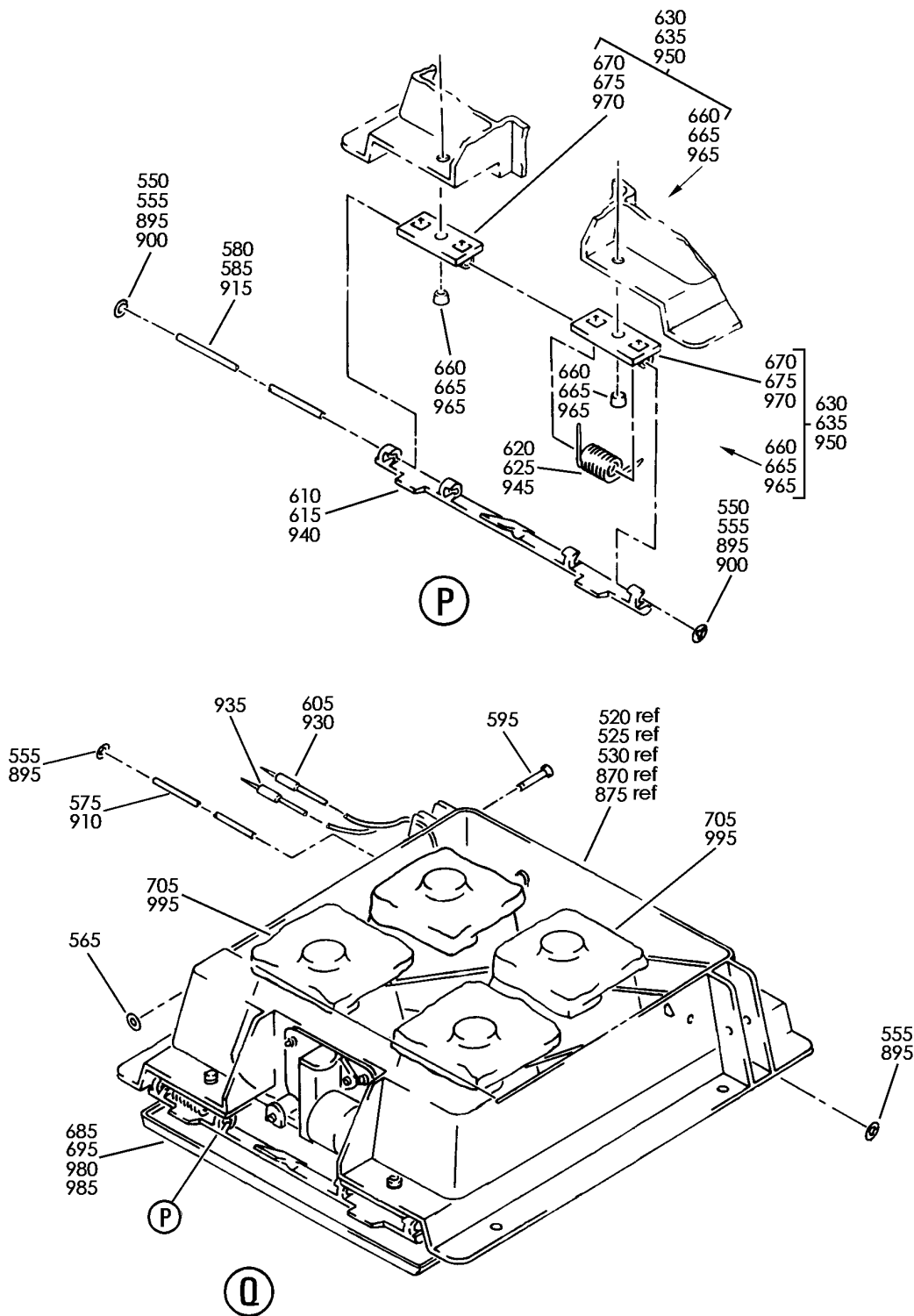
SERVICE UNIT INSTL-PASS (PASSENGER OXYGEN MASK ONLY)
FIGURE 30 (SHEET 9)

35-21-05-30

BRI
MAY 28/07

35-21-05-30
PAGE 0H

BOEING
757
PARTS CATALOG (MAINTENANCE)



Y 35210530 SHT 10 REV 215

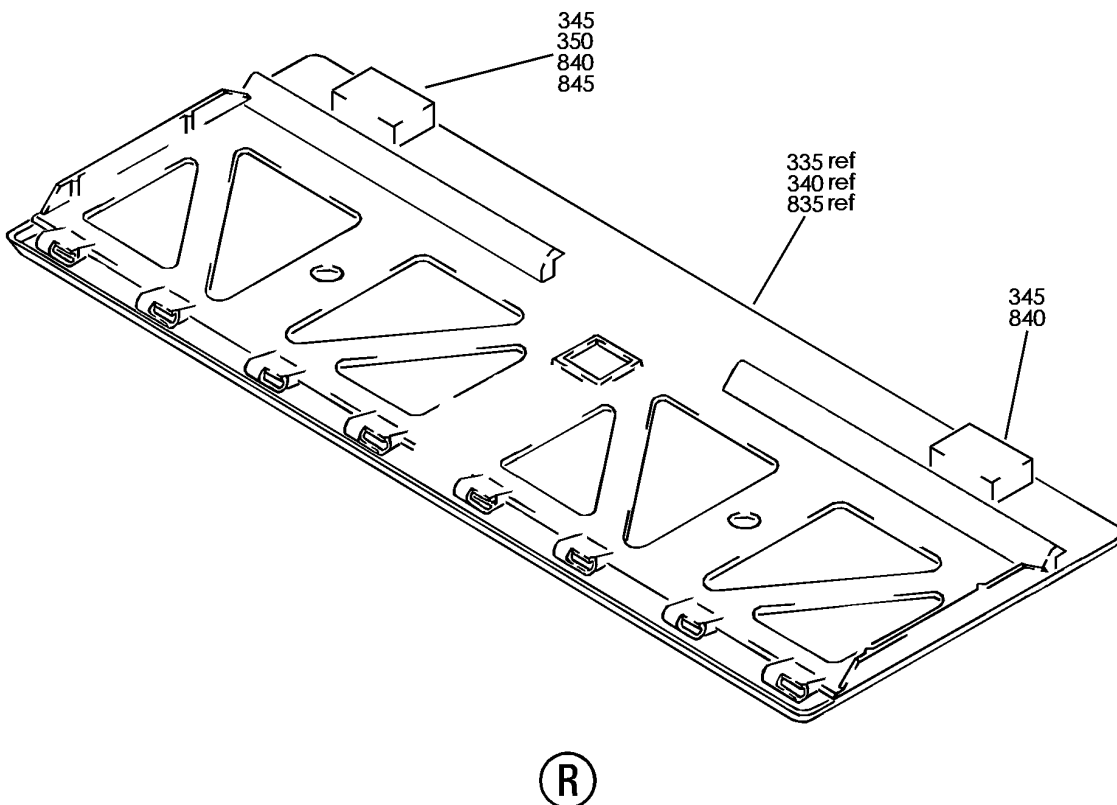
SERVICE UNIT INSTL-PASS (PASSENGER OXYGEN MASK ONLY)
FIGURE 30 (SHEET 10)

35-21-05-30

BRI
MAY 28/07

35-21-05-30
PAGE 01

BOEING
757
PARTS CATALOG (MAINTENANCE)



Y 35210530 SHT 11 REV 215

SERVICE UNIT INSTL-PASS (PASSENGER OXYGEN MASK ONLY)
FIGURE 30 (SHEET 11)

35-21-05-30

BRI
MAY 28/07

35-21-05-30
PAGE 0J



757

PARTS CATALOG (MAINTENANCE)

FIG ITEM	PART NUMBER	1 2 3 4 5 6 7	NOMENCLATURE	EFFECT FROM TO	UNITS PER ASSY
30			SERVICE UNIT INSTL-PASS (PASSENGER OXYGEN MASK ONLY)	002004 006010 952999	
- 1	417N3001-132		SERVICE UNIT INSTL-PASS. (PASSENGER OXYGEN MASK ONLY)	952999	RF
- 1	417N3001-155		SERVICE UNIT INSTL-PASS. (PASSENGER OXYGEN MASK ONLY)	953999	RF
- 1	417N3001-157		SERVICE UNIT INSTL-PASS. (PASSENGER OXYGEN MASK ONLY)	006010	RF
- 1	417N3001-88		SERVICE UNIT INSTL-PASS. (PASSENGER OXYGEN MASK ONLY)	002004	RF
5	417N3100-444SP		.SERVICE UNIT ASSY-PASS. POSITION DATA: UNDERBIN COMPONENT MAINT MANUAL REF: 25-23-30	002004 006010	RF
30	417N3100-427SP		.SERVICE UNIT ASSY-PASS. POSITION DATA: UNDERBIN COMPONENT MAINT MANUAL REF: 25-23-33	002004 006010	RF
35	417N3100-425SP		.SERVICE UNIT ASSY-PASS. POSITION DATA: UNDERBIN COMPONENT MAINT MANUAL REF: 25-23-33	002004 006010	RF
50	417N3100-505SP		.SERVICE UNIT ASSY-PASS. POSITION DATA: UNDERBIN COMPONENT MAINT MANUAL REF: 25-23-37	002004 006010	RF
55	417N3100-426SP		.SERVICE UNIT ASSY-PASS. POSITION DATA: UNDERBIN COMPONENT MAINT MANUAL REF: 25-23-34	952999	RF
70	417N3100-508SP		.SERVICE UNIT ASSY-PASS. POSITION DATA: UNDERBIN COMPONENT MAINT MANUAL REF: 25-23-37	002004 006010	RF

MISSING ITEM NUMBERS NOT APPLICABLE

- ITEM NOT ILLUSTRATED

BRI

35-21-05-30

35-21-05
FIG. 30
PAGE 1
JAN 20/09



757

PARTS CATALOG (MAINTENANCE)

FIG ITEM	PART NUMBER	1 2 3 4 5 6 7	NOMENCLATURE	EFFECT FROM TO	UNITS PER ASSY
30					
75	417N3100-428SP	.	SERVICE UNIT ASSY-PASS. POSITION DATA: UNDERBIN COMPONENT MAINT MANUAL REF: 25-23-34	952999	RF
75	417N3100-296SP	.	SERVICE UNIT ASSY-PASS. POSITION DATA: UNDERBIN COMPONENT MAINT MANUAL REF: 25-23-34	952999	RF
95	417N3100-442SP	.	SERVICE UNIT ASSY-PASS. POSITION DATA: UNDERBIN COMPONENT MAINT MANUAL REF: 25-23-33	002004 006010	RF
100	417N3100-419SP	.	SERVICE UNIT ASSY-PASS. POSITION DATA: UNDERBIN COMPONENT MAINT MANUAL REF: 25-23-34	952999	RF
120	417N3100-421SP	.	SERVICE UNIT ASSY-PASS. POSITION DATA: UNDERBIN COMPONENT MAINT MANUAL REF: 25-23-34	952999	RF
140	417N3100-596SP	.	SERVICE UNIT ASSY-PASS. POSITION DATA: UNDERBIN COMPONENT MAINT MANUAL REF: 25-23-34	952999	RF
155	417N3100-595SP	.	SERVICE UNIT ASSY-PASS. POSITION DATA: UNDERBIN COMPONENT MAINT MANUAL REF: 25-23-34	952999	RF
165	417N3130-73SP	..	BOX ASSY-OXY COMPONENT MAINT MANUAL REF: 35-21-02 USED ON: 417N3100-425SP 417N3100-427SP 417N3100-505SP 417N3100-508SP	002004 006010	1

MISSING ITEM NUMBERS NOT APPLICABLE

- ITEM NOT ILLUSTRATED

35-21-05-30

35-21-05
FIG. 30
PAGE 2
JAN 20/09

BRI



757

PARTS CATALOG (MAINTENANCE)

FIG ITEM	PART NUMBER	1 2 3 4 5 6 7	NOMENCLATURE	EFFECT FROM TO	UNITS PER ASSY
30					
170	417N3130-73SP	..	BOX ASSY-OXY COMPONENT MAINT MANUAL REF: 35-21-02 USED ON: 417N3100-419SP 417N3100-421SP 417N3100-595SP	952999	1
175	417N3130-74SP	..	BOX ASSY-OXY COMPONENT MAINT MANUAL REF: 35-21-02 USED ON: 417N3100-444SP 417N3100-508SP	002004 006010	1
175	417N3130-76SP	..	BOX ASSY-OXY COMPONENT MAINT MANUAL REF: 35-21-02 USED ON: 417N3100-442SP	002004 006010	1
175	417N3130-144SP	..	BOX ASSY-OXY COMPONENT MAINT MANUAL REF: 35-21-02 USED ON: 417N3100-444SP 417N3100-508SP	002004 006010	1
180	417N3130-74SP	..	BOX ASSY-OXY COMPONENT MAINT MANUAL REF: 35-21-02 USED ON: 417N3100-426SP 417N3100-428SP 417N3100-596SP	952999	1
180	417N3130-144SP	..	BOX ASSY-OXY COMPONENT MAINT MANUAL REF: 35-21-02 USED ON: 417N3100-426SP 417N3100-428SP 417N3100-596SP	952999	1
180	417N3130-64SP	..	BOX ASSY-OXY COMPONENT MAINT MANUAL REF: 35-21-02 USED ON: 417N3100-296SP ATTACHING PARTS	952999	1
- 185	BACW10P193G	..	WASHER	002004 006010	4
- 190	BACW10P193G	..	WASHER	952999	4
- 190	BACW10P193G	..	WASHER	952999	4

MISSING ITEM NUMBERS NOT APPLICABLE

- ITEM NOT ILLUSTRATED

35-21-05-30

35-21-05
FIG. 30
PAGE 3
JAN 20/09

BRI

BOEING PROPRIETARY - Copyright © - Unpublished Work - See title page for details.

 **BOEING**
757
PARTS CATALOG (MAINTENANCE)

FIG ITEM	PART NUMBER	1 2 3 4 5 6 7	NOMENCLATURE	EFFECT FROM TO	UNITS PER ASSY
30					
- 195	BACN10YJ08	..	NUT	002004 006010	4
- 200	BACN10YJ08	..	NUT	952999	4
- 200	BACN10YJ08	..	NUT	952999	4
			-----*-----		
205	6100-9	...	RETAINER- SUPPLIER CODE: V2X013	002004 006010	4
210	6100-9	...	RETAINER- SUPPLIER CODE: V2X013	952999	4
210	6100-9	...	RETAINER- SUPPLIER CODE: V2X013	952999	4
215	6100-12	...	RETAINER- SUPPLIER CODE: V97464	002004 006010	2
220	6100-12	...	RETAINER- SUPPLIER CODE: V97464	952999	2
220	6100-12	...	RETAINER- SUPPLIER CODE: V97464	952999	2
225	417N3130-12	...	PIN-HINGE OPTIONAL PART: MS20253P2-1510	002004 006010	1
225	MS20253P2-1510	...	PIN-HINGE OPTIONAL PART: 417N3130-12	002004 006010	1
230	417N3130-12	...	PIN-HINGE OPTIONAL PART: MS20253P2-1510	952999	1
230	MS20253P2-1510	...	PIN-HINGE OPTIONAL PART: 417N3130-12	952999	1
230	417N3130-12	...	PIN-HINGE OPTIONAL PART: MS20253P2-1510	952999	1
230	MS20253P2-1510	...	PIN-HINGE OPTIONAL PART: 417N3130-12	952999	1
235	417N3130-11	...	PIN-LATCH OPTIONAL PART: MS20253P2-1450	002004 006010	1
235	MS20253P2-1450	...	PIN-LATCH OPTIONAL PART: 417N3130-11	002004 006010	1

MISSING ITEM NUMBERS NOT APPLICABLE

- ITEM NOT ILLUSTRATED

BRI

35-21-05-30

35-21-05
FIG. 30
PAGE 4
JAN 20/09



757

PARTS CATALOG (MAINTENANCE)

FIG ITEM	PART NUMBER	1 2 3 4 5 6 7	NOMENCLATURE	EFFECT FROM TO	UNITS PER ASSY
30					
240	417N3130-11	...	PIN-LATCH OPTIONAL PART: MS20253P2-1450	952999	1
240	MS20253P2-1450	...	PIN-LATCH OPTIONAL PART: 417N3130-11	952999	1
240	417N3130-11	...	PIN-LATCH OPTIONAL PART: MS20253P2-1450	952999	1
240	MS20253P2-1450	...	PIN-LATCH OPTIONAL PART: 417N3130-11	952999	1
245	MS20392-1C23	...	PIN	002004 006010	2
250	MS20392-1C23	...	PIN	952999	2
250	MS20392-1C23	...	PIN	952999	2
255	417N3137-1	...	CABLE ASSY	002004 006010	1
260	417N3137-1	...	CABLE ASSY	952999	1
260	417N3137-1	...	CABLE ASSY	952999	1
265	417N3133-1	...	LATCH	002004 006010	1
270	417N3133-1	...	LATCH	952999	1
270	417N3133-1	...	LATCH	952999	1
275	417N3173-4	...	SPRING	002004 006010	1
280	417N3173-4	...	SPRING	952999	1
280	417N3173-4	...	SPRING	952999	1
285	417N3133-4	...	LATCH ASSY	002004 006010	2
290	417N3133-4	...	LATCH ASSY	952999	2
290	417N3133-4	...	LATCH ASSY	952999	2
			ATTACHING PARTS		
- 295	BACS12FA08K6	...	SCREW	002004 006010	4
- 300	BACS12FA08K6	...	SCREW	952999	4
- 300	BACS12FA08K6	...	SCREW	952999	4
- 305	AN960JD8L	...	WASHER	002004 006010	4
- 310	AN960JD8L	...	WASHER	952999	4
- 310	AN960JD8L	...	WASHER	952999	4
			-----*-----		
315	6035-2BR185	INSERT- SUPPLIER CODE: V01556	002004 006010	3
320	6035-2BR185	INSERT- SUPPLIER CODE: V01556	952999	3

MISSING ITEM NUMBERS NOT APPLICABLE

- ITEM NOT ILLUSTRATED

BRI

35-21-05-30

35-21-05
FIG. 30
PAGE 5
JAN 20/09



757

PARTS CATALOG (MAINTENANCE)

FIG ITEM	PART NUMBER	1 2 3 4 5 6 7	NOMENCLATURE	EFFECT FROM TO	UNITS PER ASSY
30					
320	6035-2BR185	INSERT- SUPPLIER CODE: V01556	952999	3
325	417N3133-5	LATCH	002004 006010	1
330	417N3133-5	LATCH	952999	1
330	417N3133-5	LATCH	952999	1
335	417N3140-1SP	...	DOOR ASSY	002004 006010	1
340	417N3140-1SP	...	DOOR ASSY	952999	1
340	417N3140-1SP	...	DOOR ASSY	952999	1
345	417N3140-8	FOAM-RIGID MANUFACTURED FROM: STOCK .70 X 1.00 X .25 TH. BMS 1-68, GRADE A, FORM III QUALIFIED OPTIONAL DATA: QTY (1) -5 OPTIONAL TO QTY (2) -8	002004 006010	2
350	417N3140-5	FOAM-RIGID MANUFACTURED FROM: STOCK .25 X .25 X 17 BMS8-39 TYPE VIA CLASS A90, FOAM A, COMP B HT TR - QUALIFIED OPTIONAL DATA: QTY (1) -5 OPTIONAL TO QTY (2) -8	002004 006010	1

MISSING ITEM NUMBERS NOT APPLICABLE

- ITEM NOT ILLUSTRATED

BRI

35-21-05-30

BOEING PROPRIETARY - Copyright © - Unpublished Work - See title page for details.

35-21-05
FIG. 30
PAGE 6
JAN 20/09



757

PARTS CATALOG (MAINTENANCE)

FIG ITEM	PART NUMBER	1 2 3 4 5 6 7	NOMENCLATURE	EFFECT FROM TO	UNITS PER ASSY
30 355	417T4205-193		...MASK ASSY- MISCELLANEOUS DATA: (EQUIVALENT PURITAN- BENNETT (FSCM 02217) P/N IS 174080-193 EQUIVALENT SCOTT (FSCM 53655) P/N IS 289-601-806) COMPONENT MAINT MANUAL REF: 25-23-38 USED ON: 417N3130-73SP 417N3130-74SP 417N3130-76SP REWORKED BY SB: 35-0014 35-0028 REWORKED BY SB: 3500-98-07 V16827 174080-35-01 V16827	002004 006010	4
355	289-801-240		...MASK ASSY- SUPPLIER CODE: V53655 SPECIFICATION NUMBER: S418W001-100 COMPONENT MAINT MANUAL REF: 35-22-07 USED ON: 417N3130-144SP REWORKED BY SB: 35-0014 REWORKED BY SB: 3500-98-07 V16827	002004 006010	4
360	417T4205-193		...MASK ASSY- MISCELLANEOUS DATA: (EQUIVALENT PURITAN- BENNETT (FSCM 02217) P/N IS 174080-193 EQUIVALENT SCOTT (FSCM 53655) P/N IS 289-601-806) COMPONENT MAINT MANUAL REF: 25-23-38 USED ON: 417N3130-73SP 417N3130-74SP	952999	4

MISSING ITEM NUMBERS NOT APPLICABLE

- ITEM NOT ILLUSTRATED

35-21-05-30

35-21-05
FIG. 30
PAGE 7
JAN 20/09

BRI



757

PARTS CATALOG (MAINTENANCE)

FIG ITEM	PART NUMBER	1 2 3 4 5 6 7	NOMENCLATURE	EFFECT FROM TO	UNITS PER ASSY
30 360	417T4205-193		...MASK ASSY- MISCELLANEOUS DATA: (EQUIVALENT PURITAN- BENNETT (FSCM 02217) P/N IS 174080-193 EQUIVALENT SCOTT (FSCM 53655) P/N IS 289-601-806) COMPONENT MAINT MANUAL REF: 25-23-38 USED ON: 417N3130-74SP REWORKED BY SB: 35-0014 REWORKED BY SB: 3500-98-07 V16827	952999	4
360	289-801-240		...MASK ASSY- SUPPLIER CODE: V53655 SPECIFICATION NUMBER: S418W001-100 COMPONENT MAINT MANUAL REF: 35-22-07 USED ON: 417N3130-144SP	952999	4
360	417T4205-93		...MASK ASSY- OPTIONAL PART: 289-801-240 V53655 USED ON: 417N3130-64SP	952999	4
360	289-801-240		...MASK ASSY- SUPPLIER CODE: V53655 SPECIFICATION NUMBER: S418W001-100 COMPONENT MAINT MANUAL REF: 35-22-07 OPTIONAL PART: 417T4205-93 USED ON: 417N3130-64SP	952999	4
365	417N3700-22SP		.SERVICE UNIT ASSY- ATTENDANT POSITION DATA: UNDERBIN COMPONENT MAINT MANUAL REF: 35-21-05	002004 006010	RF

MISSING ITEM NUMBERS NOT APPLICABLE

- ITEM NOT ILLUSTRATED

35-21-05-30

35-21-05
FIG. 30
PAGE 8
JAN 20/09

BRI



757

PARTS CATALOG (MAINTENANCE)

FIG ITEM	PART NUMBER	1 2 3 4 5 6 7	NOMENCLATURE	EFFECT FROM TO	UNITS PER ASSY
30					
370	417N3700-21SP	.	SERVICE UNIT ASSY- ATTENDANT POSITION DATA: UNDERBIN COMPONENT MAINT MANUAL REF: 35-21-05	002004 006010	RF
375	417N3130-89SP	..	BOX ASSY-OXY COMPONENT MAINT MANUAL REF: 35-21-03 USED ON: 417N3700-21SP	002004 006010	1
380	417N3130-92SP	..	BOX ASSY-OXY COMPONENT MAINT MANUAL REF: 35-21-03 USED ON: 417N3700-22SP	002004 006010	1
- 385	BACW10P193G	..	WASHER	002004 006010	4
- 390	BACN10YJ08	..	NUT	002004 006010	4
			-----*-----		
395	6100-9	...	RETAINER- SUPPLIER CODE: V2X013	002004 006010	2
400	417N3130-14	...	PIN-HINGE OPTIONAL PART: MS20253P2-770	002004 006010	1
400	MS20253P2-770	...	PIN-HINGE OPTIONAL PART: 417N3130-14	002004 006010	1
405	417N3137-8	...	CABLE ASSY- USED ON: 417N3130-89SP 417N3130-92SP	002004 006010	1
410	417N3140-3SP	...	DOOR ASSY	002004 006010	1
415	417N3140-9	FOAM-RIGID MANUFACTURED FROM: STOCK .25 X 2.80 X .25 TH. BMS 1-68, GRADE A, FORM III OPTIONAL PART: 417N3140-6	002004 006010	1

MISSING ITEM NUMBERS NOT APPLICABLE

- ITEM NOT ILLUSTRATED

35-21-05-30

35-21-05
FIG. 30
PAGE 9
JAN 20/09

BRI



757

PARTS CATALOG (MAINTENANCE)

FIG ITEM	PART NUMBER	1 2 3 4 5 6 7	NOMENCLATURE	EFFECT FROM TO	UNITS PER ASSY
30					
415	417N3140-6	FOAM-RIGID MANUFACTURED FROM: STOCK .25 X .25 X 2.90 BMS8-39, TYPE VI A, CLASS A90, FOAM A, COMP B OPTIONAL PART: 417N3140-9	002004 006010	1
420	417T4205-167	...M	ASK ASSY- MISCELLANEOUS DATA: (EQUIVALENT PURITAN- BENNETT (FSCM 02217) P/N IS 174080-167 EQUIVALENT SCOTT (FSCM 53655) P/N IS 289-601-392) REWORKED BY SB: 35-0014 35-0028 REWORKED BY SB: 3500-98-07 V16827 174080-35-01 V16827	002004 006010	2
450	417N3200-62SP	.S	ERVICE UNIT ASSY-PASS. POSITION DATA: OVERDOOR COMPONENT MAINT MANUAL REF: 35-21-04	952999	RF
460	417N3200-78SP	.S	ERVICE UNIT ASSY-PASS. POSITION DATA: OVERDOOR COMPONENT MAINT MANUAL REF: 35-21-04	002004 006010	RF
470	417N3200-54SP	.S	ERVICE UNIT ASSY-PASS. POSITION DATA: OVERDOOR COMPONENT MAINT MANUAL REF: 35-21-04	952999	RF
475	417N3200-77SP	.S	ERVICE UNIT ASSY-PASS. POSITION DATA: OVERDOOR COMPONENT MAINT MANUAL REF: 35-21-04	002004 006010	RF
490	417N3200-54SP	.S	ERVICE UNIT ASSY-PASS. POSITION DATA: OVERDOOR COMPONENT MAINT MANUAL REF: 35-21-04	002004 006010	RF

MISSING ITEM NUMBERS NOT APPLICABLE

- ITEM NOT ILLUSTRATED

35-21-05-30

35-21-05
FIG. 30
PAGE 10
JAN 20/09

BRI



757

PARTS CATALOG (MAINTENANCE)

FIG ITEM	PART NUMBER	1 2 3 4 5 6 7	NOMENCLATURE	EFFECT FROM TO	UNITS PER ASSY
30					
495	417N3200-53SP		.SERVICE UNIT ASSY-PASS. POSITION DATA: OVERDOOR COMPONENT MAINT MANUAL REF: 35-21-04	952999	RF
505	417N3200-53SP		.SERVICE UNIT ASSY-PASS. POSITION DATA: OVERDOOR COMPONENT MAINT MANUAL REF: 35-21-04	002004 006010	RF
510	417N3130-88SP		..BOX ASSY-OXY 2 MASK POSITION DATA: RH USED ON: 417N3200-62SP	952999	1
510	417N3130-88SP		..BOX ASSY-OXY 2 MASK POSITION DATA: RH USED ON: 417N3200-77SP	002004 006010	1
515	417N3130-87SP		..BOX ASSY-OXY 2 MASK POSITION DATA: LH USED ON: 417N3200-78SP	002004 006010	1
520	417N3130-96SP		..BOX ASSY-OXY 3 MASK POSITION DATA: RH COMPONENT MAINT MANUAL REF: 35-21-02 USED ON: 417N3200-54SP	952999	1
520	417N3130-96SP		..BOX ASSY-OXY 3 MASK POSITION DATA: RH COMPONENT MAINT MANUAL REF: 35-21-02 USED ON: 417N3200-54SP	002004 006010	1
530	417N3130-93SP		..BOX ASSY-OXY 4 MASK POSITION DATA: LH COMPONENT MAINT MANUAL REF: 35-21-02 USED ON: 417N3200-53SP	002004 006010 952999	1

MISSING ITEM NUMBERS NOT APPLICABLE

- ITEM NOT ILLUSTRATED

35-21-05-30

35-21-05
FIG. 30
PAGE 11
JAN 20/09

BRI



757

PARTS CATALOG (MAINTENANCE)

FIG ITEM	PART NUMBER	1 2 3 4 5 6 7	NOMENCLATURE	EFFECT FROM TO	UNITS PER ASSY
30					
530	417N3130-93SP		..BOX ASSY-OXY 4 MASK POSITION DATA: LH COMPONENT MAINT MANUAL REF: 35-21-02 USED ON: 417N3200-53SP ATTACHING PARTS	002004 006010	1
- 535	BACS12FA08K7		..SCREW- USED ON: 417N3200-54SP 417N3200-53SP	952999	4
- 535	BACS12FA08K7		..SCREW- USED ON: 417N3200-54SP 417N3200-53SP	002004 006010	4
- 540	BACW10P193G		..WASHER	002004 006010 952999	4
- 545	BACN10YJ08		..NUT- USED ON: 417N3200-62SP	952999	4
- 545	BACN10YJ08		..NUT- USED ON: 417N3200-77SP 417N3200-78SP	002004 006010	4
			-----*-----		
550	6100-9		...RETAINER- SUPPLIER CODE: V2X013 USED ON: 417N3130-87SP 417N3130-88SP	002004 006010 952999	2
555	6100-9		...RETAINER- SUPPLIER CODE: V2X013 USED ON: 417N3130-85SP 417N3130-86SP 417N3130-93SP 417N3130-96SP	952999	2
555	6100-9		...RETAINER- SUPPLIER CODE: V2X013 USED ON: 417N3130-93SP 417N3130-96SP	002004 006010	2

MISSING ITEM NUMBERS NOT APPLICABLE

- ITEM NOT ILLUSTRATED

35-21-05-30

35-21-05
FIG. 30
PAGE 12
JAN 20/09

BRI



757

PARTS CATALOG (MAINTENANCE)

FIG ITEM	PART NUMBER	1 2 3 4 5 6 7	NOMENCLATURE	EFFECT FROM TO	UNITS PER ASSY
30 560	6100-12		...RETAINER- SUPPLIER CODE: V97464 USED ON: 417N3130-87SP 417N3130-88SP	002004 006010 952999	1
565	6100-12		...RETAINER- SUPPLIER CODE: V97464 USED ON: 417N3130-85SP 417N3130-86SP 417N3130-93SP 417N3130-96SP	952999	1
565	6100-12		...RETAINER- SUPPLIER CODE: V97464 USED ON: 417N3130-93SP 417N3130-96SP	002004 006010	1
570	417N3130-14		...PIN-HINGE OPTIONAL PART: MS20253P2-770 USED ON: 417N3130-87SP 417N3130-88SP	002004 006010 952999	1
570	MS20253P2-770		...PIN-HINGE OPTIONAL PART: 417N3130-14 USED ON: 417N3130-87SP 417N3130-88SP	002004 006010 952999	1
575	417N3130-14		...PIN-HINGE OPTIONAL PART: MS20253P2-770 USED ON: 417N3130-85SP 417N3130-86SP 417N3130-93SP 417N3130-96SP	952999	1
575	MS20253P2-770		...PIN-HINGE OPTIONAL PART: 417N3130-14 USED ON: 417N3130-85SP 417N3130-86SP 417N3130-93SP 417N3130-96SP	952999	1

MISSING ITEM NUMBERS NOT APPLICABLE

- ITEM NOT ILLUSTRATED

35-21-05-30

35-21-05
FIG. 30
PAGE 13
JAN 20/09

BRI



757

PARTS CATALOG (MAINTENANCE)

FIG ITEM	PART NUMBER	1 2 3 4 5 6 7	NOMENCLATURE	EFFECT FROM TO	UNITS PER ASSY
30 575	417N3130-14	...	PIN-HINGE OPTIONAL PART: MS20253P2-770 USED ON: 417N3130-93SP 417N3130-96SP	002004 006010	1
575	MS20253P2-770	...	PIN-HINGE OPTIONAL PART: 417N3130-14 USED ON: 417N3130-93SP 417N3130-96SP	002004 006010	1
580	417N3130-13	...	PIN-LATCH OPTIONAL PART: MS20253P2-780 USED ON: 417N3130-87SP 417N3130-88SP	002004 006010 952999	1
580	MS20253P2-780	...	PIN-LATCH OPTIONAL PART: 417N3130-13 USED ON: 417N3130-87SP 417N3130-88SP	002004 006010 952999	1
585	417N3130-13	...	PIN-LATCH OPTIONAL PART: MS20253P2-780 USED ON: 417N3130-85SP 417N3130-86SP 417N3130-93SP 417N3130-96SP	952999	1
585	MS20253P2-780	...	PIN-LATCH OPTIONAL PART: 417N3130-13 USED ON: 417N3130-85SP 417N3130-86SP 417N3130-93SP 417N3130-96SP	952999	1
585	417N3130-13	...	PIN-LATCH OPTIONAL PART: MS20253P2-780 USED ON: 417N3130-93SP 417N3130-96SP	002004 006010	1

MISSING ITEM NUMBERS NOT APPLICABLE

- ITEM NOT ILLUSTRATED

35-21-05-30

35-21-05
FIG. 30
PAGE 14
JAN 20/09

BRI

BOEING PROPRIETARY - Copyright © - Unpublished Work - See title page for details.



757

PARTS CATALOG (MAINTENANCE)

FIG ITEM	PART NUMBER	1 2 3 4 5 6 7	NOMENCLATURE	EFFECT FROM TO	UNITS PER ASSY
30 585	MS20253P2-780	...	PIN-LATCH OPTIONAL PART: 417N3130-13 USED ON: 417N3130-93SP 417N3130-96SP	002004 006010	1
590	MS20392-1C23	...	PIN- USED ON: 417N3130-87SP 417N3130-88SP	002004 006010 952999	1
595	MS20392-1C23	...	PIN- USED ON: 417N3130-85SP 417N3130-86SP 417N3130-93SP 417N3130-96SP	952999	1
595	MS20392-1C23	...	PIN- USED ON: 417N3130-93SP 417N3130-96SP	002004 006010	1
600	417N3137-3	...	CABLE ASSY- USED ON: 417N3130-87SP 417N3130-88SP	002004 006010 952999	1
605	417N3137-4	...	CABLE ASSY- USED ON: 417N3130-85SP 417N3130-86SP 417N3130-93SP 417N3130-96SP	952999	1
605	417N3137-4	...	CABLE ASSY- USED ON: 417N3130-93SP 417N3130-96SP	002004 006010	1
610	417N3133-2	...	LATCH- USED ON: 417N3130-87SP 417N3130-88SP	002004 006010 952999	1
615	417N3133-2	...	LATCH- USED ON: 417N3130-85SP 417N3130-86SP 417N3130-93SP 417N3130-96SP	952999	1
615	417N3133-2	...	LATCH- USED ON: 417N3130-93SP 417N3130-96SP	002004 006010	1

MISSING ITEM NUMBERS NOT APPLICABLE

- ITEM NOT ILLUSTRATED

35-21-05-30

35-21-05
FIG. 30
PAGE 15
JAN 20/09

BRI

BOEING PROPRIETARY - Copyright © - Unpublished Work - See title page for details.



757

PARTS CATALOG (MAINTENANCE)

FIG ITEM	PART NUMBER	1 2 3 4 5 6 7	NOMENCLATURE	EFFECT FROM TO	UNITS PER ASSY
30					
620	417N3173-4		... SPRING- USED ON: 417N3130-87SP 417N3130-88SP	002004 006010 952999	1
625	417N3173-4		... SPRING- USED ON: 417N3130-85SP 417N3130-86SP 417N3130-93SP 417N3130-96SP	952999	1
625	417N3173-4		... SPRING- USED ON: 417N3130-93SP 417N3130-96SP	002004 006010	1
630	417N3133-6		... LATCH ASSY- USED ON: 417N3130-87SP 417N3130-88SP	002004 006010 952999	2
635	417N3133-6		... LATCH ASSY- USED ON: 417N3130-85SP 417N3130-86SP 417N3130-93SP 417N3130-96SP	952999	2
635	417N3133-6		... LATCH ASSY- USED ON: 417N3130-93SP 417N3130-96SP	002004 006010	2
- 640	BACS12FA08K6		ATTACHING PARTS ... SCREW- USED ON: 417N3130-87SP 417N3130-88SP	002004 006010 952999	2
- 645	BACS12FA08K6		... SCREW- USED ON: 417N3130-85SP 417N3130-86SP 417N3130-93SP 417N3130-96SP	952999	2
- 645	BACS12FA08K6		... SCREW- USED ON: 417N3130-93SP 417N3130-96SP	002004 006010	2
- 650	AN960JD8L		... WASHER- USED ON: 417N3130-87SP 417N3130-88SP	002004 006010 952999	2

MISSING ITEM NUMBERS NOT APPLICABLE

- ITEM NOT ILLUSTRATED

35-21-05-30

35-21-05
FIG. 30
PAGE 16
JAN 20/09

BRI



757

PARTS CATALOG (MAINTENANCE)

FIG ITEM	PART NUMBER	1 2 3 4 5 6 7	NOMENCLATURE	EFFECT FROM TO	UNITS PER ASSY
30					
- 655	AN960JD8L	...	WASHER- USED ON: 417N3130-85SP 417N3130-86SP 417N3130-93SP 417N3130-96SP	952999	2
- 655	AN960JD8L	...	WASHER- USED ON: 417N3130-93SP 417N3130-96SP -----*-----	002004 006010	2
660	6035-2BR185	INSERT- SUPPLIER CODE: V01556	002004 006010 952999	1
665	6035-2BR185	INSERT- SUPPLIER CODE: V01556	952999	1
665	6035-2BR185	INSERT- SUPPLIER CODE: V01556	002004 006010	1
670	417N3135-7	LATCH	002004 006010 952999	1
675	417N3135-7	LATCH	952999	1
675	417N3135-7	LATCH	002004 006010	1
680	417N3140-3SP	...	DOOR ASSY- USED ON: 417N3130-87SP 417N3130-88SP	002004 006010 952999	1
685	417N3140-2SP	...	DOOR ASSY- USED ON: 417N3130-85SP 417N3130-86SP 417N3130-93SP 417N3130-96SP	952999	1
685	417N3140-2SP	...	DOOR ASSY- USED ON: 417N3130-93SP 417N3130-96SP	002004 006010	1
690	417N3140-9	FOAM-RIGID MANUFACTURED FROM: STOCK .25 X 2.80 X .25 TH. BMS 1-68, GRADE A, FORM III OPTIONAL PART: 417N3140-6	002004 006010 952999	1

MISSING ITEM NUMBERS NOT APPLICABLE

- ITEM NOT ILLUSTRATED

35-21-05-30

35-21-05
FIG. 30
PAGE 17
JAN 20/09

BRI



757

PARTS CATALOG (MAINTENANCE)

FIG ITEM	PART NUMBER	1 2 3 4 5 6 7	NOMENCLATURE	EFFECT FROM TO	UNITS PER ASSY
30 690	417N3140-6	FOAM-RIGID MANUFACTURED FROM: STOCK .25 X .25 X 2.90 BMS8-39, TYPE VI A, CLASS A90, FOAM A, COMP B OPTIONAL PART: 417N3140-9	952999	1
690	417N3140-9	FOAM-RIGID MANUFACTURED FROM: STOCK .25 X 2.80 X .25 TH. BMS 1-68, GRADE A, FORM III OPTIONAL PART: 417N3140-6	952999	1
690	417N3140-6	FOAM-RIGID MANUFACTURED FROM: STOCK .25 X .25 X 2.90 BMS8-39, TYPE VI A, CLASS A90, FOAM A, COMP B OPTIONAL PART: 417N3140-9	002004 006010	1
695	417N3140-9	FOAM-RIGID MANUFACTURED FROM: STOCK .25 X 2.80 X .25 TH. BMS 1-68, GRADE A, FORM III OPTIONAL PART: 417N3140-6	952999	1
695	417N3140-6	FOAM-RIGID MANUFACTURED FROM: STOCK .25 X .25 X 2.90 BMS8-39, TYPE VI A, CLASS A90, FOAM A, COMP B OPTIONAL PART: 417N3140-9	952999	1
695	417N3140-9	FOAM-RIGID MANUFACTURED FROM: STOCK .25 X 2.80 X .25 TH. BMS 1-68, GRADE A, FORM III OPTIONAL PART: 417N3140-6	002004 006010	1

MISSING ITEM NUMBERS NOT APPLICABLE

- ITEM NOT ILLUSTRATED

35-21-05-30

35-21-05
FIG. 30
PAGE 18
JAN 20/09

BRI

BOEING PROPRIETARY - Copyright © - Unpublished Work - See title page for details.



757

PARTS CATALOG (MAINTENANCE)

FIG ITEM	PART NUMBER	1 2 3 4 5 6 7	NOMENCLATURE	EFFECT FROM TO	UNITS PER ASSY
30 695	417N3140-6	FOAM-RIGID MANUFACTURED FROM: STOCK .25 X .25 X 2.90 BMS8-39, TYPE VI A, CLASS A90, FOAM A, COMP B OPTIONAL PART: 417N3140-9	002004 006010	1
700	417T4205-164	...	MASK ASSY- QUALIFIED I/W DATA: 417T4205-164 MASK ASSEMBLY CAN REPLACE OR BE REPLACED BY 417T4205-64 MASK ASSEMBLY IF SERVICE BULLETIN 757-35A0006 HAS BEEN INCORPORATED. USED ON: 417N3130-87SP 417N3130-88SP REWORKED BY SB: 35-0014 35-0028 REWORKED BY SB: 3500-98-07 V16827 174080-35-01 V16827	002004 006010 952999	2
705	417T4205-162	...	MASK ASSY- MISCELLANEOUS DATA: EQUIVALENT PURITAN- BENNETT (FSCM 02217) P/N IS 174080-162 EQUIVALENT SCOTT (FSCM 53655) P/N IS 289-601-812 USED ON: 417N3130-93SP REWORKED BY SB: 35-0014 35-0028 REWORKED BY SB: 3500-98-07 V16827 174080-35-01 V16827	002004 006010	4

MISSING ITEM NUMBERS NOT APPLICABLE

- ITEM NOT ILLUSTRATED

BRI

35-21-05-30

35-21-05
FIG. 30
PAGE 19
JAN 20/09



757

PARTS CATALOG (MAINTENANCE)

FIG ITEM	PART NUMBER	1 2 3 4 5 6 7	NOMENCLATURE	EFFECT FROM TO	UNITS PER ASSY
30 705	417T4205-162		...MASK ASSY- MISCELLANEOUS DATA: EQUIVALENT PURITAN- BENNETT (FSCM 02217) P/N IS 174080-162 EQUIVALENT SCOTT (FSCM 53655) P/N IS 289-601-812 USED ON: 417N3130-93SP REWORKED BY SB: 35-0014 REWORKED BY SB: 3500-98-07 V16827	952999	4
705	289-801-241		...MASK ASSY- SUPPLIER CODE: V53655 SPECIFICATION NUMBER: S418W001-101 COMPONENT MAINT MANUAL REF: 35-22-07	002004 006010	4
705	289-801-241		...MASK ASSY- SUPPLIER CODE: V53655 SPECIFICATION NUMBER: S418W001-101 COMPONENT MAINT MANUAL REF: 35-22-07	952999	4

MISSING ITEM NUMBERS NOT APPLICABLE

- ITEM NOT ILLUSTRATED

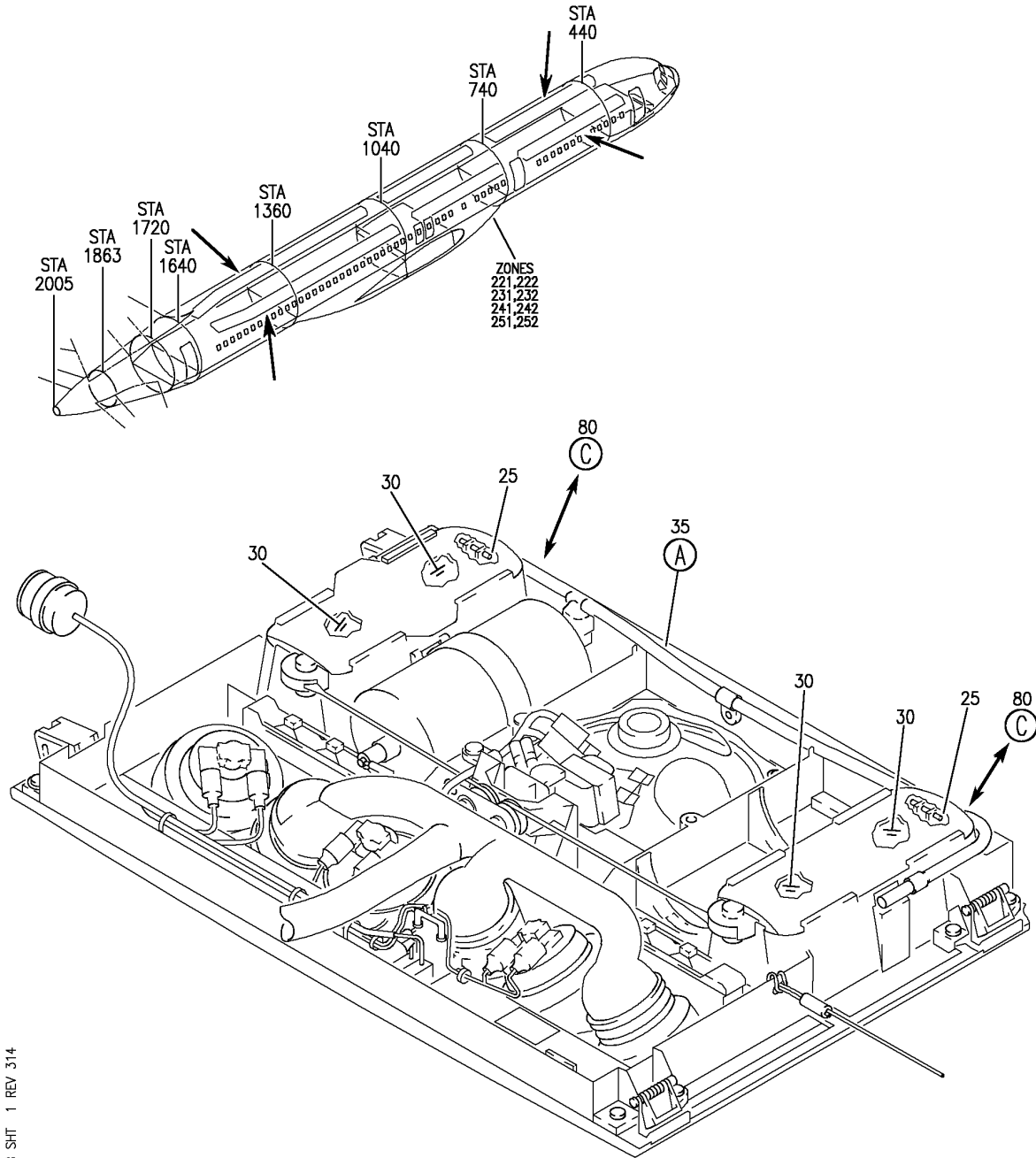
BRI

35-21-05-30

BOEING PROPRIETARY - Copyright © - Unpublished Work - See title page for details.

35-21-05
FIG. 30
PAGE 20
JAN 20/09

BOEING
757
PARTS CATALOG (MAINTENANCE)



Y 35210531B SHT 1 REV 314

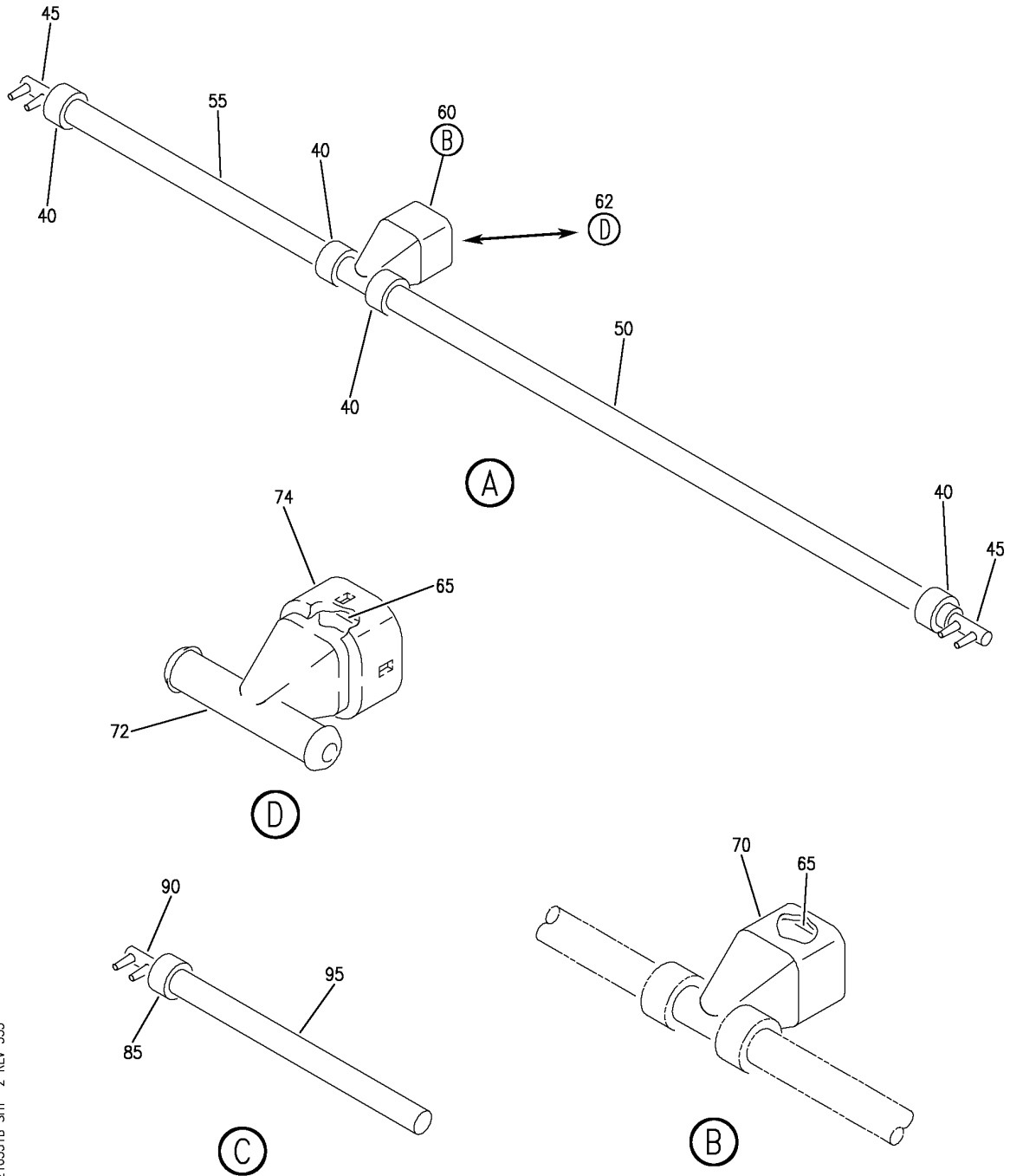
SERVICE UNIT ASSY-PASS. (PASSENGER OXYGEN MASK ONLY)
FIGURE 31B (SHEET 1)

35-21-05-31B

BRI
JAN 20/09

35-21-05-31B
PAGE 0

BOEING
757
PARTS CATALOG (MAINTENANCE)



Y 35210531B SHT 2 REV 333

SERVICE UNIT ASSY-PASS. (PASSENGER OXYGEN MASK ONLY)
FIGURE 31B (SHEET 2)

35-21-05-31B

BRI
MAY 20/09

35-21-05-31B
PAGE 0A



757

PARTS CATALOG (MAINTENANCE)

FIG ITEM	PART NUMBER	1 2 3 4 5 6 7	NOMENCLATURE	EFFECT FROM TO	UNITS PER ASSY
31B			SERVICE UNIT ASSY-PASS. (PASSENGER OXYGEN MASK ONLY)	103106 108120	
- 1	417N3011-401W		SERVICE UNIT ASSY-PASS. WITH SPKR AND GASPER (PASSENGER OXYGEN MASK ONLY) POSITION DATA: LH ELECTRICAL EQUIP NUMBER: M10973 COMPONENT MAINT MANUAL REF: 25-23-38 FOR NHA/OTHER SYS DET SEE: 25-23-01-34A 25-23-01-76A	108120	RF
- 1	417N3011-401B		SERVICE UNIT ASSY-PASS. WITH 2K SPKR AND GASPER (PASSENGER OXYGEN MASK ONLY) POSITION DATA: LH ELECTRICAL EQUIP NUMBER: M10973 FOR NHA/OTHER SYS DET SEE: 25-23-01-52B	103106	RF
- 10	417N3011-413M		SERVICE UNIT ASSY-PASS. NO SPKR WITH GASPER (PASSENGER OXYGEN MASK ONLY) POSITION DATA: LH ELECTRICAL EQUIP NUMBER: M10973 COMPONENT MAINT MANUAL REF: 25-23-38 FOR NHA/OTHER SYS DET SEE: 25-23-01-34A 25-23-01-76A	108120	RF
- 10	417N3011-413B		SERVICE UNIT ASSY-PASS. NO SPKR WITH GASPER (PASSENGER OXYGEN MASK ONLY) POSITION DATA: LH ELECTRICAL EQUIP NUMBER: M10973 FOR NHA/OTHER SYS DET SEE: 25-23-01-52B	103106	RF

MISSING ITEM NUMBERS NOT APPLICABLE

- ITEM NOT ILLUSTRATED

35-21-05-31B

35-21-05
FIG. 31B
PAGE 1
JAN 20/09

BRI



757

PARTS CATALOG (MAINTENANCE)

FIG ITEM	PART NUMBER	1 2 3 4 5 6 7	NOMENCLATURE	EFFECT FROM TO	UNITS PER ASSY
31B - 10	417N3011-713B		SERVICE UNIT ASSY-PASS. NO SPKR WITH GASPER (PASSENGER OXYGEN MASK ONLY) POSITION DATA: LH ELECTRICAL EQUIP NUMBER: M10973 FOR NHA/OTHER SYS DET SEE: 25-23-01-34A 25-23-01-76A	108120	RF
- 20	417N3011-421D		SERVICE UNIT ASSY-PASS. WITH SPKR AND GASPER (PASSENGER OXYGEN MASK ONLY) POSITION DATA: LH ELECTRICAL EQUIP NUMBER: M10983 COMPONENT MAINT MANUAL REF: 25-23-38 FOR NHA/OTHER SYS DET SEE: 25-23-01-34A 25-23-01-76A	108120	RF
- 20	417N3011-421B		SERVICE UNIT ASSY-PASS. WITH 2K SPKR, MUTING RELAY AND GASPER (PASSENGER OXYGEN MASK ONLY) ELECTRICAL EQUIP NUMBER: M10983 FOR NHA/OTHER SYS DET SEE: 25-23-01-52B	103106	RF
25	BACP18BC02C06P	.PIN		108120	2
25	BACP18BC02C06P	.PIN		103106	2
30	289-801-240	.MASK ASSY-	SUPPLIER CODE: V53655 SPECIFICATION NUMBER: S418W001-100 COMPONENT MAINT MANUAL REF: 35-22-07	108120	4
30	289-801-240	.MASK ASSY-	SUPPLIER CODE: V53655 SPECIFICATION NUMBER: S418W001-100 COMPONENT MAINT MANUAL REF: 35-22-07	103106	4

MISSING ITEM NUMBERS NOT APPLICABLE

- ITEM NOT ILLUSTRATED

35-21-05-31B

35-21-05
FIG. 31B
PAGE 2
JAN 20/09

BRI

BOEING PROPRIETARY - Copyright © - Unpublished Work - See title page for details.



757

PARTS CATALOG (MAINTENANCE)

FIG ITEM	PART NUMBER	1 2 3 4 5 6 7	NOMENCLATURE	EFFECT FROM TO	UNITS PER ASSY
31B					
35	417N3038-1	.LINE	ASSY	108120	1
35	417N3038-1	.LINE	ASSY	103106	1
40	PLT2MM	..STRAP-TIE		108120	4
			SUPPLIER CODE:		
			V06383		
40	PLT2MM	..STRAP-TIE		103106	4
			SUPPLIER CODE:		
			V06383		
45	417N3036-4	..MANIFOLD		108120	2
45	417N3036-4	..MANIFOLD		103106	2
50	417N3038-3	..HOSE		108120	2
50	417N3038-3	..HOSE		103106	2
55	417N3038-4	..HOSE		108120	2
55	417N3038-4	..HOSE		103106	2
60	417N3036-1	..CONNECTOR	ASSY-TEE	108120	2
60	417N3036-1	..CONNECTOR	ASSY-TEE	103106	2
62	417N3036-5	..CONNECTOR	ASSY-TEE	103106	2
				108120	
65	417N3036-3	...SEAL-ADAPTOR		108120	2
65	417N3036-3	...SEAL-ADAPTOR		103106	2
70	417N3036-2	...CONNECTOR-TEE		108120	2
			USED ON:		
			417N3036-1		
70	417N3036-2	...CONNECTOR-TEE		103106	2
			USED ON:		
			417N3036-1		
72	417N3036-6	...CONNECTOR-TEE		103106	2
			USED ON:	108120	
			417N3036-5		
74	417N3036-7	...CAP-MOLDED		103106	2
			USED ON:	108120	
			417N3036-5		

R
R

R
R
R
R
R
R
R
R

MISSING ITEM NUMBERS NOT APPLICABLE

- ITEM NOT ILLUSTRATED

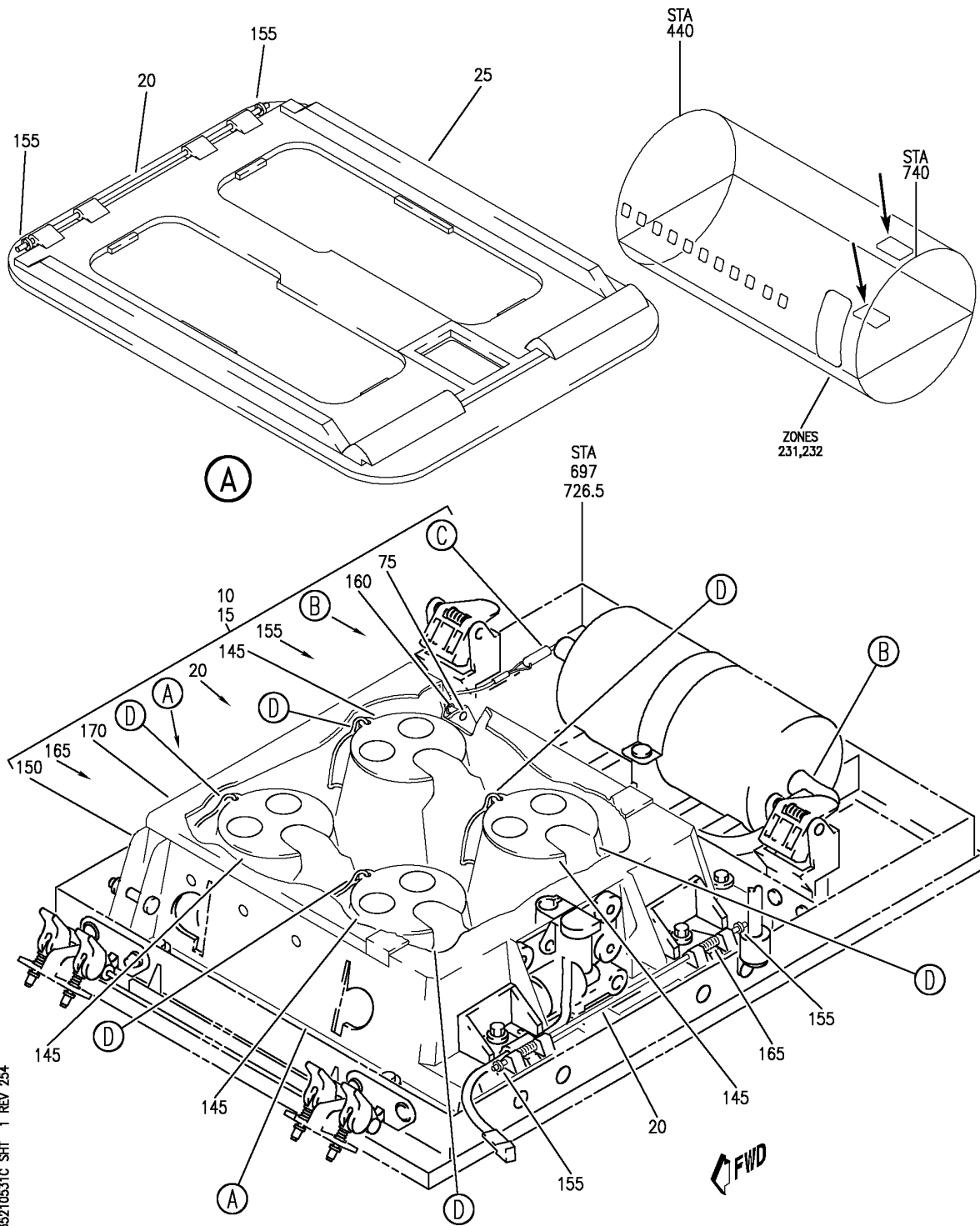
35-21-05-31B

35-21-05
FIG. 31B
PAGE 3
MAY 20/09

BRI

BOEING PROPRIETARY - Copyright © - Unpublished Work - See title page for details.

BOEING
757
PARTS CATALOG (MAINTENANCE)



Y 35210531C SHT 1 REV 254

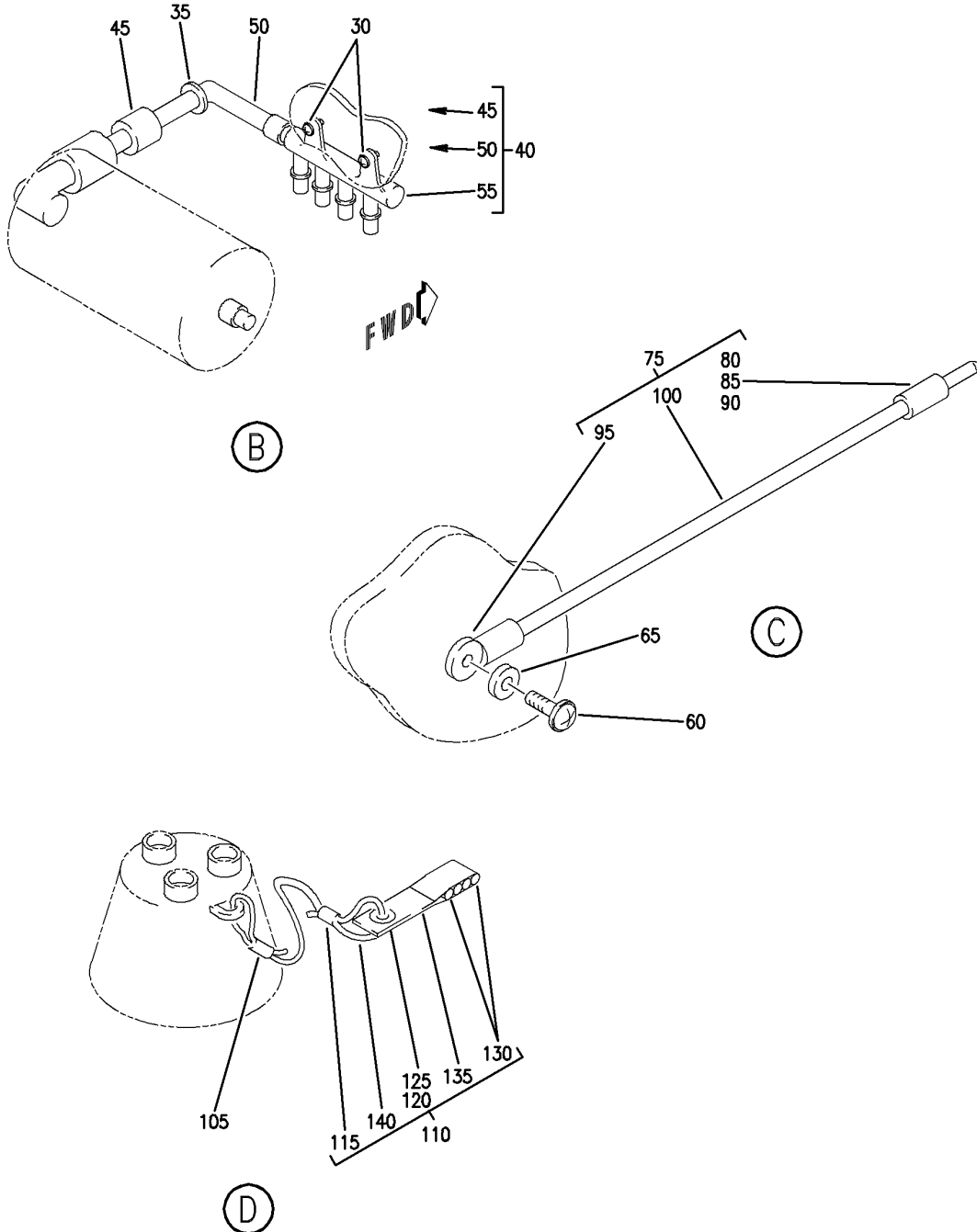
SERVICE UNIT ASSY-PASS. (PASSENGER OXYGEN MASK ONLY)
FIGURE 31C (SHEET 1)

35-21-05-31C

BRI
JAN 20/09

35-21-05-31C
PAGE 0

BOEING
757
PARTS CATALOG (MAINTENANCE)



Y 35210531C SH1 2 REV 237

SERVICE UNIT ASSY-PASS. (PASSENGER OXYGEN MASK ONLY)
FIGURE 31C (SHEET 2)

35-21-05-31C

BRI
JAN 20/09

35-21-05-31C
PAGE 0A



757

PARTS CATALOG (MAINTENANCE)

FIG ITEM	PART NUMBER	1 2 3 4 5 6 7	NOMENCLATURE	EFFECT FROM TO	UNITS PER ASSY
31C			SERVICE UNIT ASSY-PASS. (PASSENGER OXYGEN MASK ONLY)	109120	
- 5	417N3051-151B		SERVICE UNIT ASSY-PASS. OXYGEN 12 MIN. WITH STREAMER (PASSENGER OXYGEN MASK ONLY) ELECTRICAL EQUIP NUMBER: M11057 COMPONENT MAINT MANUAL REF: 25-23-39 FOR NHA/OTHER SYS DET SEE: 25-23-01-34A	109120	RF
15	417N3130-229SP		.BOX ASSY-OXY USED ON: 417N3051-151B FUNCTIONAL REFERENCE: OXYGEN FOR DETAILS SEE 35-21-06-31C	109120	1
20	MS20253P2-775		..PIN	109120	2
25	417N3058-1SP		..DOOR ASSY	109120	1
30	BACS12FA08K6		..SCREW	109120	2
35	RR2002-5D3A		..GROMMET SUPPLIER CODE: V57268 SPECIFICATION NUMBER: BACG20AF5D3A OPTIONAL PART: SZ6924-5D3A V95272 701-5D3A V07096 E5D3A V60980 H5D3A V60980 G6940-5D3A V75345	109120	1
40	417N3138-4		..LINE ASSY-SUPPLY	109120	1
45	417N3138-10		...CONNECTOR	109120	1
50	417N3138-6		...HOSE	109120	1
55	417N3138-8		...MANIFOLD	109120	1
60	BACS12FA3K8		..SCREW	109120	1
65	BACW10P43AL		..WASHER	109120	2
67	MS21042L3		..NUT	109120	1
70	MS20392-1C23		..PIN	109120	1
75	417N3137-4		..CABLE ASSY	109120	1

MISSING ITEM NUMBERS NOT APPLICABLE

- ITEM NOT ILLUSTRATED

35-21-05-31C

35-21-05
FIG. 31C
PAGE 1
JAN 20/09

BRI

BOEING PROPRIETARY - Copyright © - Unpublished Work - See title page for details.



757

PARTS CATALOG (MAINTENANCE)

FIG ITEM	PART NUMBER	1 2 3 4 5 6 7	NOMENCLATURE	EFFECT FROM TO	UNITS PER ASSY
31C					
80	417N3137-6	...	PIN- OPTIONAL PART: 417N3137-23	109120	1
80	417N3137-23	...	KIT ASSY-SUB OPTIONAL PART: 417N3137-6	109120	1
85	417N3137-17	SLEEVE- USED ON: 417N3137-23	109120	1
90	417N3137-19	PIN- USED ON: 417N3137-23	109120	1
95	417N3137-7	...	EYE-CABLE	109120	1
100	417N3137-5	...	CABLE	109120	AR
105	GSC128	..	SLEEVE- SUPPLIER CODE: V56501 SPECIFICATION NUMBER: BACS13S128C USED ON: 417N3130-229SP	109120	4
110	417T4263-1	..	STREAMER ASSY- USED ON: 417N3130-229SP	109120	4
115	MS51844-82	...	SLEEVE	109120	1
120	MS20230WBP10	...	WASHER	109120	1
125	MS20230GBP10	...	GROMMET	109120	1
130	69-50420-4	...	SHOT	109120	16
135	69-50420-2	...	STREAMER	109120	1
140	417T4263-2	...	CORD	109120	1
145	289-801-241	..	MASK ASSY- SUPPLIER CODE: V53655 SPECIFICATION NUMBER: S418W001-101 COMPONENT MAINT MANUAL REF: 35-22-07	109120	4
150	417N3132-2	..	COVER	109120	1
155	6100-9	..	RETAINER- SUPPLIER CODE: V2X013	109120	4
160	6100-12	..	RETAINER- SUPPLIER CODE: V97464	109120	1
165	417N3173-4	..	SPRING	109120	1
170	417N3131-32	..	BOX	109120	1

MISSING ITEM NUMBERS NOT APPLICABLE

- ITEM NOT ILLUSTRATED

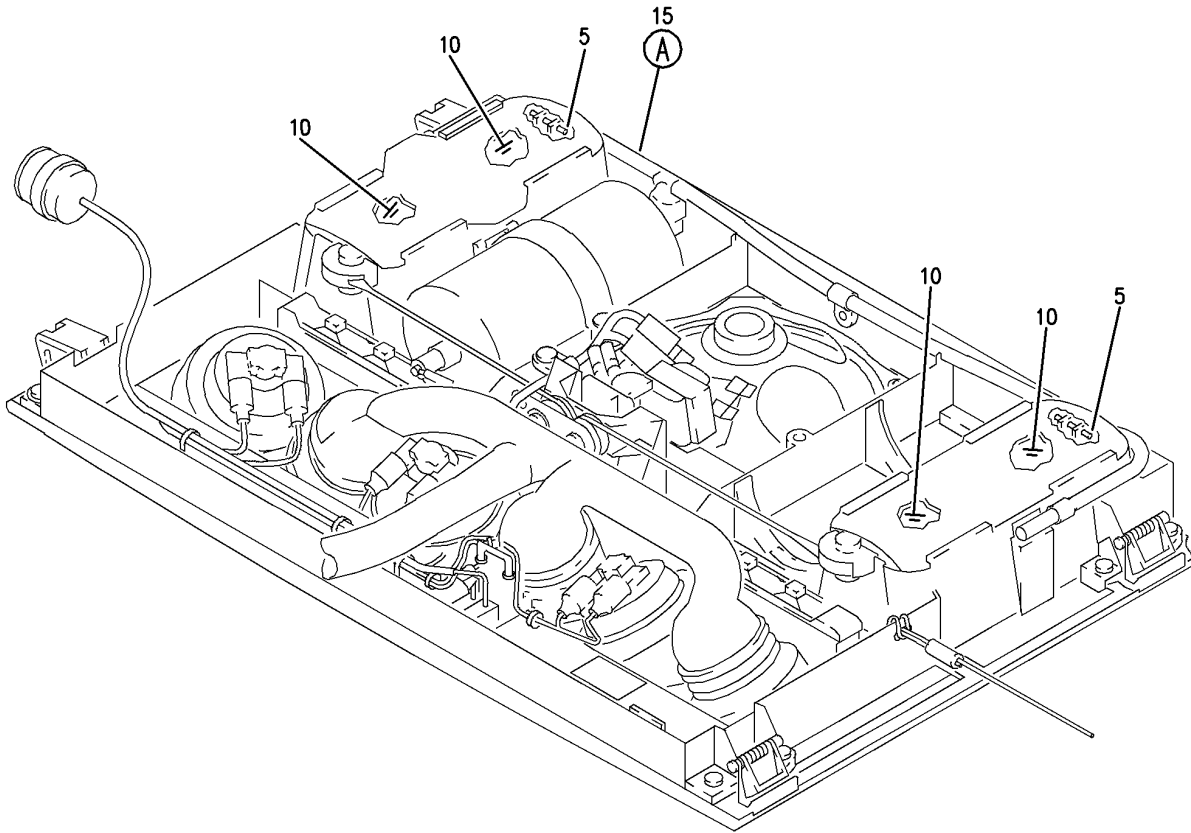
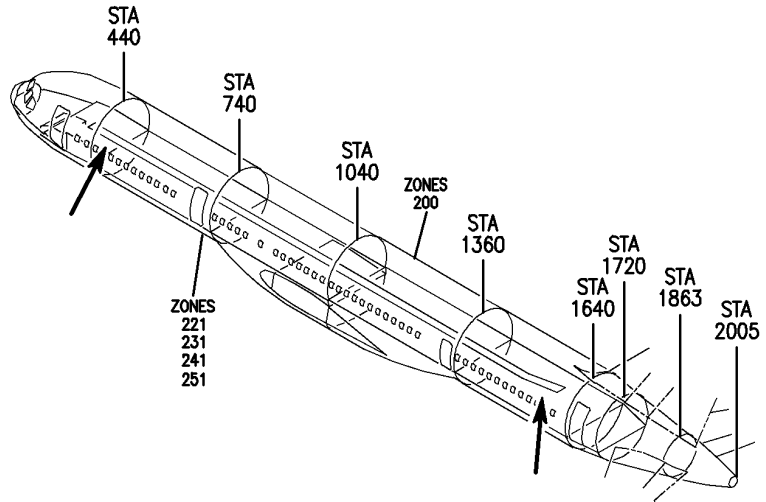
35-21-05-31C

35-21-05
FIG. 31C
PAGE 2
JAN 20/09

BRI

BOEING PROPRIETARY - Copyright © - Unpublished Work - See title page for details.

BOEING
757
PARTS CATALOG (MAINTENANCE)



Y 35210534A SHT 1 REV 237

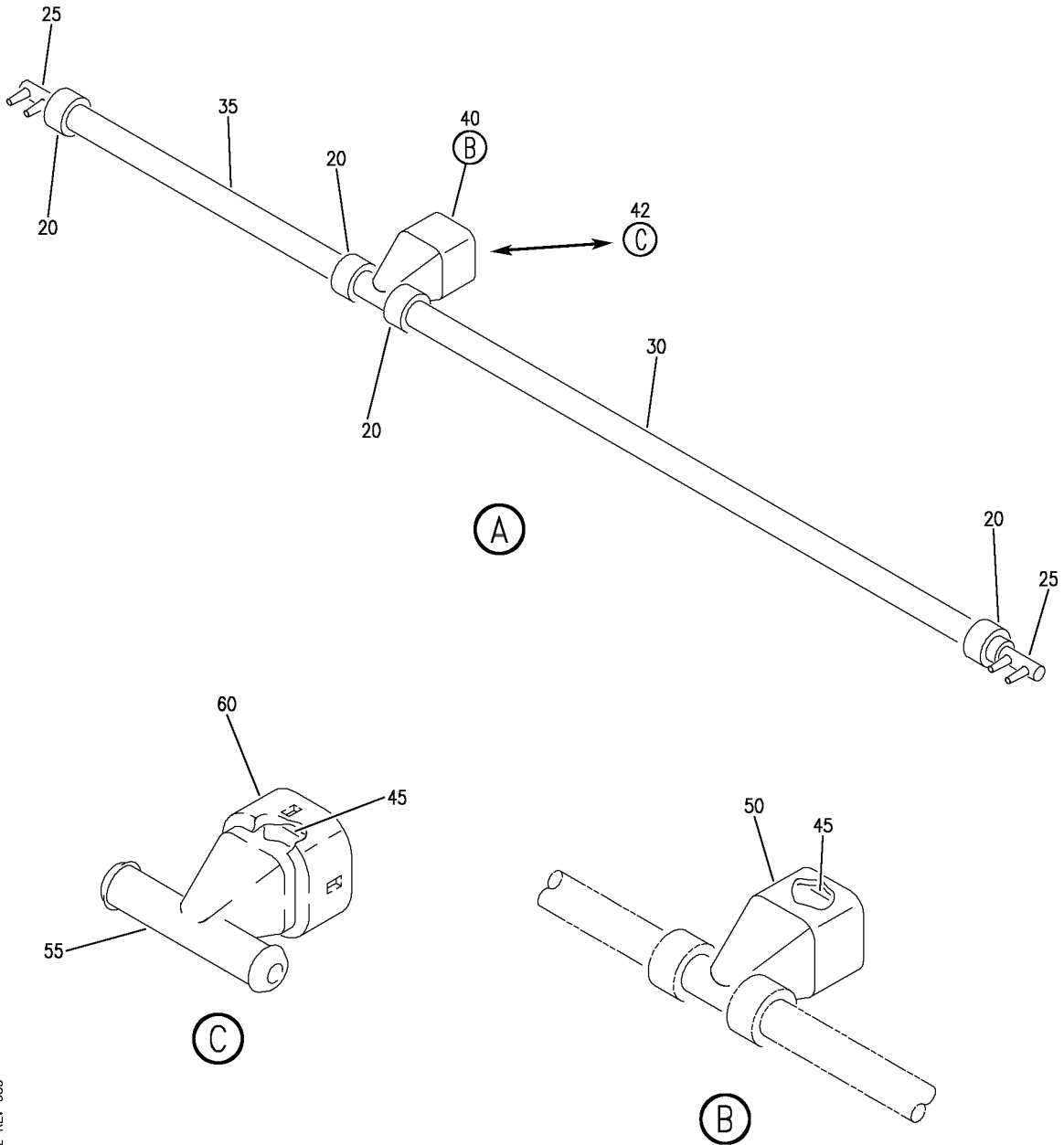
SERVICE UNIT ASSY-PASS. (PASSENGER OXYGEN MASK ONLY)
FIGURE 34A (SHEET 1)

35-21-05-34A

BRI
JAN 20/09

35-21-05-34A
PAGE 0

BOEING
757
PARTS CATALOG (MAINTENANCE)



Y 35210534A SHIT 2 REV 333

SERVICE UNIT ASSY-PASS. (PASSENGER OXYGEN MASK ONLY)
FIGURE 34A (SHEET 2)

35-21-05-34A

BRI
MAY 20/09

35-21-05-34A
PAGE 0A



757

PARTS CATALOG (MAINTENANCE)

FIG ITEM	PART NUMBER	1 2 3 4 5 6 7	NOMENCLATURE	EFFECT FROM TO	UNITS PER ASSY
34A			SERVICE UNIT ASSY-PASS. (PASSENGER OXYGEN MASK ONLY)	103106 108120	
- 1	417N3011-422C		SERVICE UNIT ASSY-PASS. WITH SPKR AND GASPER (PASSENGER OXYGEN MASK ONLY) ELECTRICAL EQUIP NUMBER: M10983 COMPONENT MAINT MANUAL REF: 25-23-38 FOR NHA/OTHER SYS DET SEE: 25-23-01-34A 25-23-01-76A	108120	RF
- 1	417N3011-422B		SERVICE UNIT ASSY-PASS. WITH 2K SPKR, MUTING RELAY AND GASPER (PASSENGER OXYGEN MASK ONLY) ELECTRICAL EQUIP NUMBER: M10983 COMPONENT MAINT MANUAL REF: 25-23-38 FOR NHA/OTHER SYS DET SEE: 25-23-01-52B	103106	RF
5	BACP18BC02C06P		.PIN	108120	2
5	BACP18BC02C06P		.PIN	103104	2
5	BACP18BC02C06P		.PIN	105106	2
10	289-801-240		.MASK ASSY- SUPPLIER CODE: V53655 SPECIFICATION NUMBER: S418W001-100 COMPONENT MAINT MANUAL REF: 35-22-07	108120	4
10	289-801-240		.MASK ASSY- SUPPLIER CODE: V53655 SPECIFICATION NUMBER: S418W001-100 COMPONENT MAINT MANUAL REF: 35-22-07	103104	4
10	289-801-240		.MASK ASSY- SUPPLIER CODE: V53655 SPECIFICATION NUMBER: S418W001-100 COMPONENT MAINT MANUAL REF: 35-22-07	105106	4

MISSING ITEM NUMBERS NOT APPLICABLE

- ITEM NOT ILLUSTRATED

35-21-05-34A

35-21-05
FIG. 34A
PAGE 1
JAN 20/09

BRI

BOEING PROPRIETARY - Copyright © - Unpublished Work - See title page for details.



757

PARTS CATALOG (MAINTENANCE)

FIG ITEM	PART NUMBER	1 2 3 4 5 6 7	NOMENCLATURE	EFFECT FROM TO	UNITS PER ASSY
34A					
15	417N3038-1	.LINE	ASSY	108120	1
15	417N3038-1	.LINE	ASSY	103104	1
15	417N3038-1	.LINE	ASSY	105106	1
20	PLT2MM	..STRAP-TIE		108120	4
			SUPPLIER CODE: V06383		
20	PLT2MM	..STRAP-TIE		103104	4
			SUPPLIER CODE: V06383		
20	PLT2MM	..STRAP-TIE		105106	4
			SUPPLIER CODE: V06383		
25	417N3036-4	..MANIFOLD		108120	2
25	417N3036-4	..MANIFOLD		103104	2
25	417N3036-4	..MANIFOLD		105106	2
30	417N3038-3	..HOSE		108120	1
30	417N3038-3	..HOSE		103104	1
30	417N3038-3	..HOSE		105106	1
35	417N3038-4	..HOSE		108120	1
35	417N3038-4	..HOSE		103104	1
35	417N3038-4	..HOSE		105106	1
40	417N3036-1	..CONNECTOR	ASSY-TEE	108120	1
40	417N3036-1	..CONNECTOR	ASSY-TEE	103104	1
40	417N3036-1	..CONNECTOR	ASSY-TEE	105106	1
42	417N3036-5	..CONNECTOR	ASSY-TEE	103106	1
				108120	
45	417N3036-3	...SEAL-ADAPTOR		108120	1
45	417N3036-3	...SEAL-ADAPTOR		103104	1
45	417N3036-3	...SEAL-ADAPTOR		105106	1
50	417N3036-2	...CONNECTOR-TEE		108120	1
			USED ON: 417N3036-1		
50	417N3036-2	...CONNECTOR-TEE		103104	1
			USED ON: 417N3036-1		
50	417N3036-2	...CONNECTOR-TEE		105106	1
			USED ON: 417N3036-1		
55	417N3036-6	...CONNECTOR-TEE		103106	1
			USED ON: 417N3036-5	108120	
60	417N3036-7	...CAP-MOLDED		103106	1
			USED ON: 417N3036-5	108120	

MISSING ITEM NUMBERS NOT APPLICABLE

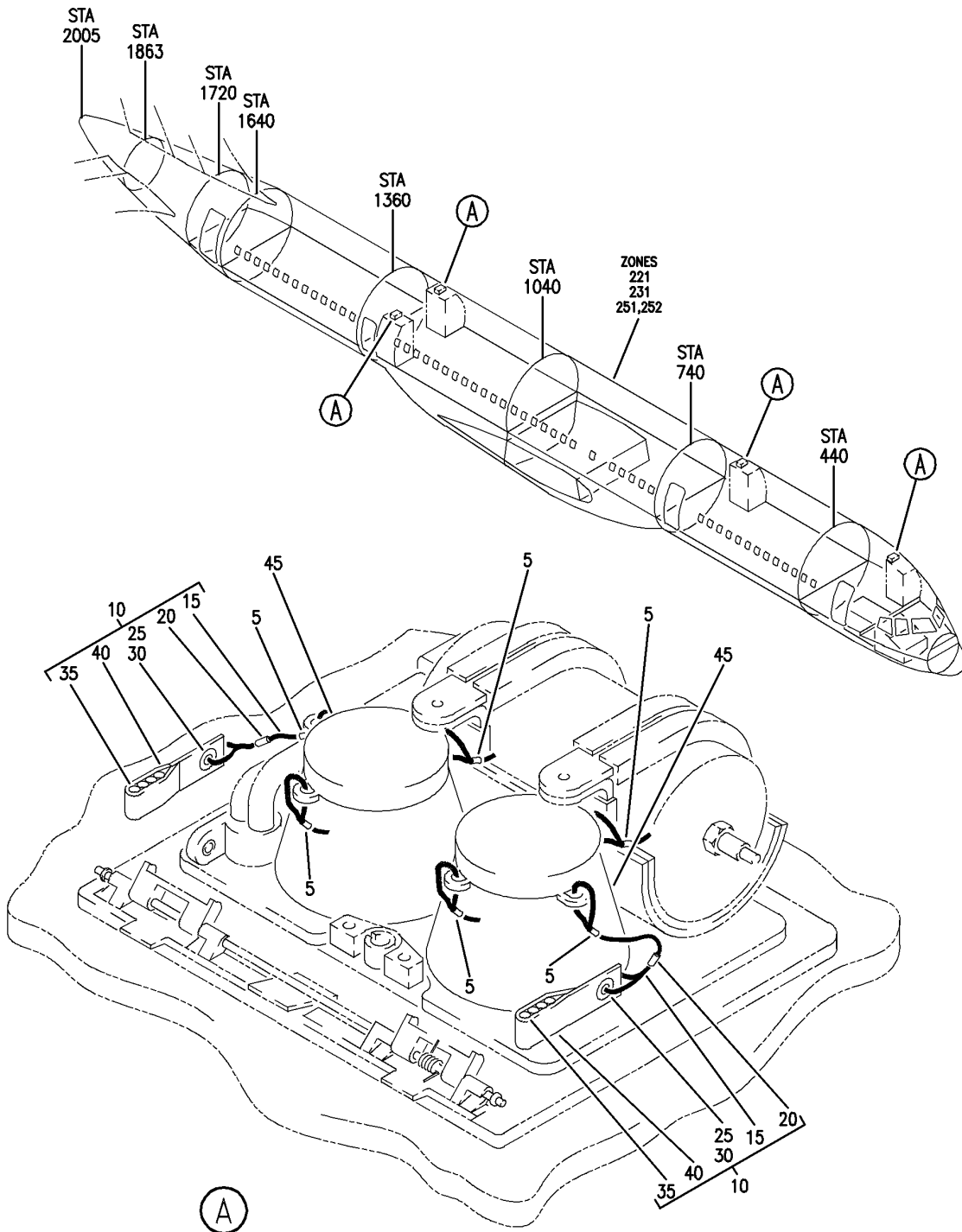
- ITEM NOT ILLUSTRATED

35-21-05-34A

35-21-05
FIG. 34A
PAGE 2
MAY 20/09

BRI

BOEING
757
PARTS CATALOG (MAINTENANCE)



Y 35210550A REV 238

BOX ASSY-OXY (PASSENGER OXYGEN MASK ONLY)
FIGURE 50A

35-21-05-50A

BRI
JAN 20/09

35-21-05-50A
PAGE 0



757

PARTS CATALOG (MAINTENANCE)

FIG ITEM	PART NUMBER	1 2 3 4 5 6 7	NOMENCLATURE	EFFECT FROM TO	UNITS PER ASSY
50A			BOX ASSY-OXY (PASSENGER OXYGEN MASK ONLY)	504903	
- 1	417N3810-130SP		BOX ASSY-OXY (PASSENGER OXYGEN MASK ONLY) FOR NHA/ADDITIONAL DET SEE: 35-21-00-18A	504903	RF
5	GSC128		.SLEEVE SUPPLIER CODE: V56501 SPECIFICATION NUMBER: BACS13S128C	504903	6
10	417T4263-1		.STREAMER ASSY	504903	2
15	417T4263-2		..CORD	504903	1
20	MS51844-82		..SLEEVE	504903	1
25	MS20230GBP10		..GROMMET	504903	1
30	MS20230WBP10		..WASHER	504903	1
35	69-50420-4		..SHOT-WEIGHT	504903	16
40	69-50420-2		..STREAMER	504903	1
45	289-801-121		.MASK ASSY- SUPPLIER CODE: V53655 SPECIFICATION NUMBER: S418W001-121	504903	2

MISSING ITEM NUMBERS NOT APPLICABLE

- ITEM NOT ILLUSTRATED

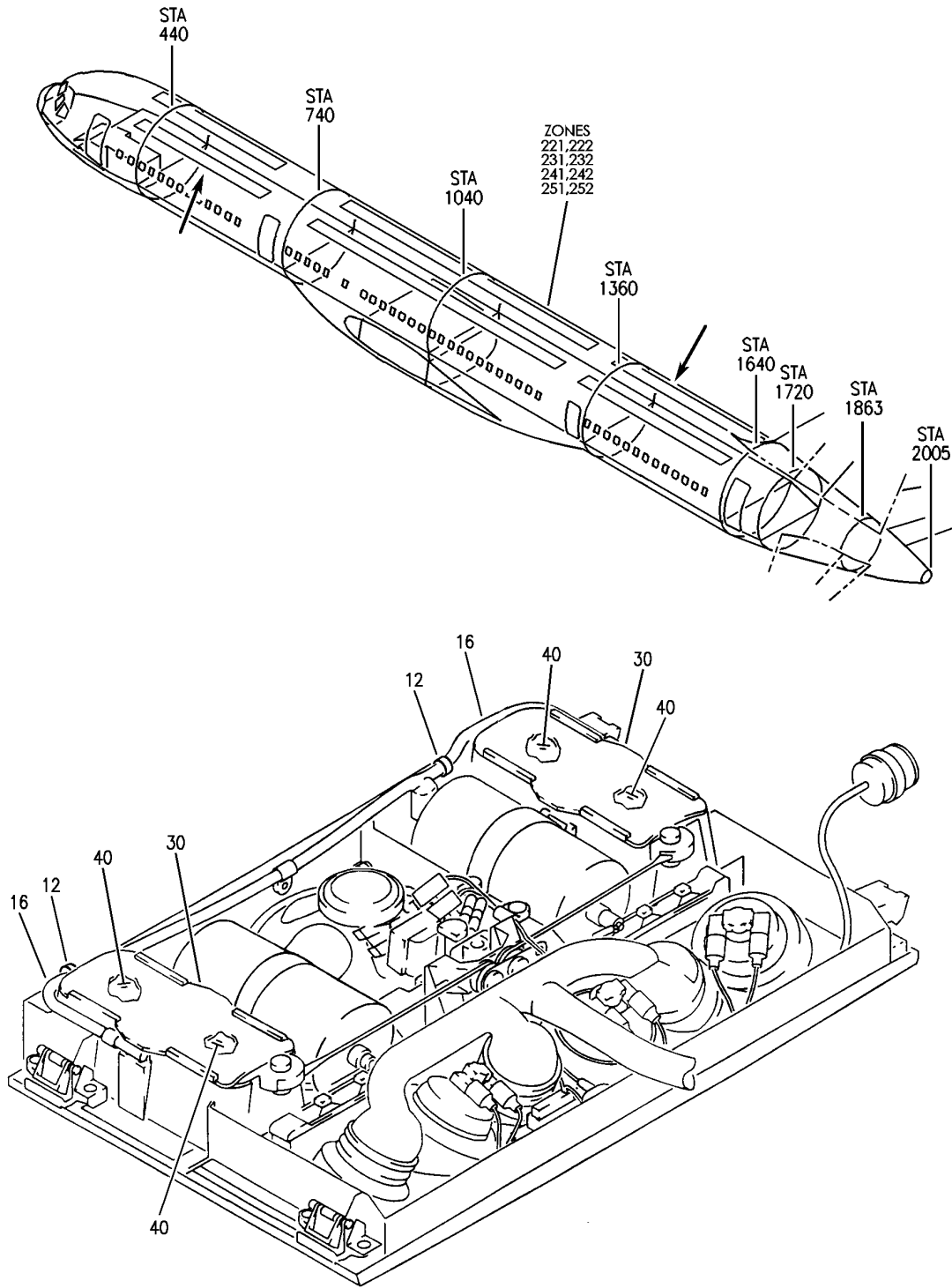
35-21-05-50A

35-21-05
FIG. 50A
PAGE 1
JAN 20/09

BRI

BOEING PROPRIETARY - Copyright © - Unpublished Work - See title page for details.

BOEING
757
PARTS CATALOG (MAINTENANCE)



Y 35210566D REV 252

SERVICE UNIT ASSY-PASS. (PASSENGER OXYGEN MASK ONLY)
FIGURE 66D

35-21-05-66D

BRI
JAN 20/09

35-21-05-66D
PAGE 0



757

PARTS CATALOG (MAINTENANCE)

FIG ITEM	PART NUMBER	1 2 3 4 5 6 7	NOMENCLATURE	EFFECT FROM TO	UNITS PER ASSY
66D			SERVICE UNIT ASSY-PASS. (PASSENGER OXYGEN MASK ONLY)	504903	
- 1	417N3011-363B		SERVICE UNIT ASSY-PASS. WITH SPKR AND GASPER 22 MIN. OXY (PASSENGER OXYGEN MASK ONLY) POSITION DATA: LH ELECTRICAL EQUIP NUMBER: M10979 COMPONENT MAINT MANUAL REF: 25-23-38 FOR NHA/OTHER SYS DET SEE: 25-23-01-50B	504903	RF
- 3	417N3011-364B		SERVICE UNIT ASSY-PASS. WITH SPKR AND GASPER 22 MIN. OXY (PASSENGER OXYGEN MASK ONLY) POSITION DATA: RH ELECTRICAL EQUIP NUMBER: M10979 COMPONENT MAINT MANUAL REF: 25-23-38 FOR NHA/OTHER SYS DET SEE: 25-23-01-50B	504903	RF
- 5	417N3011-365B		SERVICE UNIT ASSY-PASS. NO SPKR WITH GASPER 22 MIN. OXY (PASSENGER OXYGEN MASK ONLY) POSITION DATA: LH ELECTRICAL EQUIP NUMBER: M10979 COMPONENT MAINT MANUAL REF: 25-23-38 FOR NHA/OTHER SYS DET SEE: 25-23-01-50B	504903	RF

MISSING ITEM NUMBERS NOT APPLICABLE

- ITEM NOT ILLUSTRATED

35-21-05-66D

35-21-05
FIG. 66D
PAGE 1
JAN 20/09

BRI



757

PARTS CATALOG (MAINTENANCE)

FIG ITEM	PART NUMBER	1 2 3 4 5 6 7	NOMENCLATURE	EFFECT FROM TO	UNITS PER ASSY
66D - 7	417N3011-366B		SERVICE UNIT ASSY-PASS. NO SPKR WITH GASPER 22 MIN. OXY (PASSENGER OXYGEN MASK ONLY) POSITION DATA: RH ELECTRICAL EQUIP NUMBER: M10979 COMPONENT MAINT MANUAL REF: 25-23-38 FOR NHA/OTHER SYS DET SEE: 25-23-01-50B	504903	RF
12	PLT2MM	.	STRAP-TIE SUPPLIER CODE: V06383 OPTIONAL PART: PLT2MM2 V06383	504903	2
12	PLT2MM2	.	STRAP-TIE SUPPLIER CODE: V06383 OPTIONAL PART: PLT2MM V06383	504903	2
16	417N3038-2	.	LINE ASSY	504903	2
22	PLT2MM	..	STRAP-TIE SUPPLIER CODE: V06383	504903	1
30	417N3132-9	.	PLATE	504903	2
40	417T4205-193	.	MASK ASSY-OXY MISCELLANEOUS DATA: (EQUIVALENT PURITAN- BENNETT (FSCM 02217) P/N IS 174080-193 EQUIVALENT SCOTT (FSCM 53655) P/N IS 289-601-806) COMPONENT MAINT MANUAL REF: 25-23-38	504903	4
40	289-801-240	.	MASK ASSY-OXY SUPPLIER CODE: V53655 SPECIFICATION NUMBER: S418W001-100 COMPONENT MAINT MANUAL REF: 35-22-07	504903	4

MISSING ITEM NUMBERS NOT APPLICABLE

- ITEM NOT ILLUSTRATED

35-21-05-66D

35-21-05
FIG. 66D
PAGE 2
JAN 20/09

BRI

BOEING PROPRIETARY - Copyright © - Unpublished Work - See title page for details.



757

PARTS CATALOG (MAINTENANCE)

FIG ITEM	PART NUMBER	1 2 3 4 5 6 7	NOMENCLATURE	EFFECT FROM TO	UNITS PER ASSY
66D 40	289-801-240		.MASK ASSY-OXY SUPPLIER CODE: V53655 SPECIFICATION NUMBER: S418W001-100 COMPONENT MAINT MANUAL REF: 35-22-07	504903	4

MISSING ITEM NUMBERS NOT APPLICABLE

- ITEM NOT ILLUSTRATED

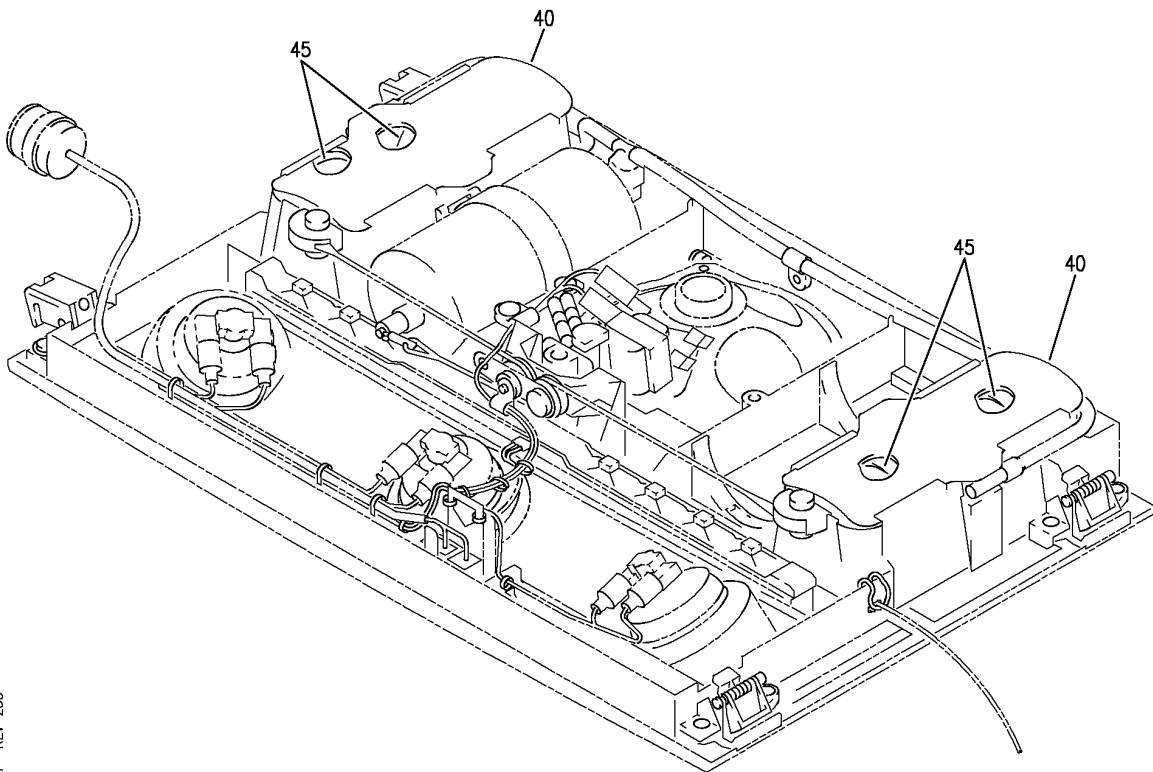
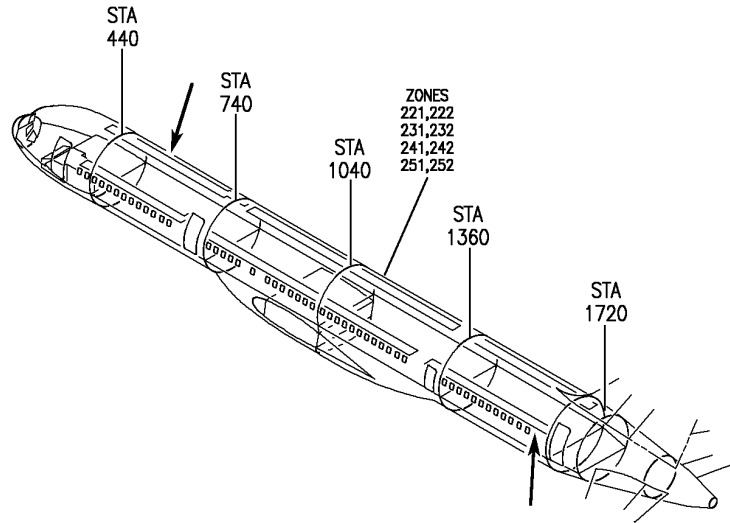
BRI

35-21-05-66D

BOEING PROPRIETARY - Copyright © - Unpublished Work - See title page for details.

35-21-05
FIG. 66D
PAGE 3
JAN 20/09

BOEING
757
PARTS CATALOG (MAINTENANCE)



Y 35210571 REV 253

SERVICE UNIT ASSY-PASS. (PASSENGER OXYGEN MASK ONLY)
 FIGURE 71

35-21-05-71

BRI
 JAN 20/09

35-21-05-71
 PAGE 0



757

PARTS CATALOG (MAINTENANCE)

FIG ITEM	PART NUMBER	1 2 3 4 5 6 7	NOMENCLATURE	EFFECT FROM TO	UNITS PER ASSY
71			SERVICE UNIT ASSY-PASS. (PASSENGER OXYGEN MASK ONLY)	108120	
- 1	417N3011-309B		SERVICE UNIT ASSY-PASS. WITH SPKR AND NO GASPER (PASSENGER OXYGEN MASK ONLY) POSITION DATA: LH ELECTRICAL EQUIP NUMBER: M10978 COMPONENT MAINT MANUAL REF: 25-23-38 FOR NHA/OTHER SYS DET SEE: 25-23-01-58B	108120	RF
- 5	417N3011-317B		SERVICE UNIT ASSY-PASS. NO SPKR AND NO GASPER (PASSENGER OXYGEN MASK ONLY) POSITION DATA: LH ELECTRICAL EQUIP NUMBER: M10978 COMPONENT MAINT MANUAL REF: 25-23-38 FOR NHA/OTHER SYS DET SEE: 25-23-01-58B	108120	RF
- 10	417N3011-310B		SERVICE UNIT ASSY-PASS. WITH SPKR AND NO GASPER (PASSENGER OXYGEN MASK ONLY) POSITION DATA: RH ELECTRICAL EQUIP NUMBER: M10978 COMPONENT MAINT MANUAL REF: 25-23-38 FOR NHA/OTHER SYS DET SEE: 25-23-01-58B	108120	RF

MISSING ITEM NUMBERS NOT APPLICABLE

- ITEM NOT ILLUSTRATED

35-21-05-71

35-21-05
FIG. 71
PAGE 1
JAN 20/09

BRI



757

PARTS CATALOG (MAINTENANCE)

FIG ITEM	PART NUMBER	1 2 3 4 5 6 7	NOMENCLATURE	EFFECT FROM TO	UNITS PER ASSY
71 - 15	417N3011-318B		SERVICE UNIT ASSY-PASS. NO SPKR AND NO GASPER (PASSENGER OXYGEN MASK ONLY) POSITION DATA: RH ELECTRICAL EQUIP NUMBER: M10978 COMPONENT MAINT MANUAL REF: 25-23-38 FOR NHA/OTHER SYS DET SEE: 25-23-01-58B	108120	RF
- 20	417N3011-324B		SERVICE UNIT ASSY-PASS. WITH MUTED SPKR AND NO GASPER (PASSENGER OXYGEN MASK ONLY) POSITION DATA: RH ELECTRICAL EQUIP NUMBER: M10981 COMPONENT MAINT MANUAL REF: 25-23-38 FOR NHA/OTHER SYS DET SEE: 25-23-01-58B	108120	RF
40	417N3132-9		.PLATE-COVER	108120	2
45	289-801-240		.MASK ASSY-OXY SUPPLIER CODE: V53655 SPECIFICATION NUMBER: S418W001-100 COMPONENT MAINT MANUAL REF: 35-22-07	108120	4

MISSING ITEM NUMBERS NOT APPLICABLE

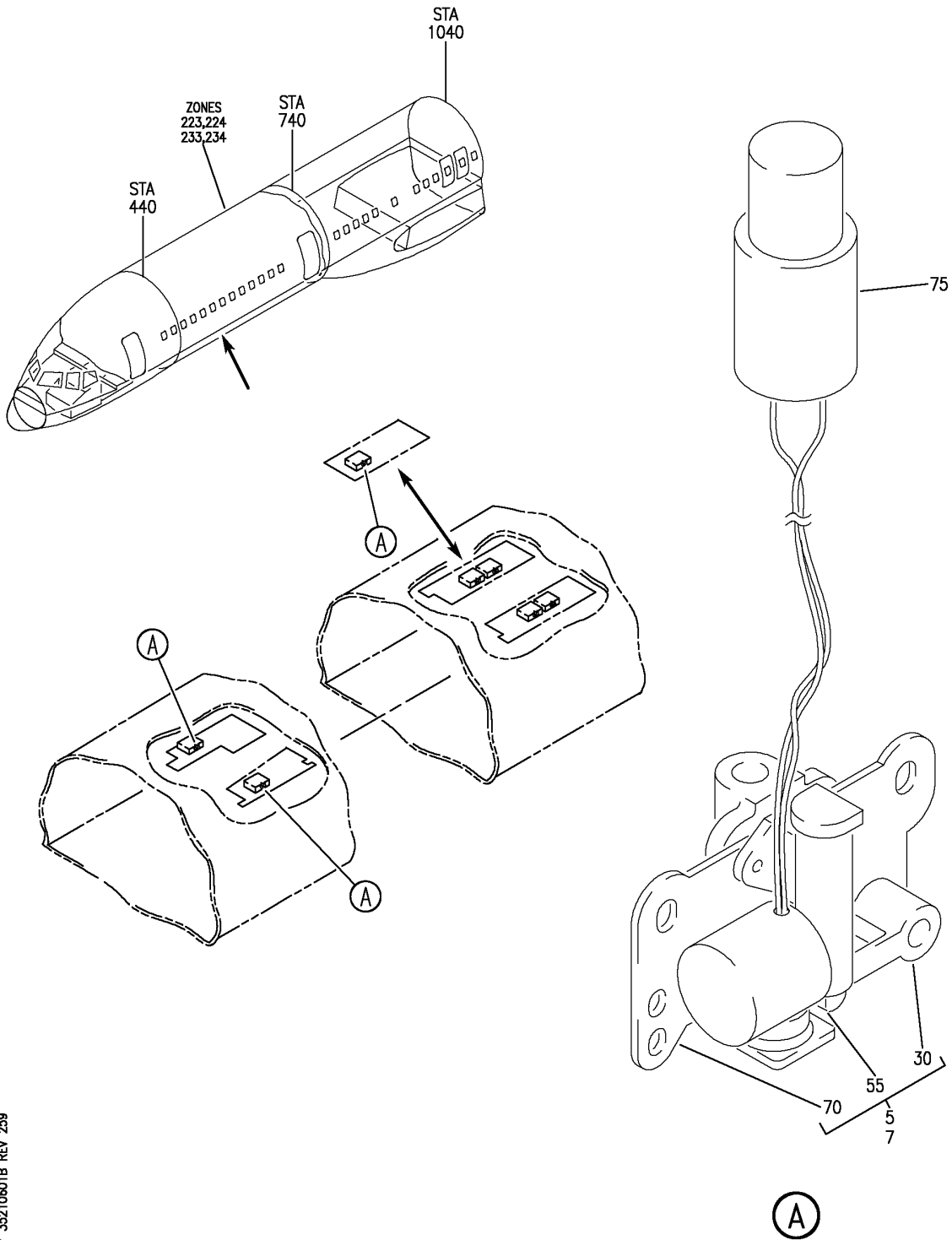
- ITEM NOT ILLUSTRATED

35-21-05-71

35-21-05
FIG. 71
PAGE 2
JAN 20/09

BRI

BOEING
757
PARTS CATALOG (MAINTENANCE)



Y 35210601B REV 259

BOX ASSY-OXY DOOR 1 AND 2 (DOOR LATCH ACTUATOR ONLY)
FIGURE 1B

35-21-06-01B

BRI
JAN 20/09

35-21-06-01B
PAGE 0



757

PARTS CATALOG (MAINTENANCE)

FIG ITEM	PART NUMBER	1 2 3 4 5 6 7	NOMENCLATURE	EFFECT FROM TO	UNITS PER ASSY
1B			BOX ASSY-OXY DOOR 1 AND 2 (DOOR LATCH ACTUATOR ONLY)	103106	
- 1	417N3810-155B		BOX ASSY-OXY (M1834) ATTENDANTS SERVICE UNIT (DOOR LATCH ACTUATOR ONLY) ELECTRICAL EQUIP NUMBER: M11496 FOR NHA/OTHER SYS DET SEE: 25-22-02-40S 25-22-02-69A 25-22-02-69L	103106	RF
5	417N3152-13E		.ACTUATOR ASSY-STOP USED ON: 417N3810-155B ATTACHING PARTS	103106	1
- 10	BACS12FA08K7		.SCREW	103106	3
- 15	NAS1149DN816J		.WASHER	103106	3
- 20	MS21042L08		.NUT	103106	3
			-----*-----		
30	417N3135-4		.. LEVER ATTACHING PARTS	103106	1
- 35	NAS514P632-14		.. SCREW	103106	1
- 40	AN960JD6L		.. WASHER	103106	1
- 45	NAS43DD1-38		.. SPACER	103106	1
- 50	MS21042L06		.. NUT	103106	1
			-----*-----		
55	78580-1		.. ACTUATOR- SUPPLIER CODE: V09790 SPECIFICATION NUMBER: S417T402-2 ATTACHING PARTS	103106	1
- 60	NAS601-6P		.. SCREW	103106	2
- 65	NAS620-6L		.. WASHER	103106	2
			-----*-----		
70	417N3150-20E		.. STOP ASSY- USED ON: 417N3152-13E	103106	1
75	AMC02RA03R		.CONNECTOR- SUPPLIER CODE: V05574	103106	1

MISSING ITEM NUMBERS NOT APPLICABLE

- ITEM NOT ILLUSTRATED

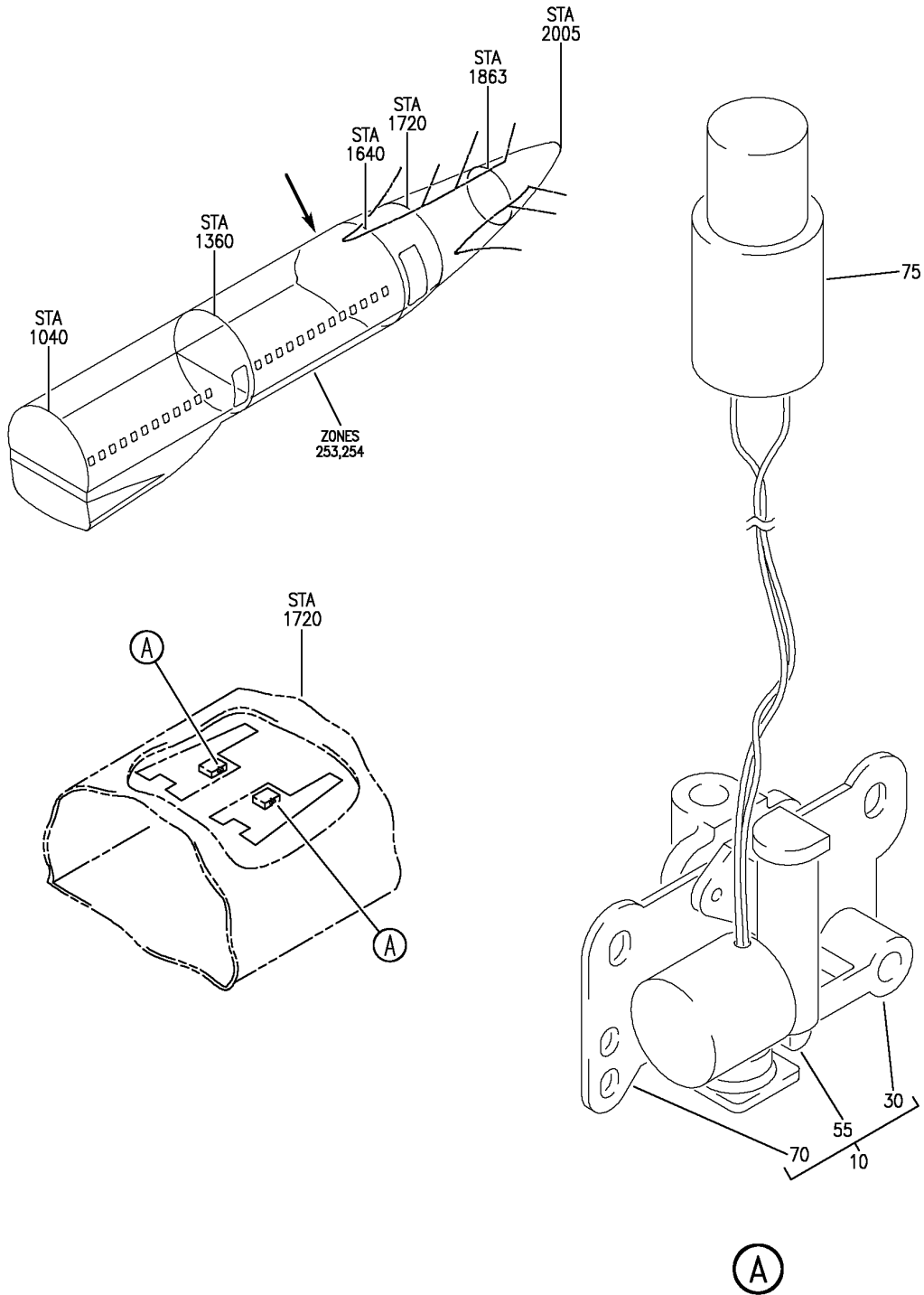
35-21-06-01B

35-21-06
FIG. 01B
PAGE 1
JAN 20/09

BRI

BOEING PROPRIETARY - Copyright © - Unpublished Work - See title page for details.

BOEING
757
PARTS CATALOG (MAINTENANCE)



Y 35210601C REV 259

BOX ASSY-OXY DOOR 4 (DOOR LATCH ACTUATOR ONLY)
FIGURE 1C

35-21-06-01C

BRI
JAN 20/09

35-21-06-01C
PAGE 0



757

PARTS CATALOG (MAINTENANCE)

FIG ITEM	PART NUMBER	1 2 3 4 5 6 7	NOMENCLATURE	EFFECT FROM TO	UNITS PER ASSY
1C			BOX ASSY-OXY DOOR 4 (DOOR LATCH ACTUATOR ONLY)	103106	
- 1	417N3810-155B		BOX ASSY-OXY DOOR 4 ATTENDANTS SERVICE UNIT (DOOR LATCH ACTUATOR ONLY) ELECTRICAL EQUIP NUMBER: M11496 FOR NHA/OTHER SYS DET SEE: 25-22-02-70D	103106	RF
10	417N3152-13E		.ACTUATOR ASSY-STOP ATTACHING PARTS	103106	1
- 15	BACS12FA08K7		.SCREW	103106	3
- 20	NAS1149DN816H		.WASHER	103106	3
- 25	MS21042L08		.NUT	103106	3
			-----*-----		
30	417N3135-4		.. LEVER ATTACHING PARTS	103106	1
- 35	NAS514P632-14		.. SCREW	103106	1
- 40	AN960JD6L		.. WASHER	103106	1
- 45	NAS43DD1-38		.. SPACER	103106	1
- 50	MS21042L06		.. NUT	103106	1
			-----*-----		
55	78580-1		.. ACTUATOR- SUPPLIER CODE: V09790 SPECIFICATION NUMBER: S417T402-2 ATTACHING PARTS	103106	1
- 60	NAS601-6P		.. SCREW	103106	2
- 65	NAS620-6L		.. WASHER	103106	2
			-----*-----		
70	417N3150-20SP		.. STOP ASSY	103106	1
75	AMC02RA03R		.CONNECTOR- SUPPLIER CODE: V05574	103106	1

MISSING ITEM NUMBERS NOT APPLICABLE

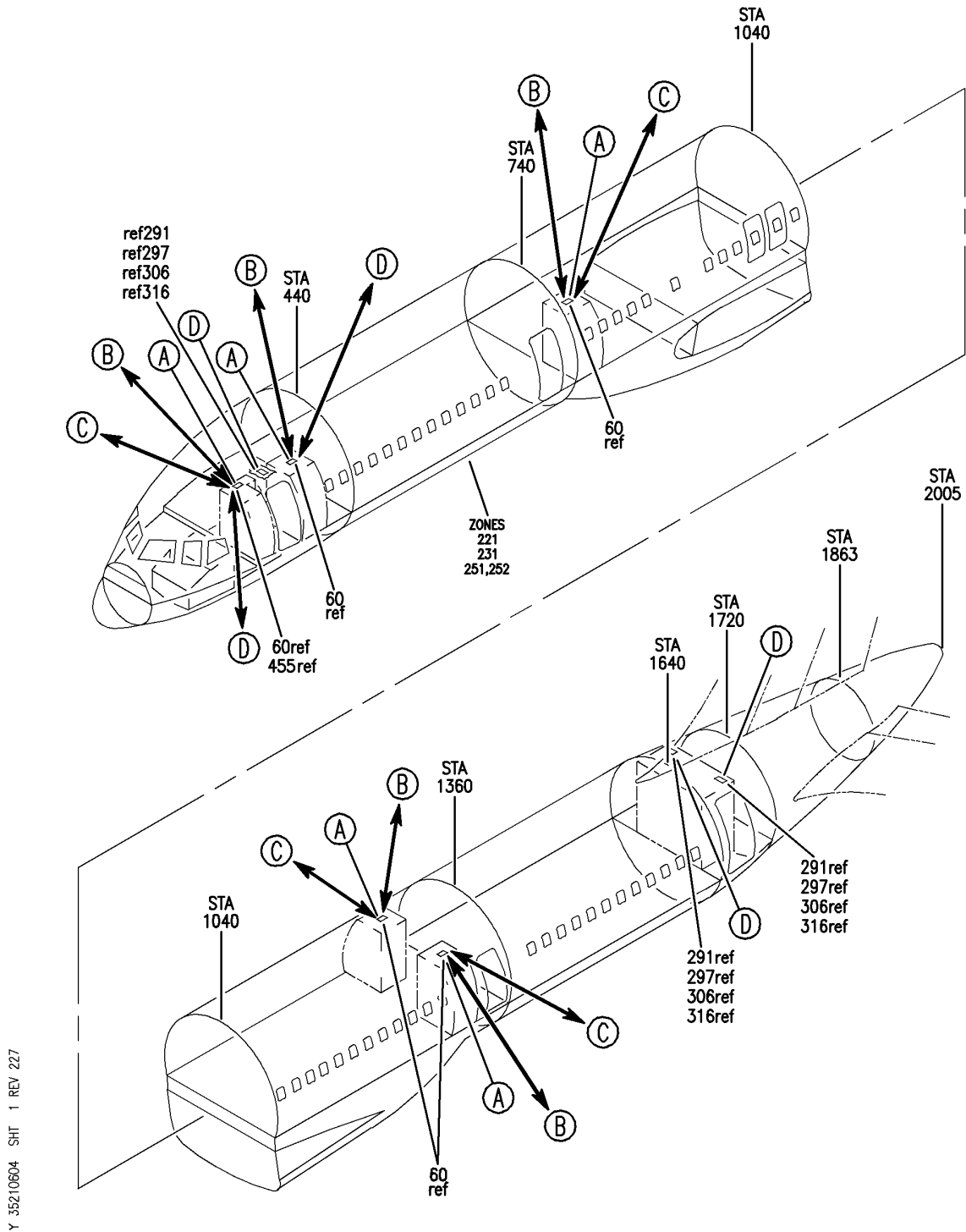
- ITEM NOT ILLUSTRATED

35-21-06-01C

35-21-06
FIG. 01C
PAGE 1
JAN 20/09

BRI

BOEING
757
PARTS CATALOG (MAINTENANCE)



Y 35210604 SHT 1 REV 227

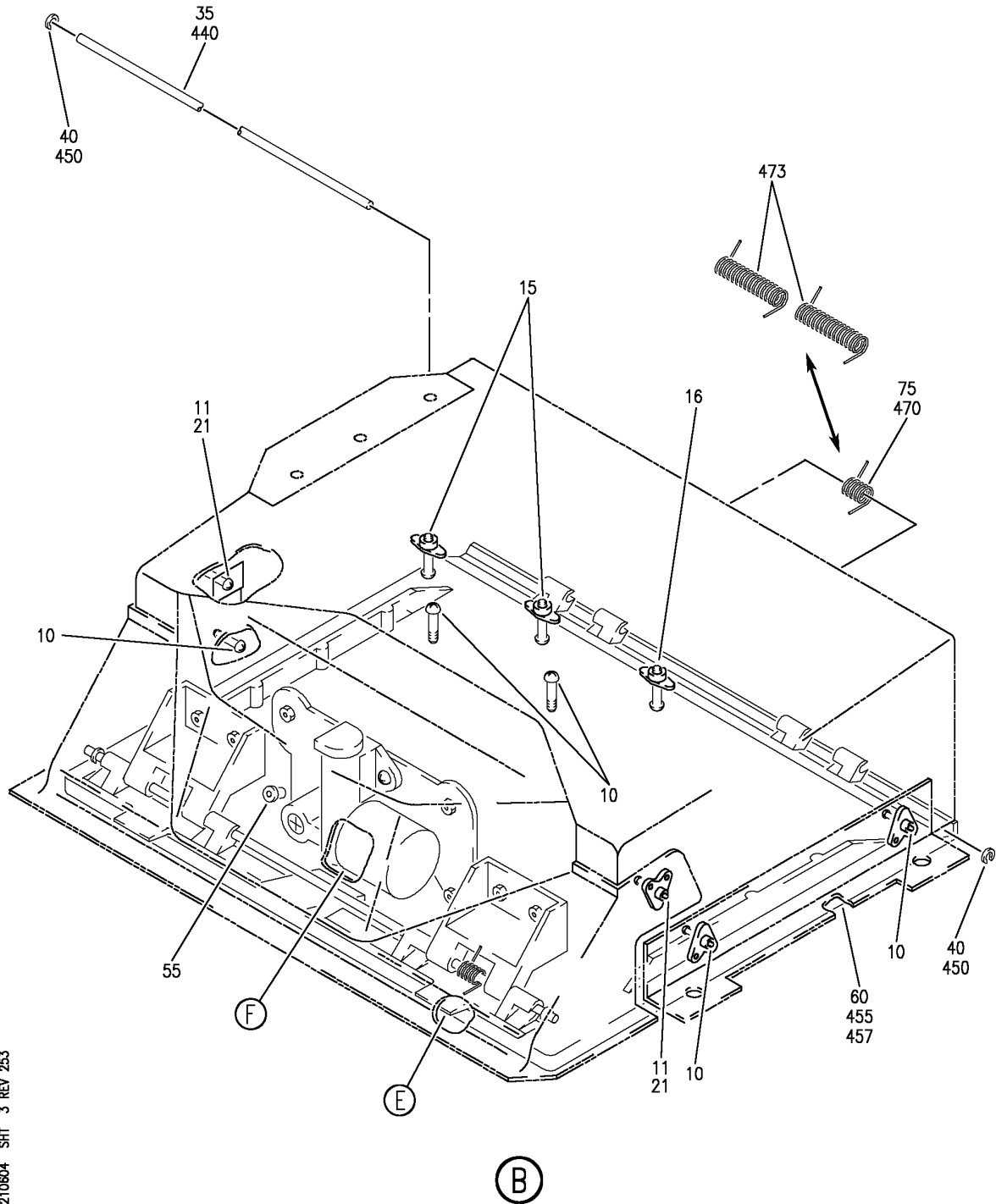
BOX ASSY-PASS. OXYGEN (DOOR LATCH ACTUATOR ONLY)
FIGURE 4 (SHEET 1)

35-21-06-04

BRI
MAY 28/07

35-21-06-04
PAGE 0

BOEING
757
PARTS CATALOG (MAINTENANCE)



Y 35210604 SHT 3 REV 253

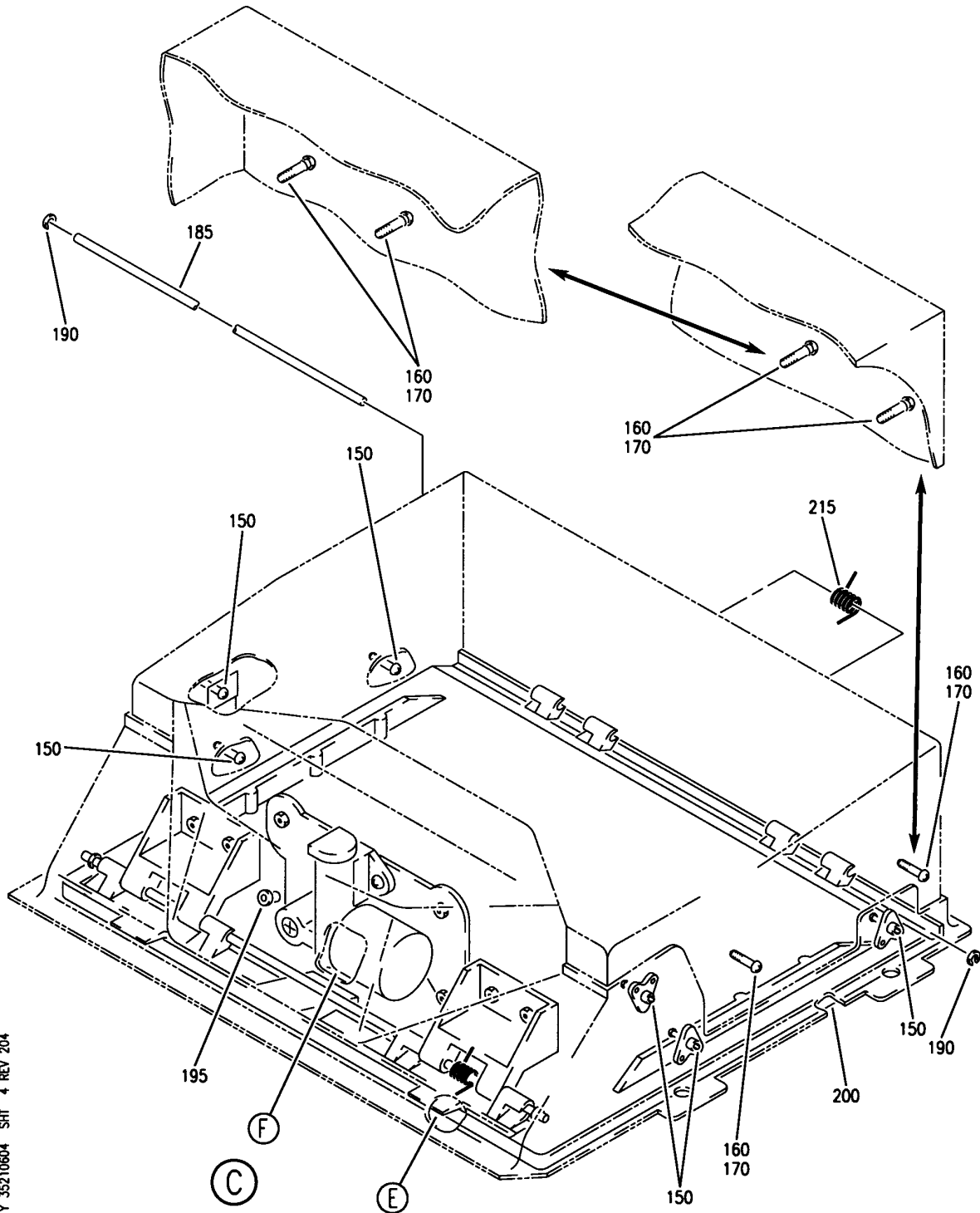
BOX ASSY-PASS. OXYGEN (DOOR LATCH ACTUATOR ONLY)
FIGURE 4 (SHEET 3)

35-21-06-04

BRI
MAY 28/07

35-21-06-04
PAGE 0B

BOEING
757
PARTS CATALOG (MAINTENANCE)



Y 35210604 SHT 4 REV 204

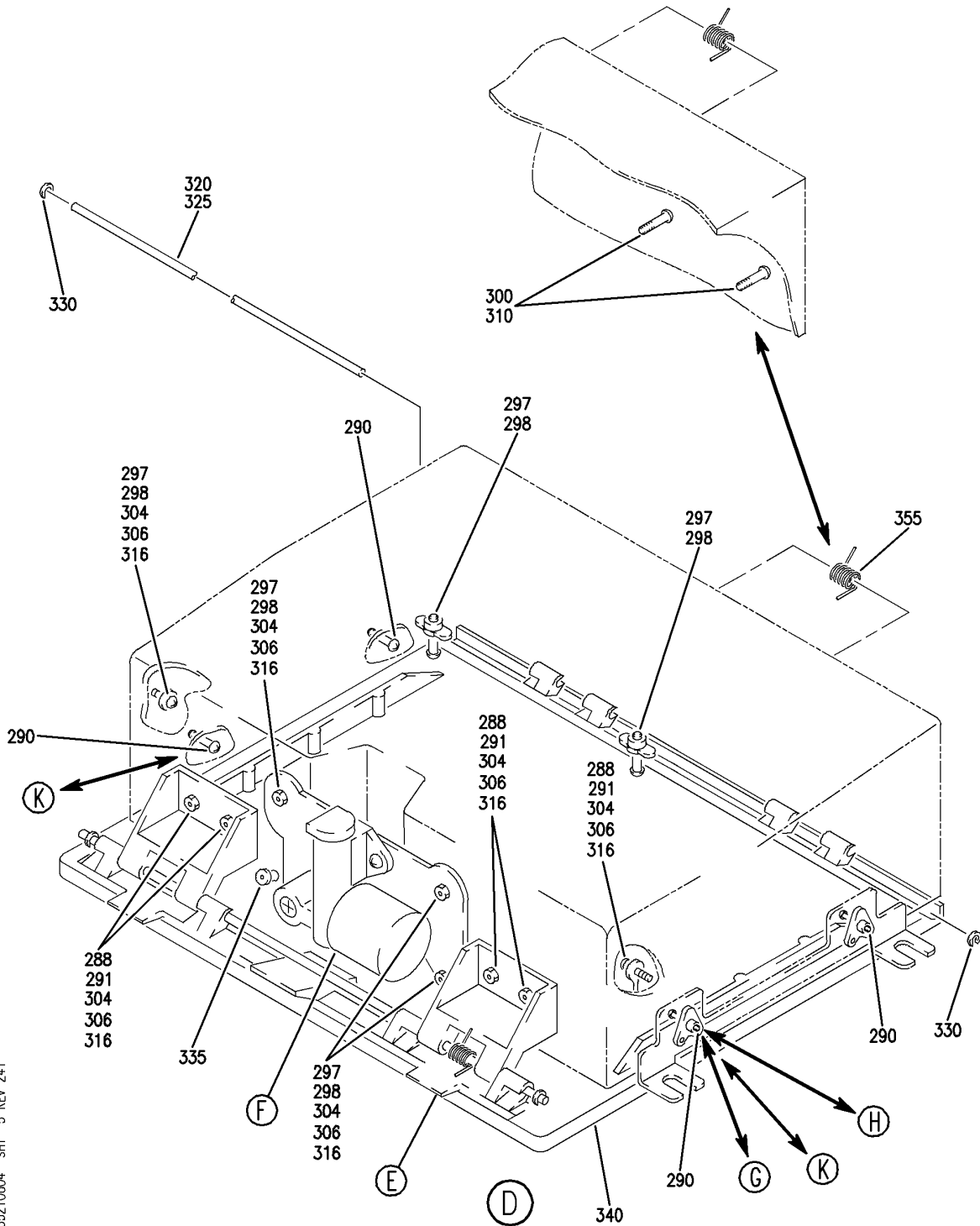
BOX ASSY-PASS. OXYGEN (DOOR LATCH ACTUATOR ONLY)
FIGURE 4 (SHEET 4)

35-21-06-04

BRI
MAY 28/07

35-21-06-04
PAGE 0C

BOEING
757
PARTS CATALOG (MAINTENANCE)



Y 35210604 SH1 5 REV 241

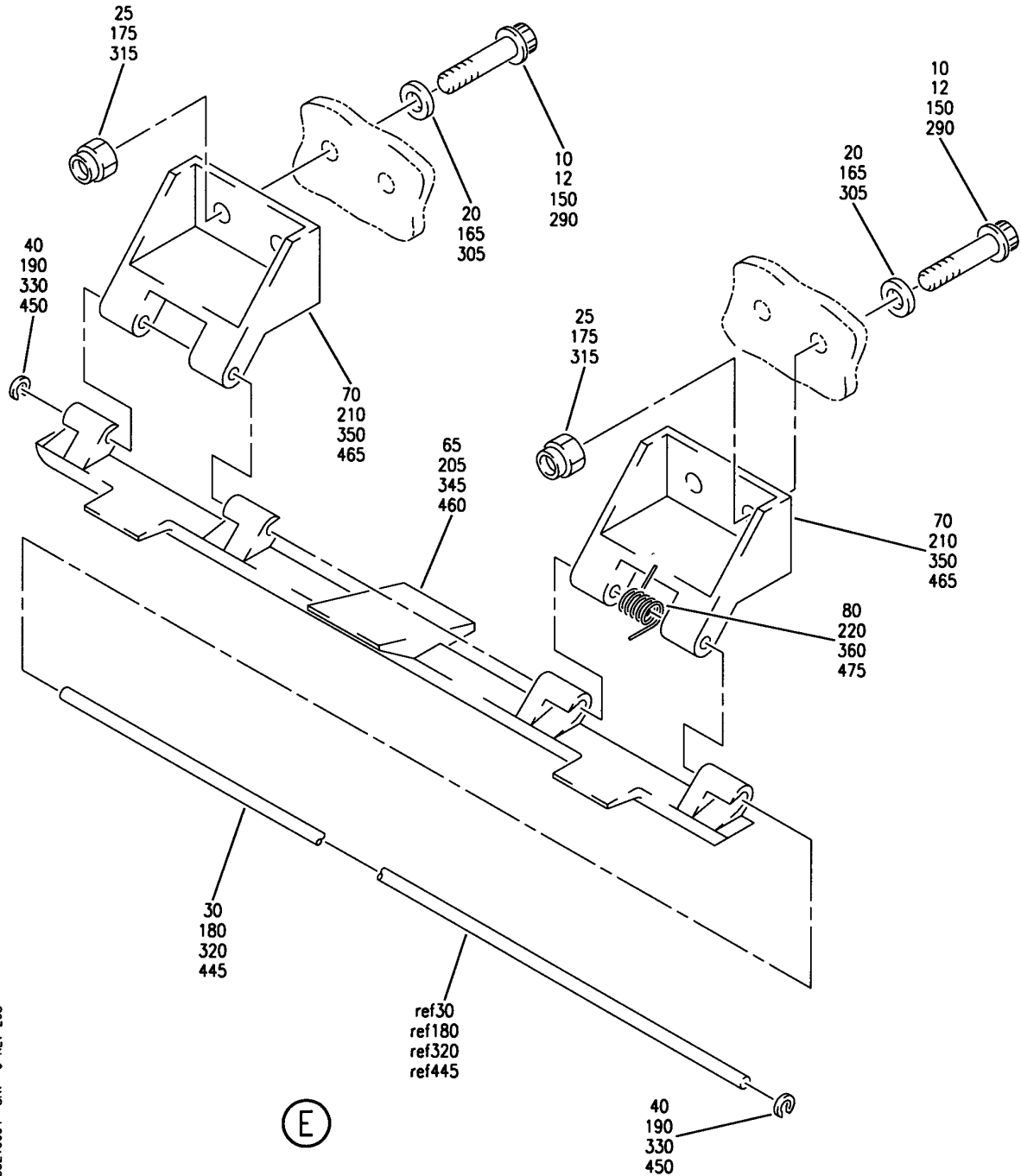
BOX ASSY-PASS. OXYGEN (DOOR LATCH ACTUATOR ONLY)
FIGURE 4 (SHEET 5)

35-21-06-04

BRI
MAY 28/07

35-21-06-04
PAGE 0D

BOEING
757
PARTS CATALOG (MAINTENANCE)



Y 35210604 SH1 6 REV 208

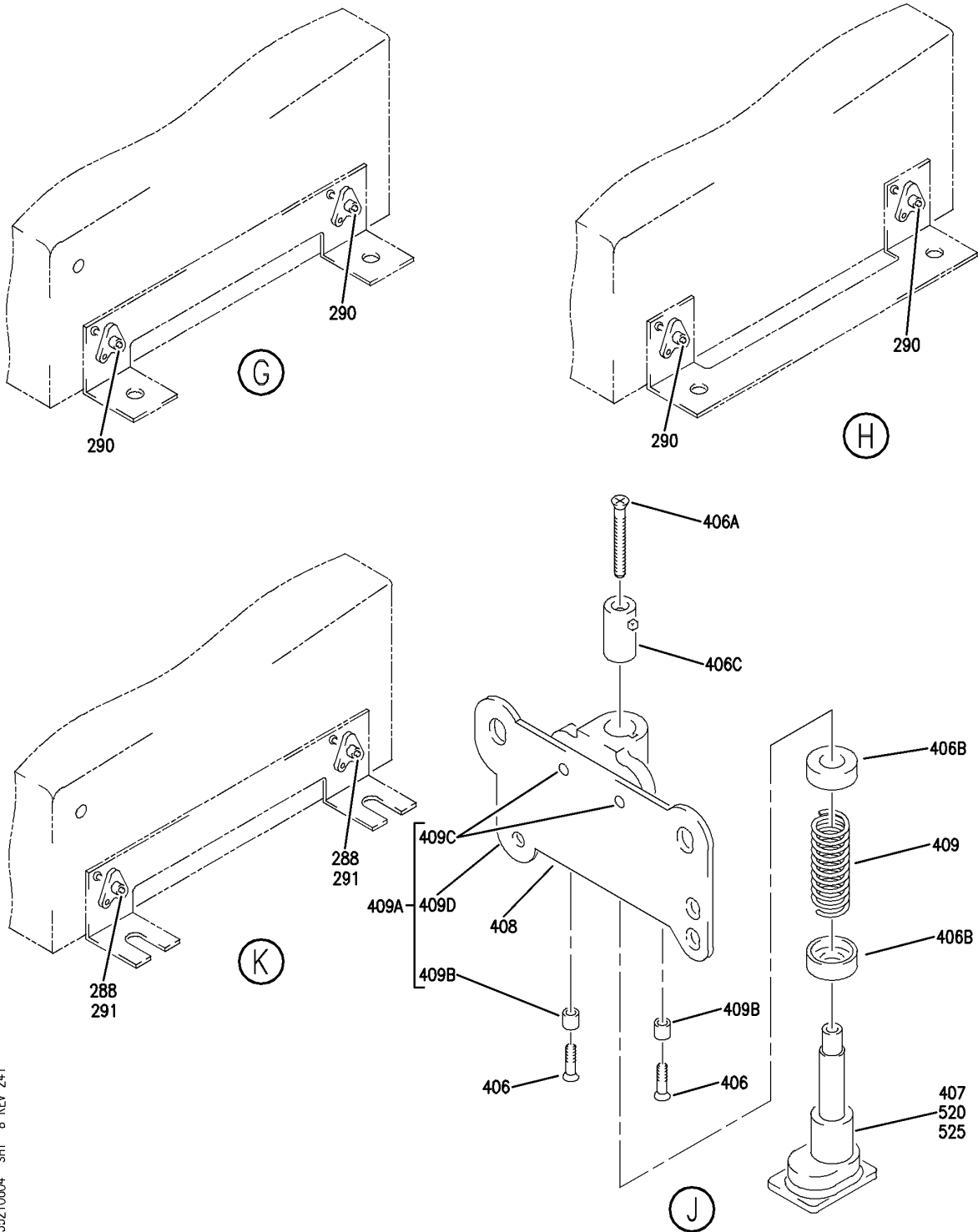
BOX ASSY-PASS. OXYGEN (DOOR LATCH ACTUATOR ONLY)
FIGURE 4 (SHEET 6)

35-21-06-04

BRI
MAY 28/07

35-21-06-04
PAGE 0E

BOEING
757
PARTS CATALOG (MAINTENANCE)



Y 35210604 SH8 8 REV 241

BOX ASSY-PASS. OXYGEN (DOOR LATCH ACTUATOR ONLY)
FIGURE 4 (SHEET 8)

35-21-06-04

BRI
MAY 28/07

35-21-06-04
PAGE 0G



757

PARTS CATALOG (MAINTENANCE)

FIG ITEM	PART NUMBER	1 2 3 4 5 6 7	NOMENCLATURE	EFFECT FROM TO	UNITS PER ASSY
4			BOX ASSY-PASS. OXYGEN (DOOR LATCH ACTUATOR ONLY)	002004 006102 108999	
- 1	417N3810-97SP		BOX ASSY-LAV SVCE UNIT OXY (DOOR LATCH ACTUATOR ONLY) ELECTRICAL EQUIP NUMBER: M10373 COMPONENT MAINT MANUAL REF: 35-21-34 FOR NHA/ADDITIONAL DET SEE: 35-21-04-78 35-21-04-39 35-21-04-48	950999	RF
4	48-1825-02		.PIN SUPPLIER CODE: V77820 SPECIFICATION NUMBER: BACC47CN2 OPTIONAL PART: ZZL4016-36LT V49367 48-1825-02 V02660 417-1616-902 V92069 LRM16M15F74 V09922	950999	1
5	418-1616-902		.CONTACT SUPPLIER CODE: V55104 SPECIFICATION NUMBER: BACC47CP2T OPTIONAL PART: ZZL4116-36LT V49367 248-136-1600S02 V77820 LRC16M15F74 V09922	950999	1
6	48-7190		.CONNECTOR- SUPPLIER CODE: V02660 USED WITH: BACC47CN2	950999	1

MISSING ITEM NUMBERS NOT APPLICABLE

- ITEM NOT ILLUSTRATED

BRI

35-21-06-04

35-21-06
FIG. 04
PAGE 1
JAN 20/09



757

PARTS CATALOG (MAINTENANCE)

FIG ITEM	PART NUMBER	1 2 3 4 5 6 7	NOMENCLATURE	EFFECT FROM TO	UNITS PER ASSY
4					
7	48-7191		.CONNECTOR- SUPPLIER CODE: V02660 USED WITH: BACC47CP2T	950999	1
10	BACS12FA08K5		.SCREW	950999	9
15	BACS12FA08K7		.SCREW	950999	6
20	AN960JD8L		.WASHER	950999	7
25	MS21042L08		.NUT	950999	7
45	MS20253P2-780		.PIN	002004 006102 108503 950999	1
50	MS20253P2-825		.PIN	002004 006102 108503 950999	1
53	6100-9		.RETAINER- SUPPLIER CODE: V2X013	002004 006102 108503 950999	4
55	MS35489-1		.GROMMET	002004 006102 108503 950999	1
60	417N3830-2SP		.DOOR ASSY	950999	1
65	417N3133-2		.LATCH	950999	1
70	417N3133-3		.LATCH	950999	2
75	417N3173-3		.SPRING	950999	1
80	417N3173-4		.SPRING	950999	1
85	NAS601-6P		.SCREW	950999	2
90	NAS514P632-14		.SCREW	950999	1
95	NAS620-6L		.WASHER	950999	2
100	AN960JD6L		.WASHER	950999	1
105	NAS43DD1-38		.SPACER	950999	1
110	MS2104L06		.NUT	950999	1
115	78580-1ACTUATOR		.ACTUATOR- SUPPLIER CODE: V09790 SPECIFICATION NUMBER: S417T402-2	950999	1
120	417N3135-4		.LEVER-ACTUATOR	950999	1
125	417N3150-2OSP		.STOP ASSY	950999	1

MISSING ITEM NUMBERS NOT APPLICABLE

- ITEM NOT ILLUSTRATED

35-21-06-04

35-21-06
FIG. 04
PAGE 2
JAN 20/09

BRI



757

PARTS CATALOG (MAINTENANCE)

FIG ITEM	PART NUMBER	1 2 3 4 5 6 7	NOMENCLATURE	EFFECT FROM TO	UNITS PER ASSY
4					
- 275	417N3810-76SP		BOX ASSY-ATTENDANTS SVCE UNIT OXY (DOOR LATCH ACTUATOR ONLY) ELECTRICAL EQUIP NUMBER: M10373 COMPONENT MAINT MANUAL REF: 35-21-34 FOR NHA/ADDITIONAL DET SEE: 35-21-04-42 35-21-04-38	121503 904949 952999	RF
- 275	417N3810-99SP		BOX ASSY-ATTENDANTS SVCE UNIT OXY (DOOR LATCH ACTUATOR ONLY) ELECTRICAL EQUIP NUMBER: M10373 COMPONENT MAINT MANUAL REF: 35-21-34 FOR NHA/ADDITIONAL DET SEE: 35-21-04-45 35-21-04-42 35-21-04-38	002004 006100 108120 952999	RF
- 280	417N3810-120SP		BOX ASSY-OXY (DOOR LATCH ACTUATOR ONLY) ELECTRICAL EQUIP NUMBER: M10373 COMPONENT MAINT MANUAL REF: 35-21-34 FOR NHA/ADDITIONAL DET SEE: 35-21-04-42	101102 108120	RF
- 289	BACS12FA08K5		.SCREW	002004 006100 952999	12
- 292	BACS12ER08K6		ATTACHING PARTS .SCREW	101102 108120	4
			-----*-----		
295	BACS12FA08K7		.SCREW	002004 006100 952999	3
295	BACS12FA08K7		.SCREW	101102 108120	3
300	BACS12CK3U13		.SCREW	002004 006100 952999	2
305	AN960JD8L		.WASHER	002004 006100 952999	7
305	AN960JD8L		.WASHER	101102 108120	7

MISSING ITEM NUMBERS NOT APPLICABLE

- ITEM NOT ILLUSTRATED

35-21-06-04

35-21-06
FIG. 04
PAGE 3
JAN 20/09

BRI



757

PARTS CATALOG (MAINTENANCE)

FIG ITEM	PART NUMBER	1 2 3 4 5 6 7	NOMENCLATURE	EFFECT FROM TO	UNITS PER ASSY
4					
310	MS35338-157	.	WASHER	002004 006100 952999	2
315	MS21042L08	.	NUT	002004 006100 952999	7
315	MS21042L08	.	NUT	101102 108120	7
			ATTACHING PARTS		
- 317	MS21042L08	..	NUT	101102 108120	4
			-----*-----		
320	MS20253P2-780	.	PIN	002004 006100 952999	1
320	MS20253P2-780	.	PIN	101102 108120	1
325	MS20253P2-825	.	PIN	002004 006100 952999	1
325	MS20253P2-825	.	PIN	101102 108120	1
330	6100-9	.	RETAINER- SUPPLIER CODE: V2X013	002004 006100 952999	4
330	6100-9	.	RETAINER- SUPPLIER CODE: V2X013	101102 108120	4
335	MS35489-1	.	GROMMET	002004 006100 952999	1
340	417N3830-11SP	.	DOOR ASSY	002004 006100 952999	1
340	417N3830-11SP	.	DOOR ASSY-	101102 108120	1
345	417N3133-2	.	LATCH	002004 006100 952999	1
345	417N3133-2	.	LATCH	101102 108120	1
350	417N3133-3	.	LATCH	002004 006100 952999	2
350	417N3133-3	.	LATCH	101102 108120	2
355	417N3173-3	.	SPRING	002004 006100 952999	1

MISSING ITEM NUMBERS NOT APPLICABLE

- ITEM NOT ILLUSTRATED

35-21-06-04

35-21-06
FIG. 04
PAGE 4
JAN 20/09

BRI

BOEING PROPRIETARY - Copyright © - Unpublished Work - See title page for details.



757

PARTS CATALOG (MAINTENANCE)

FIG ITEM	PART NUMBER	1 2 3 4 5 6 7	NOMENCLATURE	EFFECT FROM TO	UNITS PER ASSY
4					
360	417N3173-4	.	SPRING	002004 006100 952999	1
360	417N3173-4	.	SPRING	101102 108120	1
365	NAS601-6P	.	SCREW	002004 006100 952999	2
365	NAS601-6P	.	SCREW	101102 108120	2
370	NAS514P632-14	.	SCREW	002004 006100 952999	1
370	NAS514P632-14	.	SCREW	101102 108120	1
375	NAS620-6L	.	WASHER	002004 006100 952999	2
375	NAS620-6L	.	WASHER	101102 108120	2
380	AN960JD6L	.	WASHER	002004 006100 952999	1
380	AN960JD6L	.	WASHER	101102 108120	1
385	NAS43DD1-38	.	SPACER	002004 006100 952999	1
385	NAS43DD1-38	.	SPACER	101102 108120	1
390	MS21042L06	.	NUT	002004 006100 952999	1
390	MS21042L06	.	NUT	101102 108120	1
395	78580-1ACTUATOR	.	ACTUATOR- SUPPLIER CODE: V09790 SPECIFICATION NUMBER: S417T402-2	002004 006100 952999	1
395	78580-1	.	ACTUATOR- SUPPLIER CODE: V09790 SPECIFICATION NUMBER: S417T402-2	101102 108120	1
400	417N3135-4	.	LEVER-ACTUATOR	002004 006100 952999	1

MISSING ITEM NUMBERS NOT APPLICABLE

- ITEM NOT ILLUSTRATED

35-21-06-04

35-21-06
FIG. 04
PAGE 5
JAN 20/09

BRI

BOEING PROPRIETARY - Copyright © - Unpublished Work - See title page for details.



757

PARTS CATALOG (MAINTENANCE)

FIG ITEM	PART NUMBER	1 2 3 4 5 6 7	NOMENCLATURE	EFFECT FROM TO	UNITS PER ASSY
4					
400	417N3135-4	.	LEVER-ACTUATOR	101102 108120	1
405	417N3150-20SP	.	STOP ASSY-TEST	002004 006100 952999	1
405	417N3150-20SP	.	STOP ASSY-TEST	101102 108120	1
406	NAS514P440-7P	..	SCREW	101102 108120	2
406A	NAS514P440-16P	..	SCREW	101102 108120	1
406B	417N3151-6	..	WASHER	101102 108120	2
406C	417N3151-5	..	GUIDE-PLUNGER	101102 108120	1
407	417N3151-17SP	..	PLUNGER- QUALIFIED I/W DATA: 417N3151-17SP CAN REPLACE OR BE REPLACED BY 417N3151-16SP IF SERVICE BULLETIN SB 737-35A1037 AND SB 757-35A0010 HAS BEEN INCORPORATED	002004 006100 952999	1
408	417N3151-3	..	CAP	101102 108120	1
409	417N3173-2	..	SPRING	101102 108120	1
409A	417N3151-12	..	HOUSING ASSY-	101102 108120	1
409B	6035-04BR219	...	INSERT- SUPPLIER CODE: V01556	101102 108120	2
409C	6035-06BR150	...	INSERT- SUPPLIER CODE: V01556	101102 108120	2
409D	417N3151-13	...	HOUSING	101102 108120	1
- 410	417N3810-121SP		BOX ASSY-OXY (DOOR LATCH ACTUATOR ONLY) COMPONENT MAINT MANUAL REF: 35-21-34 FOR NHA/ADDITIONAL DET SEE: 35-21-04-38 35-21-05-02	504903	RF

MISSING ITEM NUMBERS NOT APPLICABLE

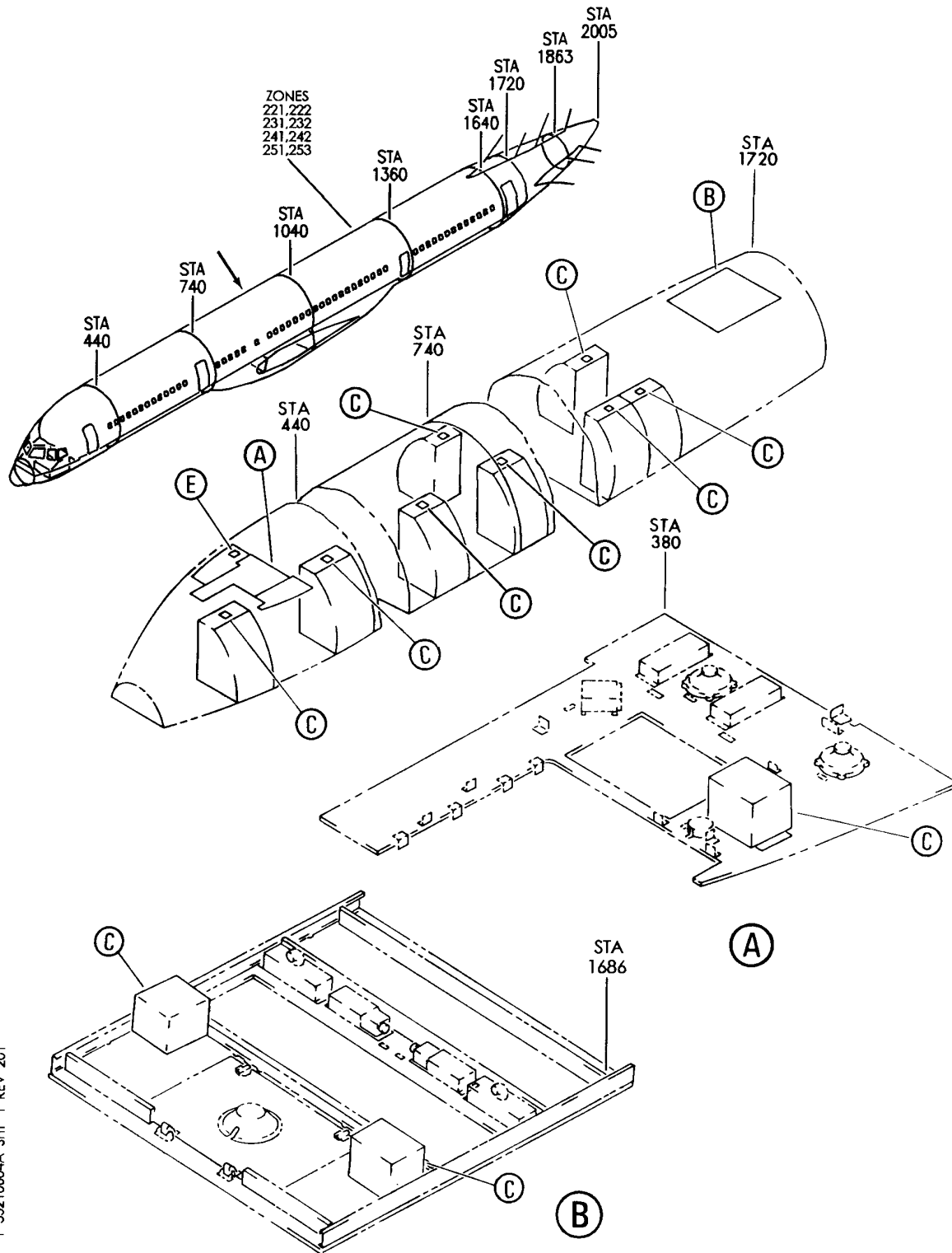
- ITEM NOT ILLUSTRATED

BRI

35-21-06-04

35-21-06
FIG. 04
PAGE 6
JAN 20/09

BOEING
757
PARTS CATALOG (MAINTENANCE)



Y 35210604A SHT 1 REV 201

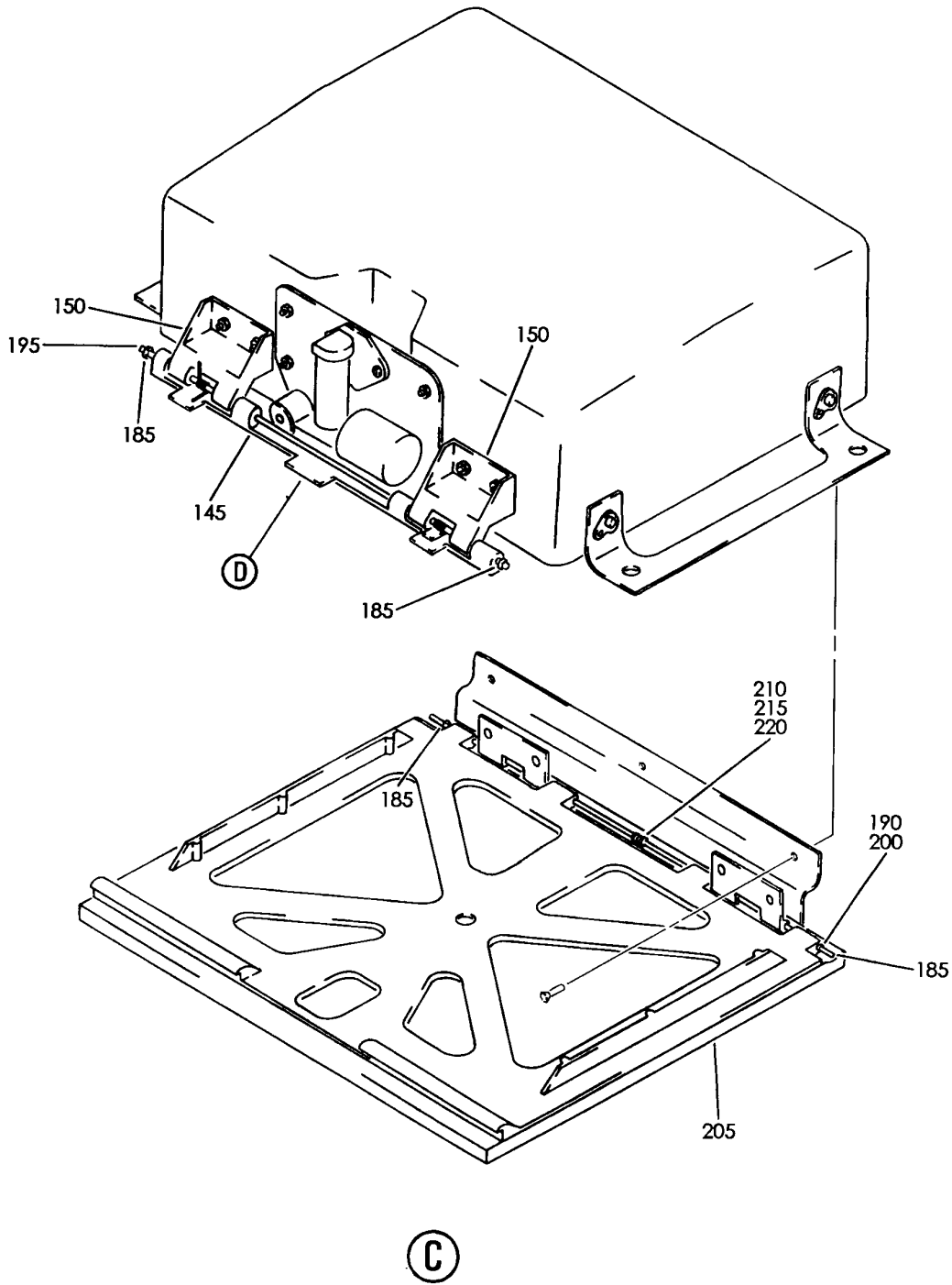
BOX ASSY-OXY (DOOR LATCH ACTUATOR ONLY)
FIGURE 4A (SHEET 1)

35-21-06-04A

BRI
MAY 28/07

35-21-06-04A
PAGE 0

BOEING
757
PARTS CATALOG (MAINTENANCE)



Y 35210604A SHT 2 REV 201

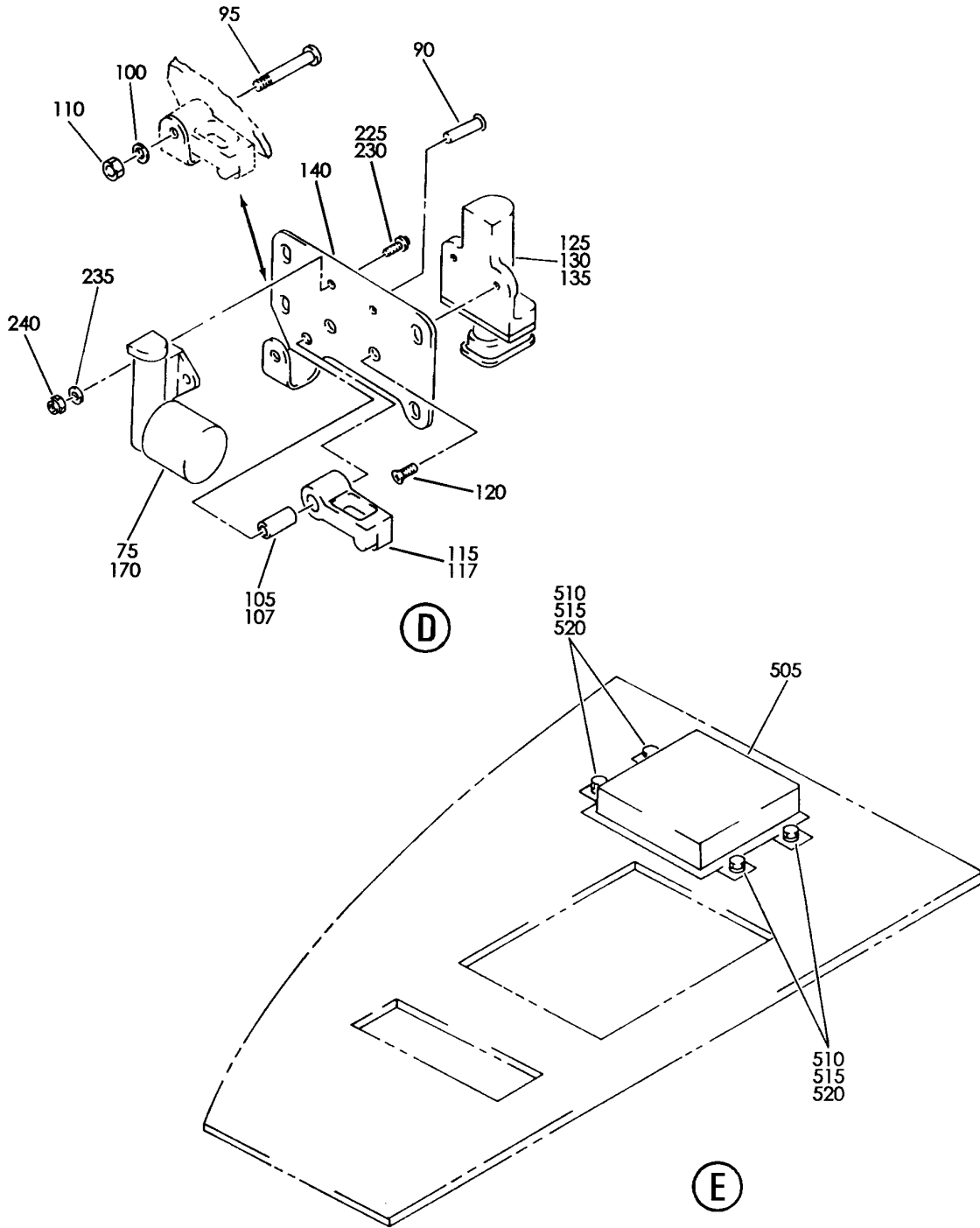
BOX ASSY-OXY (DOOR LATCH ACTUATOR ONLY)
FIGURE 4A (SHEET 2)

35-21-06-04A

BRI
MAY 28/07

35-21-06-04A
PAGE 0A

BOEING
 757
 PARTS CATALOG (MAINTENANCE)



Y 35210604A SHT 3 REV 201

BOX ASSY-OXY (DOOR LATCH ACTUATOR ONLY)
 FIGURE 4A (SHEET 3)

35-21-06-04A

BRI
 MAY 28/07

35-21-06-04A
 PAGE 0B



757

PARTS CATALOG (MAINTENANCE)

FIG ITEM	PART NUMBER	1 2 3 4 5 6 7	NOMENCLATURE	EFFECT FROM TO	UNITS PER ASSY
4 A			BOX ASSY-OXY (DOOR LATCH ACTUATOR ONLY)	107107 121949 952999	
- 1	417N3810-1SP		BOX ASSY-ATTENDANTS SVCE UNIT OXY (DOOR LATCH ACTUATOR ONLY) ELECTRICAL EQUIP NUMBER: M10373 COMPONENT MAINT MANUAL REF: 35-21-34 FOR NHA/ADDITIONAL DET SEE: 35-21-04-38	107107	RF
- 1	417N3810-104SP		BOX ASSY-ATTENDANTS SVCE UNIT OXY (DOOR LATCH ACTUATOR ONLY) ELECTRICAL EQUIP NUMBER: M10373 COMPONENT MAINT MANUAL REF: 35-21-34	504903	RF
- 5	417N3810-2SP		BOX ASSY-LAV SVCE UNIT OXY (DOOR LATCH ACTUATOR ONLY) ELECTRICAL EQUIP NUMBER: M10373 COMPONENT MAINT MANUAL REF: 35-21-34 FOR NHA/ADDITIONAL DET SEE: 35-21-04-48 35-21-04-39	107107 121503 904949	RF
75	78580-1ACTUATOR		.ACTUATOR- SUPPLIER CODE: V09790 SPECIFICATION NUMBER: S417T402-2	107107 504903	1
75	78580-1ACTUATOR		.ACTUATOR- SUPPLIER CODE: V09790 SPECIFICATION NUMBER: S417T402-2	107107 121503	1
75	78580-1ACTUATOR		.ACTUATOR- SUPPLIER CODE: V09790 SPECIFICATION NUMBER: S417T402-2	107107	1
90	BACR15BA4A		.RIVET- SIZE DETERMINED ON INSTL.	107107 504903	1
90	BACR15BA4A		.RIVET- SIZE DETERMINED ON INSTL.	107107 121503	1

MISSING ITEM NUMBERS NOT APPLICABLE

- ITEM NOT ILLUSTRATED

35-21-06-04A

35-21-06
FIG. 04A
PAGE 1
JAN 20/09

BRI

BOEING PROPRIETARY - Copyright © - Unpublished Work - See title page for details.



757

PARTS CATALOG (MAINTENANCE)

FIG ITEM	PART NUMBER	1 2 3 4 5 6 7	NOMENCLATURE	EFFECT FROM TO	UNITS PER ASSY
4 A					
90	BACR15BA4A	.	RIVET- SIZE DETERMINED ON INSTL.	107107	1
95	NAS514P632-14	.	SCREW-	107107 504903	1
95	NAS514P632-14	.	SCREW-	107107 121503	1
95	NAS514P632-14	.	SCREW	107107	1
100	AN960KD6L	.	WASHER-	107107 504903	1
100	AN960KD6L	.	WASHER	107107 121503	1
100	AN960KD6L	.	WASHER	107107	1
105	NAS42DD4-38	.	SPACER-	107107 504903	1
105	NAS42DD4-38	.	SPACER-	107107 121503	1
105	NAS42DD4-38	.	SPACER	107107	1
107	NAS42DD4-40	.	SPACER	107107	1
107	NAS42DD4-40	.	SPACER	107107 504903	1
107	NAS42DD4-40	.	SPACER	107107 121503	1
107	NAS42DD4-40	.	SPACER	107107	1
110	MS21042L06	.	NUT-	107107 504903	1
110	MS21042L06	.	NUT-	107107 121503	1
110	MS21042L06	.	NUT	107107	1
115	417N3135-4	.	LEVER-	107107 504903	1
115	417N3135-4	.	LEVER-	107107 121503	1
115	417N3135-2	.	LEVER-	107107	1
115	417N3135-4	.	LEVER	107107	1
117	417N3135-2	.	LEVER-	107107 504903	1
117	417N3135-2	.	LEVER-	107107 121503	1
117	417N3135-2	.	LEVER	107107	1
125	417N3150-20SP	.	STOP ASSY-TEST	107107 504903	1
125	417N3150-20SP	.	STOP ASSY-TEST	107107 121503	1
125	417N3150-4SP	.	STOP ASSY-TEST	107107 121503	1
125	417N3150-20SP	.	STOP ASSY-TEST	107107 904949 952999	1

MISSING ITEM NUMBERS NOT APPLICABLE

- ITEM NOT ILLUSTRATED

BRI

35-21-06-04A

BOEING PROPRIETARY - Copyright © - Unpublished Work - See title page for details.

35-21-06
FIG. 04A
PAGE 2
JAN 20/09



757

PARTS CATALOG (MAINTENANCE)

FIG ITEM	PART NUMBER	1 2 3 4 5 6 7	NOMENCLATURE	EFFECT FROM TO	UNITS PER ASSY
4 A 135	417N3151-17SP	..	PLUNGER- QUALIFIED I/W DATA: 417N3151-17SP CAN REPLACE OR BE REPLACED BY 417N3151-16SP IF SERVICE BULLETIN SB 737-35A1037 AND SB 757-35A0010 HAS BEEN INCORPORATED POST ALERT SB: 35A0010	107107 904949	1
140	417N3136-2	.	PLATE-	107107 504903	1
145	417N3133-2	.	LATCH-	107107 504903	1
145	417N3133-2	.	LATCH-	107107 121503	1
145	417N3133-2	.	LATCH	107107	1
150	417N3133-3	.	LATCH-	107107 504903	2
150	417N3133-3	.	LATCH-	107107 121503	2
150	417N3133-3	.	LATCH ATTACHING PARTS	107107	2
- 155	BACS12ER08K6	.	SCREW-	107107 504903	4
- 155	BACS12ER08K6	.	SCREW-	107107 121503	4
- 155	BACS12ER08K6	.	SCREW	107107	4
- 160	AN960JD8L	.	WASHER-	107107 504903	4
- 160	AN960JD8L	.	WASHER-	107107 121503	4
- 160	AN960JD8L	.	WASHER	107107	4
- 165	MS21042L08	.	NUT-	107107 504903	4
- 165	MS21042L08	.	NUT-	107107 121503	4
185	6100-9	-----*	.RETAINER- SUPPLIER CODE: V2X013	107107 504903	4
185	6100-9	.	.RETAINER- SUPPLIER CODE: V2X013	107107 121503	4
185	6100-9	..	.RETAINER- SUPPLIER CODE: V2X013	107107	4

MISSING ITEM NUMBERS NOT APPLICABLE

- ITEM NOT ILLUSTRATED

35-21-06-04A

35-21-06
FIG. 04A
PAGE 3
JAN 20/09

BRI

BOEING PROPRIETARY - Copyright © - Unpublished Work - See title page for details.



757

PARTS CATALOG (MAINTENANCE)

FIG ITEM	PART NUMBER	1 2 3 4 5 6 7	NOMENCLATURE	EFFECT FROM TO	UNITS PER ASSY
4 A					
190	MS20253P2-825	.	PIN	107107 504903	1
195	MS20253P2-780	.	PIN	107107 504903	1
195	MS20253P2-780	.	PIN	107107 121503	1
195	MS20253P2-780	.	PIN	107107	1
200	MS20253P2-825	.	PIN	107107	1
200	MS20253P2-825	.	PIN	107107	1
205	417N3830-1SP	.	DOOR ASSY- USED ON: 417N3810-1SP	107107	1
205	417N3830-11SP	.	DOOR ASSY	121949 952999	1
205	417N3830-11SP	.	DOOR ASSY	107107 121503	1
210	417N3173-3	.	SPRING	107107 504903	1
210	417N3173-3	.	SPRING	107107 121503	1
215	417N3173-3	.	SPRING	107107 121949 952999	1
220	417N3173-4	.	SPRING	107107 504903	1
220	417N3173-4	.	SPRING	107107 121503	1
230	NAS601-6P	.	SCREW	107107 121949 952999	2
230	NAS601-6P	.	SCREW	107107 121503	2
235	AN960PD6L	.	WASHER-	107107 121949 952999	2
235	NAS601-6L	.	WASHER	107107 121503	2
235	NAS601-6L	.	WASHER	107107 504903	2

MISSING ITEM NUMBERS NOT APPLICABLE

- ITEM NOT ILLUSTRATED

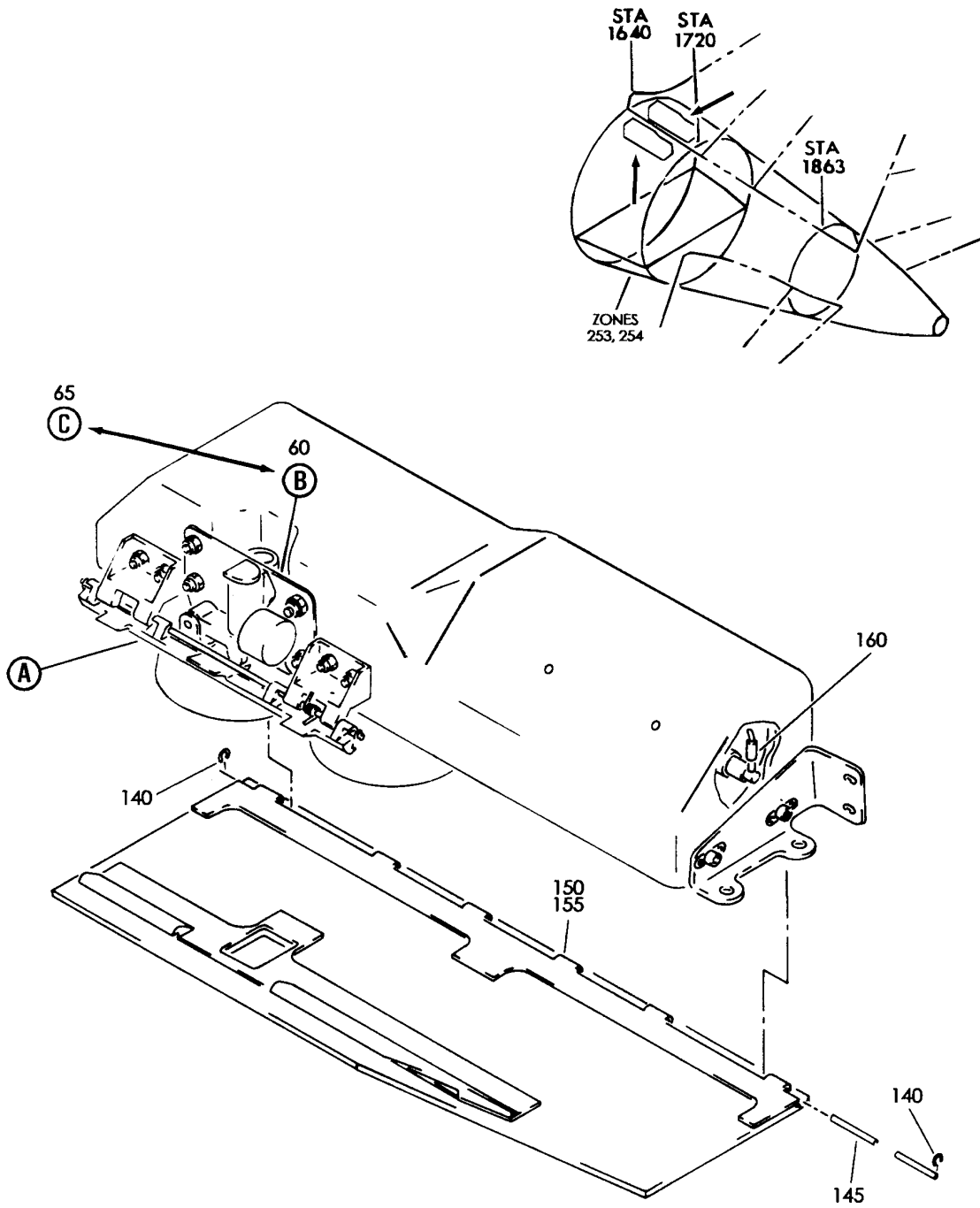
35-21-06-04A

35-21-06
FIG. 04A
PAGE 4
JAN 20/09

BRI

BOEING PROPRIETARY - Copyright © - Unpublished Work - See title page for details.

BOEING
757
PARTS CATALOG (MAINTENANCE)



Y 35210605 SHT 1 REV 200

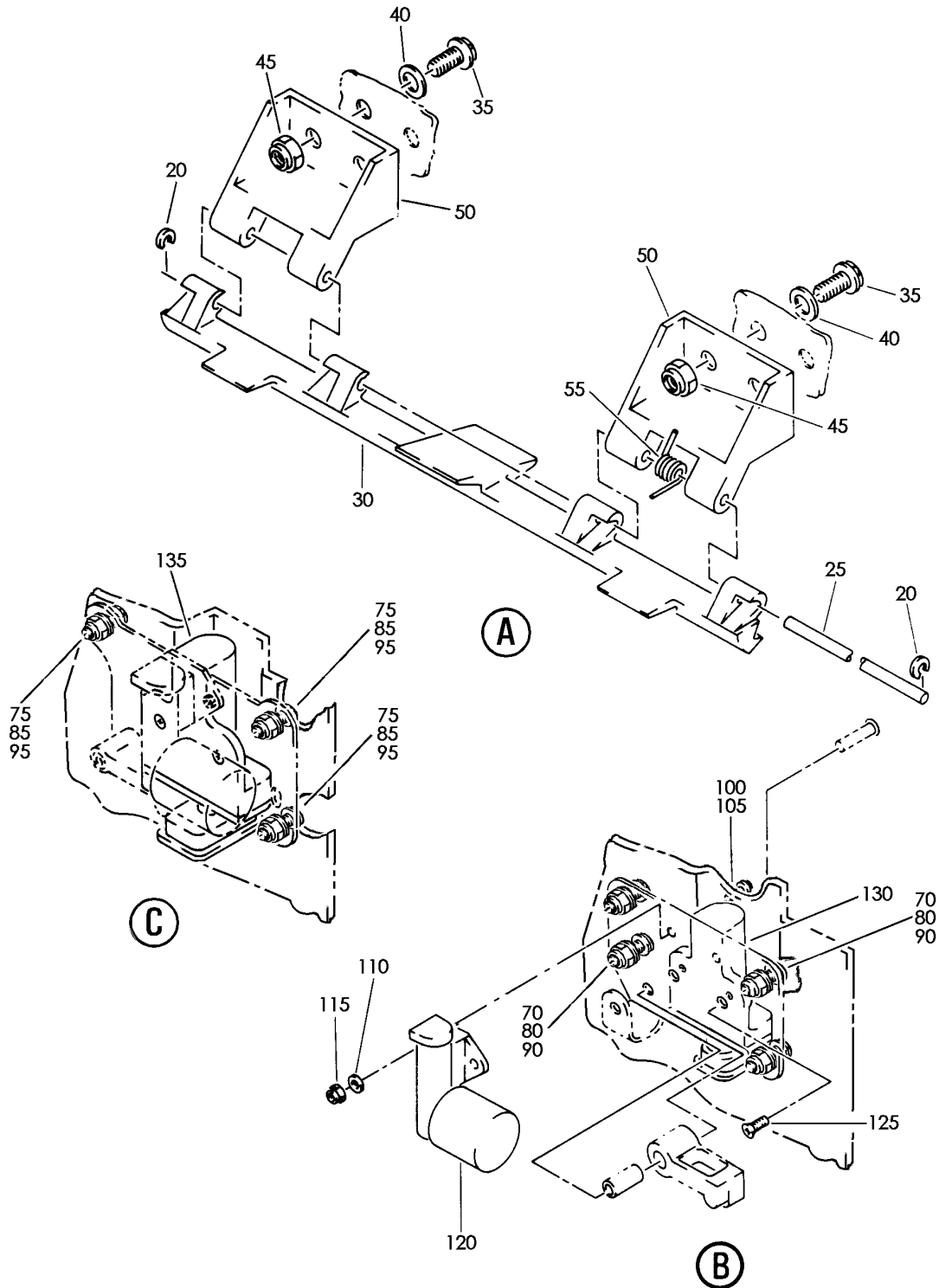
BOX ASSY-AFT ATTENDANTS SERVICE UNIT OXYGEN DOOR LATCH ACTUATOR ONLY
FIGURE 5 (SHEET 1)

35-21-06-05

BRI
JAN 20/09

35-21-06-05
PAGE 0

BOEING
757
PARTS CATALOG (MAINTENANCE)



Y 35210605 SHT 2 REV 246

BOX ASSY-AFT ATTENDANTS SERVICE UNIT OXYGEN DOOR LATCH ACTUATOR ONLY
FIGURE 5 (SHEET 2)

35-21-06-05

BRI
JAN 20/09

35-21-06-05
PAGE 0A



757

PARTS CATALOG (MAINTENANCE)

FIG ITEM	PART NUMBER	1 2 3 4 5 6 7	NOMENCLATURE	EFFECT FROM TO	UNITS PER ASSY
5			BOX ASSY-AFT ATTENDANTS SERVICE UNIT OXYGEN DOOR LATCH ACTUATOR ONLY	107107	
- 1	417N3820-2SP		BOX ASSY-ATTENDANTS SERVICE UNIT (DOOR LATCH ACTUATOR ONLY) POSITION DATA: AFT ELECTRICAL EQUIP NUMBER: M10373 COMPONENT MAINT MANUAL REF: 35-21-35 FOR NHA/ADDITIONAL DET SEE: 35-21-04-40	107107	RF
- 5	417N3820-1SP		BOX ASSY-ATTENDANTS SERVICE UNIT (DOOR LATCH ACTUATOR ONLY) POSITION DATA: AFT ELECTRICAL EQUIP NUMBER: M10373 COMPONENT MAINT MANUAL REF: 35-21-35 FOR NHA/ADDITIONAL DET SEE: 35-21-04-40	107107	RF
20	6100-9		.RETAINER- SUPPLIER CODE: V2X013	107107	2
25	MS20253P2-780		.PIN	107107	1
30	417N3133-2		.LATCH	107107	1
35	BACS12FA08K5		.SCREW	107107	4
40	AN960PD8L		.WASHER	107107	4

MISSING ITEM NUMBERS NOT APPLICABLE

- ITEM NOT ILLUSTRATED

35-21-06-05

35-21-06
FIG. 05
PAGE 1
JAN 20/09

BRI



757

PARTS CATALOG (MAINTENANCE)

FIG ITEM	PART NUMBER	1 2 3 4 5 6 7	NOMENCLATURE	EFFECT FROM TO	UNITS PER ASSY
5					
45	BRH10A08	.NUT	SUPPLIER CODE: V52828 SPECIFICATION NUMBER: BACN10JC08 OPTIONAL PART: H10-08BAC V15653 NS202101-82 V80539 RMLH9075-82W V72962 VN303A82 V92215 96-82 V80539 T6S832J V11815	107107	4
50	417N3133-3	.LATCH		107107	2
55	417N3173-4	.SPRING		107107	1
65	417N3152-9SP	.STOP ASSY-ACTUATOR TEST ATTACHING PARTS		107107	1
75	BACS12FA08K7	.SCREW		107107	3
85	AN960PD8L	.WASHER		107107	3
95	BRH10A08	.NUT	SUPPLIER CODE: V52828 SPECIFICATION NUMBER: BACN10JC08 OPTIONAL PART: H10-08BAC V15653 NS202101-82 V80539 RMLH9075-82W V72962 VN303A82 V92215 96-82 V80539 T6S832J V11815	107107	3
105	NAS601-6P	-----*----- . . SCREW		107107	2
110	NAS620-6L	. . WASHER-		107107	2

MISSING ITEM NUMBERS NOT APPLICABLE

- ITEM NOT ILLUSTRATED

35-21-06-05

35-21-06
FIG. 05
PAGE 2
JAN 20/09

BRI



757

PARTS CATALOG (MAINTENANCE)

FIG ITEM	PART NUMBER	1 2 3 4 5 6 7	NOMENCLATURE	EFFECT FROM TO	UNITS PER ASSY
5 115	BRH10A06	..	NUT- SUPPLIER CODE: V52828 SPECIFICATION NUMBER: BACN10JC06 OPTIONAL PART: H10-06BAC V15653 RMLH9075-62W V72962 VN303A62 V92215 96-62 V80539 NS202101-62 V80539 T6S632J V11815	107107	2
115	MS21042L06	..	NUT-	107107	2
120	78580-1ACTUATOR	..	ACTUATOR- SUPPLIER CODE: V09790 SPECIFICATION NUMBER: S417T402-2	107107	1
135	417N3150-4SP	..	STOP ASSY	107107	1
140	6100-9	.	RETAINER- SUPPLIER CODE: V2X013	107107	2
145	MS20253P2-1530	.	PIN	107107	1
150	417N3830-7SP	.	DOOR ASSY- USED ON: 417N3820-1SP	107107	1
155	417N3830-8SP	.	DOOR ASSY- USED ON: 417N3820-2SP	107107	1
160	417N3137-3	.	CABLE ASSY ATTACHING PARTS	107107	1
- 165	BACS12FA08K5	.	SCREW	107107	1
- 170	AN960KD8L	.	WASHER	107107	1

MISSING ITEM NUMBERS NOT APPLICABLE

- ITEM NOT ILLUSTRATED

35-21-06-05

35-21-06
FIG. 05
PAGE 3
JAN 20/09

BRI

BOEING PROPRIETARY - Copyright © - Unpublished Work - See title page for details.



757

PARTS CATALOG (MAINTENANCE)

FIG ITEM	PART NUMBER	1 2 3 4 5 6 7	NOMENCLATURE	EFFECT FROM TO	UNITS PER ASSY
5 - 175	BRH10A08	.	NUT SUPPLIER CODE: V52828 SPECIFICATION NUMBER: BACN10JC08 OPTIONAL PART: H10-08BAC V15653 NS202101-82 V80539 RMLH9075-82W V72962 VN303A82 V92215 96-82 V80539 T6S832J V11815 -----*-----	107107	1

MISSING ITEM NUMBERS NOT APPLICABLE

- ITEM NOT ILLUSTRATED

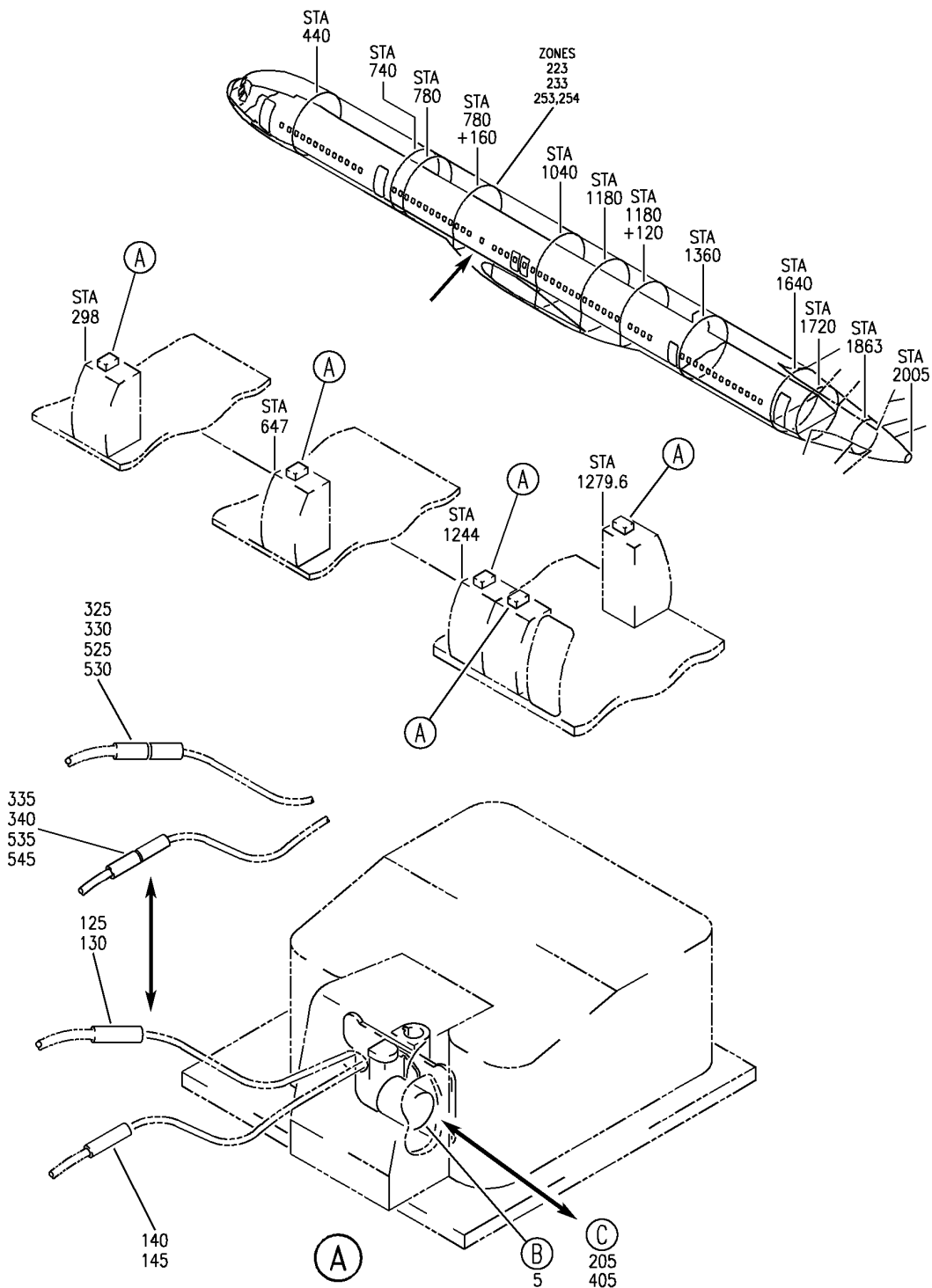
BRI

35-21-06-05

BOEING PROPRIETARY - Copyright © - Unpublished Work - See title page for details.

35-21-06
FIG. 05
PAGE 4
JAN 20/09

BOEING
757
PARTS CATALOG (MAINTENANCE)



Y 35210607A SHT 1 REV 301

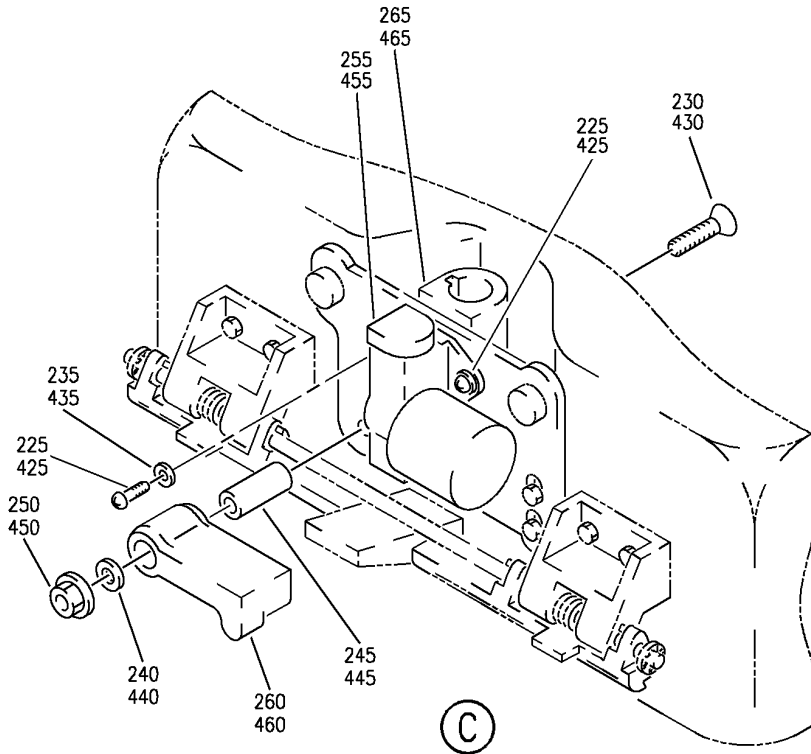
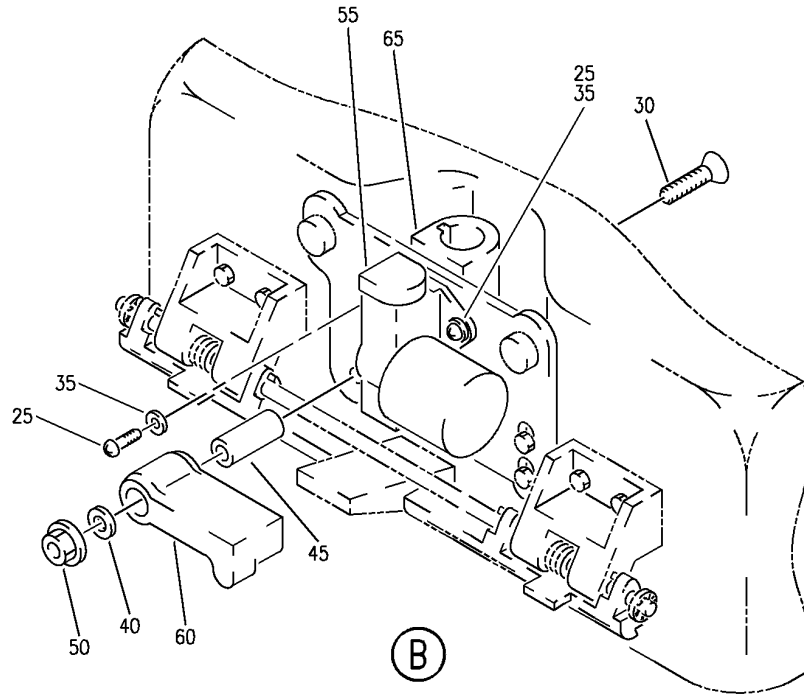
BOX ASSY-OXY LAVATORY SERVICE UNIT (DOOR LATCH ACTUATOR ONLY)
FIGURE 7A (SHEET 1)

35-21-06-07A

BRI
JAN 20/09

35-21-06-07A
PAGE 0

BOEING
757
PARTS CATALOG (MAINTENANCE)



Y 35210607A SHT 2 REV 301

BOX ASSY-OXY LAVATORY SERVICE UNIT (DOOR LATCH ACTUATOR ONLY)
FIGURE 7A (SHEET 2)

35-21-06-07A

BRI
JAN 20/09

35-21-06-07A
PAGE 0A



757

PARTS CATALOG (MAINTENANCE)

FIG ITEM	PART NUMBER	1 2 3 4 5 6 7	NOMENCLATURE	EFFECT FROM TO	UNITS PER ASSY
7A			BOX ASSY-OXY LAVATORY SERVICE UNIT (DOOR LATCH ACTUATOR ONLY)	103106	
- 200	417N3810-137T		BOX ASSY-OXY (DOOR LATCH ACTUATOR ONLY) ELECTRICAL EQUIP NUMBER: M10373 COMPONENT MAINT MANUAL REF: 35-21-34 FOR NHA/ADDITIONAL DET SEE: 35-21-00-01G	103106	RF
205	417N3152-13A		.STOP ASSY-TEST ATTACHING PARTS	103106	1
- 210	BACS12FA08K7		.SCREW	103106	3
- 215	AN960JD8L		.WASHER	103106	3
- 220	MS21042L08		.NUT	103106	3
			-----*-----		
225	NAS601-6P		..SCREW	103106	2
230	NAS514P632-14		..SCREW	103106	1
235	NAS620-6L		..WASHER	103106	2
240	AN960JD6L		..WASHER	103106	1
245	NAS43DD1-38		..SPACER	103106	1
250	MS21042L06		..NUT	103106	1
255	78580-1		..ACTUATOR- SUPPLIER CODE: V09790 SPECIFICATION NUMBER: S417T402-2	103106	1
260	417N3135-4		..LEVER-ACTUATOR	103106	1
265	417N3150-20A		..STOP ASSY	103106	1
325	BACC47N2		.CONTACT	103106	1
330	48-7190		.CONNECTOR- SUPPLIER CODE: V02660	103106	1
335	BACC47CPT2		.CONTACT	103106	1
340	48-7191		.CONNECTOR- SUPPLIER CODE: V02660	103106	1

MISSING ITEM NUMBERS NOT APPLICABLE

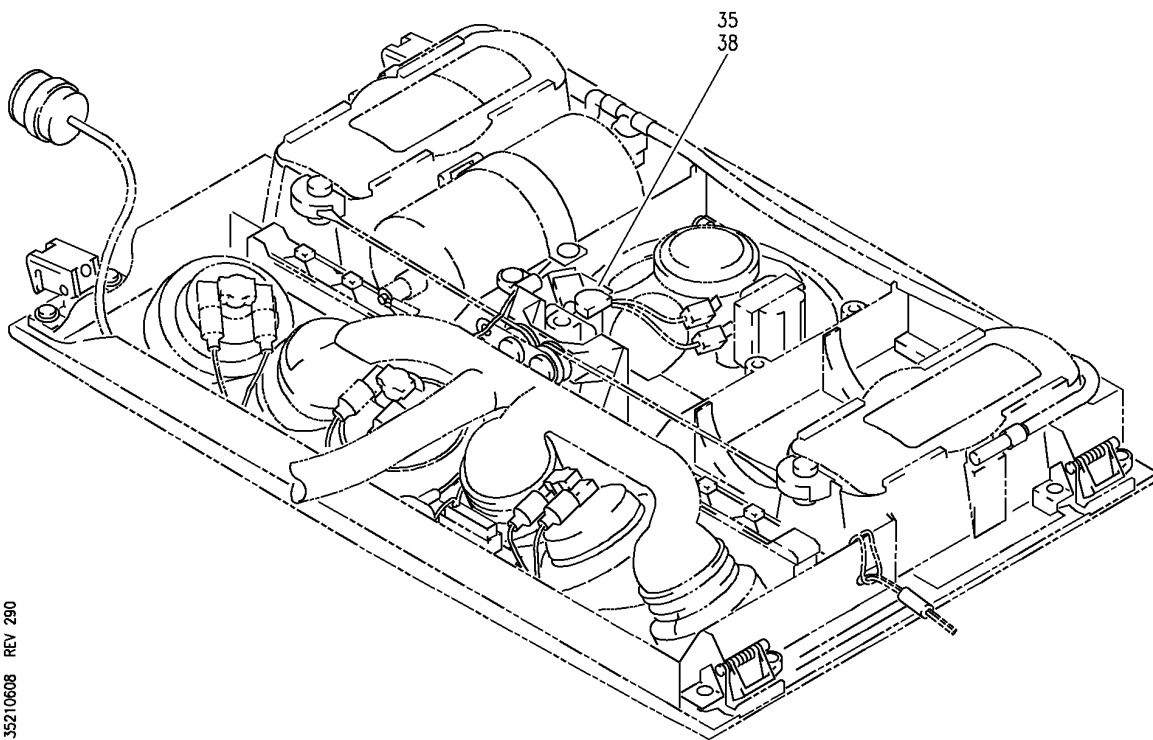
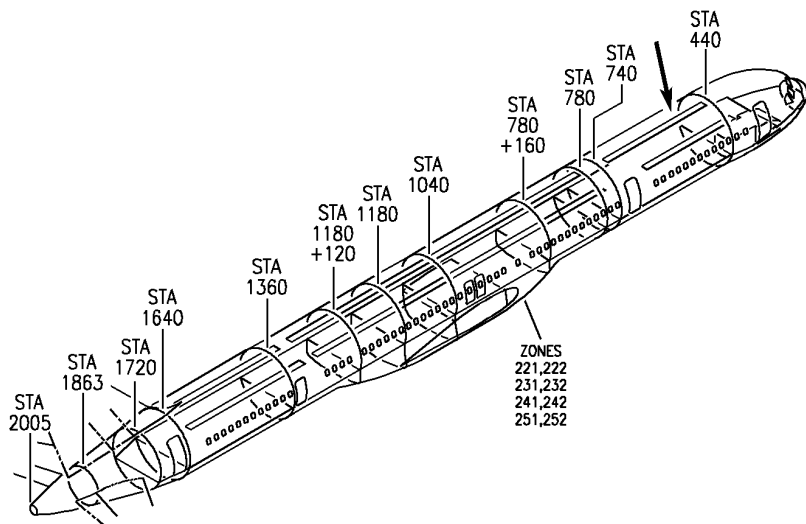
- ITEM NOT ILLUSTRATED

35-21-06-07A

35-21-06
FIG. 07A
PAGE 1
JAN 20/09

BRI

BOEING
757
PARTS CATALOG (MAINTENANCE)



Y 35210608 REV 290

SERVICE UNIT ASSY-PASS. (DOOR LATCH ACTUATOR ONLY)
FIGURE 8

35-21-06-08

BRI
JAN 20/09

35-21-06-08
PAGE 0



757

PARTS CATALOG (MAINTENANCE)

FIG ITEM	PART NUMBER	1 2 3 4 5 6 7	NOMENCLATURE	EFFECT FROM TO	UNITS PER ASSY
8			SERVICE UNIT ASSY-PASS. (DOOR LATCH ACTUATOR ONLY)	103106 108120	
- 5	417N3011-202SP		SERVICE UNIT ASSY-PASS. WITH SPKR AND GASPER (DOOR LATCH ACTUATOR ONLY) POSITION DATA: RH ELECTRICAL EQUIP NUMBER: M10973 COMPONENT MAINT MANUAL REF: 25-23-38 FOR NHA/OTHER SYS DET SEE: 25-23-01-52B	103106	RF
- 5	417N3011-402SP		SERVICE UNIT ASSY-PASS. WITH SPKR AND GASPER (DOOR LATCH ACTUATOR ONLY) POSITION DATA: RH ELECTRICAL EQUIP NUMBER: M10973 COMPONENT MAINT MANUAL REF: 25-23-38 FOR NHA/OTHER SYS DET SEE: 25-23-01-34A 25-23-01-52B 25-23-01-76A	103106 108120	RF
- 15	417N3011-214SP		SERVICE UNIT ASSY-PASS. NO SPKR WITH GASPER (DOOR LATCH ACTUATOR ONLY) POSITION DATA: RH ELECTRICAL EQUIP NUMBER: M10973 COMPONENT MAINT MANUAL REF: 25-23-38 FOR NHA/OTHER SYS DET SEE: 25-23-01-52B	103106	RF

MISSING ITEM NUMBERS NOT APPLICABLE

- ITEM NOT ILLUSTRATED

35-21-06-08

35-21-06
FIG. 08
PAGE 1
JAN 20/09

BRI

BOEING
757
PARTS CATALOG (MAINTENANCE)

FIG ITEM	PART NUMBER	1 2 3 4 5 6 7	NOMENCLATURE	EFFECT FROM TO	UNITS PER ASSY
8					
- 15	417N3011-414SP		SERVICE UNIT ASSY-PASS. NO SPKR WITH GASPER (DOOR LATCH ACTUATOR ONLY) POSITION DATA: RH ELECTRICAL EQUIP NUMBER: M10973 COMPONENT MAINT MANUAL REF: 25-23-38 FOR NHA/OTHER SYS DET SEE: 25-23-01-34A 25-23-01-52B 25-23-01-76A	103106 108120	RF
35	78580-1		.ACTUATOR- SUPPLIER CODE: V09790 SPECIFICATION NUMBER: S417T402-2	108120	1
35	78580-1		.ACTUATOR- SUPPLIER CODE: V09790 SPECIFICATION NUMBER: S417T402-2	105106	1
35	78580-1		.ACTUATOR- SUPPLIER CODE: V09790 SPECIFICATION NUMBER: S417T402-2	103104	1
- 40	NAS601-6P		.SCREW	108120	2
- 40	NAS601-6P		.SCREW	105106	2
- 40	NAS601-6P		.SCREW	103104	2
- 45	NAS620-6L		.WASHER	108120	2
- 45	NAS620-6L		.WASHER	105106	2
- 45	NAS620-6L		.WASHER	103104	2
			-----*-----		

MISSING ITEM NUMBERS NOT APPLICABLE

- ITEM NOT ILLUSTRATED

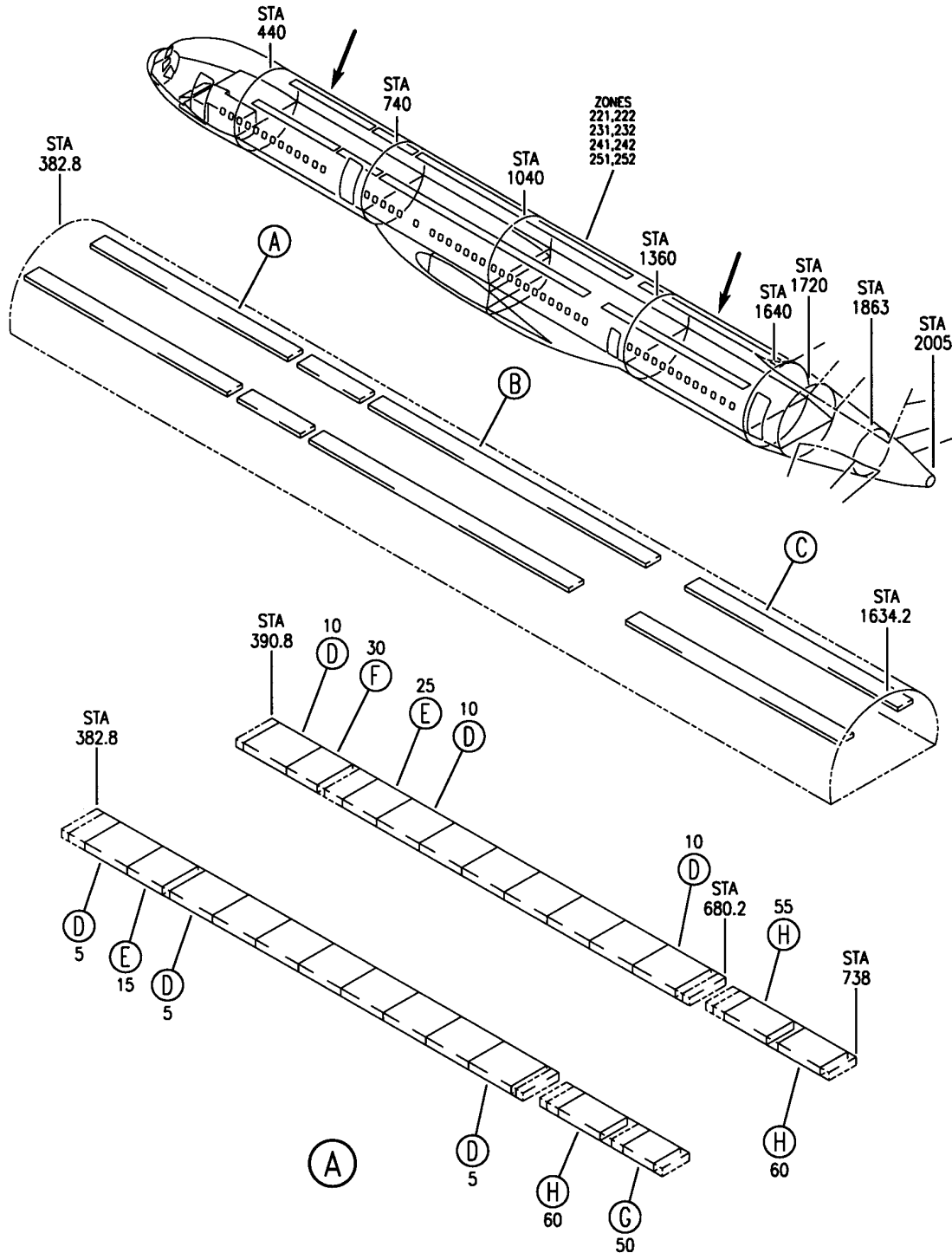
BRI

35-21-06-08

BOEING PROPRIETARY - Copyright © - Unpublished Work - See title page for details.

35-21-06
FIG. 08
PAGE 2
JAN 20/09


BOEING
 757
PARTS CATALOG (MAINTENANCE)



Y 35210610 SHT 1 REV 207

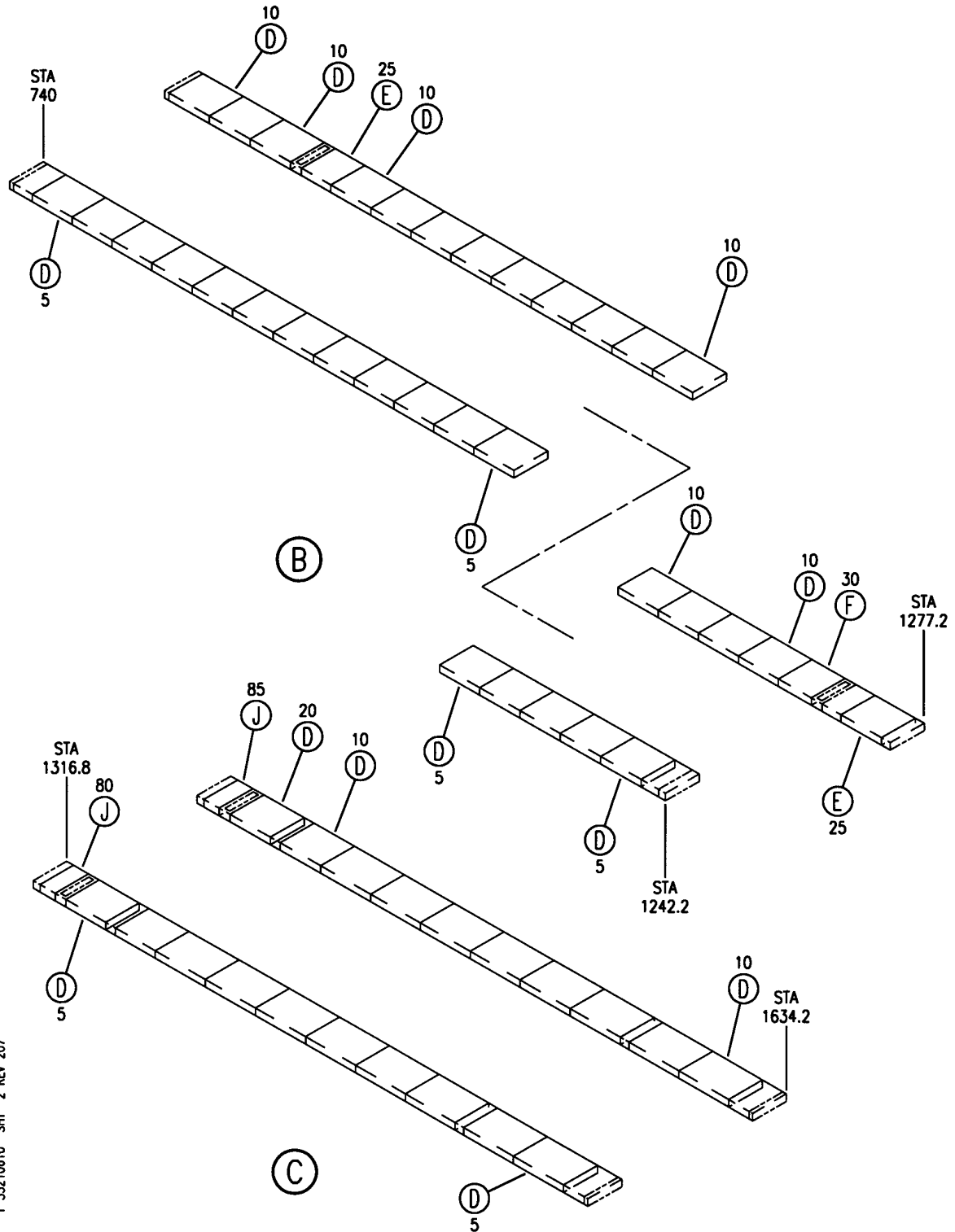
SERVICE UNIT INSTL-PASS (DOOR LATCH ACTUATOR ONLY)
 FIGURE 10 (SHEET 1)

35-21-06-10

BRI
MAY 28/07

35-21-06-10
 PAGE 0


BOEING
 757
PARTS CATALOG (MAINTENANCE)



Y 35210610 SHT 2 REV 207

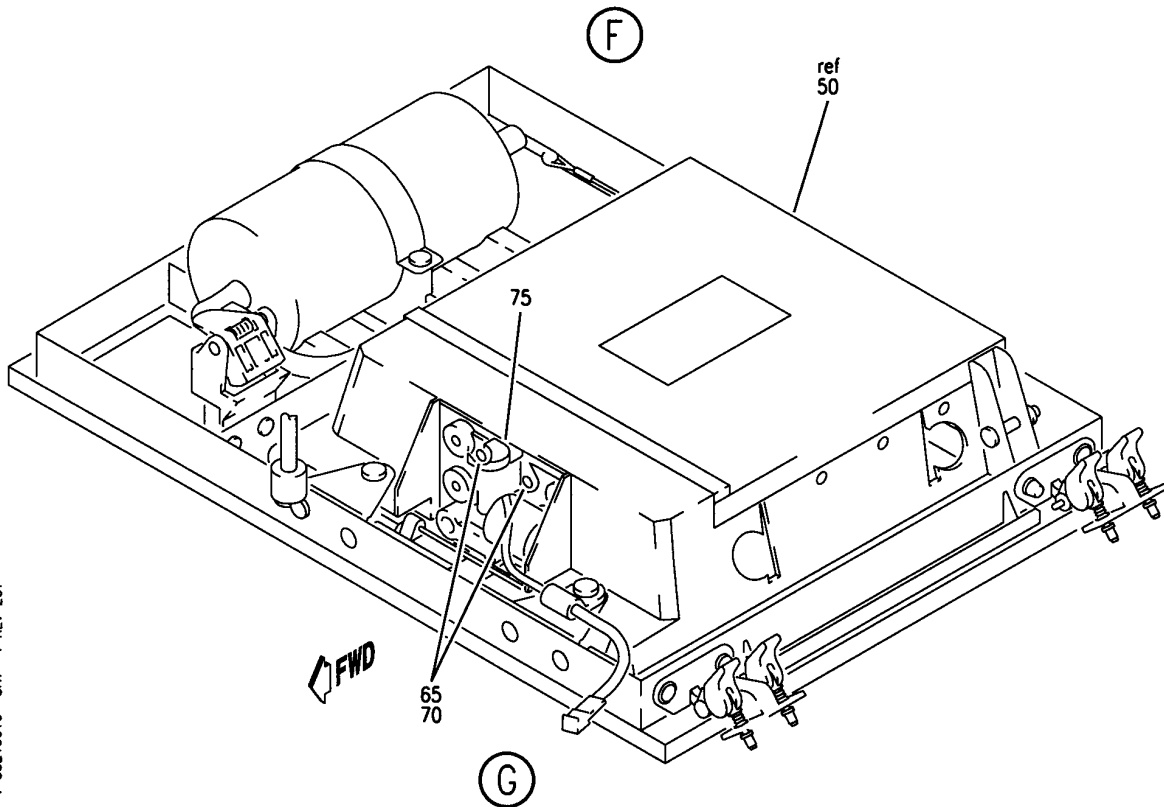
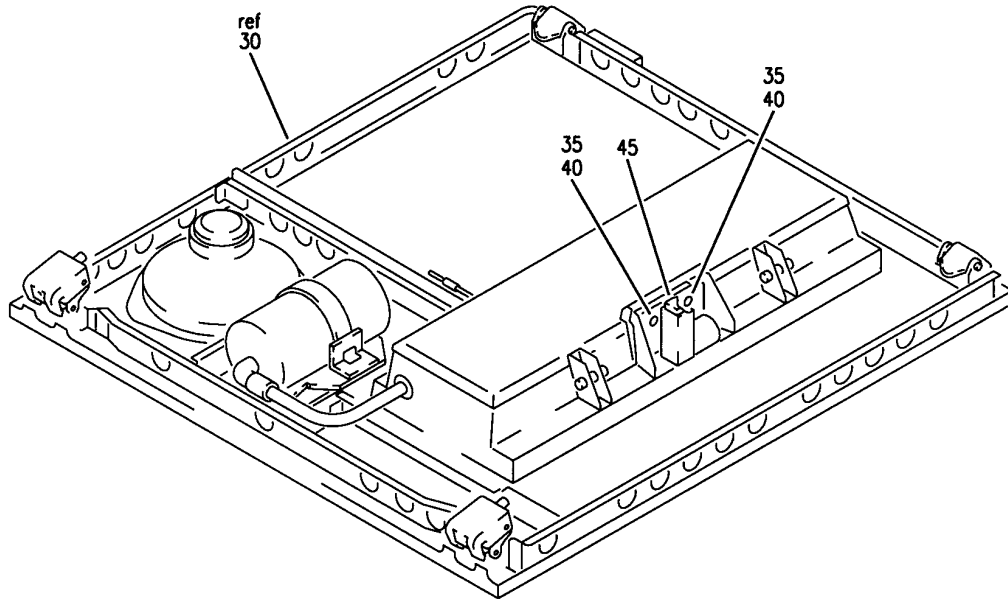
SERVICE UNIT INSTL-PASS (DOOR LATCH ACTUATOR ONLY)
 FIGURE 10 (SHEET 2)

35-21-06-10

BRI
 MAY 28/07

35-21-06-10
 PAGE 0A

BOEING
 757
 PARTS CATALOG (MAINTENANCE)



Y 35210610 SH1 4 REV 207

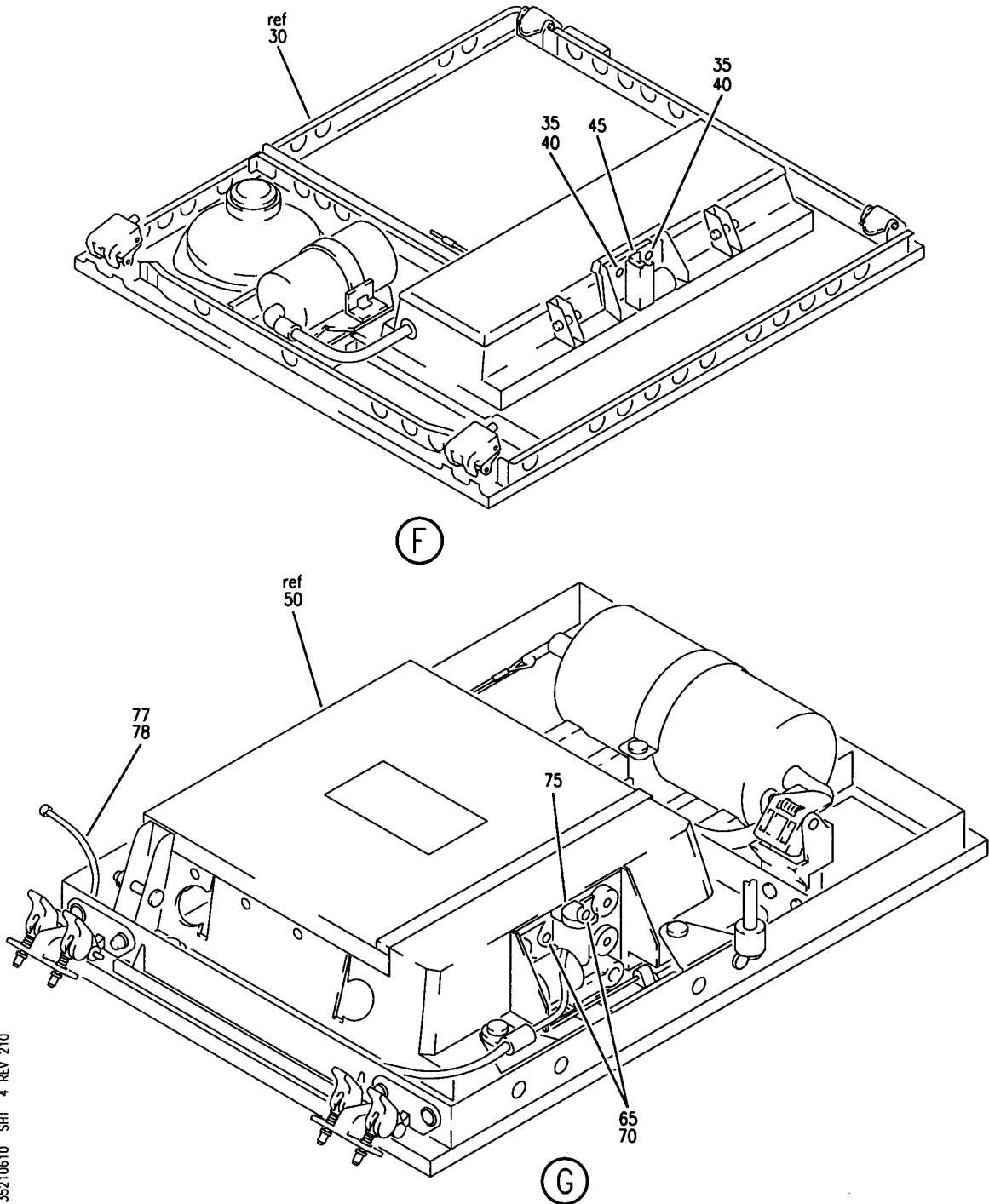
SERVICE UNIT INSTL-PASS (DOOR LATCH ACTUATOR ONLY)
 FIGURE 10 (SHEET 3)

35-21-06-10

BRI
 MAY 28/07

35-21-06-10
 PAGE 0B

BOEING
757
PARTS CATALOG (MAINTENANCE)



Y 35210610 SHT 4 REV 210

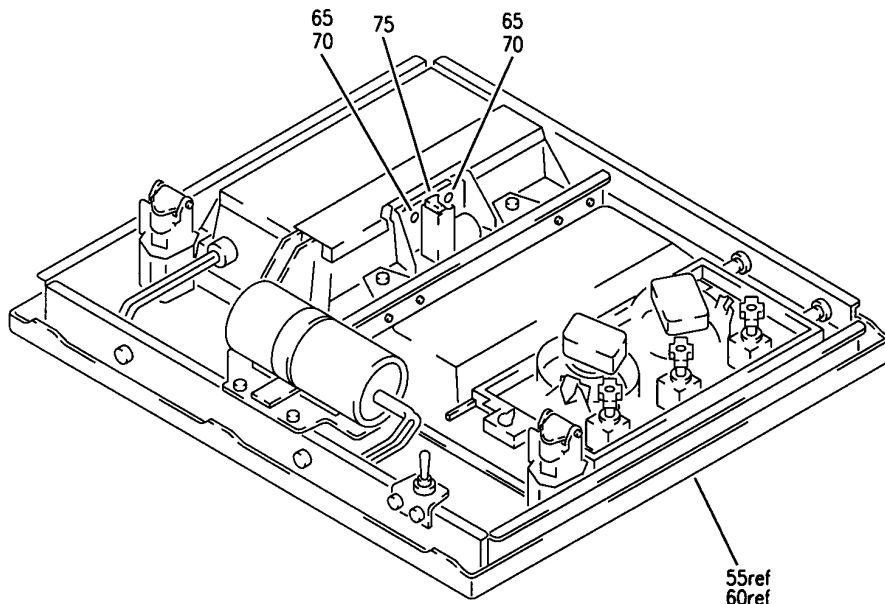
SERVICE UNIT INSTL-PASS (DOOR LATCH ACTUATOR ONLY)
FIGURE 10 (SHEET 4)

35-21-06-10

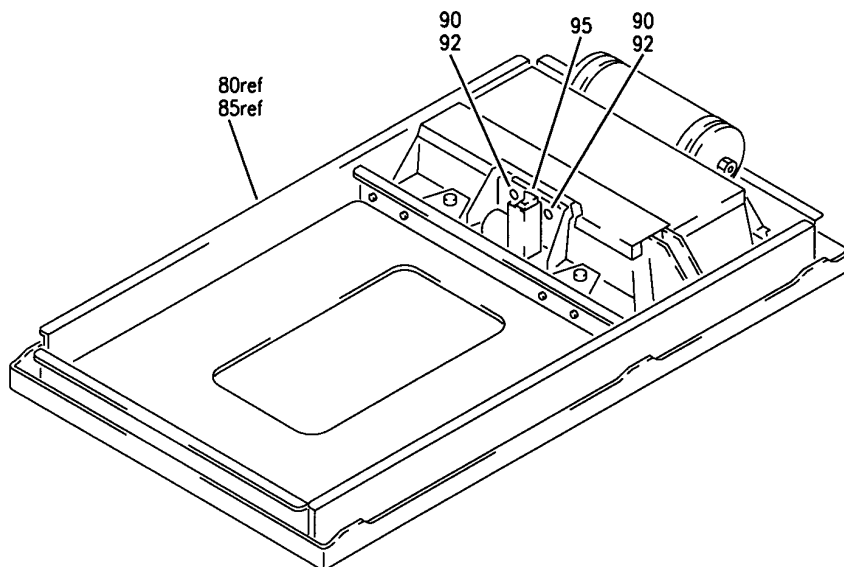
BRI
MAY 28/07

35-21-06-10
PAGE 0C

BOEING
757
PARTS CATALOG (MAINTENANCE)



(H)



(J)

Y 35210610 SH1 5 REV 207

SERVICE UNIT INSTL-PASS (DOOR LATCH ACTUATOR ONLY)
FIGURE 10 (SHEET 5)

35-21-06-10

BRI
MAY 28/07

35-21-06-10
PAGE 0D



757

PARTS CATALOG (MAINTENANCE)

FIG ITEM	PART NUMBER	1 2 3 4 5 6 7	NOMENCLATURE	EFFECT FROM TO	UNITS PER ASSY
10			SERVICE UNIT INSTL-PASS (DOOR LATCH ACTUATOR ONLY)	011102	
- 1	417N3001-164SP		SERVICE UNIT INSTL-PASS. (DOOR LATCH ACTUATOR ONLY)	101102	RF
- 1	417N3001-98		FOR NHA/OTHER SYS DET SEE: 25-20-00-20 SERVICE UNIT INSTL-PASS. (DOOR LATCH ACTUATOR ONLY)	011100	RF
			FOR NHA/OTHER SYS DET SEE: 25-20-00-20A		
5	417N3100-707SP		.SERVICE UNIT ASSY-PASS. FULL WITH SPKR POSITION DATA: UNDERBIN ELECTRICAL EQUIP NUMBER: M03012 COMPONENT MAINT MANUAL REF: 25-23-30	011100	RF
5	417N3100-723B		.SERVICE UNIT ASSY-PASS. FULL WITH SPKR POSITION DATA: UNDERBIN ELECTRICAL EQUIP NUMBER: M03012 COMPONENT MAINT MANUAL REF: 25-23-30	101102	RF
10	417N3100-708SP		.SERVICE UNIT ASSY-PASS. FULL WITH SPKR POSITION DATA: UNDERBIN ELECTRICAL EQUIP NUMBER: M03012 COMPONENT MAINT MANUAL REF: 25-23-30	011100	RF
10	417N3100-724B		.SERVICE UNIT ASSY-PASS. FULL WITH SPKR POSITION DATA: UNDERBIN ELECTRICAL EQUIP NUMBER: M03012 COMPONENT MAINT MANUAL REF: 25-23-30	101102	RF

MISSING ITEM NUMBERS NOT APPLICABLE

- ITEM NOT ILLUSTRATED

35-21-06-10

35-21-06
FIG. 10
PAGE 1
JAN 20/09

BRI



757

PARTS CATALOG (MAINTENANCE)

FIG ITEM	PART NUMBER	1 2 3 4 5 6 7	NOMENCLATURE	EFFECT FROM TO	UNITS PER ASSY
10					
15	417N3100-709SP		.SERVICE UNIT ASSY-PASS. 22 IN. PARTIAL WITHOUT SPKR POSITION DATA: UNDERBIN ELECTRICAL EQUIP NUMBER: M03012 COMPONENT MAINT MANUAL REF: 25-23-37	011100	RF
15	417N3100-725B		.SERVICE UNIT ASSY-PASS. 22 IN. PARTIAL WITHOUT SPKR POSITION DATA: UNDERBIN ELECTRICAL EQUIP NUMBER: M03012	101102	RF
20	417N3100-712SP		.SERVICE UNIT ASSY-PASS. FULL WITH MUTED SPKR POSITION DATA: UNDERBIN ELECTRICAL EQUIP NUMBER: M10471 COMPONENT MAINT MANUAL REF: 25-23-30	011100	RF
20	417N3100-728B		.SERVICE UNIT ASSY-PASS. FULL WITH MUTED SPKR POSITION DATA: UNDERBIN ELECTRICAL EQUIP NUMBER: M10471 COMPONENT MAINT MANUAL REF: 25-23-30	101102	RF
25	417N3100-508SP		.SERVICE UNIT ASSY-PASS. 22 IN. PARTIAL WITHOUT SPKR POSITION DATA: UNDERBIN ELECTRICAL EQUIP NUMBER: M03012 COMPONENT MAINT MANUAL REF: 25-23-37	011100	RF

MISSING ITEM NUMBERS NOT APPLICABLE

- ITEM NOT ILLUSTRATED

35-21-06-10

35-21-06
FIG. 10
PAGE 2
JAN 20/09

BRI



757

PARTS CATALOG (MAINTENANCE)

FIG ITEM	PART NUMBER	1 2 3 4 5 6 7	NOMENCLATURE	EFFECT FROM TO	UNITS PER ASSY
10					
25	417N3100-729B	.	SERVICE UNIT ASSY-PASS. 22 IN. PARTIAL WITHOUT SPKR POSITION DATA: UNDERBIN ELECTRICAL EQUIP NUMBER: M03012 COMPONENT MAINT MANUAL REF: 25-23-37	101102	RF
30	417N3100-516SP	.	SERVICE UNIT ASSY-PASS. PARTIAL WITH SPKR POSITION DATA: FWD UNDERBIN ELECTRICAL EQUIP NUMBER: M03013 COMPONENT MAINT MANUAL REF: 25-23-37	011100	RF
30	417N3100-730B	.	SERVICE UNIT ASSY-PASS. PARTIAL WITH SPKR POSITION DATA: FWD UNDERBIN ELECTRICAL EQUIP NUMBER: M03013	101102	RF
35	NAS601-6P	..	SCREW	011102	2
40	NAS620-6L	..	WASHER	011102	2
45	78580-1	.	ACTUATOR- SUPPLIER CODE: V09790 SPECIFICATION NUMBER: S417T402-2	011102	1
50	417N3200-153SP	.	SERVICE UNIT ASSY-PASS. POSITION DATA: FWD/OVERDOOR ELECTRICAL EQUIP NUMBER: M10363	101102	RF
50	417N3200-53SP	.	SERVICE UNIT ASSY-PASS. POSITION DATA: FWD/OVERDOOR ELECTRICAL EQUIP NUMBER: M10363 COMPONENT MAINT MANUAL REF: 35-21-04	011100	RF

MISSING ITEM NUMBERS NOT APPLICABLE

- ITEM NOT ILLUSTRATED

35-21-06-10

35-21-06
FIG. 10
PAGE 3
JAN 20/09

BRI

BOEING
757
PARTS CATALOG (MAINTENANCE)

FIG ITEM	PART NUMBER	1 2 3 4 5 6 7	NOMENCLATURE	EFFECT FROM TO	UNITS PER ASSY
10					
55	417N3200-155SP	.	SERVICE UNIT ASSY-PASS. WITHOUT GASPER POSITION DATA: OVERDOOR ELECTRICAL EQUIP NUMBER: M10363 COMPONENT MAINT MANUAL REF: 35-21-04	101102	RF
55	417N3200-55SP	.	SERVICE UNIT ASSY-PASS. WITHOUT GASPER POSITION DATA: OVERDOOR ELECTRICAL EQUIP NUMBER: M10363 COMPONENT MAINT MANUAL REF: 35-21-04	011100	RF
60	417N3200-156SP	.	SERVICE UNIT ASSY-PASS. WITHOUT GASPER POSITION DATA: OVERDOOR ELECTRICAL EQUIP NUMBER: M10363 COMPONENT MAINT MANUAL REF: 35-21-04	101102	RF
60	417N3200-56SP	.	SERVICE UNIT ASSY-PASS. WITHOUT GASPER POSITION DATA: OVERDOOR ELECTRICAL EQUIP NUMBER: M10363 COMPONENT MAINT MANUAL REF: 35-21-04	011100	RF
65	NAS601-6P	..	SCREW	011102	2
70	NAS620-6L	..	WASHER	011102	2
75	78580-1	..	ACTUATOR- SUPPLIER CODE: V09790 SPECIFICATION NUMBER: S417T402-2	011102	1
- 76	288N0185-701	..	WIRE BUNDLE INSTL- PSU OXYGEN ONLY	101102	RF
77	286N0524-301	...	WIRE BUNDLE ASSY	101102	1
78	BACC45FT18A14P	CONNECTOR- ELECTRICAL EQUIP NUMBER: D03452	101102	1

MISSING ITEM NUMBERS NOT APPLICABLE

- ITEM NOT ILLUSTRATED

BRI

35-21-06-10

BOEING PROPRIETARY - Copyright © - Unpublished Work - See title page for details.

35-21-06
FIG. 10
PAGE 4
JAN 20/09



757

PARTS CATALOG (MAINTENANCE)

FIG ITEM	PART NUMBER	1 2 3 4 5 6 7	NOMENCLATURE	EFFECT FROM TO	UNITS PER ASSY
10					
80	417N3700-121SP	.	SERVICE UNIT ASSY-PASS. ATTENDANT POSITION DATA: UNDERBIN COMPONENT MAINT MANUAL REF: 35-21-05	101102	RF
80	417N3700-21SP	.	SERVICE UNIT ASSY-PASS. ATTENDANT POSITION DATA: UNDERBIN COMPONENT MAINT MANUAL REF: 35-21-05	011100	RF
85	417N3700-122SP	.	SERVICE UNIT ASSY-PASS. ATTENDANT POSITION DATA: UNDERBIN COMPONENT MAINT MANUAL REF: 35-21-05	101102	RF
85	417N3700-22SP	.	SERVICE UNIT ASSY-PASS. ATTENDANT POSITION DATA: UNDERBIN COMPONENT MAINT MANUAL REF: 35-21-05	011102	RF
90	NAS601-6P	..	SCREW	011102	2
92	NAS620-6L	..	WASHER	011102	2
95	78580-1	..	ACTUATOR- SUPPLIER CODE: V09790 SPECIFICATION NUMBER: S417T402-2	011102	1

MISSING ITEM NUMBERS NOT APPLICABLE

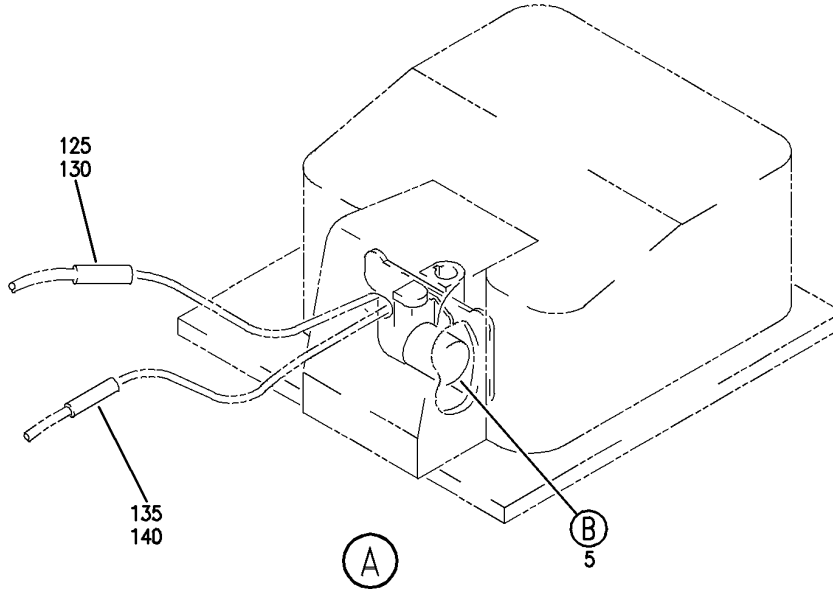
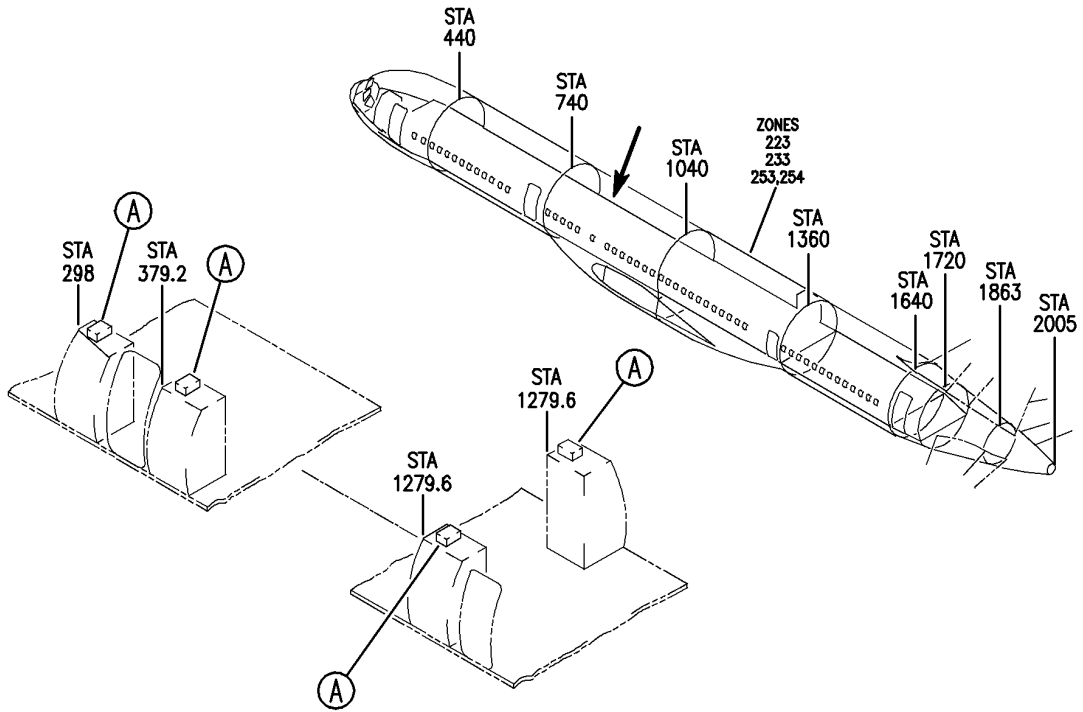
- ITEM NOT ILLUSTRATED

35-21-06-10

35-21-06
FIG. 10
PAGE 5
JAN 20/09

BRI

BOEING
757
PARTS CATALOG (MAINTENANCE)



Y 35210610A SH1 1 REV 235

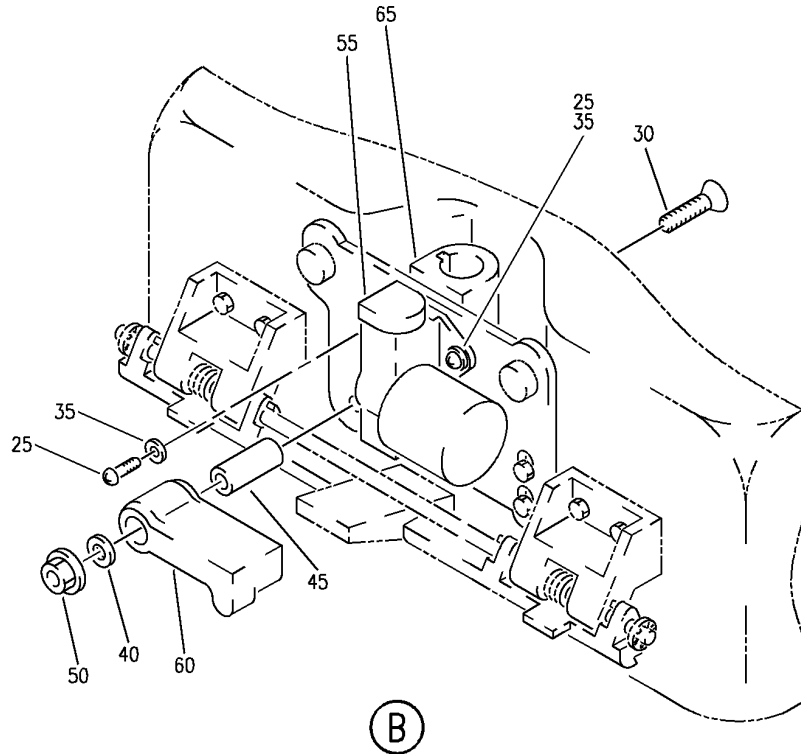
BOX ASSY-OXY (DOOR LATCH ACTUATOR ONLY)
FIGURE 10A (SHEET 1)

35-21-06-10A

BRI
MAY 28/07

35-21-06-10A
PAGE 0

BOEING
757
PARTS CATALOG (MAINTENANCE)



Y 35210610A SHT 2 REV 301

BOX ASSY-OXY (DOOR LATCH ACTUATOR ONLY)
FIGURE 10A (SHEET 2)

35-21-06-10A

BRI
MAY 28/07

35-21-06-10A
PAGE 0A



757

PARTS CATALOG (MAINTENANCE)

FIG ITEM	PART NUMBER	1 2 3 4 5 6 7	NOMENCLATURE	EFFECT FROM TO	UNITS PER ASSY
10A			BOX ASSY-OXY (DOOR LATCH ACTUATOR ONLY)	101102	
- 1	417N3810-118SP		BOX ASSY-OXY (DOOR LATCH ACTUATOR ONLY) COMPONENT MAINT MANUAL REF: 35-21-34 FOR NHA/ADDITIONAL DET SEE: 35-21-00-11 35-21-00-13B	101102	RF
5	417N3152-13SP		.ACTUATOR ASSY-TEST ATTACHING PARTS	101102	1
- 10	BACS12FA08K7		.SCREW	101102	3
- 15	AN960JD8L		.WASHER	101102	3
- 20	MS21042L08		.NUT	101102	3
			-----*-----		
25	NAS601-6P		..SCREW	101102	2
30	NAS514P632-14		..SCREW	101102	1
35	NAS620-6L		..WASHER	101102	2
40	AN960JD6L		..WASHER	101102	1
45	NAS43DD1-38		..SPACER	101102	1
50	MS21042L06		..NUT	101102	1
55	78580-1		..ACTUATOR- SUPPLIER CODE: V09790 SPECIFICATION NUMBER: S417T402-2	101102	1
60	417N3135-4		..LEVER-ACTUATOR	101102	1
65	417N3150-20SP		..STOP ASSY	101102	1
125	BACC47N2		.CONTACT	101102	1
130	48-7190		.CONNECTOR- SUPPLIER CODE: V02660	101102	1
135	BACC47CPT2		.CONTACT	101102	1
140	48-7191		.CONNECTOR- SUPPLIER CODE: V02660	101102	1

MISSING ITEM NUMBERS NOT APPLICABLE

- ITEM NOT ILLUSTRATED

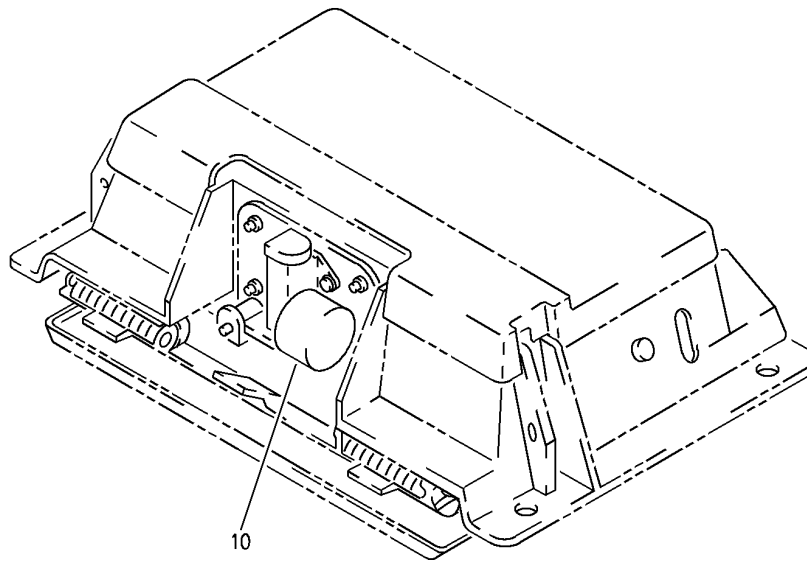
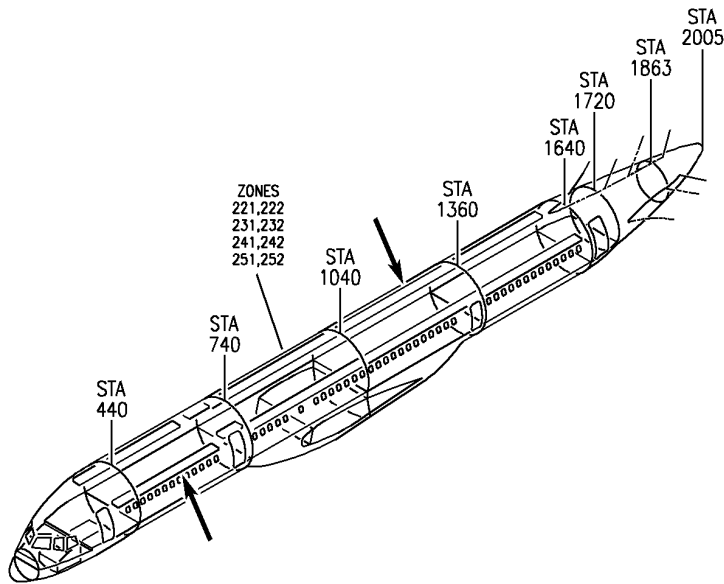
35-21-06-10A

35-21-06
FIG. 10A
PAGE 1
JAN 20/09

BRI

BOEING PROPRIETARY - Copyright © - Unpublished Work - See title page for details.

BOEING
757
PARTS CATALOG (MAINTENANCE)



Y 35210611 REV 295

BOX ASSY-OXY (DOOR LATCH ACTUATOR ONLY)
FIGURE 11

35-21-06-11

BRI
JAN 20/09

35-21-06-11
PAGE 0



757

PARTS CATALOG (MAINTENANCE)

FIG ITEM	PART NUMBER	1 2 3 4 5 6 7	NOMENCLATURE	EFFECT FROM TO	UNITS PER ASSY
11			BOX ASSY-OXY (DOOR LATCH ACTUATOR ONLY)	107107	
- 1	417N3130-9SP		BOX ASSY-OXY (DOOR LATCH ACTUATOR ONLY) COMPONENT MAINT MANUAL REF: 35-21-03 FOR NHA/ADDITIONAL DET SEE: 35-21-00-05	107107	RF
- 1	417N3130-47SP		BOX ASSY-OXY (DOOR LATCH ACTUATOR ONLY) COMPONENT MAINT MANUAL REF: 35-21-03 FOR NHA/ADDITIONAL DET SEE: 35-21-00-05	107107	RF
- 1	417N3130-87SP		BOX ASSY-OXY (DOOR LATCH ACTUATOR ONLY) COMPONENT MAINT MANUAL REF: 35-21-02 FOR NHA/ADDITIONAL DET SEE: 35-21-00-05	107107	RF
- 5	417N3130-10SP		BOX ASSY-OXY (DOOR LATCH ACTUATOR ONLY) COMPONENT MAINT MANUAL REF: 35-21-03 FOR NHA/ADDITIONAL DET SEE: 35-21-00-05	107107	RF
- 5	417N3130-48SP		BOX ASSY-OXY (DOOR LATCH ACTUATOR ONLY) COMPONENT MAINT MANUAL REF: 35-21-03 FOR NHA/ADDITIONAL DET SEE: 35-21-00-05	107107	RF
- 5	417N3130-88SP		BOX ASSY-OXY (DOOR LATCH ACTUATOR ONLY) COMPONENT MAINT MANUAL REF: 35-21-03 FOR NHA/ADDITIONAL DET SEE: 35-21-00-05	107107	RF

MISSING ITEM NUMBERS NOT APPLICABLE

- ITEM NOT ILLUSTRATED

BRI

35-21-06-11

35-21-06
FIG. 11
PAGE 1
JAN 20/09



757

PARTS CATALOG (MAINTENANCE)

FIG ITEM	PART NUMBER	1 2 3 4 5 6 7	NOMENCLATURE	EFFECT FROM TO	UNITS PER ASSY
11					
10	78580-1		.ACTUATOR- SUPPLIER CODE: V09790 SPECIFICATION NUMBER: S417T402-2 ATTACHING PARTS	107107	1
- 15	NAS601-6P		.SCREW	107107	2
- 20	NAS620-6L		.WASHER -----*-----	107107	2

MISSING ITEM NUMBERS NOT APPLICABLE

- ITEM NOT ILLUSTRATED

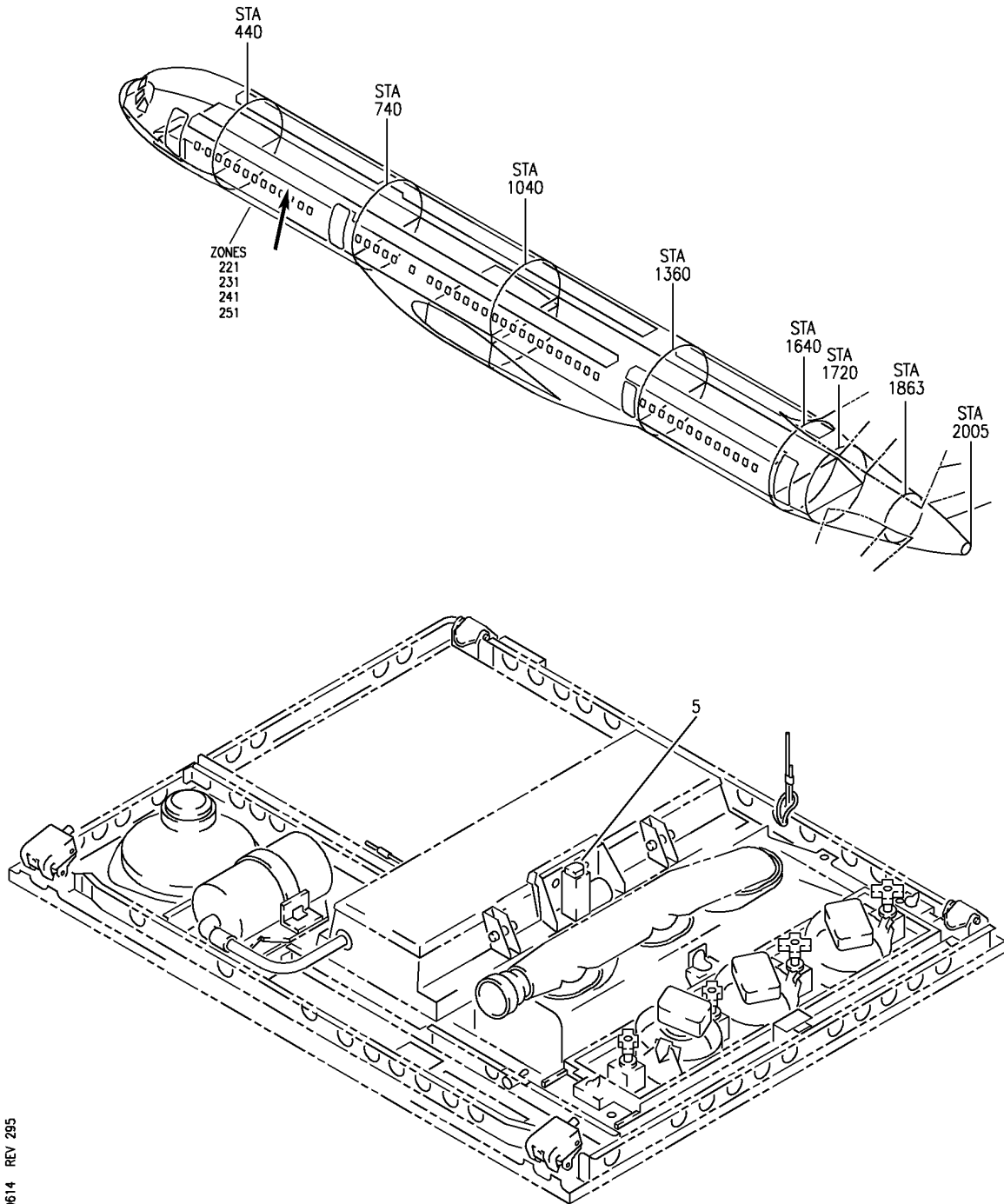
BRI

35-21-06-11

BOEING PROPRIETARY - Copyright © - Unpublished Work - See title page for details.

35-21-06
FIG. 11
PAGE 2
JAN 20/09

BOEING
757
PARTS CATALOG (MAINTENANCE)



Y 35210614 REV 295

BOX ASSY-OXYGEN (DOOR LATCH ACTUATOR ONLY)
FIGURE 14

35-21-06-14

BRI
JAN 20/09

35-21-06-14
PAGE 0



757

PARTS CATALOG (MAINTENANCE)

FIG ITEM	PART NUMBER	1 2 3 4 5 6 7	NOMENCLATURE	EFFECT FROM TO	UNITS PER ASSY
14			BOX ASSY-OXYGEN (DOOR LATCH ACTUATOR ONLY)	107107	
- 1	417N3130-63SP		BOX ASSY-OXY (DOOR LATCH ACTUATOR ONLY) COMPONENT MAINT MANUAL REF: 35-21-02 FOR NHA/ADDITIONAL DET SEE: 35-21-00-05A	107107	RF
- 1	417N3130-73SP		BOX ASSY-OXY COMPONENT MAINT MANUAL REF: 35-21-02 FOR NHA/ADDITIONAL DET SEE: 35-21-00-05A	107107	RF
	5 78580-1ACTUATOR		.ACTUATOR- SUPPLIER CODE: V09790 SPECIFICATION NUMBER: S417T402-2 ATTACHING PARTS	107107	1
- 10	NAS601-6P		.SCREW	107107	2
- 15	NAS620-6L		.WASHER -----*-----	107107	2

MISSING ITEM NUMBERS NOT APPLICABLE

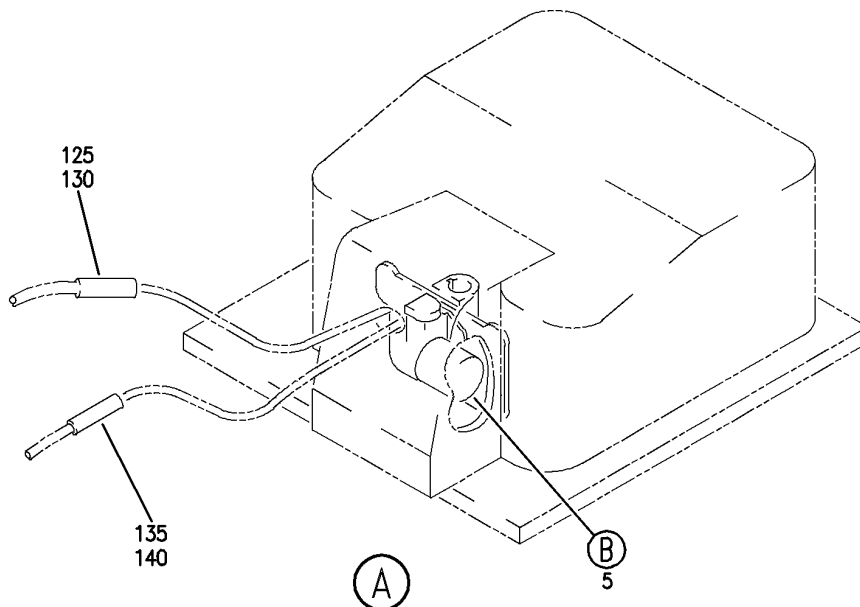
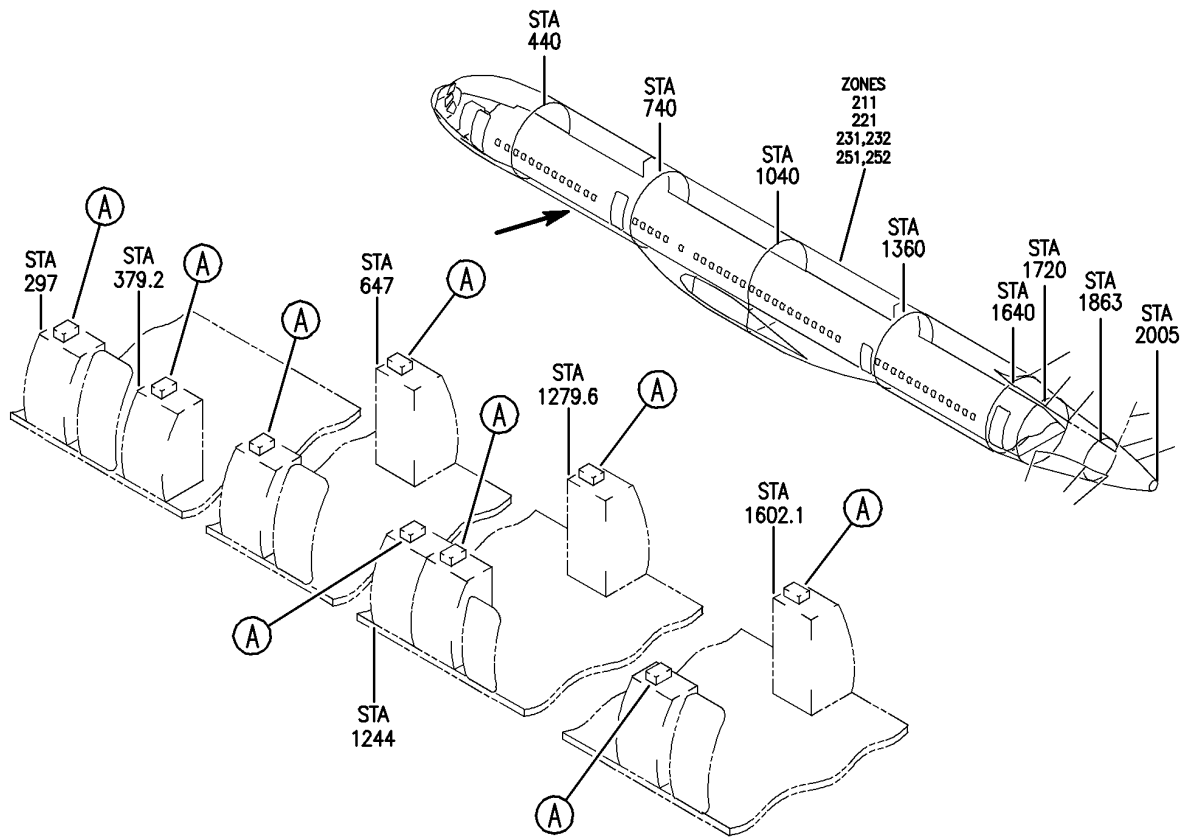
- ITEM NOT ILLUSTRATED

35-21-06-14

35-21-06
FIG. 14
PAGE 1
JAN 20/09

BRI

BOEING
757
PARTS CATALOG (MAINTENANCE)



Y 35210620A SHT 1 REV 237

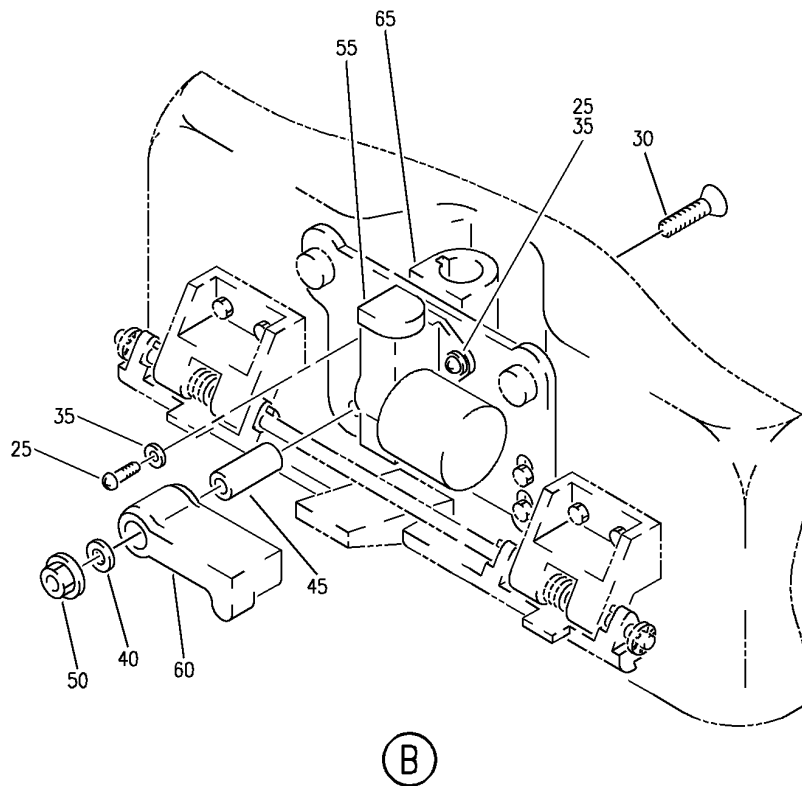
BOX ASSY-OXY (DOOR LATCH ACTUATOR ONLY)
FIGURE 20A (SHEET 1)

35-21-06-20A

BRI
MAY 28/07

35-21-06-20A
PAGE 0

BOEING
757
PARTS CATALOG (MAINTENANCE)



Y 35210620A SHT 2 REV 301

BOX ASSY-OXY (DOOR LATCH ACTUATOR ONLY)
FIGURE 20A (SHEET 2)

35-21-06-20A

BRI
MAY 28/07

35-21-06-20A
PAGE 0A



757

PARTS CATALOG (MAINTENANCE)

FIG ITEM	PART NUMBER	1 2 3 4 5 6 7	NOMENCLATURE	EFFECT FROM TO	UNITS PER ASSY
20A			BOX ASSY-OXY (DOOR LATCH ACTUATOR ONLY)	002004 006100 121503	
- 1	417N3810-97SP		BOX ASSY-OXY (DOOR LATCH ACTUATOR ONLY) COMPONENT MAINT MANUAL REF: 35-21-34 FOR NHA/ADDITIONAL DET SEE: 35-21-00-13B 35-21-00-19A	002004 006100 121503	RF
5	417N3152-13SP		.ACTUATOR ASSY-TEST	002004 006100 121503	1
- 10	BACS12FA08K7		ATTACHING PARTS .SCREW	002004 006100 121503	3
- 15	AN960JD8L		.WASHER	002004 006100 121503	3
- 20	MS21042L08		.NUT	002004 006100 121503	3
25	NAS601-6P		-----*----- ..SCREW	002004 006100 121503	2
30	NAS514P632-14		..SCREW	002004 006100 121503	1
35	NAS620-6L		..WASHER	002004 006100 121503	2
40	AN960JD6L		..WASHER	002004 006100 121503	1
45	NAS43DD1-38		..SPACER	002004 006100 121503	1
50	MS21042L06		..NUT	002004 006100 121503	1
55	78580-1		..ACTUATOR- SUPPLIER CODE: V09790 SPECIFICATION NUMBER: S417T402-2	002004 006100 121503	1

MISSING ITEM NUMBERS NOT APPLICABLE

- ITEM NOT ILLUSTRATED

35-21-06-20A

35-21-06
FIG. 20A
PAGE 1
JAN 20/09

BRI

BOEING PROPRIETARY - Copyright © - Unpublished Work - See title page for details.



757

PARTS CATALOG (MAINTENANCE)

FIG ITEM	PART NUMBER	1 2 3 4 5 6 7	NOMENCLATURE	EFFECT FROM TO	UNITS PER ASSY
20A 60	417N3135-4	. .	LEVER-ACTUATOR	002004 006100 121503	1
65	417N3150-20SP	. .	STOP ASSY	002004 006100 121503	1
125	BACC47N2	. CONTACT		002004 006100 121503	1
130	48-7190	. CONNECTOR-	SUPPLIER CODE: V02660	002004 006100 121503	1
135	BACC47CPT2	. CONTACT		002004 006100 121503	1
140	48-7191	. CONNECTOR-	SUPPLIER CODE: V02660	002004 006100 121503	1

MISSING ITEM NUMBERS NOT APPLICABLE

- ITEM NOT ILLUSTRATED

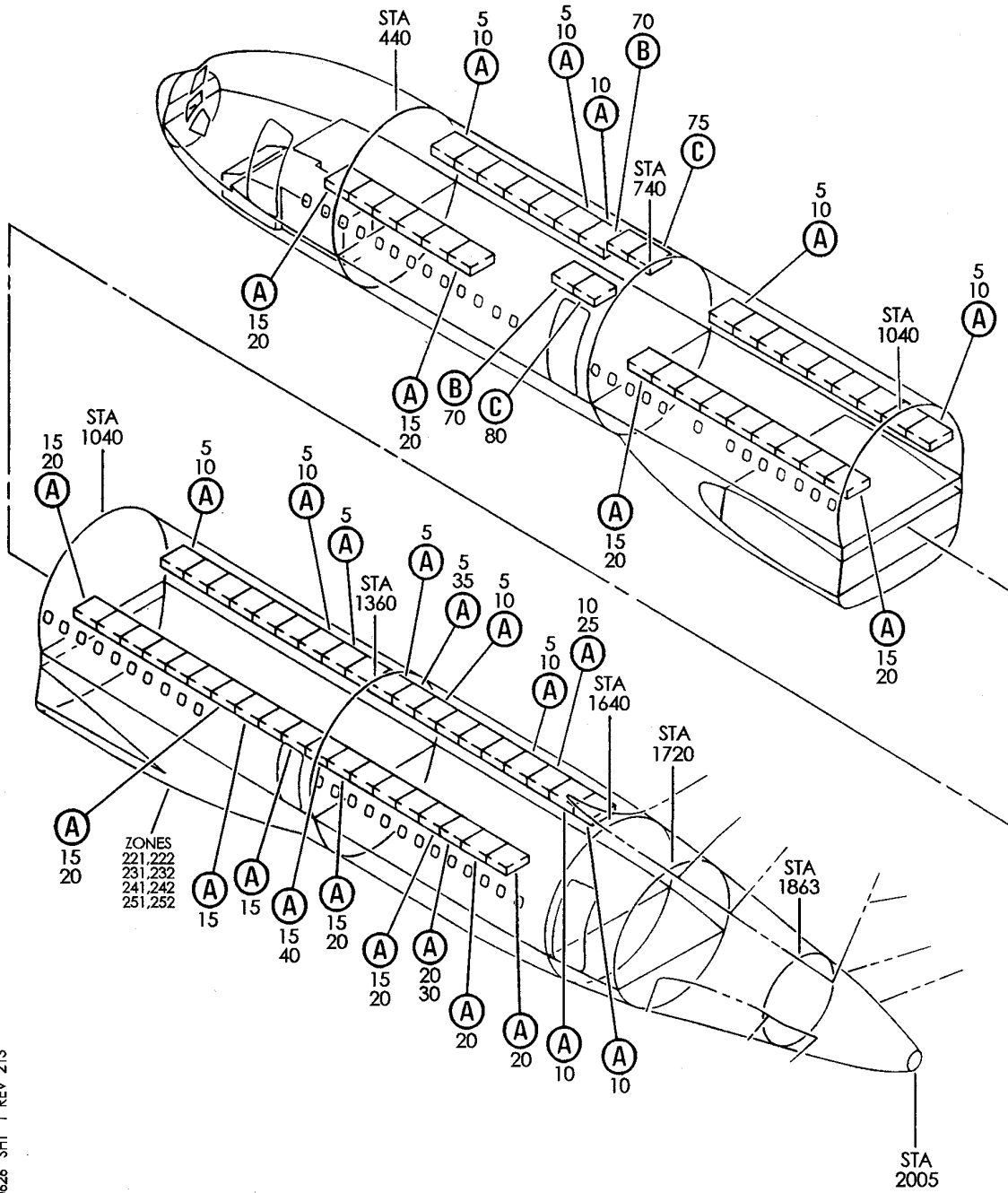
BRI

35-21-06-20A

BOEING PROPRIETARY - Copyright © - Unpublished Work - See title page for details.

35-21-06
FIG. 20A
PAGE 2
JAN 20/09

BOEING
757
PARTS CATALOG (MAINTENANCE)



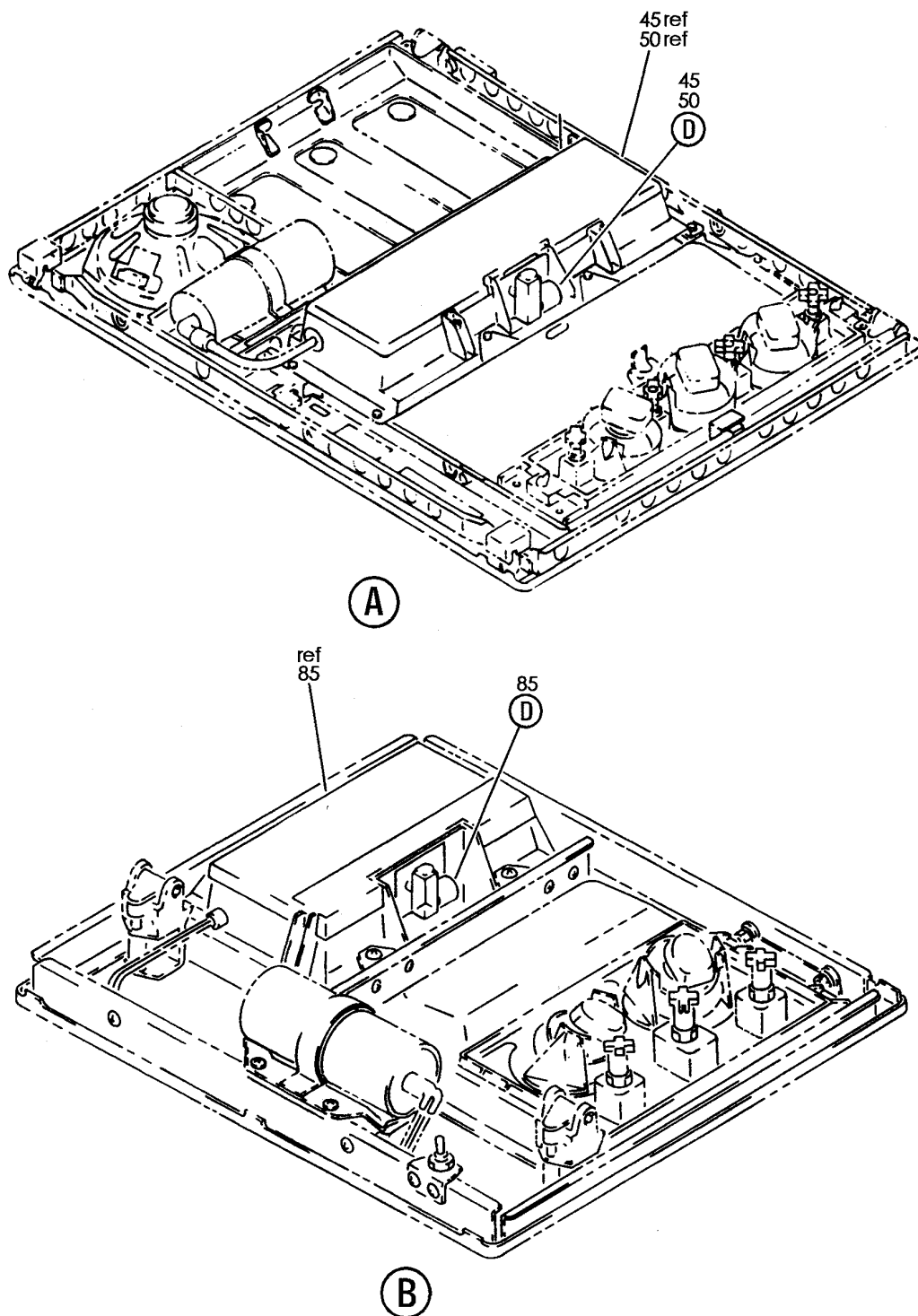
SERVICE UNIT INSTL-PASS (DOOR LATCH ACTUATOR ONLY)
FIGURE 26 (SHEET 1)

35-21-06-26

BRI
JAN 20/09

35-21-06-26
PAGE 0

BOEING
757
PARTS CATALOG (MAINTENANCE)



Y 35210626 SHT 2 REV 213

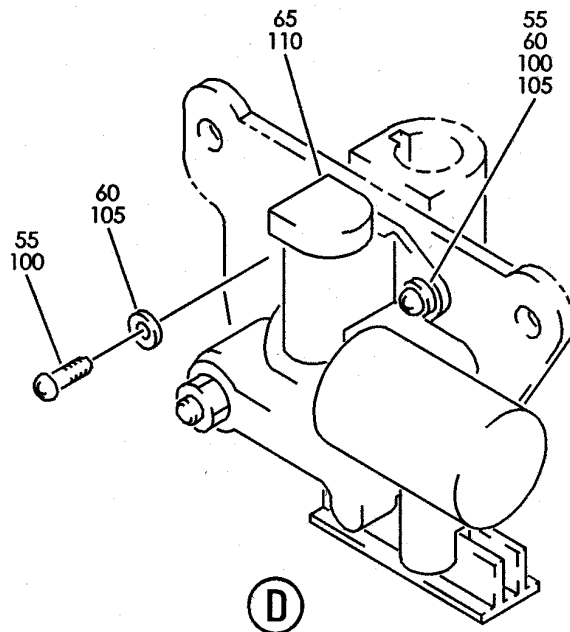
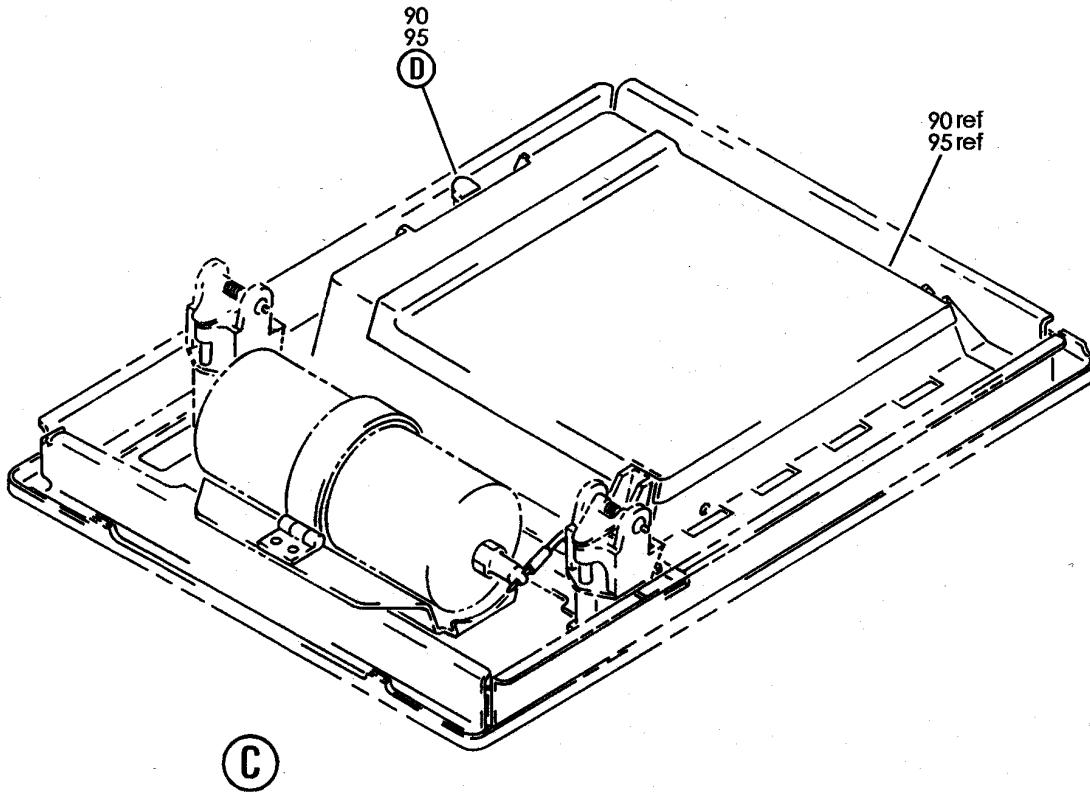
SERVICE UNIT INSTL-PASS (DOOR LATCH ACTUATOR ONLY)
FIGURE 26 (SHEET 2)

35-21-06-26

BRI
JAN 20/09

35-21-06-26
PAGE 0A

BOEING
757
PARTS CATALOG (MAINTENANCE)



Y 35210626 SHT 3 REV 213

SERVICE UNIT INSTL-PASS (DOOR LATCH ACTUATOR ONLY)
FIGURE 26 (SHEET 3)

35-21-06-26

BRI
JAN 20/09

35-21-06-26
PAGE 0B



757

PARTS CATALOG (MAINTENANCE)

FIG ITEM	PART NUMBER	1 2 3 4 5 6 7	NOMENCLATURE	EFFECT FROM TO	UNITS PER ASSY
26			SERVICE UNIT INSTL-PASS (DOOR LATCH ACTUATOR ONLY)	950951	
- 1	417N3001-159		SERVICE UNIT INSTL-PASS. (DOOR LATCH ACTUATOR ONLY)	950951	RF
			FOR NHA/OTHER SYS DET SEE: 25-20-00-20A		
10	417N3100-424SP		.SERVICE UNIT ASSY-PASS. POSITION DATA: UNDERBIN ELECTRICAL EQUIP NUMBER: M03012 COMPONENT MAINT MANUAL REF: 25-23-34	950951	RF
20	417N3100-415SP		.SERVICE UNIT ASSY-PASS. POSITION DATA: UNDERBIN ELECTRICAL EQUIP NUMBER: M03012 COMPONENT MAINT MANUAL REF: 25-23-34	950951	RF
35	417N3100-596SP		.SERVICE UNIT ASSY-PASS. POSITION DATA: UNDERBIN ELECTRICAL EQUIP NUMBER: M03012 COMPONENT MAINT MANUAL REF: 25-23-37	950951	RF
40	417N3100-595SP		.SERVICE UNIT ASSY-PASS. POSITION DATA: UNDERBIN ELECTRICAL EQUIP NUMBER: M03012 COMPONENT MAINT MANUAL REF: 25-23-34	950951	RF
45	417N3130-74SP		..BOX ASSY-OXY COMPONENT MAINT MANUAL REF: 35-21-02 USED ON: 417N3100-424SP 417N3100-516SP 417N3100-596SP	950951	RF

MISSING ITEM NUMBERS NOT APPLICABLE

- ITEM NOT ILLUSTRATED

35-21-06-26

35-21-06
FIG. 26
PAGE 1
JAN 20/09

BRI



757

PARTS CATALOG (MAINTENANCE)

FIG ITEM	PART NUMBER	1 2 3 4 5 6 7	NOMENCLATURE	EFFECT FROM TO	UNITS PER ASSY
26					
45	417N3130-144SP	..	BOX ASSY-OXY COMPONENT MAINT MANUAL REF: 35-21-02 USED ON: 417N3100-424SP 417N3100-516SP 417N3100-596SP	950951	RF
50	417N3130-73SP	..	BOX ASSY-OXY COMPONENT MAINT MANUAL REF: 35-21-02 USED ON: 417N3100-415SP 417N3100-595SP	950951	RF
55	NAS601-6P	...	SCREW	950951	2
60	NAS620-6L	...	WASHER	950951	2
65	78580-1	...	ACTUATOR- SUPPLIER CODE: V09790 SPECIFICATION NUMBER: S417T402-2 ELECTRICAL EQUIP NUMBER: B10058	950951	1
70	417N3200-62SP	.SERVICE UNIT ASSY-PASS. POSITION DATA: OVERDOOR ELECTRICAL EQUIP NUMBER: M10363 COMPONENT MAINT MANUAL REF: 35-21-04		950951	RF
75	417N3200-54SP	.SERVICE UNIT ASSY-PASS. POSITION DATA: OVERDOOR ELECTRICAL EQUIP NUMBER: M10362 COMPONENT MAINT MANUAL REF: 35-21-04		950951	RF
80	417N3200-53SP	.SERVICE UNIT ASSY-PASS. POSITION DATA: OVERDOOR ELECTRICAL EQUIP NUMBER: M10362 COMPONENT MAINT MANUAL REF: 35-21-04		950951	RF
85	417N3130-88SP	..	BOX ASSY-OXY COMPONENT MAINT MANUAL REF: 35-21-02 USED ON: 417N3200-62SP	950951	RF

MISSING ITEM NUMBERS NOT APPLICABLE

- ITEM NOT ILLUSTRATED

35-21-06-26

35-21-06
FIG. 26
PAGE 2
JAN 20/09

BRI



757

PARTS CATALOG (MAINTENANCE)

FIG ITEM	PART NUMBER	1 2 3 4 5 6 7	NOMENCLATURE	EFFECT FROM TO	UNITS PER ASSY
26					
90	417N3130-96SP	..	BOX ASSY-OXY COMPONENT MAINT MANUAL REF: 35-21-02 USED ON: 417N3200-54SP	950951	RF
95	417N3130-93SP	..	BOX ASSY-OXY COMPONENT MAINT MANUAL REF: 35-21-02 USED ON: 417N3200-53SP	950951	RF
100	NAS601-6P	...	SCREW	950951	2
105	NAS620-6L	...	WASHER	950951	2
110	78580-1	...	ACTUATOR- SUPPLIER CODE: V09790 SPECIFICATION NUMBER: S417T402-2 ELECTRICAL EQUIP NUMBER: B10058	950951	1

MISSING ITEM NUMBERS NOT APPLICABLE

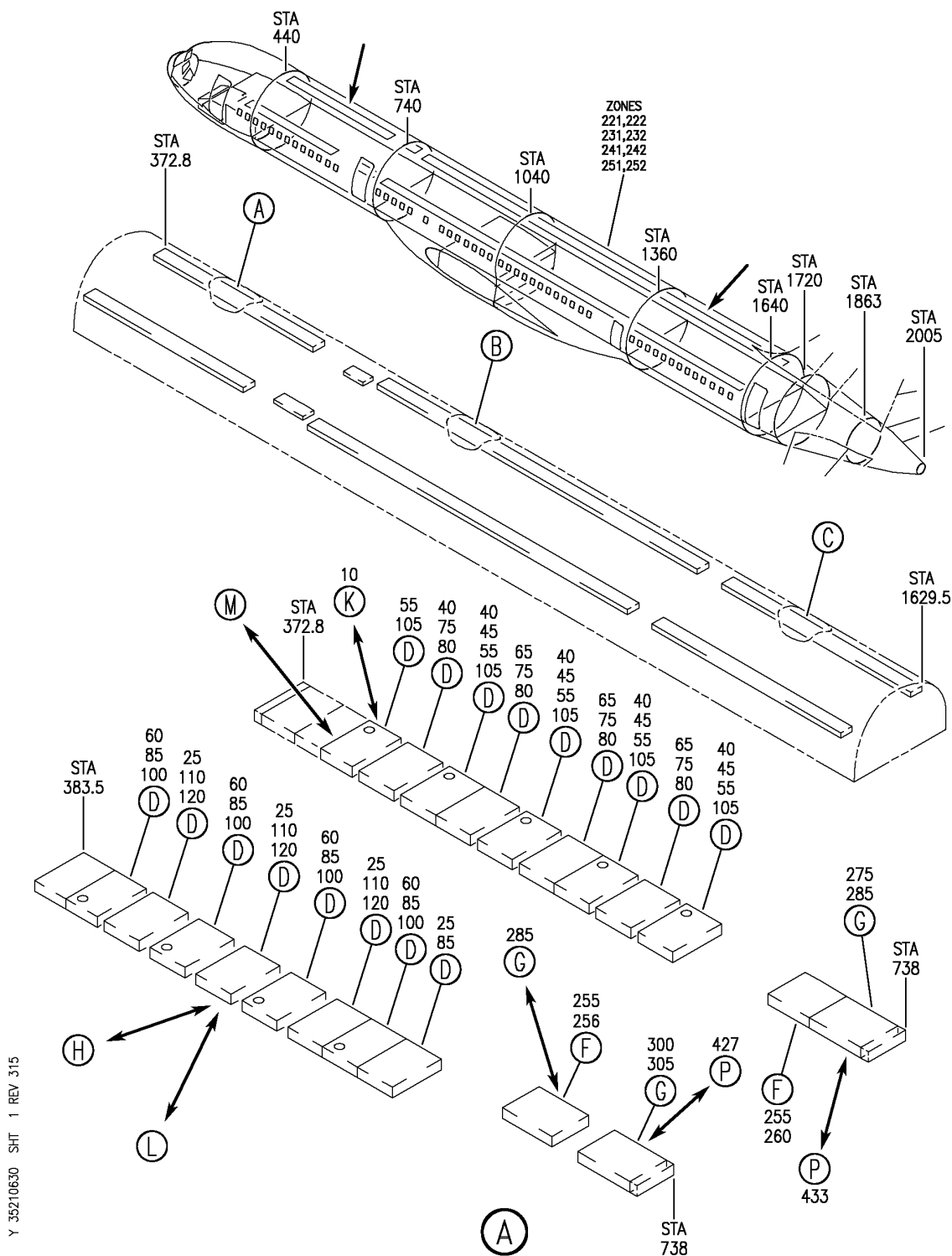
- ITEM NOT ILLUSTRATED

35-21-06-26

35-21-06
FIG. 26
PAGE 3
JAN 20/09

BRI

BOEING
757
PARTS CATALOG (MAINTENANCE)



Y 35210630 SHT 1 REV 315

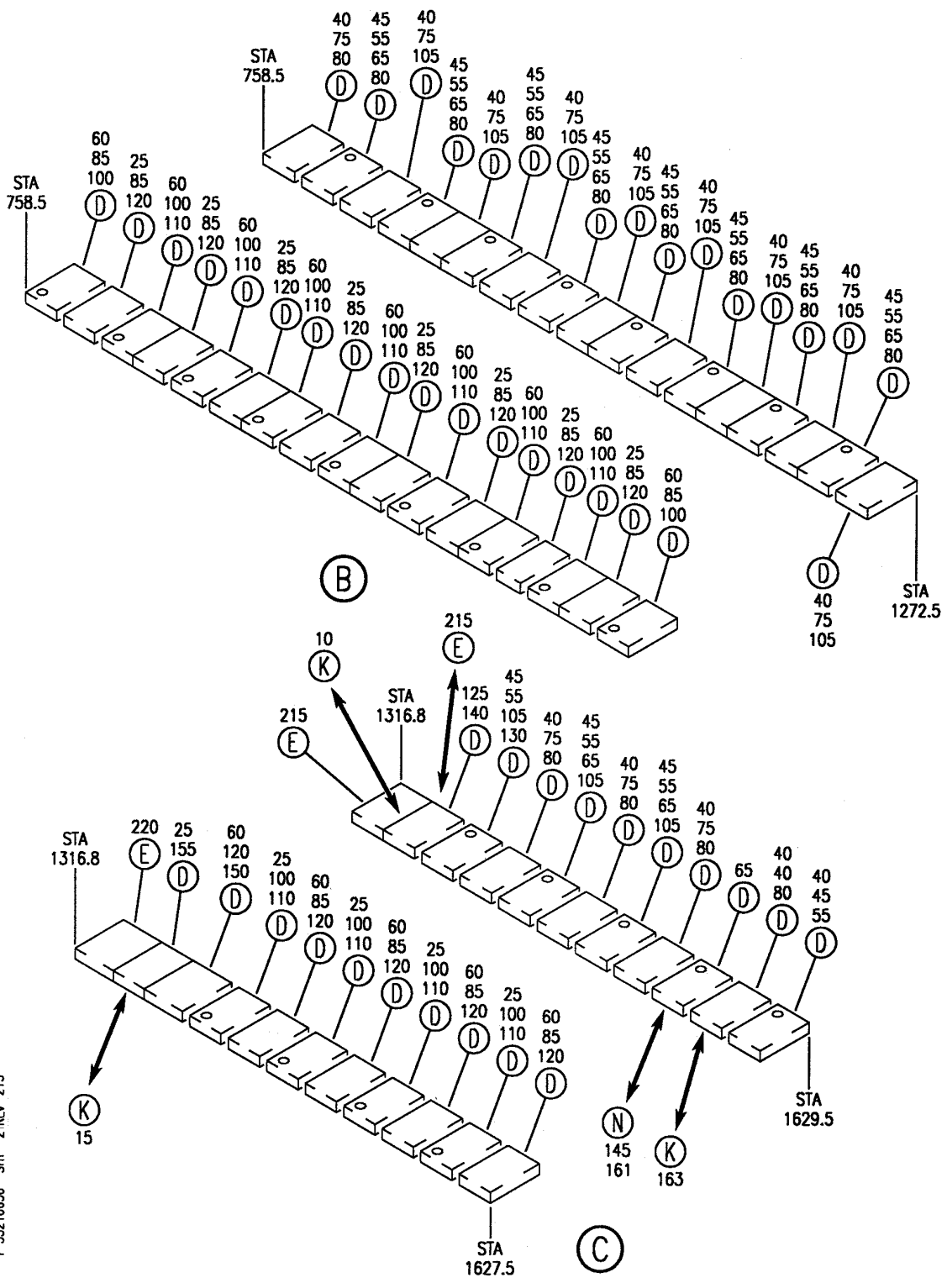
SERVICE UNIT INSTL-PASS (DOOR LATCH ACTUATOR ONLY)
FIGURE 30 (SHEET 1)

35-21-06-30

BRI
SEP 28/07

35-21-06-30
PAGE 0


BOEING
 757
PARTS CATALOG (MAINTENANCE)



Y 35210630 SHT 2 REV 215

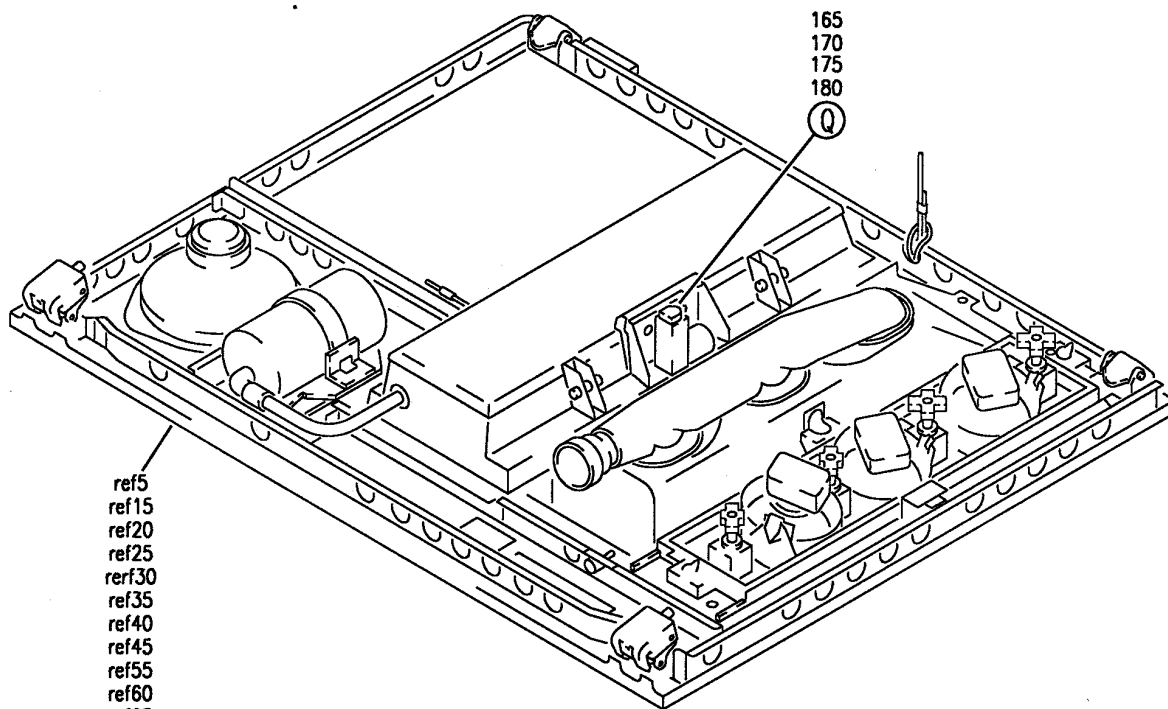
SERVICE UNIT INSTL-PASS (DOOR LATCH ACTUATOR ONLY)
 FIGURE 30 (SHEET 2)

35-21-06-30

BRI
MAY 28/07

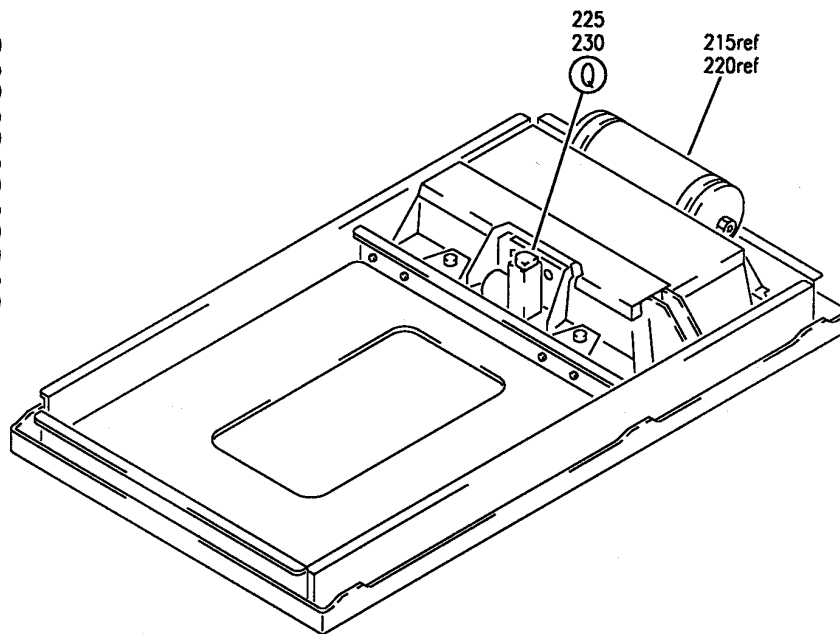
35-21-06-30
 PAGE 0A

BOEING
757
PARTS CATALOG (MAINTENANCE)



- ref5
- ref15
- ref20
- ref25
- ref30
- ref35
- ref40
- ref45
- ref55
- ref60
- ref65
- ref75
- ref80
- ref85
- ref90
- ref95
- ref100
- ref105
- ref110
- ref115
- ref120
- ref125
- ref130
- ref135
- ref140
- ref150
- ref155
- ref160

(D)



(E)

Y 35210630 SHT 3 REV 215

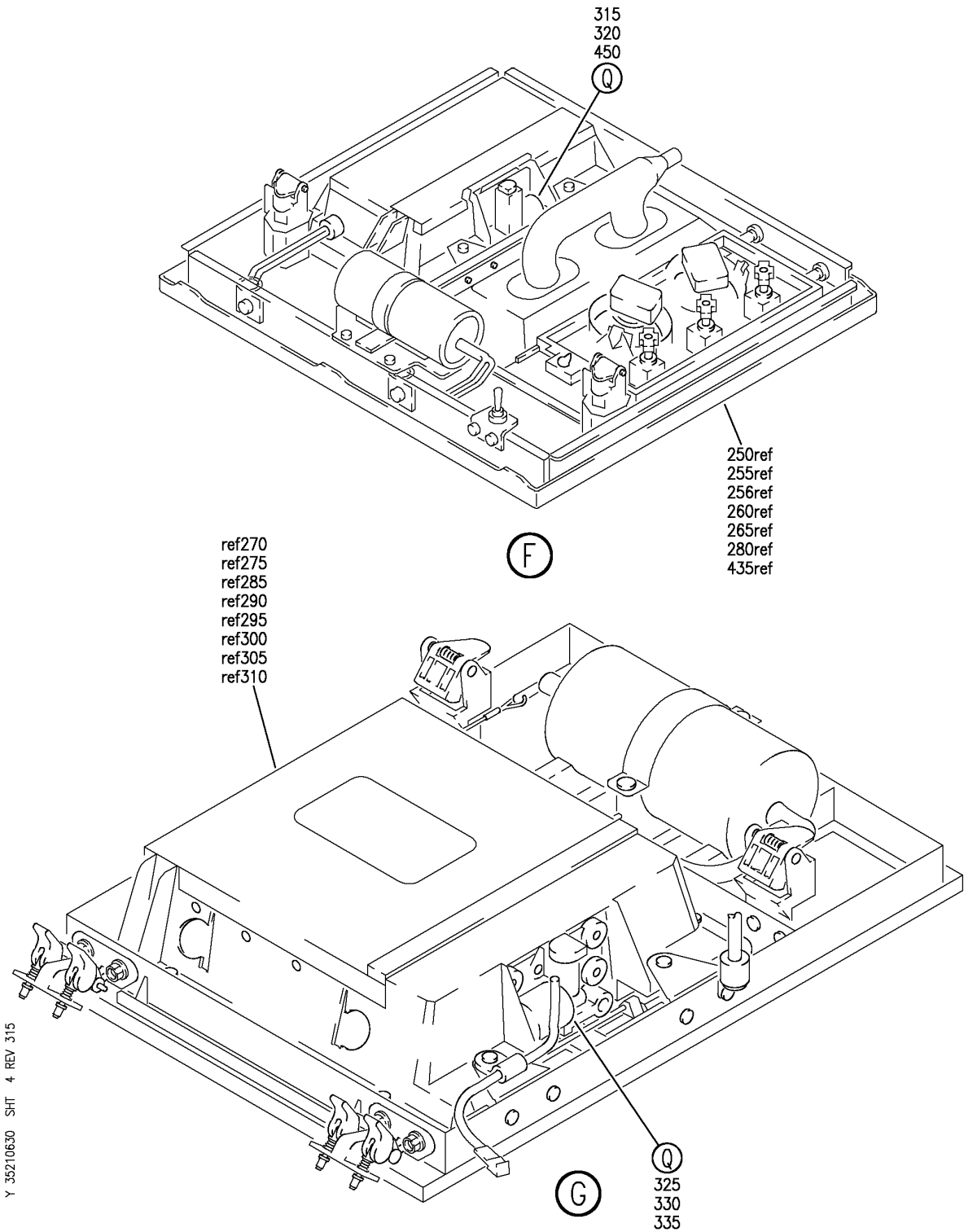
SERVICE UNIT INSTL-PASS (DOOR LATCH ACTUATOR ONLY)
FIGURE 30 (SHEET 3)

35-21-06-30

BRI
MAY 28/07

35-21-06-30
PAGE 0B

BOEING
757
PARTS CATALOG (MAINTENANCE)



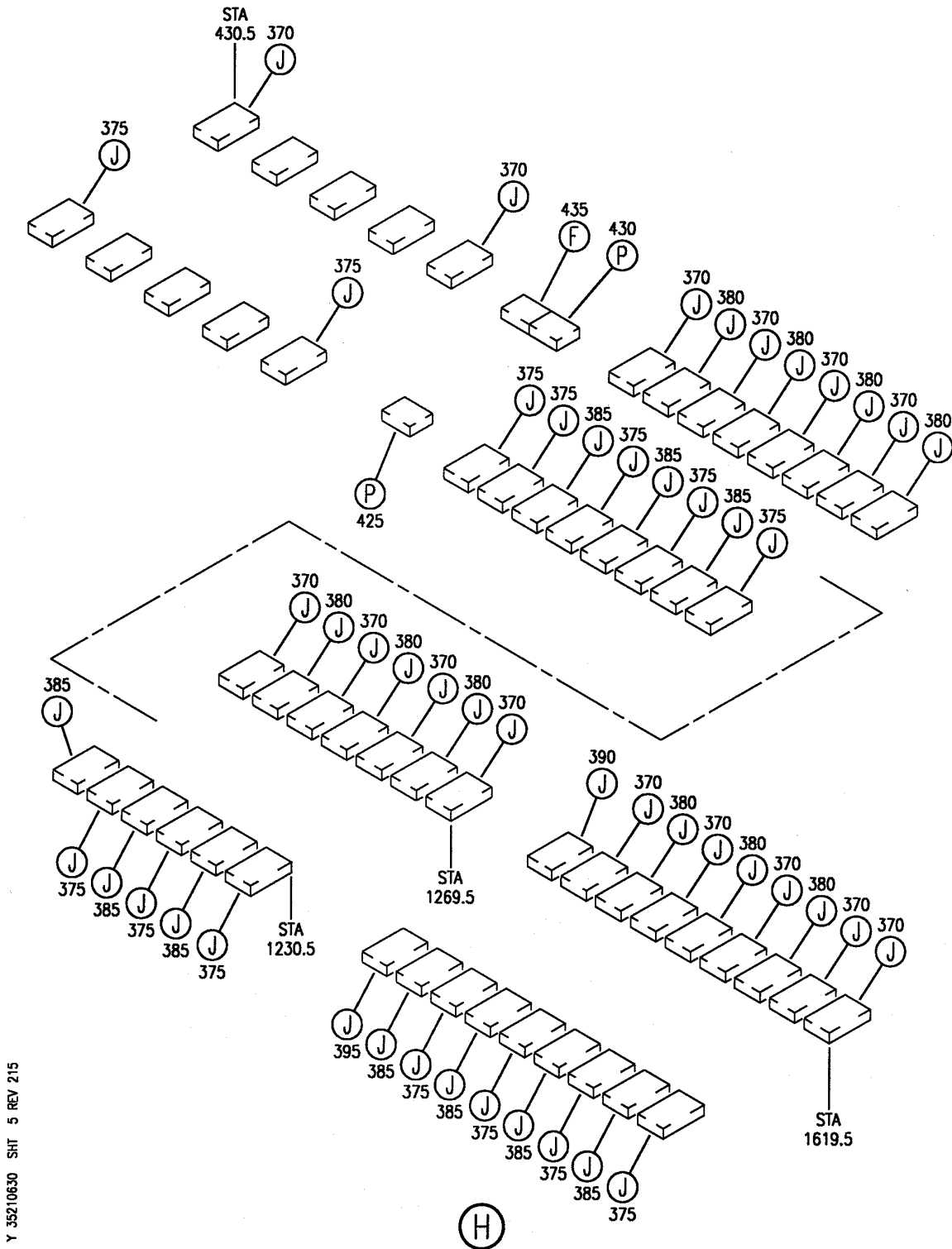
SERVICE UNIT INSTL-PASS (DOOR LATCH ACTUATOR ONLY)
FIGURE 30 (SHEET 4)

35-21-06-30

BRI
SEP 28/07

35-21-06-30
PAGE 0C

BOEING
757
PARTS CATALOG (MAINTENANCE)



Y 35210630 SHT 5 REV 215

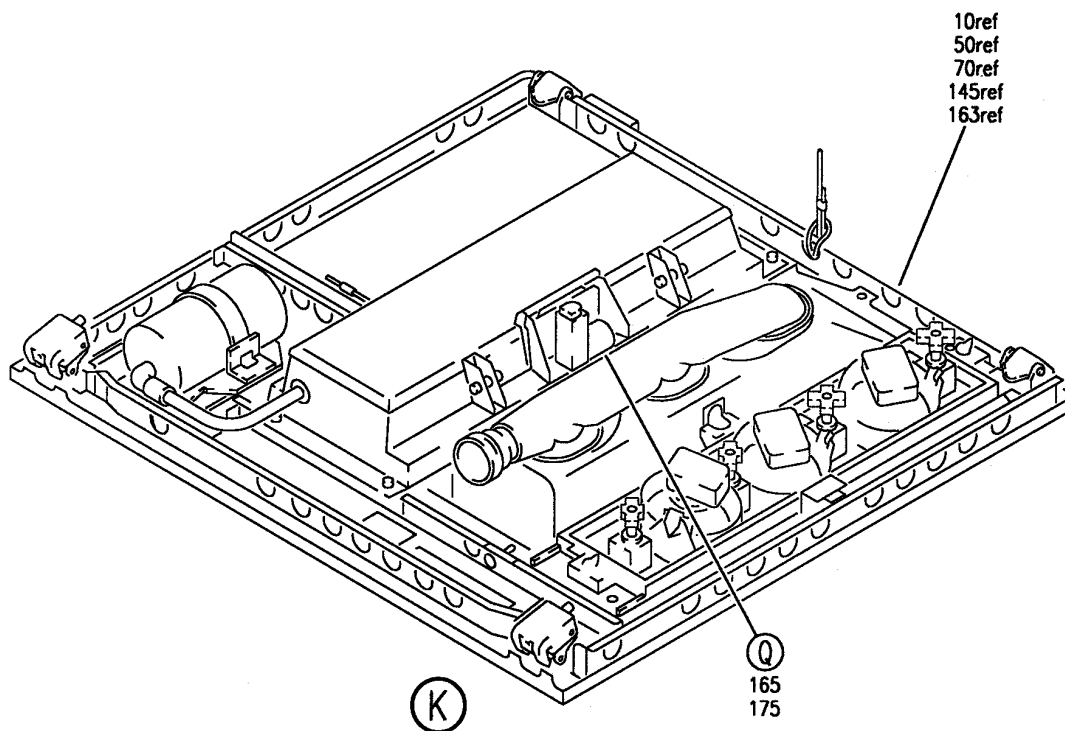
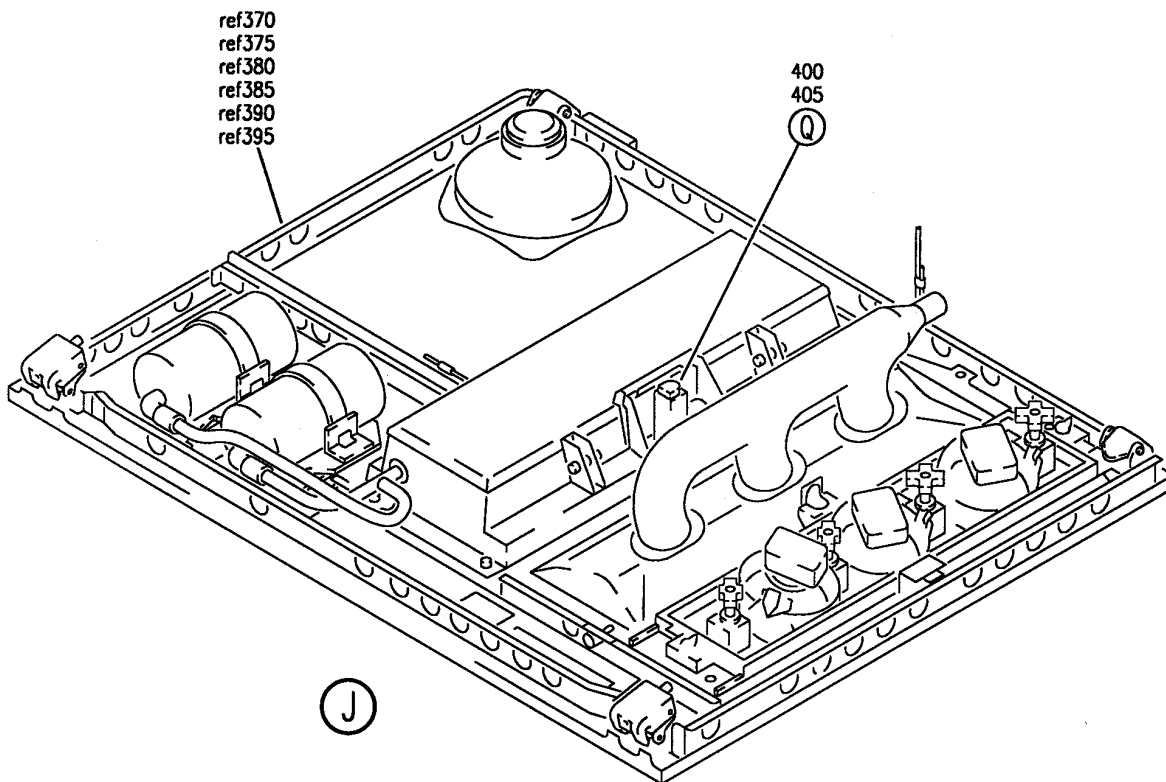
SERVICE UNIT INSTL-PASS (DOOR LATCH ACTUATOR ONLY)
FIGURE 30 (SHEET 5)

35-21-06-30

BRI
MAY 28/07

35-21-06-30
PAGE 0D

BOEING
757
PARTS CATALOG (MAINTENANCE)



Y 35210630 SHT 6 REV 215

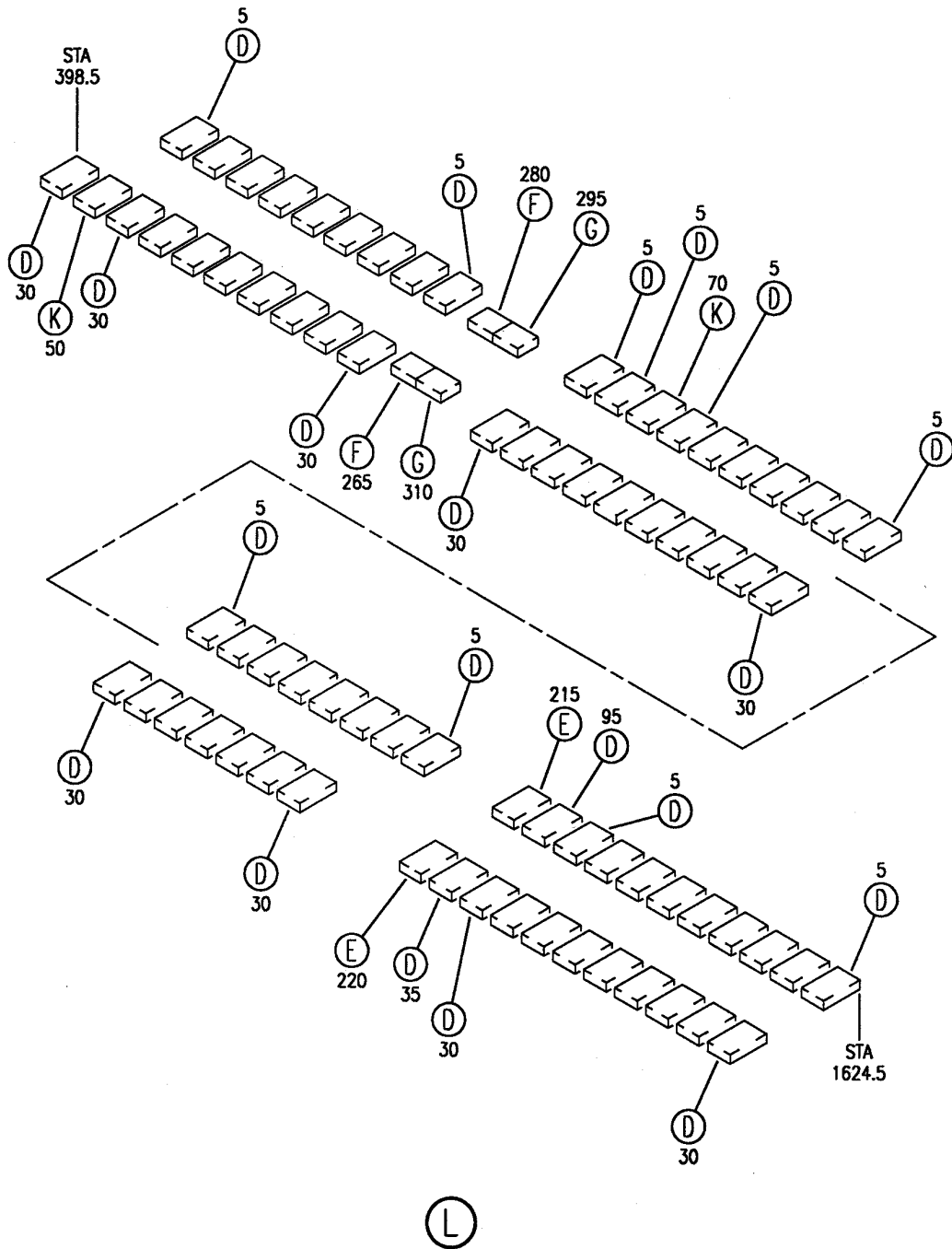
SERVICE UNIT INSTL-PASS (DOOR LATCH ACTUATOR ONLY)
FIGURE 30 (SHEET 6)

35-21-06-30

BRI
MAY 28/07

35-21-06-30
PAGE 0E


BOEING
 757
PARTS CATALOG (MAINTENANCE)



Y 35210630 SHT 7 REV 215

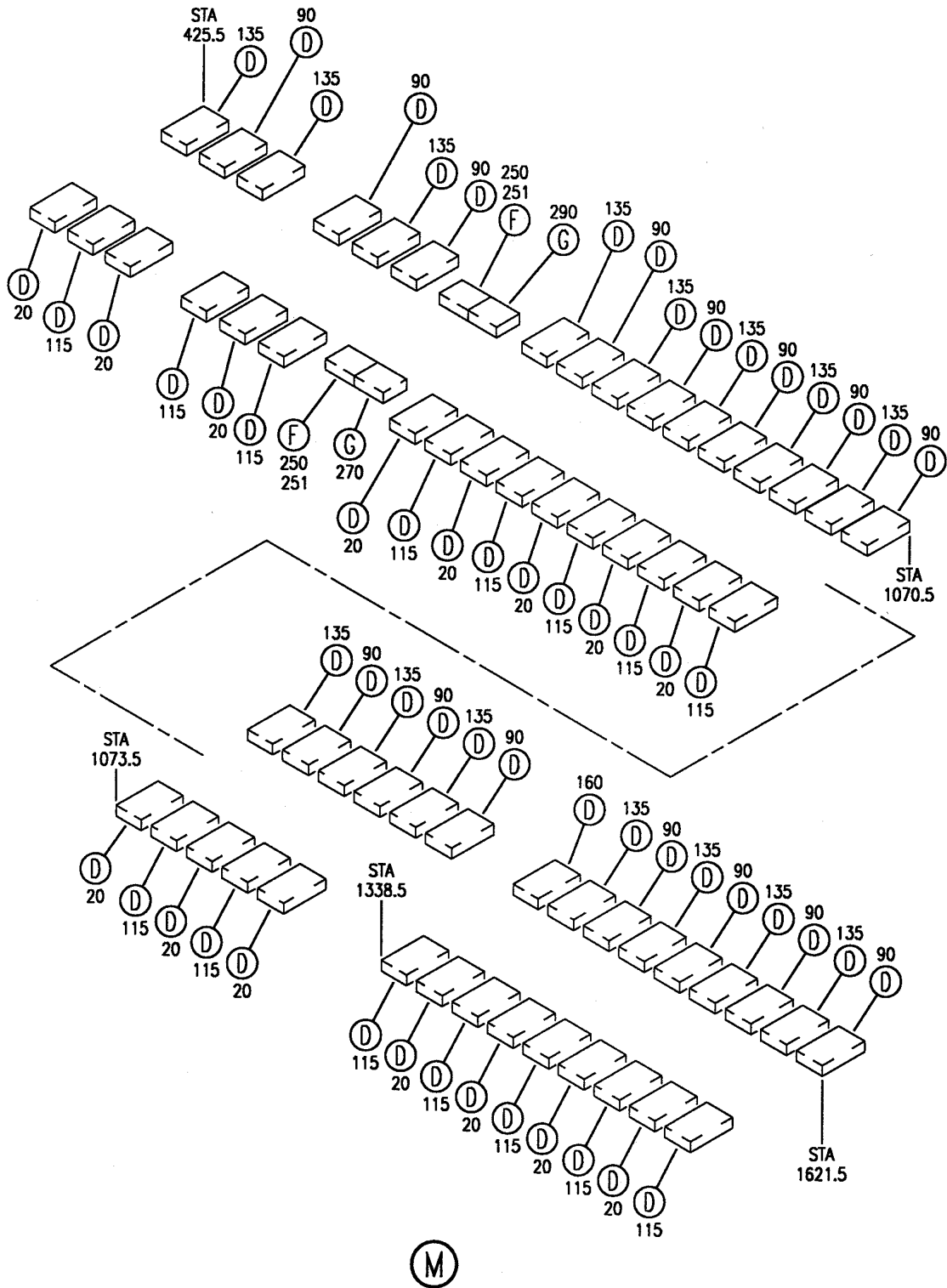
SERVICE UNIT INSTL-PASS (DOOR LATCH ACTUATOR ONLY)
 FIGURE 30 (SHEET 7)

35-21-06-30

BRI
MAY 28/07

35-21-06-30
 PAGE OF


BOEING
 757
PARTS CATALOG (MAINTENANCE)



Y 35210630 SHT 8 REV 215

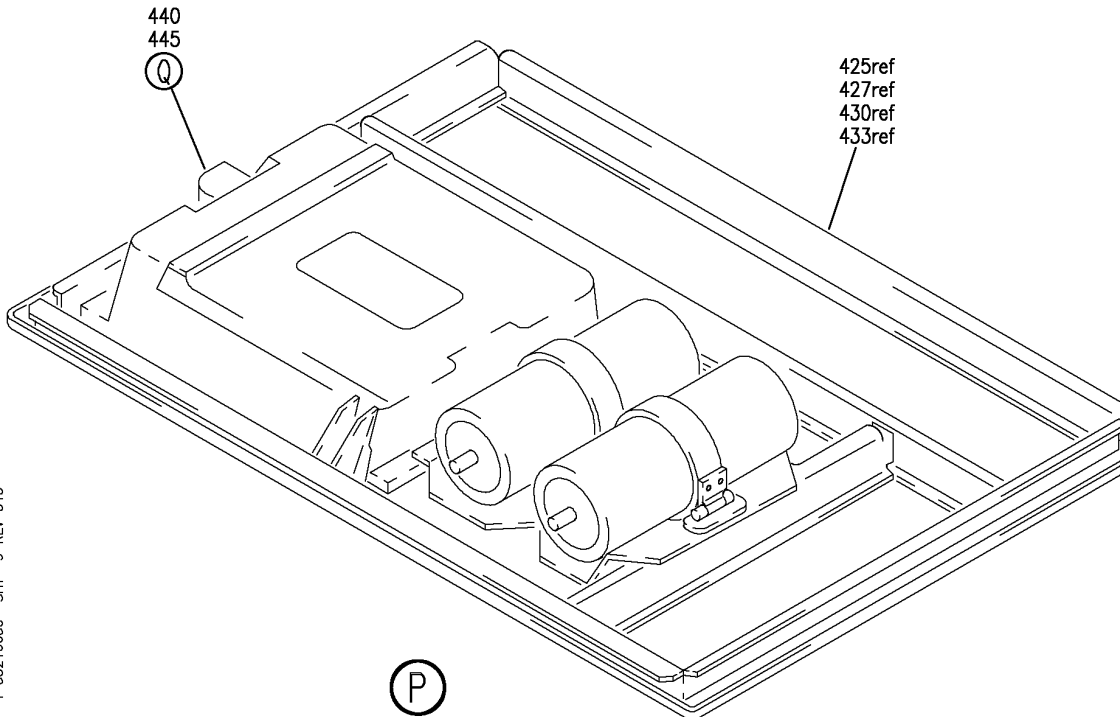
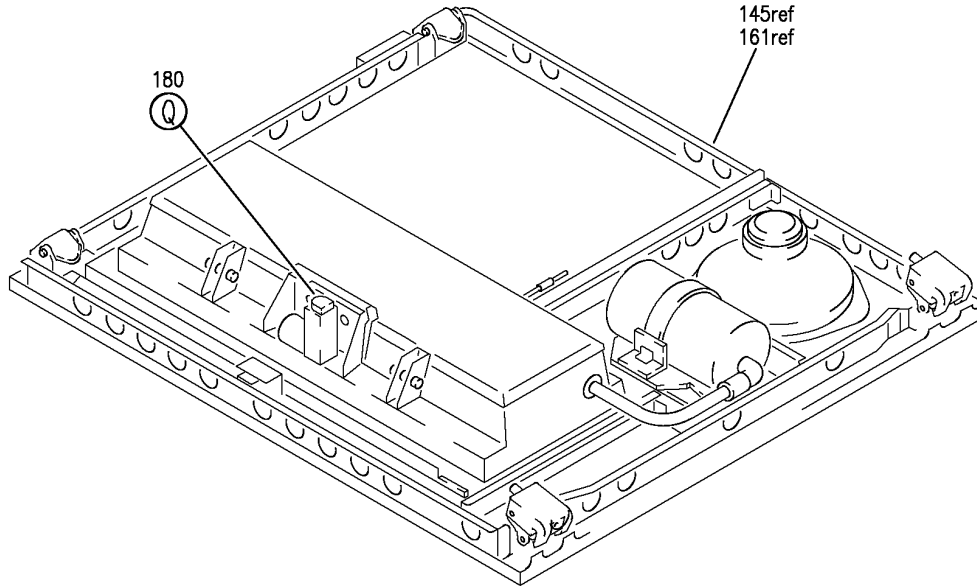
SERVICE UNIT INSTL-PASS (DOOR LATCH ACTUATOR ONLY)
 FIGURE 30 (SHEET 8)

35-21-06-30

BRI
 MAY 28/07

35-21-06-30
 PAGE 0G

BOEING
757
PARTS CATALOG (MAINTENANCE)



Y 35210630 SHT 9 REV 315

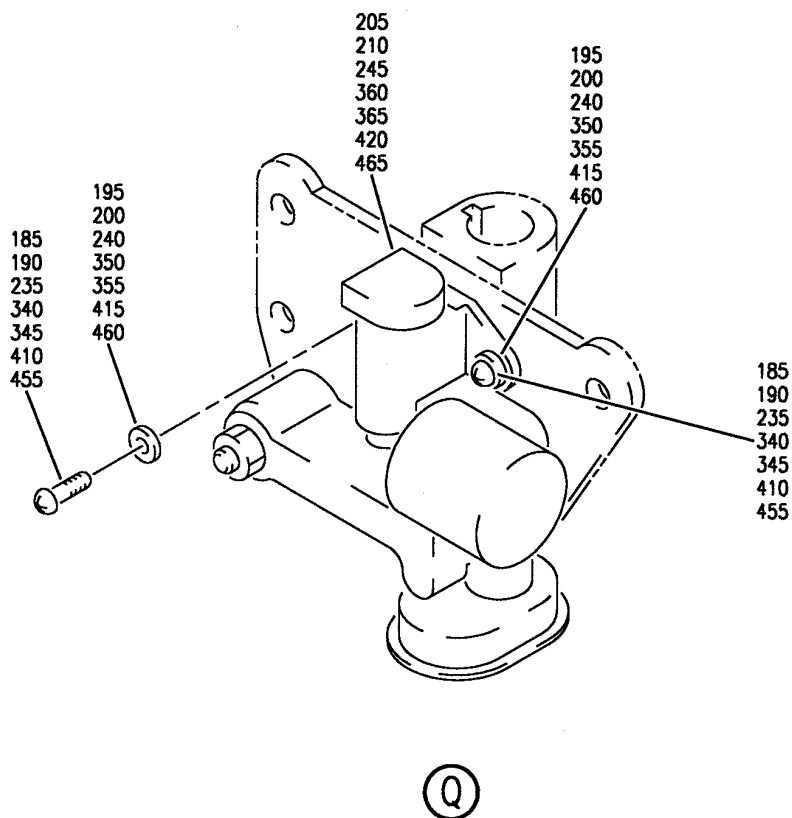
SERVICE UNIT INSTL-PASS (DOOR LATCH ACTUATOR ONLY)
FIGURE 30 (SHEET 9)

35-21-06-30

BRI
SEP 28/07

35-21-06-30
PAGE 0H

BOEING
757
PARTS CATALOG (MAINTENANCE)



Y 35210630 SHT 10 REV 215

SERVICE UNIT INSTL-PASS (DOOR LATCH ACTUATOR ONLY)
FIGURE 30 (SHEET 10)

35-21-06-30

BRI
MAY 28/07

35-21-06-30
PAGE 01



757

PARTS CATALOG (MAINTENANCE)

FIG ITEM	PART NUMBER	1 2 3 4 5 6 7	NOMENCLATURE	EFFECT FROM TO	UNITS PER ASSY
30			SERVICE UNIT INSTL-PASS (DOOR LATCH ACTUATOR ONLY)	002004 006010 952999	
- 1	417N3001-132		SERVICE UNIT INSTL-PASS. (DOOR LATCH ACTUATOR ONLY)	952999	RF
- 1	417N3001-155		SERVICE UNIT INSTL-PASS. (DOOR LATCH ACTUATOR ONLY)	953999	RF
- 1	417N3001-157		FOR NHA/OTHER SYS DET SEE: 25-20-00-20A SERVICE UNIT INSTL-PASS. (DOOR LATCH ACTUATOR ONLY)	006010	RF
- 1	417N3001-88		FOR NHA/OTHER SYS DET SEE: 25-20-00-20A SERVICE UNIT INSTL-PASS. (DOOR LATCH ACTUATOR ONLY)	002004	RF
5	417N3100-444SP		FOR NHA/OTHER SYS DET SEE: 25-20-00-20A .SERVICE UNIT ASSY-PASS. POSITION DATA: UNDERBIN COMPONENT MAINT MANUAL REF: 25-23-30	002004 006010	RF
30	417N3100-427SP		.SERVICE UNIT ASSY-PASS. POSITION DATA: UNDERBIN COMPONENT MAINT MANUAL REF: 25-23-30	002004 006010	RF
35	417N3100-425SP		.SERVICE UNIT ASSY-PASS. POSITION DATA: UNDERBIN COMPONENT MAINT MANUAL REF: 25-23-33	002004 006010	RF
50	417N3100-505SP		.SERVICE UNIT ASSY-PASS. POSITION DATA: UNDERBIN COMPONENT MAINT MANUAL REF: 25-23-37	002004 006010	RF
55	417N3100-426SP		.SERVICE UNIT ASSY-PASS. POSITION DATA: UNDERBIN COMPONENT MAINT MANUAL REF: 25-23-34	952999	RF

MISSING ITEM NUMBERS NOT APPLICABLE

- ITEM NOT ILLUSTRATED

35-21-06-30

35-21-06
FIG. 30
PAGE 1
JAN 20/09

BRI



757

PARTS CATALOG (MAINTENANCE)

FIG ITEM	PART NUMBER	1 2 3 4 5 6 7	NOMENCLATURE	EFFECT FROM TO	UNITS PER ASSY
30					
70	417N3100-508SP	.	SERVICE UNIT ASSY-PASS. POSITION DATA: UNDERBIN COMPONENT MAINT MANUAL REF: 25-23-37	002004 006010	RF
75	417N3100-428SP	.	SERVICE UNIT ASSY-PASS. POSITION DATA: UNDERBIN COMPONENT MAINT MANUAL REF: 25-23-34	952999	RF
75	417N3100-296SP	.	SERVICE UNIT ASSY-PASS. POSITION DATA: UNDERBIN COMPONENT MAINT MANUAL REF: 25-23-34	952999	RF
95	417N3100-442SP	.	SERVICE UNIT ASSY-PASS. POSITION DATA: UNDERBIN COMPONENT MAINT MANUAL REF: 25-23-33	002004 006010	RF
100	417N3100-419SP	.	SERVICE UNIT ASSY-PASS. POSITION DATA: UNDERBIN COMPONENT MAINT MANUAL REF: 25-23-34	952999	RF
120	417N3100-421SP	.	SERVICE UNIT ASSY-PASS. POSITION DATA: UNDERBIN COMPONENT MAINT MANUAL REF: 25-23-34	952999	RF
140	417N3100-596SP	.	SERVICE UNIT ASSY-PASS. POSITION DATA: UNDERBIN COMPONENT MAINT MANUAL REF: 25-23-34	952999	RF
155	417N3100-595SP	.	SERVICE UNIT ASSY-PASS. POSITION DATA: UNDERBIN COMPONENT MAINT MANUAL REF: 25-23-34	952999	RF
161	417N3100-520SP	.	SERVICE UNIT ASSY-PASS. POSITION DATA: UNDERBIN COMPONENT MAINT MANUAL REF: 25-23-37	952999	RF

MISSING ITEM NUMBERS NOT APPLICABLE

- ITEM NOT ILLUSTRATED

35-21-06-30

35-21-06
FIG. 30
PAGE 2
JAN 20/09

BRI

BOEING PROPRIETARY - Copyright © - Unpublished Work - See title page for details.



757

PARTS CATALOG (MAINTENANCE)

FIG ITEM	PART NUMBER	1 2 3 4 5 6 7	NOMENCLATURE	EFFECT FROM TO	UNITS PER ASSY
30					
163	417N3100-506SP		.SERVICE UNIT ASSY-PASS. POSITION DATA: UNDERBIN COMPONENT MAINT MANUAL REF: 25-23-37	952999	RF
165	417N3130-73SP		..BOX ASSY-OXY COMPONENT MAINT MANUAL REF: 35-21-02 USED ON: 417N3100-425SP 417N3100-427SP 417N3100-505SP 417N3100-508SP	002004 006010	RF
170	417N3130-73SP		..BOX ASSY-OXY COMPONENT MAINT MANUAL REF: 35-21-02 USED ON: 417N3100-419SP 417N3100-421SP 417N3100-595SP	952999	RF
175	417N3130-74SP		..BOX ASSY-OXY COMPONENT MAINT MANUAL REF: 35-21-02 USED ON: 417N3100-444SP 417N3100-508SP	002004 006010	RF
175	417N3130-76SP		..BOX ASSY-OXY COMPONENT MAINT MANUAL REF: 35-21-02 USED ON: 417N3100-442SP	002004 006010	RF
175	417N3130-144SP		..BOX ASSY-OXY COMPONENT MAINT MANUAL REF: 35-21-02 USED ON: 417N3100-444SP 417N3100-508SP	002004 006010	RF
180	417N3130-74SP		..BOX ASSY-OXY COMPONENT MAINT MANUAL REF: 35-21-02 USED ON: 417N3100-426SP 417N3100-428SP 417N3100-596SP 417N3100-520SP 417N3100-506SP	952999	RF

MISSING ITEM NUMBERS NOT APPLICABLE

- ITEM NOT ILLUSTRATED

35-21-06-30

35-21-06
FIG. 30
PAGE 3
JAN 20/09

BRI



757

PARTS CATALOG (MAINTENANCE)

FIG ITEM	PART NUMBER	1 2 3 4 5 6 7	NOMENCLATURE	EFFECT FROM TO	UNITS PER ASSY
30 180	417N3130-144SP	..	BOX ASSY-OXY COMPONENT MAINT MANUAL REF: 35-21-02 USED ON: 417N3100-426SP 417N3100-428SP 417N3100-596SP 417N3100-520SP 417N3100-506SP	952999	RF
180	417N3130-64SP	..	BOX ASSY-OXY COMPONENT MAINT MANUAL REF: 35-21-02 USED ON: 417N3100-296SP	952999	RF
185	NAS601-6P	...	SCREW	002004 006010	2
190	NAS601-6P	...	SCREW	952999	2
190	NAS601-6P	...	SCREW	952999	2
195	NAS620-6L	...	WASHER	002004 006010	2
200	NAS620-6L	...	WASHER	952999	2
200	NAS620-6L	...	WASHER	952999	2
205	78580-1	...	ACTUATOR- SUPPLIER CODE: V09790 SPECIFICATION NUMBER: S417T402-2 ELECTRICAL EQUIP NUMBER: B10054	002004 006010	1
210	78580-1	...	ACTUATOR- SUPPLIER CODE: V09790 SPECIFICATION NUMBER: S417T402-2 ELECTRICAL EQUIP NUMBER: B10054	952999	1
210	78580-1	...	ACTUATOR- SUPPLIER CODE: V09790 SPECIFICATION NUMBER: S417T402-2 ELECTRICAL EQUIP NUMBER: B10054	952999	1
215	417N3700-22SP	.	SERVICE UNIT ASSY- ATTENDANT POSITION DATA: UNDERBIN COMPONENT MAINT MANUAL REF: 35-21-05	002004 006010	RF

MISSING ITEM NUMBERS NOT APPLICABLE

- ITEM NOT ILLUSTRATED

35-21-06-30

35-21-06
FIG. 30
PAGE 4
JAN 20/09

BRI



757

PARTS CATALOG (MAINTENANCE)

FIG ITEM	PART NUMBER	1 2 3 4 5 6 7	NOMENCLATURE	EFFECT FROM TO	UNITS PER ASSY
30					
220	417N3700-21SP	.	SERVICE UNIT ASSY- ATTENDANT POSITION DATA: UNDERBIN COMPONENT MAINT MANUAL REF: 35-21-05	002004 006010	RF
225	417N3130-89SP	..	BOX ASSY-OXY COMPONENT MAINT MANUAL REF: 35-21-03 USED ON: 417N3700-21SP	002004 006010	RF
230	417N3130-92SP	..	BOX ASSY-OXY COMPONENT MAINT MANUAL REF: 35-21-03 USED ON: 417N3700-22SP	002004 006010	RF
235	NAS601-6P	...	SCREW	002004 006010	2
240	NAS620-6L	...	WASHER	002004 006010	2
245	78580-1	...	ACTUATOR- SUPPLIER CODE: V09790 SPECIFICATION NUMBER: S417T402-2	002004 006010	1
255	417N3200-62SP	.	SERVICE UNIT ASSY-PASS. POSITION DATA: OVERDOOR COMPONENT MAINT MANUAL REF: 35-21-04	952999	RF
265	417N3200-78SP	.	SERVICE UNIT ASSY-PASS. POSITION DATA: OVERDOOR COMPONENT MAINT MANUAL REF: 35-21-04	002004 006010	RF
275	417N3200-54SP	.	SERVICE UNIT ASSY-PASS. POSITION DATA: OVERDOOR COMPONENT MAINT MANUAL REF: 35-21-04	952999	RF
280	417N3200-77SP	.	SERVICE UNIT ASSY-PASS. POSITION DATA: OVERDOOR COMPONENT MAINT MANUAL REF: 35-21-04	002004 006010	RF

MISSING ITEM NUMBERS NOT APPLICABLE

- ITEM NOT ILLUSTRATED

35-21-06-30

35-21-06
FIG. 30
PAGE 5
JAN 20/09

BRI



757

PARTS CATALOG (MAINTENANCE)

FIG ITEM	PART NUMBER	1 2 3 4 5 6 7	NOMENCLATURE	EFFECT FROM TO	UNITS PER ASSY
30 295	417N3200-54SP	.	SERVICE UNIT ASSY-PASS. POSITION DATA: OVERDOOR COMPONENT MAINT MANUAL REF: 35-21-04	002004 006010	RF
300	417N3200-53SP	.	SERVICE UNIT ASSY-PASS. POSITION DATA: OVERDOOR COMPONENT MAINT MANUAL REF: 35-21-04	952999	RF
310	417N3200-53SP	.	SERVICE UNIT ASSY-PASS. POSITION DATA: OVERDOOR COMPONENT MAINT MANUAL REF: 35-21-04	002004 006010	RF
315	417N3130-88SP	..	BOX ASSY-OXY 2 MASK POSITION DATA: RH USED ON: 417N3200-62SP	952999	RF
315	417N3130-88SP	..	BOX ASSY-OXY 2 MASK POSITION DATA: RH USED ON: 417N3200-77SP	002004 006010	RF
320	417N3130-87SP	..	BOX ASSY-OXY 2 MASK POSITION DATA: LH USED ON: 417N3200-78SP	002004 006010	RF
325	417N3130-96SP	..	BOX ASSY-OXY 3 MASK POSITION DATA: RH COMPONENT MAINT MANUAL REF: 35-21-02 USED ON: 417N3200-54SP	952999	RF
325	417N3130-96SP	..	BOX ASSY-OXY 3 MASK POSITION DATA: RH COMPONENT MAINT MANUAL REF: 35-21-02 USED ON: 417N3200-54SP	002004 006010	RF

MISSING ITEM NUMBERS NOT APPLICABLE

- ITEM NOT ILLUSTRATED

35-21-06-30

35-21-06
FIG. 30
PAGE 6
JAN 20/09

BRI



757

PARTS CATALOG (MAINTENANCE)

FIG ITEM	PART NUMBER	1 2 3 4 5 6 7	NOMENCLATURE	EFFECT FROM TO	UNITS PER ASSY
30					
335	417N3130-93SP	..	BOX ASSY-OXY 4 MASK POSITION DATA: LH COMPONENT MAINT MANUAL REF: 35-21-02 USED ON: 417N3200-53SP	002004 006010 952999	RF
335	417N3130-93SP	..	BOX ASSY-OXY 4 MASK POSITION DATA: LH COMPONENT MAINT MANUAL REF: 35-21-02 USED ON: 417N3200-53SP	002004 006010	RF
340	NAS601-6P	...	SCREW- USED ON: 417N3130-87SP 417N3130-88SP	002004 006010 952999	2
345	NAS601-6P	...	SCREW- USED ON: 417N3130-85SP 417N3130-86SP 417N3130-93SP 417N3130-96SP	952999	2
345	NAS601-6P	...	SCREW- USED ON: 417N3130-93SP 417N3130-96SP	002004 006010	2
350	NAS620-6L	...	WASHER- USED ON: 417N3130-87SP 417N3130-88SP	002004 006010 952999	2
355	NAS620-6L	...	WASHER- USED ON: 417N3130-85SP 417N3130-86SP 417N3130-93SP 417N3130-96SP	952999	2
355	NAS620-6L	...	WASHER- USED ON: 417N3130-93SP 417N3130-96SP	002004 006010	2

MISSING ITEM NUMBERS NOT APPLICABLE

- ITEM NOT ILLUSTRATED

35-21-06-30

35-21-06
FIG. 30
PAGE 7
JAN 20/09

BRI

BOEING PROPRIETARY - Copyright © - Unpublished Work - See title page for details.



757

PARTS CATALOG (MAINTENANCE)

FIG ITEM	PART NUMBER	1 2 3 4 5 6 7	NOMENCLATURE	EFFECT FROM TO	UNITS PER ASSY
30 360	78580-1		...ACTUATOR- SUPPLIER CODE: V09790 SPECIFICATION NUMBER: S417T402-2 ELECTRICAL EQUIP NUMBER: B10058 USED ON: 417N3130-87SP 417N3130-88SP	002004 006010 952999	1
365	78580-1		...ACTUATOR- SUPPLIER CODE: V09790 SPECIFICATION NUMBER: S417T402-2 ELECTRICAL EQUIP NUMBER: B10058 USED ON: 417N3130-85SP 417N3130-86SP 417N3130-93SP 417N3130-96SP	952999	1
365	78580-1		...ACTUATOR- SUPPLIER CODE: V09790 SPECIFICATION NUMBER: S417T402-2 ELECTRICAL EQUIP NUMBER: B10058 USED ON: 417N3130-93SP 417N3130-96SP	002004 006010	1

MISSING ITEM NUMBERS NOT APPLICABLE

- ITEM NOT ILLUSTRATED

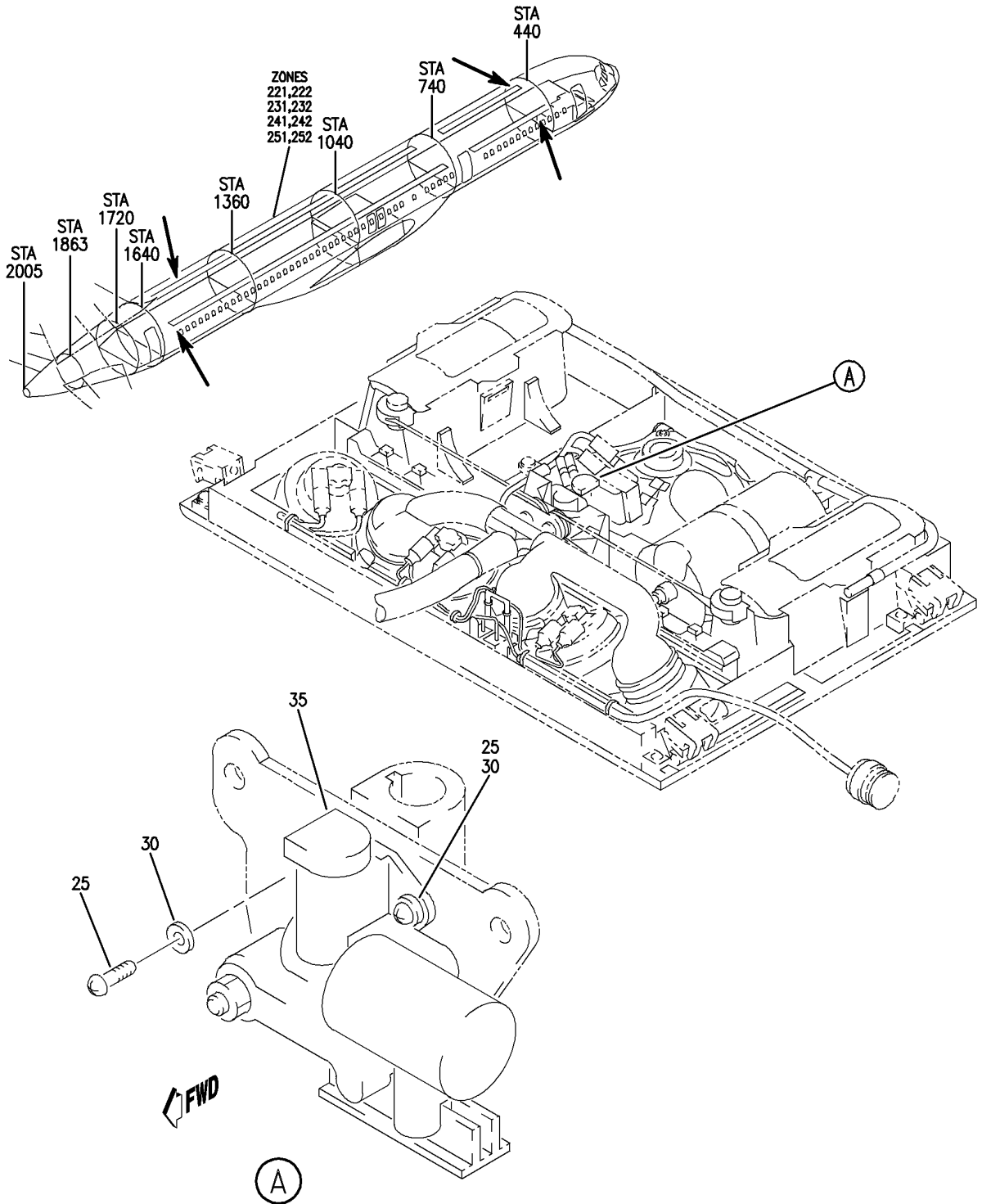
BRI

35-21-06-30

BOEING PROPRIETARY - Copyright © - Unpublished Work - See title page for details.

35-21-06
FIG. 30
PAGE 8
JAN 20/09

BOEING
757
PARTS CATALOG (MAINTENANCE)



Y 35210631B REV 235

SERVICE UNIT ASSY-PASS. (DOOR LATCH ACTUATOR ONLY)
FIGURE 31B

35-21-06-31B

BRI
JAN 20/09

35-21-06-31B
PAGE 0



757

PARTS CATALOG (MAINTENANCE)

FIG ITEM	PART NUMBER	1 2 3 4 5 6 7	NOMENCLATURE	EFFECT FROM TO	UNITS PER ASSY
31B			SERVICE UNIT ASSY-PASS. (DOOR LATCH ACTUATOR ONLY)	103106 108120	
- 1	417N3011-401W		SERVICE UNIT ASSY-PASS. WITH SPKR AND GASPER (DOOR LATCH ACTUATOR ONLY) POSITION DATA: LH ELECTRICAL EQUIP NUMBER: M10973 COMPONENT MAINT MANUAL REF: 25-23-38 FOR NHA/OTHER SYS DET SEE: 25-23-01-34A 25-23-01-76A	108120	RF
- 1	417N3011-401B		SERVICE UNIT ASSY-PASS. WITH 2K SPKR AND GASPER (DOOR LATCH ACTUATOR ONLY) POSITION DATA: LH ELECTRICAL EQUIP NUMBER: M10973 FOR NHA/OTHER SYS DET SEE: 25-23-01-52B	103106	RF
- 10	417N3011-413M		SERVICE UNIT ASSY-PASS. NO SPKR WITH GASPER (DOOR LATCH ACTUATOR ONLY) POSITION DATA: LH ELECTRICAL EQUIP NUMBER: M10973 COMPONENT MAINT MANUAL REF: 25-23-38 FOR NHA/OTHER SYS DET SEE: 25-23-01-34A 25-23-01-76A	108120	RF
- 10	417N3011-413B		SERVICE UNIT ASSY-PASS. NO SPKR WITH GASPER (DOOR LATCH ACTUATOR ONLY) POSITION DATA: LH ELECTRICAL EQUIP NUMBER: M10973 FOR NHA/OTHER SYS DET SEE: 25-23-01-52B	103106	RF

MISSING ITEM NUMBERS NOT APPLICABLE

- ITEM NOT ILLUSTRATED

BRI

35-21-06-31B

BOEING PROPRIETARY - Copyright © - Unpublished Work - See title page for details.

35-21-06
FIG. 31B
PAGE 1
JAN 20/09



757

PARTS CATALOG (MAINTENANCE)

FIG ITEM	PART NUMBER	1 2 3 4 5 6 7	NOMENCLATURE	EFFECT FROM TO	UNITS PER ASSY
31B - 10	417N3011-713B		SERVICE UNIT ASSY-PASS. NO SPKR WITH GASPER (DOOR LATCH ACTUATOR ONLY) POSITION DATA: LH ELECTRICAL EQUIP NUMBER: M10973 FOR NHA/OTHER SYS DET SEE: 25-23-01-34A 25-23-01-76A	108120	RF
- 20	417N3011-421D		SERVICE UNIT ASSY-PASS. WITH SPKR AND GASPER (DOOR LATCH ACTUATOR ONLY) POSITION DATA: LH ELECTRICAL EQUIP NUMBER: M10983 COMPONENT MAINT MANUAL REF: 25-23-38 FOR NHA/OTHER SYS DET SEE: 25-23-01-34A 25-23-01-76A	108120	RF
- 20	417N3011-421B		SERVICE UNIT ASSY-PASS. WITH 2K SPKR, MUTING RELAY AND GASPER (DOOR LATCH ACTUATOR ONLY) ELECTRICAL EQUIP NUMBER: M10983 FOR NHA/OTHER SYS DET SEE: 25-23-01-52B	103106	RF
- 22	417N3152-14A		.STOP ASSY- FOR OTHER SYS DETAILS SEE: 25-23-01-31B	108120	RF
- 22	417N3152-14A		.STOP ASSY- FOR OTHER SYS DETAILS SEE: 25-23-01-31B	103106	RF
25	NAS601-6P		..SCREW	108120	2
25	NAS601-6P		..SCREW	103106	2
30	NAS620-6L		..WASHER	108120	2
30	NAS620-6L		..WASHER	103106	2
35	78580-1		..ACTUATOR- SUPPLIER CODE: V09790 SPECIFICATION NUMBER: S417T402-2	108120	1

MISSING ITEM NUMBERS NOT APPLICABLE

- ITEM NOT ILLUSTRATED

35-21-06-31B

35-21-06
FIG. 31B
PAGE 2
JAN 20/09

BRI



757

PARTS CATALOG (MAINTENANCE)

FIG ITEM	PART NUMBER	1 2 3 4 5 6 7	NOMENCLATURE	EFFECT FROM TO	UNITS PER ASSY
31B 35	78580-1		. . ACTUATOR- SUPPLIER CODE: V09790 SPECIFICATION NUMBER: S417T402-2	103106	1

MISSING ITEM NUMBERS NOT APPLICABLE

- ITEM NOT ILLUSTRATED

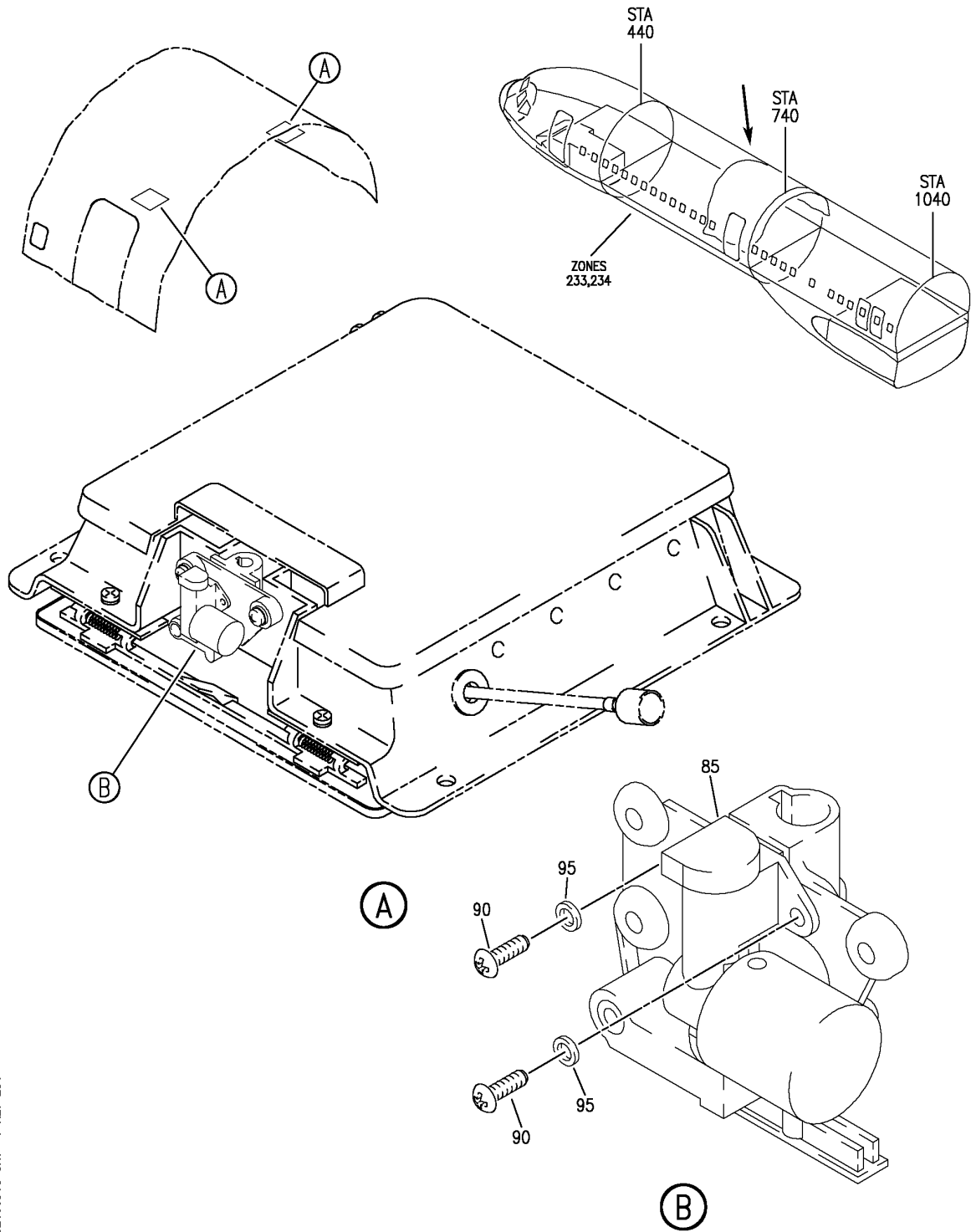
BRI

35-21-06-31B

BOEING PROPRIETARY - Copyright © - Unpublished Work - See title page for details.

35-21-06
FIG. 31B
PAGE 3
JAN 20/09

BOEING
757
PARTS CATALOG (MAINTENANCE)



Y 35210631C SHT 1 REV 254

BOX ASSY-OXY (DOOR LATCH ACTUATOR ONLY)
FIGURE 31C

35-21-06-31C

BRI
JAN 20/09

35-21-06-31C
PAGE 0



757

PARTS CATALOG (MAINTENANCE)

FIG ITEM	PART NUMBER	1 2 3 4 5 6 7	NOMENCLATURE	EFFECT FROM TO	UNITS PER ASSY
31C			BOX ASSY-OXY (DOOR LATCH ACTUATOR ONLY)	109120	
- 5	417N3130-229SP		BOX ASSY-OXY (DOOR LATCH ACTUATOR ONLY)	109120	RF
			FOR NHA/OTHER SYS DET SEE: 35-21-05-31C		
85	78580-1		.ACTUATOR- SUPPLIER CODE: V09790 SPECIFICATION NUMBER: S417T402-2	109120	1
- 90	NAS601-6P		ATTACHING PARTS .SCREW	109120	2
- 95	NAS620-6L		.WASHER	109120	2
			-----*-----		

MISSING ITEM NUMBERS NOT APPLICABLE

- ITEM NOT ILLUSTRATED

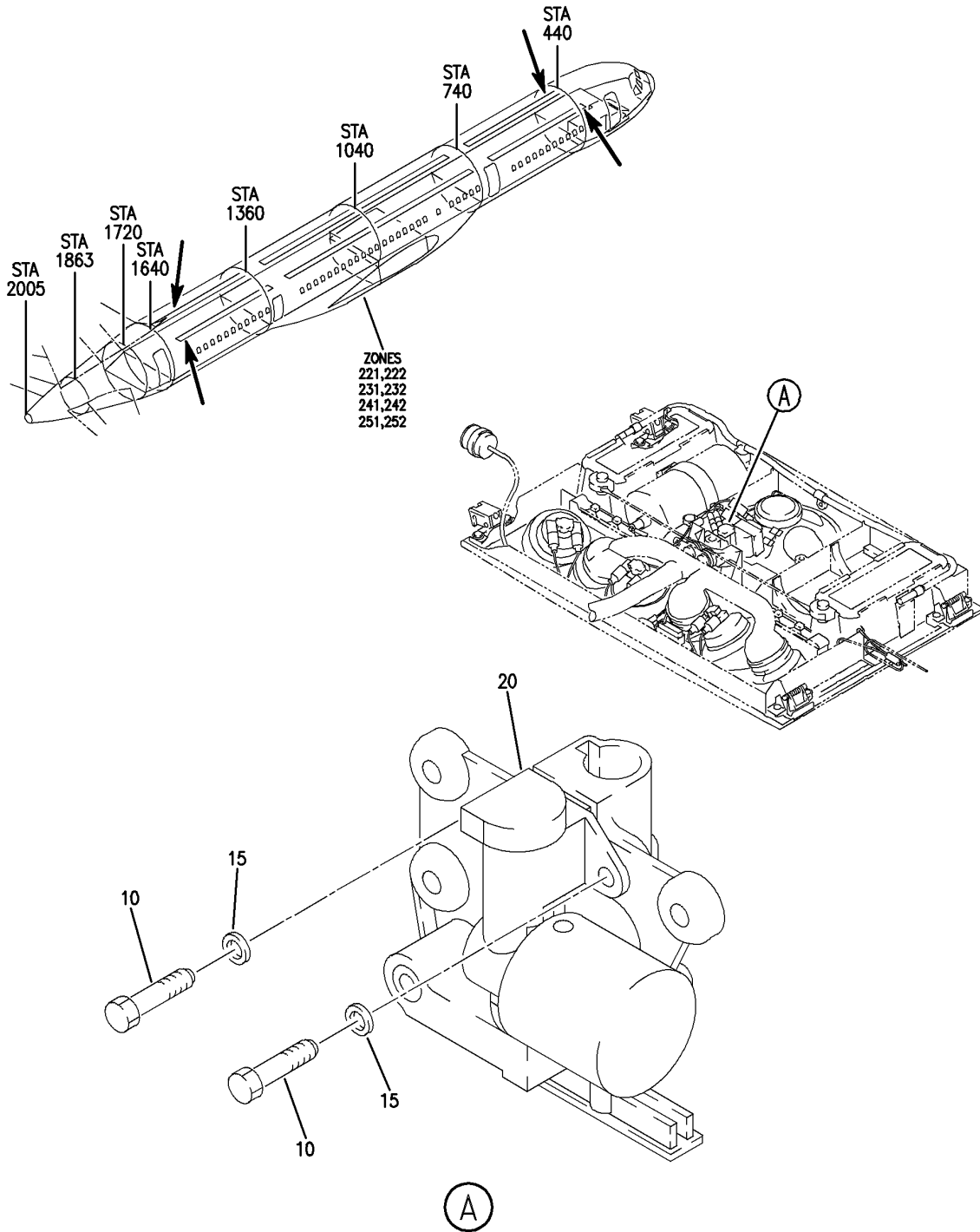
35-21-06-31C

35-21-06
FIG. 31C
PAGE 1
JAN 20/09

BRI

BOEING PROPRIETARY - Copyright © - Unpublished Work - See title page for details.

BOEING
757
PARTS CATALOG (MAINTENANCE)



Y 35210634A REV 237

SERVICE UNIT ASSY-PASS. (DOOR LATCH ACTUATOR ONLY)
FIGURE 34A

35-21-06-34A

BRI
JAN 20/09

35-21-06-34A
PAGE 0



757

PARTS CATALOG (MAINTENANCE)

FIG ITEM	PART NUMBER	1 2 3 4 5 6 7	NOMENCLATURE	EFFECT FROM TO	UNITS PER ASSY
34A			SERVICE UNIT ASSY-PASS. (DOOR LATCH ACTUATOR ONLY)	103106 108120	
- 1	417N3011-422C		SERVICE UNIT ASSY-PASS. WITH SPKR AND GASPER (DOOR LATCH ACTUATOR ONLY) ELECTRICAL EQUIP NUMBER: M10983 COMPONENT MAINT MANUAL REF: 25-23-38 FOR NHA/OTHER SYS DET SEE: 25-23-01-34A 25-23-01-76A	108120	RF
- 1	417N3011-422B		SERVICE UNIT ASSY-PASS. WITH 2K SPKR, MUTING RELAY AND GASPER (DOOR LATCH ACTUATOR ONLY) ELECTRICAL EQUIP NUMBER: M10983 COMPONENT MAINT MANUAL REF: 25-23-38 FOR NHA/OTHER SYS DET SEE: 25-23-01-52B	103106	RF
- 5	417N3152-14A		.STOP ASSY-	108120	RF
- 5	417N3152-14A		.STOP ASSY	103104	RF
- 5	417N3152-14A		.STOP ASSY	105106	RF
10	NAS601-6P		..SCREW	108120	2
10	NAS601-6P		..SCREW	103104	2
10	NAS601-6P		..SCREW	105106	2
15	NAS620-6L		..WASHER	108120	2
15	NAS620-6L		..WASHER	103104	2
15	NAS620-6L		..WASHER	105106	2
20	78580-1		..ACTUATOR- SUPPLIER CODE: V09790 SPECIFICATION NUMBER: S417T402-2	108120	1
20	78580-1		..ACTUATOR- SUPPLIER CODE: V09790 SPECIFICATION NUMBER: S417T402-2	103104	1
20	78580-1		..ACTUATOR- SUPPLIER CODE: V09790 SPECIFICATION NUMBER: S417T402-2	105106	1

MISSING ITEM NUMBERS NOT APPLICABLE

- ITEM NOT ILLUSTRATED

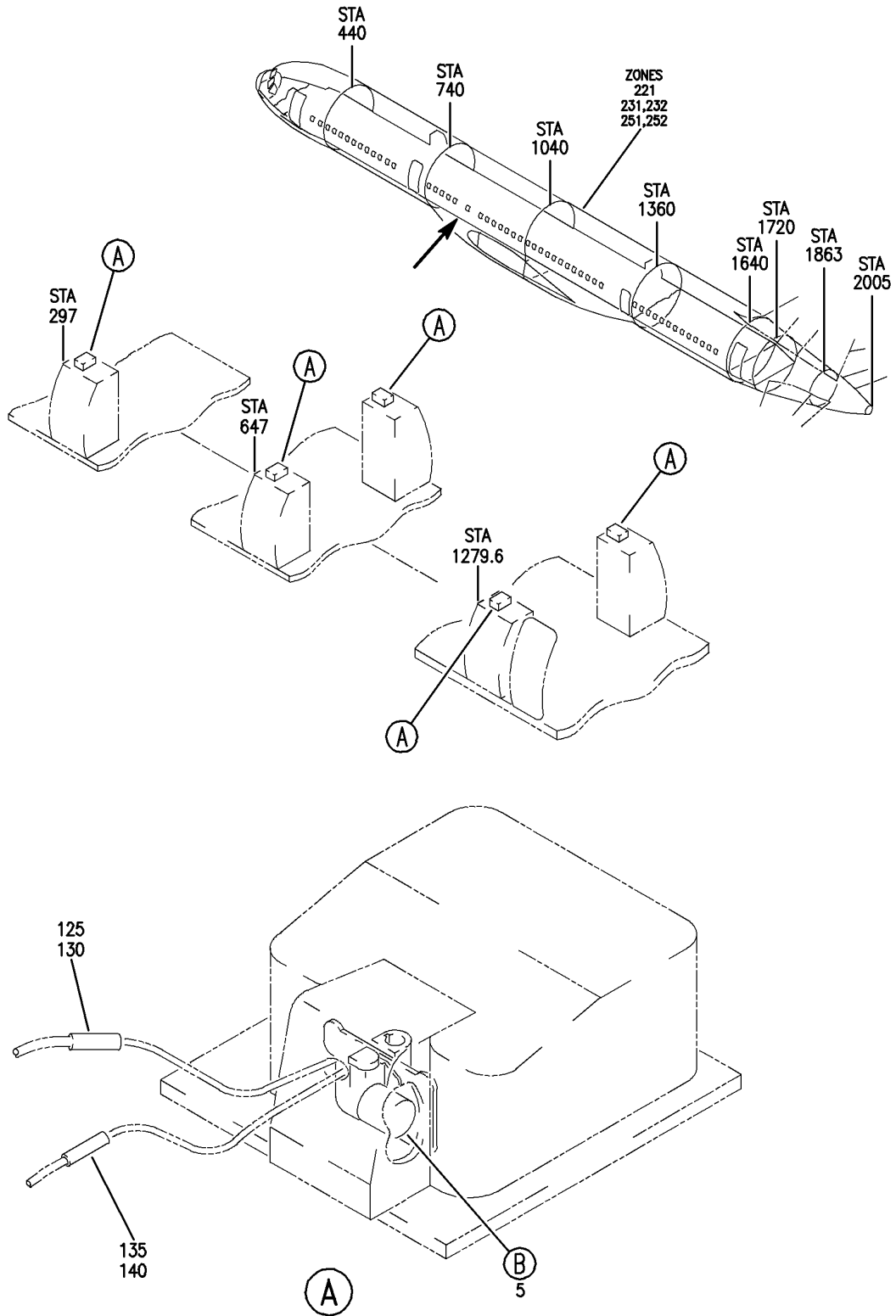
35-21-06-34A

35-21-06
FIG. 34A
PAGE 1
JAN 20/09

BRI

BOEING PROPRIETARY - Copyright © - Unpublished Work - See title page for details.

BOEING
757
PARTS CATALOG (MAINTENANCE)



Y 35210650A SHT 1 REV 236

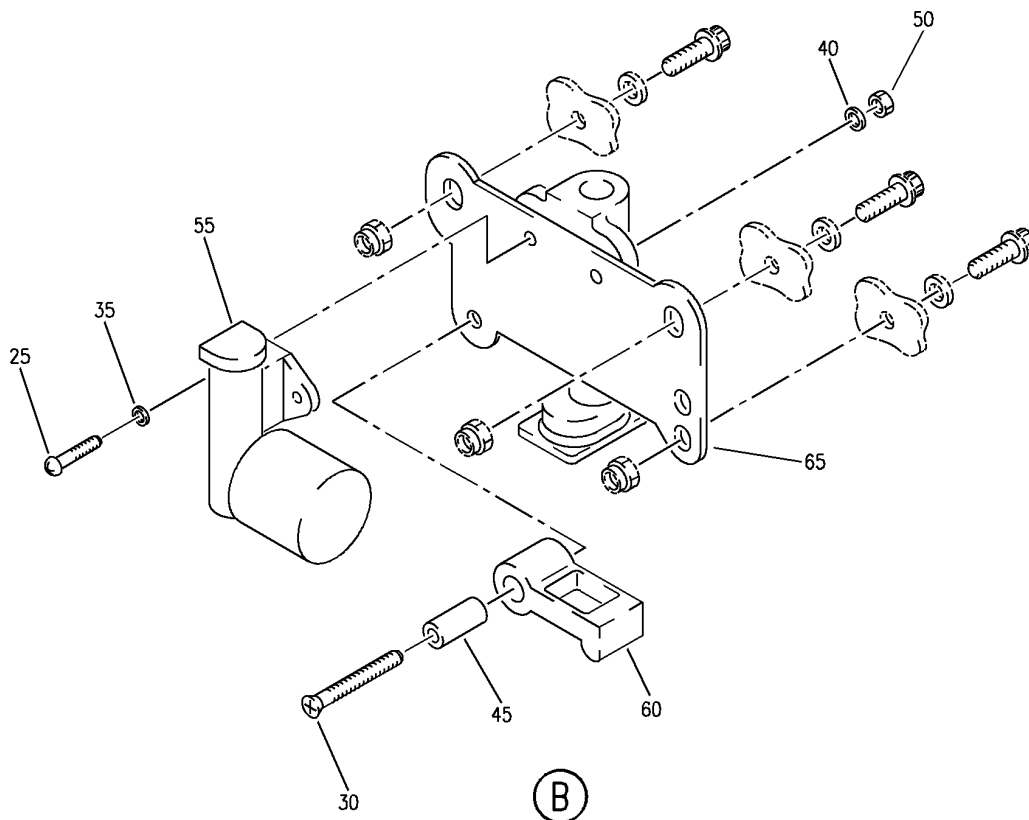
BOX ASSY-OXY (DOOR LATCH ACTUATOR ONLY)
FIGURE 50A (SHEET 1)

35-21-06-50A

BRI
JAN 20/09

35-21-06-50A
PAGE 0

BOEING
757
PARTS CATALOG (MAINTENANCE)



Y 35210650A SHT 2 REV 301

BOX ASSY-OXY (DOOR LATCH ACTUATOR ONLY)
FIGURE 50A (SHEET 2)

35-21-06-50A

BRI
JAN 20/09

35-21-06-50A
PAGE 0A



757

PARTS CATALOG (MAINTENANCE)

FIG ITEM	PART NUMBER	1 2 3 4 5 6 7	NOMENCLATURE	EFFECT FROM TO	UNITS PER ASSY
50A			BOX ASSY-OXY (DOOR LATCH ACTUATOR ONLY)	504903	
- 1	417N3810-130SP		BOX ASSY-OXY (DOOR LATCH ACTUATOR ONLY) FOR NHA/ADDITIONAL DET SEE: 35-21-00-18A	504903	RF
5	417N3152-13SP		.ACTUATOR ASSY-TEST ATTACHING PARTS	504903	1
- 10	BACS12FA08K7		.SCREW	504903	3
- 15	AN960JD8L		.WASHER	504903	3
- 20	MS21042L08		.NUT	504903	3
			-----*-----		
25	NAS601-6P		..SCREW	504903	2
30	NAS514P632-14		..SCREW	504903	1
35	NAS620-6L		..WASHER	504903	2
40	AN960JD6L		..WASHER	504903	1
45	NAS43DD1-38		..SPACER	504903	1
50	MS21042L06		..NUT	504903	1
55	78580-1		..ACTUATOR- SUPPLIER CODE: V09790 SPECIFICATION NUMBER: S417T402-2	504903	1
60	417N3135-4		..LEVER-ACTUATOR	504903	1
65	417N3150-20SP		..STOP ASSY	504903	1
125	BACC47N2		.CONTACT	504903	1
130	48-7190		.CONNECTOR- SUPPLIER CODE: V02660	504903	1
135	BACC47CPT2		.CONTACT	504903	1
140	48-7191		.CONNECTOR- SUPPLIER CODE: V02660	504903	1

MISSING ITEM NUMBERS NOT APPLICABLE

- ITEM NOT ILLUSTRATED

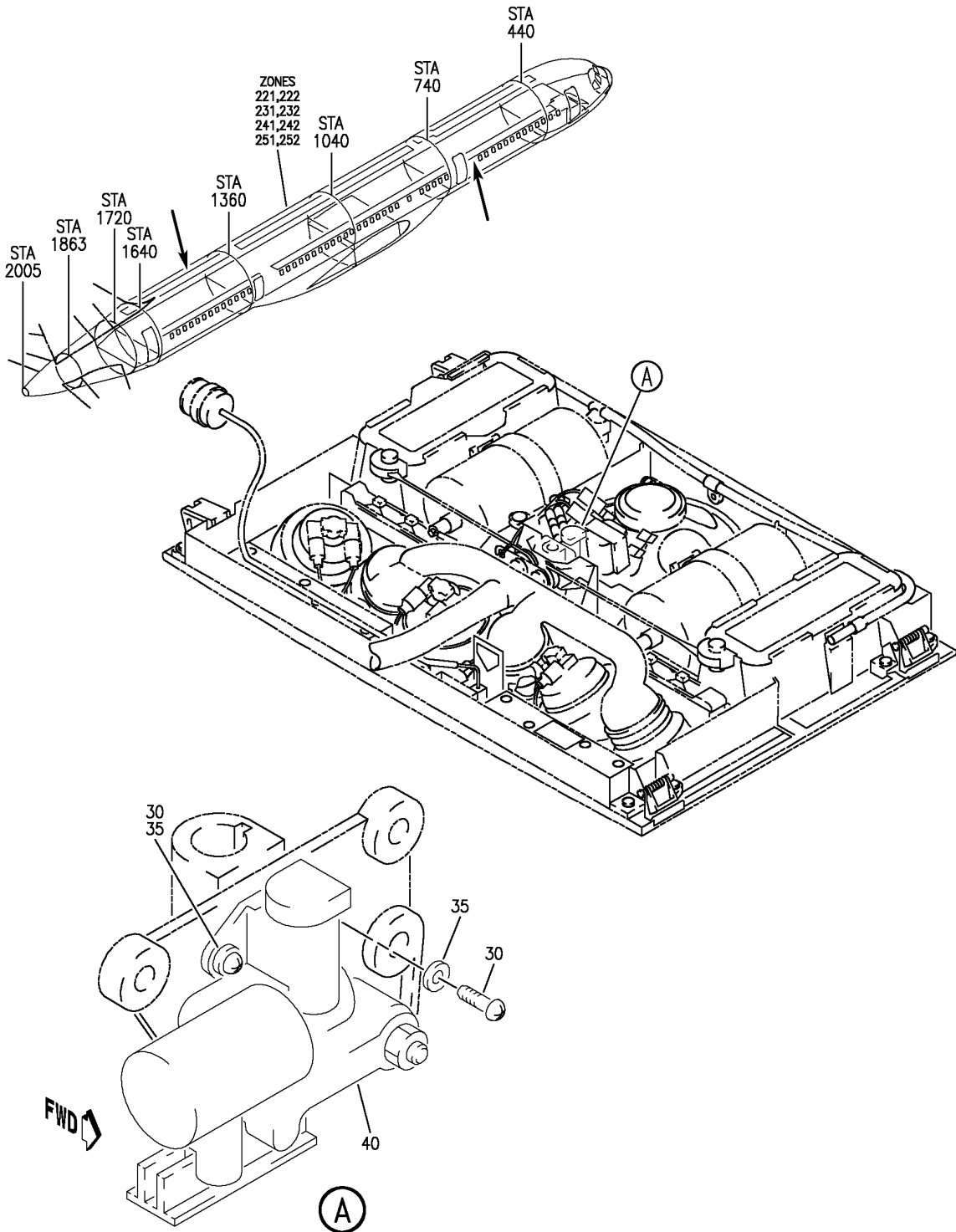
35-21-06-50A

35-21-06
FIG. 50A
PAGE 1
JAN 20/09

BRI

BOEING PROPRIETARY - Copyright © - Unpublished Work - See title page for details.

BOEING
757
PARTS CATALOG (MAINTENANCE)



Y 35210666D REV 252

SERVICE UNIT ASSY-PASS. (DOOR LATCH ACTUATOR ONLY)
FIGURE 66D

35-21-06-66D

BRI
JAN 20/09

35-21-06-66D
PAGE 0



757

PARTS CATALOG (MAINTENANCE)

FIG ITEM	PART NUMBER	1 2 3 4 5 6 7	NOMENCLATURE	EFFECT FROM TO	UNITS PER ASSY
66D			SERVICE UNIT ASSY-PASS. (DOOR LATCH ACTUATOR ONLY)	504903	
- 1	417N3011-363B		SERVICE UNIT ASSY-PASS. WITH SPKR AND GASPER 22 MIN. OXY (DOOR LATCH ACTUATOR ONLY) POSITION DATA: LH ELECTRICAL EQUIP NUMBER: M10979 COMPONENT MAINT MANUAL REF: 25-23-38 FOR NHA/OTHER SYS DET SEE: 25-23-01-50B	504903	RF
- 3	417N3011-364B		SERVICE UNIT ASSY-PASS. WITH SPKR AND GASPER 22 MIN. OXY (DOOR LATCH ACTUATOR ONLY) POSITION DATA: RH ELECTRICAL EQUIP NUMBER: M10979 COMPONENT MAINT MANUAL REF: 25-23-38 FOR NHA/OTHER SYS DET SEE: 25-23-01-50B	504903	RF
- 5	417N3011-365B		SERVICE UNIT ASSY-PASS. NO SPKR WITH GASPER 22 MIN. OXY (DOOR LATCH ACTUATOR ONLY) POSITION DATA: LH ELECTRICAL EQUIP NUMBER: M10979 COMPONENT MAINT MANUAL REF: 25-23-38 FOR NHA/OTHER SYS DET SEE: 25-23-01-50B	504903	RF

MISSING ITEM NUMBERS NOT APPLICABLE

- ITEM NOT ILLUSTRATED

35-21-06-66D

35-21-06
FIG. 66D
PAGE 1
JAN 20/09

BRI



757

PARTS CATALOG (MAINTENANCE)

FIG ITEM	PART NUMBER	1 2 3 4 5 6 7	NOMENCLATURE	EFFECT FROM TO	UNITS PER ASSY
66D - 7	417N3011-366B		SERVICE UNIT ASSY-PASS. NO SPKR WITH GASPER 22 MIN. OXY (DOOR LATCH ACTUATOR ONLY) POSITION DATA: RH ELECTRICAL EQUIP NUMBER: M10979 COMPONENT MAINT MANUAL REF: 25-23-38 FOR NHA/OTHER SYS DET SEE: 25-23-01-50B	504903	RF
30	NAS601-6P	.	SCREW	504903	2
35	NAS620-6L	.	WASHER	504903	2
40	78580-1	.	ACTUATOR- SUPPLIER CODE: V09790 SPECIFICATION NUMBER: S417T402-2	504903	1

MISSING ITEM NUMBERS NOT APPLICABLE

- ITEM NOT ILLUSTRATED

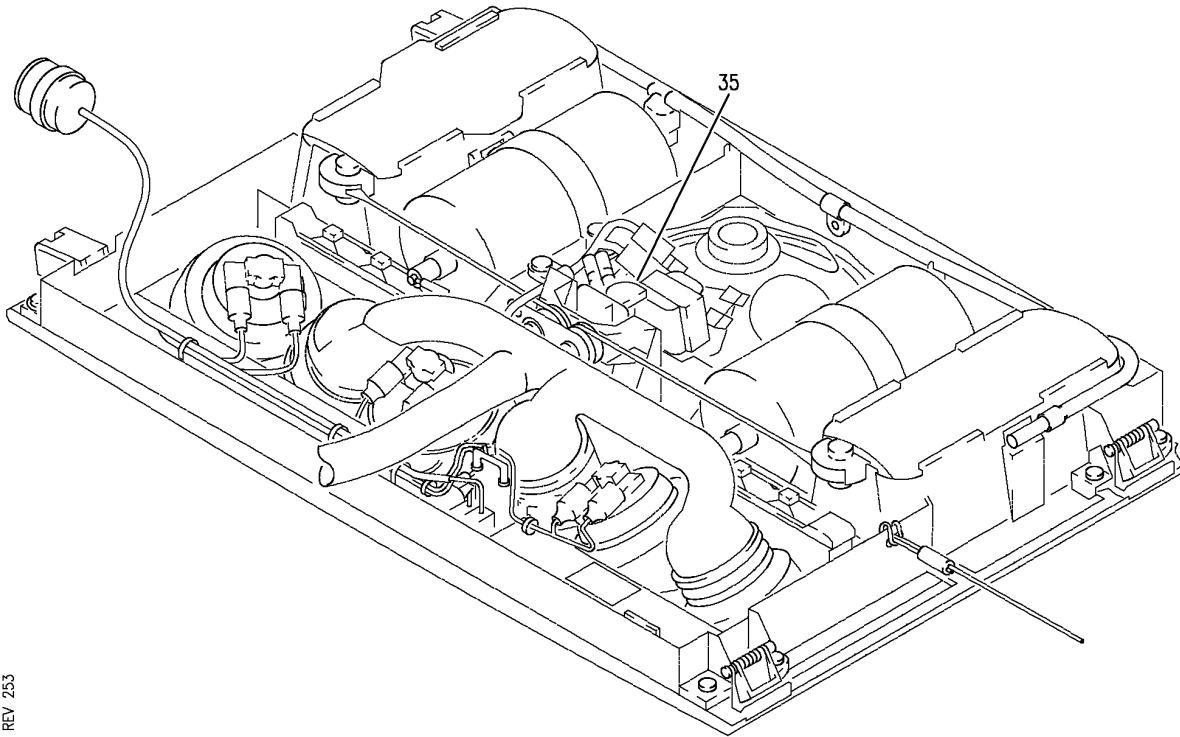
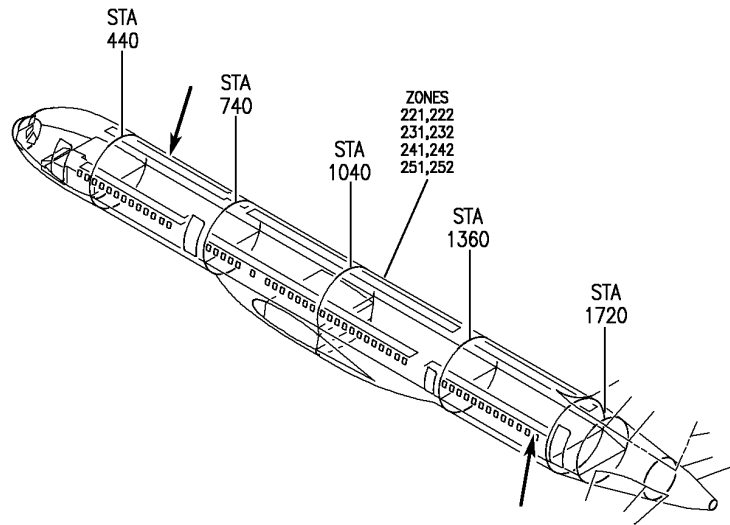
BRI

35-21-06-66D

BOEING PROPRIETARY - Copyright © - Unpublished Work - See title page for details.

35-21-06
FIG. 66D
PAGE 2
JAN 20/09

BOEING
757
PARTS CATALOG (MAINTENANCE)



Y 35210671 REV 253

SERVICE UNIT ASSY-PASS. (DOOR LATCH ACTUATOR ONLY)
FIGURE 71

35-21-06-71

BRI
JAN 20/09

35-21-06-71
PAGE 0



757

PARTS CATALOG (MAINTENANCE)

FIG ITEM	PART NUMBER	1 2 3 4 5 6 7	NOMENCLATURE	EFFECT FROM TO	UNITS PER ASSY
71			SERVICE UNIT ASSY-PASS. (DOOR LATCH ACTUATOR ONLY)	108120	
- 1	417N3011-309B		SERVICE UNIT ASSY-PASS. WITH SPKR AND NO GASPER (DOOR LATCH ACTUATOR ONLY) POSITION DATA: LH ELECTRICAL EQUIP NUMBER: M10978 COMPONENT MAINT MANUAL REF: 25-23-38 FOR NHA/OTHER SYS DET SEE: 25-23-01-58B	108120	RF
- 5	417N3011-317B		SERVICE UNIT ASSY-PASS. NO SPKR AND NO GASPER (DOOR LATCH ACTUATOR ONLY) POSITION DATA: LH ELECTRICAL EQUIP NUMBER: M10978 COMPONENT MAINT MANUAL REF: 25-23-38 FOR NHA/OTHER SYS DET SEE: 25-23-01-58B	108120	RF
- 10	417N3011-310B		SERVICE UNIT ASSY-PASS. WITH SPKR AND NO GASPER (DOOR LATCH ACTUATOR ONLY) POSITION DATA: RH ELECTRICAL EQUIP NUMBER: M10978 COMPONENT MAINT MANUAL REF: 25-23-38 FOR NHA/OTHER SYS DET SEE: 25-23-01-58B	108120	RF

MISSING ITEM NUMBERS NOT APPLICABLE

- ITEM NOT ILLUSTRATED

35-21-06-71

35-21-06
FIG. 71
PAGE 1
JAN 20/09

BRI



757

PARTS CATALOG (MAINTENANCE)

FIG ITEM	PART NUMBER	1 2 3 4 5 6 7	NOMENCLATURE	EFFECT FROM TO	UNITS PER ASSY
71					
- 15	417N3011-318B		SERVICE UNIT ASSY-PASS. NO SPKR AND NO GASPER (DOOR LATCH ACTUATOR ONLY) POSITION DATA: RH ELECTRICAL EQUIP NUMBER: M10978 COMPONENT MAINT MANUAL REF: 25-23-38 FOR NHA/OTHER SYS DET SEE: 25-23-01-58B	108120	RF
- 20	417N3011-324B		SERVICE UNIT ASSY-PASS. WITH MUTED SPKR AND NO GASPER (DOOR LATCH ACTUATOR ONLY) POSITION DATA: RH ELECTRICAL EQUIP NUMBER: M10981 COMPONENT MAINT MANUAL REF: 25-23-38 FOR NHA/OTHER SYS DET SEE: 25-23-01-58B	108120	RF
35	78580-1		.ACTUATOR- SUPPLIER CODE: V09790 SPECIFICATION NUMBER: S417T402-2 ATTACHING PARTS	108120	1
- 40	NAS601-6P		.SCREW	108120	2
- 45	NAS620-6L		.WASHER	108120	2
			-----*-----		

MISSING ITEM NUMBERS NOT APPLICABLE

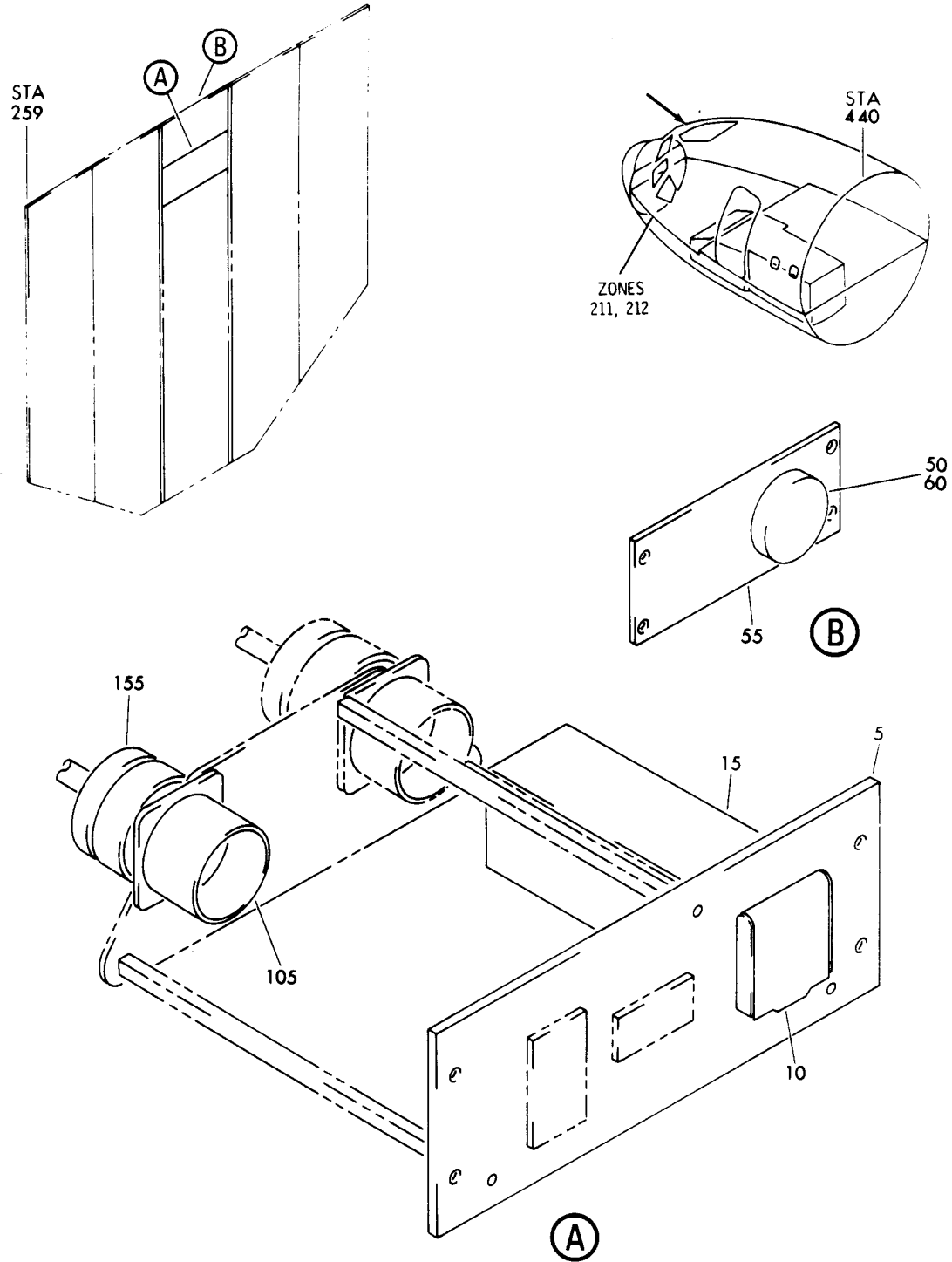
- ITEM NOT ILLUSTRATED

35-21-06-71

35-21-06
FIG. 71
PAGE 2
JAN 20/09

BRI

BOEING
757
PARTS CATALOG (MAINTENANCE)



Y 35215101 SHF 1 REV 090

PANEL INSTL-P5 OVHD (PASSENGER OXYGEN SYSTEM ONLY)
FIGURE 1

35-21-51-01

BRI
MAY 28/07

35-21-51-01
PAGE 0



757

PARTS CATALOG (MAINTENANCE)

FIG ITEM	PART NUMBER	1 2 3 4 5 6 7	NOMENCLATURE	EFFECT FROM TO	UNITS PER ASSY
1			PANEL INSTL-P5 OVHD (PASSENGER OXYGEN SYSTEM ONLY)	002004 006010 107107 121503 904999	
- 1	233N3101-1		PANEL INSTL-P5 OVHD (PASSENGER OXYGEN SYSTEM ONLY) VARIABLE DRAWING REF: 233N3101-5005 233N3101-5025 233N3101-5041 233N3101-5042 233N3101-5045 FOR NHA/OTHER SYS DET SEE: 25-10-00-05A	002004 006010 107107 121503 904999	RF
5	233T3210-25		.PANEL ASSY-EMER LIGHTS/ PASS. OXY SUPPLIER CODE: V89954 ELECTRICAL EQUIP NUMBER: M00043 COMPONENT MAINT MANUAL REF: 33-51-03 QUALIFIED I/W DATA: 233T3210-22 -25 -28 -29 -30 ARE ALL INTERCHANGEABLE EXCEPT SUBJECT TO CUSTOMER PREFERENCE PRE ALERT SB: 33A0044	107107	RF

MISSING ITEM NUMBERS NOT APPLICABLE

- ITEM NOT ILLUSTRATED

BRI

35-21-51-01

BOEING PROPRIETARY - Copyright © - Unpublished Work - See title page for details.

35-21-51
FIG. 01
PAGE 1
JAN 20/09



757

PARTS CATALOG (MAINTENANCE)

FIG ITEM	PART NUMBER	1 2 3 4 5 6 7	NOMENCLATURE	EFFECT FROM TO	UNITS PER ASSY
1	5 233T3210-28		.PANEL ASSY-EMER LIGHTS/ PASS. OXY SUPPLIER CODE: V89954 ELECTRICAL EQUIP NUMBER: M00043 COMPONENT MAINT MANUAL REF: 33-51-03 QUALIFIED I/W DATA: 233T3210-22 -25 -28 -29 -30 ARE ALL INTERCHANGEABLE EXCEPT SUBJECT TO CUSTOMER PREFERENCE 233T3210-38 T/W S233T100-6065 CAN REPLACE OR BE REPLACED BY 233T3210-28 T/W S233T100-1077 SUBJECT TO CUSTOMER PREFERENCE OF HAVING OR NOT HAVING SWITCH GUARD THE 233T3210-300 PANEL ASSY IS I/W THE 233T3210-28 PANEL ASSY T/W THE S233T100-1077 LIGHTPLATE. PRE ALERT SB: 33A0044	002004 006010 950999	RF
	5 233T3210-30		.PANEL ASSY-EMER LIGHTS/ PASS. OXY SUPPLIER CODE: V89954 ELECTRICAL EQUIP NUMBER: M00043 COMPONENT MAINT MANUAL REF: 33-51-03 QUALIFIED I/W DATA: 233T3210-22 -25 -28 -29 -30 ARE ALL INTERCHANGEABLE EXCEPT SUBJECT TO CUSTOMER PREFERENCE PRE ALERT SB: 33A0044R1	121503 904949	RF

MISSING ITEM NUMBERS NOT APPLICABLE

- ITEM NOT ILLUSTRATED

BRI

35-21-51-01

BOEING PROPRIETARY - Copyright © - Unpublished Work - See title page for details.

35-21-51
FIG. 01
PAGE 2
JAN 20/09



757

PARTS CATALOG (MAINTENANCE)

FIG ITEM	PART NUMBER	1 2 3 4 5 6 7	NOMENCLATURE	EFFECT FROM TO	UNITS PER ASSY
1	5 233T3210-1028		.PANEL ASSY-EMER LIGHTS/ PASS. OXY SUPPLIER CODE: V89954 ELECTRICAL EQUIP NUMBER: M00043 COMPONENT MAINT MANUAL REF: 33-51-03 POST ALERT SB: 33A0044	002004 006010 950999	RF
	5 233T3210-1025		.PANEL ASSY-EMER LIGHTS/ PASS. OXY SUPPLIER CODE: V89954 ELECTRICAL EQUIP NUMBER: M00043 COMPONENT MAINT MANUAL REF: 33-51-03 POST ALERT SB: 33A0044	107107	RF
	5 233T3210-1030		.PANEL ASSY-EMER LIGHTS/ PASS. OXY SUPPLIER CODE: V89954 ELECTRICAL EQUIP NUMBER: M00043 COMPONENT MAINT MANUAL REF: 33-51-03 POST ALERT SB: 33A0044R1	121503 904949	RF
	5 233T3210-42		.PANEL ASSY-EMER LIGHTS/ PASS. OXY SUPPLIER CODE: V89954 ELECTRICAL EQUIP NUMBER: M00043 COMPONENT MAINT MANUAL REF: 33-51-03	002004 006010 950999	RF
	10 851-30768-812		.. GUARD-SWITCH SUPPLIER CODE: V96182 SPECIFICATION NUMBER: S231T290-812	002004 006010 107107 121503 904999	1
	10 433-100-003		.. GUARD-SWITCH SUPPLIER CODE: V81590 SPECIFICATION NUMBER: S231T290-822	002004 006010 107107 121503 904999	1

MISSING ITEM NUMBERS NOT APPLICABLE

- ITEM NOT ILLUSTRATED

35-21-51-01

35-21-51
FIG. 01
PAGE 3
JAN 20/09

BRI



757

PARTS CATALOG (MAINTENANCE)

FIG ITEM	PART NUMBER	1 2 3 4 5 6 7	NOMENCLATURE	EFFECT FROM TO	UNITS PER ASSY
1 15	BCREF7618		<p>..SWITCH ASSY-LIGHTED PUSH BUTTON IND ON SUPPLIER CODE: V81590 OVERLENGTH PART NUMBER: 433-673-1001-1041 SPECIFICATION NUMBER: S231T290-1041 MISCELLANEOUS DATA: WHEN REPLACING THE PUSHBUTTON SWITCH ASSY OR THE MASTER MODULE WITHIN, VERIFY THAT A CONFIG D MASTER MODULE P/N 13202-001 IS INSTALLED IN LIEU OF ANY EARLIER CONFIGURATION MASTER MODULES. REFERENCE SERVICE BULLETIN: 33A0044 REWORKED BY SB: 433-33-05 V81590 FOR DETAILS SEE: 33-13-00-15</p>	107107	1

MISSING ITEM NUMBERS NOT APPLICABLE

- ITEM NOT ILLUSTRATED

BRI

35-21-51-01

BOEING PROPRIETARY - Copyright © - Unpublished Work - See title page for details.

35-21-51
FIG. 01
PAGE 4
JAN 20/09



757

PARTS CATALOG (MAINTENANCE)

FIG ITEM	PART NUMBER	1 2 3 4 5 6 7	NOMENCLATURE	EFFECT FROM TO	UNITS PER ASSY
1 15	BCREFA0518		<p>.. SWITCH ASSY-LIGHTED PUSH BUTTON IND SUPPLIER CODE: V81590 OVERLENGTH PART NUMBER: 433-673-1004-4041 SPECIFICATION NUMBER: S231T290-4041 MISCELLANEOUS DATA: WHEN REPLACING THE PUSHBUTTON SWITCH ASSY OR THE MASTER MODULE WITHIN, VERIFY THAT A CONFIG D MASTER MODULE P/N 13202-001 IS INSTALLED IN LIEU OF ANY EARLIER CONFIGURATION MASTER MODULES. OPTIONAL PART: S231T290-5041 REFERENCE SERVICE BULLETIN: 33A0044 REWORKED BY SB: 433-33-05 V81590 FOR DETAILS SEE: 33-13-00-45</p>	<p>002004 006010 107107 121503 904999</p>	1
15	851-30768-2041		<p>.. SWITCH ASSY-LIGHTED PUSH BUTTON IND ON SUPPLIER CODE: V96182 SPECIFICATION NUMBER: S231T290-2041 QUALIFIED I/W DATA: 851-30768-2041 TOGETHER WITH 851-30768-802 -812 OR 433-100-003 SWITCHGUARD I/W BCREFA0518 851-30768-3041 BCREFA0518 OR S231T290-5041 T/W 433-100-003 REFERENCE SERVICE BULLETIN: 33A0044 REWORKED BY SB: 433-33-05 V81590 FOR DETAILS SEE: 33-13-00-25</p>	107107	1

MISSING ITEM NUMBERS NOT APPLICABLE

- ITEM NOT ILLUSTRATED

35-21-51-01

35-21-51
FIG. 01
PAGE 5
JAN 20/09

BRI



757

PARTS CATALOG (MAINTENANCE)

FIG ITEM	PART NUMBER	1 2 3 4 5 6 7	NOMENCLATURE	EFFECT FROM TO	UNITS PER ASSY
1	15 851-30768-3041		..SWITCH ASSY-LIGHTED PUSH BUTTON IND ON SUPPLIER CODE: V96182 SPECIFICATION NUMBER: S231T290-3041 OPTIONAL PART: S231T290-5041 FOR DETAILS SEE: 33-13-00-35	002004 006010 107107 121503 904999	1
	15 S231T290-5041		..SWITCH ASSY-LIGHTED PUSH BUTTON IND QUALIFIED I/W DATA: 851-30768-2041 TOGETHER WITH 851-30768-802 -812 OR 433-100-003 SWITCHGUARD I/W BCREF7618 851-30768-3041 BCREFA0518 OR S231T290-5041 TOGETHER WITH 433-100-003 OPTIONAL PART: BCREFA0518 V81590 851-30768-3041 V96182	002004 006010 107107 121503 904999	1
- 100	286N2070-003		WIRE BUNDLE ASSY	121503 904949	RF
- 100	286N2070-004		WIRE BUNDLE ASSY	107107	RF
- 100	286N2070-005		WIRE BUNDLE ASSY-	002004 006010 950999	RF
	105 BACC45FT16A24S		.CONNECTOR- ELECTRICAL EQUIP NUMBER: D04800 WIRING DIAGRAM REF: 335111	002004 006010 107107 121503 904999	1
- 150	286N2156-003		WIRE BUNDLE ASSY	121503 904949	RF
- 150	286N2156-004		WIRE BUNDLE ASSY	107107	RF
- 150	286N2156-005		WIRE BUNDLE ASSY-	002004 006010 950999	RF
	155 BACC45FT12A12S7		.CONNECTOR- ELECTRICAL EQUIP NUMBER: D04802 WIRING DIAGRAM REF: 335111	002004 006010 107107 121503 904999	1

MISSING ITEM NUMBERS NOT APPLICABLE

- ITEM NOT ILLUSTRATED

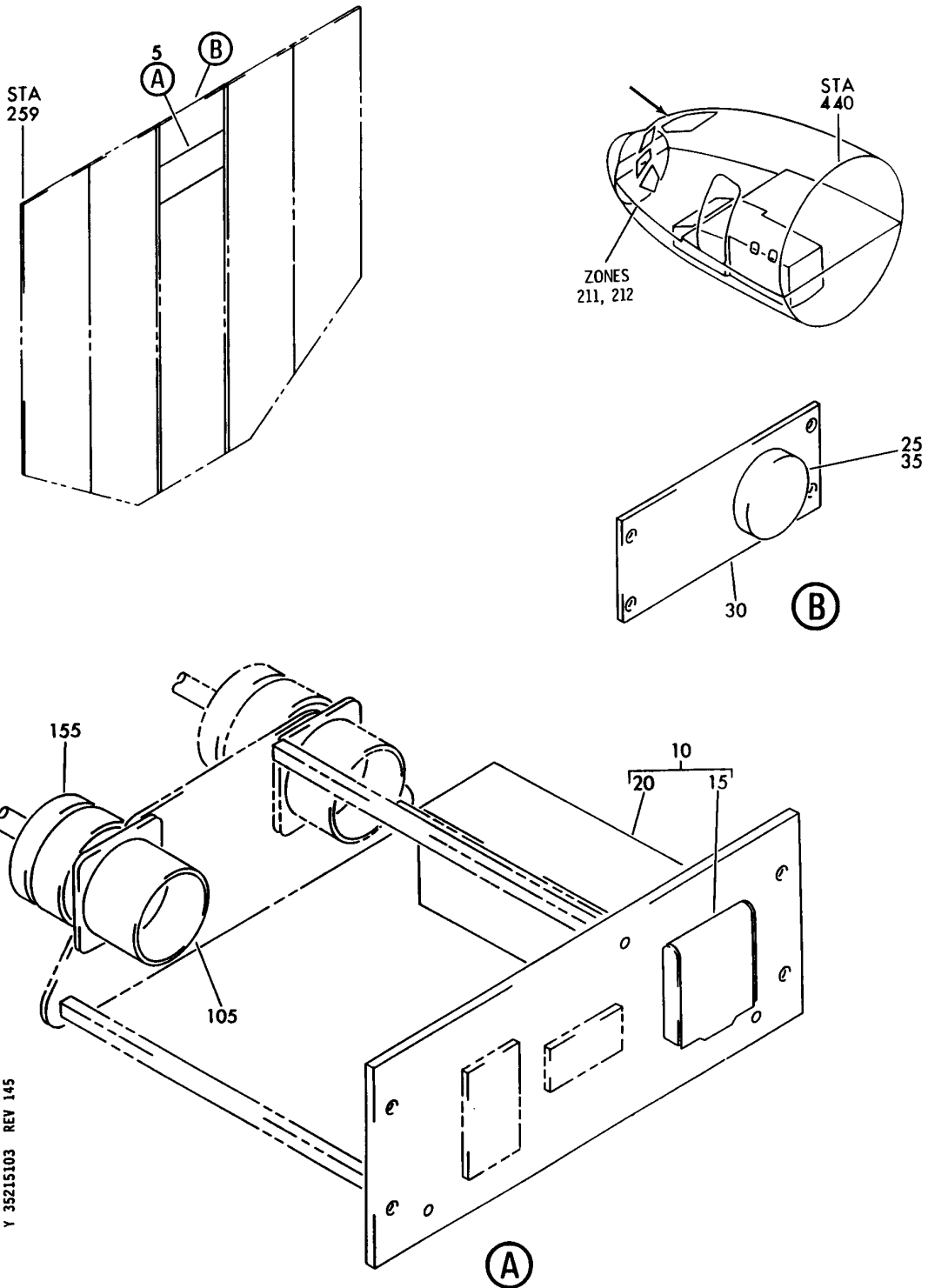
35-21-51-01

35-21-51
FIG. 01
PAGE 6
JAN 20/09

BRI

BOEING PROPRIETARY - Copyright © - Unpublished Work - See title page for details.

BOEING
757
PARTS CATALOG (MAINTENANCE)



Y 35215103 REV 145

PANEL INSTL-P5 OVHD (PASSENGER OXYGEN SYSTEM ONLY)
FIGURE 3

35-21-51-03

BRI
MAY 28/07

35-21-51-03
PAGE 0



757

PARTS CATALOG (MAINTENANCE)

FIG ITEM	PART NUMBER	1 2 3 4 5 6 7	NOMENCLATURE	EFFECT FROM TO	UNITS PER ASSY
3			PANEL INSTL-P5 OVHD (PASSENGER OXYGEN SYSTEM ONLY)	011100	
- 1	233N3101-1		PANEL INSTL-P5 OVHD (PASSENGER OXYGEN SYSTEM ONLY)	011100	RF
			VARIABLE DRAWING REF: 233N3101-5142 FOR NHA/OTHER SYS DET SEE: 25-10-00-05A		
5	233T3210-300		.PANEL ASSY-EMER LIGHT/PASS OXY SUPPLIER CODE: V89954 ELECTRICAL EQUIP NUMBER: M00043 COMPONENT MAINT MANUAL REF: 33-51-03 QUALIFIED I/W DATA: THE 233T3210-300 PANEL ASSY IS I/W THE 233T3210-28 PANEL ASSY I/W PANEL ASSY T/W THE S233T100-1077 LIGHTPLATE. PRE ALERT SB: 33A0044	011100	RF
5	233T3210-1300		.PANEL ASSY-EMER LIGHT/PASS OXY SUPPLIER CODE: V89954 ELECTRICAL EQUIP NUMBER: M00043 COMPONENT MAINT MANUAL REF: 33-51-03 POST ALERT SB: 33A0044	011100	RF
5	233T3210-306		.PANEL ASSY-EMER LIGHT/PASS OXY SUPPLIER CODE: V89954 ELECTRICAL EQUIP NUMBER: M00043 COMPONENT MAINT MANUAL REF: 33-51-03	011100	RF

MISSING ITEM NUMBERS NOT APPLICABLE

- ITEM NOT ILLUSTRATED

BRI

35-21-51-03

35-21-51
FIG. 03
PAGE 1
JAN 20/09



757

PARTS CATALOG (MAINTENANCE)

FIG ITEM	PART NUMBER	1 2 3 4 5 6 7	NOMENCLATURE	EFFECT FROM TO	UNITS PER ASSY
3					
10	233T3210-28	..	PANEL ASSY- SUPPLIER CODE: V89954 COMPONENT MAINT MANUAL REF: 33-51-03 QUALIFIED I/W DATA: THE 233T3210-300 PANEL ASSY IS I/W THE 233T3210-28 PANEL ASSY T/W THE S233T100-1077 LIGHTPLATE. USED ON: 233T3210-300 PRE ALERT SB: 33A0044	011100	RF
10	233T3210-1028	..	PANEL ASSY- SUPPLIER CODE: V89954 ELECTRICAL EQUIP NUMBER: M00043 COMPONENT MAINT MANUAL REF: 33-51-03 POST ALERT SB: 33A0044	011100	RF
10	233T3210-42	..	PANEL ASSY- SUPPLIER CODE: V89954 COMPONENT MAINT MANUAL REF: 33-51-03 USED ON: 233T3210-306	011100	RF
15	433-100-003	...	GUARD-SWITCH SUPPLIER CODE: V81590 SPECIFICATION NUMBER: S231T290-822	011100	1
15	851-30768-812	...	GUARD-SWITCH SUPPLIER CODE: V96182 SPECIFICATION NUMBER: S231T290-812	011100	1

MISSING ITEM NUMBERS NOT APPLICABLE

- ITEM NOT ILLUSTRATED

35-21-51-03

35-21-51
FIG. 03
PAGE 2
JAN 20/09

BRI



757

PARTS CATALOG (MAINTENANCE)

FIG ITEM	PART NUMBER	1 2 3 4 5 6 7	NOMENCLATURE	EFFECT FROM TO	UNITS PER ASSY
3 20	BCREFA0518		...SWITCH ASSY-LIGHTED PUSH BUTTON IND SUPPLIER CODE: V81590 OVERLENGTH PART NUMBER: 433-673-1004-4041 SPECIFICATION NUMBER: S231T290-4041 MISCELLANEOUS DATA: WHEN REPLACING THE PUSHBUTTON SWITCH ASSY OR THE MASTER MODULE WITHIN, VERIFY THAT A CONFIG D MASTER MODULE P/N 13202-001 IS INSTALLED IN LIEU OF ANY EARLIER CONFIGURATION MASTER MODULES. OPTIONAL PART: S231T290-5041 USED ON: 233T3210-28 233T3210-29 233T3210-38 233T3210-1028 233T3210-1038 REFERENCE SERVICE BULLETIN: 33A0044 REWORKED BY SB: 433-33-05 V81590 FOR DETAILS SEE: 33-13-00-45	011100	1
20	851-30768-3041		...SWITCH ASSY-LIGHTED PUSH BUTTON IND ON SUPPLIER CODE: V96182 SPECIFICATION NUMBER: S231T290-3041 USED ON: 233T3210-28 233T3210-29 233T3210-38 233T3210-1028 233T3210-1038 FOR DETAILS SEE: 33-13-00-35	011100	1

MISSING ITEM NUMBERS NOT APPLICABLE

- ITEM NOT ILLUSTRATED

35-21-51-03

35-21-51
 FIG. 03
 PAGE 3
 JAN 20/09

BRI



**757
PARTS CATALOG (MAINTENANCE)**

FIG ITEM	PART NUMBER	1 2 3 4 5 6 7	NOMENCLATURE	EFFECT FROM TO	UNITS PER ASSY
3					
20	S231T290-5041		...SWITCH ASSY-LIGHTED PUSH BUTTON IND QUALIFIED I/W DATA: 851-30768-2041 TOGETHER WITH 851-30768-802 -812 OR 433-100-003 SWITCHGUARD I/W BCREF7618 851-30768-3041 BCREFA0518 OR S231T290-5041 TOGETHER WITH 433-100-003 OPTIONAL PART: BCREFA0518 V81590 USED ON: 233T3210-28 233T3210-29 233T3210-38 233T3210-1028 233T3210-1038	011100	1
20	4336731004-4241		...SWITCH ASSY-LIGHTED PUSH BUTTON IND SUPPLIER CODE: V81590 SPECIFICATION NUMBER: S231T290-4241 USED ON: 233T3210-42	011100	1
- 100	286N2070-005		WIRE BUNDLE ASSY-	011100	RF
105	BACC45FT16A24S		.CONNECTOR- ELECTRICAL EQUIP NUMBER: D04800 WIRING DIAGRAM REF: 335111	011100	1
- 150	286N2156-005		WIRE BUNDLE ASSY	011100	RF
155	BACC45FT12A12S7		.CONNECTOR- ELECTRICAL EQUIP NUMBER: D04802 WIRING DIAGRAM REF: 335111	011100	1

MISSING ITEM NUMBERS NOT APPLICABLE

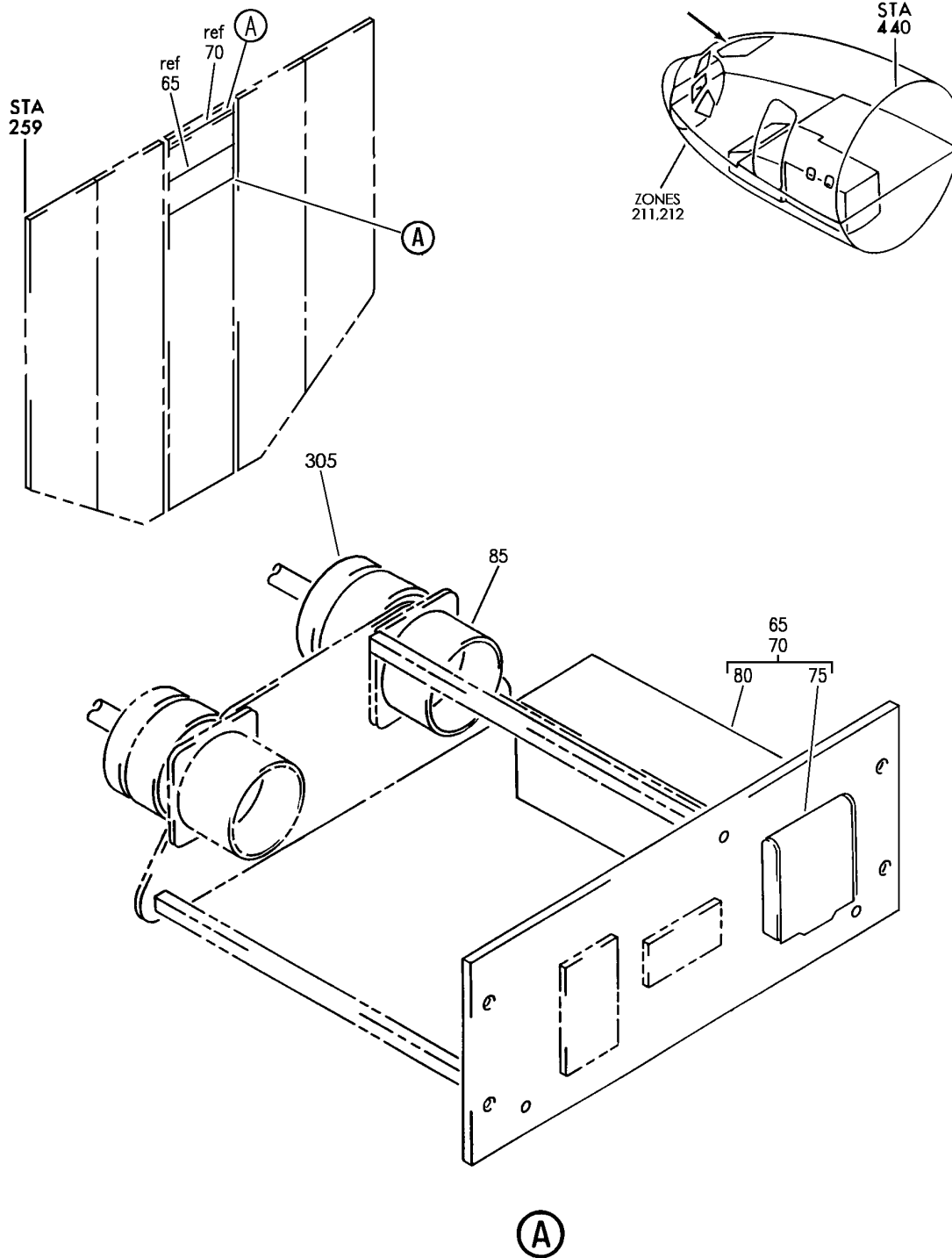
- ITEM NOT ILLUSTRATED

35-21-51-03

35-21-51
FIG. 03
PAGE 4
JAN 20/09

BRI

BOEING
757
PARTS CATALOG (MAINTENANCE)



Y 35215104 REV 289

PANEL INSTL-P5 OVHD (PASSENGER OXYGEN SYSTEM ONLY)
FIGURE 4

35-21-51-04

BRI
MAY 28/07

35-21-51-04
PAGE 0



757

PARTS CATALOG (MAINTENANCE)

FIG ITEM	PART NUMBER	1 2 3 4 5 6 7	NOMENCLATURE	EFFECT FROM TO	UNITS PER ASSY
4			PANEL INSTL-P5 OVHD (PASSENGER OXYGEN SYSTEM ONLY)	101106 108120 504903	
- 3	233N3103-132		PANEL INSTL-P5 OVHD (PASSENGER OXYGEN SYSTEM ONLY) FOR NHA/OTHER SYS DET SEE: 25-10-00-15E	101102	RF
- 3	233N3103-136		PANEL INSTL-P5 OVHD (PASSENGER OXYGEN SYSTEM ONLY) FOR NHA/OTHER SYS DET SEE: 25-10-00-15E	504903	RF
- 6	233N3103-59		PANEL INSTL-P5 OVHD (PASSENGER OXYGEN SYSTEM ONLY) FOR NHA/OTHER SYS DET SEE: 25-10-00-15E	108120	RF
- 8	MODREF170180		PANEL INSTL-P5 OVHD (PASSENGER OXYGEN SYSTEM ONLY) MODULE NUMBER: 233N3103-353 REV B FOR OTHER SYS DETAILS SEE: 11-31-10-12 21-25-55-03 21-31-01-02 21-33-51-03 21-51-54-03 21-58-19-10 21-58-51-03 21-61-04-03 21-65-51-01 22-21-01-04 22-24-51-02 23-24-01-01 23-32-00-11 23-42-02-02 23-71-05-02 24-11-52-05 24-22-01-03 24-31-01-10 24-31-03-09 24-33-04-01 24-41-51-04 24-51-62-01 26-18-51-04 27-21-53-02 27-41-55-01	106106	1

MISSING ITEM NUMBERS NOT APPLICABLE

- ITEM NOT ILLUSTRATED

35-21-51-04

35-21-51
FIG. 04
PAGE 1
JAN 20/09

BRI



757

PARTS CATALOG (MAINTENANCE)

FIG ITEM	PART NUMBER	1 2 3 4 5 6 7 NOMENCLATURE	EFFECT FROM TO	UNITS PER ASSY
4		27-61-51-03 27-62-52-02 28-22-51-02 28-41-04-01 28-41-51-03 29-11-02-03 29-11-05-04 29-11-52-07 29-21-54-03 29-31-00-01 29-32-51-03 29-33-52-03 30-11-51-03 30-21-51-03 30-31-51-02 30-32-51-01 30-33-51-02 30-41-51-03 30-42-51-03 31-12-11-84 31-12-11-84 A 32-42-52-03 33-11-03-03 33-11-51-17 33-13-01-65 33-13-02-03 33-16-51-03 33-24-51-02 33-41-52-04 33-42-01-04 33-42-02-04 33-42-52-04 33-43-51-04 33-44-51-05 33-45-53-03 33-51-08-05 34-21-02-01 36-11-04-01 36-21-00-01 36-21-02-05 36-22-51-03 49-41-00-02 49-52-00-01 49-70-00-01 52-51-51-03 52-71-51-02 73-21-52-02 74-31-51-05 75-32-00-01		

MISSING ITEM NUMBERS NOT APPLICABLE

- ITEM NOT ILLUSTRATED

35-21-51-04

35-21-51
FIG. 04
PAGE 2
JAN 20/09

BRI



757

PARTS CATALOG (MAINTENANCE)

FIG ITEM	PART NUMBER	1 2 3 4 5 6 7	NOMENCLATURE	EFFECT FROM TO	UNITS PER ASSY
4					
- 10	MODREF33760		80-11-09-02 PANEL INSTL-P5 OVHD (PASSENGER OXYGEN SYSTEM ONLY) MODULE NUMBER: 233N3103-351 REV C FOR OTHER SYS DETAILS SEE: 11-31-10-12 21-25-55-03 21-31-01-02 21-33-51-03 21-51-54-03 21-58-19-10 21-58-51-03 21-61-04-03 21-65-51-01 22-21-01-04 22-24-51-02 23-24-01-01 23-32-00-11 23-42-02-02 23-71-05-02 24-11-52-05 24-22-01-03 24-31-01-10 24-31-03-09 24-33-04-01 24-41-51-04 24-51-62-01 26-18-51-04 27-21-53-02 27-41-55-01 27-61-51-03 27-62-52-02 28-22-51-02 28-41-04-01 28-41-51-03 29-11-02-03 29-11-05-04 29-11-52-07 29-21-54-03 29-31-00-01 29-32-51-03 29-33-52-03 30-11-51-03 30-21-51-03 30-31-51-02 30-32-51-01 30-33-51-02	103103	1
MISSING ITEM NUMBERS NOT APPLICABLE					

- ITEM NOT ILLUSTRATED

35-21-51-04

35-21-51
FIG. 04
PAGE 3
JAN 20/09

BRI



757

PARTS CATALOG (MAINTENANCE)

FIG ITEM	PART NUMBER	1 2 3 4 5 6 7	NOMENCLATURE	EFFECT FROM TO	UNITS PER ASSY
4			30-41-51-03 30-42-51-03 31-12-11-91 31-12-11-91 A 32-42-52-03 33-11-03-03 33-11-51-17 33-13-01-65 33-13-02-03 33-16-51-03 33-24-51-02 33-41-52-04 33-42-01-04 33-42-02-04 33-42-52-04 33-43-51-04 33-44-51-05 33-45-53-03 33-51-08-05 34-21-02-01 36-11-04-01 36-21-00-01 36-21-02-05 36-22-51-03 49-41-00-02 49-52-00-01 49-70-00-01 52-51-51-03 52-71-51-02 73-21-52-02 74-31-51-05 75-32-00-01 80-11-09-02		
- 10	MODREF34038		PANEL INSTL-P5 OVHD (PASSENGER OXYGEN SYSTEM ONLY) MODULE NUMBER: 233N3103-351 REV D FOR OTHER SYS DETAILS SEE: 11-31-10-12 21-25-55-03 21-31-01-02 21-33-51-03 21-51-54-03 21-58-19-10 21-58-51-03 21-61-04-03 21-65-51-01 22-21-01-04	104105	1
MISSING ITEM NUMBERS NOT APPLICABLE					

- ITEM NOT ILLUSTRATED

35-21-51-04

35-21-51
FIG. 04
PAGE 4
JAN 20/09

BRI



757

PARTS CATALOG (MAINTENANCE)

FIG ITEM	PART NUMBER	1 2 3 4 5 6 7	NOMENCLATURE	EFFECT FROM TO	UNITS PER ASSY
4			22-24-51-02 23-24-01-01 23-32-00-11 23-42-02-02 23-71-05-02 24-11-52-05 24-22-01-03 24-31-01-10 24-31-03-09 24-33-04-01 24-41-51-04 24-51-62-01 26-18-51-04 27-21-53-02 27-41-55-01 27-61-51-03 27-62-52-02 28-22-51-02 28-41-04-01 28-41-51-03 29-11-02-03 29-11-05-04 29-11-52-07 29-21-54-03 29-31-00-01 29-32-51-03 29-33-52-03 30-11-51-03 30-21-51-03 30-31-51-02 30-32-51-01 30-33-51-02 30-41-51-03 30-42-51-03 31-12-11-91 31-12-11-91 A 32-42-52-03 33-11-03-03 33-11-51-17 33-13-01-65 33-13-02-03 33-16-51-03 33-24-51-02 33-41-52-04 33-42-01-04 33-42-02-04 33-42-52-04 33-43-51-04 33-44-51-05		

MISSING ITEM NUMBERS NOT APPLICABLE

- ITEM NOT ILLUSTRATED

35-21-51-04

35-21-51
FIG. 04
PAGE 5
JAN 20/09

BRI



757

PARTS CATALOG (MAINTENANCE)

FIG ITEM	PART NUMBER	1 2 3 4 5 6 7	NOMENCLATURE	EFFECT FROM TO	UNITS PER ASSY
4			33-45-53-03 33-51-08-05 34-21-02-01 36-11-04-01 36-21-00-01 36-21-02-05 36-22-51-03 49-41-00-02 49-52-00-01 49-70-00-01 52-51-51-03 52-71-51-02 73-21-52-02 74-31-51-05 75-32-00-01 80-11-09-02		
- 55	233T3210-300		.PANEL ASSY-EMER LIGHT/PASS OXY SUPPLIER CODE: V89954 ELECTRICAL EQUIP NUMBER: M00043 COMPONENT MAINT MANUAL REF: 33-51-03 QUALIFIED I/W DATA: THE 233T3210-300 PANEL ASSY IS I/W THE 233T3210-28 PANEL ASSY T/W THE S233T100-1077 LIGHTPLATE. PRE ALERT SB: 33A0044	101102 108120 504903	RF
- 55	233T3210-1300		.PANEL ASSY-EMER LIGHT/PASS OXY SUPPLIER CODE: V89954 ELECTRICAL EQUIP NUMBER: M00043 COMPONENT MAINT MANUAL REF: 33-51-03 POST ALERT SB: 33A0044	101102 108120 504903	RF

MISSING ITEM NUMBERS NOT APPLICABLE

- ITEM NOT ILLUSTRATED

35-21-51-04

35-21-51
 FIG. 04
 PAGE 6
 JAN 20/09

BRI



757

PARTS CATALOG (MAINTENANCE)

FIG ITEM	PART NUMBER	1 2 3 4 5 6 7	NOMENCLATURE	EFFECT FROM TO	UNITS PER ASSY
4 - 55	233T3210-306		.PANEL ASSY-EMER LIGHT/PASS OXY SUPPLIER CODE: V89954 ELECTRICAL EQUIP NUMBER: M00043 COMPONENT MAINT MANUAL REF: 33-51-03	101106 108120 504903	RF
65	233T3210-28		..PANEL ASSY- SUPPLIER CODE: V89954 COMPONENT MAINT MANUAL REF: 33-51-03 QUALIFIED I/W DATA: THE 233T3210-300 PANEL ASSY IS I/W THE 233T3210-28 PANEL ASSY T/W THE S233T100-1077 LIGHTPLATE. 233T3210-305 CAN REPLACE OR BE REPLACED BY 233T3210-28 T/W S233T100-1077 SUBJECT TO CUSTOMER PREFERENCE OF HAVING OR NOT HAVING SWITCH GUARD USED ON: 233T3210-300 PRE ALERT SB: 33A0044	101102 108120 504903	1
65	233T3210-42		..PANEL ASSY- SUPPLIER CODE: V89954 COMPONENT MAINT MANUAL REF: 33-51-03 USED ON: 233T3210-306 PRE ALERT SB: 33A0044	101106 108120 504903	1
65	233T3210-1028		..PANEL ASSY- SUPPLIER CODE: V89954 COMPONENT MAINT MANUAL REF: 33-51-03 USED ON: 233T3210-1300 POST ALERT SB: 33A0044	101102 108120 504903	1

MISSING ITEM NUMBERS NOT APPLICABLE

- ITEM NOT ILLUSTRATED

35-21-51-04

35-21-51
FIG. 04
PAGE 7
JAN 20/09

BRI



757

PARTS CATALOG (MAINTENANCE)

FIG ITEM	PART NUMBER	1 2 3 4 5 6 7	NOMENCLATURE	EFFECT FROM TO	UNITS PER ASSY
4	75 433-100-003	...	GUARD-SWITCH SUPPLIER CODE: V81590 SPECIFICATION NUMBER: S231T290-822	101106 108120 504903	1
	75 851-30768-812	...	GUARD-SWITCH SUPPLIER CODE: V96182 SPECIFICATION NUMBER: S231T290-812	101106 108120 504903	1
	80 BCREFA0518	...	SWITCH ASSY-LIGHTED PUSH BUTTON IND SUPPLIER CODE: V81590 OVERLENGTH PART NUMBER: 433-673-1004-4041 SPECIFICATION NUMBER: S231T290-4041 MISCELLANEOUS DATA: WHEN REPLACING THE PUSHBUTTON SWITCH ASSY OR THE MASTER MODULE WITHIN, VERIFY THAT A CONFIG D MASTER MODULE P/N 13202-001 IS INSTALLED IN LIEU OF ANY EARLIER CONFIGURATION MASTER MODULES. OPTIONAL PART: S231T290-5041 USED ON: 233T3210-28 233T3210-37 233T3210-38 233T3210-1028 REFERENCE SERVICE BULLETIN: 33A0044 REWORKED BY SB: 433-33-05 V81590 FOR DETAILS SEE: 33-13-00-45	101102 108120 504903	1

MISSING ITEM NUMBERS NOT APPLICABLE

- ITEM NOT ILLUSTRATED

35-21-51-04

35-21-51
FIG. 04
PAGE 8
JAN 20/09

BRI



757

PARTS CATALOG (MAINTENANCE)

FIG ITEM	PART NUMBER	1 2 3 4 5 6 7	NOMENCLATURE	EFFECT FROM TO	UNITS PER ASSY
4	80 S231T290-5041		...SWITCH ASSY-LIGHTED PUSH BUTTON IND QUALIFIED I/W DATA: 851-30768-2041 TOGETHER WITH 851-30768-802 -812 OR 433-100-003 SWITCHGUARD I/W BCREF7618 851-30768-3041 BCREFA0518 OR S231T290-5041 TOGETHER WITH 433-100-003 OPTIONAL PART: BCREFA0518 V81590 USED ON: 233T3210-28 233T3210-37 233T3210-38 233T3210-1028 233T3210-1037	101102 108120 504903	1
	80 851-30768-3041		...SWITCH ASSY-LIGHTED PUSH BUTTON IND ON SUPPLIER CODE: V96182 SPECIFICATION NUMBER: S231T290-3041 USED ON: 233T3210-28 233T3210-37 233T3210-38 233T3210-1028 233T3210-1037 FOR DETAILS SEE: 33-13-00-35	101102 108120 504903	1
	80 4336731004-4241		...SWITCH ASSY-LIGHTED PUSH BUTTON IND SUPPLIER CODE: V81590 SPECIFICATION NUMBER: S231T290-4241 USED ON: 233T3210-42	101106 108120 504903	1
	85 BACC45FN12-12P7		...CONNECTOR	101106 108120 504903	1

MISSING ITEM NUMBERS NOT APPLICABLE

- ITEM NOT ILLUSTRATED

35-21-51-04

35-21-51
FIG. 04
PAGE 9
JAN 20/09

BRI



757

PARTS CATALOG (MAINTENANCE)

FIG ITEM	PART NUMBER	1 2 3 4 5 6 7	NOMENCLATURE	EFFECT FROM TO	UNITS PER ASSY
4			ATTACHING PARTS		
- 90	NAS1801-04-5	...	SCREW- USED ON: 233T3210-28 233T3210-37 233T3210-38 233T3210-1028 233T3210-1037	101102 108120 504903	2
- 90	BACS12CK04U5	...	SCREW- USED ON: 233T3210-42	101106 108120 504903	2
- 95	K19798-04	...	NUT SUPPLIER CODE: V15653 SPECIFICATION NUMBER: BACN10NW1 OPTIONAL PART: RMA4812-160-40 V72962 293162 V60119	101106 108120 504903	2
- 300	286N2156-335		WIRE BUNDLE ASSY-	108120	RF
- 301	286N2156-326		WIRE BUNDLE ASSY	101102	RF
- 301	286N2156-331		WIRE BUNDLE ASSY	504903	RF
- 302	286N2156-601		WIRE BUNDLE ASSY	103106	RF
305	BACC45FT12A12S7	.	CONNECTOR- ELECTRICAL EQUIP NUMBER: D04802 WIRING DIAGRAM REF: 335111 352111	101106 108120 504903	1

MISSING ITEM NUMBERS NOT APPLICABLE

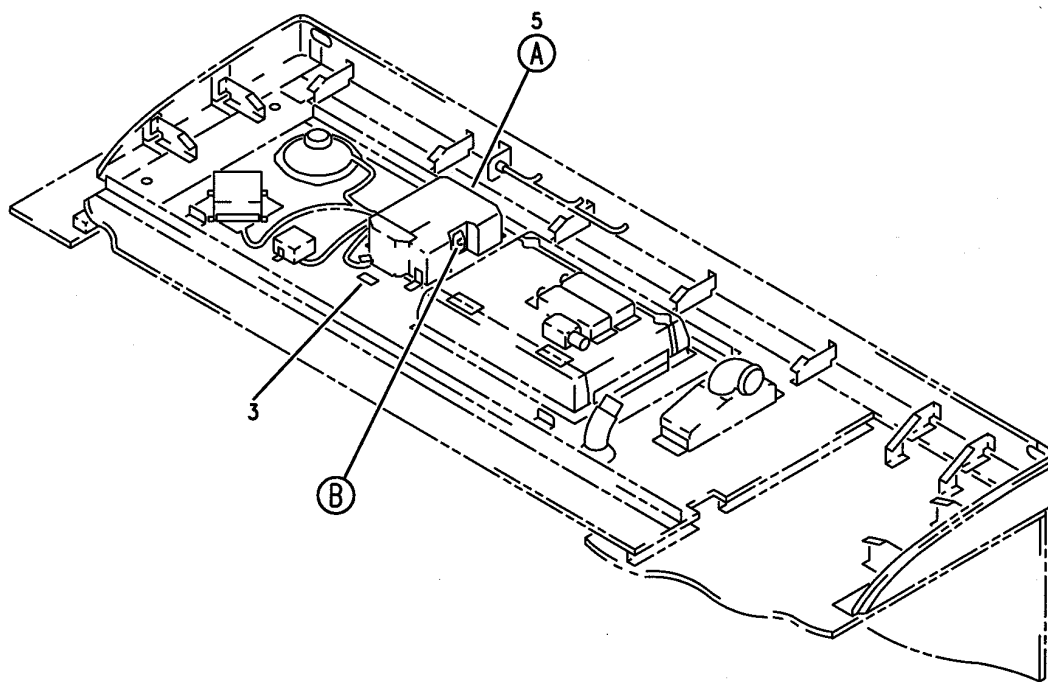
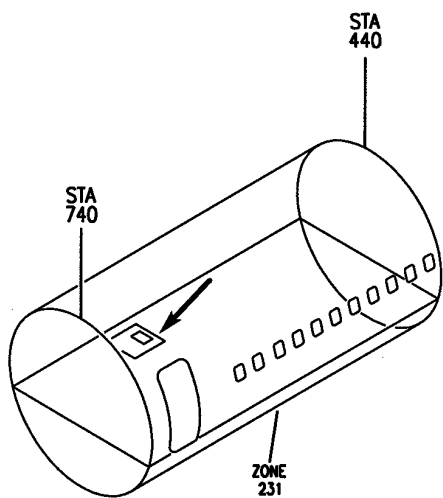
- ITEM NOT ILLUSTRATED

35-21-51-04

35-21-51
FIG. 04
PAGE 10
JAN 20/09

BRI

BOEING
757
PARTS CATALOG (MAINTENANCE)



Y 35215210 SHT 1 REV 209

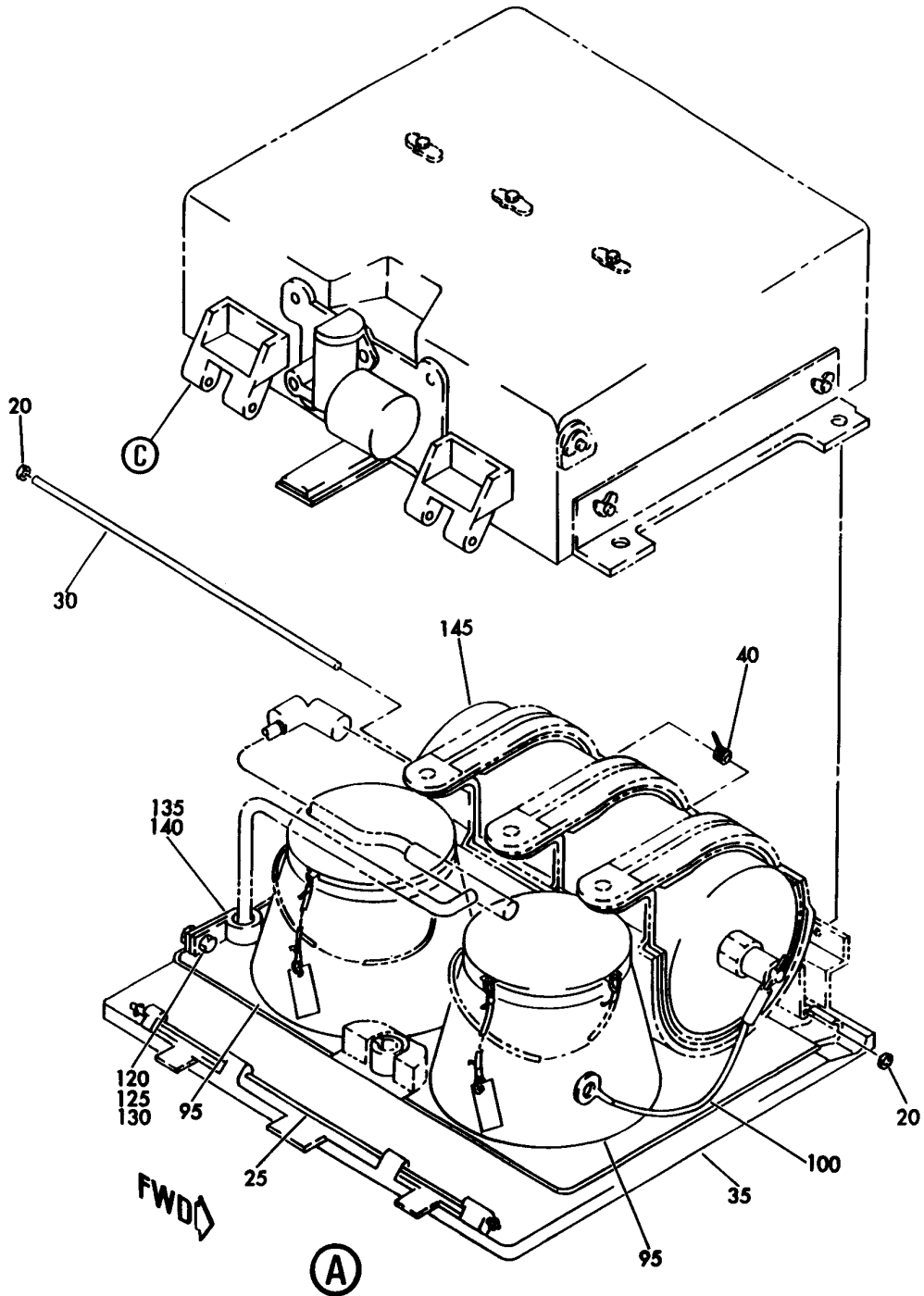
PANEL ASSY-DOOR NO. 2 FLAT (OXYGEN ONLY) (FLYAWAY)
FIGURE 10 (SHEET 1)

35-21-52-10

BRI
JAN 20/09

35-21-52-10
PAGE 0

BOEING
757
PARTS CATALOG (MAINTENANCE)



Y 35215210 SH1 2 REV 155

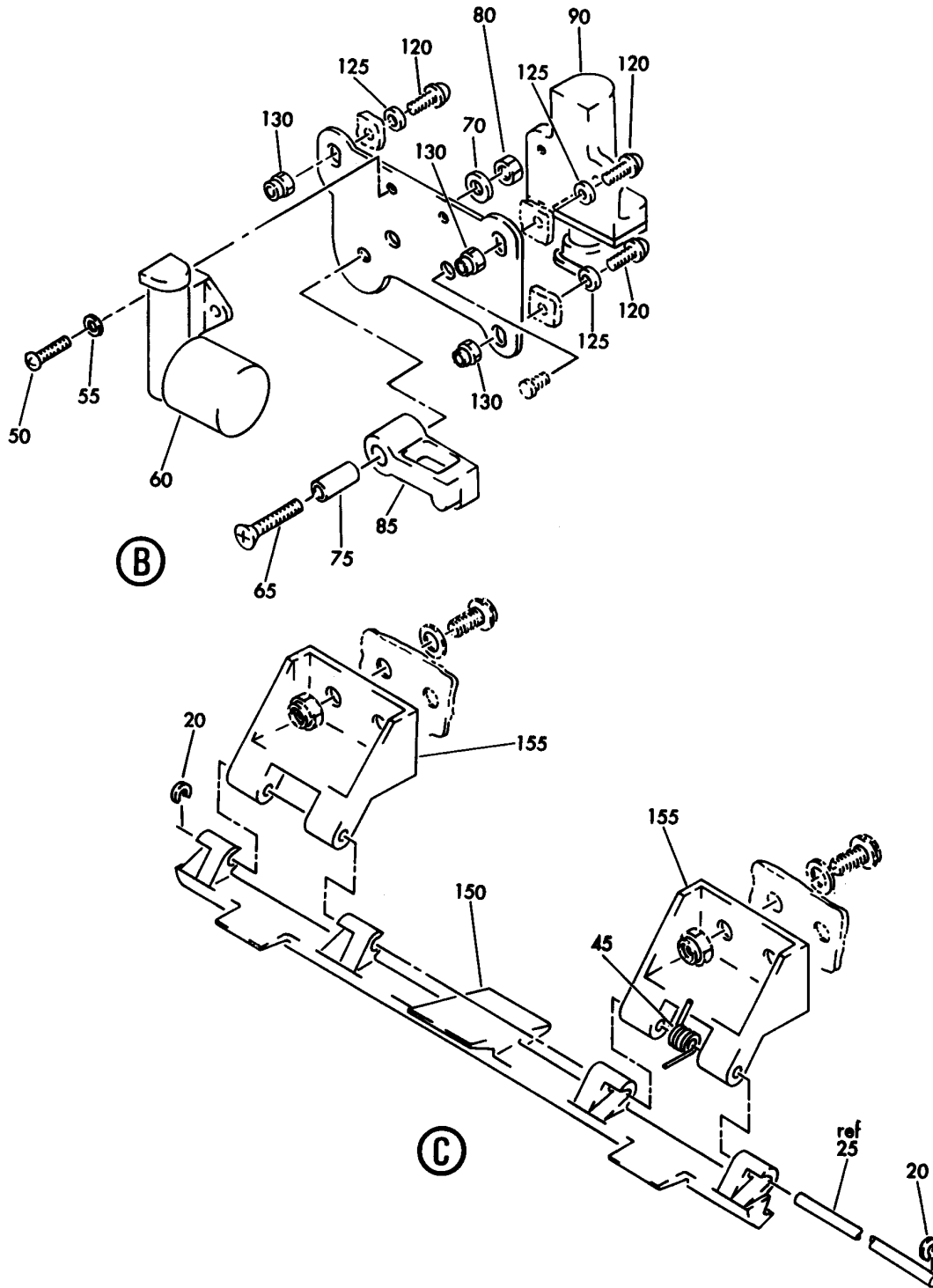
PANEL ASSY-DOOR NO. 2 FLAT (OXYGEN ONLY) (FLYAWAY)
FIGURE 10 (SHEET 2)

35-21-52-10

BRI
JAN 20/09

35-21-52-10
PAGE 0A

BOEING
757
PARTS CATALOG (MAINTENANCE)



Y 35215210 SHT 3 REV 155

PANEL ASSY-DOOR NO. 2 FLAT (OXYGEN ONLY) (FLYAWAY)
FIGURE 10 (SHEET 3)

35-21-52-10

BRI
JAN 20/09

35-21-52-10
PAGE 0B



757

PARTS CATALOG (MAINTENANCE)

FIG ITEM	PART NUMBER	1 2 3 4 5 6 7	NOMENCLATURE	EFFECT FROM TO	UNITS PER ASSY
10			PANEL ASSY-DOOR NO. 2 FLAT (OXYGEN ONLY) (FLYAWAY)	504504 506506	
- 1	411N3262-187SP		PANEL ASSY-DOOR NO. 2 FLAT (OXYGEN ONLY) FOR NHA/OTHER SYS DET SEE: 25-22-02-50B	504504 506506	RF
3	BAC27NPA0302		.MARKER-ALUMINUM FOIL PLACARD CONTENT: M10373 ATTENDANTS OXYGEN BOX	504504 506506	1
5	417N3810-121SP		.BOX ASSY-OXY ELECTRICAL EQUIP NUMBER: M10373 COMPONENT MAINT MANUAL REF: 35-21-34	504504 506506	1
- 10	BACS12GU3K6		ATTACHING PARTS .SCREW	504504 506506	4
- 15	NAS1149D0332J		.WASHER	504504 506506	4
20	6100-9		-----*----- ..RETAINER- SUPPLIER CODE: V2X013	504504 506506	4
25	MS20253P2-780		..PIN	504504 506506	1
30	MS20253P2-825		..PIN	504504 506506	1
35	417N3830-14SP		..DOOR ASSY	504504 506506	1
40	417N3173-3		..SPRING	504504 506506	1
45	417N3173-4		..SPRING	504504 506506	1
50	NAS601-6P		..SCREW	504504 506506	2
55	NAS601-6L		..WASHER	504504 506506	2
60	78580-1ACTUATOR		..ACTUATOR- SUPPLIER CODE: V09790 SPECIFICATION NUMBER: S417T402-2	504504 506506	1
65	NAS514P632-14		..SCREW	504504 506506	1
70	AN960JD6L		..WASHER	504504 506506	1

MISSING ITEM NUMBERS NOT APPLICABLE

- ITEM NOT ILLUSTRATED

35-21-52-10

35-21-52
FIG. 10
PAGE 1
JAN 20/09

BRI



757

PARTS CATALOG (MAINTENANCE)

FIG ITEM	PART NUMBER	1 2 3 4 5 6 7	NOMENCLATURE	EFFECT FROM TO	UNITS PER ASSY
10					
75	NAS43DD1-38	..	SPACER	504504 506506	1
80	MS21042L06	..	NUT	504504 506506	1
85	417N3135-4	..	LEVER-ACTUATOR	504504 506506	1
90	417N3150-20SP	..	STOP ASSY	504504 506506	1
95	289-801-121	..	MASK ASSY- SUPPLIER CODE: V53655 SPECIFICATION NUMBER: S418W001-121	504504 506506	2
100	417N3137-2	..	CABLE ASSY	504504 506506	1
			ATTACHING PARTS		
- 105	BACS12FA08K5	..	SCREW	504504 506506	1
- 110	AN960JD8L	..	WASHER	504504 506506	1
- 115	MS21042L08	..	NUT	504504 506506	1
			-----*-----		
120	BACS12FA08K7	..	SCREW	504504 506506	4
125	AN960JD8L	..	WASHER	504504 506506	4
130	MS21042L08	..	NUT	504504 506506	4
135	MS3367-4-9	..	STRAP	504504 506506	1
140	287T0011-1	..	CLAMP	504504 506506	1
145	117003-22	..	GENERATOR- SUPPLIER CODE: V16827 SPECIFICATION NUMBER: S417T401-22 OPTIONAL PART: E72220-10 VD1379	504504 506506	1
145	E72220-10	..	GENERATOR- SUPPLIER CODE: VD1379 SPECIFICATION NUMBER: S417T401-51 OPTIONAL PART: 117003-22 V16827	504504 506506	1

MISSING ITEM NUMBERS NOT APPLICABLE

- ITEM NOT ILLUSTRATED

35-21-52-10

35-21-52
FIG. 10
PAGE 2
JAN 20/09

BRI



757

PARTS CATALOG (MAINTENANCE)

FIG ITEM	PART NUMBER	1 2 3 4 5 6 7	NOMENCLATURE	EFFECT FROM TO	UNITS PER ASSY
10					
150	417N3133-2	..	LATCH	504504 506506	1
155	417N3133-3	..	LATCH	504504 506506	2
			ATTACHING PARTS		
- 160	BACS12FA08K6	..	SCREW	504504 506506	4
- 165	AN960JD8L	..	WASHER	504504 506506	4
- 170	MS21042L08	..	NUT	504504 506506	4
			-----*		

MISSING ITEM NUMBERS NOT APPLICABLE

- ITEM NOT ILLUSTRATED

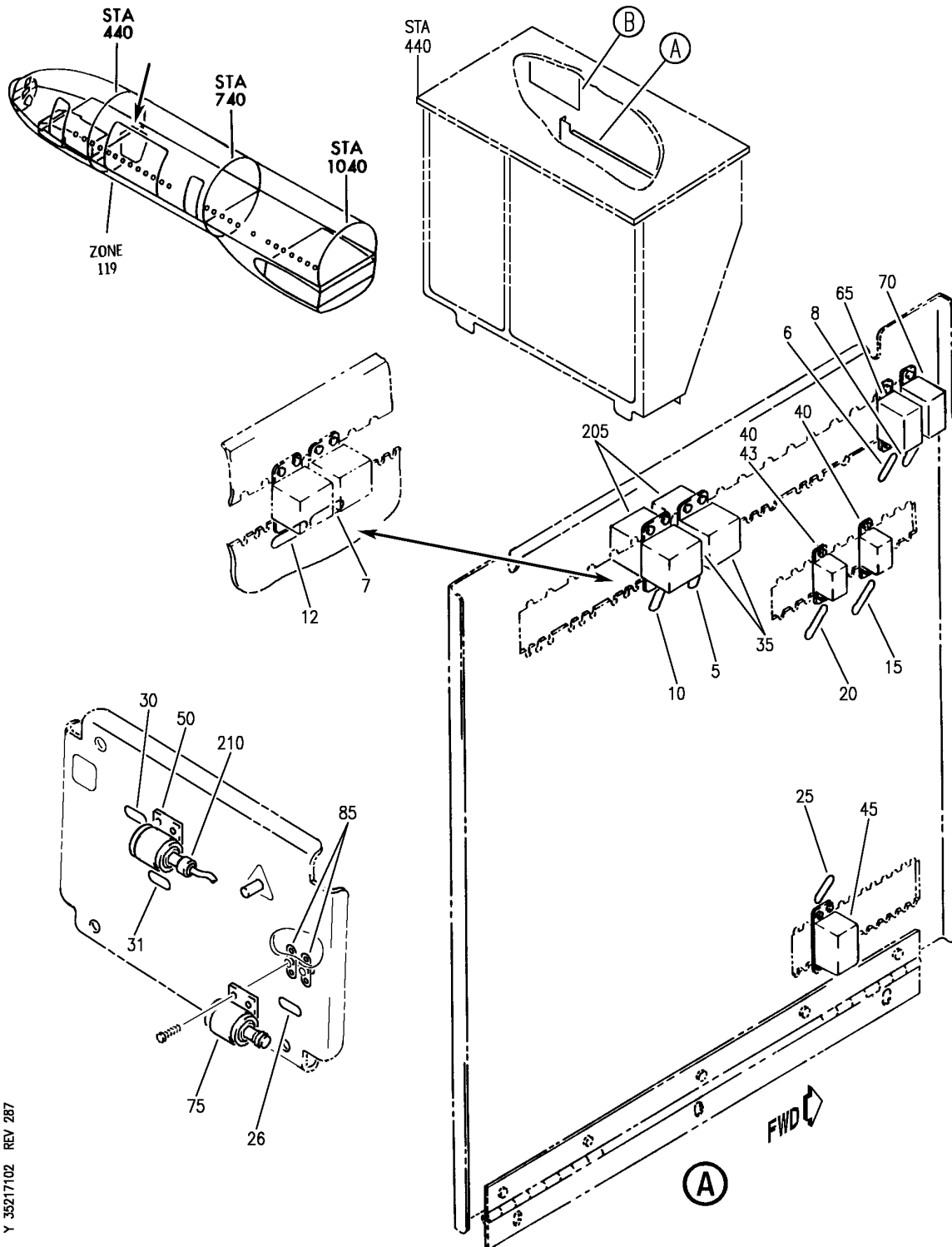
BRI

35-21-52-10

BOEING PROPRIETARY - Copyright © - Unpublished Work - See title page for details.

35-21-52
FIG. 10
PAGE 3
JAN 20/09

BOEING
757
PARTS CATALOG (MAINTENANCE)



Y 35217102 REV 287

PANEL ASSY-P37 MISC RELAY (OXYGEN ONLY) R
FIGURE 2

35-21-71-02

BRI
MAY 28/07

35-21-71-02
PAGE 0



757

PARTS CATALOG (MAINTENANCE)

FIG ITEM	PART NUMBER	1 2 3 4 5 6 7	NOMENCLATURE	EFFECT FROM TO	UNITS PER ASSY
2			PANEL ASSY-P37 MISC RELAY (OXYGEN ONLY) R	002004 006100 107107 121503 904999	
- 1	284N1127-1		PANEL ASSY-P37 MISC RELAY (OXYGEN ONLY) POSITION DATA: R VARIABLE DRAWING REF: 284N1127-5028 284N1127-5039 284N1127-5063 284N1127-5064 284N1127-5068 REWORKED BY SB: 33-0039 34-0200 REWORKED BY ALERT SB: 27A0130 FOR NHA/OTHER SYS DET SEE: 31-01-37-01B	002004 006100 107107 121503 904999	RF
5	BAC27NEX0974		.DECAL- PLACARD CONTENT: K4	002004 006100 121503 904999	1
7	BAC27NEX0974		.DECAL- PLACARD CONTENT: K4	107107	1
10	BAC27NEX0975		.DECAL- PLACARD CONTENT: K7	002004 006100 121503 904999	1
12	BAC27NEX0975		.DECAL- PLACARD CONTENT: K7	107107	1
20	BAC27NEX0977		.DECAL- PLACARD CONTENT: K42	121503 904949	1
25	BAC27NEX0983		.DECAL- PLACARD CONTENT: K10038	002004 006100 107107 121503 904999	1
31	BAC27NEX1048		.DECAL- PLACARD CONTENT: S119	002004 006100 107107 121503 904999	1

MISSING ITEM NUMBERS NOT APPLICABLE

- ITEM NOT ILLUSTRATED

35-21-71-02

35-21-71
FIG. 02
PAGE 1
JAN 20/09

BRI



757

PARTS CATALOG (MAINTENANCE)

FIG ITEM	PART NUMBER	1 2 3 4 5 6 7	NOMENCLATURE	EFFECT FROM TO	UNITS PER ASSY
2	35 ES410-1538	.RELAY-	SUPPLIER CODE: V99699 SPECIFICATION NUMBER: BACR13CG2AB OPTIONAL PART: KD4L018 V35344 BR230DS0115 V56623 KD4L036 V58657 FCA410-63 V78290 ELECTRICAL EQUIP NUMBER: K00004 K00007	121503 904949	2
	35 TDH7101-5001	.RELAY-	SUPPLIER CODE: V58657 ELECTRICAL EQUIP NUMBER: K00004 K00007	002004 006100 107107 950999	2
	43 600-159-5001	.RELAY-	SUPPLIER CODE: V15420 ELECTRICAL EQUIP NUMBER: K00042	121503 904949	1
	45 W460F1A	.RELAY-	SUPPLIER CODE: VF0219 SPECIFICATION NUMBER: BACR13CE2 OPTIONAL PART: 3SAH5-13-4K1 V01526 3SAH1326A2 V01526 ELECTRICAL EQUIP NUMBER: K10038	002004 006100 107107 121503 904999	1

MISSING ITEM NUMBERS NOT APPLICABLE

- ITEM NOT ILLUSTRATED

BRI

35-21-71-02

BOEING PROPRIETARY - Copyright © - Unpublished Work - See title page for details.

35-21-71
FIG. 02
PAGE 2
JAN 20/09



757

PARTS CATALOG (MAINTENANCE)

FIG ITEM	PART NUMBER	1 2 3 4 5 6 7	NOMENCLATURE	EFFECT FROM TO	UNITS PER ASSY
2 50	214C40-1-75		.SWITCH- SUPPLIER CODE: V02750 ELECTRICAL EQUIP NUMBER: S00119 WIRING DIAGRAM REF: 352111 QUALIFIED I/W DATA: 214C40-1-75 I/W 214C40-1-122 EXCEPT SUBJECT TO CUSTOMER PREFERENCE ATTACHING PARTS	002004 006100 107107 121503 904999	1
- 55	NAS603-8		.SCREW-	002004 006100 107107 121503 904999	2
- 55	NAS603-8P		.SCREW-	002004 006100 107107 121503 904999	2
- 200	286N1270-002		-----*----- WIRE BUNDLE ASSY-(OXYGEN ONLY) REWORKED BY ALERT SB: 27A0130 34A0222	121503 904949	RF
- 200	286N1270-003		WIRE BUNDLE ASSY-(OXYGEN ONLY) REWORKED BY ALERT SB: 27A0130 34A0222	107107	RF
- 200	286N1270-005		WIRE BUNDLE ASSY-(OXYGEN ONLY) REWORKED BY SB: 33-0039 34-0200 REWORKED BY ALERT SB: 27A0130 34A0222	002004 006100 950999	RF
205	BACS16W1		.SOCKET- ELECTRICAL EQUIP NUMBER: D02178 D02180 WIRING DIAGRAM REF: 352111	121503 904949	2

MISSING ITEM NUMBERS NOT APPLICABLE

- ITEM NOT ILLUSTRATED

35-21-71-02

35-21-71
FIG. 02
PAGE 3
JAN 20/09

BRI



757

PARTS CATALOG (MAINTENANCE)

FIG ITEM	PART NUMBER	1 2 3 4 5 6 7	NOMENCLATURE	EFFECT FROM TO	UNITS PER ASSY
2 205	BACS16W5		.SOCKET- ELECTRICAL EQUIP NUMBER: D02178 D02180 WIRING DIAGRAM REF: 352111	002004 006100 107107 950999	2
210	BACC45FS10D5S6		.CONNECTOR- ELECTRICAL EQUIP NUMBER: D02184 WIRING DIAGRAM REF: 352111	002004 006100 107107 121503 904999	1

MISSING ITEM NUMBERS NOT APPLICABLE

- ITEM NOT ILLUSTRATED

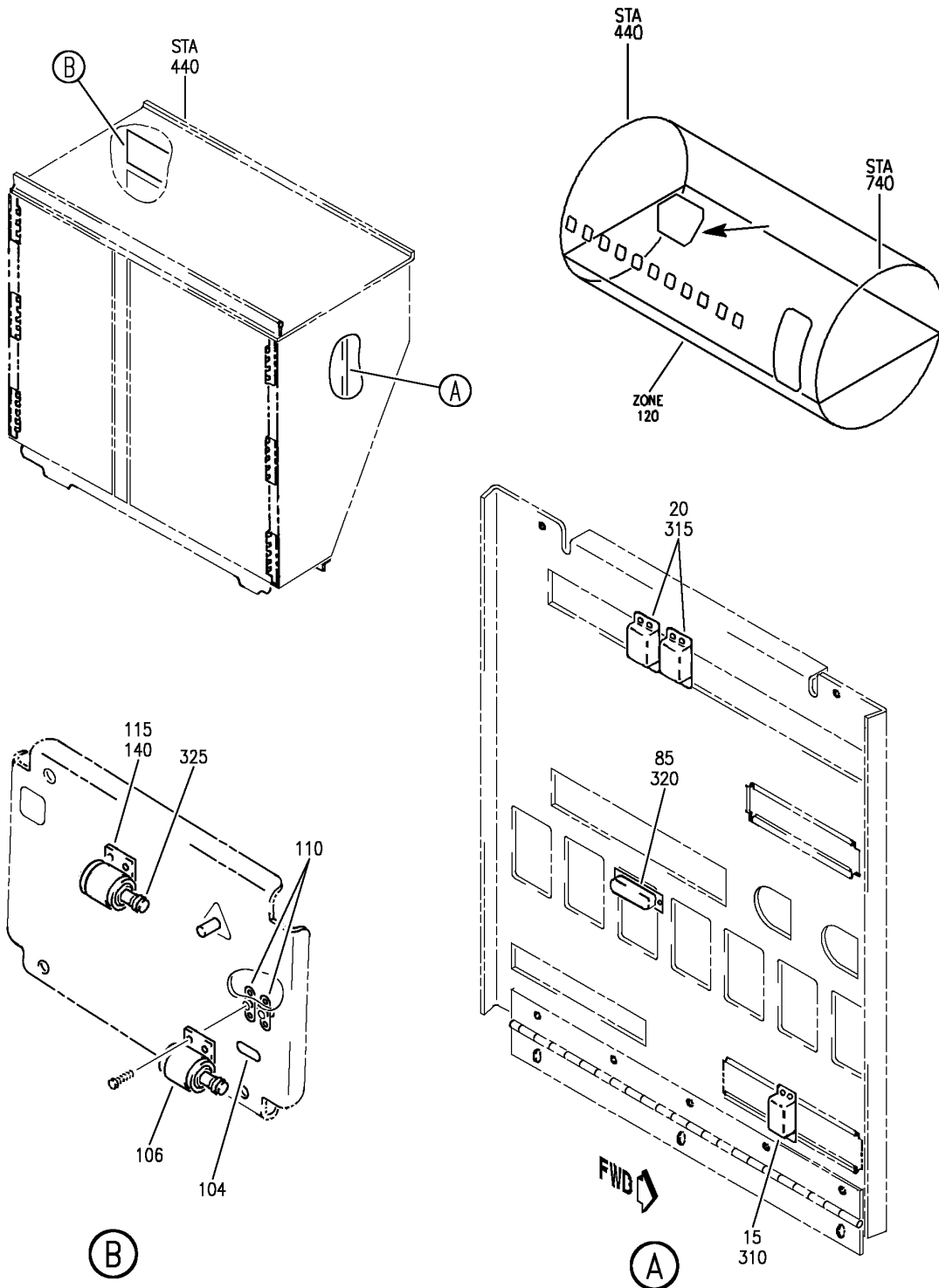
BRI

35-21-71-02

BOEING PROPRIETARY - Copyright © - Unpublished Work - See title page for details.

35-21-71
FIG. 02
PAGE 4
JAN 20/09

BOEING
757
PARTS CATALOG (MAINTENANCE)



Y 35217102B REV 287

PACKAGE ASSY-OPTION P37 MISC RELAY (OXYGEN ONLY)
FIGURE 2B

35-21-71-02B

BRI
MAY 28/07

35-21-71-02B
PAGE 0



757

PARTS CATALOG (MAINTENANCE)

FIG ITEM	PART NUMBER	1 2 3 4 5 6 7	NOMENCLATURE	EFFECT FROM TO	UNITS PER ASSY
2B			PACKAGE ASSY-OPTION P37 MISC RELAY (OXYGEN ONLY)	101102 504903	
- 1	284N1127-1043		PACKAGE ASSY-OPTION P37 (OXYGEN ONLY) MISCELLANEOUS DATA: 757-200 MINOR MODEL REWORKED BY ALERT SB: 27A0130 FOR NHA/OTHER SYS DET SEE: 31-01-37-02	101102 504903	RF
15	W460F1A		.RELAY- SUPPLIER CODE: VF0219 SPECIFICATION NUMBER: BACR13CE2 OPTIONAL PART: 3SAH5-13-4K1 V01526 3SAH1326A2 V01526 ELECTRICAL EQUIP NUMBER: K10038	101102 504903	1
20	TDH7101-5001		.RELAY- SUPPLIER CODE: V58657 ELECTRICAL EQUIP NUMBER: K00004 K00007	101102 504903	2
- 100	284N1127-1012		PACKAGE ASSY-OPTION P37 (OXYGEN ONLY) MISCELLANEOUS DATA: AIRPORT LIMIT 8400 FT REWORKED BY ALERT SB: 27A0130 FOR NHA SEE: 31-01-37-02	101102 504903	RF
115	214C40-1-75		.SWITCH- SUPPLIER CODE: V02750 ELECTRICAL EQUIP NUMBER: S00119	101102 504903	1
115	214C40-1-122		.SWITCH- SUPPLIER CODE: V02750 ELECTRICAL EQUIP NUMBER: S00119	101102 504903	1

MISSING ITEM NUMBERS NOT APPLICABLE

- ITEM NOT ILLUSTRATED

35-21-71-02B

35-21-71
FIG. 02B
PAGE 1
JAN 20/09

BRI



757

PARTS CATALOG (MAINTENANCE)

FIG ITEM	PART NUMBER	1 2 3 4 5 6 7	NOMENCLATURE	EFFECT FROM TO	UNITS PER ASSY
2B - 300	286N1270-336		WIRE BUNDLE ASSY- REWORKED BY ALERT SB: 34A0222 27A0130	504903	RF
- 301	286N1270-361		WIRE BUNDLE ASSY- REWORKED BY ALERT SB: 34A0222 27A0130	101101	RF
- 301	286N1270-399		WIRE BUNDLE ASSY- REWORKED BY ALERT SB: 34A0222 27A0130	102102	RF
310	RSE120027		.SOCKET- SUPPLIER CODE: V58982 SPECIFICATION NUMBER: BACS16AF1 OPTIONAL PART: 451120-027 V58982 ELECTRICAL EQUIP NUMBER: D02172 WIRING DIAGRAM REF: 352111	101102 504903	1
315	RSF116416		.SOCKET- SUPPLIER CODE: V58982 SPECIFICATION NUMBER: BACS16W5A OPTIONAL PART: 102-010-1 V09922 000300-1545 V05574 ELECTRICAL EQUIP NUMBER: D02180 D02178 WIRING DIAGRAM REF: 352111	101102 504903	2
325	BACC45FS10D5S6		.CONNECTOR- ELECTRICAL EQUIP NUMBER: D02184 WIRING DIAGRAM REF: 352111	101102 504903	1

MISSING ITEM NUMBERS NOT APPLICABLE

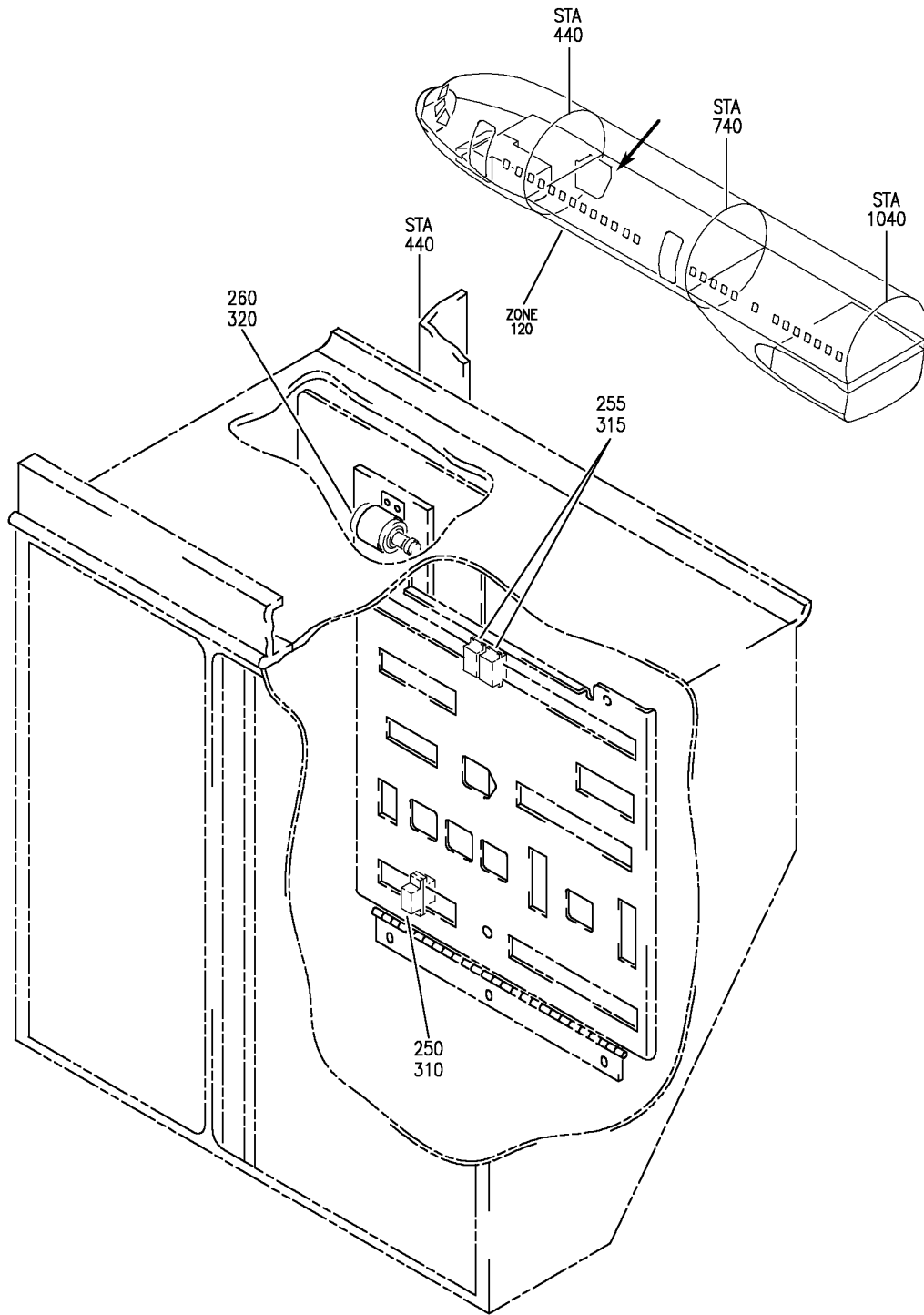
- ITEM NOT ILLUSTRATED

35-21-71-02B

35-21-71
FIG. 02B
PAGE 2
JAN 20/09

BRI

BOEING
757
PARTS CATALOG (MAINTENANCE)



Y 35217102D REV 250

PANEL INSTL-P37 R MISC RELAY (OXYGEN ONLY)
FIGURE 2D

35-21-71-02D

BRI
JAN 20/09

35-21-71-02D
PAGE 0



757

PARTS CATALOG (MAINTENANCE)

FIG ITEM	PART NUMBER	1 2 3 4 5 6 7	NOMENCLATURE	EFFECT FROM TO	UNITS PER ASSY
2D			PANEL INSTL-P37 R MISC	103106	
- 1	MODREF185037		RELAY (OXYGEN ONLY)	108120	
			PANEL INSTL-P37 R MISC	106106	1
			RELAY (OXYGEN ONLY)		
			MODULE NUMBER:		
			284N1127-169 REV D		
			FOR OTHER SYS DETAILS SEE:		
			11-36-12-02A		
			21-25-71-02D		
			21-44-71-02D		
			21-45-31-01D		
			21-51-55-01D		
			21-58-71-02D		
			21-61-71-02D		
			23-31-51-05		
			24-21-51-05		
			24-51-01-02		
			24-51-02-03		
			24-51-58-02D		
			27-62-71-03D		
			28-22-71-03D		
			29-21-71-01D		
			30-11-71-02D		
			30-21-71-03D		
			30-31-71-02D		
			30-32-71-02D		
			30-33-71-02D		
			30-34-51-01D		
			31-01-37-10		
			31-31-71-02D		
			32-09-02-04D		
			32-42-71-02D		
			32-61-71-02D		
			33-43-55-01D		
			33-51-71-01D		
			34-12-71-02D		
			34-25-50-01D		
			34-61-52-01D		
			36-11-71-02D		
			38-15-71-02D		
			73-21-55-01D		
			74-31-71-02D		
			76-11-71-02D		
			77-12-71-01D		
			78-34-71-02D		
			78-36-71-02D		
			80-11-71-02D		

MISSING ITEM NUMBERS NOT APPLICABLE

- ITEM NOT ILLUSTRATED

35-21-71-02D

35-21-71
FIG. 02D
PAGE 1
JAN 20/09

BRI



757

PARTS CATALOG (MAINTENANCE)

FIG ITEM	PART NUMBER	1 2 3 4 5 6 7	NOMENCLATURE	EFFECT FROM TO	UNITS PER ASSY
2D - 3	284N1127-118		PANEL INSTL-P37 R MISC RELAY (OXYGEN ONLY) FOR NHA/OTHER SYS DET SEE: 24-00-58-05C	108108	RF
- 4	284N1127-139		PANEL INSTL-P37 R MISC RELAY (OXYGEN ONLY) FOR NHA/OTHER SYS DET SEE: 24-00-58-05C	109120	RF

MISSING ITEM NUMBERS NOT APPLICABLE

- ITEM NOT ILLUSTRATED

BRI

35-21-71-02D

BOEING PROPRIETARY - Copyright © - Unpublished Work - See title page for details.

35-21-71
FIG. 02D
PAGE 2
JAN 20/09



757

PARTS CATALOG (MAINTENANCE)

FIG ITEM	PART NUMBER	1 2 3 4 5 6 7	NOMENCLATURE	EFFECT FROM TO	UNITS PER ASSY
2D - 8	MODREF31945		PANEL INSTL-P37 R MISC RELAY (OXYGEN ONLY) MODULE NUMBER: 284N1127-169 REV B FOR OTHER SYS DETAILS SEE: 11-36-12-02A 21-25-71-02D 21-44-71-02D 21-45-31-01D 21-51-55-01D 21-58-71-02D 21-61-71-02D 23-31-51-05 24-21-51-05 24-51-01-02 24-51-02-03 24-51-58-02D 27-62-71-03D 28-22-71-03D 29-21-71-01D 30-11-71-02D 30-21-71-03D 30-31-71-02D 30-32-71-02D 30-33-71-02D 30-34-51-01D 31-01-37-10 31-31-71-02D 32-09-02-04D 32-42-71-02D 32-61-71-02D 33-43-55-01D 33-51-71-01D 34-12-71-02D 34-25-50-01D 34-61-52-01D 36-11-71-02D 38-15-71-02D 73-21-55-01D 74-31-71-02D 76-11-71-02D 77-12-71-01D 78-34-71-02D 78-36-71-02D 80-11-71-02D	103103	1

MISSING ITEM NUMBERS NOT APPLICABLE

- ITEM NOT ILLUSTRATED

BRI

35-21-71-02D

BOEING PROPRIETARY - Copyright © - Unpublished Work - See title page for details.

35-21-71
FIG. 02D
PAGE 3
JAN 20/09



757

PARTS CATALOG (MAINTENANCE)

FIG ITEM	PART NUMBER	1 2 3 4 5 6 7	NOMENCLATURE	EFFECT FROM TO	UNITS PER ASSY
2D - 8	MODREF34305		PANEL INSTL-P37 R MISC RELAY (OXYGEN ONLY) MODULE NUMBER: 284N1127-169 REV C FOR OTHER SYS DETAILS SEE: 11-36-12-02A 21-25-71-02D 21-44-71-02D 21-45-31-01D 21-51-55-01D 21-58-71-02D 21-61-71-02D 23-31-51-05 24-21-51-05 24-51-01-02 24-51-02-03 24-51-58-02D 27-62-71-03D 28-22-71-03D 29-21-71-01D 30-11-71-02D 30-21-71-03D 30-31-71-02D 30-32-71-02D 30-33-71-02D 30-34-51-01D 31-01-37-10 31-31-71-02D 32-09-02-04D 32-42-71-02D 32-61-71-02D 33-43-55-01D 33-51-71-01D 34-12-71-02D 34-25-50-01D 34-61-52-01D 36-11-71-02D 38-15-71-02D 73-21-55-01D 74-31-71-02D 76-11-71-02D 77-12-71-01D 78-34-71-02D 78-36-71-02D 80-11-71-02D	104105	1

MISSING ITEM NUMBERS NOT APPLICABLE

- ITEM NOT ILLUSTRATED

35-21-71-02D

35-21-71
FIG. 02D
PAGE 4
JAN 20/09

BRI



757

PARTS CATALOG (MAINTENANCE)

FIG ITEM	PART NUMBER	1 2 3 4 5 6 7	NOMENCLATURE	EFFECT FROM TO	UNITS PER ASSY
2D 250	W460F1A		.RELAY- SUPPLIER CODE: VF0219 SPECIFICATION NUMBER: BACR13CE2 OPTIONAL PART: 3SAH5-13-4K1 V01526 3SAH1326A2 V01526 ELECTRICAL EQUIP NUMBER: K10038	103106 108120	1
255	TDH7101-5001		.RELAY- SUPPLIER CODE: V58657 ELECTRICAL EQUIP NUMBER: K00004 K00007	103106 108120	2
260	214C40-1-75		.SWITCH- SUPPLIER CODE: V02750 ELECTRICAL EQUIP NUMBER: S00119 QUALIFIED I/W DATA: 214C40-1-75 I/W 214C40-1-122 EXCEPT SUBJECT TO CUSTOMER PREFERENCE ATTACHING PARTS	103106 108120	1
- 265	NAS1801-3-9		.SCREW-	108120	2
- 265	BACS12HN3-9		.SCREW-	103106	2
- 300	286N1270-360		-----*----- WIRE BUNDLE ASSY- REWORKED BY ALERT SB: 34A0222	108120	RF
- 302	286N1270-602		WIRE BUNDLE ASSY	103106	RF
310	RSE120027		.SOCKET- SUPPLIER CODE: V58982 SPECIFICATION NUMBER: BACS16AF1 OPTIONAL PART: 451120-027 V58982 ELECTRICAL EQUIP NUMBER: D02172 WIRING DIAGRAM REF: 352111	103106 108120	1

MISSING ITEM NUMBERS NOT APPLICABLE

- ITEM NOT ILLUSTRATED

35-21-71-02D

35-21-71
FIG. 02D
PAGE 5
JAN 20/09

BRI

BOEING PROPRIETARY - Copyright © - Unpublished Work - See title page for details.



757

PARTS CATALOG (MAINTENANCE)

FIG ITEM	PART NUMBER	1 2 3 4 5 6 7	NOMENCLATURE	EFFECT FROM TO	UNITS PER ASSY
2D 315	RSF116416		.SOCKET- SUPPLIER CODE: V58982 SPECIFICATION NUMBER: BACS16W5A OPTIONAL PART: 102-010-1 V09922 000300-1545 V05574 ELECTRICAL EQUIP NUMBER: D02180 D02178 WIRING DIAGRAM REF: 352111	103106 108120	2
320	BACC45FS10D5S6		.CONNECTOR- ELECTRICAL EQUIP NUMBER: D02184 WIRING DIAGRAM REF: 352111	103106 108120	1

MISSING ITEM NUMBERS NOT APPLICABLE

- ITEM NOT ILLUSTRATED

BRI

35-21-71-02D

BOEING PROPRIETARY - Copyright © - Unpublished Work - See title page for details.

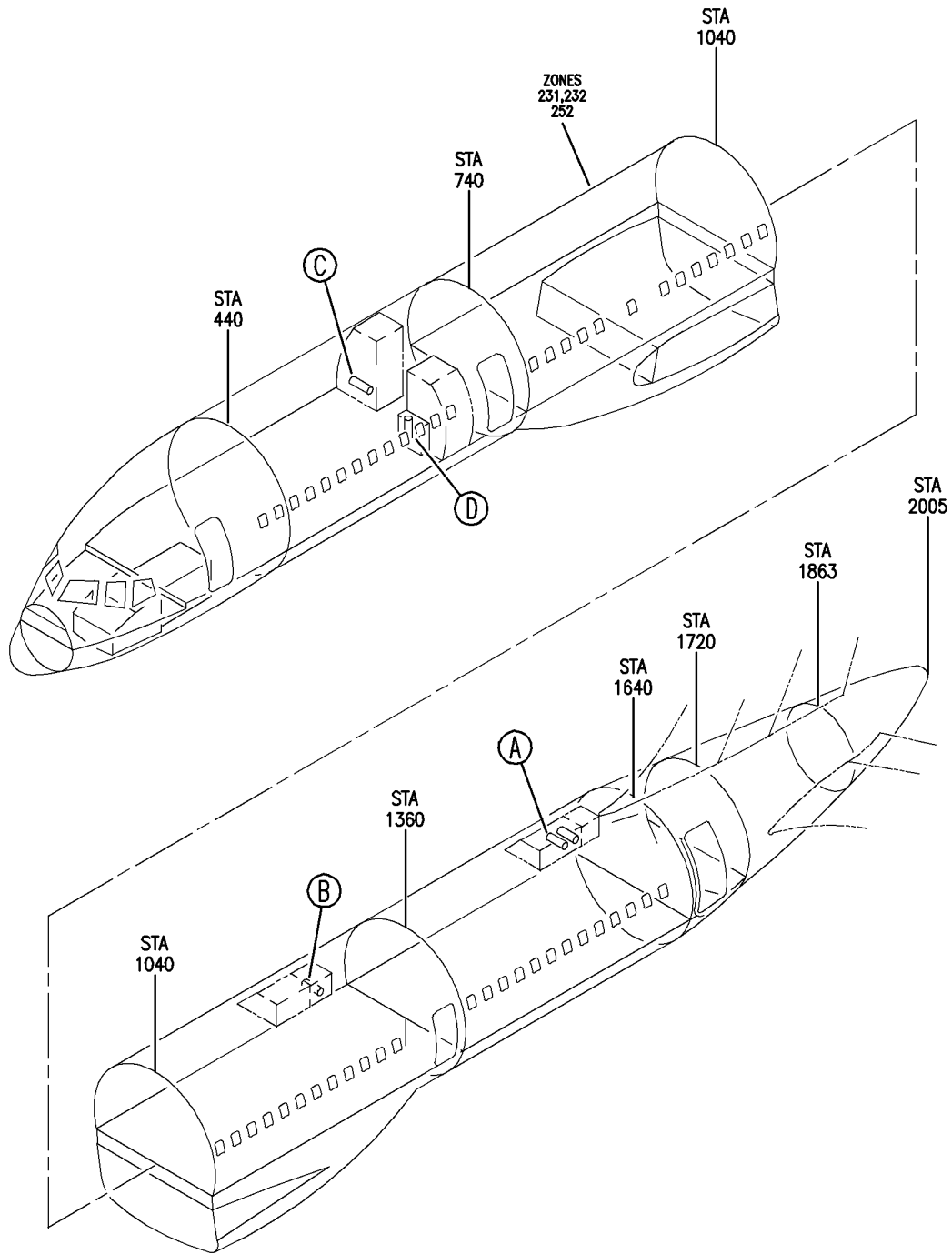
35-21-71
FIG. 02D
PAGE 6
JAN 20/09

PORTABLE OXYGEN EQUIPMENT

BRI
MAY 28/07

35-31-00
SECTION TITLE
PAGE 1

BOEING
757
PARTS CATALOG (MAINTENANCE)



Y 35310001G SHT 1 REV 239

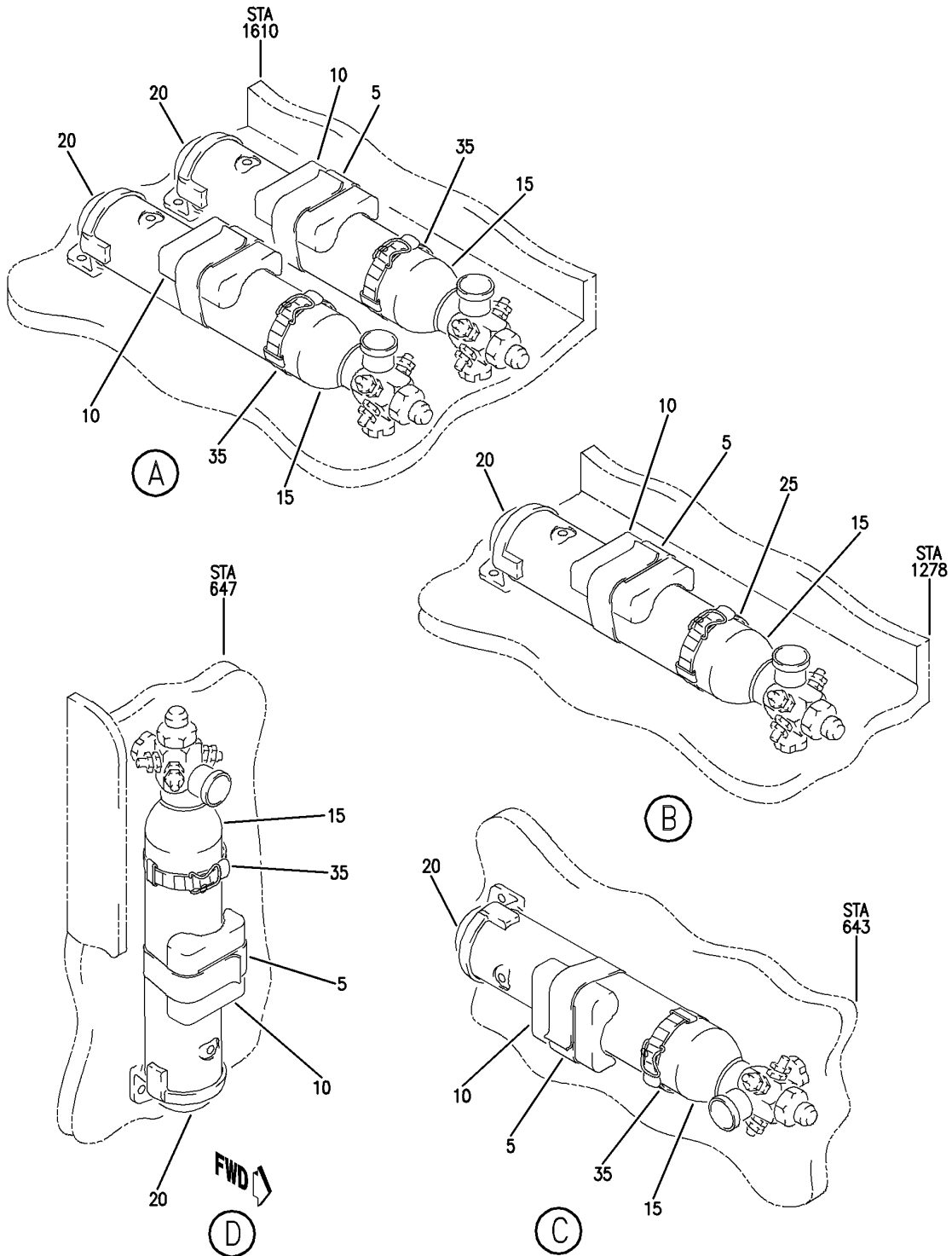
EQUIPMENT INSTL-MISC EMER (OXYGEN ONLY)
FIGURE 1G (SHEET 1)

35-31-00-01G

BRI
JAN 20/09

35-31-00-01G
PAGE 0

BOEING
757
PARTS CATALOG (MAINTENANCE)



Y 35310001G SH1 2 REV 239

EQUIPMENT INSTL-MISC EMER (OXYGEN ONLY)
FIGURE 1G (SHEET 2)

35-31-00-01G

BRI
JAN 20/09

35-31-00-01G
PAGE 0A



757

PARTS CATALOG (MAINTENANCE)

FIG ITEM	PART NUMBER	1 2 3 4 5 6 7	NOMENCLATURE	EFFECT FROM TO	UNITS PER ASSY
1G			EQUIPMENT INSTL-MISC EMER (OXYGEN ONLY)	108120	
- 1	416N1001-751B		EQUIPMENT INSTL-MISC EMER (OXYGEN ONLY) FOR NHA/OTHER SYS DET SEE: 25-20-00-07F	108120	RF
5	416U1000-1000		.STRAP-VELCRO	108120	AR
10	28301-02		.MASK-OXY SUPPLIER CODE: V53655	108120	5
15	5500A1ABF23A		.BOTTLE-PORTABLE OXY SUPPLIER CODE: V53655 FUNCTIONAL DESCRIPTION: STORES PRESSURIZED OXYGEN FOR EMERGENCY USE COMPONENT MAINT MANUAL REF: 35-30-78 QUALIFIED I/W DATA: PN 5500C1A1F23A CAN REPLACE AND BE REPLACED BY PN 5500A1ABF23A IF BRACKET IS RELOCATED PER AVOX DWG 5500, REV BV PAGE 2 AND THERE IS ADEQUETE SPACE	108120	5
20	H3-1426-6		.BRACKET- SUPPLIER CODE: V34941	108120	5
20	H3-1426-1		.BRACKET- SUPPLIER CODE: V34941	108120	5
- 25	BACS12GU3K8		ATTACHING PARTS .SCREW	108120	15
- 30	NAS1149D0316J		.WASHER	108120	15
35	H3-1566-1		-----*----- .BRACKET- SUPPLIER CODE: V34941	108120	5
- 40	BACS12GU3K7		ATTACHING PARTS .SCREW	108120	10
- 45	NAS1149D0316J		.WASHER -----*-----	108120	10

MISSING ITEM NUMBERS NOT APPLICABLE

- ITEM NOT ILLUSTRATED

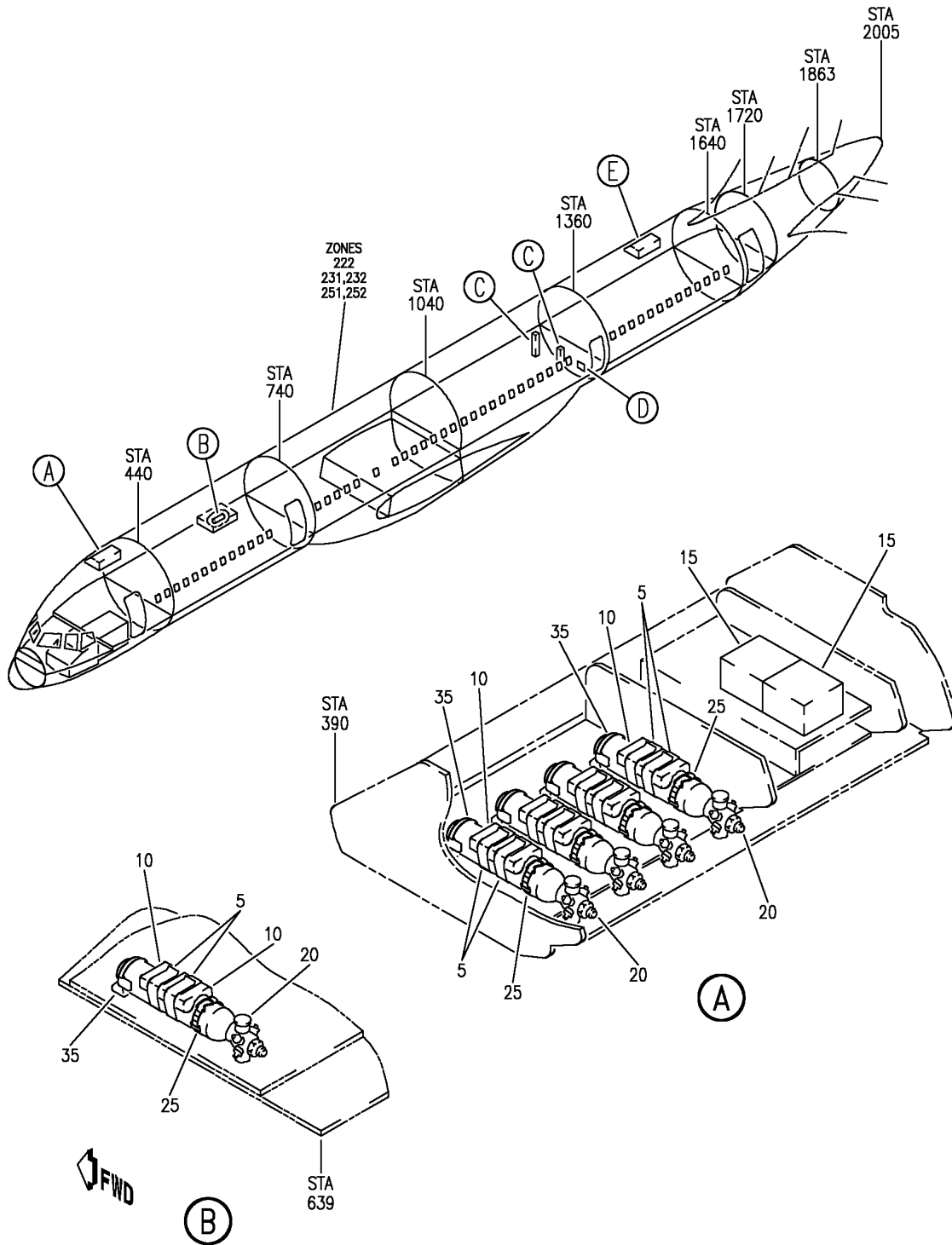
35-31-00-01G

35-31-00
FIG. 01G
PAGE 1
JAN 20/09

BRI

BOEING PROPRIETARY - Copyright © - Unpublished Work - See title page for details.

BOEING
757
PARTS CATALOG (MAINTENANCE)



Y 35310030A SHT 1 REV 265

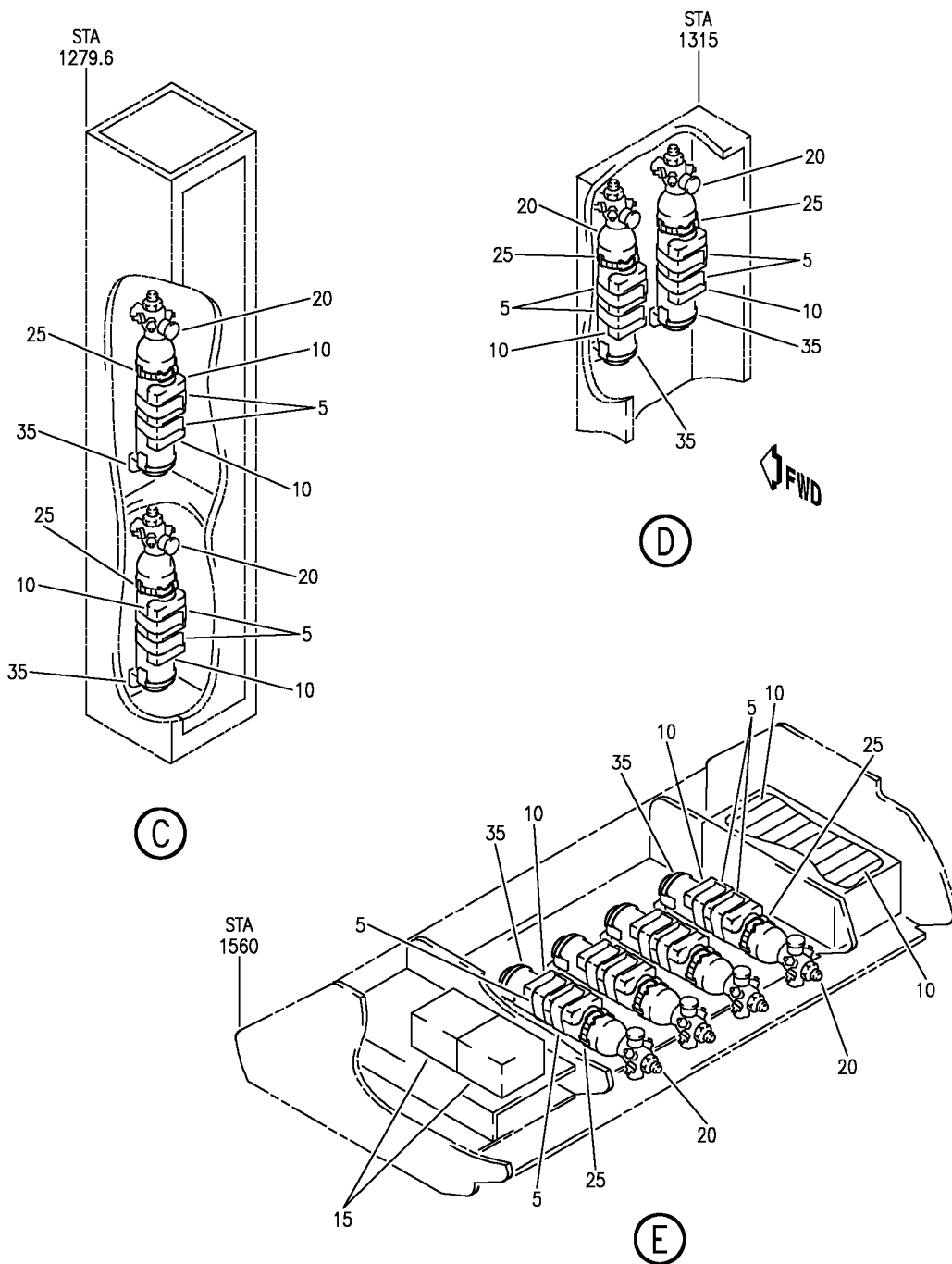
EQUIPMENT INSTL-MISC EMER (OXYGEN ONLY)
FIGURE 30A (SHEET 1)

35-31-00-30A

BRI
JAN 20/09

35-31-00-30A
PAGE 0

BOEING
757
PARTS CATALOG (MAINTENANCE)



Y 35310030A SHT 2 REV 265

EQUIPMENT INSTL-MISC EMER (OXYGEN ONLY)
FIGURE 30A (SHEET 2)

35-31-00-30A

BRI
JAN 20/09

35-31-00-30A
PAGE 0A



757

PARTS CATALOG (MAINTENANCE)

FIG ITEM	PART NUMBER	1 2 3 4 5 6 7	NOMENCLATURE	EFFECT FROM TO	UNITS PER ASSY
30A			EQUIPMENT INSTL-MISC EMER (OXYGEN ONLY)	103106	
- 1	MODREF99776		EQUIPMENT INSTL-MISC EMER (OXYGEN ONLY) MODULE NUMBER: 416N1203-3B REV C FOR OTHER SYS DETAILS SEE: 25-63-00-30A 25-64-00-30A 26-26-02-30A	103105	1
- 1	MODREF102194		EQUIPMENT INSTL-MISC EMER (OXYGEN ONLY) MODULE NUMBER: 416N1203-3B REV D FOR OTHER SYS DETAILS SEE: 25-63-00-30A 25-64-00-30A 26-26-02-30A	106106	1
5	416U1000-1000		.STRAP-VELCRO	103106	AR
10	28314-12		.MASK-OXY SUPPLIER CODE: V53655	103106	30
15	289-701-27		.MASK-OXY DEMO SUPPLIER CODE: V53655	103106	4
20	5500B1ABF23A		.BOTTLE-PORTABLE OXY SUPPLIER CODE: V53655 COMPONENT MAINT MANUAL REF: 35-30-78	103106	15
25	H3-1426-6		.BRACKET- SUPPLIER CODE: V34941	103106	15
- 30	BACS12FA3K8		ATTACHING PARTS .SCREW -----*-----	103106	45
35	H3-1566-1		.BRACKET- SUPPLIER CODE: V34941	103106	15
- 40	BACS12FA3K7		ATTACHING PARTS .SCREW -----*-----	103106	30

MISSING ITEM NUMBERS NOT APPLICABLE

- ITEM NOT ILLUSTRATED

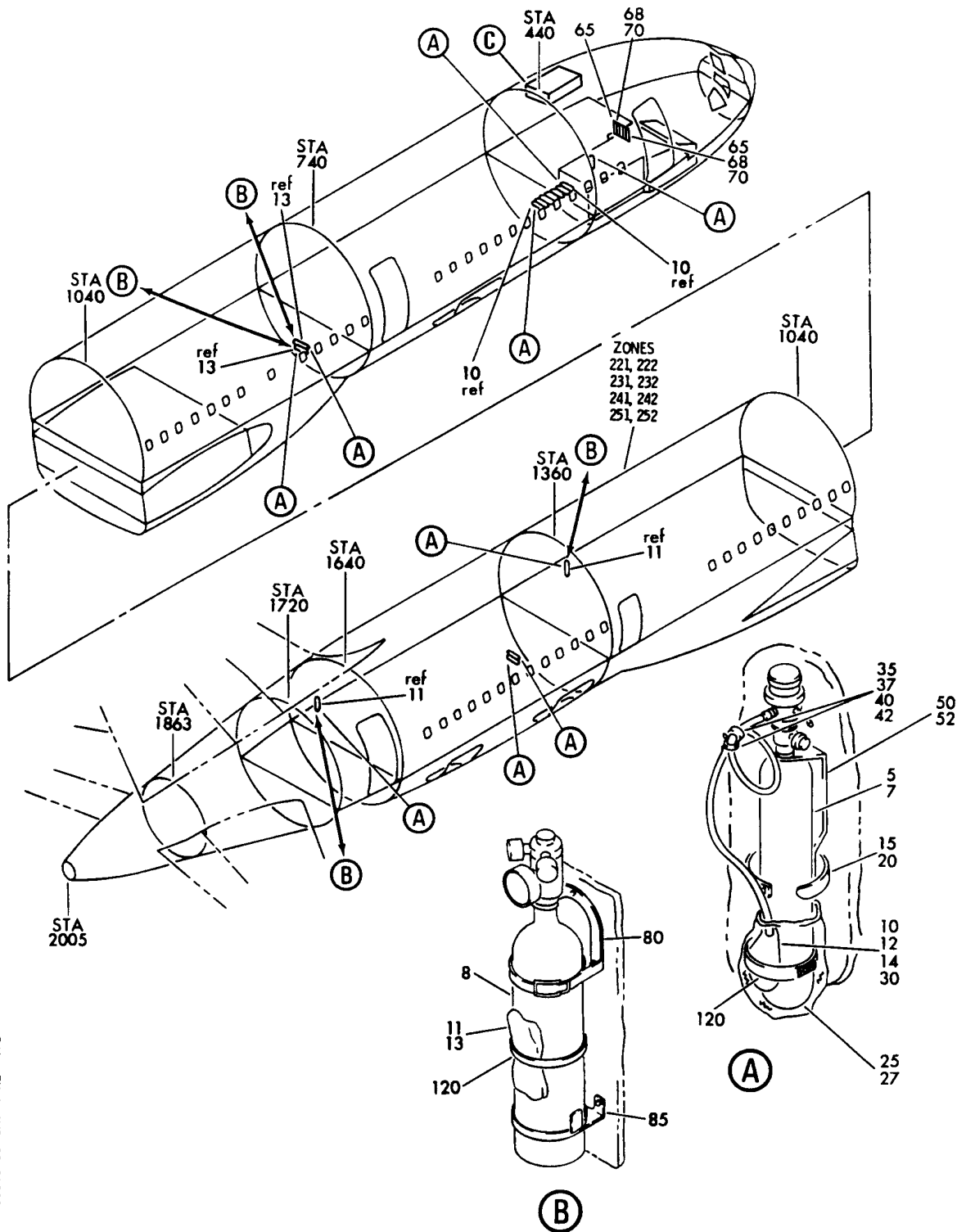
35-31-00-30A

35-31-00
FIG. 30A
PAGE 1
JAN 20/09

BRI

BOEING PROPRIETARY - Copyright © - Unpublished Work - See title page for details.

BOEING
757
PARTS CATALOG (MAINTENANCE)



Y 35310705 SHT 1 REV 198

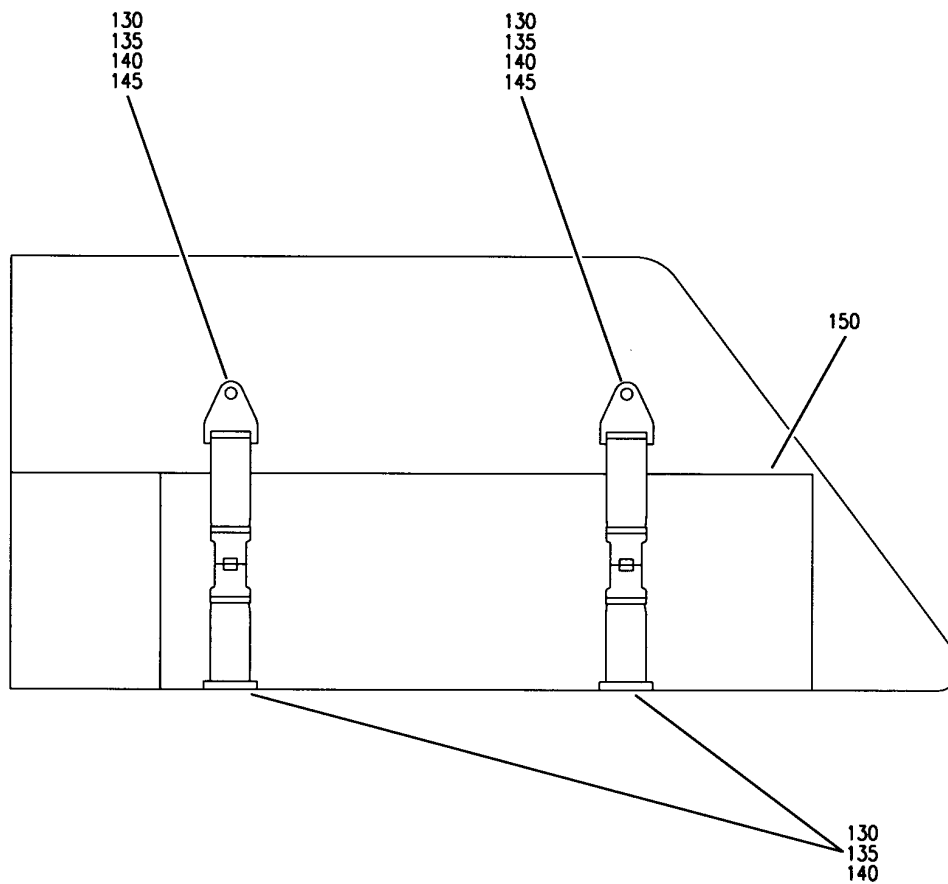
EQUIPMENT INSTL-MISC. EMER (OXYGEN ONLY)
FIGURE 5 (SHEET 1)

35-31-07-05

BRI
MAY 28/07

35-31-07-05
PAGE 0

BOEING
757
PARTS CATALOG (MAINTENANCE)



(C)

Y 35310705 SHT 2 REV 198

EQUIPMENT INSTL-MISC. EMER (OXYGEN ONLY)
FIGURE 5 (SHEET 2)

35-31-07-05

BRI
MAY 28/07

35-31-07-05
PAGE 0A



757

PARTS CATALOG (MAINTENANCE)

FIG ITEM	PART NUMBER	1 2 3 4 5 6 7	NOMENCLATURE	EFFECT FROM TO	UNITS PER ASSY
5			EQUIPMENT INSTL-MISC. EMER (OXYGEN ONLY)	121503 904949	
- 1	416N1001-26		EQUIPMENT INSTL-MISC. EMER (OXYGEN ONLY) POST RAPID REVISION: RR92003-19 FOR NHA/OTHER SYS DET SEE: 25-20-00-01D	904949	RF
- 1	416N1001-88		EQUIPMENT INSTL-MISC. EMER (OXYGEN ONLY) FOR NHA/OTHER SYS DET SEE: 25-20-00-01D	904949	RF
- 1	416N1001-131		EQUIPMENT INSTL-MISC. EMER (OXYGEN ONLY) FOR NHA/OTHER SYS DET SEE: 25-20-00-01D	121503	RF
5	WKA34456-4		.BOTTLE-PORTABLE OXY (CUSTOMER FURNISHED) SUPPLIER CODE: VK1536 COMPONENT MAINT MANUAL REF: 35-30-05 POST RAPID REVISION: RR92003-19	904949	14
5	WKA34456A4		.BOTTLE-PORTABLE OXY (CUSTOMER FURNISHED) SUPPLIER CODE: VK1536 OPTIONAL PART: WKA34456-4 VK1536 POST RAPID REVISION: RR92003-19	904949	14
7	WKA34456-4		.BOTTLE-PORTABLE OXY SUPPLIER CODE: VK1536 COMPONENT MAINT MANUAL REF: 35-30-05 OPTIONAL PART: WKA34456A4 VK1536	121503	14
7	WKA34456A4		.BOTTLE-PORTABLE OXY SUPPLIER CODE: VK1536 OPTIONAL PART: WKA34456-4 VK1536	121503	14

MISSING ITEM NUMBERS NOT APPLICABLE

- ITEM NOT ILLUSTRATED

35-31-07-05

35-31-07
FIG. 05
PAGE 1
JAN 20/09

BRI



757

PARTS CATALOG (MAINTENANCE)

FIG ITEM	PART NUMBER	1 2 3 4 5 6 7	NOMENCLATURE	EFFECT FROM TO	UNITS PER ASSY
5					
14	114015-04		.MASK-THERAPEUTIC OXY (CUSTOMER FURNISHED) SUPPLIER CODE: V16827 OPTIONAL PART: 114015-05 V16827 POST RAPID REVISION: RR92003-19	904949	14
14	114015-05		.MASK-THERAPEUTIC OXY (CUSTOMER FURNISHED) SUPPLIER CODE: V16827 OPTIONAL PART: 114015-04 V16827 POST RAPID REVISION: RR92003-19	904949	14
15	416N1028-1		.STRAP ASSY- POST RAPID REVISION: RR92003-19	904949	14
25	K38008		.BAG-CARRYING PORTABLE OXY BOTTLE (CUSTOMER FURNISHED) SUPPLIER CODE: VK1536 POST RAPID REVISION: RR92003-19	904949	14
27	K38008		.BAG-CARRYING PORTABLE OXY BOTTLE SUPPLIER CODE: VK1536	121503	14
35	416N1030-1		.RETAINER-COIL POST RAPID REVISION: RR92003-19	904949	14
40	63-10155		.RETAINER-COIL POST RAPID REVISION: RR92003-19	904949	14
42	63-10155		.RETAINER-COIL	121503	14
50	AE35400		.BRACKET-PORTABLE OXY BOTTLE (CUSTOMER FURNISHED) SUPPLIER CODE: VU3061 POST RAPID REVISION: RR92003-19	904949	14

MISSING ITEM NUMBERS NOT APPLICABLE

- ITEM NOT ILLUSTRATED

35-31-07-05

35-31-07
FIG. 05
PAGE 2
JAN 20/09

BRI



757

PARTS CATALOG (MAINTENANCE)

FIG ITEM	PART NUMBER	1 2 3 4 5 6 7	NOMENCLATURE	EFFECT FROM TO	UNITS PER ASSY
5					
52	AE35400		.BRACKET-PORTABLE OXY BOTTLE SUPPLIER CODE: VU3061 OPTIONAL PART: AE35400-6 VU3061	121503	14
52	AE35400-6		.BRACKET-PORTABLE OXY BOTTLE SUPPLIER CODE: VZ0416 OPTIONAL PART: AE35400 VU3061 ATTACHING PARTS	121503	14
- 55	NAS602-6P		.SCREW-	904949	56
- 55	NAS1801-3-6		.SCREW-	121503	56
- 60	NAS1149D0316J		.WASHER-	904949	
- 60	AN960JD10LL		.WASHER-	121503	56
			-----*-----		
68	289-1002		.MASK-OXY DEMONSTRATION (CUSTOMER FURNISHED) SUPPLIER CODE: V53655 POST RAPID REVISION: RR92003-19	904949	4
70	289-1002		.MASK-OXY DEMONSTRATION SUPPLIER CODE: V53655	121503	4
120	416N1001-100		.TAPE-1.00 IN. WIDE X 36 YD., 3M NO.474, COLOR GRAY. MISCELLANEOUS DATA: THIS TAPE ATTACHES A MASK TO THE OXYGEN BOTTLE.	121503 904949	AR

MISSING ITEM NUMBERS NOT APPLICABLE

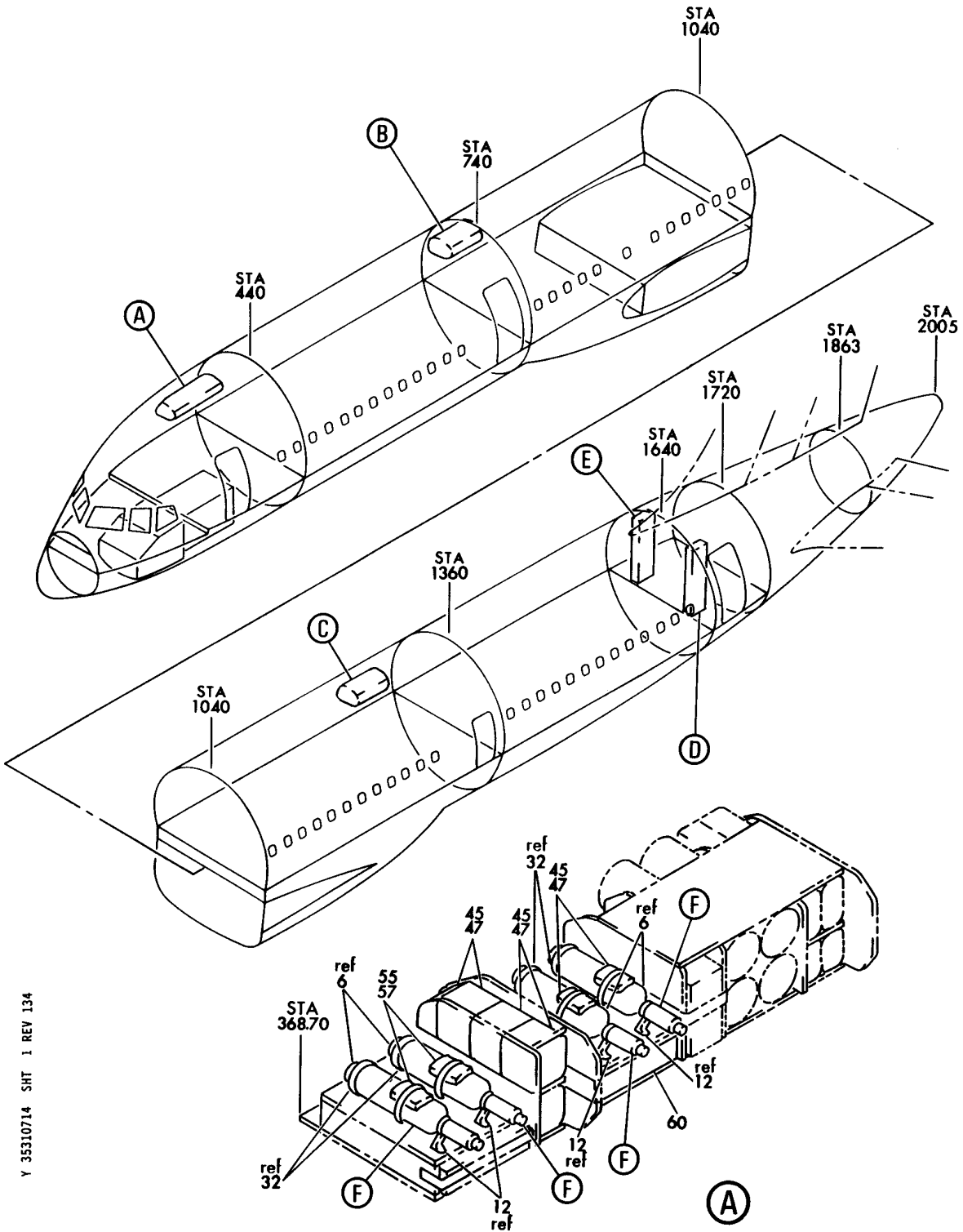
- ITEM NOT ILLUSTRATED

35-31-07-05

35-31-07
FIG. 05
PAGE 3
JAN 20/09

BRI

BOEING
757
PARTS CATALOG (MAINTENANCE)



Y 35310714 SHT 1 REV 134

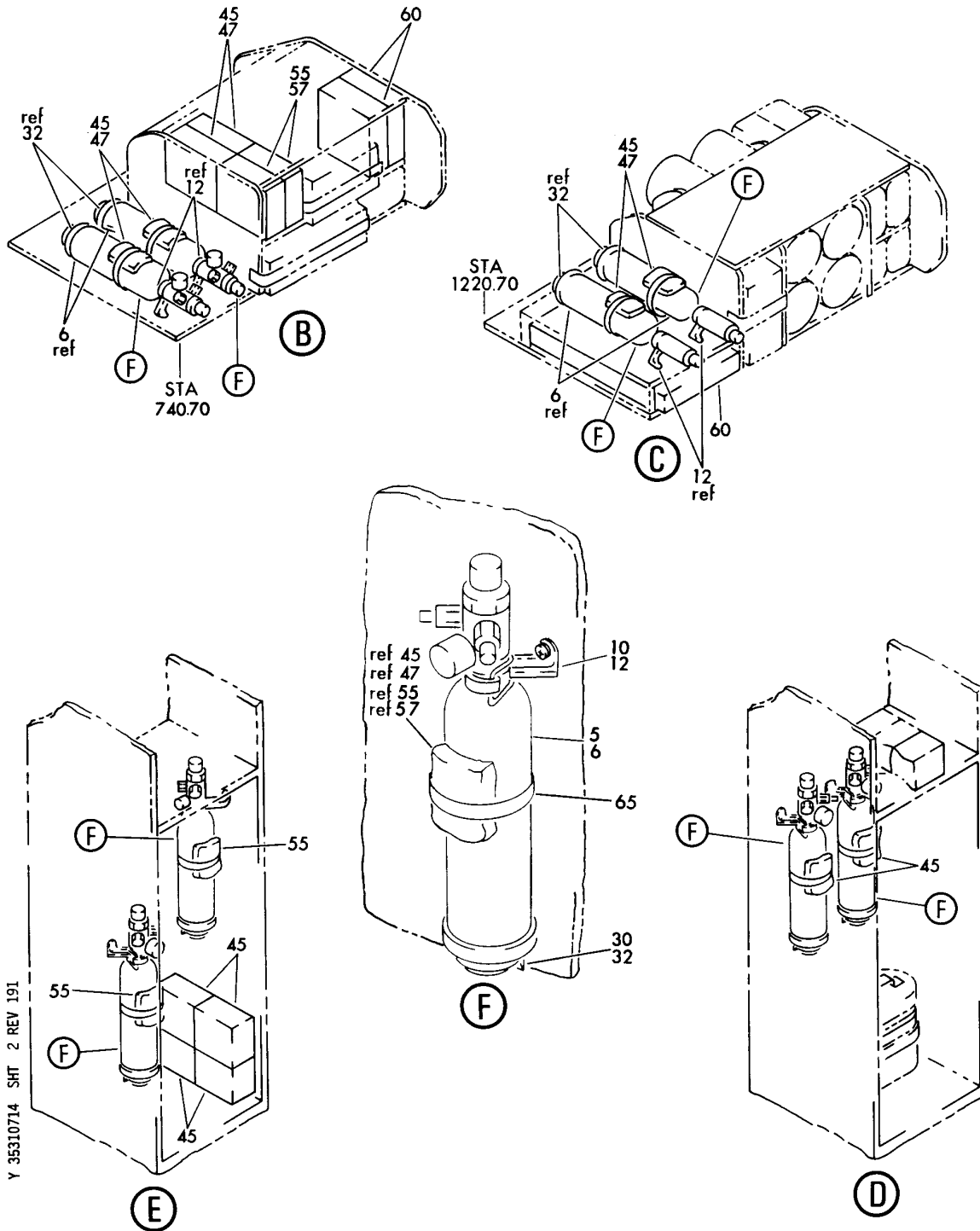
EQUIPMENT INSTL-MISC. EMER (OXYGEN ONLY)
FIGURE 14 (SHEET 1)

35-31-07-14

BRI
JAN 20/09

35-31-07-14
PAGE 0

BOEING
757
PARTS CATALOG (MAINTENANCE)



EQUIPMENT INSTL-MISC. EMER (OXYGEN ONLY)
FIGURE 14 (SHEET 2)

35-31-07-14



757

PARTS CATALOG (MAINTENANCE)

FIG ITEM	PART NUMBER	1 2 3 4 5 6 7	NOMENCLATURE	EFFECT FROM TO	UNITS PER ASSY
14			EQUIPMENT INSTL-MISC. EMER (OXYGEN ONLY)	107107	
1	416N1001-19		EQUIPMENT INSTL-MISC EMER (OXYGEN ONLY)	107107	RF
			FOR NHA/OTHER SYS DET SEE: 25-20-00-01D		
5	5500B1ABF23A		.BOTTLE-PORTABLE OXY (CUSTOMER FURNISHED)	107107	12
			SUPPLIER CODE: V53655		
			COMPONENT MAINT MANUAL REF: 35-30-78		
10	H3-1060-1		.BRACKET-	107107	12
			SUPPLIER CODE: V34941		
			SPECIFICATION NUMBER: BACB20J1A		
			OPTIONAL PART: 920507		
			V62142		
			ATTACHING PARTS		
- 15	NAS1801-3-14		.SCREW-	107107	36
- 20	AN960JD10L		.WASHER-	107107	36
- 20	AN960PD10L		.WASHER-	107107	36
- 20	AN960JD10LL		.WASHER-	107107	36
- 25	NAS43DD3-16		.SPACER-	107107	36
			-----*-----		
30	H3-1056-1		.BRACKET-	107107	12
			SUPPLIER CODE: V34941		
			SPECIFICATION NUMBER: BACB20J3A		
			OPTIONAL PART: 844584		
			V62142		
			ATTACHING PARTS		
- 35	NAS1801-3-6		.SCREW-	107107	24
- 40	AN960JD10L		.WASHER-	107107	24
- 40	AN960PD10L		.WASHER-	107107	24
- 40	AN960JD10LL		.WASHER-	107107	24
			-----*-----		
45	28301-12		.MASK-THERAPEUTIC OXY (CUSTOMER FURNISHED)	107107	18
			SUPPLIER CODE: V53655		
55	28314-12		.MASK-OXY (CUSTOMER FURNISHED)	107107	6
			SUPPLIER CODE: V53655		

MISSING ITEM NUMBERS NOT APPLICABLE

- ITEM NOT ILLUSTRATED

35-31-07-14

35-31-07
FIG. 14
PAGE 1
JAN 20/09

BRI



757

PARTS CATALOG (MAINTENANCE)

FIG ITEM	PART NUMBER	1 2 3 4 5 6 7	NOMENCLATURE	EFFECT FROM TO	UNITS PER ASSY
14 60	417T4205-17		.MASK ASSY-DEMONSTRATION (CUSTOMER FURNISHED) MISCELLANEOUS DATA: EQUIVALENT PURITAN- BENNETT (FSCM 02217) P/N IS 174080-17	107107	4
65	416N1001-100		.TAPE-1.00 IN. WIDE X 36 YD., 3M NO. 474, COLOR GRAY. MISCELLANEOUS DATA: THIS TAPE ATTACHES A MASK TO THE OXYGEN BOTTLE.	107107	AR

MISSING ITEM NUMBERS NOT APPLICABLE

- ITEM NOT ILLUSTRATED

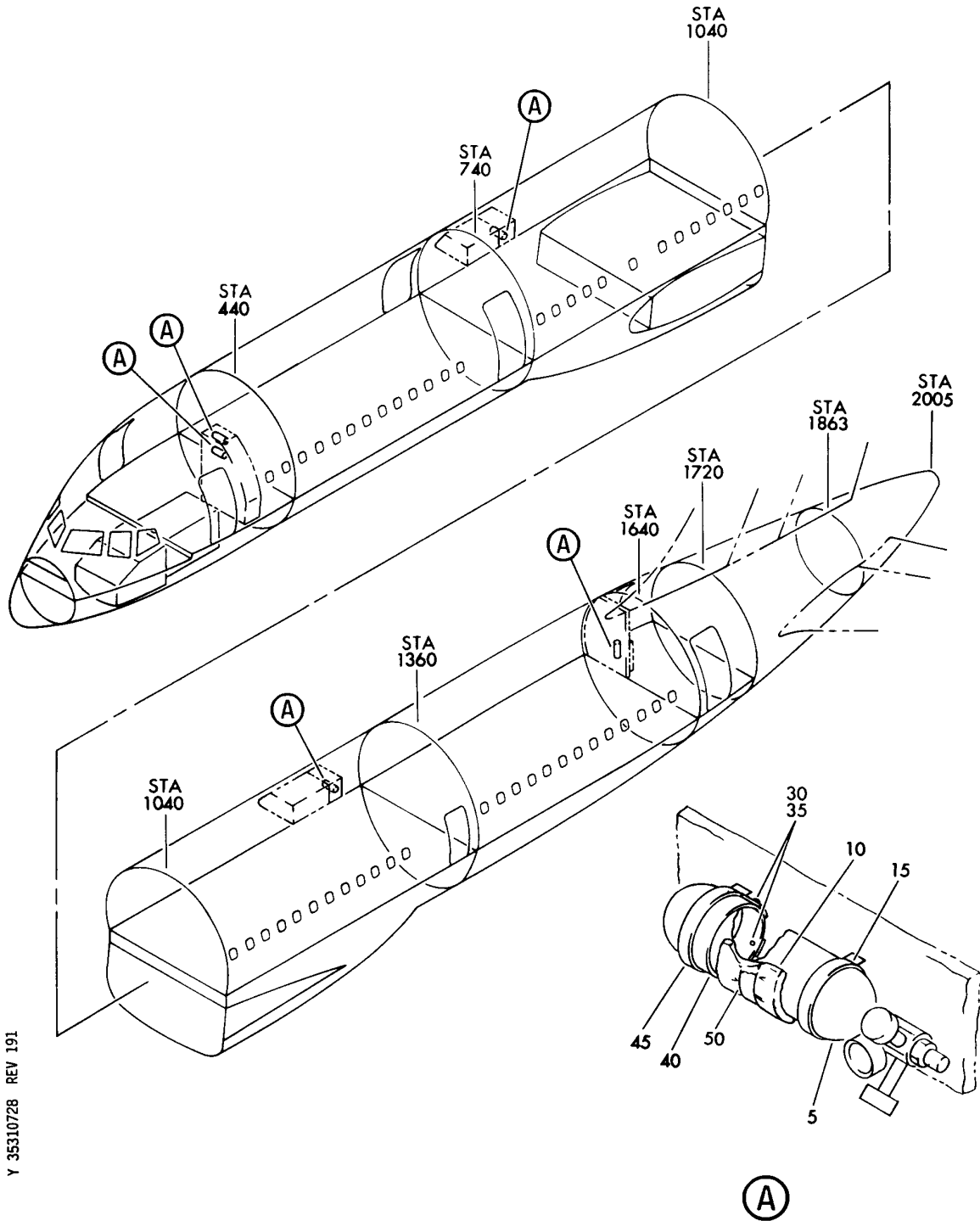
BRI

35-31-07-14

BOEING PROPRIETARY - Copyright © - Unpublished Work - See title page for details.

35-31-07
FIG. 14
PAGE 2
JAN 20/09

BOEING
757
PARTS CATALOG (MAINTENANCE)



EQUIPMENT INSTL-MISC EMER (OXYGEN ONLY)
FIGURE 28

35-31-07-28

BRI
JAN 20/09

35-31-07-28
PAGE 0



757

PARTS CATALOG (MAINTENANCE)

FIG ITEM	PART NUMBER	1 2 3 4 5 6 7	NOMENCLATURE	EFFECT FROM TO	UNITS PER ASSY
28			EQUIPMENT INSTL-MISC EMER (OXYGEN ONLY)	952999	
- 1	416N1001-106		EQUIPMENT INSTL-MISC EMER (OXYGEN ONLY)	952952	RF
			FOR NHA/OTHER SYS DET SEE: 25-20-00-01F		
- 1	416N1001-152		EQUIPMENT INSTL-MISC EMER (OXYGEN ONLY)	953999	RF
			FOR NHA/OTHER SYS DET SEE: 25-20-00-01F		
5	5500A1ABF23A		.BOTTLE-PORTABLE OXY SUPPLIER CODE: V53655	952999	5
			FUNCTIONAL DESCRIPTION: STORES PRESSURIZED OXYGEN FOR EMERGENCY USE		
			QUALIFIED I/W DATA: PN 5500C1A1F23A CAN REPLACE AND BE REPLACED BY PN 5500A1ABF23A IF BRACKET IS RELOCATED PER AVOX DWG 5500, REV BV PAGE 2 AND THERE IS ADEQUETE SPACE		
10	28301-02		.MASK-DISPOSABLE OXY SUPPLIER CODE: V53655	952999	5
15	H3-1426-1		.BRACKET- SUPPLIER CODE: V34941	952999	5
			OPTIONAL PART: H3-1426-6 V34941		
15	H3-1426-6		.BRACKET- SUPPLIER CODE: V34941	952999	5
			OPTIONAL PART: H3-1426-1 V34941		
			ATTACHING PARTS		
- 20	NAS1801-3-8		.SCREW-	952952	15
- 20	BACS12GU3K8		.SCREW-	953999	15
- 25	AN960JD10LL		.WASHER-	952952	15
- 25	NAS1149D0316J		.WASHER-	953999	15
			-----*-----		
30	NAS1801-3-12		.SCREW-	952952	10
30	BACS12GU3K12		.SCREW-	953999	10
35	AN960JD10LL		.WASHER-	952952	10
35	NAS1149D0316J		.WASHER-	953999	10

MISSING ITEM NUMBERS NOT APPLICABLE

- ITEM NOT ILLUSTRATED

35-31-07-28

35-31-07
FIG. 28
PAGE 1
JAN 20/09

BRI



757

PARTS CATALOG (MAINTENANCE)

FIG ITEM	PART NUMBER	1 2 3 4 5 6 7	NOMENCLATURE	EFFECT FROM TO	UNITS PER ASSY
28					
40	69-77812-1		.SPACER	952999	5
45	H3-1402-1		.BRACKET-	952999	5
			SUPPLIER CODE: V34941		
			OPTIONAL PART: H3-1402-3		
			V34941		
45	H3-1402-3		.BRACKET-	952952	5
			SUPPLIER CODE: V34941		
			OPTIONAL PART: H3-1402-1		
			V34941		
50	416N1001-100		.TAPE-1.00 IN. WIDE X 36	952999	AR
			YD., 3M NO.474, COLOR		
			GRAY.		
			MISCELLANEOUS DATA: THIS TAPE ATTACHES A		
			MASK TO THE OXYGEN		
			BOTTLE.		

MISSING ITEM NUMBERS NOT APPLICABLE

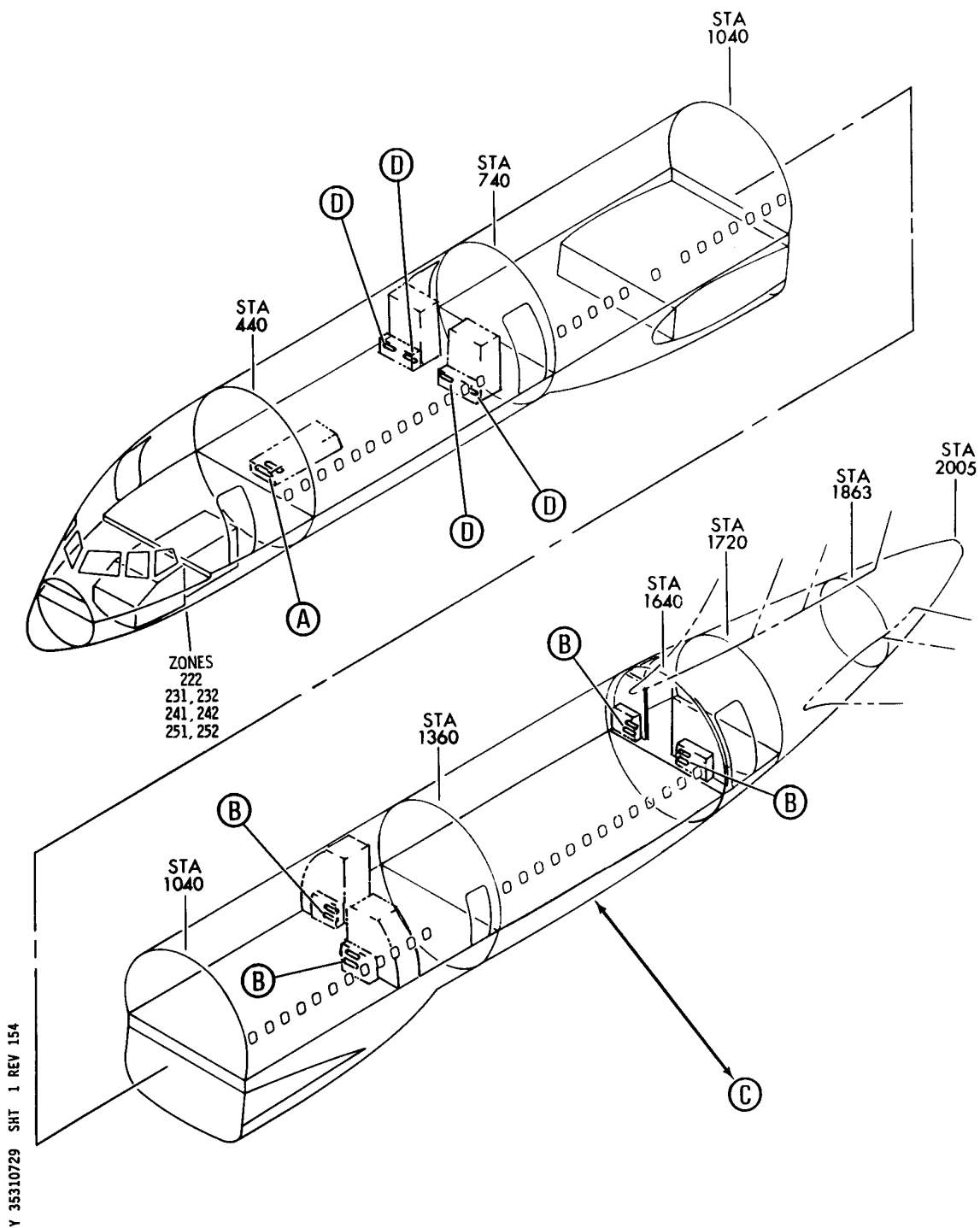
- ITEM NOT ILLUSTRATED

35-31-07-28

35-31-07
FIG. 28
PAGE 2
JAN 20/09

BRI

BOEING
757
PARTS CATALOG (MAINTENANCE)



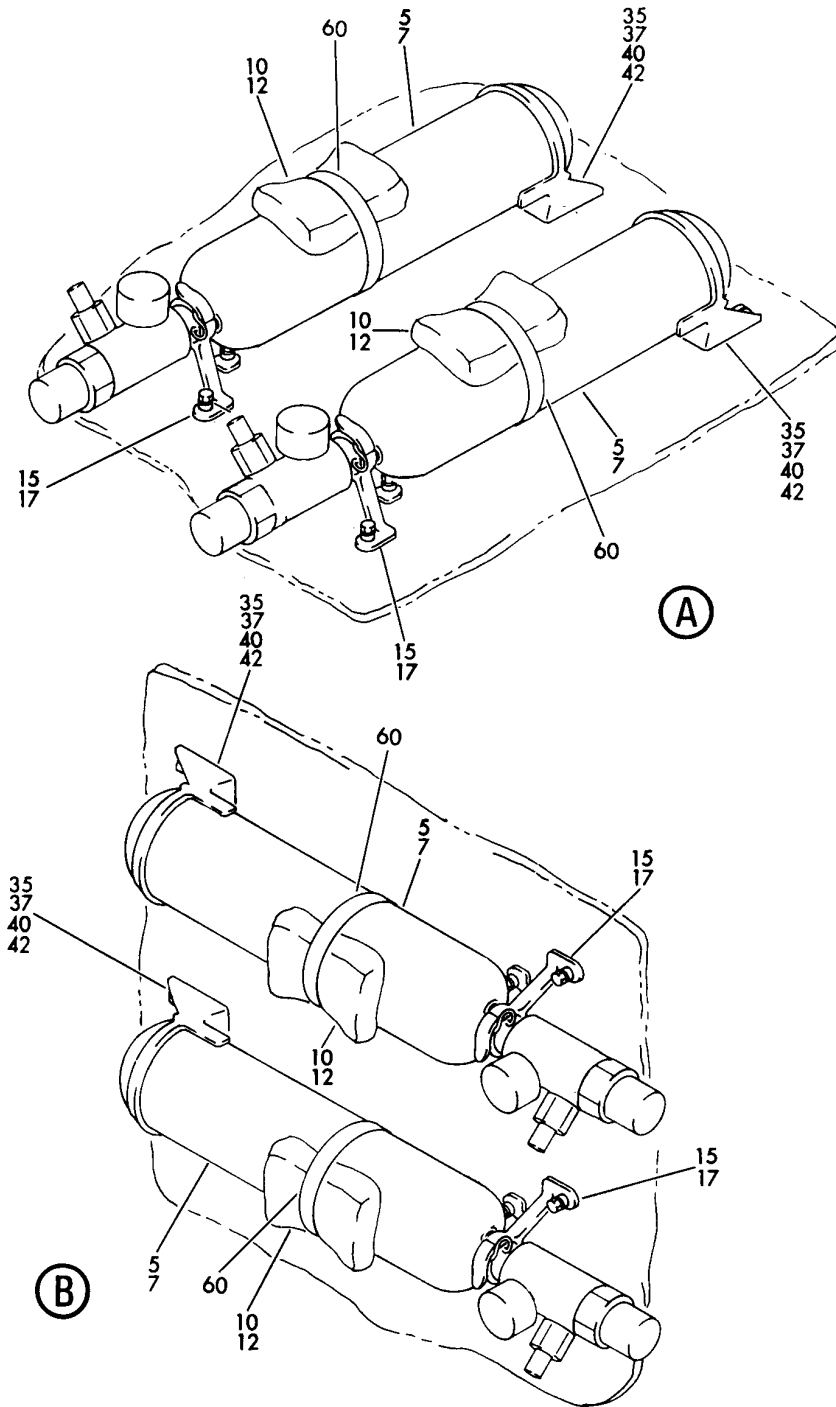
EQUIPMENT INSTL-MISC EMER (OXYGEN ONLY)
FIGURE 29 (SHEET 1)

35-31-07-29

BRI
MAY 28/07

35-31-07-29
PAGE 0

BOEING
757
PARTS CATALOG (MAINTENANCE)



Y 35310729 SHT 2 REV 191

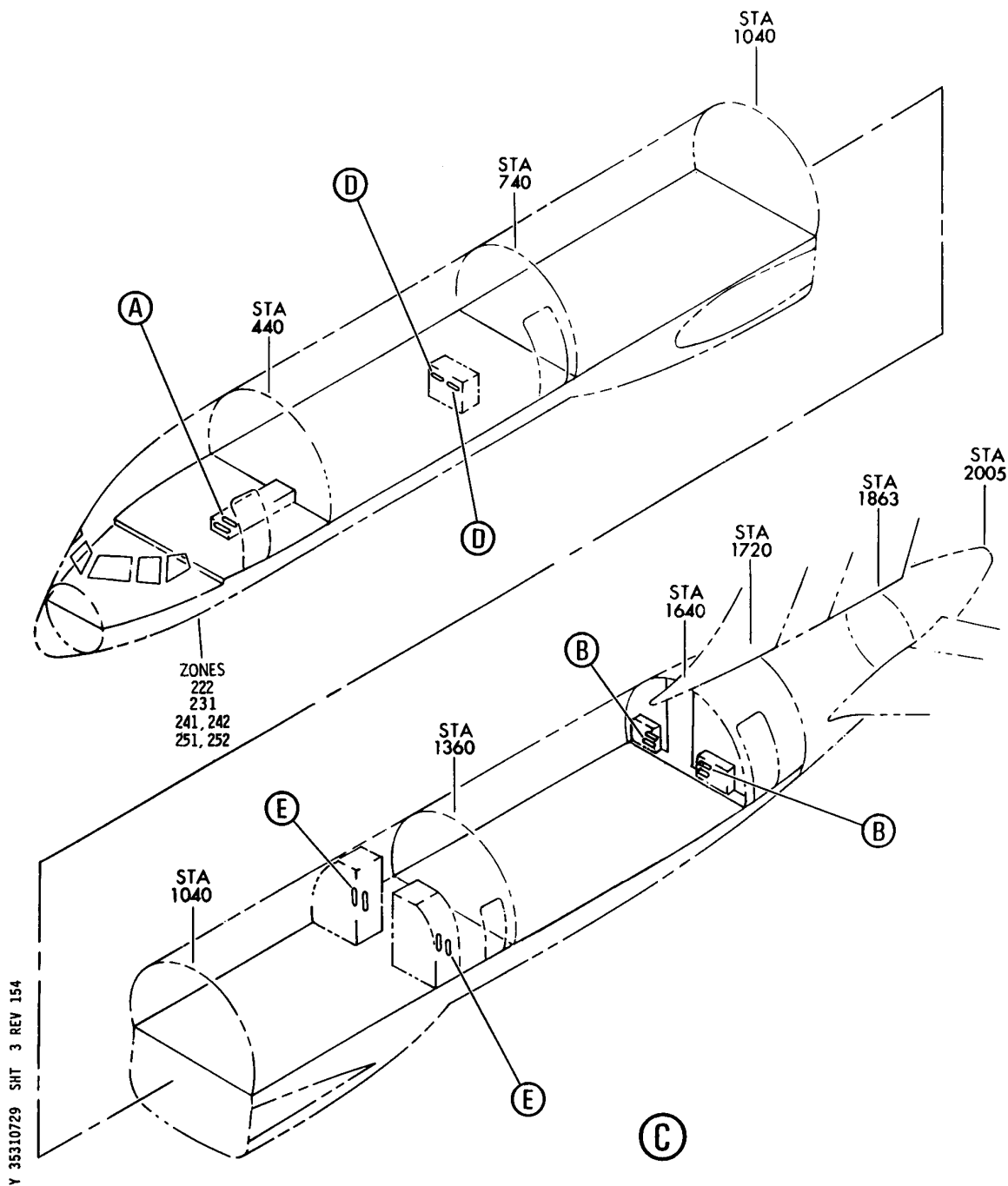
EQUIPMENT INSTL-MISC EMER (OXYGEN ONLY)
FIGURE 29 (SHEET 2)

35-31-07-29

BRI
MAY 28/07

35-31-07-29
PAGE 0A

BOEING
757
PARTS CATALOG (MAINTENANCE)



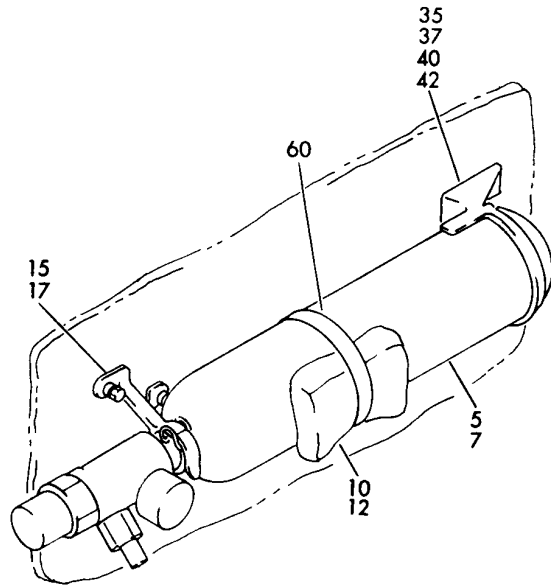
EQUIPMENT INSTL-MISC EMER (OXYGEN ONLY)
FIGURE 29 (SHEET 3)

35-31-07-29

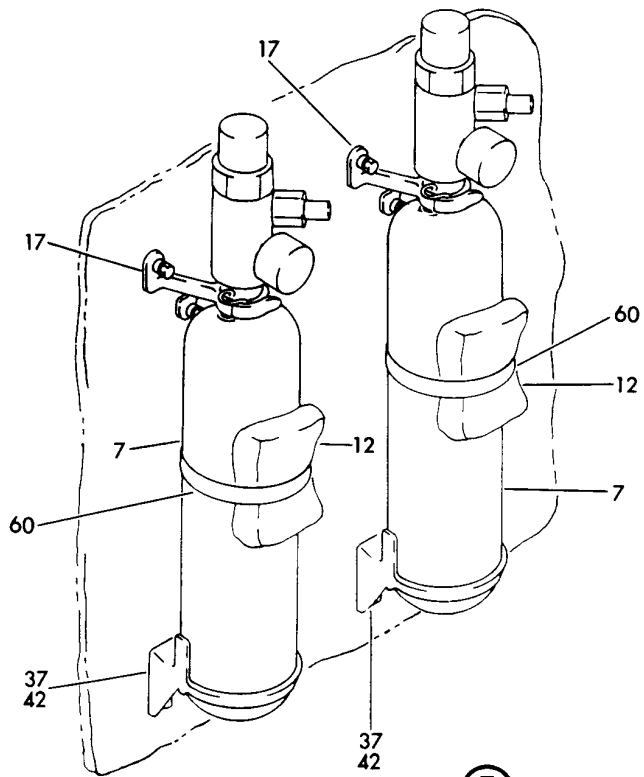
BRI
MAY 28/07

35-31-07-29
PAGE 0B

BOEING
757
PARTS CATALOG (MAINTENANCE)



(D)



(E)

Y 35310729 SHT 4 REV 191

EQUIPMENT INSTL-MISC EMER (OXYGEN ONLY)
FIGURE 29 (SHEET 4)

35-31-07-29

BRI
MAY 28/07

35-31-07-29
PAGE 0C



757

PARTS CATALOG (MAINTENANCE)

FIG ITEM	PART NUMBER	1 2 3 4 5 6 7	NOMENCLATURE	EFFECT FROM TO	UNITS PER ASSY
29			EQUIPMENT INSTL-MISC EMER (OXYGEN ONLY)	002004 006100	
- 1	416N1001-107		EQUIPMENT INSTL-MISC EMER (OXYGEN ONLY) FOR NHA/OTHER SYS DET SEE: 25-20-00-01F	002004	RF
- 1	416N1001-148		EQUIPMENT INSTL-MISC EMER (OXYGEN ONLY) FOR NHA/OTHER SYS DET SEE: 25-20-00-01F	006010	RF
- 1	416N1001-170		EQUIPMENT INSTL-MISC EMER (OXYGEN ONLY) FOR NHA/OTHER SYS DET SEE: 25-20-00-01F	011100	RF
5	5500A1ABF23A		.BOTTLE-PORTABLE OXY SUPPLIER CODE: V53655 FUNCTIONAL DESCRIPTION: STORES PRESSURIZED OXYGEN FOR EMERGENCY USE QUALIFIED I/W DATA: PN 5500C1A1F23A CAN REPLACE AND BE REPLACED BY PN 5500A1ABF23A IF BRACKET IS RELOCATED PER AVOX DWG 5500, REV BV PAGE 2 AND THERE IS ADEQUETE SPACE	002004 006010	14
7	5500A1ABF23A		.BOTTLE-PORTABLE OXY SUPPLIER CODE: V53655 FUNCTIONAL DESCRIPTION: STORES PRESSURIZED OXYGEN FOR EMERGENCY USE QUALIFIED I/W DATA: PN 5500C1A1F23A CAN REPLACE AND BE REPLACED BY PN 5500A1ABF23A IF BRACKET IS RELOCATED PER AVOX DWG 5500, REV BV PAGE 2 AND THERE IS ADEQUETE SPACE	011100	12
10	28301-02		.MASK-DISPOSABLE OXY (CUSTOMER FURNISHED) SUPPLIER CODE: V53655 OPTIONAL PART: 28314-12 V53655	002004 006010	14

MISSING ITEM NUMBERS NOT APPLICABLE

- ITEM NOT ILLUSTRATED

35-31-07-29

35-31-07
FIG. 29
PAGE 1
JAN 20/09

BRI



757

PARTS CATALOG (MAINTENANCE)

FIG ITEM	PART NUMBER	1 2 3 4 5 6 7	NOMENCLATURE	EFFECT FROM TO	UNITS PER ASSY
29					
10	28314-12		.MASK-DISPOSABLE OXY (CUSTOMER FURNISHED) SUPPLIER CODE: V53655 OPTIONAL PART: 28301-02 V53655	002004 006010	14
12	28301-02		.MASK-DISPOSABLE OXY (CUSTOMER FURNISHED) SUPPLIER CODE: V53655 OPTIONAL PART: 28314-12 V53655	011100	12
12	28314-12		.MASK-DISPOSABLE OXY (CUSTOMER FURNISHED) SUPPLIER CODE: V53655 OPTIONAL PART: 28301-02 V53655	011100	12
15	H3-1060-1		.BRACKET- SUPPLIER CODE: V34941 SPECIFICATION NUMBER: BACB20J1A OPTIONAL PART: 920507 V62142	002004 006010	14
17	H3-1525		.BRACKET- SUPPLIER CODE: V34941 SPECIFICATION NUMBER: BACB20J4A ATTACHING PARTS	011100	12
- 20	NAS1801-3-11		.SCREW-	002004 006010	84
- 22	BACS12GU3K8		.SCREW-	011100	72
- 25	NAS1149D0316J		.WASHER-	002004 006010	84
- 27	NAS1149D0316J		.WASHER	011100	72
- 30	NAS43DD3-16FC		.SPACER	002004 006010	84
35	H3-1402-1		-----*----- .BRACKET- SUPPLIER CODE: V34941	002004 006010	14

MISSING ITEM NUMBERS NOT APPLICABLE

- ITEM NOT ILLUSTRATED

35-31-07-29

35-31-07
FIG. 29
PAGE 2
JAN 20/09

BRI

BOEING PROPRIETARY - Copyright © - Unpublished Work - See title page for details.



757

PARTS CATALOG (MAINTENANCE)

FIG ITEM	PART NUMBER	1 2 3 4 5 6 7	NOMENCLATURE	EFFECT FROM TO	UNITS PER ASSY
29					
37	H3-1402-1		.BRACKET- SUPPLIER CODE: V34941	011100	12
40	69-77812-1		.SPACER	002004 006010	14
42	69-77812-1		.SPACER ATTACHING PARTS	011100	12
- 45	NAS1801-3-12		.SCREW-	002004 006010	56
- 47	BACS12GU3K12		.SCREW-	011100	48
- 50	NAS1149D0316J		.WASHER-	002004 006010	56
- 52	NAS1149D0316J		.WASHER	011100	48
			-----*-----		
60	416N1001-100		.TAPE-1.00 IN. WIDE X 36 YD., 3M NO.474, COLOR GRAY. MISCELLANEOUS DATA: THIS TAPE ATTACHES A MASK TO THE OXYGEN BOTTLE.	002004 006100	AR

MISSING ITEM NUMBERS NOT APPLICABLE

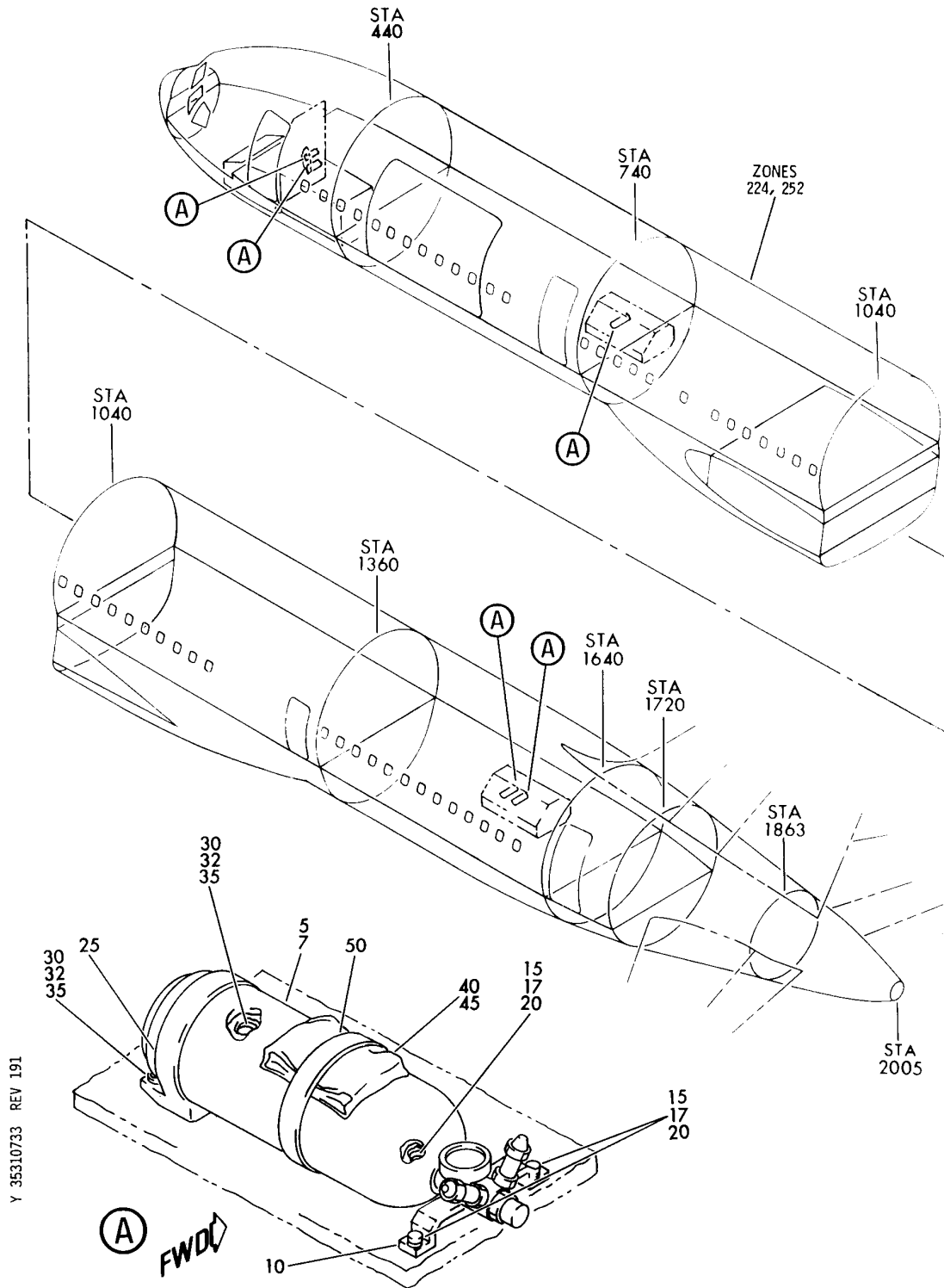
- ITEM NOT ILLUSTRATED

35-31-07-29

35-31-07
FIG. 29
PAGE 3
JAN 20/09

BRI

BOEING
757
PARTS CATALOG (MAINTENANCE)



Y 35310733 REV 191

EQUIPMENT INSTL-MISC. EMER (OXYGEN ONLY)
FIGURE 33

35-31-07-33

BRI
JAN 20/09

35-31-07-33
PAGE 0



757

PARTS CATALOG (MAINTENANCE)

FIG ITEM	PART NUMBER	1 2 3 4 5 6 7	NOMENCLATURE	EFFECT FROM TO	UNITS PER ASSY
33			EQUIPMENT INSTL-MISC. EMER (OXYGEN ONLY)	950951	
1	416N1001-125		EQUIPMENT INSTL-MISC EMER (OXYGEN ONLY)	950951	RF
			FOR NHA/OTHER SYS DET SEE: 25-20-00-01F		
5	5500A1XBF20B		.BOTTLE-PORTABLE OXY SUPPLIER CODE: V53655	950951	5
10	H3-1525		.BRACKET SUPPLIER CODE: V34941 SPECIFICATION NUMBER: BACB20J4A	950951	5
			ATTACHING PARTS		
15	NAS1801-3-11		.SCREW-	950951	15
20	NAS1149D0316J		.WASHER-	950951	15
			-----*-----		
25	H3-1524		.BRACKET SUPPLIER CODE: V34941 SPECIFICATION NUMBER: BACB20J5A	950951	5
			ATTACHING PARTS		
30	NAS1801-3-7		.SCREW-	950951	10
35	NAS1149D0316J		.WASHER-	950951	10
			-----*-----		
40	34XM1002		.POUCH- (CUSTOMER FURNISHED) SUPPLIER CODE: V16576	950951	5
45	289-127		.MASK-OXYGEN (CUSTOMER FURNISHED) SUPPLIER CODE: V53655	950951	5
50	416N1001-100		.TAPE-1.00 IN. WIDE X 36 YD., 3M NO. 474, COLOR GRAY. MISCELLANEOUS DATA: THIS TAPE ATTACHES A MASK TO THE OXYGEN BOTTLE.	950951	AR

MISSING ITEM NUMBERS NOT APPLICABLE

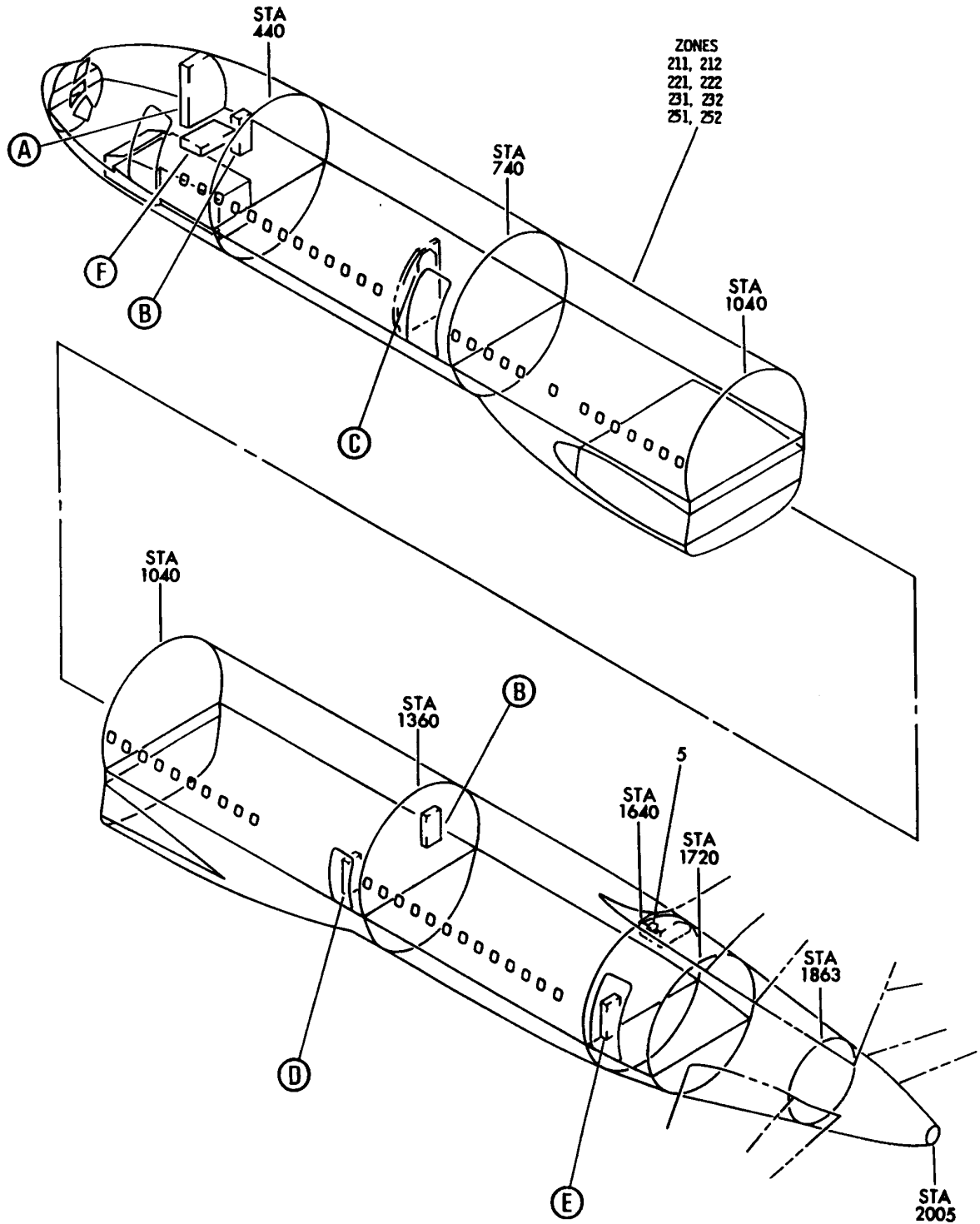
- ITEM NOT ILLUSTRATED

35-31-07-33

35-31-07
FIG. 33
PAGE 1
JAN 20/09

BRI

BOEING
757
PARTS CATALOG (MAINTENANCE)



Y 35310739 SHT 1 REV 198

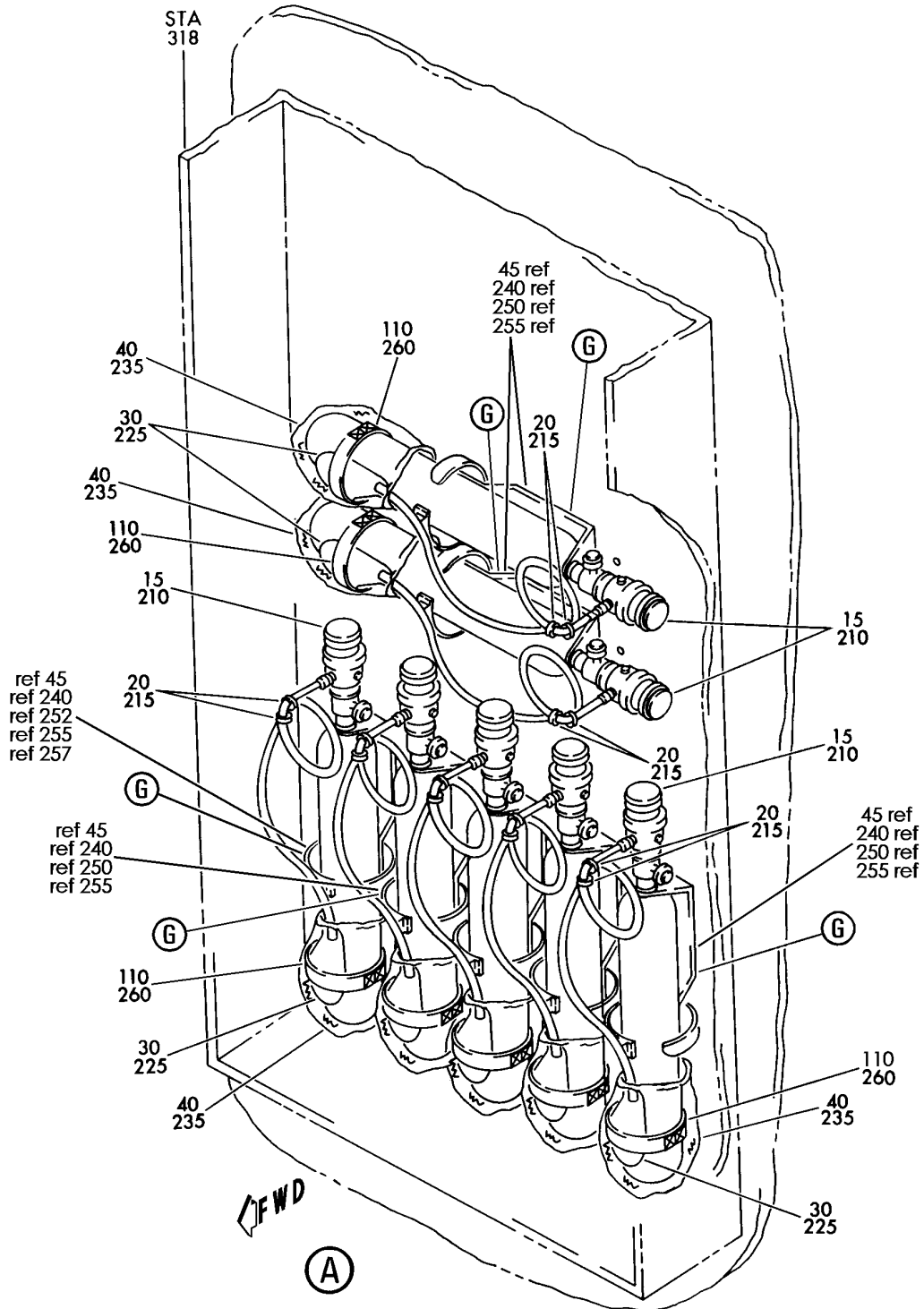
EQUIPMENT INSTL-MISC. EMER (OXYGEN ONLY)
FIGURE 39 (SHEET 1)

35-31-07-39

BRI
JAN 20/09

35-31-07-39
PAGE 0

BOEING
757
PARTS CATALOG (MAINTENANCE)



Y 35310739 SHT 2 REV 214

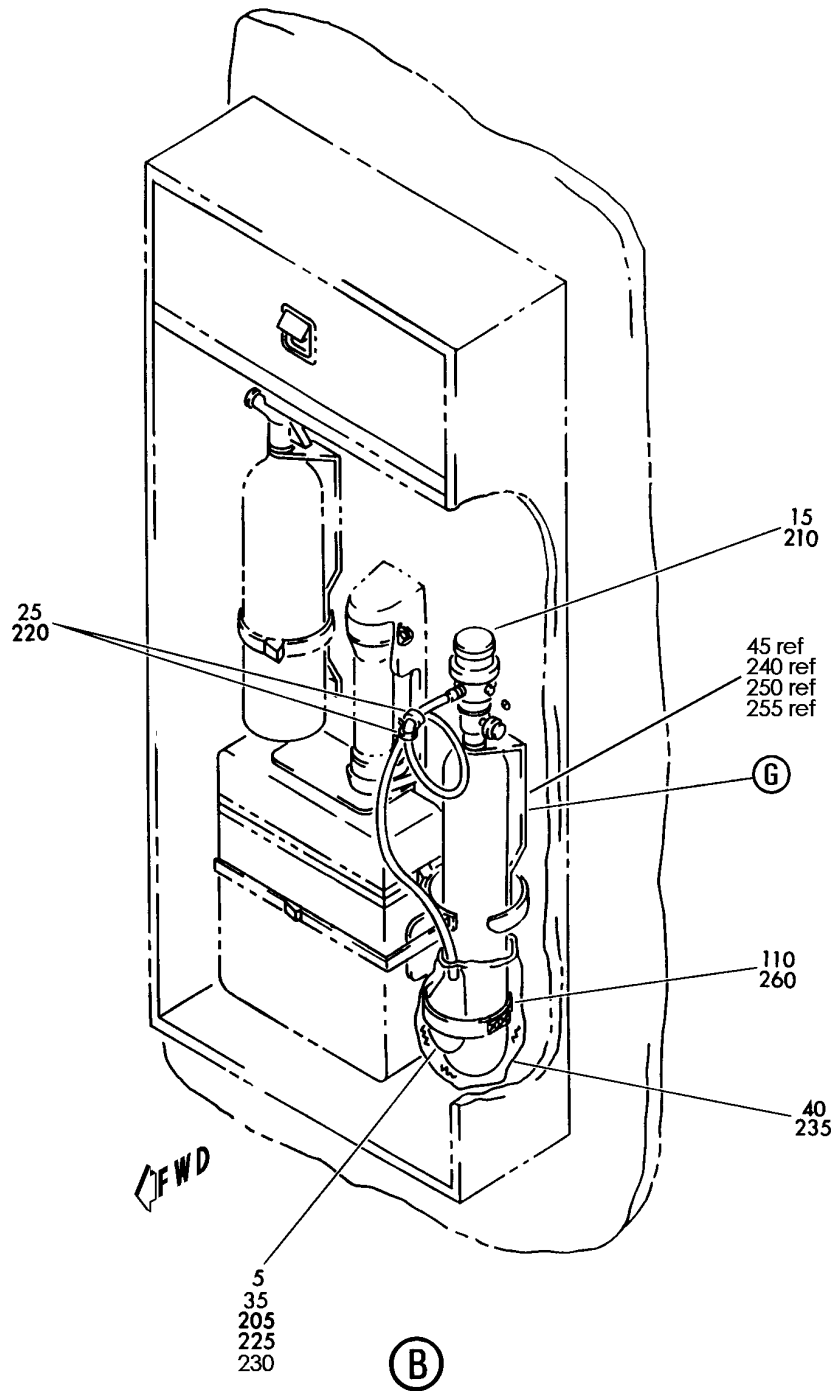
EQUIPMENT INSTL-MISC. EMER (OXYGEN ONLY)
FIGURE 39 (SHEET 2)

35-31-07-39

BRI
JAN 20/09

35-31-07-39
PAGE 0A

BOEING
757
PARTS CATALOG (MAINTENANCE)



Y 35310739 SH1 3 REV 214

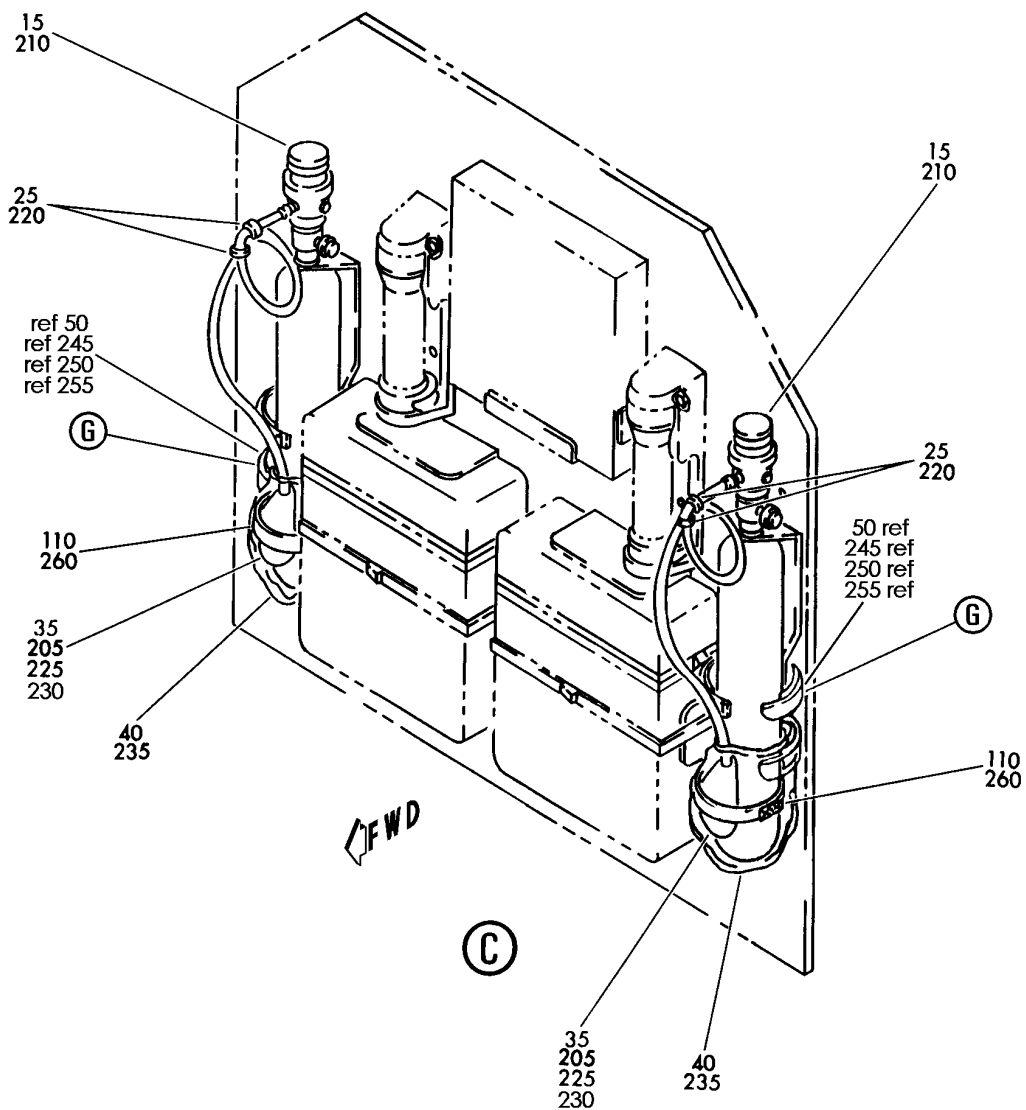
EQUIPMENT INSTL-MISC. EMER (OXYGEN ONLY)
FIGURE 39 (SHEET 3)

35-31-07-39

BRI
JAN 20/09

35-31-07-39
PAGE 0B

BOEING
757
PARTS CATALOG (MAINTENANCE)



Y 35310739 SH 4 REV 214

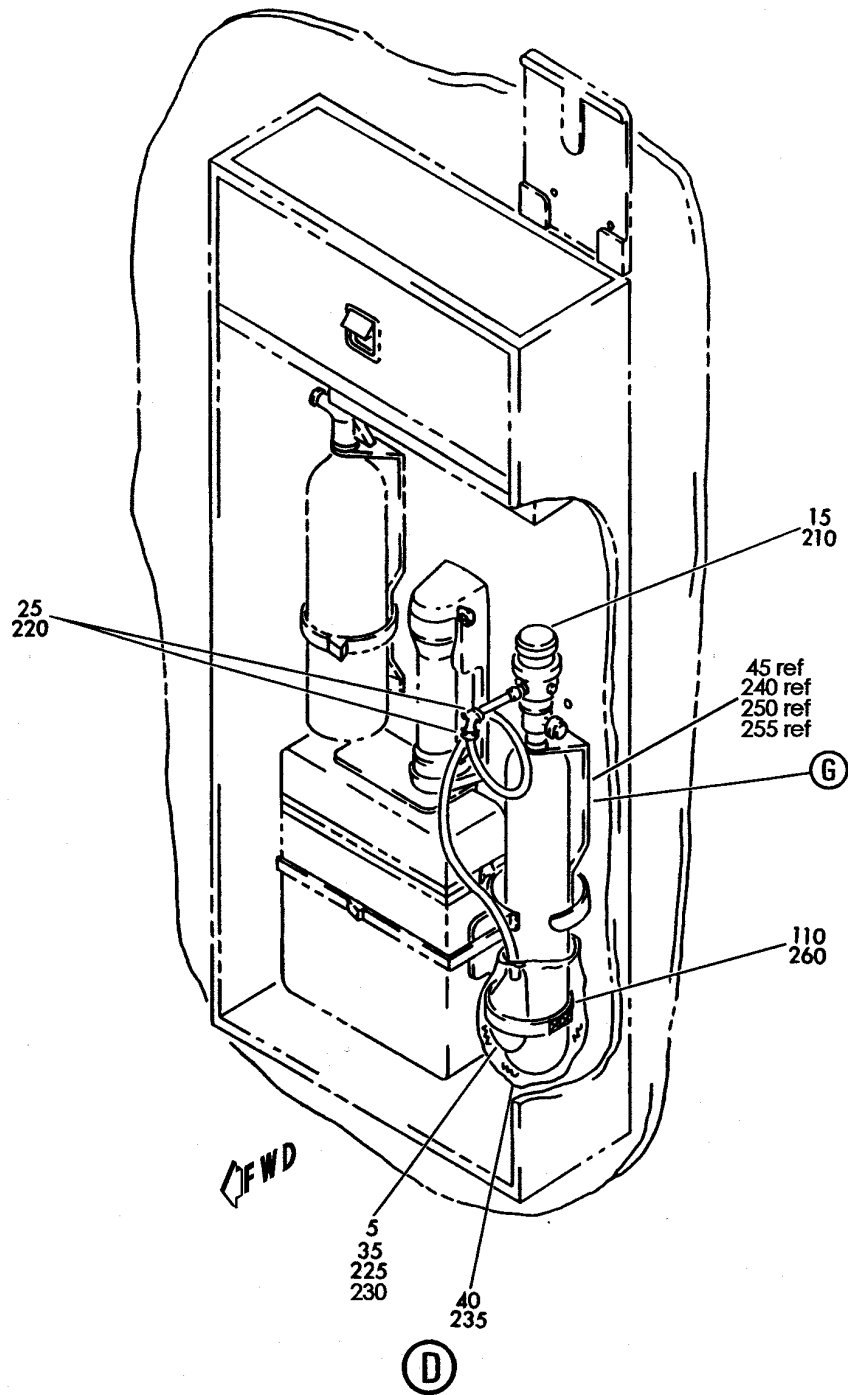
EQUIPMENT INSTL-MISC. EMER (OXYGEN ONLY)
FIGURE 39 (SHEET 4)

35-31-07-39

BRI
JAN 20/09

35-31-07-39
PAGE 0C

BOEING
757
PARTS CATALOG (MAINTENANCE)



Y 35310739 SHT 5 REV 214

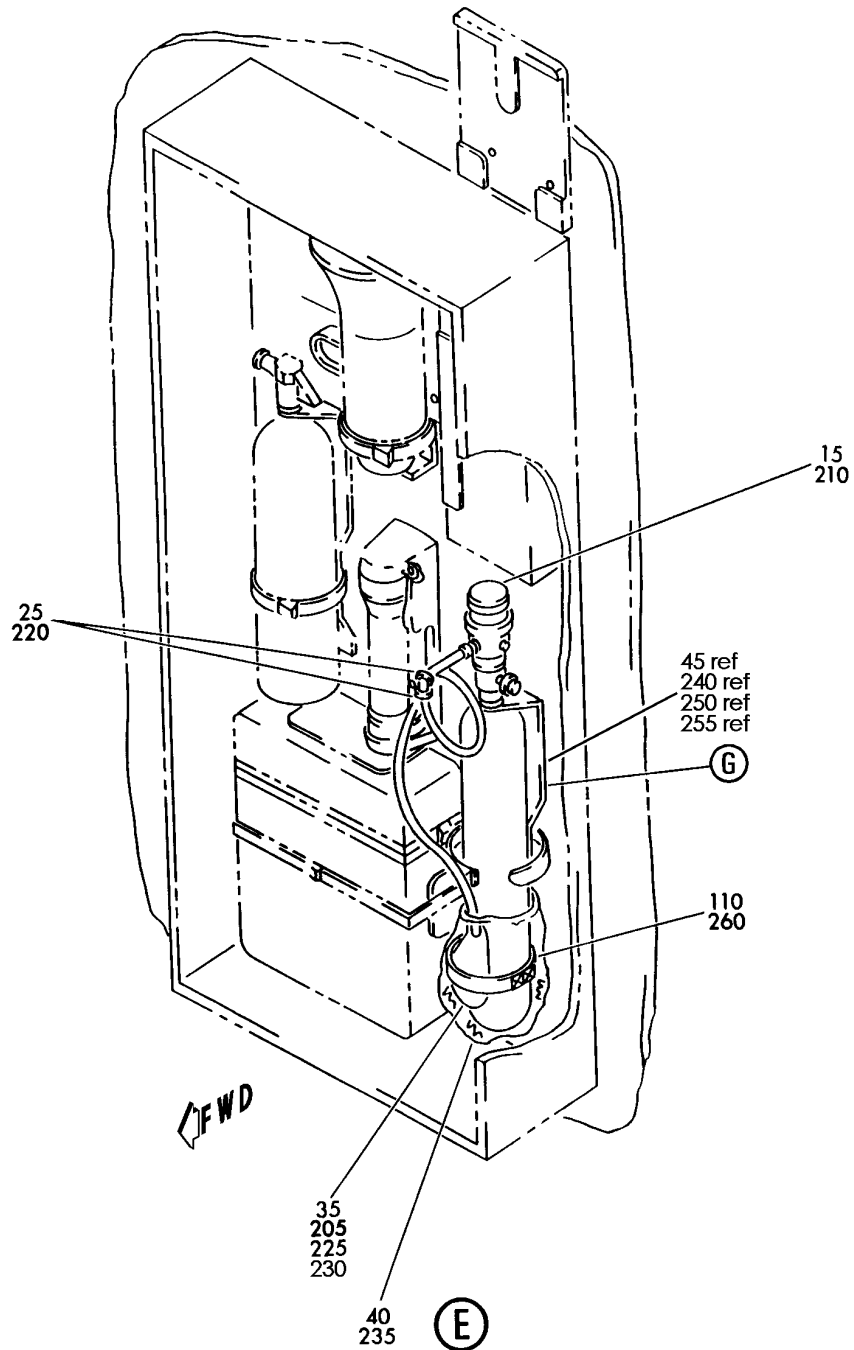
EQUIPMENT INSTL-MISC. EMER (OXYGEN ONLY)
FIGURE 39 (SHEET 5)

35-31-07-39

BRI
JAN 20/09

35-31-07-39
PAGE 0D

BOEING
757
PARTS CATALOG (MAINTENANCE)



Y 35310739 SH 6 REV 214

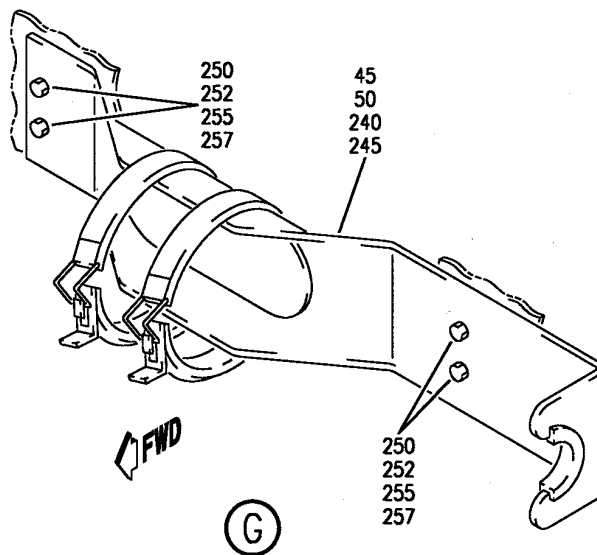
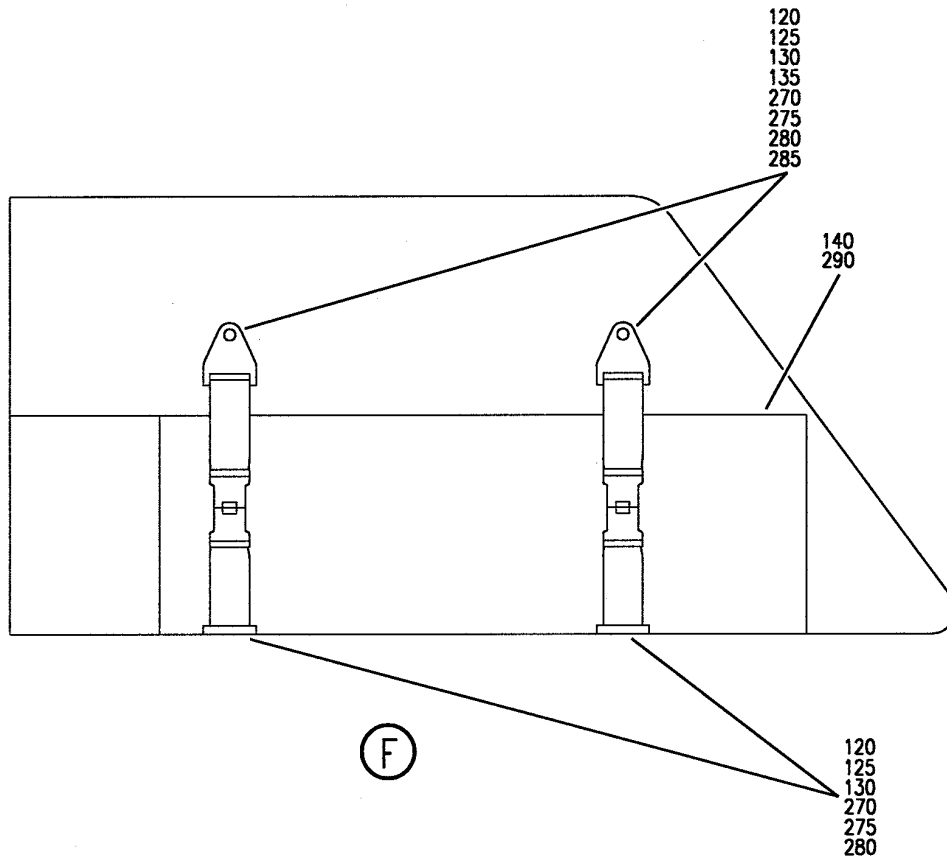
EQUIPMENT INSTL-MISC. EMER (OXYGEN ONLY)
FIGURE 39 (SHEET 6)

35-31-07-39

BRI
JAN 20/09

35-31-07-39
PAGE 0E

BOEING
757
PARTS CATALOG (MAINTENANCE)



Y 35310739 SH1 7 REV 214

EQUIPMENT INSTL-MISC. EMER (OXYGEN ONLY)
FIGURE 39 (SHEET 7)

35-31-07-39

BRI
JAN 20/09

35-31-07-39
PAGE OF



757

PARTS CATALOG (MAINTENANCE)

FIG ITEM	PART NUMBER	1 2 3 4 5 6 7	NOMENCLATURE	EFFECT FROM TO	UNITS PER ASSY
39			EQUIPMENT INSTL-MISC. EMER (OXYGEN ONLY)	504504 506506	
- 200	416N1001-734B		EQUIPMENT INSTL-MISC. EMER (OXYGEN ONLY) FOR NHA/OTHER SYS DET SEE: 25-20-00-07F	504504 506506	RF
205	289-1002		.MASK-OXY DEMONSTRATION (CUSTOMER FURNISHED) SUPPLIER CODE: V53655	504504 506506	5
210	708-021-01		.BOTTLE-PORTABLE OXY (CUSTOMER FURNISHED) SUPPLIER CODE: VU2993 FUNCTIONAL DESCRIPTION: PROVIDES A PORTABLE SOURCE OF BREATHING OXYGEN	504504 506506	13
215	416N1030-1		.RETAINER-COIL	504504 506506	14
220	63-10155-1		.RETAINER-COIL	504504 506506	12
225	2-50627		.MASK-THERAPEUTIC OXY (CUSTOMER FURNISHED) SUPPLIER CODE: VK6807	504504 506506	7
230	2-50627		.MASK-CREW OXY (CUSTOMER FURNISHED) SUPPLIER CODE: VK6807	504504 506506	6
235	DHP944		.POUCH-OXY MASK SUPPLIER CODE: VU9987	504504 506506	13
245	AE21480-2		.BRACKET-OXY BOTTLE 2 STRAP (CUSTOMER FURNISHED) SUPPLIER CODE: VU3061	504504 506506	2
250	BACS12GU3K6		ATTACHING PARTS .SCREW	504504 506506	48
252	BACS12GU3K12		.SCREW	504504 506506	4
255	NAS1149D0316J		.WASHER	504504 506506	52
257	NAS42DD6-14FC		.SPACER	504504 506506	4
			-----*-----		

MISSING ITEM NUMBERS NOT APPLICABLE

- ITEM NOT ILLUSTRATED

35-31-07-39

35-31-07
FIG. 39
PAGE 1
JAN 20/09

BRI



757

PARTS CATALOG (MAINTENANCE)

FIG ITEM	PART NUMBER	1 2 3 4 5 6 7	NOMENCLATURE	EFFECT FROM TO	UNITS PER ASSY
39 260	416N1001-100		.TAPE-1.00 IN. WIDE X 36 YD., 3M NO. 474, COLOR GRAY. MISCELLANEOUS DATA: THIS TAPE ATTACHES A MASK TO THE OXYGEN BOTTLE.	504504 506506	AR

MISSING ITEM NUMBERS NOT APPLICABLE

- ITEM NOT ILLUSTRATED

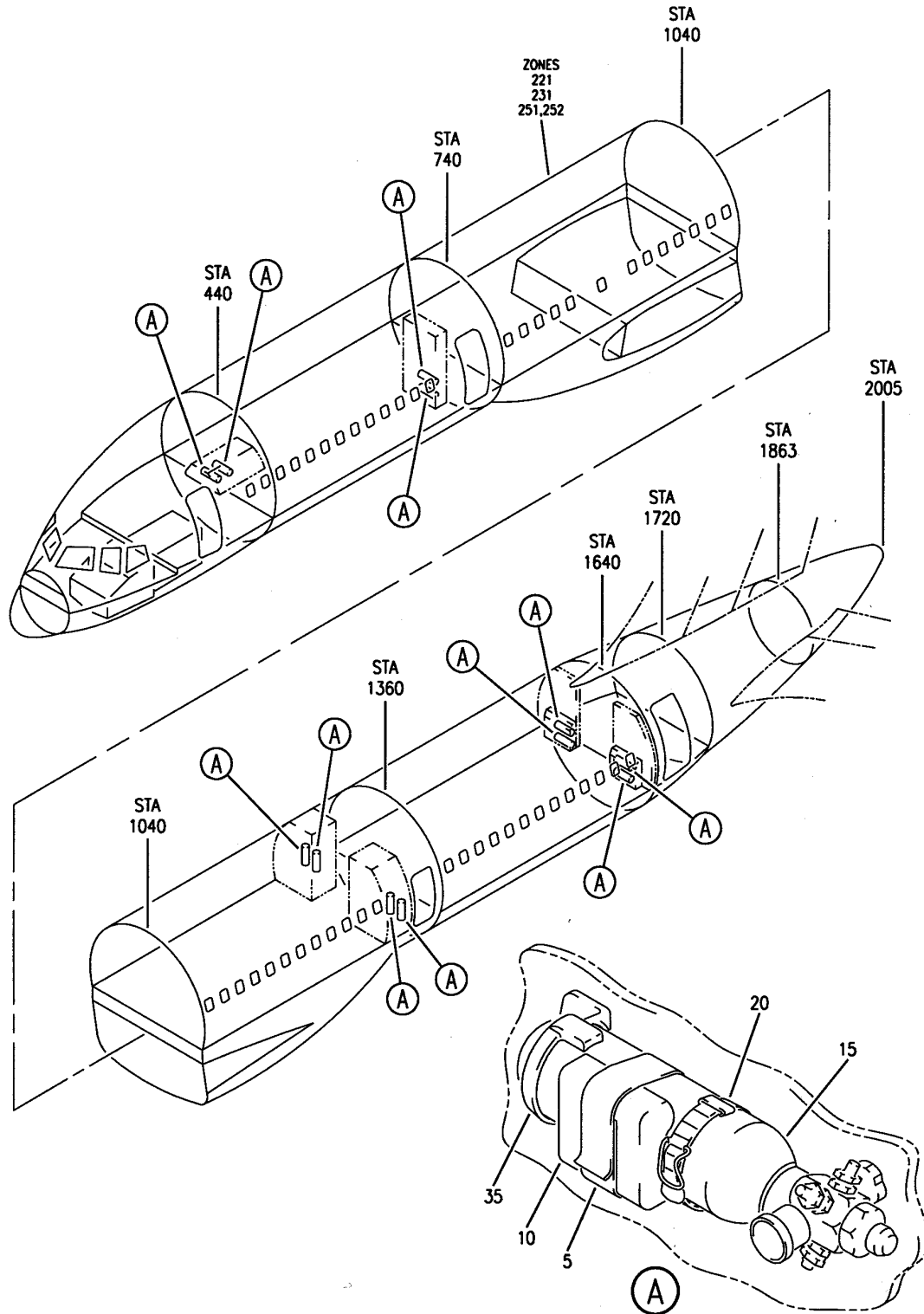
BRI

35-31-07-39

BOEING PROPRIETARY - Copyright © - Unpublished Work - See title page for details.

35-31-07
FIG. 39
PAGE 2
JAN 20/09

BOEING
757
PARTS CATALOG (MAINTENANCE)



Y 35310753 REV 210

EQUIPMENT INSTL-MISC EMER (OXYGEN ONLY)
FIGURE 53

35-31-07-53

BRI
MAY 28/07

35-31-07-53
PAGE 0



757

PARTS CATALOG (MAINTENANCE)

FIG ITEM	PART NUMBER	1 2 3 4 5 6 7	NOMENCLATURE	EFFECT FROM TO	UNITS PER ASSY
53			EQUIPMENT INSTL-MISC EMER (OXYGEN ONLY)	101102	
- 1	416N1001-729SP		EQUIPMENT INSTL-MISC EMER (OXYGEN ONLY)	101101	RF
			FOR NHA/OTHER SYS DET SEE: 25-20-00-07F		
- 1	416N1001-738SP		EQUIPMENT INSTL-MISC EMER (OXYGEN ONLY)	102102	RF
			FOR NHA/OTHER SYS DET SEE: 25-20-00-07F		
5	416N1000-1000		.STRAP-VELCRO	101102	12
10	174095-66		.MASK-OXYGEN (FOR PASSENGER PORTABLE OXYGEN BOTTLES) (CUSTOMER FURNISHED) SUPPLIER CODE: V16827	101102	12
			MISCELLANEOUS DATA: THE INCORPORATION OF PURITAN BENNETT S/B 3500-98-07 ON OXYGEN MASKS MANUFACTURED BETWEEN MAY 1986 AND JULY 1998 IS EVIDENCED BY LANYARDS WITH GREEN CHORDS INSTALLED.		
			OPTIONAL PART: 28301-02 V53655		
10	28301-02		.MASK-OXYGEN (FOR PASSENGER PORTABLE OXYGEN BOTTLES) (CUSTOMER FURNISHED) SUPPLIER CODE: V53655	101102	12
			OPTIONAL PART: 174095-66 V16827		

MISSING ITEM NUMBERS NOT APPLICABLE

- ITEM NOT ILLUSTRATED

35-31-07-53

35-31-07
FIG. 53
PAGE 1
JAN 20/09

BRI



757

PARTS CATALOG (MAINTENANCE)

FIG ITEM	PART NUMBER	1 2 3 4 5 6 7	NOMENCLATURE	EFFECT FROM TO	UNITS PER ASSY
53					
15	5500A1ABF23A		.BOTTLE-OXY PORTABLE SUPPLIER CODE: V53655 FUNCTIONAL DESCRIPTION: STORES PRESSURIZED OXYGEN FOR EMERGENCY USE QUALIFIED I/W DATA: PN 5500C1A1F23A CAN REPLACE AND BE REPLACED BY PN 5500A1ABF23A IF BRACKET IS RELOCATED PER AVOX DWG 5500, REV BV PAGE 2 AND THERE IS ADEQUETE SPACE	101102	12
20	H3-1426-6		.BRACKET- SUPPLIER CODE: V34941	101102	12
20	H3-1426-1		.BRACKET- SUPPLIER CODE: V34941 ATTACHING PARTS	101102	12
- 25	BACS12GU3K8		.SCREW	101102	36
- 30	NAS1149D0316J		.WASHER -----*-----	101102	36
35	H3-1566-1		.BRACKET- SUPPLIER CODE: V34941 ATTACHING PARTS	101102	12
- 40	BACS12GU3K7		.SCREW	101102	24
- 45	NAS1149D0316J		.WASHER -----*-----	101102	24

MISSING ITEM NUMBERS NOT APPLICABLE

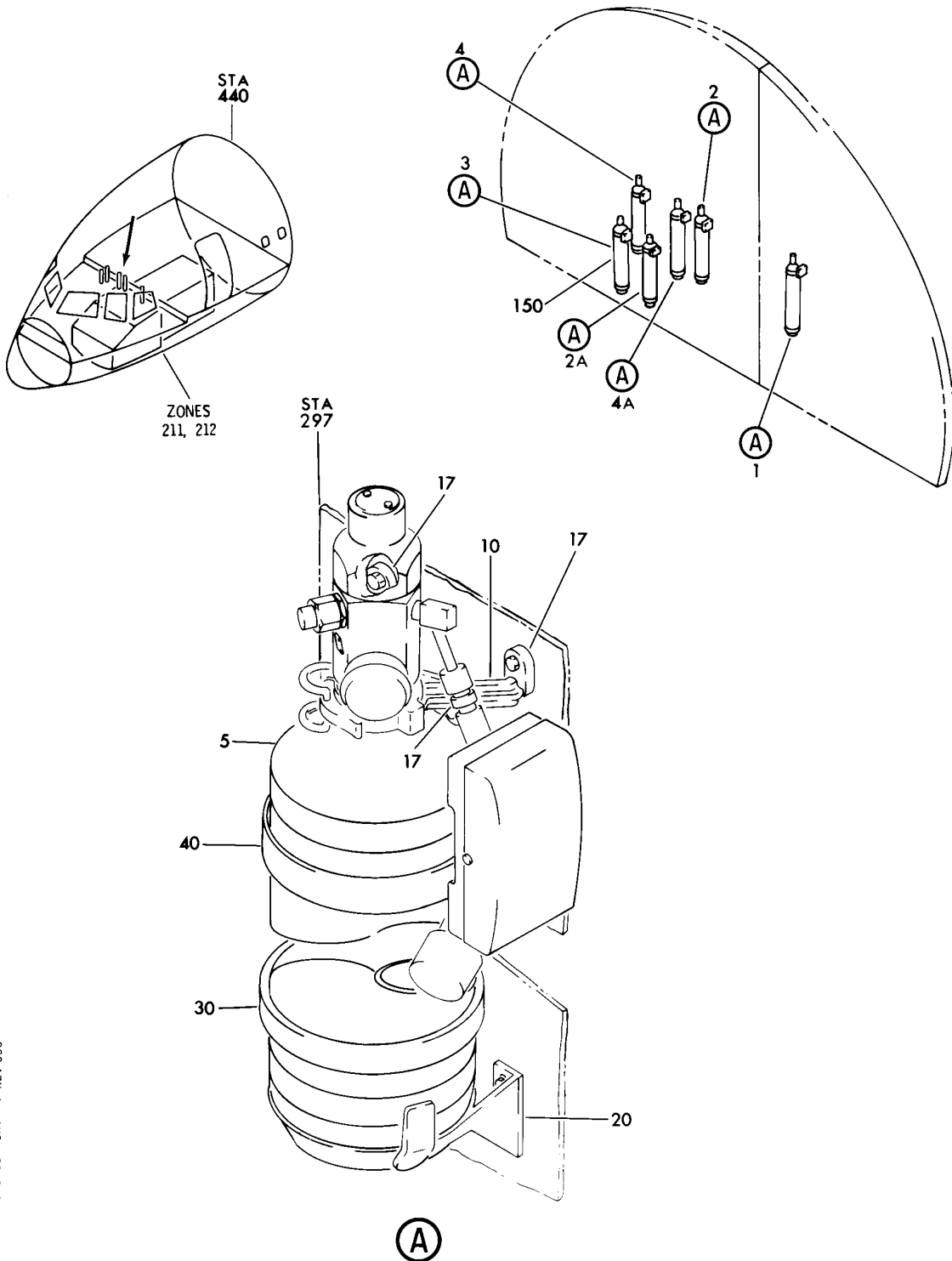
- ITEM NOT ILLUSTRATED

35-31-07-53

35-31-07
FIG. 53
PAGE 2
JAN 20/09

BRI

BOEING
757
PARTS CATALOG (MAINTENANCE)



Y 35315105 SHT 1 REV 099

BOTTLE AND FILLER INSTL-PORTABLE OXY-
FIGURE 5

35-31-51-05

BRI
MAY 28/07

35-31-51-05
PAGE 0



**757
PARTS CATALOG (MAINTENANCE)**

FIG ITEM	PART NUMBER	1 2 3 4 5 6 7	NOMENCLATURE	EFFECT FROM TO	UNITS PER ASSY
5			BOTTLE AND FILLER INSTL- PORTABLE OXY-	107107 121503 904949	
2A	232N4005-13		BOTTLE INSTL-PORTABLE OXY FOR NHA SEE: 25-10-00-05C	121503 904949	RF
3	232N4005-4		BOTTLE INSTL-PORTABLE OXY FOR NHA SEE: 25-10-00-05C	107107	RF
5	56001C1AE23A		.BOTTLE-(CUSTOMER FURNISHED) SUPPLIER CODE: V53655	107107 121503 904949	1
10	H3-1060-1		.BRACKET- SUPPLIER CODE: V34941 SPECIFICATION NUMBER: BACB20J1A OPTIONAL PART: 920507 V62142 ATTACHING PARTS	121503 904949	1
- 15	SFS10F14DL11BG		.SCREW- SUPPLIER CODE: V12324 -----*-----	121503 904949	3
17	NAS43DD3-8		.SPACER-	121503 904949	3
20	H3-1056-1		.BRACKET- SUPPLIER CODE: V34941 SPECIFICATION NUMBER: BACB20J3A OPTIONAL PART: 844584 V62142 ATTACHING PARTS	107107 121503 904949	1
- 25	SFS10F12DL11BG		.SCREW- SUPPLIER CODE: V12324 -----*-----	107107 121503 904949	2
30	69-41212-6		.STRAP ASSY-	107107 121503 904949	1
40	69-40771-8		.BRACKET ASSY- ATTACHING PARTS	107107	1
- 45	NAS603-6P		.SCREW -----*-----	107107	4

MISSING ITEM NUMBERS NOT APPLICABLE

- ITEM NOT ILLUSTRATED

35-31-51-05

35-31-51
FIG. 05
PAGE 1
JAN 20/09

BRI