



757
PARTS CATALOG (MAINTENANCE)

| CH-SECT-UNIT-FIG | PAGE NO. | DATE | CH-SECT-UNIT-FIG | PAGE NO. | DATE |
|------------------|----------|-----------|------------------|----------|-----------|
| *36 | 1 | MAY 20/09 | 36-11-01- 1D | 7 | JAN 20/09 |
| *36 | 2 | MAY 20/09 | 36-11-01- 1D | 8 | JAN 20/09 |
| *36 | 3 | MAY 20/09 | 36-11-01- 1D | 9 | JAN 20/09 |
| *36 | 4 | MAY 20/09 | 36-11-01- 1D | 10 | JAN 20/09 |
| *36 | 5 | MAY 20/09 | 36-11-01- 1D | 11 | JAN 20/09 |
| *36 | 6 | MAY 20/09 | 36-11-01- 1D | 12 | JAN 20/09 |
| *36 | 7 | MAY 20/09 | 36-11-01- 1D | 13 | JAN 20/09 |
| 36-00-00 | 1 | JAN 20/08 | 36-11-01- 1E | 0 | MAY 28/07 |
| 36-00-00- 1 | 0 | JAN 20/08 | 36-11-01- 1E | 1 | JAN 20/09 |
| 36-00-00- 1 | 1 | JAN 20/09 | 36-11-01- 1E | 2 | JAN 20/09 |
| 36-00-00- 1 | 2 | JAN 20/09 | 36-11-01- 1F | 0 | MAY 28/07 |
| 36-00-00- 1 | 3 | JAN 20/09 | 36-11-01- 1F | 0A | MAY 28/07 |
| 36-00-00- 1A | 0 | JAN 20/09 | 36-11-01- 1F | 1 | JAN 20/09 |
| 36-00-00- 1A | 1 | JAN 20/09 | 36-11-01- 1F | 2 | JAN 20/09 |
| 36-00-00- 1A | 2 | JAN 20/09 | 36-11-01- 1F | 3 | JAN 20/09 |
| 36-11-00 | 1 | MAY 28/07 | 36-11-01- 2 | 0 | MAY 28/07 |
| 36-11-01- 1 | 0 | MAY 20/08 | 36-11-01- 2 | 0A | MAY 28/07 |
| 36-11-01- 1 | 0A | MAY 28/07 | 36-11-01- 2 | 0B | MAY 28/07 |
| *36-11-01- 1 | 1 | MAY 20/09 | *36-11-01- 2 | 1 | MAY 20/09 |
| *36-11-01- 1 | 2 | MAY 20/09 | *36-11-01- 2 | 2 | MAY 20/09 |
| *36-11-01- 1 | 3 | MAY 20/09 | 36-11-01- 2 | 3 | JAN 20/09 |
| *36-11-01- 1 | 4 | MAY 20/09 | *36-11-01- 2 | 4 | MAY 20/09 |
| *36-11-01- 1 | 5 | MAY 20/09 | *36-11-01- 2 | 5 | MAY 20/09 |
| 36-11-01- 1 | 6 | JAN 20/09 | 36-11-01- 2 | 6 | JAN 20/09 |
| 36-11-01- 1 | 7 | JAN 20/09 | 36-11-01- 2 | 7 | JAN 20/09 |
| 36-11-01- 1 | 8 | JAN 20/09 | 36-11-01- 2 | 8 | JAN 20/09 |
| *36-11-01- 1 | 9 | MAY 20/09 | 36-11-01- 3 | 0 | MAY 28/07 |
| *36-11-01- 1 | 10 | MAY 20/09 | 36-11-01- 3 | 0A | MAY 28/07 |
| *36-11-01- 1 | 11 | MAY 20/09 | 36-11-01- 3 | 1 | JAN 20/09 |
| *36-11-01- 1 | 12 | MAY 20/09 | 36-11-01- 3 | 2 | JAN 20/09 |
| *36-11-01- 1 | 13 | MAY 20/09 | 36-11-01- 3 | 3 | JAN 20/09 |
| *36-11-01- 1 | 14 | MAY 20/09 | 36-11-01- 3 | 4 | JAN 20/09 |
| 36-11-01- 1 | 15 | JAN 20/09 | 36-11-01- 3 | 5 | JAN 20/09 |
| 36-11-01- 1 | 16 | JAN 20/09 | 36-11-01- 3 | 6 | JAN 20/09 |
| 36-11-01- 1 | 17 | JAN 20/09 | 36-11-01- 3 | 7 | JAN 20/09 |
| 36-11-01- 1 | 18 | JAN 20/09 | *36-11-01- 3 | 8 | MAY 20/09 |
| 36-11-01- 1 | 19 | JAN 20/09 | 36-11-01- 3 | 9 | JAN 20/09 |
| 36-11-01- 1 | 20 | JAN 20/09 | *36-11-01- 3 | 10 | MAY 20/09 |
| 36-11-01- 1 | 21 | JAN 20/09 | *36-11-01- 3 | 11 | MAY 20/09 |
| 36-11-01- 1D | 0 | MAY 28/07 | 36-11-01- 3A | 0 | MAY 28/07 |
| 36-11-01- 1D | 0A | MAY 28/07 | 36-11-01- 3A | 0A | MAY 28/07 |
| 36-11-01- 1D | 0B | MAY 28/07 | 36-11-01- 3A | 0B | MAY 28/07 |
| 36-11-01- 1D | 0C | MAY 28/07 | 36-11-01- 3A | 1 | JAN 20/09 |
| 36-11-01- 1D | 0D | MAY 28/07 | 36-11-01- 3A | 2 | JAN 20/09 |
| 36-11-01- 1D | 0E | MAY 28/07 | *36-11-01- 3A | 3 | MAY 20/09 |
| 36-11-01- 1D | 1 | JAN 20/09 | *36-11-01- 3A | 4 | MAY 20/09 |
| 36-11-01- 1D | 2 | JAN 20/09 | *36-11-01- 3A | 5 | MAY 20/09 |
| 36-11-01- 1D | 3 | JAN 20/09 | 36-11-01- 5 | 0 | MAY 28/07 |
| 36-11-01- 1D | 4 | JAN 20/09 | 36-11-01- 5 | 0A | MAY 28/07 |
| 36-11-01- 1D | 5 | JAN 20/09 | 36-11-01- 5 | 1 | JAN 20/09 |
| 36-11-01- 1D | 6 | JAN 20/09 | 36-11-01- 5 | 2 | JAN 20/09 |

* THE ASTERISK INDICATES PAGES CHANGED OR ADDED BY THE CURRENT REVISION



757

PARTS CATALOG (MAINTENANCE)

| CH-SECT-UNIT-FIG | PAGE NO. | DATE |
|------------------|----------|-----------|
| 36-11-01- 5 | 3 | JAN 20/09 |
| 36-11-01- 5 | 4 | JAN 20/09 |
| 36-11-01- 5 | 5 | JAN 20/09 |
| 36-11-01- 6 | 0 | MAY 28/07 |
| 36-11-01- 6 | 0A | MAY 28/07 |
| 36-11-01- 6 | 1 | JAN 20/09 |
| 36-11-01- 6 | 2 | JAN 20/09 |
| 36-11-01- 6 | 3 | JAN 20/09 |
| 36-11-01- 6 | 4 | JAN 20/09 |
| 36-11-01- 6 | 5 | JAN 20/09 |
| 36-11-01- 6 | 6 | JAN 20/09 |
| 36-11-01- 6 | 7 | JAN 20/09 |
| 36-11-01- 6 | 8 | JAN 20/09 |
| 36-11-01- 6 | 9 | JAN 20/09 |
| 36-11-01- 6 | 10 | JAN 20/09 |
| 36-11-01- 6 | 11 | JAN 20/09 |
| 36-11-01- 6 | 12 | JAN 20/09 |
| 36-11-01- 6 | 13 | JAN 20/09 |
| 36-11-01- 6 | 14 | JAN 20/09 |
| 36-11-01- 6 | 15 | JAN 20/09 |
| 36-11-01- 6 | 16 | JAN 20/09 |
| 36-11-01- 6 | 17 | JAN 20/09 |
| 36-11-01- 6 | 18 | JAN 20/09 |
| 36-11-01- 7 | 0 | MAY 28/07 |
| 36-11-01- 7 | 0A | MAY 28/07 |
| 36-11-01- 7 | 0B | MAY 28/07 |
| 36-11-01- 7 | 1 | JAN 20/09 |
| 36-11-01- 7 | 2 | JAN 20/09 |
| 36-11-01- 7 | 3 | JAN 20/09 |
| 36-11-01- 7 | 4 | JAN 20/09 |
| 36-11-01- 7 | 5 | JAN 20/09 |
| 36-11-01- 8 | 0 | JAN 20/09 |
| 36-11-01- 8 | 0A | JAN 20/09 |
| 36-11-01- 8 | 0B | JAN 20/09 |
| 36-11-01- 8 | 0C | JAN 20/09 |
| 36-11-01- 8 | 1 | JAN 20/09 |
| 36-11-01- 8 | 2 | JAN 20/09 |
| 36-11-01- 8 | 3 | JAN 20/09 |
| 36-11-01-10 | 0 | MAY 28/07 |
| 36-11-01-10 | 0A | MAY 28/07 |
| 36-11-01-10 | 0B | MAY 28/07 |
| 36-11-01-10 | 1 | JAN 20/09 |
| 36-11-01-10 | 2 | JAN 20/09 |
| 36-11-01-10 | 3 | JAN 20/09 |
| 36-11-01-10 | 4 | JAN 20/09 |
| 36-11-01-10 | 5 | JAN 20/09 |
| 36-11-01-10 | 6 | JAN 20/09 |
| 36-11-01-10 | 7 | JAN 20/09 |
| 36-11-01-11 | 0 | MAY 28/07 |
| 36-11-01-11 | 0A | MAY 28/07 |
| 36-11-01-11 | 0B | MAY 28/07 |

| CH-SECT-UNIT-FIG | PAGE NO. | DATE |
|------------------|----------|-----------|
| 36-11-01-11 | 1 | JAN 20/09 |
| 36-11-01-11 | 2 | JAN 20/09 |
| *36-11-01-11 | 3 | MAY 20/09 |
| *36-11-01-11 | 4 | MAY 20/09 |
| *36-11-01-11 | 5 | MAY 20/09 |
| 36-11-01-12 | 0 | MAY 28/07 |
| 36-11-01-12 | 0A | MAY 28/07 |
| 36-11-01-12 | 0B | MAY 28/07 |
| 36-11-01-12 | 1 | JAN 20/09 |
| 36-11-01-12 | 2 | JAN 20/09 |
| 36-11-01-12 | 3 | JAN 20/09 |
| 36-11-01-12 | 4 | JAN 20/09 |
| 36-11-01-12 | 5 | JAN 20/09 |
| 36-11-01-12 | 6 | JAN 20/09 |
| 36-11-01-12 | 7 | JAN 20/09 |
| 36-11-01-13 | 0 | JAN 20/09 |
| 36-11-01-13 | 0A | JAN 20/09 |
| 36-11-01-13 | 0B | JAN 20/09 |
| 36-11-01-13 | 0C | JAN 20/09 |
| 36-11-01-13 | 0D | JAN 20/09 |
| 36-11-01-13 | 1 | JAN 20/09 |
| 36-11-01-13 | 2 | JAN 20/09 |
| 36-11-01-13 | 3 | JAN 20/09 |
| 36-11-01-13 | 4 | JAN 20/09 |
| 36-11-01-13 | 5 | JAN 20/09 |
| 36-11-01-15 | 0 | MAY 28/07 |
| 36-11-01-15 | 0A | MAY 28/07 |
| 36-11-01-15 | 1 | JAN 20/09 |
| 36-11-01-15 | 2 | JAN 20/09 |
| 36-11-01-15 | 3 | JAN 20/09 |
| 36-11-01-15 | 4 | JAN 20/09 |
| 36-11-01-15 | 5 | JAN 20/09 |
| 36-11-01-15 | 6 | JAN 20/09 |
| 36-11-01-15 | 7 | JAN 20/09 |
| 36-11-01-17 | 0 | MAY 28/07 |
| 36-11-01-17 | 0A | MAY 28/07 |
| 36-11-01-17 | 0B | MAY 28/07 |
| 36-11-01-17 | 1 | JAN 20/09 |
| 36-11-01-17 | 2 | JAN 20/09 |
| 36-11-01-17 | 3 | JAN 20/09 |
| 36-11-01-17 | 4 | JAN 20/09 |
| 36-11-01-17 | 5 | JAN 20/09 |
| 36-11-01-17 | 6 | JAN 20/09 |
| 36-11-01-17 | 7 | JAN 20/09 |
| 36-11-01-17 | 8 | JAN 20/09 |
| 36-11-01-17 | 9 | JAN 20/09 |
| 36-11-01-17 | 10 | JAN 20/09 |
| 36-11-01-20 | 0 | MAY 28/07 |
| 36-11-01-20 | 0A | MAY 28/07 |
| 36-11-01-20 | 0B | MAY 28/07 |
| 36-11-01-20 | 1 | JAN 20/09 |

* THE ASTERISK INDICATES PAGES CHANGED OR ADDED BY THE CURRENT REVISION


BOEING
 757
PARTS CATALOG (MAINTENANCE)

| CH-SECT-UNIT-FIG | PAGE NO. | DATE | CH-SECT-UNIT-FIG | PAGE NO. | DATE |
|------------------|----------|-----------|------------------|----------|-----------|
| 36-11-01-20 | 2 | JAN 20/09 | 36-11-06- 4 | 0 | MAY 28/07 |
| 36-11-01-20 | 3 | JAN 20/09 | 36-11-06- 4 | 1 | JAN 20/09 |
| 36-11-01-20 | 4 | JAN 20/09 | 36-11-08- 1 | 0 | MAY 28/07 |
| 36-11-01-20 | 5 | JAN 20/09 | 36-11-08- 1 | 0A | MAY 28/07 |
| 36-11-01-20 | 6 | JAN 20/09 | 36-11-08- 1 | 1 | JAN 20/09 |
| 36-11-01-20 | 7 | JAN 20/09 | 36-11-08- 1 | 2 | JAN 20/09 |
| 36-11-01-20 | 8 | JAN 20/09 | 36-11-08- 1 | 3 | JAN 20/09 |
| 36-11-01-20 | 9 | JAN 20/09 | 36-11-08- 1 | 4 | JAN 20/09 |
| 36-11-01-20 | 10 | JAN 20/09 | 36-11-08- 5 | 0 | MAY 28/07 |
| 36-11-01-20 | 11 | JAN 20/09 | 36-11-08- 5 | 0A | MAY 28/07 |
| 36-11-01-20 | 12 | JAN 20/09 | 36-11-08- 5 | 0B | MAY 28/07 |
| 36-11-01-20A | 0 | JAN 20/09 | 36-11-08- 5 | 1 | JAN 20/09 |
| 36-11-01-20A | 0A | JAN 20/09 | 36-11-08- 5 | 2 | JAN 20/09 |
| 36-11-01-20A | 0B | JAN 20/09 | 36-11-08- 5 | 3 | JAN 20/09 |
| 36-11-01-20A | 1 | JAN 20/09 | 36-11-08- 5 | 4 | SEP 20/08 |
| 36-11-01-20A | 2 | JAN 20/09 | 36-11-08- 5 | 5 | SEP 20/08 |
| 36-11-01-20A | 3 | JAN 20/09 | 36-11-08- 5 | 6 | JAN 20/09 |
| 36-11-01-20A | 4 | JAN 20/09 | 36-11-08- 5 | 7 | JAN 20/09 |
| 36-11-01-20A | 5 | JAN 20/09 | 36-11-08- 5 | 8 | JAN 20/09 |
| 36-11-01-20A | 6 | JAN 20/09 | 36-11-09- 4 | 0 | MAY 28/07 |
| 36-11-01-51 | 0 | MAY 28/07 | 36-11-09- 4 | 0A | MAY 28/07 |
| 36-11-01-51 | 1 | JAN 20/09 | 36-11-09- 4 | 1 | JAN 20/09 |
| 36-11-01-51 | 2 | JAN 20/09 | 36-11-09- 4 | 2 | SEP 20/08 |
| 36-11-01-51 | 3 | JAN 20/09 | 36-11-09- 4 | 3 | SEP 20/08 |
| 36-11-01-51 | 4 | JAN 20/09 | 36-11-09- 4 | 4 | SEP 20/08 |
| 36-11-04- 1 | 0 | MAY 28/07 | 36-11-09- 4 | 5 | SEP 20/08 |
| 36-11-04- 1 | 1 | JAN 20/09 | 36-11-10- 1 | 0 | MAY 28/07 |
| 36-11-04- 1 | 2 | JAN 20/09 | 36-11-10- 1 | 1 | JAN 20/09 |
| 36-11-04- 1 | 3 | JAN 20/09 | 36-11-10- 1 | 2 | JAN 20/09 |
| 36-11-04- 1 | 4 | JAN 20/09 | *36-11-10- 1 | 3 | MAY 20/09 |
| 36-11-04- 1 | 5 | JAN 20/09 | *36-11-10- 1 | 4 | MAY 20/09 |
| 36-11-04- 1 | 6 | JAN 20/09 | *36-11-10- 1 | 5 | MAY 20/09 |
| 36-11-04- 1 | 7 | JAN 20/09 | *36-11-10- 1 | 6 | MAY 20/09 |
| 36-11-04- 1 | 8 | JAN 20/09 | *36-11-10- 1 | 7 | MAY 20/09 |
| 36-11-04- 1 | 9 | JAN 20/09 | *36-11-10- 1 | 8 | MAY 20/09 |
| 36-11-04- 1 | 10 | JAN 20/09 | *36-11-10- 1 | 9 | MAY 20/09 |
| 36-11-04- 1 | 11 | JAN 20/09 | *36-11-10- 1 | 10 | MAY 20/09 |
| 36-11-04- 1 | 12 | JAN 20/09 | 36-11-10-50 | 0 | MAY 28/07 |
| 36-11-04- 2 | 0 | MAY 28/07 | 36-11-10-50 | 1 | SEP 20/08 |
| 36-11-04- 2 | 1 | JAN 20/09 | 36-11-10-50 | 2 | JAN 20/09 |
| 36-11-04- 2 | 2 | JAN 20/09 | 36-11-10-50 | 3 | SEP 20/08 |
| 36-11-04- 2 | 3 | JAN 20/09 | 36-11-10-50 | 4 | SEP 20/08 |
| 36-11-04- 2 | 4 | JAN 20/09 | 36-11-10-50 | 5 | SEP 20/08 |
| 36-11-04- 2 | 5 | JAN 20/09 | 36-11-10-50 | 6 | SEP 20/08 |
| 36-11-04- 2 | 6 | JAN 20/09 | 36-11-10-50 | 7 | SEP 20/08 |
| 36-11-04- 3 | 0 | MAY 28/07 | 36-11-10-50 | 8 | SEP 20/08 |
| 36-11-04- 3 | 1 | JAN 20/09 | 36-11-12- 1 | 0 | MAY 28/07 |
| 36-11-04- 3 | 2 | JAN 20/09 | 36-11-12- 1 | 1 | JAN 20/09 |
| 36-11-04- 3 | 3 | JAN 20/09 | 36-11-12- 1 | 2 | JAN 20/09 |
| 36-11-04- 3 | 4 | JAN 20/09 | 36-11-12- 1 | 3 | JAN 20/09 |
| 36-11-04- 3 | 5 | JAN 20/09 | 36-11-12- 1B | 0 | MAY 28/07 |

* THE ASTERISK INDICATES PAGES CHANGED OR ADDED BY THE CURRENT REVISION



757

PARTS CATALOG (MAINTENANCE)

| CH-SECT-UNIT-FIG | PAGE NO. | DATE | CH-SECT-UNIT-FIG | PAGE NO. | DATE |
|------------------|----------|-----------|------------------|----------|-----------|
| 36-11-12- 1B | 1 | JAN 20/09 | 36-11-18- 3 | 7 | JAN 20/09 |
| 36-11-12- 1B | 2 | JAN 20/09 | 36-11-18- 3 | 8 | JAN 20/09 |
| 36-11-12- 8 | 0 | JAN 20/09 | 36-11-18- 3 | 9 | JAN 20/09 |
| 36-11-12- 8 | 1 | JAN 20/09 | 36-11-18- 3 | 10 | JAN 20/09 |
| 36-11-12- 8 | 2 | JAN 20/09 | 36-11-18- 4 | 0 | MAY 28/07 |
| 36-11-13- 1 | 0 | MAY 28/07 | 36-11-18- 4 | 0A | MAY 28/07 |
| 36-11-13- 1 | 1 | JAN 20/09 | 36-11-18- 4 | 0B | MAY 28/07 |
| 36-11-13- 1 | 2 | JAN 20/09 | 36-11-18- 4 | 0C | MAY 28/07 |
| *36-11-15- 2 | 0 | MAY 20/09 | 36-11-18- 4 | 0D | MAY 28/07 |
| 36-11-15- 2 | 1 | JAN 20/09 | 36-11-18- 4 | 0E | MAY 28/07 |
| 36-11-15- 2 | 2 | JAN 20/09 | 36-11-18- 4 | 1 | JAN 20/09 |
| 36-11-15- 2 | 3 | JAN 20/09 | 36-11-18- 4 | 2 | JAN 20/09 |
| 36-11-15- 2 | 4 | JAN 20/09 | 36-11-18- 4 | 3 | JAN 20/09 |
| 36-11-15- 2 | 5 | SEP 20/08 | 36-11-18- 4A | 0 | MAY 28/07 |
| 36-11-16- 5 | 0 | MAY 28/07 | 36-11-18- 4A | 1 | JAN 20/09 |
| 36-11-16- 5 | 0A | MAY 28/07 | 36-11-18- 4A | 2 | JAN 20/09 |
| 36-11-16- 5 | 0B | MAY 28/07 | 36-11-18- 4A | 3 | JAN 20/09 |
| 36-11-16- 5 | 1 | JAN 20/09 | 36-11-20- 5 | 0 | MAY 28/07 |
| 36-11-16- 5 | 2 | SEP 20/08 | 36-11-20- 5 | 0A | MAY 28/07 |
| 36-11-16- 5 | 3 | SEP 20/08 | 36-11-20- 5 | 1 | JAN 20/09 |
| 36-11-16- 5 | 4 | SEP 20/08 | 36-11-20- 5 | 2 | JAN 20/09 |
| 36-11-16- 5 | 5 | SEP 20/08 | 36-11-20- 5 | 3 | SEP 20/08 |
| 36-11-17- 1 | 0 | MAY 28/07 | 36-11-51- 1 | 0 | MAY 28/07 |
| 36-11-17- 1 | 0A | MAY 28/07 | 36-11-51- 1 | 0A | MAY 28/07 |
| 36-11-17- 1 | 0B | MAY 28/07 | 36-11-51- 1 | 1 | JAN 20/09 |
| 36-11-17- 1 | 1 | JAN 20/09 | *36-11-51- 1 | 2 | MAY 20/09 |
| *36-11-17- 1 | 2 | MAY 20/09 | *36-11-51- 1 | 3 | MAY 20/09 |
| 36-11-17- 1 | 3 | JAN 20/09 | *36-11-51- 1 | 4 | MAY 20/09 |
| 36-11-17- 1 | 4 | JAN 20/09 | *36-11-51- 1 | 5 | MAY 20/09 |
| 36-11-17- 1 | 5 | JAN 20/09 | 36-11-71- 2 | 0 | MAY 28/07 |
| 36-11-17- 1 | 6 | JAN 20/09 | 36-11-71- 2 | 0A | MAY 28/07 |
| 36-11-17- 1 | 7 | JAN 20/09 | 36-11-71- 2 | 1 | JAN 20/09 |
| 36-11-17- 1 | 8 | JAN 20/09 | 36-11-71- 2 | 2 | JAN 20/09 |
| *36-11-17- 1 | 9 | MAY 20/09 | 36-11-71- 2 | 3 | JAN 20/09 |
| *36-11-17- 1 | 10 | MAY 20/09 | 36-11-71- 2 | 4 | JAN 20/09 |
| *36-11-17- 1 | 11 | MAY 20/09 | 36-11-71- 2 | 5 | JAN 20/09 |
| 36-11-17- 1 | 12 | JAN 20/09 | 36-11-71- 2 | 6 | JAN 20/09 |
| 36-11-17- 1 | 13 | JAN 20/09 | 36-11-71- 2 | 7 | JAN 20/09 |
| 36-11-17- 1 | 14 | JAN 20/09 | 36-11-71- 2 | 8 | JAN 20/09 |
| 36-11-17- 1 | 15 | JAN 20/09 | 36-11-71- 2 | 9 | JAN 20/09 |
| 36-11-17- 1 | 16 | JAN 20/09 | 36-11-71- 2 | 10 | JAN 20/09 |
| 36-11-17- 1 | 17 | JAN 20/09 | 36-11-71- 2 | 11 | JAN 20/09 |
| 36-11-17- 1 | 18 | JAN 20/09 | 36-11-71- 2 | 12 | JAN 20/09 |
| 36-11-18- 3 | 0 | MAY 28/07 | 36-11-71- 2 | 13 | JAN 20/09 |
| 36-11-18- 3 | 0A | MAY 28/07 | 36-11-71- 2 | 14 | JAN 20/09 |
| 36-11-18- 3 | 1 | JAN 20/09 | 36-11-71- 2A | 0 | MAY 28/07 |
| 36-11-18- 3 | 2 | JAN 20/09 | 36-11-71- 2A | 1 | JAN 20/09 |
| 36-11-18- 3 | 3 | JAN 20/09 | 36-11-71- 2A | 2 | JAN 20/09 |
| 36-11-18- 3 | 4 | JAN 20/09 | 36-11-71- 2A | 3 | JAN 20/09 |
| 36-11-18- 3 | 5 | JAN 20/09 | 36-11-71- 2A | 4 | JAN 20/09 |
| 36-11-18- 3 | 6 | JAN 20/09 | 36-11-71- 2A | 5 | JAN 20/09 |

* THE ASTERISK INDICATES PAGES CHANGED OR ADDED BY THE CURRENT REVISION



757

PARTS CATALOG (MAINTENANCE)

| CH-SECT-UNIT-FIG | PAGE NO. | DATE | CH-SECT-UNIT-FIG | PAGE NO. | DATE |
|------------------|----------|-----------|------------------|----------|-----------|
| 36-11-71- 2B | 0 | MAY 28/07 | 36-21-02- 2 | 0B | MAY 28/07 |
| 36-11-71- 2B | 0A | MAY 28/07 | 36-21-02- 2 | 0C | MAY 28/07 |
| 36-11-71- 2B | 1 | JAN 20/09 | 36-21-02- 2 | 1 | JAN 20/09 |
| 36-11-71- 2B | 2 | JAN 20/09 | 36-21-02- 2 | 2 | JAN 20/09 |
| 36-11-71- 2B | 3 | JAN 20/09 | 36-21-02- 2 | 3 | JAN 20/09 |
| 36-11-71- 2B | 4 | JAN 20/09 | 36-21-02- 2 | 4 | JAN 20/09 |
| 36-11-71- 2B | 5 | JAN 20/09 | 36-21-02- 2 | 5 | JAN 20/09 |
| 36-11-71- 2B | 6 | JAN 20/09 | 36-21-02- 2 | 6 | JAN 20/09 |
| 36-11-71- 2B | 7 | JAN 20/09 | 36-21-02- 2 | 7 | JAN 20/09 |
| 36-11-71- 2C | 0 | JAN 20/09 | 36-21-02- 2 | 8 | JAN 20/09 |
| 36-11-71- 2C | 1 | JAN 20/09 | 36-21-02- 2 | 9 | JAN 20/09 |
| 36-11-71- 2C | 2 | JAN 20/09 | 36-21-02- 2 | 10 | JAN 20/09 |
| 36-11-71- 2C | 3 | JAN 20/09 | 36-21-02- 2 | 11 | JAN 20/09 |
| 36-11-71- 2C | 4 | JAN 20/09 | 36-21-02- 2 | 12 | JAN 20/09 |
| 36-11-71- 2C | 5 | JAN 20/09 | 36-21-02- 3 | 0 | MAY 28/07 |
| 36-11-71- 2D | 0 | JAN 20/09 | 36-21-02- 3 | 1 | JAN 20/09 |
| 36-11-71- 2D | 1 | JAN 20/09 | 36-21-02- 3 | 2 | JAN 20/09 |
| 36-11-71- 2D | 2 | JAN 20/09 | 36-21-02- 3 | 3 | JAN 20/09 |
| 36-11-71- 2D | 3 | JAN 20/09 | 36-21-02- 3 | 4 | JAN 20/09 |
| 36-11-71- 2D | 4 | JAN 20/09 | 36-21-02- 4 | 0 | MAY 28/07 |
| 36-11-71- 2D | 5 | JAN 20/09 | 36-21-02- 4 | 1 | JAN 20/09 |
| 36-11-71- 2D | 6 | JAN 20/09 | 36-21-02- 4 | 2 | JAN 20/09 |
| 36-11-71- 2D | 7 | JAN 20/09 | 36-21-02- 4 | 3 | JAN 20/09 |
| 36-11-71- 2D | 8 | JAN 20/09 | 36-21-02- 5 | 0 | MAY 28/07 |
| 36-11-71- 2D | 9 | JAN 20/09 | 36-21-02- 5 | 1 | JAN 20/09 |
| 36-11-71- 2D | 10 | JAN 20/09 | 36-21-02- 5 | 2 | JAN 20/09 |
| 36-21-00 | 1 | MAY 28/07 | 36-21-02- 5 | 3 | JAN 20/09 |
| 36-21-00- 1 | 0 | MAY 28/07 | 36-21-02- 5 | 4 | JAN 20/09 |
| 36-21-00- 1 | 1 | JAN 20/09 | 36-21-02- 5 | 5 | JAN 20/09 |
| 36-21-00- 1 | 2 | JAN 20/09 | 36-21-02- 5 | 6 | JAN 20/09 |
| 36-21-00- 1 | 3 | JAN 20/09 | 36-21-02- 5 | 7 | JAN 20/09 |
| 36-21-00- 1 | 4 | JAN 20/09 | 36-21-02- 5 | 8 | JAN 20/09 |
| 36-21-00- 1 | 5 | JAN 20/09 | 36-21-02- 5 | 9 | JAN 20/09 |
| 36-21-00- 1 | 6 | JAN 20/09 | 36-21-02- 5 | 10 | JAN 20/09 |
| 36-21-00- 1 | 7 | JAN 20/09 | 36-22-00 | 1 | MAY 28/07 |
| 36-21-00- 1 | 8 | JAN 20/09 | 36-22-01- 2 | 0 | MAY 28/07 |
| 36-21-00- 1 | 9 | JAN 20/09 | 36-22-01- 2 | 1 | JAN 20/09 |
| 36-21-00- 1 | 10 | JAN 20/09 | 36-22-01- 2 | 2 | JAN 20/09 |
| 36-21-00- 1 | 11 | JAN 20/09 | 36-22-01- 2 | 3 | JAN 20/09 |
| 36-21-00- 2 | 0 | MAY 28/07 | 36-22-01- 2 | 4 | JAN 20/09 |
| 36-21-00- 2 | 1 | JAN 20/09 | *36-22-01- 3 | 0 | MAY 20/09 |
| 36-21-00- 2 | 2 | JAN 20/09 | 36-22-01- 3 | 1 | JAN 20/09 |
| 36-21-00- 2 | 3 | JAN 20/09 | 36-22-01- 3 | 2 | JAN 20/09 |
| 36-21-00- 2 | 4 | JAN 20/09 | 36-22-01- 3 | 3 | JAN 20/09 |
| 36-21-00- 3 | 0 | MAY 28/07 | 36-22-01- 3 | 4 | JAN 20/09 |
| 36-21-00- 3 | 1 | JAN 20/09 | 36-22-51- 1 | 0 | MAY 28/07 |
| 36-21-00- 3 | 2 | JAN 20/09 | 36-22-51- 1 | 1 | JAN 20/09 |
| 36-21-00- 3 | 3 | JAN 20/09 | 36-22-51- 1 | 2 | JAN 20/09 |
| 36-21-00- 3 | 4 | JAN 20/09 | 36-22-51- 1 | 3 | JAN 20/09 |
| 36-21-02- 2 | 0 | MAY 28/07 | 36-22-51- 1 | 4 | JAN 20/09 |
| 36-21-02- 2 | 0A | MAY 28/07 | 36-22-51- 2 | 0 | MAY 28/07 |

* THE ASTERISK INDICATES PAGES CHANGED OR ADDED BY THE CURRENT REVISION

 **BOEING**
757
PARTS CATALOG (MAINTENANCE)

CHAPTER 36 — PNEUMATIC

TABLE OF CONTENTS

| SUBJECT | CC-SS-UU | FIGURE | EFFECT |
|---|-----------------|---------------|----------------------------|
| PNEUMATIC | 36-00-00 | | |
| PREMODULE COLLECTOR-757 RB211 SYSTEMS (PNEUMATIC ONLY) | 36-00-00 | 01 | 101102 108120 504903 |
| STRUT SYSTEM INSTL 757 RB211 (PNEUMATIC ONLY) | 36-00-00 | 01A | 103106 |


BOEING
 757
PARTS CATALOG (MAINTENANCE)

CHAPTER 36 — PNEUMATIC

TABLE OF CONTENTS

| SUBJECT | CC-SS-UU | FIGURE | EFFECT |
|---|----------|--------|--|
| ENGINE AIR SUPPLY | 36-11-00 | | |
| DUCT AND CLAMP INSTL-UNDER WING AIR SUPPLY (AIR SUPPLY DISTRIBUTION ONLY) | 36-11-01 | 07 | 002004 006100 107107 121503 904999 |
| DUCT AND WIRE INSTL-NO. 1 AND 2 STRUT PNEU BLEED AIR (PW2000) | 36-11-01 | 08 | 103106 |
| DUCT INSTL- WHL WELL AND UNDER WING AIR SUPPLY | 36-11-01 | 02 | 002004 006007 107107 121503 904949 952952 |
| DUCT INSTL- WHL WELL AND UNDER WING AIR SUPPLY | 36-11-01 | 10 | 008100 950951 953999 |
| DUCT INSTL- WHL WELL AND UNDER WING AIR SUPPLY | 36-11-01 | 12 | 101106 108120 504903 |
| DUCT INSTL-AIR SUPPLY SECT. 46 | 36-11-01 | 20 | 002004 006102 107999 |
| DUCT INSTL-AIR SUPPLY SECT. 46 | 36-11-01 | 20A | 103106 |
| DUCT INSTL-AIR SUPPLY UNDER WING (AIR SUPPLY DISTRIBUTION ONLY) | 36-11-01 | 17 | 002004 006007 107107 121503 904949 952952 |
| DUCT INSTL-AIR SUPPLY UNDER WING, RR ENGINES (AIR SUPPLY DISTRIBUTION ONLY) | 36-11-01 | 15 | 008106 108120 504903 950951 953999 |
| DUCT INSTL-SECT. 48 AIR SUPPLY (PNEUMATICS ONLY) | 36-11-10 | 01 | 002004 006999 |
| DUCT INSTL-STRUT COOLING AIR INLET (RB211-535) (FAN AIR INLET DUCT ONLY) | 36-11-20 | 05 | 002004 006999 |


BOEING
 757
PARTS CATALOG (MAINTENANCE)

CHAPTER 36 — PNEUMATIC

TABLE OF CONTENTS

| SUBJECT | CC-SS-UU | FIGURE | EFFECT |
|---|----------|--------|--|
| DUCT INSTL-STRUT COOLING AIR INLET (RB211-535) (FAN AIR MODULATING VALVE ONLY) | 36-11-16 | 05 | 002004 006999 |
| DUCT INSTL-WING LE AIR SUPPLY | 36-11-01 | 03 | 002004 006100 107107 121503 904999 |
| DUCT INSTL-WING LE AIR SUPPLY | 36-11-01 | 03A | 101106 108120 504903 |
| EQUIPMENT AND SEAL INSTL-WING LE PNEU | 36-11-17 | 01 | 002004 006999 |
| EQUIPMENT INSTL AND WIRING INSTL (REVERSE FLOW CHECK CONTROLLER ONLY) | 36-11-18 | 04A | 101106 108120 504903 |
| EQUIPMENT INSTL AND WIRING INSTL STRUT PNEU (HIGH STAGE PILOT ONLY) | 36-11-08 | 05 | 002004 006999 |
| EQUIPMENT INSTL-MAIN ELECTRONICS EQPT CTR (PNEUMATIC ONLY) | 36-11-12 | 01 | 002004 006100 107107 121999 |
| EQUIPMENT INSTL-MAIN ELECTRONICS EQPT CTR (PNEUMATIC ONLY) | 36-11-12 | 01B | 101102 |
| EQUIPMENT INSTL-MAIN ELECTRONICS EQPT CTR ENVIROMENTAL CONT SYS BLEED CONFIGURATION | 36-11-12 | 08 | 103106 108120 |
| EQUIPMENT INSTL-PNEU POTABLE WATER | 36-11-01 | 13 | 103106 |
| EQUIPMENT INSTL-STRUT PNEU | 36-11-01 | 01E | 101106 108120 504903 |
| EQUIPMENT INSTL-STRUT PNEU (AIR SUPPLY OVERTEMPERATURE LIMITING SENSOR ONLY) | 36-11-13 | 01 | 002004 006999 |
| EQUIPMENT INSTL-STRUT PNEU (AIR SUPPLY PRESSURE REGULATING AND SHUTOFF VALVE ONLY) | 36-11-09 | 04 | 002004 006999 |
| EQUIPMENT INSTL-STRUT PNEU (INTERMEDIATE PRESSURE CHECK VALVE ONLY) | 36-11-06 | 04 | 002004 006999 |
| EQUIPMENT INSTL-STRUT PNEU (PNEUMATIC DUCT ONLY) (RB211-535) | 36-11-01 | 01 | 002004 006999 |

 **BOEING**
757
PARTS CATALOG (MAINTENANCE)

CHAPTER 36 — PNEUMATIC

TABLE OF CONTENTS

| SUBJECT | CC-SS-UU | FIGURE | EFFECT |
|--|----------|--------|--|
| EQUIPMENT INSTL-STRUT PNEU (REVERSE FLOW CHECK CONTROLLER ONLY) | 36-11-18 | 03 | 002004 006100 107107 121503 904999 |
| JOINT ASSY-FLEXIBLE SLIDE (RB211-535) | 36-11-01 | 51 | 002004 006100 107107 121503 904999 |
| OPTION PACKAGE ASSY-P36 MISC RELAY L (PNEUMATIC ONLY) | 36-11-71 | 02A | 101102 504903 |
| PACKAGE ASSY-OPTION P37 MISC RELAY (PNEUMATIC ONLY) | 36-11-71 | 02B | 101102 504903 |
| PANEL ASSY-P36 AND P37 MISC RELAY (PNEUMATIC ONLY) | 36-11-71 | 02 | 002004 006100 107107 121503 904999 |
| PANEL INSTL-P36 L MISC RELAY (PNEUMATIC ONLY) | 36-11-71 | 02C | 103106 108120 |
| PANEL INSTL-P37 R MISC RELAY (PNEU ONLY) | 36-11-71 | 02D | 103106 108120 |
| PANEL INSTL-P5 OVHD (AIR SUPPLY DISTRIBUTION SYSTEM ONLY) | 36-11-04 | 01 | 101106 108120 504903 |
| PANEL INSTL-P5 OVHD (AIR SUPPLY DISTRIBUTION SYSTEM ONLY) | 36-11-04 | 02 | 002004 006010 107107 121503 904999 |
| PANEL INSTL-P5 OVHD (AIR SUPPLY DISTRIBUTION SYSTEM ONLY) | 36-11-04 | 03 | 011100 |
| PLUMBING INSTL-STRUT (PNEUMATIC ONLY) ENG POSITION 1 AND 2 | 36-11-01 | 01F | 101106 108120 504903 |
| PLUMBING INSTL-STRUT PNEU (RB211-STRT SYSTEMS) | 36-11-01 | 01D | 101106 108120 504903 |


BOEING
 757
PARTS CATALOG (MAINTENANCE)

CHAPTER 36 — PNEUMATIC

TABLE OF CONTENTS

| SUBJECT | CC-SS-UU | FIGURE | EFFECT |
|---|----------|--------|--|
| PRECOOLER INSTL- ENG BLEED AIR (RB211-535) | 36-11-15 | 02 | 002004 006999 |
| SUPPORT INSTL-AIR SUPPLY UNDER WING, ALL ENGS (1 CONNECTOR) (AIR SUPPLY DISTRIBUTION SYSTEM ONLY) | 36-11-51 | 01 | 011106 108120 504903 |
| SUPPORT INSTL-UNDER WING AIR SUPPLY (AIR CONDITIONING ONLY) | 36-11-01 | 05 | 002004 006010 107107 121503 904999 |
| SUPPORT INSTL-UNDER WING AIR SUPPLY (AIR SUPPLY DISTRIBUTION SYSTEM ONLY) | 36-11-01 | 11 | 011106 108120 504903 |
| SYSTEM INSTL-REVERSE FLOW CHECKING | 36-11-18 | 04 | 101106 108120 504903 |
| TUBES AND FITTINGS-P6 TO CAB. AIR CONT VALVE (RB211-535) | 36-11-08 | 01 | 002004 006999 |
| TUBING INSTL-ENVIRONMENTAL CONT SYS (RB211-535) | 36-11-01 | 06 | 002004 006100 107107 121503 904999 |
| VALVE ASSY-SHUTOFF ISOLATION | 36-11-10 | 50 | 002004 006999 |


BOEING
 757
PARTS CATALOG (MAINTENANCE)

CHAPTER 36 — PNEUMATIC

TABLE OF CONTENTS

| SUBJECT | CC-SS-UU | FIGURE | EFFECT |
|--|----------|--------|--|
| AIR SUPPLY PRESSURE INDICATION | 36-21-00 | | |
| PANEL INSTL-P5 OVERHEAD (AIR SUPPLY PRESSURE INDICATING SYSTEM ONLY) | 36-21-02 | 03 | 002004 006010 107107 121503 904999 |
| PANEL INSTL-P5 OVERHEAD (AIR SUPPLY PRESSURE INDICATING SYSTEM ONLY) | 36-21-02 | 04 | 011102 108120 504903 |
| PANEL INSTL-P5 OVHD (AIR SUPPLY PRESSURE INDICATING SYSTEM ONLY) | 36-21-00 | 01 | 101106 108120 504903 |
| PANEL INSTL-P5 OVHD (AIR SUPPLY PRESSURE INDICATING SYSTEM ONLY) | 36-21-00 | 02 | 002004 006010 107107 121503 904999 |
| PANEL INSTL-P5 OVHD (AIR SUPPLY PRESSURE INDICATING SYSTEM ONLY) | 36-21-00 | 03 | 011100 |
| PANEL INSTL-P5 OVHD (DUAL DUCT PRESSURE INDICATOR ONLY) | 36-21-02 | 05 | 101106 108120 504903 |
| SWITCH INSTL-ALTITUDE AND AIR SUPPLY DUCT PRESSURE TRANSDUCER (PNEUMATIC ONLY) | 36-21-02 | 02 | 002004 006999 |
| AIR SUPPLY TEMPERATURE INDICATION | 36-22-00 | | |
| DUCT INSTL-AIR SUPPLY UNDER WING (AIR SUPPLY TEMPERATURE INDICATING SYSTEM ONLY) | 36-22-01 | 03 | 002004 006007 107107 121503 904949 952952 |
| DUCT INSTL-AIR SUPPLY UNDER WING, RR ENGINES (AIR SUPPLY TEMPERATURE INDICATING SYSTEM ONLY) | 36-22-01 | 02 | 008106 108120 504903 950951 953999 |

 **BOEING**
757
PARTS CATALOG (MAINTENANCE)

CHAPTER 36 — PNEUMATIC

TABLE OF CONTENTS

| SUBJECT | CC-SS-UU | FIGURE | EFFECT |
|--|-----------------|---------------|--------------------------------------|
| PANEL INSTL-P5 OVHD (AIR SUPPLY TEMPERATURE INDICATING SYSTEM ONLY) | 36-22-51 | 01 | 002004 006010 107503 904999 |
| PANEL INSTL-P5 OVHD (AIR SUPPLY TEMPERATURE INDICATING SYSTEM ONLY) | 36-22-51 | 02 | 011100 |
| PANEL INSTL-P5 OVHD (AIR SUPPLY TEMPERATURE INDICATING SYSTEM ONLY) | 36-22-51 | 03 | 101106 108120 504903 |

PNEUMATIC

 **BOEING**
757
PARTS CATALOG (MAINTENANCE)

NON-ILLUSTRATED FIGURE

THE ITEMS REFLECTED IN THIS FIGURE ARE INTENTIONALLY
NON-ILLUSTRATED. THEY ARE REFERENCED TO EITHER A
NEXT HIGHER OR NEXT LOWER ASSEMBLY/INSTALLATION FIGURE.

Y 36000001 REV 237

PREMODULE COLLECTOR-757 RB211 SYSTEMS (PNEUMATIC ONLY)
FIGURE 1

36-00-00-01

BRI
JAN 20/08

36-00-00-01
PAGE 0



757

PARTS CATALOG (MAINTENANCE)

| FIG ITEM | PART NUMBER | 1 2 3 4 5 6 7 | NOMENCLATURE | EFFECT FROM TO | UNITS PER ASSY |
|----------|--------------|---------------|--|----------------------------|----------------|
| 1 | | | PREMODULE COLLECTOR- 757 RB211 SYSTEMS (PNEUMATIC ONLY) | 101102 108120 504903 | |
| - 55 | 312N5080-7 | | .PREMODULE COLLECTOR-RB211 STRUT SYSTEM (INSTALLED BY ROHR) POSITION DATA: ENG POS 1 | 101102 504505 | RF |
| - 55 | 312N5080-9 | | .PREMODULE COLLECTOR-RB211 STRUT SYSTEM (INSTALLED BY ROHR) POSITION DATA: ENG POS 1 | 506903 | RF |
| - 55 | 312N5080-11 | | .PREMODULE COLLECTOR-RB211 STRUT SYSTEM (INSTALLED BY ROHR) POSITION DATA: ENG POS 1 | 108120 | RF |
| - 55 | 312N5080-13 | | .PREMODULE COLLECTOR-RB211 STRUT SYSTEM (INSTALLED BY ROHR) POSITION DATA: ENG POS 1 | 108120 | RF |
| - 60 | 312N5080-8 | | .PREMODULE COLLECTOR-RB211 STRUT SYSTEM (INSTALLED BY ROHR) POSITION DATA: ENG POS 2 | 101102 504505 | RF |
| - 60 | 312N5080-10 | | .PREMODULE COLLECTOR-RB211 STRUT SYSTEM (INSTALLED BY ROHR) POSITION DATA: ENG POS 2 | 506903 | RF |
| - 60 | 312N5080-12 | | .PREMODULE COLLECTOR-RB211 STRUT SYSTEM (INSTALLED BY ROHR) POSITION DATA: ENG POS 2 | 108120 | RF |
| - 60 | 312N5080-14 | | .PREMODULE COLLECTOR-RB211 STRUT SYSTEM (INSTALLED BY ROHR) POSITION DATA: ENG POS 2 | 108120 | RF |
| - 65 | 312N5150-302 | | ..PLUMBING INSTL-STRUT PNEUMATICS SYS POSITION DATA: ENG POSITION 1 AND 2 FOR DETAILS SEE: 36-11-01-01D | 101102 108120 504903 | 1 |

MISSING ITEM NUMBERS NOT APPLICABLE

- ITEM NOT ILLUSTRATED

36-00-00-01

36-00-00
FIG. 01
PAGE 1
JAN 20/09

BRI



757

PARTS CATALOG (MAINTENANCE)

| FIG ITEM | PART NUMBER | 1 2 3 4 5 6 7 | NOMENCLATURE | EFFECT FROM TO | UNITS PER ASSY |
|----------|--------------|---------------|--|----------------------------|----------------|
| 1 | | | | | |
| - 70 | 312N5150-301 | | ..PLUMBING INSTL-STRUT PNEUMATICS SYS POSITION DATA: ENG POSITION 1 AND 2 FOR DETAILS SEE: 36-11-01-01D | 101102 504903 | 1 |
| - 70 | 312N5150-308 | | ..PLUMBING INSTL-STRUT PNEUMATICS SYS POSITION DATA: ENG POSITION 1 AND 2 FOR DETAILS SEE: 36-11-01-01D | 108120 | 1 |
| - 70 | 312N5150-312 | | ..PLUMBING INSTL-STRUT PNEUMATICS SYS POSITION DATA: ENG POSITION 1 AND 2 FOR DETAILS SEE: 36-11-01-01D | 108120 | 1 |
| - 75 | 312N5301-12 | | ..EQUIPMENT INSTL-STRUT PNEU FOR DETAILS SEE: 36-11-01-01 36-11-06-04 36-11-08-05 36-11-09-04 36-11-13-01 | 101102 108120 504903 | 1 |
| - 80 | 312N5302-2 | | ..PRECOOLER INSTL-ENG BLEED AIR FOR DETAILS SEE: 36-11-15-02 | 101102 108120 504903 | 1 |
| - 85 | 312N5303-7 | | ..DUCT INSTL-STRUT COOLING AIR INLET FOR DETAILS SEE: 36-11-16-05 36-11-20-05 | 101102 108120 504903 | 1 |
| - 90 | 312N5356-10 | | ..SYSTEM INSTL- FOR DETAILS SEE: 36-11-18-04 | 101102 108120 504903 | 1 |
| - 95 | 316N5101-8 | | ..SEAL INSTL-WING LE PNEU FOR DETAILS SEE: 36-11-17-01 | 101102 108120 504903 | 1 |
| - 100 | 316N5101-9 | | .EQUIPMENT INSTL-(INSTALLED BY RENTON) POSITION DATA: LH SIDE FOR DETAILS SEE: 36-11-17-01 | 101102 108120 504903 | 1 |

MISSING ITEM NUMBERS NOT APPLICABLE

- ITEM NOT ILLUSTRATED

36-00-00-01

36-00-00
FIG. 01
PAGE 2
JAN 20/09

BRI



757

PARTS CATALOG (MAINTENANCE)

| FIG ITEM | PART NUMBER | 1 2 3 4 5 6 7 | NOMENCLATURE | EFFECT FROM TO | UNITS PER ASSY |
|----------|--------------|---------------|---|----------------------------|----------------|
| 1 | | | | | |
| - 105 | 316N5101-10 | | .EQUIPMENT INSTL-(INSTALLED BY RENTON) POSITION DATA: RH SIDE FOR DETAILS SEE: 36-11-17-01 | 101102 108120 504903 | 1 |
| - 110 | 312N5150-304 | | .PLUMBING INSTL-STRUT PNEUMATICS SYS POSITION DATA: ENG POSITION 1 AND 2 FOR DETAILS SEE: 36-11-01-01F | 101102 108120 504903 | 1 |
| - 115 | 312N5250-201 | | .WIRING INSTL-RB211 STRUT (PSD INSTALLED) POSITION DATA: LH SIDE FOR DETAILS SEE: 36-11-08-05 36-11-18-04A | 101102 504903 | 1 |
| - 115 | 312N5250-205 | | .WIRING INSTL-RB211 STRUT (PSD INSTALLED) POSITION DATA: LH SIDE FOR DETAILS SEE: 36-11-08-05 36-11-18-04A | 108120 | 1 |
| - 120 | 312N5250-202 | | .WIRING INSTL-RB211 STRUT (PSD INSTALLED) POSITION DATA: RH SIDE FOR DETAILS SEE: 36-11-08-05 36-11-18-04A | 101102 504903 | 1 |
| - 120 | 312N5250-206 | | .WIRING INSTL-RB211 STRUT (PSD INSTALLED) POSITION DATA: RH SIDE FOR DETAILS SEE: 36-11-08-05 36-11-18-04A | 108120 | 1 |

MISSING ITEM NUMBERS NOT APPLICABLE

- ITEM NOT ILLUSTRATED

36-00-00-01

36-00-00
FIG. 01
PAGE 3
JAN 20/09

BRI

 **BOEING**
757
PARTS CATALOG (MAINTENANCE)

NON-ILLUSTRATED FIGURE

THE ITEMS REFLECTED IN THIS FIGURE ARE INTENTIONALLY
NON-ILLUSTRATED. THEY ARE REFERENCED TO EITHER A
NEXT HIGHER OR NEXT LOWER ASSEMBLY/INSTALLATION FIGURE.

Y 36000001A REV 251

STRUT SYSTEM INSTL 757 RB211 (PNEUMATIC ONLY)
FIGURE 1A

36-00-00-01A

BRI
JAN 20/09

36-00-00-01A
PAGE 0



757

PARTS CATALOG (MAINTENANCE)

| FIG ITEM | PART NUMBER | 1 2 3 4 5 6 7 | NOMENCLATURE | EFFECT FROM TO | UNITS PER ASSY |
|----------|--------------|---------------|--|----------------|----------------|
| 1 A | | | STRUT SYSTEM INSTL 757 RB211 (PNEUMATIC ONLY) | 103106 | |
| - 1 | MODREF23488 | | STRUT SYSTEMS INSTL-RB211 (PNEUMATIC ONLY) MODULE NUMBER: 312N5080-13 REV B POSITION DATA: ENG POSITION 1 FOR OTHER SYS DETAILS SEE: 26-00-00-01A 28-00-00-02A 29-00-51-11A 30-00-00-01A 54-00-00-06A 78-00-00-05A 80-00-00-01A | 103106 | 1 |
| - 5 | MODREF23489 | | STRUT SYSTEMS INSTL-RB211 (PNEUMATIC ONLY) MODULE NUMBER: 312N5080-14 REV B POSITION DATA: ENG POSITION 2 FOR OTHER SYS DETAILS SEE: 26-00-00-01A 28-00-00-02A 29-00-51-11A 30-00-00-01A 54-00-00-06A 78-00-00-05A 80-00-00-01A | 103106 | 1 |
| - 10 | 312N5150-302 | | .PLUMBING INSTL-STRUT PNEUMATICS SYS POSITION DATA: ENG POSITION 1 AND 2 FOR DETAILS SEE: 36-11-01-01D | 103106 | 1 |
| - 15 | 312N5150-312 | | .PLUMBING INSTL-STRUT PNEUMATICS SYS POSITION DATA: ENG POSITION 1 AND 2 FOR DETAILS SEE: 36-11-01-01D | 103106 | 1 |
| - 20 | 312N5302-2 | | .PRECOOLER INSTL-ENG BLEED AIR FOR DETAILS SEE: 36-11-15-02 | 103106 | 1 |

MISSING ITEM NUMBERS NOT APPLICABLE

- ITEM NOT ILLUSTRATED

36-00-00-01A

36-00-00
FIG. 01A
PAGE 1
JAN 20/09

BRI



757

PARTS CATALOG (MAINTENANCE)

| FIG ITEM | PART NUMBER | 1 2 3 4 5 6 7 | NOMENCLATURE | EFFECT FROM TO | UNITS PER ASSY |
|----------|-------------|---------------|---|----------------|----------------|
| 1 A | | | | | |
| - 25 | 312N5303-7 | | . DUCT INSTL-STRUT COOLING AIR INLET FOR DETAILS SEE: 36-11-16-05 36-11-20-05 | 103106 | 1 |
| - 30 | 312N5356-10 | | . SYSTEM INSTL- FOR DETAILS SEE: 36-11-18-04 | 103106 | 1 |
| - 35 | 316N5101-8 | | . SEAL INSTL-WING LE PNEU FOR DETAILS SEE: 36-11-17-01 | 103106 | 1 |
| - 40 | 312N5301-12 | | .. EQUIPMENT INSTL-STRUT PNEU FOR DETAILS SEE: 36-11-01-01 36-11-06-04 36-11-08-05 36-11-09-04 36-11-13-01 | 103106 | 1 |

MISSING ITEM NUMBERS NOT APPLICABLE

- ITEM NOT ILLUSTRATED

BRI

36-00-00-01A

BOEING PROPRIETARY - Copyright © - Unpublished Work - See title page for details.

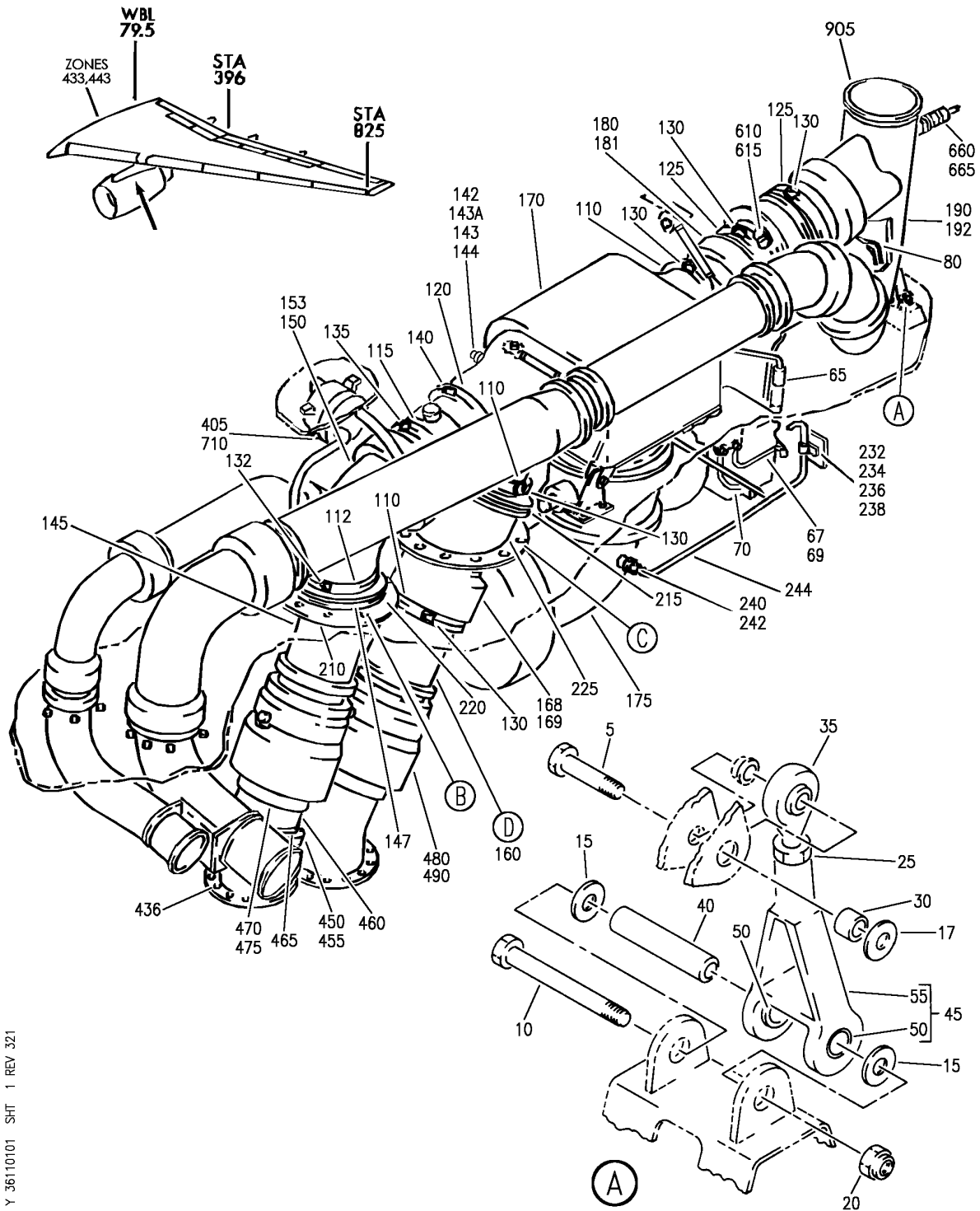
36-00-00
FIG. 01A
PAGE 2
JAN 20/09

ENGINE AIR SUPPLY

BRI
MAY 28/07

36-11-00
SECTION TITLE
PAGE 1

BOEING
757
PARTS CATALOG (MAINTENANCE)



Y 36110101 SH1 1 REV 321

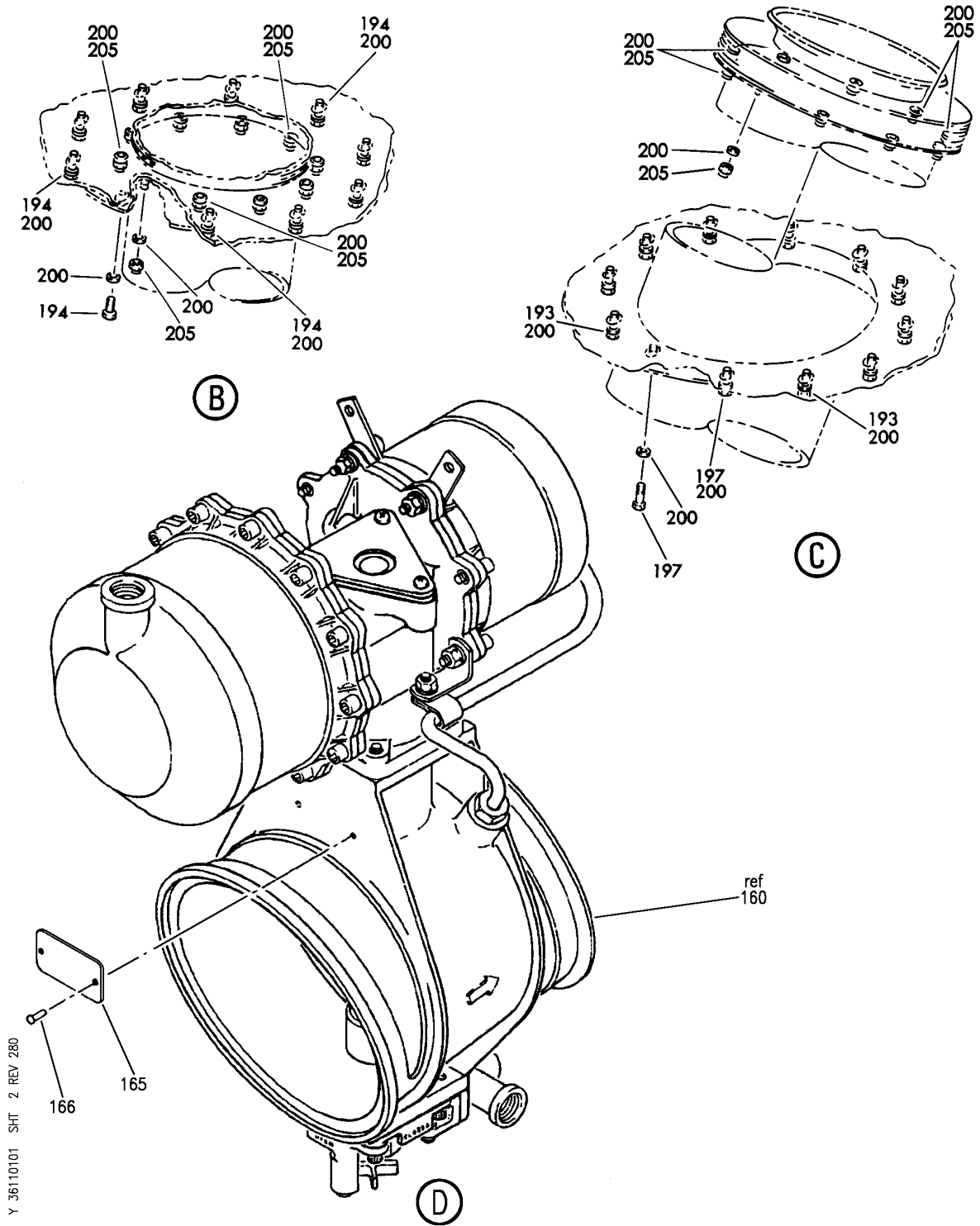
EQUIPMENT INSTL-STRUT PNEU (PNEUMATIC DUCT ONLY) (RB211-535)
FIGURE 1 (SHEET 1)

36-11-01-01

BRI
MAY 20/08

36-11-01-01
PAGE 0

BOEING
757
PARTS CATALOG (MAINTENANCE)



Y 36110101 SHT 2 REV 280

EQUIPMENT INSTL-STRUT PNEU (PNEUMATIC DUCT ONLY) (RB211-535)
FIGURE 1 (SHEET 2)

36-11-01-01

BRI
MAY 28/07

36-11-01-01
PAGE 0A



757

PARTS CATALOG (MAINTENANCE)

| FIG ITEM | PART NUMBER | 1 2 3 4 5 6 7 | NOMENCLATURE | EFFECT FROM TO | UNITS PER ASSY |
|----------|-------------|---------------|---|--|----------------|
| 1 | | | EQUIPMENT INSTL-STRUT PNEU (PNEUMATIC DUCT ONLY) (RB211-535) | 002004 006999 | |
| - 1 | 312N5301-7 | | EQUIPMENT INSTL-STRUT PNEU (PNEUMATIC ONLY) FOR NHA/OTHER SYS DET SEE: 54-00-51-01 | 002004 006100 107107 121503 904999 | RF |
| - 1 | 312N5301-12 | | EQUIPMENT INSTL-STRUT PNEU (PNEUMATIC ONLY) FOR NHA/OTHER SYS DET SEE: 36-00-00-01 36-00-00-01A | 101106 108120 504903 | RF |
| R | 5 | NAS6704U15 | .BOLT | 002004 006999 | 1 |
| R | 10 | NAS6703U30 | .BOLT | 002004 006999 | 1 |
| R | 15 | AN960C416L | .WASHER | 002004 006100 107107 121503 904999 | 2 |
| R | 15 | NAS1149C0432R | .WASHER | 101106 108120 504903 | 2 |
| R | 17 | AN960C416 | .WASHER | 002004 006100 107107 121503 904999 | 1 |
| R | 17 | NAS1149C0463R | .WASHER | 101106 108120 504903 | 1 |

MISSING ITEM NUMBERS NOT APPLICABLE

- ITEM NOT ILLUSTRATED

36-11-01-01

36-11-01
FIG. 01
PAGE 1
MAY 20/09

BRI



757

PARTS CATALOG (MAINTENANCE)

| FIG ITEM | PART NUMBER | 1 2 3 4 5 6 7 | NOMENCLATURE | EFFECT FROM TO | UNITS PER ASSY |
|----------|-------------|---------------|---|--|----------------|
| 1 | 20 BRH10C4 | .NUT | SUPPLIER CODE: V52828 SPECIFICATION NUMBER: BACN10JC4C OPTIONAL PART: T6C428J V11815 97-048 V80539 101LH9075-4W V72962 VN303B048 V92215 NS202101S048 V80539 H31-4BAC V15653 | 002004 006100 107107 121503 904999 | 1 |
| | 20 PLH54C | .NUT | SUPPLIER CODE: V62554 SPECIFICATION NUMBER: BACN10YR4C OPTIONAL PART: H52732-4C V15653 | 101106 108120 504903 | 1 |
| | 25 BRH10A5 | .NUT | SUPPLIER CODE: V52828 SPECIFICATION NUMBER: BACN10JC5 OPTIONAL PART: T6S524J V11815 96-054 V80539 RMLH9075-5W V72962 H10-5BAC V15653 | 002004 006100 107107 121503 904999 | 1 |

R
R
R
R
R
R
R
R
R
R
R
R

MISSING ITEM NUMBERS NOT APPLICABLE

- ITEM NOT ILLUSTRATED

36-11-01-01

36-11-01
FIG. 01
PAGE 2
MAY 20/09

BRI

BOEING
757
PARTS CATALOG (MAINTENANCE)

| FIG ITEM | PART NUMBER | 1 2 3 4 5 6 7 | NOMENCLATURE | EFFECT FROM TO | UNITS PER ASSY | |
|---|-------------------------------------|----------------|--|----------------------------|----------------|--|
| R R R R R R R R R R R R R R R | 1 25 | PLH55 | .NUT SUPPLIER CODE: V62554 SPECIFICATION NUMBER: BACN10YR5 OPTIONAL PART: H52732-5 V15653 BH00312-5 V27238 BRH30C5 V52828 LH3858-5 V72962 T6113C524 V11815 80724-524 V56878 | 101106 108120 504903 | 1 | |
| | 30 | BACB28AK04-028 | .BUSHING | 002004 006999 | 1 | |
| | 35 | 10E4-116T | .BEARING SUPPLIER CODE: V16746 SPECIFICATION NUMBER: BACB10Y4T OPTIONAL PART: BRES4-2236EL1 V81376 HB4E212KT V02758 KBE4-150WT V97613 MSSK4AS2 V73134 51588-041VL V09455 ASMK4-1DT V56644 AR4E8W3 VS0352 ARB4E60TW V15860 | 002004 006999 | 1 | |
| | 40 | BACB28AK04-180 | .BUSHING | 002004 006999 | 1 | |
| | 45 | 312N5345-1 | .SUPPORT ASSY-BLEED AIR DUCT | 002004 006999 | 1 | |
| | 50 | BACB28AP06-020 | ..BUSHING | 002004 006999 | 2 | |
| | MISSING ITEM NUMBERS NOT APPLICABLE | | | | | |

- ITEM NOT ILLUSTRATED

BRI

36-11-01-01

BOEING PROPRIETARY - Copyright © - Unpublished Work - See title page for details.

36-11-01
FIG. 01
PAGE 3
MAY 20/09



757

PARTS CATALOG (MAINTENANCE)

| FIG ITEM | PART NUMBER | 1 2 3 4 5 6 7 | NOMENCLATURE | EFFECT FROM TO | UNITS PER ASSY |
|----------|-------------|---------------|--|--|----------------|
| R R | 1 | | | | |
| | 55 | 312N5345-2 | . . SUPPORT | 002004 006999 | 1 |
| | 65 | 312N5309-16 | . TUBING INSTL-ENVIRONMENTAL CONT SYS FOR DETAILS SEE: 36-11-01-06 | 002004 107107 121503 904949 952952 | 1 |
| | 65 | 312N5309-17 | . TUBING INSTL-ENVIRONMENTAL CONT SYS FOR DETAILS SEE: 36-11-01-06 | 006007 | 1 |
| | 65 | 312N5309-18 | . TUBING INSTL-ENVIRONMENTAL CONT SYS FOR DETAILS SEE: 36-11-01-06 | 008100 950951 953999 | 1 |
| | 67 | 100544-12 | . JUMPER ASSY SUPPLIER CODE: V1FF12 SPECIFICATION NUMBER: BACJ40AD44-12 OPTIONAL PART: RBEJ40AD44-12 V1GK47 | 101106 108120 504903 | 1 |
| | 69 | 100544-10 | . JUMPER ASSY SUPPLIER CODE: V1FF12 SPECIFICATION NUMBER: BACJ40AD44-10 OPTIONAL PART: RBEJ40AD44-10 V1GK47 | 101106 108120 504903 | 1 |
| | 70 | 100544-8 | . JUMPER ASSY SUPPLIER CODE: V1FF12 SPECIFICATION NUMBER: BACJ40AD44-8 OPTIONAL PART: RBEJ40AD44-8 V1GK47 | 002004 006999 | 1 |
| | 71 | NAS6703U2 | ATTACHING PARTS . BOLT | 002004 006999 | 5 |
| | 73 | NAS1149C0332R | . WASHER | 101106 108120 504903 | 16 |

MISSING ITEM NUMBERS NOT APPLICABLE

- ITEM NOT ILLUSTRATED

36-11-01-01

36-11-01
FIG. 01
PAGE 4
MAY 20/09

BRI



757

PARTS CATALOG (MAINTENANCE)

| FIG ITEM | PART NUMBER | 1 2 3 4 5 6 7 | NOMENCLATURE | EFFECT FROM TO | UNITS PER ASSY |
|----------|-------------|---------------|--|--|----------------|
| 1 | | | | | |
| - 73 | AN960C10L | . | WASHER | 002004 006100 107107 121503 904999 | 16 |
| - 75 | PLH53C | . | NUT SUPPLIER CODE: V62554 SPECIFICATION NUMBER: BACN10YR3C OPTIONAL PART: H52732-3C V15653 | 101106 108120 504903 | 6 |
| - 75 | BRH10C3 | . | NUT SUPPLIER CODE: V52828 SPECIFICATION NUMBER: BACN10JC3C OPTIONAL PART: T6C1032J V11815 97-02 V80539 101LH9075-3W V72962 VN303B02 V92215 NS202101S02 V80539 H31-3BAC V15653 | 002004 006100 107107 121503 904999 | 6 |
| 80 | 100544-10 | -----* | . JUMPER ASSY- SUPPLIER CODE: V1FF12 SPECIFICATION NUMBER: BACJ40AD44-10 OPTIONAL PART: RBEJ40AD44-10 V1GK47 BACJ40AD44-12 | 002004 006100 107107 121503 904999 | 2 |

MISSING ITEM NUMBERS NOT APPLICABLE

- ITEM NOT ILLUSTRATED

BRI

36-11-01-01

BOEING PROPRIETARY - Copyright © - Unpublished Work - See title page for details.

36-11-01
FIG. 01
PAGE 5
MAY 20/09



757

PARTS CATALOG (MAINTENANCE)

| FIG ITEM | PART NUMBER | 1 2 3 4 5 6 7 | NOMENCLATURE | EFFECT FROM TO | UNITS PER ASSY |
|----------|------------------|---------------|---|--|----------------|
| 1 | 80 100544-12 | | .JUMPER ASSY- SUPPLIER CODE: V1FF12 SPECIFICATION NUMBER: BACJ40AD44-12 OPTIONAL PART: RBEJ40AD44-12 V1GK47 BACJ40AD44-10 ATTACHING PARTS | 002004 107107 121503 904949 952952 | 2 |
| - | 82 NAS6703U2 | | .BOLT | 002004 006100 107107 121503 904999 | 3 |
| - | 85 AN960C10L | | .WASHER | 002004 006100 107107 121503 904999 | 10 |
| - | 90 BRH10C3 | | .NUT SUPPLIER CODE: V52828 SPECIFICATION NUMBER: BACN10JC3C OPTIONAL PART: T6C1032J V11815 97-02 V80539 101LH9075-3W V72962 VN303B02 V92215 NS202101S02 V80539 H31-3BAC V15653 | 002004 006100 107107 121503 904999 | 4 |
| | 110 2703-500 | | -----*----- .COUPLING-V FLANGE SUPPLIER CODE: V15284 | 002004 006100 107107 121503 904999 | 3 |
| | 110 AS1895-4-500 | | .COUPLING-V FLANGE | 101106 108120 504903 | 3 |

MISSING ITEM NUMBERS NOT APPLICABLE

- ITEM NOT ILLUSTRATED

BRI

36-11-01-01

36-11-01
FIG. 01
PAGE 6
JAN 20/09



757

PARTS CATALOG (MAINTENANCE)

| FIG ITEM | PART NUMBER | 1 2 3 4 5 6 7 | NOMENCLATURE | EFFECT FROM TO | UNITS PER ASSY |
|----------|--------------|---------------|--|--|----------------|
| 1 | | | | | |
| 112 | 2703-500 | | .COUPLING-V FLANGE SUPPLIER CODE: V15284 | 002004 006100 107107 121503 904999 | 1 |
| 112 | AS1895-4-500 | | .COUPLING-V FLANGE | 101106 108120 504903 | 1 |
| 115 | 6354-550 | | .COUPLING-V FLANGE SUPPLIER CODE: V15284 | 002004 006100 107107 121503 904999 | 1 |
| 115 | AS1895-1-550 | | .COUPLING-V FLANGE | 101106 108120 504903 | 1 |
| 120 | 6354-600 | | .COUPLING-V FLANGE SUPPLIER CODE: V15284 | 002004 006100 107107 121503 904999 | 1 |
| 120 | AS1895-1-600 | | .COUPLING-V FLANGE | 101106 108120 504903 | 1 |
| 125 | 6354-500 | | .COUPLING-V FLANGE SUPPLIER CODE: V15284 | 002004 006100 107107 121503 904999 | 2 |
| 125 | AS1895-1-500 | | .COUPLING-V FLANGE | 101106 108120 504903 | 2 |
| 130 | A2873-500 | | .GASKET-E SEAL SUPPLIER CODE: V15284 | 002004 006100 107107 121503 904999 | 5 |
| 130 | AS1895-7-500 | | .GASKET-E SEAL | 101106 108120 504903 | 5 |
| 132 | A2873-500 | | .GASKET-E SEAL SUPPLIER CODE: V15284 | 002004 006100 107107 121503 904999 | 1 |
| 132 | AS1895-7-500 | | .GASKET-E SEAL | 101106 108120 504903 | 1 |

MISSING ITEM NUMBERS NOT APPLICABLE

- ITEM NOT ILLUSTRATED

36-11-01-01

36-11-01
FIG. 01
PAGE 7
JAN 20/09

BRI

BOEING PROPRIETARY - Copyright © - Unpublished Work - See title page for details.

 **BOEING**
757
PARTS CATALOG (MAINTENANCE)

| FIG ITEM | PART NUMBER | 1 2 3 4 5 6 7 | NOMENCLATURE | EFFECT FROM TO | UNITS PER ASSY |
|----------|--------------|---------------|---|--|----------------|
| 1 | | | | | |
| 135 | A2873-550 | .E | SEAL-E SEAL SUPPLIER CODE: V15284 | 002004 006100 107107 121503 904999 | 1 |
| 135 | AS1895-7-550 | .G | GASKET-E SEAL | 101106 108120 504903 | 1 |
| 140 | A2873-600 | .G | GASKET-E SEAL SUPPLIER CODE: V15284 | 002004 006100 107107 121503 904999 | 1 |
| 140 | AS1895-7-600 | .G | GASKET-E SEAL | 101106 108120 504903 | 1 |
| 142 | 3214464-1 | .V | VALVE ASSY-PRESSURE RELIEF SUPPLIER CODE: V59364 SPECIFICATION NUMBER: S212N101-25 COMPONENT MAINT MANUAL REF: 36-11-93 | 002004 006100 107107 121503 904999 | RF |
| 143 | 312N5367-1 | .R | REDUCER | 002004 006016 107107 121503 904999 | 1 |
| 143A | MS24397J151 | .R | REDUCER | 002004 006016 107107 121503 904999 | 1 |
| 144 | R1131-910 | .P | PACKING SUPPLIER CODE: V57268 SPECIFICATION NUMBER: BACP11K10 OPTIONAL PART: 150701-10 V95272 3-910S383-70 V02697 1090-10 V95272 AS568-910S32 V11314 | 002004 006016 107107 121503 904999 | 1 |

MISSING ITEM NUMBERS NOT APPLICABLE

— ITEM NOT ILLUSTRATED

BRI

36-11-01-01

36-11-01
FIG. 01
PAGE 8
JAN 20/09



757

PARTS CATALOG (MAINTENANCE)

| FIG ITEM | PART NUMBER | 1 2 3 4 5 6 7 | NOMENCLATURE | EFFECT FROM TO | UNITS PER ASSY |
|----------|-------------|---------------|--|------------------|----------------|
| 1 | | | | | |
| R | 145 | 312N5305-1 | . DUCT ASSY-HP2 POSITION DATA: UPR | 002004 006999 | 1 |
| R | 147 | 312N5337-8700 | .. SEAL-RING | 002004 006999 | 1 |
| R | 150 | 312N5320-1 | . DUCT ASSY-HP2 ELBOW | 002004 006999 | 1 |
| R | 153 | 15J01-1 | .. JOINT-FLEX SUPPLIER CODE: V89513 SPECIFICATION NUMBER: S312N301-9 COMPONENT MAINT MANUAL REF: 36-11-07 | 002004 006999 | 1 |
| R | 160 | 3214304-3 | . VALVE ASSY-HIGH STAGE SUPPLIER CODE: V59364 SPECIFICATION NUMBER: S212N101-46 SB DATA FROM A CMM: POST 36-1517 PRE 36-1595 COMPONENT MAINT MANUAL REF: 36-11-07 | 002004 006999 | 1 |
| R | 160 | 3214304-2 | . VALVE ASSY-HIGH STAGE SUPPLIER CODE: V59364 SPECIFICATION NUMBER: S212N101-13 SB DATA FROM A CMM: PRE 36-1517 COMPONENT MAINT MANUAL REF: 36-11-39 | 002004 006999 | 1 |
| R | 160 | 3214304-4 | . VALVE ASSY-HIGH STAGE SUPPLIER CODE: V59364 SPECIFICATION NUMBER: S212N101-52 SB DATA FROM A CMM: POST 36-1595 COMPONENT MAINT MANUAL REF: 36-11-39 | 002004 006999 | 1 |
| R | 165 | S8842C1P1A | .. PLATE-IDENT SUPPLIER CODE: V59364 CONFIG CHG DATA FROM A CMM: REPLD BY S3007-1 | 002004 006999 | 1 |

MISSING ITEM NUMBERS NOT APPLICABLE

- ITEM NOT ILLUSTRATED

36-11-01-01

36-11-01
FIG. 01
PAGE 9
MAY 20/09

BRI



757

PARTS CATALOG (MAINTENANCE)

| FIG ITEM | PART NUMBER | 1 2 3 4 5 6 7 | NOMENCLATURE | EFFECT FROM TO | UNITS PER ASSY |
|---------------------------------|-------------|---------------|---|--------------------------------------|----------------|
| R R R R R R R | 181 | 16J04-1 | . . DUCT- SUPPLIER CODE: V89513 SPECIFICATION NUMBER: S312N301-18 COMPONENT MAINT MANUAL REF: 36-11-08 USED ON: 312N5329-3 | 002004 006999 | 1 |
| | 190 | 312N5338-7 | . DUCT ASSY-BLEED AIR OPTIONAL PART: 312N5338-8 | 002004 006100 103503 904999 | 1 |
| | 190 | 312N5338-9 | . DUCT ASSY-BLEED AIR QUALIFIED I/W DATA: 312N5338-11 TOGETHER WITH BACC10GW0625-1E CLAMP FROM 312N5309-18 INSTL CAN REPLACE OR BE REPLACED BY 312N5338-9 TOGETHER WITH BACC10GW0650-1E CLAMP FROM 312N5309-17 INSTL FOR 312N5301 USAGE | 002004 006100 103503 904999 | 1 |
| | 190 | 312N5338-8 | . DUCT ASSY-BLEED AIR | 002004 006100 103503 904999 | 1 |
| | 190 | 312N5338-11 | . DUCT ASSY-BLEED AIR QUALIFIED I/W DATA: 312N5338-11 TOGETHER WITH BACC10GW0625-1E CLAMP FROM 312N5309-18 INSTL CAN REPLACE OR BE REPLACED BY 312N5338-9 TOGETHER WITH BACC10GW0650-1E CLAMP FROM 312N5309-17 INSTL FOR 312N5301 USAGE | 002004 006100 103503 904999 | 1 |
| | 190 | 312N5338-12 | . DUCT ASSY-BLEED AIR | 002004 006100 103503 904999 | 1 |

MISSING ITEM NUMBERS NOT APPLICABLE

- ITEM NOT ILLUSTRATED

36-11-01-01

36-11-01
FIG. 01
PAGE 11
MAY 20/09

BRI



757

PARTS CATALOG (MAINTENANCE)

| FIG ITEM | PART NUMBER | 1 2 3 4 5 6 7 | NOMENCLATURE | EFFECT FROM TO | UNITS PER ASSY |
|--|-------------|---------------|---|--|----------------|
| R R R R R R R R R R R R R R | 192 | 15J26-1 | .. DUCT-FLEX SUPPLIER CODE: V89513 SPECIFICATION NUMBER: S312N301-6 COMPONENT MAINT MANUAL REF: 36-11-11 OPTIONAL PART: 15J26-2 V89513 | 002004 006999 | 1 |
| | 192 | 15J26-2 | .. DUCT-FLEX SUPPLIER CODE: V89513 SPECIFICATION NUMBER: S312N301-6 COMPONENT MAINT MANUAL REF: 36-11-11 OPTIONAL PART: 15J26-1 V89513 | 002004 006999 | 1 |
| | 192 | 12800-290 | .. DUCT-FLEX SUPPLIER CODE: V70628 SPECIFICATION NUMBER: S312N301-22 COMPONENT MAINT MANUAL REF: 36-11-11 | 002004 006999 | 1 |
| | 193 | NAS6703U5 | .BOLT- | 002004 006999 | 10 |
| | 194 | NAS6703U6 | .BOLT- | 002004 006999 | 10 |
| | 197 | NAS6703U6 | .BOLT | 002004 006999 | 2 |
| | 200 | AN960C10L | .WASHER | 002004 006100 107107 121503 904999 | 42 |
| | 200 | NAS1149C0332R | .WASHER | 101106 108120 504903 | 42 |

MISSING ITEM NUMBERS NOT APPLICABLE

- ITEM NOT ILLUSTRATED

36-11-01-01

36-11-01
FIG. 01
PAGE 12
MAY 20/09

BRI



757

PARTS CATALOG (MAINTENANCE)

| FIG ITEM | PART NUMBER | 1 2 3 4 5 6 7 | NOMENCLATURE | EFFECT FROM TO | UNITS PER ASSY |
|---|-------------|---------------|---|--|----------------|
| 1 205 | BRH10C3 | .NUT | SUPPLIER CODE: V52828 SPECIFICATION NUMBER: BACN10JC3C OPTIONAL PART: T6C1032J V11815 97-02 V80539 101LH9075-3W V72962 VN303B02 V92215 NS202101S02 V80539 H31-3BAC V15653 | 002004 006100 107107 121503 904999 | 20 |
| 205 | PLH53C | .NUT | SUPPLIER CODE: V62554 SPECIFICATION NUMBER: BACN10YR3C OPTIONAL PART: H52732-3C V15653 | 101106 108120 504903 | 20 |
| R R R R R R R R R R R | 210 | 312N5340-1 | .PLATE-SEAL RTNR | 002004 006999 | 1 |
| | 215 | 78247-3 | .BELLOWS ASSY- SUPPLIER CODE: V92003 SPECIFICATION NUMBER: S312N504-3 | 002004 006999 | 1 |
| | 220 | 78248 | .BELLOWS ASSY-FIREWALL SEAL SUPPLIER CODE: V07649 SPECIFICATION NUMBER: S312N504-2 | 002004 006999 | 1 |
| | 225 | 312N5339-1 | .SLEEVE-BELLOWS MTG | 002004 006999 | 1 |
| | 232 | NAS1802-3-8 | .SCREW- | 002004 006102 107107 121999 | 2 |
| | 234 | AN960C10L | .WASHER- | 002004 006100 107107 121503 904999 | 2 |

MISSING ITEM NUMBERS NOT APPLICABLE

- ITEM NOT ILLUSTRATED

36-11-01-01

36-11-01
FIG. 01
PAGE 13
MAY 20/09

BRI



757

PARTS CATALOG (MAINTENANCE)

| FIG ITEM | PART NUMBER | 1 2 3 4 5 6 7 | NOMENCLATURE | EFFECT FROM TO | UNITS PER ASSY |
|----------|---------------|---------------|---|--|----------------|
| 1 | | | | | |
| 234 | NAS1149C0332R | . | WASHER | 101106 108120 | 2 |
| 236 | BRH10C3 | . | NUT- SUPPLIER CODE: V52828 SPECIFICATION NUMBER: BACN10JC3C OPTIONAL PART: T6C1032J V11815 97-02 V80539 101LH9075-3W V72962 VN303B02 V92215 NS202101S02 V80539 H31-3BAC V15653 | 504903 002004 006100 107107 121503 904999 | 2 |
| 236 | PLH53C | . | NUT SUPPLIER CODE: V62554 SPECIFICATION NUMBER: BACN10YR3C OPTIONAL PART: H52732-3C V15653 | 002004 006102 107107 121999 | 2 |
| 238 | TA0910005H106 | . | CLAMP- SUPPLIER CODE: V84971 SPECIFICATION NUMBER: BACC10HC06C | 002004 006102 107107 121999 | 1 |
| 240 | MS21902J6 | . | UNION- | 002004 006102 107107 121999 | 1 |

MISSING ITEM NUMBERS NOT APPLICABLE

- ITEM NOT ILLUSTRATED

BRI

36-11-01-01

BOEING PROPRIETARY - Copyright © - Unpublished Work - See title page for details.

36-11-01
FIG. 01
PAGE 14
MAY 20/09



757

PARTS CATALOG (MAINTENANCE)

| FIG ITEM | PART NUMBER | 1 2 3 4 5 6 7 | NOMENCLATURE | EFFECT FROM TO | UNITS PER ASSY |
|----------|-------------|---------------|---|--|----------------|
| 1 242 | R1131-906 | | .PACKING- SUPPLIER CODE: V57268 SPECIFICATION NUMBER: BACP11K6 OPTIONAL PART: 3-906S383-70 V02697 1090-06 V95272 150701-06 V95272 AS568-906S32 V11314 | 002004 006102 107107 121999 | 1 |
| 244 | 312N5301-5 | | .TUBE ASSY- TUBING MATERIAL: 0.375 IN. OD 0.030 IN. WALL 30.0 IN. LG MIL-T-8504 F-17.09 AISI CRES | 002004 006100 107107 121503 904999 | 1 |
| - 246 | BACN10YE6 | | ..NUT | 002004 006102 107107 121999 | 1 |
| - 248 | AP2097H06 | | ..SLEEVE SUPPLIER CODE: V01673 SPECIFICATION NUMBER: BACS13BX06H OPTIONAL PART: 2-02903-06H V11328 35235V06 V08199 AFP175V06 V30974 DBOS13BX06H V14798 | 002004 006102 107107 121999 | 1 |
| - 430 | 312N5301-2 | | EQUIPMENT INSTL-STRUT PNEU FOR NHA SEE: 71-00-02-02 | 002004 006100 107107 121503 904999 | RF |
| 436 | AS21011 | | .BOLT | 002004 006100 107107 121503 904999 | 11 |

MISSING ITEM NUMBERS NOT APPLICABLE

- ITEM NOT ILLUSTRATED

36-11-01-01

36-11-01
FIG. 01
PAGE 15
JAN 20/09

BRI



757

PARTS CATALOG (MAINTENANCE)

| FIG ITEM | PART NUMBER | 1 2 3 4 5 6 7 | NOMENCLATURE | EFFECT FROM TO | UNITS PER ASSY |
|----------|--------------|---------------|---|--|----------------|
| 1 | | | | | |
| 450 | AS1895-4-500 | . | COUPLING-V FLANGE POST SERVICE BULLETIN: 36-0028 | 002004 006100 | 1 |
| 455 | AS1895-7-500 | . | GASKET-E SEAL POST SERVICE BULLETIN: 36-0028 | 002004 006100 | 1 |
| 460 | 312N5306-8 | . | DUCT ASSY-HP 2 SERVICE BULLETIN OPT DATA: 312N5306-18 POST SERVICE BULLETIN: 36-0028 | 002004 006100 | 1 |
| 460 | 312N5306-18 | . | DUCT ASSY-HP 2 SERVICE BULLETIN OPT DATA: 312N5306-8 POST SERVICE BULLETIN: 36-0028 | 002004 006100 | 1 |
| 465 | 312N5306-10 | . | DUCT ASSY-HP 2 SERVICE BULLETIN OPT DATA: 312N5306-20 POST SERVICE BULLETIN: 36-0028 | 002004 006100 | 1 |
| 465 | 312N5306-20 | . | DUCT ASSY-HP 2 SERVICE BULLETIN OPT DATA: 312N5306-10 POST SERVICE BULLETIN: 36-0028 | 002004 006100 | 1 |
| 470 | 312N5306-1 | . | DUCT ASSY-HP 2 QUALIFIED I/W DATA: 312N5306-1 R/B FULLY I/W 312N5306-8 TOGETHER WITH 312N5306-10 AND AS1895-4-500 AND AS1895-7-500. PRE SERVICE BULLETIN: 36-0028 | 002004 006100 107107 121503 904999 | 1 |
| 475 | 14J62-1 | .. | JOINT ASSY-FLEXIBLE SLIDE SUPPLIER CODE: V89513 SPECIFICATION NUMBER: S312N301-7 FOR DETAILS SEE: 36-11-01-51 | 002004 006100 107107 121503 904999 | 1 |

MISSING ITEM NUMBERS NOT APPLICABLE

- ITEM NOT ILLUSTRATED

BRI

36-11-01-01

36-11-01
FIG. 01
PAGE 16
JAN 20/09



757

PARTS CATALOG (MAINTENANCE)

| FIG ITEM | PART NUMBER | 1 2 3 4 5 6 7 | NOMENCLATURE | EFFECT FROM TO | UNITS PER ASSY |
|----------|--------------|---------------|--|--|----------------|
| 1 480 | 312N5321-7 | | .DUCT ASSY-HP 6 MISCELLANEOUS DATA: (312N5321-7 INTERCHANGEABLE WITH 312N5321-1 FOR RB211-535C ENGINE ONLY) QUALIFIED I/W DATA: 312N5321-7 INTERCHANGEABLE WITH 312N5321-1 FOR RB211-535C ENGINE ONLY | 002004 006100 107107 121503 904999 | 1 |
| 490 | 16J06-1 | | ..JOINT- SUPPLIER CODE: V89513 SPECIFICATION NUMBER: S312N301-17 QUALIFIED I/W DATA: 16J06-1 INTERCHANGEABLE WITH 14J62-1 FOR RB211-535C ENG ONLY | 002004 006100 107107 121503 904999 | 1 |
| - 600 | 286N3430-001 | | WIRE BUNDLE ASSY-(PNEUMATIC ONLY) POSITION DATA: RH | 107107 121503 904949 | RF |
| - 600 | 286N3430-301 | | WIRE BUNDLE ASSY-(PNEUMATIC ONLY) POSITION DATA: RH | 101102 | RF |
| - 600 | 286N3430-302 | | WIRE BUNDLE ASSY-(PNEUMATIC ONLY) POSITION DATA: RH | 504903 | RF |
| - 605 | 286N3330-002 | | WIRE BUNDLE ASSY-(PNEUMATIC ONLY) POSITION DATA: LH | 107107 121503 904949 | RF |
| - 605 | 286N3330-003 | | WIRE BUNDLE ASSY-(PNEUMATIC ONLY) POSITION DATA: LH | 504903 | RF |
| - 605 | 286N3330-301 | | WIRE BUNDLE ASSY-(PNEUMATIC ONLY) POSITION DATA: LH | 101102 | RF |

MISSING ITEM NUMBERS NOT APPLICABLE

- ITEM NOT ILLUSTRATED

36-11-01-01

36-11-01
FIG. 01
PAGE 17
JAN 20/09

BRI



757

PARTS CATALOG (MAINTENANCE)

| FIG ITEM | PART NUMBER | 1 2 3 4 5 6 7 | NOMENCLATURE | EFFECT FROM TO | UNITS PER ASSY |
|----------|-------------|---------------|--|----------------------------|----------------|
| 1 610 | GS3417S14 | | .CLAMP- SUPPLIER CODE: V06324 SPECIFICATION NUMBER: BACC10HD14 OPTIONAL PART: S2125-14-30S V07418 ELECTRICAL EQUIP NUMBER: D0054T D01644T WIRING DIAGRAM REF: 361111 361121 | 107107 121503 904949 | 1 |
| 610 | G899314S | | .CLAMP- SUPPLIER CODE: V06324 SPECIFICATION NUMBER: BACC10HD14A OPTIONAL PART: G8993M14S V06324 S2251-14-30S V07418 6000-123-01 V14283 900-555F14-10 V31461 ELECTRICAL EQUIP NUMBER: D01644T D0054T WIRING DIAGRAM REF: 361111 361121 | 101102 504903 | 1 |
| 615 | R071114S7SN | | .CONNECTOR- SUPPLIER CODE: V41118 SPECIFICATION NUMBER: BACC63BV14S7SN ELECTRICAL EQUIP NUMBER: D0054 D01644 WIRING DIAGRAM REF: 361111 361121 | 107107 121503 904949 | 1 |

MISSING ITEM NUMBERS NOT APPLICABLE

- ITEM NOT ILLUSTRATED

BRI

36-11-01-01

BOEING PROPRIETARY - Copyright © - Unpublished Work - See title page for details.

36-11-01
FIG. 01
PAGE 18
JAN 20/09



757

PARTS CATALOG (MAINTENANCE)

| FIG ITEM | PART NUMBER | 1 2 3 4 5 6 7 | NOMENCLATURE | EFFECT FROM TO | UNITS PER ASSY |
|----------|--------------|---------------|---|----------------------------|----------------|
| 1 615 | R071114B7SN | | .CONNECTOR- SUPPLIER CODE: V41118 SPECIFICATION NUMBER: BACC63BV14B7SN ELECTRICAL EQUIP NUMBER: D01644 D00554 WIRING DIAGRAM REF: 361111 361121 | 101102 504903 | 1 |
| - 650 | 286N3466-001 | | WIRE BUNDLE ASSY-(PNEUMATIC ONLY) | 107107 121503 904949 | RF |
| - 650 | 286N3466-302 | | WIRE BUNDLE ASSY-(PNEUMATIC ONLY) POSITION DATA: RH | 101102 | RF |
| - 650 | 286N3466-303 | | WIRE BUNDLE ASSY-(PNEUMATIC ONLY) POSITION DATA: RH | 504903 | RF |
| - 655 | 286N3366-001 | | WIRE BUNDLE ASSY-(PNEUMATIC ONLY) | 107107 121503 904949 | RF |
| - 655 | 286N3366-302 | | WIRE BUNDLE ASSY-(PNEUMATIC ONLY) POSITION DATA: LH | 101102 | RF |
| - 655 | 286N3366-303 | | WIRE BUNDLE ASSY-(PNEUMATIC ONLY) POSITION DATA: LH | 504903 | RF |
| 660 | GS3417S16 | | .CLAMP- SUPPLIER CODE: V06324 SPECIFICATION NUMBER: BACC10HD16 OPTIONAL PART: S2125-16-30S V07418 ELECTRICAL EQUIP NUMBER: D02690T D02780T WIRING DIAGRAM REF: 361112 361121 | 107107 121503 904949 | 1 |

MISSING ITEM NUMBERS NOT APPLICABLE

- ITEM NOT ILLUSTRATED

36-11-01-01

36-11-01
FIG. 01
PAGE 19
JAN 20/09

BRI



757

PARTS CATALOG (MAINTENANCE)

| FIG ITEM | PART NUMBER | 1 2 3 4 5 6 7 | NOMENCLATURE | EFFECT FROM TO | UNITS PER ASSY |
|----------|---------------|---------------|---|----------------------------|----------------|
| 1 660 | G899316S | | .CLAMP- SUPPLIER CODE: V06324 SPECIFICATION NUMBER: BACC10HD16A OPTIONAL PART: G8993M16S V06324 S2251-16-30S V07418 6000-123-0116 V14283 900-555F16-10 V31461 S2125-16A30S V07418 GS3417S16A V06324 ELECTRICAL EQUIP NUMBER: D02780T D02690T WIRING DIAGRAM REF: 361112 361121 | 101102 504903 | 1 |
| 665 | BCREF6364 | | .CONNECTOR- OVERLENGTH PART NUMBER: BACC63BP16S10SNL ELECTRICAL EQUIP NUMBER: D02690 D02780 WIRING DIAGRAM REF: 361112 361121 | 107107 121503 904949 | 1 |
| 665 | R071016B10SNL | | .CONNECTOR- SUPPLIER CODE: V41118 SPECIFICATION NUMBER: BCREFA1501 OVERLENGTH PART NUMBER: BACC63BP16B10SNL ELECTRICAL EQUIP NUMBER: D02780 D02690 WIRING DIAGRAM REF: 361112 361121 | 101102 504903 | 1 |
| - 700 | 286N3316-001 | | WIRE BUNDLE ASSY- (PNEUMATIC ONLY) | 107107 121503 904949 | RF |

MISSING ITEM NUMBERS NOT APPLICABLE

- ITEM NOT ILLUSTRATED

36-11-01-01

36-11-01
FIG. 01
PAGE 20
JAN 20/09

BRI



757

PARTS CATALOG (MAINTENANCE)

| FIG ITEM | PART NUMBER | 1 2 3 4 5 6 7 | NOMENCLATURE | EFFECT FROM TO | UNITS PER ASSY |
|----------|--------------|---------------|---|--|----------------|
| 1 | | | | | |
| - 701 | 286N3416-001 | | WIRE BUNDLE ASSY- (PNEUMATIC ONLY) | 107107 121503 904949 | RF |
| 705 | GS3417S12 | | .CLAMP- SUPPLIER CODE: V06324 SPECIFICATION NUMBER: BACC10HD12 OPTIONAL PART: S2125-12-30S V07418 ELECTRICAL EQUIP NUMBER: D05272T D05274T WIRING DIAGRAM REF: 361111 | 107107 121503 904949 | 1 |
| 710 | R071012S3SNL | | .CONNECTOR- SUPPLIER CODE: V41118 SPECIFICATION NUMBER: BACC63BP12S3SNL OPTIONAL PART: ZZYR0-12D12-03S V49367 ELECTRICAL EQUIP NUMBER: D05272 D05274 WIRING DIAGRAM REF: 361111 | 107107 121503 904949 | 1 |
| 900 | | | ILLUSTRATION REFERENCE: TUBING INSTL-ENVIRONMENTAL CONT SYS (RB211-535) 36-11-01-06 | 002004 006100 107107 121503 904999 | RF |

MISSING ITEM NUMBERS NOT APPLICABLE

- ITEM NOT ILLUSTRATED

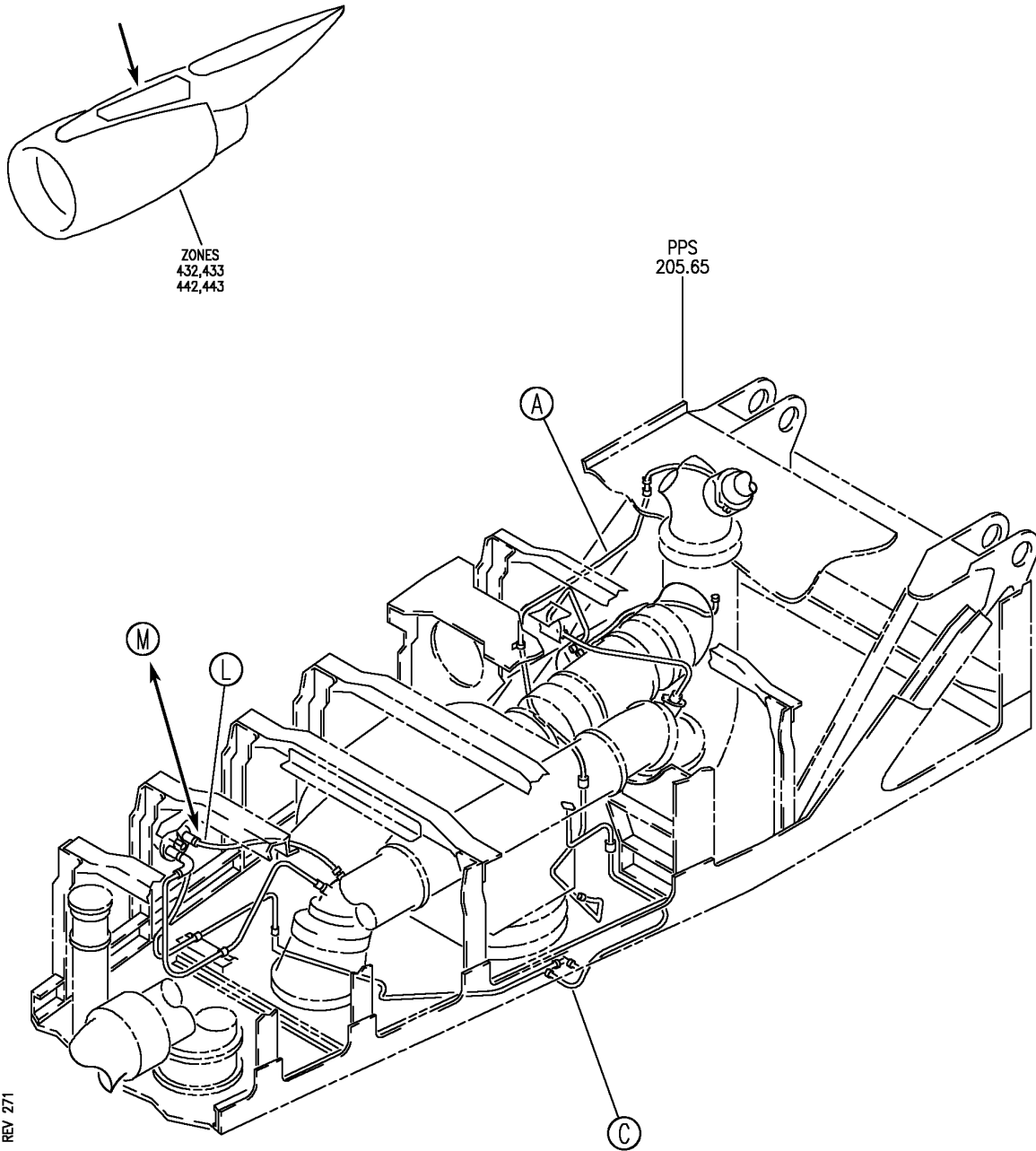
BRI

36-11-01-01

BOEING PROPRIETARY - Copyright © - Unpublished Work - See title page for details.

36-11-01
FIG. 01
PAGE 21
JAN 20/09

BOEING
757
PARTS CATALOG (MAINTENANCE)



Y 36110101D SHT 1 REV 271

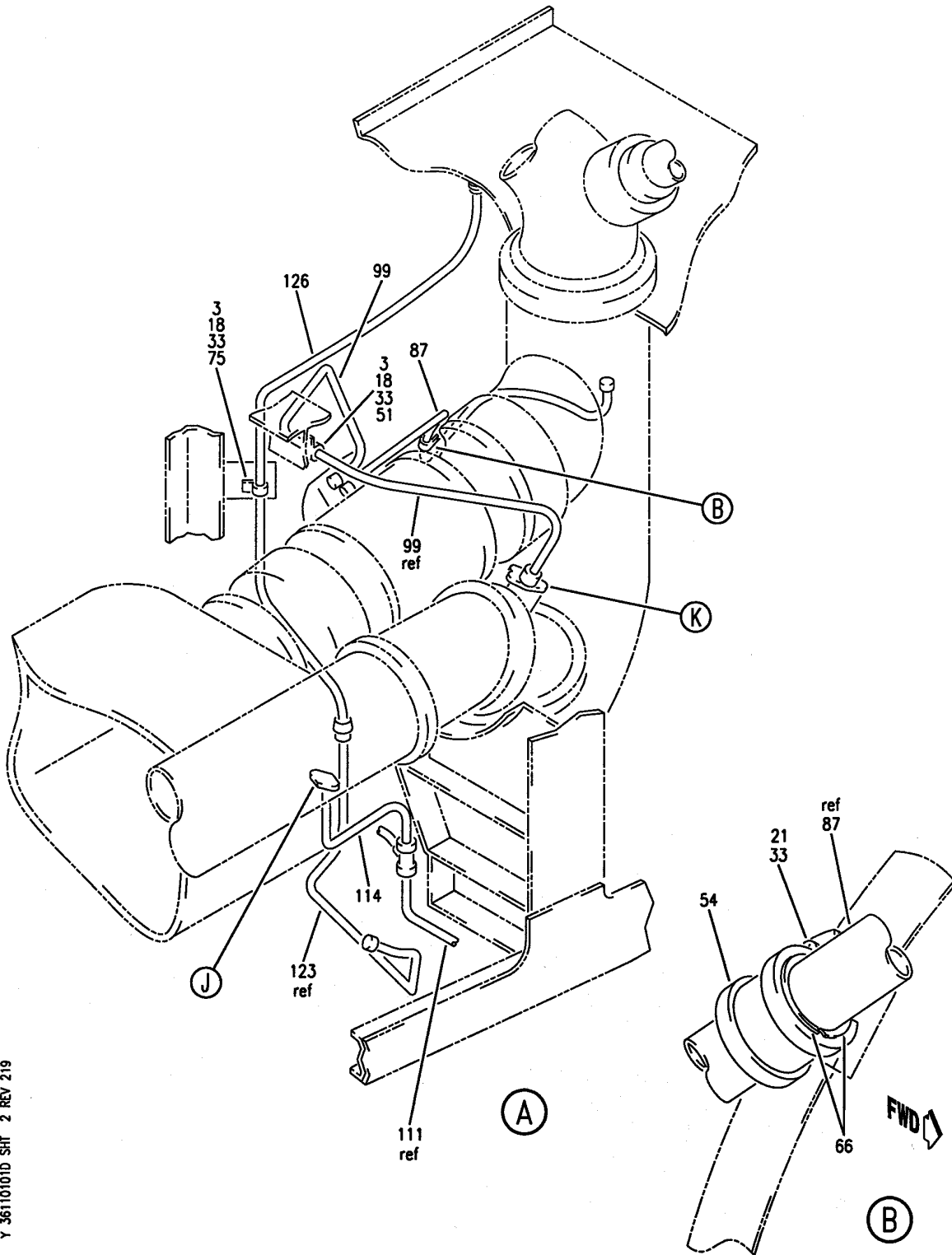
PLUMBING INSTL-STRUT PNEU (RB211-STRT SYSTEMS)
FIGURE 1D (SHEET 1)

BRI
MAY 28/07

36-11-01-01D

36-11-01-01D
PAGE 0

BOEING
757
PARTS CATALOG (MAINTENANCE)



Y 36110101D SH1 2 REV 219

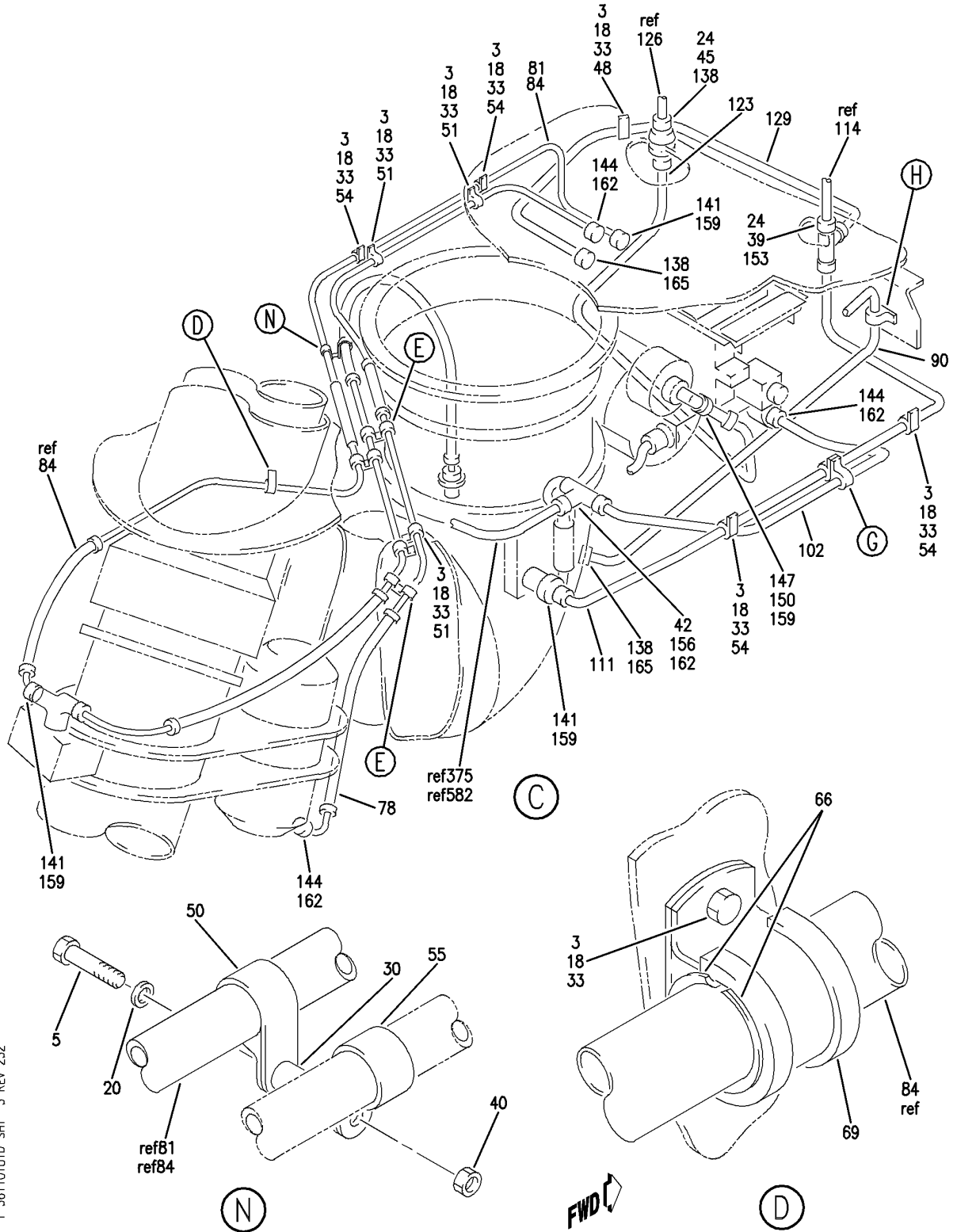
PLUMBING INSTL-STRUT PNEU (RB211-STRT SYSTEMS)
FIGURE 1D (SHEET 2)

36-11-01-01D

BRI
MAY 28/07

36-11-01-01D
PAGE 0A

BOEING
757
PARTS CATALOG (MAINTENANCE)



Y 36110101D SHT 3 REV 232

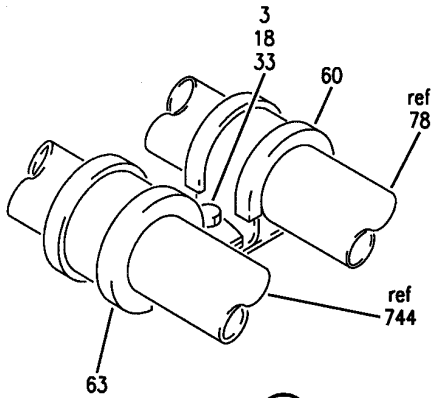
PLUMBING INSTL-STRUT PNEU (RB211-STRT SYSTEMS)
FIGURE 1D (SHEET 3)

36-11-01-01D

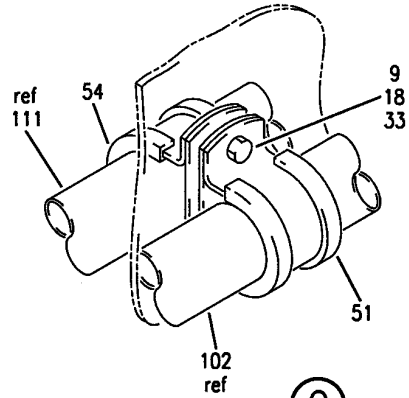
BRI
MAY 28/07

36-11-01-01D
PAGE 0B

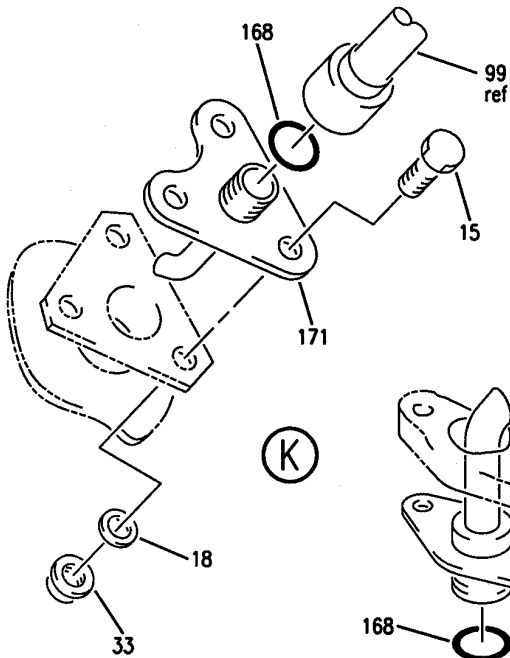
BOEING
757
PARTS CATALOG (MAINTENANCE)



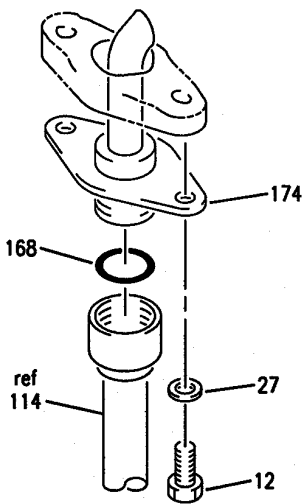
(E)



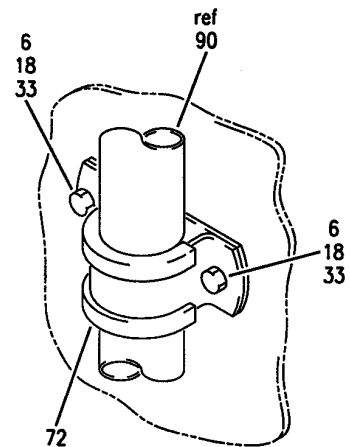
(G)



(K)



(J)



(H)

Y 36110101D SHIT 4 REV 219

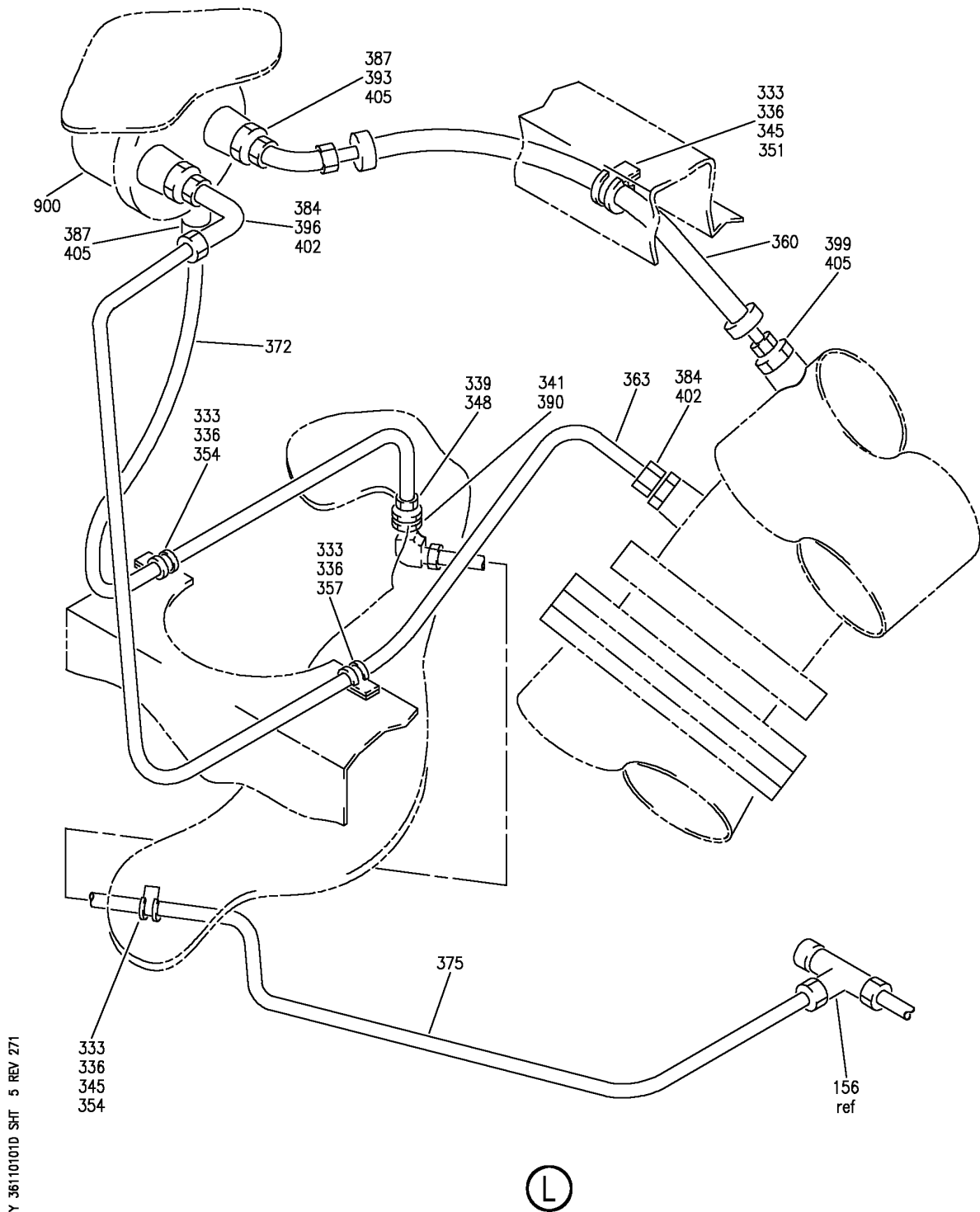
PLUMBING INSTL-STRUT PNEU (RB211-STRT SYSTEMS)
FIGURE 1D (SHEET 4)

36-11-01-01D

BRI
MAY 28/07

36-11-01-01D
PAGE 0C

BOEING
757
PARTS CATALOG (MAINTENANCE)



Y 36110101D SHT 5 REV 271

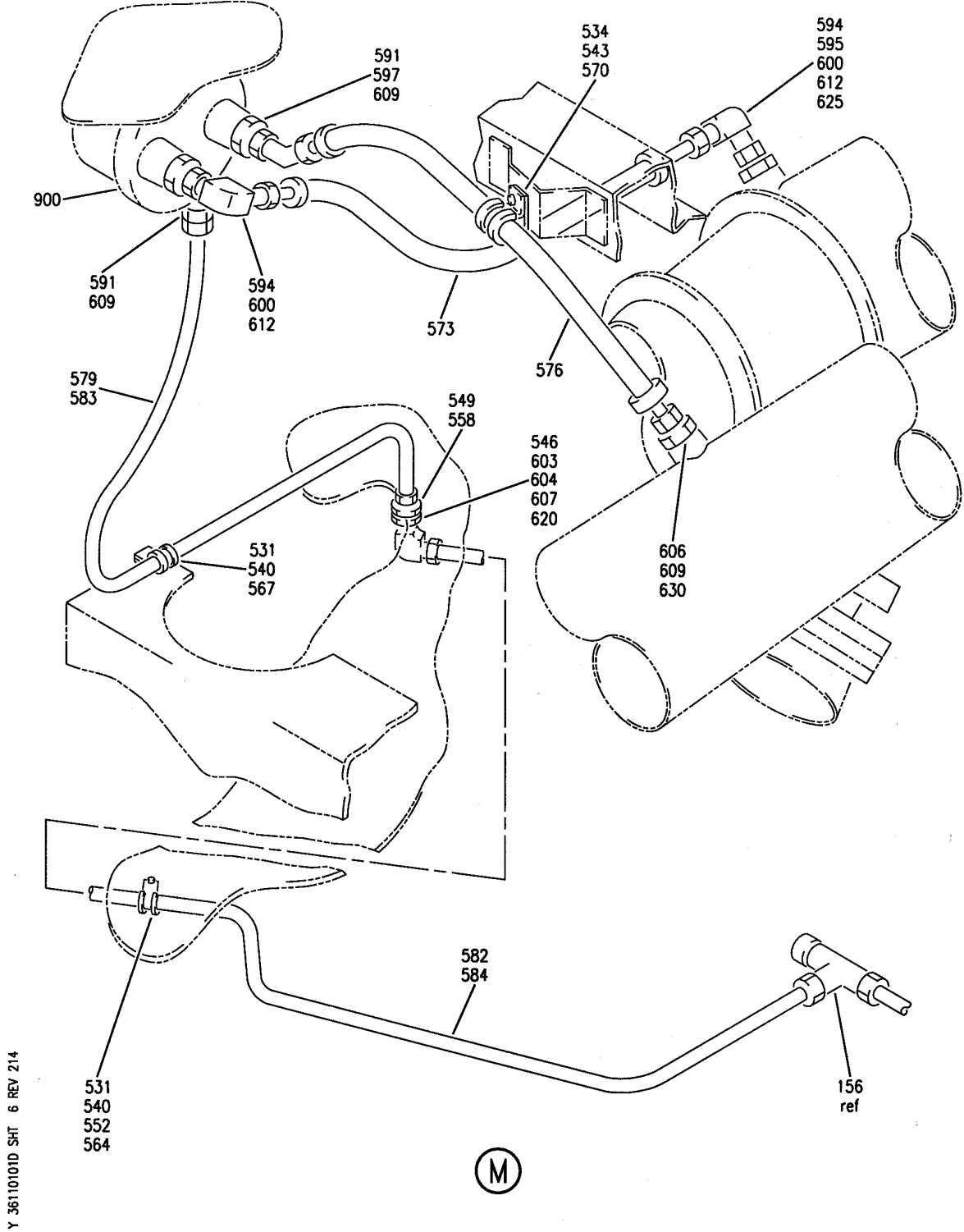
PLUMBING INSTL-STRUT PNEU (RB211-STRT SYSTEMS)
FIGURE 1D (SHEET 5)

36-11-01-01D

BRI
MAY 28/07

36-11-01-01D
PAGE 0D

BOEING
757
PARTS CATALOG (MAINTENANCE)



Y 36110101D SHT 6 REV 214

PLUMBING INSTL-STRUT PNEU (RB211-STRT SYSTEMS)
FIGURE 1D (SHEET 6)

36-11-01-01D

BRI
MAY 28/07

36-11-01-01D
PAGE 0E



757

PARTS CATALOG (MAINTENANCE)

| FIG ITEM | PART NUMBER | 1 2 3 4 5 6 7 | NOMENCLATURE | EFFECT FROM TO | UNITS PER ASSY |
|----------|---------------|---------------|--|----------------------------|----------------|
| 1D | | | PLUMBING INSTL-STRUT PNEU (RB211-STRT SYSTEMS) | 101106 108120 504903 | |
| - 1 | 312N5150-301 | | PLUMBING INSTL-STRUT POSITION DATA: ENGINE POSITION 1 AND 2 FOR NHA SEE: 36-00-00-01 | 101102 504903 | RF |
| - 1 | 312N5150-308 | | PLUMBING INSTL-STRUT POSITION DATA: ENGINE POSITION 1 AND 2 FOR NHA SEE: 36-00-00-01 | 108120 | RF |
| - 1 | 312N5150-312 | | PLUMBING INSTL-STRUT POSITION DATA: ENGINE POSITION 1 AND 2 FOR NHA SEE: 36-00-00-01 36-00-00-01A | 103106 | RF |
| 3 | NAS1802-3-7 | | .SCREW | 101106 108120 504903 | 13 |
| 6 | NAS1802-3-8 | | .SCREW | 101106 108120 504903 | 2 |
| 9 | NAS1802-3-9 | | .SCREW | 101106 108120 504903 | 1 |
| 12 | NAS6704U1 | | .BOLT | 101106 108120 504903 | 2 |
| 15 | NAS6703U1 | | .BOLT | 101106 108120 504903 | 3 |
| 18 | NAS1149C0332R | | .WASHER | 101106 108120 504903 | 19 |
| 21 | NAS1149C0363R | | .WASHER | 101106 108120 504903 | 1 |
| 24 | NAS1149C0732R | | .WASHER | 101106 108120 504903 | 2 |
| 27 | NAS1149C0432R | | .WASHER | 101106 108120 504903 | 2 |

MISSING ITEM NUMBERS NOT APPLICABLE

- ITEM NOT ILLUSTRATED

BRI

36-11-01-01D

BOEING PROPRIETARY - Copyright © - Unpublished Work - See title page for details.

36-11-01
FIG. 01D
PAGE 1
JAN 20/09



757

PARTS CATALOG (MAINTENANCE)

| FIG ITEM | PART NUMBER | 1 2 3 4 5 6 7 | NOMENCLATURE | EFFECT FROM TO | UNITS PER ASSY |
|----------|-------------|---------------|---|----------------------------|----------------|
| 1D | | | | | |
| 33 | PLH53C | .NUT | SUPPLIER CODE: V62554 SPECIFICATION NUMBER: BACN10YR3C OPTIONAL PART: H52732-3C V15653 | 101106 108120 504903 | 20 |
| 39 | AN924-4J | .NUT | | 101106 108120 504903 | 1 |
| 42 | AN924-5J | .NUT | | 101106 108120 504903 | 1 |
| 45 | AN924-6J | .NUT | | 101106 108120 504903 | 1 |
| 48 | S500-6 | .CLAMP | SUPPLIER CODE: V18076 SPECIFICATION NUMBER: BACC10HS06 OPTIONAL PART: 490-06RPB V83930 025029-06 V84971 44LC17H6PB V22175 | 101106 108120 504903 | 1 |
| 51 | S500-5 | .CLAMP | SUPPLIER CODE: V18076 SPECIFICATION NUMBER: BACC10HS05 OPTIONAL PART: 025029-05 V84971 44LC17H5PB V22175 490-05RPB V83930 | 101106 108120 504903 | 5 |

MISSING ITEM NUMBERS NOT APPLICABLE

- ITEM NOT ILLUSTRATED

BRI

36-11-01-01D

BOEING PROPRIETARY - Copyright © - Unpublished Work - See title page for details.

36-11-01
FIG. 01D
PAGE 2
JAN 20/09



757

PARTS CATALOG (MAINTENANCE)

| FIG ITEM | PART NUMBER | 1 2 3 4 5 6 7 | NOMENCLATURE | EFFECT FROM TO | UNITS PER ASSY |
|----------|--------------|---|--------------|----------------------------|----------------|
| 1D 54 | S500-4 | .CLAMP SUPPLIER CODE: V18076 SPECIFICATION NUMBER: BACC10HS04 OPTIONAL PART: 025029-04 V84971 44LC17H4PB V22175 490-04RPB V83930 | | 101106 108120 504903 | 6 |
| 60 | JM44LC13WS5R | .CLAMP SUPPLIER CODE: V22175 SPECIFICATION NUMBER: BACC10GE5 OPTIONAL PART: S369WH5 V18076 TA12C32WS5 V84971 509S5 V83930 | | 101106 108120 504903 | 2 |
| 63 | JM44LC13WS6R | .CLAMP SUPPLIER CODE: V22175 SPECIFICATION NUMBER: BACC10GE6 OPTIONAL PART: TA12C32WS6 V84971 509S6 V83930 S714WH6 V18076 | | 101106 108120 504903 | 2 |
| 66 | BACC10GT2-04 | .CLAMP SHELL | | 101106 108120 504903 | 4 |
| 69 | BACC10GE04 | .CLAMP | | 101106 108120 504903 | 1 |
| 72 | BACC10GE06C | .CLAMP | | 101106 108120 504903 | 1 |
| 75 | BACC10GE06 | .CLAMP | | 101106 108120 504903 | 1 |

MISSING ITEM NUMBERS NOT APPLICABLE

- ITEM NOT ILLUSTRATED

36-11-01-01D

36-11-01
FIG. 01D
PAGE 3
JAN 20/09

BRI

BOEING PROPRIETARY - Copyright © - Unpublished Work - See title page for details.



757

PARTS CATALOG (MAINTENANCE)

| FIG ITEM | PART NUMBER | 1 2 3 4 5 6 7 | NOMENCLATURE | EFFECT FROM TO | UNITS PER ASSY |
|----------|-------------|---------------|---|----------------------------|----------------|
| 1D | | | | | |
| 78 | 108285-2 | | .HOSE ASSY- SUPPLIER CODE: V78570 SPECIFICATION NUMBER: S312N502-2 | 101106 108120 504903 | 1 |
| 81 | 108285-1 | | .HOSE ASSY- SUPPLIER CODE: V78570 SPECIFICATION NUMBER: S312N502-1 | 101106 108120 504903 | 1 |
| 84 | 108285-4 | | .HOSE ASSY- SUPPLIER CODE: V78570 SPECIFICATION NUMBER: S312N502-4 | 101106 108120 504903 | 1 |
| 87 | 108285-6 | | .TUBE ASSY- SUPPLIER CODE: V78570 SPECIFICATION NUMBER: S312N502-6 POST SERVICE BULLETIN: 36-0021 | 101106 108120 504903 | 1 |
| 87 | 108285-5 | | .TUBE ASSY- SUPPLIER CODE: V78570 QUALIFIED I/W DATA: S312N502-5 OR S312N502-6 FLEX HOSE ASSEMBLY CAN REPLACE OR BE REPLACED BY 312N5309-13 TUBE ASSEMBLY IF SERVICE BULLETIN 757-36-0021 HAS BEEN INCORPORATED | 101106 108120 504903 | 1 |
| 90 | 312N5301-5 | | .TUBE ASSY- TUBING MATERIAL: 0.325 IN. OD 0.030 IN. WALL 30.0 IN. LG MILL-T-8504 F-17.09 AISI SEAMLESS OR WELDED CRES | 101106 108120 504903 | 1 |

MISSING ITEM NUMBERS NOT APPLICABLE

- ITEM NOT ILLUSTRATED

36-11-01-01D

36-11-01
FIG. 01D
PAGE 4
JAN 20/09

BRI

BOEING PROPRIETARY - Copyright © - Unpublished Work - See title page for details.



757

PARTS CATALOG (MAINTENANCE)

| FIG ITEM | PART NUMBER | 1 2 3 4 5 6 7 | NOMENCLATURE | EFFECT FROM TO | UNITS PER ASSY |
|----------|-------------|---------------|---|----------------------------|----------------|
| 1D | | | | | |
| - 93 | AP2097H06 | .. | SLEEVE SUPPLIER CODE: V01673 SPECIFICATION NUMBER: BACS13BX06H OPTIONAL PART: 2-02903-06H V11328 35235V06 V08199 AFP175V06 V30974 DBOS13BX06H V14798 | 101106 108120 504903 | 2 |
| - 96 | BACN10YE6 | .. | NUT | 101106 108120 504903 | 2 |
| 99 | 312N5309-10 | .TUBE ASSY- | TUBING MATERIAL: 0.3125 IN. OD 0.020 IN. WALL 21.0 IN. LG 21-6-9 BMS7-185 F-17.09 SEAMLESS OR WELDED CRES | 101106 108120 504903 | 1 |
| 102 | 312N5309-21 | .TUBE ASSY- | TUBING MATERIAL: 0.3125 IN. OD 0.020 IN. WALL 21.0 IN. LG 21-6-9 BMS7-185 F-17.09 SEAMLESS OR WELDED CRES | 101106 108120 504903 | 1 |
| - 105 | AP2097H05 | .. | SLEEVE SUPPLIER CODE: V01673 SPECIFICATION NUMBER: BACS13BX05H OPTIONAL PART: 2-02903-05H V11328 35235V05 V08199 AFP175V05 V30974 DBOS13BX05H V14798 | 101106 108120 504903 | 2 |
| - 108 | MS21921-5J | .. | NUT | 101106 108120 504903 | 2 |

MISSING ITEM NUMBERS NOT APPLICABLE

- ITEM NOT ILLUSTRATED

36-11-01-01D

36-11-01
FIG. 01D
PAGE 5
JAN 20/09

BRI

BOEING PROPRIETARY - Copyright © - Unpublished Work - See title page for details.



757

PARTS CATALOG (MAINTENANCE)

| FIG ITEM | PART NUMBER | 1 2 3 4 5 6 7 | NOMENCLATURE | EFFECT FROM TO | UNITS PER ASSY |
|-----------|-------------|---------------|---|----------------------------|----------------|
| 1D 111 | 312N5309-19 | . | TUBE ASSY- TUBING MATERIAL: 0.250 IN. OD 0.016 IN. WALL 32.0 IN. LG 21-6-9 BMS7-185 F-17.09 SEEMLESS OR WELDED CRES | 101102 504903 | 1 |
| 111 | 312N5309-26 | . | TUBE ASSY- TUBING MATERIAL: 0.250 IN. OD 0.016 IN. WALL 32.0 IN. LG 21-6-9 BMS7-185 F-17.09 SEEMLESS OR WELDED CRES | 103106 108120 | 1 |
| 114 | 312N5309-7 | . | TUBE ASSY- TUBING MATERIAL: 0.250 IN. OD 0.016 IN. WALL 15.0 IN. LG 21-6-9 BMS7-185 F-17.09 SEEMLESS OR WELDED CRES | 101106 108120 504903 | 1 |
| - 117 | AP2097H04 | .. | SLEEVE SUPPLIER CODE: V01673 SPECIFICATION NUMBER: BACS13BX04H OPTIONAL PART: 2-02903-04H V11328 35235V04 V08199 AFP175V04 V30974 DBOS13BX04H V14798 | 101106 108120 504903 | 2 |
| - 120 | BACN10YE4 | .. | NUT | 101106 108120 504903 | 2 |
| 123 | 312N5309-20 | . | TUBE ASSY- TUBING MATERIAL: 0.375 IN. OD 0.020 IN. WALL 22.0 IN. LG 21-6-9 BMS7-185 F-17.09 SEEMLESS OR WELDED CRES | 101106 108120 504903 | 1 |
| 126 | 312N5309-22 | . | TUBE ASSY- TUBING MATERIAL: 3/8 IN. OD 0.020 IN. WALL 25.0 IN. LG 21-6-9 BMS7-185 F-17.09 SEEMLESS OR WELDED CRES | 101106 108120 504903 | 1 |

MISSING ITEM NUMBERS NOT APPLICABLE

- ITEM NOT ILLUSTRATED

36-11-01-01D

36-11-01
FIG. 01D
PAGE 6
JAN 20/09

BRI

BOEING PROPRIETARY - Copyright © - Unpublished Work - See title page for details.



757

PARTS CATALOG (MAINTENANCE)

| FIG ITEM | PART NUMBER | 1 2 3 4 5 6 7 | NOMENCLATURE | EFFECT FROM TO | UNITS PER ASSY |
|-----------|--------------|---------------|---|----------------------------|----------------|
| 1D 129 | 312N5309-4 | . | TUBE ASSY- MANUFACTURED FROM: SEAMLESS OR WELDED CRES TUBING MATERIAL: 0.375 IN. OD 0.020 IN. WALL 19.0 IN. LG 21-6-9 BMS7-185 F-17.09 SEEMLESS OR WELDED CRES | 101106 108120 504903 | 1 |
| - 132 | AP2097H06 | .. | SLEEVE SUPPLIER CODE: V01673 SPECIFICATION NUMBER: BACS13BX06H OPTIONAL PART: 2-02903-06H V11328 35235V06 V08199 AFP175V06 V30974 DBOS13BX06H V14798 | 101106 108120 504903 | 2 |
| - 135 | BACN10YE6L | .. | NUT | 101106 108120 504903 | 2 |
| 138 | MS21902J6 | . | UNION | 101106 108120 504903 | 3 |
| 141 | MS21902J4 | . | UNION | 101106 108120 504903 | 3 |
| 144 | MS21902J5 | . | UNION | 101106 108120 504903 | 3 |
| 147 | BACE21BR0606 | . | ELBOW | 101106 108120 504903 | 1 |
| 150 | MS21916J6-4 | . | REDUCER | 101106 108120 504903 | 1 |

MISSING ITEM NUMBERS NOT APPLICABLE

- ITEM NOT ILLUSTRATED

36-11-01-01D

36-11-01
FIG. 01D
PAGE 7
JAN 20/09

BRI

BOEING PROPRIETARY - Copyright © - Unpublished Work - See title page for details.



757

PARTS CATALOG (MAINTENANCE)

| FIG ITEM | PART NUMBER | 1 2 3 4 5 6 7 | NOMENCLATURE | EFFECT FROM TO | UNITS PER ASSY |
|-----------|-----------------|---------------|---|----------------------------|----------------|
| 1D 153 | APX804J040406 | . TEE | SUPPLIER CODE: V01673 SPECIFICATION NUMBER: BACT16AX040406J OPTIONAL PART: APX804-040406J V01673 DB0T16AX040406J V14798 ER804-040406J V50948 FER1551-040406J V14397 LER804-040406J V11328 NAF1844-040406J V52930 US1929-040406J V50808 ER804-040406J V88334 AFP329-040406J V30974 | 101102 108120 504903 | 1 |
| 153 | BACT16BN040406J | . TEE | | 103106 | 1 |
| 156 | BACT16BN050505J | . TEE | | 101106 108120 504903 | 1 |
| 159 | R1131-904 | . PACKING | SUPPLIER CODE: V57268 SPECIFICATION NUMBER: BACP11K4 OPTIONAL PART: 3-904S383-70 V02697 1090-04 V95272 150701-04 V95272 AS568-904S32 V11314 | 101106 108120 504903 | 4 |

MISSING ITEM NUMBERS NOT APPLICABLE

- ITEM NOT ILLUSTRATED

36-11-01-01D

36-11-01
FIG. 01D
PAGE 8
JAN 20/09

BRI



757

PARTS CATALOG (MAINTENANCE)

| FIG ITEM | PART NUMBER | 1 2 3 4 5 6 7 | NOMENCLATURE | EFFECT FROM TO | UNITS PER ASSY |
|-----------|-------------|---------------|--|----------------------------|----------------|
| 1D 162 | R1131-905 | | .PACKING SUPPLIER CODE: V57268 SPECIFICATION NUMBER: BACP11K5 OPTIONAL PART: 3-905S383-70 V02697 1090-05 V95272 150701-05 V95272 AS568-905S32 V11314 | 101106 108120 504903 | 4 |
| 165 | R1131-906 | | .PACKING SUPPLIER CODE: V57268 SPECIFICATION NUMBER: BACP11K6 OPTIONAL PART: 3-906S383-70 V02697 1090-06 V95272 150701-06 V95272 AS568-906S32 V11314 | 101106 108120 504903 | 2 |
| 168 | 2-16S383-70 | | .PACKING SUPPLIER CODE: V02697 SPECIFICATION NUMBER: BACP11J16 OPTIONAL PART: AS568-16S32 V11314 S7E183-16 V95272 13-06-16 V07096 S424-7-2-16 V02697 A330-16 V95272 R1131-16 V57268 | 101106 108120 504903 | 2 |
| 171 | 312N5351-4 | | .TAP ASSY- | 101106 108120 504903 | 1 |

MISSING ITEM NUMBERS NOT APPLICABLE

- ITEM NOT ILLUSTRATED

36-11-01-01D

36-11-01
FIG. 01D
PAGE 9
JAN 20/09

BRI

BOEING PROPRIETARY - Copyright © - Unpublished Work - See title page for details.



757

PARTS CATALOG (MAINTENANCE)

| FIG ITEM | PART NUMBER | 1 2 3 4 5 6 7 | NOMENCLATURE | EFFECT FROM TO | UNITS PER ASSY |
|-----------|---------------|---------------|---|----------------------------|----------------|
| 1D 174 | 312N5335-5 | | .TAP ASSY | 101106 108120 504903 | 1 |
| - 330 | 312N5150-302 | | PLUMBING INSTL-STRUT (PNEUMATIC ONLY) POSITION DATA: ENG POSITION 1 AND 2 FOR NHA SEE: 36-00-00-01 36-00-00-01A | 101106 108120 504903 | RF |
| 333 | NAS1802-3-8 | | .SCREW | 101106 108120 504903 | 4 |
| 336 | NAS1149C0332R | | .WASHER | 101106 108120 504903 | 4 |
| 339 | NAS1149C0832R | | .WASHER | 101106 108120 504903 | 1 |
| 341 | NAS1149C0863H | | .WASHER | 101106 108120 504903 | 1 |
| 345 | PLH53CM | | .NUT SUPPLIER CODE: VF0224 SPECIFICATION NUMBER: BACN10YR3CM OPTIONAL PART: H52732-3CM V15653 | 101106 108120 504903 | 2 |
| 348 | AN924-5J | | .NUT | 101106 108120 504903 | 1 |
| 351 | S500-6 | | .CLAMP SUPPLIER CODE: V18076 SPECIFICATION NUMBER: BACC10HS06 OPTIONAL PART: 490-06RPB V83930 025029-06 V84971 44LC17H6PB V22175 | 101106 108120 504903 | 1 |

MISSING ITEM NUMBERS NOT APPLICABLE

- ITEM NOT ILLUSTRATED

36-11-01-01D

36-11-01
FIG. 01D
PAGE 10
JAN 20/09

BRI



757

PARTS CATALOG (MAINTENANCE)

| FIG ITEM | PART NUMBER | 1 2 3 4 5 6 7 | NOMENCLATURE | EFFECT FROM TO | UNITS PER ASSY |
|-----------|---------------|---------------|---|----------------------------|----------------|
| 1D 354 | S500-5 | . | CLAMP SUPPLIER CODE: V18076 SPECIFICATION NUMBER: BACC10HS05 OPTIONAL PART: 025029-05 V84971 44LC17H5PB V22175 490-05RPB V83930 | 101106 108120 504903 | 2 |
| 357 | S500-4 | . | CLAMP SUPPLIER CODE: V18076 SPECIFICATION NUMBER: BACC10HS04 OPTIONAL PART: 025029-04 V84971 44LC17H4PB V22175 490-04RPB V83930 | 101106 108120 504903 | 1 |
| 360 | AS136-04-0092 | . | HOSE ASSY | 101106 108120 504903 | 1 |
| 363 | 312N5356-2 | . | TUBE ASSY- TUBING MATERIAL: 0.25 IN. OD 0.16 IN. WALL 27.0 IN. LG STAINLESS STEEL TUBING | 101106 108120 504903 | 1 |
| - 366 | AP2097H04 | .. | SLEEVE SUPPLIER CODE: V01673 SPECIFICATION NUMBER: BACS13BX04H OPTIONAL PART: 2-02903-04H V11328 35235V04 V08199 AFP175V04 V30974 DBOS13BX04H V14798 | 101106 108120 504903 | 2 |
| - 369 | BACN10YE4 | .. | NUT- | 101106 108120 504903 | 2 |

MISSING ITEM NUMBERS NOT APPLICABLE

- ITEM NOT ILLUSTRATED

36-11-01-01D

36-11-01
FIG. 01D
PAGE 11
JAN 20/09

BRI

BOEING PROPRIETARY - Copyright © - Unpublished Work - See title page for details.



757

PARTS CATALOG (MAINTENANCE)

| FIG ITEM | PART NUMBER | 1 2 3 4 5 6 7 | NOMENCLATURE | EFFECT FROM TO | UNITS PER ASSY |
|-----------|----------------|---------------|---|----------------------------|----------------|
| 1D 372 | 312N5356-3 | | .TUBE ASSY- TUBING MATERIAL: 0.3125 IN. OD 0.020 IN. WALL 18.0 IN. LG 21-6-9 BMS7-185 F-17.09 SEEMLESS OR WELDED CRES | 101106 108120 504903 | 1 |
| 375 | 312N5356-5 | | .TUBE ASSY- MANUFACTURED FROM: TUBING CRES SEAMLESS OR WELDED 21-6 -9 BMS7-185 F-17.09 0.3125 IN. OD 0.020 IN WALL 19.0 IN. LG TUBING MATERIAL: 0.3125 IN. OD 0.020 IN. WALL 19.0 IN. LG 21-6-9 BMS7-185 F-17.09 SEEMLESS OR WELDED CRES | 101106 108120 504903 | 1 |
| - 378 | AP2097H05 | | ..SLEEVE SUPPLIER CODE: V01673 SPECIFICATION NUMBER: BACS13BX05H OPTIONAL PART: 2-02903-05H V11328 35235V05 V08199 AFP175V05 V30974 DBOS13BX05H V14798 | 101106 108120 504903 | 2 |
| - 381 | BACN10YE6 | | ..NUT | 101106 108120 504903 | 2 |
| 384 | MS21902J4 | | .UNION | 101106 108120 504903 | 2 |
| 387 | MS21902J5 | | .UNION | 101106 108120 504903 | 2 |
| 390 | BACE21BR0505J | | .ELBOW | 101106 108120 504903 | 1 |
| 393 | BACE21BR0504JN | | .ELBOW | 101106 108120 504903 | 1 |

MISSING ITEM NUMBERS NOT APPLICABLE

- ITEM NOT ILLUSTRATED

36-11-01-01D

36-11-01
FIG. 01D
PAGE 12
JAN 20/09

BRI

BOEING PROPRIETARY - Copyright © - Unpublished Work - See title page for details.



757

PARTS CATALOG (MAINTENANCE)

| FIG ITEM | PART NUMBER | 1 2 3 4 5 6 7 | NOMENCLATURE | EFFECT FROM TO | UNITS PER ASSY |
|-----------|----------------|---------------|--|----------------------------|----------------|
| 1D 396 | BACE21BR0404JN | . | ELBOW | 101106 108120 504903 | 1 |
| 399 | MS21916J5-4 | . | REDUCER | 101106 108120 504903 | 1 |
| 402 | R1131-904 | . | PACKING SUPPLIER CODE: V57268 SPECIFICATION NUMBER: BACP11K4 OPTIONAL PART: 3-904S383-70 V02697 1090-04 V95272 150701-04 V95272 AS568-904S32 V11314 | 101102 504903 | 2 |
| 405 | R1131-905 | . | PACKING SUPPLIER CODE: V57268 SPECIFICATION NUMBER: BACP11K5 OPTIONAL PART: 3-905S383-70 V02697 1090-05 V95272 150701-05 V95272 AS568-905S32 V11314 | 101106 108120 504903 | 3 |
| 900 | | | ILLUSTRATION REFERENCE: SYSTEM INSTL-REVERSE FLOW CHECKING 36-11-18-04 | 101106 108120 504903 | RF |

MISSING ITEM NUMBERS NOT APPLICABLE

- ITEM NOT ILLUSTRATED

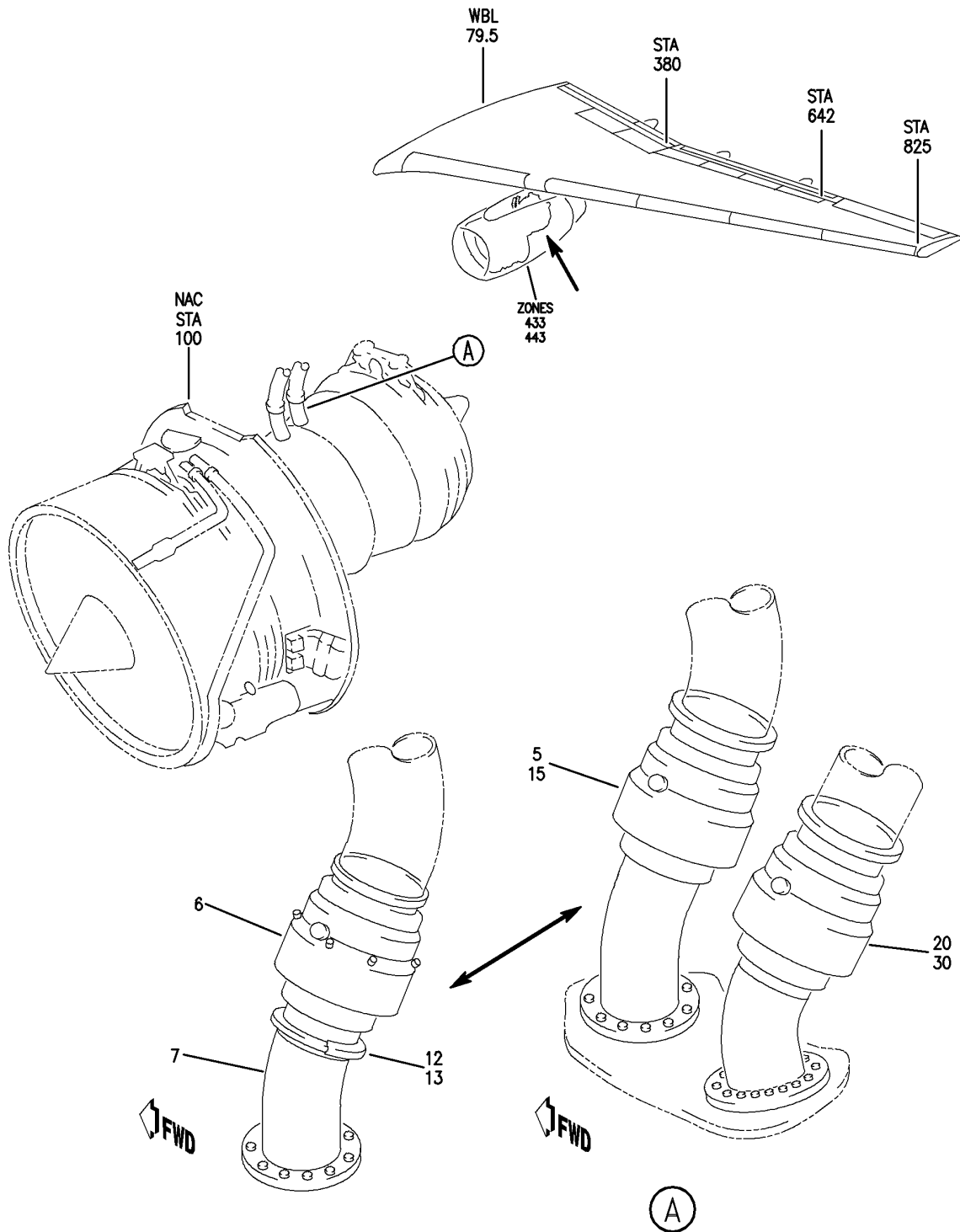
BRI

36-11-01-01D

BOEING PROPRIETARY - Copyright © - Unpublished Work - See title page for details.

36-11-01
FIG. 01D
PAGE 13
JAN 20/09

BOEING
757
PARTS CATALOG (MAINTENANCE)



Y 36110101E REV 243

EQUIPMENT INSTL-STRUT PNEU
FIGURE 1E

36-11-01-01E

BRI
MAY 28/07

36-11-01-01E
PAGE 0



757

PARTS CATALOG (MAINTENANCE)

| FIG ITEM | PART NUMBER | 1 2 3 4 5 6 7 | NOMENCLATURE | EFFECT FROM TO | UNITS PER ASSY |
|----------|-------------|---------------|--|----------------------------|----------------|
| 1 E | | | EQUIPMENT INSTL-STRUT PNEU | 101106 108120 504903 | |
| - 1 | 312N5301-11 | | EQUIPMENT INSTL-STRUT PNEU FOR NHA SEE: 71-00-01-02 | 101102 108120 504903 | RF |
| - 1 | MODREF20480 | | EQUIPMENT INSTL-STRUT PNEU MODULE NUMBER: 312N5301-13 REV A | 103106 | 1 |
| 5 | 312N5306-1 | | .DUCT ASSY-HP 2 QUALIFIED I/W DATA: 312N5306-1 R/B FULLY I/W 312N5306-8 TOGETHER WITH 312N5306-10 AND AS1895-4-500 AND AS1895-7-500. PRE SERVICE BULLETIN: 36-0028 | 101102 108120 504903 | 2 |
| 6 | 312N5306-10 | | .DUCT ASSY-HP 2 QUALIFIED I/W DATA: 312N5306-1 R/B FULLY I/W 312N5306-8 TOGETHER WITH 312N5306-10 AND AS1895-4-500 AND AS1895-7-500. | 101106 | 2 |
| 6 | 312N5306-20 | | SERVICE BULLETIN OPT DATA: 312N5306-20 POST SERVICE BULLETIN: 36-0028 .DUCT ASSY-HP-2 SERVICE BULLETIN OPT DATA: 312N5306-10 POST SERVICE BULLETIN: 36-0028 | 101106 | 2 |
| 7 | 312N5306-8 | | .DUCT ASSY-HP 2 QUALIFIED I/W DATA: 312N5306-1 R/B FULLY I/W 312N5306-8 TOGETHER WITH 312N5306-10 AND AS1895-4-500 AND AS1895-7-500. SERVICE BULLETIN OPT DATA: 312N5306-18 POST SERVICE BULLETIN: 36-0028 | 101106 | 2 |

MISSING ITEM NUMBERS NOT APPLICABLE

- ITEM NOT ILLUSTRATED

36-11-01-01E

36-11-01
FIG. 01E
PAGE 1
JAN 20/09

BRI



757

PARTS CATALOG (MAINTENANCE)

| FIG ITEM | PART NUMBER | 1 2 3 4 5 6 7 | NOMENCLATURE | EFFECT FROM TO | UNITS PER ASSY |
|----------|--------------|---------------|--|----------------------------|----------------|
| 1E | | | | | |
| 7 | 312N5306-18 | | . DUCT ASSY-HP-2 SERVICE BULLETIN OPT DATA: 312N5306-8 POST SERVICE BULLETIN: 36-0028 ATTACHING PARTS | 101106 | 2 |
| - 10 | AS21011 | | . BOLT- | 101106 108120 504903 | 22 |
| | | | -----*----- | | |
| 12 | AS1895-4-500 | | . COUPLING-V-FLANGE POST SERVICE BULLETIN: 36-0028 | 101106 | 2 |
| 13 | AS1895-7-500 | | . GASKET-E SEAL POST SERVICE BULLETIN: 36-0028 | 101106 | 2 |
| 15 | 14J62-1 | | .. JOINT ASSY-FLEXIBLE SLIDE SUPPLIER CODE: V89513 SPECIFICATION NUMBER: S312N301-7 FOR DETAILS SEE: 36-11-01-51 | 101106 108120 504903 | 2 |
| 20 | 312N5321-7 | | . DUCT ASSY-HP 6 ATTACHING PARTS | 101106 108120 504903 | 2 |
| - 25 | AS22010 | | . BOLT- | 101106 108120 504903 | 32 |
| | | | -----*----- | | |
| 30 | 16J06-1 | | .. JOINT- SUPPLIER CODE: V89513 SPECIFICATION NUMBER: S312N301-17 QUALIFIED I/W DATA: 16J06-1 INTERCHANGEABLE WITH 14J62-1 FOR RB211-535C ENG ONLY | 101106 108120 504903 | 2 |

MISSING ITEM NUMBERS NOT APPLICABLE

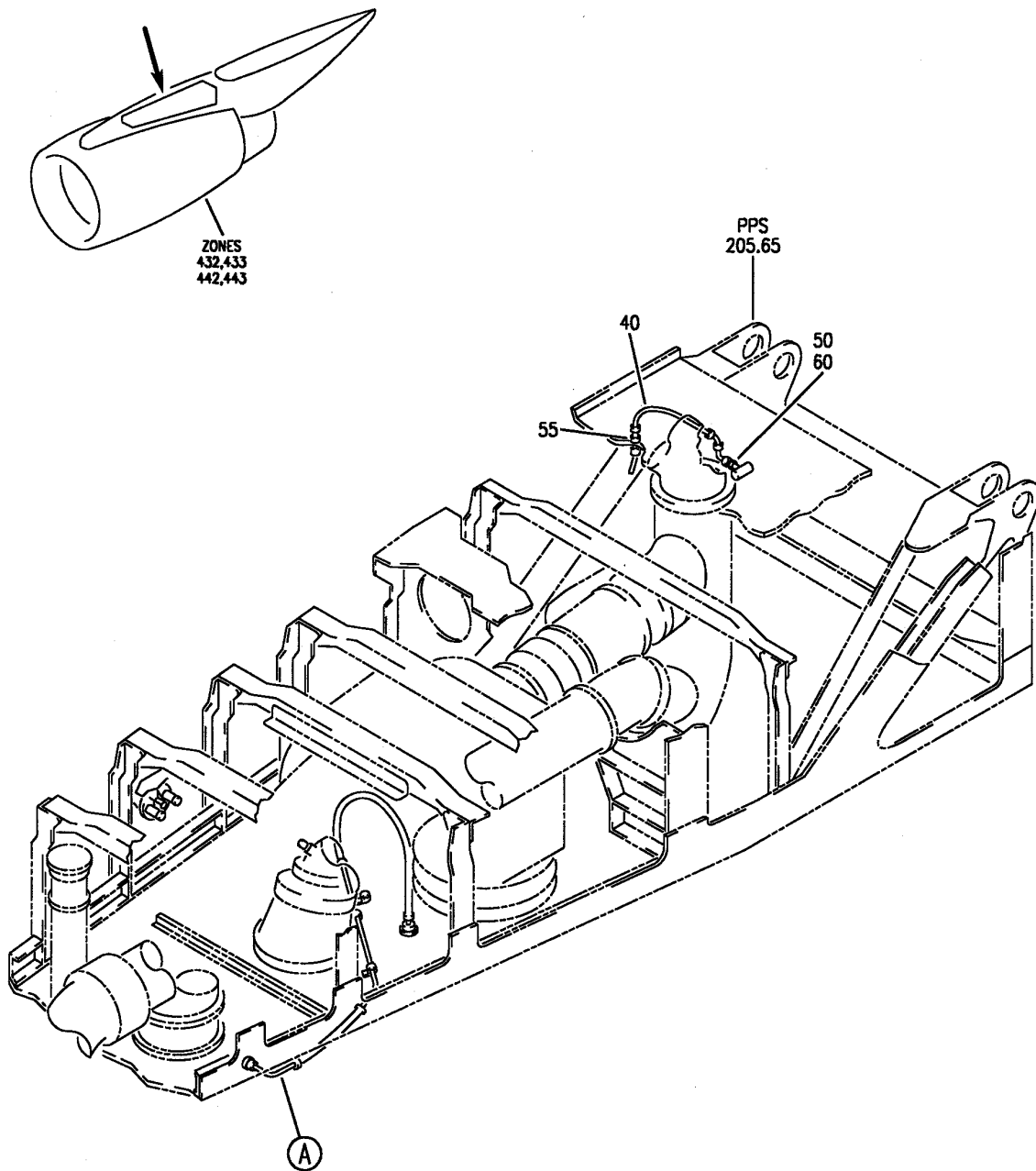
- ITEM NOT ILLUSTRATED

36-11-01-01E

36-11-01
FIG. 01E
PAGE 2
JAN 20/09

BRI

BOEING
757
PARTS CATALOG (MAINTENANCE)



Y 36110101F SHT 1 REV 219

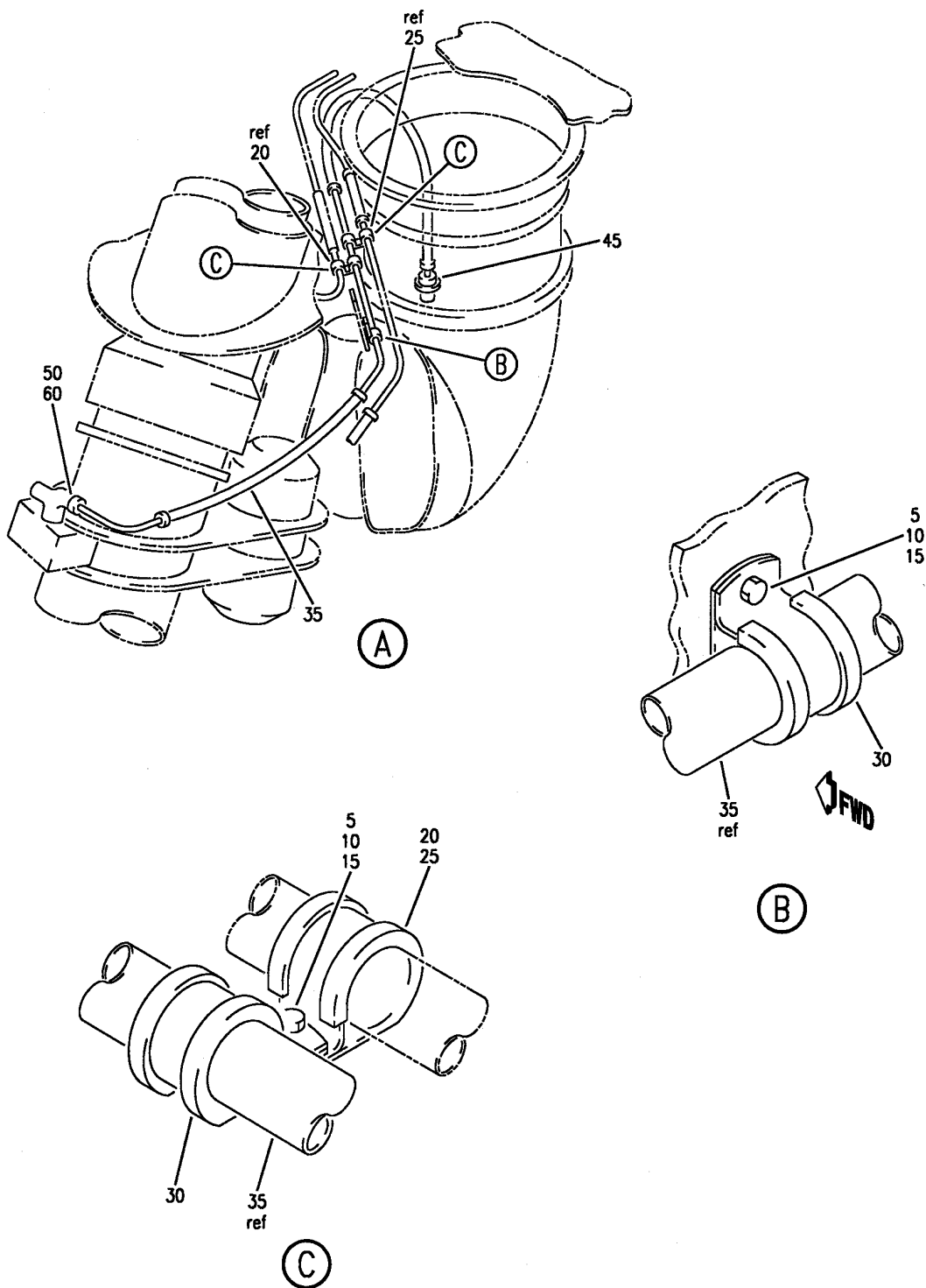
PLUMBING INSTL-STRUT (PNEUMATIC ONLY) ENG POSITION 1 AND 2
FIGURE 1F (SHEET 1)

BRI
MAY 28/07

36-11-01-01F

36-11-01-01F
PAGE 0

BOEING
757
PARTS CATALOG (MAINTENANCE)



Y 36110101F SHT 2 REV 219

PLUMBING INSTL-STRUT (PNEUMATIC ONLY) ENG POSITION 1 AND 2
FIGURE 1F (SHEET 2)

36-11-01-01F

BRI
MAY 28/07

36-11-01-01F
PAGE 0A



757

PARTS CATALOG (MAINTENANCE)

| FIG ITEM | PART NUMBER | 1 2 3 4 5 6 7 | NOMENCLATURE | EFFECT FROM TO | UNITS PER ASSY |
|----------|---------------|---------------|--|----------------------------|----------------|
| 1 F | | | PLUMBING INSTL-STRUT (PNEUMATIC ONLY) ENG POSITION 1 AND 2 | 101106 108120 504903 | |
| - 1 | 312N5150-304 | | PLUMBING INSTL-STRUT (PNEUMATIC ONLY) POSITION DATA: ENG POSITION 1 AND 2 FOR NHA SEE: 36-00-00-01 | 101102 108120 504903 | RF |
| - 1 | MODREF14075 | | PLUMBING INSTL-STRUT (PNEUMATIC ONLY) MODULE NUMBER: 312N5150-304 REV A POSITION DATA: ENG POSITION 1 AND 2 | 103106 | 1 |
| 5 | NAS1802-3-7 | | .SCREW | 101106 108120 504903 | 6 |
| 10 | NAS1149C0332R | | .WASHER | 101106 108120 504903 | 6 |
| 15 | PLH53C | | .NUT SUPPLIER CODE: V62554 SPECIFICATION NUMBER: BACN10YR3C OPTIONAL PART: H52732-3C V15653 | 101106 108120 504903 | 6 |
| 20 | JM44LC13WS4R | | .CLAMP SUPPLIER CODE: V22175 SPECIFICATION NUMBER: BACC10GE4 OPTIONAL PART: TA12C32WS4 V84971 509S4 V83930 S714WH4 V18076 | 101106 108120 504903 | 2 |

MISSING ITEM NUMBERS NOT APPLICABLE

- ITEM NOT ILLUSTRATED

BRI

36-11-01-01F

BOEING PROPRIETARY - Copyright © - Unpublished Work - See title page for details.

36-11-01
FIG. 01F
PAGE 1
JAN 20/09



757

PARTS CATALOG (MAINTENANCE)

| FIG ITEM | PART NUMBER | 1 2 3 4 5 6 7 | NOMENCLATURE | EFFECT FROM TO | UNITS PER ASSY |
|----------|--------------|-----------------|--|----------------------------|----------------|
| 1 F | | | | | |
| 25 | JM44LC13WS5R | .CLAMP | SUPPLIER CODE: V22175 SPECIFICATION NUMBER: BACC10GE5 OPTIONAL PART: S369WH5 V18076 TA12C32WS5 V84971 509S5 V83930 | 101106 108120 504903 | 2 |
| 30 | JM44LC13WS6R | .CLAMP | SUPPLIER CODE: V22175 SPECIFICATION NUMBER: BACC10GE6 OPTIONAL PART: TA12C32WS6 V84971 509S6 V83930 S714WH6 V18076 | 101106 108120 504903 | 6 |
| 35 | 108285-3 | .HOSE ASSY-FLEX | SUPPLIER CODE: V78570 SPECIFICATION NUMBER: S312N502-3 | 101106 108120 504903 | 2 |
| 40 | 108410-1 | .HOSE ASSY-FLEX | SUPPLIER CODE: V78570 SPECIFICATION NUMBER: S312N507-1 | 101106 108120 504903 | 2 |
| 45 | 312N5347-1 | .UNION | | 101106 108120 504903 | 2 |
| 50 | MS21902J6 | .UNION | | 101106 108120 504903 | 4 |
| 55 | MS21924J6 | .UNION | | 101106 108120 504903 | 2 |

MISSING ITEM NUMBERS NOT APPLICABLE

- ITEM NOT ILLUSTRATED

36-11-01-01F

36-11-01
FIG. 01F
PAGE 2
JAN 20/09

BRI

BOEING PROPRIETARY - Copyright © - Unpublished Work - See title page for details.



757

PARTS CATALOG (MAINTENANCE)

| FIG ITEM | PART NUMBER | 1 2 3 4 5 6 7 | NOMENCLATURE | EFFECT FROM TO | UNITS PER ASSY |
|-------------|-------------|---------------|---|----------------------------|----------------------|
| 1 F 60 | R1131-906 | | .PACKING SUPPLIER CODE: V57268 SPECIFICATION NUMBER: BACP11K6 OPTIONAL PART: 3-906S383-70 V02697 1090-06 V95272 150701-06 V95272 AS568-906S32 V11314 | 101106 108120 504903 | 4 |

MISSING ITEM NUMBERS NOT APPLICABLE

- ITEM NOT ILLUSTRATED

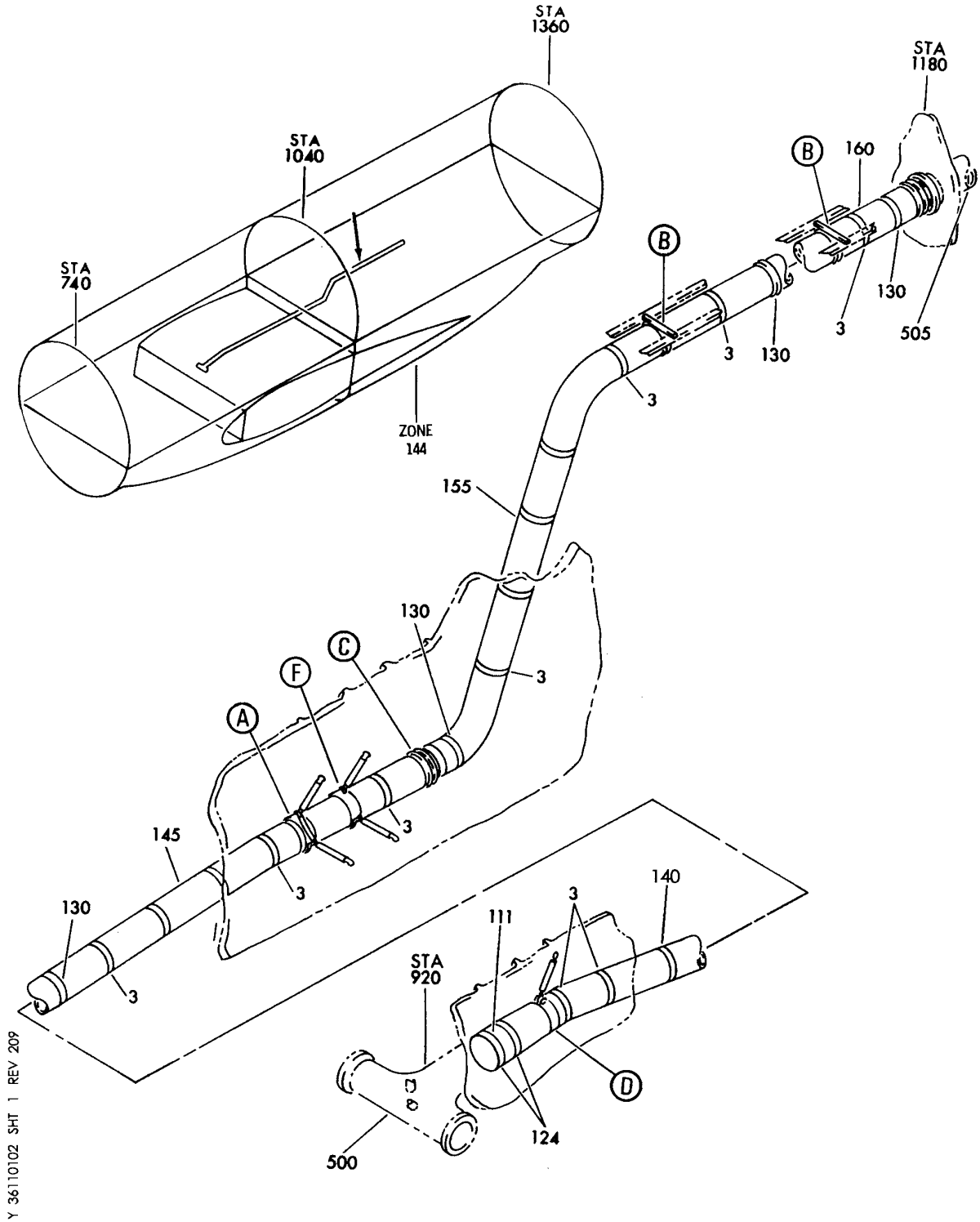
BRI

36-11-01-01F

BOEING PROPRIETARY - Copyright © - Unpublished Work - See title page for details.

36-11-01
FIG. 01F
PAGE 3
JAN 20/09

BOEING
757
PARTS CATALOG (MAINTENANCE)



Y 36110102 SHT 1 REV 209

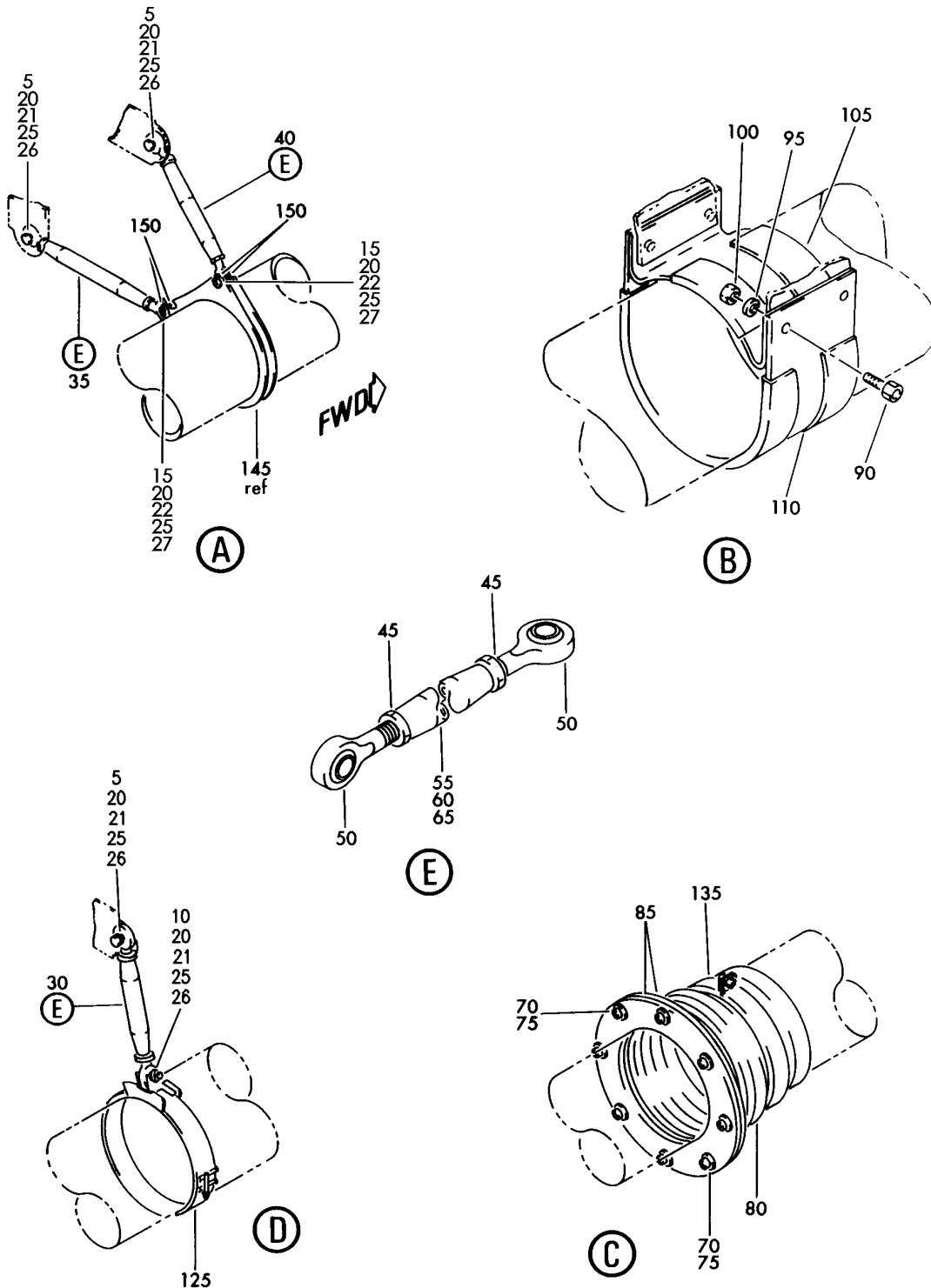
DUCT INSTL- WHL WELL AND UNDER WING AIR SUPPLY
FIGURE 2 (SHEET 1)

36-11-01-02

BRI
MAY 28/07

36-11-01-02
PAGE 0

BOEING
757
PARTS CATALOG (MAINTENANCE)



Y 36110102 SHT 1 REV 226

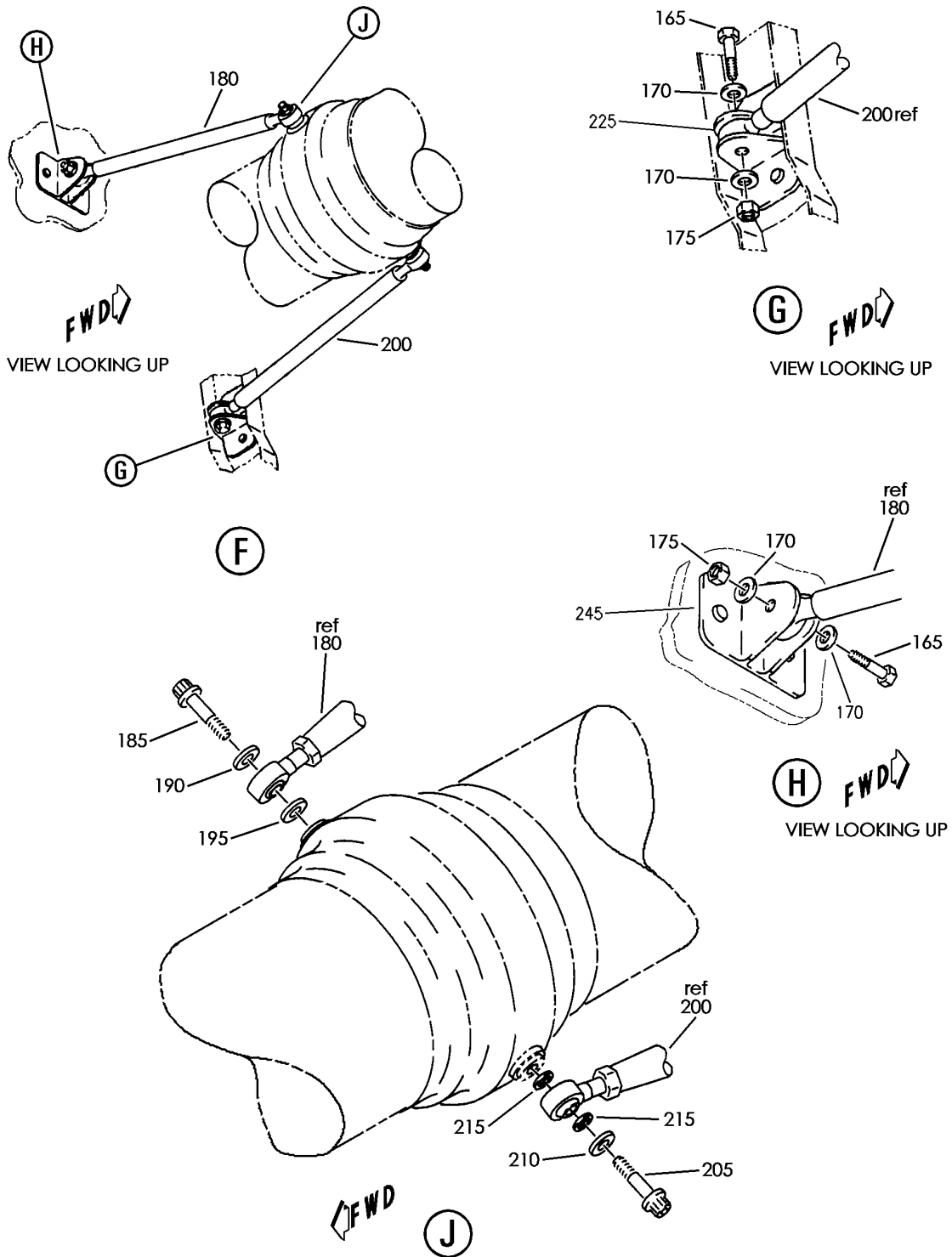
DUCT INSTL- WHL WELL AND UNDER WING AIR SUPPLY
FIGURE 2 (SHEET 2)

36-11-01-02

BRI
MAY 28/07

36-11-01-02
PAGE 0A

BOEING
757
PARTS CATALOG (MAINTENANCE)



0 36110102 SHT 3 REV 232

DUCT INSTL- WHL WELL AND UNDER WING AIR SUPPLY
FIGURE 2 (SHEET 3)

36-11-01-02

BRI
MAY 28/07

36-11-01-02
PAGE 0B



757

PARTS CATALOG (MAINTENANCE)

| FIG ITEM | PART NUMBER | 1 2 3 4 5 6 7 | NOMENCLATURE | EFFECT FROM TO | UNITS PER ASSY |
|--|-------------|---------------|---|--|----------------|
| R R R R R R R R R R R R | 25 | BRH10A4 | .NUT SUPPLIER CODE: V52828 SPECIFICATION NUMBER: BACN10JC4 OPTIONAL PART: T6S428J V11815 96-048 V80539 VN303A048 V92215 RMLH9075-4W V72962 NS202101-048 V80539 H10-4BAC V15653 | 002004 006007 107107 121503 904949 952952 | 6 |
| | 30 | 212N3030-5 | .ROD ASSY | 002004 006007 107107 121503 904949 952952 | 1 |
| | 35 | 212N3030-35 | .ROD ASSY- | 002004 006007 107107 121503 904949 952952 | 1 |
| | 40 | 212N3030-3 | .ROD ASSY | 002004 006007 107107 121503 904949 952952 | 1 |
| | 45 | NAS509-5 | ..NUT | 002004 006007 107107 121503 904949 952952 | 2 |
| | 50 | M81935-1-4 | ..BEARING | 002004 006007 107107 121503 904949 952952 | 2 |

MISSING ITEM NUMBERS NOT APPLICABLE

- ITEM NOT ILLUSTRATED

36-11-01-02

36-11-01
FIG. 02
PAGE 2
MAY 20/09

BRI



757

PARTS CATALOG (MAINTENANCE)

| FIG ITEM | PART NUMBER | 1 2 3 4 5 6 7 | NOMENCLATURE | EFFECT FROM TO | UNITS PER ASSY |
|----------|-------------------------------------|---------------|--|--|----------------|
| 2 | 55 | 212N3030-6 | ..TUBE- USED ON: 212N3030-5 | 002004 006007 107107 121503 904949 952952 | 1 |
| | 60 | 212N3030-4 | ..TUBE- USED ON: 212N3030-3 | 002004 006007 107107 121503 904949 952952 | 1 |
| | 65 | 212N3030-2 | ..TUBE- USED ON: 212N3030-1 212N3030-35 | 002004 006007 107107 121503 904949 952952 | 1 |
| | 70 | BACB30NM3K3 | .BOLT | 002004 006007 107107 121503 904949 952952 | 8 |
| | 75 | AN960PD10L | .WASHER- | 002004 006007 107107 121503 904949 952952 | 8 |
| | 75 | AN960JD10L | .WASHER- | 002004 006007 107107 121503 904949 952952 | 8 |
| | 80 | BOE2049-0001 | .SEAL-VAPOR SUPPLIER CODE: V16632 SPECIFICATION NUMBER: S210N301-1 OPTIONAL PART: 14A110 V14711 | 002004 006007 107107 121503 904949 952952 | 1 |
| | MISSING ITEM NUMBERS NOT APPLICABLE | | | | |

- ITEM NOT ILLUSTRATED

36-11-01-02

36-11-01
FIG. 02
PAGE 3
JAN 20/09

BRI



757

PARTS CATALOG (MAINTENANCE)

| FIG ITEM | PART NUMBER | 1 2 3 4 5 6 7 | NOMENCLATURE | EFFECT FROM TO | UNITS PER ASSY |
|---------------------------------|-------------|---------------|---|--|----------------|
| R R R R R R R | 2 110 | BC116780-1 | .CLAMP STRAP SUPPLIER CODE: V14242 SPECIFICATION NUMBER: BACC10ER1-80 OPTIONAL PART: S315-1-80 V18076 | 002004 006007 107107 121503 904949 952952 | 2 |
| | 111 | 3202130-1 | .VALVE-CHECK SUPPLIER CODE: V59364 SB DATA FROM A CMM: PRE 36-1343 CONFIG CHG DATA FROM A CMM: SUPSD BY 3202130-2 COMPONENT MAINT MANUAL REF: 36-11-31 | 002004 006007 107107 121503 904949 952952 | 1 |
| | 111 | 3202130-2 | .VALVE-CHECK SUPPLIER CODE: V59364 SB DATA FROM A CMM: POST 36-1343 PRE 36-1358/36-1390 CONFIG CHG DATA FROM A CMM: SUPERSEDES 3202130-1 COMPONENT MAINT MANUAL REF: 36-11-31 | 002004 006007 107107 121503 904949 952952 | 1 |
| | 111 | 3202130-3 | .VALVE-CHECK SUPPLIER CODE: V59364 FUNCTIONAL DESCRIPTION: PREVENTS AIRFLOW FROM ENGINES INTO THE APU SB DATA FROM A CMM: POST 36-1358/36-1390 COMPONENT MAINT MANUAL REF: 36-11-31 OPTIONAL PART: 3202130-2 V59364 | 002004 006007 107107 121503 904949 952952 | 1 |

MISSING ITEM NUMBERS NOT APPLICABLE

- ITEM NOT ILLUSTRATED

36-11-01-02

36-11-01
FIG. 02
PAGE 5
MAY 20/09

BRI



757

PARTS CATALOG (MAINTENANCE)

| FIG ITEM | PART NUMBER | 1 2 3 4 5 6 7 | NOMENCLATURE | EFFECT FROM TO | UNITS PER ASSY |
|----------|--------------|---|--------------|--|----------------|
| 2 124 | 14J29600 | .CLAMP SUPPLIER CODE: V5T400 SPECIFICATION NUMBER: BACC10GY600 OPTIONAL PART: 4385AF600 V94581 PDVC1137600 V14242 NM102701600 V8W928 | | 002004 006007 107107 121503 904949 952952 | 2 |
| 125 | BACC10ES04GA | .CLAMP- OPTIONAL PART: BACC10HN45GA | | 002004 006007 107107 121503 904949 952952 | 1 |
| 125 | 3015AE45GA | .CLAMP- SUPPLIER CODE: V94581 SPECIFICATION NUMBER: BACC10HN45GA OPTIONAL PART: 65790A45GA V00624 BACC10ES04GA | | 002004 006007 107107 121503 904949 952952 | 1 |
| 130 | 14J29500 | .CLAMP SUPPLIER CODE: V5T400 SPECIFICATION NUMBER: BACC10GY500 OPTIONAL PART: 4385AF500 V94581 PDVC1137500 V14242 NM102701500 V8W928 | | 002004 006007 107107 121503 904949 952952 | 4 |

MISSING ITEM NUMBERS NOT APPLICABLE

- ITEM NOT ILLUSTRATED

BRI

36-11-01-02

BOEING PROPRIETARY - Copyright © - Unpublished Work - See title page for details.

36-11-01
FIG. 02
PAGE 6
JAN 20/09



757

PARTS CATALOG (MAINTENANCE)

| FIG ITEM | PART NUMBER | 1 2 3 4 5 6 7 | NOMENCLATURE | EFFECT FROM TO | UNITS PER ASSY |
|----------|---------------|---------------|---|--|----------------|
| 2 135 | BACC10BN575LM | .CLAMP | SUPPLIER CODE: V98625 SPECIFICATION NUMBER: BACC10BN575LM OPTIONAL PART: 3078C575LM V94581 BC1080S575LZ V14242 MBC5825-575LM V98625 3078C575LM V94581 1044575LM V94581 MBC5825575LM V00624 19396N575LM V00624 | 002004 006007 107107 121503 904949 952952 | 1 |
| 140 | 212N3060-6 | .DUCT ASSY- | | 002004 006007 107107 121503 904949 952952 | 1 |
| 145 | 212N3028-8 | .DUCT ASSY- | | 002004 006007 107107 121503 904949 952952 | 1 |
| 145 | 212N3028-10 | .DUCT ASSY- | | 002004 006007 107107 121503 904949 952952 | 1 |
| 150 | BACB28B4-175 | ..BUSHING | | 002004 006007 107107 121503 904949 952952 | 4 |

MISSING ITEM NUMBERS NOT APPLICABLE

- ITEM NOT ILLUSTRATED

36-11-01-02

36-11-01
FIG. 02
PAGE 7
JAN 20/09

BRI



757

PARTS CATALOG (MAINTENANCE)

| FIG ITEM | PART NUMBER | 1 2 3 4 5 6 7 | NOMENCLATURE | EFFECT FROM TO | UNITS PER ASSY |
|----------|-------------|---------------|---|--|----------------|
| 2 155 | 212N3027-3 | . | DUCT ASSY- | 002004 006007 107107 121503 904949 952952 | 1 |
| 160 | 212N3026-3 | . | DUCT ASSY- | 002004 006007 107107 121503 904949 952952 | 1 |
| 500 | | | ILLUSTRATION REFERENCE: DUCT INSTL- WHL WELL AND UNDER WING AIR SUPPLY 36-11-01-02 | 002004 006007 107107 121503 904949 952952 | RF |
| 505 | | | ILLUSTRATION REFERENCE: DUCT INSTL-AIR SUPPLY SECT. 46 36-11-01-20 | 002004 006007 107107 121503 904949 952952 | RF |

MISSING ITEM NUMBERS NOT APPLICABLE

- ITEM NOT ILLUSTRATED

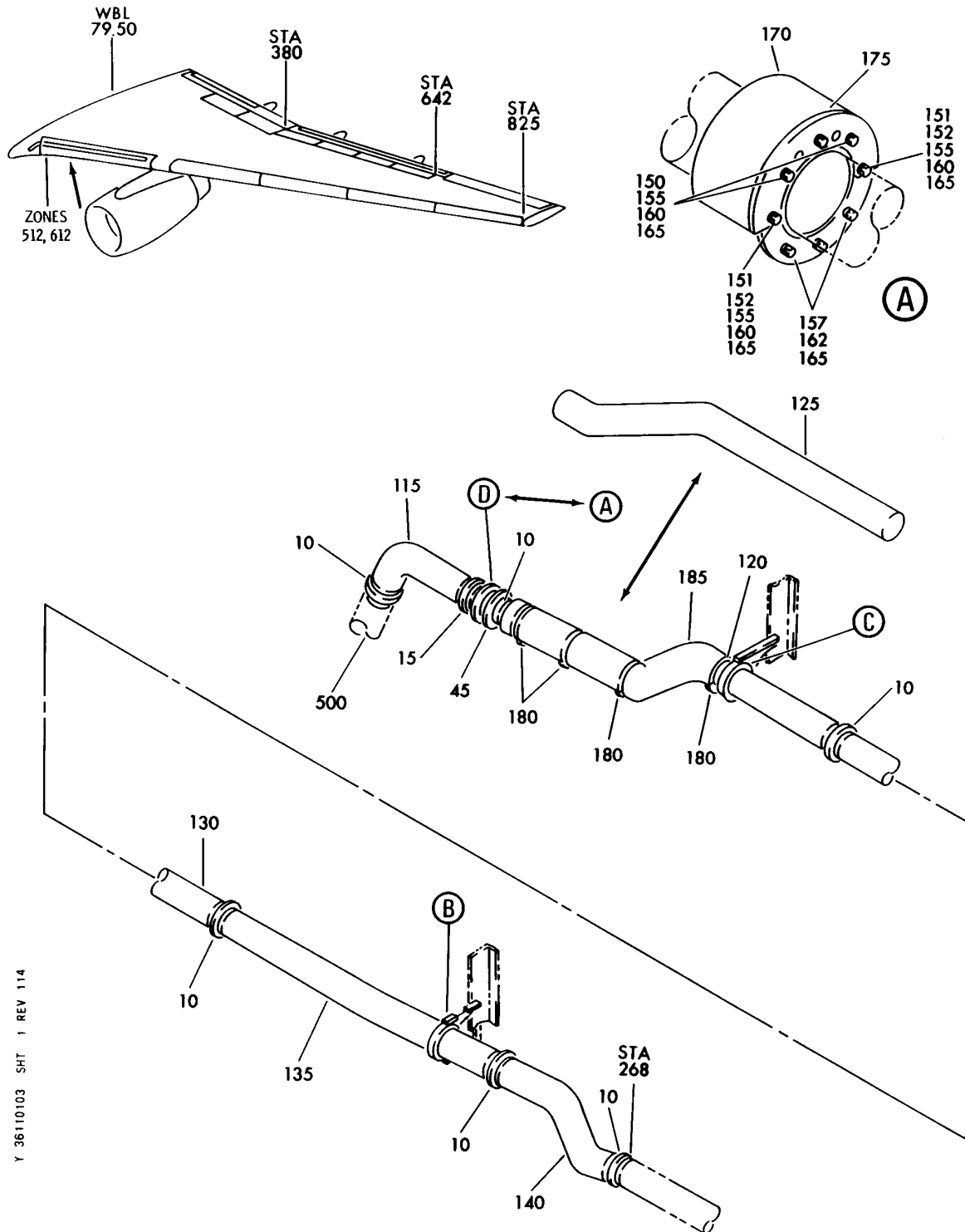
BRI

36-11-01-02

BOEING PROPRIETARY - Copyright © - Unpublished Work - See title page for details.

36-11-01
FIG. 02
PAGE 8
JAN 20/09

BOEING
757
PARTS CATALOG (MAINTENANCE)



Y 36110103 SHT 1 REV 114

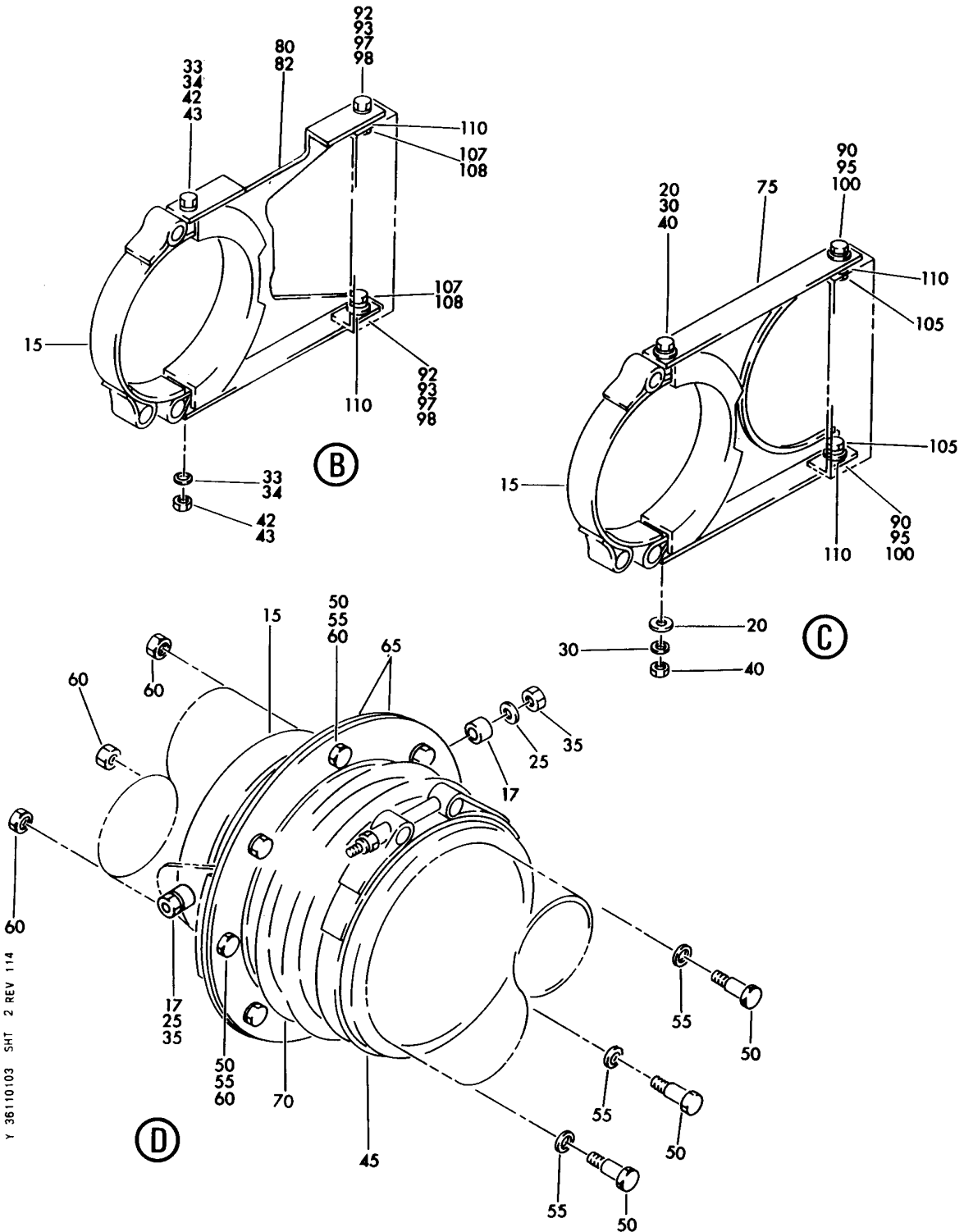
DUCT INSTL-WING LE AIR SUPPLY
FIGURE 3 (SHEET 1)

36-11-01-03

BRI
MAY 28/07

36-11-01-03
PAGE 0

BOEING
757
PARTS CATALOG (MAINTENANCE)



Y 36110103 SHT 2 REV 114

DUCT INSTL-WING LE AIR SUPPLY
FIGURE 3 (SHEET 2)

36-11-01-03

BRI
MAY 28/07

36-11-01-03
PAGE 0A



757

PARTS CATALOG (MAINTENANCE)

| FIG ITEM | PART NUMBER | 1 2 3 4 5 6 7 | NOMENCLATURE | EFFECT FROM TO | UNITS PER ASSY |
|----------|-------------|---------------|---|--|----------------|
| 3 | | | DUCT INSTL-WING LE AIR SUPPLY | 002004 006100 107107 121503 904999 | |
| - 1 | 212N3009-3 | | DUCT INSTL-WING LE AIR SUPPLY POSITION DATA: LH FOR NHA SEE: 21-00-00-01 | 107107 904949 | RF |
| - 1 | 212N3009-5 | | DUCT INSTL-WING LE AIR SUPPLY POSITION DATA: LH FOR NHA SEE: 21-00-00-01 | 002004 006100 121503 950999 | RF |
| - 5 | 212N3009-4 | | DUCT INSTL-WING LE AIR SUPPLY POSITION DATA: RH FOR NHA SEE: 21-00-00-01 | 107107 904949 | RF |
| - 5 | 212N3009-6 | | DUCT INSTL-WING LE AIR SUPPLY POSITION DATA: RH FOR NHA SEE: 21-00-00-01 | 002004 006100 121503 950999 | RF |
| 10 | 14J29500 | | .CLAMP SUPPLIER CODE: V5T400 SPECIFICATION NUMBER: BACC10GY500 OPTIONAL PART: 4385AF500 V94581 PDVC1137500 V14242 NM102701500 V8W928 | 002004 006100 107107 121503 904999 | 6 |

MISSING ITEM NUMBERS NOT APPLICABLE

- ITEM NOT ILLUSTRATED

36-11-01-03

36-11-01
FIG. 03
PAGE 1
JAN 20/09

BRI



757

PARTS CATALOG (MAINTENANCE)

| FIG ITEM | PART NUMBER | 1 2 3 4 5 6 7 | NOMENCLATURE | EFFECT FROM TO | UNITS PER ASSY |
|----------|-----------------|---------------|---|--|----------------|
| 3 | 15 BACC10AD500B | . | CLAMP SUPPLIER CODE: V00624 SPECIFICATION NUMBER: BACC10AD500B OPTIONAL PART: BC1085B500 V14242 1494-500 V94581 | 002004 006100 107107 121503 904999 | 3 |
| | 17 NAS43HT4-3 | . | ATTACHING PARTS SPACER | 002004 006100 107107 121503 904999 | 2 |
| | 20 BACW10P49AL | . | WASHER | 002004 006100 107107 121503 904999 | 2 |
| | 25 AN960C416 | . | WASHER | 002004 006100 107107 121503 904999 | 2 |
| | 30 AN960PD416 | . | WASHER | 002004 006100 107107 121503 904999 | 2 |
| | 34 AN960PD416 | . | WASHER | 107107 904949 | 2 |
| | 35 BRH10C4D | . | NUT SUPPLIER CODE: V52828 SPECIFICATION NUMBER: BACN10JC4CD OPTIONAL PART: T6C428JCD V11815 NS202486-048 V80539 102LH9075-4W V72962 H51650-4BAC V15653 | 002004 006100 107107 121503 904999 | 2 |

MISSING ITEM NUMBERS NOT APPLICABLE

- ITEM NOT ILLUSTRATED

36-11-01-03

36-11-01
FIG. 03
PAGE 2
JAN 20/09

BRI



757

PARTS CATALOG (MAINTENANCE)

| FIG ITEM | PART NUMBER | 1 2 3 4 5 6 7 | NOMENCLATURE | EFFECT FROM TO | UNITS PER ASSY |
|----------|---------------|---------------|---|--|----------------|
| 3 40 | BRH10A4 | .NUT | SUPPLIER CODE: V52828 SPECIFICATION NUMBER: BACN10JC4 OPTIONAL PART: T6S428J V11815 96-048 V80539 VN303A048 V92215 RMLH9075-4W V72962 NS202101-048 V80539 H10-4BAC V15653 | 002004 006100 107107 121503 904999 | 2 |
| 43 | BRH10A4 | .NUT | SUPPLIER CODE: V52828 SPECIFICATION NUMBER: BACN10JC4 OPTIONAL PART: T6S428J V11815 96-048 V80539 VN303A048 V92215 RMLH9075-4W V72962 NS202101-048 V80539 H10-4BAC V15653 | 107107 904949 | 2 |
| 45 | BACC10BN600LR | .CLAMP | -----*----- SUPPLIER CODE: V94581 SPECIFICATION NUMBER: BACC10BN600LR OPTIONAL PART: BC1080S600LR V14242 MBC5825600LR V00624 19396N600LR V00624 | 002004 006100 107107 121503 904999 | 1 |

MISSING ITEM NUMBERS NOT APPLICABLE

- ITEM NOT ILLUSTRATED

36-11-01-03

36-11-01
FIG. 03
PAGE 3
JAN 20/09

BRI



757

PARTS CATALOG (MAINTENANCE)

| FIG ITEM | PART NUMBER | 1 2 3 4 5 6 7 | NOMENCLATURE | EFFECT FROM TO | UNITS PER ASSY |
|----------|--------------|--|---|--|----------------|
| 3 | 50 | BACB30NM3K5 | .BOLT- POSITION DATA: RH SIDE | 002004 006100 107107 121503 904999 | 8 |
| | 55 | AN960PD10L | .WASHER- POSITION DATA: RH SIDE | 002004 006100 107107 121503 904999 | 8 |
| | 60 | BRH10A3 | .NUT- SUPPLIER CODE: V52828 SPECIFICATION NUMBER: BACN10JC3 OPTIONAL PART: H10-3BAC V15653 NS202101-02 V80539 RMLH9075-3W V72962 VN303A02 V92215 96-02 V80539 T6S1032J V11815 POSITION DATA: RH SIDE | 002004 006100 107107 121503 904999 | 8 |
| 65 | 212N3055-1 | .RING-BACKUP OPTIONAL PART: 212N3055-3 | 002004 006100 107107 121503 904999 | 2 | |
| 65 | 212N3055-3 | .RING-BACKUP OPTIONAL PART: 212N3055-1 | 002004 006100 107107 121503 904999 | 2 | |
| 70 | BOE2049-0001 | .SEAL-VAPOR SUPPLIER CODE: V16632 SPECIFICATION NUMBER: S210N301-1 OPTIONAL PART: 14A110 V14711 | 002004 006100 107107 121503 904999 | 1 | |

MISSING ITEM NUMBERS NOT APPLICABLE

- ITEM NOT ILLUSTRATED

36-11-01-03

36-11-01
FIG. 03
PAGE 4
JAN 20/09

BRI



757

PARTS CATALOG (MAINTENANCE)

| FIG ITEM | PART NUMBER | 1 2 3 4 5 6 7 | NOMENCLATURE | EFFECT FROM TO | UNITS PER ASSY |
|----------|-------------|---------------|---|--|----------------|
| 3 | | | | | |
| 75 | 212N3067-2 | . | BRACKET-SPRT | 002004 006100 107107 121503 904999 | 1 |
| 82 | 212N3068-4 | . | BRACKET-SPRT POSITION DATA: LH SIDE | 107107 | 1 |
| 82 | 212N3068-5 | . | BRACKET-SPRT POSITION DATA: LH SIDE | 002004 006100 121503 904999 | 1 |
| - 87 | 212N3068-3 | . | BRACKET-SPRT POSITION DATA: RH SIDE | 107107 | 1 |
| - 87 | 212N3068-6 | . | BRACKET-SPRT POSITION DATA: RH SIDE | 002004 006100 121503 904999 | 1 |
| 90 | BACB30NR4K4 | . | ATTACHING PARTS BOLT | 002004 006100 107107 121503 904999 | 2 |
| 93 | BACB30NR4K4 | . | BOLT | 107107 904949 | 2 |
| 95 | AN960PD416 | . | WASHER | 002004 006100 107107 121503 904999 | 2 |
| 98 | AN960PD416 | . | WASHER | 107107 904949 | 2 |
| 100 | BACW10P49AL | . | WASHER | 002004 006100 107107 121503 904999 | 2 |

MISSING ITEM NUMBERS NOT APPLICABLE

- ITEM NOT ILLUSTRATED

36-11-01-03

36-11-01
FIG. 03
PAGE 5
JAN 20/09

BRI



757

PARTS CATALOG (MAINTENANCE)

| FIG ITEM | PART NUMBER | 1 2 3 4 5 6 7 | NOMENCLATURE | EFFECT FROM TO | UNITS PER ASSY |
|----------|-------------|--|---|--|----------------|
| 3 105 | BRH10A4 | .NUT | SUPPLIER CODE: V52828 SPECIFICATION NUMBER: BACN10JC4 OPTIONAL PART: T6S428J V11815 96-048 V80539 VN303A048 V92215 RMLH9075-4W V72962 NS202101-048 V80539 H10-4BAC V15653 | 002004 006100 107107 121503 904999 | 2 |
| 108 | BRH10A4 | .NUT | SUPPLIER CODE: V52828 SPECIFICATION NUMBER: BACN10JC4 OPTIONAL PART: T6S428J V11815 96-048 V80539 VN303A048 V92215 RMLH9075-4W V72962 NS202101-048 V80539 H10-4BAC V15653 | 107107 904949 | 2 |
| 110 | 66-13608-2 | -----*----- .BUSHING | | 002004 006100 107107 121503 904999 | 4 |
| 115 | 212N3048-3 | .DUCT ASSY- FOR SPARES PROCURE: 212N3048-6 | | 002004 006100 107107 121503 904999 | 1 |

MISSING ITEM NUMBERS NOT APPLICABLE

- ITEM NOT ILLUSTRATED

36-11-01-03

36-11-01
FIG. 03
PAGE 6
JAN 20/09

BRI



757

PARTS CATALOG (MAINTENANCE)

| FIG ITEM | PART NUMBER | 1 2 3 4 5 6 7 | NOMENCLATURE | EFFECT FROM TO | UNITS PER ASSY |
|----------|-------------|---------------|---|--|----------------|
| 3 | | | | | |
| 115 | 212N3048-6 | . | DUCT ASSY- | 002004 006100 107107 121503 904999 | 1 |
| 120 | 212N3049-15 | . | DUCT ASSY- POSITION DATA: LH SIDE OPTIONAL PART: 212N3049-18 | 107107 904949 | 1 |
| 120 | 212N3049-18 | . | DUCT ASSY- POSITION DATA: LH SIDE | 002004 006100 121503 950999 | 1 |
| 120 | 212N3049-18 | . | DUCT ASSY- POSITION DATA: LH SIDE QUALIFIED OPTIONAL DATA: (212N3049-18 T/W 212N3051-6 PREFERRED SPARE TO 212N3049-17 T/W 212N3051-5) OPTIONAL PART: 212N3049-15 | 107107 904949 | 1 |
| 120 | 212N3049-17 | . | DUCT ASSY- POSITION DATA: LH SIDE QUALIFIED OPTIONAL DATA: (212N3049-18 T/W 212N3051-6 PREFERRED SPARE TO 212N3049-17 T/W 212N3051-5) | 107107 904949 | 1 |
| 125 | 212N3050-4 | . | DUCT ASSY- POSITION DATA: RH SIDE FOR SPARES PROCURE: 212N3050-8 | 107107 904949 | 1 |
| 125 | 212N3050-8 | . | DUCT ASSY- POSITION DATA: RH SIDE | 002004 006100 121503 950999 | 1 |
| 130 | 212N3051-3 | . | DUCT ASSY- OPTIONAL PART: 212N3051-6 | 107107 904949 | 1 |
| 130 | 212N3051-6 | . | DUCT ASSY- POSITION DATA: LH SIDE | 002004 006100 121503 950999 | 1 |

MISSING ITEM NUMBERS NOT APPLICABLE

- ITEM NOT ILLUSTRATED

36-11-01-03

36-11-01
FIG. 03
PAGE 7
JAN 20/09

BRI

BOEING PROPRIETARY - Copyright © - Unpublished Work - See title page for details.



757

PARTS CATALOG (MAINTENANCE)

| FIG ITEM | PART NUMBER | 1 2 3 4 5 6 7 | NOMENCLATURE | EFFECT FROM TO | UNITS PER ASSY |
|----------|-------------|---------------|--|--|----------------|
| 3 | | | | | |
| 130 | 212N3051-6 | | . DUCT ASSY- POSITION DATA: LH SIDE QUALIFIED OPTIONAL DATA: (212N3049-18 T/W 212N3051-6 PREFERRED SPARE TO 212N3049-17 T/W 212N3051-5) OPTIONAL PART: 212N3051-3 | 107107 904949 | 1 |
| 130 | 212N3051-5 | | . DUCT ASSY- POSITION DATA: LH SIDE QUALIFIED OPTIONAL DATA: (212N3049-18 T/W 212N3051-6 PREFERRED SPARE TO 212N3049-17 T/W 212N3051-5) | 107107 904949 | 1 |
| - 133 | 212N3051-1 | | . DUCT ASSY- POSITION DATA: RH SIDE OPTIONAL PART: 212N3051-5 | 107107 904949 | 1 |
| - 133 | 212N3051-5 | | . DUCT ASSY- POSITION DATA: RH SIDE OPTIONAL PART: 212N3051-1 | 002004 006100 107107 121503 904999 | 1 |
| 135 | 212N3052-5 | | . DUCT ASSY- FOR SPARES PROCURE: 212N3052-7 | 107107 904949 | 1 |
| 135 | 212N3052-7 | | . DUCT ASSY | 002004 006100 121503 950999 | 1 |
| 140 | 212N3053-3 | | . DUCT ASSY- POSITION DATA: LH SIDE FOR SPARES PROCURE: 212N3053-9 | 002004 006100 107107 121503 904999 | 1 |
| 140 | 212N3053-9 | | . DUCT ASSY- POSITION DATA: LH SIDE | 002004 006100 107107 121503 904999 | 1 |

MISSING ITEM NUMBERS NOT APPLICABLE

- ITEM NOT ILLUSTRATED

36-11-01-03

36-11-01
FIG. 03
PAGE 8
MAY 20/09

BRI



757

PARTS CATALOG (MAINTENANCE)

| FIG ITEM | PART NUMBER | 1 2 3 4 5 6 7 | NOMENCLATURE | EFFECT FROM TO | UNITS PER ASSY |
|----------|-------------|---------------|---|--|----------------|
| 3 | | | | | |
| 140 | 54093048-6 | | . DUCT ASSY- POSITION DATA: LH SIDE | 002004 006100 107107 121503 904999 | 1 |
| - 145 | 212N3053-4 | | . DUCT ASSY- POSITION DATA: RH SIDE | 002004 006100 107107 121503 904999 | 1 |
| - 145 | 212N3053-10 | | . DUCT ASSY- POSITION DATA: RH SIDE | 002004 006100 107107 121503 904999 | 1 |
| 155 | BACB30NM3K6 | | . BOLT- POSITION DATA: LH SIDE | 002004 006100 107107 121503 904999 | 5 |
| 157 | BACB30NM3K5 | | . BOLT- POSITION DATA: LH SIDE | 002004 006100 107107 121503 904999 | 3 |
| 160 | BACW10P43AL | | . WASHER- POSITION DATA: LH SIDE | 002004 006100 107107 121503 904999 | 5 |
| 162 | AN960PD10L | | . WASHER- POSITION DATA: LH SIDE | 002004 006100 107107 121503 904999 | 3 |

MISSING ITEM NUMBERS NOT APPLICABLE

- ITEM NOT ILLUSTRATED

36-11-01-03

36-11-01
FIG. 03
PAGE 9
JAN 20/09

BRI



**757
PARTS CATALOG (MAINTENANCE)**

| FIG ITEM | PART NUMBER | 1 2 3 4 5 6 7 | NOMENCLATURE | EFFECT FROM TO | UNITS PER ASSY |
|-------------|----------------|---------------|---|--|----------------------|
| 3 165 | BRH10A3 | | .NUT- SUPPLIER CODE: V52828 SPECIFICATION NUMBER: BACN10JC3 OPTIONAL PART: H10-3BAC V15653 NS202101-02 V80539 RMLH9075-3W V72962 VN303A02 V92215 96-02 V80539 T6S1032J V11815 POSITION DATA: LH SIDE | 002004 006100 107107 121503 904999 | 8 |
| 170 | 212N3085-1 | | .SHIELD ASSY- POSITION DATA: LH SIDE | 002004 006100 107107 121503 904999 | 1 |
| 175 | BACG20ZA1310 | | ..GROMMET- POSITION DATA: LH SIDE | 002004 006100 107107 121503 904999 | 1 |
| 180 | NAS1922-0525-1 | | .CLAMP- POSITION DATA: LH SIDE | 002004 006100 107107 121503 904999 | 4 |
| 180 | NAS1922-0525-3 | | .CLAMP- | 002004 006100 107107 121503 904999 | 4 |
| 185 | 212N3087-1 | | .SHIELD ASSY- POSITION DATA: LH SIDE | 002004 006100 107107 121503 904999 | 1 |

R
R
R
R
R

MISSING ITEM NUMBERS NOT APPLICABLE

- ITEM NOT ILLUSTRATED

36-11-01-03

36-11-01
FIG. 03
PAGE 10
MAY 20/09

BRI



757

PARTS CATALOG (MAINTENANCE)

| FIG ITEM | PART NUMBER | 1 2 3 4 5 6 7 | NOMENCLATURE | EFFECT FROM TO | UNITS PER ASSY |
|-------------|-------------|---------------|---|--|----------------------|
| 3 900 | | | ILLUSTRATION REFERENCE: DUCT AND CLAMP INSTL-UNDER WING AIR SUPPLY (AIR SUPPLY DISTRIBUTION ONLY) 36-11-01-07 | 002004 006100 107107 121503 904999 | RF |

MISSING ITEM NUMBERS NOT APPLICABLE

- ITEM NOT ILLUSTRATED

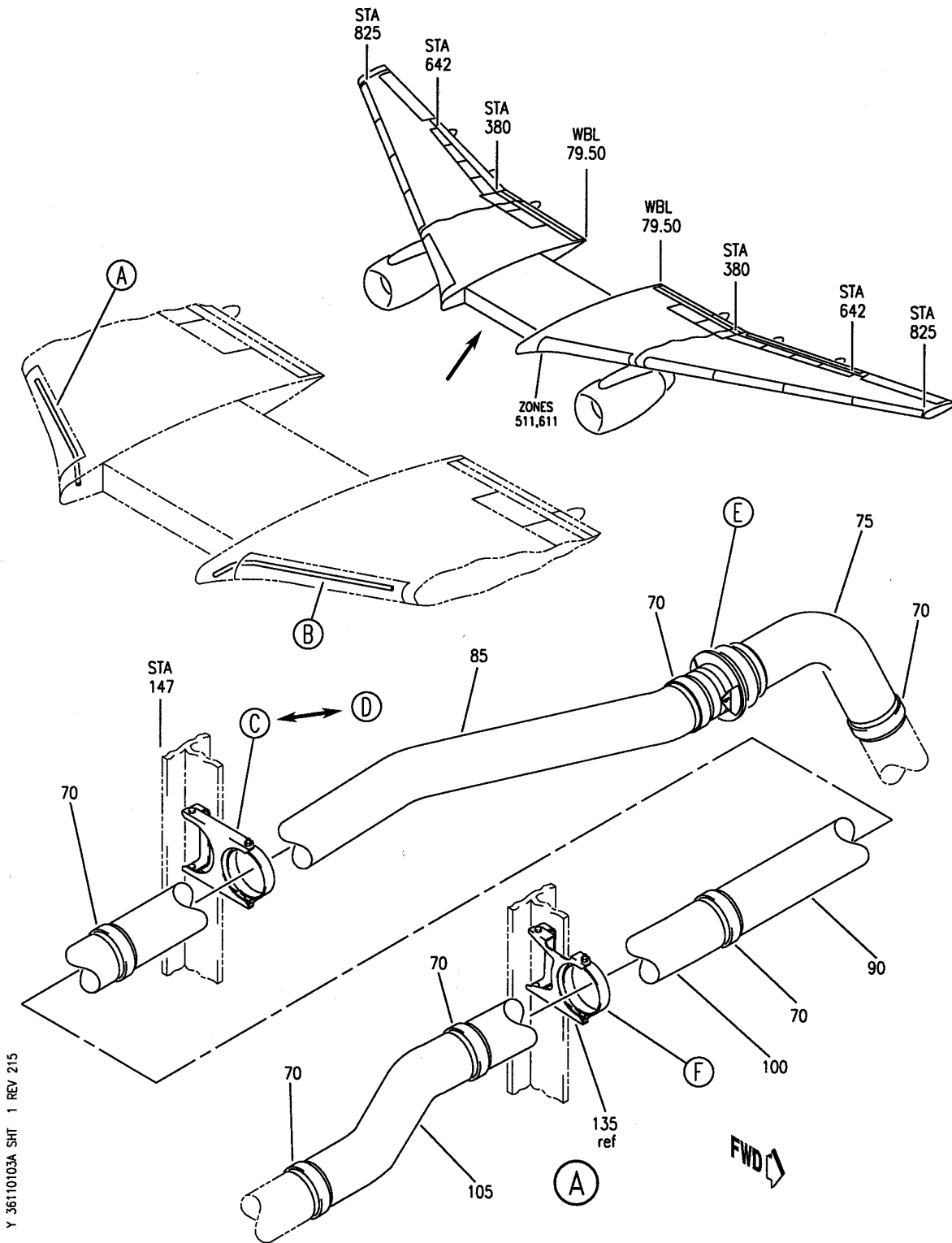
BRI

36-11-01-03

BOEING PROPRIETARY - Copyright © - Unpublished Work - See title page for details.

36-11-01
FIG. 03
PAGE 11
MAY 20/09


BOEING
 757
PARTS CATALOG (MAINTENANCE)



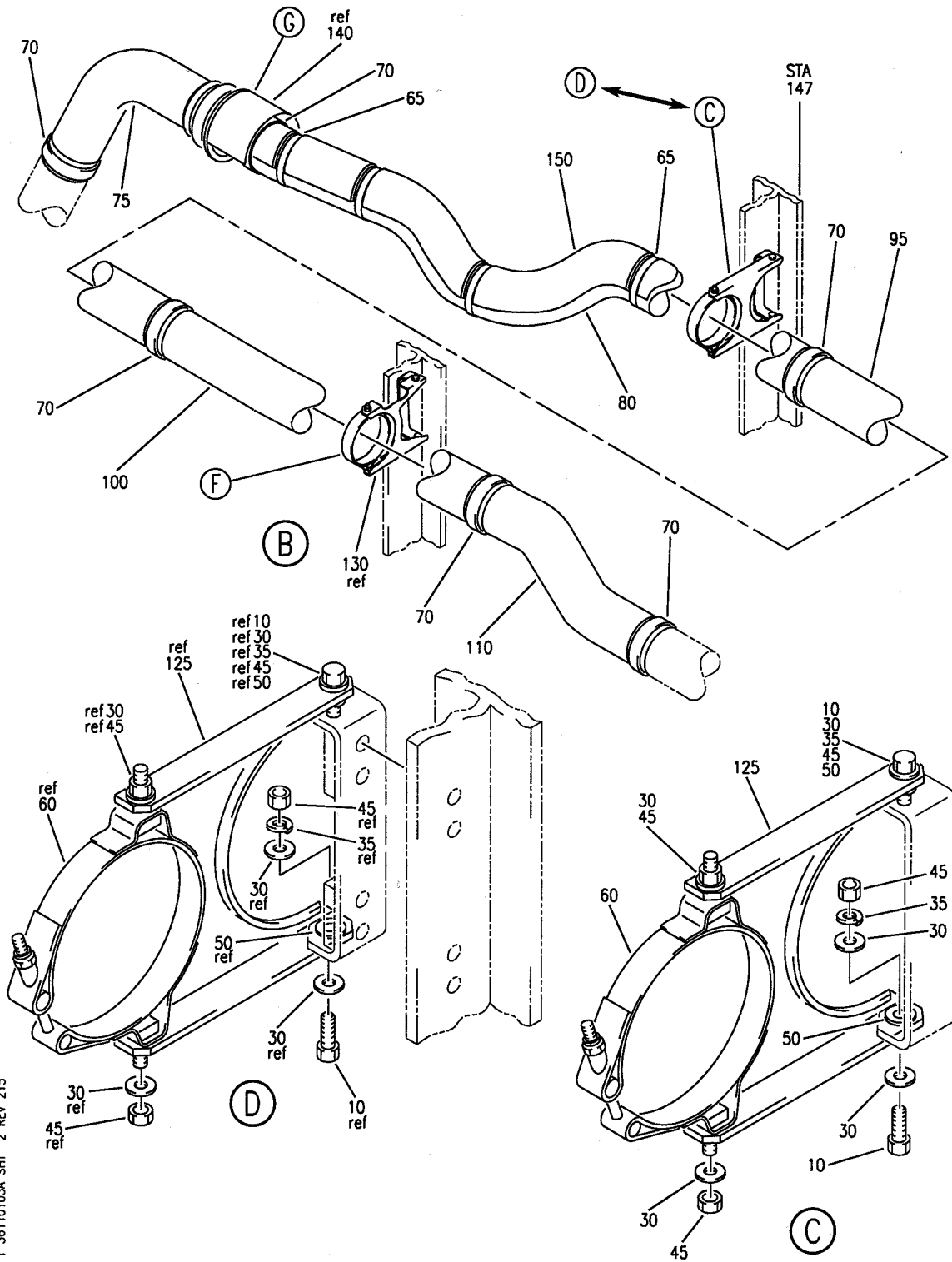
DUCT INSTL-WING LE AIR SUPPLY
 FIGURE 3A (SHEET 1)

36-11-01-03A

BRI
 MAY 28/07

36-11-01-03A
 PAGE 0


BOEING
 757
PARTS CATALOG (MAINTENANCE)



Y 36110103A SHT 2 REV 215

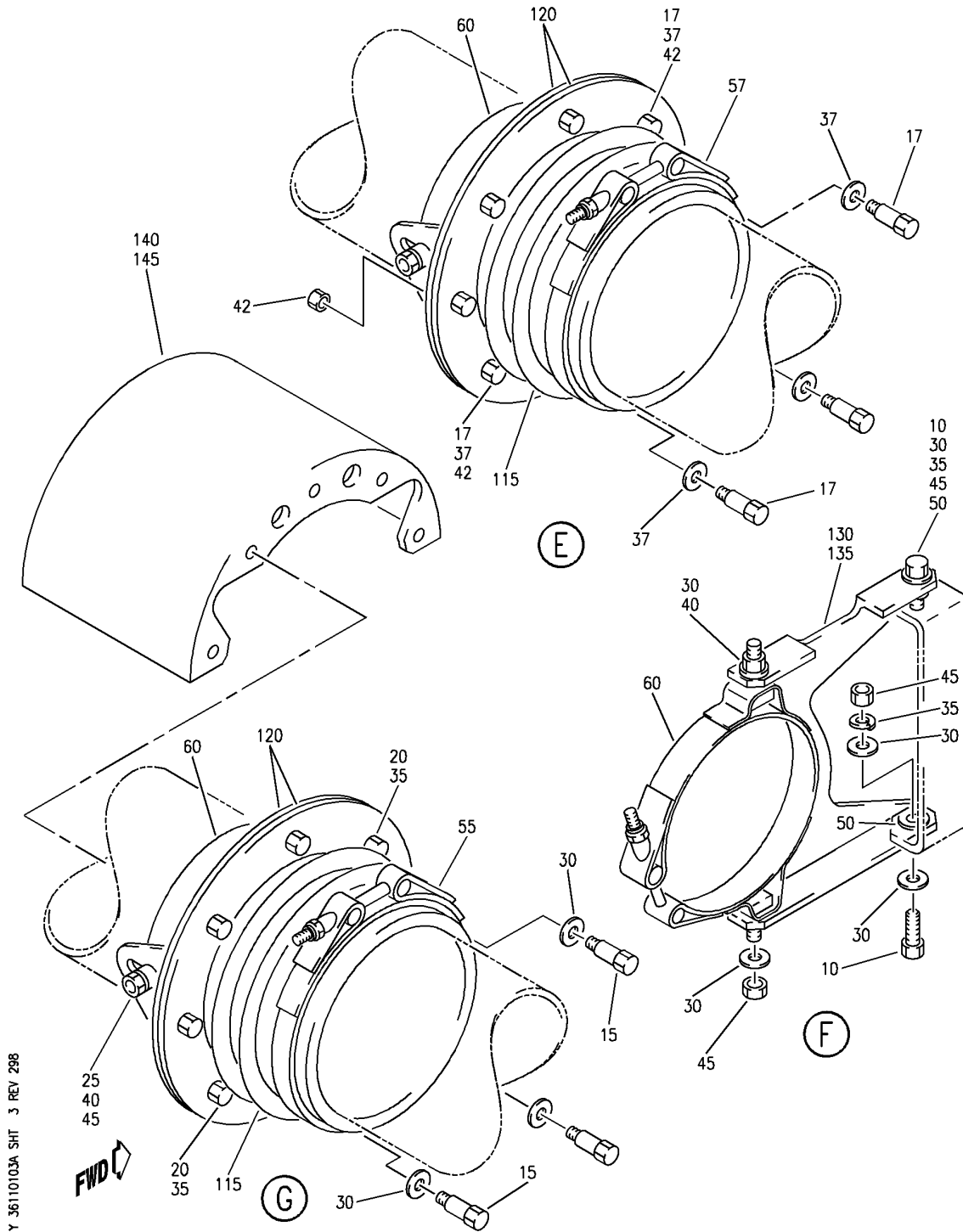
DUCT INSTL-WING LE AIR SUPPLY
 FIGURE 3A (SHEET 2)

36-11-01-03A

BRI
 MAY 28/07

36-11-01-03A
 PAGE 0A

BOEING
757
PARTS CATALOG (MAINTENANCE)



Y 36110103A SHT 3 REV 298

DUCT INSTL-WING LE AIR SUPPLY
FIGURE 3A (SHEET 3)

36-11-01-03A

BRI
MAY 28/07

36-11-01-03A
PAGE 0B

 **BOEING**
757
PARTS CATALOG (MAINTENANCE)

| FIG ITEM | PART NUMBER | 1 2 3 4 5 6 7 | NOMENCLATURE | EFFECT FROM TO | UNITS PER ASSY |
|----------|-------------|---------------|--|----------------------------|----------------|
| 3A | | | DUCT INSTL-WING LE AIR SUPPLY | 101106 108120 504903 | |
| - 1 | 212N3009-7 | | DUCT INSTL-WING LE AIR SUPPLY POSITION DATA: LH FOR NHA SEE: 21-00-00-15 | 101102 504504 | RF |
| - 1 | 212N3009-11 | | DUCT INSTL-WING LE AIR SUPPLY POSITION DATA: LH FOR NHA SEE: 21-00-00-15 | 108120 505903 | RF |
| - 1 | MODREF5973 | | DUCT INSTL-WING LE AIR SUPPLY MODULE NUMBER: 212N3009-11 REV A POSITION DATA: LH | 103106 | 1 |
| - 5 | 212N3009-8 | | DUCT INSTL-WING LE AIR SUPPLY POSITION DATA: RH FOR NHA SEE: 21-00-00-15 | 101102 108120 504903 | RF |
| - 5 | MODREF5975 | | DUCT INSTL-WING LE AIR SUPPLY MODULE NUMBER: 212N3009-8 REV A POSITION DATA: RH | 103106 | 1 |
| 10 | BACB30NR4K4 | | .BOLT | 101106 108120 504903 | 4 |
| 15 | BACB30NM3K5 | | .BOLT- POSITION DATA: LH SIDE | 101106 108120 504903 | 3 |
| 17 | BACB30NM3K5 | | .BOLT- POSITION DATA: RH SIDE | 101106 108120 504903 | 8 |
| 20 | BACB30NM3K6 | | .BOLT- POSITION DATA: LH SIDE | 101106 108120 504903 | 5 |
| 25 | NAS43HT4-3 | | .SPACER | 101106 108120 504903 | 2 |

MISSING ITEM NUMBERS NOT APPLICABLE

- ITEM NOT ILLUSTRATED

BRI

36-11-01-03A

BOEING PROPRIETARY - Copyright © - Unpublished Work - See title page for details.

36-11-01
FIG. 03A
PAGE 1
JAN 20/09



757

PARTS CATALOG (MAINTENANCE)

| FIG ITEM | PART NUMBER | 1 2 3 4 5 6 7 | NOMENCLATURE | EFFECT FROM TO | UNITS PER ASSY |
|----------|---------------|---------------|--|----------------------------|----------------|
| 3A | | | | | |
| 30 | NAS1149D0463J | . | WASHER | 101106 108120 504903 | 13 |
| 35 | BACW10P49AL | . | WASHER | 101106 108120 504903 | 9 |
| 37 | AN960JD10L | . | WASHER- POSITION DATA: RH SIDE | 101106 108120 504903 | 8 |
| 40 | AN960C416 | . | WASHER | 101106 108120 504903 | 2 |
| 42 | BRH10A3 | . | NUT- SUPPLIER CODE: V52828 SPECIFICATION NUMBER: BACN10JC3 OPTIONAL PART: H10-3BAC V15653 NS202101-02 V80539 RMLH9075-3W V72962 VN303A02 V92215 96-02 V80539 T6S1032J V11815 POSITION DATA: RH SIDE | 101106 108120 504903 | 8 |
| 45 | BRH10C4D | . | NUT SUPPLIER CODE: V52828 SPECIFICATION NUMBER: BACN10JC4CD OPTIONAL PART: T6C428JCD V11815 NS202486-048 V80539 102LH9075-4W V72962 H51650-4BAC V15653 | 101106 108120 504903 | 10 |
| 50 | 66-13608-2 | . | BUSHING | 101106 108120 504903 | 4 |

MISSING ITEM NUMBERS NOT APPLICABLE

- ITEM NOT ILLUSTRATED

36-11-01-03A

36-11-01
FIG. 03A
PAGE 2
JAN 20/09

BRI



757

PARTS CATALOG (MAINTENANCE)

| FIG ITEM | PART NUMBER | 1 2 3 4 5 6 7 | NOMENCLATURE | EFFECT FROM TO | UNITS PER ASSY |
|-------------|-------------|---------------|---|----------------------------|----------------|
| R R R | 3A 55 | | .CLAMP- POSITION DATA: LH SIDE | 101102 504504 | 1 |
| | 55 | | .CLAMP- POSITION DATA: LH SIDE | 103106 108120 505903 | 1 |
| | 55 | | .CLAMP- | 103106 108120 505903 | 1 |
| | 57 | | .CLAMP- POSITION DATA: RH SIDE OPTIONAL PART: BACC10BN600LM | 101106 108120 504903 | 1 |
| | 57 | | .CLAMP- SUPPLIER CODE: V98625 SPECIFICATION NUMBER: BACC10BN600LM OPTIONAL PART: 3078C600LM V94581 BC1080S600LZ V14242 MBC5825-600LM V98625 3078C600LM V94581 1044600LM V94581 MBC5825600LM V00624 19396N600LM V00624 POSITION DATA: RH SIDE NAS1922-0575-1 | 101106 108120 504903 | 1 |
| R R R | 57 | | .CLAMP- | 101106 108120 504903 | 1 |
| | 60 | | .CLAMP | 101106 108120 504903 | 3 |
| R R R | 65 | | .CLAMP- POSITION DATA: LH SIDE | 101106 108120 504903 | 4 |
| | 65 | | .CLAMP- POSITION DATA: LH SIDE | 101106 108120 504903 | 4 |

MISSING ITEM NUMBERS NOT APPLICABLE

- ITEM NOT ILLUSTRATED

36-11-01-03A

36-11-01
FIG. 03A
PAGE 3
MAY 20/09

BRI

BOEING PROPRIETARY - Copyright © - Unpublished Work - See title page for details.



757

PARTS CATALOG (MAINTENANCE)

| FIG ITEM | PART NUMBER | 1 2 3 4 5 6 7 | NOMENCLATURE | EFFECT FROM TO | UNITS PER ASSY |
|----------|-------------|---------------|---|----------------------------|----------------|
| 3A | | | | | |
| 70 | 14J29500E | .CLAMP | SUPPLIER CODE: V5T400 SPECIFICATION NUMBER: BACC10GY500E OPTIONAL PART: 4385AF500E V94581 PDVC1137500E V14242 NM102701500E V8W928 | 101106 108120 504903 | 6 |
| 75 | 212N3048-3 | .DUCT ASSY- | | 101106 108120 504903 | 1 |
| 75 | 212N3048-6 | .DUCT ASSY- | | 101106 108120 504903 | 1 |
| 80 | 212N3049-18 | .DUCT ASSY- | POSITION DATA: | 101106 108120 | 1 |
| 85 | 212N3050-8 | .DUCT ASSY- | LH SIDE | 504903 | 1 |
| 90 | 212N3051-5 | .DUCT ASSY- | POSITION DATA: | 101106 108120 | 1 |
| 95 | 212N3051-6 | .DUCT ASSY- | RH SIDE | 504903 | 1 |
| 100 | 212N3052-7 | .DUCT ASSY | | 101106 108120 504903 | 1 |
| 105 | 212N3053-10 | .DUCT ASSY- | POSITION DATA: | 101106 108120 | 1 |
| 110 | 212N3053-9 | .DUCT ASSY- | RH SIDE | 504903 | 1 |
| 110 | 212N3053-3 | .DUCT ASSY- | POSITION DATA: | 101106 108120 | 1 |
| 110 | 54093048-6 | .DUCT ASSY- | LH SIDE | 504903 | 1 |
| | | | POSITION DATA: | 101106 108120 504903 | 1 |
| | | | LH SIDE | | |

MISSING ITEM NUMBERS NOT APPLICABLE

- ITEM NOT ILLUSTRATED

36-11-01-03A

36-11-01
FIG. 03A
PAGE 4
MAY 20/09

BRI

BOEING PROPRIETARY - Copyright © - Unpublished Work - See title page for details.



757

PARTS CATALOG (MAINTENANCE)

| FIG ITEM | PART NUMBER | 1 2 3 4 5 6 7 | NOMENCLATURE | EFFECT FROM TO | UNITS PER ASSY |
|-----------|--------------|---------------|--|----------------------------|----------------|
| 3A 115 | BOE2049-0001 | | .SEAL-VAPOR SUPPLIER CODE: V16632 SPECIFICATION NUMBER: S210N301-1 OPTIONAL PART: 14A110 V14711 | 101106 108120 504903 | 1 |
| 120 | 212N3055-3 | | .RING | 101106 108120 504903 | 2 |
| 125 | 212N3067-2 | | .BRACKET | 101106 108120 504903 | 1 |
| 130 | 212N3068-5 | | .BRACKET- POSITION DATA: LH SIDE | 101106 108120 504903 | 1 |
| 135 | 212N3068-6 | | .BRACKET- POSITION DATA: RH SIDE | 101106 108120 504903 | 1 |
| 140 | 212N3085-1 | | .SHIELD ASSY- POSITION DATA: LH SIDE | 101106 108120 504903 | 1 |
| 145 | BACG20ZA1310 | | ..GROMMET- POSITION DATA: LH SIDE | 101106 108120 504903 | 1 |
| 150 | 212N3087-1 | | .SHIELD ASSY- POSITION DATA: LH SIDE | 101106 108120 504903 | 1 |

MISSING ITEM NUMBERS NOT APPLICABLE

- ITEM NOT ILLUSTRATED

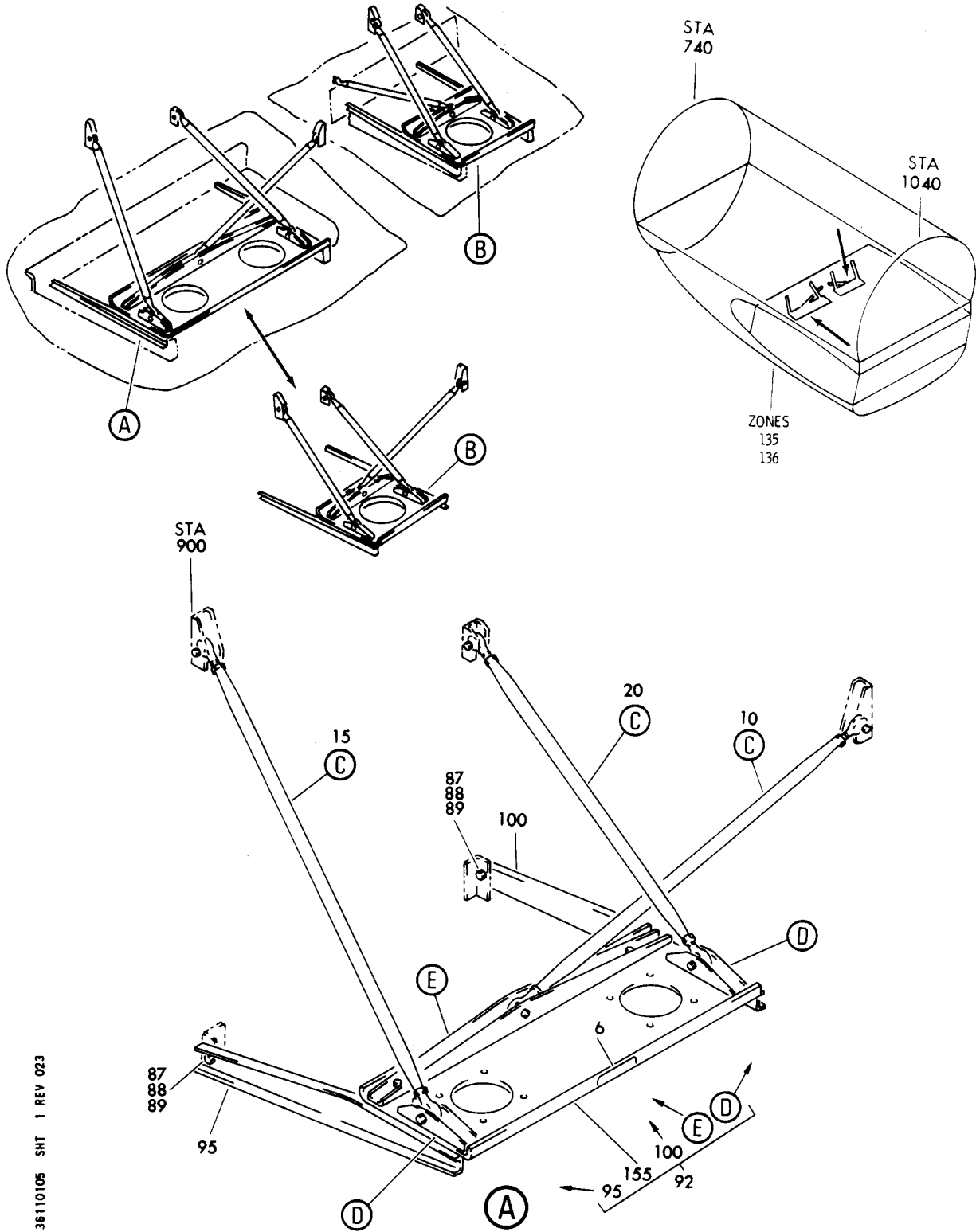
36-11-01-03A

36-11-01
FIG. 03A
PAGE 5
MAY 20/09

BRI

BOEING PROPRIETARY - Copyright © - Unpublished Work - See title page for details.

BOEING
757
PARTS CATALOG (MAINTENANCE)



Y 36110105 SHT 1 REV 023

SUPPORT INSTL-UNDER WING AIR SUPPLY (AIR CONDITIONING ONLY)
FIGURE 5 (SHEET 1)

36-11-01-05

BRI
MAY 28/07

36-11-01-05
PAGE 0



757

PARTS CATALOG (MAINTENANCE)

| FIG ITEM | PART NUMBER | 1 2 3 4 5 6 7 | NOMENCLATURE | EFFECT FROM TO | UNITS PER ASSY |
|----------|-------------|---------------|--|--|----------------|
| 5 | | | SUPPORT INSTL-UNDER WING AIR SUPPLY (AIR CONDITIONING ONLY) | 002004 006010 107107 121503 904999 | |
| - 1 | 212N3010-1 | | SUPPORT INSTL-UNDER WING AIR SUPPLY (AIR CONDITIONING ONLY) POSITION DATA: LH FOR NHA/OTHER SYS DET SEE: 21-00-00-01 | 002004 006010 107107 121503 904999 | RF |
| - 5 | 212N3010-2 | | SUPPORT INSTL-UNDER WING AIR SUPPLY (AIR CONDITIONING ONLY) POSITION DATA: RH FOR NHA/OTHER SYS DET SEE: 21-00-00-01 | 002004 006010 107107 121503 904999 | RF |
| 10 | 212N3030-25 | | .ROD ASSY- POSITION DATA: LH SIDE | 002004 006010 107107 121503 904999 | 1 |
| 15 | 212N3030-29 | | .ROD ASSY- POSITION DATA: LH SIDE | 002004 006010 107107 121503 904999 | 1 |
| 15 | 212N3030-23 | | .ROD ASSY- POSITION DATA: LH SIDE | 002004 006010 107107 121503 904999 | 1 |
| 20 | 212N3030-27 | | .ROD ASSY- POSITION DATA: LH SIDE | 002004 006010 107107 121503 904999 | 1 |
| 25 | 212N3030-31 | | .ROD ASSY- POSITION DATA: RH SIDE | 002004 006010 107107 121503 904999 | 1 |
| 30 | 212N3030-29 | | .ROD ASSY- POSITION DATA: RH SIDE OPTIONAL PART: 212N3030-23 | 002004 006010 107107 121503 904999 | 1 |

MISSING ITEM NUMBERS NOT APPLICABLE

- ITEM NOT ILLUSTRATED

36-11-01-05

36-11-01
FIG. 05
PAGE 1
JAN 20/09

BRI



757

PARTS CATALOG (MAINTENANCE)

| FIG ITEM | PART NUMBER | 1 2 3 4 5 6 7 | NOMENCLATURE | EFFECT FROM TO | UNITS PER ASSY |
|----------|---------------|---------------------------|--|--|----------------|
| 5 | | | | | |
| 30 | 212N3030-23 | .ROD ASSY- | POSITION DATA: RH SIDE | 002004 006010 107107 121503 904999 | 1 |
| 35 | 212N3030-33 | .ROD ASSY- | POSITION DATA: RH SIDE | 002004 006010 107107 121503 904999 | 1 |
| - 40 | BACB30NR4HK15 | .ATTACHING PARTS .BOLT | | 002004 006010 107107 121503 904999 | 6 |
| - 45 | AN960PD416L | .WASHER | | 002004 006010 107107 121503 904999 | 6 |
| - 50 | BRH10A4 | .NUT | SUPPLIER CODE: V52828 SPECIFICATION NUMBER: BACN10JC4 OPTIONAL PART: T6S428J V11815 96-048 V80539 VN303A048 V92215 RMLH9075-4W V72962 NS202101-048 V80539 H10-4BAC V15653 -----*----- | 002004 006010 107107 121503 904999 | 6 |
| 60 | M81935-1-4 | ..BEARING | | 002004 006010 107107 121503 904999 | 2 |

MISSING ITEM NUMBERS NOT APPLICABLE

- ITEM NOT ILLUSTRATED

36-11-01-05

36-11-01
FIG. 05
PAGE 2
JAN 20/09

BRI

BOEING PROPRIETARY - Copyright © - Unpublished Work - See title page for details.



757

PARTS CATALOG (MAINTENANCE)

| FIG ITEM | PART NUMBER | 1 2 3 4 5 6 7 | NOMENCLATURE | EFFECT FROM TO | UNITS PER ASSY |
|----------|-------------|---------------|----------------------------------|--|----------------|
| 5 | | | | | |
| 65 | 212N3030-24 | .. | TUBE- USED ON: 212N3030-23 | 002004 006010 107107 121503 904999 | 1 |
| 70 | 212N3030-26 | .. | TUBE- USED ON: 212N3030-25 | 002004 006010 107107 121503 904999 | 1 |
| 75 | 212N3030-28 | .. | TUBE- USED ON: 212N3030-27 | 002004 006010 107107 121503 904999 | 1 |
| 80 | 212N3030-32 | .. | TUBE- USED ON: 212N3030-31 | 002004 006010 107107 121503 904999 | 1 |
| 85 | 212N3030-30 | .. | TUBE- USED ON: 212N3030-29 | 002004 006010 107107 121503 904999 | 1 |
| 85 | 212N3030-24 | .. | TUBE- USED ON: 212N3030-23 | 002004 006010 107107 121503 904999 | 1 |
| 86 | 212N3030-34 | .. | TUBE- USED ON: 212N3030-33 | 002004 006010 107107 121503 904999 | 1 |
| 87 | BACB30NM4K2 | . | BOLT | 002004 006010 107107 121503 904999 | 2 |
| 88 | AN960PD416L | . | WASHER | 002004 006010 107107 121503 904999 | 2 |

MISSING ITEM NUMBERS NOT APPLICABLE

- ITEM NOT ILLUSTRATED

36-11-01-05

36-11-01
FIG. 05
PAGE 3
JAN 20/09

BRI

BOEING PROPRIETARY - Copyright © - Unpublished Work - See title page for details.



757

PARTS CATALOG (MAINTENANCE)

| FIG ITEM | PART NUMBER | 1 2 3 4 5 6 7 | NOMENCLATURE | EFFECT FROM TO | UNITS PER ASSY |
|----------|-------------|-----------------|---|--|----------------|
| 5 | 89 BRH10A4 | .NUT | SUPPLIER CODE: V52828 SPECIFICATION NUMBER: BACN10JC4 OPTIONAL PART: T6S428J V11815 96-048 V80539 VN303A048 V92215 RMLH9075-4W V72962 NS202101-048 V80539 H10-4BAC V15653 | 002004 006010 107107 121503 904999 | 2 |
| 92 | 212N3010-9 | .SUPPORT ASSY- | POSITION DATA: LH SIDE | 002004 006010 107107 121503 904999 | 1 |
| 93 | 212N3010-10 | .SUPPORT ASSY- | POSITION DATA: RH SIDE | 002004 006010 107107 121503 904999 | 1 |
| 95 | 212N3080-30 | ..CHANNEL ASSY- | POSITION DATA: LH SIDE | 002004 006010 107107 121503 904999 | 1 |
| 100 | 212N3080-33 | ..CHANNEL ASSY- | POSITION DATA: LH SIDE | 002004 006010 107107 121503 904999 | 1 |
| 105 | 212N3080-31 | ..CHANNEL ASSY- | POSITION DATA: RH SIDE | 002004 006010 107107 121503 904999 | 1 |
| 110 | 212N3080-32 | ..CHANNEL ASSY- | POSITION DATA: RH SIDE | 002004 006010 107107 121503 904999 | 1 |

MISSING ITEM NUMBERS NOT APPLICABLE

- ITEM NOT ILLUSTRATED

36-11-01-05

36-11-01
FIG. 05
PAGE 4
JAN 20/09

BRI



757

PARTS CATALOG (MAINTENANCE)

| FIG ITEM | PART NUMBER | 1 2 3 4 5 6 7 | NOMENCLATURE | EFFECT FROM TO | UNITS PER ASSY |
|----------|---------------|---------------|--|--|----------------|
| 5 | | | | | |
| 130 | BACB30NM3K4 | .. | BOLT- | 002004 006010 107107 121503 904999 | 8 |
| 145 | BACR15FT6D | .. | RIVET- POSITION DATA: LH SIDE SIZE DETERMINED ON INSTL. | 002004 006010 107107 121503 904999 | 8 |
| - 150 | BACR15FT6D | .. | RIVET- POSITION DATA: RH SIDE SIZE DETERMINED ON INSTL. | 002004 006010 107107 121503 904999 | 2 |
| 155 | 212N3080-28 | .. | CHANNEL- POSITION DATA: LH SIDE | 002004 006010 107107 121503 904999 | 1 |
| 160 | 212N3080-29 | .. | CHANNEL- POSITION DATA: RH SIDE | 002004 006010 107107 121503 904999 | 1 |
| 165 | 212N3082-9 | .. | BRACKET ASSY- | 002004 006010 107107 121503 904999 | 2 |
| 170 | 212N3082-13 | .. | BRACKET ASSY- POSITION DATA: LH SIDE | 002004 006010 107107 121503 904999 | 1 |
| 175 | 212N3082-11 | .. | BRACKET ASSY- POSITION DATA: RH SIDE | 002004 006010 107107 121503 904999 | 1 |
| 180 | BACB28B4-260P | ... | BUSHING | 002004 006010 107107 121503 904999 | 2 |

MISSING ITEM NUMBERS NOT APPLICABLE

- ITEM NOT ILLUSTRATED

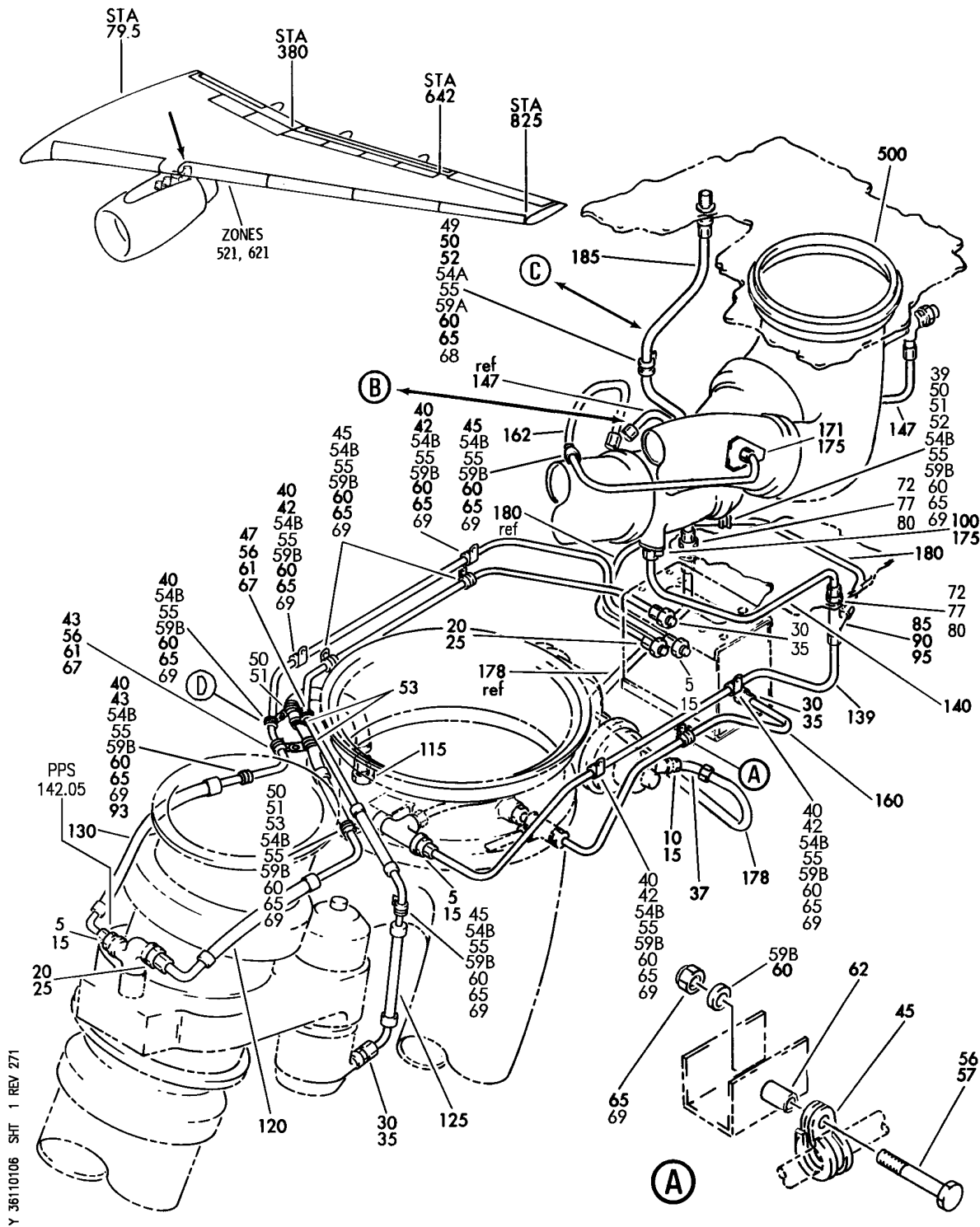
36-11-01-05

36-11-01
FIG. 05
PAGE 5
JAN 20/09

BRI

BOEING PROPRIETARY - Copyright © - Unpublished Work - See title page for details.

BOEING
757
PARTS CATALOG (MAINTENANCE)



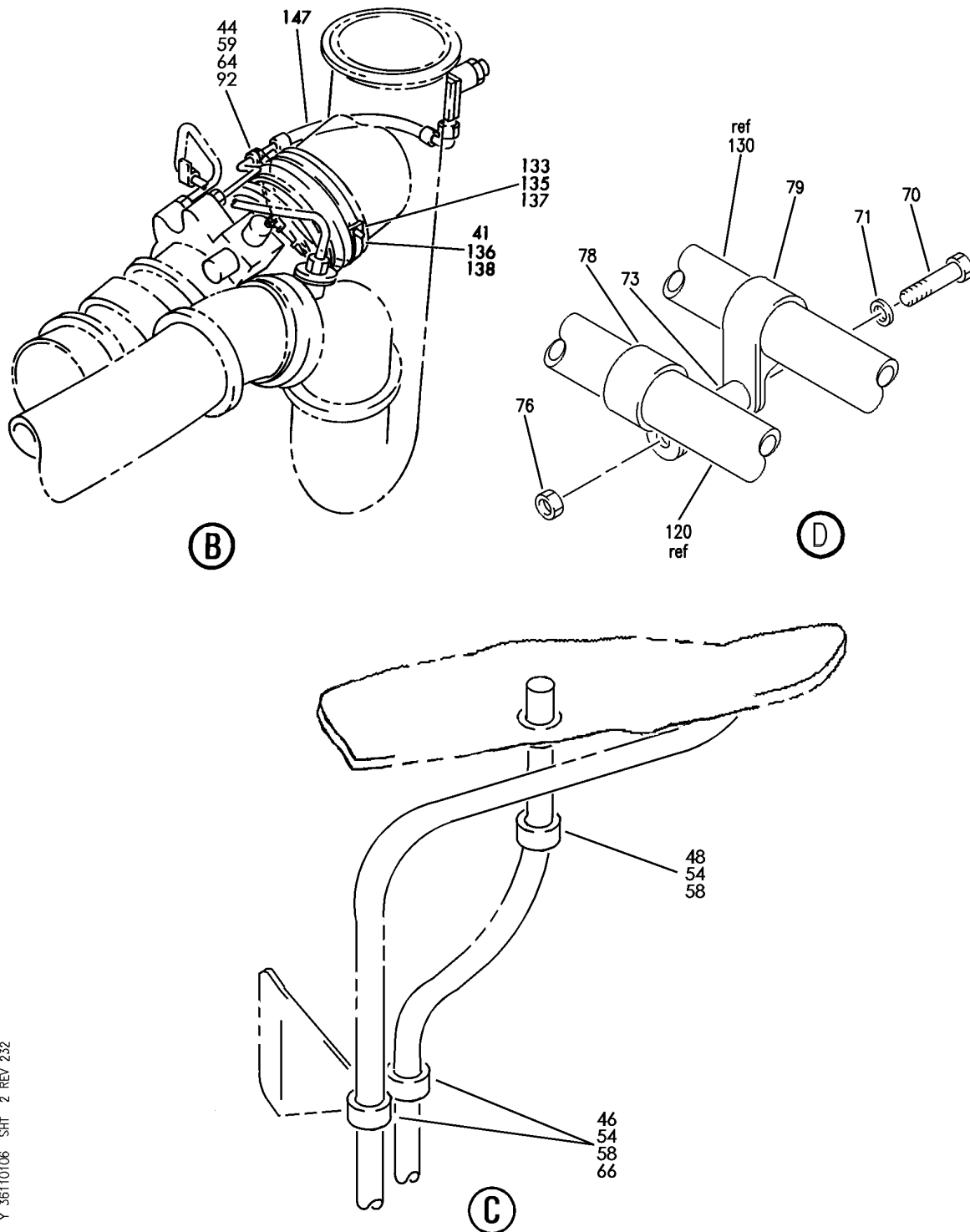
TUBING INSTL-ENVIRONMENTAL CONT SYS (RB211-535)
FIGURE 6 (SHEET 1)

36-11-01-06

BRI
MAY 28/07

36-11-01-06
PAGE 0

BOEING
757
PARTS CATALOG (MAINTENANCE)



Y 36110106 SH 2 REV 232

TUBING INSTL-ENVIRONMENTAL CONT SYS (RB211-535)
FIGURE 6 (SHEET 2)

36-11-01-06

BRI
MAY 28/07

36-11-01-06
PAGE 0A



757

PARTS CATALOG (MAINTENANCE)

| FIG ITEM | PART NUMBER | 1 2 3 4 5 6 7 | NOMENCLATURE | EFFECT FROM TO | UNITS PER ASSY |
|----------|-------------|---------------|---|--|----------------|
| 6 | | | TUBING INSTL-ENVIRONMENTAL CONT SYS (RB211-535) | 002004 006100 107107 121503 904999 | |
| - 1 | 312N5309-16 | | TUBING INSTL-ENVIRONMENTAL CONT SYS FOR NHA SEE: 36-11-01-01 | 002004 107107 121503 904949 952952 | RF |
| - 1 | 312N5309-17 | | TUBING INSTL-ENVIRONMENTAL CONT SYS FOR NHA SEE: 36-11-01-01 | 006007 | RF |
| - 1 | 312N5309-18 | | TUBING INSTL-ENVIRONMENTAL CONT SYS FOR NHA SEE: 36-11-01-01 | 008100 950951 953999 | RF |
| 5 | MS21902J4 | | .UNION | 002004 006100 107107 121503 904999 | 3 |
| 10 | MS21916J6-4 | | .REDUCER | 002004 006100 107107 121503 904999 | 1 |
| 15 | R1131-904 | | .PACKING SUPPLIER CODE: V57268 SPECIFICATION NUMBER: BACP11K4 OPTIONAL PART: 3-904S383-70 V02697 1090-04 V95272 150701-04 V95272 AS568-904S32 V11314 | 002004 006100 107107 121503 904999 | 4 |
| 20 | MS21902J6 | | .UNION | 002004 006100 107107 121503 904999 | 2 |

MISSING ITEM NUMBERS NOT APPLICABLE

- ITEM NOT ILLUSTRATED

BRI

36-11-01-06

BOEING PROPRIETARY - Copyright © - Unpublished Work - See title page for details.

36-11-01
FIG. 06
PAGE 1
JAN 20/09



757

PARTS CATALOG (MAINTENANCE)

| FIG ITEM | PART NUMBER | 1 2 3 4 5 6 7 | NOMENCLATURE | EFFECT FROM TO | UNITS PER ASSY |
|----------|-------------|---------------|---|--|----------------|
| 6 | 25 | R1131-906 | .PACKING SUPPLIER CODE: V57268 SPECIFICATION NUMBER: BACP11K6 OPTIONAL PART: 3-906S383-70 V02697 1090-06 V95272 150701-06 V95272 AS568-906S32 V11314 | 002004 006100 107107 121503 904999 | 2 |
| | 30 | MS21902J5 | .UNION | 002004 006100 107107 121503 904999 | 3 |
| | 35 | R1131-905 | .PACKING SUPPLIER CODE: V57268 SPECIFICATION NUMBER: BACP11K5 OPTIONAL PART: 3-905S383-70 V02697 1090-05 V95272 150701-05 V95272 AS568-905S32 V11314 | 002004 006100 107107 121503 904999 | 3 |
| | 37 | NAS1761J0606 | .ELBOW- MISCELLANEOUS DATA: REPLACED BY BACE21BR0606JN | 002004 006100 107107 121503 904999 | 1 |
| | 39 | BACC10EP6 | .CLAMP | 002004 006100 107107 121503 904951 | 1 |

MISSING ITEM NUMBERS NOT APPLICABLE

- ITEM NOT ILLUSTRATED

36-11-01-06

36-11-01
FIG. 06
PAGE 2
JAN 20/09

BRI



757

PARTS CATALOG (MAINTENANCE)

| FIG ITEM | PART NUMBER | 1 2 3 4 5 6 7 | NOMENCLATURE | EFFECT FROM TO | UNITS PER ASSY |
|----------|-----------------|---------------|--|--|----------------|
| 6 | | | | | |
| 41 | BACC10GW0650-1E | .CLAMP- | USED WITH: 312N5338-7 312N5338-8 312N5338-9 POST SERVICE BULLETIN: 36-0021 | 107107 | 1 |
| 42 | BACC10EP4 | .CLAMP | | 002004 006100 107107 121503 904999 | 4 |
| 43 | JM44LC13WS4R | .CLAMP | SUPPLIER CODE: V22175 SPECIFICATION NUMBER: BACC10GE4 OPTIONAL PART: TA12C32WS4 V84971 509S4 V83930 S714WH4 V18076 | 002004 006100 107107 121503 904999 | 2 |
| 44 | S500-4 | .CLAMP- | SUPPLIER CODE: V18076 SPECIFICATION NUMBER: BACC10HS04 OPTIONAL PART: 025029-04 V84971 44LC17H4PB V22175 490-04RPB V83930 POST SERVICE BULLETIN: 36-0021 | 107107 | 1 |
| 45 | BACC10EP5 | .CLAMP | | 002004 006100 107107 121503 904999 | 5 |

MISSING ITEM NUMBERS NOT APPLICABLE

- ITEM NOT ILLUSTRATED

36-11-01-06

36-11-01
FIG. 06
PAGE 3
JAN 20/09

BRI



757

PARTS CATALOG (MAINTENANCE)

| FIG ITEM | PART NUMBER | 1 2 3 4 5 6 7 | NOMENCLATURE | EFFECT FROM TO | UNITS PER ASSY |
|----------|--------------|---------------|---|--|----------------|
| 6 46 | S717-103 | | .CLAMP- SUPPLIER CODE: V18076 SPECIFICATION NUMBER: BACC10GU103 OPTIONAL PART: 534CS103 V83930 JM44LC39S103RG V22175 POST SERVICE BULLETIN: 54-0035 | 002004 006100 107107 121503 904951 | 2 |
| 47 | JM44LC13WS5R | | .CLAMP SUPPLIER CODE: V22175 SPECIFICATION NUMBER: BACC10GE5 OPTIONAL PART: S369WH5 V18076 TA12C32WS5 V84971 509S5 V83930 | 002004 006100 107107 121503 904999 | 1 |
| 48 | S500-6 | | .CLAMP- SUPPLIER CODE: V18076 SPECIFICATION NUMBER: BACC10HS06 OPTIONAL PART: 490-06RPB V83930 025029-06 V84971 44LC17H6PB V22175 POST SERVICE BULLETIN: 54-0035 | 002004 006100 107107 121503 904951 | 1 |
| 49 | BACC10EP6 | | .CLAMP- PRE SERVICE BULLETIN: 54-0035 | 002004 006100 904949 | 1 |
| 52 | BACC10EP6 | | .CLAMP | 952999 | 2 |

MISSING ITEM NUMBERS NOT APPLICABLE

- ITEM NOT ILLUSTRATED

36-11-01-06

36-11-01
FIG. 06
PAGE 4
JAN 20/09

BRI



757

PARTS CATALOG (MAINTENANCE)

| FIG ITEM | PART NUMBER | 1 2 3 4 5 6 7 | NOMENCLATURE | EFFECT FROM TO | UNITS PER ASSY |
|----------|---------------|---------------|--|--|----------------|
| 6 | | | | | |
| 53 | JM44LC13WS6R | .CLAMP | SUPPLIER CODE: V22175 SPECIFICATION NUMBER: BACC10GE6 OPTIONAL PART: TA12C32WS6 V84971 509S6 V83930 S714WH6 V18076 | 002004 006100 107107 121503 904999 | 3 |
| 54 | NAS1802-3-9 | .SCREW- | ATTACHING PARTS POST SERVICE BULLETIN: 54-0035 | 002004 006100 107107 121503 904951 | 3 |
| 54A | NAS1802-3-7 | .SCREW- | PRE SERVICE BULLETIN: 54-0035 | 002004 006100 904949 | 1 |
| 54B | NAS1802-3-7 | .SCREW | | 002004 006100 107107 121503 904951 | 12 |
| 55 | NAS1802-3-7 | .SCREW | | 952999 | 13 |
| 56 | NAS1802-3-7 | .SCREW | | 002004 006100 107107 121503 904999 | 3 |
| 58 | NAS1149C0332R | .WASHER- | POST SERVICE BULLETIN: 54-0035 | 002004 006100 107107 121503 904951 | 3 |
| 59 | AN960C10 | .WASHER- | POST SERVICE BULLETIN: 36-0021 | 107107 | 1 |
| 59A | AN960C10L | .WASHER- | PRE SERVICE BULLETIN: 54-0035 | 002004 006100 904949 | 1 |
| 59B | AN960C10L | .WASHER | | 002004 006100 107107 121503 904951 | 13 |
| 60 | AN960C10L | .WASHER | | 952999 | 14 |

MISSING ITEM NUMBERS NOT APPLICABLE

- ITEM NOT ILLUSTRATED

36-11-01-06

36-11-01
FIG. 06
PAGE 5
JAN 20/09

BRI



757

PARTS CATALOG (MAINTENANCE)

| FIG ITEM | PART NUMBER | 1 2 3 4 5 6 7 | NOMENCLATURE | EFFECT FROM TO | UNITS PER ASSY |
|----------|--------------|---------------|--|--|----------------|
| 6 | 61 AN960C10L | . | WASHER | 002004 006100 107107 121503 904999 107107 | 2 |
| | 64 PLH53C | . | NUT- SUPPLIER CODE: V62554 SPECIFICATION NUMBER: BACN10YR3C OPTIONAL PART: H52732-3C V15653 POST SERVICE BULLETIN: 36-0021 | | 1 |
| | 65 BRH10C3 | . | NUT SUPPLIER CODE: V52828 SPECIFICATION NUMBER: BACN10JC3C OPTIONAL PART: T6C1032J V11815 97-02 V80539 101LH9075-3W V72962 VN303B02 V92215 NS202101S02 V80539 H31-3BAC V15653 | 952999 | 14 |
| | 66 PLH53C | . | NUT- SUPPLIER CODE: V62554 SPECIFICATION NUMBER: BACN10YR3C OPTIONAL PART: H52732-3C V15653 POST SERVICE BULLETIN: 54-0035 | 002004 006100 107107 121503 904951 | 2 |

MISSING ITEM NUMBERS NOT APPLICABLE

- ITEM NOT ILLUSTRATED

36-11-01-06

36-11-01
FIG. 06
PAGE 6
JAN 20/09

BRI



757

PARTS CATALOG (MAINTENANCE)

| FIG ITEM | PART NUMBER | 1 2 3 4 5 6 7 | NOMENCLATURE | EFFECT FROM TO | UNITS PER ASSY |
|----------|-------------|---------------|---|--|----------------|
| 6 | 67 BRH10C3 | .NUT | SUPPLIER CODE: V52828 SPECIFICATION NUMBER: BACN10JC3C OPTIONAL PART: T6C1032J V11815 97-02 V80539 101LH9075-3W V72962 VN303B02 V92215 NS202101S02 V80539 H31-3BAC V15653 | 002004 006100 107107 121503 904999 | 2 |
| | 68 BRH10C3 | .NUT- | SUPPLIER CODE: V52828 SPECIFICATION NUMBER: BACN10JC3C OPTIONAL PART: T6C1032J V11815 97-02 V80539 101LH9075-3W V72962 VN303B02 V92215 NS202101S02 V80539 H31-3BAC V15653 PRE SERVICE BULLETIN: 54-0035 | 002004 006100 904949 | 1 |

MISSING ITEM NUMBERS NOT APPLICABLE

- ITEM NOT ILLUSTRATED

BRI

36-11-01-06

BOEING PROPRIETARY - Copyright © - Unpublished Work - See title page for details.

36-11-01
FIG. 06
PAGE 7
JAN 20/09



757

PARTS CATALOG (MAINTENANCE)

| FIG ITEM | PART NUMBER | 1 2 3 4 5 6 7 | NOMENCLATURE | EFFECT FROM TO | UNITS PER ASSY |
|----------|--------------|---------------|---|--|----------------|
| 6 69 | BRH10C3 | .NUT | SUPPLIER CODE: V52828 SPECIFICATION NUMBER: BACN10JC3C OPTIONAL PART: T6C1032J V11815 97-02 V80539 101LH9075-3W V72962 VN303B02 V92215 NS202101S02 V80539 H31-3BAC V15653 | 002004 006100 107107 121503 904951 | 13 |
| 72 | AN960C916L | .WASHER | -----*----- | 002004 006100 107107 121503 904999 | 2 |
| 77 | AN924-6J | .NUT | | 002004 006100 107107 121503 904999 | 2 |
| 80 | MS21924J6 | .UNION | | 002004 006100 107107 121503 904999 | 2 |
| 85 | AN960C716L | .WASHER | | 002004 006100 107107 121503 904999 | 1 |
| 90 | AN924-4J | .NUT | | 002004 006100 107107 121503 904999 | 1 |
| 92 | BACC10GT2-04 | .CLAMPSHELL- | POST SERVICE BULLETIN: 36-0021 | 107107 | 2 |

MISSING ITEM NUMBERS NOT APPLICABLE

- ITEM NOT ILLUSTRATED

36-11-01-06

36-11-01
FIG. 06
PAGE 8
JAN 20/09

BRI



757

PARTS CATALOG (MAINTENANCE)

| FIG ITEM | PART NUMBER | 1 2 3 4 5 6 7 | NOMENCLATURE | EFFECT FROM TO | UNITS PER ASSY |
|-------------|---------------|---------------------------|---|--|----------------|
| 6 95 | APX804J040406 | . TEE | SUPPLIER CODE: V01673 SPECIFICATION NUMBER: BACT16AX040406J OPTIONAL PART: APX804-040406J V01673 DBOT16AX040406J V14798 ER804-040406J V50948 FER1551-040406J V14397 LER804-040406J V11328 NAF1844-040406J V52930 US1929-040406J V50808 ER804-040406J V88334 AFP329-040406J V30974 | 002004 006100 107107 121503 904999 | 1 |
| 100 | 312N5335-1 | . TAP | ASSY-PRESSURE | 002004 006100 107107 121503 904999 | 1 |
| 100 | 312N5335-5 | . TAP | ASSY-PRESSURE | 002004 006100 107107 121503 904999 | 1 |
| - 105 | NAS6704U1 | ATTACHING PARTS . BOLT | | 002004 006100 107107 121503 904999 | 2 |
| - 110 | AN960C416L | . WASHER | | 002004 006100 107107 121503 904999 | 2 |
| -----*----- | | | | | |

MISSING ITEM NUMBERS NOT APPLICABLE

- ITEM NOT ILLUSTRATED

36-11-01-06

36-11-01
FIG. 06
PAGE 9
JAN 20/09

BRI

BOEING PROPRIETARY - Copyright © - Unpublished Work - See title page for details.



757

PARTS CATALOG (MAINTENANCE)

| FIG ITEM | PART NUMBER | 1 2 3 4 5 6 7 | NOMENCLATURE | EFFECT FROM TO | UNITS PER ASSY |
|----------|-------------|---------------|--|--|----------------|
| 6 | | | | | |
| 115 | 312N5347-1 | | .UNION-ADAPTOR | 002004 006100 107107 121503 904999 | 1 |
| 120 | 108285-3 | | .HOSE ASSY-FLEX SUPPLIER CODE: V78570 SPECIFICATION NUMBER: S312N502-3 | 002004 006100 107107 121503 904999 | 1 |
| 125 | 108285-2 | | .HOSE ASSY-FLEX SUPPLIER CODE: V78570 SPECIFICATION NUMBER: S312N502-2 | 002004 006100 107107 121503 904999 | 1 |
| 130 | 108285-1 | | .HOSE ASSY-FLEX SUPPLIER CODE: V78570 SPECIFICATION NUMBER: S312N502-1 OPTIONAL PART: S312N502-4 | 002004 006100 107107 121503 904999 | 1 |
| 130 | 108285-4 | | .HOSE ASSY-FLEX SUPPLIER CODE: V78570 SPECIFICATION NUMBER: S312N502-4 OPTIONAL PART: 108285-1 V78570 | 002004 006100 107107 121503 904999 | 1 |
| 133 | NAS6703U4 | | .BOLT- QUALIFIED OPTIONAL DATA: (BACC10BN650LM OR BACC10FY062SE PLUS NAS6703U4 PLUS BACC15AN10 PLUS BACB19F10S OPTIONAL TO BACC10GW0650-1E OR BACC10GW0625-1E) | 006100 950951 953999 | 1 |
| 135 | BACC15AN10 | | .CLIP- QUALIFIED OPTIONAL DATA: (BACC10BN650LM OR BACC10FY062SE PLUS NAS6703U4 PLUS BACC15AN10 PLUS BACB19F10S OPTIONAL TO BACC10GW0650-1E OR BACC10GW0625-1E) | 006100 950951 953999 | 1 |

MISSING ITEM NUMBERS NOT APPLICABLE

- ITEM NOT ILLUSTRATED

36-11-01-06

36-11-01
FIG. 06
PAGE 10
JAN 20/09

BRI



757

PARTS CATALOG (MAINTENANCE)

| FIG ITEM | PART NUMBER | 1 2 3 4 5 6 7 | NOMENCLATURE | EFFECT FROM TO | UNITS PER ASSY |
|----------|-----------------|---------------|---|----------------------------|----------------|
| 6 136 | BACC10BN650LM | | .CLAMP- QUALIFIED OPTIONAL DATA: (BACC10BN650LM OR BACC10FY062SE PLUS NAS6703U4 PLUS BACC15AN10 PLUS BACB19F10S OPTIONAL TO BACC10GW0650-1E OR BACC10GW0625-1E) | 006007 | 1 |
| 136 | 3140AB062E | | .CLAMP- SUPPLIER CODE: V94581 SPECIFICATION NUMBER: BACC10FY062SE OPTIONAL PART: BC1083-062SE V14242 NE103338-062 V8W928 QUALIFIED OPTIONAL DATA: (BACC10BN650LM OR BACC10FY062SE PLUS NAS6703U4 PLUS BACC15AN10 PLUS BACB19F10S OPTIONAL TO BACC10GW0650-1E OR BACC10GW0625-1E) | 008100 950951 953999 | 1 |
| 137 | BACB19F10S | | .BLOCK- QUALIFIED OPTIONAL DATA: (BACC10BN650LM OR BACC10FY062SE PLUS NAS6703U4 PLUS BACC15AN10 PLUS BACB19F10S OPTIONAL TO BACC10GW0650-1E OR BACC10GW0625-1E) | 006100 950951 953999 | 1 |
| 138 | BACC10GW0650-1E | | .CLAMP- QUALIFIED OPTIONAL DATA: (BACC10BN650LM OR BACC10FY062SE PLUS NAS6703U4 PLUS BACC15AN10 PLUS BACB19F10S OPTIONAL TO BACC10GW0650-1E OR BACC10GW0625-1E) | 006007 | 1 |

MISSING ITEM NUMBERS NOT APPLICABLE

- ITEM NOT ILLUSTRATED

36-11-01-06

36-11-01
FIG. 06
PAGE 11
JAN 20/09

BRI



757

PARTS CATALOG (MAINTENANCE)

| FIG ITEM | PART NUMBER | 1 2 3 4 5 6 7 | NOMENCLATURE | EFFECT FROM TO | UNITS PER ASSY |
|----------|-----------------|---------------|---|--|----------------|
| 6 138 | BACC10GW0625-1E | .CLAMP- | QUALIFIED OPTIONAL DATA: (BACC10BN650LM OR BACC10FY062SE PLUS NAS6703U4 PLUS BACC15AN10 PLUS BACB19F10S OPTIONAL TO BACC10GW0650-1E OR BACC10GW0625-1E) | 008100 950951 953999 | 1 |
| 139 | 312N5309-5 | .TUBE ASSY- | TUBING MATERIAL: 0.250 IN. OD 0.016 IN. WALL 32.0 IN. LG 21-6-9 BMS7-185 F-17.09 SEAMLESS OR WELDED CRES | 002004 107107 121503 904949 952952 | 1 |
| 139 | 312N5309-19 | .TUBE ASSY- | TUBING MATERIAL: 0.250 IN. OD 0.016 IN. WALL 32.0 IN. LG 21-6-9 BMS7-185 F-17.09 SEAMLESS OR WELDED CRES | 002004 006100 107107 121503 904999 | 1 |
| 140 | 312N5309-7 | .TUBE ASSY- | TUBING MATERIAL: 0.250 IN. OD 0.016 IN. WALL 15.0 IN. LG 21-6-9 BMS7-185 F-17.09 SEAMLESS OR WELDED CRES | 002004 006100 107107 121503 904999 | 1 |
| - 142 | AP2097H04 | ..SLEEVE | SUPPLIER CODE: V01673 SPECIFICATION NUMBER: BACS13BX04H OPTIONAL PART: 2-02903-04H V11328 35235V04 V08199 AFP175V04 V30974 DBOS13BX04H V14798 | 002004 006100 107107 121503 904999 | 2 |
| - 143 | BACN10YE4 | ..NUT- | USED ON: 312N5309-5 | 002004 107107 121503 904949 952952 | 2 |

MISSING ITEM NUMBERS NOT APPLICABLE

- ITEM NOT ILLUSTRATED

36-11-01-06

36-11-01
FIG. 06
PAGE 12
JAN 20/09

BRI



757

PARTS CATALOG (MAINTENANCE)

| FIG ITEM | PART NUMBER | 1 2 3 4 5 6 7 | NOMENCLATURE | EFFECT FROM TO | UNITS PER ASSY |
|----------|-------------|---------------|---|--|----------------|
| 6 | | | | | |
| - 143 | BACN10YE4L | .. | NUT- USED ON: 312N5309-19 | 002004 006100 107107 121503 904999 | 2 |
| - 144 | BACN10YE4L | .. | NUT | 002004 006100 107107 121503 904999 | 2 |
| 147 | 108285-5 | . | TUBE ASSY- SUPPLIER CODE: V78570 SPECIFICATION NUMBER: S312N502-5 QUALIFIED I/W DATA: S312N502-5 OR S312N502-6 FLEX HOSE ASSEMBLY CAN REPLACE OR BE REPLACED BY 312N5309-13 TUBE ASSEMBLY IF SERVICE BULLETIN 757-36-0021 HAS BEEN INCORPORATED | 006100 107107 950951 953999 | 1 |
| 147 | 108285-6 | . | TUBE ASSY- SUPPLIER CODE: V78570 SPECIFICATION NUMBER: S312N502-6 POST SERVICE BULLETIN: 36-0021 | 006100 107107 950951 953999 | 1 |
| - 150 | AP2097H04 | .. | SLEEVE SUPPLIER CODE: V01673 SPECIFICATION NUMBER: BACS13BX04H OPTIONAL PART: 2-02903-04H V11328 35235V04 V08199 AFP175V04 V30974 DBOS13BX04H V14798 | 002004 006100 107107 121503 904999 | 2 |
| - 152 | BACN10YE4 | .. | NUT- | 002004 006100 107107 121503 904999 | 2 |

MISSING ITEM NUMBERS NOT APPLICABLE

- ITEM NOT ILLUSTRATED

36-11-01-06

36-11-01
FIG. 06
PAGE 13
JAN 20/09

BRI



757

PARTS CATALOG (MAINTENANCE)

| FIG ITEM | PART NUMBER | 1 2 3 4 5 6 7 | NOMENCLATURE | EFFECT FROM TO | UNITS PER ASSY |
|----------|-------------|---------------------|---|--|----------------|
| 6 160 | 312N5309-21 | . TUBE ASSY- | TUBING MATERIAL: 0.3125 IN. OD 0.020 IN. WALL 21.0 IN. LG 21-6-9 BMS7-185 F-17.09 SEAMLESS OR WELDED CRES | 002004 006100 107107 121503 904999 | 1 |
| 160 | 312N5309-14 | . TUBE ASSY- | TUBING MATERIAL: 0.3125 IN. OD 0.020 IN. WALL 21.0 IN. LG 21-6-9 BMS7-185 F-17.09 SEAMLESS OR WELDED CRES | 002004 107107 121503 904949 952952 | 1 |
| 160 | 312N5309-15 | . TUBE ASSY- | TUBING MATERIAL: 0.3125 IN. OD 0.020 IN. WALL 21.0 IN. LG 21-6-9 BMS7-185 F-17.09 SEAMLESS OR WELDED CRES | 002004 107107 121503 904949 952952 | 1 |
| 162 | 312N5309-10 | . TUBE ASSY- | TUBING MATERIAL: 0.3125 IN. OD 0.20 IN. WALL 21.0 IN. LG 21-6-9 BMS7-185 F-17.09 SEAMLESS OR WELDED CRES | 002004 006100 107107 121503 904999 | 1 |
| - 165 | AP2097H05 | .. SLEEVE | SUPPLIER CODE: V01673 SPECIFICATION NUMBER: BACS13BX05H OPTIONAL PART: 2-02903-05H V11328 35235V05 V08199 AFP175V05 V30974 DBOS13BX05H V14798 | 002004 006100 107107 121503 904999 | 2 |
| - 170 | MS21921-5J | .. NUT | | 002004 006100 107107 121503 904999 | 2 |
| 171 | 312N5351-1 | . TAP ASSY-PRESSURE | | 002004 006100 107107 121503 904999 | 1 |

MISSING ITEM NUMBERS NOT APPLICABLE

- ITEM NOT ILLUSTRATED

36-11-01-06

36-11-01
FIG. 06
PAGE 14
JAN 20/09

BRI



757

PARTS CATALOG (MAINTENANCE)

| FIG ITEM | PART NUMBER | 1 2 3 4 5 6 7 | NOMENCLATURE | EFFECT FROM TO | UNITS PER ASSY |
|----------|-------------|---------------|---|--|----------------|
| 6 171 | 312N5351-4 | . | TAP ASSY-PRESSURE | 002004 006100 107107 121503 904999 | 1 |
| - 172 | NAS6703U1 | . | ATTACHING PARTS BOLT | 002004 006100 107107 121503 904999 | 3 |
| - 173 | AN960C10L | . | WASHER | 002004 006100 107107 121503 904999 | 3 |
| - 174 | BRH10C3 | . | NUT SUPPLIER CODE: V52828 SPECIFICATION NUMBER: BACN10JC3C OPTIONAL PART: T6C1032J V11815 97-02 V80539 101LH9075-3W V72962 VN303B02 V92215 NS202101S02 V80539 H31-3BAC V15653 -----*----- | 002004 006100 107107 121503 904999 | 3 |

MISSING ITEM NUMBERS NOT APPLICABLE

- ITEM NOT ILLUSTRATED

BRI

36-11-01-06

BOEING PROPRIETARY - Copyright © - Unpublished Work - See title page for details.

36-11-01
FIG. 06
PAGE 15
JAN 20/09



757

PARTS CATALOG (MAINTENANCE)

| FIG ITEM | PART NUMBER | 1 2 3 4 5 6 7 | NOMENCLATURE | EFFECT FROM TO | UNITS PER ASSY |
|----------|-------------|---------------|--|--|----------------|
| 6 175 | 2-16S383-70 | | .PACKING SUPPLIER CODE: V02697 SPECIFICATION NUMBER: BACP11J16 OPTIONAL PART: AS568-16S32 V11314 S7E183-16 V95272 13-06-16 V07096 S424-7-2-16 V02697 A330-16 V95272 R1131-16 V57268 | 002004 006100 107107 121503 904999 | 2 |
| 178 | 312N5309-20 | | .TUBE ASSY- TUBING MATERIAL: 0.375 IN. OD 0.020 IN. WALL 22.0 IN. LG 21-6-9 BMS7-185 F-17.09 SEAMLESS OR WELDED CRES | 002004 006100 107107 121503 904999 | 1 |
| 178 | 312N5309-11 | | .TUBE ASSY- TUBING MATERIAL: 0.375 IN. OD 0.020 IN. WALL 22.0 IN. LG 21-6-9 BMS7-185 F-17.09 SEAMLESS OR WELDED CRES | 002004 107107 121503 904949 952952 | 1 |
| 180 | 312N5309-4 | | .TUBE ASSY- MANUFACTURED FROM: SEAMLESS OR WELDED CRES TUBING MATERIAL: 0.375 IN. OD 0.020 IN. WALL 19.0 IN. LG 21-6-9 BMS7-185 F-17.09 | 002004 006100 107107 121503 904999 | 1 |

MISSING ITEM NUMBERS NOT APPLICABLE

- ITEM NOT ILLUSTRATED

36-11-01-06

36-11-01
FIG. 06
PAGE 16
JAN 20/09

BRI



757

PARTS CATALOG (MAINTENANCE)

| FIG ITEM | PART NUMBER | 1 2 3 4 5 6 7 | NOMENCLATURE | EFFECT FROM TO | UNITS PER ASSY |
|----------|-------------|---------------|---|--|----------------|
| 6 185 | 312N5309-8 | | .TUBE ASSY- TUBING MATERIAL: 0.3125 IN. OD 0.020 IN. WALL 28.0 IN. LG 21-6-9 BMS7-185 F-17.09 SEAMLESS OR WELDED CRES QUALIFIED I/W DATA: 312N5309-22 MAY REPLACE BUT MAY NOT BE REPLACED BY 312N5309-8 IN ACCORDANCE WITH SERVICE BULLETIN 757-54-0035. PRE SERVICE BULLETIN: 54-0035 | 002004 006100 904949 952999 | 1 |
| 185 | 312N5309-22 | | .TUBE ASSY- TUBING MATERIAL: 3/8 IN. OD 0.020 IN. WALL 25.0 IN. LG 21-6-9 BMS7-185 F-17.09 SEAMLESS OR WELDED CRES QUALIFIED I/W DATA: 312N5309-22 MAY REPLACE BUT MAY NOT BE REPLACED BY 312N5309-8 IN ACCORDANCE WITH SERVICE BULLETIN 757-54-0035. POST SERVICE BULLETIN: 54-0035 | 002004 006100 107107 121503 904951 | 1 |
| - 190 | AP2097H06 | | ..SLEEVE SUPPLIER CODE: V01673 SPECIFICATION NUMBER: BACS13BX06H OPTIONAL PART: 2-02903-06H V11328 35235V06 V08199 AFP175V06 V30974 DBOS13BX06H V14798 | 002004 006100 107107 121503 904999 | 2 |
| - 195 | BACN10YE6 | | ..NUT- | 002004 006100 107107 121503 904999 | 2 |

MISSING ITEM NUMBERS NOT APPLICABLE

- ITEM NOT ILLUSTRATED

36-11-01-06

36-11-01
FIG. 06
PAGE 17
JAN 20/09

BRI



757

PARTS CATALOG (MAINTENANCE)

| FIG ITEM | PART NUMBER | 1 2 3 4 5 6 7 | NOMENCLATURE | EFFECT FROM TO | UNITS PER ASSY |
|-------------|-------------|---------------|--------------|--|----------------------|
| 6 - 905 | BACN10YE4L | . . | NUT | 002004 006100 107107 121503 904999 | 2 |

MISSING ITEM NUMBERS NOT APPLICABLE

- ITEM NOT ILLUSTRATED

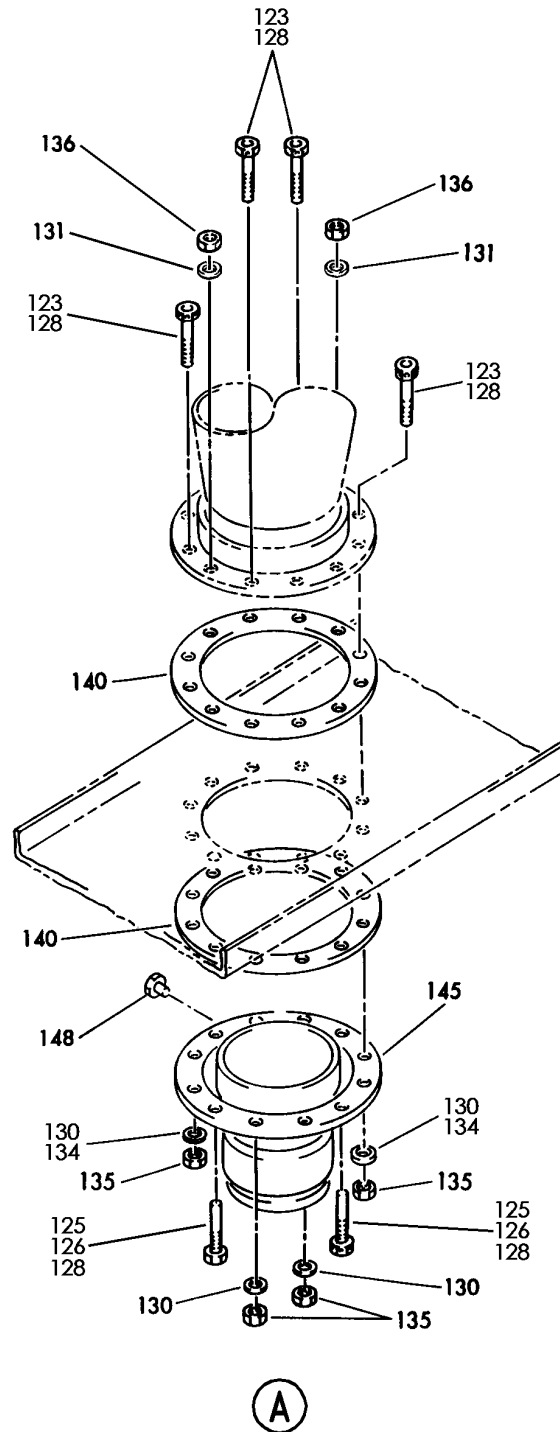
BRI

36-11-01-06

BOEING PROPRIETARY - Copyright © - Unpublished Work - See title page for details.

36-11-01
FIG. 06
PAGE 18
JAN 20/09

BOEING
757
PARTS CATALOG (MAINTENANCE)



Y 36110107 SH1 2 REV 231

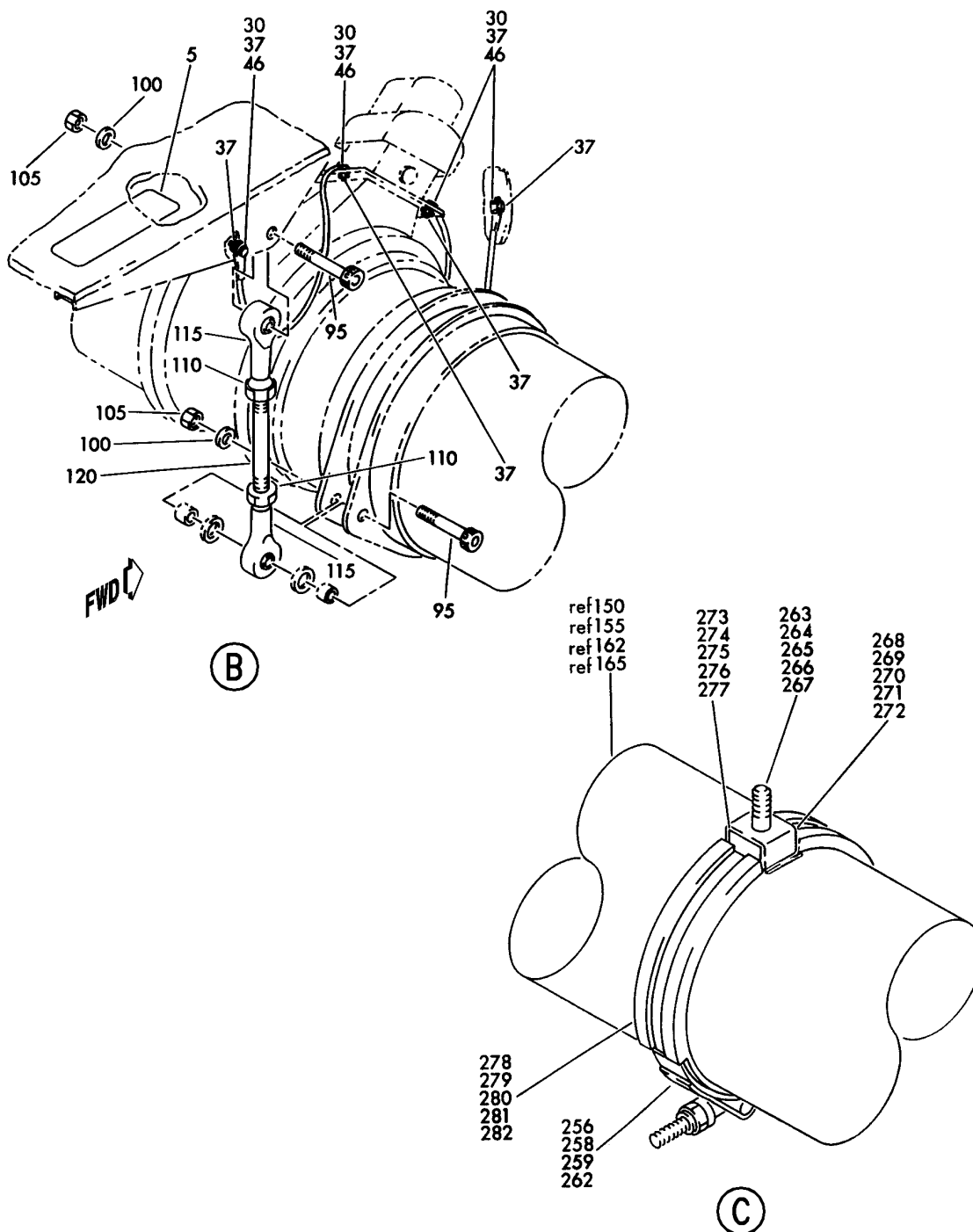
DUCT AND CLAMP INSTL-UNDER WING AIR SUPPLY (AIR SUPPLY DISTRIBUTION ONLY)
FIGURE 7 (SHEET 2)

36-11-01-07

BRI
MAY 28/07

36-11-01-07
PAGE 0A

BOEING
757
PARTS CATALOG (MAINTENANCE)



Y 36110107 SH1 3 REV 231

DUCT AND CLAMP INSTL-UNDER WING AIR SUPPLY (AIR SUPPLY DISTRIBUTION ONLY)
FIGURE 7 (SHEET 3)

BRI
MAY 28/07

36-11-01-07

36-11-01-07
PAGE 0B



757

PARTS CATALOG (MAINTENANCE)

| FIG ITEM | PART NUMBER | 1 2 3 4 5 6 7 | NOMENCLATURE | EFFECT FROM TO | UNITS PER ASSY |
|----------|---------------|---------------|--|--|----------------|
| 7 | | | DUCT AND CLAMP INSTL-UNDER WING AIR SUPPLY (AIR SUPPLY DISTRIBUTION ONLY) | 002004 006100 107107 121503 904999 | |
| - 250 | 287N4905-3 | | CLAMP INSTL-WIRE (PNEUMATICS ONLY) POSITION DATA: LH FOR NHA/OTHER SYS DET SEE: 24-00-60-01 | 002004 006100 107107 121503 904999 | RF |
| - 253 | 287N4905-4 | | CLAMP INSTL-WIRE (PNEUMATICS ONLY) POSITION DATA: RH FOR NHA/OTHER SYS DET SEE: 24-00-60-01 | 002004 006100 107107 121503 904999 | RF |
| 258 | BACC10BN500LM | | .CLAMP- SUPPLIER CODE: V98625 SPECIFICATION NUMBER: BACC10BN500LM OPTIONAL PART: 3078C500LM V94581 1044500LM V94581 BC1080S500LZ V14242 MBC5825500LM V00624 19396N500LM V00624 POSITION DATA: LH SIDE | 002004 006100 107107 121503 904999 | 4 |

MISSING ITEM NUMBERS NOT APPLICABLE

- ITEM NOT ILLUSTRATED

36-11-01-07

36-11-01
FIG. 07
PAGE 1
JAN 20/09

BRI



757

PARTS CATALOG (MAINTENANCE)

| FIG ITEM | PART NUMBER | 1 2 3 4 5 6 7 | NOMENCLATURE | EFFECT FROM TO | UNITS PER ASSY |
|----------|---------------|---------------|---|--|----------------|
| 7 259 | BACC10BN500LM | .CLAMP- | SUPPLIER CODE: V98625 SPECIFICATION NUMBER: BACC10BN500LM OPTIONAL PART: 3078C500LM V94581 1044500LM V94581 BC1080S500LZ V14242 MBC5825500LM V00624 19396N500LM V00624 POSITION DATA: RH SIDE | 002004 006100 107107 121503 904999 | 1 |
| 261 | BACC10BN500LM | .CLAMP- | SUPPLIER CODE: V98625 SPECIFICATION NUMBER: BACC10BN500LM OPTIONAL PART: 3078C500LM V94581 1044500LM V94581 BC1080S500LZ V14242 MBC5825500LM V00624 19396N500LM V00624 POSITION DATA: RH SIDE | 002004 006100 107107 121503 904999 | 1 |
| 264 | BACB30NE3-3 | .BOLT- | POSITION DATA: LH | 002004 006100 107107 121503 904999 | 4 |
| 266 | BACB30NE3-3 | .BOLT- | POSITION DATA: RH | 002004 006100 107107 121503 904999 | 1 |

MISSING ITEM NUMBERS NOT APPLICABLE

- ITEM NOT ILLUSTRATED

36-11-01-07

36-11-01
FIG. 07
PAGE 2
JAN 20/09

BRI



757

PARTS CATALOG (MAINTENANCE)

| FIG ITEM | PART NUMBER | 1 2 3 4 5 6 7 | NOMENCLATURE | EFFECT FROM TO | UNITS PER ASSY |
|-----------|-------------|---------------|--|--|----------------|
| 7 266A | BACB30NE3-3 | | .BOLT- POSITION DATA: RH | 002004 006100 107107 121503 904999 | 1 |
| 269 | BACC15AN | | .CLIP- POSITION DATA: LH MISCELLANEOUS DATA: (COMPONENT OF STUD ASSY) SIZE DETERMINED ON INSTL. | 002004 006100 107107 121503 904999 | 4 |
| 271 | BACC15AN | | .CLIP- POSITION DATA: RH MISCELLANEOUS DATA: (COMPONENT OF STUD ASSY) SIZE DETERMINED ON INSTL. | 002004 006100 107107 121503 904999 | 1 |
| 271A | BACC15AN | | .CLIP- POSITION DATA: RH MISCELLANEOUS DATA: (COMPONENT OF STUD ASSY) SIZE DETERMINED ON INSTL. | 002004 006100 107107 121503 904999 | 1 |
| 274 | BACB19F | | .BLOCK-RETAINING POSITION DATA: LH MISCELLANEOUS DATA: (COMPONENT OF STUD ASSY) SIZE DETERMINED ON INSTL. | 002004 006100 107107 121503 904999 | 4 |
| 276 | BACB19F | | .BLOCK-RETAINING POSITION DATA: RH MISCELLANEOUS DATA: (COMPONENT OF STUD ASSY) SIZE DETERMINED ON INSTL. | 002004 006100 107107 121503 904999 | 1 |
| 276A | BACB19F | | .BLOCK-RETAINING POSITION DATA: RH MISCELLANEOUS DATA: (COMPONENT OF STUD ASSY) SIZE DETERMINED ON INSTL. | 002004 006100 107107 121503 904999 | 1 |
| 279 | BACC10FY | | .CUSHION-CLAMP POSITION DATA: LH MISCELLANEOUS DATA: (COMPONENT OF STUD ASSY) SIZE DETERMINED ON INSTL. | 002004 006100 107107 121503 904999 | 4 |

MISSING ITEM NUMBERS NOT APPLICABLE

- ITEM NOT ILLUSTRATED

36-11-01-07

36-11-01
FIG. 07
PAGE 3
JAN 20/09

BRI



757

PARTS CATALOG (MAINTENANCE)

| FIG ITEM | PART NUMBER | 1 2 3 4 5 6 7 | NOMENCLATURE | EFFECT FROM TO | UNITS PER ASSY |
|----------|--------------|---------------|---|--|----------------|
| 7 281 | BACC10FY | . | CUSHION-CLAMP POSITION DATA: RH MISCELLANEOUS DATA: (COMPONENT OF STUD ASSY) SIZE DETERMINED ON INSTL. | 002004 006100 107107 121503 904999 | 1 |
| 281A | BACC10FY | . | CUSHION-CLAMP POSITION DATA: RH MISCELLANEOUS DATA: (COMPONENT OF STUD ASSY) SIZE DETERMINED ON INSTL. | 002004 006100 107107 121503 904999 | 1 |
| - 450 | 286N2654-002 | | WIRE BUNDLE ASSY-(AIR SUPPLY DISTRIBUTION ONLY) | 121503 904949 | RF |
| - 450 | 286N2654-005 | | WIRE BUNDLE ASSY-(AIR SUPPLY DISTRIBUTION ONLY) | 107107 | RF |
| - 450 | 286N2654-007 | | WIRE BUNDLE ASSY-(AIR SUPPLY DISTRIBUTION ONLY) | 002004 006007 950952 | RF |
| - 450 | 286N2654-010 | | WIRE BUNDLE ASSY-(AIR SUPPLY DISTRIBUTION ONLY) | 002004 006007 107107 121503 950952 | RF |
| - 450 | 286N2654-011 | | WIRE BUNDLE ASSY-(AIR SUPPLY DISTRIBUTION ONLY) | 002004 006007 107107 121503 950952 | RF |
| 455 | GTR21-14C | . | CLAMP- SUPPLIER CODE: V06324 ELECTRICAL EQUIP NUMBER: D01616T WIRING DIAGRAM REF: 361221 | 002004 006007 107107 121503 904952 | 1 |

MISSING ITEM NUMBERS NOT APPLICABLE

- ITEM NOT ILLUSTRATED

36-11-01-07

36-11-01
FIG. 07
PAGE 4
JAN 20/09

BRI



757

PARTS CATALOG (MAINTENANCE)

| FIG ITEM | PART NUMBER | 1 2 3 4 5 6 7 | NOMENCLATURE | EFFECT FROM TO | UNITS PER ASSY |
|----------|-------------|---------------|---|--|----------------|
| 7 460 | C0909A14B7S | | .CONNECTOR- SUPPLIER CODE: V13556 SPECIFICATION NUMBER: BACC63BN14B7S OPTIONAL PART: 48-63N14B7S V02660 R071214B7S V41118 ELECTRICAL EQUIP NUMBER: D01616 WIRING DIAGRAM REF: 361221 | 002004 006007 107107 121503 904952 | 1 |
| 900 | | | ILLUSTRATION REFERENCE: DUCT AND CLAMP INSTL-AIR CONDITION PACK AIR SUPPLY 21-51-01-01 | 002004 006007 107107 121503 904949 952952 | RF |
| 905 | | | ILLUSTRATION REFERENCE: DUCT INSTL-WING LE AIR SUPPLY 36-11-01-03 | 002004 006100 107107 121503 904999 | RF |
| 910 | | | ILLUSTRATION REFERENCE: DUCT INSTL-WING LE AIR SUPPLY 36-11-01-03 | 002004 006100 107107 121503 904999 | RF |

MISSING ITEM NUMBERS NOT APPLICABLE

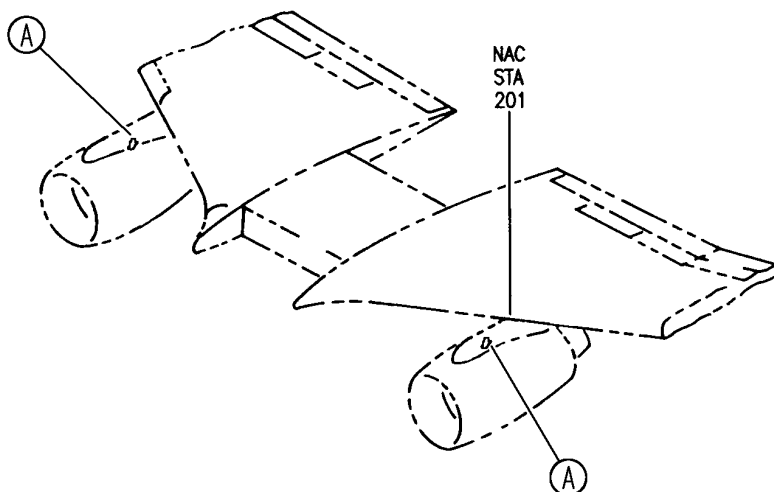
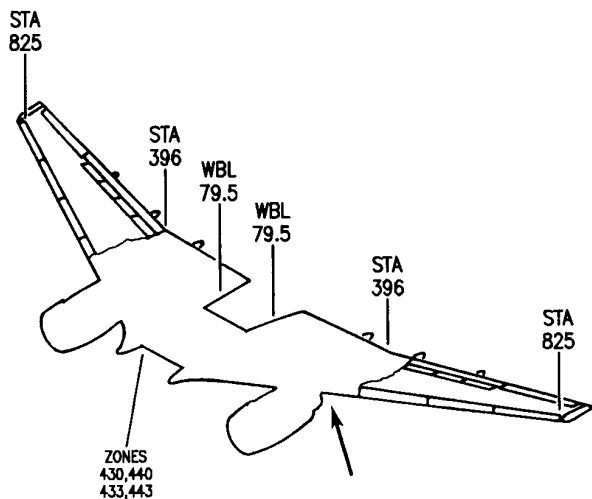
- ITEM NOT ILLUSTRATED

36-11-01-07

36-11-01
FIG. 07
PAGE 5
JAN 20/09

BRI

BOEING
757
PARTS CATALOG (MAINTENANCE)



Y. 36110108 SHT 1 REV 248

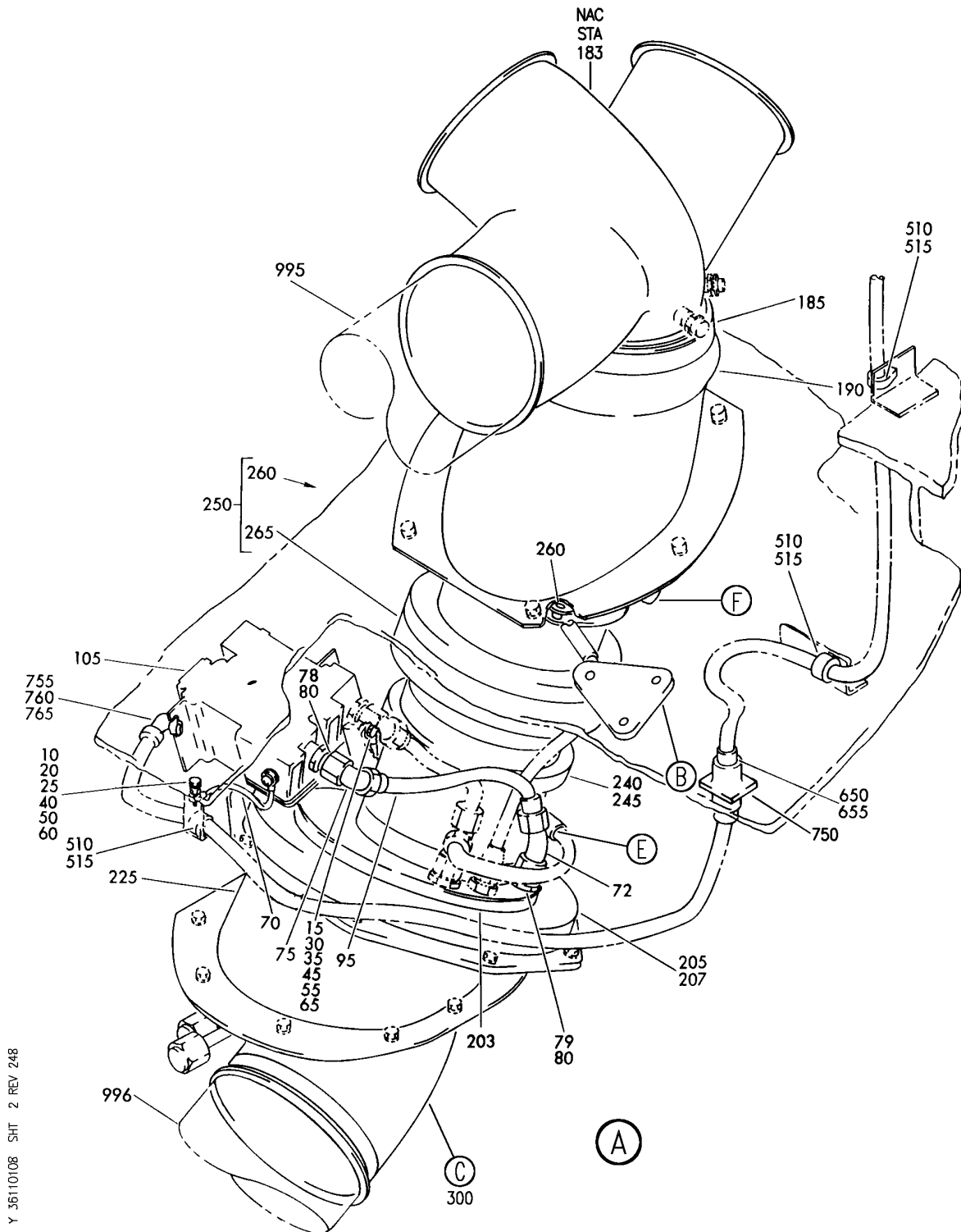
DUCT AND WIRE INSTL-NO. 1 AND 2 STRUT PNEU BLEED AIR (PW2000)
FIGURE 8 (SHEET 1)

BRI
JAN 20/09

36-11-01-08

36-11-01-08
PAGE 0

BOEING
757
PARTS CATALOG (MAINTENANCE)



Y 36110108 SH1 2 REV 248

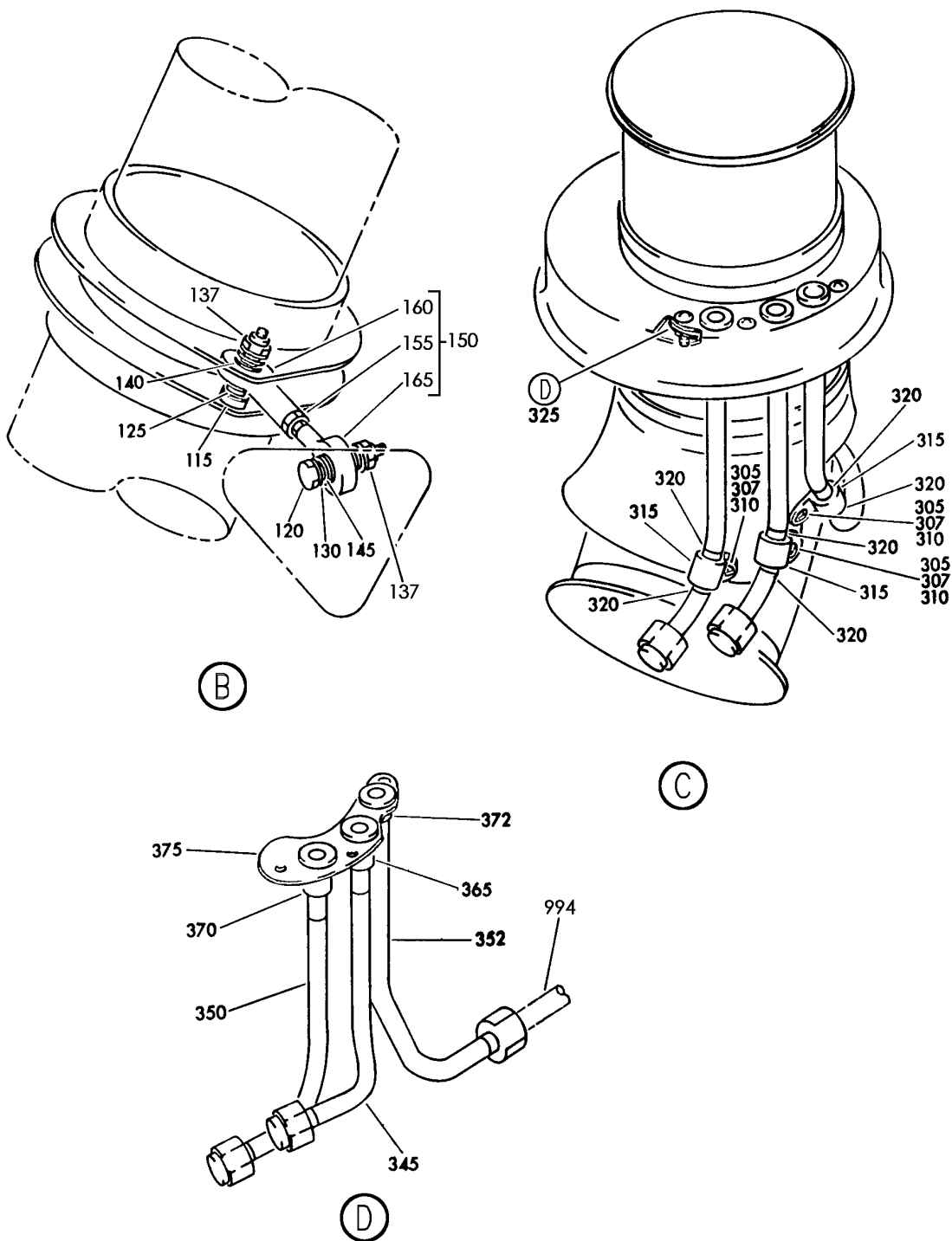
DUCT AND WIRE INSTL-NO. 1 AND 2 STRUT PNEU BLEED AIR (PW2000)
FIGURE 8 (SHEET 2)

36-11-01-08

BRI
JAN 20/09

36-11-01-08
PAGE 0A

BOEING
757
PARTS CATALOG (MAINTENANCE)



Y 36110108 SHT 3 REV 248

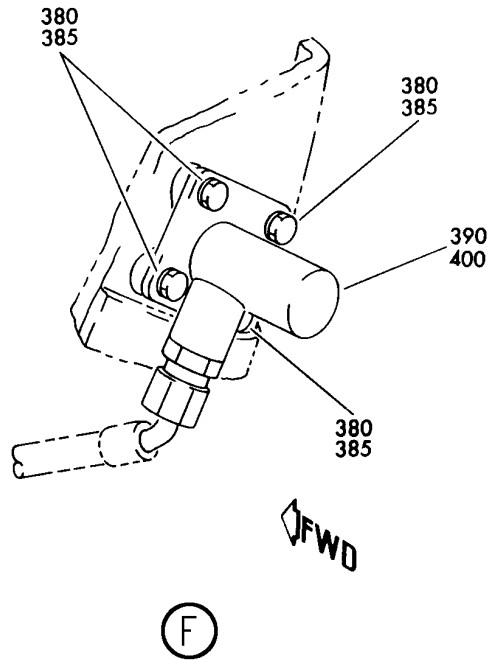
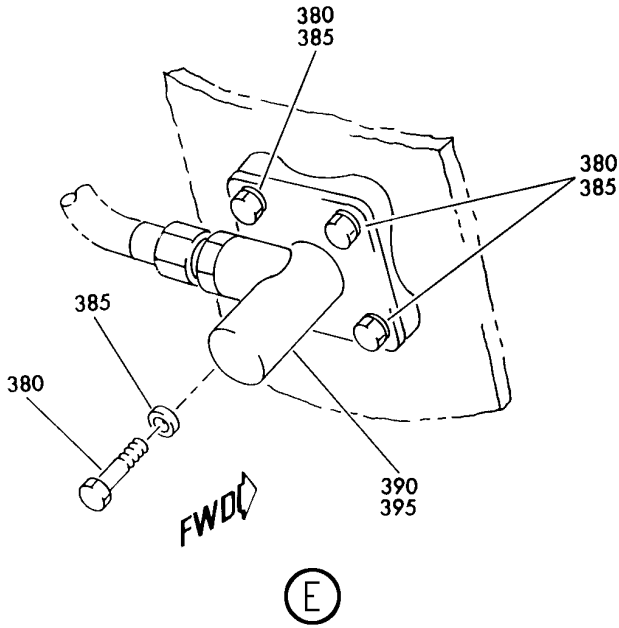
DUCT AND WIRE INSTL-NO. 1 AND 2 STRUT PNEU BLEED AIR (PW2000)
FIGURE 8 (SHEET 3)

36-11-01-08

BRI
JAN 20/09

36-11-01-08
PAGE 08

BOEING
757
PARTS CATALOG (MAINTENANCE)



Y 36110108 SHT 4 REV 248

DUCT AND WIRE INSTL-NO. 1 AND 2 STRUT PNEU BLEED AIR (PW2000)
FIGURE 8 (SHEET 4)

36-11-01-08

BRI
JAN 20/09

36-11-01-08
PAGE 0C



757

PARTS CATALOG (MAINTENANCE)

| FIG ITEM | PART NUMBER | 1 2 3 4 5 6 7 | NOMENCLATURE | EFFECT FROM TO | UNITS PER ASSY |
|----------|--------------|---------------|---|----------------|----------------|
| 8 | | | DUCT AND WIRE INSTL- NO. 1 AND 2 STRUT PNEU BLEED AIR (PW2000) | 103106 | |
| - 600 | 286N5406-018 | | .WIRE BUNDLE ASSY- POSITION DATA: LH SIDE | 103106 | 1 |
| - 605 | 286N5506-018 | | .WIRE BUNDLE ASSY- POSITION DATA: RH SIDE | 103106 | 1 |
| 650 | G899314NF | | ..CLAMP- SUPPLIER CODE: V06324 SPECIFICATION NUMBER: BACC10HF14C OPTIONAL PART: S2251-14-65 V07418 900-555F14-55 V31461 GS3417-14CC V06324 S2125-14C8 V07418 ELECTRICAL EQUIP NUMBER: D40256PQ D40260PQ | 103106 | 1 |
| 655 | R071014C7SNL | | ..CONNECTOR- SUPPLIER CODE: V41118 SPECIFICATION NUMBER: BACC63BP14C7SNL ELECTRICAL EQUIP NUMBER: D40256P D40260P WIRING DIAGRAM REF: 361111 361112 | 103106 | 1 |
| - 700 | 286N5404-012 | | .WIRE BUNDLE ASSY- POSITION DATA: LH SIDE | 103106 | 1 |
| - 705 | 286N5504-012 | | .WIRE BUNDLE ASSY- POSITION DATA: RH SIDE | 103106 | 1 |

MISSING ITEM NUMBERS NOT APPLICABLE

- ITEM NOT ILLUSTRATED

36-11-01-08

36-11-01
FIG. 08
PAGE 1
JAN 20/09

BRI



757

PARTS CATALOG (MAINTENANCE)

| FIG ITEM | PART NUMBER | 1 2 3 4 5 6 7 | NOMENCLATURE | EFFECT FROM TO | UNITS PER ASSY |
|----------|-------------|---------------|--|----------------|----------------|
| 8 750 | G899314NF | | .. CLAMP- SUPPLIER CODE: V06324 SPECIFICATION NUMBER: BACC10HF14C OPTIONAL PART: S2251-14-65 V07418 900-555F14-55 V31461 GS3417-14CC V06324 S2125-14C8 V07418 ELECTRICAL EQUIP NUMBER: D40256JK D40260JK | 103106 | 1 |
| 755 | G899414NF | | .. CLAMP- SUPPLIER CODE: V06324 SPECIFICATION NUMBER: BACC10HG14C OPTIONAL PART: S2252-14-65 V07418 900-555L14-55 V31461 ELECTRICAL EQUIP NUMBER: D05136T D05248T | 103106 | 1 |
| 760 | R071114F7PN | | .. RECEPTACLE- SUPPLIER CODE: V41118 SPECIFICATION NUMBER: BACC63BV14F7PN ELECTRICAL EQUIP NUMBER: D40256J D40260J WIRING DIAGRAM REF: 361111 361121 | 103106 | 1 |

MISSING ITEM NUMBERS NOT APPLICABLE

- ITEM NOT ILLUSTRATED

36-11-01-08

36-11-01
 FIG. 08
 PAGE 2
 JAN 20/09

BRI



757

PARTS CATALOG (MAINTENANCE)

| FIG ITEM | PART NUMBER | 1 2 3 4 5 6 7 | NOMENCLATURE | EFFECT FROM TO | UNITS PER ASSY |
|-------------|--------------|---------------|---|-------------------|----------------------|
| 8 765 | R071014C7SNL | | . . CONNECTOR- SUPPLIER CODE: V41118 SPECIFICATION NUMBER: BACC63BP14C7SNL ELECTRICAL EQUIP NUMBER: D05136 D05248 WIRING DIAGRAM REF: 361111 361112 | 103106 | 1 |

MISSING ITEM NUMBERS NOT APPLICABLE

- ITEM NOT ILLUSTRATED

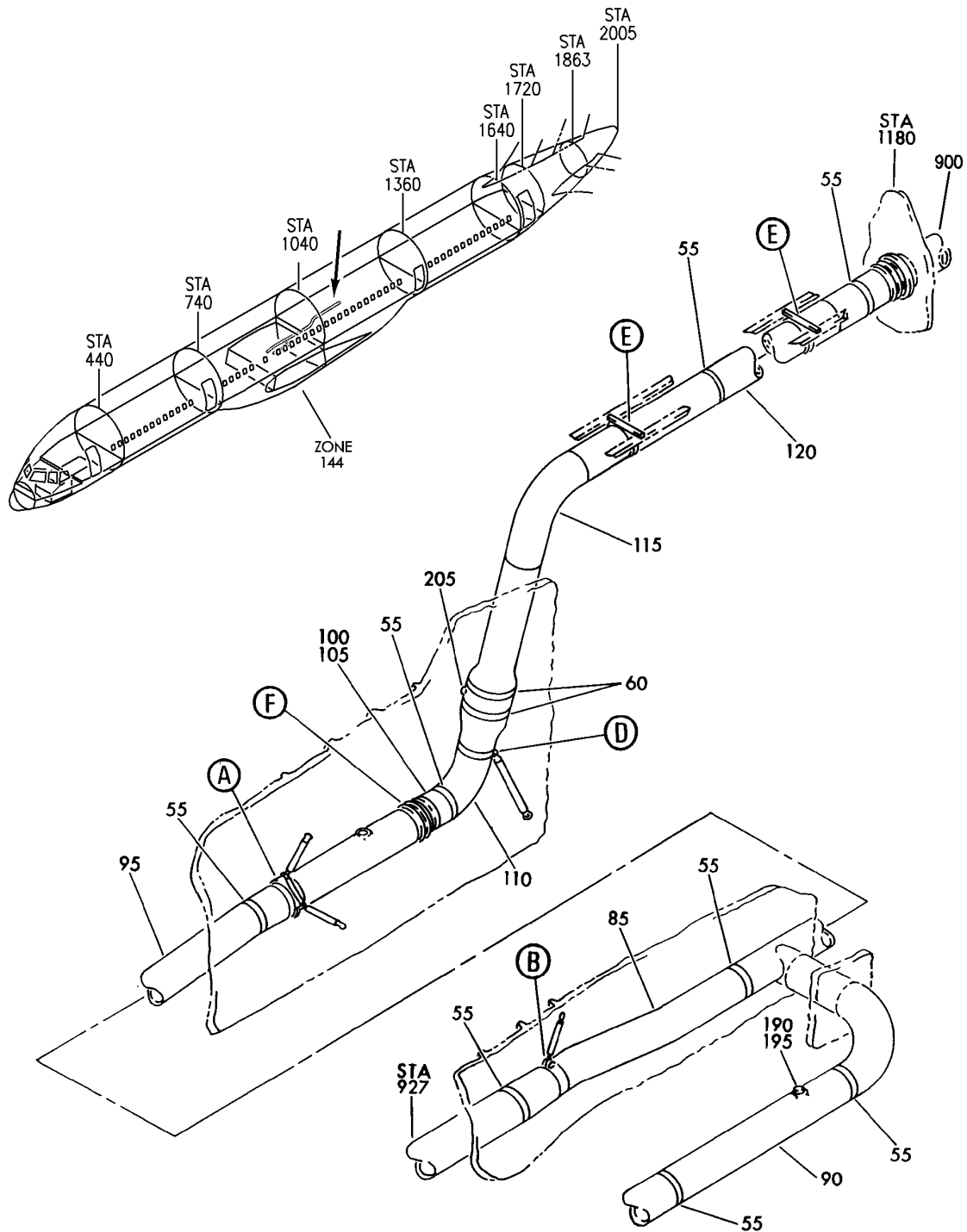
BRI

36-11-01-08

BOEING PROPRIETARY - Copyright © - Unpublished Work - See title page for details.

36-11-01
FIG. 08
PAGE 3
JAN 20/09

BOEING
757
PARTS CATALOG (MAINTENANCE)



Y 36110110 SHT 1 REV 242

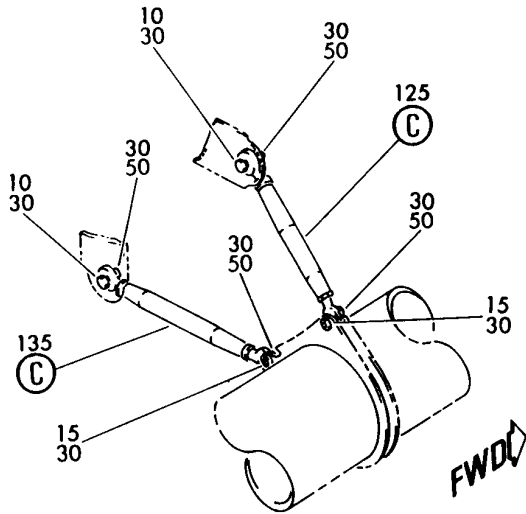
DUCT INSTL- WHL WELL AND UNDER WING AIR SUPPLY
FIGURE 10 (SHEET 1)

36-11-01-10

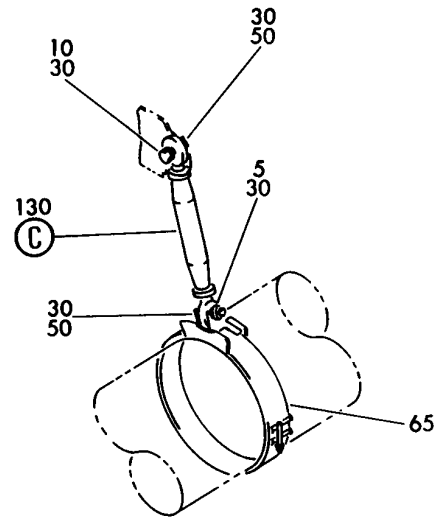
BRI
MAY 28/07

36-11-01-10
PAGE 0

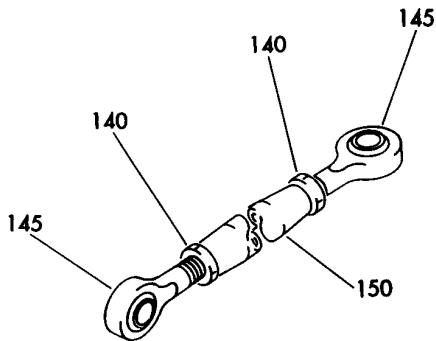
BOEING
757
PARTS CATALOG (MAINTENANCE)



(A)



(B)



(C)

Y 36110110 SHT 2 REV 138

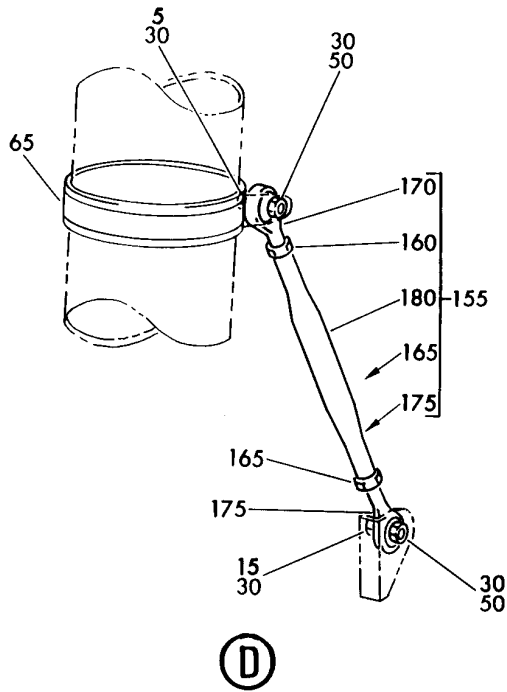
DUCT INSTL- WHL WELL AND UNDER WING AIR SUPPLY
FIGURE 10 (SHEET 2)

36-11-01-10

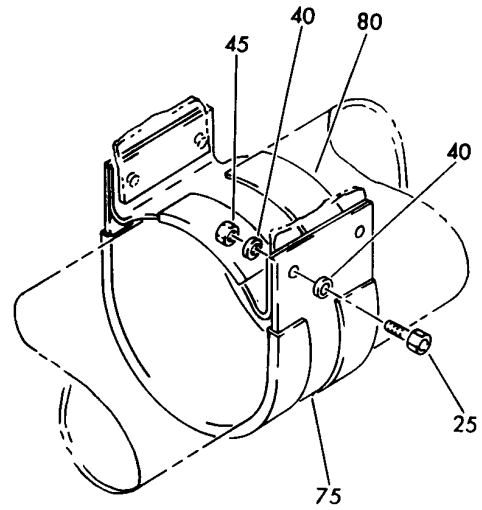
BRI
MAY 28/07

36-11-01-10
PAGE 0A

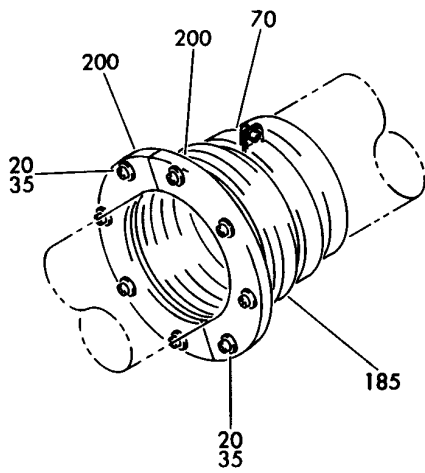
BOEING
757
PARTS CATALOG (MAINTENANCE)



(D)



(E)



(F)

Y 36110110 SHT 3 REV 138

DUCT INSTL- WHL WELL AND UNDER WING AIR SUPPLY
FIGURE 10 (SHEET 3)

36-11-01-10

BRI
MAY 28/07

36-11-01-10
PAGE 0B



757

PARTS CATALOG (MAINTENANCE)

| FIG ITEM | PART NUMBER | 1 2 3 4 5 6 7 | NOMENCLATURE | EFFECT FROM TO | UNITS PER ASSY |
|----------|---------------|---------------|--|----------------------------|----------------|
| 10 | | | DUCT INSTL- WHL WELL AND UNDER WING AIR SUPPLY | 008100 950951 953999 | |
| - 1 | 212N3003-4 | | DUCT INSTL-WHL WELL AND UNDER WING AIR SUPPLY FOR NHA SEE: 21-00-00-01 | 008017 950951 953999 | RF |
| - 1 | 212N3003-9 | | DUCT INSTL-WHL WELL AND UNDER WING AIR SUPPLY FOR NHA SEE: 21-00-00-01 | 018100 | RF |
| 5 | BACB30NR4HK10 | | .BOLT- OPTIONAL PART: BACB30NR4K10 | 008100 950951 953999 | 2 |
| 5 | BACB30NR4K10 | | .BOLT- OPTIONAL PART: BACB30NR4HK10 | 008100 950951 953999 | 2 |
| 10 | BACB30NR4HK12 | | .BOLT- OPTIONAL PART: BACB30NR4K12 | 008100 950951 953999 | 3 |
| 10 | BACB30NR4K12 | | .BOLT- OPTIONAL PART: BACB30NR4HK12 | 008100 950951 953999 | 3 |
| 15 | BACB30NR4HK15 | | .BOLT- OPTIONAL PART: BACB30NR4K15 | 008100 950951 953999 | 3 |
| 15 | BACB30NR4K15 | | .BOLT- OPTIONAL PART: BACB30NR4HK15 | 008100 950951 953999 | 3 |
| 20 | BACB30NM3K3 | | .BOLT | 008100 950951 953999 | 8 |
| 25 | BACB30NM3K4 | | .BOLT- | 008100 950951 953999 | 8 |
| 30 | AN960C416 | | .WASHER- | 008100 950951 953999 | 16 |
| 35 | AN960JD10L | | .WASHER- | 008100 950951 953999 | 8 |
| 35 | AN960PD10L | | .WASHER- | 008100 950951 953999 | 8 |
| 40 | AN960JD10LL | | .WASHER- | 008100 950951 953999 | 16 |

MISSING ITEM NUMBERS NOT APPLICABLE

- ITEM NOT ILLUSTRATED

36-11-01-10

36-11-01
FIG. 10
PAGE 1
JAN 20/09

BRI



757

PARTS CATALOG (MAINTENANCE)

| FIG ITEM | PART NUMBER | 1 2 3 4 5 6 7 | NOMENCLATURE | EFFECT FROM TO | UNITS PER ASSY |
|----------|-------------|---------------|--|----------------------------|----------------|
| 10 | | | | | |
| 40 | AN960PD10L | . | WASHER- | 008100 950951 953999 | 16 |
| 45 | PLH53CD | . | NUT- SUPPLIER CODE: VF0224 SPECIFICATION NUMBER: BACN10YR3CD OPTIONAL PART: H52732-3CD V15653 | 008100 950951 953999 | 8 |
| 50 | PLH54CD | . | NUT- SUPPLIER CODE: VF0224 SPECIFICATION NUMBER: BACN10YR4CD OPTIONAL PART: H52732-4CD V15653 | 008100 950951 953999 | 8 |
| 55 | 14J29500 | . | CLAMP SUPPLIER CODE: V5T400 SPECIFICATION NUMBER: BACC10GY500 OPTIONAL PART: 4385AF500 V94581 PDVC1137500 V14242 NM102701500 V8W928 | 008100 950951 953999 | 8 |
| 60 | 14J29600 | . | CLAMP SUPPLIER CODE: V5T400 SPECIFICATION NUMBER: BACC10GY600 OPTIONAL PART: 4385AF600 V94581 PDVC1137600 V14242 NM102701600 V8W928 | 008100 950951 953999 | 2 |

MISSING ITEM NUMBERS NOT APPLICABLE

- ITEM NOT ILLUSTRATED

BRI

36-11-01-10

BOEING PROPRIETARY - Copyright © - Unpublished Work - See title page for details.

36-11-01
FIG. 10
PAGE 2
JAN 20/09



757

PARTS CATALOG (MAINTENANCE)

| FIG ITEM | PART NUMBER | 1 2 3 4 5 6 7 | NOMENCLATURE | EFFECT FROM TO | UNITS PER ASSY |
|----------|----------------|---------------|---|----------------------------|----------------|
| 10 | | | | | |
| 65 | 3015AE00GA | .CLAMP | SUPPLIER CODE: V94581 SPECIFICATION NUMBER: BACC10HNO0GA OPTIONAL PART: 65790A00GA V00624 | 008100 950951 953999 | 2 |
| 70 | BACC10BN575LM | .CLAMP | SUPPLIER CODE: V98625 SPECIFICATION NUMBER: BACC10BN575LM OPTIONAL PART: 3078C575LM V94581 BC1080S575LZ V14242 MBC5825-575LM V98625 3078C575LM V94581 1044575LM V94581 MBC5825575LM V00624 19396N575LM V00624 | 008100 950951 953999 | 1 |
| 75 | BACC10ER1-80AP | .STRAP- | SUPPLIER CODE: V14242 SPECIFICATION NUMBER: BACC10ER1-80AP | 008100 950951 953999 | 2 |
| 80 | BACC10ER2-80AP | .BRACKET- | SUPPLIER CODE: V14242 SPECIFICATION NUMBER: BACC10ER2-80AP | 008100 950951 953999 | 2 |
| 85 | 212N3060-8 | .DUCT ASSY- | | 008100 950951 953999 | 1 |
| 90 | 212N3060-9 | .DUCT ASSY- | | 008100 950951 953999 | 1 |
| 90 | 212N3060-13 | .DUCT ASSY- | | 008100 950951 953999 | 1 |

MISSING ITEM NUMBERS NOT APPLICABLE

- ITEM NOT ILLUSTRATED

36-11-01-10

36-11-01
FIG. 10
PAGE 3
JAN 20/09

BRI



757

PARTS CATALOG (MAINTENANCE)

| FIG ITEM | PART NUMBER | 1 2 3 4 5 6 7 | NOMENCLATURE | EFFECT FROM TO | UNITS PER ASSY |
|----------|----------------|---------------|--|----------------------------|----------------|
| 10 | | | | | |
| 95 | 212N3097-1 | . | DUCT ASSY- | 008100 950951 953999 | 1 |
| 100 | 212N3028-11 | . | DUCT ASSY | 008100 950951 953999 | 1 |
| 105 | BACB28AP04-011 | .. | BUSHING | 008100 950951 953999 | 4 |
| 110 | 212N3027-6 | . | DUCT ASSY | 008100 950951 953999 | 1 |
| 115 | 212N3027-5 | . | DUCT ASSY- | 008100 950951 953999 | 1 |
| 120 | 212N3026-3 | . | DUCT ASSY | 008100 950951 953999 | 1 |
| 125 | 212N3030-3 | . | ROD ASSY- OPTIONAL PART: 212N3030-39 USED ON: 212N3003-4 | 008100 950951 953999 | 1 |
| 125 | 212N3030-39 | . | ROD ASSY- OPTIONAL PART: 212N3030-3 USED ON: 212N3003-4 | 008100 950951 953999 | 1 |
| 125 | 212N3030-50 | . | ROD ASSY- USED ON: 212N3003-9 | 008100 950951 953999 | 1 |
| 130 | 212N3030-5 | . | ROD ASSY- OPTIONAL PART: 212N3030-43 USED ON: 212N3003-4 | 008017 950951 953999 | 1 |
| 130 | 212N3030-43 | . | ROD ASSY- OPTIONAL PART: 212N3030-5 USED ON: 212N3003-4 | 008017 950951 953999 | 1 |
| 130 | 212N3030-51 | . | ROD ASSY- USED ON: 212N3003-9 | 018100 | 1 |
| 135 | 212N3030-35 | . | ROD ASSY- OPTIONAL PART: 212N3030-41 USED ON: 212N3003-4 | 008100 950951 953999 | 1 |

MISSING ITEM NUMBERS NOT APPLICABLE

- ITEM NOT ILLUSTRATED

36-11-01-10

36-11-01
FIG. 10
PAGE 4
JAN 20/09

BRI



757

PARTS CATALOG (MAINTENANCE)

| FIG ITEM | PART NUMBER | 1 2 3 4 5 6 7 | NOMENCLATURE | EFFECT FROM TO | UNITS PER ASSY |
|----------|-------------|----------------|--------------|----------------|----------------|
| 10 | | | | | |
| 135 | 212N3030-41 | .ROD ASSY- | | 008100 | 1 |
| | | OPTIONAL PART: | | 950951 | |
| | | 212N3030-35 | | 953999 | |
| | | USED ON: | | | |
| | | 212N3003-4 | | | |
| | | 212N3003-9 | | | |
| 140 | NAS509-5 | ..NUT | | 008100 | 2 |
| | | | | 950951 | |
| | | | | 953999 | |
| 145 | M81935-1-4 | ..BEARING | | 008100 | 2 |
| | | | | 950951 | |
| | | | | 953999 | |
| 150 | 212N3030-4 | ..TUBE- | | 008100 | 1 |
| | | USED ON: | | 950951 | |
| | | 212N3030-3 | | 953999 | |
| 150 | 212N3030-6 | ..TUBE- | | 008017 | 1 |
| | | USED ON: | | 950951 | |
| | | 212N3030-5 | | 953999 | |
| 150 | 212N3030-2 | ..TUBE- | | 008100 | 1 |
| | | USED ON: | | 950951 | |
| | | 212N3030-35 | | 953999 | |
| 150 | 212N3030-40 | ..TUBE- | | 008100 | 1 |
| | | USED ON: | | 950951 | |
| | | 212N3030-50 | | 953999 | |
| | | USED ON: | | | |
| | | 212N3030-39 | | | |
| 150 | 212N3030-44 | ..TUBE- | | 008100 | 1 |
| | | USED ON: | | 950951 | |
| | | 212N3030-51 | | 953999 | |
| | | USED ON: | | | |
| | | 212N3030-43 | | | |
| 150 | 212N3030-42 | ..TUBE- | | 008100 | 1 |
| | | USED ON: | | 950951 | |
| | | 212N3030-41 | | 953999 | |
| 155 | 212N3030-36 | .ROD ASSY | | 008100 | 1 |
| | | | | 950951 | |
| | | | | 953999 | |
| 160 | NAS509-5 | ..NUT | | 008100 | 1 |
| | | | | 950951 | |
| | | | | 953999 | |
| 165 | NAS509L5 | ..NUT | | 008100 | 1 |
| | | | | 950951 | |
| | | | | 953999 | |
| 170 | M81935-1-4 | ..BEARING | | 008100 | 1 |
| | | | | 950951 | |
| | | | | 953999 | |
| 175 | M81935-1-4L | ..BEARING | | 008100 | 1 |
| | | | | 950951 | |
| | | | | 953999 | |

MISSING ITEM NUMBERS NOT APPLICABLE

- ITEM NOT ILLUSTRATED

36-11-01-10

36-11-01
FIG. 10
PAGE 5
JAN 20/09

BRI

BOEING PROPRIETARY - Copyright © - Unpublished Work - See title page for details.



757

PARTS CATALOG (MAINTENANCE)

| FIG ITEM | PART NUMBER | 1 2 3 4 5 6 7 | NOMENCLATURE | EFFECT FROM TO | UNITS PER ASSY |
|----------|--------------|---------------|--|----------------------------|----------------|
| 10 | | | | | |
| 180 | 212N3030-37 | . | TUBE | 008100 950951 953999 | 1 |
| 185 | BOE2049-0001 | . | SEAL-VAPOR SUPPLIER CODE: V16632 SPECIFICATION NUMBER: S210N301-1 OPTIONAL PART: 14A110 V14711 | 008100 950951 953999 | 1 |
| 190 | 271N3035-1 | . | FITTING ASSY | 008100 950951 953999 | 1 |
| 195 | R1131-906 | . | PACKING SUPPLIER CODE: V57268 SPECIFICATION NUMBER: BACP11K6 OPTIONAL PART: 3-906S383-70 V02697 1090-06 V95272 150701-06 V95272 AS568-906S32 V11314 | 008100 950951 953999 | 1 |
| 200 | 212N3055-1 | . | RING | 008100 950951 953999 | 2 |
| 205 | 3202130-2 | . | VALVE- SUPPLIER CODE: V59364 COMPONENT MAINT MANUAL REF: 36-11-31 OPTIONAL PART: 3202130-3 V59364 | 008100 950951 953999 | 1 |

MISSING ITEM NUMBERS NOT APPLICABLE

- ITEM NOT ILLUSTRATED

BRI

36-11-01-10

BOEING PROPRIETARY - Copyright © - Unpublished Work - See title page for details.

36-11-01
FIG. 10
PAGE 6
JAN 20/09



757

PARTS CATALOG (MAINTENANCE)

| FIG ITEM | PART NUMBER | 1 2 3 4 5 6 7 | NOMENCLATURE | EFFECT FROM TO | UNITS PER ASSY |
|-------------|-------------|---------------|--|----------------------------|----------------------|
| 10 205 | 3202130-3 | | . VALVE- SUPPLIER CODE: V59364 FUNCTIONAL DESCRIPTION: PREVENTS AIRFLOW FROM ENGINES INTO THE APU COMPONENT MAINT MANUAL REF: 36-11-31 OPTIONAL PART: 3202130-2 V59364 | 008100 950951 953999 | 1 |
| 900 | | | ILLUSTRATION REFERENCE: DUCT INSTL-AIR SUPPLY SECT. 46 36-11-01-20 | 008100 950951 953999 | RF |

MISSING ITEM NUMBERS NOT APPLICABLE

- ITEM NOT ILLUSTRATED

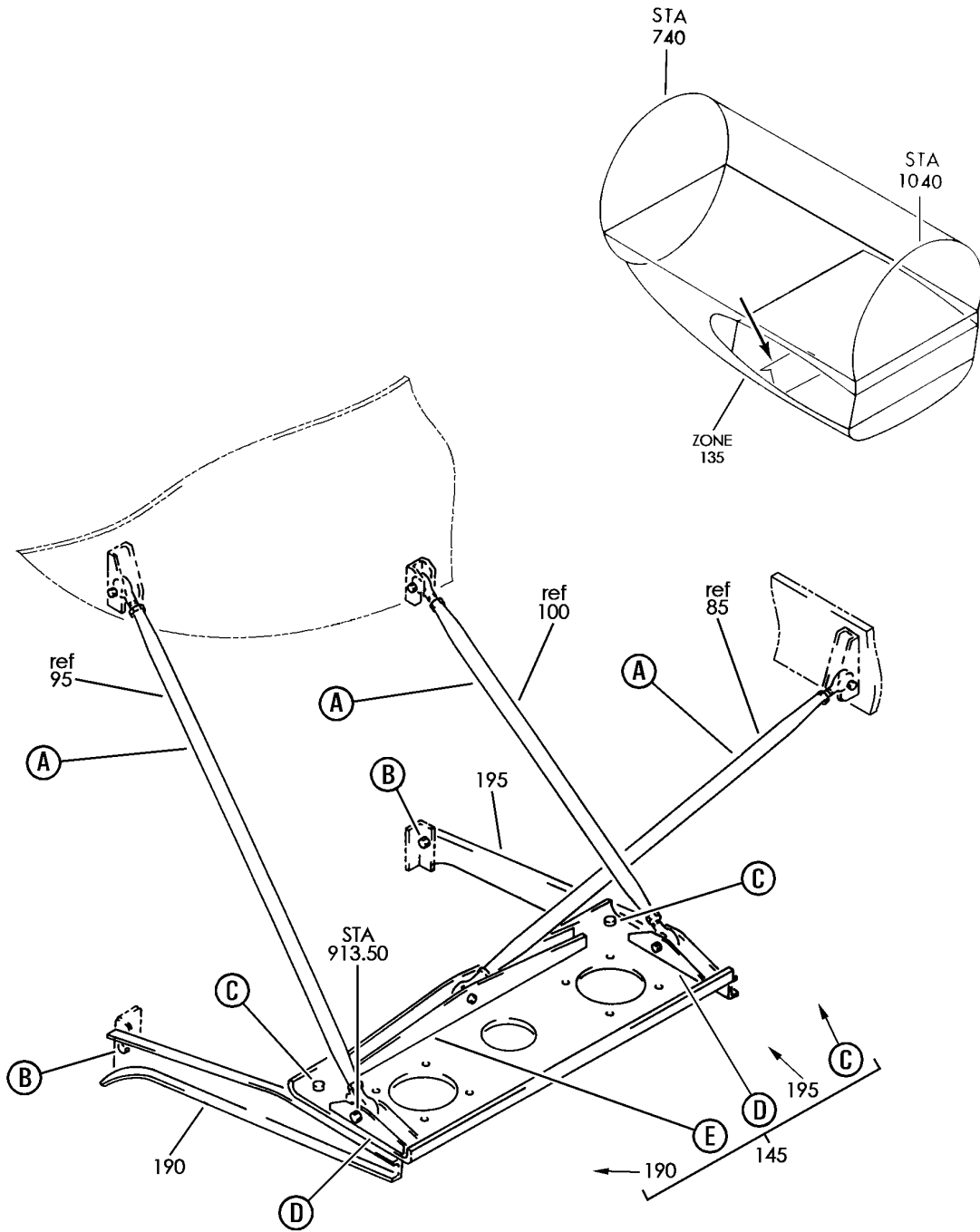
BRI

36-11-01-10

BOEING PROPRIETARY - Copyright © - Unpublished Work - See title page for details.

36-11-01
FIG. 10
PAGE 7
JAN 20/09

BOEING
757
PARTS CATALOG (MAINTENANCE)



Y 36110100 SHT 1 REV 222

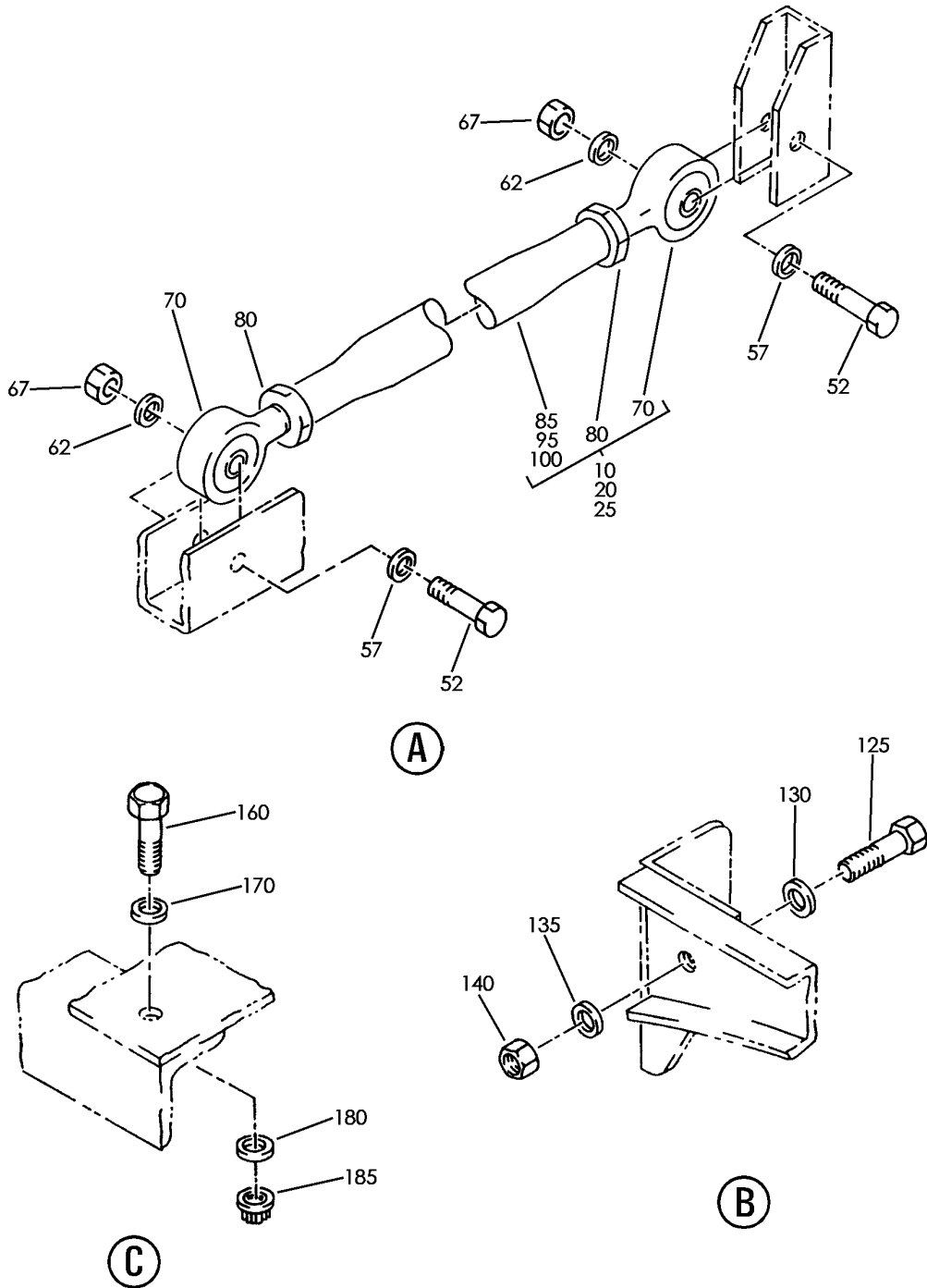
SUPPORT INSTL-UNDER WING AIR SUPPLY (AIR SUPPLY DISTRIBUTION SYSTEM ONLY)
FIGURE 11 (SHEET 1)

36-11-01-11

BRI
MAY 28/07

36-11-01-11
PAGE 0

BOEING
757
PARTS CATALOG (MAINTENANCE)



Y 36110111 SHT 2 REV 222

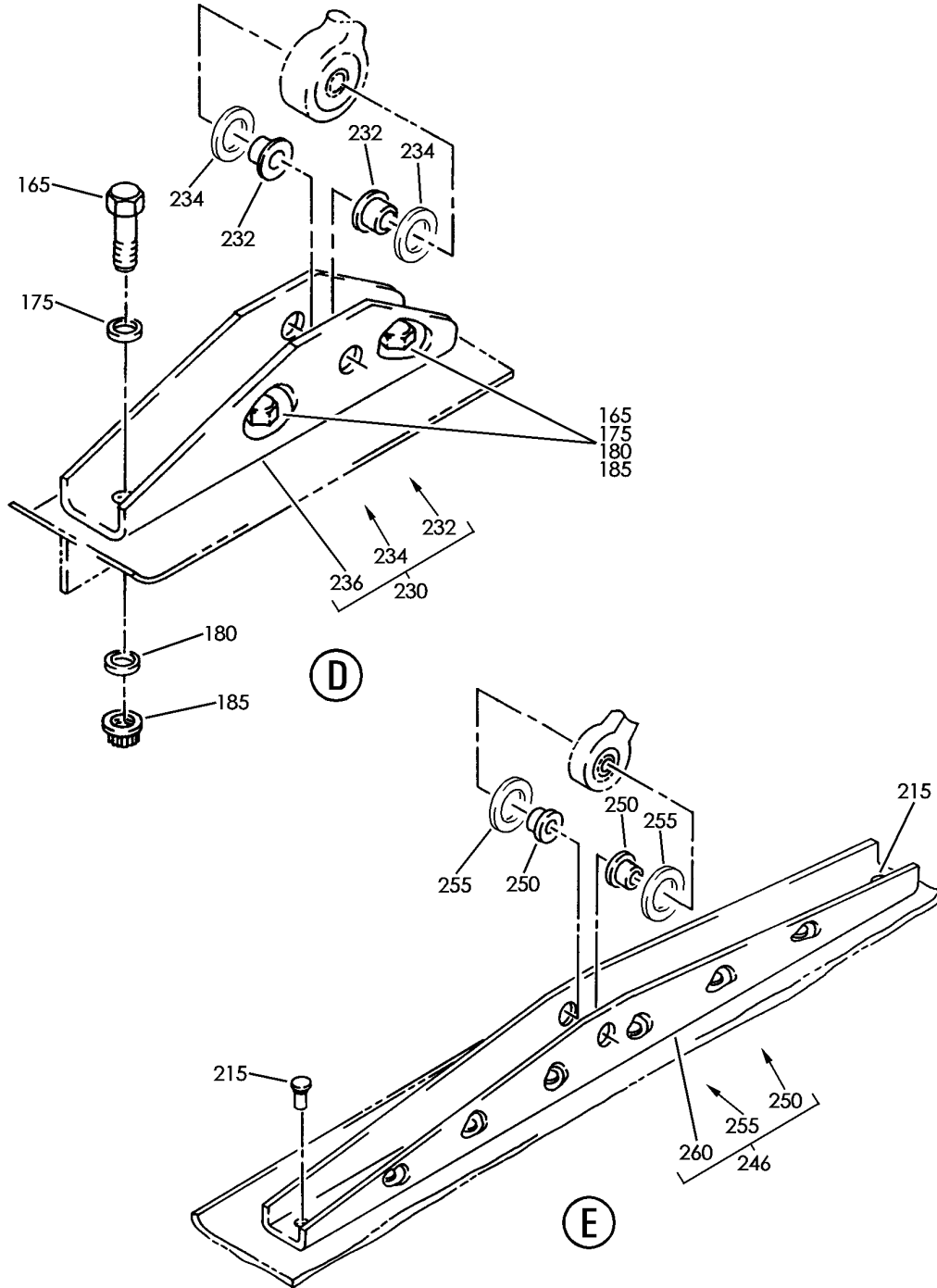
SUPPORT INSTL-UNDER WING AIR SUPPLY (AIR SUPPLY DISTRIBUTION SYSTEM ONLY)
FIGURE 11 (SHEET 2)

36-11-01-11

BRI
MAY 28/07

36-11-01-11
PAGE 0A

BOEING
757
PARTS CATALOG (MAINTENANCE)



Y 36110111 SHT 3 REV 222

SUPPORT INSTL-UNDER WING AIR SUPPLY (AIR SUPPLY DISTRIBUTION SYSTEM ONLY)
FIGURE 11 (SHEET 3)

36-11-01-11

BRI
MAY 28/07

36-11-01-11
PAGE 0B



757

PARTS CATALOG (MAINTENANCE)

| FIG ITEM | PART NUMBER | 1 2 3 4 5 6 7 | NOMENCLATURE | EFFECT FROM TO | UNITS PER ASSY |
|----------|---------------|---------------|---|----------------------------|----------------|
| 11 | | | SUPPORT INSTL-UNDER WING AIR SUPPLY (AIR SUPPLY DISTRIBUTION SYSTEM ONLY) | 011106 108120 504903 | |
| - 1 | 212N3010-13 | | SUPPORT INSTL-UNDER WING AIR SUPPLY, RR ENGS (2 CONNECTORS)(AIR SUPPLY DISTRIBUTION SYSTEM ONLY) POSITION DATA: LH FOR NHA/OTHER SYS DET SEE: 21-00-00-01 21-00-00-12 21-00-00-15 | 011102 108120 504903 | RF |
| - 1 | MODREF5976 | | SUPPORT INSTL-UNDER WING AIR SUPPLY, RR ENGS (2 CONNECTORS)(AIR SUPPLY DISTRIBUTION SYSTEM ONLY) MODULE NUMBER: 212N3010-13 REV A POSITION DATA: LH FOR OTHER SYS DETAILS SEE: 11-24-10-01 | 103106 | 1 |
| 10 | 212N3030-48 | | .ROD ASSY- POSITION DATA: LH SIDE | 011106 108120 504903 | 1 |
| 20 | 212N3030-45 | | .ROD ASSY- POSITION DATA: LH SIDE | 011106 108120 504903 | 1 |
| 25 | 212N3030-46 | | .ROD ASSY- POSITION DATA: LH SIDE | 011106 108120 504903 | 1 |
| 52 | BACB30NR4K15 | | ATTACHING PARTS .BOLT- OPTIONAL PART: BACB30NR4HK15 | 011106 108120 504903 | 6 |
| 52 | BACB30NR4HK15 | | .BOLT- OPTIONAL PART: BACB30NR4K15 | 011106 108120 504903 | 6 |
| 57 | BACW10BP4CD | | .WASHER | 011106 108120 504903 | 6 |
| 62 | BACW10BP4NDP | | .WASHER | 011106 108120 504903 | 6 |

MISSING ITEM NUMBERS NOT APPLICABLE

- ITEM NOT ILLUSTRATED

36-11-01-11

36-11-01
FIG. 11
PAGE 1
JAN 20/09

BRI



757

PARTS CATALOG (MAINTENANCE)

| FIG ITEM | PART NUMBER | 1 2 3 4 5 6 7 | NOMENCLATURE | EFFECT FROM TO | UNITS PER ASSY |
|----------|-------------|---------------|---|----------------------------|----------------|
| 11 67 | PLH54CD | . | NUT SUPPLIER CODE: VF0224 SPECIFICATION NUMBER: BACN10YR4CD OPTIONAL PART: H52732-4CD V15653 | 011106 108120 504903 | 6 |
| 70 | ASM4T29A | .. | BEARING-ROD END SUPPLIER CODE: V56644 POSITION DATA: LH SIDE SPECIFICATION NUMBER: 10-60779-124 OPTIONAL PART: DREM4-292 V81376 REM8ATC10-6 V21335 177144 V09455 YTM187 V77896 NHNE4-205 V15860 MSSR45-14BAF V73134 KBDE4-37 V97613 ASM4T29 V56644 79E04-124 V16746 ART4E129 VS0352 OPTIONAL PART: ASMK4T21 V56644 USED ON: 212N3030-48 212N3030-46 212N3030-45 | 011106 108120 504903 | 2 |

MISSING ITEM NUMBERS NOT APPLICABLE

- ITEM NOT ILLUSTRATED

36-11-01-11

36-11-01
FIG. 11
PAGE 2
JAN 20/09

BRI



757

PARTS CATALOG (MAINTENANCE)

| FIG ITEM | PART NUMBER | 1 2 3 4 5 6 7 | NOMENCLATURE | EFFECT FROM TO | UNITS PER ASSY |
|--------------------------------------|-------------|---------------|---|----------------------------|----------------|
| R R R R R R R R | 11 70 | ASMK4T21 | .. BEARING- SUPPLIER CODE: V56644 SPECIFICATION NUMBER: 10-60779-174 OPTIONAL PART: HB4ETL186 V02758 | 011106 108120 504903 | 2 |
| | 70 | HB4ETL186 | .. BEARING- SUPPLIER CODE: V02758 SPECIFICATION NUMBER: 10-60779-174 OPTIONAL PART: ASMK4T21 V56644 | 011106 108120 504903 | 2 |
| | 80 | NAS1423-5 | .. NUT | 011106 108120 504903 | 2 |
| | 85 | 212N3030-30 | .. TUBE- TUBING MATERIAL: .625 IN. OD X .065 IN. WALL X 23.0 IN. LG 2024-0 ALUM SEAMLESS TUBING PER WW-T-700/3. USED ON: 212N3030-48 | 011106 108120 504903 | 1 |
| | 95 | 212N3030-24 | .. TUBE- TUBING MATERIAL: .625 IN. OD X .065 IN. WALL X 22.6 IN. LG 2024-0 ALUM SEAMLESS TUBING PER WW-T-700/3. USED ON: 212N3030-45 | 011106 108120 504903 | 1 |
| | 100 | 212N3030-28 | .. TUBE- TUBING MATERIAL: .625 IN. OD X .065 IN. WALL X 16.5 IN. LG 2024-0 ALUM SEAMLESS TUBING PER WW-T-700/3. USED ON: 212N3030-46 | 011106 108120 504903 | 1 |
| | 125 | BACB30NM4K4 | . BOLT | 011106 108120 504903 | 2 |
| | 130 | BACW10BP4CD | . WASHER | 011106 108120 504903 | 2 |

MISSING ITEM NUMBERS NOT APPLICABLE

- ITEM NOT ILLUSTRATED

36-11-01-11

36-11-01
FIG. 11
PAGE 3
MAY 20/09

BRI



757

PARTS CATALOG (MAINTENANCE)

| FIG ITEM | PART NUMBER | 1 2 3 4 5 6 7 | NOMENCLATURE | EFFECT FROM TO | UNITS PER ASSY |
|----------|---------------|---------------|---|----------------------------|----------------|
| 11 | | | | | |
| 135 | BACW10BP4NDP | . | WASHER | 011106 108120 504903 | 2 |
| 140 | PLH54CD | . | NUT SUPPLIER CODE: VF0224 SPECIFICATION NUMBER: BACN10YR4CD OPTIONAL PART: H52732-4CD V15653 | 011106 108120 504903 | 2 |
| 145 | 212N3079-1 | . | SUPPORT ASSY- POSITION DATA: LH SIDE | 011106 108120 504903 | 1 |
| 160 | BACB30NM3K4 | .. | BOLT | 011106 108120 504903 | 2 |
| 165 | BACB30NM3K5 | .. | BOLT | 011106 108120 504903 | 6 |
| 170 | BACW10BN3AC | .. | WASHER | 011106 108120 504903 | 2 |
| 175 | BACW10BN3CD | .. | WASHER | 011106 108120 504903 | 6 |
| 180 | NAS1149D0363J | .. | WASHER | 011106 108120 504903 | 8 |
| 185 | NAS1805-3L | .. | NUT | 011106 108120 504903 | 8 |
| 190 | 212N3080-30 | .. | CHANNEL ASSY- POSITION DATA: LH SIDE | 011106 108120 504903 | 1 |
| 195 | 212N3080-33 | .. | CHANNEL ASSY- POSITION DATA: LH SIDE | 011106 108120 504903 | 1 |
| 215 | BACR15FT6D | .. | RIVET- SIZE DETERMINED ON INSTL. | 011106 108120 504903 | 8 |
| 230 | 212N3082-9 | .. | BRACKET ASSY | 011106 108120 504903 | 2 |
| 232 | AN960P0616 | ... | WASHER | 011106 108120 504903 | 2 |

MISSING ITEM NUMBERS NOT APPLICABLE

- ITEM NOT ILLUSTRATED

36-11-01-11

36-11-01
FIG. 11
PAGE 4
MAY 20/09

BRI



757

PARTS CATALOG (MAINTENANCE)

| FIG ITEM | PART NUMBER | 1 2 3 4 5 6 7 | NOMENCLATURE | EFFECT FROM TO | UNITS PER ASSY |
|----------|---------------|---------------|--|----------------------------|----------------|
| 11 | | | | | |
| 234 | BACB28B4-260P | ... | BUSHING | 011106 108120 504903 | 2 |
| 236 | 212N3082-10 | ... | BRACKET | 011106 108120 504903 | 1 |
| 246 | 212N3082-15 | .. | BRACKET ASSY- POSITION DATA: LH SIDE | 011106 108120 504903 | 1 |
| 250 | BACB28X4C013 | ... | BUSHING | 011106 108120 504903 | 2 |
| 255 | BACW10BP6DP | ... | WASHER | 011106 108120 504903 | 2 |
| 260 | 212N3082-17 | ... | BRACKET | 011106 108120 504903 | 1 |

MISSING ITEM NUMBERS NOT APPLICABLE

- ITEM NOT ILLUSTRATED

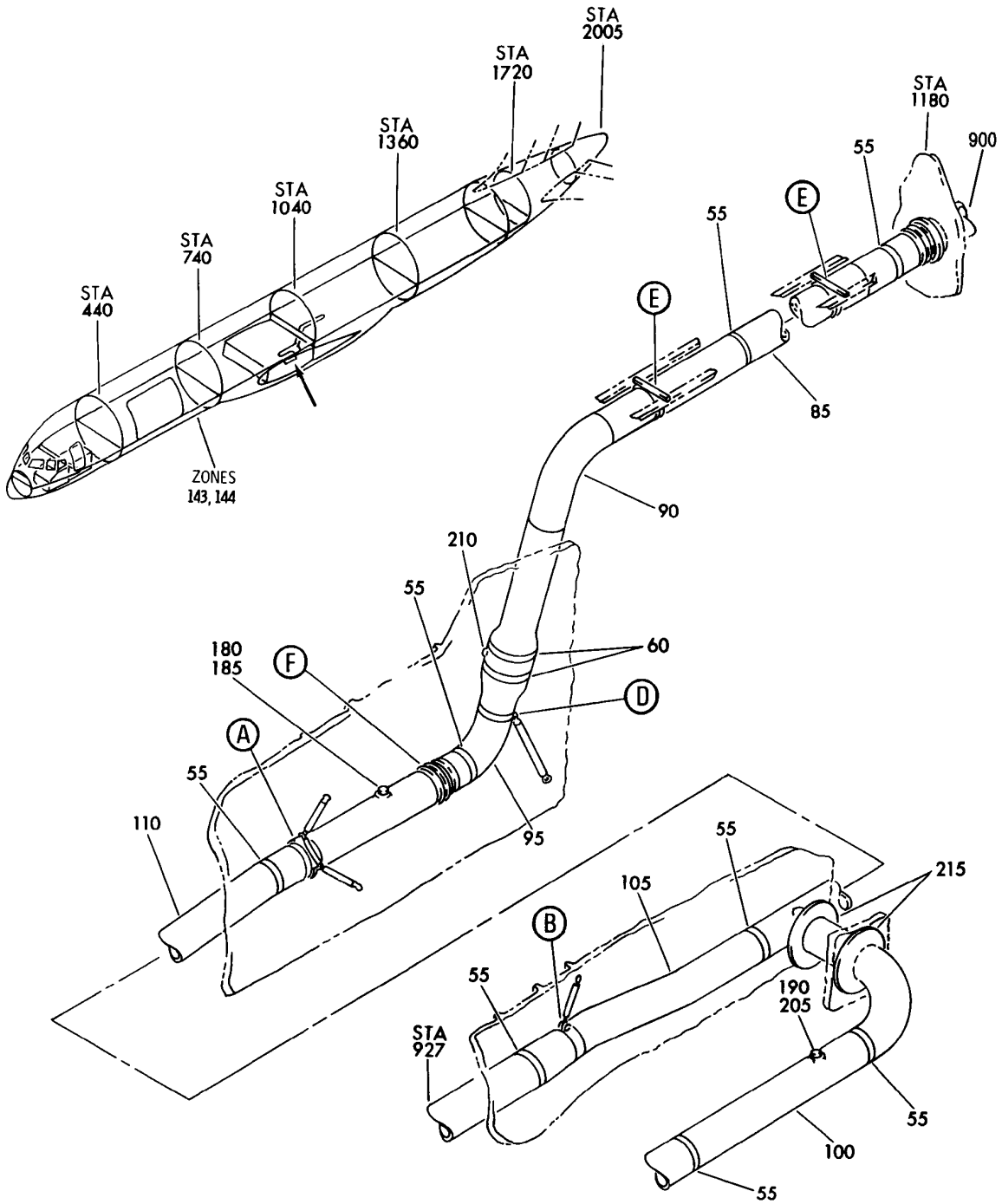
BRI

36-11-01-11

BOEING PROPRIETARY - Copyright © - Unpublished Work - See title page for details.

36-11-01
FIG. 11
PAGE 5
MAY 20/09

BOEING
757
PARTS CATALOG (MAINTENANCE)



Y 36110112 SHT 1 REV 242

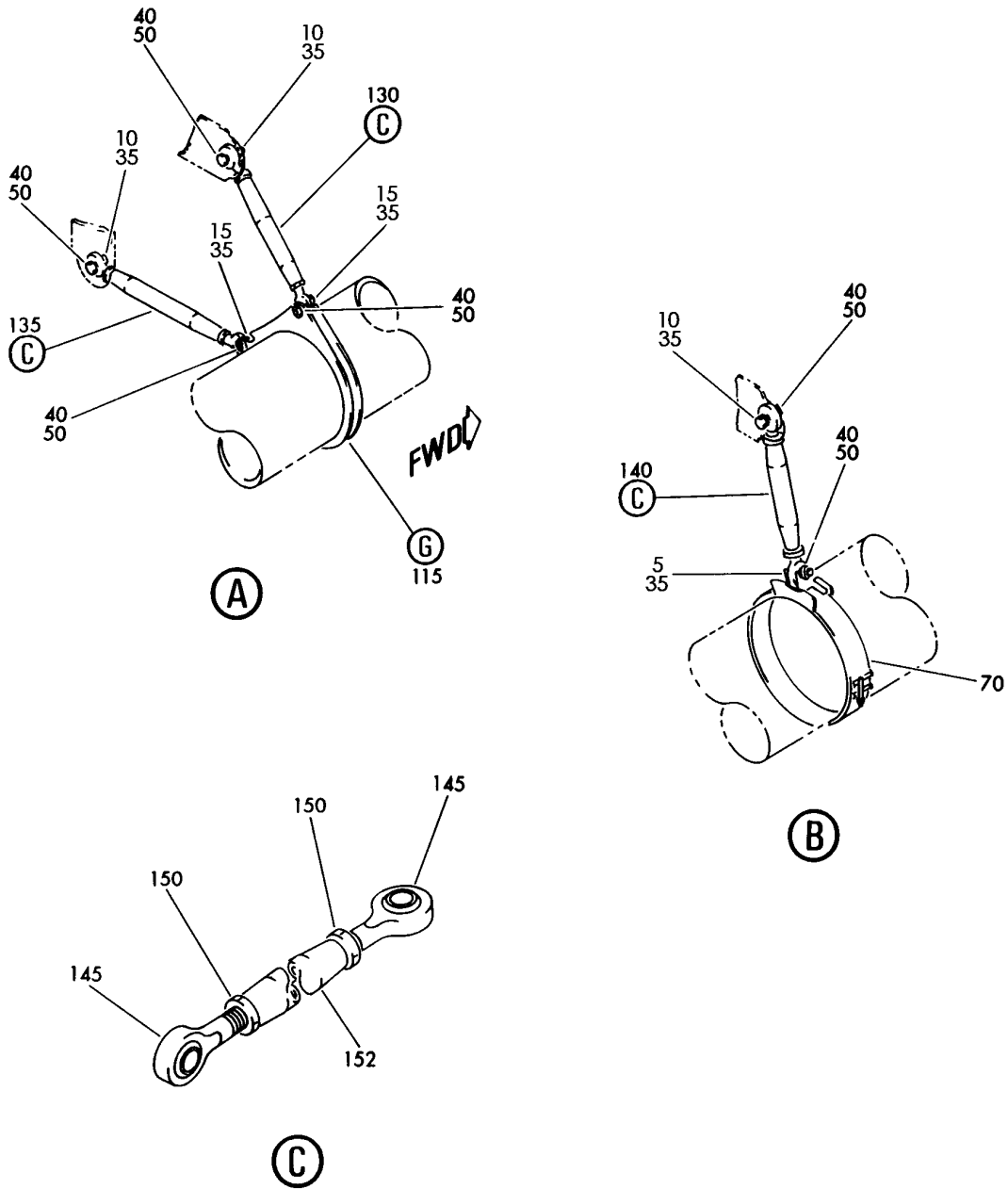
DUCT INSTL- WHL WELL AND UNDER WING AIR SUPPLY
FIGURE 12 (SHEET 1)

36-11-01-12

BRI
MAY 28/07

36-11-01-12
PAGE 0

BOEING
757
PARTS CATALOG (MAINTENANCE)



Y 36110112 SHT 2 REV 243

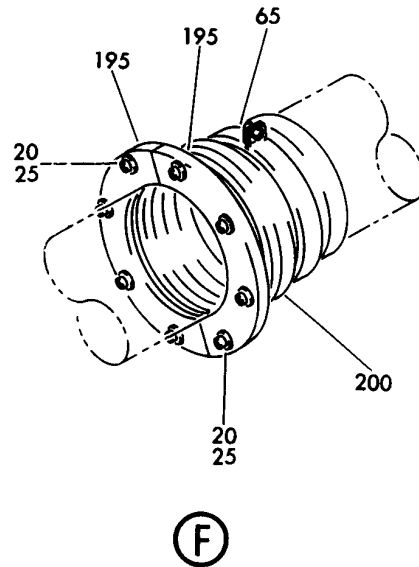
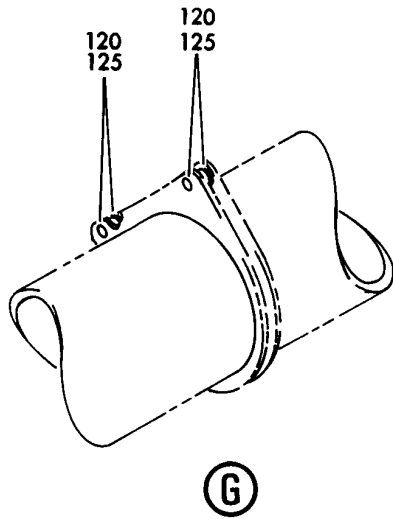
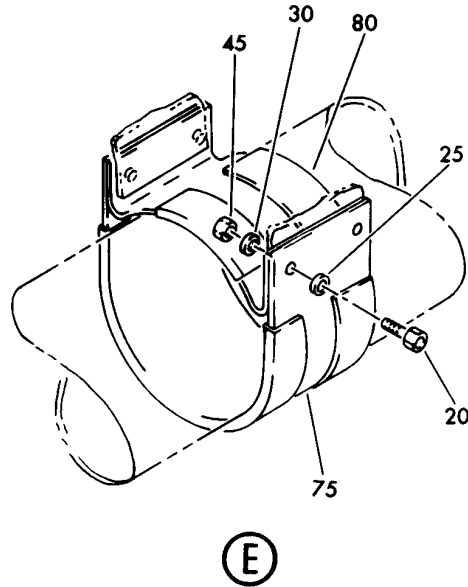
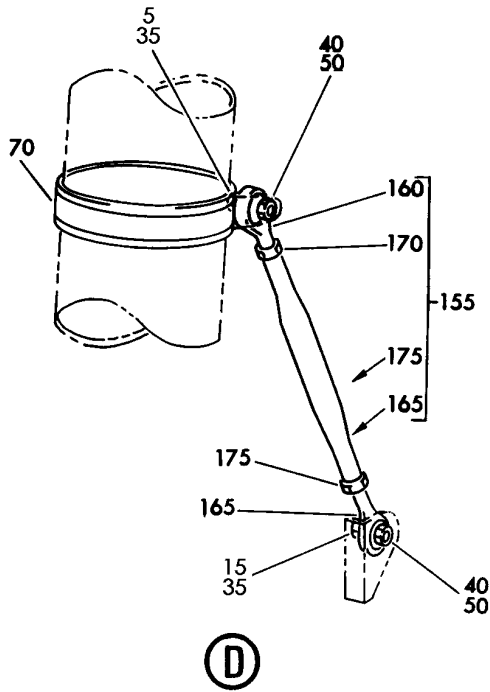
DUCT INSTL- WHL WELL AND UNDER WING AIR SUPPLY
FIGURE 12 (SHEET 2)

36-11-01-12

BRI
MAY 28/07

36-11-01-12
PAGE 0A

BOEING
757
PARTS CATALOG (MAINTENANCE)



Y 36110112 SHT 3 REV 243

DUCT INSTL- WHL WELL AND UNDER WING AIR SUPPLY
FIGURE 12 (SHEET 3)

36-11-01-12

BRI
MAY 28/07

36-11-01-12
PAGE 0B



757

PARTS CATALOG (MAINTENANCE)

| FIG ITEM | PART NUMBER | 1 2 3 4 5 6 7 | NOMENCLATURE | EFFECT FROM TO | UNITS PER ASSY |
|----------|---------------|---------------|--|----------------------------|----------------|
| 12 | | | DUCT INSTL- WHL WELL AND UNDER WING AIR SUPPLY | 101106 108120 504903 | |
| - 1 | 212N3003-11 | | DUCT INSTL-WHL WELL AND UNDER WING AIR SUPPLY FOR NHA SEE: 21-00-00-14 | 101102 108120 504903 | RF |
| - 1 | MODREF5887 | | DUCT INSTL-WHL WELL AND UNDER WING AIR SUPPLY MODULE NUMBER: 212N3003-11 REV A | 103106 | 1 |
| 5 | BACB30NR4HK10 | | .BOLT- OPTIONAL PART: BACB30NR4K10 | 101106 108120 504903 | 2 |
| 5 | BACB30NR4K10 | | .BOLT- OPTIONAL PART: BACB30NR4HK10 | 101106 108120 504903 | 2 |
| 10 | BACB30NR4HK12 | | .BOLT- OPTIONAL PART: BACB30NR4K12 | 101106 108120 504903 | 3 |
| 10 | BACB30NR4K12 | | .BOLT- OPTIONAL PART: BACB30NR4HK12 | 101106 108120 504903 | 3 |
| 15 | BACB30NR4HK15 | | .BOLT- OPTIONAL PART: BACB30NR4K15 | 101106 108120 504903 | 3 |
| 15 | BACB30NR4K15 | | .BOLT- OPTIONAL PART: BACB30NR4HK15 | 101106 108120 504903 | 3 |
| 20 | BACB30NM3K4 | | .BOLT | 101106 108120 504903 | 16 |
| 25 | BACW10BP3CD | | .WASHER | 101106 108120 504903 | 16 |
| 30 | BACW10BP3NDP | | .WASHER | 101106 108120 504903 | 8 |
| 35 | BACW10BP4CD | | .WASHER | 101106 108120 504903 | 8 |
| 40 | BACW10BP4DP | | .WASHER | 101106 108120 504903 | 8 |

MISSING ITEM NUMBERS NOT APPLICABLE

- ITEM NOT ILLUSTRATED

36-11-01-12

36-11-01
FIG. 12
PAGE 1
JAN 20/09

BRI



757

PARTS CATALOG (MAINTENANCE)

| FIG ITEM | PART NUMBER | 1 2 3 4 5 6 7 | NOMENCLATURE | EFFECT FROM TO | UNITS PER ASSY |
|----------|-----------------|---------------|---|----------------------------|----------------|
| 12 45 | PLH53CD | .NUT | SUPPLIER CODE: VF0224 SPECIFICATION NUMBER: BACN10YR3CD OPTIONAL PART: H52732-3CD V15653 | 101106 108120 504903 | 8 |
| 50 | PLH54CD | .NUT | SUPPLIER CODE: VF0224 SPECIFICATION NUMBER: BACN10YR4CD OPTIONAL PART: H52732-4CD V15653 | 101106 108120 504903 | 8 |
| 55 | 14J29500 | .CLAMP | SUPPLIER CODE: V5T400 SPECIFICATION NUMBER: BACC10GY500 OPTIONAL PART: 4385AF500 V94581 PDVC1137500 V14242 NM102701500 V8W928 | 101106 108120 504903 | 8 |
| 60 | 14J29600 | .CLAMP | SUPPLIER CODE: V5T400 SPECIFICATION NUMBER: BACC10GY600 OPTIONAL PART: 4385AF600 V94581 PDVC1137600 V14242 NM102701600 V8W928 | 101106 108120 504903 | 2 |
| 65 | BACC10BN575L5ME | .CLAMP | | 101106 108120 504903 | 1 |

MISSING ITEM NUMBERS NOT APPLICABLE

- ITEM NOT ILLUSTRATED

36-11-01-12

36-11-01
FIG. 12
PAGE 2
JAN 20/09

BRI



757

PARTS CATALOG (MAINTENANCE)

| FIG ITEM | PART NUMBER | 1 2 3 4 5 6 7 | NOMENCLATURE | EFFECT FROM TO | UNITS PER ASSY |
|----------|-----------------|---------------|---|----------------------------|----------------|
| 12 | | | | | |
| 70 | 3015AE00GA | .CLAMP | SUPPLIER CODE: V94581 SPECIFICATION NUMBER: BACC10HNO0GA OPTIONAL PART: 65790A00GA V00624 | 101106 108120 504903 | 2 |
| 75 | BACC10ER1-80AP | .STRAP | SUPPLIER CODE: V14242 SPECIFICATION NUMBER: BACC10ER1-80AP | 101106 108120 504903 | 2 |
| 80 | BACC10ER2-80AP | .BRACKET | SUPPLIER CODE: V14242 SPECIFICATION NUMBER: BACC10ER2-80AP | 101106 108120 504903 | 2 |
| 85 | 212N3026-3 | .DUCT ASSY | | 101106 108120 504903 | 1 |
| 90 | 212N3027-5 | .DUCT ASSY | | 101106 108120 504903 | 1 |
| 95 | 212N3027-6 | .DUCT ASSY | | 101106 108120 504903 | 1 |
| 100 | 212N3060-13 | .DUCT ASSY | | 101106 108120 504903 | 1 |
| 105 | 212N3060-8 | .DUCT ASSY | | 101106 108120 504903 | 1 |
| 110 | 212N3097-1 | .DUCT ASSY | | 101106 108120 504903 | 1 |
| 115 | 212N3028-11 | .DUCT ASSY- | | 101106 108120 504903 | 1 |
| 120 | BACB28AP04-011 | ..BUSHING- | OPTIONAL PART: BACB28AU4D020BG BACB28B4-239 | 101106 108120 504903 | 4 |
| 120 | BACB28AU4D020BG | ..BUSHING- | OPTIONAL PART: BACB28AP04-011 BACB28B4-239 | 101106 108120 504903 | 4 |

MISSING ITEM NUMBERS NOT APPLICABLE

- ITEM NOT ILLUSTRATED

BRI

36-11-01-12

36-11-01
FIG. 12
PAGE 3
JAN 20/09



757

PARTS CATALOG (MAINTENANCE)

| FIG ITEM | PART NUMBER | 1 2 3 4 5 6 7 | NOMENCLATURE | EFFECT FROM TO | UNITS PER ASSY |
|----------|--------------|---------------|---|----------------------------|----------------|
| 12 | | | | | |
| 120 | BACB28B4-239 | .. | BUSHING- OPTIONAL PART: BACB28AP04-011 BACB28AU4D020BG | 101106 108120 504903 | 4 |
| 125 | AN960C616 | .. | WASHER | 101106 108120 504903 | 4 |
| 130 | 212N3030-3 | .ROD ASSY- | OPTIONAL PART: 212N3030-39 USED ON: 212N3003-8 | 101106 108120 504903 | 1 |
| 130 | 212N3030-39 | .ROD ASSY- | OPTIONAL PART: 212N3030-3 USED ON: 212N3003-8 | 101106 108120 504903 | 1 |
| 130 | 212N3030-50 | .ROD ASSY- | USED ON: 212N3003-10 | 101106 108120 504903 | 1 |
| 135 | 212N3030-35 | .ROD ASSY- | OPTIONAL PART: 212N3030-41 | 101106 108120 504903 | 1 |
| 135 | 212N3030-41 | .ROD ASSY- | OPTIONAL PART: 212N3030-35 | 101106 108120 504903 | 1 |
| 140 | 212N3030-51 | .ROD ASSY- | | 101106 108120 504903 | 1 |
| 145 | M81935-1-4 | .. | BEARING | 101106 108120 504903 | 2 |
| 150 | NAS509-5 | .. | NUT | 101106 108120 504903 | 2 |
| 152 | 212N3030-4 | .. | TUBE- TUBING MATERIAL: .065 IN. OD X .625 IN. WALL X 4.87 IN. LG 2024-0 ALUM SEAMLESS TUBING PER WW-T-700/3. USED ON: 212N3030-3 | 101106 108120 504903 | 1 |

MISSING ITEM NUMBERS NOT APPLICABLE

- ITEM NOT ILLUSTRATED

36-11-01-12

36-11-01
FIG. 12
PAGE 4
JAN 20/09

BRI



757

PARTS CATALOG (MAINTENANCE)

| FIG ITEM | PART NUMBER | 1 2 3 4 5 6 7 | NOMENCLATURE | EFFECT FROM TO | UNITS PER ASSY |
|-----------|-------------|---------------|---|----------------------------|----------------|
| 12 152 | 212N3030-2 | .. | TUBE- TUBING MATERIAL: .065 IN. OD X .625 IN. WALL X 5.75 IN. LG 2024-0 ALUM SEAMLESS TUBING PER WW-T-700/3. USED ON: 212N3030-35 | 101106 108120 504903 | 1 |
| 152 | 212N3030-40 | .. | TUBE- TUBING MATERIAL: .065 IN. OD X .625 IN. WALL X 4.87 IN. LG 2024-0 ALUM SEAMLESS TUBING PER WW-T-700/3. USED ON: 212N3030-50 USED ON: 212N3030-39 | 101106 108120 504903 | 1 |
| 152 | 212N3030-44 | .. | TUBE- TUBING MATERIAL: .065 IN. OD X .625 IN. WALL X 4.46 IN. LG 2024-0 ALUM SEAMLESS TUBING PER WW-T-700/3. USED ON: 212N3030-51 USED ON: 212N3030-43 | 101106 108120 504903 | 1 |
| 152 | 212N3030-42 | .. | TUBE- TUBING MATERIAL: .065 IN. OD X .625 IN. WALL X 5.75 IN. LG 2024-0 ALUM SEAMLESS TUBING PER WW-T-700/3. USED ON: 212N3030-41 | 101106 108120 504903 | 1 |
| 155 | 212N3030-36 | . | ROD ASSY | 101106 108120 504903 | 1 |
| 160 | M81935-1-4 | .. | BEARING | 101106 108120 504903 | 1 |
| 165 | M81935-1-4L | .. | BEARING | 101106 108120 504903 | 1 |
| 170 | NAS509-5 | .. | NUT | 101106 108120 504903 | 1 |

MISSING ITEM NUMBERS NOT APPLICABLE

- ITEM NOT ILLUSTRATED

36-11-01-12

36-11-01
FIG. 12
PAGE 5
JAN 20/09

BRI

BOEING PROPRIETARY - Copyright © - Unpublished Work - See title page for details.



757

PARTS CATALOG (MAINTENANCE)

| FIG ITEM | PART NUMBER | 1 2 3 4 5 6 7 | NOMENCLATURE | EFFECT FROM TO | UNITS PER ASSY |
|-----------|--------------|---------------|--|----------------------------|----------------|
| 12 175 | NAS509L5 | . . | NUT | 101106 108120 504903 | 1 |
| 190 | R1131-906 | . . | PACKING SUPPLIER CODE: V57268 SPECIFICATION NUMBER: BACP11K6 OPTIONAL PART: 3-906S383-70 V02697 1090-06 V95272 150701-06 V95272 AS568-906S32 V11314 | 101106 108120 504903 | 1 |
| 195 | 212N3055-1 | . . | RING | 101106 108120 504903 | 2 |
| 200 | BOE2049-0001 | . . | SEAL-VAPOR SUPPLIER CODE: V16632 SPECIFICATION NUMBER: S210N301-1 OPTIONAL PART: 14A110 V14711 | 101106 108120 504903 | 1 |
| 205 | 271N3035-1 | . . | FITTING ASSY | 101106 108120 504903 | 1 |
| 210 | 3202130-2 | . . | VALVE- SUPPLIER CODE: V59364 COMPONENT MAINT MANUAL REF: 36-11-31 OPTIONAL PART: 3202130-3 V59364 | 101106 108120 504903 | 1 |

MISSING ITEM NUMBERS NOT APPLICABLE

- ITEM NOT ILLUSTRATED

BRI

36-11-01-12

36-11-01
FIG. 12
PAGE 6
JAN 20/09



757

PARTS CATALOG (MAINTENANCE)

| FIG ITEM | PART NUMBER | 1 2 3 4 5 6 7 | NOMENCLATURE | EFFECT FROM TO | UNITS PER ASSY |
|-----------|-----------------|---------------|---|----------------------------|----------------|
| 12 210 | 3202130-3 | | .VALVE- SUPPLIER CODE: V59364 FUNCTIONAL DESCRIPTION: PREVENTS AIRFLOW FROM ENGINES INTO THE APU COMPONENT MAINT MANUAL REF: 36-11-31 OPTIONAL PART: 3202130-2 V59364 | 101106 108120 504903 | 1 |
| 215 | BACG20ZQ000800B | | .GROMMET | 101106 108120 504903 | 2 |
| 900 | | | ILLUSTRATION REFERENCE: DUCT INSTL-AIR SUPPLY SECT. 46 36-11-01-20A | 103106 | RF |
| 900 | | | ILLUSTRATION REFERENCE: DUCT INSTL-AIR SUPPLY SECT. 46 36-11-01-20 | 101102 108120 504903 | RF |

MISSING ITEM NUMBERS NOT APPLICABLE

- ITEM NOT ILLUSTRATED

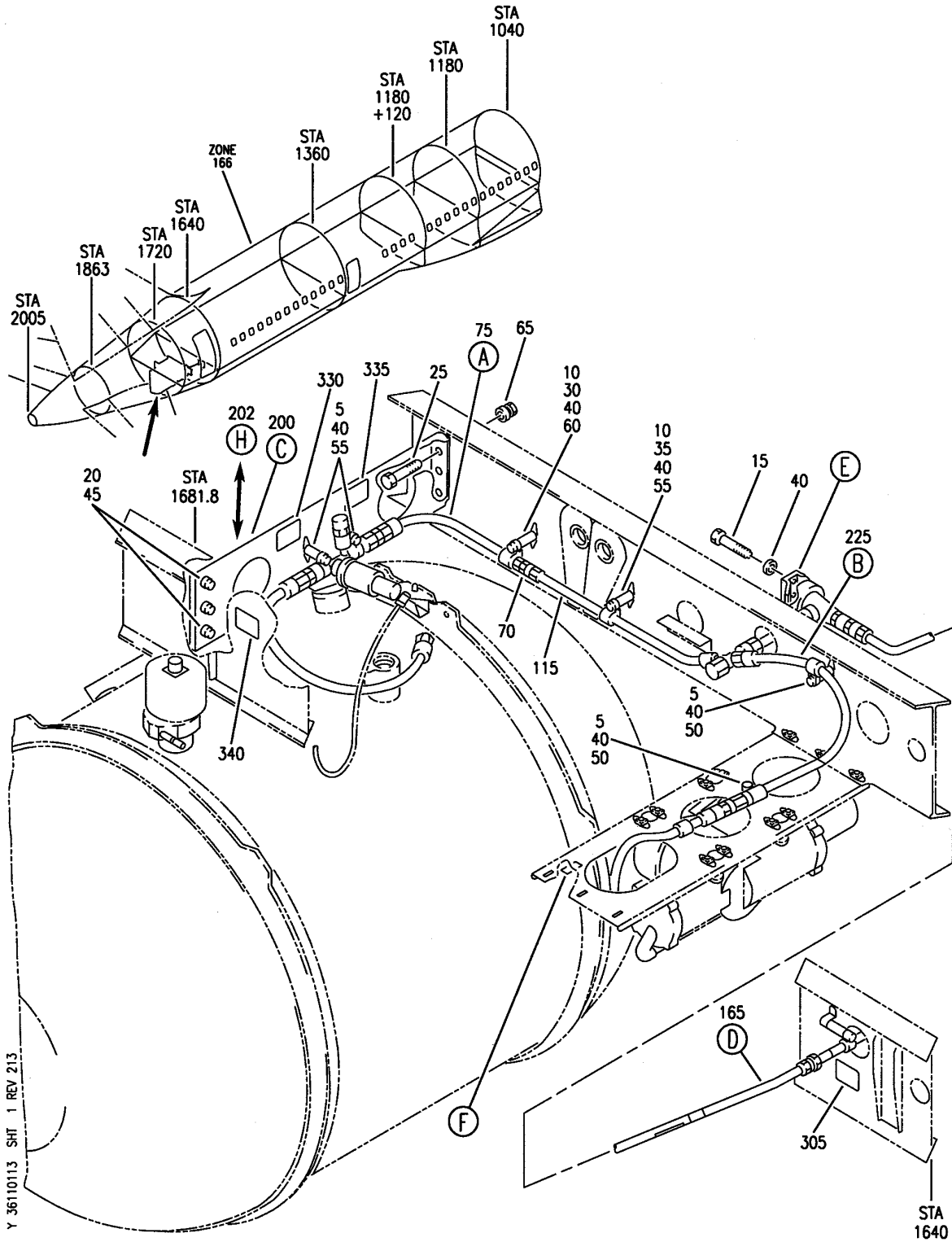
BRI

36-11-01-12

BOEING PROPRIETARY - Copyright © - Unpublished Work - See title page for details.

36-11-01
FIG. 12
PAGE 7
JAN 20/09

BOEING
757
PARTS CATALOG (MAINTENANCE)



Y 36110113 SHT 1 REV 213

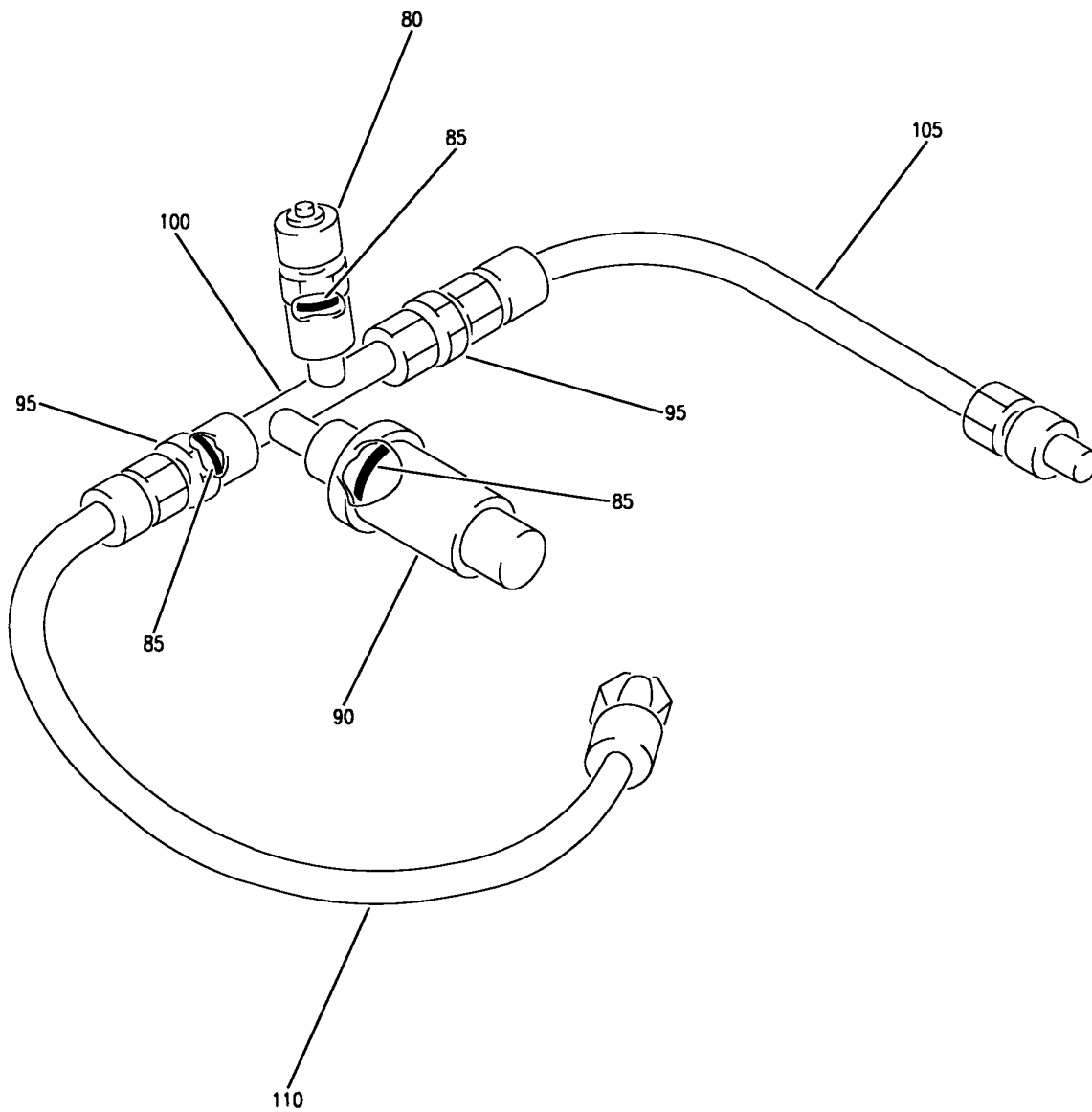
EQUIPMENT INSTL-PNEU POTABLE WATER
FIGURE 13 (SHEET 1)

36-11-01-13

BRI
JAN 20/09

36-11-01-13
PAGE 0

BOEING
757
PARTS CATALOG (MAINTENANCE)



Y 36110113 SH1 2 REV 204

A

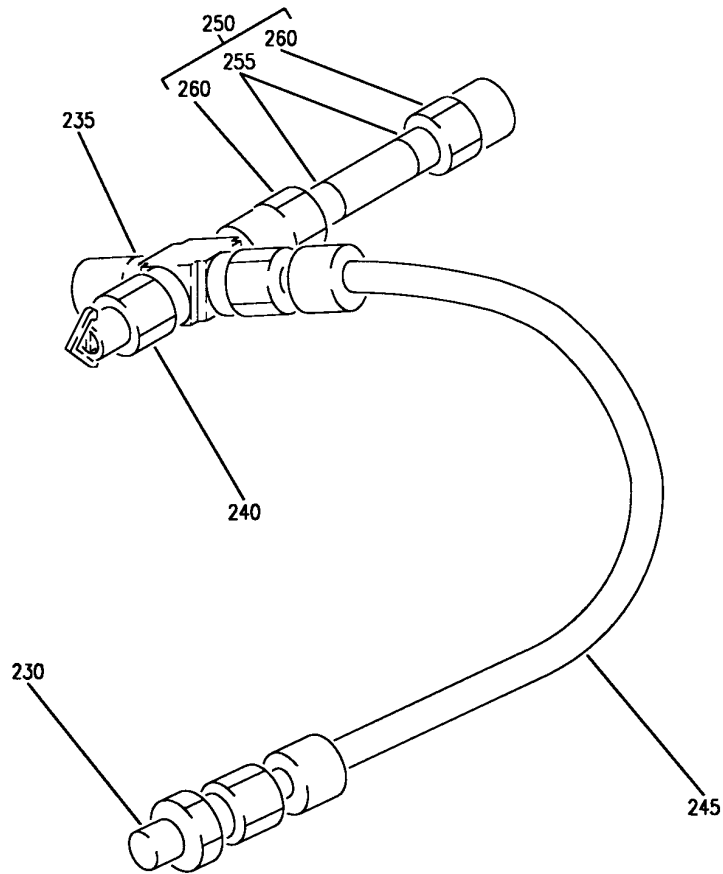
EQUIPMENT INSTL-PNEU POTABLE WATER
FIGURE 13 (SHEET 2)

36-11-01-13

BRI
JAN 20/09

36-11-01-13
PAGE 0A

BOEING
757
PARTS CATALOG (MAINTENANCE)



(B)

Y 36110113 SHIT 3 REV 204

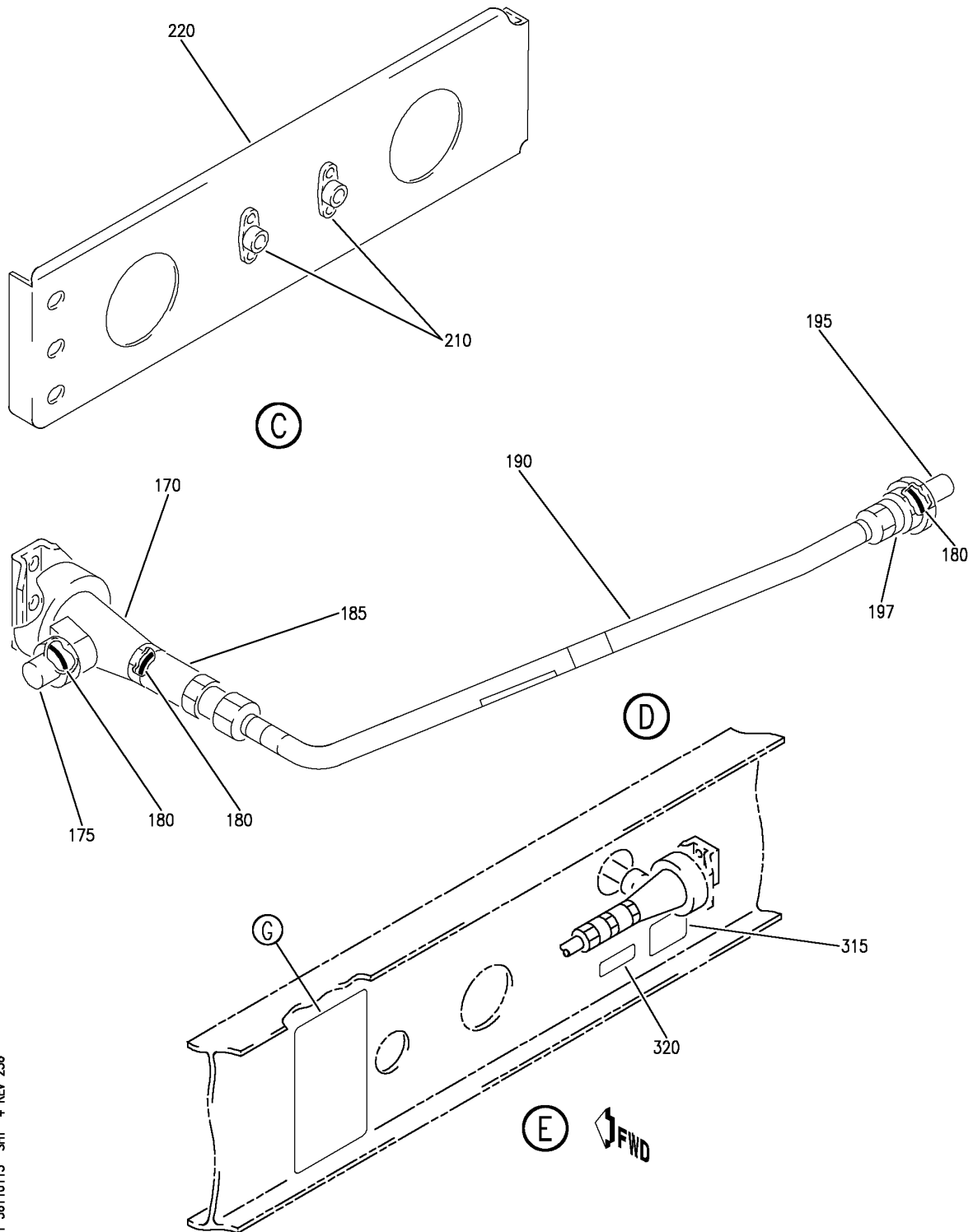
EQUIPMENT INSTL-PNEU POTABLE WATER
FIGURE 13 (SHEET 3)

36-11-01-13

BRI
JAN 20/09

36-11-01-13
PAGE 0B

BOEING
757
PARTS CATALOG (MAINTENANCE)



Y 36110113 SHT 4 REV 256

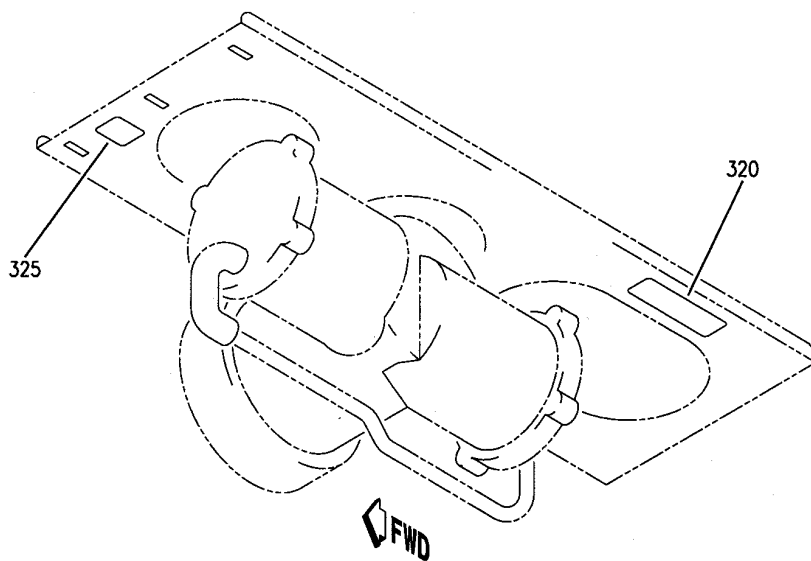
EQUIPMENT INSTL-PNEU POTABLE WATER
FIGURE 13 (SHEET 4)

36-11-01-13

BRI
JAN 20/09

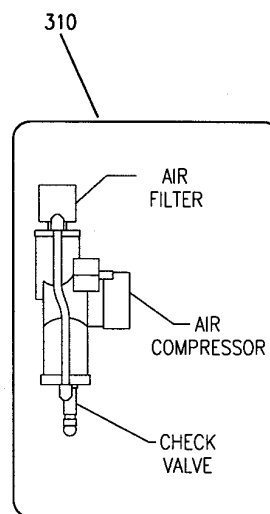
36-11-01-13
PAGE 0C

BOEING
757
PARTS CATALOG (MAINTENANCE)

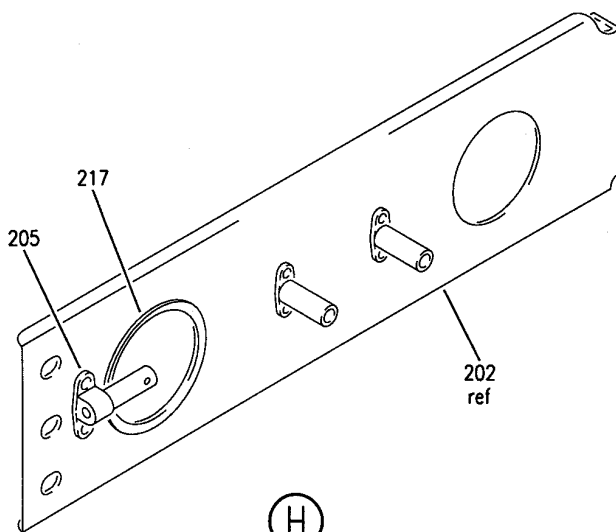


VIEW LOOKING UP

(F)



(G)



(H)

Y 36110113 SHT 5 REV 213

EQUIPMENT INSTL-PNEU POTABLE WATER
FIGURE 13 (SHEET 5)

36-11-01-13

BRI
JAN 20/09

36-11-01-13
PAGE 0D



757

PARTS CATALOG (MAINTENANCE)

| FIG ITEM | PART NUMBER | 1 2 3 4 5 6 7 | NOMENCLATURE | EFFECT FROM TO | UNITS PER ASSY |
|----------|---------------|---------------|--|----------------|----------------|
| 13 | | | EQUIPMENT INSTL-PNEU POTABLE WATER | 103106 | |
| - 1 | MODREF17864 | | EQUIPMENT INSTL-PNEU POTABLE WATER MODULE NUMBER: 417N2652-3 REV A | 103106 | 1 |
| 5 | BACS12GU3K9 | | .SCREW | 103106 | 4 |
| 10 | BACS12GU3K23 | | .SCREW | 103106 | 2 |
| 15 | BACS12GU3K6 | | .SCREW | 103106 | 2 |
| 20 | BACS12GU08K9 | | .SCREW | 103106 | 3 |
| 25 | HL1012AZ5-3 | | .BOLT- SUPPLIER CODE: V60516 SPECIFICATION NUMBER: BACB30NX5HK3 | 103106 | 3 |
| 30 | NAS43DD3-47FC | | .SPACER | 103106 | 1 |
| 35 | NAS43DD3-56FC | | .SPACER | 103106 | 1 |
| 40 | NAS1149D0332J | | .WASHER | 103106 | 8 |
| 45 | NAS1149DN832J | | .WASHER | 103106 | 9 |
| 50 | JM44LC13WH8R | | .CLAMP SUPPLIER CODE: V22175 SPECIFICATION NUMBER: BACC10GE8C OPTIONAL PART: S369WHSS6 V18076 TA12C32WH6 V84971 509SS8 V83930 | 103106 | 2 |
| 55 | JM44LC13WH6R | | .CLAMP SUPPLIER CODE: V22175 SPECIFICATION NUMBER: BACC10GE6C OPTIONAL PART: TA12C32WH6 V84971 509SS6 V83930 S714WSSH6 V18076 | 103106 | 3 |

MISSING ITEM NUMBERS NOT APPLICABLE

- ITEM NOT ILLUSTRATED

36-11-01-13

36-11-01
FIG. 13
PAGE 1
JAN 20/09

BRI



757

PARTS CATALOG (MAINTENANCE)

| FIG ITEM | PART NUMBER | 1 2 3 4 5 6 7 | NOMENCLATURE | EFFECT FROM TO | UNITS PER ASSY |
|----------|---------------|----------------------|--|----------------|----------------|
| 13 60 | JM44LC13WH8R | .CLAMP- | SUPPLIER CODE: V22175 SPECIFICATION NUMBER: BACC10GE8C OPTIONAL PART: S369WHSS6 V18076 TA12C32WH6 V84971 509SS8 V83930 | 103106 | 1 |
| 65 | HL1087-5 | .COLLAR | SUPPLIER CODE: V73197 SPECIFICATION NUMBER: BACC30BH5 OPTIONAL PART: HL1087-5 V56878 HL1087-5 V9N513 HL1087-5 V5M902 | 103106 | 3 |
| 70 | MS21902-6T | .UNION | | 103106 | 1 |
| 75 | 417N2651-4 | .EQUIPMENT ASSY-PNEU | WATER SYSTEM | 103106 | 1 |
| 80 | RV05-362 | ..VALVE-RELIEF | SUPPLIER CODE: V91816 | 103106 | 1 |
| 85 | MS28778-6 | ..PACKING- | OPTIONAL PART: NAS1612-6 NAS1612-6A | 103106 | 3 |
| 85 | NAS1612-6 | ..PACKING- | OPTIONAL PART: MS28778-6 NAS1612-6A | 103106 | 3 |
| 85 | NAS1612-6A | ..PACKING- | OPTIONAL PART: MS28778-6 NAS1612-6 | 103106 | 3 |
| 90 | MS21913J6 | ..PLUG-PRESSURE | | 103106 | 1 |
| 95 | MS21902-6T | ..UNION | | 103106 | 2 |
| 100 | FT917 | ..FITTING- | SUPPLIER CODE: V24984 | 103106 | 1 |
| 105 | AS115-06B0104 | ..HOSE ASSY | | 103106 | 1 |
| 110 | AS117-06B0190 | ..HOSE ASSY | | 103106 | 1 |

MISSING ITEM NUMBERS NOT APPLICABLE

- ITEM NOT ILLUSTRATED

36-11-01-13

36-11-01
FIG. 13
PAGE 2
JAN 20/09

BRI



757

PARTS CATALOG (MAINTENANCE)

| FIG ITEM | PART NUMBER | 1 2 3 4 5 6 7 | NOMENCLATURE | EFFECT FROM TO | UNITS PER ASSY |
|----------|--------------|---------------|---|----------------|----------------|
| 13 | | | | | |
| 115 | 417N2609-31 | | .TUBE ASSY- TUBING MATERIAL: PNEUMATIC, POTABLE WATER, TI, .375" O/D X 15.033", 1 BEND. | 103106 | 1 |
| - 120 | AS1581T06 | | ..SLEEVE-WELDED | 103106 | 2 |
| - 125 | BACN10YA6L | | ..NUT-B | 103106 | 2 |
| 165 | 417N2651-3 | | .EQUIPMENT ASSY-PNEU | 103106 | 1 |
| 170 | 1552-002-23 | | ..REGULATOR-PRESSURE SUPPLIER CODE: V04577 COMPONENT MAINT MANUAL REF: 38-15-01 | 103106 | 1 |
| 175 | MS21902-6T | | ..UNION | 103106 | 1 |
| 180 | MS28778-6 | | ..PACKING | 103106 | 3 |
| 185 | CV020T3E3 | | ..VALVE-CHK SUPPLIER CODE: V91816 | 103106 | 1 |
| 190 | 417N2609-36 | | ..TUBE ASSY- TUBING MATERIAL: PNEUMATIC, POTABLE WATER, TI, .375" O/D X 14.540", 2 BENDS. | 103106 | 1 |
| 195 | 21243-6-40 | | ..FILTER-AIR SUPPLIER CODE: V18350 OPTIONAL PART: 21243-6-10 V10989 | 103106 | 1 |
| 195 | 21243-6-10 | | ..FILTER-AIR SUPPLIER CODE: V18350 OPTIONAL PART: 21243-6-40 V10989 | 103106 | 1 |
| 197 | FT1040 | | ..FITTING- SUPPLIER CODE: V24984 | 103106 | 1 |
| 202 | 417N2315-324 | | .SUPPORT ASSY | 103106 | 1 |
| 205 | BACN10GH3A10 | | ..NUTPLATE SUPPLIER CODE: V04169 SPECIFICATION NUMBER: BACN10GH3A10 | 103106 | 1 |
| - 206 | BACR15BB4ADC | | ATTACHING PARTS ..RIVET- SIZE DETERMINED ON INSTL. -----*----- | 103106 | 2 |

MISSING ITEM NUMBERS NOT APPLICABLE

- ITEM NOT ILLUSTRATED

36-11-01-13

36-11-01
FIG. 13
PAGE 3
JAN 20/09

BRI



757

PARTS CATALOG (MAINTENANCE)

| FIG ITEM | PART NUMBER | 1 2 3 4 5 6 7 | NOMENCLATURE | EFFECT FROM TO | UNITS PER ASSY |
|-----------|---------------|---------------|---|----------------|----------------|
| 13 210 | WS14A10 | | ..NUTPLATE SUPPLIER CODE: V04169 SPECIFICATION NUMBER: BACN10TL3A10 ATTACHING PARTS | 103106 | 2 |
| - 215 | BACR15CE3AD | | ..RIVET- SIZE DETERMINED ON INSTL. -----*----- | 103106 | 4 |
| 217 | BACG20AD900 | | ..GROMMET | 103106 | 1 |
| 220 | 417N2315-307 | | ..SUPPORT | 103106 | 1 |
| 225 | 417N2651-2 | | .EQUIPMENT ASSY-PNEU WATER SYSTEM | 103106 | 1 |
| 230 | MS21902-6T | | ..UNION | 103106 | 1 |
| 235 | MS21906-6T | | ..CROSS | 103106 | 1 |
| 240 | AP1008-06JL | | ..CAP ASSY SUPPLIER CODE: V01673 SPECIFICATION NUMBER: BACC14AD06JL OPTIONAL PART: DBOC14AD6JL V14798 FER22661-06JL V14397 2-02813-04JL V11328 4690009-06JL V50948 AFP241-06JL V30974 US2103-06JL V50808 | 103106 | 1 |
| 245 | AS115-06B0190 | | ..HOSE ASSY | 103106 | 1 |
| 250 | 478W1410-30 | | ..TUBE ASSY | 103106 | 1 |
| 255 | AP2097H06 | | ...SLEEVE SUPPLIER CODE: V01673 SPECIFICATION NUMBER: BACS13BX06H OPTIONAL PART: 2-02903-06H V11328 35235V06 V08199 AFP175V06 V30974 DBOS13BX06H V14798 | 103106 | 2 |

MISSING ITEM NUMBERS NOT APPLICABLE

- ITEM NOT ILLUSTRATED

36-11-01-13

36-11-01
FIG. 13
PAGE 4
JAN 20/09

BRI



757

PARTS CATALOG (MAINTENANCE)

| FIG ITEM | PART NUMBER | 1 2 3 4 5 6 7 | NOMENCLATURE | EFFECT FROM TO | UNITS PER ASSY |
|----------|--------------|---------------|---|----------------|----------------|
| 13 | | | | | |
| 260 | BACN10CS06JN | | ...NUT | 103106 | 2 |
| - 300 | MODREF33291 | | EQUIPMENT INSTL-PNEU PLACARD INSTL MODULE NUMBER: 417N2652-2 REV B | 103106 | 1 |
| 305 | BAC27WPPS23 | | .MARKER-ALUMINUM FOIL PLACARD CONTENT: APU BLEED AIR FILTER | 103106 | 1 |
| 310 | BAC27NPA1514 | | .MARKER-ALUMINUM FOIL PLACARD CONTENT: AIR COMPRESSOR SCHEMATIC | 103106 | 1 |
| 315 | BAC27WPPS25 | | .MARKER-ALUMINUM FOIL PLACARD CONTENT: PRESSURE REGULATOR | 103106 | 1 |
| 320 | BACM10V2AUJ | | .MARKER-ALUMINUM FOIL PLACARD CONTENT: CHECK VALVE | 103106 | 2 |
| 325 | BAC27WPPS24 | | .MARKER-ALUMINUM FOIL PLACARD CONTENT: COMPRESSOR AIR FILTER | 103106 | 1 |
| 330 | BAC27NPA1512 | | .MARKER-ALUMINUM FOIL PLACARD CONTENT: PRESSURE LIMIT SWITCH | 103106 | 1 |
| 335 | BAC27WPPS26 | | .MARKER-ALUMINUM FOIL PLACARD CONTENT: PRESSURE RELIEF VALVE | 103106 | 1 |
| 340 | BAC27NPA1511 | | .MARKER-ALUMINUM FOIL PLACARD CONTENT: WATER QUANTITY SENSOR | 103106 | 1 |

MISSING ITEM NUMBERS NOT APPLICABLE

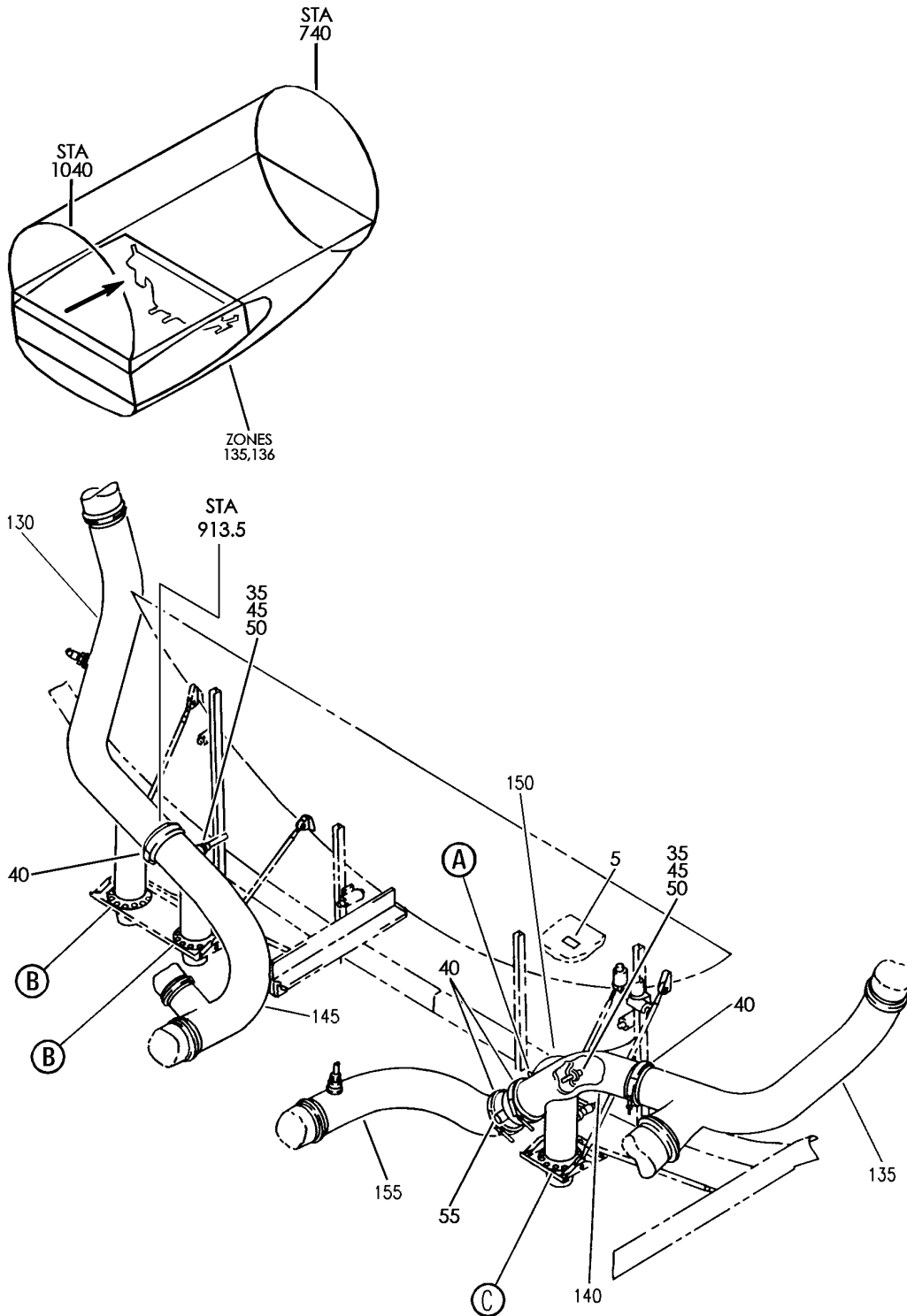
- ITEM NOT ILLUSTRATED

36-11-01-13

36-11-01
FIG. 13
PAGE 5
JAN 20/09

BRI

BOEING
757
PARTS CATALOG (MAINTENANCE)



Y 36110115 SHT 1 REV 238

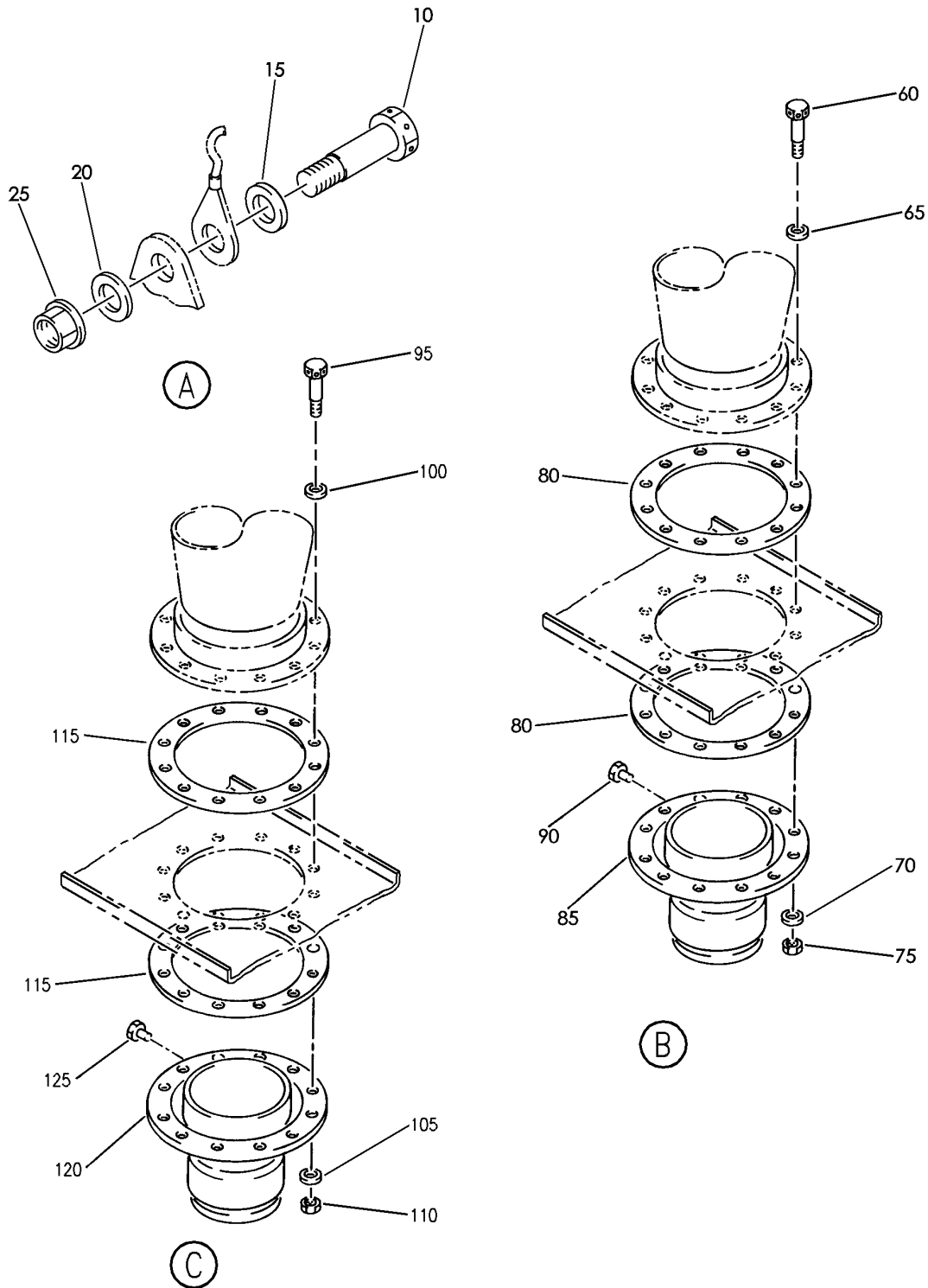
DUCT INSTL-AIR SUPPLY UNDER WING, RR ENGINES (AIR SUPPLY DISTRIBUTION ONLY)
FIGURE 15 (SHEET 1)

BRI
MAY 28/07

36-11-01-15

36-11-01-15
PAGE 0

BOEING
757
PARTS CATALOG (MAINTENANCE)



Y 36110115 SHT 2 REV 238

DUCT INSTL-AIR SUPPLY UNDER WING, RR ENGINES (AIR SUPPLY DISTRIBUTION ONLY)
FIGURE 15 (SHEET 2)

BRI
MAY 28/07

36-11-01-15

36-11-01-15
PAGE 0A



757

PARTS CATALOG (MAINTENANCE)

| FIG ITEM | PART NUMBER | 1 2 3 4 5 6 7 | NOMENCLATURE | EFFECT FROM TO | UNITS PER ASSY |
|----------|-------------|---------------|--|--|----------------|
| 15 | | | DUCT INSTL-AIR SUPPLY UNDER WING, RR ENGINES (AIR SUPPLY DISTRIBUTION ONLY) | 008106 108120 504903 950951 953999 | |
| - 1 | 212N3001-25 | | DUCT INSTL-AIR SUPPLY RR ENGINES, PASS. MODEL (AIR SUPPLY DISTRIBUTION ONLY) FOR NHA/OTHER SYS DET SEE: 21-00-00-01 21-00-00-12 21-00-00-14 21-00-00-15 | 008102 108120 504903 950951 953999 | RF |
| - 1 | MODREF5882 | | DUCT INSTL-AIR SUPPLY RR ENGINES, PASS. MODEL (AIR SUPPLY DISTRIBUTION ONLY) MODULE NUMBER: 212N3001-25 REV A FOR OTHER SYS DETAILS SEE: 36-22-01-02 | 103106 | 1 |
| 5 | BAC27NEC202 | | .MARKER-ALUMINUM FOI PLACARD CONTENT: VALVE-ISOLATION, S/O V10140 | 008106 108120 504903 950951 953999 | 1 |
| 10 | BACB30NR4K4 | | .BOLT | 008106 108120 504903 950951 953999 | 1 |
| 15 | BACW10BP4AC | | .WASHER | 008106 108120 504903 950951 953999 | 1 |
| 20 | AN960JD416 | | .WASHER | 008106 108120 504903 950951 953999 | 1 |

MISSING ITEM NUMBERS NOT APPLICABLE

- ITEM NOT ILLUSTRATED

BRI

36-11-01-15

36-11-01
FIG. 15
PAGE 1
JAN 20/09



757

PARTS CATALOG (MAINTENANCE)

| FIG ITEM | PART NUMBER | 1 2 3 4 5 6 7 | NOMENCLATURE | EFFECT FROM TO | UNITS PER ASSY |
|----------|-------------|---------------|---|--|----------------|
| 15 | | | | | |
| 25 | PLH54CD | .NUT | SUPPLIER CODE: VF0224 SPECIFICATION NUMBER: BACN10YR4CD OPTIONAL PART: H52732-4CD V15653 | 008106 108120 504903 950951 953999 | 1 |
| 35 | R1131-906 | .PACKING | SUPPLIER CODE: V57268 SPECIFICATION NUMBER: BACP11K6 OPTIONAL PART: 3-906S383-70 V02697 1090-06 V95272 150701-06 V95272 AS568-906S32 V11314 | 008106 108120 504903 950951 953999 | 2 |
| 40 | 14J29500 | .CLAMP | SUPPLIER CODE: V5T400 SPECIFICATION NUMBER: BACC10GY500 OPTIONAL PART: 4385AF500 V94581 PDVC1137500 V14242 NM102701500 V8W928 | 008106 108120 504903 950951 953999 | 4 |
| 45 | 271N3035-1 | .FITTING ASSY | | 008106 108120 504903 950951 953999 | 2 |
| 50 | 271N3035-2 | ..PLUG | | 008106 108120 504903 950951 953999 | 1 |

MISSING ITEM NUMBERS NOT APPLICABLE

- ITEM NOT ILLUSTRATED

36-11-01-15

36-11-01
FIG. 15
PAGE 2
JAN 20/09

BRI



757

PARTS CATALOG (MAINTENANCE)

| FIG ITEM | PART NUMBER | 1 2 3 4 5 6 7 | NOMENCLATURE | EFFECT FROM TO | UNITS PER ASSY |
|----------|-------------|---------------|---|--|----------------|
| 15 55 | 2790598-101 | | . VALVE-ISOLATION SUPPLIER CODE: V92003 SPECIFICATION NUMBER: S210N701-11 ELECTRICAL EQUIP NUMBER: V00046 COMPONENT MAINT MANUAL REF: 49-50-02 OPTIONAL PART: 2790598-102 V92003 2790598-103 V92003 FOR DETAILS SEE: 36-11-10-50 | 008106 108120 504903 950951 953999 | 1 |
| 55 | 2790598-102 | | . VALVE-SHUTOFF SUPPLIER CODE: V92003 SPECIFICATION NUMBER: S210N701-11 ELECTRICAL EQUIP NUMBER: V00046 COMPONENT MAINT MANUAL REF: 49-50-02 OPTIONAL PART: 2790598-101 V92003 2790598-103 V92003 FOR DETAILS SEE: 36-11-10-50 | 008106 108120 504903 950951 953999 | 1 |
| 55 | 2790598-103 | | . VALVE-SHUTOFF SUPPLIER CODE: V92003 SPECIFICATION NUMBER: S210N701-11 ELECTRICAL EQUIP NUMBER: V00040 COMPONENT MAINT MANUAL REF: 49-50-02 OPTIONAL PART: 2790598-101 V92003 2790598-102 V92003 FOR DETAILS SEE: 36-11-10-50 | 008106 108120 504903 950951 953999 | 1 |

MISSING ITEM NUMBERS NOT APPLICABLE

- ITEM NOT ILLUSTRATED

36-11-01-15

36-11-01
FIG. 15
PAGE 3
JAN 20/09

BRI



757

PARTS CATALOG (MAINTENANCE)

| FIG ITEM | PART NUMBER | 1 2 3 4 5 6 7 | NOMENCLATURE | EFFECT FROM TO | UNITS PER ASSY |
|----------|-------------|---------------|---|--|----------------|
| 15 | | | | | |
| 60 | BACB30NR4K8 | . | BOLT | 008106 108120 504903 950951 953999 | 24 |
| 65 | BACW10BP4AC | . | WASHER | 008106 108120 504903 950951 953999 | 24 |
| 70 | AN960C416 | . | WASHER | 008106 108120 504903 950951 953999 | 24 |
| 75 | PLH54CD | . | NUT SUPPLIER CODE: VF0224 SPECIFICATION NUMBER: BACN10YR4CD OPTIONAL PART: H52732-4CD V15653 | 008106 108120 504903 950951 953999 | 24 |
| 80 | 66-2396 | . | GASKET- MANUFACTURED FROM: SHEET ABESTOS VENDOR P/N RL235 VENDOR CODE 49944 .063 IN 5.60 IN 5.60 IN | 008106 108120 504903 950951 953999 | 4 |
| 80 | 66-2396-1 | . | GASKET- MANUFACTURED FROM: N0004388 SILICONE-COATED FABRIC SHEET THICKNESS .063 WIDTH 5.6 LENGTH 5.6 | 008106 108120 504903 950951 953999 | 4 |

MISSING ITEM NUMBERS NOT APPLICABLE

- ITEM NOT ILLUSTRATED

BRI

36-11-01-15

36-11-01
FIG. 15
PAGE 4
JAN 20/09



757

PARTS CATALOG (MAINTENANCE)

| FIG ITEM | PART NUMBER | 1 2 3 4 5 6 7 | NOMENCLATURE | EFFECT FROM TO | UNITS PER ASSY |
|----------|-------------|---------------|---|--|----------------|
| 15 85 | M913-1 | | .VALVE ASSY-NIPPLE CHK SUPPLIER CODE: V81833 FUNCTIONAL DESCRIPTION: PREVENTS REVERSE AIR FLOW MISCELLANEOUS DATA: M913-1 IS I/W 4663-1 AND 4665-1. M913-1 IS I/W 4663-5 AND 4665-8 ON 737-300, -400, -500 AND 757 AIRPLANES. 4663-5 AND 4665-8 ARE NOT APPROVED FOR USE ON AIRPLANES WITH JT8D ENGINES. COMPONENT MAINT MANUAL REF: 80-10-00 | 008106 108120 504903 950951 953999 | 2 |
| 85 | 4663-8 | | .VALVE ASSY-NIPPLE CHK SUPPLIER CODE: V86831 FUNCTIONAL DESCRIPTION: PREVENTS REVERSE AIR FLOW COMPONENT MAINT MANUAL REF: 80-00-05 QUALIFIED I/W DATA: 4663-5 TOGETHER WITH MS20995C32 IS I/W 4663-8 | 008106 108120 504903 950951 953999 | 2 |
| 85 | 4663-1 | | .VALVE ASSY- SUPPLIER CODE: V86831 COMPONENT MAINT MANUAL REF: 80-00-05 | 008106 108120 504903 950951 953999 | 2 |
| 90 | 2154-0012 | | ..SCREW- SUPPLIER CODE: V86831 | 008106 108120 504903 950951 953999 | 1 |
| 95 | BACB30NR4K8 | | .BOLT | 008106 108120 504903 950951 953999 | 12 |
| 100 | BACW10BP4AC | | .WASHER | 008106 108120 504903 950951 953999 | 12 |

MISSING ITEM NUMBERS NOT APPLICABLE

- ITEM NOT ILLUSTRATED

36-11-01-15

36-11-01
FIG. 15
PAGE 5
JAN 20/09

BRI



**757
PARTS CATALOG (MAINTENANCE)**

| FIG ITEM | PART NUMBER | 1 2 3 4 5 6 7 | NOMENCLATURE | EFFECT FROM TO | UNITS PER ASSY |
|-----------|-------------|---------------|---|--|----------------|
| 15 105 | AN960C416 | . | WASHER | 008106 108120 504903 950951 953999 | 12 |
| 110 | PLH54CD | . | NUT SUPPLIER CODE: VF0224 SPECIFICATION NUMBER: BACN10YR4CD OPTIONAL PART: H52732-4CD V15653 | 008106 108120 504903 950951 953999 | 12 |
| 115 | 66-2396 | . | GASKET- MANUFACTURED FROM: SHEET ABESTOS VENDOR P/N RL235 VENDOR CODE 49944 .063 IN 5.60 IN 5.60 IN | 008106 108120 504903 950951 953999 | 2 |
| 115 | 66-2396-1 | . | GASKET- MANUFACTURED FROM: N0004388 SILICONE-COATED FABRIC SHEET THICKNESS .063 WIDTH 5.6 LENGTH 5.6 | 008106 108120 504903 950951 953999 | 2 |
| 120 | M913-1 | . | VALVE ASSY-NIPPLE CHK SUPPLIER CODE: V81833 FUNCTIONAL DESCRIPTION: PREVENTS REVERSE AIR FLOW MISCELLANEOUS DATA: M913-1 IS I/W 4663-1 AND 4665-1. M913-1 IS I/W 4663-5 AND 4665-8 ON 737-300, -400, -500 AND 757 AIRPLANES. 4663-5 AND 4665-8 ARE NOT APPROVED FOR USE ON AIRPLANES WITH JT8D ENGINES. COMPONENT MAINT MANUAL REF: 80-10-00 | 008106 108120 504903 950951 953999 | 1 |

MISSING ITEM NUMBERS NOT APPLICABLE

— ITEM NOT ILLUSTRATED

36-11-01-15

36-11-01
FIG. 15
PAGE 6
JAN 20/09

BRI



757

PARTS CATALOG (MAINTENANCE)

| FIG ITEM | PART NUMBER | 1 2 3 4 5 6 7 | NOMENCLATURE | EFFECT FROM TO | UNITS PER ASSY |
|-----------|-------------|---------------|--|--|----------------|
| 15 120 | 4663-8 | . | VALVE ASSY-NIPPLE CHK SUPPLIER CODE: V86831 FUNCTIONAL DESCRIPTION: PREVENTS REVERSE AIR FLOW COMPONENT MAINT MANUAL REF: 80-00-05 QUALIFIED I/W DATA: 4663-5 TOGETHER WITH MS20995C32 IS I/W 4663-8 | 008106 108120 504903 950951 953999 | 1 |
| 120 | 4663-1 | . | VALVE ASSY- SUPPLIER CODE: V86831 COMPONENT MAINT MANUAL REF: 80-00-05 | 008106 108120 504903 950951 953999 | 1 |
| 125 | 2154-0012 | .. | SCREW- SUPPLIER CODE: V86831 | 008106 108120 504903 950951 953999 | 1 |
| 130 | 212N3070-46 | . | DUCT ASSY | 008106 108120 504903 950951 953999 | 1 |
| 135 | 212N3017-50 | . | DUCT ASSY | 008106 108120 504903 950951 953999 | 1 |
| 140 | 212N3016-9 | . | DUCT ASSY | 008106 108120 504903 950951 953999 | 1 |
| 145 | 212N3095-1 | . | DUCT ASSY | 008106 108120 504903 950951 953999 | 1 |
| 155 | 212N3096-1 | . | DUCT ASSY | 008106 108120 504903 950951 953999 | 1 |

MISSING ITEM NUMBERS NOT APPLICABLE

- ITEM NOT ILLUSTRATED

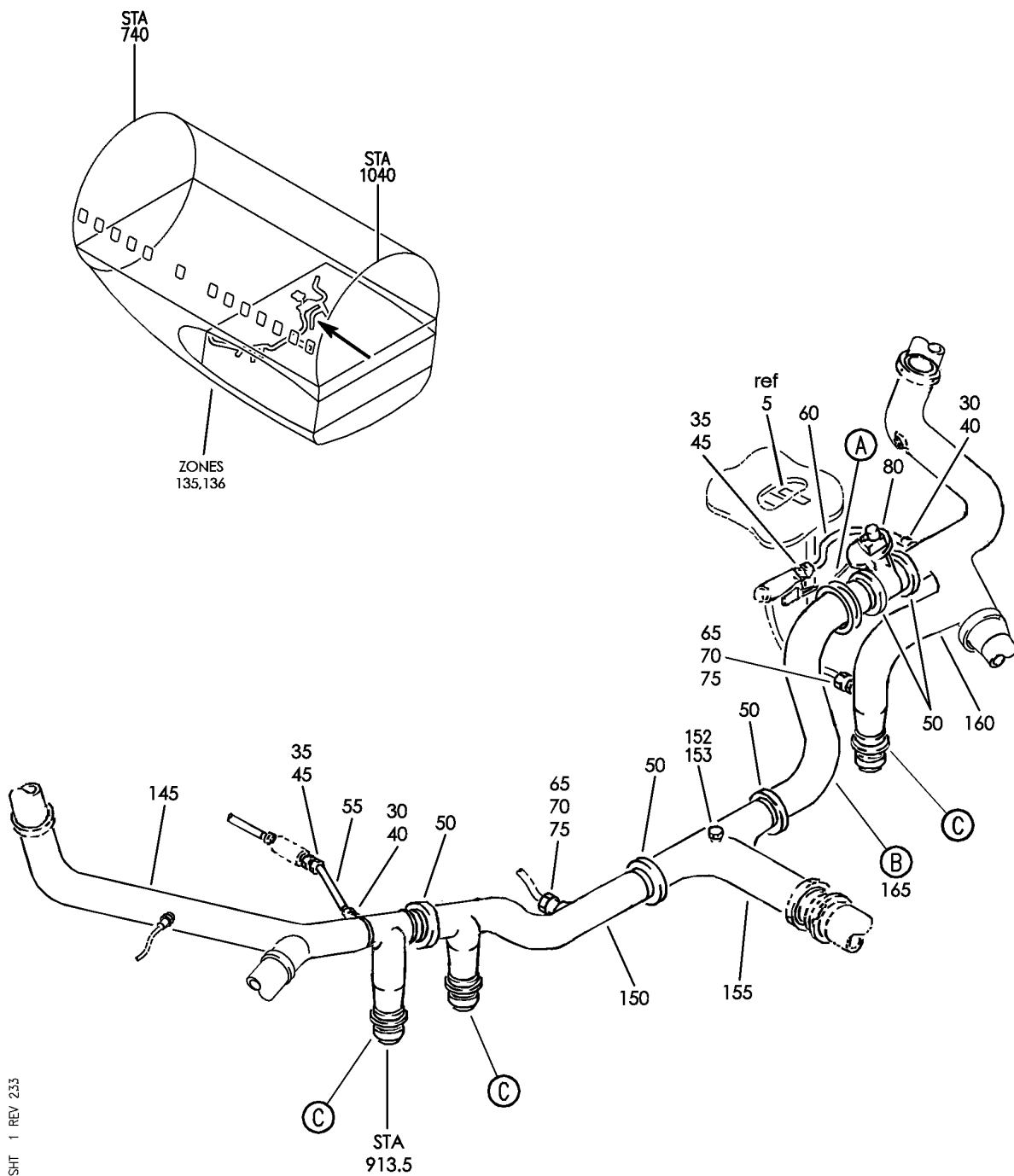
36-11-01-15

36-11-01
FIG. 15
PAGE 7
JAN 20/09

BRI

BOEING PROPRIETARY - Copyright © - Unpublished Work - See title page for details.

BOEING
757
PARTS CATALOG (MAINTENANCE)



Y 36110117 SHT 1 REV 233

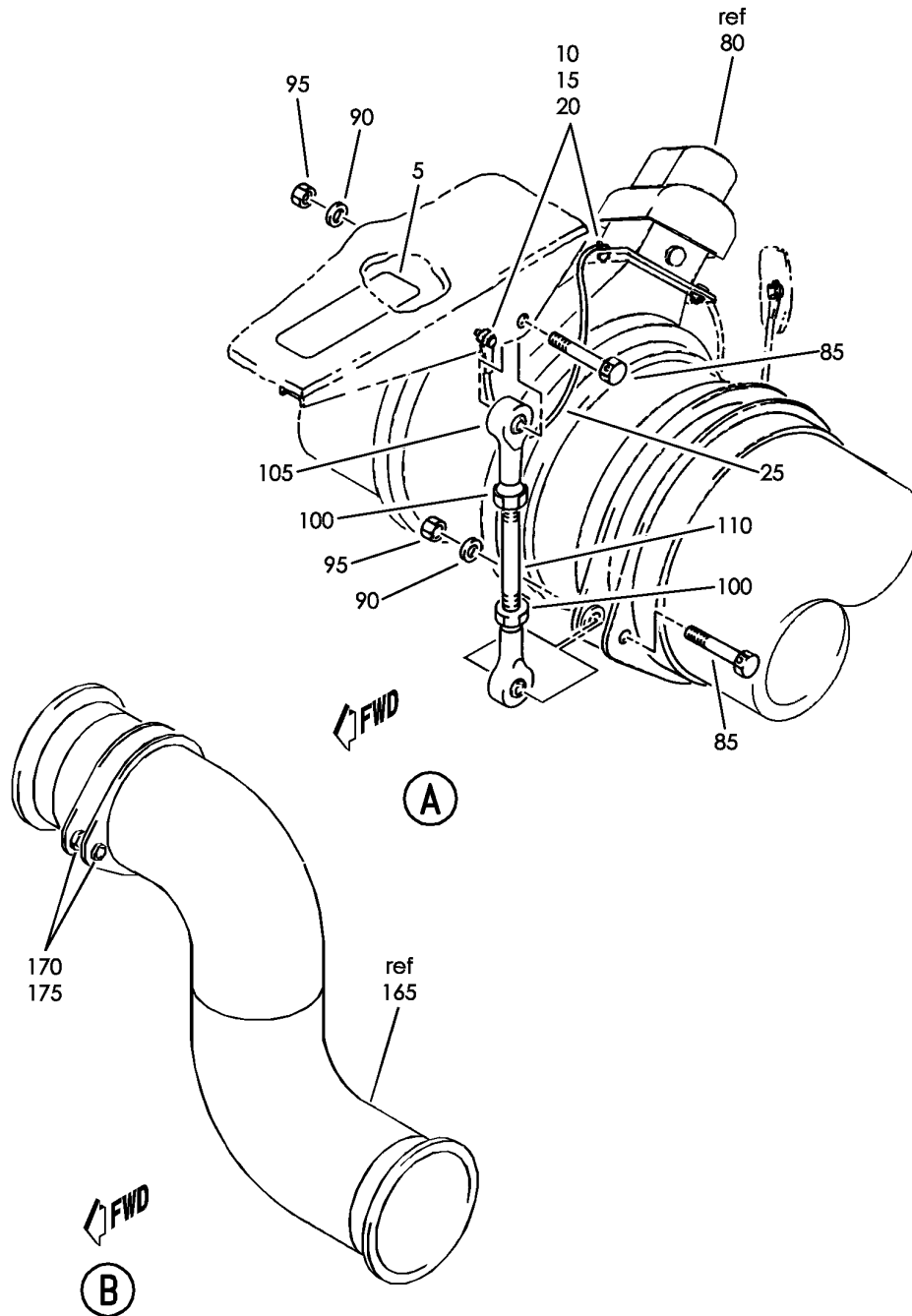
DUCT INSTL-AIR SUPPLY UNDER WING (AIR SUPPLY DISTRIBUTION ONLY)
FIGURE 17 (SHEET 1)

36-11-01-17

BRI
MAY 28/07

36-11-01-17
PAGE 0

BOEING
757
PARTS CATALOG (MAINTENANCE)



Y 36110117 SH1 2 REV 231

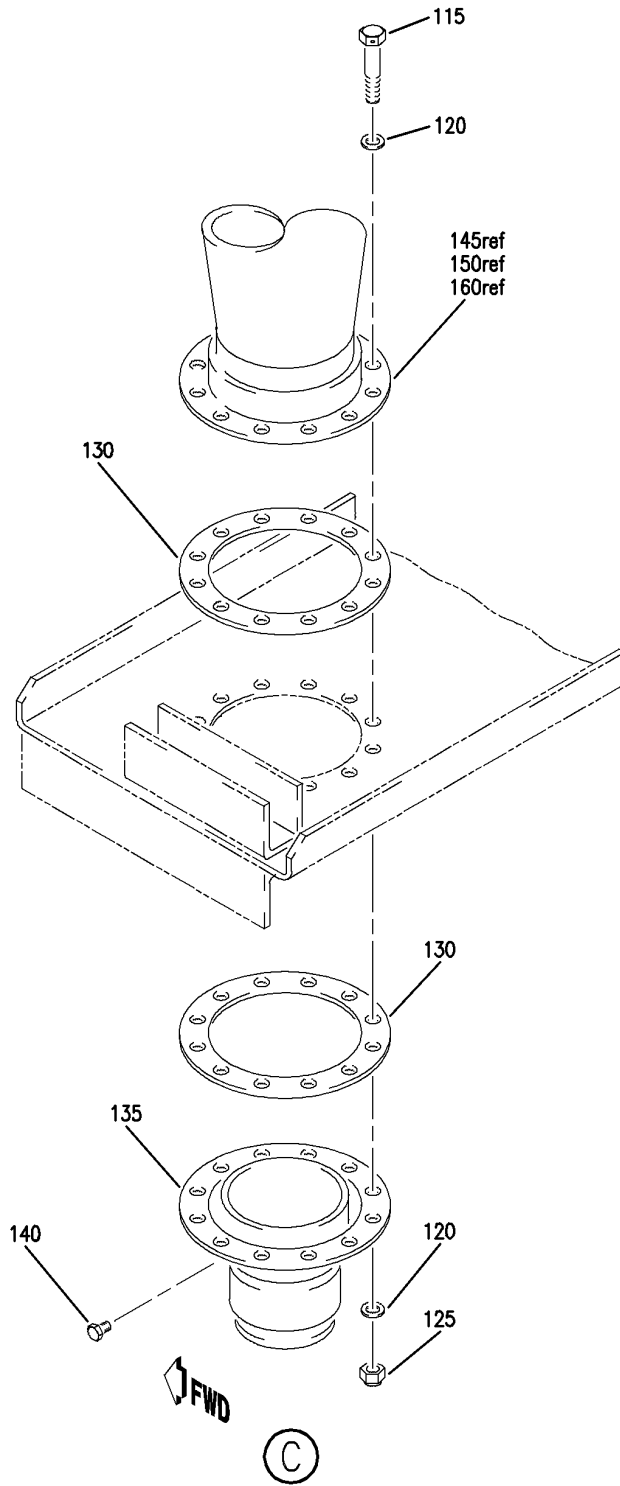
DUCT INSTL-AIR SUPPLY UNDER WING (AIR SUPPLY DISTRIBUTION ONLY)
FIGURE 17 (SHEET 2)

36-11-01-17

BRI
MAY 28/07

36-11-01-17
PAGE 0A

BOEING
757
PARTS CATALOG (MAINTENANCE)



Y 36110117 SHT 3 REV 231

DUCT INSTL-AIR SUPPLY UNDER WING (AIR SUPPLY DISTRIBUTION ONLY)
FIGURE 17 (SHEET 3)

36-11-01-17

BRI
MAY 28/07

36-11-01-17
PAGE 0B



757

PARTS CATALOG (MAINTENANCE)

| FIG ITEM | PART NUMBER | 1 2 3 4 5 6 7 | NOMENCLATURE | EFFECT FROM TO | UNITS PER ASSY |
|----------|--------------|---------------|---|--|----------------|
| 17 | | | DUCT INSTL-AIR SUPPLY UNDER WING (AIR SUPPLY DISTRIBUTION ONLY) | 002004 006007 107107 121503 904949 952952 | |
| - 1 | 212N3001-8 | | DUCT INSTL-AIR SUPPLY (AIR SUPPLY DISTRIBUTION ONLY) FOR NHA/OTHER SYS DET SEE: 21-00-00-01 | 107107 904949 | RF |
| - 1 | 212N3001-18 | | DUCT INSTL-AIR SUPPLY RR ENGINES, (AIR SUPPLY DISTRIBUTION ONLY) FOR NHA/OTHER SYS DET SEE: 21-00-00-01 | 121503 | RF |
| - 1 | 212N3001-20 | | DUCT INSTL-AIR SUPPLY RR ENGINES, (AIR SUPPLY DISTRIBUTION ONLY) FOR NHA/OTHER SYS DET SEE: 21-00-00-01 | 002004 006007 952952 | RF |
| 5 | BAC27NEC0007 | | .MARKER-ALUMINUM FOIL PLACARD CONTENT: VALVE-ISOLATION S/O V46 | 002004 006007 107107 121503 904949 952952 | 1 |
| 10 | BACB30NM4K4 | | .BOLT | 002004 006007 107107 121503 904949 952952 | 2 |
| 15 | AN960D416 | | .WASHER | 002004 006007 107107 121503 904949 952952 | 4 |

MISSING ITEM NUMBERS NOT APPLICABLE

- ITEM NOT ILLUSTRATED

36-11-01-17

36-11-01
FIG. 17
PAGE 1
JAN 20/09

BRI



757

PARTS CATALOG (MAINTENANCE)

| FIG ITEM | PART NUMBER | 1 2 3 4 5 6 7 | NOMENCLATURE | EFFECT FROM TO | UNITS PER ASSY |
|----------|--------------|---------------|--|--|----------------|
| 17 | | | | | |
| 20 | BRH10A4 | . | NUT SUPPLIER CODE: V52828 SPECIFICATION NUMBER: BACN10JC4 OPTIONAL PART: T6S428J V11815 96-048 V80539 VN303A048 V92215 RMLH9075-4W V72962 NS202101-048 V80539 H10-4BAC V15653 | 002004 006007 107107 121503 904949 952952 | 2 |
| 25 | RBEJ40D20-48 | . | JUMPER ASSY SUPPLIER CODE: V1GK47 SPECIFICATION NUMBER: BACJ40D20-48 | 002004 006007 107107 121503 904949 952952 | 1 |
| 30 | MS21916J8-6 | . | REDUCER | 121503 | 2 |
| 30 | MS21916D8-6 | . | REDUCER | 107107 904949 | 2 |
| 35 | R1131-906 | . | PACKING SUPPLIER CODE: V57268 SPECIFICATION NUMBER: BACP11K6 OPTIONAL PART: 3-906S383-70 V02697 1090-06 V95272 150701-06 V95272 AS568-906S32 V11314 | 107107 121503 904949 | 2 |

MISSING ITEM NUMBERS NOT APPLICABLE

- ITEM NOT ILLUSTRATED

36-11-01-17

36-11-01
FIG. 17
PAGE 2
JAN 20/09

BRI



757

PARTS CATALOG (MAINTENANCE)

| FIG ITEM | PART NUMBER | 1 2 3 4 5 6 7 | NOMENCLATURE | EFFECT FROM TO | UNITS PER ASSY |
|----------|---------------|---------------|---|--|----------------|
| 17 40 | R1131-908 | | .PACKING SUPPLIER CODE: V57268 SPECIFICATION NUMBER: BACP11K8 OPTIONAL PART: 3-908S383-70 V02697 1090-08 V95272 150701-08 V95272 AS568-908S32 V11314 | 107107 121503 904949 | 2 |
| 45 | LER894S6-6 | | .BUSHING-EXPANDER SUPPLIER CODE: V00624 | 107107 121503 904949 | 2 |
| 50 | 14J29500 | | .CLAMP SUPPLIER CODE: V5T400 SPECIFICATION NUMBER: BACC10GY500 OPTIONAL PART: 4385AF500 V94581 PDVC1137500 V14242 NM102701500 V8W928 | 002004 006007 107107 121503 904949 952952 | 5 |
| 55 | AS115-06-0093 | | .HOSE ASSY | 107107 121503 904949 | 1 |
| 60 | AS115-06-0142 | | .HOSE ASSY | 107107 121503 904949 | 1 |
| 65 | R1131-906 | | .PACKING SUPPLIER CODE: V57268 SPECIFICATION NUMBER: BACP11K6 OPTIONAL PART: 3-906S383-70 V02697 1090-06 V95272 150701-06 V95272 AS568-906S32 V11314 | 002004 006007 107107 121503 904949 952952 | 2 |

MISSING ITEM NUMBERS NOT APPLICABLE

- ITEM NOT ILLUSTRATED

36-11-01-17

36-11-01
FIG. 17
PAGE 3
JAN 20/09

BRI

 **BOEING**
757
PARTS CATALOG (MAINTENANCE)

| FIG ITEM | PART NUMBER | 1 2 3 4 5 6 7 | NOMENCLATURE | EFFECT FROM TO | UNITS PER ASSY |
|-------------|-------------|---------------|---|--|----------------------|
| 17 70 | 271N3035-1 | . | FITTING ASSY | 002004 006007 107107 121503 904949 952952 | 2 |
| 75 | 271N3035-2 | .. | PLUG | 002004 006007 107107 121503 904949 952952 | 1 |
| 80 | 2790598-101 | . | VALVE-ISOLATION SUPPLIER CODE: V92003 SPECIFICATION NUMBER: S210N701-11 ELECTRICAL EQUIP NUMBER: V00046 COMPONENT MAINT MANUAL REF: 49-50-02 OPTIONAL PART: 2790598-102 V92003 2790598-103 V92003 FOR DETAILS SEE: 36-11-10-50 | 002004 006007 107107 121503 904949 952952 | 1 |
| 80 | 2790598-102 | . | VALVE-SHUTOFF SUPPLIER CODE: V92003 SPECIFICATION NUMBER: S210N701-11 ELECTRICAL EQUIP NUMBER: V00046 COMPONENT MAINT MANUAL REF: 49-50-02 OPTIONAL PART: 2790598-101 V92003 2790598-103 V92003 FOR DETAILS SEE: 36-11-10-50 | 002004 006007 107107 121503 904949 952952 | 1 |

MISSING ITEM NUMBERS NOT APPLICABLE

— ITEM NOT ILLUSTRATED

BRI

36-11-01-17

BOEING PROPRIETARY - Copyright © - Unpublished Work - See title page for details.

36-11-01
FIG. 17
PAGE 4
JAN 20/09



757

PARTS CATALOG (MAINTENANCE)

| FIG ITEM | PART NUMBER | 1 2 3 4 5 6 7 | NOMENCLATURE | EFFECT FROM TO | UNITS PER ASSY |
|----------|---------------|---------------|--|--|----------------|
| 17 80 | 2790598-103 | | .VALVE-SHUTOFF SUPPLIER CODE: V92003 SPECIFICATION NUMBER: S210N701-11 COMPONENT MAINT MANUAL REF: 49-50-02 OPTIONAL PART: 2790598-101 V92003 2790598-102 V92003 FOR DETAILS SEE: 36-11-10-50 | 002004 006007 107107 121503 904949 952952 | 1 |
| 85 | BACB30NR4HK15 | | .BOLT | 002004 006007 107107 121503 904949 952952 | 2 |
| 90 | AN960PD416L | | .WASHER | 002004 006007 107107 121503 904949 952952 | 2 |
| 95 | BRH10A4 | | .NUT SUPPLIER CODE: V52828 SPECIFICATION NUMBER: BACN10JC4 OPTIONAL PART: T6S428J V11815 96-048 V80539 VN303A048 V92215 RMLH9075-4W V72962 NS202101-048 V80539 H10-4BAC V15653 | 002004 006007 107107 121503 904949 952952 | 2 |

MISSING ITEM NUMBERS NOT APPLICABLE

- ITEM NOT ILLUSTRATED

BRI

36-11-01-17

BOEING PROPRIETARY - Copyright © - Unpublished Work - See title page for details.

36-11-01
FIG. 17
PAGE 5
JAN 20/09



757

PARTS CATALOG (MAINTENANCE)

| FIG ITEM | PART NUMBER | 1 2 3 4 5 6 7 | NOMENCLATURE | EFFECT FROM TO | UNITS PER ASSY |
|-------------|--------------|---------------|--|--|----------------------|
| 17 100 | NAS509-5 | . | NUT | 002004 006007 107107 121503 904949 952952 | 2 |
| 105 | M81935-2-4 | . | BEARING- OPTIONAL PART: MS21243S04 | 002004 006007 107107 121503 904949 952952 | 2 |
| 105 | MS21243S04 | . | BEARING- OPTIONAL PART: M81935-2-4 | 002004 006007 107107 121503 904949 952952 | 2 |
| 110 | NAS354-5-450 | . | ROD | 002004 006007 107107 121503 904949 952952 | 1 |
| 115 | BACB30NR4K8 | . | BOLT | 002004 006007 107107 121503 904949 952952 | 36 |
| 120 | AN960PD416 | . | WASHER | 002004 006007 107107 121503 904949 952952 | 36 |

MISSING ITEM NUMBERS NOT APPLICABLE

- ITEM NOT ILLUSTRATED

BRI

36-11-01-17

BOEING PROPRIETARY - Copyright © - Unpublished Work - See title page for details.

36-11-01
FIG. 17
PAGE 6
JAN 20/09



757

PARTS CATALOG (MAINTENANCE)

| FIG ITEM | PART NUMBER | 1 2 3 4 5 6 7 | NOMENCLATURE | EFFECT FROM TO | UNITS PER ASSY |
|-----------|-------------|------------------------|--|--|----------------|
| 17 125 | BRH10A4 | .NUT | SUPPLIER CODE: V52828 SPECIFICATION NUMBER: BACN10JC4 OPTIONAL PART: T6S428J V11815 96-048 V80539 VN303A048 V92215 RMLH9075-4W V72962 NS202101-048 V80539 H10-4BAC V15653 | 002004 006007 107107 121503 904949 952952 | 36 |
| 130 | 66-2396 | .GASKET- | MANUFACTURED FROM: SHEET ABESTOS VENDOR P/N RL235 VENDOR CODE 49944 .063 IN 5.60 IN 5.60 IN | 002004 006007 107107 121503 904949 952952 | 6 |
| 130 | 66-2396-1 | .GASKET- | MANUFACTURED FROM: N0004388 SILICONE-COATED FABRIC SHEET THICKNESS .063 WIDTH 5.6 LENGTH 5.6 | 002004 006007 107107 121503 904949 952952 | 6 |
| 135 | M913-1 | .VALVE ASSY-NIPPLE CHK | SUPPLIER CODE: V81833 FUNCTIONAL DESCRIPTION: PREVENTS REVERSE AIR FLOW MISCELLANEOUS DATA: M913-1 IS I/W 4663-1 AND 4665-1. M913-1 IS I/W 4663-5 AND 4665-8 ON 737-300, -400, -500 AND 757 AIRPLANES. 4663-5 AND 4665-8 ARE NOT APPROVED FOR USE ON AIRPLANES WITH JT8D ENGINES. COMPONENT MAINT MANUAL REF: 80-10-00 | 002004 006007 107107 121503 904949 952952 | 3 |

MISSING ITEM NUMBERS NOT APPLICABLE

- ITEM NOT ILLUSTRATED

36-11-01-17

36-11-01
FIG. 17
PAGE 7
JAN 20/09

BRI



757

PARTS CATALOG (MAINTENANCE)

| FIG ITEM | PART NUMBER | 1 2 3 4 5 6 7 | NOMENCLATURE | EFFECT FROM TO | UNITS PER ASSY |
|------------|----------------------------|---------------|---|--|----------------|
| 17 135 | 4663-8 | | .VALVE ASSY-NIPPLE CHK SUPPLIER CODE: V86831 FUNCTIONAL DESCRIPTION: PREVENTS REVERSE AIR FLOW COMPONENT MAINT MANUAL REF: 80-00-05 QUALIFIED I/W DATA: 4663-5 TOGETHER WITH MS20995C32 IS I/W 4663-8 | 002004 006007 107107 121503 904949 952952 | 3 |
| 135 | 4663-1 | | .VALVE ASSY- SUPPLIER CODE: V86831 COMPONENT MAINT MANUAL REF: 80-00-05 | 002004 006007 107107 121503 904949 952952 | 3 |
| 140 | 2154-0012 | | ..SCREW- SUPPLIER CODE: V86831 USED ON: 4663-8 | 002004 006007 107107 121503 904949 952952 | 1 |
| 145 | 212N3070-34 | | .DUCT ASSY- QUALIFIED OPTIONAL DATA: (212N3070-41 PREFERRED SPARE TO 212N3070-34) | 107107 904949 | 1 |
| 145 | 212N3070-40 | | .DUCT ASSY | 002004 006007 952952 | 1 |
| 145 150 | 212N3070-41 212N3071-21 | | .DUCT ASSY .DUCT ASSY- QUALIFIED OPTIONAL DATA: (212N3071-30 PREFERRED SPARE TO 212N3071-23 OR 212N3071-21 OR 212N3071-19) | 121503 107107 | 1 1 |
| 150 | 212N3071-23 | | .DUCT ASSY- QUALIFIED OPTIONAL DATA: (212N3071-30 PREFERRED SPARE TO 212N3071-23 OR 212N3071-21 OR 212N3071-19) | 904949 | 1 |
| 150 | 212N3071-30 | | .DUCT ASSY | 002004 006007 121503 952952 | 1 |

MISSING ITEM NUMBERS NOT APPLICABLE

- ITEM NOT ILLUSTRATED

BRI

36-11-01-17

36-11-01
FIG. 17
PAGE 8
JAN 20/09



757

PARTS CATALOG (MAINTENANCE)

| FIG ITEM | PART NUMBER | 1 2 3 4 5 6 7 | NOMENCLATURE | EFFECT FROM TO | UNITS PER ASSY |
|-----------|-------------|---------------|---|--|----------------|
| 17 155 | 212N3022-3 | . | DUCT ASSY- | 002004 006007 107107 121503 904949 952952 | 1 |
| 160 | 212N3017-21 | . | DUCT ASSY- QUALIFIED OPTIONAL DATA: (212N3017-44 PREFERRED SPARE TO 212N3017-37 OR 212N3017-21 OR 212N3071-14) | 107107 | 1 |
| 160 | 212N3017-24 | . | DUCT ASSY- QUALIFIED OPTIONAL DATA: (212N3017-45 PREFERRED SPARE TO 212N3017-38 OR 212N3017-24 OR 212N3071-15) | 002004 006007 952952 | 1 |
| 160 | 212N3017-37 | . | DUCT ASSY- QUALIFIED OPTIONAL DATA: (212N3017-44 PREFERRED SPARE TO 212N3017-37 OR 212N3017-21 OR 212N3071-14) | 904949 | 1 |
| 160 | 212N3017-38 | . | DUCT ASSY- QUALIFIED OPTIONAL DATA: (212N3017-45 PREFERRED SPARE TO 212N3017-38 OR 212N3017-24 OR 212N3071-15) | 002004 006007 952952 | 1 |
| 160 | 212N3017-44 | . | DUCT ASSY | 121503 | 1 |
| 160 | 212N3017-45 | . | DUCT ASSY- | 002004 006007 952952 | 1 |
| 165 | 212N3016-1 | . | DUCT ASSY- | 002004 006007 107107 121503 904949 952952 | 1 |
| 165 | 212N3016-4 | . | DUCT ASSY- | 002004 006007 107107 121503 904949 952952 | 1 |

MISSING ITEM NUMBERS NOT APPLICABLE

- ITEM NOT ILLUSTRATED

36-11-01-17

36-11-01
FIG. 17
PAGE 9
JAN 20/09

BRI



757

PARTS CATALOG (MAINTENANCE)

| FIG ITEM | PART NUMBER | 1 2 3 4 5 6 7 | NOMENCLATURE | EFFECT FROM TO | UNITS PER ASSY |
|-------------|--------------|---------------|--------------|--|----------------------|
| 17 165 | 212N3016-7 | . | DUCT ASSY- | 002004 006007 107107 121503 904949 952952 | 1 |
| 170 | AN960PD616 | .. | WASHER | 002004 006007 107107 121503 904949 952952 | 2 |
| 175 | BACB28B4-239 | .. | BUSHING | 002004 006007 107107 121503 904949 952952 | 2 |

MISSING ITEM NUMBERS NOT APPLICABLE

- ITEM NOT ILLUSTRATED

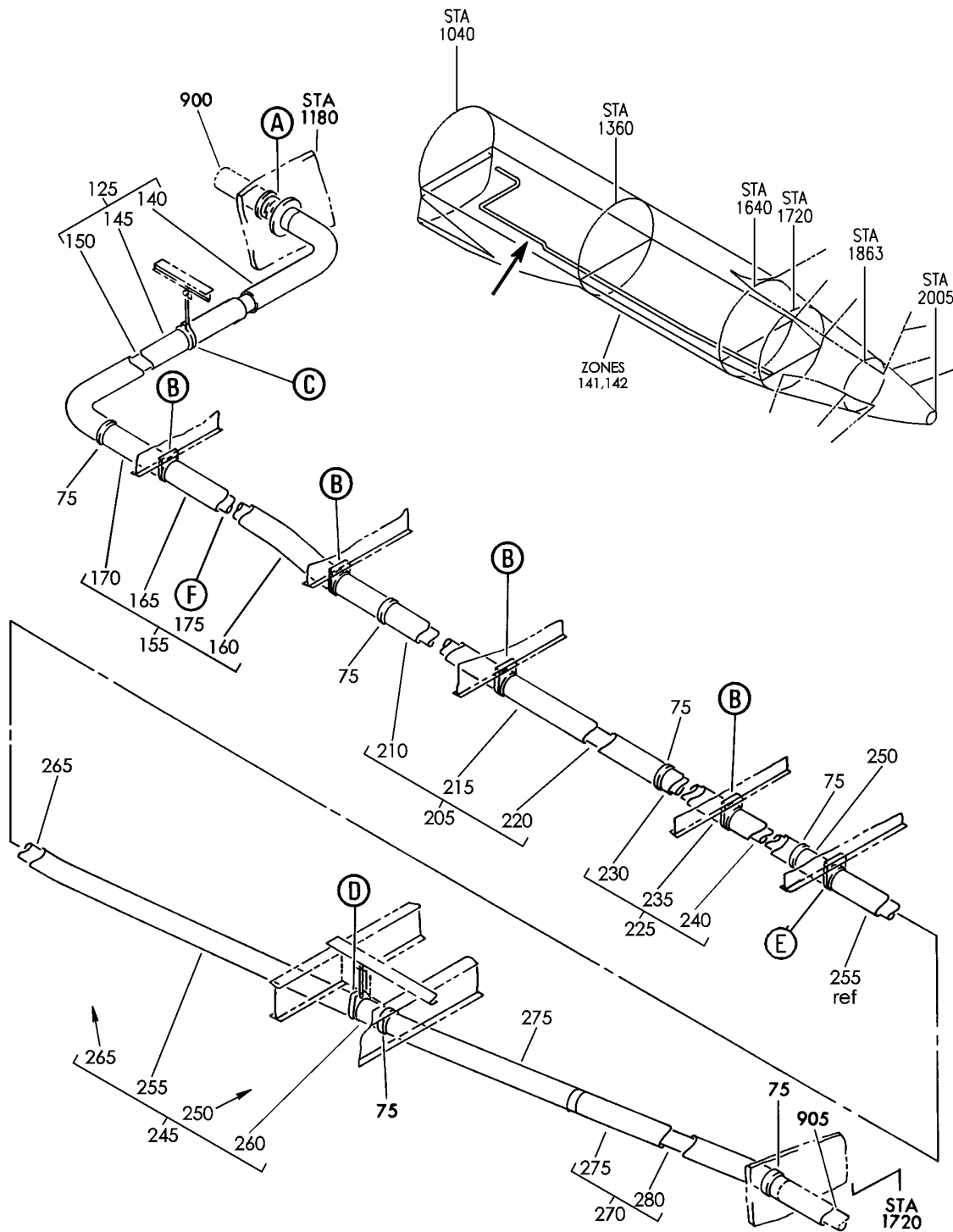
BRI

36-11-01-17

BOEING PROPRIETARY - Copyright © - Unpublished Work - See title page for details.

36-11-01
FIG. 17
PAGE 10
JAN 20/09

BOEING
757
PARTS CATALOG (MAINTENANCE)



Y 36110120 SHT 1 REV 242

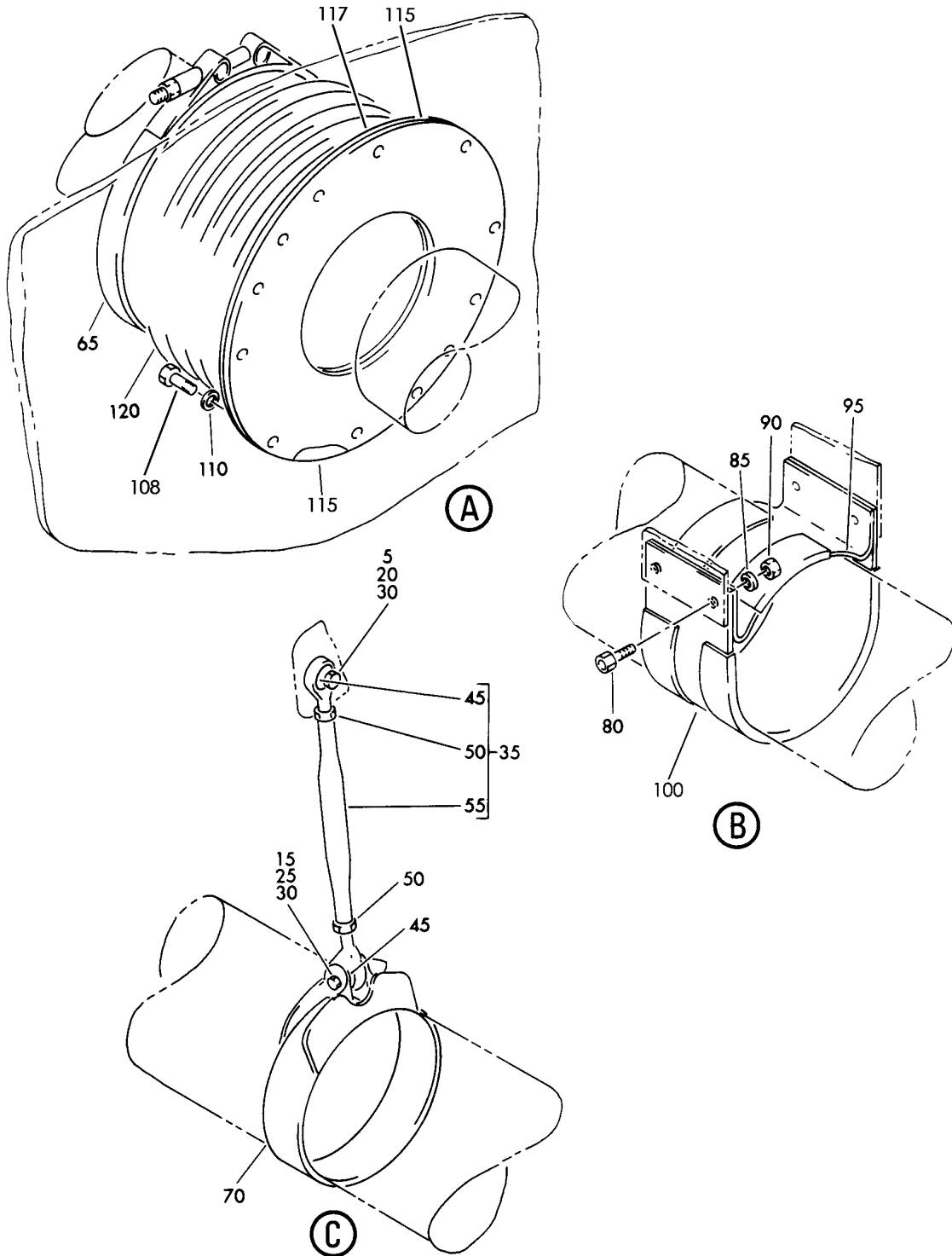
DUCT INSTL-AIR SUPPLY SECT. 46
FIGURE 20 (SHEET 1)

36-11-01-20

BRI
MAY 28/07

36-11-01-20
PAGE 0

BOEING
757
PARTS CATALOG (MAINTENANCE)



Y 36110120 SHT 2 REV 242

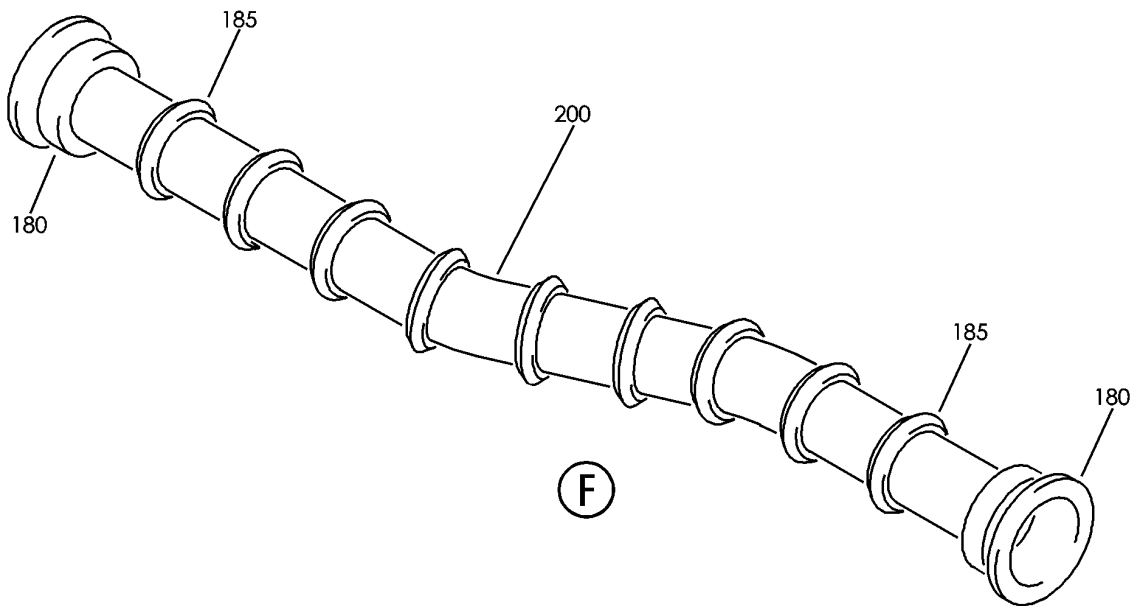
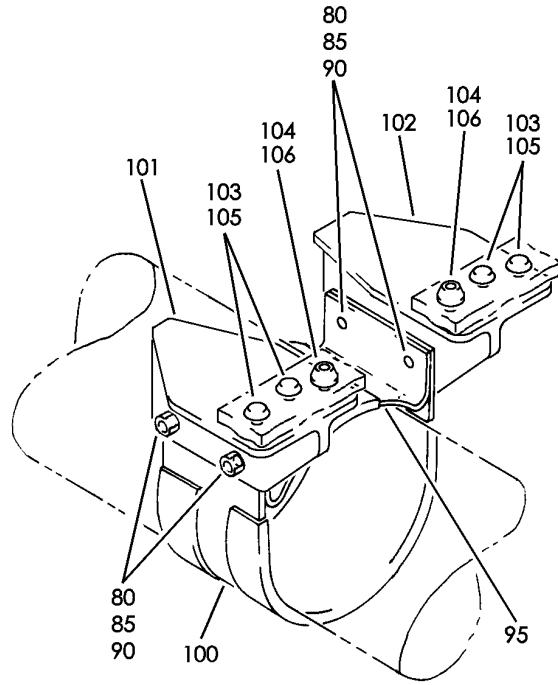
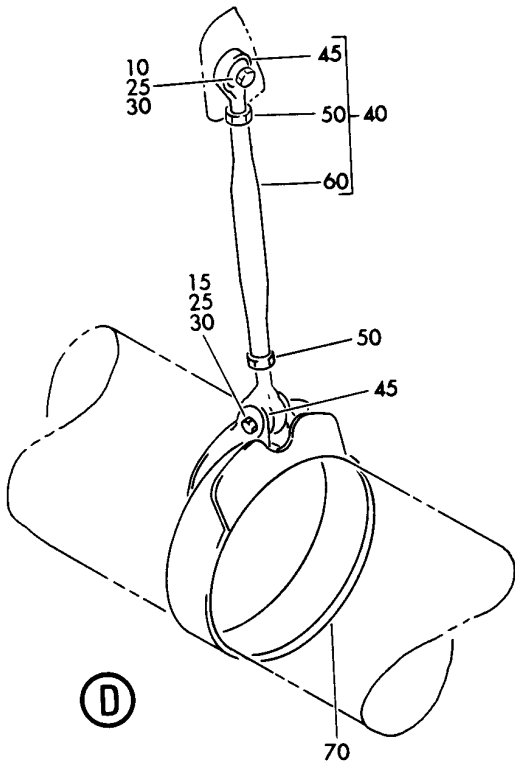
DUCT INSTL-AIR SUPPLY SECT. 46
FIGURE 20 (SHEET 2)

36-11-01-20

BRI
MAY 28/07

36-11-01-20
PAGE 0A

BOEING
757
PARTS CATALOG (MAINTENANCE)



Y 36110120 SHT 3 REV 242

DUCT INSTL-AIR SUPPLY SECT. 46
FIGURE 20 (SHEET 3)

36-11-01-20

BRI
MAY 28/07

36-11-01-20
PAGE 0B



757

PARTS CATALOG (MAINTENANCE)

| FIG ITEM | PART NUMBER | 1 2 3 4 5 6 7 | NOMENCLATURE | EFFECT FROM TO | UNITS PER ASSY |
|----------|---------------|---------------|--|--|----------------|
| 20 | | | DUCT INSTL-AIR SUPPLY SECT. 46 | 002004 006102 107999 | |
| - 1 | 212N3005-1 | | DUCT INSTL-AIR SUPPLY POSITION DATA: SECT. 46 FOR NHA SEE: 21-00-00-01 | 002004 006100 107107 121503 904999 | RF |
| - 1 | 212N3005-3 | | DUCT INSTL-AIR SUPPLY POSITION DATA: SECT. 46 FOR NHA SEE: 21-00-00-14 | 101102 108120 504903 | RF |
| 5 | BACB30NR4HK10 | | .BOLT- OPTIONAL PART: BACB30NR4K10 | 002004 006102 107999 | 1 |
| 5 | BACB30NR4K10 | | .BOLT- OPTIONAL PART: BACB30NR4HK10 | 002004 006102 107999 | 1 |
| 10 | BACB30NR4HK15 | | .BOLT- OPTIONAL PART: BACB30NR4K15 | 002004 006102 107999 | 1 |
| 10 | BACB30NR4K15 | | .BOLT- OPTIONAL PART: BACB30NR4HK15 | 002004 006102 107999 | 1 |
| 15 | BACB30NR4HK9 | | .BOLT- OPTIONAL PART: BACB30NR4K9 | 002004 006102 107999 | 2 |
| 15 | BACB30NR4K9 | | .BOLT- OPTIONAL PART: BACB30NR4HK9 | 002004 006102 107999 | 2 |
| 20 | NAS1149D0416J | | .WASHER | 002004 006102 107999 | 1 |
| 25 | NAS1149D0463J | | .WASHER | 002004 006102 107999 | 3 |

MISSING ITEM NUMBERS NOT APPLICABLE

- ITEM NOT ILLUSTRATED

36-11-01-20

36-11-01
FIG. 20
PAGE 1
JAN 20/09

BRI



757

PARTS CATALOG (MAINTENANCE)

| FIG ITEM | PART NUMBER | 1 2 3 4 5 6 7 | NOMENCLATURE | EFFECT FROM TO | UNITS PER ASSY |
|----------|-------------|---------------|--|----------------------------|----------------|
| 20 | | | | | |
| 30 | BRH10C4D | .NUT | SUPPLIER CODE: V52828 SPECIFICATION NUMBER: BACN10JC4CD OPTIONAL PART: T6C428JCD V11815 NS202486-048 V80539 102LH9075-4W V72962 H51650-4BAC V15653 | 002004 006102 107999 | 4 |
| 35 | 212N3030-9 | .ROD | ASSY-UNDERWING TIE | 002004 006102 107999 | 1 |
| 40 | 212N3030-7 | .ROD | ASSY-UNDERWING TIE | 002004 006102 107999 | 1 |
| 45 | M81935-1-4 | ..BEARING | | 002004 006102 107999 | 2 |
| 50 | NAS509-5 | ..NUT | | 002004 006102 107999 | 2 |
| 55 | 212N3030-10 | ..TUBE-DETAIL | USED ON: 212N3030-9 | 002004 006102 107999 | 1 |
| 60 | 212N3030-8 | ..TUBE-DETAIL | USED ON: 212N3030-7 | 002004 006102 107999 | 1 |

MISSING ITEM NUMBERS NOT APPLICABLE

- ITEM NOT ILLUSTRATED

BRI

36-11-01-20

BOEING PROPRIETARY - Copyright © - Unpublished Work - See title page for details.

36-11-01
FIG. 20
PAGE 2
JAN 20/09



757

PARTS CATALOG (MAINTENANCE)

| FIG ITEM | PART NUMBER | 1 2 3 4 5 6 7 | NOMENCLATURE | EFFECT FROM TO | UNITS PER ASSY |
|----------|---------------|---|----------------------------|----------------|----------------|
| 20 65 | BACC10BN600LM | .CLAMP S U P P L I E R C O D E: V 9 8 6 2 5 S P E C I F I C A T I O N N U M B E R: B A C C 1 0 B N 6 0 0 L M O P T I O N A L P A R T: 3 0 7 8 C 6 0 0 L M V 9 4 5 8 1 B C 1 0 8 0 S 6 0 0 L Z V 1 4 2 4 M B C 5 8 2 5 - 6 0 0 L M V 9 8 6 2 5 3 0 7 8 C 6 0 0 L M V 9 4 5 8 1 1 0 4 4 6 0 0 L M V 9 4 5 8 1 M B C 5 8 2 5 6 0 0 L M V 0 0 6 2 4 1 9 3 9 6 N 6 0 0 L M V 0 0 6 2 4 | 002004 006102 107999 | 1 | |
| 70 | BACC10ES00GA | .CLAMP- O P T I O N A L P A R T: B A C C 1 0 H N 4 5 G A B A C C 1 0 H N 0 4 G A | 002004 006102 107999 | 2 | |
| 70 | 3015AE45GA | .CLAMP- S U P P L I E R C O D E: V 9 4 5 8 1 S P E C I F I C A T I O N N U M B E R: B A C C 1 0 H N 4 5 G A O P T I O N A L P A R T: 6 5 7 9 0 A 4 5 G A V 0 0 6 2 4 B A C C 1 0 E S 0 0 G A B A C C 1 0 H N 0 4 G A | 002004 006102 107999 | 2 | |
| 70 | 3015AE04GE | .CLAMP- S U P P L I E R C O D E: V 9 4 5 8 1 S P E C I F I C A T I O N N U M B E R: B A C C 1 0 H N 0 4 G A O P T I O N A L P A R T: 6 5 7 9 0 A 0 4 G E V 0 0 6 2 4 B A C C 1 0 E S 0 0 G A B A C C 1 0 H N 4 5 G A | 002004 006102 107999 | 2 | |

MISSING ITEM NUMBERS NOT APPLICABLE

- ITEM NOT ILLUSTRATED

36-11-01-20

36-11-01
FIG. 20
PAGE 3
JAN 20/09

BRI



757

PARTS CATALOG (MAINTENANCE)

| FIG ITEM | PART NUMBER | 1 2 3 4 5 6 7 | NOMENCLATURE | EFFECT FROM TO | UNITS PER ASSY |
|----------|---------------|---------------|---|--|----------------|
| 20 | | | | | |
| 75 | 14J29500 | . | CLAMP SUPPLIER CODE: V5T400 SPECIFICATION NUMBER: BACC10GY500 OPTIONAL PART: 4385AF500 V94581 PDVC1137500 V14242 NM102701500 V8W928 | 002004 006100 107107 121503 904999 | 6 |
| 75 | 14J29500E | . | CLAMP SUPPLIER CODE: V5T400 SPECIFICATION NUMBER: BACC10GY500E OPTIONAL PART: 4385AF500E V94581 PDVC1137500E V14242 NM102701500E V8W928 | 101102 108120 504903 | 6 |
| 80 | BACB30NR3K3 | . | BOLT | 002004 006100 107107 121503 904999 | 20 |
| 80 | BACB30NM3K3 | . | BOLT | 101102 108120 504903 | 20 |
| 85 | NAS1149D0332J | . | WASHER | 002004 006102 107999 | 20 |
| 90 | BRH10C3D | . | NUT SUPPLIER CODE: V52828 SPECIFICATION NUMBER: BACN10JC3CD OPTIONAL PART: T6C1032JCD V11815 NS202486-02 V80539 102LH9075-3W V72962 H51650-3BAC V15653 | 002004 006102 107999 | 20 |

MISSING ITEM NUMBERS NOT APPLICABLE

- ITEM NOT ILLUSTRATED

36-11-01-20

36-11-01
FIG. 20
PAGE 4
JAN 20/09

BRI



757

PARTS CATALOG (MAINTENANCE)

| FIG ITEM | PART NUMBER | 1 2 3 4 5 6 7 | NOMENCLATURE | EFFECT FROM TO | UNITS PER ASSY |
|----------|----------------|---------------|---|--|----------------|
| 20 | | | | | |
| 95 | BC116780-2 | . | CLAMP BRACKET SUPPLIER CODE: V14242 SPECIFICATION NUMBER: BACC10ER2-80 OPTIONAL PART: S315-2-80 V18076 | 002004 006100 107107 121503 904999 | 5 |
| 95 | BACC10ER2-80AP | . | BRACKET SUPPLIER CODE: V14242 SPECIFICATION NUMBER: BACC10ER2-80AP | 101102 108120 504903 | 5 |
| 100 | BC116780-1 | . | CLAMP STRAP SUPPLIER CODE: V14242 SPECIFICATION NUMBER: BACC10ER1-80 OPTIONAL PART: S315-1-80 V18076 | 002004 006100 107107 121503 904999 | 5 |
| 100 | BACC10ER1-80AP | . | STRAP SUPPLIER CODE: V14242 SPECIFICATION NUMBER: BACC10ER1-80AP | 101102 108120 504903 | 5 |
| 101 | 212N3025-1 | . | BRACKET- POST ALERT SB: 26A0040R1 | 002004 006100 107107 121503 904999 | 1 |
| 102 | 212N3025-2 | . | BRACKET- POST ALERT SB: 26A0040R1 | 002004 006100 107107 121503 904999 | 1 |

MISSING ITEM NUMBERS NOT APPLICABLE

- ITEM NOT ILLUSTRATED

BRI

36-11-01-20

BOEING PROPRIETARY - Copyright © - Unpublished Work - See title page for details.

36-11-01
FIG. 20
PAGE 5
JAN 20/09



757

PARTS CATALOG (MAINTENANCE)

| FIG ITEM | PART NUMBER | 1 2 3 4 5 6 7 | NOMENCLATURE | EFFECT FROM TO | UNITS PER ASSY |
|----------|-------------|---------------|---|--|----------------|
| 20 | | | | | |
| 103 | HL1012AZ6-4 | | ATTACHING PARTS .BOLT- SUPPLIER CODE: V97928 SPECIFICATION NUMBER: BACB30NX6K4 OPTIONAL PART: HL12VAZ6-4 V73197 HL12VAZ6-4 V92215 HL12VAZ6-4 V97928 L802-6K4 V06725 HL12VAZ6-4 V56878 HL1012AZ6-4 V0PTK6 HL1012AZ6-4 V06725 HL1012AZ6-4 V06950 HL1012AZ6-4 V17446 HL1012AZ6-4 V56878 HL1012AZ6-4 V60516 HL1012AZ6-4 V73197 POST ALERT SB: 26A0040R1 | 002004 006100 107107 121503 904999 | 4 |

MISSING ITEM NUMBERS NOT APPLICABLE

- ITEM NOT ILLUSTRATED

BRI

36-11-01-20

BOEING PROPRIETARY - Copyright © - Unpublished Work - See title page for details.

36-11-01
 FIG. 20
 PAGE 6
 JAN 20/09



757

PARTS CATALOG (MAINTENANCE)

| FIG ITEM | PART NUMBER | 1 2 3 4 5 6 7 | NOMENCLATURE | EFFECT FROM TO | UNITS PER ASSY |
|-----------|-------------|---------------|--|--|----------------|
| 20 104 | HL1032AZ6-4 | | .BOLT- SUPPLIER CODE: V06725 SPECIFICATION NUMBER: BACB30NX6K4Y OPTIONAL PART: HL1032AZ6-4 V06950 HL1032AZ6-4 V17446 HL1032AZ6-4 V56878 HL1032AZ6-4 V60516 HL1032AZ6-4 V73197 HL1032AZ6-4 V97928 HL412AZ6-4 V92215 HL412VAZ6-4 V06725 HL412VAZ6-4 V56878 HL412VAZ6-4 V60516 HL412VAZ6-4 V73197 HL412VAZ6-4 V92215 HL412VAZ6-4 V97928 POST ALERT SB: 26A0040R1 | 002004 006100 107107 121503 904999 | 2 |

MISSING ITEM NUMBERS NOT APPLICABLE

- ITEM NOT ILLUSTRATED

BRI

36-11-01-20

BOEING PROPRIETARY - Copyright © - Unpublished Work - See title page for details.

36-11-01
FIG. 20
PAGE 7
JAN 20/09

 **BOEING**
757
PARTS CATALOG (MAINTENANCE)

| FIG ITEM | PART NUMBER | 1 2 3 4 5 6 7 | NOMENCLATURE | EFFECT FROM TO | UNITS PER ASSY |
|-----------|---------------|---------------|--|--|----------------|
| 20 105 | HL1187-6 | | .COLLAR- SUPPLIER CODE: V5M902 SPECIFICATION NUMBER: BACC30X6 OPTIONAL PART: HL87-6 V92215 HL87-6 V73197 HL1187-6 V56878 HL1187-6 V92215 HL87-6 V56878 HL1187-6 V73197 POST ALERT SB: 26A0040R1 | 002004 006100 107107 121503 904999 | 4 |
| 106 | HL1393-6 | | .COLLAR- SUPPLIER CODE: V73197 SPECIFICATION NUMBER: BACC30AC6 OPTIONAL PART: HL1393-6 V56878 POST ALERT SB: 26A0040R1 -----*----- | 002004 006100 107107 121503 904999 | 2 |
| 108 | BACB30NM3K3 | | .BOLT | 002004 006102 107999 | 12 |
| 110 | NAS1149D0332J | | .WASHER | 002004 006102 107999 | 12 |
| 115 | 212N3055-2 | | .RING-BACKUP | 107107 | 2 |
| 117 | 212N3059-3 | | .RING-FLANGE | 002004 006102 108999 | 1 |
| 120 | BOE2049-0002 | | .SEAL-PRESSURE SUPPLIER CODE: V16632 SPECIFICATION NUMBER: S210N301-2 OPTIONAL PART: 14A109 V14711 | 002004 006102 107999 | 1 |

MISSING ITEM NUMBERS NOT APPLICABLE

— ITEM NOT ILLUSTRATED

BRI

36-11-01-20

BOEING PROPRIETARY - Copyright © - Unpublished Work - See title page for details.

36-11-01
FIG. 20
PAGE 8
JAN 20/09



757

PARTS CATALOG (MAINTENANCE)

| FIG ITEM | PART NUMBER | 1 2 3 4 5 6 7 | NOMENCLATURE | EFFECT FROM TO | UNITS PER ASSY |
|----------|-------------|---------------|--------------------------------------|----------------------------|----------------|
| 20 | | | | | |
| 125 | 212N3076-9 | . | DUCT ASSY-INSULATED | 002004 006102 107999 | 1 |
| 125 | 212N3076-10 | . | DUCT ASSY-INSULATED | 002004 006102 107999 | 1 |
| 140 | 212N3074-31 | .. | BLANKET ASSY | 002004 006102 107999 | 1 |
| 145 | 212N3074-32 | .. | BLANKET ASSY | 002004 006102 107999 | 1 |
| 150 | 212N3039-1 | .. | DUCT ASSY- USED ON: 212N3076-7 | 002004 006102 107999 | 1 |
| 150 | 212N3039-3 | .. | DUCT ASSY- USED ON: 212N3076-9 | 002004 006102 107999 | 1 |
| 150 | 212N3039-7 | .. | DUCT ASSY- | 002004 006102 107999 | 1 |
| 155 | 212N3076-2 | . | DUCT ASSY-INSULATED | 002004 006102 107999 | 1 |
| 160 | 212N3074-16 | .. | BLANKET ASSY | 002004 006102 107999 | 1 |
| 165 | 212N3074-17 | .. | BLANKET ASSY | 002004 006102 107999 | 1 |
| 170 | 212N3074-33 | .. | BLANKET ASSY | 002004 006102 107999 | 1 |
| 175 | 212N3038-1 | .. | DUCT ASSY | 002004 006102 107999 | 1 |

MISSING ITEM NUMBERS NOT APPLICABLE

- ITEM NOT ILLUSTRATED

36-11-01-20

36-11-01
FIG. 20
PAGE 9
JAN 20/09

BRI

BOEING PROPRIETARY - Copyright © - Unpublished Work - See title page for details.



757

PARTS CATALOG (MAINTENANCE)

| FIG ITEM | PART NUMBER | 1 2 3 4 5 6 7 | NOMENCLATURE | EFFECT FROM TO | UNITS PER ASSY |
|-----------|---------------|---------------|---|----------------------------|----------------|
| 20 180 | VFS143210-500 | ... | FLANGE SUPPLIER CODE: V14242 SPECIFICATION NUMBER: BACF22AN500 OPTIONAL PART: 14J30-500 V89513 2909BH500 V94581 NK102702-0500ZZ V00624 NK102702-0500ZZ V8W928 10180-500 V06689 | 002004 006102 107999 | 2 |
| 185 | 10250-500 | ... | RING- SUPPLIER CODE: V06689 OPTIONAL PART: 14A342-7 V14711 212N3038-5 | 002004 006102 107999 | 9 |
| 185 | 14A342-7 | ... | RING- SUPPLIER CODE: V14711 OPTIONAL PART: 10250-500 V06689 212N3038-5 | 002004 006102 107999 | 9 |
| - 187 | 212N3038-5 | ... | SUB KIT ASSY- OPTIONAL PART: 10250-500 V06689 14A342-7 V14711 | 002004 006102 107999 | 9 |
| - 190 | 69-20199-3 | | RING- USED ON: 212N3038-5 | 002004 006102 107999 | 1 |
| - 195 | 69-45556-1 | | DOUBLER- USED ON: 212N3038-5 | 002004 006102 107999 | 1 |
| 200 | 212N3038-2 | ... | DUCT | 002004 006102 107999 | 1 |
| 205 | 212N3076-3 | . | DUCT ASSY-INSULATED | 002004 006102 107999 | 1 |

MISSING ITEM NUMBERS NOT APPLICABLE

- ITEM NOT ILLUSTRATED

36-11-01-20

36-11-01
FIG. 20
PAGE 10
JAN 20/09

BRI



757

PARTS CATALOG (MAINTENANCE)

| FIG ITEM | PART NUMBER | 1 2 3 4 5 6 7 | NOMENCLATURE | EFFECT FROM TO | UNITS PER ASSY |
|----------|-------------|---------------|--|--|----------------|
| 20 | | | | | |
| 210 | 212N3074-19 | .. | BLANKET ASSY | 002004 006102 107999 | 1 |
| 215 | 212N3074-20 | .. | BLANKET ASSY | 002004 006102 107999 | 1 |
| 220 | 212N3037-1 | .. | DUCT ASSY | 002004 006102 107999 | 1 |
| 225 | 212N3076-4 | .DUCT | DUCT ASSY-INSULATED | 002004 006102 107999 | 1 |
| 230 | 212N3074-21 | .. | BLANKET ASSY | 002004 006102 107999 | 1 |
| 235 | 212N3074-22 | .. | BLANKET ASSY | 002004 006102 107999 | 1 |
| 240 | 212N3037-1 | .. | DUCT ASSY | 002004 006102 107999 | 1 |
| 245 | 212N3076-8 | .DUCT | DUCT ASSY-INSULATED QUALIFIED I/W DATA: 212N3076-15 DUCT ASSY CAN REPLACE BUT NOT BE REPLACED BY -8 IF SERVICE BULLETIN 757-26A0040 HAS BEEN INCORPORATED | 002004 006100 107107 121503 904999 | 1 |
| 245 | 212N3076-15 | .DUCT | DUCT ASSY-INSULATED QUALIFIED I/W DATA: 212N3076-15 DUCT ASSY CAN REPLACE BUT NOT BE REPLACED BY -8 IF SERVICE BULLETIN 757-26A0040 HAS BEEN INCORPORATED | 101102 108120 504903 | 1 |
| 250 | 212N3074-23 | .. | BLANKET ASSY | 002004 006100 107107 121503 904999 | 1 |
| 250 | 212N3074-41 | .. | BLANKET ASSY | 101102 108120 504903 | 1 |

MISSING ITEM NUMBERS NOT APPLICABLE

- ITEM NOT ILLUSTRATED

BRI

36-11-01-20

36-11-01
FIG. 20
PAGE 11
JAN 20/09



757

PARTS CATALOG (MAINTENANCE)

| FIG ITEM | PART NUMBER | 1 2 3 4 5 6 7 | NOMENCLATURE | EFFECT FROM TO | UNITS PER ASSY |
|----------|-------------|---------------|---|--|----------------|
| 20 | | | | | |
| 255 | 212N3074-27 | .. | BLANKET ASSY | 002004 006100 107107 121503 904999 | 1 |
| 255 | 212N3074-42 | .. | BLANKET ASSY | 101102 108120 504903 | 1 |
| 260 | 212N3074-25 | .. | BLANKET ASSY | 002004 006102 107999 | 1 |
| 265 | 212N3036-3 | .. | DUCT ASSY | 002004 006102 107999 | 1 |
| 270 | 212N3076-6 | . | DUCT ASSY-INSULATED | 002004 006102 107999 | 1 |
| 275 | 212N3074-26 | .. | BLANKET ASSY | 002004 006102 107999 | 2 |
| 280 | 212N3035-1 | .. | DUCT ASSY | 002004 006102 107999 | 1 |
| 900 | | | ILLUSTRATION REFERENCE: DUCT INSTL- WHL WELL AND UNDER WING AIR SUPPLY 36-11-01-02 | 002004 006007 107107 121503 904949 952952 | RF |
| 900 | | | ILLUSTRATION REFERENCE: DUCT INSTL- WHL WELL AND UNDER WING AIR SUPPLY 36-11-01-10 | 008100 950951 953999 | RF |
| 900 | | | ILLUSTRATION REFERENCE: DUCT INSTL- WHL WELL AND UNDER WING AIR SUPPLY 36-11-01-12 | 101102 108120 504903 | RF |
| 905 | | | ILLUSTRATION REFERENCE: DUCT INSTL-SECT. 48 AIR SUPPLY (PNEUMATICS ONLY) 36-11-10-01 | 002004 006102 107999 | RF |

MISSING ITEM NUMBERS NOT APPLICABLE

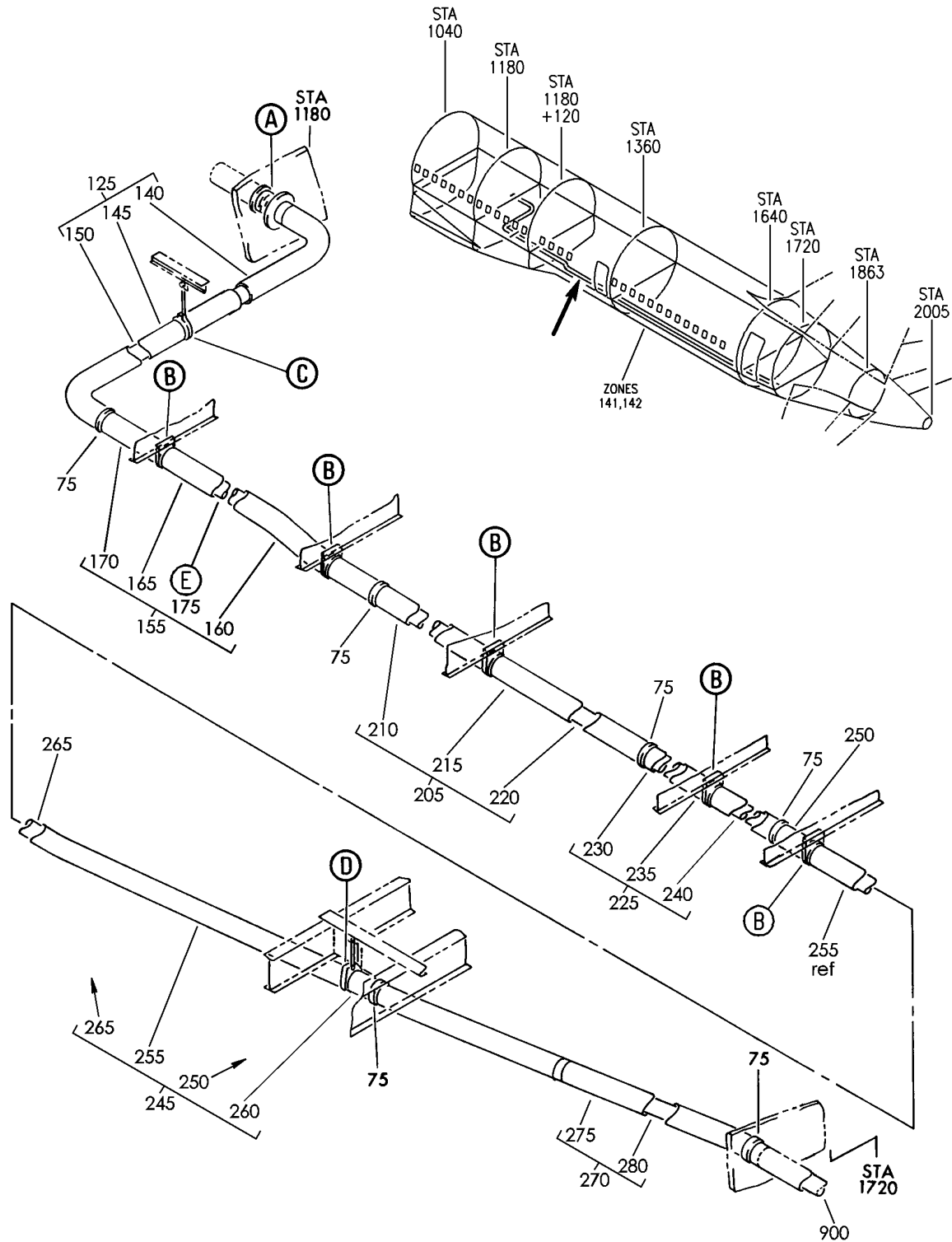
- ITEM NOT ILLUSTRATED

36-11-01-20

36-11-01
FIG. 20
PAGE 12
JAN 20/09

BRI

BOEING
757
PARTS CATALOG (MAINTENANCE)



Y 36110120A SHT 1 REV 242

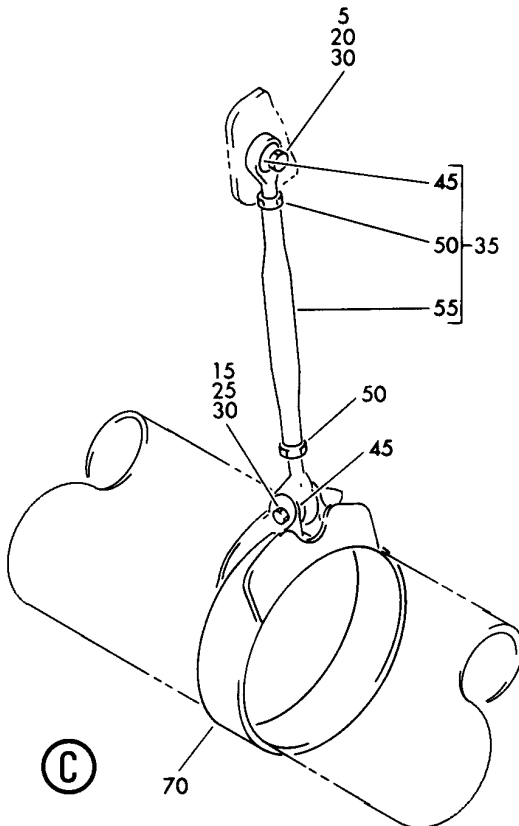
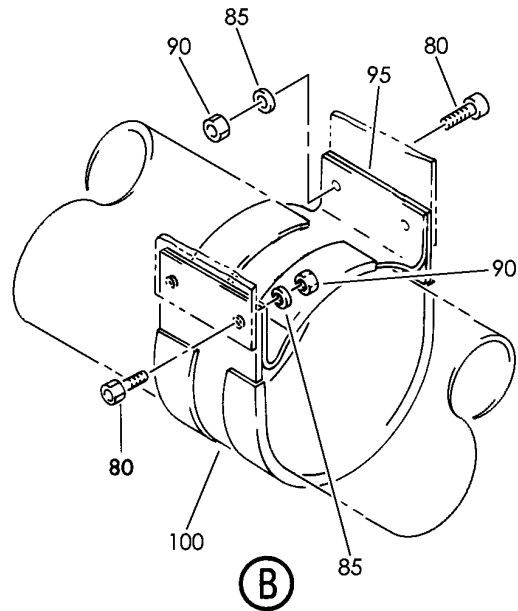
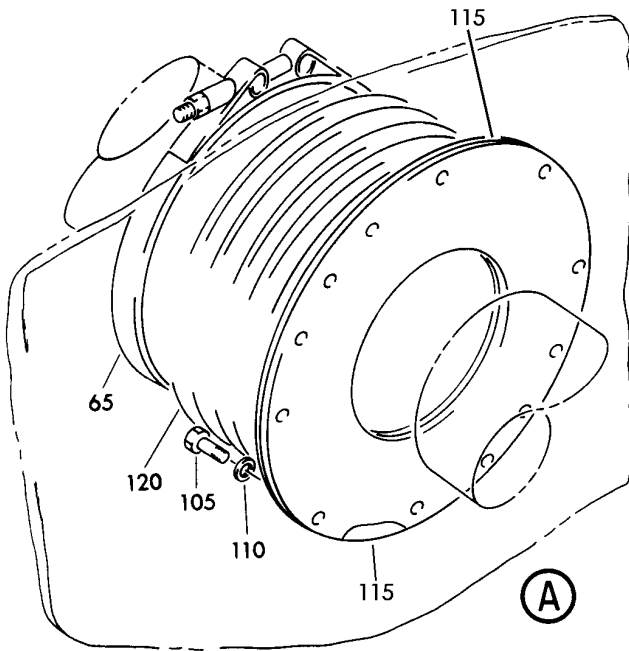
DUCT INSTL-AIR SUPPLY SECT. 46
FIGURE 20A (SHEET 1)

36-11-01-20A

BRI
JAN 20/09

36-11-01-20A
PAGE 0

BOEING
757
PARTS CATALOG (MAINTENANCE)



Y 36110120A SHT 2 REV 242

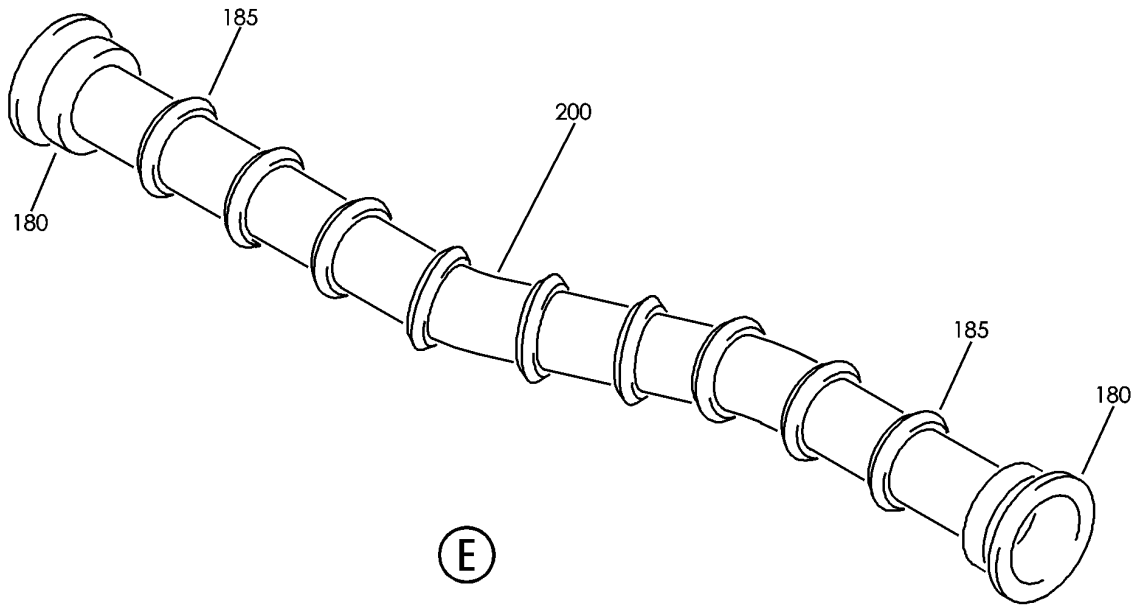
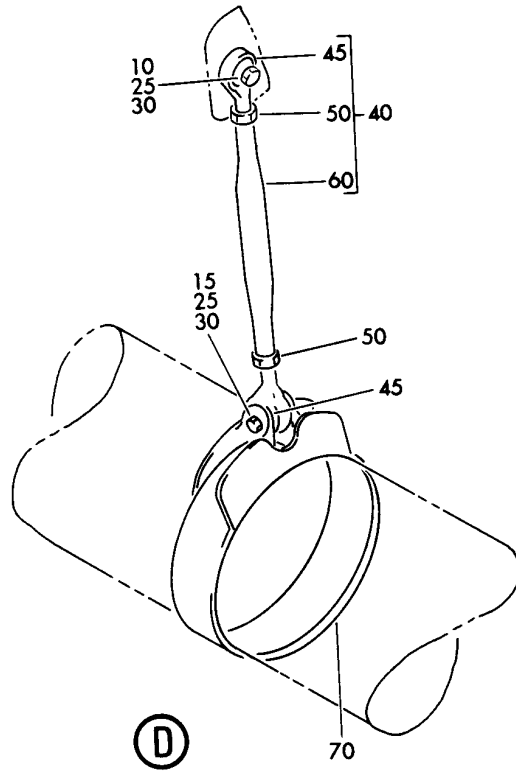
DUCT INSTL-AIR SUPPLY SECT. 46
FIGURE 20A (SHEET 2)

36-11-01-20A

BRI
JAN 20/09

36-11-01-20A
PAGE 0A

BOEING
757
PARTS CATALOG (MAINTENANCE)



Y 36110120A SHT 3 REV 242

DUCT INSTL-AIR SUPPLY SECT. 46
FIGURE 20A (SHEET 3)

36-11-01-20A

BRI
JAN 20/09

36-11-01-20A
PAGE 0B



757

PARTS CATALOG (MAINTENANCE)

| FIG ITEM | PART NUMBER | 1 2 3 4 5 6 7 | NOMENCLATURE | EFFECT FROM TO | UNITS PER ASSY |
|----------|---------------|---------------|--------------------------------------|----------------|----------------|
| 20A | | | DUCT INSTL-AIR SUPPLY | 103106 | |
| - 1 | MODREF5890 | | SECT. 46 DUCT INSTL-AIR SUPPLY | 103106 | 1 |
| | | | MODULE NUMBER: 212N3005-3 REV A | | |
| | | | POSITION DATA: SECT. 46 | | |
| 5 | BACB30NR4HK10 | | .BOLT- | 103106 | 1 |
| | | | OPTIONAL PART: BACB30NR4K10 | | |
| 5 | BACB30NR4K10 | | .BOLT- | 103106 | 1 |
| | | | OPTIONAL PART: BACB30NR4HK10 | | |
| 10 | BACB30NR4HK15 | | .BOLT- | 103106 | 1 |
| | | | OPTIONAL PART: BACB30NR4K15 | | |
| 10 | BACB30NR4K15 | | .BOLT- | 103106 | 1 |
| | | | OPTIONAL PART: BACB30NR4HK15 | | |
| 15 | BACB30NR4HK9 | | .BOLT- | 103106 | 2 |
| | | | OPTIONAL PART: BACB30NR4K9 | | |
| 15 | BACB30NR4K9 | | .BOLT- | 103106 | 2 |
| | | | OPTIONAL PART: BACB30NR4HK9 | | |
| 20 | NAS1149D0416J | | .WASHER | 103106 | 1 |
| 25 | NAS1149D0463J | | .WASHER | 103106 | 3 |
| 30 | BRH10C4D | | .NUT | 103106 | 4 |
| | | | SUPPLIER CODE: V52828 | | |
| | | | SPECIFICATION NUMBER: BACN10JC4CD | | |
| | | | OPTIONAL PART: T6C428JCD | | |
| | | | V11815 | | |
| | | | NS202486-048 | | |
| | | | V80539 | | |
| | | | 102LH9075-4W | | |
| | | | V72962 | | |
| | | | H51650-4BAC | | |
| | | | V15653 | | |
| 35 | 212N3030-9 | | .ROD ASSY-UNDERWING TIE | 103106 | 1 |
| 40 | 212N3030-7 | | .ROD ASSY-UNDERWING TIE | 103106 | 1 |
| 45 | M81935-1-4 | | ..BEARING | 103106 | 2 |
| 50 | NAS509-5 | | ..NUT | 103106 | 2 |

MISSING ITEM NUMBERS NOT APPLICABLE

- ITEM NOT ILLUSTRATED

36-11-01-20A

36-11-01
FIG. 20A
PAGE 1
JAN 20/09

BRI

BOEING PROPRIETARY - Copyright © - Unpublished Work - See title page for details.



757

PARTS CATALOG (MAINTENANCE)

| FIG ITEM | PART NUMBER | 1 2 3 4 5 6 7 | NOMENCLATURE | EFFECT FROM TO | UNITS PER ASSY |
|-----------|---------------|---------------|---|----------------|----------------|
| 20A 55 | 212N3030-10 | | ..TUBE-DETAIL TUBING MATERIAL: .625 IN. OD X .065 IN. WALL X 4.84 IN. LG 2024-0 ALUM SEAMLESS TUBING PER WW-T-700/3. USED ON: 212N3030-9 | 103106 | 1 |
| 60 | 212N3030-8 | | ..TUBE-DETAIL TUBING MATERIAL: .625 IN. OD X .065 IN. WALL X 4.19 IN. LG 2024-0 ALUM SEAMLESS TUBING PER WW-T-700/3. USED ON: 212N3030-7 | 103106 | 1 |
| 65 | BACC10BN600LM | | .CLAMP SUPPLIER CODE: V98625 SPECIFICATION NUMBER: BACC10BN600LM OPTIONAL PART: 3078C600LM V94581 BC1080S600LZ V14242 MBC5825-600LM V98625 3078C600LM V94581 1044600LM V94581 MBC5825600LM V00624 19396N600LM V00624 | 103106 | 1 |
| 70 | BACC10ES00GA | | .CLAMP- OPTIONAL PART: BACC10HN45GA BACC10HNO4GA | 103106 | 2 |

MISSING ITEM NUMBERS NOT APPLICABLE

- ITEM NOT ILLUSTRATED

36-11-01-20A

36-11-01
FIG. 20A
PAGE 2
JAN 20/09

BRI

BOEING PROPRIETARY - Copyright © - Unpublished Work - See title page for details.



757

PARTS CATALOG (MAINTENANCE)

| FIG ITEM | PART NUMBER | 1 2 3 4 5 6 7 | NOMENCLATURE | EFFECT FROM TO | UNITS PER ASSY |
|-----------|---------------|---------------|--|----------------|----------------|
| 20A 70 | 3015AE45GA | .CLAMP- | SUPPLIER CODE: V94581 SPECIFICATION NUMBER: BACC10HN45GA OPTIONAL PART: 65790A45GA V00624 BACC10ES00GA BACC10HNO4GA | 103106 | 2 |
| 70 | 3015AE04GE | .CLAMP- | SUPPLIER CODE: V94581 SPECIFICATION NUMBER: BACC10HNO4GA OPTIONAL PART: 65790A04GE V00624 BACC10ES00GA BACC10HN45GA | 103106 | 2 |
| 75 | 14J29500E | .CLAMP | SUPPLIER CODE: V5T400 SPECIFICATION NUMBER: BACC10GY500E OPTIONAL PART: 4385AF500E V94581 PDVC1137500E V14242 NM102701500E V8W928 | 103106 | 6 |
| 80 | BACB30NM3K3 | .BOLT | | 103106 | 20 |
| 85 | NAS1149D0332J | .WASHER | | 103106 | 20 |
| 90 | BRH10C3D | .NUT | SUPPLIER CODE: V52828 SPECIFICATION NUMBER: BACN10JC3CD OPTIONAL PART: T6C1032JCD V11815 NS202486-02 V80539 102LH9075-3W V72962 H51650-3BAC V15653 | 103106 | 20 |

MISSING ITEM NUMBERS NOT APPLICABLE

- ITEM NOT ILLUSTRATED

36-11-01-20A

36-11-01
FIG. 20A
PAGE 3
JAN 20/09

BRI



757

PARTS CATALOG (MAINTENANCE)

| FIG ITEM | PART NUMBER | 1 2 3 4 5 6 7 | NOMENCLATURE | EFFECT FROM TO | UNITS PER ASSY |
|-----------|----------------|----------------------|---|----------------|----------------|
| 20A 95 | BACC10ER2-80AP | .BRACKET | SUPPLIER CODE: V14242 SPECIFICATION NUMBER: BACC10ER2-80AP | 103106 | 5 |
| 100 | BACC10ER1-80AP | .STRAP | SUPPLIER CODE: V14242 SPECIFICATION NUMBER: BACC10ER1-80AP | 103106 | 5 |
| 105 | BACB30NM3K3 | .BOLT | | 103106 | 12 |
| 110 | NAS1149D0332J | .WASHER | | 103106 | 12 |
| 115 | 212N3059-3 | .RING-FLANGE | | 103106 | 2 |
| 120 | BOE2049-0002 | .SEAL-PRESSURE | SUPPLIER CODE: V16632 SPECIFICATION NUMBER: S210N301-2 OPTIONAL PART: 14A109 V14711 | 103106 | 1 |
| 125 | 212N3076-9 | .DUCT ASSY-INSULATED | | 103106 | 1 |
| 125 | 212N3076-10 | .DUCT ASSY-INSULATED | | 103106 | 1 |
| 140 | 212N3074-31 | ..BLANKET ASSY | | 103106 | 1 |
| 145 | 212N3074-32 | ..BLANKET ASSY | | 103106 | 1 |
| 150 | 212N3039-1 | ..DUCT ASSY- | USED ON: 212N3076-7 | 103106 | 1 |
| 150 | 212N3039-3 | ..DUCT ASSY- | USED ON: 212N3076-9 | 103106 | 1 |
| 150 | 212N3039-7 | ..DUCT ASSY- | | 103106 | 1 |
| 155 | 212N3076-2 | .DUCT ASSY-INSULATED | | 103106 | 1 |
| 160 | 212N3074-16 | ..BLANKET ASSY | | 103106 | 1 |
| 165 | 212N3074-17 | ..BLANKET ASSY | | 103106 | 1 |
| 170 | 212N3074-33 | ..BLANKET ASSY | | 103106 | 1 |
| 175 | 212N3038-1 | ..DUCT ASSY | | 103106 | 1 |

MISSING ITEM NUMBERS NOT APPLICABLE

- ITEM NOT ILLUSTRATED

36-11-01-20A

36-11-01
FIG. 20A
PAGE 4
JAN 20/09

BRI

BOEING PROPRIETARY - Copyright © - Unpublished Work - See title page for details.



757

PARTS CATALOG (MAINTENANCE)

| FIG ITEM | PART NUMBER | 1 2 3 4 5 6 7 | NOMENCLATURE | EFFECT FROM TO | UNITS PER ASSY |
|------------|---------------|---------------|---|----------------|----------------|
| 20A 180 | VFS143210-500 | ... | FLANGE SUPPLIER CODE: V14242 SPECIFICATION NUMBER: BACF22AN500 OPTIONAL PART: 14J30-500 V89513 2909BH500 V94581 NK102702-0500ZZ V00624 NK102702-0500ZZ V8W928 10180-500 V06689 | 103106 | 2 |
| 185 | 10250-500 | ... | RING- SUPPLIER CODE: V06689 OPTIONAL PART: 14A342-7 V14711 212N3038-5 | 103106 | 9 |
| 185 | 14A342-7 | ... | RING- SUPPLIER CODE: V14711 OPTIONAL PART: 10250-500 V06689 212N3038-5 | 103106 | 9 |
| - 187 | 212N3038-5 | ... | SUB KIT ASSY- OPTIONAL PART: 10250-500 V06689 14A342-7 V14711 | 103106 | 9 |
| 190 | 69-20199-3 | | RING- USED ON: 212N3038-5 | 103106 | 1 |
| 195 | 69-45556-1 | | DOUBLER- USED ON: 212N3038-5 | 103106 | 1 |
| 200 | 212N3038-2 | ... | DUCT | 103106 | 1 |
| 205 | 212N3076-3 | . | DUCT ASSY-INSULATED | 103106 | 1 |
| 210 | 212N3074-19 | .. | BLANKET ASSY | 103106 | 1 |
| 215 | 212N3074-20 | .. | BLANKET ASSY | 103106 | 1 |
| 220 | 212N3037-1 | .. | DUCT ASSY | 103106 | 1 |
| 225 | 212N3076-4 | . | DUCT ASSY-INSULATED | 103106 | 1 |
| 230 | 212N3074-21 | .. | BLANKET ASSY | 103106 | 1 |

MISSING ITEM NUMBERS NOT APPLICABLE

- ITEM NOT ILLUSTRATED

36-11-01-20A

36-11-01
FIG. 20A
PAGE 5
JAN 20/09

BRI

BOEING PROPRIETARY - Copyright © - Unpublished Work - See title page for details.



757

PARTS CATALOG (MAINTENANCE)

| FIG ITEM | PART NUMBER | 1 2 3 4 5 6 7 | NOMENCLATURE | EFFECT FROM TO | UNITS PER ASSY |
|----------|-------------|----------------------|---|----------------|----------------|
| 20A | | | | | |
| 235 | 212N3074-22 | .. | BLANKET ASSY | 103106 | 1 |
| 240 | 212N3037-1 | .. | DUCT ASSY | 103106 | 1 |
| 245 | 212N3076-15 | .DUCT ASSY-INSULATED | | 103106 | 1 |
| | | | QUALIFIED I/W DATA: 212N3076-15 DUCT ASSY CAN REPLACE BUT NOT BE REPLACED BY -8 IF SERVICE BULLETIN 757-26A0040 HAS BEEN INCORPORATED | | |
| 250 | 212N3074-41 | .. | BLANKET ASSY | 103106 | 1 |
| 255 | 212N3074-42 | .. | BLANKET ASSY | 103106 | 1 |
| 260 | 212N3074-25 | .. | BLANKET ASSY | 103106 | 1 |
| 265 | 212N3036-3 | .. | DUCT ASSY | 103106 | 1 |
| 270 | 212N3076-6 | .DUCT ASSY-INSULATED | | 103106 | 1 |
| 275 | 212N3074-26 | .. | BLANKET ASSY | 103106 | 1 |
| 280 | 212N3035-1 | .. | DUCT ASSY | 103106 | 1 |
| 900 | | | ILLUSTRATION REFERENCE: DUCT INSTL-SECT. 48 AIR SUPPLY (PNEUMATICS ONLY) 36-11-10-01 | 103106 | RF |
| 905 | | | ILLUSTRATION REFERENCE: DUCT INSTL- WHL WELL AND UNDER WING AIR SUPPLY 36-11-01-12 | 103106 | RF |

MISSING ITEM NUMBERS NOT APPLICABLE

- ITEM NOT ILLUSTRATED

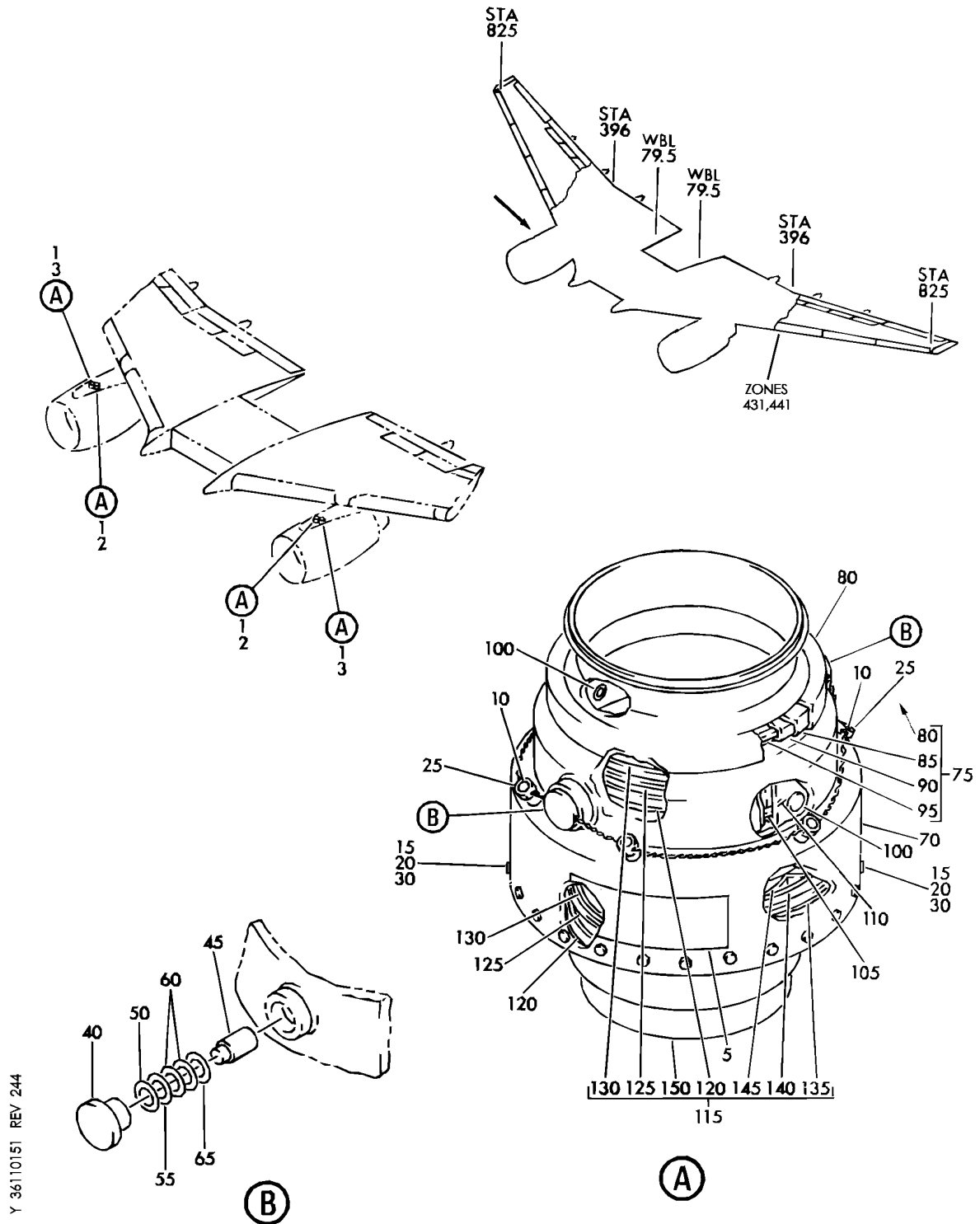
36-11-01-20A

36-11-01
FIG. 20A
PAGE 6
JAN 20/09

BRI

BOEING PROPRIETARY - Copyright © - Unpublished Work - See title page for details.

BOEING
757
PARTS CATALOG (MAINTENANCE)



JOINT ASSY-FLEXIBLE SLIDE (RB211-535)
FIGURE 51

36-11-01-51

BRI
MAY 28/07

36-11-01-51
PAGE 0



757

PARTS CATALOG (MAINTENANCE)

| FIG ITEM | PART NUMBER | 1 2 3 4 5 6 7 | NOMENCLATURE | EFFECT FROM TO | UNITS PER ASSY |
|----------|-------------|---------------|---|--|----------------|
| 51 | | | JOINT ASSY-FLEXIBLE SLIDE (RB211-535) | 002004 006100 107107 121503 904999 | |
| 3 | 14J62-1 | | JOINT ASSY-FLEXIBLE SLIDE SUPPLIER CODE: V89513 SPECIFICATION NUMBER: S312N301-7 FOR NHA SEE: 36-11-01-01 | 002004 006100 107107 121503 904999 | RF |
| 5 | 24E82-15 | | .STENCIL-MARKING SUPPLIER CODE: V89513 | 002004 006100 107107 121503 904999 | 1 |
| 10 | 05J64-1 | | .SCREW-VENT SUPPLIER CODE: V89513 | 002004 006100 107107 121503 904999 | 6 |
| 15 | NAS5102U4 | | .PIN | 002004 006100 107107 121503 904999 | 24 |
| 20 | AN960C8 | | .WASHER | 002004 006100 107107 121503 904999 | 24 |
| 25 | 05J65-1 | | .NUT- SUPPLIER CODE: V89513 | 002004 006100 107107 121503 904999 | 6 |
| 30 | MS21043-08 | | .NUT | 002004 006100 107107 121503 904999 | 24 |
| 40 | 04J75-1 | | .PLUG-RETAINER SUPPLIER CODE: V89513 | 002004 006100 107107 121503 904999 | 2 |

MISSING ITEM NUMBERS NOT APPLICABLE

- ITEM NOT ILLUSTRATED

BRI

36-11-01-51

36-11-01
FIG. 51
PAGE 1
JAN 20/09



757

PARTS CATALOG (MAINTENANCE)

| FIG ITEM | PART NUMBER | 1 2 3 4 5 6 7 | NOMENCLATURE | EFFECT FROM TO | UNITS PER ASSY |
|----------|-------------|---------------|--|--|----------------|
| 51 | | | | | |
| 45 | 04J11-2 | | .PIN ASSY- SUPPLIER CODE: V89513 | 002004 006100 107107 121503 904999 | 2 |
| 50 | 06J03-1 | | .SHIM- SUPPLIER CODE: V89513 | 002004 006100 107107 121503 904999 | 2 |
| 55 | 06J03-2 | | .SHIM- SUPPLIER CODE: V89513 | 002004 006100 107107 121503 904999 | 2 |
| 60 | 06J03-3 | | .SHIM- SUPPLIER CODE: V89513 | 002004 006100 107107 121503 904999 | 4 |
| 65 | 06J03-8 | | .SHIM- SUPPLIER CODE: V89513 | 002004 006100 107107 121503 904999 | 2 |
| 70 | 05J41-1 | | .BODY AND GUIDES ASSY- SUPPLIER CODE: V89513 | 002004 006100 107107 121503 904999 | 1 |
| 75 | 16J58-1 | | .SEAL ASSY-SPHERICAL SUPPLIER CODE: V89513 | 002004 006100 107107 121503 904999 | 1 |
| 80 | 04J02-1 | | ..RETAINER-CARBON SUPPLIER CODE: V89513 POSITION DATA: OUTER | 002004 006100 107107 121503 904999 | 1 |
| 85 | 04J03-1 | | ..RING-EXPANDER SUPPLIER CODE: V89513 | 002004 006100 107107 121503 904999 | 1 |

MISSING ITEM NUMBERS NOT APPLICABLE

- ITEM NOT ILLUSTRATED

36-11-01-51

36-11-01
FIG. 51
PAGE 2
JAN 20/09

BRI



757

PARTS CATALOG (MAINTENANCE)

| FIG ITEM | PART NUMBER | 1 2 3 4 5 6 7 | NOMENCLATURE | EFFECT FROM TO | UNITS PER ASSY |
|----------|-------------|---------------|---|--|----------------|
| 51 | | | | | |
| 90 | 05J46-1 | | ..RING-BACKUP SUPPLIER CODE: V89513 | 002004 006100 107107 121503 904999 | 1 |
| 95 | 05J98-1 | | ..RING ASSY- SUPPLIER CODE: V89513 POSITION DATA: OUTER | 002004 006100 107107 121503 904999 | 1 |
| 100 | 05J50-1 | | .PIN- SUPPLIER CODE: V89513 | 002004 006100 107107 121503 904999 | 2 |
| 105 | 16J80-1 | | .SEAT AND BUSHING ASSY- SPHERICAL SUPPLIER CODE: V89513 | 002004 006100 107107 121503 904999 | 1 |
| 110 | 03J95-1 | | .RING-UNIVERSAL SUPPLIER CODE: V89513 | 002004 006100 107107 121503 904999 | 1 |
| 115 | 16J59-1 | | .BODY ASSY- SUPPLIER CODE: V89513 POSITION DATA: INNER | 002004 006100 107107 121503 904999 | 1 |
| 120 | 04J09-1 | | ..RING-GUIDE SUPPLIER CODE: V89513 | 002004 006100 107107 121503 904999 | 2 |
| 125 | 04J10-3 | | ..RING ASSY-PISTON SUPPLIER CODE: V89513 | 002004 006100 107107 121503 904999 | 2 |
| 130 | 04J46-1 | | ..RING-EXPANDER SUPPLIER CODE: V89513 | 002004 006100 107107 121503 904999 | 2 |

MISSING ITEM NUMBERS NOT APPLICABLE

- ITEM NOT ILLUSTRATED

36-11-01-51

36-11-01
FIG. 51
PAGE 3
JAN 20/09

BRI



757

PARTS CATALOG (MAINTENANCE)

| FIG ITEM | PART NUMBER | 1 2 3 4 5 6 7 | NOMENCLATURE | EFFECT FROM TO | UNITS PER ASSY |
|-------------|-------------|---------------|--|--|----------------------|
| 51 135 | 05J66-1 | | ..RING ASSY-PISTON SUPPLIER CODE: V89513 | 002004 006100 107107 121503 904999 | 1 |
| 140 | 05J53-1 | | ..RING-BACKUP SUPPLIER CODE: V89513 | 002004 006100 107107 121503 904999 | 1 |
| 145 | 05J47-1 | | ..RING-EXPANDER SUPPLIER CODE: V89513 | 002004 006100 107107 121503 904999 | 1 |
| 150 | 05J63-1 | | ..BODY- SUPPLIER CODE: V89513 POSITION DATA: INNER | 002004 006100 107107 121503 904999 | 1 |

MISSING ITEM NUMBERS NOT APPLICABLE

- ITEM NOT ILLUSTRATED

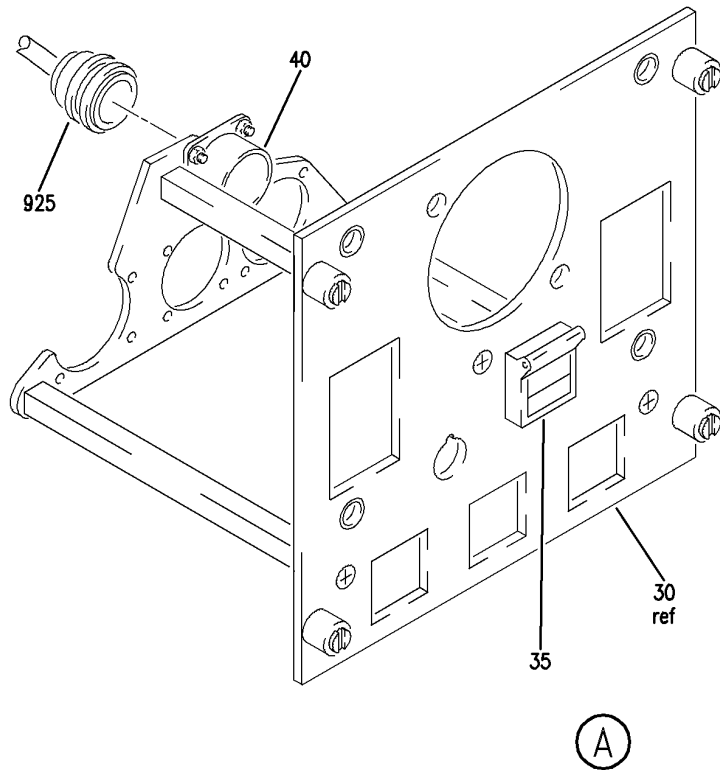
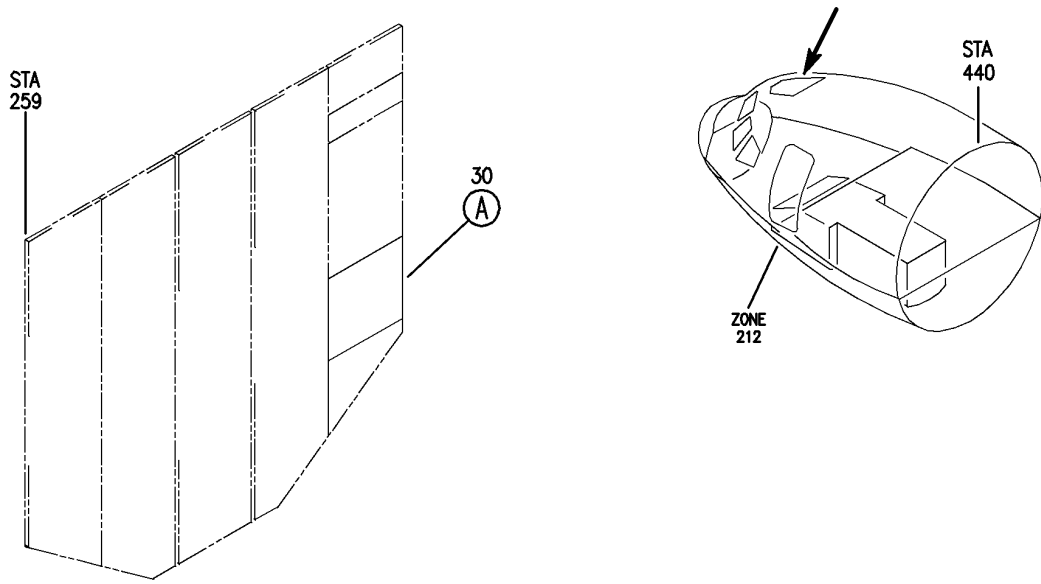
BRI

36-11-01-51

BOEING PROPRIETARY - Copyright © - Unpublished Work - See title page for details.

36-11-01
FIG. 51
PAGE 4
JAN 20/09

BOEING
757
PARTS CATALOG (MAINTENANCE)



Y 36110401 REV 235

PANEL INSTL-P5 OVHD (AIR SUPPLY DISTRIBUTION SYSTEM ONLY)
FIGURE 1

36-11-04-01

BRI
MAY 28/07

36-11-04-01
PAGE 0



757

PARTS CATALOG (MAINTENANCE)

| FIG ITEM | PART NUMBER | 1 2 3 4 5 6 7 | NOMENCLATURE | EFFECT FROM TO | UNITS PER ASSY |
|----------|--------------|---------------|--|----------------------------|----------------|
| 1 | | | PANEL INSTL-P5 OVHD (AIR SUPPLY DISTRIBUTION SYSTEM ONLY) | 101106 108120 504903 | |
| - 3 | 233N3103-59 | | PANEL INSTL-P5 OVHD (AIR SUPPLY DISTRIBUTION SYSTEM ONLY) FOR NHA/OTHER SYS DET SEE: 25-10-00-15E | 108120 | RF |
| - 5 | 233N3103-132 | | PANEL INSTL-P5 OVHD (AIR SUPPLY DISTRIBUTION SYSTEM ONLY) FOR NHA/OTHER SYS DET SEE: 25-10-00-15E | 101102 | RF |
| - 5 | 233N3103-136 | | PANEL INSTL-P5 OVHD (AIR SUPPLY DISTRIBUTION SYSTEM ONLY) FOR NHA/OTHER SYS DET SEE: 25-10-00-15E | 504903 | RF |
| - 8 | MODREF170180 | | PANEL INSTL-P5 OVHD (AIR SUPPLY DISTRIBUTION SYSTEM ONLY) MODULE NUMBER: 233N3103-353 REV B FOR OTHER SYS DETAILS SEE: 11-31-10-12 21-25-55-03 21-31-01-02 21-33-51-03 21-51-54-03 21-58-19-10 21-58-51-03 21-61-04-03 21-65-51-01 22-21-01-04 22-24-51-02 23-24-01-01 23-32-00-11 23-42-02-02 23-71-05-02 24-11-52-05 24-22-01-03 24-31-01-10 24-31-03-09 24-33-04-01 24-41-51-04 24-51-62-01 26-18-51-04 27-21-53-02 27-41-55-01 | 106106 | 1 |

MISSING ITEM NUMBERS NOT APPLICABLE

- ITEM NOT ILLUSTRATED

BRI

36-11-04-01

36-11-04
FIG. 01
PAGE 1
JAN 20/09



757

PARTS CATALOG (MAINTENANCE)

| FIG ITEM | PART NUMBER | 1 2 3 4 5 6 7 NOMENCLATURE | EFFECT FROM TO | UNITS PER ASSY |
|-------------|-------------|---|-------------------|----------------------|
| 1 | | 27-61-51-03 27-62-52-02 28-22-51-02 28-41-04-01 28-41-51-03 29-11-02-03 29-11-05-04 29-11-52-07 29-21-54-03 29-31-00-01 29-32-51-03 29-33-52-03 30-11-51-03 30-21-51-03 30-31-51-02 30-32-51-01 30-33-51-02 30-41-51-03 30-42-51-03 31-12-11-84 31-12-11-84 A 32-42-52-03 33-11-03-03 33-11-51-17 33-13-01-65 33-13-02-03 33-16-51-03 33-24-51-02 33-41-52-04 33-42-01-04 33-42-02-04 33-42-52-04 33-43-51-04 33-44-51-05 33-45-53-03 33-51-08-05 34-21-02-01 35-21-51-04 36-21-00-01 36-21-02-05 36-22-51-03 49-41-00-02 49-52-00-01 49-70-00-01 52-51-51-03 52-71-51-02 73-21-52-02 74-31-51-05 75-32-00-01 | | |

MISSING ITEM NUMBERS NOT APPLICABLE

— ITEM NOT ILLUSTRATED

36-11-04-01

36-11-04
 FIG. 01
 PAGE 2
 JAN 20/09

BRI



757

PARTS CATALOG (MAINTENANCE)

| FIG ITEM | PART NUMBER | 1 2 3 4 5 6 7 | NOMENCLATURE | EFFECT FROM TO | UNITS PER ASSY |
|-------------------------------------|-------------|---------------|--|----------------|----------------|
| 1 | | | | | |
| - 10 | MODREF33760 | | 80-11-09-02 PANEL INSTL-P5 OVHD (AIR SUPPLY DISTRIBUTION SYSTEM ONLY) MODULE NUMBER: 233N3103-351 REV C FOR OTHER SYS DETAILS SEE: 11-31-10-12 21-25-55-03 21-31-01-02 21-33-51-03 21-51-54-03 21-58-19-10 21-58-51-03 21-61-04-03 21-65-51-01 22-21-01-04 22-24-51-02 23-24-01-01 23-32-00-11 23-42-02-02 23-71-05-02 24-11-52-05 24-22-01-03 24-31-01-10 24-31-03-09 24-33-04-01 24-41-51-04 24-51-62-01 26-18-51-04 27-21-53-02 27-41-55-01 27-61-51-03 27-62-52-02 28-22-51-02 28-41-04-01 28-41-51-03 29-11-02-03 29-11-05-04 29-11-52-07 29-21-54-03 29-31-00-01 29-32-51-03 29-33-52-03 30-11-51-03 30-21-51-03 30-31-51-02 30-32-51-01 30-33-51-02 | 103103 | 1 |
| MISSING ITEM NUMBERS NOT APPLICABLE | | | | | |

- ITEM NOT ILLUSTRATED

36-11-04-01

36-11-04
 FIG. 01
 PAGE 3
 JAN 20/09

BRI



757

PARTS CATALOG (MAINTENANCE)

| FIG ITEM | PART NUMBER | 1 2 3 4 5 6 7 | NOMENCLATURE | EFFECT FROM TO | UNITS PER ASSY |
|-------------------------------------|-------------|---------------|--|-------------------|----------------------|
| 1 | | | 30-41-51-03 30-42-51-03 31-12-11-91 31-12-11-91A 32-42-52-03 33-11-03-03 33-11-51-17 33-13-01-65 33-13-02-03 33-16-51-03 33-24-51-02 33-41-52-04 33-42-01-04 33-42-02-04 33-42-52-04 33-43-51-04 33-44-51-05 33-45-53-03 33-51-08-05 34-21-02-01 35-21-51-04 36-21-00-01 36-21-02-05 36-22-51-03 49-41-00-02 49-52-00-01 49-70-00-01 52-51-51-03 52-71-51-02 73-21-52-02 74-31-51-05 75-32-00-01 80-11-09-02 | | |
| - 10 | MODREF34038 | | PANEL INSTL-P5 OVHD (AIR SUPPLY DISTRIBUTION SYSTEM ONLY) MODULE NUMBER: 233N3103-351 REV D FOR OTHER SYS DETAILS SEE: 11-31-10-12 21-25-55-03 21-31-01-02 21-33-51-03 21-51-54-03 21-58-19-10 21-58-51-03 21-61-04-03 21-65-51-01 22-21-01-04 | 104105 | 1 |
| MISSING ITEM NUMBERS NOT APPLICABLE | | | | | |

- ITEM NOT ILLUSTRATED

36-11-04-01

36-11-04
 FIG. 01
 PAGE 4
 JAN 20/09

BRI



757

PARTS CATALOG (MAINTENANCE)

| FIG ITEM | PART NUMBER | 1 2 3 4 5 6 7 NOMENCLATURE | EFFECT FROM TO | UNITS PER ASSY |
|-------------|-------------|---|-------------------|----------------------|
| 1 | | 22-24-51-02 23-24-01-01 23-32-00-11 23-42-02-02 23-71-05-02 24-11-52-05 24-22-01-03 24-31-01-10 24-31-03-09 24-33-04-01 24-41-51-04 24-51-62-01 26-18-51-04 27-21-53-02 27-41-55-01 27-61-51-03 27-62-52-02 28-22-51-02 28-41-04-01 28-41-51-03 29-11-02-03 29-11-05-04 29-11-52-07 29-21-54-03 29-31-00-01 29-32-51-03 29-33-52-03 30-11-51-03 30-21-51-03 30-31-51-02 30-32-51-01 30-33-51-02 30-41-51-03 30-42-51-03 31-12-11-91 31-12-11-91 A 32-42-52-03 33-11-03-03 33-11-51-17 33-13-01-65 33-13-02-03 33-16-51-03 33-24-51-02 33-41-52-04 33-42-01-04 33-42-02-04 33-42-52-04 33-43-51-04 33-44-51-05 | | |

MISSING ITEM NUMBERS NOT APPLICABLE

- ITEM NOT ILLUSTRATED

36-11-04-01

36-11-04
FIG. 01
PAGE 5
JAN 20/09

BR I



757

PARTS CATALOG (MAINTENANCE)

| FIG ITEM | PART NUMBER | 1 2 3 4 5 6 7 | NOMENCLATURE | EFFECT FROM TO | UNITS PER ASSY |
|----------|--------------|---------------|---|------------------|----------------|
| 1 | | | 33-45-53-03 33-51-08-05 34-21-02-01 35-21-51-04 36-21-00-01 36-21-02-05 36-22-51-03 49-41-00-02 49-52-00-01 49-70-00-01 52-51-51-03 52-71-51-02 73-21-52-02 74-31-51-05 75-32-00-01 80-11-09-02 | | |
| - 25 | 233N3215-300 | | .PANEL ASSY-BLEED AIR SUPPLIER CODE: V89954 ELECTRICAL EQUIP NUMBER: M10259 COMPONENT MAINT MANUAL REF: 36-11-71 QUALIFIED I/W DATA: THE 233N3215-300 PANEL ASSY IS I/W THE 233N3215-16 PANEL ASSY T/W THE S233T100-6009 LIGHTPLATE PRE ALERT SB: 33A0044 | 101102 504903 | RF |
| - 25 | 233N3215-302 | | .PANEL ASSY-BLEED AIR SUPPLIER CODE: V89954 ELECTRICAL EQUIP NUMBER: M10259 COMPONENT MAINT MANUAL REF: 36-11-71 QUALIFIED I/W DATA: THE 233N3215-302 PANEL ASSY IS I/W THE 233N3215-20 PANEL ASSY T/W THE S233T100-6009 LIGHTPLATE PRE ALERT SB: 33A0044 | 108120 | RF |

MISSING ITEM NUMBERS NOT APPLICABLE

- ITEM NOT ILLUSTRATED

36-11-04-01

36-11-04
FIG. 01
PAGE 6
JAN 20/09

BRI



757

PARTS CATALOG (MAINTENANCE)

| FIG ITEM | PART NUMBER | 1 2 3 4 5 6 7 | NOMENCLATURE | EFFECT FROM TO | UNITS PER ASSY |
|-------------|---------------|---------------|--|-------------------|----------------------|
| 1 | | | | | |
| - 25 | 233N3215-1300 | | .PANEL ASSY-BLEED AIR SUPPLIER CODE: V89954 ELECTRICAL EQUIP NUMBER: M10259 COMPONENT MAINT MANUAL REF: 36-11-71 POST ALERT SB: 33A0044 | 101102 504903 | RF |
| - 25 | 233N3215-1302 | | .PANEL ASSY-BLEED AIR SUPPLIER CODE: V89954 ELECTRICAL EQUIP NUMBER: M10259 COMPONENT MAINT MANUAL REF: 36-11-71 REWORK DRAWING REF: 233N6251-4 POST ALERT SB: 33A0044 | 108120 | RF |
| - 25 | 233N3215-303 | | .PANEL ASSY-BLEED AIR SUPPLIER CODE: V89954 ELECTRICAL EQUIP NUMBER: M10259 COMPONENT MAINT MANUAL REF: 36-11-71 | 101106 504903 | RF |
| - 25 | 233N3215-305 | | .PANEL ASSY-BLEED AIR SUPPLIER CODE: V89954 ELECTRICAL EQUIP NUMBER: M10259 | 108120 | RF |

MISSING ITEM NUMBERS NOT APPLICABLE

- ITEM NOT ILLUSTRATED

BRI

36-11-04-01

BOEING PROPRIETARY - Copyright © - Unpublished Work - See title page for details.

36-11-04
FIG. 01
PAGE 7
JAN 20/09



757

PARTS CATALOG (MAINTENANCE)

| FIG ITEM | PART NUMBER | 1 2 3 4 5 6 7 | NOMENCLATURE | EFFECT FROM TO | UNITS PER ASSY |
|----------|-------------|---------------|--|------------------|----------------|
| 1 30 | 233N3215-16 | | ..PANEL ASSY- SUPPLIER CODE: V89954 MISCELLANEOUS DATA: FOR SPARES PROCURE NEXT HIGHER ASSY COMPONENT MAINT MANUAL REF: 36-11-71 QUALIFIED I/W DATA: THE 233N3215-300 PANEL ASSY IS I/W THE 233N3215-16 PANEL ASSY T/W THE S233T100-6009 LIGHTPLATE USED ON: 233N3215-300 PRE ALERT SB: 33A0044 | 101102 504903 | RF |
| 30 | 233N3215-20 | | ..PANEL ASSY- SUPPLIER CODE: V89954 MISCELLANEOUS DATA: FOR SPARES PROCURE NEXT HIGHER ASSY COMPONENT MAINT MANUAL REF: 36-11-71 QUALIFIED I/W DATA: THE 233N3215-302 PANEL ASSY IS I/W THE 233N3215-20 PANEL ASSY T/W THE S233T100-6009 LIGHTPLATE USED ON: 233N3215-302 PRE ALERT SB: 33A0044 | 108120 | RF |
| 30 | 233N3215-22 | | ..PANEL ASSY- SUPPLIER CODE: V89954 MISCELLANEOUS DATA: FOR SPARES PROCURE NEXT HIGHER ASSY COMPONENT MAINT MANUAL REF: 36-11-71 USED ON: 233N3215-303 | 101106 504903 | RF |

MISSING ITEM NUMBERS NOT APPLICABLE

- ITEM NOT ILLUSTRATED

36-11-04-01

36-11-04
FIG. 01
PAGE 8
JAN 20/09

BRI



757

PARTS CATALOG (MAINTENANCE)

| FIG ITEM | PART NUMBER | 1 2 3 4 5 6 7 | NOMENCLATURE | EFFECT FROM TO | UNITS PER ASSY |
|----------|---------------|---------------|---|------------------|----------------|
| 1 30 | 233N3215-23 | | ..PANEL ASSY- SUPPLIER CODE: V89954 MISCELLANEOUS DATA: FOR SPARES PROCURE NEXT HIGHER ASSY COMPONENT MAINT MANUAL REF: 36-11-71 | 108120 | RF |
| 30 | 233N3215-1016 | | ..PANEL ASSY- SUPPLIER CODE: V89954 COMPONENT MAINT MANUAL REF: 36-11-71 USED ON: 233N3215-1300 POST ALERT SB: 33A0044 | 101102 504903 | RF |
| 30 | 233N3215-1020 | | ..PANEL ASSY- SUPPLIER CODE: V89954 COMPONENT MAINT MANUAL REF: 36-11-71 QUALIFIED I/W DATA: 233N3215-1009,-1015, -1019 AND -1020 ARE INTERCHANGEABLE PER CUSTOMER PREFERENCE. USED ON: 233N3215-1302 POST ALERT SB: 33A0044 | 108120 | RF |

MISSING ITEM NUMBERS NOT APPLICABLE

- ITEM NOT ILLUSTRATED

36-11-04-01

36-11-04
FIG. 01
PAGE 9
JAN 20/09

BRI



757

PARTS CATALOG (MAINTENANCE)

| FIG ITEM | PART NUMBER | 1 2 3 4 5 6 7 | NOMENCLATURE | EFFECT FROM TO | UNITS PER ASSY |
|----------|----------------|---------------|--|----------------------------|----------------|
| 1 35 | BCREFA0517 | | ...SWITCH ASSY-LIGHTED PUSHBUTTON IND SUPPLIER CODE: V81590 OVERLENGTH PART NUMBER: 433-673-1004-4038 SPECIFICATION NUMBER: S231T290-4038 MISCELLANEOUS DATA: WHEN REPLACING THE PUSHBUTTON SWITCH ASSY OR THE MASTER MODULE WITHIN, VERIFY THAT A CONFIG D MASTER MODULE P/N 13206-001 IS INSTALLED IN LIEU OF ANY EARLIER CONFIGURATION MASTER MODULES. OPTIONAL PART: 851-35100-5038 V96182 USED ON: 233N3215-16 233N3215-17 233N3215-20 233N3215-1016 233N3215-1017 233N3215-1020 FOR DETAILS SEE: 33-13-00-47A | 101102 108120 504903 | 1 |
| 35 | 851-35100-5038 | | ...SWITCH ASSY-LIGHTED PUSHBUTTON IND SUPPLIER CODE: V96182 SPECIFICATION NUMBER: S231T290-5038 OPTIONAL PART: BCREFA0517 V81590 USED ON: 233N3215-16 233N3215-20 233N3215-1016 233N3215-1020 | 101102 108120 504903 | 1 |

MISSING ITEM NUMBERS NOT APPLICABLE

- ITEM NOT ILLUSTRATED

36-11-04-01

36-11-04
FIG. 01
PAGE 10
JAN 20/09

BRI



757

PARTS CATALOG (MAINTENANCE)

| FIG ITEM | PART NUMBER | 1 2 3 4 5 6 7 | NOMENCLATURE | EFFECT FROM TO | UNITS PER ASSY |
|----------|-----------------|---------------|---|----------------------------|----------------|
| 1 | | | | | |
| 35 | 851-30768-3038 | ... | SWITCH ASSY-LIGHTED PUSHBUTTON IND SUPPLIER CODE: V96182 SPECIFICATION NUMBER: S231T290-3038 FOR DETAILS SEE: 33-13-00-37A | 101102 108120 504903 | 1 |
| 35 | 851-30768-2038 | ... | SWITCH ASSY-LIGHTED PUSHBUTTON IND SUPPLIER CODE: V96182 SPECIFICATION NUMBER: S231T290-2038 FOR DETAILS SEE: 33-13-00-27A | 101102 108120 504903 | 1 |
| 35 | 4336731004-4238 | ... | SWITCH ASSY-LIGHTED PUSHBUTTON IND SUPPLIER CODE: V81590 SPECIFICATION NUMBER: S231T290-4238 USED ON: 233N3215-22 233N3215-23 | 101106 108120 504903 | 1 |
| 40 | BACC45FN10-5P8 | ... | CONNECTOR | 101106 108120 504903 | 1 |
| - 45 | NAS1801-04-5 | ... | ATTACHING PARTS SCREW- USED ON: 233N3215-16 233N3215-17 233N3215-20 233N3215-1016 233N3215-1017 233N3215-1020 | 101106 108120 504903 | 2 |
| - 45 | BACS12HN04-5 | ... | SCREW- OPTIONAL PART: NAS1801-04-5 USED ON: 233N3215-22 233N3215-23 | 101106 108120 504903 | 2 |
| - 45 | NAS1801-04-5 | ... | SCREW- OPTIONAL PART: BACS12HN04-5 USED ON: 233N3215-22 233N3215-23 | 101106 108120 504903 | 2 |

MISSING ITEM NUMBERS NOT APPLICABLE

- ITEM NOT ILLUSTRATED

36-11-04-01

36-11-04
FIG. 01
PAGE 11
JAN 20/09

BRI



757

PARTS CATALOG (MAINTENANCE)

| FIG ITEM | PART NUMBER | 1 2 3 4 5 6 7 | NOMENCLATURE | EFFECT FROM TO | UNITS PER ASSY |
|-------------|----------------|---------------|---|----------------------------|----------------------|
| 1 | | | | | |
| - 50 | K19798-04 | | ...NUT SUPPLIER CODE: V15653 SPECIFICATION NUMBER: BACN10NW1 OPTIONAL PART: RMA4812-160-40 V72962 293162 V60119 -----*----- | 101106 108120 504903 | 2 |
| - 901 | 286N2078-328 | | WIRE BUNDLE ASSY | 504903 | RF |
| - 901 | 286N2078-330 | | WIRE BUNDLE ASSY | 101102 | RF |
| - 901 | 286N2078-331 | | WIRE BUNDLE ASSY | 108120 | RF |
| - 902 | 286N2078-601 | | WIRE BUNDLE ASSY | 103106 | RF |
| 925 | BACC45FT10A5S8 | | .CONNECTOR- ELECTRICAL EQUIP NUMBER: D03586 WIRING DIAGRAM REF: 331652 | 101106 108120 504903 | 1 |

MISSING ITEM NUMBERS NOT APPLICABLE

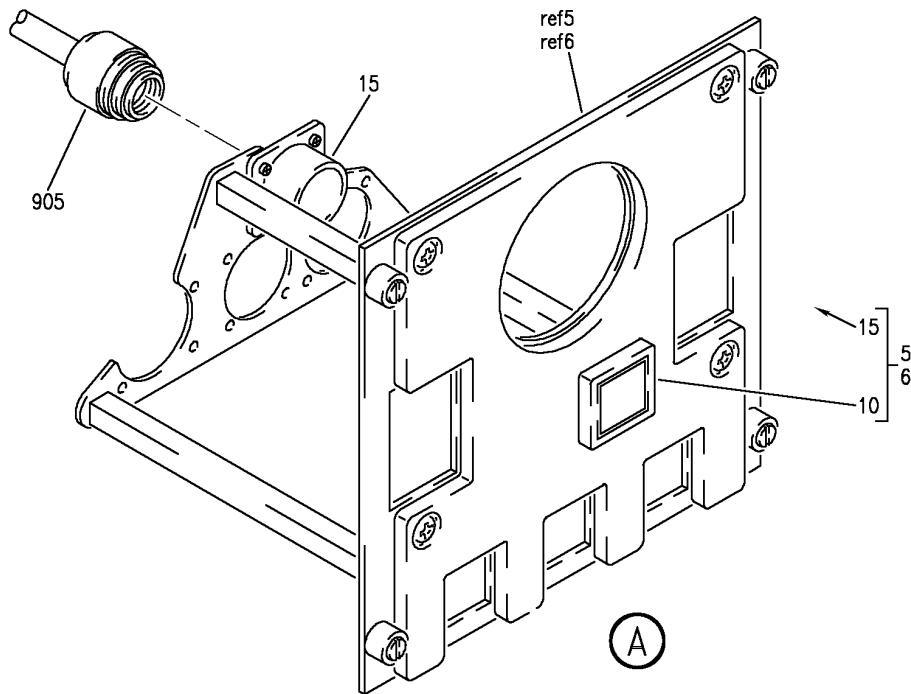
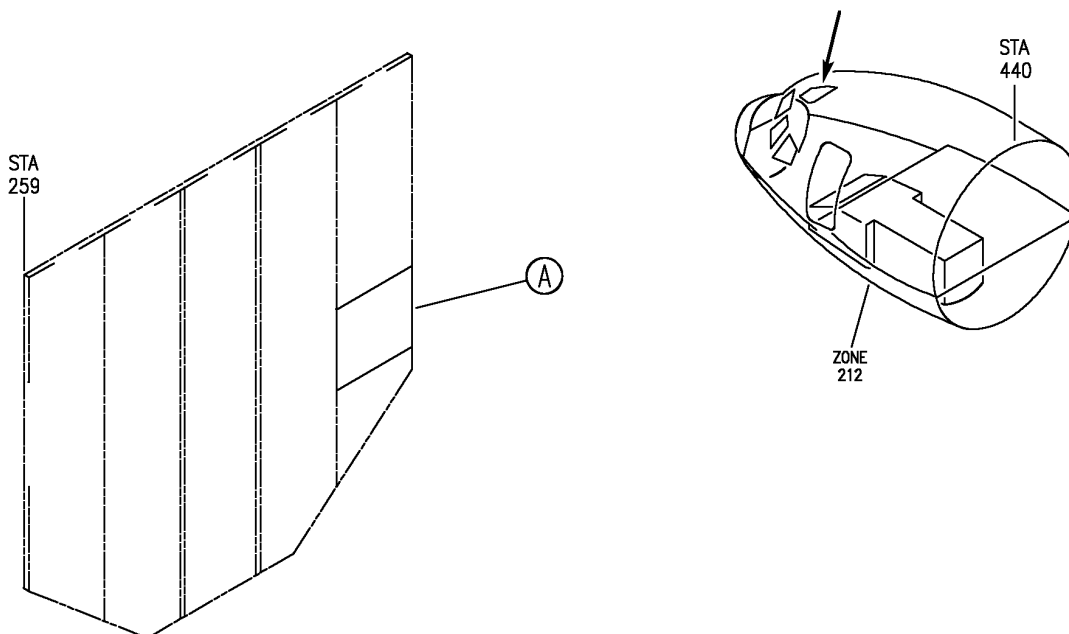
- ITEM NOT ILLUSTRATED

36-11-04-01

36-11-04
FIG. 01
PAGE 12
JAN 20/09

BRI

BOEING
757
PARTS CATALOG (MAINTENANCE)



Y 36110402 REV 278

PANEL INSTL-P5 OVHD (AIR SUPPLY DISTRIBUTION SYSTEM ONLY)
FIGURE 2

36-11-04-02

BRI
MAY 28/07

36-11-04-02
PAGE 0



757

PARTS CATALOG (MAINTENANCE)

| FIG ITEM | PART NUMBER | 1 2 3 4 5 6 7 | NOMENCLATURE | EFFECT FROM TO | UNITS PER ASSY |
|----------|-------------|---------------|--|--|----------------|
| 2 | | | PANEL INSTL-P5 OVHD (AIR SUPPLY DISTRIBUTION SYSTEM ONLY) | 002004 006010 107107 121503 904999 | |
| - 1 | 233N3101-1 | | PANEL INSTL-P5 OVHD (AIR SUPPLY DISTRIBUTION SYSTEM ONLY) VARIABLE DRAWING REF: 233N3101-5005 233N3101-5025 233N3101-5041 233N3101-5042 233N3101-5045 FOR NHA/OTHER SYS DET SEE: 25-10-00-05A | 002004 006010 107107 121503 904999 | RF |
| 5 | 233N3215-15 | | .PANEL ASSY-BLEED AIR SUPPLIER CODE: V89954 ELECTRICAL EQUIP NUMBER: M10259 COMPONENT MAINT MANUAL REF: 36-11-71 QUALIFIED I/W DATA: 233N3215-9 -15 -19 -20 ARE ALL INTERCHANGEABLE EXCEPT SUBJECT TO CUSTOMER PREFERENCE PRE ALERT SB: 33A0044 | 107107 | RF |
| 5 | 233N3215-16 | | .PANEL ASSY-BLEED AIR SUPPLIER CODE: V89954 MISCELLANEOUS DATA: FOR SPARES PROCURE NEXT HIGHER ASSY ELECTRICAL EQUIP NUMBER: M10259 COMPONENT MAINT MANUAL REF: 36-11-71 QUALIFIED I/W DATA: 233N3215-13 -14 -16 -17 ARE ALL INTERCHANGEABLE EXCEPT SUBJECT TO CUSTOMER PREFERENCE PRE ALERT SB: 33A0044 | 002004 006010 950999 | RF |

MISSING ITEM NUMBERS NOT APPLICABLE

- ITEM NOT ILLUSTRATED

BRI

36-11-04-02

36-11-04
FIG. 02
PAGE 1
JAN 20/09



757

PARTS CATALOG (MAINTENANCE)

| FIG ITEM | PART NUMBER | 1 2 3 4 5 6 7 | NOMENCLATURE | EFFECT FROM TO | UNITS PER ASSY |
|----------|---------------|---------------|--|----------------------------|----------------|
| 2 | | | | | |
| 5 | 233N3215-19 | | .PANEL ASSY-BLEED AIR SUPPLIER CODE: V89954 ELECTRICAL EQUIP NUMBER: M10259 COMPONENT MAINT MANUAL REF: 36-11-71 QUALIFIED I/W DATA: 233N3215-9 -15 -19 -20 ARE ALL INTERCHANGEABLE EXCEPT SUBJECT TO CUSTOMER PREFERENCE PRE ALERT SB: 33A0044R1 | 121503 904949 | RF |
| 5 | 233N3215-1016 | | .PANEL ASSY-BLEED AIR SUPPLIER CODE: V89954 ELECTRICAL EQUIP NUMBER: M10259 COMPONENT MAINT MANUAL REF: 36-11-71 POST ALERT SB: 33A0044 | 002004 006010 950999 | RF |
| 5 | 233N3215-1015 | | .PANEL ASSY-BLEED AIR SUPPLIER CODE: V89954 ELECTRICAL EQUIP NUMBER: M10259 COMPONENT MAINT MANUAL REF: 36-11-71 QUALIFIED I/W DATA: 233N3215-1009,-1015, -1019 AND -1020 ARE INTERCHANGEABLE PER CUSTOMER PREFERENCE. POST ALERT SB: 33A0044 | 107107 | RF |

MISSING ITEM NUMBERS NOT APPLICABLE

- ITEM NOT ILLUSTRATED

BRI

36-11-04-02

BOEING PROPRIETARY - Copyright © - Unpublished Work - See title page for details.

36-11-04
FIG. 02
PAGE 2
JAN 20/09



757

PARTS CATALOG (MAINTENANCE)

| FIG ITEM | PART NUMBER | 1 2 3 4 5 6 7 | NOMENCLATURE | EFFECT FROM TO | UNITS PER ASSY |
|----------|---------------|---------------|--|----------------------------|----------------|
| 2 | | | | | |
| 6 | 233N3215-1019 | | .PANEL ASSY-BLEED AIR SUPPLIER CODE: V89954 ELECTRICAL EQUIP NUMBER: M10259 COMPONENT MAINT MANUAL REF: 36-11-71 QUALIFIED I/W DATA: 233N3215-1009,-1015, -1019 AND -1020 ARE INTERCHANGEABLE PER CUSTOMER PREFERENCE. POST ALERT SB: 33A0044R1 | 121503 904949 | RF |
| 6 | 233N3215-22 | | .PANEL ASSY-BLEED AIR SUPPLIER CODE: V89954 ELECTRICAL EQUIP NUMBER: M10259 | 002004 006010 950999 | RF |
| 10 | BCREF7617 | | ..SWITCH ASSY-LIGHTED PUSH BUTTON IND VALVE SUPPLIER CODE: V81590 OVERLENGTH PART NUMBER: 433-673-1001-1038 SPECIFICATION NUMBER: S231T290-1038 MISCELLANEOUS DATA: WHEN REPLACING THE PUSHBUTTON SWITCH ASSY OR THE MASTER MODULE WITHIN, VERIFY THAT A CONFIG D MASTER MODULE P/N 13206-001 IS INSTALLED IN LIEU OF ANY EARLIER CONFIGURATION MASTER MODULES. FOR DETAILS SEE: 33-13-00-17A | 107107 | 1 |

MISSING ITEM NUMBERS NOT APPLICABLE

- ITEM NOT ILLUSTRATED

BRI

36-11-04-02

BOEING PROPRIETARY - Copyright © - Unpublished Work - See title page for details.

36-11-04
FIG. 02
PAGE 3
JAN 20/09



757

PARTS CATALOG (MAINTENANCE)

| FIG ITEM | PART NUMBER | 1 2 3 4 5 6 7 | NOMENCLATURE | EFFECT FROM TO | UNITS PER ASSY |
|----------|----------------|---------------|--|--|----------------|
| 2 10 | BCREFA0517 | | ..SWITCH ASSY-LIGHTED PUSH BUTTON IND SUPPLIER CODE: V81590 OVERLENGTH PART NUMBER: 433-673-1004-4038 SPECIFICATION NUMBER: S231T290-4038 MISCELLANEOUS DATA: WHEN REPLACING THE PUSHBUTTON SWITCH ASSY OR THE MASTER MODULE WITHIN, VERIFY THAT A CONFIG D MASTER MODULE P/N 13206-001 IS INSTALLED IN LIEU OF ANY EARLIER CONFIGURATION MASTER MODULES. OPTIONAL PART: 851-35100-5038 V96182 FOR DETAILS SEE: 33-13-00-47A | 002004 006010 107107 121503 904999 | 1 |
| 10 | 851-30768-2038 | | ..SWITCH ASSY-LIGHTED PUSH BUTTON IND VALVE SUPPLIER CODE: V96182 SPECIFICATION NUMBER: S231T290-2038 FOR DETAILS SEE: 33-13-00-27A | 002004 006010 107107 121503 904999 | 1 |
| 10 | 851-30768-3038 | | ..SWITCH ASSY-LIGHTED PUSH BUTTON IND VALVE SUPPLIER CODE: V96182 SPECIFICATION NUMBER: S231T290-3038 OPTIONAL PART: 851-35100-5038 V96182 FOR DETAILS SEE: 33-13-00-37A | 002004 006010 107107 121503 904999 | 1 |

MISSING ITEM NUMBERS NOT APPLICABLE

- ITEM NOT ILLUSTRATED

36-11-04-02

36-11-04
FIG. 02
PAGE 4
JAN 20/09

BRI



**757
PARTS CATALOG (MAINTENANCE)**

| FIG ITEM | PART NUMBER | 1 2 3 4 5 6 7 | NOMENCLATURE | EFFECT FROM TO | UNITS PER ASSY |
|----------|-----------------|---------------|--|--|----------------|
| 2 | | | | | |
| 10 | 851-35100-5038 | .. | SWITCH ASSY-LIGHTED PUSH BUTTON IND SUPPLIER CODE: V96182 SPECIFICATION NUMBER: S231T290-5038 OPTIONAL PART: BCREFA0517 V81590 851-30768-3038 V96182 | 002004 006010 107107 121503 904999 | 1 |
| 10 | 4336731004-4238 | .. | SWITCH ASSY-LIGHTED PUSHBUTTON IND SUPPLIER CODE: V81590 SPECIFICATION NUMBER: S231T290-4238 | 002004 006010 107107 121503 904999 | 1 |
| 15 | BACC45FN10-5P8 | .. | CONNECTOR | 002004 006010 107107 121503 904999 | 1 |
| | | | ATTACHING PARTS | | |
| - 20 | NAS1801-04-5 | .. | SCREW | 002004 006010 121503 904999 | 2 |
| - 20 | BACS12CB04-5 | .. | SCREW | 107107 | 2 |
| - 25 | K19798-04 | .. | NUT SUPPLIER CODE: V15653 SPECIFICATION NUMBER: BACN10NW1 OPTIONAL PART: RMA4812-160-40 V72962 293162 V60119 | 002004 006010 107107 121503 904999 | 2 |
| - 900 | 286N2078-003 | -----* | WIRE BUNDLE ASSY- | 121503 904949 | RF |
| - 900 | 286N2078-004 | | WIRE BUNDLE ASSY | 107107 | RF |
| - 900 | 286N2078-005 | | WIRE BUNDLE ASSY- | 002004 006010 950999 | RF |

MISSING ITEM NUMBERS NOT APPLICABLE

- ITEM NOT ILLUSTRATED

36-11-04-02

36-11-04
FIG. 02
PAGE 5
JAN 20/09

BRI

BOEING PROPRIETARY - Copyright © - Unpublished Work - See title page for details.



757

PARTS CATALOG (MAINTENANCE)

| FIG ITEM | PART NUMBER | 1 2 3 4 5 6 7 | NOMENCLATURE | EFFECT FROM TO | UNITS PER ASSY |
|-------------|----------------|---------------|--|--|----------------------|
| 2 905 | BACC45FT10A5S8 | | .CONNECTOR- ELECTRICAL EQUIP NUMBER: D03586 WIRING DIAGRAM REF: 331652 | 002004 006010 107107 121503 904999 | 1 |

MISSING ITEM NUMBERS NOT APPLICABLE

- ITEM NOT ILLUSTRATED

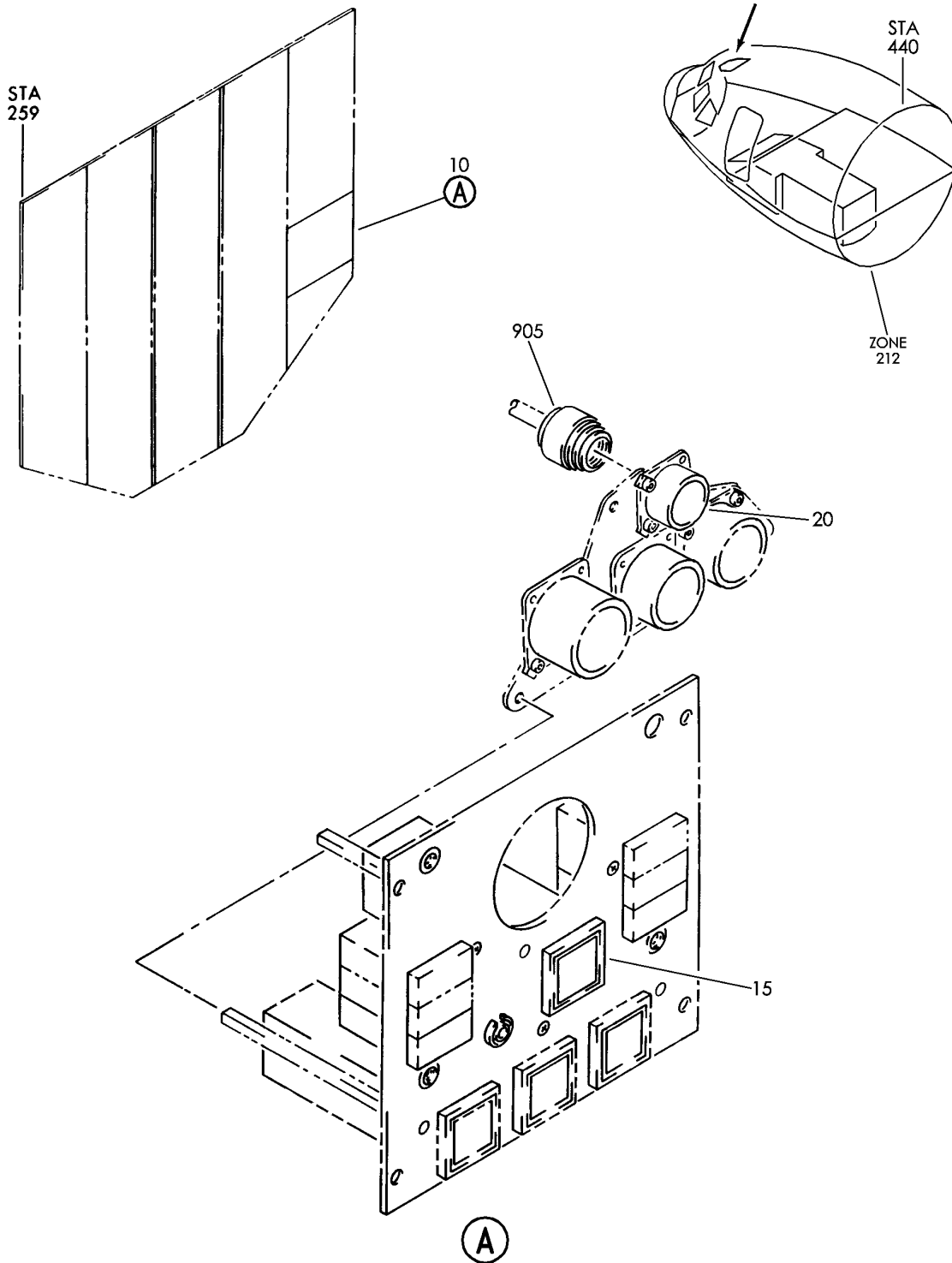
BRI

36-11-04-02

BOEING PROPRIETARY - Copyright © - Unpublished Work - See title page for details.

36-11-04
FIG. 02
PAGE 6
JAN 20/09

BOEING
757
PARTS CATALOG (MAINTENANCE)



Y 36110403 REV 239

PANEL INSTL-P5 OVHD (AIR SUPPLY DISTRIBUTION SYSTEM ONLY)
FIGURE 3

36-11-04-03

BRI
MAY 28/07

36-11-04-03
PAGE 0



757

PARTS CATALOG (MAINTENANCE)

| FIG ITEM | PART NUMBER | 1 2 3 4 5 6 7 | NOMENCLATURE | EFFECT FROM TO | UNITS PER ASSY |
|----------|---------------|---------------|--|----------------|----------------|
| 3 | | | PANEL INSTL-P5 OVHD (AIR SUPPLY DISTRIBUTION SYSTEM ONLY) | 011100 | |
| - 1 | 233N3101-1 | | PANEL INSTL-P5 OVHD (AIR SUPPLY DISTRIBUTION SYSTEM ONLY) VARIABLE DRAWING REF: 233N3101-5142 FOR NHA/OTHER SYS DET SEE: 25-10-00-05A | 011100 | RF |
| - 5 | 233N3215-300 | | .PANEL ASSY-BLEED AIR SUPPLIER CODE: V89954 ELECTRICAL EQUIP NUMBER: M10259 COMPONENT MAINT MANUAL REF: 36-11-71 QUALIFIED I/W DATA: THE 233N3215-300 PANEL ASSY IS I/W THE 233N3215-16 PANEL ASSY T/W THE S233T100-6009 LIGHTPLATE PRE ALERT SB: 33A0044 | 011100 | RF |
| - 5 | 233N3215-1300 | | .PANEL ASSY-BLEED AIR SUPPLIER CODE: V89954 ELECTRICAL EQUIP NUMBER: M10259 COMPONENT MAINT MANUAL REF: 36-11-71 POST ALERT SB: 33A0044 | 011100 | RF |
| - 5 | 233N3215-303 | | .PANEL ASSY-BLEED AIR SUPPLIER CODE: V89954 ELECTRICAL EQUIP NUMBER: M10259 | 011100 | RF |

MISSING ITEM NUMBERS NOT APPLICABLE

- ITEM NOT ILLUSTRATED

36-11-04-03

36-11-04
FIG. 03
PAGE 1
JAN 20/09

BRI



757

PARTS CATALOG (MAINTENANCE)

| FIG ITEM | PART NUMBER | 1 2 3 4 5 6 7 | NOMENCLATURE | EFFECT FROM TO | UNITS PER ASSY |
|----------|---------------|---------------|--|----------------|----------------|
| 3 10 | 233N3215-16 | | ..PANEL ASSY- SUPPLIER CODE: V89954 MISCELLANEOUS DATA: FOR SPARES PROCURE NEXT HIGHER ASSY COMPONENT MAINT MANUAL REF: 36-11-71 QUALIFIED I/W DATA: 233N3215-13 -14 -16 -17 ARE ALL INTERCHANGEABLE EXCEPT SUBJECT TO CUSTOMER PREFERENCE THE 233N3215-300 PANEL ASSY IS I/W THE 233N3215-16 PANEL ASSY T/W THE S233T100-6009 LIGHTPLATE PRE ALERT SB: 33A0044 | 011100 | RF |
| 10 | 233N3215-1016 | | ..PANEL ASSY- SUPPLIER CODE: V89954 ELECTRICAL EQUIP NUMBER: M10259 COMPONENT MAINT MANUAL REF: 36-11-71 POST ALERT SB: 33A0044 | 011100 | RF |
| 10 | 233N3215-22 | | ..PANEL ASSY- SUPPLIER CODE: V89954 MISCELLANEOUS DATA: FOR SPARES PROCURE NEXT HIGHER ASSY ELECTRICAL EQUIP NUMBER: M10259 COMPONENT MAINT MANUAL REF: 36-11-71 | 011100 | RF |

MISSING ITEM NUMBERS NOT APPLICABLE

- ITEM NOT ILLUSTRATED

36-11-04-03

36-11-04
 FIG. 03
 PAGE 2
 JAN 20/09

BRI



757

PARTS CATALOG (MAINTENANCE)

| FIG ITEM | PART NUMBER | 1 2 3 4 5 6 7 | NOMENCLATURE | EFFECT FROM TO | UNITS PER ASSY |
|----------|----------------|---------------|---|----------------|----------------|
| 3 15 | BCREFA0517 | | ...SWITCH ASSY-LIGHTED PUSH BUTTON IND SUPPLIER CODE: V81590 OVERLENGTH PART NUMBER: 433-673-1004-4038 SPECIFICATION NUMBER: S231T290-4038 MISCELLANEOUS DATA: WHEN REPLACING THE PUSHBUTTON SWITCH ASSY OR THE MASTER MODULE WITHIN, VERIFY THAT A CONFIG D MASTER MODULE P/N 13206-001 IS INSTALLED IN LIEU OF ANY EARLIER CONFIGURATION MASTER MODULES. OPTIONAL PART: 851-35100-5038 V96182 USED ON: 233N3215-17 233N3215-1017 FOR DETAILS SEE: 33-13-00-47A | 011100 | 1 |
| 15 | 851-30768-2038 | | ...SWITCH ASSY-LIGHTED PUSH BUTTON IND VALVE SUPPLIER CODE: V96182 SPECIFICATION NUMBER: S231T290-2038 FOR DETAILS SEE: 33-13-00-27A | 011100 | 1 |
| 15 | 851-30768-3038 | | ...SWITCH ASSY-LIGHTED PUSH BUTTON IND VALVE SUPPLIER CODE: V96182 SPECIFICATION NUMBER: S231T290-3038 FOR DETAILS SEE: 33-13-00-37A | 011100 | 1 |

MISSING ITEM NUMBERS NOT APPLICABLE

- ITEM NOT ILLUSTRATED

36-11-04-03

36-11-04
 FIG. 03
 PAGE 3
 JAN 20/09

BRI



757

PARTS CATALOG (MAINTENANCE)

| FIG ITEM | PART NUMBER | 1 2 3 4 5 6 7 | NOMENCLATURE | EFFECT FROM TO | UNITS PER ASSY |
|----------|-----------------|---------------|---|----------------|----------------|
| 3 | | | | | |
| 15 | 851-35100-5038 | | ...SWITCH ASSY-LIGHTED PUSH BUTTON IND SUPPLIER CODE: V96182 SPECIFICATION NUMBER: S231T290-5038 OPTIONAL PART: BCREFA0517 V81590 USED ON: 233N3215-16 233N3215-20 233N3215-1016 233N3215-1020 | 011100 | 1 |
| 15 | 4336731004-4238 | | ...SWITCH ASSY-LIGHTED PUSHBUTTON IND SUPPLIER CODE: V81590 SPECIFICATION NUMBER: S231T290-4238 USED ON: 233N3215-22 233N3215-23 | 011100 | 1 |
| 20 | BACC45FN10-5P8 | | ...CONNECTOR ATTACHING PARTS | 011100 | 1 |
| - 25 | NAS1801-04-5 | | ...SCREW- USED ON: 233N3215-16 233N3215-17 233N3215-20 233N3215-1016 233N3215-1017 233N3215-1020 | 011100 | 2 |
| - 25 | NAS1801-04-5 | | ...SCREW- OPTIONAL PART: BACS12HN04-5 USED ON: 233N3215-22 233N3215-23 | 011100 | 2 |
| - 25 | BACS12HN04-5 | | ...SCREW- OPTIONAL PART: NAS1801-04-5 USED ON: 233N3215-22 233N3215-23 | 011100 | 2 |

MISSING ITEM NUMBERS NOT APPLICABLE

- ITEM NOT ILLUSTRATED

36-11-04-03

36-11-04
FIG. 03
PAGE 4
JAN 20/09

BRI



757

PARTS CATALOG (MAINTENANCE)

| FIG ITEM | PART NUMBER | 1 2 3 4 5 6 7 | NOMENCLATURE | EFFECT FROM TO | UNITS PER ASSY |
|--------------|--------------------------------|---------------|---|------------------|----------------|
| 3 - 30 | K19798-04 | | ...NUT SUPPLIER CODE: V15653 SPECIFICATION NUMBER: BACN10NW1 OPTIONAL PART: RMA4812-160-40 V72962 293162 V60119 -----*----- | 011100 | 2 |
| - 900 905 | 286N2078-005 BACC45FT10A5S8 | | WIRE BUNDLE ASSY .CONNECTOR- ELECTRICAL EQUIP NUMBER: D03586 WIRING DIAGRAM REF: 331652 | 011100 011100 | RF 1 |

MISSING ITEM NUMBERS NOT APPLICABLE

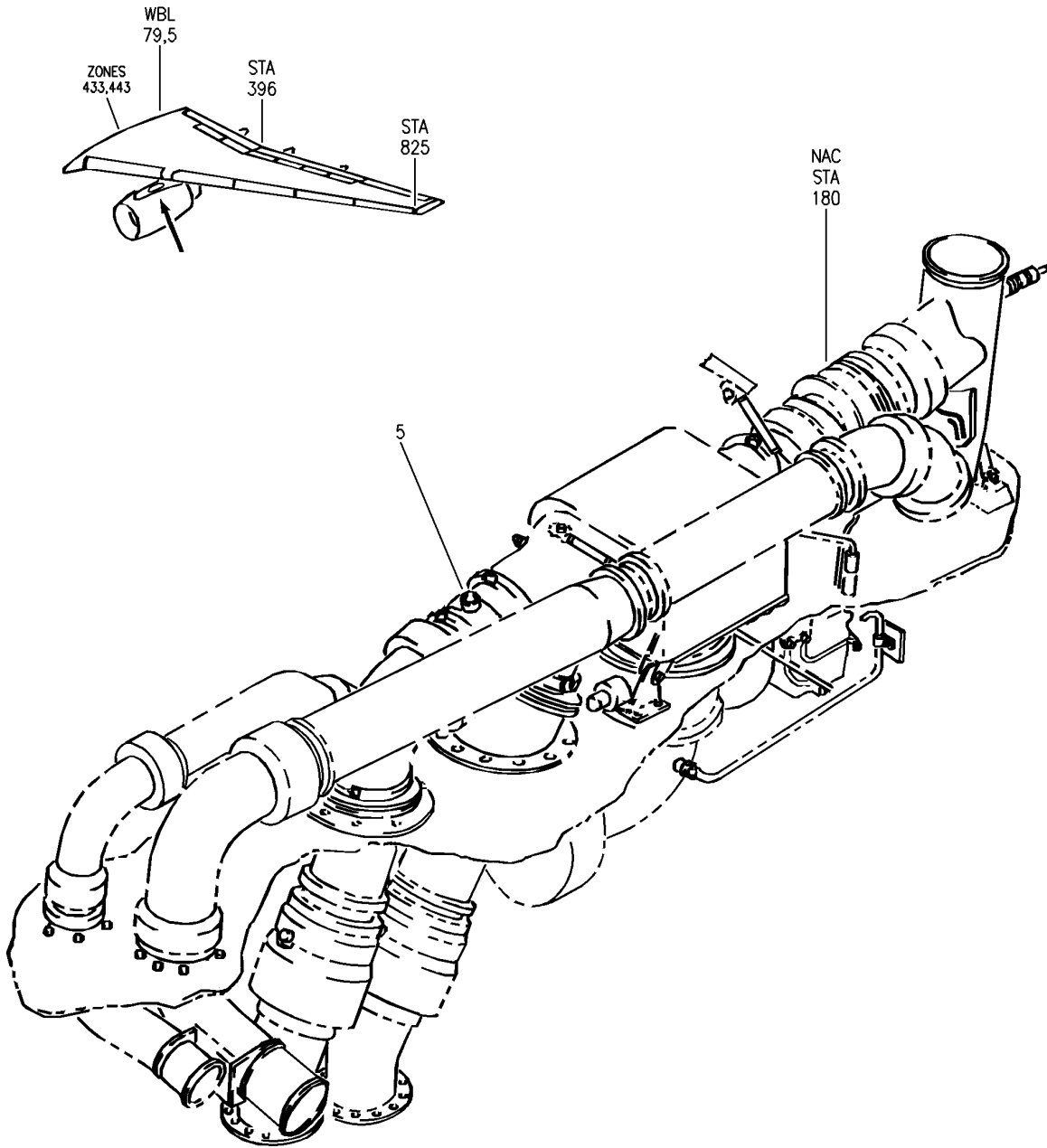
- ITEM NOT ILLUSTRATED

36-11-04-03

36-11-04
FIG. 03
PAGE 5
JAN 20/09

BRI

BOEING
757
PARTS CATALOG (MAINTENANCE)



Y 36110604 REV 237

EQUIPMENT INSTL-STRUT PNEU (INTERMEDIATE PRESSURE CHECK VALVE ONLY)

FIGURE 4

36-11-06-04

BRI
MAY 28/07

36-11-06-04
PAGE 0



757

PARTS CATALOG (MAINTENANCE)

| FIG ITEM | PART NUMBER | 1 2 3 4 5 6 7 | NOMENCLATURE | EFFECT FROM TO | UNITS PER ASSY |
|----------|-------------|---------------|---|--|----------------|
| 4 | | | EQUIPMENT INSTL-STRUT PNEU (INTERMEDIATE PRESSURE CHECK VALVE ONLY) | 002004 006999 | |
| - 1 | 312N5301-7 | | EQUIPMENT INSTL-STRUT PNEU (INTERMEDIATE PRESSURE CHECK VALVE ONLY) FOR NHA/OTHER SYS DET SEE: 54-00-51-01 | 002004 006100 107107 121503 904999 | RF |
| - 1 | 312N5301-12 | | EQUIPMENT INSTL-STRUT PNEU (INTERMEDIATE PRESSURE CHECK VALVE ONLY) FOR NHA/OTHER SYS DET SEE: 36-00-00-01 36-00-00-01A | 101106 108120 504903 | RF |
| 5 | 3202154-1 | | .VALVE-INTERMEDIATE PRESSURE CHK SUPPLIER CODE: V59364 SPECIFICATION NUMBER: S212N101-7 COMPONENT MAINT MANUAL REF: 36-11-47 | 002004 006999 | 1 |

MISSING ITEM NUMBERS NOT APPLICABLE

- ITEM NOT ILLUSTRATED

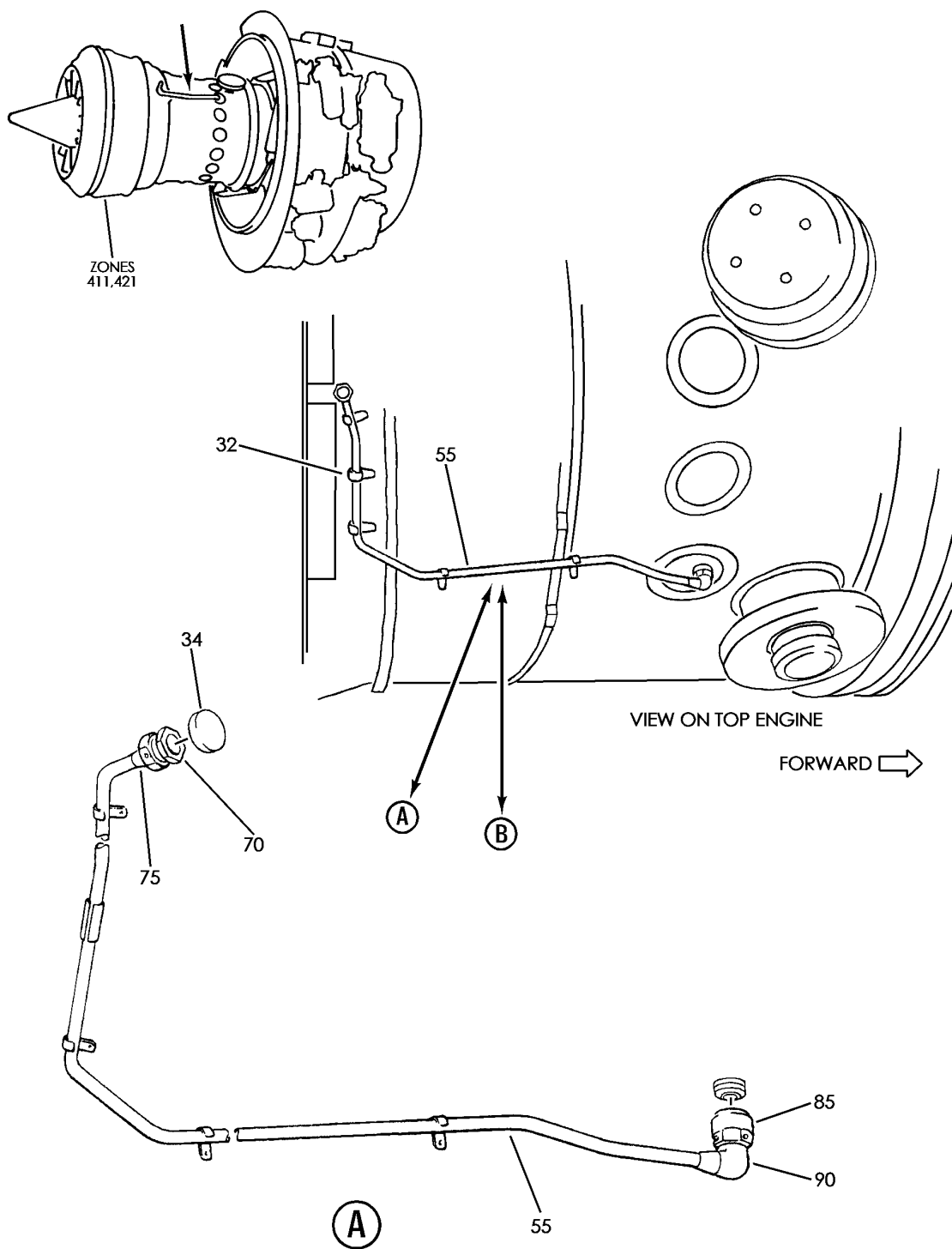
BRI

36-11-06-04

BOEING PROPRIETARY - Copyright © - Unpublished Work - See title page for details.

36-11-06
FIG. 04
PAGE 1
JAN 20/09

BOEING
757
PARTS CATALOG (MAINTENANCE)



Y 36110801 SHT 1 REV 226

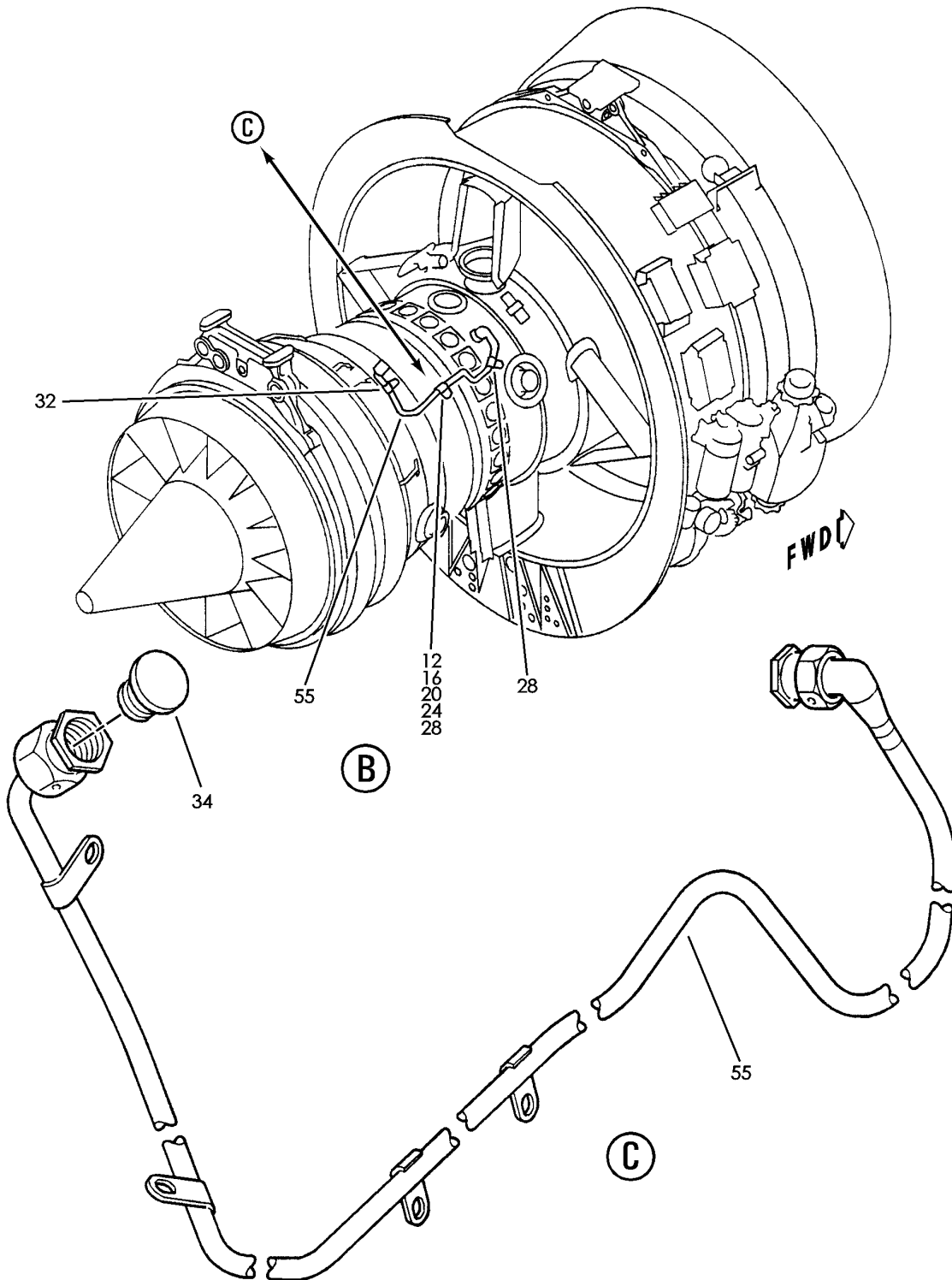
TUBES AND FITTINGS-P6 TO CAB. AIR CONT VALVE (RB211-535)
FIGURE 1 (SHEET 1)

36-11-08-01

BRI
MAY 28/07

36-11-08-01
PAGE 0

BOEING
757
PARTS CATALOG (MAINTENANCE)



Y 36110801 SHT 2 REV 226

TUBES AND FITTINGS-P6 TO CAB. AIR CONT VALVE (RB211-535)
FIGURE 1 (SHEET 2)

36-11-08-01

BRI
MAY 28/07

36-11-08-01
PAGE 0A



**757
PARTS CATALOG (MAINTENANCE)**

| FIG ITEM | PART NUMBER | 1 2 3 4 5 6 7 | NOMENCLATURE | EFFECT FROM TO | UNITS PER ASSY |
|-------------|-------------|---------------|---|----------------------------|----------------------|
| 1 | | | TUBES AND FITTINGS-P6 TO CAB. AIR CONT VALVE (RB211-535) | 002004 006999 | |
| - 1 | UL20697 | | ENGINE ASSY-Q.E.C.U. RB211-535E43711 MAXIMUM NEUT WITH GRAVINER FIRE DETECTORS, BAYONET MCD, NON-MODULATED IDG COOLING 40,000 LB THRUST SUPPLIER CODE: VK0680 REFERENCE SERVICE BULLETIN: 71-0058R4 QUALIFIED SB I/W DATA: INTERMIX OF ONE OR SUBSTITUTION OF TWO DIFFERENT CONFIGURATION RB211-535E4-37/() ENGINES FOR RB211-535 E4 BASE ENGINES REFERENCE SERVICE BULLETIN: RB211-72-C547 VK0680 | 121503 904949 952999 | RF |
| - 1 | UL20702 | | FOR NHA/OTHER SYS DET SEE: 71-00-02-04 ENGINE ASSY-Q.E.C.U. RB211-535E43711 BASIC ENGINE CONFIGURATION WITH GRAVINER FIRE DETECTORS, BAYONET MCD, NON-MODULATED IDG COOLING 40,100 LB THRUST SUPPLIER CODE: VK0680 FOR NHA/OTHER SYS DET SEE: 71-00-02-10 | 504903 | RF |
| - 1 | UL19722 | | ENGINE ASSY-Q.E.C.U. RB211-535E43711 MAXIMUM NEUT SUPPLIER CODE: VK0680 FOR NHA/OTHER SYS DET SEE: 71-00-02-04 | 107107 | RF |

MISSING ITEM NUMBERS NOT APPLICABLE

- ITEM NOT ILLUSTRATED

BRI

36-11-08-01

BOEING PROPRIETARY - Copyright © - Unpublished Work - See title page for details.

36-11-08
FIG. 01
PAGE 1
JAN 20/09



757

PARTS CATALOG (MAINTENANCE)

| FIG ITEM | PART NUMBER | 1 2 3 4 5 6 7 | NOMENCLATURE | EFFECT FROM TO | UNITS PER ASSY |
|----------|-------------|---------------|--|----------------------------|----------------|
| 1 | | | | | |
| - 2 | UL20698 | | ENGINE ASSY-Q.E.C.U. RB211-535E43712 MAXIMUM NEUT SUPPLIER CODE: VK0680 REFERENCE SERVICE BULLETIN: 71-0058R7 QUALIFIED SB I/W DATA: INTERMIX OF ONE OR SUBSTITUTION OF TWO DIFFERENT CONFIGURATION RB211-535E4-37/() ENGINES FOR RB211-535E4 BASE ENGINES OR DIFFERENT CONFIGURATION RB211-535E4-B-37/() ENGINES FOR RB211-535E4-B BASE ENGINES REFERENCE SERVICE BULLETIN: RB211-72C547 VK0680 RB211-72-8910 VK0680 POST RAPID REVISION: RR92014-183A-RC-E FOR NHA/OTHER SYS DET SEE: 71-00-02-04 | 002004 006100 102102 | RF |
| - 2 | UL36209 | | ENGINE ASSY-Q.E.C.U. RB211-535E43719 MAXIMUM NEUT SUPPLIER CODE: VK0680 FOR NHA/OTHER SYS DET SEE: 71-00-02-04 | 950951 | RF |
| - 3 | BCREF17395 | | ENGINE ASSY-Q.E.C.U. RB211-535E43739 BASIC ENGINE CONFIGURATION AND PHASE 5 COMBUSTOR 40,100 LB THRUST SUPPLIER CODE: VK0680 OVERLENGTH PART NUMBER: RB211-535E4-37-39E FOR NHA/OTHER SYS DET SEE: 71-00-02-10 | 108120 | RF |

MISSING ITEM NUMBERS NOT APPLICABLE

- ITEM NOT ILLUSTRATED

36-11-08-01

36-11-08
FIG. 01
PAGE 2
JAN 20/09

BRI



757

PARTS CATALOG (MAINTENANCE)

| FIG ITEM | PART NUMBER | 1 2 3 4 5 6 7 | NOMENCLATURE | EFFECT FROM TO | UNITS PER ASSY |
|----------|-------------|---------------|---|------------------|----------------|
| 1 | | | | | |
| - 3 | BCREF17101 | | ENGINE ASSY-Q.E.C.U. RB211-535E43744 BASIC ENGINE CONFIGURATION, BAYONET MCD AND PHASE 5 COMBUSTOR 40,100 LB THRUST SUPPLIER CODE: VK0680 OVERLENGTH PART NUMBER: RB211-535E4-3744E FOR NHA/OTHER SYS DET SEE: 71-00-02-10 | 103106 | RF |
| - 3 | UL38163 | | ENGINE ASSY-Q.E.C.U. RB211-535E43724 BASIC ENGINE CONFIGURATION, BAYONET MCD, 40,100 LB THRUST SUPPLIER CODE: VK0680 FOR NHA/OTHER SYS DET SEE: 71-00-02-10 | 101101 | RF |
| - 4 | UL26748 | | . FITTINGS INSTL-CABIN AIR EJECTORS SUPPLIER CODE: VK0680 | 002004 006999 | RF |
| 12 | AS21421 | | .. BOLT- POST SERVICE BULLETIN: 72-C230PT01 VK0680 | 103106 108120 | 1 |
| 16 | UP10481 | | .. SPACER- SUPPLIER CODE: VK0680 POST SERVICE BULLETIN: 72-C230PT01 VK0680 | 103106 108120 | 1 |
| 20 | K8831 | | .. WASHER- SUPPLIER CODE: VK0680 POST SERVICE BULLETIN: 72-C230PT01 VK0680 | 103106 108120 | 1 |
| 24 | AS41104 | | .. NUT- POST SERVICE BULLETIN: 72-C230PT01 VK0680 | 103106 108120 | 1 |

MISSING ITEM NUMBERS NOT APPLICABLE

- ITEM NOT ILLUSTRATED

36-11-08-01

36-11-08
FIG. 01
PAGE 3
JAN 20/09

BRI



757

PARTS CATALOG (MAINTENANCE)

| FIG ITEM | PART NUMBER | 1 2 3 4 5 6 7 | NOMENCLATURE | EFFECT FROM TO | UNITS PER ASSY |
|----------|-------------|---------------|---|--|----------------|
| 1 | 28 400WSS6 | | ..CLIP- SUPPLIER CODE: V83930 POST SERVICE BULLETIN: 72-C230PT01 VK0680 | 108120 | 2 |
| | 32 LK39525 | | ..CLIP- SUPPLIER CODE: VK0680 PRE SERVICE BULLETIN: 72-C754 VK0680 | 002004 006999 | 1 |
| | 32 UP12008 | | ..CLIP- SUPPLIER CODE: VK0680 POST SERVICE BULLETIN: 72-C754PTA V77445 | 002004 006999 | 1 |
| | 34 UP10501 | | ..PLUG-BLANKING TRANSPORTATION ONLY SUPPLIER CODE: VK0680 POST SERVICE BULLETIN: 72-9689PTD VK0680 | 002004 006100 102102 107107 121949 952999 | 1 |
| | 55 UL39035 | | ..TUBE ASSY-NO. 3 BURNER TO DISC HP6 SIGNAL AIR SUPPLIER CODE: VK0680 POST SERVICE BULLETIN: 72-C230PT01 VK0680 | 103106 108120 | 1 |
| | 55 UL16552 | | ..TUBE ASSY-NO. 3 BURNER TO DISC HP6 SIGNAL AIR SUPPLIER CODE: VK0680 | 002004 006100 102102 107107 121999 | 1 |
| - | 60 LK39604 | | ...CLIP- SUPPLIER CODE: VK0680 | 002004 006999 | 4 |
| - | 65 AS15779 | | ...WIRE-THRUST | 002004 006999 | 1 |

MISSING ITEM NUMBERS NOT APPLICABLE

- ITEM NOT ILLUSTRATED

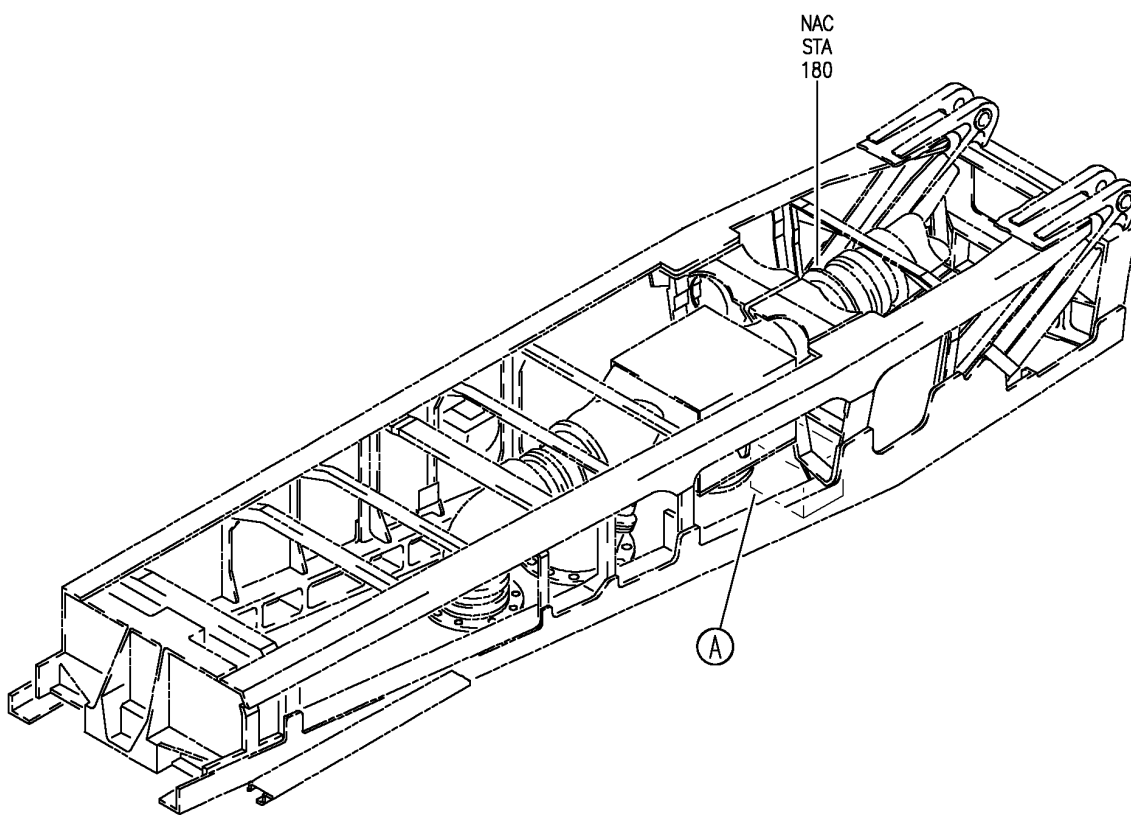
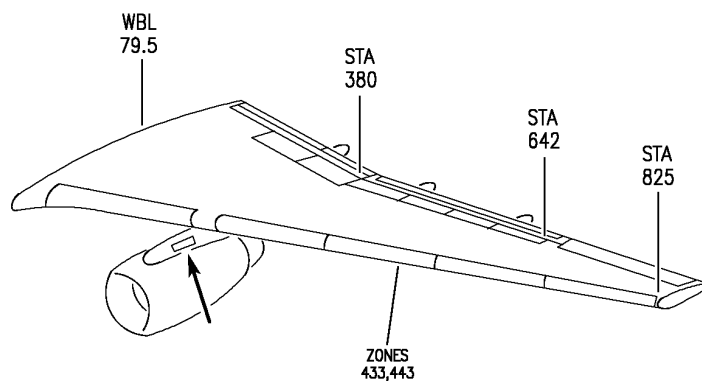
36-11-08-01

36-11-08
FIG. 01
PAGE 4
JAN 20/09

BRI

BOEING PROPRIETARY - Copyright © - Unpublished Work - See title page for details.

BOEING
757
PARTS CATALOG (MAINTENANCE)



Y 36110805 SH1 1 REV 257

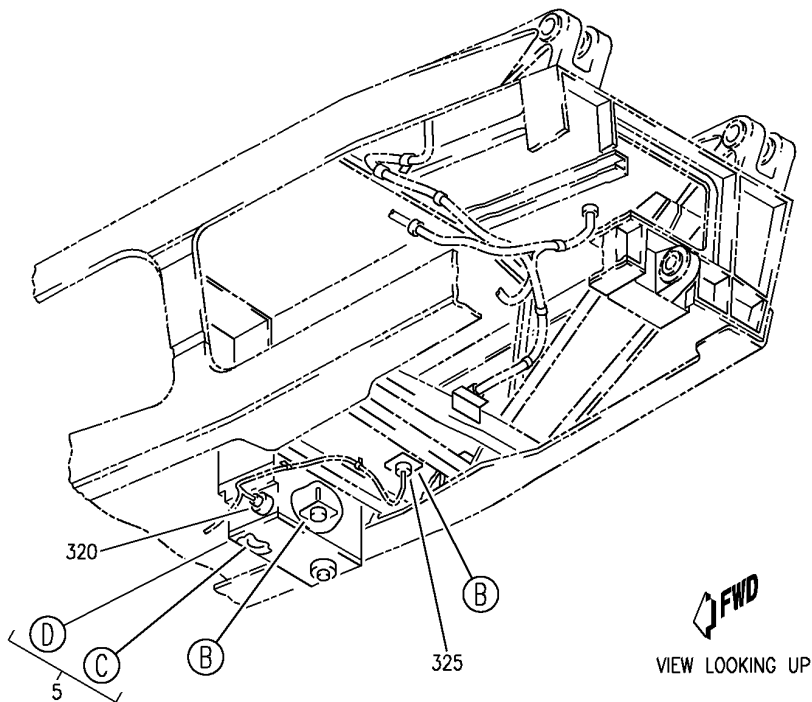
EQUIPMENT INSTL AND WIRING INSTL STRUT PNEU (HIGH STAGE PILOT ONLY)
FIGURE 5 (SHEET 1)

36-11-08-05

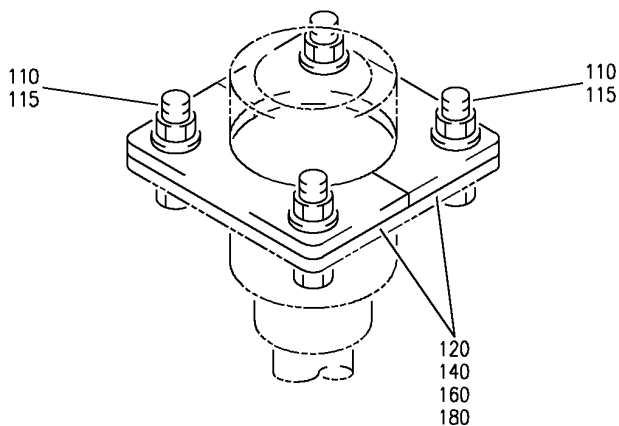
BRI
MAY 28/07

36-11-08-05
PAGE 0

BOEING
757
PARTS CATALOG (MAINTENANCE)



(A)



(B)

Y 36110805 SHT 2 REV 299

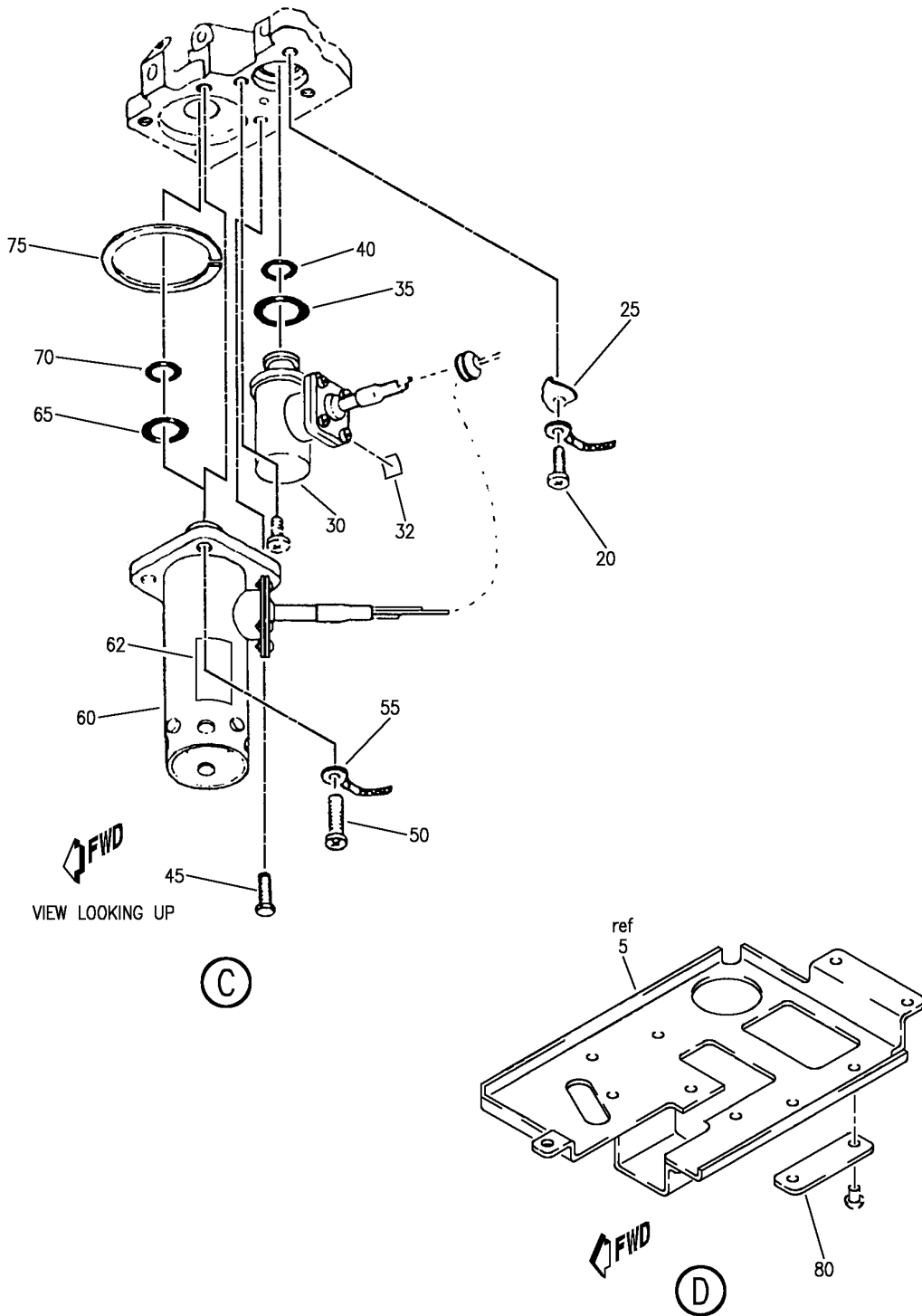
EQUIPMENT INSTL AND WIRING INSTL STRUT PNEU (HIGH STAGE PILOT ONLY)
FIGURE 5 (SHEET 2)

36-11-08-05

BRI
MAY 28/07

36-11-08-05
PAGE 0A

BOEING
757
PARTS CATALOG (MAINTENANCE)



Y 36110805 SHT 3 REV 299

EQUIPMENT INSTL AND WIRING INSTL STRUT PNEU (HIGH STAGE PILOT ONLY)
FIGURE 5 (SHEET 3)

36-11-08-05

BRI
MAY 28/07

36-11-08-05
PAGE 0B



757

PARTS CATALOG (MAINTENANCE)

| FIG ITEM | PART NUMBER | 1 2 3 4 5 6 7 | NOMENCLATURE | EFFECT FROM TO | UNITS PER ASSY |
|----------|-------------|---------------|---|--|----------------|
| 5 | | | EQUIPMENT INSTL AND WIRING INSTL STRUT PNEU (HIGH STAGE PILOT ONLY) | 002004 006999 | |
| - 1 | 312N5301-7 | | EQUIPMENT INSTL-STRUT PNEU (HIGH STAGE PILOT ONLY) FOR NHA/OTHER SYS DET SEE: 54-00-51-01 | 002004 006100 107107 121503 904999 | RF |
| - 1 | 312N5301-12 | | EQUIPMENT INSTL-STRUT PNEU (HIGH STAGE PILOT ONLY) FOR NHA/OTHER SYS DET SEE: 36-00-00-01 36-00-00-01A | 101106 108120 504903 | RF |
| 5 | 107460-4 | | .PILOT-HIGH STAGE SUPPLIER CODE: V59364 SPECIFICATION NUMBER: S212N101-31 COMPONENT MAINT MANUAL REF: 36-11-37 | 002004 006949 952999 | 1 |
| 5 | 107460-6 | | .PILOT-HIGH STAGE SUPPLIER CODE: V59364 SPECIFICATION NUMBER: S212N101-39 ELECTRICAL EQUIP NUMBER: M10292 M10293 COMPONENT MAINT MANUAL REF: 36-11-37 OPTIONAL PART: 107460-12 V99193 | 002004 006949 952999 | 1 |
| 5 | 107460-14 | | .PILOT-HIGH STAGE SUPPLIER CODE: V59364 SPECIFICATION NUMBER: S212N101-54 ELECTRICAL EQUIP NUMBER: M10292 M10293 COMPONENT MAINT MANUAL REF: 36-11-37 OPTIONAL PART: 107460-16 V59364 OPTIONAL SUPPLIER CODE: 99193 | 002004 006999 | 1 |

MISSING ITEM NUMBERS NOT APPLICABLE

- ITEM NOT ILLUSTRATED

36-11-08-05

36-11-08
FIG. 05
PAGE 1
JAN 20/09

BRI



757

PARTS CATALOG (MAINTENANCE)

| FIG ITEM | PART NUMBER | 1 2 3 4 5 6 7 | NOMENCLATURE | EFFECT FROM TO | UNITS PER ASSY |
|----------|-------------|---------------|--|----------------------------|----------------|
| 5 | 107460-10 | | .PILOT-HIGH STAGE SUPPLIER CODE: V59364 SPECIFICATION NUMBER: S212N101-49 ELECTRICAL EQUIP NUMBER: M10292 M10293 COMPONENT MAINT MANUAL REF: 36-11-37 OPTIONAL PART: 107460-12 V99193 | 002004 006949 952999 | 1 |
| 5 | 107460-12 | | .PILOT-HIGH STAGE SUPPLIER CODE: V59364 SPECIFICATION NUMBER: S212N101-51 COMPONENT MAINT MANUAL REF: 36-11-37 OPTIONAL PART: 107460-14 V59364 107460-16 V59364 POST SERVICE BULLETIN: 107460-36-1531 V59364 REWORKED BY SB: 107640-36-1622 V59364 | 002004 006999 | 1 |
| 5 | 107460-16 | | .PILOT-HIGH STAGE SUPPLIER CODE: V59364 SPECIFICATION NUMBER: S212N101-54 SB DATA FROM A CMM: PRE 36-1848 ELECTRICAL EQUIP NUMBER: M10292 M10293 COMPONENT MAINT MANUAL REF: 36-11-37 OPTIONAL PART: 107460-14 V99193 OPTIONAL PART: 107460-12 V59364 | 002004 006999 | 1 |

MISSING ITEM NUMBERS NOT APPLICABLE

- ITEM NOT ILLUSTRATED

36-11-08-05

36-11-08
FIG. 05
PAGE 2
JAN 20/09

BRI



757

PARTS CATALOG (MAINTENANCE)

| FIG ITEM | PART NUMBER | 1 2 3 4 5 6 7 | NOMENCLATURE | EFFECT FROM TO | UNITS PER ASSY |
|----------|---------------|---------------|--|--|----------------|
| 5 | 107460-17 | | .PILOT-HIGH STAGE SUPPLIER CODE: V59364 SB DATA FROM A CMM: POST 36-1848 ELECTRICAL EQUIP NUMBER: M10292 M10293 COMPONENT MAINT MANUAL REF: 36-11-37 ATTACHING PARTS | 002004 006999 | 1 |
| - 10 | NAS6703U2 | | .BOLT | 002004 006999 | 4 |
| - 15 | AN960C10L | | .WASHER | 002004 006100 107107 121503 904999 | 4 |
| - 15 | NAS1149C0332R | | .WASHER | 101106 108120 504903 | 4 |
| | | | -----*----- | | |
| 20 | MS51957-44 | | ..SCREW | 002004 006999 | 3 |
| 25 | 3160543-1 | | ..CLIP-RTNR SUPPLIER CODE: V59364 | 002004 006999 | 3 |
| 30 | 320499-3 | | ..VALVE ASSY-SOL. SUPPLIER CODE: V59364 SB DATA FROM A CMM: PRE 36-1435 COMPONENT MAINT MANUAL REF: 24-09-37 USED ON: 107460-2 107460-4 | 002004 006949 952999 | 1 |

MISSING ITEM NUMBERS NOT APPLICABLE

- ITEM NOT ILLUSTRATED

36-11-08-05

36-11-08
FIG. 05
PAGE 3
JAN 20/09

BRI



757

PARTS CATALOG (MAINTENANCE)

| FIG ITEM | PART NUMBER | 1 2 3 4 5 6 7 | NOMENCLATURE | EFFECT FROM TO | UNITS PER ASSY |
|----------|--------------|---------------|--|------------------|----------------|
| 5 | | | | | |
| 30 | 320499-5 | | .. VALVE ASSY-SOL. SUPPLIER CODE: V59364 SB DATA FROM A CMM: POST 36-1435 PRE 36-1678 COMPONENT MAINT MANUAL REF: 24-09-37 USED ON: 107460-5 107460-6 107460-9 107460-10 107460-11 107460-12 107460-13 107460-14 107460-16 107460-17 | 002004 006999 | 1 |
| 30 | 320499-7 | | .. VALVE ASSY-SOL. SUPPLIER CODE: V59364 SB DATA FROM A CMM: POST 36-1678 COMPONENT MAINT MANUAL REF: 24-09-37 USED ON: 107460-14 107460-16 107460-17 | 002004 006999 | 1 |
| 32 | S9435M1 | | ... PLATE-WARNING SUPPLIER CODE: V59364 | 002004 006999 | 1 |
| 35 | S8990-564 | | .. PACKING- SUPPLIER CODE: V59364 | 002004 006999 | 1 |
| 40 | S8990-563 | | .. PACKING- SUPPLIER CODE: V59364 | 002004 006999 | 1 |
| 45 | S9073C08-8R | | .. SCREW- SUPPLIER CODE: V59364 | 002004 006999 | 1 |
| 50 | MS51957-45 | | .. SCREW | 002004 006999 | 3 |
| 55 | MS25083-2BB2 | | .. JUMPER ASSY | 002004 006999 | 2 |

MISSING ITEM NUMBERS NOT APPLICABLE

- ITEM NOT ILLUSTRATED

36-11-08-05

36-11-08
FIG. 05
PAGE 4
SEP 20/08

BRI



757

PARTS CATALOG (MAINTENANCE)

| FIG ITEM | PART NUMBER | 1 2 3 4 5 6 7 | NOMENCLATURE | EFFECT FROM TO | UNITS PER ASSY |
|----------|-------------|---------------|---|------------------|----------------|
| 5 | | | | | |
| 60 | 320501-3 | .. | VALVE ASSY-SOL. SUPPLIER CODE: V59364 SB DATA FROM A CMM: PRE 36-1615 COMPONENT MAINT MANUAL REF: 24-09-39 | 002004 006999 | 1 |
| 60 | 320501-10 | .. | VALVE ASSY-SOL. SUPPLIER CODE: V59364 SB DATA FROM A CMM: POST 36-1615 COMPONENT MAINT MANUAL REF: 24-09-39 | 002004 006999 | 1 |
| 62 | 859920-59 | ... | PLATE-INFORMATION SUPPLIER CODE: V59364 | 002004 006999 | 1 |
| 65 | S8990-564 | .. | PACKING- SUPPLIER CODE: V59364 | 002004 006999 | 1 |
| 70 | S8990-563 | .. | PACKING- SUPPLIER CODE: V59364 | 002004 006999 | 1 |
| 75 | 113326-21-1 | .. | WASHER-SPLIT SUPPLIER CODE: V59364 | 002004 006999 | 1 |
| 75 | 113326-21-2 | .. | WASHER-SPLIT SUPPLIER CODE: V59364 | 002004 006999 | AR |
| 75 | 113326-21-3 | .. | WASHER-SPLIT SUPPLIER CODE: V59364 | 002004 006999 | AR |
| 80 | S8842C1P1A | .. | PLATE-IDENT SUPPLIER CODE: V59364 CONFIG CHG DATA FROM A CMM: REPLD BY S3007-1 | 002004 006999 | 1 |
| 80 | S3007-1 | .. | PLATE-IDENT SUPPLIER CODE: V59364 CONFIG CHG DATA FROM A CMM: REPLS S8842C1P1A REPLD BY S3023-2 | 002004 006999 | 1 |
| 80 | S3023-2 | .. | PLATE-IDENT SUPPLIER CODE: V59364 CONFIG CHG DATA FROM A CMM: REPLS S3007-1 REPLD BY S3045-5 | 002004 006999 | 1 |

MISSING ITEM NUMBERS NOT APPLICABLE

- ITEM NOT ILLUSTRATED

36-11-08-05

36-11-08
FIG. 05
PAGE 5
SEP 20/08

BRI

BOEING PROPRIETARY - Copyright © - Unpublished Work - See title page for details.



757

PARTS CATALOG (MAINTENANCE)

| FIG ITEM | PART NUMBER | 1 2 3 4 5 6 7 | NOMENCLATURE | EFFECT FROM TO | UNITS PER ASSY |
|----------|--------------|---------------|--|------------------|----------------|
| 5 80 | S3045-5 | | ..PLATE-IDENT SUPPLIER CODE: V59364 CONFIG CHG DATA FROM A CMM: REPLS S3023-2 | 002004 006999 | 1 |
| - 100 | 312N5250-201 | | WIRING INSTL-RB211 STRUT (PSD INSTALLED) POSITION DATA: LH FOR NHA/ADDITIONAL DET SEE: 36-00-00-01 | 101102 504903 | RF |
| - 100 | 312N5250-205 | | WIRING INSTL-RB211 STRUT (PSD INSTALLED) POSITION DATA: LH FOR NHA/ADDITIONAL DET SEE: 36-00-00-01 | 108120 | RF |
| - 100 | MODREF33347 | | WIRING INSTL-RB211 STRUT (PSD INSTALLED) MODULE NUMBER: 312N5250-205 REV C POSITION DATA: LH FOR OTHER SYS DETAILS SEE: 36-11-18-04A 54-51-51-04 | 103106 | 1 |
| - 105 | 312N5250-202 | | WIRING INSTL-RB211 STRUT (PSD INSTALLED) POSITION DATA: RH FOR NHA SEE: 36-00-00-01 | 101102 504903 | RF |
| - 105 | 312N5250-206 | | WIRING INSTL-RB211 STRUT (PSD INSTALLED) POSITION DATA: RH FOR NHA SEE: 36-00-00-01 | 108120 | RF |
| - 105 | MODREF33348 | | WIRING INSTL-RB211 STRUT (PSD INSTALLED) MODULE NUMBER: 312N5250-206 REV C POSITION DATA: RH FOR OTHER SYS DETAILS SEE: 36-11-18-04A 54-51-51-04 | 103106 | 1 |

MISSING ITEM NUMBERS NOT APPLICABLE

- ITEM NOT ILLUSTRATED

36-11-08-05

36-11-08
FIG. 05
PAGE 6
JAN 20/09

BRI



757

PARTS CATALOG (MAINTENANCE)

| FIG ITEM | PART NUMBER | 1 2 3 4 5 6 7 | NOMENCLATURE | EFFECT FROM TO | UNITS PER ASSY |
|----------|---------------|---------------|---|----------------------------|----------------|
| 5 | | | | | |
| 110 | NAS1802-04-7 | . | SCREW | 101105 108120 504903 | 8 |
| 115 | NAS1149CN416R | . | WASHER | 101105 108120 504903 | 8 |
| 120 | FS1215-14 | . | RING-NUT SUPPLIER CODE: V04967 OPTIONAL PART: 312N5250-2 | 101105 108120 504903 | 4 |
| - 125 | 312N5250-2 | . | KIT ASSY- OPTIONAL PART: FS1215-14 V04967 | 101105 108120 504903 | 4 |
| - 130 | NAS1149CN416R | .. | WASHER | 101105 108120 504903 | 2 |
| - 135 | PLH504CM | .. | NUT SUPPLIER CODE: VF0224 SPECIFICATION NUMBER: BACN10YR04CM OPTIONAL PART: H52732-04CM V15653 | 101105 108120 504903 | 2 |
| - 300 | MODREF23510 | | WIRING INSTL-RB211 STRUT (HIGH STAGE PILOT ONLY) PSD INSTALLED MODULE NUMBER: 312N5250-225 REV B POSITION DATA: LH FOR OTHER SYS DETAILS SEE: 26-11-01-05A 36-11-18-04A 54-51-51-04 | 103106 | 1 |
| - 305 | MODREF23511 | | WIRING INSTL-RB211 STRUT (HIGH STAGE PILOT ONLY) PSD INSTALLED MODULE NUMBER: 312N5250-226 REV B POSITION DATA: RH FOR OTHER SYS DETAILS SEE: 26-11-01-05A 36-11-18-04A 54-51-51-04 | 103106 | 1 |

MISSING ITEM NUMBERS NOT APPLICABLE

- ITEM NOT ILLUSTRATED

36-11-08-05

36-11-08
FIG. 05
PAGE 7
JAN 20/09

BRI



757

PARTS CATALOG (MAINTENANCE)

| FIG ITEM | PART NUMBER | 1 2 3 4 5 6 7 | NOMENCLATURE | EFFECT FROM TO | UNITS PER ASSY |
|----------|----------------|---------------|---|----------------|----------------|
| 5 | | | | | |
| - 310 | 286N3366-701 | | .WIRE BUNDLE ASSY- POSITION DATA: LH | 103106 | 1 |
| - 315 | 286N3466-701 | | .WIRE BUNDLE ASSY- POSITION DATA: RH | 103106 | 1 |
| 320 | R071016D10SNL | | ..CONNECTOR- SUPPLIER CODE: V41118 SPECIFICATION NUMBER: BCREFA1282 OVERLENGTH PART NUMBER: BACC63BP16D10SNL ELECTRICAL EQUIP NUMBER: D02780 D02690 WIRING DIAGRAM REF: 361112 361121 | 103105 | 1 |
| 325 | BACC63CM1407PN | | ..PLUG- ELECTRICAL EQUIP NUMBER: D40816P D40818P WIRING DIAGRAM REF: 361112 361121 361122 | 103105 | 1 |

MISSING ITEM NUMBERS NOT APPLICABLE

- ITEM NOT ILLUSTRATED

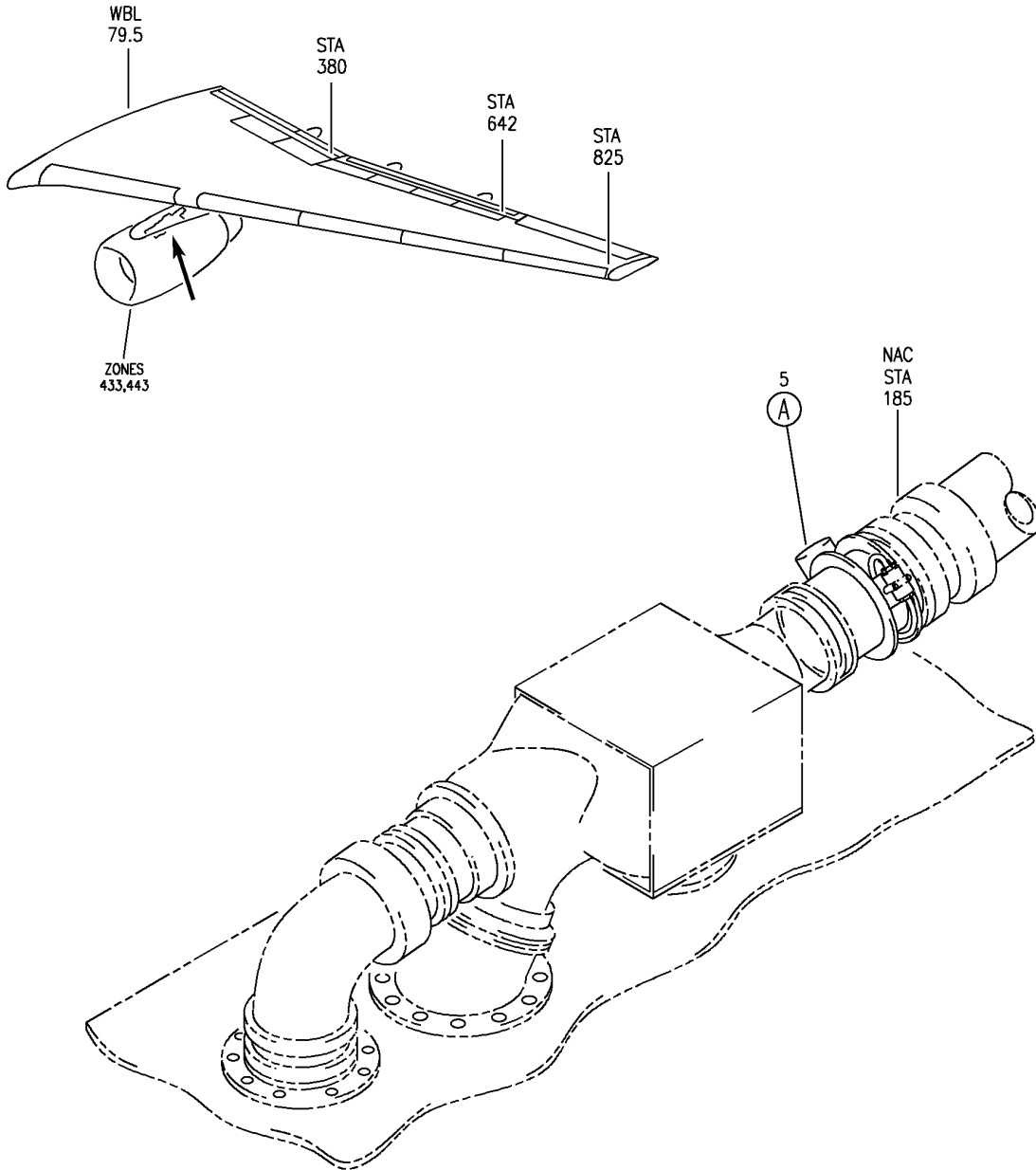
BRI

36-11-08-05

BOEING PROPRIETARY - Copyright © - Unpublished Work - See title page for details.

36-11-08
FIG. 05
PAGE 8
JAN 20/09

BOEING
757
PARTS CATALOG (MAINTENANCE)



Y 36110904 SH1 1 REV 285

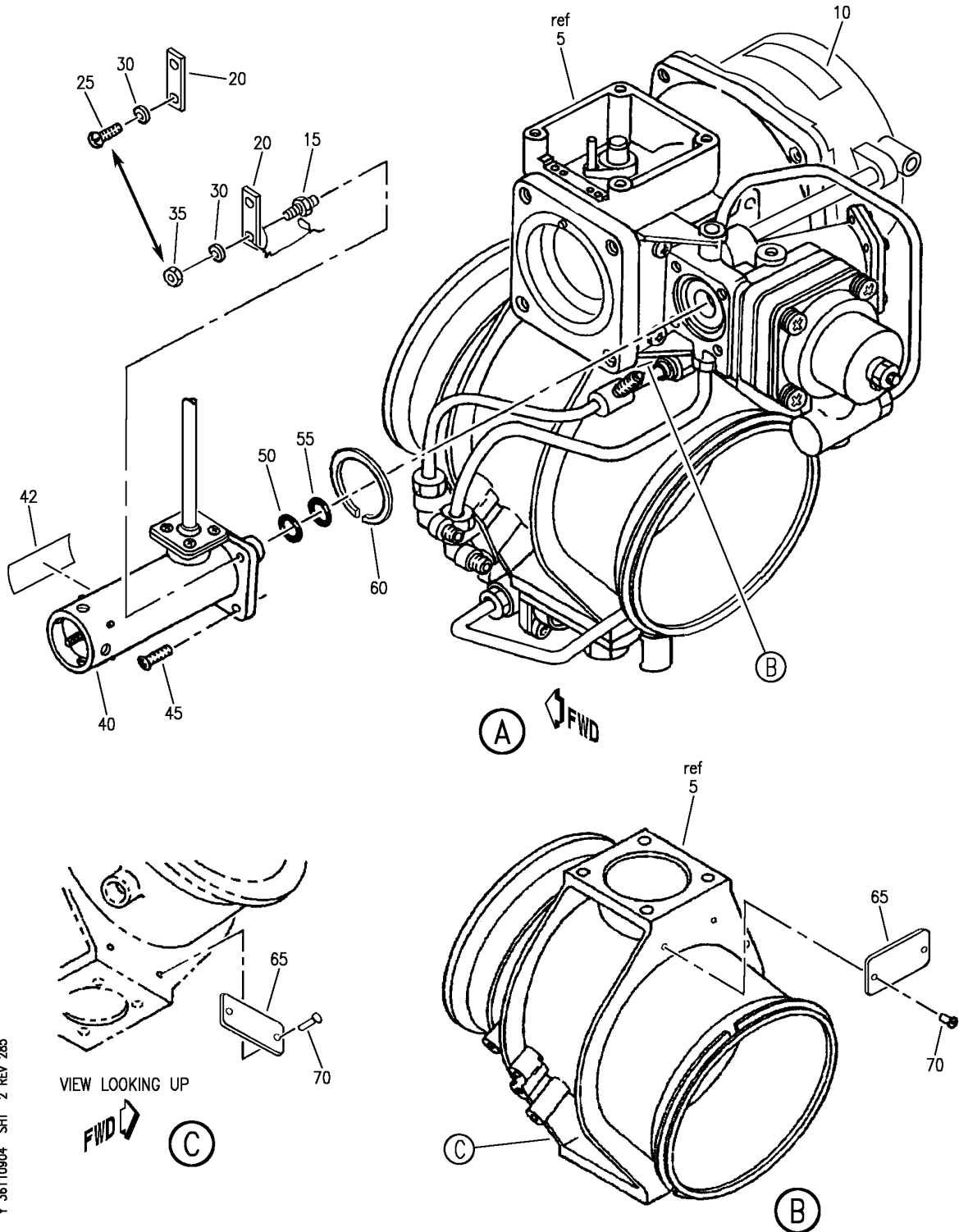
EQUIPMENT INSTL-STRUT PNEU (AIR SUPPLY PRESSURE REGULATING AND SHUTOFF VALVE ONLY)
FIGURE 4 (SHEET 1)

BRI
MAY 28/07

36-11-09-04

36-11-09-04
PAGE 0

BOEING
757
PARTS CATALOG (MAINTENANCE)



Y 36110904 SHT 2 REV 285

EQUIPMENT INSTL-STRUT PNEU (AIR SUPPLY PRESSURE REGULATING AND SHUTOFF VALVE ONLY)
FIGURE 4 (SHEET 2)

BRI
MAY 28/07

36-11-09-04

36-11-09-04
PAGE 0A



757

PARTS CATALOG (MAINTENANCE)

| FIG ITEM | PART NUMBER | 1 2 3 4 5 6 7 | NOMENCLATURE | EFFECT FROM TO | UNITS PER ASSY |
|----------|-------------|---------------|---|--|----------------|
| 4 | | | EQUIPMENT INSTL-STRUT PNEU (AIR SUPPLY PRESSURE REGULATING AND SHUTOFF VALVE ONLY) | 002004 006999 | |
| - 1 | 312N5301-7 | | EQUIPMENT INSTL-STRUT PNEU (AIR SUPPLY PRESSURE REGULATING AND SHUTOFF VALVE ONLY) FOR NHA/OTHER SYS DET SEE: 54-00-51-01 | 002004 006100 107107 121503 904999 | RF |
| - 1 | 312N5301-12 | | EQUIPMENT INSTL-STRUT PNEU (AIR SUPPLY PRESSURE REGULATING AND SHUTOFF VALVE ONLY) FOR NHA/OTHER SYS DET SEE: 36-00-00-01 36-00-00-01A | 101106 108120 504903 | RF |
| 5 | 3214306-8 | | .VALVE-PRESSURE REGULATING AND SHUTOFF SUPPLIER CODE: V59364 SPECIFICATION NUMBER: S212N101-53 SB DATA FROM A CMM: POST 36-1616 PRE 36-1776 ELECTRICAL EQUIP NUMBER: V00042 V00043 COMPONENT MAINT MANUAL REF: 36-11-41 OPTIONAL PART: 3214306-9 V59364 | 002004 006999 | 1 |
| 5 | 3214306-5 | | .VALVE-PRESSURE REGULATING AND SHUTOFF SUPPLIER CODE: V59364 SPECIFICATION NUMBER: S212N101-30 ELECTRICAL EQUIP NUMBER: V00042 V00043 COMPONENT MAINT MANUAL REF: 36-11-41 | 002004 006999 | 1 |

MISSING ITEM NUMBERS NOT APPLICABLE

- ITEM NOT ILLUSTRATED

36-11-09-04

36-11-09
FIG. 04
PAGE 1
JAN 20/09

BRI



757

PARTS CATALOG (MAINTENANCE)

| FIG ITEM | PART NUMBER | 1 2 3 4 5 6 7 | NOMENCLATURE | EFFECT FROM TO | UNITS PER ASSY |
|----------|-------------|---------------|--|------------------|----------------|
| 4 | | | | | |
| 5 | 3214306-4 | | .VALVE-PRESSURE REGULATING AND SHUTOFF SUPPLIER CODE: V59364 SPECIFICATION NUMBER: S212N101-24 ELECTRICAL EQUIP NUMBER: V00042 V00043 COMPONENT MAINT MANUAL REF: 36-11-41 | 002004 006999 | 1 |
| 5 | 3214306-6 | | .VALVE-PRESSURE REGULATING AND SHUT-OFF SUPPLIER CODE: V59364 SPECIFICATION NUMBER: S212N101-37 SB DATA FROM A CMM: PRE 36-1518 ELECTRICAL EQUIP NUMBER: V00042 V00043 COMPONENT MAINT MANUAL REF: 36-11-41 | 002004 006999 | 1 |
| 5 | 3214306-7 | | .VALVE-PRESSURE REGULATING AND SHUT-OFF SUPPLIER CODE: V59364 SPECIFICATION NUMBER: S212N101-47 SB DATA FROM A CMM: POST 36-1518 PRE 36-1616 ELECTRICAL EQUIP NUMBER: V00042 V00043 COMPONENT MAINT MANUAL REF: 36-11-41 | 002004 006999 | 1 |

MISSING ITEM NUMBERS NOT APPLICABLE

- ITEM NOT ILLUSTRATED

36-11-09-04

36-11-09
FIG. 04
PAGE 2
SEP 20/08

BRI



757

PARTS CATALOG (MAINTENANCE)

| FIG ITEM | PART NUMBER | 1 2 3 4 5 6 7 | NOMENCLATURE | EFFECT FROM TO | UNITS PER ASSY |
|----------|------------------|---------------|--|------------------|----------------|
| 4 | 5 3214306-9 | | . VALVE-PRESSURE REGULATING AND SHUT-OFF SUPPLIER CODE: V59364 SPECIFICATION NUMBER: S212N101-53 ELECTRICAL EQUIP NUMBER: V00042 V00043 COMPONENT MAINT MANUAL REF: 36-11-41 OPTIONAL PART: 3214306-8 V59364 | 002004 006999 | 1 |
| | 10 859520-27 | | .. PLATE-IDENT SUPPLIER CODE: V59364 | 002004 006999 | 1 |
| | 15 3163533-4 | | .. STUD- SUPPLIER CODE: V59364 SB DATA FROM A CMM: PRE SB 36-1640 | 002004 006999 | 1 |
| | 20 662096-4 | | .. TERMINAL-LUG SUPPLIER CODE: V59364 | 002004 006999 | 1 |
| | 25 NAS1802-08-10 | | .. SCREW- SB DATA FROM A CMM: POST SB 36-1640 | 002004 006999 | 1 |
| | 30 AN960C8L | | .. WASHER | 002004 006999 | 1 |
| | 35 MS21043-08 | | .. NUT- SB DATA FROM A CMM: PRE SB 36-1640 | 002004 006999 | 1 |
| | 40 320501-2 | | .. VALVE ASSY-SOLENOID SUPPLIER CODE: V59364 SB DATA FROM A CMM: PRE SB 36-1695 COMPONENT MAINT MANUAL REF: 24-09-39 | 002004 006999 | 1 |
| | 40 320501-10 | | .. VALVE ASSY-SOLENOID SUPPLIER CODE: V59364 SB DATA FROM A CMM: POST SB 36-1695 COMPONENT MAINT MANUAL REF: 24-09-39 | 002004 006999 | 1 |

MISSING ITEM NUMBERS NOT APPLICABLE

- ITEM NOT ILLUSTRATED

36-11-09-04

36-11-09
FIG. 04
PAGE 3
SEP 20/08

BRI



757

PARTS CATALOG (MAINTENANCE)

| FIG ITEM | PART NUMBER | 1 2 3 4 5 6 7 | NOMENCLATURE | EFFECT FROM TO | UNITS PER ASSY |
|----------|-------------|---------------|--|------------------|----------------|
| 4 | | | | | |
| 42 | 859920-59 | ... | PLATE-INFORMATION SUPPLIER CODE: V59364 | 002004 006999 | 1 |
| 45 | MS51957-45 | .. | SCREW | 002004 006999 | 3 |
| 50 | S8990-564 | .. | PACKING- SUPPLIER CODE: V59364 | 002004 006999 | 1 |
| 55 | S8990-563 | .. | PACKING- SUPPLIER CODE: V59364 | 002004 006999 | 1 |
| 60 | 113326-21-1 | .. | WASHER-0.003 TO 0.007 IN. 0.0762 TO 0.1778 MM THK SUPPLIER CODE: V59364 SELECT FROM ITEM. | 002004 006999 | AR |
| 60 | 113326-21-2 | .. | WASHER-0.014 TO 0.018 IN. 0.3556 TO 0.04572 MM THK SUPPLIER CODE: V59364 SELECT FROM ITEM. | 002004 006999 | AR |
| 60 | 113326-21-3 | .. | WASHER-0.016 TO 0.024 IN. 0.4064 TO 0.06096 MM THK SUPPLIER CODE: V59364 SELECT FROM ITEM. | 002004 006999 | AR |
| 65 | S8842C1P1A | .. | PLATE-IDENT SUPPLIER CODE: V59364 CONFIG CHG DATA FROM A CMM: REPLD BY S3007-1 | 002004 006999 | 2 |
| 65 | S3007-1 | .. | PLATE-IDENT SUPPLIER CODE: V59364 SB DATA FROM A CMM: PRE SPB VAL0930 CONFIG CHG DATA FROM A CMM: REPLACES S8842C1P1A REPLACED BY S3023-2 | 002004 006999 | 2 |
| 65 | S3023-2 | .. | PLATE-IDENT SUPPLIER CODE: V59364 SB DATA FROM A CMM: POST SPB VAL0930 CONFIG CHG DATA FROM A CMM: REPLACES S3007-1 | 002004 006999 | 2 |

MISSING ITEM NUMBERS NOT APPLICABLE

- ITEM NOT ILLUSTRATED

36-11-09-04

36-11-09
FIG. 04
PAGE 4
SEP 20/08

BRI



757
PARTS CATALOG (MAINTENANCE)

| FIG ITEM | PART NUMBER | 1 2 3 4 5 6 7 NOMENCLATURE | EFFECT FROM TO | UNITS PER ASSY |
|-------------|-------------|---|-------------------|----------------------|
| 4 70 | CCR274CS3-2 | ATTACHING PARTS .. RIVET- SUPPLIER CODE: V11815 -----*----- | 002004 006999 | 4 |

MISSING ITEM NUMBERS NOT APPLICABLE

- ITEM NOT ILLUSTRATED

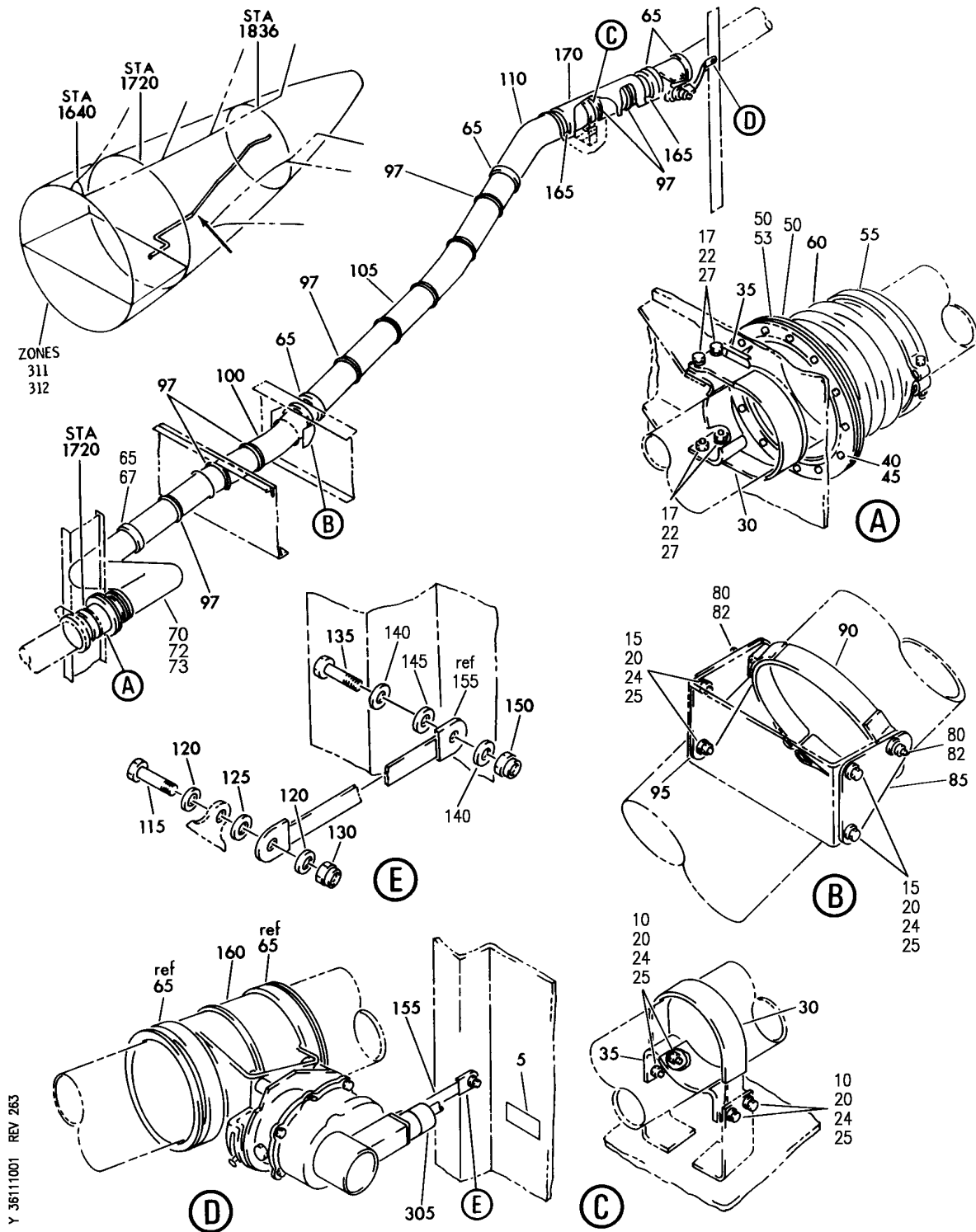
BRI

36-11-09-04

BOEING PROPRIETARY - Copyright © - Unpublished Work - See title page for details.

36-11-09
FIG. 04
PAGE 5
SEP 20/08

BOEING
757
PARTS CATALOG (MAINTENANCE)



Y 36111001 REV 263

DUCT INSTL-SECT. 48 AIR SUPPLY (PNEUMATICS ONLY)
FIGURE 1

36-11-10-01

BRI
MAY 28/07

36-11-10-01
PAGE 0



757

PARTS CATALOG (MAINTENANCE)

| FIG ITEM | PART NUMBER | 1 2 3 4 5 6 7 | NOMENCLATURE | EFFECT FROM TO | UNITS PER ASSY |
|----------|---------------|---------------|--|--|----------------|
| 1 | | | DUCT INSTL-SECT. 48 AIR SUPPLY (PNEUMATICS ONLY) | 002004 006999 | |
| - 1 | 212N3007-2 | | DUCT INSTL-AIR SUPPLY (PNEUMATICS ONLY) POSITION DATA: SECT. 48 FOR NHA/OTHER SYS DET SEE: 21-00-00-01 | 107107 | RF |
| - 1 | 212N3007-4 | | DUCT INSTL-AIR SUPPLY (PNEUMATICS ONLY) POSITION DATA: SECT. 48 FOR NHA/OTHER SYS DET SEE: 21-00-00-01 21-00-00-15 | 002004 006102 108999 | RF |
| - 1 | MODREF5892 | | DUCT INSTL-AIR SUPPLY (PNEUMATICS ONLY) MODULE NUMBER: 212N3007-4 REV A POSITION DATA: SECT. 48 FOR OTHER SYS DETAILS SEE: 11-23-00-02 | 103106 | 1 |
| 5 | BAC27NEC0010 | | .MARKER-ALUMINUM FOIL-BLEED AIR, APU V47 | 002004 006999 | 1 |
| 10 | BACB30NR3K3 | | .BOLT | 107107 | 4 |
| 10 | BACB30NM3K3 | | .BOLT | 002004 006100 103106 121503 904999 | 4 |
| 15 | BACB30NR3K2 | | .BOLT | 107107 | 4 |
| 15 | BACB30NM3K2 | | .BOLT | 002004 006100 103106 121503 904999 | 4 |
| 17 | BACB30NM3K3 | | .BOLT | 002004 006999 | 4 |
| 20 | AN960KD10 | | .WASHER | 107107 | 8 |
| 22 | AN960KD10 | | .WASHER | 002004 006999 | 4 |
| 24 | NAS1149C0363R | | .WASHER | 002004 006100 103106 121503 904999 | 16 |

MISSING ITEM NUMBERS NOT APPLICABLE

- ITEM NOT ILLUSTRATED

36-11-10-01

36-11-10
FIG. 01
PAGE 1
JAN 20/09

BRI



757

PARTS CATALOG (MAINTENANCE)

| FIG ITEM | PART NUMBER | 1 2 3 4 5 6 7 | NOMENCLATURE | EFFECT FROM TO | UNITS PER ASSY |
|----------|-------------|---------------|---|--|----------------|
| 1 25 | BRH10A3 | .NUT | SUPPLIER CODE: V52828 SPECIFICATION NUMBER: BACN10JC3 OPTIONAL PART: H10-3BAC V15653 NS202101-02 V80539 RMLH9075-3W V72962 VN303A02 V92215 96-02 V80539 T6S1032J V11815 | 107107 | 8 |
| 25 | BRH10C3D | .NUT | SUPPLIER CODE: V52828 SPECIFICATION NUMBER: BACN10JC3CD OPTIONAL PART: T6C1032JCD V11815 NS202486-02 V80539 102LH9075-3W V72962 H51650-3BAC V15653 | 002004 006100 103106 121503 904999 | 8 |

MISSING ITEM NUMBERS NOT APPLICABLE

- ITEM NOT ILLUSTRATED

BRI

36-11-10-01

BOEING PROPRIETARY - Copyright © - Unpublished Work - See title page for details.

36-11-10
FIG. 01
PAGE 2
JAN 20/09

BOEING
757
PARTS CATALOG (MAINTENANCE)

| FIG ITEM | PART NUMBER | 1 2 3 4 5 6 7 | NOMENCLATURE | EFFECT FROM TO | UNITS PER ASSY |
|--|-------------|---------------|---|--|----------------|
| R R R R R R R R R R | 1 | | | | |
| | 53 | 212N3059-3 | .RING-FLANGE | 002004 006106 108999 | 1 |
| | 55 | BACC10BN588LM | .CLAMP | 002004 006999 | 1 |
| | 60 | BOE2049-0002 | .SEAL-PRESSURE SUPPLIER CODE: V16632 SPECIFICATION NUMBER: S210N301-2 OPTIONAL PART: 14A109 V14711 | 002004 006999 | 1 |
| | 65 | 14J29500 | .CLAMP SUPPLIER CODE: V5T400 SPECIFICATION NUMBER: BACC10GY500 OPTIONAL PART: 4385AF500 V94581 PDVC1137500 V14242 NM102701500 V8W928 | 107107 | 5 |
| | 65 | 14J29500E | .CLAMP SUPPLIER CODE: V5T400 SPECIFICATION NUMBER: BACC10GY500E OPTIONAL PART: 4385AF500E V94581 PDVC1137500E V14242 NM102701500E V8W928 | 002004 006106 108999 | 5 |
| | 70 | 212N3046-1 | .DUCT ASSY- | 107107 | 1 |
| | 70 | 212N3046-3 | .DUCT ASSY- | 002004 006999 | 1 |
| | 80 | AN960KD416 | .WASHER | 107107 | 2 |
| | 80 | NAS1149D0416R | .WASHER | 002004 006100 103106 121503 904999 | 2 |

MISSING ITEM NUMBERS NOT APPLICABLE

— ITEM NOT ILLUSTRATED

BRI

36-11-10-01

BOEING PROPRIETARY - Copyright © - Unpublished Work - See title page for details.

36-11-10
FIG. 01
PAGE 4
MAY 20/09

BOEING
757
PARTS CATALOG (MAINTENANCE)

| FIG ITEM | PART NUMBER | 1 2 3 4 5 6 7 | NOMENCLATURE | EFFECT FROM TO | UNITS PER ASSY | |
|--|-------------------------------------|---------------|---|--|----------------|--|
| R | 1 82 | BRH10A4 | .NUT SUPPLIER CODE: V52828 SPECIFICATION NUMBER: BACN10JC4 OPTIONAL PART: T6S428J V11815 96-048 V80539 VN303A048 V92215 RMLH9075-4W V72962 NS202101-048 V80539 H10-4BAC V15653 | 107107 | 2 | |
| | 82 | BRH10C4D | .NUT SUPPLIER CODE: V52828 SPECIFICATION NUMBER: BACN10JC4CD OPTIONAL PART: T6C428JCD V11815 NS202486-048 V80539 102LH9075-4W V72962 H51650-4BAC V15653 | 002004 006100 103106 121503 904999 | 2 | |
| | 85 | 212N3047-6 | .BRACKET | 002004 006999 | 1 | |
| | 90 | BACC10AD500B | .CLAMP SUPPLIER CODE: V00624 SPECIFICATION NUMBER: BACC10AD500B OPTIONAL PART: BC1085B500 V14242 1494-500 V94581 | 002004 006999 | 1 | |
| | 95 | 212N3047-5 | .BRACKET | 002004 006999 | 1 | |
| | 100 | 212N3045-3 | .DUCT ASSY- | 002004 006999 | 1 | |
| | MISSING ITEM NUMBERS NOT APPLICABLE | | | | | |

- ITEM NOT ILLUSTRATED

36-11-10-01

36-11-10
FIG. 01
PAGE 5
MAY 20/09

BRI



**757
PARTS CATALOG (MAINTENANCE)**

| FIG ITEM | PART NUMBER | 1 2 3 4 5 6 7 | NOMENCLATURE | EFFECT FROM TO | UNITS PER ASSY | |
|--|-------------------------------------|---------------|---|--|----------------|--|
| R R R R R R R R R R | 130 | BRH10C4D | .NUT SUPPLIER CODE: V52828 SPECIFICATION NUMBER: BACN10JC4CD OPTIONAL PART: T6C428JCD V11815 NS202486-048 V80539 102LH9075-4W V72962 H51650-4BAC V15653 | 002004 006100 103106 121503 904999 | 1 | |
| | 135 | NAS6703PU4 | .BOLT | 002004 006999 | 1 | |
| | 140 | AN960C10L | .WASHER | 107107 | 2 | |
| | 140 | NAS1149C0332R | .WASHER | 002004 006100 103106 121503 904999 | 2 | |
| | 145 | AN960C10 | .WASHER | 107107 | 1 | |
| | 145 | NAS1149C0363R | .WASHER | 002004 006100 103106 121503 904999 | 1 | |
| | 150 | BRH10A3 | .NUT SUPPLIER CODE: V52828 SPECIFICATION NUMBER: BACN10JC3 OPTIONAL PART: H10-3BAC V15653 NS202101-02 V80539 RMLH9075-3W V72962 VN303A02 V92215 96-02 V80539 T6S1032J V11815 | 107107 | 1 | |
| | MISSING ITEM NUMBERS NOT APPLICABLE | | | | | |

— ITEM NOT ILLUSTRATED

36-11-10-01

36-11-10
FIG. 01
PAGE 7
MAY 20/09

BRI



757

PARTS CATALOG (MAINTENANCE)

| FIG ITEM | PART NUMBER | 1 2 3 4 5 6 7 | NOMENCLATURE | EFFECT FROM TO | UNITS PER ASSY |
|--|-------------------------------------|---------------|--|--|----------------|
| R R R R R R R R R R | 150 | BRH10C3D | .NUT SUPPLIER CODE: V52828 SPECIFICATION NUMBER: BACN10JC3CD OPTIONAL PART: T6C1032JCD V11815 NS202486-02 V80539 102LH9075-3W V72962 H51650-3BAC V15653 | 002004 006100 103106 121503 904999 | 1 |
| | 155 | 740C4-12 | .JUMPER ASSY SUPPLIER CODE: V91812 SPECIFICATION NUMBER: BACJ40CF12E | 002004 006999 | 1 |
| | 160 | 2790598-101 | .VALVE-BLEED AIR SUPPLIER CODE: V92003 SPECIFICATION NUMBER: S210N701-11 ELECTRICAL EQUIP NUMBER: V00047 COMPONENT MAINT MANUAL REF: 49-50-02 OPTIONAL PART: 2790598-102 V92003 2790598-103 V92003 FOR DETAILS SEE: 36-11-10-50 | 002004 006999 | 1 |
| | MISSING ITEM NUMBERS NOT APPLICABLE | | | | |

- ITEM NOT ILLUSTRATED

36-11-10-01

36-11-10
FIG. 01
PAGE 8
MAY 20/09

BRI



757

PARTS CATALOG (MAINTENANCE)

| FIG ITEM | PART NUMBER | 1 2 3 4 5 6 7 | NOMENCLATURE | EFFECT FROM TO | UNITS PER ASSY |
|----------|----------------|---------------|---|--|----------------|
| 1 160 | 2790598-102 | | .VALVE-SHUTOFF SUPPLIER CODE: V92003 SPECIFICATION NUMBER: S210N701-11 ELECTRICAL EQUIP NUMBER: V00047 COMPONENT MAINT MANUAL REF: 49-50-02 OPTIONAL PART: 2790598-101 V92003 2790598-103 V92003 OPTIONAL PART: 2790598-103 V92003 FOR DETAILS SEE: 36-11-10-50 | 002004 006999 | 1 |
| 160 | 2790598-103 | | .VALVE-SHUTOFF SUPPLIER CODE: V92003 SPECIFICATION NUMBER: S210N701-11 ELECTRICAL EQUIP NUMBER: V00047 COMPONENT MAINT MANUAL REF: 49-50-02 OPTIONAL PART: 2790598-101 V92003 2790598-102 V92003 OPTIONAL PART: 2790598-102 V92003 FOR DETAILS SEE: 36-11-10-50 | 002004 006100 103106 121503 904999 | 1 |
| 165 | NAS1922-0525-1 | | .CLAMP- | 002004 006999 | 2 |
| 165 | NAS1922-0525-3 | | .CLAMP- | 002004 006999 | 2 |
| 170 | 212N3088-1 | | .SHIELD ASSY- | 002004 006999 | 1 |
| - 300 | 286N2654-002 | | WIRE BUNDLE ASSY | 121503 904949 | RF |
| - 300 | 286N2654-005 | | WIRE BUNDLE ASSY | 107107 | RF |

MISSING ITEM NUMBERS NOT APPLICABLE

- ITEM NOT ILLUSTRATED

36-11-10-01

36-11-10
FIG. 01
PAGE 9
MAY 20/09

BRI



757

PARTS CATALOG (MAINTENANCE)

| FIG ITEM | PART NUMBER | 1 2 3 4 5 6 7 | NOMENCLATURE | EFFECT FROM TO | UNITS PER ASSY |
|----------|--------------|---------------|---|----------------------------|----------------|
| 1 | | | | | |
| - 300 | 286N2654-007 | | WIRE BUNDLE ASSY | 002004 006100 950999 | RF |
| - 301 | 286N2654-304 | | WIRE BUNDLE ASSY | 101102 | RF |
| - 301 | 286N2654-314 | | WIRE BUNDLE ASSY | 504903 | RF |
| - 302 | 286N2654-325 | | WIRE BUNDLE ASSY | 108120 | RF |
| R - 304 | 286N2614-751 | | WIRE BUNDLE ASSY | 103106 | RF |
| 305 | C0909A14B7S | | .CONNECTOR- | 002004 | 1 |
| | | | SUPPLIER CODE: V13556 | 006999 | |
| | | | SPECIFICATION NUMBER: BACC63BN14B7S | | |
| | | | OPTIONAL PART: 48-63N14B7S | | |
| | | | V02660 | | |
| | | | R071214B7S | | |
| | | | V41118 | | |
| | | | ELECTRICAL EQUIP NUMBER: D01616 | | |
| | | | WIRING DIAGRAM REF: 361221 | | |
| 750 | | | ILLUSTRATION REFERENCE: DUCT INSTL-AIR SUPPLY | 002004 | RF |
| | | | SECT. 46 | 006102 | |
| | | | 36-11-01-20 | 107999 | |
| 755 | | | ILLUSTRATION REFERENCE: DUCT INSTL-AUX PWR SYS | 002004 | RF |
| | | | ENVIRONMENTAL CONT SYS | 006999 | |
| | | | PNEU FWD | | |
| | | | 49-51-51-01 | | |

MISSING ITEM NUMBERS NOT APPLICABLE

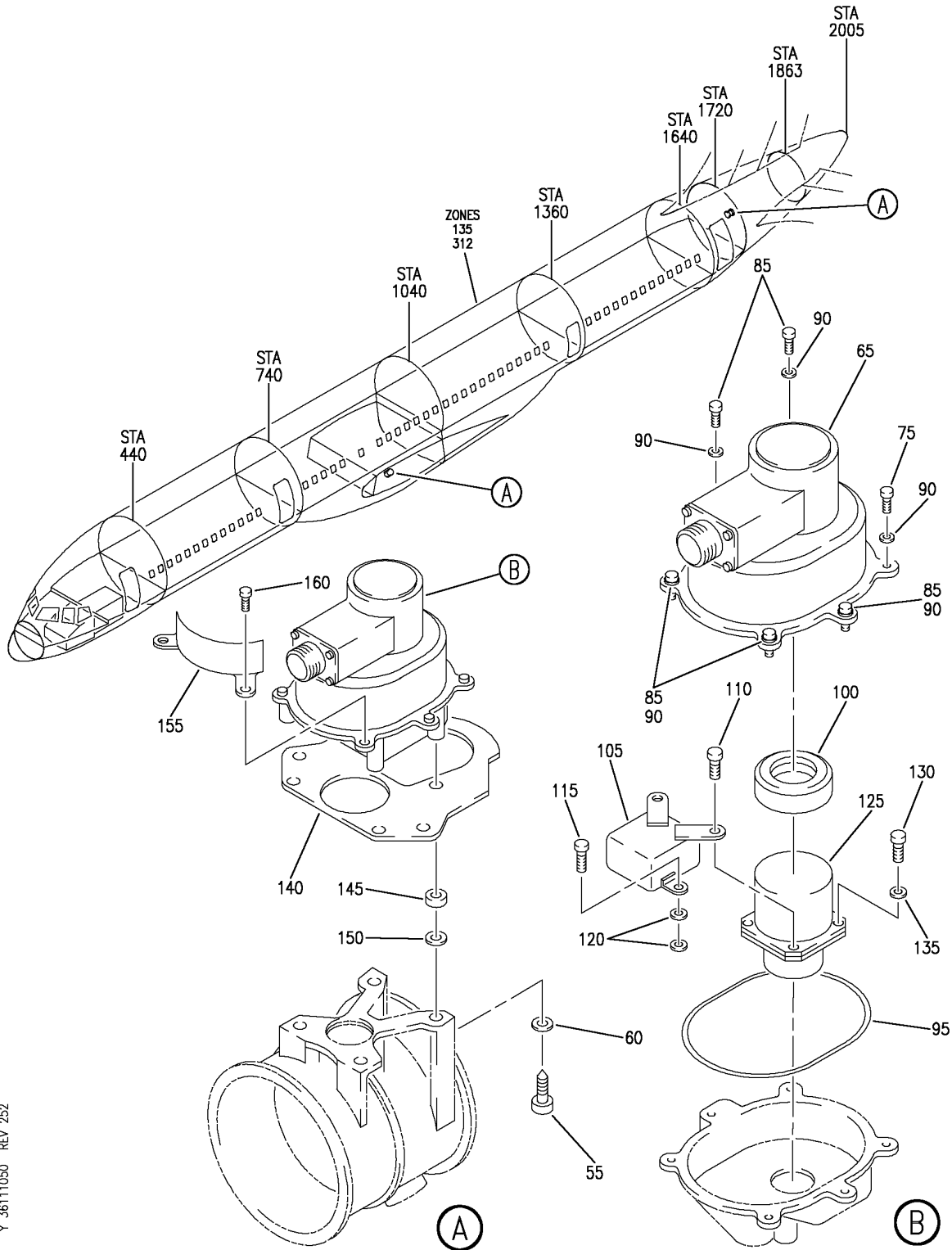
- ITEM NOT ILLUSTRATED

36-11-10-01

36-11-10
FIG. 01
PAGE 10
MAY 20/09

BRI

BOEING
757
PARTS CATALOG (MAINTENANCE)



Y 36111050 REV 252

VALVE ASSY-SHUTOFF ISOLATION
FIGURE 50

36-11-10-50

BRI
MAY 28/07

36-11-10-50
PAGE 0



757

PARTS CATALOG (MAINTENANCE)

| FIG ITEM | PART NUMBER | 1 2 3 4 5 6 7 | NOMENCLATURE | EFFECT FROM TO | UNITS PER ASSY |
|----------|-------------|---------------|---|------------------|----------------|
| 50 | | | VALVE ASSY-SHUTOFF ISOLATION | 002004 006999 | |
| - 1 | 2790598-101 | | VALVE-SHUTOFF ISOLATION, 5 IN. SUPPLIER CODE: V92003 SPECIFICATION NUMBER: S210N701-11 CONFIG CHG DATA FROM A CMM: SUPSD BY 2790598-102 ELECTRICAL EQUIP NUMBER: V00046 V00047 COMPONENT MAINT MANUAL REF: 49-50-02 OPTIONAL PART: 2790598-102 V92003 2790598-103 V92003 FOR NHA SEE: 36-11-01-15 36-11-01-17 36-11-10-01 | 002004 006999 | RF |
| - 1 | 2790598-102 | | VALVE-SHUTOFF ISOLATION, 5 IN. SUPPLIER CODE: V92003 SPECIFICATION NUMBER: S210N701-11 SB DATA FROM A CMM: PRE 2790598-49-04 CONFIG CHG DATA FROM A CMM: SUPSDS 2790598-101 ELECTRICAL EQUIP NUMBER: V00046 V00047 COMPONENT MAINT MANUAL REF: 49-50-02 OPTIONAL PART: 2790598-101 V92003 2790598-103 V92003 FOR NHA SEE: 36-11-01-15 36-11-01-17 36-11-10-01 | 002004 006999 | RF |

MISSING ITEM NUMBERS NOT APPLICABLE

- ITEM NOT ILLUSTRATED

36-11-10-50

36-11-10
FIG. 50
PAGE 1
SEP 20/08

BRI



757

PARTS CATALOG (MAINTENANCE)

| FIG ITEM | PART NUMBER | 1 2 3 4 5 6 7 | NOMENCLATURE | EFFECT FROM TO | UNITS PER ASSY |
|-----------|-------------|---------------|--|----------------------------|----------------|
| 50 - 1 | 2790598-103 | | VALVE-SHUTOFF ISOLATION, 5 IN. SUPPLIER CODE: V92003 SPECIFICATION NUMBER: S210N701-11 SB DATA FROM A CMM: POST 2790598-49-04 ELECTRICAL EQUIP NUMBER: V00046 V00047 COMPONENT MAINT MANUAL REF: 49-50-02 OPTIONAL PART: 2790598-101 V92003 2790598-102 V92003 FOR NHA SEE: 36-11-01-15 36-11-01-17 36-11-10-01 | 002004 006106 108999 | RF |
| - 50 | 2762052-102 | | .ACTUATOR ASSY- SUPPLIER CODE: V92003 CONFIG CHG DATA FROM A CMM: SUPSD BY 2812125-102 USED ON: 2790598-101 | 002004 006999 | 1 |
| - 50 | 2812125-102 | | .ACTUATOR ASSY- SUPPLIER CODE: V92003 CONFIG CHG DATA FROM A CMM: SUPSDS 2762052-102 SUPSD BY 2812125-105 COMPONENT MAINT MANUAL REF: 36-10-11 | 002004 006999 | 1 |
| - 50 | 2812125-105 | | .ACTUATOR ASSY- SUPPLIER CODE: V92003 SB DATA FROM A CMM: PRE 2790598-49-04 CONFIG CHG DATA FROM A CMM: SUPSDS 2812125-102 COMPONENT MAINT MANUAL REF: 36-10-11 USED ON: 2790598-102 | 002004 006999 | 1 |

MISSING ITEM NUMBERS NOT APPLICABLE

- ITEM NOT ILLUSTRATED

36-11-10-50

36-11-10
FIG. 50
PAGE 2
JAN 20/09

BRI



757

PARTS CATALOG (MAINTENANCE)

| FIG ITEM | PART NUMBER | 1 2 3 4 5 6 7 | NOMENCLATURE | EFFECT FROM TO | UNITS PER ASSY |
|----------|--------------|---------------|---|------------------|----------------|
| 50 | | | | | |
| - 50 | 2812125-106 | | .ACTUATOR ASSY- SUPPLIER CODE: V92003 CONFIG CHG DATA FROM A CMM: POST 2790598-49-04 COMPONENT MAINT MANUAL REF: 36-10-11 USED ON: 2790598-103 ATTACHING PARTS | 002004 006999 | 1 |
| 55 | MS24673-10 | | .BOLT | 002004 006999 | 4 |
| 60 | AN960C416L | | .WASHER | 002004 006999 | 4 |
| | | | -----*----- | | |
| 65 | 2763571-101 | | ..COVER- SUPPLIER CODE: V92003 ATTACHING PARTS | 002004 006999 | 1 |
| - 70 | 2803823-228 | | ..SCREW- SUPPLIER CODE: V92003 CONFIG CHG DATA FROM A CMM: REPLD BY 2803823-229 USED ON: 2812125-105 | 002004 006999 | 3 |
| 75 | MS35275-228 | | ..SCREW- CONFIG CHG DATA FROM A CMM: REPLD BY NAS1352C06H6 | 002004 006999 | 1 |
| 75 | NAS1352C06H6 | | ..SCREW- CONFIG CHG DATA FROM A CMM: REPLACES MS35275-228 REPLD BY 5853131-102 | 002004 006999 | 1 |
| 75 | 5853131-102 | | ..SCREW- SUPPLIER CODE: V92003 CONFIG CHG DATA FROM A CMM: REPLACES NAS1352C06H6 | 002004 006999 | 1 |
| - 80 | 2803823-229 | | ..SCREW- SUPPLIER CODE: V92003 CONFIG CHG DATA FROM A CMM: REPLD BY NAS1352C06-7 USED ON: 2812125-105 | 002004 006999 | 2 |
| 85 | NAS1352C06-7 | | ..SCREW- CONFIG CHG DATA FROM A CMM: REPLACES 2803823-229 | 002004 006999 | 5 |

MISSING ITEM NUMBERS NOT APPLICABLE

- ITEM NOT ILLUSTRATED

36-11-10-50

36-11-10
FIG. 50
PAGE 3
SEP 20/08

BRI



757

PARTS CATALOG (MAINTENANCE)

| FIG ITEM | PART NUMBER | 1 2 3 4 5 6 7 | NOMENCLATURE | EFFECT FROM TO | UNITS PER ASSY |
|----------|---------------|---------------|--|------------------|----------------|
| 50 | | | | | |
| 90 | 8743-526934 | | .. WASHER- SUPPLIER CODE: V92003 -----*----- | 002004 006999 | 6 |
| 95 | 2661058R043 | | .. PACKING- SUPPLIER CODE: V92003 CONFIG CHG DATA FROM A CMM: REPLD BY 5963072-101 USED ON: 2812125-105 | 002004 006999 | 1 |
| 95 | 5963072-101 | | .. PACKING- SUPPLIER CODE: V92003 CONFIG CHG DATA FROM A CMM: REPLACES 2661058R043 | 002004 006999 | 1 |
| 100 | F62C1474 | | .. BOOT- SUPPLIER CODE: V92003 | 002004 006999 | 1 |
| 105 | 2763564-101 | | .. CAPACITOR- SUPPLIER CODE: V92003 OPTIONAL PART: 2763564-102 V92003 USED ON: 2812125-105 | 002004 006999 | 1 |
| 105 | 2763564-102 | | .. CAPACITOR- SUPPLIER CODE: V92003 OPTIONAL PART: 2763564-101 V92003 USED ON: 2812125-106 ATTACHING PARTS | 002004 006999 | 1 |
| 110 | NAS1352C08-10 | | .. SCREW | 002004 006999 | 2 |
| 115 | NAS1352C08-8 | | .. SCREW | 002004 006999 | 2 |
| 120 | NAS620-8 | | .. WASHER -----*----- | 002004 006999 | 4 |

MISSING ITEM NUMBERS NOT APPLICABLE

- ITEM NOT ILLUSTRATED

36-11-10-50

36-11-10
FIG. 50
PAGE 4
SEP 20/08

BRI

BOEING PROPRIETARY - Copyright © - Unpublished Work - See title page for details.



757

PARTS CATALOG (MAINTENANCE)

| FIG ITEM | PART NUMBER | 1 2 3 4 5 6 7 | NOMENCLATURE | EFFECT FROM TO | UNITS PER ASSY |
|-----------|---------------|---------------|---|------------------|----------------|
| 50 125 | 2763543-101 | .. | MOTOR- SUPPLIER CODE: V92003 CONFIG CHG DATA FROM A CMM: REPLD BY 2763643-103 COMPONENT MAINT MANUAL REF: 39-40-02 | 002004 006999 | 1 |
| 125 | 7720-1 | .. | MOTOR- SUPPLIER CODE: V06987 CONFIG CHG DATA FROM A CMM: REPLD BY 2763543-103 COMPONENT MAINT MANUAL REF: 39-40-02 | 002004 006999 | 1 |
| 125 | 2763543-102 | .. | MOTOR- SUPPLIER CODE: V92003 CONFIG CHG DATA FROM A CMM: REPLD BY 2763543-103 COMPONENT MAINT MANUAL REF: 39-40-03 | 002004 006999 | 1 |
| 125 | 2763543-103 | .. | MOTOR- SUPPLIER CODE: V92003 CONFIG CHG DATA FROM A CMM: REPLACES 2763543-101, 7720-1, 2763543-102 COMPONENT MAINT MANUAL REF: 39-40-04 ATTACHING PARTS | 002004 006999 | 1 |
| 130 | 2803823-246 | .. | SCREW- SUPPLIER CODE: V92003 CONFIG CHG DATA FROM A CMM: REPLD BY NAS1352C08-10 | 002004 006999 | 2 |
| 130 | NAS1352C08-10 | .. | SCREW- CONFIG CHG DATA FROM A CMM: 2803823-246 | 002004 006999 | 2 |
| 135 | NAS620-8 | .. | WASHER | 002004 006999 | 2 |
| 140 | 2793619-101 | .. | PLATE-MTG SUPPLIER CODE: V92003 OPTIONAL PART: 5823188-101 V92003 | 002004 006999 | 1 |

MISSING ITEM NUMBERS NOT APPLICABLE

- ITEM NOT ILLUSTRATED

36-11-10-50

36-11-10
FIG. 50
PAGE 5
SEP 20/08

BRI

BOEING PROPRIETARY - Copyright © - Unpublished Work - See title page for details.



757

PARTS CATALOG (MAINTENANCE)

| FIG ITEM | PART NUMBER | 1 2 3 4 5 6 7 | NOMENCLATURE | EFFECT FROM TO | UNITS PER ASSY |
|-----------|-------------|---------------|--|------------------|----------------|
| 50 140 | 5823188-101 | | .PLATE-MTG SUPPLIER CODE: V92003 OPTIONAL PART: 2793619-101 V92003 | 002004 006999 | 1 |
| 145 | 5823189-101 | | .SPACER- SUPPLIER CODE: V92003 USED WITH: 5823189-101 | 002004 006999 | 4 |
| 150 | 2793776-101 | | .SHIM- THICKNESS 0.0047 TO 0.0053 IN., 0.119 TO 0.134MM SUPPLIER CODE: V92003 SELECT FROM ITEM. USED WITH: 5823188-101 | 002004 006999 | AR |
| 150 | 2793776-102 | | .SHIM- THICKNESS 0.0057 TO 0.0063 IN., 0.144 TO 0.160MM SUPPLIER CODE: V92003 SELECT FROM ITEM. USED WITH: 5823188-101 | 002004 006999 | AR |
| 150 | 2793776-103 | | .SHIM- THICKNESS 0.0067 TO 0.0073 IN., 0.170 TO 0.185MM SUPPLIER CODE: V92003 SELECT FROM ITEM. USED WITH: 5823188-101 | 002004 006999 | AR |
| 150 | 2793776-104 | | .SHIM- THICKNESS 0.0077 TO 0.0083 IN., 0.196 TO 0.211MM SUPPLIER CODE: V92003 SELECT FROM ITEM. USED WITH: 5823188-101 | 002004 006999 | AR |

MISSING ITEM NUMBERS NOT APPLICABLE

- ITEM NOT ILLUSTRATED

36-11-10-50

36-11-10
FIG. 50
PAGE 6
SEP 20/08

BRI



757

PARTS CATALOG (MAINTENANCE)

| FIG ITEM | PART NUMBER | 1 2 3 4 5 6 7 | NOMENCLATURE | EFFECT FROM TO | UNITS PER ASSY |
|-----------|-------------|---------------|---|------------------|----------------|
| 50 150 | 2793776-105 | | .SHIM- THICKNESS 0.0087 TO 0.0093 IN., 0.221 TO 0.236MM SUPPLIER CODE: V92003 SELECT FROM ITEM. USED WITH: 5823188-101 | 002004 006999 | AR |
| 150 | 2793776-106 | | .SHIM- THICKNESS 0.0097 TO 0.0103IN. (0.246 TO 0.262MM) SUPPLIER CODE: V92003 SELECT FROM ITEM. USED WITH: 5823188-101 | 002004 006999 | AR |
| 155 | 2803816-101 | | .PLATE-NAME SUPPLIER CODE: V92003 CONFIG CHG DATA FROM A CMM: REPLD BY 5993050-103 USED ON: 2790598-101 | 002004 006999 | 1 |
| 155 | 5853125-101 | | .PLATE-IDENT SUPPLIER CODE: V92003 SB DATA FROM A CMM: PRE 2790598-49-04 CONFIG CHG DATA FROM A CMM: REPLD BY 5993050-103 USED ON: 2790598-102 | 002004 006999 | 1 |
| 155 | 5993050-103 | | .PLATE-NAME SUPPLIER CODE: V92003 SB DATA FROM A CMM: POST 2790598-49-04 CONFIG CHG DATA FROM A CMM: REPLACES 2803816-101 AND 5853125-101 USED ON: 2790598-103 | 002004 006999 | 1 |
| 160 | MS35275-228 | | .SCREW- USED WITH: 2762052-102 | 002004 006999 | 4 |

MISSING ITEM NUMBERS NOT APPLICABLE

- ITEM NOT ILLUSTRATED

36-11-10-50

36-11-10
FIG. 50
PAGE 7
SEP 20/08

BRI



757

PARTS CATALOG (MAINTENANCE)

| FIG ITEM | PART NUMBER | 1 2 3 4 5 6 7 | NOMENCLATURE | EFFECT FROM TO | UNITS PER ASSY |
|-------------|-------------|---------------|---|-------------------|----------------------|
| 50 160 | 2803823-228 | | . SCREW- SUPPLIER CODE: V92003 USED WITH: 2812125-102 | 002004 006999 | 4 |

MISSING ITEM NUMBERS NOT APPLICABLE

- ITEM NOT ILLUSTRATED

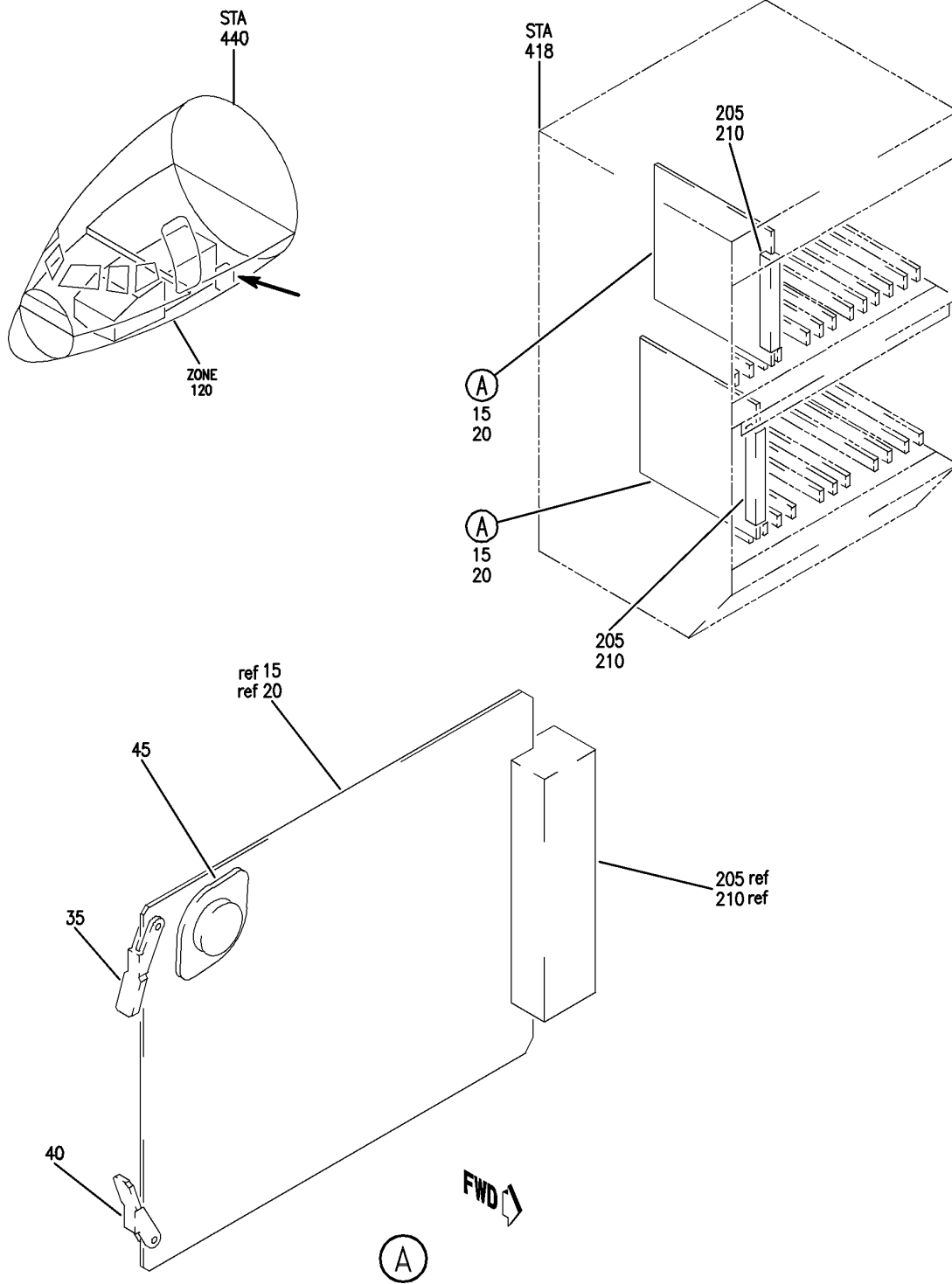
BRI

36-11-10-50

BOEING PROPRIETARY - Copyright © - Unpublished Work - See title page for details.

36-11-10
FIG. 50
PAGE 8
SEP 20/08

BOEING
757
PARTS CATALOG (MAINTENANCE)



Y 3611201 REV 226

EQUIPMENT INSTL-MAIN ELECTRONICS EQPT CTR (PNEUMATIC ONLY)
FIGURE 1

36-11-12-01

BRI
MAY 28/07

36-11-12-01
PAGE 0



757

PARTS CATALOG (MAINTENANCE)

| FIG ITEM | PART NUMBER | 1 2 3 4 5 6 7 | NOMENCLATURE | EFFECT FROM TO | UNITS PER ASSY |
|----------|--------------|---------------|--|--------------------------------------|----------------|
| 1 | | | EQUIPMENT INSTL-MAIN ELECTRONICS EQPT CTR (PNEUMATIC ONLY) | 002004 006100 107107 121999 | |
| - 2 | 284N1307-33 | | EQUIPMENT INSTL-MAIN ELECTRONICS EQPT CTR (PNEUMATIC ONLY) FOR NHA/OTHER SYS DET SEE: 24-00-58-01 | 107107 | RF |
| - 2 | 284N1800-32 | | EQUIPMENT INSTL-MAIN ELECTRONICS EQPT CTR (PNEUMATIC ONLY) FOR NHA/OTHER SYS DET SEE: 24-00-58-01 | 952999 | RF |
| - 4 | 284N1800-16 | | EQUIPMENT INSTL-MAIN ELECTRONICS EQPT CTR (PNEUMATIC ONLY) FOR NHA/OTHER SYS DET SEE: 24-00-58-01 | 121503 904949 | RF |
| - 5 | 284N1800-34 | | EQUIPMENT INSTL-MAIN ELECTRONICS EQPT CTR (PNEUMATIC ONLY) FOR NHA/OTHER SYS DET SEE: 24-00-58-01 | 002004 006100 | RF |
| - 5 | 284N1800-38 | | EQUIPMENT INSTL-MAIN ELECTRONICS EQPT CTR (PNEUMATIC ONLY) FOR NHA/OTHER SYS DET SEE: 24-00-58-01 | 950951 | RF |
| - 6 | 284N1800-88 | | EQUIPMENT INSTL-MAIN ELECTRONICS EQPT CTR (PNEUMATIC ONLY) FOR NHA/OTHER SYS DET SEE: 24-00-58-05E | 505505 | RF |
| - 7 | 284N1800-190 | | EQUIPMENT INSTL-MAIN ELECTRONICS EQPT CTR (PNEUMATIC ONLY) FOR NHA/OTHER SYS DET SEE: 24-00-58-05E | 504504 506903 | RF |

MISSING ITEM NUMBERS NOT APPLICABLE

- ITEM NOT ILLUSTRATED

36-11-12-01

36-11-12
FIG. 01
PAGE 1
JAN 20/09

BRI



757

PARTS CATALOG (MAINTENANCE)

| FIG ITEM | PART NUMBER | 1 2 3 4 5 6 7 | NOMENCLATURE | EFFECT FROM TO | UNITS PER ASSY |
|----------|-------------|---------------|--|--------------------------------------|----------------|
| 1 20 | 285N0006-11 | | .PRINTED CIRCUIT ASSY-BLEED CONFIGURATION SUPPLIER CODE: V89954 ELECTRICAL EQUIP NUMBER: M10312 M10313 COMPONENT MAINT MANUAL REF: 36-11-53 OPTIONAL PART: 285N0006-12 V89954 | 107107 | 2 |
| 20 | 285N0006-12 | | .PRINTED CIRCUIT ASSY-BLEED CONFIGURATION SUPPLIER CODE: V89954 ELECTRICAL EQUIP NUMBER: M10312 M10313 COMPONENT MAINT MANUAL REF: 36-11-53 OPTIONAL PART: 285N0006-11 V89954 | 002004 006100 107107 121999 | 2 |
| 20 | 285N0006-11 | | .PRINTED CIRCUIT ASSY-BLEED CONFIGURATION SUPPLIER CODE: V89954 ELECTRICAL EQUIP NUMBER: M10312 M10313 COMPONENT MAINT MANUAL REF: 36-11-53 OPTIONAL PART: 285N0006-12 V89954 | 002004 006100 121999 | 2 |
| 20 | 285N0006-1 | | .PRINTED CIRCUIT ASSY-BLEED CONFIGURATION SUPPLIER CODE: V89954 ELECTRICAL EQUIP NUMBER: M10312 M10313 COMPONENT MAINT MANUAL REF: 36-11-53 OPTIONAL PART: 285N0006-12 V89954 | 107107 | 2 |
| 35 | 71-2LA | | ..EXTRACTOR- SUPPLIER CODE: V18915 | 002004 006100 107107 121999 | 1 |

MISSING ITEM NUMBERS NOT APPLICABLE

- ITEM NOT ILLUSTRATED

36-11-12-01

36-11-12
FIG. 01
PAGE 2
JAN 20/09

BRI



757

PARTS CATALOG (MAINTENANCE)

| FIG ITEM | PART NUMBER | 1 2 3 4 5 6 7 | NOMENCLATURE | EFFECT FROM TO | UNITS PER ASSY |
|----------|-----------------|---------------|--|--------------------------------------|----------------|
| 1 | | | | | |
| 40 | 71-2RA | | ..EXTRACTOR- SUPPLIER CODE: V18915 | 002004 006100 107107 121999 | 1 |
| 45 | LM117KSTEEL883B | | ..MICROCIRCUIT-TYPE 117K VOLTAGE SUPPLIER CODE: V27014 SPECIFICATION NUMBER: 280-22002-334 OPTIONAL PART: LM117KSTEEL883 V27014 LM117KBZAJC V04713 SG117K883B V34333 UA117KMQB V07263 | 002004 006100 107107 121999 | 1 |
| - 200 | 286N1140-314 | | WIRE BUNDLE ASSY | 504903 | RF |
| - 200 | 286N1140-002 | | WIRE BUNDLE ASSY | 107107 121503 904949 | RF |
| - 200 | 286N1140-004 | | WIRE BUNDLE ASSY | 002004 006100 950999 | RF |
| 210 | 300052-001 | | .CONNECTOR- SUPPLIER CODE: V0D9V3 SPECIFICATION NUMBER: BACC65L66 OPTIONAL PART: 200620-01 V16512 300052-001 V03877 192-366-0010 V26742 S1009-00833 V03877 ELECTRICAL EQUIP NUMBER: D02998 D03058 WIRING DIAGRAM REF: 223213 | 002004 006100 107107 121999 | 2 |

MISSING ITEM NUMBERS NOT APPLICABLE

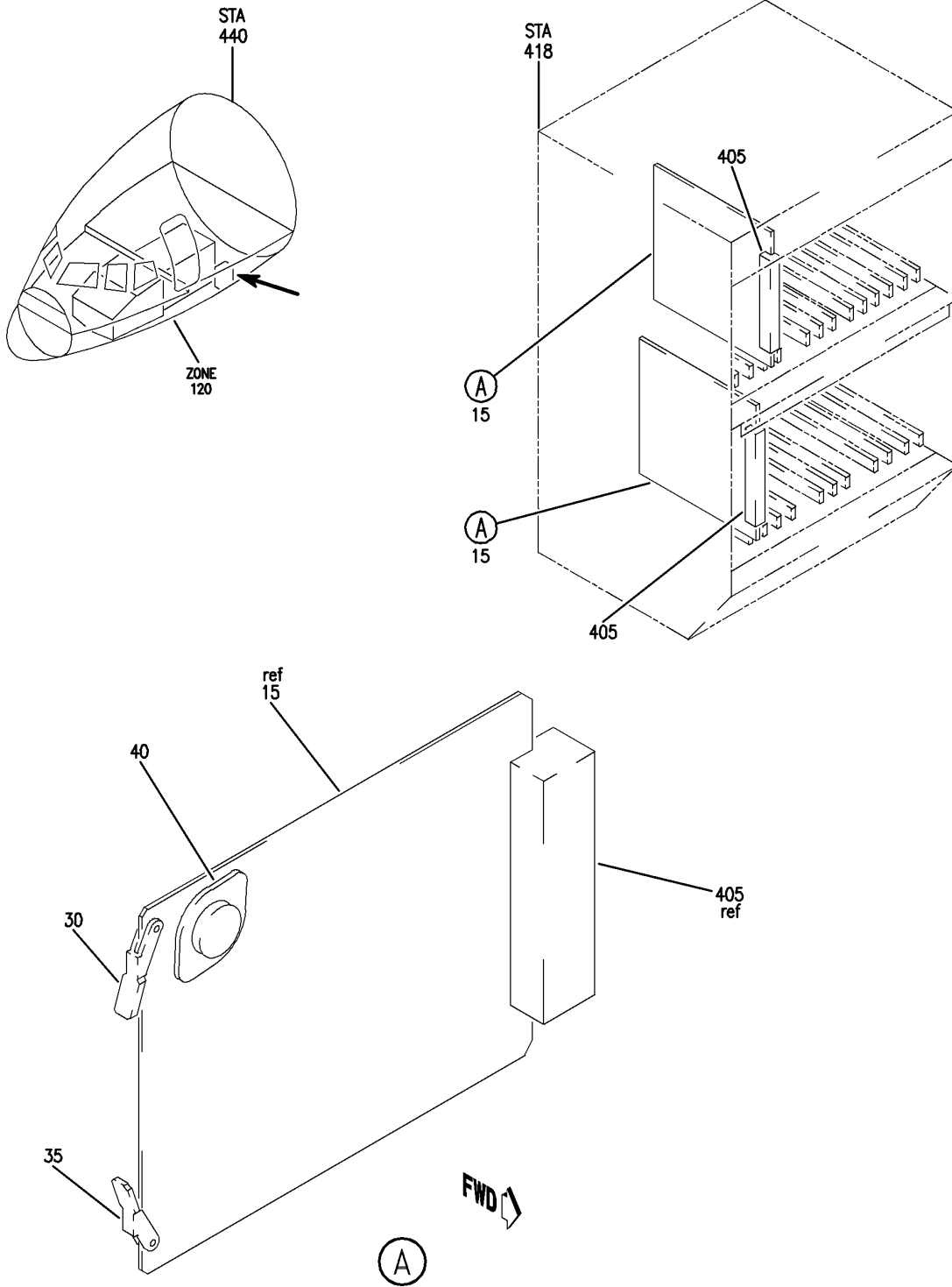
- ITEM NOT ILLUSTRATED

36-11-12-01

36-11-12
FIG. 01
PAGE 3
JAN 20/09

BRI

BOEING
757
PARTS CATALOG (MAINTENANCE)



Y 3611201B REV 226

EQUIPMENT INSTL-MAIN ELECTRONICS EQPT CTR (PNEUMATIC ONLY)
FIGURE 1B

36-11-12-01B

BRI
MAY 28/07

36-11-12-01B
PAGE 0



757

PARTS CATALOG (MAINTENANCE)

| FIG ITEM | PART NUMBER | 1 2 3 4 5 6 7 | NOMENCLATURE | EFFECT FROM TO | UNITS PER ASSY |
|----------|--------------|---------------|--|----------------|----------------|
| 1B | | | EQUIPMENT INSTL-MAIN ELECTRONICS EQPT CTR (PNEUMATIC ONLY) | 101102 | |
| - 3 | 284N1800-140 | | EQUIPMENT INSTL-MAIN ELECTRONICS EQPT CTR (PNEUMATIC ONLY) | 101101 | RF |
| - 3 | 284N1800-141 | | FOR NHA/OTHER SYS DET SEE: 24-00-58-05E | | |
| | | | EQUIPMENT INSTL-MAIN ELECTRONICS EQPT CTR (PNEUMATIC ONLY) | 102102 | RF |
| | | | FOR NHA/OTHER SYS DET SEE: 24-00-58-05E | | |
| 15 | 285N0006-11 | | .PRINTED CIRCUIT ASSY-BLEED CONFIGURATION SUPPLIER CODE: V89954 ELECTRICAL EQUIP NUMBER: M10312 M10313 COMPONENT MAINT MANUAL REF: 36-11-53 OPTIONAL PART: 285N0006-12 V89954 | 101102 | 2 |
| 15 | 285N0006-12 | | .PRINTED CIRCUIT ASSY-BLEED CONFIGURATION SUPPLIER CODE: V89954 ELECTRICAL EQUIP NUMBER: M10312 M10313 COMPONENT MAINT MANUAL REF: 36-11-53 OPTIONAL PART: 285N0006-11 V89954 | 101102 | 2 |
| 30 | 71-2LA | | ..EXTRACTOR- SUPPLIER CODE: V18915 | 101102 | 1 |
| 35 | 71-2RA | | ..EXTRACTOR- SUPPLIER CODE: V18915 | 101102 | 1 |

MISSING ITEM NUMBERS NOT APPLICABLE

- ITEM NOT ILLUSTRATED

36-11-12-01B

36-11-12
FIG. 01B
PAGE 1
JAN 20/09

BRI

BOEING PROPRIETARY - Copyright © - Unpublished Work - See title page for details.



757

PARTS CATALOG (MAINTENANCE)

| FIG ITEM | PART NUMBER | 1 2 3 4 5 6 7 | NOMENCLATURE | EFFECT FROM TO | UNITS PER ASSY |
|--------------|----------------------------|---------------|--|------------------|----------------|
| 1B 40 | LM117KSTEEL883B | . | MICROCIRCUIT-TYPE 117K VOLTAGE SUPPLIER CODE: V27014 SPECIFICATION NUMBER: 280-22002-334 OPTIONAL PART: LM117KSTEEL883 V27014 LM117KBZAJC V04713 SG117K883B V34333 UA117KMQB V07263 | 101102 | 1 |
| - 400 405 | 286N1140-306 300052-001 | | WIRE BUNDLE ASSY .CONNECTOR- SUPPLIER CODE: V0D9V3 SPECIFICATION NUMBER: BACC65L66 OPTIONAL PART: 200620-01 V16512 300052-001 V03877 192-366-0010 V26742 S1009-00833 V03877 ELECTRICAL EQUIP NUMBER: D02998 D03058 WIRING DIAGRAM REF: 223213 | 101102 101102 | RF 2 |

MISSING ITEM NUMBERS NOT APPLICABLE

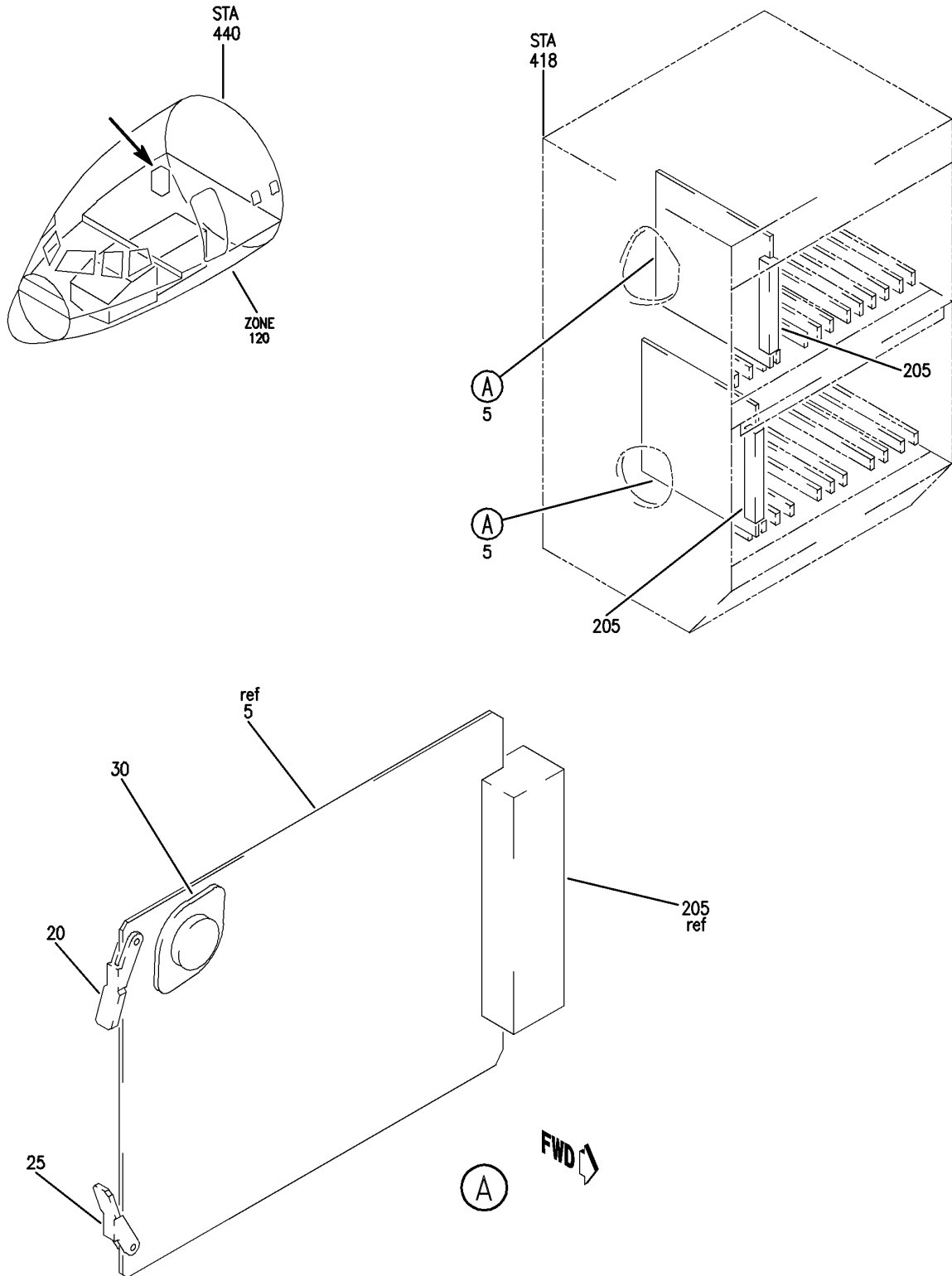
- ITEM NOT ILLUSTRATED

36-11-12-01B

36-11-12
FIG. 01B
PAGE 2
JAN 20/09

BRI

BOEING
757
PARTS CATALOG (MAINTENANCE)



Y 3611208 REV 222

EQUIPMENT INSTL-MAIN ELECTRONICS EQPT CTR ENVIROMENTAL CONT SYS BLEED CONFIGURATION
FIGURE 8

BRI
JAN 20/09

36-11-12-08

36-11-12-08
PAGE 0



757

PARTS CATALOG (MAINTENANCE)

| FIG ITEM | PART NUMBER | 1 2 3 4 5 6 7 | NOMENCLATURE | EFFECT FROM TO | UNITS PER ASSY |
|----------|-----------------|---------------|--|------------------|----------------|
| 8 | | | EQUIPMENT INSTL-MAIN ELECTRONICS EQPT CTR ENVIROMENTAL CONT SYS BLEED CONFIGURATION | 103106 108120 | |
| - 1 | 284N4000-360000 | | EQUIPMENT INSTL-MAIN ELECTRONICS EQPT CTR ENVIROMENTAL CONT SYS BLEED CONFIGURATION FOR NHA SEE: 24-00-58-05 | 108120 | RF |
| - 1 | MODREF10505 | | EQUIPMENT INSTL-MAIN ELECTRONICS EQPT CTR ENVIROMENTAL CONT SYS BLEED CONFIGURATION MODULE NUMBER: 284N4000-360000 REV A | 103106 | 1 |
| 5 | 285N0006-11 | | .PRINTED CIRCUIT ASSY- SUPPLIER CODE: V89954 ELECTRICAL EQUIP NUMBER: M10312 M10313 COMPONENT MAINT MANUAL REF: 36-11-53 OPTIONAL PART: 285N0006-12 V89954 FUNCTIONAL REFERENCE: PLACARDS AND MARKINGS FOR DETAILS SEE 11-36-25-08 | 103106 108120 | 2 |
| 5 | 285N0006-12 | | .PRINTED CIRCUIT ASSY- SUPPLIER CODE: V89954 ELECTRICAL EQUIP NUMBER: M10312 M10313 COMPONENT MAINT MANUAL REF: 36-11-53 OPTIONAL PART: 285N0006-11 V89954 FUNCTIONAL REFERENCE: PLACARDS AND MARKINGS FOR DETAILS SEE 11-36-25-08 | 103106 108120 | 2 |
| 20 | 71-2LA | | ..EXTRACTOR- SUPPLIER CODE: V18915 | 103106 108120 | 1 |

MISSING ITEM NUMBERS NOT APPLICABLE

- ITEM NOT ILLUSTRATED

36-11-12-08

36-11-12
FIG. 08
PAGE 1
JAN 20/09

BRI



757

PARTS CATALOG (MAINTENANCE)

| FIG ITEM | PART NUMBER | 1 2 3 4 5 6 7 | NOMENCLATURE | EFFECT FROM TO | UNITS PER ASSY |
|----------|-----------------|---------------|--|------------------|----------------|
| 8 | | | | | |
| 25 | 71-2RA | | ..EXTRACTOR- SUPPLIER CODE: V18915 | 103106 108120 | 1 |
| 30 | LM117KSTEEL883B | | ..MICROCIRCUIT-TYPE 117K VOLTAGE SUPPLIER CODE: V27014 SPECIFICATION NUMBER: 280-22002-334 OPTIONAL PART: LM117KSTEEL883 V27014 LM117KBZAJC V04713 SG117K883B V34333 UA117KMQB V07263 | 103106 108120 | 1 |
| - 200 | 286N1140-324 | | WIRE BUNDLE ASSY- | 108120 | RF |
| - 200 | 286N1140-701 | | WIRE BUNDLE ASSY | 103106 | RF |
| 205 | 300052-001 | | .CONNECTOR- SUPPLIER CODE: V0D9V3 SPECIFICATION NUMBER: BACC65L66 OPTIONAL PART: 200620-01 V16512 300052-001 V03877 192-366-0010 V26742 S1009-00833 V03877 ELECTRICAL EQUIP NUMBER: D02998 D03058 WIRING DIAGRAM REF: 223213 | 103106 108120 | 2 |

MISSING ITEM NUMBERS NOT APPLICABLE

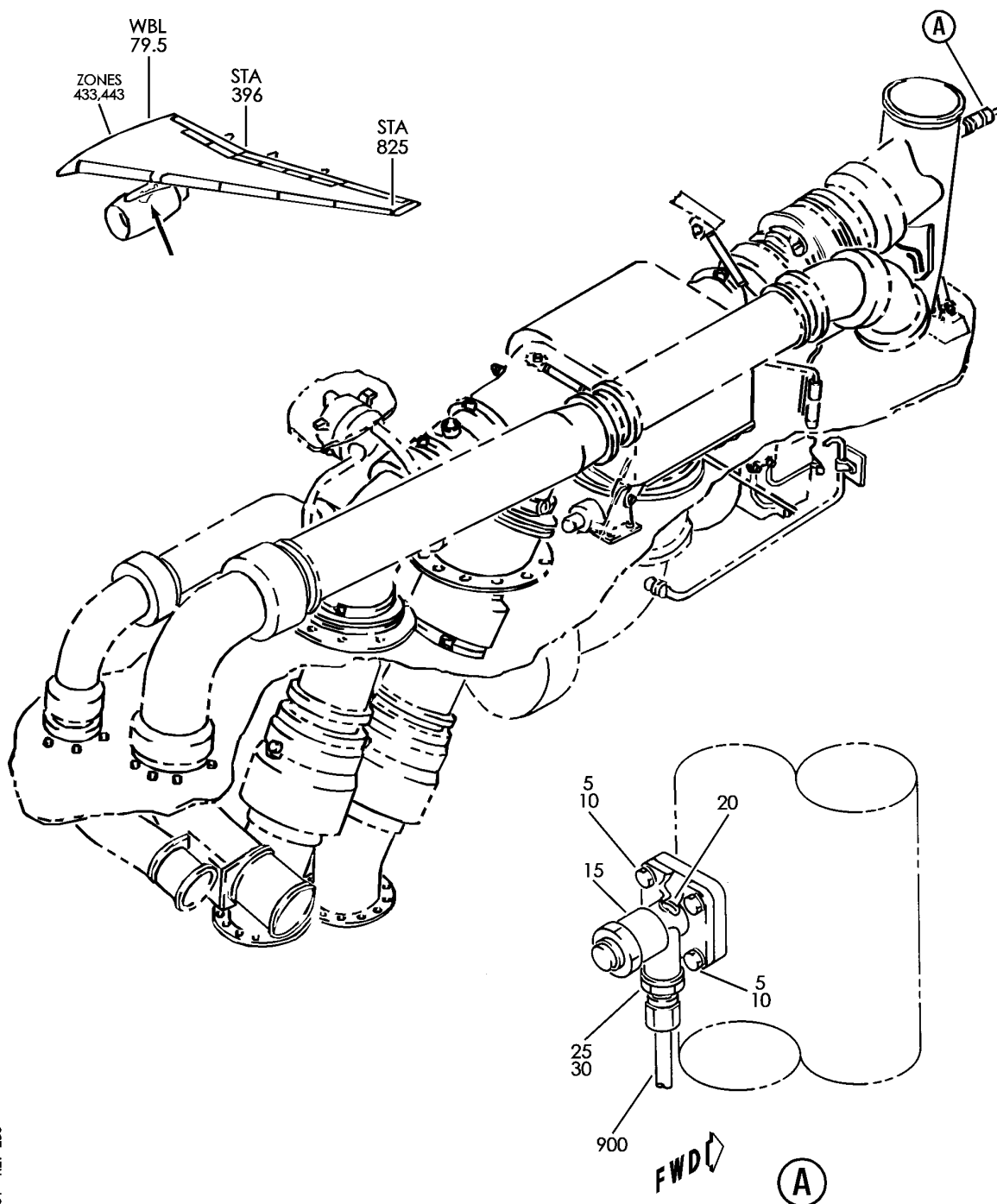
- ITEM NOT ILLUSTRATED

36-11-12-08

36-11-12
FIG. 08
PAGE 2
JAN 20/09

BRI

BOEING
757
PARTS CATALOG (MAINTENANCE)



Y 36111301 REV 256

EQUIPMENT INSTL-STRUT PNEU (AIR SUPPLY OVERTEMPERATURE LIMITING SENSOR ONLY)

FIGURE 1

36-11-13-01

BRI
MAY 28/07

36-11-13-01
PAGE 0



757

PARTS CATALOG (MAINTENANCE)

| FIG ITEM | PART NUMBER | 1 2 3 4 5 6 7 | NOMENCLATURE | EFFECT FROM TO | UNITS PER ASSY |
|----------|--------------|---------------|---|--|----------------|
| 1 | | | EQUIPMENT INSTL-STRUT PNEU (AIR SUPPLY OVERTEMPERATURE LIMITING SENSOR ONLY) | 002004 006999 | |
| - 1 | 312N5301-7 | | EQUIPMENT INSTL-STRUT PNEU (AIR SUPPLY OVERTEMPERATURE LIMITING SENSOR ONLY) FOR NHA/OTHER SYS DET SEE: 54-00-51-01 | 002004 006100 107107 121503 904999 | RF |
| - 1 | 312N5301-12 | | EQUIPMENT INSTL-STRUT PNEU (AIR SUPPLY OVERTEMPERATURE LIMITING SENSOR ONLY) FOR NHA/OTHER SYS DET SEE: 36-00-00-01 36-00-00-01A | 101106 108120 504903 | RF |
| 5 | NAS6703U8 | | .BOLT | 002004 006999 | 4 |
| 10 | AN960C10L | | .WASHER | 002004 006999 | 4 |
| 15 | 129682-3 | | .SENSOR-TEMP SUPPLIER CODE: V59364 SPECIFICATION NUMBER: S212N101-26 COMPONENT MAINT MANUAL REF: 36-11-85 | 002004 006999 | 1 |
| 20 | 2-212S383-70 | | .PACKING SUPPLIER CODE: V02697 SPECIFICATION NUMBER: BACP11J212 OPTIONAL PART: AS568-212S32 V11314 S7E183-212 V95272 13-06-212 V07096 S424-7-2-212 V02697 A330-212 V95272 R1131-212 V57268 | 002004 006999 | 1 |
| 25 | MS21916J5-4 | | .REDUCER | 002004 006999 | 1 |

MISSING ITEM NUMBERS NOT APPLICABLE

- ITEM NOT ILLUSTRATED

36-11-13-01

36-11-13
FIG. 01
PAGE 1
JAN 20/09

BRI



757

PARTS CATALOG (MAINTENANCE)

| FIG ITEM | PART NUMBER | 1 2 3 4 5 6 7 | NOMENCLATURE | EFFECT FROM TO | UNITS PER ASSY |
|-------------|-------------|---------------|---|--|----------------------|
| 1 30 | R1131-905 | | .PACKING SUPPLIER CODE: V57268 SPECIFICATION NUMBER: BACP11K5 OPTIONAL PART: 3-905S383-70 V02697 1090-05 V95272 150701-05 V95272 AS568-905S32 V11314 | 002004 006999 | 1 |
| 900 | | | ILLUSTRATION REFERENCE: TUBING INSTL-ENVIRONMENTAL CONT SYS (RB211-535) 36-11-01-06 | 002004 006100 107107 121503 904999 | RF |

MISSING ITEM NUMBERS NOT APPLICABLE

- ITEM NOT ILLUSTRATED

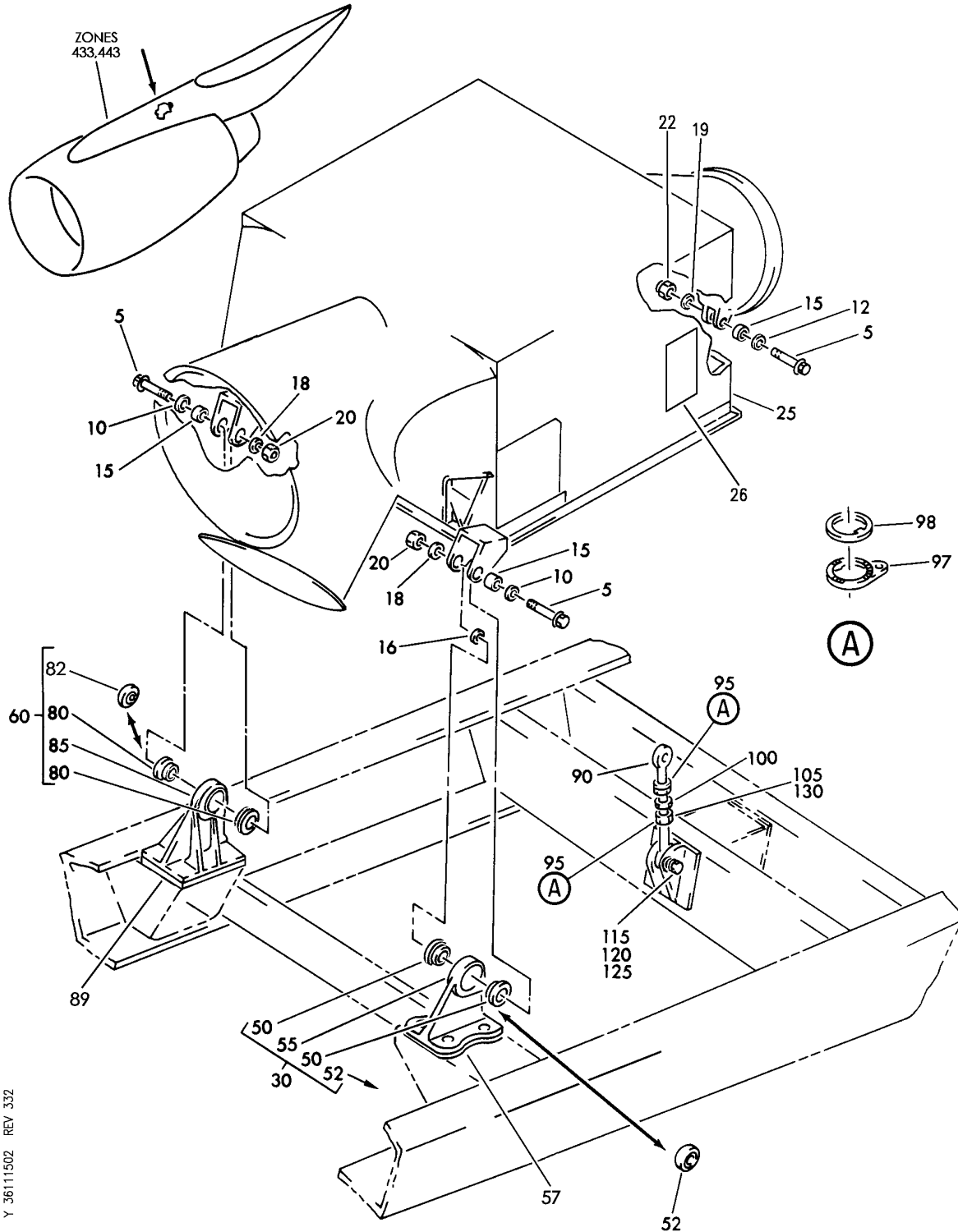
BRI

36-11-13-01

BOEING PROPRIETARY - Copyright © - Unpublished Work - See title page for details.

36-11-13
FIG. 01
PAGE 2
JAN 20/09

BOEING
757
PARTS CATALOG (MAINTENANCE)



Y 36111502 REV 332

PRECOOLER INSTL- ENG BLEED AIR (RB211-535)
FIGURE 2

36-11-15-02

BRI
MAY 20/09

36-11-15-02
PAGE 0



757

PARTS CATALOG (MAINTENANCE)

| FIG ITEM | PART NUMBER | 1 2 3 4 5 6 7 | NOMENCLATURE | EFFECT FROM TO | UNITS PER ASSY |
|----------|----------------|---------------|---|------------------|----------------|
| 2 | | | PRECOOLER INSTL- ENG BLEED AIR (RB211-535) | 002004 006999 | |
| - 1 | 312N5302-2 | | PRECOOLER INSTL-ENG BLEED AIR FOR NHA SEE: 36-11-01-01 36-00-00-01 36-00-00-01A | 002004 006999 | RF |
| 5 | BACB30LE5U21 | | .BOLT | 002004 006999 | 3 |
| 10 | BACW10BP5ACU | | .WASHER- | 002004 006999 | 2 |
| 12 | BACW10BP5ACU | | .WASHER | 002004 006999 | 1 |
| 15 | BACB28AK05-045 | | .BUSHING | 002004 006999 | 3 |
| 16 | BACB28AK05-057 | | .BUSHING | 002004 006999 | 1 |
| 18 | AN960C516L | | .WASHER- | 002004 006999 | 2 |
| 19 | AN960C516L | | .WASHER | 002004 006999 | 1 |
| 20 | BRH10A5 | | .NUT- SUPPLIER CODE: V52828 SPECIFICATION NUMBER: BACN10JC5 OPTIONAL PART: T6S524J V11815 96-054 V80539 RMLH9075-5W V72962 H10-5BAC V15653 | 002004 006999 | 2 |

MISSING ITEM NUMBERS NOT APPLICABLE

- ITEM NOT ILLUSTRATED

36-11-15-02

36-11-15
FIG. 02
PAGE 1
JAN 20/09

BRI



757

PARTS CATALOG (MAINTENANCE)

| FIG ITEM | PART NUMBER | 1 2 3 4 5 6 7 | NOMENCLATURE | EFFECT FROM TO | UNITS PER ASSY |
|----------|----------------|---------------|---|------------------|----------------|
| 2 | | | | | |
| 22 | BRH10A5 | . | NUT SUPPLIER CODE: V52828 SPECIFICATION NUMBER: BACN10JC5 OPTIONAL PART: T6S524J V11815 96-054 V80539 RMLH9075-5W V72962 H10-5BAC V15653 | 002004 006999 | 1 |
| 25 | 194402-4 | . | PRECOOLER-SERIES 1 AND 2 SUPPLIER CODE: V70210 SPECIFICATION NUMBER: S212N101-23 COMPONENT MAINT MANUAL REF: 36-11-06 | 002004 006999 | 1 |
| 26 | 193331-3 | .. | PLATE-IDENT SUPPLIER CODE: V70210 USED ON: 194402-3 | 002004 006999 | 1 |
| 26 | 193331-4 | .. | PLATE-IDENT USED ON 194402-4 SERIES 1 SUPPLIER CODE: V70210 USED ON: 194402-4 | 002004 006999 | 1 |
| 26 | 193331-5 | .. | PLATE-IDENT USED ON 194402-4 SERIES 2 SUPPLIER CODE: V70210 | 002004 006999 | 1 |
| 30 | 312N5318-4 | . | FITTING ASSY-SPRT | 002004 006999 | 1 |
| 30 | 312N5318-8 | . | FITTING ASSY-SPRT | 002004 006999 | 1 |
| | | | ATTACHING PARTS | | |
| - 35 | BACB30LE4U8 | . | BOLT- | 002004 006999 | 4 |
| - 40 | BACW10BP4ACU | . | WASHER- | 002004 006999 | 4 |
| | | | -----*----- | | |
| 50 | BACB28AP07-015 | .. | BUSHING- USED ON: 312N5318-4 | 002004 006999 | 2 |

MISSING ITEM NUMBERS NOT APPLICABLE

- ITEM NOT ILLUSTRATED

36-11-15-02

36-11-15
FIG. 02
PAGE 2
JAN 20/09

BRI



757

PARTS CATALOG (MAINTENANCE)

| FIG ITEM | PART NUMBER | 1 2 3 4 5 6 7 | NOMENCLATURE | EFFECT FROM TO | UNITS PER ASSY |
|----------|----------------|---------------|---|------------------|----------------|
| 2 | | | | | |
| 52 | VTB09130 | | .. BEARING ASSY- SUPPLIER CODE: V06710 SPECIFICATION NUMBER: S302T001-405 USED ON: 312N5318-8 | 002004 006999 | 1 |
| 55 | 312N5318-5 | | .. FITTING-MACHINED USED ON: 312N5318-4 | 002004 006999 | 1 |
| 55 | 312N5318-7 | | .. FITTING-MACHINED USED ON: 312N5318-8 | 002004 006999 | 1 |
| 57 | BACS40R20W29 | | . SHIM | 002004 006999 | AR |
| 60 | 312N5334-4 | | . FITTING ASSY-SPRT | 002004 006999 | 1 |
| 60 | 312N5334-8 | | . FITTING ASSY-SPRT | 002004 006999 | 1 |
| - 65 | BACB30LE4U12 | | ATTACHING PARTS . BOLT- | 002004 006999 | 4 |
| - 70 | BACW10BP4ACU | | . WASHER- | 002004 006999 | 4 |
| | | | -----*----- | | |
| 80 | BACB28AP05-015 | | .. BUSHING- USED ON: 312N5334-4 | 002004 006999 | 2 |
| 82 | AMB5V4017 | | .. BEARING- SUPPLIER CODE: V06710 SPECIFICATION NUMBER: S302T001-404 USED ON: 312N5334-8 | 002004 006999 | 1 |
| 82 | VTB09120 | | .. BEARING ASSY- SUPPLIER CODE: V06710 SPECIFICATION NUMBER: S302T001-404 USED ON: 312N5334-8 | 002004 006999 | 1 |
| 85 | 312N5334-5 | | .. FITTING-MACHINED USED ON: 312N5334-4 | 002004 006999 | 1 |
| 85 | 312N5334-7 | | .. FITTING-MACHINED USED ON: 312N5334-8 | 002004 006999 | 1 |

MISSING ITEM NUMBERS NOT APPLICABLE

- ITEM NOT ILLUSTRATED

36-11-15-02

36-11-15
FIG. 02
PAGE 3
JAN 20/09

BRI



757

PARTS CATALOG (MAINTENANCE)

| FIG ITEM | PART NUMBER | 1 2 3 4 5 6 7 | NOMENCLATURE | EFFECT FROM TO | UNITS PER ASSY |
|----------|----------------|---------------|--|------------------|----------------|
| 2 | | | | | |
| 89 | BACS40R20W29 | . | SHIM | 002004 006999 | AR |
| 90 | 12E5-117T | . | BEARING SUPPLIER CODE: V16746 SPECIFICATION NUMBER: BACB10Z5T OPTIONAL PART: BRES5-2003EL1 V81376 FSSK5AS2 V73134 HB5-201KT V02758 KB5-150WT V97613 51589-051VL V09455 AR5-8W3 VS0352 ASWK5-1DT V56644 ARB5-61TW V15860 | 002004 006999 | 1 |
| 95 | NAS1193K6C | . | LOCKING DEVICE | 002004 006999 | 2 |
| 97 | NAS1193K6-1 | .. | WASHER | 002004 006999 | 1 |
| 98 | NAS1193K6-2 | .. | WASHER | 002004 006999 | 1 |
| 100 | NAS509-6C | . | NUT | 002004 006999 | 1 |
| 105 | NAS509L6C | . | NUT | 002004 006999 | 1 |
| 110 | 312N5327-1 | . | TURNBUCKLE-SPRT | 002004 006999 | 1 |
| 115 | BACB30LE5U12 | . | BOLT | 002004 006999 | 1 |
| 120 | BACW10BP5ACU | . | WASHER- | 002004 006999 | 1 |
| 125 | BACB28AK05-020 | . | BUSHING | 002004 006999 | 1 |

MISSING ITEM NUMBERS NOT APPLICABLE

- ITEM NOT ILLUSTRATED

36-11-15-02

36-11-15
FIG. 02
PAGE 4
JAN 20/09

BRI



757

PARTS CATALOG (MAINTENANCE)

| FIG ITEM | PART NUMBER | 1 2 3 4 5 6 7 | NOMENCLATURE | EFFECT FROM TO | UNITS PER ASSY |
|-------------|-------------|---------------|---|-------------------|----------------------|
| 2 130 | 13E5-117T | | .BEARING SUPPLIER CODE: V16746 SPECIFICATION NUMBER: BACB10Z5LT OPTIONAL PART: BRELHS5-2003EL1 V81376 FSSKL5AS2 V73134 HB5-201KLT V02758 KBL5-150WT V97613 51589L051VL V09455 ASGK5-1DT V56644 ARL5-8W3 VS0352 ARBL5-61TW V15860 | 002004 006999 | 1 |

MISSING ITEM NUMBERS NOT APPLICABLE

- ITEM NOT ILLUSTRATED

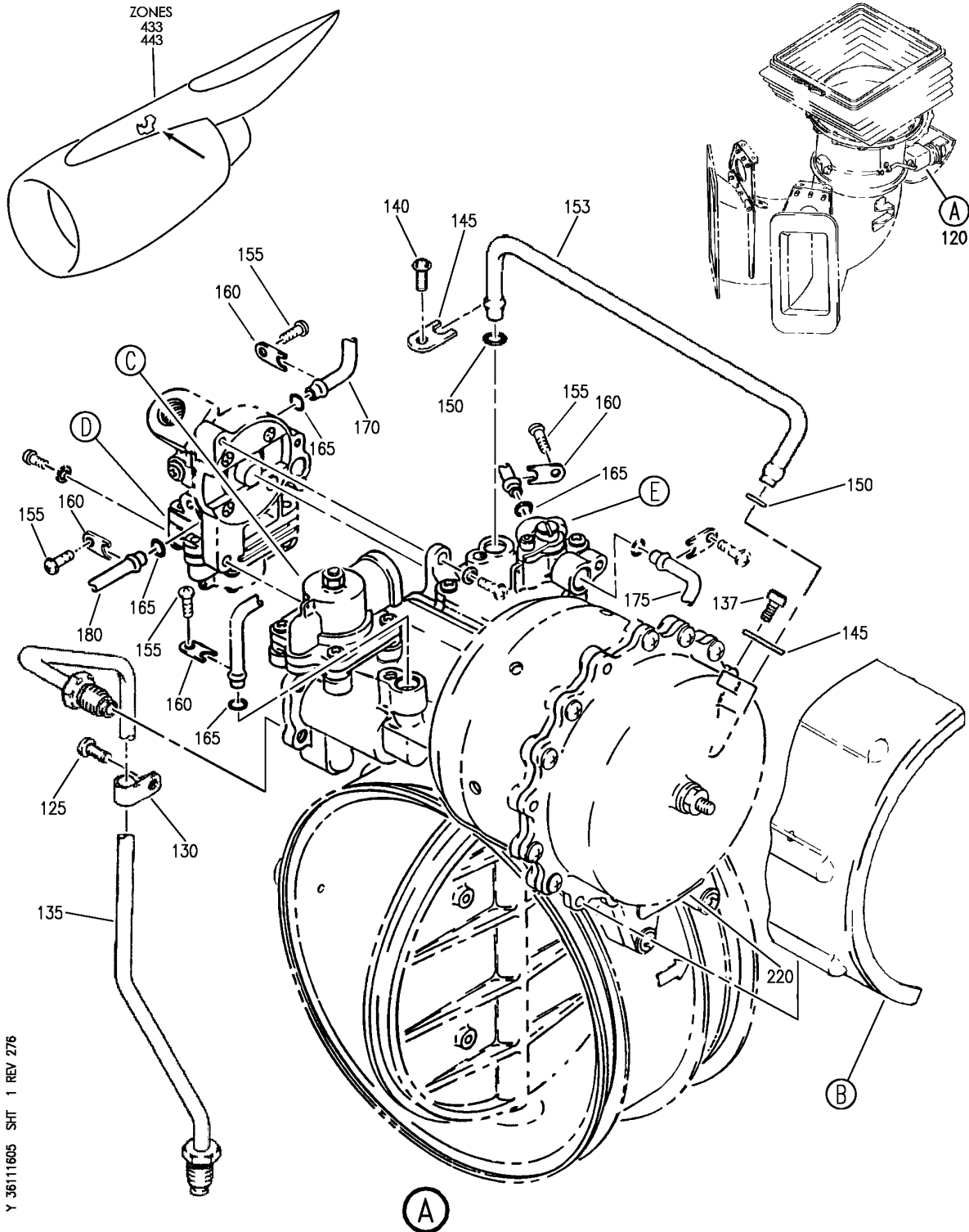
BRI

36-11-15-02

BOEING PROPRIETARY - Copyright © - Unpublished Work - See title page for details.

36-11-15
FIG. 02
PAGE 5
SEP 20/08

BOEING
757
PARTS CATALOG (MAINTENANCE)



Y 36111605 SHT 1 REV 276

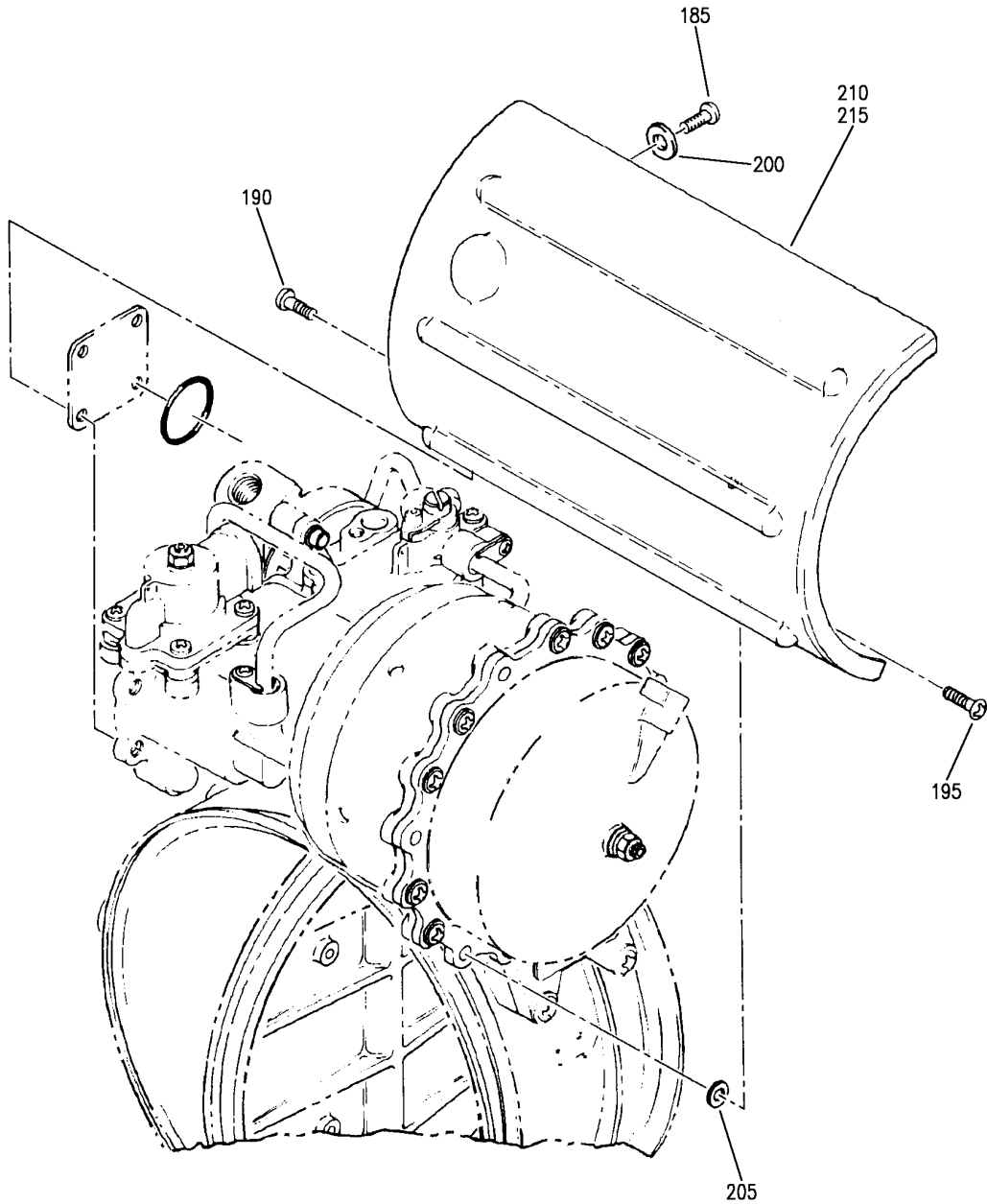
DUCT INSTL-STRUT COOLING AIR INLET (RB211-535) (FAN AIR MODULATING VALVE ONLY)
FIGURE 5 (SHEET 1)

36-11-16-05

BRI
MAY 28/07

36-11-16-05
PAGE 0

BOEING
757
PARTS CATALOG (MAINTENANCE)



(B)

Y 36111605 SH1 2 REV 252

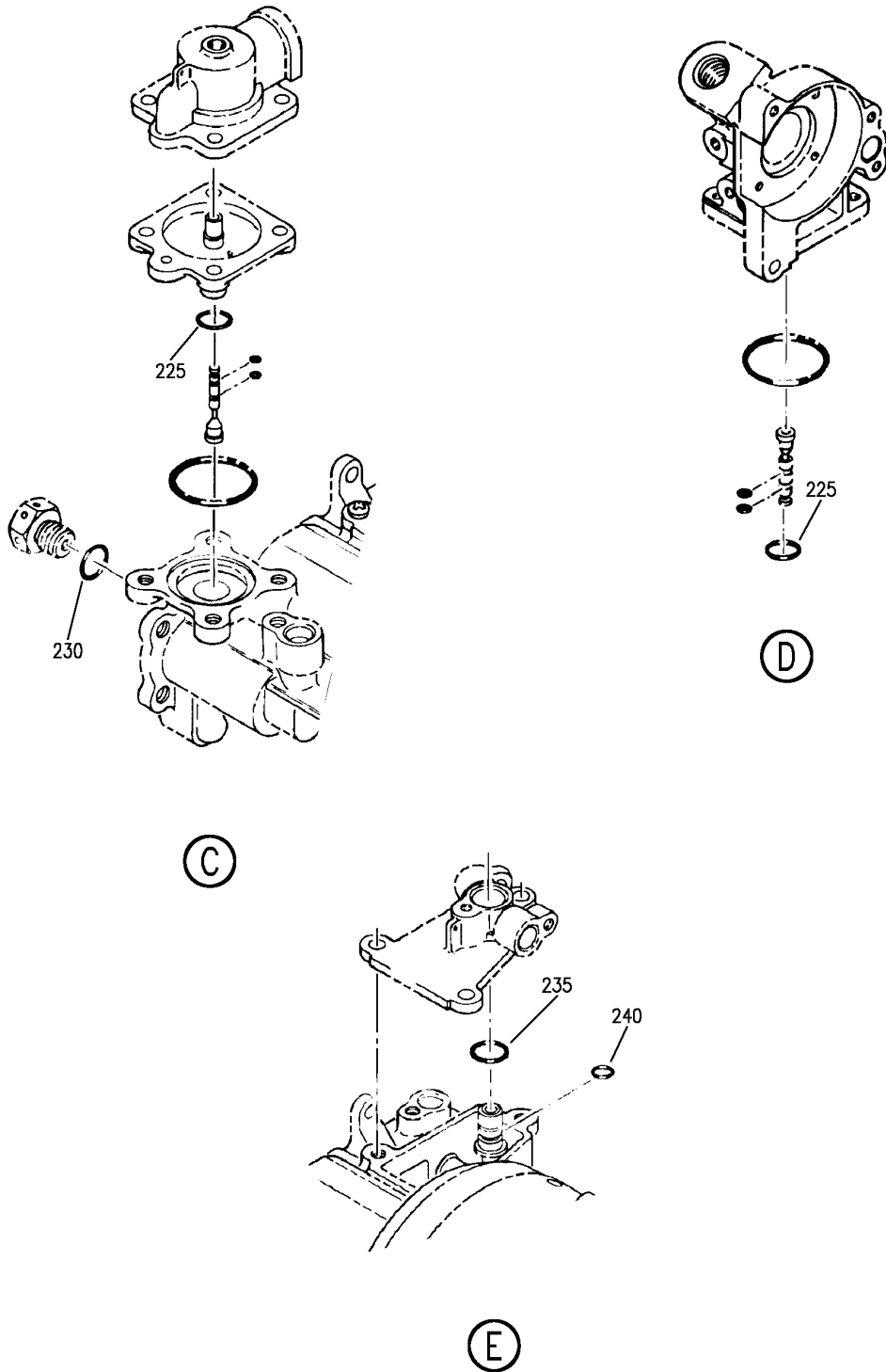
DUCT INSTL-STRUT COOLING AIR INLET (RB211-535) (FAN AIR MODULATING VALVE ONLY)
FIGURE 5 (SHEET 2)

BRI
MAY 28/07

36-11-16-05

36-11-16-05
PAGE 0A

BOEING
757
PARTS CATALOG (MAINTENANCE)



Y 36111605 SH1 3 REV 276

DUCT INSTL-STRUT COOLING AIR INLET (RB211-535) (FAN AIR MODULATING VALVE ONLY)
FIGURE 5 (SHEET 3)

BRI
MAY 28/07

36-11-16-05

36-11-16-05
PAGE 0B



757

PARTS CATALOG (MAINTENANCE)

| FIG ITEM | PART NUMBER | 1 2 3 4 5 6 7 | NOMENCLATURE | EFFECT FROM TO | UNITS PER ASSY |
|----------|-------------|---------------|---|--|----------------|
| 5 | | | DUCT INSTL-STRUT COOLING AIR INLET (RB211-535) (FAN AIR MODULATING VALVE ONLY) | 002004 006999 | |
| - 1 | 312N5303-4 | | DUCT INSTL-STRUT COOLING AIR INLET FOR NHA SEE: 36-11-01-01 | 002004 006100 107107 121503 904999 | RF |
| - 1 | 312N5303-7 | | DUCT INSTL-STRUT COOLING AIR INLET FOR NHA SEE: 36-00-00-01 36-00-00-01A | 101106 108120 504903 | RF |
| 120 | 3289626-4 | | .VALVE ASSY-FAN AIR CONT SUPPLIER CODE: V59364 SPECIFICATION NUMBER: S212N101-40 SB DATA FROM A CMM: POST 36-1447 PRE 36-1462 CONFIG CHG DATA FROM A CMM: REPLACES 3289626-3 REPLACED BY 3289626-5 COMPONENT MAINT MANUAL REF: 36-12-27 | 002004 006999 | 1 |
| 120 | 3289626-5 | | .VALVE ASSY-FAN AIR CONT SUPPLIER CODE: V59364 SPECIFICATION NUMBER: S212N101-41 S212N101-44 SB DATA FROM A CMM: POST 36-1462 CONFIG CHG DATA FROM A CMM: REPLACES 3289626-4 COMPONENT MAINT MANUAL REF: 36-12-27 | 002004 006999 | 1 |

MISSING ITEM NUMBERS NOT APPLICABLE

- ITEM NOT ILLUSTRATED

36-11-16-05

36-11-16
FIG. 05
PAGE 1
JAN 20/09

BRI



757

PARTS CATALOG (MAINTENANCE)

| FIG ITEM | PART NUMBER | 1 2 3 4 5 6 7 | NOMENCLATURE | EFFECT FROM TO | UNITS PER ASSY |
|----------|-------------|---------------|--|------------------|----------------|
| 5 120 | 3289626-3 | | . VALVE ASSY-FAN AIR CONT SUPPLIER CODE: V59364 SPECIFICATION NUMBER: S212N101-35 SB DATA FROM A CMM: POST 36-1396 PRE 36-1447 CONFIG CHG DATA FROM A CMM: SUPERSEDES 3289626-2 REPLACED BY 3289626-4 COMPONENT MAINT MANUAL REF: 36-12-27 | 002004 006999 | 1 |
| 120 | 3289626-2 | | . VALVE ASSY-FAN AIR CONT SUPPLIER CODE: V59364 SPECIFICATION NUMBER: S212N101-27 SB DATA FROM A CMM: PRE 36-1396 CONFIG CHG DATA FROM A CMM: SUPSD BY 3289626-3 COMPONENT MAINT MANUAL REF: 36-12-27 | 002004 006999 | 1 |
| 125 | MS51958-61 | | .. SCREW | 002004 006999 | 1 |
| 130 | MS21919CH5 | | .. CLAMP-TUBE CONFIG CHG DATA FROM A CMM: REPLD BY MS21919WCH5 | 002004 006999 | 1 |
| 130 | MS21919WCH5 | | .. CLAMP- CONFIG CHG DATA FROM A CMM: REPLACES MS21919CH5 | 002004 006999 | 1 |
| 135 | 3171305-1 | | .. TUBE ASSY- SUPPLIER CODE: V99193 | 002004 006999 | 1 |
| 137 | MS24674-7 | | .. SCREW | 002004 006999 | 1 |
| 140 | MS51957-42 | | .. SCREW | 002004 006999 | 1 |
| 145 | 886903-1 | | .. RETAINER-TUBE SUPPLIER CODE: V59364 | 002004 006999 | 2 |
| 150 | S8990-010 | | .. PACKING-PREFORMED SUPPLIER CODE: V59364 | 002004 006999 | 2 |
| 153 | 3171438-1 | | .. TUBE- SUPPLIER CODE: V99193 | 002004 006999 | 1 |

MISSING ITEM NUMBERS NOT APPLICABLE

- ITEM NOT ILLUSTRATED

36-11-16-05

36-11-16
FIG. 05
PAGE 2
SEP 20/08

BRI



757

PARTS CATALOG (MAINTENANCE)

| FIG ITEM | PART NUMBER | 1 2 3 4 5 6 7 | NOMENCLATURE | EFFECT FROM TO | UNITS PER ASSY |
|----------|-------------|---------------|--|------------------|----------------|
| 5 | | | | | |
| 155 | MS51957-42 | . | SCREW | 002004 006999 | 6 |
| 160 | 886903-1 | . | RETAINER-TUBE SUPPLIER CODE: V59364 | 002004 006999 | 6 |
| 165 | S8990-010 | . | PACKING-PREFORMED SUPPLIER CODE: V59364 | 002004 006999 | 6 |
| 170 | 3171437-1 | . | TUBE- SUPPLIER CODE: V99193 | 002004 006999 | 1 |
| 175 | 3171439-1 | . | TUBE- SUPPLIER CODE: V99193 | 002004 006999 | 1 |
| 180 | 3171304-1 | . | TUBE- SUPPLIER CODE: V99193 | 002004 006999 | 1 |
| 185 | MS51958-63 | . | SCREW- CONFIG CHG DATA FROM A CMM: REPLD BY MS51958-62 | 002004 006999 | 1 |
| 185 | MS51958-62 | . | SCREW- CONFIG CHG DATA FROM A CMM: REPLACES MS51958-63 REPLD BY MS9489-05 | 002004 006999 | 1 |
| 185 | MS9489-05 | . | BOLT- CONFIG CHG DATA FROM A CMM: REPLACES MS51958-62 | 002004 006999 | 1 |
| 190 | MS51957-43 | . | SCREW | 002004 006999 | 4 |
| 195 | MS51957-46 | . | SCREW- USED WITH: 3170393-4 | 002004 006999 | 3 |
| - 197 | MS51957-46 | . | SCREW- USED WITH: 3172374-1 | 002004 006999 | 4 |
| 200 | AN960C10L | . | WASHER | 002004 006999 | 1 |
| 205 | S8157N7-005 | . | WASHER- 0.005 IN. THICK SUPPLIER CODE: V59364 | 002004 006999 | 1 |
| 205 | S8157N7-016 | . | WASHER- 0.016 IN. THICK SUPPLIER CODE: V59364 SELECT FROM ITEM. | 002004 006999 | AR |

MISSING ITEM NUMBERS NOT APPLICABLE

- ITEM NOT ILLUSTRATED

BRI

36-11-16-05

36-11-16
FIG. 05
PAGE 3
SEP 20/08



757

PARTS CATALOG (MAINTENANCE)

| FIG ITEM | PART NUMBER | 1 2 3 4 5 6 7 | NOMENCLATURE | EFFECT FROM TO | UNITS PER ASSY |
|----------|-------------|---------------|---|------------------|----------------|
| 5 205 | S8157N7-032 | | .WASHER- 0.032 IN. THICK SUPPLIER CODE: V59364 SELECT FROM ITEM. | 002004 006999 | AR |
| 205 | S8157N7-063 | | .WASHER- 0.063 IN. THICK SUPPLIER CODE: V59364 SELECT FROM ITEM. | 002004 006999 | AR |
| 210 | 3170393-1 | | .SHIELD-HEAT SUPPLIER CODE: V99193 CONFIG CHG DATA FROM A CMM: SUPSD BY 3170393-4 | 002004 006999 | 1 |
| 210 | 3170393-4 | | .SHIELD-HEAT SUPPLIER CODE: V99193 CONFIG CHG DATA FROM A CMM: SUPERSEDES 3170393-1 REPLD BY 3172374-1 | 002004 006999 | 1 |
| 215 | 3172374-1 | | .SHIELD-HEAT SUPPLIER CODE: V99193 CONFIG CHG DATA FROM A CMM: REPLACES 3170393-4 | 002004 006999 | 1 |
| 220 | S8842B1P1A | | .PLATE-IDENT SUPPLIER CODE: V99193 CONFIG CHG DATA FROM A CMM: REPLD BY S3005-1 | 002004 006999 | 1 |
| 220 | S3005-1 | | .PLATE-IDENT SUPPLIER CODE: V99193 CONFIG CHG DATA FROM A CMM: REPLD BY S3033-1 REPLACES S8842B1P1A | 002004 006999 | 1 |
| 220 | S3033-1 | | .PLATE-IDENT SUPPLIER CODE: V59364 CONFIG CHG DATA FROM A CMM: REPLACES S3005-1 | 002004 006999 | 1 |
| 225 | S8990-012 | | .PACKING-PREFORMED SUPPLIER CODE: V59364 | 002004 006999 | 2 |

MISSING ITEM NUMBERS NOT APPLICABLE

- ITEM NOT ILLUSTRATED

36-11-16-05

36-11-16
FIG. 05
PAGE 4
SEP 20/08

BRI



757

PARTS CATALOG (MAINTENANCE)

| FIG ITEM | PART NUMBER | 1 2 3 4 5 6 7 | NOMENCLATURE | EFFECT FROM TO | UNITS PER ASSY |
|-------------|-------------|---------------|--|-------------------|----------------------|
| 5 | | | | | |
| 230 | S8990-604 | | .PACKING-PREFORMED SUPPLIER CODE: V59364 | 002004 006999 | 1 |
| 235 | S8990-015 | | .PACKING-PREFORMED SUPPLIER CODE: V99193 | 002004 006999 | 1 |
| 240 | S8990-010 | | .PACKING-PREFORMED SUPPLIER CODE: V59364 | 002004 006999 | 1 |

MISSING ITEM NUMBERS NOT APPLICABLE

- ITEM NOT ILLUSTRATED

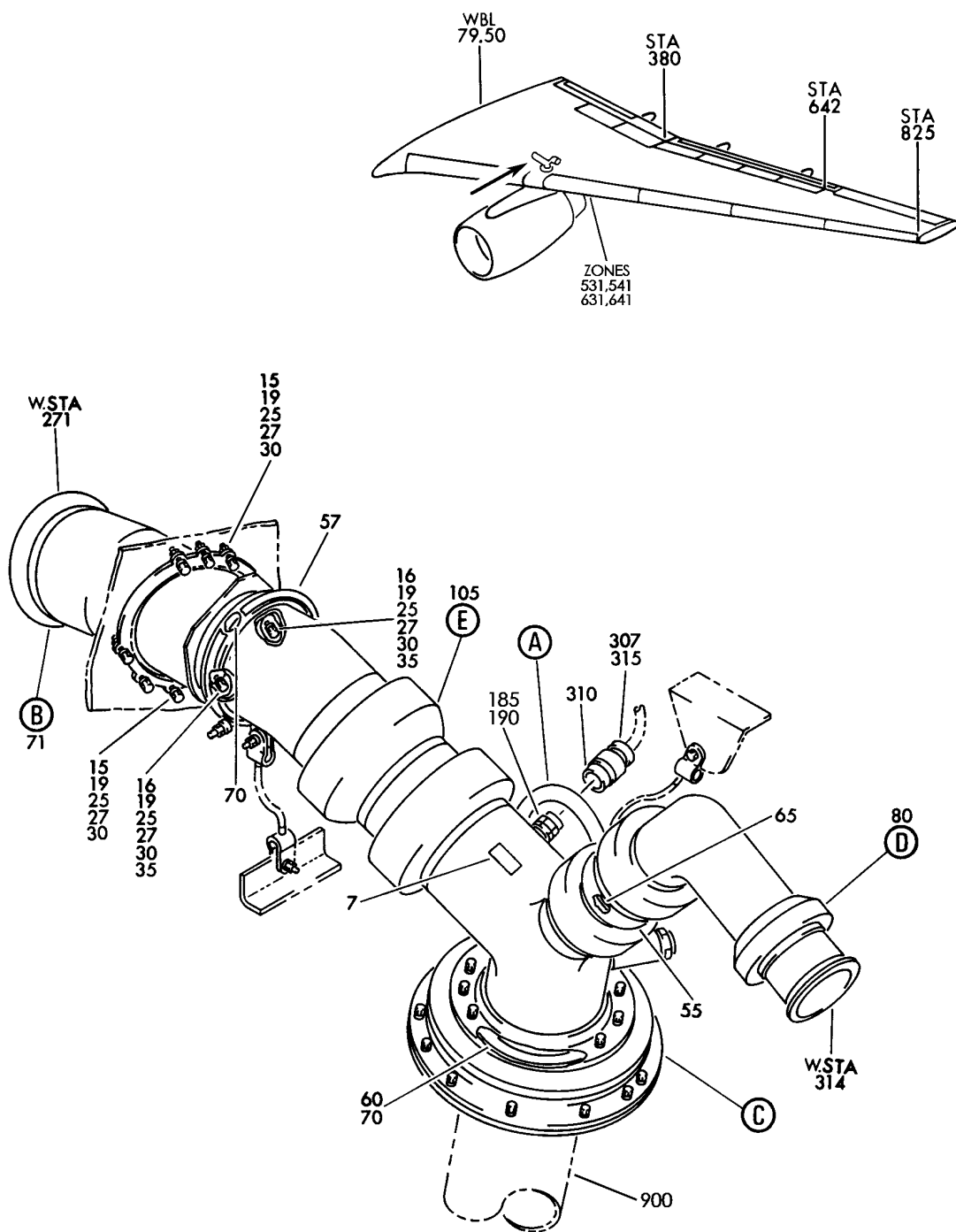
BRI

36-11-16-05

BOEING PROPRIETARY - Copyright © - Unpublished Work - See title page for details.

36-11-16
FIG. 05
PAGE 5
SEP 20/08

BOEING
757
PARTS CATALOG (MAINTENANCE)



Y 36111701 SHT 1 REV 283

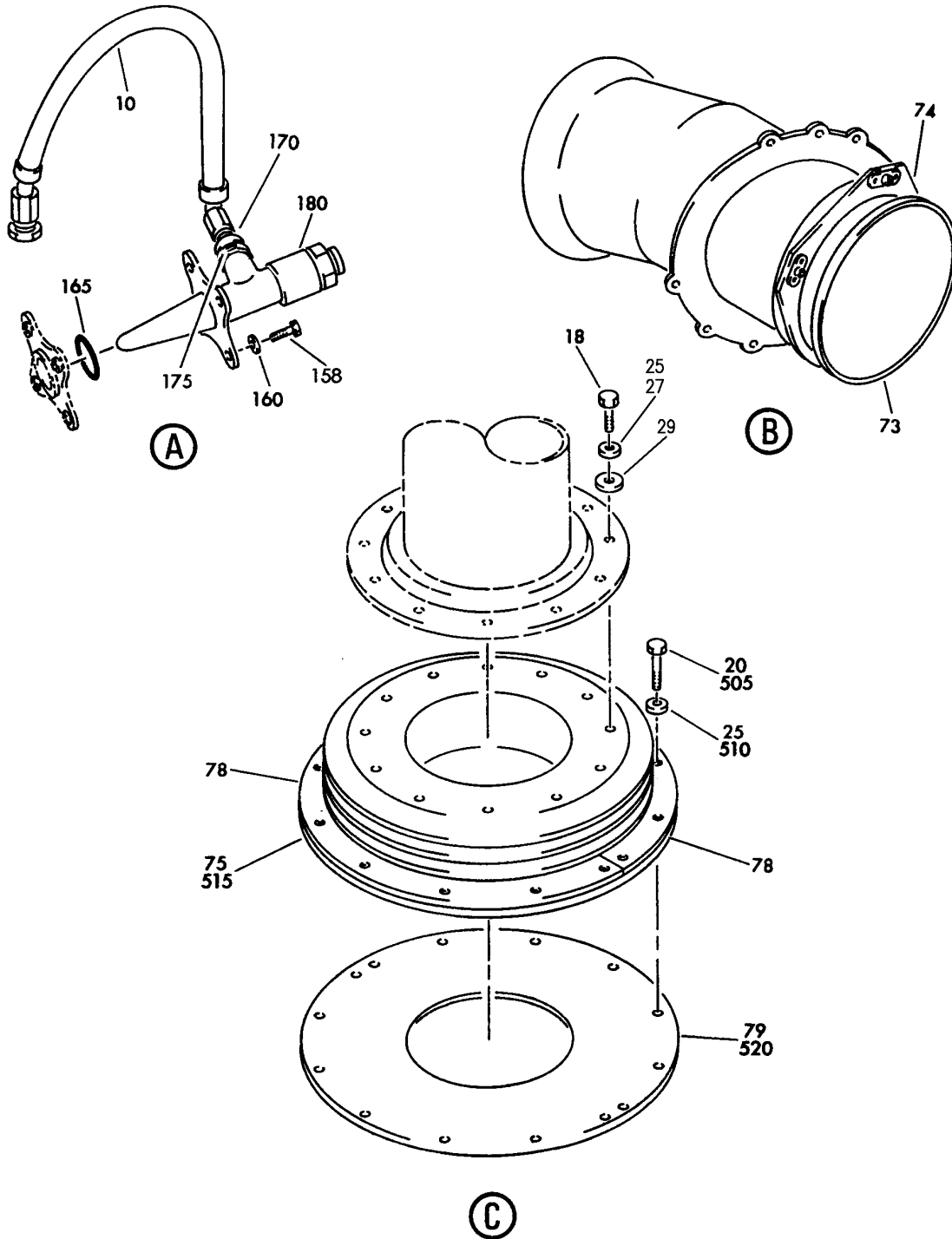
EQUIPMENT AND SEAL INSTL-WING LE PNEU
FIGURE 1 (SHEET 1)

36-11-17-01

BRI
MAY 28/07

36-11-17-01
PAGE 0

BOEING
757
PARTS CATALOG (MAINTENANCE)



Y 3611701 SH1 2 REV 283

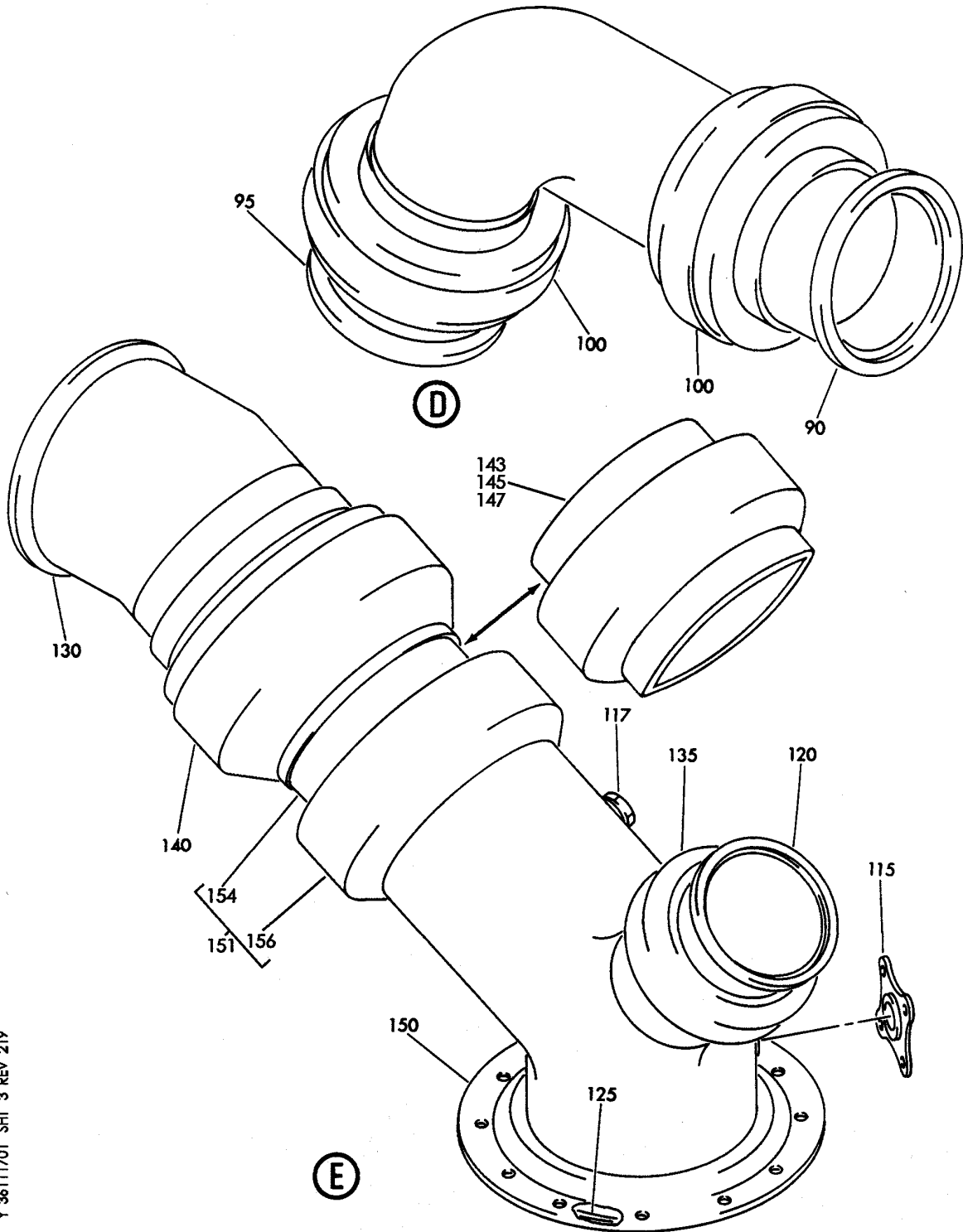
EQUIPMENT AND SEAL INSTL-WING LE PNEU
FIGURE 1 (SHEET 2)

36-11-17-01

BRI
MAY 28/07

36-11-17-01
PAGE 0A

BOEING
757
PARTS CATALOG (MAINTENANCE)



Y 36111701 SHT 3 REV 219

EQUIPMENT AND SEAL INSTL-WING LE PNEU
FIGURE 1 (SHEET 3)

36-11-17-01

BRI
MAY 28/07

36-11-17-01
PAGE 0B

 **BOEING**
757
PARTS CATALOG (MAINTENANCE)

| FIG ITEM | PART NUMBER | 1 2 3 4 5 6 7 | NOMENCLATURE | EFFECT FROM TO | UNITS PER ASSY |
|----------|-------------|---------------|---|--|----------------|
| 1 | | | EQUIPMENT AND SEAL INSTL-WING LE PNEU | 002004 006999 | |
| - 1 | 316N5101-1 | | EQUIPMENT INSTL-WING LE PNEU POSITION DATA: LH FOR NHA SEE: 54-51-01-01 54-51-01-01A | 002004 006100 107107 121503 904999 | RF |
| - 1 | 316N5101-9 | | EQUIPMENT INSTL-WING LE PNEU POSITION DATA: LH FOR NHA SEE: 36-00-00-01 | 101102 108120 504903 | RF |
| - 1 | MODREF15436 | | EQUIPMENT INSTL-WING LE PNEU MODULE NUMBER: 316N5101-9 REV A POSITION DATA: LH | 103103 | 1 |
| - 1 | MODREF28176 | | EQUIPMENT INSTL-WING LE PNEU MODULE NUMBER: 316N5101-9 REV B POSITION DATA: LH | 104106 | 1 |
| - 5 | 316N5101-2 | | EQUIPMENT INSTL-WING LE PNEU POSITION DATA: RH FOR NHA SEE: 54-51-01-01 54-51-01-01A | 002004 006100 107107 121503 904999 | RF |
| - 5 | 316N5101-10 | | EQUIPMENT INSTL-WING LE PNEU POSITION DATA: RH FOR NHA SEE: 36-00-00-01 | 101102 108120 504903 | RF |
| - 5 | MODREF15433 | | EQUIPMENT INSTL-WING LE PNEU MODULE NUMBER: 316N5101-10 REV A POSITION DATA: RH | 103103 | 1 |

MISSING ITEM NUMBERS NOT APPLICABLE

- ITEM NOT ILLUSTRATED

BRI

36-11-17-01

36-11-17
FIG. 01
PAGE 1
JAN 20/09



757

PARTS CATALOG (MAINTENANCE)

| FIG ITEM | PART NUMBER | 1 2 3 4 5 6 7 | NOMENCLATURE | EFFECT FROM TO | UNITS PER ASSY |
|----------|---------------|---------------|--|--|----------------|
| 1 | | | | | |
| - 5 | MODREF28173 | | EQUIPMENT INSTL-WING LE PNEU MODULE NUMBER: 316N5101-10 REV B POSITION DATA: RH | 104106 | 1 |
| 7 | BAC27NPS0105 | | .MARKER-ALUMINUM FOIL-TS350 POSITION DATA: LH SIDE | 002004 006999 | 1 |
| - 8 | BAC27NPS0106 | | .MARKER-ALUMINUM FOIL-TS351 POSITION DATA: RH SIDE | 002004 006999 | 1 |
| 10 | 108410-1 | | .HOSE ASSY-FLEX SUPPLIER CODE: V78570 SPECIFICATION NUMBER: S312N507-1 | 002004 006100 107107 121503 904999 | 1 |
| 15 | NAS6703U2 | | .BOLT | 002004 006100 103503 904999 | 6 |
| 16 | NAS6703U16 | | .BOLT | 002004 006100 103503 904999 | 2 |
| 18 | NAS6703U4 | | .BOLT | 002004 006999 | 12 |
| 20 | NAS6703U6 | | .BOLT | 002004 006100 107107 121503 904999 | 14 |
| 25 | AN960C10L | | .WASHER | 002004 006100 107107 121503 904999 | 34 |
| 27 | NAS1149C0332R | | .WASHER | 101106 108120 504903 002004 | 20 |
| 29 | NAS1523C3R | | .SEAL- POSITION DATA: UNDER WASHER | 002004 006999 | 12 |

R
R
R
R
R

MISSING ITEM NUMBERS NOT APPLICABLE

- ITEM NOT ILLUSTRATED

36-11-17-01

36-11-17
FIG. 01
PAGE 2
MAY 20/09

BRI

BOEING PROPRIETARY - Copyright © - Unpublished Work - See title page for details.



757

PARTS CATALOG (MAINTENANCE)

| FIG ITEM | PART NUMBER | 1 2 3 4 5 6 7 | NOMENCLATURE | EFFECT FROM TO | UNITS PER ASSY |
|----------|--------------|---------------|---|--|----------------|
| 1 35 | BRH10C3 | .NUT- | SUPPLIER CODE: V52828 SPECIFICATION NUMBER: BACN10JC3C OPTIONAL PART: T6C1032J V11815 97-02 V80539 101LH9075-3W V72962 VN303B02 V92215 NS202101S02 V80539 H31-3BAC V15653 USED WITH: 316N5103-15 316N5103-16 316N5103-21 316N5103-22 316N5103-23 316N5103-24 | 002004 006100 107107 121503 904999 | 2 |
| 35 | PLH53C | .NUT | SUPPLIER CODE: V62554 SPECIFICATION NUMBER: BACN10YR3C OPTIONAL PART: H52732-3C V15653 | 101106 108120 504903 | 2 |
| 55 | NH1007871-10 | .COUPLING- | SUPPLIER CODE: V00624 SPECIFICATION NUMBER: S312N509-6 OPTIONAL PART: 53330AB6 V94581 | 002004 006100 103503 904999 | 1 |
| 55 | 53330AB4 | .COUPLING- | SUPPLIER CODE: V94581 SPECIFICATION NUMBER: S312N509-4 | 002004 006100 103503 904999 | 1 |

MISSING ITEM NUMBERS NOT APPLICABLE

- ITEM NOT ILLUSTRATED

36-11-17-01

36-11-17
FIG. 01
PAGE 3
JAN 20/09

BRI



757

PARTS CATALOG (MAINTENANCE)

| FIG ITEM | PART NUMBER | 1 2 3 4 5 6 7 | NOMENCLATURE | EFFECT FROM TO | UNITS PER ASSY |
|----------|--------------|---------------|--|----------------------------|----------------|
| 1 | | | | | |
| 55 | NH1007871-30 | . COUPLING- | SUPPLIER CODE: V00624 | 002004 006100 103503 | 1 |
| | | | SPECIFICATION NUMBER: S312N509-7 | 904999 | |
| 57 | NH1007871-20 | . COUPLING- | SUPPLIER CODE: V00624 | 002004 006999 | 1 |
| | | | SPECIFICATION NUMBER: S312N509-5 | | |
| | | | OPTIONAL PART: 53330AB5 V94581 | | |
| 57 | 53330AB3 | . COUPLING- | SUPPLIER CODE: V94581 | 002004 006999 | 1 |
| | | | SPECIFICATION NUMBER: S312N509-3 | | |
| 60 | 2703-500 | . COUPLING- | SUPPLIER CODE: V15284 | 002004 006100 107107 | 1 |
| | | | OPTIONAL PART: VR1025-500 V14242 | 121503 904999 | |
| 60 | AS1895-4-500 | . COUPLING- | | 101106 108120 504903 | 1 |
| 60 | VR1025-500 | . COUPLING-V | SUPPLIER CODE: V15284 | 002004 006100 107107 | 1 |
| | | | OPTIONAL PART: 2703-500 V15284 | 121503 904999 | |
| 65 | A2873-300 | . SEAL- | SUPPLIER CODE: V15284 | 002004 006100 107107 | 1 |
| | | | | 121503 904999 | |
| 65 | AS1895-7-300 | . SEAL- | | 101106 108120 504903 | 1 |
| 70 | A2873-500 | . GASKET- | SUPPLIER CODE: V15284 | 002004 006100 107107 | 2 |
| | | | | 121503 904999 | |
| 70 | AS1895-7-500 | . GASKET- | | 101106 108120 504903 | 2 |

MISSING ITEM NUMBERS NOT APPLICABLE

- ITEM NOT ILLUSTRATED

36-11-17-01

36-11-17
FIG. 01
PAGE 4
JAN 20/09

BRI

BOEING PROPRIETARY - Copyright © - Unpublished Work - See title page for details.



757

PARTS CATALOG (MAINTENANCE)

| FIG ITEM | PART NUMBER | 1 2 3 4 5 6 7 | NOMENCLATURE | EFFECT FROM TO | UNITS PER ASSY |
|----------|---------------|----------------|-----------------------|----------------|----------------|
| 1 | | | | | |
| 71 | 316N5103-21 | .DUCT ASSY- | POSITION DATA: | 107107 | 1 |
| | | | LH SIDE | 904949 | |
| 71 | 316N5103-23 | .DUCT ASSY- | POSITION DATA: | 002004 | 1 |
| | | | LH SIDE | 006100 | |
| | | | | 103106 | |
| | | | | 108503 | |
| | | | | 950999 | |
| - 72 | 316N5103-22 | .DUCT ASSY- | POSITION DATA: | 107107 | 1 |
| | | | RH SIDE | 904949 | |
| - 72 | 316N5103-24 | .DUCT ASSY- | POSITION DATA: | 002004 | 1 |
| | | | RH SIDE | 006100 | |
| | | | | 103106 | |
| | | | | 108503 | |
| | | | | 950999 | |
| 73 | R81AB3-0500F0 | ..FLANGE- | SUPPLIER CODE: | 002004 | 1 |
| | | | V15284 | 006999 | |
| 74 | 312N5829-5 | ..BRACKET- | POSITION DATA: | 002004 | 1 |
| | | | LH SIDE | 006999 | |
| 75 | BOE2057-0003 | .SEAL-BOOT | SUPPLIER CODE: | 002004 | 1 |
| | | | V16632 | 006100 | |
| | | | SPECIFICATION NUMBER: | 107107 | |
| | | | S312N506-3 | 121503 | |
| | | | | 904999 | |
| 79 | 828126 | .SEAL-INTEGRAL | SUPPLIER CODE: | 002004 | 1 |
| | | | V83259 | 006100 | |
| | | | | 107107 | |
| | | | | 121503 | |
| | | | | 904999 | |
| 80 | 316N5110-1 | .DUCT ASSY- | POSITION DATA: | 002004 | 1 |
| | | | LH SIDE | 006999 | |
| 80 | 316N5110-9 | .DUCT ASSY- | POSITION DATA: | 002004 | 1 |
| | | | LH SIDE | 006017 | |
| | | | OPTIONAL PART: | 107107 | |
| | | | 316N5110-13 | 121503 | |
| | | | | 904999 | |
| 80 | 316N5110-13 | .DUCT ASSY- | POSITION DATA: | 002004 | 1 |
| | | | LH SIDE | 006999 | |
| | | | OPTIONAL PART: | | |
| | | | 316N5110-9 | | |
| 80 | 316N5110-16 | .DUCT ASSY- | POSITION DATA: | 002004 | 1 |
| | | | LH SIDE | 006999 | |

MISSING ITEM NUMBERS NOT APPLICABLE

- ITEM NOT ILLUSTRATED

36-11-17-01

36-11-17
FIG. 01
PAGE 5
JAN 20/09

BRI



757

PARTS CATALOG (MAINTENANCE)

| FIG ITEM | PART NUMBER | 1 2 3 4 5 6 7 | NOMENCLATURE | EFFECT FROM TO | UNITS PER ASSY |
|----------|---------------|---------------|--|----------------------------|----------------|
| 1 | | | | | |
| - 85 | 316N5110-2 | | . DUCT ASSY- POSITION DATA: RH SIDE | 002004 006999 | 1 |
| - 85 | 316N5110-10 | | . DUCT ASSY- POSITION DATA: RH SIDE | 002004 006017 107107 | 1 |
| - 85 | 316N5110-14 | | . DUCT ASSY- POSITION DATA: RH SIDE | 002004 006999 | 1 |
| - 85 | 316N5110-17 | | . DUCT ASSY- POSITION DATA: RH SIDE | 002004 006999 | 1 |
| 90 | R53DB2-0300F0 | | .. FLANGE- SUPPLIER CODE: V15284 SPECIFICATION NUMBER: BACF22AU300F OPTIONAL PART: R53DB2-0300F0 V15284 2919CC300 V0423B USED ON: 316N5110-1 316N5110-2 316N5110-19 316N5110-20 USED ON: 316N5110-9 316N5110-10 316N5110-13 316N5110-14 | 002004 006999 | 1 |
| 90 | R53DB2-0300F0 | | .. FLANGE- SUPPLIER CODE: V15284 OPTIONAL PART: BACF22AU300F USED ON: 316N5110-1 316N5110-2 USED ON: 316N5110-9 316N5110-10 | 002004 006999 | 1 |

MISSING ITEM NUMBERS NOT APPLICABLE

- ITEM NOT ILLUSTRATED

36-11-17-01

36-11-17
FIG. 01
PAGE 6
JAN 20/09

BRI



757

PARTS CATALOG (MAINTENANCE)

| FIG ITEM | PART NUMBER | 1 2 3 4 5 6 7 | NOMENCLATURE | EFFECT FROM TO | UNITS PER ASSY |
|----------|---------------|---------------|---|------------------|----------------|
| 1 90 | 2919CC300 | | .. FLANGE- SUPPLIER CODE: V0423B OPTIONAL PART: BACF22AU300F USED ON: 316N5110-1 316N5110-2 USED ON: 316N5110-9 316N5110-10 | 002004 006999 | 1 |
| 95 | R51AB3-0300F0 | | .. FLANGE- SUPPLIER CODE: V15284 SPECIFICATION NUMBER: BACF22AV300F OPTIONAL PART: R51AB3-300F0 V15284 2919CA300 V15284 USED ON: 316N5110-1 316N5110-2 USED ON: 316N5110-9 316N5110-10 316N5110-13 316N5110-14 | 002004 006999 | 1 |
| 95 | R51AB3-300F0 | | .. FLANGE- SUPPLIER CODE: V15284 OPTIONAL PART: BACF22AV300F USED ON: 316N5110-1 316N5110-2 USED ON: 316N5110-9 316N5110-10 | 002004 006999 | 1 |

MISSING ITEM NUMBERS NOT APPLICABLE

- ITEM NOT ILLUSTRATED

BRI

36-11-17-01

BOEING PROPRIETARY - Copyright © - Unpublished Work - See title page for details.

36-11-17
FIG. 01
PAGE 7
JAN 20/09



757

PARTS CATALOG (MAINTENANCE)

| FIG ITEM | PART NUMBER | 1 2 3 4 5 6 7 | NOMENCLATURE | EFFECT FROM TO | UNITS PER ASSY |
|----------|-------------|---------------|--|--|----------------|
| 1 95 | 2919CA300 | | .. FLANGE- SUPPLIER CODE: V0423B OPTIONAL PART: BACF22AV300F USED ON: 316N5110-1 316N5110-2 USED ON: 316N5110-9 316N5110-10 | 002004 006999 | 1 |
| 100 | 12800-91 | | .. DUCT-FLEXIBLE SUPPLIER CODE: V70628 SPECIFICATION NUMBER: S312N301-1 USED ON: 316N5110-1 316N5110-2 USED ON: 316N5110-9 316N5110-10 316N5110-13 316N5110-14 | 002004 006999 | 2 |
| 100 | 12800-119 | | .. DUCT-FLEXIBLE SUPPLIER CODE: V70628 SPECIFICATION NUMBER: S312N301-19 USED ON: 316N5110-16 316N5110-17 | 002004 006999 | 2 |
| 105 | 316N5102-11 | | .DUCT ASSY- POSITION DATA: LH SIDE | 002004 006100 107107 121503 904999 | 1 |
| 105 | 316N5102-13 | | .DUCT ASSY- POSITION DATA: LH SIDE | 002004 006100 107107 121503 904999 | 1 |

MISSING ITEM NUMBERS NOT APPLICABLE

- ITEM NOT ILLUSTRATED

36-11-17-01

36-11-17
FIG. 01
PAGE 8
JAN 20/09

BRI



757

PARTS CATALOG (MAINTENANCE)

| FIG ITEM | PART NUMBER | 1 2 3 4 5 6 7 | NOMENCLATURE | EFFECT FROM TO | UNITS PER ASSY |
|----------|-------------|---------------|---|--|----------------|
| 1 | | | | | |
| 105 | 316N5102-16 | | . DUCT ASSY- POSITION DATA: LH SIDE QUALIFIED I/W DATA: 316N5102-16 REPLACED BY 316N5102-27 TOGETHER WITH 316N5110-19 ONE WAY FORWARD FOR 757-300. | 002004 006100 107107 121503 904999 | 1 |
| 105 | 316N5102-16 | | . DUCT ASSY- POSITION DATA: LH SIDE QUALIFIED I/W DATA: 316N5102-16 REPLACED BY 316N5102-27 TOGETHER WITH 316N5110-19 ONE WAY FORWARD FOR 757-300. | 101106 108120 504903 | 1 |
| 105 | 316N5102-11 | | . DUCT ASSY- POSITION DATA: LH SIDE | 101106 108120 504903 | 1 |
| - 110 | 316N5102-12 | | . DUCT ASSY- POSITION DATA: RH SIDE | 002004 006100 107107 121503 904999 | 1 |
| - 110 | 316N5102-14 | | . DUCT ASSY- POSITION DATA: RH SIDE QUALIFIED I/W DATA: 316N5102-14 REPLACED BY 316N5102-26 TOGETHER WITH 316N5110-20 ONE WAY FORWARD | 002004 006100 107107 121503 904999 | 1 |
| - 110 | 316N5102-17 | | . DUCT ASSY- POSITION DATA: RH SIDE QUALIFIED I/W DATA: 316N5102-26 TOGETHER WITH (1) 316N5110-20 CAN REPLACE BUT NOT BE REPLACED BY 316N5102-17 TOGETHER WITH (1) 316N5110-17 | 002004 006100 107107 121503 904999 | 1 |

R
R
R
R
R
R
R
R
R
R

MISSING ITEM NUMBERS NOT APPLICABLE

- ITEM NOT ILLUSTRATED

36-11-17-01

36-11-17
FIG. 01
PAGE 9
MAY 20/09

BRI



757

PARTS CATALOG (MAINTENANCE)

| FIG ITEM | PART NUMBER | 1 2 3 4 5 6 7 | NOMENCLATURE | EFFECT FROM TO | UNITS PER ASSY |
|--|-------------|---------------|---|--------------------------------------|----------------|
| R R R R R R R R R R | 1 | | | | |
| | - 110 | 316N5102-17 | . DUCT ASSY- POSITION DATA: RH SIDE QUALIFIED I/W DATA: 316N5102-26 TOGETHER WITH(1) 316N5110-20 CAN REPLACE BUT NOT BE REPLACED BY 316N5102-17 TOGETHER WITH(1) 316N5110-17 | 101106 108120 504903 | 1 |
| | - 110 | 316N5102-12 | . DUCT ASSY- POSITION DATA: RH SIDE | 101106 108120 504903 | 1 |
| | 115 | 316N5105-1 | .. BOSS- OPTIONAL PART: 316N5105-2 | 002004 006999 | 1 |
| | 115 | 316N5105-2 | .. BOSS- OPTIONAL PART: 316N5105-1 | 002004 006999 | 1 |
| | 117 | 316N5111-1 | .. BOSS- OPTIONAL PART: 316N5111-2 | 002004 006999 | 1 |
| | 117 | 316N5111-2 | .. BOSS- OPTIONAL PART: 316N5111-1 | 002004 006999 | 1 |
| | 120 | R51AB3-0300M0 | .. FLANGE- SUPPLIER CODE: V15284 SPECIFICATION NUMBER: BACF22AV300M OPTIONAL PART: R51AB3-0300M0 V15284 2919CB300 V0423B | 002004 006100 103503 904999 | 1 |
| | 120 | R51AB3-0300M0 | .. FLANGE- SUPPLIER CODE: V15284 OPTIONAL PART: BACF22AV300M 2919CB300 V0423B | 002004 006100 103503 904999 | 1 |
| | 120 | 2919CB300 | .. FLANGE- SUPPLIER CODE: V0423B OPTIONAL PART: BACF22AV300M R51AB3-0300M0 V15284 | 002004 006100 103503 904999 | 1 |

MISSING ITEM NUMBERS NOT APPLICABLE

- ITEM NOT ILLUSTRATED

36-11-17-01

36-11-17
FIG. 01
PAGE 10
MAY 20/09

BRI



757

PARTS CATALOG (MAINTENANCE)

| FIG ITEM | PART NUMBER | 1 2 3 4 5 6 7 | NOMENCLATURE | EFFECT FROM TO | UNITS PER ASSY |
|----------|---------------|---------------|--|--------------------------------------|----------------|
| 1 125 | R91AB3-0500F0 | .. | FLANGE- SUPPLIER CODE: V15284 SPECIFICATION NUMBER: BACF22AV500F OPTIONAL PART: R91AB3-0500F0 V15284 2919CA500 V0423B | 002004 006100 103503 904999 | 1 |
| 125 | R91AB3-0500F0 | .. | FLANGE- SUPPLIER CODE: V15284 OPTIONAL PART: BACF22AV500F 2919CA500 V0423B | 002004 006100 103503 904999 | 1 |
| 125 | 2919CA500 | .. | FLANGE- SUPPLIER CODE: V0423B OPTIONAL PART: BACF22AV500F R51AB3-0300M0 V15284 | 002004 006100 103503 904999 | 1 |
| 130 | R91AB3-0500M0 | .. | FLANGE- SUPPLIER CODE: V15284 SPECIFICATION NUMBER: BACF22AV500M OPTIONAL PART: R91AB3-500M0 V15284 2919CB500 V0423B | 002004 006100 103503 904999 | 1 |
| 130 | R91AB3-500M0 | .. | FLANGE- SUPPLIER CODE: V15284 OPTIONAL PART: BACF22AV500M 2919CB500 V0423B | 002004 006100 103503 904999 | 1 |
| 130 | 2919CB500 | .. | FLANGE- SUPPLIER CODE: V0423B OPTIONAL PART: BACF22AV500M R91AB3-500M0 V15284 | 002004 006100 103503 904999 | 1 |

MISSING ITEM NUMBERS NOT APPLICABLE

- ITEM NOT ILLUSTRATED

36-11-17-01

36-11-17
FIG. 01
PAGE 11
MAY 20/09

BRI

BOEING PROPRIETARY - Copyright © - Unpublished Work - See title page for details.



757

PARTS CATALOG (MAINTENANCE)

| FIG ITEM | PART NUMBER | 1 2 3 4 5 6 7 | NOMENCLATURE | EFFECT FROM TO | UNITS PER ASSY |
|----------|-------------|---------------|--|--|----------------|
| 1 135 | 12800-91 | | .. DUCT-FLEXIBLE SUPPLIER CODE: V70628 SPECIFICATION NUMBER: S312N301-1 OPTIONAL PART: 12800-119 V70628 USED ON: 316N5102-1 316N5102-2 316N5102-11 316N5102-12 316N5102-13 316N5102-14 | 002004 006100 107107 121503 904999 | 1 |
| 135 | 12800-119 | | .. DUCT-FLEXIBLE SUPPLIER CODE: V70628 SPECIFICATION NUMBER: S312N301-19 OPTIONAL PART: 12800-91 V70628 USED ON: 316N5102-11 316N5102-12 316N5102-13 316N5102-14 316N5102-16 316N5102-17 316N5102-26 316N5102-27 | 002004 006999 | 1 |
| 140 | 12800-98 | | .. DUCT-FLEXIBLE SUPPLIER CODE: V70628 SPECIFICATION NUMBER: S312N301-8 | 002004 006999 | 1 |
| 143 | 316N5102-4 | | .. DUCT- QUALIFIED OPTIONAL DATA: S312N301-11 PLUS -4 OPTIONAL TO S312N301-21 USED ON: 316N5102-11 316N5102-12 316N5102-13 316N5102-14 | 002004 006100 107107 121503 904999 | 1 |

MISSING ITEM NUMBERS NOT APPLICABLE

- ITEM NOT ILLUSTRATED

36-11-17-01

36-11-17
FIG. 01
PAGE 12
JAN 20/09

BRI



757

PARTS CATALOG (MAINTENANCE)

| FIG ITEM | PART NUMBER | 1 2 3 4 5 6 7 | NOMENCLATURE | EFFECT FROM TO | UNITS PER ASSY |
|-------------|-------------|---------------|---|--|----------------------|
| 1 145 | 14J96-500 | | .. DUCT-FLEXIBLE SUPPLIER CODE: V89513 SPECIFICATION NUMBER: S312N301-11 COMPONENT MAINT MANUAL REF: 36-11-08 QUALIFIED I/W DATA: 14J96-500 TOGETHER WITH 316N5102-4 ARE REPLACED BY 35E68-1 FULLY I/W. QUALIFIED OPTIONAL DATA: S312N301-11 PLUS -4 OPTIONAL TO S312N301-21 USED ON: 316N5102-11 316N5102-12 316N5102-13 316N5102-14 | 002004 006100 107107 121503 904999 | 1 |
| 147 | 35E68-1 | | .. DUCT-FLEXIBLE SUPPLIER CODE: V89513 SPECIFICATION NUMBER: S312N301-21 COMPONENT MAINT MANUAL REF: 36-11-08 QUALIFIED I/W DATA: 14J96-500 TOGETHER WITH 316N5102-4 ARE REPLACED BY 35E68-1 FULLY I/W. OPTIONAL PART: 316N5102-19 USED ON: 316N5102-16 316N5102-27 | 002004 006999 | 1 |

MISSING ITEM NUMBERS NOT APPLICABLE

- ITEM NOT ILLUSTRATED

BRI

36-11-17-01

BOEING PROPRIETARY - Copyright © - Unpublished Work - See title page for details.

36-11-17
 FIG. 01
 PAGE 13
 JAN 20/09



757

PARTS CATALOG (MAINTENANCE)

| FIG ITEM | PART NUMBER | 1 2 3 4 5 6 7 | NOMENCLATURE | EFFECT FROM TO | UNITS PER ASSY |
|----------|-------------|---------------|---|--|----------------|
| 1 147 | 35E68-1 | | .. DUCT-FLEXIBLE SUPPLIER CODE: V89513 SPECIFICATION NUMBER: S312N301-21 COMPONENT MAINT MANUAL REF: 36-11-08 QUALIFIED I/W DATA: 14J96-500 TOGETHER WITH 316N5102-4 ARE REPLACED BY 35E68-1 FULLY I/W. QUALIFIED OPTIONAL DATA: S312N301-11 PLUS -4 OPTIONAL TO S312N301-21 USED ON: 316N5102-11 316N5102-13 | 002004 006100 107107 121503 904999 | 1 |
| - 148 | 35E68-1 | | .. DUCT-FLEXIBLE SUPPLIER CODE: V89513 SPECIFICATION NUMBER: S312N301-21 COMPONENT MAINT MANUAL REF: 36-11-08 QUALIFIED I/W DATA: 14J96-500 TOGETHER WITH 316N5102-4 ARE REPLACED BY 35E68-1 FULLY I/W. OPTIONAL PART: 316N5102-21 USED ON: 316N5102-17 316N5102-26 | 002004 006999 | 1 |

MISSING ITEM NUMBERS NOT APPLICABLE

- ITEM NOT ILLUSTRATED

36-11-17-01

36-11-17
 FIG. 01
 PAGE 14
 JAN 20/09

BRI



757

PARTS CATALOG (MAINTENANCE)

| FIG ITEM | PART NUMBER | 1 2 3 4 5 6 7 | NOMENCLATURE | EFFECT FROM TO | UNITS PER ASSY |
|------------|-------------|---------------|---|--|----------------|
| 1 - 148 | 35E68-1 | | .. DUCT-FLEXIBLE SUPPLIER CODE: V89513 SPECIFICATION NUMBER: S312N301-21 COMPONENT MAINT MANUAL REF: 36-11-08 QUALIFIED I/W DATA: 14J96-500 TOGETHER WITH 316N5102-4 ARE REPLACED BY 35E68-1 FULLY I/W. QUALIFIED OPTIONAL DATA: S312N301-11 PLUS -4 OPTIONAL TO S312N301-21 USED ON: 316N5102-12 316N5102-14 | 002004 006100 107107 121503 904999 | 1 |
| 150 | 316N5109-1 | | .. SEAL-FLANGE 01 BY 35E68-1 FULLY I/W. | 002004 006999 | 1 |
| 151 | 316N5102-19 | | .. SUB KIT ASSY- OPTIONAL PART: 35E68-1 V89513 USED ON: 316N5102-16 | 002004 006999 | 1 |
| - 152 | 316N5102-21 | | .. SUB KIT ASSY- OPTIONAL PART: 35E68-1 V89513 USED ON: 316N5102-17 | 002004 006999 | 1 |
| 154 | 316N5102-4 | | ... DUCT- USED WITH: 14J96-500 | 002004 006999 | 1 |
| 156 | 14J96-500 | | ... DUCT-FLEXIBLE SUPPLIER CODE: V89513 SPECIFICATION NUMBER: S312N301-11 COMPONENT MAINT MANUAL REF: 36-11-08 QUALIFIED I/W DATA: 14J96-500 TOGETHER WITH 316N5102-4 ARE REPLACED BY 35E68-1 FULLY I/W. USED WITH: 316N5102-4 | 002004 006999 | 1 |
| 158 | NAS6703U7 | | .BOLT- | 002004 006999 | 4 |

MISSING ITEM NUMBERS NOT APPLICABLE

- ITEM NOT ILLUSTRATED

36-11-17-01

36-11-17
FIG. 01
PAGE 15
JAN 20/09

BRI



757

PARTS CATALOG (MAINTENANCE)

| FIG ITEM | PART NUMBER | 1 2 3 4 5 6 7 | NOMENCLATURE | EFFECT FROM TO | UNITS PER ASSY |
|----------|---------------|---------------|--|--|----------------|
| 1 160 | AN960C10L | . | WASHER | 002004 006100 107107 121503 904999 | 4 |
| 160 | NAS1149C0332R | . | WASHER | 101106 108120 504903 | 4 |
| 165 | 2-212S383-70 | . | PACKING SUPPLIER CODE: V02697 SPECIFICATION NUMBER: BACP11J212 OPTIONAL PART: AS568-212S32 V11314 S7E183-212 V95272 13-06-212 V07096 S424-7-2-212 V02697 A330-212 V95272 R1131-212 V57268 | 002004 006999 | 1 |
| 170 | MS21902J6 | . | UNION | 002004 006100 107107 121503 904999 | 1 |
| 175 | R1131-906 | . | PACKING SUPPLIER CODE: V57268 SPECIFICATION NUMBER: BACP11K6 OPTIONAL PART: 3-906S383-70 V02697 1090-06 V95272 150701-06 V95272 AS568-906S32 V11314 | 002004 006100 107107 121503 904999 | 1 |

MISSING ITEM NUMBERS NOT APPLICABLE

- ITEM NOT ILLUSTRATED

BRI

36-11-17-01

36-11-17
FIG. 01
PAGE 16
JAN 20/09



757

PARTS CATALOG (MAINTENANCE)

| FIG ITEM | PART NUMBER | 1 2 3 4 5 6 7 | NOMENCLATURE | EFFECT FROM TO | UNITS PER ASSY |
|----------|-------------|---------------|--|----------------------------|----------------|
| 1 180 | 129626-3 | . | SENSOR-TEMP SUPPLIER CODE: V59364 SPECIFICATION NUMBER: S212N101-16 COMPONENT MAINT MANUAL REF: 36-22-01 OPTIONAL PART: 129626-2 V59364 | 002004 006999 | 1 |
| 180 | 129626-2 | . | SENSOR-TEMP SUPPLIER CODE: V59364 SPECIFICATION NUMBER: S212N101-16 COMPONENT MAINT MANUAL REF: 36-22-01 OPTIONAL PART: 129626-3 V59364 | 002004 006999 | 1 |
| 180 | 129626-6 | . | SENSOR-TEMP SUPPLIER CODE: V59364 SPECIFICATION NUMBER: S212N101-36 COMPONENT MAINT MANUAL REF: 36-22-01 | 002004 006999 | 1 |
| 185 | MS28034-1 | . | BULB- ELECTRICAL EQUIP NUMBER: TS0350 TS0351 | 002004 006999 | 1 |
| 190 | AN900-10 | . | GASKET- OPTIONAL PART: MS35769-11 | 002004 006999 | 1 |
| 190 | MS35769-11 | . | GASKET- OPTIONAL PART: AN900-10 | 002004 006999 | 1 |
| - 300 | 286N3428 | | WIRE BUNDLE ASSY- POSITION DATA: RH | 107107 121503 904949 | RF |
| - 305 | 286N3328 | | WIRE BUNDLE ASSY- POSITION DATA: LH | 107107 121503 904949 | RF |

MISSING ITEM NUMBERS NOT APPLICABLE

- ITEM NOT ILLUSTRATED

BRI

36-11-17-01

36-11-17
FIG. 01
PAGE 17
JAN 20/09



757

PARTS CATALOG (MAINTENANCE)

| FIG ITEM | PART NUMBER | 1 2 3 4 5 6 7 | NOMENCLATURE | EFFECT FROM TO | UNITS PER ASSY |
|----------|---------------|---------------|---|----------------------------|----------------|
| 1 310 | FC3406D12SC3S | | .CONNECTOR- SUPPLIER CODE: V28680 SPECIFICATION NUMBER: BACC63BW12SC3S OPTIONAL PART: WFB612SC3S V17549 ELECTRICAL EQUIP NUMBER: D04662 D04702 WIRING DIAGRAM REF: 362221 | 107107 121503 904949 | 1 |
| - 500 | 316N5101-8 | | SEAL INSTL-WING LE PNEU FOR NHA SEE: 36-00-00-01 36-00-00-01A | 101106 108120 504903 | RF |
| 505 | NAS6703U6 | | .BOLT | 101106 108120 504903 | 14 |
| 510 | NAS1149C0332R | | .WASHER | 101106 108120 504903 | 14 |
| 515 | BOE2057-0003 | | .SEAL-BOOT SUPPLIER CODE: V16632 SPECIFICATION NUMBER: S312N506-3 | 101106 108120 504903 | 1 |
| 520 | 828126 | | .SEAL-INTEGRAL SUPPLIER CODE: V83259 | 101106 108120 504903 | 1 |

MISSING ITEM NUMBERS NOT APPLICABLE

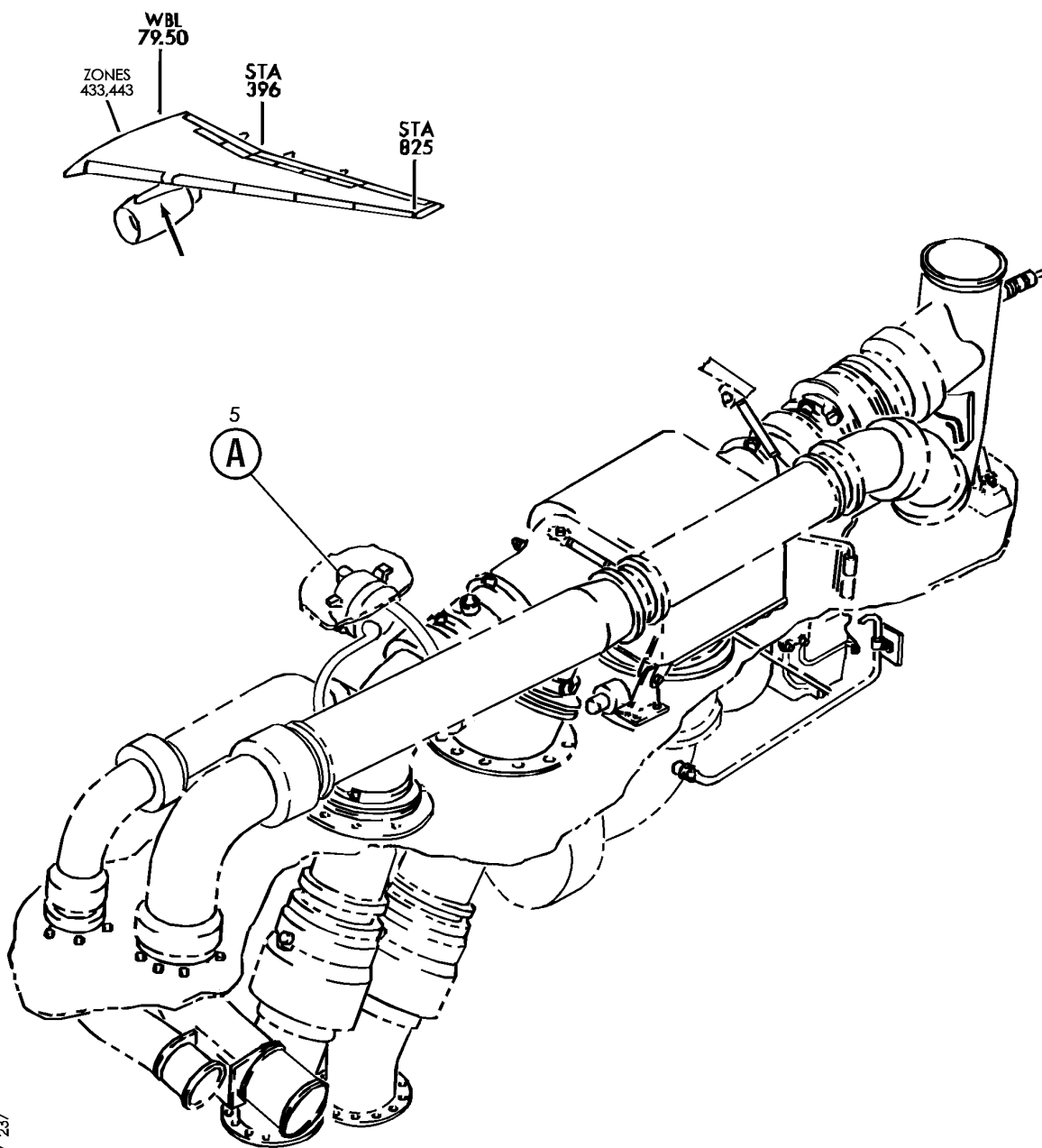
- ITEM NOT ILLUSTRATED

36-11-17-01

36-11-17
FIG. 01
PAGE 18
JAN 20/09

BRI

BOEING
757
PARTS CATALOG (MAINTENANCE)



Y 36111803 SHT 1 REV 237

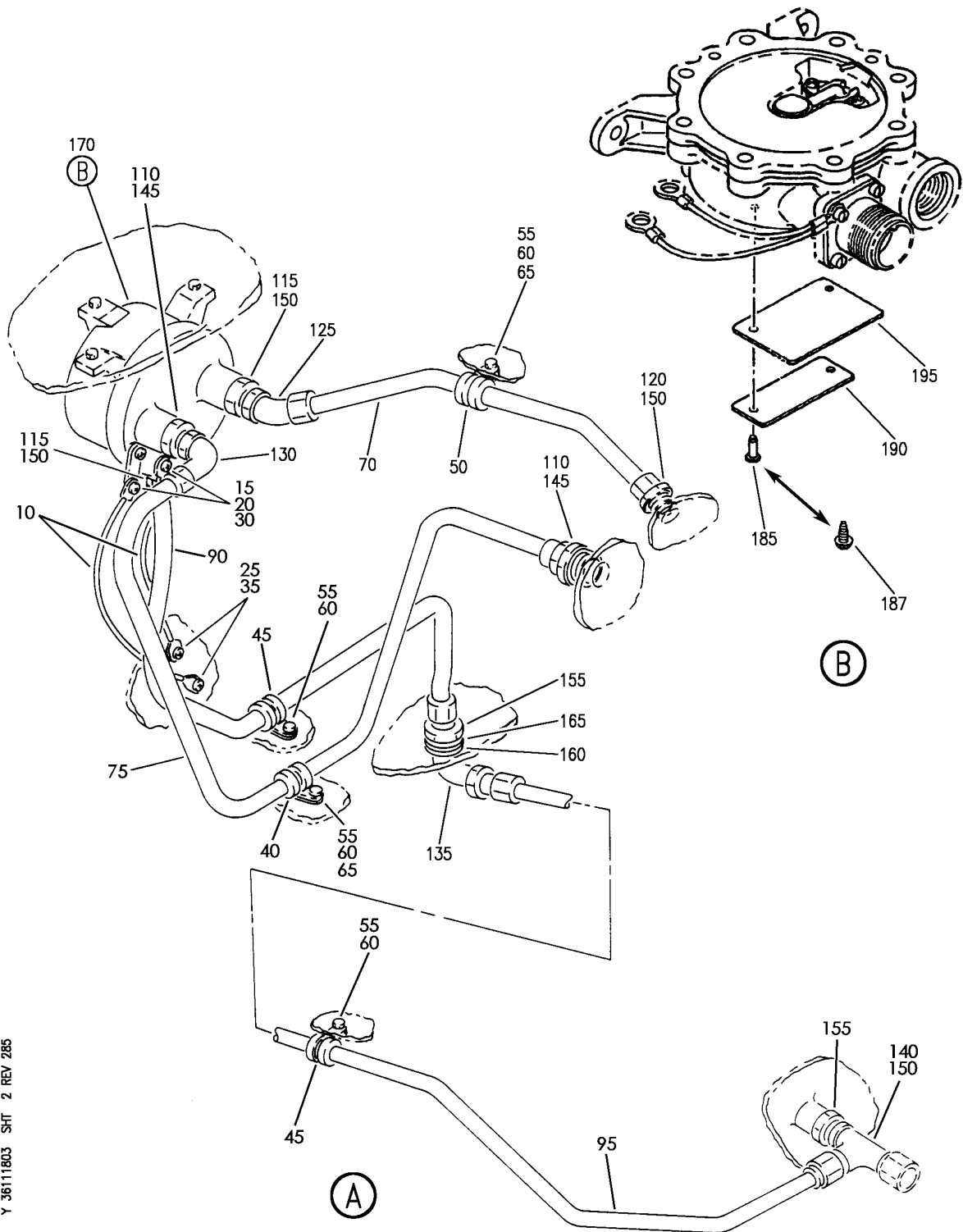
EQUIPMENT INSTL-STRUT PNEU (REVERSE FLOW CHECK CONTROLLER ONLY)
FIGURE 3 (SHEET 1)

36-11-18-03

BRI
MAY 28/07

36-11-18-03
PAGE 0

BOEING
757
PARTS CATALOG (MAINTENANCE)



Y 36111803 SH1 2 REV 285

EQUIPMENT INSTL-STRUT PNEU (REVERSE FLOW CHECK CONTROLLER ONLY)
FIGURE 3 (SHEET 2)

36-11-18-03

BRI
MAY 28/07

36-11-18-03
PAGE 0A



757

PARTS CATALOG (MAINTENANCE)

| FIG ITEM | PART NUMBER | 1 2 3 4 5 6 7 | NOMENCLATURE | EFFECT FROM TO | UNITS PER ASSY |
|----------|-------------|---------------|--|--|----------------|
| 3 | | | EQUIPMENT INSTL-STRUT PNEU (REVERSE FLOW CHECK CONTROLLER ONLY) | 002004 006100 107107 121503 904999 | |
| - 1 | 312N5301-7 | | EQUIPMENT INSTL-STRUT PNEU (REVERSE FLOW CHECK CONTROLLER ONLY) FOR NHA/OTHER SYS DET SEE: 54-00-51-01 | 002004 006100 107107 121503 904999 | RF |
| 5 | 312N5356-1 | | .SYSTEM INSTL-REVERSE FLOW CHECKING | 002004 006100 107107 121503 904999 | 1 |
| 10 | 86644-7 | | .. JUMPER ASSY SUPPLIER CODE: V91812 SPECIFICATION NUMBER: BACJ40AC44-7 OPTIONAL PART: RBEJ40AC44-7 V1GK47 100644-7 V1FF12 ATTACHING PARTS | 002004 006100 107107 121503 904999 | 2 |
| 15 | NAS1802-3-8 | | .. SCREW | 002004 006100 107107 121503 904999 | 2 |
| 20 | AN960C10L | | .. WASHER | 002004 006100 107107 121503 904999 | 6 |
| 25 | AN960D10L | | .. WASHER | 002004 006100 107107 121503 904999 | 2 |

MISSING ITEM NUMBERS NOT APPLICABLE

- ITEM NOT ILLUSTRATED

36-11-18-03

36-11-18
FIG. 03
PAGE 1
JAN 20/09

BRI



757

PARTS CATALOG (MAINTENANCE)

| FIG ITEM | PART NUMBER | 1 2 3 4 5 6 7 | NOMENCLATURE | EFFECT FROM TO | UNITS PER ASSY |
|----------|--------------|---------------|---|--|----------------|
| 3 | 30 BRH10C3M | | ..NUT SUPPLIER CODE: V52828 SPECIFICATION NUMBER: BACN10JC3CM OPTIONAL PART: T6C1032JM V11815 97E02 V80539 109LH9075-3W V72962 VN303D02 V92215 NS202101SE02 V80539 H01-3BAC V15653 | 002004 006100 107107 121503 904999 | 2 |
| | 35 BRH10A3 | | ..NUT SUPPLIER CODE: V52828 SPECIFICATION NUMBER: BACN10JC3 OPTIONAL PART: H10-3BAC V15653 NS202101-02 V80539 RMLH9075-3W V72962 VN303A02 V92215 96-02 V80539 T6S1032J V11815 -----*----- | 002004 006100 107107 121503 904999 | 2 |
| | 40 BACC10EP4 | | .. CLAMP | 002004 006100 107107 121503 904999 | 1 |
| | 45 BACC10EP5 | | .. CLAMP | 002004 006100 107107 121503 904999 | 2 |

MISSING ITEM NUMBERS NOT APPLICABLE

- ITEM NOT ILLUSTRATED

BRI

36-11-18-03

36-11-18
 FIG. 03
 PAGE 2
 JAN 20/09



757

PARTS CATALOG (MAINTENANCE)

| FIG ITEM | PART NUMBER | 1 2 3 4 5 6 7 | NOMENCLATURE | EFFECT FROM TO | UNITS PER ASSY |
|----------|-------------------------------------|---------------|---|--|----------------|
| 3 | 50 | BACC10EP6 | .. CLAMP | 002004 006100 107107 121503 904999 | 1 |
| | 55 | NAS1802-3-8 | ATTACHING PARTS .. SCREW | 002004 006100 107107 121503 904999 | 4 |
| | 60 | AN960C10L | .. WASHER | 002004 006100 107107 121503 904999 | 4 |
| | 65 | BRH10C3M | .. NUT SUPPLIER CODE: V52828 SPECIFICATION NUMBER: BACN10JC3CM OPTIONAL PART: T6C1032JM V11815 97E02 V80539 109LH9075-3W V72962 VN303D02 V92215 NS202101SE02 V80539 H01-3BAC V15653 -----*----- | 002004 006100 107107 121503 904999 | 2 |
| | 70 | AS136-04-0092 | .. HOSE ASSY | 002004 006100 107107 121503 904999 | 1 |
| | 75 | 312N5356-2 | .. TUBE ASSY- TUBING MATERIAL: 0.25 IN. OD 0.16 IN. WALL 27.0 IN. LG STAINLESS STEEL TUBING | 002004 006100 107107 121503 904999 | 1 |
| | MISSING ITEM NUMBERS NOT APPLICABLE | | | | |

- ITEM NOT ILLUSTRATED

36-11-18-03

36-11-18
FIG. 03
PAGE 3
JAN 20/09

BRI



757

PARTS CATALOG (MAINTENANCE)

| FIG ITEM | PART NUMBER | 1 2 3 4 5 6 7 | NOMENCLATURE | EFFECT FROM TO | UNITS PER ASSY |
|----------|-------------|---------------|---|--|----------------|
| 3 | | | | | |
| - 80 | AP2097H04 | ... | SLEEVE SUPPLIER CODE: V01673 SPECIFICATION NUMBER: BACS13BX04H OPTIONAL PART: 2-02903-04H V11328 35235V04 V08199 AFP175V04 V30974 DBOS13BX04H V14798 | 002004 006100 107107 121503 904999 | 2 |
| - 85 | BACN10YE4 | .. | NUT- | 002004 006100 107107 121503 904999 | 2 |
| 90 | 312N5356-3 | .. | TUBE ASSY- TUBING MATERIAL: 0.3125 IN. OD 0.020 IN. WALL 18.0 IN LG SEAMLESS OR WELDED 21-6-9 BMS7-185 F-17.09 CRES | 002004 006100 107107 121503 904999 | 1 |
| 95 | 312N5356-4 | .. | TUBE ASSY- TUBING MATERIAL: 0.3125 IN. OD 0.020 IN. WALL 19.0 IN. LG SEAMLESS OR WELDED 21-6-9 BMS7-185 F-17.09 CRES | 002004 006100 107107 121503 904999 | 1 |
| 95 | 312N5356-5 | .. | TUBE ASSY- MANUFACTURED FROM: TUBING CRES SEAMLESS OR WELDED 21-6 -9 BMS7-185 F-17.09 0.3125 IN. OD 0.020 IN WALL 19.0 IN. LG | 002004 006100 107107 121503 904999 | 1 |

MISSING ITEM NUMBERS NOT APPLICABLE

- ITEM NOT ILLUSTRATED

36-11-18-03

36-11-18
FIG. 03
PAGE 4
JAN 20/09

BRI



757

PARTS CATALOG (MAINTENANCE)

| FIG ITEM | PART NUMBER | 1 2 3 4 5 6 7 | NOMENCLATURE | EFFECT FROM TO | UNITS PER ASSY |
|----------|--------------|---------------|---|--|----------------|
| 3 | | | | | |
| - 100 | AP2097H05 | ... | SLEEVE SUPPLIER CODE: V01673 SPECIFICATION NUMBER: BACS13BX05H OPTIONAL PART: 2-02903-05H V11328 35235V05 V08199 AFP175V05 V30974 DBOS13BX05H V14798 | 002004 006100 107107 121503 904999 | 2 |
| - 105 | MS21921-5J | ... | NUT | 002004 006100 107107 121503 904999 | 2 |
| 110 | MS21902J4 | .. | UNION | 002004 006100 107107 121503 904999 | 2 |
| 115 | MS21902J5 | .. | UNION | 002004 006100 107107 121503 904999 | 2 |
| 120 | MS21916J5-4 | .. | REDUCER | 002004 006100 107107 121503 904999 | 1 |
| 125 | NAS1761J0504 | .. | ELBOW | 002004 006100 107107 121503 904999 | 1 |
| 130 | NAS1762J0404 | .. | ELBOW | 002004 006100 107107 121503 904999 | 1 |
| 135 | MS21908J5 | .. | ELBOW | 002004 006100 107107 121503 904999 | 1 |

MISSING ITEM NUMBERS NOT APPLICABLE

- ITEM NOT ILLUSTRATED

36-11-18-03

36-11-18
FIG. 03
PAGE 5
JAN 20/09

BRI



757

PARTS CATALOG (MAINTENANCE)

| FIG ITEM | PART NUMBER | 1 2 3 4 5 6 7 | NOMENCLATURE | EFFECT FROM TO | UNITS PER ASSY |
|----------|-------------|---------------|--|--|----------------|
| 3 | | | | | |
| 140 | MS21912J5 | . . | TEE | 002004 006100 107107 121503 904999 | 1 |
| 145 | R1131-904 | . . | PACKING SUPPLIER CODE: V57268 SPECIFICATION NUMBER: BACP11K4 OPTIONAL PART: 3-904S383-70 V02697 1090-04 V95272 150701-04 V95272 AS568-904S32 V11314 | 002004 006100 107107 121503 904999 | 2 |
| 150 | R1131-905 | . . | PACKING SUPPLIER CODE: V57268 SPECIFICATION NUMBER: BACP11K5 OPTIONAL PART: 3-905S383-70 V02697 1090-05 V95272 150701-05 V95272 AS568-905S32 V11314 | 002004 006100 107107 121503 904999 | 4 |
| 155 | AN924-5J | . . | NUT | 002004 006100 107107 121503 904999 | 2 |
| 160 | AN960C816 | . . | WASHER | 002004 006100 107107 121503 904999 | 1 |
| 165 | AN960C816L | . . | WASHER | 002004 006100 107107 121503 904999 | 1 |

MISSING ITEM NUMBERS NOT APPLICABLE

- ITEM NOT ILLUSTRATED

36-11-18-03

36-11-18
FIG. 03
PAGE 6
JAN 20/09

BRI



757

PARTS CATALOG (MAINTENANCE)

| FIG ITEM | PART NUMBER | 1 2 3 4 5 6 7 | NOMENCLATURE | EFFECT FROM TO | UNITS PER ASSY |
|----------|-------------|---------------|--|--|----------------|
| 3 170 | 107494-2 | | .. CONTROLLER ASSY- SUPPLIER CODE: V59364 SPECIFICATION NUMBER: S212N101-21 SB DATA FROM A CMM: PRE 36-1351 CONFIG CHG DATA FROM A CMM: SUPSD BY 107494-3 ELECTRICAL EQUIP NUMBER: M10550 M10551 COMPONENT MAINT MANUAL REF: 36-11-83 OPTIONAL PART: 107494-1 V59364 OPTIONAL PART: 107494-3 V59364 | 002004 006100 107107 121503 904999 | 1 |
| 170 | 107494-1 | | .. CONTROLLER ASSY- SUPPLIER CODE: V59364 SPECIFICATION NUMBER: S212N101-21 SB DATA FROM A CMM: PRE 36-1351 CONFIG CHG DATA FROM A CMM: SUPSD BY 107494-3 ELECTRICAL EQUIP NUMBER: M10550 M10551 COMPONENT MAINT MANUAL REF: 36-11-83 OPTIONAL PART: 107494-2 V59364 OPTIONAL PART: 107494-3 V59364 | 002004 006100 107107 121503 904999 | 1 |

MISSING ITEM NUMBERS NOT APPLICABLE

- ITEM NOT ILLUSTRATED

36-11-18-03

36-11-18
 FIG. 03
 PAGE 7
 JAN 20/09

BRI

BOEING
757
PARTS CATALOG (MAINTENANCE)

| FIG ITEM | PART NUMBER | 1 2 3 4 5 6 7 | NOMENCLATURE | EFFECT FROM TO | UNITS PER ASSY |
|----------|-------------|---------------|---|--|----------------|
| 3 170 | 107494-3 | | ..CONTROL ASSY- SUPPLIER CODE: V59364 SPECIFICATION NUMBER: S212N101-29 SB DATA FROM A CMM: POST 36-1351 PRE 36-1509 CONFIG CHG DATA FROM A CMM: SUPERSEDES 107494-1 SUPERSEDES 107494-2 ELECTRICAL EQUIP NUMBER: M10550 M10551 COMPONENT MAINT MANUAL REF: 36-11-83 OPTIONAL PART: 107494-1 V59364 107494-2 V59364 | 002004 006100 107107 121503 904999 | 1 |
| 170 | 107494-4 | | ..CONTROL ASSY- SUPPLIER CODE: V59364 SPECIFICATION NUMBER: S212N101-45 SB DATA FROM A CMM: POST 36-1509 ELECTRICAL EQUIP NUMBER: M10550 M10551 COMPONENT MAINT MANUAL REF: 36-11-83 | 002004 006100 107107 121503 904999 | 1 |
| - 175 | NAS6703U3 | | ATTACHING PARTS ..BOLT | 002004 006100 107107 121503 904999 | 3 |
| - 180 | AN960C10L | | ..WASHER -----*----- | 002004 006100 107107 121503 904999 | 3 |

MISSING ITEM NUMBERS NOT APPLICABLE

- ITEM NOT ILLUSTRATED

BRI

36-11-18-03

BOEING PROPRIETARY - Copyright © - Unpublished Work - See title page for details.

36-11-18
FIG. 03
PAGE 8
JAN 20/09



757

PARTS CATALOG (MAINTENANCE)

| FIG ITEM | PART NUMBER | 1 2 3 4 5 6 7 | NOMENCLATURE | EFFECT FROM TO | UNITS PER ASSY |
|----------|--------------|---------------|---|--|----------------|
| 3 185 | AD32ABS | | ...RIVET- SUPPLIER CODE: V07707 SB DATA FROM A CMM: PRE 36-1509 CONFIG CHG DATA FROM A CMM: REPLD BY MS51862-12C USED ON: 107494-1 107494-2 107494-3 | 002004 006100 107107 121503 904999 | 2 |
| 185 | MS20470DD3-4 | | ...RIVET- SB DATA FROM A CMM: PRE SPB VAL1358 USED ON: 107494-4 | 002004 006100 107107 121503 904999 | 2 |
| 187 | MS51861-12C | | ...SCREW- CONFIG CHG DATA FROM A CMM: REPLACES AD32ABS USED ON: 107494-1 107494-2 107494-3 | 002004 006100 107107 121503 904999 | 2 |
| 187 | MS51861-12C | | ...SCREW- SB DATA FROM A CMM: POST SPB VAL1358 USED ON: 107494-4 | 002004 006100 107107 121503 904999 | 2 |
| 190 | S3005-1 | | ...PLATE-IDENT SUPPLIER CODE: V59364 SB DATA FROM A CMM: PRE 36-1509 CONFIG CHG DATA FROM A CMM: REPLD BY S3033-1 USED ON: 107494-1 107494-2 107494-3 | 002004 006100 107107 121503 904999 | 1 |
| 190 | S3033-1 | | ...PLATE-IDENT SUPPLIER CODE: V59364 CONFIG CHG DATA FROM A CMM: REPLACES S3005-1 USED ON: 107494-1 107494-2 107494-3 | 002004 006100 107107 121503 904999 | 1 |

MISSING ITEM NUMBERS NOT APPLICABLE

- ITEM NOT ILLUSTRATED

36-11-18-03

36-11-18
FIG. 03
PAGE 9
JAN 20/09

BRI



757

PARTS CATALOG (MAINTENANCE)

| FIG ITEM | PART NUMBER | 1 2 3 4 5 6 7 | NOMENCLATURE | EFFECT FROM TO | UNITS PER ASSY |
|-------------|-------------|---------------|--|--|----------------------|
| 3 190 | S3033-1 | | ...PLATE-IDENT SUPPLIER CODE: V59364 USED ON: 107494-4 | 002004 006100 107107 121503 904999 | 1 |
| 195 | 3172297-1 | | ...PLATE-WIRING DIAGRAM SUPPLIER CODE: V59364 | 002004 006100 107107 121503 904999 | 1 |

MISSING ITEM NUMBERS NOT APPLICABLE

- ITEM NOT ILLUSTRATED

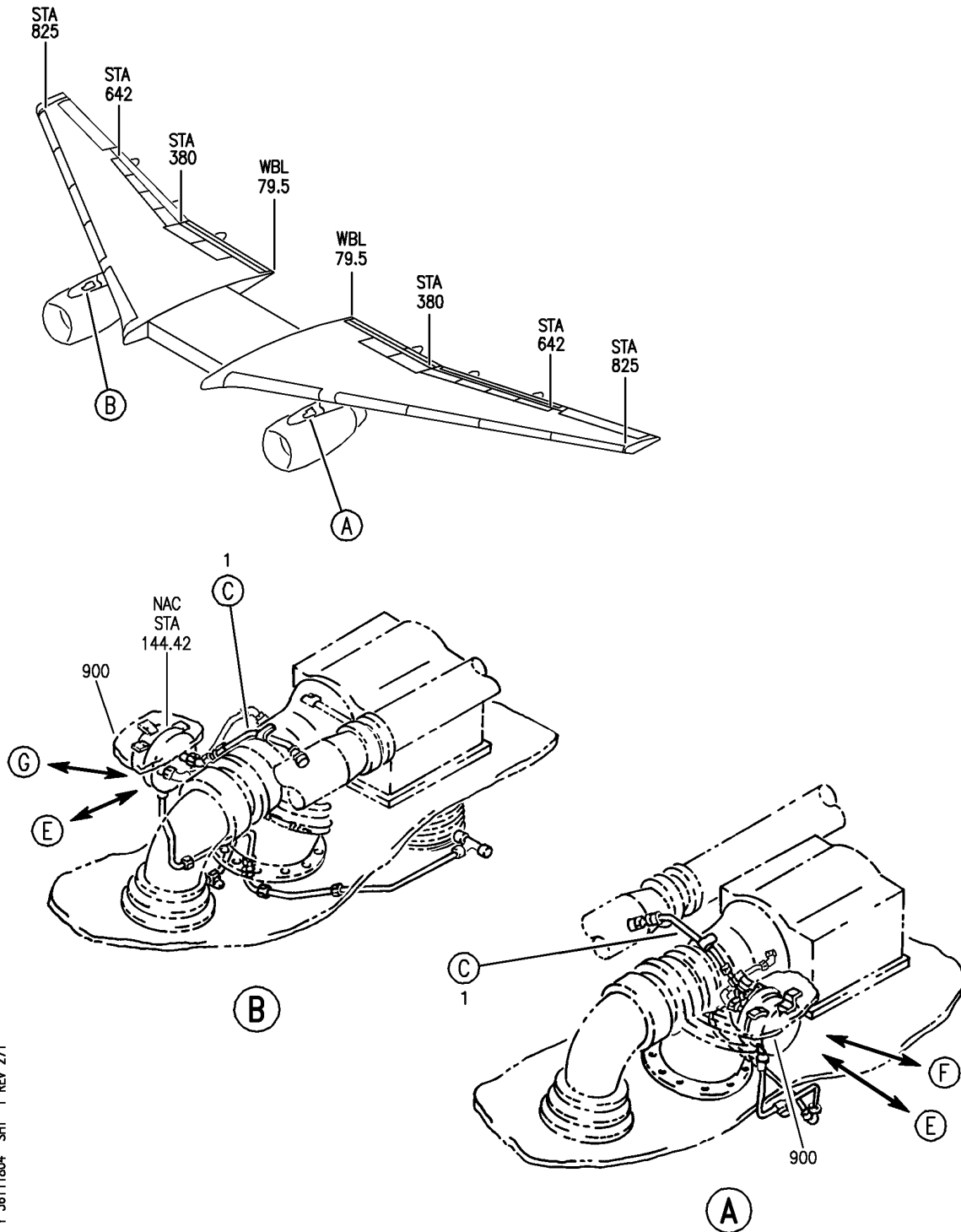
BRI

36-11-18-03

BOEING PROPRIETARY - Copyright © - Unpublished Work - See title page for details.

36-11-18
FIG. 03
PAGE 10
JAN 20/09

BOEING
757
PARTS CATALOG (MAINTENANCE)



Y 36111804 SHT 1 REV 271

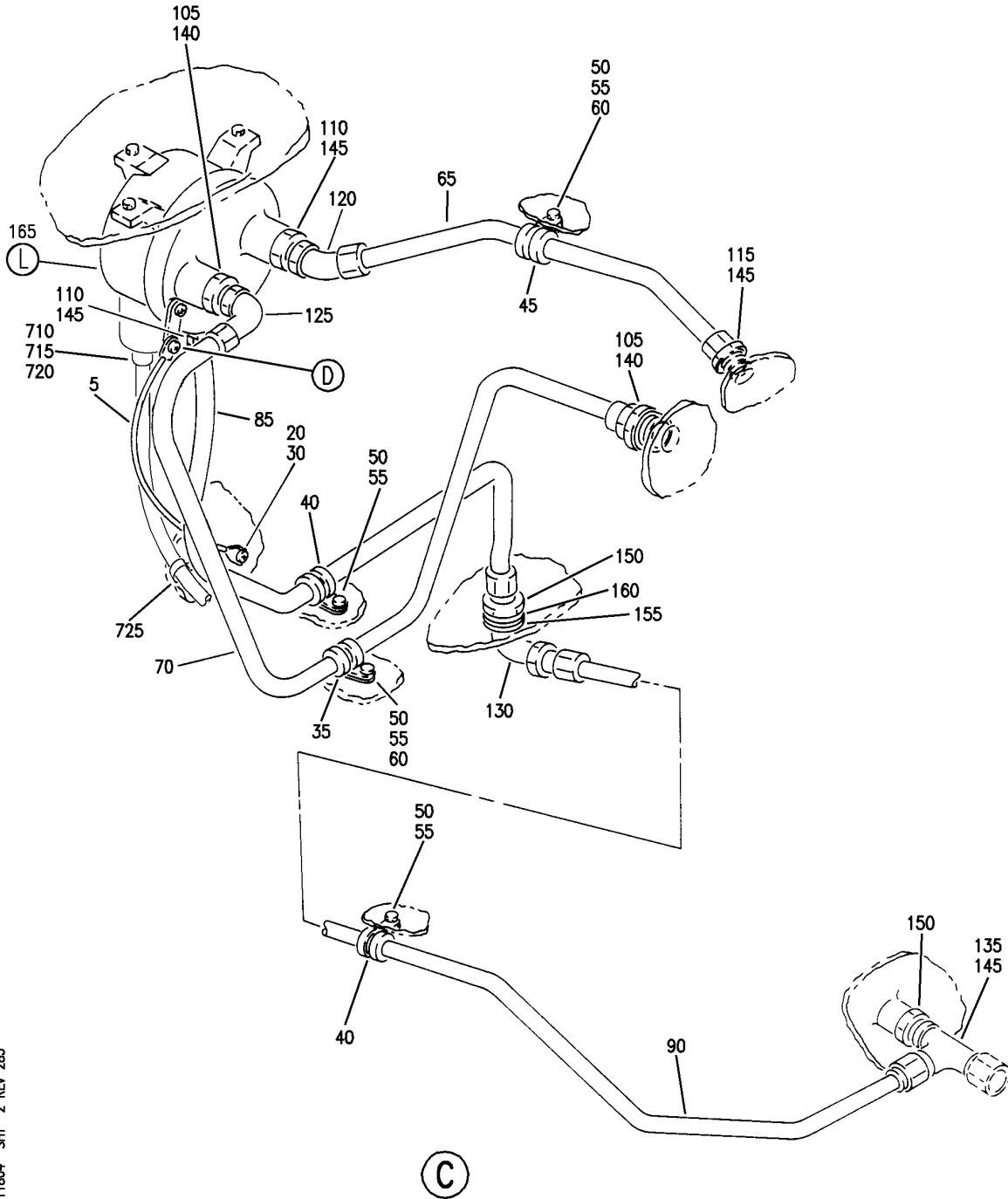
SYSTEM INSTL-REVERSE FLOW CHECKING
FIGURE 4 (SHEET 1)

BRI
MAY 28/07

36-11-18-04

36-11-18-04
PAGE 0


BOEING
 757
PARTS CATALOG (MAINTENANCE)



Y 36111804 SH1 2 REV 285

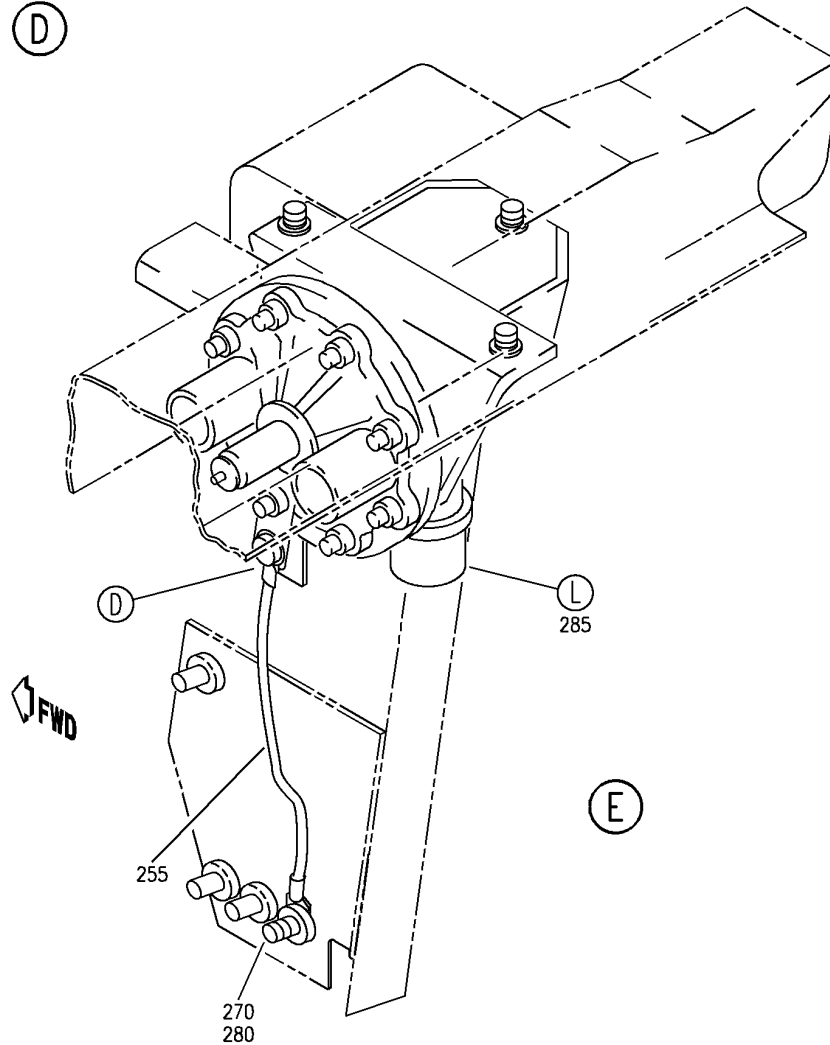
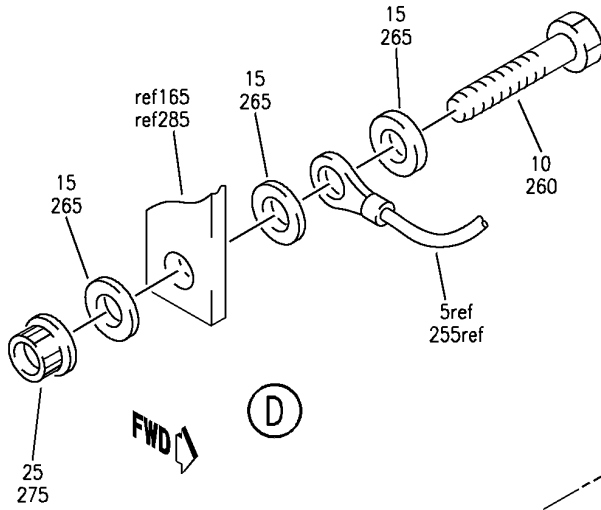
SYSTEM INSTL-REVERSE FLOW CHECKING
FIGURE 4 (SHEET 2)

36-11-18-04

BRI
MAY 28/07

36-11-18-04
PAGE 0A

BOEING
757
PARTS CATALOG (MAINTENANCE)



Y 3611804 SHT 3 REV 285

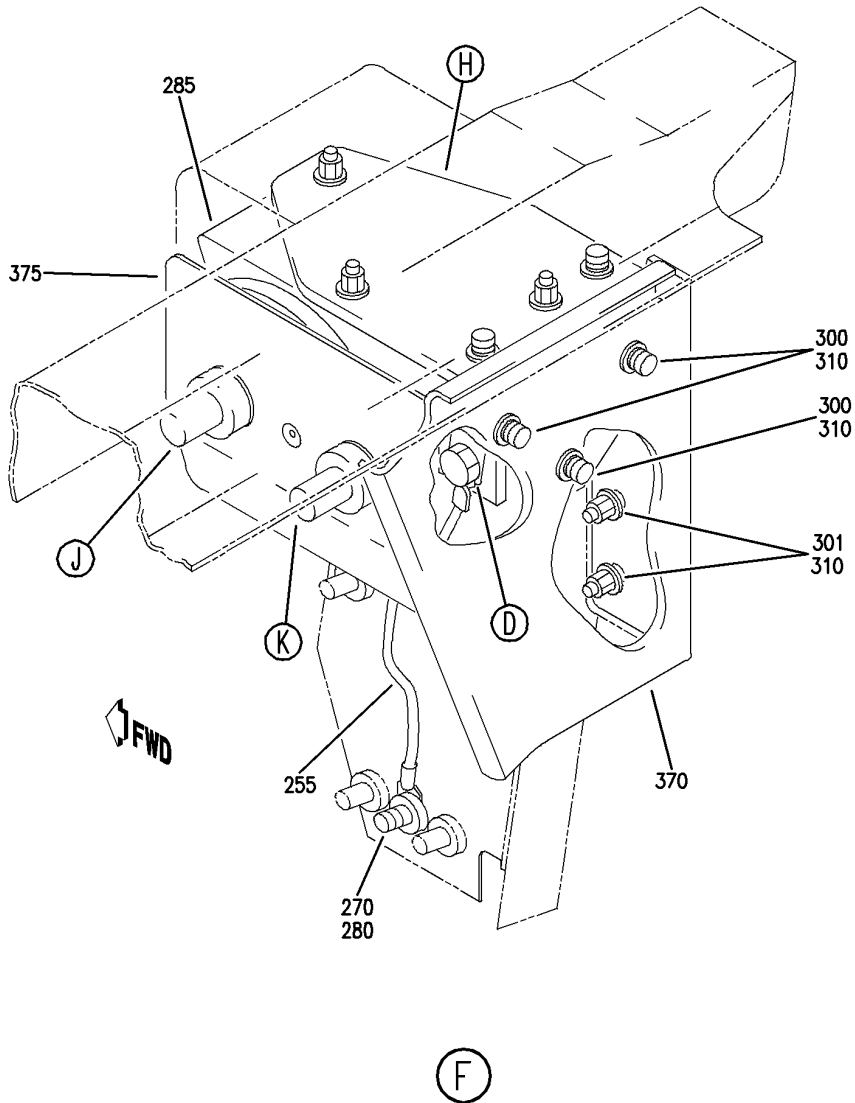
SYSTEM INSTL-REVERSE FLOW CHECKING
FIGURE 4 (SHEET 3)

36-11-18-04

BRI
MAY 28/07

36-11-18-04
PAGE 0B

BOEING
757
PARTS CATALOG (MAINTENANCE)



Y 3611804 SH1 4 REV 237

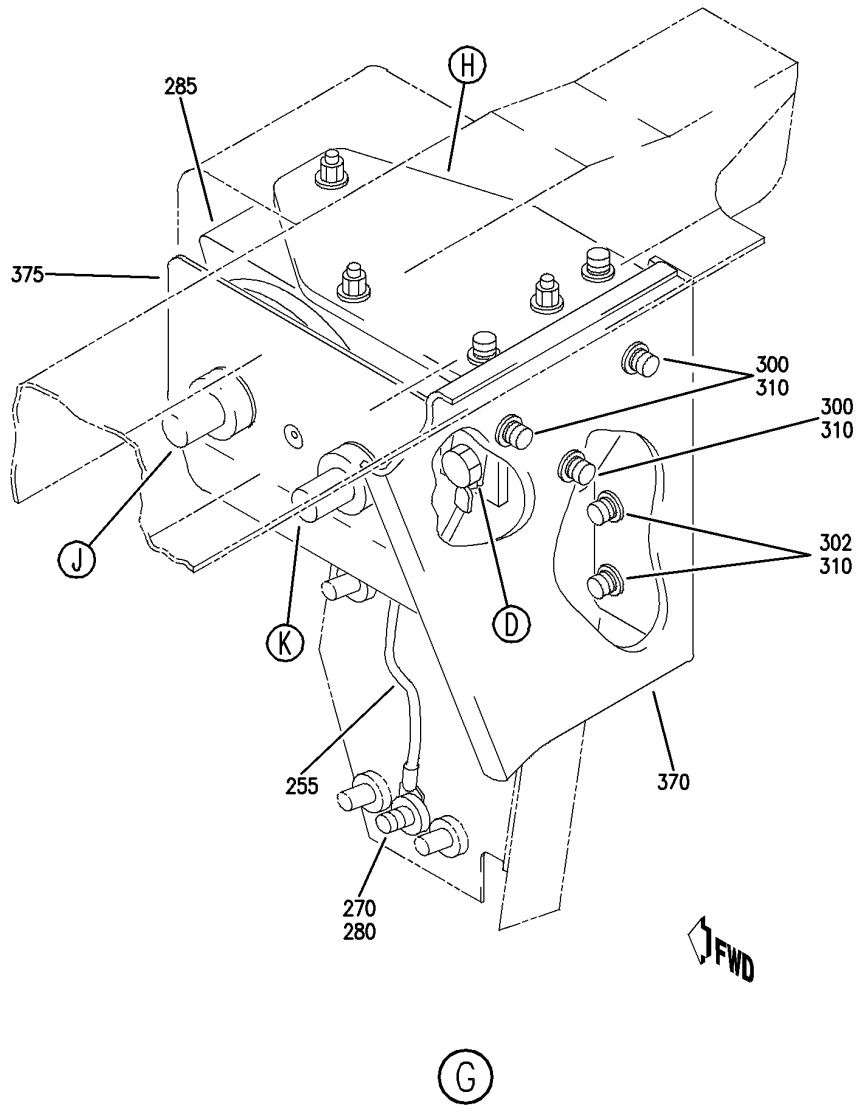
SYSTEM INSTL-REVERSE FLOW CHECKING
FIGURE 4 (SHEET 4)

36-11-18-04

BRI
MAY 28/07

36-11-18-04
PAGE 0C

BOEING
757
PARTS CATALOG (MAINTENANCE)



Y 3611804 SH1 5 REV 237

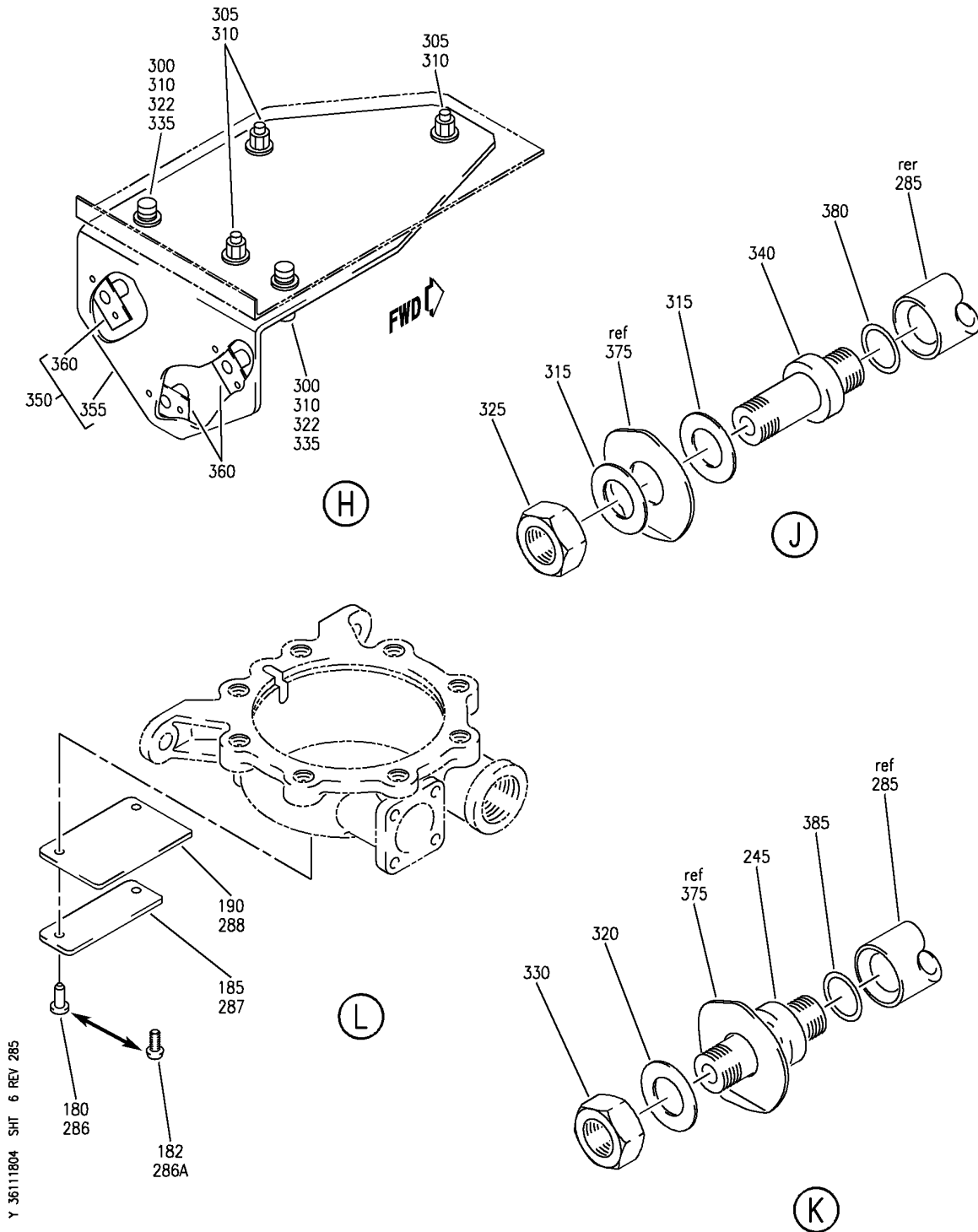
SYSTEM INSTL-REVERSE FLOW CHECKING
FIGURE 4 (SHEET 5)

36-11-18-04

BRI
MAY 28/07

36-11-18-04
PAGE 0D

BOEING
757
PARTS CATALOG (MAINTENANCE)



SYSTEM INSTL-REVERSE FLOW CHECKING
FIGURE 4 (SHEET 6)

36-11-18-04

BRI
MAY 28/07

36-11-18-04
PAGE 0E



757

PARTS CATALOG (MAINTENANCE)

| FIG ITEM | PART NUMBER | 1 2 3 4 5 6 7 | NOMENCLATURE | EFFECT FROM TO | UNITS PER ASSY |
|----------|---------------|---------------|---|----------------------------|----------------|
| 4 | | | SYSTEM INSTL-REVERSE FLOW CHECKING | 101106 108120 504903 | |
| - 250 | 312N5356-10 | | SYSTEM INSTL-REVERSE FLOW CHECKING FOR NHA SEE: 36-00-00-01 36-00-00-01A | 101106 108120 504903 | RF |
| 255 | 86644-7 | | .JUMPER ASSY SUPPLIER CODE: V91812 SPECIFICATION NUMBER: BACJ40AC44-7 OPTIONAL PART: RBEJ40AC44-7 V1GK47 100644-7 V1FF12 | 101106 108120 504903 | 1 |
| 260 | NAS1802-3-8 | | ATTACHING PARTS .SCREW | 101106 108120 504903 | 1 |
| 265 | NAS1149C0332R | | .WASHER | 101106 108120 504903 | 3 |
| 270 | NAS1149D0316H | | .WASHER | 101106 108120 504903 | 1 |
| 275 | PLH53CM | | .NUT SUPPLIER CODE: VF0224 SPECIFICATION NUMBER: BACN10YR3CM OPTIONAL PART: H52732-3CM V15653 | 101106 108120 504903 | 1 |
| 280 | PLH53CD | | .NUT SUPPLIER CODE: VF0224 SPECIFICATION NUMBER: BACN10YR3CD OPTIONAL PART: H52732-3CD V15653 -----*----- | 101106 108120 504903 | 1 |

MISSING ITEM NUMBERS NOT APPLICABLE

- ITEM NOT ILLUSTRATED

36-11-18-04

36-11-18
FIG. 04
PAGE 1
JAN 20/09

BRI



757

PARTS CATALOG (MAINTENANCE)

| FIG ITEM | PART NUMBER | 1 2 3 4 5 6 7 | NOMENCLATURE | EFFECT FROM TO | UNITS PER ASSY |
|----------|---------------|---------------|--|----------------------------|----------------|
| 4 285 | 107494-4 | | .CONTROL ASSY- SUPPLIER CODE: V59364 SPECIFICATION NUMBER: S212N101-45 SB DATA FROM A CMM: POST 36-1509 ELECTRICAL EQUIP NUMBER: M10550 M10551 COMPONENT MAINT MANUAL REF: 36-11-83 | 101106 108120 504903 | 1 |
| 286 | MS20470DD3-4 | | ..RIVET- SB DATA FROM A CMM: PRE SPB VAL1358 | 101106 108120 504903 | 2 |
| 286A | MS51861-12C | | ..SCREW- SB DATA FROM A CMM: POST SPB VAL1358 | 101106 108120 504903 | 2 |
| 287 | S3033-1 | | ..PLATE-IDENT SUPPLIER CODE: V59364 | 101106 108120 504903 | 1 |
| 288 | 3172297-1 | | ..PLATE-WIRING DIAGRAM SUPPLIER CODE: V59364 | 101106 108120 504903 | 1 |
| - 290 | NAS6703U5 | | .BOLT | 101106 108120 504903 | 3 |
| - 295 | NAS1149C0332R | | .WASHER | 101106 108120 504903 | 3 |
| - 700 | 286N3316-301 | | -----*----- WIRE BUNDLE ASSY-(PNEUMATIC ONLY) POSITION DATA: LH | 101102 | 1 |
| - 700 | 286N3316-302 | | WIRE BUNDLE ASSY-(PNEUMATIC ONLY) POSITION DATA: LH | 504903 | 1 |
| - 705 | 286N3416-301 | | WIRE BUNDLE ASSY-(PNEUMATIC ONLY) POSITION DATA: RH | 101102 | 1 |
| - 705 | 286N3416-302 | | WIRE BUNDLE ASSY-(PNEUMATIC ONLY) POSITION DATA: RH | 504903 | 1 |

MISSING ITEM NUMBERS NOT APPLICABLE

- ITEM NOT ILLUSTRATED

36-11-18-04

36-11-18
FIG. 04
PAGE 2
JAN 20/09

BRI



757

PARTS CATALOG (MAINTENANCE)

| FIG ITEM | PART NUMBER | 1 2 3 4 5 6 7 | NOMENCLATURE | EFFECT FROM TO | UNITS PER ASSY |
|----------|--------------|---------------|---|----------------------------|----------------|
| 4 710 | R071012B3SNL | | .CONNECTOR- SUPPLIER CODE: V41118 SPECIFICATION NUMBER: BACC63BP12B3SNL ELECTRICAL EQUIP NUMBER: D05272 D05274 WIRING DIAGRAM REF: 361111 361121 | 101102 504903 | 1 |
| 725 | G899312S | | .CLAMP- SUPPLIER CODE: V06324 SPECIFICATION NUMBER: BACC10HD12A OPTIONAL PART: G8993M12S V06324 S2251-12-30S V07418 6000-123-0112 V14283 900-555F12-10 V31461 ELECTRICAL EQUIP NUMBER: D05272T D05274T WIRING DIAGRAM REF: 361111 361121 | 101102 504903 | 1 |
| 900 | | | ILLUSTRATION REFERENCE: PLUMBING INSTL-STRUT PNEU (RB211-STRT SYSTEMS) 36-11-01-01D | 101106 108120 504903 | RF |

MISSING ITEM NUMBERS NOT APPLICABLE

- ITEM NOT ILLUSTRATED

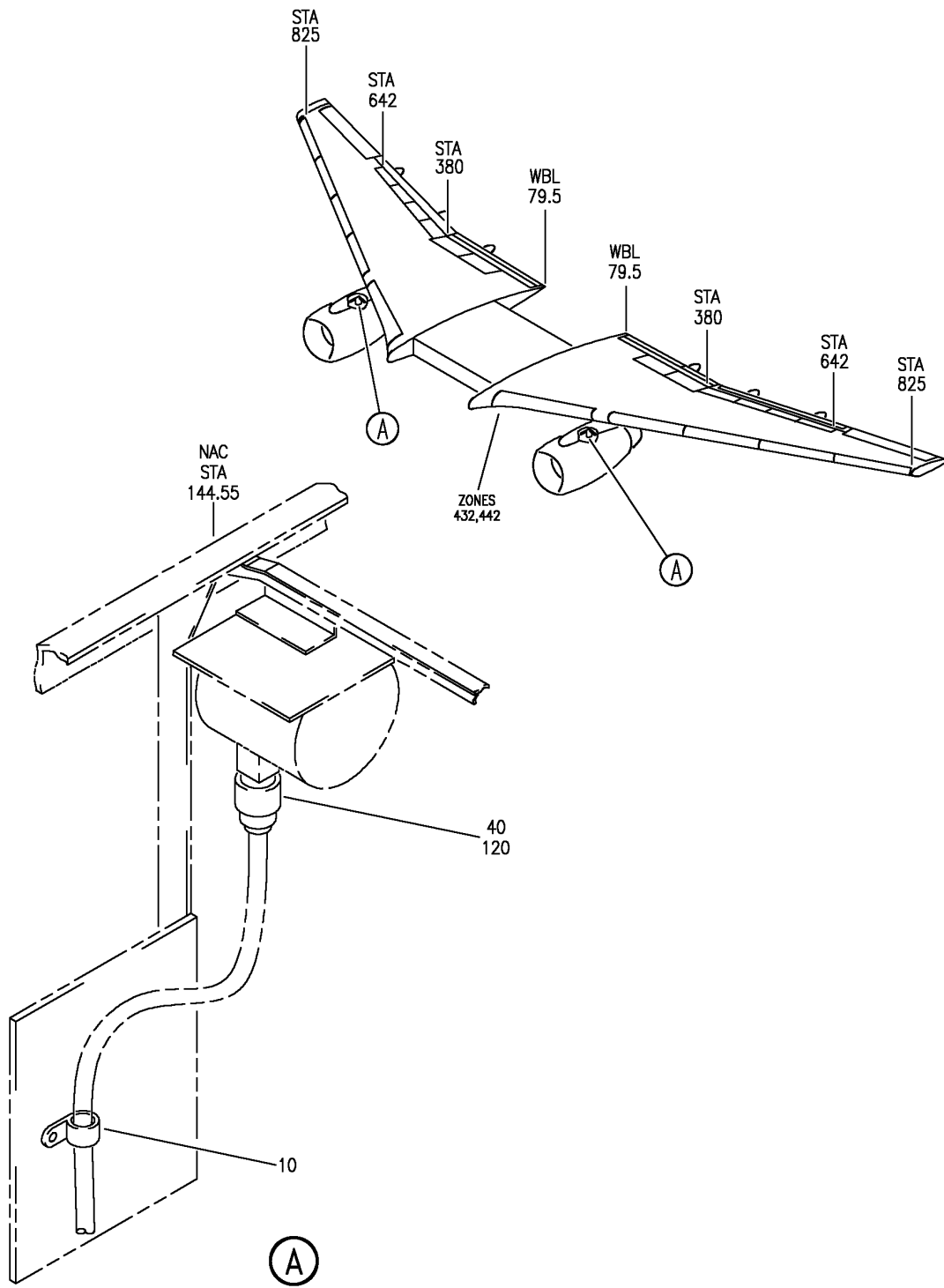
BRI

36-11-18-04

BOEING PROPRIETARY - Copyright © - Unpublished Work - See title page for details.

36-11-18
FIG. 04
PAGE 3
JAN 20/09

BOEING
757
PARTS CATALOG (MAINTENANCE)



Y 36111804A REV 261

EQUIPMENT INSTL AND WIRING INSTL (REVERSE FLOW CHECK CONTROLLER ONLY)
FIGURE 4A

BRI
MAY 28/07

36-11-18-04A

36-11-18-04A
PAGE 0



757

PARTS CATALOG (MAINTENANCE)

| FIG ITEM | PART NUMBER | 1 2 3 4 5 6 7 | NOMENCLATURE | EFFECT FROM TO | UNITS PER ASSY |
|----------|--------------|---------------|--|----------------------------|----------------|
| 4 A | | | EQUIPMENT INSTL AND WIRING INSTL (REVERSE FLOW CHECK CONTROLLER ONLY) | 101106 108120 504903 | |
| - 1 | 312N5250-201 | | WIRING INSTL-RB211 STRUT (PSD INSTALLED) POSITION DATA: LH FOR NHA/ADDITIONAL DET SEE: 36-00-00-01 | 101102 504903 | RF |
| - 1 | 312N5250-205 | | WIRING INSTL-RB211 STRUT (PSD INSTALLED) POSITION DATA: LH FOR NHA/ADDITIONAL DET SEE: 36-00-00-01 | 108120 | RF |
| - 1 | MODREF33347 | | WIRING INSTL-RB211 STRUT (REVERSE FLOW CHECK CONTROLLER ONLY) PSD INSTALLED MODULE NUMBER: 312N5250-205 REV C POSITION DATA: LH FOR OTHER SYS DETAILS SEE: 36-11-08-05 54-51-51-04 | 103106 | 1 |
| - 5 | 312N5250-202 | | WIRING INSTL-RB211 STRUT (PSD INSTALLED) POSITION DATA: RH FOR NHA/ADDITIONAL DET SEE: 36-00-00-01 | 101102 504903 | RF |
| - 5 | 312N5250-206 | | WIRING INSTL-RB211 STRUT (PSD INSTALLED) POSITION DATA: RH FOR NHA/ADDITIONAL DET SEE: 36-00-00-01 | 108120 | RF |

MISSING ITEM NUMBERS NOT APPLICABLE

- ITEM NOT ILLUSTRATED

36-11-18-04A

36-11-18
FIG. 04A
PAGE 1
JAN 20/09

BRI



757

PARTS CATALOG (MAINTENANCE)

| FIG ITEM | PART NUMBER | 1 2 3 4 5 6 7 | NOMENCLATURE | EFFECT FROM TO | UNITS PER ASSY |
|----------|---------------|---------------|--|----------------------------|----------------|
| 4 A | | | | | |
| - 5 | MODREF33348 | | WIRING INSTL-RB211 STRUT (REVERSE FLOW CHECK CONTROLLER ONLY) PSD INSTALLED MODULE NUMBER: 312N5250-206 REV C POSITION DATA: RH FOR OTHER SYS DETAILS SEE: 36-11-08-05 54-51-51-04 | 103106 | 1 |
| 10 | BACC10GU | | .CLAMP- SIZE DETERMINED ON INSTL. ATTACHING PARTS | 101106 108120 504903 | 1 |
| - 15 | NAS1801-3 | | .SCREW- SIZE DETERMINED ON INSTL. | 101106 108120 504903 | 1 |
| - 20 | NAS1149D0332J | | .WASHER | 101106 108120 504903 | 1 |
| - 25 | MS21042L3 | | .NUT | 101106 108120 504903 | 1 |
| - 30 | 286N3316-301 | | -----*----- WIRE BUNDLE ASSY- POSITION DATA: LH | 101102 108120 | 1 |
| - 30 | 286N3316-302 | | WIRE BUNDLE ASSY- POSITION DATA: LH | 504903 | 1 |
| - 35 | 286N3416-301 | | WIRE BUNDLE ASSY- POSITION DATA: RH | 101102 108120 | 1 |
| - 35 | 286N3416-302 | | WIRE BUNDLE ASSY- POSITION DATA: RH | 504903 | 1 |
| 40 | R071012B3SNL | | .CONNECTOR- SUPPLIER CODE: V41118 SPECIFICATION NUMBER: BACC63BP12B3SNL ELECTRICAL EQUIP NUMBER: D05272 D05274 WIRING DIAGRAM REF: 361111 361121 | 101102 108120 504903 | 1 |

MISSING ITEM NUMBERS NOT APPLICABLE

- ITEM NOT ILLUSTRATED

36-11-18-04A

36-11-18
FIG. 04A
PAGE 2
JAN 20/09

BRI



757

PARTS CATALOG (MAINTENANCE)

| FIG ITEM | PART NUMBER | 1 2 3 4 5 6 7 | NOMENCLATURE | EFFECT FROM TO | UNITS PER ASSY |
|--------------|--------------|---------------|--|----------------|----------------|
| 4 A - 100 | MODREF23510 | | WIRING INSTL-RB211 STRUT (REVERSE FLOW CHECK CONTROLLER ONLY) PSD INSTALLED MODULE NUMBER: 312N5250-225 REV B POSITION DATA: LH FOR OTHER SYS DETAILS SEE: 26-11-01-05A 36-11-08-05 54-51-51-04 | 103106 | 1 |
| - 105 | MODREF23511 | | WIRING INSTL-RB211 STRUT (REVERSE FLOW CHECK CONTROLLER ONLY) PSD INSTALLED MODULE NUMBER: 312N5250-226 REV B POSITION DATA: RH FOR OTHER SYS DETAILS SEE: 26-11-01-05A 36-11-08-05 54-51-51-04 | 103106 | 1 |
| - 110 | 286N3316-701 | | .WIRE BUNDLE ASSY- POSITION DATA: LH | 103106 | 1 |
| - 115 | 286N3416-701 | | .WIRE BUNDLE ASSY- POSITION DATA: RH | 103106 | 1 |
| 120 | R071012B3SNL | | ..CONNECTOR- SUPPLIER CODE: V41118 SPECIFICATION NUMBER: BACC63BP12B3SNL ELECTRICAL EQUIP NUMBER: D05272 D05274 WIRING DIAGRAM REF: 361111 361121 | 103106 | 1 |

MISSING ITEM NUMBERS NOT APPLICABLE

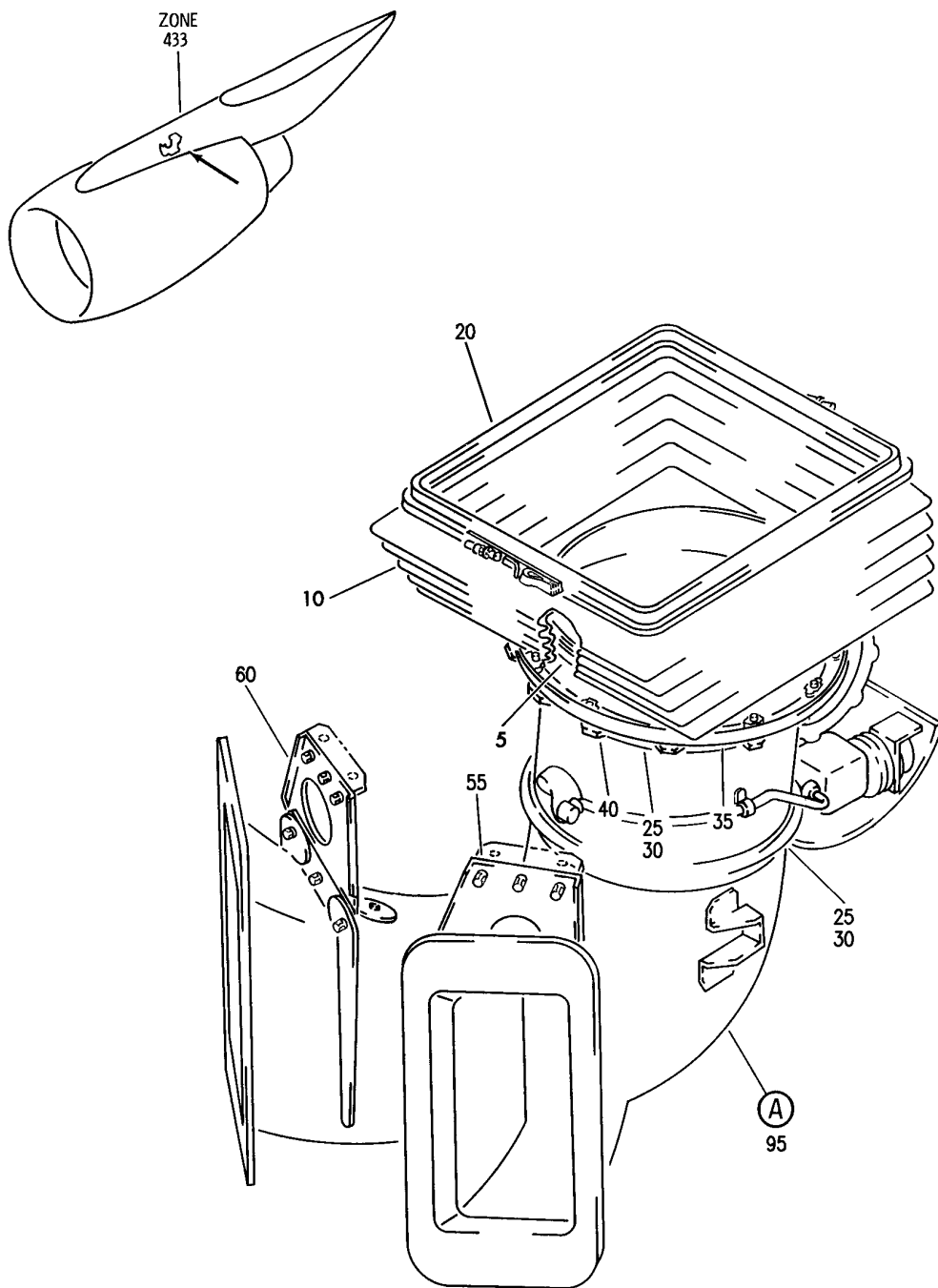
- ITEM NOT ILLUSTRATED

36-11-18-04A

36-11-18
FIG. 04A
PAGE 3
JAN 20/09

BRI

BOEING
757
PARTS CATALOG (MAINTENANCE)



Y 36112005 SHT 1 REV 237

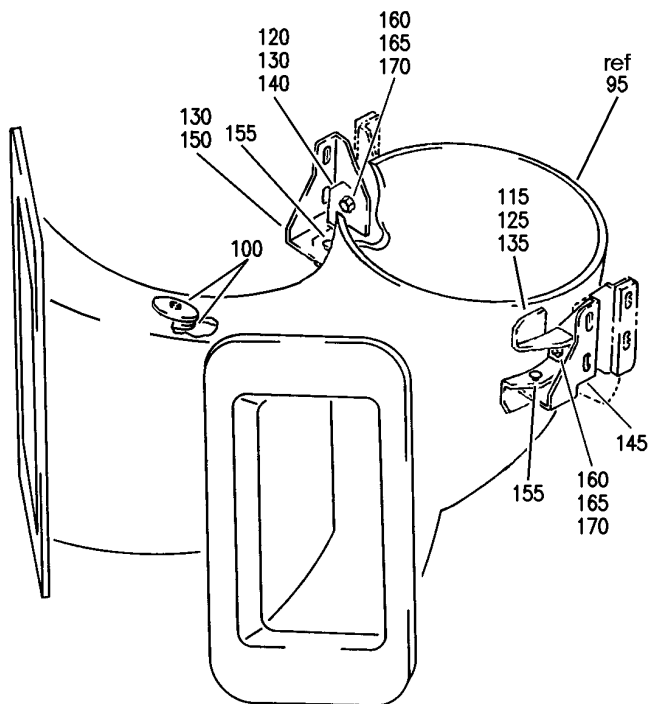
DUCT INSTL-STRUT COOLING AIR INLET (RB211-535) (FAN AIR INLET DUCT ONLY)
FIGURE 5 (SHEET 1)

BRI
MAY 28/07

36-11-20-05

36-11-20-05
PAGE 0

BOEING
757
PARTS CATALOG (MAINTENANCE)



(A)

Y 36112005 SH1 2 REV 237

DUCT INSTL-STRUT COOLING AIR INLET (RB211-535) (FAN AIR INLET DUCT ONLY)
FIGURE 5 (SHEET 2)

BRI
MAY 28/07

36-11-20-05

36-11-20-05
PAGE 0A



757

PARTS CATALOG (MAINTENANCE)

| FIG ITEM | PART NUMBER | 1 2 3 4 5 6 7 | NOMENCLATURE | EFFECT FROM TO | UNITS PER ASSY |
|----------|--------------|---------------|---|--|----------------|
| 5 | | | DUCT INSTL-STRUT COOLING AIR INLET (RB211-535) (FAN AIR INLET DUCT ONLY) | 002004 006999 | |
| - 1 | 312N5303-4 | | DUCT INSTL-STRUT COOLING AIR INLET FOR NHA SEE: 36-11-01-01 | 002004 006100 107107 121503 904999 | RF |
| - 1 | 312N5303-7 | | DUCT INSTL-STRUT COOLING AIR INLET FOR NHA SEE: 36-00-00-01 36-00-00-01A | 101106 108120 504903 | RF |
| 5 | 136 | | .CLAMP SUPPLIER CODE: V7Z588 SPECIFICATION NUMBER: STBC10GG288 OPTIONAL PART: WWD288H V66295 | 002004 006999 | 1 |
| 10 | BOE2050-0001 | | .CONNECTOR-FLEXIBLE SUPPLIER CODE: V16632 SPECIFICATION NUMBER: S312N511-1 | 002004 006999 | 1 |
| 10 | 14A122 | | .CONNECTOR-FLEXIBLE SUPPLIER CODE: V14711 SPECIFICATION NUMBER: S312N351-1 | 002004 006999 | 1 |
| 20 | VC1148-2 | | .COUPLING-V BAND SUPPLIER CODE: V14242 SPECIFICATION NUMBER: S312N503-1 | 002004 006999 | 1 |
| 25 | 2703-750 | | .COUPLING-LOW PROFILE SUPPLIER CODE: V15284 | 002004 006999 | 2 |
| 30 | A2873-750 | | .E SEAL- SUPPLIER CODE: V15284 | 002004 006999 | 2 |
| 30 | 2873-750 | | .E SEAL- SUPPLIER CODE: V15284 | 002004 006999 | 2 |
| 35 | 312N5319-1 | | .FLANGE | 002004 006999 | 1 |
| 40 | 312N5328-1 | | .FLANGE | 002004 006999 | 1 |

MISSING ITEM NUMBERS NOT APPLICABLE

- ITEM NOT ILLUSTRATED

36-11-20-05

36-11-20
FIG. 05
PAGE 1
JAN 20/09

BRI

 **BOEING**
757
PARTS CATALOG (MAINTENANCE)

| FIG ITEM | PART NUMBER | 1 2 3 4 5 6 7 | NOMENCLATURE | EFFECT FROM TO | UNITS PER ASSY |
|----------|---------------|---------------|---------------------------------------|--------------------------------------|----------------|
| 5 | | | ATTACHING PARTS | | |
| - 45 | NAS6703U6 | | .BOLT | 002004 006100 103503 904999 | 12 |
| - 50 | NAS1149C0332R | | .WASHER | 002004 006999 | 12 |
| | | | -----*----- | | |
| 55 | 312N5342-9 | | .BRACKET ASSY-SPRT | 002004 006999 | 1 |
| 60 | 312N5861-3 | | .BRACKET-SPRT | 002004 006100 103503 904999 | 1 |
| | | | ATTACHING PARTS | | |
| - 80 | NAS6703U2 | | .BOLT | 002004 006999 | 6 |
| - 85 | NAS1149C0332R | | .WASHER | 002004 006999 | 6 |
| - 90 | PLH53C | | .NUT | 002004 006999 | 6 |
| | | | SUPPLIER CODE: V62554 | | |
| | | | SPECIFICATION NUMBER: BACN10YR3C | | |
| | | | OPTIONAL PART: H52732-3C V15653 | | |
| | | | -----*----- | | |
| 95 | 312N5310-27 | | .DUCT ASSY- | 002004 006999 | 1 |
| 95 | 312N5310-31 | | .DUCT ASSY- | 002004 006999 | 1 |
| 125 | 312N5310-29 | | ..BRACKET- POSITION DATA: UPPER | 002004 006999 | 1 |
| | | | OPTIONAL PART: 312N5310-32 | | |
| 130 | 312N5310-30 | | ..BRACKET- POSITION DATA: UPPER | 002004 006999 | 1 |
| | | | OPTIONAL PART: 312N5310-33 | | |
| 135 | 312N5310-32 | | ..BRACKET- POSITION DATA: UPPER | 002004 006999 | 1 |
| | | | OPTIONAL PART: 312N5310-29 | | |

MISSING ITEM NUMBERS NOT APPLICABLE

- ITEM NOT ILLUSTRATED

BRI

36-11-20-05

BOEING PROPRIETARY - Copyright © - Unpublished Work - See title page for details.

36-11-20
FIG. 05
PAGE 2
JAN 20/09



757

PARTS CATALOG (MAINTENANCE)

| FIG ITEM | PART NUMBER | 1 2 3 4 5 6 7 | NOMENCLATURE | EFFECT FROM TO | UNITS PER ASSY |
|----------|-------------|---------------|---|------------------|----------------|
| 5 | | | | | |
| 140 | 312N5310-33 | .. | BRACKET- POSITION DATA: UPPER OPTIONAL PART: 312N5310-30 | 002004 006999 | 1 |
| 145 | 312N5867-13 | .. | BRACKET- | 002004 006999 | 1 |
| 150 | 312N5867-14 | .. | BRACKET- | 002004 006999 | 1 |
| | | | ATTACHING PARTS | | |
| 155 | MS20615-6M4 | .. | RIVET | 002004 006999 | 2 |
| 160 | NAS1802-4-7 | .. | SCREW | 002004 006999 | 2 |
| 165 | AN960C416L | .. | WASHER | 002004 006999 | 2 |
| 170 | BRH10C4 | .. | NUT SUPPLIER CODE: V52828 SPECIFICATION NUMBER: BACN10JC4C OPTIONAL PART: T6C428J V11815 97-048 V80539 101LH9075-4W V72962 VN303B048 V92215 NS202101S048 V80539 H31-4BAC V15653 -----*----- | 002004 006999 | 2 |

MISSING ITEM NUMBERS NOT APPLICABLE

- ITEM NOT ILLUSTRATED

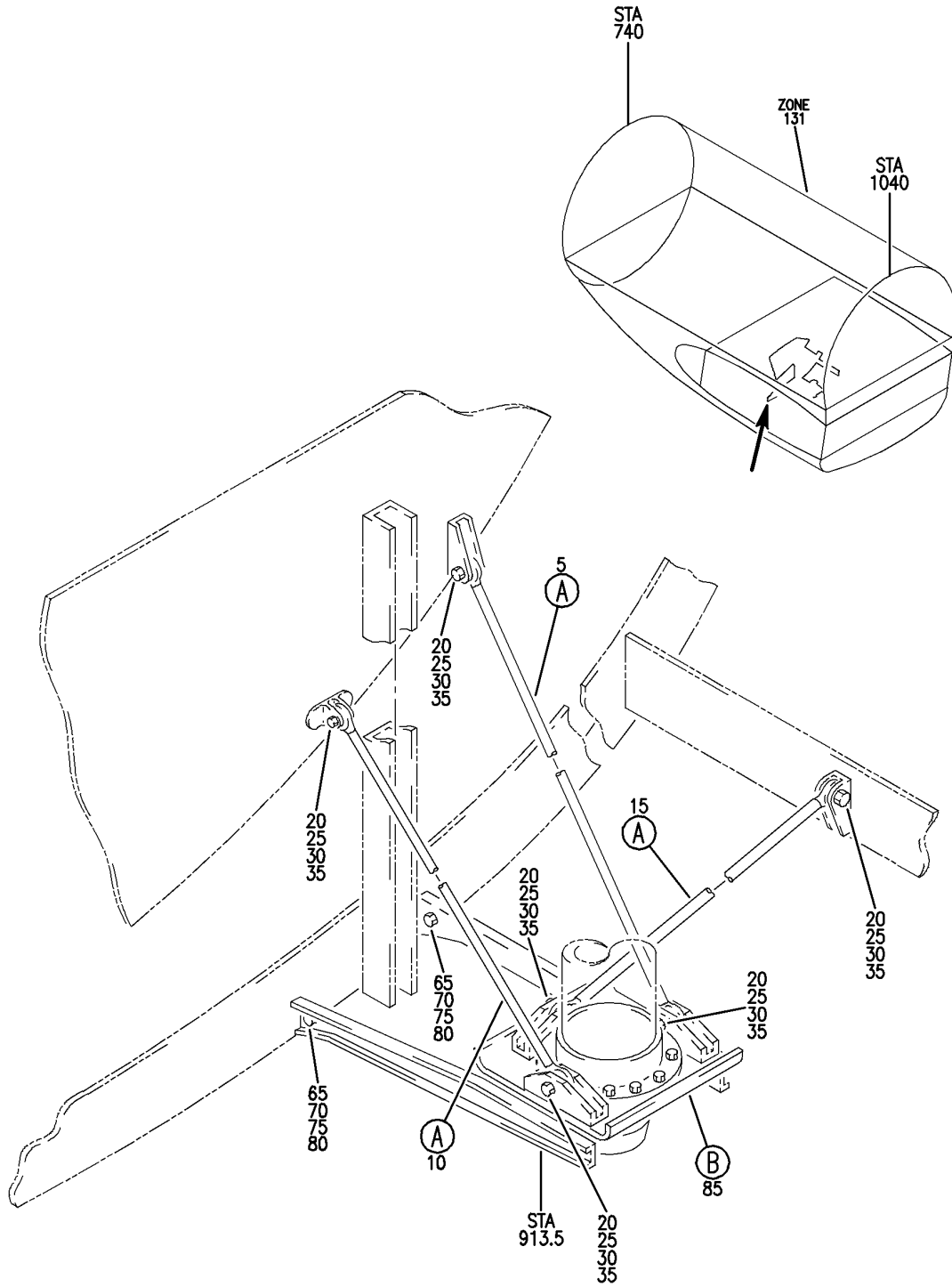
BRI

36-11-20-05

BOEING PROPRIETARY - Copyright © - Unpublished Work - See title page for details.

36-11-20
FIG. 05
PAGE 3
SEP 20/08

BOEING
757
PARTS CATALOG (MAINTENANCE)



Y 36115101 SHT 1 REV 223

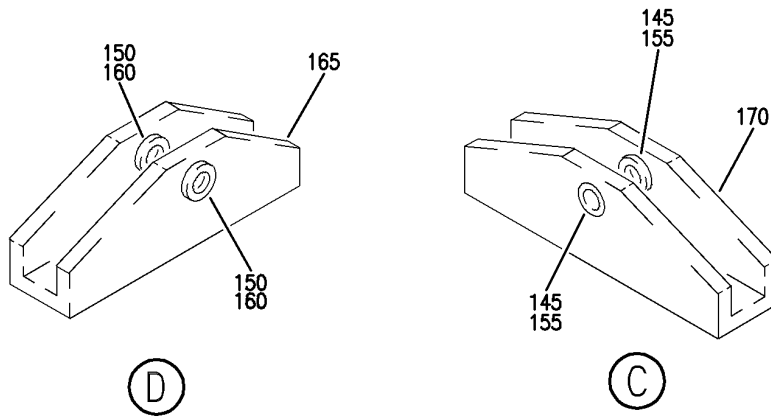
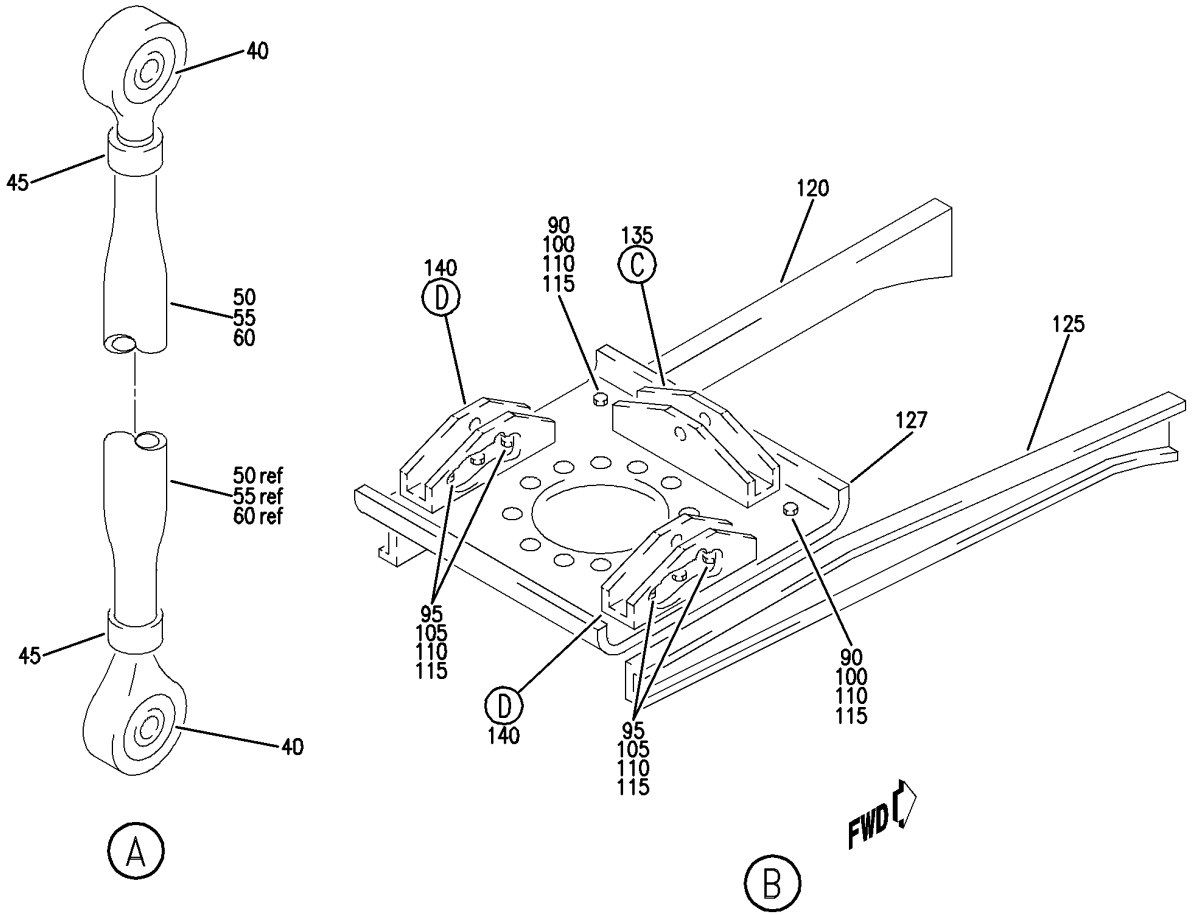
SUPPORT INSTL-AIR SUPPLY UNDER WING, ALL ENGS (1 CONNECTOR) (AIR SUPPLY DISTRIBUTION SYSTEM ONLY)
FIGURE 1 (SHEET 1)

BRI
MAY 28/07

36-11-51-01

36-11-51-01
PAGE 0

BOEING
757
PARTS CATALOG (MAINTENANCE)



Y 36115101 SHT 2 REV 223

SUPPORT INSTL-AIR SUPPLY UNDER WING, ALL ENGS (1 CONNECTOR) (AIR SUPPLY DISTRIBUTION SYSTEM ONLY)
FIGURE 1 (SHEET 2)

BRI
MAY 28/07

36-11-51-01

36-11-51-01
PAGE 0A



757

PARTS CATALOG (MAINTENANCE)

| FIG ITEM | PART NUMBER | 1 2 3 4 5 6 7 | NOMENCLATURE | EFFECT FROM TO | UNITS PER ASSY |
|----------|------------------|---------------|---|----------------------------|----------------|
| 1 | | | SUPPORT INSTL-AIR SUPPLY UNDER WING, ALL ENGS (1 CONNECTOR) (AIR SUPPLY DISTRIBUTION SYSTEM ONLY) | 011106 108120 504903 | |
| - 1 | 212N3010-14 | | SUPPORT INSTL-AIR SUPPLY UNDER WING, ALL ENGS (1 CONNECTOR) (AIR SUPPLY DISTRIBUTION SYSTEM ONLY) | 011102 108120 504903 | RF |
| - 1 | MODREF5977 | | POSITION DATA: RH FOR NHA/OTHER SYS DET SEE: 21-00-00-01 21-00-00-14 | | |
| | | | SUPPORT INSTL-AIR SUPPLY UNDER WING, ALL ENGS (1 CONNECTOR) (AIR SUPPLY DISTRIBUTION SYSTEM ONLY) | 103106 | 1 |
| | 5 212N3030-45 | | MODULE NUMBER: 212N3010-14 REV A POSITION DATA: RH FOR OTHER SYS DETAILS SEE: 11-24-10-01 .ROD ASSY | 011106 108120 504903 | 1 |
| | 10 212N3030-47 | | .ROD ASSY | 011106 108120 504903 | 1 |
| | 15 212N3030-49 | | .ROD ASSY | 011106 108120 504903 | 1 |
| | 20 BACB30NR4K15 | | ATTACHING PARTS .BOLT- | 011106 108120 504903 | 6 |
| | 20 BACB30NR4HK15 | | OPTIONAL PART: BACB30NR4HK15 .BOLT- | 011106 108120 504903 | 6 |
| | 25 BACW10BP4CD | | OPTIONAL PART: BACB30NR4K15 .WASHER | 011106 108120 504903 | 6 |
| | 30 BACW10BP4NDP | | .WASHER | 011106 108120 504903 | 6 |

MISSING ITEM NUMBERS NOT APPLICABLE

- ITEM NOT ILLUSTRATED

36-11-51-01

36-11-51
FIG. 01
PAGE 1
JAN 20/09

BRI

BOEING
757
PARTS CATALOG (MAINTENANCE)

| FIG ITEM | PART NUMBER | 1 2 3 4 5 6 7 | NOMENCLATURE | EFFECT FROM TO | UNITS PER ASSY |
|----------|-------------|---------------|---|----------------------------|----------------|
| 1 | 35 PLH54CD | | .NUT SUPPLIER CODE: VF0224 SPECIFICATION NUMBER: BACN10YR4CD OPTIONAL PART: H52732-4CD V15653 | 011106 108120 504903 | 6 |
| | 40 ASM4T29A | | -----*----- ..BEARING-ROD END SUPPLIER CODE: V56644 SPECIFICATION NUMBER: 10-60779-124 OPTIONAL PART: DREM4-292 V81376 REM8ATC10-6 V21335 177144 V09455 YTM187 V77896 NHNE4-205 V15860 MSSR45-14BAF V73134 KBDE4-37 V97613 ASM4T29 V56644 79E04-124 V16746 ART4E129 VS0352 OPTIONAL PART: HB4ETL186 V02758 | 011106 108120 504903 | 2 |
| | 40 ASMK4T21 | | ..BEARING- SUPPLIER CODE: V56644 SPECIFICATION NUMBER: 10-60779-174 OPTIONAL PART: HB4ETL186 V02758 | 011106 108120 504903 | 2 |

R
R
R
R
R
R
R

MISSING ITEM NUMBERS NOT APPLICABLE

- ITEM NOT ILLUSTRATED

BRI

36-11-51-01

BOEING PROPRIETARY - Copyright © - Unpublished Work - See title page for details.

36-11-51
FIG. 01
PAGE 2
MAY 20/09



757

PARTS CATALOG (MAINTENANCE)

| FIG ITEM | PART NUMBER | 1 2 3 4 5 6 7 | NOMENCLATURE | EFFECT FROM TO | UNITS PER ASSY |
|----------|--------------|---------------|--|----------------------------|----------------|
| 1 | | | | | |
| 40 | HB4ETL186 | | .. BEARING- SUPPLIER CODE: V02758 SPECIFICATION NUMBER: 10-60779-174 OPTIONAL PART: ASMK4T21 V56644 OPTIONAL PART: ASM4T29A V56644 | 011106 108120 504903 | 2 |
| 45 | NAS1423-5 | | .. NUT | 011106 108120 504903 | 2 |
| 50 | 212N3030-24 | | .. TUBE- TUBING MATERIAL: .625 IN. OD X .065 IN. WALL X 22.6 IN. LG 2024-0 ALUMINUM SEAMLESS TUBING PER WW-T-700/3 | 011106 108120 504903 | 1 |
| 55 | 212N3030-32 | | .. TUBE- TUBING MATERIAL: .625 IN. OD X .065 IN. WALL X 19.6 IN. LG 2024-0 ALUMINUM SEAMLESS TUBING PER WW-T-700/3 | 011106 108120 504903 | 1 |
| 60 | 212N3030-34 | | .. TUBE- TUBING MATERIAL: .625 IN. OD X .065 IN. WALL X 24.0 IN. LG 2024-0 ALUMINUM SEAMLESS TUBING PER WW-T-700/3 | 011106 108120 504903 | 1 |
| 65 | BACB30NM4K4 | | . BOLT | 011106 108120 504903 | 2 |
| 70 | BACW10BP4CD | | . WASHER | 011106 108120 504903 | 2 |
| 75 | BACW10BP4NDP | | . WASHER | 011106 108120 504903 | 2 |

MISSING ITEM NUMBERS NOT APPLICABLE

- ITEM NOT ILLUSTRATED

36-11-51-01

36-11-51
FIG. 01
PAGE 3
MAY 20/09

BRI



757

PARTS CATALOG (MAINTENANCE)

| FIG ITEM | PART NUMBER | 1 2 3 4 5 6 7 | NOMENCLATURE | EFFECT FROM TO | UNITS PER ASSY |
|----------|---------------|----------------|--|----------------------------|----------------|
| 1 | | | | | |
| 80 | PLH54CD | .NUT | SUPPLIER CODE: VF0224 SPECIFICATION NUMBER: BACN10YR4CD OPTIONAL PART: H52732-4CD V15653 | 011106 108120 504903 | 2 |
| 85 | 212N3079-2 | .SUPPORT ASSY | | 011106 108120 504903 | 1 |
| 90 | BACB30NM3K4 | ..BOLT | | 011106 108120 504903 | 2 |
| 95 | BACB30NM3K5 | ..BOLT | | 011106 108120 504903 | 6 |
| 100 | BACW10BN3AC | ..WASHER | | 011106 108120 504903 | 2 |
| 105 | BACW10BP3CD | ..WASHER | | 011106 108120 504903 | 6 |
| 110 | NAS1149D0363J | ..WASHER | | 011106 108120 504903 | 8 |
| 115 | NAS1805-3L | ..NUT | | 011106 108120 504903 | 8 |
| 120 | 212N3080-31 | ..CHANNEL ASSY | | 011106 108120 504903 | 1 |
| 125 | 212N3080-32 | ..CHANNEL ASSY | | 011106 108120 504903 | 1 |
| 127 | 212N3080-38 | ..CHANNEL ASSY | | 011106 108120 504903 | 1 |
| - 130 | BACR15FT6D | ..RIVET- | SIZE DETERMINED ON INSTL. | 011106 108120 504903 | 4 |
| 135 | 212N3082-16 | ..BRACKET ASSY | | 011106 108120 504903 | 1 |
| 140 | 212N3082-9 | ..BRACKET ASSY | | 011106 108120 504903 | 2 |

MISSING ITEM NUMBERS NOT APPLICABLE

- ITEM NOT ILLUSTRATED

36-11-51-01

36-11-51
FIG. 01
PAGE 4
MAY 20/09

BRI



757

PARTS CATALOG (MAINTENANCE)

| FIG ITEM | PART NUMBER | 1 2 3 4 5 6 7 | NOMENCLATURE | EFFECT FROM TO | UNITS PER ASSY |
|----------|---------------|---------------|--------------|----------------------------|----------------|
| 1 | | | | | |
| 145 | BACW10BP6DP | . . . | WASHER | 011106 108120 504903 | 2 |
| 150 | AN960PD616 | . . . | WASHER | 011106 108120 504903 | 2 |
| 155 | BACB28X4C013 | . . . | BUSHING | 011106 108120 504903 | 2 |
| 160 | BACB28B4-260P | . . . | BUSHING | 011106 108120 504903 | 2 |
| 165 | 212N3082-10 | . . . | BRACKET | 011106 108120 504903 | 1 |
| 170 | 212N3082-18 | . . . | BRACKET | 011106 108120 504903 | 1 |

MISSING ITEM NUMBERS NOT APPLICABLE

- ITEM NOT ILLUSTRATED

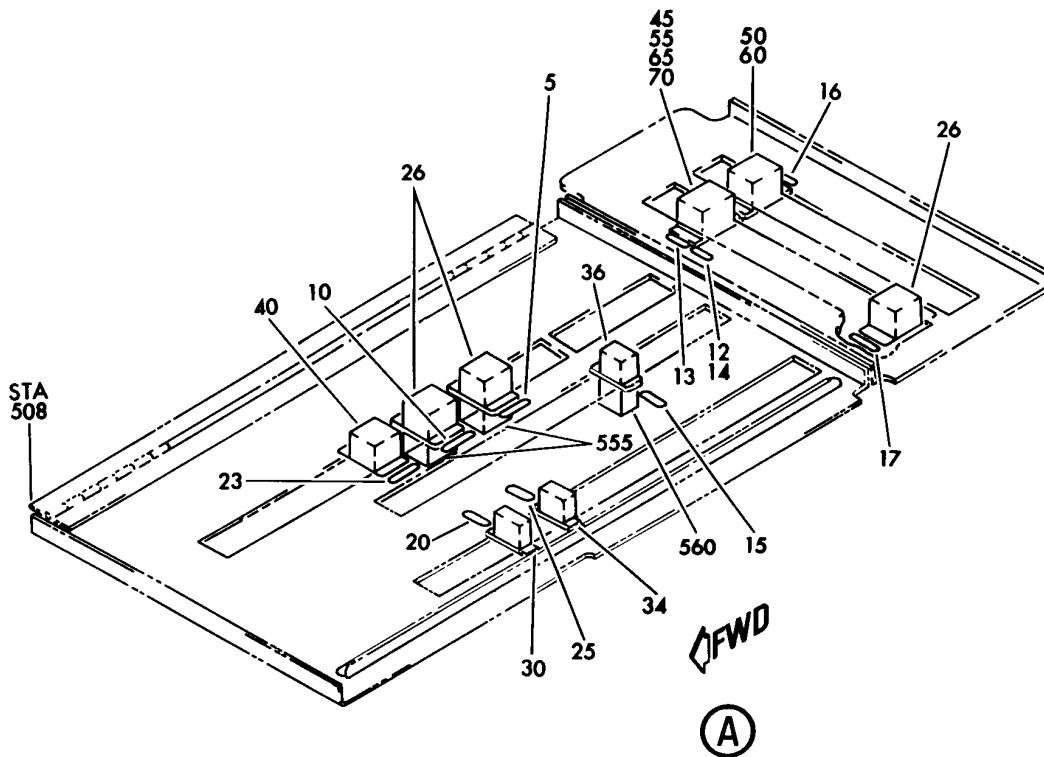
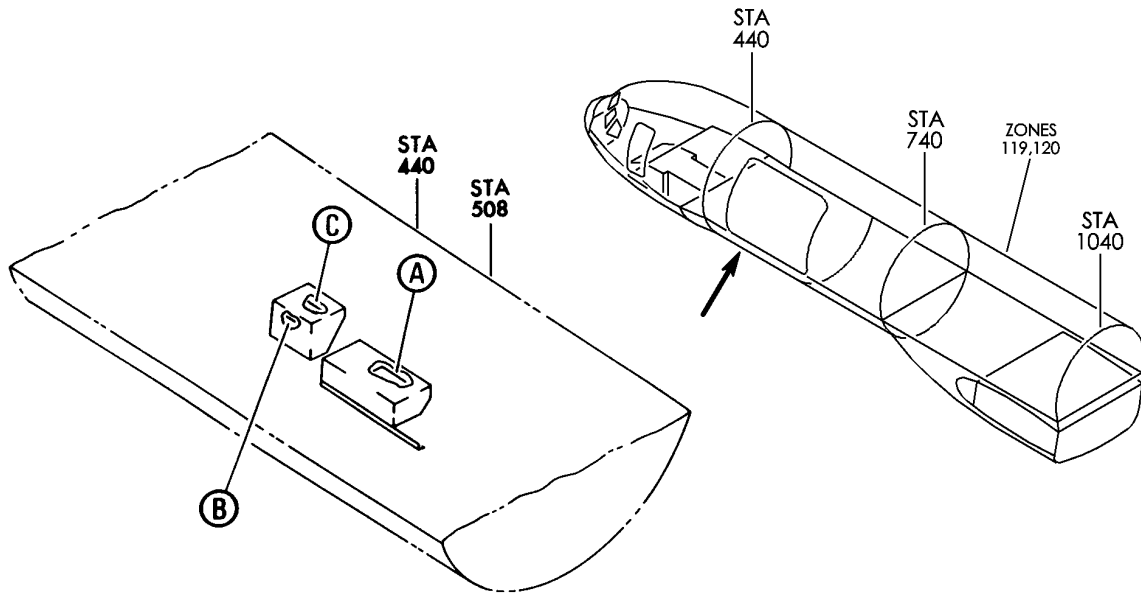
BRI

36-11-51-01

BOEING PROPRIETARY - Copyright © - Unpublished Work - See title page for details.

36-11-51
FIG. 01
PAGE 5
MAY 20/09

BOEING
757
PARTS CATALOG (MAINTENANCE)



Y 36117102 SHT 1 REV 229

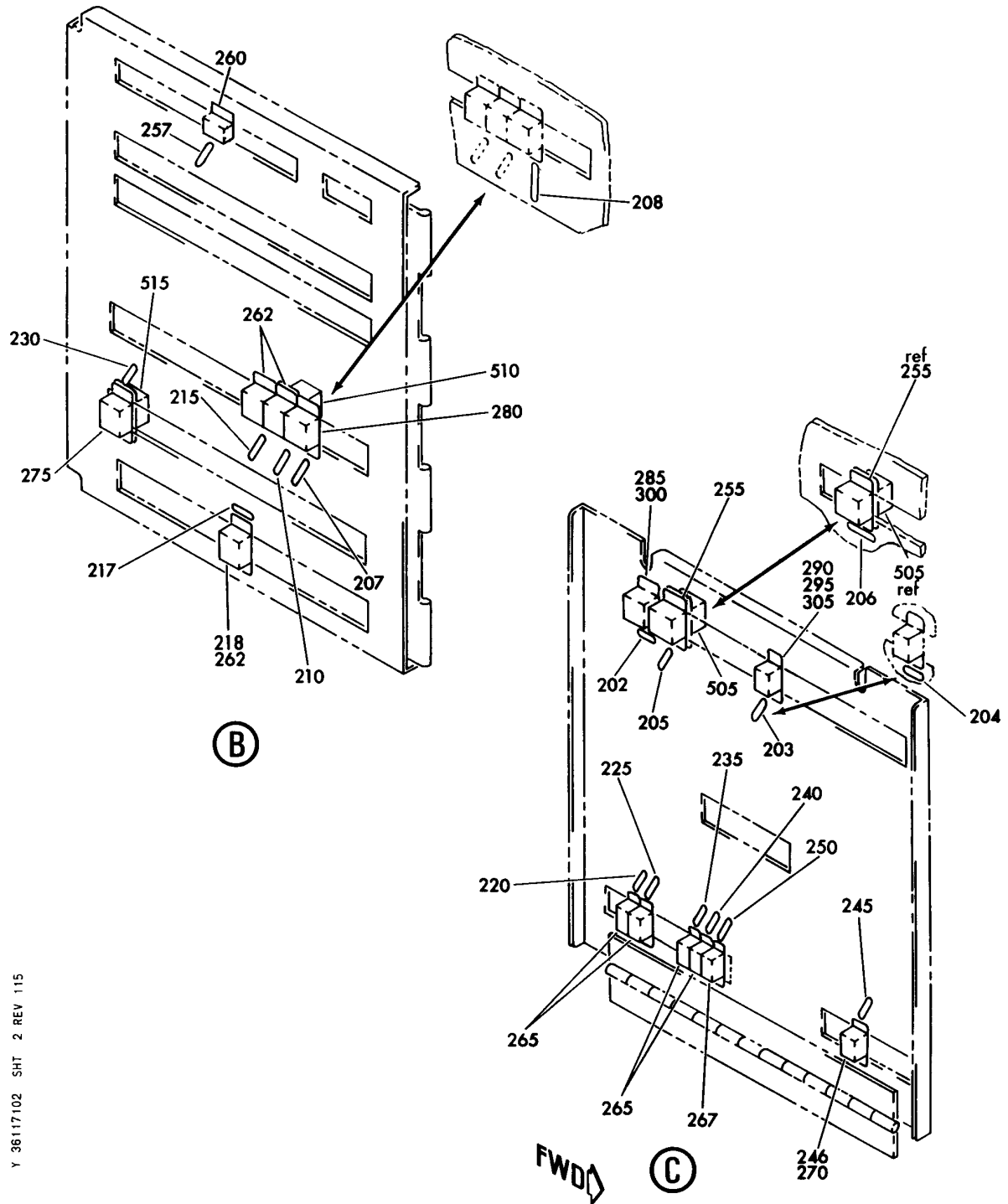
PANEL ASSY-P36 AND P37 MISC RELAY (PNEUMATIC ONLY)
FIGURE 2 (SHEET 1)

36-11-71-02

BRI
MAY 28/07

36-11-71-02
PAGE 0

BOEING
757
PARTS CATALOG (MAINTENANCE)



Y 36117102 SHT 2 REV 115

PANEL ASSY-P36 AND P37 MISC RELAY (PNEUMATIC ONLY)
FIGURE 2 (SHEET 2)

36-11-71-02

BRI
MAY 28/07

36-11-71-02
PAGE 0A



757

PARTS CATALOG (MAINTENANCE)

| FIG ITEM | PART NUMBER | 1 2 3 4 5 6 7 | NOMENCLATURE | EFFECT FROM TO | UNITS PER ASSY |
|----------|--------------|---------------|---|--|----------------|
| 2 | | | PANEL ASSY-P36 AND P37 MISC RELAY (PNEUMATIC ONLY) | 002004 006100 107107 121503 904999 | |
| - 1 | 284N1125-1 | | PANEL ASSY-P36 MISC RELAY (PNEUMATIC ONLY) POSITION DATA: L VARIABLE DRAWING REF: 284N1125-5023 284N1125-5030 284N1125-5049 284N1125-5050 284N1125-5054 REWORKED BY SB: 34-0200 REWORKED BY ALERT SB: 27A0130 FOR NHA/OTHER SYS DET SEE: 31-01-36-01B | 002004 006100 107107 121503 904999 | RF |
| 5 | BAC27NEX0216 | | .DECAL- PLACARD CONTENT: K10197 | 107107 121503 904949 | 1 |
| 5 | BAC27NEX2486 | | .DECAL- PLACARD CONTENT: K10197 | 002004 006100 950999 | 1 |
| 10 | BAC27NEX0217 | | .DECAL- PLACARD CONTENT: K10198 | 107107 121503 904949 | 1 |
| 10 | BAC27NEX2487 | | .DECAL- PLACARD CONTENT: K10198 | 002004 006100 950999 | 1 |
| 13 | BAC27NEX2001 | | .DECAL- PLACARD CONTENT: K10554 | 107107 121503 904949 | 1 |
| 15 | BAC27NEX0218 | | .DECAL- PLACARD CONTENT: K10199 | 002004 006100 950999 | 1 |
| 15 | BAC27NEX2488 | | .DECAL- PLACARD CONTENT: K10199 | 002004 006100 950999 | 1 |
| 16 | BAC27NEX2001 | | .DECAL- PLACARD CONTENT: K10554 | 002004 006100 121503 904999 | 1 |

MISSING ITEM NUMBERS NOT APPLICABLE

- ITEM NOT ILLUSTRATED

36-11-71-02

36-11-71
FIG. 02
PAGE 1
JAN 20/09

BRI



757

PARTS CATALOG (MAINTENANCE)

| FIG ITEM | PART NUMBER | 1 2 3 4 5 6 7 | NOMENCLATURE | EFFECT FROM TO | UNITS PER ASSY |
|----------|-------------|---------------|---|--|----------------|
| 2 | 17 | BAC27NEX1707 | .DECAL- PLACARD CONTENT: K10453 | 002004 006100 107107 121503 904999 | 1 |
| | 20 | BAC27NEX0879 | .DECAL- PLACARD CONTENT: K10282 | 107107 121503 904949 | 1 |
| | 20 | BAC27NEX2507 | .DECAL- PLACARD CONTENT: K10282 | 002004 006100 950999 | 1 |
| | 23 | BAC27NEX1655 | .DECAL- PLACARD CONTENT: K10435 | 002004 006100 107107 121503 904999 | 1 |
| | 26 | TDH8119-5001 | .RELAY- SUPPLIER CODE: V58657 ELECTRICAL EQUIP NUMBER: K10197 K10198 K10453 OPTIONAL PART: TDH8116-5001 V58657 | 002004 006100 107107 121503 904999 | 3 |
| | 26 | TDH8116-5001 | .RELAY- SUPPLIER CODE: V58657 ELECTRICAL EQUIP NUMBER: K10197 K10198 K10453 OPTIONAL PART: TDH8119-5001 V58657 | 002004 006100 107107 121503 904999 | 3 |

MISSING ITEM NUMBERS NOT APPLICABLE

- ITEM NOT ILLUSTRATED

BRI

36-11-71-02

BOEING PROPRIETARY - Copyright © - Unpublished Work - See title page for details.

36-11-71
FIG. 02
PAGE 2
JAN 20/09



757

PARTS CATALOG (MAINTENANCE)

| FIG ITEM | PART NUMBER | 1 2 3 4 5 6 7 | NOMENCLATURE | EFFECT FROM TO | UNITS PER ASSY |
|----------|---------------|---------------|---|--|----------------|
| 2 | 30 W260F4AM11 | | .RELAY- SUPPLIER CODE: VF0219 SPECIFICATION NUMBER: BACR13CD2 OPTIONAL PART: BR16S233 V09026 EE4AA005 V35344 3SAV1338A2 V01526 HFW1206K03 V58614 HFW1204K01 V71482 ELECTRICAL EQUIP NUMBER: K10282 | 002004 006100 107107 121503 904999 | 1 |
| 36 | E210-1631 | | .RELAY- SUPPLIER CODE: V99699 SPECIFICATION NUMBER: BACR13CF2A OPTIONAL PART: BR246S0112 V56623 FCA210-70 V78290 E215-1050 V99699 JD4A017 V35344 BR64S104 V56623 61GB19-1A320 V98927 ELECTRICAL EQUIP NUMBER: K10199 | 002004 006100 107107 121503 904999 | 1 |

MISSING ITEM NUMBERS NOT APPLICABLE

- ITEM NOT ILLUSTRATED

BRI

36-11-71-02

BOEING PROPRIETARY - Copyright © - Unpublished Work - See title page for details.

36-11-71
FIG. 02
PAGE 3
JAN 20/09



757

PARTS CATALOG (MAINTENANCE)

| FIG ITEM | PART NUMBER | 1 2 3 4 5 6 7 | NOMENCLATURE | EFFECT FROM TO | UNITS PER ASSY |
|----------|--------------|---------------|--|--|----------------|
| 2 40 | E410-1537 | | .RELAY- SUPPLIER CODE: V99699 SPECIFICATION NUMBER: BACR13CG2A OPTIONAL PART: E415-1078 V99699 BR230S0116 V56623 KD4A017 V58687 FCA410-62 V78290 ELECTRICAL EQUIP NUMBER: K10435 | 002004 006100 107107 121503 904999 | 1 |
| 45 | TDH8120-1002 | | .RELAY- SUPPLIER CODE: V58657 ELECTRICAL EQUIP NUMBER: K10554 QUALIFIED I/W DATA: 285N0126-13 T/W THREE (3) NAS601-9 SCREWS OPTIONAL TO TDH8120-1002 QUALIFIED OPTIONAL DATA: 285N0126-13, INSTALLED USING THREE (3) NAS601-9 SCREWS, OPTIONAL TO TDH8120-1002 OPTIONAL PART: 285N0126-11 V89954 | 107107 | 1 |

MISSING ITEM NUMBERS NOT APPLICABLE

- ITEM NOT ILLUSTRATED

BRI

36-11-71-02

BOEING PROPRIETARY - Copyright © - Unpublished Work - See title page for details.

36-11-71
FIG. 02
PAGE 4
JAN 20/09



757

PARTS CATALOG (MAINTENANCE)

| FIG ITEM | PART NUMBER | 1 2 3 4 5 6 7 | NOMENCLATURE | EFFECT FROM TO | UNITS PER ASSY |
|----------|--------------|---------------|--|--------------------------------------|----------------|
| 2 50 | TDH8120-1002 | | .RELAY- SUPPLIER CODE: V58657 ELECTRICAL EQUIP NUMBER: K10554 QUALIFIED I/W DATA: 285N0126-13 T/W THREE (3) NAS601-9 SCREWS OPTIONAL TO TDH8120-1002 QUALIFIED OPTIONAL DATA: 285N0126-11, INSTALLED USING THREE (3) NAS601-9 SCREWS, OPTIONAL TO TDH8120-1002 OPTIONAL PART: 285N0126-11 V89954 | 002004 006100 121503 904999 | 1 |
| 60 | 285N0126-11 | | .RELAY ASSY- SUPPLIER CODE: V89954 ELECTRICAL EQUIP NUMBER: K10554 COMPONENT MAINT MANUAL REF: 24-09-51 QUALIFIED OPTIONAL DATA: (285N0126-11, INSTALLED USING THREE (3) NAS601-9 SCREWS, OPTIONAL TO TDH8120-1002 OPTIONAL PART: TDH8120-1002 V58657 | 121503 904949 | 1 |
| 60 | 285N0126-13 | | .RELAY ASSY- SUPPLIER CODE: V89954 ELECTRICAL EQUIP NUMBER: K10555 QUALIFIED I/W DATA: 285N0126-13 T/W THREE (3) NAS601-9 SCREWS OPTIONAL TO TDH8120-1002 QUALIFIED OPTIONAL DATA: (285N0126-13, INSTALLED, USING THREE (3) NAS601-9 SCREW, OPTIONAL TO TDH8120-1002) | 121503 904949 | 1 |

MISSING ITEM NUMBERS NOT APPLICABLE

- ITEM NOT ILLUSTRATED

BRI

36-11-71-02

BOEING PROPRIETARY - Copyright © - Unpublished Work - See title page for details.

36-11-71
FIG. 02
PAGE 5
JAN 20/09



757

PARTS CATALOG (MAINTENANCE)

| FIG ITEM | PART NUMBER | 1 2 3 4 5 6 7 | NOMENCLATURE | EFFECT FROM TO | UNITS PER ASSY |
|-------------|-------------|---------------|---|--------------------------------------|----------------|
| 2 65 | 285N0126-11 | | .RELAY ASSY- SUPPLIER CODE: V89954 ELECTRICAL EQUIP NUMBER: K10554 COMPONENT MAINT MANUAL REF: 24-09-51 QUALIFIED OPTIONAL DATA: (285N0126-11, INSTALLED USING THREE (3) NAS601-9 SCREWS, OPTIONAL TO TDH8120-1002 OPTIONAL PART: TDH8120-1002 V58657 | 107107 | 1 |
| 65 | 285N0126-13 | | .RELAY ASSY- SUPPLIER CODE: V89954 ELECTRICAL EQUIP NUMBER: K10555 QUALIFIED I/W DATA: 285N0126-13 T/W THREE (3) NAS601-9 SCREWS OPTIONAL TO TDH8120-1002 QUALIFIED OPTIONAL DATA: (285N0126-13, INSTALLED, USING THREE (3) NAS601-9 SCREW, OPTIONAL TO TDH8120-1002) ATTACHING PARTS | 107107 | 1 |
| - 75 | NAS601-9 | | .SCREW- | 002004 006100 107107 950999 | 3 |
| - 75 | NAS601-9P | | .SCREW- | 002004 006100 107107 950999 | 3 |
| -----*----- | | | | | |

MISSING ITEM NUMBERS NOT APPLICABLE

- ITEM NOT ILLUSTRATED

36-11-71-02

36-11-71
FIG. 02
PAGE 6
JAN 20/09

BRI



757

PARTS CATALOG (MAINTENANCE)

| FIG ITEM | PART NUMBER | 1 2 3 4 5 6 7 | NOMENCLATURE | EFFECT FROM TO | UNITS PER ASSY |
|------------|--------------|---------------|---|--|----------------|
| 2 - 200 | 284N1127-1 | | PANEL ASSY-P37 MISC RELAY (PNEUMATIC ONLY) POSITION DATA: R VARIABLE DRAWING REF: 284N1127-5028 284N1127-5039 284N1127-5063 284N1127-5064 284N1127-5068 REWORKED BY SB: 33-0039 34-0200 REWORKED BY ALERT SB: 27A0130 FOR NHA/OTHER SYS DET SEE: 31-01-37-01B | 002004 006100 107107 121503 904999 | RF |
| 203 | BAC27NEX2002 | | .DECAL- PLACARD CONTENT: K10555 | 002004 006100 121503 904999 | 1 |
| 205 | BAC27TEX0672 | | .DECAL- PLACARD CONTENT: K23 | 002004 006100 121503 904999 | 1 |
| 206 | BAC27TEX0672 | | .DECAL- PLACARD CONTENT: K23 | 107107 | 1 |
| 207 | BAC27NEX1656 | | .DECAL- PLACARD CONTENT: K10436 | 002004 006100 121503 904999 | 1 |
| 208 | BAC27NEX1656 | | .DECAL- PLACARD CONTENT: K10436 | 107107 | 1 |
| 210 | BAC27NEX1002 | | .DECAL- PLACARD CONTENT: K10205 | 002004 006100 107107 121503 904999 | 1 |
| 215 | BAC27NEX1001 | | .DECAL- PLACARD CONTENT: K10204 | 002004 006100 107107 121503 904999 | 1 |
| 217 | BAC27NEX1708 | | .DECAL- PLACARD CONTENT: K10454 | 002004 006100 107107 950999 | 1 |

MISSING ITEM NUMBERS NOT APPLICABLE

- ITEM NOT ILLUSTRATED

36-11-71-02

36-11-71
FIG. 02
PAGE 7
JAN 20/09

BRI



757

PARTS CATALOG (MAINTENANCE)

| FIG ITEM | PART NUMBER | 1 2 3 4 5 6 7 | NOMENCLATURE | EFFECT FROM TO | UNITS PER ASSY |
|----------|--------------|---------------|-----------------------------|--|----------------|
| 2 | | | | | |
| 218 | BAC27NEX1708 | .DECAL- | PLACARD CONTENT : K10454 | 121503 904949 | 1 |
| 220 | BAC27NEX1022 | .DECAL- | PLACARD CONTENT : K10281 | 002004 006100 107107 121503 904999 | 1 |
| 225 | BAC27NEX1021 | .DECAL- | PLACARD CONTENT : K10280 | 002004 006100 107107 121503 904999 | 1 |
| 230 | BAC27NEX1003 | .DECAL- | PLACARD CONTENT : K10206 | 002004 006100 107107 121503 904999 | 1 |
| 235 | BAC27TEX0252 | .DECAL- | PLACARD CONTENT : K22 | 002004 006100 107107 121503 904999 | 1 |
| 240 | BAC27TEX0251 | .DECAL- | PLACARD CONTENT : K21 | 002004 006100 107107 121503 904999 | 1 |
| 245 | BAC27TEX0674 | .DECAL- | PLACARD CONTENT : K25 | 002004 006100 121503 904999 | 1 |
| 246 | BAC27TEX0674 | .DECAL- | PLACARD CONTENT : K25 | 107107 | 1 |
| 250 | BAC27TEX0673 | .DECAL- | PLACARD CONTENT : K24 | 002004 006100 107107 121503 904999 | 1 |

MISSING ITEM NUMBERS NOT APPLICABLE

- ITEM NOT ILLUSTRATED

36-11-71-02

36-11-71
FIG. 02
PAGE 8
JAN 20/09

BRI

BOEING PROPRIETARY - Copyright © - Unpublished Work - See title page for details.



757

PARTS CATALOG (MAINTENANCE)

| FIG ITEM | PART NUMBER | 1 2 3 4 5 6 7 | NOMENCLATURE | EFFECT FROM TO | UNITS PER ASSY |
|----------|--------------|---------------|---|--|----------------|
| 2 255 | ES410-1538 | | .RELAY- SUPPLIER CODE: V99699 SPECIFICATION NUMBER: BACR13CG2AB OPTIONAL PART: KD4L018 V35344 BR230DS0115 V56623 KD4L036 V58657 FCA410-63 V78290 ELECTRICAL EQUIP NUMBER: K00023 | 002004 006100 107107 121503 904999 | 1 |
| 262 | TDH8119-5001 | | .RELAY- SUPPLIER CODE: V58657 ELECTRICAL EQUIP NUMBER: K10204 K10205 K10454 OPTIONAL PART: TDH8116-5001 V58657 | 002004 006100 107107 121503 904999 | 3 |
| 262 | TDH8116-5001 | | .RELAY- SUPPLIER CODE: V58657 ELECTRICAL EQUIP NUMBER: K10204 K10205 K10454 OPTIONAL PART: TDH8119-5001 V58657 | 002004 006100 107107 121503 904999 | 3 |

MISSING ITEM NUMBERS NOT APPLICABLE

- ITEM NOT ILLUSTRATED

BRI

36-11-71-02

BOEING PROPRIETARY - Copyright © - Unpublished Work - See title page for details.

36-11-71
FIG. 02
PAGE 9
JAN 20/09



757

PARTS CATALOG (MAINTENANCE)

| FIG ITEM | PART NUMBER | 1 2 3 4 5 6 7 | NOMENCLATURE | EFFECT FROM TO | UNITS PER ASSY |
|----------|-------------|---------------|---|--|----------------|
| 2 265 | W260F4AM11 | | .RELAY- SUPPLIER CODE: VF0219 SPECIFICATION NUMBER: BACR13CD2 OPTIONAL PART: BR16S233 V09026 EE4AA005 V35344 3SAV1338A2 V01526 HFW1206K03 V58614 HFW1204K01 V71482 ELECTRICAL EQUIP NUMBER: K00021 K00022 K10280 K10281 | 002004 006100 107107 121503 904999 | 4 |
| 267 | W260F4AM11 | | .RELAY- SUPPLIER CODE: VF0219 SPECIFICATION NUMBER: BACR13CD2 OPTIONAL PART: BR16S233 V09026 EE4AA005 V35344 3SAV1338A2 V01526 HFW1206K03 V58614 HFW1204K01 V71482 ELECTRICAL EQUIP NUMBER: K00024 | 002004 006100 107107 121503 904999 | 1 |

MISSING ITEM NUMBERS NOT APPLICABLE

- ITEM NOT ILLUSTRATED

BRI

36-11-71-02

BOEING PROPRIETARY - Copyright © - Unpublished Work - See title page for details.

36-11-71
FIG. 02
PAGE 10
JAN 20/09



757

PARTS CATALOG (MAINTENANCE)

| FIG ITEM | PART NUMBER | 1 2 3 4 5 6 7 | NOMENCLATURE | EFFECT FROM TO | UNITS PER ASSY |
|----------|-------------|---------------|---|--|----------------|
| 2 270 | W460F1A | | .RELAY- SUPPLIER CODE: VF0219 SPECIFICATION NUMBER: BACR13CE2 OPTIONAL PART: 3SAH5-13-4K1 V01526 3SAH1326A2 V01526 ELECTRICAL EQUIP NUMBER: K00025 | 002004 006100 107107 121503 904999 | 1 |
| 275 | E210-1631 | | .RELAY- SUPPLIER CODE: V99699 SPECIFICATION NUMBER: BACR13CF2A OPTIONAL PART: BR246S0112 V56623 FCA210-70 V78290 E215-1050 V99699 JD4A017 V35344 BR64S104 V56623 61GB19-1A320 V98927 ELECTRICAL EQUIP NUMBER: K10206 | 002004 006100 107107 121503 904999 | 1 |
| 280 | E410-1537 | | .RELAY- SUPPLIER CODE: V99699 SPECIFICATION NUMBER: BACR13CG2A OPTIONAL PART: E415-1078 V99699 BR230S0116 V56623 KD4A017 V58687 FCA410-62 V78290 ELECTRICAL EQUIP NUMBER: K10436 | 002004 006100 107107 121503 904999 | 1 |

MISSING ITEM NUMBERS NOT APPLICABLE

- ITEM NOT ILLUSTRATED

BRI

36-11-71-02

BOEING PROPRIETARY - Copyright © - Unpublished Work - See title page for details.

36-11-71
FIG. 02
PAGE 11
JAN 20/09



757

PARTS CATALOG (MAINTENANCE)

| FIG ITEM | PART NUMBER | 1 2 3 4 5 6 7 | NOMENCLATURE | EFFECT FROM TO | UNITS PER ASSY |
|----------|--------------|---------------|--|--|----------------|
| 2 285 | TDH8120-1002 | | .RELAY- SUPPLIER CODE: V58657 ELECTRICAL EQUIP NUMBER: K10555 QUALIFIED OPTIONAL DATA: (285N0126-13, INSTALLED, USING THREE (3) NAS601-9 SCREW, OPTIONAL TO TDH8120-1002) | 107107 | 1 |
| 290 | TDH8120-1002 | | .RELAY- SUPPLIER CODE: V58657 ELECTRICAL EQUIP NUMBER: K10555 QUALIFIED OPTIONAL DATA: (285N0126-11, INSTALLED, USING THREE (3) NAS601-9 SCREW, OPTIONAL TO TDH8120-1002) | 002004 006100 121503 904999 | 1 |
| 295 | 285N0126-11 | | .RELAY ASSY- SUPPLIER CODE: V89954 ELECTRICAL EQUIP NUMBER: K10555 COMPONENT MAINT MANUAL REF: 24-09-51 QUALIFIED OPTIONAL DATA: (285N0126-11, INSTALLED, USING THREE (3) NAS601-9 SCREW, OPTIONAL TO TDH8120-1002) | 002004 006100 950999 | 1 |
| 295 | 285N0126-13 | | .RELAY ASSY- SUPPLIER CODE: V89954 ELECTRICAL EQUIP NUMBER: K10555 QUALIFIED OPTIONAL DATA: (285N0126-13, INSTALLED, USING THREE (3) NAS601-9 SCREW, OPTIONAL TO TDH8120-1002) | 002004 006100 107107 121503 904999 | 1 |

MISSING ITEM NUMBERS NOT APPLICABLE

- ITEM NOT ILLUSTRATED

36-11-71-02

36-11-71
FIG. 02
PAGE 12
JAN 20/09

BRI

BOEING PROPRIETARY - Copyright © - Unpublished Work - See title page for details.



757

PARTS CATALOG (MAINTENANCE)

| FIG ITEM | PART NUMBER | 1 2 3 4 5 6 7 | NOMENCLATURE | EFFECT FROM TO | UNITS PER ASSY |
|----------|--------------|---------------|--|--|----------------|
| 2 300 | 285N0126-11 | | .RELAY ASSY- SUPPLIER CODE: V89954 ELECTRICAL EQUIP NUMBER: K10555 COMPONENT MAINT MANUAL REF: 24-09-51 QUALIFIED OPTIONAL DATA: (285N0126-11, INSTALLED, USING THREE (3) NAS601-9 SCREW, OPTIONAL TO TDH8120-1002) | 107107 | 1 |
| 300 | 285N0126-13 | | .RELAY ASSY- SUPPLIER CODE: V89954 ELECTRICAL EQUIP NUMBER: K10555 QUALIFIED OPTIONAL DATA: (285N0126-13, INSTALLED, USING THREE (3) NAS601-9 SCREW, OPTIONAL TO TDH8120-1002) | 002004 006100 107107 121503 904999 | 1 |
| - 310 | NAS601-9 | | ATTACHING PARTS .SCREW- QUALIFIED OPTIONAL DATA: (285N0126-11, INSTALLED, USING THREE (3) NAS601-9 SCREW, OPTIONAL TO TDH8120-1002) | 002004 006100 107107 950999 | 3 |
| - 500 | 286N1270-002 | | -----*----- WIRE BUNDLE ASSY- REWORKED BY SB: 34-0200 REWORKED BY ALERT SB: 27A0130 34A0222 | 121503 904949 | RF |
| - 500 | 286N1270-003 | | WIRE BUNDLE ASSY- REWORKED BY ALERT SB: 27A0130 34A0222 | 107107 | RF |
| - 500 | 286N1270-005 | | WIRE BUNDLE ASSY- REWORKED BY SB: 33-0039 34-0200 76-0014 REWORKED BY ALERT SB: 27A0130 34A0222 | 002004 006100 950999 | RF |

MISSING ITEM NUMBERS NOT APPLICABLE

- ITEM NOT ILLUSTRATED

36-11-71-02

36-11-71
FIG. 02
PAGE 13
JAN 20/09

BRI



757

PARTS CATALOG (MAINTENANCE)

| FIG ITEM | PART NUMBER | 1 2 3 4 5 6 7 | NOMENCLATURE | EFFECT FROM TO | UNITS PER ASSY |
|----------|--------------|---------------|--|--|----------------|
| 2 | | | | | |
| 505 | BACS16W1 | . | SOCKET- ELECTRICAL EQUIP NUMBER: D01610 WIRING DIAGRAM REF: 361141 | 002004 006100 107107 121503 904999 | 1 |
| 510 | BACS16W5 | . | SOCKET- ELECTRICAL EQUIP NUMBER: D02484 WIRING DIAGRAM REF: 361121 | 002004 006100 107107 121503 904999 | 1 |
| 515 | BACS16X1 | . | SOCKET- ELECTRICAL EQUIP NUMBER: D02486 WIRING DIAGRAM REF: 361121 | 002004 006100 107107 121503 904999 | 1 |
| - 550 | 286N1260-002 | | WIRE BUNDLE ASSY- REWORKED BY SB: 34-0200 REWORKED BY ALERT SB: 27A0130 | 121503 904949 | RF |
| - 550 | 286N1260-003 | | WIRE BUNDLE ASSY- REWORKED BY ALERT SB: 27A0130 | 107107 | RF |
| - 550 | 286N1260-005 | | WIRE BUNDLE ASSY- REWORKED BY SB: 34-0200 REWORKED BY ALERT SB: 27A0130 | 002004 006100 950999 | RF |
| 555 | BACS16W5 | . | SOCKET- ELECTRICAL EQUIP NUMBER: D01260 D02530 WIRING DIAGRAM REF: 361111 | 002004 006100 107107 121503 904999 | 2 |
| 560 | BACS16X1 | . | SOCKET- ELECTRICAL EQUIP NUMBER: D02532 WIRING DIAGRAM REF: 361111 | 002004 006100 107107 121503 904999 | 1 |

MISSING ITEM NUMBERS NOT APPLICABLE

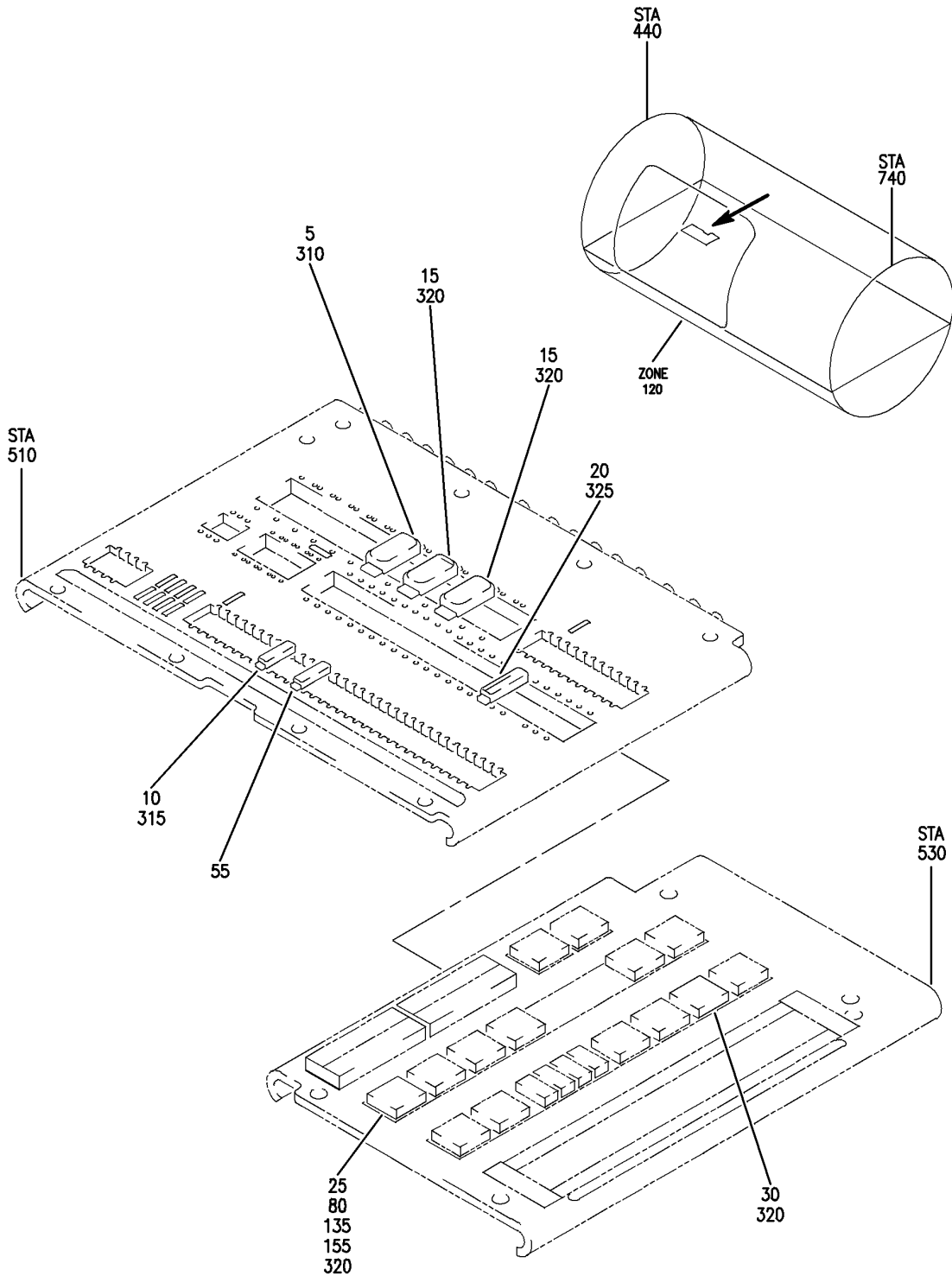
- ITEM NOT ILLUSTRATED

BRI

36-11-71-02

36-11-71
FIG. 02
PAGE 14
JAN 20/09

BOEING
757
PARTS CATALOG (MAINTENANCE)



Y 36117102A REV 225

OPTION PACKAGE ASSY-P36 MISC RELAY L (PNEUMATIC ONLY)
FIGURE 2A

36-11-71-02A

BRI
MAY 28/07

36-11-71-02A
PAGE 0



757

PARTS CATALOG (MAINTENANCE)

| FIG ITEM | PART NUMBER | 1 2 3 4 5 6 7 | NOMENCLATURE | EFFECT FROM TO | UNITS PER ASSY |
|----------|---------------|---------------|---|------------------|----------------|
| 2A | | | OPTION PACKAGE ASSY-P36 MISC RELAY L (PNEUMATIC ONLY) | 101102 504903 | |
| - 1 | 284N1125-1018 | | OPTION PACKAGE ASSY-P36 MISC RELAY L (PNEUMATIC ONLY) REWORKED BY ALERT SB: 27A0130 FOR NHA/OTHER SYS DET SEE: 31-01-36-05 | 101102 504903 | RF |
| 5 | E410-1537 | | .RELAY- SUPPLIER CODE: V99699 SPECIFICATION NUMBER: BACR13CG2A OPTIONAL PART: E415-1078 V99699 BR230S0116 V56623 KD4A017 V58687 FCA410-62 V78290 ELECTRICAL EQUIP NUMBER: K10435 | 101102 504903 | 1 |
| 10 | W260F4AM11 | | .RELAY- SUPPLIER CODE: VF0219 SPECIFICATION NUMBER: BACR13CD2 OPTIONAL PART: BR16S233 V09026 EE4AA005 V35344 3SAV1338A2 V01526 HFW1206K03 V58614 HFW1204K01 V71482 ELECTRICAL EQUIP NUMBER: K10282 | 101102 504903 | 1 |

MISSING ITEM NUMBERS NOT APPLICABLE

- ITEM NOT ILLUSTRATED

36-11-71-02A

36-11-71
FIG. 02A
PAGE 1
JAN 20/09

BRI



757

PARTS CATALOG (MAINTENANCE)

| FIG ITEM | PART NUMBER | 1 2 3 4 5 6 7 | NOMENCLATURE | EFFECT FROM TO | UNITS PER ASSY |
|----------|--------------|---------------|--|------------------|----------------|
| 2A 15 | TDH8116-5001 | .RELAY- | SUPPLIER CODE: V58657 ELECTRICAL EQUIP NUMBER: K10197 K10198 OPTIONAL PART: TDH8119-5001 V35344 | 101102 504903 | 2 |
| 15 | TDH8119-5001 | .RELAY- | SUPPLIER CODE: V58657 ELECTRICAL EQUIP NUMBER: K10197 K10198 OPTIONAL PART: TDH8116-5001 V35344 | 101102 504903 | 2 |
| 20 | E210-1631 | .RELAY- | SUPPLIER CODE: V99699 SPECIFICATION NUMBER: BACR13CF2A OPTIONAL PART: BR246S0112 V56623 FCA210-70 V78290 E215-1050 V99699 JD4A017 V35344 BR64S104 V56623 61GB19-1A320 V98927 ELECTRICAL EQUIP NUMBER: K10199 | 101102 504903 | 1 |
| 25 | TDH8116-5001 | .RELAY- | SUPPLIER CODE: V58657 ELECTRICAL EQUIP NUMBER: K10453 OPTIONAL PART: TDH8119-5001 V35344 | 101102 504903 | 1 |

MISSING ITEM NUMBERS NOT APPLICABLE

- ITEM NOT ILLUSTRATED

36-11-71-02A

36-11-71
FIG. 02A
PAGE 2
JAN 20/09

BRI

BOEING PROPRIETARY - Copyright © - Unpublished Work - See title page for details.



757

PARTS CATALOG (MAINTENANCE)

| FIG ITEM | PART NUMBER | 1 2 3 4 5 6 7 | NOMENCLATURE | EFFECT FROM TO | UNITS PER ASSY |
|----------|---------------|--|--|------------------|----------------|
| 2A 25 | TDH8119-5001 | .RELAY- | SUPPLIER CODE: V58657 ELECTRICAL EQUIP NUMBER: K10453 OPTIONAL PART: TDH8116-5001 V35344 | 101102 504903 | 1 |
| 30 | TDH8120-1002 | .RELAY- | SUPPLIER CODE: V58657 ELECTRICAL EQUIP NUMBER: K10554 QUALIFIED I/W DATA: 285N0126-13 T/W THREE (3) NAS601-9 SCREWS OPTIONAL TO TDH8120-1002 OPTIONAL PART: 285N0126-11 V89954 | 101102 504903 | 1 |
| 30 | 285N0126-11 | .RELAY ASSY- | SUPPLIER CODE: V89954 ELECTRICAL EQUIP NUMBER: K10554 COMPONENT MAINT MANUAL REF: 24-09-51 OPTIONAL PART: TDH8120-1002 V58657 | 101102 504903 | 1 |
| - 75 | 284N1125-1010 | OPTION PACKAGE ASSY-P36 MISC RELAY L (PNEUMATIC ONLY) REWORKED BY ALERT SB: 27A0130 FOR NHA/OTHER SYS DET SEE: 31-01-36-05 | | 101102 504903 | RF |
| 80 | TDH8116-5001 | .RELAY- | SUPPLIER CODE: V58657 ELECTRICAL EQUIP NUMBER: K10453 OPTIONAL PART: TDH8119-5001 V35344 | 101102 504903 | 1 |

MISSING ITEM NUMBERS NOT APPLICABLE

- ITEM NOT ILLUSTRATED

36-11-71-02A

36-11-71
FIG. 02A
PAGE 3
JAN 20/09

BRI



757

PARTS CATALOG (MAINTENANCE)

| FIG ITEM | PART NUMBER | 1 2 3 4 5 6 7 | NOMENCLATURE | EFFECT FROM TO | UNITS PER ASSY |
|----------|--------------|---------------|---|------------------|----------------|
| 2A 80 | TDH8119-5001 | | .RELAY- SUPPLIER CODE: V58657 ELECTRICAL EQUIP NUMBER: K10453 OPTIONAL PART: TDH8116-5001 V35344 | 101102 504903 | 1 |
| - 301 | 286N1260-358 | | WIRE BUNDLE ASSY- REWORKED BY ALERT SB: 27A0130 | 101102 | RF |
| - 301 | 286N1260-364 | | WIRE BUNDLE ASSY- REWORKED BY ALERT SB: 27A0130 | 504903 | RF |
| 310 | BACS16W1 | | .SOCKET- ELECTRICAL EQUIP NUMBER: D05142 WIRING DIAGRAM REF: 361111 | 101102 504903 | 1 |
| 315 | RSE120026 | | .SOCKET- SUPPLIER CODE: V58982 SPECIFICATION NUMBER: BACS16AG1 OPTIONAL PART: 451120-026 V58982 ELECTRICAL EQUIP NUMBER: D04116 WIRING DIAGRAM REF: 361111 | 101102 504903 | 1 |
| 320 | RSF116416 | | .SOCKET- SUPPLIER CODE: V58982 SPECIFICATION NUMBER: BACS16W5A OPTIONAL PART: 102-010-1 V09922 000300-1545 V05574 ELECTRICAL EQUIP NUMBER: D02528 D02530 D05258 D07036 WIRING DIAGRAM REF: 361111 | 101102 504903 | 4 |

MISSING ITEM NUMBERS NOT APPLICABLE

- ITEM NOT ILLUSTRATED

36-11-71-02A

36-11-71
FIG. 02A
PAGE 4
JAN 20/09

BRI

BOEING
757
PARTS CATALOG (MAINTENANCE)

| FIG ITEM | PART NUMBER | 1 2 3 4 5 6 7 NOMENCLATURE | EFFECT FROM TO | UNITS PER ASSY |
|-------------|-------------|--|-------------------|----------------------|
| 2A 325 | RSF116200 | . SOCKET- SUPPLIER CODE: V58982 SPECIFICATION NUMBER: BACS16X1A OPTIONAL PART: 102-006-1 V09922 000300-1538 V05574 ELECTRICAL EQUIP NUMBER: D02532 WIRING DIAGRAM REF: 361111 | 101102 504903 | 1 |

MISSING ITEM NUMBERS NOT APPLICABLE

— ITEM NOT ILLUSTRATED

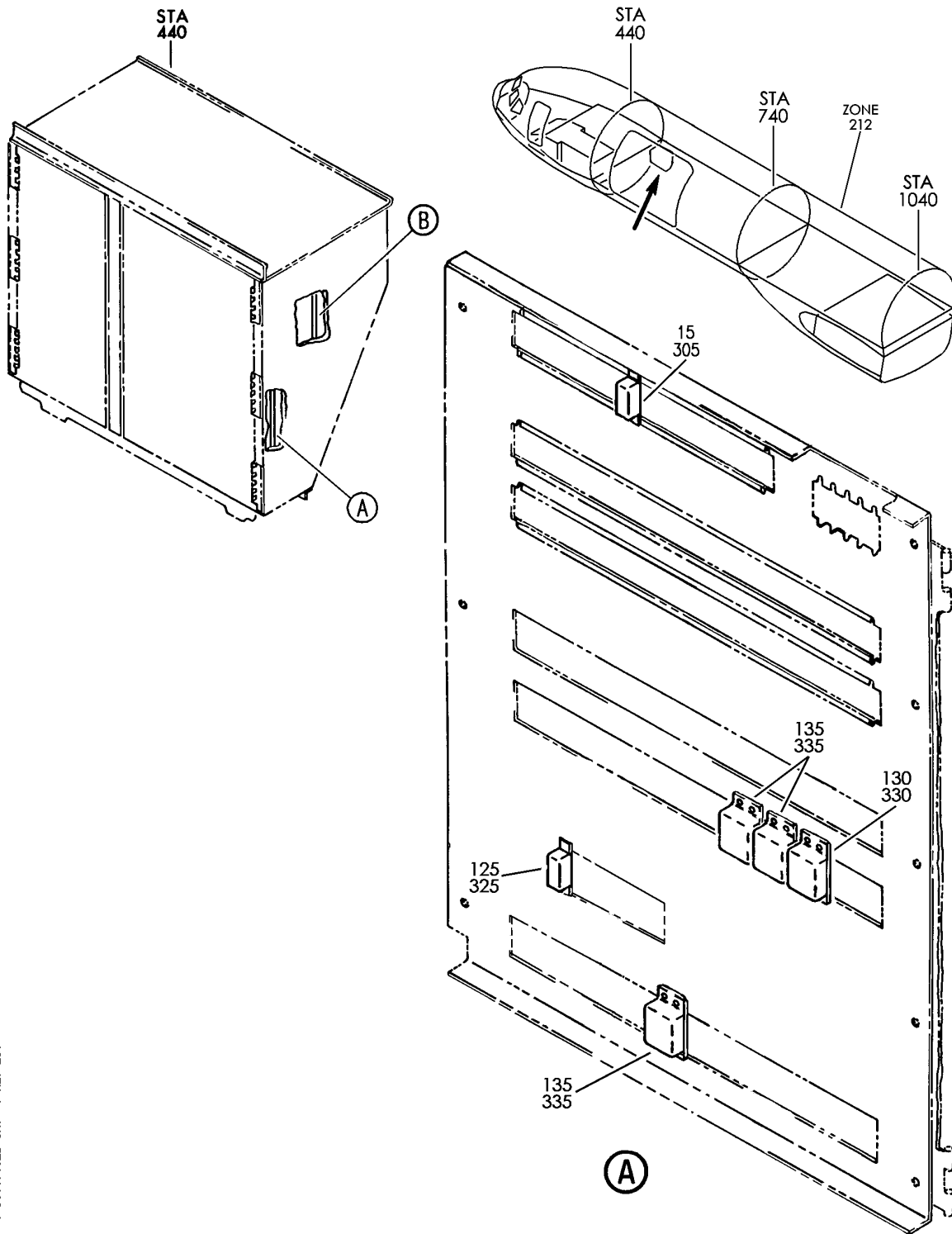
BRI

36-11-71-02A

BOEING PROPRIETARY - Copyright © - Unpublished Work - See title page for details.

36-11-71
FIG. 02A
PAGE 5
JAN 20/09

BOEING
757
PARTS CATALOG (MAINTENANCE)



Y 36117102B SHT 1 REV 281

PACKAGE ASSY-OPTION P37 MISC RELAY (PNEUMATIC ONLY)
FIGURE 2B (SHEET 1)

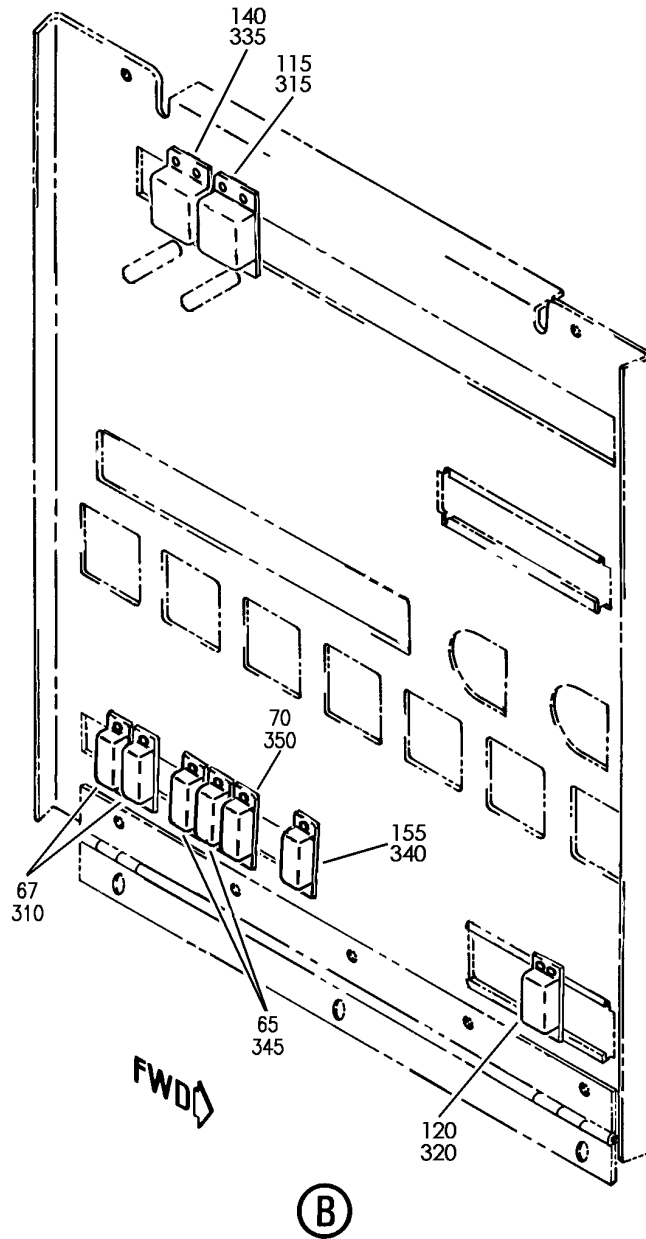
36-11-71-02B

BRI
MAY 28/07

36-11-71-02B
PAGE 0

BOEING PROPRIETARY - Copyright © - Unpublished Work - See title page for details.

BOEING
757
PARTS CATALOG (MAINTENANCE)



Y 36117102B SHT 2 REV 281

PACKAGE ASSY-OPTION P37 MISC RELAY (PNEUMATIC ONLY)
FIGURE 2B (SHEET 2)

36-11-71-02B

BRI
MAY 28/07

36-11-71-02B
PAGE 0A



757

PARTS CATALOG (MAINTENANCE)

| FIG ITEM | PART NUMBER | 1 2 3 4 5 6 7 | NOMENCLATURE | EFFECT FROM TO | UNITS PER ASSY |
|----------|---------------|---------------|--|------------------|----------------|
| 2B | | | PACKAGE ASSY-OPTION P37 MISC RELAY (PNEUMATIC ONLY) | 101102 504903 | |
| - 50 | 284N1127-1041 | | PACKAGE ASSY-OPTION P37 MISC RELAY (PNEUMATIC ONLY) | 101102 504903 | RF |
| 65 | W260F4AM11 | | MISCELLANEOUS DATA: 757 MAJOR MODEL REWORKED BY ALERT SB: 27A0130 FOR NHA/OTHER SYS DET SEE: 31-01-37-02 .RELAY- SUPPLIER CODE: VF0219 SPECIFICATION NUMBER: BACR13CD2 OPTIONAL PART: BR16S233 V09026 EE4AA005 V35344 3SAV1338A2 V01526 HFW1206K03 V58614 HFW1204K01 V71482 ELECTRICAL EQUIP NUMBER: K00021 K00022 | 101102 504903 | 2 |

MISSING ITEM NUMBERS NOT APPLICABLE

- ITEM NOT ILLUSTRATED

BRI

36-11-71-02B

BOEING PROPRIETARY - Copyright © - Unpublished Work - See title page for details.

36-11-71
FIG. 02B
PAGE 1
JAN 20/09



757

PARTS CATALOG (MAINTENANCE)

| FIG ITEM | PART NUMBER | 1 2 3 4 5 6 7 | NOMENCLATURE | EFFECT FROM TO | UNITS PER ASSY |
|----------|-------------|---------------|---|------------------|----------------|
| 2B 67 | W260F4AM11 | | .RELAY- SUPPLIER CODE: VF0219 SPECIFICATION NUMBER: BACR13CD2 OPTIONAL PART: BR16S233 V09026 EE4AA005 V35344 3SAV1338A2 V01526 HFW1206K03 V58614 HFW1204K01 V71482 ELECTRICAL EQUIP NUMBER: K10280 K10281 | 101102 504903 | 2 |
| 70 | W260F4AM11 | | .RELAY- SUPPLIER CODE: VF0219 SPECIFICATION NUMBER: BACR13CD2 OPTIONAL PART: BR16S233 V09026 EE4AA005 V35344 3SAV1338A2 V01526 HFW1206K03 V58614 HFW1204K01 V71482 ELECTRICAL EQUIP NUMBER: K00024 | 101102 504903 | 1 |

MISSING ITEM NUMBERS NOT APPLICABLE

- ITEM NOT ILLUSTRATED

BRI

36-11-71-02B

BOEING PROPRIETARY - Copyright © - Unpublished Work - See title page for details.

36-11-71
FIG. 02B
PAGE 2
JAN 20/09



757

PARTS CATALOG (MAINTENANCE)

| FIG ITEM | PART NUMBER | 1 2 3 4 5 6 7 | NOMENCLATURE | EFFECT FROM TO | UNITS PER ASSY |
|-----------|-------------|---------------|--|------------------|----------------|
| 2B 115 | ES410-1538 | . | RELAY- SUPPLIER CODE: V99699 SPECIFICATION NUMBER: BACR13CG2AB OPTIONAL PART: KD4L018 V35344 BR230DS0115 V56623 KD4L036 V58657 FCA410-63 V78290 ELECTRICAL EQUIP NUMBER: K00023 | 101102 504903 | 1 |
| 120 | W460F1A | . | RELAY- SUPPLIER CODE: VF0219 SPECIFICATION NUMBER: BACR13CE2 OPTIONAL PART: 3SAH5-13-4K1 V01526 3SAH1326A2 V01526 ELECTRICAL EQUIP NUMBER: K00025 | 101102 504903 | 1 |
| 125 | E210-1631 | . | RELAY- SUPPLIER CODE: V99699 SPECIFICATION NUMBER: BACR13CF2A OPTIONAL PART: BR246S0112 V56623 FCA210-70 V78290 E215-1050 V99699 JD4A017 V35344 BR64S104 V56623 61GB19-1A320 V98927 ELECTRICAL EQUIP NUMBER: K10206 | 101102 504903 | 1 |

MISSING ITEM NUMBERS NOT APPLICABLE

- ITEM NOT ILLUSTRATED

36-11-71-02B

36-11-71
FIG. 02B
PAGE 3
JAN 20/09

BRI

BOEING PROPRIETARY - Copyright © - Unpublished Work - See title page for details.



757

PARTS CATALOG (MAINTENANCE)

| FIG ITEM | PART NUMBER | 1 2 3 4 5 6 7 | NOMENCLATURE | EFFECT FROM TO | UNITS PER ASSY |
|-----------|--------------|---------------|--|------------------|----------------|
| 2B 130 | E410-1537 | . | RELAY- SUPPLIER CODE: V99699 SPECIFICATION NUMBER: BACR13CG2A OPTIONAL PART: E415-1078 V99699 BR230S0116 V56623 KD4A017 V58687 FCA410-62 V78290 ELECTRICAL EQUIP NUMBER: K10436 | 101102 504903 | 1 |
| 135 | TDH8119-5001 | . | RELAY- SUPPLIER CODE: V58657 ELECTRICAL EQUIP NUMBER: K10204 K10205 K10454 OPTIONAL PART: TDH8116-5001 V58657 | 101102 504903 | 3 |
| 135 | TDH8116-5001 | . | RELAY- SUPPLIER CODE: V58657 ELECTRICAL EQUIP NUMBER: K10204 K10205 K10454 OPTIONAL PART: TDH8119-5001 V58657 | 101102 504903 | 3 |
| 140 | TDH8120-1002 | . | RELAY- SUPPLIER CODE: V58657 ELECTRICAL EQUIP NUMBER: K10555 OPTIONAL PART: 285N0126-11 V89954 | 101102 504903 | 1 |

MISSING ITEM NUMBERS NOT APPLICABLE

- ITEM NOT ILLUSTRATED

36-11-71-02B

36-11-71
FIG. 02B
PAGE 4
JAN 20/09

BRI

BOEING PROPRIETARY - Copyright © - Unpublished Work - See title page for details.



757

PARTS CATALOG (MAINTENANCE)

| FIG ITEM | PART NUMBER | 1 2 3 4 5 6 7 | NOMENCLATURE | EFFECT FROM TO | UNITS PER ASSY |
|-----------|--------------|---|--|------------------|----------------|
| 2B 140 | 285N0126-11 | . | RELAY ASSY- SUPPLIER CODE: V89954 ELECTRICAL EQUIP NUMBER: K10555 COMPONENT MAINT MANUAL REF: 24-09-51 OPTIONAL PART: TDH8120-1002 V58657 | 101102 504903 | 1 |
| 140 | 285N0126-13 | . | RELAY ASSY- SUPPLIER CODE: V89954 ELECTRICAL EQUIP NUMBER: K10555 | 101102 504903 | 1 |
| - 300 | 286N1270-336 | WIRE BUNDLE ASSY- REWORKED BY ALERT SB: 34A0222 27A0130 | | 504903 | RF |
| - 301 | 286N1270-361 | WIRE BUNDLE ASSY- REWORKED BY ALERT SB: 34A0222 27A0130 | | 101101 | RF |
| - 302 | 286N1270-399 | WIRE BUNDLE ASSY- REWORKED BY ALERT SB: 34A0222 27A0130 | | 102102 | RF |
| 310 | RSE120026 | .SOCKET- SUPPLIER CODE: V58982 SPECIFICATION NUMBER: BACS16AG1 OPTIONAL PART: 451120-026 V58982 ELECTRICAL EQUIP NUMBER: D04006 D04008 WIRING DIAGRAM REF: 361141 361121 | | 101102 504903 | 2 |

MISSING ITEM NUMBERS NOT APPLICABLE

- ITEM NOT ILLUSTRATED

36-11-71-02B

36-11-71
FIG. 02B
PAGE 5
JAN 20/09

BRI



757

PARTS CATALOG (MAINTENANCE)

| FIG ITEM | PART NUMBER | 1 2 3 4 5 6 7 | NOMENCLATURE | EFFECT FROM TO | UNITS PER ASSY |
|-----------|-------------|---------------|---|------------------|----------------|
| 2B 315 | RSF116400 | | .SOCKET- SUPPLIER CODE: V58982 SPECIFICATION NUMBER: BACS16W1A OPTIONAL PART: 102-009-1 V09922 000300-1539 V05574 ELECTRICAL EQUIP NUMBER: D01610 WIRING DIAGRAM REF: 361141 | 101102 504903 | 1 |
| 320 | RSE120027 | | .SOCKET- SUPPLIER CODE: V58982 SPECIFICATION NUMBER: BACS16AF1 OPTIONAL PART: 451120-027 V58982 ELECTRICAL EQUIP NUMBER: D01614 WIRING DIAGRAM REF: 361141 | 101102 504903 | 1 |
| 325 | RSF116200 | | .SOCKET- SUPPLIER CODE: V58982 SPECIFICATION NUMBER: BACS16X1A OPTIONAL PART: 102-006-1 V09922 000300-1538 V05574 ELECTRICAL EQUIP NUMBER: D02486 WIRING DIAGRAM REF: 361121 | 101102 504903 | 1 |
| 330 | BACS16W1 | | .SOCKET- ELECTRICAL EQUIP NUMBER: D05208 WIRING DIAGRAM REF: 361121 | 101102 504903 | 1 |

MISSING ITEM NUMBERS NOT APPLICABLE

- ITEM NOT ILLUSTRATED

36-11-71-02B

36-11-71
FIG. 02B
PAGE 6
JAN 20/09

BRI

BOEING PROPRIETARY - Copyright © - Unpublished Work - See title page for details.



757

PARTS CATALOG (MAINTENANCE)

| FIG ITEM | PART NUMBER | 1 2 3 4 5 6 7 | NOMENCLATURE | EFFECT FROM TO | UNITS PER ASSY |
|-----------|-------------|---------------|---|------------------|----------------|
| 2B 335 | RSF116416 | | .SOCKET- SUPPLIER CODE: V58982 SPECIFICATION NUMBER: BACS16W5A OPTIONAL PART: 102-010-1 V09922 000300-1545 V05574 ELECTRICAL EQUIP NUMBER: D02482 D02484 D05260 D07038 WIRING DIAGRAM REF: 361121 | 101102 504903 | 4 |
| 345 | RSE120026 | | .SOCKET- SUPPLIER CODE: V58982 SPECIFICATION NUMBER: BACS16AG1 OPTIONAL PART: 451120-026 V58982 ELECTRICAL EQUIP NUMBER: D01600 D01602 WIRING DIAGRAM REF: 361211 361131 | 101102 504903 | 2 |
| 350 | RSE120026 | | .SOCKET- SUPPLIER CODE: V58982 SPECIFICATION NUMBER: BACS16AG1 OPTIONAL PART: 451120-026 V58982 ELECTRICAL EQUIP NUMBER: D01612 WIRING DIAGRAM REF: 361141 | 101102 504903 | 1 |

MISSING ITEM NUMBERS NOT APPLICABLE

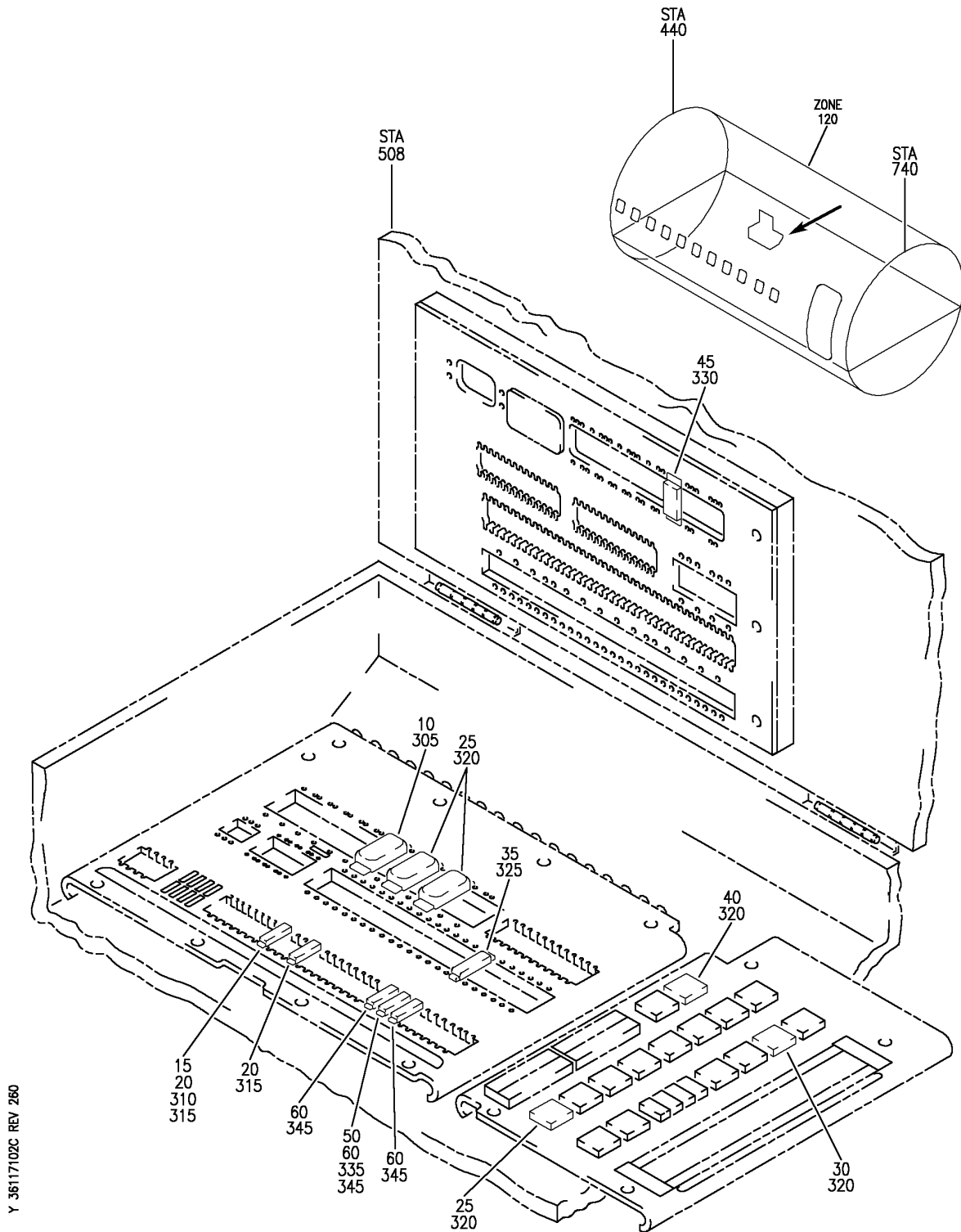
- ITEM NOT ILLUSTRATED

36-11-71-02B

36-11-71
FIG. 02B
PAGE 7
JAN 20/09

BRI

BOEING
757
PARTS CATALOG (MAINTENANCE)



Y 36117102C REV 250

PANEL INSTL-P36 L MISC RELAY (PNEUMATIC ONLY)
FIGURE 2C

36-11-71-02C

BRI
JAN 20/09

36-11-71-02C
PAGE 0



757

PARTS CATALOG (MAINTENANCE)

| FIG ITEM | PART NUMBER | 1 2 3 4 5 6 7 | NOMENCLATURE | EFFECT FROM TO | UNITS PER ASSY |
|-------------------------------------|-------------|---------------|--|------------------|----------------|
| 2C | | | PANEL INSTL-P36 L MISC RELAY (PNEUMATIC ONLY) | 103106 108120 | |
| - 3 | 284N1125-94 | | PANEL INSTL-P36 L MISC RELAY (PNEUMATIC ONLY) FOR NHA/OTHER SYS DET SEE: 24-00-58-05C | 108120 | RF |
| - 6 | MODREF31944 | | PANEL INSTL-P36 L MISC RELAY (PNEUMATIC ONLY) MODULE NUMBER: 284N1125-123 REV A FOR OTHER SYS DETAILS SEE: 11-36-08-03C 21-25-71-02C 21-33-71-02C 21-51-56-01C 21-58-71-02C 23-12-00-05 23-31-54-01C 23-34-52-01C 24-21-51-01A 26-15-71-02C 26-16-71-01C 26-22-71-01C 27-48-52-03C 27-51-71-03C 27-58-71-02C 27-62-71-03C 29-11-71-03C 29-21-71-01C 30-21-71-03C 30-34-51-01C 31-01-36-01 32-09-02-03C 32-35-71-01C 32-42-71-02C 32-44-71-02C 32-61-71-02C 34-12-71-02C 34-21-71-02C 34-22-52-01C 34-61-52-01C 73-21-55-01C 74-31-71-02C 76-11-71-02C 77-12-71-01C 78-34-71-02C 78-36-71-02C 80-11-71-02C | 103106 | 1 |
| MISSING ITEM NUMBERS NOT APPLICABLE | | | | | |

- ITEM NOT ILLUSTRATED

36-11-71-02C

36-11-71
FIG. 02C
PAGE 1
JAN 20/09

BRI



757

PARTS CATALOG (MAINTENANCE)

| FIG ITEM | PART NUMBER | 1 2 3 4 5 6 7 | NOMENCLATURE | EFFECT FROM TO | UNITS PER ASSY | |
|----------|-------------|---------------|--|--|------------------|---|
| 2C 10 | E410-1537 | . | RELAY- SUPPLIER CODE: V99699 SPECIFICATION NUMBER: BACR13CG2A OPTIONAL PART: E415-1078 V99699 BR230S0116 V56623 KD4A017 V58687 FCA410-62 V78290 ELECTRICAL EQUIP NUMBER: K10435 | 103106 108120 | 1 | |
| | 15 | W260F4AM11 | . | RELAY- SUPPLIER CODE: VF0219 SPECIFICATION NUMBER: BACR13CD2 OPTIONAL PART: BR16S233 V09026 EE4AA005 V35344 3SAV1338A2 V01526 HFW1206K03 V58614 HFW1204K01 V71482 ELECTRICAL EQUIP NUMBER: K10282 | 103106 108120 | 1 |
| | 25 | TDH8119-5001 | . | RELAY- SUPPLIER CODE: V58657 ELECTRICAL EQUIP NUMBER: K10197 K10198 K10453 OPTIONAL PART: TDH8116-5001 V35344 | 103106 108120 | 3 |

MISSING ITEM NUMBERS NOT APPLICABLE

- ITEM NOT ILLUSTRATED

BRI

36-11-71-02C

BOEING PROPRIETARY - Copyright © - Unpublished Work - See title page for details.

36-11-71
FIG. 02C
PAGE 2
JAN 20/09



757

PARTS CATALOG (MAINTENANCE)

| FIG ITEM | PART NUMBER | 1 2 3 4 5 6 7 | NOMENCLATURE | EFFECT FROM TO | UNITS PER ASSY |
|----------|--------------|---------------|---|------------------|----------------|
| 2C 25 | TDH8116-5001 | | .RELAY- SUPPLIER CODE: V58657 ELECTRICAL EQUIP NUMBER: K10197 K10198 K10453 OPTIONAL PART: TDH8119-5001 V35344 | 103106 108120 | 3 |
| 30 | TDH8120-1002 | | .RELAY- SUPPLIER CODE: V58657 ELECTRICAL EQUIP NUMBER: K10554 QUALIFIED I/W DATA: 285N0126-13 T/W THREE (3) NAS601-9 SCREWS OPTIONAL TO TDH8120-1002 OPTIONAL PART: 285N0126-11 V89954 | 103106 | 1 |
| 30 | 285N0126-11 | | .RELAY ASSY- SUPPLIER CODE: V89954 ELECTRICAL EQUIP NUMBER: K10554 COMPONENT MAINT MANUAL REF: 24-09-51 OPTIONAL PART: TDH8120-1002 V58657 | 103106 | 1 |
| 30 | 285N0126-13 | | .RELAY ASSY- SUPPLIER CODE: V89954 ELECTRICAL EQUIP NUMBER: K10554 | 103106 | 1 |

MISSING ITEM NUMBERS NOT APPLICABLE

- ITEM NOT ILLUSTRATED

36-11-71-02C

36-11-71
FIG. 02C
PAGE 3
JAN 20/09

BRI



757

PARTS CATALOG (MAINTENANCE)

| FIG ITEM | PART NUMBER | 1 2 3 4 5 6 7 | NOMENCLATURE | EFFECT FROM TO | UNITS PER ASSY |
|----------|--------------|---------------|---|------------------|----------------|
| 2C 35 | E210-1631 | | .RELAY- SUPPLIER CODE: V99699 SPECIFICATION NUMBER: BACR13CF2A OPTIONAL PART: BR246S0112 V56623 FCA210-70 V78290 E215-1050 V99699 JD4A017 V35344 BR64S104 V56623 61GB19-1A320 V98927 ELECTRICAL EQUIP NUMBER: K10199 | 103106 108120 | 1 |
| 40 | TDH8120-1002 | | .RELAY- SUPPLIER CODE: V58657 ELECTRICAL EQUIP NUMBER: K10554 QUALIFIED I/W DATA: 285N0126-13 T/W THREE (3) NAS601-9 SCREWS OPTIONAL TO TDH8120-1002 OPTIONAL PART: 285N0126-11 V89954 | 108120 | 1 |
| 40 | 285N0126-11 | | .RELAY ASSY- SUPPLIER CODE: V89954 ELECTRICAL EQUIP NUMBER: K10554 COMPONENT MAINT MANUAL REF: 24-09-51 OPTIONAL PART: TDH8120-1002 V58657 | 108120 | 1 |
| 40 | 285N0126-13 | | .RELAY ASSY- SUPPLIER CODE: V89954 ELECTRICAL EQUIP NUMBER: K10554 | 108120 | 1 |
| - 300 | 286N1260-357 | | WIRE BUNDLE ASSY | 108120 | RF |
| - 302 | 286N1260-601 | | WIRE BUNDLE ASSY | 103106 | RF |

MISSING ITEM NUMBERS NOT APPLICABLE

- ITEM NOT ILLUSTRATED

36-11-71-02C

36-11-71
FIG. 02C
PAGE 4
JAN 20/09

BRI



757

PARTS CATALOG (MAINTENANCE)

| FIG ITEM | PART NUMBER | 1 2 3 4 5 6 7 | NOMENCLATURE | EFFECT FROM TO | UNITS PER ASSY |
|-----------|-------------|---------------|--|------------------|----------------|
| 2C 305 | BACS16W1 | . | SOCKET- ELECTRICAL EQUIP NUMBER: D05142 WIRING DIAGRAM REF: 361111 | 103106 108120 | 1 |
| 310 | RSE120026 | . | SOCKET- SUPPLIER CODE: V58982 SPECIFICATION NUMBER: BACS16AG1 OPTIONAL PART: 451120-026 V58982 ELECTRICAL EQUIP NUMBER: D04116 WIRING DIAGRAM REF: 361111 | 103106 108120 | 1 |
| 320 | RSF116416 | . | SOCKET- SUPPLIER CODE: V58982 SPECIFICATION NUMBER: BACS16W5A OPTIONAL PART: 102-010-1 V09922 000300-1545 V05574 ELECTRICAL EQUIP NUMBER: D02528 D02530 D05258 D07036 WIRING DIAGRAM REF: 361111 | 103106 108120 | 4 |
| 325 | RSF116200 | . | SOCKET- SUPPLIER CODE: V58982 SPECIFICATION NUMBER: BACS16X1A OPTIONAL PART: 102-006-1 V09922 000300-1538 V05574 ELECTRICAL EQUIP NUMBER: D02532 WIRING DIAGRAM REF: 361111 | 103106 108120 | 1 |

MISSING ITEM NUMBERS NOT APPLICABLE

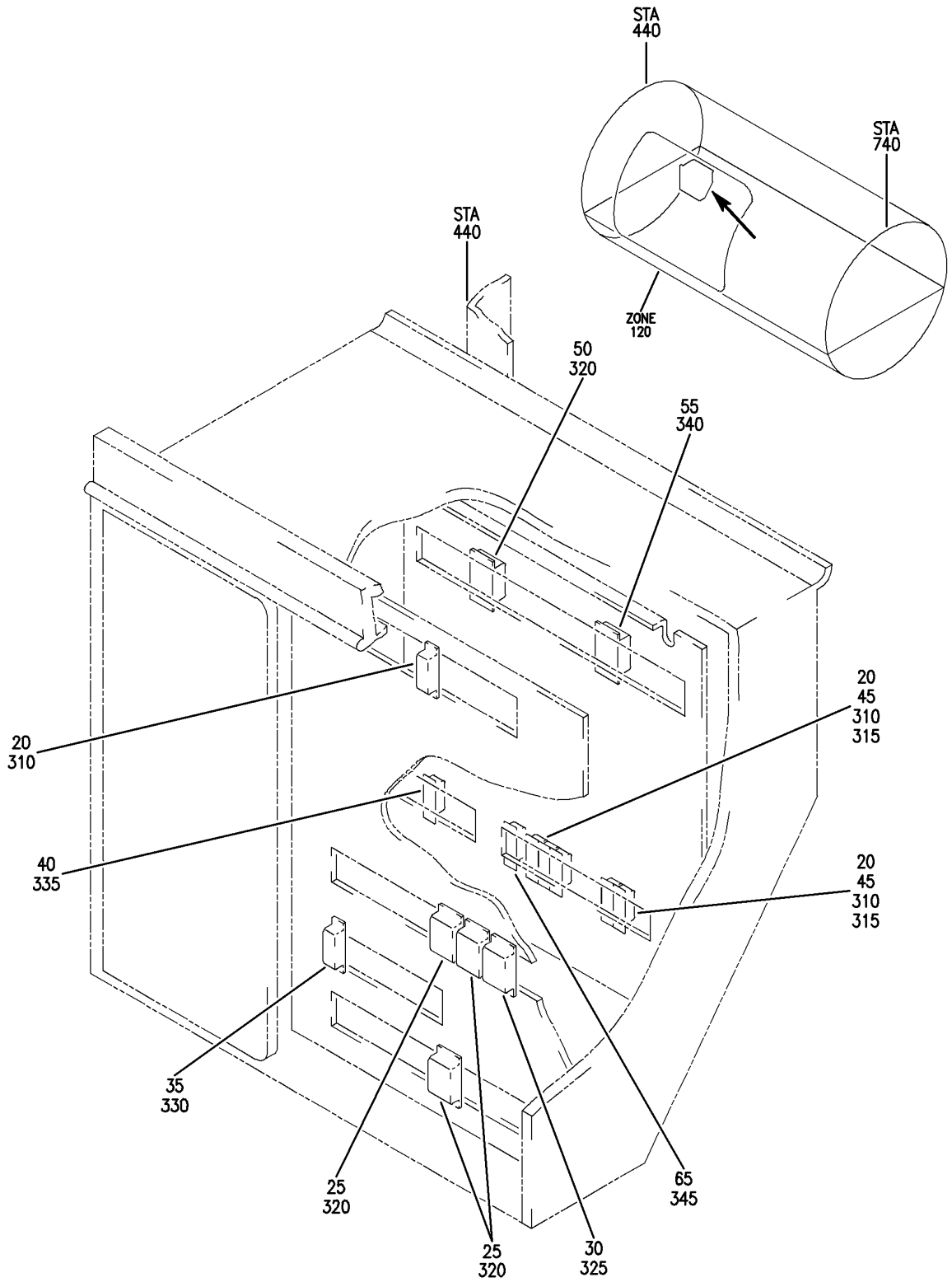
- ITEM NOT ILLUSTRATED

36-11-71-02C

36-11-71
FIG. 02C
PAGE 5
JAN 20/09

BRI

BOEING
757
PARTS CATALOG (MAINTENANCE)



Y 36117102D REV 234

PANEL INSTL-P37 R MISC RELAY (PNEU ONLY)
FIGURE 2D

36-11-71-02D

BRI
JAN 20/09

36-11-71-02D
PAGE 0



757

PARTS CATALOG (MAINTENANCE)

| FIG ITEM | PART NUMBER | 1 2 3 4 5 6 7 | NOMENCLATURE | EFFECT FROM TO | UNITS PER ASSY |
|-------------------------------------|--------------|---------------|--|------------------|----------------|
| 2D | | | PANEL INSTL-P37 R MISC RELAY (PNEU ONLY) | 103106 108120 | |
| - 1 | MODREF185037 | | PANEL INSTL-P37 R MISC RELAY (PNEU ONLY) MODULE NUMBER: 284N1127-169 REV D FOR OTHER SYS DETAILS SEE: 11-36-12-02A 21-25-71-02D 21-44-71-02D 21-45-31-01D 21-51-55-01D 21-58-71-02D 21-61-71-02D 23-31-51-05 24-21-51-05 24-51-01-02 24-51-02-03 24-51-58-02D 27-62-71-03D 28-22-71-03D 29-21-71-01D 30-11-71-02D 30-21-71-03D 30-31-71-02D 30-32-71-02D 30-33-71-02D 30-34-51-01D 31-01-37-10 31-31-71-02D 32-09-02-04D 32-42-71-02D 32-61-71-02D 33-43-55-01D 33-51-71-01D 34-12-71-02D 34-25-50-01D 34-61-52-01D 35-21-71-02D 38-15-71-02D 73-21-55-01D 74-31-71-02D 76-11-71-02D 77-12-71-01D 78-34-71-02D 78-36-71-02D 80-11-71-02D | 106106 | 1 |
| MISSING ITEM NUMBERS NOT APPLICABLE | | | | | |

- ITEM NOT ILLUSTRATED

36-11-71-02D

36-11-71
FIG. 02D
PAGE 1
JAN 20/09

BRI



757

PARTS CATALOG (MAINTENANCE)

| FIG ITEM | PART NUMBER | 1 2 3 4 5 6 7 | NOMENCLATURE | EFFECT FROM TO | UNITS PER ASSY |
|-------------|--------------|---------------|---|-------------------|----------------------|
| 2D - 3 | 284N1127-118 | | PANEL INSTL-P37 R MISC RELAY (PNEU ONLY) FOR NHA/OTHER SYS DET SEE: 24-00-58-05C | 108108 | RF |
| - 4 | 284N1127-139 | | PANEL INSTL-P37 R MISC RELAY (PNEU ONLY) FOR NHA/OTHER SYS DET SEE: 24-00-58-05C | 109120 | RF |

MISSING ITEM NUMBERS NOT APPLICABLE

- ITEM NOT ILLUSTRATED

BRI

36-11-71-02D

BOEING PROPRIETARY - Copyright © - Unpublished Work - See title page for details.

36-11-71
FIG. 02D
PAGE 2
JAN 20/09



757

PARTS CATALOG (MAINTENANCE)

| FIG ITEM | PART NUMBER | 1 2 3 4 5 6 7 | NOMENCLATURE | EFFECT FROM TO | UNITS PER ASSY |
|-----------|-------------|---------------|--|----------------|----------------|
| 2D - 8 | MODREF31945 | | PANEL INSTL-P37 R MISC RELAY (PNEU ONLY) MODULE NUMBER: 284N1127-169 REV B FOR OTHER SYS DETAILS SEE: 11-36-12-02A 21-25-71-02D 21-44-71-02D 21-45-31-01D 21-51-55-01D 21-58-71-02D 21-61-71-02D 23-31-51-05 24-21-51-05 24-51-01-02 24-51-02-03 24-51-58-02D 27-62-71-03D 28-22-71-03D 29-21-71-01D 30-11-71-02D 30-21-71-03D 30-31-71-02D 30-32-71-02D 30-33-71-02D 30-34-51-01D 31-01-37-10 31-31-71-02D 32-09-02-04D 32-42-71-02D 32-61-71-02D 33-43-55-01D 33-51-71-01D 34-12-71-02D 34-25-50-01D 34-61-52-01D 35-21-71-02D 38-15-71-02D 73-21-55-01D 74-31-71-02D 76-11-71-02D 77-12-71-01D 78-34-71-02D 78-36-71-02D 80-11-71-02D | 103103 | 1 |

MISSING ITEM NUMBERS NOT APPLICABLE

- ITEM NOT ILLUSTRATED

BRI

36-11-71-02D

BOEING PROPRIETARY - Copyright © - Unpublished Work - See title page for details.

36-11-71
FIG. 02D
PAGE 3
JAN 20/09



757
PARTS CATALOG (MAINTENANCE)

| FIG ITEM | PART NUMBER | 1 2 3 4 5 6 7 | NOMENCLATURE | EFFECT FROM TO | UNITS PER ASSY |
|-----------|-------------|---------------|--|----------------|----------------|
| 2D - 9 | MODREF34305 | | PANEL INSTL-P37 R MISC RELAY (PNEU ONLY) MODULE NUMBER: 284N1127-169 REV C FOR OTHER SYS DETAILS SEE: 11-36-12-02A 21-25-71-02D 21-44-71-02D 21-45-31-01D 21-51-55-01D 21-58-71-02D 21-61-71-02D 23-31-51-05 24-21-51-05 24-51-01-02 24-51-02-03 24-51-58-02D 27-62-71-03D 28-22-71-03D 29-21-71-01D 30-11-71-02D 30-21-71-03D 30-31-71-02D 30-32-71-02D 30-33-71-02D 30-34-51-01D 31-01-37-10 31-31-71-02D 32-09-02-04D 32-42-71-02D 32-61-71-02D 33-43-55-01D 33-51-71-01D 34-12-71-02D 34-25-50-01D 34-61-52-01D 35-21-71-02D 38-15-71-02D 73-21-55-01D 74-31-71-02D 76-11-71-02D 77-12-71-01D 78-34-71-02D 78-36-71-02D 80-11-71-02D | 104105 | 1 |

MISSING ITEM NUMBERS NOT APPLICABLE

- ITEM NOT ILLUSTRATED

BRI

36-11-71-02D

BOEING PROPRIETARY - Copyright © - Unpublished Work - See title page for details.

36-11-71
FIG. 02D
PAGE 4
JAN 20/09



757

PARTS CATALOG (MAINTENANCE)

| FIG ITEM | PART NUMBER | 1 2 3 4 5 6 7 | NOMENCLATURE | EFFECT FROM TO | UNITS PER ASSY |
|----------|--------------|---------------|--|------------------|----------------|
| 2D 25 | TDH8119-5001 | .RELAY- | SUPPLIER CODE: V58657 ELECTRICAL EQUIP NUMBER: K10204 K10205 K10454 OPTIONAL PART: TDH8116-5001 V58657 | 103106 108120 | 3 |
| 25 | TDH8116-5001 | .RELAY- | SUPPLIER CODE: V58657 ELECTRICAL EQUIP NUMBER: K10204 K10205 K10454 OPTIONAL PART: TDH8119-5001 V58657 | 103106 108120 | 3 |
| 30 | E410-1537 | .RELAY- | SUPPLIER CODE: V99699 SPECIFICATION NUMBER: BACR13CG2A OPTIONAL PART: E415-1078 V99699 BR230S0116 V56623 KD4A017 V58687 FCA410-62 V78290 ELECTRICAL EQUIP NUMBER: K10436 | 103106 108120 | 1 |

MISSING ITEM NUMBERS NOT APPLICABLE

- ITEM NOT ILLUSTRATED

36-11-71-02D

36-11-71
FIG. 02D
PAGE 5
JAN 20/09

BRI



757

PARTS CATALOG (MAINTENANCE)

| FIG ITEM | PART NUMBER | 1 2 3 4 5 6 7 | NOMENCLATURE | EFFECT FROM TO | UNITS PER ASSY |
|----------|-------------|---------------|--|------------------|----------------|
| 2D 35 | E210-1631 | . | RELAY- SUPPLIER CODE: V99699 SPECIFICATION NUMBER: BACR13CF2A OPTIONAL PART: BR246S0112 V56623 FCA210-70 V78290 E215-1050 V99699 JD4A017 V35344 BR64S104 V56623 61GB19-1A320 V98927 ELECTRICAL EQUIP NUMBER: K10206 | 103106 108120 | 1 |
| 40 | W460F1A | . | RELAY- SUPPLIER CODE: VF0219 SPECIFICATION NUMBER: BACR13CE2 OPTIONAL PART: 3SAH5-13-4K1 V01526 3SAH1326A2 V01526 ELECTRICAL EQUIP NUMBER: K00025 | 103106 108120 | 1 |

MISSING ITEM NUMBERS NOT APPLICABLE

- ITEM NOT ILLUSTRATED

BRI

36-11-71-02D

BOEING PROPRIETARY - Copyright © - Unpublished Work - See title page for details.

36-11-71
FIG. 02D
PAGE 6
JAN 20/09



757

PARTS CATALOG (MAINTENANCE)

| FIG ITEM | PART NUMBER | 1 2 3 4 5 6 7 | NOMENCLATURE | EFFECT FROM TO | UNITS PER ASSY |
|----------|--------------|---------------|---|------------------|----------------|
| 2D 45 | W260F4AM11 | | .RELAY- SUPPLIER CODE: VF0219 SPECIFICATION NUMBER: BACR13CD2 OPTIONAL PART: BR16S233 V09026 EE4AA005 V35344 3SAV1338A2 V01526 HFW1206K03 V58614 HFW1204K01 V71482 ELECTRICAL EQUIP NUMBER: K00021 K00022 K00024 K10280 K10281 | 103106 108120 | 5 |
| 50 | TDH8120-1002 | | .RELAY- SUPPLIER CODE: V58657 ELECTRICAL EQUIP NUMBER: K10555 OPTIONAL PART: 285N0126-11 V89954 | 103106 108120 | 1 |
| 50 | 285N0126-11 | | .RELAY ASSY- SUPPLIER CODE: V89954 ELECTRICAL EQUIP NUMBER: K10555 COMPONENT MAINT MANUAL REF: 24-09-51 OPTIONAL PART: TDH8120-1002 V58657 | 103106 108120 | 1 |
| 50 | 285N0126-13 | | .RELAY ASSY- SUPPLIER CODE: V89954 ELECTRICAL EQUIP NUMBER: K10555 | 103106 108120 | 1 |

MISSING ITEM NUMBERS NOT APPLICABLE

- ITEM NOT ILLUSTRATED

36-11-71-02D

36-11-71
FIG. 02D
PAGE 7
JAN 20/09

BRI

BOEING PROPRIETARY - Copyright © - Unpublished Work - See title page for details.



757

PARTS CATALOG (MAINTENANCE)

| FIG ITEM | PART NUMBER | 1 2 3 4 5 6 7 | NOMENCLATURE | EFFECT FROM TO | UNITS PER ASSY |
|--------------|---------------------------|---------------|---|----------------------------|----------------|
| 2D 55 | ES410-1538 | | .RELAY- SUPPLIER CODE: V99699 SPECIFICATION NUMBER: BACR13CG2AB OPTIONAL PART: KD4L018 V35344 BR230DS0115 V56623 KD4L036 V58657 FCA410-63 V78290 ELECTRICAL EQUIP NUMBER: K00023 | 103106 108120 | 1 |
| - 300 | 286N1270-360 | | WIRE BUNDLE ASSY- REWORKED BY ALERT SB: 34A0222 | 108120 | RF |
| - 302 315 | 286N1270-602 RSE120026 | | WIRE BUNDLE ASSY .SOCKET- SUPPLIER CODE: V58982 SPECIFICATION NUMBER: BACS16AG1 OPTIONAL PART: 451120-026 V58982 ELECTRICAL EQUIP NUMBER: D01600 D01602 D01612 D04006 D04008 WIRING DIAGRAM REF: 361211 361131 361141 361121 | 103106 103106 108120 | RF 5 |

MISSING ITEM NUMBERS NOT APPLICABLE

- ITEM NOT ILLUSTRATED

36-11-71-02D

36-11-71
FIG. 02D
PAGE 8
JAN 20/09

BRI



757

PARTS CATALOG (MAINTENANCE)

| FIG ITEM | PART NUMBER | 1 2 3 4 5 6 7 | NOMENCLATURE | EFFECT FROM TO | UNITS PER ASSY |
|-----------|-------------|---------------|---|------------------|----------------|
| 2D 320 | RSF116416 | | .SOCKET- SUPPLIER CODE: V58982 SPECIFICATION NUMBER: BACS16W5A OPTIONAL PART: 102-010-1 V09922 000300-1545 V05574 ELECTRICAL EQUIP NUMBER: D02482 D02484 D05260 D07038 WIRING DIAGRAM REF: 361121 | 103106 108120 | 4 |
| 325 | BACS16W1 | | .SOCKET- ELECTRICAL EQUIP NUMBER: D05208 WIRING DIAGRAM REF: 361121 | 103106 108120 | 1 |
| 330 | RSF116200 | | .SOCKET- SUPPLIER CODE: V58982 SPECIFICATION NUMBER: BACS16X1A OPTIONAL PART: 102-006-1 V09922 000300-1538 V05574 ELECTRICAL EQUIP NUMBER: D02486 WIRING DIAGRAM REF: 361121 | 103106 108120 | 1 |
| 335 | RSE120027 | | .SOCKET- SUPPLIER CODE: V58982 SPECIFICATION NUMBER: BACS16AF1 OPTIONAL PART: 451120-027 V58982 ELECTRICAL EQUIP NUMBER: D01614 WIRING DIAGRAM REF: 361141 | 103106 108120 | 1 |

MISSING ITEM NUMBERS NOT APPLICABLE

- ITEM NOT ILLUSTRATED

36-11-71-02D

36-11-71
FIG. 02D
PAGE 9
JAN 20/09

BRI

BOEING PROPRIETARY - Copyright © - Unpublished Work - See title page for details.



757

PARTS CATALOG (MAINTENANCE)

| FIG ITEM | PART NUMBER | 1 2 3 4 5 6 7 | NOMENCLATURE | EFFECT FROM TO | UNITS PER ASSY |
|-------------|-------------|---------------|--|-------------------|----------------------|
| 2D 340 | RSF116400 | | . SOCKET- SUPPLIER CODE: V58982 SPECIFICATION NUMBER: BACS16W1A OPTIONAL PART: 102-009-1 V09922 000300-1539 V05574 ELECTRICAL EQUIP NUMBER: D01610 WIRING DIAGRAM REF: 361141 | 103106 108120 | 1 |

MISSING ITEM NUMBERS NOT APPLICABLE

- ITEM NOT ILLUSTRATED

BRI

36-11-71-02D

BOEING PROPRIETARY - Copyright © - Unpublished Work - See title page for details.

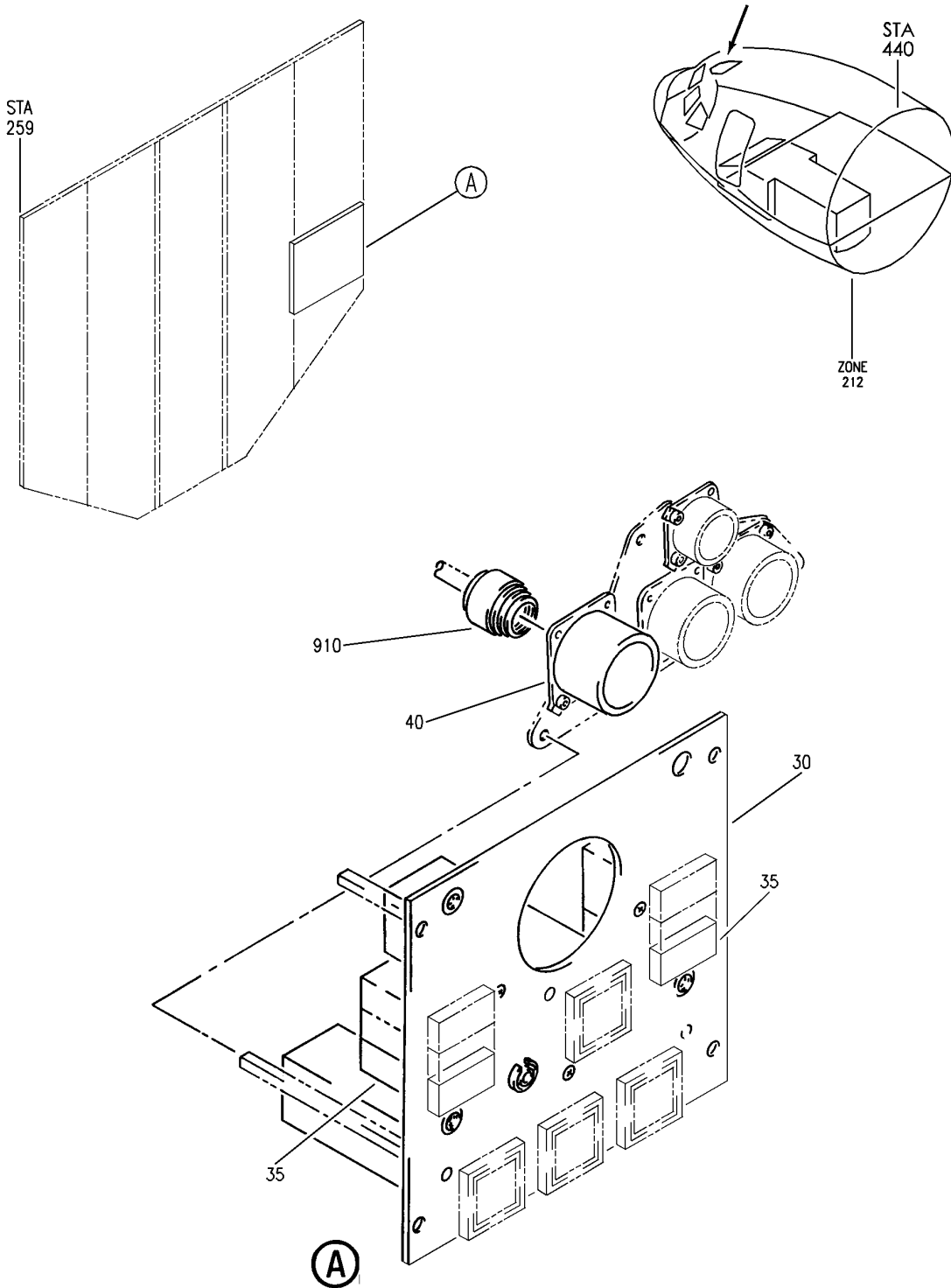
36-11-71
FIG. 02D
PAGE 10
JAN 20/09

AIR SUPPLY PRESSURE INDICATION

BRI
MAY 28/07

36-21-00
SECTION TITLE
PAGE 1

BOEING
757
PARTS CATALOG (MAINTENANCE)



Y 36210001 REV 235

PANEL INSTL-P5 OVHD (AIR SUPPLY PRESSURE INDICATING SYSTEM ONLY)

FIGURE 1

36-21-00-01

BRI
MAY 28/07

36-21-00-01
PAGE 0



757

PARTS CATALOG (MAINTENANCE)

| FIG ITEM | PART NUMBER | 1 2 3 4 5 6 7 | NOMENCLATURE | EFFECT FROM TO | UNITS PER ASSY |
|-------------------------------------|--------------|---------------|---|------------------|----------------|
| 1 | | | PANEL INSTL-P5 OVHD (AIR SUPPLY PRESSURE INDICATING SYSTEM ONLY) | 101106 108120 | |
| - 3 | 233N3103-59 | | PANEL INSTL-P5 OVHD (AIR SUPPLY PRESSURE INDICATING SYSTEM ONLY) | 504903 108120 | RF |
| - 5 | 233N3103-132 | | FOR NHA/OTHER SYS DET SEE: 25-10-00-15E PANEL INSTL-P5 OVHD (AIR SUPPLY PRESSURE INDICATING SYSTEM ONLY) | 101102 | RF |
| - 5 | 233N3103-136 | | FOR NHA/OTHER SYS DET SEE: 25-10-00-15E PANEL INSTL-P5 OVHD (AIR SUPPLY PRESSURE INDICATING SYSTEM ONLY) | 504903 | RF |
| - 8 | MODREF170180 | | FOR NHA/OTHER SYS DET SEE: 25-10-00-15E PANEL INSTL-P5 OVHD (AIR SUPPLY PRESSURE INDICATING SYSTEM ONLY) | 106106 | 1 |
| | | | MODULE NUMBER: 233N3103-353 REV B FOR OTHER SYS DETAILS SEE: 11-31-10-12 21-25-55-03 21-31-01-02 21-33-51-03 21-51-54-03 21-58-19-10 21-58-51-03 21-61-04-03 21-65-51-01 22-21-01-04 22-24-51-02 23-24-01-01 23-32-00-11 23-42-02-02 23-71-05-02 24-11-52-05 24-22-01-03 24-31-01-10 24-31-03-09 24-33-04-01 24-41-51-04 24-51-62-01 26-18-51-04 27-21-53-02 27-41-55-01 | | |
| MISSING ITEM NUMBERS NOT APPLICABLE | | | | | |

- ITEM NOT ILLUSTRATED

36-21-00-01

36-21-00
FIG. 01
PAGE 1
JAN 20/09

BRI



757

PARTS CATALOG (MAINTENANCE)

| FIG ITEM | PART NUMBER | 1 2 3 4 5 6 7 NOMENCLATURE | EFFECT FROM TO | UNITS PER ASSY |
|-------------|-------------|---|-------------------|----------------------|
| 1 | | 27-61-51-03 27-62-52-02 28-22-51-02 28-41-04-01 28-41-51-03 29-11-02-03 29-11-05-04 29-11-52-07 29-21-54-03 29-31-00-01 29-32-51-03 29-33-52-03 30-11-51-03 30-21-51-03 30-31-51-02 30-32-51-01 30-33-51-02 30-41-51-03 30-42-51-03 31-12-11-84 31-12-11-84 A 32-42-52-03 33-11-03-03 33-11-51-17 33-13-01-65 33-13-02-03 33-16-51-03 33-24-51-02 33-41-52-04 33-42-01-04 33-42-02-04 33-42-52-04 33-43-51-04 33-44-51-05 33-45-53-03 33-51-08-05 34-21-02-01 35-21-51-04 36-11-04-01 36-22-51-03 49-41-00-02 49-52-00-01 49-70-00-01 52-51-51-03 52-71-51-02 73-21-52-02 74-31-51-05 75-32-00-01 80-11-09-02 | | |

MISSING ITEM NUMBERS NOT APPLICABLE

- ITEM NOT ILLUSTRATED

36-21-00-01

36-21-00
FIG. 01
PAGE 2
JAN 20/09

BRI



757

PARTS CATALOG (MAINTENANCE)

| FIG ITEM | PART NUMBER | 1 2 3 4 5 6 7 | NOMENCLATURE | EFFECT FROM TO | UNITS PER ASSY |
|-------------------------------------|-------------|---------------|---|----------------|----------------|
| 1 | | | | | |
| - 8 | MODREF33760 | | FOR ADDITIONAL DETAILS SEE: 36-21-02-05 PANEL INSTL-P5 OVHD (AIR SUPPLY PRESSURE INDICATING SYSTEM ONLY) MODULE NUMBER: 233N3103-351 REV C FOR OTHER SYS DETAILS SEE: 11-31-10-12 21-25-55-03 21-31-01-02 21-33-51-03 21-51-54-03 21-58-19-10 21-58-51-03 21-61-04-03 21-65-51-01 22-21-01-04 22-24-51-02 23-24-01-01 23-32-00-11 23-42-02-02 23-71-05-02 24-11-52-05 24-22-01-03 24-31-01-10 24-31-03-09 24-33-04-01 24-41-51-04 24-51-62-01 26-18-51-04 27-21-53-02 27-41-55-01 27-61-51-03 27-62-52-02 28-22-51-02 28-41-04-01 28-41-51-03 29-11-02-03 29-11-05-04 29-11-52-07 29-21-54-03 29-31-00-01 29-32-51-03 29-33-52-03 30-11-51-03 30-21-51-03 30-31-51-02 30-32-51-01 | 103103 | 1 |
| MISSING ITEM NUMBERS NOT APPLICABLE | | | | | |

- ITEM NOT ILLUSTRATED

36-21-00-01

36-21-00
 FIG. 01
 PAGE 3
 JAN 20/09

BRI



757

PARTS CATALOG (MAINTENANCE)

| FIG ITEM | PART NUMBER | 1 2 3 4 5 6 7 | NOMENCLATURE | EFFECT FROM TO | UNITS PER ASSY |
|----------|---------------|---------------|--|----------------|----------------|
| 1 | | | 30-33-51-02 30-41-51-03 30-42-51-03 31-12-11-91 31-12-11-91 A 32-42-52-03 33-11-03-03 33-11-51-17 33-13-01-65 33-13-02-03 33-16-51-03 33-24-51-02 33-41-52-04 33-42-01-04 33-42-02-04 33-42-52-04 33-43-51-04 33-44-51-05 33-45-53-03 33-51-08-05 34-21-02-01 35-21-51-04 36-11-04-01 36-22-51-03 49-41-00-02 49-52-00-01 49-70-00-01 52-51-51-03 52-71-51-02 73-21-52-02 74-31-51-05 75-32-00-01 80-11-09-02 FOR ADDITIONAL DETAILS SEE: 36-21-02-05 PANEL INSTL-P5 OVHD (AIR SUPPLY PRESSURE INDICATING SYSTEM ONLY) MODULE NUMBER: 233N3103-351 REV D FOR OTHER SYS DETAILS SEE: 11-31-10-12 21-25-55-03 21-31-01-02 21-33-51-03 21-51-54-03 21-58-19-10 21-58-51-03 21-61-04-03 MISSING ITEM NUMBERS NOT APPLICABLE | | |
| - | 8 MODREF34038 | | | 104105 | 1 |

- ITEM NOT ILLUSTRATED

36-21-00-01

36-21-00
 FIG. 01
 PAGE 4
 JAN 20/09

BRI



757

PARTS CATALOG (MAINTENANCE)

| FIG ITEM | PART NUMBER | 1 2 3 4 5 6 7 | NOMENCLATURE | EFFECT FROM TO | UNITS PER ASSY |
|----------|-------------|---------------|---|----------------|----------------|
| 1 | | | 21-65-51-01 22-21-01-04 22-24-51-02 23-24-01-01 23-32-00-11 23-42-02-02 23-71-05-02 24-11-52-05 24-22-01-03 24-31-01-10 24-31-03-09 24-33-04-01 24-41-51-04 24-51-62-01 26-18-51-04 27-21-53-02 27-41-55-01 27-61-51-03 27-62-52-02 28-22-51-02 28-41-04-01 28-41-51-03 29-11-02-03 29-11-05-04 29-11-52-07 29-21-54-03 29-31-00-01 29-32-51-03 29-33-52-03 30-11-51-03 30-21-51-03 30-31-51-02 30-32-51-01 30-33-51-02 30-41-51-03 30-42-51-03 31-12-11-91 31-12-11-91 A 32-42-52-03 33-11-03-03 33-11-51-17 33-13-01-65 33-13-02-03 33-16-51-03 33-24-51-02 33-41-52-04 33-42-01-04 33-42-02-04 33-42-52-04 | | |

MISSING ITEM NUMBERS NOT APPLICABLE

- ITEM NOT ILLUSTRATED

BR I

36-21-00-01

BOEING PROPRIETARY - Copyright © - Unpublished Work - See title page for details.

36-21-00
FIG. 01
PAGE 5
JAN 20/09



757

PARTS CATALOG (MAINTENANCE)

| FIG ITEM | PART NUMBER | 1 2 3 4 5 6 7 | NOMENCLATURE | EFFECT FROM TO | UNITS PER ASSY |
|----------|--------------|---------------|---|------------------|----------------|
| 1 | | | 33-43-51-04 33-44-51-05 33-45-53-03 33-51-08-05 34-21-02-01 35-21-51-04 36-11-04-01 36-22-51-03 49-41-00-02 49-52-00-01 49-70-00-01 52-51-51-03 52-71-51-02 73-21-52-02 74-31-51-05 75-32-00-01 80-11-09-02 FOR ADDITIONAL DETAILS SEE: 36-21-02-05 | | |
| - 25 | 233N3215-300 | | .PANEL ASSY-BLEED AIR SUPPLIER CODE: V89954 ELECTRICAL EQUIP NUMBER: M10259 COMPONENT MAINT MANUAL REF: 36-11-71 QUALIFIED I/W DATA: THE 233N3215-300 PANEL ASSY IS I/W THE 233N3215-16 PANEL ASSY T/W THE S233T100-6009 LIGHTPLATE PRE ALERT SB: 33A0044 | 101102 504903 | RF |
| - 25 | 233N3215-302 | | .PANEL ASSY-BLEED AIR SUPPLIER CODE: V89954 ELECTRICAL EQUIP NUMBER: M10259 COMPONENT MAINT MANUAL REF: 36-11-71 QUALIFIED I/W DATA: THE 233N3215-302 PANEL ASSY IS I/W THE 233N3215-20 PANEL ASSY T/W THE S233T100-6009 LIGHTPLATE PRE ALERT SB: 33A0044 | 108120 | RF |

MISSING ITEM NUMBERS NOT APPLICABLE

- ITEM NOT ILLUSTRATED

36-21-00-01

36-21-00
FIG. 01
PAGE 6
JAN 20/09

BRI



757

PARTS CATALOG (MAINTENANCE)

| FIG ITEM | PART NUMBER | 1 2 3 4 5 6 7 | NOMENCLATURE | EFFECT FROM TO | UNITS PER ASSY |
|----------|---------------|---------------|--|------------------|----------------|
| 1 | | | | | |
| - 25 | 233N3215-1300 | | .PANEL ASSY-BLEED AIR SUPPLIER CODE: V89954 ELECTRICAL EQUIP NUMBER: M10259 COMPONENT MAINT MANUAL REF: 36-11-71 POST ALERT SB: 33A0044 | 101102 504903 | RF |
| - 25 | 233N3215-1302 | | .PANEL ASSY-BLEED AIR SUPPLIER CODE: V89954 ELECTRICAL EQUIP NUMBER: M10259 COMPONENT MAINT MANUAL REF: 36-11-71 REWORK DRAWING REF: 233N6251-4 POST ALERT SB: 33A0044 | 108120 | RF |
| - 25 | 233N3215-303 | | .PANEL ASSY-BLEED AIR SUPPLIER CODE: V89954 ELECTRICAL EQUIP NUMBER: M10259 COMPONENT MAINT MANUAL REF: 36-11-71 | 101106 504903 | RF |
| - 25 | 233N3215-305 | | .PANEL ASSY-BLEED AIR SUPPLIER CODE: V89954 ELECTRICAL EQUIP NUMBER: M10259 | 108120 | RF |

MISSING ITEM NUMBERS NOT APPLICABLE

- ITEM NOT ILLUSTRATED

BRI

36-21-00-01

BOEING PROPRIETARY - Copyright © - Unpublished Work - See title page for details.

36-21-00
FIG. 01
PAGE 7
JAN 20/09



757

PARTS CATALOG (MAINTENANCE)

| FIG ITEM | PART NUMBER | 1 2 3 4 5 6 7 | NOMENCLATURE | EFFECT FROM TO | UNITS PER ASSY |
|----------|-------------|---------------|--|------------------|----------------|
| 1 30 | 233N3215-16 | | ..PANEL ASSY- SUPPLIER CODE: V89954 MISCELLANEOUS DATA: FOR SPARES PROCURE NEXT HIGHER ASSY COMPONENT MAINT MANUAL REF: 36-11-71 QUALIFIED I/W DATA: 233N3215-13 -14 -16 -17 ARE ALL INTERCHANGEABLE EXCEPT SUBJECT TO CUSTOMER PREFERENCE THE 233N3215-300 PANEL ASSY IS I/W THE 233N3215-16 PANEL ASSY T/W THE S233T100-6009 LIGHTPLATE USED ON: 233N3215-300 PRE ALERT SB: 33A0044 | 101102 504903 | RF |
| 30 | 233N3215-20 | | ..PANEL ASSY- SUPPLIER CODE: V89954 MISCELLANEOUS DATA: FOR SPARES PROCURE NEXT HIGHER ASSY COMPONENT MAINT MANUAL REF: 36-11-71 QUALIFIED I/W DATA: 233N3215-9 -15 -19 -20 ARE ALL INTERCHANGEABLE EXCEPT SUBJECT TO CUSTOMER PREFERENCE THE 233N3215-302 PANEL ASSY IS I/W THE 233N3215-20 PANEL ASSY T/W THE S233T100-6009 LIGHTPLATE USED ON: 233N3215-302 PRE ALERT SB: 33A0044 | 108120 | RF |

MISSING ITEM NUMBERS NOT APPLICABLE

- ITEM NOT ILLUSTRATED

BRI

36-21-00-01

BOEING PROPRIETARY - Copyright © - Unpublished Work - See title page for details.

36-21-00
 FIG. 01
 PAGE 8
 JAN 20/09



757

PARTS CATALOG (MAINTENANCE)

| FIG ITEM | PART NUMBER | 1 2 3 4 5 6 7 | NOMENCLATURE | EFFECT FROM TO | UNITS PER ASSY |
|----------|---------------|---------------|---|------------------|----------------|
| 1 30 | 233N3215-22 | | ..PANEL ASSY- SUPPLIER CODE: V89954 MISCELLANEOUS DATA: FOR SPARES PROCURE NEXT HIGHER ASSY COMPONENT MAINT MANUAL REF: 36-11-71 USED ON: 233N3215-303 | 101106 504903 | RF |
| 30 | 233N3215-23 | | ..PANEL ASSY- SUPPLIER CODE: V89954 MISCELLANEOUS DATA: FOR SPARES PROCURE NEXT HIGHER ASSY COMPONENT MAINT MANUAL REF: 36-11-71 | 108120 | RF |
| 30 | 233N3215-1016 | | ..PANEL ASSY- SUPPLIER CODE: V89954 COMPONENT MAINT MANUAL REF: 36-11-71 USED ON: 233N3215-1300 POST ALERT SB: 33A0044 | 101102 504903 | RF |
| 30 | 233N3215-1020 | | ..PANEL ASSY- SUPPLIER CODE: V89954 COMPONENT MAINT MANUAL REF: 36-11-71 QUALIFIED I/W DATA: 233N3215-1009,-1015, -1019 AND -1020 ARE INTERCHANGEABLE PER CUSTOMER PREFERENCE. USED ON: 233N3215-1302 POST ALERT SB: 33A0044 | 108120 | RF |

MISSING ITEM NUMBERS NOT APPLICABLE

- ITEM NOT ILLUSTRATED

36-21-00-01

36-21-00
FIG. 01
PAGE 9
JAN 20/09

BRI



757

PARTS CATALOG (MAINTENANCE)

| FIG ITEM | PART NUMBER | 1 2 3 4 5 6 7 | NOMENCLATURE | EFFECT FROM TO | UNITS PER ASSY |
|----------|--------------------|---------------|--|----------------------------|----------------|
| 1 | 35 BCREf6197 | | ...LIGHT ASSY-IND HI STAGE SUPPLIER CODE: V81590 OVERLENGTH PART NUMBER: 434-674-1005-1051 SPECIFICATION NUMBER: S231T300-1051 OPTIONAL PART: BCREF8534 V81590 FOR DETAILS SEE: 33-14-70-02 | 101106 108120 504903 | 2 |
| | 35 BCREf8534 | | ...LIGHT ASSY-IND HI STAGE SUPPLIER CODE: V81590 OVERLENGTH PART NUMBER: 434-674-1031-2051 SPECIFICATION NUMBER: S231T300-2051 OPTIONAL PART: BCREF6197 V81590 FOR DETAILS SEE: 33-14-70-02 | 101106 108120 504903 | 2 |
| | 40 BACC45FN16-24P9 | | ...CONNECTOR | 101106 108120 504903 | 1 |
| - | 45 NAS1801-04-5 | | ATTACHING PARTS ...SCREW- USED ON: 233N3215-16 233N3215-17 233N3215-20 233N3215-1016 233N3215-1017 233N3215-1020 | 101106 108120 504903 | 2 |
| - | 45 BACS12HN04-5 | | ...SCREW- OPTIONAL PART: NAS1801-04-5 USED ON: 233N3215-22 233N3215-23 | 101106 108120 504903 | 2 |
| - | 45 NAS1801-04-5 | | ...SCREW- OPTIONAL PART: BACS12HN04-5 USED ON: 233N3215-22 233N3215-23 | 101106 108120 504903 | 2 |

MISSING ITEM NUMBERS NOT APPLICABLE

- ITEM NOT ILLUSTRATED

36-21-00-01

36-21-00
FIG. 01
PAGE 10
JAN 20/09

BRI



757

PARTS CATALOG (MAINTENANCE)

| FIG ITEM | PART NUMBER | 1 2 3 4 5 6 7 | NOMENCLATURE | EFFECT FROM TO | UNITS PER ASSY |
|-------------|-----------------|---------------|---|----------------------------|----------------------|
| 1 | | | | | |
| - 50 | K19798-04 | | ...NUT SUPPLIER CODE: V15653 SPECIFICATION NUMBER: BACN10NW1 OPTIONAL PART: RMA4812-160-40 V72962 293162 V60119 -----*----- | 101106 108120 504903 | 2 |
| - 900 | 286N2066-010 | | WIRE BUNDLE ASSY | 504903 | RF |
| - 901 | 286N2066-334 | | WIRE BUNDLE ASSY | 101102 | RF |
| - 902 | 286N2066-346 | | WIRE BUNDLE ASSY | 108120 | RF |
| - 904 | 286N2066-602 | | WIRE BUNDLE ASSY | 103106 | RF |
| 910 | BACC45FT16A24S9 | | .CONNECTOR- ELECTRICAL EQUIP NUMBER: D03538 WIRING DIAGRAM REF: 361111 | 101106 108120 504903 | 1 |

MISSING ITEM NUMBERS NOT APPLICABLE

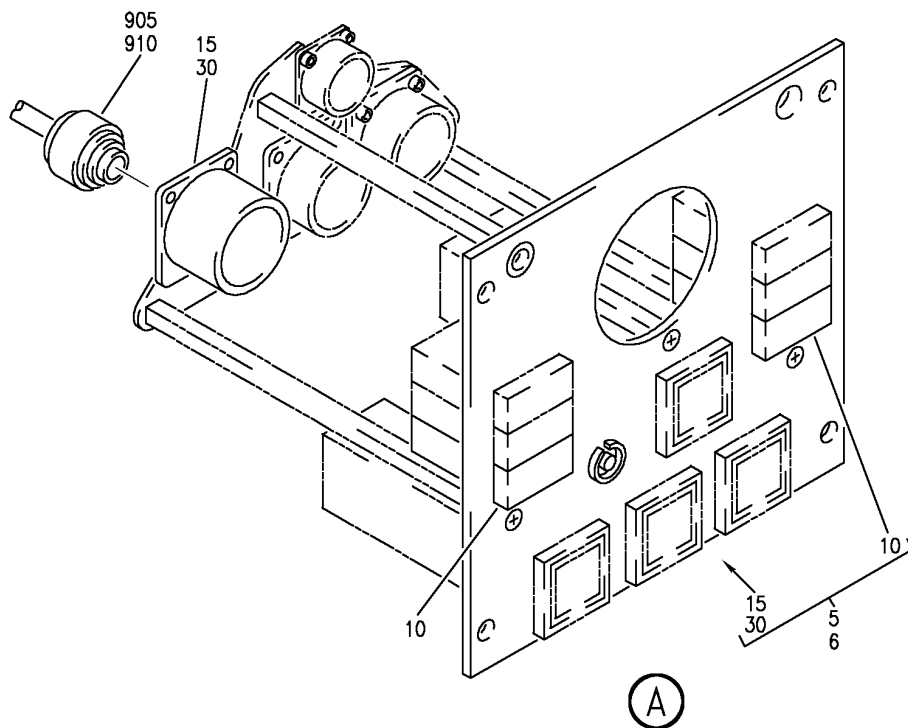
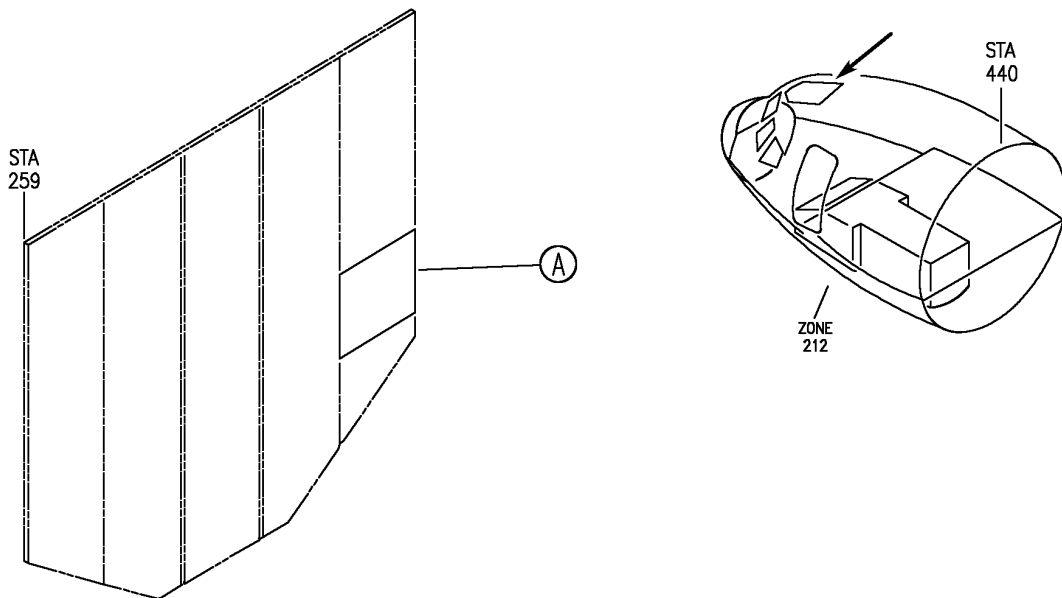
- ITEM NOT ILLUSTRATED

36-21-00-01

36-21-00
FIG. 01
PAGE 11
JAN 20/09

BRI

BOEING
757
PARTS CATALOG (MAINTENANCE)



Y 36210002 REV 278

PANEL INSTL-P5 OVHD (AIR SUPPLY PRESSURE INDICATING SYSTEM ONLY)
FIGURE 2

36-21-00-02

BRI
MAY 28/07

36-21-00-02
PAGE 0



757

PARTS CATALOG (MAINTENANCE)

| FIG ITEM | PART NUMBER | 1 2 3 4 5 6 7 | NOMENCLATURE | EFFECT FROM TO | UNITS PER ASSY |
|----------|-------------|---------------|--|--|----------------|
| 2 | | | PANEL INSTL-P5 OVHD (AIR SUPPLY PRESSURE INDICATING SYSTEM ONLY) | 002004 006010 107107 121503 904999 | |
| - 1 | 233N3101-1 | | PANEL INSTL-P5 OVHD (AIR SUPPLY PRESSURE INDICATING SYSTEM ONLY) VARIABLE DRAWING REF: 233N3101-5005 233N3101-5025 233N3101-5041 233N3101-5042 233N3101-5045 FOR NHA/OTHER SYS DET SEE: 25-10-00-05A | 002004 006010 107107 121503 904999 | RF |
| 5 | 233N3215-15 | | .PANEL ASSY-BLEED AIR SUPPLIER CODE: V89954 ELECTRICAL EQUIP NUMBER: M10259 COMPONENT MAINT MANUAL REF: 36-11-71 QUALIFIED I/W DATA: 233N3215-9 -15 -19 -20 ARE ALL INTERCHANGEABLE EXCEPT SUBJECT TO CUSTOMER PREFERENCE PRE ALERT SB: 33A0044 | 107107 | RF |
| 5 | 233N3215-16 | | .PANEL ASSY-BLEED AIR SUPPLIER CODE: V89954 MISCELLANEOUS DATA: FOR SPARES PROCURE NEXT HIGHER ASSY ELECTRICAL EQUIP NUMBER: M10259 COMPONENT MAINT MANUAL REF: 36-11-71 QUALIFIED I/W DATA: 233N3215-13 -14 -16 -17 ARE ALL INTERCHANGEABLE EXCEPT SUBJECT TO CUSTOMER PREFERENCE PRE ALERT SB: 33A0044 | 002004 006010 950999 | RF |

MISSING ITEM NUMBERS NOT APPLICABLE

- ITEM NOT ILLUSTRATED

36-21-00-02

36-21-00
FIG. 02
PAGE 1
JAN 20/09

BRI



757

PARTS CATALOG (MAINTENANCE)

| FIG ITEM | PART NUMBER | 1 2 3 4 5 6 7 | NOMENCLATURE | EFFECT FROM TO | UNITS PER ASSY |
|----------|---------------|---------------|--|----------------------------|----------------|
| 2 | | | | | |
| 5 | 233N3215-19 | | .PANEL ASSY-BLEED AIR SUPPLIER CODE: V89954 ELECTRICAL EQUIP NUMBER: M10259 COMPONENT MAINT MANUAL REF: 36-11-71 QUALIFIED I/W DATA: 233N3215-9 -15 -19 -20 ARE ALL INTERCHANGEABLE EXCEPT SUBJECT TO CUSTOMER PREFERENCE PRE ALERT SB: 33A0044R1 | 121503 904949 | RF |
| 5 | 233N3215-1016 | | .PANEL ASSY-BLEED AIR SUPPLIER CODE: V89954 ELECTRICAL EQUIP NUMBER: M10259 COMPONENT MAINT MANUAL REF: 36-11-71 POST ALERT SB: 33A0044 | 002004 006010 950999 | RF |
| 5 | 233N3215-1015 | | .PANEL ASSY-BLEED AIR SUPPLIER CODE: V89954 ELECTRICAL EQUIP NUMBER: M10259 COMPONENT MAINT MANUAL REF: 36-11-71 QUALIFIED I/W DATA: 233N3215-1009,-1015, -1019 AND -1020 ARE INTERCHANGEABLE PER CUSTOMER PREFERENCE. POST ALERT SB: 33A0044 | 107107 | RF |

MISSING ITEM NUMBERS NOT APPLICABLE

- ITEM NOT ILLUSTRATED

BRI

36-21-00-02

BOEING PROPRIETARY - Copyright © - Unpublished Work - See title page for details.

36-21-00
FIG. 02
PAGE 2
JAN 20/09



757

PARTS CATALOG (MAINTENANCE)

| FIG ITEM | PART NUMBER | 1 2 3 4 5 6 7 | NOMENCLATURE | EFFECT FROM TO | UNITS PER ASSY |
|----------|--------------------|---------------|--|--|----------------|
| 2 | 6 233N3215-1019 | | .PANEL ASSY-BLEED AIR SUPPLIER CODE: V89954 ELECTRICAL EQUIP NUMBER: M10259 COMPONENT MAINT MANUAL REF: 36-11-71 QUALIFIED I/W DATA: 233N3215-1009,-1015, -1019 AND -1020 ARE INTERCHANGEABLE PER CUSTOMER PREFERENCE. POST ALERT SB: 33A0044R1 | 121503 904949 | RF |
| | 6 233N3215-22 | | .PANEL ASSY-BLEED AIR SUPPLIER CODE: V89954 ELECTRICAL EQUIP NUMBER: M10259 | 002004 006010 950999 | RF |
| | 10 BCREf6197 | | ..LIGHT ASSY-STAGE IND SUPPLIER CODE: V81590 OVERLENGTH PART NUMBER: 434-674-1005-1051 SPECIFICATION NUMBER: S231T300-1051 OPTIONAL PART: BCREf8534 V81590 FOR DETAILS SEE: 33-14-70-02 | 002004 006010 107107 121503 904999 | 2 |
| | 10 BCREf8534 | | ..LIGHT ASSY-STAGE IND SUPPLIER CODE: V81590 OVERLENGTH PART NUMBER: 434-674-1031-2051 SPECIFICATION NUMBER: S231T300-2051 OPTIONAL PART: BCREf6197 V81590 FOR DETAILS SEE: 33-14-70-02 | 002004 006010 107107 121503 904999 | 2 |
| | 15 BACC45FN16-24P9 | | ..CONNECTOR | 002004 006010 107107 121503 904999 | 1 |

MISSING ITEM NUMBERS NOT APPLICABLE

- ITEM NOT ILLUSTRATED

36-21-00-02

36-21-00
FIG. 02
PAGE 3
JAN 20/09

BRI



**757
PARTS CATALOG (MAINTENANCE)**

| FIG ITEM | PART NUMBER | 1 2 3 4 5 6 7 | NOMENCLATURE | EFFECT FROM TO | UNITS PER ASSY |
|----------|-----------------|---------------|--|--|----------------|
| 2 | | | ATTACHING PARTS | | |
| - 20 | NAS1801-04-5 | | .. SCREW | 002004 006010 121503 904999 | 2 |
| - 20 | BACS12CB04-5 | | .. SCREW | 107107 | 2 |
| - 25 | K19798-04 | | .. NUT | 002004 | 2 |
| | | | SUPPLIER CODE: V15653 | 006010 107107 | |
| | | | SPECIFICATION NUMBER: BACN10NW1 | 121503 904999 | |
| | | | OPTIONAL PART: RMA4812-160-40 V72962 293162 V60119 | | |
| | | | -----*----- | | |
| - 900 | 286N2066-006 | | WIRE BUNDLE ASSY- | 121503 904949 | RF |
| - 900 | 286N2066-007 | | WIRE BUNDLE ASSY | 107107 | RF |
| - 900 | 286N2066-008 | | WIRE BUNDLE ASSY- | 002004 006010 950999 | RF |
| 905 | BACC45FT16A24S9 | | .CONNECTOR- ELECTRICAL EQUIP NUMBER: D03538 WIRING DIAGRAM REF: 361111 | 002004 006010 107107 121503 904999 | 1 |

MISSING ITEM NUMBERS NOT APPLICABLE

- ITEM NOT ILLUSTRATED

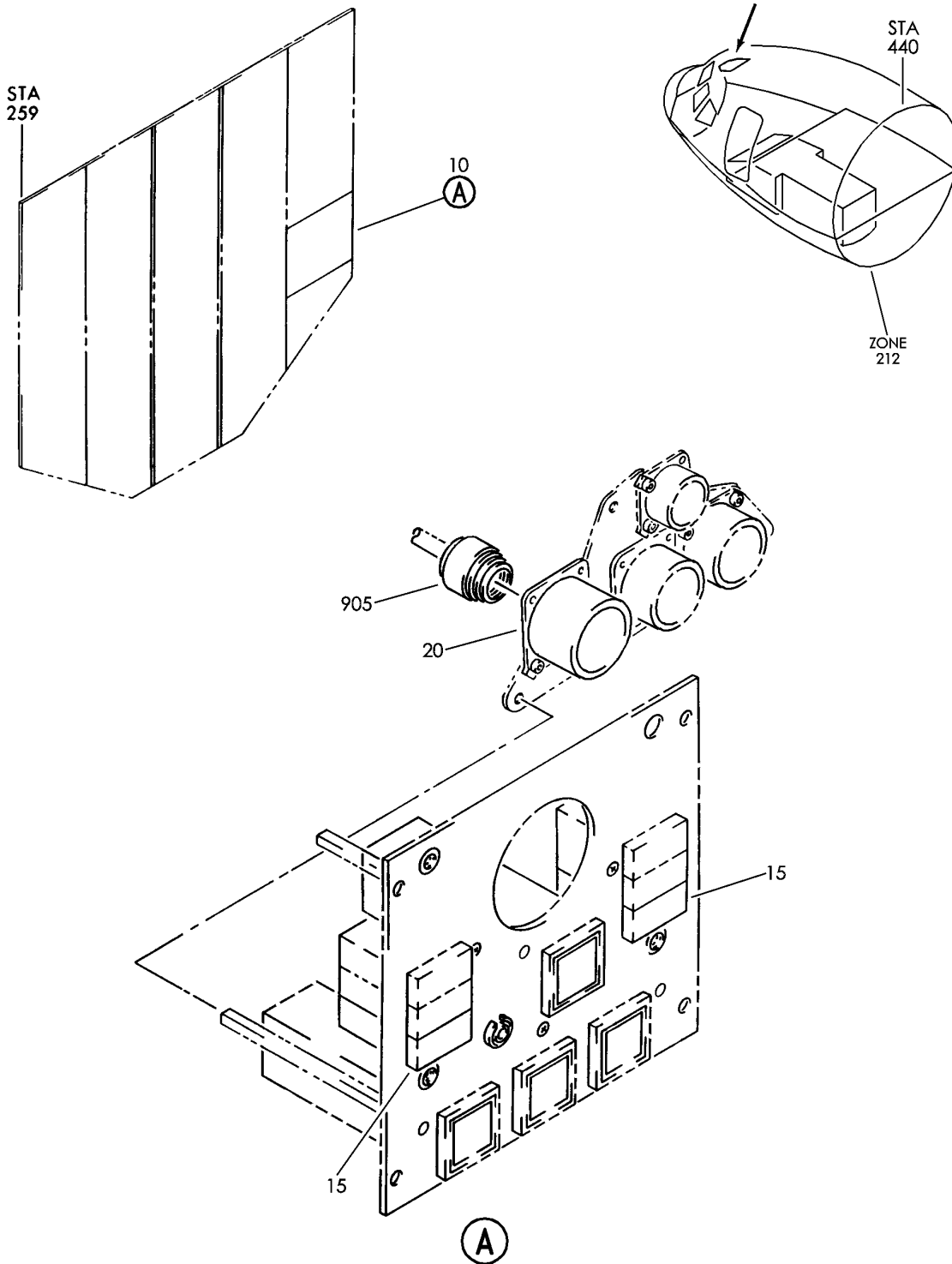
BRI

36-21-00-02

BOEING PROPRIETARY - Copyright © - Unpublished Work - See title page for details.

36-21-00
FIG. 02
PAGE 4
JAN 20/09

BOEING
757
PARTS CATALOG (MAINTENANCE)



Y 36210003 REV 239

PANEL INSTL-P5 OVHD (AIR SUPPLY PRESSURE INDICATING SYSTEM ONLY)
FIGURE 3

36-21-00-03

BRI
MAY 28/07

36-21-00-03
PAGE 0



757

PARTS CATALOG (MAINTENANCE)

| FIG ITEM | PART NUMBER | 1 2 3 4 5 6 7 | NOMENCLATURE | EFFECT FROM TO | UNITS PER ASSY |
|----------|---------------|---------------|---|----------------|----------------|
| 3 | | | PANEL INSTL-P5 OVHD (AIR SUPPLY PRESSURE INDICATING SYSTEM ONLY) | 011100 | |
| - 1 | 233N3101-1 | | PANEL INSTL-P5 OVHD (AIR SUPPLY PRESSURE INDICATING SYSTEM ONLY) VARIABLE DRAWING REF: 233N3101-5142 FOR NHA/OTHER SYS DET SEE: 25-10-00-05A | 011100 | RF |
| - 5 | 233N3215-300 | | .PANEL ASSY-BLEED AIR SUPPLIER CODE: V89954 ELECTRICAL EQUIP NUMBER: M10259 COMPONENT MAINT MANUAL REF: 36-11-71 QUALIFIED I/W DATA: THE 233N3215-300 PANEL ASSY IS I/W THE 233N3215-16 PANEL ASSY T/W THE S233T100-6009 LIGHTPLATE PRE ALERT SB: 33A0044 | 011100 | RF |
| - 5 | 233N3215-1300 | | .PANEL ASSY-BLEED AIR SUPPLIER CODE: V89954 ELECTRICAL EQUIP NUMBER: M10259 COMPONENT MAINT MANUAL REF: 36-11-71 POST ALERT SB: 33A0044 | 011100 | RF |
| - 5 | 233N3215-303 | | .PANEL ASSY-BLEED AIR SUPPLIER CODE: V89954 ELECTRICAL EQUIP NUMBER: M10259 | 011100 | RF |

MISSING ITEM NUMBERS NOT APPLICABLE

- ITEM NOT ILLUSTRATED

BRI

36-21-00-03

36-21-00
FIG. 03
PAGE 1
JAN 20/09



757

PARTS CATALOG (MAINTENANCE)

| FIG ITEM | PART NUMBER | 1 2 3 4 5 6 7 | NOMENCLATURE | EFFECT FROM TO | UNITS PER ASSY |
|----------|---------------|---------------|--|----------------|----------------|
| 3 10 | 233N3215-16 | | ..PANEL ASSY- SUPPLIER CODE: V89954 MISCELLANEOUS DATA: FOR SPARES PROCURE NEXT HIGHER ASSY COMPONENT MAINT MANUAL REF: 36-11-71 QUALIFIED I/W DATA: 233N3215-13 -14 -16 -17 ARE ALL INTERCHANGEABLE EXCEPT SUBJECT TO CUSTOMER PREFERENCE THE 233N3215-300 PANEL ASSY IS I/W THE 233N3215-16 PANEL ASSY T/W THE S233T100-6009 LIGHTPLATE PRE ALERT SB: 33A0044 | 011100 | RF |
| 10 | 233N3215-1016 | | ..PANEL ASSY- SUPPLIER CODE: V89954 ELECTRICAL EQUIP NUMBER: M10259 COMPONENT MAINT MANUAL REF: 36-11-71 POST ALERT SB: 33A0044 | 011100 | RF |
| 10 | 233N3215-22 | | ..PANEL ASSY- SUPPLIER CODE: V89954 MISCELLANEOUS DATA: FOR SPARES PROCURE NEXT HIGHER ASSY ELECTRICAL EQUIP NUMBER: M10259 COMPONENT MAINT MANUAL REF: 36-11-71 | 011100 | RF |

MISSING ITEM NUMBERS NOT APPLICABLE

- ITEM NOT ILLUSTRATED

36-21-00-03

36-21-00
 FIG. 03
 PAGE 2
 JAN 20/09

BRI



757

PARTS CATALOG (MAINTENANCE)

| FIG ITEM | PART NUMBER | 1 2 3 4 5 6 7 | NOMENCLATURE | EFFECT FROM TO | UNITS PER ASSY |
|----------|-----------------|---------------|---|----------------|----------------|
| 3 | | | | | |
| 15 | BCREF6197 | | ...LIGHT ASSY-H1 STAGE IND SUPPLIER CODE: V81590 OVERLENGTH PART NUMBER: 434-674-1005-1051 SPECIFICATION NUMBER: S231T300-1051 OPTIONAL PART: BCREF8534 V81590 FOR DETAILS SEE: 33-14-70-02 | 011100 | 2 |
| 15 | BCREF8534 | | ...LIGHT ASSY-STAGE IND SUPPLIER CODE: V81590 OVERLENGTH PART NUMBER: 434-674-1031-2051 SPECIFICATION NUMBER: S231T300-2051 ELECTRICAL EQUIP NUMBER: H00001 OPTIONAL PART: BCREF6197 V81590 FOR DETAILS SEE: 33-14-70-02 | 011100 | 2 |
| 20 | BACC45FN16-24P9 | | ...CONNECTOR ATTACHING PARTS | 011100 | 1 |
| - 25 | NAS1801-04-5 | | ...SCREW- USED ON: 233N3215-16 233N3215-17 233N3215-20 233N3215-1016 233N3215-1017 233N3215-1020 | 011100 | 2 |
| - 25 | NAS1801-04-5 | | ...SCREW- OPTIONAL PART: BACS12HN04-5 USED ON: 233N3215-22 233N3215-23 | 011100 | 2 |
| - 25 | BACS12HN04-5 | | ...SCREW- OPTIONAL PART: NAS1801-04-5 USED ON: 233N3215-22 233N3215-23 | 011100 | 2 |

MISSING ITEM NUMBERS NOT APPLICABLE

- ITEM NOT ILLUSTRATED

36-21-00-03

36-21-00
FIG. 03
PAGE 3
JAN 20/09

BRI



757

PARTS CATALOG (MAINTENANCE)

| FIG ITEM | PART NUMBER | 1 2 3 4 5 6 7 | NOMENCLATURE | EFFECT FROM TO | UNITS PER ASSY |
|--------------|---------------------------------|---------------|--|------------------|----------------|
| 3 - 30 | K19798-04 | | ...NUT SUPPLIER CODE: V15653 SPECIFICATION NUMBER: BACN10NW1 OPTIONAL PART: RMA4812-160-40 V72962 293162 V60119 | 011100 | 2 |
| - 900 905 | 286N2066-008 BACC45FT16A24S9 | | -----*----- WIRE BUNDLE ASSY- .CONNECTOR- ELECTRICAL EQUIP NUMBER: D03538 WIRING DIAGRAM REF: 361111 | 011100 011100 | RF 1 |

MISSING ITEM NUMBERS NOT APPLICABLE

- ITEM NOT ILLUSTRATED

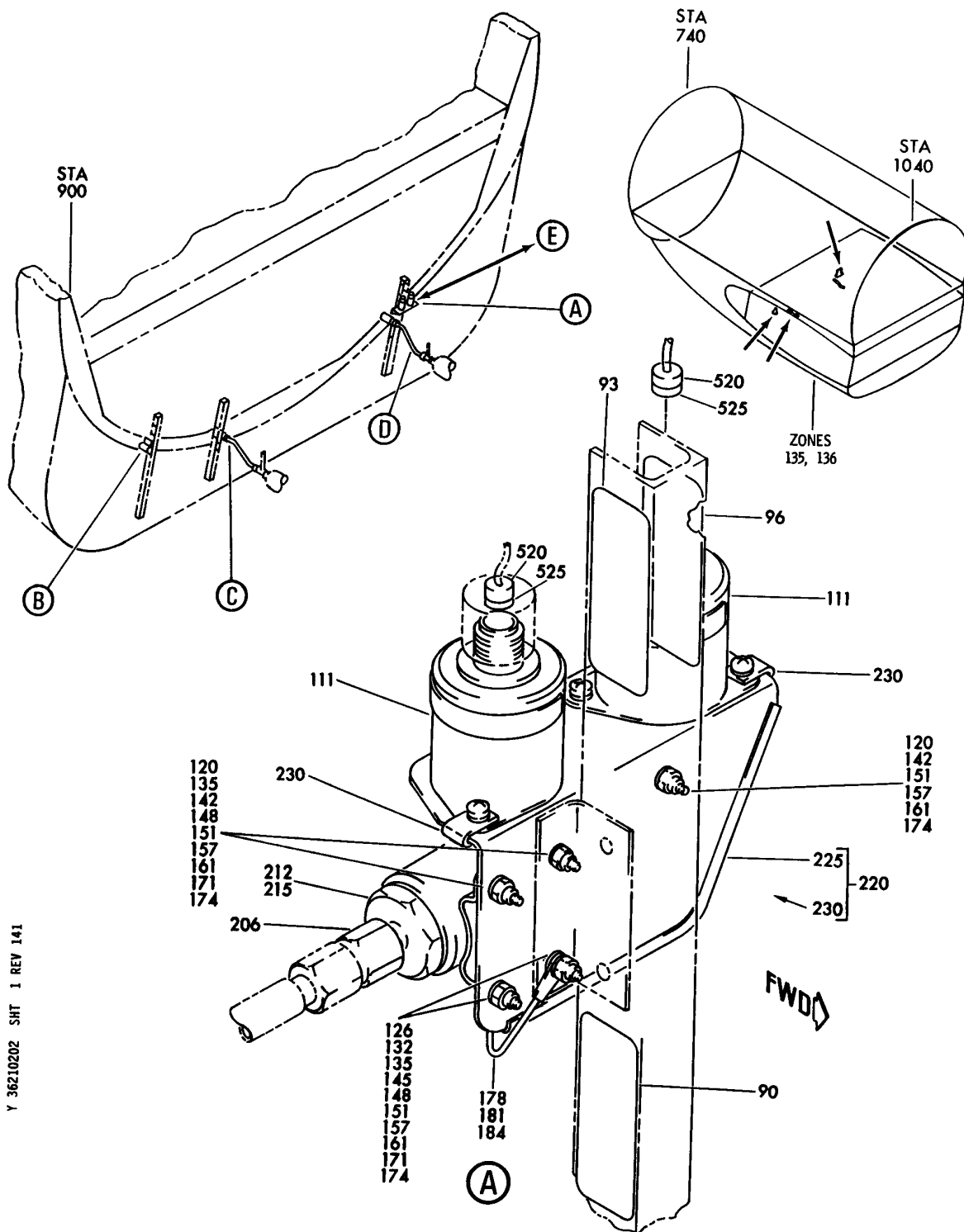
BRI

36-21-00-03

BOEING PROPRIETARY - Copyright © - Unpublished Work - See title page for details.

36-21-00
FIG. 03
PAGE 4
JAN 20/09

BOEING
757
PARTS CATALOG (MAINTENANCE)



Y 36210202 SH1 1 REV 141

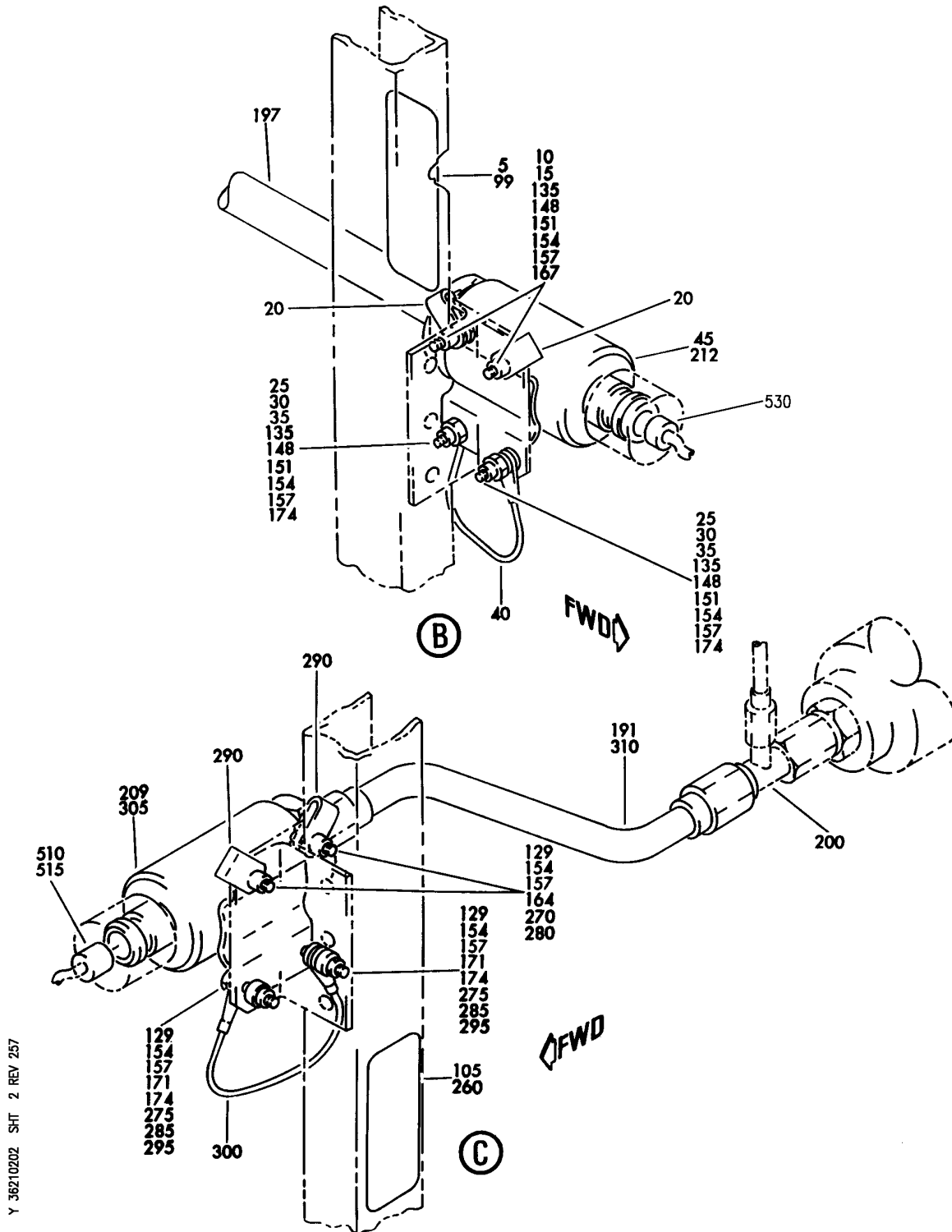
SWITCH INSTL-ALTITUDE AND AIR SUPPLY DUCT PRESSURE TRANSDUCER (PNEUMATIC ONLY)
FIGURE 2 (SHEET 1)

36-21-02-02

BRI
MAY 28/07

36-21-02-02
PAGE 0

BOEING
757
PARTS CATALOG (MAINTENANCE)



Y 36210202 SH1 2 REV 257

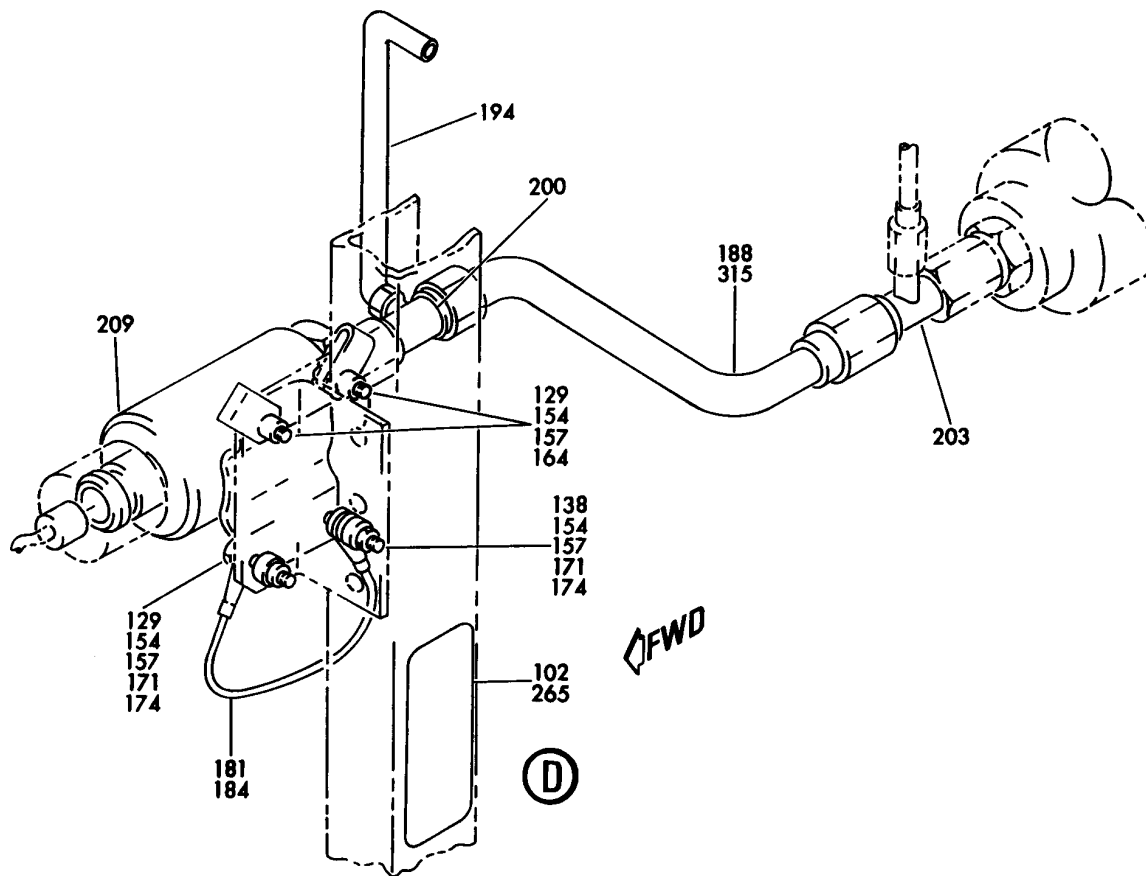
SWITCH INSTL-ALTITUDE AND AIR SUPPLY DUCT PRESSURE TRANSDUCER (PNEUMATIC ONLY)
FIGURE 2 (SHEET 2)

BRI
MAY 28/07

36-21-02-02

36-21-02-02
PAGE 0A

BOEING
757
PARTS CATALOG (MAINTENANCE)



Y 36210202 SHT 3 REV 141

SWITCH INSTL-ALTITUDE AND AIR SUPPLY DUCT PRESSURE TRANSDUCER (PNEUMATIC ONLY)
FIGURE 2 (SHEET 3)

36-21-02-02

BRI
MAY 28/07

36-21-02-02
PAGE 0B



757

PARTS CATALOG (MAINTENANCE)

| FIG ITEM | PART NUMBER | 1 2 3 4 5 6 7 | NOMENCLATURE | EFFECT FROM TO | UNITS PER ASSY |
|----------|--------------|---------------|---|----------------------------|----------------|
| 2 | | | SWITCH INSTL-ALTITUDE AND AIR SUPPLY DUCT PRESSURE TRANSDUCER (PNEUMATIC ONLY) | 002004 006999 | |
| - 1 | 212N1001-1 | | SWITCH INSTL-ALTITUDE PRESSURE TRANSDUCER (PNEUMATIC ONLY) FOR NHA/OTHER SYS DET SEE: 21-00-00-01 | 107107 121503 904949 | RF |
| 5 | BAC27NEC0004 | | .MARKER-ALUMINUM FOIL-PLACARD CONTENT: SENSOR-DUCT PRESSURE (LEFT) M609 | 107107 121503 904949 | 1 |
| 10 | BACB30NM3K3 | | .BOLT | 107107 121503 904949 | 2 |
| 15 | AN960PD10L | | .WASHER | 107107 121503 904949 | 2 |
| 20 | BRC500-8G3 | | .NUT SUPPLIER CODE: V52828 SPECIFICATION NUMBER: BACN10FX24 OPTIONAL PART: F49322-3-24 V15653 SL253-3-1 V97393 130064 V60119 A11330-8A3 V72962 | 107107 121503 904949 | 2 |
| 25 | BACB30NM3K4 | | .BOLT- | 107107 121503 904949 | 2 |
| 30 | AN960JD10 | | .WASHER | 107107 121503 904949 | 4 |

MISSING ITEM NUMBERS NOT APPLICABLE

- ITEM NOT ILLUSTRATED

BRI

36-21-02-02

BOEING PROPRIETARY - Copyright © - Unpublished Work - See title page for details.

36-21-02
FIG. 02
PAGE 1
JAN 20/09



757

PARTS CATALOG (MAINTENANCE)

| FIG ITEM | PART NUMBER | 1 2 3 4 5 6 7 | NOMENCLATURE | EFFECT FROM TO | UNITS PER ASSY |
|----------|---------------|---------------|--|----------------------------|----------------|
| 2 | 35 BRH10A3 | . | NUT SUPPLIER CODE: V52828 SPECIFICATION NUMBER: BACN10JC3 OPTIONAL PART: H10-3BAC V15653 NS202101-02 V80539 RMLH9075-3W V72962 VN303A02 V92215 96-02 V80539 T6S1032J V11815 | 107107 121503 904949 | 2 |
| | 40 740A20-4 | . | JUMPER ASSY SUPPLIER CODE: V91812 SPECIFICATION NUMBER: BACJ40A20-4 OPTIONAL PART: TJEJ40A20-4 V33483 RBEJ20-4 V1GK47 | 107107 121503 904949 | 1 |
| | 45 41SG118-1 | . | TRANSUCER- SUPPLIER CODE: V02750 ELECTRICAL EQUIP NUMBER: M00609 WIRING DIAGRAM REF: 362111 | 107107 121503 904949 | 1 |
| - | 85 212N1001-7 | | SWITCH INSTL-AIR SUPPLY DUCT PRESSURE TRANSDUCER FOR NHA SEE: 21-00-00-01 | 107107 121503 904949 | RF |
| - | 85 212N1001-8 | | SWITCH INSTL-AIR SUPPLY DUCT PRESSURE TRANSDUCER FOR NHA SEE: 21-00-00-01 | 002004 006007 952952 | RF |

MISSING ITEM NUMBERS NOT APPLICABLE

- ITEM NOT ILLUSTRATED

36-21-02-02

36-21-02
FIG. 02
PAGE 2
JAN 20/09

BRI



757

PARTS CATALOG (MAINTENANCE)

| FIG ITEM | PART NUMBER | 1 2 3 4 5 6 7 | NOMENCLATURE | EFFECT FROM TO | UNITS PER ASSY |
|----------|--------------|---------------|--|--|----------------|
| 2 | | | | | |
| - 85 | 212N1001-9 | | SWITCH INSTL-AIR SUPPLY DUCT PRESSURE TRANSDUCER (PNEUMATIC ONLY) FOR NHA/OTHER SYS DET SEE: 21-00-00-01 21-00-00-12 21-00-00-14 | 008102 504903 950951 953999 | RF |
| - 85 | 212N1001-10 | | SWITCH INSTL-AIR SUPPLY DUCT PRESSURE TRANSDUCER (PNEUMATIC ONLY) FOR NHA/OTHER SYS DET SEE: 21-00-00-12 | 108120 | RF |
| - 85 | MODREF33820 | | SWITCH INSTL-AIR SUPPLY DUCT PRESSURE TRANSDUCER (PNEUMATIC ONLY) MODULE NUMBER: 212N1001-9 REV B | 103106 | 1 |
| 90 | BAC27NEC0001 | | .MARKER-ALUMINUM FOIL- PLACARD CONTENT: SENSOR-DUCT PRESSURE (RIGHT) M610 | 107503 904949 | 1 |
| 93 | BAC27NEC0002 | | .MARKER-ALUMINUM FOIL- PLACARD CONTENT: SWITCH, ALTITUDE (RIGHT) S10229 | 002004 006999 | 1 |
| 96 | BAC27NEC0003 | | .MARKER-ALUMINUM FOIL- PLACARD CONTENT: SWITCH, ALTITUDE (LEFT) S10228 | 002004 006999 | 1 |
| 99 | BAC27NEC0004 | | .MARKER-ALUMINUM FOIL- PLACARD CONTENT: SENSOR-DUCT PRESSURE (LEFT) M609 | 108120 | 1 |
| 102 | BAC27NEC0104 | | .MARKER-ALUMINUM FOIL- PLACARD CONTENT: SENSOR-DUCT PRESSURE (RIGHT) M1088 EICAS | 008106 108120 504903 950951 953999 | 1 |
| 105 | BAC27NEC0105 | | .MARKER-ALUMINUM FOIL- PLACARD CONTENT: SENSOR-DUCT PRESSURE (LEFT) M1089 EICAS | 008106 108120 504903 950951 953999 | 1 |
| 111 | GBC300-89 | | .SWITCH-BAROMETRIC SUPPLIER CODE: V58918 ELECTRICAL EQUIP NUMBER: S10228 S10229 | 002004 006999 | 2 |

MISSING ITEM NUMBERS NOT APPLICABLE

- ITEM NOT ILLUSTRATED

36-21-02-02

36-21-02
FIG. 02
PAGE 3
JAN 20/09

BRI



757

PARTS CATALOG (MAINTENANCE)

| FIG ITEM | PART NUMBER | 1 2 3 4 5 6 7 | NOMENCLATURE | EFFECT FROM TO | UNITS PER ASSY |
|----------|-------------|---------------|-----------------|--|----------------|
| 2 | | | ATTACHING PARTS | | |
| - 114 | BACB30NT2K2 | | .BOLT- | 002004 006007 107107 121503 904949 952952 | 4 |
| - 114 | BACB30NT2K3 | | .BOLT- | 008106 108120 504903 950951 953999 | 4 |
| - 117 | AN960PD8L | | .WASHER- | 002004 006007 107107 121503 904949 952952 | 4 |
| - 117 | BACW10CT5J | | .WASHER- | 008106 108120 504903 950951 953999 | 4 |
| | | | -----* | | |
| 120 | BACB30NM3K2 | | .BOLT | 107107 121503 904949 | 3 |
| 123 | BACB30NM3K3 | | .BOLT | 008106 108120 504903 950951 953999 | 3 |
| 126 | BACB30NM3K3 | | .BOLT | 108120 | 2 |
| 129 | BACB30NM3K4 | | .BOLT | 008106 108120 504903 950951 953999 | 7 |
| 132 | BACB30NM3K4 | | .BOLT | 107107 121503 904949 | 2 |
| 135 | BACB30NM3K4 | | .BOLT | 108120 | 8 |
| 138 | BACB30NM3K5 | | .BOLT | 008106 108120 504903 950951 953999 | 1 |

MISSING ITEM NUMBERS NOT APPLICABLE

- ITEM NOT ILLUSTRATED

36-21-02-02

36-21-02
FIG. 02
PAGE 4
JAN 20/09

BRI



757

PARTS CATALOG (MAINTENANCE)

| FIG ITEM | PART NUMBER | 1 2 3 4 5 6 7 | NOMENCLATURE | EFFECT FROM TO | UNITS PER ASSY |
|----------|-------------|---------------|-------------------------------------|--|----------------|
| 2 | | | | | |
| 142 | AN960PD10L | . | WASHER | 107107 121503 904949 | 3 |
| 145 | AN960JD10 | . | WASHER | 107107 121503 904949 | 2 |
| 148 | AN960JD10L | . | WASHER | 008106 108120 504903 950951 953999 | 8 |
| 151 | AN960JD10L | . | WASHER | 108120 | 9 |
| 154 | BACW10BN3AC | . | WASHER | 008106 108120 504903 950951 953999 | 12 |
| 157 | BACW10BN3AC | . | WASHER | 108120 | 17 |
| 161 | BRH10A3 | . | NUT | 107107 121503 904949 | 5 |
| | | | SUPPLIER CODE: V52828 | | |
| | | | SPECIFICATION NUMBER: BACN10JC3 | | |
| | | | OPTIONAL PART: H10-3BAC | | |
| | | | V15653 | | |
| | | | NS202101-02 | | |
| | | | V80539 | | |
| | | | RMLH9075-3W | | |
| | | | V72962 | | |
| | | | VN303A02 | | |
| | | | V92215 | | |
| | | | 96-02 | | |
| | | | V80539 | | |
| | | | T6S1032J | | |
| | | | V11815 | | |
| 164 | 130069 | . | NUT | 008106 108120 504903 950951 953999 | 4 |
| | | | SUPPLIER CODE: V60119 | | |
| | | | SPECIFICATION NUMBER: BACN10FX16 | | |
| | | | OPTIONAL PART: A11330-6-3 | | |
| | | | V72962 | | |
| | | | A4972-6-02 | | |
| | | | V72962 | | |
| | | | A4972-6-02 | | |
| | | | V72962 | | |

MISSING ITEM NUMBERS NOT APPLICABLE

- ITEM NOT ILLUSTRATED

BRI

36-21-02-02

36-21-02
FIG. 02
PAGE 5
JAN 20/09



757

PARTS CATALOG (MAINTENANCE)

| FIG ITEM | PART NUMBER | 1 2 3 4 5 6 7 | NOMENCLATURE | EFFECT FROM TO | UNITS PER ASSY |
|----------|-------------|---------------|---|--|----------------|
| 2 167 | 130069 | .NUT | SUPPLIER CODE: V60119 SPECIFICATION NUMBER: BACN10FX16 OPTIONAL PART: A11330-6-3 V72962 A4972-6-02 V72962 A4972-6-02 V72962 | 108120 | 2 |
| 171 | PLH53CD | .NUT | SUPPLIER CODE: VF0224 SPECIFICATION NUMBER: BACN10YR3CD OPTIONAL PART: H52732-3CD V15653 | 008106 108120 504903 950951 953999 | 8 |
| 174 | PLH53CD | .NUT | SUPPLIER CODE: VF0224 SPECIFICATION NUMBER: BACN10YR3CD OPTIONAL PART: H52732-3CD V15653 | 108120 | 11 |
| 178 | 740A20-4 | .JUMPER ASSY | SUPPLIER CODE: V91812 SPECIFICATION NUMBER: BACJ40A20-4 OPTIONAL PART: TJEJ40A20-4 V33483 RBEJ20-4 V1GK47 | 107107 121503 904949 | 1 |
| 181 | 740A20-4 | .JUMPER ASSY | SUPPLIER CODE: V91812 SPECIFICATION NUMBER: BACJ40A20-4 OPTIONAL PART: TJEJ40A20-4 V33483 RBEJ20-4 V1GK47 | 008106 108120 504903 950951 953999 | 2 |

MISSING ITEM NUMBERS NOT APPLICABLE

- ITEM NOT ILLUSTRATED

36-21-02-02

36-21-02
FIG. 02
PAGE 6
JAN 20/09

BRI



757

PARTS CATALOG (MAINTENANCE)

| FIG ITEM | PART NUMBER | 1 2 3 4 5 6 7 | NOMENCLATURE | EFFECT FROM TO | UNITS PER ASSY |
|----------|-----------------|---------------|---|--|----------------|
| 2 184 | 740A20-4 | | .JUMPER ASSY SUPPLIER CODE: V91812 SPECIFICATION NUMBER: BACJ40A20-4 OPTIONAL PART: TJEJ40A20-4 V33483 RBEJ20-4 V1GK47 | 108120 | 2 |
| 188 | AS115-06-0130 | | .HOSE ASSY | 008106 108120 504903 950951 953999 | 1 |
| 191 | AS115-06-0225 | | .HOSE | 008106 108120 504903 950951 953999 | 1 |
| 194 | AS115-06-0116 | | .HOSE ASSY | 108120 | 1 |
| 197 | AS115-06-0155 | | .HOSE | 108120 | 1 |
| 200 | BACT16BR060606J | | .TEE | 108120 | 2 |
| 203 | NAS1763J060604 | | .TEE | 008106 108120 504903 950951 953999 | 1 |
| 206 | LER894S6-6 | | .BUSHING-EXPANDER SUPPLIER CODE: V00624 | 108120 | 1 |
| 209 | 41SG118-2 | | .TRANSDUCER- SUPPLIER CODE: V02750 ELECTRICAL EQUIP NUMBER: M01088 M01089 OPTIONAL PART: 41SG265-1 V02750 | 008106 108120 504903 950951 953999 | 2 |
| 209 | 41SG265-1 | | .TRANSDUCER- SUPPLIER CODE: V02750 ELECTRICAL EQUIP NUMBER: M01088 M01089 OPTIONAL PART: 41SG118-2 V02750 | 008106 108120 504903 950951 953999 | 2 |

MISSING ITEM NUMBERS NOT APPLICABLE

- ITEM NOT ILLUSTRATED

36-21-02-02

36-21-02
FIG. 02
PAGE 7
JAN 20/09

BRI



757

PARTS CATALOG (MAINTENANCE)

| FIG ITEM | PART NUMBER | 1 2 3 4 5 6 7 | NOMENCLATURE | EFFECT FROM TO | UNITS PER ASSY |
|----------|--------------|---------------|--|--|----------------|
| 2 212 | 41SG118-1 | | .TRANSDUCER- SUPPLIER CODE: V02750 ELECTRICAL EQUIP NUMBER: M00609 M00610 | 108120 | 2 |
| 215 | 41SG118-1 | | .TRANSDUCER- SUPPLIER CODE: V02750 ELECTRICAL EQUIP NUMBER: M00610 | 107107 121503 904949 | 1 |
| 220 | 212N3073-7 | | .BRACKET ASSY- | 002004 006999 | 1 |
| 225 | BACG20ZA1275 | | ..GROMMET- | 002004 006999 | 1 |
| 230 | 130008 | | ..NUT SUPPLIER CODE: V60119 SPECIFICATION NUMBER: BACN10FX84 OPTIONAL PART: RM52LHA4972-6-8 V72962 SL211-08-1 V97393 A11330-6-82 V72962 A4972-6-82 V72962 | 002004 006999 | 2 |
| - 250 | 212N1001-3 | | SWITCH INSTL-AIR SUPPLY DUCT PRESSURE TRANSDUCER FOR NHA SEE: 21-00-00-01 | 002004 006007 107107 121503 904949 952952 | RF |
| - 255 | 212N1001-4 | | SWITCH INSTL-AIR SUPPLY DUCT PRESSURE TRANSDUCER FOR NHA SEE: 21-00-00-01 | 002004 006007 107107 121503 904949 952952 | RF |
| 260 | BAC27NEC0105 | | .MARKER-ALUMINUM FOIL- PLACARD CONTENT: SENSOR-DUCT PRESSURE (LEFT) M1089 EICAS USED ON: 212N1001-3 | 002004 006007 107107 121503 904949 952952 | 1 |

MISSING ITEM NUMBERS NOT APPLICABLE

- ITEM NOT ILLUSTRATED

36-21-02-02

36-21-02
FIG. 02
PAGE 8
JAN 20/09

BRI



757

PARTS CATALOG (MAINTENANCE)

| FIG ITEM | PART NUMBER | 1 2 3 4 5 6 7 | NOMENCLATURE | EFFECT FROM TO | UNITS PER ASSY |
|----------|-------------|---------------|---|--|----------------|
| 2 | 265 | BAC27NEC0104 | .MARKER-ALUMINUM FOIL- PLACARD CONTENT: SENSOR-DUCT PRESSURE (RIGHT) M1088 EICAS USED ON: 212N1001-4 | 002004 006007 107107 121503 904949 952952 | 1 |
| | 270 | BACB30NM3K3 | .BOLT | 002004 006007 107107 121503 904949 952952 | 2 |
| | 275 | BACB30NM3K4 | .BOLT- | 002004 006007 107107 121503 904949 952952 | 2 |
| | 280 | AN960KD10L | .WASHER | 002004 006007 107107 121503 904949 952952 | 2 |
| | 285 | AN960JD10 | .WASHER | 002004 006007 107107 121503 904949 952952 | 4 |
| | 290 | BRC500-8G3 | .NUT SUPPLIER CODE: V52828 SPECIFICATION NUMBER: BACN10FX24 OPTIONAL PART: F49322-3-24 V15653 SL253-3-1 V97393 130064 V60119 A11330-8A3 V72962 | 002004 006007 107107 121503 904949 952952 | 2 |

MISSING ITEM NUMBERS NOT APPLICABLE

- ITEM NOT ILLUSTRATED

BRI

36-21-02-02

BOEING PROPRIETARY - Copyright © - Unpublished Work - See title page for details.

36-21-02
FIG. 02
PAGE 9
JAN 20/09



757

PARTS CATALOG (MAINTENANCE)

| FIG ITEM | PART NUMBER | 1 2 3 4 5 6 7 | NOMENCLATURE | EFFECT FROM TO | UNITS PER ASSY |
|----------|---------------|---------------|---|--|----------------|
| 2 295 | BRH10A3 | .NUT | SUPPLIER CODE: V52828 SPECIFICATION NUMBER: BACN10JC3 OPTIONAL PART: H10-3BAC V15653 NS202101-02 V80539 RMLH9075-3W V72962 VN303A02 V92215 96-02 V80539 T6S1032J V11815 | 002004 006007 107107 121503 904949 952952 | 2 |
| 300 | 740A20-4 | .JUMPER ASSY | SUPPLIER CODE: V91812 SPECIFICATION NUMBER: BACJ40A20-4 OPTIONAL PART: TJEJ40A20-4 V33483 RBEJ20-4 V1GK47 | 002004 006007 107107 121503 904949 952952 | 1 |
| 305 | 41SG118-2 | .TRANSDUCER- | SUPPLIER CODE: V02750 ELECTRICAL EQUIP NUMBER: M01088 M01089 | 002004 006007 107107 121503 904949 952952 | 1 |
| 305 | 41SG265-1 | .TRANSDUCER- | SUPPLIER CODE: V02750 ELECTRICAL EQUIP NUMBER: M01088 M01089 | 002004 006007 107107 121503 904949 952952 | 1 |
| 310 | AS115-06-0116 | .HOSE ASSY- | USED ON: 212N1001-3 | 002004 006007 107107 121503 904949 952952 | 1 |

MISSING ITEM NUMBERS NOT APPLICABLE

- ITEM NOT ILLUSTRATED

36-21-02-02

36-21-02
FIG. 02
PAGE 10
JAN 20/09

BRI



757

PARTS CATALOG (MAINTENANCE)

| FIG ITEM | PART NUMBER | 1 2 3 4 5 6 7 | NOMENCLATURE | EFFECT FROM TO | UNITS PER ASSY |
|----------|---------------|---------------|---|--|----------------|
| 2 | | | | | |
| 315 | AS115-06-0130 | | .HOSE ASSY- USED ON: 212N1001-4 | 002004 006007 107107 121503 904949 952952 | 1 |
| - 500 | 286N2506-012 | | WIRE BUNDLE ASSY- (PNEUMATIC ONLY) | 107107 121503 904949 | RF |
| - 500 | 286N2506-014 | | WIRE BUNDLE ASSY- (PNEUMATIC ONLY) | 002004 006100 950999 | RF |
| - 501 | 286N2506-305 | | WIRE BUNDLE ASSY- (PNEUMATIC ONLY) | 101102 | RF |
| - 502 | 286N2506-327 | | WIRE BUNDLE ASSY- (PNEUMATIC ONLY) | 108120 | RF |
| - 502 | 286N2506-328 | | WIRE BUNDLE ASSY- (PNEUMATIC ONLY) | 504903 | RF |
| - 502 | 286N2506-601 | | WIRE BUNDLE ASSY- (PNEUMATIC ONLY) | 103106 | RF |
| - 505 | 286N2406-012 | | WIRE BUNDLE ASSY- (PNEUMATIC ONLY) | 107107 121503 904949 | RF |
| - 505 | 286N2406-014 | | WIRE BUNDLE ASSY- (PNEUMATIC ONLY) | 002004 006100 950999 | RF |
| - 506 | 286N2406-305 | | WIRE BUNDLE ASSY- (PNEUMATIC ONLY) | 101102 | RF |
| - 507 | 286N2406-323 | | WIRE BUNDLE ASSY- (PNEUMATIC ONLY) | 108120 | RF |
| - 507 | 286N2406-327 | | WIRE BUNDLE ASSY- (PNEUMATIC ONLY) | 504903 | RF |
| - 509 | 286N2406-601 | | WIRE BUNDLE ASSY- (PNEUMATIC ONLY) | 103103 | RF |
| - 509 | 286N2406-602 | | WIRE BUNDLE ASSY- (PNEUMATIC ONLY) | 104106 | RF |
| 510 | GS3417-10C | | .CLAMP- SUPPLIER CODE: V06324 SPECIFICATION NUMBER: BACC10HF10 OPTIONAL PART: S2125-10-8 V07418 ELECTRICAL EQUIP NUMBER: D04660T D04700T WIRING DIAGRAM REF: 362111 | 002004 006999 | 1 |

MISSING ITEM NUMBERS NOT APPLICABLE

- ITEM NOT ILLUSTRATED

36-21-02-02

36-21-02
FIG. 02
PAGE 11
JAN 20/09

BRI



757

PARTS CATALOG (MAINTENANCE)

| FIG ITEM | PART NUMBER | 1 2 3 4 5 6 7 | NOMENCLATURE | EFFECT FROM TO | UNITS PER ASSY |
|-------------|--------------|---------------|--|-------------------|----------------------|
| 2 515 | R071010A5S8L | | .CONNECTOR- SUPPLIER CODE: V41118 SPECIFICATION NUMBER: BACC63BP10A5S8L ELECTRICAL EQUIP NUMBER: D04660 D04700 WIRING DIAGRAM REF: 362111 | 002004 006999 | 1 |
| 520 | GS3418-14CD | | .CLAMP- SUPPLIER CODE: V06324 SPECIFICATION NUMBER: BACC10HG14 OPTIONAL PART: S2126-14-8 V07418 ELECTRICAL EQUIP NUMBER: D02692T D02782T WIRING DIAGRAM REF: 361112 361122 | 002004 006999 | 1 |
| 525 | R071014A7SNL | | .CONNECTOR- SUPPLIER CODE: V41118 SPECIFICATION NUMBER: BACC63BP14A7SNL MISCELLANEOUS DATA: OPTIONAL PART NUMBERS: BACC63BP14A7SN (81205) BACC63BP14R7SN (81205) BACC63BP14R7SNL (81205) ELECTRICAL EQUIP NUMBER: D02692 D02782 WIRING DIAGRAM REF: 361112 361122 | 002004 006999 | 1 |

MISSING ITEM NUMBERS NOT APPLICABLE

- ITEM NOT ILLUSTRATED

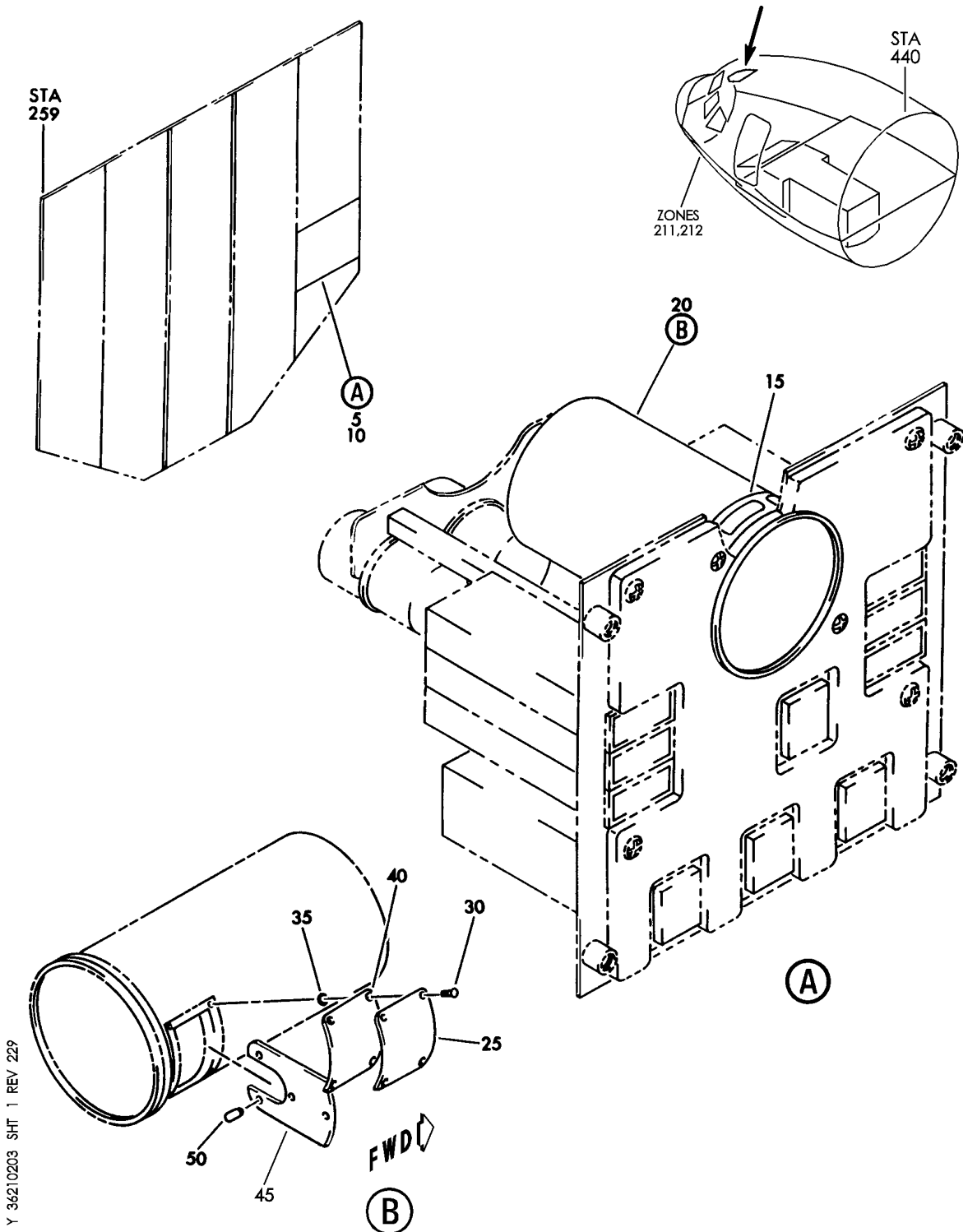
BRI

36-21-02-02

BOEING PROPRIETARY - Copyright © - Unpublished Work - See title page for details.

36-21-02
FIG. 02
PAGE 12
JAN 20/09

BOEING
757
PARTS CATALOG (MAINTENANCE)



Y 36210203 SHT 1 REV 229

PANEL INSTL-P5 OVERHEAD (AIR SUPPLY PRESSURE INDICATING SYSTEM ONLY)
FIGURE 3

36-21-02-03

BRI
MAY 28/07

36-21-02-03
PAGE 0



757

PARTS CATALOG (MAINTENANCE)

| FIG ITEM | PART NUMBER | 1 2 3 4 5 6 7 | NOMENCLATURE | EFFECT FROM TO | UNITS PER ASSY |
|----------|-------------|---------------|--|--|----------------|
| 3 | | | PANEL INSTL-P5 OVERHEAD (AIR SUPPLY PRESSURE INDICATING SYSTEM ONLY) | 002004 006010 107107 121503 904999 | |
| - 1 | 233N3101-1 | | PANEL INSTL-P5 OVERHEAD (AIR SUPPLY PRESSURE INDICATING SYSTEM ONLY) VARIABLE DRAWING REF: 233N3101-5005 233N3101-5025 233N3101-5041 233N3101-5042 233N3101-5045 FOR NHA/OTHER SYS DET SEE: 25-10-00-05A | 002004 006010 107107 121503 904999 | RF |
| 10 | 233N3215-15 | | .PANEL ASSY-BLEED AIR SUPPLIER CODE: V89954 ELECTRICAL EQUIP NUMBER: M10259 COMPONENT MAINT MANUAL REF: 36-11-71 QUALIFIED I/W DATA: 233N3215-9 -15 -19 -20 ARE ALL INTERCHANGEABLE EXCEPT SUBJECT TO CUSTOMER PREFERENCE PRE ALERT SB: 33A0044 | 107107 | RF |

MISSING ITEM NUMBERS NOT APPLICABLE

- ITEM NOT ILLUSTRATED

36-21-02-03

36-21-02
FIG. 03
PAGE 1
JAN 20/09

BRI



757

PARTS CATALOG (MAINTENANCE)

| FIG ITEM | PART NUMBER | 1 2 3 4 5 6 7 | NOMENCLATURE | EFFECT FROM TO | UNITS PER ASSY |
|----------|---------------|---------------|--|----------------------------|----------------|
| 3 10 | 233N3215-16 | | .PANEL ASSY-BLEED AIR SUPPLIER CODE: V89954 MISCELLANEOUS DATA: FOR SPARES PROCURE NEXT HIGHER ASSY ELECTRICAL EQUIP NUMBER: M10259 COMPONENT MAINT MANUAL REF: 36-11-71 QUALIFIED I/W DATA: 233N3215-13 -14 -16 -17 ARE ALL INTERCHANGEABLE EXCEPT SUBJECT TO CUSTOMER PREFERENCE THE 233N3215-300 PANEL ASSY IS I/W THE 233N3215-16 PANEL ASSY T/W THE S233T100-6009 LIGHTPLATE PRE ALERT SB: 33A0044 | 002004 006010 950999 | RF |
| 10 | 233N3215-19 | | .PANEL ASSY-BLEED AIR SUPPLIER CODE: V89954 ELECTRICAL EQUIP NUMBER: M10259 COMPONENT MAINT MANUAL REF: 36-11-71 QUALIFIED I/W DATA: 233N3215-9 -15 -19 -20 ARE ALL INTERCHANGEABLE EXCEPT SUBJECT TO CUSTOMER PREFERENCE PRE ALERT SB: 33A0044R1 | 121503 904949 | RF |
| 10 | 233N3215-1016 | | ..PANEL ASSY-BLEED AIR SUPPLIER CODE: V89954 ELECTRICAL EQUIP NUMBER: M10259 COMPONENT MAINT MANUAL REF: 36-11-71 POST ALERT SB: 33A0044 | 002004 006010 950999 | RF |

MISSING ITEM NUMBERS NOT APPLICABLE

- ITEM NOT ILLUSTRATED

36-21-02-03

36-21-02
FIG. 03
PAGE 2
JAN 20/09

BRI



757

PARTS CATALOG (MAINTENANCE)

| FIG ITEM | PART NUMBER | 1 2 3 4 5 6 7 | NOMENCLATURE | EFFECT FROM TO | UNITS PER ASSY |
|----------|---------------|---------------|--|--|----------------|
| 3 | | | | | |
| 10 | 233N3215-1015 | | .PANEL ASSY-BLEED AIR SUPPLIER CODE: V89954 ELECTRICAL EQUIP NUMBER: M10259 COMPONENT MAINT MANUAL REF: 36-11-71 QUALIFIED I/W DATA: 233N3215-1009,-1015, -1019 AND -1020 ARE INTERCHANGEABLE PER CUSTOMER PREFERENCE. POST ALERT SB: 33A0044 | 107107 | RF |
| 10 | 233N3215-1019 | | .PANEL ASSY-BLEED AIR SUPPLIER CODE: V89954 ELECTRICAL EQUIP NUMBER: M10259 COMPONENT MAINT MANUAL REF: 36-11-71 QUALIFIED I/W DATA: 233N3215-1009,-1015, -1019 AND -1020 ARE INTERCHANGEABLE PER CUSTOMER PREFERENCE. POST ALERT SB: 33A0044R1 | 121503 904949 | RF |
| 11 | 233N3215-22 | | ..PANEL ASSY-BLEED AIR SUPPLIER CODE: V89954 ELECTRICAL EQUIP NUMBER: M10259 | 002004 006010 950999 | RF |
| 15 | MBG59235 | | ..CLAMP SUPPLIER CODE: V98625 SPECIFICATION NUMBER: BACC10EL3 OPTIONAL PART: 640003 V91893 | 002004 006010 107107 121503 904999 | 1 |
| 20 | SEDLOC9A | | ..INDICATOR ASSY-DUCT PRESSURE SUPPLIER CODE: V61349 SPECIFICATION NUMBER: S231T245-2 COMPONENT MAINT MANUAL REF: 36-21-01 | 107107 121503 904949 | 1 |

MISSING ITEM NUMBERS NOT APPLICABLE

- ITEM NOT ILLUSTRATED

36-21-02-03

36-21-02
FIG. 03
PAGE 3
JAN 20/09

BRI



757

PARTS CATALOG (MAINTENANCE)

| FIG ITEM | PART NUMBER | 1 2 3 4 5 6 7 | NOMENCLATURE | EFFECT FROM TO | UNITS PER ASSY |
|----------|-------------|-----------------|---|--|----------------|
| 3 | 20 | SEDLOC9B | .. INDICATOR ASSY-DUCT PRESSURE SUPPLIER CODE: V61349 FUNCTIONAL DESCRIPTION: PROVIDES AVAILABLE AIR SUPPLY PRESSURE FOR THE RIGHT AND LEFT HAND SYSTEM SPECIFICATION NUMBER: S231T245-3 COMPONENT MAINT MANUAL REF: 36-21-01 | 002004 006010 950999 | 1 |
| | 25 | CB1477C | ... COVER-LAMP ACCESS SUPPLIER CODE: V61349 | 002004 006010 107107 121503 904999 | 1 |
| | 30 | AH1201GT | ATTACHING PARTS ... SCREW- SUPPLIER CODE: V61349 | 002004 006010 107107 121503 904999 | 4 |
| | 35 | AH1834DP | ... RING-E SUPPLIER CODE: V61349 | 002004 006010 107107 121503 904999 | 4 |
| | 40 | BH5700CN | -----*----- ... GASKET- SUPPLIER CODE: V61349 | 002004 006010 107107 121503 904999 | 1 |
| | 45 | CNN3165W | ... SLIDE ASSY-LAMP SUPPLIER CODE: V61349 | 002004 006010 107107 121503 904999 | 1 |
| | 50 | MS24367-715AS15 | LAMP- | 107107 121503 904949 | 3 |
| | 50 | MS24367-715A15 | LAMP- | 002004 006010 950999 | 3 |

MISSING ITEM NUMBERS NOT APPLICABLE

- ITEM NOT ILLUSTRATED

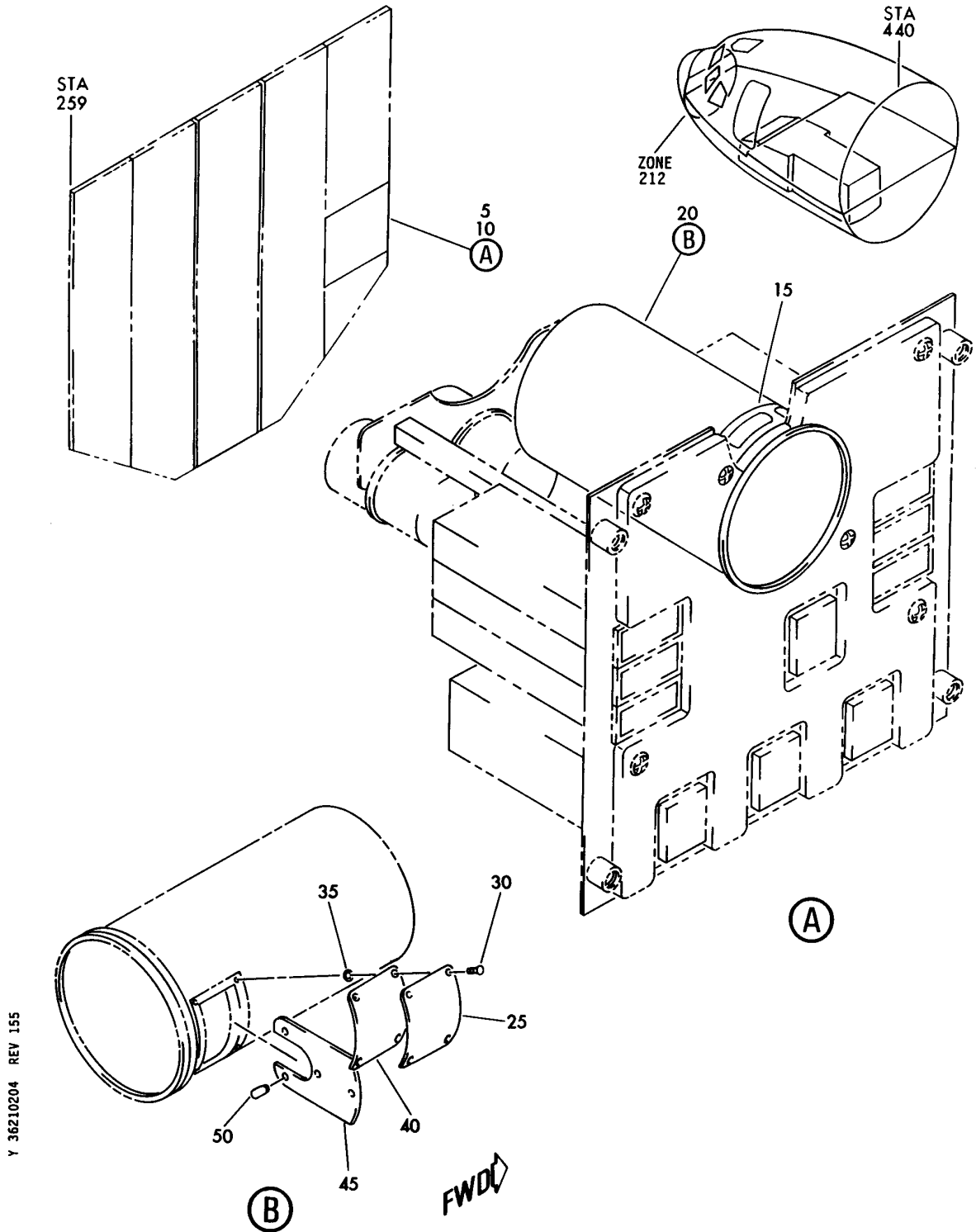
36-21-02-03

36-21-02
FIG. 03
PAGE 4
JAN 20/09

BRI

BOEING PROPRIETARY - Copyright © - Unpublished Work - See title page for details.

BOEING
757
PARTS CATALOG (MAINTENANCE)



Y 36210204 REV 155

PANEL INSTL-P5 OVERHEAD (AIR SUPPLY PRESSURE INDICATING SYSTEM ONLY)
FIGURE 4

36-21-02-04

BRI
MAY 28/07

36-21-02-04
PAGE 0



757

PARTS CATALOG (MAINTENANCE)

| FIG ITEM | PART NUMBER | 1 2 3 4 5 6 7 | NOMENCLATURE | EFFECT FROM TO | UNITS PER ASSY |
|----------|---------------|---------------|---|----------------------------|----------------|
| 4 | | | PANEL INSTL-P5 OVERHEAD (AIR SUPPLY PRESSURE INDICATING SYSTEM ONLY) | 011102 108120 504903 | |
| - 1 | 233N3101-1 | | PANEL INSTL-P5 OVERHEAD (AIR SUPPLY PRESSURE INDICATING SYSTEM ONLY) | 011102 108120 504903 | RF |
| | | | VARIABLE DRAWING REF: 233N3101-5142 FOR NHA/OTHER SYS DET SEE: 25-10-00-05A | | |
| 5 | 233N3215-300 | | .PANEL ASSY-BLEED AIR SUPPLIER CODE: V89954 ELECTRICAL EQUIP NUMBER: M10259 COMPONENT MAINT MANUAL REF: 36-11-71 QUALIFIED I/W DATA: THE 233N3215-300 PANEL ASSY IS I/W THE 233N3215-16 PANEL ASSY T/W THE S233T100-6009 LIGHTPLATE PRE ALERT SB: 33A0044 | 011100 | RF |
| 5 | 233N3215-1300 | | .PANEL ASSY-BLEED AIR SUPPLIER CODE: V89954 ELECTRICAL EQUIP NUMBER: M10259 COMPONENT MAINT MANUAL REF: 36-11-71 POST ALERT SB: 33A0044 | 011100 | RF |
| 5 | 233N3215-303 | | .PANEL ASSY-BLEED AIR SUPPLIER CODE: V89954 ELECTRICAL EQUIP NUMBER: M10259 | 011100 | RF |

MISSING ITEM NUMBERS NOT APPLICABLE

- ITEM NOT ILLUSTRATED

BRI

36-21-02-04

BOEING PROPRIETARY - Copyright © - Unpublished Work - See title page for details.

36-21-02
FIG. 04
PAGE 1
JAN 20/09



757

PARTS CATALOG (MAINTENANCE)

| FIG ITEM | PART NUMBER | 1 2 3 4 5 6 7 | NOMENCLATURE | EFFECT FROM TO | UNITS PER ASSY |
|----------|---------------|---------------|---|----------------------------|----------------|
| 4 10 | 233N3215-16 | | ..PANEL ASSY-BLEED AIR SUPPLIER CODE: V89954 MISCELLANEOUS DATA: FOR SPARES PROCURE NEXT HIGHER ASSY ELECTRICAL EQUIP NUMBER: M10259 COMPONENT MAINT MANUAL REF: 36-11-71 QUALIFIED I/W DATA: 233N3215-13 -14 -16 -17 ARE ALL INTERCHANGEABLE EXCEPT SUBJECT TO CUSTOMER PREFERENCE THE 233N3215-300 PANEL ASSY IS I/W THE 233N3215-16 PANEL ASSY T/W THE S233T100-6009 LIGHTPLATE PRE ALERT SB: 33A0044 | 011100 | RF |
| 10 | 233N3215-1016 | | ..PANEL ASSY-BLEED AIR SUPPLIER CODE: V89954 ELECTRICAL EQUIP NUMBER: M10259 COMPONENT MAINT MANUAL REF: 36-11-71 POST ALERT SB: 33A0044 | 011100 | RF |
| 10 | 233N3215-22 | | ..PANEL ASSY- SUPPLIER CODE: V89954 MISCELLANEOUS DATA: FOR SPARES PROCURE NEXT HIGHER ASSY ELECTRICAL EQUIP NUMBER: M10259 COMPONENT MAINT MANUAL REF: 36-11-71 | 011100 | RF |
| 15 | MBG59235 | | ...CLAMP SUPPLIER CODE: V98625 SPECIFICATION NUMBER: BACC10EL3 OPTIONAL PART: 640003 V91893 | 011102 108120 504903 | 1 |

MISSING ITEM NUMBERS NOT APPLICABLE

- ITEM NOT ILLUSTRATED

36-21-02-04

36-21-02
FIG. 04
PAGE 2
JAN 20/09

BRI



757

PARTS CATALOG (MAINTENANCE)

| FIG ITEM | PART NUMBER | 1 2 3 4 5 6 7 | NOMENCLATURE | EFFECT FROM TO | UNITS PER ASSY |
|----------|--------------------|---------------|---|----------------------------|----------------|
| 4 | 20 SEDLOC9A | | ...INDICATOR ASSY-DUCT PRESSURE SUPPLIER CODE: V61349 SPECIFICATION NUMBER: S231T245-2 COMPONENT MAINT MANUAL REF: 36-21-01 | 108120 | 1 |
| | 20 SEDLOC9B | | ...INDICATOR ASSY-DUCT PRESSURE SUPPLIER CODE: V61349 FUNCTIONAL DESCRIPTION: PROVIDES AVAILABLE AIR SUPPLY PRESSURE FOR THE RIGHT AND LEFT HAND SYSTEM SPECIFICATION NUMBER: S231T245-3 COMPONENT MAINT MANUAL REF: 36-21-01 | 011102 504903 | 1 |
| | 25 CB1477C | |COVER-LAMP ACCESS SUPPLIER CODE: V61349 ATTACHING PARTS | 011102 108120 504903 | 1 |
| | 30 AH1201GT | |SCREW- SUPPLIER CODE: V61349 | 011102 108120 504903 | 4 |
| | 35 AH1834DP | |RING-E SUPPLIER CODE: V61349 | 011102 108120 504903 | 4 |
| | 40 BH5700CN | | -----*-----GASKET- SUPPLIER CODE: V61349 | 011102 108120 504903 | 1 |
| | 45 CNN3165W | |SLIDE ASSY-LAMP SUPPLIER CODE: V61349 | 011102 108120 504903 | 1 |
| | 50 MS24367-715AS15 | |LAMP | 108120 | 3 |
| | 50 MS24367-715A15 | |LAMP | 011102 504903 | 3 |

MISSING ITEM NUMBERS NOT APPLICABLE

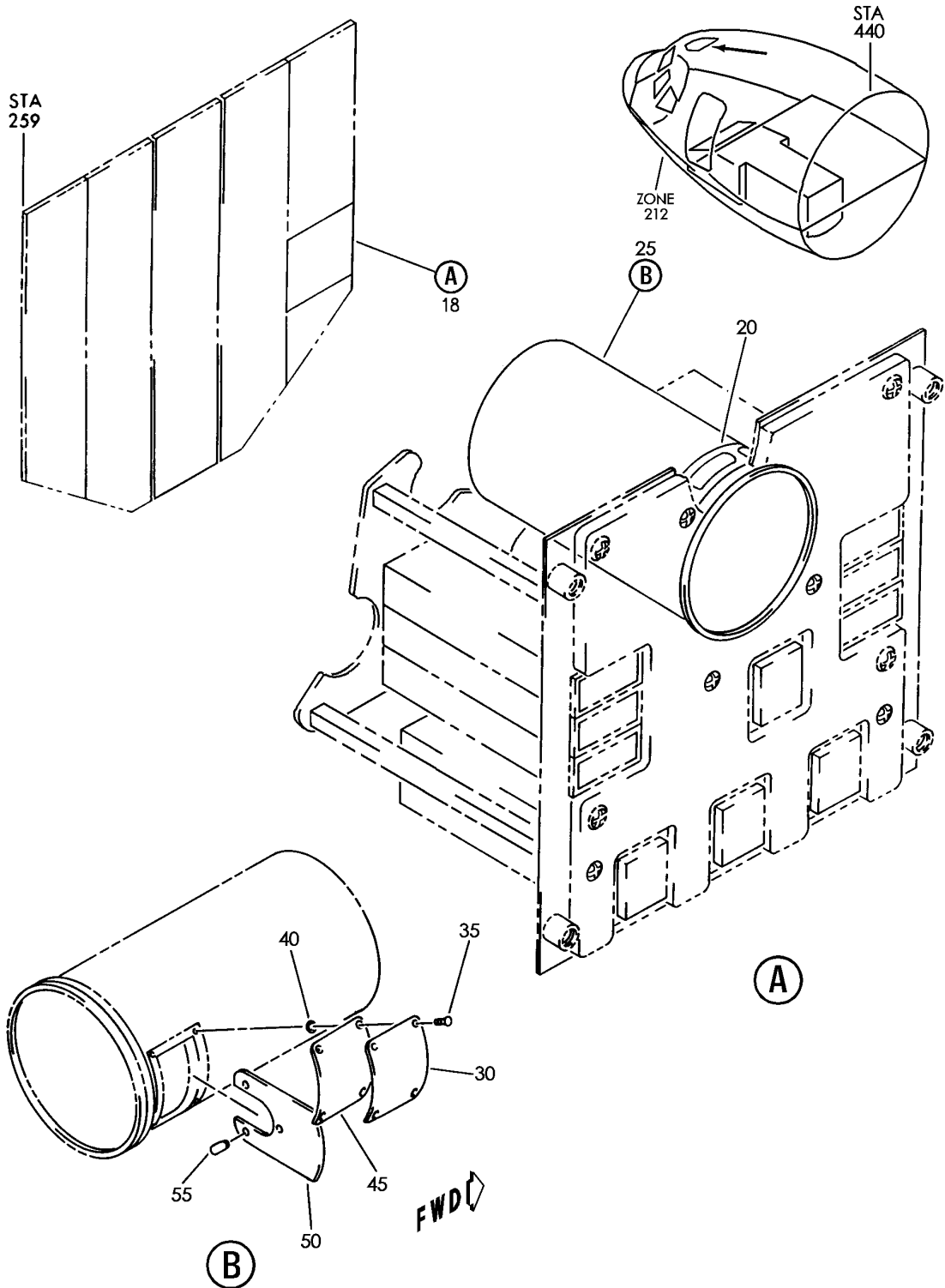
- ITEM NOT ILLUSTRATED

36-21-02-04

36-21-02
FIG. 04
PAGE 3
JAN 20/09

BRI

BOEING
757
PARTS CATALOG (MAINTENANCE)



Y 36210205 REV 251

PANEL INSTL-P5 OVHD (DUAL DUCT PRESSURE INDICATOR ONLY)
FIGURE 5

36-21-02-05

BRI
MAY 28/07

36-21-02-05
PAGE 0



757

PARTS CATALOG (MAINTENANCE)

| FIG ITEM | PART NUMBER | 1 2 3 4 5 6 7 | NOMENCLATURE | EFFECT FROM TO | UNITS PER ASSY |
|----------|--------------|---------------|--|----------------------------|----------------|
| 5 | | | PANEL INSTL-P5 OVHD (DUAL DUCT PRESSURE INDICATOR ONLY) | 101106 108120 504903 | |
| - 3 | 233N3103-132 | | PANEL INSTL-P5 OVHD (DUAL DUCT PRESSURE INDICATOR ONLY) FOR NHA/OTHER SYS DET SEE: 25-10-00-15E | 101102 | RF |
| - 3 | 233N3103-136 | | PANEL INSTL-P5 OVHD (DUAL DUCT PRESSURE INDICATOR ONLY) FOR NHA/OTHER SYS DET SEE: 25-10-00-15E | 504903 | RF |
| - 6 | 233N3103-59 | | PANEL INSTL-P5 OVHD (DUAL DUCT PRESSURE INDICATOR ONLY) FOR NHA/OTHER SYS DET SEE: 25-10-00-15E | 108120 | RF |
| - 8 | MODREF33760 | | PANEL INSTL-P5 OVHD (DUAL DUCT PRESSURE INDICATOR ONLY) MODULE NUMBER: 233N3103-351 REV C FOR OTHER SYS DETAILS SEE: 11-31-10-12 21-25-55-03 21-31-01-02 21-33-51-03 21-51-54-03 21-58-19-10 21-58-51-03 21-61-04-03 21-65-51-01 22-21-01-04 22-24-51-02 23-24-01-01 23-32-00-11 23-42-02-02 23-71-05-02 24-11-52-05 24-22-01-03 24-31-01-10 24-31-03-09 24-33-04-01 24-41-51-04 24-51-62-01 26-18-51-04 27-21-53-02 27-41-55-01 | 103103 | 1 |

MISSING ITEM NUMBERS NOT APPLICABLE

- ITEM NOT ILLUSTRATED

36-21-02-05

36-21-02
FIG. 05
PAGE 1
JAN 20/09

BRI



757

PARTS CATALOG (MAINTENANCE)

| FIG ITEM | PART NUMBER | 1 2 3 4 5 6 7 NOMENCLATURE | EFFECT FROM TO | UNITS PER ASSY |
|-------------|-------------|---|-------------------|----------------------|
| 5 | | 27-61-51-03 27-62-52-02 28-22-51-02 28-41-04-01 28-41-51-03 29-11-02-03 29-11-05-04 29-11-52-07 29-21-54-03 29-31-00-01 29-32-51-03 29-33-52-03 30-11-51-03 30-21-51-03 30-31-51-02 30-32-51-01 30-33-51-02 30-41-51-03 30-42-51-03 31-12-11-91 31-12-11-91 A 32-42-52-03 33-11-03-03 33-11-51-17 33-13-01-65 33-13-02-03 33-16-51-03 33-24-51-02 33-41-52-04 33-42-01-04 33-42-02-04 33-42-52-04 33-43-51-04 33-44-51-05 33-45-53-03 33-51-08-05 34-21-02-01 35-21-51-04 36-11-04-01 36-22-51-03 49-41-00-02 49-52-00-01 49-70-00-01 52-51-51-03 52-71-51-02 73-21-52-02 74-31-51-05 75-32-00-01 80-11-09-02 | | |

MISSING ITEM NUMBERS NOT APPLICABLE

- ITEM NOT ILLUSTRATED

36-21-02-05

36-21-02
FIG. 05
PAGE 2
JAN 20/09

BRI



757

PARTS CATALOG (MAINTENANCE)

| FIG ITEM | PART NUMBER | 1 2 3 4 5 6 7 | NOMENCLATURE | EFFECT FROM TO | UNITS PER ASSY |
|-------------------------------------|-------------|---------------|--|----------------|----------------|
| 5 | | | | | |
| - 8 | MODREF34038 | | FOR ADDITIONAL DETAILS SEE: 36-21-00-01 PANEL INSTL-P5 OVHD (DUAL DUCT PRESSURE INDICATOR ONLY) MODULE NUMBER: 233N3103-351 REV D FOR OTHER SYS DETAILS SEE: 11-31-10-12 21-25-55-03 21-31-01-02 21-33-51-03 21-51-54-03 21-58-19-10 21-58-51-03 21-61-04-03 21-65-51-01 22-21-01-04 22-24-51-02 23-24-01-01 23-32-00-11 23-42-02-02 23-71-05-02 24-11-52-05 24-22-01-03 24-31-01-10 24-31-03-09 24-33-04-01 24-41-51-04 24-51-62-01 26-18-51-04 27-21-53-02 27-41-55-01 27-61-51-03 27-62-52-02 28-22-51-02 28-41-04-01 28-41-51-03 29-11-02-03 29-11-05-04 29-11-52-07 29-21-54-03 29-31-00-01 29-32-51-03 29-33-52-03 30-11-51-03 30-21-51-03 30-31-51-02 30-32-51-01 | 104105 | 1 |
| MISSING ITEM NUMBERS NOT APPLICABLE | | | | | |

- ITEM NOT ILLUSTRATED

36-21-02-05

36-21-02
FIG. 05
PAGE 3
JAN 20/09

BRI



757

PARTS CATALOG (MAINTENANCE)

| FIG ITEM | PART NUMBER | 1 2 3 4 5 6 7 | NOMENCLATURE | EFFECT FROM TO | UNITS PER ASSY |
|----------|----------------|---------------|--|----------------|----------------|
| 5 | | | 30-33-51-02 30-41-51-03 30-42-51-03 31-12-11-91 31-12-11-91 A 32-42-52-03 33-11-03-03 33-11-51-17 33-13-01-65 33-13-02-03 33-16-51-03 33-24-51-02 33-41-52-04 33-42-01-04 33-42-02-04 33-42-52-04 33-43-51-04 33-44-51-05 33-45-53-03 33-51-08-05 34-21-02-01 35-21-51-04 36-11-04-01 36-22-51-03 49-41-00-02 49-52-00-01 49-70-00-01 52-51-51-03 52-71-51-02 73-21-52-02 74-31-51-05 75-32-00-01 80-11-09-02 FOR ADDITIONAL DETAILS SEE: 36-21-00-01 PANEL INSTL-P5 OVHD (DUAL DUCT PRESSURE INDICATOR ONLY) MODULE NUMBER: 233N3103-353 REV B FOR OTHER SYS DETAILS SEE: 11-31-10-12 21-25-55-03 21-31-01-02 21-33-51-03 21-51-54-03 21-58-19-10 21-58-51-03 21-61-04-03 | | |
| - | 8 MODREF170180 | | FOR ADDITIONAL DETAILS SEE: 36-21-00-01 PANEL INSTL-P5 OVHD (DUAL DUCT PRESSURE INDICATOR ONLY) MODULE NUMBER: 233N3103-353 REV B FOR OTHER SYS DETAILS SEE: 11-31-10-12 21-25-55-03 21-31-01-02 21-33-51-03 21-51-54-03 21-58-19-10 21-58-51-03 21-61-04-03 | 106106 | 1 |

MISSING ITEM NUMBERS NOT APPLICABLE

- ITEM NOT ILLUSTRATED

36-21-02-05

36-21-02
FIG. 05
PAGE 4
JAN 20/09

BRI



757

PARTS CATALOG (MAINTENANCE)

| FIG ITEM | PART NUMBER | 1 2 3 4 5 6 7 | NOMENCLATURE | EFFECT FROM TO | UNITS PER ASSY |
|----------|-------------|---------------|---|----------------|----------------|
| 5 | | | 21-65-51-01 22-21-01-04 22-24-51-02 23-24-01-01 23-32-00-11 23-42-02-02 23-71-05-02 24-11-52-05 24-22-01-03 24-31-01-10 24-31-03-09 24-33-04-01 24-41-51-04 24-51-62-01 26-18-51-04 27-21-53-02 27-41-55-01 27-61-51-03 27-62-52-02 28-22-51-02 28-41-04-01 28-41-51-03 29-11-02-03 29-11-05-04 29-11-52-07 29-21-54-03 29-31-00-01 29-32-51-03 29-33-52-03 30-11-51-03 30-21-51-03 30-31-51-02 30-32-51-01 30-33-51-02 30-41-51-03 30-42-51-03 31-12-11-84 31-12-11-84 A 32-42-52-03 33-11-03-03 33-11-51-17 33-13-01-65 33-13-02-03 33-16-51-03 33-24-51-02 33-41-52-04 33-42-01-04 33-42-02-04 33-42-52-04 | | |

MISSING ITEM NUMBERS NOT APPLICABLE

- ITEM NOT ILLUSTRATED

BRI

36-21-02-05

BOEING PROPRIETARY - Copyright © - Unpublished Work - See title page for details.

36-21-02
FIG. 05
PAGE 5
JAN 20/09



757

PARTS CATALOG (MAINTENANCE)

| FIG ITEM | PART NUMBER | 1 2 3 4 5 6 7 | NOMENCLATURE | EFFECT FROM TO | UNITS PER ASSY |
|----------|---------------|---------------|---|------------------|----------------|
| 5 | | | 33-43-51-04 33-44-51-05 33-45-53-03 33-51-08-05 34-21-02-01 35-21-51-04 36-11-04-01 36-22-51-03 49-41-00-02 49-52-00-01 49-70-00-01 52-51-51-03 52-71-51-02 73-21-52-02 74-31-51-05 75-32-00-01 80-11-09-02 | | |
| - 16 | 233N3215-300 | | .PANEL ASSY-BLEED AIR SUPPLIER CODE: V89954 ELECTRICAL EQUIP NUMBER: M10259 COMPONENT MAINT MANUAL REF: 36-11-71 QUALIFIED I/W DATA: THE 233N3215-300 PANEL ASSY IS I/W THE 233N3215-16 PANEL ASSY T/W THE S233T100-6009 LIGHTPLATE PRE ALERT SB: 33A0044 | 101102 504903 | RF |
| - 16 | 233N3215-1300 | | .PANEL ASSY-BLEED AIR SUPPLIER CODE: V89954 ELECTRICAL EQUIP NUMBER: M10259 COMPONENT MAINT MANUAL REF: 36-11-71 POST ALERT SB: 33A0044 | 101102 504903 | RF |

MISSING ITEM NUMBERS NOT APPLICABLE

- ITEM NOT ILLUSTRATED

36-21-02-05

36-21-02
FIG. 05
PAGE 6
JAN 20/09

BRI



757

PARTS CATALOG (MAINTENANCE)

| FIG ITEM | PART NUMBER | 1 2 3 4 5 6 7 | NOMENCLATURE | EFFECT FROM TO | UNITS PER ASSY |
|-----------|---------------|---------------|---|------------------|----------------|
| 5 - 16 | 233N3215-302 | | .PANEL ASSY-BLEED AIR SUPPLIER CODE: V89954 ELECTRICAL EQUIP NUMBER: M10259 COMPONENT MAINT MANUAL REF: 36-11-71 QUALIFIED I/W DATA: THE 233N3215-302 PANEL ASSY IS I/W THE 233N3215-20 PANEL ASSY T/W THE S233T100-6009 LIGHTPLATE PRE ALERT SB: 33A0044 | 108120 | RF |
| - 16 | 233N3215-1302 | | .PANEL ASSY-BLEED AIR SUPPLIER CODE: V89954 ELECTRICAL EQUIP NUMBER: M10259 COMPONENT MAINT MANUAL REF: 36-11-71 REWORK DRAWING REF: 233N6251-4 POST ALERT SB: 33A0044 | 108120 | RF |
| - 16 | 233N3215-303 | | .PANEL ASSY-BLEED AIR SUPPLIER CODE: V89954 ELECTRICAL EQUIP NUMBER: M10259 COMPONENT MAINT MANUAL REF: 36-11-71 | 101106 504903 | RF |
| - 16 | 233N3215-305 | | .PANEL ASSY-BLEED AIR SUPPLIER CODE: V89954 ELECTRICAL EQUIP NUMBER: M10259 | 108120 | RF |

MISSING ITEM NUMBERS NOT APPLICABLE

- ITEM NOT ILLUSTRATED

36-21-02-05

36-21-02
FIG. 05
PAGE 7
JAN 20/09

BRI



757

PARTS CATALOG (MAINTENANCE)

| FIG ITEM | PART NUMBER | 1 2 3 4 5 6 7 | NOMENCLATURE | EFFECT FROM TO | UNITS PER ASSY |
|----------|-------------|---------------|--|------------------|----------------|
| 5 18 | 233N3215-16 | | ..PANEL ASSY- SUPPLIER CODE: V89954 MISCELLANEOUS DATA: FOR SPARES PROCURE NEXT HIGHER ASSY COMPONENT MAINT MANUAL REF: 36-11-71 QUALIFIED I/W DATA: THE 233N3215-300 PANEL ASSY IS I/W THE 233N3215-16 PANEL ASSY T/W THE S233T100-6009 LIGHTPLATE USED ON: 233N3215-300 PRE ALERT SB: 33A0044 | 101102 504903 | RF |
| 18 | 233N3215-20 | | ..PANEL ASSY- SUPPLIER CODE: V89954 MISCELLANEOUS DATA: FOR SPARES PROCURE NEXT HIGHER ASSY COMPONENT MAINT MANUAL REF: 36-11-71 QUALIFIED I/W DATA: THE 233N3215-302 PANEL ASSY IS I/W THE 233N3215-20 PANEL ASSY T/W THE S233T100-6009 LIGHTPLATE USED ON: 233N3215-302 PRE ALERT SB: 33A0044 | 108120 | RF |
| 18 | 233N3215-22 | | ..PANEL ASSY- SUPPLIER CODE: V89954 MISCELLANEOUS DATA: FOR SPARES PROCURE NEXT HIGHER ASSY COMPONENT MAINT MANUAL REF: 36-11-71 USED ON: 233N3215-303 | 101106 504903 | RF |

MISSING ITEM NUMBERS NOT APPLICABLE

- ITEM NOT ILLUSTRATED

36-21-02-05

36-21-02
FIG. 05
PAGE 8
JAN 20/09

BRI



757

PARTS CATALOG (MAINTENANCE)

| FIG ITEM | PART NUMBER | 1 2 3 4 5 6 7 | NOMENCLATURE | EFFECT FROM TO | UNITS PER ASSY |
|----------|---------------|---------------|---|----------------------------|----------------|
| 5 | | | | | |
| 18 | 233N3215-23 | | ..PANEL ASSY- SUPPLIER CODE: V89954 MISCELLANEOUS DATA: FOR SPARES PROCURE NEXT HIGHER ASSY COMPONENT MAINT MANUAL REF: 36-11-71 | 108120 | RF |
| 18 | 233N3215-1016 | | ..PANEL ASSY- SUPPLIER CODE: V89954 COMPONENT MAINT MANUAL REF: 36-11-71 USED ON: 233N3215-1300 POST ALERT SB: 33A0044 | 101102 504903 | RF |
| 18 | 233N3215-1020 | | ..PANEL ASSY- SUPPLIER CODE: V89954 COMPONENT MAINT MANUAL REF: 36-11-71 QUALIFIED I/W DATA: 233N3215-1009,-1015, -1019 AND -1020 ARE INTERCHANGEABLE PER CUSTOMER PREFERENCE. USED ON: 233N3215-1302 POST ALERT SB: 33A0044 | 108120 | RF |
| 20 | MBG59235 | | ...CLAMP SUPPLIER CODE: V98625 SPECIFICATION NUMBER: BACC10EL3 OPTIONAL PART: 640003 V91893 | 101106 108120 504903 | 1 |
| 25 | SEDLOC9A | | ...INDICATOR ASSY-DUCT PRESSURE SUPPLIER CODE: V61349 SPECIFICATION NUMBER: S231T245-2 COMPONENT MAINT MANUAL REF: 36-21-01 | 108120 | 1 |

MISSING ITEM NUMBERS NOT APPLICABLE

- ITEM NOT ILLUSTRATED

36-21-02-05

36-21-02
FIG. 05
PAGE 9
JAN 20/09

BRI



757

PARTS CATALOG (MAINTENANCE)

| FIG ITEM | PART NUMBER | 1 2 3 4 5 6 7 | NOMENCLATURE | EFFECT FROM TO | UNITS PER ASSY |
|----------|--------------------|---------------|---|----------------------------|----------------|
| 5 | 25 SEDLOC9B | | ...INDICATOR ASSY-DUCT PRESSURE SUPPLIER CODE: V61349 FUNCTIONAL DESCRIPTION: PROVIDES AVAILABLE AIR SUPPLY PRESSURE FOR THE RIGHT AND LEFT HAND SYSTEM SPECIFICATION NUMBER: S231T245-3 COMPONENT MAINT MANUAL REF: 36-21-01 | 101106 504903 | 1 |
| | 30 CB1477C | |COVER-LAMP ACCESS SUPPLIER CODE: V61349 ATTACHING PARTS | 101106 108120 504903 | 1 |
| | 35 AH1201GT | |SCREW- SUPPLIER CODE: V61349 | 101106 108120 504903 | 4 |
| | 40 AH1834DP | |RING-E SUPPLIER CODE: V61349 | 101106 108120 504903 | 4 |
| | 45 BH5700CN | | -----*-----GASKET- SUPPLIER CODE: V61349 | 101106 108120 504903 | 1 |
| | 50 CNN3165W | |SLIDE ASSY-LAMP SUPPLIER CODE: V61349 | 101106 108120 504903 | 1 |
| | 55 MS24367-715AS15 | |LAMP | 108120 | 3 |
| | 55 MS24367-715A15 | |LAMP | 101106 504903 | 3 |

MISSING ITEM NUMBERS NOT APPLICABLE

- ITEM NOT ILLUSTRATED

36-21-02-05

36-21-02
FIG. 05
PAGE 10
JAN 20/09

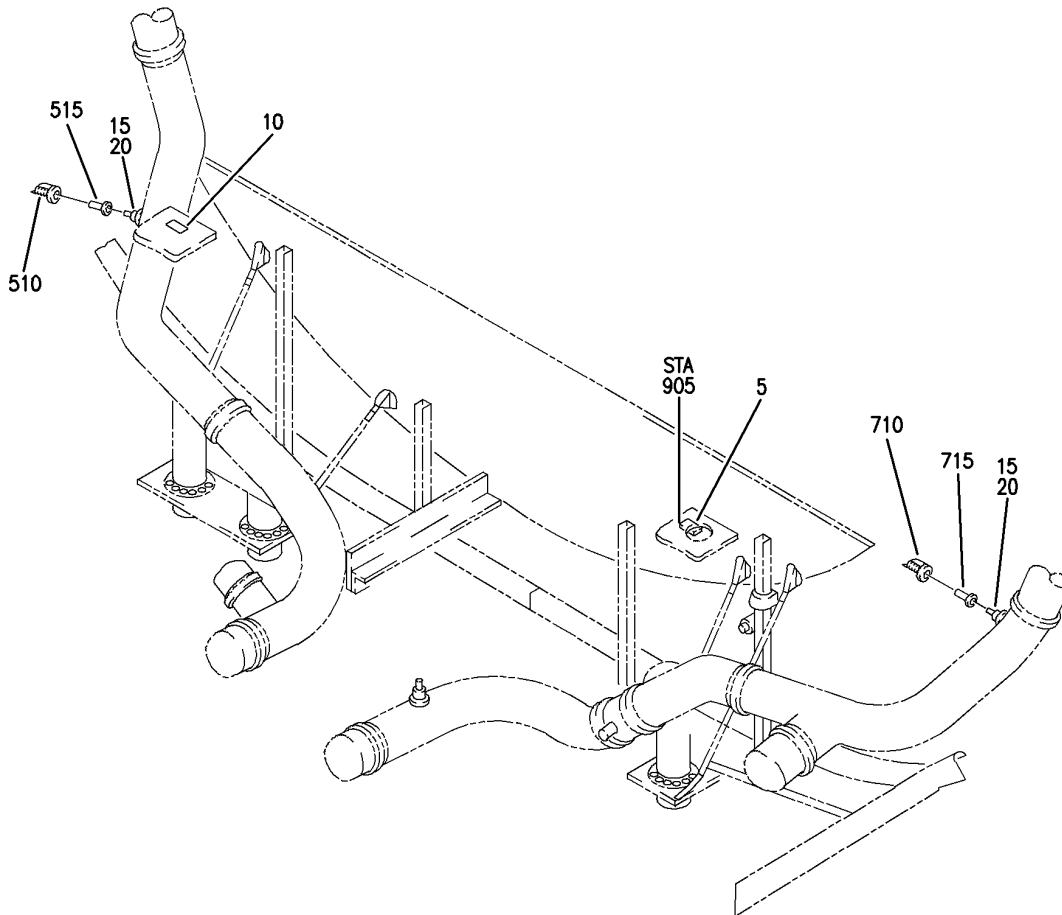
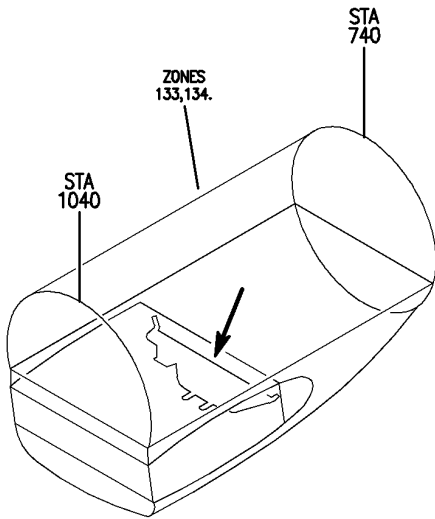
BRI

AIR SUPPLY TEMPERATURE INDICATION

BRI
MAY 28/07

36-22-00
SECTION TITLE
PAGE 1

BOEING
757
PARTS CATALOG (MAINTENANCE)



Y 36220102 REV 230

DUCT INSTL-AIR SUPPLY UNDER WING, RR ENGINES (AIR SUPPLY TEMPERATURE INDICATING SYSTEM ONLY)

FIGURE 2

36-22-01-02

BRI
MAY 28/07

36-22-01-02
PAGE 0



757

PARTS CATALOG (MAINTENANCE)

| FIG ITEM | PART NUMBER | 1 2 3 4 5 6 7 | NOMENCLATURE | EFFECT FROM TO | UNITS PER ASSY |
|----------|--------------|---------------|--|--|----------------|
| 2 | | | DUCT INSTL-AIR SUPPLY UNDER WING, RR ENGINES (AIR SUPPLY TEMPERATURE INDICATING SYSTEM ONLY) | 008106 108120 504903 950951 953999 | |
| - 1 | 212N3001-25 | | DUCT INSTL-AIR SUPPLY RR ENGINES, PASS. MODEL (AIR SUPPLY TEMPERATURE INDICATING SYSTEM ONLY) FOR NHA/OTHER SYS DET SEE: 21-00-00-01 21-00-00-12 21-00-00-14 21-00-00-15 | 008102 108120 504903 950951 953999 | RF |
| - 1 | MODREF5882 | | DUCT INSTL-AIR SUPPLY RR ENGINES, PASS. MODEL (AIR SUPPLY TEMPERATURE INDICATING SYSTEM ONLY) MODULE NUMBER: 212N3001-25 REV A | 103106 | 1 |
| 5 | BAC27NEC0008 | | .MARKER-ALUMINUM FOIL PLACARD CONTENT: SENSOR-TEMP OVERHEAT (RIGHT) S359 | 008106 108120 504903 950951 953999 | 1 |
| 10 | BAC27NEC0126 | | .MARKER-ALUMINUM FOIL PLACARD CONTENT: SENSOR-TEMP OVERHEAT (LEFT) D7418-S10533 | 008106 108120 504903 950951 953999 | 1 |
| 15 | 975-0172-006 | | .SWITCH-THERMAL SUPPLIER CODE: V97896 ELECTRICAL EQUIP NUMBER: S00359 S10533 OPTIONAL PART: 3000-46-29 V14604 | 008106 108120 504903 950951 953999 | 2 |
| 15 | 3000-46-29 | | .SWITCH-THERMAL SUPPLIER CODE: V14604 ELECTRICAL EQUIP NUMBER: S00359 S10533 OPTIONAL PART: 975-0172-006 V97896 | 008106 108120 504903 950951 953999 | 2 |

MISSING ITEM NUMBERS NOT APPLICABLE

- ITEM NOT ILLUSTRATED

36-22-01-02

36-22-01
FIG. 02
PAGE 1
JAN 20/09

BRI



757

PARTS CATALOG (MAINTENANCE)

| FIG ITEM | PART NUMBER | 1 2 3 4 5 6 7 | NOMENCLATURE | EFFECT FROM TO | UNITS PER ASSY |
|----------|--------------|---------------|--|--|----------------|
| 2 20 | R1131-908 | | .PACKING SUPPLIER CODE: V57268 SPECIFICATION NUMBER: BACP11K8 OPTIONAL PART: 3-908S383-70 V02697 1090-08 V95272 150701-08 V95272 AS568-908S32 V11314 | 008106 108120 504903 950951 953999 | 2 |
| - 500 | 286N2406-014 | | WIRE BUNDLE ASSY-(AIR SUPPLY TEMPERATURE INDICATING SYSTEM ONLY) | 008100 950951 953999 | RF |
| - 500 | 286N2406-305 | | WIRE BUNDLE ASSY-(AIR SUPPLY TEMPERATURE INDICATING SYSTEM ONLY) | 101102 | RF |
| - 500 | 286N2406-323 | | WIRE BUNDLE ASSY-(AIR SUPPLY TEMPERATURE INDICATING SYSTEM ONLY) | 108120 | RF |
| - 505 | 286N2406-327 | | WIRE BUNDLE ASSY-(AIR SUPPLY TEMPERATURE INDICATING SYSTEM ONLY) | 504903 | RF |
| - 505 | 286N2406-601 | | WIRE BUNDLE ASSY-(AIR SUPPLY TEMPERATURE INDICATING SYSTEM ONLY) | 103103 | RF |
| - 505 | 286N2406-602 | | WIRE BUNDLE ASSY-(AIR SUPPLY TEMPERATURE INDICATING SYSTEM ONLY) | 104106 | RF |
| 510 | GS3418-10CD | | .CLAMP- SUPPLIER CODE: V06324 SPECIFICATION NUMBER: BACC10HG10 OPTIONAL PART: S2126-10-8 V07418 ELECTRICAL EQUIP NUMBER: D07418T WIRING DIAGRAM REF: 362211 | 008106 108120 504903 950951 953999 | 1 |

MISSING ITEM NUMBERS NOT APPLICABLE

- ITEM NOT ILLUSTRATED

BRI

36-22-01-02

36-22-01
FIG. 02
PAGE 2
JAN 20/09



757

PARTS CATALOG (MAINTENANCE)

| FIG ITEM | PART NUMBER | 1 2 3 4 5 6 7 | NOMENCLATURE | EFFECT FROM TO | UNITS PER ASSY |
|----------|---------------|---------------|---|--|----------------|
| 2 510 | 620AA028NF10L | | .CLAMP- SUPPLIER CODE: V06324 SPECIFICATION NUMBER: BACC10KE10 OPTIONAL PART: S3820-10-65 V07418 ELECTRICAL EQUIP NUMBER: D07418T WIRING DIAGRAM REF: 362211 | 008106 108120 504903 950951 953999 | 1 |
| 515 | BCREF9787 | | .PLUG- SUPPLIER CODE: V13556 OVERLENGTH PART NUMBER: CN0966A10A20SN000 ELECTRICAL EQUIP NUMBER: D07418 WIRING DIAGRAM REF: 362211 | 008106 108120 504903 950951 953999 | 1 |
| - 700 | 286N2506-014 | | WIRE BUNDLE ASSY-(AIR SUPPLY TEMPERATURE INDICATING SYSTEM ONLY) | 008100 950951 953999 | RF |
| - 700 | 286N2506-305 | | WIRE BUNDLE ASSY-(AIR SUPPLY TEMPERATURE INDICATING SYSTEM ONLY) | 101102 | RF |
| - 705 | 286N2506-327 | | WIRE BUNDLE ASSY-(AIR SUPPLY TEMPERATURE INDICATING SYSTEM ONLY) | 108120 | RF |
| - 705 | 286N2506-328 | | WIRE BUNDLE ASSY-(AIR SUPPLY TEMPERATURE INDICATING SYSTEM ONLY) | 504903 | RF |
| - 705 | 286N2506-601 | | WIRE BUNDLE ASSY-(AIR SUPPLY TEMPERATURE INDICATING SYSTEM ONLY) | 103106 | RF |
| 710 | GS3418-10CD | | .CLAMP- SUPPLIER CODE: V06324 SPECIFICATION NUMBER: BACC10HG10 OPTIONAL PART: S2126-10-8 V07418 ELECTRICAL EQUIP NUMBER: D01560T WIRING DIAGRAM REF: 362211 | 008106 108120 504903 950951 953999 | 1 |

MISSING ITEM NUMBERS NOT APPLICABLE

- ITEM NOT ILLUSTRATED

BRI

36-22-01-02

36-22-01
FIG. 02
PAGE 3
JAN 20/09



757

PARTS CATALOG (MAINTENANCE)

| FIG ITEM | PART NUMBER | 1 2 3 4 5 6 7 | NOMENCLATURE | EFFECT FROM TO | UNITS PER ASSY |
|----------|---------------|---------------|---|--|----------------|
| 2 710 | 620AA028NF10L | | .CLAMP- SUPPLIER CODE: V06324 SPECIFICATION NUMBER: BACC10KE10 OPTIONAL PART: S3820-10-65 V07418 ELECTRICAL EQUIP NUMBER: D01560T WIRING DIAGRAM REF: 362211 | 008106 108120 504903 950951 953999 | 1 |
| 715 | BCREF9787 | | .PLUG- SUPPLIER CODE: V13556 OVERLENGTH PART NUMBER: CN0966A10A20SN000 ELECTRICAL EQUIP NUMBER: D01560 WIRING DIAGRAM REF: 362211 | 008106 108120 504903 950951 953999 | 1 |

MISSING ITEM NUMBERS NOT APPLICABLE

- ITEM NOT ILLUSTRATED

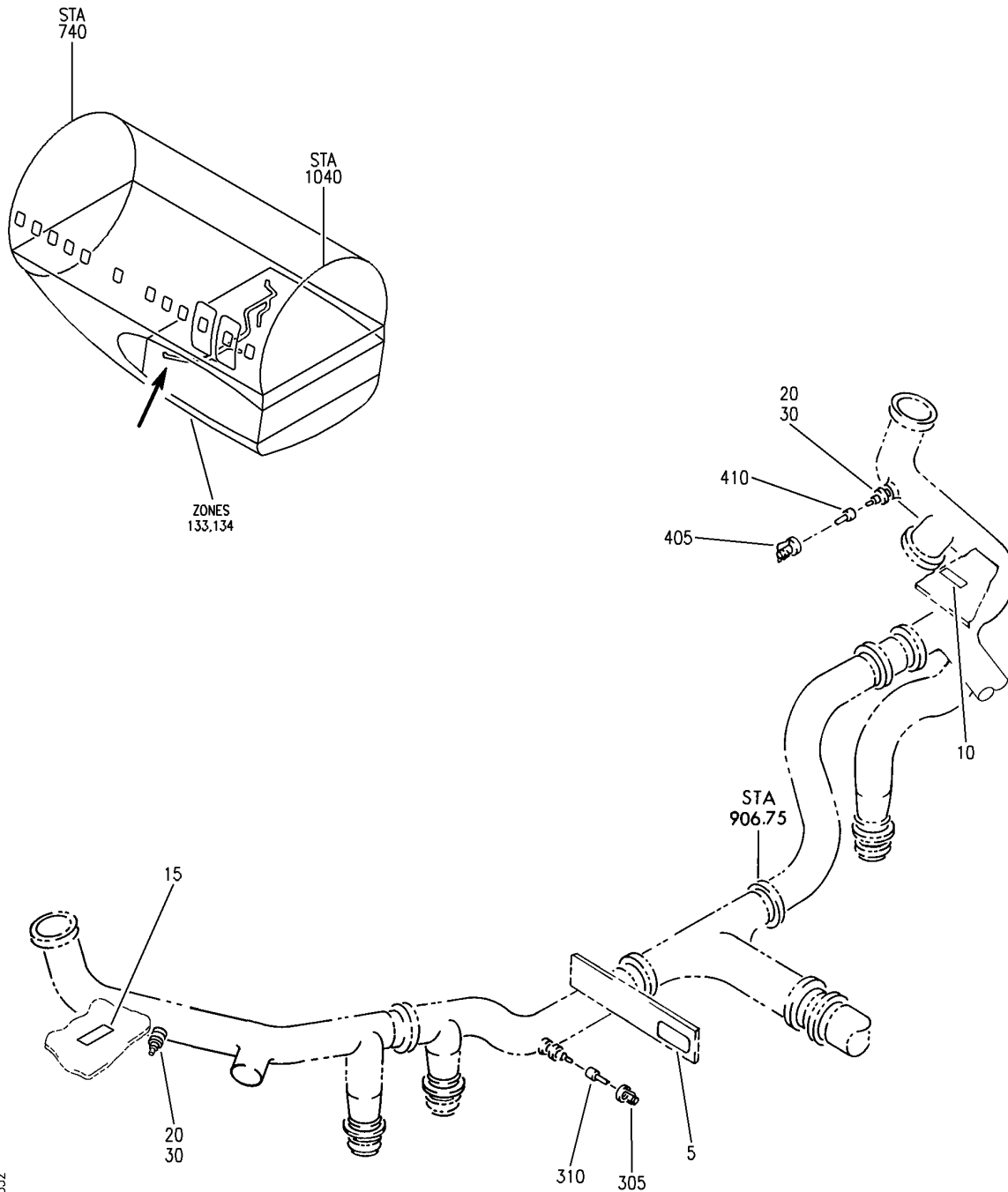
BRI

36-22-01-02

BOEING PROPRIETARY - Copyright © - Unpublished Work - See title page for details.

36-22-01
FIG. 02
PAGE 4
JAN 20/09

BOEING
757
PARTS CATALOG (MAINTENANCE)



Y 36220103 REV 332

DUCT INSTL-AIR SUPPLY UNDER WING (AIR SUPPLY TEMPERATURE INDICATING SYSTEM ONLY)
FIGURE 3

36-22-01-03

BRI
MAY 20/09

36-22-01-03
PAGE 0



757

PARTS CATALOG (MAINTENANCE)

| FIG ITEM | PART NUMBER | 1 2 3 4 5 6 7 | NOMENCLATURE | EFFECT FROM TO | UNITS PER ASSY |
|----------|--------------|---------------|---|--|----------------|
| 3 | | | DUCT INSTL-AIR SUPPLY UNDER WING (AIR SUPPLY TEMPERATURE INDICATING SYSTEM ONLY) | 002004 006007 107107 121503 904949 952952 | |
| - 1 | 212N3001-8 | | DUCT INSTL-AIR SUPPLY (AIR SUPPLY TEMPERATURE INDICATING SYSTEM ONLY) POSITION DATA: UNDER WING FOR NHA/OTHER SYS DET SEE: 21-00-00-01 | 107107 904949 | RF |
| - 1 | 212N3001-18 | | DUCT INSTL-AIR SUPPLY RR ENGINES, (AIR SUPPLY TEMPERATURE INDICATING SYSTEM ONLY) POSITION DATA: UNDER WING FOR NHA/OTHER SYS DET SEE: 21-00-00-01 | 121503 | RF |
| - 1 | 212N3001-20 | | DUCT INSTL-AIR SUPPLY RR ENGINES, (AIR SUPPLY TEMPERATURE INDICATING SYSTEM ONLY) POSITION DATA: UNDER WING FOR NHA/OTHER SYS DET SEE: 21-00-00-01 | 002004 006007 952952 | RF |
| 5 | BAC27NEC0009 | | .MARKER-ALUMINUM FOIL PLACARD CONTENT: SENSOR-TEMP OVERHEAT (LEFT) S358 | 107107 904949 | 1 |
| 10 | BAC27NEC0008 | | .MARKER-ALUMINUM FOIL PLACARD CONTENT: SENSOR-TEMP OVERHEAT (RIGHT) S359 | 002004 006007 107107 121503 904949 952952 | 1 |
| 15 | BAC27NEC0126 | | .MARKER-ALUMINUM FOIL PLACARD CONTENT: SENSOR-TEMP OVERHEAT (LEFT) D7418-S10533 | 002004 006007 107107 121503 904949 952952 | 1 |

MISSING ITEM NUMBERS NOT APPLICABLE

- ITEM NOT ILLUSTRATED

36-22-01-03

36-22-01
FIG. 03
PAGE 1
JAN 20/09

BRI



757

PARTS CATALOG (MAINTENANCE)

| FIG ITEM | PART NUMBER | 1 2 3 4 5 6 7 | NOMENCLATURE | EFFECT FROM TO | UNITS PER ASSY |
|----------|--------------|---------------|--|--|----------------|
| 3 | | | | | |
| 20 | 975-0172-006 | . | SWITCH-THRML SUPPLIER CODE: V97896 ELECTRICAL EQUIP NUMBER: S00358 S00359 OPTIONAL PART: 3000-46-29 V14604 | 002004 006007 107107 121503 904949 952952 | 2 |
| 20 | 3000-46-29 | . | SWITCH-THRML SUPPLIER CODE: V14604 ELECTRICAL EQUIP NUMBER: S00358 S00359 OPTIONAL PART: 975-0172-006 V97896 | 002004 006007 107107 121503 904949 952952 | 2 |
| 30 | R1131-908 | . | PACKING SUPPLIER CODE: V57268 SPECIFICATION NUMBER: BACP11K8 OPTIONAL PART: 3-908S383-70 V02697 1090-08 V95272 150701-08 V95272 AS568-908S32 V11314 | 002004 006007 107107 121503 904949 952952 | 2 |
| - 300 | 286N2406-012 | | WIRE BUNDLE ASSY-(AIR SUPPLY TEMPERATURE INDICATING SYSTEM ONLY) | 107107 121503 904949 | RF |
| - 300 | 286N2406-014 | | WIRE BUNDLE ASSY-(AIR SUPPLY TEMPERATURE INDICATING SYSTEM ONLY) | 002004 006007 952952 | RF |

MISSING ITEM NUMBERS NOT APPLICABLE

- ITEM NOT ILLUSTRATED

36-22-01-03

36-22-01
FIG. 03
PAGE 2
JAN 20/09

BRI



757

PARTS CATALOG (MAINTENANCE)

| FIG ITEM | PART NUMBER | 1 2 3 4 5 6 7 | NOMENCLATURE | EFFECT FROM TO | UNITS PER ASSY |
|----------|---------------|--|--|--|----------------|
| 3 305 | GS3418-10CD | .CLAMP- | SUPPLIER CODE: V06324 SPECIFICATION NUMBER: BACC10HG10 OPTIONAL PART: S2126-10-8 V07418 ELECTRICAL EQUIP NUMBER: D01558T WIRING DIAGRAM REF: 362211 | 002004 006007 107107 121503 904949 952952 | 1 |
| 305 | 620AA028NF10L | .CLAMP- | SUPPLIER CODE: V06324 SPECIFICATION NUMBER: BACC10KE10 OPTIONAL PART: S3820-10-65 V07418 ELECTRICAL EQUIP NUMBER: D01558T WIRING DIAGRAM REF: 362211 | 002004 006007 107107 121503 904949 952952 | 1 |
| 310 | BCREF5962 | .PLUG- | SUPPLIER CODE: V13556 OVERLENGTH PART NUMBER: CN0966-10A20SN000 ELECTRICAL EQUIP NUMBER: D01558 WIRING DIAGRAM REF: 362211 | 002004 006007 107107 121503 904949 952952 | 1 |
| - 400 | 286N2506-012 | WIRE BUNDLE ASSY-(AIR SUPPLY TEMPERATURE INDICATING SYSTEM ONLY) | | 107107 121503 904949 | RF |
| - 400 | 286N2506-014 | WIRE BUNDLE ASSY-(AIR SUPPLY TEMPERATURE INDICATING SYSTEM ONLY) | | 002004 006007 952952 | RF |

MISSING ITEM NUMBERS NOT APPLICABLE

- ITEM NOT ILLUSTRATED

36-22-01-03

36-22-01
FIG. 03
PAGE 3
JAN 20/09

BRI



**757
PARTS CATALOG (MAINTENANCE)**

| FIG ITEM | PART NUMBER | 1 2 3 4 5 6 7 | NOMENCLATURE | EFFECT FROM TO | UNITS PER ASSY |
|-------------|-------------|---------------|--|--|----------------------|
| 3 405 | GS3417-10C | | .CLAMP- SUPPLIER CODE: V06324 SPECIFICATION NUMBER: BACC10HF10 OPTIONAL PART: S2125-10-8 V07418 ELECTRICAL EQUIP NUMBER: D01560T WIRING DIAGRAM REF: 362211 | 002004 006007 107107 121503 904949 952952 | 1 |
| 410 | BCREF5962 | | .PLUG- SUPPLIER CODE: V13556 OVERLENGTH PART NUMBER: CN0966-10A20SN000 ELECTRICAL EQUIP NUMBER: D01560 WIRING DIAGRAM REF: 362211 | 002004 006007 107107 121503 904949 952952 | 1 |

MISSING ITEM NUMBERS NOT APPLICABLE

— ITEM NOT ILLUSTRATED

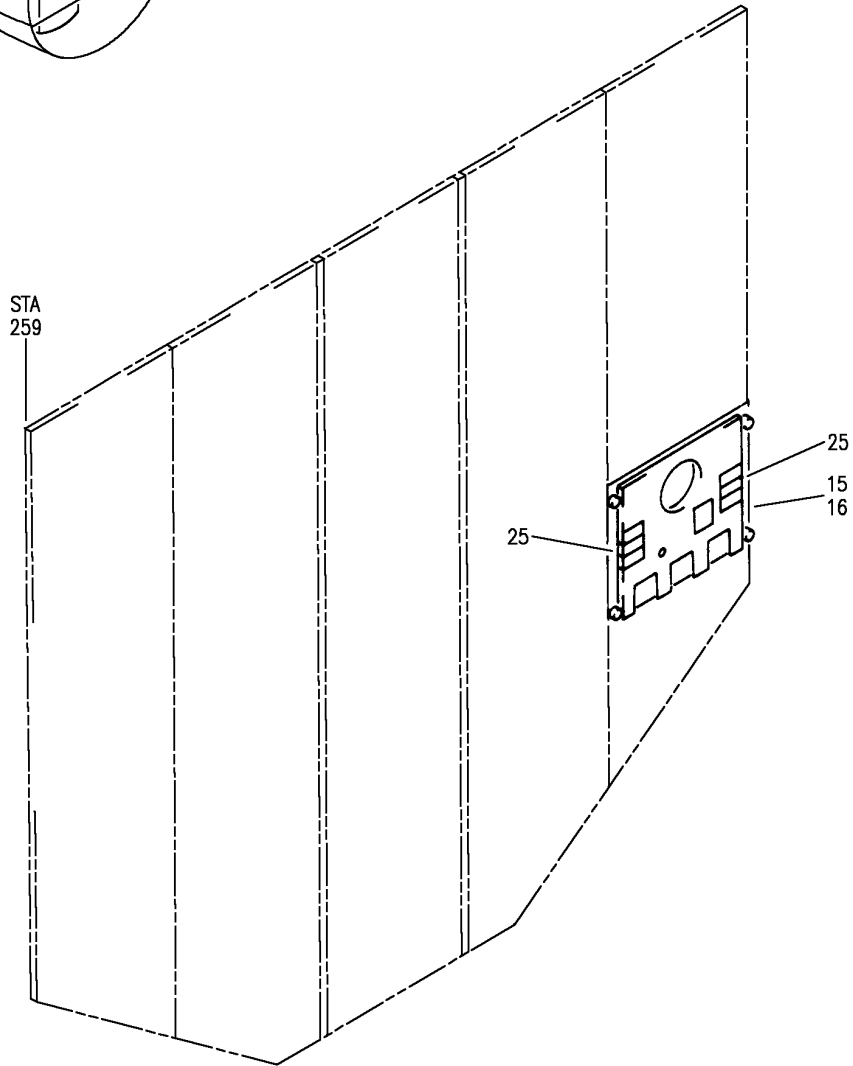
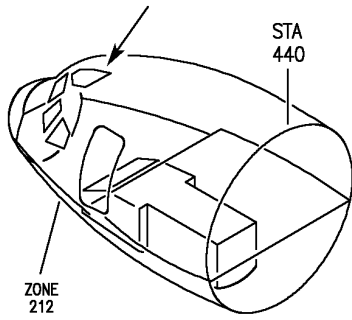
BRI

36-22-01-03

BOEING PROPRIETARY - Copyright © - Unpublished Work - See title page for details.

36-22-01
FIG. 03
PAGE 4
JAN 20/09

BOEING
757
PARTS CATALOG (MAINTENANCE)



Y 36225101 REV 278

PANEL INSTL-P5 OVHD (AIR SUPPLY TEMPERATURE INDICATING SYSTEM ONLY)

FIGURE 1

36-22-51-01

BRI
MAY 28/07

36-22-51-01
PAGE 0



757

PARTS CATALOG (MAINTENANCE)

| FIG ITEM | PART NUMBER | 1 2 3 4 5 6 7 | NOMENCLATURE | EFFECT FROM TO | UNITS PER ASSY |
|----------|-------------|---------------|--|--|----------------|
| 1 | | | PANEL INSTL-P5 OVHD (AIR SUPPLY TEMPERATURE INDICATING SYSTEM ONLY) | 002004 006010 107503 904999 | |
| - 5 | 233N3101-1 | | PANEL INSTL-P5 OVHD (AIR SUPPLY TEMPERATURE INDICATING SYSTEM ONLY) VARIABLE DRAWING REF: 233N3101-5005 233N3101-5025 233N3101-5041 233N3101-5042 233N3101-5045 FOR NHA/OTHER SYS DET SEE: 25-10-00-05A | 002004 006010 107107 121503 904999 | RF |
| 15 | 233N3215-15 | | .PANEL ASSY-AIR BLEED SUPPLIER CODE: V89954 ELECTRICAL EQUIP NUMBER: M10259 COMPONENT MAINT MANUAL REF: 36-11-71 QUALIFIED I/W DATA: 233N3215-9 -15 -19 -20 ARE ALL INTERCHANGEABLE EXCEPT SUBJECT TO CUSTOMER PREFERENCE PRE ALERT SB: 33A0044 | 107107 | RF |

MISSING ITEM NUMBERS NOT APPLICABLE

- ITEM NOT ILLUSTRATED

BRI

36-22-51-01

BOEING PROPRIETARY - Copyright © - Unpublished Work - See title page for details.

36-22-51
FIG. 01
PAGE 1
JAN 20/09



757

PARTS CATALOG (MAINTENANCE)

| FIG ITEM | PART NUMBER | 1 2 3 4 5 6 7 | NOMENCLATURE | EFFECT FROM TO | UNITS PER ASSY |
|----------|---------------|---------------|--|----------------------------|----------------|
| 1 15 | 233N3215-16 | | .PANEL ASSY-AIR BLEED SUPPLIER CODE: V89954 MISCELLANEOUS DATA: FOR SPARES PROCURE NEXT HIGHER ASSY ELECTRICAL EQUIP NUMBER: M10259 COMPONENT MAINT MANUAL REF: 36-11-71 QUALIFIED I/W DATA: 233N3215-13 -14 -16 -17 ARE ALL INTERCHANGEABLE EXCEPT SUBJECT TO CUSTOMER PREFERENCE THE 233N3215-300 PANEL ASSY IS I/W THE 233N3215-16 PANEL ASSY T/W THE S233T100-6009 LIGHTPLATE PRE ALERT SB: 33A0044 | 002004 006010 950999 | RF |
| 15 | 233N3215-19 | | .PANEL ASSY-AIR BLEED SUPPLIER CODE: V89954 ELECTRICAL EQUIP NUMBER: M10259 COMPONENT MAINT MANUAL REF: 36-11-71 QUALIFIED I/W DATA: 233N3215-9 -15 -19 -20 ARE ALL INTERCHANGEABLE EXCEPT SUBJECT TO CUSTOMER PREFERENCE PRE ALERT SB: 33A0044R1 | 121503 904949 | RF |
| 15 | 233N3215-1016 | | .PANEL ASSY- SUPPLIER CODE: V89954 ELECTRICAL EQUIP NUMBER: M10259 COMPONENT MAINT MANUAL REF: 36-11-71 POST ALERT SB: 33A0044 | 002004 006010 950999 | RF |

MISSING ITEM NUMBERS NOT APPLICABLE

- ITEM NOT ILLUSTRATED

36-22-51-01

36-22-51
FIG. 01
PAGE 2
JAN 20/09

BRI



757

PARTS CATALOG (MAINTENANCE)

| FIG ITEM | PART NUMBER | 1 2 3 4 5 6 7 | NOMENCLATURE | EFFECT FROM TO | UNITS PER ASSY |
|----------|---------------|---------------|---|----------------------------|----------------|
| 1 | | | | | |
| 15 | 233N3215-1020 | | .PANEL ASSY-AIR BLEED SUPPLIER CODE: V89954 ELECTRICAL EQUIP NUMBER: M10259 COMPONENT MAINT MANUAL REF: 36-11-71 QUALIFIED I/W DATA: 233N3215-1009,-1015, -1019 AND -1020 ARE INTERCHANGEABLE PER CUSTOMER PREFERENCE. | 108120 | RF |
| 15 | 233N3215-1015 | | .PANEL ASSY- SUPPLIER CODE: V89954 ELECTRICAL EQUIP NUMBER: M10259 COMPONENT MAINT MANUAL REF: 36-11-71 QUALIFIED I/W DATA: 233N3215-1009,-1015, -1019 AND -1020 ARE INTERCHANGEABLE PER CUSTOMER PREFERENCE. POST ALERT SB: 33A0044 | 107107 | RF |
| 16 | 233N3215-1019 | | .PANEL ASSY- SUPPLIER CODE: V89954 ELECTRICAL EQUIP NUMBER: M10259 COMPONENT MAINT MANUAL REF: 36-11-71 QUALIFIED I/W DATA: 233N3215-1009,-1015, -1019 AND -1020 ARE INTERCHANGEABLE PER CUSTOMER PREFERENCE. POST ALERT SB: 33A0044 | 121503 904949 | RF |
| 16 | 233N3215-22 | | .PANEL ASSY- SUPPLIER CODE: V89954 ELECTRICAL EQUIP NUMBER: M10259 | 002004 006010 950999 | RF |

MISSING ITEM NUMBERS NOT APPLICABLE

- ITEM NOT ILLUSTRATED

36-22-51-01

36-22-51
FIG. 01
PAGE 3
JAN 20/09

BRI



757

PARTS CATALOG (MAINTENANCE)

| FIG ITEM | PART NUMBER | 1 2 3 4 5 6 7 | NOMENCLATURE | EFFECT FROM TO | UNITS PER ASSY |
|----------|-------------|---------------|--|--|----------------|
| 1 | 25 BCRE6204 | | ..LIGHT ASSY-BLEED IND SUPPLIER CODE: V81590 OVERLENGTH PART NUMBER: 434-674-1005-1273 SPECIFICATION NUMBER: S231T300-1273 OPTIONAL PART: BCREF8589 V81590 FOR DETAILS SEE: 33-14-70-02 | 002004 006010 107107 121503 904999 | 2 |
| | 25 BCRE8589 | | ..LIGHT ASSY-BLEED IND SUPPLIER CODE: V81590 OVERLENGTH PART NUMBER: 434-674-1031-2273 SPECIFICATION NUMBER: S231T300-2273 OPTIONAL PART: BCREF6204 V81590 FOR DETAILS SEE: 33-14-70-02 | 002004 006010 107107 121503 904999 | 2 |

MISSING ITEM NUMBERS NOT APPLICABLE

- ITEM NOT ILLUSTRATED

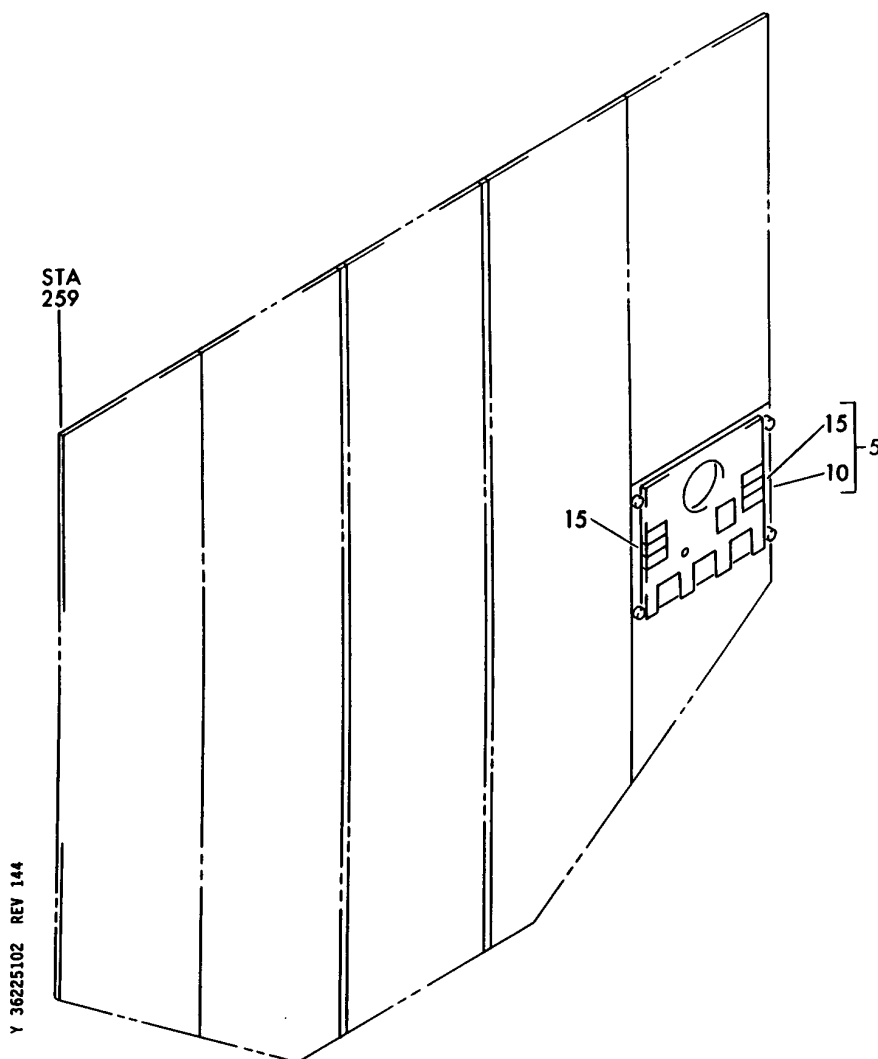
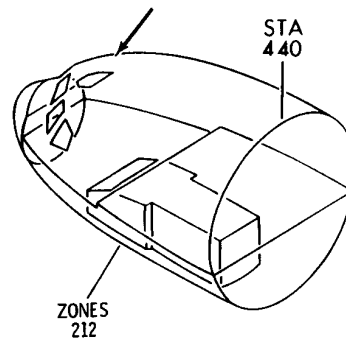
BRI

36-22-51-01

BOEING PROPRIETARY - Copyright © - Unpublished Work - See title page for details.

36-22-51
FIG. 01
PAGE 4
JAN 20/09

BOEING
757
PARTS CATALOG (MAINTENANCE)



Y 36225102 REV 144

PANEL INSTL-P5 OVHD (AIR SUPPLY TEMPERATURE INDICATING SYSTEM ONLY)

FIGURE 2

36-22-51-02

BRI
MAY 28/07

36-22-51-02
PAGE 0



757

PARTS CATALOG (MAINTENANCE)

| FIG ITEM | PART NUMBER | 1 2 3 4 5 6 7 | NOMENCLATURE | EFFECT FROM TO | UNITS PER ASSY |
|----------|---------------|---------------|--|----------------|----------------|
| 2 | | | PANEL INSTL-P5 OVHD (AIR SUPPLY TEMPERATURE INDICATING SYSTEM ONLY) | 011100 | |
| - 1 | 233N3101-1 | | PANEL INSTL-P5 OVHD (AIR SUPPLY TEMPERATURE INDICATING SYSTEM ONLY) VARIABLE DRAWING REF: 233N3101-5142 FOR NHA/OTHER SYS DET SEE: 25-10-00-05A | 011100 | RF |
| 5 | 233N3215-300 | | .PANEL ASSY-BLEED AIR SUPPLIER CODE: V89954 ELECTRICAL EQUIP NUMBER: M10259 COMPONENT MAINT MANUAL REF: 36-11-71 QUALIFIED I/W DATA: THE 233N3215-300 PANEL ASSY IS I/W THE 233N3215-16 PANEL ASSY T/W THE S233T100-6009 LIGHTPLATE PRE ALERT SB: 33A0044 | 011100 | RF |
| 5 | 233N3215-1300 | | .PANEL ASSY-BLEED AIR SUPPLIER CODE: V89954 ELECTRICAL EQUIP NUMBER: M10259 COMPONENT MAINT MANUAL REF: 36-11-71 POST ALERT SB: 33A0044 | 011100 | RF |
| 5 | 233N3215-303 | | .PANEL ASSY-BLEED AIR SUPPLIER CODE: V89954 ELECTRICAL EQUIP NUMBER: M10259 | 011100 | RF |

MISSING ITEM NUMBERS NOT APPLICABLE

- ITEM NOT ILLUSTRATED

BRI

36-22-51-02

BOEING PROPRIETARY - Copyright © - Unpublished Work - See title page for details.

36-22-51
FIG. 02
PAGE 1
JAN 20/09



757

PARTS CATALOG (MAINTENANCE)

| FIG ITEM | PART NUMBER | 1 2 3 4 5 6 7 | NOMENCLATURE | EFFECT FROM TO | UNITS PER ASSY |
|----------|---------------|---------------|---|----------------|----------------|
| 2 10 | 233N3215-16 | | ..PANEL ASSY-BLEED AIR SUPPLIER CODE: V89954 MISCELLANEOUS DATA: FOR SPARES PROCURE NEXT HIGHER ASSY ELECTRICAL EQUIP NUMBER: M10259 COMPONENT MAINT MANUAL REF: 36-11-71 QUALIFIED I/W DATA: 233N3215-13 -14 -16 -17 ARE ALL INTERCHANGEABLE EXCEPT SUBJECT TO CUSTOMER PREFERENCE THE 233N3215-300 PANEL ASSY IS I/W THE 233N3215-16 PANEL ASSY T/W THE S233T100-6009 LIGHTPLATE PRE ALERT SB: 33A0044 | 011100 | RF |
| 10 | 233N3215-1016 | | ..PANEL ASSY-BLEED AIR SUPPLIER CODE: V89954 ELECTRICAL EQUIP NUMBER: M10259 COMPONENT MAINT MANUAL REF: 36-11-71 POST ALERT SB: 33A0044 | 011100 | RF |
| 10 | 233N3215-22 | | ..PANEL ASSY- SUPPLIER CODE: V89954 MISCELLANEOUS DATA: FOR SPARES PROCURE NEXT HIGHER ASSY ELECTRICAL EQUIP NUMBER: M10259 COMPONENT MAINT MANUAL REF: 36-11-71 | 011100 | RF |

MISSING ITEM NUMBERS NOT APPLICABLE

- ITEM NOT ILLUSTRATED

BRI

36-22-51-02

BOEING PROPRIETARY - Copyright © - Unpublished Work - See title page for details.

36-22-51
FIG. 02
PAGE 2
JAN 20/09



757

PARTS CATALOG (MAINTENANCE)

| FIG ITEM | PART NUMBER | 1 2 3 4 5 6 7 | NOMENCLATURE | EFFECT FROM TO | UNITS PER ASSY |
|----------|-------------|---------------|--|----------------|----------------|
| 2 15 | BCREF6204 | | ...LIGHT ASSY-BLEED IND SUPPLIER CODE: V81590 OVERLENGTH PART NUMBER: 434-674-1005-1273 SPECIFICATION NUMBER: S231T300-1273 OPTIONAL PART: BCREF8589 V81590 USED ON: 233N3215-16 233N3215-17 233N3215-20 233N3215-22 233N3215-1016 233N3215-1017 233N3215-1020 FOR DETAILS SEE: 33-14-70-02 | 011100 | 2 |
| 15 | BCREF8589 | | ...LIGHT ASSY-BLEED IND SUPPLIER CODE: V81590 OVERLENGTH PART NUMBER: 434-674-1031-2273 SPECIFICATION NUMBER: S231T300-2273 OPTIONAL PART: BCREF6204 V81590 USED ON: 233N3215-16 233N3215-17 233N3215-20 233N3215-22 233N3215-1016 233N3215-1017 233N3215-1020 FOR DETAILS SEE: 33-14-70-02 | 011100 | 2 |

MISSING ITEM NUMBERS NOT APPLICABLE

- ITEM NOT ILLUSTRATED

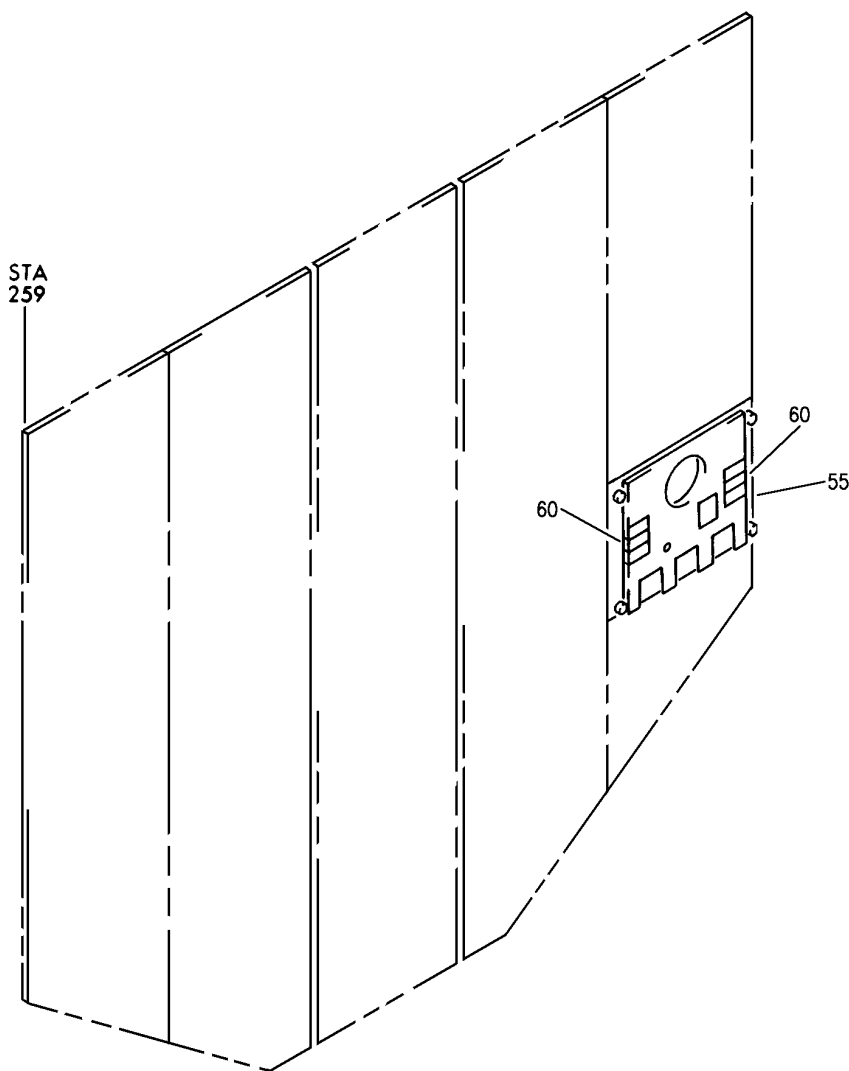
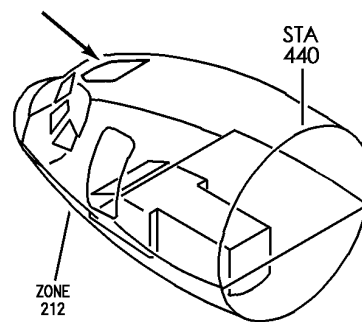
BRI

36-22-51-02

BOEING PROPRIETARY - Copyright © - Unpublished Work - See title page for details.

36-22-51
FIG. 02
PAGE 3
JAN 20/09

BOEING
757
PARTS CATALOG (MAINTENANCE)



Y 36225103 REV 251

PANEL INSTL-P5 OVHD (AIR SUPPLY TEMPERATURE INDICATING SYSTEM ONLY)

FIGURE 3

36-22-51-03

BRI
MAY 28/07

36-22-51-03
PAGE 0



757

PARTS CATALOG (MAINTENANCE)

| FIG ITEM | PART NUMBER | 1 2 3 4 5 6 7 | NOMENCLATURE | EFFECT FROM TO | UNITS PER ASSY |
|----------|--------------|---------------|---|------------------|----------------|
| 3 | | | PANEL INSTL-P5 OVHD (AIR SUPPLY TEMPERATURE INDICATING SYSTEM ONLY) | 101106 108120 | |
| - 3 | 233N3103-132 | | PANEL INSTL-P5 OVHD (AIR SUPPLY TEMPERATURE INDICATING SYSTEM ONLY) | 504903 101102 | RF |
| - 3 | 233N3103-136 | | FOR NHA/OTHER SYS DET SEE: 25-10-00-15E PANEL INSTL-P5 OVHD (AIR SUPPLY TEMPERATURE INDICATING SYSTEM ONLY) | 504903 | RF |
| - 6 | 233N3103-59 | | FOR NHA/OTHER SYS DET SEE: 25-10-00-15E PANEL INSTL-P5 OVHD (AIR SUPPLY TEMPERATURE INDICATING SYSTEM ONLY) | 108120 | RF |
| - 8 | MODREF33760 | | FOR NHA/OTHER SYS DET SEE: 25-10-00-15E PANEL INSTL-P5 OVHD (AIR SUPPLY TEMPERATURE INDICATING SYSTEM ONLY) | 103103 | 1 |
| | | | MODULE NUMBER: 233N3103-351 REV C FOR OTHER SYS DETAILS SEE: 11-31-10-12 21-25-55-03 21-31-01-02 21-33-51-03 21-51-54-03 21-58-19-10 21-58-51-03 21-61-04-03 21-65-51-01 22-21-01-04 22-24-51-02 23-24-01-01 23-32-00-11 23-42-02-02 23-71-05-02 24-11-52-05 24-22-01-03 24-31-01-10 24-31-03-09 24-33-04-01 24-41-51-04 24-51-62-01 26-18-51-04 27-21-53-02 27-41-55-01 | | |

MISSING ITEM NUMBERS NOT APPLICABLE

- ITEM NOT ILLUSTRATED

36-22-51-03

36-22-51
FIG. 03
PAGE 1
JAN 20/09

BRI



757

PARTS CATALOG (MAINTENANCE)

| FIG ITEM | PART NUMBER | 1 2 3 4 5 6 7 | NOMENCLATURE | EFFECT FROM TO | UNITS PER ASSY |
|----------|-------------|---------------|---|----------------|----------------|
| 3 | | | 27-61-51-03 27-62-52-02 28-22-51-02 28-41-04-01 28-41-51-03 29-11-02-03 29-11-05-04 29-11-52-07 29-21-54-03 29-31-00-01 29-32-51-03 29-33-52-03 30-11-51-03 30-21-51-03 30-31-51-02 30-32-51-01 30-33-51-02 30-41-51-03 30-42-51-03 31-12-11-91 31-12-11-91 A 32-42-52-03 33-11-03-03 33-11-51-17 33-13-01-65 33-13-02-03 33-16-51-03 33-24-51-02 33-41-52-04 33-42-01-04 33-42-02-04 33-42-52-04 33-43-51-04 33-44-51-05 33-45-53-03 33-51-08-05 34-21-02-01 35-21-51-04 36-11-04-01 36-21-00-01 36-21-02-05 49-41-00-02 49-52-00-01 49-70-00-01 52-51-51-03 52-71-51-02 73-21-52-02 74-31-51-05 75-32-00-01 | | |

MISSING ITEM NUMBERS NOT APPLICABLE

- ITEM NOT ILLUSTRATED

36-22-51-03

36-22-51
FIG. 03
PAGE 2
JAN 20/09

BRI



757

PARTS CATALOG (MAINTENANCE)

| FIG ITEM | PART NUMBER | 1 2 3 4 5 6 7 | NOMENCLATURE | EFFECT FROM TO | UNITS PER ASSY |
|----------|-------------|---------------|--|----------------|----------------|
| 3 | | | | | |
| - 8 | MODREF34038 | | 80-11-09-02 PANEL INSTL-P5 OVHD (AIR SUPPLY TEMPERATURE INDICATING SYSTEM ONLY) MODULE NUMBER: 233N3103-351 REV D FOR OTHER SYS DETAILS SEE: 11-31-10-12 21-25-55-03 21-31-01-02 21-33-51-03 21-51-54-03 21-58-19-10 21-58-51-03 21-61-04-03 21-65-51-01 22-21-01-04 22-24-51-02 23-24-01-01 23-32-00-11 23-42-02-02 23-71-05-02 24-11-52-05 24-22-01-03 24-31-01-10 24-31-03-09 24-33-04-01 24-41-51-04 24-51-62-01 26-18-51-04 27-21-53-02 27-41-55-01 27-61-51-03 27-62-52-02 28-22-51-02 28-41-04-01 28-41-51-03 29-11-02-03 29-11-05-04 29-11-52-07 29-21-54-03 29-31-00-01 29-32-51-03 29-33-52-03 30-11-51-03 30-21-51-03 30-31-51-02 30-32-51-01 30-33-51-02 | 104105 | 1 |

MISSING ITEM NUMBERS NOT APPLICABLE

- ITEM NOT ILLUSTRATED

36-22-51-03

36-22-51
FIG. 03
PAGE 3
JAN 20/09

BRI



757

PARTS CATALOG (MAINTENANCE)

| FIG ITEM | PART NUMBER | 1 2 3 4 5 6 7 | NOMENCLATURE | EFFECT FROM TO | UNITS PER ASSY |
|-------------------------------------|--------------|---------------|--|----------------|----------------|
| 3 | | | 30-41-51-03 30-42-51-03 31-12-11-91 31-12-11-91A 32-42-52-03 33-11-03-03 33-11-51-17 33-13-01-65 33-13-02-03 33-16-51-03 33-24-51-02 33-41-52-04 33-42-01-04 33-42-02-04 33-42-52-04 33-43-51-04 33-44-51-05 33-45-53-03 33-51-08-05 34-21-02-01 35-21-51-04 36-11-04-01 36-21-00-01 36-21-02-05 49-41-00-02 49-52-00-01 49-70-00-01 52-51-51-03 52-71-51-02 73-21-52-02 74-31-51-05 75-32-00-01 80-11-09-02 | | |
| - 8 | MODREF170180 | | PANEL INSTL-P5 OVHD (AIR SUPPLY TEMPERATURE INDICATING SYSTEM ONLY) MODULE NUMBER: 233N3103-353 REV B FOR OTHER SYS DETAILS SEE: 11-31-10-12 21-25-55-03 21-31-01-02 21-33-51-03 21-51-54-03 21-58-19-10 21-58-51-03 21-61-04-03 21-65-51-01 22-21-01-04 | 106106 | 1 |
| MISSING ITEM NUMBERS NOT APPLICABLE | | | | | |

- ITEM NOT ILLUSTRATED

36-22-51-03

36-22-51
 FIG. 03
 PAGE 4
 JAN 20/09

BRI



757

PARTS CATALOG (MAINTENANCE)

| FIG ITEM | PART NUMBER | 1 2 3 4 5 6 7 | NOMENCLATURE | EFFECT FROM TO | UNITS PER ASSY |
|----------|-------------|---------------|---|----------------|----------------|
| 3 | | | 22-24-51-02 23-24-01-01 23-32-00-11 23-42-02-02 23-71-05-02 24-11-52-05 24-22-01-03 24-31-01-10 24-31-03-09 24-33-04-01 24-41-51-04 24-51-62-01 26-18-51-04 27-21-53-02 27-41-55-01 27-61-51-03 27-62-52-02 28-22-51-02 28-41-04-01 28-41-51-03 29-11-02-03 29-11-05-04 29-11-52-07 29-21-54-03 29-31-00-01 29-32-51-03 29-33-52-03 30-11-51-03 30-21-51-03 30-31-51-02 30-32-51-01 30-33-51-02 30-41-51-03 30-42-51-03 31-12-11-84 31-12-11-84 A 32-42-52-03 33-11-03-03 33-11-51-17 33-13-01-65 33-13-02-03 33-16-51-03 33-24-51-02 33-41-52-04 33-42-01-04 33-42-02-04 33-42-52-04 33-43-51-04 33-44-51-05 | | |

MISSING ITEM NUMBERS NOT APPLICABLE

- ITEM NOT ILLUSTRATED

BRI

36-22-51-03

BOEING PROPRIETARY - Copyright © - Unpublished Work - See title page for details.

36-22-51
FIG. 03
PAGE 5
JAN 20/09



757

PARTS CATALOG (MAINTENANCE)

| FIG ITEM | PART NUMBER | 1 2 3 4 5 6 7 | NOMENCLATURE | EFFECT FROM TO | UNITS PER ASSY |
|----------|---------------|---------------|---|------------------|----------------|
| 3 | | | 33-45-53-03 33-51-08-05 34-21-02-01 35-21-51-04 36-11-04-01 36-21-00-01 36-21-02-05 49-41-00-02 49-52-00-01 49-70-00-01 52-51-51-03 52-71-51-02 73-21-52-02 74-31-51-05 75-32-00-01 80-11-09-02 | | |
| - 50 | 233N3215-300 | | .PANEL ASSY-BLEED AIR SUPPLIER CODE: V89954 ELECTRICAL EQUIP NUMBER: M10259 COMPONENT MAINT MANUAL REF: 36-11-71 QUALIFIED I/W DATA: THE 233N3215-300 PANEL ASSY IS I/W THE 233N3215-16 PANEL ASSY T/W THE S233T100-6009 LIGHTPLATE PRE ALERT SB: 33A0044 | 101102 504903 | RF |
| - 50 | 233N3215-1300 | | .PANEL ASSY-BLEED AIR SUPPLIER CODE: V89954 ELECTRICAL EQUIP NUMBER: M10259 COMPONENT MAINT MANUAL REF: 36-11-71 POST ALERT SB: 33A0044 | 101102 504903 | RF |

MISSING ITEM NUMBERS NOT APPLICABLE

- ITEM NOT ILLUSTRATED

36-22-51-03

36-22-51
FIG. 03
PAGE 6
JAN 20/09

BRI



757

PARTS CATALOG (MAINTENANCE)

| FIG ITEM | PART NUMBER | 1 2 3 4 5 6 7 | NOMENCLATURE | EFFECT FROM TO | UNITS PER ASSY |
|-----------|---------------|---------------|---|------------------|----------------|
| 3 - 50 | 233N3215-302 | | .PANEL ASSY-BLEED AIR SUPPLIER CODE: V89954 ELECTRICAL EQUIP NUMBER: M10259 COMPONENT MAINT MANUAL REF: 36-11-71 QUALIFIED I/W DATA: THE 233N3215-302 PANEL ASSY IS I/W THE 233N3215-20 PANEL ASSY T/W THE S233T100-6009 LIGHTPLATE PRE ALERT SB: 33A0044 | 108120 | RF |
| - 50 | 233N3215-1302 | | .PANEL ASSY-BLEED AIR SUPPLIER CODE: V89954 ELECTRICAL EQUIP NUMBER: M10259 COMPONENT MAINT MANUAL REF: 36-11-71 REWORK DRAWING REF: 233N6251-4 POST ALERT SB: 33A0044 | 108120 | RF |
| - 50 | 233N3215-303 | | .PANEL ASSY-BLEED AIR SUPPLIER CODE: V89954 ELECTRICAL EQUIP NUMBER: M10259 COMPONENT MAINT MANUAL REF: 36-11-71 | 101106 504903 | RF |
| - 50 | 233N3215-305 | | .PANEL ASSY-BLEED AIR SUPPLIER CODE: V89954 ELECTRICAL EQUIP NUMBER: M10259 | 108120 | RF |

MISSING ITEM NUMBERS NOT APPLICABLE

- ITEM NOT ILLUSTRATED

36-22-51-03

36-22-51
FIG. 03
PAGE 7
JAN 20/09

BRI



757

PARTS CATALOG (MAINTENANCE)

| FIG ITEM | PART NUMBER | 1 2 3 4 5 6 7 | NOMENCLATURE | EFFECT FROM TO | UNITS PER ASSY |
|----------|-------------|---------------|--|------------------|----------------|
| 3 55 | 233N3215-16 | | ..PANEL ASSY- SUPPLIER CODE: V89954 MISCELLANEOUS DATA: FOR SPARES PROCURE NEXT HIGHER ASSY COMPONENT MAINT MANUAL REF: 36-11-71 QUALIFIED I/W DATA: THE 233N3215-300 PANEL ASSY IS I/W THE 233N3215-16 PANEL ASSY T/W THE S233T100-6009 LIGHTPLATE USED ON: 233N3215-300 PRE ALERT SB: 33A0044 | 101102 504903 | RF |
| 55 | 233N3215-20 | | ..PANEL ASSY- SUPPLIER CODE: V89954 MISCELLANEOUS DATA: FOR SPARES PROCURE NEXT HIGHER ASSY COMPONENT MAINT MANUAL REF: 36-11-71 QUALIFIED I/W DATA: THE 233N3215-302 PANEL ASSY IS I/W THE 233N3215-20 PANEL ASSY T/W THE S233T100-6009 LIGHTPLATE USED ON: 233N3215-302 PRE ALERT SB: 33A0044 | 108120 | RF |
| 55 | 233N3215-22 | | ..PANEL ASSY- SUPPLIER CODE: V89954 MISCELLANEOUS DATA: FOR SPARES PROCURE NEXT HIGHER ASSY COMPONENT MAINT MANUAL REF: 36-11-71 USED ON: 233N3215-303 | 101106 504903 | RF |

MISSING ITEM NUMBERS NOT APPLICABLE

- ITEM NOT ILLUSTRATED

36-22-51-03

36-22-51
FIG. 03
PAGE 8
JAN 20/09

BRI



757

PARTS CATALOG (MAINTENANCE)

| FIG ITEM | PART NUMBER | 1 2 3 4 5 6 7 | NOMENCLATURE | EFFECT FROM TO | UNITS PER ASSY |
|----------|---------------|---------------|---|------------------|----------------|
| 3 | | | | | |
| 55 | 233N3215-23 | | ..PANEL ASSY- SUPPLIER CODE: V89954 MISCELLANEOUS DATA: FOR SPARES PROCURE NEXT HIGHER ASSY COMPONENT MAINT MANUAL REF: 36-11-71 | 108120 | RF |
| 55 | 233N3215-1016 | | ..PANEL ASSY- SUPPLIER CODE: V89954 ELECTRICAL EQUIP NUMBER: M10259 COMPONENT MAINT MANUAL REF: 36-11-71 USED ON: 233N3215-1300 POST ALERT SB: 33A0044 | 101102 504903 | RF |
| 55 | 233N3215-1020 | | ..PANEL ASSY- SUPPLIER CODE: V89954 COMPONENT MAINT MANUAL REF: 36-11-71 QUALIFIED I/W DATA: 233N3215-1009,-1015, -1019 AND -1020 ARE INTERCHANGEABLE PER CUSTOMER PREFERENCE. USED ON: 233N3215-1302 POST ALERT SB: 33A0044 | 108120 | RF |

MISSING ITEM NUMBERS NOT APPLICABLE

- ITEM NOT ILLUSTRATED

36-22-51-03

36-22-51
FIG. 03
PAGE 9
JAN 20/09

BRI



757

PARTS CATALOG (MAINTENANCE)

| FIG ITEM | PART NUMBER | 1 2 3 4 5 6 7 | NOMENCLATURE | EFFECT FROM TO | UNITS PER ASSY |
|----------|-------------|---------------|--|----------------------------|----------------|
| 3 | | | | | |
| 60 | BCREF6204 | | ...LIGHT ASSY-BLEED IND SUPPLIER CODE: V81590 OVERLENGTH PART NUMBER: 434-674-1005-1273 SPECIFICATION NUMBER: S231T300-1273 OPTIONAL PART: BCREf8589 V81590 USED ON: 233N3215-16 233N3215-17 233N3215-20 233N3215-22 233N3215-1016 233N3215-1017 233N3215-1020 FOR DETAILS SEE: 33-14-70-02 | 101106 108120 504903 | 2 |
| 60 | BCREF8589 | | ...LIGHT ASSY-BLEED IND SUPPLIER CODE: V81590 OVERLENGTH PART NUMBER: 434-674-1031-2273 SPECIFICATION NUMBER: S231T300-2273 OPTIONAL PART: BCREf6204 V81590 USED ON: 233N3215-16 233N3215-17 233N3215-20 233N3215-22 233N3215-1016 233N3215-1017 233N3215-1020 FOR DETAILS SEE: 33-14-70-02 | 101106 108120 504903 | 2 |
| 60 | BCREF6204 | | ...LIGHT ASSY-BLEED IND SUPPLIER CODE: V81590 OVERLENGTH PART NUMBER: 434-674-1005-1273 SPECIFICATION NUMBER: S231T300-1273 FOR DETAILS SEE: 33-14-70-02 | 108120 | 2 |

MISSING ITEM NUMBERS NOT APPLICABLE

- ITEM NOT ILLUSTRATED

36-22-51-03

36-22-51
FIG. 03
PAGE 10
JAN 20/09

BRI



757

PARTS CATALOG (MAINTENANCE)

| FIG ITEM | PART NUMBER | 1 2 3 4 5 6 7 | NOMENCLATURE | EFFECT FROM TO | UNITS PER ASSY |
|-------------|-------------|---------------|---|-------------------|----------------------|
| 3 60 | BCREF8589 | | ...LIGHT ASSY-BLEED IND SUPPLIER CODE: V81590 OVERLENGTH PART NUMBER: 434-674-1031-2273 SPECIFICATION NUMBER: S231T300-2273 USED ON: 233N3215-23 FOR DETAILS SEE: 33-14-70-02 | 108120 | 2 |

MISSING ITEM NUMBERS NOT APPLICABLE

- ITEM NOT ILLUSTRATED

BRI

36-22-51-03

BOEING PROPRIETARY - Copyright © - Unpublished Work - See title page for details.

36-22-51
FIG. 03
PAGE 11
JAN 20/09