

757-204/236
ILLUSTRATED PARTS CATALOGUE
CHAPTER 38 – WATER/WASTE

THOMSONFLY CUSTOMISATIONS

757 204/236

PUBLICATION REVISION
ILLUSTRATED PARTS CATALOGUE

CHAPTER 38 – WATER/WASTE

EFFECTIVE PAGES

CH-SECT- UNIT FIG	PAGE, SHEET OR FIG. NO.	DATE	CH-SECT- UNIT FIG	PAGE, SHEET OR FIG. NO.	DATE
* 38 CONTENTS	1	APR 09			
* 38-32-05-02	0A	APR 09			
* 38-32-05-02	1	APR 09			
* 38-32-05-02	2	APR 09			
38-32-51-09	0	NOV 00			
38-32-51-09	1	NOV 00			
38-32-52-01	0	NOV 00			
38-32-52-01	1	NOV 00			
38-32-52-01	2	NOV 00			
38-32-52-02	0	NOV 00			
38-32-52-02	1	NOV 00			
38-32-52-02	2	NOV 00			
38-32-52-02	3	NOV 00			
38-33-53-30	0	NOV 00			
38-33-53-30	1	NOV 00			
38-33-53-31	0	NOV 00			
38-33-53-31	1	NOV 00			

*INDICATES PAGES CHANGED OR ADDED BY THE CURRENT REVISION

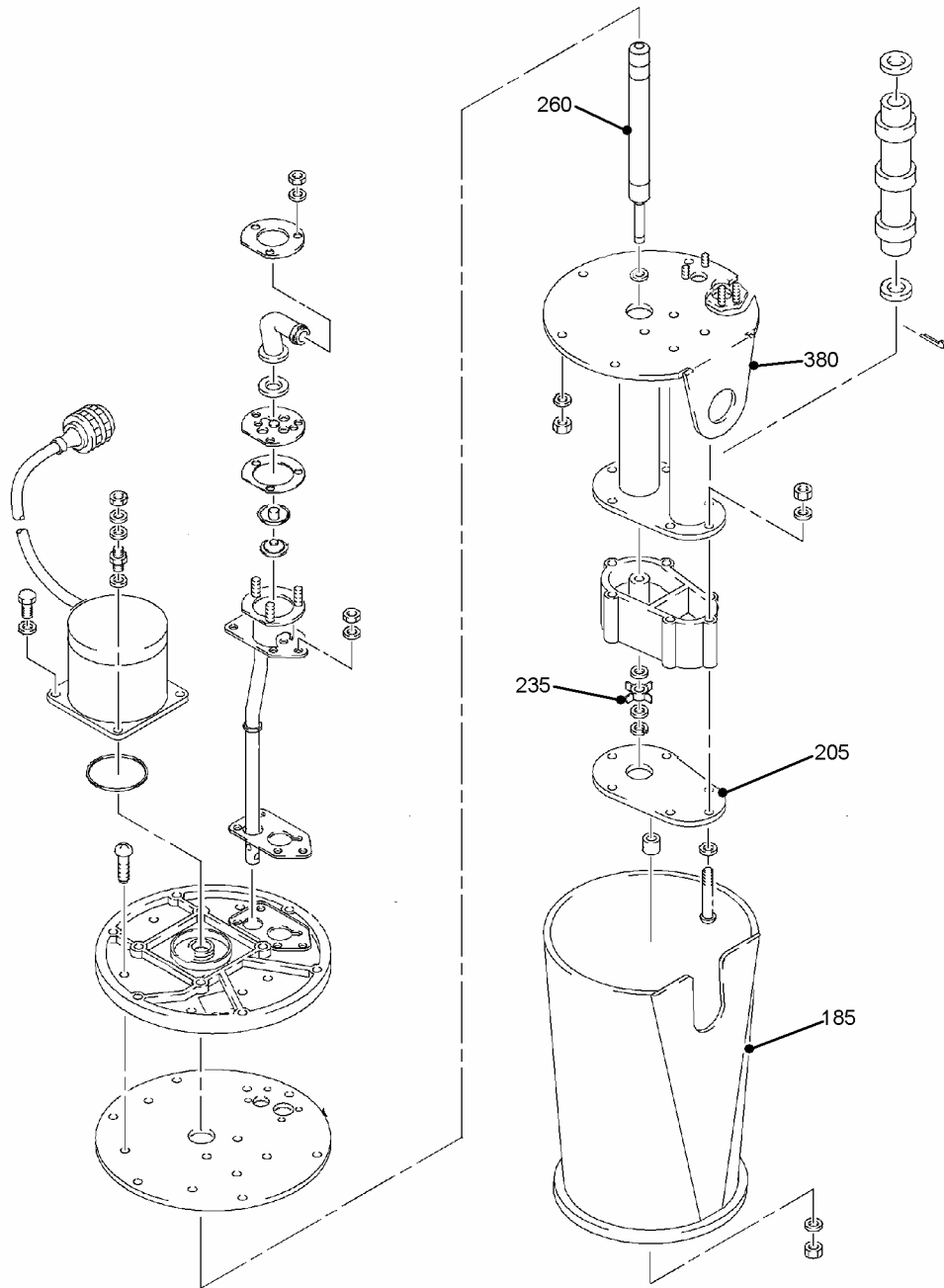
757 204/236
PUBLICATION REVISION
ILLUSTRATED PARTS CATALOGUE

CHAPTER 38 – WATER/WASTE

TABLE OF CONTENTS

<u>SUBJECT</u>	<u>CHAPTER SECTION UNIT</u>	<u>FIGURE</u>
TOILET SYSTEM	38-32-00	
A MOTOR ASSY – PUMP FILTER	38-32-05	02
FLUSHLINE AND CABLE INSTL – LAV FWD	38-32-51	09
FLUSH LINE AND CONTROL CABLE AND SUPPORT INSTL – MID CAB. LAV	38-32-52	01
FLUSHLINE AND CONTROL CABLE INSTL – MID CAB. LAV	38-32-52	02
TOILET ASSY – LAV	38-32-53	30
TOILET ASSY – LAV A	38-32-53	31

757 204/236
PUBLICATION REVISION
ILLUSTRATED PARTS CATALOGUE



MOTOR ASSY – PUMP FILTER
FIG 2

757 204/236

PUBLICATION REVISION
ILLUSTRATED PARTS CATALOGUE

FIG. ITEM	PART NUMBER	DESCRIPTION	EFFECT FROM -TO	UNITS PER ASSY
02		MOTOR ASSY – PUMP FILTER	904, 905	RF
		<u>TEO/757/1301 ISSUE 2</u>		
* 1	16204-001	MOTOR ASSY PUMP FILTER DELETED BY TEO/757/1301	904,905	RF
* 1	16204-002	MOTOR ASSY PUMP FILTER ADDED BY TEO/757/1301	904, 905	RF
185	4812-116	. BASKET DELETED BY TEO/757/1301	904, 905	1
185	4812-120	. BASKET ADDED BY TEO/757/1301	904, 905	1
205	4812-94-7	. PLATE – IMPELLER HOUSING DELETED BY TEO/757/1301	904, 905	1
205	4812-171	. PLATE – IMPELLER HOUSING ADDED BY TEO/757/1301	904, 905	1
235	3246	. IMPELLER DELETED BY TEO/757/1301	904, 905	1
235	4812-170	. IMPELLER ADDED BY TEO/757/1301	904, 905	1
235	3246-1	. IMPELLER DELETED BY TEO/757/1301	904, 905	1
235	4812-170	. IMPELLER ADDED BY TEO/757/1301	904, 905	1
* 237	4812-172	. INSERT – IMPELLER HOUSING ADDED BY TEO/757/1301	904, 905	1

* Not Illustrated

757 204/236
PUBLICATION REVISION
ILLUSTRATED PARTS CATALOGUE

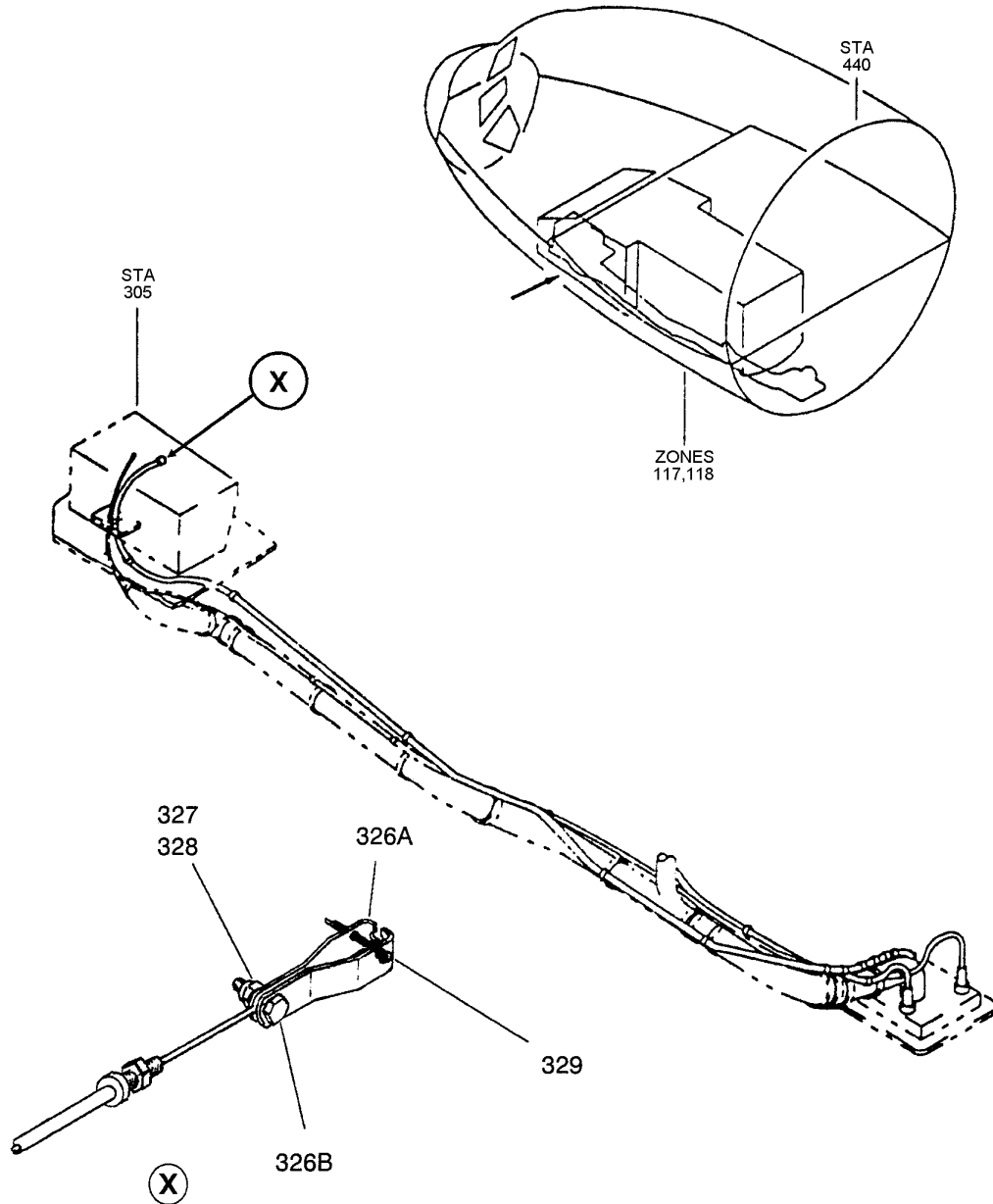
FIG. ITEM	PART NUMBER	DESCRIPTION	EFFECT FROM -TO	UNITS PER ASSY
02				
260	4812-174	. DRIVE SHAFT ASSY DELETED BY TEO/757/1301	904, 905	1
260	4812-174-20	. DRIVE SHAFT ASSY ADDED BY TEO/757/1301	904, 905	1
380	4812-134	. FRAME ASSY DELETED BY TEO/757/1301	904, 905	1
380	4812-169	. FRAME ASSY ADDED BY TEO/757/1301	904, 905	1

* Not Illustrated

757-204/236

PUBLICATION REVISION

ILLUSTRATED PARTS CATALOGUE



FLUSHLINE AND CABLE INSTL - LAV FWD
FIGURE 9 (SHEET 1)

38-32-51-09

REV. NO: 29

DATE: NOV 00

DISK FILE REF: 325109.DOC

38-32-51-09

PAGE 0

757-204/236

PUBLICATION REVISION

ILLUSTRATED PARTS CATALOGUE

FIG. ITEM	PART NUMBER	DESCRIPTION	EFFECT FROM -TO	UNITS PER ASSY
09		FLUSHLINE AND CABLE INSTL - LAV FWD		
		<u>MOD NO HWA/57/233 ISSUE:1</u> <u>MOD/757/1156 ISSUE:1</u>		
* 325	570-713-001	. CABLE ASSY - CONT (RPL BY 57-38-0001-001) (V06970) (SPEC S417N202-4) OPT 7-44017-4) (V78710)	002 - 004 006 - 899	1
325	57-38-0001-001	. CABLE ASSY - CONT (RPLS 570-713-001)		1
		ATTACHING PARTS		
326A	57-38-003	.. CLIP		1
326B	57-38-0001-101	.. SPECIAL BOLT		1
327	AN960XC416	.. 1/4 WASHER		1
328	H10-4	.. 1/4 STIFF NUT		1
329	MS24665-300	.. SPLIT PIN 3/32 DIA		1

* Not Illustrated

REV. NO: 29

38-32-51-09

38-32-51

DATE: NOV 00

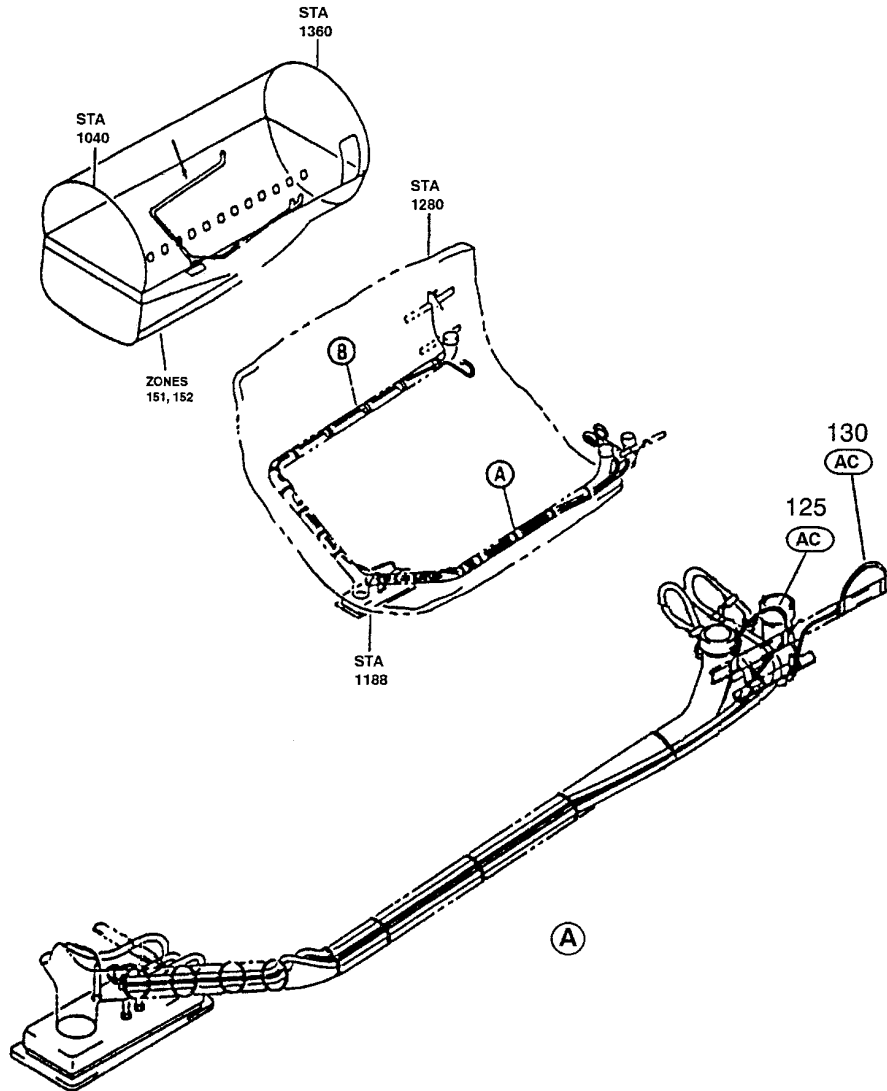
FIG. 09
PAGE 1

DISK FILE REF: 325109.DOC

757-204/236

PUBLICATION REVISION

ILLUSTRATED PARTS CATALOGUE



FLUSHLINE AND CONTROL CABLE AND SUPPORT INSTL. MID CAB. LAV
FIGURE 1 (SHEET 1)

38-32-52-01

REV. NO: 29

DATE: NOV 00

DISK FILE REF: 325201.DOC

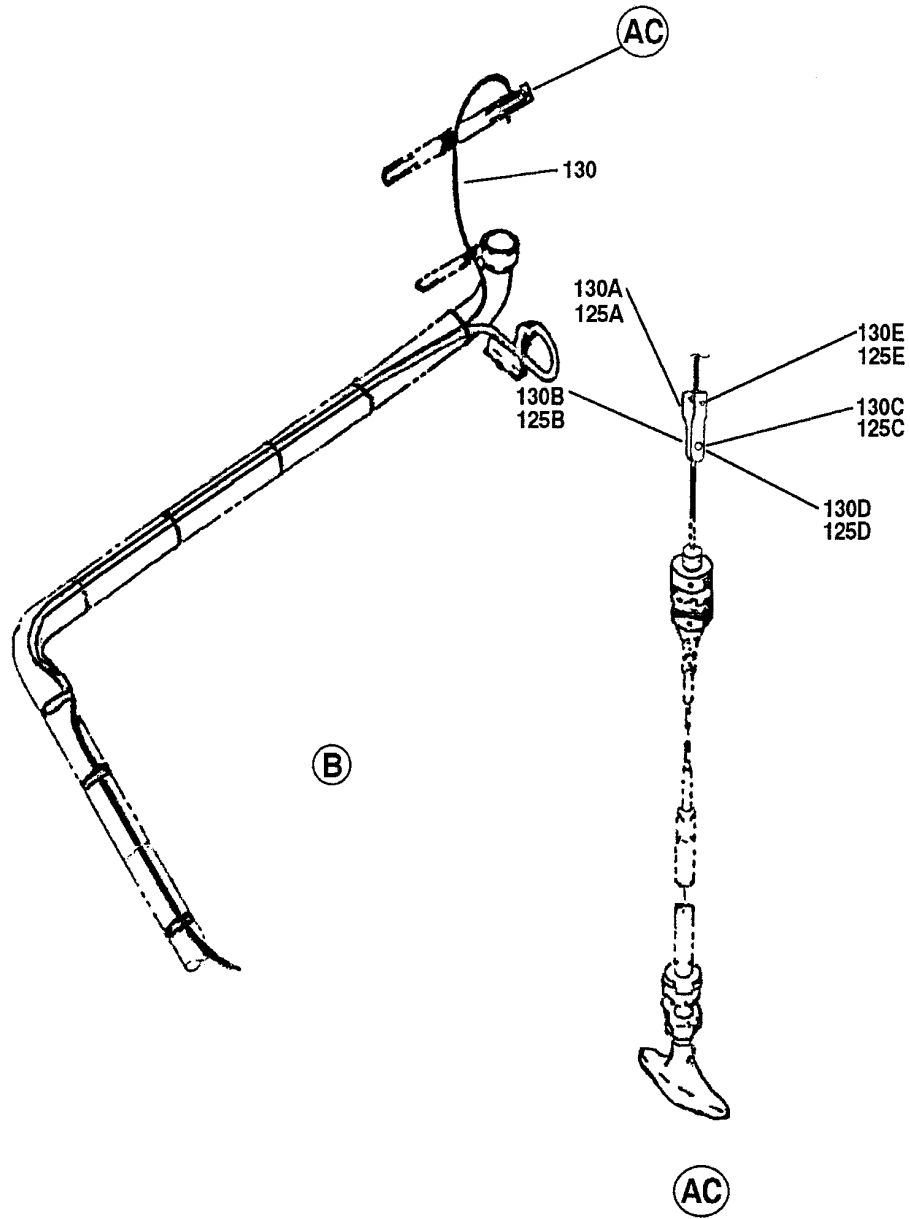
38-32-52-01

PAGE 0

757-204/236

PUBLICATION REVISION

ILLUSTRATED PARTS CATALOGUE



FLUSHLINE AND CONTROL CABLE AND SUPPORT INSTL. MID CAB. LAV
FIGURE 1 (SHEET 2)

38-32-52-01

REV. NO: 29

DATE: NOV 00

DISK FILE REF: 325201.DOC

38-32-52-01

PAGE 1

757-204/236

PUBLICATION REVISION

ILLUSTRATED PARTS CATALOGUE

FIG. ITEM	PART NUMBER	DESCRIPTION	EFFECT FROM - TO	UNITS PER ASSY
01		FLUSHLINE AND CONTROL CABLE AND SUPPORT INSTL. MID CAB. LAV <u>MOD NO HWA/57/233 ISSUE:1</u> <u>MOD/757/1156 ISSUE:1</u>		
125	570-713-002	. CABLE ASSY - CONT (RPL BY 57-38-0001-005) (V06970) (SPEC S417N202-4) (OPT 7-44017-4) (V78710)	002 - 004 006 - 899	1
125	57-38-0001-005	. CABLE ASSY - CONT (RPLS 570-713-002)		1
		ATTACHING PARTS		
125A	57-38-003	.. CLIP		1
125B	57-38-0001-101	.. SPECIAL BOLT		1
125C	AN960XC416	.. 1/4 WASHER		1
125D	H10-4	.. 1/4 STIFF NUT		1
125E	MS24665-300	.. SPLIT PIN 3/32 DIA		1
130	570-713-003	. CABLE ASSY - CONT (RPL BY 57-38-0001-003) (V06970) (SPEC S417N202-5) (OPT 7-44017-5 (V78710)) (OPT 2604430-012 (V046380)) (REF CMM 38-30-11)		2
130	57-38-0001-003	. CABLE ASSY - CONT (RPLS 570-713-003)		2
		ATTACHING PARTS		
130A	57-38-003	.. CLIP		1
130B	57-38-0001-101	.. SPECIAL BOLT		1
130C	AN960XC416	.. 1/4 WASHER		1
130D	H10-4	.. 1/4 STIFF NUT		1
130E	MS24665-300	.. SPLIT PIN 3/32 DIA		1

* Not Illustrated

38-32-52-01

REV. NO: 29

38-32-52

DATE: NOV 00

FIG. 01

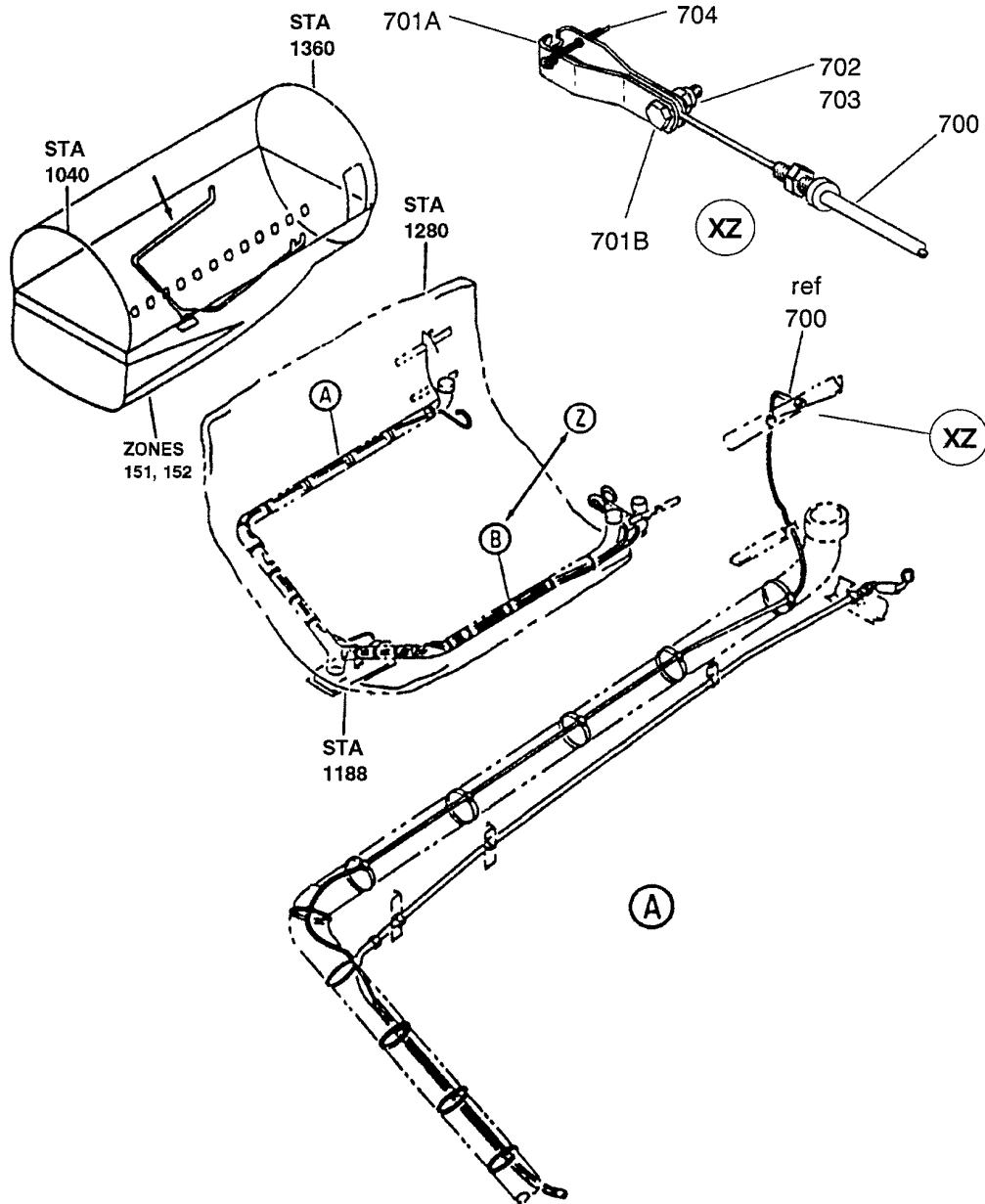
DISK FILE REF: 325201.DOC

PAGE 2

757-204/236

PUBLICATION REVISION

ILLUSTRATED PARTS CATALOGUE



FLUSHLINE AND CONTROL CABLE INSTL - MID CABIN LAV
FIGURE 02 (SHEET 1)

38-32-52-02

REV. NO: 29

DATE: NOV 00

DISK FILE REF: 325202.DOC

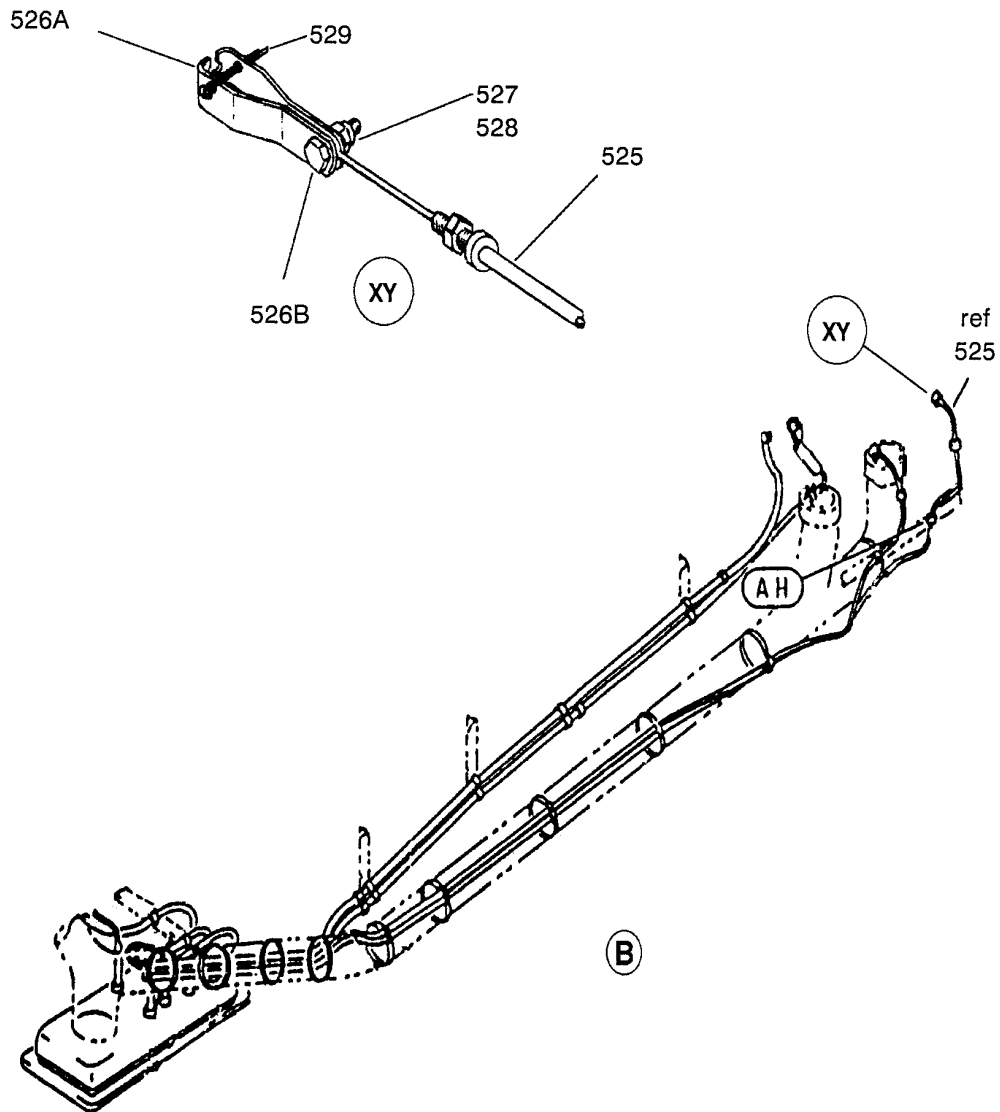
38-32-52-02

PAGE 0

757-204/236

PUBLICATION REVISION

ILLUSTRATED PARTS CATALOGUE



FLUSHLINE AND CONTROL CABLE INSTL - MID CABIN LAV
FIGURE 02 (SHEET 2)

38-32-52-02

REV. NO: 29

DATE: NOV 00

DISK FILE REF: 325202.DOC

38-32-52-02

PAGE 1

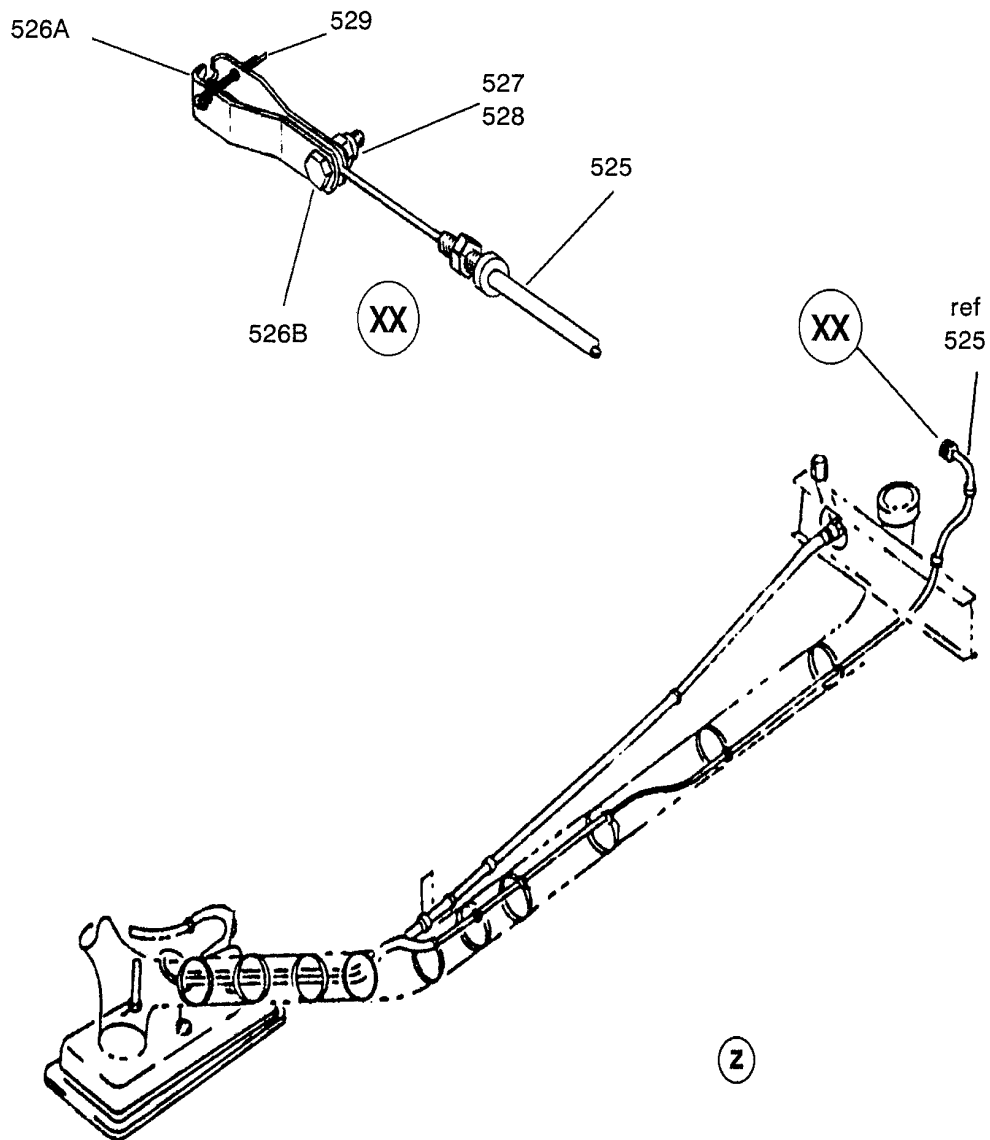


Britannia

757-204/236

PUBLICATION REVISION

ILLUSTRATED PARTS CATALOGUE



FLUSHLINE AND CONTROL CABLE INSTL - MID CABIN LAV
FIGURE 02 (SHEET 8)

38-32-52-02

REV. NO: 29

DATE: NOV 00

DISK FILE REF: 325202.DOC

38-32-52-02

PAGE 2

757-204/236

PUBLICATION REVISION

ILLUSTRATED PARTS CATALOGUE

FIG. ITEM	PART NUMBER	DESCRIPTION	EFFECT FROM - TO	UNITS PER ASSY
02		FLUSHLINE AND CONTROL CABLE INSTL - MID CABIN LAV		
		<u>MOD NO HWA/57/233 ISSUE:1</u> <u>MOD/757/1156 ISSUE:1</u>		
525	570-713-003	. CABLE ASSY - CONT (RPL BY 57-38-0001-003) (V06970) (SPEC S417N202-5 (V78710)) (OPT 7-44017-5) (OPT 2604430-012 (V046380)) (REF CMM 38-30-11)	002 - 004 006 - 899	1
525	57-38-0001-003	. CABLE ASSY - CONT (RPLS 570-713-003)		1
		ATTACHING PARTS		
526A	57-38-003	.. CLIP		1
526B	57-38-0001-101	.. SPECIAL BOLT		1
527	AN960XC416	.. 1/4 WASHER		1
528	H10-4	.. 1/4 STIFF NUT		1
529	MS24665-300	.. SPLIT PIN 3/32 DIA		1

700	570-713-003	. CABLE ASSY - CONT (RPL BY 57-38-0001-003) (V06970) (SPEC S417N202-5 (V78710)) (OPT 7-44017-5) (OPT 2604430-012 (V046380)) (REF CMM 38-30-11)		1
700	57-38-0001-003	. CABLE ASSY - CONT (RPLS 570-713-003)		1
		ATTACHING PARTS		
701A	57-38-003	.. CLIP		1
701B	57-38-0001-101	.. SPECIAL BOLT		1
702	AN960XC416	.. 1/4 WASHER		1
703	H10-4	.. 1/4 STIFF NUT		1
704	MS24665-300	.. SPLIT PIN 3/32 DIA		1

* Not Illustrated

REV. NO: 29

38-32-52-02

38-32-52

DATE: NOV 00

FIG. 02

DISK FILE REF: 325202.DOC

PAGE 3

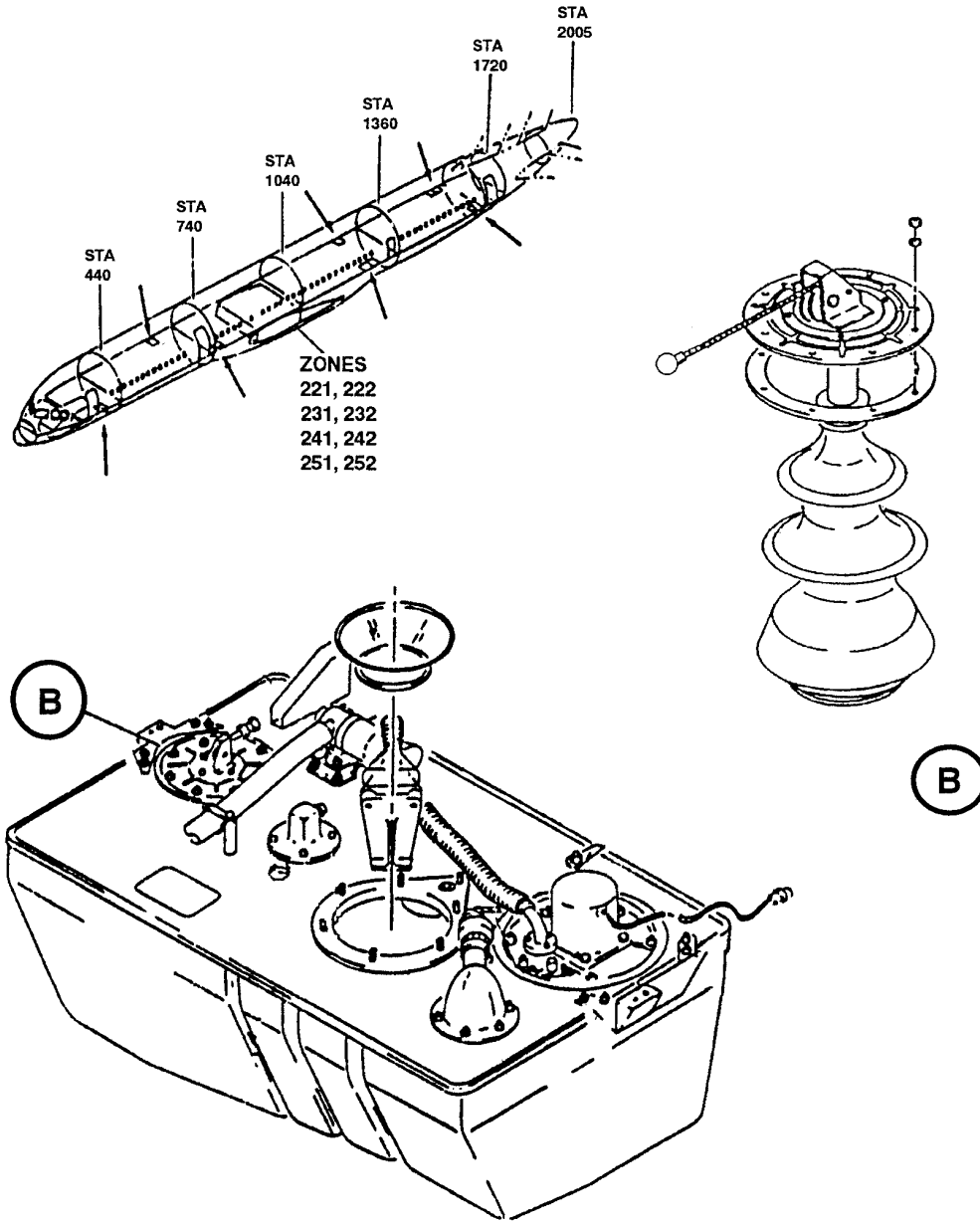


Britannia

757-204/236

PUBLICATION REVISION

ILLUSTRATED PARTS CATALOGUE



TOILET ASSY - LAV
FIGURE 30 (SHEET 1)

38-32-53-30

REV. NO: 29

DATE: NOV 00

DISK FILE REF: 325330.DOC

38-32-53-30

PAGE 0

757-204/236

PUBLICATION REVISION

ILLUSTRATED PARTS CATALOGUE

FIG. ITEM	PART NUMBER	DESCRIPTION	EFFECT FROM - TO	UNITS PER ASSY
30		TOILET ASSY - LAV <u>MOD NO HWA/57/233 ISSUE:1</u> <u>MOD/757/1156 ISSUE:1</u>		
* 27	3623	.. DISCONNECT - CABLE (REMOVED) (V29780)	002 - 004 006 - 899	1
* 27	3623	.. DISCONNECT - CABLE (REMOVED) (V29780)		1
* 29	3625	.. SPRING - DISC. (REMOVED) (V29780)		1
* 29	3625	.. SPRING - DISC. (REMOVED) (V29780)		1

* Not Illustrated

REV. NO: 29

38-32-53-30

38-32-53

DATE: NOV 00

DISK FILE REF: 325330.DOC

FIG. 30
PAGE 1

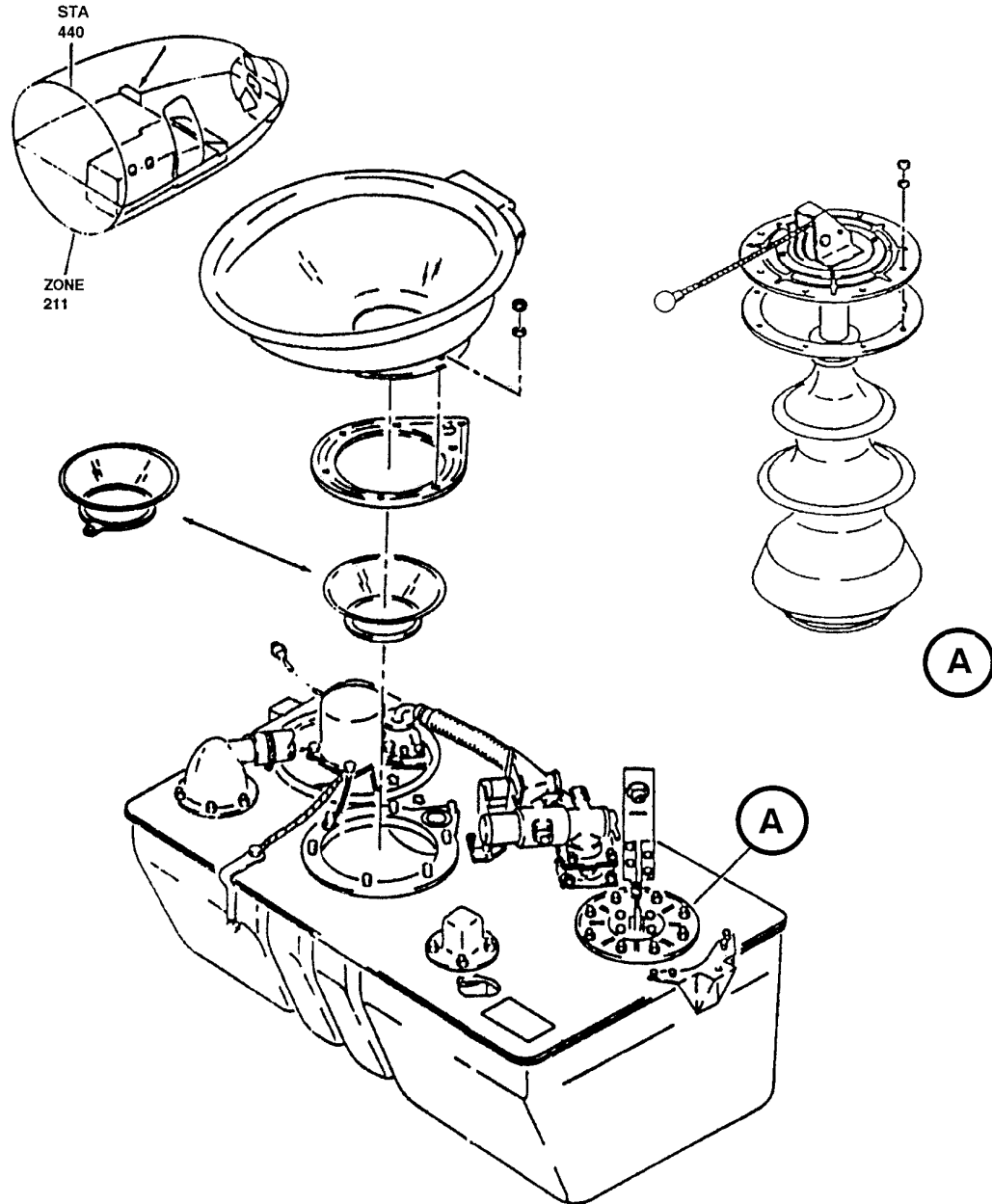


Britannia

757-204/236

PUBLICATION REVISION

ILLUSTRATED PARTS CATALOGUE



TOILET ASSY - LAV A
FIGURE 31 (SHEET 1)

38-32-53-31

REV. NO: 29

DATE: NOV 00

DISK FILE REF: 325331.DOC

38-32-53-31

PAGE 0

757-204/236

PUBLICATION REVISION

ILLUSTRATED PARTS CATALOGUE

FIG. ITEM	PART NUMBER	DESCRIPTION	EFFECT FROM - TO	UNITS PER ASSY
31		TOILET ASSY - LAV A <u>MOD NO HWA/57/233 ISSUE:1</u> <u>MOD/757/1156 ISSUE:1</u>		
* 22	3623	.. DISCONNET - CABLE (REMOVED) (V29780)	002 - 004 006 - 899	1
* 24	3623	.. SPRING - DISC. (REMOVED) (V29780)		1

* Not Illustrated

REV. NO: 29

38-32-53-31

38-32-53

DATE: NOV 00

FIG. 31
PAGE 1

DISK FILE REF: 325331.DOC

**B757 MANUAL SUPPLEMENT - ATP 3510
SECTION 2 CHAPTER 38
CONTROL PAGE INITIAL ISSUE**

- A. File the attached Temporary Revision/Alerts in the Manual Supplement in ATA Chapter/Section/Subject/Page sequence
- B. File this Control Page in front of the Chapter TRs/Alerts.
- C. The following list shows active TRs/Alerts together with TRs/Alerts added by this control page.

Chapter Section Subject	Page	TR/Alert No.
38-32-51	1	* BA 38-519
38-32-52	1	* BA 38-520

- D. Remove and Destroy the following TRs/Alerts:

* Indicates TRs/Alerts issued with this control page

**ATP
TEMPORARY
REVISION**

BRITISH AIRWAYS

B757 NB322

TR Page 1 of 3

5 August, 1997

ILLUSTRATED PARTS CATALOGUE

TEMPORARY REVISION No. 38-519

THIS TEMPORARY REVISION IS ISSUED BY BRITISH AIRWAYS ENGINEERING (TECHNICAL INFORMATION SERVICES, G2, TBA, S401, P. O. BOX 10, HEATHROW AIRPORT, HOUNSLOW, MIDDLESEX TW6 2JA) AND COMPLIES WITH BCAR'S CHAPTER A5-3, B5-3 AND/OR TSS No. 0-2 AS REQUIRED. CAA DESIGN APPROVAL No. DAI/8566/78.

For CHIEF ENGINEER QUALITY AND TRAINING

Manual Reference 38-32-51 Page 1

REASON FOR REVISION

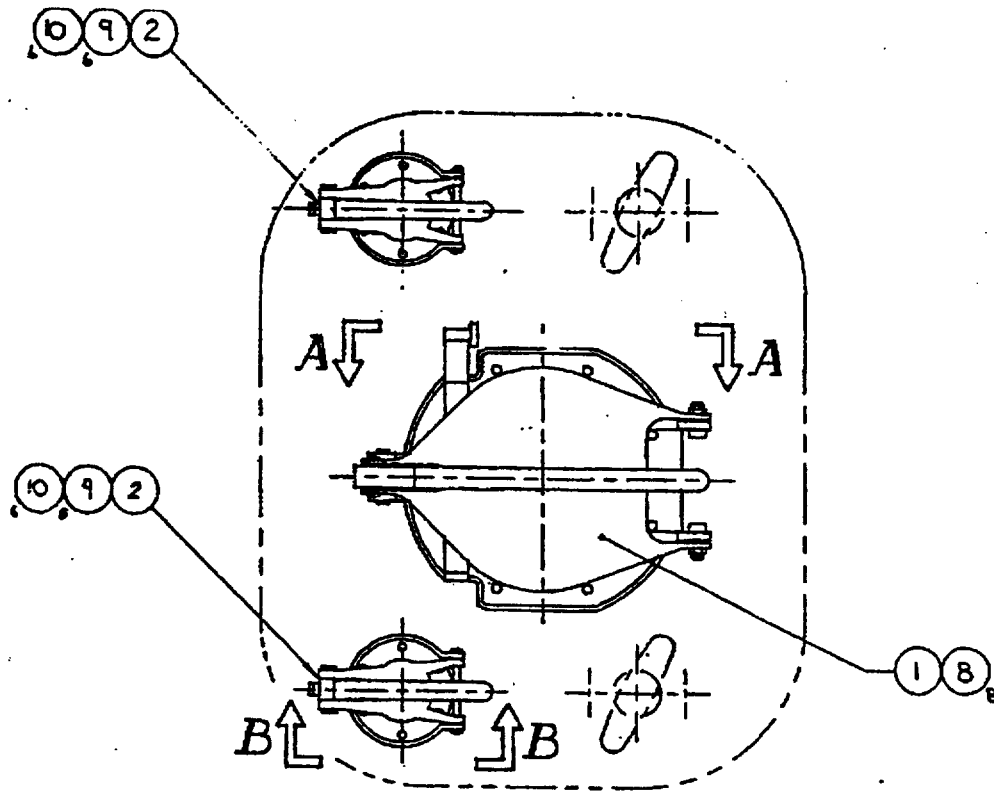
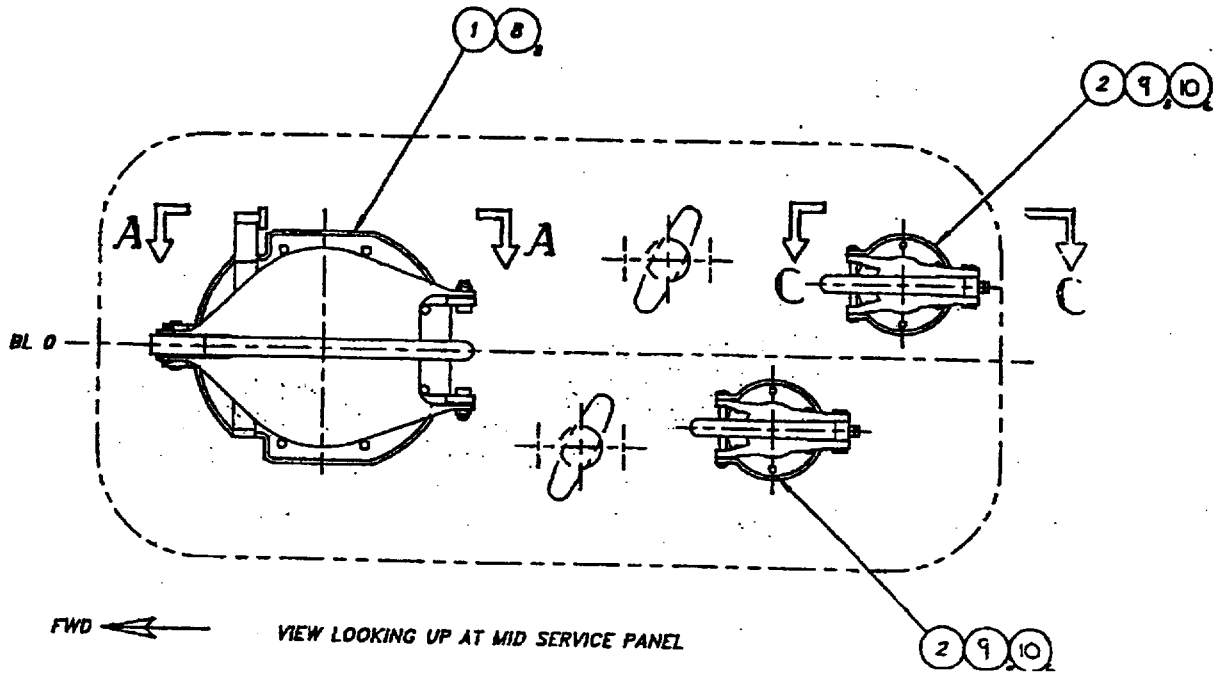
To show new Drain and Charge Line Caps.

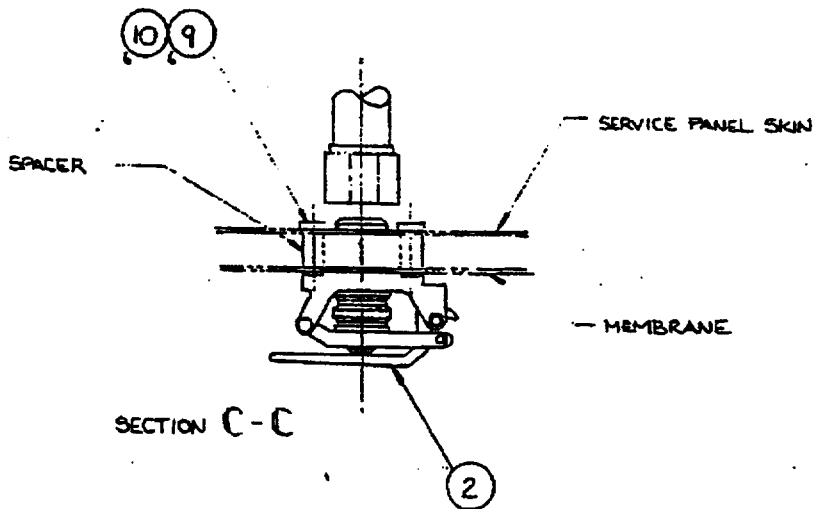
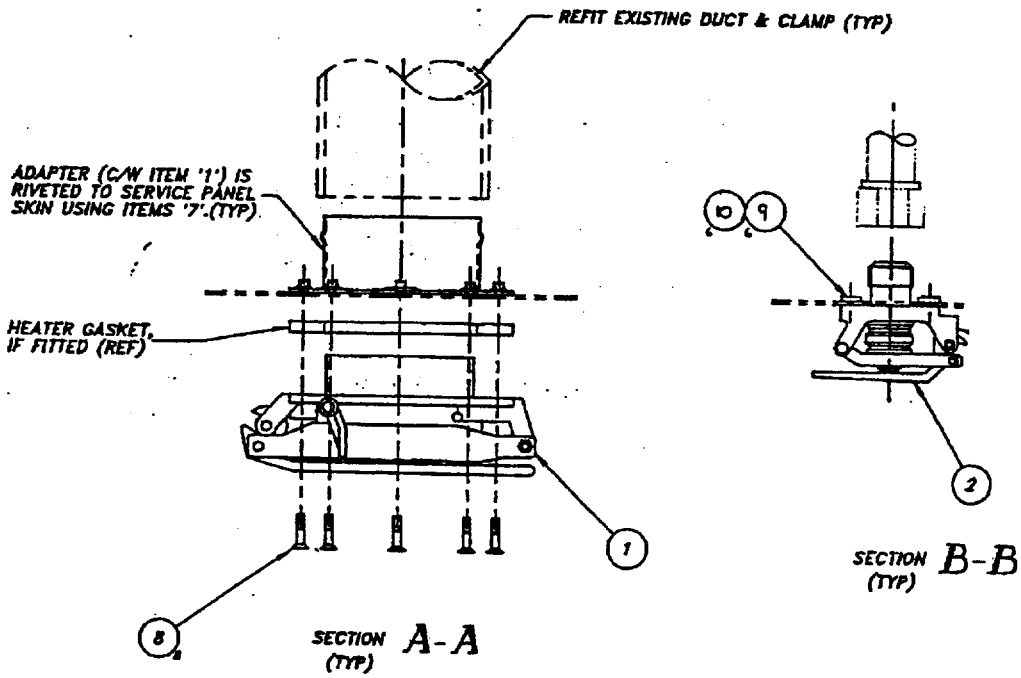
ACTION

Fig Item	Part Number	Nomenclature	Effect	Units/ Assy
1	0218-0032-3	CAP, DRAIN	001999	2
2	0016-0022-1	CAP, CHARGE LINE	001999	4
7	MS20427F6-6	RIVET, CSK	001999	8
8	BACB30LK3-6	BOLT, 10-32, CSK HD	001999	16
9	BACB30FM5-13	HI-LOK	001999	24
10	BACC30M	COLLAR	001999	24

Originator: S Wyatt
Reference: 38G005
Workbook: CC 38-14

38-32-51
Page 1





**ATP
TEMPORARY
REVISION**

BRITISH AIRWAYS

B757 NB322

TR Page 1 of 3

5 August, 1997

ILLUSTRATED PARTS CATALOGUE

TEMPORARY REVISION No. 38-520

THIS TEMPORARY REVISION IS ISSUED BY BRITISH AIRWAYS ENGINEERING (TECHNICAL INFORMATION SERVICES, G2, TBA, S401, P. O. BOX 10, HEATHROW AIRPORT, HOUNSLOW, MIDDLESEX TW6 2JA) AND COMPLIES WITH BCAR'S CHAPTER A5-3, B5-3 AND/OR TSS No. 0-2 AS REQUIRED. CAA DESIGN APPROVAL No. DAI/8566/78.

For CHIEF ENGINEER QUALITY AND TRAINING

Manual Reference 38-32-52 Page 1

REASON FOR REVISION

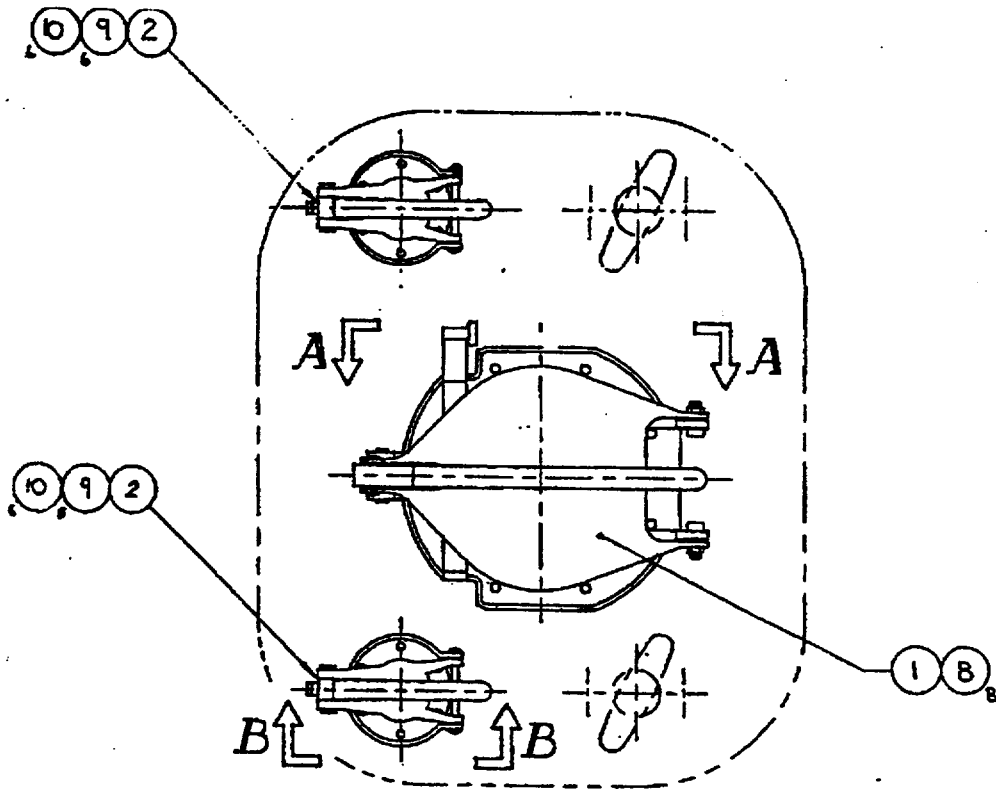
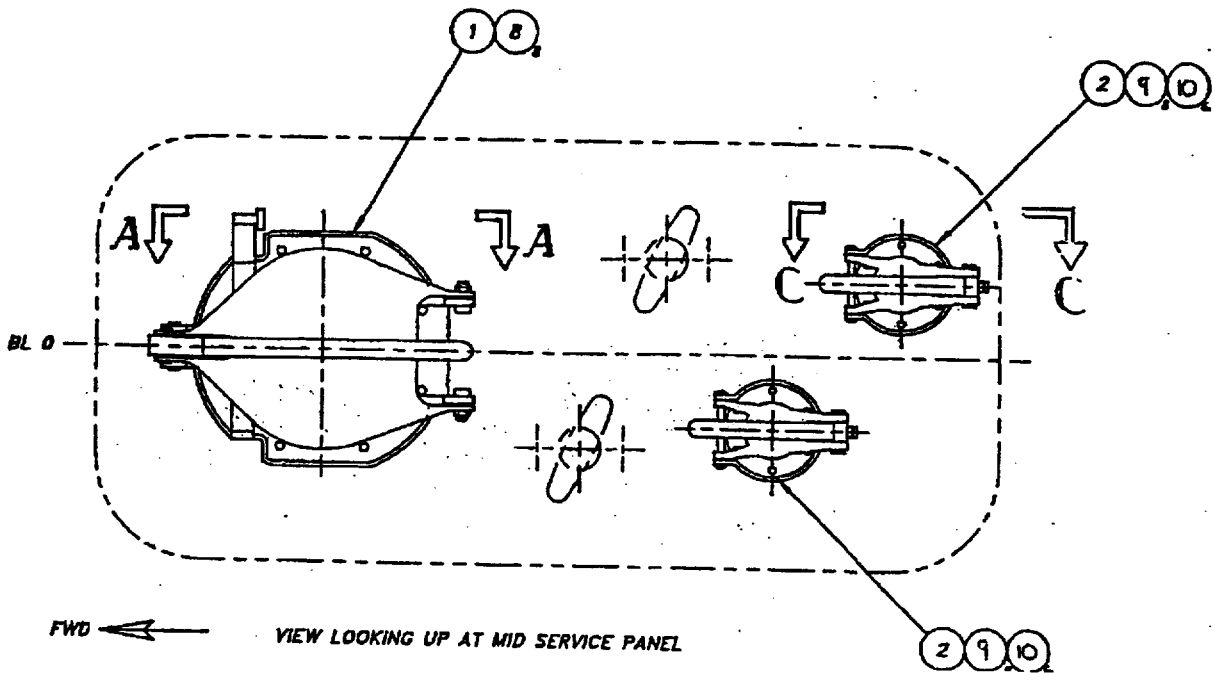
To show new Drain and Charge Line Caps.

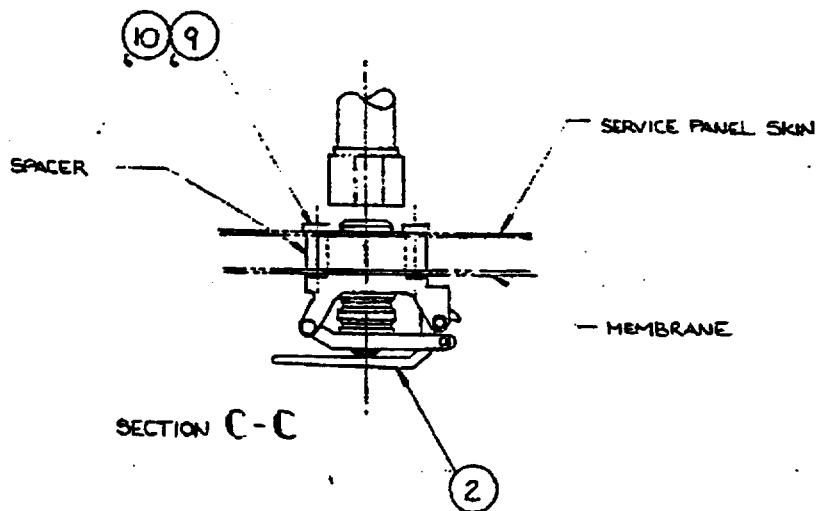
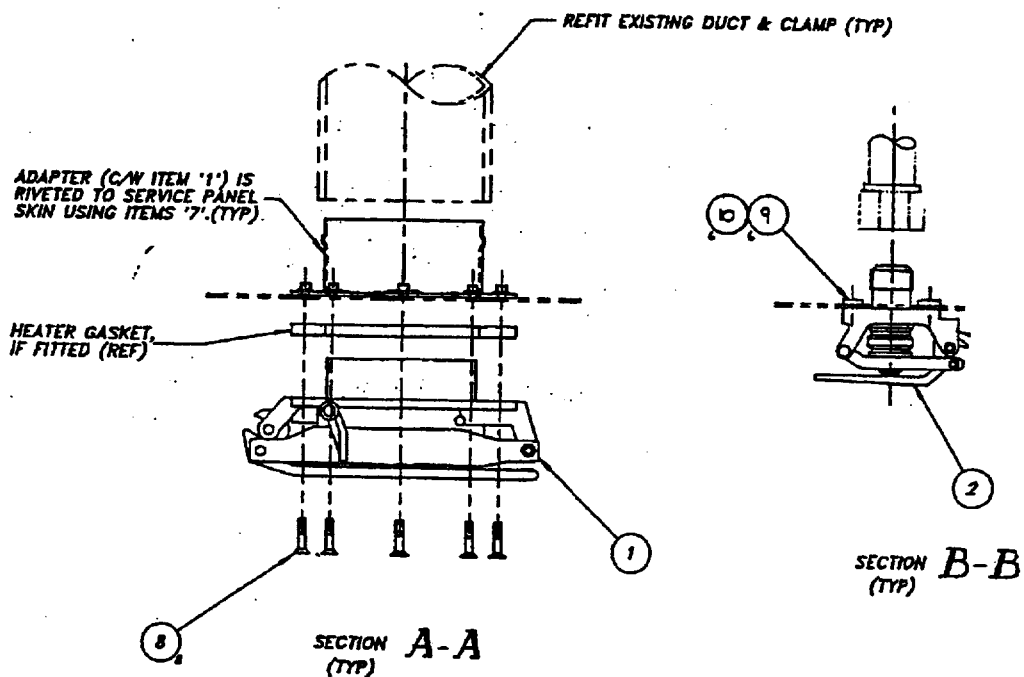
ACTION

Fig Item	Part Number	Nomenclature	Effect	Units/ Assy
1	0218-0032-3	CAP, DRAIN	001999	2
2	0016-0022-1	CAP, CHARGE LINE	001999	4
7	MS20427F6-6	RIVET, CSK	001999	8
8	BACB30LK3-6	BOLT, 10-32, CSK HD	001999	16
9	BACB30FM5-13	HI-LOK	001999	24
10	BACC30M	COLLAR	001999	24

Originator: S Wyatt
Reference: 38G005
Workbook: CC 38-14

38-32-52
Page 1







www.aesglobal.com

JAA APPR.: CAA.JA.02304
PART21 APPR: EASA.21J.036

MODIFICATION TITLE:
INTRODUCTION OF GALLEY 4B

MODIFICATION No.
AES-757-278
PARTS A-F: ISSUE 2
Page 1 of 8

A/C TYPE: B757	A/C VARIANT: -2B7	A/C REG: G-OOBI	A/C SERIAL No: 27146 (NB506)
B757	-2B7	G-OOBJ	27147 (NB507)

Retro. Action: SEE SHT. YES/NO	Certificate of Airworthiness Category: PUBLIC TRANSPORT - PASSENGER	CAA / JAA Class: MAJOR/MINOR
Project No.: 0271	Performance Group: TURBINE JET	ATA: 25, 53

Reason for Modification: TO SUIT THE OPERATOR'S REQUIREMENTS.	Reports: AES-SR-0019 AES-TR-0066 AES-TR-0067
--	---

WEIGHT CHANGE SEE SECTION 5.5.1	ELECTRICAL LOAD SEE SECTION 5.5.3	NOISE SEE SECTION 5.3	DOCUMENTS SEE SECTION 11.0
---	---	---------------------------------	--------------------------------------

CERTIFICATE OF DESIGN

I hereby certify that this modification defines all the changes associated with this certificate.

The technical information contained in this document has been approved under the authority of JAA Design Approval No CAA.JA.02304 [Issue 1] / EASA Design Organisation Approval No. EASA.21J.036 [Issue 2] I further certify that, with the exceptions listed below, the design of this modification complies with the requirements specified by the Agency as the certification basis for this type of aircraft and with any additional requirements notified by the Agency in respect of the particular modification.

EXCEPTIONS

NONE

APPROVAL STATUS				CAA AAN No.: NOT APPLICABLE			
COMPLETE/INCOMPLETE (see section 10)				CAA STC No.: NONE APPLICABLE			
ISSUE	1	2					
DRN No.	0874	1023					
APPROVAL DATE	MAE 27.09.04	MAE 23.12.04					
ISSUE	RAISE ISSUE DETAIL					SHEETS AFFECTED	
2	MODIFICATION REVIEWED AND APPROVED PER EASA PART 21. PARA 1.7, 3.2 & 10.2 (QN-AES-757-278-16) ADDED FOR RECORD PURPOSES. ALL CHANGES INDICATED BY VERTICAL MARGINAL LINES DOCUMENTARY CHANGE ONLY. A/C BUILD NOT AFFECTED.					ALL 2, 3 & 6 7	
ISSUE	DATE	COMPILED	CVE / APP STRUCTURES	CVE / APP DESIGN	CVE / APP SYSTEMS	DOCUMENTS AFFECTED	SEE SHT
1	27.09.04	S SHAW	M EVANS	A DOLBY	A HEISSIG	MMEL MAINT MANUAL	5
2	06.12.04	S SHAW	M EVANS	A DOLBY	A HEISSIG	WDM REPAIR MANUAL	5
						FLIGHT MANUAL CREW MANUAL	5
						MAINT. SCHEDULE PART CATALOGUE*	5
						* OPERATORS RESPONSIBILITY	

DETAILS OF MODIFICATION

1.0 Introduction

- 1.1 This modification introduces an approved AIM Aviation Galley 4B unit to the subject aircraft.
- 1.2 The aircraft is currently fitted with a SELL Galley 4B P/No. 1002E21A00000 installed and built by the aircraft constructor. This unit is removed. Structural provision is introduced to facilitate installation of the replacement galley unit.
- 1.3 This modification is complimentary to AES-757-276 'Introduction of 233Y PAX Cabin Interior & Customisations' and is embodied concurrently.
- 1.4 This modification is similar to existing modification AES-757-107 with respect to Galley 4B installation. [Modification AES-757-107 was previously embodied on B757 S/N 29941 and 29943 concurrently with modification AES-757-104 / CAA AAN 28752]
- 1.5 This modification is raised in parts to facilitate progressive embodiment and is embodied by the operator's maintenance organisation.
- 1.6 Modification AES-757-195 "introduction to improved galley sealing" is embodied concurrently
- 1.7 This modification is validated against EASA Part 21 at issue 2, and introduces an additional query note raised during embodiment.

2.0 Modification Definition

- 2.1 AES-757-278 Part A – Introduction of Galley 4B Structure provision
 - 2.1.1 The aircraft constructor has identified the relevant structural provision drawings required for the subject galleys and has supplied the parts required to carry out the structural provision installation.
 - 2.1.2 The existing Galley 4B electrical interface is retained as existing and is compatible with the replacement galley unit. No additional wiring is introduced.
- 2.2 AES-757-278 Part B – Introduction of chiller electrical provision.
 - 2.2.1 New wiring is introduced between the G4B power disconnect and the chiller unit.
 - 2.2.2 The chiller unit and electrical installation is similar to the operator's new build aircraft at delivery.

2.2.3 The Galley 4B ELCU pin strapping is reconfigured to take account of the increased electrical loading.

2.3 AES-757-278 Part C – Installation of Chiller Unit.

2.3.1 A B/E Aerospace Chiller unit P/N 267-100 is installed beneath the galley 4B in structural provision identified by the constructor.

2.4 AES-757-278 Part D – Installation of Galley 4B Waste Drainage.

2.4.1 The aircraft is configured with waste drainage for the galley unit. No additional drainage is introduced. Redundant galley drain lines are removed.

2.5 AES-757-278 Part E – Floor Panel Installation

2.5.1 Replacement floor panels are introduced to the aft vestibule and galley 4B area to accommodate the replacement galley and support structure.

2.6 AES-757-278 Part F – Installation of Galley 4B

2.6.1 AIM Aviation (Henshall's) Galley 4B P/N 7573AZ4BGA00 is introduced to the subject aircraft.

3.0 **Approval Procedures**

3.1 This modification certification/approval/validation has been carried out in accordance with JAR 21 [Issue 1].

3.2 This modification certification/approval/validation has been carried out in accordance with EASA Part 21 [Issue2].

4.0 **Basis of Certification/Validation/Approval**

4.1 **CAA Certification/Validation/Approval Basis For The Aircraft/Modification**

FOR –2B7 A/C: Reference is made to JAR25 ch. 16 which meets or exceeds the type certificate basis, i.e. FAR25 Amendment 25-1 thru' 25-41 and elected later Amendments per UK TCDS FA28 issue 5.

The following design requirements are addressed within this modification.

FAR 25.561 *	Emergency Landing Conditions - General (Structure)
JAR 25.331-25.351	Flight Conditions
JAR 25.601	Design & Construction (General)
JAR 25.603	Materials

JAR 25.605	Fabrication Methods
JAR 25.607	Fasteners
JAR 25.613	Material Strength Properties & Design Values
JAR 25.625	Fitting Factors
JAR 25.789	Retention of Items of Mass in Crew and Passenger Compartments. & galley compartment
JAR 25.791	Passenger information Signs & Placards
JAR 25.809	Emergency Exit Arrangement
JAR 25.810	Emergency Egress Assist Means and Escape Routes
JAR 25.812	Emergency Lighting
JAR 25.813	Emergency Exit Access
JAR 25.851	Fire Extinguishers
JAR 25.853	Compartment Interiors
JAR 25.1301	Equipment (Function and Installation)
JAR 25.1309	Equipment, Systems and Installations
JAR 25.1351	Electrical Systems and Equipment (General)
JAR 25.1353	Electrical Equipment and Installations
JAR 25.1357	Circuit Protective Devices
JAR 25.1541	Marking and placards (General)
JAR 25.1561	Safety Equipment

* - FAR 25.561, pre amendment 25-64, per D6 55441 in respect of inertial load factors.

4.2 Design Requirements For Certificate Of Airworthiness

Not Applicable

4.3 Environmental Requirements

The aircraft noise requirements are detailed in CAA Noise Certificate No. 58 & 77, UK TCDS FA28 refers. Environmental requirements per chapter 1 of Annex 16, Volume 1, Part II to the Chicago Convention.

4.4 Design Requirements Associated With operational Approvals

The following CAA Airworthiness Notices have been addressed within this modification:

CAA AWN 58	Flame resistant Furnishing Materials.
CAA AWN 60	Cabin and Toilet Fire Protection
CAA AWN 61	Improved Flammability Test Standards for Cabin Interior Materials
CAA AWN 99	Galley Equipment

The following JAR OPS-1 requirements have been addressed within this modification:

JAR OPS 1.315	Assisting Means for emergency evacuation
JAR OPS 1.731	Fasten Seat Belt and No Smoking Signs
JAR OPS 1.790	Hand Fire Extinguishers
JAR OPS 1.815	Emergency Lighting

5.0 Compliance with the Basis of Certification/Validation/Approval

5.1 Compliance with the Certification/Validation/Approval Basis for the Aircraft/Modification.

- 5.1.1. The AIM Aviation Galley Unit P/No 7573AZ4BGA00 is a CAA Approved accessory. CAA AAN 28581 refers.
- 5.1.2. For compliance pertinent to provisions/installation, refer to AES-TR-0066 / 0067 and Strength Report AES-SR-0019.

5.2 Compliance With Design Requirements For Certificate Of Airworthiness

- 5.2.1 Not applicable.

5.3 Compliance with Environmental Requirements

- 5.3.1 Embodiment of this modification does not affect the existing noise certificate.

5.4 Compliance with Design Requirements Associated with Operational Approvals

- 5.4.1 For Compliance with the referenced requirements contained in paragraph 4.4 refer to AES-TR-0066.

5.5 Required (Amendments to) Manuals and other Documents Including Mandatory Placards.

- 5.5.1 The following significant weight changes are attributable to this modification:

Description	P/N	Action	Weight (Lbs)		Station (in)
			Empty	Gross	
GALLEY 4B	1002E21A00000	DEL	TBA	TBA	TBA
GALLEY 4B	7573AZ4BGA00	ADD	582	3300	1697.78

The aircraft shall be reweighed on completion to include this and complimentary changes. It is the responsibility of the operator to amend the weight and balance manual.

- 5.5.2 The Aircraft Flight Manual is not affected by this modification.
- 5.5.3 Changes to the ELA are defined in document reference AES-TR-0067.
- 5.5.4 A supplement to the Wiring Diagram Manual (WDM), Illustrated Parts Catalogue (IPC) and the Aircraft Maintenance Manual (AMM) maybe produced at the operator’s discretion or this data appended to the existing manuals.
- 5.5.5 Preparation of crew procedures relating to the operation of the replacement galley units is the responsibility of the operator.

6.0 Conditions Affecting This Approval

- 6.1 The compatibility of this modification with other previously approved modifications installed on the particular aircraft, must be verified by the installer. Where the potential for interactions between modifications exists, the advice of the Design Organisation/CAA shall be sought.

7.0 **Continued Airworthiness**

- 7.1 The influence of the modification on Airworthiness Directive, Service Bulletin eligibility and other data must be considered and the publications monitored accordingly. The maintenance schedule for the aircraft should include reference to this material additional to the original design. Co-ordination is the responsibility of the operator.

8.0 **Survey**

- 8.1 Post modification completion the aircraft shall be surveyed by a representative from the CAA for compliance with cabin airworthiness.

9.0 **Authorisation of Release to Service**

- 9.1 In addition to the actions required by the procedures for release to service following maintenance or modification, the following actions must be completed prior to signing the Certificate of Release to Service:
- a) All actions and ground test procedures specified by the modification instructions must be completed satisfactorily.
 - b) It must be verified that the documents or amendments to documents, above are as specified, including any changes specified under Section 8 above.

10.0 **Approval**

- 10.1 This Minor modification AES-757-278 (MCA-AES-757-278) and related instructions has been approved under the authority of JAA Design Organisation Approval no. CAA.JA.02304. [Issue 1 of this modification].
- 10.2 This minor modification AES-757-278 (MCA-AES-757-278) and related instructions has been approved under the authority of EASA Design Organisation Approval No. EASA.21J.036 [Issue 2 of this modification].

11.0 **Documents Required**

11.1 New Drawings / Re-issued DRGS and associated QN'S, MEI's and DOI's Introduced Applicable to AES-757-278 PT A

Drawing Number	Issue	Title	Effectivity	
			G-OOBI	G-OOBJ
0331-538-757 *	3	PRESSURE RESIST BEAM REWORK (SEC 46)	YES	YES
• QN-AES-757-278-01	1	DRAWING CLARIFIATION	YES	YES
• QN-AES-757-278-02	2	A/C JACKING	YES	YES
• QN-AES-757-278-03	1	PLUGGED HOLES AT STA 1681 & 1701	YES	NO
• QN-AES-757-278-04	1	DOI-0060 (HOLE MISALIGNMENT QUERY)	YES	YES
• QN-AES-757-278-05	1	MEI-360 CLARIFICATION	YES	YES
• QN-AES-757-278-06	1	INCREASE LENGTH OF DOI-0060-011	YES	YES
• QN-AES-757-278-07	1	SHEAR WEB INSTL'N LBL26.7, STA 1681 – 1701	YES	YES
• QN-AES-757-278-09	1	ADDITIONAL EMBODIMENT INSTRUCTIONS REQUESTED	YES	YES
• QN-AES-757-278-10	1	PLUGGED HOLES AT STA 1681 & 1701	NO	YES
• QN-AES-757-278-12	1	HYDRAULIC PIPES`	YES	YES
• QN-AES-757-278-13	1	PROTECTIVE TREATMENT FOR SHEAR DECK	YES	YES
• QN-AES-757-278-14	1	DECK PLATE INSTALLATION	YES	YES
• QN-AES-757-278-15	1	DELETION OF GALLEY DRAINS	YES	YES
DOI-0060*	1	HOLE MISALIGNMENT (BL 51.5 L&R) (REFERENCE ONLY)	YES	YES
DOI-0062*	1	BLO REWORK (REFERENCE ONLY)	YES	YES
MEI-360	1	INSTL'N OF GALLEY G4B STRUCTURAL PROVISION	YES	YES

*DRGS originally issued under cover of Mod. AES-757-107.

- Query Note / DOI raised against the above Drawing / MEI

11.2 New Drawings / Re-issued DRGS and associated QN'S, MEI's and DOI's Introduced Applicable to AES-757-278 PT B

Drawing Number	Issue	Title	Effectivity	
			G-OOBI	G-OOBJ
0367-253-757 *	3	MODIFIED G4B DISCONNECT PANEL INSTL'N	YES	YES
0369-253-757 *	3	CABLE LOOM – G4B DISCONNECT TO CHILLER UNIT	YES	YES
0877-253-757	1	W/D CHILLER INSTALLATION	YES	YES
MEI-361	1	INTRODUCTION OF CHILLER UNIT ELECTRICAL PROVISION	YES	YES
• QN-AES-757-278-11	1	WIRING AT D2352 ELCU	YES	YES
• QN-AES-757-278-16	1	GALLEY OVERHEAD MAIN LIGHT WIRING	YES	YES

*DRGS originally issued under cover of Mod. AES-757-107.

- Query Note / DOI raised against the above Drawing / MEI

11.3 New Drawings / Re-issued DRGS and associated QN'S, MEI's and DOI's Introduced Applicable to AES-757-278 PT C

Drawing Number	Issue	Title	Effectivity	
			G-OOBI	G-OOBJ
0336-215-757*	3	G4B CHILLER INSTALLATION	YES	YES
• DOI-0212	1	CANCELLATION OFF ALL DOCUMENTS ASSOCIATED WITH AES-757-278 PT.D	YES	YES
MEI-362	1	INSTALLATION OF CHILLER UNIT	YES	YES

*DRGS originally issued under cover of Mod. AES-757-107.

11.4 New Drawings / Re-issued DRGS and associated QN'S, MEI's and DOI's Introduced Applicable to AES-757-278 PT D

Drawing Number	Issue	Title	Effectivity	
			G-OOBI	G-OOBJ
0414-383-757 *	3	G4B DRAINAGE REWORK	YES	YES
• DOI-0212	1	CANCELLATION OFF ALL DOCUMENTS ASSOCIATED WITH AES-757-278 PT.D	YES	YES
MEI-363	1	SECTION 46 DRAINAGE REWORK	YES	YES

*DRGS originally issued under cover of Mod. AES-757-107.

11.5 New Drawings / Re-issued DRGS and associated QN'S, MEI's and DOI's Introduced Applicable to AES-757-278 PT E

Drawing Number	Issue	Title	Effectivity	
			G-OOBI	G-OOBJ
0873-534-757	1	FLOOR PANEL INSTALLATION DOOR 4 AREA	YES	YES
MEI-364	1	INSTALLATION OF FLOOR PANELS	YES	YES

11.6 New Drawings / Re-issued DRGS and associated QN'S, MEI's and DOI's Introduced Applicable to AES-757-278 PT F

Drawing Number	Issue	Title	Query Note	Effectivity	
				G-OOBI	G-OOBJ
0334-253-757 *	4	G4B INSTALLATION B757-200 AIR 2000	YES	YES	
MEI-365	1	INSTALLATION OF G4B	YES	YES	

*DRGS originally issued under cover of Mod. AES-757-107.

11.7 Reports/Documents

11.2.1 Strength / Technical reports.

<u>Document Number</u>	<u>Issue</u>	<u>Title</u>	<u>AES-757-278 Part ()</u>
AES-SR-0019	1	INTERIOR CUSTOMISATION FCA 757-2B7 (G-OOBI/BJ)	All
AES-TR-0066	1	COMPLIANCE WITH CABIN AIRWORTHINESS REQUIREMENTS G-OOBI, G-OOBJ	All
AES-TR-0067	1	ELECTRICAL LOAD ANALYSIS (G-OOBI/BJ)	All

MODIFICATION EMBODIMENT INSTRUCTIONS

A. TITLE PAGE

TITLE: SECTION 46 – DRAINAGE REWORK

DATE COMPILED: JUNE 2004

MODIFICATION NO.: AES-757-278 PT D

PROJECT NO.: 0271

EFFECTIVITY:	A/C TYPE	REGISTRATION	SERIAL NO.
	B757-200	G-OOBI	27146
	B757-200	G-OOBJ	27147

This document is issued for production engineering purposes.

The definitive design requirements are shown in mod AES-757-278 PT D, the contents of which override information contained in this MEI.

Differences resulting from existing repairs, variation in build standard or corrosion to be reported to AES Ltd Design Department.

Manufacturing processes and inspection and installation procedures are the responsibility of FIRST CHOICE AIRWAYS LTD.

ISSUE	1	2	3	4	5	6
DRN:	0703					
DATE	JUNE 04					
COMPILED BY:	S SHAW					
CHECKED BY:	A DOLBY					
DESIGN APP:	M EVANS					



www.aesglobal.com
TEL: 44 (0)1279 818010
FAX:44 (0)1279 647683

AES Limited
28 Golds Nurseries Business Park
Elsenham
Essex
CM22 6JX

MEI-363

ISSUE 1, 14-6-04

Page 2 of 16

MODIFICATION EMBODIMENT INSTRUCTIONS

B. REVISION DETAILS:

WRITE BELOW A BRIEF SUMMARY OF THE CHANGES WHICH HAVE BEEN INTRODUCED AT THE STATED REVISION:

ISSUE	DESCRIPTION
1	NEW ISSUE

MODIFICATION EMBODIMENT INSTRUCTIONS

C. CONTENTS:

SEC.	DESCRIPTION	PAGE No
A.	TITLE PAGE	1
B.	REVISION STATUS	2
C.	CONTENTS	3
D1.	ACCOMPLISHMENT INSTRUCTIONS – G4B DRAINAGE REWORK	4
E.	DRAWINGS & DOCUMENTS REQUIRED	9
F.	SPECIAL TOOLS REQUIRED	10
G.	ESTIMATED TIME REQUIRED	10
H.	PARTS REQUIRED/REMOVED	11
K.	REPORT SHEET	13
	APPENDIX A – ATZ RE-CERTIFICATION CONTROL SHEET	14
	APPENDIX B – ADDITIONAL WORK CARD INDEX SHEET	15
	QUERY NOTE BLANK	16

MODIFICATION EMBODIMENT INSTRUCTIONS

D1 ACCOMPLISHMENT INSTRUCTIONS – SECTION 46 DRAINAGE REWORK			MECH SIG.	INSP STAMP																																																						
D1.0	Remove aircraft electrical power IAW AMM 24-22-00 p.block 201.																																																									
D1.1	Ref DRG 0331-538-757 Ensure the floor structure and stabilisation has been installed per reference drawing and MEI-360.																																																									
D1.2	Ref DRG 0414-383-757 Remove the endcap/blanking cap from the existing Y-Piece as shown on the reference drawing.																																																									
D1.3	Ref DRG 0414-383-757 With reference to the Boeing Installation 417N2302, picture sheet 5, install the following items in lieu of those shown on the Boeing drawing. <table border="0" style="width: 100%; margin-top: 10px;"> <tr> <td style="width: 30%;">BOE2013-0383</td> <td style="width: 20%;">1 OFF</td> <td style="width: 50%;">ELBOW</td> </tr> <tr> <td>BOE2013-0426</td> <td>2 OFF</td> <td>HOSE</td> </tr> <tr> <td>NMC1005-51</td> <td>4 OFF</td> <td>JUBILEE CLIP</td> </tr> <tr> <td>BACC10DK19</td> <td>6 OFF</td> <td>P-CLIP</td> </tr> <tr> <td>BACC10DK11</td> <td>1 OFF</td> <td>P-CLIP</td> </tr> <tr> <td>BACN10GH3A6</td> <td>1 OFF</td> <td>STAND OFF</td> </tr> <tr> <td>BACN10TL3A3</td> <td>2 OFF</td> <td>STAND OFF</td> </tr> <tr> <td>69B50212-1</td> <td>1 OFF</td> <td>FLOOR FITTING</td> </tr> <tr> <td>AN924-16D</td> <td>1 OFF</td> <td>NUT</td> </tr> <tr> <td>NAS1149D2132J</td> <td>1 OFF</td> <td>WASHER</td> </tr> <tr> <td>417N2310-53</td> <td>1 OFF</td> <td>PIPE</td> </tr> <tr> <td>NAS1801-3-6</td> <td>4 OFF</td> <td>SCREW</td> </tr> <tr> <td>AN960KD10L</td> <td>4 OFF</td> <td>WASHER</td> </tr> <tr> <td>BACB15BB4AD()</td> <td>A/R</td> <td>RIVET</td> </tr> <tr> <td>BACN10YD3G</td> <td>1 OFF</td> <td>CLIP NUT</td> </tr> <tr> <td>BACC10JB</td> <td>2 OFF</td> <td>CLIP</td> </tr> <tr> <td>417N2310-63</td> <td>1 OFF</td> <td>CONNECTOR</td> </tr> <tr> <td>MS21042-3</td> <td>1 OFF</td> <td>NUT</td> </tr> </table>		BOE2013-0383	1 OFF	ELBOW	BOE2013-0426	2 OFF	HOSE	NMC1005-51	4 OFF	JUBILEE CLIP	BACC10DK19	6 OFF	P-CLIP	BACC10DK11	1 OFF	P-CLIP	BACN10GH3A6	1 OFF	STAND OFF	BACN10TL3A3	2 OFF	STAND OFF	69B50212-1	1 OFF	FLOOR FITTING	AN924-16D	1 OFF	NUT	NAS1149D2132J	1 OFF	WASHER	417N2310-53	1 OFF	PIPE	NAS1801-3-6	4 OFF	SCREW	AN960KD10L	4 OFF	WASHER	BACB15BB4AD()	A/R	RIVET	BACN10YD3G	1 OFF	CLIP NUT	BACC10JB	2 OFF	CLIP	417N2310-63	1 OFF	CONNECTOR	MS21042-3	1 OFF	NUT		
BOE2013-0383	1 OFF	ELBOW																																																								
BOE2013-0426	2 OFF	HOSE																																																								
NMC1005-51	4 OFF	JUBILEE CLIP																																																								
BACC10DK19	6 OFF	P-CLIP																																																								
BACC10DK11	1 OFF	P-CLIP																																																								
BACN10GH3A6	1 OFF	STAND OFF																																																								
BACN10TL3A3	2 OFF	STAND OFF																																																								
69B50212-1	1 OFF	FLOOR FITTING																																																								
AN924-16D	1 OFF	NUT																																																								
NAS1149D2132J	1 OFF	WASHER																																																								
417N2310-53	1 OFF	PIPE																																																								
NAS1801-3-6	4 OFF	SCREW																																																								
AN960KD10L	4 OFF	WASHER																																																								
BACB15BB4AD()	A/R	RIVET																																																								
BACN10YD3G	1 OFF	CLIP NUT																																																								
BACC10JB	2 OFF	CLIP																																																								
417N2310-63	1 OFF	CONNECTOR																																																								
MS21042-3	1 OFF	NUT																																																								

MODIFICATION EMBODIMENT INSTRUCTIONS

D1 ACCOMPLISHMENT INSTRUCTIONS – SECTION 46 DRAINAGE REWORK		
	MECH SIG.	INSP STAMP
<p>D1.4 Ref DRG 0414-383-757, MR.D2</p> <p>Picture 'A' – View looking up from below floor level at aft left hand waste water drain point (floor interface point).</p> 		

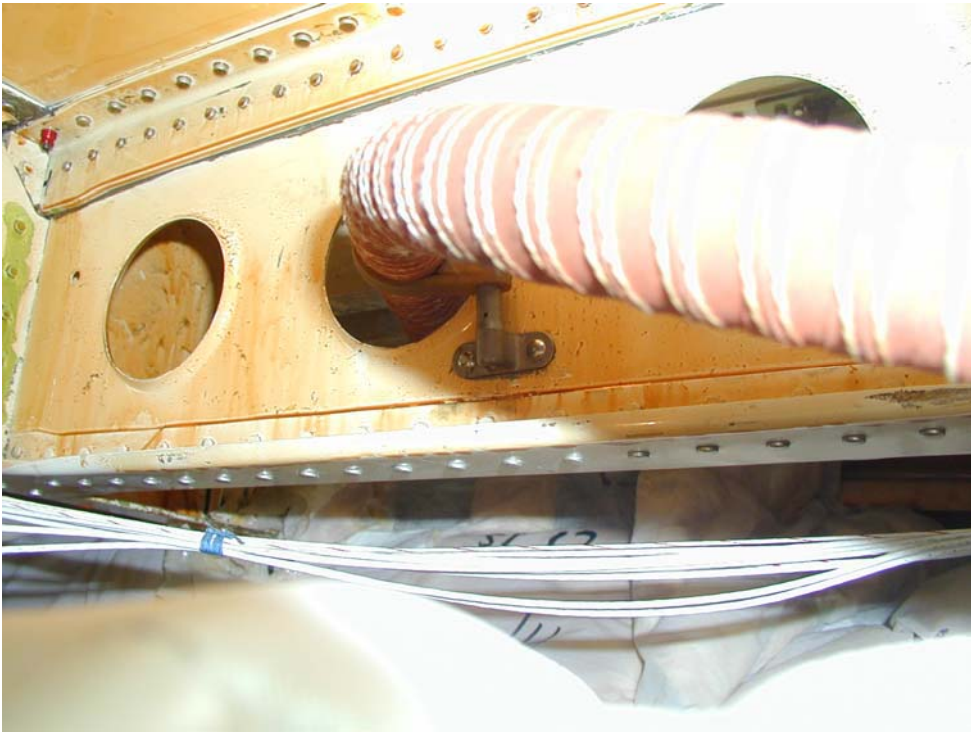
MODIFICATION EMBODIMENT INSTRUCTIONS

D1 ACCOMPLISHMENT INSTRUCTIONS – SECTION 46 DRAINAGE REWORK		
	MECH SIG.	INSP STAMP
D1.5		
<p>Ref DRG 0414-383-757, MR.D6</p> <p>Picture 'B' – View looking on plumbing tie position under air conditioning pipes.</p> 		

MODIFICATION EMBODIMENT INSTRUCTIONS

D1 ACCOMPLISHMENT INSTRUCTIONS – SECTION 46 DRAINAGE REWORK		
	MECH SIG.	INSP STAMP
<p>D1.6 Ref DRG 0414-383-757, MR.D5</p> <p>Picture 'C' – View looking at the 'Y-Joint' interface with the existing plumbing system.</p> 		

MODIFICATION EMBODIMENT INSTRUCTIONS

D1 ACCOMPLISHMENT INSTRUCTIONS – SECTION 46 DRAINAGE REWORK			
		MECH SIG.	INSP STAMP
D1.7	<p>Ref DRG 0414-383-757, MR.C1.</p> <p>Picture 'D' – View looking at the route of the hose BOE2013-0426 passing through the floor beam stabilisation web at LBL 45.50.</p> 		
D1.8	<p>Ref DRG 0414-383-757</p> <p>Connect the 2 BOE2013-0426 hoses together using 417N2310-63 connector. Attach the hoses to the connector using BACC10JB jubilee clip.</p>		
FUNCTION CHECKS			
D1.9	Test the galley drainage system per the relevant Chapter in the aircraft AMM.		
D1.10	Intentionally left blank.		
END			

MODIFICATION EMBODIMENT INSTRUCTIONS

E. DOCUMENTS REQUIRED:

THE FOLLOWING DOCUMENTS ARE REQUIRED FOR EMBODIMENT OF MODIFICATION AES-757-278 PT D . **NOTE: REFER TO MODIFICATION SHEET FOR LATEST DRAWING ISSUE.**

The following existing drawings/documents are required for Section D1:

<u>Drawing No</u>	<u>Title</u>	<u>SOURCE</u>
0414-383-757	SECTION 46 WASTE WATER REWORK	AES
417N2302 (SHT 5)	DRAIN INSL – AFT GRAY WATER	BOEING *

* SUPPLIED BY OPERATOR WITH KIT OF PARTS PURCHASED FROM OEM.

MODIFICATION EMBODIMENT INSTRUCTIONS

F. SPECIAL TOOLS REQUIRED:

<u>PART NUMBER</u>	<u>DESCRIPTION</u>	<u>VENDOR</u>	<u>COMMENTS</u>
		NONE	

G. ESTIMATED TIME REQUIRED:

The Galley G4B drainage shall be reworked alongside the galley G4B installation installed in conjunction with a scheduled maintenance input at First Choice Airways Limited approved maintenance organisation.

MODIFICATION EMBODIMENT INSTRUCTIONS

H. PARTS ADDED LIST (MOD. NUMBER: AES-757-278 PT D)

ITEM NO	PART NUMBER	QTY RQD	DESCRIPTION	USED ON	ADD/ REMOVE/ REWORK	REMARKS / VENDOR	ALT PART NUMBER	OWNER	REVISION
1	BOE2013-0383	1	ELBOW	0414-383-757	ADD				1
2	BOE2013-0426	2	HOSE	0414-383-757	ADD				1
3	NMC1005-51	4	CLAMP, JUBILEE	0414-383-757	ADD				1
4	BACC10DK19	6	CLAMP, P-CLIP	0414-383-757	ADD				1
5	BACC10DK11	1	CLAMP, P-CLIP, SMALL	0414-383-757	ADD				1
6	BACN10GH3A6	1	STANDOFF	0414-383-757	ADD				1
7	BACN10TL3A3	1	STANDOFF	0414-383-757	ADD				1
8	69B50212-1	1	FLOOR FITTING	0414-383-757	ADD				1
9	AN924-16D	1	NUT	0414-383-757	ADD				1
10	NAS1149D2132J	1	WASHER	0414-383-757	ADD				1
11	417N2310-53	1	PIPE	0414-383-757	ADD				1
12	NAS1801-3-6	4	SCREW	0414-383-757	ADD				1
13	AN960KD10L	4	WASHER	0414-383-757	ADD				1
14	BACN10YD3G	1	CLIP NUT	0414-383-757	ADD				1

MODIFICATION EMBODIMENT INSTRUCTIONS

H. PARTS ADDED LIST (MOD. NUMBER: AES-757-278 PT D)

ITEM NO	PART NUMBER	QTY RQD	DESCRIPTION	USED ON	ADD/ REMOVE/ REWORK	REMARKS / VENDOR	ALT PART NUMBER	OWNER	REVISION
15	BACR15BB4AD()	A/R	1/8 RIVET	0414-383-757	ADD				1
16	417N2310-63	1	CONNECTOR	0414-383-757	ADD				1
17	MS21042-3	1	NUT	0414-383-757	ADD				1
18	BACC10JB-030C044	2	CLIP	0414-383-757	ADD				1



www.aesglobal.com
TEL: 44 (0)1279 818010
FAX:44 (0)1279 647683

AES Limited
28 Golds Nurseries Business Park
Elsenham
Essex
CM22 6JX

MEI-363

ISSUE 1, 14-6-04

Page 13 of 16

MODIFICATION EMBODIMENT INSTRUCTIONS

K. MEI - REPORT SHEET.

THE MEI REPORT SHEET IS PROVIDED FOR THE PURPOSE OF COMMUNICATING TO AES DESIGN OFFICE ANY IMPROVEMENTS / SUGGESTIONS ARISING FROM THE EMBODIMENT OF THE MODIFICATION.

REPORT SHEET	MEI No: MEI- MOD No:AES-
AIRCRAFT TYPE:	
REGISTRATION AND SERIAL NUMBER:	
LOCATION:	
COMMENTS:	
PREPARED BY / DATE: _____	



AES Limited
Unit 28, Golds Nursery
Business Park
Elsenham
Essex

MEI-363

ISSUE 1, 14-6-04

Page 14 of 16

www.aesglobal.com

TEL: 44 (0)1279 818010

FAX: 44 (0)1279 647683

MODIFICATION EMBODIMENT INSTRUCTIONS

APPENDIX A:- FIRST CHOICE AIRWAYS RE-CERTIFICATION CONTROL SHEET

(This sheet must be faxed on completion to First Choice Airways Projects dept Fax No 0161 489 0238)

PART NUMBER	DESCRIPTION	SERIAL NO.	WORK CARD REF	QTY.	COMMENTS I.E. SERVICEABLE / UNSERVICEABLE	DATE / INSPECTION STAMP



www.aesglobal.com
TEL: 44 (0)1279 818010
FAX: 44 (0)1279 647683

AES Limited
28 Golds Nurseries Business Park
Elsenham
Essex
CM22 6JX

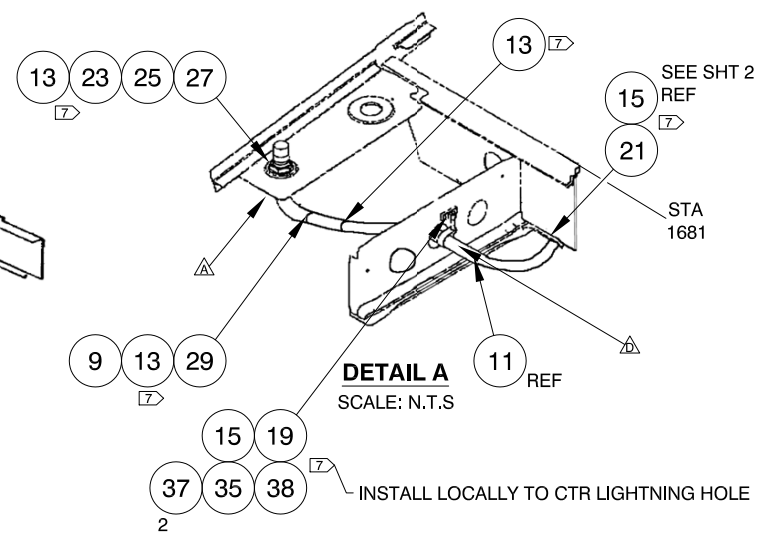
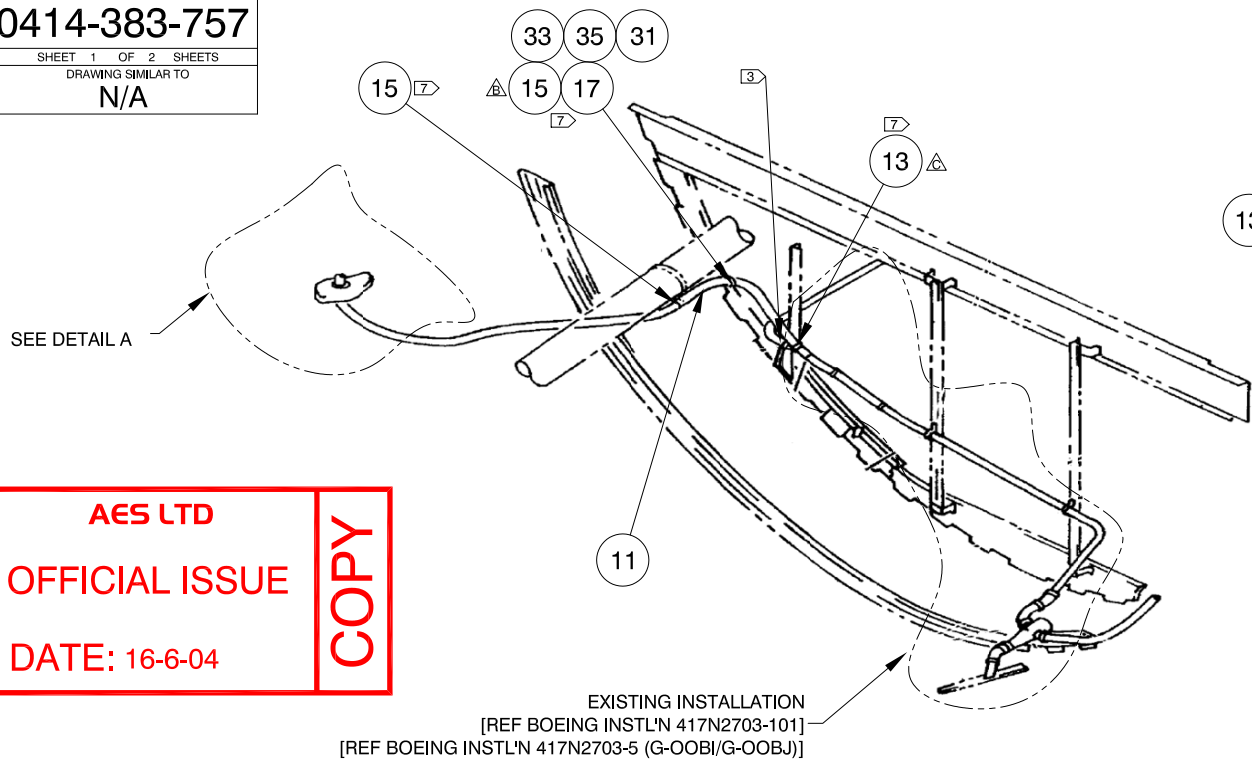
QUERY NOTE		AES REF No.: QN-AES-.....-.....-..... <small>(COMPLETED BY AES STAFF ONLY)</small>
AIRCRAFT TYPE:.....	APPLICANTS NAME:.....	
REGISTRATION:.....	DATE:.....	
LOCATION:.....	APPLICANTS FAX No:.....	
DRAWING (S) / P/N AFFECTED:	APPLICANTS TEL No:.....	
GIVE FULL DETAILS, INCLUDE OR ATTACH RELEVANT SKETCHES		

DESIGN RESPONSE TO QUERY NOTE	
DRAWING (S) TO BE AMENDED YES / NO	DATE AMENDED:
(AEROSPACE ENGINEERING SOLUTIONS LIMITED DESIGN OFFICE USE ONLY)	
COMPILED BY:	APPROVED BY:

0414-383-757

SHEET 1 OF 2 SHEETS
DRAWING SIMILAR TO
N/A

REVISIONS				
DRG ISS No.	RELEASE DOC.	ISSUE DATE:	DRG CHANGE	APP BY:
1	0303	MARCH, 03	NEW	M A E
2	0609	FEB 04	DCN 0213	MAE
3	0703	14-6-04	DCN 0245	M A E



AES LTD
OFFICIAL ISSUE
DATE: 16-6-04

COPY

EXISTING INSTALLATION
[REF BOEING INSTL'N 417N2703-101]
[REF BOEING INSTL'N 417N2703-5 (G-OOB/ G-OOBJ)]



1 G4B DRAINAGE REWORK
SCALE: N.T.S
① ② ④ ⑤ ⑥

NOTES:

- ① THIS DRAWING REWORKS THE EXISTING AFT GALLEY GRAY WATER DRAIN INSTALLATION LOCATED AT THE REAR OF THE CABIN FOR THE GALLEY G4B BY INSTALLING ADDITIONAL PARTS, WHICH ARE CONNECTED TO THE EXISTING WASTE WATER INSTALLATION INSTALLED AT BUILD. [ORIGINAL INSTALLATION 417N2703-101 & 417N2703-5 (G-OOB/ G-OOBJ) REFERS]
- ② THIS DRAWING IS TO BE READ IN CONJUNCTION WITH MEI-() [SEE TABLE 1].
- ③ REMOVE THE ENDCAP/BLANKING CAP.
- ④ ALL MANUFACTURING PROCESSES INCLUDING HOLE STANDARDS, FASTENER INSTALLATION AND PROTECTIVE TREATMENTS TO CONFORM WITH THE REQUIREMENTS CONTAINED WITHIN THE AIRCRAFT SRM/AMM/WDM.
- ⑤ NEW HOLES FOR PARTS INTRODUCED TO MAINTAIN 4D MINIMUM SPACING FROM ANY EXISTING HOLE CENTRE AND 2D EDGE MARGINS.
- ⑥ DEVIATIONS FROM THE CONSTRUCTOR'S APPROVED INSTALLATIONS TO BE REVIEWED BY DESIGN AND SUPPLEMENTAL INSTRUCTIONS ISSUED.
- ⑦ INSTALL THE ITEMS INDICATED IN THE LOCATIONS SHOWN ON DRAWING 417N2302-10, PICTURE SHEET 5 USING THE PARTS IDENTIFIED ON THIS DRAWING.

TABLE 1

ASSEMBLY	MOD. No.	MEI. No.	REG.	SER. No.
-001	AES-757-107 PL. E	MEI-133	G-CPEU	29941
-001	AES-757-107 PL. E	MEI-133	G-CPEV	29943
-001	AES-757-218 PLE	MEI-249	G-OOBG	29942
-001	AES-757-218 PLE	MEI-249	G-OOBH	29944
-001	AES-757-278 PLD	MEI-363	G-OOBI	27146
-001	AES-757-278 PLD	MEI-363	G-OOBJ	27147

1	43	417N2310-63	CONNECTOR					
2	41	BACC10JB	CLIP					
1	39	BACN10YD3G	CLIP NUT					
A/R	37	BACR15BB4AD(L)	1/8 RIVET					
4	35	AN960KD10L	WASHER					
4	33	NAS1801-3-6	SCREW					
1	31	MS21042-3	NUT					
1	29	417N2310-53	PIPE					
1	27	NAS1149D2132J	WASHER					
1	25	AN924-16D	NUT					FN 7
1	23	69B50212-1	FLOOR FITTING					
1	21	BACN10TL3A3	STAND OFF					FN 7
1	19	BACN10GH3A6	STAND OFF					FN 7
1	17	BACC10DK11	CLAMP, P-CLIP, SMALL					FN 7
6	15	BACC10DK19	CLAMP, P-CLIP					FN 7
4	13	NMC1005-51	CLIP, JUBILEE					FN 7
2	11	BOE2013-0426	HOSE					
1	9	BOE2013-0383	ELBOW					
	7							
	3							
	1							
	1	-001	2	G4B DRAINAGE REWORK				ALL

0414-383-757-001 PART NUMBER	DRAWN BY: L. DONALD	DATE: FEB, 2003	MODIFICATION No: SEE TABLE 1
	CHECKED BY: A M D	SCALE: N.T.S AT A3 U.O.S.	JAR APP.:CAA.JA.02304
	STRESS: M A E	LIMITS: ±.05 U.O.S.	THIRD ANGLE PROJECTION:
	APPROVED: M A E	SURFACE FINISH: N/A	DIMENSIONS IN: INCHES
TITLE: G4B DRAINAGE REWORK B757-200			

No. MAP REF ITEM No. PART NUMBER ITEM ISS KEYWORD / DESCRIPTION

MATERIAL	SPECIFICATION	WIDTH	EST WT (KG)	ALL

©2003 ALL RIGHTS RESERVED. THE INFORMATION CONTAINED HEREIN IS PROPRIETARY TO AEROSPACE ENGINEERING SOLUTIONS LIMITED AND SHALL NOT BE REPRODUCED OR DISCLOSED WITHOUT THE COMPANY'S WRITTEN PERMISSION.

PT No	NHA	No. OFF	EFFECTIVITY
SEE TABLE 1			

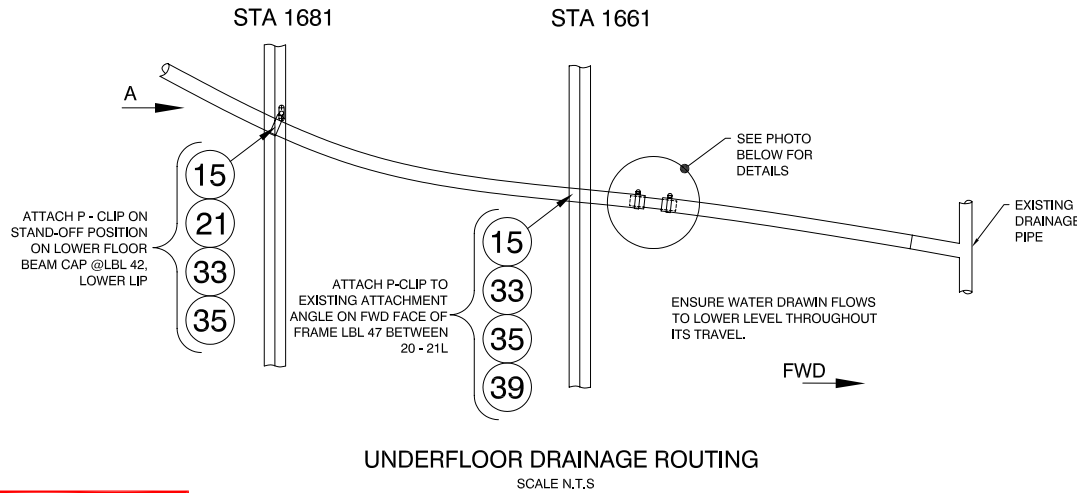
0414-383-757
SHEET 1 OF 2 SHEETS

0414-383-757

SHEET 2 OF 2 SHEETS
DRAWING SIMILAR TO
N/A

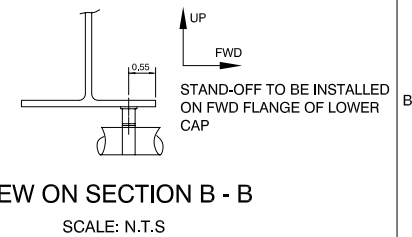
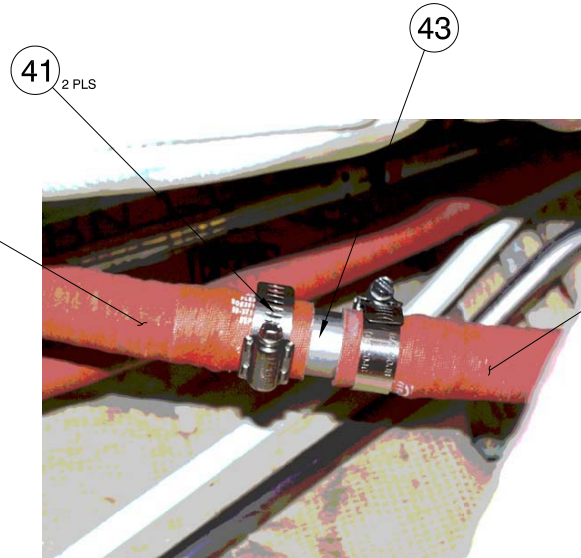
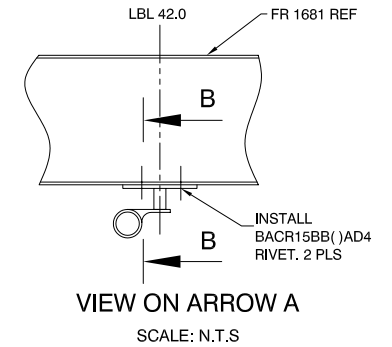
REVISIONS				
DRG ISS No.	RELEASE DOC.	ISSUE DATE:	DRG CHANGE	APP BY:
2	0609	FEB 04	DCN 0213	MAE
3	0703	14-6-04	DCN 0245	M A E

QN-AES-757-107-10 INCORPORATED



AES LTD
OFFICIAL ISSUE
DATE: 16-6-04

COPY



SEE SHT 1				MATERIAL	SPECIFICATION	WIDTH	EST WT (KG)		
No. OFF	MAP REF	ITEM No.	PART NUMBER	ITEM ISS	KEYWORD / DESCRIPTION	OR REMARKS			
1	ISS								
0414-383-757-001	PART NUMBER	DRAWN BY:	S SHAW	DATE:	FEB, 2004	MODIFICATION No:	SEE TABLE 1		
		CHECKED BY:	A M D	SCALE:	N.T.S AT A3 U.O.S.	JAR APP.:	CAA.JA.02304		
		STRESS:	M A E	LIMITS:	±.05 U.O.S.	THIRD ANGLE PROJECTION:			
		APPROVED:	A M D	SURFACE FINISH:	N/A	DIMENSIONS IN:	INCHES		
		TITLE:	G4B DRAINAGE REWORK B757-200						
						1.5	40		
						30			
						1.0			
						20			
						0.5			
						10			
						0			
						IN	MM		
						0	0		
						PT No	NHA	No. OFF	EFFECTIVITY
						SEE TABLE 1			
						0414-383-757			
						SHEET 2 OF 2 SHEETS			

0414-383-757

SHEET 2 OF 2 SHEETS



757

PARTS CATALOG (MAINTENANCE)

CH-SECT-UNIT-FIG	PAGE NO.	DATE	CH-SECT-UNIT-FIG	PAGE NO.	DATE
*38	1	MAY 20/09	38-11-01- 5	0A	JAN 20/09
*38	2	MAY 20/09	38-11-01- 5	0B	JAN 20/09
*38	3	MAY 20/09	38-11-01- 5	1	JAN 20/09
*38	4	MAY 20/09	38-11-01- 5	2	JAN 20/09
*38	5	MAY 20/09	38-11-01- 5	3	JAN 20/09
*38	6	MAY 20/09	38-11-01- 5	4	JAN 20/09
*38	7	MAY 20/09	38-11-01- 5	5	JAN 20/09
*38	8	MAY 20/09	38-11-01- 5	6	JAN 20/09
*38	9	MAY 20/09	38-11-01- 5	7	JAN 20/09
*38	10	MAY 20/09	38-11-01- 6	0	JAN 20/09
*38	11	MAY 20/09	38-11-01- 6	0A	JAN 20/09
*38	12	MAY 20/09	38-11-01- 6	0B	JAN 20/09
*38	13	MAY 20/09	38-11-01- 6	1	JAN 20/09
*38	14	MAY 20/09	38-11-01- 6	2	JAN 20/09
*38	15	MAY 20/09	38-11-01- 6	3	JAN 20/09
*38	16	MAY 20/09	38-11-01- 6	4	JAN 20/09
*38	17	MAY 20/09	38-11-01- 6	5	JAN 20/09
38-10-00	1	MAY 28/07	38-11-01- 6	6	JAN 20/09
38-10-00- 1	0	MAY 28/07	38-11-01- 6	7	JAN 20/09
38-10-00- 1	1	JAN 20/09	38-11-01- 6	8	JAN 20/09
38-11-00	1	MAY 28/07	38-11-02- 1	0	MAY 28/07
38-11-01- 1	0	MAY 28/07	38-11-02- 1	0A	MAY 28/07
38-11-01- 1	1	JAN 20/09	38-11-02- 1	0B	MAY 28/07
38-11-01- 1	2	JAN 20/09	38-11-02- 1	1	JAN 20/09
38-11-01- 2	0	MAY 28/07	38-11-02- 1	2	JAN 20/09
38-11-01- 2	0A	MAY 28/07	38-11-02- 1	3	JAN 20/09
38-11-01- 2	0B	MAY 28/07	38-11-02- 1	4	JAN 20/09
38-11-01- 2	0C	MAY 28/07	38-11-02- 1	5	JAN 20/09
38-11-01- 2	0D	MAY 28/07	38-11-02- 1	6	JAN 20/09
38-11-01- 2	1	JAN 20/09	38-11-02- 1	7	JAN 20/09
38-11-01- 2	2	JAN 20/09	38-11-02- 1	8	JAN 20/09
38-11-01- 2	3	JAN 20/09	38-11-02- 1	9	JAN 20/09
38-11-01- 2	4	JAN 20/09	38-11-02- 1	10	JAN 20/09
38-11-01- 2	5	JAN 20/09	38-11-02- 1	11	JAN 20/09
38-11-01- 2	6	JAN 20/09	38-11-02- 1	12	JAN 20/09
38-11-01- 2	7	JAN 20/09	38-11-02- 4	0	MAY 28/07
38-11-01- 2	8	JAN 20/09	38-11-02- 4	0A	MAY 28/07
38-11-01- 2	9	JAN 20/09	38-11-02- 4	0B	MAY 28/07
38-11-01- 2	10	JAN 20/09	38-11-02- 4	1	JAN 20/09
38-11-01- 2	11	JAN 20/09	38-11-02- 4	2	JAN 20/09
38-11-01- 3	0	MAY 28/07	38-11-02- 4	3	JAN 20/09
38-11-01- 3	0A	MAY 28/07	38-11-02- 4	4	JAN 20/09
38-11-01- 3	0B	MAY 28/07	38-11-02- 4	5	JAN 20/09
38-11-01- 3	0C	MAY 28/07	38-11-02- 4	6	JAN 20/09
38-11-01- 3	1	JAN 20/09	38-11-02- 4	7	JAN 20/09
38-11-01- 3	2	JAN 20/09	38-11-02- 4	8	JAN 20/09
38-11-01- 3	3	JAN 20/09	38-11-03- 4	0	MAY 28/07
38-11-01- 3	4	JAN 20/09	38-11-03- 4	0A	MAY 28/07
38-11-01- 3	5	JAN 20/09	38-11-03- 4	0B	MAY 28/07
38-11-01- 3	6	JAN 20/09	38-11-03- 4	1	JAN 20/09
38-11-01- 5	0	JAN 20/09	38-11-03- 4	2	JAN 20/09

* THE ASTERISK INDICATES PAGES CHANGED OR ADDED BY THE CURRENT REVISION



757
PARTS CATALOG (MAINTENANCE)

CH-SECT-UNIT-FIG	PAGE NO.	DATE	CH-SECT-UNIT-FIG	PAGE NO.	DATE
38-11-03- 5	0	JAN 20/09	38-11-04- 2	7	JAN 20/09
38-11-03- 5	0A	JAN 20/09	38-11-04- 2	8	JAN 20/09
38-11-03- 5	0B	JAN 20/09	38-11-04- 2	9	JAN 20/09
38-11-03- 5	0C	JAN 20/09	38-11-04- 2	10	JAN 20/09
38-11-03- 5	0D	JAN 20/09	38-11-04- 2	11	JAN 20/09
38-11-03- 5	1	JAN 20/09	38-11-04- 2	12	JAN 20/09
38-11-03- 5	2	JAN 20/09	38-11-04- 2	13	JAN 20/09
38-11-03- 5	3	JAN 20/09	38-11-04- 2	14	JAN 20/09
38-11-04- 1	0	JAN 20/09	38-11-04- 2	15	JAN 20/09
38-11-04- 1	0A	JAN 20/09	38-11-04- 2	16	JAN 20/09
38-11-04- 1	1	JAN 20/09	38-11-04- 2	17	JAN 20/09
38-11-04- 1	2	JAN 20/09	38-11-04- 2	18	JAN 20/09
38-11-04- 1	3	JAN 20/09	38-11-04- 2	19	JAN 20/09
38-11-04- 1	4	JAN 20/09	38-11-04- 2	20	JAN 20/09
38-11-04- 1	5	JAN 20/09	38-11-04- 2	21	JAN 20/09
38-11-04- 1	6	JAN 20/09	38-11-04- 2A	0	MAY 28/07
38-11-04- 1	7	JAN 20/09	38-11-04- 2A	0A	MAY 28/07
38-11-04- 1	8	JAN 20/09	38-11-04- 2A	1	JAN 20/09
38-11-04- 1	9	JAN 20/09	38-11-04- 2A	2	JAN 20/09
38-11-04- 1A	0	MAY 28/07	38-11-04- 2A	3	JAN 20/09
38-11-04- 1A	0A	MAY 28/07	38-11-04- 2A	4	JAN 20/09
38-11-04- 1A	1	JAN 20/09	38-11-04- 2A	5	JAN 20/09
38-11-04- 1A	2	JAN 20/09	38-11-04- 2A	6	JAN 20/09
38-11-04- 1A	3	JAN 20/09	38-11-04- 2A	7	JAN 20/09
38-11-04- 1A	4	JAN 20/09	38-11-04- 2A	8	JAN 20/09
38-11-04- 1A	5	JAN 20/09	38-11-04- 2A	9	JAN 20/09
38-11-04- 1A	6	JAN 20/09	38-11-04- 2A	10	JAN 20/09
38-11-04- 1A	7	JAN 20/09	38-11-04- 2A	11	JAN 20/09
38-11-04- 1A	8	JAN 20/09	38-11-04- 2A	12	JAN 20/09
38-11-04- 1A	9	JAN 20/09	38-11-04- 2A	13	JAN 20/09
38-11-04- 1A	10	JAN 20/09	38-11-04- 2A	14	JAN 20/09
38-11-04- 1A	11	JAN 20/09	38-11-05- 1	0	JAN 20/09
38-11-04- 1A	12	JAN 20/09	38-11-05- 1	0A	JAN 20/09
38-11-04- 1B	0	JAN 20/09	38-11-05- 1	0B	JAN 20/09
38-11-04- 1B	0A	JAN 20/09	38-11-05- 1	0C	JAN 20/09
38-11-04- 1B	1	JAN 20/09	38-11-05- 1	1	JAN 20/09
38-11-04- 1B	2	JAN 20/09	38-11-05- 1	2	JAN 20/09
38-11-04- 1B	3	JAN 20/09	38-11-05- 1	3	JAN 20/09
38-11-04- 1B	4	JAN 20/09	38-11-05- 1	4	JAN 20/09
38-11-04- 1B	5	JAN 20/09	38-11-05- 1	5	JAN 20/09
38-11-04- 1B	6	JAN 20/09	38-11-05- 1	6	JAN 20/09
38-11-04- 1B	7	JAN 20/09	38-11-05- 1	7	JAN 20/09
38-11-04- 1B	8	JAN 20/09	38-11-05- 1A	0	MAY 28/07
38-11-04- 2	0	JAN 20/09	38-11-05- 1A	0A	MAY 28/07
38-11-04- 2	0A	JAN 20/09	38-11-05- 1A	0B	MAY 28/07
38-11-04- 2	1	JAN 20/09	38-11-05- 1A	1	JAN 20/09
38-11-04- 2	2	JAN 20/09	38-11-05- 1A	2	JAN 20/09
38-11-04- 2	3	JAN 20/09	38-11-05- 1A	3	JAN 20/09
38-11-04- 2	4	JAN 20/09	38-11-05- 1A	4	JAN 20/09
38-11-04- 2	5	JAN 20/09	38-11-05- 1B	0	MAY 28/07
38-11-04- 2	6	JAN 20/09	38-11-05- 1B	0A	MAY 28/07

* THE ASTERISK INDICATES PAGES CHANGED OR ADDED BY THE CURRENT REVISION



757
PARTS CATALOG (MAINTENANCE)

CH-SECT-UNIT-FIG	PAGE NO.	DATE
38-11-05- 1B	0B	MAY 28/07
38-11-05- 1B	0C	MAY 28/07
38-11-05- 1B	0D	MAY 28/07
38-11-05- 1B	0E	MAY 28/07
38-11-05- 1B	1	JAN 20/09
38-11-05- 1B	2	JAN 20/09
38-11-05- 1B	3	JAN 20/09
38-11-05- 1B	4	JAN 20/09
38-11-05- 1B	5	JAN 20/09
38-11-05- 1B	6	JAN 20/09
38-11-05- 2A	0	MAY 28/07
38-11-05- 2A	1	JAN 20/09
38-11-05- 2A	2	JAN 20/09
38-11-05- 2A	3	JAN 20/09
38-11-05- 2A	4	JAN 20/09
38-11-05- 2A	5	JAN 20/09
38-11-07- 1B	0	JAN 20/09
38-11-07- 1B	1	JAN 20/09
38-11-07- 2	0	MAY 28/07
38-11-07- 2	1	JAN 20/09
38-11-07- 2A	0	JAN 20/09
38-11-07- 2A	1	JAN 20/09
38-11-07- 2A	2	JAN 20/09
38-11-07- 2C	0	JAN 20/09
38-11-07- 2C	0A	JAN 20/09
38-11-07- 2C	1	JAN 20/09
38-11-07- 3	0	MAY 28/07
38-11-07- 3	1	JAN 20/09
38-11-07- 3	2	JAN 20/09
38-11-07- 3A	0	JAN 20/09
38-11-07- 3A	1	JAN 20/09
38-11-07- 3D	0	JAN 20/09
38-11-07- 3D	1	JAN 20/09
38-11-07- 3D	2	JAN 20/09
38-11-51- 1A	0	JAN 20/09
38-11-51- 1A	0A	JAN 20/09
38-11-51- 1A	1	JAN 20/09
38-11-51- 1A	2	JAN 20/09
38-11-51- 1A	3	JAN 20/09
38-11-51- 1A	4	JAN 20/09
38-11-51- 1A	5	JAN 20/09
38-11-51- 2	0	MAY 28/07
38-11-51- 2	0A	MAY 28/07
38-11-51- 2	1	JAN 20/09
38-11-51- 2	2	JAN 20/09
38-11-51- 2	3	JAN 20/09
38-11-51- 2	4	JAN 20/09
38-11-51- 2	5	JAN 20/09
38-11-51- 2	6	JAN 20/09
38-11-51- 2	7	JAN 20/09
38-11-51- 2	8	JAN 20/09

CH-SECT-UNIT-FIG	PAGE NO.	DATE
38-11-51- 2	9	JAN 20/09
38-11-51- 2	10	JAN 20/09
38-11-51- 2	11	JAN 20/09
38-11-51- 2	12	JAN 20/09
38-11-51- 2B	0	JAN 20/09
38-11-51- 2B	0A	JAN 20/09
38-11-51- 2B	0B	JAN 20/09
38-11-51- 2B	0C	JAN 20/09
38-11-51- 2B	1	JAN 20/09
38-11-51- 2B	2	JAN 20/09
38-11-51- 2B	3	JAN 20/09
38-11-51- 2B	4	JAN 20/09
38-11-51- 2B	5	JAN 20/09
38-11-51- 2D	0	MAY 28/07
38-11-51- 2D	0A	MAY 28/07
38-11-51- 2D	0B	MAY 28/07
38-11-51- 2D	1	JAN 20/09
38-11-51- 2D	2	JAN 20/09
38-11-51- 2D	3	JAN 20/09
38-11-51- 2D	4	JAN 20/09
38-11-51- 2D	5	JAN 20/09
38-11-51- 2E	0	JAN 20/09
38-11-51- 2E	0A	JAN 20/09
38-11-51- 2E	0B	JAN 20/09
38-11-51- 2E	1	JAN 20/09
38-11-51- 2E	2	JAN 20/09
38-11-51- 2E	3	JAN 20/09
38-11-51- 2E	4	JAN 20/09
38-11-51- 2E	5	JAN 20/09
38-11-51- 2E	6	JAN 20/09
38-11-51- 2E	7	JAN 20/09
38-11-51- 2E	8	JAN 20/09
38-11-51- 2L	0	JAN 20/09
38-11-51- 2L	0A	JAN 20/09
38-11-51- 2L	1	JAN 20/09
38-11-51- 2L	2	JAN 20/09
*38-11-51- 2L	3	MAY 20/09
*38-11-51- 2L	4	MAY 20/09
*38-11-51- 2L	5	MAY 20/09
38-11-51- 2L	6	JAN 20/09
38-11-51- 3	0	JAN 20/09
38-11-51- 3	0A	JAN 20/09
*38-11-51- 3	0B	MAY 20/09
38-11-51- 3	1	JAN 20/09
38-11-51- 3	2	JAN 20/09
38-11-51- 3	3	JAN 20/09
38-11-51- 5	0	MAY 28/07
38-11-51- 5	1	JAN 20/09
38-11-51- 5	2	JAN 20/09
38-11-51- 5	3	JAN 20/09
38-11-51- 5	4	JAN 20/09

* THE ASTERISK INDICATES PAGES CHANGED OR ADDED BY THE CURRENT REVISION



757

PARTS CATALOG (MAINTENANCE)

CH-SECT-UNIT-FIG	PAGE NO.	DATE	CH-SECT-UNIT-FIG	PAGE NO.	DATE
38-11-51-10	0	MAY 28/07	38-11-51-15J	1	JAN 20/09
38-11-51-10	0A	MAY 28/07	38-11-51-15J	2	JAN 20/09
38-11-51-10	1	JAN 20/09	38-11-51-15J	3	JAN 20/09
38-11-51-10	2	JAN 20/09	38-11-51-20A	0	JAN 20/09
38-11-51-10	3	JAN 20/09	38-11-51-20A	0A	JAN 20/09
38-11-51-10	4	JAN 20/09	38-11-51-20A	1	JAN 20/09
38-11-51-10	5	JAN 20/09	38-11-51-20A	2	JAN 20/09
38-11-51-10	6	JAN 20/09	38-11-51-20A	3	JAN 20/09
38-11-51-10	7	JAN 20/09	38-11-51-20E	0	MAY 28/07
38-11-51-10C	0	JAN 20/09	38-11-51-20E	0A	MAY 28/07
38-11-51-10C	0A	JAN 20/09	38-11-51-20E	1	JAN 20/09
38-11-51-10C	1	JAN 20/09	38-11-51-20E	2	JAN 20/09
38-11-51-10C	2	JAN 20/09	38-11-51-25A	0	JAN 20/09
*38-11-51-10C	3	MAY 20/09	38-11-51-25A	0A	JAN 20/09
38-11-51-10C	4	JAN 20/09	38-11-51-25A	1	JAN 20/09
38-11-51-10C	5	JAN 20/09	38-11-51-25A	2	JAN 20/09
38-11-51-12	0	JAN 20/09	38-11-51-25A	3	JAN 20/09
38-11-51-12	0A	JAN 20/09	38-11-51-26B	0	JAN 20/09
38-11-51-12	0B	JAN 20/09	38-11-51-26B	0A	JAN 20/09
38-11-51-12	0C	JAN 20/09	38-11-51-26B	0B	JAN 20/09
38-11-51-12	0D	JAN 20/09	38-11-51-26B	1	JAN 20/09
38-11-51-12	0E	JAN 20/09	38-11-51-26B	2	JAN 20/09
38-11-51-12	0F	JAN 20/09	38-11-51-26B	3	JAN 20/09
38-11-51-12	0G	JAN 20/09	38-11-51-27C	0	JAN 20/09
38-11-51-12	0H	JAN 20/09	38-11-51-27C	0A	JAN 20/09
38-11-51-12	0I	JAN 20/09	38-11-51-27C	1	JAN 20/09
38-11-51-12	0J	JAN 20/09	38-11-51-27C	2	JAN 20/09
38-11-51-12	0K	JAN 20/09	38-11-51-27C	3	JAN 20/09
38-11-51-12	0L	JAN 20/09	38-11-51-30C	0	JAN 20/09
38-11-51-12	0M	JAN 20/09	38-11-51-30C	0A	JAN 20/09
38-11-51-12	0N	JAN 20/09	38-11-51-30C	1	JAN 20/09
38-11-51-12	0O	JAN 20/09	38-11-51-30C	2	JAN 20/09
38-11-51-12	1	JAN 20/09	38-11-51-30C	3	JAN 20/09
38-11-51-12	2	JAN 20/09	38-11-51-30D	0	JAN 20/09
38-11-51-12	3	JAN 20/09	38-11-51-30D	0A	JAN 20/09
38-11-51-12	4	JAN 20/09	38-11-51-30D	0B	JAN 20/09
38-11-51-12	5	JAN 20/09	38-11-51-30D	1	JAN 20/09
38-11-51-12	6	JAN 20/09	38-11-51-30D	2	JAN 20/09
38-11-51-12	7	JAN 20/09	38-11-51-30D	3	JAN 20/09
38-11-51-12	8	JAN 20/09	38-11-51-30J	0	MAY 28/07
38-11-51-13	0	JAN 20/09	38-11-51-30J	0A	MAY 28/07
38-11-51-13	0A	JAN 20/09	38-11-51-30J	0B	MAY 28/07
38-11-51-13	1	JAN 20/09	38-11-51-30J	0C	MAY 28/07
38-11-51-15E	0	MAY 28/07	38-11-51-30J	1	JAN 20/09
38-11-51-15E	0A	MAY 28/07	38-11-51-30J	2	JAN 20/09
38-11-51-15E	1	JAN 20/09	38-11-51-30J	3	JAN 20/09
38-11-51-15E	2	JAN 20/09	38-11-51-30J	4	JAN 20/09
38-11-51-15E	3	JAN 20/09	38-11-51-40	0	MAY 28/07
38-11-51-15E	4	JAN 20/09	38-11-51-40	1	JAN 20/09
38-11-51-15J	0	JAN 20/09	38-11-51-40	2	JAN 20/09
38-11-51-15J	0A	JAN 20/09	38-11-51-40	3	JAN 20/09

* THE ASTERISK INDICATES PAGES CHANGED OR ADDED BY THE CURRENT REVISION


BOEING
 757
PARTS CATALOG (MAINTENANCE)

CH-SECT-UNIT-FIG	PAGE NO.	DATE	CH-SECT-UNIT-FIG	PAGE NO.	DATE
38-11-51-40	4	JAN 20/09	38-11-52- 3	0D	MAY 28/07
38-11-51-50	0	JAN 20/09	38-11-52- 3	0E	MAY 28/07
38-11-51-50	1	JAN 20/09	38-11-52- 3	0F	MAY 28/07
38-11-51-51B	0	JAN 20/09	38-11-52- 3	0G	MAY 28/07
38-11-51-51B	1	JAN 20/09	38-11-52- 3	0H	MAY 28/07
38-11-52- 1	0	MAY 28/07	38-11-52- 3	0I	MAY 28/07
38-11-52- 1	1	JAN 20/09	38-11-52- 3	0J	MAY 28/07
38-11-52- 1	2	JAN 20/09	38-11-52- 3	0K	MAY 28/07
38-11-52- 1	3	JAN 20/09	38-11-52- 3	0L	MAY 28/07
38-11-52- 1	4	JAN 20/09	38-11-52- 3	0M	MAY 28/07
38-11-52- 1	5	JAN 20/09	38-11-52- 3	1	JAN 20/09
38-11-52- 1	6	JAN 20/09	38-11-52- 3	2	JAN 20/09
38-11-52- 1	7	JAN 20/09	38-11-52- 3	3	JAN 20/09
38-11-52- 1	8	JAN 20/09	38-11-52- 3	4	JAN 20/09
38-11-52- 2	0	MAY 28/07	38-11-52- 3	5	JAN 20/09
38-11-52- 2	0A	MAY 28/07	38-11-52- 3	6	JAN 20/09
38-11-52- 2	0B	MAY 28/07	38-11-52- 3	7	JAN 20/09
38-11-52- 2	0C	MAY 28/07	38-11-52- 3	8	JAN 20/09
38-11-52- 2	0D	MAY 28/07	38-11-52- 3	9	JAN 20/09
38-11-52- 2	0E	MAY 28/07	38-11-52- 3	10	JAN 20/09
38-11-52- 2	0F	MAY 28/07	38-11-52- 3	11	JAN 20/09
38-11-52- 2	0G	MAY 28/07	38-11-52- 3A	0	MAY 28/07
38-11-52- 2	1	JAN 20/09	*38-11-52- 3A	0A	MAY 20/09
38-11-52- 2	2	JAN 20/09	38-11-52- 3A	0B	MAY 28/07
38-11-52- 2	3	JAN 20/09	*38-11-52- 3A	0C	MAY 20/09
38-11-52- 2	4	JAN 20/09	38-11-52- 3A	0D	MAY 28/07
38-11-52- 2	5	JAN 20/09	38-11-52- 3A	0E	MAY 28/07
38-11-52- 2	6	JAN 20/09	*38-11-52- 3A	0F	MAY 20/09
38-11-52- 2	7	JAN 20/09	*38-11-52- 3A	0G	MAY 20/09
38-11-52- 2	8	JAN 20/09	*38-11-52- 3A	0H	MAY 20/09
38-11-52- 2	9	JAN 20/09	*38-11-52- 3A	0I	MAY 20/09
38-11-52- 2	10	JAN 20/09	*38-11-52- 3A	0J	MAY 20/09
38-11-52- 2	11	JAN 20/09	38-11-52- 3A	0K	MAY 28/07
38-11-52- 2	12	JAN 20/09	38-11-52- 3A	0L	MAY 28/07
38-11-52- 2	13	JAN 20/09	*38-11-52- 3A	0M	MAY 20/09
38-11-52- 2	14	JAN 20/09	*38-11-52- 3A	0N	MAY 20/09
38-11-52- 2	15	JAN 20/09	38-11-52- 3A	0O	MAY 28/07
38-11-52- 2	16	JAN 20/09	38-11-52- 3A	0P	MAY 28/07
38-11-52- 2	17	JAN 20/09	38-11-52- 3A	0Q	MAY 28/07
38-11-52- 2	18	JAN 20/09	38-11-52- 3A	0R	MAY 28/07
38-11-52- 2	19	JAN 20/09	38-11-52- 3A	0S	MAY 28/07
38-11-52- 2	20	JAN 20/09	38-11-52- 3A	1	JAN 20/09
38-11-52- 2	21	JAN 20/09	38-11-52- 3A	2	JAN 20/09
38-11-52- 2	22	JAN 20/09	38-11-52- 3A	3	JAN 20/09
38-11-52- 2	23	JAN 20/09	38-11-52- 3A	4	JAN 20/09
38-11-52- 2	24	JAN 20/09	38-11-52- 3A	5	JAN 20/09
38-11-52- 2	25	JAN 20/09	38-11-52- 3A	6	JAN 20/09
38-11-52- 3	0	MAY 28/07	38-11-52- 3A	7	JAN 20/09
38-11-52- 3	0A	MAY 28/07	38-11-52- 3A	8	JAN 20/09
38-11-52- 3	0B	MAY 28/07	38-11-52- 3A	9	JAN 20/09
38-11-52- 3	0C	MAY 28/07	38-11-52- 3A	10	JAN 20/09

* THE ASTERISK INDICATES PAGES CHANGED OR ADDED BY THE CURRENT REVISION



757
PARTS CATALOG (MAINTENANCE)

CH-SECT-UNIT-FIG	PAGE NO.	DATE
38-11-52- 3A	11	JAN 20/09
38-11-52- 3A	12	JAN 20/09
38-11-52- 3A	13	JAN 20/09
38-11-52- 3A	14	JAN 20/09
38-11-52- 3A	15	JAN 20/09
38-11-52- 3A	16	JAN 20/09
38-11-52- 4	0	JAN 20/09
38-11-52- 4	0A	JAN 20/09
38-11-52- 4	0B	JAN 20/09
38-11-52- 4	0C	JAN 20/09
38-11-52- 4	0D	JAN 20/09
38-11-52- 4	0E	JAN 20/09
38-11-52- 4	0F	JAN 20/09
38-11-52- 4	0G	JAN 20/09
38-11-52- 4	1	JAN 20/09
38-11-52- 4	2	JAN 20/09
38-11-52- 4	3	JAN 20/09
38-11-52- 4	4	JAN 20/09
38-11-52- 8	0	JAN 20/09
38-11-52- 8	0A	JAN 20/09
38-11-52- 8	0B	JAN 20/09
38-11-52- 8	0C	JAN 20/09
38-11-52- 8	0D	JAN 20/09
38-11-52- 8	0E	JAN 20/09
38-11-52- 8	0F	JAN 20/09
38-11-52- 8	0G	JAN 20/09
38-11-52- 8	0H	JAN 20/09
38-11-52- 8	0I	JAN 20/09
38-11-52- 8	0J	JAN 20/09
38-11-52- 8	0K	JAN 20/09
38-11-52- 8	0L	JAN 20/09
38-11-52- 8	0M	JAN 20/09
38-11-52- 8	0N	JAN 20/09
38-11-52- 8	0O	JAN 20/09
38-11-52- 8	0P	JAN 20/09
38-11-52- 8	0Q	JAN 20/09
38-11-52- 8	0R	JAN 20/09
38-11-52- 8	0S	JAN 20/09
38-11-52- 8	1	JAN 20/09
38-11-52- 8	2	JAN 20/09
38-11-52-14	0	JAN 20/09
38-11-52-14	0A	JAN 20/09
38-11-52-14	0B	JAN 20/09
38-11-52-14	0C	JAN 20/09
38-11-52-14	0D	JAN 20/09
38-11-52-14	1	JAN 20/09
38-11-52-14	2	JAN 20/09
38-11-52-15	0	JAN 20/09
38-11-52-15	0A	JAN 20/09
38-11-52-15	0B	JAN 20/09
38-11-52-15	0C	JAN 20/09

CH-SECT-UNIT-FIG	PAGE NO.	DATE
38-11-52-15	0D	JAN 20/09
38-11-52-15	1	JAN 20/09
38-11-52-15	2	JAN 20/09
38-11-52-15	3	JAN 20/09
38-11-53- 2	0	MAY 28/07
38-11-53- 2	0A	MAY 28/07
38-11-53- 2	0B	MAY 28/07
38-11-53- 2	0C	MAY 28/07
38-11-53- 2	0D	MAY 28/07
38-11-53- 2	1	JAN 20/09
38-11-53- 2	2	JAN 20/09
38-11-53- 2	3	JAN 20/09
38-11-53- 2	4	JAN 20/09
38-11-53- 2	5	JAN 20/09
38-11-53- 2	6	JAN 20/09
38-11-53- 2	7	JAN 20/09
38-11-53- 2	8	JAN 20/09
38-11-53- 2	9	JAN 20/09
38-11-53- 2	10	JAN 20/09
38-11-53- 2	11	JAN 20/09
38-11-53- 3	0	MAY 28/07
38-11-53- 3	1	JAN 20/09
38-11-54- 1	0	MAY 28/07
38-11-54- 1	0A	MAY 28/07
38-11-54- 1	0B	MAY 28/07
38-11-54- 1	0C	MAY 28/07
38-11-54- 1	0D	MAY 28/07
38-11-54- 1	0E	MAY 28/07
38-11-54- 1	1	JAN 20/09
38-11-54- 1	2	JAN 20/09
38-11-54- 1	3	JAN 20/09
38-11-54- 1	4	JAN 20/09
38-11-54- 1	5	JAN 20/09
38-11-54- 1	6	JAN 20/09
38-11-54- 1	7	JAN 20/09
38-11-54- 1	8	JAN 20/09
38-11-54- 1	9	JAN 20/09
38-11-54- 1	10	JAN 20/09
38-11-54- 1	11	JAN 20/09
38-11-54- 1	12	JAN 20/09
38-11-54- 1	13	JAN 20/09
38-11-54- 1	14	JAN 20/09
38-11-54- 1	15	JAN 20/09
38-11-54- 1	16	JAN 20/09
38-11-58- 1	0	MAY 28/07
38-11-58- 1	1	JAN 20/09
38-11-58- 1	2	JAN 20/09
38-11-58- 1	3	JAN 20/09
38-11-60- 1	0	MAY 28/07
38-11-60- 1	0A	MAY 28/07
38-11-60- 1	1	JAN 20/09

* THE ASTERISK INDICATES PAGES CHANGED OR ADDED BY THE CURRENT REVISION



757
PARTS CATALOG (MAINTENANCE)

CH-SECT-UNIT-FIG	PAGE NO.	DATE	CH-SECT-UNIT-FIG	PAGE NO.	DATE
38-11-60- 1	2	JAN 20/09	38-13-51- 1	0	MAY 28/07
38-11-60- 1	3	JAN 20/09	38-13-51- 1	0A	MAY 28/07
38-11-60- 1	4	JAN 20/09	*38-13-51- 1	1	MAY 20/09
38-11-60- 1	5	JAN 20/09	*38-13-51- 1	2	MAY 20/09
38-11-60- 1	6	JAN 20/09	*38-13-51- 1	3	MAY 20/09
38-11-60- 1	7	JAN 20/09	*38-13-51- 1	4	MAY 20/09
38-11-60- 1	8	JAN 20/09	38-13-51- 1A	0	JAN 20/09
38-11-60- 1	9	JAN 20/09	38-13-51- 1A	0A	JAN 20/09
38-11-60- 1	10	JAN 20/09	38-13-51- 1A	0B	JAN 20/09
38-11-60- 1	11	JAN 20/09	*38-13-51- 1A	1	MAY 20/09
38-11-60- 1	12	JAN 20/09	*38-13-51- 1A	2	MAY 20/09
38-11-60- 1	13	JAN 20/09	38-13-51-10C	0	JAN 20/09
38-11-60- 1	14	JAN 20/09	38-13-51-10C	1	JAN 20/09
38-11-60- 1A	0	MAY 28/07	38-13-51-10C	2	JAN 20/09
38-11-60- 1A	0A	MAY 28/07	38-13-51-10D	0	MAY 28/07
38-11-60- 1A	1	JAN 20/09	38-13-51-10D	1	JAN 20/09
38-11-60- 1A	2	JAN 20/09	*38-13-51-10D	2	MAY 20/09
38-11-60- 1A	3	JAN 20/09	38-13-51-10G	0	MAY 28/07
38-11-60- 1A	4	JAN 20/09	38-13-51-10G	0A	MAY 28/07
38-11-60- 1A	5	JAN 20/09	38-13-51-10G	1	JAN 20/09
38-11-60- 1A	6	JAN 20/09	38-13-51-10G	2	JAN 20/09
38-11-60- 1A	7	JAN 20/09	38-13-51-10G	3	JAN 20/09
38-11-60- 1A	8	JAN 20/09	38-13-51-50	0	MAY 28/07
38-11-60- 1A	9	JAN 20/09	38-13-51-50	0A	MAY 28/07
38-11-60- 1A	10	JAN 20/09	38-13-51-50	1	JAN 20/09
38-11-60- 1A	11	JAN 20/09	38-13-51-50	2	JAN 20/09
38-11-60- 1A	12	JAN 20/09	38-13-51-50	3	JAN 20/09
38-11-62- 1	0	MAY 28/07	38-13-51-50	4	JAN 20/09
38-11-62- 1	0A	MAY 28/07	38-13-51-50	5	JAN 20/09
38-11-62- 1	0B	MAY 28/07	38-13-51-50	6	JAN 20/09
38-11-62- 1	0C	MAY 28/07	38-13-51-50	7	JAN 20/09
38-11-62- 1	0D	MAY 28/07	38-13-51-50	8	JAN 20/09
38-11-62- 1	0E	MAY 28/07	38-13-51-50	9	JAN 20/09
38-11-62- 1	1	JAN 20/09	38-13-51-50	10	JAN 20/09
38-11-62- 1	2	JAN 20/09	38-13-51-50	11	JAN 20/09
38-11-62- 1	3	JAN 20/09	38-13-51-50	12	JAN 20/09
38-11-62- 1	4	JAN 20/09	38-13-51-50	13	JAN 20/09
38-11-62- 1	5	JAN 20/09	38-13-51-50	14	JAN 20/09
38-11-62- 1	6	JAN 20/09	38-13-51-50A	0	MAY 28/07
38-11-62- 1	7	JAN 20/09	38-13-51-50A	0A	MAY 28/07
38-11-62- 1	8	JAN 20/09	38-13-51-50A	1	JAN 20/09
38-11-62- 2	0	JAN 20/09	*38-13-51-50A	2	MAY 20/09
38-11-62- 2	1	JAN 20/09	*38-13-51-50A	3	MAY 20/09
38-11-62- 2	2	JAN 20/09	*38-13-51-50A	4	MAY 20/09
38-13-00	1	MAY 28/07	*38-13-51-50A	5	MAY 20/09
38-13-01- 1	0	MAY 28/07	*38-13-51-50A	6	MAY 20/09
38-13-01- 1	0A	MAY 20/08	*38-13-51-50A	7	MAY 20/09
38-13-01- 1	0B	MAY 28/07	*38-13-51-50A	8	MAY 20/09
38-13-01- 1	1	JAN 20/09	*38-13-51-50A	9	MAY 20/09
38-13-01- 1	2	JAN 20/09	38-14-00	1	MAY 28/07
38-13-01- 1	3	JAN 20/09	38-14-01- 1	0	MAY 28/07

* THE ASTERISK INDICATES PAGES CHANGED OR ADDED BY THE CURRENT REVISION

BRI
MAY 20/09

38 - LIST OF EFFECTIVE PAGES
PAGE 7


BOEING
 757
PARTS CATALOG (MAINTENANCE)

CH-SECT-UNIT-FIG	PAGE NO.	DATE	CH-SECT-UNIT-FIG	PAGE NO.	DATE
38-14-01- 1	1	JAN 20/09	38-15-01-51	1	JAN 20/09
38-14-01- 1	2	JAN 20/09	38-15-01-51	2	JAN 20/09
38-14-01- 1	3	JAN 20/09	38-15-01-51	3	JAN 20/09
38-14-01- 2	0	MAY 28/07	38-15-01-52	0	MAY 28/07
38-14-01- 2	0A	MAY 28/07	38-15-01-52	1	JAN 20/09
38-14-01- 2	0B	MAY 28/07	38-15-01-52	2	JAN 20/09
38-14-01- 2	1	JAN 20/09	38-15-01-52	3	JAN 20/09
38-14-01- 2	2	JAN 20/09	38-15-01-52	4	JAN 20/09
38-14-01- 2	3	JAN 20/09	38-15-51- 5	0	MAY 28/07
38-14-51- 1	0	JAN 20/09	38-15-51- 5	0A	MAY 28/07
38-14-51- 1	1	JAN 20/09	38-15-51- 5	1	JAN 20/09
38-14-51- 1	2	JAN 20/09	38-15-51- 5	2	JAN 20/09
38-14-51- 1	3	JAN 20/09	38-15-51- 5	3	JAN 20/09
38-14-51- 1	4	JAN 20/09	38-15-51- 5	4	JAN 20/09
38-14-71- 1	0	MAY 28/07	38-15-51- 5	5	JAN 20/09
38-14-71- 1	1	JAN 20/09	38-15-51- 5	6	JAN 20/09
38-14-71- 1	2	JAN 20/09	38-15-51- 5	7	JAN 20/09
38-14-71- 1A	0	MAY 28/07	38-15-71- 2	0	MAY 28/07
38-14-71- 1A	1	JAN 20/09	38-15-71- 2	1	JAN 20/09
38-14-71- 2	0	JAN 20/09	38-15-71- 2	2	JAN 20/09
38-14-71- 2	1	JAN 20/09	38-15-71- 2B	0	MAY 28/07
38-14-71- 2	2	JAN 20/09	38-15-71- 2B	1	JAN 20/09
38-15-00	1	MAY 28/07	38-15-71- 2B	2	JAN 20/09
*38-15-01- 1	0	MAY 20/09	38-15-71- 2D	0	JAN 20/09
38-15-01- 1	0A	MAY 28/07	38-15-71- 2D	1	JAN 20/09
38-15-01- 1	0B	MAY 28/07	38-15-71- 2D	2	JAN 20/09
38-15-01- 1	1	JAN 20/09	38-15-71- 2D	3	JAN 20/09
38-15-01- 1	2	JAN 20/09	38-15-71- 2D	4	JAN 20/09
38-15-01- 1	3	JAN 20/09	38-15-71- 2D	5	JAN 20/09
38-15-01- 1	4	JAN 20/09	38-31-00	1	MAY 28/07
38-15-01- 1	5	JAN 20/09	38-31-01- 1	0	MAY 28/07
38-15-01- 2	0	MAY 28/07	38-31-01- 1	0A	MAY 28/07
38-15-01- 2	0A	MAY 28/07	38-31-01- 1	0B	MAY 28/07
38-15-01- 2	0B	MAY 28/07	38-31-01- 1	1	JAN 20/09
38-15-01- 2	1	JAN 20/09	38-31-01- 1	2	JAN 20/09
38-15-01- 2	2	JAN 20/09	38-31-01- 1	3	JAN 20/09
38-15-01- 2B	0	MAY 28/07	38-31-01- 1	4	JAN 20/09
38-15-01- 2B	0A	MAY 28/07	38-31-01- 5	0	JAN 20/09
38-15-01- 2B	0B	MAY 28/07	38-31-01- 5	0A	JAN 20/09
38-15-01- 2B	1	JAN 20/09	38-31-01- 5	0B	JAN 20/09
38-15-01- 2B	2	JAN 20/09	38-31-01- 5	1	JAN 20/09
38-15-01- 2B	3	JAN 20/09	38-31-01- 5	2	JAN 20/09
38-15-01- 2B	4	JAN 20/09	38-31-01- 5	3	JAN 20/09
38-15-01- 2B	5	JAN 20/09	38-31-02- 1	0	MAY 28/07
38-15-01- 2B	6	JAN 20/09	38-31-02- 1	1	JAN 20/09
38-15-01- 3	0	JAN 20/09	38-31-02- 1	2	JAN 20/09
38-15-01- 3	0A	JAN 20/09	38-31-03- 1	0	MAY 20/08
38-15-01- 3	1	JAN 20/09	38-31-03- 1	0A	MAY 28/07
38-15-01- 3	2	JAN 20/09	38-31-03- 1	0B	MAY 20/08
38-15-01- 3	3	JAN 20/09	38-31-03- 1	1	JAN 20/09
38-15-01-51	0	MAY 28/07	38-31-03- 1	2	JAN 20/09

* THE ASTERISK INDICATES PAGES CHANGED OR ADDED BY THE CURRENT REVISION


BOEING
 757
PARTS CATALOG (MAINTENANCE)

CH-SECT-UNIT-FIG	PAGE NO.	DATE	CH-SECT-UNIT-FIG	PAGE NO.	DATE
38-31-03- 1	3	JAN 20/09	38-31-51-52	3	JAN 20/09
38-31-03-10	0	JAN 20/09	38-31-51-52	4	JAN 20/09
38-31-03-10	0A	JAN 20/09	38-31-51-52B	0	JAN 20/09
38-31-03-10	1	JAN 20/09	38-31-51-52B	0A	JAN 20/09
38-31-51-50	0	JAN 20/09	38-31-51-52B	1	JAN 20/09
38-31-51-50	0A	JAN 20/09	38-31-51-52B	2	JAN 20/09
38-31-51-50	1	JAN 20/09	38-31-51-52B	3	JAN 20/09
38-31-51-50	2	JAN 20/09	38-31-51-52B	4	JAN 20/09
38-31-51-50	3	JAN 20/09	38-31-51-52B	5	JAN 20/09
38-31-51-50	4	JAN 20/09	38-31-51-52E	0	JAN 20/09
38-31-51-50C	0	JAN 20/09	38-31-51-52E	0A	JAN 20/09
38-31-51-50C	0A	JAN 20/09	38-31-51-52E	0B	JAN 20/09
38-31-51-50C	1	JAN 20/09	38-31-51-52E	1	JAN 20/09
38-31-51-50C	2	JAN 20/09	38-31-51-52E	2	JAN 20/09
38-31-51-50C	3	JAN 20/09	38-31-51-52E	3	JAN 20/09
38-31-51-50C	4	JAN 20/09	38-31-51-52E	4	JAN 20/09
38-31-51-50C	5	JAN 20/09	38-31-51-90	0	JAN 20/09
38-31-51-50E	0	JAN 20/09	38-31-51-90	1	JAN 20/09
38-31-51-50E	0A	JAN 20/09	38-31-52- 1	0	MAY 28/07
38-31-51-50E	1	JAN 20/09	38-31-52- 1	0A	MAY 28/07
38-31-51-50E	2	JAN 20/09	38-31-52- 1	0B	MAY 28/07
38-31-51-50E	3	JAN 20/09	38-31-52- 1	0C	JAN 20/09
38-31-51-50E	4	JAN 20/09	38-31-52- 1	0D	MAY 28/07
38-31-51-50J	0	MAY 28/07	38-31-52- 1	1	JAN 20/09
38-31-51-50J	0A	MAY 28/07	38-31-52- 1	2	JAN 20/09
38-31-51-50J	1	JAN 20/09	38-31-52- 1	3	JAN 20/09
38-31-51-50J	2	JAN 20/09	38-31-52- 1	4	JAN 20/09
38-31-51-50J	3	JAN 20/09	38-31-52- 1	5	JAN 20/09
38-31-51-50K	0	JAN 20/09	38-31-52- 1	6	JAN 20/09
38-31-51-50K	0A	JAN 20/09	38-31-52- 1	7	JAN 20/09
38-31-51-50K	0B	JAN 20/09	38-31-52- 1	8	JAN 20/09
38-31-51-50K	1	JAN 20/09	38-31-52- 1	9	JAN 20/09
38-31-51-50K	2	JAN 20/09	38-31-52- 1	10	JAN 20/09
38-31-51-50K	3	JAN 20/09	38-31-52- 1	11	JAN 20/09
38-31-51-51C	0	JAN 20/09	*38-31-52- 1	12	MAY 20/09
38-31-51-51C	0A	JAN 20/09	38-31-52- 1A	0	MAY 28/07
38-31-51-51C	1	JAN 20/09	38-31-52- 1A	0A	MAY 28/07
38-31-51-51C	2	JAN 20/09	38-31-52- 1A	0B	MAY 28/07
38-31-51-51C	3	JAN 20/09	38-31-52- 1A	1	JAN 20/09
38-31-51-51C	4	JAN 20/09	38-31-52- 1A	2	JAN 20/09
38-31-51-51H	0	MAY 28/07	38-31-52- 1A	3	JAN 20/09
38-31-51-51H	0A	MAY 28/07	38-31-52- 1A	4	JAN 20/09
38-31-51-51H	0B	MAY 28/07	*38-31-52- 1A	5	MAY 20/09
38-31-51-51H	1	JAN 20/09	*38-31-52- 1A	6	MAY 20/09
38-31-51-51H	2	JAN 20/09	38-31-52- 4	0	MAY 28/07
38-31-51-51H	3	JAN 20/09	38-31-52- 4	1	JAN 20/09
38-31-51-52	0	JAN 20/09	38-31-52- 4	2	JAN 20/09
38-31-51-52	0A	JAN 20/09	38-31-53- 1	0	MAY 28/07
38-31-51-52	0B	JAN 20/09	38-31-53- 1	0A	MAY 28/07
38-31-51-52	1	JAN 20/09	38-31-53- 1	0B	MAY 28/07
38-31-51-52	2	JAN 20/09	38-31-53- 1	0C	MAY 28/07

* THE ASTERISK INDICATES PAGES CHANGED OR ADDED BY THE CURRENT REVISION



757

PARTS CATALOG (MAINTENANCE)

CH-SECT-UNIT-FIG	PAGE NO.	DATE	CH-SECT-UNIT-FIG	PAGE NO.	DATE
38-31-53- 1	0D	MAY 28/07	38-31-54- 9	3	JAN 20/09
38-31-53- 1	0E	MAY 28/07	38-31-54- 9	4	JAN 20/09
38-31-53- 1	0F	MAY 28/07	38-31-54- 9	5	JAN 20/09
38-31-53- 1	1	JAN 20/09	38-31-54- 9	6	JAN 20/09
38-31-53- 1	2	JAN 20/09	38-31-54-12	0	JAN 20/09
38-31-53- 1	3	JAN 20/09	38-31-54-12	0A	JAN 20/09
38-31-53- 1	4	JAN 20/09	38-31-54-12	0B	JAN 20/09
38-31-53- 1	5	JAN 20/09	38-31-54-12	0C	JAN 20/09
38-31-53- 1	6	JAN 20/09	38-31-54-12	0D	JAN 20/09
38-31-53- 1	7	JAN 20/09	38-31-54-12	1	JAN 20/09
38-31-53- 1	8	JAN 20/09	38-31-54-12B	0	JAN 20/09
38-31-53- 1	9	JAN 20/09	38-31-54-12B	0A	JAN 20/09
38-31-53- 1	10	JAN 20/09	38-31-54-12B	0B	JAN 20/09
*38-31-53- 1	11	MAY 20/09	38-31-54-12B	0C	JAN 20/09
*38-31-53- 1	12	MAY 20/09	38-31-54-12B	0D	JAN 20/09
*38-31-53- 1	13	MAY 20/09	38-31-54-12B	0E	JAN 20/09
38-31-53- 3	0	MAY 28/07	38-31-54-12B	0F	JAN 20/09
38-31-53- 3	0A	MAY 28/07	38-31-54-12B	0G	JAN 20/09
38-31-53- 3	0B	MAY 28/07	38-31-54-12B	0H	JAN 20/09
38-31-53- 3	0C	MAY 28/07	38-31-54-12B	1	JAN 20/09
38-31-53- 3	1	JAN 20/09	38-31-54-12B	2	JAN 20/09
38-31-53- 3	2	JAN 20/09	38-31-54-12B	3	JAN 20/09
*38-31-53- 3	3	MAY 20/09	38-31-54-12B	4	JAN 20/09
*38-31-53- 3	4	MAY 20/09	38-31-54-12B	5	JAN 20/09
*38-31-53- 3	5	MAY 20/09	38-31-54-12B	6	JAN 20/09
*38-31-53- 3	6	MAY 20/09	38-31-54-12B	7	JAN 20/09
*38-31-53- 3	7	MAY 20/09	38-31-54-12B	8	JAN 20/09
38-31-54- 1	0	MAY 28/07	38-31-54-13	0	JAN 20/09
38-31-54- 1	0A	MAY 28/07	38-31-54-13	0A	JAN 20/09
38-31-54- 1	0B	MAY 28/07	38-31-54-13	0B	JAN 20/09
38-31-54- 1	1	JAN 20/09	38-31-54-13	1	JAN 20/09
38-31-54- 1	2	JAN 20/09	38-31-54-13	2	JAN 20/09
38-31-54- 1	3	JAN 20/09	38-31-54-13	3	JAN 20/09
38-31-54- 1	4	JAN 20/09	38-31-54-13	4	JAN 20/09
38-31-54- 1	5	JAN 20/09	38-31-54-13	5	JAN 20/09
38-31-54- 1	6	JAN 20/09	38-31-54-14	0	JAN 20/09
38-31-54- 1	7	JAN 20/09	38-31-54-14	0A	JAN 20/09
38-31-54- 1	8	JAN 20/09	38-31-54-14	0B	JAN 20/09
38-31-54- 1	9	JAN 20/09	38-31-54-14	1	JAN 20/09
38-31-54- 1	10	JAN 20/09	38-31-54-14	2	JAN 20/09
38-31-54- 1	11	JAN 20/09	38-31-54-14	3	JAN 20/09
38-31-54- 3	0	JAN 20/09	38-31-54-14	4	JAN 20/09
38-31-54- 3	0A	JAN 20/09	38-31-54-16	0	MAY 28/07
38-31-54- 3	1	JAN 20/09	38-31-54-16	0A	MAY 28/07
38-31-54- 9	0	MAY 28/07	38-31-54-16	0B	MAY 28/07
38-31-54- 9	0A	MAY 28/07	38-31-54-16	0C	MAY 28/07
38-31-54- 9	0B	MAY 28/07	38-31-54-16	0D	MAY 28/07
38-31-54- 9	0C	MAY 28/07	38-31-54-16	1	JAN 20/09
38-31-54- 9	0D	MAY 28/07	38-31-54-16	2	JAN 20/09
38-31-54- 9	1	JAN 20/09	38-31-54-16	3	JAN 20/09
38-31-54- 9	2	JAN 20/09	38-31-54-16	4	JAN 20/09

* THE ASTERISK INDICATES PAGES CHANGED OR ADDED BY THE CURRENT REVISION



757

PARTS CATALOG (MAINTENANCE)

CH-SECT-UNIT-FIG	PAGE NO.	DATE	CH-SECT-UNIT-FIG	PAGE NO.	DATE
38-31-54-16	5	JAN 20/09	38-31-54-21	0C	MAY 28/07
38-31-54-16	6	JAN 20/09	*38-31-54-21	0D	MAY 20/09
38-31-54-16	7	JAN 20/09	38-31-54-21	1	JAN 20/09
38-31-54-16	8	JAN 20/09	38-31-54-21	2	JAN 20/09
38-31-54-16	9	JAN 20/09	38-31-54-22A	0	JAN 20/09
38-31-54-16	10	JAN 20/09	38-31-54-22A	0A	JAN 20/09
38-31-54-16	11	JAN 20/09	38-31-54-22A	0B	JAN 20/09
38-31-54-16	12	JAN 20/09	38-31-54-22A	0C	JAN 20/09
38-31-54-18	0	MAY 28/07	38-31-54-22A	1	JAN 20/09
38-31-54-18	0A	MAY 28/07	38-31-54-22A	2	JAN 20/09
38-31-54-18	0B	MAY 28/07	38-31-54-22A	3	JAN 20/09
38-31-54-18	0C	MAY 28/07	38-31-54-22A	4	JAN 20/09
*38-31-54-18	0D	MAY 20/09	38-31-54-22A	5	JAN 20/09
38-31-54-18	0E	MAY 28/07	38-31-54-23A	0	JAN 20/09
38-31-54-18	1	JAN 20/09	38-31-54-23A	0A	JAN 20/09
38-31-54-18	2	JAN 20/09	38-31-54-23A	0B	JAN 20/09
38-31-54-18	3	JAN 20/09	38-31-54-23A	0C	JAN 20/09
38-31-54-18	4	JAN 20/09	38-31-54-23A	1	JAN 20/09
38-31-54-18	5	JAN 20/09	38-31-54-23A	2	JAN 20/09
38-31-54-18	6	JAN 20/09	38-31-54-23A	3	JAN 20/09
38-31-54-18	7	JAN 20/09	38-31-54-23A	4	JAN 20/09
38-31-54-18	8	JAN 20/09	38-31-54-23A	5	JAN 20/09
38-31-54-18	9	JAN 20/09	38-31-54-23A	6	JAN 20/09
*38-31-54-19	0	MAY 20/09	38-31-54-23A	7	JAN 20/09
*38-31-54-19	0A	MAY 20/09	38-31-54-24	0	MAY 28/07
38-31-54-19	0B	MAY 28/07	38-31-54-24	0A	MAY 28/07
38-31-54-19	0C	MAY 28/07	38-31-54-24	0B	MAY 28/07
38-31-54-19	1	JAN 20/09	38-31-54-24	0C	MAY 28/07
38-31-54-19	2	JAN 20/09	38-31-54-24	0D	MAY 28/07
38-31-54-20	0	MAY 28/07	38-31-54-24	0E	MAY 28/07
38-31-54-20	0A	MAY 28/07	38-31-54-24	0F	MAY 28/07
38-31-54-20	0B	MAY 28/07	38-31-54-24	0G	MAY 28/07
38-31-54-20	0C	MAY 28/07	38-31-54-24	0H	MAY 28/07
38-31-54-20	0D	MAY 28/07	38-31-54-24	1	JAN 20/09
38-31-54-20	0E	MAY 28/07	38-31-54-24	2	JAN 20/09
38-31-54-20	0F	MAY 28/07	38-31-54-24	3	JAN 20/09
38-31-54-20	0G	MAY 28/07	38-31-54-24	4	JAN 20/09
38-31-54-20	0H	MAY 28/07	38-31-54-24	5	JAN 20/09
38-31-54-20	1	JAN 20/09	38-31-54-24	6	JAN 20/09
38-31-54-20	2	JAN 20/09	38-31-54-24	7	JAN 20/09
38-31-54-20	3	JAN 20/09	38-31-54-24	8	JAN 20/09
38-31-54-20	4	JAN 20/09	38-31-54-24	9	JAN 20/09
38-31-54-20	5	JAN 20/09	38-31-54-24	10	JAN 20/09
38-31-54-20	6	JAN 20/09	38-31-54-24	11	JAN 20/09
38-31-54-20	7	JAN 20/09	38-31-54-24	12	JAN 20/09
38-31-54-20	8	JAN 20/09	38-31-54-25	0	MAY 28/07
38-31-54-20	9	JAN 20/09	38-31-54-25	0A	MAY 28/07
38-31-54-20	10	JAN 20/09	38-31-54-25	0B	MAY 28/07
*38-31-54-21	0	MAY 20/09	38-31-54-25	0C	MAY 28/07
38-31-54-21	0A	MAY 28/07	38-31-54-25	0D	MAY 28/07
38-31-54-21	0B	MAY 28/07	38-31-54-25	0E	MAY 28/07

* THE ASTERISK INDICATES PAGES CHANGED OR ADDED BY THE CURRENT REVISION



757
PARTS CATALOG (MAINTENANCE)

CH-SECT-UNIT-FIG	PAGE NO.	DATE	CH-SECT-UNIT-FIG	PAGE NO.	DATE
38-31-54-25	0F	MAY 28/07	38-31-54-30	4	JAN 20/09
38-31-54-25	1	JAN 20/09	38-31-54-30	5	JAN 20/09
38-31-54-25	2	JAN 20/09	38-31-54-30	6	JAN 20/09
38-31-54-25	3	JAN 20/09	38-31-54-30	7	JAN 20/09
38-31-54-25	4	JAN 20/09	38-31-54-30	8	JAN 20/09
38-31-54-25	5	JAN 20/09	38-31-54-30	9	JAN 20/09
38-31-54-25	6	JAN 20/09	38-31-54-30	10	JAN 20/09
38-31-54-25	7	JAN 20/09	38-31-54-30	11	JAN 20/09
38-31-54-25	8	JAN 20/09	38-31-54-30	12	JAN 20/09
38-31-54-25	9	JAN 20/09	38-31-54-30	13	JAN 20/09
38-31-54-25	10	JAN 20/09	38-31-54-31	0	MAY 28/07
38-31-54-25	11	JAN 20/09	38-31-54-31	0A	MAY 28/07
38-31-54-25	12	JAN 20/09	38-31-54-31	0B	MAY 28/07
38-31-54-25	13	JAN 20/09	38-31-54-31	1	JAN 20/09
38-31-54-25	14	JAN 20/09	38-31-54-31	2	JAN 20/09
38-31-54-25	15	JAN 20/09	38-31-54-31	3	JAN 20/09
38-31-54-25	16	JAN 20/09	38-31-54-31	4	JAN 20/09
38-31-54-25	17	JAN 20/09	38-31-54-33	0	JAN 20/09
38-31-54-25	18	JAN 20/09	38-31-54-33	1	JAN 20/09
38-31-54-25	19	JAN 20/09	38-31-54-33	2	JAN 20/09
38-31-54-25	20	JAN 20/09	38-31-54-51	0	MAY 28/07
38-31-54-25	21	JAN 20/09	38-31-54-51	0A	MAY 28/07
38-31-54-25	22	JAN 20/09	38-31-54-51	0B	MAY 28/07
38-31-54-28	0	JAN 20/09	38-31-54-51	0C	MAY 28/07
38-31-54-28	0A	JAN 20/09	38-31-54-51	0D	MAY 28/07
38-31-54-28	0B	JAN 20/09	38-31-54-51	1	JAN 20/09
38-31-54-28	0C	JAN 20/09	38-31-54-51	2	JAN 20/09
38-31-54-28	0D	JAN 20/09	38-31-54-51	3	JAN 20/09
38-31-54-28	0E	JAN 20/09	38-31-54-51	4	JAN 20/09
38-31-54-28	0F	JAN 20/09	38-31-54-51	5	JAN 20/09
38-31-54-28	0G	JAN 20/09	38-31-54-55A	0	JAN 20/09
38-31-54-28	0H	JAN 20/09	38-31-54-55A	0A	JAN 20/09
38-31-54-28	1	JAN 20/09	38-31-54-55A	0B	JAN 20/09
38-31-54-28	2	JAN 20/09	38-31-54-55A	0C	JAN 20/09
38-31-54-28	3	JAN 20/09	38-31-54-55A	0D	JAN 20/09
38-31-54-28	4	JAN 20/09	38-31-54-55A	1	JAN 20/09
38-31-54-28	5	JAN 20/09	38-31-54-55A	2	JAN 20/09
38-31-54-28	6	JAN 20/09	38-31-54-55A	3	JAN 20/09
38-31-54-28	7	JAN 20/09	38-31-54-55A	4	JAN 20/09
38-31-54-28	8	JAN 20/09	38-31-54-55A	5	JAN 20/09
38-31-54-28	9	JAN 20/09	38-31-54-55A	6	JAN 20/09
38-31-54-30	0	MAY 28/07	38-31-54-56	0	MAY 28/07
38-31-54-30	0A	MAY 28/07	38-31-54-56	0A	MAY 28/07
38-31-54-30	0B	MAY 28/07	38-31-54-56	0B	MAY 28/07
38-31-54-30	0C	MAY 28/07	38-31-54-56	0C	MAY 28/07
38-31-54-30	0D	MAY 28/07	38-31-54-56	0D	MAY 28/07
38-31-54-30	0E	MAY 28/07	38-31-54-56	0E	MAY 28/07
38-31-54-30	0F	MAY 28/07	38-31-54-56	0F	MAY 28/07
38-31-54-30	1	JAN 20/09	38-31-54-56	1	JAN 20/09
38-31-54-30	2	JAN 20/09	38-31-54-56	2	JAN 20/09
38-31-54-30	3	JAN 20/09	38-31-54-56	3	JAN 20/09

* THE ASTERISK INDICATES PAGES CHANGED OR ADDED BY THE CURRENT REVISION



757
PARTS CATALOG (MAINTENANCE)

CH-SECT-UNIT-FIG	PAGE NO.	DATE	CH-SECT-UNIT-FIG	PAGE NO.	DATE
38-31-54-56	4	JAN 20/09	38-31-55- 8	0	MAY 28/07
38-31-54-56	5	JAN 20/09	38-31-55- 8	0A	MAY 28/07
38-31-54-56	6	JAN 20/09	38-31-55- 8	1	JAN 20/09
38-31-54-56	7	JAN 20/09	38-31-55- 8	2	JAN 20/09
38-31-54-56	8	JAN 20/09	38-31-55- 8	3	JAN 20/09
38-31-54-56	9	JAN 20/09	38-31-55- 8	4	JAN 20/09
38-31-54-56	10	JAN 20/09	38-31-55- 8	5	JAN 20/09
38-31-54-56	11	JAN 20/09	38-31-55- 8	6	JAN 20/09
38-31-54-56	12	JAN 20/09	38-31-55- 8	7	JAN 20/09
38-31-54-56	13	JAN 20/09	38-31-55- 8	8	JAN 20/09
38-31-54-56	14	JAN 20/09	38-31-55- 8	9	JAN 20/09
38-31-54-56	15	JAN 20/09	38-31-55- 8	10	JAN 20/09
38-31-54-56	16	JAN 20/09	38-31-55- 8	11	JAN 20/09
38-31-54-56	17	JAN 20/09	38-31-55- 8	12	JAN 20/09
38-31-54-56	18	JAN 20/09	38-31-55- 8	13	JAN 20/09
38-31-54-56	19	JAN 20/09	38-31-55- 8	14	JAN 20/09
38-31-54-56	20	JAN 20/09	38-31-55- 8	15	JAN 20/09
38-31-54-56	21	JAN 20/09	38-31-55- 8	16	JAN 20/09
38-31-54-56	22	JAN 20/09	38-31-55- 8	17	JAN 20/09
38-31-54-56	23	JAN 20/09	38-31-55- 8	18	JAN 20/09
38-31-54-56	24	JAN 20/09	38-31-55- 8	19	JAN 20/09
38-31-54-57	0	MAY 28/07	*38-31-56- 1	0	MAY 20/09
38-31-54-57	0A	MAY 28/07	38-31-56- 1	0A	MAY 28/07
38-31-54-57	0B	MAY 28/07	38-31-56- 1	0B	MAY 28/07
38-31-54-57	0C	MAY 28/07	38-31-56- 1	0C	MAY 28/07
38-31-54-57	1	JAN 20/09	38-31-56- 1	1	JAN 20/09
38-31-54-57	2	JAN 20/09	38-31-56- 1	2	JAN 20/09
38-31-54-57	3	JAN 20/09	38-31-56- 1	3	JAN 20/09
38-31-54-57	4	JAN 20/09	38-31-56- 1	4	JAN 20/09
38-31-54-57	5	JAN 20/09	38-31-56- 1	5	JAN 20/09
38-31-54-57	6	JAN 20/09	38-31-56- 1	6	JAN 20/09
38-31-54-57	7	JAN 20/09	38-31-56- 1	7	JAN 20/09
38-31-54-57	8	JAN 20/09	38-31-56- 1	8	JAN 20/09
38-31-54-57	9	JAN 20/09	38-31-56- 3	0	JAN 20/09
38-31-54-57	10	JAN 20/09	38-31-56- 3	0A	JAN 20/09
38-31-55- 3	0	JAN 20/09	38-31-56- 3	0B	JAN 20/09
38-31-55- 3	0A	JAN 20/09	38-31-56- 3	0C	JAN 20/09
38-31-55- 3	0B	JAN 20/09	38-31-56- 3	0D	JAN 20/09
38-31-55- 3	0C	JAN 20/09	38-31-56- 3	0E	JAN 20/09
38-31-55- 3	1	JAN 20/09	38-31-56- 3	0F	JAN 20/09
38-31-55- 3	2	JAN 20/09	38-31-56- 3	0G	JAN 20/09
38-31-55- 3	3	JAN 20/09	38-31-56- 3	0H	JAN 20/09
*38-31-55- 3	4	MAY 20/09	38-31-56- 3	0I	JAN 20/09
*38-31-55- 3	5	MAY 20/09	38-31-56- 3	0J	JAN 20/09
38-31-55- 5	0	JAN 20/09	38-31-56- 3	1	JAN 20/09
38-31-55- 5	0A	JAN 20/09	38-31-56- 3	2	JAN 20/09
38-31-55- 5	0B	JAN 20/09	38-31-56- 3	3	JAN 20/09
38-31-55- 5	0C	JAN 20/09	38-31-56- 3	4	JAN 20/09
38-31-55- 5	1	JAN 20/09	38-31-56- 3	5	JAN 20/09
38-31-55- 5	2	JAN 20/09	38-31-56- 3	6	JAN 20/09
*38-31-55- 5	3	MAY 20/09	38-31-56- 3	7	JAN 20/09

* THE ASTERISK INDICATES PAGES CHANGED OR ADDED BY THE CURRENT REVISION



757

PARTS CATALOG (MAINTENANCE)

CH-SECT-UNIT-FIG	PAGE NO.	DATE	CH-SECT-UNIT-FIG	PAGE NO.	DATE
38-31-56- 3	8	JAN 20/09	*38-32-01- 1	4	MAY 20/09
38-31-56- 4	0	MAY 28/07	*38-32-01- 1	5	MAY 20/09
38-31-56- 4	0A	MAY 28/07	*38-32-01- 1	6	MAY 20/09
*38-31-56- 4	0B	MAY 20/09	*38-32-01- 1	7	MAY 20/09
*38-31-56- 4	0C	MAY 20/09	*38-32-01- 1	8	MAY 20/09
38-31-56- 4	0D	MAY 28/07	*38-32-01- 1	9	MAY 20/09
38-31-56- 4	0E	MAY 28/07	*38-32-01- 1	10	MAY 20/09
38-31-56- 4	0F	MAY 28/07	*38-32-01- 1	11	MAY 20/09
38-31-56- 4	0G	MAY 28/07	*38-32-01- 1	12	MAY 20/09
38-31-56- 4	0H	MAY 28/07	*38-32-01- 1	13	MAY 20/09
38-31-56- 4	0I	MAY 28/07	*38-32-01- 1	14	MAY 20/09
38-31-56- 4	0J	MAY 28/07	*38-32-01- 1	15	MAY 20/09
38-31-56- 4	1	JAN 20/09	*38-32-01- 1	16	MAY 20/09
38-31-56- 4	2	JAN 20/09	*38-32-01- 1	17	MAY 20/09
38-31-56- 4	3	JAN 20/09	*38-32-01- 1	18	MAY 20/09
38-31-56- 4	4	JAN 20/09	*38-32-01- 1	19	MAY 20/09
38-31-56- 4	5	JAN 20/09	*38-32-01- 1	20	MAY 20/09
38-31-56-13	0	JAN 20/09	*38-32-01- 1	21	MAY 20/09
38-31-56-13	0A	JAN 20/09	*38-32-01- 1	22	MAY 20/09
38-31-56-13	0B	JAN 20/09	*38-32-01- 1	23	MAY 20/09
38-31-56-13	0C	JAN 20/09	*38-32-01- 1	24	MAY 20/09
38-31-56-13	0D	JAN 20/09	*38-32-01-33	0	MAY 20/09
38-31-56-13	0E	JAN 20/09	*38-32-01-33	0A	MAY 20/09
38-31-56-13	0F	JAN 20/09	*38-32-01-33	1	MAY 20/09
38-31-56-13	0G	JAN 20/09	*38-32-01-33	2	MAY 20/09
38-31-56-13	0H	JAN 20/09	*38-32-01-33	3	MAY 20/09
38-31-56-13	0I	JAN 20/09	*38-32-01-33	4	MAY 20/09
38-31-56-13	0J	JAN 20/09	*38-32-01-34	0	MAY 20/09
38-31-56-13	0K	JAN 20/09	38-32-01-34	0A	MAY 28/07
38-31-56-13	0L	JAN 20/09	*38-32-01-34	1	MAY 20/09
38-31-56-13	0M	JAN 20/09	*38-32-01-34	2	MAY 20/09
38-31-56-13	0N	JAN 20/09	*38-32-01-34	3	MAY 20/09
38-31-56-13	1	JAN 20/09	*38-32-01-34	4	MAY 20/09
38-31-56-13	2	JAN 20/09	*38-32-01-34	5	MAY 20/09
38-31-56-13	3	JAN 20/09	*38-32-01-34	6	MAY 20/09
38-31-56-13	4	JAN 20/09	*38-32-01-34	7	MAY 20/09
38-31-56-13	5	JAN 20/09	*38-32-01-35	0	MAY 20/09
38-31-56-13	6	JAN 20/09	38-32-01-35	0A	JAN 20/09
38-31-56-13	7	JAN 20/09	*38-32-01-35	1	MAY 20/09
38-31-56-13	8	JAN 20/09	*38-32-01-35	2	MAY 20/09
38-31-56-13	9	JAN 20/09	*38-32-01-35	3	MAY 20/09
38-31-56-13	10	JAN 20/09	*38-32-01-35	4	MAY 20/09
38-31-56-13	11	JAN 20/09	*38-32-01-35	5	MAY 20/09
38-31-56-13	12	JAN 20/09	*38-32-01-37	0	MAY 20/09
38-32-00	1	MAY 28/07	*38-32-01-37	0A	MAY 20/09
38-32-01- 1	0	MAY 28/07	38-32-01-37	0B	MAY 28/07
38-32-01- 1	0A	MAY 28/07	*38-32-01-37	1	MAY 20/09
38-32-01- 1	0B	MAY 28/07	*38-32-01-37	2	MAY 20/09
38-32-01- 1	1	JAN 20/09	*38-32-01-37	3	MAY 20/09
38-32-01- 1	2	JAN 20/09	*38-32-01-37	4	MAY 20/09
*38-32-01- 1	3	MAY 20/09	*38-32-01-37	5	MAY 20/09

* THE ASTERISK INDICATES PAGES CHANGED OR ADDED BY THE CURRENT REVISION


BOEING
 757
PARTS CATALOG (MAINTENANCE)

CH-SECT-UNIT-FIG	PAGE NO.	DATE	CH-SECT-UNIT-FIG	PAGE NO.	DATE
*38-32-01-43	0	MAY 20/09	38-32-02- 1	5	JAN 20/09
*38-32-01-43	0A	MAY 20/09	38-32-02- 1	6	JAN 20/09
*38-32-01-43	1	MAY 20/09	38-32-02- 1	7	JAN 20/09
*38-32-01-43	2	MAY 20/09	38-32-02- 1	8	JAN 20/09
*38-32-01-43	3	MAY 20/09	38-32-02- 1	9	JAN 20/09
*38-32-01-43	4	MAY 20/09	38-32-02- 1A	0	MAY 28/07
*38-32-01-43	5	MAY 20/09	*38-32-02- 1A	0A	MAY 20/09
*38-32-01-43	6	MAY 20/09	*38-32-02- 1A	1	MAY 20/09
*38-32-01-43	7	MAY 20/09	*38-32-02- 1A	2	MAY 20/09
*38-32-01-43	8	MAY 20/09	*38-32-02- 1A	3	MAY 20/09
*38-32-01-43	9	MAY 20/09	*38-32-02- 1A	4	MAY 20/09
*38-32-01-43	10	MAY 20/09	*38-32-02- 1A	5	MAY 20/09
*38-32-01-44	0	MAY 20/09	*38-32-02- 1A	6	MAY 20/09
38-32-01-44	0A	MAY 28/07	*38-32-02- 1A	7	MAY 20/09
*38-32-01-44	1	MAY 20/09	*38-32-02- 1A	8	MAY 20/09
*38-32-01-44	2	MAY 20/09	38-32-02- 2	0	JAN 20/08
*38-32-01-44	3	MAY 20/09	38-32-02- 2	0A	JAN 20/08
*38-32-01-44	4	MAY 20/09	38-32-02- 2	0B	JAN 20/08
*38-32-01-44	5	MAY 20/09	38-32-02- 2	0C	JAN 20/08
*38-32-01-44	6	MAY 20/09	*38-32-02- 2	1	MAY 20/09
*38-32-01-49	0	MAY 20/09	*38-32-02- 2	2	MAY 20/09
*38-32-01-49	0A	MAY 20/09	*38-32-02- 2	3	MAY 20/09
*38-32-01-49	1	MAY 20/09	38-32-02- 2	4	JAN 20/09
*38-32-01-49	2	MAY 20/09	38-32-02- 2	5	JAN 20/09
*38-32-01-49	3	MAY 20/09	*38-32-02- 2	6	MAY 20/09
*38-32-01-49	4	MAY 20/09	38-32-02- 2	7	JAN 20/09
*38-32-01-49	5	MAY 20/09	*38-32-02- 2B	0	MAY 20/09
*38-32-01-49	6	MAY 20/09	*38-32-02- 2B	0A	MAY 20/09
*38-32-01-49	7	MAY 20/09	*38-32-02- 2B	1	MAY 20/09
*38-32-01-49	8	MAY 20/09	*38-32-02- 2B	2	MAY 20/09
*38-32-01-49	9	MAY 20/09	*38-32-02- 2B	3	MAY 20/09
*38-32-01-50	0	MAY 20/09	*38-32-02- 2B	4	MAY 20/09
38-32-01-50	0A	JAN 20/09	*38-32-02- 2B	5	MAY 20/09
*38-32-01-50	1	MAY 20/09	38-32-02- 3A	0	JAN 20/09
*38-32-01-50	2	MAY 20/09	38-32-02- 3A	0A	JAN 20/09
*38-32-01-50	3	MAY 20/09	*38-32-02- 3A	1	MAY 20/09
*38-32-01-50	4	MAY 20/09	*38-32-02- 3A	2	MAY 20/09
38-32-01-51	0	MAY 28/07	*38-32-02- 3A	3	MAY 20/09
*38-32-01-51	0A	MAY 20/09	38-32-02- 4	0	MAY 28/07
*38-32-01-51	1	MAY 20/09	38-32-02- 4	0A	MAY 28/07
*38-32-01-51	2	MAY 20/09	*38-32-02- 4	1	MAY 20/09
*38-32-01-51	3	MAY 20/09	*38-32-02- 4	2	MAY 20/09
*38-32-01-51	4	MAY 20/09	*38-32-02- 4	3	MAY 20/09
*38-32-01-51	5	MAY 20/09	38-32-02- 5	0	MAY 28/07
38-32-02- 1	0	MAY 28/07	*38-32-02- 5	0A	MAY 20/09
38-32-02- 1	0A	MAY 28/07	38-32-02- 5	0B	MAY 28/07
38-32-02- 1	0B	MAY 28/07	*38-32-02- 5	1	MAY 20/09
38-32-02- 1	1	JAN 20/09	*38-32-02- 5	2	MAY 20/09
38-32-02- 1	2	JAN 20/09	*38-32-02- 5	3	MAY 20/09
38-32-02- 1	3	JAN 20/09	*38-32-02- 5	4	MAY 20/09
38-32-02- 1	4	JAN 20/09	*38-32-02- 5	5	MAY 20/09

* THE ASTERISK INDICATES PAGES CHANGED OR ADDED BY THE CURRENT REVISION


BOEING
 757
PARTS CATALOG (MAINTENANCE)

CH-SECT-UNIT-FIG	PAGE NO.	DATE	CH-SECT-UNIT-FIG	PAGE NO.	DATE
38-32-02- 6	0	MAY 28/07	*38-32-03- 3	6	MAY 20/09
38-32-02- 6	0A	MAY 28/07	*38-32-03- 3	7	MAY 20/09
*38-32-02- 6	1	MAY 20/09	38-32-03- 5	0	MAY 28/07
*38-32-02- 6	2	MAY 20/09	38-32-03- 5	0A	MAY 28/07
*38-32-02- 6	3	MAY 20/09	*38-32-03- 5	0B	MAY 20/09
*38-32-02- 6	4	MAY 20/09	38-32-03- 5	0C	MAY 28/07
*38-32-02- 6	5	MAY 20/09	*38-32-03- 5	0D	MAY 20/09
38-32-02-10	0	MAY 28/07	*38-32-03- 5	0E	MAY 20/09
38-32-02-10	0A	MAY 28/07	38-32-03- 5	0F	MAY 28/07
*38-32-02-10	1	MAY 20/09	38-32-03- 5	0G	MAY 28/07
*38-32-02-10	2	MAY 20/09	*38-32-03- 5	1	MAY 20/09
*38-32-02-10	3	MAY 20/09	*38-32-03- 5	2	MAY 20/09
*38-32-02-10	4	MAY 20/09	*38-32-03- 5	3	MAY 20/09
*38-32-02-10	5	MAY 20/09	*38-32-03- 5	4	MAY 20/09
*38-32-02-10	6	MAY 20/09	*38-32-03- 5	5	MAY 20/09
38-32-02-13	0	JAN 20/09	*38-32-03- 5	6	MAY 20/09
38-32-02-13	0A	JAN 20/09	*38-32-03- 5	7	MAY 20/09
*38-32-02-13	1	MAY 20/09	*38-32-03- 5	8	MAY 20/09
38-32-02-13	2	JAN 20/09	*38-32-03- 5	9	MAY 20/09
38-32-02-13	3	JAN 20/09	*38-32-03- 5	10	MAY 20/09
38-32-02-13	4	JAN 20/09	*38-32-03- 5	11	MAY 20/09
38-32-02-13	5	JAN 20/09	*38-32-03- 5	12	MAY 20/09
38-32-03- 1	0	MAY 28/07	*38-32-03- 5	13	MAY 20/09
38-32-03- 1	0A	MAY 28/07	*38-32-03- 5	14	MAY 20/09
*38-32-03- 1	0B	MAY 20/09	*38-32-03- 5	15	MAY 20/09
38-32-03- 1	0C	MAY 28/07	38-32-03-11	0	MAY 28/07
*38-32-03- 1	0D	MAY 20/09	38-32-03-11	0A	MAY 28/07
*38-32-03- 1	0E	MAY 20/09	*38-32-03-11	0B	MAY 20/09
38-32-03- 1	0F	MAY 28/07	38-32-03-11	0C	MAY 28/07
38-32-03- 1	0G	MAY 28/07	*38-32-03-11	0D	MAY 20/09
38-32-03- 1	1	JAN 20/09	*38-32-03-11	0E	MAY 20/09
*38-32-03- 1	2	MAY 20/09	38-32-03-11	0F	MAY 28/07
*38-32-03- 1	3	MAY 20/09	38-32-03-11	0G	MAY 28/07
*38-32-03- 1	4	MAY 20/09	*38-32-03-11	1	MAY 20/09
*38-32-03- 1	5	MAY 20/09	*38-32-03-11	2	MAY 20/09
*38-32-03- 1	6	MAY 20/09	*38-32-03-11	3	MAY 20/09
*38-32-03- 1	7	MAY 20/09	*38-32-03-11	4	MAY 20/09
*38-32-03- 1	8	MAY 20/09	*38-32-03-11	5	MAY 20/09
38-32-03- 3	0	JAN 20/09	*38-32-03-11	6	MAY 20/09
38-32-03- 3	0A	JAN 20/09	*38-32-03-11	7	MAY 20/09
*38-32-03- 3	0B	MAY 20/09	*38-32-03-11	8	MAY 20/09
38-32-03- 3	0C	JAN 20/09	38-32-03-12	0	MAY 28/07
*38-32-03- 3	0D	MAY 20/09	38-32-03-12	0A	MAY 28/07
*38-32-03- 3	0E	MAY 20/09	*38-32-03-12	0B	MAY 20/09
38-32-03- 3	0F	JAN 20/09	*38-32-03-12	0C	MAY 20/09
38-32-03- 3	0G	JAN 20/09	*38-32-03-12	0D	MAY 20/09
*38-32-03- 3	1	MAY 20/09	*38-32-03-12	0E	MAY 20/09
*38-32-03- 3	2	MAY 20/09	38-32-03-12	0F	MAY 28/07
*38-32-03- 3	3	MAY 20/09	38-32-03-12	0G	MAY 28/07
*38-32-03- 3	4	MAY 20/09	*38-32-03-12	1	MAY 20/09
*38-32-03- 3	5	MAY 20/09	*38-32-03-12	2	MAY 20/09

* THE ASTERISK INDICATES PAGES CHANGED OR ADDED BY THE CURRENT REVISION


BOEING
 757
PARTS CATALOG (MAINTENANCE)

CH-SECT-UNIT-FIG	PAGE NO.	DATE	CH-SECT-UNIT-FIG	PAGE NO.	DATE
*38-32-03-12	3	MAY 20/09	*38-32-03-18	6	MAY 20/09
*38-32-03-12	4	MAY 20/09	*38-32-03-18	7	MAY 20/09
*38-32-03-12	5	MAY 20/09	*38-32-03-18	8	MAY 20/09
*38-32-03-12	6	MAY 20/09	38-32-03-19	0	MAY 28/07
*38-32-03-12	7	MAY 20/09	38-32-03-19	0A	MAY 28/07
*38-32-03-12	8	MAY 20/09	*38-32-03-19	0B	MAY 20/09
*38-32-03-12	9	MAY 20/09	38-32-03-19	0C	MAY 28/07
38-32-03-15	0	MAY 28/07	*38-32-03-19	0D	MAY 20/09
38-32-03-15	0A	MAY 28/07	*38-32-03-19	0E	MAY 20/09
*38-32-03-15	0B	MAY 20/09	38-32-03-19	0F	MAY 28/07
38-32-03-15	0C	MAY 28/07	38-32-03-19	0G	MAY 28/07
*38-32-03-15	0D	MAY 20/09	*38-32-03-19	1	MAY 20/09
*38-32-03-15	0E	MAY 20/09	*38-32-03-19	2	MAY 20/09
38-32-03-15	0F	MAY 28/07	*38-32-03-19	3	MAY 20/09
38-32-03-15	0G	MAY 28/07	*38-32-03-19	4	MAY 20/09
*38-32-03-15	1	MAY 20/09	*38-32-03-19	5	MAY 20/09
*38-32-03-15	2	MAY 20/09	*38-32-03-19	6	MAY 20/09
*38-32-03-15	3	MAY 20/09	*38-32-03-19	7	MAY 20/09
*38-32-03-15	4	MAY 20/09	38-32-04- 1	0	MAY 28/07
*38-32-03-15	5	MAY 20/09	38-32-04- 1	0A	MAY 28/07
*38-32-03-15	6	MAY 20/09	38-32-04- 1	0B	MAY 28/07
*38-32-03-15	7	MAY 20/09	38-32-04- 1	0C	MAY 28/07
*38-32-03-15	8	MAY 20/09	38-32-04- 1	0D	MAY 28/07
38-32-03-16	0	JAN 20/09	*38-32-04- 1	1	MAY 20/09
38-32-03-16	0A	JAN 20/09	*38-32-04- 1	2	MAY 20/09
*38-32-03-16	0B	MAY 20/09	38-32-04- 1	3	JAN 20/09
38-32-03-16	0C	JAN 20/09	*38-32-04- 1	4	MAY 20/09
*38-32-03-16	0D	MAY 20/09	*38-32-04- 1	5	MAY 20/09
*38-32-03-16	0E	MAY 20/09	*38-32-04- 1	6	MAY 20/09
38-32-03-16	0F	JAN 20/09	*38-32-04- 1	7	MAY 20/09
38-32-03-16	0G	JAN 20/09	38-32-04- 3	0	MAY 28/07
*38-32-03-16	1	MAY 20/09	38-32-04- 3	0A	MAY 28/07
*38-32-03-16	2	MAY 20/09	38-32-04- 3	0B	MAY 28/07
*38-32-03-16	3	MAY 20/09	38-32-04- 3	0C	MAY 28/07
*38-32-03-16	4	MAY 20/09	38-32-04- 3	0D	MAY 28/07
*38-32-03-16	5	MAY 20/09	*38-32-04- 3	1	MAY 20/09
*38-32-03-16	6	MAY 20/09	*38-32-04- 3	2	MAY 20/09
*38-32-03-16	7	MAY 20/09	*38-32-04- 3	3	MAY 20/09
38-32-03-18	0	MAY 28/07	*38-32-04- 3	4	MAY 20/09
38-32-03-18	0A	MAY 28/07	*38-32-04- 3	5	MAY 20/09
*38-32-03-18	0B	MAY 20/09	*38-32-04- 3	6	MAY 20/09
38-32-03-18	0C	MAY 28/07	*38-32-04- 3	7	MAY 20/09
*38-32-03-18	0D	MAY 20/09	38-32-04- 4	0	MAY 28/07
*38-32-03-18	0E	MAY 20/09	38-32-04- 4	0A	MAY 28/07
38-32-03-18	0F	MAY 28/07	38-32-04- 4	0B	MAY 28/07
38-32-03-18	0G	MAY 28/07	38-32-04- 4	0C	MAY 28/07
*38-32-03-18	1	MAY 20/09	38-32-04- 4	0D	MAY 28/07
*38-32-03-18	2	MAY 20/09	*38-32-04- 4	1	MAY 20/09
*38-32-03-18	3	MAY 20/09	*38-32-04- 4	2	MAY 20/09
*38-32-03-18	4	MAY 20/09	*38-32-04- 4	3	MAY 20/09
*38-32-03-18	5	MAY 20/09	*38-32-04- 4	4	MAY 20/09

* THE ASTERISK INDICATES PAGES CHANGED OR ADDED BY THE CURRENT REVISION

BRI
MAY 20/09

38 - LIST OF EFFECTIVE PAGES
PAGE 17



757

PARTS CATALOG (MAINTENANCE)

CH-SECT-UNIT-FIG	PAGE NO.	DATE	CH-SECT-UNIT-FIG	PAGE NO.	DATE
*38-32-04- 4	5	MAY 20/09	*38-32-04-16	2	MAY 20/09
*38-32-04- 4	6	MAY 20/09	*38-32-04-16	3	MAY 20/09
*38-32-04- 4	7	MAY 20/09	38-32-05- 2	0	MAY 28/07
38-32-04- 8	0	MAY 28/07	38-32-05- 2	0A	MAY 28/07
38-32-04- 8	0A	MAY 28/07	38-32-05- 2	1	JAN 20/09
38-32-04- 8	0B	MAY 28/07	38-32-05- 2	2	JAN 20/09
38-32-04- 8	0C	MAY 28/07	*38-32-05- 2	3	MAY 20/09
38-32-04- 8	0D	MAY 28/07	*38-32-05- 2	4	MAY 20/09
*38-32-04- 8	1	MAY 20/09	*38-32-05- 2	5	MAY 20/09
*38-32-04- 8	2	MAY 20/09	*38-32-05- 2	6	MAY 20/09
*38-32-04- 8	3	MAY 20/09	38-32-05- 3	0	MAY 28/07
*38-32-04- 8	4	MAY 20/09	38-32-05- 3	0A	MAY 28/07
*38-32-04- 8	5	MAY 20/09	38-32-05- 3	0B	MAY 28/07
*38-32-04- 8	6	MAY 20/09	*38-32-05- 3	1	MAY 20/09
38-32-04- 9	0	MAY 28/07	*38-32-05- 3	2	MAY 20/09
38-32-04- 9	0A	MAY 28/07	*38-32-05- 3	3	MAY 20/09
38-32-04- 9	0B	MAY 28/07	*38-32-05- 3	4	MAY 20/09
38-32-04- 9	0C	MAY 28/07	*38-32-05- 3	5	MAY 20/09
38-32-04- 9	0D	MAY 28/07	*38-32-05- 3	6	MAY 20/09
*38-32-04- 9	1	MAY 20/09	*38-32-05- 7	0	MAY 20/09
*38-32-04- 9	2	MAY 20/09	*38-32-05- 7	0A	MAY 20/09
*38-32-04- 9	3	MAY 20/09	*38-32-05- 7	0B	MAY 20/09
*38-32-04- 9	4	MAY 20/09	*38-32-05- 7	1	MAY 20/09
38-32-04- 9	5	JAN 20/09	*38-32-05- 7	2	MAY 20/09
*38-32-04- 9	6	MAY 20/09	*38-32-05- 7	3	MAY 20/09
38-32-04-10	0	JAN 20/09	*38-32-05- 7	4	MAY 20/09
38-32-04-10	0A	JAN 20/09	*38-32-05- 7	5	MAY 20/09
38-32-04-10	0B	JAN 20/09	*38-32-05- 7	6	MAY 20/09
38-32-04-10	0C	JAN 20/09	38-32-05- 8	0	MAY 28/07
38-32-04-10	0D	JAN 20/09	38-32-05- 8	0A	MAY 28/07
*38-32-04-10	1	MAY 20/09	38-32-05- 8	0B	MAY 28/07
*38-32-04-10	2	MAY 20/09	*38-32-05- 8	1	MAY 20/09
*38-32-04-10	3	MAY 20/09	*38-32-05- 8	2	MAY 20/09
*38-32-04-10	4	MAY 20/09	*38-32-05- 8	3	MAY 20/09
*38-32-04-10	5	MAY 20/09	*38-32-05- 8	4	MAY 20/09
*38-32-04-15	0	MAY 20/09	*38-32-05- 8	5	MAY 20/09
38-32-04-15	0A	MAY 28/07	*38-32-05- 8	6	MAY 20/09
38-32-04-15	0B	MAY 28/07	38-32-05-11	0	MAY 28/07
38-32-04-15	0C	MAY 28/07	38-32-05-11	0A	MAY 28/07
38-32-04-15	0D	MAY 28/07	38-32-05-11	0B	MAY 28/07
*38-32-04-15	1	MAY 20/09	*38-32-05-11	1	MAY 20/09
*38-32-04-15	2	MAY 20/09	*38-32-05-11	2	MAY 20/09
*38-32-04-15	3	MAY 20/09	*38-32-05-11	3	MAY 20/09
*38-32-04-15	4	MAY 20/09	*38-32-05-11	4	MAY 20/09
*38-32-04-15	5	MAY 20/09	*38-32-05-11	5	MAY 20/09
*38-32-04-15	6	MAY 20/09	*38-32-05-11	6	MAY 20/09
*38-32-04-15	7	MAY 20/09	38-32-05-12	0	JAN 20/09
*38-32-04-15	8	MAY 20/09	38-32-05-12	0A	JAN 20/09
*38-32-04-16	0	MAY 20/09	38-32-05-12	0B	JAN 20/09
*38-32-04-16	0A	MAY 20/09	38-32-05-12	1	JAN 20/09
*38-32-04-16	1	MAY 20/09	38-32-05-12	2	JAN 20/09

* THE ASTERISK INDICATES PAGES CHANGED OR ADDED BY THE CURRENT REVISION



757

PARTS CATALOG (MAINTENANCE)

CH-SECT-UNIT-FIG	PAGE NO.	DATE
*38-32-05-12	3	MAY 20/09
*38-32-05-12	4	MAY 20/09
*38-32-05-12	5	MAY 20/09
38-32-05-13	0	MAY 28/07
38-32-05-13	0A	MAY 28/07
*38-32-05-13	1	MAY 20/09
*38-32-05-13	2	MAY 20/09
*38-32-05-13	3	MAY 20/09
*38-32-05-13	4	MAY 20/09
*38-32-05-13	5	MAY 20/09
*38-32-05-13	6	MAY 20/09
*38-32-05-14	0	MAY 20/09
38-32-05-14	0A	MAY 28/07
38-32-05-14	0B	MAY 28/07
*38-32-05-14	1	MAY 20/09
*38-32-05-14	2	MAY 20/09
*38-32-05-14	3	MAY 20/09
*38-32-05-14	4	MAY 20/09
38-32-05-14	5	JAN 20/09
38-32-05-14	6	JAN 20/09
*38-32-05-14	7	MAY 20/09
38-32-05-15	0	JAN 20/09
38-32-05-15	1	JAN 20/09
38-32-05-15	2	JAN 20/09
38-32-09- 2	0	JAN 20/08
38-32-09- 2	1	JAN 20/09
38-32-09-10	0	JAN 20/09
38-32-09-10	1	JAN 20/09
38-32-09-10	2	JAN 20/09
38-32-09-10	3	JAN 20/09
38-32-09-10	4	JAN 20/09
38-32-09-10	5	JAN 20/09
38-32-09-10	6	JAN 20/09
38-32-09-10	7	JAN 20/09
38-32-09-10	8	JAN 20/09
38-32-09-10	9	JAN 20/09
38-32-09-10	10	JAN 20/09
38-32-09-10	11	JAN 20/09
38-32-09-10	12	JAN 20/09
38-32-09-10	13	JAN 20/09
38-32-09-10	14	JAN 20/09
38-32-09-10A	0	MAY 28/07
38-32-09-10A	1	JAN 20/09
38-32-09-10A	2	JAN 20/09
38-32-09-10A	3	JAN 20/09
38-32-09-10A	4	JAN 20/09
38-32-09-15	0	MAY 28/07
38-32-09-15	1	JAN 20/09
38-32-09-15	2	JAN 20/09
38-32-09-15	3	JAN 20/09
38-32-09-15	4	JAN 20/09

CH-SECT-UNIT-FIG	PAGE NO.	DATE
38-32-09-15A	0	MAY 28/07
38-32-09-15A	1	JAN 20/09
38-32-09-15A	2	JAN 20/09
38-32-09-15A	3	JAN 20/09
38-32-09-40	0	MAY 28/07
38-32-09-40	1	JAN 20/09
38-32-09-40	2	JAN 20/09
38-32-09-40	3	JAN 20/09
38-32-09-40	4	JAN 20/09
38-32-09-50	0	MAY 28/07
38-32-09-50	0A	MAY 28/07
38-32-09-50	1	JAN 20/09
38-32-09-50	2	JAN 20/09
38-32-09-50	3	JAN 20/09
38-32-09-50	4	JAN 20/09
38-32-09-50	5	JAN 20/09
38-32-09-50	6	JAN 20/09
38-32-09-50	7	JAN 20/09
38-32-09-50	8	JAN 20/09
38-32-09-50	9	JAN 20/09
38-32-09-50	10	JAN 20/09
38-32-09-50	11	JAN 20/09
38-32-09-50A	0	MAY 28/07
38-32-09-50A	0A	MAY 28/07
38-32-09-50A	1	JAN 20/09
38-32-09-50A	2	JAN 20/09
38-32-09-50A	3	JAN 20/09
38-32-09-50A	4	JAN 20/09
38-32-09-60F	0	MAY 28/07
38-32-09-60F	0A	MAY 28/07
38-32-09-60F	1	JAN 20/09
38-32-09-60F	2	JAN 20/09
38-32-09-60F	3	JAN 20/09
38-32-09-60F	4	JAN 20/09
38-32-09-61	0	JAN 20/09
38-32-09-61	1	JAN 20/09
38-32-09-61	2	JAN 20/09
38-32-09-61	3	JAN 20/09
38-32-09-61	4	JAN 20/09
38-32-09-61A	0	MAY 28/07
38-32-09-61A	0A	MAY 28/07
38-32-09-61A	1	JAN 20/09
38-32-09-61A	2	JAN 20/09
38-32-09-61A	3	JAN 20/09
38-32-09-61A	4	JAN 20/09
38-32-09-61B	0	JAN 20/09
38-32-09-61B	0A	JAN 20/09
38-32-09-61B	1	JAN 20/09
38-32-09-61B	2	JAN 20/09
38-32-09-61B	3	JAN 20/09
38-32-09-61B	4	JAN 20/09

* THE ASTERISK INDICATES PAGES CHANGED OR ADDED BY THE CURRENT REVISION


BOEING
 757
PARTS CATALOG (MAINTENANCE)

CH-SECT-UNIT-FIG	PAGE NO.	DATE	CH-SECT-UNIT-FIG	PAGE NO.	DATE
38-32-09-65A	0	JAN 20/09	38-32-11- 3	0A	MAY 28/07
38-32-09-65A	0A	JAN 20/09	38-32-11- 3	1	JAN 20/09
38-32-09-65A	1	JAN 20/09	*38-32-11- 3	2	MAY 20/09
38-32-09-65A	2	JAN 20/09	*38-32-11- 3	3	MAY 20/09
38-32-09-65A	3	JAN 20/09	*38-32-11- 3	4	MAY 20/09
38-32-09-65A	4	JAN 20/09	*38-32-11- 3	5	MAY 20/09
38-32-09-80A	0	JAN 20/09	38-32-11- 4	0	MAY 28/07
38-32-09-80A	1	JAN 20/09	38-32-11- 4	0A	MAY 28/07
*38-32-09-90	0	MAY 20/09	*38-32-11- 4	1	MAY 20/09
*38-32-09-90	0A	MAY 20/09	*38-32-11- 4	2	MAY 20/09
38-32-09-90	0B	MAY 28/07	*38-32-11- 4	3	MAY 20/09
38-32-09-90	1	JAN 20/09	38-32-11-10	0	JAN 20/09
38-32-09-90	2	JAN 20/09	38-32-11-10	0A	JAN 20/09
38-32-09-90	3	JAN 20/09	38-32-11-10	1	JAN 20/09
38-32-09-90	4	JAN 20/09	38-32-11-10	2	JAN 20/09
38-32-09-90	5	JAN 20/09	38-32-11-10	3	JAN 20/09
38-32-09-90	6	JAN 20/09	38-32-11-10	4	JAN 20/09
38-32-09-90	7	JAN 20/09	38-32-11-20	0	JAN 20/09
38-32-09-90	8	JAN 20/09	38-32-11-20	0A	JAN 20/09
38-32-09-90	9	JAN 20/09	38-32-11-20	1	JAN 20/09
38-32-09-90	10	JAN 20/09	38-32-11-20	2	JAN 20/09
38-32-09-90A	0	MAY 28/07	38-32-11-20	3	JAN 20/09
38-32-09-90A	0A	MAY 28/07	38-32-11-20	4	JAN 20/09
38-32-09-90A	1	JAN 20/09	38-32-11-20	5	JAN 20/09
38-32-09-90A	2	JAN 20/09	38-32-11-20	6	JAN 20/09
38-32-09-90A	3	JAN 20/09	38-32-11-20	7	JAN 20/09
38-32-09-90A	4	JAN 20/09	38-32-11-20	8	JAN 20/09
38-32-09-90A	5	JAN 20/09	38-32-11-20	9	JAN 20/09
38-32-09-90A	6	JAN 20/09	38-32-11-20	10	JAN 20/09
38-32-09-90A	7	JAN 20/09	38-32-11-20	11	JAN 20/09
38-32-09-90A	8	JAN 20/09	38-32-15- 5	0	JAN 20/09
38-32-09-90A	9	JAN 20/09	38-32-15- 5	0A	JAN 20/09
38-32-09-90A	10	JAN 20/09	38-32-15- 5	1	JAN 20/09
38-32-09-90A	11	JAN 20/09	38-32-15- 5	2	JAN 20/09
38-32-09-90A	12	JAN 20/09	38-32-15- 5	3	JAN 20/09
38-32-09-90A	13	JAN 20/09	38-32-15- 5	4	JAN 20/09
38-32-09-90A	14	JAN 20/09	38-32-15- 5	5	JAN 20/09
38-32-09-90A	15	JAN 20/09	38-32-30- 1	0	JAN 20/09
38-32-09-90A	16	JAN 20/09	38-32-30- 1	1	JAN 20/09
38-32-09-90A	17	JAN 20/09	38-32-30- 2	0	JAN 20/09
38-32-09-90A	18	JAN 20/09	38-32-30- 2	0A	JAN 20/09
38-32-09-90A	19	JAN 20/09	38-32-30- 2	0B	JAN 20/09
*38-32-11- 1	0	MAY 20/09	38-32-30- 2	0C	JAN 20/09
*38-32-11- 1	1	MAY 20/09	38-32-30- 2	0D	JAN 20/09
*38-32-11- 1	2	MAY 20/09	38-32-30- 2	0E	JAN 20/09
*38-32-11- 1	3	MAY 20/09	38-32-30- 2	0F	JAN 20/09
*38-32-11- 1	4	MAY 20/09	38-32-30- 2	0G	JAN 20/09
*38-32-11- 2	0	MAY 20/09	38-32-30- 2	1	JAN 20/09
*38-32-11- 2	1	MAY 20/09	38-32-30- 2	2	JAN 20/09
*38-32-11- 2	2	MAY 20/09	38-32-30- 2	3	JAN 20/09
38-32-11- 3	0	MAY 28/07	38-32-30- 2	4	JAN 20/09

* THE ASTERISK INDICATES PAGES CHANGED OR ADDED BY THE CURRENT REVISION

BRI
MAY 20/09

38 - LIST OF EFFECTIVE PAGES
PAGE 20


BOEING
 757
PARTS CATALOG (MAINTENANCE)

CH-SECT-UNIT-FIG	PAGE NO.	DATE	CH-SECT-UNIT-FIG	PAGE NO.	DATE
38-32-30- 2	5	JAN 20/09	38-32-30-14	2	JAN 20/09
38-32-30- 3	0	JAN 20/09	38-32-30-14	3	JAN 20/09
38-32-30- 3	0A	JAN 20/09	38-32-30-16	0	JAN 20/09
38-32-30- 3	0B	JAN 20/09	38-32-30-16	0A	JAN 20/09
38-32-30- 3	1	JAN 20/09	38-32-30-16	0B	JAN 20/09
38-32-30- 3	2	JAN 20/09	38-32-30-16	0C	JAN 20/09
*38-32-30- 3	3	MAY 20/09	38-32-30-16	0D	JAN 20/09
38-32-30- 3	4	JAN 20/09	38-32-30-16	0E	JAN 20/09
38-32-30- 4	0	JAN 20/09	38-32-30-16	0F	JAN 20/09
38-32-30- 4	1	JAN 20/09	38-32-30-16	0G	JAN 20/09
38-32-30- 5	0	JAN 20/09	38-32-30-16	1	JAN 20/09
38-32-30- 5	0A	JAN 20/09	38-32-30-16	2	JAN 20/09
38-32-30- 5	1	JAN 20/09	38-32-30-16	3	JAN 20/09
38-32-30- 5	2	JAN 20/09	38-32-30-16	4	JAN 20/09
38-32-30- 6	0	JAN 20/09	38-32-30-16	5	JAN 20/09
38-32-30- 6	0A	JAN 20/09	38-32-30-16	6	JAN 20/09
38-32-30- 6	0B	JAN 20/09	38-32-30-16	7	JAN 20/09
38-32-30- 6	1	JAN 20/09	38-32-30-16	8	JAN 20/09
38-32-30- 6	2	JAN 20/09	38-32-30-16	9	JAN 20/09
38-32-30- 6	3	JAN 20/09	38-32-30-16	10	JAN 20/09
38-32-30- 6	4	JAN 20/09	38-32-30-16	11	JAN 20/09
38-32-30- 6	5	JAN 20/09	38-32-30-20	0	JAN 20/09
38-32-30- 6	6	JAN 20/09	38-32-30-20	0A	JAN 20/09
38-32-30- 6	7	JAN 20/09	38-32-30-20	1	JAN 20/09
38-32-30- 6	8	JAN 20/09	38-32-30-20	2	JAN 20/09
38-32-30- 7	0	JAN 20/09	38-32-30-20	3	JAN 20/09
38-32-30- 7	1	JAN 20/09	38-32-30-50	0	JAN 20/09
38-32-30- 7	2	JAN 20/09	38-32-30-50	1	JAN 20/09
38-32-30- 8	0	JAN 20/09	38-32-31- 1	0	JAN 20/09
38-32-30- 8	0A	JAN 20/09	38-32-31- 1	0A	JAN 20/09
38-32-30- 8	1	JAN 20/09	38-32-31- 1	0B	JAN 20/09
38-32-30- 8	2	JAN 20/09	38-32-31- 1	0C	JAN 20/09
38-32-30-12	0	JAN 20/09	38-32-31- 1	0D	JAN 20/09
38-32-30-12	0A	JAN 20/09	38-32-31- 1	1	JAN 20/09
38-32-30-12	0B	JAN 20/09	38-32-31- 1	2	JAN 20/09
38-32-30-12	0C	JAN 20/09	38-32-31- 1	3	JAN 20/09
38-32-30-12	0D	JAN 20/09	38-32-31- 1	4	JAN 20/09
38-32-30-12	1	JAN 20/09	38-32-31- 1	5	JAN 20/09
38-32-30-12	2	JAN 20/09	38-32-31- 1	6	JAN 20/09
38-32-30-13	0	JAN 20/09	38-32-31- 1	7	JAN 20/09
38-32-30-13	0A	JAN 20/09	38-32-31- 1	8	JAN 20/09
38-32-30-13	0B	JAN 20/09	38-32-31- 1	9	JAN 20/09
38-32-30-13	1	JAN 20/09	38-32-31- 1	10	JAN 20/09
38-32-30-13	2	JAN 20/09	38-32-31- 1	11	JAN 20/09
38-32-30-13	3	JAN 20/09	38-32-31- 1A	0	JAN 20/09
38-32-30-13	4	JAN 20/09	38-32-31- 1A	0A	JAN 20/09
38-32-30-14	0	JAN 20/09	38-32-31- 1A	0B	JAN 20/09
38-32-30-14	0A	JAN 20/09	38-32-31- 1A	0C	JAN 20/09
38-32-30-14	0B	JAN 20/09	38-32-31- 1A	0D	JAN 20/09
38-32-30-14	0C	JAN 20/09	38-32-31- 1A	1	JAN 20/09
38-32-30-14	1	JAN 20/09	38-32-31- 1A	2	JAN 20/09

* THE ASTERISK INDICATES PAGES CHANGED OR ADDED BY THE CURRENT REVISION

BRI
MAY 20/09

38 - LIST OF EFFECTIVE PAGES
PAGE 21



757
PARTS CATALOG (MAINTENANCE)

CH-SECT-UNIT-FIG	PAGE NO.	DATE	CH-SECT-UNIT-FIG	PAGE NO.	DATE
38-32-31- 1A	3	JAN 20/09	38-32-37- 1	14	JAN 20/09
38-32-31- 1A	4	JAN 20/09	38-32-37- 1	15	JAN 20/09
38-32-31- 1A	5	JAN 20/09	38-32-37- 1	16	JAN 20/09
38-32-31- 1A	6	JAN 20/09	38-32-37- 1	17	JAN 20/09
38-32-31- 1A	7	JAN 20/09	38-32-37- 1A	0	JAN 20/09
38-32-31- 1A	8	JAN 20/09	38-32-37- 1A	0A	JAN 20/09
38-32-31- 1A	9	JAN 20/09	38-32-37- 1A	0B	JAN 20/09
38-32-31- 2	0	JAN 20/09	38-32-37- 1A	0C	JAN 20/09
38-32-31- 2	0A	JAN 20/09	38-32-37- 1A	1	JAN 20/09
38-32-31- 2	0B	JAN 20/09	38-32-37- 1A	2	JAN 20/09
38-32-31- 2	0C	JAN 20/09	38-32-37- 1A	3	JAN 20/09
38-32-31- 2	0D	JAN 20/09	38-32-37- 1A	4	JAN 20/09
38-32-31- 2	1	JAN 20/09	38-32-37- 2	0	JAN 20/09
38-32-31- 2	2	JAN 20/09	38-32-37- 2	0A	JAN 20/09
38-32-31- 2	3	JAN 20/09	38-32-37- 2	0B	JAN 20/09
38-32-31- 2	4	JAN 20/09	38-32-37- 2	0C	JAN 20/09
38-32-31- 2	5	JAN 20/09	38-32-37- 2	0D	JAN 20/09
38-32-31- 2	6	JAN 20/09	38-32-37- 2	0E	JAN 20/09
38-32-31- 2	7	JAN 20/09	38-32-37- 2	1	JAN 20/09
38-32-35- 1A	0	JAN 20/09	38-32-37- 2	2	JAN 20/09
38-32-35- 1A	1	JAN 20/09	38-32-37- 2	3	JAN 20/09
38-32-35- 1A	2	JAN 20/09	38-32-37- 2	4	JAN 20/09
38-32-37- 1	0	JAN 20/09	38-32-37- 2	5	JAN 20/09
38-32-37- 1	0A	JAN 20/09	38-32-38-50	0	MAY 28/07
38-32-37- 1	0B	JAN 20/09	38-32-38-50	1	JAN 20/09
38-32-37- 1	0C	JAN 20/09	38-32-38-50	2	JAN 20/09
38-32-37- 1	0D	JAN 20/09	38-32-38-50	3	JAN 20/09
38-32-37- 1	0E	JAN 20/09	38-32-38-50	4	JAN 20/09
38-32-37- 1	0F	JAN 20/09	38-32-38-50	5	JAN 20/09
38-32-37- 1	0G	JAN 20/09	38-32-38-50B	0	MAY 28/07
38-32-37- 1	0H	JAN 20/09	38-32-38-50B	1	JAN 20/09
38-32-37- 1	0I	JAN 20/09	38-32-38-51	0	MAY 28/07
38-32-37- 1	0J	JAN 20/09	38-32-38-51	0A	MAY 28/07
38-32-37- 1	0K	JAN 20/09	38-32-38-51	1	JAN 20/09
38-32-37- 1	0L	JAN 20/09	*38-32-38-51	2	MAY 20/09
38-32-37- 1	0M	JAN 20/09	*38-32-38-51	3	MAY 20/09
38-32-37- 1	0N	JAN 20/09	*38-32-38-51	4	MAY 20/09
38-32-37- 1	0O	JAN 20/09	*38-32-38-51	5	MAY 20/09
38-32-37- 1	1	JAN 20/09	*38-32-38-51	6	MAY 20/09
38-32-37- 1	2	JAN 20/09	*38-32-38-51	7	MAY 20/09
38-32-37- 1	3	JAN 20/09	*38-32-38-51	8	MAY 20/09
38-32-37- 1	4	JAN 20/09	*38-32-38-51	9	MAY 20/09
38-32-37- 1	5	JAN 20/09	38-32-38-51	10	JAN 20/09
38-32-37- 1	6	JAN 20/09	38-32-51- 4	0	JAN 20/09
38-32-37- 1	7	JAN 20/09	38-32-51- 4	0A	JAN 20/09
38-32-37- 1	8	JAN 20/09	38-32-51- 4	0B	JAN 20/09
38-32-37- 1	9	JAN 20/09	38-32-51- 4	0C	JAN 20/09
38-32-37- 1	10	JAN 20/09	38-32-51- 4	0D	JAN 20/09
38-32-37- 1	11	JAN 20/09	38-32-51- 4	0E	JAN 20/09
38-32-37- 1	12	JAN 20/09	38-32-51- 4	0F	JAN 20/09
38-32-37- 1	13	JAN 20/09	38-32-51- 4	0G	JAN 20/09

* THE ASTERISK INDICATES PAGES CHANGED OR ADDED BY THE CURRENT REVISION



757

PARTS CATALOG (MAINTENANCE)

CH-SECT-UNIT-FIG	PAGE NO.	DATE	CH-SECT-UNIT-FIG	PAGE NO.	DATE
38-32-51- 4	0H	JAN 20/09	38-32-51- 9A	5	JAN 20/09
38-32-51- 4	1	JAN 20/09	38-32-51- 9A	6	JAN 20/09
38-32-51- 4	2	JAN 20/09	38-32-51- 9A	7	JAN 20/09
38-32-51- 4	3	JAN 20/09	38-32-51-10	0	MAY 28/07
38-32-51- 4	4	JAN 20/09	38-32-51-10	0A	MAY 28/07
38-32-51- 4	5	JAN 20/09	38-32-51-10	0B	MAY 28/07
38-32-51- 4	6	JAN 20/09	38-32-51-10	0C	MAY 28/07
38-32-51- 4	7	JAN 20/09	38-32-51-10	0D	MAY 28/07
38-32-51- 4	8	JAN 20/09	38-32-51-10	0E	MAY 28/07
38-32-51- 7	0	JAN 20/09	38-32-51-10	0F	MAY 28/07
38-32-51- 7	0A	JAN 20/09	38-32-51-10	0G	MAY 28/07
38-32-51- 7	0B	MAY 28/07	38-32-51-10	0H	MAY 28/07
38-32-51- 7	0C	JAN 20/09	38-32-51-10	1	JAN 20/09
38-32-51- 7	0D	JAN 20/09	38-32-51-10	2	JAN 20/09
38-32-51- 7	0E	JAN 20/09	38-32-51-10	3	JAN 20/09
38-32-51- 7	0F	JAN 20/09	38-32-51-10	4	JAN 20/09
38-32-51- 7	0G	JAN 20/09	38-32-51-10	5	JAN 20/09
38-32-51- 7	0H	JAN 20/09	38-32-51-10	6	JAN 20/09
38-32-51- 7	1	JAN 20/09	38-32-51-10	7	JAN 20/09
38-32-51- 7	2	JAN 20/09	38-32-51-10	8	JAN 20/09
38-32-51- 7	3	JAN 20/09	38-32-51-10	9	JAN 20/09
38-32-51- 7	4	JAN 20/09	38-32-51-10	10	JAN 20/09
38-32-51- 7	5	JAN 20/09	38-32-51-10	11	JAN 20/09
38-32-51- 7	6	JAN 20/09	38-32-51-10	12	JAN 20/09
38-32-51- 7	7	JAN 20/09	38-32-51-10	13	JAN 20/09
38-32-51- 9	0	MAY 28/07	38-32-51-10	14	JAN 20/09
38-32-51- 9	0A	MAY 28/07	38-32-51-10	15	JAN 20/09
38-32-51- 9	0B	MAY 28/07	38-32-51-50	0	JAN 20/09
38-32-51- 9	0C	MAY 28/07	38-32-51-50	1	JAN 20/09
38-32-51- 9	0D	MAY 28/07	38-32-51-50	2	JAN 20/09
38-32-51- 9	0E	MAY 28/07	38-32-51-50	3	JAN 20/09
38-32-51- 9	0F	MAY 28/07	38-32-52- 2	0	MAY 28/07
38-32-51- 9	0G	MAY 28/07	38-32-52- 2	0A	MAY 28/07
38-32-51- 9	1	JAN 20/09	38-32-52- 2	0B	MAY 28/07
38-32-51- 9	2	JAN 20/09	38-32-52- 2	0C	MAY 28/07
38-32-51- 9	3	JAN 20/09	38-32-52- 2	0D	MAY 28/07
38-32-51- 9	4	JAN 20/09	38-32-52- 2	0E	MAY 28/07
38-32-51- 9	5	JAN 20/09	38-32-52- 2	0F	MAY 28/07
38-32-51- 9	6	JAN 20/09	38-32-52- 2	0G	MAY 28/07
38-32-51- 9	7	JAN 20/09	38-32-52- 2	0H	MAY 28/07
38-32-51- 9	8	JAN 20/09	38-32-52- 2	0I	MAY 28/07
38-32-51- 9A	0	MAY 28/07	38-32-52- 2	0J	MAY 28/07
38-32-51- 9A	0A	MAY 28/07	38-32-52- 2	0K	MAY 28/07
38-32-51- 9A	0B	MAY 28/07	38-32-52- 2	0L	MAY 28/07
38-32-51- 9A	0C	MAY 28/07	38-32-52- 2	1	JAN 20/09
38-32-51- 9A	0D	MAY 28/07	38-32-52- 2	2	JAN 20/09
38-32-51- 9A	0E	MAY 28/07	38-32-52- 2	3	JAN 20/09
38-32-51- 9A	1	JAN 20/09	38-32-52- 2	4	JAN 20/09
38-32-51- 9A	2	JAN 20/09	38-32-52- 2	5	JAN 20/09
38-32-51- 9A	3	JAN 20/09	38-32-52- 2	6	JAN 20/09
38-32-51- 9A	4	JAN 20/09	38-32-52- 2	7	JAN 20/09

* THE ASTERISK INDICATES PAGES CHANGED OR ADDED BY THE CURRENT REVISION



757

PARTS CATALOG (MAINTENANCE)

CH-SECT-UNIT-FIG	PAGE NO.	DATE	CH-SECT-UNIT-FIG	PAGE NO.	DATE
38-32-52- 2	8	JAN 20/09	38-32-52-23	0G	MAY 28/07
38-32-52- 2	9	JAN 20/09	38-32-52-23	0H	MAY 28/07
38-32-52- 2	10	JAN 20/09	38-32-52-23	0I	MAY 28/07
38-32-52- 2	11	JAN 20/09	38-32-52-23	0J	MAY 28/07
38-32-52- 2	12	JAN 20/09	38-32-52-23	0K	MAY 28/07
38-32-52- 2	13	JAN 20/09	38-32-52-23	1	JAN 20/09
38-32-52- 2	14	JAN 20/09	38-32-52-23	2	JAN 20/09
38-32-52- 2	15	JAN 20/09	38-32-52-23	3	JAN 20/09
38-32-52- 2	16	JAN 20/09	38-32-52-23	4	JAN 20/09
38-32-52- 2	17	JAN 20/09	38-32-52-23	5	JAN 20/09
38-32-52- 4	0	MAY 28/07	38-32-52-23	6	JAN 20/09
38-32-52- 4	0A	MAY 28/07	38-32-52-23	7	JAN 20/09
38-32-52- 4	0B	MAY 28/07	38-32-52-23	8	JAN 20/09
38-32-52- 4	0C	MAY 28/07	38-32-52-23	9	JAN 20/09
38-32-52- 4	0D	MAY 28/07	38-32-52-23	10	JAN 20/09
38-32-52- 4	0E	MAY 28/07	38-32-52-23	11	JAN 20/09
38-32-52- 4	0F	MAY 28/07	38-32-52-23	12	JAN 20/09
38-32-52- 4	0G	MAY 28/07	38-32-52-23	13	JAN 20/09
38-32-52- 4	0H	MAY 28/07	38-32-52-23	14	JAN 20/09
38-32-52- 4	1	JAN 20/09	38-32-52-23	15	JAN 20/09
38-32-52- 4	2	JAN 20/09	38-32-52-23	16	JAN 20/09
38-32-52- 4	3	JAN 20/09	38-32-52-23	17	JAN 20/09
38-32-52- 4	4	JAN 20/09	38-32-52-23	18	JAN 20/09
38-32-52- 4	5	JAN 20/09	38-32-52-23	19	JAN 20/09
38-32-52- 4	6	JAN 20/09	38-32-52-24	0	JAN 20/09
38-32-52- 4	7	JAN 20/09	38-32-52-24	0A	JAN 20/09
38-32-52- 4	8	JAN 20/09	38-32-52-24	1	JAN 20/09
38-32-52- 4	9	JAN 20/09	38-32-52-26	0	MAY 28/07
38-32-52- 4	10	JAN 20/09	38-32-52-26	1	JAN 20/09
38-32-52- 4	11	JAN 20/09	38-32-52-26	2	JAN 20/09
38-32-52- 4	12	JAN 20/09	38-32-52-26	3	JAN 20/09
38-32-52- 4	13	JAN 20/09	38-32-52-26	4	JAN 20/09
38-32-52- 5	0	JAN 20/09	38-32-53- 3	0	JAN 20/09
38-32-52- 5	0A	JAN 20/09	38-32-53- 3	0A	JAN 20/09
38-32-52- 5	0B	JAN 20/09	38-32-53- 3	0B	JAN 20/09
38-32-52- 5	0C	JAN 20/09	38-32-53- 3	0C	JAN 20/09
38-32-52- 5	0D	JAN 20/09	38-32-53- 3	1	JAN 20/09
38-32-52- 5	0E	JAN 20/09	38-32-53- 3	2	JAN 20/09
38-32-52- 5	1	JAN 20/09	*38-32-53- 3	3	MAY 20/09
38-32-52- 5	2	JAN 20/09	38-32-53- 3	4	JAN 20/09
38-32-52- 5	3	JAN 20/09	38-32-53- 3	5	JAN 20/09
38-32-52- 5	4	JAN 20/09	38-32-53- 3	6	JAN 20/09
38-32-52- 5	5	JAN 20/09	38-32-53-40	0	MAY 28/07
38-32-52- 5	6	JAN 20/09	38-32-53-40	1	JAN 20/09
38-32-52-23	0	MAY 28/07	38-32-53-40	2	JAN 20/09
38-32-52-23	0A	MAY 28/07	38-32-54- 1	0	JAN 20/09
38-32-52-23	0B	MAY 28/07	38-32-54- 1	0A	JAN 20/09
38-32-52-23	0C	MAY 28/07	38-32-54- 1	0B	JAN 20/09
38-32-52-23	0D	MAY 28/07	38-32-54- 1	0C	JAN 20/09
38-32-52-23	0E	MAY 28/07	*38-32-54- 1	1	MAY 20/09
38-32-52-23	0F	MAY 28/07	*38-32-54- 1	2	MAY 20/09

* THE ASTERISK INDICATES PAGES CHANGED OR ADDED BY THE CURRENT REVISION


BOEING
 757
PARTS CATALOG (MAINTENANCE)

CH-SECT-UNIT-FIG	PAGE NO.	DATE	CH-SECT-UNIT-FIG	PAGE NO.	DATE
38-32-54- 1	3	JAN 20/09	38-32-55- 1	0	JAN 20/09
38-32-54- 2	0	JAN 20/09	38-32-55- 1	0A	JAN 20/09
38-32-54- 2	0A	JAN 20/09	38-32-55- 1	0B	JAN 20/09
38-32-54- 2	0B	JAN 20/09	38-32-55- 1	0C	JAN 20/09
38-32-54- 2	1	JAN 20/09	38-32-55- 1	0D	JAN 20/09
38-32-54- 2	2	JAN 20/09	38-32-55- 1	1	JAN 20/09
38-32-54- 2	3	JAN 20/09	38-32-55- 1	2	JAN 20/09
38-32-54-11	0	JAN 20/09	38-32-55- 1	3	JAN 20/09
38-32-54-11	0A	JAN 20/09	38-32-55- 1	4	JAN 20/09
38-32-54-11	0B	JAN 20/09	38-32-55- 1	5	JAN 20/09
38-32-54-11	0C	JAN 20/09	38-32-55- 1	6	JAN 20/09
38-32-54-11	0D	JAN 20/09	38-32-55- 1	7	JAN 20/09
38-32-54-11	0E	JAN 20/09	38-32-55- 1	8	JAN 20/09
38-32-54-11	1	JAN 20/09	38-32-55- 1	9	JAN 20/09
38-32-54-11	2	JAN 20/09	38-32-55- 1	10	JAN 20/09
38-32-54-11	3	JAN 20/09	38-32-55- 1	11	JAN 20/09
38-32-54-11	4	JAN 20/09	38-33-00	1	JAN 20/09
38-32-54-12	0	JAN 20/09	38-33-04- 1	0	JAN 20/09
38-32-54-12	0A	JAN 20/09	38-33-04- 1	0A	JAN 20/09
38-32-54-12	0B	JAN 20/09	38-33-04- 1	0B	JAN 20/09
38-32-54-12	1	JAN 20/09	38-33-04- 1	0C	JAN 20/09
38-32-54-12	2	JAN 20/09	38-33-04- 1	1	JAN 20/09
38-32-54-12	3	JAN 20/09	38-33-04- 1	2	JAN 20/09
38-32-54-14	0	JAN 20/09	38-33-04- 1	3	JAN 20/09
38-32-54-14	0A	JAN 20/09	38-33-04- 1	4	JAN 20/09
38-32-54-14	0B	JAN 20/09			
38-32-54-14	0C	JAN 20/09			
38-32-54-14	0D	JAN 20/09			
38-32-54-14	0E	JAN 20/09			
38-32-54-14	0F	JAN 20/09			
38-32-54-14	0G	JAN 20/09			
38-32-54-14	0H	JAN 20/09			
38-32-54-14	0I	JAN 20/09			
38-32-54-14	0J	JAN 20/09			
38-32-54-14	1	JAN 20/09			
38-32-54-14	2	JAN 20/09			
38-32-54-14	3	JAN 20/09			
38-32-54-14	4	JAN 20/09			
38-32-54-14	5	JAN 20/09			
38-32-54-14	6	JAN 20/09			
38-32-54-14	7	JAN 20/09			
38-32-54-14	8	JAN 20/09			
38-32-54-14	9	JAN 20/09			
38-32-54-14	10	JAN 20/09			
38-32-54-14	11	JAN 20/09			
38-32-54-14	12	JAN 20/09			
38-32-54-14	13	JAN 20/09			
38-32-54-14	14	JAN 20/09			
38-32-54-14	15	JAN 20/09			
38-32-54-14	16	JAN 20/09			
38-32-54-14	17	JAN 20/09			

* THE ASTERISK INDICATES PAGES CHANGED OR ADDED BY THE CURRENT REVISION

BRI
MAY 20/09

38 - LIST OF EFFECTIVE PAGES
PAGE 25



BOEING
757
PARTS CATALOG (MAINTENANCE)

CHAPTER 38 — WATER AND WASTE

TABLE OF CONTENTS

SUBJECT	CC-SS-UU	FIGURE	EFFECT
POTABLE WATER	38-10-00		
COLLECTOR-OPTION AVAILABLE OPTION	38-10-00	01	101102 108120 504903
STORAGE AND DISTRIBUTION	38-11-00		
CABINET ASSY-LT AND UTILITY LAV A (STORAGE AND DISTRIBUTION ONLY)	38-11-51	40	002004 006100 107107 121503 904999
DRAIN AND CAP INSTL-POTABLE WATER SYS FWD	38-11-05	02A	107107 121503 904949
DRAIN AND SUPPORT INSTL-WASTE WATER FWD	38-11-54	01	002004 006100 107107 121503 904999
DRAIN INSTL-POTABLE WATER FWD SYS	38-11-03	04	002004 006100 107107 121503 904999
DRAIN INSTL-POTABLE WATER FWD SYS	38-11-03	05	103106
DRAIN INSTL-POTABLE WATER FWD SYS	38-11-05	01A	002004 006100 103106 950999
DRAIN INSTL-POTABLE WATER FWD SYS	38-11-05	01B	101102 108120 504903
DRAIN INSTL-TANK POTABLE WATER SYS	38-11-05	01	103106
DRAIN INSTL-TANK POTABLE WATER SYS FILL AND OVERFLOW INSTL, VARIABLE (DECALCIFIER)	38-11-51	13	103106
FAUCET AND DRAIN ASSY LAV	38-11-04	01	107107 504903 950951
FAUCET AND DRAIN ASSY LAV	38-11-04	01A	101949 952999

 **BOEING**
757
PARTS CATALOG (MAINTENANCE)

CHAPTER 38 — WATER AND WASTE

TABLE OF CONTENTS

SUBJECT	CC-SS-UU	FIGURE	EFFECT
FAUCET AND DRAIN ASSY LAV	38-11-04	01B	107107 504903 950951
FAUCET AND DRAIN ASSY-LAV	38-11-60	01	107107 121503 904949 952999
FAUCET AND DRAIN ASSY-LAV	38-11-60	01A	121503 904949 952999
LINE AND CAP INSTL-PNEU	38-11-52	01	002004 006102 107999
LINE INSTL-(-200) MAIN OVHD SUPPLY, AFT	38-11-52	14	103106
LINE INSTL-(-200/-300) MAIN OVHD SUPPLY, FWD	38-11-52	15	103106
LINE INSTL-GALLEY AND LAV WATER FWD	38-11-62	01	002004 006100 108999
LINE INSTL-LAV AND GALLEY WATER FWD (LAV S AND PROVISIONS FOR GALLEY 2A)	38-11-62	02	952999
LINE INSTL-LAV WATER FWD (LAV F)	38-11-58	01	107949
LINE INSTL-PASS WATER SYS OVERHEAD SUPPLY	38-11-52	03	002004 006100 107107 121503 904999
LINE INSTL-PASS. WATER SYS OVERHEAD SUPPLY	38-11-52	02	002004 006100 107107 121503 904999
LINE INSTL-PASS. WATER SYS OVHD SUPPLY	38-11-52	03A	101102 108120 504903
LINE INSTL-PNEU POTABLE WATER	38-11-52	04	103106
LINE, SUPPLY AND SHROUD INSTL	38-11-52	08	103106
PANEL ASSY-LINING AND BACK SEG 120, LAV (STORAGE AND DISTRIBUTION ONLY)	38-11-51	51B	504903



BOEING
757
PARTS CATALOG (MAINTENANCE)

CHAPTER 38 — WATER AND WASTE

TABLE OF CONTENTS

SUBJECT	CC-SS-UU	FIGURE	EFFECT
PANEL ASSY-LINING AND BACK SEG 120, LAV A (STORAGE AND DISTRUBUTION ONLY)	38-11-51	50	504903
PLUMBING AND CABINET ASSY (STOWAGE AND DISTRIBUTION ONLY)	38-11-51	03	952999
PLUMBING AND CABINET ASSY LAV A (STORAGE AND DISTRIBUTION ONLY)	38-11-51	01A	950951
PLUMBING AND CEILING ASSY LAV (STOWAGE AND DISTRIBUTION ONLY)	38-11-51	30D	504903
PLUMBING AND CEILING ASSY SEG 260 AND 150 LAV (STORAGE AND DISTRIBUTION ONLY)	38-11-51	25A	108120
PLUMBING AND CEILING ASSY SEG 260, LAV C (STOWAGE DISTRIBUTION ONLY)	38-11-51	30C	504903
PLUMBING AND CEILING ASSY-SEG 260 AND 150, LAV (STORAGE AND DISTRIBUTION ONLY)	38-11-51	30J	101102
PLUMBING ASSY-(STORAGE AND DISTRIBUTION ONLY)	38-11-51	02	121503 904949
PLUMBING ASSY-LAV (BASIN FAUCET ONLY)	38-11-04	02A	002004 006100
PLUMBING ASSY-LAV (SHUTOFF VALVE ONLY)	38-11-07	03D	107107
PLUMBING ASSY-LAV (STORAGE AND DISTRIBUTION ONLY)	38-11-51	02E	950951
PLUMBING ASSY-LAV (STOWAGE AND DISTRIBUTION ONLY)	38-11-51	02B	952999
PLUMBING ASSY-LAV (STOWAGE AND DISTRIBUTION ONLY)	38-11-51	02D	002004 006100
PLUMBING ASSY-LAV (STOWAGE AND DISTRIBUTION ONLY)	38-11-51	02L	107107
PLUMBING ASSY-LAV (STOWAGE AND DISTRIBUTION ONLY)	38-11-51	15E	002004 006100
PLUMBING ASSY-LAV A (SHUTOFF VALVE ONLY)	38-11-07	01B	950951
PLUMBING ASSY-LAV A (STORAGE AND DISTRIBUTION ONLY)	38-11-51	10	121503 904949 952999
PLUMBING ASSY-SEG 260 LAV (BASIN FAUCET ONLY)	38-11-04	02	950951
PLUMBING ASSY-SEG 260 LAV (SHUTOFF VALVE ONLY)	38-11-07	03	101102 504903
PLUMBING ASSY-SEG 260 LAV (STORAGE AND DISTRIBUTION ONLY)	38-11-51	27C	103106

 **BOEING**
757
PARTS CATALOG (MAINTENANCE)

CHAPTER 38 — WATER AND WASTE

TABLE OF CONTENTS

SUBJECT	CC-SS-UU	FIGURE	EFFECT
PLUMBING ASSY-SEG 260 LAV A (STORAGE AND DISTRIBUTION ONLY)	38-11-51	20E	101102
PLUMBING ASSY-SEG 260, LAV (SHUTOFF VALVE ONLY)	38-11-07	02C	103106
PLUMBING ASSY-SEG 260, LAV (SHUTOFF VALVE ONLY)	38-11-07	03A	108120
PLUMBING ASSY-SEG 260, LAV A (SHUTOFF VALVE ONLY)	38-11-07	02	101102 504903
PLUMBING ASSY-SEG 260, LAV A (SHUTOFF VALVE ONLY)	38-11-07	02A	107120
PLUMBING ASSY-SEG 260, LAV A (STORAGE AND DISTRIBUTION ONLY)	38-11-51	10C	107107
PLUMBING ASSY-SEG 260, LAV A (STORAGE AND DISTRIBUTION ONLY)	38-11-51	15J	108120
PLUMBING ASSY-SEG 260, LAV A (STOWAGE AND DISTRIBUTION ONLY)	38-11-51	20A	504903
PLUMBING ASSY-SEG 260, LAV A (STORAGE AND DISTRIBUTION ONLY)	38-11-51	26B	103106
SUPPLY INSTL-AFT GALLEYS WATER (4A AND 4B)	38-11-51	05	002004 006102 107999
SUPPLY INSTL-WATER MAIN LINE BELOW FLOOR	38-11-51	12	103106
SUPPORT INSTL-DRAIN VALVE	38-11-53	03	002004 006102 107999
SUPPORT INSTL-POTABLE WATER TANK	38-11-01	06	103106
SUPPORT INSTL-WATER LINE OVERHEAD	38-11-53	02	002004 006100 107107 121503 904999
SUPPORT INSTL-WATER TANK	38-11-01	01	002004 006102 107999
TANK INSTL-PASS. WATER SYS POTABLE WATER	38-11-01	02	002004 006102 107999
TANK INSTL-PASS. WATER SYS POTABLE WATER	38-11-01	03	101102 108120 504903

 **BOEING**
757
PARTS CATALOG (MAINTENANCE)

CHAPTER 38 — WATER AND WASTE

TABLE OF CONTENTS

SUBJECT	CC-SS-UU	FIGURE	EFFECT
TANK INSTL-POTABLE WATER SYSTEM 120	38-11-01	05	103106
GALLON TANK STANDPIPE TO 115 GALLON			
VALVE AND QUANTITY GAUGE INSTL-PASS.	38-11-02	01	002004
WATER SYS WATER TANK FILL AND OVERFLOW			006100
			107107
			121503
			904999
VALVE INSTL-PASS. WATER SYS WATER TANK	38-11-02	04	101102
FILL AND OVERFLOW VALVE ONLY (AFT)			108120
			504903
WATER HEATING	38-13-00		
HEATER ASSY-WATER H1 (WATER/WASTE ONLY)	38-13-51	10G	002004
			006951
HEATER ASSY-WATER, LAV	38-13-51	50A	002004
			006100
			107107
			121503
			904949
			952999
HEATER ASSY-WATER, LAV H1	38-13-51	50	101107
			121999
HEATER INSTL-WATER SYS	38-13-01	01	002004
			006102
			107999
PLUMBING ASSY (WATER HEATING ONLY)	38-13-51	01A	952999
PLUMBING ASSY-(WATER HEATING ONLY)	38-13-51	01	107107
			121503
			904949
PLUMBING ASSY-LAV (WATER HEATER ONLY)	38-13-51	10C	950951
PLUMBING ASSY-LAV (WATER HEATER ONLY)	38-13-51	10D	002004
			006100
WATER QUANTITY INDICATION	38-14-00		
INDICATOR INSTL-WATER QTY	38-14-01	01	002004
			006102
			107999
PACKAGE ASSY-OPTION P34 APU/EXT PWR	38-14-71	01A	101102
(WATER QUANTITY INDICATION ONLY)			504903

 **BOEING**
757
PARTS CATALOG (MAINTENANCE)

CHAPTER 38 — WATER AND WASTE

TABLE OF CONTENTS

SUBJECT	CC-SS-UU	FIGURE	EFFECT
PANEL ASSY-P34 APU/EXT PWR (WATER QUANTITY INDICATION ONLY)	38-14-71	01	002004 006102 107107 121503 904999
PANEL ASSY-P34 APU/EXT PWR (WATER/WASTE ONLY)	38-14-71	02	103106 108120
SENSOR ASSY-WATER QUANTITY	38-14-51	01	103106
VALVE INSTL-PASS. WATER SYS TANK FILL AND OVERFLOW (WATER QUANTITY INDICATION ONLY)	38-14-01	02	002004 006102 107999
WATER TANK PRESSURIZATION	38-15-00		
COMPRESSOR AND BRACKET INSTL- PASS. WATER SYS AIR	38-15-01	01	002004 006010 107107 121503 904999
COMPRESSOR AND BRACKET INSTL- PASS. WATER SYS AIR	38-15-01	02	002004 006010 107107 121503 904999
COMPRESSOR AND BRACKET INSTL- PASS. WATER SYS AIR	38-15-01	02B	011102 108120 504903
COMPRESSOR ASSY-AIR	38-15-01	51	002004 006010 107107 121503 904999
COMPRESSOR ASSY-AIR	38-15-01	52	011102 108120 504903
COMPRESSOR INSTL-POTABLE WATER	38-15-01	03	103106
EQUIPMENT INSTL-PNEU SYS	38-15-51	05	002004 006102 107999
PACKAGE ASSY-OPTION P37 MISC RELAY (WATER AND WASTE ONLY)	38-15-71	02B	101102 504903

 **BOEING**
757
PARTS CATALOG (MAINTENANCE)

CHAPTER 38 — WATER AND WASTE

TABLE OF CONTENTS

SUBJECT	CC-SS-UU	FIGURE	EFFECT
PANEL ASSY-P37 MISC RELAY R (WATER/WASTE ONLY)	38-15-71	02	002004 006100 107107 121503 904999
PANEL INSTL-P37 R MISC RELAY (WATER AND WASTE ONLY)	38-15-71	02D	103106 108120


BOEING
 757
PARTS CATALOG (MAINTENANCE)

CHAPTER 38 — WATER AND WASTE

TABLE OF CONTENTS

SUBJECT	CC-SS-UU	FIGURE	EFFECT
WASTE WATER SYSTEM	38-31-00		
BLADDER INSTL-ENTRY DOOR AND GALLEY FLOOR DRAIN	38-31-02	01	002004 006999
DRAIN AND MUFFLER INSTL-AFT LAVS AND GALLEYS	38-31-56	04	002004 006102 108999
DRAIN INSTL-AFT GALLEY 4B	38-31-56	01	002004 006100 107999
DRAIN INSTL-AFT LAVS AND GALLEYS	38-31-56	03	103106
DRAIN INSTL-AFT LAVS AND GALLEYS	38-31-56	13	103106
DRAIN INSTL-BASIC FWD GRAY WATER	38-31-54	12	108120
DRAIN INSTL-FWD GRAY WATER	38-31-54	13	103106
DRAIN INSTL-FWD GRAY WATER	38-31-54	14	103106
DRAIN INSTL-GALLEY AND DOOR GUTTER AFT	38-31-54	55A	103106
DRAIN INSTL-GALLEY AND DOOR GUTTER FLOOR AFT	38-31-54	51	101102
DRAIN INSTL-GALLEY AND DOOR GUTTER FLOOR AFT	38-31-54	57	002004 006100 107999
DRAIN INSTL-GRAY WATER FWD	38-31-54	12B	106106
DRAIN INSTL-GRAY WATER FWD	38-31-54	28	103106
DRAIN INSTL-GRAY WATER FWD	38-31-54	33	103106
DRAIN INSTL-NO. 1 DOOR AND GALLEY GUTTER	38-31-54	18	101102 108120 504903
DRAIN INSTL-NO. 1 DOOR AND GALLEY GUTTER	38-31-54	19	101102 108120 504903
DRAIN INSTL-NO. 1 DOOR AND GALLEY GUTTER	38-31-54	25	002004 006100 107107 121503 904999
DRAIN INSTL-NO. 2 DOOR AND GALLEY GUTTER	38-31-54	20	101102 108120 504903
DRAIN INSTL-NO. 2 DOOR AND GALLEY GUTTER	38-31-54	21	101102 108120 504903

 **BOEING**
757
PARTS CATALOG (MAINTENANCE)

CHAPTER 38 — WATER AND WASTE

TABLE OF CONTENTS

SUBJECT	CC-SS-UU	FIGURE	EFFECT
DRAIN INSTL-NO. 2 DOOR AND GALLEY GUTTER	38-31-54	22A	103106
DRAIN INSTL-NO. 2 DOOR AND GALLEY GUTTER	38-31-54	24	002004 006100 107107 121503 904999
DRAIN INSTL-NO.1 DOOR AND GALLEY GUTTER	38-31-54	23A	103106
DRAIN INSTL-PASS. WATER SYS MID CAB. LAV AFT	38-31-54	30	002004 006100 107107 121503 904999
DRAIN INSTL-PASS. WATER SYS MID CAB. LAV AFT	38-31-54	31	101102 108120 504903
DRAIN INSTL-WASTE WATER AFT	38-31-54	56	002004 006102 107999
DRAIN INSTL-WASTE WATER FWD	38-31-54	01	002004 006102 107999
DRAIN INSTL-WASTE WATER FWD	38-31-54	03	108120 950999
DRAIN INSTL-WASTE WATER FWD	38-31-54	16	101102 108120 504903
DUCT AND SUPPORT INSTL-MID CAB. LAV WASTE SYS	38-31-53	01	002004 006100 107107 121503 904999
DUCT AND VALVE INSTL FWD LAV	38-31-52	01A	101102 108120 504903
DUCT INSTL-FWD LAV	38-31-52	01	002004 006100 107107 121999
DUCT INSTL-FWD LAV WASTE SYSTEM (LAV S)	38-31-55	03	950999

 **BOEING**
757
PARTS CATALOG (MAINTENANCE)

CHAPTER 38 — WATER AND WASTE

TABLE OF CONTENTS

SUBJECT	CC-SS-UU	FIGURE	EFFECT
DUCT INSTL-FWD LAV WASTE SYSTEM (S AND T ONLY)	38-31-55	05	108120
DUCT INSTL-LAV FWD	38-31-52	04	002004 006102 107999
LINKAGE ASSY-HANDLE PULL	38-31-51	90	103106
MAST INSTL-DRAIN AFT	38-31-03	10	103106
MAST INSTL-DRAIN WASTE WATER AFT	38-31-03	01	002004 006102 107999
MAST INSTL-DRAIN WASTE WATER FWD	38-31-01	05	103106 108120
MAST INSTL-STA 869.28 WASTE WATER FWD DRAIN	38-31-01	01	002004 006102 107999
MUFFLER INSTL-WASTE WATER FWD	38-31-54	09	002004 006102 108903 950999
PLUMBING ASSY-LAV (WASTE WATER SYSTEM ONLY)	38-31-51	52B	107107
PLUMBING ASSY-LAV A (WASTE WATER SYSTEM ONLY)	38-31-51	50C	107107
PLUMBING ASSY-LAV A (WASTE WATER SYSTEM ONLY)	38-31-51	50E	950951
PLUMBING ASSY-SEG 260 LAV (WASTE WATER SYSTEM ONLY)	38-31-51	51C	504903
PLUMBING ASSY-SEG 260 LAV (WASTE WATER SYSTEM ONLY)	38-31-51	51H	101102
PLUMBING ASSY-SEG 260 LAV (WASTE WATER SYSTEM ONLY)	38-31-51	52	108120
PLUMBING ASSY-SEG 260 LAV (WASTE WATER SYSTEM ONLY)	38-31-51	52E	103106
PLUMBING ASSY-SEG 260 LAV A (WASTE WATER SYSTEM ONLY)	38-31-51	50	108120 504903
PLUMBING ASSY-SEG 260 LAV A (WASTE WATER SYSTEM ONLY)	38-31-51	50J	101102
PLUMBING ASSY-SEG 260,LAV A (WATER/WASTE ONLY)	38-31-51	50K	103106

BOEING
757
PARTS CATALOG (MAINTENANCE)

CHAPTER 38 — WATER AND WASTE

TABLE OF CONTENTS

SUBJECT	CC-SS-UU	FIGURE	EFFECT
VALVE AND DUCT INSTL-MID CAB. LAV WASTE SYS	38-31-53	03	101102 108120 504903
VALVE-WASTE SYS LAV DRAIN	38-31-55	08	002004 006102 107999
TOILET SYSTEM	38-32-00		
BLOWER AND VENT INSTL VACUUM OVERBOARD	38-32-55	01	103106
CABLE ASSY-TOILET TANK DRAIN VALVE CONTROL	38-32-51	50	108120 950999
CABLE INSTL-FLUSHLINE AND CONT	38-32-52	05	504903
CABLE INSTL-FLUSHLINE AND CONTROL	38-32-52	04	101102 108120 504903
CAP AND DISK INSTL VAC WASTE SYS	38-32-30	07	103106
CAP AND FLANGE ASSY-DRAIN VALVE	38-32-38	50	002004 006100 107107 121503 904999
CAP AND FLANGE ASSY-LAV	38-32-38	50B	002004 121503
CAP ASSY LEVER	38-32-52	26	002004 006102 107999
CAP INSTL-VACUUM WASTE SYS	38-32-30	04	103106
COLLECTOR INSTL-LAV	38-32-53	40	010100 950951 953999
COMPONENTS INSTL-VAC WASTE SYS SVCE PNL	38-32-54	02	103106
DRAIN AND MARKER INSTL BALL VALVE AND LIMIT SWITCH VACUUM WASTE SYSTEM	38-32-30	03	103106
ELECTRICAL AND PANEL ASSY-LINING AND BACK (WATER/WASTE ONLY)	38-32-09	02	904949
ELECTRICAL ASSY-LAV (WATER/WASTE ONLY)	38-32-09	10	107107 952999
ELECTRICAL ASSY-LAV (WATER/WASTE ONLY)	38-32-09	10A	002004 006100 950951



BOEING
757
PARTS CATALOG (MAINTENANCE)

CHAPTER 38 — WATER AND WASTE

TABLE OF CONTENTS

SUBJECT	CC-SS-UU	FIGURE	EFFECT
ELECTRICAL ASSY-LAV (WATER/WASTE ONLY)	38-32-09	15	107107 121503 904949 952999
ELECTRICAL ASSY-LAV A (WATER/WASTE ONLY)	38-32-09	15A	002004 006100 950951
FLUSHLINE AND CABLE INSTL AND SUPPORT INSTL LAV A	38-32-51	09A	101102 108120 504903
FLUSHLINE AND CABLE INSTL CONTROL-MID CAB.LAV	38-32-52	23	002004 107107 121503 904949 952952
FLUSHLINE AND CABLE INSTL LAV FWD.	38-32-51	07	002004 107107 121503 904949 952952
FLUSHLINE AND CABLE INSTL-FWD LAV S	38-32-51	04	108120 504903 950999
FLUSHLINE AND CABLE INSTL-LAV FWD	38-32-51	09	002004 006100 950999
FLUSHLINE AND CABLE INSTL-LAV FWD	38-32-51	10	107107 121949
FLUSHLINE AND CONTROL CABLE INSTL-MID CABIN LAV	38-32-52	02	006100 107107 950999
HOSE INSTL-RINSE VAC WASTE SYS	38-32-54	01	103106
LINKAGE ASSY-HANDLE PULL	38-32-30	50	103106
MOTOR ASSY-PUMP FILTER	38-32-05	02	107107 904949
MOTOR ASSY-PUMP FILTER	38-32-05	03	002004 006102 107999

 **BOEING**
757
PARTS CATALOG (MAINTENANCE)

CHAPTER 38 — WATER AND WASTE

TABLE OF CONTENTS

SUBJECT	CC-SS-UU	FIGURE	EFFECT	
R	MOTOR ASSY-PUMP FILTER	38-32-05	07	002004
R				006102
R				107999
	MOTOR ASSY-PUMP FILTER	38-32-05	08	107107
				904949
R	MOTOR ASSY-PUMP FILTER	38-32-05	11	002004
R				006102
R				107999
	MOTOR ASSY-PUMP FILTER	38-32-05	12	950999
R	MOTOR ASSY-PUMP FILTER	38-32-05	13	002004
R				006102
R				107999
	MOTOR ASSY-WITH CONNECTOR TOILET FLUSH VALVE	38-32-05	15	103106
	PANEL ASSY-LINING AND BACK LAV (WATER/WASTE ONLY)	38-32-09	50	107107
				121503
				904949
				952999
	PANEL ASSY-LINING AND BACK LAV (WATER/WASTE ONLY)	38-32-09	50A	002004
				006100
				950951
	PANEL ASSY-LINING AND BACK LAV A (WATER/WASTE ONLY)	38-32-09	40	002004
				006100
				107107
				121503
				904999
	PANEL ASSY-LINING AND BACK SEG 120 LAV A (WATER/WASTE ONLY)	38-32-09	65A	108120
	PANEL ASSY-LINING AND BACK SEG 120, LAV (WATER/WASTE ONLY)	38-32-09	61A	101102
	PANEL ASSY-LINING AND BACK SEG 120, LAV A (WATER/WASTE ONLY)	38-32-09	60F	101102
				504903
	PANEL ASSY-LINING AND BACK SEG 120, LAV C, D AND S (WATER/WASTE ONLY)	38-32-09	61B	108120
	PANEL INSTL-LINING AND BACK SEG 120, LAV (WATER/WASTE ONLY)	38-32-09	61	504903
	PANEL INSTL-P65 MISC RELAY (WATER/WASTE ONLY)	38-32-35	01A	103106
	PANEL INSTL-STA 1640 BHD WASTE TANK ENCLOSURE	38-32-37	02	103106



BOEING
757
PARTS CATALOG (MAINTENANCE)

CHAPTER 38 — WATER AND WASTE

TABLE OF CONTENTS

SUBJECT	CC-SS-UU	FIGURE	EFFECT
SENSOR INSTL-LEVEL VACUUM WASTE SYSTEM	38-32-54	11	103106
SHROUD ASSY-TOILET, SEG 160 LAV (WATER/WASTE ONLY)	38-32-09	80A	103106
SUPPORT INSTL-LAV FLUSHLINE AND CONT CABLE MID CAB.	38-32-52	24	952999
SUPPORT INSTL-VAC WASTE SYS	38-32-30	20	103106
SUPPORT INSTL-VAC WASTE SYS	38-32-54	12	103106
SUPPORT INSTL-VAC WASTE SYS	38-32-54	14	103106
SUPPORT INSTL-WASTE TANK ENCLOSURE/STA 1640 BULKHEAD	38-32-37	01	103106
SWITCH AND MARKER INSTL BAROMETRIC PRESSURE VACUUM WASTE SYSTEM	38-32-30	01	103106
SWITCH ASSY-FLUSH TIMER LAV	38-32-09	90	002004 006100 107107 121503 904999
SWITCH ASSY-TIMER, TOILET FLUSH	38-32-09	90A	002004 006102 107107 121999
TANK INSTL-VAC WASTE SYS	38-32-37	01A	103106
TOILET AND GROUND INSTL-LAV A, G, J, K, L, M, R, S	38-32-53	03	108120 950999
TOILET AND GROUND INSTL-757 FLUSHING	38-32-01	01	002004 006102 107999
TOILET ASSY-FLUSHING (FLUSH MOTOR ONLY)	38-32-05	14	002004 006102 107999
TOILET ASSY-FLUSHING (LEVEL SENSOR ONLY)	38-32-04	01	002004 006102 107999
TOILET ASSY-FLUSHING (LEVEL SENSOR ONLY)	38-32-04	03	002004 006102 107999
TOILET ASSY-FLUSHING (LEVEL SENSOR ONLY)	38-32-04	04	002004 006102 107999

R
R
R



BOEING
757
PARTS CATALOG (MAINTENANCE)

CHAPTER 38 — WATER AND WASTE

TABLE OF CONTENTS

SUBJECT	CC-SS-UU	FIGURE	EFFECT
TOILET ASSY-FLUSHING (LEVEL SENSOR ONLY)	38-32-04	08	107107 904949
TOILET ASSY-FLUSHING (LEVEL SENSOR ONLY)	38-32-04	09	107107 904949
TOILET ASSY-FLUSHING (LEVEL SENSOR ONLY)	38-32-04	10	950999
TOILET ASSY-FLUSHING (LEVEL SENSOR ONLY)	38-32-04	16	002004 006102 107999
TOILET ASSY-FLUSHING (LEVER SENSOR ONLY)	38-32-04	15	002004 006102 107999
TOILET ASSY-FLUSHING (RINSE/FILL LINE SHUTOFF VALVE ONLY)	38-32-03	03	950999
TOILET ASSY-FLUSHING (RINSE/FILL LINE SHUTOFF VALVE ONLY)	38-32-03	05	002004 006102 107999
TOILET ASSY-FLUSHING (RINSE/FILL LINE SHUTOFF VALVE ONLY)	38-32-03	11	107107 904949
TOILET ASSY-FLUSHING (RINSE/FILL LINE SHUTOFF VALVE ONLY)	38-32-03	12	002004 006102 107999
TOILET ASSY-FLUSHING (RINSE/FILL LINE SHUTOFF VALVE ONLY)	38-32-03	15	002004 006102 107999
TOILET ASSY-FLUSHING (RINSE/FILL LINE SHUTOFF VALVE ONLY)	38-32-03	16	108120 950999
TOILET ASSY-FLUSHING (RINSE/FILL LINE SHUTOFF VALVE ONLY)	38-32-03	18	107107 904949
TOILET ASSY-FLUSHING (TOILET BOWL ONLY)	38-32-11	01	002004 006102 107999
TOILET ASSY-FLUSHING (TOILET BOWL ONLY)	38-32-11	02	107107 904949
TOILET ASSY-FLUSHING (TOILET BOWL ONLY)	38-32-11	03	002004 006102 107999
TOILET ASSY-FLUSHING (TOILET BOWL ONLY)	38-32-11	04	002004 006102 107999



BOEING
757
PARTS CATALOG (MAINTENANCE)

CHAPTER 38 — WATER AND WASTE

TABLE OF CONTENTS

SUBJECT	CC-SS-UU	FIGURE	EFFECT
TOILET ASSY-FLUSHING (TOILET SYSTEM ONLY)	38-32-01	34	002004 006102 107999
TOILET ASSY-FLUSHING (TOILET SYSTEM ONLY)	38-32-01	43	002004 006102 107999
TOILET ASSY-FLUSHING (TOILET SYSTEM ONLY)	38-32-01	49	002004 006102 107999
TOILET ASSY-FLUSHING (TOILET SYSTEM ONLY)	38-32-01	50	950999
TOILET ASSY-FLUSHING (TOILET SYSTEM ONLY)	38-32-01	51	002004 006102 107999
TOILET ASSY-FLUSHING (TOILET TANK DRAIN VALVE ONLY)	38-32-02	03A	108120 950999
TOILET ASSY-FLUSHING (TOILET TANK DRAIN VALVE ONLY)	38-32-02	04	002004 006102 107999
TOILET ASSY-FLUSHING (TOILET TANK DRAIN VALVE ONLY)	38-32-02	10	002004 006102 107999
TOILET ASSY-FLUSHING (TOILET TANK ONLY)	38-32-01	37	002004 006102 107999
TOILET ASSY-FLUSHING (WASTE DRAIN VALVE ASSEMBLY ONLY)	38-32-02	01A	002004 006102 107999
TOILET ASSY-FLUSHING (WASTE DRAIN VALVE ASSEMBLY ONLY)	38-32-02	02B	107107 904949
TOILET ASSY-FLUSHING (WASTE DRAIN VALVE ASSEMBLY ONLY)	38-32-02	05	107107 904949
TOILET ASSY-FLUSHING (WASTE DRAIN VALVE ASSEMBLY ONLY)	38-32-02	06	002004 006102 107999
TOILET ASSY-FLUSHING (WASTE DRAIN VALVE ASSEMBLY ONLY)	38-32-02	13	950999
TOILET ASSY-FLUSHING (WATER/WASTE ONLY)	38-32-01	33	107107 904949


BOEING
 757
PARTS CATALOG (MAINTENANCE)

CHAPTER 38 — WATER AND WASTE

TABLE OF CONTENTS

SUBJECT	CC-SS-UU	FIGURE	EFFECT
TOILET ASSY-FLUSHING (WATER/WASTE ONLY)	38-32-01	35	108120 950999
TOILET ASSY-FLUSHING (WATER/WASTE ONLY)	38-32-01	44	107107 904949
TOILET ASSY-FLUSHING LAV A (RINSE/FILL LINE SHUTOFF VALVE ONLY)	38-32-03	01	002004 006102 107999
TOILET ASSY-FLUSHING LAV A (RINSE/FILL LINE SHUTOFF VALVE ONLY)	38-32-03	19	002004 006102 107999
TOILET ASSY-VACUUM WASTE SYSTEM	38-32-31	01	103106
TOILET ASSY-VACUUM WASTE SYSTEM	38-32-31	01A	103106
TOILET ASSY-VACUUM WASTE SYSTEM	38-32-31	02	103106
TOILET INSTL-LAV	38-32-11	20	103106
TOILET INSTL-LAV A	38-32-11	10	103106
TUBING INSTL-MID-AFT VAC WASTE SYS	38-32-30	02	103106
TUBING INSTL-MID-AFT VAC WASTE SYS	38-32-30	05	103106
TUBING INSTL-VAC WASTE SYS	38-32-30	08	103106
TUBING INSTL-VAC WASTE SYS MID-AFT	38-32-30	06	103106
TUBING INSTL-VAC WASTE SYS MID-FWD	38-32-30	12	103106
TUBING INSTL-VAC WASTE SYS MID-FWD	38-32-30	16	103106
TUBING INSTL-VAC WASTE SYS, CTR	38-32-30	13	103106
TUBING INSTL-VAC WASTE SYS, FWD	38-32-30	14	103106
VALVE ASSY-VACUUM TOILET (RINSE VALVE ONLY)	38-32-15	05	103106
VALVE INSTL-PASS. WATER SYS WATER TANK DRAIN	38-32-02	01	002004 006102 107999
VALVE INSTL-PASS. WATER SYS WATER TANK DRAIN	38-32-02	02	101106 108120 504903
VALVE-WASTE SYS LAV DRAIN	38-32-38	51	002004 006999
WASTE TANK QUANTITY INDICATION SYSTEM	38-33-00		
MODULE ASSY-POTABLE WATER/ VAC WASTE, ATTENDANT PNL (WATER/WASTE ONLY)	38-33-04	01	103106

POTABLE WATER

BRI
MAY 28/07

38-10-00
SECTION TITLE
PAGE 1

 **BOEING**
757
PARTS CATALOG (MAINTENANCE)

NON-ILLUSTRATED FIGURE

THE ITEMS REFLECTED IN THIS FIGURE ARE INTENTIONALLY
NON-ILLUSTRATED. THEY ARE REFERENCED TO EITHER A
NEXT HIGHER OR NEXT LOWER ASSEMBLY/INSTALLATION FIGURE.

COLLECTOR-OPTION AVAILABLE OPTION

FIGURE 1

38-10-00-01

BRI
MAY 28/07

38-10-00-01
PAGE 0



757

PARTS CATALOG (MAINTENANCE)

FIG ITEM	PART NUMBER	1 2 3 4 5 6 7	NOMENCLATURE	EFFECT FROM TO	UNITS PER ASSY
1			COLLECTOR-OPTION AVAILABLE OPTION	101102 108120 504903	
- 1	938N1102-1		COLLECTOR-OPTION	101102 108120 504903	1
- 5	417N2510-24		.TANK INSTL-PASS. WATER SYS POTABLE WATER FOR DETAILS SEE: 38-11-01-03	101102 108120 504903	1

MISSING ITEM NUMBERS NOT APPLICABLE

- ITEM NOT ILLUSTRATED

BRI

38-10-00-01

BOEING PROPRIETARY - Copyright © - Unpublished Work - See title page for details.

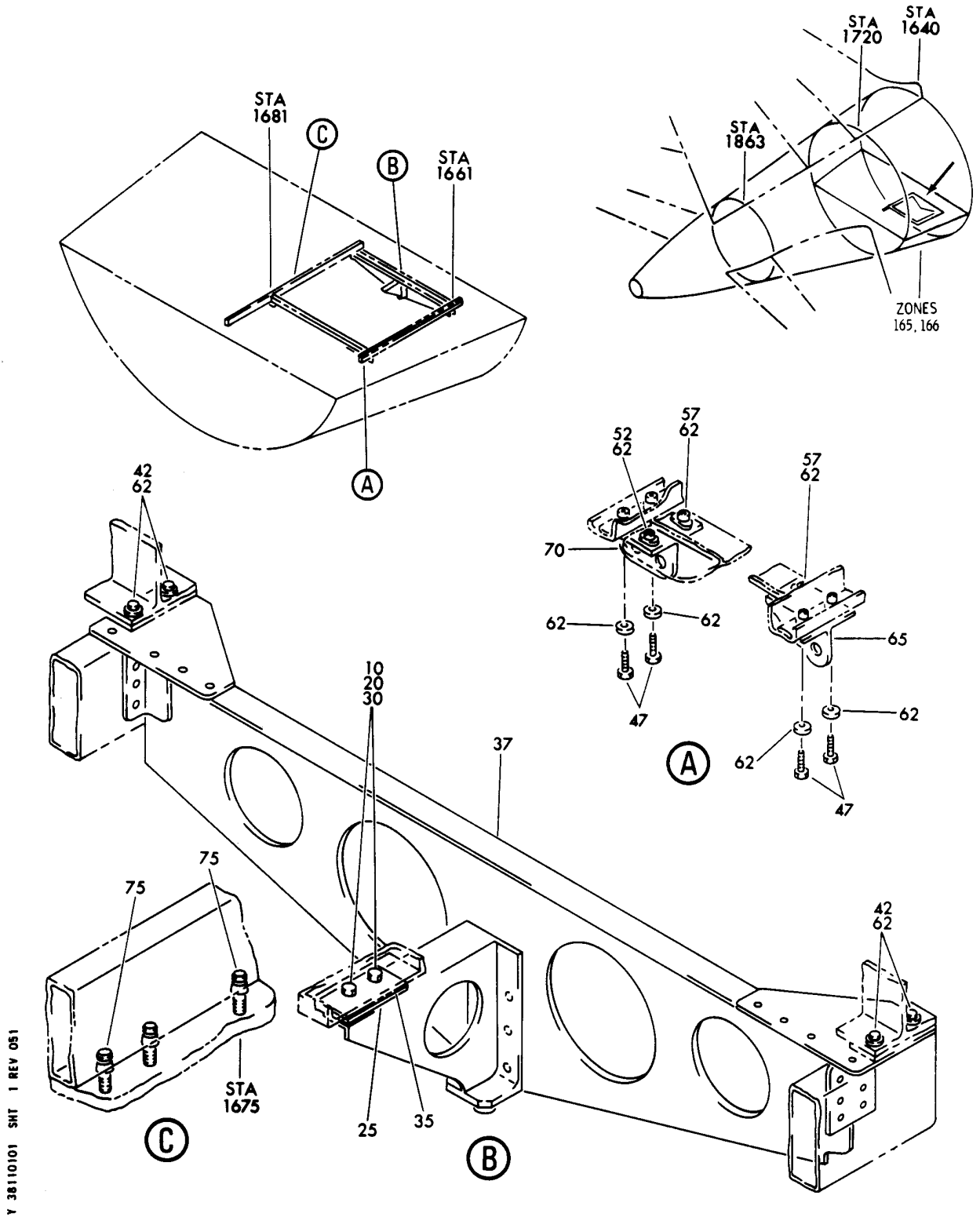
38-10-00
FIG. 01
PAGE 1
JAN 20/09

STORAGE AND DISTRIBUTION

BRI
MAY 28/07

38-11-00
SECTION TITLE
PAGE 1

BOEING
757
PARTS CATALOG (MAINTENANCE)



SUPPORT INSTL-WATER TANK
FIGURE 1

38-11-01-01

BRI
MAY 28/07

38-11-01-01
PAGE 0



757

PARTS CATALOG (MAINTENANCE)

FIG ITEM	PART NUMBER	1 2 3 4 5 6 7	NOMENCLATURE	EFFECT FROM TO	UNITS PER ASSY
1			SUPPORT INSTL-WATER TANK	002004 006102 107999	
- 1	417N2501-3		SUPPORT INSTL-WATER TANK FOR NHA SEE: 25-20-00-03A 25-20-00-09	002004 006102 107999	RF
10	NAS6604-9		.BOLT-	002004 006102 107999	2
20	AN960KD416		.WASHER-	002004 006102 107999	2
25	417N2537-19		.SPACER-	002004 006102 107999	1
30	BRH10A4		.NUT SUPPLIER CODE: V52828 SPECIFICATION NUMBER: BACN10JC4 OPTIONAL PART: T6S428J V11815 96-048 V80539 VN303A048 V92215 RMLH9075-4W V72962 NS202101-048 V80539 H10-4BAC V15653	002004 006102 107999	2
35	417N2537-22		.SHIM	002004 006102 107999	1
37	417N2502-8		.CRADLE ASSY-	002004 006102 107999	1
42	NAS6603-6		..BOLT	002004 006102 107999	4
47	NAS6603-7		..BOLT	002004 006102 107999	4
52	NAS6603-4		..BOLT	002004 006102 107999	1

MISSING ITEM NUMBERS NOT APPLICABLE

- ITEM NOT ILLUSTRATED

38-11-01-01

38-11-01
FIG. 01
PAGE 1
JAN 20/09

BRI



757

PARTS CATALOG (MAINTENANCE)

FIG ITEM	PART NUMBER	1 2 3 4 5 6 7	NOMENCLATURE	EFFECT FROM TO	UNITS PER ASSY
1	57	NAS6603-8	.. BOLT	002004 006102 107999	2
	62	AN960KD10L	.. WASHER	002004 006102 107999	11
	65	65B57800-43	.. BRACKET	002004 006102 107999	1
	70	417N2537-14	.. BRACKET	002004 006102 107999	1
	75	VNS1924CA1-8	. STUD SUPPLIER CODE: V5M902 SPECIFICATION NUMBER: BACS53B1EA1 OPTIONAL PART: VNS1924CA3-1-8 V92215	002004 006102 107999	3

MISSING ITEM NUMBERS NOT APPLICABLE

- ITEM NOT ILLUSTRATED

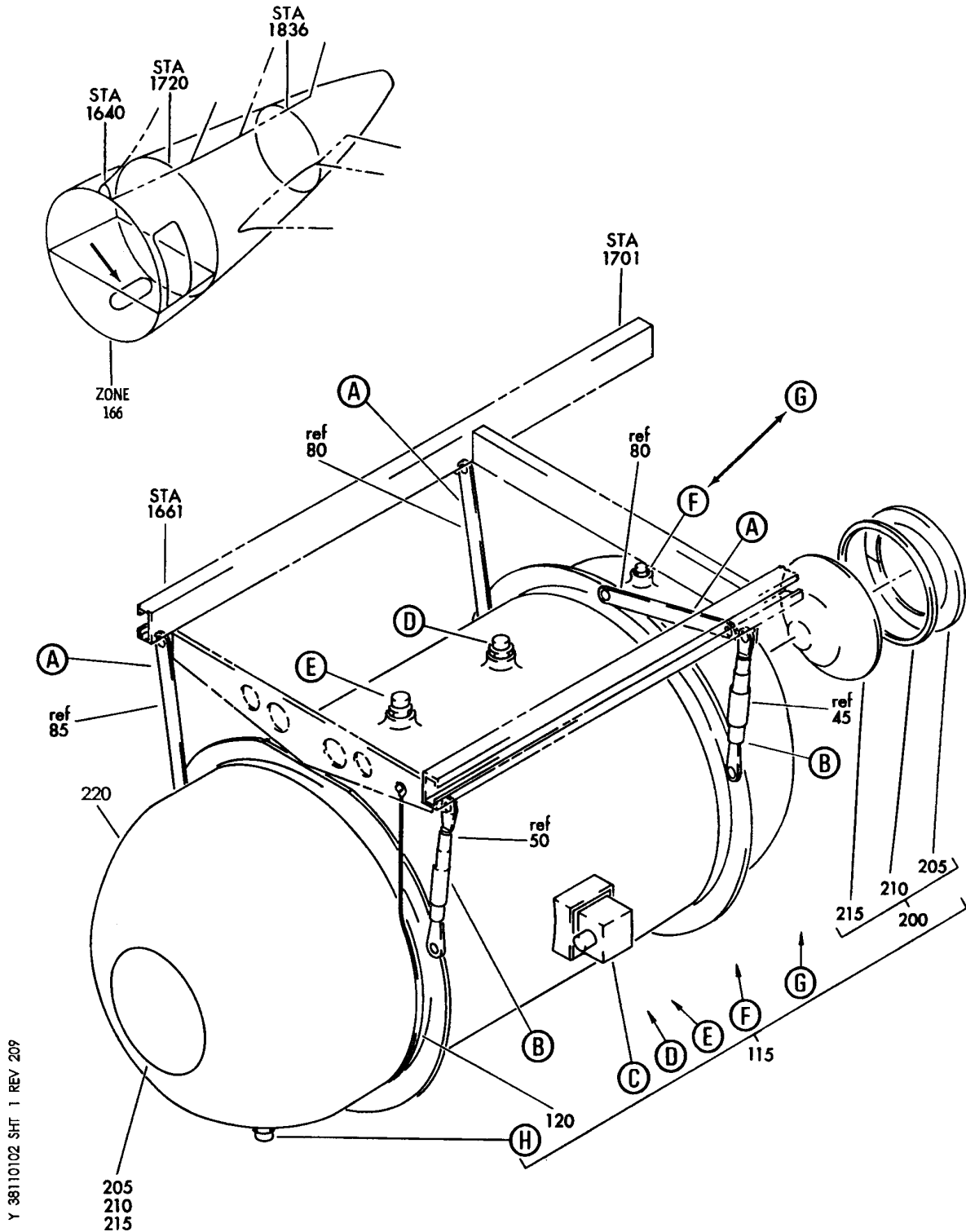
BRI

38-11-01-01

BOEING PROPRIETARY - Copyright © - Unpublished Work - See title page for details.

38-11-01
FIG. 01
PAGE 2
JAN 20/09

BOEING
757
PARTS CATALOG (MAINTENANCE)



Y 38110102 SHT 1 REV 209

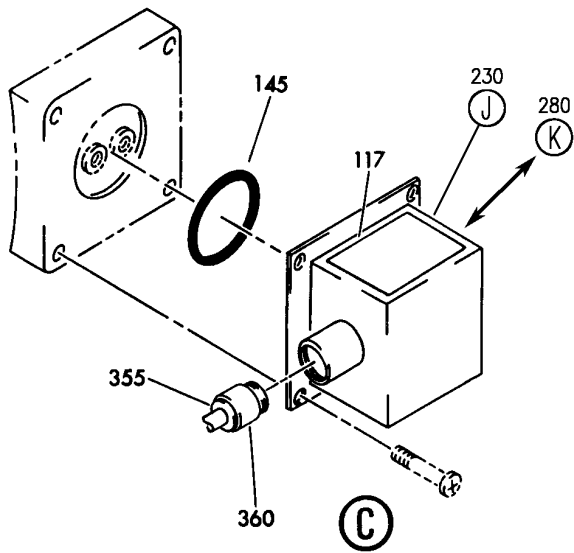
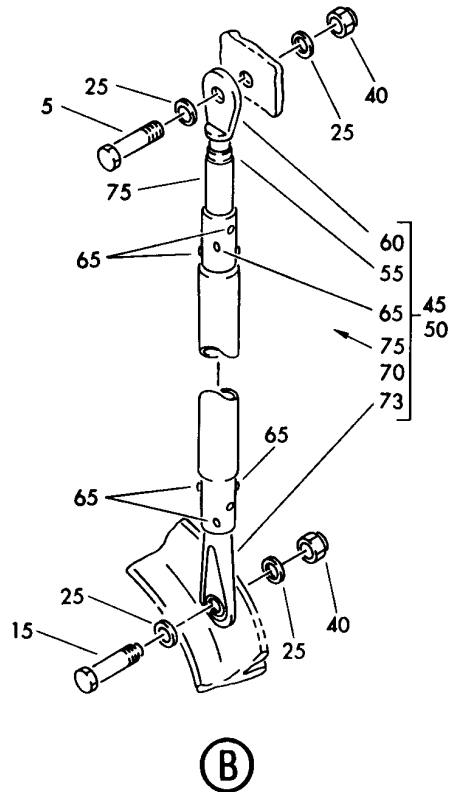
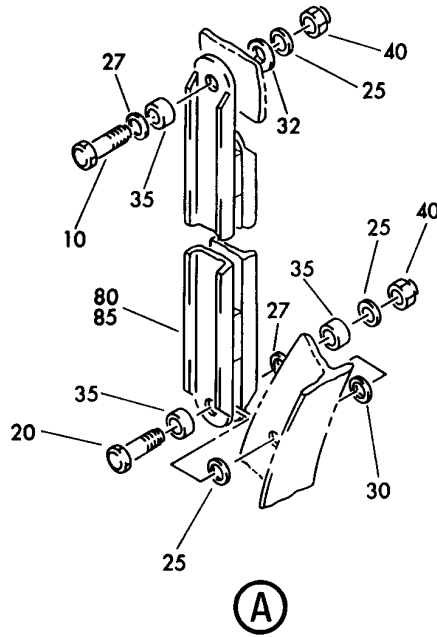
TANK INSTL-PASS. WATER SYS POTABLE WATER
FIGURE 2 (SHEET 1)

38-11-01-02

BRI
MAY 28/07

38-11-01-02
PAGE 0

BOEING
757
PARTS CATALOG (MAINTENANCE)



Y 38110102 SHT 2 REV 260

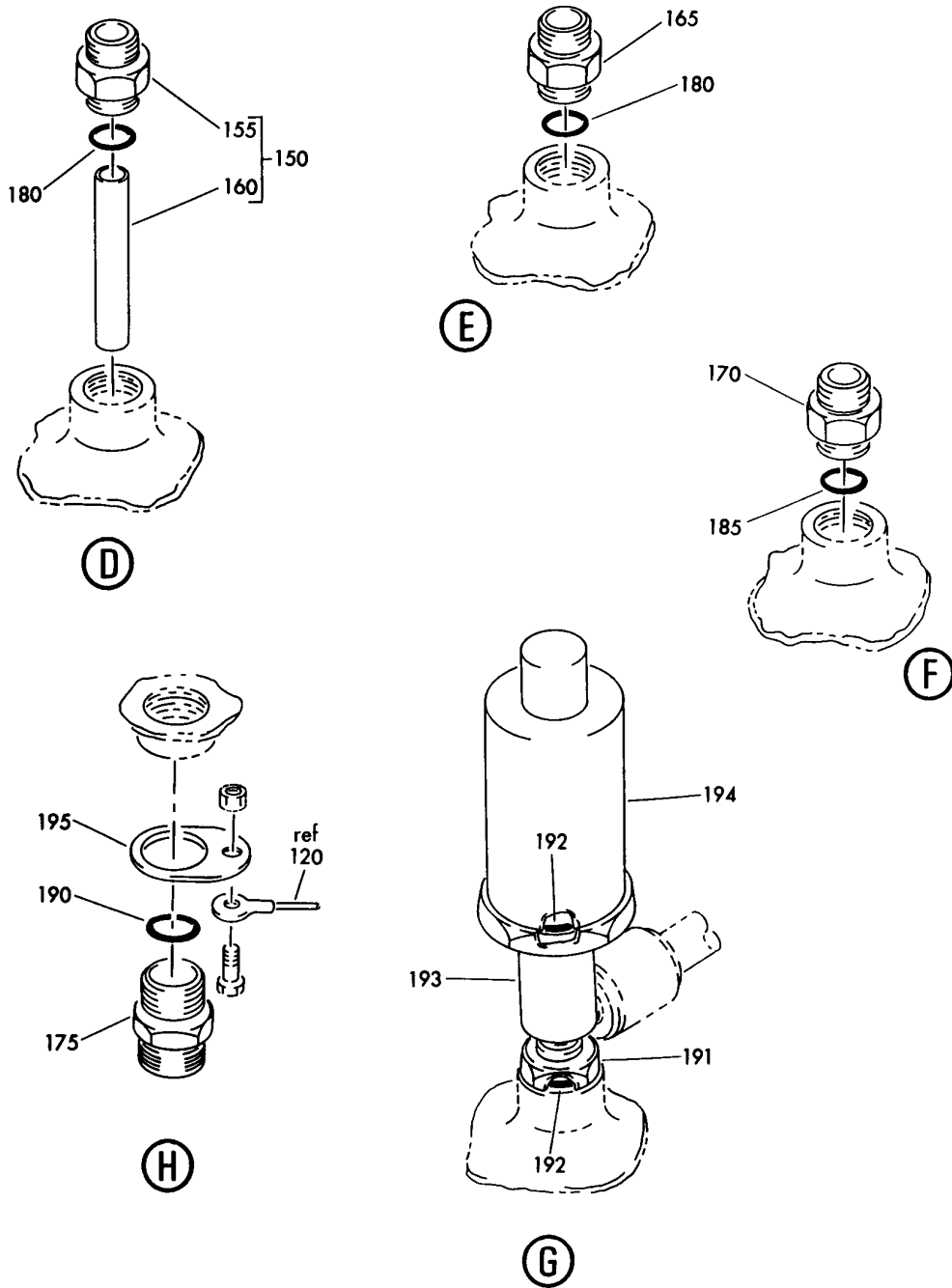
TANK INSTL-PASS. WATER SYS POTABLE WATER
FIGURE 2 (SHEET 2)

38-11-01-02

BRI
MAY 28/07

38-11-01-02
PAGE 0A

BOEING
757
PARTS CATALOG (MAINTENANCE)



Y 38110102 SHT 3 REV 170

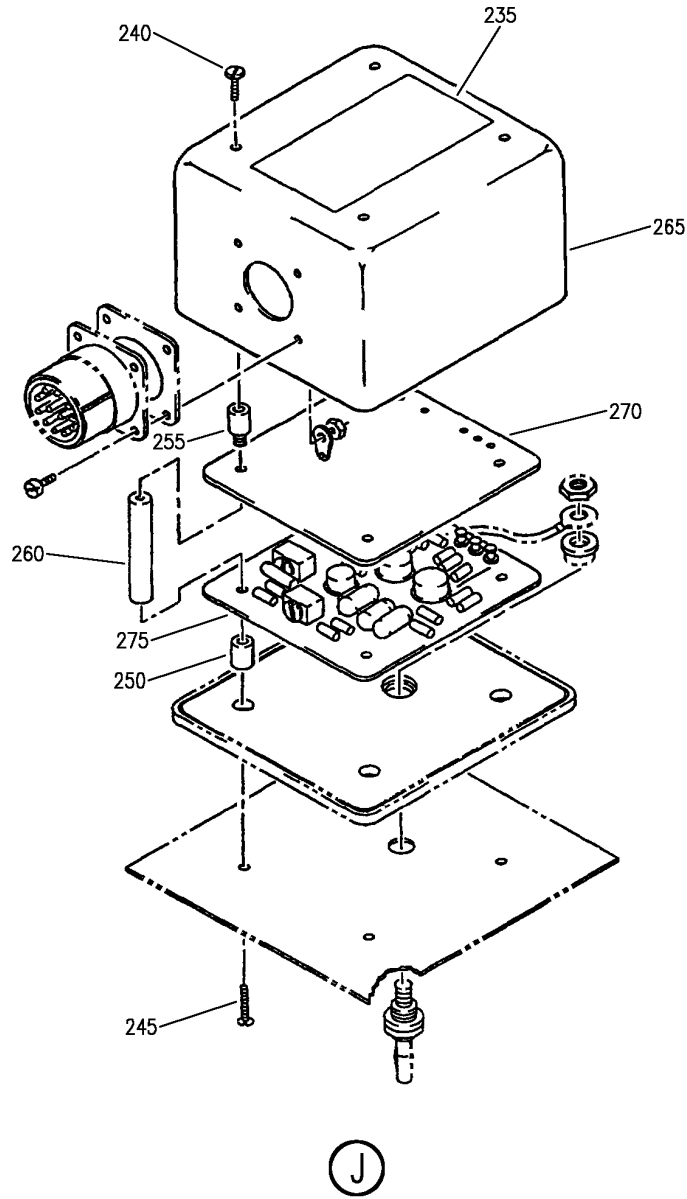
TANK INSTL-PASS. WATER SYS POTABLE WATER
FIGURE 2 (SHEET 3)

38-11-01-02

BRI
MAY 28/07

38-11-01-02
PAGE 0B

BOEING
757
PARTS CATALOG (MAINTENANCE)



Y 38110102 SH1 4 REV 260

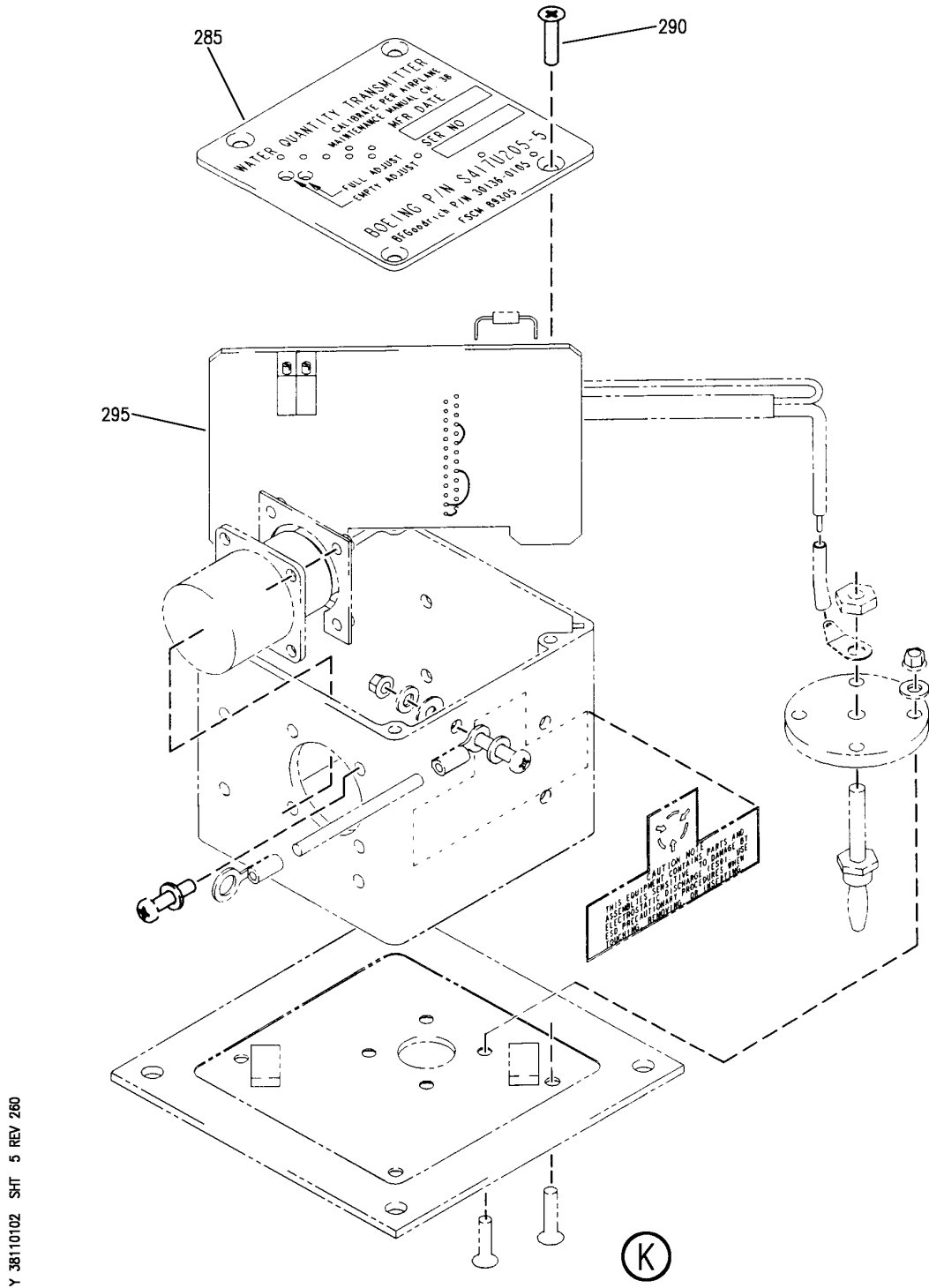
TANK INSTL-PASS. WATER SYS POTABLE WATER
FIGURE 2 (SHEET 4)

38-11-01-02

BRI
MAY 28/07

38-11-01-02
PAGE 0C

BOEING
757
PARTS CATALOG (MAINTENANCE)



Y 38110102 SH1 5 REV 260

TANK INSTL-PASS. WATER SYS POTABLE WATER
FIGURE 2 (SHEET 5)

38-11-01-02

BRI
MAY 28/07

38-11-01-02
PAGE 0D



757

PARTS CATALOG (MAINTENANCE)

FIG ITEM	PART NUMBER	1 2 3 4 5 6 7	NOMENCLATURE	EFFECT FROM TO	UNITS PER ASSY
2			TANK INSTL-PASS. WATER SYS POTABLE WATER	002004 006102 107999	
- 1	417N2510-10		TANK INSTL-PASS. WATER SYS POTABLE WATER 50 U.S. GAL. CAPACITY VARIABLE DRAWING REF: 417N2510-12 FOR NHA SEE: 25-20-00-01A 25-20-00-01E 25-20-00-03A	002004 006100 107107 121503 904999	RF
- 1	417N2510-21		TANK INSTL-PASS. WATER SYS POTABLE WATER 50 U.S. GAL. CAPACITY FOR NHA SEE: 25-20-00-09	101102 108120 504903	RF
5	BACB30NM4K5		.BOLT	002004 006102 107999	2
10	BACB30NM4K9		.BOLT	002004 006100 107107 121503 904999	3
15	BACB30NM4K7		.BOLT	002004 006102 107999	2
20	BACB30NM4K9		.BOLT	002004 006100 107107 121503 904999	3
25	AN960PD416		.WASHER	002004 006102 107999	17
25	AN960KD416		.WASHER-	002004 006102 107999	17
27	AN960PD416		.WASHER	002004 006102 107999	3
30	417N2526-1		.WASHER	002004 006102 107999	3

MISSING ITEM NUMBERS NOT APPLICABLE

- ITEM NOT ILLUSTRATED

BRI

38-11-01-02

38-11-01
FIG. 02
PAGE 1
JAN 20/09



757

PARTS CATALOG (MAINTENANCE)

FIG ITEM	PART NUMBER	1 2 3 4 5 6 7	NOMENCLATURE	EFFECT FROM TO	UNITS PER ASSY
2					
32	NAS1515H4H	.	WASHER	002004 006100 107107 121503 904999	3
40	BRH10C4D	.	NUT SUPPLIER CODE: V52828 SPECIFICATION NUMBER: BACN10JC4CD OPTIONAL PART: T6C428JCD V11815 NS202486-048 V80539 102LH9075-4W V72962 H51650-4BAC V15653	002004 006102 107999	10
45	417N2530-16	.	STRUT ASSY-	101102 108120 504903	1
45	417N2530-2	.	STRUT ASSY-	002004 006100 107107 121503 904999	1
50	417N2530-15	.	STRUT ASSY-	101102 108120 504903	1
50	417N2530-1	.	STRUT ASSY-	002004 006100 107107 121503 904999	1
55	69B50213-4	..	NUT-	002004 006100 107107 121503 904999	1
55	69B50213-6	..	NUT-	101102 108120 504903	1
60	69B50213-3	..	ROD END-	002004 006100 107107 121503 904999	1

MISSING ITEM NUMBERS NOT APPLICABLE

- ITEM NOT ILLUSTRATED

38-11-01-02

38-11-01
FIG. 02
PAGE 2
JAN 20/09

BRI

BOEING PROPRIETARY - Copyright © - Unpublished Work - See title page for details.



757

PARTS CATALOG (MAINTENANCE)

FIG ITEM	PART NUMBER	1 2 3 4 5 6 7	NOMENCLATURE	EFFECT FROM TO	UNITS PER ASSY
2					
60	69B50213-5	..	ROD END-	101102 108120 504903	1
65	BACR15FT5D	..	RIVET- SIZE DETERMINED ON INSTL.	002004 006102 107999	6
65	BACR15BB5A	..	RIVET- SIZE DETERMINED ON INSTL.	002004 006102 107999	6
70	417N2529-1	..	FITTING-END USED ON: 417N2530-1 417N2530-15	002004 006102 107999	1
73	417N2529-2	..	FITTING-END USED ON: 417N2530-2 417N2530-16	002004 006102 107999	1
75	69B53359-2	..	FITTING-END	002004 006100 107107 121503 904999	1
75	69B53359-4	..	FITTING-END	101102 108120 504903	1
80	417N2528-2	.	STRUT	002004 006100 107107 121503 904999	2
85	417N2528-1	.	STRUT	002004 006100 107107 121503 904999	1
90	NAS1801-06-8	.	SCREW	002004 006102 107999	1
95	AN960-6L	.	WASHER-	002004 006102 107999	2
100	MS35338-41	.	WASHER	002004 006102 107999	1
105	MS35650-365B	.	NUT-	002004 006100 107107 121503 904999	1

MISSING ITEM NUMBERS NOT APPLICABLE

- ITEM NOT ILLUSTRATED

38-11-01-02

38-11-01
FIG. 02
PAGE 3
JAN 20/09

BRI

BOEING PROPRIETARY - Copyright © - Unpublished Work - See title page for details.



757

PARTS CATALOG (MAINTENANCE)

FIG ITEM	PART NUMBER	1 2 3 4 5 6 7	NOMENCLATURE	EFFECT FROM TO	UNITS PER ASSY
2 110	BRH10A06	.NUT-	SUPPLIER CODE: V52828 SPECIFICATION NUMBER: BACN10JC06 OPTIONAL PART: H10-06BAC V15653 RMLH9075-62W V72962 VN303A62 V92215 96-62 V80539 NS202101-62 V80539 T6S632J V11815	002004 006102 107999	1
115	417N2508-6	.TANK ASSY-WATER	ELECTRICAL EQUIP NUMBER: TS167	950951	1
115	417N2508-7	.TANK ASSY-WATER	ELECTRICAL EQUIP NUMBER: TS167	002004 006100 107107 121503 904949 952999	1
117	BAC27NPA0697	..MARKER-ALUMINUM FOIL-	PLACARD CONTENT: THIS XMTR ADJUSTED XMTR S/N TANK S/N DATE	002004 006100 107107 121503 904999	1
120	940CW11-38	..JUMPER ASSY-	SUPPLIER CODE: V91812 SPECIFICATION NUMBER: BACJ40AB11-38 OPTIONAL PART: 100211-38 V1FF12 RBEJ40AB11-38 V1GK47	002004 006100 107107 121503 904999	1
- 125	NAS1802-04-5	..SCREW-	ATTACHING PARTS OPTIONAL PART: NAS1802-04-8	002004 006100 107107 121503 904999	1

MISSING ITEM NUMBERS NOT APPLICABLE

- ITEM NOT ILLUSTRATED

38-11-01-02

38-11-01
FIG. 02
PAGE 4
JAN 20/09

BRI

 **BOEING**
757
PARTS CATALOG (MAINTENANCE)

FIG ITEM	PART NUMBER	1 2 3 4 5 6 7	NOMENCLATURE	EFFECT FROM TO	UNITS PER ASSY
2					
- 125	NAS1802-04-8	..	SCREW- OPTIONAL PART: NAS1802-04-5	002004 006100 107107 121503 904999	1
- 127	AN960C4L	..	WASHER	002004 006100 107107 121503 904999	1
- 130	BRH10C04D	..	NUT- SUPPLIER CODE: V52828 SPECIFICATION NUMBER: BACN10JCO4CD OPTIONAL PART: H51650-04BAC V15653 102LH9075-40W V72962 NS202486-40 V80539 T6C440JCD V11815 T6C440JCD V11815	002004 006100 107107 121503 904999	1
145	MS28778-24	..	PACKING	002004 006100 107107 121503 904999	1
150	417N2509-1	..	STANDPIPE ASSY-50 GAL.	950951	1
150	417N2509-2	..	STANDPIPE ASSY-60 GAL.	002004 006100 107107 121503 904949 952999	1
155	BACU24K12	...	UNION	002004 006100 107107 121503 904999	1
160	417N2509-3	...	TUBE-	950951	1

MISSING ITEM NUMBERS NOT APPLICABLE

- ITEM NOT ILLUSTRATED

BRI

38-11-01-02

BOEING PROPRIETARY - Copyright © - Unpublished Work - See title page for details.

38-11-01
FIG. 02
PAGE 5
JAN 20/09



757

PARTS CATALOG (MAINTENANCE)

FIG ITEM	PART NUMBER	1 2 3 4 5 6 7	NOMENCLATURE	EFFECT FROM TO	UNITS PER ASSY
2					
160	417N2509-4	. . .	TUBE-	002004 006100 107107 121503 904949 952999	1
165	BACU24K12	. . .	UNION- OPTIONAL PART: MS21902J12 MS21902K12	002004 006100 107107 121503 904999	1
165	MS21902J12	. . .	UNION- OPTIONAL PART: BACU24K12	950951	1
165	MS21902K12	. . .	UNION- OPTIONAL PART: BACU24K12	950951	1
175	BACU24K16	. . .	UNION- OPTIONAL PART: MS21902J16 MS21902K16	002004 006100 107107 121503 904999	1
175	MS21902J16	. . .	UNION- OPTIONAL PART: BACU24K16	950951	1
175	MS21902K16	. . .	UNION- OPTIONAL PART: BACU24K16	950951	1
180	MS28778-12	. . .	PACKING	002004 006100 107107 121503 904999	2
190	MS28778-16	. . .	PACKING	002004 006100 107107 121503 904999	1
191	AN924-6J	. . .	NUT-	002004 006100 107107 121503 904999	1
192	MS28778-6	. . .	PACKING-	002004 006100 107107 121503 904999	2

MISSING ITEM NUMBERS NOT APPLICABLE

- ITEM NOT ILLUSTRATED

BRI

38-11-01-02

38-11-01
FIG. 02
PAGE 6
JAN 20/09



757

PARTS CATALOG (MAINTENANCE)

FIG ITEM	PART NUMBER	1 2 3 4 5 6 7	NOMENCLATURE	EFFECT FROM TO	UNITS PER ASSY
2					
193	MS21911J6	..	TEE-	002004 006100 107107 121503 904999	1
194	1G376	..	SWITCH-PRESSURE SUPPLIER CODE: V09049 SPECIFICATION NUMBER: 60B50024-2	002004 006100 107107 121503 904999	1
194	1G409	..	SWITCH-PRESSURE SUPPLIER CODE: V09049 SPECIFICATION NUMBER: 10-62205-4	002004 006100 107107 121503 904999	1
195	5759-33	..	WASHER-RETAINING SUPPLIER CODE: V86928	002004 006100 107107 121503 904999	1
200	ADP1664-1	..	TANK ASSY-POTABLE WATER SUPPLIER CODE: VS5825 SPECIFICATION NUMBER: S417N201-1 COMPONENT MAINT MANUAL REF: 38-10-01 OPTIONAL PART: 01640-003 V32500	002004 006100 107107 121503 904999	1
200	01640-003	..	TANK ASSY-POTABLE WATER SUPPLIER CODE: V32500 SPECIFICATION NUMBER: S417N201-2 OPTIONAL PART: ADP1664-1 VS5825	002004 006100 107107 121503 904999	1
205	ADS2277-1	...	RING-SNAPSHOT SUPPLIER CODE: VS5825 USED ON: 01640 ADP1664-1	002004 006100 107107 121503 904999	2
205	00136	...	RING-RETAINING SUPPLIER CODE: V32500	950951	2

MISSING ITEM NUMBERS NOT APPLICABLE

- ITEM NOT ILLUSTRATED

38-11-01-02

38-11-01
FIG. 02
PAGE 7
JAN 20/09

BRI



757

PARTS CATALOG (MAINTENANCE)

FIG ITEM	PART NUMBER	1 2 3 4 5 6 7	NOMENCLATURE	EFFECT FROM TO	UNITS PER ASSY
2					
205	00136		...RING-RETAINING SUPPLIER CODE: V32500 USED ON: 01640-003	002004 006100 107107 121503 904999	2
210	2-265S317-60		...PACKING- SUPPLIER CODE: V83259 USED ON: 01640 ADP1664-1	002004 006100 107107 121503 904999	2
210	2-256S317-60		...PACKING- SUPPLIER CODE: V02697	950951	2
210	2-256S317-60		...PACKING- SUPPLIER CODE: V02697 USED ON: 01640-003	002004 006100 107107 121503 904999	2
215	ADS2276-1		...COVER- SUPPLIER CODE: VS5825 USED ON: 01640 ADP1664-1	002004 006100 107107 121503 904999	2
215	00135		...CLOSURE- SUPPLIER CODE: V32500	950951	2
215	00135		...CLOSURE- SUPPLIER CODE: V32500 USED ON: 01640-003	002004 006100 107107 121503 904999	2
220	ADP1664-101		...SHELL- SUPPLIER CODE: VS5825 USED ON: ADP1664-1	002004 006100 107107 121503 904999	1
230	50648		..TRANSMITTER-QTY SUPPLIER CODE: V34830 SPECIFICATION NUMBER: 60B50402-2 ELECTRICAL EQUIP NUMBER: TS0167 COMPONENT MAINT MANUAL REF: 38-14-13	002004 006100 107107 121503 904999	1

MISSING ITEM NUMBERS NOT APPLICABLE

- ITEM NOT ILLUSTRATED

38-11-01-02

38-11-01
FIG. 02
PAGE 8
JAN 20/09

BRI

BOEING
757
PARTS CATALOG (MAINTENANCE)

FIG ITEM	PART NUMBER	1 2 3 4 5 6 7	NOMENCLATURE	EFFECT FROM TO	UNITS PER ASSY
2			ATTACHING PARTS		
- 232	BACS12CK08-5		.. SCREW	002004 006100 107107 121503 904999	4
			-----*-----		
235	0322-0013		...NAMEPLATE- SUPPLIER CODE: V34830	002004 006100 107107 121503 904999	1
240	2838-0014		...SCREW- SUPPLIER CODE: V34830	002004 006100 107107 121503 904999	1
245	2840-1310		...SCREW- SUPPLIER CODE: V34830	002004 006100 107107 121503 904999	4
250	0436-0247		...SPACER- SUPPLIER CODE: V34830	002004 006100 107107 121503 904999	4
255	0331-0386		...STANDOFF- SUPPLIER CODE: V34830	002004 006100 107107 121503 904999	4
260	0436-0137		...SUPPORT- SUPPLIER CODE: V34830	002004 006100 107107 121503 904999	4
265	0304-0056		...CASE- SUPPLIER CODE: V34830	002004 006100 107107 121503 904999	1
270	0307-0152		...CIRCUIT BOARD ASSY- SUPPLIER CODE: V34830	002004 006100 107107 121503 904999	1

MISSING ITEM NUMBERS NOT APPLICABLE

- ITEM NOT ILLUSTRATED

BRI

38-11-01-02

BOEING PROPRIETARY - Copyright © - Unpublished Work - See title page for details.

38-11-01
FIG. 02
PAGE 9
JAN 20/09



757

PARTS CATALOG (MAINTENANCE)

FIG ITEM	PART NUMBER	1 2 3 4 5 6 7	NOMENCLATURE	EFFECT FROM TO	UNITS PER ASSY
2 275	0307-0151		...CIRCUIT BOARD ASSY- SUPPLIER CODE: V34830	002004 006100 107107 121503 904999	1
280	30136-0105		..TRANSMITTER- SUPPLIER CODE: V89305 SPECIFICATION NUMBER: S417U205-5 ATTACHING PARTS	002004 006100 107107 121503 904999	1
- 282	BACS12CK08-5		..SCREW	002004 006100 107107 121503 904999	4
285	30136-1303-0104		-----*----- ...PLATE-COVER SUPPLIER CODE: V89305 CONFIG CHG DATA FROM A CMM: REPLD BY 30136-1310-0105	002004 006100 107107 121503 904999	1
285	30136-1310-0105		...PLATE-COVER SUPPLIER CODE: V89305 CONFIG CHG DATA FROM A CMM: REPLACES 30136-1303-0104 ATTACHING PARTS	002004 006100 107107 121503 904999	1
290	MS24693C2		...SCREW	002004 006100 107107 121503 904999	4
295	30136-0401-02		-----*----- ...CIRCUIT CARD ASSY-A1 SUPPLIER CODE: V89305 CONFIG CHG DATA FROM A CMM: REPLD BY 30136-0401-03	002004 006100 107107 121503 904999	1
295	30136-0401-03		...CIRCUIT CARD ASSY-A1 SUPPLIER CODE: V89305 CONFIG CHG DATA FROM A CMM: REPLACES 30136-0401-02	002004 006100 107107 121503 904999	1
- 350	286N2632		WIRE BUNDLE ASSY	002004 006100 107107 121503 904999	RF

MISSING ITEM NUMBERS NOT APPLICABLE

- ITEM NOT ILLUSTRATED

38-11-01-02

38-11-01
FIG. 02
PAGE 10
JAN 20/09

BRI



757

PARTS CATALOG (MAINTENANCE)

FIG ITEM	PART NUMBER	1 2 3 4 5 6 7	NOMENCLATURE	EFFECT FROM TO	UNITS PER ASSY
2 360	BACC45FT12D12S		.CONNECTOR- ELECTRICAL EQUIP NUMBER: D00052 WIRING DIAGRAM REF: 381411	002004 006100 107107 121503 904999	1

MISSING ITEM NUMBERS NOT APPLICABLE

- ITEM NOT ILLUSTRATED

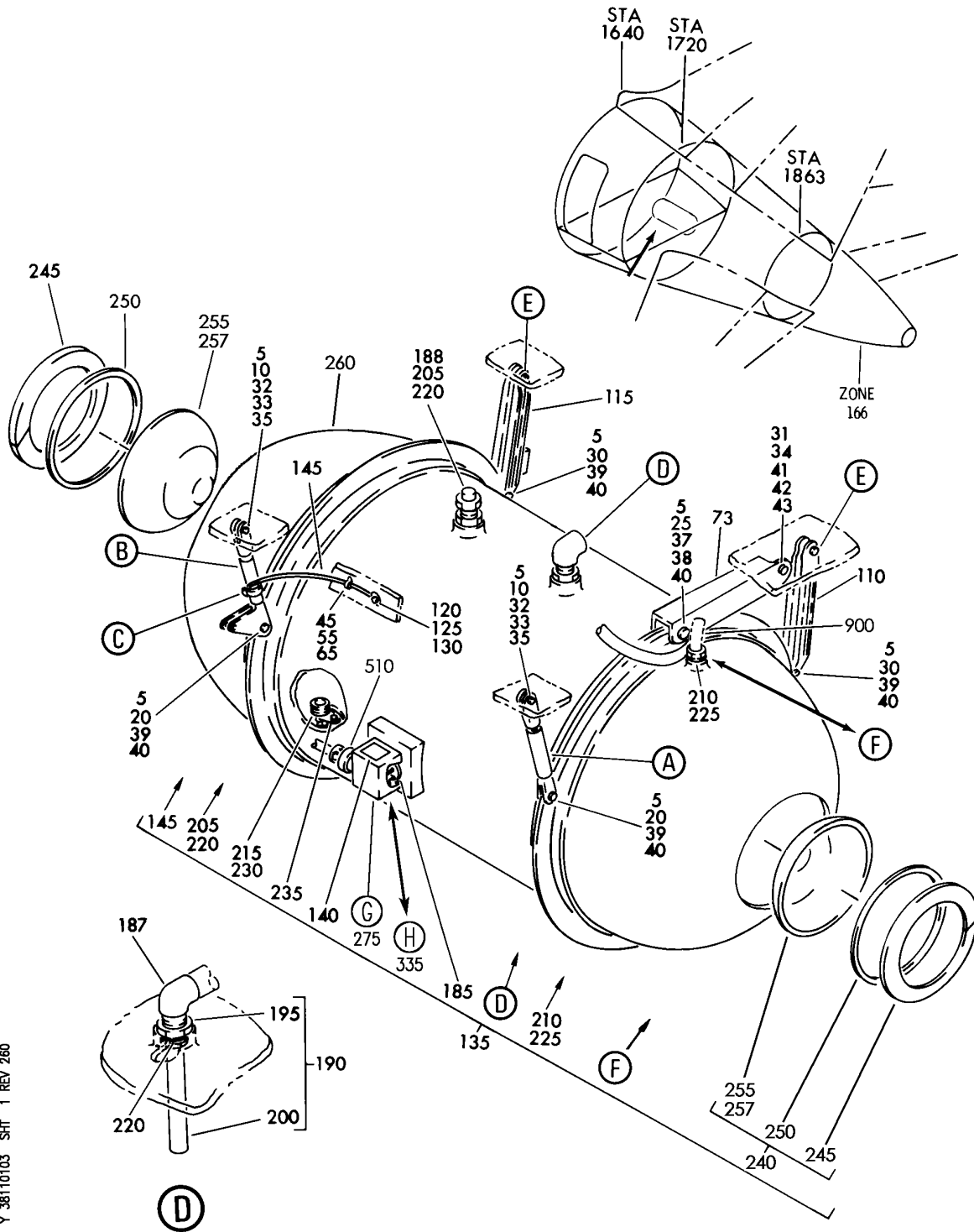
BRI

38-11-01-02

BOEING PROPRIETARY - Copyright © - Unpublished Work - See title page for details.

38-11-01
FIG. 02
PAGE 11
JAN 20/09

BOEING
757
PARTS CATALOG (MAINTENANCE)



Y 38110103 SHT 1 REV 260

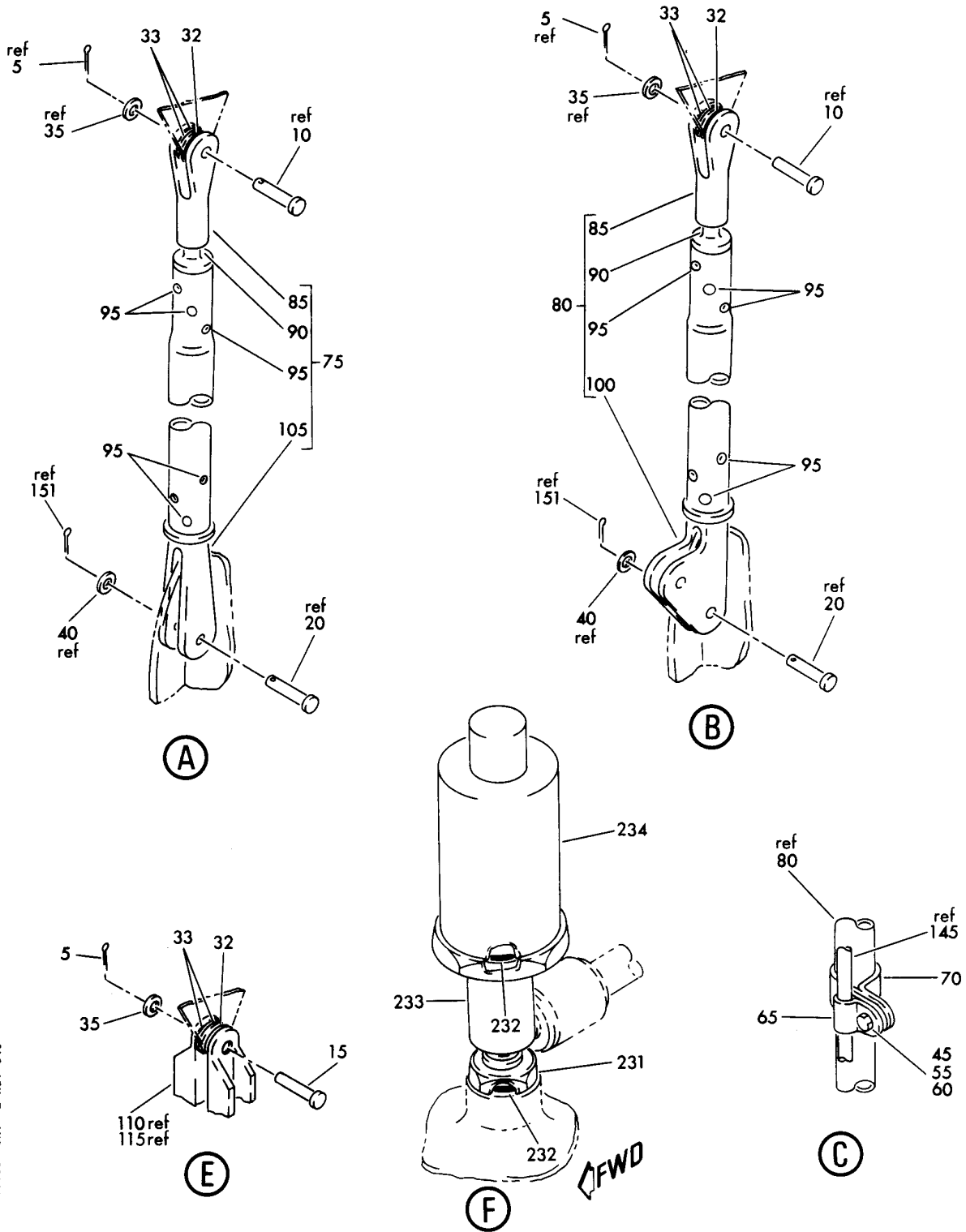
TANK INSTL-PASS. WATER SYS POTABLE WATER
FIGURE 3 (SHEET 1)

38-11-01-03

BRI
MAY 28/07

38-11-01-03
PAGE 0

BOEING
757
PARTS CATALOG (MAINTENANCE)



Y 38110103 SHT 2 REV 046

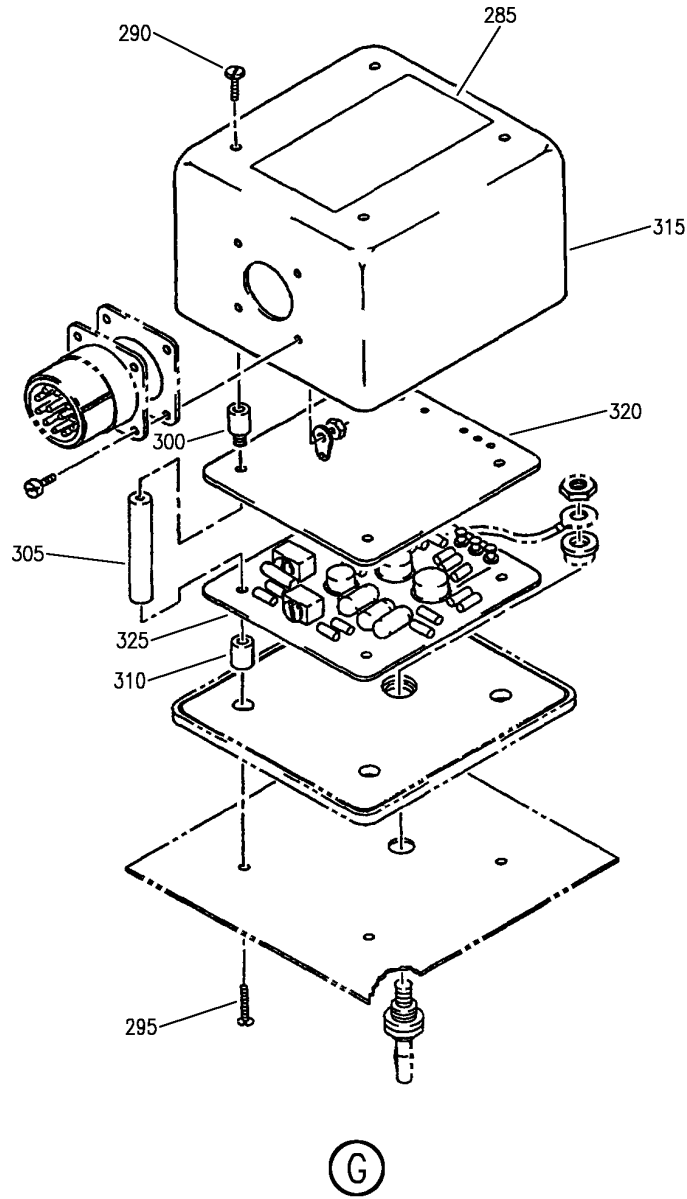
TANK INSTL-PASS. WATER SYS POTABLE WATER
FIGURE 3 (SHEET 2)

38-11-01-03

BRI
MAY 28/07

38-11-01-03
PAGE 0A

BOEING
757
PARTS CATALOG (MAINTENANCE)



Y 38110103 SH1 3 REV 260

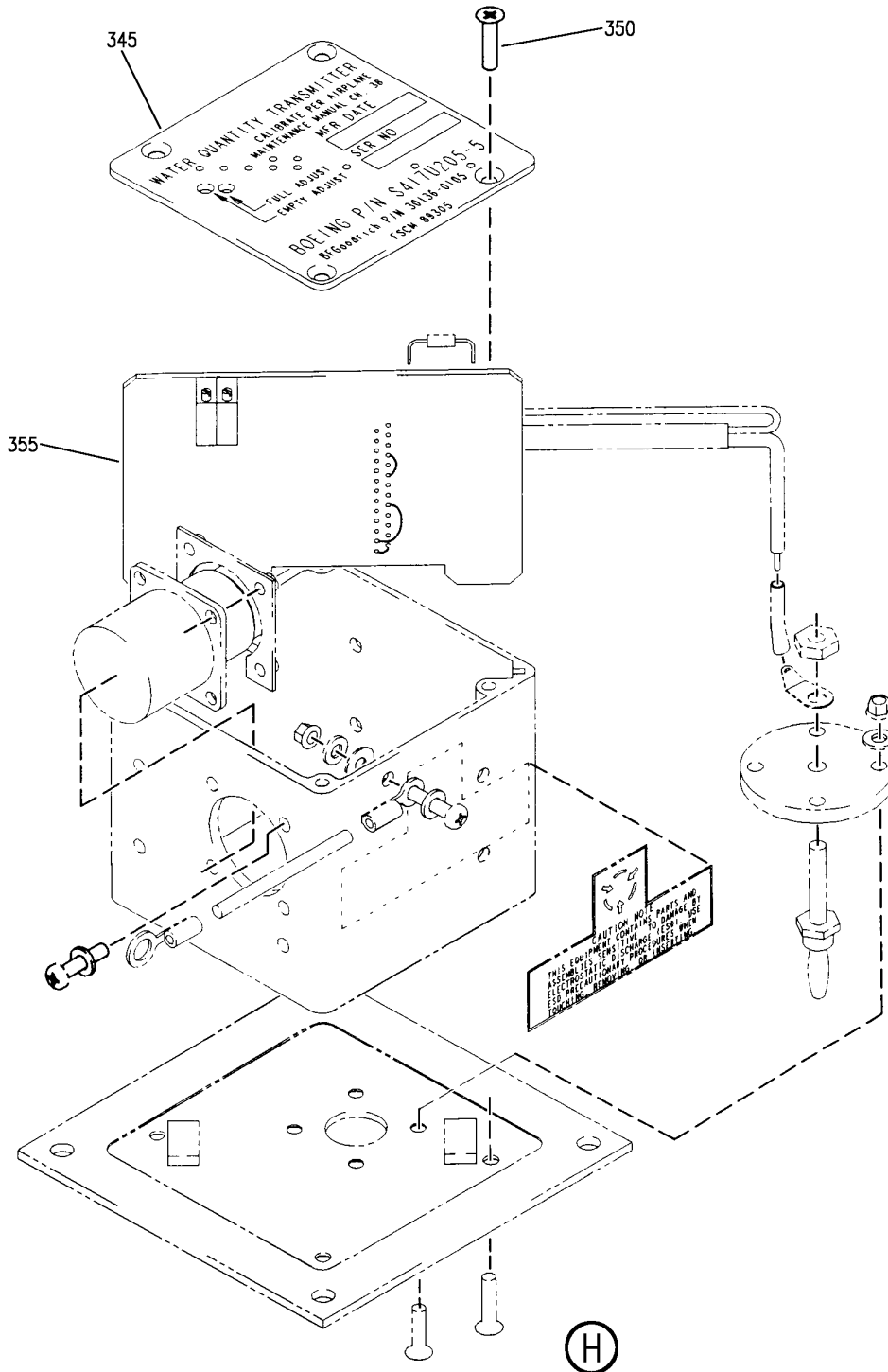
TANK INSTL-PASS. WATER SYS POTABLE WATER
FIGURE 3 (SHEET 3)

38-11-01-03

BRI
MAY 28/07

38-11-01-03
PAGE 0B


BOEING
 757
PARTS CATALOG (MAINTENANCE)



Y 38110103 SH1 4 REV 260

TANK INSTL-PASS. WATER SYS POTABLE WATER
 FIGURE 3 (SHEET 4)

38-11-01-03

BRI
 MAY 28/07

38-11-01-03
 PAGE 0C



757

PARTS CATALOG (MAINTENANCE)

FIG ITEM	PART NUMBER	1 2 3 4 5 6 7	NOMENCLATURE	EFFECT FROM TO	UNITS PER ASSY
3			TANK INSTL-PASS. WATER SYS POTABLE WATER	101102 108120 504903	
- 1	417N2510-24		TANK INSTL-PASS. WATER SYS POTABLE WATER FOR NHA SEE: 38-10-00-01	101102 108120 504903	RF
135	417N2508-10		.TANK ASSY-WATER ELECTRICAL EQUIP NUMBER: TS167	101102 108120 504903	1
140	BAC27NPA0697		..MARKER-ALUMINUM FOIL PLACARD CONTENT: THIS XMTR ADJUSTED XMTR S/N TANK S/N DATE	101102 108120 504903	1
145	940CW11-38		..JUMPER ASSY SUPPLIER CODE: V91812 SPECIFICATION NUMBER: BACJ40AB11-38 OPTIONAL PART: 100211-38 V1FF12 RBEJ40AB11-38 V1GK47	101102 108120 504903	1
- 150	NAS1802-04-5		ATTACHING PARTS ..SCREW- OPTIONAL PART: NAS1802-04-8	101102 108120 504903	1
- 150	NAS1802-04-8		..SCREW- OPTIONAL PART: NAS1802-04-5	101102 108120 504903	1
- 155	AN960C4L		..WASHER	101102 108120 504903	1

MISSING ITEM NUMBERS NOT APPLICABLE

- ITEM NOT ILLUSTRATED

38-11-01-03

38-11-01
FIG. 03
PAGE 1
JAN 20/09

BRI



757

PARTS CATALOG (MAINTENANCE)

FIG ITEM	PART NUMBER	1 2 3 4 5 6 7	NOMENCLATURE	EFFECT FROM TO	UNITS PER ASSY
3 - 160	BRH10C04D		..NUT SUPPLIER CODE: V52828 SPECIFICATION NUMBER: BACN10JCO4CD OPTIONAL PART: H51650-04BAC V15653 102LH9075-40W V72962 NS202486-40 V80539 T6C440JCD V11815 T6C440JCD V11815 -----*-----	101102 108120 504903	1
185	MS28778-24		..PACKING	101102 108120 504903	1
190	417N2509-2		..STANDPIPE ASSY-60 GAL.	101102 108120 504903	1
195	BACU24K12		...UNION	101102 108120 504903	1
200	417N2509-4		...TUBE-	101102 108120 504903	1
205	BACU24K12		..UNION- OPTIONAL PART: MS21902J12 MS21902K12	101102 108120 504903	1
205	MS21902J12		..UNION- OPTIONAL PART: BACU24K12	101102 108120 504903	1
205	MS21902K12		..UNION- OPTIONAL PART: BACU24K12	101102 108120 504903	1
215	BACU24K16		..UNION- OPTIONAL PART: MS21902J16 MS21902K16	101102 108120 504903	1
215	MS21902J16		..UNION- OPTIONAL PART: BACU24K16	101102 108120 504903	1
215	MS21902K16		..UNION- OPTIONAL PART: BACU24K16	101102 108120 504903	1

MISSING ITEM NUMBERS NOT APPLICABLE

- ITEM NOT ILLUSTRATED

38-11-01-03

38-11-01
FIG. 03
PAGE 2
JAN 20/09

BRI



757

PARTS CATALOG (MAINTENANCE)

FIG ITEM	PART NUMBER	1 2 3 4 5 6 7	NOMENCLATURE	EFFECT FROM TO	UNITS PER ASSY
3					
220	MS28778-12	..	PACKING	101102 108120 504903	2
230	MS28778-16	..	PACKING	101102 108120 504903	1
231	AN924-6J	..	NUT-	101102 108120 504903	1
232	MS28778-6	..	PACKING-	101102 108120 504903	2
233	MS21911J6	..	TEE-	101102 108120 504903	1
234	1G410	..	SWITCH-PRESSURE SUPPLIER CODE: V09049 SPECIFICATION NUMBER: 10-62205-3	101102 108120 504903	1
235	5759-33	..	WASHER-RETAINING SUPPLIER CODE: V86928	101102 108120 504903	1
240	ADP1664-1	..	TANK ASSY-POTABLE WATER SUPPLIER CODE: VS5825 SPECIFICATION NUMBER: S417N201-1 COMPONENT MAINT MANUAL REF: 38-10-01 OPTIONAL PART: 01640-003 V32500	101102 108120 504903	1
240	01640-003	..	TANK ASSY-POTABLE WATER SUPPLIER CODE: V32500 SPECIFICATION NUMBER: S417N201-2 OPTIONAL PART: ADP1664-1 VS5825	101102 108120 504903	1
245	ADS2277-1	...	RING-SNAPSHOT SUPPLIER CODE: VS5825 USED ON: 01640 ADP1664-1	101102 108120 504903	2

MISSING ITEM NUMBERS NOT APPLICABLE

- ITEM NOT ILLUSTRATED

38-11-01-03

38-11-01
FIG. 03
PAGE 3
JAN 20/09

BRI

BOEING PROPRIETARY - Copyright © - Unpublished Work - See title page for details.

 **BOEING**
757
PARTS CATALOG (MAINTENANCE)

FIG ITEM	PART NUMBER	1 2 3 4 5 6 7	NOMENCLATURE	EFFECT FROM TO	UNITS PER ASSY
3					
245	00136		...RING-RETAINING SUPPLIER CODE: V32500 USED ON: 01640-003	101102 108120 504903	2
250	2-265S317-60		...PACKING- SUPPLIER CODE: V83259 USED ON: 01640 ADP1664-1	101102 108120 504903	2
250	2-256S317-60		...PACKING- SUPPLIER CODE: V02697 USED ON: 01640-003	101102 108120 504903	2
255	ADS2276-1		...COVER- SUPPLIER CODE: VS5825 USED ON: 01640 ADP1664-1	101102 108120 504903	2
257	00135		...CLOSURE- SUPPLIER CODE: V32500 USED ON: 01640-003	101102 108120 504903	2
260	ADP1664-101		...SHELL- SUPPLIER CODE: VS5825 USED ON: ADP1664-1	101102 108120 504903	1
275	50648		..TRANSMITTER-QTY SUPPLIER CODE: V34830 SPECIFICATION NUMBER: 60B50402-2 ELECTRICAL EQUIP NUMBER: TS0167 COMPONENT MAINT MANUAL REF: 38-14-13 OPTIONAL PART: 30136-0105 V89305 ATTACHING PARTS	101102 108120 504903	1
- 280	BACS12CK08-5		..SCREW -----*-----	101102 108120 504903	4

MISSING ITEM NUMBERS NOT APPLICABLE

- ITEM NOT ILLUSTRATED

BRI

38-11-01-03

38-11-01
FIG. 03
PAGE 4
JAN 20/09



757

PARTS CATALOG (MAINTENANCE)

FIG ITEM	PART NUMBER	1 2 3 4 5 6 7	NOMENCLATURE	EFFECT FROM TO	UNITS PER ASSY
3					
285	0322-0013		...NAMEPLATE- SUPPLIER CODE: V34830	101102 108120 504903	1
290	2838-0014		...SCREW- SUPPLIER CODE: V34830	101102 108120 504903	1
295	2840-1310		...SCREW- SUPPLIER CODE: V34830	101102 108120 504903	4
300	0331-0386		...STANDOFF- SUPPLIER CODE: V34830	101102 108120 504903	4
305	0436-0137		...SUPPORT- SUPPLIER CODE: V34830	101102 108120 504903	4
310	0436-0247		...SPACER- SUPPLIER CODE: V34830	101102 108120 504903	4
315	0304-0056		...CASE- SUPPLIER CODE: V34830	101102 108120 504903	1
320	0307-0152		...CIRCUIT BOARD ASSY- SUPPLIER CODE: V34830	101102 108120 504903	1
325	0307-0151		...CIRCUIT BOARD ASSY- SUPPLIER CODE: V34830	101102 108120 504903	1
335	30136-0105		..TRANSMITTER- SUPPLIER CODE: V89305 SPECIFICATION NUMBER: S417U205-5 OPTIONAL PART: 50648 V34830 ATTACHING PARTS	101102 108120 504903	1
- 340	BACS12CK08-5		..SCREW	101102 108120 504903	4
			-----*-----		
345	30136-1303-0104		...PLATE- SUPPLIER CODE: V89305 CONFIG CHG DATA FROM A CMM: REPLD BY 30136-1310-0105	101102 108120 504903	1

MISSING ITEM NUMBERS NOT APPLICABLE

- ITEM NOT ILLUSTRATED

BRI

38-11-01-03

38-11-01
FIG. 03
PAGE 5
JAN 20/09



757

PARTS CATALOG (MAINTENANCE)

FIG ITEM	PART NUMBER	1 2 3 4 5 6 7	NOMENCLATURE	EFFECT FROM TO	UNITS PER ASSY
3					
345	30136-1310-0105	...	PLATE- SUPPLIER CODE: V89305 CONFIG CHG DATA FROM A CMM: REPLACES 30136-1303-0104 ATTACHING PARTS	101102 108120 504903	1
350	MS24693C2	...	SCREW	101102 108120 504903	4
			-----*-----		
355	30136-0401-02	...	CIRCUIT CARD ASSY-A1 SUPPLIER CODE: V89305 CONFIG CHG DATA FROM A CMM: REPLD BY 30136-0401-03	101102 108120 504903	1
355	30136-0401-03	...	CIRCUIT CARD ASSY-A1 SUPPLIER CODE: V89305 CONFIG CHG DATA FROM A CMM: REPLACES 30136-0401-02	101102 108120 504903	1
- 501	286N2632-327		WIRE BUNDLE ASSY	504903	RF
- 501	286N2632-328		WIRE BUNDLE ASSY	101102	RF
- 502	286N2632-343		WIRE BUNDLE ASSY	108120	RF
510	BACC45FT12D12S	.	CONNECTOR- ELECTRICAL EQUIP NUMBER: D00052 WIRING DIAGRAM REF: 381411	101102 108120 504903	1
900			ILLUSTRATION REFERENCE: LINE AND CAP INSTL-PNEU 38-11-52-01	101102 108120 504903	RF

MISSING ITEM NUMBERS NOT APPLICABLE

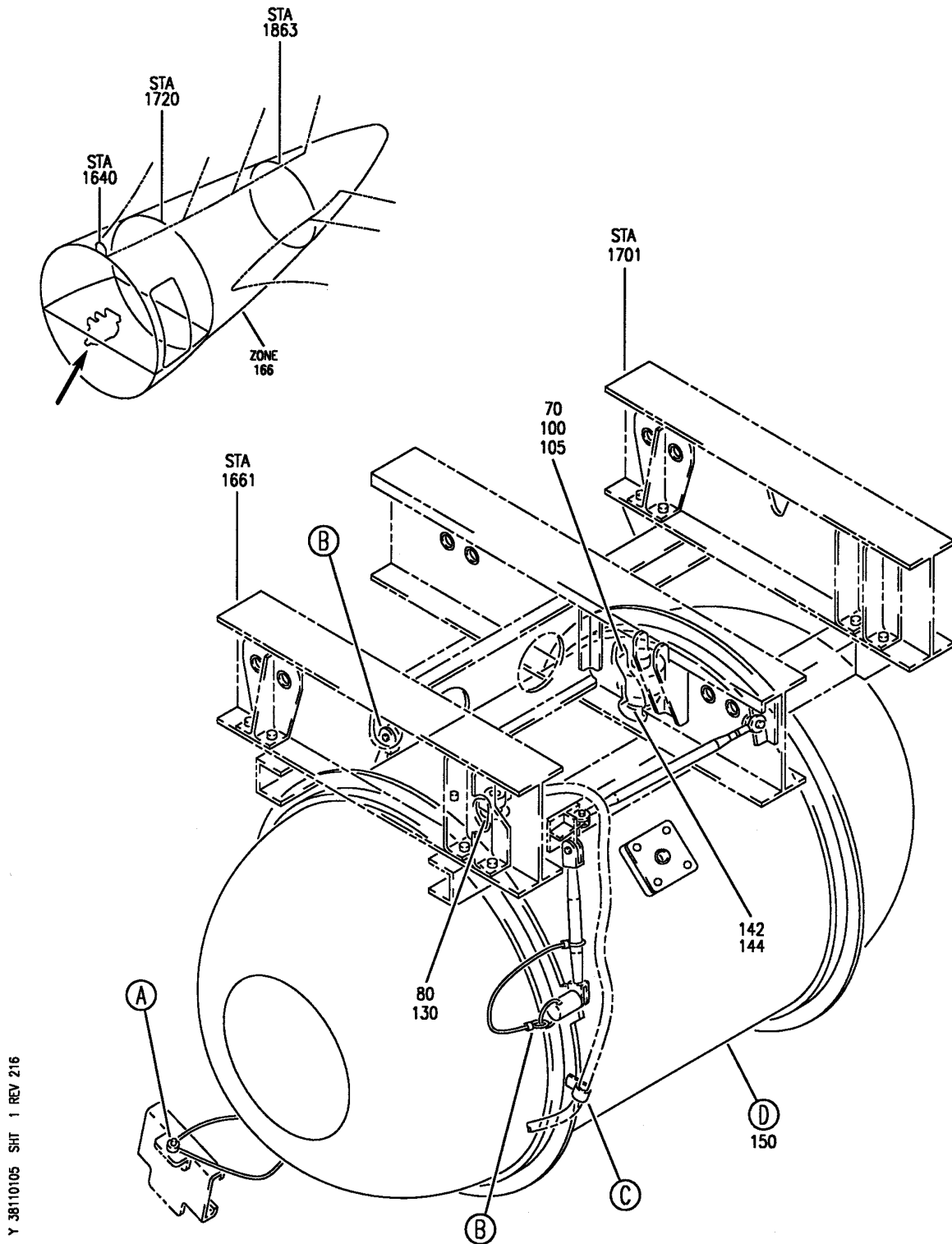
- ITEM NOT ILLUSTRATED

38-11-01-03

38-11-01
FIG. 03
PAGE 6
JAN 20/09

BRI

BOEING
757
PARTS CATALOG (MAINTENANCE)



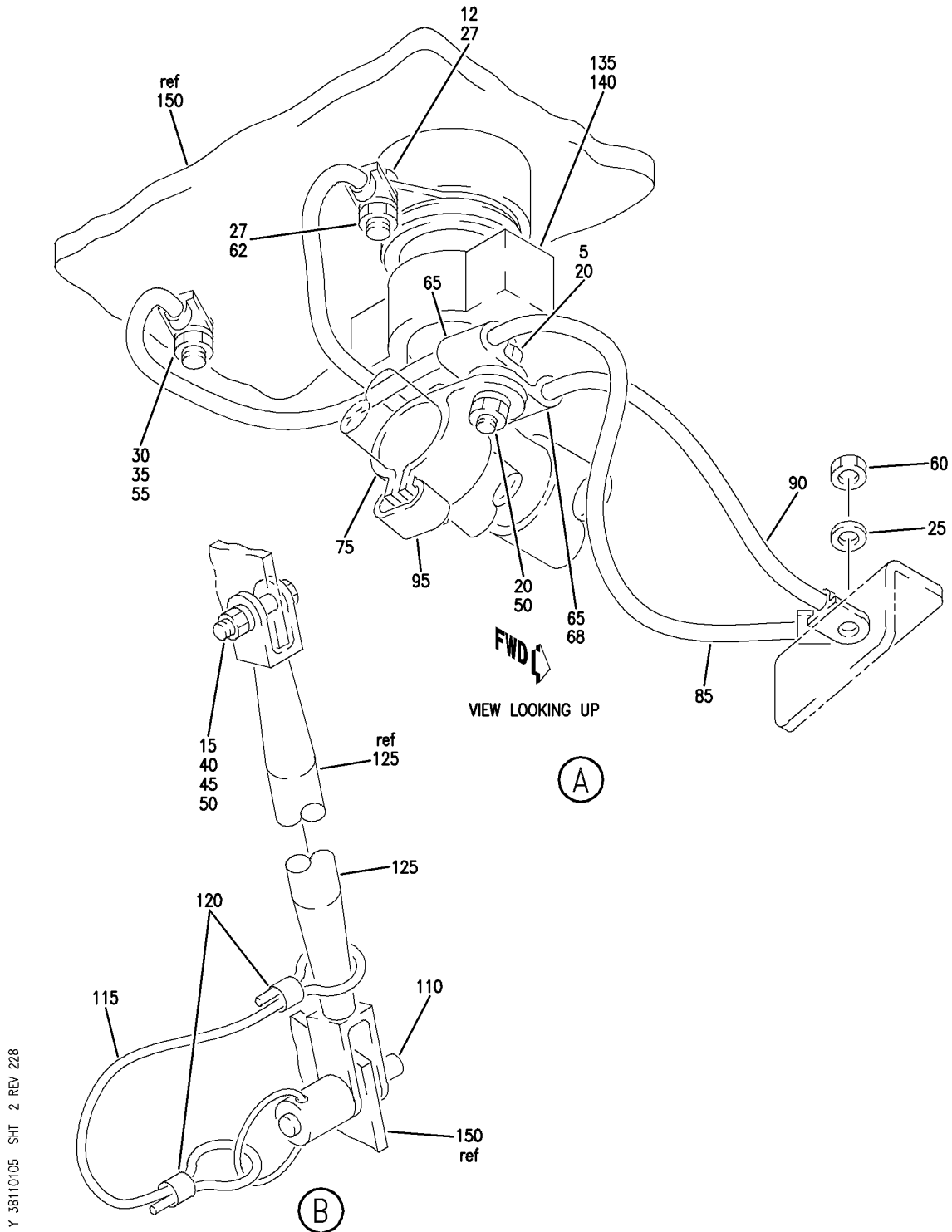
TANK INSTL-POTABLE WATER SYSTEM 120 GALLON TANK STANDPIPE TO 115 GALLON
FIGURE 5 (SHEET 1)

38-11-01-05

BRI
JAN 20/09

38-11-01-05
PAGE 0

BOEING
757
PARTS CATALOG (MAINTENANCE)



Y 38110105 SHT 2 REV 228

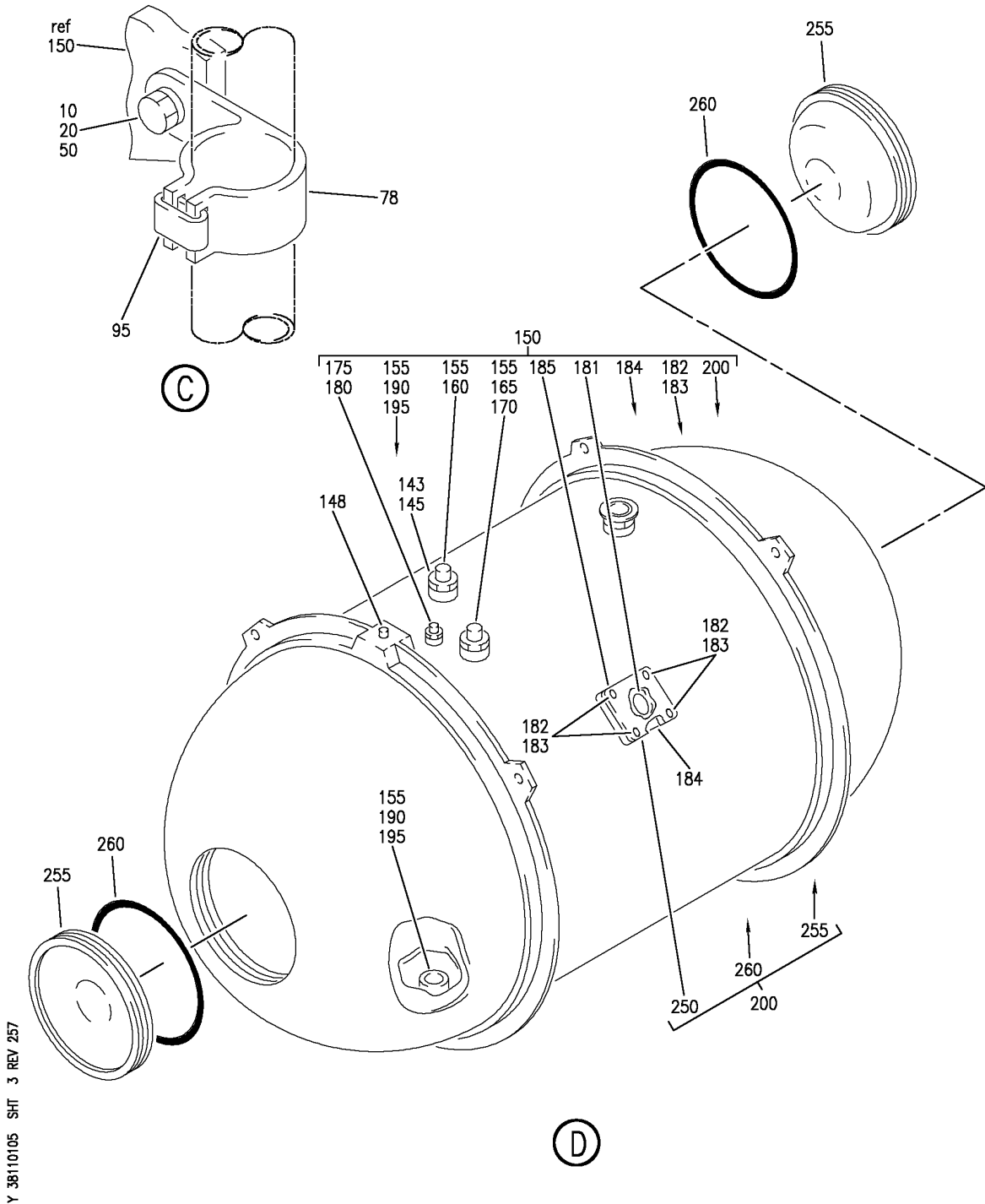
TANK INSTL-POTABLE WATER SYSTEM 120 GALLON TANK STANDPIPE TO 115 GALLON
FIGURE 5 (SHEET 2)

38-11-01-05

BRI
JAN 20/09

38-11-01-05
PAGE 0A

BOEING
757
PARTS CATALOG (MAINTENANCE)



Y 38110105 SH1 3 REV 257

TANK INSTL-POTABLE WATER SYSTEM 120 GALLON TANK STANDPIPE TO 115 GALLON
FIGURE 5 (SHEET 3)

38-11-01-05

BRI
JAN 20/09

38-11-01-05
PAGE 0B



757

PARTS CATALOG (MAINTENANCE)

FIG ITEM	PART NUMBER	1 2 3 4 5 6 7	NOMENCLATURE	EFFECT FROM TO	UNITS PER ASSY
5			TANK INSTL-POTABLE WATER SYSTEM 120 GALLON TANK STANDPIPE TO 115 GALLON	103106	
- 1	MODREF17794		TANK INSTL-POTABLE WATER SYSTEM MODULE NUMBER: 417N2552-5 REV A	103103	1
- 1	MODREF33963		TANK INSTL-POTABLE WATER SYSTEM MODULE NUMBER: 417N2552-5 REV B	104106	1
5	BACS12GU3K10		.SCREW-	103106	1
10	BACS12GU3K12		.SCREW	103106	1
12	NAS1802-04-6		.SCREW	103106	1
15	BACB30PF4-11		.BOLT	103106	2
20	NAS1149D0332J		.WASHER	103106	3
25	NAS1149D0432J		.WASHER	103106	1
27	NAS1149DN416J		.WASHER-	103106	2
40	BACW10BP4DP		.WASHER	103106	2
45	BACW10BP3DP		.WASHER	103106	2
50	PLH53CD		.NUT SUPPLIER CODE: VF0224 SPECIFICATION NUMBER: BACN10YR3CD OPTIONAL PART: H52732-3CD V15653	103106	4
60	PLH54CD		.NUT SUPPLIER CODE: VF0224 SPECIFICATION NUMBER: BACN10YR4CD OPTIONAL PART: H52732-4CD V15653	103106	1

MISSING ITEM NUMBERS NOT APPLICABLE

- ITEM NOT ILLUSTRATED

BRI

38-11-01-05

BOEING PROPRIETARY - Copyright © - Unpublished Work - See title page for details.

38-11-01
FIG. 05
PAGE 1
JAN 20/09



757

PARTS CATALOG (MAINTENANCE)

FIG ITEM	PART NUMBER	1 2 3 4 5 6 7	NOMENCLATURE	EFFECT FROM TO	UNITS PER ASSY
5	62 BRH10C04D	.NUT	SUPPLIER CODE: V52828 SPECIFICATION NUMBER: BACN10JC04CD OPTIONAL PART: H51650-04BAC V15653 102LH9075-40W V72962 NS202486-40 V80539 T6C440JCD V11815 T6C440JCD V11815	103106	1
	68 BACC10DK3	.CLAMP		103106	1
	70 14J29200E	.CLAMP	SUPPLIER CODE: V5T400 SPECIFICATION NUMBER: BACC10GY200E OPTIONAL PART: PDVC137200E V14242 4385AF200E V94581 NM102701200E V8W928	103106	1
	75 NMC1005-4	.CLAMP-	SUPPLIER CODE: V03296	103106	1
	78 NMC1005-3	.CLAMP-	SUPPLIER CODE: V03296	103106	1
	80 W994BF08DE	.CLAMP-	SUPPLIER CODE: V79326 OPTIONAL PART: 14C34-08A V24984 14C33-08 V24984	103106	1

MISSING ITEM NUMBERS NOT APPLICABLE

- ITEM NOT ILLUSTRATED

38-11-01-05

38-11-01
FIG. 05
PAGE 2
JAN 20/09

BRI



757

PARTS CATALOG (MAINTENANCE)

FIG ITEM	PART NUMBER	1 2 3 4 5 6 7	NOMENCLATURE	EFFECT FROM TO	UNITS PER ASSY
5 80	14C34-08A		.CLAMP- SUPPLIER CODE: V24984 OPTIONAL PART: W994BF08DE V79326 14C33-08 V24984	103106	1
80	14C33-08		.CLAMP- SUPPLIER CODE: V24984 OPTIONAL PART: W994BF08DE V79326 14C34-08A V24984	103106	1
90	BACJ40AB12-13		.JUMPER	103106	1
95	PLT1MXMR		.STRAP SUPPLIER CODE: V06383 SPECIFICATION NUMBER: BACS38K9	103106	2
100	2400A2		.SENSOR ASSY-WATER QUANTITY SUPPLIER CODE: V59885 SPECIFICATION NUMBER: S417N208-1 ELECTRICAL EQUIP NUMBER: TS5318 COMPONENT MAINT MANUAL REF: 38-10-01 FOR DETAILS SEE: 38-14-51-01	103103	1
100	2400A3		.SENSOR ASSY-WATER QUANTITY SUPPLIER CODE: V59885 SPECIFICATION NUMBER: S417N208-2 ELECTRICAL EQUIP NUMBER: TS5318 COMPONENT MAINT MANUAL REF: 38-10-01 FOR DETAILS SEE: 38-14-51-01	103106	1
105	NAS1611-224A		.PACKING- OPTIONAL PART: NAS1611-224	103106	1

MISSING ITEM NUMBERS NOT APPLICABLE

- ITEM NOT ILLUSTRATED

38-11-01-05

38-11-01
FIG. 05
PAGE 3
JAN 20/09

BRI



757

PARTS CATALOG (MAINTENANCE)

FIG ITEM	PART NUMBER	1 2 3 4 5 6 7	NOMENCLATURE	EFFECT FROM TO	UNITS PER ASSY
5					
105	NAS1611-224		.PACKING- OPTIONAL PART: NAS1611-224A	103106	1
110	NAS1334S6S07D		.PIN	103106	2
115	478W1110-4		.CORD	103106	2
120	GSC187		.SLEEVE SUPPLIER CODE: V56501 SPECIFICATION NUMBER: BACS13S187C OPTIONAL PART: YOC120 V12357	103106	4
125	USC757-001-629		.TIE ROD ASSY- SUPPLIER CODE: V31293 SPECIFICATION NUMBER: S401W121-629	103106	2
130	NAS1611-015A		.PACKING- OPTIONAL PART: NAS1611-015	103106	1
130	NAS1611-015		.PACKING- OPTIONAL PART: NAS1611-015A	103106	1
135	W994BF16DE		.COUPLING- SUPPLIER CODE: V79326 OPTIONAL PART: 14C34-16A V24984 14C33-16 V24984	103106	1
135	14C34-16A		.COUPLING- SUPPLIER CODE: V24984 OPTIONAL PART: W994BF16DE V79326 14C33-16 V24984	103106	1
135	14C33-16		.COUPLING- SUPPLIER CODE: V24984 OPTIONAL PART: W994BF16DE V79326 14C34-16A V24984	103106	1

MISSING ITEM NUMBERS NOT APPLICABLE

- ITEM NOT ILLUSTRATED

38-11-01-05

38-11-01
FIG. 05
PAGE 4
JAN 20/09

BRI



757

PARTS CATALOG (MAINTENANCE)

FIG ITEM	PART NUMBER	1 2 3 4 5 6 7	NOMENCLATURE	EFFECT FROM TO	UNITS PER ASSY
5					
140	NAS1611-214A	.	PACKING- OPTIONAL PART: NAS1611-214	103106	1
140	NAS1611-214	.	PACKING- OPTIONAL PART: NAS1611-214A	103106	1
142	MS28778-16	.	PACKING- OPTIONAL PART: NAS1612-16A NAS1612-16	103106	1
142	NAS1612-16A	.	PACKING- OPTIONAL PART: MS28778-16 NAS1612-16	103106	1
142	NAS1612-16	.	PACKING- OPTIONAL PART: NAS1612-16A MS28778-16	103106	1
143	NAS1612-6A	.	PACKING- OPTIONAL PART: MS28778-6 NAS1612-6	103106	1
143	NAS1612-6	.	PACKING- OPTIONAL PART: NAS1612-6A MS28778-6	103106	1
143	MS28778-6	.	PACKING- OPTIONAL PART: NAS1612-16A NAS1612-16	103106	1
144	417N2509-304	.	FITTING	103106	1
145	1G409	.	SWITCH-PRESSURE SUPPLIER CODE: V09049 SPECIFICATION NUMBER: 10-62205-4	103106	1
148	417N2503-321	.	SHEAR PIN	103106	1
150	417N2508-303	.	TANK ASSY-	103106	1
155	NAS1612-16A	..	PACKING-	103106	3
160	AN893-14J	..	BUSHING- OPTIONAL PART: MS24397J14	103106	1
160	MS24397J14	..	REDUCER- OPTIONAL PART: AN893-14J	103106	1
165	417N2509-301	..	STANDPIPE ASSY	103106	1

MISSING ITEM NUMBERS NOT APPLICABLE

- ITEM NOT ILLUSTRATED

38-11-01-05

38-11-01
FIG. 05
PAGE 5
JAN 20/09

BRI

BOEING PROPRIETARY - Copyright © - Unpublished Work - See title page for details.



757

PARTS CATALOG (MAINTENANCE)

FIG ITEM	PART NUMBER	1 2 3 4 5 6 7	NOMENCLATURE	EFFECT FROM TO	UNITS PER ASSY
5					
170	417N2509-303	...	TUBE- TUBING MATERIAL: STOCK 1.00 O.D. X .035 WALL X 4.2 LENGTH 321 TUBING PER MIL-T-8808, ANNEALED.	103106	1
175	MS21902J6	..	UNION	103106	1
180	NAS1612-6A	..	PACKING-	103106	1
181	RR2002-2B3AJ	..	GROMMET SUPPLIER CODE: V57268 SPECIFICATION NUMBER: BACG20AF2B3AJ OPTIONAL PART: H2B3AJ V60980 701-2B3AJ V07096 SZ6924-2B3AJ V95274 G6940-2B3AJ V75345 E2B3AJ V60980	103106	1
182	NAS1352N08H6P	..	SCREW	103106	4
183	MS20995C32	..	WIRE	103106	4
184	M83461-1-223	..	PACKING	103106	1
185	478W1111-29	..	PIN-SHEAR	103106	1
190	W966-16C	..	FITTING- SUPPLIER CODE: V79326 OPTIONAL PART: LC022-16C	103106	1
190	LC022-16C	..	FITTING- SUPPLIER CODE: V79326 OPTIONAL PART: W966-16C	103106	1
195	5759-33	..	WASHER-RETAINING SUPPLIER CODE: V86928	103106	1
200	0A041-0240-31	..	TANK ASSY- SUPPLIER CODE: VS5825 SPECIFICATION NUMBER: S417A201-8 COMPONENT MAINT MANUAL REF: 38-10-11	103106	1

MISSING ITEM NUMBERS NOT APPLICABLE

- ITEM NOT ILLUSTRATED

38-11-01-05

38-11-01
FIG. 05
PAGE 6
JAN 20/09

BRI



757

PARTS CATALOG (MAINTENANCE)

FIG ITEM	PART NUMBER	1 2 3 4 5 6 7	NOMENCLATURE	EFFECT FROM TO	UNITS PER ASSY
5 255	1A264-0281-1		... CLOSURE-END SUPPLIER CODE: VS5825	103106	2
260	2-265S317-60		... PACKING- SUPPLIER CODE: V83259	103106	2
- 265	MS20995C32		... WIRE-LOCK	103106	AR

MISSING ITEM NUMBERS NOT APPLICABLE

- ITEM NOT ILLUSTRATED

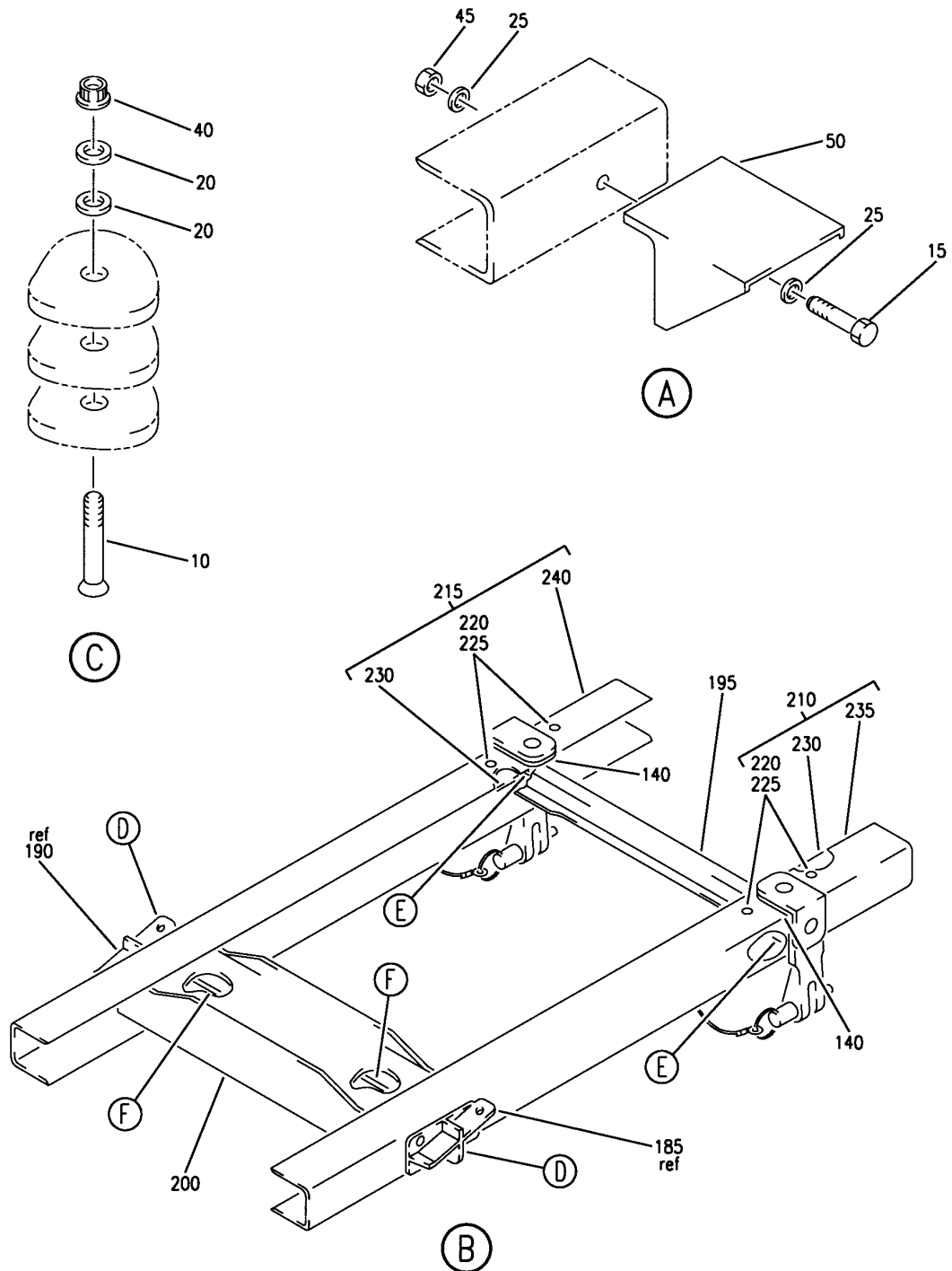
BRI

38-11-01-05

BOEING PROPRIETARY - Copyright © - Unpublished Work - See title page for details.

38-11-01
FIG. 05
PAGE 7
JAN 20/09

BOEING
757
PARTS CATALOG (MAINTENANCE)



Y 38110106 SHT 2 REV 205

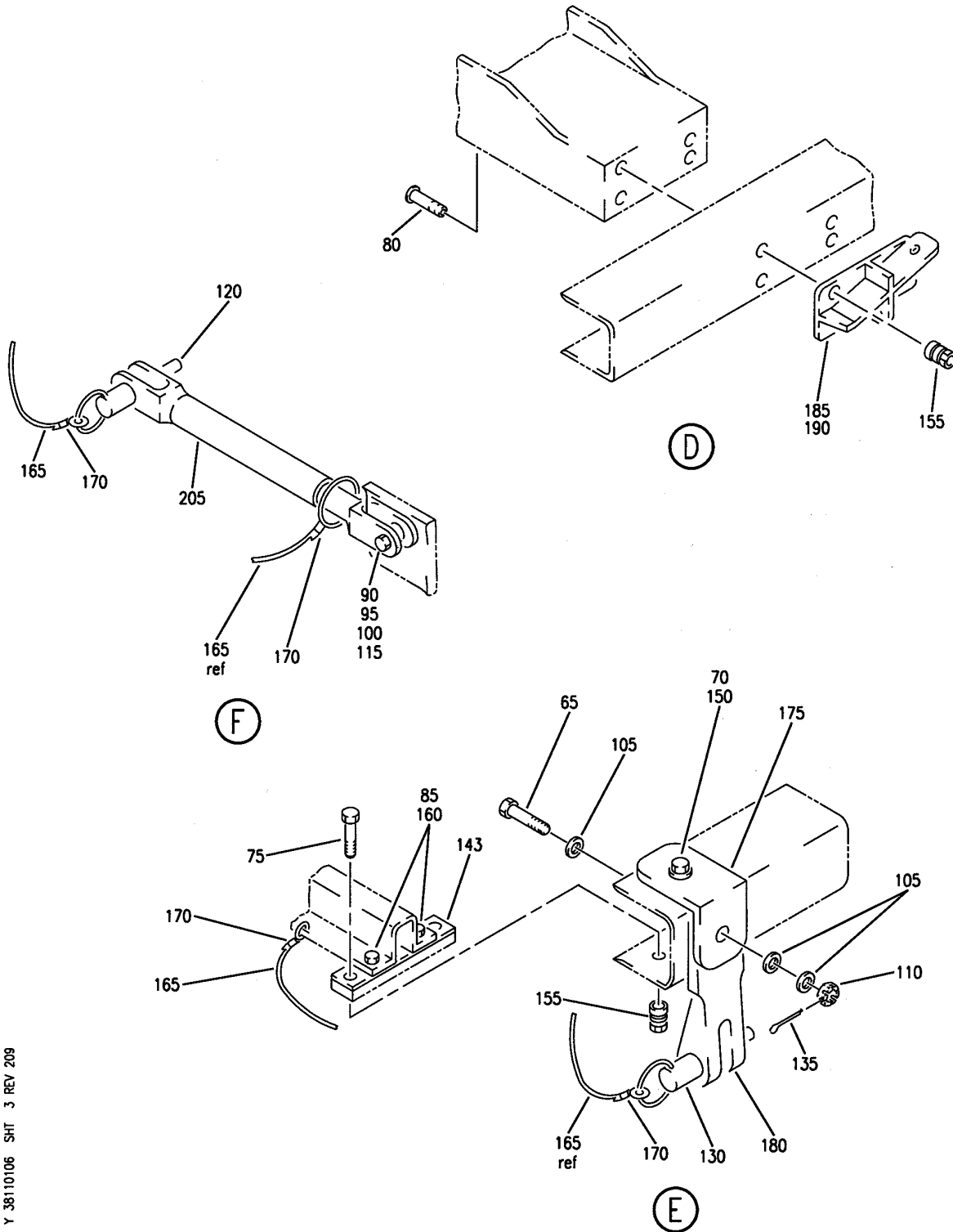
SUPPORT INSTL-POTABLE WATER TANK
FIGURE 6 (SHEET 2)

38-11-01-06

BRI
JAN 20/09

38-11-01-06
PAGE 0A

BOEING
757
PARTS CATALOG (MAINTENANCE)



Y 38110106 SHT 3 REV 209

SUPPORT INSTL-POTABLE WATER TANK
FIGURE 6 (SHEET 3)

38-11-01-06

BRI
JAN 20/09

38-11-01-06
PAGE 0B



757

PARTS CATALOG (MAINTENANCE)

FIG ITEM	PART NUMBER	1 2 3 4 5 6 7	NOMENCLATURE	EFFECT FROM TO	UNITS PER ASSY
6			SUPPORT INSTL-POTABLE WATER TANK	103106	
- 1	MODREF17792		SUPPORT INSTL-POTABLE WATER TANK MODULE NUMBER: 417N2551-1 REV A	103106	1
5	BACB30PF4-11		.BOLT	103106	4
10	BACB30LU3-10		.BOLT	103106	16
15	BACB30NR7K8		.BOLT	103106	4
20	NAS1149D0363J		.WASHER	103106	24
25	NAS1149D0732J		.WASHER	103106	8
30	BACW10BP4DP		.WASHER	103106	4
35	BACW10BP3DP		.WASHER	103106	4
40	PLH53CD		.NUT	103106	20
			SUPPLIER CODE: VF0224 SPECIFICATION NUMBER: BACN10YR3CD OPTIONAL PART: H52732-3CD V15653		
45	PLH57CD		.NUT SUPPLIER CODE: V62554 SPECIFICATION NUMBER: BACN10YR7CD OPTIONAL PART: H52732-7CD V15653	103106	4
50	417N2503-306		.FITTING	103106	4
55	USC757-001-628		.TIE ROD ASSY- SUPPLIER CODE: V31293 SPECIFICATION NUMBER: S401W121-628	103106	2
60	417N2502-300		.CRADLE ASSY-TANK SUPPORT	103106	1
65	BACB30NR6DK14		..BOLT	103106	2

MISSING ITEM NUMBERS NOT APPLICABLE

- ITEM NOT ILLUSTRATED

38-11-01-06

38-11-01
FIG. 06
PAGE 1
JAN 20/09

BRI



757

PARTS CATALOG (MAINTENANCE)

FIG ITEM	PART NUMBER	1 2 3 4 5 6 7	NOMENCLATURE	EFFECT FROM TO	UNITS PER ASSY
6 70	HL1012AZ12-11	. .	BOLT SUPPLIER CODE: VOPTK6 SPECIFICATION NUMBER: BACB30NX12K11 OPTIONAL PART: HL12VAZ12-11 V73197 HL12VAZ12-11 V92215 HL12VAZ12-11 V97928 L802-12K11 V06725 HL12VAZ12-11 V56878 HL1012AZ12-11 V06725 HL1012AZ12-11 V06950 HL1012AZ12-11 V17446 HL1012AZ12-11 V56878 HL1012AZ12-11 V60516 HL1012AZ12-11 V73197 HL1012AZ12-11 V97928	103106	2

MISSING ITEM NUMBERS NOT APPLICABLE

- ITEM NOT ILLUSTRATED

BRI

38-11-01-06

BOEING PROPRIETARY - Copyright © - Unpublished Work - See title page for details.

38-11-01
FIG. 06
PAGE 2
JAN 20/09



757

PARTS CATALOG (MAINTENANCE)

FIG ITEM	PART NUMBER	1 2 3 4 5 6 7	NOMENCLATURE	EFFECT FROM TO	UNITS PER ASSY
6 75	HL1012AZ6-7		.. BOLT SUPPLIER CODE: V97928 SPECIFICATION NUMBER: BACB30NX6K7 OPTIONAL PART: HL12VAZ6-7 V73197 HL12VAZ6-7 V92215 HL12VAZ6-7 V97928 L802-6K7 V06725 HL12VAZ6-7 V56878 HL1012AZ6-7 V0PTK6 HL1012AZ6-7 V06725 HL1012AZ6-7 V06950 HL1012AZ6-7 V17446 HL1012AZ6-7 V56878 HL1012AZ6-7 V60516 HL1012AZ6-7 V73197	103106	4

MISSING ITEM NUMBERS NOT APPLICABLE

- ITEM NOT ILLUSTRATED

BRI

38-11-01-06

BOEING PROPRIETARY - Copyright © - Unpublished Work - See title page for details.

38-11-01
FIG. 06
PAGE 3
JAN 20/09



757

PARTS CATALOG (MAINTENANCE)

FIG ITEM	PART NUMBER	1 2 3 4 5 6 7	NOMENCLATURE	EFFECT FROM TO	UNITS PER ASSY
6 80	HL1012AZ6-9		.. BOLT SUPPLIER CODE: V97928 SPECIFICATION NUMBER: BACB30NX6K9 OPTIONAL PART: HL12VAZ6-9 V73197 HL12VAZ6-9 V92215 HL12VAZ6-9 V97928 L802-6K9 V06725 HL12VAZ6-9 V56878 HL1012AZ6-9 V0PTK6 HL1012AZ6-9 V06725 HL1012AZ6-9 V06950 HL1012AZ6-9 V17446 HL1012AZ6-9 V56878 HL1012AZ6-9 V60516 HL1012AZ6-9 V73197	103106	8

MISSING ITEM NUMBERS NOT APPLICABLE

- ITEM NOT ILLUSTRATED

BRI

38-11-01-06

BOEING PROPRIETARY - Copyright © - Unpublished Work - See title page for details.

38-11-01
FIG. 06
PAGE 4
JAN 20/09



757

PARTS CATALOG (MAINTENANCE)

FIG ITEM	PART NUMBER	1 2 3 4 5 6 7	NOMENCLATURE	EFFECT FROM TO	UNITS PER ASSY
6 85	HL1012AZ8-9	..	BOLT SUPPLIER CODE: VOPTK6 SPECIFICATION NUMBER: BACB30NX8K9 OPTIONAL PART: HL12VAZ8-9 V73197 HL12VAZ8-9 V92215 HL12VAZ8-9 V97928 L802-8K9 V06725 HL12VAZ8-9 V56878 HL1012AZ8-9 V06725 HL1012AZ8-9 V06950 HL1012AZ8-9 V17446 HL1012AZ8-9 V56878 HL1012AZ8-9 V60516 HL1012AZ8-9 V73197 HL1012AZ8-9 V97928	103106	4
90	BACB30PF4-11	..	BOLT-SHOULDER	103106	2
95	BACW10BP3DP	..	WASHER	103106	2
100	BACW10BP4DP	..	WASHER	103106	2
105	NAS1149D0632J	..	WASHER	103106	6
110	BACN10JD6CD	..	NUT	103106	2
115	PLH53CD	..	NUT SUPPLIER CODE: VF0224 SPECIFICATION NUMBER: BACN10YR3CD OPTIONAL PART: H52732-3CD V15653	103106	2

MISSING ITEM NUMBERS NOT APPLICABLE

- ITEM NOT ILLUSTRATED

38-11-01-06

38-11-01
FIG. 06
PAGE 5
JAN 20/09

BRI



757

PARTS CATALOG (MAINTENANCE)

FIG ITEM	PART NUMBER	1 2 3 4 5 6 7	NOMENCLATURE	EFFECT FROM TO	UNITS PER ASSY
6 120	BLDC4-07	..	PIN SUPPLIER CODE: V84256 SPECIFICATION NUMBER: BACP18AN4C07 OPTIONAL PART: LJ4DW07 V83014 SLDC4R07 V16258	103106	2
130	NAS1334S6S09D	..	PIN- OPTIONAL PART: NAS1334C6C09D	103106	2
130	NAS1334C6C09D	..	PIN- OPTIONAL PART: NAS1334S6S09D	103106	2
135	BACP18BC03C10P	..	PIN	103106	2
140	BACS40R015F020F	..	SHIM	103106	2
143	BACS40R012C045F	..	SHIM	103106	2
150	HL1087-12	..	COLLAR SUPPLIER CODE: V9N513 SPECIFICATION NUMBER: BACC30BH12 OPTIONAL PART: HL1087-12 V92215 HL1087-12 V73197 HL1087-12 V56878	103106	2
155	HL1087-6	..	COLLAR SUPPLIER CODE: V73197 SPECIFICATION NUMBER: BACC30BH6 OPTIONAL PART: HL1087-6 V56878 HL1087-6 V92215 HL1087-6 V9N513	103106	12

MISSING ITEM NUMBERS NOT APPLICABLE

- ITEM NOT ILLUSTRATED

38-11-01-06

38-11-01
FIG. 06
PAGE 6
JAN 20/09

BRI

BOEING PROPRIETARY - Copyright © - Unpublished Work - See title page for details.



757

PARTS CATALOG (MAINTENANCE)

FIG ITEM	PART NUMBER	1 2 3 4 5 6 7	NOMENCLATURE	EFFECT FROM TO	UNITS PER ASSY
6 160	HL1087-8	..	COLLAR SUPPLIER CODE: V9N513 SPECIFICATION NUMBER: BACC30BH8 OPTIONAL PART: HL1087-8 V92215 HL1087-8 V73197 HL1087-8 V56878	103106	4
165	478W1110-4	..	CORD	103106	4
170	GSB232	..	SLEEVE- SUPPLIER CODE: V56501 SPECIFICATION NUMBER: BACS13S232B	103106	8
175	478W1111-6	..	BRACKET-ANGLE	103106	2
180	478W1111-14	..	FITTING-ROTATION OPTIONAL PART: 478W1111-38	103106	2
180	478W1111-38	..	FITTING-ROTATION OPTIONAL PART: 478W1111-14	103106	2
185	417N2503-314	..	BRACKET	103106	1
190	417N2503-315	..	BRACKET	103106	1
195	478W1111-12	..	RAIL-SUPPORT OPTIONAL PART: 478W1111-33	103106	1
195	478W1111-33	..	RAIL-SUPPORT OPTIONAL PART: 478W1111-12	103106	1
200	417N2503-309	..	BEAM-SUPPORT	103106	1
205	USC777-023-216	..	TIE ROD ASSY- SUPPLIER CODE: V31293 SPECIFICATION NUMBER: S401W121-216	103106	2
210	417N2503-312	..	RAIL ASSY	103106	1
215	417N2503-313	..	RAIL ASSY	103106	1

MISSING ITEM NUMBERS NOT APPLICABLE

- ITEM NOT ILLUSTRATED

BRI

38-11-01-06

BOEING PROPRIETARY - Copyright © - Unpublished Work - See title page for details.

38-11-01
FIG. 06
PAGE 7
JAN 20/09



757

PARTS CATALOG (MAINTENANCE)

FIG ITEM	PART NUMBER	1 2 3 4 5 6 7	NOMENCLATURE	EFFECT FROM TO	UNITS PER ASSY
6 220	HL1012AZ6-7	...	BOLT SUPPLIER CODE: V97928 SPECIFICATION NUMBER: BACB30NX6K7 OPTIONAL PART: HL12VAZ6-7 V73197 HL12VAZ6-7 V92215 HL12VAZ6-7 V97928 L802-6K7 V06725 HL12VAZ6-7 V56878 HL1012AZ6-7 VOPTK6 HL1012AZ6-7 V06725 HL1012AZ6-7 V06950 HL1012AZ6-7 V17446 HL1012AZ6-7 V56878 HL1012AZ6-7 V60516 HL1012AZ6-7 V73197	103106	2
225	HL1087-6	...	COLLAR SUPPLIER CODE: V73197 SPECIFICATION NUMBER: BACC30BH6 OPTIONAL PART: HL1087-6 V56878 HL1087-6 V92215 HL1087-6 V9N513	103106	2
230	BACF3H12XF045HN	...	FILLER	103106	1
235	417N2503-310	...	RAIL- USED ON: 417N2503-312	103106	1
240	417N2503-311	...	RAIL- USED ON: 417N2503-313	103106	1

MISSING ITEM NUMBERS NOT APPLICABLE

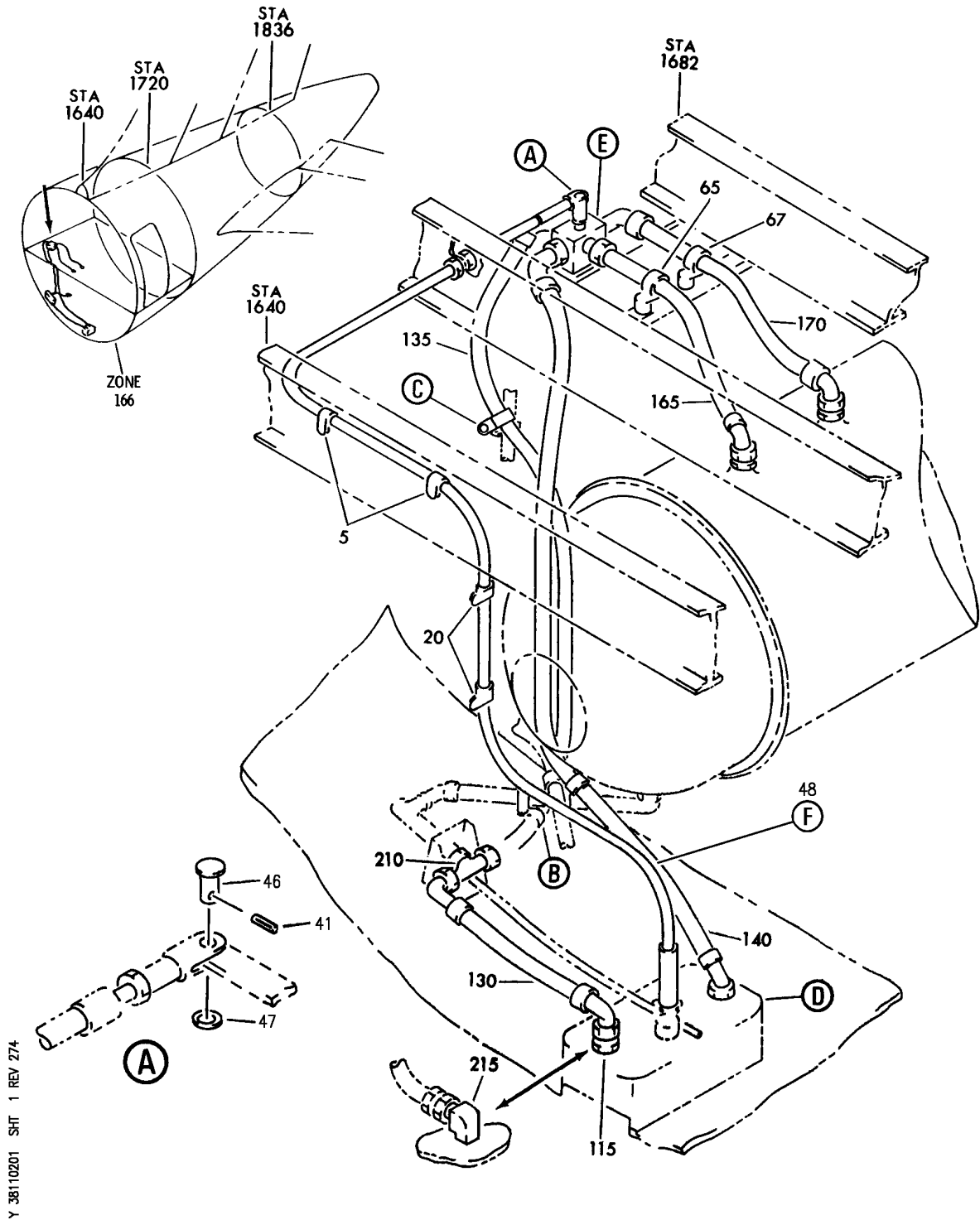
- ITEM NOT ILLUSTRATED

38-11-01-06

38-11-01
FIG. 06
PAGE 8
JAN 20/09

BRI


BOEING
 757
PARTS CATALOG (MAINTENANCE)



Y 38110201 SHT 1 REV 274

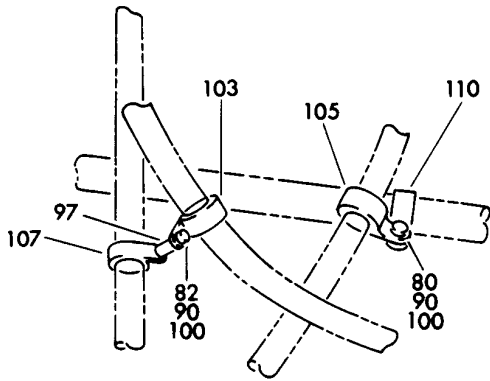
VALVE AND QUANTITY GAUGE INSTL-PASS. WATER SYS WATER TANK FILL AND OVERFLOW
 FIGURE 1 (SHEET 1)

BRI
 MAY 28/07

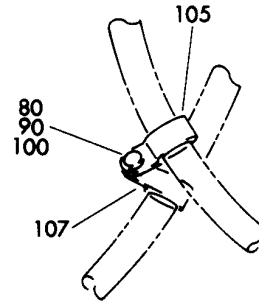
38-11-02-01

38-11-02-01
 PAGE 0

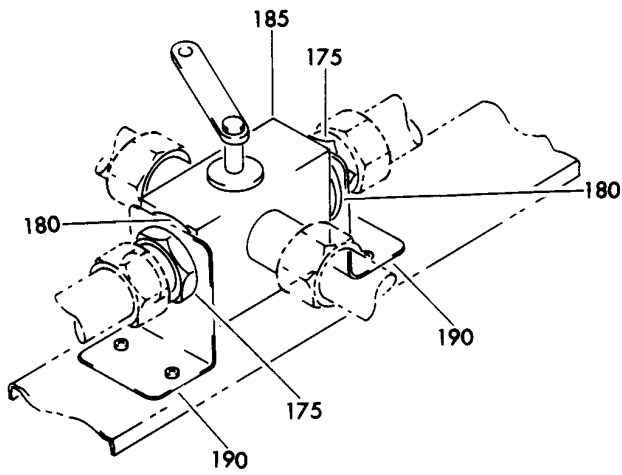
BOEING
757
PARTS CATALOG (MAINTENANCE)



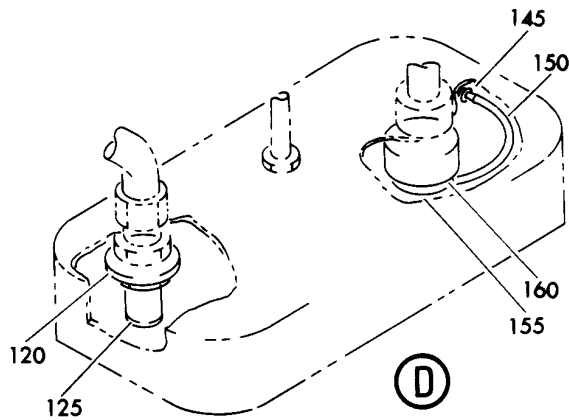
(B)



(C)



(E)



(D)

Y 38110201 SH1 2 REV 274

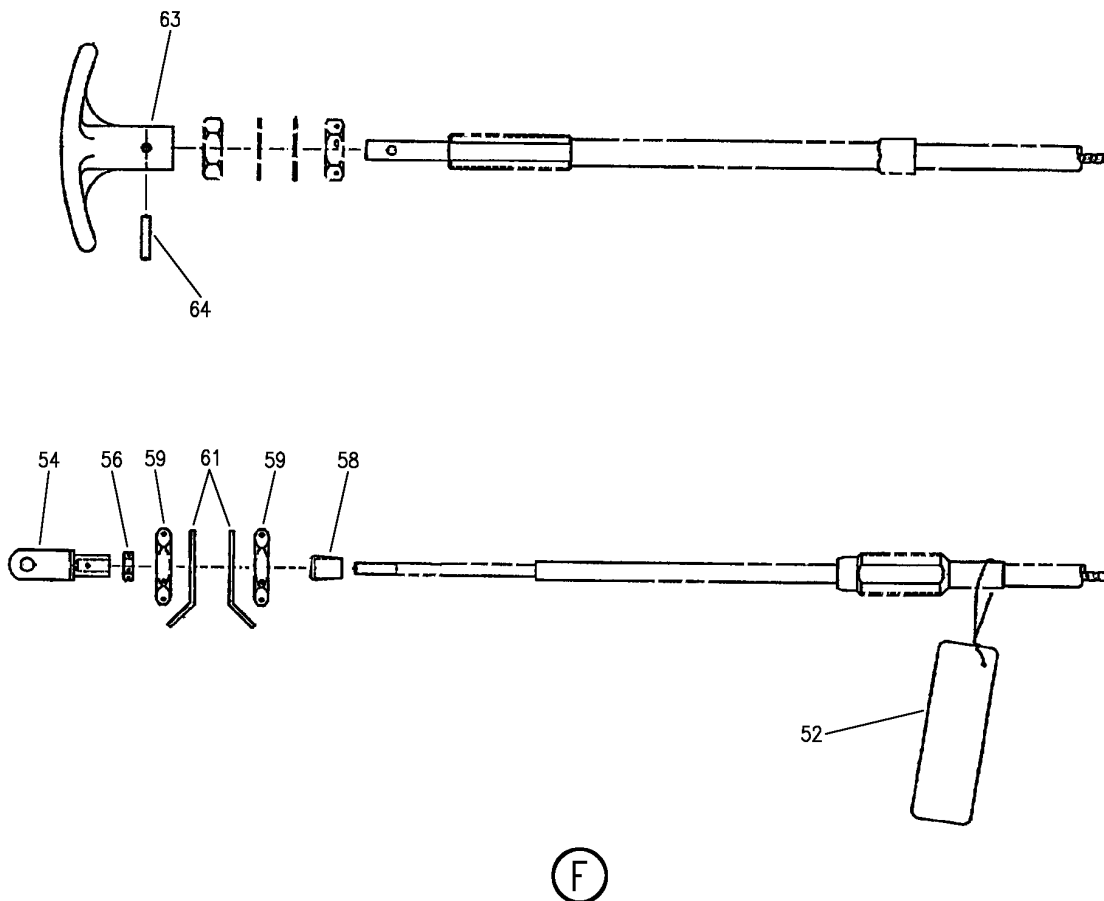
VALVE AND QUANTITY GAUGE INSTL-PASS. WATER SYS WATER TANK FILL AND OVERFLOW
FIGURE 1 (SHEET 2)

BRI
MAY 28/07

38-11-02-01

38-11-02-01
PAGE 0A

BOEING
757
PARTS CATALOG (MAINTENANCE)



(F)

Y 38110201 SH1 3 REV 287

VALVE AND QUANTITY GAUGE INSTL-PASS. WATER SYS WATER TANK FILL AND OVERFLOW
FIGURE 1 (SHEET 3)

BRI
MAY 28/07

38-11-02-01

38-11-02-01
PAGE 0B



757

PARTS CATALOG (MAINTENANCE)

FIG ITEM	PART NUMBER	1 2 3 4 5 6 7	NOMENCLATURE	EFFECT FROM TO	UNITS PER ASSY
1			VALVE AND QUANTITY GAUGE INSTL-PASS. WATER SYS WATER TANK FILL AND OVERFLOW	002004 006100 107107 121503 904999	
- 1	417N2515-1		VALVE INSTL-PASS. WATER SYS WATER TANK FILL AND OVERFLOW (FILL/OVERFLOW VALVE ONLY) FOR NHA/ADDITIONAL DET SEE: 25-20-00-03A	002004 006100 107107 121503 904999	RF
	5 BACC10DK5		.CLAMP-	002004 006100 107107 121503 904999	2
- 10	NAS1801-3-10		ATTACHING PARTS .SCREW	002004 006100 107107 121503 904999	2
- 15	AN960PD10L		.WASHER	002004 006100 107107 121503 904999	2
	20 BACC10DK5		-----*----- .CLAMP-	002004 006100 107107 121503 904999	2
- 25	NAS1801-3-16		ATTACHING PARTS .SCREW	002004 006100 107107 121503 904999	2
- 30	AN960PD10L		.WASHER	002004 006100 107107 121503 904999	4
- 35	NAS43DD3-24		.SPACER	002004 006100 107107 121503 904999	2

MISSING ITEM NUMBERS NOT APPLICABLE

- ITEM NOT ILLUSTRATED

38-11-02-01

38-11-02
FIG. 01
PAGE 1
JAN 20/09

BRI

BOEING PROPRIETARY - Copyright © - Unpublished Work - See title page for details.



757

PARTS CATALOG (MAINTENANCE)

FIG ITEM	PART NUMBER	1 2 3 4 5 6 7	NOMENCLATURE	EFFECT FROM TO	UNITS PER ASSY
1 - 40	BRH10A3		.NUT SUPPLIER CODE: V52828 SPECIFICATION NUMBER: BACN10JC3 OPTIONAL PART: H10-3BAC V15653 NS202101-02 V80539 RMLH9075-3W V72962 VN303A02 V92215 96-02 V80539 T6S1032J V11815 -----*-----	002004 006100 107107 121503 904999	2
41	MS51923-314		.PIN-	002004 006100 107107 121503 904999	1
46	MS20392-2C11		.PIN-	002004 006100 107107 121503 904999	1
47	AN960PD10L		.WASHER-	002004 006100 107107 121503 904999	1
47	AN960KD10L		.WASHER-	002004 006100 107107 121503 904999	1

MISSING ITEM NUMBERS NOT APPLICABLE

- ITEM NOT ILLUSTRATED

38-11-02-01

38-11-02
FIG. 01
PAGE 2
JAN 20/09

BRI



757

PARTS CATALOG (MAINTENANCE)

FIG ITEM	PART NUMBER	1 2 3 4 5 6 7	NOMENCLATURE	EFFECT FROM TO	UNITS PER ASSY
1					
48	7-45527-81	.	CABLE ASSY-CONT SUPPLIER CODE: V78710 SPECIFICATION NUMBER: S417N202-81 CONFIG CHG DATA FROM A CMM: SUPERSEDES 7-44017-81 COMPONENT MAINT MANUAL REF: 38-10-08 OPTIONAL PART: 7-44017-81 V78710	003004 006100 121503 950951 953999	1
48	7-44017-69	.	CABLE ASSY-CONT SUPPLIER CODE: V78710 SPECIFICATION NUMBER: S417N202-69 COMPONENT MAINT MANUAL REF: 38-30-11	002004 006010 107107 121503 904949 952999	1
48	7-44017-81	.	CABLE ASSY-CONT SUPPLIER CODE: V78710 SPECIFICATION NUMBER: S417N202-81 CONFIG CHG DATA FROM A CMM: SUPSD BY 7-45527-81 COMPONENT MAINT MANUAL REF: 38-30-11 OPTIONAL PART: 7-45527-81 V78710	003004 006100 121503 950951 953999	1
48	7-44017-1	.	CABLE ASSY-CONT SUPPLIER CODE: V78710 SPECIFICATION NUMBER: S417N202-1 COMPONENT MAINT MANUAL REF: 38-30-11 OPTIONAL PART: 565-528-001 V06970	002002 107107 904949 952952	1
52	64371-1	..	PLATE-IDENT SUPPLIER CODE: V78710	002002 107107 904949 952952	1
54	61782-1	..	CLEVIS- SUPPLIER CODE: V78710	002002 107107 904949 952952	1

MISSING ITEM NUMBERS NOT APPLICABLE

- ITEM NOT ILLUSTRATED

38-11-02-01

38-11-02
FIG. 01
PAGE 3
JAN 20/09

BRI



757

PARTS CATALOG (MAINTENANCE)

FIG ITEM	PART NUMBER	1 2 3 4 5 6 7	NOMENCLATURE	EFFECT FROM TO	UNITS PER ASSY
1					
54	61782-2		..CLEVIS- SUPPLIER CODE: V78710	002004 006010 107107 121503 904949 952999	1
54	61782-3		..CLEVIS- SUPPLIER CODE: V78710	003004 006100 121503 950951 953999	1
56	NAS1423C3		ATTACHING PARTS ..NUT	002004 006100 107107 121503 904999	1
58	80021-9		-----*----- ..SEAL-WIPER SUPPLIER CODE: V0K9B6	002004 006100 107107 121503 904999	1
59	NAS1423C10		..NUT	002004 006100 107107 121503 904999	2
61	23293-2		..WASHER- SUPPLIER CODE: V78710	002004 006100 107107 121503 904999	2
63	61751-1		..HANDLE- SUPPLIER CODE: V78710	002004 006100 107107 121503 904999	1
64	MS171526		ATTACHING PARTS ..PIN -----*-----	002004 006100 107107 121503 904999	1

MISSING ITEM NUMBERS NOT APPLICABLE

- ITEM NOT ILLUSTRATED

38-11-02-01

38-11-02
FIG. 01
PAGE 4
JAN 20/09

BRI

BOEING PROPRIETARY - Copyright © - Unpublished Work - See title page for details.



757

PARTS CATALOG (MAINTENANCE)

FIG ITEM	PART NUMBER	1 2 3 4 5 6 7	NOMENCLATURE	EFFECT FROM TO	UNITS PER ASSY
1					
65	BACC10DK15	.	CLAMP	002004 006100 107107 121503 904999	1
67	BACC10DK15	.	CLAMP- USED WITH: 78001-425	002004 006100 107107 121503 904999	1
67	BACC10DK13	.	CLAMP- USED WITH: 10-61042-185	002004 006100 107107 121503 904999	1
-	70	NAS1801-3-11	ATTACHING PARTS . SCREW-	002004 006100 107107 121503 904999	2
-	75	AN960PD10L	. WASHER-	002004 006100 107107 121503 904999	2
-	75	AN960KD10L	. WASHER-	002004 006100 107107 121503 904999	2
			-----*		
80	NAS1801-3-12	.	SCREW	002004 006100 107107 121503 904999	2
82	NAS1801-3-34	.	SCREW-	002004 006100 107107 121503 904999	1
90	AN960PD10L	.	WASHER-	002004 006100 107107 121503 904999	6

MISSING ITEM NUMBERS NOT APPLICABLE

- ITEM NOT ILLUSTRATED

BRI

38-11-02-01

BOEING PROPRIETARY - Copyright © - Unpublished Work - See title page for details.

38-11-02
FIG. 01
PAGE 5
JAN 20/09

 **BOEING**
757
PARTS CATALOG (MAINTENANCE)

FIG ITEM	PART NUMBER	1 2 3 4 5 6 7	NOMENCLATURE	EFFECT FROM TO	UNITS PER ASSY
1	90 AN960KD10L	.	WASHER-	002004 006100 107107 121503 904999	6
	97 NAS43DD3-92	.	SPACER-	002004 006100 107107 121503 904999	1
	100 BRH10A3	.	NUT SUPPLIER CODE: V52828 SPECIFICATION NUMBER: BACN10JC3 OPTIONAL PART: H10-3BAC V15653 NS202101-02 V80539 RMLH9075-3W V72962 VN303A02 V92215 96-02 V80539 T6S1032J V11815	002004 006100 107107 121503 904999	3
	103 BACC10DK13	.	CLAMP	002004 006100 107107 121503 904999	1
	105 BACC10DK13	.	CLAMP-	002004 006100 107107 121503 904999	2
	107 BACC10DK16	.	CLAMP	002004 006100 107107 121503 904999	2
	110 BACC10DK19	.	CLAMP	002004 006100 107107 121503 904999	1

MISSING ITEM NUMBERS NOT APPLICABLE

- ITEM NOT ILLUSTRATED

BRI

38-11-02-01

BOEING PROPRIETARY - Copyright © - Unpublished Work - See title page for details.

38-11-02
FIG. 01
PAGE 6
JAN 20/09



757

PARTS CATALOG (MAINTENANCE)

FIG ITEM	PART NUMBER	1 2 3 4 5 6 7	NOMENCLATURE	EFFECT FROM TO	UNITS PER ASSY
1					
115	AN924-16D	.	NUT-	002004 006100 107107 121503 904999	1
115	AN924-16J	.	NUT-	002004 006100 107107 121503 904999	1
120	AN960-2116	.	WASHER-	002004 006100 107107 121503 904999	1
120	AN960C2116	.	WASHER-	002004 006100 107107 121503 904999	1
125	69B50003-1	.	FITTING-OVERFLOW AND DRAIN	002004 006100 107107 121503 904999	1
130	AS4474M0154-090	.	HOSE ASSY- OPTIONAL PART: 78001-467 V24984	002004 006100 107107 121503 904999	1
130	78001-467	.	HOSE ASSY- SUPPLIER CODE: V24984 SPECIFICATION NUMBER: 10-61998-467 OPTIONAL PART: R29285-16-0154-90 V50599 A1650-467 V98441 OPTIONAL PART: AS447M0154-090	002004 006100 107107 121503 904999	1

MISSING ITEM NUMBERS NOT APPLICABLE

- ITEM NOT ILLUSTRATED

38-11-02-01

38-11-02
FIG. 01
PAGE 7
JAN 20/09

BRI



757

PARTS CATALOG (MAINTENANCE)

FIG ITEM	PART NUMBER	1 2 3 4 5 6 7	NOMENCLATURE	EFFECT FROM TO	UNITS PER ASSY
1 135	73042-178		.HOSE ASSY- SUPPLIER CODE: V24984 SPECIFICATION NUMBER: 10-61042-178 OPTIONAL PART: R23321-12-0560 V50599	002004 006100 107107 121503 904999	1
135	78001-466		.HOSE ASSY- SUPPLIER CODE: V24984 SPECIFICATION NUMBER: 10-61998-466 OPTIONAL PART: R29282-12-0560 V50599 A1650-466 V03925	002004 006100 107107 121503 904999	1
140	78001-424		.HOSE ASSY- SUPPLIER CODE: V24984 SPECIFICATION NUMBER: 10-61998-424 OPTIONAL PART: AE706493-424 V00624 A1650-424 V03925 R29283-12-0600-0 V50599	002004 006100 107107 121503 904999	1
140	73042-177		.HOSE ASSY- SUPPLIER CODE: V24984 SPECIFICATION NUMBER: 10-61042-177 OPTIONAL PART: R23327-12-0600-0 V50599	002004 006100 107107 121503 904999	1
145	BACS12CK3-5		.SCREW	002004 006100 107107 121503 904999	1
150	417N2515-8		.SLEEVE-	002004 006100 107107 121503 904999	1

MISSING ITEM NUMBERS NOT APPLICABLE

- ITEM NOT ILLUSTRATED

38-11-02-01

38-11-02
FIG. 01
PAGE 8
JAN 20/09

BRI

BOEING PROPRIETARY - Copyright © - Unpublished Work - See title page for details.



757

PARTS CATALOG (MAINTENANCE)

FIG ITEM	PART NUMBER	1 2 3 4 5 6 7	NOMENCLATURE	EFFECT FROM TO	UNITS PER ASSY
1 155	1400J12AC001		.CAP ASSY-FILL SUPPLIER CODE: V86831 OPTIONAL PART: V1400J012AC1 V84971	002004 006100 107107 121503 904999	1
155	V1400J012AC1		.CAP ASSY-FILL SUPPLIER CODE: V84971 OPTIONAL PART: 1400J12AC001 V86381	002004 006100 107107 121503 904999	1
160	4739-12-4		.FITTING-FILL SUPPLIER CODE: V86831 OPTIONAL PART: V4739J012C04 V84971	002004 006100 107107 121503 904999	1
160	V4739J012C04		.FITTING-FILL SUPPLIER CODE: V84971 OPTIONAL PART: 4739-12-4 V86831	002004 006100 107107 121503 904999	1
- 162	BACR15FT5D		ATTACHING PARTS .RIVET- SIZE DETERMINED ON INSTL.	002004 006100 107107 121503 904999	6
165	78001-422		-----*----- .HOSE ASSY- SUPPLIER CODE: V24984 SPECIFICATION NUMBER: 10-61998-422 OPTIONAL PART: AE706493-422 V00624 A1650-422 V03925 R29281-12-0200 V50599	002004 006100 107107 121503 904999	1

MISSING ITEM NUMBERS NOT APPLICABLE

- ITEM NOT ILLUSTRATED

BRI

38-11-02-01

BOEING PROPRIETARY - Copyright © - Unpublished Work - See title page for details.

38-11-02
FIG. 01
PAGE 9
JAN 20/09



757

PARTS CATALOG (MAINTENANCE)

FIG ITEM	PART NUMBER	1 2 3 4 5 6 7	NOMENCLATURE	EFFECT FROM TO	UNITS PER ASSY
1 170	78001-425		.HOSE ASSY- SUPPLIER CODE: V24984 SPECIFICATION NUMBER: 10-61998-425 OPTIONAL PART: AE706493-425 V00624 A1650-425 V03925 R29284-12-0220-270 V50599 OPTIONAL PART: 73042-185 V24984	002004 006100 107107 121503 904999	1
170	73042-185		.HOSE ASSY- SUPPLIER CODE: V24984 SPECIFICATION NUMBER: 10-61042-185 OPTIONAL PART: 78001-425 V24984	002004 006100 107107 121503 904999	1
175	AN924-12D		.NUT	002004 006100 107107 121503 904999	2
180	AN960PD1716		.WASHER-	002004 006100 107107 121503 904999	2
180	AN960KD1716		.WASHER-	002004 006100 107107 121503 904999	2
185	12D124-9		.VALVE-FILL SUPPLIER CODE: V82829 SPECIFICATION NUMBER: 10-60784-9 COMPONENT MAINT MANUAL REF: 38-11-01	002004 006100 107107 121503 904999	1

MISSING ITEM NUMBERS NOT APPLICABLE

- ITEM NOT ILLUSTRATED

BRI

38-11-02-01

BOEING PROPRIETARY - Copyright © - Unpublished Work - See title page for details.

38-11-02
FIG. 01
PAGE 10
JAN 20/09



757

PARTS CATALOG (MAINTENANCE)

FIG ITEM	PART NUMBER	1 2 3 4 5 6 7	NOMENCLATURE	EFFECT FROM TO	UNITS PER ASSY
1	190 417N2514-1		.BRACKET-VALVE SPRT	002004 006100 107107 121503 904999	2
- 195	NAS1801-3-12		ATTACHING PARTS .SCREW-	002004 006100 107107 121503 904999	4
- 200	AN960PD10L		.WASHER-	002004 006100 107107 121503 904999	4
- 200	AN960KD10L		.WASHER-	002004 006100 107107 121503 904999	4
- 205	BRH10A3		.NUT SUPPLIER CODE: V52828 SPECIFICATION NUMBER: BACN10JC3 OPTIONAL PART: H10-3BAC V15653 NS202101-02 V80539 RMLH9075-3W V72962 VN303A02 V92215 96-02 V80539 T6S1032J V11815 -----*-----	002004 006100 107107 121503 904999	4
210	NAS1764J161216		.TEE- OPTIONAL PART: FT913 V24984	002004 006100 107107 121503 904999	1

MISSING ITEM NUMBERS NOT APPLICABLE

- ITEM NOT ILLUSTRATED

38-11-02-01

38-11-02
FIG. 01
PAGE 11
JAN 20/09

BRI



757

PARTS CATALOG (MAINTENANCE)

FIG ITEM	PART NUMBER	1 2 3 4 5 6 7	NOMENCLATURE	EFFECT FROM TO	UNITS PER ASSY
1	210 FT913		. TEE-	002004	1
			SUPPLIER CODE:	006100	
			V24984	107107	
			OPTIONAL PART:	121503	
			NAS1764J161216	904999	
- 300	286N2632-012		WIRE BUNDLE ASSY-(WATER/ WASTE ONLY)	107107	RF
- 300	286N2632-021		WIRE BUNDLE ASSY-(WATER/ WASTE ONLY)	002004	RF
				006100	
				121503	
				904999	
310	C0909A10-05SN		. CONNECTOR-	002004	1
			SUPPLIER CODE:	006100	
			V13556	107107	
			SPECIFICATION NUMBER:	121503	
			BACC63BN10-5S	904999	
			OPTIONAL PART:		
			48-63N10-5S		
			V02660		
			R071210-5S		
			V41118		
			ELECTRICAL EQUIP NUMBER:		
			D00056		
			WIRING DIAGRAM REF:		
			381411		

MISSING ITEM NUMBERS NOT APPLICABLE

- ITEM NOT ILLUSTRATED

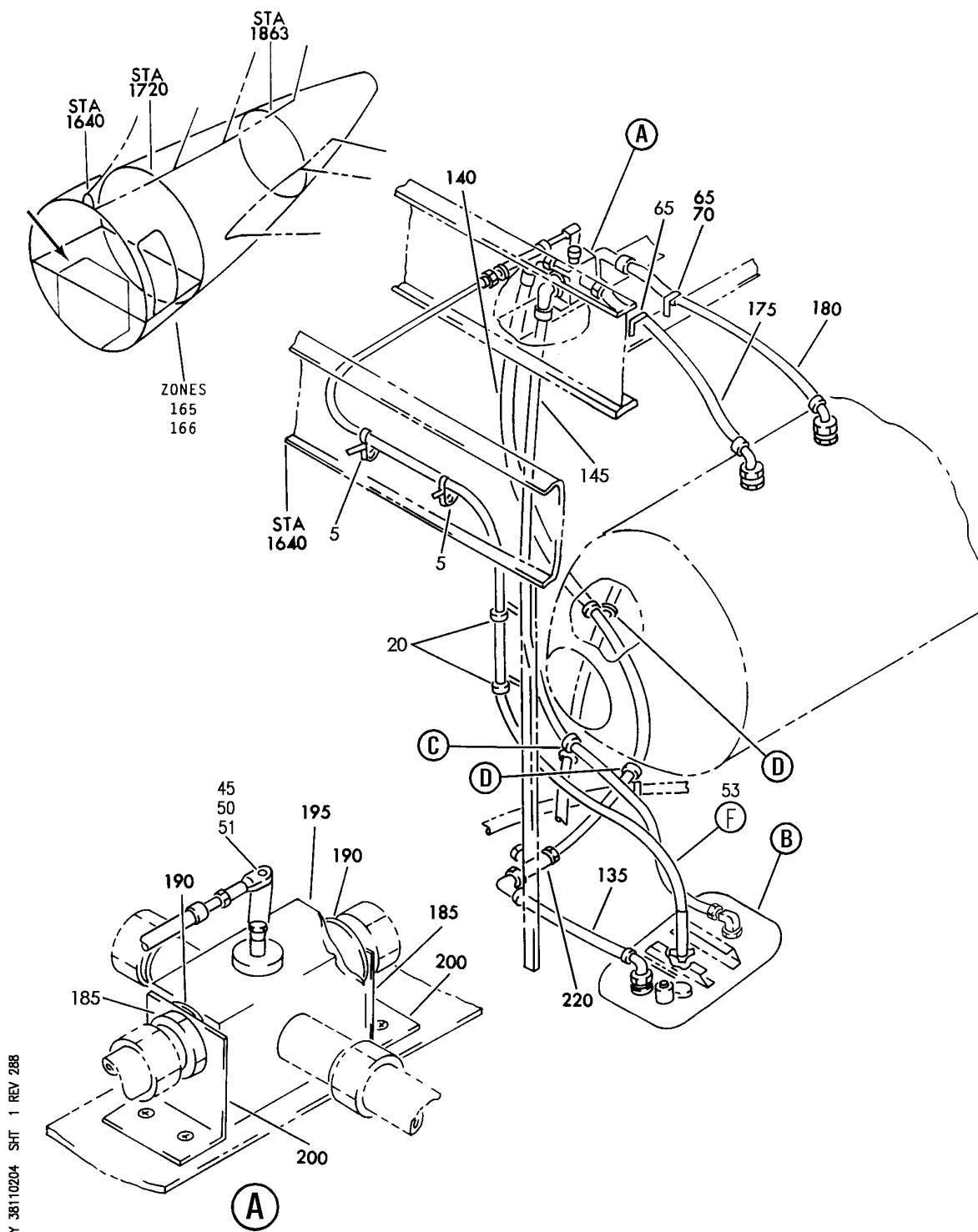
BRI

38-11-02-01

BOEING PROPRIETARY - Copyright © - Unpublished Work - See title page for details.

38-11-02
FIG. 01
PAGE 12
JAN 20/09

BOEING
757
PARTS CATALOG (MAINTENANCE)



Y 38110204 SHT 1 REV 288

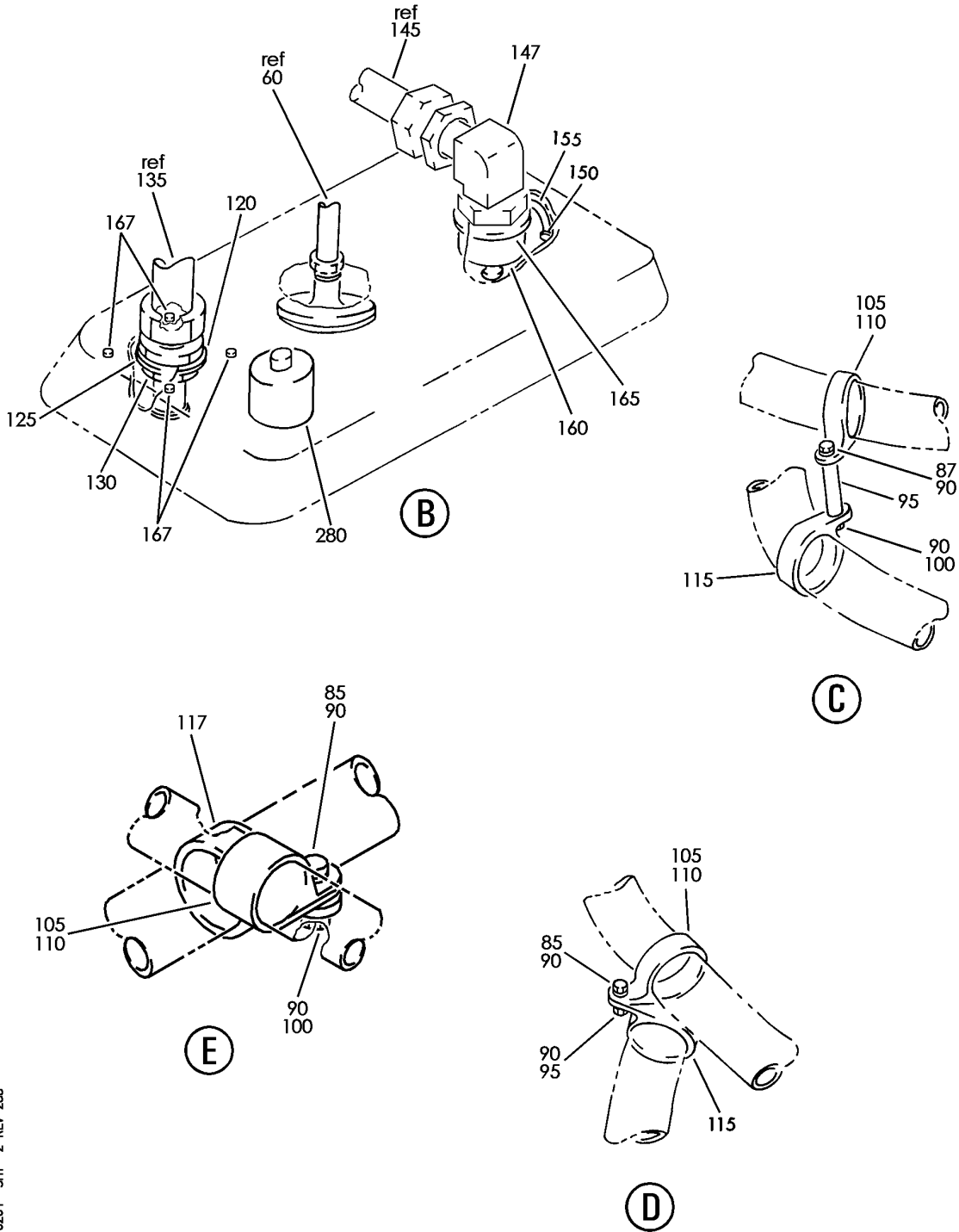
VALVE INSTL-PASS. WATER SYS WATER TANK FILL AND OVERFLOW VALVE ONLY (AFT)
FIGURE 4 (SHEET 1)

BRI
MAY 28/07

38-11-02-04

38-11-02-04
PAGE 0

BOEING
757
PARTS CATALOG (MAINTENANCE)



Y 38110204 SH1 2 REV 288

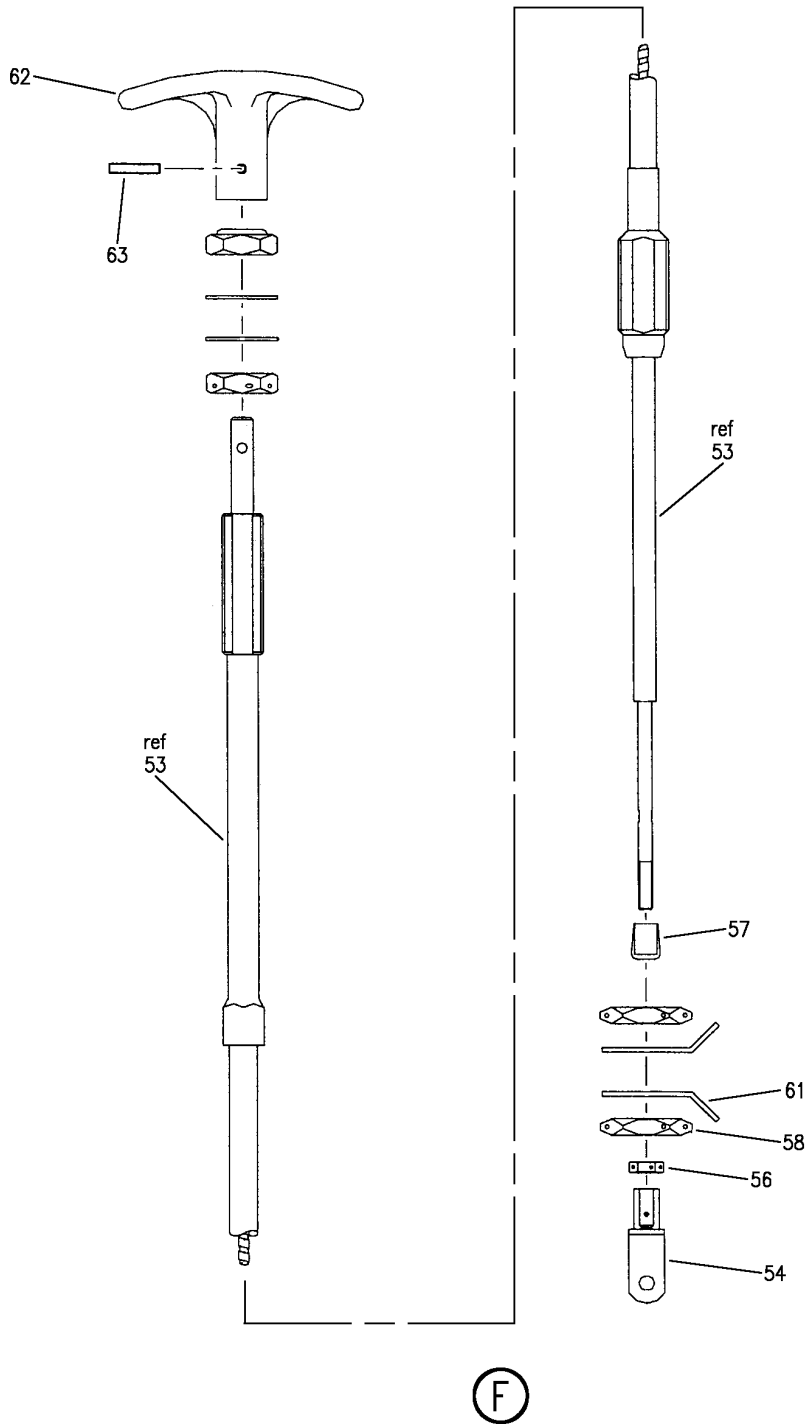
VALVE INSTL-PASS. WATER SYS WATER TANK FILL AND OVERFLOW VALVE ONLY (AFT)
FIGURE 4 (SHEET 2)

BRI
MAY 28/07

38-11-02-04

38-11-02-04
PAGE 0A


BOEING
 757
PARTS CATALOG (MAINTENANCE)



Y 38110204 SH1 3 REV 288

VALVE INSTL-PASS. WATER SYS WATER TANK FILL AND OVERFLOW VALVE ONLY (AFT)
 FIGURE 4 (SHEET 3)

BRI
 MAY 28/07

38-11-02-04

38-11-02-04
 PAGE 0B



757

PARTS CATALOG (MAINTENANCE)

FIG ITEM	PART NUMBER	1 2 3 4 5 6 7	NOMENCLATURE	EFFECT FROM TO	UNITS PER ASSY
4			VALVE INSTL-PASS. WATER SYS WATER TANK FILL AND OVERFLOW VALVE ONLY (AFT)	101102 108120 504903	
- 1	417N2515-41		VALVE INSTL-PASS. WATER SYS WATER TANK FILL AND OVERFLOW (FILL/OVERFLOW VALVE ONLY)	101102 108120 504903	RF
	5 BACC10DK5		.CLAMP	101102 108120 504903	2
- 10	NAS1801-3-10		ATTACHING PARTS .SCREW	101102 108120 504903	2
- 15	AN960PD10L		.WASHER	101102 108120 504903	2
	20 BACC10DK5		-----*----- .CLAMP	101102 108120 504903	2
- 25	NAS1801-3-16		ATTACHING PARTS .SCREW	101102 108120 504903	2
- 30	AN960PD10L		.WASHER	101102 108120 504903	4
- 35	NAS43DD3-24		.SPACER	101102 108120 504903	2

MISSING ITEM NUMBERS NOT APPLICABLE

- ITEM NOT ILLUSTRATED

38-11-02-04

38-11-02
FIG. 04
PAGE 1
JAN 20/09

BRI



757

PARTS CATALOG (MAINTENANCE)

FIG ITEM	PART NUMBER	1 2 3 4 5 6 7	NOMENCLATURE	EFFECT FROM TO	UNITS PER ASSY
4 - 40	BRH10A3		.NUT SUPPLIER CODE: V52828 SPECIFICATION NUMBER: BACN10JC3 OPTIONAL PART: H10-3BAC V15653 NS202101-02 V80539 RMLH9075-3W V72962 VN303A02 V92215 96-02 V80539 T6S1032J V11815 -----*-----	101102 108120 504903	2
45	MS51923-314		.PIN	101102 108120 504903	1
50	MS20392-2C11		.PIN	101102 108120 504903	1
51	AN960PD10L		.WASHER	101102 108120 504903	1
53	7-44017-81		.CABLE ASSY-CONT SUPPLIER CODE: V78710 SPECIFICATION NUMBER: S417N202-81 COMPONENT MAINT MANUAL REF: 38-30-11 OPTIONAL PART: 7-45527-81 V78710	101102 108120 504903	1
54	61782-3		..CLEVIS- SUPPLIER CODE: V78710 ATTACHING PARTS	101102 108120 504903	1
56	NAS1423C3		..NUT	101102 108120 504903	1
57	80021-9		..SEAL-WIPER SUPPLIER CODE: V78710	101102 108120 504903	1

MISSING ITEM NUMBERS NOT APPLICABLE

- ITEM NOT ILLUSTRATED

38-11-02-04

38-11-02
FIG. 04
PAGE 2
JAN 20/09

BRI

BOEING
757
PARTS CATALOG (MAINTENANCE)

FIG ITEM	PART NUMBER	1 2 3 4 5 6 7	NOMENCLATURE	EFFECT FROM TO	UNITS PER ASSY
4					
58	NAS1423C10	. .	NUT	101102 108120 504903	2
61	23293-2	. .	WASHER- SUPPLIER CODE: V78710	101102 108120 504903	2
62	61751-1	. .	HANDLE- SUPPLIER CODE: V78710	101102 108120 504903	1
63	MS171526	. .	PIN ATTACHING PARTS	101102 108120 504903	1
65	BACC10DK15	. .	CLAMP -----*-----	101102 108120 504903	2
70	BACC10DK13	. .	CLAMP- USED WITH: 10-61042-185	101102 108120 504903	1
- 75	NAS1801-3-11	. .	SCREW ATTACHING PARTS	101102 108120 504903	2
- 80	AN960PD10L	. .	WASHER -----*-----	101102 108120 504903	2
85	NAS1801-3-12	. .	SCREW	101102 108120 504903	2
87	NAS1801-3-34	. .	SCREW	101102 108120 504903	1
90	AN960PD10L	. .	WASHER	101102 108120 504903	6
95	NAS43DD3-92	. .	SPACER	101102 108120 504903	1

MISSING ITEM NUMBERS NOT APPLICABLE

- ITEM NOT ILLUSTRATED

BRI

38-11-02-04

BOEING PROPRIETARY - Copyright © - Unpublished Work - See title page for details.

38-11-02
FIG. 04
PAGE 3
JAN 20/09



757

PARTS CATALOG (MAINTENANCE)

FIG ITEM	PART NUMBER	1 2 3 4 5 6 7	NOMENCLATURE	EFFECT FROM TO	UNITS PER ASSY
4 100	BRH10A3	.NUT	SUPPLIER CODE: V52828 SPECIFICATION NUMBER: BACN10JC3 OPTIONAL PART: H10-3BAC V15653 NS202101-02 V80539 RMLH9075-3W V72962 VN303A02 V92215 96-02 V80539 T6S1032J V11815	101102 108120 504903	3
105	BACC10DK15	.CLAMP		101102 108120 504903	3
110	BACC10DK13	.CLAMP		101102 108120 504903	2
115	BACC10DK16	.CLAMP		101102 108120 504903	1
117	BACC10DK19	.CLAMP		101102 108120 504903	1
120	AN924-16D	.NUT		101102 108120 504903	1
125	AN960-2116	.WASHER		101102 108120 504903	1
130	69B50003-1	.FITTING-OVERFLOW AND DRAIN		101102 108120 504903	1
135	AS4474M0154-090	.HOSE ASSY- OPTIONAL PART: 78001-467 V24984 AE706493-467 V00624		101102 108120 504903	1

MISSING ITEM NUMBERS NOT APPLICABLE

- ITEM NOT ILLUSTRATED

38-11-02-04

38-11-02
FIG. 04
PAGE 4
JAN 20/09

BRI



757

PARTS CATALOG (MAINTENANCE)

FIG ITEM	PART NUMBER	1 2 3 4 5 6 7	NOMENCLATURE	EFFECT FROM TO	UNITS PER ASSY
4 135	78001-467		.HOSE ASSY- SUPPLIER CODE: V24984 SPECIFICATION NUMBER: 10-61998-467 OPTIONAL PART: R29285-16-0154-90 V50599 A1650-467 V98441 OPTIONAL PART: AE706493-467 V00624 AS4474M0154-090	101102 108120 504903	1
135	AE706493-467		.HOSE ASSY- SUPPLIER CODE: V00624 OPTIONAL PART: 78001-467 V24984 AS4474M0154-090	101102 108120 504903	1
140	73042-178		.HOSE ASSY- SUPPLIER CODE: V24984 SPECIFICATION NUMBER: 10-61042-178 OPTIONAL PART: R23321-12-0560 V50599	101102 108120 504903	1
145	73042-177		.HOSE ASSY- SUPPLIER CODE: V24984 SPECIFICATION NUMBER: 10-61042-177 OPTIONAL PART: R23327-12-0600-0 V50599	101102 108120 504903	1
147	AP1042JN1212		.ELBOW SUPPLIER CODE: V01673 SPECIFICATION NUMBER: BACE21BT1212JN	101102 108120 504903	1
150	BACS12CK3-5		.SCREW	101102 108120 504903	1
155	417N2515-8		.SLEEVE	101102 108120 504903	1

MISSING ITEM NUMBERS NOT APPLICABLE

- ITEM NOT ILLUSTRATED

38-11-02-04

38-11-02
FIG. 04
PAGE 5
JAN 20/09

BRI

BOEING PROPRIETARY - Copyright © - Unpublished Work - See title page for details.



757

PARTS CATALOG (MAINTENANCE)

FIG ITEM	PART NUMBER	1 2 3 4 5 6 7	NOMENCLATURE	EFFECT FROM TO	UNITS PER ASSY
4					
160	1400J12AC001		.CAP ASSY-FILL SUPPLIER CODE: V86831 OPTIONAL PART: V1400J012AC1 V84971	101102 108120 504903	1
160	V1400J012AC1		.CAP ASSY-FILL SUPPLIER CODE: V84971 OPTIONAL PART: 1400J12AC001 V86381	101102 108120 504903	1
165	4739-12-4		.FITTING-FILL SUPPLIER CODE: V86831 OPTIONAL PART: V4739J012C04 V84971	101102 108120 504903	1
165	V4739J012C04		.FITTING-FILL SUPPLIER CODE: V84971 OPTIONAL PART: 4739-12-4 V86831	101102 108120 504903	1
167	MS35649-262		.NUT	101102 108120 504903	4
- 170	BACR15FT5D		ATTACHING PARTS .RIVET- SIZE DETERMINED ON INSTL.	101102 108120 504903	6
175	78001-422		-----*----- .HOSE ASSY- SUPPLIER CODE: V24984 SPECIFICATION NUMBER: 10-61998-422 OPTIONAL PART: AE706493-422 V00624 A1650-422 V03925 R29281-12-0200 V50599 OPTIONAL PART: AS4470-12-0200	101102 108120 504903	1

MISSING ITEM NUMBERS NOT APPLICABLE

- ITEM NOT ILLUSTRATED

38-11-02-04

38-11-02
FIG. 04
PAGE 6
JAN 20/09

BRI



757

PARTS CATALOG (MAINTENANCE)

FIG ITEM	PART NUMBER	1 2 3 4 5 6 7	NOMENCLATURE	EFFECT FROM TO	UNITS PER ASSY
4					
175	AS4470-12-0200		.HOSE ASSY- OPTIONAL PART: 78001-422 V24984	101102 108120 504903	1
180	78001-425		.HOSE ASSY- SUPPLIER CODE: V24984 SPECIFICATION NUMBER: 10-61998-425 OPTIONAL PART: AE706493-425 V00624 A1650-425 V03925 R29284-12-0220-270 V50599 OPTIONAL PART: 73042-185 V24984	101102 108120 504903	1
180	73042-185		.HOSE ASSY- SUPPLIER CODE: V24984 SPECIFICATION NUMBER: 10-61042-185 OPTIONAL PART: 78001-425 V24984 AS4473K0220-270	101102 108120 504903	1
180	AS4473K0220-270		.HOSE ASSY- OPTIONAL PART: 78001-425 V24984 73042-185 V24984	101102 108120 504903	1
185	AN924-12D		.NUT	101102 108120 504903	2
190	AN960PD1716		.WASHER	101102 108120 504903	2
195	12D124-9		.VALVE-FILL SUPPLIER CODE: V82829 SPECIFICATION NUMBER: 10-60784-9 COMPONENT MAINT MANUAL REF: 38-11-01	101102 108120 504903	1

MISSING ITEM NUMBERS NOT APPLICABLE

- ITEM NOT ILLUSTRATED

38-11-02-04

38-11-02
FIG. 04
PAGE 7
JAN 20/09

BRI



757

PARTS CATALOG (MAINTENANCE)

FIG ITEM	PART NUMBER	1 2 3 4 5 6 7	NOMENCLATURE	EFFECT FROM TO	UNITS PER ASSY
4 200	417N2514-1		.BRACKET-VALVE SPRT	101102 108120 504903	2
- 205	NAS1801-3-12		ATTACHING PARTS .SCREW	101102 108120 504903	4
- 210	AN960PD10L		.WASHER	101102 108120 504903	4
- 215	BRH10A3		.NUT SUPPLIER CODE: V52828 SPECIFICATION NUMBER: BACN10JC3 OPTIONAL PART: H10-3BAC V15653 NS202101-02 V80539 RMLH9075-3W V72962 VN303A02 V92215 96-02 V80539 T6S1032J V11815 -----*-----	101102 108120 504903	4
220	NAS1764J161216		.TEE- OPTIONAL PART: FT913 V24984	101102 108120 504903	1
220	FT913		.TEE- SUPPLIER CODE: V24984 OPTIONAL PART: NAS1764J161216	101102 108120 504903	1

MISSING ITEM NUMBERS NOT APPLICABLE

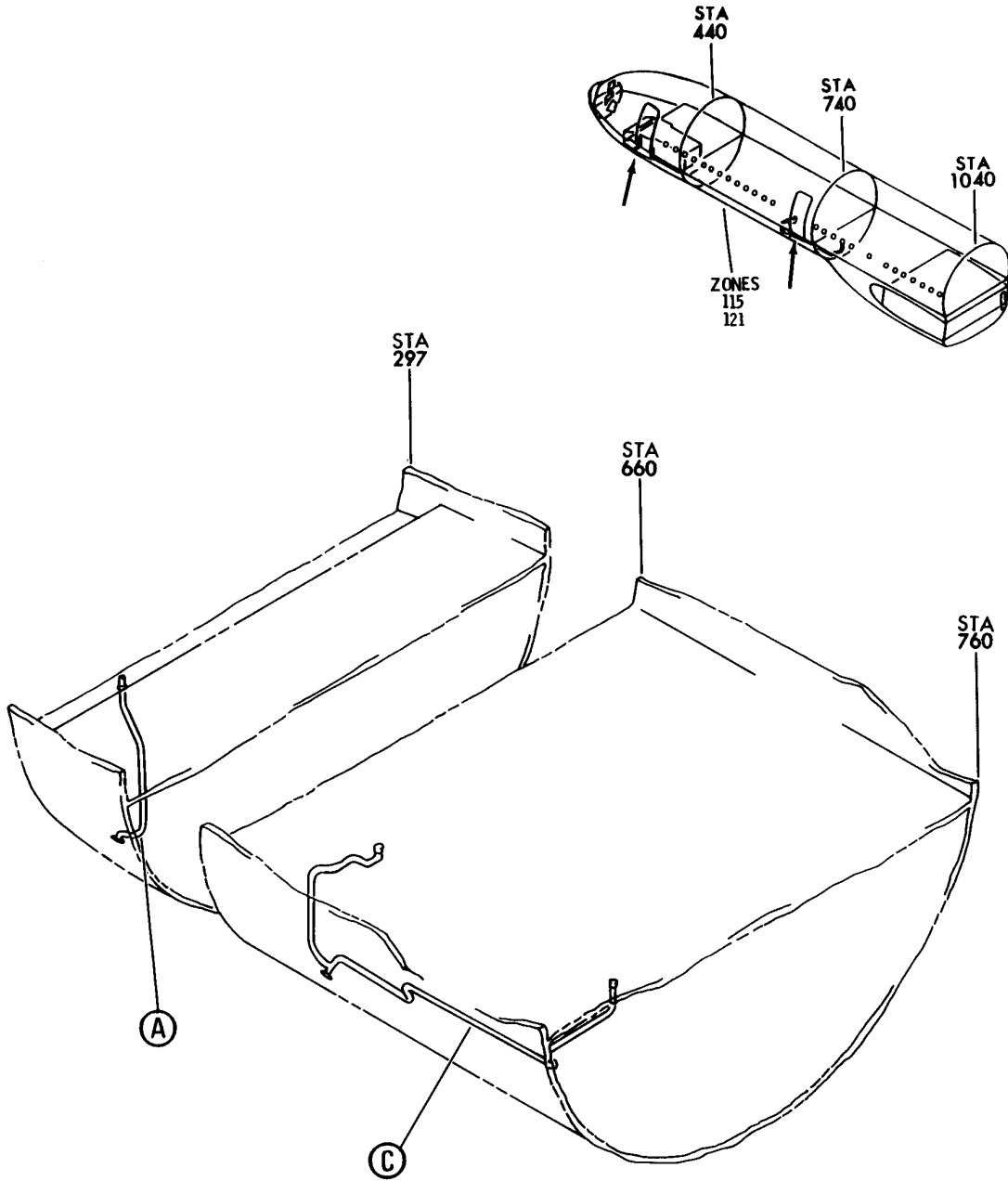
- ITEM NOT ILLUSTRATED

38-11-02-04

38-11-02
FIG. 04
PAGE 8
JAN 20/09

BRI

BOEING
757
PARTS CATALOG (MAINTENANCE)



Y 38110304 SHT 1 REV 120

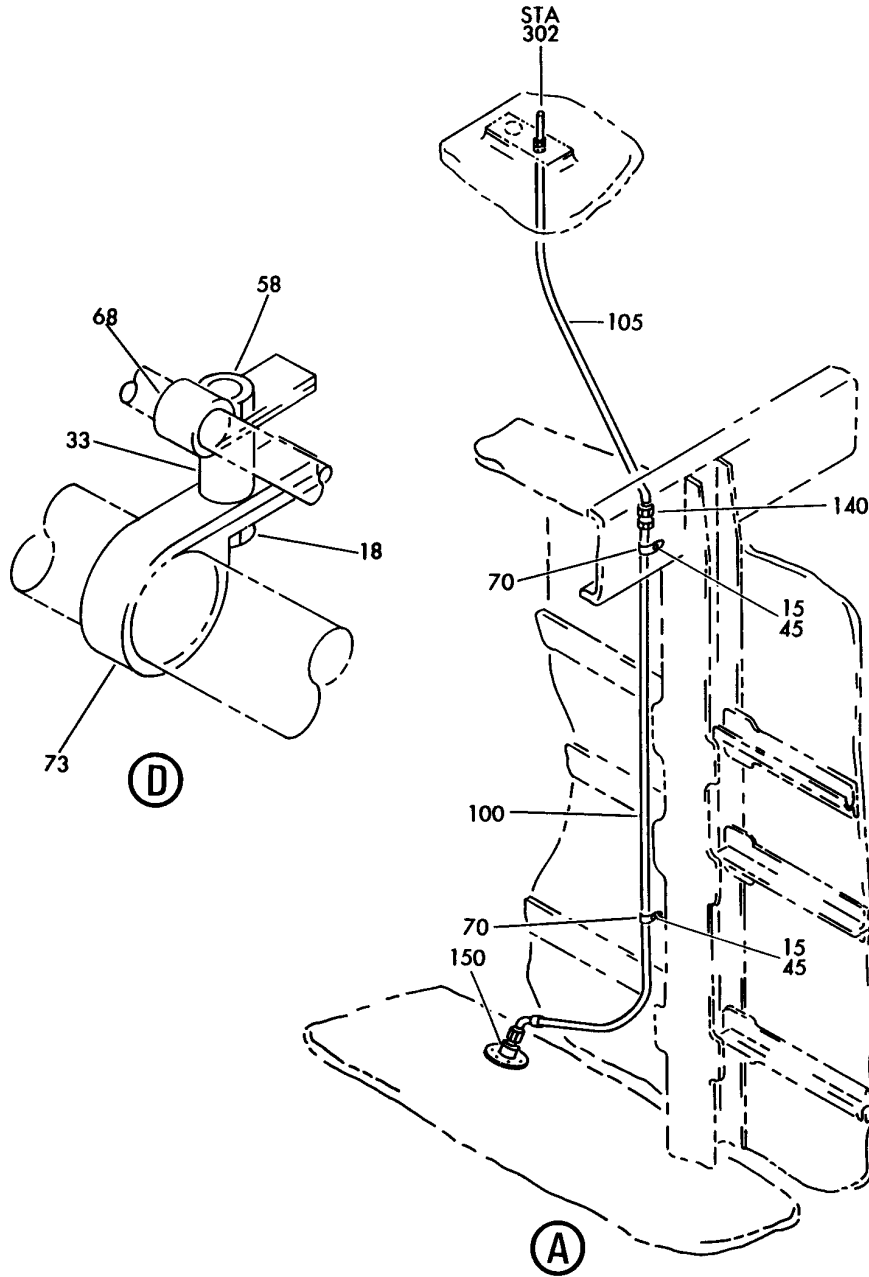
DRAIN INSTL-POTABLE WATER FWD SYS
FIGURE 4 (SHEET 1)

38-11-03-04

BRI
MAY 28/07

38-11-03-04
PAGE 0

BOEING
757
PARTS CATALOG (MAINTENANCE)



Y 38110304 SHT 2 REV 153

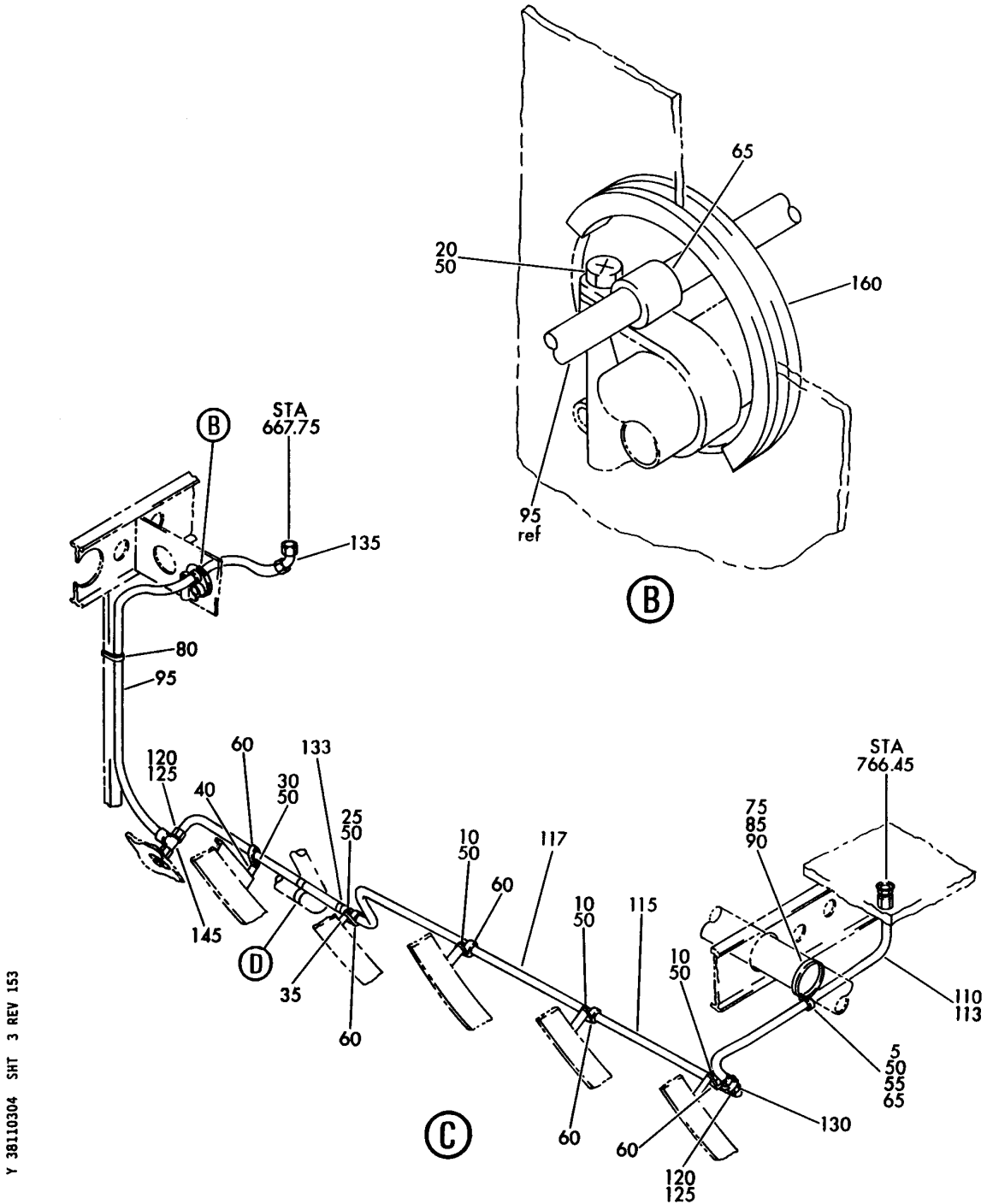
DRAIN INSTL-POTABLE WATER FWD SYS
FIGURE 4 (SHEET 2)

38-11-03-04

BRI
MAY 28/07

38-11-03-04
PAGE 0A

BOEING
757
PARTS CATALOG (MAINTENANCE)



Y 38110304 SHT 3 REV 153

DRAIN INSTL-POTABLE WATER FWD SYS
FIGURE 4 (SHEET 3)

38-11-03-04

BRI
MAY 28/07

38-11-03-04
PAGE 0B



757

PARTS CATALOG (MAINTENANCE)

FIG ITEM	PART NUMBER	1 2 3 4 5 6 7	NOMENCLATURE	EFFECT FROM TO	UNITS PER ASSY
4			DRAIN INSTL-POTABLE WATER FWD SYS	002004 006100 107107 121503 904999	
- 1	417N2103-1		DRAIN INSTL-POTABLE WATER SYS POSITION DATA: FWD	002004 006100 107107 121503 904999	RF
15	NAS1801-3-12		.SCREW	002004 006100 107107 121503 904999	2
45	AN960JD10L		.WASHER	002004 006100 107107 121503 904999	2
70	BACC10DK9A		.CLAMP	002004 006100 107107 121503 904999	2
100	78001-401		.HOSE ASSY- SUPPLIER CODE: V24984 SPECIFICATION NUMBER: 10-61998-401 OPTIONAL PART: A1650-401 V03925 AE706493-401 V00624 R29281-8-0340 V50599	002004 006100 107107 121503 904999	1
100	AS4470-08-0340		.HOSE ASSY- OPTIONAL PART: 78001-401 V24984	002004 006100 107107 121503 904999	1

MISSING ITEM NUMBERS NOT APPLICABLE

- ITEM NOT ILLUSTRATED

38-11-03-04

38-11-03
FIG. 04
PAGE 1
JAN 20/09

BRI



757

PARTS CATALOG (MAINTENANCE)

FIG ITEM	PART NUMBER	1 2 3 4 5 6 7	NOMENCLATURE	EFFECT FROM TO	UNITS PER ASSY
4 105	78001-459		.HOSE ASSY- SUPPLIER CODE: V24984 SPECIFICATION NUMBER: 10-61998-459 OPTIONAL PART: A1650-459 V98441 R29280-6-0194 V50599 OPTIONAL PART: AS4469-06-0194	002004 006100 107107 121503 904999	1
105	AS4469-06-0194		.HOSE ASSY- OPTIONAL PART: 78001-459 V24984	002004 006100 107107 121503 904999	1
140	MS21916J8-6		.REDUCER	002004 006100 107107 121503 904999	1
150	66-16773-1		.FITTING ASSY	002004 006100 107107 121503 904999	1
- 155	BACR15CE6D		ATTACHING PARTS .RIVET- SIZE DETERMINED ON INSTL. -----*-----	002004 006100 107107 121503 904999	8

MISSING ITEM NUMBERS NOT APPLICABLE

- ITEM NOT ILLUSTRATED

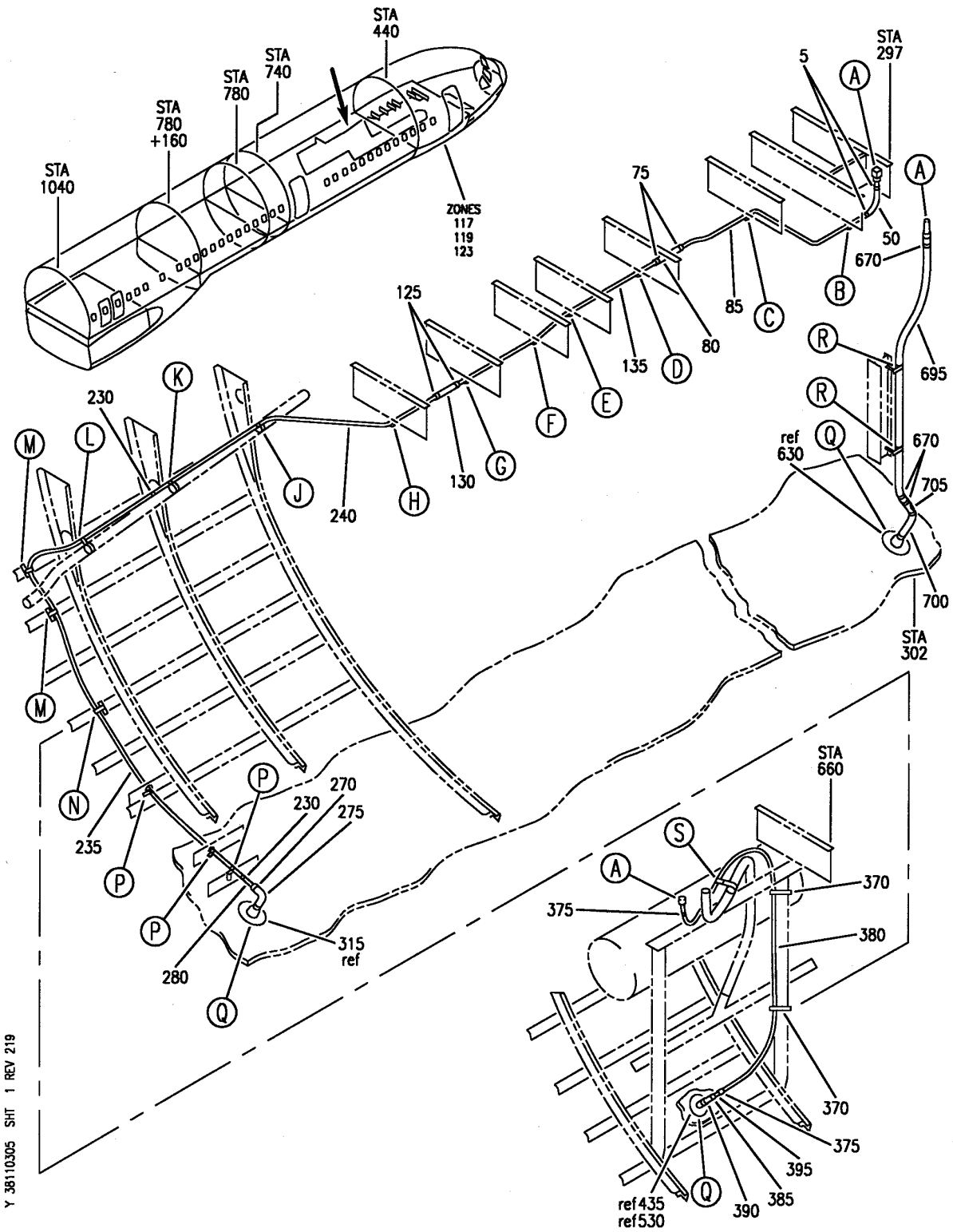
38-11-03-04

38-11-03
FIG. 04
PAGE 2
JAN 20/09

BRI

BOEING PROPRIETARY - Copyright © - Unpublished Work - See title page for details.

BOEING
757
PARTS CATALOG (MAINTENANCE)



Y 38110305 SH1 1 REV 219

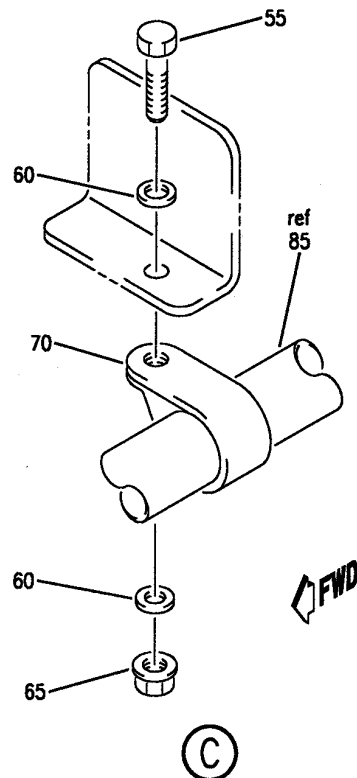
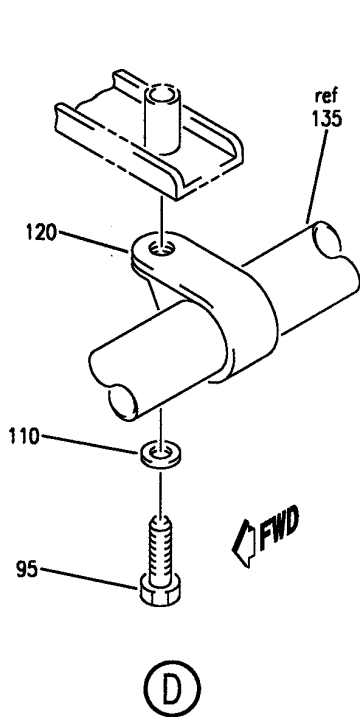
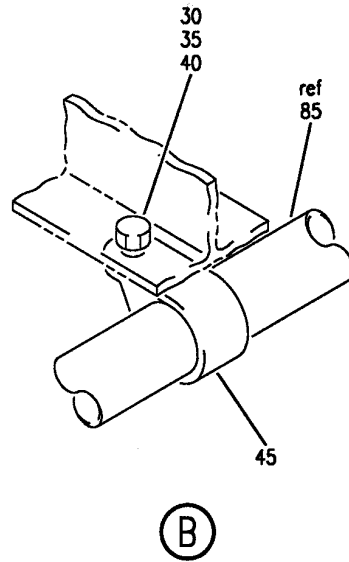
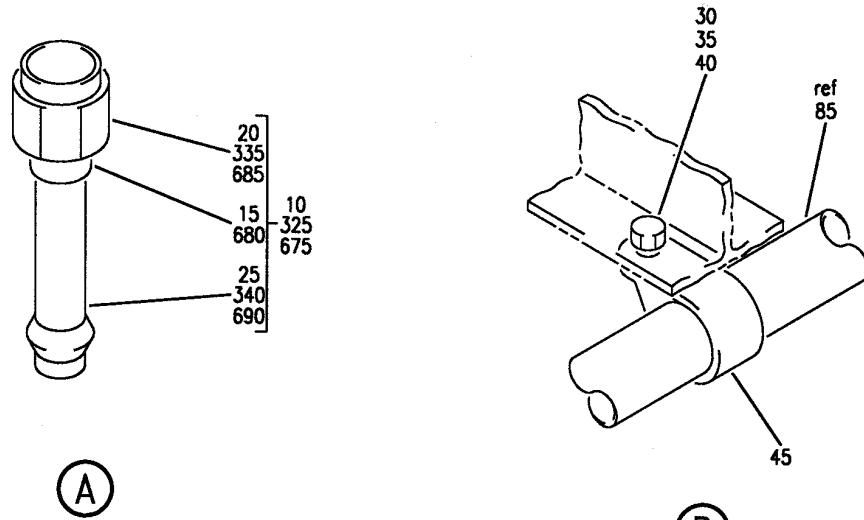
DRAIN INSTL-POTABLE WATER FWD SYS
FIGURE 5 (SHEET 1)

38-11-03-05

BRI
JAN 20/09

38-11-03-05
PAGE 0

BOEING
757
PARTS CATALOG (MAINTENANCE)



Y 38110305 SHT 2 REV 218

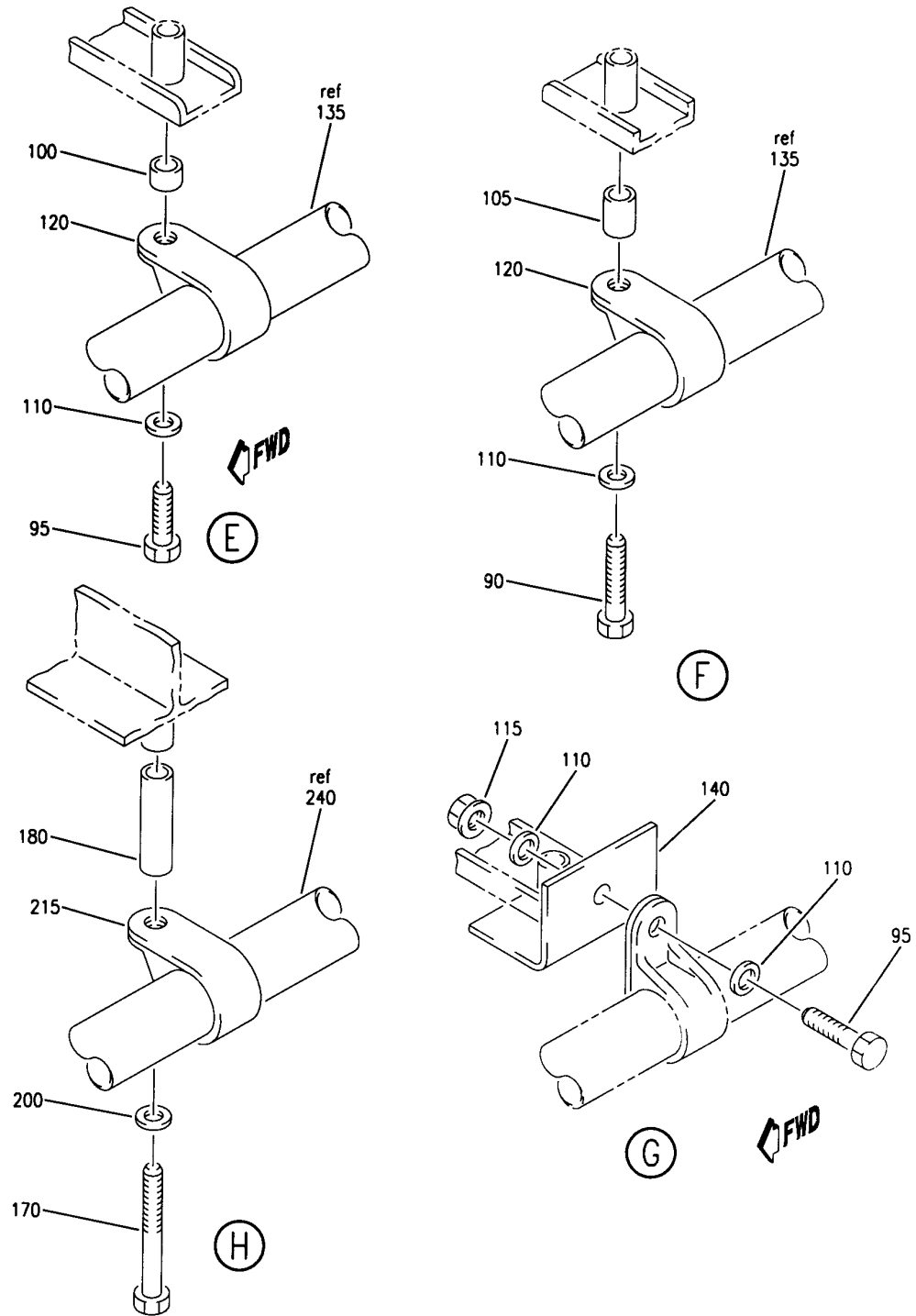
DRAIN INSTL-POTABLE WATER FWD SYS
FIGURE 5 (SHEET 2)

38-11-03-05

BRI
JAN 20/09

38-11-03-05
PAGE 0A

BOEING
757
PARTS CATALOG (MAINTENANCE)



Y 38110305 SHT 3 REV 203

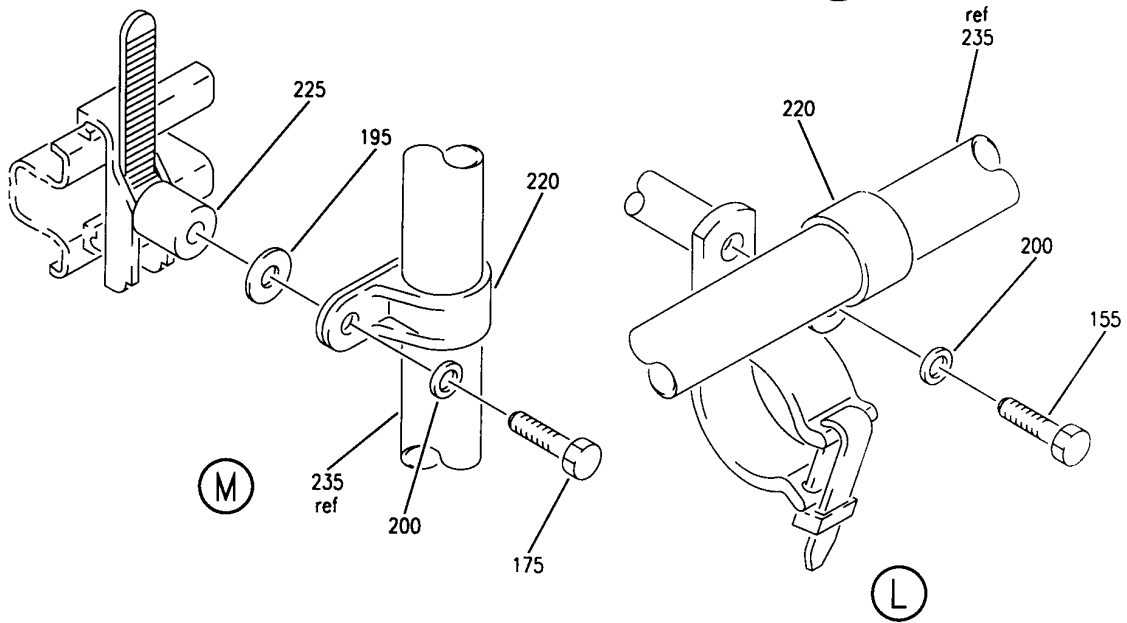
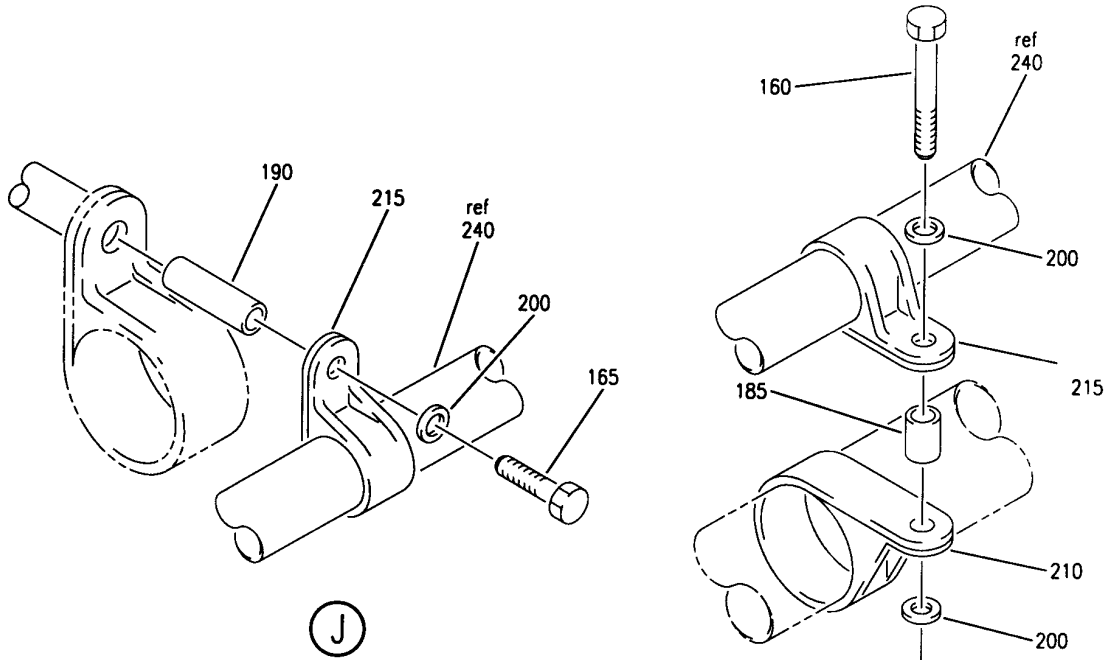
DRAIN INSTL-POTABLE WATER FWD SYS
FIGURE 5 (SHEET 3)

38-11-03-05

BRI
JAN 20/09

38-11-03-05
PAGE 0B

BOEING
757
PARTS CATALOG (MAINTENANCE)



Y 38110305 SH 4 REV 203

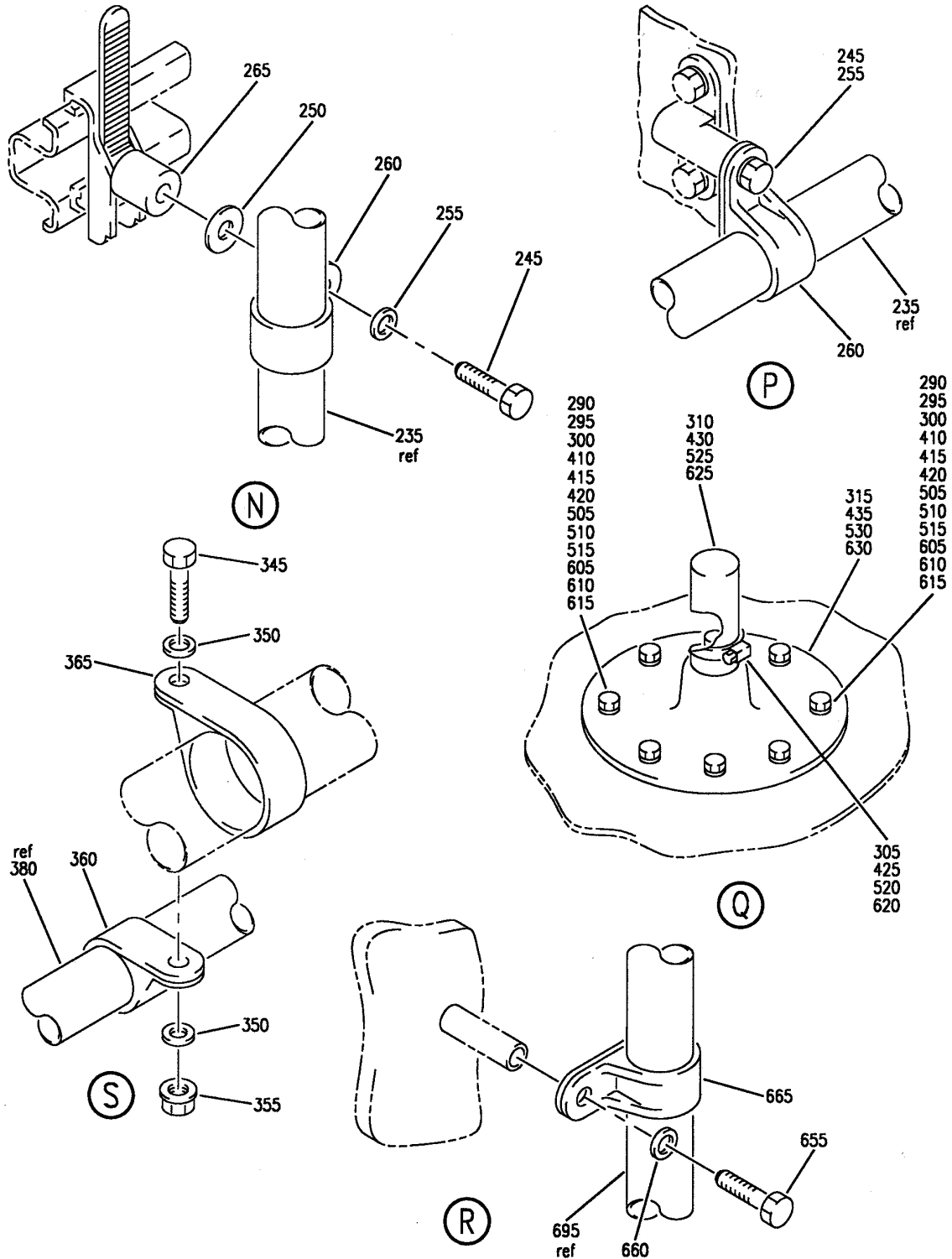
DRAIN INSTL-POTABLE WATER FWD SYS
FIGURE 5 (SHEET 4)

38-11-03-05

BRI
JAN 20/09

38-11-03-05
PAGE 0C

BOEING
757
PARTS CATALOG (MAINTENANCE)



Y 38110305 SH 5 REV 218

DRAIN INSTL-POTABLE WATER FWD SYS
FIGURE 5 (SHEET 5)

38-11-03-05

BRI
JAN 20/09

38-11-03-05
PAGE 0D



757

PARTS CATALOG (MAINTENANCE)

FIG ITEM	PART NUMBER	1 2 3 4 5 6 7	NOMENCLATURE	EFFECT FROM TO	UNITS PER ASSY
5			DRAIN INSTL- POTABLE WATER FWD SYS	103106	
- 400	MODREF17765		DRAIN INSTL-POTABLE WATER MODULE NUMBER: 417N2103-303 REV A POSITION DATA: LAV S, T FITTING	103106	1
410	BACB30VF3K6		.BOLT-	103106	8
410	BACB30VF3K5		.BOLT-	103106	8
415	NAS1149D0363J		.WASHER	103106	8
420	PLH53CD		.NUT	103106	8
			SUPPLIER CODE: VF0224 SPECIFICATION NUMBER: BACN10YR3CD OPTIONAL PART: H52732-3CD V15653		
425	BACC10JB018C026		.CLAMP	103106	1
430	69B50212-3		.CAP	103106	1
435	69-77201-2		.FITTING	103106	1
- 500	MODREF17766		DRAIN INSTL-POTABLE WATER MODULE NUMBER: 417N2103-304 REV A POSITION DATA: LAV G, H FITTING	103106	1
505	BACB30VF3K5		.BOLT	103106	8
510	NAS1149D0363J		.WASHER	103106	8
515	PLH53CD		.NUT	103106	8
			SUPPLIER CODE: VF0224 SPECIFICATION NUMBER: BACN10YR3CD OPTIONAL PART: H52732-3CD V15653		
520	BACC10JB018C026		.CLAMP	103106	1
525	69B50212-3		.CAP	103106	1
530	69-77201-2		.FITTING	103106	1
- 600	MODREF17767		DRAIN INSTL-POTABLE WATER MODULE NUMBER: 417N2103-305 REV A POSITION DATA: FITTING	103106	1
605	BACB30VF3K5		.BOLT	103106	8
610	NAS1149D0363J		.WASHER	103106	8

MISSING ITEM NUMBERS NOT APPLICABLE

- ITEM NOT ILLUSTRATED

38-11-03-05

38-11-03
FIG. 05
PAGE 1
JAN 20/09

BRI



757

PARTS CATALOG (MAINTENANCE)

FIG ITEM	PART NUMBER	1 2 3 4 5 6 7	NOMENCLATURE	EFFECT FROM TO	UNITS PER ASSY
5 615	PLH53CD	.NUT	SUPPLIER CODE: VF0224 SPECIFICATION NUMBER: BACN10YR3CD OPTIONAL PART: H52732-3CD V15653	103106	8
620	BACC10JB018C026	.CLAMP		103106	1
625	69B50212-3	.CAP		103106	1
630	69-77201-2	.FITTING		103106	1
- 650	MODREF31213	DRAIN INSTL-POTABLE WATER	MODULE NUMBER: 417N2103-306 REV B POSITION DATA: FWD LAV A SYS	103106	1
655	BACS12GU3K10	.SCREW		103106	2
660	NAS1149D0316J	.WASHER		103106	2
665	BACC10DK8A	.CLAMP		103106	2
670	NAS1922-0050-3	.CLAMP-HOSE		103106	3
675	417N2310-332	.TUBE ASSY		103106	1
680	AP2097H06	..SLEEVE	SUPPLIER CODE: V01673 SPECIFICATION NUMBER: BACS13BX06H OPTIONAL PART: 2-02903-06H V11328 35235V06 V08199 AFP175V06 V30974 DBOS13BX06H V14798	103106	1
685	BACN10YE6L	..NUT		103106	1
690	417N2310-333	..TUBE-	TUBING MATERIAL: STOCK .375 O.D. X 2.4 X .028 WALL CRES TUBE TYPE AISI321/347 PER MIL-T-8808	103106	1

MISSING ITEM NUMBERS NOT APPLICABLE

- ITEM NOT ILLUSTRATED

38-11-03-05

38-11-03
FIG. 05
PAGE 2
JAN 20/09

BRI

BOEING PROPRIETARY - Copyright © - Unpublished Work - See title page for details.



757

PARTS CATALOG (MAINTENANCE)

FIG ITEM	PART NUMBER	1 2 3 4 5 6 7	NOMENCLATURE	EFFECT FROM TO	UNITS PER ASSY
5 695	BOE2013-0624		.HOSE- SUPPLIER CODE: V16632 SPECIFICATION NUMBER: 69-27191-624 OPTIONAL PART: IT4350-624 V26831	103106	1
695	IT4350-624		.HOSE- SUPPLIER CODE: V26831 SPECIFICATION NUMBER: 69-27191-624 OPTIONAL PART: BOE2013-0624 V16632	103106	1
700	BOE2013-0623		.HOSE- SUPPLIER CODE: V16632 SPECIFICATION NUMBER: 69-27191-623 OPTIONAL PART: IT4351-623 V26831	103106	1
700	IT4351-623		.HOSE- SUPPLIER CODE: V26831 SPECIFICATION NUMBER: 69-27191-623 OPTIONAL PART: BOE2013-0623 V16632	103106	1
705	417N2143-35		.TUBE- TUBING MATERIAL: .375" O.D. X 3.00", STRAIGHT	103106	1

MISSING ITEM NUMBERS NOT APPLICABLE

- ITEM NOT ILLUSTRATED

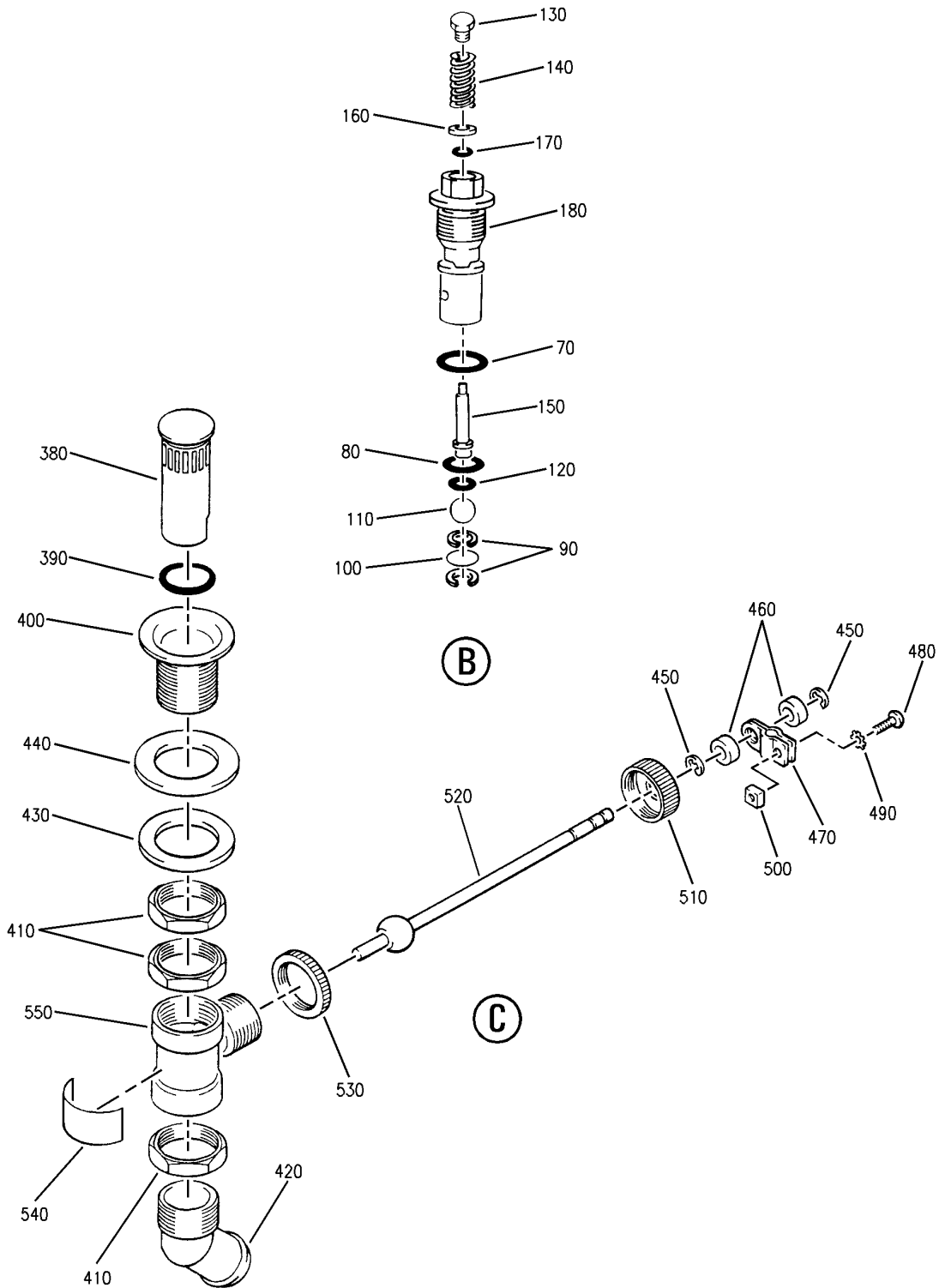
38-11-03-05

38-11-03
FIG. 05
PAGE 3
JAN 20/09

BRI

BOEING PROPRIETARY - Copyright © - Unpublished Work - See title page for details.

BOEING
757
PARTS CATALOG (MAINTENANCE)



Y 38110401 SH1 - 2 REV 233

FAUCET AND DRAIN ASSY LAV
FIGURE 1 (SHEET 2)

38-11-04-01

BRI
JAN 20/09

38-11-04-01
PAGE 0A



757

PARTS CATALOG (MAINTENANCE)

FIG ITEM	PART NUMBER	1 2 3 4 5 6 7	NOMENCLATURE	EFFECT FROM TO	UNITS PER ASSY
1			FAUCET AND DRAIN ASSY LAV	107107 504903 950951	
- 1	1A081-0212-1		FAUCET AND DRAIN ASSY-LAV A SUPPLIER CODE: VS5825 SPECIFICATION NUMBER: 60B50027-20 SB DATA FROM A CMM: PRE 1A081-0212-25-81 PRE 1A081-0212-25-83 COMPONENT MAINT MANUAL REF: 25-41-14 OPTIONAL PART: 600420-2 V80477 FOR NHA SEE: 38-11-51-01A	950951	RF
- 1	1A081-0212-1		FAUCET AND DRAIN ASSY- SUPPLIER CODE: VS5825 SPECIFICATION NUMBER: 60B50027-20 SB DATA FROM A CMM: PRE 1A081-0212-83 PRE 1A081-0212-25-81 PRE 1A081-0212-25-83 CONFIG CHG DATA FROM A CMM: SUPERSEDES 600420-2 COMPONENT MAINT MANUAL REF: 25-41-14 OPTIONAL PART: 600420-2 V80477 FOR NHA SEE: 38-11-51-02L 38-11-51-10C	107107	RF

MISSING ITEM NUMBERS NOT APPLICABLE

- ITEM NOT ILLUSTRATED

38-11-04-01

38-11-04
FIG. 01
PAGE 1
JAN 20/09

BRI

 **BOEING**
757
PARTS CATALOG (MAINTENANCE)

FIG ITEM	PART NUMBER	1 2 3 4 5 6 7	NOMENCLATURE	EFFECT FROM TO	UNITS PER ASSY
1					
- 1	1A081-0212-1		FAUCET AND DRAIN ASSY-LAV A SUPPLIER CODE: VS5825 SPECIFICATION NUMBER: 60B50027-20 SB DATA FROM A CMM: PRE 1A081-0212-83 PRE 1A081-0212-25-81 PRE 1A081-0212-25-83 CONFIG CHG DATA FROM A CMM: SUPSD BY 1A081-0212-11 COMPONENT MAINT MANUAL REF: 25-41-14 OPTIONAL PART: 600420-2 V80477 FOR NHA SEE: 38-11-51-20A	504903	RF
- 5	1A081-0212-1		FAUCET AND DRAIN ASSY-LAV C D AND F SUPPLIER CODE: VS5825 SPECIFICATION NUMBER: 60B50027-20 SB DATA FROM A CMM: PRE 1A081-0212-83 PRE 1A081-0212-25-81 PRE 1A081-0212-25-83 COMPONENT MAINT MANUAL REF: 25-41-14 OPTIONAL PART: 600420-2 V80477 FOR NHA SEE: 38-11-51-30C 38-11-51-30D	504903	RF
- 50	1A082-0213-1		. FAUCET ASSY- SUPPLIER CODE: VS5825	107107 504903	1
- 50	1A082-0213-1		. FAUCET ASSY- SUPPLIER CODE: VS5825	950951	1
60	2A083-0613-1		.. CARTRIDGE ASSY- SUPPLIER CODE: VS5825	107107 504903	2
60	2A083-0613-1		.. CARTRIDGE ASSY- SUPPLIER CODE: VS5825	950951	2

MISSING ITEM NUMBERS NOT APPLICABLE

- ITEM NOT ILLUSTRATED

BRI

38-11-04-01

38-11-04
FIG. 01
PAGE 2
JAN 20/09



757

PARTS CATALOG (MAINTENANCE)

FIG ITEM	PART NUMBER	1 2 3 4 5 6 7	NOMENCLATURE	EFFECT FROM TO	UNITS PER ASSY
1					
70	F5-2-1014	...	PACKING- SUPPLIER CODE: VS5825	107107 504903	1
70	F5-2-1014	...	PACKING- SUPPLIER CODE: VS5825	950951	1
80	F5-8-7	...	PACKING- SUPPLIER CODE: VS5825	107107 504903	1
80	F5-8-7	...	PACKING- SUPPLIER CODE: VS5825	950951	1
90	F5-11-10	...	RING-RETAINING SUPPLIER CODE: VS5825	107107 504903	2
90	F5-11-10	...	RING-RETAINING SUPPLIER CODE: VS5825	950951	2
100	3A084-0461-1	...	MESH- SUPPLIER CODE: VS5825	107107 504903	1
100	3A084-0461-1	...	MESH- SUPPLIER CODE: VS5825	950951	1
110	3A084-0462-1	...	BALL- SUPPLIER CODE: VS5825	107107 504903	1
110	3A084-0462-1	...	BALL- SUPPLIER CODE: VS5825	950951	1
120	F5-9-6	...	PACKING- SUPPLIER CODE: VS5825	107107 504903	1
120	F5-9-6	...	PACKING- SUPPLIER CODE: VS5825	950951	1
130	3A084-0460-1	...	BUTTON- SUPPLIER CODE: VS5825	107107 504903	1
130	3A084-0460-1	...	BUTTON- SUPPLIER CODE: VS5825	950951	1
140	3A084-0463-1	...	SPRING- SUPPLIER CODE: VS5825	107107 504903	1
140	3A084-0463-1	...	SPRING- SUPPLIER CODE: VS5825	950951	1

MISSING ITEM NUMBERS NOT APPLICABLE

- ITEM NOT ILLUSTRATED

38-11-04-01

38-11-04
FIG. 01
PAGE 3
JAN 20/09

BRI



757

PARTS CATALOG (MAINTENANCE)

FIG ITEM	PART NUMBER	1 2 3 4 5 6 7	NOMENCLATURE	EFFECT FROM TO	UNITS PER ASSY
1					
150	2A084-0612-1	...	ROD-PUSH SUPPLIER CODE: VS5825	107107 504903	1
150	2A084-0612-1	...	ROD-PUSH SUPPLIER CODE: VS5825	950951	1
160	3A084-0562-1	...	WASHER- SUPPLIER CODE: VS5825	107107 504903	1
160	3A084-0562-1	...	WASHER- SUPPLIER CODE: VS5825	950951	1
170	F5-7-1	...	PACKING- SUPPLIER CODE: VS5825	107107 504903	1
170	F5-7-1	...	PACKING- SUPPLIER CODE: VS5825	950951	1
180	2A084-0611-1	...	BODY- SUPPLIER CODE: VS5825	107107 504903	1
180	2A084-0611-1	...	BODY- SUPPLIER CODE: VS5825	950951	1
190	3A083-0469-1	..	DIFFUSER ASSY- SUPPLIER CODE: VS5825	107107 504903	1
190	3A083-0469-1	..	DIFFUSER ASSY- SUPPLIER CODE: VS5825	950951	1
200	2A084-0609-1	..	GASKET- SUPPLIER CODE: VS5825	107107 504903	1
200	2A084-0609-1	..	GASKET- SUPPLIER CODE: VS5825	950951	1
210	3A084-0455-1	..	SLEEVE- SUPPLIER CODE: VS5825	107107 504903	1
210	3A084-0455-1	..	SLEEVE- SUPPLIER CODE: VS5825	950951	1
220	3A083-1278-1	..	ACTUATOR- SUPPLIER CODE: VS5825	107107 504903	1
220	3A083-1278-1	..	ACTUATOR- SUPPLIER CODE: VS5825	950951	1

MISSING ITEM NUMBERS NOT APPLICABLE

- ITEM NOT ILLUSTRATED

38-11-04-01

38-11-04
FIG. 01
PAGE 4
JAN 20/09

BRI

BOEING PROPRIETARY - Copyright © - Unpublished Work - See title page for details.



757

PARTS CATALOG (MAINTENANCE)

FIG ITEM	PART NUMBER	1 2 3 4 5 6 7	NOMENCLATURE	EFFECT FROM TO	UNITS PER ASSY
1					
230	F18-18		..RING-RETAINING SUPPLIER CODE: VS5825	107107 504903	2
230	F18-18		..RING-RETAINING SUPPLIER CODE: VS5825	950951	2
240	2A084-0610-2		..HANDLE-COLD SUPPLIER CODE: VS5825	107107 504903	1
240	2A084-0610-2		..HANDLE-COLD SUPPLIER CODE: VS5825	950951	1
250	3A084-0456-1		..SPRING- SUPPLIER CODE: VS5825 POSITION DATA: RH	107107 504903	1
250	3A084-0456-1		..SPRING- SUPPLIER CODE: VS5825 POSITION DATA: RH	950951	1
260	2A084-0610-1		..HANDLE-HOT SUPPLIER CODE: VS5825	107107 504903	1
260	2A084-0610-1		..HANDLE-HOT SUPPLIER CODE: VS5825	950951	1
270	3A084-0457-1		..SPRING- SUPPLIER CODE: VS5825 POSITION DATA: LH	107107 504903	1
270	3A084-0457-1		..SPRING- SUPPLIER CODE: VS5825 POSITION DATA: LH	950951	1
280	3A084-0458-1		..SPACER- SUPPLIER CODE: VS5825	107107 504903	2
280	3A084-0458-1		..SPACER- SUPPLIER CODE: VS5825	950951	2
290	3A084-0459-1		..SCREW- SUPPLIER CODE: VS5825	107107 504903	2

MISSING ITEM NUMBERS NOT APPLICABLE

- ITEM NOT ILLUSTRATED

38-11-04-01

38-11-04
FIG. 01
PAGE 5
JAN 20/09

BRI



757

PARTS CATALOG (MAINTENANCE)

FIG ITEM	PART NUMBER	1 2 3 4 5 6 7	NOMENCLATURE	EFFECT FROM TO	UNITS PER ASSY
1					
290	3A084-0459-1	..	SCREW- SUPPLIER CODE: VS5825	950951	2
300	3A084-0474-1	..	SPRING- SUPPLIER CODE: VS5825	107107 504903	1
300	3A084-0474-1	..	SPRING- SUPPLIER CODE: VS5825	950951	1
310	F12-0M6	..	WASHER- SUPPLIER CODE: VS5825	107107 504903	1
310	F12-0M6	..	WASHER- SUPPLIER CODE: VS5825	950951	1
320	F13-0M6	..	NUT- SUPPLIER CODE: VS5825	107107 504903	1
320	F13-0M6	..	NUT- SUPPLIER CODE: VS5825	950951	1
330	3A084-0453-1	..	BRACKET-MTG SUPPLIER CODE: VS5825	107107 504903	1
330	3A084-0453-1	..	BRACKET-MTG SUPPLIER CODE: VS5825	950951	1
340	F14-0M6	..	SETSCREW- SUPPLIER CODE: VS5825	107107 504903	1
340	F14-0M6	..	SETSCREW- SUPPLIER CODE: VS5825	950951	1
350	3A084-0443-1	..	LABEL-IDENT SUPPLIER CODE: VS5825	107107 504903	1
350	3A084-0443-1	..	LABEL-IDENT SUPPLIER CODE: VS5825	950951	1
360	3A083-1280-1	..	BODY- SUPPLIER CODE: VS5825	107107 504903	1
360	3A083-1280-1	..	BODY- SUPPLIER CODE: VS5825	950951	1
- 370	1A082-0214-1	.	DRAIN ASSY- SUPPLIER CODE: VS5825	107107 504903	1

MISSING ITEM NUMBERS NOT APPLICABLE

- ITEM NOT ILLUSTRATED

38-11-04-01

38-11-04
FIG. 01
PAGE 6
JAN 20/09

BRI

BOEING PROPRIETARY - Copyright © - Unpublished Work - See title page for details.



757

PARTS CATALOG (MAINTENANCE)

FIG ITEM	PART NUMBER	1 2 3 4 5 6 7	NOMENCLATURE	EFFECT FROM TO	UNITS PER ASSY
1					
- 370	1A082-0214-1		.DRAIN ASSY- SUPPLIER CODE: VS5825	950951	1
380	2A084-0606-1		.. VALVE- SUPPLIER CODE: VS5825	107107 504903	1
380	2A084-0606-1		.. VALVE- SUPPLIER CODE: VS5825	950951	1
390	D2-119		.. PACKING- SUPPLIER CODE: VS5825	107107 504903	1
390	D2-119		.. PACKING- SUPPLIER CODE: VS5825	950951	1
400	3A084-0444-1		.. FLANGE- SUPPLIER CODE: VS5825	107107 504903	1
400	3A084-0444-1		.. FLANGE- SUPPLIER CODE: VS5825	950951	1
410	3A084-0447-1		.. NUT- SUPPLIER CODE: VS5825	107107 504903	3
410	3A084-0447-1		.. NUT- SUPPLIER CODE: VS5825	950951	3
420	2A084-0605-1		.. FITTING-END SUPPLIER CODE: VS5825	107107 504903	1
420	2A084-0605-1		.. FITTING-END SUPPLIER CODE: VS5825	950951	1
430	3A084-0499-1		.. WASHER- SUPPLIER CODE: VS5825	107107 504903	1
430	3A084-0499-1		.. WASHER- SUPPLIER CODE: VS5825	950951	1
440	3A084-0448-1		.. GASKET- SUPPLIER CODE: VS5825	107107 504903	1
440	3A084-0448-1		.. GASKET- SUPPLIER CODE: VS5825	950951	1
450	D13-5		.. RING-RETAINING SUPPLIER CODE: VS5825	107107 504903	2

MISSING ITEM NUMBERS NOT APPLICABLE

- ITEM NOT ILLUSTRATED

38-11-04-01

38-11-04
FIG. 01
PAGE 7
JAN 20/09

BRI



757

PARTS CATALOG (MAINTENANCE)

FIG ITEM	PART NUMBER	1 2 3 4 5 6 7	NOMENCLATURE	EFFECT FROM TO	UNITS PER ASSY
1					
450	D13-5	..	RING-RETAINING SUPPLIER CODE: VS5825	950951	2
460	3A084-0450-1	..	TUBE- SUPPLIER CODE: VS5825	107107 504903	2
460	3A084-0450-1	..	TUBE- SUPPLIER CODE: VS5825	950951	2
470	3A084-0451-1	..	LINK- SUPPLIER CODE: VS5825	107107 504903	1
470	3A084-0451-1	..	LINK- SUPPLIER CODE: VS5825	950951	1
480	D16-0M4	..	SCREW- SUPPLIER CODE: VS5825	107107 504903	1
480	D16-0M4	..	SCREW- SUPPLIER CODE: VS5825	950951	1
490	D17-0M4	..	WASHER- SUPPLIER CODE: VS5825	107107 504903	1
490	D17-0M4	..	WASHER- SUPPLIER CODE: VS5825	950951	1
500	3A084-0558-1	..	NUT- SUPPLIER CODE: VS5825	107107 504903	1
500	3A084-0558-1	..	NUT- SUPPLIER CODE: VS5825	950951	1
510	3A084-0445-1	..	CAP- SUPPLIER CODE: VS5825	107107 504903	1
510	3A084-0445-1	..	CAP- SUPPLIER CODE: VS5825	950951	1
520	2A083-0607-1	..	ACTUATOR- SUPPLIER CODE: VS5825	107107 504903	1
520	2A083-0607-1	..	ACTUATOR- SUPPLIER CODE: VS5825	950951	1
530	3A084-0446-1	..	NUT- SUPPLIER CODE: VS5825	107107 504903	1

MISSING ITEM NUMBERS NOT APPLICABLE

- ITEM NOT ILLUSTRATED

38-11-04-01

38-11-04
FIG. 01
PAGE 8
JAN 20/09

BRI

BOEING PROPRIETARY - Copyright © - Unpublished Work - See title page for details.



757

PARTS CATALOG (MAINTENANCE)

FIG ITEM	PART NUMBER	1 2 3 4 5 6 7	NOMENCLATURE	EFFECT FROM TO	UNITS PER ASSY
1					
530	3A084-0446-1	..	NUT- SUPPLIER CODE: VS5825	950951	1
540	3A084-0442-1	..	LABEL-IDENT SUPPLIER CODE: VS5825	107107 504903	1
540	3A084-0442-1	..	LABEL-IDENT SUPPLIER CODE: VS5825	950951	1
550	3A084-0604-1	..	HOUSING- SUPPLIER CODE: VS5825	107107 504903	1
550	3A084-0604-1	..	HOUSING- SUPPLIER CODE: VS5825	950951	1

MISSING ITEM NUMBERS NOT APPLICABLE

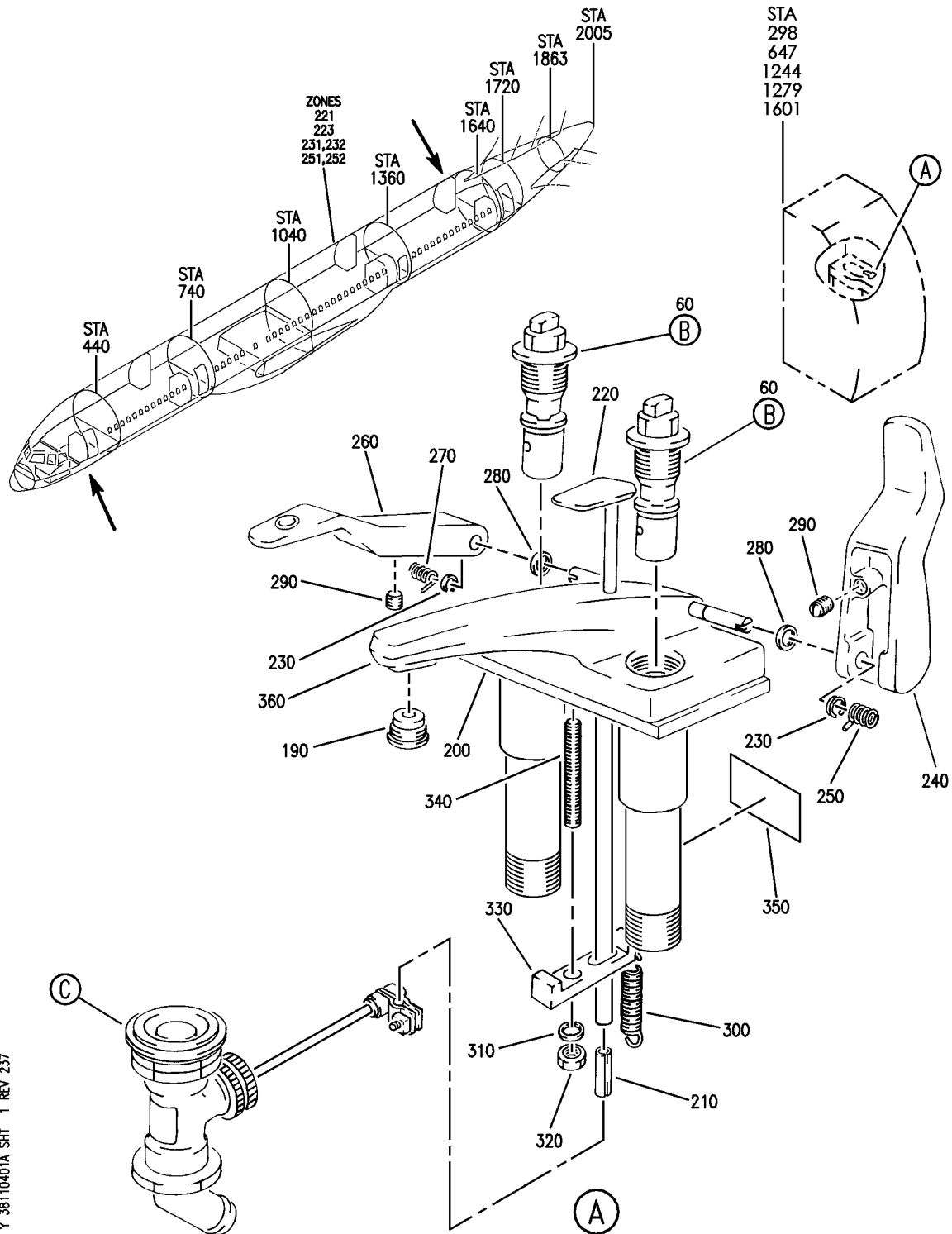
- ITEM NOT ILLUSTRATED

38-11-04-01

38-11-04
FIG. 01
PAGE 9
JAN 20/09

BRI

BOEING
757
PARTS CATALOG (MAINTENANCE)



Y 38110401A SHT 1 REV 237

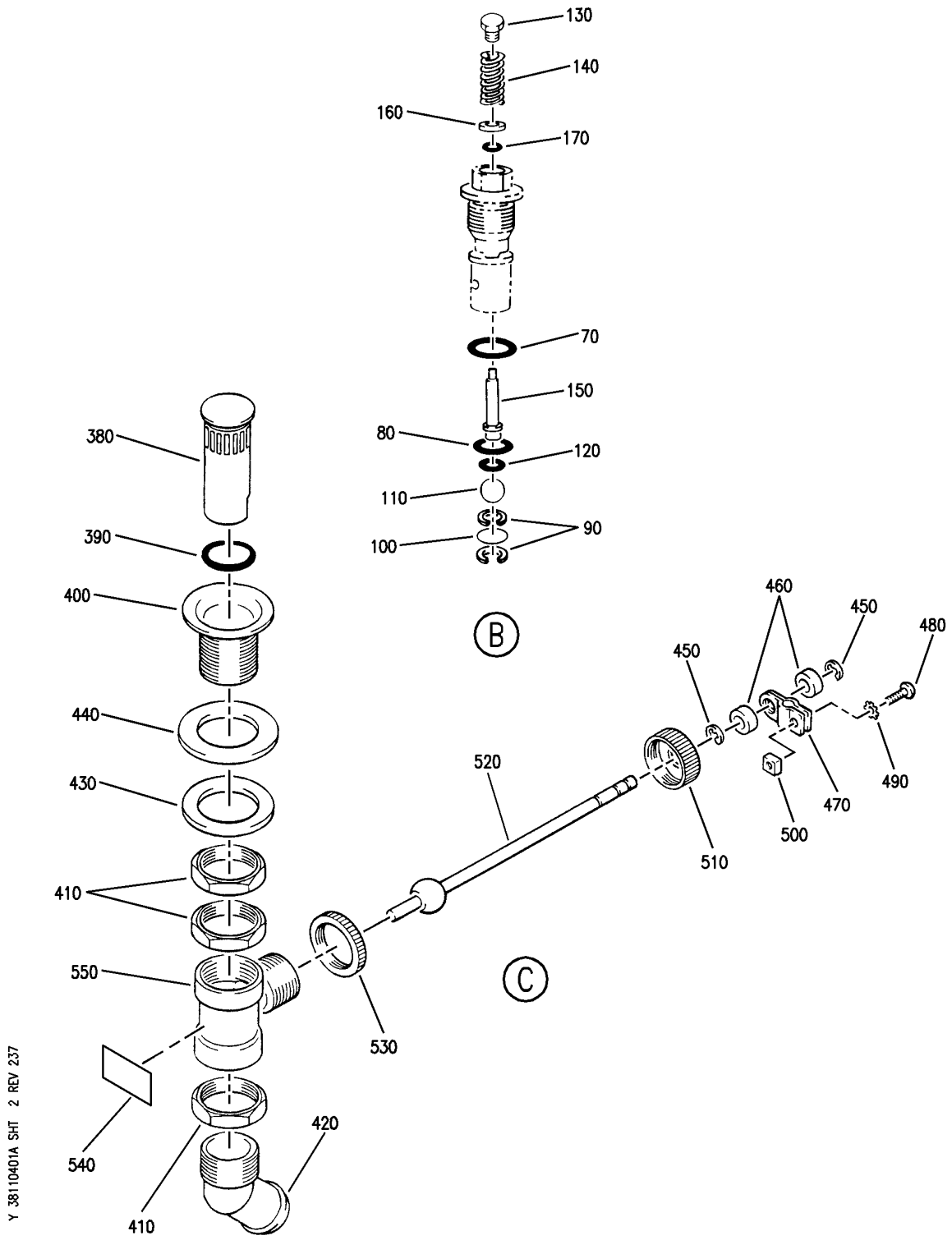
FAUCET AND DRAIN ASSY LAV
FIGURE 1A (SHEET 1)

38-11-04-01A

BRI
MAY 28/07

38-11-04-01A
PAGE 0

BOEING
757
PARTS CATALOG (MAINTENANCE)



Y 38110401A SHT 2 REV 237

FAUCET AND DRAIN ASSY LAV
FIGURE 1A (SHEET 2)

38-11-04-01A

BRI
MAY 28/07

38-11-04-01A
PAGE 0A



757

PARTS CATALOG (MAINTENANCE)

FIG ITEM	PART NUMBER	1 2 3 4 5 6 7	NOMENCLATURE	EFFECT FROM TO	UNITS PER ASSY
1 A			FAUCET AND DRAIN ASSY LAV	101949 952999	
- 1	1A081-0212-11		FAUCET AND DRAIN ASSY- SUPPLIER CODE: VS5825 SPECIFICATION NUMBER: 60B50027-20 SB DATA FROM A CMM: POST 1A081-0212-83 POST 1A081-0212-25-81 POST 1A081-0212-25-83 COMPONENT MAINT MANUAL REF: 25-41-14 FOR NHA SEE: 38-11-51-02L 38-11-51-10C	107107	RF
- 1	1A081-0212-11		FAUCET AND DRAIN ASSY- SUPPLIER CODE: VS5825 SPECIFICATION NUMBER: 60B50027-20 SB DATA FROM A CMM: POST 1A081-0212-25-81 POST 1A081-0212-25-83 COMPONENT MAINT MANUAL REF: 25-41-14 FOR NHA SEE: 38-11-51-15J 38-11-51-25A 38-11-51-20E 38-11-51-30J 38-11-51-26B 38-11-51-27C	101106 108120	RF
- 1	1A081-0212-11		FAUCET AND DRAIN ASSY-LAV A SUPPLIER CODE: VS5825 SPECIFICATION NUMBER: 60B50027-20 SB DATA FROM A CMM: POST 1A081-0212-83 POST 1A081-0212-25-81 POST 1A081-0212-25-83 COMPONENT MAINT MANUAL REF: 25-41-14 FOR NHA SEE: 38-11-51-10 38-11-51-20A	121949 952999	RF

MISSING ITEM NUMBERS NOT APPLICABLE

- ITEM NOT ILLUSTRATED

38-11-04-01A

38-11-04
FIG. 01A
PAGE 1
JAN 20/09

BRI



757

PARTS CATALOG (MAINTENANCE)

FIG ITEM	PART NUMBER	1 2 3 4 5 6 7	NOMENCLATURE	EFFECT FROM TO	UNITS PER ASSY
1 A					
- 5	1A081-0212-11		FAUCET AND DRAIN ASSY-LAV C D AND F SUPPLIER CODE: VS5825 SPECIFICATION NUMBER: 60B50027-20 SB DATA FROM A CMM: POST 1A081-0212-25-81 POST 1A081-0212-25-83 COMPONENT MAINT MANUAL REF: 25-41-14 FOR NHA SEE: 38-11-51-30C 38-11-51-30D	504903	RF
- 50	1A082-0213-11	.	FAUCET ASSY- SUPPLIER CODE: VS5825	101105 107120 504903	1
- 50	1A082-0213-11	.	FAUCET ASSY- SUPPLIER CODE: VS5825	106106	1
- 50	1A082-0213-11	.	FAUCET ASSY- SUPPLIER CODE: VS5825	121503 904949 952999	1
60	2A083-0613-11	..	CARTRIDGE ASSY- SUPPLIER CODE: VS5825	101105 107120 504903	2
60	2A083-0613-11	..	CARTRIDGE ASSY- SUPPLIER CODE: VS5825	106106	2
60	2A083-0613-11	..	CARTRIDGE ASSY- SUPPLIER CODE: VS5825	121503 904949 952999	2
70	F5-2-1014	...	PACKING- SUPPLIER CODE: VS5825	101105 107120 504903	1
70	F5-2-1014	...	PACKING- SUPPLIER CODE: VS5825	106106	1
70	F5-2-1014	...	PACKING- SUPPLIER CODE: VS5825	121503 904949 952999	1
80	F5-8-7	...	PACKING- SUPPLIER CODE: VS5825	101105 107120 504903	1
80	F5-8-7	...	PACKING- SUPPLIER CODE: VS5825	106106	1

MISSING ITEM NUMBERS NOT APPLICABLE

- ITEM NOT ILLUSTRATED

38-11-04-01A

38-11-04
FIG. 01A
PAGE 2
JAN 20/09

BRI



757

PARTS CATALOG (MAINTENANCE)

FIG ITEM	PART NUMBER	1 2 3 4 5 6 7	NOMENCLATURE	EFFECT FROM TO	UNITS PER ASSY
1 A					
80	F5-8-7	...	PACKING- SUPPLIER CODE: VS5825	121503 904949 952999	1
90	F5-11-10	...	RING-RETAINING SUPPLIER CODE: VS5825	101105 107120 504903	2
90	F5-11-10	...	RING-RETAINING SUPPLIER CODE: VS5825	106106	2
90	F5-11-10	...	RING-RETAINING SUPPLIER CODE: VS5825	121503 904949 952999	2
100	3A084-0461-1	...	MESH- SUPPLIER CODE: VS5825	101105 107120 504903	1
100	3A084-0461-1	...	MESH- SUPPLIER CODE: VS5825	106106	1
100	3A084-0461-1	...	MESH- SUPPLIER CODE: VS5825	121503 904949 952999	1
110	3A084-0462-1	...	BALL- SUPPLIER CODE: VS5825	101105 107120 504903	1
110	3A084-0462-1	...	BALL- SUPPLIER CODE: VS5825	106106	1
110	3A084-0462-1	...	BALL- SUPPLIER CODE: VS5825	121503 904949 952999	1
120	F5-9-6	...	PACKING- SUPPLIER CODE: VS5825	101105 107120 504903	1
120	F5-9-6	...	PACKING- SUPPLIER CODE: VS5825	106106	1
120	F5-9-6	...	PACKING- SUPPLIER CODE: VS5825	121503 904949 952999	1
130	3A084-0460-1	...	BUTTON- SUPPLIER CODE: VS5825	101105 107120 504903	1
130	3A084-0460-1	...	BUTTON- SUPPLIER CODE: VS5825	106106	1
130	3A084-0460-1	...	BUTTON- SUPPLIER CODE: VS5825	121503 904949 952999	1

MISSING ITEM NUMBERS NOT APPLICABLE

- ITEM NOT ILLUSTRATED

38-11-04-01A

38-11-04
FIG. 01A
PAGE 3
JAN 20/09

BRI

BOEING PROPRIETARY - Copyright © - Unpublished Work - See title page for details.



757

PARTS CATALOG (MAINTENANCE)

FIG ITEM	PART NUMBER	1 2 3 4 5 6 7	NOMENCLATURE	EFFECT FROM TO	UNITS PER ASSY
1A					
140	3A084-0463-1	...	SPRING- SUPPLIER CODE: VS5825	101105 107120 504903	1
140	3A084-0463-1	...	SPRING- SUPPLIER CODE: VS5825	106106	1
140	3A084-0463-1	...	SPRING- SUPPLIER CODE: VS5825	121503 904949 952999	1
150	2A084-0612-1	...	ROD-PUSH SUPPLIER CODE: VS5825	101105 107120 504903	1
150	2A084-0612-1	...	ROD-PUSH SUPPLIER CODE: VS5825	106106	1
150	2A084-0612-1	...	ROD-PUSH SUPPLIER CODE: VS5825	121503 904949 952999	1
160	3A084-0562-1	...	WASHER- SUPPLIER CODE: VS5825	101105 107120 504903	1
160	3A084-0562-1	...	WASHER- SUPPLIER CODE: VS5825	106106	1
160	3A084-0562-1	...	WASHER- SUPPLIER CODE: VS5825	121503 904949 952999	1
170	F5-7-1	...	PACKING- SUPPLIER CODE: VS5825	101105 107120 504903	1
170	F5-7-1	...	PACKING- SUPPLIER CODE: VS5825	106106	1
170	F5-7-1	...	PACKING- SUPPLIER CODE: VS5825	121503 904949 952999	1
- 180	2A084-0611-11	...	BODY- SUPPLIER CODE: VS5825	101105 107120 504903	1
- 180	2A084-0611-11	...	BODY- SUPPLIER CODE: VS5825	106106	1
- 180	2A084-0611-11	...	BODY- SUPPLIER CODE: VS5825	121503 904949 952999	1
190	3A083-0469-1	..	DIFFUSER ASSY- SUPPLIER CODE: VS5825	101105 107120 504903	1

MISSING ITEM NUMBERS NOT APPLICABLE

- ITEM NOT ILLUSTRATED

38-11-04-01A

38-11-04
FIG. 01A
PAGE 4
JAN 20/09

BRI

BOEING PROPRIETARY - Copyright © - Unpublished Work - See title page for details.



757

PARTS CATALOG (MAINTENANCE)

FIG ITEM	PART NUMBER	1 2 3 4 5 6 7	NOMENCLATURE	EFFECT FROM TO	UNITS PER ASSY
1A					
190	3A083-0469-1	..	DIFFUSER ASSY- SUPPLIER CODE: VS5825	106106	1
190	3A083-0469-1	..	DIFFUSER ASSY- SUPPLIER CODE: VS5825	121503 904949 952999	1
200	2A084-0609-1	..	GASKET- SUPPLIER CODE: VS5825	101105 107120 504903	1
200	2A084-0609-1	..	GASKET- SUPPLIER CODE: VS5825	106106	1
200	2A084-0609-1	..	GASKET- SUPPLIER CODE: VS5825	121503 904949 952999	1
210	3A084-0455-1	..	SLEEVE- SUPPLIER CODE: VS5825	101105 107120 504903	1
210	3A084-0455-1	..	SLEEVE- SUPPLIER CODE: VS5825	106106	1
210	3A084-0455-1	..	SLEEVE- SUPPLIER CODE: VS5825	121503 904949 952999	1
220	3A083-1278-1	..	ACTUATOR- SUPPLIER CODE: VS5825	101105 107120 504903	1
220	3A083-1278-1	..	ACTUATOR- SUPPLIER CODE: VS5825	106106	1
220	3A083-1278-1	..	ACTUATOR- SUPPLIER CODE: VS5825	121503 904949 952999	1
230	F18-18	..	RING-RETAINING SUPPLIER CODE: VS5825	101105 107120 504903	2
230	F18-18	..	RING-RETAINING SUPPLIER CODE: VS5825	106106	2
230	F18-18	..	RING-RETAINING SUPPLIER CODE: VS5825	121503 904949 952999	2
240	2A084-0610-2	..	HANDLE-COLD SUPPLIER CODE: VS5825	101105 107120 504903	1
240	2A084-0610-2	..	HANDLE-COLD SUPPLIER CODE: VS5825	106106	1

MISSING ITEM NUMBERS NOT APPLICABLE

- ITEM NOT ILLUSTRATED

38-11-04-01A

38-11-04
FIG. 01A
PAGE 5
JAN 20/09

BRI

BOEING PROPRIETARY - Copyright © - Unpublished Work - See title page for details.



757

PARTS CATALOG (MAINTENANCE)

FIG ITEM	PART NUMBER	1 2 3 4 5 6 7	NOMENCLATURE	EFFECT FROM TO	UNITS PER ASSY
1 A					
240	2A084-0610-2	..	HANDLE-COLD SUPPLIER CODE: VS5825	121503 904949 952999	1
250	3A084-0456-1	..	SPRING- SUPPLIER CODE: VS5825 POSITION DATA: RH	101105 107120 504903	1
250	3A084-0456-1	..	SPRING- SUPPLIER CODE: VS5825 POSITION DATA: RH	106106	1
250	3A084-0456-1	..	SPRING- SUPPLIER CODE: VS5825 POSITION DATA: RH	121503 904949 952999	1
260	2A084-0610-1	..	HANDLE-HOT SUPPLIER CODE: VS5825	101105 107120 504903	1
260	2A084-0610-1	..	HANDLE-HOT SUPPLIER CODE: VS5825	106106	1
260	2A084-0610-1	..	HANDLE-HOT SUPPLIER CODE: VS5825	121503 904949 952999	1
270	3A084-0457-1	..	SPRING- SUPPLIER CODE: VS5825 POSITION DATA: LH	101105 107120 504903	1
270	3A084-0457-1	..	SPRING- SUPPLIER CODE: VS5825 POSITION DATA: LH	106106	1
270	3A084-0457-1	..	SPRING- SUPPLIER CODE: VS5825 POSITION DATA: LH	121503 904949 952999	1
280	3A084-0458-1	..	SPACER- SUPPLIER CODE: VS5825	101105 107120 504903	2
280	3A084-0458-1	..	SPACER- SUPPLIER CODE: VS5825	106106	2

MISSING ITEM NUMBERS NOT APPLICABLE

- ITEM NOT ILLUSTRATED

38-11-04-01A

38-11-04
FIG. 01A
PAGE 6
JAN 20/09

BRI

BOEING PROPRIETARY - Copyright © - Unpublished Work - See title page for details.



757

PARTS CATALOG (MAINTENANCE)

FIG ITEM	PART NUMBER	1 2 3 4 5 6 7	NOMENCLATURE	EFFECT FROM TO	UNITS PER ASSY
1 A					
280	3A084-0458-1	..	SPACER- SUPPLIER CODE: VS5825	121503 904949 952999	2
290	3A084-0459-1	..	SCREW- SUPPLIER CODE: VS5825	101105 107120 504903	2
290	3A084-0459-1	..	SCREW- SUPPLIER CODE: VS5825	106106	2
290	3A084-0459-1	..	SCREW- SUPPLIER CODE: VS5825	121503 904949 952999	2
300	3A084-0474-1	..	SPRING- SUPPLIER CODE: VS5825	101105 107120 504903	1
300	3A084-0474-1	..	SPRING- SUPPLIER CODE: VS5825	106106	1
300	3A084-0474-1	..	SPRING- SUPPLIER CODE: VS5825	121503 904949 952999	1
310	F12-0M6	..	WASHER- SUPPLIER CODE: VS5825	101105 107120 504903	1
310	F12-0M6	..	WASHER- SUPPLIER CODE: VS5825	106106	1
310	F12-0M6	..	WASHER- SUPPLIER CODE: VS5825	121503 904949 952999	1
320	F13-0M6	..	NUT- SUPPLIER CODE: VS5825	101105 107120 504903	1
320	F13-0M6	..	NUT- SUPPLIER CODE: VS5825	106106	1
320	F13-0M6	..	NUT- SUPPLIER CODE: VS5825	121503 904949 952999	1
330	3A084-0453-1	..	BRACKET-MTG SUPPLIER CODE: VS5825	101105 107120 504903	1
330	3A084-0453-1	..	BRACKET-MTG SUPPLIER CODE: VS5825	106106	1
330	3A084-0453-1	..	BRACKET-MTG SUPPLIER CODE: VS5825	121503 904949 952999	1

MISSING ITEM NUMBERS NOT APPLICABLE

- ITEM NOT ILLUSTRATED

38-11-04-01A

38-11-04
FIG. 01A
PAGE 7
JAN 20/09

BRI

BOEING PROPRIETARY - Copyright © - Unpublished Work - See title page for details.



757

PARTS CATALOG (MAINTENANCE)

FIG ITEM	PART NUMBER	1 2 3 4 5 6 7	NOMENCLATURE	EFFECT FROM TO	UNITS PER ASSY
1 A					
340	F14-0M6	..	SETSCREW- SUPPLIER CODE: VS5825	101105 107120 504903	1
340	F14-0M6	..	SETSCREW- SUPPLIER CODE: VS5825	106106	1
340	F14-0M6	..	SETSCREW- SUPPLIER CODE: VS5825	121503 904949 952999	1
350	3A084-0443-11	..	LABEL-IDENT SUPPLIER CODE: VS5825	101105 107120 504903	1
350	3A084-0443-11	..	LABEL-IDENT SUPPLIER CODE: VS5825	106106	1
350	3A084-0443-11	..	LABEL-IDENT SUPPLIER CODE: VS5825	121503 904949 952999	1
360	3A083-1280-1	..	BODY- SUPPLIER CODE: VS5825	101105 107120 504903	1
360	3A083-1280-1	..	BODY- SUPPLIER CODE: VS5825	106106	1
360	3A083-1280-1	..	BODY- SUPPLIER CODE: VS5825	121503 904949 952999	1
- 370	1A082-0214-1	.DRAIN ASSY-	SUPPLIER CODE: VS5825	101105 107120 504903	1
- 370	1A082-0214-1	.DRAIN ASSY-	SUPPLIER CODE: VS5825	106106	1
- 370	1A082-0214-1	.DRAIN ASSY-	SUPPLIER CODE: VS5825	121503 904949 952999	1
380	2A084-0606-1	..	VALVE- SUPPLIER CODE: VS5825	101105 107120 504903	1
380	2A084-0606-1	..	VALVE- SUPPLIER CODE: VS5825	106106	1
380	2A084-0606-1	..	VALVE- SUPPLIER CODE: VS5825	121503 904949 952999	1
390	D2-119	..	PACKING- SUPPLIER CODE: VS5825	101105 107120 504903	1

MISSING ITEM NUMBERS NOT APPLICABLE

- ITEM NOT ILLUSTRATED

38-11-04-01A

38-11-04
FIG. 01A
PAGE 8
JAN 20/09

BRI

BOEING PROPRIETARY - Copyright © - Unpublished Work - See title page for details.



757

PARTS CATALOG (MAINTENANCE)

FIG ITEM	PART NUMBER	1 2 3 4 5 6 7	NOMENCLATURE	EFFECT FROM TO	UNITS PER ASSY
1 A					
390	D2-119	..	PACKING- SUPPLIER CODE: VS5825	106106	1
390	D2-119	..	PACKING- SUPPLIER CODE: VS5825	121503 904949 952999	1
400	3A084-0444-1	..	FLANGE- SUPPLIER CODE: VS5825	101105 107120 504903	1
400	3A084-0444-1	..	FLANGE- SUPPLIER CODE: VS5825	106106	1
400	3A084-0444-1	..	FLANGE- SUPPLIER CODE: VS5825	121503 904949 952999	1
410	3A084-0447-1	..	NUT- SUPPLIER CODE: VS5825	101105 107120 504903	3
410	3A084-0447-1	..	NUT- SUPPLIER CODE: VS5825	106106	3
410	3A084-0447-1	..	NUT- SUPPLIER CODE: VS5825	121503 904949 952999	3
420	2A084-0605-1	..	FITTING-END SUPPLIER CODE: VS5825	101105 107120 504903	1
420	2A084-0605-1	..	FITTING-END SUPPLIER CODE: VS5825	106106	1
420	2A084-0605-1	..	FITTING-END SUPPLIER CODE: VS5825	121503 904949 952999	1
430	3A084-0499-1	..	WASHER- SUPPLIER CODE: VS5825	101105 107120 504903	1
430	3A084-0499-1	..	WASHER- SUPPLIER CODE: VS5825	106106	1
430	3A084-0499-1	..	WASHER- SUPPLIER CODE: VS5825	121503 904949 952999	1
440	3A084-0448-1	..	GASKET- SUPPLIER CODE: VS5825	101105 107120 504903	1
440	3A084-0448-1	..	GASKET- SUPPLIER CODE: VS5825	106106	1

MISSING ITEM NUMBERS NOT APPLICABLE

- ITEM NOT ILLUSTRATED

38-11-04-01A

38-11-04
FIG. 01A
PAGE 9
JAN 20/09

BRI

BOEING PROPRIETARY - Copyright © - Unpublished Work - See title page for details.



757

PARTS CATALOG (MAINTENANCE)

FIG ITEM	PART NUMBER	1 2 3 4 5 6 7	NOMENCLATURE	EFFECT FROM TO	UNITS PER ASSY
1 A					
440	3A084-0448-1	..	GASKET- SUPPLIER CODE: VS5825	121503 904949 952999	1
450	D13-5	..	RING-RETAINING SUPPLIER CODE: VS5825	101105 107120 504903	2
450	D13-5	..	RING-RETAINING SUPPLIER CODE: VS5825	106106	2
450	D13-5	..	RING-RETAINING SUPPLIER CODE: VS5825	121503 904949 952999	2
460	3A084-0450-1	..	TUBE- SUPPLIER CODE: VS5825	101105 107120 504903	2
460	3A084-0450-1	..	TUBE- SUPPLIER CODE: VS5825	106106	2
460	3A084-0450-1	..	TUBE- SUPPLIER CODE: VS5825	121503 904949 952999	2
470	3A084-0451-1	..	LINK- SUPPLIER CODE: VS5825	101105 107120 504903	1
470	3A084-0451-1	..	LINK- SUPPLIER CODE: VS5825	106106	1
470	3A084-0451-1	..	LINK- SUPPLIER CODE: VS5825	121503 904949 952999	1
480	D16-0M4	..	SCREW- SUPPLIER CODE: VS5825	101105 107120 504903	1
480	D16-0M4	..	SCREW- SUPPLIER CODE: VS5825	106106	1
480	D16-0M4	..	SCREW- SUPPLIER CODE: VS5825	121503 904949 952999	1
490	D17-0M4	..	WASHER- SUPPLIER CODE: VS5825	101105 107120 504903	1
490	D17-0M4	..	WASHER- SUPPLIER CODE: VS5825	106106	1
490	D17-0M4	..	WASHER- SUPPLIER CODE: VS5825	121503 904949 952999	1

MISSING ITEM NUMBERS NOT APPLICABLE

- ITEM NOT ILLUSTRATED

38-11-04-01A

38-11-04
FIG. 01A
PAGE 10
JAN 20/09

BRI

BOEING PROPRIETARY - Copyright © - Unpublished Work - See title page for details.



757

PARTS CATALOG (MAINTENANCE)

FIG ITEM	PART NUMBER	1 2 3 4 5 6 7	NOMENCLATURE	EFFECT FROM TO	UNITS PER ASSY
1 A					
500	3A084-0558-1	..	NUT- SUPPLIER CODE: VS5825	101105 107120 504903	1
500	3A084-0558-1	..	NUT- SUPPLIER CODE: VS5825	106106	1
500	3A084-0558-1	..	NUT- SUPPLIER CODE: VS5825	121503 904949 952999	1
510	3A084-0445-1	..	CAP- SUPPLIER CODE: VS5825	101105 107120 504903	1
510	3A084-0445-1	..	CAP- SUPPLIER CODE: VS5825	106106	1
510	3A084-0445-1	..	CAP- SUPPLIER CODE: VS5825	121503 904949 952999	1
520	2A083-0607-1	..	ACTUATOR- SUPPLIER CODE: VS5825	101105 107120 504903	1
520	2A083-0607-1	..	ACTUATOR- SUPPLIER CODE: VS5825	106106	1
520	2A083-0607-1	..	ACTUATOR- SUPPLIER CODE: VS5825	121503 904949 952999	1
530	3A084-0446-1	..	NUT- SUPPLIER CODE: VS5825	101105 107120 504903	1
530	3A084-0446-1	..	NUT- SUPPLIER CODE: VS5825	106106	1
530	3A084-0446-1	..	NUT- SUPPLIER CODE: VS5825	121503 904949 952999	1
540	3A084-0442-1	..	LABEL-IDENT SUPPLIER CODE: VS5825	101105 107120 504903	1
540	3A084-0442-1	..	LABEL-IDENT SUPPLIER CODE: VS5825	106106	1
540	3A084-0442-1	..	LABEL-IDENT SUPPLIER CODE: VS5825	121503 904949 952999	1
550	3A084-0604-1	..	HOUSING- SUPPLIER CODE: VS5825	101105 107120 504903	1

MISSING ITEM NUMBERS NOT APPLICABLE

- ITEM NOT ILLUSTRATED

38-11-04-01A

38-11-04
FIG. 01A
PAGE 11
JAN 20/09

BRI

BOEING PROPRIETARY - Copyright © - Unpublished Work - See title page for details.



757

PARTS CATALOG (MAINTENANCE)

FIG ITEM	PART NUMBER	1 2 3 4 5 6 7	NOMENCLATURE	EFFECT FROM TO	UNITS PER ASSY
1 A					
550	3A084-0604-1		.. HOUSING- SUPPLIER CODE: VS5825	106106	1
550	3A084-0604-1		.. HOUSING- SUPPLIER CODE: VS5825	121503 904949 952999	1

MISSING ITEM NUMBERS NOT APPLICABLE

- ITEM NOT ILLUSTRATED

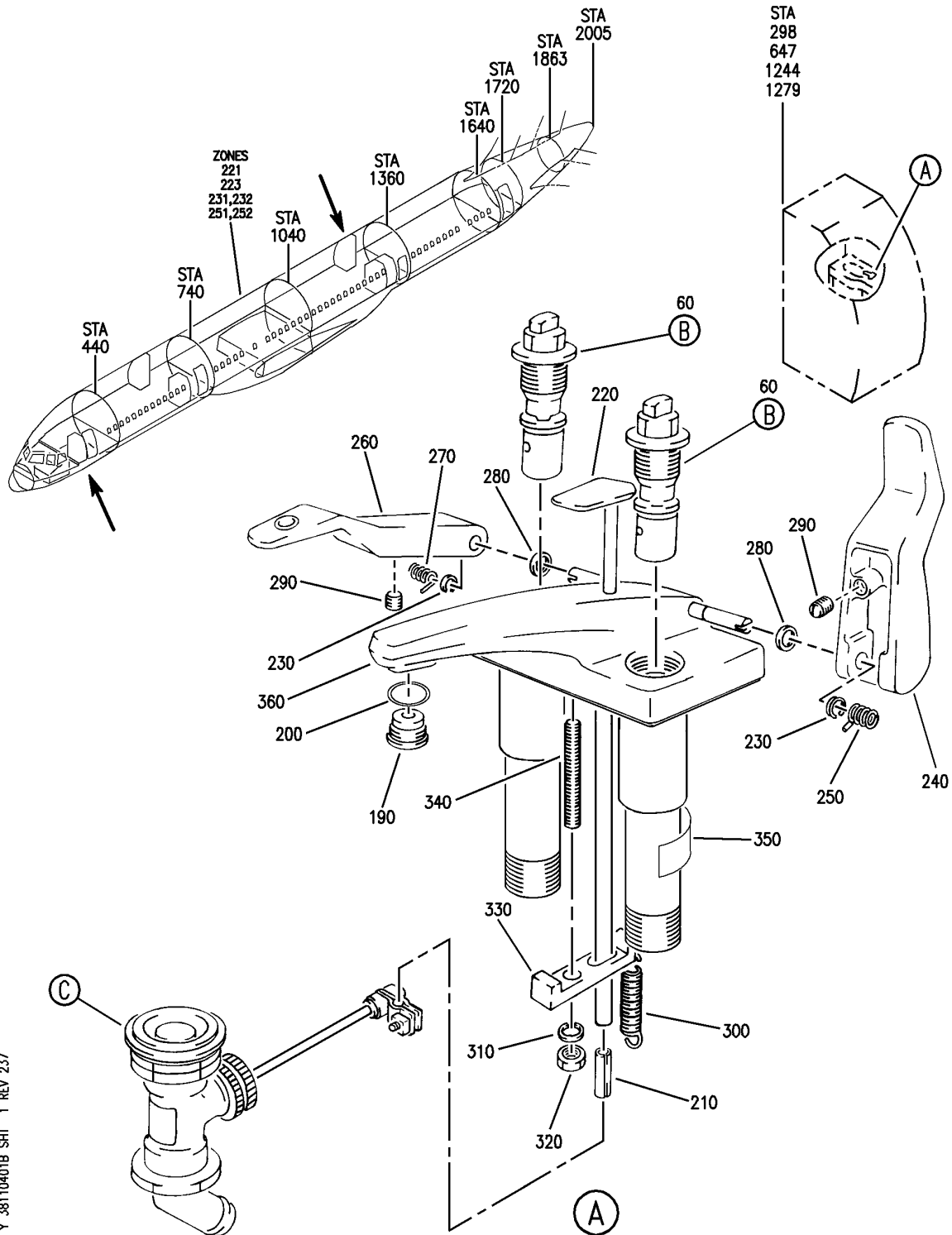
BRI

38-11-04-01A

BOEING PROPRIETARY - Copyright © - Unpublished Work - See title page for details.

38-11-04
FIG. 01A
PAGE 12
JAN 20/09

BOEING
757
PARTS CATALOG (MAINTENANCE)



Y 38110401B SHT 1 REV 237

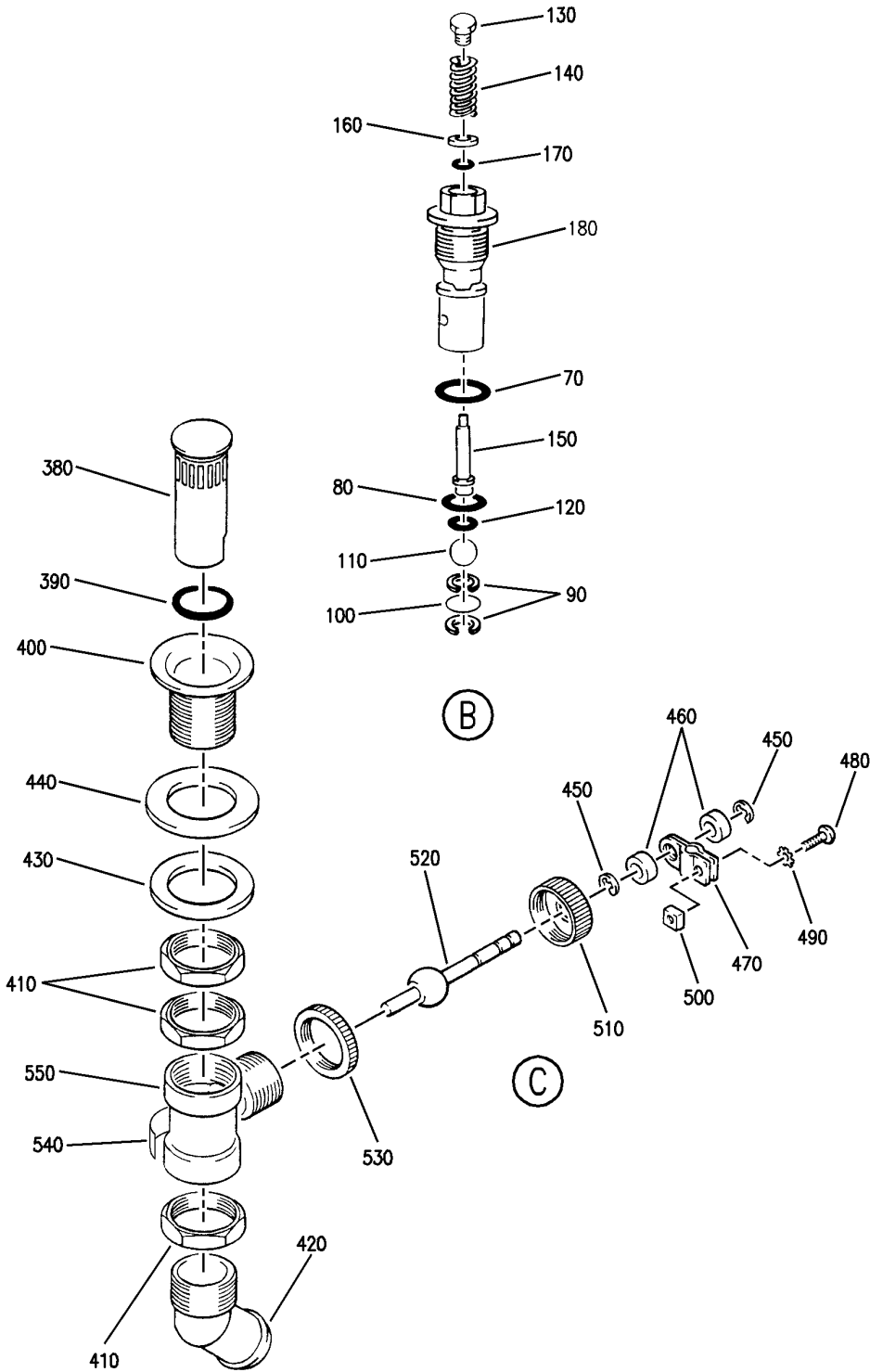
FAUCET AND DRAIN ASSY LAV
FIGURE 1B (SHEET 1)

38-11-04-01B

BRI
JAN 20/09

38-11-04-01B
PAGE 0

BOEING
757
PARTS CATALOG (MAINTENANCE)



Y 38110401B SHT 2 REV 237

FAUCET AND DRAIN ASSY LAV
FIGURE 1B (SHEET 2)

38-11-04-01B

BRI
JAN 20/09

38-11-04-01B
PAGE 0A



757

PARTS CATALOG (MAINTENANCE)

FIG ITEM	PART NUMBER	1 2 3 4 5 6 7	NOMENCLATURE	EFFECT FROM TO	UNITS PER ASSY
1B			FAUCET AND DRAIN ASSY LAV	107107 504903 950951	
- 1	600420-2		FAUCET AND DRAIN ASSY- LAV SUPPLIER CODE: V80477 SPECIFICATION NUMBER: 60B50027-20 CONFIG CHG DATA FROM A CMM: SUPSD BY 1A081-0212-1 COMPONENT MAINT MANUAL REF: 38-11-01 OPTIONAL PART: 1A081-0212-1 VS5825 FOR NHA SEE: 38-11-51-02L 38-11-51-10C	107107	RF
- 1	600420-2		FAUCET AND DRAIN ASSY- LAV SUPPLIER CODE: V80477 SPECIFICATION NUMBER: 60B50027-20 COMPONENT MAINT MANUAL REF: 38-11-01 OPTIONAL PART: 1A081-0212-1 VS5825 FOR NHA SEE: 38-11-51-20A 38-11-51-30C 38-11-51-30D	504903	RF
- 1	600420-2		FAUCET AND DRAIN ASSY-LAV SUPPLIER CODE: V80477 SPECIFICATION NUMBER: 60B50027-20 COMPONENT MAINT MANUAL REF: 38-11-01 OPTIONAL PART: 1A081-0212-1 VS5825 FOR NHA SEE: 38-11-51-01A	950951	RF
- 50	600380-2		. FAUCET ASSY- SUPPLIER CODE: V27045	107107 504903	1

MISSING ITEM NUMBERS NOT APPLICABLE

- ITEM NOT ILLUSTRATED

38-11-04-01B

38-11-04
FIG. 01B
PAGE 1
JAN 20/09

BRI



757

PARTS CATALOG (MAINTENANCE)

FIG ITEM	PART NUMBER	1 2 3 4 5 6 7	NOMENCLATURE	EFFECT FROM TO	UNITS PER ASSY
1B					
- 50	600380-2	.	FAUCET ASSY- SUPPLIER CODE: V27045	950951	1
60	600430	..	CARTRIDGE ASSY- SUPPLIER CODE: V80477	107107 504903	2
60	600430	..	CARTRIDGE ASSY- SUPPLIER CODE: V80477	950951	2
70	10007-015	...	SEAL- SUPPLIER CODE: V80477	107107 504903	1
70	10007-015	...	SEAL- SUPPLIER CODE: V80477	950951	1
80	10007-012	...	SEAL- SUPPLIER CODE: V80477	107107 504903	1
80	10007-012	...	SEAL- SUPPLIER CODE: V80477	950951	1
90	11301-5037	...	RING-RETAINING SUPPLIER CODE: V80477	107107 504903	2
90	11301-5037	...	RING-RETAINING SUPPLIER CODE: V80477	950951	2
100	600374	...	SCREEN- SUPPLIER CODE: V80477	107107 504903	1
100	600374	...	SCREEN- SUPPLIER CODE: V80477	950951	1
110	600373	...	BALL- SUPPLIER CODE: V80477	107107 504903	1
110	600373	...	BALL- SUPPLIER CODE: V80477	950951	1
120	10007-011	...	SEAL- SUPPLIER CODE: V80477	107107 504903	1
120	10007-011	...	SEAL- SUPPLIER CODE: V80477	950951	1
130	600433	...	BUTTON- SUPPLIER CODE: V80477	107107 504903	1

MISSING ITEM NUMBERS NOT APPLICABLE

- ITEM NOT ILLUSTRATED

38-11-04-01B

38-11-04
FIG. 01B
PAGE 2
JAN 20/09

BRI

BOEING PROPRIETARY - Copyright © - Unpublished Work - See title page for details.



757

PARTS CATALOG (MAINTENANCE)

FIG ITEM	PART NUMBER	1 2 3 4 5 6 7	NOMENCLATURE	EFFECT FROM TO	UNITS PER ASSY
1B					
130	600433	...	BUTTON- SUPPLIER CODE: V80477	950951	1
140	600447	...	SPRING- SUPPLIER CODE: V80477	107107 504903	1
140	600447	...	SPRING- SUPPLIER CODE: V80477	950951	1
150	600434	...	ROD-PUSH SUPPLIER CODE: V80477	107107 504903	1
150	600434	...	ROD-PUSH SUPPLIER CODE: V80477	950951	1
160	600398	...	WASHER- SUPPLIER CODE: V80477	107107 504903	1
160	600398	...	WASHER- SUPPLIER CODE: V80477	950951	1
170	10007-006	...	SEAL- SUPPLIER CODE: V80477	107107 504903	1
170	10007-006	...	SEAL- SUPPLIER CODE: V80477	950951	1
180	600385	...	BODY- SUPPLIER CODE: V80477	107107 504903	1
180	600385	...	BODY- SUPPLIER CODE: V80477	950951	1
190	600399	..	DIFFUSER ASSY- SUPPLIER CODE: V80477	107107 504903	1
190	600399	..	DIFFUSER ASSY- SUPPLIER CODE: V80477	950951	1
200	600444	..	GASKET- SUPPLIER CODE: V80477	107107 504903	1
200	600444	..	GASKET- SUPPLIER CODE: V80477	950951	1
210	600264	..	SPACER- SUPPLIER CODE: V80477	107107 504903	1

MISSING ITEM NUMBERS NOT APPLICABLE

- ITEM NOT ILLUSTRATED

38-11-04-01B

38-11-04
FIG. 01B
PAGE 3
JAN 20/09

BRI

BOEING PROPRIETARY - Copyright © - Unpublished Work - See title page for details.



757

PARTS CATALOG (MAINTENANCE)

FIG ITEM	PART NUMBER	1 2 3 4 5 6 7	NOMENCLATURE	EFFECT FROM TO	UNITS PER ASSY
1B					
210	600264	..	SPACER- SUPPLIER CODE: V80477	950951	1
220	600402	..	ACTUATOR- SUPPLIER CODE: V80477	107107 504903	1
220	600402	..	ACTUATOR- SUPPLIER CODE: V80477	950951	1
230	11306-5018	..	RING-RETAINING SUPPLIER CODE: V80477	107107 504903	2
230	11306-5018	..	RING-RETAINING SUPPLIER CODE: V80477	950951	2
240	600408	..	HANDLE-COLD SUPPLIER CODE: V80477	107107 504903	1
240	600408	..	HANDLE-COLD SUPPLIER CODE: V80477	950951	1
250	600406	..	SPRING- SUPPLIER CODE: V80477 POSITION DATA: RH	107107 504903	1
250	600406	..	SPRING- SUPPLIER CODE: V80477 POSITION DATA: RH	950951	1
260	600409	..	HANDLE-HOT SUPPLIER CODE: V80477	107107 504903	1
260	600409	..	HANDLE-HOT SUPPLIER CODE: V80477	950951	1
270	600407	..	SPRING- SUPPLIER CODE: V80477 POSITION DATA: LH	107107 504903	1
270	600407	..	SPRING- SUPPLIER CODE: V80477 POSITION DATA: LH	950951	1

MISSING ITEM NUMBERS NOT APPLICABLE

- ITEM NOT ILLUSTRATED

38-11-04-01B

38-11-04
FIG. 01B
PAGE 4
JAN 20/09

BRI

BOEING PROPRIETARY - Copyright © - Unpublished Work - See title page for details.



757

PARTS CATALOG (MAINTENANCE)

FIG ITEM	PART NUMBER	1 2 3 4 5 6 7	NOMENCLATURE	EFFECT FROM TO	UNITS PER ASSY
1B					
280	600393	..	SPACER- SUPPLIER CODE: V80477	107107 504903	2
280	600393	..	SPACER- SUPPLIER CODE: V80477	950951	2
290	600437	..	SCREW- SUPPLIER CODE: V80477	107107 504903	2
290	600437	..	SCREW- SUPPLIER CODE: V80477	950951	2
300	600452	..	SPRING- SUPPLIER CODE: V80477	107107 504903	1
300	600452	..	SPRING- SUPPLIER CODE: V80477	950951	1
310	10700B251	..	LOCKWASHER- SUPPLIER CODE: V80477	107107 504903	1
310	10700B251	..	LOCKWASHER- SUPPLIER CODE: V80477	950951	1
320	10601CB251	..	NUT- SUPPLIER CODE: V80477	107107 504903	1
320	10601CB251	..	NUT- SUPPLIER CODE: V80477	950951	1
330	600403	..	BRACKET-MTG SUPPLIER CODE: V80477	107107 504903	1
330	600403	..	BRACKET-MTG SUPPLIER CODE: V80477	950951	1
340	10300CB2524	..	SETSCREW- SUPPLIER CODE: V80477	107107 504903	1
340	10300CB2524	..	SETSCREW- SUPPLIER CODE: V80477	950951	1
350	600445-2	..	NAMEPLATE- SUPPLIER CODE: V27045	107107 504903	1
350	600445-2	..	NAMEPLATE- SUPPLIER CODE: V27045	950951	1

MISSING ITEM NUMBERS NOT APPLICABLE

- ITEM NOT ILLUSTRATED

38-11-04-01B

38-11-04
FIG. 01B
PAGE 5
JAN 20/09

BRI

BOEING PROPRIETARY - Copyright © - Unpublished Work - See title page for details.



757

PARTS CATALOG (MAINTENANCE)

FIG ITEM	PART NUMBER	1 2 3 4 5 6 7	NOMENCLATURE	EFFECT FROM TO	UNITS PER ASSY
1B					
360	600405	..	BODY ASSY- SUPPLIER CODE: V80477	107107 504903	1
360	600405	..	BODY ASSY- SUPPLIER CODE: V80477	950951	1
- 370	600011-5	.DRAIN ASSY- SUPPLIER CODE: V27045		107107 504903	1
- 370	600011-5	.DRAIN ASSY- SUPPLIER CODE: V27045		950951	1
380	600263-1	.. VALVE- SUPPLIER CODE: V80477		107107 504903	1
380	600263-1	.. VALVE- SUPPLIER CODE: V80477		950951	1
390	10004-119	.. SEAL- SUPPLIER CODE: V80477		107107 504903	1
390	10004-119	.. SEAL- SUPPLIER CODE: V80477		950951	1
400	8800-001-1	.. FLANGE- SUPPLIER CODE: V80477		107107 504903	1
400	8800-001-1	.. FLANGE- SUPPLIER CODE: V80477		950951	1
410	600730	.. NUT- SUPPLIER CODE: V80477		107107 504903	3
410	600730	.. NUT- SUPPLIER CODE: V80477		950951	3
420	600049	.. FITTING-END SUPPLIER CODE: V80477		107107 504903	1
420	600049	.. FITTING-END SUPPLIER CODE: V80477		950951	1
430	600729	.. WASHER- SUPPLIER CODE: V80477		107107 504903	1
430	600729	.. WASHER- SUPPLIER CODE: V80477		950951	1

MISSING ITEM NUMBERS NOT APPLICABLE

- ITEM NOT ILLUSTRATED

38-11-04-01B

38-11-04
FIG. 01B
PAGE 6
JAN 20/09

BRI

BOEING PROPRIETARY - Copyright © - Unpublished Work - See title page for details.



757

PARTS CATALOG (MAINTENANCE)

FIG ITEM	PART NUMBER	1 2 3 4 5 6 7	NOMENCLATURE	EFFECT FROM TO	UNITS PER ASSY
1B					
440	8800-007	..	GASKET- SUPPLIER CODE: V80477	107107 504903	1
440	8800-007	..	GASKET- SUPPLIER CODE: V80477	950951	1
450	11305-1025	..	RING-RETAINING SUPPLIER CODE: V27045	107107 504903	2
450	11305-1025	..	RING-RETAINING SUPPLIER CODE: V27045	950951	2
460	8800-009	..	TUBE- SUPPLIER CODE: V27045	107107 504903	2
460	8800-009	..	TUBE- SUPPLIER CODE: V27045	950951	2
470	600723	..	LINK- SUPPLIER CODE: V27045	107107 504903	1
470	600723	..	LINK- SUPPLIER CODE: V27045	950951	1
480	10107CB0606	..	SCREW- SUPPLIER CODE: V80477	107107 504903	1
480	10107CB0606	..	SCREW- SUPPLIER CODE: V80477	950951	1
490	10703E06	..	LOCKWASHER- SUPPLIER CODE: V80477	107107 504903	1
490	10703E06	..	LOCKWASHER- SUPPLIER CODE: V80477	950951	1
500	10600CB061	..	NUT- SUPPLIER CODE: V27045	107107 504903	1
500	10600CB061	..	NUT- SUPPLIER CODE: V27045	950951	1
510	600728	..	CAP- SUPPLIER CODE: V80477	107107 504903	1
510	600728	..	CAP- SUPPLIER CODE: V80477	950951	1

MISSING ITEM NUMBERS NOT APPLICABLE

- ITEM NOT ILLUSTRATED

38-11-04-01B

38-11-04
FIG. 01B
PAGE 7
JAN 20/09

BRI

BOEING PROPRIETARY - Copyright © - Unpublished Work - See title page for details.



757

PARTS CATALOG (MAINTENANCE)

FIG ITEM	PART NUMBER	1 2 3 4 5 6 7	NOMENCLATURE	EFFECT FROM TO	UNITS PER ASSY
1B					
520	600112-5	..	ACTUATOR- SUPPLIER CODE: V27045	107107 504903	1
520	600112-5	..	ACTUATOR- SUPPLIER CODE: V27045	950951	1
530	600733	..	NUT- SUPPLIER CODE: V80477	107107 504903	1
530	600733	..	NUT- SUPPLIER CODE: V80477	950951	1
540	600446-2	..	NAMEPLATE- SUPPLIER CODE: V27045	107107 504903	1
540	600446-2	..	NAMEPLATE- SUPPLIER CODE: V27045	950951	1
550	600048	..	HOUSING- SUPPLIER CODE: V80477	107107 504903	1
550	600048	..	HOUSING- SUPPLIER CODE: V80477	950951	1

MISSING ITEM NUMBERS NOT APPLICABLE

- ITEM NOT ILLUSTRATED

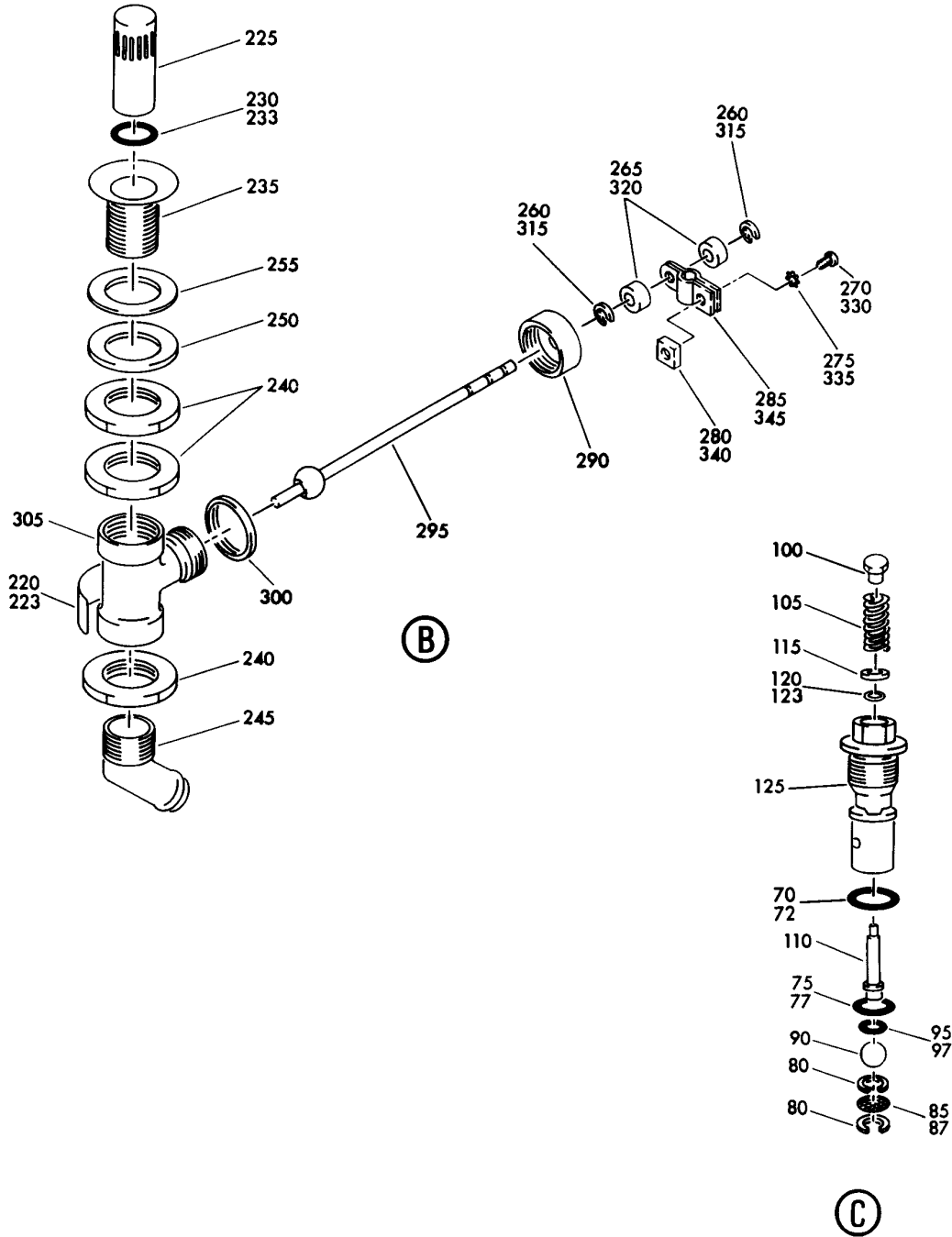
38-11-04-01B

38-11-04
FIG. 01B
PAGE 8
JAN 20/09

BRI

BOEING PROPRIETARY - Copyright © - Unpublished Work - See title page for details.

BOEING
757
PARTS CATALOG (MAINTENANCE)



Y 38110402 SHT 2 REV 240

PLUMBING ASSY-SEG 260 LAV (BASIN FAUCET ONLY)
FIGURE 2 (SHEET 2)

38-11-04-02

BRI
JAN 20/09

38-11-04-02
PAGE 0A



757

PARTS CATALOG (MAINTENANCE)

FIG ITEM	PART NUMBER	1 2 3 4 5 6 7	NOMENCLATURE	EFFECT FROM TO	UNITS PER ASSY
2			PLUMBING ASSY-SEG 260 LAV (BASIN FAUCET ONLY)	950951	
- 5	0A122-0020-11		PLUMBING ASSY-LAV D (BASIN FAUCET ONLY) SUPPLIER CODE: VS5825 FOR NHA/OTHER SYS DET SEE: 25-41-04-43	950951	RF
- 5	0A122-0020-91		PLUMBING ASSY-LAV D AND T (BASIN FAUCET ONLY) SUPPLIER CODE: VS5825	950951	RF
- 10	0A122-0020-12		PLUMBING ASSY-LAV C (BASIN FAUCET ONLY) SUPPLIER CODE: VS5825 FOR NHA/OTHER SYS DET SEE: 25-41-04-27	950951	RF
- 10	0A122-0020-92		PLUMBING ASSY-LAV C (BASIN FAUCET ONLY) SUPPLIER CODE: VS5825	950951	RF
- 15	0A122-0020-81		PLUMBING ASSY-LAV S (BASIN FAUCET ONLY) SUPPLIER CODE: VS5825 FOR NHA/OTHER SYS DET SEE: 25-41-03-08A	950951	RF
50	600420-2		. FAUCET AND DRAIN ASSY- SUPPLIER CODE: V80477 SPECIFICATION NUMBER: 60B50027-20 OPTIONAL PART: 1A081-0212-1 VS5825	950951	1
50	1A081-0212-1		. FAUCET AND DRAIN ASSY- SUPPLIER CODE: VS5825 SPECIFICATION NUMBER: 60B50027-20 COMPONENT MAINT MANUAL REF: 25-41-14 OPTIONAL PART: 600420-2 V80477	950951	1

MISSING ITEM NUMBERS NOT APPLICABLE

- ITEM NOT ILLUSTRATED

38-11-04-02

38-11-04
FIG. 02
PAGE 1
JAN 20/09

BRI



757

PARTS CATALOG (MAINTENANCE)

FIG ITEM	PART NUMBER	1 2 3 4 5 6 7	NOMENCLATURE	EFFECT FROM TO	UNITS PER ASSY
2					
- 55	600380-2		.. FAUCET ASSY- SUPPLIER CODE: V27045 USED ON: 600420-2	950951	1
- 55	600380-2		.. FAUCET ASSY- SUPPLIER CODE: V27045 USED ON: 600420-2	950951	1
- 55	1A082-0213-1		.. FAUCET ASSY- SUPPLIER CODE: VS5825 USED ON: 1A081-0212-1	950951	1
60	600445-2		...NAMEPLATE- SUPPLIER CODE: V27045 USED ON: 600380-2	950951	1
60	600445-2		...NAMEPLATE- SUPPLIER CODE: V27045 USED ON: 600380-2	950951	1
63	3A084-0443-1		...LABEL-IDENT SUPPLIER CODE: VS5825 USED ON: 1A082-0213-1	950951	1
65	2A083-0613-1		...CARTRIDGE ASSY- SUPPLIER CODE: VS5825 USED ON: 1A082-0213-1	950951	2
65	600430		...CARTRIDGE ASSY- SUPPLIER CODE: V80477 USED ON: 600380-2	950951	2
65	600430		...CARTRIDGE ASSY- SUPPLIER CODE: V80477 USED ON: 600380-2	950951	2

MISSING ITEM NUMBERS NOT APPLICABLE

- ITEM NOT ILLUSTRATED

BRI

38-11-04-02

38-11-04
FIG. 02
PAGE 2
JAN 20/09



757

PARTS CATALOG (MAINTENANCE)

FIG ITEM	PART NUMBER	1 2 3 4 5 6 7	NOMENCLATURE	EFFECT FROM TO	UNITS PER ASSY
2					
65	2A083-0613-1	...	CARTRIDGE ASSY- SUPPLIER CODE: VS5825 USED ON: 1A082-0213-1	950951	2
70	F5-2-1014	PACKING- SUPPLIER CODE: VS5825 USED ON: 2A083-0613-1	950951	1
70	F5-2-1014	PACKING- SUPPLIER CODE: VS5825 USED ON: 2A083-0613-1	950951	1
72	10007-015	SEAL- SUPPLIER CODE: V80477 USED ON: 600430	950951	1
72	10007-015	SEAL- SUPPLIER CODE: V80477 USED ON: 600430	950951	1
75	10007-012	SEAL- SUPPLIER CODE: V80477 USED ON: 600430	950951	1
75	10007-012	SEAL- SUPPLIER CODE: V80477 USED ON: 600430	950951	1
77	F5-8-7	PACKING- SUPPLIER CODE: VS5825 USED ON: 2A083-0613-1	950951	1
77	F5-8-7	PACKING- SUPPLIER CODE: VS5825 USED ON: 2A083-0613-1	950951	1

MISSING ITEM NUMBERS NOT APPLICABLE

- ITEM NOT ILLUSTRATED

38-11-04-02

38-11-04
FIG. 02
PAGE 3
JAN 20/09

BRI

BOEING PROPRIETARY - Copyright © - Unpublished Work - See title page for details.



757

PARTS CATALOG (MAINTENANCE)

FIG ITEM	PART NUMBER	1 2 3 4 5 6 7	NOMENCLATURE	EFFECT FROM TO	UNITS PER ASSY
2					
80	F5-11-10	RING-RETAINING SUPPLIER CODE: VS5825 USED ON: 2A083-0613-1	950951	2
80	11301-5037	RING-RETAINING SUPPLIER CODE: V80477 USED ON: 600430	950951	2
80	11301-5037	RING-RETAINING SUPPLIER CODE: V80477 USED ON: 600430	950951	2
80	F5-11-10	RING-RETAINING SUPPLIER CODE: VS5825 USED ON: 2A083-0613-1	950951	2
85	600374	SCREEN- SUPPLIER CODE: V80477 USED ON: 600430	950951	1
85	600374	SCREEN- SUPPLIER CODE: V80477 USED ON: 600430	950951	1
87	3A084-0461-1	MESH- SUPPLIER CODE: VS5825 USED ON: 2A083-0613-1	950951	1
87	3A084-0461-1	MESH- SUPPLIER CODE: VS5825 USED ON: 2A083-0613-1	950951	1
90	3A084-0462-1	BALL- SUPPLIER CODE: VS5825 USED ON: 2A083-0613-1	950951	1

MISSING ITEM NUMBERS NOT APPLICABLE

- ITEM NOT ILLUSTRATED

38-11-04-02

38-11-04
FIG. 02
PAGE 4
JAN 20/09

BRI



757

PARTS CATALOG (MAINTENANCE)

FIG ITEM	PART NUMBER	1 2 3 4 5 6 7	NOMENCLATURE	EFFECT FROM TO	UNITS PER ASSY
2					
90	600373	BALL- SUPPLIER CODE: V80477 USED ON: 600430	950951	1
90	600373	BALL- SUPPLIER CODE: V80477 USED ON: 600430	950951	1
90	3A084-0462-1	BALL- SUPPLIER CODE: VS5825 USED ON: 2A083-0613-1	950951	1
95	10007-011	SEAL- SUPPLIER CODE: V80477 USED ON: 600430	950951	1
95	10007-011	SEAL- SUPPLIER CODE: V80477 USED ON: 600430	950951	1
97	F5-9-6	PACKING- SUPPLIER CODE: VS5825 USED ON: 2A083-0613-1	950951	1
97	F5-9-6	PACKING- SUPPLIER CODE: VS5825 USED ON: 2A083-0613-1	950951	1
100	3A084-0460-1	BUTTON- SUPPLIER CODE: VS5825 USED ON: 2A083-0613-1	950951	1
100	600433	BUTTON- SUPPLIER CODE: V80477 USED ON: 600430	950951	1

MISSING ITEM NUMBERS NOT APPLICABLE

- ITEM NOT ILLUSTRATED

38-11-04-02

38-11-04
FIG. 02
PAGE 5
JAN 20/09

BRI



757

PARTS CATALOG (MAINTENANCE)

FIG ITEM	PART NUMBER	1 2 3 4 5 6 7	NOMENCLATURE	EFFECT FROM TO	UNITS PER ASSY
2 100	600433	BUTTON- SUPPLIER CODE: V80477 USED ON: 600430	950951	1
100	3A084-0460-1	BUTTON- SUPPLIER CODE: VS5825 USED ON: 2A083-0613-1	950951	1
105	3A084-0463-1	SPRING- SUPPLIER CODE: VS5825 USED ON: 2A083-0613-1	950951	1
105	600447	SPRING- SUPPLIER CODE: V80477 USED ON: 600430	950951	1
105	600447	SPRING- SUPPLIER CODE: V80477 USED ON: 600430	950951	1
105	3A084-0463-1	SPRING- SUPPLIER CODE: VS5825 USED ON: 2A083-0613-1	950951	1
110	2A084-0612-1	ROD-PUSH SUPPLIER CODE: VS5825 USED ON: 2A083-0613-1	950951	1
110	600434	ROD-PUSH SUPPLIER CODE: V80477 USED ON: 600430	950951	1
110	600434	ROD-PUSH SUPPLIER CODE: V80477 USED ON: 600430	950951	1

MISSING ITEM NUMBERS NOT APPLICABLE

- ITEM NOT ILLUSTRATED

38-11-04-02

38-11-04
FIG. 02
PAGE 6
JAN 20/09

BRI



757

PARTS CATALOG (MAINTENANCE)

FIG ITEM	PART NUMBER	1 2 3 4 5 6 7	NOMENCLATURE	EFFECT FROM TO	UNITS PER ASSY
2					
110	2A084-0612-1	ROD-PUSH SUPPLIER CODE: VS5825 USED ON: 2A083-0613-1	950951	1
115	3A084-0562-1	WASHER- SUPPLIER CODE: VS5825 USED ON: 2A083-0613-1	950951	1
115	600398	WASHER- SUPPLIER CODE: V80477 USED ON: 600430	950951	1
115	600398	WASHER- SUPPLIER CODE: V80477 USED ON: 600430	950951	1
115	3A084-0562-1	WASHER- SUPPLIER CODE: VS5825 USED ON: 2A083-0613-1	950951	1
120	10007-006	SEAL- SUPPLIER CODE: V80477 USED ON: 600430	950951	1
120	10007-006	SEAL- SUPPLIER CODE: V80477 USED ON: 600430	950951	1
123	F5-7-1	PACKING- SUPPLIER CODE: VS5825 USED ON: 2A083-0613-1	950951	1
123	F5-7-1	PACKING- SUPPLIER CODE: VS5825 USED ON: 2A083-0613-1	950951	1

MISSING ITEM NUMBERS NOT APPLICABLE

- ITEM NOT ILLUSTRATED

38-11-04-02

38-11-04
FIG. 02
PAGE 7
JAN 20/09

BRI

BOEING PROPRIETARY - Copyright © - Unpublished Work - See title page for details.



757

PARTS CATALOG (MAINTENANCE)

FIG ITEM	PART NUMBER	1 2 3 4 5 6 7	NOMENCLATURE	EFFECT FROM TO	UNITS PER ASSY
2					
125	2A084-0611-1	BODY- SUPPLIER CODE: VS5825 USED ON: 2A083-0613-1	950951	1
125	600385	BODY- SUPPLIER CODE: V80477 USED ON: 600430	950951	1
125	600385	BODY- SUPPLIER CODE: V80477 USED ON: 600430	950951	1
125	2A084-0611-1	BODY- SUPPLIER CODE: VS5825 USED ON: 2A083-0613-1	950951	1
130	600399	...	DIFFUSER ASSY- SUPPLIER CODE: V80477 USED ON: 600380-2	950951	1
130	600399	...	DIFFUSER ASSY- SUPPLIER CODE: V80477 USED ON: 600380-2	950951	1
130	3A083-0469-1	...	DIFFUSER ASSY- SUPPLIER CODE: VS5825 USED ON: 1A082-0213-1	950951	1
135	2A084-0609-1	...	GASKET- SUPPLIER CODE: VS5825 USED ON: 1A082-0213-1	950951	1
135	2A084-0609-1	...	GASKET- SUPPLIER CODE: VS5825 USED ON: 1A082-0213-1	950951	1

MISSING ITEM NUMBERS NOT APPLICABLE

- ITEM NOT ILLUSTRATED

38-11-04-02

38-11-04
FIG. 02
PAGE 8
JAN 20/09

BRI



757

PARTS CATALOG (MAINTENANCE)

FIG ITEM	PART NUMBER	1 2 3 4 5 6 7	NOMENCLATURE	EFFECT FROM TO	UNITS PER ASSY
2					
137	600444	...	GASKET- SUPPLIER CODE: V80477 USED ON: 600380-2	950951	1
137	600444	...	GASKET- SUPPLIER CODE: V80477 USED ON: 600380-2	950951	1
140	600264	...	SPACER- SUPPLIER CODE: V80477 USED ON: 600380-2	950951	1
140	600264	...	SPACER- SUPPLIER CODE: V80477 USED ON: 600380-2	950951	1
143	3A084-0455-1	...	SLEEVE- SUPPLIER CODE: VS5825 USED ON: 1A082-0213-1	950951	1
145	3A083-1278-1	...	ACTUATOR- SUPPLIER CODE: VS5825 USED ON: 1A082-0213-1	950951	1
145	600402	...	ACTUATOR-DRAIN SUPPLIER CODE: V80477 USED ON: 600380-2	950951	1
145	600402	...	ACTUATOR-DRAIN SUPPLIER CODE: V80477 USED ON: 600380-2	950951	1
145	3A083-1278-1	...	ACTUATOR- SUPPLIER CODE: VS5825 USED ON: 1A082-0213-1	950951	1

MISSING ITEM NUMBERS NOT APPLICABLE

- ITEM NOT ILLUSTRATED

38-11-04-02

38-11-04
FIG. 02
PAGE 9
JAN 20/09

BRI



757

PARTS CATALOG (MAINTENANCE)

FIG ITEM	PART NUMBER	1 2 3 4 5 6 7	NOMENCLATURE	EFFECT FROM TO	UNITS PER ASSY
2					
150	F18-18		...RING-RETAINING SUPPLIER CODE: VS5825 USED ON: 1A082-0213-1	950951	2
150	11306-5018		...RING-RETAINER SUPPLIER CODE: V80477 USED ON: 600380-2	950951	2
150	11306-5018		...RING-RETAINER SUPPLIER CODE: V80477 USED ON: 600380-2	950951	2
150	F18-18		...RING-RETAINING SUPPLIER CODE: VS5825 USED ON: 1A082-0213-1	950951	2
155	600408		...HANDLE-COLD SUPPLIER CODE: V80477 USED ON: 600380-2	950951	1
155	600408		...HANDLE-COLD SUPPLIER CODE: V80477 USED ON: 600380-2	950951	1
155	2A084-0610-2		...HANDLE-COLD SUPPLIER CODE: VS5825 USED ON: 1A082-0213-1	950951	1
160	600406		...SPRING-R SUPPLIER CODE: V80477 USED ON: 600380-2	950951	1
160	600406		...SPRING-R SUPPLIER CODE: V80477 USED ON: 600380-2	950951	1

MISSING ITEM NUMBERS NOT APPLICABLE

- ITEM NOT ILLUSTRATED

38-11-04-02

38-11-04
FIG. 02
PAGE 10
JAN 20/09

BRI



757

PARTS CATALOG (MAINTENANCE)

FIG ITEM	PART NUMBER	1 2 3 4 5 6 7	NOMENCLATURE	EFFECT FROM TO	UNITS PER ASSY
2					
160	3A084-0456-1	...	SPRING-R SUPPLIER CODE: VS5825 USED ON: 1A082-0213-1	950951	1
165	600409	...	HANDLE-HOT SUPPLIER CODE: V80477 USED ON: 600380-2	950951	1
165	600409	...	HANDLE-HOT SUPPLIER CODE: V80477 USED ON: 600380-2	950951	1
165	2A084-0610-1	...	HANDLE-HOT SUPPLIER CODE: VS5825 USED ON: 1A082-0213-1	950951	1
170	600407	...	SPRING-L SUPPLIER CODE: V80477 USED ON: 600380-2	950951	1
170	600407	...	SPRING-L SUPPLIER CODE: V80477 USED ON: 600380-2	950951	1
170	3A084-0457-1	...	SPRING-L SUPPLIER CODE: VS5825 USED ON: 1A082-0213-1	950951	1
175	3A084-0458-1	...	SPACER- SUPPLIER CODE: VS5825 USED ON: 1A082-0213-1	950951	2
175	600393	...	SPACER- SUPPLIER CODE: V80477 USED ON: 600380-2	950951	2

MISSING ITEM NUMBERS NOT APPLICABLE

- ITEM NOT ILLUSTRATED

38-11-04-02

38-11-04
FIG. 02
PAGE 11
JAN 20/09

BRI



757

PARTS CATALOG (MAINTENANCE)

FIG ITEM	PART NUMBER	1 2 3 4 5 6 7	NOMENCLATURE	EFFECT FROM TO	UNITS PER ASSY
2					
175	600393		... SPACER- SUPPLIER CODE: V80477 USED ON: 600380-2	950951	2
175	3A084-0458-1		... SPACER- SUPPLIER CODE: VS5825 USED ON: 1A082-0213-1	950951	2
180	3A084-0459-1		... SCREW-HANDLE ADJ SUPPLIER CODE: VS5825 USED ON: 1A082-0213-1	950951	2
180	600437		... SCREW-HANDLE ADJ SUPPLIER CODE: V80477 USED ON: 600380-2	950951	2
180	600437		... SCREW-HANDLE ADJ SUPPLIER CODE: V80477 USED ON: 600380-2	950951	2
180	3A084-0459-1		... SCREW-HANDLE ADJ SUPPLIER CODE: VS5825 USED ON: 1A082-0213-1	950951	2
185	600452		... SPRING- SUPPLIER CODE: V80477 USED ON: 600380-2	950951	1
185	600452		... SPRING- SUPPLIER CODE: V80477 USED ON: 600380-2	950951	1
185	3A084-0474-1		... SPRING- SUPPLIER CODE: VS5825 USED ON: 1A082-0213-1	950951	1

MISSING ITEM NUMBERS NOT APPLICABLE

- ITEM NOT ILLUSTRATED

38-11-04-02

38-11-04
FIG. 02
PAGE 12
JAN 20/09

BRI



757

PARTS CATALOG (MAINTENANCE)

FIG ITEM	PART NUMBER	1 2 3 4 5 6 7	NOMENCLATURE	EFFECT FROM TO	UNITS PER ASSY
2					
190	F14-0M6	...	SETSCREW- SUPPLIER CODE: VS5825 USED ON: 1A082-0213-1	950951	1
190	10300CB2524	...	SETSCREW- SUPPLIER CODE: V80477 USED ON: 600380-2	950951	1
190	10300CB2524	...	SETSCREW- SUPPLIER CODE: V80477 USED ON: 600380-2	950951	1
190	F14-0M6	...	SETSCREW- SUPPLIER CODE: VS5825 USED ON: 1A082-0213-1	950951	1
195	10700B251	...	LOCKWASHER- SUPPLIER CODE: V80477 USED ON: 600380-2	950951	1
195	10700B251	...	LOCKWASHER- SUPPLIER CODE: V80477 USED ON: 600380-2	950951	1
197	F12-0M6	...	WASHER- SUPPLIER CODE: VS5825 USED ON: 1A082-0213-1	950951	1
197	F12-0M6	...	WASHER- SUPPLIER CODE: VS5825 USED ON: 1A082-0213-1	950951	1
200	F13-0M6	...	NUT- SUPPLIER CODE: VS5825 USED ON: 1A082-0213-1	950951	1

MISSING ITEM NUMBERS NOT APPLICABLE

- ITEM NOT ILLUSTRATED

38-11-04-02

38-11-04
FIG. 02
PAGE 13
JAN 20/09

BRI



757

PARTS CATALOG (MAINTENANCE)

FIG ITEM	PART NUMBER	1 2 3 4 5 6 7	NOMENCLATURE	EFFECT FROM TO	UNITS PER ASSY
2					
200	10601CB251	...	NUT- SUPPLIER CODE: V80477 USED ON: 600380-2	950951	1
200	10601CB251	...	NUT- SUPPLIER CODE: V80477 USED ON: 600380-2	950951	1
200	F13-0M6	...	NUT- SUPPLIER CODE: VS5825 USED ON: 1A082-0213-1	950951	1
205	600403	...	BRACKET-MTG SUPPLIER CODE: V80477 USED ON: 600380-2	950951	1
205	600403	...	BRACKET-MTG SUPPLIER CODE: V80477 USED ON: 600380-2	950951	1
205	3A084-0453-1	...	BRACKET-MTG SUPPLIER CODE: VS5825 USED ON: 1A082-0213-1	950951	1
210	600405	...	BODY ASSY- SUPPLIER CODE: V80477 USED ON: 600380-2	950951	1
210	600405	...	BODY ASSY- SUPPLIER CODE: V80477 USED ON: 600380-2	950951	1
212	1A083-1280-1	...	BODY- SUPPLIER CODE: VS5825 USED ON: 1A082-0213-1	950951	1

MISSING ITEM NUMBERS NOT APPLICABLE

- ITEM NOT ILLUSTRATED

38-11-04-02

38-11-04
FIG. 02
PAGE 14
JAN 20/09

BRI



757

PARTS CATALOG (MAINTENANCE)

FIG ITEM	PART NUMBER	1 2 3 4 5 6 7	NOMENCLATURE	EFFECT FROM TO	UNITS PER ASSY
2 212	1A083-1280-1		...BODY- SUPPLIER CODE: VS5825 USED ON: 1A082-0213-1	950951	1
- 215	600011-5		..DRAIN ASSY- SUPPLIER CODE: V27045 USED ON: 600420-2	950951	1
- 215	600011-5		..DRAIN ASSY- SUPPLIER CODE: V27045 USED ON: 600420-2	950951	1
- 215	1A082-0214-1		..DRAIN ASSY- SUPPLIER CODE: VS5825 USED ON: 1A081-0212-1	950951	1
220	600446-2		...NAMEPLATE- SUPPLIER CODE: V27045 USED ON: 600011-5	950951	1
220	600446-2		...NAMEPLATE- SUPPLIER CODE: V27045 USED ON: 600011-5	950951	1
223	3A084-0442-1		...LABEL-IDENT SUPPLIER CODE: VS5825 USED ON: 1A082-0214-1	950951	1
225	600263-1		...VALVE- SUPPLIER CODE: V80477 USED ON: 600011-5	950951	1
225	600263-1		...VALVE- SUPPLIER CODE: V80477 USED ON: 600011-5	950951	1

MISSING ITEM NUMBERS NOT APPLICABLE

- ITEM NOT ILLUSTRATED

38-11-04-02

38-11-04
FIG. 02
PAGE 15
JAN 20/09

BRI



757

PARTS CATALOG (MAINTENANCE)

FIG ITEM	PART NUMBER	1 2 3 4 5 6 7	NOMENCLATURE	EFFECT FROM TO	UNITS PER ASSY
2					
225	2A084-0606-1	...	VALVE- SUPPLIER CODE: VS5825 USED ON: 1A082-0214-1	950951	1
230	10004-119	...	SEAL- SUPPLIER CODE: V80477 USED ON: 600011-5	950951	1
230	10004-119	...	SEAL- SUPPLIER CODE: V80477 USED ON: 600011-5	950951	1
233	D2-119	...	PACKING- SUPPLIER CODE: VS5825 USED ON: 1A082-0214-1	950951	1
233	D2-119	...	PACKING- SUPPLIER CODE: VS5825 USED ON: 1A082-0214-1	950951	1
235	8800-001-1	...	FLANGE-VALVE SUPPLIER CODE: V80477 USED ON: 600011-5	950951	1
235	8800-001-1	...	FLANGE-VALVE SUPPLIER CODE: V80477 USED ON: 600011-5	950951	1
235	3A084-0444-1	...	FLANGE- SUPPLIER CODE: VS5825 USED ON: 1A082-0214-1	950951	1
240	3A084-0447-1	...	NUT-JAM SUPPLIER CODE: VS5825 USED ON: 1A082-0214-1	950951	3

MISSING ITEM NUMBERS NOT APPLICABLE

- ITEM NOT ILLUSTRATED

38-11-04-02

38-11-04
FIG. 02
PAGE 16
JAN 20/09

BRI



757

PARTS CATALOG (MAINTENANCE)

FIG ITEM	PART NUMBER	1 2 3 4 5 6 7	NOMENCLATURE	EFFECT FROM TO	UNITS PER ASSY
2					
240	600730	...	NUT- SUPPLIER CODE: V80477 USED ON: 600011-5	950951	3
240	600730	...	NUT- SUPPLIER CODE: V80477 USED ON: 600011-5	950951	3
240	3A084-0447-1	...	NUT-JAM SUPPLIER CODE: VS5825 USED ON: 1A082-0214-1	950951	3
245	600049	...	FITTING-END SUPPLIER CODE: V80477 USED ON: 600011-5	950951	1
245	600049	...	FITTING-END SUPPLIER CODE: V80477 USED ON: 600011-5	950951	1
245	2A084-0605-1	...	FITTING-END SUPPLIER CODE: VS5825 USED ON: 1A082-0214-1	950951	1
250	600729	...	WASHER-BEVEL SUPPLIER CODE: V80477 USED ON: 600011-5	950951	1
250	600729	...	WASHER-BEVEL SUPPLIER CODE: V80477 USED ON: 600011-5	950951	1
250	3A084-0499-1	...	WASHER-BEVEL SUPPLIER CODE: VS5825 USED ON: 1A082-0214-1	950951	1

MISSING ITEM NUMBERS NOT APPLICABLE

- ITEM NOT ILLUSTRATED

38-11-04-02

38-11-04
FIG. 02
PAGE 17
JAN 20/09

BRI



757

PARTS CATALOG (MAINTENANCE)

FIG ITEM	PART NUMBER	1 2 3 4 5 6 7	NOMENCLATURE	EFFECT FROM TO	UNITS PER ASSY
2					
255	8800-007	...	GASKET- SUPPLIER CODE: V80477 USED ON: 600011-5	950951	1
255	8800-007	...	GASKET- SUPPLIER CODE: V80477 USED ON: 600011-5	950951	1
255	3A084-0448-1	...	GASKET- SUPPLIER CODE: VS5825 USED ON: 1A082-0214-1	950951	1
260	D13-5	...	RING-RETAINING SUPPLIER CODE: VS5825 USED ON: 1A082-0214-1	950951	2
260	D13-5	...	RING-RETAINING SUPPLIER CODE: VS5825 USED ON: 1A082-0214-1	950951	2
265	3A084-0450-1	...	TUBE- SUPPLIER CODE: VS5825 USED ON: 1A082-0214-1	950951	2
265	3A084-0450-1	...	TUBE- SUPPLIER CODE: VS5825 USED ON: 1A082-0214-1	950951	2
270	D16-0M4	...	SCREW- SUPPLIER CODE: VS5825 USED ON: 1A082-0214-1	950951	1
270	D16-0M4	...	SCREW- SUPPLIER CODE: VS5825 USED ON: 1A082-0214-1	950951	1

MISSING ITEM NUMBERS NOT APPLICABLE

- ITEM NOT ILLUSTRATED

38-11-04-02

38-11-04
FIG. 02
PAGE 18
JAN 20/09

BRI



757

PARTS CATALOG (MAINTENANCE)

FIG ITEM	PART NUMBER	1 2 3 4 5 6 7	NOMENCLATURE	EFFECT FROM TO	UNITS PER ASSY
2					
275	D17-0M4	...	WASHER-LOCK SUPPLIER CODE: VS5825 USED ON: 1A082-0214-1	950951	1
275	D17-0M4	...	WASHER-LOCK SUPPLIER CODE: VS5825 USED ON: 1A082-0214-1	950951	1
280	3A084-0558-1	...	NUT- SUPPLIER CODE: VS5825 USED ON: 1A082-0214-1	950951	1
285	3A084-0451-1	...	LINK- SUPPLIER CODE: VS5825 USED ON: 1A082-0214-1	950951	1
290	600728	...	CAP- SUPPLIER CODE: V80477 USED ON: 600011-5	950951	1
290	600728	...	CAP- SUPPLIER CODE: V80477 USED ON: 600011-5	950951	1
290	3A084-0445-1	...	CAP- SUPPLIER CODE: VS5825 USED ON: 1A082-0214-1	950951	1
295	600112-5	...	ACTUATOR- SUPPLIER CODE: V27045 USED ON: 600011-5	950951	1
295	600112-5	...	ACTUATOR- SUPPLIER CODE: V27045 USED ON: 600011-5	950951	1

MISSING ITEM NUMBERS NOT APPLICABLE

- ITEM NOT ILLUSTRATED

38-11-04-02

38-11-04
FIG. 02
PAGE 19
JAN 20/09

BRI



757

PARTS CATALOG (MAINTENANCE)

FIG ITEM	PART NUMBER	1 2 3 4 5 6 7	NOMENCLATURE	EFFECT FROM TO	UNITS PER ASSY
2					
295	2A083-0607-1	...	ACTUATOR- SUPPLIER CODE: VS5825 USED ON: 1A082-0214-1	950951	1
300	600733	...	NUT-JAM SUPPLIER CODE: V80477 USED ON: 600011-5	950951	1
300	600733	...	NUT-JAM SUPPLIER CODE: V80477 USED ON: 600011-5	950951	1
300	3A084-0446-1	...	NUT-JAM SUPPLIER CODE: VS5825 USED ON: 1A082-0214-1	950951	1
305	600048	...	HOUSING- SUPPLIER CODE: V80477 USED ON: 600011-5	950951	1
305	600048	...	HOUSING- SUPPLIER CODE: V80477 USED ON: 600011-5	950951	1
305	3A084-0604-1	...	HOUSING- SUPPLIER CODE: VS5825 USED ON: 1A082-0214-1	950951	1
- 310	600175-2	...	ACTUATOR ASSY- SUPPLIER CODE: V27045 USED ON: 600011-5	950951	1
- 310	600175-2	...	ACTUATOR ASSY- SUPPLIER CODE: V27045 USED ON: 600011-5	950951	1
315	11305-1025	RING-RETAINING SUPPLIER CODE: V27045	950951	2

MISSING ITEM NUMBERS NOT APPLICABLE

- ITEM NOT ILLUSTRATED

38-11-04-02

38-11-04
FIG. 02
PAGE 20
JAN 20/09

BRI



757

PARTS CATALOG (MAINTENANCE)

FIG ITEM	PART NUMBER	1 2 3 4 5 6 7	NOMENCLATURE	EFFECT FROM TO	UNITS PER ASSY
2					
315	11305-1025	RING-RETAINING SUPPLIER CODE: V27045	950951	2
320	8800-009	TUBE- SUPPLIER CODE: V27045	950951	2
320	8800-009	TUBE- SUPPLIER CODE: V27045	950951	2
- 325	600725	LINK ASSY- SUPPLIER CODE: V27045	950951	1
- 325	600725	LINK ASSY- SUPPLIER CODE: V27045	950951	1
330	10107CB0606	SCREW- SUPPLIER CODE: V80477	950951	1
330	10107CB0606	SCREW- SUPPLIER CODE: V80477	950951	1
335	10703E06	LOCKWASHER- SUPPLIER CODE: V80477	950951	1
335	10703E06	LOCKWASHER- SUPPLIER CODE: V80477	950951	1
340	10600CB061	NUT- SUPPLIER CODE: V27045	950951	1
340	10600CB061	NUT- SUPPLIER CODE: V27045	950951	1
345	600723	LINK- SUPPLIER CODE: V27045	950951	1
345	600723	LINK- SUPPLIER CODE: V27045	950951	1

MISSING ITEM NUMBERS NOT APPLICABLE

- ITEM NOT ILLUSTRATED

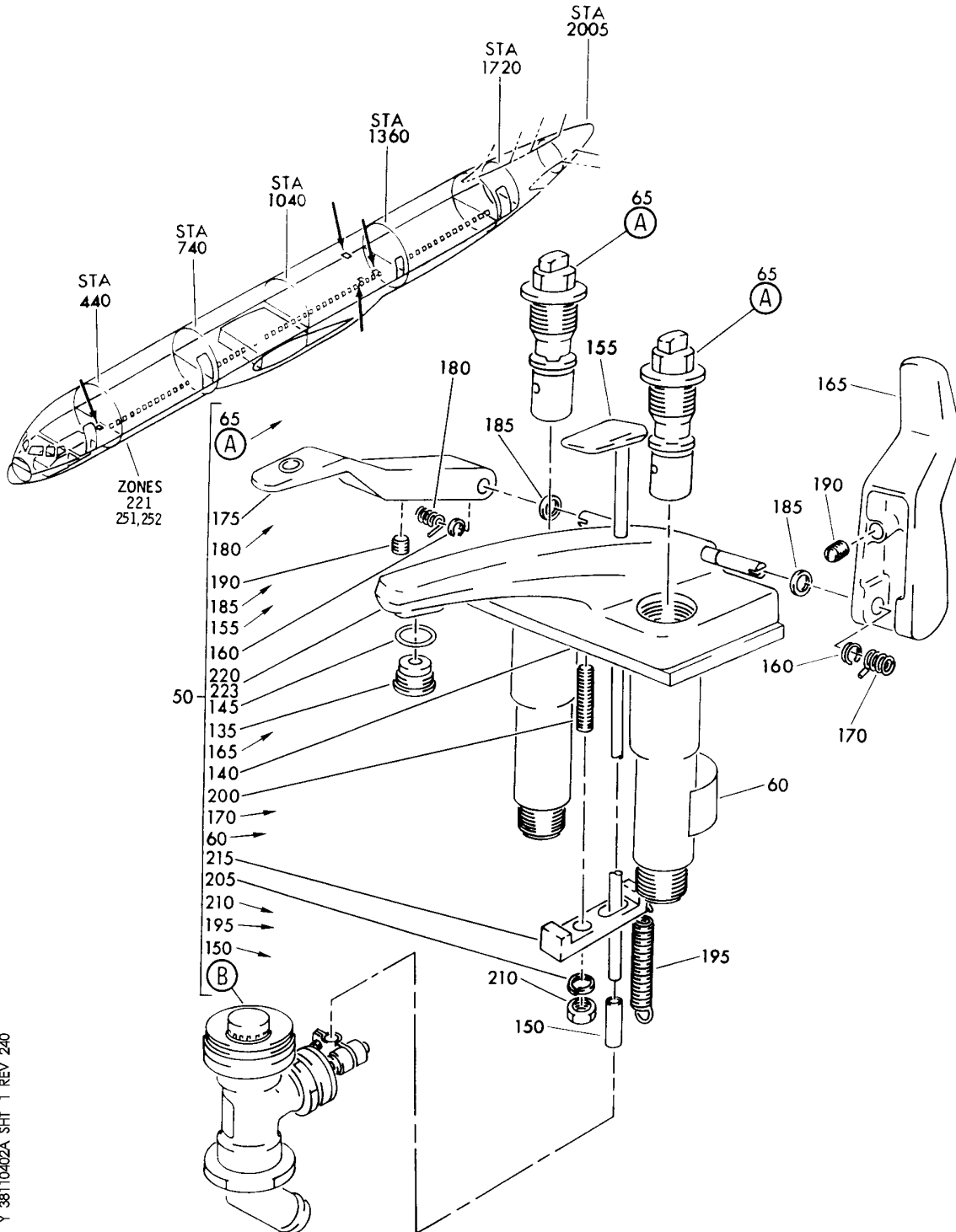
38-11-04-02

38-11-04
FIG. 02
PAGE 21
JAN 20/09

BRI

BOEING PROPRIETARY - Copyright © - Unpublished Work - See title page for details.

BOEING
757
PARTS CATALOG (MAINTENANCE)



Y 38110402A SHT 1 REV 240

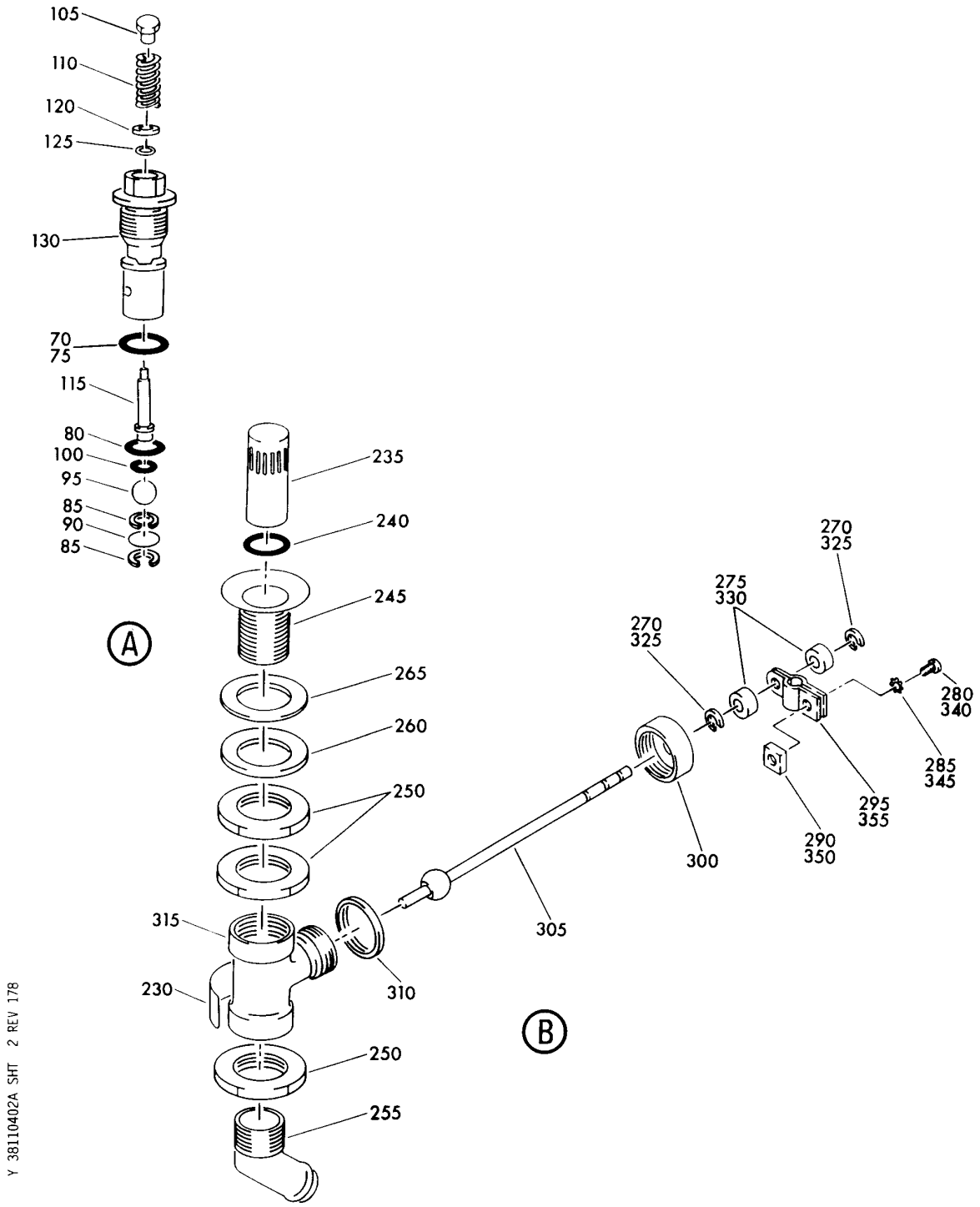
PLUMBING ASSY-LAV (BASIN FAUCET ONLY)
FIGURE 2A (SHEET 1)

38-11-04-02A

BRI
MAY 28/07

38-11-04-02A
PAGE 0

BOEING
757
PARTS CATALOG (MAINTENANCE)



Y 38110402A SHT 2 REV 178

PLUMBING ASSY-LAV (BASIN FAUCET ONLY)
FIGURE 2A (SHEET 2)

38-11-04-02A

BRI
MAY 28/07

38-11-04-02A
PAGE 0A



757

PARTS CATALOG (MAINTENANCE)

FIG ITEM	PART NUMBER	1 2 3 4 5 6 7	NOMENCLATURE	EFFECT FROM TO	UNITS PER ASSY
2A			PLUMBING ASSY-LAV (BASIN FAUCET ONLY)	002004 006100	
- 1	0A112-0021-71		PLUMBING ASSY-LAV A (BASIN FAUCET ONLY) SUPPLIER CODE: VS5825 FOR NHA/OTHER SYS DET SEE: 25-41-01-06F	002004 006100	RF
- 5	0A122-0020-91		PLUMBING ASSY-LAV B AND D (BASIN FAUCET ONLY) SUPPLIER CODE: VS5825 FOR NHA/OTHER SYS DET SEE: 25-41-04-44 25-41-04-21	002004 006010	RF
- 5	0A122-0020-221		PLUMBING ASSY-LAV B AND D (BASIN FAUCET ONLY) SUPPLIER CODE: VS5825 FOR NHA/OTHER SYS DET SEE: 25-41-04-21 25-41-04-44	011100	RF
- 10	0A122-0020-92		PLUMBING ASSY-LAV C (BASIN FAUCET ONLY) SUPPLIER CODE: VS5825 FOR NHA/OTHER SYS DET SEE: 25-41-04-28	002004 006010	RF
- 10	0A122-0020-222		PLUMBING ASSY-LAV C (BASIN FAUCET ONLY) SUPPLIER CODE: VS5825 FOR NHA/OTHER SYS DET SEE: 25-41-04-28	011100	RF
50	1A081-0212-1		. FAUCET AND DRAIN ASSY- SUPPLIER CODE: VS5825 SPECIFICATION NUMBER: 60B50027-20 COMPONENT MAINT MANUAL REF: 25-41-14 OPTIONAL PART: 600420-2 V80477 PRE SERVICE BULLETIN: 1A081-0212-25-83 VS5825	002004 006100	1

MISSING ITEM NUMBERS NOT APPLICABLE

- ITEM NOT ILLUSTRATED

38-11-04-02A

38-11-04
FIG. 02A
PAGE 1
JAN 20/09

BRI



757

PARTS CATALOG (MAINTENANCE)

FIG ITEM	PART NUMBER	1 2 3 4 5 6 7	NOMENCLATURE	EFFECT FROM TO	UNITS PER ASSY
2A					
50	600420-2	.	FAUCET AND DRAIN ASSY- SUPPLIER CODE: V80477 SPECIFICATION NUMBER: 60B50027-20 OPTIONAL PART: 1A081-0212-1 VS5825	002004 006100	1
50	1A081-0212-11	.	FAUCET AND DRAIN ASSY- SUPPLIER CODE: VS5825 SPECIFICATION NUMBER: 60B50027-20 COMPONENT MAINT MANUAL REF: 25-41-14 POST SERVICE BULLETIN: 1A081-0212-25-83 VS5825	002004 006100	1
- 55	1A082-0213-1	..	FAUCET ASSY- SUPPLIER CODE: VS5825 USED ON: 1A081-0212-1	002004 006100	1
- 55	600380-2	..	FAUCET ASSY- SUPPLIER CODE: V27045 USED ON: 600420-2	002004 006100	1
60	3A084-0443-1	...	LABEL- SUPPLIER CODE: VS5825 PLACARD CONTENT: IDENTIFICATION USED ON: 1A082-0213-1 PRE SERVICE BULLETIN: 1A081-0212-25-83 VS5825	002004 006100	1
60	600445-2	...	NAMEPLATE- SUPPLIER CODE: V27045 USED ON: 600380-2	002004 006100	1

MISSING ITEM NUMBERS NOT APPLICABLE

- ITEM NOT ILLUSTRATED

38-11-04-02A

38-11-04
FIG. 02A
PAGE 2
JAN 20/09

BRI

BOEING PROPRIETARY - Copyright © - Unpublished Work - See title page for details.



757

PARTS CATALOG (MAINTENANCE)

FIG ITEM	PART NUMBER	1 2 3 4 5 6 7	NOMENCLATURE	EFFECT FROM TO	UNITS PER ASSY
2A 60	3A084-0443-11	...	LABEL- SUPPLIER CODE: VS5825 PLACARD CONTENT: IDENTIFICATION POST SERVICE BULLETIN: 1A081-0212-25-83 VS5825	002004 006100	1
65	2A083-0613-1	...	CARTRIDGE ASSY- SUPPLIER CODE: VS5825 USED ON: 1A082-0213-1 PRE SERVICE BULLETIN: 1A081-0212-25-83 VS5825	002004 006100	2
65	600430	...	CARTRIDGE ASSY- SUPPLIER CODE: V80477 USED ON: 600380-2	002004 006100	2
65	2A083-0613-11	...	CARTRIDGE ASSY- SUPPLIER CODE: VS5825 POST SERVICE BULLETIN: 1A081-0212-25-83 VS5825	002004 006100	2
70	F5-2-1014	PACKING- SUPPLIER CODE: VS5825 USED ON: 2A083-0613-1	002004 006100	1
75	10007-015	SEAL- SUPPLIER CODE: V80477 USED ON: 600430	002004 006100	1
80	F5-8-7	PACKING- SUPPLIER CODE: VS5825 USED ON: 2A083-0613-1	002004 006100	1
80	10007-012	SEAL- SUPPLIER CODE: V80477 USED ON: 600430	002004 006100	1

MISSING ITEM NUMBERS NOT APPLICABLE

- ITEM NOT ILLUSTRATED

38-11-04-02A

38-11-04
FIG. 02A
PAGE 3
JAN 20/09

BRI

BOEING PROPRIETARY - Copyright © - Unpublished Work - See title page for details.



757

PARTS CATALOG (MAINTENANCE)

FIG ITEM	PART NUMBER	1 2 3 4 5 6 7	NOMENCLATURE	EFFECT FROM TO	UNITS PER ASSY
2A					
85	F5-11-10	RING-RETAINING SUPPLIER CODE: VS5825 USED ON: 2A083-0613-1	002004 006100	2
85	11301-5037	RING-RETAINING SUPPLIER CODE: V80477 USED ON: 600430	002004 006100	2
90	3A084-0461-1	MESH- SUPPLIER CODE: VS5825 USED ON: 2A083-0613-1	002004 006100	1
90	600374	SCREEN- SUPPLIER CODE: V80477 USED ON: 600430	002004 006100	1
95	3A084-0462-1	BALL- SUPPLIER CODE: VS5825 USED ON: 2A083-0613-1	002004 006100	1
95	600373	BALL- SUPPLIER CODE: V80477 USED ON: 600430	002004 006100	1
100	F5-9-6	PACKING- SUPPLIER CODE: VS5825 USED ON: 2A083-0613-1	002004 006100	1
100	10007-011	SEAL- SUPPLIER CODE: V80477 USED ON: 600430	002004 006100	1
105	3A084-0460-1	BUTTON- SUPPLIER CODE: VS5825 USED ON: 2A083-0613-1	002004 006100	1

MISSING ITEM NUMBERS NOT APPLICABLE

- ITEM NOT ILLUSTRATED

38-11-04-02A

38-11-04
FIG. 02A
PAGE 4
JAN 20/09

BRI

BOEING PROPRIETARY - Copyright © - Unpublished Work - See title page for details.



757

PARTS CATALOG (MAINTENANCE)

FIG ITEM	PART NUMBER	1 2 3 4 5 6 7	NOMENCLATURE	EFFECT FROM TO	UNITS PER ASSY
2A 105	600433	BUTTON- SUPPLIER CODE: V80477 USED ON: 600430	002004 006100	1
110	3A084-0463-1	SPRING- SUPPLIER CODE: VS5825 USED ON: 2A083-0613-1	002004 006100	1
110	600447	SPRING- SUPPLIER CODE: V80477 USED ON: 600430	002004 006100	1
115	2A084-0612-1	ROD-PUSH SUPPLIER CODE: VS5825 USED ON: 2A083-0613-1	002004 006100	1
115	600434	ROD-PUSH SUPPLIER CODE: V80477 USED ON: 600430	002004 006100	1
120	3A084-0562-1	WASHER- SUPPLIER CODE: VS5825 USED ON: 2A083-0613-1	002004 006100	1
120	600398	WASHER- SUPPLIER CODE: V80477 USED ON: 600430	002004 006100	1
125	F5-7-1	PACKING- SUPPLIER CODE: VS5825 USED ON: 2A083-0613-1	002004 006100	1
125	10007-006	SEAL- SUPPLIER CODE: V80477 USED ON: 600430	002004 006100	1

MISSING ITEM NUMBERS NOT APPLICABLE

- ITEM NOT ILLUSTRATED

38-11-04-02A

38-11-04
FIG. 02A
PAGE 5
JAN 20/09

BRI

BOEING PROPRIETARY - Copyright © - Unpublished Work - See title page for details.



757

PARTS CATALOG (MAINTENANCE)

FIG ITEM	PART NUMBER	1 2 3 4 5 6 7	NOMENCLATURE	EFFECT FROM TO	UNITS PER ASSY
2A 130	2A084-0611-1	BODY- SUPPLIER CODE: VS5825 USED ON: 2A083-0613-1	002004 006100	1
130	600385	BODY- SUPPLIER CODE: V80477 USED ON: 600430	002004 006100	1
135	3A083-0469-1	...	DIFFUSER ASSY- SUPPLIER CODE: VS5825 USED ON: 1A082-0213-1	002004 006100	1
135	600399	...	DIFFUSER ASSY- SUPPLIER CODE: V80477 USED ON: 600380-2	002004 006100	1
140	2A084-0609-1	...	GASKET- SUPPLIER CODE: VS5825 USED ON: 1A082-0213-1	002004 006100	1
145	600444	...	GASKET- SUPPLIER CODE: V80477 USED ON: 600380-2	002004 006100	1
150	3A084-0455-1	...	SLEEVE- SUPPLIER CODE: VS5825 USED ON: 1A082-0213-1	002004 006100	1
150	600264	...	SPACER- SUPPLIER CODE: V80477 USED ON: 600380-2	002004 006100	1
155	3A083-1278-1	...	ACTUATOR- SUPPLIER CODE: VS5825 USED ON: 1A082-0213-1	002004 006100	1

MISSING ITEM NUMBERS NOT APPLICABLE

- ITEM NOT ILLUSTRATED

38-11-04-02A

38-11-04
FIG. 02A
PAGE 6
JAN 20/09

BRI

BOEING PROPRIETARY - Copyright © - Unpublished Work - See title page for details.



757

PARTS CATALOG (MAINTENANCE)

FIG ITEM	PART NUMBER	1 2 3 4 5 6 7	NOMENCLATURE	EFFECT FROM TO	UNITS PER ASSY
2A 155	600402	...	ACTUATOR-DRAIN SUPPLIER CODE: V80477 USED ON: 600380-2	002004 006100	1
160	F18-18	...	RING-RETAINING SUPPLIER CODE: VS5825 USED ON: 1A082-0213-1	002004 006100	2
160	11306-5018	...	RING-RETAINER SUPPLIER CODE: V80477 USED ON: 600380-2	002004 006100	2
165	2A084-0610-2	...	HANDLE-COLD SUPPLIER CODE: VS5825 USED ON: 1A082-0213-1	002004 006100	1
165	600408	...	HANDLE-COLD SUPPLIER CODE: V80477 USED ON: 600380-2	002004 006100	1
170	3A084-0456-1	...	SPRING- SUPPLIER CODE: VS5825 POSITION DATA: RIGHT USED ON: 1A082-0213-1	002004 006100	1
170	600406	...	SPRING- SUPPLIER CODE: V80477 POSITION DATA: RIGHT USED ON: 600380-2	002004 006100	1
175	2A084-0610-1	...	HANDLE-HOT SUPPLIER CODE: VS5825 USED ON: 1A082-0213-1	002004 006100	1
175	600409	...	HANDLE-HOT SUPPLIER CODE: V80477 USED ON: 600380-2	002004 006100	1

MISSING ITEM NUMBERS NOT APPLICABLE

- ITEM NOT ILLUSTRATED

38-11-04-02A

38-11-04
FIG. 02A
PAGE 7
JAN 20/09

BRI

BOEING PROPRIETARY - Copyright © - Unpublished Work - See title page for details.



757

PARTS CATALOG (MAINTENANCE)

FIG ITEM	PART NUMBER	1 2 3 4 5 6 7	NOMENCLATURE	EFFECT FROM TO	UNITS PER ASSY
2A 180	3A084-0457-1	...	SPRING- SUPPLIER CODE: VS5825 POSITION DATA: LEFT USED ON: 1A082-0213-1	002004 006100	1
180	600407	...	SPRING- SUPPLIER CODE: V80477 POSITION DATA: LEFT USED ON: 600380-2	002004 006100	1
185	3A084-0458-1	...	SPACER- SUPPLIER CODE: VS5825 USED ON: 1A082-0213-1	002004 006100	2
185	600393	...	SPACER- SUPPLIER CODE: V80477 USED ON: 600380-2	002004 006100	2
190	3A084-0459-1	...	SCREW-HANDLE ADJ SUPPLIER CODE: VS5825 USED ON: 1A082-0213-1	002004 006100	2
190	600437	...	SCREW-HANDLE ADJ SUPPLIER CODE: V80477 USED ON: 600380-2	002004 006100	2
195	3A084-0474-1	...	SPRING- SUPPLIER CODE: VS5825 USED ON: 1A082-0213-1	002004 006100	1
195	600452	...	SPRING- SUPPLIER CODE: V80477 USED ON: 600380-2	002004 006100	1
200	F14-0M6	...	SETSCREW- SUPPLIER CODE: VS5825 USED ON: 1A082-0213-1	002004 006100	1

MISSING ITEM NUMBERS NOT APPLICABLE

- ITEM NOT ILLUSTRATED

38-11-04-02A

38-11-04
FIG. 02A
PAGE 8
JAN 20/09

BRI

BOEING PROPRIETARY - Copyright © - Unpublished Work - See title page for details.



757

PARTS CATALOG (MAINTENANCE)

FIG ITEM	PART NUMBER	1 2 3 4 5 6 7	NOMENCLATURE	EFFECT FROM TO	UNITS PER ASSY
2A 200	10300CB2524	...	SETSCREW- SUPPLIER CODE: V80477 USED ON: 600380-2	002004 006100	1
205	F12-0M6	...	WASHER- SUPPLIER CODE: VS5825 USED ON: 1A082-0213-1	002004 006100	1
205	10700B251	...	LOCKWASHER- SUPPLIER CODE: V80477 USED ON: 600380-2	002004 006100	1
210	F13-0M6	...	NUT- SUPPLIER CODE: VS5825 USED ON: 1A082-0213-1	002004 006100	1
210	10601CB251	...	NUT- SUPPLIER CODE: V80477 USED ON: 600380-2	002004 006100	1
215	3A084-0453-1	...	BRACKET-MTG SUPPLIER CODE: VS5825 USED ON: 1A082-0213-1	002004 006100	1
215	600403	...	BRACKET-MTG SUPPLIER CODE: V80477 USED ON: 600380-2	002004 006100	1
220	600405	...	BODY ASSY- SUPPLIER CODE: V80477 USED ON: 600380-2	002004 006100	1
223	3A083-1280-1	...	BODY- SUPPLIER CODE: VS5825 USED ON: 1A082-0213-1	002004 006100	1

MISSING ITEM NUMBERS NOT APPLICABLE

- ITEM NOT ILLUSTRATED

38-11-04-02A

38-11-04
FIG. 02A
PAGE 9
JAN 20/09

BRI

BOEING PROPRIETARY - Copyright © - Unpublished Work - See title page for details.



757

PARTS CATALOG (MAINTENANCE)

FIG ITEM	PART NUMBER	1 2 3 4 5 6 7	NOMENCLATURE	EFFECT FROM TO	UNITS PER ASSY
2A - 225	1A082-0214-1	..	DRAIN ASSY- SUPPLIER CODE: VS5825 USED ON: 1A081-0212-1	002004 006100	1
- 225	600011-5	..	DRAIN ASSY- SUPPLIER CODE: V27045 USED ON: 600380-2	002004 006100	1
230	3A084-0442-1	...	LABEL- SUPPLIER CODE: VS5825 PLACARD CONTENT: IDENTIFICATION USED ON: 1A082-0214-1	002004 006100	1
230	600446-2	...	NAMEPLATE- SUPPLIER CODE: V27045 USED ON: 600011-5	002004 006100	1
235	2A084-0606-1	...	VALVE- SUPPLIER CODE: VS5825 USED ON: 1A082-0214-1	002004 006100	1
235	600263-1	...	VALVE- SUPPLIER CODE: V80477 USED ON: 600011-5	002004 006100	1
240	D2-119	...	PACKING- SUPPLIER CODE: VS5825 USED ON: 1A082-0214-1	002004 006100	1
240	10004-119	...	SEAL- SUPPLIER CODE: V80477 USED ON: 600011-5	002004 006100	1
245	3A084-0444-1	...	FLANGE- SUPPLIER CODE: VS5825 USED ON: 600011-5	002004 006100	1

MISSING ITEM NUMBERS NOT APPLICABLE

- ITEM NOT ILLUSTRATED

38-11-04-02A

38-11-04
FIG. 02A
PAGE 10
JAN 20/09

BRI

BOEING PROPRIETARY - Copyright © - Unpublished Work - See title page for details.



757

PARTS CATALOG (MAINTENANCE)

FIG ITEM	PART NUMBER	1 2 3 4 5 6 7	NOMENCLATURE	EFFECT FROM TO	UNITS PER ASSY
2A 245	8800-001-1	...	FLANGE-VALVE SUPPLIER CODE: V80477 USED ON: 600011-5	002004 006100	1
250	3A084-0447-1	...	NUT-JAM SUPPLIER CODE: VS5825 USED ON: 1A082-0214-1	002004 006100	3
250	600730	...	NUT- SUPPLIER CODE: V80477 USED ON: 600011-5	002004 006100	3
255	2A084-0605-1	...	FITTING-END SUPPLIER CODE: VS5825 POSITION DATA: END USED ON: 1A082-0214-1	002004 006100	1
255	600049	...	FITTING- SUPPLIER CODE: V80477 POSITION DATA: END USED ON: 600011-5	002004 006100	1
260	3A084-0499-1	...	WASHER-BEVEL SUPPLIER CODE: VS5825 USED ON: 1A082-0214-1	002004 006100	1
260	600729	...	WASHER-BEVEL SUPPLIER CODE: V80477 USED ON: 600011-5	002004 006100	1
265	3A084-0448-1	...	GASKET- SUPPLIER CODE: VS5825 USED ON: 1A082-0214-1	002004 006100	1
265	8800-007	...	GASKET- SUPPLIER CODE: V80477 USED ON: 600011-5	002004 006100	1

MISSING ITEM NUMBERS NOT APPLICABLE

- ITEM NOT ILLUSTRATED

38-11-04-02A

38-11-04
FIG. 02A
PAGE 11
JAN 20/09

BRI

BOEING PROPRIETARY - Copyright © - Unpublished Work - See title page for details.



757

PARTS CATALOG (MAINTENANCE)

FIG ITEM	PART NUMBER	1 2 3 4 5 6 7	NOMENCLATURE	EFFECT FROM TO	UNITS PER ASSY
2A 270	D13-5	...	RING-RETAINING SUPPLIER CODE: VS5825 USED ON: 1A082-0214-1	002004 006100	2
275	3A084-0450-1	...	TUBE- SUPPLIER CODE: VS5825 USED ON: 1A082-0214-1	002004 006100	2
280	D16-0M4	...	SCREW- SUPPLIER CODE: VS5825 USED ON: 1A082-0214-1	002004 006100	1
285	D17-0M4	...	WASHER-LOCK SUPPLIER CODE: VS5825 USED ON: 1A082-0214-1	002004 006100	1
290	3A084-0558-1	...	NUT- SUPPLIER CODE: VS5825 USED ON: 1A082-0214-1	002004 006100	1
295	3A084-0451-1	...	LINK- SUPPLIER CODE: VS5825 USED ON: 1A082-0214-1	002004 006100	1
300	3A084-0445-1	...	CAP- SUPPLIER CODE: VS5825 USED ON: 1A082-0214-1	002004 006100	1
300	600728	...	CAP- SUPPLIER CODE: V80477 USED ON: 600011-5	002004 006100	1
305	2A083-0607-1	...	ACTUATOR- SUPPLIER CODE: VS5825 USED ON: 1A082-0214-1	002004 006100	1

MISSING ITEM NUMBERS NOT APPLICABLE

- ITEM NOT ILLUSTRATED

38-11-04-02A

38-11-04
FIG. 02A
PAGE 12
JAN 20/09

BRI

BOEING PROPRIETARY - Copyright © - Unpublished Work - See title page for details.



757

PARTS CATALOG (MAINTENANCE)

FIG ITEM	PART NUMBER	1 2 3 4 5 6 7	NOMENCLATURE	EFFECT FROM TO	UNITS PER ASSY
2A 305	600112-5	...	ACTUATOR- SUPPLIER CODE: V27045 USED ON: 600011-5	002004 006100	1
310	3A084-0446-1	...	NUT-JAM SUPPLIER CODE: VS5825 USED ON: 600011-5	002004 006100	1
310	600733	...	NUT-JAM SUPPLIER CODE: V80477 USED ON: 600011-5	002004 006100	1
315	3A084-0604-1	...	HOUSING- SUPPLIER CODE: VS5825 USED ON: 1A082-0214-1	002004 006100	1
315	600048	...	HOUSING- SUPPLIER CODE: V80477 USED ON: 600011-5	002004 006100	1
- 320	600175-2	...	ACTUATOR ASSY- SUPPLIER CODE: V27045 USED ON: 600011-5	002004 006100	1
325	11305-1025	RING-RETAINING SUPPLIER CODE: V27045	002004 006100	2
330	8800-009	TUBE- SUPPLIER CODE: V27045	002004 006100	2
- 335	600725	LINK ASSY- SUPPLIER CODE: V27045	002004 006100	1
340	10107CB0606	SCREW- SUPPLIER CODE: V80477	002004 006100	1
345	10703E06	LOCKWASHER- SUPPLIER CODE: V80477	002004 006100	1
350	10600CB061	NUT- SUPPLIER CODE: V27045	002004 006100	1

MISSING ITEM NUMBERS NOT APPLICABLE

- ITEM NOT ILLUSTRATED

38-11-04-02A

38-11-04
FIG. 02A
PAGE 13
JAN 20/09

BRI

BOEING PROPRIETARY - Copyright © - Unpublished Work - See title page for details.



757

PARTS CATALOG (MAINTENANCE)

FIG ITEM	PART NUMBER	1 2 3 4 5 6 7	NOMENCLATURE	EFFECT FROM TO	UNITS PER ASSY
2A 355	600723	LINK- SUPPLIER CODE: V27045	002004 006100	1

MISSING ITEM NUMBERS NOT APPLICABLE

- ITEM NOT ILLUSTRATED

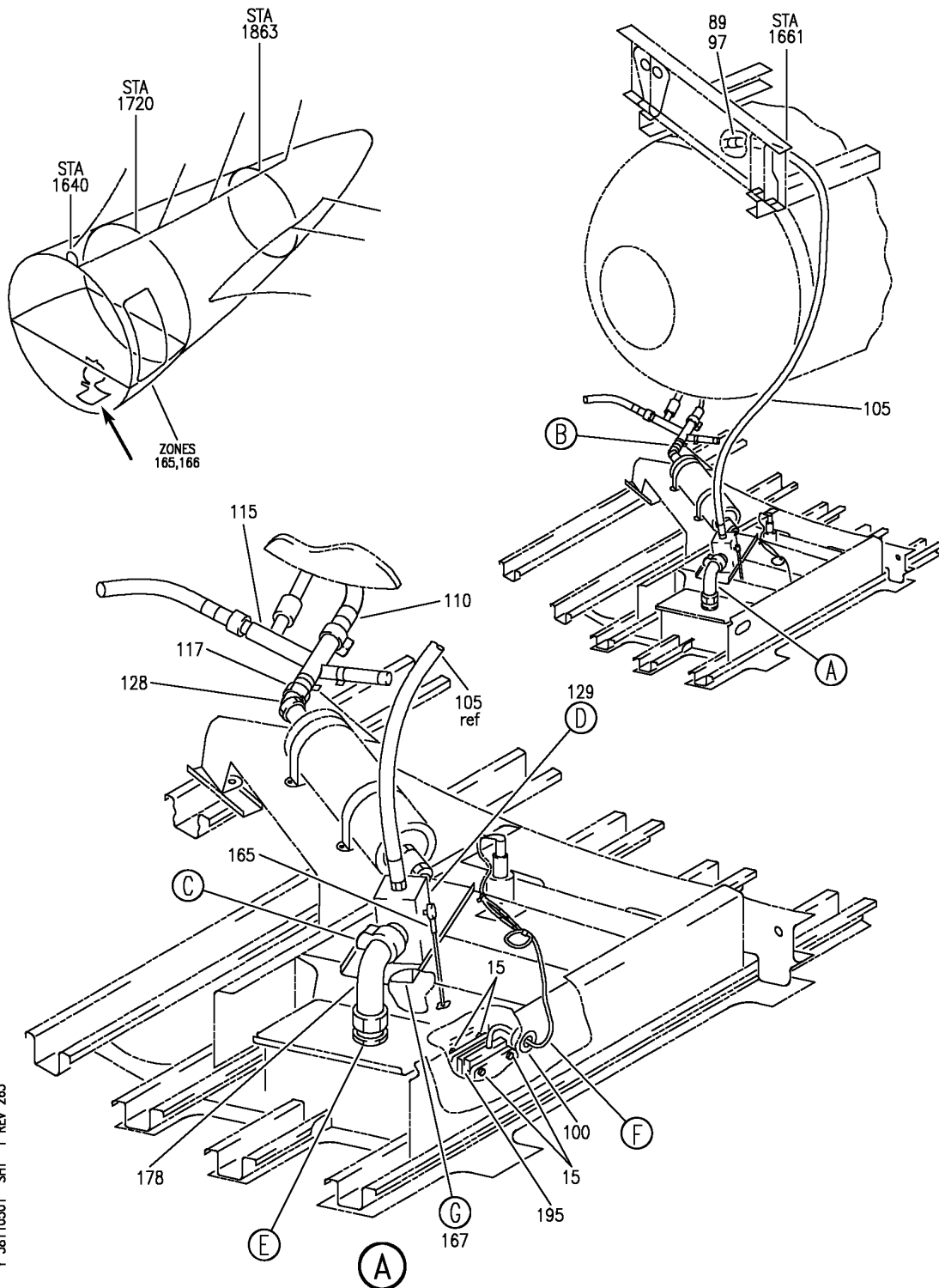
BRI

38-11-04-02A

BOEING PROPRIETARY - Copyright © - Unpublished Work - See title page for details.

38-11-04
FIG. 02A
PAGE 14
JAN 20/09

BOEING
757
PARTS CATALOG (MAINTENANCE)



Y 38110501 SHT 1 REV 263

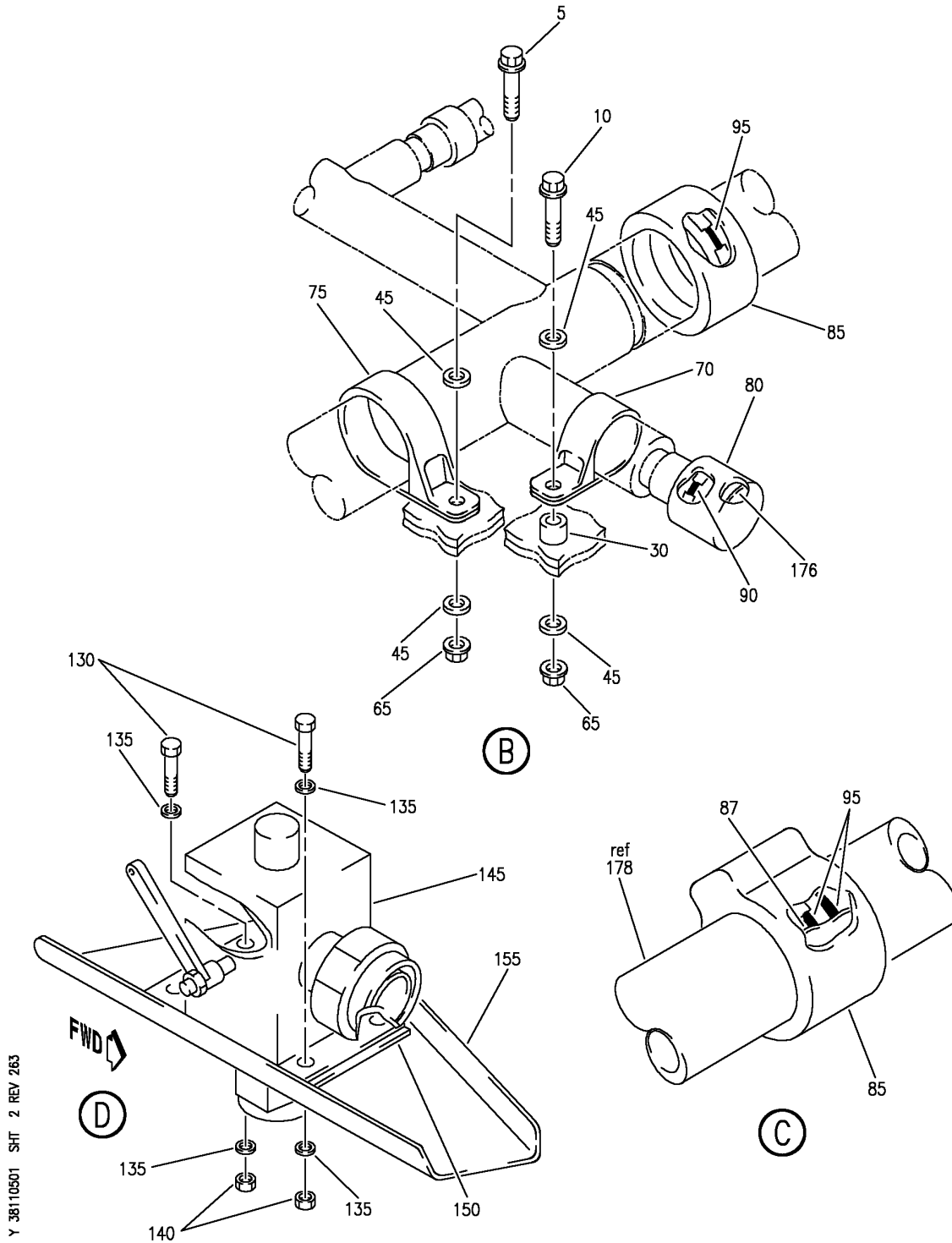
DRAIN INSTL-TANK POTABLE WATER SYS
FIGURE 1 (SHEET 1)

38-11-05-01

BRI
JAN 20/09

38-11-05-01
PAGE 0

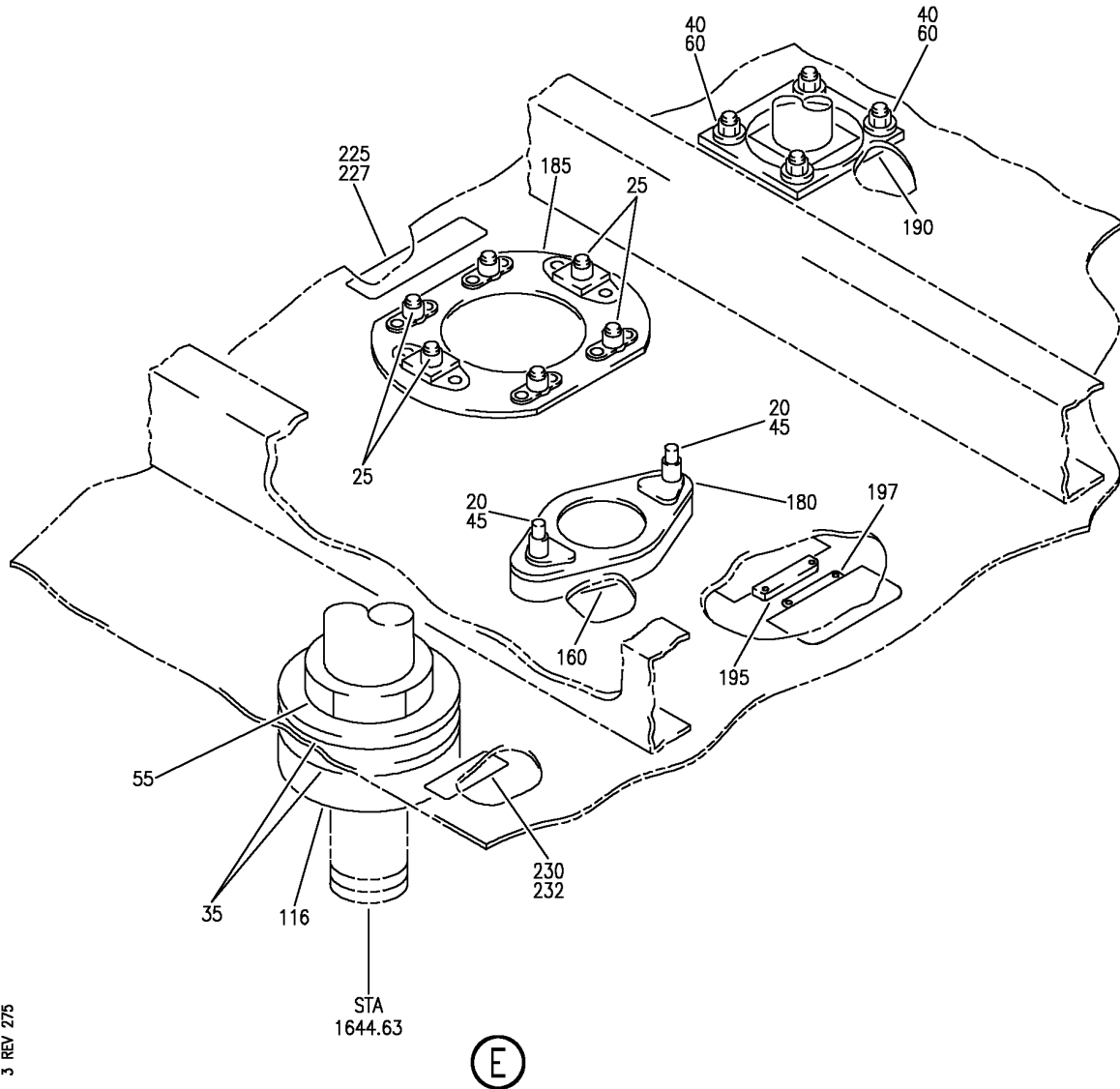
BOEING
757
PARTS CATALOG (MAINTENANCE)



DRAIN INSTL-TANK POTABLE WATER SYS
FIGURE 1 (SHEET 2)

38-11-05-01

BOEING
 757
 PARTS CATALOG (MAINTENANCE)



Y 38110501 SHT 3 REV 275

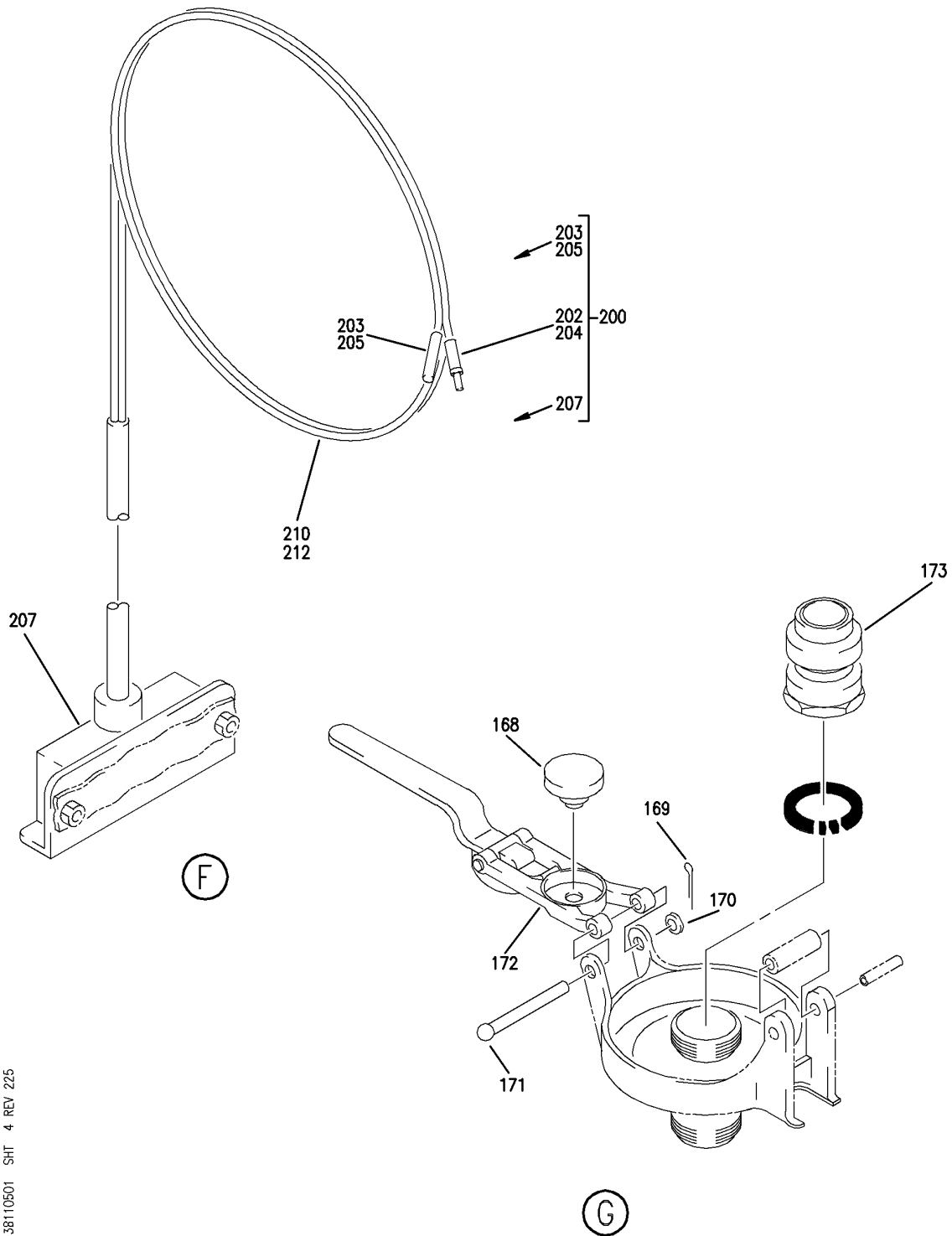
DRAIN INSTL-TANK POTABLE WATER SYS
 FIGURE 1 (SHEET 3)

38-11-05-01

BRI
 JAN 20/09

38-11-05-01
 PAGE 0B

BOEING
757
PARTS CATALOG (MAINTENANCE)



Y 38110501 SHT 4 REV 225

DRAIN INSTL-TANK POTABLE WATER SYS
FIGURE 1 (SHEET 4)

38-11-05-01

BRI
JAN 20/09

38-11-05-01
PAGE 0C



757

PARTS CATALOG (MAINTENANCE)

FIG ITEM	PART NUMBER	1 2 3 4 5 6 7	NOMENCLATURE	EFFECT FROM TO	UNITS PER ASSY
1			DRAIN INSTL-TANK POTABLE WATER SYS	103106	
- 3	MODREF22033		DRAIN INSTL-TANK POTABLE WATER SYS	103105	1
- 3	MODREF184838		MODULE NUMBER: 417N2554-9 REV A DRAIN INSTL-TANK POTABLE WATER SYS	106106	1
			MODULE NUMBER: 417N2554-9 REV B		
5	BACS12GU3K12		.SCREW	103106	1
10	BACS12GU3K15		.SCREW	103106	1
15	NAS1801-04-5		.SCREW	103106	4
20	NAS8203A14		.SCREW	103106	2
25	BACB30NT06K4		.BOLT	103106	6
30	NAS43DD3-12FC		.SPACER	103106	1
35	BACW10P377L		.WASHER	103106	2
40	NAS1149DN616J		.WASHER	103106	4
45	NAS1149D0332J		.WASHER	103106	6
55	AN924-16J		.NUT	103106	1
60	PLH506CD		.NUT	103106	4
			SUPPLIER CODE: VF0224		
			SPECIFICATION NUMBER: BACN10YR06CD		
			OPTIONAL PART: H52732-06CD		
			V15653		
65	PLH53CD		.NUT	103106	2
			SUPPLIER CODE: VF0224		
			SPECIFICATION NUMBER: BACN10YR3CD		
			OPTIONAL PART: H52732-3CD		
			V15653		
70	BACC10DK14		.CLAMP	103106	1
75	BACC10DK20		.CLAMP	103106	1
80	W994BF10DE		.COUPLING-	103105	1
			SUPPLIER CODE: V79326		
			OPTIONAL PART: 14C34-10A		
			V24984		
			14C33-10		
			V24984		

MISSING ITEM NUMBERS NOT APPLICABLE

- ITEM NOT ILLUSTRATED

38-11-05-01

38-11-05
FIG. 01
PAGE 1
JAN 20/09

BRI



757

PARTS CATALOG (MAINTENANCE)

FIG ITEM	PART NUMBER	1 2 3 4 5 6 7	NOMENCLATURE	EFFECT FROM TO	UNITS PER ASSY
1					
80	14C34-10A		. COUPLING- SUPPLIER CODE: V24984 OPTIONAL PART: 14C33-10 V24984 W994BF10DE V79326	103106	1
80	14C33-10		. COUPLING- SUPPLIER CODE: V24984 OPTIONAL PART: 14C34-10A V24984 W994BF10DE V79326	103106	1
85	W994BF16DE		. COUPLING- SUPPLIER CODE: V79326 OPTIONAL PART: 14C34-16A V24984 14C33-16 V24984	103105	2
85	14C34-16A		. COUPLING- SUPPLIER CODE: V24984 OPTIONAL PART: 14C33-16 V24984 W994BF16DE V79326	103106	2
85	14C33-16		. COUPLING- SUPPLIER CODE: V24984 OPTIONAL PART: 14C34-16A V24984 W994BF16DE V79326	103106	2
87	14R02-16C		. SLEEVE- SUPPLIER CODE: V24984 OPTIONAL PART: W908B16C V79326 AS1654C16 V24984	103106	1

MISSING ITEM NUMBERS NOT APPLICABLE

- ITEM NOT ILLUSTRATED

BRI

38-11-05-01

BOEING PROPRIETARY - Copyright © - Unpublished Work - See title page for details.

38-11-05
FIG. 01
PAGE 2
JAN 20/09



757

PARTS CATALOG (MAINTENANCE)

FIG ITEM	PART NUMBER	1 2 3 4 5 6 7	NOMENCLATURE	EFFECT FROM TO	UNITS PER ASSY
1					
87	W908B16C	.	SLEEVE- SUPPLIER CODE: V79326 OPTIONAL PART: 14R02-16C V24984	103105	1
87	AS1654C16	.	SLEEVE- SUPPLIER CODE: V81205 OPTIONAL PART: 14R02-16C V24984	106106	1
90	NAS1611-017A	.	PACKING-	103106	1
90	NAS1611-017	.	PACKING- OPTIONAL PART: NAS1611-017A	103106	1
95	NAS1611-214A	.	PACKING-	103106	3
95	NAS1611-214	.	PACKING- OPTIONAL PART: NAS1611-214A	103106	3
100	BACG20C8NA	.	GROMMET	103106	1
105	79205-1301	.	HOSE ASSY- SUPPLIER CODE: V24984 SPECIFICATION NUMBER: S417U206-1301	103106	1
110	79290-1504	.	HOSE ASSY- SUPPLIER CODE: V24984 SPECIFICATION NUMBER: S417A204-1504 ELECTRICAL EQUIP NUMBER: B10259	103106	1
115	S417T202-14	.	HEATER- ELECTRICAL EQUIP NUMBER: B10258	103106	1
116	417N2509-302	.	STANDPIPE ASSY	103106	1
117	417N2310-301	.	TUBE ASSY	103106	1
- 118	417N2310-316	..	TUBE- TUBING MATERIAL: STOCK .028 WALL X 1.00 O.D. X 5.40 321 TUBING PER MIL-T-8808, ANNEALED	103106	1
- 119	417N2310-317	..	TUBE- TUBING MATERIAL: STOCK .028 WALL X .75 O.D. X 5.30 321 TUBING PER MIL-T-8808, ANNEALED	103106	1

MISSING ITEM NUMBERS NOT APPLICABLE

- ITEM NOT ILLUSTRATED

38-11-05-01

38-11-05
FIG. 01
PAGE 3
JAN 20/09

BRI



757

PARTS CATALOG (MAINTENANCE)

FIG ITEM	PART NUMBER	1 2 3 4 5 6 7	NOMENCLATURE	EFFECT FROM TO	UNITS PER ASSY
1					
- 120	417N2310-318	..	TUBE- TUBING MATERIAL: STOCK .028 WALL X .625 O.D. X 2.40 321 TUBING PER MIL-T-8808, ANNEALED	103106	1
- 121	417N2310-319	..	TUBE- TUBING MATERIAL: STOCK .028 WALL X .625 O.D. X 3.40 321 TUBING PER MIL-T-8808, ANNEALED	103106	1
- 122	AP2097H16	..	SLEEVE SUPPLIER CODE: V01673 SPECIFICATION NUMBER: BACS13BX16H OPTIONAL PART: 2-02903-16H V11328 35235V16 V08199 AFP175V16 V30974 DBOS13BX16H V14798	103106	1
- 123	BACN10CS16JN	..	NUT	103106	1
- 124	AS4734C10	..	FERRULE	103106	2
- 125	AS4734C12	..	FERRULE	103106	1
- 126	AS4734C16	..	FERRULE	103106	1
128	BACE21BR1616JN	.	ELBOW	103106	2
129	417N2517-300	.	VALVE ASSY-DRAIN	103106	1
130	BACS12GU3K10	..	SCREW	103106	4
135	NAS1149D0332J	..	WASHER	103106	8
140	PLH53CD	..	NUT SUPPLIER CODE: VF0224 SPECIFICATION NUMBER: BACN10YR3CD OPTIONAL PART: H52732-3CD V15653	103106	4
145	12D1014-1	..	VALVE- SUPPLIER CODE: V82829 SPECIFICATION NUMBER: 10-60784-34	103106	1
150	417N2519-300	..	THERMAL ISOLATOR	103106	1
155	417N2518-302	..	BRACKET	103106	1

MISSING ITEM NUMBERS NOT APPLICABLE

- ITEM NOT ILLUSTRATED

38-11-05-01

38-11-05
FIG. 01
PAGE 4
JAN 20/09

BRI



757

PARTS CATALOG (MAINTENANCE)

FIG ITEM	PART NUMBER	1 2 3 4 5 6 7	NOMENCLATURE	EFFECT FROM TO	UNITS PER ASSY
1					
160	4012-0026		.UNIBALL ASSY- SUPPLIER CODE: V86831	103106	1
165	4112-0011-7		.LINKAGE ASSY-HANDLE PULL SUPPLIER CODE: V86831 FOR DETAILS SEE: 38-31-51-90	103106	1
167	0016-0015-6		.CAP ASSY- SUPPLIER CODE: V86831 FUNCTIONAL DESCRIPTION: PROVIDES QUICK RELEASE FOR LAV & DRINKING WATER FILL PORT SEALS COMPONENT MAINT MANUAL REF: 38-32-10	103106	1
168	2048-0031-2		..DISC- SUPPLIER CODE: V86831	103106	1
169	MS24665-1011		..PIN	103106	1
170	5710-151-30		..WASHER- SUPPLIER CODE: V86298	103106	1
171	2135-0176-1		..PIN- SUPPLIER CODE: V86831	103106	1
172	4028-0023		..CAP ASSY- SUPPLIER CODE: V86831	103106	1
173	2126-0121		..NIPPLE- SUPPLIER CODE: V86831	103106	1
- 174	MS9021-114		..PACKING- OPTIONAL PART: AS3578-114	103106	1
- 174	AS3578-114		..PACKING- OPTIONAL PART: MS9021-114	103106	1
176	LC200-10C		.CAP- SUPPLIER CODE: V24984	103106	1
178	FT1200		.FITTING- SUPPLIER CODE: V24984	103106	1
180	417A8651-1		.PLATE ASSY	103106	1
185	417A8651-2		.PLATE ASSY	103106	1

MISSING ITEM NUMBERS NOT APPLICABLE

- ITEM NOT ILLUSTRATED

38-11-05-01

38-11-05
FIG. 01
PAGE 5
JAN 20/09

BRI



757

PARTS CATALOG (MAINTENANCE)

FIG ITEM	PART NUMBER	1 2 3 4 5 6 7	NOMENCLATURE	EFFECT FROM TO	UNITS PER ASSY
1					
190	163CV65		. GAUGE-QTY SUPPLIER CODE: V35918 SPECIFICATION NUMBER: S417N207-12 ELECTRICAL EQUIP NUMBER: N10050	103106	1
195	8112-0401		. ACTUATOR- SUPPLIER CODE: V99564 SPECIFICATION NUMBER: 60B40018-32	103106	1
197	8102-0403		. SENSOR- SUPPLIER CODE: V99564 SPECIFICATION NUMBER: 60B40018-44	103106	1
200	417A2519-1		. SENSOR ASSY- ELECTRICAL EQUIP NUMBER: TS5319	103106	1
202	48-1825-02		.. PIN SUPPLIER CODE: V77820 SPECIFICATION NUMBER: BACC47CN2 OPTIONAL PART: ZZL4016-36LT V49367 48-1825-02 V02660 417-1616-902 V92069 LRM16M15F74 V09922	103106	1
203	418-1616-902		.. CONTACT SUPPLIER CODE: V55104 SPECIFICATION NUMBER: BACC47CP2 OPTIONAL PART: ZZL4116-36LT V49367 248-136-1600S02 V77820 LRC16M15F74 V09922	103106	1
204	48-7190-1		.. CONNECTOR- SUPPLIER CODE: V02660	103106	1

MISSING ITEM NUMBERS NOT APPLICABLE

- ITEM NOT ILLUSTRATED

38-11-05-01

38-11-05
FIG. 01
PAGE 6
JAN 20/09

BRI

BOEING PROPRIETARY - Copyright © - Unpublished Work - See title page for details.



757

PARTS CATALOG (MAINTENANCE)

FIG ITEM	PART NUMBER	1 2 3 4 5 6 7	NOMENCLATURE	EFFECT FROM TO	UNITS PER ASSY
1					
204	AIS16P1		.. CONNECTOR- SUPPLIER CODE: V05574	103106	1
205	48-7191-1		.. RECEPTACLE- SUPPLIER CODE: V02660	103106	1
207	8102-0401		.. SENSOR- SUPPLIER CODE: V99564 SPECIFICATION NUMBER: 60B40018-42	103106	1
- 220	MODREF17798		DRAIN INSTL-TANK POTABLE WATER SYS MODULE NUMBER: 417N2554-5 REV A FOR OTHER SYS DETAILS SEE: 11-21-08-01	103106	1
225	BAC27NPA1517		.MARKER- PLACARD CONTENT: POTABLE WATER TANK FILL/DRAIN PORT	103106	1
230	BAC27NPA1390		.MARKER- PLACARD CONTENT: OVERFLOW	103106	1

MISSING ITEM NUMBERS NOT APPLICABLE

- ITEM NOT ILLUSTRATED

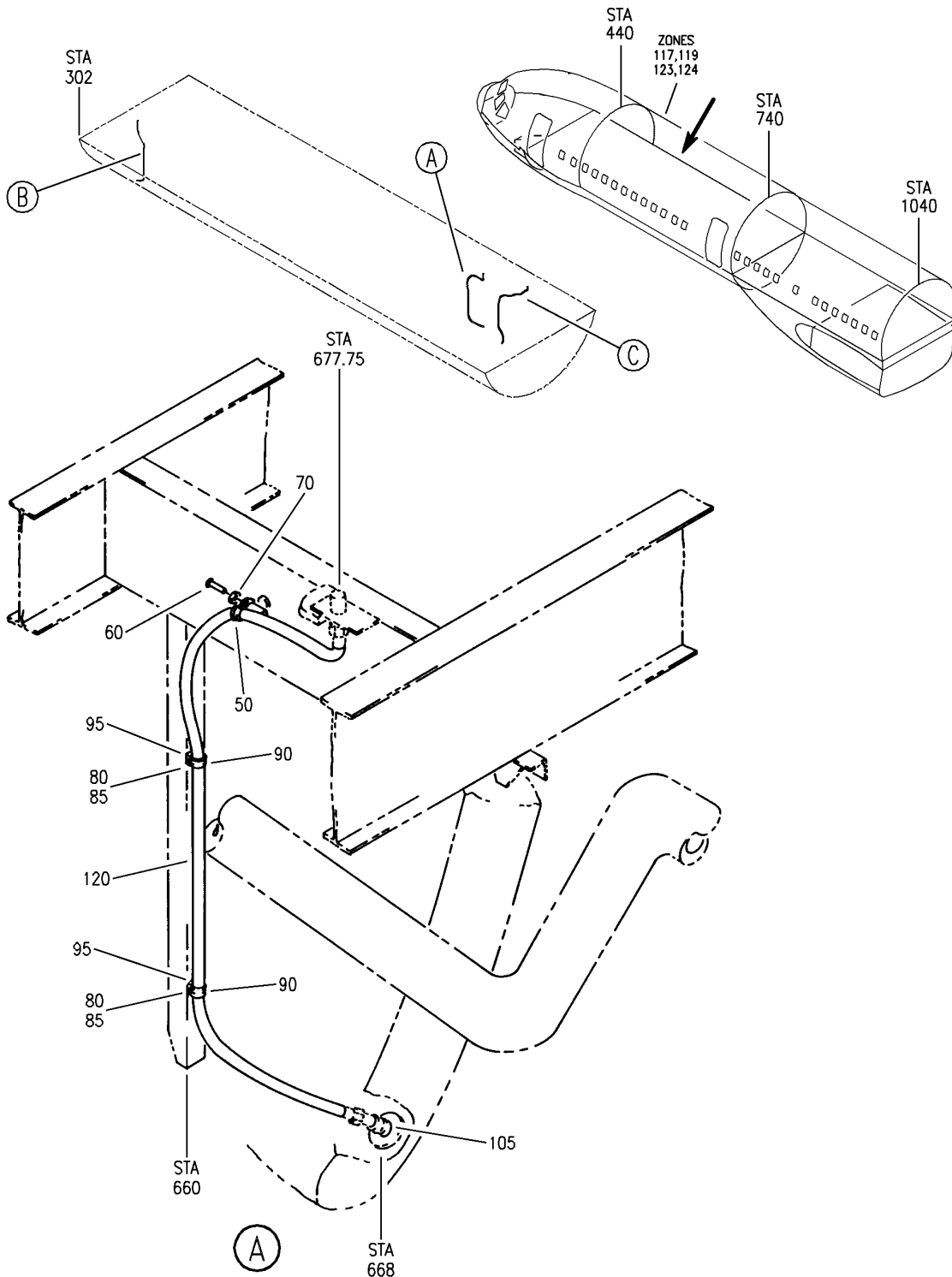
BRI

38-11-05-01

BOEING PROPRIETARY - Copyright © - Unpublished Work - See title page for details.

38-11-05
FIG. 01
PAGE 7
JAN 20/09

BOEING
757
PARTS CATALOG (MAINTENANCE)



Y 38110501A SHT 1 REV 240

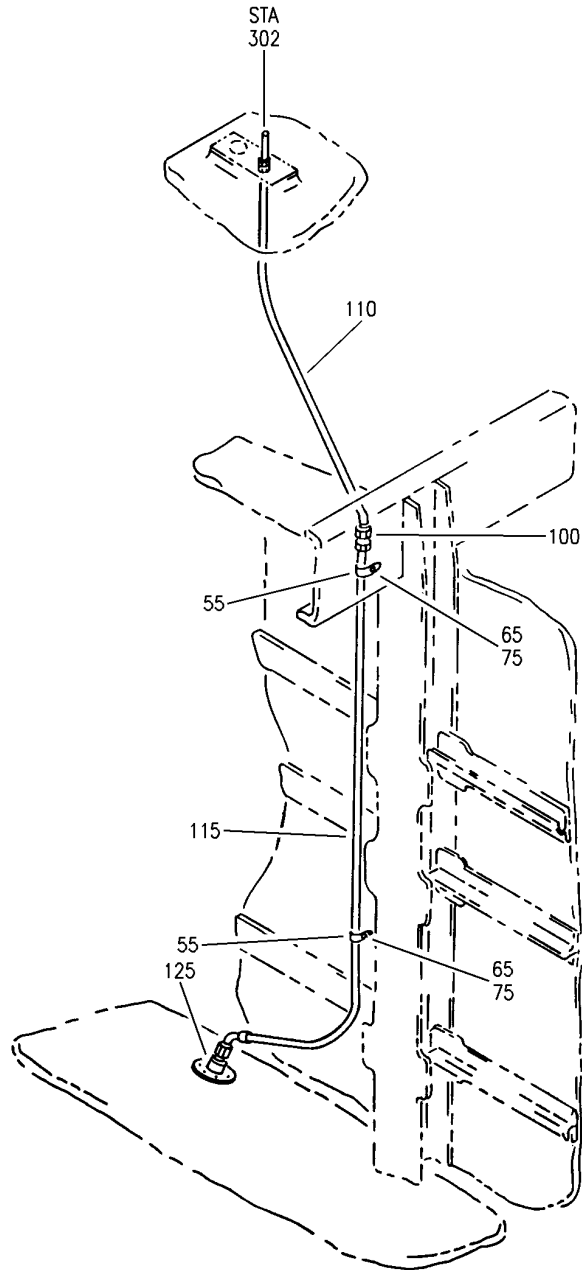
DRAIN INSTL-POTABLE WATER FWD SYS
FIGURE 1A (SHEET 1)

38-11-05-01A

BRI
MAY 28/07

38-11-05-01A
PAGE 0

BOEING
757
PARTS CATALOG (MAINTENANCE)



(B)

Y 38110501A SHT 2 REV 240

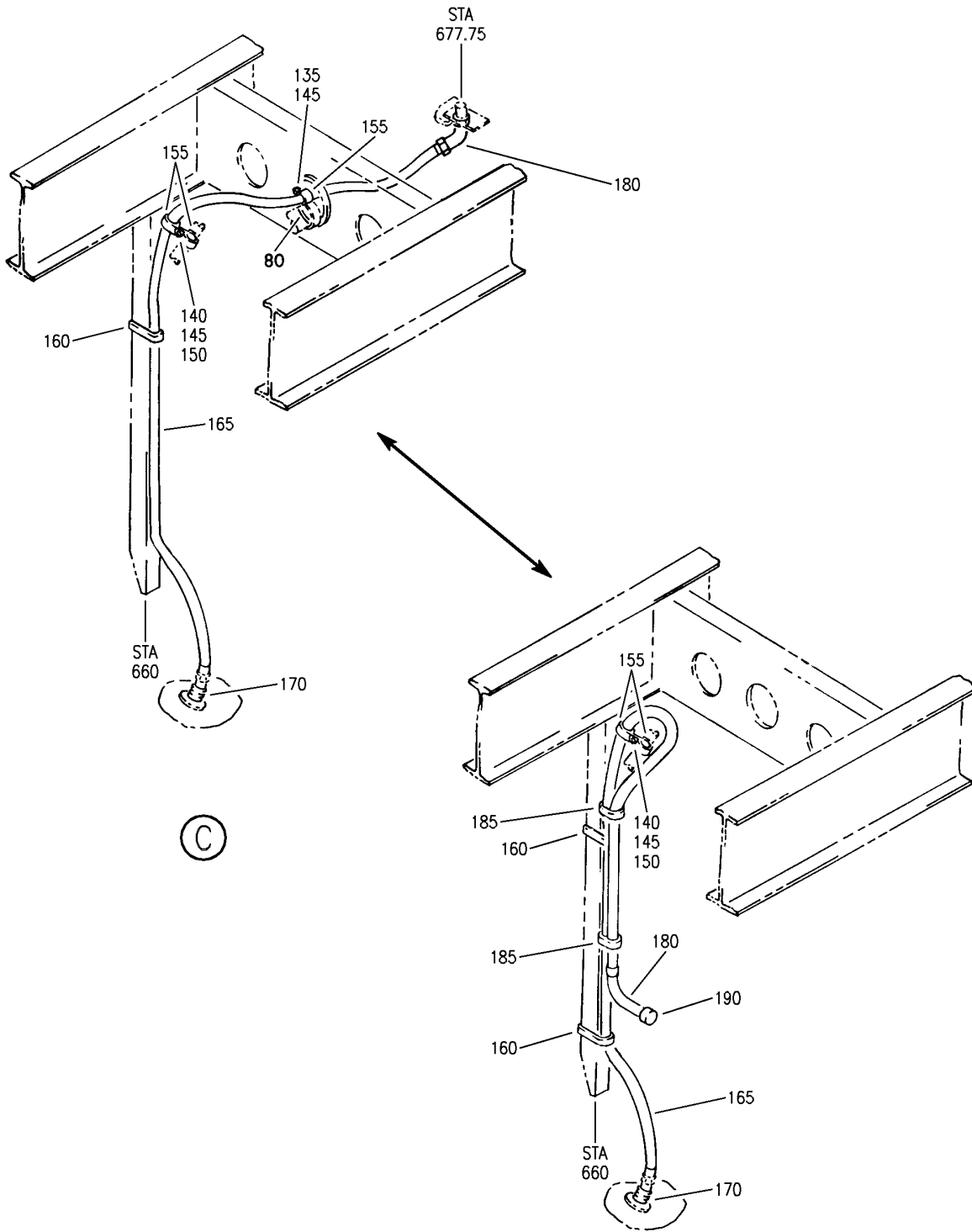
DRAIN INSTL-POTABLE WATER FWD SYS
FIGURE 1A (SHEET 2)

38-11-05-01A

BRI
MAY 28/07

38-11-05-01A
PAGE 0A

BOEING
757
PARTS CATALOG (MAINTENANCE)



Y 38110501A SHT 3 REV 240

DRAIN INSTL-POTABLE WATER FWD SYS
FIGURE 1A (SHEET 3)

38-11-05-01A

BRI
MAY 28/07

38-11-05-01A
PAGE 0B



757

PARTS CATALOG (MAINTENANCE)

FIG ITEM	PART NUMBER	1 2 3 4 5 6 7	NOMENCLATURE	EFFECT FROM TO	UNITS PER ASSY
1 A			DRAIN INSTL- POTABLE WATER FWD SYS	002004 006100 103106 950999	
- 1	417N2103-1		DRAIN INSTL-POTABLE WATER SYS POSITION DATA: FWD VARIABLE DRAWING REF: 417N2103-10 FOR NHA SEE: 25-20-00-01A	002004 006100 103106 950999	RF
55	BACC10DK9A		.CLAMP	002004 006100 103106 950999	2
65	NAS1801-3-12		ATTACHING PARTS .SCREW	002004 006100 103106 950999	2
75	AN960PD10L		-----*----- .WASHER-	002004 006100 103106 950999	2
100	MS21916J8-6		.REDUCER	002004 006100 103106 950999	1
110	78001-459		.HOSE ASSY- SUPPLIER CODE: V24984 SPECIFICATION NUMBER: 10-61998-459 OPTIONAL PART: R29280-6-0194 V50599 A1650-459 V98441	002004 006100 103106 950999	1
110	AS4469-06-0194		.HOSE ASSY- OPTIONAL PART: AS4469-06-0194 78001-459 V24984	002004 006100 103106 950999	1

MISSING ITEM NUMBERS NOT APPLICABLE

- ITEM NOT ILLUSTRATED

38-11-05-01A

38-11-05
FIG. 01A
PAGE 1
JAN 20/09

BRI



757

PARTS CATALOG (MAINTENANCE)

FIG ITEM	PART NUMBER	1 2 3 4 5 6 7	NOMENCLATURE	EFFECT FROM TO	UNITS PER ASSY
1 A			ATTACHING PARTS		
115	78001-401		.HOSE ASSY- SUPPLIER CODE: V24984 SPECIFICATION NUMBER: 10-61998-401 OPTIONAL PART: AE706493-401 V00624 A1650-401 V03925 R29281-8-0340 V50599 OPTIONAL PART: AS4470-08-0340 -----*-----	002004 006100 103106 950999	1
115	AS4470-08-0340		.HOSE ASSY- OPTIONAL PART: 78001-401 V24984	002004 006100 103106 950999	1
125	66-16773-1		.FITTING ASSY	002004 006100 103106 950999	1
- 130	BACR15CE6D		ATTACHING PARTS .RIVET- SIZE DETERMINED ON INSTL. -----*-----	002004 006100 103106 950999	8
135	NAS1801-3-13		.SCREW	950999	1
140	NAS1801-3-11		.SCREW	950999	1
145	AN960KD10L		.WASHER	950999	2
150	MS21042L3		.NUT	950999	1
155	BACC10DK8A		.CLAMP	950999	3
160	MS3367-1-9		.STRAP	950999	1
165	AS4469-06-0515		.HOSE ASSY- SUPPLIER CODE: VU1653 OPTIONAL PART: 41201-372 V24984 AS4469-06-0520 VU1653	950999	1

MISSING ITEM NUMBERS NOT APPLICABLE

- ITEM NOT ILLUSTRATED

38-11-05-01A

38-11-05
FIG. 01A
PAGE 2
JAN 20/09

BRI

BOEING PROPRIETARY - Copyright © - Unpublished Work - See title page for details.



757

PARTS CATALOG (MAINTENANCE)

FIG ITEM	PART NUMBER	1 2 3 4 5 6 7	NOMENCLATURE	EFFECT FROM TO	UNITS PER ASSY
1A 165	41201-372		.HOSE ASSY- SUPPLIER CODE: V24984 SPECIFICATION NUMBER: 10-60871-372 OPTIONAL PART: AS4469-06-0520 VU1653 AS4469-06-0515 VU1653	950999	1
165	AS4469-06-0520		.HOSE ASSY- SUPPLIER CODE: VU1653 OPTIONAL PART: 41201-372 V24984 AS4469-06-0515 VU1653	950999	1
170	FT922		.REDUCER- SUPPLIER CODE: V24984	950999	1
175	BACG20AD848		.GROMMET	950999	1
180	NAS1761J0606		.ELBOW- MISCELLANEOUS DATA: REPLACED BY BACE21BR0606JN	950999	1
185	T05R0		.STRAP SUPPLIER CODE: V53421 SPECIFICATION NUMBER: BACS38K1 OPTIONAL PART: PLT2SM V06383	950999	2

MISSING ITEM NUMBERS NOT APPLICABLE

- ITEM NOT ILLUSTRATED

38-11-05-01A

38-11-05
FIG. 01A
PAGE 3
JAN 20/09

BRI

BOEING PROPRIETARY - Copyright © - Unpublished Work - See title page for details.



757

PARTS CATALOG (MAINTENANCE)

FIG ITEM	PART NUMBER	1 2 3 4 5 6 7 NOMENCLATURE	EFFECT FROM TO	UNITS PER ASSY
1 A 190	AP1016J6	.PLUG SUPPLIER CODE: V01673 SPECIFICATION NUMBER: BACP20AU6J OPTIONAL PART: ER0806-6J V88334 2-02700-6J V11328 AP10166J V01673 31794-6J V14397 AFP952-06J V30974 AP1016-06J V01673 4120-587206J V50948 DB0P20AU6J V14798 AP1016J06 V01673	950999	1

MISSING ITEM NUMBERS NOT APPLICABLE

- ITEM NOT ILLUSTRATED

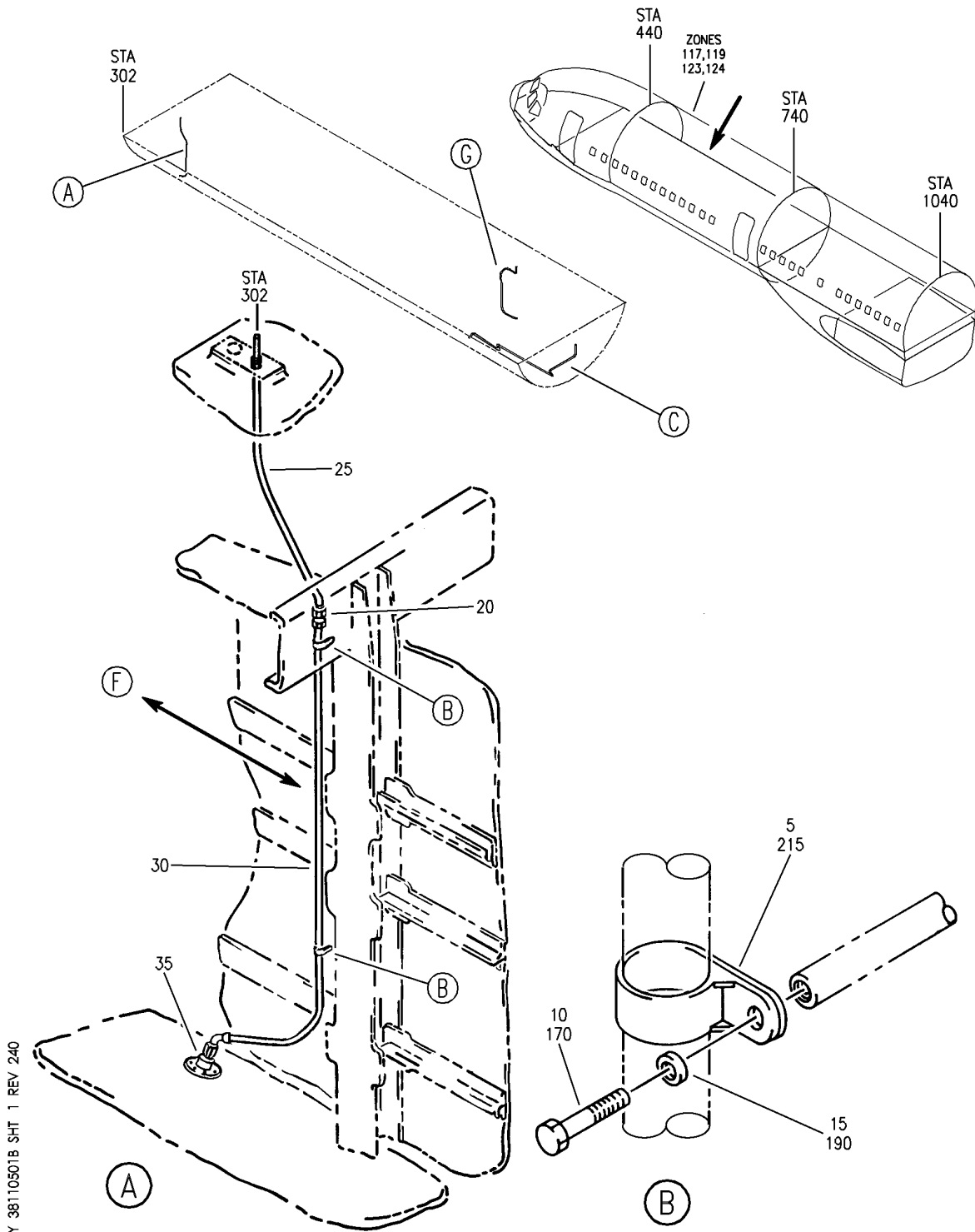
BRI

38-11-05-01A

BOEING PROPRIETARY - Copyright © - Unpublished Work - See title page for details.

38-11-05
 FIG. 01A
 PAGE 4
 JAN 20/09

BOEING
757
PARTS CATALOG (MAINTENANCE)



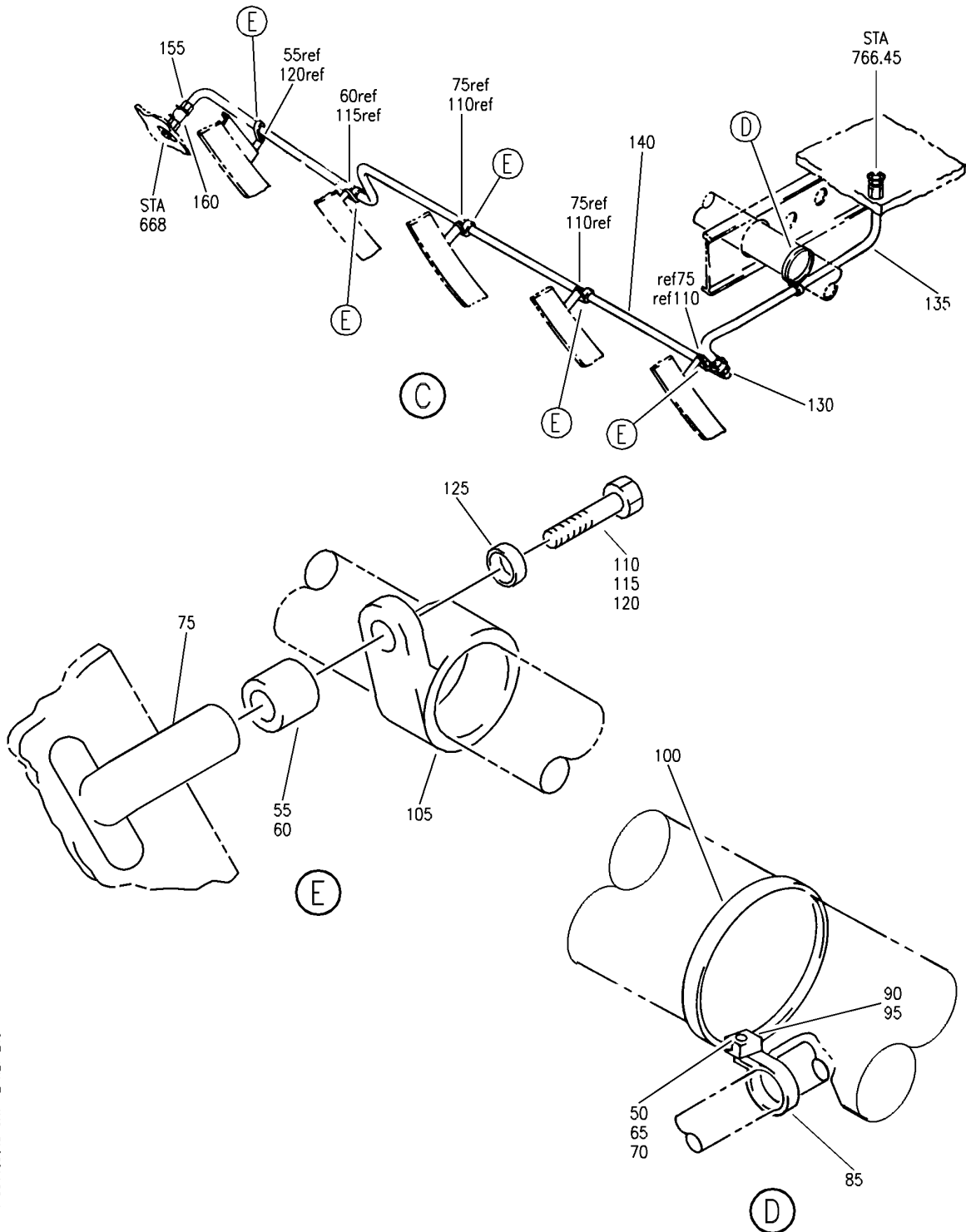
DRAIN INSTL-POTABLE WATER FWD SYS
FIGURE 1B (SHEET 1)

38-11-05-01B

BRI
MAY 28/07

38-11-05-01B
PAGE 0

BOEING
757
PARTS CATALOG (MAINTENANCE)



Y 38110501B SHT 2 REV 240

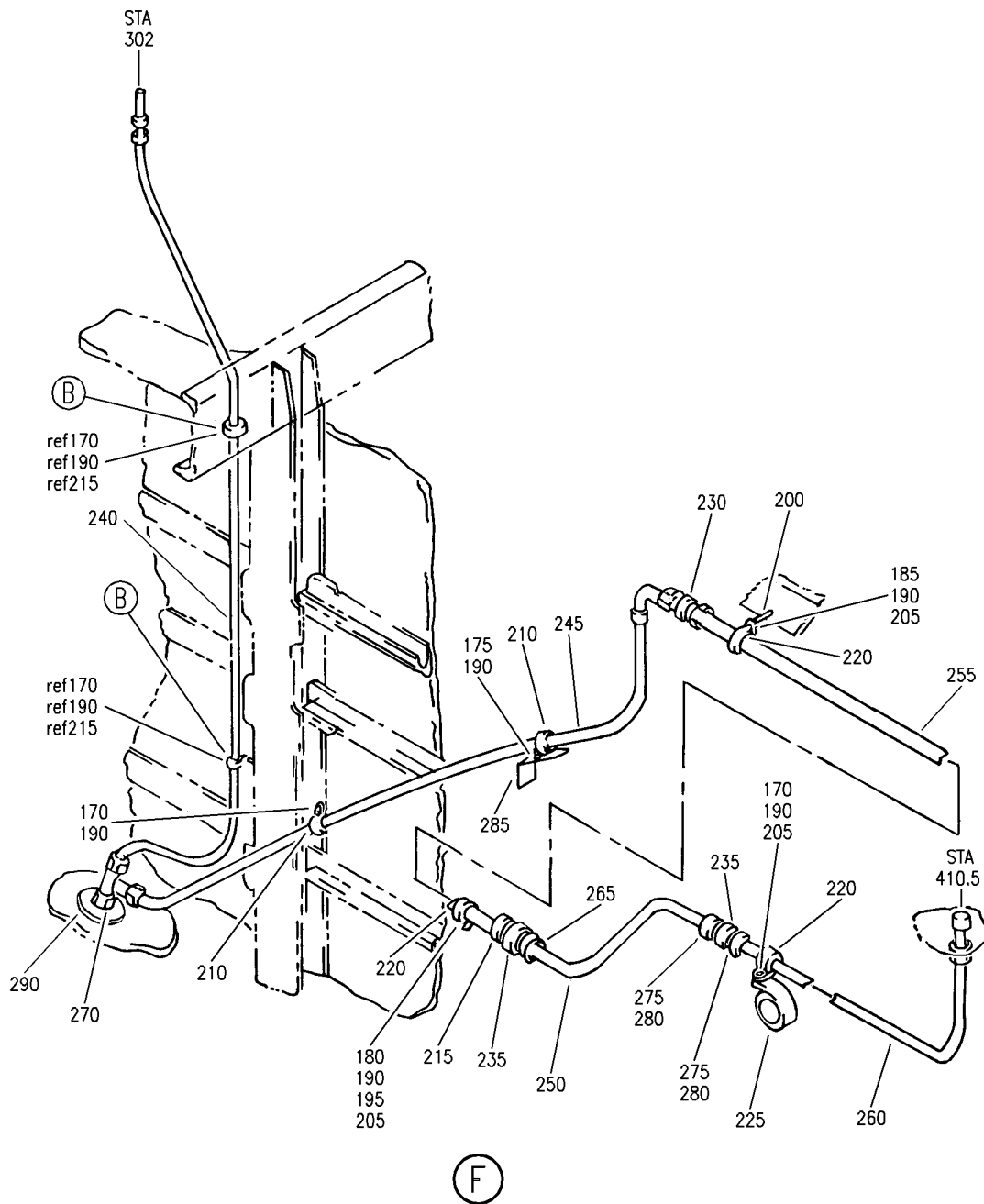
DRAIN INSTL-POTABLE WATER FWD SYS
FIGURE 1B (SHEET 2)

38-11-05-01B

BRI
MAY 28/07

38-11-05-01B
PAGE 0A

BOEING
757
PARTS CATALOG (MAINTENANCE)



Y 38110501B SHT 3 REV 240

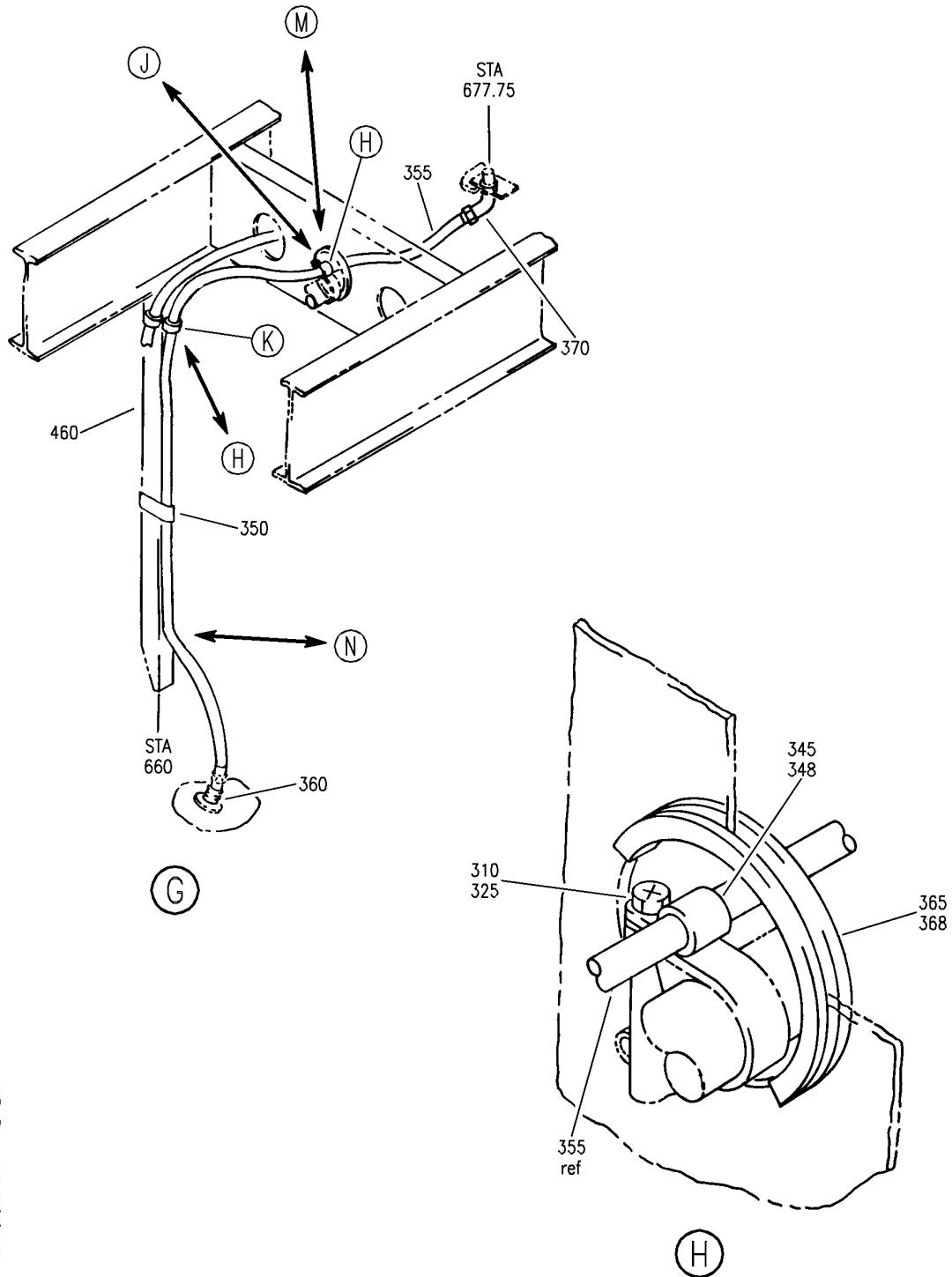
DRAIN INSTL-POTABLE WATER FWD SYS
FIGURE 1B (SHEET 3)

38-11-05-01B

BRI
MAY 28/07

38-11-05-01B
PAGE 0B

BOEING
757
PARTS CATALOG (MAINTENANCE)



Y 38110501B SHIT 4 REV 243

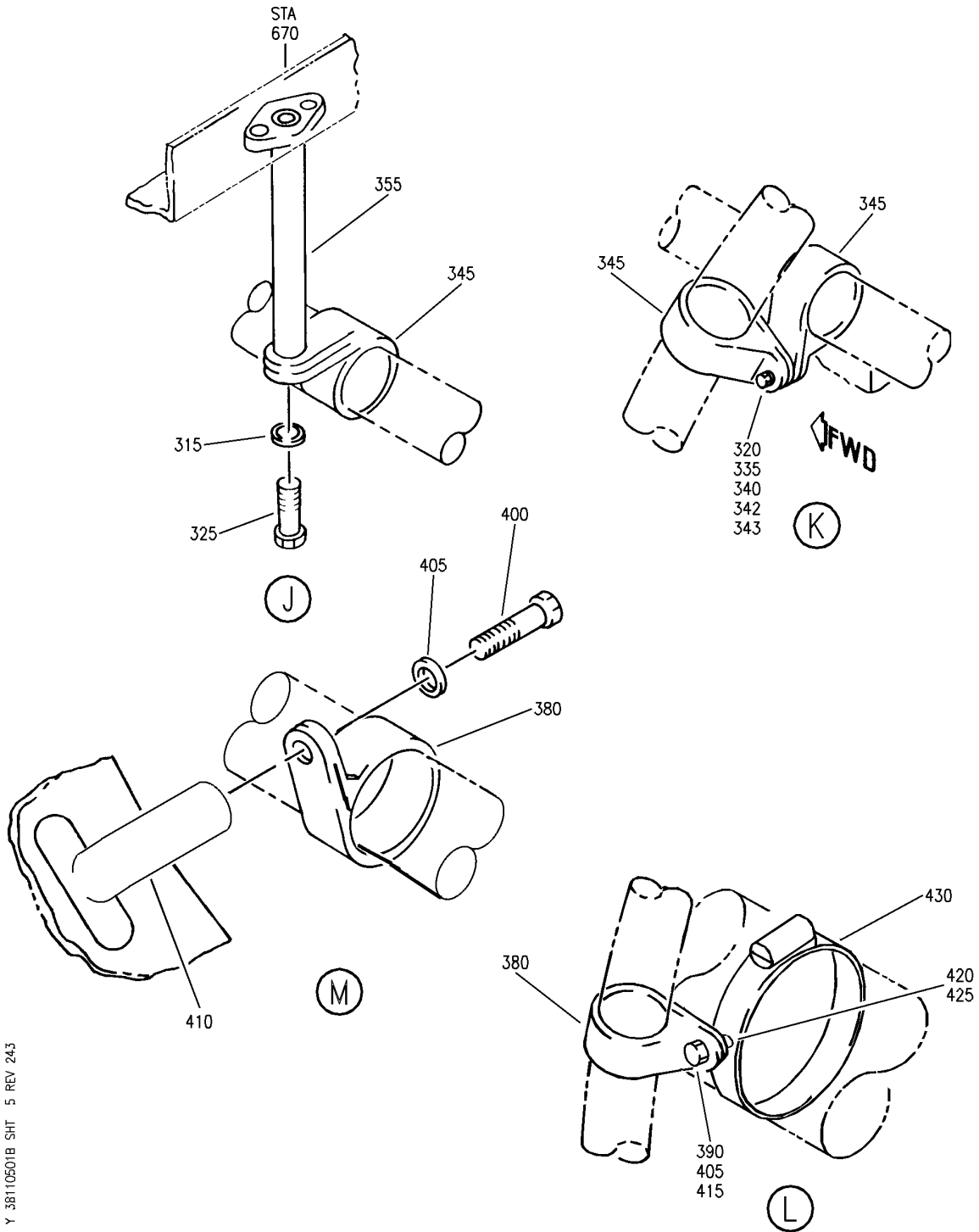
DRAIN INSTL-POTABLE WATER FWD SYS
FIGURE 1B (SHEET 4)

38-11-05-01B

BRI
MAY 28/07

38-11-05-01B
PAGE 0C

BOEING
757
PARTS CATALOG (MAINTENANCE)



Y 38110501B SH1 5 REV 243

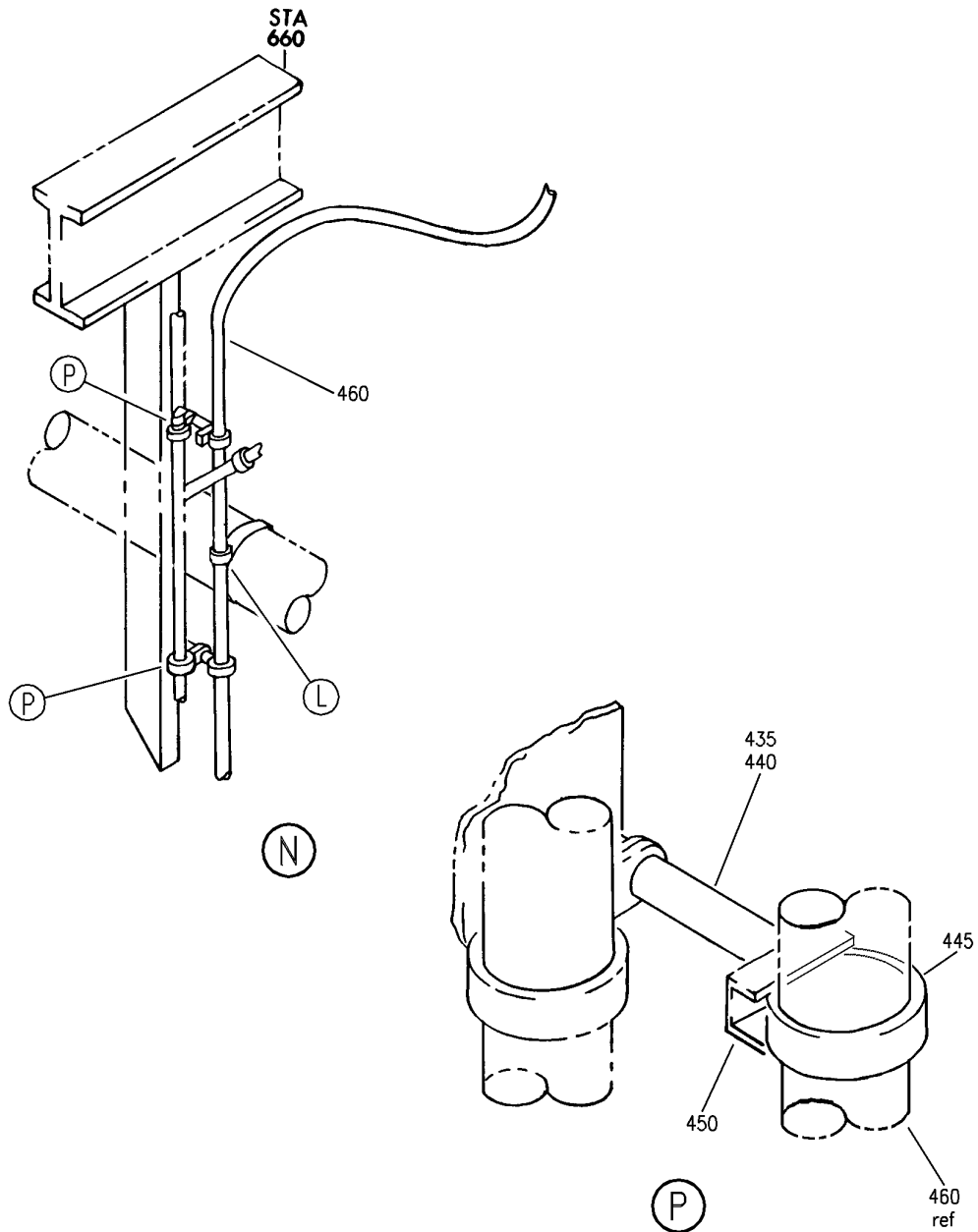
DRAIN INSTL-POTABLE WATER FWD SYS
FIGURE 1B (SHEET 5)

38-11-05-01B

BRI
MAY 28/07

38-11-05-01B
PAGE 0D

BOEING
757
PARTS CATALOG (MAINTENANCE)



Y 38110501B SHT 6 REV 240

DRAIN INSTL-POTABLE WATER FWD SYS
FIGURE 1B (SHEET 6)

38-11-05-01B

BRI
MAY 28/07

38-11-05-01B
PAGE 0E



757

PARTS CATALOG (MAINTENANCE)

FIG ITEM	PART NUMBER	1 2 3 4 5 6 7	NOMENCLATURE	EFFECT FROM TO	UNITS PER ASSY
1B			DRAIN INSTL- POTABLE WATER FWD SYS	101102 108120 504903	
- 1	417N2103-101		DRAIN INSTL-POTABLE WATER POSITION DATA: FWD SYS (LAV A) FOR NHA SEE: 25-20-00-07D	101102 108120	RF
5	BACC10DK9A		.CLAMP-	101102 108120	2
10	NAS1801-3-12		ATTACHING PARTS .SCREW	101102 108120	2
15	AN960PD10L		.WASHER	101102 108120	2
20	MS21916J8-6		-----*----- .REDUCER	101102 108120	1
25	78001-459		.HOSE ASSY- SUPPLIER CODE: V24984 SPECIFICATION NUMBER: 10-61998-459 OPTIONAL PART: R29280-6-0194 V50599 A1650-459 V98441 OPTIONAL PART: AS4469-06-0194	101102 108120	1
25	AS4469-06-0194		.HOSE ASSY- OPTIONAL PART: 78001-459 V24984	101102 108120	1
30	78001-401		.HOSE ASSY- SUPPLIER CODE: V24984 SPECIFICATION NUMBER: 10-61998-401 OPTIONAL PART: AE706493-401 V00624 A1650-401 V03925 R29281-8-0340 V50599 OPTIONAL PART: AS4470-08-0340	101102 108120	1

MISSING ITEM NUMBERS NOT APPLICABLE

- ITEM NOT ILLUSTRATED

38-11-05-01B

38-11-05
FIG. 01B
PAGE 1
JAN 20/09

BRI

BOEING PROPRIETARY - Copyright © - Unpublished Work - See title page for details.



757

PARTS CATALOG (MAINTENANCE)

FIG ITEM	PART NUMBER	1 2 3 4 5 6 7	NOMENCLATURE	EFFECT FROM TO	UNITS PER ASSY
1B					
30	AS4470-08-0340	.HOSE ASSY-		101102	1
		OPTIONAL PART:		108120	
		78001-401			
		V24984			
35	66-16773-1	.FITTING ASSY		101102	1
				108120	
		ATTACHING PARTS			
- 40	BACR15CE6D	.RIVET-		101102	8
		SIZE DETERMINED ON INSTL.		108120	
		-----*-----			
- 165	417N2103-103	DRAIN INSTL-POTABLE WATER		504903	RF
		FWD, LAV A & F			
		FOR NHA SEE:			
		25-20-00-07D			
170	NAS1801-3-10	.SCREW		504903	4
175	NAS1801-3-8	.SCREW		504903	1
180	NAS1801-3-18	.SCREW		504903	1
185	NAS1801-3-28	.SCREW		504903	1
190	AN960PD10L	.WASHER		504903	7
195	NAS43DD3-32	.SPACER		504903	1
200	NAS43DD3-80	.SPACER		504903	1
205	BRH10C3D	.NUT		504903	3
		SUPPLIER CODE:			
		V52828			
		SPECIFICATION NUMBER:			
		BACN10JC3CD			
		OPTIONAL PART:			
		T6C1032JCD			
		V11815			
		NS202486-02			
		V80539			
		102LH9075-3W			
		V72962			
		H51650-3BAC			
		V15653			
210	BACC10DK8A	.CLAMP		504903	2
215	BACC10DK9A	.CLAMP		504903	2
220	BACC10DK6	.CLAMP		504903	3
225	BACC10DK16	.CLAMP		504903	1
230	MS21902J6	.UNION		504903	1

MISSING ITEM NUMBERS NOT APPLICABLE

- ITEM NOT ILLUSTRATED

38-11-05-01B

38-11-05
FIG. 01B
PAGE 2
JAN 20/09

BRI

BOEING PROPRIETARY - Copyright © - Unpublished Work - See title page for details.



757

PARTS CATALOG (MAINTENANCE)

FIG ITEM	PART NUMBER	1 2 3 4 5 6 7	NOMENCLATURE	EFFECT FROM TO	UNITS PER ASSY
1B 235	AFP2328-6	.	REDUCER SUPPLIER CODE: V30974 SPECIFICATION NUMBER: BACR17E8-6 OPTIONAL PART: AP10278-6 V01673 BC916T8-6 V50948 DB0R17E8-6 V14798 ER21916T8-6 V88334 ER31916-8-6 V88334 F23-8-6 V73197 2-01075T8-6 V11328 31778-8-6 V14397 US2114-8-6 V50508 AP1027T8-6 V01673 US21148-6 V50808 317788-6 V14397	504903	2
240	78001-445	.	HOSE ASSY- SUPPLIER CODE: V24984 SPECIFICATION NUMBER: 10-61998-445 OPTIONAL PART: R29281-6-0516 V50599 AE706493-445 V00624 A1650-445 V03925 OPTIONAL PART: AS4470-06-0516 AS4470-06-0524	504903	1

MISSING ITEM NUMBERS NOT APPLICABLE

- ITEM NOT ILLUSTRATED

38-11-05-01B

38-11-05
FIG. 01B
PAGE 3
JAN 20/09

BRI

BOEING PROPRIETARY - Copyright © - Unpublished Work - See title page for details.



757

PARTS CATALOG (MAINTENANCE)

FIG ITEM	PART NUMBER	1 2 3 4 5 6 7	NOMENCLATURE	EFFECT FROM TO	UNITS PER ASSY
1B 240	AS4470-06-0516	.HOSE ASSY-	OPTIONAL PART: 78001-445 V24984 AS4470-06-0524	504903	1
240	AS4470-06-0524	.HOSE ASSY-	OPTIONAL PART: AS4470-06-0516 78001-445 V24984	504903	1
245	78001-446	.HOSE ASSY-	SUPPLIER CODE: V24984 SPECIFICATION NUMBER: 10-61998-446 OPTIONAL PART: R29284-6-0445-180 V50599 AE706493-446 V00624 A1650-446 V03925 OPTIONAL PART: AS4473G0450-180	504903	1
245	AS4473G0450-180	.HOSE ASSY-	OPTIONAL PART: 78001-446 V24984	504903	1
250	AS4469-08-0160	.HOSE ASSY		504903	1
255	417N2103-3	.TUBE ASSY		504903	1
260	417N2103-4	.TUBE ASSY		504903	1
265	MS21921-6J	.NUT		504903	2
270	NAS1763J080606	.REDUCER		504903	1
275	MS21921-6J	.NUT		504903	2
280	AP2097H06	.SLEEVE	SUPPLIER CODE: V01673 SPECIFICATION NUMBER: BACS13BX06H OPTIONAL PART: 2-02903-06H V11328 35235V06 V08199 AFP175V06 V30974 DB0S13BX06H V14798	504903	2
285	417N2115-6	.BRACKET		504903	1

MISSING ITEM NUMBERS NOT APPLICABLE

- ITEM NOT ILLUSTRATED

38-11-05-01B

38-11-05
FIG. 01B
PAGE 4
JAN 20/09

BRI

BOEING PROPRIETARY - Copyright © - Unpublished Work - See title page for details.



757

PARTS CATALOG (MAINTENANCE)

FIG ITEM	PART NUMBER	1 2 3 4 5 6 7	NOMENCLATURE	EFFECT FROM TO	UNITS PER ASSY
1B 290	66-16773-1		.FITTING ASSY ATTACHING PARTS	504903	1
- 295	BACR15CE6D		.RIVET- SIZE DETERMINED ON INSTL. -----*-----	504903	8
- 300	417N2103-104		DRAIN INSTL-POTABLE WATER POSITION DATA: FWD, LAV S FOR NHA SEE: 25-20-00-07D	108120	RF
310	NAS1801-3-13		.SCREW	108120	1
320	NAS1801-3-11		.SCREW	108120	1
325	AN960KD10L		.WASHER	108120	2
340	MS21042L3		.NUT	108120	1
342	BACN10TS3-10		.NUT	108120	1
345	BACC10DK8A		.CLAMP	108120	3
350	MS3367-1-9		.STRAP	108120	1
355	41201-372		.HOSE ASSY- SUPPLIER CODE: V24984 SPECIFICATION NUMBER: 10-60871-372 OPTIONAL PART: AS4469-06-0515 VU1653 AS4469-06-0520 VU1653	108120	1
355	AS4469-06-0515		.HOSE ASSY- SUPPLIER CODE: VU1653 OPTIONAL PART: 41201-372 V24984 AS4469-06-0520 VU1653	108120	1
355	AS4469-06-0520		.HOSE ASSY- SUPPLIER CODE: VU1653 OPTIONAL PART: AS4469-06-0515 VU1653 41201-372 V24984	108120	1
360	FT922		.REDUCER- SUPPLIER CODE: V24984	108120	1
365	BACG20AD848		.GROMMET	108120	1

MISSING ITEM NUMBERS NOT APPLICABLE

- ITEM NOT ILLUSTRATED

38-11-05-01B

38-11-05
FIG. 01B
PAGE 5
JAN 20/09

BRI

BOEING PROPRIETARY - Copyright © - Unpublished Work - See title page for details.



757

PARTS CATALOG (MAINTENANCE)

FIG ITEM	PART NUMBER	1 2 3 4 5 6 7	NOMENCLATURE	EFFECT FROM TO	UNITS PER ASSY
1B 370	NAS1761J0606		.ELBOW- MISCELLANEOUS DATA: REPLACED BY BACE21BR0606JN	108120	1

MISSING ITEM NUMBERS NOT APPLICABLE

- ITEM NOT ILLUSTRATED

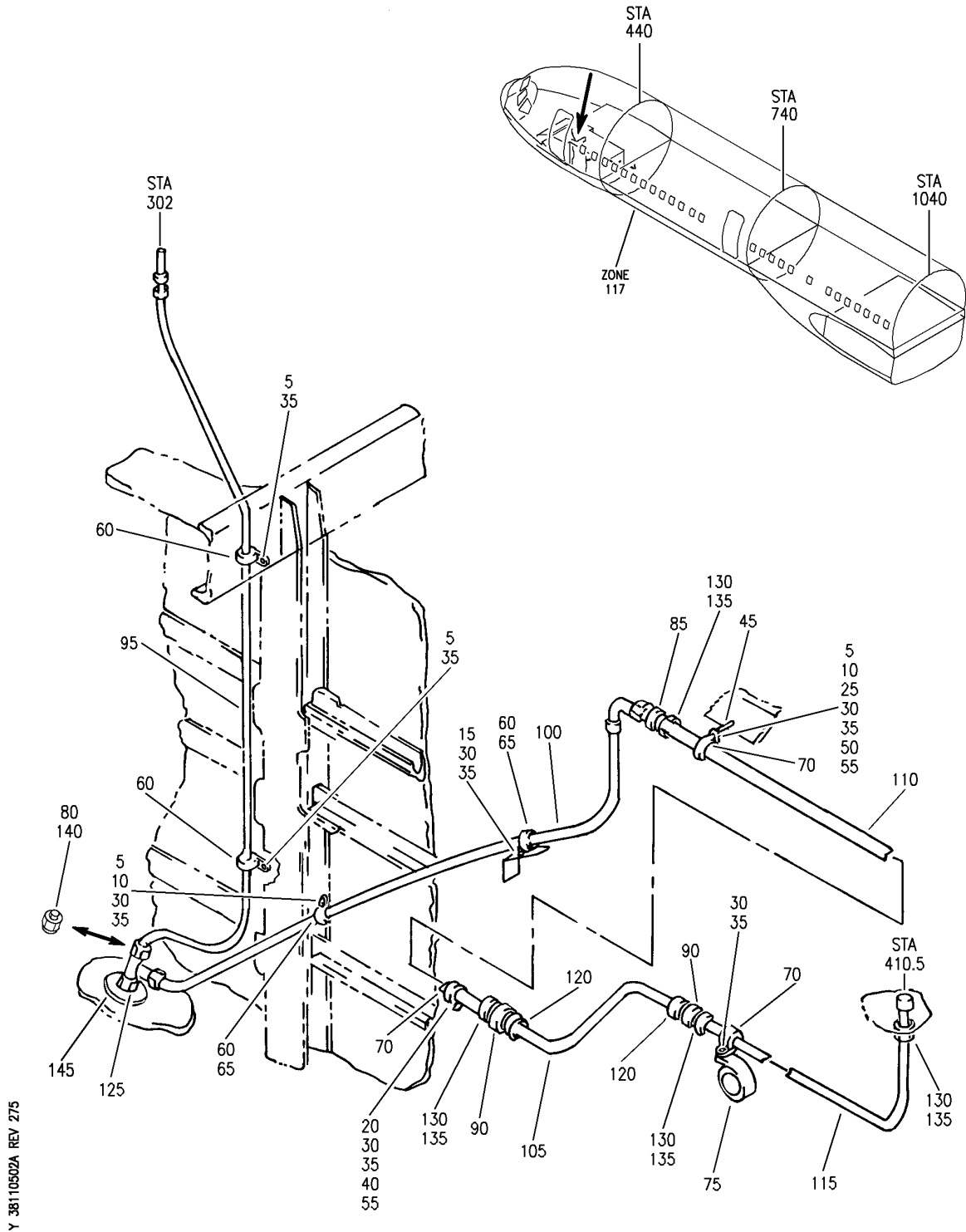
BRI

38-11-05-01B

BOEING PROPRIETARY - Copyright © - Unpublished Work - See title page for details.

38-11-05
FIG. 01B
PAGE 6
JAN 20/09

BOEING
757
PARTS CATALOG (MAINTENANCE)



DRAIN AND CAP INSTL-POTABLE WATER SYS FWD
FIGURE 2A

38-11-05-02A

BRI
MAY 28/07

38-11-05-02A
PAGE 0



757

PARTS CATALOG (MAINTENANCE)

FIG ITEM	PART NUMBER	1 2 3 4 5 6 7	NOMENCLATURE	EFFECT FROM TO	UNITS PER ASSY
2A			DRAIN AND CAP INSTL- POTABLE WATER SYS FWD	107107 121503 904949	
- 1	417N2103-1		DRAIN INSTL-POTABLE WATER SYS POSITION DATA: FWD VARIABLE DRAWING REF: 417N2103-2 FOR NHA SEE: 25-20-00-01E	107107 121503 904949	RF
	5 NAS1801-3-10		.SCREW	107107 121503 904949	4
	15 NAS1801-3-8		.SCREW	107107 121503 904949	1
	20 NAS1801-3-18		.SCREW	107107 121503 904949	1
	25 NAS1801-3-28		.SCREW	107107 121503 904949	1
	35 AN960PD10L		.WASHER	107107 121503 904949	7
	40 NAS43DD3-32		.SPACER	107107 121503 904949	1
	45 NAS43DD3-80		.SPACER	107107 121503 904949	1

MISSING ITEM NUMBERS NOT APPLICABLE

- ITEM NOT ILLUSTRATED

BRI

38-11-05-02A

BOEING PROPRIETARY - Copyright © - Unpublished Work - See title page for details.

38-11-05
FIG. 02A
PAGE 1
JAN 20/09



757

PARTS CATALOG (MAINTENANCE)

FIG ITEM	PART NUMBER	1 2 3 4 5 6 7	NOMENCLATURE	EFFECT FROM TO	UNITS PER ASSY
2A 50	BRH10A3	.NUT	SUPPLIER CODE: V52828 SPECIFICATION NUMBER: BACN10JC3 OPTIONAL PART: H10-3BAC V15653 NS202101-02 V80539 RMLH9075-3W V72962 VN303A02 V92215 96-02 V80539 T6S1032J V11815	107107 121503 904949	1
55	BRH10C3D	.NUT	SUPPLIER CODE: V52828 SPECIFICATION NUMBER: BACN10JC3CD OPTIONAL PART: T6C1032JCD V11815 NS202486-02 V80539 102LH9075-3W V72962 H51650-3BAC V15653	107107 121503 904949	2
60	BACC10DK8A	.CLAMP		107107 121503 904949	4
70	BACC10DK6	.CLAMP		107107 121503 904949	3
75	BACC10DK16	.CLAMP		107107 121503 904949	1
85	MS21902J6	.UNION		107107 121503 904949	1

MISSING ITEM NUMBERS NOT APPLICABLE

- ITEM NOT ILLUSTRATED

38-11-05-02A

38-11-05
FIG. 02A
PAGE 2
JAN 20/09

BRI



757

PARTS CATALOG (MAINTENANCE)

FIG ITEM	PART NUMBER	1 2 3 4 5 6 7	NOMENCLATURE	EFFECT FROM TO	UNITS PER ASSY
2A 90	AFP2328-6	.	REDUCER SUPPLIER CODE: V30974 SPECIFICATION NUMBER: BACR17E8-6 OPTIONAL PART: AP10278-6 V01673 BC916T8-6 V50948 DB0R17E8-6 V14798 ER21916T8-6 V88334 ER31916-8-6 V88334 F23-8-6 V73197 2-01075T8-6 V11328 31778-8-6 V14397 US2114-8-6 V50508 AP1027T8-6 V01673 US21148-6 V50808 317788-6 V14397	107107 121503 904949	2
95	78001-445	.	HOSE ASSY- SUPPLIER CODE: V24984 SPECIFICATION NUMBER: 10-61998-445 OPTIONAL PART: R29281-6-0516 V50599 AE706493-445 V00624 A1650-445 V03925 OPTIONAL PART: AS4470-06-0516	107107 121503 904949	1
95	AS4470-06-0516	.	HOSE ASSY- OPTIONAL PART: 78001-445 V24984	107107 121503 904949	1

MISSING ITEM NUMBERS NOT APPLICABLE

- ITEM NOT ILLUSTRATED

38-11-05-02A

38-11-05
FIG. 02A
PAGE 3
JAN 20/09

BRI

BOEING PROPRIETARY - Copyright © - Unpublished Work - See title page for details.



757

PARTS CATALOG (MAINTENANCE)

FIG ITEM	PART NUMBER	1 2 3 4 5 6 7	NOMENCLATURE	EFFECT FROM TO	UNITS PER ASSY
2A					
95	AS4470-06-0524	.HOSE ASSY-		107107	1
		OPTIONAL PART:		121503	
		AS4470-06-0516		904949	
100	78001-446	.HOSE ASSY-		107107	1
		SUPPLIER CODE:		121503	
		V24984		904949	
		SPECIFICATION NUMBER:			
		10-61998-446			
		OPTIONAL PART:			
		R29284-6-0445-180			
		V50599			
		AE706493-446			
		V00624			
		A1650-446			
		V03925			
		OPTIONAL PART:			
		AS4473G0450-180			
100	AS4473G0450-180	.HOSE ASSY-		107107	1
		OPTIONAL PART:		121503	
		78001-446		904949	
		V24984			
105	78001-434	.HOSE ASSY-		107107	1
		SUPPLIER CODE:		121503	
		V24984		904949	
		SPECIFICATION NUMBER:			
		10-61998-434			
		OPTIONAL PART:			
		A1650-434			
		V03925			
110	417N2103-3	.TUBE ASSY		107107	1
				121503	
				904949	
115	417N2103-4	.TUBE ASSY		107107	1
				121503	
				904949	
120	MS21921-6J	.NUT		107107	2
				121503	
				904949	
125	NAS1763J080606	.REDUCER		107107	1
				121503	
				904949	
130	MS21921-6J	.NUT		107107	4
				121503	
				904949	

MISSING ITEM NUMBERS NOT APPLICABLE

- ITEM NOT ILLUSTRATED

38-11-05-02A

38-11-05
FIG. 02A
PAGE 4
JAN 20/09

BRI

BOEING PROPRIETARY - Copyright © - Unpublished Work - See title page for details.



757

PARTS CATALOG (MAINTENANCE)

FIG ITEM	PART NUMBER	1 2 3 4 5 6 7	NOMENCLATURE	EFFECT FROM TO	UNITS PER ASSY
2A 135	AP2097H06	.	SLEEVE SUPPLIER CODE: V01673 SPECIFICATION NUMBER: BACS13BX06H OPTIONAL PART: 2-02903-06H V11328 35235V06 V08199 AFP175V06 V30974 DB0S13BX06H V14798	107107 121503 904949	4

MISSING ITEM NUMBERS NOT APPLICABLE

- ITEM NOT ILLUSTRATED

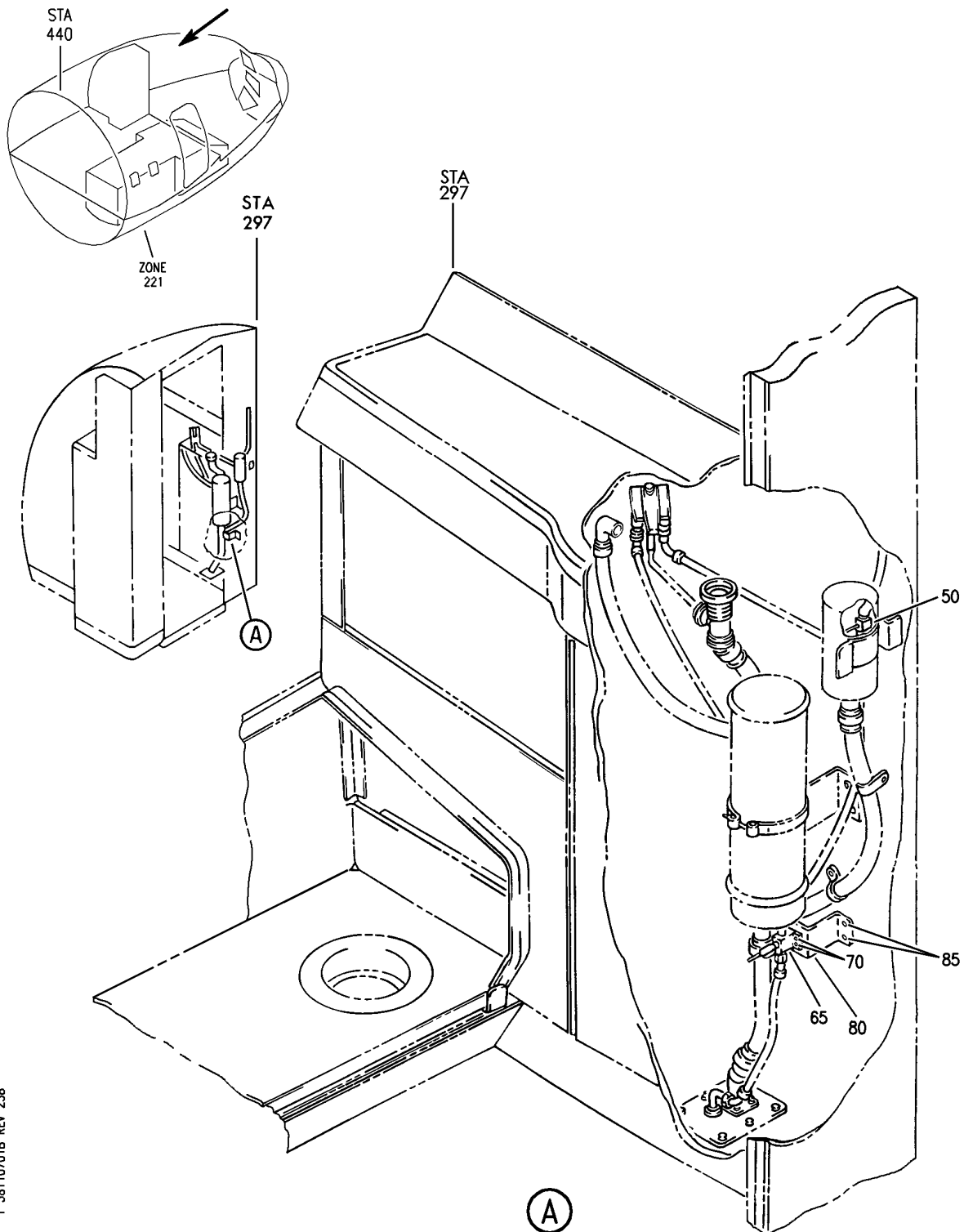
BRI

38-11-05-02A

BOEING PROPRIETARY - Copyright © - Unpublished Work - See title page for details.

38-11-05
FIG. 02A
PAGE 5
JAN 20/09

BOEING
757
PARTS CATALOG (MAINTENANCE)



Y 38110701B REV 238

PLUMBING ASSY-LAV A (SHUTOFF VALVE ONLY)
FIGURE 1B

38-11-07-01B

BRI
JAN 20/09

38-11-07-01B
PAGE 0



757

PARTS CATALOG (MAINTENANCE)

FIG ITEM	PART NUMBER	1 2 3 4 5 6 7	NOMENCLATURE	EFFECT FROM TO	UNITS PER ASSY
1B			PLUMBING ASSY-LAV A (SHUTOFF VALVE ONLY)	950951	
- 1	0A112-0021-21		PLUMBING ASSY-LAV A (SHUTOFF VALVE ONLY) SUPPLIER CODE: VS5825 FOR NHA/OTHER SYS DET SEE: 25-41-01-06B	950951	RF
50	1A081-0217-1		.VALVE-SHUTOFF SUPPLIER CODE: VS5825 SPECIFICATION NUMBER: 10-61267-7	950951	1
50	6BS111		.VALVE-SHUTOFF SUPPLIER CODE: V82829 SPECIFICATION NUMBER: 10-61267-7 OPTIONAL PART: 1A081-0217-1 VS5825 ATTACHING PARTS	950951	1
- 55	NAS603-5P		.SCREW	950951	4
- 60	AN960PD10L		.WASHER	950951	4
			-----*-----		
65	1A081-0217-1		.VALVE-SHUTOFF SUPPLIER CODE: VS5825 SPECIFICATION NUMBER: 10-61267-7	950951	1
65	6BS111		.VALVE-SHUTOFF SUPPLIER CODE: V82829 SPECIFICATION NUMBER: 10-61267-7 OPTIONAL PART: 1A081-0217-1 VS5825 ATTACHING PARTS	950951	1
70	NAS603-7P		.SCREW	950951	4
- 75	AN960PD10L		.WASHER	950951	4
			-----*-----		
80	2A114-0249-1		.SUPPORT-SHUTOFF VALVE SUPPLIER CODE: VS5825 ATTACHING PARTS	950951	1
85	NAS603-5P		.SCREW	950951	4
- 90	AN960PD10L		.WASHER	950951	4
			-----*-----		

MISSING ITEM NUMBERS NOT APPLICABLE

- ITEM NOT ILLUSTRATED

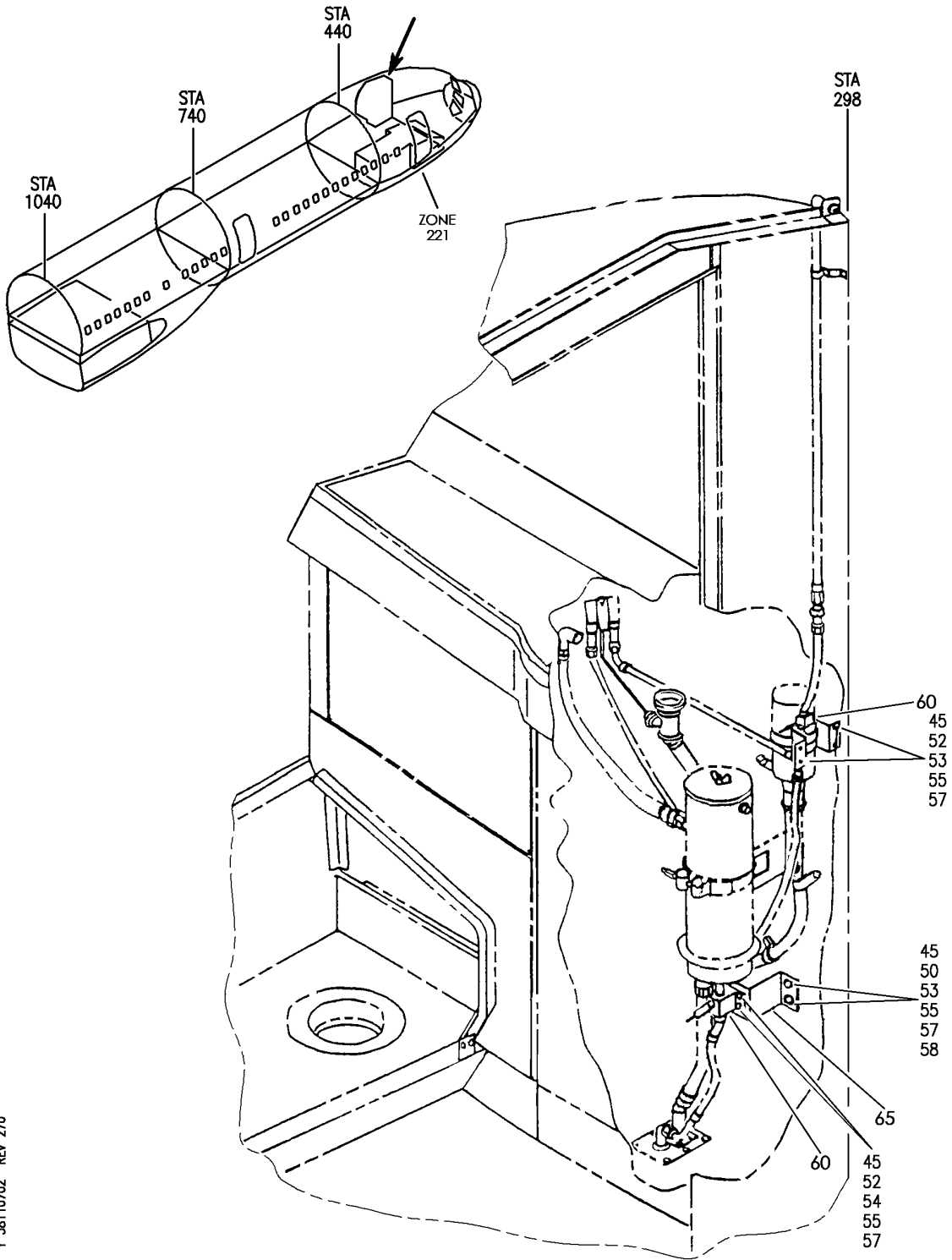
38-11-07-01B

38-11-07
FIG. 01B
PAGE 1
JAN 20/09

BRI

BOEING PROPRIETARY - Copyright © - Unpublished Work - See title page for details.

BOEING
757
PARTS CATALOG (MAINTENANCE)



Y 38110702 REV 270

PLUMBING ASSY-SEG 260, LAV A (SHUTOFF VALVE ONLY)
FIGURE 2

38-11-07-02

BRI
MAY 28/07

38-11-07-02
PAGE 0



757

PARTS CATALOG (MAINTENANCE)

FIG ITEM	PART NUMBER	1 2 3 4 5 6 7	NOMENCLATURE	EFFECT FROM TO	UNITS PER ASSY
2			PLUMBING ASSY-SEG 260, LAV A (SHUTOFF VALVE ONLY)	101102 504903	
- 1	D75D26014-111		PLUMBING ASSY-SEG 260, LAV A (SHUTOFF VALVE ONLY) SUPPLIER CODE: VS5825 FOR NHA/ADDITIONAL DET SEE: 25-41-01-12	504903	RF
- 1	D75D26005-111		PLUMBING ASSY-SEG 260, LAV A (SHUTOFF VALVE ONLY) SUPPLIER CODE: VS5825 FOR NHA/ADDITIONAL DET SEE: 25-41-01-46A	101102	RF
50	NAS1801-3-5	.SCREW		504903	4
52	NAS1801-3-7	.SCREW		504903	8
53	NAS1801-3-5	.SCREW		101102	8
54	NAS1801-3-7	.SCREW		101102	4
57	AN960KD10L	.WASHER		504903	12
57	NAS1149D0332K	.WASHER		101102	12
60	1A081-0217-1	.VALVE-SHUTOFF	SUPPLIER CODE: VS5825 SPECIFICATION NUMBER: 10-61267-7	101102 504903	2
65	D75D30150-111	.SUPPORT-VALVE	SUPPLIER CODE: VS5825	504903	1
65	D75D30235-111	.SUPPORT-VALVE	SUPPLIER CODE: VS5825	101102	1

MISSING ITEM NUMBERS NOT APPLICABLE

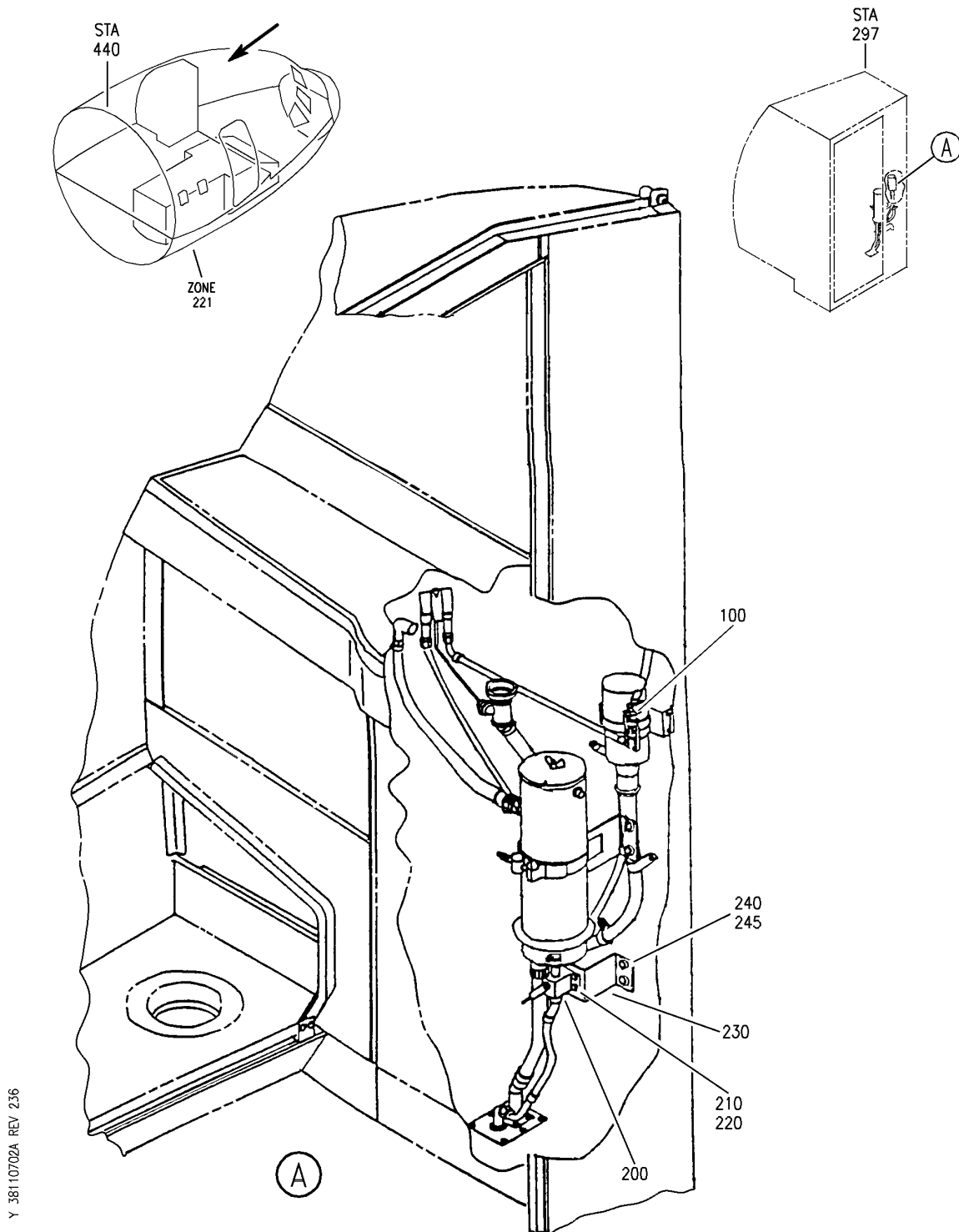
- ITEM NOT ILLUSTRATED

38-11-07-02

38-11-07
FIG. 02
PAGE 1
JAN 20/09

BRI

BOEING
757
PARTS CATALOG (MAINTENANCE)



Y 38110702A REV 236

PLUMBING ASSY-SEG 260, LAV A (SHUTOFF VALVE ONLY)
FIGURE 2A

38-11-07-02A

BRI
JAN 20/09

38-11-07-02A
PAGE 0



757

PARTS CATALOG (MAINTENANCE)

FIG ITEM	PART NUMBER	1 2 3 4 5 6 7	NOMENCLATURE	EFFECT FROM TO	UNITS PER ASSY
2A			PLUMBING ASSY-SEG 260, LAV A (SHUTOFF VALVE ONLY)	107120	
- 1	D75D26014-111		PLUMBING ASSY-SEG 260, LAV A (SHUTOFF VALVE ONLY) SUPPLIER CODE: VS5825 FOR NHA/OTHER SYS DET SEE: 25-41-01-06Q	108120	RF
- 1	0A112-0021-31		PLUMBING ASSY-SEG 260, LAV A (SHUTOFF VALVE ONLY) SUPPLIER CODE: VS5825 FOR NHA/OTHER SYS DET SEE: 25-41-01-06E	107107	RF
100	1A081-0217-1		.VALVE-SHUTOFF SUPPLIER CODE: VS5825 SPECIFICATION NUMBER: 10-61267-7	108120	1
100	1A081-0217-1		.VALVE-SHUTOFF SUPPLIER CODE: VS5825 SPECIFICATION NUMBER: 10-61267-7 CONFIG CHG DATA FROM A CMM: SUPERSEDES 6BS111	107107	1
100	6BS111		.VALVE-SHUTOFF SUPPLIER CODE: V82829 SPECIFICATION NUMBER: 10-61267-7 CONFIG CHG DATA FROM A CMM: SUPSD BY 1A081-0217-1 OPTIONAL PART: 1A081-0217-1 VS5825	107107	1
- 110	NAS1801-3-5		ATTACHING PARTS .SCREW	108120	4
- 110	NAS603-5P		.SCREW	107107	4
- 120	NAS1149D0332K		.WASHER	108120	4
- 120	AN960PD10L		.WASHER	107107	4
			-----*-----		
200	1A081-0217-1		.VALVE-SHUTOFF SUPPLIER CODE: VS5825 SPECIFICATION NUMBER: 10-61267-7	108120	1

MISSING ITEM NUMBERS NOT APPLICABLE

- ITEM NOT ILLUSTRATED

38-11-07-02A

38-11-07
FIG. 02A
PAGE 1
JAN 20/09

BRI

BOEING PROPRIETARY - Copyright © - Unpublished Work - See title page for details.



757

PARTS CATALOG (MAINTENANCE)

FIG ITEM	PART NUMBER	1 2 3 4 5 6 7	NOMENCLATURE	EFFECT FROM TO	UNITS PER ASSY
2A 200	1A081-0217-1	.	VALVE-SHUTOFF SUPPLIER CODE: VS5825 SPECIFICATION NUMBER: 10-61267-7 CONFIG CHG DATA FROM A CMM: SUPERSEDES 6BS111	107107	1
200	6BS111	.	VALVE-SHUTOFF SUPPLIER CODE: V82829 SPECIFICATION NUMBER: 10-61267-7 CONFIG CHG DATA FROM A CMM: SUPSD BY 1A081-0217-1 OPTIONAL PART: 1A081-0217-1 VS5825 ATTACHING PARTS	107107	1
210	NAS1801-3-7	.	SCREW	108120	4
210	NAS603-7P	.	SCREW	107107	4
220	NAS1149D0332K	.	WASHER	108120	4
220	AN960PD10L	.	WASHER	107107	4
			-----*-----		
230	D75D30150-111	.	SUPPORT-VALVE SUPPLIER CODE: VS5825	108120	1
230	2A114-0249-1	.	SUPPORT-VALVE SUPPLIER CODE: VS5825 ATTACHING PARTS	107107	1
240	NAS1801-3-5	.	SCREW	108120	4
240	NAS603-5P	.	SCREW	107107	4
245	NAS1149D0332K	.	WASHER	108120	4
245	AN960PD10L	.	WASHER	107107	4
			-----*-----		

MISSING ITEM NUMBERS NOT APPLICABLE

- ITEM NOT ILLUSTRATED

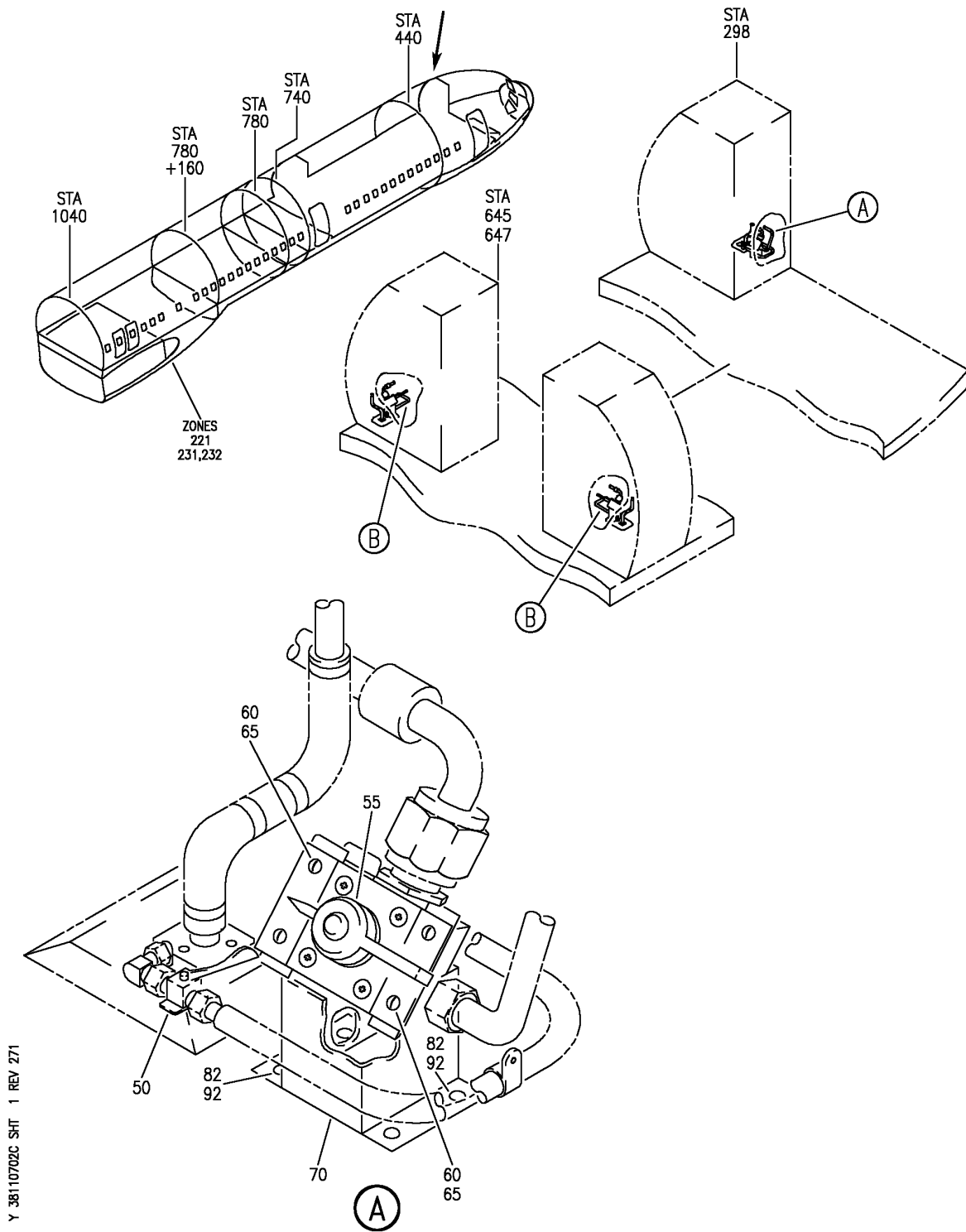
38-11-07-02A

38-11-07
FIG. 02A
PAGE 2
JAN 20/09

BRI

BOEING PROPRIETARY - Copyright © - Unpublished Work - See title page for details.

BOEING
757
PARTS CATALOG (MAINTENANCE)



Y 38110702C SHT 1 REV 271

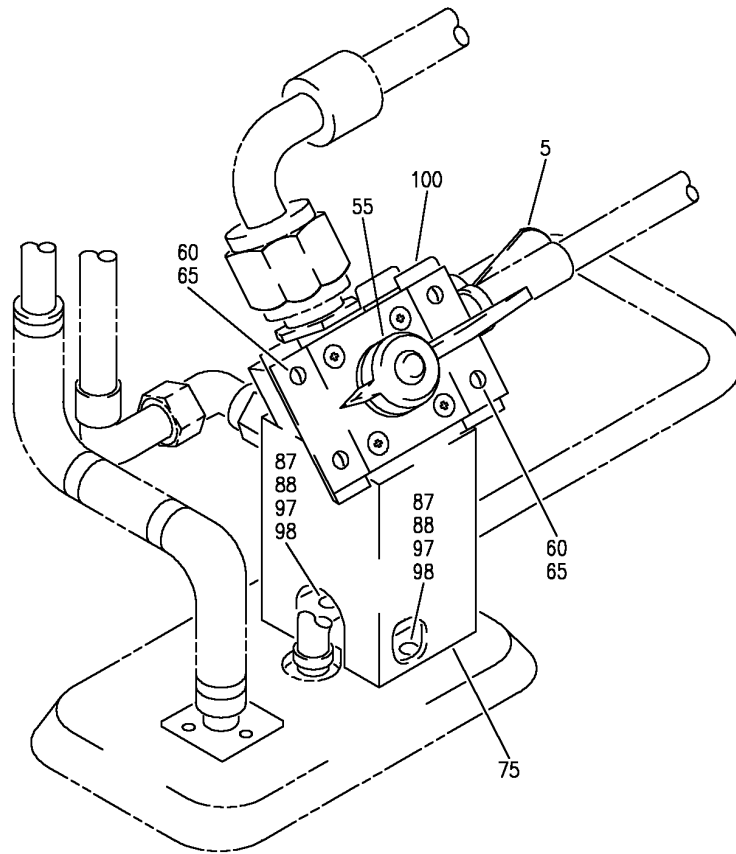
PLUMBING ASSY-SEG 260, LAV (SHUTOFF VALVE ONLY)
FIGURE 2C (SHEET 1)

38-11-07-02C

BRI
JAN 20/09

38-11-07-02C
PAGE 0

BOEING
757
PARTS CATALOG (MAINTENANCE)



(B)

Y 38110702C SHT 2 REV 271

PLUMBING ASSY-SEG 260, LAV (SHUTOFF VALVE ONLY)
FIGURE 2C (SHEET 2)

38-11-07-02C

BRI
JAN 20/09

38-11-07-02C
PAGE 0A



**757
PARTS CATALOG (MAINTENANCE)**

FIG ITEM	PART NUMBER	1 2 3 4 5 6 7	NOMENCLATURE	EFFECT FROM TO	UNITS PER ASSY
2C			PLUMBING ASSY-SEG 260, LAV (SHUTOFF VALVE ONLY)	103106	
- 1	D71D26009-111		PLUMBING ASSY-SEG 260, LAV A (SHUTOFF VALVE ONLY) SUPPLIER CODE: VS5825 FOR NHA/ADDITIONAL DET SEE: 25-41-01-40E	103106	RF
55	400220-5		.VALVE- SUPPLIER CODE: V80477 ATTACHING PARTS	103106	1
60	NAS1801-06-7		.SCREW	103106	4
65	NAS1149DN616K		.WASHER	103106	4
			-----*-----		
70	D71D30161-111		.SUPPORT-LAV A SUPPLIER CODE: VS5825 ATTACHING PARTS	103106	1
82	NAS1801-06-5		.SCREW-LAV A	103106	4
92	NAS1149DN616K		.WASHER-LAV A	103106	4
			-----*-----		
100	1A081-0217-1		.VALVE-SHUT OFF SUPPLIER CODE: VS5825 SPECIFICATION NUMBER: 10-61267-7	103106	1

MISSING ITEM NUMBERS NOT APPLICABLE

- ITEM NOT ILLUSTRATED

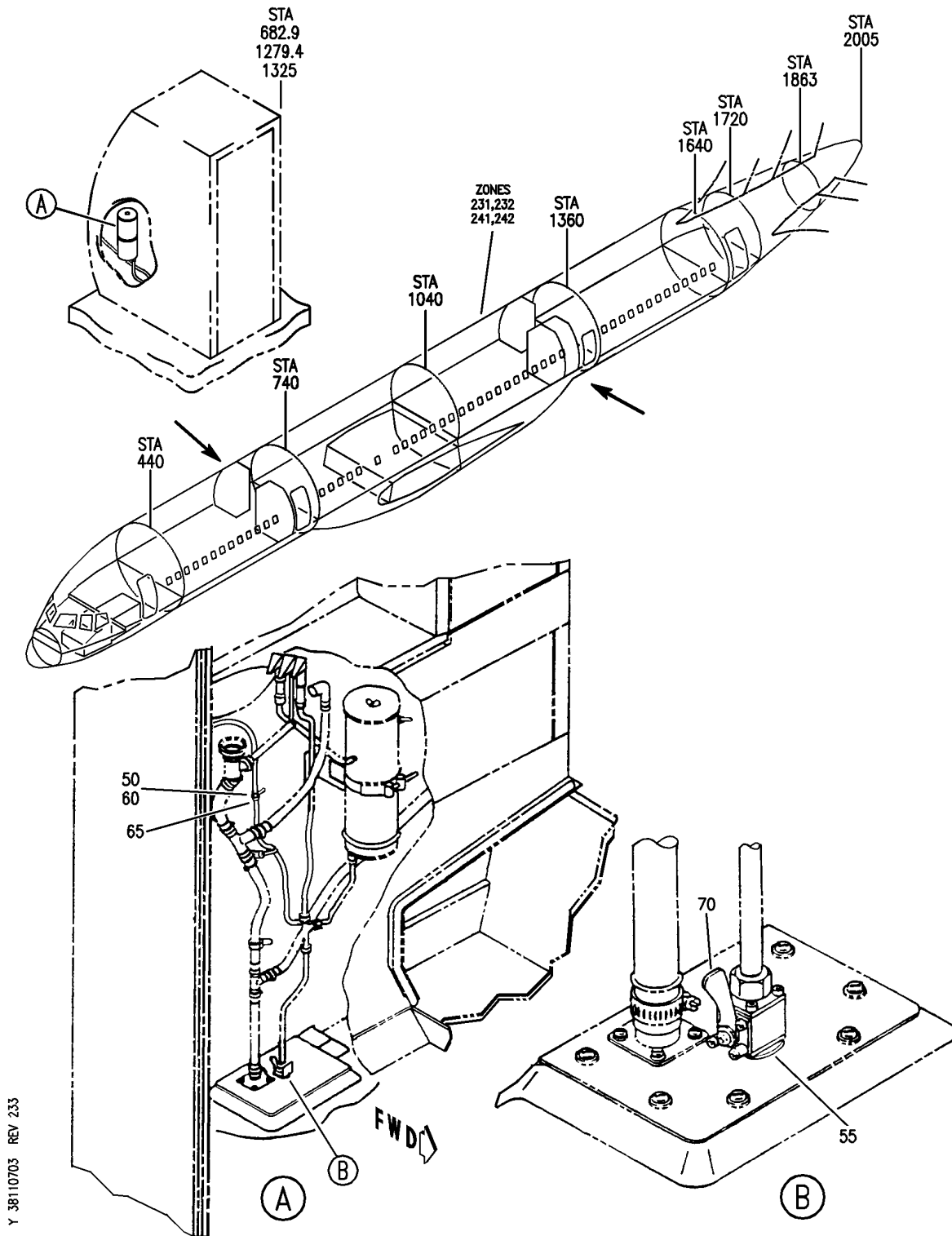
38-11-07-02C

38-11-07
FIG. 02C
PAGE 1
JAN 20/09

BRI

BOEING PROPRIETARY - Copyright © - Unpublished Work - See title page for details.

BOEING
757
PARTS CATALOG (MAINTENANCE)



Y 38110703 REV 233

PLUMBING ASSY-SEG 260 LAV (SHUTOFF VALVE ONLY)
FIGURE 3

38-11-07-03

BRI
MAY 28/07

38-11-07-03
PAGE 0



757

PARTS CATALOG (MAINTENANCE)

FIG ITEM	PART NUMBER	1 2 3 4 5 6 7	NOMENCLATURE	EFFECT FROM TO	UNITS PER ASSY
3			PLUMBING ASSY-SEG 260 LAV (SHUTOFF VALVE ONLY)	101102 504903	
- 1	D75D26022-111		PLUMBING ASSY-SEG 260 LAV D (SHUTOFF VALVE ONLY) SUPPLIER CODE: VS5825 FOR NHA/ADDITIONAL DET SEE: 25-41-03-51A	504903	RF
- 1	D75D26024-111		PLUMBING ASSY-SEG 260 LAV B AND D (SHUTOFF VALVE ONLY) SUPPLIER CODE: VS5825 FOR NHA/ADDITIONAL DET SEE: 25-41-03-51H 25-41-03-52C	101102	RF
- 5	D75D26021-111		PLUMBING ASSY-SEG 260 LAV C (SHUTOFF VALVE ONLY) SUPPLIER CODE: VS5825 FOR NHA/ADDITIONAL DET SEE: 25-41-03-50A	504903	RF
- 5	D75D26025-111		PLUMBING ASSY-SEG 260 LAV C (SHUTOFF VALVE ONLY) SUPPLIER CODE: VS5825 FOR NHA/ADDITIONAL DET SEE: 25-41-03-50H	101102	RF
- 20	D75D26023-111		PLUMBING ASSY-SEG 260 LAV F (SHUTOFF VALVE ONLY) SUPPLIER CODE: VS5825 FOR NHA/ADDITIONAL DET SEE: 25-41-01-12B	504903	RF
50	NAS1801-3-5		.SCREW	101102 504903	4
55	AN960-916		.WASHER	504903	2
60	AN960KD10L		.WASHER	504903	4
- 63	AN924-6J		.NUT	504903	1
65	1A081-0217-1		.VALVE- SUPPLIER CODE: VS5825 SPECIFICATION NUMBER: 10-61267-7	101102 504903	1

MISSING ITEM NUMBERS NOT APPLICABLE

- ITEM NOT ILLUSTRATED

38-11-07-03

38-11-07
FIG. 03
PAGE 1
JAN 20/09

BRI



757

PARTS CATALOG (MAINTENANCE)

FIG ITEM	PART NUMBER	1 2 3 4 5 6 7	NOMENCLATURE	EFFECT FROM TO	UNITS PER ASSY
3 70	1A081-0216-1		. VALVE- SUPPLIER CODE: VS5825 SPECIFICATION NUMBER: 10-61267-6 OPTIONAL PART: 6D187-3 V82829 6D187-6 V82829	101102 504903	1

MISSING ITEM NUMBERS NOT APPLICABLE

- ITEM NOT ILLUSTRATED

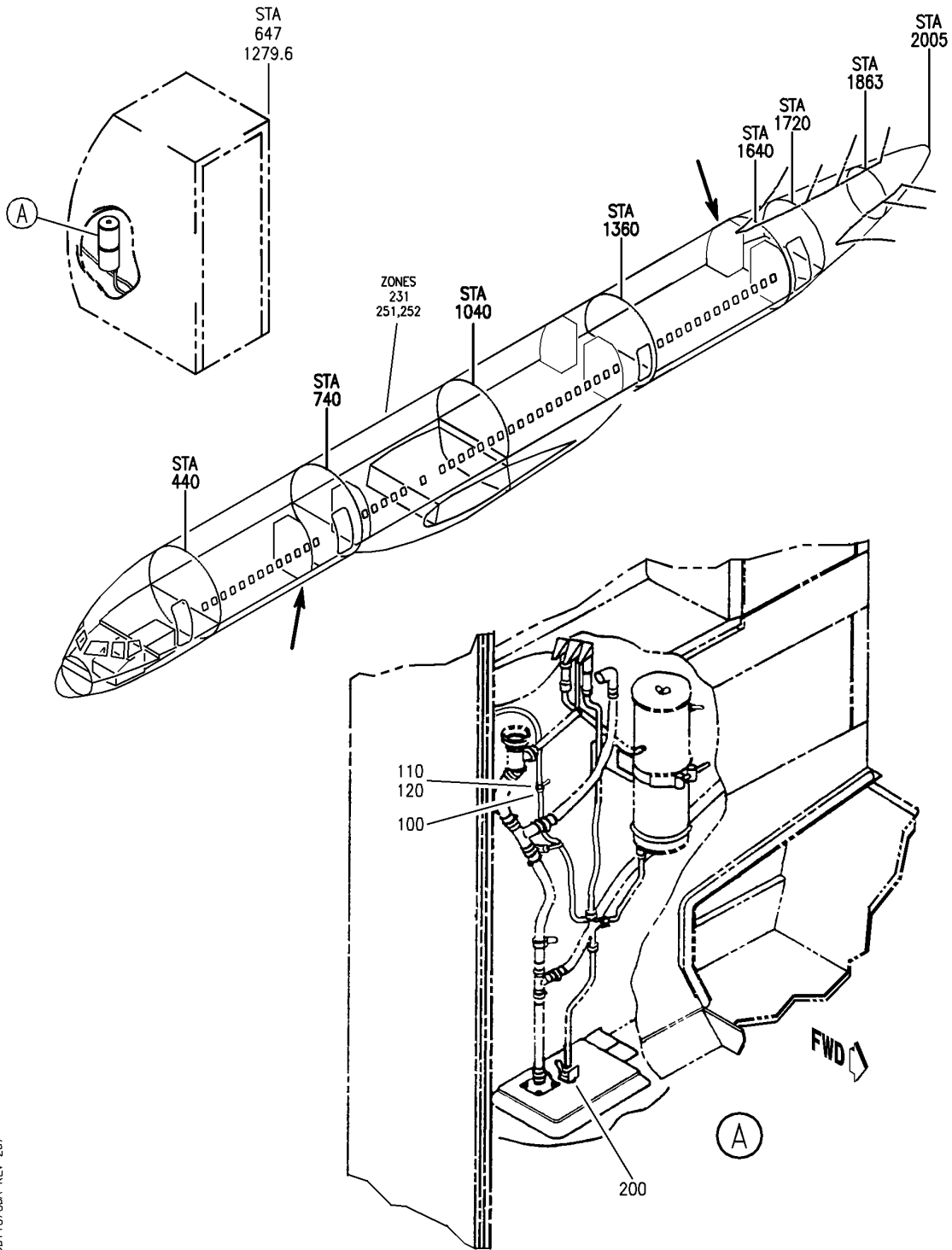
BRI

38-11-07-03

BOEING PROPRIETARY - Copyright © - Unpublished Work - See title page for details.

38-11-07
FIG. 03
PAGE 2
JAN 20/09

BOEING
757
PARTS CATALOG (MAINTENANCE)



Y 38110703A REV 237

PLUMBING ASSY-SEG 260, LAV (SHUTOFF VALVE ONLY)
FIGURE 3A

38-11-07-03A

BRI
JAN 20/09

38-11-07-03A
PAGE 0



757

PARTS CATALOG (MAINTENANCE)

FIG ITEM	PART NUMBER	1 2 3 4 5 6 7	NOMENCLATURE	EFFECT FROM TO	UNITS PER ASSY
3A			PLUMBING ASSY-SEG 260, LAV (SHUTOFF VALVE ONLY)	108120	
- 1	D75D26021-111		PLUMBING ASSY-SEG 260 LAV C (SHUTOFF VALVE ONLY) SUPPLIER CODE: VS5825 FOR NHA/ADDITIONAL DET SEE: 25-41-03-25A	108120	RF
- 5	D75D26022-111		PLUMBING ASSY-SEG 260 LAV D (SHUTOFF VALVE ONLY) SUPPLIER CODE: VS5825 FOR NHA/ADDITIONAL DET SEE: 25-41-03-51M	108120	RF
- 10	D75D26027-111		PLUMBING ASSY-SEG 260 LAV S (SHUTOFF VALVE ONLY) SUPPLIER CODE: VS5825 FOR NHA/ADDITIONAL DET SEE: 25-41-03-08Q	108120	RF
100	1A081-0217-1		.VALVE- SUPPLIER CODE: VS5825 SPECIFICATION NUMBER: 10-61267-7 ATTACHING PARTS	108120	1
110	NAS1801-3-5		.SCREW	108120	4
120	AN960KD10L		.WASHER	108120	4
			-----*-----		
200	1A081-0216-1		.VALVE- SUPPLIER CODE: VS5825 SPECIFICATION NUMBER: 10-61267-6 OPTIONAL PART: 6D187-6 V82829 6D187-3 V82829 ATTACHING PARTS	108120	1
- 210	AN960-916		.WASHER	108120	2
- 225	AN924-6J		.NUT	108120	1
			-----*-----		

MISSING ITEM NUMBERS NOT APPLICABLE

- ITEM NOT ILLUSTRATED

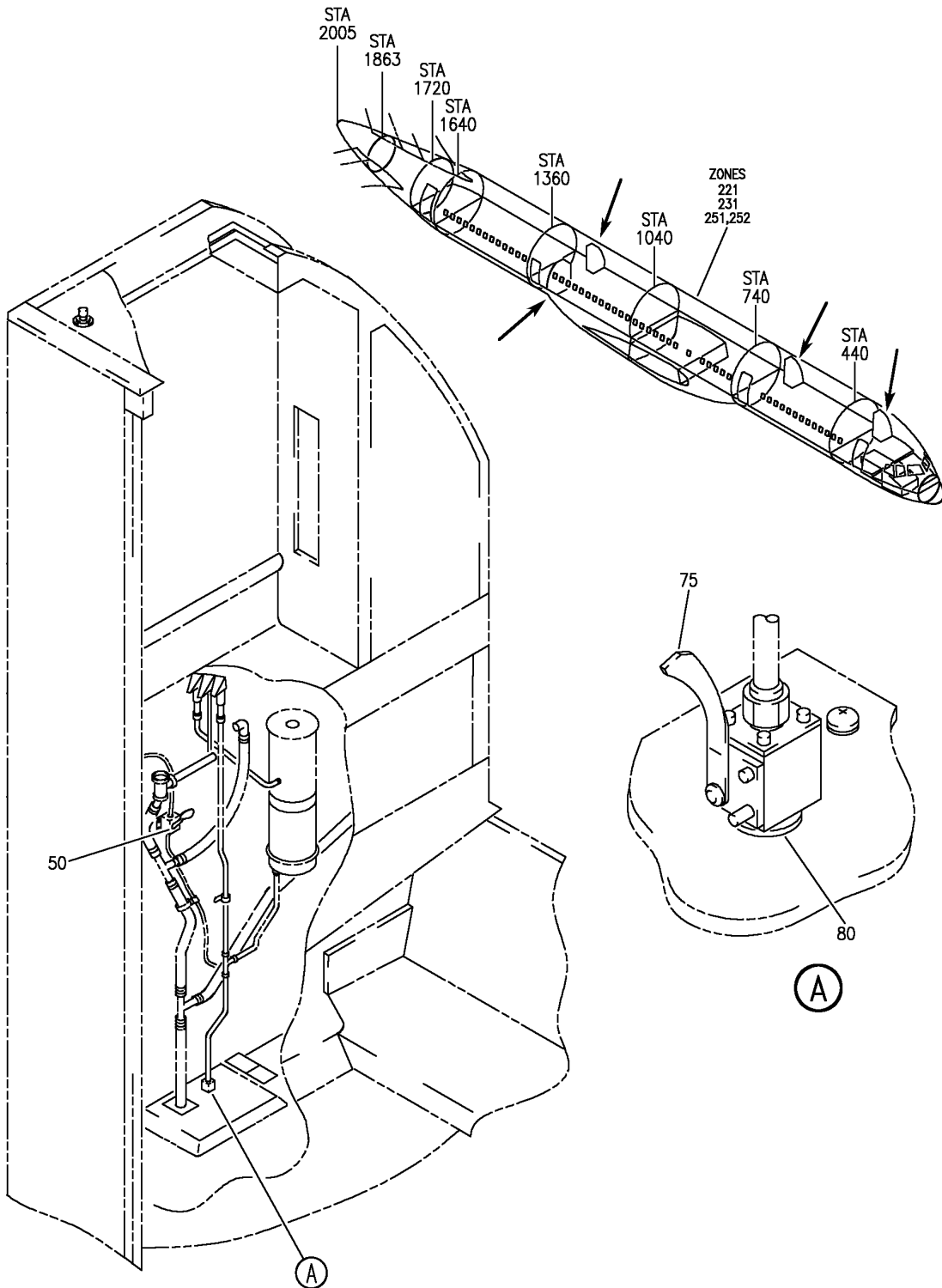
38-11-07-03A

38-11-07
FIG. 03A
PAGE 1
JAN 20/09

BRI

BOEING PROPRIETARY - Copyright © - Unpublished Work - See title page for details.

BOEING
757
PARTS CATALOG (MAINTENANCE)



Y 38110703D REV 267

PLUMBING ASSY-LAV (SHUTOFF VALVE ONLY)
FIGURE 3D

38-11-07-03D

BRI
JAN 20/09

38-11-07-03D
PAGE 0



757

PARTS CATALOG (MAINTENANCE)

FIG ITEM	PART NUMBER	1 2 3 4 5 6 7	NOMENCLATURE	EFFECT FROM TO	UNITS PER ASSY
3D			PLUMBING ASSY-LAV (SHUTOFF VALVE ONLY)	107107	
- 1	0A122-0020-31		PLUMBING ASSY-LAV D (SHUTOFF VALVE ONLY) SUPPLIER CODE: VS5825 FOR NHA/ADDITIONAL DET SEE: 25-41-03-51B	107107	RF
- 5	0A122-0020-32		PLUMBING ASSY-LAV C (SHUTOFF VALVE ONLY) SUPPLIER CODE: VS5825 FOR NHA/ADDITIONAL DET SEE: 25-41-03-50B	107107	RF
- 10	0A122-0020-21		PLUMBING ASSY-LAV F (SHUTOFF VALVE ONLY) SUPPLIER CODE: VS5825 FOR NHA/ADDITIONAL DET SEE: 25-41-01-09E	107107	RF
50	6BS111		. VALVE-SHUTOFF SUPPLIER CODE: V82829 SPECIFICATION NUMBER: 10-61267-7 CONFIG CHG DATA FROM A CMM: SUPSD BY 1A081-0217-1 OPTIONAL PART: 1A081-0217-1 VS5825	107107	1
50	1A081-0217-1		. VALVE-SHUTOFF SUPPLIER CODE: VS5825 SPECIFICATION NUMBER: 10-61267-7	107107	1
- 60	NAS603-5P		ATTACHING PARTS . SCREW	107107	4
- 65	AN960PD10L		. WASHER -----*-----	107107	8

MISSING ITEM NUMBERS NOT APPLICABLE

- ITEM NOT ILLUSTRATED

38-11-07-03D

38-11-07
FIG. 03D
PAGE 1
JAN 20/09

BRI

BOEING PROPRIETARY - Copyright © - Unpublished Work - See title page for details.



757

PARTS CATALOG (MAINTENANCE)

FIG ITEM	PART NUMBER	1 2 3 4 5 6 7	NOMENCLATURE	EFFECT FROM TO	UNITS PER ASSY
3D 75	1A081-0216-1		.VALVE-SHUTOFF SUPPLIER CODE: VS5825 SPECIFICATION NUMBER: 10-61267-6 CONFIG CHG DATA FROM A CMM: SUPERSEDES 6D187-6 OPTIONAL PART: 6D187-6 V82829 6D187-3 V82829	107107	1
75	6D187-6		.VALVE- SUPPLIER CODE: V82829 SPECIFICATION NUMBER: 10-61267-6 OPTIONAL PART: 6D187-3 V82829	107107	1
80	AN960-916		ATTACHING PARTS .WASHER	107107	2
- 85	AN924-6J		.NUT -----*-----	107107	1

MISSING ITEM NUMBERS NOT APPLICABLE

- ITEM NOT ILLUSTRATED

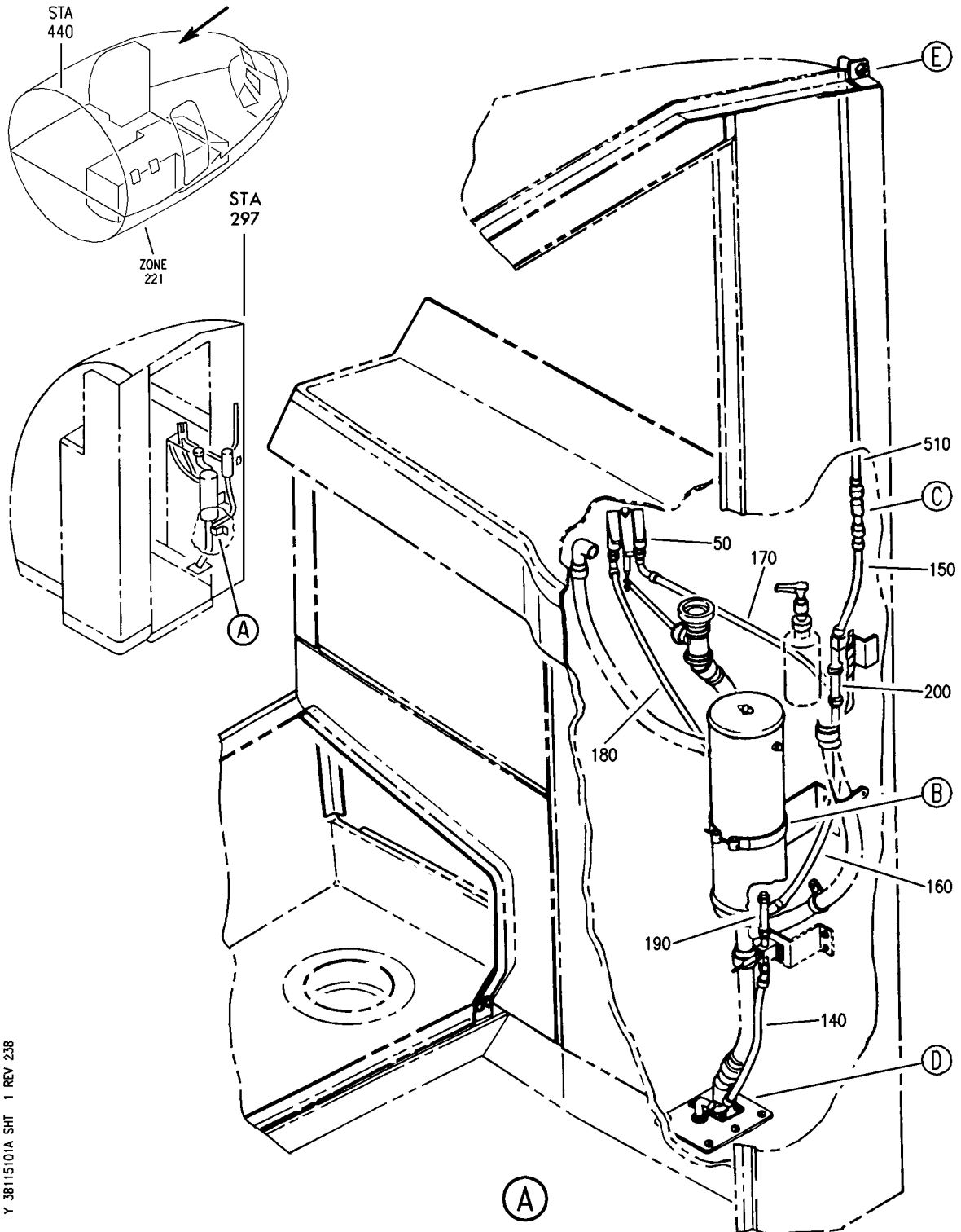
38-11-07-03D

38-11-07
FIG. 03D
PAGE 2
JAN 20/09

BRI

BOEING PROPRIETARY - Copyright © - Unpublished Work - See title page for details.

BOEING
757
PARTS CATALOG (MAINTENANCE)



Y 38115101A SHT 1 REV 238

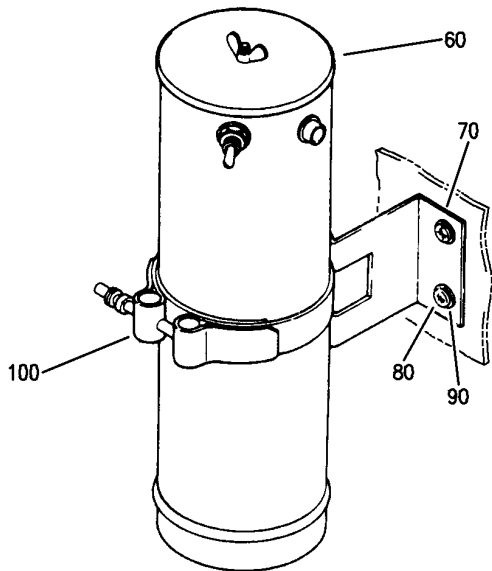
PLUMBING AND CABINET ASSY LAV A (STORAGE AND DISTRIBUTION ONLY)
FIGURE 1A (SHEET 1)

38-11-51-01A

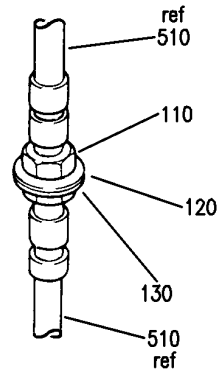
BRI
JAN 20/09

38-11-51-01A
PAGE 0

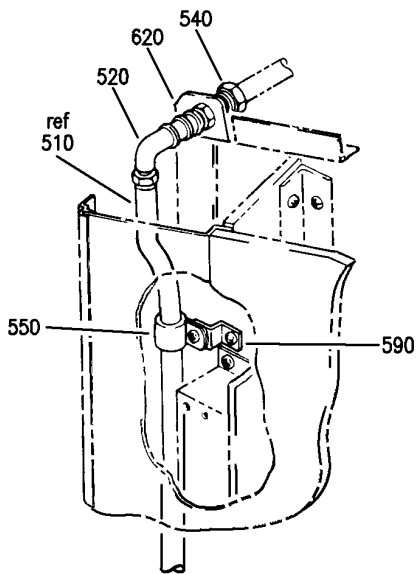
BOEING
757
PARTS CATALOG (MAINTENANCE)



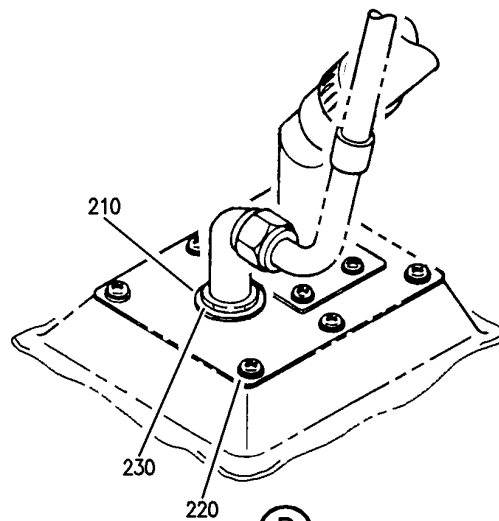
(B)



(C)



(E)



(D)

Y 38115101A SHT 2 REV 238

PLUMBING AND CABINET ASSY LAV A (STORAGE AND DISTRIBUTION ONLY)
FIGURE 1A (SHEET 2)

BRI
JAN 20/09

38-11-51-01A

38-11-51-01A
PAGE 0A



757

PARTS CATALOG (MAINTENANCE)

FIG ITEM	PART NUMBER	1 2 3 4 5 6 7	NOMENCLATURE	EFFECT FROM TO	UNITS PER ASSY
1 A			PLUMBING AND CABINET ASSY LAV A (STORAGE AND DISTRIBUTION ONLY)	950951	
- 1	0A112-0021-21		PLUMBING ASSY-LAV A (STORAGE AND DISTRIBUTION ONLY) SUPPLIER CODE: VS5825 FOR NHA/OTHER SYS DET SEE: 25-41-01-06B	950951	RF
50	1A081-0212-1		. FAUCET AND DRAIN ASSY- SUPPLIER CODE: VS5825 SPECIFICATION NUMBER: 60B50027-20 COMPONENT MAINT MANUAL REF: 25-41-14 OPTIONAL PART: 600420-2 V80477 FOR DETAILS SEE: 38-11-04-01	950951	1
50	600420-2		. FAUCET AND DRAIN ASSY- SUPPLIER CODE: V80477 SPECIFICATION NUMBER: 60B50027-20 COMPONENT MAINT MANUAL REF: 38-11-01 OPTIONAL PART: 1A081-0212-1 VS5825 FOR DETAILS SEE: 38-11-04-01B	950951	1
60	1A081-0157-12		. HEATER ASSY-WATER, H1 SUPPLIER CODE: VS5825 COMPONENT MAINT MANUAL REF: 25-41-15 FUNCTIONAL REFERENCE: LIGHTS FOR DETAILS SEE 33-26-52-20 WATER/WASTE FOR DETAILS SEE 38-13-51-10G	950951	1

MISSING ITEM NUMBERS NOT APPLICABLE

- ITEM NOT ILLUSTRATED

38-11-51-01A

38-11-51
FIG. 01A
PAGE 1
JAN 20/09

BRI

 **BOEING**
757
PARTS CATALOG (MAINTENANCE)

FIG ITEM	PART NUMBER	1 2 3 4 5 6 7	NOMENCLATURE	EFFECT FROM TO	UNITS PER ASSY
1A 60	8921340G1		.HEATER ASSY-WATER, H1 SUPPLIER CODE: V13545 SPECIFICATION NUMBER: 60B50064-1 COMPONENT MAINT MANUAL REF: 38-10-02 OPTIONAL PART: 1A081-0157-12 VS5825 FOR DETAILS SEE: 38-13-51-50 ATTACHING PARTS	950951	1
80	NAS603-5P		.SCREW	950951	4
90	AN960PD10L		.WASHER -----*-----	950951	4
100	M630103-102		.CLAMP	950951	1
110	MS21924J6		.UNION ATTACHING PARTS	950951	1
120	AN960-916		.WASHER	950951	2
130	AN924-6J		.NUT -----*-----	950951	1
140	A1650-617		.HOSE ASSY- SUPPLIER CODE: V98441 SPECIFICATION NUMBER: 10-61998-617 CONFIG CHG DATA FROM A CMM: SUPSD BY AS4470-06-0070 OPTIONAL PART: AE1010604G0072 V00624	950951	1
140	AS4470-06-0070		.HOSE ASSY- CONFIG CHG DATA FROM A CMM: SUPERSEDES A1650-617	950951	1
150	A1650-621		.HOSE ASSY- SUPPLIER CODE: V98441 SPECIFICATION NUMBER: 10-61998-621 CONFIG CHG DATA FROM A CMM: SUPSD BY AS4470-06-0122 OPTIONAL PART: AE1010604G0124 V00624	950951	1
150	AS4470-06-0122		.HOSE ASSY- CONFIG CHG DATA FROM A CMM: SUPERSEDES A1650-621	950951	1

MISSING ITEM NUMBERS NOT APPLICABLE

— ITEM NOT ILLUSTRATED

BRI

38-11-51-01A

BOEING PROPRIETARY - Copyright © - Unpublished Work - See title page for details.

38-11-51
FIG. 01A
PAGE 2
JAN 20/09



757

PARTS CATALOG (MAINTENANCE)

FIG ITEM	PART NUMBER	1 2 3 4 5 6 7	NOMENCLATURE	EFFECT FROM TO	UNITS PER ASSY
1A 160	A1650-630		.HOSE ASSY- SUPPLIER CODE: V98441 SPECIFICATION NUMBER: 10-61998-630 CONFIG CHG DATA FROM A CMM: SUPSD BY AS4471-06-0157 OPTIONAL PART: AE1010605G0160 V00624	950951	1
160	AS4471-06-0157		.HOSE ASSY- CONFIG CHG DATA FROM A CMM: SUPERSEDES A1650-630	950951	1
170	A1650-641		.HOSE ASSY- SUPPLIER CODE: V98441 SPECIFICATION NUMBER: 10-61998-641 CONFIG CHG DATA FROM A CMM: SUPSD BY AS4473G0140-000 OPTIONAL PART: AE4774G0141-000 V00624	950951	1
170	AS4473G0140-000		.HOSE ASSY- CONFIG CHG DATA FROM A CMM: SUPERSEDES A1650-641	950951	1
180	A1650-637		.HOSE ASSY- SUPPLIER CODE: V98441 SPECIFICATION NUMBER: 10-61998-637 CONFIG CHG DATA FROM A CMM: SUPSD BY AS4474G0222-000 OPTIONAL PART: AE4775G0222-000 V00624	950951	1
180	AS4474G0222-000		.HOSE ASSY- CONFIG CHG DATA FROM A CMM: SUPERSEDES A1650-637	950951	1
190	3A113-0142-1		.TEE- SUPPLIER CODE: VS5825	950951	1
200	NAS1763J060606		.TEE	950951	1
210	MS21908J6		.ELBOW	950951	1
220	AN960		.WASHER	950951	2
230	AN924-6J		.NUT	950951	2

MISSING ITEM NUMBERS NOT APPLICABLE

- ITEM NOT ILLUSTRATED

38-11-51-01A

38-11-51
FIG. 01A
PAGE 3
JAN 20/09

BRI

BOEING PROPRIETARY - Copyright © - Unpublished Work - See title page for details.

 **BOEING**
757
PARTS CATALOG (MAINTENANCE)

FIG ITEM	PART NUMBER	1 2 3 4 5 6 7	NOMENCLATURE	EFFECT FROM TO	UNITS PER ASSY
1A - 500	0A112-0006-31		CABINET ASSY-LT AND UTILITY (STORAGE AND DISTRIBUTION ONLY) SUPPLIER CODE: VS5825 FOR NHA/OTHER SYS DET SEE: 25-41-01-06B	950951	RF
510	A1650-615		.HOSE ASSY- SUPPLIER CODE: V98441 SPECIFICATION NUMBER: 10-61998-615 OPTIONAL PART: AE1010603G0306 V00624	950951	1
520	APX833J0806		.ELBOW SUPPLIER CODE: V01673 SPECIFICATION NUMBER: BACE21AS0806J OPTIONAL PART: DB0E21AS0806J V14798 ER833-0806J V50948 ER833-0806J V88334 FER15800806J V14397 LER833-0806J V11328 APX8330806J V01673 NAF1833-0806J V52930 US1924-0806J V50808 AFP3160806J V30974	950951	1
- 530	AN960-1216		.WASHER	950951	1
540	AN924-8J		.NUT	950951	1
550	MS21919WDG8		.CLAMP	950951	3
			ATTACHING PARTS		
- 560	NAS603-7P		.SCREW	950951	3
- 570	AN960PD10L		.WASHER	950951	6
- 580	NAS679A3		.NUT	950951	3
			-----*-----		

MISSING ITEM NUMBERS NOT APPLICABLE

- ITEM NOT ILLUSTRATED

38-11-51-01A

38-11-51
FIG. 01A
PAGE 4
JAN 20/09

BRI

BOEING PROPRIETARY - Copyright © - Unpublished Work - See title page for details.



757

PARTS CATALOG (MAINTENANCE)

FIG ITEM	PART NUMBER	1 2 3 4 5 6 7	NOMENCLATURE	EFFECT FROM TO	UNITS PER ASSY
1 A 590	2A114-0065-1		. SUPPORT- SUPPLIER CODE: VS5825 ATTACHING PARTS	950951	3
- 600	NAS603-5P		. SCREW	950951	3
- 610	AN960PD10L		. WASHER	950951	3
			-----*-----		
620	2A114-0008-1		. FITTING-SPRT SUPPLIER CODE: VS5825 ATTACHING PARTS	950951	1
- 630	NAS603-5P		. SCREW	950951	2
- 640	AN960PD10L		. WASHER	950951	2
			-----*-----		

MISSING ITEM NUMBERS NOT APPLICABLE

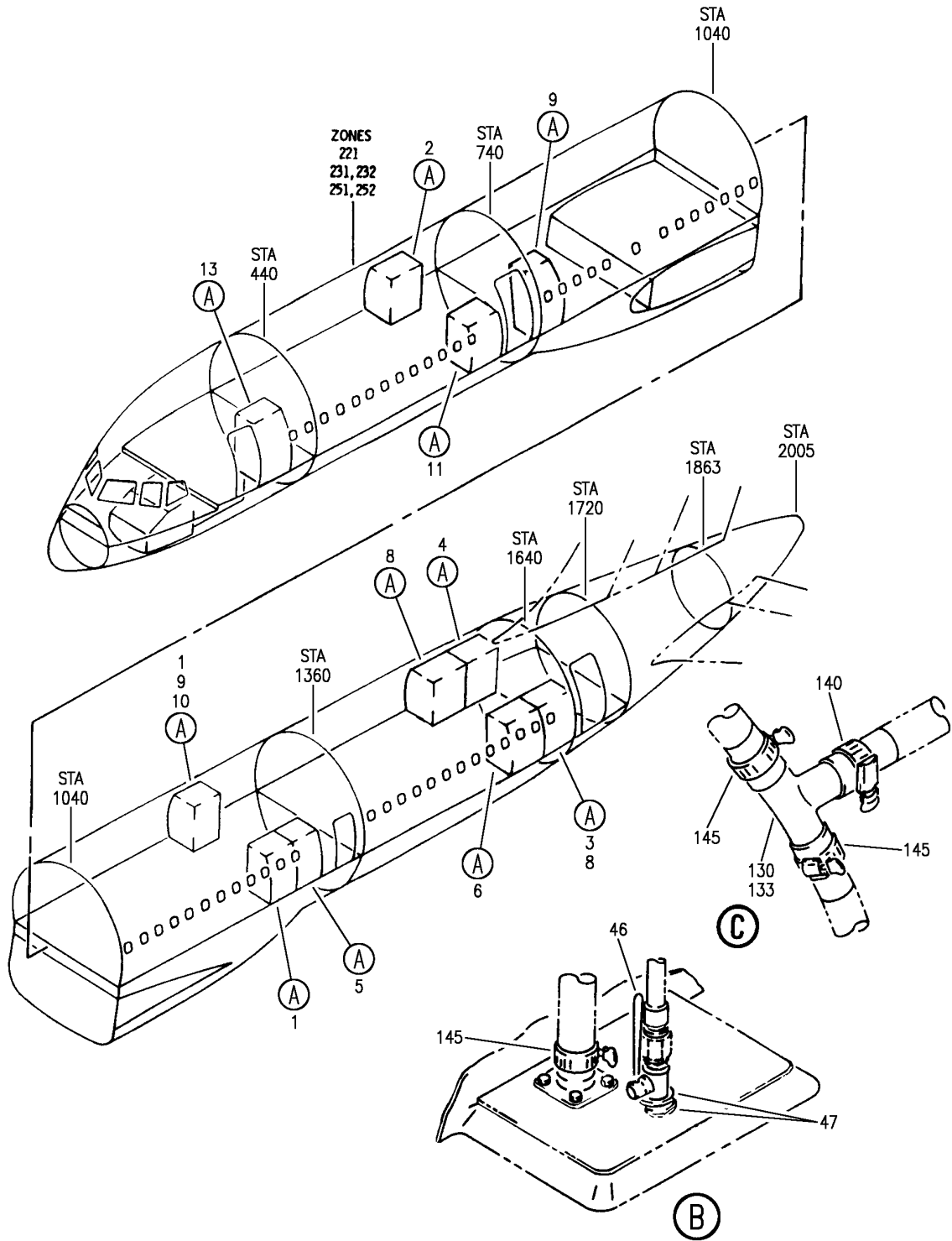
- ITEM NOT ILLUSTRATED

38-11-51-01A

38-11-51
FIG. 01A
PAGE 5
JAN 20/09

BRI

BOEING
757
PARTS CATALOG (MAINTENANCE)



Y 38115102 SH1 1 REV 273

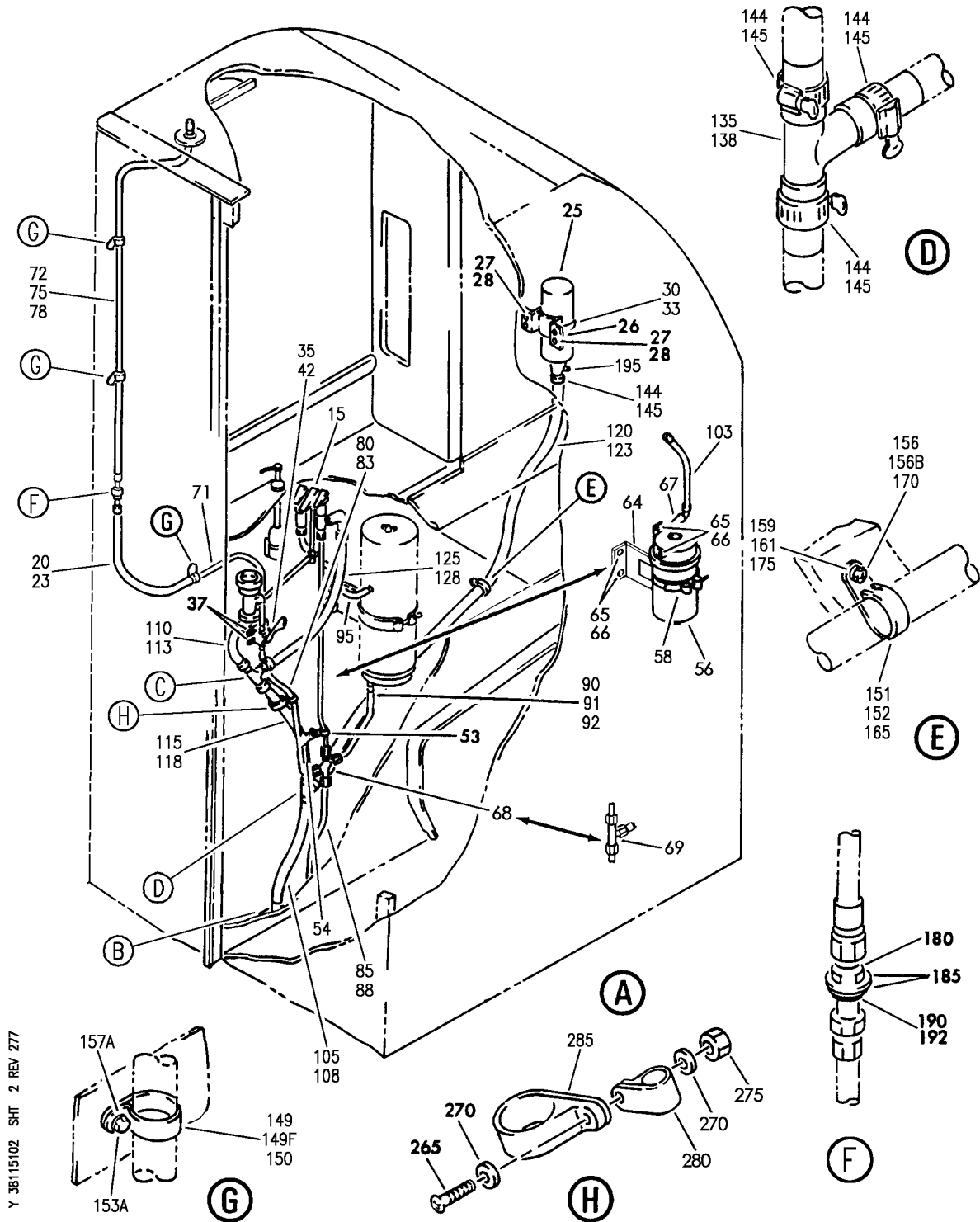
PLUMBING ASSY-(STORAGE AND DISTRIBUTION ONLY)
FIGURE 2 (SHEET 1)

38-11-51-02

BRI
MAY 28/07

38-11-51-02
PAGE 0

BOEING
757
PARTS CATALOG (MAINTENANCE)



Y 38115102 SHT 2 REV 277

PLUMBING ASSY-(STORAGE AND DISTRIBUTION ONLY)
FIGURE 2 (SHEET 2)

38-11-51-02

BRI
MAY 28/07

38-11-51-02
PAGE 0A



757

PARTS CATALOG (MAINTENANCE)

FIG ITEM	PART NUMBER	1 2 3 4 5 6 7	NOMENCLATURE	EFFECT FROM TO	UNITS PER ASSY
2			PLUMBING ASSY-(STORAGE AND DISTRIBUTION ONLY)	121503 904949	
5	0A122-0020-32		PLUMBING ASSY-LAV C (STORAGE AND DISTRIBUTION ONLY) SUPPLIER CODE: VS5825 FOR NHA/OTHER SYS DET SEE: 25-41-04-96	121503 904949	RF
10	0A122-0020-31		PLUMBING ASSY-LAV D (STORAGE AND DISTRIBUTION ONLY) SUPPLIER CODE: VS5825 FOR NHA/OTHER SYS DET SEE: 25-41-04-95	121503 904949	RF
13	0A122-0020-21		PLUMBING ASSY-LAV F (STORAGE AND DISTRIBUTION ONLY) SUPPLIER CODE: VS5825 FOR NHA/OTHER SYS DET SEE: 25-41-01-09D	121503 904949	RF
15	600420-2		. FAUCET AND DRAIN ASSY- SUPPLIER CODE: V80477 SPECIFICATION NUMBER: 60B50027-20 COMPONENT MAINT MANUAL REF: 38-11-01 OPTIONAL PART: 1A081-0212-1 VS5825 FOR DETAILS SEE: 38-11-60-01	121503 904949	1
15	1A081-0212-1		. FAUCET AND DRAIN ASSY- SUPPLIER CODE: VS5825 SPECIFICATION NUMBER: 60B50027-20 COMPONENT MAINT MANUAL REF: 25-41-14 OPTIONAL PART: 600420-2 V80477 FOR DETAILS SEE: 38-11-60-01A	121503 904949	1

MISSING ITEM NUMBERS NOT APPLICABLE

- ITEM NOT ILLUSTRATED

38-11-51-02

38-11-51
FIG. 02
PAGE 1
JAN 20/09

BRI



757

PARTS CATALOG (MAINTENANCE)

FIG ITEM	PART NUMBER	1 2 3 4 5 6 7	NOMENCLATURE	EFFECT FROM TO	UNITS PER ASSY
2					
15	600420-2		. FAUCET AND DRAIN ASSY- LAV B SUPPLIER CODE: V80477 SPECIFICATION NUMBER: 60B50027-20 COMPONENT MAINT MANUAL REF: 38-11-01 OPTIONAL PART: 1A081-0212-1 VS5825 FOR DETAILS SEE: 38-11-60-01	121503 904949	1
15	1A081-0212-1		. FAUCET AND DRAIN ASSY- LAV B SUPPLIER CODE: VS5825 SPECIFICATION NUMBER: 60B50027-20 COMPONENT MAINT MANUAL REF: 25-41-14 OPTIONAL PART: 600420-2 V80477 FOR DETAILS SEE: 38-11-60-01A	121503 904949	1
20	AE102-11		. SLEEVE-FIRE PROTECTED SUPPLIER CODE: V00624	121503 904949	1
26	2A114-0081-3		. SUPPORT-MUFFLER SUPPLIER CODE: VS5825	121503 904949	1
26	2A114-0081-3		. SUPPORT-MUFFLER LAV B SUPPLIER CODE: VS5825 ATTACHING PARTS	121503 904949	1
27	NAS603-4P		. SCREW	121503 904949	4
27	NAS603-4P		. SCREW- LAV B	121503 904949	4
28	AN960PD10L		. WASHER	121503 904949	4
28	AN960PD10L		. WASHER- LAV B -----*-----	121503 904949	4
30	M630046-67		. CLAMP- CONFIG CHG DATA FROM A CMM: SUPSD BY M630102-67	121503 904949	1

MISSING ITEM NUMBERS NOT APPLICABLE

- ITEM NOT ILLUSTRATED

38-11-51-02

38-11-51
FIG. 02
PAGE 2
JAN 20/09

BRI



757

PARTS CATALOG (MAINTENANCE)

FIG ITEM	PART NUMBER	1 2 3 4 5 6 7	NOMENCLATURE	EFFECT FROM TO	UNITS PER ASSY
2					
30	M630102-67		.CLAMP- CONFIG CHG DATA FROM A CMM: SUPERSEDES M630046-67	121503 904949	1
33	M630046-67		.CLAMP- LAV B CONFIG CHG DATA FROM A CMM: SUPSD BY M630102-67	121503 904949	1
35	1A081-0217-1		.VALVE-SHUT OFF SUPPLIER CODE: VS5825 SPECIFICATION NUMBER: 10-61267-7 ATTACHING PARTS	121503 904949	1
37	NAS603-5P		.SCREW	121503 904949	4
37	NAS603-5P		.SCREW- LAV B	121503 904949	4
- 38	AN960PD10L		.WASHER	121503 904949	4
- 38	AN960PD10L		.WASHER- LAV B	121503 904949	4
46	6D187-6		-----*----- .VALVE-SHUTOFF SUPPLIER CODE: V82829 SPECIFICATION NUMBER: 10-61267-6 CONFIG CHG DATA FROM A CMM: SUPSD BY 1A081-0216-1 OPTIONAL PART: 6D187-3 V82829	121503 904949	1
46	6D187-6		.VALVE-SHUTOFF LAV B SUPPLIER CODE: V82829 SPECIFICATION NUMBER: 10-61267-6 CONFIG CHG DATA FROM A CMM: SUPSD BY 1A081-0216-1 OPTIONAL PART: 6D187-3 V82829 ATTACHING PARTS	121503 904949	1
47	AN960-916		.WASHER	121503 904949	2
47	AN960-916		.WASHER- LAV B	121503 904949	2

MISSING ITEM NUMBERS NOT APPLICABLE

- ITEM NOT ILLUSTRATED

38-11-51-02

38-11-51
FIG. 02
PAGE 3
JAN 20/09

BRI

BOEING PROPRIETARY - Copyright © - Unpublished Work - See title page for details.



**757
PARTS CATALOG (MAINTENANCE)**

FIG ITEM	PART NUMBER	1 2 3 4 5 6 7	NOMENCLATURE	EFFECT FROM TO	UNITS PER ASSY
2					
- 48	AN924-6J	.	NUT	121503 904949	1
- 48	AN924-6J	.	NUT- LAV B	121503 904949	1
			-----*-----		
68	MS21906J6	.	CROSS- LAV S LAV C, D AND T LAV C, D AND S	121503 904949	1
71	A1650-611	.	HOSE ASSY- LAV B SUPPLIER CODE: V98441 SPECIFICATION NUMBER: 10-61998-611 CONFIG CHG DATA FROM A CMM: SUPERSEDES 7301-6-0085 OPTIONAL PART: AE1010603G0085 V00624	121503 904949	1
71	A1650-611	.	HOSE ASSY- SUPPLIER CODE: V98441 SPECIFICATION NUMBER: 10-61998-611 CONFIG CHG DATA FROM A CMM: SUPERSEDES 7301-6-0085 OPTIONAL PART: AE1010603G0085 V00624	121503 904949	1
75	78304-6-0207180	.	HOSE ASSY-WATER SUPPLY SUPPLIER CODE: V24984 CONFIG CHG DATA FROM A CMM: SUPSD BY A1650-631	121503 904949	1
75	A1650-631	.	HOSE ASSY- SUPPLIER CODE: V98441 SPECIFICATION NUMBER: 10-61998-631 CONFIG CHG DATA FROM A CMM: SUPERSEDES 78304-6-0207180 SUPERSEDES 78301-6-0243 OPTIONAL PART: AE4773G0207-180 V00624	121503 904949	1

MISSING ITEM NUMBERS NOT APPLICABLE

- ITEM NOT ILLUSTRATED

38-11-51-02

38-11-51
FIG. 02
PAGE 4
JAN 20/09

BRI



757

PARTS CATALOG (MAINTENANCE)

FIG ITEM	PART NUMBER	1 2 3 4 5 6 7	NOMENCLATURE	EFFECT FROM TO	UNITS PER ASSY
2					
78	78304-6-0207180		.HOSE ASSY-WATER SUPPLY LAV B SUPPLIER CODE: V24984 CONFIG CHG DATA FROM A CMM: SUPSD BY A1650-631	121503 904949	1
78	A1650-631		.HOSE ASSY- SUPPLIER CODE: V98441 SPECIFICATION NUMBER: 10-61998-631 CONFIG CHG DATA FROM A CMM: SUPERSEDES 78304-6-0207180 SUPERSEDES 78301-6-0243 OPTIONAL PART: AE4773G0207-180 V00624	121503 904949	1
80	78301-6-0364		.HOSE ASSY-WATER SUPPLY SUPPLIER CODE: V24984 CONFIG CHG DATA FROM A CMM: SUPSD BY A1650-616	121503 904949	1
80	A1650-616		.HOSE ASSY- SUPPLIER CODE: V98441 SPECIFICATION NUMBER: 10-61998-616 CONFIG CHG DATA FROM A CMM: SUPERSEDES 78301-6-0364 OPTIONAL PART: AE1010603G0364 V00624	121503 904949	1
83	78301-6-0364		.HOSE ASSY-WATER SUPPLY LAV B SUPPLIER CODE: V24984 CONFIG CHG DATA FROM A CMM: SUPSD BY A1650-616	121503 904949	1

MISSING ITEM NUMBERS NOT APPLICABLE

- ITEM NOT ILLUSTRATED

BRI

38-11-51-02

BOEING PROPRIETARY - Copyright © - Unpublished Work - See title page for details.

38-11-51
FIG. 02
PAGE 5
JAN 20/09



757

PARTS CATALOG (MAINTENANCE)

FIG ITEM	PART NUMBER	1 2 3 4 5 6 7	NOMENCLATURE	EFFECT FROM TO	UNITS PER ASSY
2 83	A1650-616		.HOSE ASSY- LAV B SUPPLIER CODE: V98441 SPECIFICATION NUMBER: 10-61998-616 CONFIG CHG DATA FROM A CMM: SUPERSEDES 78301-6-0364 OPTIONAL PART: AE1010603G0364 V00624	121503 904949	1
85	A1650-619		.HOSE ASSY- LAV D LAV D AND F SUPPLIER CODE: V98441 SPECIFICATION NUMBER: 10-61998-619 CONFIG CHG DATA FROM A CMM: SUPERSEDES 78302-6-0116 OPTIONAL PART: AE1010604G0116 V00624	121503 904949	1
85	A1650-618		.HOSE ASSY-LAV C SUPPLIER CODE: V98441 SPECIFICATION NUMBER: 10-61998-618 CONFIG CHG DATA FROM A CMM: SUPERSEDES 78302-6-0104 OPTIONAL PART: AE1010604G0104 V00624	121503 904949	1
88	A1650-619		.HOSE ASSY- LAV B SUPPLIER CODE: V98441 SPECIFICATION NUMBER: 10-61998-619 CONFIG CHG DATA FROM A CMM: SUPERSEDES 78302-6-0116 OPTIONAL PART: AE1010604G0116 V00624	121503 904949	1

MISSING ITEM NUMBERS NOT APPLICABLE

- ITEM NOT ILLUSTRATED

BRI

38-11-51-02

BOEING PROPRIETARY - Copyright © - Unpublished Work - See title page for details.

38-11-51
FIG. 02
PAGE 6
JAN 20/09



757

PARTS CATALOG (MAINTENANCE)

FIG ITEM	PART NUMBER	1 2 3 4 5 6 7	NOMENCLATURE	EFFECT FROM TO	UNITS PER ASSY
2 90	A1650-619		.HOSE ASSY- LAV M LAV J LAV C LAV K LAV S SUPPLIER CODE: V98441 SPECIFICATION NUMBER: 10-61998-619 CONFIG CHG DATA FROM A CMM: SUPSD BY AS4470-06-0114 OPTIONAL PART: AE1010604G0116 V00624	121503 904949	1
91	A1650-620		.HOSE ASSY-LAV C SUPPLIER CODE: V98441 SPECIFICATION NUMBER: 10-61998-620 CONFIG CHG DATA FROM A CMM: SUPERSEDES 78302-6-0120 OPTIONAL PART: AE1010604G0120 V00624	121503 904949	1
91	A1650-640		.HOSE ASSY- LAV B SUPPLIER CODE: V98441 SPECIFICATION NUMBER: 10-61998-640 CONFIG CHG DATA FROM A CMM: SUPERSEDES 78305-6-0135225 OPTIONAL PART: AE4774G0135-225 V00624	121503 904949	1

MISSING ITEM NUMBERS NOT APPLICABLE

- ITEM NOT ILLUSTRATED

BRI

38-11-51-02

BOEING PROPRIETARY - Copyright © - Unpublished Work - See title page for details.

38-11-51
FIG. 02
PAGE 7
JAN 20/09



757

PARTS CATALOG (MAINTENANCE)

FIG ITEM	PART NUMBER	1 2 3 4 5 6 7	NOMENCLATURE	EFFECT FROM TO	UNITS PER ASSY
2 91	A1650-640		.HOSE ASSY- LAV D AND F LAV B AND D SUPPLIER CODE: V98441 SPECIFICATION NUMBER: 10-61998-640 CONFIG CHG DATA FROM A CMM: SUPERSEDES 78305-6-0135225 OPTIONAL PART: AE4774G0135-225 V00624	121503 904949	1
91	78302-6-0120		.HOSE ASSY-LAV C SUPPLIER CODE: V24984 CONFIG CHG DATA FROM A CMM: SUPSD BY A1650-620	121503 904949	1
95	78302-6-0216		.HOSE ASSY-WATER SUPPLY SUPPLIER CODE: V24984 CONFIG CHG DATA FROM A CMM: SUPSD BY A1650-624	121503 904949	1
95	78302-6-0216		.HOSE ASSY-WATER SUPPLY LAV B SUPPLIER CODE: V24984 CONFIG CHG DATA FROM A CMM: SUPSD BY A1650-624	121503 904949	1
95	A1650-624		.HOSE ASSY- SUPPLIER CODE: V98441 SPECIFICATION NUMBER: 10-61998-624 CONFIG CHG DATA FROM A CMM: SUPERSEDES 78302-6-0216 OPTIONAL PART: AE1010604G0216 V00624	121503 904949	1

MISSING ITEM NUMBERS NOT APPLICABLE

- ITEM NOT ILLUSTRATED

BRI

38-11-51-02

BOEING PROPRIETARY - Copyright © - Unpublished Work - See title page for details.

38-11-51
FIG. 02
PAGE 8
JAN 20/09



757

PARTS CATALOG (MAINTENANCE)

FIG ITEM	PART NUMBER	1 2 3 4 5 6 7	NOMENCLATURE	EFFECT FROM TO	UNITS PER ASSY
2 95	A1650-624		.HOSE ASSY- LAV B SUPPLIER CODE: V98441 SPECIFICATION NUMBER: 10-61998-624 CONFIG CHG DATA FROM A CMM: SUPERSEDES 78302-6-0216 OPTIONAL PART: AE1010604G0216 V00624	121503 904949	1
- 100	78303-6-0140		.HOSE ASSY-WATER SUPPLY LAV C SUPPLIER CODE: V24984 CONFIG CHG DATA FROM A CMM: SUPSD BY A1650-189	121503 904949	1
- 100	A1650-642		.HOSE ASSY-LAV D AND F SUPPLIER CODE: V98441 SPECIFICATION NUMBER: 10-61998-642 CONFIG CHG DATA FROM A CMM: SUPERSEDES 78305-6-0144045 OPTIONAL PART: AE4774G0144-045 V00624	121503 904949	1
- 100	A1650-189		.HOSE ASSY- LAV D LAV C SUPPLIER CODE: V98441 SPECIFICATION NUMBER: 10-61998-189 CONFIG CHG DATA FROM A CMM: SUPERSEDES 78303-6-0140 OPTIONAL PART: AE1010605G0140 V00624 R29282-6-0140 V50599	121503 904949	1

MISSING ITEM NUMBERS NOT APPLICABLE

- ITEM NOT ILLUSTRATED

38-11-51-02

38-11-51
FIG. 02
PAGE 9
JAN 20/09

BRI



757

PARTS CATALOG (MAINTENANCE)

FIG ITEM	PART NUMBER	1 2 3 4 5 6 7	NOMENCLATURE	EFFECT FROM TO	UNITS PER ASSY
2 103	A1650-189		.HOSE ASSY-LAV C SUPPLIER CODE: V98441 SPECIFICATION NUMBER: 10-61998-189 CONFIG CHG DATA FROM A CMM: SUPERSEDES 78303-6-0140 OPTIONAL PART: AE1010605G0140 V00624 R29282-6-0140 V50599	121503 904949	1
103	78303-6-0140		.HOSE ASSY-WATER SUPPLY LAV C SUPPLIER CODE: V24984 CONFIG CHG DATA FROM A CMM: SUPSD BY A1650-189	121503 904949	1
103	A1650-642		.HOSE ASSY- LAV D LAV D AND F SUPPLIER CODE: V98441 SPECIFICATION NUMBER: 10-61998-642 CONFIG CHG DATA FROM A CMM: SUPERSEDES 78305-6-0144045 OPTIONAL PART: AE4774G0144-045 V00624	121503 904949	1
103	A1650-642		.HOSE ASSY- LAV B SUPPLIER CODE: V98441 SPECIFICATION NUMBER: 10-61998-642 CONFIG CHG DATA FROM A CMM: SUPERSEDES 78305-6-0144045 OPTIONAL PART: AE4774G0144-045 V00624	121503 904949	1
130	2A114-0141-1		.TUBE ASSY-TEE OVERFLOW SUPPLIER CODE: VS5825	121503 904949	1

MISSING ITEM NUMBERS NOT APPLICABLE

- ITEM NOT ILLUSTRATED

38-11-51-02

38-11-51
FIG. 02
PAGE 10
JAN 20/09

BRI



757

PARTS CATALOG (MAINTENANCE)

FIG ITEM	PART NUMBER	1 2 3 4 5 6 7	NOMENCLATURE	EFFECT FROM TO	UNITS PER ASSY
2					
133	2A114-0141-1		.TUBE ASSY-TEE OVERFLOW LAV B SUPPLIER CODE: VS5825	121503 904949	1
135	2A114-0142-1		.TUBE ASSY-TEE TUBE DRAIN SUPPLIER CODE: VS5825	121503 904949	1
138	2A114-0142-1		.TUBE ASSY-TEE TUBE DRAIN LAV B SUPPLIER CODE: VS5825	121503 904949	1
140	NAS1922-0100-1		.CLAMP- CONFIG CHG DATA FROM A CMM: SUPERSEDES AN737TW38	121503 904949	1
140	AN737TW38		.CLAMP- CONFIG CHG DATA FROM A CMM: SUPSD BY NAS1922-0100-1	121503 904949	1
140	NAS1922-0100-1		.CLAMP- LAV B CONFIG CHG DATA FROM A CMM: SUPERSEDES AN737TW38	121503 904949	1
140	AN737TW38		.CLAMP- LAV B CONFIG CHG DATA FROM A CMM: SUPSD BY NAS1922-0100-1	121503 904949	1
145	AN737TW46		.CLAMP- CONFIG CHG DATA FROM A CMM: SUPSD BY NAS1922-0125-1	121503 904949	7
145	NAS1922-0125-1		.CLAMP- CONFIG CHG DATA FROM A CMM: SUPERSEDES AN737TW46	121503 904949	7
145	AN737TW46		.CLAMP- LAV B CONFIG CHG DATA FROM A CMM: SUPSD BY NAS1922-0125-1	121503 904949	7
145	NAS1922-0125-1		.CLAMP- LAV B CONFIG CHG DATA FROM A CMM: SUPERSEDES AN737TW46	121503 904949	7
150	BACC10DK9A		.CLAMP	121503 904949	3
			ATTACHING PARTS		
- 155	NAS603-6P		.SCREW	121503 904949	3
- 155	NAS603-6P		.SCREW- LAV B	121503 904949	3
- 160	AN960PD10L		.WASHER	121503 904949	3

MISSING ITEM NUMBERS NOT APPLICABLE

- ITEM NOT ILLUSTRATED

38-11-51-02

38-11-51
FIG. 02
PAGE 11
JAN 20/09

BRI



757

PARTS CATALOG (MAINTENANCE)

FIG ITEM	PART NUMBER	1 2 3 4 5 6 7	NOMENCLATURE	EFFECT FROM TO	UNITS PER ASSY
2					
- 160	AN960PD10L		.WASHER- LAV B -----*-----	121503 904949	3
165	BACC10DK20		.CLAMP	121503 904949	1
165	BACC10DK20		.CLAMP- LAV B ATTACHING PARTS	121503 904949	1
170	NAS603-8P		.SCREW	121503 904949	1
170	NAS603-8P		.SCREW- LAV B	121503 904949	1
175	AN960PD10L		.WASHER	121503 904949	1
175	AN960PD10L		.WASHER- LAV B -----*-----	121503 904949	1
180	MS21924J6		.UNION	121503 904949	1
180	MS21924J6		.UNION- LAV B ATTACHING PARTS	121503 904949	1
185	AN960-916		.WASHER	121503 904949	2
185	AN960-916		.WASHER- LAV B	121503 904949	2
190	AN924-6J		.NUT	121503 904949	1
190	AN924-6J		.NUT- LAV B -----*-----	121503 904949	1

MISSING ITEM NUMBERS NOT APPLICABLE

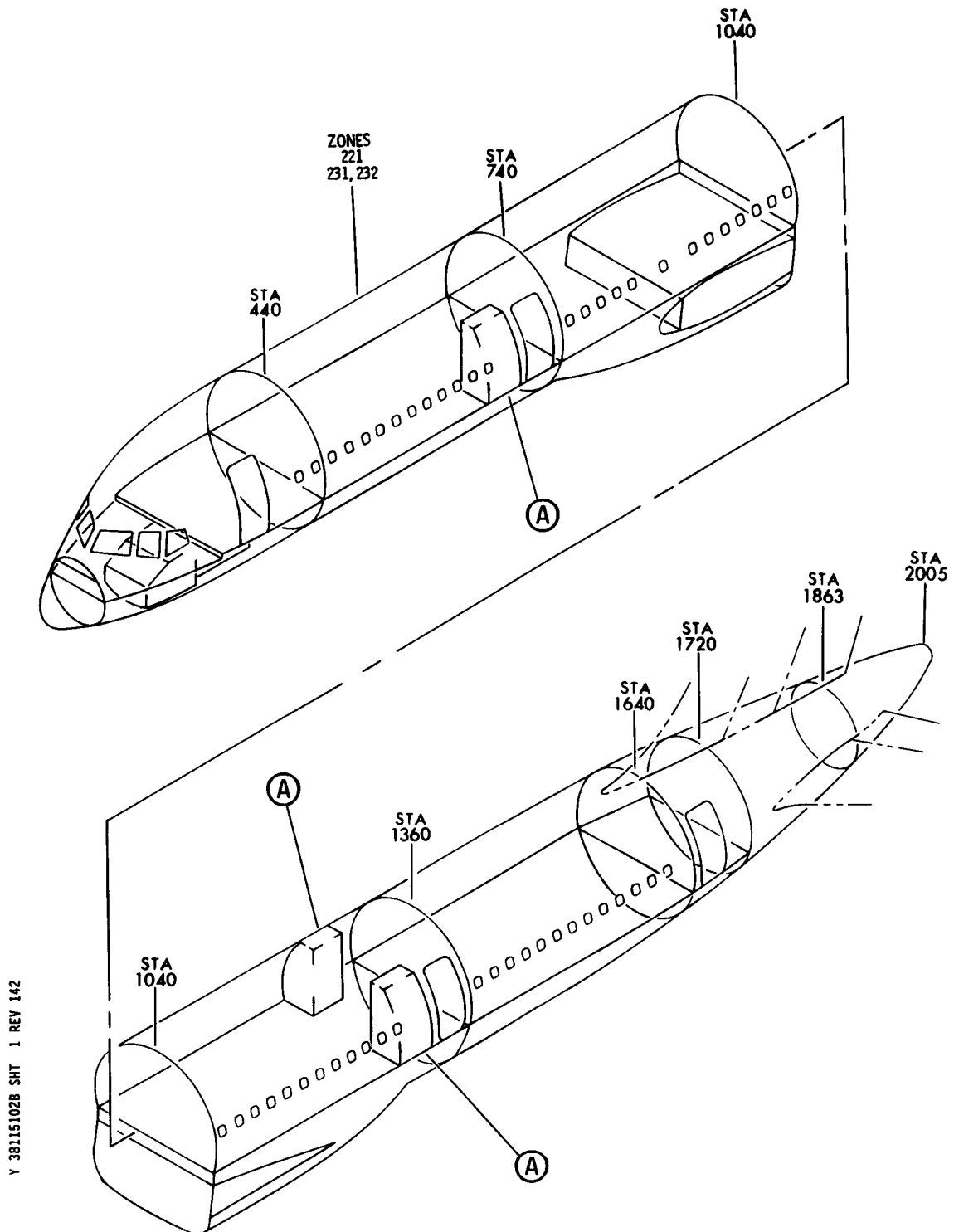
- ITEM NOT ILLUSTRATED

38-11-51-02

38-11-51
FIG. 02
PAGE 12
JAN 20/09

BRI

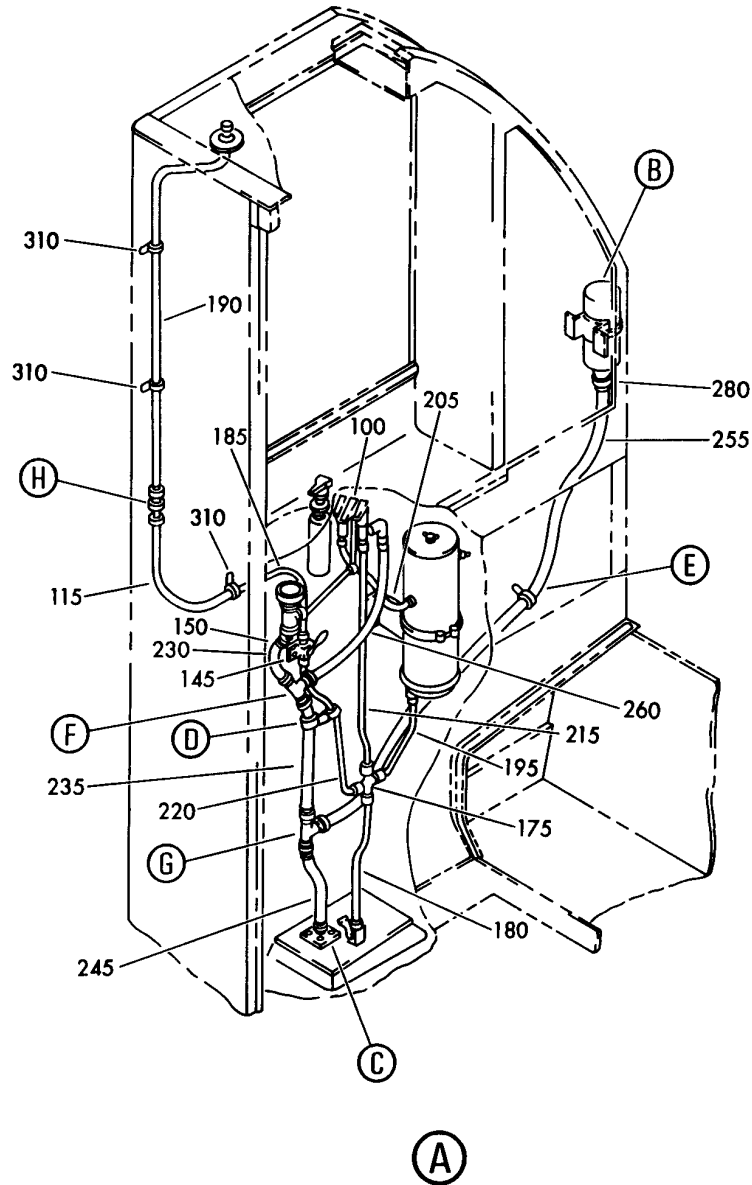
BOEING
757
PARTS CATALOG (MAINTENANCE)



PLUMBING ASSY-LAV (STOWAGE AND DISTRIBUTION ONLY)
FIGURE 2B (SHEET 1)

38-11-51-02B

BOEING
757
PARTS CATALOG (MAINTENANCE)



Y 38115102B SHT 2 REV 162

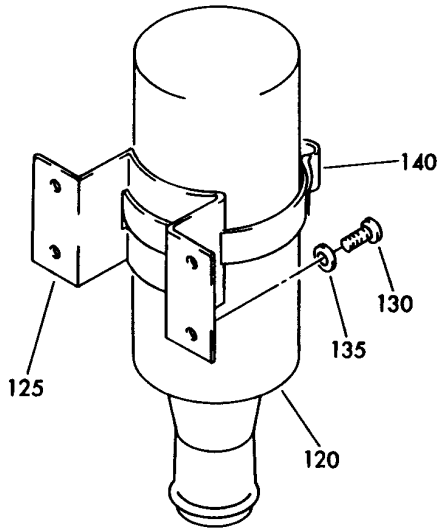
PLUMBING ASSY-LAV (STOWAGE AND DISTRIBUTION ONLY)
FIGURE 2B (SHEET 2)

38-11-51-02B

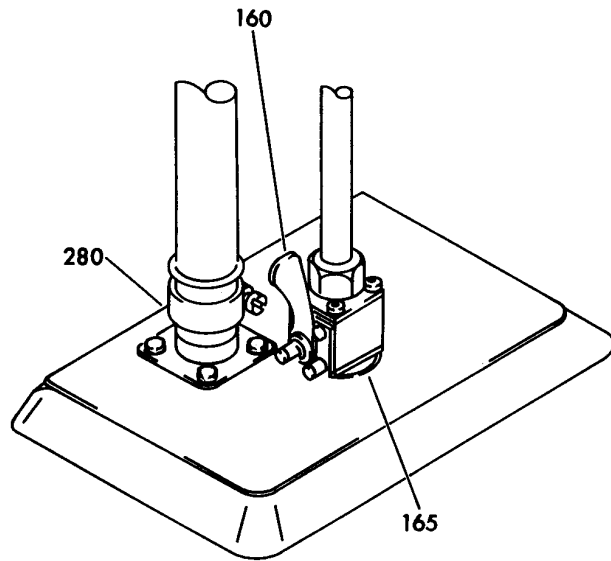
BRI
JAN 20/09

38-11-51-02B
PAGE 0A

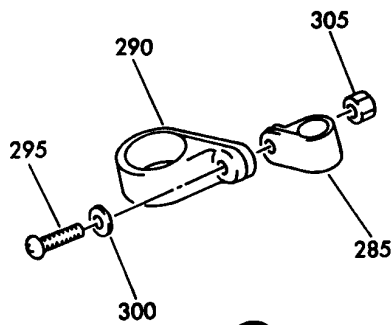
BOEING
757
PARTS CATALOG (MAINTENANCE)



(B)



(C)



(D)

Y 38115102B SHT 3 REV 142

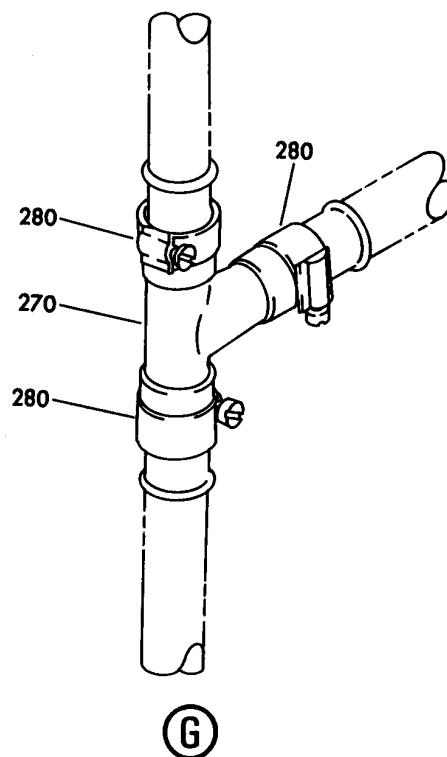
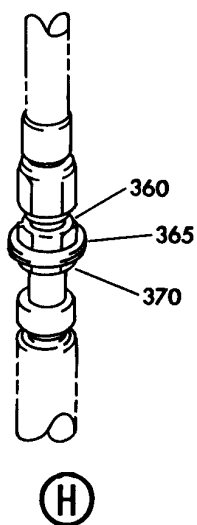
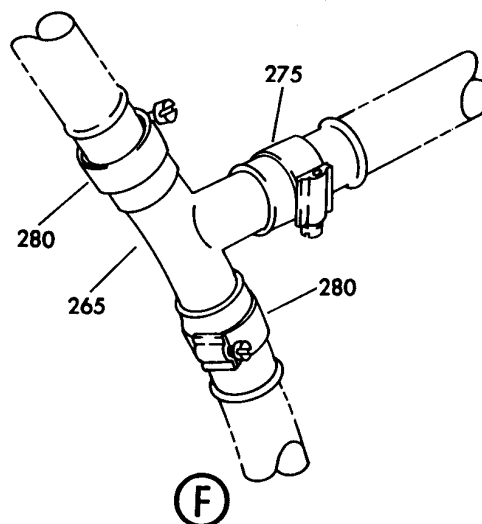
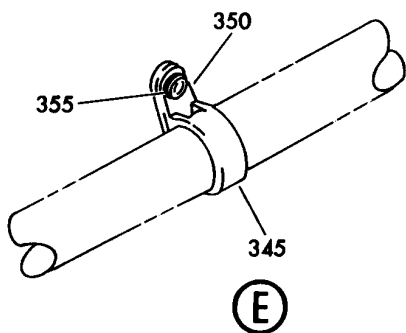
PLUMBING ASSY-LAV (STOWAGE AND DISTRIBUTION ONLY)
FIGURE 2B (SHEET 3)

38-11-51-02B

BRI
JAN 20/09

38-11-51-02B
PAGE 0B

BOEING
757
PARTS CATALOG (MAINTENANCE)



Y 38115102B SHT 4 REV 142

PLUMBING ASSY-LAV (STOWAGE AND DISTRIBUTION ONLY)
FIGURE 2B (SHEET 4)

38-11-51-02B

BRI
JAN 20/09

38-11-51-02B
PAGE 0C



757

PARTS CATALOG (MAINTENANCE)

FIG ITEM	PART NUMBER	1 2 3 4 5 6 7	NOMENCLATURE	EFFECT FROM TO	UNITS PER ASSY
2B			PLUMBING ASSY-LAV (STOWAGE AND DISTRIBUTION ONLY)	952999	
- 1	0A122-0020-31		PLUMBING ASSY-LAV D (STOWAGE AND DISTRIBUTION ONLY) SUPPLIER CODE: VS5825 FOR NHA/OTHER SYS DET SEE: 25-41-04-57	952999	RF
- 5	0A122-0020-32		PLUMBING ASSY-LAV C (STOWAGE AND DISTRIBUTION ONLY) SUPPLIER CODE: VS5825 FOR NHA/OTHER SYS DET SEE: 25-41-04-60	952999	RF
- 10	0A122-0020-51		PLUMBING ASSY-LAV S (STOWAGE AND DISTRIBUTION ONLY) SUPPLIER CODE: VS5825 FOR NHA/OTHER SYS DET SEE: 25-41-03-08C	952999	RF
100	600420-2		. FAUCET AND DRAIN ASSY- SUPPLIER CODE: V80477 SPECIFICATION NUMBER: 60B50027-20 COMPONENT MAINT MANUAL REF: 38-11-01 OPTIONAL PART: 1A081-0212-1 VS5825 FOR DETAILS SEE: 38-11-60-01	952999	1
100	1A081-0212-1		. FAUCET AND DRAIN ASSY- SUPPLIER CODE: VS5825 SPECIFICATION NUMBER: 60B50027-20 COMPONENT MAINT MANUAL REF: 25-41-14 OPTIONAL PART: 600420-2 V80477 FOR DETAILS SEE: 38-11-60-01A	952999	1

MISSING ITEM NUMBERS NOT APPLICABLE

- ITEM NOT ILLUSTRATED

38-11-51-02B

38-11-51
FIG. 02B
PAGE 1
JAN 20/09

BRI



757

PARTS CATALOG (MAINTENANCE)

FIG ITEM	PART NUMBER	1 2 3 4 5 6 7	NOMENCLATURE	EFFECT FROM TO	UNITS PER ASSY
2B					
115	AE102-11	.	SLEEVE-FIRE PROTECTED SUPPLIER CODE: V00624	952999	1
120	2A081-0621-1	.	MUFFLER-DRAIN SUPPLIER CODE: VS5825	952999	1
125	2A114-0081-3	.	SUPPORT-MUFFLER SUPPLIER CODE: VS5825	952999	1
130	NAS603-4P	.	ATTACHING PARTS SCREW	952999	4
135	AN960PD10L	.	WASHER	952999	4
			-----*-----		
140	M630102-67	.	CLAMP	952999	1
145	1A081-0217-1	.	VALVE-SHUT OFF SUPPLIER CODE: VS5825	952999	1
			SPECIFICATION NUMBER: 10-61267-7		
			ATTACHING PARTS		
150	NAS603-5P	.	SCREW	952999	4
- 155	AN960PD10L	.	WASHER	952999	4
			-----*-----		
160	1A081-0216-1	.	VALVE-SHUTOFF SUPPLIER CODE: VS5825	952999	1
			SPECIFICATION NUMBER: 10-61267-6		
			OPTIONAL PART: 6D187-6 V82829 6D187-3 V82829		
			ATTACHING PARTS		
165	AN960-916	.	WASHER	952999	2
- 170	AN924-6J	.	NUT	952999	1
			-----*-----		
175	MS21906J6	.	CROSS-FTG	952999	1
180	A1650-611	.	HOSE ASSY- SUPPLIER CODE: V98441	952999	1
			SPECIFICATION NUMBER: 10-61998-611		
			OPTIONAL PART: AE1010603G0085 V00624		

MISSING ITEM NUMBERS NOT APPLICABLE

- ITEM NOT ILLUSTRATED

38-11-51-02B

38-11-51
FIG. 02B
PAGE 2
JAN 20/09

BRI



757

PARTS CATALOG (MAINTENANCE)

FIG ITEM	PART NUMBER	1 2 3 4 5 6 7	NOMENCLATURE	EFFECT FROM TO	UNITS PER ASSY
2B 185	A1650-631		.HOSE ASSY- SUPPLIER CODE: V98441 SPECIFICATION NUMBER: 10-61998-631 OPTIONAL PART: AE4773G0207-180 V00624	952999	1
190	A1650-616		.HOSE ASSY- SUPPLIER CODE: V98441 SPECIFICATION NUMBER: 10-61998-616 OPTIONAL PART: AE1010603G0364 V00624	952999	1
195	A1650-619		.HOSE ASSY-LAV D AND S SUPPLIER CODE: V98441 SPECIFICATION NUMBER: 10-61998-619 OPTIONAL PART: AE1010604G0116 V00624	952999	1
- 200	A1650-618		.HOSE ASSY-LAV C SUPPLIER CODE: V98441 SPECIFICATION NUMBER: 10-61998-618 OPTIONAL PART: AE1010604G0104 V00624	952999	1
205	A1650-640		.HOSE ASSY-LAV D AND S SUPPLIER CODE: V98441 SPECIFICATION NUMBER: 10-61998-640 OPTIONAL PART: AE4774G0135-225 V00624	952999	1
- 210	A1650-620		.HOSE ASSY-LAV C SUPPLIER CODE: V98441 SPECIFICATION NUMBER: 10-61998-620 OPTIONAL PART: AE1010604G0120 V00624	952999	1

MISSING ITEM NUMBERS NOT APPLICABLE

- ITEM NOT ILLUSTRATED

38-11-51-02B

38-11-51
FIG. 02B
PAGE 3
JAN 20/09

BRI



757

PARTS CATALOG (MAINTENANCE)

FIG ITEM	PART NUMBER	1 2 3 4 5 6 7	NOMENCLATURE	EFFECT FROM TO	UNITS PER ASSY
2B 215	A1650-624		.HOSE ASSY- SUPPLIER CODE: V98441 SPECIFICATION NUMBER: 10-61998-624 OPTIONAL PART: AE1010604G0216 V00624	952999	1
220	A1650-642		.HOSE ASSY-LAV D AND S SUPPLIER CODE: V98441 SPECIFICATION NUMBER: 10-61998-642 OPTIONAL PART: AE4774G0144-045 V00624	952999	1
225	A1650-189		.HOSE ASSY-LAV C SUPPLIER CODE: V98441 SPECIFICATION NUMBER: 10-61998-189 OPTIONAL PART: AE1010605G0140 V00624 R29282-6-0140 V50599	952999	1
230	2A081-0598-1		.HOSE ASSY- SUPPLIER CODE: VS5825	952999	1
235	2A081-0598-2		.HOSE ASSY- SUPPLIER CODE: VS5825	952999	1
245	2A081-0598-7		.HOSE ASSY- SUPPLIER CODE: VS5825	952999	1
255	2A081-0598-12		.HOSE ASSY- SUPPLIER CODE: VS5825	952999	1
260	2A081-0597-1		.HOSE ASSY- SUPPLIER CODE: VS5825	952999	1
265	2A114-0141-1		.TUBE ASSY-TEE OVERFLOW SUPPLIER CODE: VS5825	952999	1
270	2A114-0142-1		.TUBE ASSY-TEE TUBE DRAIN SUPPLIER CODE: VS5825	952999	1
275	NAS1922-0100-1		.CLAMP	952999	1
280	NAS1922-0125-1		.CLAMP	952999	7

MISSING ITEM NUMBERS NOT APPLICABLE

- ITEM NOT ILLUSTRATED

38-11-51-02B

38-11-51
FIG. 02B
PAGE 4
JAN 20/09

BRI

BOEING PROPRIETARY - Copyright © - Unpublished Work - See title page for details.



757

PARTS CATALOG (MAINTENANCE)

FIG ITEM	PART NUMBER	1 2 3 4 5 6 7	NOMENCLATURE	EFFECT FROM TO	UNITS PER ASSY
2B					
285	NAS603-12P	.	SCREW-LAV S	952999	1
290	AN960PD10L	.	WASHER-LAV S	952999	1
295	NAS679A3	.	NUT-LAV S	952999	1
300	BACC10DK9A	.	CLAMP-NYLON LAV S	952999	1
305	BACC10DK20	.	CLAMP-NYLON LAV S	952999	1
310	BACC10DK9A	.	CLAMP-NYLON	952999	3
			ATTACHING PARTS		
- 315	NAS603-6P	.	SCREW	952999	3
- 320	AN960PD10L	.	WASHER	952999	3
- 335	NAS603-7P	.	SCREW	952999	1
			-----*-----		
345	BACC10DK20	.	CLAMP	952999	1
			ATTACHING PARTS		
350	NAS603-8P	.	SCREW	952999	1
355	AN960PD10L	.	WASHER	952999	1
			-----*-----		
360	MS21924J6	.	UNION-BHD	952999	1
			ATTACHING PARTS		
365	AN960-916	.	WASHER	952999	2
370	AN924-6J	.	NUT	952999	1
			-----*-----		

MISSING ITEM NUMBERS NOT APPLICABLE

- ITEM NOT ILLUSTRATED

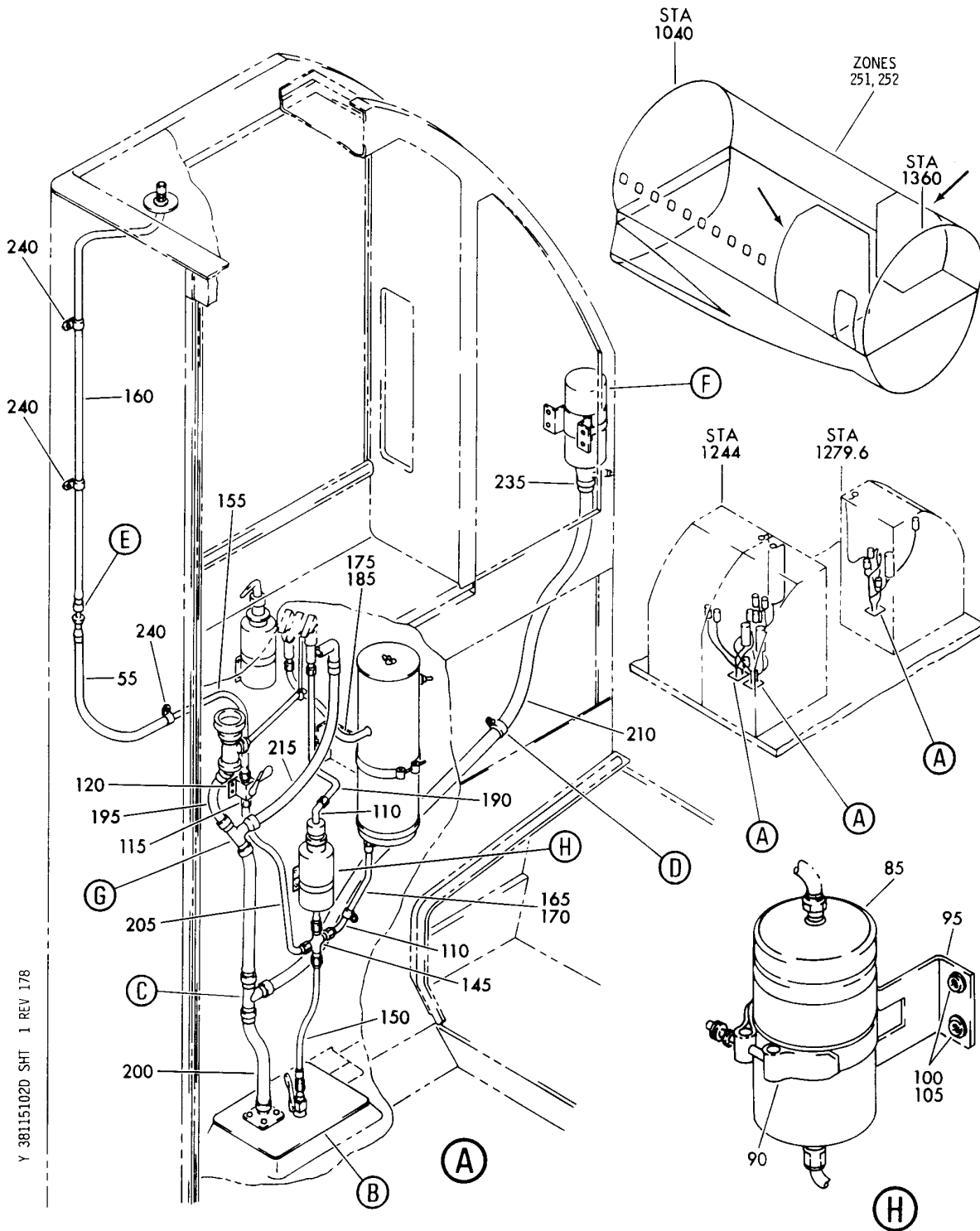
38-11-51-02B

38-11-51
FIG. 02B
PAGE 5
JAN 20/09

BRI

BOEING PROPRIETARY - Copyright © - Unpublished Work - See title page for details.

BOEING
757
PARTS CATALOG (MAINTENANCE)



Y 38115102D SHT 1 REV 178

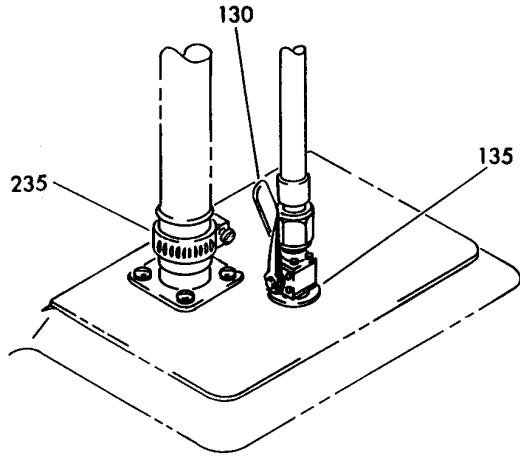
PLUMBING ASSY-LAV (STOWAGE AND DISTRIBUTION ONLY)
FIGURE 2D (SHEET 1)

38-11-51-02D

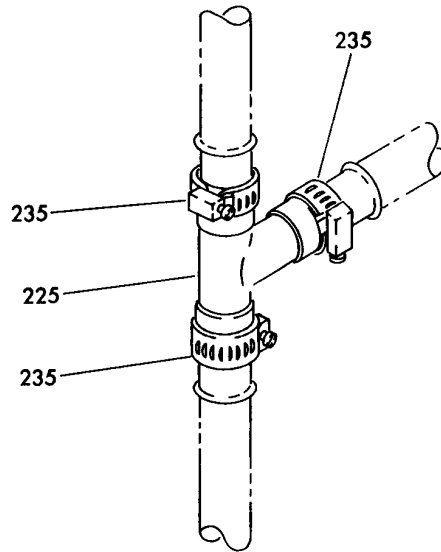
BRI
MAY 28/07

38-11-51-02D
PAGE 0

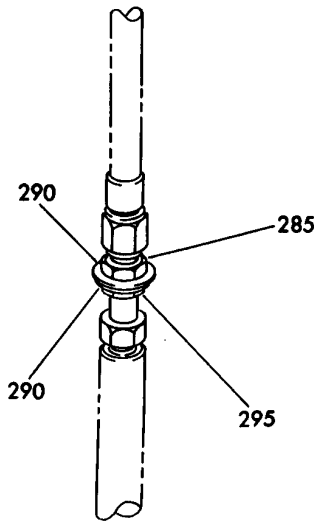
BOEING
757
PARTS CATALOG (MAINTENANCE)



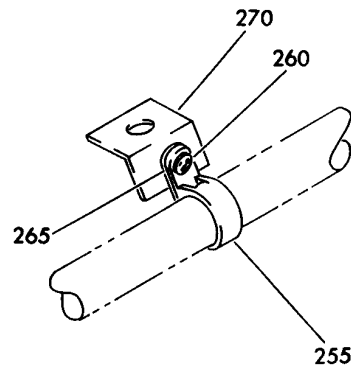
(B)



(C)



(E)



(D)

Y 38115102D SHT 2 REV 143

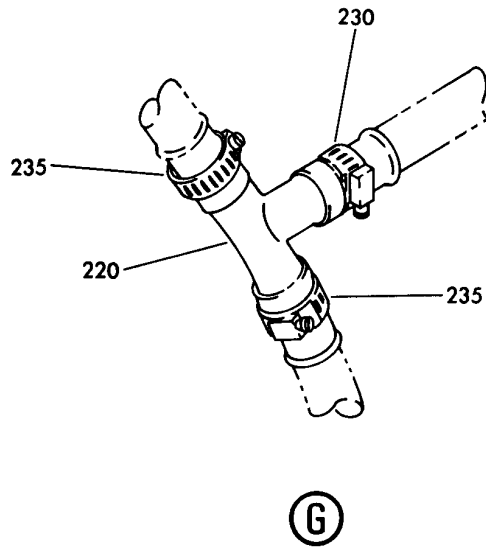
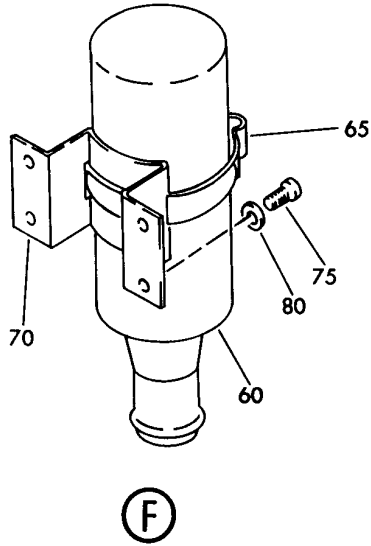
PLUMBING ASSY-LAV (STOWAGE AND DISTRIBUTION ONLY)
FIGURE 2D (SHEET 2)

38-11-51-02D

BRI
MAY 28/07

38-11-51-02D
PAGE 0A

BOEING
757
PARTS CATALOG (MAINTENANCE)



Y 38115102D SHT 3 REV 163

PLUMBING ASSY-LAV (STOWAGE AND DISTRIBUTION ONLY)
FIGURE 2D (SHEET 3)

38-11-51-02D

BRI
MAY 28/07

38-11-51-02D
PAGE 0B



757

PARTS CATALOG (MAINTENANCE)

FIG ITEM	PART NUMBER	1 2 3 4 5 6 7	NOMENCLATURE	EFFECT FROM TO	UNITS PER ASSY
2D					
- 1	0A122-0020-91		PLUMBING ASSY-LAV (STOWAGE AND DISTRIBUTION ONLY) PLUMBING ASSY-LAV B AND D (STOWAGE AND DISTRIBUTION ONLY) SUPPLIER CODE: VS5825 FOR NHA/OTHER SYS DET SEE: 25-41-04-21 25-41-04-44	002004 006100 002004 006010	RF
- 1	0A122-0020-221		PLUMBING ASSY-LAV B AND D (STOWAGE AND DISTRIBUTION ONLY) SUPPLIER CODE: VS5825 FOR NHA/OTHER SYS DET SEE: 25-41-04-21 25-41-04-44	011100	RF
- 5	0A122-0020-92		PLUMBING ASSY-LAV C (STOWAGE AND DISTRIBUTION ONLY) SUPPLIER CODE: VS5825 FOR NHA/OTHER SYS DET SEE: 25-41-04-28	002004 006010	RF
- 5	0A122-0020-222		PLUMBING ASSY-LAV C (STOWAGE AND DISTRIBUTION ONLY) SUPPLIER CODE: VS5825 FOR NHA/OTHER SYS DET SEE: 25-41-04-28	011100	RF
55	AE102-11		.SLEEVE-FIRE PROTECTED SUPPLIER CODE: V00624	002004 006100	1
60	2A081-0621-1		.MUFFLER-DRAIN SUPPLIER CODE: VS5825	002004 006100	1
65	M630102-67		.CLAMP	002004 006100	1
70	2A114-0081-3		.SUPPORT-MUFFLER SUPPLIER CODE: VS5825	002004 006100	1
75	NAS603-4P		ATTACHING PARTS .SCREW	002004 006100	4
80	AN960PD10L		.WASHER -----*-----	002004 006100	4

MISSING ITEM NUMBERS NOT APPLICABLE

- ITEM NOT ILLUSTRATED

38-11-51-02D

38-11-51
FIG. 02D
PAGE 1
JAN 20/09

BRI

BOEING PROPRIETARY - Copyright © - Unpublished Work - See title page for details.



757

PARTS CATALOG (MAINTENANCE)

FIG ITEM	PART NUMBER	1 2 3 4 5 6 7	NOMENCLATURE	EFFECT FROM TO	UNITS PER ASSY
2D					
85	XS1		. FILTER-WATER SUPPLIER CODE: V08576	002004 006100	1
90	M630102-102		. CLAMP	002004 006100	1
95	2A114-0012-1		. SUPPORT-WATER HEATER SUPPLIER CODE: VS5825	002004 006100	1
100	NAS603-5P		ATTACHING PARTS . SCREW	002004 006100	4
105	AN960PD10L		. WASHER	002004 006100	4
110	NAS1762J0606		-----*----- . ELBOW- MISCELLANEOUS DATA: OPTIONAL PART NUMBER: BAC21BT0606JN (81205)	002004 006100	2
115	1A081-0217-1		. VALVE-SHUT OFF SUPPLIER CODE: VS5825 SPECIFICATION NUMBER: 10-61267-7	002004 006100	1
120	NAS603-5P		ATTACHING PARTS . SCREW	002004 006100	4
- 125	AN960PD10L		. WASHER	002004 006100	4
130	1A081-0216-1		-----*----- . VALVE-SHUTOFF SUPPLIER CODE: VS5825 SPECIFICATION NUMBER: 10-61267-6 OPTIONAL PART: 6D187-6 V82829 6D187-3 V82829	002004 006100	1
135	AN960-916		ATTACHING PARTS . WASHER	002004 006100	2
- 140	AN924-6J		. NUT	002004 006100	1
145	MS21906J6		-----*----- . CROSS-TUBE	002004 006100	1

MISSING ITEM NUMBERS NOT APPLICABLE

- ITEM NOT ILLUSTRATED

38-11-51-02D

38-11-51
FIG. 02D
PAGE 2
JAN 20/09

BRI

BOEING PROPRIETARY - Copyright © - Unpublished Work - See title page for details.



757

PARTS CATALOG (MAINTENANCE)

FIG ITEM	PART NUMBER	1 2 3 4 5 6 7	NOMENCLATURE	EFFECT FROM TO	UNITS PER ASSY
2D 150	A1650-612		.HOSE ASSY- SUPPLIER CODE: V98441 SPECIFICATION NUMBER: 10-61998-612 CONFIG CHG DATA FROM A CMM: SUPSD BY A1650-694	002004 006100	1
150	A1650-694		.HOSE ASSY- SUPPLIER CODE: V98441 SPECIFICATION NUMBER: 10-61998-694 CONFIG CHG DATA FROM A CMM: SUPERSEDES A1650-612	002004 006100	1
155	A1650-632		.HOSE ASSY- SUPPLIER CODE: V98441 SPECIFICATION NUMBER: 10-61998-632	002004 006010	1
155	3A122-1295-11		.HOSE ASSY- SUPPLIER CODE: VS5825	011100	1
160	A1650-616		.HOSE ASSY- SUPPLIER CODE: V98441 SPECIFICATION NUMBER: 10-61998-616 OPTIONAL PART: AE1010603G0364 V00624	002004 006100	1
165	A1650-621		.HOSE ASSY-LAV B AND D SUPPLIER CODE: V98441 SPECIFICATION NUMBER: 10-61998-621 OPTIONAL PART: AE1010604G0124 V00624	002004 006010	1
170	A1650-619		.HOSE ASSY-LAV C SUPPLIER CODE: V98441 SPECIFICATION NUMBER: 10-61998-619 OPTIONAL PART: AE1010604G0116 V00624	011100	1

MISSING ITEM NUMBERS NOT APPLICABLE

- ITEM NOT ILLUSTRATED

38-11-51-02D

38-11-51
FIG. 02D
PAGE 3
JAN 20/09

BRI

BOEING PROPRIETARY - Copyright © - Unpublished Work - See title page for details.



757

PARTS CATALOG (MAINTENANCE)

FIG ITEM	PART NUMBER	1 2 3 4 5 6 7	NOMENCLATURE	EFFECT FROM TO	UNITS PER ASSY
2D 175	A1650-640		.HOSE ASSY- SUPPLIER CODE: V98441 SPECIFICATION NUMBER: 10-61998-640 OPTIONAL PART: AE4774G0135-225 V00624	002004 006100	1
185	A1650-620		.HOSE ASSY-LAV C SUPPLIER CODE: V98441 SPECIFICATION NUMBER: 10-61998-620 OPTIONAL PART: AE1010604G0120 V00624	011100	1
- 187	A1650-640		.HOSE ASSY-LAV B AND D SUPPLIER CODE: V98441 SPECIFICATION NUMBER: 10-61998-640 OPTIONAL PART: AE4774G0135-225 V00624	002004 006010	1
190	A1650-630		.HOSE ASSY- SUPPLIER CODE: V98441 SPECIFICATION NUMBER: 10-61998-630 OPTIONAL PART: AE1010605G0160 V00624	002004 006100	1
190	3A122-1295-1		.HOSE ASSY- SUPPLIER CODE: VS5825	002004 006100	1
195	2A081-0598-1		.HOSE ASSY- SUPPLIER CODE: VS5825	002004 006100	1
200	2A081-0598-2		.HOSE ASSY- SUPPLIER CODE: VS5825	002004 006100	1
205	2A081-0598-7		.HOSE ASSY- SUPPLIER CODE: VS5825	002004 006100	1
210	2A081-0598-13		.HOSE ASSY- SUPPLIER CODE: VS5825	002004 006100	1

MISSING ITEM NUMBERS NOT APPLICABLE

- ITEM NOT ILLUSTRATED

38-11-51-02D

38-11-51
FIG. 02D
PAGE 4
JAN 20/09

BRI

BOEING
757
PARTS CATALOG (MAINTENANCE)

FIG ITEM	PART NUMBER	1 2 3 4 5 6 7	NOMENCLATURE	EFFECT FROM TO	UNITS PER ASSY
2D					
215	2A081-0597-2		.HOSE ASSY- SUPPLIER CODE: VS5825	002004 006100	1
220	2A114-0141-1		.TUBE ASSY-TEE OVERFLOW SUPPLIER CODE: VS5825	002004 006100	1
225	2A114-0142-11		.TUBE ASSY-TEE DRAIN SUPPLIER CODE: VS5825	002004 006100	1
230	NAS1922-0100-1		.CLAMP-HOSE	002004 006100	2
235	NAS1922-0125-1		.CLAMP-HOSE	002004 006100	8
240	BACC10DK8A		.CLAMP	002004 006100	3
			ATTACHING PARTS		
- 245	NAS603-7P		.SCREW	002004 006100	3
- 250	AN960PD10L		.WASHER	002004 006100	3
			-----*-----		
255	BACC10DK20		.CLAMP-NYLON	002004 006100	1
			ATTACHING PARTS		
260	NAS603-10P		.SCREW	002004 006100	1
265	AN960PD10L		.WASHER	002004 006100	1
			-----*-----		
270	2A124-0103-11		.ANGLE- SUPPLIER CODE: VS5825	002004 006100	1
			ATTACHING PARTS		
- 275	NAS603-5P		.SCREW	002004 006100	1
- 280	AN960PD10L		.WASHER	002004 006100	1
			-----*-----		
285	MS21924J6		.UNION	002004 006100	1
			ATTACHING PARTS		
290	AN960-916		.WASHER	002004 006100	2
295	AN924-6J		.NUT	002004 006100	1
			-----*-----		

MISSING ITEM NUMBERS NOT APPLICABLE

- ITEM NOT ILLUSTRATED

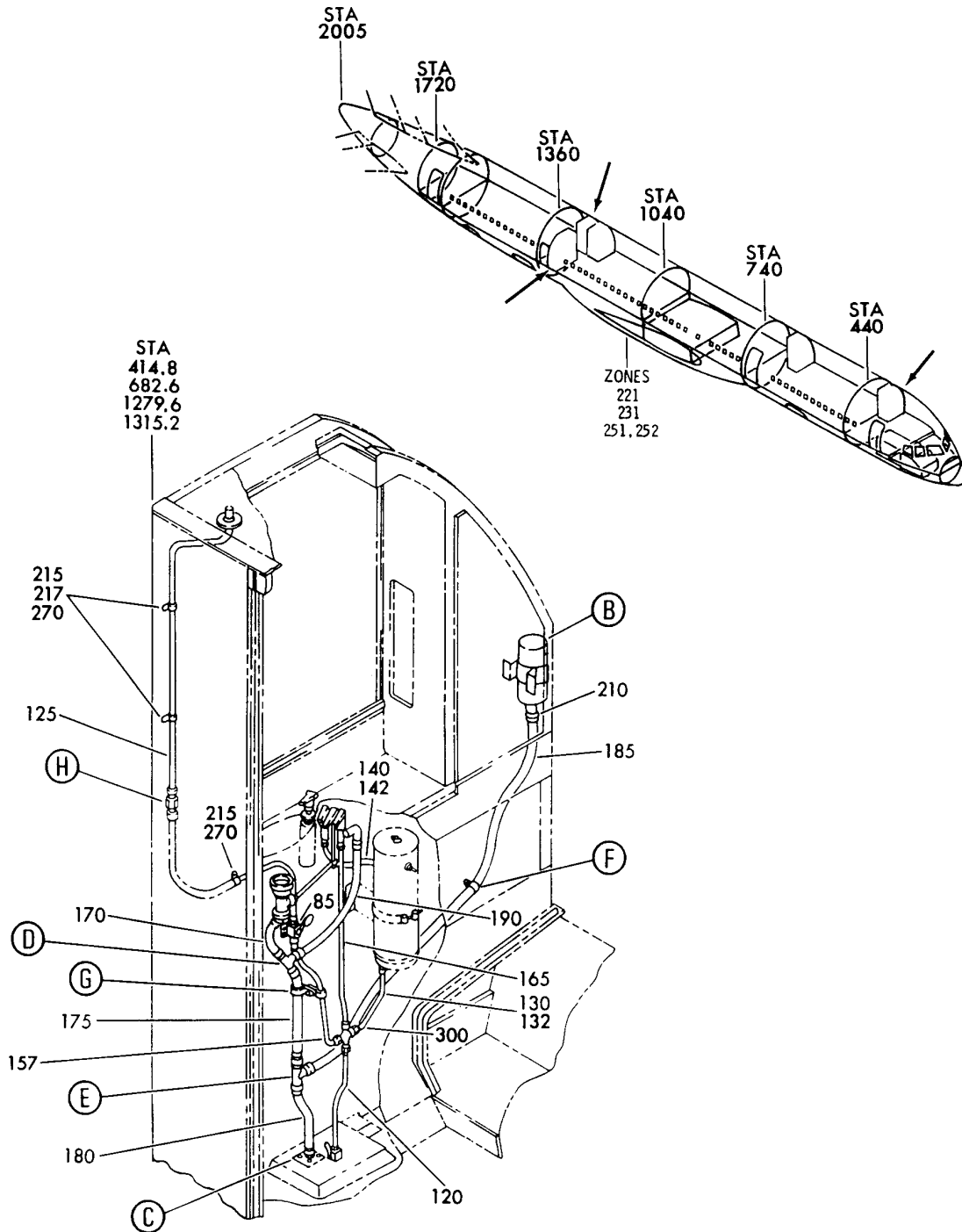
38-11-51-02D

38-11-51
FIG. 02D
PAGE 5
JAN 20/09

BRI

BOEING PROPRIETARY - Copyright © - Unpublished Work - See title page for details.

BOEING
757
PARTS CATALOG (MAINTENANCE)



Y 38115102E SHT 1 REV 237

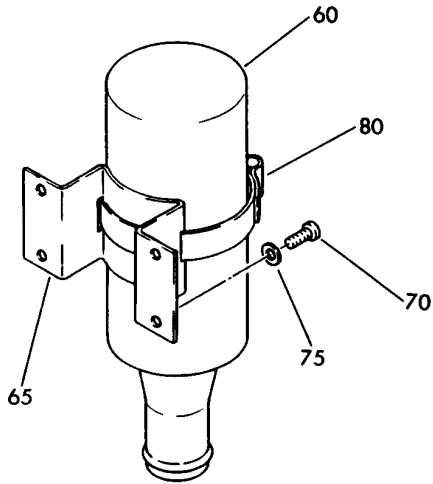
PLUMBING ASSY-LAV (STORAGE AND DISTRIBUTION ONLY)
FIGURE 2E (SHEET 1)

38-11-51-02E

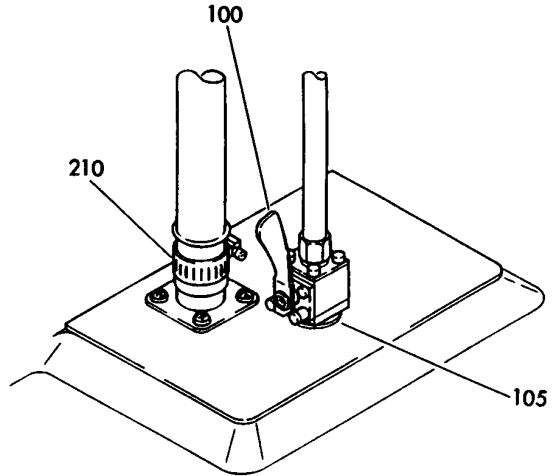
BRI
JAN 20/09

38-11-51-02E
PAGE 0

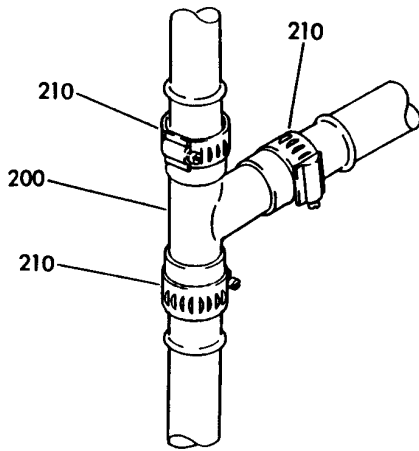
BOEING
757
PARTS CATALOG (MAINTENANCE)



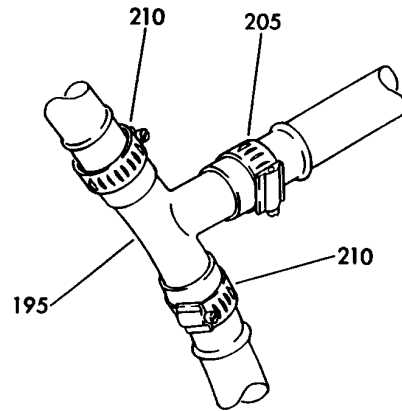
(B)



(C)



(E)



(D)

Y 38115102E SHT 2 REV 144

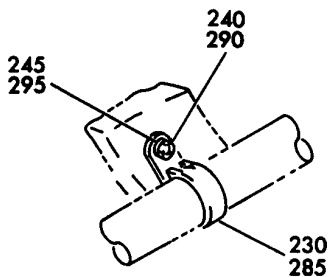
PLUMBING ASSY-LAV (STORAGE AND DISTRIBUTION ONLY)
FIGURE 2E (SHEET 2)

38-11-51-02E

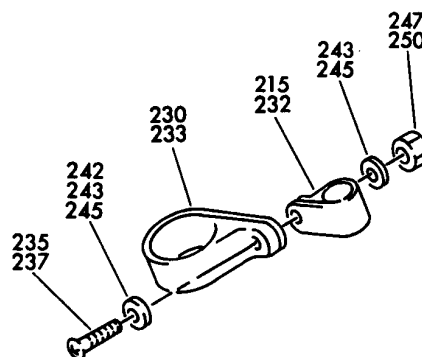
BRI
JAN 20/09

38-11-51-02E
PAGE 0A

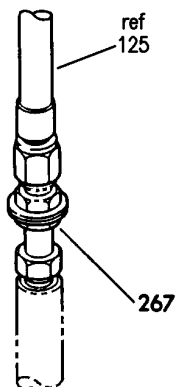
BOEING
757
PARTS CATALOG (MAINTENANCE)



(F)



(G)



(H)

Y 38115102E SHT 3 REV 237

PLUMBING ASSY-LAV (STORAGE AND DISTRIBUTION ONLY)
FIGURE 2E (SHEET 3)

38-11-51-02E

BRI
JAN 20/09

38-11-51-02E
PAGE 0B



757

PARTS CATALOG (MAINTENANCE)

FIG ITEM	PART NUMBER	1 2 3 4 5 6 7	NOMENCLATURE	EFFECT FROM TO	UNITS PER ASSY
2E			PLUMBING ASSY-LAV (STORAGE AND DISTRIBUTION ONLY)	950951	
- 10	0A122-0020-11		PLUMBING ASSY-LAV D (STOWAGE AND DISTRIBUTION ONLY) SUPPLIER CODE: VS5825 FOR NHA/OTHER SYS DET SEE: 25-41-04-43	950951	RF
- 20	0A122-0020-81		PLUMBING ASSY-LAV S (STOWAGE AND DISTRIBUTION ONLY) SUPPLIER CODE: VS5825 FOR NHA/OTHER SYS DET SEE: 25-41-03-08A	950951	RF
55	AE102-11		.SLEEVE-FIRE PROTECTION SUPPLIER CODE: V00624	950951	1
60	2A081-0621-1		.MUFFLER-DRAIN SUPPLIER CODE: VS5825 CONFIG CHG DATA FROM A CMM: SUPERSEDES 813200-403	950951	1
65	2A114-0081-3		.SUPPORT-MUFFLER SUPPLIER CODE: VS5825	950951	1
70	NAS603-4P		ATTACHING PARTS .SCREW	950951	4
75	AN960PD10L		.WASHER	950951	4
			-----*-----		
80	M630102-67		.CLAMP- CONFIG CHG DATA FROM A CMM: SUPERSEDES M630046-67	950951	1
85	1A081-0217-1		.VALVE-SHUT OFF SUPPLIER CODE: VS5825 SPECIFICATION NUMBER: 10-61267-7	950951	1
			ATTACHING PARTS		
90	NAS603-5P		.SCREW	950951	4
- 95	AN960PD10L		.WASHER	950951	4
			-----*-----		

MISSING ITEM NUMBERS NOT APPLICABLE

- ITEM NOT ILLUSTRATED

38-11-51-02E

38-11-51
FIG. 02E
PAGE 1
JAN 20/09

BRI

BOEING PROPRIETARY - Copyright © - Unpublished Work - See title page for details.



757

PARTS CATALOG (MAINTENANCE)

FIG ITEM	PART NUMBER	1 2 3 4 5 6 7	NOMENCLATURE	EFFECT FROM TO	UNITS PER ASSY
2E 100	1A081-0216-1	.	VALVE-SHUTOFF SUPPLIER CODE: VS5825 SPECIFICATION NUMBER: 10-61267-6 CONFIG CHG DATA FROM A CMM: SUPERSEDES 6D187-6 OPTIONAL PART: 6D187-6 V82829 6D187-3 V82829 ATTACHING PARTS	950951	1
105	AN960-916	.	WASHER	950951	2
- 110	AN924-6J	.	NUT -----*-----	950951	1
115	MS21906J6	.	CROSS	950951	1
120	A1650-611	.	HOSE ASSY- SUPPLIER CODE: V98441 SPECIFICATION NUMBER: 10-61998-611 CONFIG CHG DATA FROM A CMM: SUPSD BY AS4469-06-0082 OPTIONAL PART: AE1010603G0085 V00624	950951	1
120	AS4469-06-0082	.	HOSE ASSY- CONFIG CHG DATA FROM A CMM: SUPERSEDES A1650-611	950951	1
125	A1650-616	.	HOSE ASSY- SUPPLIER CODE: V98441 SPECIFICATION NUMBER: 10-61998-616 CONFIG CHG DATA FROM A CMM: SUPSD BY AS4469-06-0361 OPTIONAL PART: AE1010603G0364 V00624	950951	1
125	AS4469-06-0361	.	HOSE ASSY- CONFIG CHG DATA FROM A CMM: SUPERSEDES A1650-616	950951	1

MISSING ITEM NUMBERS NOT APPLICABLE

- ITEM NOT ILLUSTRATED

38-11-51-02E

38-11-51
FIG. 02E
PAGE 2
JAN 20/09

BRI

BOEING PROPRIETARY - Copyright © - Unpublished Work - See title page for details.



757

PARTS CATALOG (MAINTENANCE)

FIG ITEM	PART NUMBER	1 2 3 4 5 6 7	NOMENCLATURE	EFFECT FROM TO	UNITS PER ASSY
2E 130	A1650-618		.HOSE ASSY- LAV C LAV K SUPPLIER CODE: V98441 SPECIFICATION NUMBER: 10-61998-618 CONFIG CHG DATA FROM A CMM: SUPSD BY AS4470-06-0100 OPTIONAL PART: AE1010604G0104 V00624	950951	1
130	AS4470-06-0100		.HOSE ASSY- LAV C LAV K CONFIG CHG DATA FROM A CMM: SUPERSEDES A1650-618	950951	1
132	AS4470-06-0114		.HOSE ASSY- LAV D AND S LAV M AND T CONFIG CHG DATA FROM A CMM: SUPERSEDES A1650-619	950951	1
- 135	A1650-619		.HOSE ASSY-LAV D AND S B AND D SUPPLIER CODE: V98441 SPECIFICATION NUMBER: 10-61998-619 CONFIG CHG DATA FROM A CMM: SUPSD BY AS4470-06-0114 OPTIONAL PART: AE1010604G0116 V00624	950951	1
140	A1650-620		.HOSE ASSY- LAV C LAV K SUPPLIER CODE: V98441 SPECIFICATION NUMBER: 10-61998-620 CONFIG CHG DATA FROM A CMM: SUPSD BY AS4470-06-0116 OPTIONAL PART: AE1010604G0120 V00624	950951	1

MISSING ITEM NUMBERS NOT APPLICABLE

- ITEM NOT ILLUSTRATED

38-11-51-02E

38-11-51
FIG. 02E
PAGE 3
JAN 20/09

BRI

BOEING PROPRIETARY - Copyright © - Unpublished Work - See title page for details.



757

PARTS CATALOG (MAINTENANCE)

FIG ITEM	PART NUMBER	1 2 3 4 5 6 7	NOMENCLATURE	EFFECT FROM TO	UNITS PER ASSY
2E 140	AS4470-06-0116	.HOSE ASSY-	LAV C LAV K CONFIG CHG DATA FROM A CMM: SUPERSEDES A1650-620	950951	1
142	AS4473G0134-225	.HOSE ASSY-	LAV D AND S LAV M AND T CONFIG CHG DATA FROM A CMM: SUPERSEDES A1650-640	950951	1
- 145	A1650-640	.HOSE ASSY-LAV	D AND S B AND D SUPPLIER CODE: V98441 SPECIFICATION NUMBER: 10-61998-640 CONFIG CHG DATA FROM A CMM: SUPSD BY AS4473G0134-225 OPTIONAL PART: AE4774G0135-225 V00624	950951	1
150	A1650-631	.HOSE ASSY-	SUPPLIER CODE: V98441 SPECIFICATION NUMBER: 10-61998-631 CONFIG CHG DATA FROM A CMM: SUPSD BY AS4472G0205-180 OPTIONAL PART: AE4773G0207-180 V00624	950951	1
150	AS4472G0205-180	.HOSE ASSY-	CONFIG CHG DATA FROM A CMM: SUPERSEDES A1650-631	950951	1
155	A1650-189	.HOSE ASSY-	LAV C LAV G SUPPLIER CODE: V98441 SPECIFICATION NUMBER: 10-61998-189 CONFIG CHG DATA FROM A CMM: SUPSD BY AS4471-06-0137 OPTIONAL PART: AE1010605G0140 V00624 R29282-6-0140 V50599	950951	1

MISSING ITEM NUMBERS NOT APPLICABLE

- ITEM NOT ILLUSTRATED

38-11-51-02E

38-11-51
FIG. 02E
PAGE 4
JAN 20/09

BRI



757

PARTS CATALOG (MAINTENANCE)

FIG ITEM	PART NUMBER	1 2 3 4 5 6 7	NOMENCLATURE	EFFECT FROM TO	UNITS PER ASSY
2E 155	AS4471-06-0137	.	HOSE ASSY-LAV C CONFIG CHG DATA FROM A CMM: SUPERSEDES A1650-189	950951	1
- 160	A1650-642	.	HOSE ASSY-LAV D AND S B AND D SUPPLIER CODE: V98441 SPECIFICATION NUMBER: 10-61998-642 CONFIG CHG DATA FROM A CMM: SUPSD BY AS4473G0143-045 OPTIONAL PART: AE4774G0144-045 V00624	950951	1
- 160	AS4473G0143-045	.	HOSE ASSY-LAV D AND S CONFIG CHG DATA FROM A CMM: SUPERSEDES A1650-642	950951	1
165	A1650-624	.	HOSE ASSY- SUPPLIER CODE: V98441 SPECIFICATION NUMBER: 10-61998-624 CONFIG CHG DATA FROM A CMM: SUPSD BY AS4470-06-0214 OPTIONAL PART: AE1010604G0216 V00624	950951	1
165	AS4470-06-0214	.	HOSE ASSY- CONFIG CHG DATA FROM A CMM: SUPERSEDES A1650-642	950951	1
170	2A081-0598-1	.	HOSE ASSY-DRAIN SUPPLIER CODE: VS5825 CONFIG CHG DATA FROM A CMM: SUPSD BY IT4350-314 SUPSD BY BOE2013-0314	950951	1
170	BOE2013-0314	.	HOSE ASSY-DRAIN SUPPLIER CODE: V16632 SPECIFICATION NUMBER: 69-27191-314 CONFIG CHG DATA FROM A CMM: SUPERSEDES 2A081-0598-1 OPTIONAL PART: 713488-314 V70628 IT4350-314 V26831	950951	1

MISSING ITEM NUMBERS NOT APPLICABLE

- ITEM NOT ILLUSTRATED

38-11-51-02E

38-11-51
FIG. 02E
PAGE 5
JAN 20/09

BRI

BOEING PROPRIETARY - Copyright © - Unpublished Work - See title page for details.



757

PARTS CATALOG (MAINTENANCE)

FIG ITEM	PART NUMBER	1 2 3 4 5 6 7	NOMENCLATURE	EFFECT FROM TO	UNITS PER ASSY
2E 170	IT4350-314		.HOSE ASSY-DRAIN SUPPLIER CODE: V26831 SPECIFICATION NUMBER: 69-27191-314 OPTIONAL PART: 713488-314 V70628 BOE2013-0314 V16632	950951	1
170	713488-314		.HOSE-DRAIN SUPPLIER CODE: V70628 SPECIFICATION NUMBER: 69-27191-314 OPTIONAL PART: IT4350-314 V26831 BOE2013-0314 V16632	950951	1
175	2A081-0598-2		.HOSE ASSY-DRAIN SUPPLIER CODE: VS5825 CONFIG CHG DATA FROM A CMM: SUPSD BY IT4350-179 SUPSD BY IT4350-344 SUPSD BY 69-27191-179	950951	1
175	69-27191-179		.HOSE ASSY-DRAIN CONFIG CHG DATA FROM A CMM: SUPERSEDES 2A081-0598-2	950951	1
180	2A081-0598-7		.HOSE ASSY-DRAIN SUPPLIER CODE: VS5825 CONFIG CHG DATA FROM A CMM: SUPSD BY IT4350-398 SUPSD BY BOE2013-0398	950951	1
180	BOE2013-0398		.HOSE ASSY-DRAIN SUPPLIER CODE: V16632 SPECIFICATION NUMBER: 69-27191-398 CONFIG CHG DATA FROM A CMM: SUPERSEDES 2A081-0598-7 OPTIONAL PART: IT4350-398 V26831	950951	1

MISSING ITEM NUMBERS NOT APPLICABLE

- ITEM NOT ILLUSTRATED

38-11-51-02E

38-11-51
FIG. 02E
PAGE 6
JAN 20/09

BRI

BOEING PROPRIETARY - Copyright © - Unpublished Work - See title page for details.



757

PARTS CATALOG (MAINTENANCE)

FIG ITEM	PART NUMBER	1 2 3 4 5 6 7	NOMENCLATURE	EFFECT FROM TO	UNITS PER ASSY
2E 185	2A081-0598-12	.	HOSE ASSY-DRAIN SUPPLIER CODE: VS5825 CONFIG CHG DATA FROM A CMM: SUPSD BY IT4350-399 SUPSD BY BOE2013-0399	950951	1
185	2A081-0598-12	.	HOSE ASSY-DRAIN SUPPLIER CODE: VS5825 CONFIG CHG DATA FROM A CMM: SUPSD BY IT4350-399	950951	1
185	IT4350-399	.	HOSE ASSY-DRAIN SUPPLIER CODE: V26831 SPECIFICATION NUMBER: 69-27191-399 CONFIG CHG DATA FROM A CMM: SUPERSEDES 2A081-0598-12 OPTIONAL PART: BOE2013-0399 V16632	950951	1
185	BOE2013-0399	.	HOSE ASSY-DRAIN SUPPLIER CODE: V16632 SPECIFICATION NUMBER: 69-27191-399 CONFIG CHG DATA FROM A CMM: SUPERSEDES 2A081-0598-12 OPTIONAL PART: IT4350-399 V26831	950951	1
190	2A081-0597-1	.	HOSE ASSY-DRAIN SUPPLIER CODE: VS5825 CONFIG CHG DATA FROM A CMM: SUPSD BY IT4350-305 SUPSD BY 69-27191-305	950951	1
190	IT4350-305	.	HOSE ASSY-DRAIN SUPPLIER CODE: VS5825 SPECIFICATION NUMBER: 69-27191-305 CONFIG CHG DATA FROM A CMM: SUPERSEDES 2A081-0597-1	950951	1
190	69-27191-305	.	HOSE ASSY-DRAIN CONFIG CHG DATA FROM A CMM: SUPERSEDES 2A081-0597-1	950951	1

MISSING ITEM NUMBERS NOT APPLICABLE

- ITEM NOT ILLUSTRATED

38-11-51-02E

38-11-51
FIG. 02E
PAGE 7
JAN 20/09

BRI

BOEING PROPRIETARY - Copyright © - Unpublished Work - See title page for details.



757

PARTS CATALOG (MAINTENANCE)

FIG ITEM	PART NUMBER	1 2 3 4 5 6 7	NOMENCLATURE	EFFECT FROM TO	UNITS PER ASSY
2E					
195	2A114-0141-1		.TUBE ASSY-OVER FLOW SUPPLIER CODE: VS5825	950951	1
200	2A114-0142-1		.TUBE ASSY-DRAIN SUPPLIER CODE: VS5825	950951	1
205	NAS1922-0100-1		.CLAMP-HOSE	950951	2
210	NAS1922-0125-1		.CLAMP-HOSE	950951	8
215	BACC10DK9A		.CLAMP-NYLON ATTACHING PARTS	950951	4
- 220	NAS603-7P		.SCREW	950951	3
- 225	AN960PD10L		.WASHER	950951	3
			-----*-----		
230	BACC10DK20		.CLAMP-NYLON ATTACHING PARTS	950951	2
235	NAS603-12P		.SCREW	950951	2
240	NAS603-8P		.SCREW	950951	2
245	AN960PD10L		.WASHER	950951	6
250	NAS679A3		.NUT	950951	2
			-----*-----		
255	MS21924J6		.UNION ATTACHING PARTS	950951	1
260	AN960-916		.WASHER	950951	2
265	AN924-6J		.NUT	950951	1
			-----*-----		

MISSING ITEM NUMBERS NOT APPLICABLE

- ITEM NOT ILLUSTRATED

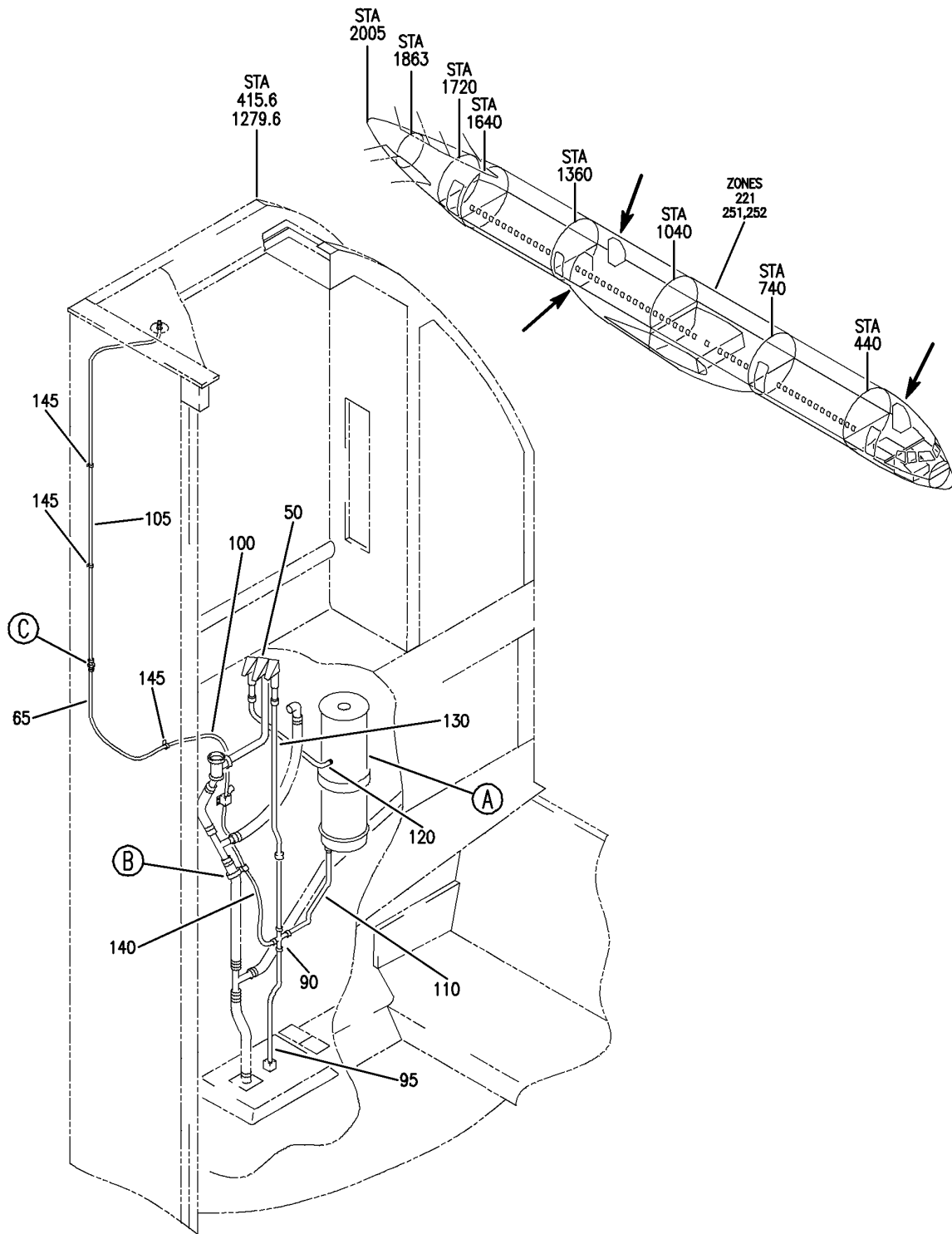
38-11-51-02E

38-11-51
FIG. 02E
PAGE 8
JAN 20/09

BRI

BOEING PROPRIETARY - Copyright © - Unpublished Work - See title page for details.

BOEING
757
PARTS CATALOG (MAINTENANCE)



Y 38115102L SHT 1 REV 240

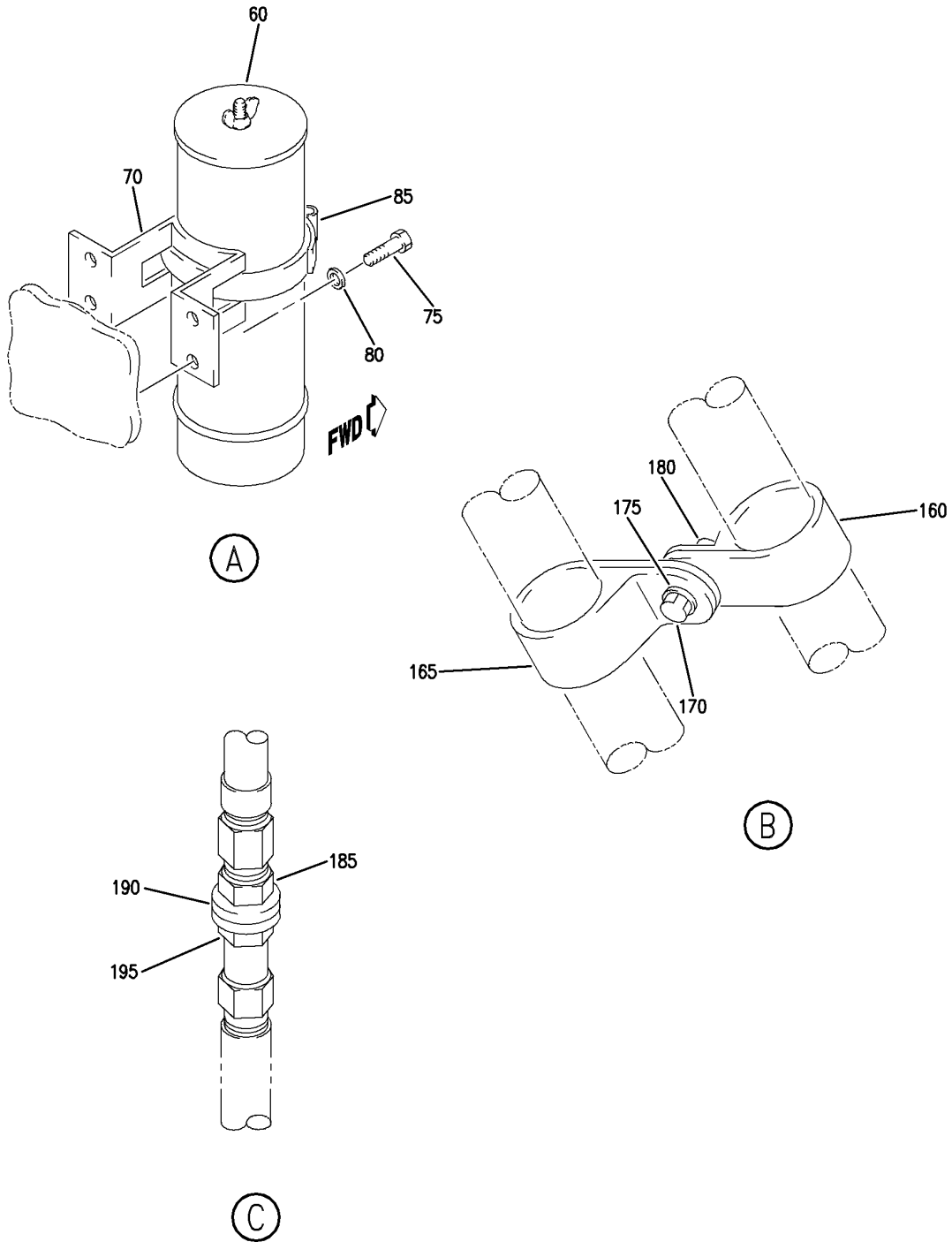
PLUMBING ASSY-LAV (STOWAGE AND DISTRIBUTION ONLY)
FIGURE 2L (SHEET 1)

38-11-51-02L

BRI
JAN 20/09

38-11-51-02L
PAGE 0

BOEING
757
PARTS CATALOG (MAINTENANCE)



Y 38115102L SHT 2 REV 240

PLUMBING ASSY-LAV (STOWAGE AND DISTRIBUTION ONLY)
FIGURE 2L (SHEET 2)

38-11-51-02L

BRI
JAN 20/09

38-11-51-02L
PAGE 0A



757

PARTS CATALOG (MAINTENANCE)

FIG ITEM	PART NUMBER	1 2 3 4 5 6 7	NOMENCLATURE	EFFECT FROM TO	UNITS PER ASSY
2L			PLUMBING ASSY-LAV (STOWAGE AND DISTRIBUTION ONLY)	107107	
- 1	0A122-0020-31		PLUMBING ASSY-LAV D (STOWAGE AND DISTRIBUTION ONLY) SUPPLIER CODE: VS5825 FOR NHA/ADDITIONAL DET SEE: 25-41-03-51B	107107	RF
- 5	0A122-0020-32		PLUMBING ASSY-LAV C (STOWAGE AND DISTRIBUTION ONLY) SUPPLIER CODE: VS5825 FOR NHA/ADDITIONAL DET SEE: 25-41-03-50B	107107	RF
- 10	0A122-0020-21		PLUMBING ASSY-LAV F (STOWAGE AND DISTRIBUTION ONLY) SUPPLIER CODE: VS5825 FOR NHA/ADDITIONAL DET SEE: 25-41-01-09E	107107	RF
50	600420-2		. FAUCET AND DRAIN ASSY- SUPPLIER CODE: V80477 SPECIFICATION NUMBER: 60B50027-20 CONFIG CHG DATA FROM A CMM: SUPSD BY 1A081-0212-1 COMPONENT MAINT MANUAL REF: 38-11-01 OPTIONAL PART: 1A081-0212-1 VS5825 FOR DETAILS SEE: 38-11-04-01B	107107	1

MISSING ITEM NUMBERS NOT APPLICABLE

- ITEM NOT ILLUSTRATED

38-11-51-02L

38-11-51
FIG. 02L
PAGE 1
JAN 20/09

BRI



757

PARTS CATALOG (MAINTENANCE)

FIG ITEM	PART NUMBER	1 2 3 4 5 6 7	NOMENCLATURE	EFFECT FROM TO	UNITS PER ASSY
2L 50	1A081-0212-1		. FAUCET AND DRAIN ASSY- SUPPLIER CODE: VS5825 SPECIFICATION NUMBER: 60B50027-20 SB DATA FROM A CMM: PRE 1A081-0212-83 CONFIG CHG DATA FROM A CMM: SUPERSEDES 600420-2 COMPONENT MAINT MANUAL REF: 25-41-14 OPTIONAL PART: 600420-2 V80477 FOR DETAILS SEE: 38-11-04-01	107107	1
50	1A081-0212-11		. FAUCET AND DRAIN ASSY- SUPPLIER CODE: VS5825 SPECIFICATION NUMBER: 60B50027-20 SB DATA FROM A CMM: POST 1A081-0212-83 COMPONENT MAINT MANUAL REF: 25-41-14 FOR DETAILS SEE: 38-11-04-01A	107107	1
60	8921340G1		. HEATER ASSY-WATER H1 SUPPLIER CODE: V13545 SPECIFICATION NUMBER: 60B50064-1 CONFIG CHG DATA FROM A CMM: SUPSD BY 24E507040G01 COMPONENT MAINT MANUAL REF: 38-10-02 OPTIONAL PART: 1A081-0157-12 VS5825 FOR DETAILS SEE: 38-13-51-50	107107	1

MISSING ITEM NUMBERS NOT APPLICABLE

- ITEM NOT ILLUSTRATED

38-11-51-02L

38-11-51
FIG. 02L
PAGE 2
JAN 20/09

BRI

BOEING
757
PARTS CATALOG (MAINTENANCE)

FIG ITEM	PART NUMBER	1 2 3 4 5 6 7	NOMENCLATURE	EFFECT FROM TO	UNITS PER ASSY
2L 60	24E507040G01		.HEATER ASSY-WATER H1 SUPPLIER CODE: VOAJJO SPECIFICATION NUMBER: 60B50064-2 CONFIG CHG DATA FROM A CMM: SUPERSEDES 8921340G1 SUPSD BY 1A081-0157-12 COMPONENT MAINT MANUAL REF: 38-13-51 FOR DETAILS SEE: 38-13-51-50A	107107	1
60	1A081-0157-12		.HEATER ASSY-WATER H1 SUPPLIER CODE: VS5825 CONFIG CHG DATA FROM A CMM: SUPERSEDES 24E0507040G01 COMPONENT MAINT MANUAL REF: 25-41-15 FUNCTIONAL REFERENCE: LIGHTS FOR DETAILS SEE 33-26-52-20 WATER/WASTE FOR DETAILS SEE 38-13-51-10G	107107	1
60	24E507040G04		.HEATER ASSY-WATER H1 SUPPLIER CODE: VOAJJO SPECIFICATION NUMBER: 60B50064-4 COMPONENT MAINT MANUAL REF: 38-13-51 FOR DETAILS SEE: 38-13-51-50A	107107	1
65	AE102-11		.SLEEVE-FIRE PROTECTED SUPPLIER CODE: V00624	107107	1
70	2A114-0012-1		.SUPPORT- SUPPLIER CODE: VS5825 ATTACHING PARTS	107107	1
75	NAS603-5P		.SCREW	107107	4
80	AN960PD10L		.WASHER -----*-----	107107	4
85	M630103-102		.CLAMP	107107	1
90	MS21906J6		.CROSS	107107	1

MISSING ITEM NUMBERS NOT APPLICABLE

— ITEM NOT ILLUSTRATED

38-11-51-02L

38-11-51
FIG. 02L
PAGE 3
MAY 20/09

BRI

BOEING PROPRIETARY - Copyright © - Unpublished Work - See title page for details.



757

PARTS CATALOG (MAINTENANCE)

FIG ITEM	PART NUMBER	1 2 3 4 5 6 7	NOMENCLATURE	EFFECT FROM TO	UNITS PER ASSY
2L 95	A1650-611		.HOSE ASSY- SUPPLIER CODE: V98441 SPECIFICATION NUMBER: 10-61998-611 CONFIG CHG DATA FROM A CMM: SUPSDS AS4469-06-0082 OPTIONAL PART: AE1010603G0085 V00624	107107	1
95	AS4469-06-0082		.HOSE ASSY- CONFIG CHG DATA FROM A CMM: SUPERSEDES A1650-611	107107	1
100	A1650-631		.HOSE ASSY- SUPPLIER CODE: V98441 SPECIFICATION NUMBER: 10-61998-631 CONFIG CHG DATA FROM A CMM: SUDSD BY AS4472G0205-180 OPTIONAL PART: AE4773G0207-180 V00624	107107	1
100	AS4472G0205-180		.HOSE ASSY- CONFIG CHG DATA FROM A CMM: SUPERSEDES A1650-631	107107	1
- 110	A1650-619		.HOSE ASSY-LAV D AND F SUPPLIER CODE: V98441 SPECIFICATION NUMBER: 10-61998-619 CONFIG CHG DATA FROM A CMM: SUPSD BY AS4470-06-0114 OPTIONAL PART: AE1010604G0116 V00624	107107	1
- 110	AS4470-06-0114		.HOSE ASSY-LAV D AND F CONFIG CHG DATA FROM A CMM: SUPERSEDES A1650-619	107107	1
- 115	A1650-618		.HOSE ASSY-LAV C SUPPLIER CODE: V98441 SPECIFICATION NUMBER: 10-61998-618 CONFIG CHG DATA FROM A CMM: SUPSD BY AS4470-06-0100 OPTIONAL PART: AE1010604G0104 V00624	107107	1

MISSING ITEM NUMBERS NOT APPLICABLE

- ITEM NOT ILLUSTRATED

38-11-51-02L

38-11-51
FIG. 02L
PAGE 4
MAY 20/09

BRI

BOEING PROPRIETARY - Copyright © - Unpublished Work - See title page for details.



757

PARTS CATALOG (MAINTENANCE)

FIG ITEM	PART NUMBER	1 2 3 4 5 6 7	NOMENCLATURE	EFFECT FROM TO	UNITS PER ASSY
2L					
- 115	AS4470-06-0100		.HOSE ASSY-LAV C CONFIG CHG DATA FROM A CMM: SUPERSEDES A1650-618	107107	1
- 120	A1650-640		.HOSE ASSY-LAV D AND F SUPPLIER CODE: V98441 SPECIFICATION NUMBER: 10-61998-640 CONFIG CHG DATA FROM A CMM: SUPSD BY AS4473G0134-225 OPTIONAL PART: AE4774G0135-225 V00624	107107	1
- 120	AS4473G0134-225		.HOSE ASSY-LAV D AND F CONFIG CHG DATA FROM A CMM: SUPERSEDES A1650-640	107107	1
125	A1650-620		.HOSE ASSY-LAV C SUPPLIER CODE: V98441 SPECIFICATION NUMBER: 10-61998-620 CONFIG CHG DATA FROM A CMM: SUPSD BY AS4470-06-0116 OPTIONAL PART: AE1010604G0120 V00624	107107	1
125	AS4470-06-0116		.HOSE ASSY-LAV C CONFIG CHG DATA FROM A CMM: SUPERSEDES A1650-620	107107	1
130	A1650-624		.HOSE ASSY- SUPPLIER CODE: V98441 SPECIFICATION NUMBER: 10-61998-624 CONFIG CHG DATA FROM A CMM: SUPSD BY AS4470-06-0214 OPTIONAL PART: AE1010604G0216 V00624	107107	1
130	AS4470-06-0214		.HOSE ASSY- CONFIG CHG DATA FROM A CMM: SUPERSEDES A1650-642	107107	1

MISSING ITEM NUMBERS NOT APPLICABLE

- ITEM NOT ILLUSTRATED

38-11-51-02L

38-11-51
FIG. 02L
PAGE 5
MAY 20/09

BRI

BOEING PROPRIETARY - Copyright © - Unpublished Work - See title page for details.



757

PARTS CATALOG (MAINTENANCE)

FIG ITEM	PART NUMBER	1 2 3 4 5 6 7	NOMENCLATURE	EFFECT FROM TO	UNITS PER ASSY
2L 135	A1650-189		.HOSE ASSY-LAV C SUPPLIER CODE: V98441 SPECIFICATION NUMBER: 10-61998-189 CONFIG CHG DATA FROM A CMM: SUPSD BY AS4471-06-0137 OPTIONAL PART: AE1010605G0140 V00624 R29282-6-0140 V50599	107107	1
135	AS4471-06-0137		.HOSE ASSY-LAV C CONFIG CHG DATA FROM A CMM: SUPERSEDES A1650-189	107107	1
140	A1650-642		.HOSE ASSY-LAV D AND F SUPPLIER CODE: V98441 SPECIFICATION NUMBER: 10-61998-642 CONFIG CHG DATA FROM A CMM: SUPSD BY AS4473G0143-045 OPTIONAL PART: AE4774G0144-045 V00624	107107	1
140	AS4473G0143-045		.HOSE ASSY-LAV D AND F CONFIG CHG DATA FROM A CMM: SUPERSEDES A1650-642	107107	1
145	BACC10DK9A		.CLAMP ATTACHING PARTS	107107	3
- 150	NAS603-7P		.SCREW	107107	3
- 155	AN960PD10L		.WASHER	107107	3
			-----*-----		
160	BACC10DK9A		.CLAMP	107107	1
165	BACC10DK20		.CLAMP ATTACHING PARTS	107107	1
170	NAS603-12P		.SCREW	107107	1
175	AN960PD10L		.WASHER	107107	1
180	NAS679A3		.NUT	107107	1
			-----*-----		
185	MS21924J6		.UNION ATTACHING PARTS	107107	1
190	AN960-916		.WASHER	107107	2
195	AN924-6J		.NUT	107107	1
			-----*-----		

MISSING ITEM NUMBERS NOT APPLICABLE

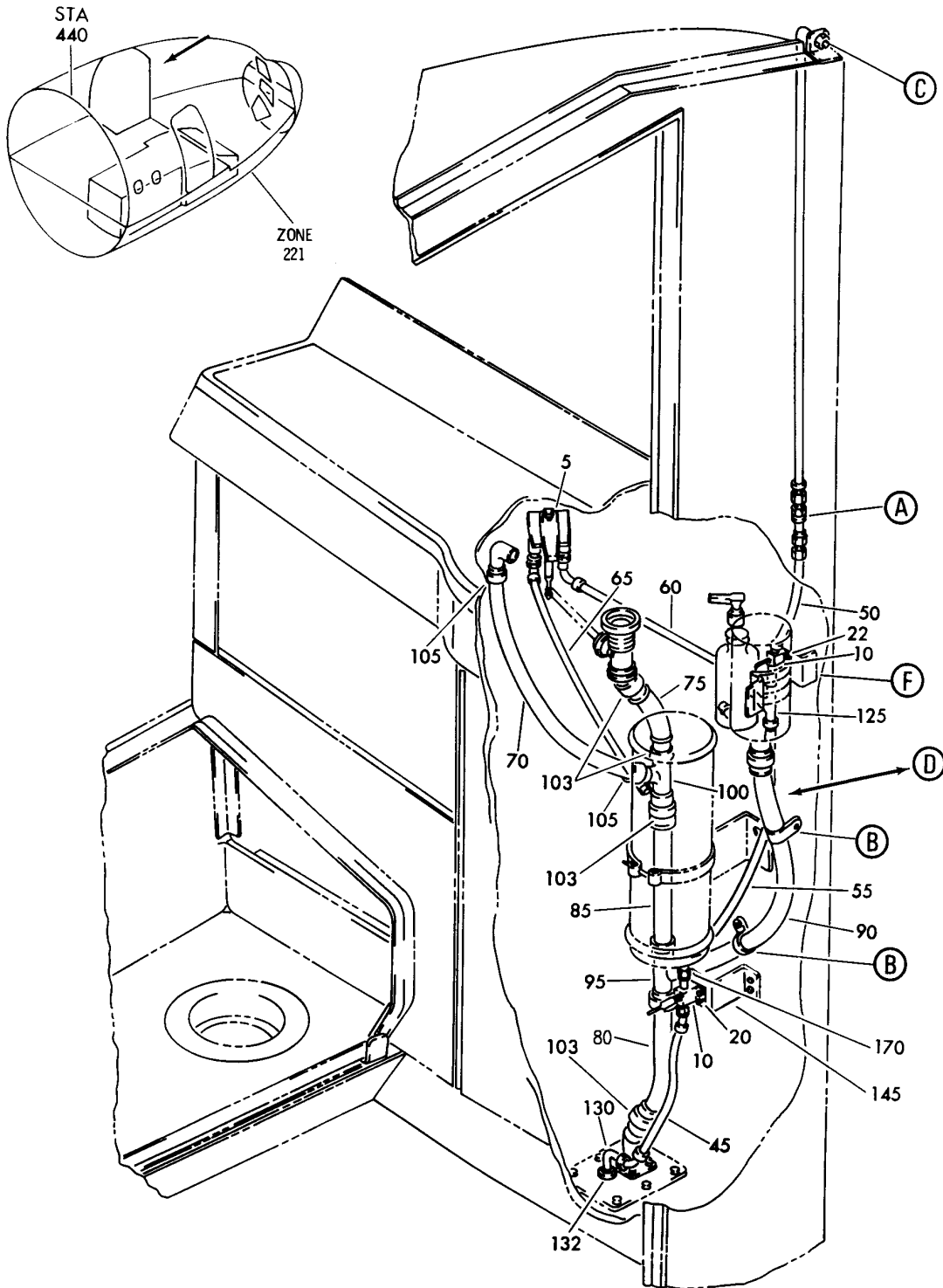
- ITEM NOT ILLUSTRATED

38-11-51-02L

38-11-51
FIG. 02L
PAGE 6
JAN 20/09

BRI

BOEING
757
PARTS CATALOG (MAINTENANCE)



Y 38115103 SH1 1 REV 268

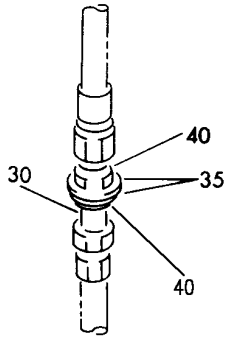
PLUMBING AND CABINET ASSY (STOWAGE AND DISTRIBUTION ONLY)
FIGURE 3 (SHEET 1)

38-11-51-03

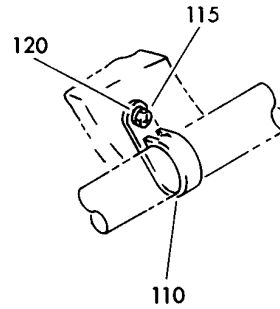
BRI
JAN 20/09

38-11-51-03
PAGE 0

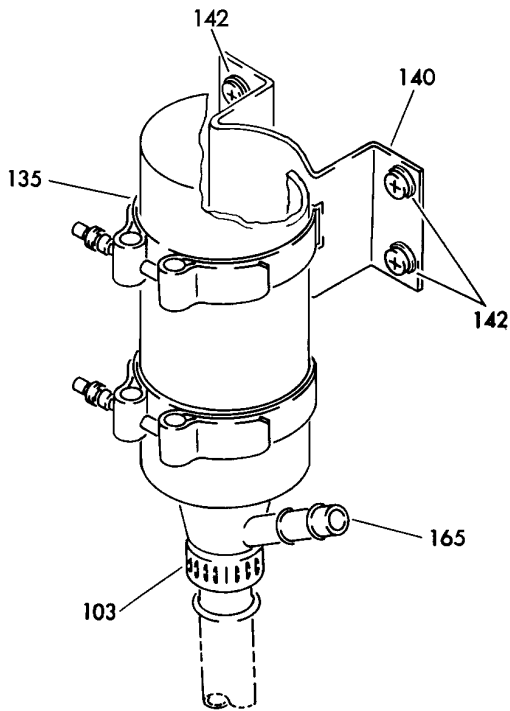
BOEING
757
PARTS CATALOG (MAINTENANCE)



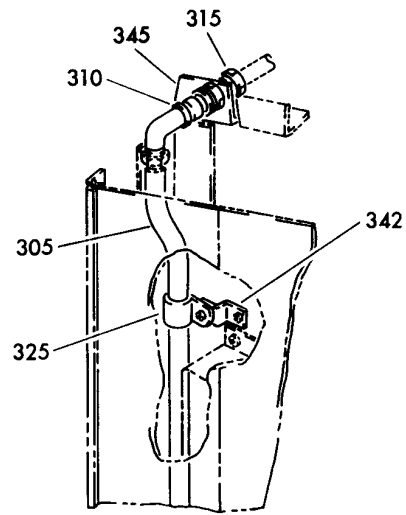
(A)



(B)



(F)



(C)

Y 38115103 SHT 2 REV 268

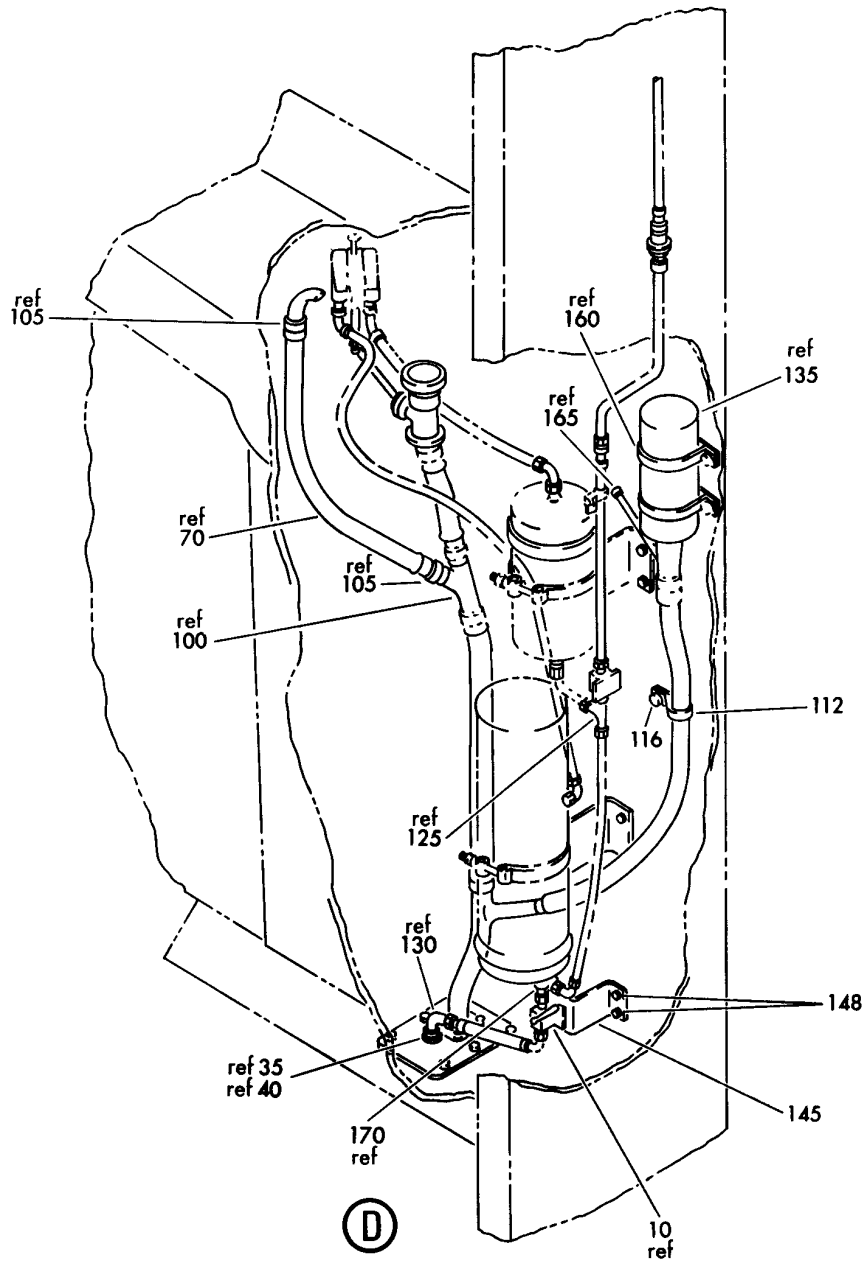
PLUMBING AND CABINET ASSY (STOWAGE AND DISTRIBUTION ONLY)
FIGURE 3 (SHEET 2)

38-11-51-03

BRI
JAN 20/09

38-11-51-03
PAGE 0A

BOEING
757
PARTS CATALOG (MAINTENANCE)



Y 38115103 SH1 3 REV 332

PLUMBING AND CABINET ASSY (STOWAGE AND DISTRIBUTION ONLY)
FIGURE 3 (SHEET 3)

38-11-51-03

BRI
MAY 20/09

38-11-51-03
PAGE 0B



757

PARTS CATALOG (MAINTENANCE)

FIG ITEM	PART NUMBER	1 2 3 4 5 6 7	NOMENCLATURE	EFFECT FROM TO	UNITS PER ASSY
3			PLUMBING AND CABINET ASSY (STOWAGE AND DISTRIBUTION ONLY)	952999	
- 1	0A112-0021-31		PLUMBING ASSY-LAV A (STOWAGE AND DISTRIBUTION ONLY) SUPPLIER CODE: VS5825 FOR NHA/OTHER SYS DET SEE: 25-41-01-06	952999	RF
10	1A081-0217-1		. VALVE-SHUT OFF SUPPLIER CODE: VS5825 SPECIFICATION NUMBER: 10-61267-7 ATTACHING PARTS	952999	2
- 17	NAS603-7P		. SCREW	952999	4
20	NAS603-7P		. SCREW	952999	4
- 25	AN960PD10L		. WASHER	952999	8
			-----*-----		
30	MS21924J6		. UNION ATTACHING PARTS	952999	1
35	AN960-916		. WASHER	952999	2
40	AN924-6J		. NUT	952999	2
			-----*-----		
45	A1650-617		. HOSE ASSY- SUPPLIER CODE: V98441 SPECIFICATION NUMBER: 10-61998-617 CONFIG CHG DATA FROM A CMM: SUPERSEDES 3A113-0182-1 OPTIONAL PART: AE1010604G0072 V00624	952999	1
50	A1650-621		. HOSE ASSY- SUPPLIER CODE: V98441 SPECIFICATION NUMBER: 10-61998-621 CONFIG CHG DATA FROM A CMM: SUPERSEDES 78302-6-0124 OPTIONAL PART: AE1010604G0124 V00624	952999	1

MISSING ITEM NUMBERS NOT APPLICABLE

- ITEM NOT ILLUSTRATED

38-11-51-03

38-11-51
FIG. 03
PAGE 1
JAN 20/09

BRI



757

PARTS CATALOG (MAINTENANCE)

FIG ITEM	PART NUMBER	1 2 3 4 5 6 7	NOMENCLATURE	EFFECT FROM TO	UNITS PER ASSY
3					
55	A1650-630		.HOSE ASSY- SUPPLIER CODE: V98441 SPECIFICATION NUMBER: 10-61998-630 CONFIG CHG DATA FROM A CMM: SUPERSEDES 78303-6-0150 OPTIONAL PART: AE1010605G0160 V00624	952999	1
60	A1650-641		.HOSE ASSY- SUPPLIER CODE: V98441 SPECIFICATION NUMBER: 10-61998-641 CONFIG CHG DATA FROM A CMM: SUPERSEDES 78305-6-0141000 OPTIONAL PART: AE4774G0141-000 V00624	952999	1
65	A1650-637		.HOSE ASSY- SUPPLIER CODE: V98441 SPECIFICATION NUMBER: 10-61998-637 CONFIG CHG DATA FROM A CMM: SUPERSEDES 78306-6-0222000 OPTIONAL PART: AE4775G0222-000 V00624	952999	1
70	2A081-0597-4		.HOSE ASSY-DRAIN SUPPLIER CODE: VS5825	952999	1
75	2A081-0598-1		.HOSE ASSY-DRAIN SUPPLIER CODE: VS5825	952999	1
80	2A081-0598-3		.HOSE ASSY-DRAIN SUPPLIER CODE: VS5825	952999	1
85	2A081-0598-6		.HOSE ASSY-DRAIN SUPPLIER CODE: VS5825	952999	1
90	2A081-0598-9		.HOSE ASSY-DRAIN SUPPLIER CODE: VS5825	952999	1

MISSING ITEM NUMBERS NOT APPLICABLE

- ITEM NOT ILLUSTRATED

38-11-51-03

38-11-51
FIG. 03
PAGE 2
JAN 20/09

BRI



757

PARTS CATALOG (MAINTENANCE)

FIG ITEM	PART NUMBER	1 2 3 4 5 6 7	NOMENCLATURE	EFFECT FROM TO	UNITS PER ASSY
3					
95	2A114-0142-11		.TUBE ASSY-DRAIN SUPPLIER CODE: VS5825	952999	1
100	2A114-0141-11		.TEE-OVERFLOW TUBE SUPPLIER CODE: VS5825	952999	1
103	NAS1922-0125-1		.CLAMP- CONFIG CHG DATA FROM A CMM: SUPERSEDES AN737TW46	952999	5
105	NAS1922-0100-1		.CLAMP- CONFIG CHG DATA FROM A CMM: SUPERSEDES AN737TW38	952999	2
110	BACC10DK20		.CLAMP ATTACHING PARTS	952999	2
115	NAS602-7P		.SCREW	952999	2
120	AN960PD8L		.WASHER	952999	2
			-----*-----		
125	NAS1763J060606		.TEE	952999	1
130	MS21908J6		.ELBOW ATTACHING PARTS	952999	1
132	AN960-916		.WASHER	952999	2
- 133	AN924-6J		.NUT	952999	1
			-----*-----		
135	2A081-0621-1		.MUFFLER- SUPPLIER CODE: VS5825	952999	1
140	2A114-0081-7		.SUPPORT-MUFFLER SUPPLIER CODE: VS5825 ATTACHING PARTS	952999	1
142	NAS603-5P		.SCREW	952999	4
			-----*-----		
145	2A114-0249-1		.SUPPORT-SHUT OFF VALVE SUPPLIER CODE: VS5825	952999	1
160	M630102-67		.CLAMP- CONFIG CHG DATA FROM A CMM: SUPERSEDES M630046-67	952999	1
170	3A113-0124-1		.TEE ASSY- SUPPLIER CODE: VS5825	952999	1
305	A1650-615		.HOSE ASSY- SUPPLIER CODE: V98441 SPECIFICATION NUMBER: 10-61998-615 OPTIONAL PART: AE1010603G0306 V00624	952999	1

MISSING ITEM NUMBERS NOT APPLICABLE

- ITEM NOT ILLUSTRATED

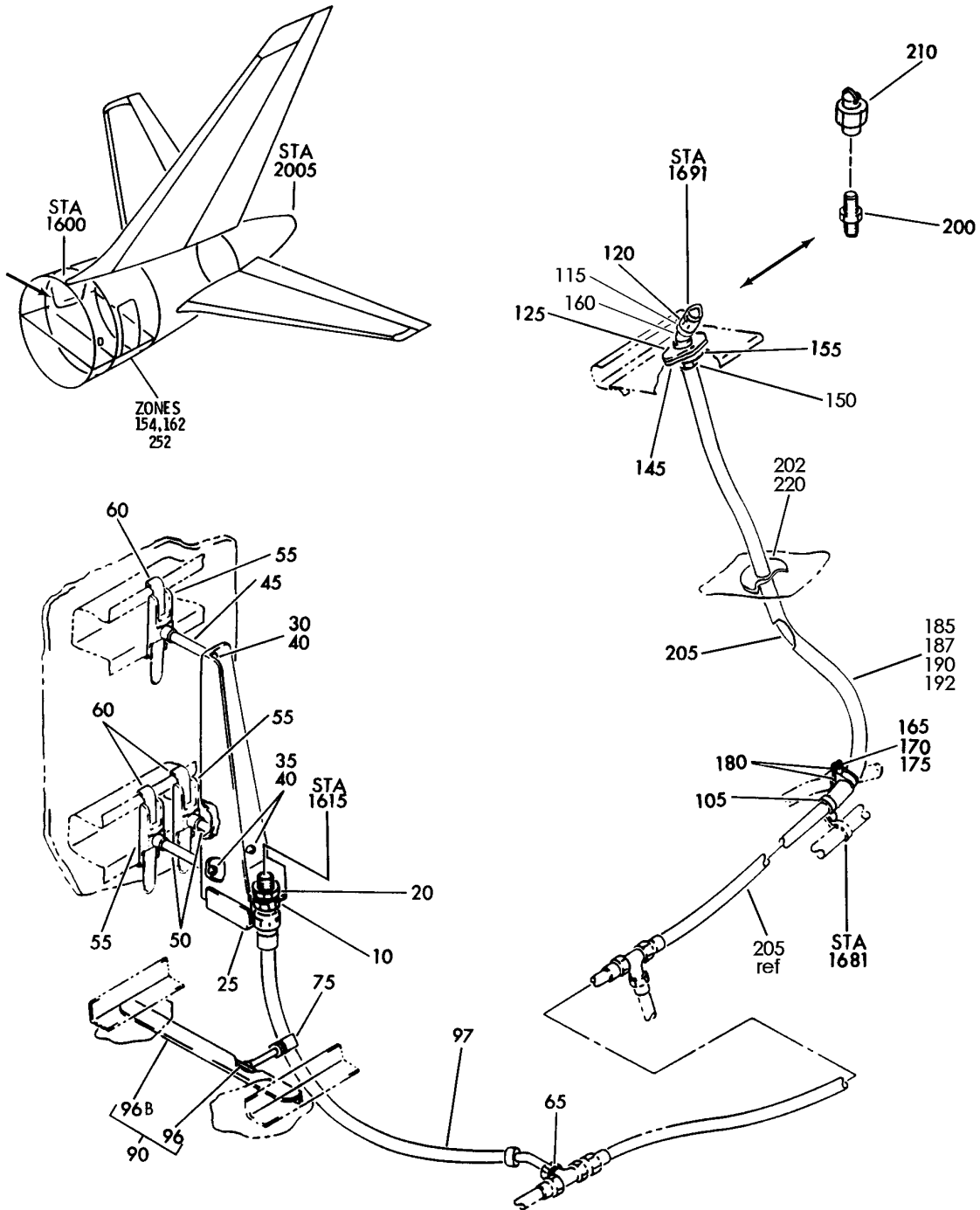
38-11-51-03

38-11-51
FIG. 03
PAGE 3
JAN 20/09

BRI

BOEING PROPRIETARY - Copyright © - Unpublished Work - See title page for details.

BOEING
757
PARTS CATALOG (MAINTENANCE)



Y 38115105 REV 220

SUPPLY INSTL-AFT GALLEYS WATER (4A AND 4B)
FIGURE 5

38-11-51-05

BRI
MAY 28/07

38-11-51-05
PAGE 0



757

PARTS CATALOG (MAINTENANCE)

FIG ITEM	PART NUMBER	1 2 3 4 5 6 7	NOMENCLATURE	EFFECT FROM TO	UNITS PER ASSY
5			SUPPLY INSTL-AFT GALLEYS WATER (4A AND 4B)	002004 006102 107999	
- 1	417N2401-12		SUPPLY INSTL-GALLEYS 4A AND 4B WATER POSITION DATA: AFT VARIABLE DRAWING REF: 417N2401-21 417N2401-40 FOR NHA SEE: 25-20-00-01A 25-20-00-01E 25-20-00-03A	002004 107107 121503 904949 952952	RF
- 1	417N2401-38		SUPPLY INSTL-GALLEYS 4A AND 4B WATER POSITION DATA: AFT VARIABLE DRAWING REF: 417N2401-21 417N2401-40 FOR NHA SEE: 25-20-00-01A 25-20-00-09 25-20-00-03A	006102 108120 504903 950951 953999	RF
5	417N2205-1		.TAG ASSY- FOR DETAILS SEE: 11-35-85-01	952999	1
10	AN924-8J		.NUT	952999	1
20	MS21924J8		.UNION	952999	1
25	417N2405-1		.BRACKET ASSY ATTACHING PARTS	952999	1
30	NAS1801-3-32		.SCREW	952999	1
35	NAS1801-3-28		.SCREW	952999	2
40	AN960KD10L		.WASHER-	952999	3
45	NAS43DD3-104		.SPACER	952999	1
50	NAS43DD3-88		.SPACER	952999	2
55	S38J1		.SUPPORT SUPPLIER CODE: V59237 SPECIFICATION NUMBER: BACS38J1 OPTIONAL PART: 30187-2 V26835	952999	3

MISSING ITEM NUMBERS NOT APPLICABLE

- ITEM NOT ILLUSTRATED

38-11-51-05

38-11-51
FIG. 05
PAGE 1
JAN 20/09

BRI



757

PARTS CATALOG (MAINTENANCE)

FIG ITEM	PART NUMBER	1 2 3 4 5 6 7	NOMENCLATURE	EFFECT FROM TO	UNITS PER ASSY
5					
60	S38J2	.	SUPPORT SUPPLIER CODE: V59237 SPECIFICATION NUMBER: BACS38J2 OPTIONAL PART: 30187-3 V26835	952999	3
65	28-031	.	GROMMET SUPPLIER CODE: V77969 SPECIFICATION NUMBER: BACG20C4	952999	1
75	BACC10DK	.	CLAMP- ATTACHING PARTS	952999	1
- 80	NAS1801-3-10	.	SCREW	952999	1
- 85	AN960KD10L	.	WASHER- -----*-----	952999	1
90	417N2407-1	.	BRACKET ASSY ATTACHING PARTS	952999	1
- 95	BACR15FT6AD	.	RIVET- SIZE DETERMINED ON INSTL. -----*-----	952999	5
96	BACN10TL3A18	..	NUT-PLATE ATTACHING PARTS	952999	1
- 96A	BACR15BB4AD	..	RIVET- SIZE DETERMINED ON INSTL. -----*-----	952999	2
96B	417N2407-2	..	BRACKET	952999	1
97	78001-265	.	HOSE- SUPPLIER CODE: V24984 SPECIFICATION NUMBER: 10-61998-265 OPTIONAL PART: A1650-265 V98441 OPTIONAL PART: AS4469-08-0234	952999	1
97	AS4469-08-0234	.	HOSE- OPTIONAL PART: 78001-265 V24984	952999	1
105	BACC10DK10	.	CLAMP	002004 006102 107999	1

MISSING ITEM NUMBERS NOT APPLICABLE

- ITEM NOT ILLUSTRATED

38-11-51-05

38-11-51
FIG. 05
PAGE 2
JAN 20/09

BRI

BOEING PROPRIETARY - Copyright © - Unpublished Work - See title page for details.

 **BOEING**
757
PARTS CATALOG (MAINTENANCE)

FIG ITEM	PART NUMBER	1 2 3 4 5 6 7	NOMENCLATURE	EFFECT FROM TO	UNITS PER ASSY
5 115	PLT4SM		.STRAP- SUPPLIER CODE: V06383 SPECIFICATION NUMBER: BACS38K2 OPTIONAL PART: T05L0 V53421 POST RAPID REVISION: RR92002-132A-E	505505 507903	1
120	AP1008-08JL		.CAP ASSY- SUPPLIER CODE: V01673 SPECIFICATION NUMBER: BACC14AD08JL OPTIONAL PART: US2103-08JL V50808 POST RAPID REVISION: RR92002-132A-E	505505 507903	1
200	MS21902J8		.UNION-	002004 006102 107999	1
202	417N2403-2		.SEAL-AIR	002004 006102 107999	1
205	A1650-411		.HOSE ASSY- SUPPLIER CODE: V98441 SPECIFICATION NUMBER: 10-61998-411 OPTIONAL PART: AE706493-411 V00624 R29280-8-0440 V50599 78001-411 V24984 OPTIONAL PART: AS4469-08-0440	002004 006102 107999	1
205	AS4469-08-0440		.HOSE ASSY- OPTIONAL PART: A1650-411 V98441	002004 006102 107999	1

MISSING ITEM NUMBERS NOT APPLICABLE

— ITEM NOT ILLUSTRATED

BRI

38-11-51-05

BOEING PROPRIETARY - Copyright © - Unpublished Work - See title page for details.

38-11-51
FIG. 05
PAGE 3
JAN 20/09



757

PARTS CATALOG (MAINTENANCE)

FIG ITEM	PART NUMBER	1 2 3 4 5 6 7	NOMENCLATURE	EFFECT FROM TO	UNITS PER ASSY
5 210	AP1008-08L	.	CAP SUPPLIER CODE: V01673 SPECIFICATION NUMBER: BACC14AD08L OPTIONAL PART: US2103-08L V50808	953999	1

MISSING ITEM NUMBERS NOT APPLICABLE

- ITEM NOT ILLUSTRATED

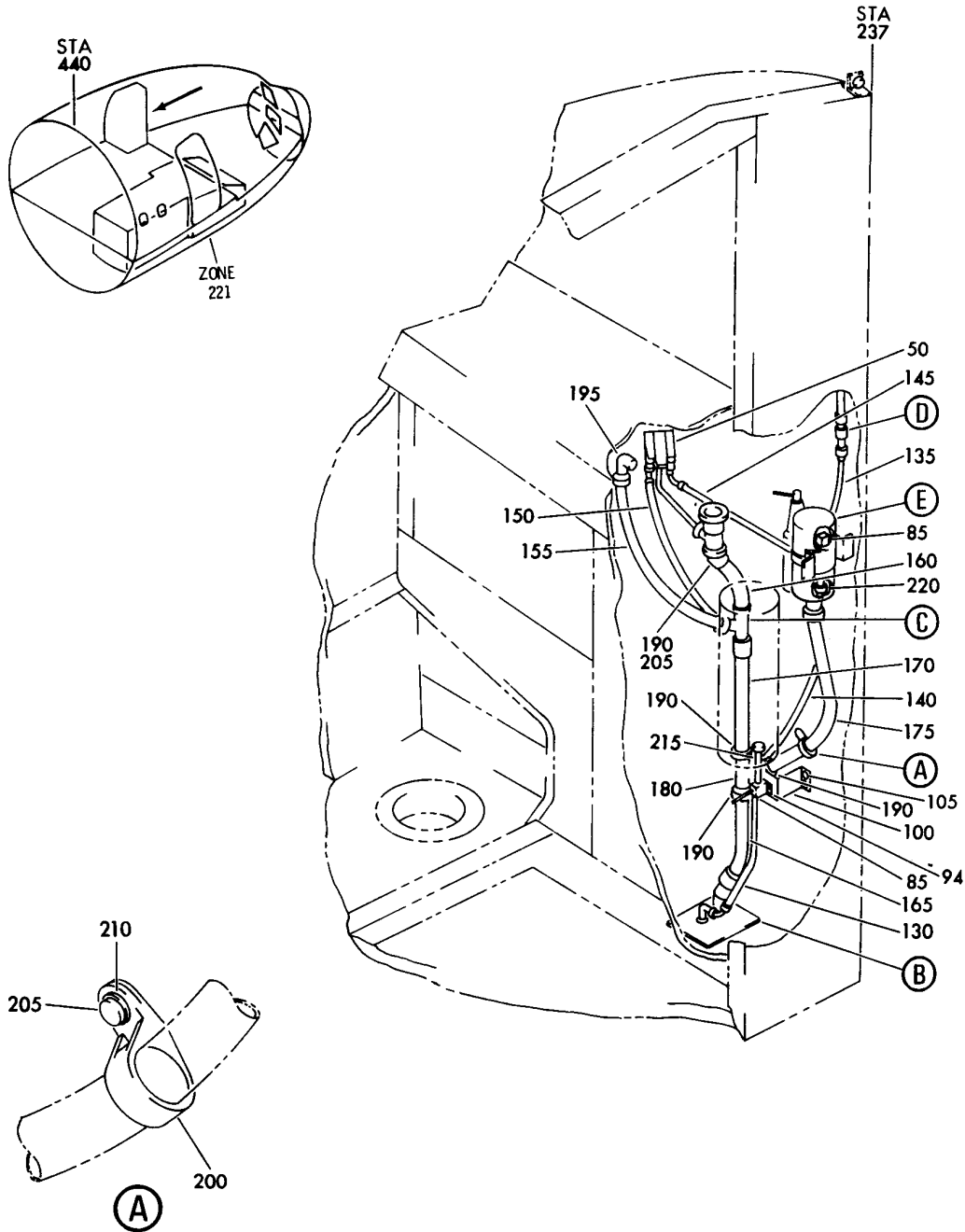
BRI

38-11-51-05

BOEING PROPRIETARY - Copyright © - Unpublished Work - See title page for details.

38-11-51
FIG. 05
PAGE 4
JAN 20/09

BOEING
757
PARTS CATALOG (MAINTENANCE)



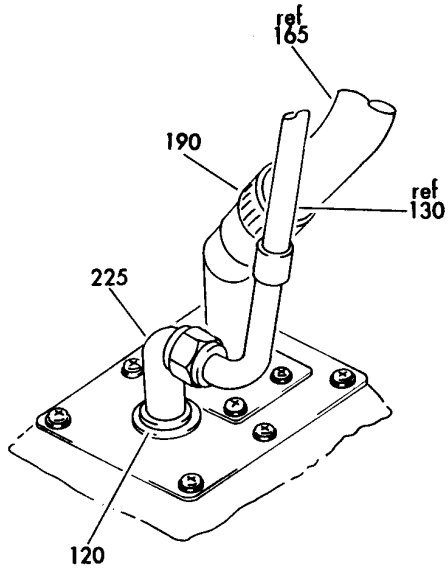
PLUMBING ASSY-LAV A (STORAGE AND DISTRIBUTION ONLY)
FIGURE 10 (SHEET 1)

38-11-51-10

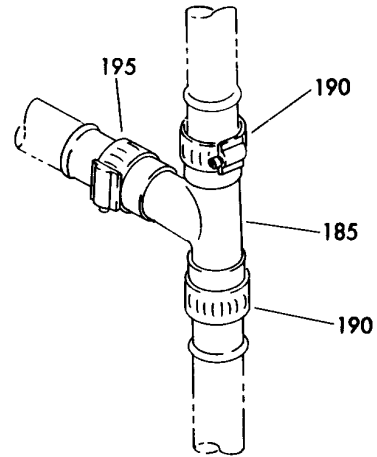
BRI
MAY 28/07

38-11-51-10
PAGE 0

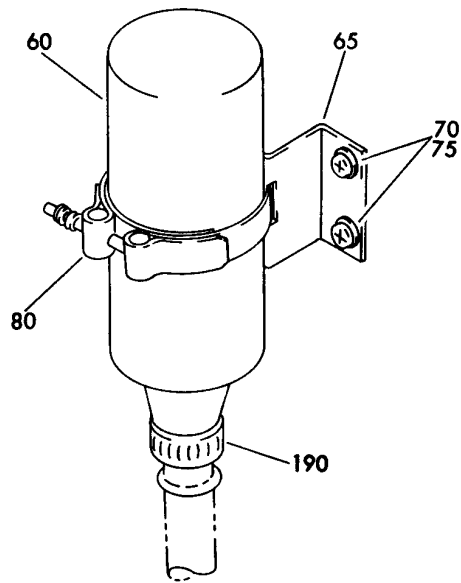
BOEING
757
PARTS CATALOG (MAINTENANCE)



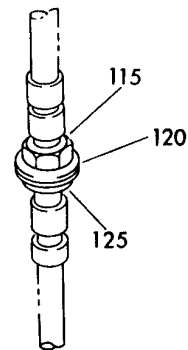
(B)



(C)



(E)



(D)

Y 38115110 SH1 2 REV 271

PLUMBING ASSY-LAV A (STORAGE AND DISTRIBUTION ONLY)
FIGURE 10 (SHEET 2)

38-11-51-10

BRI
MAY 28/07

38-11-51-10
PAGE 0A



757

PARTS CATALOG (MAINTENANCE)

FIG ITEM	PART NUMBER	1 2 3 4 5 6 7	NOMENCLATURE	EFFECT FROM TO	UNITS PER ASSY
10			PLUMBING ASSY-LAV A (STORAGE AND DISTRIBUTION ONLY)	121503 904949 952999	
- 1	0A112-0021-31		PLUMBING ASSY-LAV A (STORAGE AND DISTRIBUTION ONLY) SUPPLIER CODE: VS5825 CONFIG CHG DATA FROM A CMM: SUPERSEDES 0A112-0021-51 FOR NHA/OTHER SYS DET SEE: 25-41-01-06 25-41-01-06H	121503 904949 952999	RF
- 1	0A112-0021-51		PLUMBING ASSY-LAV A (STOWAGE AND DISTRIBUTION ONLY) SUPPLIER CODE: VS5825 CONFIG CHG DATA FROM A CMM: SUPSD BY 0A112-0021-31 COMPONENT MAINT MANUAL REF: 25-40-06	121503 904949	RF
50	600420-2		. FAUCET AND DRAIN ASSY- SUPPLIER CODE: V80477 SPECIFICATION NUMBER: 60B50027-20 CONFIG CHG DATA FROM A CMM: SUPSD BY 1A081-0212-1 COMPONENT MAINT MANUAL REF: 38-11-01 OPTIONAL PART: 1A081-0212-1 VS5825 FOR DETAILS SEE: 38-11-60-01	121503 904949 952999	1

MISSING ITEM NUMBERS NOT APPLICABLE

- ITEM NOT ILLUSTRATED

38-11-51-10

38-11-51
FIG. 10
PAGE 1
JAN 20/09

BRI



757

PARTS CATALOG (MAINTENANCE)

FIG ITEM	PART NUMBER	1 2 3 4 5 6 7	NOMENCLATURE	EFFECT FROM TO	UNITS PER ASSY
10					
50	1A081-0212-1		. FAUCET AND DRAIN ASSY- SUPPLIER CODE: VS5825 SPECIFICATION NUMBER: 60B50027-20 SB DATA FROM A CMM: PRE SB 1A081-0212-83 CONFIG CHG DATA FROM A CMM: SUPERSEDES 600420-2 COMPONENT MAINT MANUAL REF: 25-41-14 OPTIONAL PART: 600420-2 V80477	121503 904949 952999	1
50	1A081-0212-11		. FAUCET AND DRAIN ASSY- SUPPLIER CODE: VS5825 SPECIFICATION NUMBER: 60B50027-20 SB DATA FROM A CMM: POST SB 1A081-0212-83 COMPONENT MAINT MANUAL REF: 25-41-14 FOR DETAILS SEE: 38-11-04-01A	121503 904949 952999	1
60	2A081-0621-1		. MUFFLER- SUPPLIER CODE: VS5825 CONFIG CHG DATA FROM A CMM: SUPERSEDES 813200-403	952999	1
65	2A114-0081-7		. SUPPORT-MUFFLER SUPPLIER CODE: VS5825 ATTACHING PARTS	121503 904949 952999	1
70	NAS603-5P		. SCREW	121503 904949 952999	4
75	AN960PD10L		. WASHER	121503 904949 952999	4
80	M630102-67		-----*----- . CLAMP- CONFIG CHG DATA FROM A CMM: SUPERSEDES M630046-67	121503 904949 952999	1
80	M630046-67		. CLAMP- CONFIG CHG DATA FROM A CMM: SUPSD BY M630102-67	121503 904949	1

MISSING ITEM NUMBERS NOT APPLICABLE

- ITEM NOT ILLUSTRATED

38-11-51-10

38-11-51
FIG. 10
PAGE 2
JAN 20/09

BRI



757

PARTS CATALOG (MAINTENANCE)

FIG ITEM	PART NUMBER	1 2 3 4 5 6 7	NOMENCLATURE	EFFECT FROM TO	UNITS PER ASSY
10					
80	M630103-102	.	CLAMP	121503 904949 952999	1
85	6BS111	.	VALVE-SHUTOFF SUPPLIER CODE: V82829 SPECIFICATION NUMBER: 10-61267-7 CONFIG CHG DATA FROM A CMM: SUPSD BY 1A081-0217-1 OPTIONAL PART: 1A081-0217-1 VS5825	121503 904949 952999	2
85	1A081-0217-1	.	VALVE-SHUT OFF SUPPLIER CODE: VS5825 SPECIFICATION NUMBER: 10-61267-7 CONFIG CHG DATA FROM A CMM: SUPSDS 6BS111 ATTACHING PARTS	121503 904949 952999	2
- 92	NAS603-5P	.	SCREW	121503 904949 952999	4
94	NAS603-7P	.	SCREW	121503 904949 952999	4
- 95	AN960PD10L	.	WASHER	121503 904949 952999	8
100	2A114-0249-1	-----*-----	SUPPORT-SHUTOFF VALVE SUPPLIER CODE: VS5825 ATTACHING PARTS	121503 904949 952999	1
105	NAS603-5P	.	SCREW	121503 904949 952999	4
- 110	AN960PD10L	.	WASHER	121503 904949 952999	4
115	MS21924J6	-----*-----	UNION	121503 904949 952999	1
120	AN960-916	.	ATTACHING PARTS WASHER	121503 904949 952999	2

MISSING ITEM NUMBERS NOT APPLICABLE

- ITEM NOT ILLUSTRATED

38-11-51-10

38-11-51
FIG. 10
PAGE 3
JAN 20/09

BRI



757

PARTS CATALOG (MAINTENANCE)

FIG ITEM	PART NUMBER	1 2 3 4 5 6 7	NOMENCLATURE	EFFECT FROM TO	UNITS PER ASSY
10 125	AN924-6J	.	NUT	121503 904949 952999	1
130	A1650-617	-----*-----	.HOSE ASSY- SUPPLIER CODE: V98441 SPECIFICATION NUMBER: 10-61998-617 CONFIG CHG DATA FROM A CMM: SUPERSEDES 3A113-0182-1 OPTIONAL PART: AE1010604G0072 V00624	121503 904949 952999	1
135	A1650-621	.	HOSE ASSY- SUPPLIER CODE: V98441 SPECIFICATION NUMBER: 10-61998-621 CONFIG CHG DATA FROM A CMM: SUPERSEDES 78302-6-0124 OPTIONAL PART: AE1010604G0124 V00624	121503 904949 952999	1
135	78302-6-0124	.	HOSE ASSY- SUPPLIER CODE: VS5825 CONFIG CHG DATA FROM A CMM: SUPSD BY A1650-621	121503 904949	1
140	A1650-630	.	HOSE ASSY- SUPPLIER CODE: V98441 SPECIFICATION NUMBER: 10-61998-630 CONFIG CHG DATA FROM A CMM: SUPERSEDES 78303-6-0160 OPTIONAL PART: AE1010605G0160 V00624	121503 904949 952999	1
140	78303-6-0160	.	HOSE ASSY- SUPPLIER CODE: VS5825 CONFIG CHG DATA FROM A CMM: SUPSD BY A1650-630	121503 904949	1

MISSING ITEM NUMBERS NOT APPLICABLE

- ITEM NOT ILLUSTRATED

38-11-51-10

38-11-51
FIG. 10
PAGE 4
JAN 20/09

BRI



757

PARTS CATALOG (MAINTENANCE)

FIG ITEM	PART NUMBER	1 2 3 4 5 6 7	NOMENCLATURE	EFFECT FROM TO	UNITS PER ASSY
10 145	A1650-641		.HOSE ASSY- SUPPLIER CODE: V98441 SPECIFICATION NUMBER: 10-61998-641 CONFIG CHG DATA FROM A CMM: SUPERSEDES 78305-6-0141000 OPTIONAL PART: AE4774G0141-000 V00624	121503 904949 952999	1
145	78305-6-0141000		.HOSE ASSY- SUPPLIER CODE: VS5825 CONFIG CHG DATA FROM A CMM: SUPSD BY A1650-641	121503 904949	1
150	A1650-637		.HOSE ASSY- SUPPLIER CODE: V98441 SPECIFICATION NUMBER: 10-61998-637 CONFIG CHG DATA FROM A CMM: SUPERSEDES 78306-6-0222000 OPTIONAL PART: AE4775G0222-000 V00624	121503 904949 952999	1
150	78306-6-0222000		.HOSE ASSY- SUPPLIER CODE: VS5825 CONFIG CHG DATA FROM A CMM: SUPSD BY A1650-637	121503 904949	1
155	2A081-0597-4		.HOSE ASSY-DRAIN SUPPLIER CODE: VS5825 CONFIG CHG DATA FROM A CMM: SUPERSEDES 41032-12-0164	952999	1
155	41032-12-0164		.HOSE ASSY-DRAIN SUPPLIER CODE: V24984 CONFIG CHG DATA FROM A CMM: SUPSD BY 2A081-0597-4	121503 904949	1
- 157	2A081-0597-4		.HOSE ASSY- SUPPLIER CODE: VS5825	121503 904949	1

MISSING ITEM NUMBERS NOT APPLICABLE

- ITEM NOT ILLUSTRATED

38-11-51-10

38-11-51
FIG. 10
PAGE 5
JAN 20/09

BRI

BOEING PROPRIETARY - Copyright © - Unpublished Work - See title page for details.



757

PARTS CATALOG (MAINTENANCE)

FIG ITEM	PART NUMBER	1 2 3 4 5 6 7	NOMENCLATURE	EFFECT FROM TO	UNITS PER ASSY
10 160	2A081-0598-1		.HOSE ASSY-DRAIN SUPPLIER CODE: VS5825 CONFIG CHG DATA FROM A CMM: SUPERSEDES 41032-16-0052	121503 904949 952999	1
160	41032-16-0052		.HOSE ASSY-DRAIN SUPPLIER CODE: V24984 CONFIG CHG DATA FROM A CMM: SUPSD BY 2A081-0598-1	121503 904949	1
165	2A081-0598-3		.HOSE ASSY-DRAIN SUPPLIER CODE: VS5825 CONFIG CHG DATA FROM A CMM: SUPERSEDES 41032-16-0070	121503 904949 952999	1
165	41032-16-0070		.HOSE ASSY-DRAIN SUPPLIER CODE: V24984 CONFIG CHG DATA FROM A CMM: SUPSD BY 2A081-0598-3	121503 904949	1
170	2A081-0598-6		.HOSE ASSY-DRAIN SUPPLIER CODE: VS5825 CONFIG CHG DATA FROM A CMM: SUPERSEDES 41032-16-0102	121503 904949 952999	1
170	41032-16-0102		.HOSE ASSY-DRAIN SUPPLIER CODE: V24984 CONFIG CHG DATA FROM A CMM: SUPSD BY 2A081-0598-6	121503 904949	1
175	2A081-0598-9		.HOSE ASSY-DRAIN SUPPLIER CODE: VS5825 CONFIG CHG DATA FROM A CMM: SUPERSEDES 41032-16-0230	121503 904949 952999	1
175	41032-16-0230		.HOSE ASSY-DRAIN SUPPLIER CODE: V24984 CONFIG CHG DATA FROM A CMM: SUPSD BY 2A081-0598-9	121503 904949	1
180	2A114-0142-11		.TUBE ASSY-DRAIN SUPPLIER CODE: VS5825	121503 904949 952999	1

MISSING ITEM NUMBERS NOT APPLICABLE

- ITEM NOT ILLUSTRATED

BRI

38-11-51-10

BOEING PROPRIETARY - Copyright © - Unpublished Work - See title page for details.

38-11-51
FIG. 10
PAGE 6
JAN 20/09



757

PARTS CATALOG (MAINTENANCE)

FIG ITEM	PART NUMBER	1 2 3 4 5 6 7	NOMENCLATURE	EFFECT FROM TO	UNITS PER ASSY
10					
185	2A114-0141-11		.TEE-OVERFLOW TUBE SUPPLIER CODE: VS5825	121503 904949 952999	1
190	NAS1922-0125-1		.CLAMP- CONFIG CHG DATA FROM A CMM: SUPERSEDES AN737TW46	121503 904949 952999	8
190	AN737TW46		.CLAMP- CONFIG CHG DATA FROM A CMM: SUPSD BY NAS1922-0125-1	121503 904949	8
195	NAS1922-0100-1		.CLAMP- CONFIG CHG DATA FROM A CMM: SUPERSEDES AN737TW38	121503 904949 952999	2
195	AN737TW38		.CLAMP- CONFIG CHG DATA FROM A CMM: SUPSD BY NAS1922-0100-1	121503 904949	2
200	BACC10DK20		.CLAMP	121503 904949 952999	2
			ATTACHING PARTS		
205	NAS602-7P		.SCREW	121503 904949 952999	2
210	AN960PD8L		.WASHER	121503 904949 952999	2
			-----*-----		
215	3A113-0124-1		.TEE ASSY- SUPPLIER CODE: VS5825	121503 904949 952999	1
220	NAS1763J060606		.TEE	121503 904949 952999	1
225	MS21908J6		.ELBOW	121503 904949 952999	1

MISSING ITEM NUMBERS NOT APPLICABLE

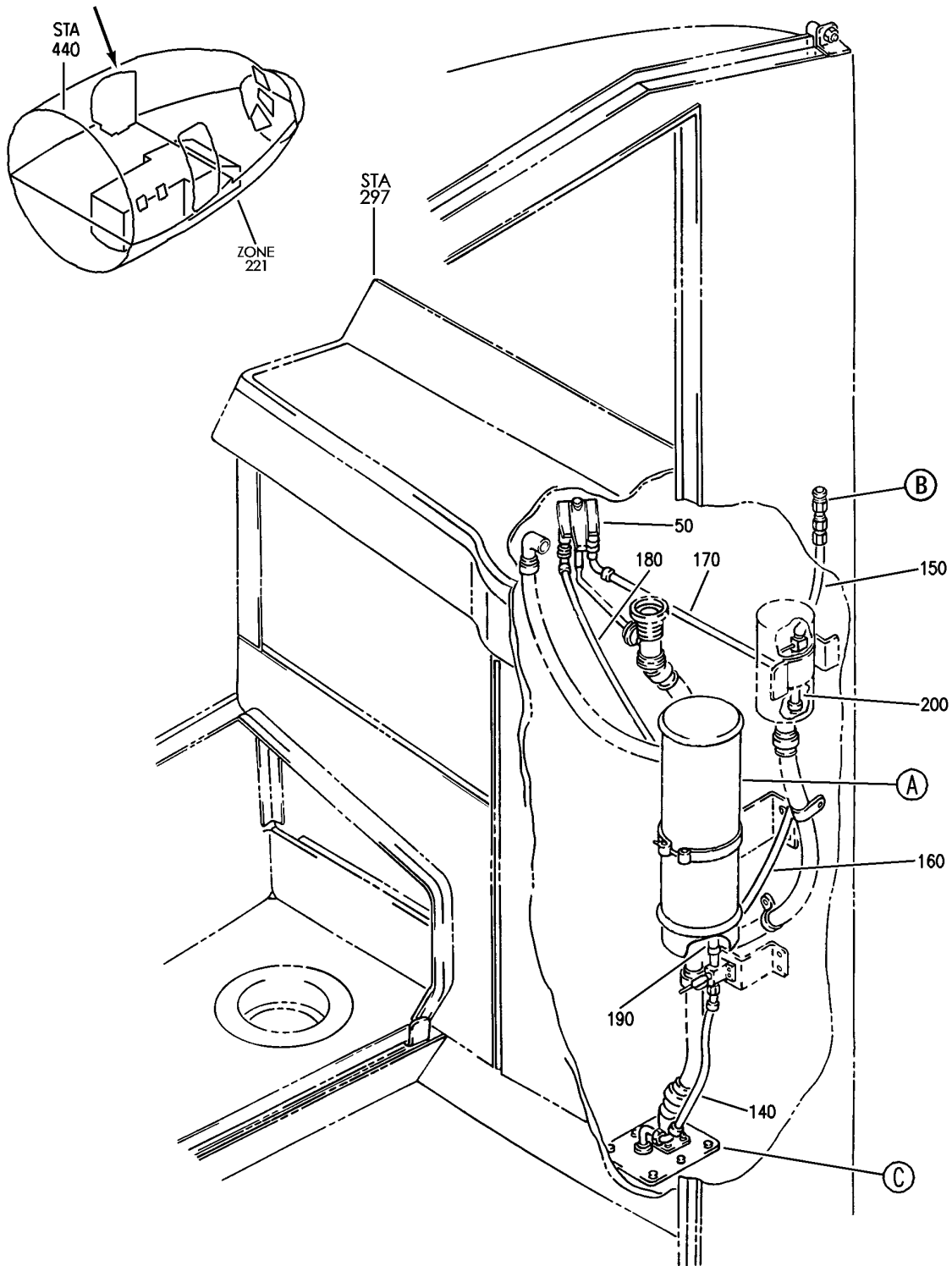
- ITEM NOT ILLUSTRATED

BRI

38-11-51-10

38-11-51
FIG. 10
PAGE 7
JAN 20/09

BOEING
757
PARTS CATALOG (MAINTENANCE)



Y 38115110C SHT 1 REV 241

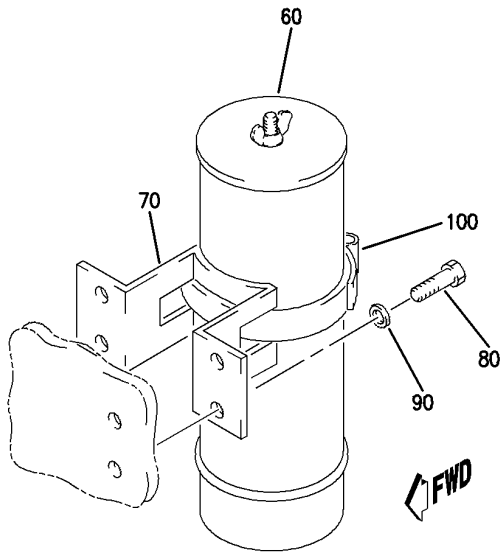
PLUMBING ASSY-SEG 260, LAV A (STORAGE AND DISTRIBUTION ONLY)
FIGURE 10C (SHEET 1)

38-11-51-10C

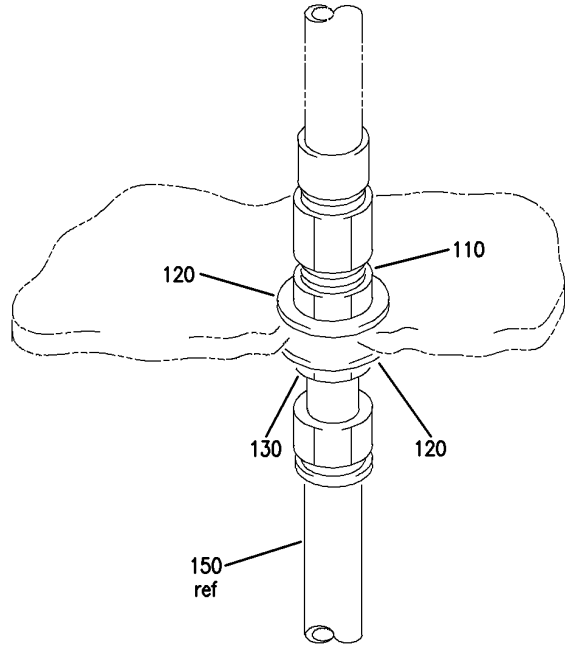
BRI
JAN 20/09

38-11-51-10C
PAGE 0

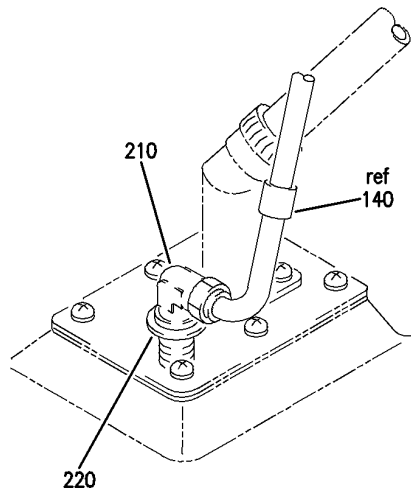
BOEING
757
PARTS CATALOG (MAINTENANCE)



(A)



(B)



(C)

Y 38115110C SHT 2 REV 241

PLUMBING ASSY-SEG 260, LAV A (STORAGE AND DISTRIBUTION ONLY)
FIGURE 10C (SHEET 2)

38-11-51-10C

BRI
JAN 20/09

38-11-51-10C
PAGE 0A



757

PARTS CATALOG (MAINTENANCE)

FIG ITEM	PART NUMBER	1 2 3 4 5 6 7	NOMENCLATURE	EFFECT FROM TO	UNITS PER ASSY
10C			PLUMBING ASSY-SEG 260, LAV A (STORAGE AND DISTRIBUTION ONLY)	107107	
- 1	0A112-0021-31		PLUMBING ASSY-SEG 260, LAV A (STORAGE AND DISTRIBUTION ONLY) SUPPLIER CODE: VS5825 FOR NHA/ADDITIONAL DET SEE: 25-41-01-06E	107107	RF
50	600420-2		. FAUCET AND DRAIN ASSY- SUPPLIER CODE: V80477 SPECIFICATION NUMBER: 60B50027-20 CONFIG CHG DATA FROM A CMM: SUPSD BY 1A081-0212-1 COMPONENT MAINT MANUAL REF: 38-11-01 OPTIONAL PART: 1A081-0212-1 VS5825 FOR DETAILS SEE: 38-11-04-01B	107107	1
50	1A081-0212-1		. FAUCET AND DRAIN ASSY- SUPPLIER CODE: VS5825 SPECIFICATION NUMBER: 60B50027-20 SB DATA FROM A CMM: PRE SB 1A081-0212-83 CONFIG CHG DATA FROM A CMM: SUPERSEDES 600420-2 COMPONENT MAINT MANUAL REF: 25-41-14 OPTIONAL PART: 600420-2 V80477 FOR DETAILS SEE: 38-11-04-01	107107	1

MISSING ITEM NUMBERS NOT APPLICABLE

- ITEM NOT ILLUSTRATED

38-11-51-10C

38-11-51
FIG. 10C
PAGE 1
JAN 20/09

BRI



757

PARTS CATALOG (MAINTENANCE)

FIG ITEM	PART NUMBER	1 2 3 4 5 6 7	NOMENCLATURE	EFFECT FROM TO	UNITS PER ASSY
10C 50	1A081-0212-11		. FAUCET AND DRAIN ASSY- SUPPLIER CODE: VS5825 SPECIFICATION NUMBER: 60B50027-20 SB DATA FROM A CMM: POST SB 1A081-0212-83 COMPONENT MAINT MANUAL REF: 25-41-14 FOR DETAILS SEE: 38-11-04-01A	107107	1
60	8921340G1		. HEATER ASSY-WATER, H1 SUPPLIER CODE: V13545 SPECIFICATION NUMBER: 60B50064-1 CONFIG CHG DATA FROM A CMM: SUPSD BY 24E507040G01 COMPONENT MAINT MANUAL REF: 38-10-02 OPTIONAL PART: 1A081-0157-12 VS5825 FOR DETAILS SEE: 38-13-51-50	107107	1
60	24E507040G01		. HEATER ASSY-WATER, H1 SUPPLIER CODE: VOAJJO SPECIFICATION NUMBER: 60B50064-2 CONFIG CHG DATA FROM A CMM: SUPERSEDES 8921340G1 SUPSD BY 1A081-0157-12 COMPONENT MAINT MANUAL REF: 38-13-51 FOR DETAILS SEE: 38-13-51-50A	107107	1

MISSING ITEM NUMBERS NOT APPLICABLE

- ITEM NOT ILLUSTRATED

38-11-51-10C

38-11-51
FIG. 10C
PAGE 2
JAN 20/09

BRI



757

PARTS CATALOG (MAINTENANCE)

FIG ITEM	PART NUMBER	1 2 3 4 5 6 7	NOMENCLATURE	EFFECT FROM TO	UNITS PER ASSY
10C 60	1A081-0157-12		.HEATER ASSY-WATER, H1 SUPPLIER CODE: VS5825 CONFIG CHG DATA FROM A CMM: SUPERSEDES 24E507040G01 COMPONENT MAINT MANUAL REF: 25-41-15 FUNCTIONAL REFERENCE: LIGHTS FOR DETAILS SEE 33-26-52-20 WATER/WASTE FOR DETAILS SEE 38-13-51-10G	107107	1
R R R R R R R R	60	24E507040G04	.HEATER ASSY-WATER, H1 SUPPLIER CODE: VOAJJO SPECIFICATION NUMBER: 60B50064-4 COMPONENT MAINT MANUAL REF: 38-13-51 FOR DETAILS SEE: 38-13-51-50A	107107	1
	70	2A114-0012-3	.SUPPORT-WATER HEATER SUPPLIER CODE: VS5825 ATTACHING PARTS	107107	1
	80	NAS603-5P	.SCREW	107107	4
	90	AN960PD10L	.WASHER -----*-----	107107	4
	100	M630103-102	.CLAMP	107107	1
	110	MS21924J6	.UNION ATTACHING PARTS	107107	1
	120	AN960-916	.WASHER	107107	2
	130	AN924-6J	.NUT -----*-----	107107	1
	140	A1650-617	.HOSE ASSY- SUPPLIER CODE: V98441 SPECIFICATION NUMBER: 10-61998-617 CONFIG CHG DATA FROM A CMM: SUPSD BY AS4470-06-0070 OPTIONAL PART: AE1010604G0072 V00624	107107	1
	140	AS4470-06-0070	.HOSE ASSY- CONFIG CHG DATA FROM A CMM: SUPERSEDES A1650-617	107107	1

MISSING ITEM NUMBERS NOT APPLICABLE

- ITEM NOT ILLUSTRATED

38-11-51-10C

38-11-51
FIG. 10C
PAGE 3
MAY 20/09

BRI

BOEING PROPRIETARY - Copyright © - Unpublished Work - See title page for details.



757

PARTS CATALOG (MAINTENANCE)

FIG ITEM	PART NUMBER	1 2 3 4 5 6 7	NOMENCLATURE	EFFECT FROM TO	UNITS PER ASSY
10C 150	A1650-621	.	HOSE ASSY- SUPPLIER CODE: V98441 SPECIFICATION NUMBER: 10-61998-621 CONFIG CHG DATA FROM A CMM: SUPSD BY AS4470-06-0122 OPTIONAL PART: AE1010604G0124 V00624	107107	1
150	AS4470-06-0122	.	HOSE ASSY- CONFIG CHG DATA FROM A CMM: SUPERSEDES A1650-621	107107	1
160	A1650-630	.	HOSE ASSY- SUPPLIER CODE: V98441 SPECIFICATION NUMBER: 10-61998-630 CONFIG CHG DATA FROM A CMM: SUPSD BY AS4471-06-0157 OPTIONAL PART: AE1010605G0160 V00624	107107	1
160	AS4471-06-0157	.	HOSE ASSY- CONFIG CHG DATA FROM A CMM: SUPERSEDES A1650-630	107107	1
170	A1650-641	.	HOSE ASSY- SUPPLIER CODE: V98441 SPECIFICATION NUMBER: 10-61998-641 CONFIG CHG DATA FROM A CMM: SUPSD BY AS4473G0140-000 OPTIONAL PART: AE4774G0141-000 V00624	107107	1
170	AS4473G0140-000	.	HOSE ASSY- CONFIG CHG DATA FROM A CMM: SUPERSEDES A1650-641	107107	1
180	A1650-637	.	HOSE ASSY- SUPPLIER CODE: V98441 SPECIFICATION NUMBER: 10-61998-637 CONFIG CHG DATA FROM A CMM: SUPSD BY AS4474G0222-000 OPTIONAL PART: AE4775G0222-000 V00624	107107	1

MISSING ITEM NUMBERS NOT APPLICABLE

- ITEM NOT ILLUSTRATED

38-11-51-10C

38-11-51
FIG. 10C
PAGE 4
JAN 20/09

BRI

BOEING PROPRIETARY - Copyright © - Unpublished Work - See title page for details.



757

PARTS CATALOG (MAINTENANCE)

FIG ITEM	PART NUMBER	1 2 3 4 5 6 7	NOMENCLATURE	EFFECT FROM TO	UNITS PER ASSY
10C					
180	AS4474G0222-000		.HOSE ASSY- CONFIG CHG DATA FROM A CMM: SUPERSEDES A1650-637	107107	1
190	3A113-0124-1		.TEE ASSY- SUPPLIER CODE: VS5825	107107	1
200	NAS1763J060606		.TEE	107107	1
210	MS21908J6		.ELBOW	107107	1
220	AN960-916		.WASHER	107107	2
- 230	AN924-6J		.NUT	107107	1

MISSING ITEM NUMBERS NOT APPLICABLE

- ITEM NOT ILLUSTRATED

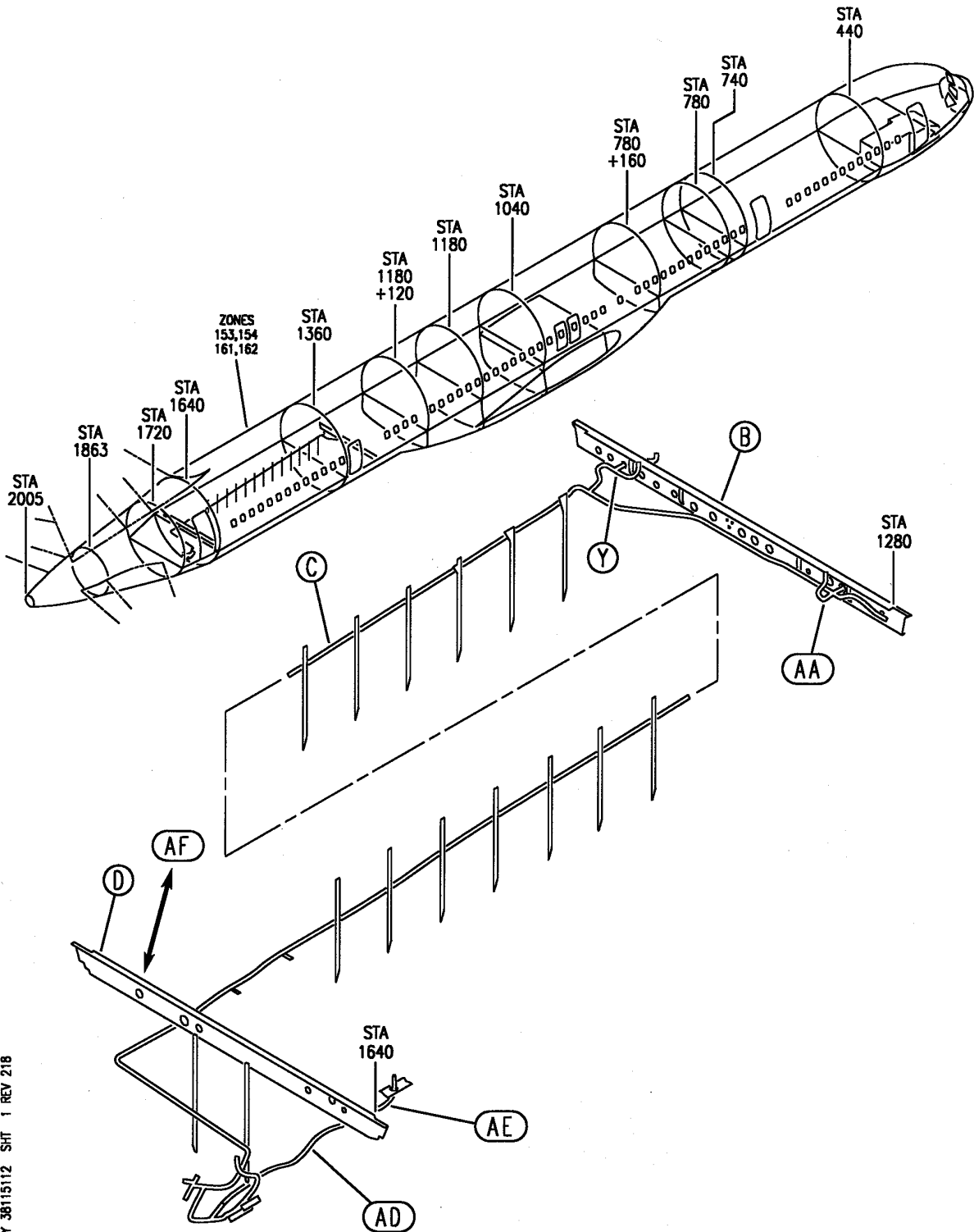
BRI

38-11-51-10C

BOEING PROPRIETARY - Copyright © - Unpublished Work - See title page for details.

38-11-51
FIG. 10C
PAGE 5
JAN 20/09

BOEING
757
PARTS CATALOG (MAINTENANCE)



Y 38115112 SH1 1 REV 218

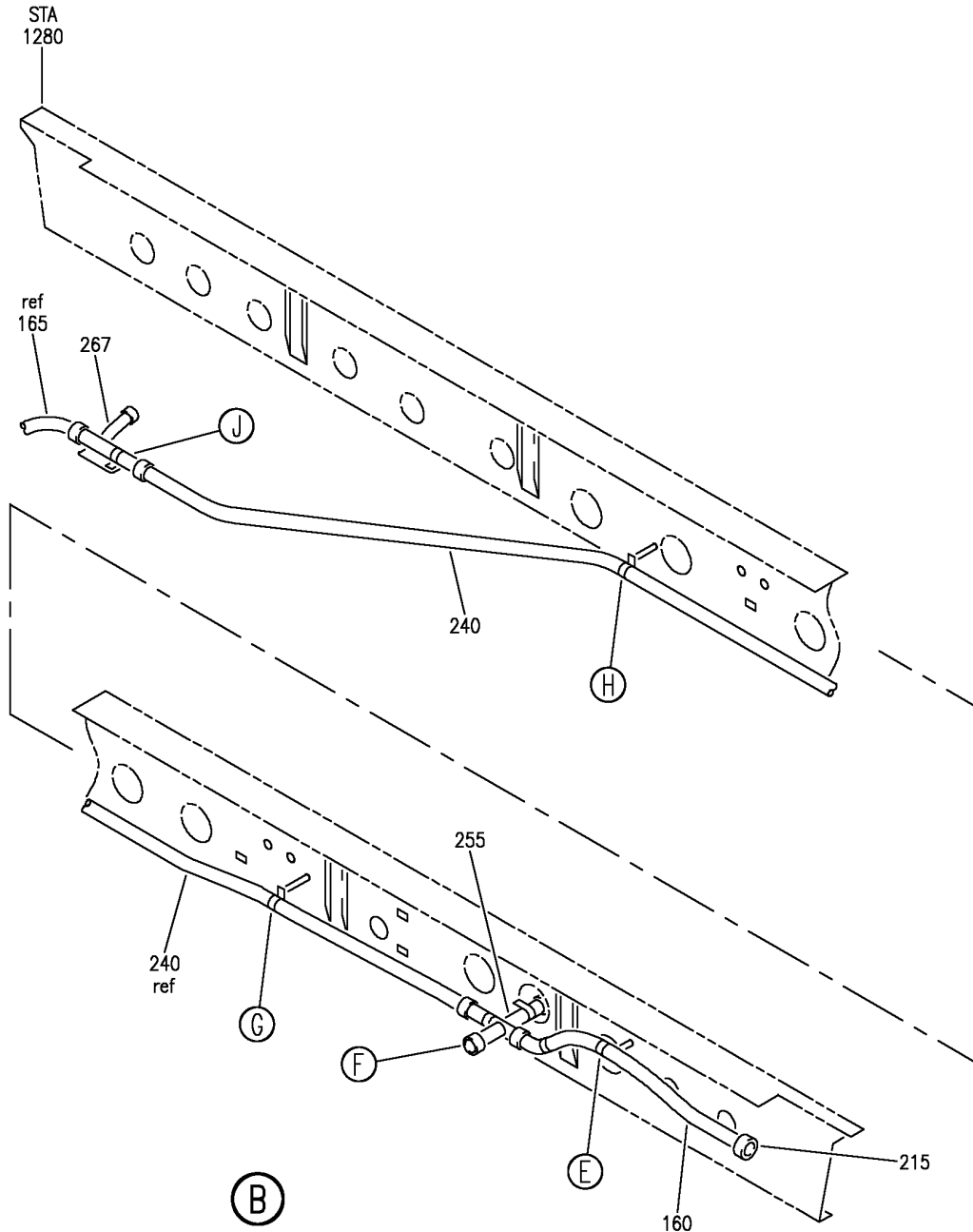
SUPPLY INSTL-WATER MAIN LINE BELOW FLOOR
FIGURE 12 (SHEET 1)

38-11-51-12

BRI
JAN 20/09

38-11-51-12
PAGE 0

BOEING
757
PARTS CATALOG (MAINTENANCE)



Y 38115112 SHT 2 REV 261

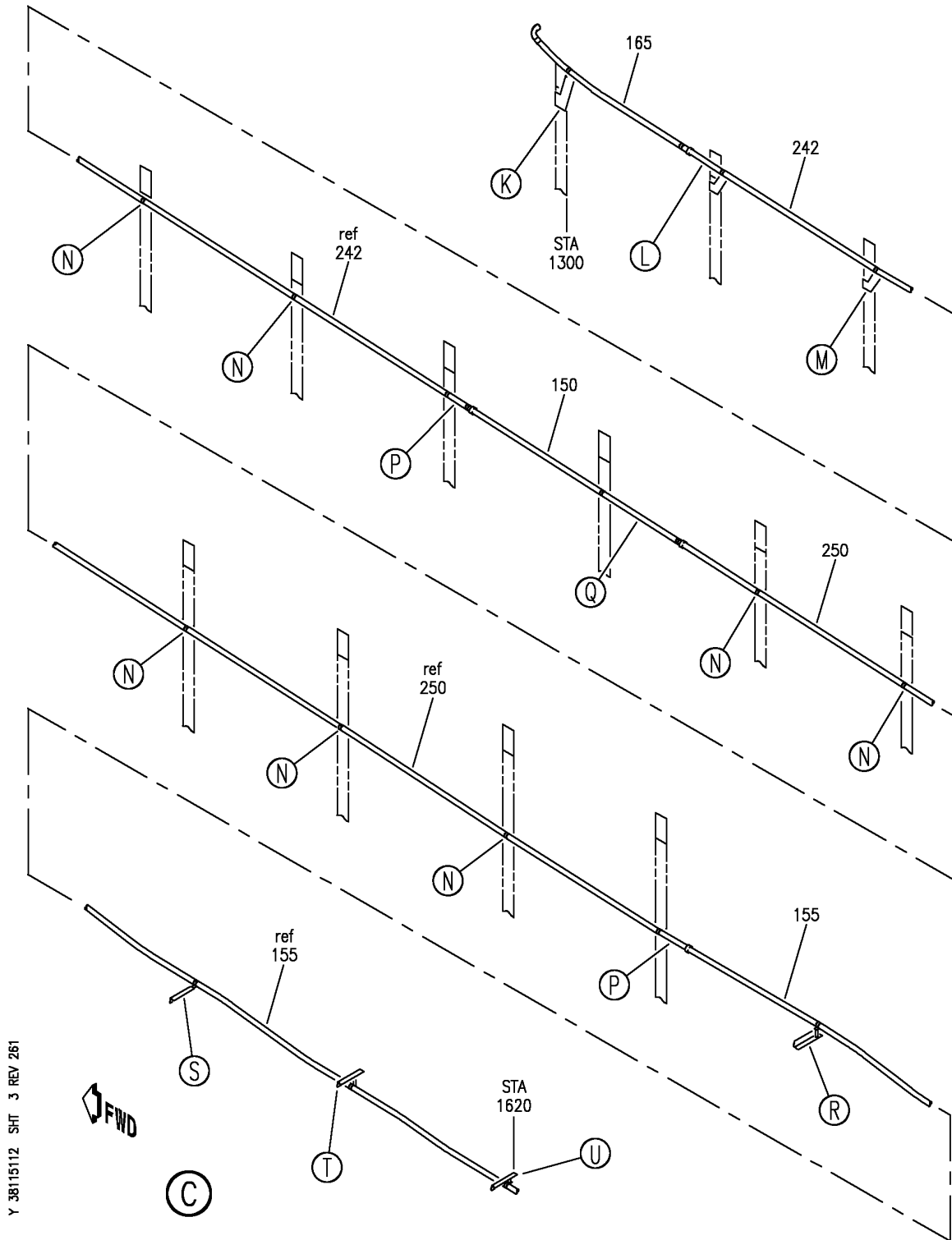
SUPPLY INSTL-WATER MAIN LINE BELOW FLOOR
FIGURE 12 (SHEET 2)

38-11-51-12

BRI
JAN 20/09

38-11-51-12
PAGE 0A

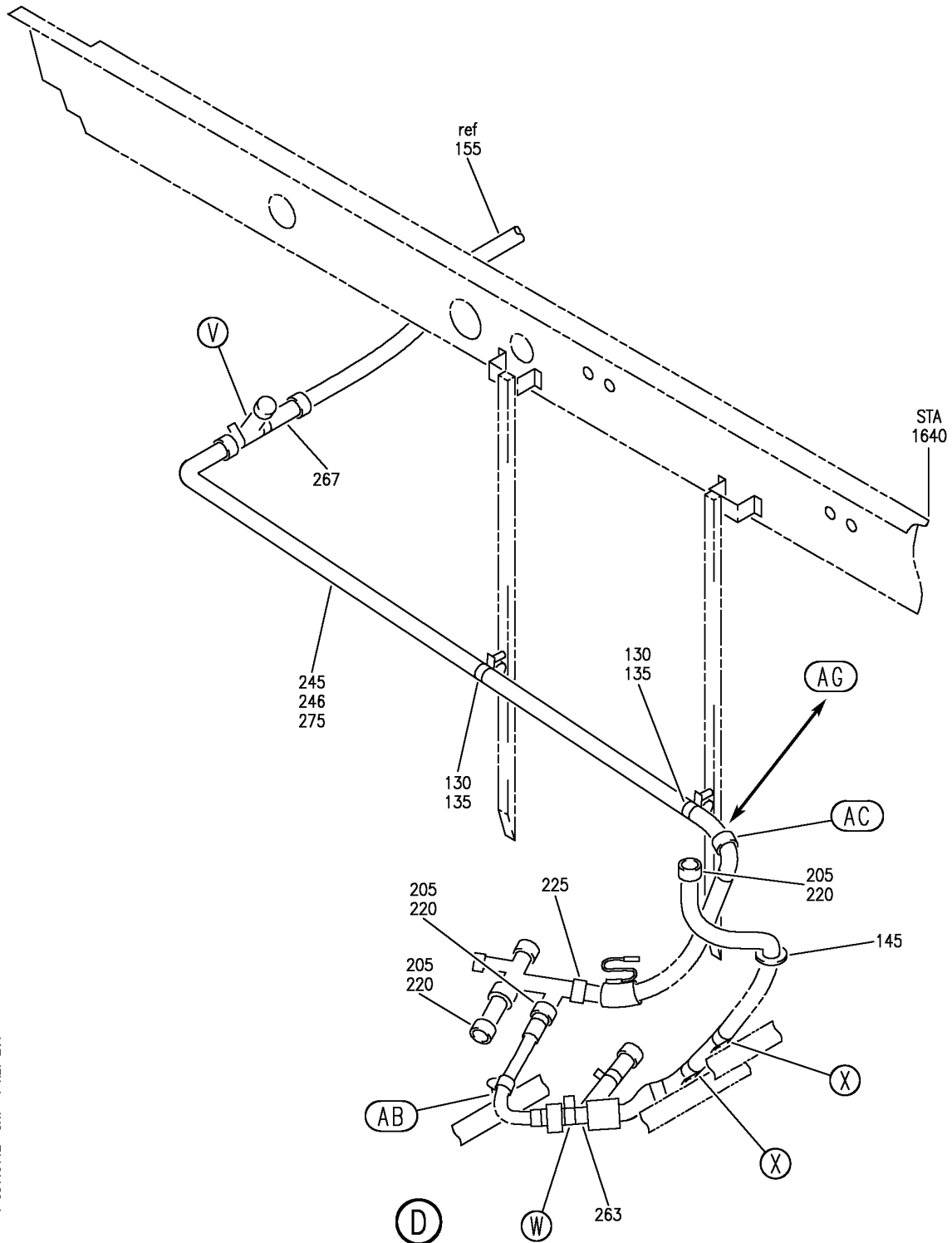
BOEING
757
PARTS CATALOG (MAINTENANCE)



SUPPLY INSTL-WATER MAIN LINE BELOW FLOOR
FIGURE 12 (SHEET 3)

38-11-51-12

BOEING
757
PARTS CATALOG (MAINTENANCE)



Y 38115112 SHT 4 REV 261

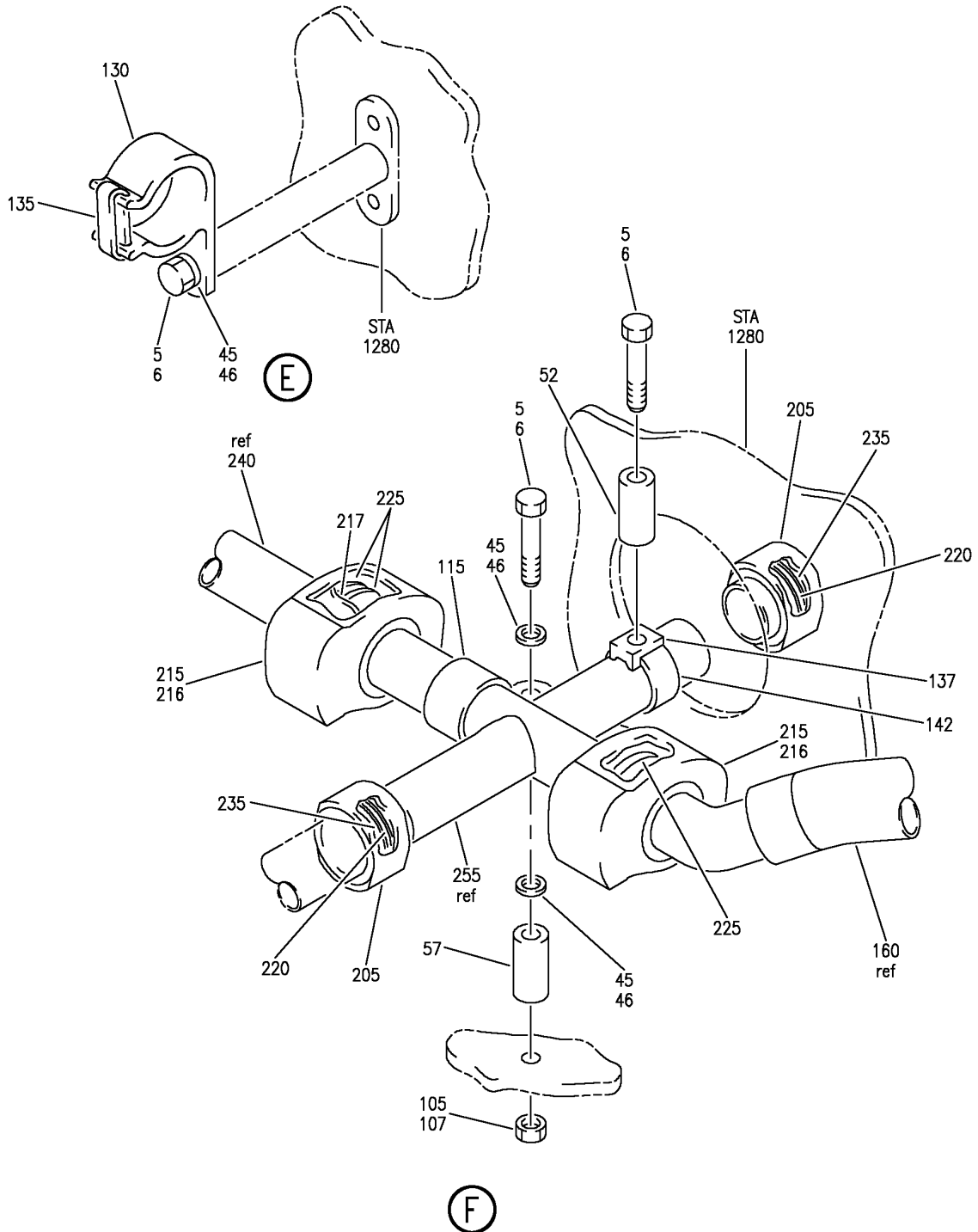
SUPPLY INSTL-WATER MAIN LINE BELOW FLOOR
FIGURE 12 (SHEET 4)

38-11-51-12

BRI
JAN 20/09

38-11-51-12
PAGE 0C

BOEING
757
PARTS CATALOG (MAINTENANCE)



Y 38115112 SH1 5 REV 261

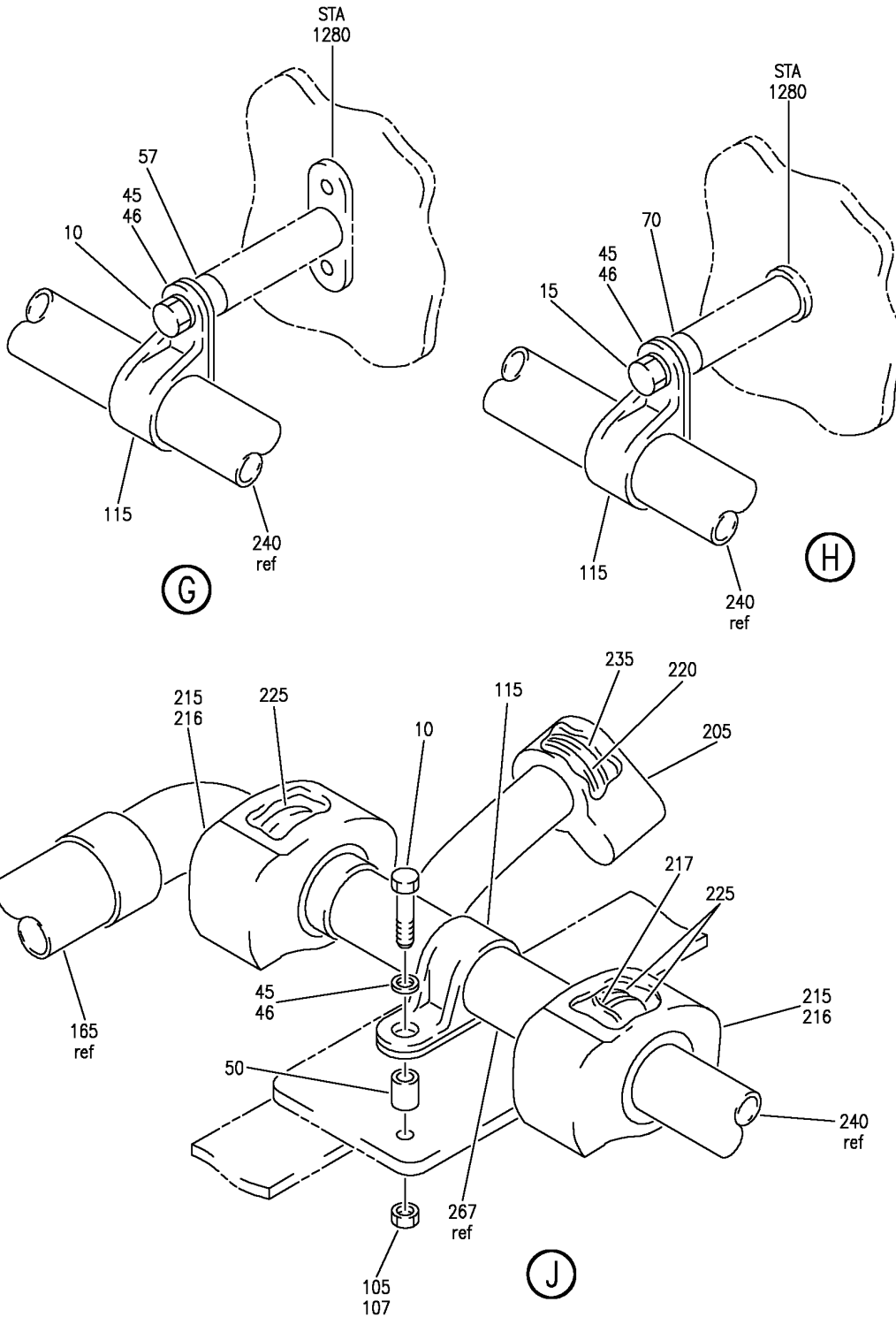
SUPPLY INSTL-WATER MAIN LINE BELOW FLOOR
FIGURE 12 (SHEET 5)

38-11-51-12

BRI
JAN 20/09

38-11-51-12
PAGE 0D

BOEING
757
PARTS CATALOG (MAINTENANCE)



Y 38115112 SHT 6 REV 261

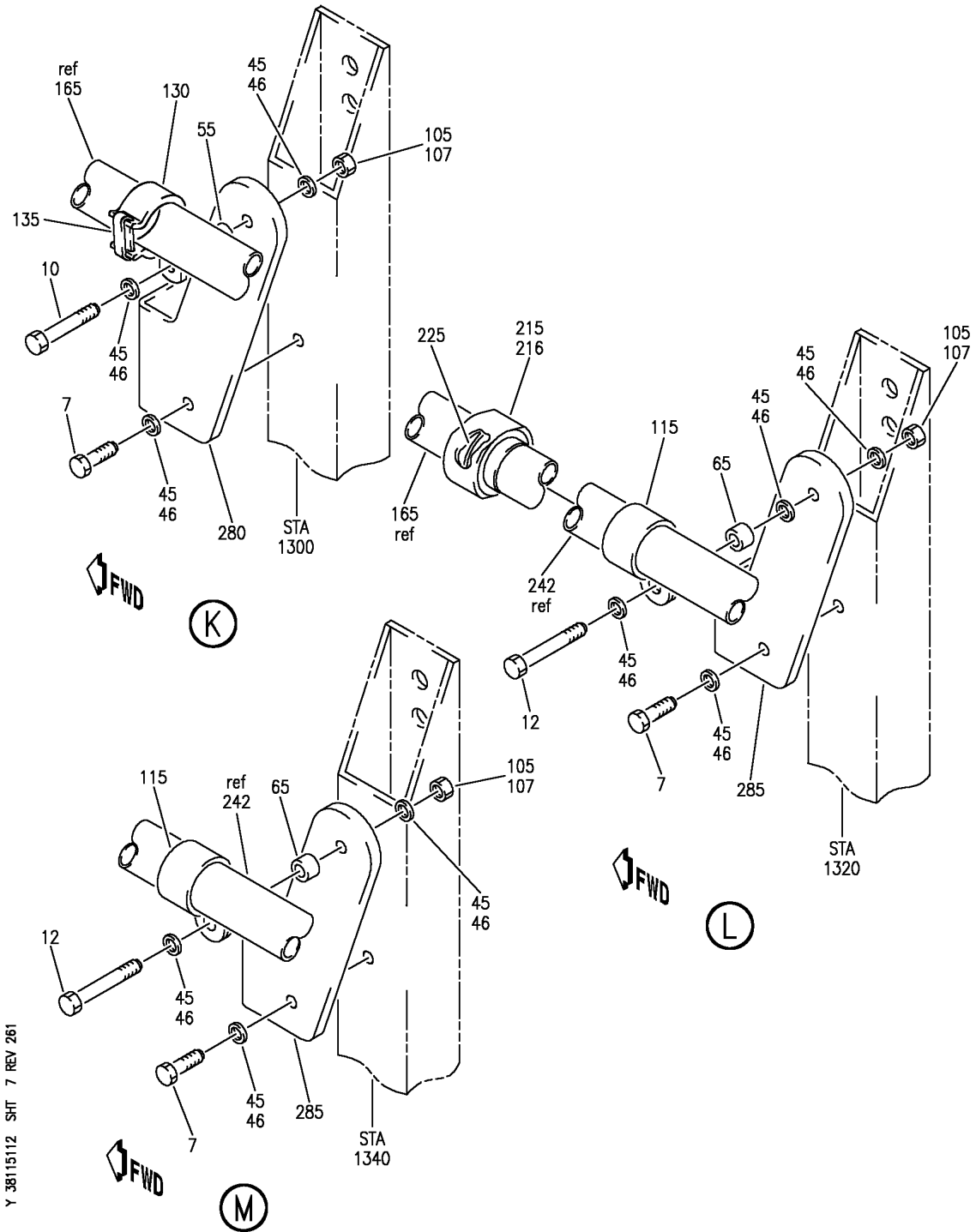
SUPPLY INSTL-WATER MAIN LINE BELOW FLOOR
FIGURE 12 (SHEET 6)

38-11-51-12

BRI
JAN 20/09

38-11-51-12
PAGE 0E


BOEING
 757
PARTS CATALOG (MAINTENANCE)



Y 38115112 SH 7 REV 261

SUPPLY INSTL-WATER MAIN LINE BELOW FLOOR
 FIGURE 12 (SHEET 7)

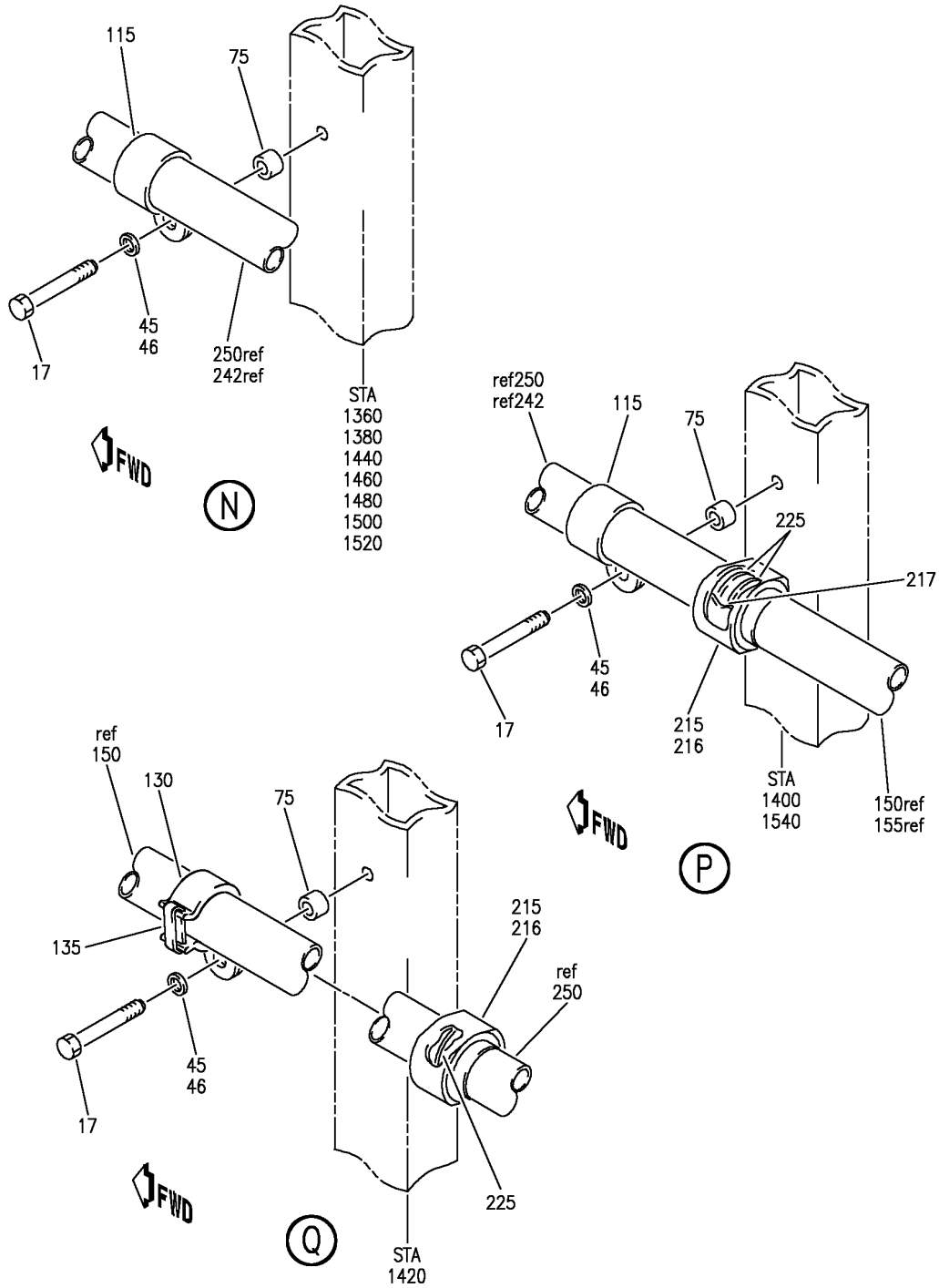
38-11-51-12

BRI
 JAN 20/09

38-11-51-12
 PAGE OF

BOEING PROPRIETARY - Copyright © - Unpublished Work - See title page for details.


BOEING
 757
PARTS CATALOG (MAINTENANCE)



Y 38115112 SH1 8 REV 251

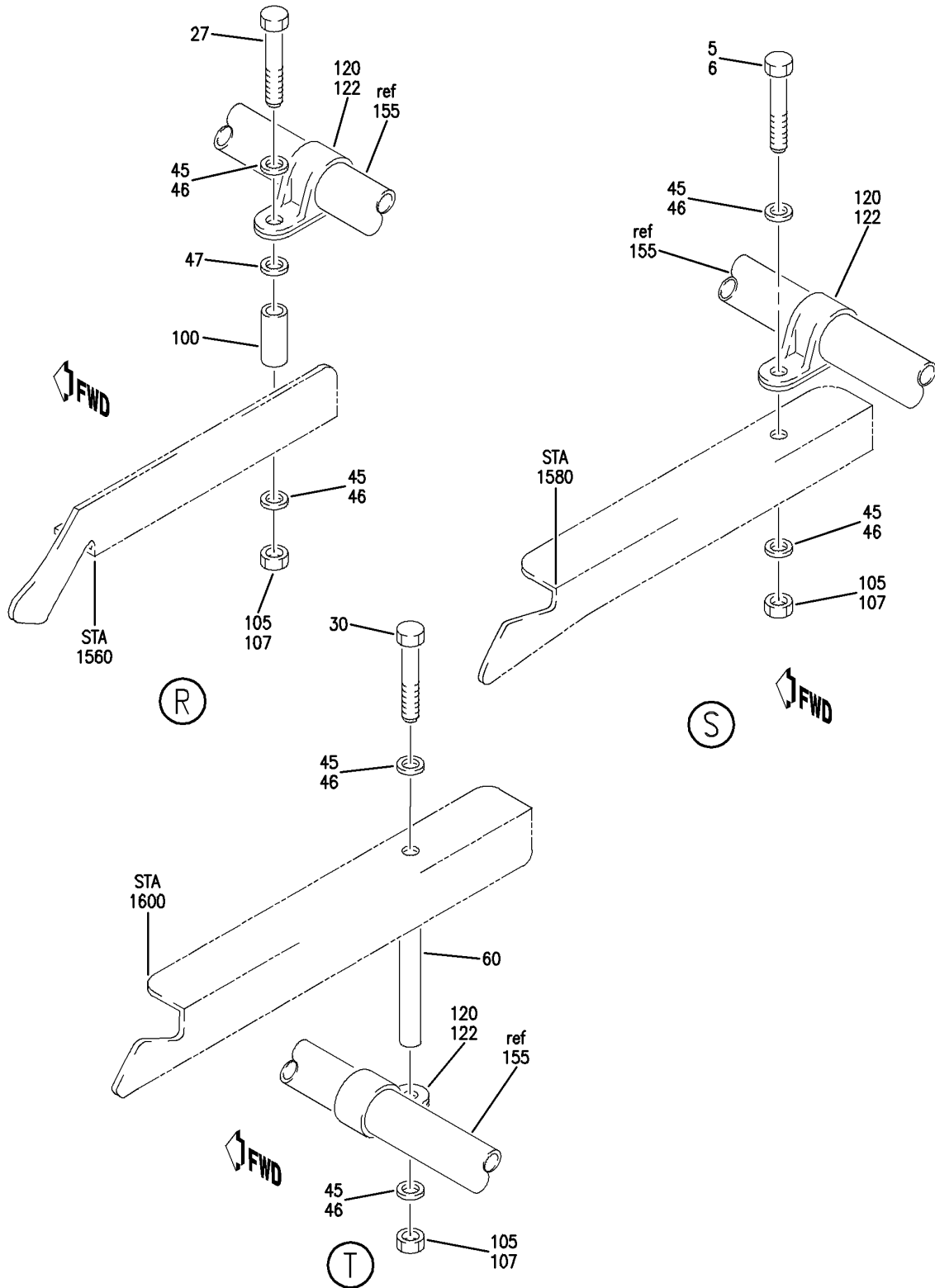
SUPPLY INSTL-WATER MAIN LINE BELOW FLOOR
 FIGURE 12 (SHEET 8)

38-11-51-12

BRI
 JAN 20/09

38-11-51-12
 PAGE 0G


BOEING
 757
PARTS CATALOG (MAINTENANCE)



Y 38115112 SHT 9 REV 222

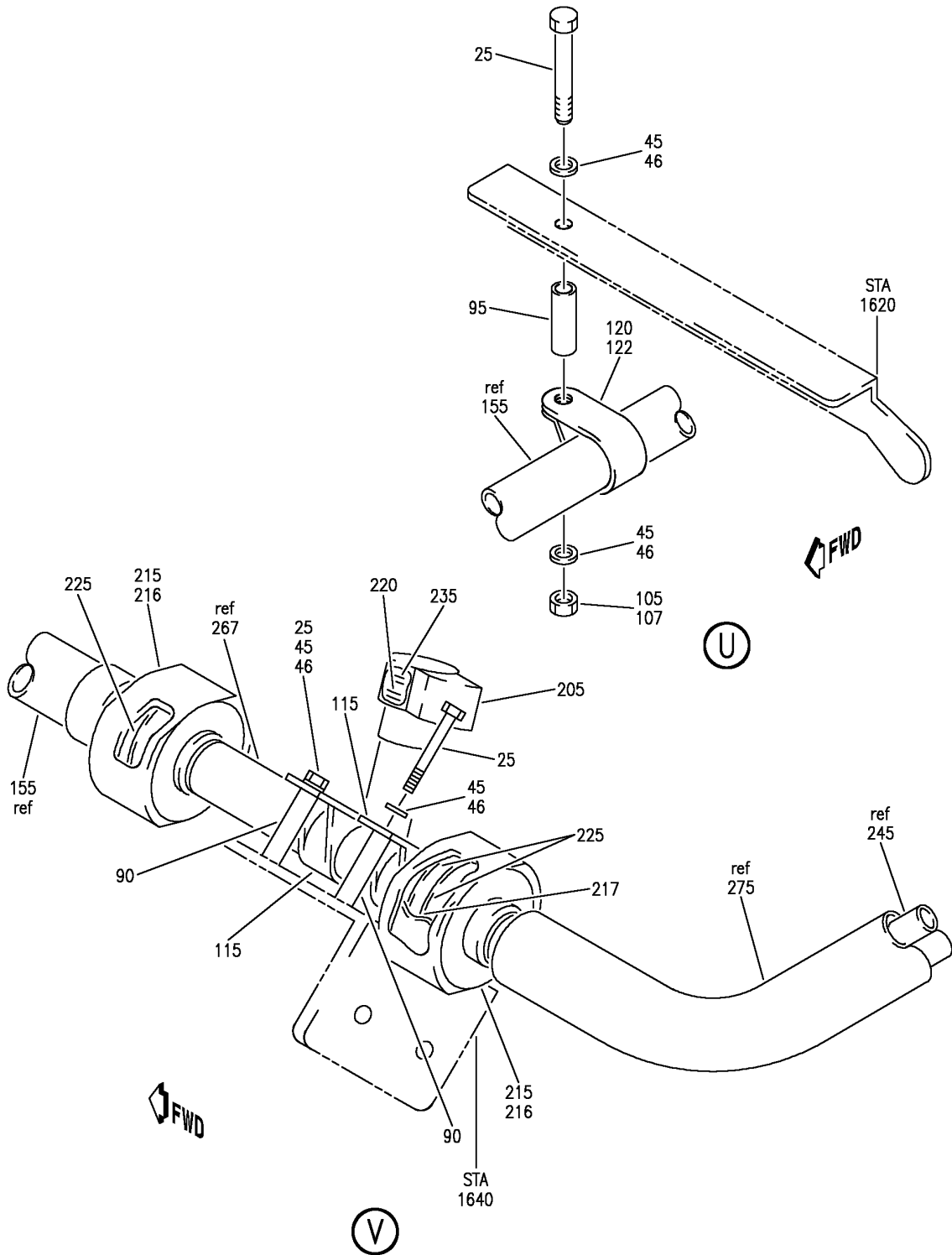
SUPPLY INSTL-WATER MAIN LINE BELOW FLOOR
 FIGURE 12 (SHEET 9)

38-11-51-12

BRI
 JAN 20/09

38-11-51-12
 PAGE 0H

BOEING
757
PARTS CATALOG (MAINTENANCE)



Y 38115112 SHT 10 REV 261

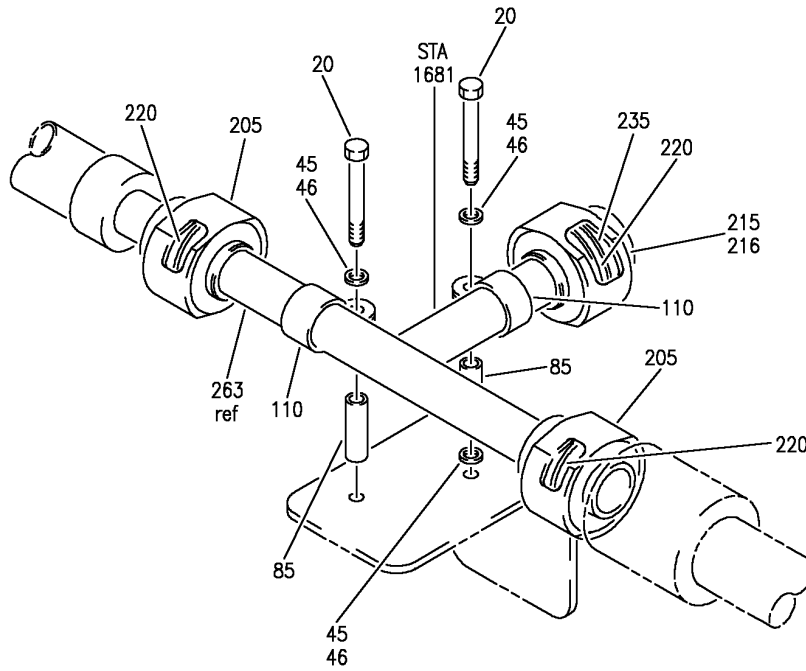
SUPPLY INSTL-WATER MAIN LINE BELOW FLOOR
FIGURE 12 (SHEET 10)

38-11-51-12

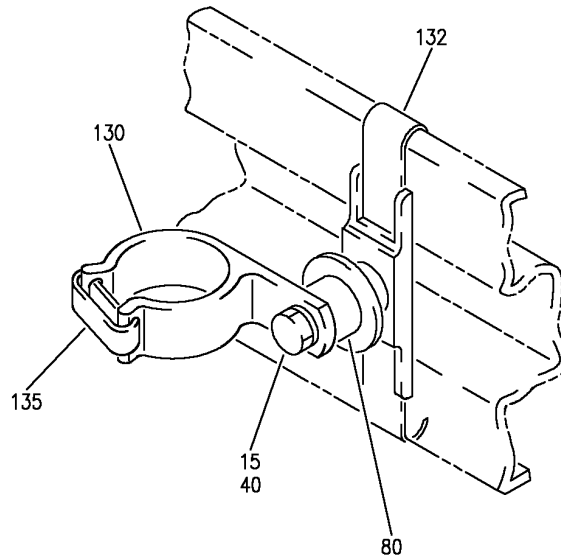
BRI
JAN 20/09

38-11-51-12
PAGE 01

BOEING
757
PARTS CATALOG (MAINTENANCE)



(W)



(X)

Y 38115112 SHT 11 REV 269

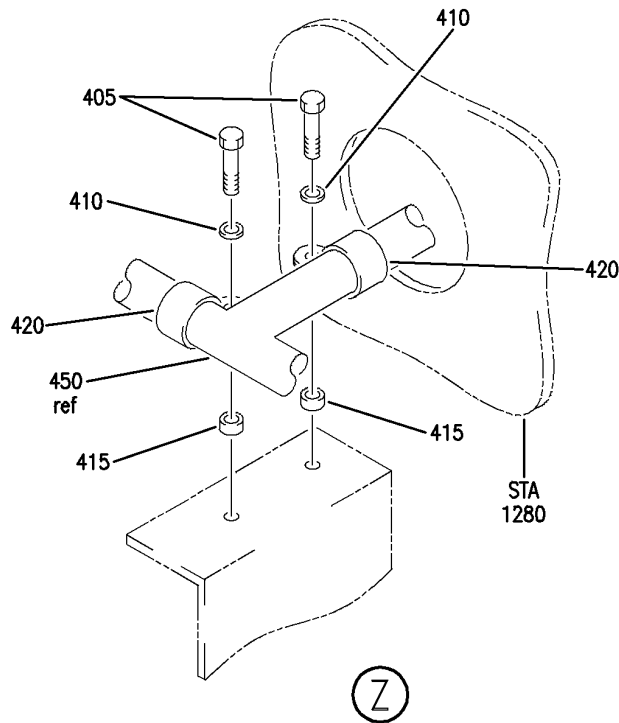
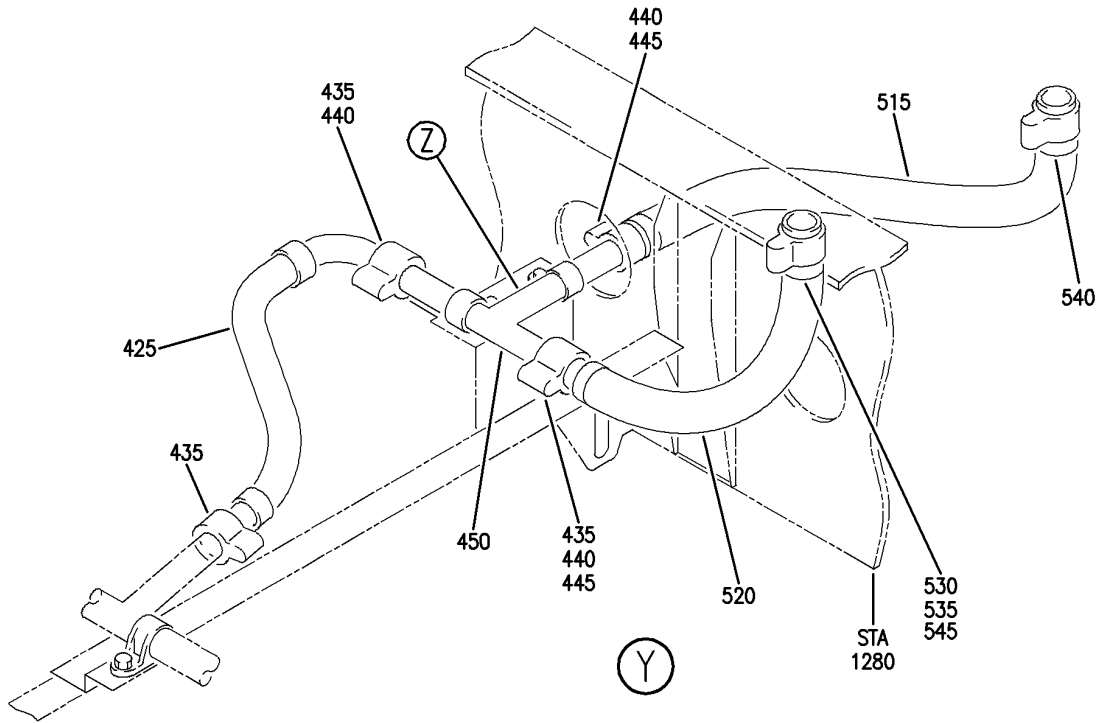
SUPPLY INSTL-WATER MAIN LINE BELOW FLOOR
FIGURE 12 (SHEET 11)

38-11-51-12

BRI
JAN 20/09

38-11-51-12
PAGE 0J

BOEING
757
PARTS CATALOG (MAINTENANCE)



Y 38115112 SHT 12 REV 222

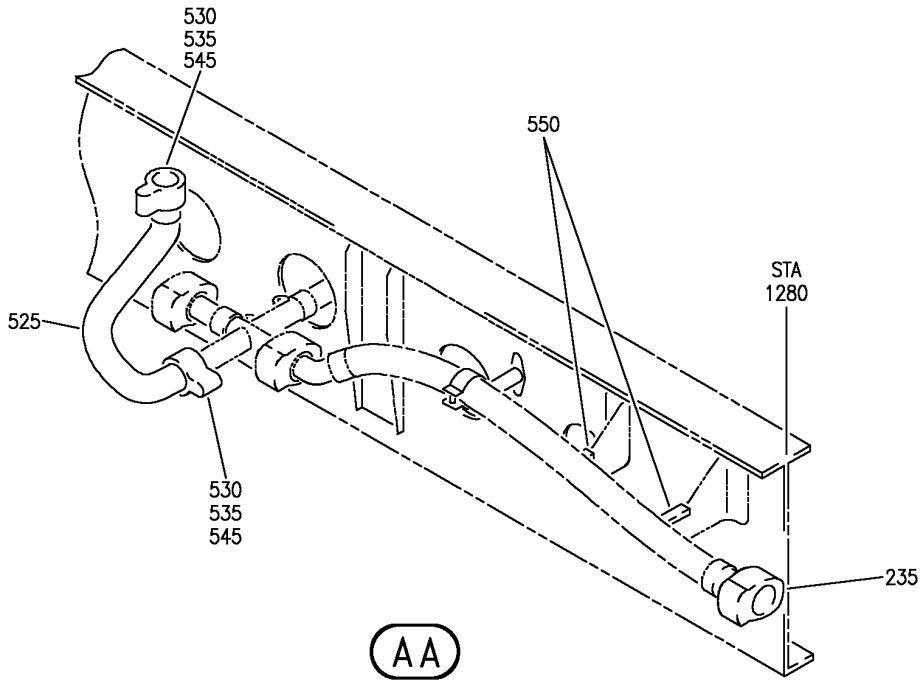
SUPPLY INSTL-WATER MAIN LINE BELOW FLOOR
 FIGURE 12 (SHEET 12)

38-11-51-12

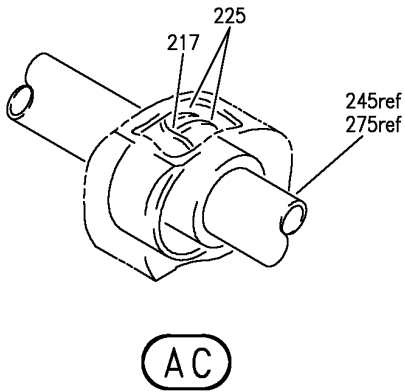
BRI
 JAN 20/09

38-11-51-12
 PAGE 0K

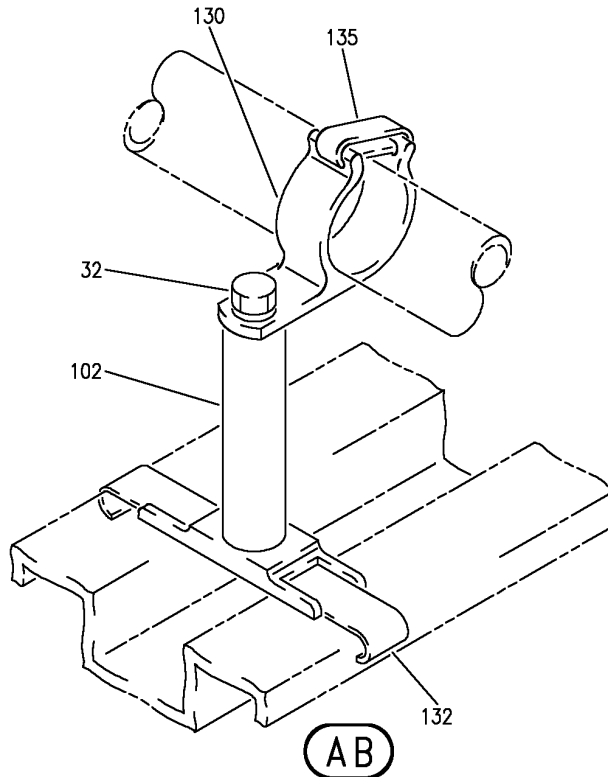
BOEING
757
PARTS CATALOG (MAINTENANCE)



AA



AC



AB

Y 38115112 SHT 13 REV 269

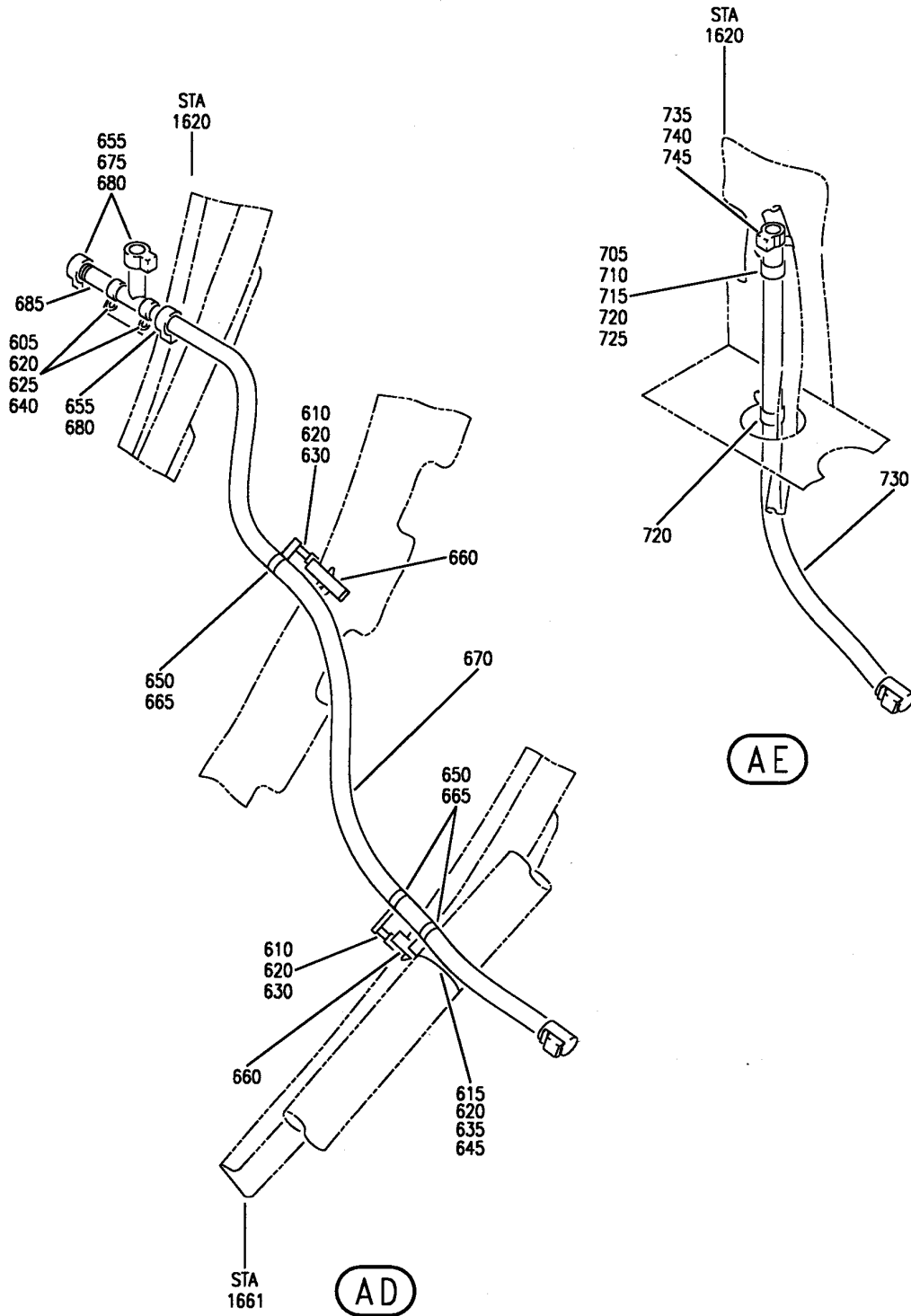
SUPPLY INSTL-WATER MAIN LINE BELOW FLOOR
FIGURE 12 (SHEET 13)

38-11-51-12

BRI
JAN 20/09

38-11-51-12
PAGE 0L

BOEING
757
PARTS CATALOG (MAINTENANCE)



Y 38115112 SH1 14 REV 212

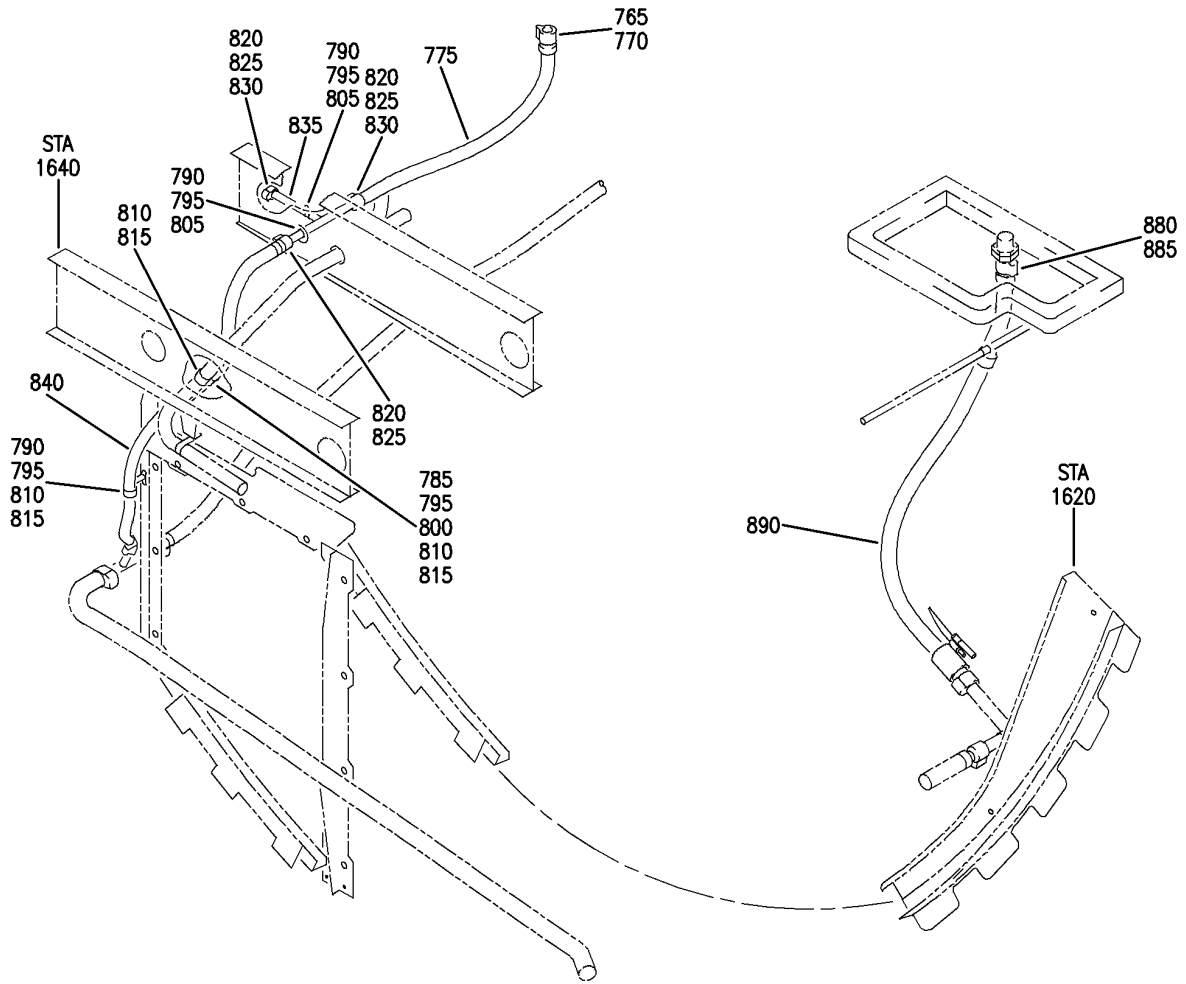
SUPPLY INSTL-WATER MAIN LINE BELOW FLOOR
FIGURE 12 (SHEET 14)

38-11-51-12

BRI
JAN 20/09

38-11-51-12
PAGE 0M

BOEING
757
PARTS CATALOG (MAINTENANCE)



AF

Y 38115112 SHT 15 REV 222

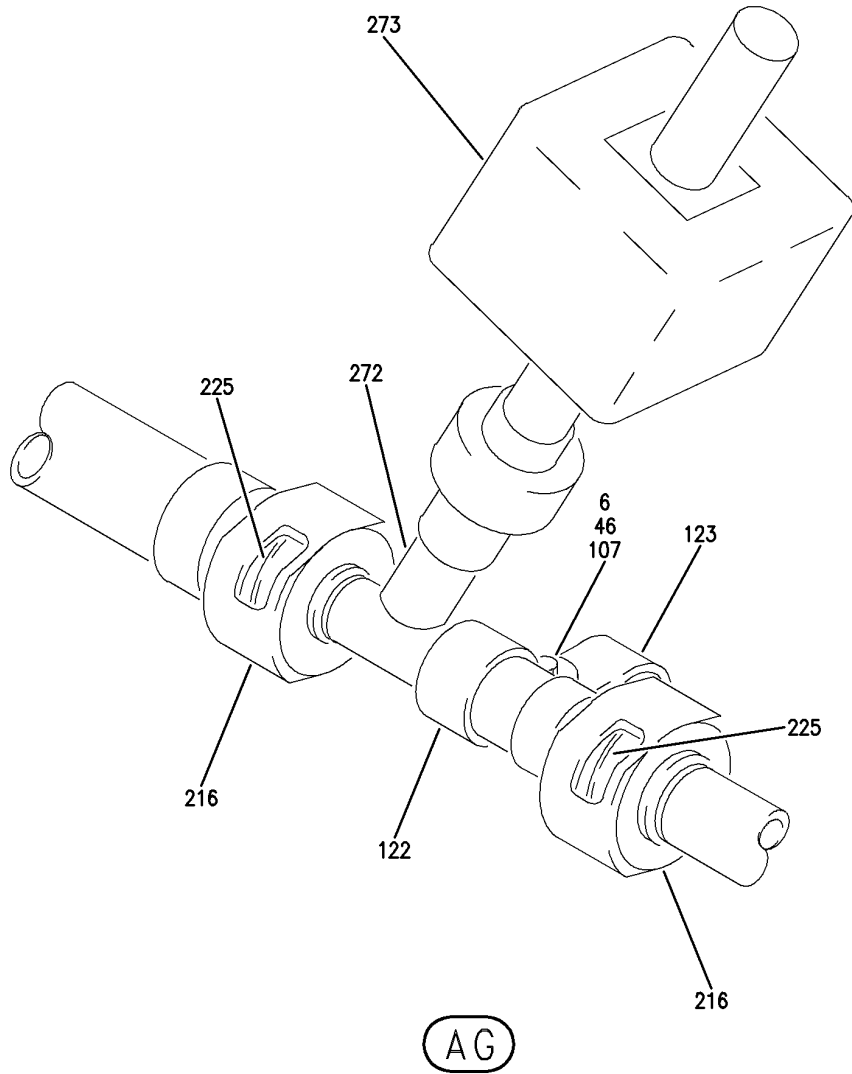
SUPPLY INSTL-WATER MAIN LINE BELOW FLOOR
FIGURE 12 (SHEET 15)

38-11-51-12

BRI
JAN 20/09

38-11-51-12
PAGE 0N

BOEING
757
PARTS CATALOG (MAINTENANCE)



Y 38115112 SHT 16 REV 222

SUPPLY INSTL-WATER MAIN LINE BELOW FLOOR
FIGURE 12 (SHEET 16)

38-11-51-12

BRI
JAN 20/09

38-11-51-12
PAGE 00



757

PARTS CATALOG (MAINTENANCE)

FIG ITEM	PART NUMBER	1 2 3 4 5 6 7	NOMENCLATURE	EFFECT FROM TO	UNITS PER ASSY
12			SUPPLY INSTL-WATER	103106	
- 1	MODREF17666		MAIN LINE BELOW FLOOR		
			SUPPLY INSTL-WATER	103105	1
			MAIN LINE BELOW FLOOR		
			MODULE NUMBER:		
			417N2451-1 REV A		
- 1	MODREF194700		SUPPLY INSTL-WATER	106106	1
			MAIN LINE BELOW FLOOR		
			MODULE NUMBER:		
			417N2451-1 REV C		
5	BACS12GU3K10		.SCREW	103106	4
7	BACS12GU3K9		.SCREW	103106	3
10	BACS12GU3K12		.SCREW	103106	3
12	BACS12GU3K13		.SCREW	103106	2
15	BACS12GU3K16		.SCREW	103106	3
17	BACS12GU3K15		.SCREW	103106	10
20	BACS12GU3K22		.SCREW	103106	2
25	BACS12GU3K24		.SCREW	103106	3
27	BACS12GU3K26		.SCREW	103106	1
30	BACS12GU3K48		.SCREW	103106	1
32	BACS12GU3K47		.SCREW	103106	1
40	BACW10DZ3		.WASHER-	103106	2
45	NAS1149D0316J		.WASHER	103106	40
47	NAS1149D0363J		.WASHER	103106	1
50	NAS43DD3-10FC		.SPACER	103106	1
52	NAS43DD3-3FC		.SPACER	103106	1
55	NAS43DD3-15FC		.SPACER	103106	1
57	NAS43DD3-4FC		.SPACER	103106	2
60	NAS43DD3-154FC		.SPACER	103106	1
65	NAS43DD3-16FC		.SPACER	103106	2
70	NAS43DD3-18FC		.SPACER	103106	1
75	NAS43DD3-20FC		.SPACER	103106	10
80	NAS43DD3-23FC		.SPACER	103106	2
85	NAS43DD3-48FC		.SPACER	103106	2
90	NAS43DD3-58FC		.SPACER	103106	2
95	NAS43DD3-60FC		.SPACER	103106	1
100	NAS43DD3-64FC		.SPACER	103106	1
102	NAS43DD3-160FC		.SPACER	103106	1
105	PLH53CD		.NUT	103106	9
			SUPPLIER CODE:		
			VF0224		
			SPECIFICATION NUMBER:		
			BACN10YR3CD		
			OPTIONAL PART:		
			H52732-3CD		
			V15653		
110	BACC10DK10		.CLAMP	103106	2
115	BACC10DK12		.CLAMP	103106	17
120	BACC10DK15		.CLAMP-	103106	4

MISSING ITEM NUMBERS NOT APPLICABLE

- ITEM NOT ILLUSTRATED

38-11-51-12

38-11-51
FIG. 12
PAGE 1
JAN 20/09

BRI



757

PARTS CATALOG (MAINTENANCE)

FIG ITEM	PART NUMBER	1 2 3 4 5 6 7	NOMENCLATURE	EFFECT FROM TO	UNITS PER ASSY
12					
130	NMC1005-5	.CLAMP-	SUPPLIER CODE: V03296	103106	8
132	BACS38P5	.SUPPORT		103106	3
135	PLT1MXMR	.STRAP	SUPPLIER CODE: V06383 SPECIFICATION NUMBER: BACS38K9	103106	8
137	T05R0	.STRAP	SUPPLIER CODE: V53421 SPECIFICATION NUMBER: BACS38K1 OPTIONAL PART: PLT2SM V06383	103106	1
142	TM3S10	.PLATE-MTG	SUPPLIER CODE: V06383 SPECIFICATION NUMBER: STBP19M12	103106	1
145	417N2403-300	.SEAL-AIR		103106	1
150	AS4796-12-0282	.HOSE ASSY		103106	1
155	AS4796-12-0900	.HOSE ASSY-		103106	1
160	AS4800-12-0232	.HOSE ASSY-		103106	1
165	AS4801-12-0182	.HOSE ASSY-		103105	1
165	AS4801-12-0202	.HOSE ASSY-		106106	1
175	79290-1601	.HOSE ASSY-HEATED	SUPPLIER CODE: V24984 SPECIFICATION NUMBER: S417A204-1601 ELECTRICAL EQUIP NUMBER: B10255	103106	1
185	79290-1653	.HOSE ASSY-HEATED	SUPPLIER CODE: V24984 SPECIFICATION NUMBER: S417A204-1653 ELECTRICAL EQUIP NUMBER: B10256	103106	1
195	79290-1705	.HOSE ASSY-HEATED	SUPPLIER CODE: V24984 SPECIFICATION NUMBER: S417A204-1705 ELECTRICAL EQUIP NUMBER: B10257	103106	1

MISSING ITEM NUMBERS NOT APPLICABLE

- ITEM NOT ILLUSTRATED

38-11-51-12

38-11-51
FIG. 12
PAGE 2
JAN 20/09

BRI



757

PARTS CATALOG (MAINTENANCE)

FIG ITEM	PART NUMBER	1 2 3 4 5 6 7	NOMENCLATURE	EFFECT FROM TO	UNITS PER ASSY
12 205	14C34-10A		. COUPLING- SUPPLIER CODE: V24984 OPTIONAL PART: 14C33-10 V24984 W994BF10DE V79326	103105	9
205	14C33-10		. COUPLING- SUPPLIER CODE: V24984 OPTIONAL PART: W994BF10DE V79326 14C34-10A V24984	103106	9
205	W994BF10DE		. COUPLING- SUPPLIER CODE: V79326 OPTIONAL PART: 14C34-10A V24984 14C33-10 V24984	103105	9
215	14C34-12A		. COUPLING- SUPPLIER CODE: V24984 OPTIONAL PART: 14C33-12 V24984 W994BF12DE V79326	103105	12
215	14C33-12		. COUPLING- SUPPLIER CODE: V24984 OPTIONAL PART: 14C34-12A V24984 W994BF12DE V79326	103106	12
215	W994BF12DE		. COUPLING- SUPPLIER CODE: V79326 OPTIONAL PART: 14C34-12A V24984 14C33-12 V24984	103105	12

MISSING ITEM NUMBERS NOT APPLICABLE

- ITEM NOT ILLUSTRATED

38-11-51-12

38-11-51
FIG. 12
PAGE 3
JAN 20/09

BRI

BOEING PROPRIETARY - Copyright © - Unpublished Work - See title page for details.



757

PARTS CATALOG (MAINTENANCE)

FIG ITEM	PART NUMBER	1 2 3 4 5 6 7	NOMENCLATURE	EFFECT FROM TO	UNITS PER ASSY
12 217	14R02-12C	.	SLEEVE- SUPPLIER CODE: V24984 OPTIONAL PART: AS1654C12	103106	6
217	14R02-12C	.	SLEEVE- SUPPLIER CODE: V24984 SPECIFICATION NUMBER: AS1654C12 OPTIONAL PART: 14R02-12C V24984	103106	6
220	NAS1611-017A	.	PACKING- OPTIONAL PART: NAS1611-017	103106	9
220	NAS1611-017	.	PACKING- OPTIONAL PART: NAS1611-017A	103106	9
225	NAS1611-117A	.	PACKING- OPTIONAL PART: NAS1611-117	103106	18
225	NAS1611-117	.	PACKING- OPTIONAL PART: NAS1611-117A	103106	18
235	LC200-10C	.	CAP- SUPPLIER CODE: V24984	103106	6
240	417A2404-310	.	TUBE ASSY- TUBING MATERIAL: WATER SUPPLY,SS,.75"O.D. X 86.5" BENT	103106	1
242	417A2404-311	.	TUBE ASSY- TUBING MATERIAL: WATER SUPPLY,SS,.75"O.D. X 87.5" STRAIGHT	103106	1
245	417A2404-313	.	TUBE ASSY- TUBING MATERIAL: WATER SUPPLY,SS,.75"O.D. X 61.0" BENT	103106	1
250	417A2404-312	.	TUBE ASSY- TUBING MATERIAL: WATER SUPPLY,SS,.75"O.D. X 117.5" STRAIGHT	103106	1
- 252	14F02-12C	..	FERRULE- SUPPLIER CODE: V24984	103106	2
255	417N2310-335	.	TUBE ASSY-	103106	1

MISSING ITEM NUMBERS NOT APPLICABLE

- ITEM NOT ILLUSTRATED

38-11-51-12

38-11-51
FIG. 12
PAGE 4
JAN 20/09

BRI



757

PARTS CATALOG (MAINTENANCE)

FIG ITEM	PART NUMBER	1 2 3 4 5 6 7	NOMENCLATURE	EFFECT FROM TO	UNITS PER ASSY
12					
- 257	417N2310-310	..	TUBE- TUBING MATERIAL: STOCK .028 WALL X .75 O.D. X 5.10 CRES TUBE TYPE AISI 321/347 MIL-T-8808/ MIL-T-8808-858	103106	1
- 258	417N2310-311	..	TUBE- TUBING MATERIAL: STOCK .028 WALL X .625 O.D. X 4.10 CRES TUBE TYPE AISI 321/347 MIL-T-8808/ MIL-T-8808-858	103106	1
- 260	417N2310-334	..	TUBE ASSY- TUBING MATERIAL: STOCK .028 WALL X .625 O.D. X 1.60 CRES TUBE TYPE AISI 321/347 MIL-T-8808/ MIL-T-8808-858	103106	1
- 261	AS4734C10	..	FERRULE	103106	2
- 262	AS4734C12	..	FERRULE	103106	2
263	417N2310-306	.	TUBE ASSY	103106	1
- 264	417N2310-311	..	TUBE- TUBING MATERIAL: STOCK .028 WALL X .625 O.D. X 4.10 CRES TUBE TYPE AISI 321/347 MIL-T-8808/ MIL-T-8808-858	103106	1
- 265	417N2310-313	..	TUBE ASSY- TUBING MATERIAL: STOCK .028 WALL X .625 O.D. X 6.10 CRES TUBE TYPE AISI 321/347 MIL-T-8808/ MIL-T-8808-858	103106	1
- 266	AS4734C10	..	FERRULE	103106	3
267	417N2310-307	.	TUBE ASSY	103106	2
- 268	417N2310-312	..	TUBE ASSY- TUBING MATERIAL: STOCK .028 WALL X .625 O.D. X 3.10 CRES TUBE TYPE AISI 321/347 MIL-T-8808/ MIL-T-8808-858	103106	1

MISSING ITEM NUMBERS NOT APPLICABLE

- ITEM NOT ILLUSTRATED

38-11-51-12

38-11-51
FIG. 12
PAGE 5
JAN 20/09

BRI

BOEING PROPRIETARY - Copyright © - Unpublished Work - See title page for details.



757

PARTS CATALOG (MAINTENANCE)

FIG ITEM	PART NUMBER	1 2 3 4 5 6 7	NOMENCLATURE	EFFECT FROM TO	UNITS PER ASSY
12					
- 269	417N2310-315		..TUBE ASSY- TUBING MATERIAL: STOCK .028 WALL X .75 O.D. X 5.80 CRES TUBE TYPE AISI 321/347 MIL-T-8808/ MIL-T-8808-858	103106	1
- 270	AS4734C10		..FERRULE	103106	1
- 271	AS4734C12		..FERRULE	103106	2
275	478W3170-6		.TUBE ASSY-INSULATION	103106	1
280	417N2315-302		.BRACKET	103106	1
285	417N2315-303		.BRACKET	103106	2
- 400	MODREF17671		SUPPLY INSTL-NATER LINE FOR LAV B OR C MODULE NUMBER: 417N2451-3 REV A	103106	1
405	BACS12GU3K10		.SCREW	103106	2
410	NAS1149D0316J		.WASHER	103106	2
415	NAS43DD3-10FC		.SPACER	103106	2
420	BACC10DK10		.CLAMP	103106	2
425	AS4801-10-0116		.HOSE ASSY	103106	1
435	14C34-10A		.COUPLING- SUPPLIER CODE: V24984 OPTIONAL PART: 14C33-10 V24984 W994BF10DE V79326	103106	3
435	14C33-10		.COUPLING- SUPPLIER CODE: V24984 OPTIONAL PART: 14C34-10A V24984 W994BF10DE V79326	103106	3
435	W994BF10DE		.COUPLING- SUPPLIER CODE: V79326 OPTIONAL PART: 14C34-10A V24984 14C33-10 V24984	103106	3
440	NAS1611-017A		.PACKING- OPTIONAL PART: NAS1611-017	103106	3

MISSING ITEM NUMBERS NOT APPLICABLE

- ITEM NOT ILLUSTRATED

38-11-51-12

38-11-51
FIG. 12
PAGE 6
JAN 20/09

BRI



757

PARTS CATALOG (MAINTENANCE)

FIG ITEM	PART NUMBER	1 2 3 4 5 6 7	NOMENCLATURE	EFFECT FROM TO	UNITS PER ASSY
12					
440	NAS1611-017		.PACKING- OPTIONAL PART: NAS1611-017A	103106	3
445	LC200-10C		.CAP- SUPPLIER CODE: V24984	103106	2
450	417N2310-306		.TUBE ASSY	103106	1
- 455	417N2310-311		..TUBE- TUBING MATERIAL: STOCK .028 WALL X .625 O.D. X 4.10 CRES TUBE TYPE AISI 321/347 MIL-T-8808/ MIL-T-8808-858	103106	1
- 460	417N2310-313		..TUBE ASSY- TUBING MATERIAL: STOCK .028 WALL X .625 O.D. X 6.10 CRES TUBE TYPE AISI 321/347 MIL-T-8808/ MIL-T-8808-858	103106	1
- 465	AS4734C10		..FERRULE	103106	3
- 500	MODREF17672		SUPPLY INSTL-WATER LINE FOR LAV B MODULE NUMBER: 417N2451-4 REV A	103106	1
- 505	MODREF17673		SUPPLY INSTL-WATER LINE FOR LAV C MODULE NUMBER: 417N2451-5 REV A	103106	1
- 510	MODREF17674		SUPPLY INSTL-WATER LINE FOR LAV D MODULE NUMBER: 417N2451-6 REV A	103106	1
515	AS4796-10-0146		.HOSE ASSY- USED ON: 417N2451-4 MODREF17672	103106	1
520	AS4796-10-0102		.HOSE ASSY- USED ON: 417N2451-5 MODREF17673	103106	1
525	79024-10-0060		.HOSE ASSY- SUPPLIER CODE: V24984 USED ON: 417N2451-6 MODREF17674	103106	1

MISSING ITEM NUMBERS NOT APPLICABLE

- ITEM NOT ILLUSTRATED

38-11-51-12

38-11-51
FIG. 12
PAGE 7
JAN 20/09

BRI



757

PARTS CATALOG (MAINTENANCE)

FIG ITEM	PART NUMBER	1 2 3 4 5 6 7	NOMENCLATURE	EFFECT FROM TO	UNITS PER ASSY
12 535	14C34-10A		. COUPLING- SUPPLIER CODE: V24984 OPTIONAL PART: 14C33-10 V24984 W994BF10DE V79326	103106	1
535	14C33-10		. COUPLING- SUPPLIER CODE: V24984 OPTIONAL PART: 14C34-10A V24984 W994BF10DE V79326	103106	1
535	W994BF10DE		. COUPLING- SUPPLIER CODE: V79326 OPTIONAL PART: 14C34-10A V24984 14C33-10 V24984	103106	1
540	NAS1611-017A		. PACKING- OPTIONAL PART: NAS1611-017	103106	1
540	NAS1611-017		. PACKING- OPTIONAL PART: NAS1611-017A	103106	1
545	LC200-10C		. CAP- SUPPLIER CODE: V24984	103106	1
550	BACG202B000220		. GROMMET- USED ON: 417N2451-6 MODREF17674	103106	2

MISSING ITEM NUMBERS NOT APPLICABLE

- ITEM NOT ILLUSTRATED

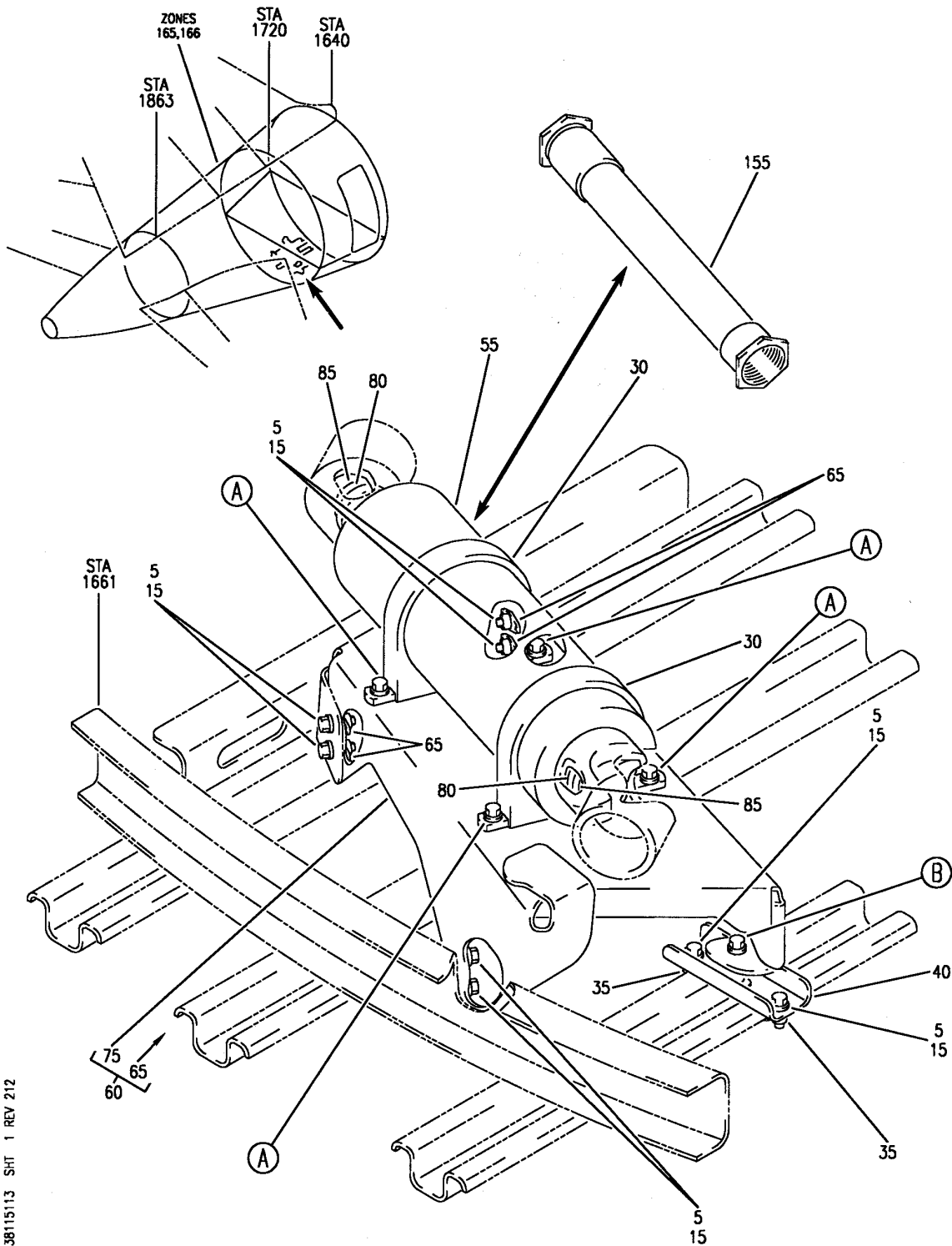
BRI

38-11-51-12

BOEING PROPRIETARY - Copyright © - Unpublished Work - See title page for details.

38-11-51
FIG. 12
PAGE 8
JAN 20/09

BOEING
757
PARTS CATALOG (MAINTENANCE)



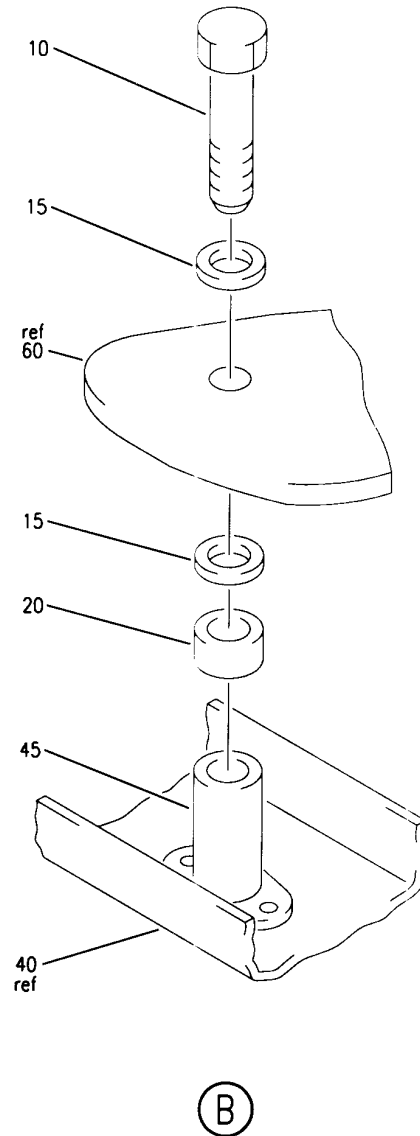
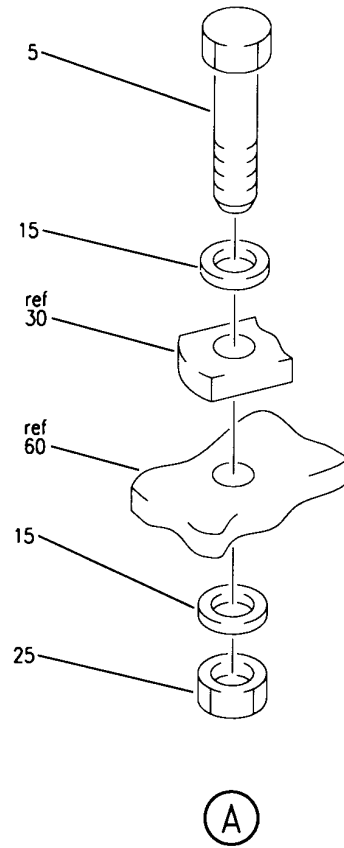
DRAIN INSTL-TANK POTABLE WATER SYS FILL AND OVERFLOW INSTL, VARIABLE (DECALCIFIER)
FIGURE 13 (SHEET 1)

BRI
JAN 20/09

38-11-51-13

38-11-51-13
PAGE 0

BOEING
757
PARTS CATALOG (MAINTENANCE)



Y 38115113 SHT 2 REV 203

DRAIN INSTL-TANK POTABLE WATER SYS FILL AND OVERFLOW INSTL, VARIABLE (DECALCIFIER)
FIGURE 13 (SHEET 2)

38-11-51-13

BRI
JAN 20/09

38-11-51-13
PAGE 0A



757

PARTS CATALOG (MAINTENANCE)

FIG ITEM	PART NUMBER	1 2 3 4 5 6 7	NOMENCLATURE	EFFECT FROM TO	UNITS PER ASSY
13			DRAIN INSTL-TANK POTABLE WATER SYS FILL AND OVERFLOW INSTL, VARIABLE (DECALCIFIER)	103106	
- 150	MODREF17797		DRAIN INSTL-TANK POTABLE WATER SYS MODULE NUMBER: 417N2554-3 REV A	103106	1
155	79290-2201		.HOSE ASSY-HEATED SUPPLIER CODE: V24984 SPECIFICATION NUMBER: S417A204-2201 ELECTRICAL EQUIP NUMBER: B10277	103106	1

MISSING ITEM NUMBERS NOT APPLICABLE

- ITEM NOT ILLUSTRATED

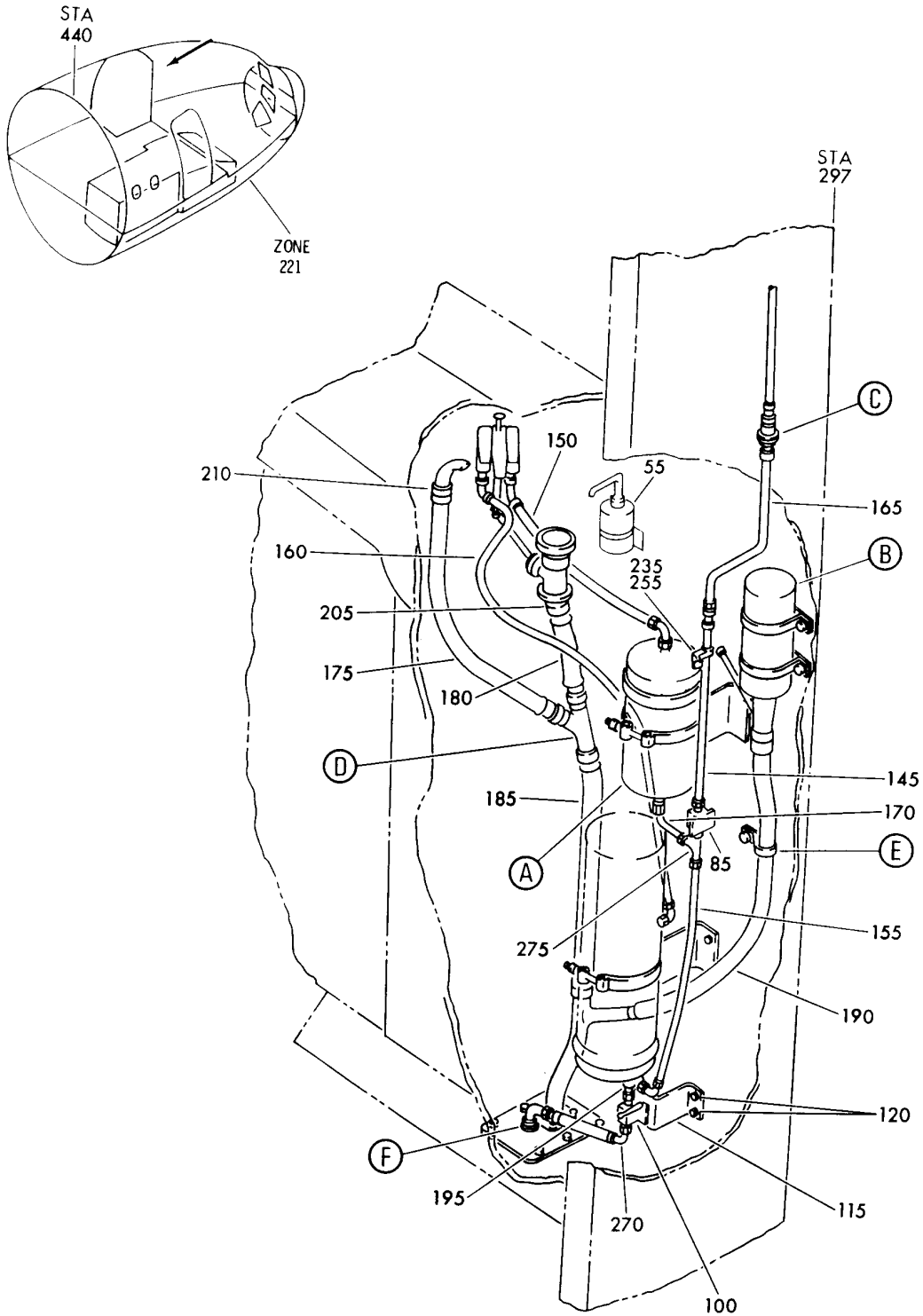
BRI

38-11-51-13

BOEING PROPRIETARY - Copyright © - Unpublished Work - See title page for details.

38-11-51
FIG. 13
PAGE 1
JAN 20/09

BOEING
757
PARTS CATALOG (MAINTENANCE)



Y 38115115E SHT 1 REV 178

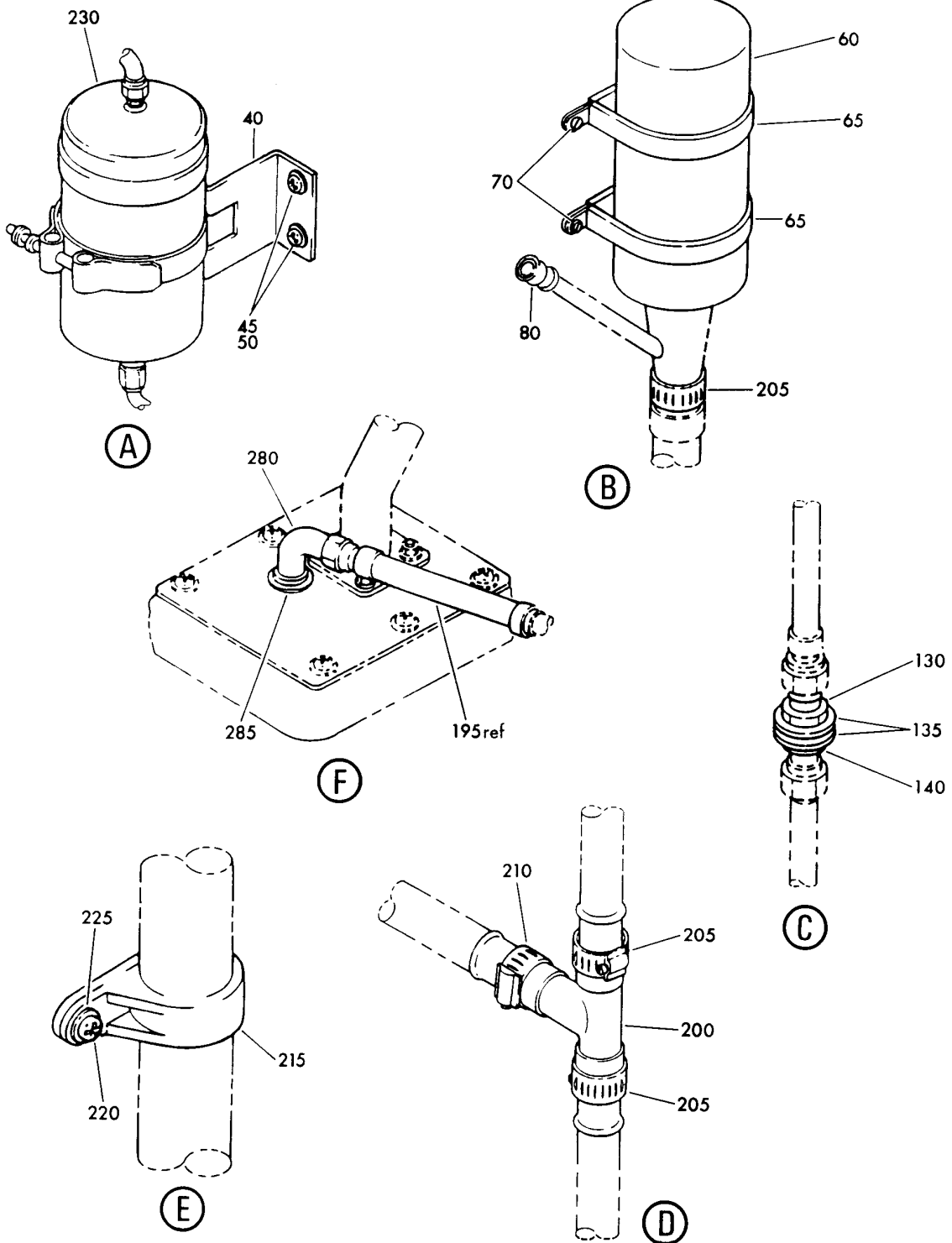
PLUMBING ASSY-LAV (STOWAGE AND DISTRIBUTION ONLY)
FIGURE 15E (SHEET 1)

38-11-51-15E

BRI
MAY 28/07

38-11-51-15E
PAGE 0

BOEING
757
PARTS CATALOG (MAINTENANCE)



Y 38115115E SHT 2 REV 178

PLUMBING ASSY-LAV (STOWAGE AND DISTRIBUTION ONLY)
FIGURE 15E (SHEET 2)

38-11-51-15E

BRI
MAY 28/07

38-11-51-15E
PAGE 0A



757

PARTS CATALOG (MAINTENANCE)

FIG ITEM	PART NUMBER	1 2 3 4 5 6 7	NOMENCLATURE	EFFECT FROM TO	UNITS PER ASSY
15E			PLUMBING ASSY-LAV (STOWAGE AND DISTRIBUTION ONLY)	002004 006100	
- 1	0A112-0021-71		PLUMBING ASSY-LAV A (STOWAGE AND DISTRIBUTION ONLY) SUPPLIER CODE: VS5825 FOR NHA/OTHER SYS DET SEE: 25-41-01-06F	002004 006100	RF
40	2A114-0012-5		.SUPPORT-WATER FILTER SUPPLIER CODE: VS5825	002004 006100	1
45	NAS603-5P		ATTACHING PARTS .SCREW	002004 006100	4
50	AN960PD10L		.WASHER	002004 006100	4
55	2A081-0543-1		-----*----- .DISPENSER-LIQUID SOAP SUPPLIER CODE: VS5825	002004 006100	1
60	2A081-0621-1		.MUFFLER-DRAIN SUPPLIER CODE: VS5825	002004 006100	1
65	MS21919DG43		.CLAMP-HOSE	002004 006100	2
70	NAS603-7P		ATTACHING PARTS .SCREW	002004 006100	4
- 75	AN960PD10L		.WASHER	002004 006100	4
80	3A114-0047-1		-----*----- .CAP- SUPPLIER CODE: VS5825	002004 006100	1
85	1A081-0217-1		.VALVE-SHUTOFF SUPPLIER CODE: VS5825 SPECIFICATION NUMBER: 10-61267-7	002004 006100	1
- 90	NAS603-5P		ATTACHING PARTS .SCREW	002004 006100	4
- 95	AN960PD10L		.WASHER	002004 006100	4
			-----*-----		

MISSING ITEM NUMBERS NOT APPLICABLE

- ITEM NOT ILLUSTRATED

38-11-51-15E

38-11-51
FIG. 15E
PAGE 1
JAN 20/09

BRI

BOEING PROPRIETARY - Copyright © - Unpublished Work - See title page for details.



757

PARTS CATALOG (MAINTENANCE)

FIG ITEM	PART NUMBER	1 2 3 4 5 6 7	NOMENCLATURE	EFFECT FROM TO	UNITS PER ASSY
15E 100	1A081-0217-1		.VALVE-SHUTOFF SUPPLIER CODE: VS5825 SPECIFICATION NUMBER: 10-61267-7 ATTACHING PARTS	002004 006100	1
- 105	NAS603-7P		.SCREW	002004 006100	4
- 110	AN960PD10L		.WASHER	002004 006100	4
			-----*-----		
115	2A114-0249-11		.SUPPORT-SHUTOFF VALVE SUPPLIER CODE: VS5825 ATTACHING PARTS	002004 006100	1
120	NAS603-5P		.SCREW	002004 006100	4
- 125	AN960PD10L		.WASHER	002004 006100	4
			-----*-----		
130	MS21924J6		.UNION	002004 006100	1
			ATTACHING PARTS		
135	AN960-916		.WASHER	002004 006100	2
140	AN924-6J		.NUT	002004 006100	1
			-----*-----		
145	A1650-613		.HOSE ASSY- SUPPLIER CODE: V98441 SPECIFICATION NUMBER: 10-61998-613	002004 006100	1
150	A1650-635		.HOSE ASSY- SUPPLIER CODE: V98441 SPECIFICATION NUMBER: 10-61998-635 OPTIONAL PART: 78001-635 V24984 R29285-6-0136-180 V50599	002004 006100	1
155	A1650-629		.HOSE ASSY- SUPPLIER CODE: V98441 SPECIFICATION NUMBER: 10-61998-629	002004 006100	1

MISSING ITEM NUMBERS NOT APPLICABLE

- ITEM NOT ILLUSTRATED

38-11-51-15E

38-11-51
FIG. 15E
PAGE 2
JAN 20/09

BRI

BOEING PROPRIETARY - Copyright © - Unpublished Work - See title page for details.

 **BOEING**
757
PARTS CATALOG (MAINTENANCE)

FIG ITEM	PART NUMBER	1 2 3 4 5 6 7	NOMENCLATURE	EFFECT FROM TO	UNITS PER ASSY
15E 160	A1650-638		.HOSE ASSY- SUPPLIER CODE: V98441 SPECIFICATION NUMBER: 10-61998-638	002004 006100	1
165	2A113-0312-1		.TUBE ASSY- SUPPLIER CODE: VS5825	002004 006100	1
170	3A113-0175-1		.TUBE ASSY- SUPPLIER CODE: VS5825	002004 006100	1
175	2A081-0597-4		.HOSE ASSY-DRAIN SUPPLIER CODE: VS5825	002004 006100	1
180	2A081-0598-1		.HOSE ASSY-DRAIN SUPPLIER CODE: VS5825	002004 006100	1
185	2A081-0598-8		.HOSE ASSY-DRAIN SUPPLIER CODE: VS5825	002004 006100	1
190	2A081-0598-10		.HOSE ASSY-DRAIN SUPPLIER CODE: VS5825	002004 006100	1
195	A1650-626		.HOSE ASSY- SUPPLIER CODE: V98441 SPECIFICATION NUMBER: 10-61998-626	002004 006100	1
200	2A114-0141-11		.TEE- SUPPLIER CODE: VS5825	002004 006100	1
205	NAS1922-0125-1		.CLAMP	002004 006100	6
210	NAS1922-0100-1		.CLAMP	002004 006100	2
215	BACC10DK20		.CLAMP	002004 006100	1
220	NAS603-7P		ATTACHING PARTS .SCREW	002004 006100	1
225	AN960PD10L		.WASHER	002004 006100	1
230	XS1		-----*----- .FILTER-WATER SUPPLIER CODE: V08576	002004 006100	1
235	BACC10DK8A		.CLAMP	002004 006100	1

MISSING ITEM NUMBERS NOT APPLICABLE

— ITEM NOT ILLUSTRATED

BRI

38-11-51-15E

BOEING PROPRIETARY - Copyright © - Unpublished Work - See title page for details.

38-11-51
FIG. 15E
PAGE 3
JAN 20/09



757

PARTS CATALOG (MAINTENANCE)

FIG ITEM	PART NUMBER	1 2 3 4 5 6 7	NOMENCLATURE	EFFECT FROM TO	UNITS PER ASSY
15E			ATTACHING PARTS		
- 240	NAS603-9P		.SCREW	002004 006100	1
- 245	AN960PD10L		.WASHER	002004 006100	2
- 250	NAS679A3		.NUT	002004 006100	1
			-----*-----		
255	2A114-0065-1		.SUPPORT- SUPPLIER CODE: VS5825	002004 006100	1
			ATTACHING PARTS		
- 260	NAS603-5P		.SCREW	002004 006100	1
- 265	AN960PD10L		.WASHER	002004 006100	1
			-----*-----		
270	3A113-0124-1		.TEE ASSY- SUPPLIER CODE: VS5825	002004 006100	1
275	NAS1763J060606		.TEE	002004 006100	1
280	MS21908J6		.ELBOW	002004 006100	1
			ATTACHING PARTS		
285	AN960-916		.WASHER	002004 006100	2
- 290	AN924-6J		.NUT	002004 006100	1
			-----*-----		

MISSING ITEM NUMBERS NOT APPLICABLE

- ITEM NOT ILLUSTRATED

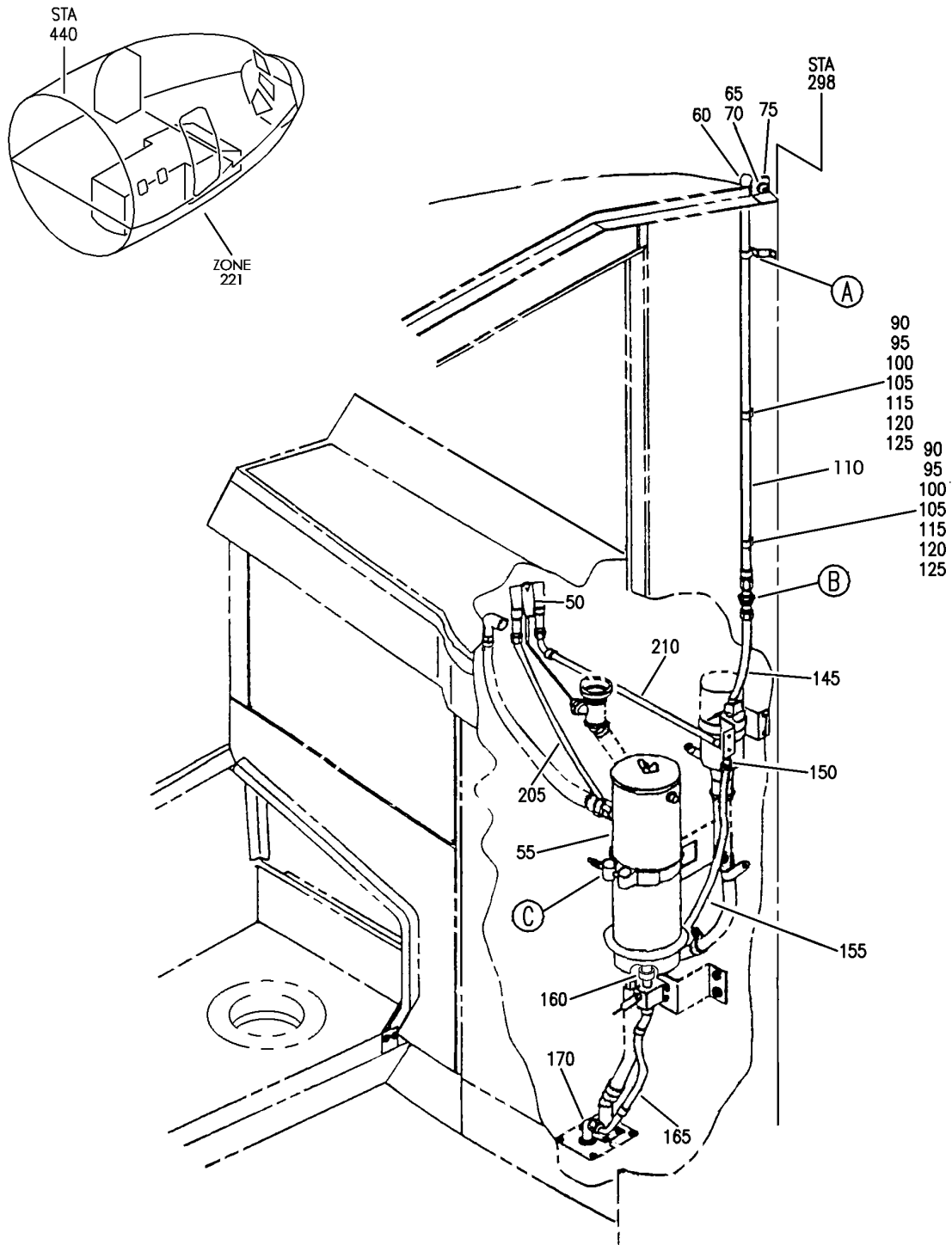
38-11-51-15E

38-11-51
FIG. 15E
PAGE 4
JAN 20/09

BRI

BOEING PROPRIETARY - Copyright © - Unpublished Work - See title page for details.

BOEING
757
PARTS CATALOG (MAINTENANCE)



Y 38115115J SHT 1 REV 240

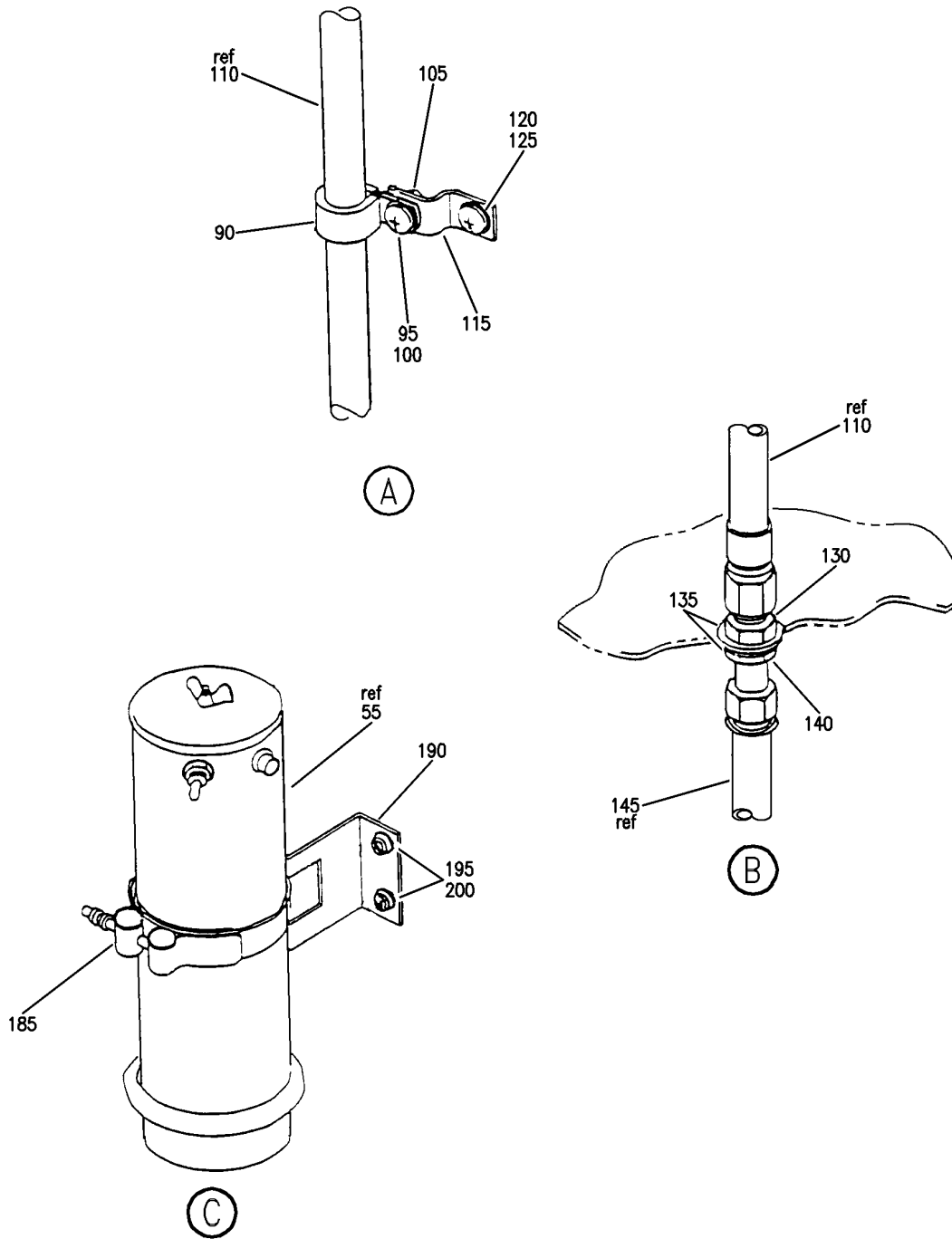
PLUMBING ASSY-SEG 260, LAV A (STORAGE AND DISTRIBUTION ONLY)
FIGURE 15J (SHEET 1)

BRI
JAN 20/09

38-11-51-15J

38-11-51-15J
PAGE 0

BOEING
757
PARTS CATALOG (MAINTENANCE)



Y 38115115J SHT 2 REV 240

PLUMBING ASSY-SEG 260, LAV A (STORAGE AND DISTRIBUTION ONLY)
FIGURE 15J (SHEET 2)

38-11-51-15J

BRI
JAN 20/09

38-11-51-15J
PAGE 0A



757

PARTS CATALOG (MAINTENANCE)

FIG ITEM	PART NUMBER	1 2 3 4 5 6 7	NOMENCLATURE	EFFECT FROM TO	UNITS PER ASSY
15J			PLUMBING ASSY-SEG 260, LAV A (STORAGE AND DISTRIBUTION ONLY)	108120	
- 1	D75D26014-111		PLUMBING ASSY-SEG 260, LAV A (STORAGE AND DISTRIBUTION ONLY) SUPPLIER CODE: VS5825 FOR NHA/ADDITIONAL DET SEE: 25-41-01-06Q	108120	RF
50	1A081-0212-11		. FAUCET AND DRAIN ASSY- SUPPLIER CODE: VS5825 SPECIFICATION NUMBER: 60B50027-20 COMPONENT MAINT MANUAL REF: 25-41-14 FOR DETAILS SEE: 38-11-04-01A	108120	1
55	1A081-0157-12		. HEATER ASSY-WATER (H1) SUPPLIER CODE: VS5825 COMPONENT MAINT MANUAL REF: 25-41-15 FUNCTIONAL REFERENCE: LIGHTS FOR DETAILS SEE 33-26-52-20 WATER/WASTE FOR DETAILS SEE 38-13-51-10G	108120	1
55	8921340G1		. HEATER ASSY-WATER (H1) SUPPLIER CODE: V13545 SPECIFICATION NUMBER: 60B50064-1 COMPONENT MAINT MANUAL REF: 38-10-02 OPTIONAL PART: 1A081-0157-12 VS5825 FOR DETAILS SEE: 38-13-51-50	108120	1

MISSING ITEM NUMBERS NOT APPLICABLE

- ITEM NOT ILLUSTRATED

38-11-51-15J

38-11-51
FIG. 15J
PAGE 1
JAN 20/09

BRI



757

PARTS CATALOG (MAINTENANCE)

FIG ITEM	PART NUMBER	1 2 3 4 5 6 7	NOMENCLATURE	EFFECT FROM TO	UNITS PER ASSY
15J 60	APX833J0806	.ELBOW	SUPPLIER CODE: V01673 SPECIFICATION NUMBER: BACE21AS0806J OPTIONAL PART: DB0E21AS0806J V14798 ER833-0806J V50948 ER833-0806J V88334 FER15800806J V14397 LER833-0806J V11328 APX8330806J V01673 NAF1833-0806J V52930 US1924-0806J V50808 AFP3160806J V30974	108120	1
65	NAS1149F1290P	.WASHER	ATTACHING PARTS	108120	2
70	AN924-8J	.NUT		108120	1
		-----*-----			
75	D75D70539-111	.ANGLE-	SUPPLIER CODE: VS5825	108120	1
			ATTACHING PARTS		
- 80	NAS1801-3-5	.SCREW		108120	2
- 85	NAS1149D0332K	.WASHER		108120	2
		-----*-----			
90	BACC10DK9A	.CLAMP		108120	3
			ATTACHING PARTS		
95	NAS1801-3-9	.SCREW		108120	3
100	NAS1149D0332K	.WASHER		108120	6
		-----*-----			
105	NAS679A3	.NUT		108120	3
110	AS4469-06-0303	.HOSE ASSY		108120	1
115	D75D70562-111	.SUPPORT-	SUPPLIER CODE: VS5825	108120	3
			ATTACHING PARTS		
120	NAS1801-3-5	.SCREW		108120	3
125	NAS1149D0332K	.WASHER		108120	3
		-----*-----			

MISSING ITEM NUMBERS NOT APPLICABLE

- ITEM NOT ILLUSTRATED

38-11-51-15J

38-11-51
FIG. 15J
PAGE 2
JAN 20/09

BRI

BOEING PROPRIETARY - Copyright © - Unpublished Work - See title page for details.



757

PARTS CATALOG (MAINTENANCE)

FIG ITEM	PART NUMBER	1 2 3 4 5 6 7	NOMENCLATURE	EFFECT FROM TO	UNITS PER ASSY
15J					
130	MS21924J6	.UNION	ATTACHING PARTS	108120	1
135	NAS1149F0963P	.WASHER		108120	2
140	AN924-6J	.NUT		108120	1
		-----*-----			
145	AS4470-06-0147	.HOSE ASSY		108120	1
150	NAS1763J060606	.TEE		108120	1
155	AS4471-06-0127	.HOSE ASSY		108120	1
160	D75D30147-111	.TEE-		108120	1
		SUPPLIER CODE:			
		VS5825			
165	AS4470-06-0070	.HOSE ASSY		108120	1
170	MS21908J6	.ELBOW	ATTACHING PARTS	108120	1
175	NAS1149F0963P	.WASHER		108120	2
- 180	AN924-6J	.NUT		108120	1
		-----*-----			
185	M630130-102	.CLAMP ASSY-		108120	1
		SUPPLIER CODE:			
		VS5825			
190	D75D70258-913	.SUPPORT-HEATER/FILTER		108120	1
		SUPPLIER CODE:			
		VS5825			
		ATTACHING PARTS			
195	NAS1801-3-5	.SCREW		108120	4
200	NAS1149D0332K	.WASHER		108120	4
		-----*-----			
205	AS4474G0222-000	.HOSE ASSY		108120	1
210	AS4473G0166-000	.HOSE ASSY		108120	1

MISSING ITEM NUMBERS NOT APPLICABLE

- ITEM NOT ILLUSTRATED

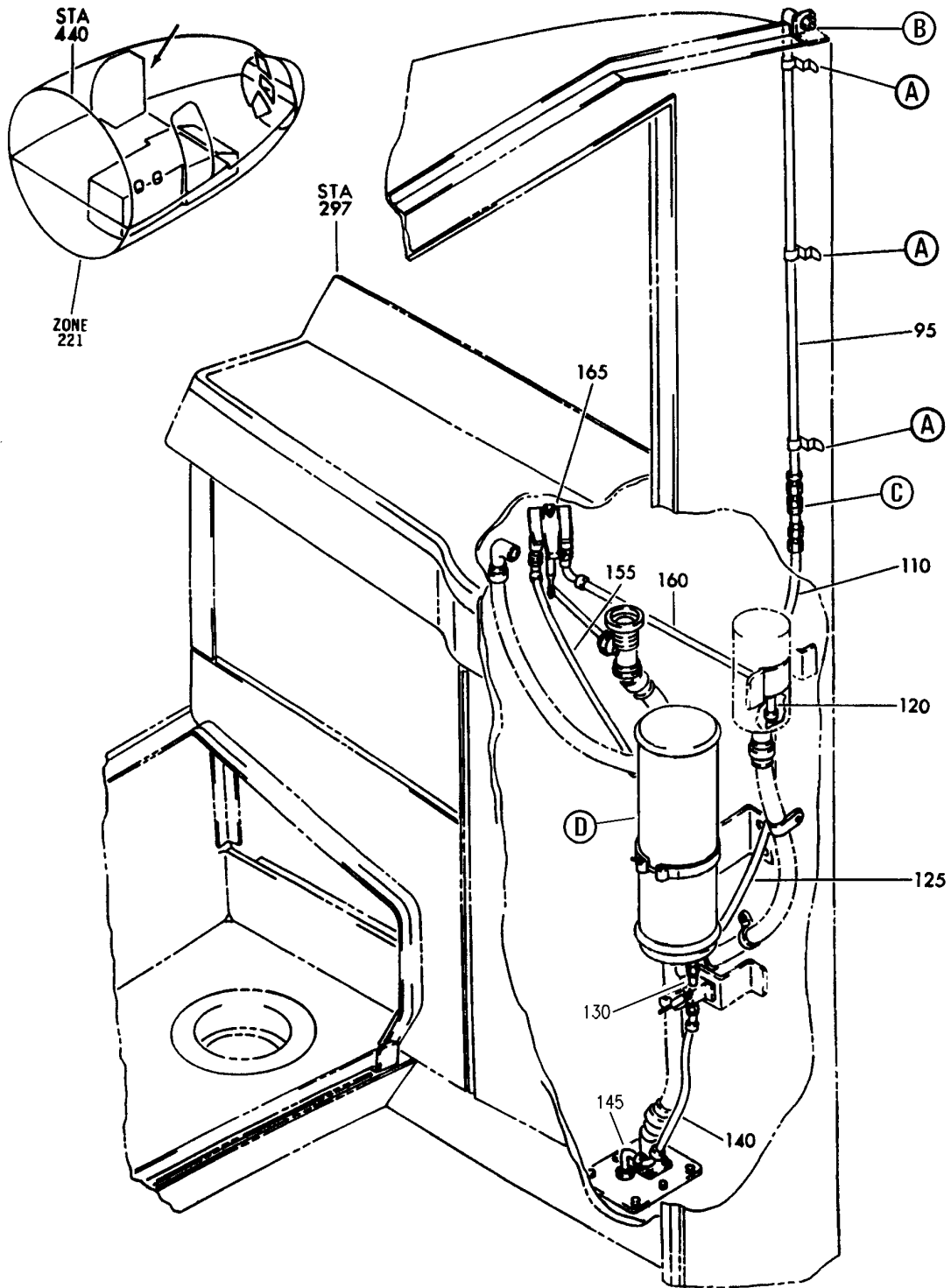
38-11-51-15J

38-11-51
FIG. 15J
PAGE 3
JAN 20/09

BRI

BOEING PROPRIETARY - Copyright © - Unpublished Work - See title page for details.

BOEING
757
PARTS CATALOG (MAINTENANCE)



Y 38115120A SHT 1 REV 238

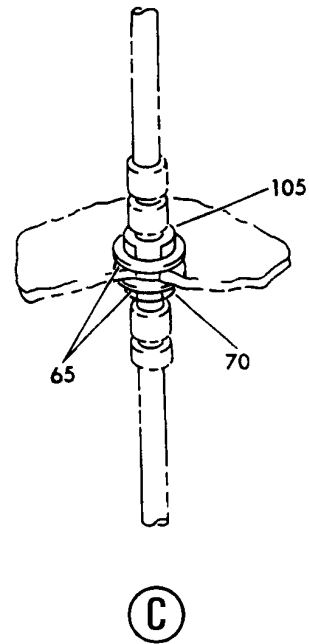
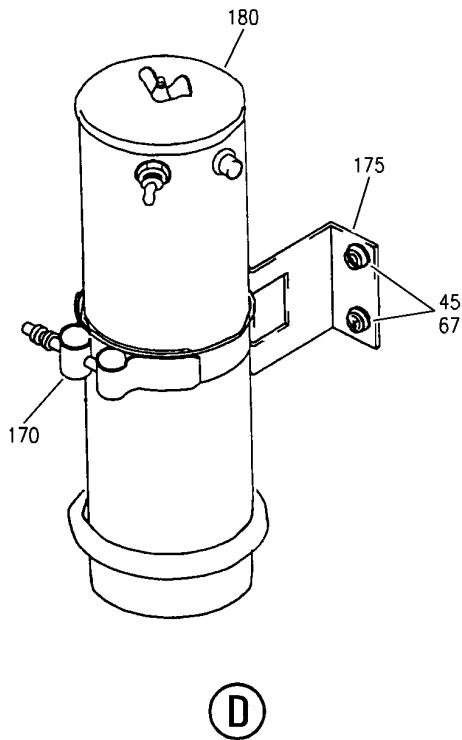
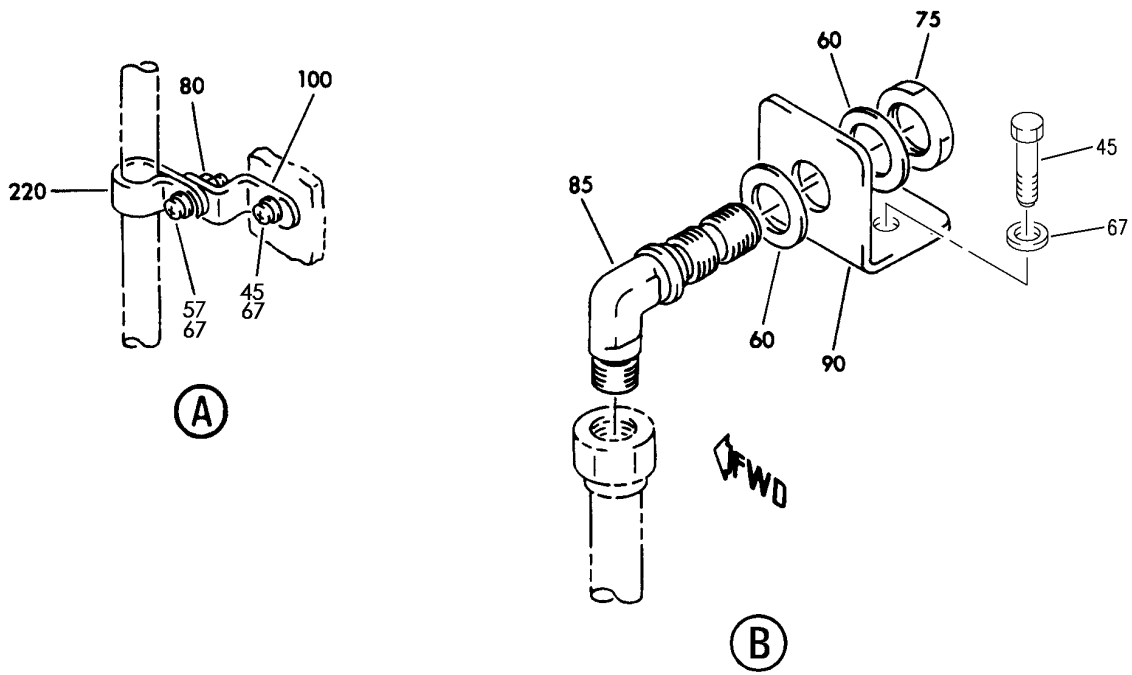
PLUMBING ASSY-SEG 260, LAV A (STOWAGE AND DISTRIBUTION ONLY)
FIGURE 20A (SHEET 1)

38-11-51-20A

BRI
JAN 20/09

38-11-51-20A
PAGE 0

BOEING
757
PARTS CATALOG (MAINTENANCE)



Y 38115120A SHT 2 REV 238

PLUMBING ASSY-SEG 260, LAV A (STOWAGE AND DISTRIBUTION ONLY)
FIGURE 20A (SHEET 2)

38-11-51-20A

BRI
JAN 20/09

38-11-51-20A
PAGE 0A



757

PARTS CATALOG (MAINTENANCE)

FIG ITEM	PART NUMBER	1 2 3 4 5 6 7	NOMENCLATURE	EFFECT FROM TO	UNITS PER ASSY
20A			PLUMBING ASSY-SEG 260, LAV A (STOWAGE AND DISTRIBUTION ONLY)	504903	
- 1	D75D26014-111		PLUMBING ASSY-SEG 260, LAV A (STOWAGE AND DISTRIBUTION ONLY) SUPPLIER CODE: VS5825 FOR NHA/OTHER SYS DET SEE: 25-41-01-12	504903	RF
45	NAS1801-3-5	.SCREW		504903	7
57	NAS1801-3-9	.SCREW		504903	3
60	AN960-1216	.WASHER		504903	2
67	AN960KD10L	.WASHER		504903	10
75	AN924-8J	.NUT		504903	1
80	NAS679A3	.NUT		504903	3
85	APX833J0806	.ELBOW		504903	1
			SUPPLIER CODE: V01673 SPECIFICATION NUMBER: BACE21AS0806J OPTIONAL PART: DBOE21AS0806J V14798 ER833-0806J V50948 ER833-0806J V88334 FER15800806J V14397 LER833-0806J V11328 APX8330806J V01673 NAF1833-0806J V52930 US1924-0806J V50808 AFP3160806J V30974		
90	D75D70539-111	.ANGLE-		504903	1
			SUPPLIER CODE: VS5825		
95	AS4469-06-0303	.HOSE ASSY-		504903	1
100	D75D70562-111	.SUPPORT-		504903	3
			SUPPLIER CODE: VS5825		
105	MS21924J6	.UNION		504903	1
110	AS4470-06-0147	.HOSE ASSY		504903	1

MISSING ITEM NUMBERS NOT APPLICABLE

- ITEM NOT ILLUSTRATED

38-11-51-20A

38-11-51
FIG. 20A
PAGE 1
JAN 20/09

BRI

BOEING PROPRIETARY - Copyright © - Unpublished Work - See title page for details.



757

PARTS CATALOG (MAINTENANCE)

FIG ITEM	PART NUMBER	1 2 3 4 5 6 7	NOMENCLATURE	EFFECT FROM TO	UNITS PER ASSY
20A					
120	NAS1763J060606	.TEE		504903	1
125	AS4471-06-0127	.HOSE ASSY		504903	1
130	D75D30147-111	.TEE-		504903	1
		SUPPLIER CODE:			
		VS5825			
140	AS4470-06-0070	.HOSE ASSY		504903	1
145	MS21908J6	.ELBOW		504903	1
155	AS4474G0222-000	.HOSE ASSY		504903	1
160	AS4473G0166-000	.HOSE ASSY		504903	1
165	600420-2	.FAUCET AND DRAIN ASSY-		504903	1
		SUPPLIER CODE:			
		V80477			
		SPECIFICATION NUMBER:			
		60B50027-20			
		OPTIONAL PART:			
		1A081-0212-1			
		VS5825			
		FOR DETAILS SEE:			
		38-11-04-01B			
165	1A081-0212-1	.FAUCET AND DRAIN ASSY-		504903	1
		SUPPLIER CODE:			
		VS5825			
		SPECIFICATION NUMBER:			
		60B50027-20			
		SB DATA FROM A CMM:			
		PRE 1A081-0212-83			
		CONFIG CHG DATA FROM A CMM:			
		SUPSD BY 1A081-0212-11			
		COMPONENT MAINT MANUAL REF:			
		25-41-14			
		OPTIONAL PART:			
		600420-2			
		V80477			
		FOR DETAILS SEE:			
		38-11-04-01			
165	1A081-0212-11	.FAUCET AND DRAIN ASSY-		504903	1
		SUPPLIER CODE:			
		VS5825			
		SPECIFICATION NUMBER:			
		60B50027-20			
		SB DATA FROM A CMM:			
		POST 1A081-0212-83			
		CONFIG CHG DATA FROM A CMM:			
		SUPERSEDES 1A081-0212-1			
		COMPONENT MAINT MANUAL REF:			
		25-41-14			
		FOR DETAILS SEE:			
		38-11-04-01A			
170	M630103-102	.CLAMP		504903	1

MISSING ITEM NUMBERS NOT APPLICABLE

- ITEM NOT ILLUSTRATED

38-11-51-20A

38-11-51
FIG. 20A
PAGE 2
JAN 20/09

BRI

BOEING PROPRIETARY - Copyright © - Unpublished Work - See title page for details.



757

PARTS CATALOG (MAINTENANCE)

FIG ITEM	PART NUMBER	1 2 3 4 5 6 7	NOMENCLATURE	EFFECT FROM TO	UNITS PER ASSY
20A 175	D75D70258-913	.	SUPPORT- SUPPLIER CODE: VS5825	504903	1
180	8921340G1	.	HEATER ASSY-WATER, H1 SUPPLIER CODE: V13545 SPECIFICATION NUMBER: 60B50064-1 COMPONENT MAINT MANUAL REF: 38-10-02 OPTIONAL PART: 1A081-0157-12 VS5825 FOR DETAILS SEE: 38-13-51-50	504903	1
180	1A081-0157-12	.	HEATER ASSY-WATER (H1) SUPPLIER CODE: VS5825 COMPONENT MAINT MANUAL REF: 25-41-15 FUNCTIONAL REFERENCE: LIGHTS FOR DETAILS SEE 33-26-52-20 WATER/WASTE FOR DETAILS SEE 38-13-51-10G	504903	1
220	BACC10DK9A	.	CLAMP	504903	3

MISSING ITEM NUMBERS NOT APPLICABLE

- ITEM NOT ILLUSTRATED

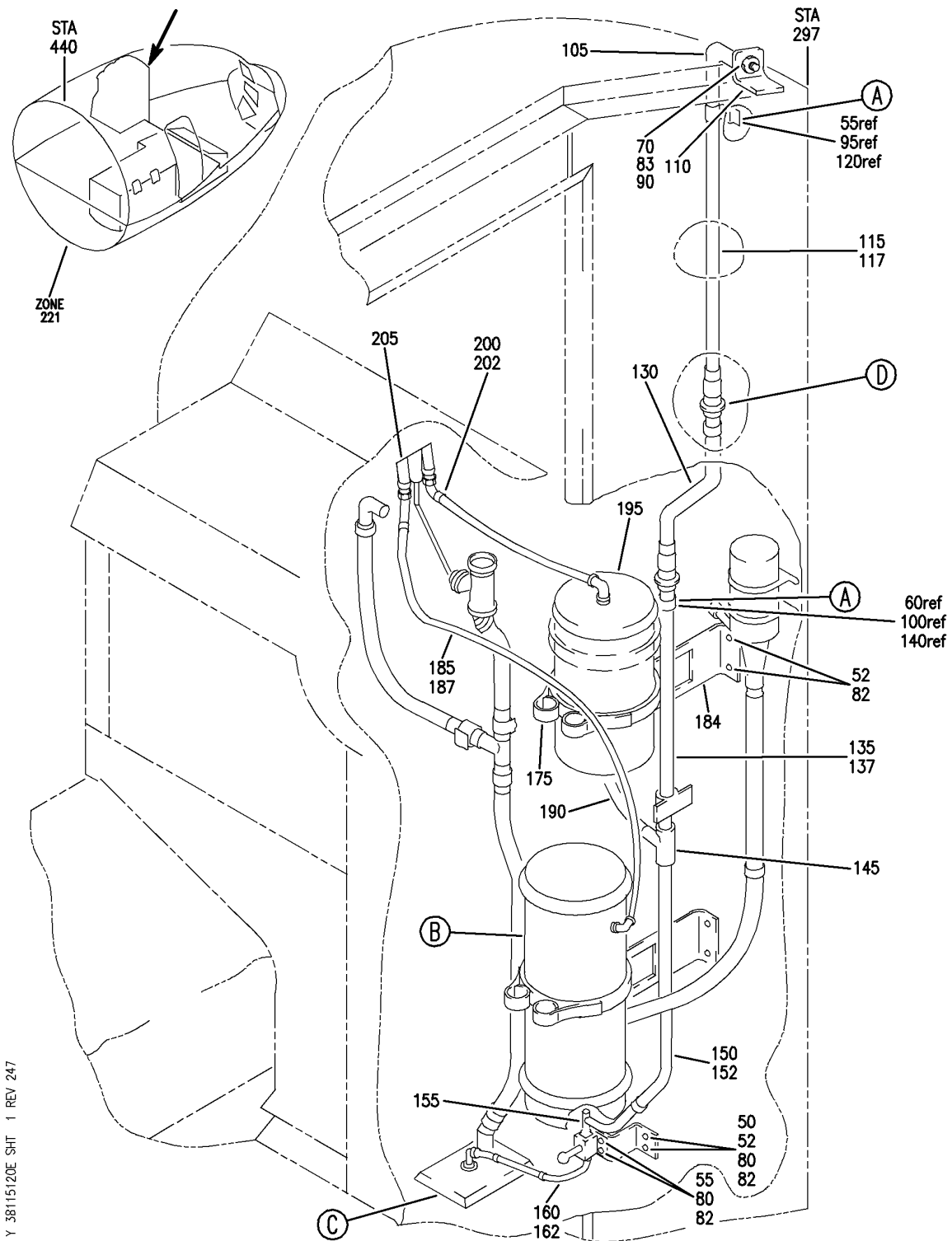
38-11-51-20A

38-11-51
FIG. 20A
PAGE 3
JAN 20/09

BRI

BOEING PROPRIETARY - Copyright © - Unpublished Work - See title page for details.

BOEING
757
PARTS CATALOG (MAINTENANCE)



Y 38115120E SHT 1 REV 247

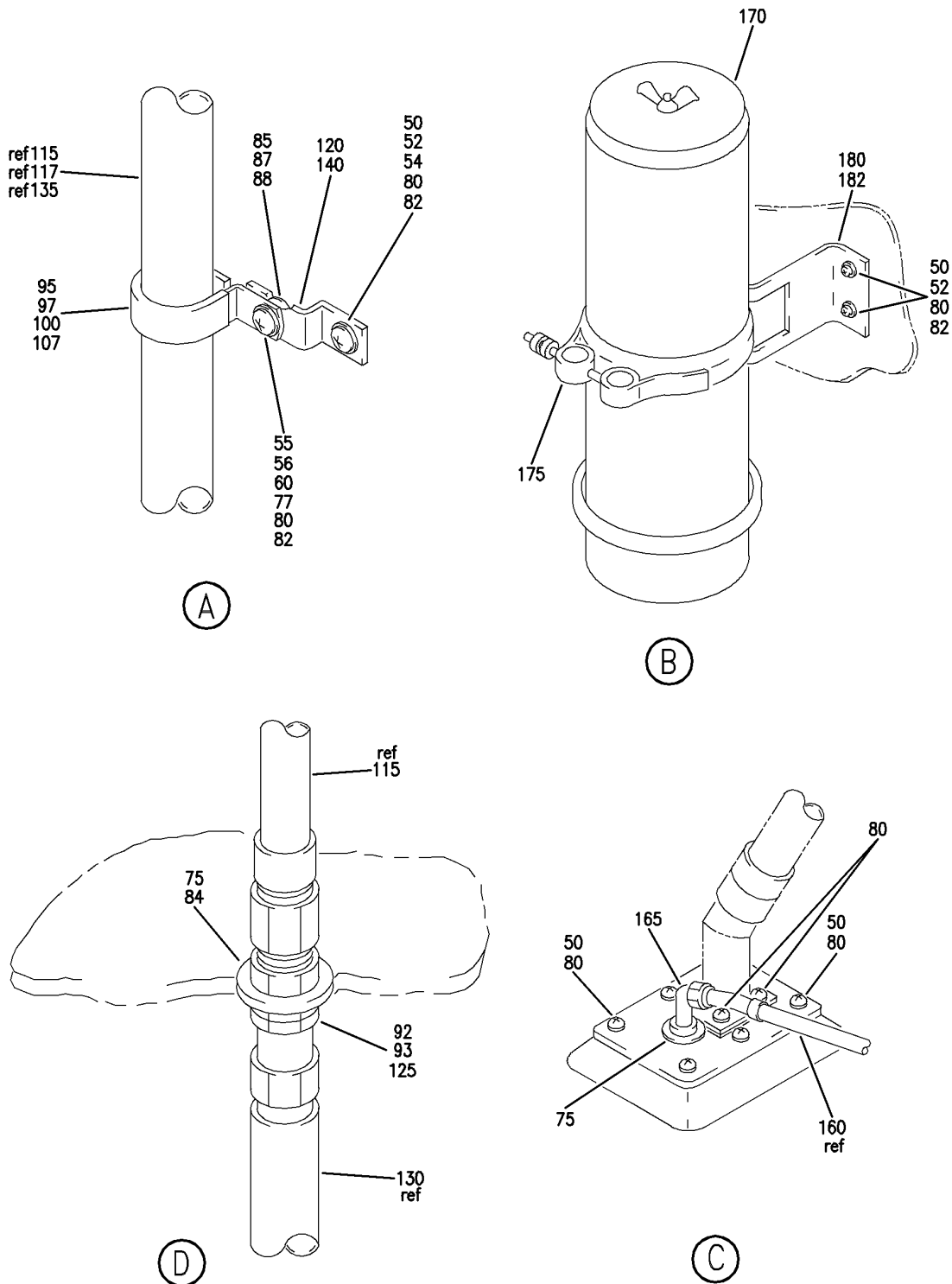
PLUMBING ASSY-SEG 260 LAV A (STORAGE AND DISTRIBUTION ONLY)
FIGURE 20E (SHEET 1)

38-11-51-20E

BRI
MAY 28/07

38-11-51-20E
PAGE 0

BOEING
757
PARTS CATALOG (MAINTENANCE)



Y 38115120E SHT 2 REV 247

PLUMBING ASSY-SEG 260 LAV A (STORAGE AND DISTRIBUTION ONLY)
FIGURE 20E (SHEET 2)

38-11-51-20E

BRI
MAY 28/07

38-11-51-20E
PAGE 0A



757

PARTS CATALOG (MAINTENANCE)

FIG ITEM	PART NUMBER	1 2 3 4 5 6 7	NOMENCLATURE	EFFECT FROM TO	UNITS PER ASSY
20E			PLUMBING ASSY-SEG 260 LAV A (STORAGE AND DISTRIBUTION ONLY)	101102	
- 1	D75D26005-111		PLUMBING ASSY-SEG 260 LAV A (STORAGE AND DISTRIBUTION ONLY) SUPPLIER CODE: VS5825 FOR NHA/OTHER SYS DET SEE: 25-41-01-46A	101102	RF
	52 NAS1801-3-5	.SCREW		101102	11
-	53 NAS1801-3-5	.SCREW		101102	2
	54 NAS1801-3-5	.SCREW		101102	12
	56 NAS1801-3-9	.SCREW		101102	3
-	76 NAS1149D0332K	.WASHER		101102	2
	77 NAS1149D0322K	.CLAMP		101102	24
	83 NAS1149F1290P	.WASHER		101102	2
	84 NAS1149F0963P	.WASHER		101102	4
	88 NAS679A3	.NUT		101102	6
	90 AN924-8J	.NUT		101102	1
	93 AN924-6J	.NUT		101102	1
-	94 AN924-6J	.NUT		101102	1
	97 MS21919DG43	.CLAMP		101102	3
105	APX833J0806	.ELBOW		101102	1
		SUPPLIER CODE: V01673 SPECIFICATION NUMBER: BACE21AS0806J OPTIONAL PART: DB0E21AS0806J V14798 ER833-0806J V50948 ER833-0806J V88334 FER15800806J V14397 LER833-0806J V11328 APX8330806J V01673 NAF1833-0806J V52930 US1924-0806J V50808 AFP3160806J V30974			
107	BACC10DK8A	.CLAMP		101102	3

MISSING ITEM NUMBERS NOT APPLICABLE

- ITEM NOT ILLUSTRATED

38-11-51-20E

38-11-51
FIG. 20E
PAGE 1
JAN 20/09

BRI

BOEING PROPRIETARY - Copyright © - Unpublished Work - See title page for details.



757

PARTS CATALOG (MAINTENANCE)

FIG ITEM	PART NUMBER	1 2 3 4 5 6 7	NOMENCLATURE	EFFECT FROM TO	UNITS PER ASSY
20E 110	D75D70539-111	.	ANGLE-BULKHEAD SUPPLIER CODE: VS5825	101102	1
117	AS4469-06-0303	.	HOSE ASSY	101102	1
120	D75D70562-111	.	SUPPORT- SUPPLIER CODE: VS5825	101102	3
125	MS21924J6	.	UNION	101102	1
137	AS4469-06-0111	.	HOSE ASSY	101102	1
140	D75D70562-111	.	SUPPORT- SUPPLIER CODE: VS5825	101102	1
162	AS4471-06-0045	.	HOSE ASSY	101102	1
165	MS21908J6	.	ELBOW	101102	1
170	1A081-0157-12	.	HEATER ASSY-WATER, H1 SUPPLIER CODE: VS5825 COMPONENT MAINT MANUAL REF: 25-41-15 FUNCTIONAL REFERENCE: LIGHTS FOR DETAILS SEE 33-26-52-20 WATER/WASTE FOR DETAILS SEE 38-13-51-10G	101102	1
170	8921340G1	.	HEATER ASSY-WATER, H1 SUPPLIER CODE: V13545 SPECIFICATION NUMBER: 60B50064-1 COMPONENT MAINT MANUAL REF: 38-10-02 OPTIONAL PART: 1A081-0157-12 VS5825 FOR DETAILS SEE: 38-13-51-50	101102	1
205	1A081-0212-11	.	FAUCET AND DRAIN ASSY- SUPPLIER CODE: VS5825 SPECIFICATION NUMBER: 60B50027-20 COMPONENT MAINT MANUAL REF: 25-41-14 FOR DETAILS SEE: 38-11-04-01A	101102	1

MISSING ITEM NUMBERS NOT APPLICABLE

- ITEM NOT ILLUSTRATED

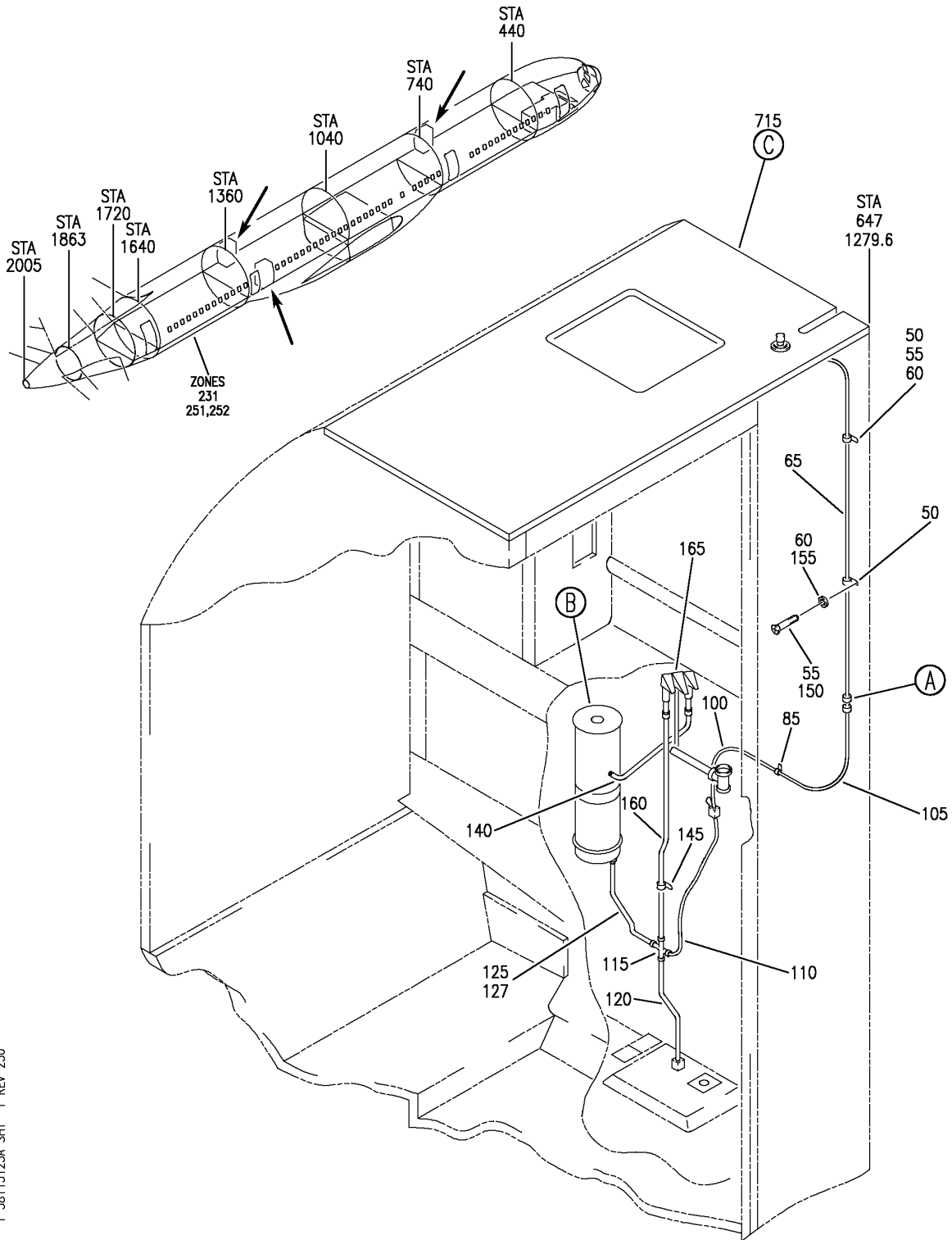
38-11-51-20E

38-11-51
FIG. 20E
PAGE 2
JAN 20/09

BRI

BOEING PROPRIETARY - Copyright © - Unpublished Work - See title page for details.

BOEING
757
PARTS CATALOG (MAINTENANCE)



Y 38115125A SHT 1 REV 250

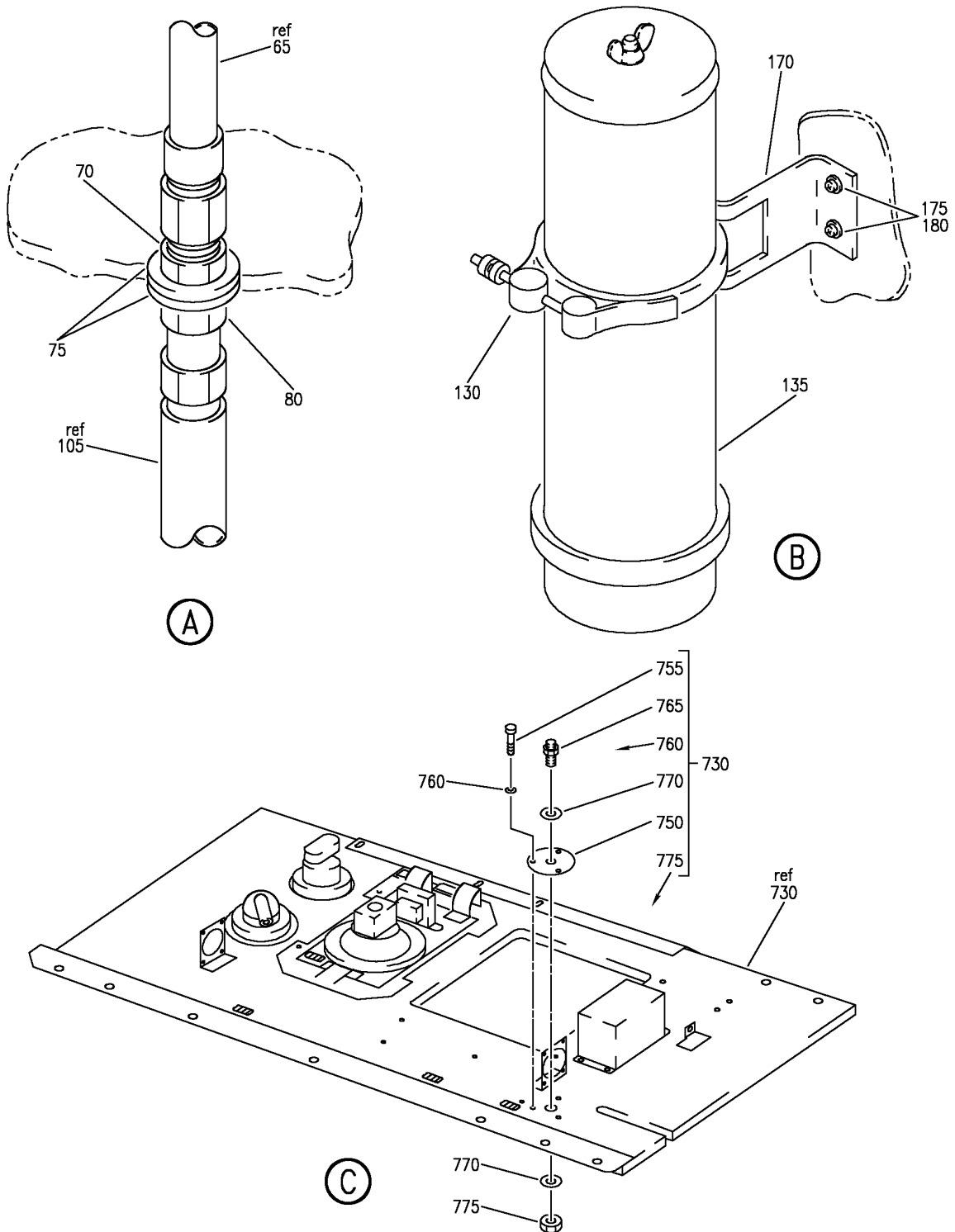
PLUMBING AND CEILING ASSY SEG 260 AND 150 LAV (STORAGE AND DISTRIBUTION ONLY)
FIGURE 25A (SHEET 1)

BRI
JAN 20/09

38-11-51-25A

38-11-51-25A
PAGE 0

BOEING
757
PARTS CATALOG (MAINTENANCE)



Y 38115125A SHT 2 REV 254

PLUMBING AND CEILING ASSY SEG 260 AND 150 LAV (STORAGE AND DISTRIBUTION ONLY)
FIGURE 25A (SHEET 2)

BRI
JAN 20/09

38-11-51-25A

38-11-51-25A
PAGE 0A



757

PARTS CATALOG (MAINTENANCE)

FIG ITEM	PART NUMBER	1 2 3 4 5 6 7	NOMENCLATURE	EFFECT FROM TO	UNITS PER ASSY
25A			PLUMBING AND CEILING ASSY SEG 260 AND 150 LAV (STORAGE AND DISTRIBUTION ONLY)	108120	
- 1	D75D26021-111		PLUMBING ASSY-SEG 260 LAV C (STORAGE AND DISTRIBUTION ONLY) SUPPLIER CODE: VS5825 FOR NHA/ADDITIONAL DET SEE: 25-41-03-25A	108120	RF
- 5	D75D26022-111		PLUMBING ASSY-SEG 260 LAV D (STORAGE AND DISTRIBUTION ONLY) SUPPLIER CODE: VS5825 FOR NHA/ADDITIONAL DET SEE: 25-41-03-51M	108120	RF
- 10	D75D26027-111		PLUMBING ASSY-SEG 260 LAV S (STORAGE AND DISTRIBUTION ONLY) SUPPLIER CODE: VS5825 FOR NHA/ADDITIONAL DET SEE: 25-41-03-08Q	108120	RF
50	BACC10DK9A		.CLAMP ATTACHING PARTS	108120	2
55	NAS1801-3-7		.SCREW	108120	2
60	NAS149D0332K		.WASHER -----*-----	108120	2
65	AS4469-06-0361		.HOSE ASSY	108120	1
70	MS21924J6		.UNION ATTACHING PARTS	108120	1
75	NAS1149F0963P		.WASHER- CONFIG CHG DATA FROM A CMM: REPLS AN960-916	108120	2
80	AN924-6J		.NUT -----*-----	108120	1
85	BACC10DK9A		.CLAMP ATTACHING PARTS	108120	1
- 90	NAS1801-3-7		.SCREW	108120	1
- 95	NAS1149D0332K		.WASHER -----*-----	108120	1
100	AS4472G0161-180		.HOSE ASSY	108120	1
105	AE102-11		.SLEEVE- SUPPLIER CODE: V00624	108120	1
110	AS4473G0196-090		.HOSE ASSY-LAV C	108120	1
- 112	AS4473G0196-270		.HOSE ASSY-LAV D AND S	108120	1

MISSING ITEM NUMBERS NOT APPLICABLE

- ITEM NOT ILLUSTRATED

38-11-51-25A

38-11-51
FIG. 25A
PAGE 1
JAN 20/09

BRI



757

PARTS CATALOG (MAINTENANCE)

FIG ITEM	PART NUMBER	1 2 3 4 5 6 7	NOMENCLATURE	EFFECT FROM TO	UNITS PER ASSY
25A					
115	MS21906J6	.	CROSS	108120	1
120	AS4469-06-0062	.	HOSE ASSY	108120	1
125	AS4471-06-0127	.	HOSE ASSY-LAV C	108120	1
127	AS4471-06-0137	.	HOSE ASSY-LAV D AND S	108120	1
130	M630103-102	.	CLAMP	108120	1
135	1A081-0157-12	.	HEATER ASSY-WATER (H1)	108120	1
			SUPPLIER CODE: VS5825		
			COMPONENT MAINT MANUAL REF: 25-41-15		
			FUNCTIONAL REFERENCE: LIGHTS		
			FOR DETAILS SEE 33-26-52-20		
			WATER/WASTE		
			FOR DETAILS SEE 38-13-51-10G		
135	8921340G1	.	HEATER ASSY-WATER, H1	108120	1
			SUPPLIER CODE: V13545		
			SPECIFICATION NUMBER: 60B50064-1		
			COMPONENT MAINT MANUAL REF: 38-10-02		
			OPTIONAL PART: 1A081-0157-12		
			VS5825		
			FOR DETAILS SEE: 38-13-51-50		
140	AS4470-06-0116	.	HOSE ASSY-LAV C	108120	1
- 142	AS4473G0134-225	.	HOSE ASSY-LAV D AND S	108120	1
145	BACC10DK9A	.	CLAMP	108120	1
			ATTACHING PARTS		
150	NAS1801-3-7	.	SCREW	108120	1
155	NAS1149D0332K	.	WASHER	108120	2
			-----*-----		
160	AS4470-06-0232	.	HOSE ASSY-LAV C	108120	1
- 162	AS4472G0242-000	.	HOSE ASSY-LAV D AND S	108120	1
165	1A081-0212-11	.	FAUCET AND DRAIN ASSY-	108120	1
			SUPPLIER CODE: VS5825		
			SPECIFICATION NUMBER: 60B50027-20		
			COMPONENT MAINT MANUAL REF: 25-41-14		
			FOR DETAILS SEE: 38-11-04-01A		

MISSING ITEM NUMBERS NOT APPLICABLE

- ITEM NOT ILLUSTRATED

38-11-51-25A

38-11-51
FIG. 25A
PAGE 2
JAN 20/09

BRI

BOEING PROPRIETARY - Copyright © - Unpublished Work - See title page for details.



757

PARTS CATALOG (MAINTENANCE)

FIG ITEM	PART NUMBER	1 2 3 4 5 6 7	NOMENCLATURE	EFFECT FROM TO	UNITS PER ASSY
25A 170	D75D70258-911		.SUPPORT- SUPPLIER CODE: VS5825 ATTACHING PARTS	108120	1
175	NAS1801-3-5		.SCREW	108120	4
180	NAS1149D0332K		.WASHER	108120	4
			-----*-----		
- 705	D75D15042-111		CEILING ASSY-SEG 150, LAV D (STORAGE AND DISTRUBUTION ONLY) SUPPLIER CODE: VS5825	108120	RF
- 713	D75D15103-111		CEILING ASSY-SEG 150, LAV S (STORAGE AND DISTRUBUTION ONLY) SUPPLIER CODE: VS5825 FOR NHA/OTHER SYS DET SEE: 25-41-03-08Q	108120	RF
715	D75D37054-111B		.CEILING ASSY-LAV C SUPPLIER CODE: VS5825	108120	RF
- 720	D75D37033-111A		.CEILING ASSY-LAV D SUPPLIER CODE: VS5825	108120	RF
- 725	D75D37082-111A		.CEILING ASSY-LAV S SUPPLIER CODE: VS5825	108120	RF
- 735	D75A45026-111A		..PANEL ASSY-LAV D SUPPLIER CODE: VS5825	108120	RF
- 740	D75A45030-111A		..PANEL ASSY-LAV S SUPPLIER CODE: VS5825	108120	RF
750	D75D70012-111		...PLATE- SUPPLIER CODE: VS5825 ATTACHING PARTS	108120	1
755	NAS1801-06-5		...SCREW	108120	3
760	NAS1149DN616K		...WASHER	108120	3
			-----*-----		
765	D75D70015-111		...UNION- SUPPLIER CODE: VS5825 ATTACHING PARTS	108120	1
770	NAS1149F0963P		...WASHER	108120	2
775	AN924-6J		...NUT	108120	1
			-----*-----		

MISSING ITEM NUMBERS NOT APPLICABLE

- ITEM NOT ILLUSTRATED

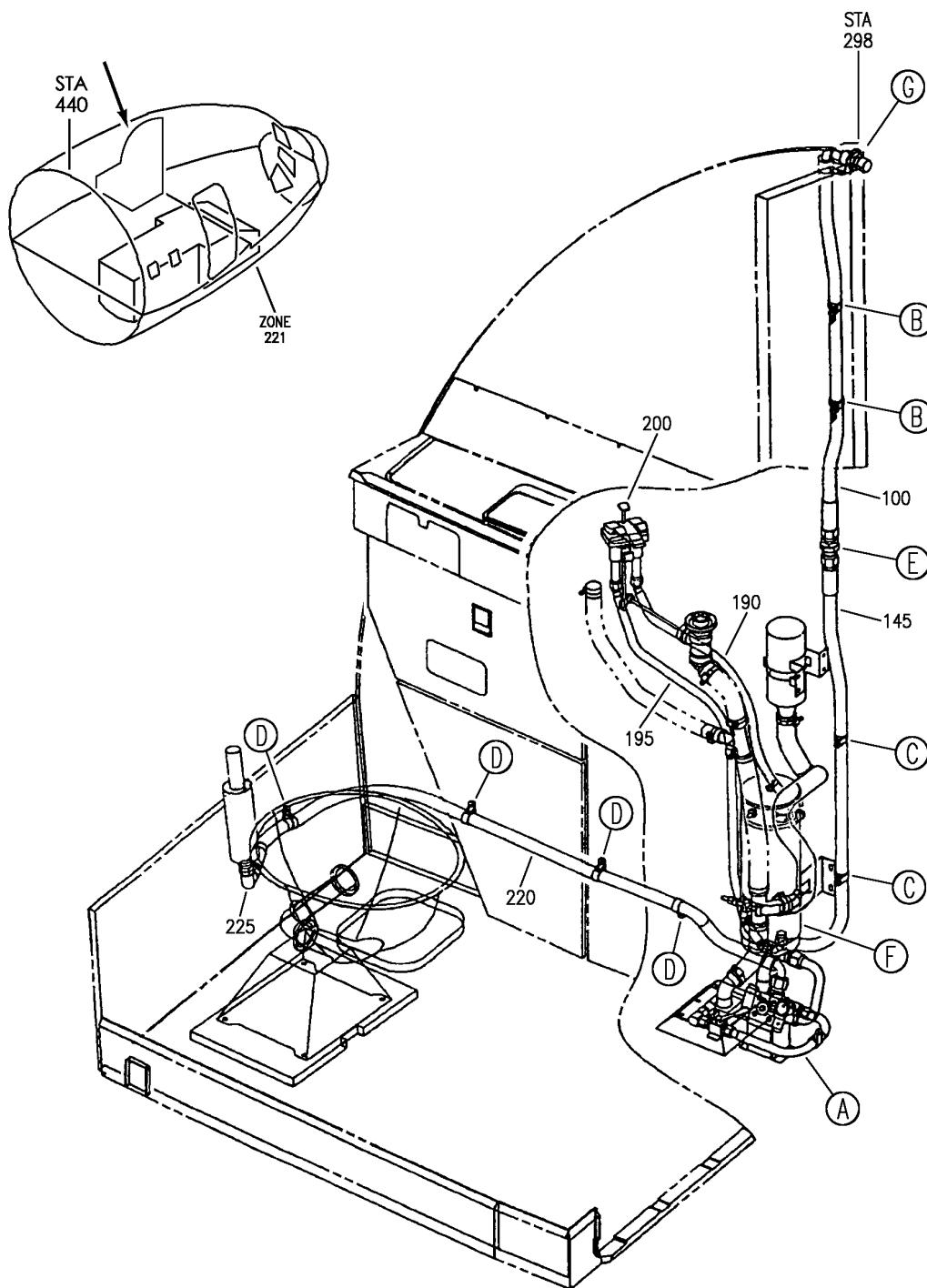
38-11-51-25A

38-11-51
FIG. 25A
PAGE 3
JAN 20/09

BRI

BOEING PROPRIETARY - Copyright © - Unpublished Work - See title page for details.

BOEING
757
PARTS CATALOG (MAINTENANCE)



Y 38115126B SHT 1 REV 279

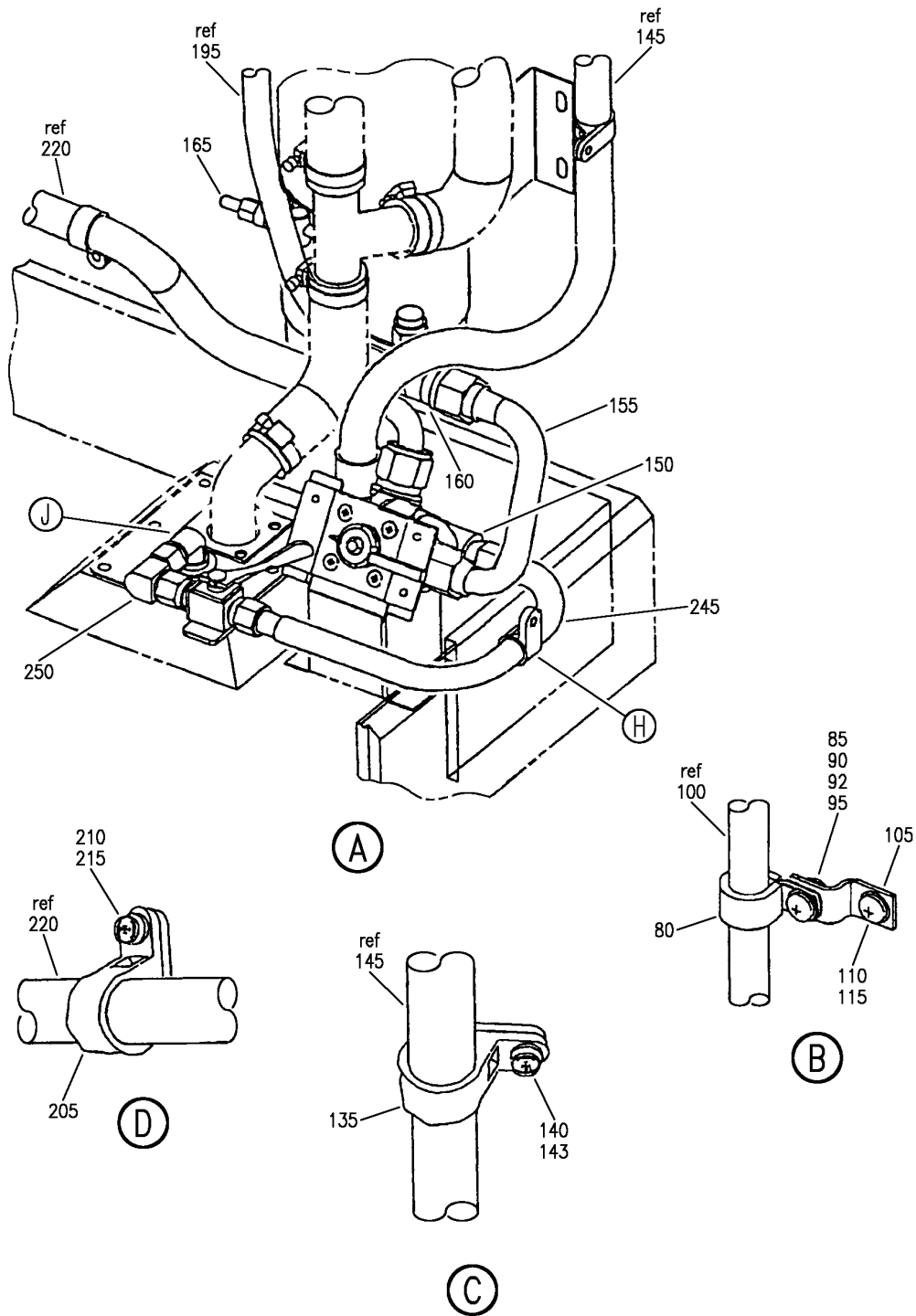
PLUMBING ASSY-SEG 260,LAV A (STORAGE AND DISTRIBUTION ONLY)
FIGURE 26B (SHEET 1)

38-11-51-26B

BRI
JAN 20/09

38-11-51-26B
PAGE 0

BOEING
757
PARTS CATALOG (MAINTENANCE)



Y 38115126B SHT 2 REV 279

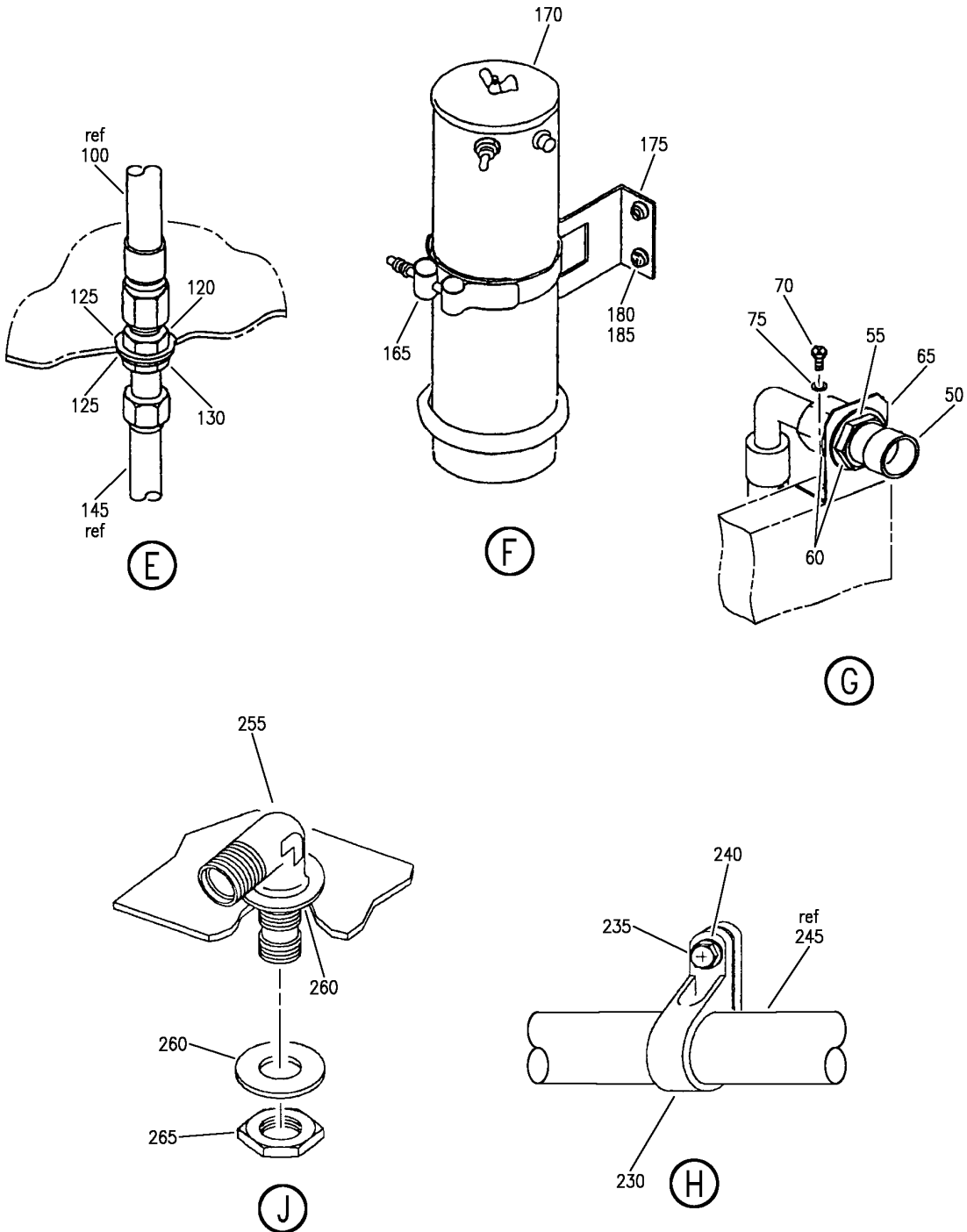
PLUMBING ASSY-SEG 260,LAV A (STORAGE AND DISTRIBUTION ONLY)
FIGURE 26B (SHEET 2)

38-11-51-26B

BRI
JAN 20/09

38-11-51-26B
PAGE 0A

BOEING
757
PARTS CATALOG (MAINTENANCE)



Y 38115126B SHT 3 REV 279

PLUMBING ASSY-SEG 260,LAV A (STORAGE AND DISTRIBUTION ONLY)
FIGURE 26B (SHEET 3)

38-11-51-26B

BRI
JAN 20/09

38-11-51-26B
PAGE 0B

 **BOEING**
757
PARTS CATALOG (MAINTENANCE)

FIG ITEM	PART NUMBER	1 2 3 4 5 6 7	NOMENCLATURE	EFFECT FROM TO	UNITS PER ASSY
26B			PLUMBING ASSY-SEG 260,LAV A (STORAGE AND DISTRIBUTION ONLY)	103106	
- 1	D71D26009-111		PLUMBING ASSY-SEG 260,LAV A (STORAGE AND DISTRIBUTION ONLY) SUPPLIER CODE: VS5825 FOR NHA/ADDITIONAL DET SEE: 25-41-01-40E	103106	RF
50	D71D70437-111		.CONNECTOR-WATER SUPPLY SUPPLIER CODE: VS5825 ATTACHING PARTS	103106	1
55	AN924-8J		.NUT	103106	1
60	NAS1149C1232R		.WASHER -----*-----	103106	2
65	D71D70442-111		.SUPPORT- SUPPLIER CODE: VS5825 ATTACHING PARTS	103106	1
70	NAS1801-3-5		.SCREW	103106	2
75	NAS1149D0332K		.WASHER -----*-----	103106	2
80	BACC10DK12		.CLAMP ATTACHING PARTS	103106	2
85	NAS1801-3-9		.SCREW	103106	2
95	NAS679A3		.NUT -----*-----	103106	2
100	AS4471-08-0320		.HOSE ASSY	103106	1
105	D75D70562-111		.SUPPORT- SUPPLIER CODE: VS5825 ATTACHING PARTS	103106	2
110	NAS1801-3-5		.SCREW	103106	2
115	NAS1149D0332K		.WASHER -----*-----	103106	2
120	MS21924K8		.UNION ATTACHING PARTS	103106	1
125	NAS1149C1232R		.WASHER	103106	2
130	AN924-8J		.NUT -----*-----	103106	1
135	BACC10DK12		.CLAMP	103106	2
140	NAS1801-3-7		.SCREW ATTACHING PARTS	103106	2
143	NAS1149D0332K		.WASHER -----*-----	103106	2
145	AS4471-08-0420		.HOSE	103106	1
150	NAS1764K080610		.TEE	103106	1

MISSING ITEM NUMBERS NOT APPLICABLE

- ITEM NOT ILLUSTRATED

38-11-51-26B

38-11-51
FIG. 26B
PAGE 1
JAN 20/09

BRI

BOEING PROPRIETARY - Copyright © - Unpublished Work - See title page for details.



757

PARTS CATALOG (MAINTENANCE)

FIG ITEM	PART NUMBER	1 2 3 4 5 6 7	NOMENCLATURE	EFFECT FROM TO	UNITS PER ASSY
26B 155	D71D30282-111	.	TUBE- SUPPLIER CODE: VS5825	103106	1
160	NAS1764K080606	.	TEE	103106	1
165	M630103-102	.	CLAMP	103106	1
170	1A081-0157-12	.	HEATER ASSY-WATER, H1 SUPPLIER CODE: VS5825 COMPONENT MAINT MANUAL REF: 25-41-15 FUNCTIONAL REFERENCE: LIGHTS FOR DETAILS SEE 33-26-52-20 WATER/WASTE FOR DETAILS SEE 38-13-51-10G	103106	1
170	8921340G1	.	HEATER ASSY-WATER, H1 SUPPLIER CODE: V13545 SPECIFICATION NUMBER: 60B50064-1 COMPONENT MAINT MANUAL REF: 38-10-02 OPTIONAL PART: 1A081-0157-12 VS5825 FOR DETAILS SEE: 38-13-51-50	103106	1
175	D75D70258-917	.	SUPPORT-HEATER FILTER SUPPLIER CODE: VS5825 ATTACHING PARTS	103106	1
180	NAS1801-3-5	.	SCREW	103106	3
185	NAS1149D0332K	.	WASHER	103106	3
			-----*-----		
190	AS4473G0240-225	.	HOSE ASSY	103106	1
195	AS4473G0320-030	.	HOSE ASSY	103106	1
- 197	3A084-0474-1	.	SPRING-FAUCET SUPPLIER CODE: VS5825	103106	1

MISSING ITEM NUMBERS NOT APPLICABLE

- ITEM NOT ILLUSTRATED

38-11-51-26B

38-11-51
FIG. 26B
PAGE 2
JAN 20/09

BRI



757

PARTS CATALOG (MAINTENANCE)

FIG ITEM	PART NUMBER	1 2 3 4 5 6 7	NOMENCLATURE	EFFECT FROM TO	UNITS PER ASSY
26B 200	1A081-0212-11		.FAUCET AND DRAIN ASSY- SUPPLIER CODE: VS5825 SPECIFICATION NUMBER: 60B50027-20 SB DATA FROM A CMM: POST 1A081-0212-25-81 POST 1A081-0212-25-83 COMPONENT MAINT MANUAL REF: 25-41-14 FOR DETAILS SEE: 38-11-04-01A	103106	1
205	BACC10DK12		.CLAMP ATTACHING PARTS	103106	4
210	NAS1801-3-7		.SCREW	103106	4
215	NAS1149D0332K		.WASHER	103106	4
			-----*-----		
220	AS4471-08-0515		.HOSE	103106	1
225	BACE21AW1008KM		.ELBOW	103106	1
230	BACC10DK10		.CLAMP ATTACHING PARTS	103106	1
235	NAS1801-3-7		.SCREW	103106	1
240	NAS1149D0332K		.WASHER	103106	1
			-----*-----		
245	AS4469-06-0125		.HOSE ASSY	103106	1
250	D71D30162-111		.ELBOW- SUPPLIER CODE: VS5825	103106	1
255	MS21908J6		.ELBOW ATTACHING PARTS	103106	1
260	NAS1149F0963P		.WASHER	103106	2
265	AN924-6J		.NUT	103106	1
			-----*-----		
- 270	NAS1922-0125-1		.CLAMP	103106	8

MISSING ITEM NUMBERS NOT APPLICABLE

- ITEM NOT ILLUSTRATED

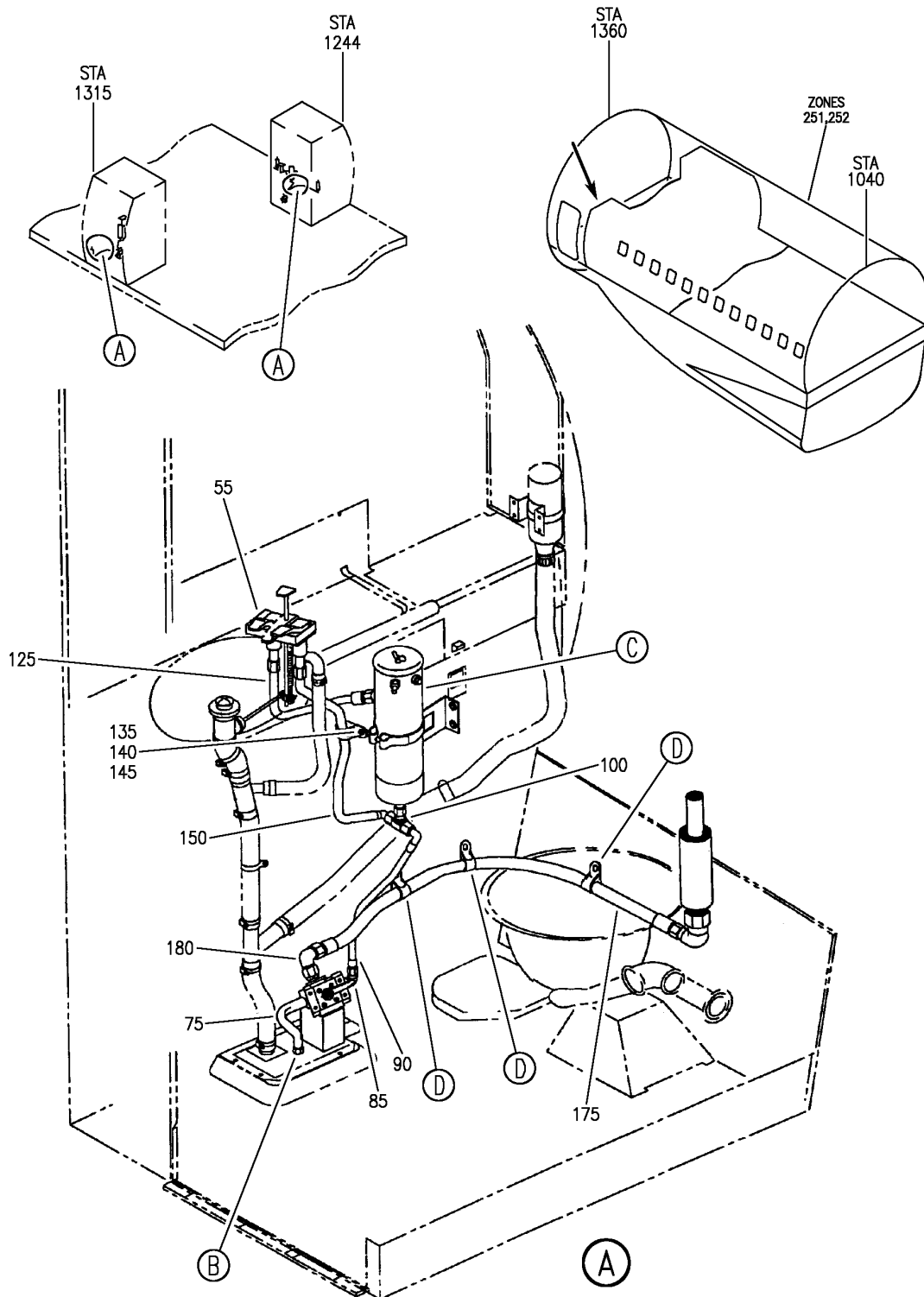
38-11-51-26B

38-11-51
FIG. 26B
PAGE 3
JAN 20/09

BRI

BOEING PROPRIETARY - Copyright © - Unpublished Work - See title page for details.

BOEING
757
PARTS CATALOG (MAINTENANCE)



Y 38115127C SHT 1 REV 262

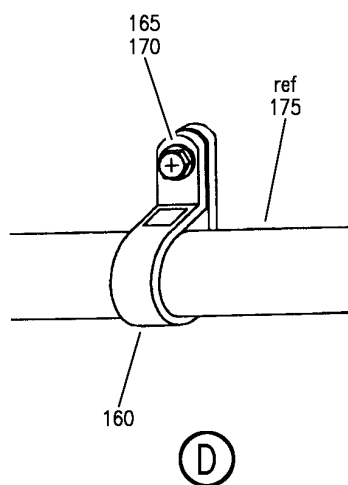
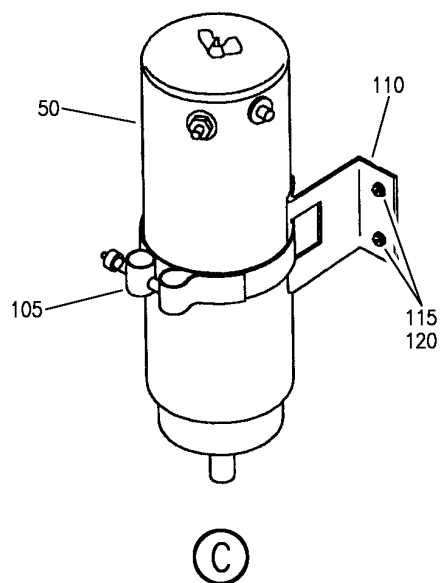
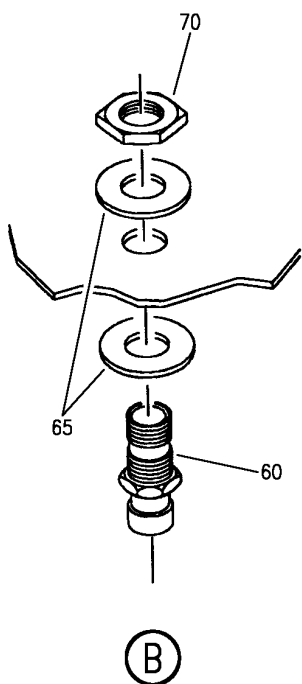
PLUMBING ASSY-SEG 260 LAV (STORAGE AND DISTRIBUTION ONLY)
FIGURE 27C (SHEET 1)

BRI
JAN 20/09

38-11-51-27C

38-11-51-27C
PAGE 0

BOEING
757
PARTS CATALOG (MAINTENANCE)



Y 38115127C SHT 2 REV 262

PLUMBING ASSY-SEG 260 LAV (STORAGE AND DISTRIBUTION ONLY)
FIGURE 27C (SHEET 2)

38-11-51-27C

BRI
JAN 20/09

38-11-51-27C
PAGE 0A



757

PARTS CATALOG (MAINTENANCE)

FIG ITEM	PART NUMBER	1 2 3 4 5 6 7	NOMENCLATURE	EFFECT FROM TO	UNITS PER ASSY
27C			PLUMBING ASSY-SEG 260 LAV (STORAGE AND DISTRIBUTION ONLY)	103106	
- 1	D71D26011-111		PLUMBING ASSY-SEG 260 LAV B AND D (STORAGE AND DISTRIBUTION ONLY) SUPPLIER CODE: VS5825 FOR NHA/ADDITIONAL DET SEE: 25-41-03-52F 25-41-03-51R	103106	RF
- 5	D71D26012-111		PLUMBING ASSY-SEG 260 LAV C (STORAGE AND DISTRIBUTION ONLY) SUPPLIER CODE: VS5825 FOR NHA/ADDITIONAL DET SEE: 25-41-03-50Q	103106	RF
50	1A081-0157-12		.HEATER ASSY-WATER, H1 SUPPLIER CODE: VS5825 COMPONENT MAINT MANUAL REF: 25-41-15 FUNCTIONAL REFERENCE: LIGHTS FOR DETAILS SEE 33-26-52-20 WATER/WASTE FOR DETAILS SEE 38-13-51-10G	103106	1
50	8921340G1		.HEATER ASSY-WATER, H1 SUPPLIER CODE: V13545 SPECIFICATION NUMBER: 60B50064-1 COMPONENT MAINT MANUAL REF: 38-10-02 OPTIONAL PART: 1A081-0157-12 VS5825 FOR DETAILS SEE: 38-13-51-50	103106	1

MISSING ITEM NUMBERS NOT APPLICABLE

- ITEM NOT ILLUSTRATED

38-11-51-27C

38-11-51
FIG. 27C
PAGE 1
JAN 20/09

BRI



757

PARTS CATALOG (MAINTENANCE)

FIG ITEM	PART NUMBER	1 2 3 4 5 6 7	NOMENCLATURE	EFFECT FROM TO	UNITS PER ASSY
27C 55	1A081-0212-11		.FAUCET AND DRAIN ASSY- SUPPLIER CODE: VS5825 SPECIFICATION NUMBER: 60B50027-20 COMPONENT MAINT MANUAL REF: 25-41-14 FOR DETAILS SEE: 38-11-04-01A	103106	1
60	D71D70055-111		.CONNECTOR-WATER SUPPLY SUPPLIER CODE: VS5825 ATTACHING PARTS	103106	1
65	D71D70057-111		.WASHER- SUPPLIER CODE: VS5825	103106	2
70	D71D70107-111		.NUT- SUPPLIER CODE: VS5825	103106	1
75	D71D30187-111		-----*----- .TUBE-LAV B AND D SUPPLIER CODE: VS5825	103106	1
- 80	D71D30187-211		.TUBE-LAV C SUPPLIER CODE: VS5825	103106	1
85	BACE21AW1008KM		.ELBOW	103106	1
90	AS4471-08-0140		.HOSE ASSY-LAV B AND D	103106	1
- 95	AS4471-08-0167		.HOSE ASSY-LAV C	103106	1
100	NAS1764K080606		.TEE	103106	1
105	M630103-102		.CLAMP	103106	1
110	D75D70258-911		.SUPPORT-HEATER/FILTER SUPPLIER CODE: VS5825 ATTACHING PARTS	103106	1
115	NAS1801-3-5		.SCREW -----*-----	103106	3
120	NAS1149D0332K		.WASHER	103106	3
125	AS4473G0134-225		.HOSE ASSY-LAV B AND D	103106	1
- 130	AS4470-06-0116		.HOSE ASSY-LAV C	103106	1
135	BACC10DK9A		.CLAMP ATTACHING PARTS	103106	1
140	NAS1801-3-9		.SCREW	103106	1
145	NAS1149D0332K		.WASHER -----*-----	103106	1
150	AS4473G0250-270		.HOSE ASSY-LAV B AND D	103106	1
- 155	AS4473G0230-135		.HOSE ASSY-LAV C	103106	1
160	BACC10DK12		.CLAMP	103106	3

MISSING ITEM NUMBERS NOT APPLICABLE

- ITEM NOT ILLUSTRATED

38-11-51-27C

38-11-51
FIG. 27C
PAGE 2
JAN 20/09

BRI

BOEING PROPRIETARY - Copyright © - Unpublished Work - See title page for details.



757

PARTS CATALOG (MAINTENANCE)

FIG ITEM	PART NUMBER	1 2 3 4 5 6 7	NOMENCLATURE	EFFECT FROM TO	UNITS PER ASSY
27C			ATTACHING PARTS		
165	NAS1801-3-7	.	SCREW	103106	3
170	NAS1149D0332K	.	WASHER	103106	3
		-----*			
175	AS4471-08-0406	.	HOSE ASSY	103106	1
180	BACE21AW1008KM	.	ELBOW	103106	1

MISSING ITEM NUMBERS NOT APPLICABLE

- ITEM NOT ILLUSTRATED

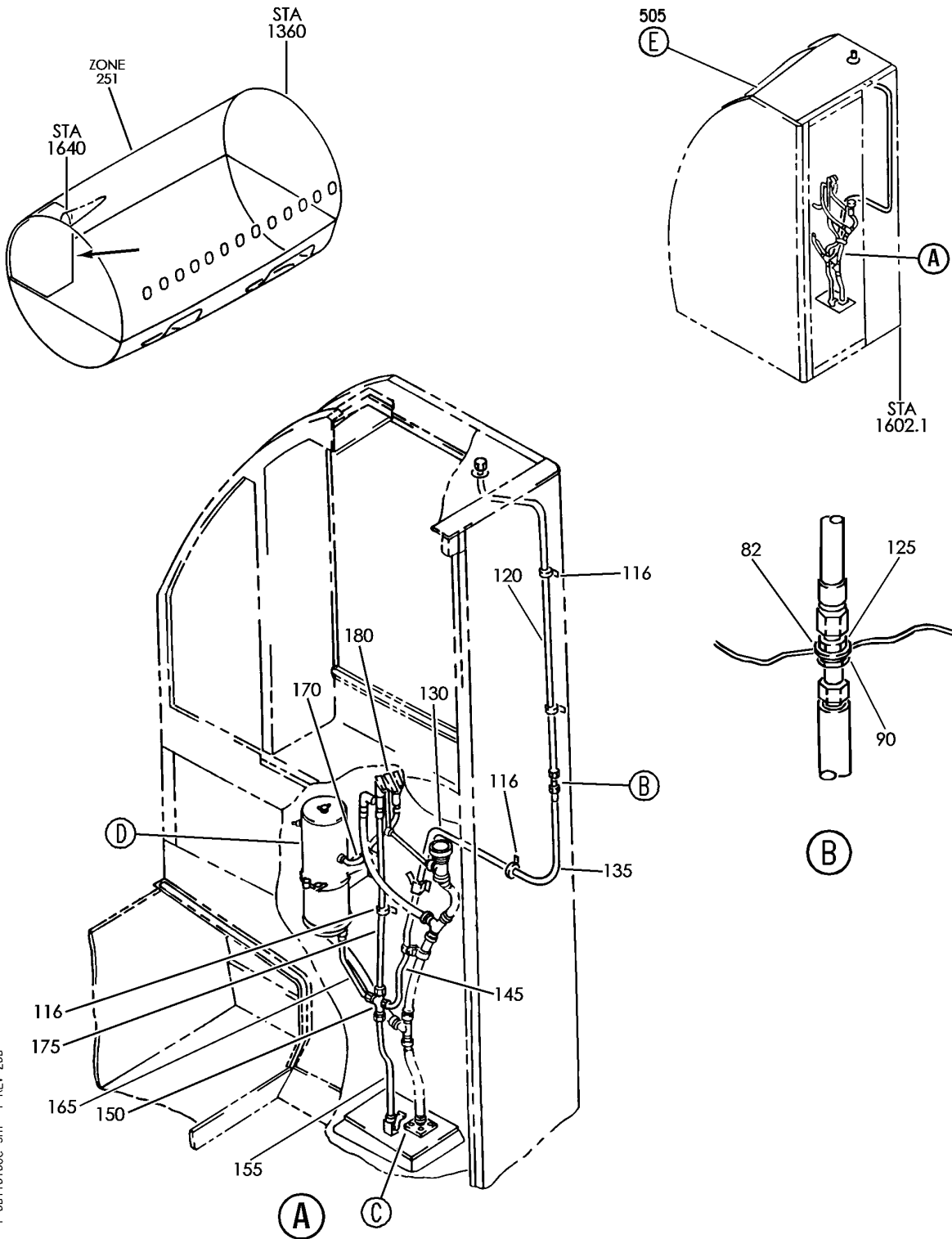
38-11-51-27C

38-11-51
FIG. 27C
PAGE 3
JAN 20/09

BRI

BOEING PROPRIETARY - Copyright © - Unpublished Work - See title page for details.

BOEING
757
PARTS CATALOG (MAINTENANCE)



Y 38115130C SHT 1 REV 238

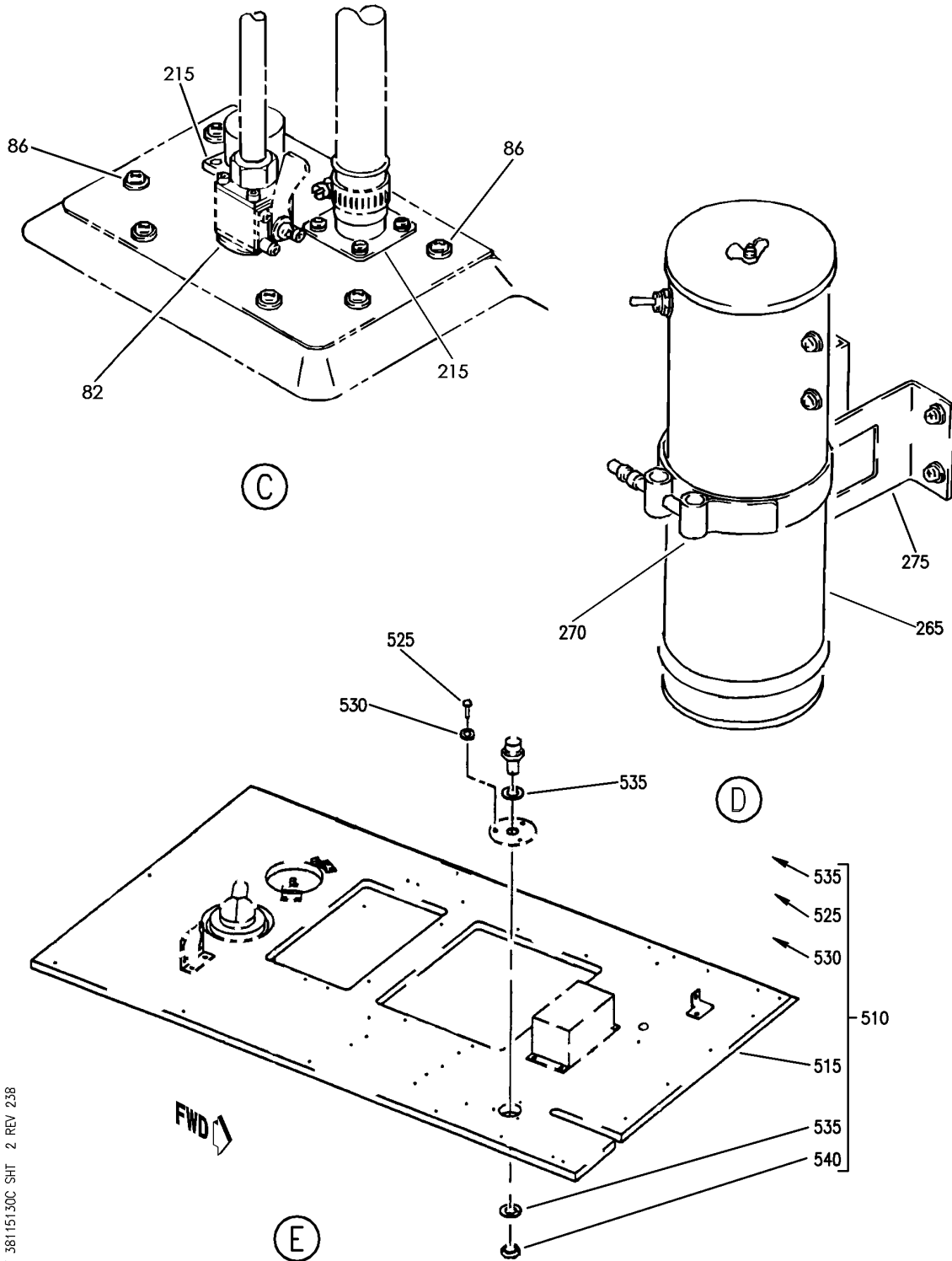
PLUMBING AND CEILING ASSY SEG 260, LAV C (STOWAGE DISTRIBUTION ONLY)
FIGURE 30C (SHEET 1)

BRI
JAN 20/09

38-11-51-30C

38-11-51-30C
PAGE 0

BOEING
757
PARTS CATALOG (MAINTENANCE)



Y 38115130C SHT 2 REV 238

PLUMBING AND CEILING ASSY SEG 260, LAV C (STOWAGE DISTRIBUTION ONLY)
FIGURE 30C (SHEET 2)

38-11-51-30C

BRI
JAN 20/09

38-11-51-30C
PAGE 0A



757

PARTS CATALOG (MAINTENANCE)

FIG ITEM	PART NUMBER	1 2 3 4 5 6 7	NOMENCLATURE	EFFECT FROM TO	UNITS PER ASSY
30C			PLUMBING AND CEILING ASSY SEG 260, LAV C (STOWAGE DISTRIBUTION ONLY)	504903	
- 1	D75D26021-111		PLUMBING ASSY-SEG 260, LAV C (STOWAGE AND DISTRIBUTION ONLY) SUPPLIER CODE: VS5825 FOR NHA/OTHER SYS DET SEE: 25-41-03-50A	504903	RF
68	NAS1801-3-7	.	SCREW	504903	4
82	AN960-916	.	WASHER	504903	4
86	AN960KD10L	.	WASHER	504903	6
90	AN924-6J	.	NUT	504903	2
116	BACC10DK9A	.	CLAMP	504903	4
120	AS4469-06-0361	.	HOSE ASSY-	504903	1
125	MS21924J6	.	UNION	504903	1
130	AS4472G0161-180	.	HOSE ASSY	504903	1
135	AE102-11	.	SLEEVE-FIRE SUPPLIER CODE: V00624	504903	1
- 145	AS4473G0196-090	.	HOSE ASSY-LAV C	504903	1
150	MS21906J6	.	CROSS	504903	1
155	AS4469-06-0062	.	HOSE ASSY-	504903	1
165	AS4471-06-0127	.	HOSE ASSY-	504903	1
170	AS4470-06-0116	.	HOSE ASSY-	504903	1
175	AS4470-06-0232	.	HOSE ASSY-	504903	1
180	600420-2	.	FAUCET AND DRAIN ASSY- SUPPLIER CODE: V80477 SPECIFICATION NUMBER: 60B50027-20 COMPONENT MAINT MANUAL REF: 38-11-01 OPTIONAL PART: 1A081-0212-1 VS5825 FOR DETAILS SEE: 38-11-04-01B	504903	1

MISSING ITEM NUMBERS NOT APPLICABLE

- ITEM NOT ILLUSTRATED

38-11-51-30C

38-11-51
FIG. 30C
PAGE 1
JAN 20/09

BRI



757

PARTS CATALOG (MAINTENANCE)

FIG ITEM	PART NUMBER	1 2 3 4 5 6 7	NOMENCLATURE	EFFECT FROM TO	UNITS PER ASSY
30C 180	1A081-0212-1	.	FAUCET AND DRAIN ASSY- SUPPLIER CODE: VS5825 SPECIFICATION NUMBER: 60B50027-20 SB DATA FROM A CMM: PRE SB 1A081-0212-83 COMPONENT MAINT MANUAL REF: 25-41-14 OPTIONAL PART: 600420-2 V80477 FOR DETAILS SEE: 38-11-04-01	504903	1
180	1A081-0212-11	.	FAUCET AND DRAIN ASSY- SUPPLIER CODE: VS5825 SPECIFICATION NUMBER: 60B50027-20 SB DATA FROM A CMM: POST SB 1A081-0212-83 COMPONENT MAINT MANUAL REF: 25-41-14 FOR DETAILS SEE: 38-11-04-01A	504903	1
215	D75D80154-111	.	GASKET- SUPPLIER CODE: VS5825	504903	2
265	1A081-0157-12	.	HEATER ASSY-WATER SUPPLIER CODE: VS5825 COMPONENT MAINT MANUAL REF: 25-41-15 FUNCTIONAL REFERENCE: LIGHTS FOR DETAILS SEE 33-26-52-20 WATER/WASTE FOR DETAILS SEE 38-13-51-10G	504903	1

MISSING ITEM NUMBERS NOT APPLICABLE

- ITEM NOT ILLUSTRATED

38-11-51-30C

38-11-51
FIG. 30C
PAGE 2
JAN 20/09

BRI



757

PARTS CATALOG (MAINTENANCE)

FIG ITEM	PART NUMBER	1 2 3 4 5 6 7	NOMENCLATURE	EFFECT FROM TO	UNITS PER ASSY
30C 265	8921340G1		.HEATER ASSY-WATER, H1 SUPPLIER CODE: V13545 SPECIFICATION NUMBER: 60B50064-1 COMPONENT MAINT MANUAL REF: 38-10-02 OPTIONAL PART: 1A081-0157-12 VS5825 FOR DETAILS SEE: 38-13-51-50	504903	1
270	M630103-102		.CLAMP	504903	1
275	D75D70258-911		.SUPPORT-HEATER AND FILTER SUPPLIER CODE: VS5825	504903	1
- 500	D75D15074-111		CEILING ASSY-SEG 150, LAV C (WATER/WASTE ONLY) SUPPLIER CODE: VS5825 FOR NHA/OTHER SYS DET SEE: 25-41-03-50A	504903	RF
505	D75D37060-111A		.CEILING ASSY-LAV C SUPPLIER CODE: VS5825	504903	RF
510	D75A45056-111A		..PANEL ASSY-LAV C SUPPLIER CODE: VS5825	504903	RF
515	D75D45012-111A		...PANEL-LAV C SUPPLIER CODE: VS5825	504903	1
520	D75D45015-111		...PANEL-LAV C SUPPLIER CODE: VS5825	504903	1
525	NAS1801-06-5		...SCREW	504903	3
530	AN960KD6L		...WASHER	504903	3
535	AN960-916		...WASHER	504903	2
540	AN924-6J		...NUT	504903	1

MISSING ITEM NUMBERS NOT APPLICABLE

- ITEM NOT ILLUSTRATED

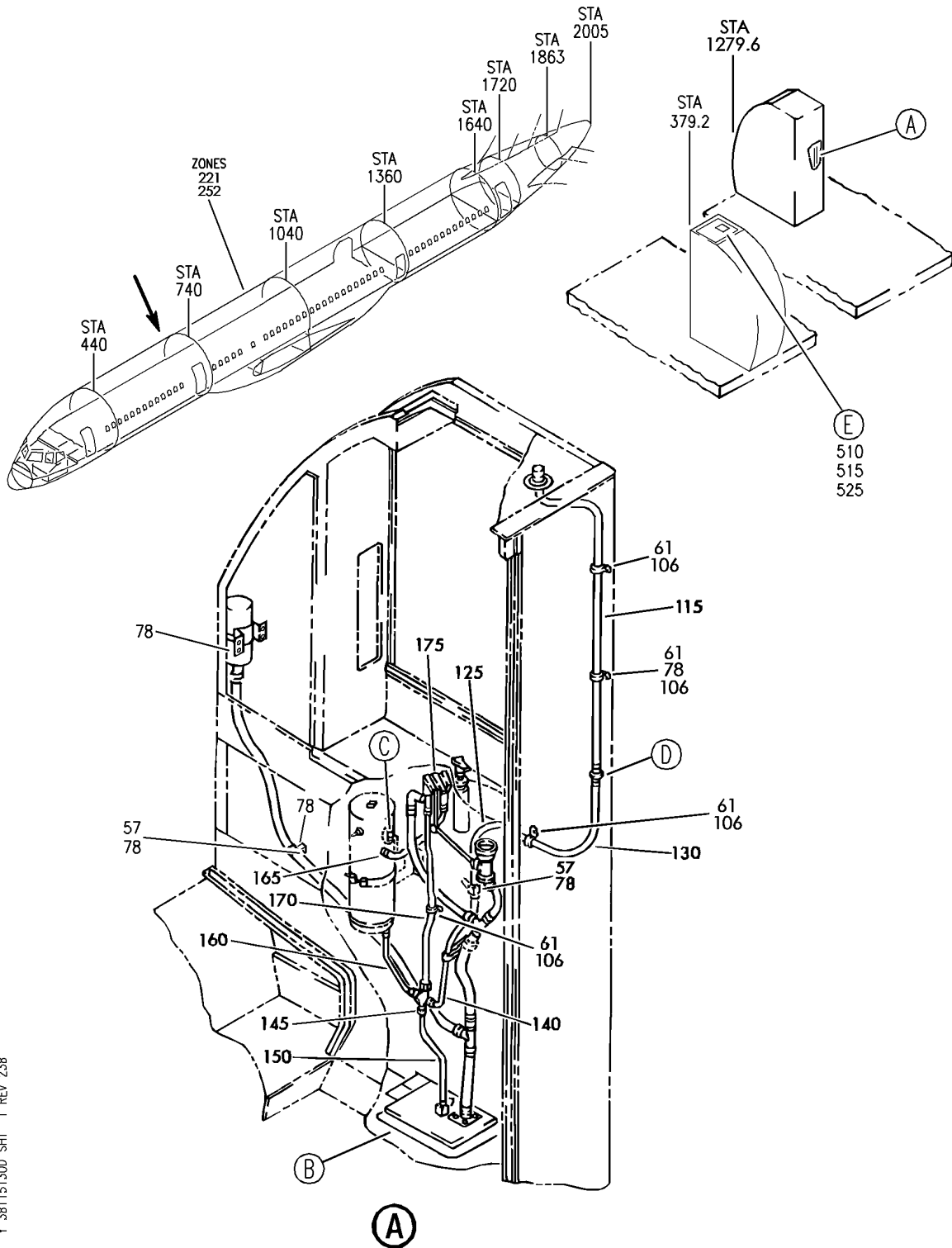
38-11-51-30C

38-11-51
FIG. 30C
PAGE 3
JAN 20/09

BRI

BOEING PROPRIETARY - Copyright © - Unpublished Work - See title page for details.

BOEING
757
PARTS CATALOG (MAINTENANCE)



Y 381151300 SHT 1 REV 238

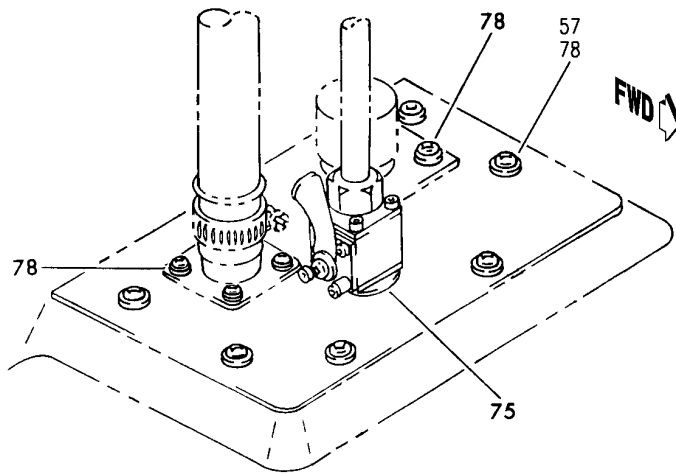
PLUMBING AND CEILING ASSY LAV (STOWAGE AND DISTRIBUTION ONLY)
FIGURE 30D (SHEET 1)

38-11-51-30D

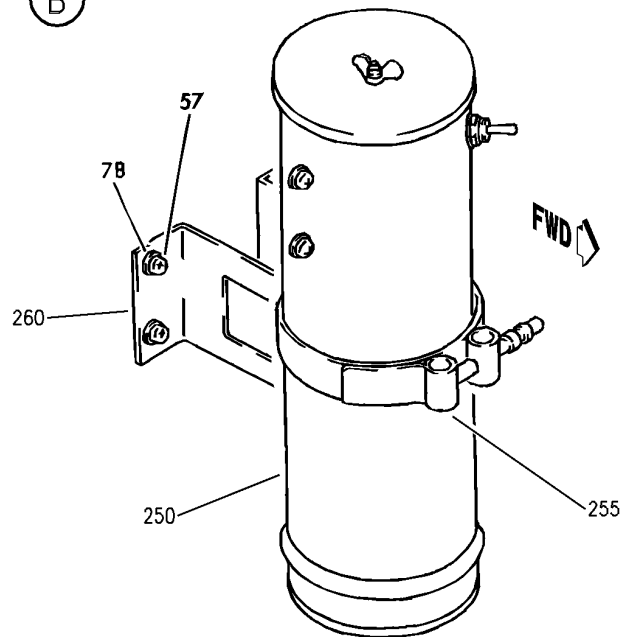
BRI
JAN 20/09

38-11-51-30D
PAGE 0

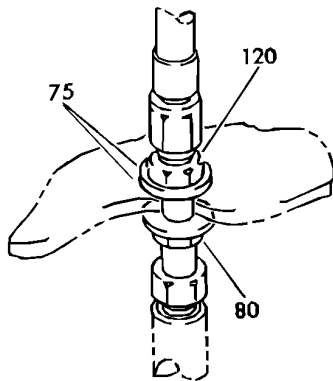
BOEING
757
PARTS CATALOG (MAINTENANCE)



(B)



(C)



(D)

Y 38115130D SHT 2 REV 238

PLUMBING AND CEILING ASSY LAV (STOWAGE AND DISTRIBUTION ONLY)
FIGURE 30D (SHEET 2)

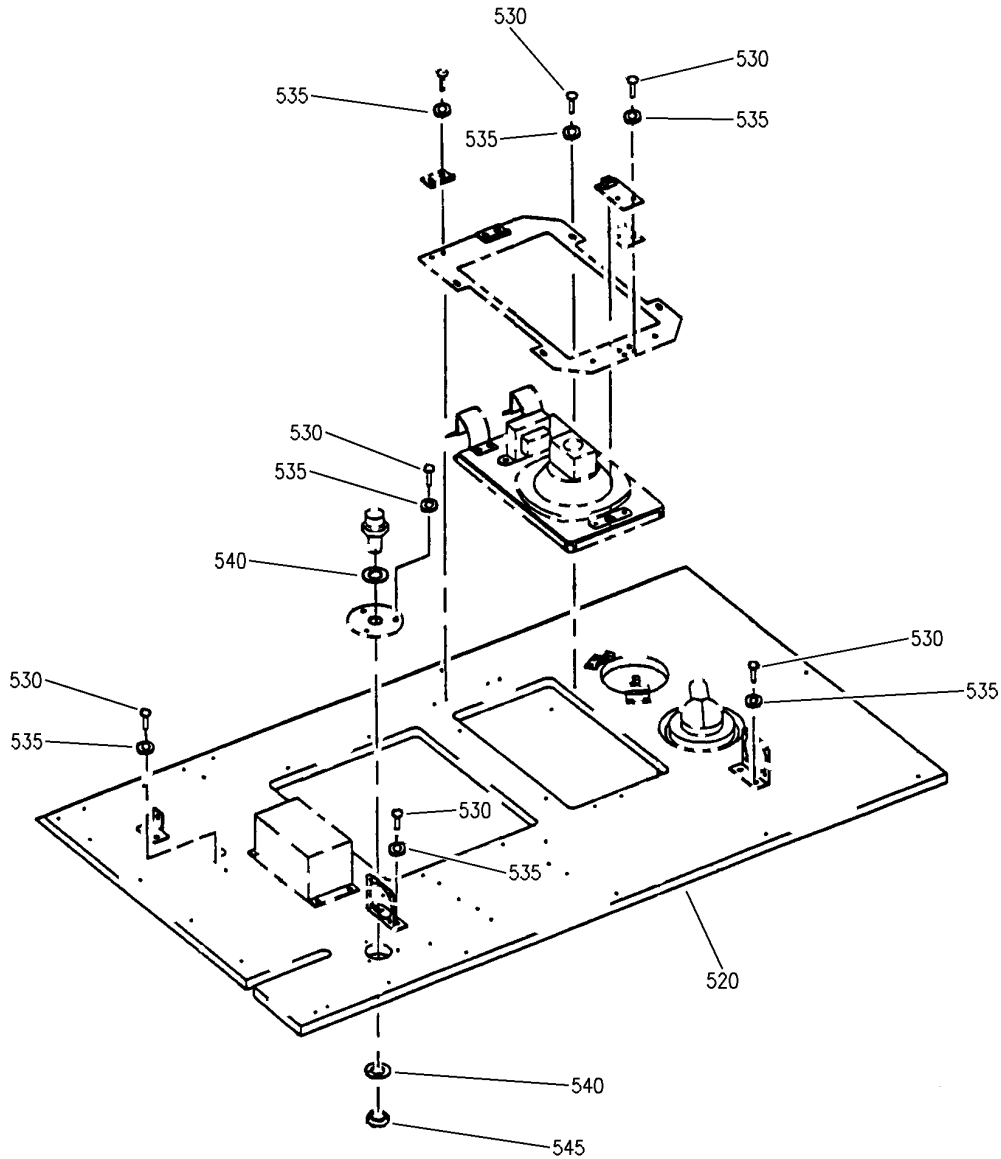
38-11-51-30D

BRI
JAN 20/09

38-11-51-30D
PAGE 0A

BOEING PROPRIETARY - Copyright © - Unpublished Work - See title page for details.

BOEING
757
PARTS CATALOG (MAINTENANCE)



(E)

Y 381151-30D SHT 3 REV 238

PLUMBING AND CEILING ASSY LAV (STOWAGE AND DISTRIBUTION ONLY)
FIGURE 30D (SHEET 3)

38-11-51-30D

BRI
JAN 20/09

38-11-51-30D
PAGE 0B



757

PARTS CATALOG (MAINTENANCE)

FIG ITEM	PART NUMBER	1 2 3 4 5 6 7	NOMENCLATURE	EFFECT FROM TO	UNITS PER ASSY
30D			PLUMBING AND CEILING ASSY	504903	
- 1	D75D26022-111		LAV (STOWAGE AND DISTRIBUTION ONLY) PLUMBING ASSY-SEG 260 LAV D (STOWAGE AND DISTRIBUTION ONLY) SUPPLIER CODE: VS5825 FOR NHA/OTHER SYS DET SEE: 25-41-03-51A	504903	RF
- 5	D75D26023-111		PLUMBING ASSY-SEG 260 LAV F (STOWAGE AND DISTRIBUTION ONLY) SUPPLIER CODE: VS5825 FOR NHA/OTHER SYS DET SEE: 25-41-01-12B	504903	RF
57	NAS1801-3-5	.	SCREW	504903	14
61	NAS1801-3-7	.	SCREW	504903	4
75	AN960-916	.	WASHER	504903	4
78	AN960KD10L	.	WASHER	504903	6
80	AN924-6J	.	NUT	504903	2
106	BACC10DK9A	.	CLAMP	504903	4
115	AS4469-06-0361	.	HOSE ASSY-	504903	1
120	MS21924J6	.	UNION	504903	1
125	AS4472G0161-180	.	HOSE ASSY-	504903	1
130	AE102-11	.	SLEEVE- SUPPLIER CODE: V00624	504903	1
140	AS4473G0196-270	.	HOSE ASSY-	504903	1
145	MS21906J6	.	CROSS	504903	1
150	AS4469-06-0062	.	HOSE ASSY-	504903	1
160	AS4471-06-0137	.	HOSE ASSY-	504903	1
165	AS4473G0134-225	.	HOSE ASSY-	504903	1
170	AS4472G0242-000	.	HOSE ASSY-	504903	1
175	1A081-0212-1	.	FAUCET AND DRAIN ASSY- SUPPLIER CODE: VS5825 SPECIFICATION NUMBER: 60B50027-20 SB DATA FROM A CMM: PRE SB 1A081-0212-83 COMPONENT MAINT MANUAL REF: 25-41-14 OPTIONAL PART: 600420-2 V80477 FOR DETAILS SEE: 38-11-04-01	504903	1

MISSING ITEM NUMBERS NOT APPLICABLE

- ITEM NOT ILLUSTRATED

38-11-51-30D

38-11-51
FIG. 30D
PAGE 1
JAN 20/09

BRI



757

PARTS CATALOG (MAINTENANCE)

FIG ITEM	PART NUMBER	1 2 3 4 5 6 7	NOMENCLATURE	EFFECT FROM TO	UNITS PER ASSY
30D 175	600420-2		. FAUCET AND DRAIN ASSY- SUPPLIER CODE: V80477 SPECIFICATION NUMBER: 60B50027-20 OPTIONAL PART: 1A081-0212-1 VS5825 FOR DETAILS SEE: 38-11-04-01B	504903	1
175	1A081-0212-11		. FAUCET AND DRAIN ASSY- SUPPLIER CODE: VS5825 SPECIFICATION NUMBER: 60B50027-20 SB DATA FROM A CMM: POST SB 1A081-0212-83 COMPONENT MAINT MANUAL REF: 25-41-14 FOR DETAILS SEE: 38-11-04-01A	504903	1
250	1A081-0157-12		. HEATER ASSY-WATER SUPPLIER CODE: VS5825 COMPONENT MAINT MANUAL REF: 25-41-15 FUNCTIONAL REFERENCE: LIGHTS FOR DETAILS SEE 33-26-52-20 WATER/WASTE FOR DETAILS SEE 38-13-51-10G	504903	1
250	8921340G1		. HEATER ASSY-WATER, H1 SUPPLIER CODE: V13545 SPECIFICATION NUMBER: 60B50064-1 COMPONENT MAINT MANUAL REF: 38-10-02 OPTIONAL PART: 1A081-0157-12 VS5825 FOR DETAILS SEE: 38-13-51-50	504903	1
255	M630103-102		. CLAMP	504903	1
260	D75D70258-911		. SUPPORT-HEATER AND FILTER SUPPLIER CODE: VS5825	504903	1

MISSING ITEM NUMBERS NOT APPLICABLE

- ITEM NOT ILLUSTRATED

38-11-51-30D

38-11-51
FIG. 30D
PAGE 2
JAN 20/09

BRI

BOEING PROPRIETARY - Copyright © - Unpublished Work - See title page for details.



757

PARTS CATALOG (MAINTENANCE)

FIG ITEM	PART NUMBER	1 2 3 4 5 6 7	NOMENCLATURE	EFFECT FROM TO	UNITS PER ASSY
30D					
- 500	D75D15073-111		CEILING ASSY-SEG 150, LAV D (WATER/WASTE ONLY) SUPPLIER CODE: VS5825 FOR NHA/OTHER SYS DET SEE: 25-41-03-51A	504903	RF
- 505	D75D15075-111		CEILING ASSY-SEG 150, LAV F (WATER/WASTE ONLY) SUPPLIER CODE: VS5825 FOR NHA/OTHER SYS DET SEE: 25-41-01-12B	504903	RF
510	D75D37059-111A		.CEILING ASSY-LAV F SUPPLIER CODE: VS5825	504903	RF
515	D75D37061-111A		.CEILING ASSY-LAV F SUPPLIER CODE: VS5825	504903	RF
520	D75A45055-111A		..PANEL ASSY-LAV F SUPPLIER CODE: VS5825	504903	RF
525	D75A45057-111A		..PANEL ASSY-LAV F SUPPLIER CODE: VS5825	504903	RF
530	NAS1801-06-5		...SCREW	504903	3
535	AN960-916		...WASHER	504903	3
540	AN960-916		...WASHER	504903	2
545	AN924-6J		...NUT	504903	1

MISSING ITEM NUMBERS NOT APPLICABLE

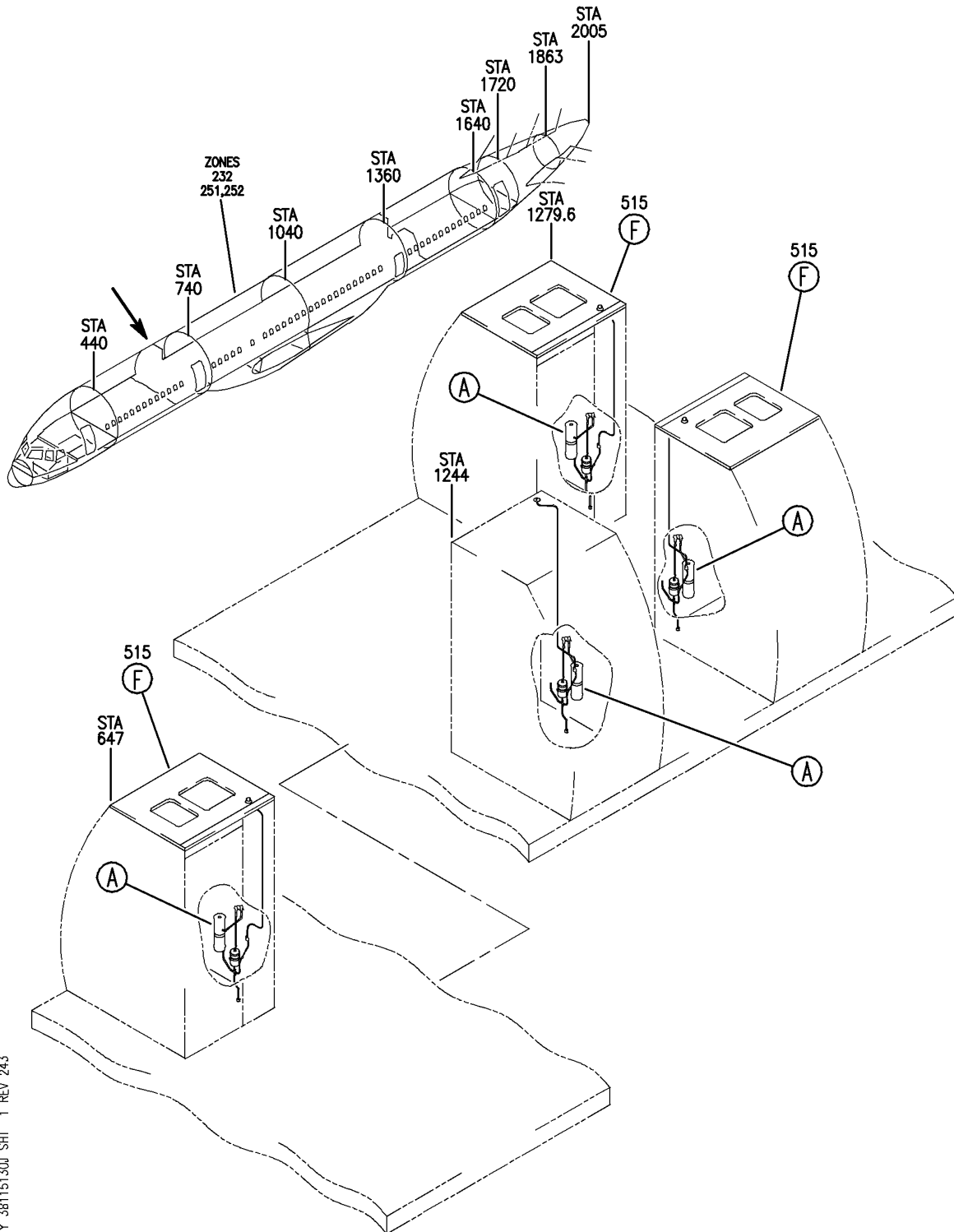
- ITEM NOT ILLUSTRATED

38-11-51-30D

38-11-51
FIG. 30D
PAGE 3
JAN 20/09

BRI

BOEING
757
PARTS CATALOG (MAINTENANCE)



Y 38115130J SHT 1 REV 243

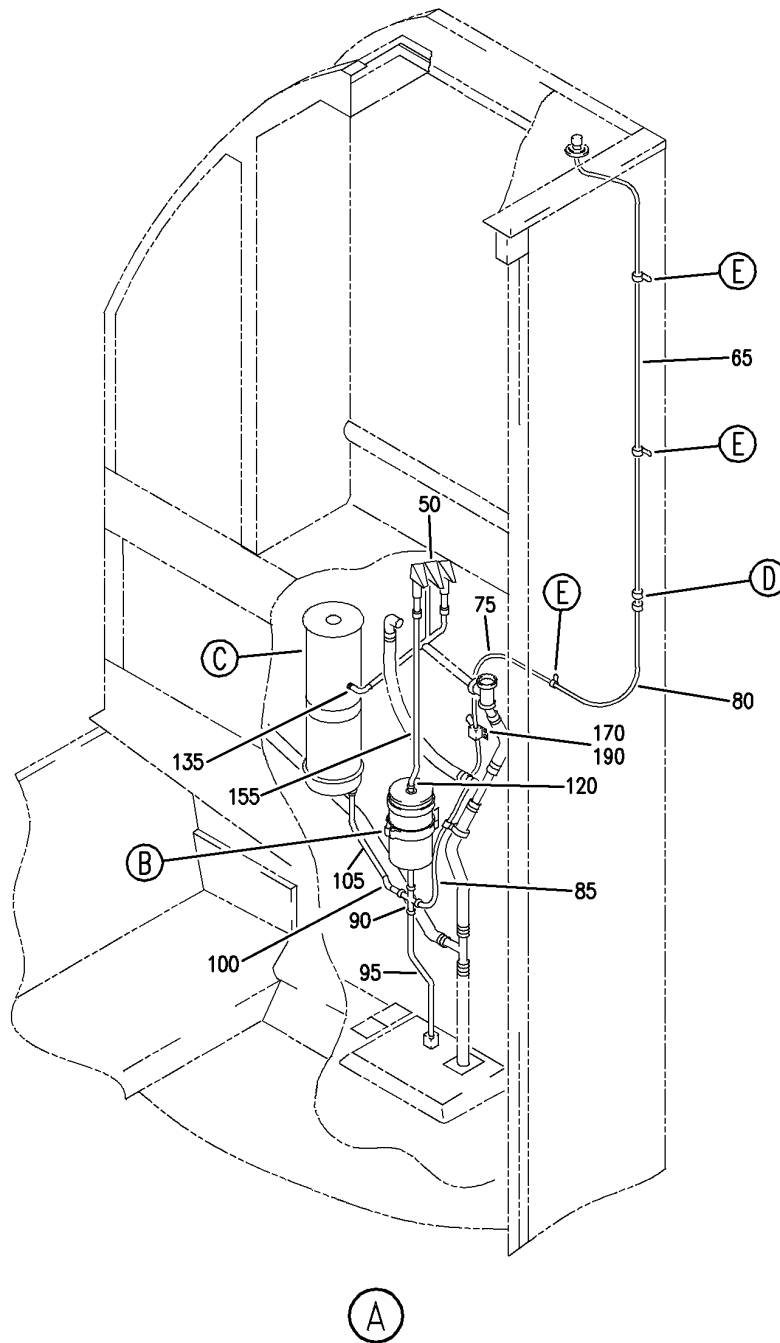
PLUMBING AND CEILING ASSY-SEG 260 AND 150, LAV (STORAGE AND DISTRIBUTION ONLY)
FIGURE 30J (SHEET 1)

BRI
MAY 28/07

38-11-51-30J

38-11-51-30J
PAGE 0

BOEING
757
PARTS CATALOG (MAINTENANCE)



Y 38115130J SHT 2 REV 246

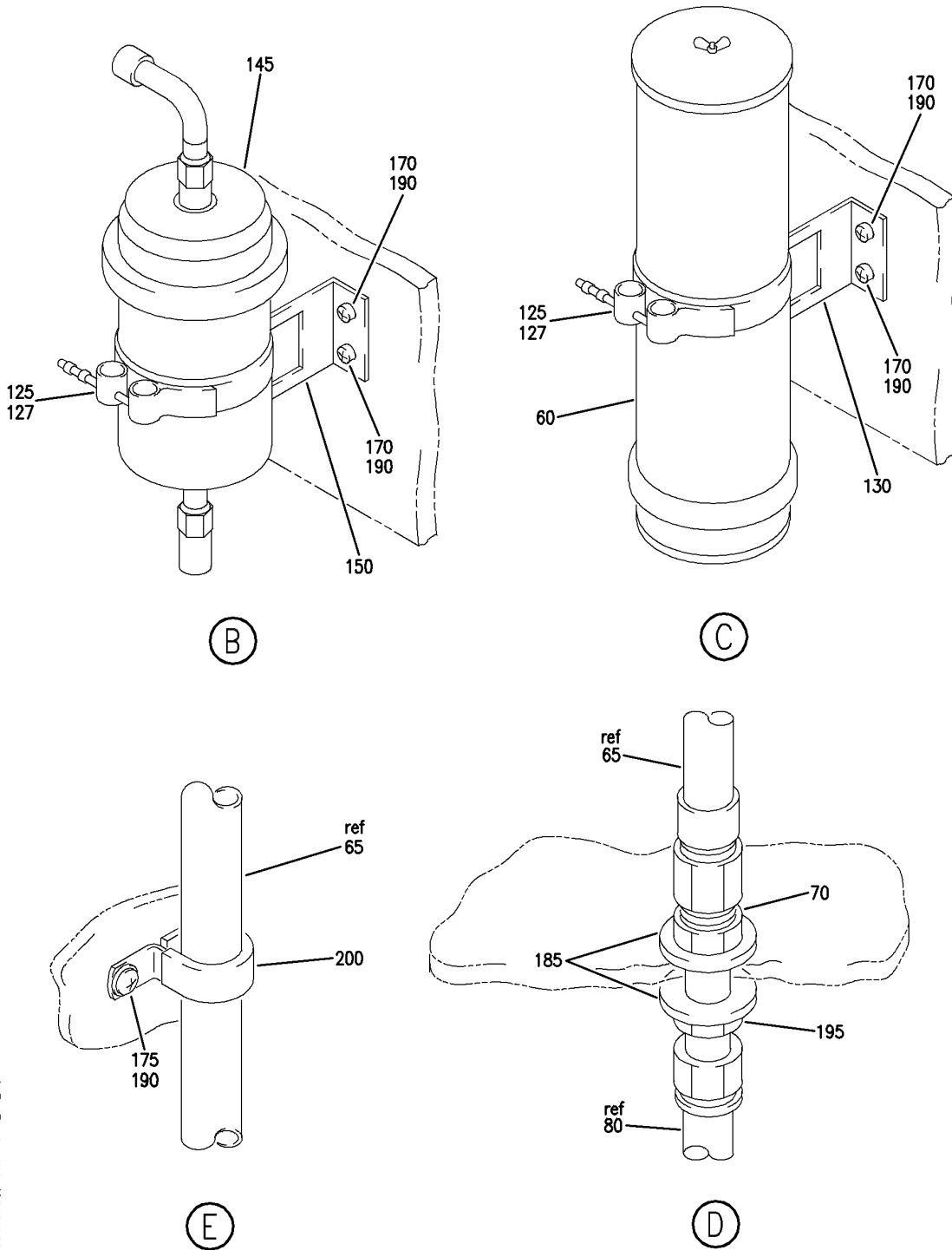
PLUMBING AND CEILING ASSY-SEG 260 AND 150, LAV (STORAGE AND DISTRIBUTION ONLY)
FIGURE 30J (SHEET 2)

BRI
MAY 28/07

38-11-51-30J

38-11-51-30J
PAGE 0A

BOEING
757
PARTS CATALOG (MAINTENANCE)



Y 38115130J SHT 3 REV 246

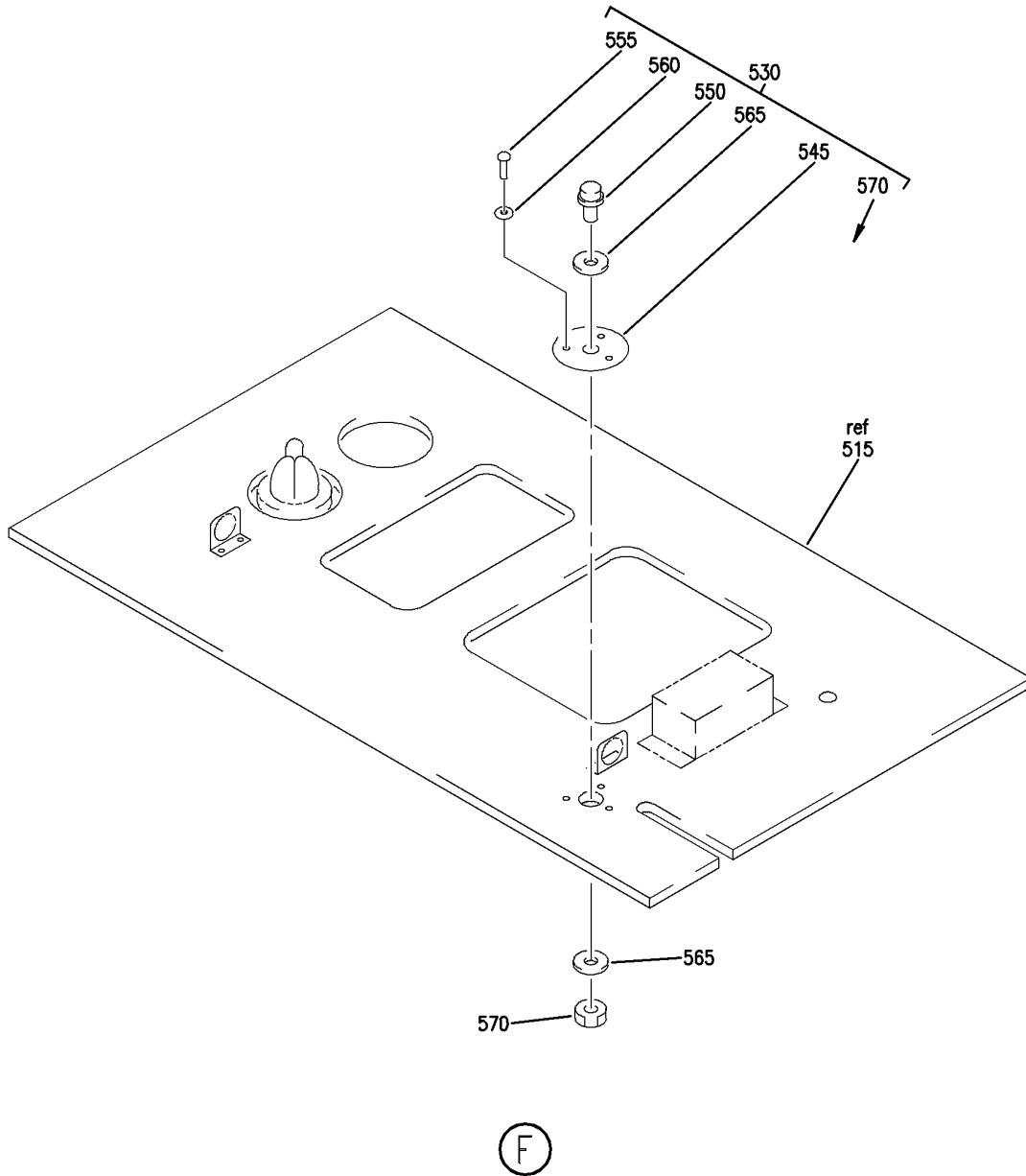
PLUMBING AND CEILING ASSY-SEG 260 AND 150, LAV (STORAGE AND DISTRIBUTION ONLY)
FIGURE 30J (SHEET 3)

BRI
MAY 28/07

38-11-51-30J

38-11-51-30J
PAGE 0B

BOEING
757
PARTS CATALOG (MAINTENANCE)



Y 38115130J SHT 4 REV 243

PLUMBING AND CEILING ASSY-SEG 260 AND 150, LAV (STORAGE AND DISTRIBUTION ONLY)
FIGURE 30J (SHEET 4)

BRI
MAY 28/07

38-11-51-30J

38-11-51-30J
PAGE 0C



757

PARTS CATALOG (MAINTENANCE)

FIG ITEM	PART NUMBER	1 2 3 4 5 6 7	NOMENCLATURE	EFFECT FROM TO	UNITS PER ASSY
30J			PLUMBING AND CEILING ASSY- SEG 260 AND 150, LAV (STORAGE AND DISTRIBUTION ONLY)	101102	
- 1	D75D26024-111		PLUMBING ASSY-SEG 260 LAV B AND D (STORAGE AND DISTRIBUTION ONLY) SUPPLIER CODE: VS5825 FOR NHA/ADDITIONAL DET SEE: 25-41-03-51H 25-41-03-52C	101102	RF
- 5	D75D26025-111		PLUMBING ASSY-SEG 260 LAV C (STORAGE AND DISTRIBUTION ONLY) SUPPLIER CODE: VS5825 FOR NHA/ADDITIONAL DET SEE: 25-41-03-50H	101102	RF
50	1A081-0212-11		. FAUCET AND DRAIN ASSY- SUPPLIER CODE: VS5825 SPECIFICATION NUMBER: 60B50027-20 COMPONENT MAINT MANUAL REF: 25-41-14 FOR DETAILS SEE: 38-11-04-01A	101102	1
60	1A081-0157-12		. HEATER ASSY-WATER, H1 SUPPLIER CODE: VS5825 COMPONENT MAINT MANUAL REF: 25-41-15 FUNCTIONAL REFERENCE: LIGHTS FOR DETAILS SEE 33-26-52-20 WATER/WASTE FOR DETAILS SEE 38-13-51-10G	101102	1

MISSING ITEM NUMBERS NOT APPLICABLE

- ITEM NOT ILLUSTRATED

38-11-51-30J

38-11-51
FIG. 30J
PAGE 1
JAN 20/09

BRI



757

PARTS CATALOG (MAINTENANCE)

FIG ITEM	PART NUMBER	1 2 3 4 5 6 7	NOMENCLATURE	EFFECT FROM TO	UNITS PER ASSY
30J 60	8921340G1		.HEATER ASSY-WATER, H1 SUPPLIER CODE: V13545 SPECIFICATION NUMBER: 60B50064-1 COMPONENT MAINT MANUAL REF: 38-10-02 OPTIONAL PART: 1A081-0157-12 VS5825 FOR DETAILS SEE: 38-13-51-50	101102	1
65	AS4469-06-0361		.HOSE ASSY	101102	1
70	MS21924J6		.UNION	101102	1
75	AS4472G0161-180		.HOSE ASSY	101102	1
85	AS4473G0196-270		.HOSE ASSY-LAV B AND D	101102	1
- 86	AS4473G0196-090		.HOSE ASSY-LAV C	101102	1
90	MS21906J6		.CROSS	101102	1
95	AS4469-06-0062		.HOSE ASSY	101102	1
105	AS4471-06-0127		.HOSE ASSY-LAV C	101102	1
- 110	AS4471-06-0137		.HOSE ASSY-LAV B AND D	101102	1
120	NAS1762J0606		.ELBOW- MISCELLANEOUS DATA: OPTIONAL PART NUMBER: BAC21BT0606JN (81205)	101102	1
127	M630103-102		.CLAMP	101102	2
130	D75D70258-911		.SUPPORT-HEATER/FILTER SUPPLIER CODE: VS5825	101102	1
135	AS4470-06-0116		.HOSE ASSY-LAV C	101102	1
- 140	AS4473G0134-225		.HOSE ASSY-LAV B AND D	101102	2
145	XS1		.FILTER- SUPPLIER CODE: V08576	101102	1
150	D75D71093-111		.SUPPORT- SUPPLIER CODE: VS5825	101102	1
160	AS4473G0134-225		.HOSE ASSY-LAV C	101102	1
170	NAS1801-3-5		.SCREW	101102	4
175	NAS1801-3-7		.SCREW	101102	3
185	NAS1149F0963P		.WASHER	101102	2
190	NAS1149D0332K		.WASHER	101102	7
200	BACC10DK9A		.CLAMP	101102	3

MISSING ITEM NUMBERS NOT APPLICABLE

- ITEM NOT ILLUSTRATED

38-11-51-30J

38-11-51
FIG. 30J
PAGE 2
JAN 20/09

BRI

BOEING PROPRIETARY - Copyright © - Unpublished Work - See title page for details.



757

PARTS CATALOG (MAINTENANCE)

FIG ITEM	PART NUMBER	1 2 3 4 5 6 7	NOMENCLATURE	EFFECT FROM TO	UNITS PER ASSY
30J - 495	D75D15033-111		CEILING ASSY-SEG 150 LAV B (STORAGE AND DISTRIBUTION ONLY) SUPPLIER CODE: VS5825 FOR NHA/OTHER SYS DET SEE: 25-41-03-52C	101102	RF
- 500	D75D15034-111		CEILING ASSY-SEG 150 LAV C (STORAGE AND DISTRIBUTION ONLY) SUPPLIER CODE: VS5825 FOR NHA/OTHER SYS DET SEE: 25-41-03-50H	101102	RF
- 505	D75D15035-111		CEILING ASSY-SEG 150 LAV D (STORAGE AND DISTRIBUTION ONLY) SUPPLIER CODE: VS5825 FOR NHA/OTHER SYS DET SEE: 25-41-03-51H	101102	RF
515	D75D37025-111A		.CEILING ASSY-LAV C SUPPLIER CODE: VS5825	101102	RF
- 517	D75D37024-111A		.CEILING ASSY-LAV B SUPPLIER CODE: VS5825	101102	RF
- 520	D75D37026-111A		.CEILING ASSY-LAV D SUPPLIER CODE: VS5825	101102	RF
530	D75A45028-111A		..PANEL ASSY-LAV C SUPPLIER CODE: VS5825	101102	RF
- 532	D75A45027-111A		..PANEL ASSY-LAV B SUPPLIER CODE: VS5825	101102	RF
- 535	D75A45026-111A		..PANEL ASSY-LAV D SUPPLIER CODE: VS5825	101102	RF
545	D75D70012-111		...PLATE-LAV B, C AND D SUPPLIER CODE: VS5825	101102	1
550	D75D70015-111		...UNION-LAV B, C AND D SUPPLIER CODE: VS5825	101102	1
555	NAS1801-06-5		ATTACHING PARTS ...SCREW-LAV B, C AND D	101102	3

MISSING ITEM NUMBERS NOT APPLICABLE

- ITEM NOT ILLUSTRATED

38-11-51-30J

38-11-51
FIG. 30J
PAGE 3
JAN 20/09

BRI

BOEING PROPRIETARY - Copyright © - Unpublished Work - See title page for details.



757

PARTS CATALOG (MAINTENANCE)

FIG ITEM	PART NUMBER	1 2 3 4 5 6 7	NOMENCLATURE	EFFECT FROM TO	UNITS PER ASSY
30J					
560	NAS1149DN616K		...WASHER-LAV B, C AND D	101102	3
565	NAS1149F0963P		...WASHER-LAV B, C AND D	101102	2
570	AN924-6J		...NUT-LAV B, C AND D	101102	1
			-----*-----		

MISSING ITEM NUMBERS NOT APPLICABLE

- ITEM NOT ILLUSTRATED

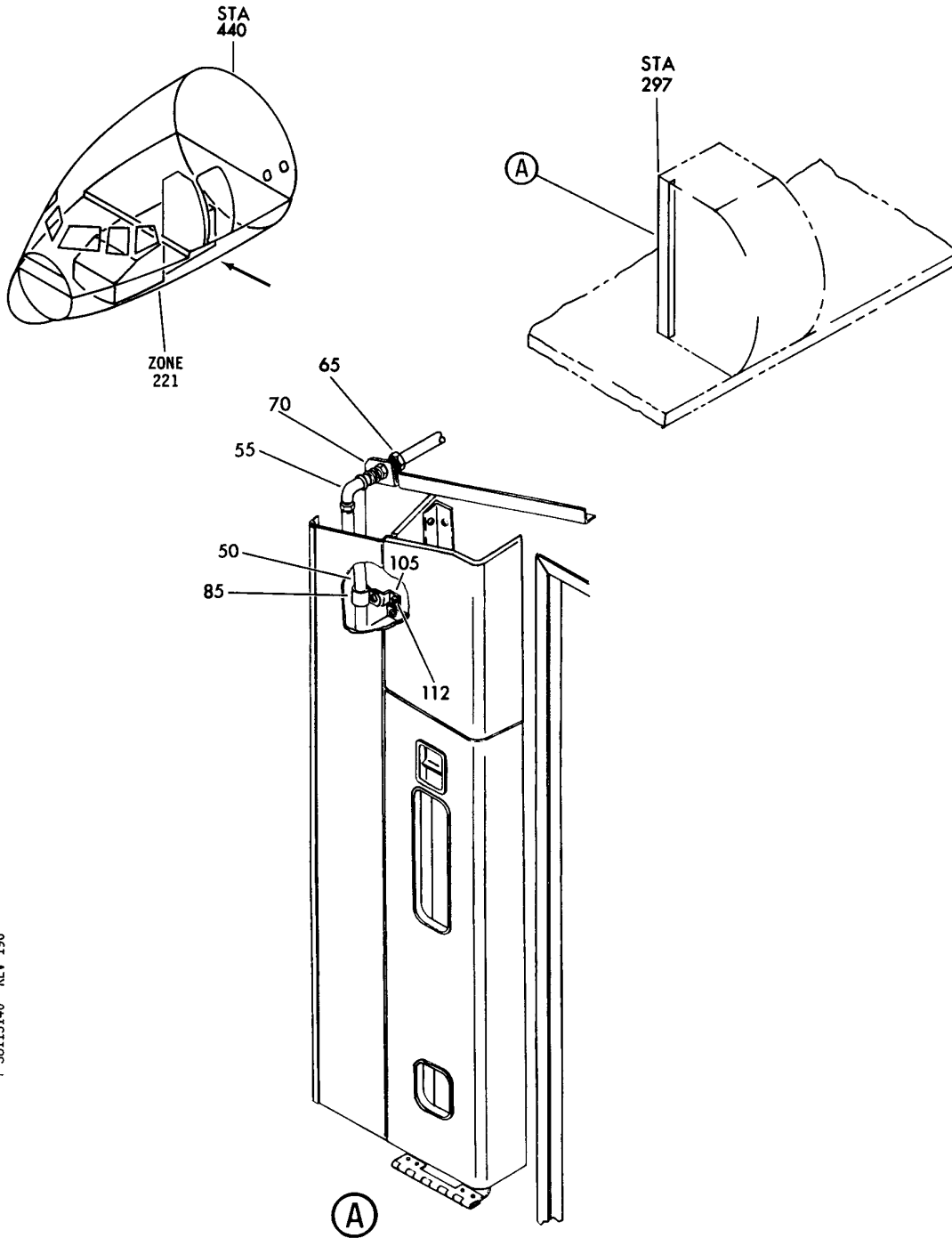
BRI

38-11-51-30J

BOEING PROPRIETARY - Copyright © - Unpublished Work - See title page for details.

38-11-51
FIG. 30J
PAGE 4
JAN 20/09

BOEING
757
PARTS CATALOG (MAINTENANCE)



Y 38115140 REV 190

CABINET ASSY-LT AND UTILITY LAV A (STORAGE AND DISTRIBUTION ONLY)
FIGURE 40

38-11-51-40

BRI
MAY 28/07

38-11-51-40
PAGE 0



757

PARTS CATALOG (MAINTENANCE)

FIG ITEM	PART NUMBER	1 2 3 4 5 6 7	NOMENCLATURE	EFFECT FROM TO	UNITS PER ASSY
40			CABINET ASSY-LT AND UTILITY LAV A (STORAGE AND DISTRIBUTION ONLY)	002004 006100 107107 121503 904999	
- 1	0A112-0006-41		CABINET ASSY-LT AND UTILITY (STORAGE AND DISTRIBUTION ONLY) SUPPLIER CODE: VS5825 FOR NHA/OTHER SYS DET SEE: 25-41-01-06 25-41-01-06E	107107 952999	RF
- 1	0A112-0006-161		CABINET ASSY-LT AND UTILITY (STORAGE AND DISTRIBUTION ONLY) SUPPLIER CODE: VS5825 FOR NHA/OTHER SYS DET SEE: 25-41-01-06F	002004 006100	RF
- 1	0A112-0006-31		CABINET ASSY-LT AND UTILITY, LAV A (STORAGE AND DISTRIBUTION ONLY) SUPPLIER CODE: VS5825 CONFIG CHG DATA FROM A CMM: SUPSD BY 0A112-0006-121 FOR NHA/OTHER SYS DET SEE: 25-41-01-06B 25-41-01-06H	121503 904949	RF
- 1	0A112-0006-121		CABINET ASSY-LT AND UTILITY, LAV A (STOWAGE AND DISTRIBUTION ONLY) SUPPLIER CODE: VS5825 CONFIG CHG DATA FROM A CMM: SUPERSEDES 0A112-0006-31 FOR NHA/OTHER SYS DET SEE: 25-41-01-06H	121503 904949	RF

MISSING ITEM NUMBERS NOT APPLICABLE

- ITEM NOT ILLUSTRATED

38-11-51-40

38-11-51
FIG. 40
PAGE 1
JAN 20/09

BRI



757

PARTS CATALOG (MAINTENANCE)

FIG ITEM	PART NUMBER	1 2 3 4 5 6 7	NOMENCLATURE	EFFECT FROM TO	UNITS PER ASSY
40					
50	A1650-615		.HOSE ASSY- SUPPLIER CODE: V98441 SPECIFICATION NUMBER: 10-61998-615 CONFIG CHG DATA FROM A CMM: SUPERSEDES 78301-6-0306 SUPSD BY AS4469-06-0303 OPTIONAL PART: AE1010603G0306 V00624	002004 006100 107107 121503 904999	1
50	78301-6-0306		.HOSE- SUPPLIER CODE: VS5825 CONFIG CHG DATA FROM A CMM: SUPSD BY A1650-615	121503 904949	1
50	AS4469-06-0303		.HOSE ASSY- CONFIG CHG DATA FROM A CMM: SUPERSEDES A1650-615	107107	1
55	APX833J0806		.ELBOW SUPPLIER CODE: V01673 SPECIFICATION NUMBER: BACE21AS0806J OPTIONAL PART: DB0E21AS0806J V14798 ER833-0806J V50948 ER833-0806J V88334 FER15800806J V14397 LER833-0806J V11328 APX8330806J V01673 NAF1833-0806J V52930 US1924-0806J V50808 AFP3160806J V30974	002004 006100 107107 121503 904999	1
- 60	AN960-1216		.WASHER	002004 006100 107107 950999	2

MISSING ITEM NUMBERS NOT APPLICABLE

- ITEM NOT ILLUSTRATED

38-11-51-40

38-11-51
FIG. 40
PAGE 2
JAN 20/09

BRI

BOEING PROPRIETARY - Copyright © - Unpublished Work - See title page for details.



757

PARTS CATALOG (MAINTENANCE)

FIG ITEM	PART NUMBER	1 2 3 4 5 6 7	NOMENCLATURE	EFFECT FROM TO	UNITS PER ASSY
40					
- 63	AN960-1216	.	WASHER	107107 121503 904949	1
65	AN924-8J	.	NUT	002004 006100 107107 121503 904999	1
70	2A114-0008-1	.	FITTING-WATER SUPPLY SUPPLIER CODE: VS5825	002004 006100 107107 121503 904999	1
- 75	NAS603-5P		ATTACHING PARTS .SCREW	002004 006100 107107 121503 904999	2
- 80	AN960PD10L	.	WASHER	002004 006100 107107 121503 904999	2
85	MS21919WDG8	-----*	.CLAMP	002004 006100 107107 121503 904999	3
- 90	NAS603-7P		ATTACHING PARTS .SCREW	002004 006100 107107 121503 904999	3
- 95	AN960PD10L	.	WASHER	002004 006100 107107 121503 904999	6
- 100	NAS679A3	.	NUT	002004 006100 107107 121503 904999	3
		-----*			

MISSING ITEM NUMBERS NOT APPLICABLE

- ITEM NOT ILLUSTRATED

38-11-51-40

38-11-51
FIG. 40
PAGE 3
JAN 20/09

BRI

BOEING PROPRIETARY - Copyright © - Unpublished Work - See title page for details.



757

PARTS CATALOG (MAINTENANCE)

FIG ITEM	PART NUMBER	1 2 3 4 5 6 7	NOMENCLATURE	EFFECT FROM TO	UNITS PER ASSY
40 105	2A114-0065-1		. SUPPORT- SUPPLIER CODE: VS5825	002004 006100 107107 121503 904999	3
- 110	NAS603-5P		ATTACHING PARTS . SCREW	002004 006100 107107 121503 904949 952999	3
112	NAS603-5P		. SCREW	002004 006100 950951	3
- 115	AN960PD10L		. WASHER	002004 006100 107107 121503 904999	3
			-----*		

MISSING ITEM NUMBERS NOT APPLICABLE

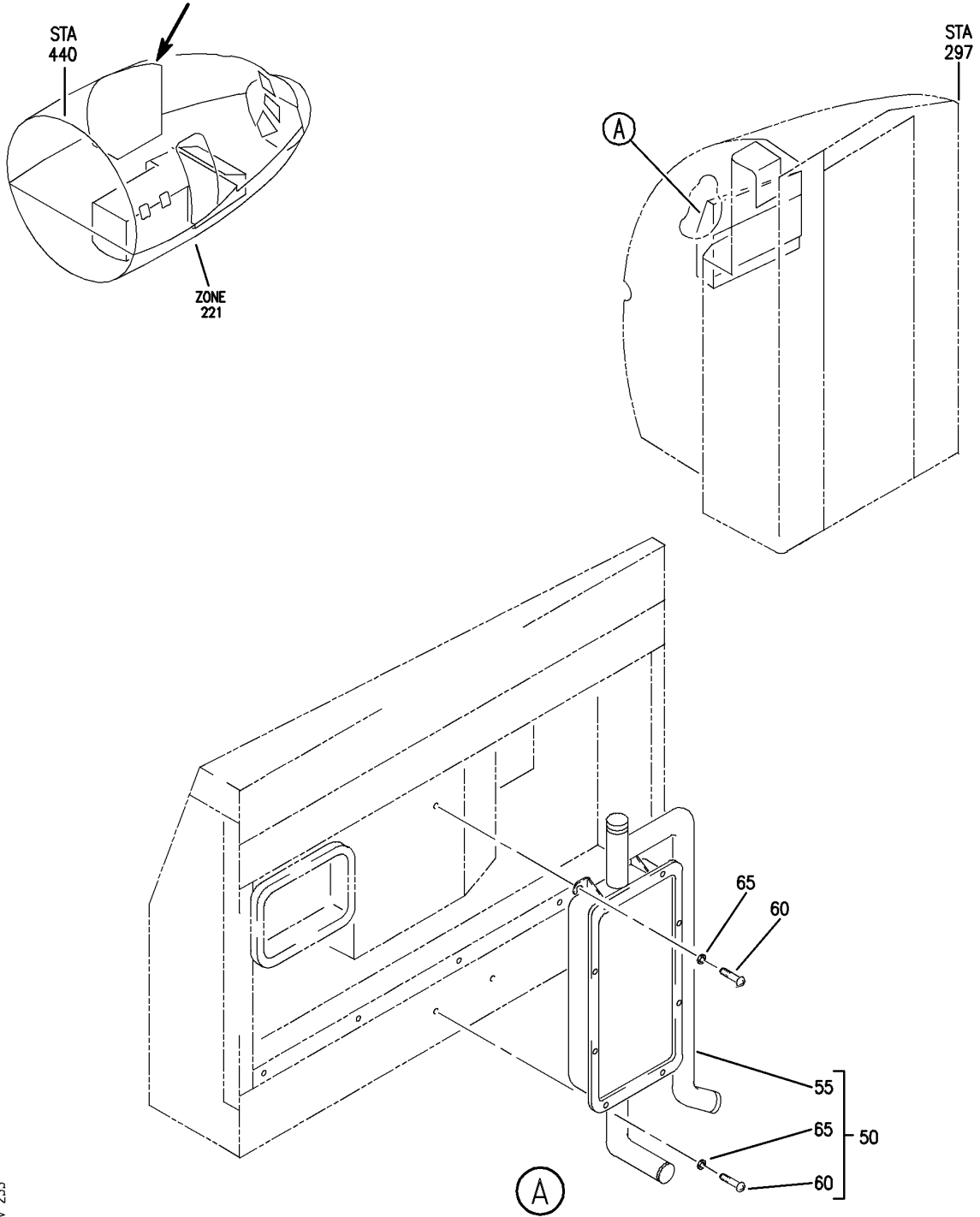
- ITEM NOT ILLUSTRATED

38-11-51-40

38-11-51
FIG. 40
PAGE 4
JAN 20/09

BRI

BOEING
757
PARTS CATALOG (MAINTENANCE)



Y 38115150 REV 233

PANEL ASSY-LINING AND BACK SEG 120, LAV A (STORAGE AND DISTRUBUTION ONLY)
FIGURE 50

BRI
JAN 20/09

38-11-51-50

38-11-51-50
PAGE 0



757

PARTS CATALOG (MAINTENANCE)

FIG ITEM	PART NUMBER	1 2 3 4 5 6 7	NOMENCLATURE	EFFECT FROM TO	UNITS PER ASSY
50			PANEL ASSY-LINING AND BACK SEG 120, LAV A (STORAGE AND DISTRUBUTION ONLY)	504903	
- 1	D75D12061-111A		PANEL ASSY-LINING AND BACK SEG 120, LAV A (STORAGE AND DISTRIBUTION ONLY) SUPPLIER CODE: VS5825 FOR NHA/OTHER SYS DET SEE: 25-41-01-12	504903	RF
50	D75D36002-111B		.PANEL ASSY-TIMER SUPPLIER CODE: VS5825 POSITION DATA: BACK	504903	RF
55	1A081-0160-21		..SEPARATOR-WATER SUPPLIER CODE: VS5825	504903	1
60	NAS1801-3-9		ATTACHING PARTS ..SCREW	504903	4
65	AN960KD10L		..WASHER -----*-----	504903	4

MISSING ITEM NUMBERS NOT APPLICABLE

- ITEM NOT ILLUSTRATED

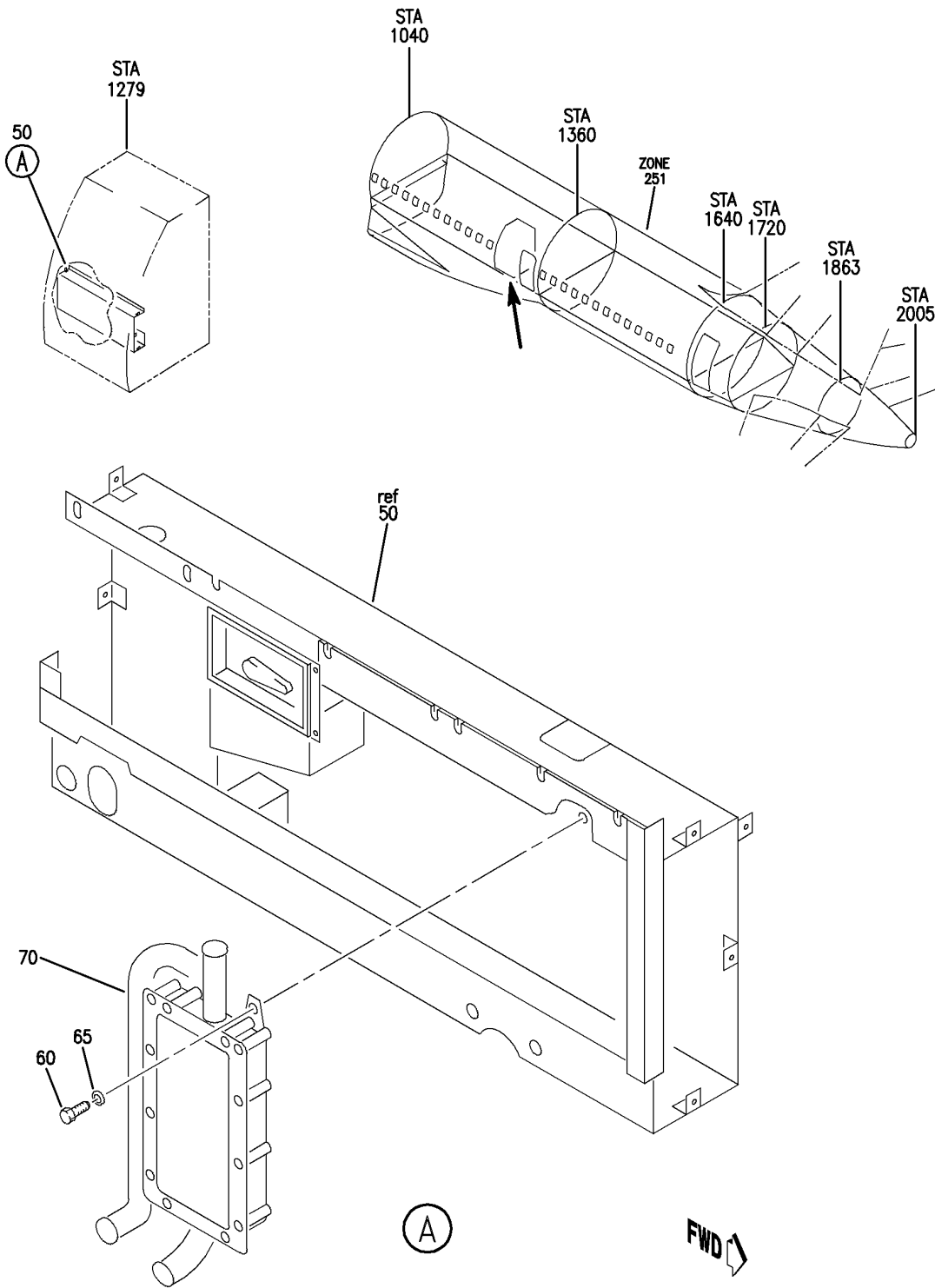
BRI

38-11-51-50

BOEING PROPRIETARY - Copyright © - Unpublished Work - See title page for details.

38-11-51
FIG. 50
PAGE 1
JAN 20/09

BOEING
757
PARTS CATALOG (MAINTENANCE)



Y 38115151B REV 238

PANEL ASSY-LINING AND BACK SEG 120, LAV (STORAGE AND DISTRIBUTION ONLY)
FIGURE 51B

BRI
JAN 20/09

38-11-51-51B

38-11-51-51B
PAGE 0

BOEING PROPRIETARY - Copyright © - Unpublished Work - See title page for details.



757

PARTS CATALOG (MAINTENANCE)

FIG ITEM	PART NUMBER	1 2 3 4 5 6 7	NOMENCLATURE	EFFECT FROM TO	UNITS PER ASSY
51B			PANEL ASSY-LINING AND BACK SEG 120, LAV (STORAGE AND DISTRIBUTION ONLY)	504903	
- 1	D75D12054-111A		PANEL ASSY-LINING AND BACK SEG 120, LAV C (STORAGE AND DISTRIBUTION ONLY) SUPPLIER CODE: VS5825 FOR NHA/OTHER SYS DET SEE: 25-41-03-50A	504903	RF
- 5	D75D12055-111A		PANEL ASSY-LINING AND BACK SEG 120, LAV D (STORAGE AND DISTRIBUTION ONLY) SUPPLIER CODE: VS5825 FOR NHA/OTHER SYS DET SEE: 25-41-03-51A	504903	RF
- 10	D75D12056-111A		PANEL ASSY-LINING AND BACK SEG 120, LAV F (STORAGE AND DISTRIBUTION ONLY) SUPPLIER CODE: VS5825 FOR NHA/OTHER SYS DET SEE: 25-41-01-12B	504903	RF
50	D75D36015-111C		.PANEL ASSY-TIMER, LAV C SUPPLIER CODE: VS5825	504903	RF
- 55	D75D36014-111D		.PANEL ASSY-TIMER, LAV D AND F SUPPLIER CODE: VS5825	504903	RF
60	NAS1801-3-9		..SCREW	504903	4
65	AN960KD10L		..WASHER	504903	4
70	1A081-0160-21		..SEPARATOR-WATER, LAV C SUPPLIER CODE: VS5825	504903	1
- 75	1A081-0160-22		..SEPARATOR-WATER, LAV D AND F SUPPLIER CODE: VS5825	504903	1

MISSING ITEM NUMBERS NOT APPLICABLE

- ITEM NOT ILLUSTRATED

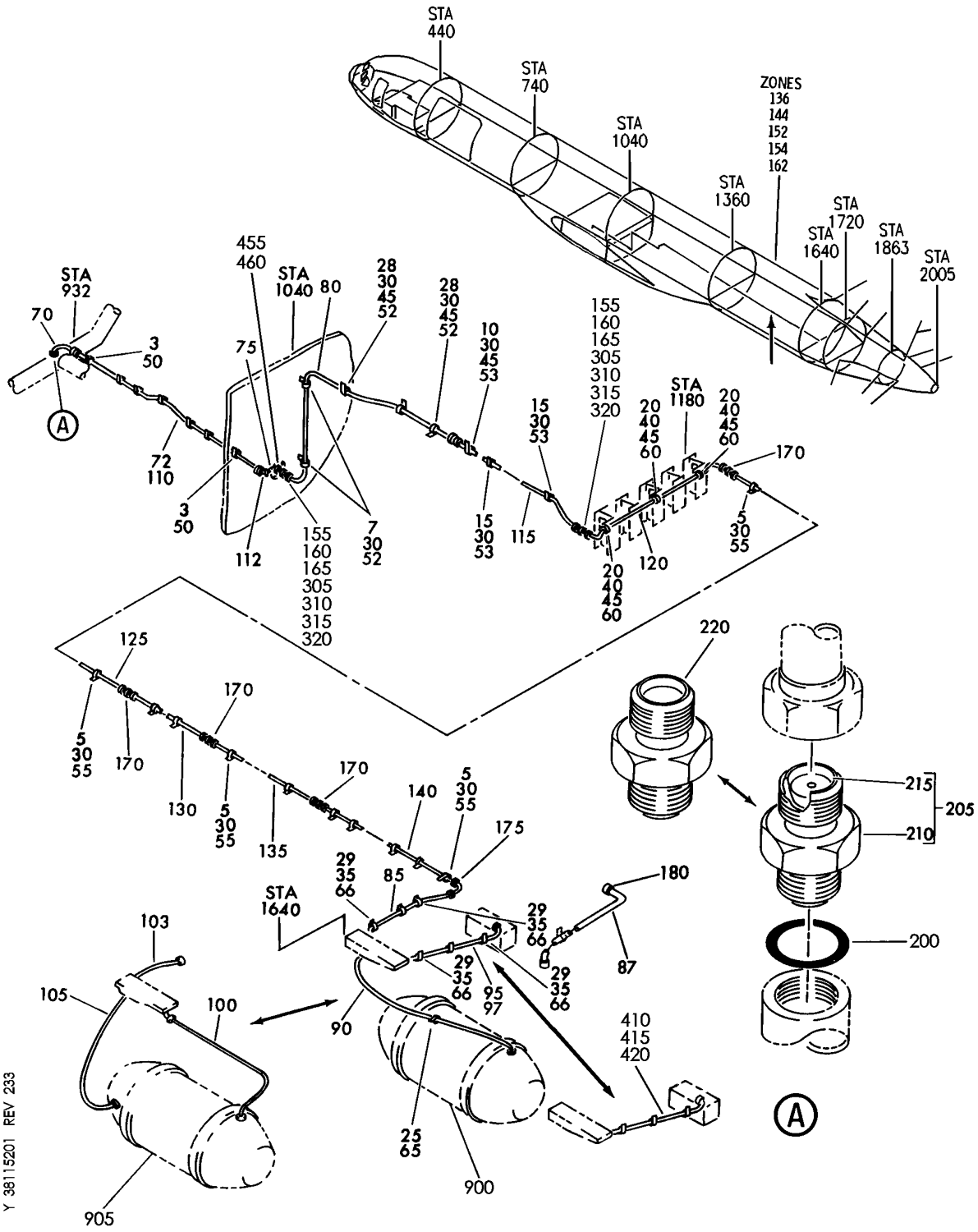
38-11-51-51B

38-11-51
FIG. 51B
PAGE 1
JAN 20/09

BRI

BOEING PROPRIETARY - Copyright © - Unpublished Work - See title page for details.

BOEING
757
PARTS CATALOG (MAINTENANCE)



Y 38115201 REV 233

LINE AND CAP INSTL-PNEU
FIGURE 1

38-11-52-01

BRI
MAY 28/07

38-11-52-01
PAGE 0



757

PARTS CATALOG (MAINTENANCE)

FIG ITEM	PART NUMBER	1 2 3 4 5 6 7	NOMENCLATURE	EFFECT FROM TO	UNITS PER ASSY
1			LINE AND CAP INSTL-PNEU	002004 006102 107999 107107	
- 1	417N2609-19		LINE INSTL-PNEU FOR NHA SEE: 25-20-00-03A	107107	RF
- 1	417N2609-22		LINE INSTL-PNEU FOR NHA SEE: 25-20-00-03A	002004 006007 121503 904949 952952	RF
- 1	417N2609-29		LINE INSTL-PNEU FOR NHA SEE: 25-20-00-09 25-20-00-03A	008102 108120 504903 950951 953999	RF
3	NAS1801-3-8		. SCREW	002004 006007 121503 904949 952952	7
5	NAS1801-3-8		. SCREW	002004 006100 107107 121503 904999	11
7	NAS603-8P		. SCREW	002004 006100 107107 121503 904999	2
10	NAS603-6P		. SCREW	002004 006100 107107 121503 904999	1
15	NAS1801-3-12		. SCREW	002004 006100 107107 121503 904999	2
20	NAS1801-3-16		. SCREW	002004 006100 107107 121503 904999	3
25	BACS12CB3-8		. SCREW	002004 006102 107999	1

MISSING ITEM NUMBERS NOT APPLICABLE

- ITEM NOT ILLUSTRATED

38-11-52-01

38-11-52
FIG. 01
PAGE 1
JAN 20/09

BRI

BOEING PROPRIETARY - Copyright © - Unpublished Work - See title page for details.



757

PARTS CATALOG (MAINTENANCE)

FIG ITEM	PART NUMBER	1 2 3 4 5 6 7	NOMENCLATURE	EFFECT FROM TO	UNITS PER ASSY
1	28	NAS1801-3	.SCREW- SIZE DETERMINED ON INSTL.	002004 006100 107107 121503 904999	3
	29	NAS1801-3-8	.SCREW	002004 006102 107999	6
	30	AN960KD10L	.WASHER-	002004 006100 107107 121503 904999	19
	35	AN960KD10L	.WASHER	002004 006102 107999	6
	40	NAS42DD6-16	.SPACER	002004 006100 107107 121503 904999	3
	45	MS21042L3	.NUT	002004 006100 107107 121503 904999	7
	50	MS21919DG6	.CLAMP	002004 006007 121503 904949 952952	7
	52	MS21919WDG8	.CLAMP	002004 006100 107107 121503 904999	5
	53	MS21919WDG6	.CLAMP	002004 006100 107107 121503 904999	3
	55	MS21919DG6	.CLAMP	002004 006100 107107 121503 904999	11

MISSING ITEM NUMBERS NOT APPLICABLE

- ITEM NOT ILLUSTRATED

BRI

38-11-52-01

BOEING PROPRIETARY - Copyright © - Unpublished Work - See title page for details.

38-11-52
FIG. 01
PAGE 2
JAN 20/09



757

PARTS CATALOG (MAINTENANCE)

FIG ITEM	PART NUMBER	1 2 3 4 5 6 7	NOMENCLATURE	EFFECT FROM TO	UNITS PER ASSY
1					
60	BACC10DK16	.	CLAMP	002004 006100 107107 121503 904999	3
65	MS21919DG8	.	CLAMP-	002004 006102 107999	1
66	MS21919DG6	.	CLAMP	002004 006102 107999	6
70	73042-155	.	HOSE- SUPPLIER CODE: V24984 SPECIFICATION NUMBER: 10-61042-155	002004 006007 121503 904949 952952	1
72	73042-170	.	HOSE ASSY- SUPPLIER CODE: V24984 SPECIFICATION NUMBER: 10-61042-170	008102 108120 504903 950951 953999	1
75	73042-166	.	HOSE- SUPPLIER CODE: V24984 SPECIFICATION NUMBER: 10-61042-166	002004 006007 121503 904949 952952	1
80	73042-162	.	HOSE ASSY- SUPPLIER CODE: V24984 SPECIFICATION NUMBER: 10-61042-162	002004 006100 107107 121503 904999	1
85	73042-158	.	HOSE- SUPPLIER CODE: V24984 SPECIFICATION NUMBER: 10-61042-158	107107	1
87	73042-128	.	HOSE- SUPPLIER CODE: V24984 SPECIFICATION NUMBER: 10-61042-128 OPTIONAL PART: R23321-6-0426 V50599	002004 006102 108999	1
90	73042-183	.	HOSE- SUPPLIER CODE: V24984 SPECIFICATION NUMBER: 10-61042-183	002004 006102 107999	1

MISSING ITEM NUMBERS NOT APPLICABLE

- ITEM NOT ILLUSTRATED

38-11-52-01

38-11-52
FIG. 01
PAGE 3
JAN 20/09

BRI

BOEING PROPRIETARY - Copyright © - Unpublished Work - See title page for details.



**757
PARTS CATALOG (MAINTENANCE)**

FIG ITEM	PART NUMBER	1 2 3 4 5 6 7	NOMENCLATURE	EFFECT FROM TO	UNITS PER ASSY
1	95 73042-202		.HOSE ASSY- SUPPLIER CODE: V24984 SPECIFICATION NUMBER: 10-61042-202	002004 006102 107999	1
	110 417N2609-21		.TUBE ASSY-	002004 006007 107107 121503 904949 952952	1
	112 AP1009J0606M		.ELBOW SUPPLIER CODE: V01673 SPECIFICATION NUMBER: BACE21AU0606M OPTIONAL PART: AP1009-0606M V01673 DB0E21AU0606M V14798 ER106370606M V88334 FER1570-0606M V14397 W30837-0606M V11328 31784-0606M V14397 4671115-0606M V50948 US21070606M V50808 AFP347-0606M V30974	002004 006007 107107 121503 904949 952952	1
	115 417N2609-14		.TUBE ASSY-	002004 006102 107999	1
	120 417N2609-7		.TUBE ASSY-	107107	1
	120 417N2609-28		.TUBE ASSY-	002004 006102 108999	1

MISSING ITEM NUMBERS NOT APPLICABLE

— ITEM NOT ILLUSTRATED

38-11-52-01

38-11-52
FIG. 01
PAGE 4
JAN 20/09

BRI

BOEING PROPRIETARY - Copyright © - Unpublished Work - See title page for details.



757

PARTS CATALOG (MAINTENANCE)

FIG ITEM	PART NUMBER	1 2 3 4 5 6 7	NOMENCLATURE	EFFECT FROM TO	UNITS PER ASSY
1					
125	417N2609-27		.TUBE ASSY- TUBING MATERIAL: .375 IN. OD .028 IN. WALL 90.0 IN. LG WW-T-700/6 6061 T6 TUBING .375 IN. OD .028 IN. WALL 90.0 IN. LG MIL-T-7081 6061 T6 TUBING	002004 006102 108999	1
125	417N2609-6		.TUBE ASSY-	107107	1
130	417N2609-26		.TUBE ASSY-	002004 006102 108999	1
130	417N2609-5		.TUBE ASSY-	107107	1
135	417N2609-25		.TUBE ASSY-	002004 006102 108999	1
135	417N2609-4		.TUBE ASSY-	107107	1
140	417N2609-24		.TUBE ASSY-	002004 006102 108999	1
140	417N2609-3		.TUBE ASSY-	107107	1
- 145	MS21921-6J		..NUT- USED ON: 417N2609-3 417N2609-4 417N2609-5 417N2609-6 417N2609-7	107107	2
- 145	BACN10YE6		..NUT- USED ON: 417N2609-14	002004 006102 107999	2
- 145	BACN10YLO6		..NUT- USED ON: 417N2609-24 417N2609-25 417N2609-26 417N2609-27 417N2609-28	002004 006102 108999	2

MISSING ITEM NUMBERS NOT APPLICABLE

- ITEM NOT ILLUSTRATED

38-11-52-01

38-11-52
FIG. 01
PAGE 5
JAN 20/09

BRI



757

PARTS CATALOG (MAINTENANCE)

FIG ITEM	PART NUMBER	1 2 3 4 5 6 7	NOMENCLATURE	EFFECT FROM TO	UNITS PER ASSY
1					
- 150	AP2097H06		.. SLEEVE SUPPLIER CODE: V01673 SPECIFICATION NUMBER: BACS13BX06H OPTIONAL PART: 2-02903-06H V11328 35235V06 V08199 AFP175V06 V30974 DBOS13BX06H V14798	107107	2
- 150	AP2097H06		.. SLEEVE- SUPPLIER CODE: V01673 SPECIFICATION NUMBER: BACS13BX06H OPTIONAL PART: 2-02903-06H V11328 35235V06 V08199 AFP175V06 V30974 DBOS13BX06H V14798 USED ON: 417N2609-14 417N2609-24 417N2609-25 417N2609-26 417N2609-27	002004 006102 108999	2

MISSING ITEM NUMBERS NOT APPLICABLE

- ITEM NOT ILLUSTRATED

BRI

38-11-52-01

BOEING PROPRIETARY - Copyright © - Unpublished Work - See title page for details.

38-11-52
FIG. 01
PAGE 6
JAN 20/09



757

PARTS CATALOG (MAINTENANCE)

FIG ITEM	PART NUMBER	1 2 3 4 5 6 7	NOMENCLATURE	EFFECT FROM TO	UNITS PER ASSY
1 - 150	AP2097HP06	. .	SLEEVE- SUPPLIER CODE: V01673 SPECIFICATION NUMBER: BACS13BX06HP OPTIONAL PART: 2-02903-06HP V11328 35235VN06 V08199 AFP175V06P V30974 DBOS13BX06HP V14798 USED ON: 417N2609-28	002004 006102 108999	2
155	AN924-6D	.	NUT	002004 006100 107107 121503 904999	2
160	AN960KD916	.	WASHER-	002004 006100 107107 121503 904999	2
160	AN960PD916	.	WASHER	002004 006100 107107 121503 904999	2
165	MS21924D6	.	UNION	002004 006100 107107 121503 904999	2
170	MS21902D6	.	UNION	002004 006100 107107 121503 904999	4
175	MS21904D6	.	ELBOW-	107107	1
180	MS21902D6	.	UNION-	002004 006102 108999	1

MISSING ITEM NUMBERS NOT APPLICABLE

- ITEM NOT ILLUSTRATED

38-11-52-01

38-11-52
FIG. 01
PAGE 7
JAN 20/09

BRI



757

PARTS CATALOG (MAINTENANCE)

FIG ITEM	PART NUMBER	1 2 3 4 5 6 7	NOMENCLATURE	EFFECT FROM TO	UNITS PER ASSY
1 200	R1131-908		.PACKING- SUPPLIER CODE: V57268 SPECIFICATION NUMBER: BACP11K8 OPTIONAL PART: 3-908S383-70 V02697 1090-08 V95272 150701-08 V95272 AS568-908S32 V11314	002004 006100 107107 121503 904999	1
205	417N2616-1		.RESTRICTOR ASSY-AIR FLOW	002004 006102 107999	1
210	MS21916J8-6		..REDUCER-	002004 006102 107999	1
215	417N2616-2		..ORIFICE-	002004 006102 107999	1
900			ILLUSTRATION REFERENCE: TANK INSTL-PASS. WATER SYS POTABLE WATER 38-11-01-02	002004 006100 107107 121503 904999	RF

MISSING ITEM NUMBERS NOT APPLICABLE

- ITEM NOT ILLUSTRATED

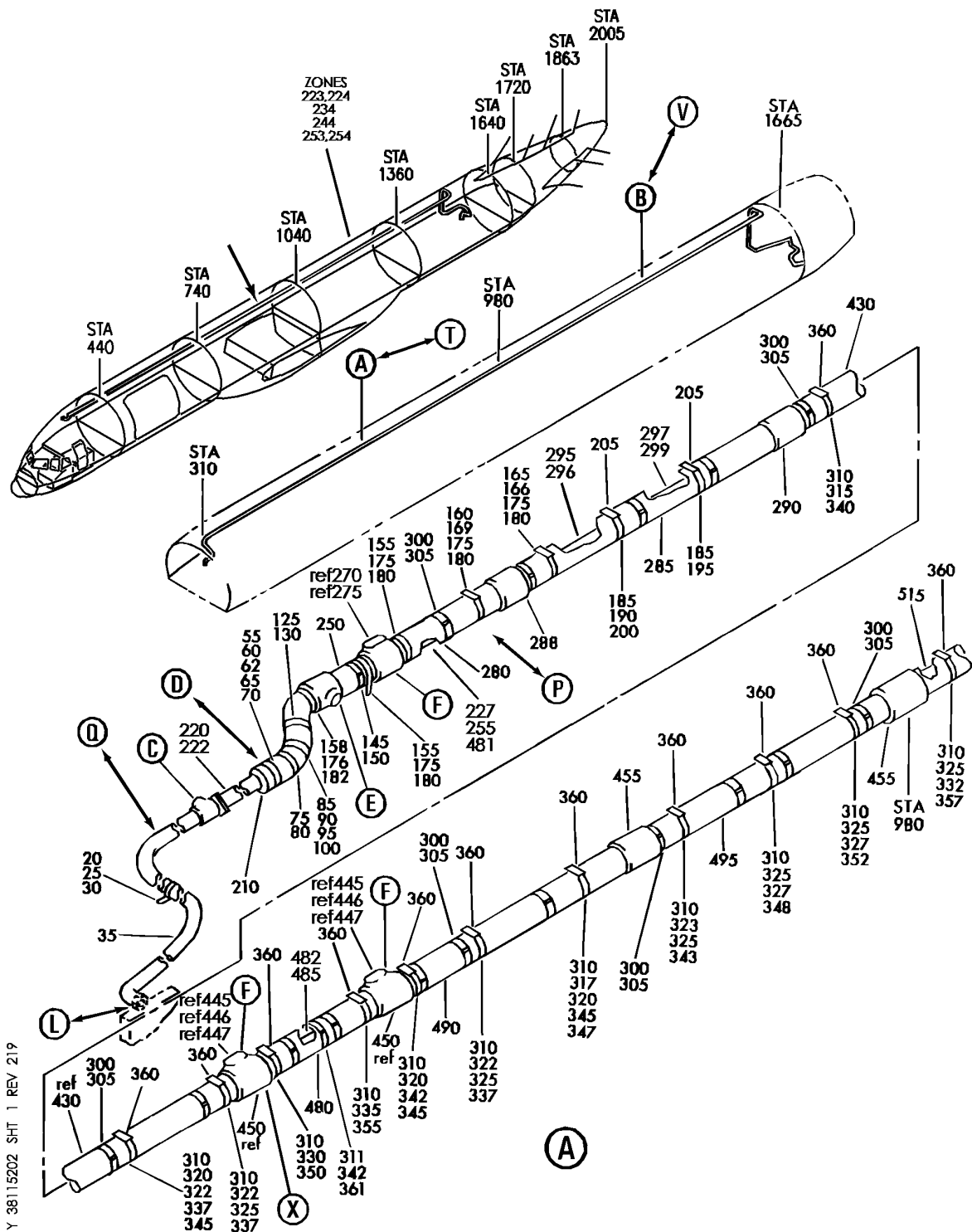
BRI

38-11-52-01

BOEING PROPRIETARY - Copyright © - Unpublished Work - See title page for details.

38-11-52
FIG. 01
PAGE 8
JAN 20/09


BOEING
 757
PARTS CATALOG (MAINTENANCE)



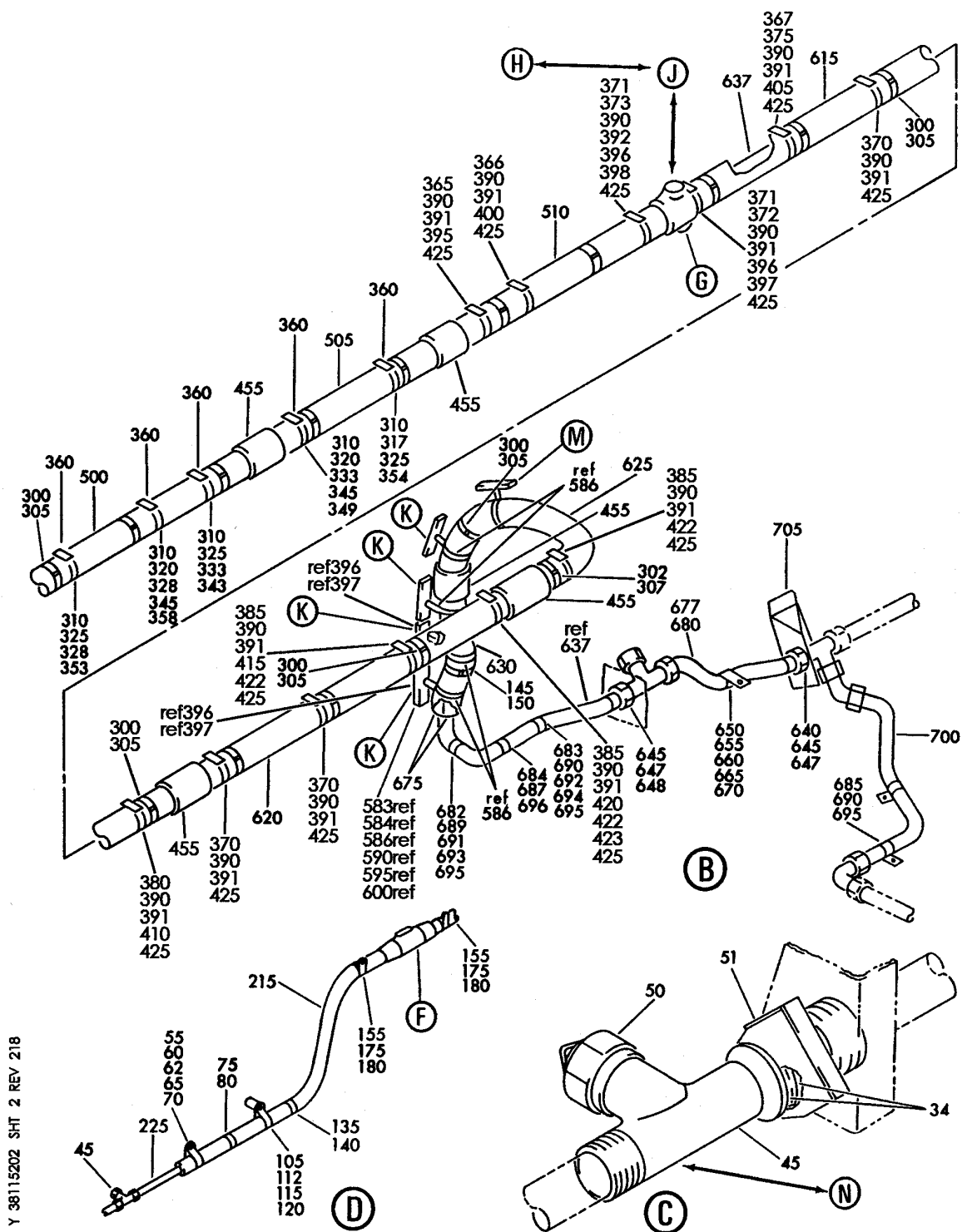
LINE INSTL-PASS. WATER SYS OVERHEAD SUPPLY
 FIGURE 2 (SHEET 1)

38-11-52-02

BRI
MAY 28/07

38-11-52-02
PAGE 0

BOEING
757
PARTS CATALOG (MAINTENANCE)



Y 38115202 SHT 2 REV 218

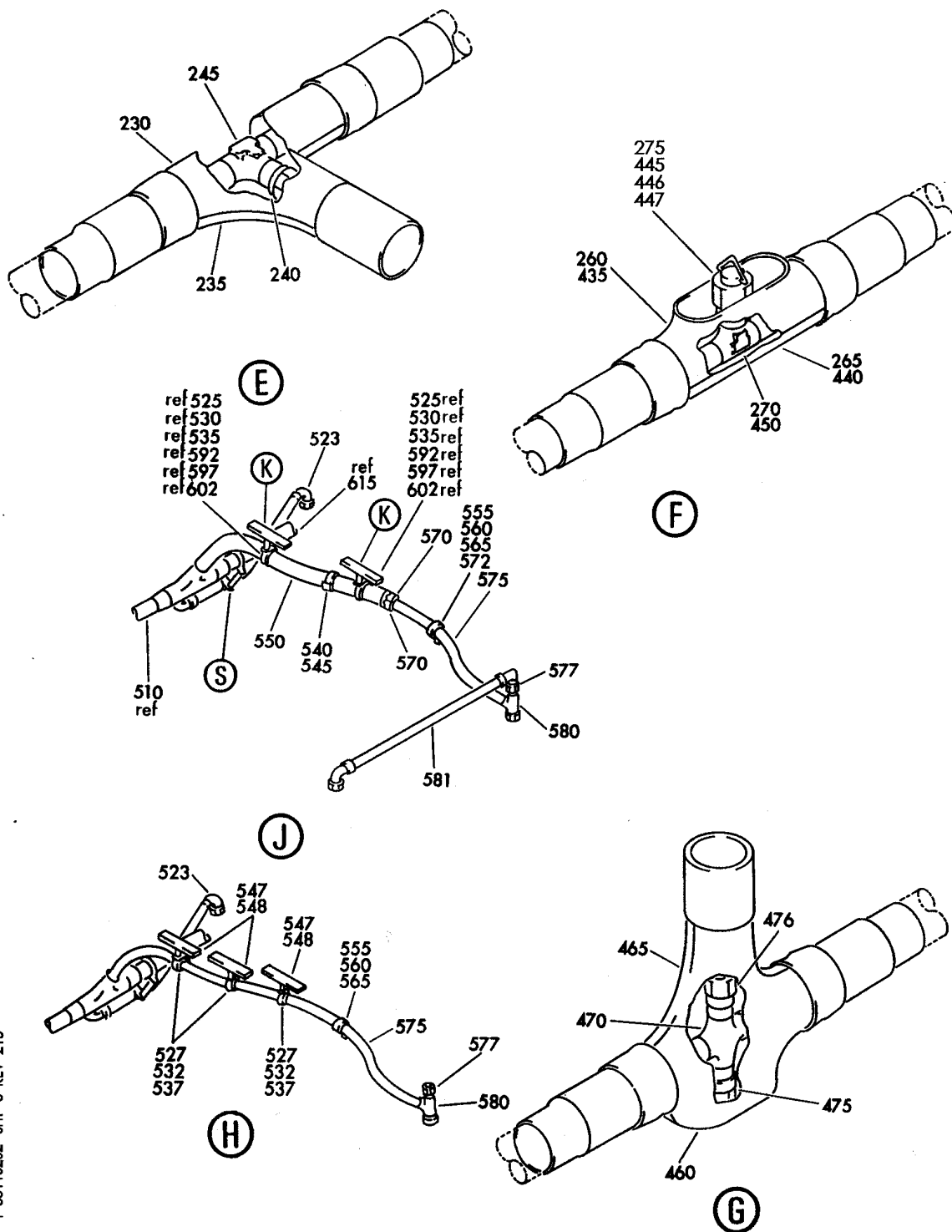
LINE INSTL-PASS. WATER SYS OVERHEAD SUPPLY
FIGURE 2 (SHEET 2)

38-11-52-02

BRI
MAY 28/07

38-11-52-02
PAGE 0A

BOEING
757
PARTS CATALOG (MAINTENANCE)



Y 38115202 SHT 3 REV 215

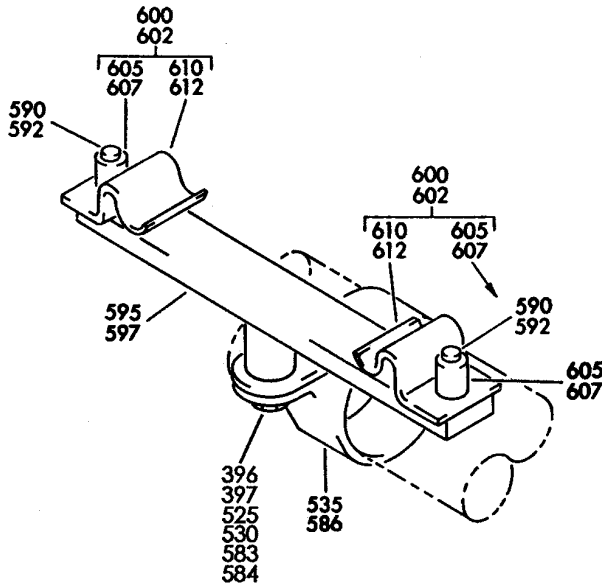
LINE INSTL-PASS. WATER SYS OVERHEAD SUPPLY
FIGURE 2 (SHEET 3)

38-11-52-02

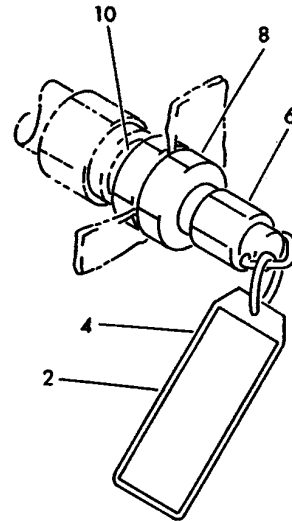
BRI
MAY 28/07

38-11-52-02
PAGE 0B

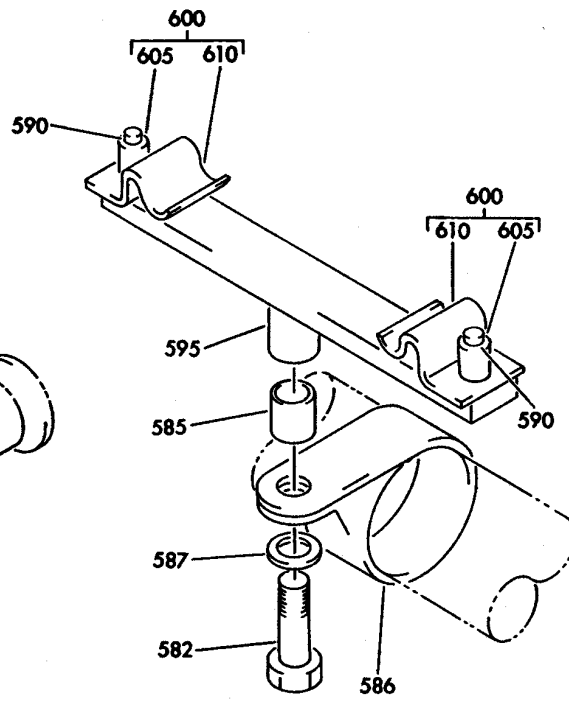
BOEING
757
PARTS CATALOG (MAINTENANCE)



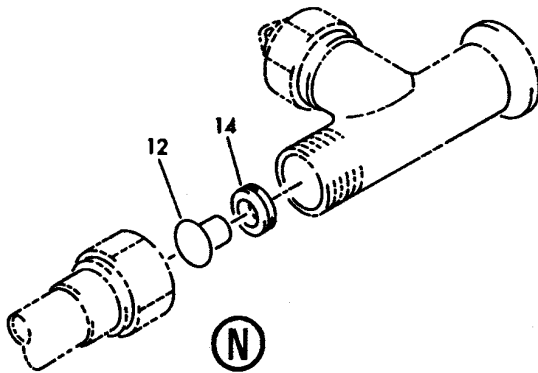
(K)



(L)



(M)



(N)

Y 38115202 SHT 4 REV 218

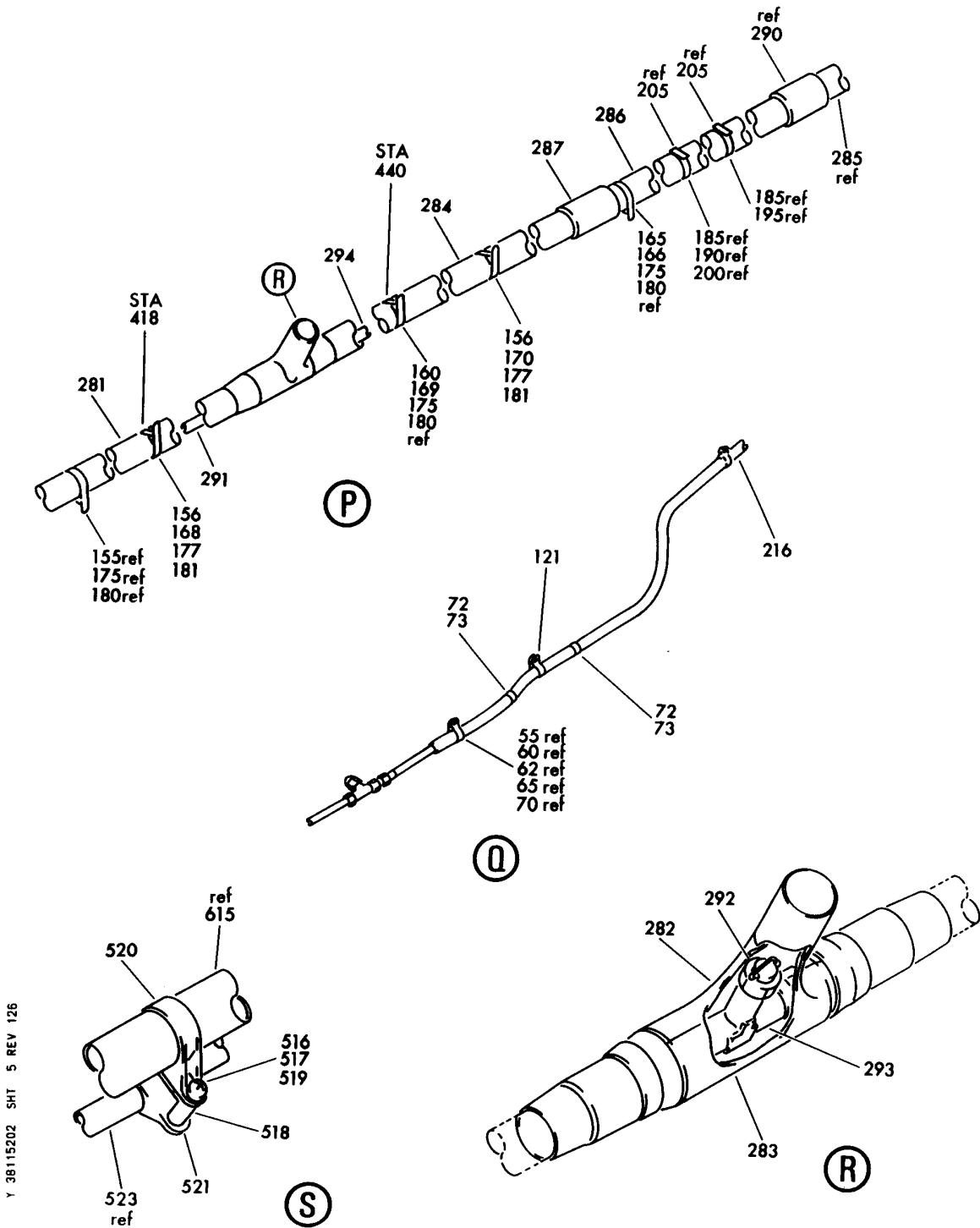
LINE INSTL-PASS. WATER SYS OVERHEAD SUPPLY
FIGURE 2 (SHEET 4)

38-11-52-02

BRI
MAY 28/07

38-11-52-02
PAGE 0C

BOEING
757
PARTS CATALOG (MAINTENANCE)



Y 38115202 SHT 5 REV 126

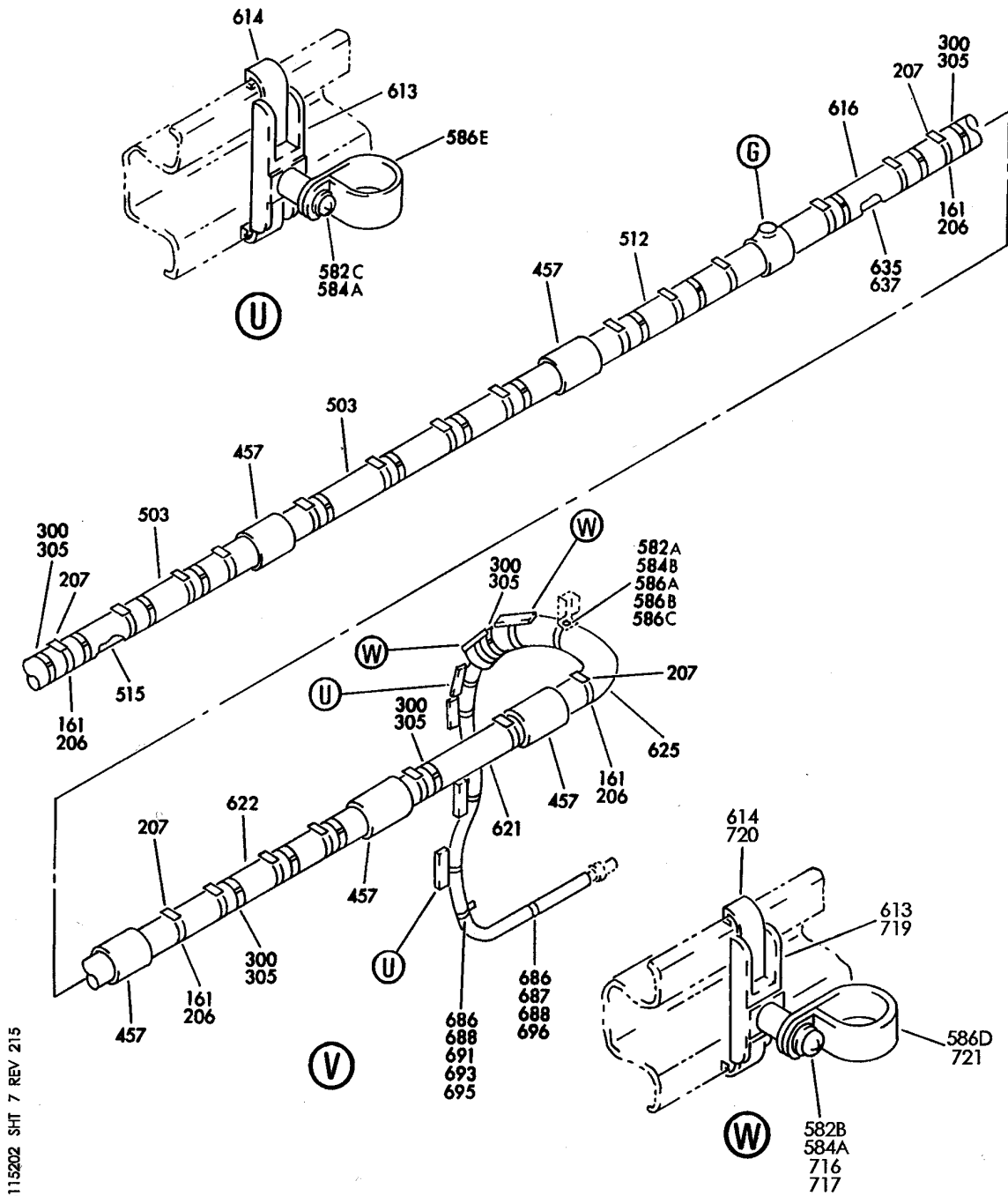
LINE INSTL-PASS. WATER SYS OVERHEAD SUPPLY
FIGURE 2 (SHEET 5)

38-11-52-02

BRI
MAY 28/07

38-11-52-02
PAGE 0D

BOEING
757
PARTS CATALOG (MAINTENANCE)



Y 38115202 SHT 7 REV 215

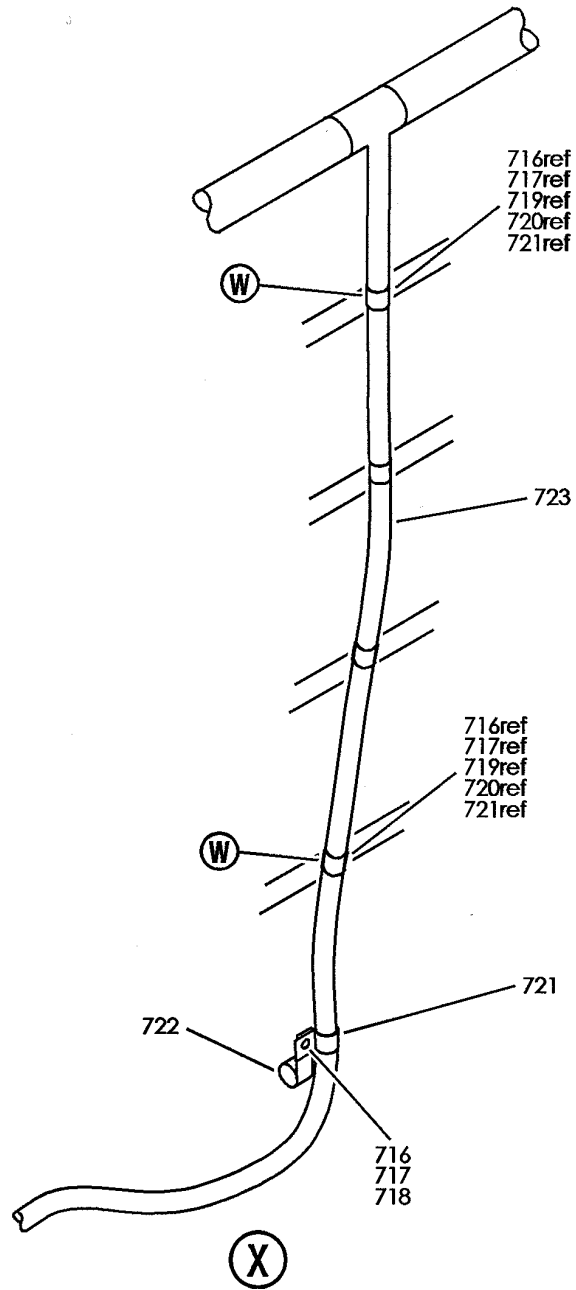
LINE INSTL-PASS. WATER SYS OVERHEAD SUPPLY
FIGURE 2 (SHEET 7)

38-11-52-02

BRI
MAY 28/07

38-11-52-02
PAGE OF

BOEING
757
PARTS CATALOG (MAINTENANCE)



Y 38115202 SHT 8 REV 215

LINE INSTL-PASS. WATER SYS OVERHEAD SUPPLY
FIGURE 2 (SHEET 8)

38-11-52-02

BRI
MAY 28/07

38-11-52-02
PAGE 0G



757

PARTS CATALOG (MAINTENANCE)

FIG ITEM	PART NUMBER	1 2 3 4 5 6 7	NOMENCLATURE	EFFECT FROM TO	UNITS PER ASSY
2			LINE INSTL-PASS. WATER SYS OVERHEAD SUPPLY	002004 006100 107107 121503 904999	
- 1	417N2101-1		LINE INSTL-PASS. WATER SYS OVERHEAD SUPPLY VARIABLE DRAWING REF: 417N2101-47 417N2101-48 417N2101-50 417N2101-103 417N2101-118 417N2101-121 417N2101-124 FOR NHA SEE: 25-20-00-01A 25-20-00-01E 25-20-00-03A	002004 006100 107107 121503 904999	RF
20	NAS1801-3-10		.SCREW-	002004 006100 107107 121503 904999	1
25	AN960PD10L		.WASHER-	002004 006100 107107 121503 904999	1
30	BACC10DK10		.CLAMP-	002004 006100 107107 121503 904999	1
34	BACW10P194L		.WASHER	002004 006100 121503 904999	2
35	78001-609		.HOSE ASSY- SUPPLIER CODE: V24984 SPECIFICATION NUMBER: 10-61998-609 OPTIONAL PART: R29281-8-0350 V50599 A1650-609 V98441	002004 006100 107107 121503 904999	1

MISSING ITEM NUMBERS NOT APPLICABLE

- ITEM NOT ILLUSTRATED

38-11-52-02

38-11-52
FIG. 02
PAGE 1
JAN 20/09

BRI



757

PARTS CATALOG (MAINTENANCE)

FIG ITEM	PART NUMBER	1 2 3 4 5 6 7	NOMENCLATURE	EFFECT FROM TO	UNITS PER ASSY
2					
45	MS21912J8	.	TEE	002004 006100 107107 121503 904999	1
50	AP1008-08JL	.	CAP ASSY SUPPLIER CODE: V01673 SPECIFICATION NUMBER: BACC14AD08JL OPTIONAL PART: US2103-08JL V50808	002004 006100 107107 121503 904999	1
51	417N2113-1	.	PLATE ATTACHING PARTS	107107	1
- 52	NAS1801-3-10	.	SCREW	107107	2
- 53	AN960PD10L	.	WASHER	107107	2
- 54	BRH10A3	.	NUT SUPPLIER CODE: V52828 SPECIFICATION NUMBER: BACN10JC3 OPTIONAL PART: H10-3BAC V15653 NS202101-02 V80539 RMLH9075-3W V72962 VN303A02 V92215 96-02 V80539 T6S1032J V11815 -----*-----	107107	2
55	NAS1801-3-14	.	SCREW-	107107 904949	1
55	BACS12GU3K14	.	SCREW-	002004 006100 121503 950999	1
60	AN960PD10L	.	WASHER	002004 006100 107107 121503 904999	1

MISSING ITEM NUMBERS NOT APPLICABLE

- ITEM NOT ILLUSTRATED

38-11-52-02

38-11-52
FIG. 02
PAGE 2
JAN 20/09

BRI



757

PARTS CATALOG (MAINTENANCE)

FIG ITEM	PART NUMBER	1 2 3 4 5 6 7	NOMENCLATURE	EFFECT FROM TO	UNITS PER ASSY
2					
62	NAS43DD3-12	.	SPACER	002004 006100 107107 121503 904999	1
65	BRH10A3	.	NUT SUPPLIER CODE: V52828 SPECIFICATION NUMBER: BACN10JC3 OPTIONAL PART: H10-3BAC V15653 NS202101-02 V80539 RMLH9075-3W V72962 VN303A02 V92215 96-02 V80539 T6S1032J V11815	002004 006100 107107 121503 904999	1
70	BACC10DK20	.	CLAMP	002004 006100 107107 121503 904999	1
75	N5	.	CLIP- SUPPLIER CODE: V06229	002004 006100 107107 121503 904999	1
80	66-17948-2	.	RETAINER	002004 006100 107107 121503 904999	1
85	NAS1801-3-14	.	SCREW-	107107 904949	1
85	BACS12GU3K14	.	SCREW-	121503	1
85	BACS12GU3K19	.	SCREW-	002004 006100 950999	1
90	AN960PD10L	.	WASHER-	002004 006100 107107 121503 904999	1

MISSING ITEM NUMBERS NOT APPLICABLE

- ITEM NOT ILLUSTRATED

38-11-52-02

38-11-52
FIG. 02
PAGE 3
JAN 20/09

BRI

BOEING PROPRIETARY - Copyright © - Unpublished Work - See title page for details.



757

PARTS CATALOG (MAINTENANCE)

FIG ITEM	PART NUMBER	1 2 3 4 5 6 7	NOMENCLATURE	EFFECT FROM TO	UNITS PER ASSY
2	90 AN960KD10L	.	WASHER-	002004 006100 107107 121503 904999	1
	95 BRH10A3	.	NUT SUPPLIER CODE: V52828 SPECIFICATION NUMBER: BACN10JC3 OPTIONAL PART: H10-3BAC V15653 NS202101-02 V80539 RMLH9075-3W V72962 VN303A02 V92215 96-02 V80539 T6S1032J V11815	107107 121503 904949	1
	96 NAS43DD3-32	.	SPACER	002004 006100 950999	1
	100 BACC10DK20	.	CLAMP	002004 006100 107107 121503 904999	1
	125 N5	.	CLIP- SUPPLIER CODE: V06229	002004 006100 107107 121503 904999	1
	130 66-17948-2	.	RETAINER	002004 006100 107107 121503 904999	1
	145 N5	.	CLIP- SUPPLIER CODE: V06229	107107 904949	2
	150 66-17948-2	.	RETAINER	107107 904949	2
	151 BACS12GU3K18	.	SCREW	121503	1

MISSING ITEM NUMBERS NOT APPLICABLE

- ITEM NOT ILLUSTRATED

38-11-52-02

38-11-52
FIG. 02
PAGE 4
JAN 20/09

BRI

BOEING PROPRIETARY - Copyright © - Unpublished Work - See title page for details.



757

PARTS CATALOG (MAINTENANCE)

FIG ITEM	PART NUMBER	1 2 3 4 5 6 7	NOMENCLATURE	EFFECT FROM TO	UNITS PER ASSY
2					
152	BACS12GU3K12	.SCREW-		002004 006100 950999	2
154	BACS12GU3K12	.SCREW-		121503	2
155	NAS1801-3-12	.SCREW-		107107 904949	2
157	BACS12GU3K14	.SCREW-		002004 006100 950999	1
158	NAS1801-3-12	.SCREW-		107107 904949	1
158	BACS12GU3K14	.SCREW-		002004 006100 950999	1
158	BACS12GU3K12	.SCREW		121503	1
160	NAS1801-3-9	.SCREW-		107107 904949	1
161	NAS8203A12	.SCREW-		002004 006100 121503 950999	39
165	NAS1801-3-14	.SCREW-		107107 904949	1
167	NAS43DD3-26	.SPACER		121503	1
171	NAS43DD3-7	.SPACER		002004 006100 950999	2
172	NAS43DD3-11FC	.SPACER-		121503 952999	3
174	AN960PD10L	.WASHER		121503	2
174	AN960JD10L	.WASHER		002004 006100 950999	2
175	AN960PD10L	.WASHER		107107 904949	4
176	AN960PD10L	.WASHER-		002004 006100 107107 121503 904999	1
176	AN960JD10L	.WASHER-		002004 006100 107107 121503 904999	1
179	BACC10DK20	.CLAMP		002004 006100 121503 950999	3

MISSING ITEM NUMBERS NOT APPLICABLE

- ITEM NOT ILLUSTRATED

38-11-52-02

38-11-52
FIG. 02
PAGE 5
JAN 20/09

BRI

BOEING PROPRIETARY - Copyright © - Unpublished Work - See title page for details.



757

PARTS CATALOG (MAINTENANCE)

FIG ITEM	PART NUMBER	1 2 3 4 5 6 7	NOMENCLATURE	EFFECT FROM TO	UNITS PER ASSY
2					
180	BACC10DK20	.	CLAMP	107107 904949	4
182	BACC10DK20	.	CLAMP	002004 006100 107107 121503 904999	1
185	MS3367-1-9	.	STRAP	107107 904949	2
190	NAS603-12P	.	SCREW-	107107 904949	1
195	NAS603-8P	.	SCREW-	107107 904949	1
200	NAS43DD3-13	.	SPACER	107107 904949	1
205	TM3S10	.	PLATE SUPPLIER CODE: V06383 SPECIFICATION NUMBER: STBP19M12	107107 904949	2
206	MS3367-1-9	.	STRAP	002004 006100 121503 950999	39
207	TM3S10	.	PLATE SUPPLIER CODE: V06383 SPECIFICATION NUMBER: STBP19M12	002004 006100 121503 950999	39
210	417N2101-9	.	TUBE-HOSE SHROUD TUBING MATERIAL: STOCK .020 WALL BY 1 1/4 O.D 6061-T4, WW-T-700/6	107107 121503 904949	1
210	417N2101-123	.	TUBE-HOSE SHROUD TUBING MATERIAL: STOCK .020 WALL X 1.25 O.D. 6061-T4 TUBE PER WW-T-700/6	002004 006100 950999	1
215	417N2101-32	.	TUBE-HOSE SHROUD TUBING MATERIAL: STOCK .020 WALL BY 1 1/4 OD 6061-T4, WW-T-700/6	002004 006100 107107 121503 904949 952999	1

MISSING ITEM NUMBERS NOT APPLICABLE

- ITEM NOT ILLUSTRATED

38-11-52-02

38-11-52
FIG. 02
PAGE 6
JAN 20/09

BRI

BOEING PROPRIETARY - Copyright © - Unpublished Work - See title page for details.



757

PARTS CATALOG (MAINTENANCE)

FIG ITEM	PART NUMBER	1 2 3 4 5 6 7	NOMENCLATURE	EFFECT FROM TO	UNITS PER ASSY
2 220	78001-404		.HOSE ASSY- SUPPLIER CODE: V24984 SPECIFICATION NUMBER: 10-61998-404 OPTIONAL PART: AE706493-404 V00624 A1650-404 V03925 R29280-8-0506 V50599	107107 121503 904949	1
220	AS4469-08-0484		.HOSE ASSY- OPTIONAL PART: 78001-1004 V24984	002004 006100 950999	1
220	78001-1004		.HOSE ASSY- SUPPLIER CODE: V24984 SPECIFICATION NUMBER: 10-61998-1004 OPTIONAL PART: A1650-1004 V98441 OPTIONAL PART: AS4469-08-0484	002004 006100 950999	1
222	AS4469-08-0510		.HOSE ASSY	002004 006100 107107 121503 904999	1
230	69-22976-5		.TEE-HALF POSITION DATA: UPR	002004 006100 107107 121503 904999	1
235	69-24475-5		.TEE-HALF POSITION DATA: LWR	002004 006100 107107 121503 904999	1
240	AP1008-08JL		.CAP ASSY SUPPLIER CODE: V01673 SPECIFICATION NUMBER: BACC14AD08JL OPTIONAL PART: US2103-08JL V50808	002004 006100 107107 121503 904999	1

MISSING ITEM NUMBERS NOT APPLICABLE

- ITEM NOT ILLUSTRATED

38-11-52-02

38-11-52
FIG. 02
PAGE 7
JAN 20/09

BRI



**757
PARTS CATALOG (MAINTENANCE)**

FIG ITEM	PART NUMBER	1 2 3 4 5 6 7	NOMENCLATURE	EFFECT FROM TO	UNITS PER ASSY
2					
245	MS21905J8	.	TEE	002004 006100 107107 121503 904999	1
250	417N2101-25	.	TUBE-HOSE SHROUD TUBING MATERIAL: STOCK .020 WALL BY 1 1/4 O.D 6061-T4, WW-T-700/6	002004 006100 107107 121503 904999	1
255	78001-428	.	HOSE ASSY- SUPPLIER CODE: V24984 SPECIFICATION NUMBER: 10-61998-428 OPTIONAL PART: AE706493-428 V00624 A1650-428 V03925 R29280-8-0146 V50599	002004 006100 107107 904999	1
260	69-22976-6	.	TEE-HALF POSITION DATA: UPR	002004 006100 107107 121503 904999	1
265	69-24475-6	.	TEE-HALF POSITION DATA: LWR	002004 006100 107107 121503 904999	1
270	FT881	.	TEE- SUPPLIER CODE: V24984	002004 006100 107107 121503 904999	1
275	AP1008-08JL	.	CAP ASSY-PRESSURE SEAL SUPPLIER CODE: V01673 SPECIFICATION NUMBER: BACC14AD08JL OPTIONAL PART: US2103-08JL V50808	002004 006100 107107 121503 904999	1
276	417N2101-102	.	TUBE-HOSE SHROUD TUBING MATERIAL: STOCK .020 WALL X 1.25 O.D. 6061-T4, WW-T-700/6	002004 006100 121503 950999	1

MISSING ITEM NUMBERS NOT APPLICABLE

— ITEM NOT ILLUSTRATED

38-11-52-02

38-11-52
FIG. 02
PAGE 8
JAN 20/09

BRI

BOEING PROPRIETARY - Copyright © - Unpublished Work - See title page for details.



**757
PARTS CATALOG (MAINTENANCE)**

FIG ITEM	PART NUMBER	1 2 3 4 5 6 7	NOMENCLATURE	EFFECT FROM TO	UNITS PER ASSY
2					
277	417N2101-120	.	TUBE-HOSE SHROUD TUBING MATERIAL: STOCK .020 WALL X 1.25 O.D. 6061-T4, WW-T-700/6	121503	1
278	417N2101-95	.	TUBE-HOSE SHROUD TUBING MATERIAL: STOCK .020 WALL X 1.25 O.D. 6061-T4, WW-T-700/6	002004 006100 950999	1
280	417N2101-10	.	TUBE-HOSE SHROUD TUBING MATERIAL: STOCK .020 WALL BY 1 1/4 O.D 6061-T4, WW-T-700/6	107107 904949	1
285	417N2101-11	.	TUBE-HOSE SHROUD TUBING MATERIAL: STOCK .020 WALL BY 1 1/4 O.D 6061-T4, WW-T-700/6	107107 904949	1
288	66-17212-2	.	SLEEVE	107107 904949	1
290	66-17212-2	.	SLEEVE-	107107 904949	1
295	A1650-438	.	HOSE ASSY- SUPPLIER CODE: V98441 SPECIFICATION NUMBER: 10-61998-438 OPTIONAL PART: R29280-8-3011 V50599 AE706493-438 V00624 78001-438 V24984	107107 904949	1
296	AS4469-08-3020	.	HOSE ASSY	002004 006100 107107 121503 904999	1
298	78001-843	.	HOSE ASSY- SUPPLIER CODE: V24984 SPECIFICATION NUMBER: 10-61998-843 OPTIONAL PART: A1650-843 V98441	002004 006100 121503 950999	1

MISSING ITEM NUMBERS NOT APPLICABLE

- ITEM NOT ILLUSTRATED

38-11-52-02

38-11-52
FIG. 02
PAGE 9
JAN 20/09

BRI

BOEING PROPRIETARY - Copyright © - Unpublished Work - See title page for details.



757

PARTS CATALOG (MAINTENANCE)

FIG ITEM	PART NUMBER	1 2 3 4 5 6 7	NOMENCLATURE	EFFECT FROM TO	UNITS PER ASSY
2					
300	N5		.CLIP- SUPPLIER CODE: V06229	002004 006100 107107 121503 904999	31
302	N5		.CLIP- SUPPLIER CODE: V06229	107107 904949	1
305	66-17948-2		.RETAINER	002004 006100 107107 121503 904999	31
307	66-17948-2		.RETAINER	107107 904949	1
310	MS3367-1-9		.STRAP	107107 904949	17
315	NAS603-16P		.SCREW-	107107 904949	1
320	NAS603-12P		.SCREW-	107107 904949	5
325	NAS603-8P		.SCREW-	107107 904949	9
330	NAS603-18P		.SCREW-	107107 904949	1
335	NAS603-14P		.SCREW-	107107 904949	1
340	NAS43DD3-26		.SPACER-	107107 904949	1
345	NAS43DD3-13		.SPACER	107107 904949	5
350	NAS43DD3-32		.SPACER-	107107 904949	1
355	NAS43DD3-19		.SPACER-	107107 904949	1
360	TM3S10		.PLATE SUPPLIER CODE: V06383 SPECIFICATION NUMBER: STBP19M12	107107 904949	17
365	NAS1801-3-18		.SCREW-	107107 904949	1
366	NAS1801-3-12		.SCREW-	107107 904949	1
367	NAS1801-3-12		.SCREW-	107107 904949	1
370	NAS1801-3-12		.SCREW-	107107 904949	3

MISSING ITEM NUMBERS NOT APPLICABLE

- ITEM NOT ILLUSTRATED

38-11-52-02

38-11-52
FIG. 02
PAGE 10
JAN 20/09

BRI



757

PARTS CATALOG (MAINTENANCE)

FIG ITEM	PART NUMBER	1 2 3 4 5 6 7	NOMENCLATURE	EFFECT FROM TO	UNITS PER ASSY
2					
371	NAS1801-3-10	.	SCREW-	107107 904949	2
375	NAS1801-3-12	.	SCREW-	107107 904949	1
380	NAS1801-3-20	.	SCREW-	107107 904949	1
385	NAS1801-3-14	.	SCREW-	107107 904949	3
390	AN960PD10L	.	WASHER	107107 904949	12
395	NAS43DD3-24	.	SPACER-	107107 904949	1
396	NAS43DD3-10	.	SPACER	107107 904949	4
410	NAS43DD3-32	.	SPACER	107107 904949	1
415	NAS43DD3-11	.	SPACER-	107107 904949	1
420	NAS43DD3-7	.	SPACER-	107107 904949	1
425	BACC10DK20	.	CLAMP	107107 904949	12
430	417N2101-12	.	TUBE-HOSE SHROUD TUBING MATERIAL: STOCK .020 WALL BY 1 1/4 O.D 6061-T4, WW-T-700/6	107107 904949	1
431	417N2101-117	.	TUBE-HOSE SHROUD TUBING MATERIAL: WW-T-700/6 6061 T4 TUBING 1.25 O.D X 0.02 WALL THICKNESS X 136.0 LENGTH	002004 006100 121503 950999	1
435	69-22976-6	.	TEE-HALF POSITION DATA: UPR	002004 006100 107107 121503 904999	2
440	69-24475-6	.	TEE-HALF POSITION DATA: LWR	002004 006100 107107 121503 904999	2

MISSING ITEM NUMBERS NOT APPLICABLE

- ITEM NOT ILLUSTRATED

38-11-52-02

38-11-52
FIG. 02
PAGE 11
JAN 20/09

BRI

BOEING PROPRIETARY - Copyright © - Unpublished Work - See title page for details.



757

PARTS CATALOG (MAINTENANCE)

FIG ITEM	PART NUMBER	1 2 3 4 5 6 7	NOMENCLATURE	EFFECT FROM TO	UNITS PER ASSY
2					
445	AP1008-08JL	.CAP ASSY SUPPLIER CODE: V01673 SPECIFICATION NUMBER: BACC14AD08JL OPTIONAL PART: US2103-08JL V50808		002004 006100 107107 121503 904999	2
450	MS21905J8	.TEE		002004 006100 107107 121503 904999	2
455	66-17212-2	.SLEEVE		107107 904949	7
457	66-17212-2	.SLEEVE		002004 006100 121503 950999	8
460	65-52978-3	.CROSS-OVERHEAD		002004 006100 107107 121503 904999	1
465	65-52978-4	.CROSS-OVERHEAD		002004 006100 107107 121503 904999	1
470	MS21906J8	.CROSS		002004 006100 107107 121503 904999	1
475	AP1008-08JL	.CAP ASSY SUPPLIER CODE: V01673 SPECIFICATION NUMBER: BACC14AD08JL OPTIONAL PART: US2103-08JL V50808		002004 006100 107107 121503 904999	1
480	417N2101-13	.TUBE-HOSE SHROUD TUBING MATERIAL: STOCK .020 WALL BY 1 1/4 O.D 6061-T4, WW-T-700/6		107107 904949	1

MISSING ITEM NUMBERS NOT APPLICABLE

- ITEM NOT ILLUSTRATED

38-11-52-02

38-11-52
FIG. 02
PAGE 12
JAN 20/09

BRI



757

PARTS CATALOG (MAINTENANCE)

FIG ITEM	PART NUMBER	1 2 3 4 5 6 7	NOMENCLATURE	EFFECT FROM TO	UNITS PER ASSY
2					
480	417N2101-71	.TUBE-HOSE SHROUD	TUBING MATERIAL: STOCK .020 WALL X 1 1/4 O.D. 6061-T4, WW-T-700/6	002004 006100 121503 950999	1
485	R29280-8-0580	.HOSE ASSY-	SUPPLIER CODE: V50599 SPECIFICATION NUMBER: 10-61998-406 OPTIONAL PART: 78001-406 V24984 AE706493-406 V00624 A1650-406 V03925 OPTIONAL PART: AS4469-08-0580	002004 006100 107107 121503 904999	1
485	AS4469-08-0580	.HOSE ASSY-	OPTIONAL PART: R29280-8-0580 V50599	002004 006100 107107 121503 904999	1
490	417N2101-87	.TUBE-HOSE SHROUD	TUBING MATERIAL: STOCK .020 WALL X 1.25 O.D. 6061-T4 WW-T-700/6	107107 904949	1
491	417N2101-116	.TUBE-HOSE SHROUD	TUBING MATERIAL: STOCK .020 WALL X 1.25 O.D. 6061-T4, WW-T-700/6	002004 006100 121503 950999	1
495	417N2101-63	.TUBE-HOSE SHROUD	TUBING MATERIAL: STOCK .020 WALL X 1.25 O.D. 6061-T4, WW-T-700/6	107107 904949	1
500	417N2101-16	.TUBE-HOSE SHROUD	TUBING MATERIAL: STOCK .020 WALL BY 1 1/4 O.D 6061-T4, WW-T-700/6	107107 904949	1
503	417N2101-20	.TUBE-HOSE SHROUD	TUBING MATERIAL: STOCK .020 WALL (OPTIONAL .028 WALL) X 1 1/4 O.D. 6061-T4, WW-T-700/6	002004 006100 121503 950999	2
505	417N2101-17	.TUBE-HOSE SHROUD	TUBING MATERIAL: STOCK .020 WALL BY 1 1/4 O.D 6061-T4, WW-T-700/6	107107 904949	1

MISSING ITEM NUMBERS NOT APPLICABLE

- ITEM NOT ILLUSTRATED

38-11-52-02

38-11-52
FIG. 02
PAGE 13
JAN 20/09

BRI

BOEING PROPRIETARY - Copyright © - Unpublished Work - See title page for details.



757

PARTS CATALOG (MAINTENANCE)

FIG ITEM	PART NUMBER	1 2 3 4 5 6 7	NOMENCLATURE	EFFECT FROM TO	UNITS PER ASSY
2					
510	417N2101-18		.TUBE-HOSE SHROUD TUBING MATERIAL: STOCK .020 WALL BY 1 1/4 O.D 6061-T4, WW-T-700/6	107107 904949	1
512	417N2101-98		.TUBE-HOSE SHROUD TUBING MATERIAL: STOCK .020 WALL X 1.25 O.D. 6061-T4, WW-T-700/6	002004 006100 121503 950999	1
515	AS4469-08-5200		.HOSE ASSY-	017100	1
515	AS4469-08-5240		.HOSE ASSY- OPTIONAL PART: 78001-486 V24984	002004 006016 107107 121503 904999	1
515	78001-486		.HOSE ASSY- SUPPLIER CODE: V24984 SPECIFICATION NUMBER: 10-61998-486 OPTIONAL PART: R29280-8-5240 V50599 A1650-486 V98441 AE706493-486 V00624 OPTIONAL PART: AS4469-08-5240	002004 006016 107107 121503 904999	1
516	NAS1801-3-32		.SCREW-	107107 904949	1
517	AN960PD10L		.WASHER-	107107 904949	1
518	NAS43DD3-82		.SPACER-	107107 904949	1

MISSING ITEM NUMBERS NOT APPLICABLE

- ITEM NOT ILLUSTRATED

38-11-52-02

38-11-52
FIG. 02
PAGE 14
JAN 20/09

BRI

BOEING PROPRIETARY - Copyright © - Unpublished Work - See title page for details.



757

PARTS CATALOG (MAINTENANCE)

FIG ITEM	PART NUMBER	1 2 3 4 5 6 7	NOMENCLATURE	EFFECT FROM TO	UNITS PER ASSY
2 519	BRH10A3		.NUT- SUPPLIER CODE: V52828 SPECIFICATION NUMBER: BACN10JC3 OPTIONAL PART: H10-3BAC V15653 NS202101-02 V80539 RMLH9075-3W V72962 VN303A02 V92215 96-02 V80539 T6S1032J V11815	107107 904949	1
520	BACC10DK20		.CLAMP-	107107 904949	1
521	BACC10DK10		.CLAMP-	107107 904949	1
523	78001-471		.HOSE ASSY- SUPPLIER CODE: V24984 SPECIFICATION NUMBER: 10-61998-471 OPTIONAL PART: R29284-8-0176-2 V50599 A1650-471 V03925	002004 006100 107107 121503 904999	1
525	NAS1801-3-12		.SCREW-	107107 904949	2
527	BACS12GU3K10		.SCREW-	002004 006100 121503 950999	3
530	AN960PD10L		.WASHER-	107107 904949	2
532	AN960JD10L		.WASHER	002004 006100 121503 950999	3
535	BACC10DK20		.CLAMP-	107107 904949	2

MISSING ITEM NUMBERS NOT APPLICABLE

- ITEM NOT ILLUSTRATED

38-11-52-02

38-11-52
FIG. 02
PAGE 15
JAN 20/09

BRI



757

PARTS CATALOG (MAINTENANCE)

FIG ITEM	PART NUMBER	1 2 3 4 5 6 7	NOMENCLATURE	EFFECT FROM TO	UNITS PER ASSY
2					
537	BACC10DK10	.	CLAMP-	002004 006100 121503 950999	3
540	N5	.	CLIP-EXTENSIBLE SUPPLIER CODE: V06229	107107 904949	1
545	66-17948-2	.	RETAINER-HOSE	107107 904949	1
547	S38J1	.	SUPPORT-ATTACHMENT SUPPLIER CODE: V59237 SPECIFICATION NUMBER: BACS38J1 OPTIONAL PART: 30187-2 V26835	002004 006100 121503 950999	3
548	S38J2	.	SUPPORT- SUPPLIER CODE: V59237 SPECIFICATION NUMBER: BACS38J2 OPTIONAL PART: 30187-3 V26835	002004 006100 121503 950999	3
550	417N2101-58	.	TUBE-HOSE SHROUD TUBING MATERIAL: STOCK .020 WALL X 1.25 O.D. 6061-T4, WW-T-700/6	107107 904949	1
555	NAS1801-3-12	.	SCREW-	107107 904949	1
555	BACS12GU3K12	.	SCREW-	002004 006100 121503 950999	1
560	AN960PD10L	.	WASHER-	002004 006100 107107 121503 904999	1
560	AN960JD10L	.	WASHER-	002004 006100 107107 121503 904999	1

MISSING ITEM NUMBERS NOT APPLICABLE

- ITEM NOT ILLUSTRATED

38-11-52-02

38-11-52
FIG. 02
PAGE 16
JAN 20/09

BRI

BOEING PROPRIETARY - Copyright © - Unpublished Work - See title page for details.



757

PARTS CATALOG (MAINTENANCE)

FIG ITEM	PART NUMBER	1 2 3 4 5 6 7	NOMENCLATURE	EFFECT FROM TO	UNITS PER ASSY
2 565	BACC10DK10	.	CLAMP-	002004 006100 107107 121503 904999	1
570	66-18200-3	.	RETAINER-	107107 904949	2
572	BACN10TS3-12	.	NUTPLATE-	107107 121503 904999	1
- 573	BACR15BB4A		ATTACHING PARTS .RIVET- SIZE DETERMINED ON INSTL.	107107 121503 904999	2
575	R29281-8-0550		-----*----- .HOSE ASSY- SUPPLIER CODE: V50599 SPECIFICATION NUMBER: 10-61998-156 OPTIONAL PART: 78001-156 V24984 AE706493-156 V00624 A1650-156 V03925 OPTIONAL PART: AS4470-08-0550	002004 006100 107107 121503 904999	1
575	AS4470-08-0550	.	HOSE ASSY- OPTIONAL PART: R29281-8-0550	002004 006100 107107 121503 904999	1
577	AP1008-08JL	.	CAP ASSY- SUPPLIER CODE: V01673 SPECIFICATION NUMBER: BACC14AD08JL OPTIONAL PART: US2103-08JL V50808	107107 121503 904999	1
580	NAS1763J080808	.	TEE-	002004 006100 107107 121503 904999	1

MISSING ITEM NUMBERS NOT APPLICABLE

- ITEM NOT ILLUSTRATED

38-11-52-02

38-11-52
FIG. 02
PAGE 17
JAN 20/09

BRI



757

PARTS CATALOG (MAINTENANCE)

FIG ITEM	PART NUMBER	1 2 3 4 5 6 7	NOMENCLATURE	EFFECT FROM TO	UNITS PER ASSY
2 581	78001-470		.HOSE ASSY- SUPPLIER CODE: V24984 SPECIFICATION NUMBER: 10-61998-470 OPTIONAL PART: R29285-8-0134-0 V50599 A1650-470 V03925 OPTIONAL PART: AS4474H0134-000	002004 006100	1
581	AS4474H0134-000		.HOSE ASSY- OPTIONAL PART: 78001-470 V24984	002004 006100	1
582	NAS1801-3-24		.SCREW-	107107 904949	1
582A	NAS8203A8		.SCREW-	002004 006100 121503 950999	1
582B	BACS12GU3K14		.SCREW-	002004 006100 121503 950999	2
582C	BACS12GU3K12		.SCREW-	002004 006100 121503 950999	4
583	NAS1801-3-12		.SCREW-	107107 904949	4
584	AN960PD10L		.WASHER	107107 904949	4
584A	AN960JD10L		.WASHER	002004 006100 121503 950999	6
584B	NAS43DD3-8FC		.SPACER	002004 006100 121503 950999	1
585	NAS43DD3-56		.SPACER-	107107 904949	1
586	BACC10DK20		.CLAMP-	107107 904949	5

MISSING ITEM NUMBERS NOT APPLICABLE

- ITEM NOT ILLUSTRATED

BRI

38-11-52-02

BOEING PROPRIETARY - Copyright © - Unpublished Work - See title page for details.

38-11-52
FIG. 02
PAGE 18
JAN 20/09



757

PARTS CATALOG (MAINTENANCE)

FIG ITEM	PART NUMBER	1 2 3 4 5 6 7	NOMENCLATURE	EFFECT FROM TO	UNITS PER ASSY
2					
586A	PLH53CD	.	NUT SUPPLIER CODE: VF0224 SPECIFICATION NUMBER: BACN10YR3CD OPTIONAL PART: H52732-3CD V15653	002004 006100 121503 950999	1
586B	MS3367-1-9	.	STRAP-	002004 006100 121503 950999	1
586C	TM3S10	.	PLATE SUPPLIER CODE: V06383 SPECIFICATION NUMBER: STBP19M12	002004 006100 121503 950999	1
586D	BACC10DK20	.	CLAMP	002004 006100 121503 950999	2
586E	BACC10DK10	.	CLAMP-	002004 006100 121503 950999	4
587	AN960PD10L	.	WASHER	107107 904949	1
590	NAS603-8P	.	SCREW	107107 904949	10
592	NAS603-8P	.	SCREW-	107107 904949	4
595	417N2111-1	.	SUPPORT ASSY	107107 904949	5
597	417N2111-1	.	SUPPORT ASSY-	107107 904949	2
600	69-50697-1	.	CLIP ASSY-STGR	107107 904949	10
602	69-50697-1	.	CLIP ASSY-STGR	107107 904949	4
605	SL854C3F1CM	..	INSERT- SUPPLIER CODE: V97393	107107 904949	1
607	SL854C3F1CM	..	INSERT- SUPPLIER CODE: V97393	107107 904949	1
610	69-50697-3	..	CLIP	107107 904949	1
612	69-50697-3	..	CLIP	107107 904949	1

MISSING ITEM NUMBERS NOT APPLICABLE

- ITEM NOT ILLUSTRATED

38-11-52-02

38-11-52
FIG. 02
PAGE 19
JAN 20/09

BRI

BOEING PROPRIETARY - Copyright © - Unpublished Work - See title page for details.



757

PARTS CATALOG (MAINTENANCE)

FIG ITEM	PART NUMBER	1 2 3 4 5 6 7	NOMENCLATURE	EFFECT FROM TO	UNITS PER ASSY
2					
613	S38J1	.	SUPPORT- SUPPLIER CODE: V59237 SPECIFICATION NUMBER: BACS38J1 OPTIONAL PART: 30187-2 V26835	002004 006100 121503 950999	6
614	S38J2	.	SUPPORT- SUPPLIER CODE: V59237 SPECIFICATION NUMBER: BACS38J2 OPTIONAL PART: 30187-3 V26835	002004 006100 121503 950999	6
615	417N2101-19	.	TUBE-HOSE SHROUD TUBING MATERIAL: STOCK .020 WALL BY 1 1/4 O.D 6061-T4, WW-T-700/6	107107 904949	1
616	417N2101-106	.	TUBE-HOSE SHROUD TUBING MATERIAL: WW-T-700/6 6061 T4 TUBING 1.25 O.D X 0.02 WALL THICKNESS X 93.3 LENGTH	002004 006100 121503 950999	1
620	417N2101-20	.	TUBE-HOSE SHROUD TUBING MATERIAL: STOCK .020 WALL (OPTIONAL .028 WALL) X 1 1/4 O.D. 6061-T4, WW-T-700/6	107107 904949	1
620	417N2101-35	.	TUBE-HOSE SHROUD TUBING MATERIAL: STOCK .020 WALL X 1-1/4 O.D 6061-T4, WW-T-700/6	107107 904949	1
621	417N2101-107	.	TUBE-HOSE SHROUD TUBING MATERIAL: WW-T-700/6 6061 T4 TUBING 1.25 O.D X 0.02 WALL THICKNESS X 51.6 LENGTH	002004 006100 121503 950999	1
622	417N2101-20	.	TUBE-HOSE SHROUD TUBING MATERIAL: STOCK .020 WALL (OPTIONAL .028 WALL) X 1 1/4 O.D. 6061-T4, WW-T-700/6	002004 006100 121503 950999	1

MISSING ITEM NUMBERS NOT APPLICABLE

- ITEM NOT ILLUSTRATED

38-11-52-02

38-11-52
FIG. 02
PAGE 20
JAN 20/09

BRI



757

PARTS CATALOG (MAINTENANCE)

FIG ITEM	PART NUMBER	1 2 3 4 5 6 7	NOMENCLATURE	EFFECT FROM TO	UNITS PER ASSY
2					
625	417N2101-21	.TUBE-HOSE SHROUD	TUBING MATERIAL: STOCK .020 WALL BY 1 1/4 O.D 6061-T4, WW-T-700/6	107107 121503 904949	1
625	417N2101-36	.TUBE-HOSE SHROUD	TUBING MATERIAL: STOCK .020 WALL X 1-1/4 O.D 6061-T4, WW-T-700/6	107107 904949	1
625	417N2101-115	.TUBE-HOSE SHROUD	TUBING MATERIAL: STOCK .020 WALL X 1.25 O.D. 6061-T4, WW-T-700/6	002004 006100 121503 950999	1
630	417N2101-22	.TUBE-HOSE SHROUD	TUBING MATERIAL: STOCK .020 WALL BY 1 1/4 O.D 6061-T4, WW-T-700/6	107107 904949	1
637	78001-465	.HOSE ASSY-	SUPPLIER CODE: V24984 SPECIFICATION NUMBER: 10-61998-465 OPTIONAL PART: R29280-8-4800 V50599 A1650-465 V03925	002004 006100 107107 121503 904999	1
640	AN960C1216L	.WASHER		002004 006100 107107 121503 904999	1
645	AN924-8J	.NUT		002004 006100 107107 121503 904999	2
647	MS21912J8	.TEE		002004 006100 107107 121503 904999	2
648	AP1008-08JL	.CAP ASSY	SUPPLIER CODE: V01673 SPECIFICATION NUMBER: BACC14AD08JL OPTIONAL PART: US2103-08JL V50808	002004 006100 107107 121503 904999	1

MISSING ITEM NUMBERS NOT APPLICABLE

- ITEM NOT ILLUSTRATED

38-11-52-02

38-11-52
FIG. 02
PAGE 21
JAN 20/09

BRI



757

PARTS CATALOG (MAINTENANCE)

FIG ITEM	PART NUMBER	1 2 3 4 5 6 7	NOMENCLATURE	EFFECT FROM TO	UNITS PER ASSY
2					
650	NAS1801-3-20	.	SCREW-	002004 006100 107107 121503 904999	1
650	NAS1801-3-11	.	SCREW-	121503 904949	1
655	AN960PD10L	.	WASHER	002004 006100 107107 121503 904999	1
660	NAS43DD3-32	.	SPACER-	002004 006100 107107 121503 904999	1
660	NAS43DD3-16	.	SPACER-	121503 904949	1
665	BRH10A3	.	NUT SUPPLIER CODE: V52828 SPECIFICATION NUMBER: BACN10JC3 OPTIONAL PART: H10-3BAC V15653 NS202101-02 V80539 RMLH9075-3W V72962 VN303A02 V92215 96-02 V80539 T6S1032J V11815	002004 006100 107107 121503 904999	1
670	BACC10DK10	.	CLAMP	002004 006100 107107 121503 904999	1
675	66-18200-3	.	RETAINER	107107 904949	2
677	AS4469-08-0470	.	HOSE ASSY-	121503 904949	1

MISSING ITEM NUMBERS NOT APPLICABLE

- ITEM NOT ILLUSTRATED

BRI

38-11-52-02

38-11-52
FIG. 02
PAGE 22
JAN 20/09



757

PARTS CATALOG (MAINTENANCE)

FIG ITEM	PART NUMBER	1 2 3 4 5 6 7	NOMENCLATURE	EFFECT FROM TO	UNITS PER ASSY
2 680	78001-125		.HOSE ASSY- SUPPLIER CODE: V24984 SPECIFICATION NUMBER: 10-61998-125 OPTIONAL PART: AE706493-125 V00624 A1650-125 V03925 R29280-8-0466 V50599 OPTIONAL PART: AS4469-08-0466	121503 904949	1
680	A1650-411		.HOSE ASSY- SUPPLIER CODE: V98441 SPECIFICATION NUMBER: 10-61998-411 OPTIONAL PART: AE706493-411 V00624 R29280-8-0440 V50599 78001-411 V24984	002004 006100 107107 121503 904999	1
680	AS4469-8-0466		.HOSE ASSY- OPTIONAL PART: 78001-125 V24984	121503 904949	1
682	NAS1801-3-12		.SCREW	107107	1
682	NAS1801-3-28		.SCREW-	904949	1
683	NAS1801-3-16		.SCREW-	107107 904949	1
685	NAS1801-3-10		.SCREW	002004 006100 107107 121503 904999	1
686	BACS12GU3K12		.SCREW-	002004 006100 121503 950999	2
688	AN960JD10L		.WASHER-	002004 006100 107107 121503 904999	2

MISSING ITEM NUMBERS NOT APPLICABLE

- ITEM NOT ILLUSTRATED

38-11-52-02

38-11-52
FIG. 02
PAGE 23
JAN 20/09

BRI



757

PARTS CATALOG (MAINTENANCE)

FIG ITEM	PART NUMBER	1 2 3 4 5 6 7	NOMENCLATURE	EFFECT FROM TO	UNITS PER ASSY
2					
689	AN960PD10L	.	WASHER	107107 904949	1
690	AN960PD10L	.	WASHER-	002004 006100 107107 121503 904999	2
691	NAS43DD3-85	.	SPACER	904949	1
692	NAS43DD3-16	.	SPACER	107107 904949	1
693	BRH10A3	.	NUT SUPPLIER CODE: V52828 SPECIFICATION NUMBER: BACN10JC3 OPTIONAL PART: H10-3BAC V15653 NS202101-02 V80539 RMLH9075-3W V72962 VN303A02 V92215 96-02 V80539 T6S1032J V11815	904949	1
694	BRH10A3	.	NUT SUPPLIER CODE: V52828 SPECIFICATION NUMBER: BACN10JC3 OPTIONAL PART: H10-3BAC V15653 NS202101-02 V80539 RMLH9075-3W V72962 VN303A02 V92215 96-02 V80539 T6S1032J V11815	107107 904949	1

MISSING ITEM NUMBERS NOT APPLICABLE

- ITEM NOT ILLUSTRATED

BRI

38-11-52-02

38-11-52
FIG. 02
PAGE 24
JAN 20/09



757

PARTS CATALOG (MAINTENANCE)

FIG ITEM	PART NUMBER	1 2 3 4 5 6 7	NOMENCLATURE	EFFECT FROM TO	UNITS PER ASSY
2 695	BACC10DK10	.	CLAMP	002004 006100 107107 121503 904999	3
700	78001-412	.	HOSE ASSY- SUPPLIER CODE: V24984 SPECIFICATION NUMBER: 10-61998-412 OPTIONAL PART: AE706493-412 V00624 A1650-412 V03925 R29284-8-0520-0 V50599	002004 006100 107107 121503 904999	1
705	417N2313-1	.	BRACKET ASSY	002004 006100 107107 121503 904999	1
- 710	NAS1801-3-12	.	ATTACHING PARTS SCREW	002004 006100 107107 121503 904999	4
- 715	AN960PD10L	.	WASHER	002004 006100 107107 121503 904999	4
		-----*			

MISSING ITEM NUMBERS NOT APPLICABLE

- ITEM NOT ILLUSTRATED

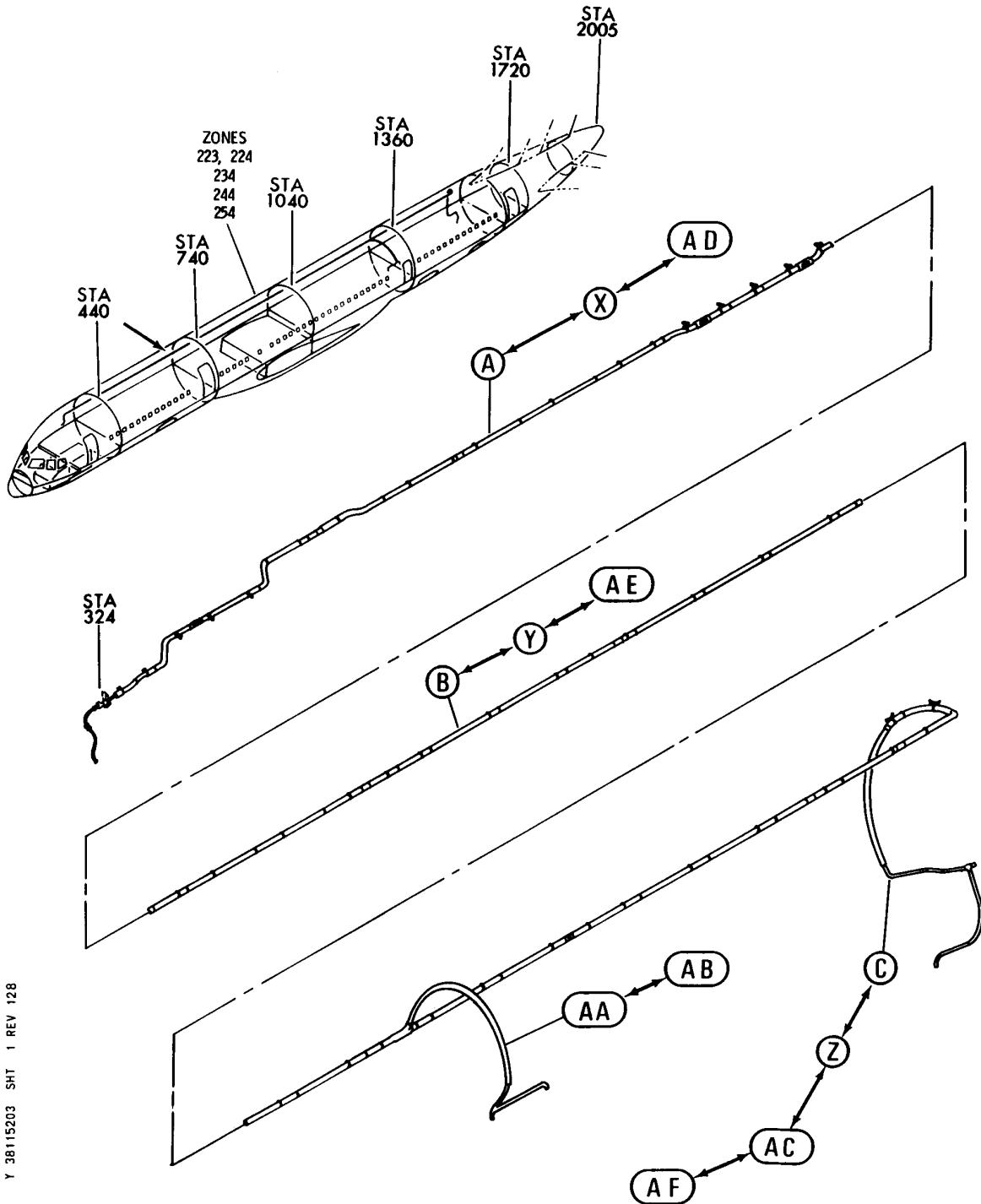
BRI

38-11-52-02

BOEING PROPRIETARY - Copyright © - Unpublished Work - See title page for details.

38-11-52
FIG. 02
PAGE 25
JAN 20/09

BOEING
757
PARTS CATALOG (MAINTENANCE)



Y 38115203 SHT 1 REV 128

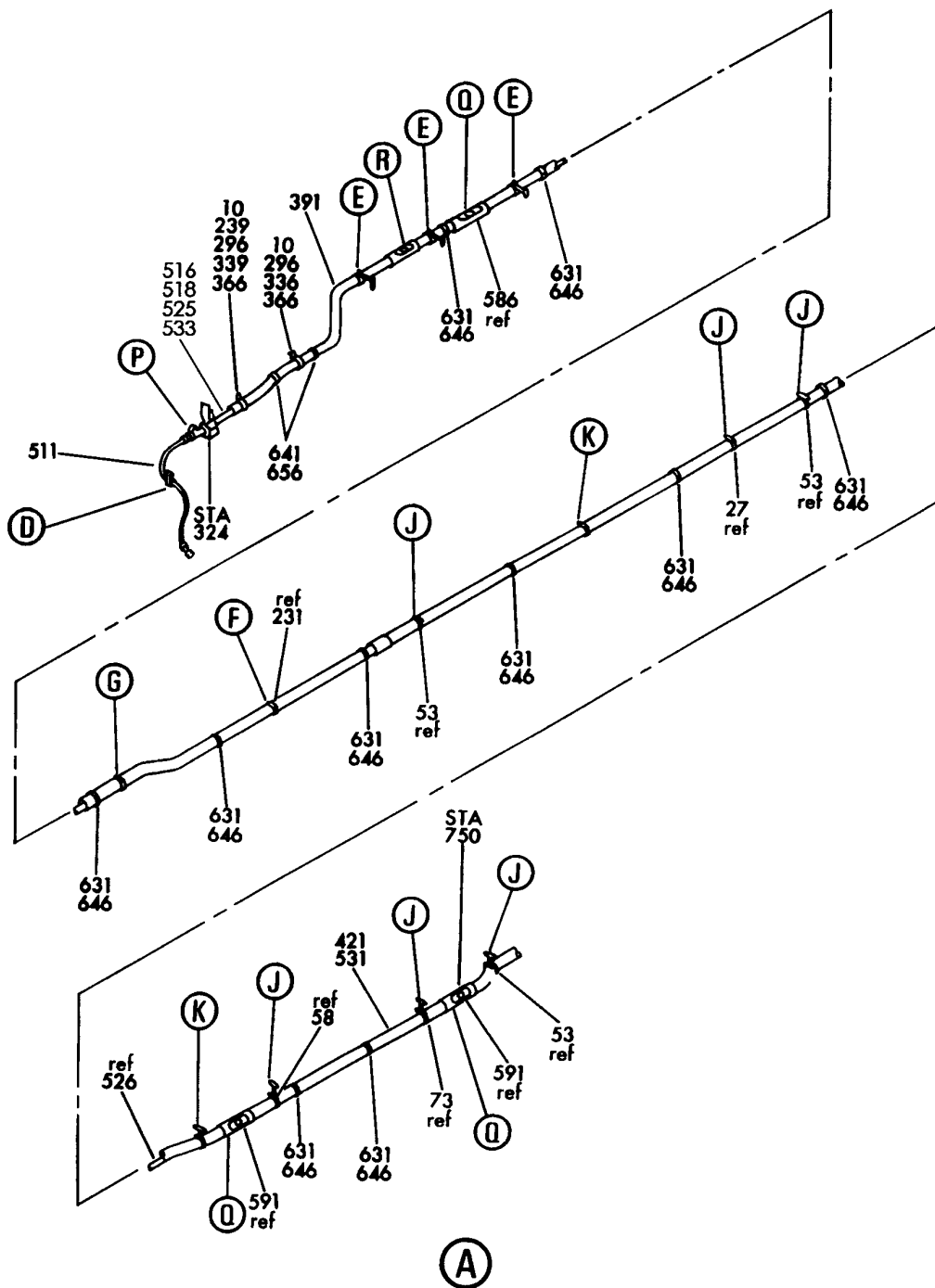
LINE INSTL-PASS WATER SYS OVERHEAD SUPPLY
FIGURE 3 (SHEET 1)

38-11-52-03

BRI
MAY 28/07

38-11-52-03
PAGE 0

BOEING
757
PARTS CATALOG (MAINTENANCE)



Y 38115203 SHT 2 REV 206

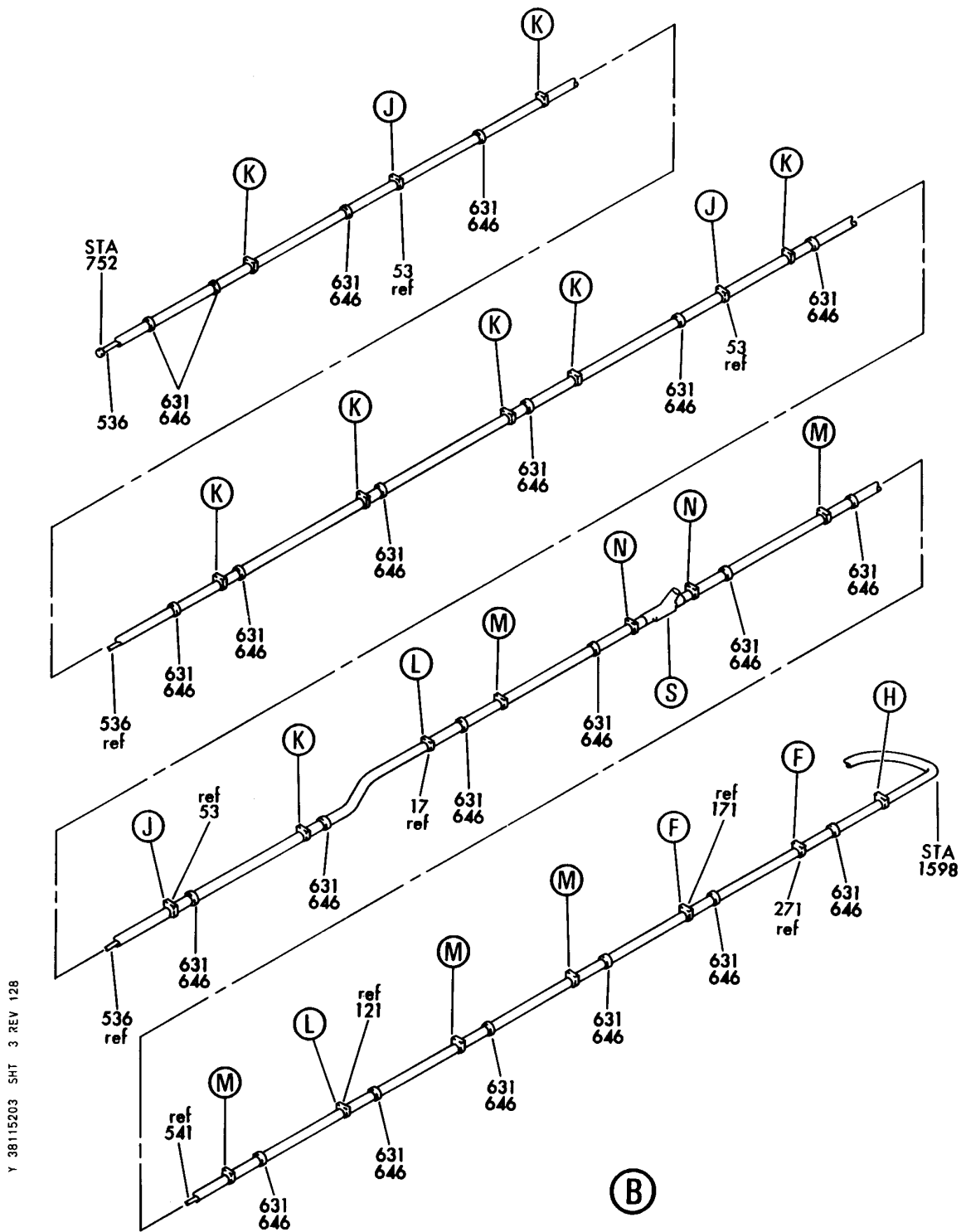
LINE INSTL-PASS WATER SYS OVERHEAD SUPPLY
FIGURE 3 (SHEET 2)

38-11-52-03

BRI
MAY 28/07

38-11-52-03
PAGE 0A

BOEING
757
PARTS CATALOG (MAINTENANCE)



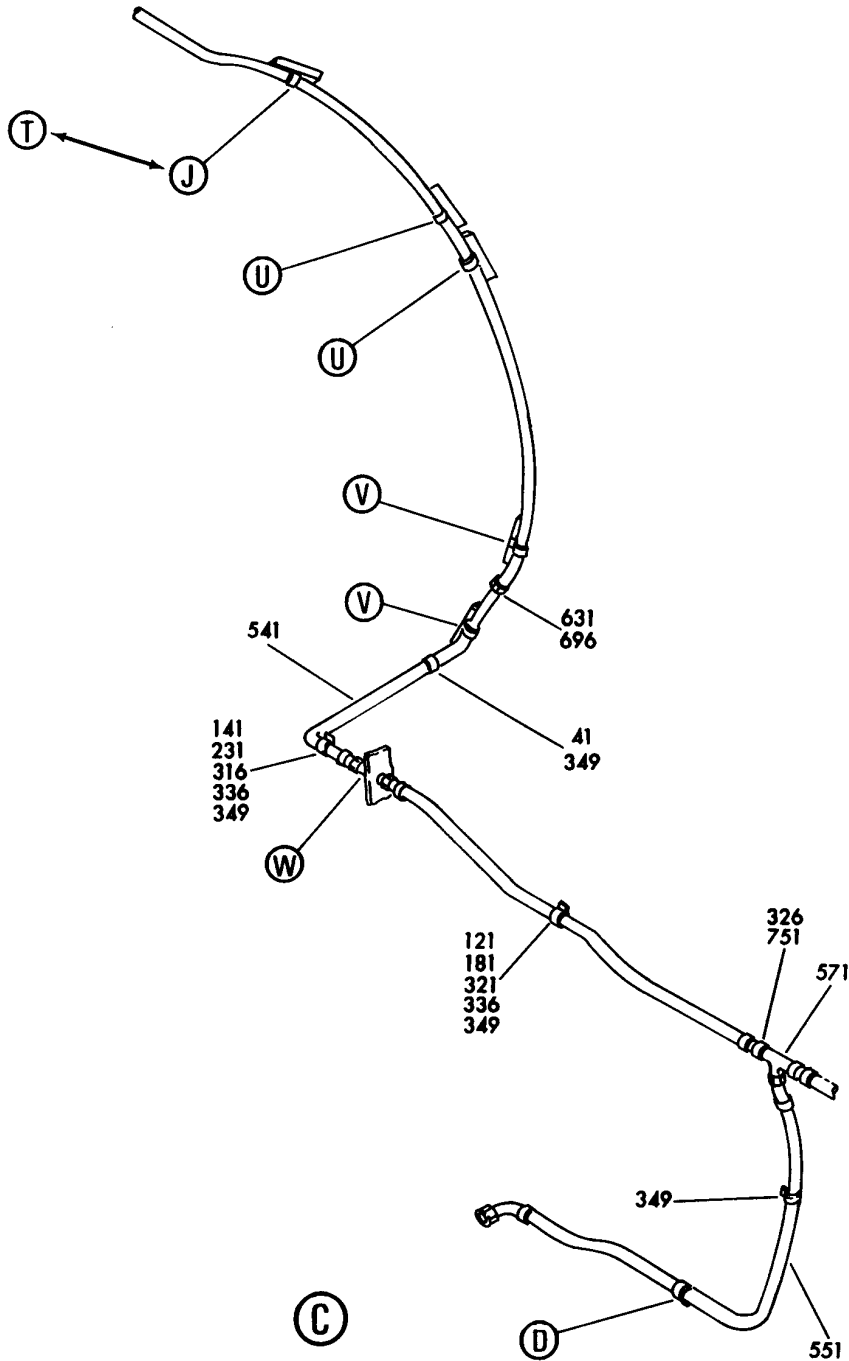
LINE INSTL-PASS WATER SYS OVERHEAD SUPPLY
FIGURE 3 (SHEET 3)

38-11-52-03

BRI
MAY 28/07

38-11-52-03
PAGE 0B

BOEING
757
PARTS CATALOG (MAINTENANCE)



Y 38115203 SHT 4 REV 134

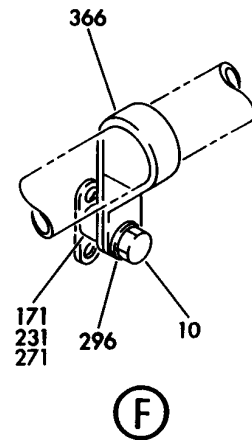
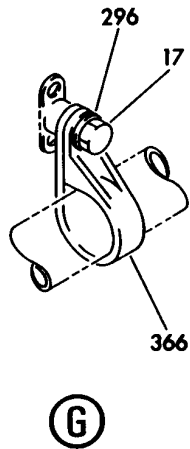
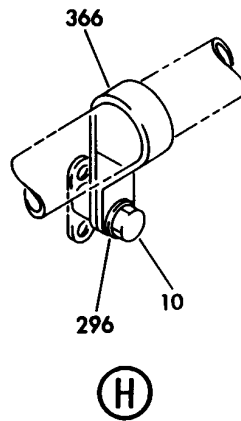
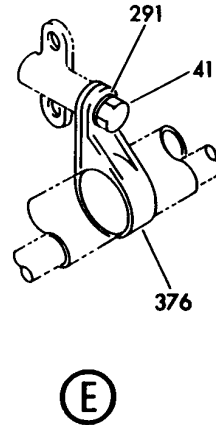
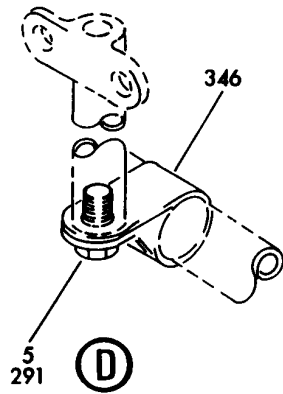
LINE INSTL-PASS WATER SYS OVERHEAD SUPPLY
FIGURE 3 (SHEET 4)

38-11-52-03

BRI
MAY 28/07

38-11-52-03
PAGE 0C

BOEING
757
PARTS CATALOG (MAINTENANCE)



Y 38115203 SHT 5 REV 128

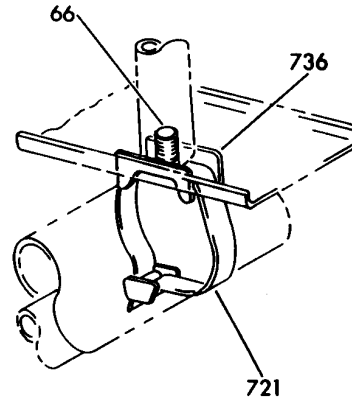
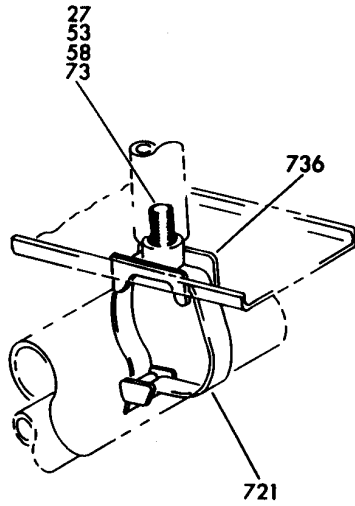
LINE INSTL-PASS WATER SYS OVERHEAD SUPPLY
FIGURE 3 (SHEET 5)

38-11-52-03

BRI
MAY 28/07

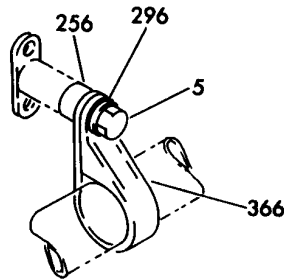
38-11-52-03
PAGE 0D

BOEING
757
PARTS CATALOG (MAINTENANCE)



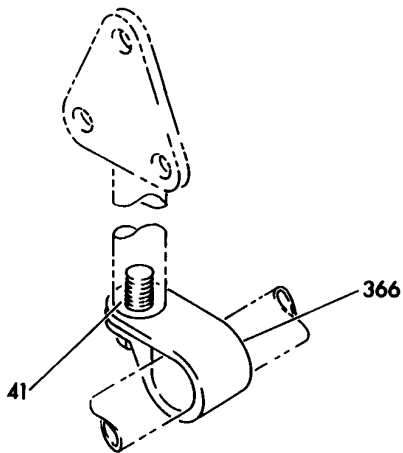
(J)

(K)

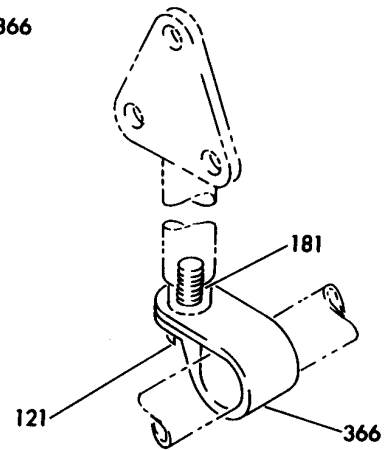


(N)

Y 38115203 SHIT 6 REV 128



(M)



(L)

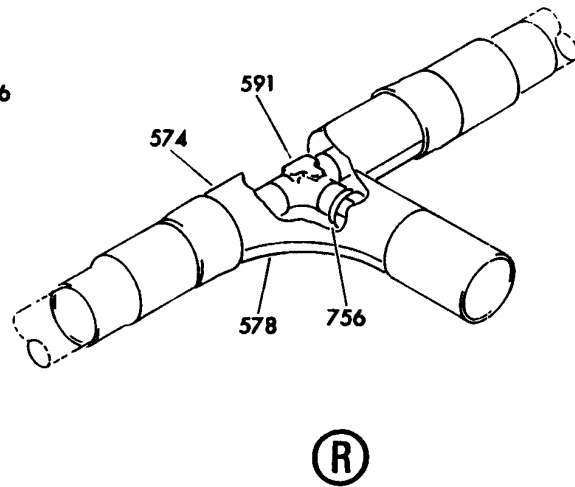
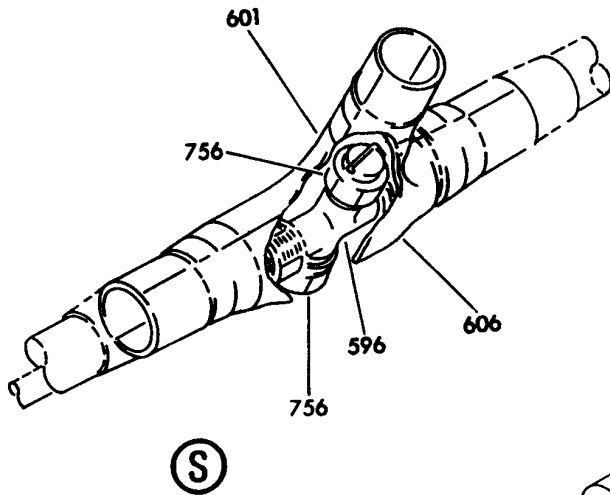
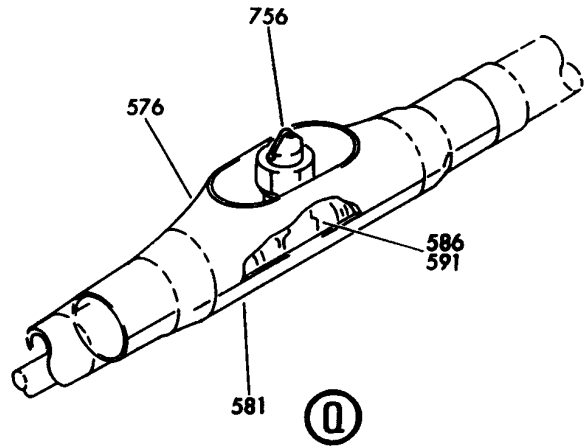
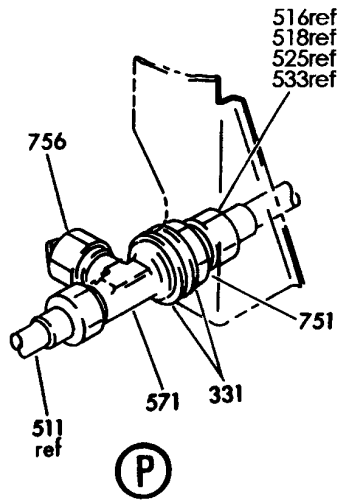
LINE INSTL-PASS WATER SYS OVERHEAD SUPPLY
FIGURE 3 (SHEET 6)

38-11-52-03

BRI
MAY 28/07

38-11-52-03
PAGE 0E

BOEING
757
PARTS CATALOG (MAINTENANCE)



Y 38115203 SHT 7 REV 206

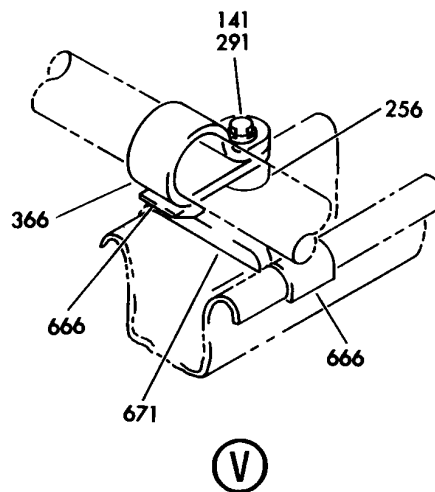
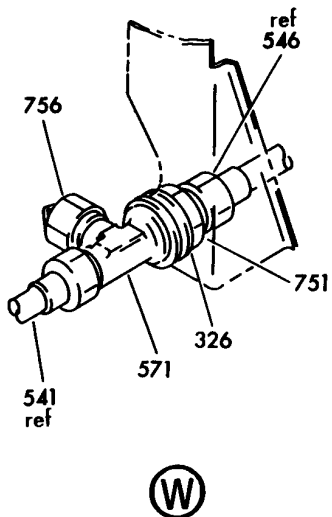
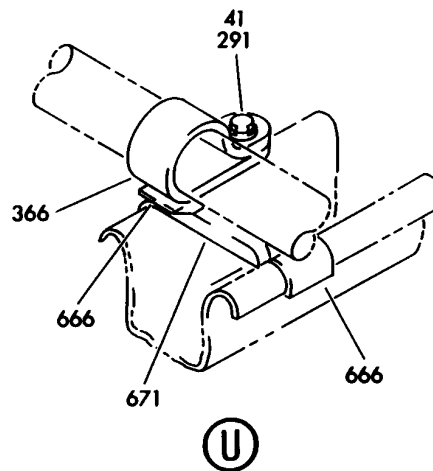
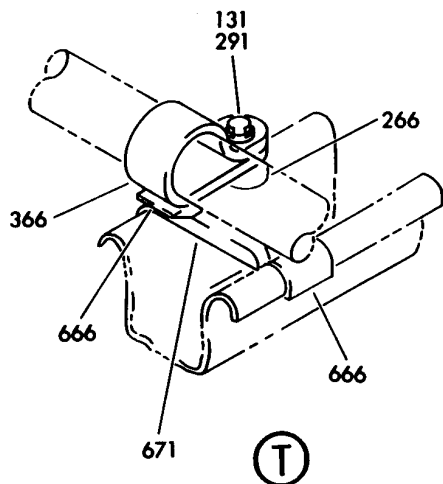
LINE INSTL-PASS WATER SYS OVERHEAD SUPPLY
FIGURE 3 (SHEET 7)

38-11-52-03

BRI
MAY 28/07

38-11-52-03
PAGE OF

BOEING
757
PARTS CATALOG (MAINTENANCE)



Y 38115203 SHT 8 REV 128

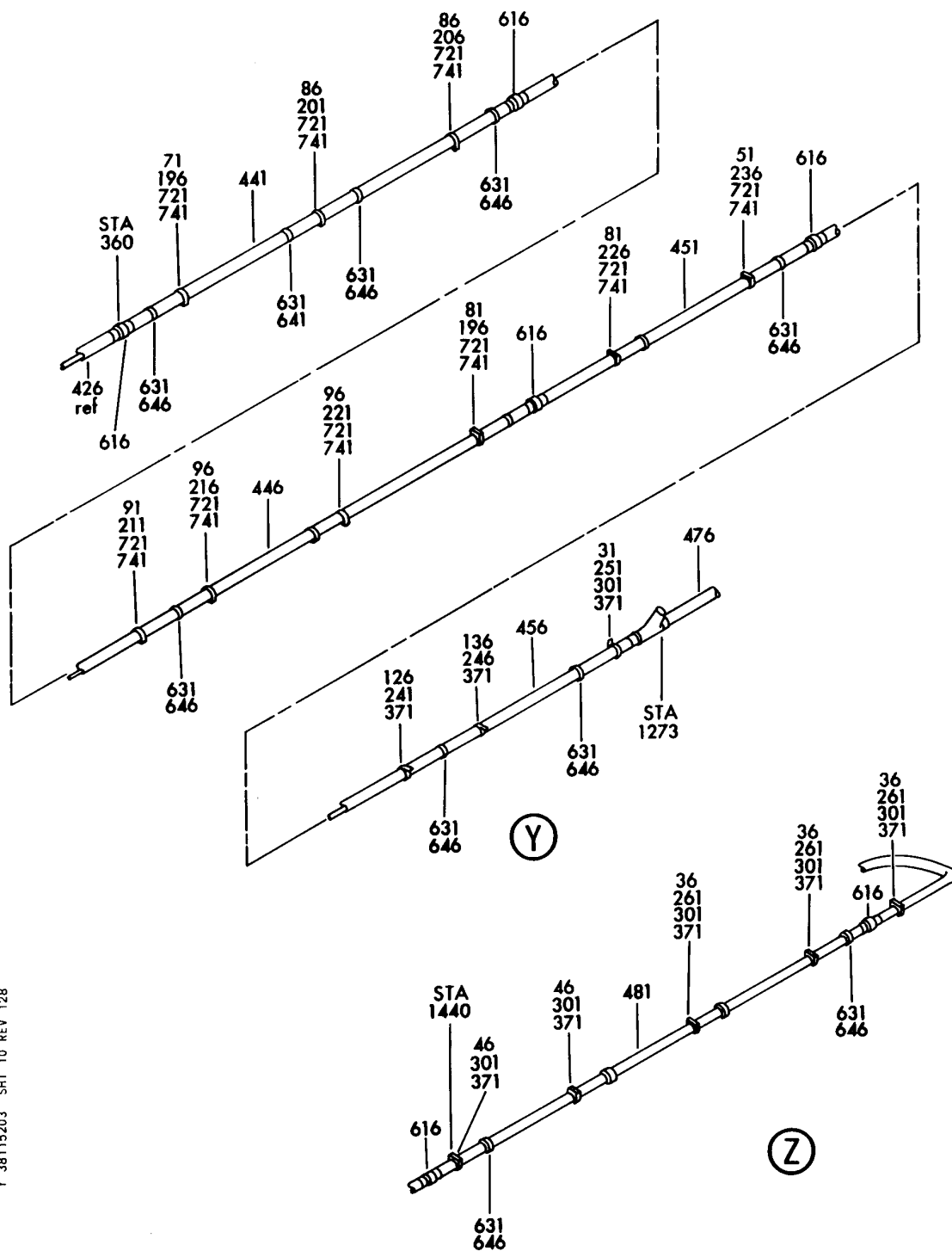
LINE INSTL-PASS WATER SYS OVERHEAD SUPPLY
FIGURE 3 (SHEET 8)

38-11-52-03

BRI
MAY 28/07

38-11-52-03
PAGE 0G

BOEING
757
PARTS CATALOG (MAINTENANCE)



Y 38115203 SHT 10 REV 128

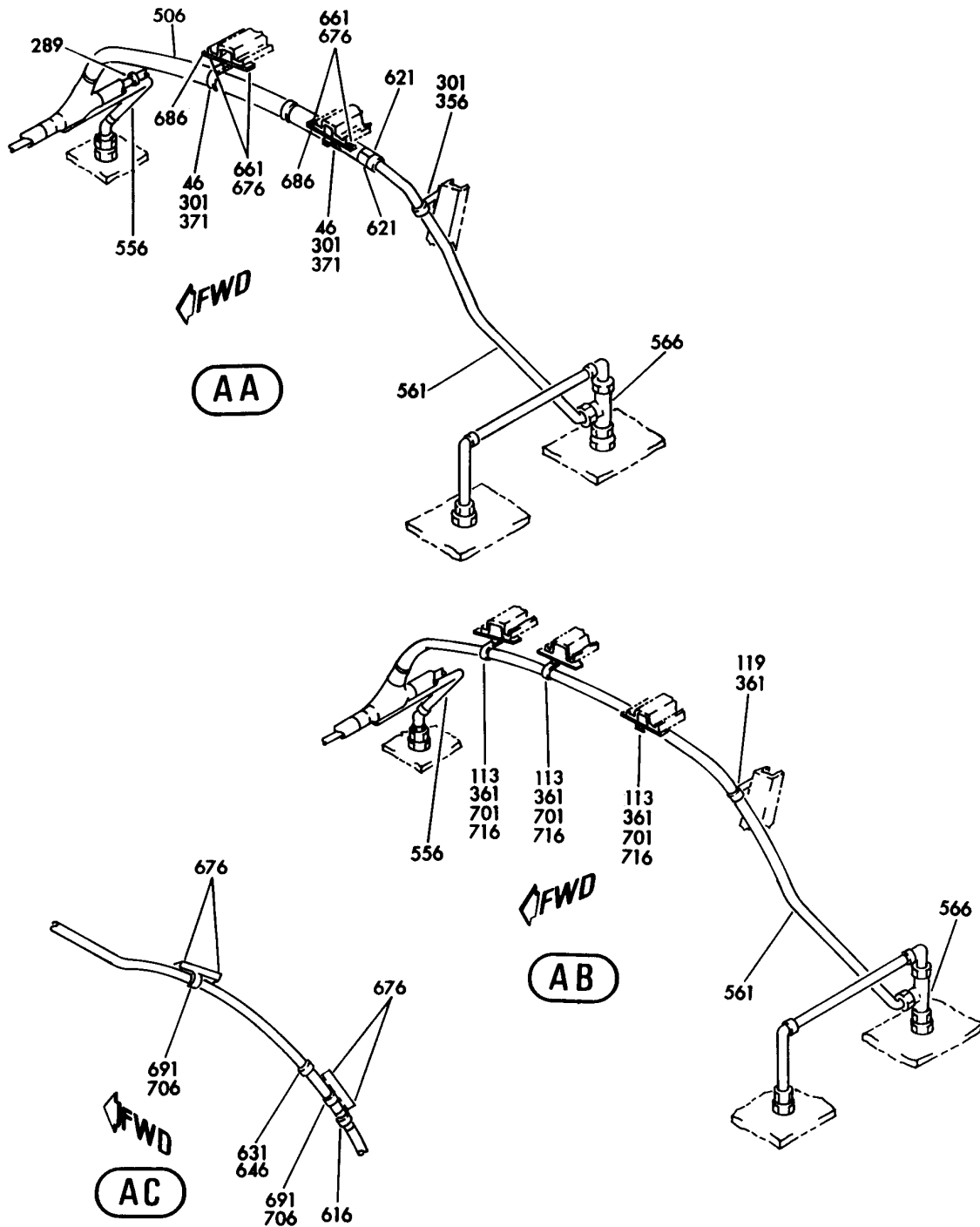
LINE INSTL-PASS WATER SYS OVERHEAD SUPPLY
FIGURE 3 (SHEET 10)

38-11-52-03

BRI
MAY 28/07

38-11-52-03
PAGE 01

BOEING
757
PARTS CATALOG (MAINTENANCE)



Y 38115203 SHT 11 REV 128

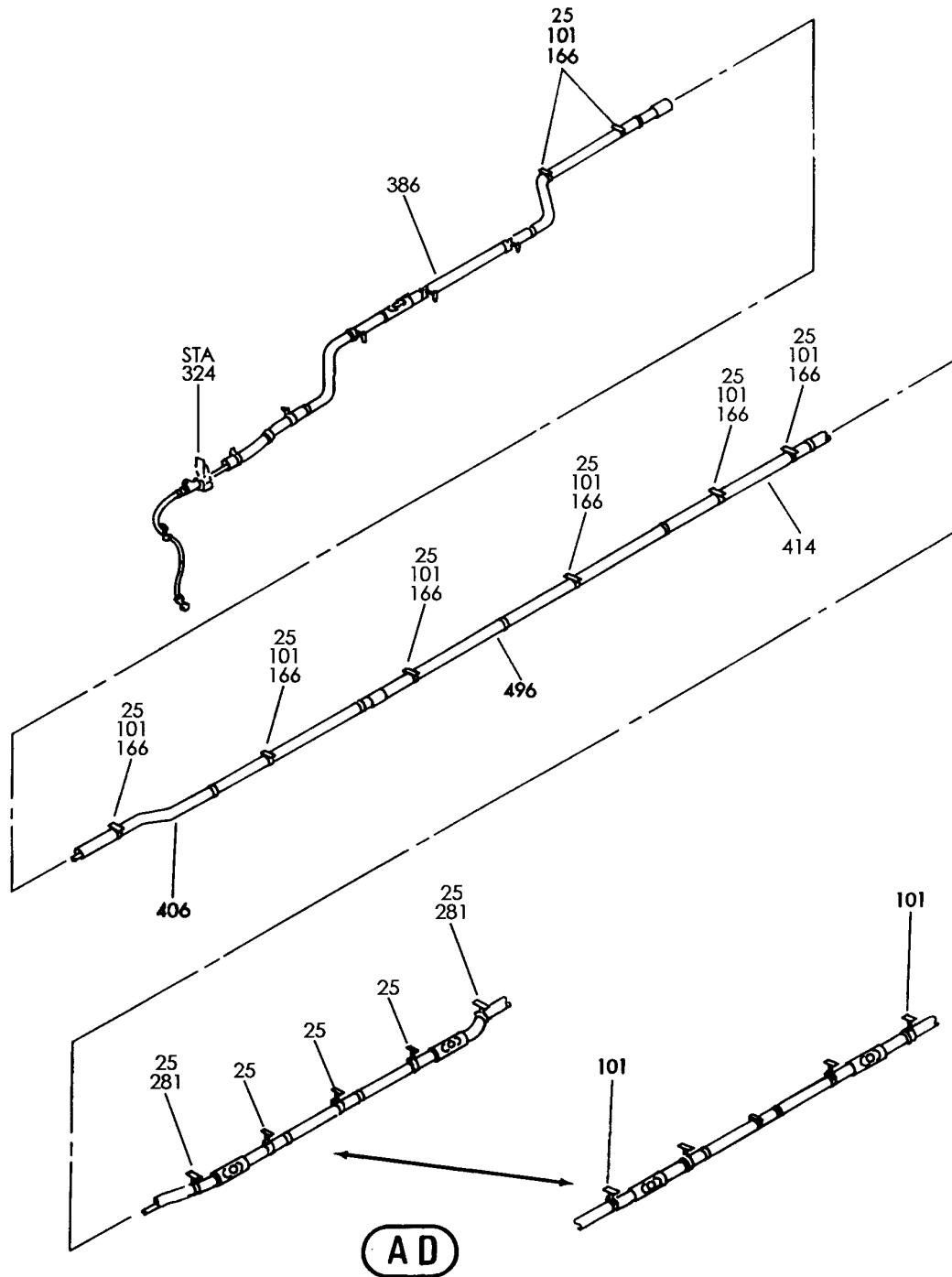
LINE INSTL-PASS WATER SYS OVERHEAD SUPPLY
FIGURE 3 (SHEET 11)

38-11-52-03

BRI
MAY 28/07

38-11-52-03
PAGE 0J

BOEING
757
PARTS CATALOG (MAINTENANCE)



Y 38115203 SHT 12 REV 201

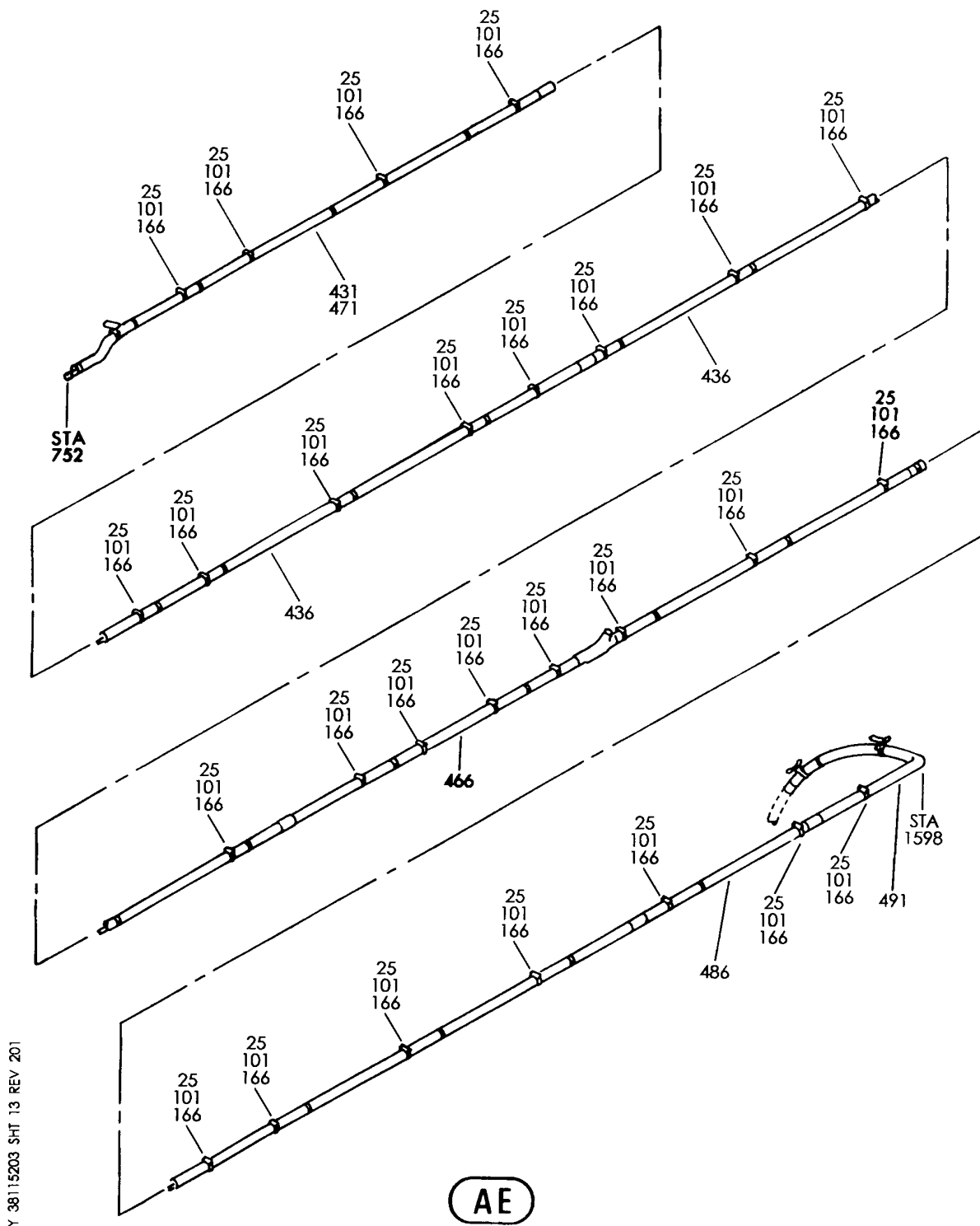
LINE INSTL-PASS WATER SYS OVERHEAD SUPPLY
FIGURE 3 (SHEET 12)

38-11-52-03

BRI
MAY 28/07

38-11-52-03
PAGE OK

BOEING
757
PARTS CATALOG (MAINTENANCE)



Y 38115203 SHT 13 REV 201

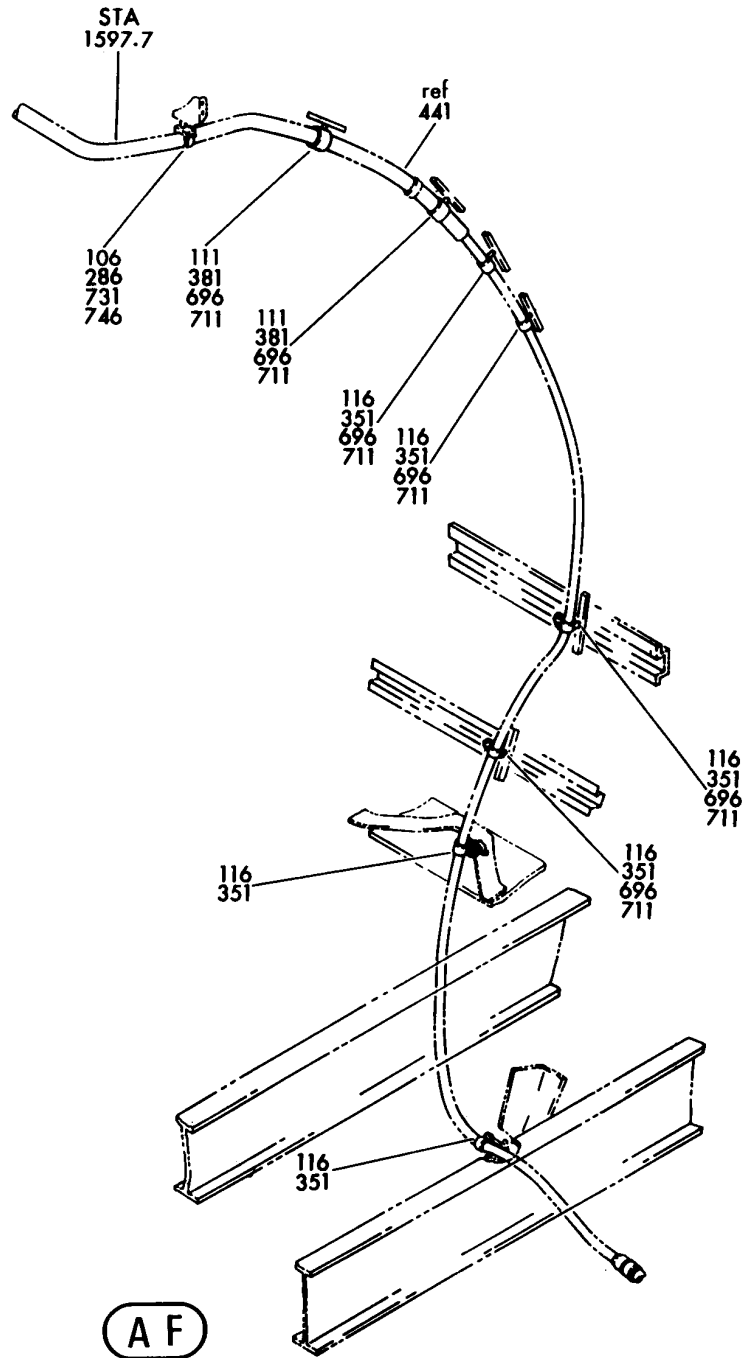
LINE INSTL-PASS WATER SYS OVERHEAD SUPPLY
FIGURE 3 (SHEET 13)

38-11-52-03

BRI
MAY 28/07

38-11-52-03
PAGE 01

BOEING
757
PARTS CATALOG (MAINTENANCE)



Y 38115203 SHIT 14 REV 128

LINE INSTL-PASS WATER SYS OVERHEAD SUPPLY
FIGURE 3 (SHEET 14)

38-11-52-03

BRI
MAY 28/07

38-11-52-03
PAGE 0M



757

PARTS CATALOG (MAINTENANCE)

FIG ITEM	PART NUMBER	1 2 3 4 5 6 7	NOMENCLATURE	EFFECT FROM TO	UNITS PER ASSY
3			LINE INSTL-PASS WATER SYS OVERHEAD SUPPLY	002004 006100 107107 121503 904999	
- 1	417N2101-1		LINE INSTL-PASS WATER SYS OVERHEAD SUPPLY VARIABLE DRAWING REF: 417N2101-47 417N2101-103	107107 121503 904999	RF
	5 NAS1801-3-10		. SCREW	107107 121503 904999	4
	10 NAS1801-3-14		. SCREW	107107 121503 904999	6
	15 NAS1801-3-9		. SCREW-	107107 121503 904999	1
	17 NAS1801-3-18		. SCREW	107107 121503 904999	1
	20 NAS1801-3-12		. SCREW	121503 950999	1
	27 NAS603-16P		. SCREW	107107 121503 904999	1
	31 NAS1801-3-10		. SCREW	107107 904949	1
	36 NAS1801-3-14		. SCREW	107107 904949	8
	46 NAS1801-3-12		. SCREW	107107 904949	5
	51 NAS603-12P		. SCREW	107107 904949	3
	53 NAS603-12P		. SCREW	107107 121503 904999	8
	58 NAS603-18P		. SCREW	107107 121503 904999	1
	61 NAS603-8P		. SCREW	107107 904949	1
	66 NAS603-8P		. SCREW	107107 121503 904999	21
	71 NAS603-14P		. SCREW	107107 904949	2

MISSING ITEM NUMBERS NOT APPLICABLE

- ITEM NOT ILLUSTRATED

38-11-52-03

38-11-52
FIG. 03
PAGE 1
JAN 20/09

BRI



757

PARTS CATALOG (MAINTENANCE)

FIG ITEM	PART NUMBER	1 2 3 4 5 6 7	NOMENCLATURE	EFFECT FROM TO	UNITS PER ASSY
3					
73	NAS603-14P	.	SCREW	107107 121503 904999	1
76	NAS603-11P	.	SCREW	107107 904949	3
81	NAS603-18P	.	SCREW	107107 904949	2
86	NAS603-24P	.	SCREW	107107 904949	2
91	NAS603-28P	.	SCREW	107107 904949	1
96	NAS603-32P	.	SCREW	107107 904949	2
113	BACS12GU3K10	.	SCREW-	121503 950999	3
119	BACS12GU3K12	.	SCREW	121503 950999	1
121	NAS1801-3-20	.	SCREW	107107 121503 904999	2
126	NAS1801-3-20	.	SCREW	107107 904949	1
136	NAS1801-3-24	.	SCREW	107107 904949	1
146	NAS43DD3-5	.	SPACER	107107 904949	1
151	NAS43DD3-13	.	SPACER	107107 904949	3
156	NAS43DD3-23	.	SPACER	107107 904949	1
161	NAS43DD3-11	.	SPACER	121503 950999	3
176	NAS43DD3-11	.	SPACER	107107 904949	3
181	NAS43DD3-32	.	SPACER	107107 121503 904999	4
186	NAS43DD3-32	.	SPACER	107107 904949	1
191	NAS43DD3-22	.	SPACER	107107 904949	4
196	NAS43DD3-26	.	SPACER	107107 904949	2
201	NAS43DD3-51	.	SPACER	107107 904949	1
206	NAS43DD3-65	.	SPACER	107107 904949	1
211	NAS43DD3-80	.	SPACER	107107 904949	1

MISSING ITEM NUMBERS NOT APPLICABLE

- ITEM NOT ILLUSTRATED

38-11-52-03

38-11-52
FIG. 03
PAGE 2
JAN 20/09

BRI



757

PARTS CATALOG (MAINTENANCE)

FIG ITEM	PART NUMBER	1 2 3 4 5 6 7	NOMENCLATURE	EFFECT FROM TO	UNITS PER ASSY
3					
216	NAS43DD3-86	.	SPACER	107107 904949	1
221	NAS43DD3-100	.	SPACER	107107 904949	1
226	NAS43DD3-40	.	SPACER	107107 904949	1
236	NAS43DD3-16	.	SPACER	107107 904949	1
239	NAS43DD3-12	.	SPACER	107107 121503 904999	1
241	NAS43DD3-39	.	SPACER	107107 904949	1
246	NAS43DD3-53	.	SPACER	107107 904949	1
251	NAS43DD3-10	.	SPACER	107107 904949	1
261	NAS43DD3-56	.	SPACER	107107 904949	3
271	NAS43DD3-7	.	SPACER	107107 121503 904999	1
283	NAS43DD3-13	.	SPACER	107107 121503 904999	6
284	NAS43DD3-26	.	SPACER	107107 121503 904999	2
285	NAS43DD3-19	.	SPACER	107107 121503 904999	1
287	NAS43DD3-24	.	SPACER	107107 121503 904999	1
289	NAS43DD3-82	.	SPACER	107107 904949	1
291	AN960PD10L	.	WASHER	107107 121503 904999	10
301	AN960PD10L	.	WASHER	107107 904949	15
311	AN960JD10L	.	WASHER	121503 950999	15
316	AN960JD10L	.	WASHER	107107 121503 904999	1
326	AN960C1216L	.	WASHER	107107 121503 904999	2

MISSING ITEM NUMBERS NOT APPLICABLE

- ITEM NOT ILLUSTRATED

38-11-52-03

38-11-52
FIG. 03
PAGE 3
JAN 20/09

BRI

BOEING PROPRIETARY - Copyright © - Unpublished Work - See title page for details.



757

PARTS CATALOG (MAINTENANCE)

FIG ITEM	PART NUMBER	1 2 3 4 5 6 7	NOMENCLATURE	EFFECT FROM TO	UNITS PER ASSY
3					
331	BACW10P194L	.	WASHER	107107 121503 904999	2
336	BRH10A3	.	NUT SUPPLIER CODE: V52828 SPECIFICATION NUMBER: BACN10JC3 OPTIONAL PART: H10-3BAC V15653 NS202101-02 V80539 RMLH9075-3W V72962 VN303A02 V92215 96-02 V80539 T6S1032J V11815	107107 121503 904999	4
341	BRH10A3	.	NUT SUPPLIER CODE: V52828 SPECIFICATION NUMBER: BACN10JC3 OPTIONAL PART: H10-3BAC V15653 NS202101-02 V80539 RMLH9075-3W V72962 VN303A02 V92215 96-02 V80539 T6S1032J V11815	107107 904949	1
349	BACC10DK10	.	CLAMP	107107 121503 904999	4
356	BACC10DK10	.	CLAMP	107107 904949	1
361	BACC10DK10	.	CLAMP	121503 950999	4
366	BACC10DK20	.	CLAMP	107107 121503 904999	21

MISSING ITEM NUMBERS NOT APPLICABLE

- ITEM NOT ILLUSTRATED

38-11-52-03

38-11-52
FIG. 03
PAGE 4
JAN 20/09

BRI

BOEING PROPRIETARY - Copyright © - Unpublished Work - See title page for details.



757

PARTS CATALOG (MAINTENANCE)

FIG ITEM	PART NUMBER	1 2 3 4 5 6 7	NOMENCLATURE	EFFECT FROM TO	UNITS PER ASSY
3					
371	BACC10DK20	.	CLAMP	107107 904949	16
391	417N2101-60	.	TUBE-HOSE SHROUD TUBING MATERIAL: STOCK .020 WALL X 1-1/4 O.D 6061-T4, WW-T-700/6	107107 121503 904999	1
396	417N2101-33	.	TUBE-HOSE SHROUD TUBING MATERIAL: STOCK .020 WALL X 1-1/4 O.D 6061-T4, WW-T-700/6	107107 904949	1
406	417N2101-102	.	TUBE-HOSE SHROUD TUBING MATERIAL: STOCK .020 WALL X 1.25 O.D. 6061-T4, WW-T-700/6	121503 950999	1
411	417N2101-34	.	TUBE-HOSE SHROUD TUBING MATERIAL: STOCK .020 WALL X 1-1/4 O.D 6061-T4, WW-T-700/6	107107 904949	1
416	417N2101-72	.	TUBE-HOSE SHROUD TUBING MATERIAL: STOCK .020 WALL X 1 1/4 O.D. 6061-T4, WW-T-700/6	107107 904949	1
421	417N2101-71	.	TUBE-HOSE SHROUD TUBING MATERIAL: STOCK .020 WALL X 1 1/4 O.D. 6061-T4, WW-T-700/6	107107 121503 904999	1
426	417N2101-70	.	TUBE-HOSE SHROUD TUBING MATERIAL: STOCK .020 WALL X 1 1/4 O.D. 6061-T4, WW-T-700/6	107107 904949	1
441	417N2101-69	.	TUBE-HOSE SHROUD TUBING MATERIAL: STOCK .020 WALL X 1 1/4 O.D. 6061-T4, WW-T-700/6	107107 904949	1
446	417N2101-68	.	TUBE-HOSE SHROUD TUBING MATERIAL: STOCK .020 WALL X 1 1/4 O.D. 6061-T4, WW-T-700/6	107107 904949	1
451	417N2101-74	.	TUBE-HOSE SHROUD TUBING MATERIAL: STOCK .020 WALL X 1 1/4 O.D. 6061-T4, WW-T-700/6	107107 904949	1
456	417N2101-75	.	TUBE-HOSE SHROUD TUBING MATERIAL: STOCK .020 WALL X 1 1/4 O.D. 6061-T4, WW-T-700/6	107107 904949	1

MISSING ITEM NUMBERS NOT APPLICABLE

- ITEM NOT ILLUSTRATED

38-11-52-03

38-11-52
FIG. 03
PAGE 5
JAN 20/09

BRI



757

PARTS CATALOG (MAINTENANCE)

FIG ITEM	PART NUMBER	1 2 3 4 5 6 7	NOMENCLATURE	EFFECT FROM TO	UNITS PER ASSY
3					
466	417N2101-98	.	TUBE-HOSE SHROUD TUBING MATERIAL: STOCK .020 WALL X 1.25 O.D. 6061-T4, WW-T-700/6	121503 950999	1
471	417N2101-116	.	TUBE-HOSE SHROUD TUBING MATERIAL: STOCK .020 WALL X 1.25 O.D. 6061-T4, WW-T-700/6	107107 904949	1
476	417N2101-19	.	TUBE-HOSE SHROUD TUBING MATERIAL: STOCK .020 WALL BY 1 1/4 O.D 6061-T4, WW-T-700/6	107107 121503 904999	1
481	417N2101-35	.	TUBE-HOSE SHROUD TUBING MATERIAL: STOCK .020 WALL X 1-1/4 O.D 6061-T4, WW-T-700/6	107107 904949	1
486	417N2101-107	.	TUBE-HOSE SHROUD TUBING MATERIAL: WW-T-700/6 6061 T4 TUBING 1.25 O.D X 0.02 WALL THICKNESS X 51.6 LENGTH	107107 904949	1
491	417N2101-36	.	TUBE-HOSE SHROUD TUBING MATERIAL: STOCK .020WALL X 1-1/4 O.D 6061-T4, WW-T-700/6	107107 904949	1
506	417N2101-58	.	TUBE-HOSE SHROUD TUBING MATERIAL: STOCK .020 WALL X 1.25 O.D 6061-T4, WW-T-700/6	107107 904949	1
511	78001-609	.	HOSE ASSY- SUPPLIER CODE: V24984 SPECIFICATION NUMBER: 10-61998-609 OPTIONAL PART: A1650-609 V98441 R29281-8-0350 V50599	107107 121503 904999	1

MISSING ITEM NUMBERS NOT APPLICABLE

- ITEM NOT ILLUSTRATED

38-11-52-03

38-11-52
FIG. 03
PAGE 6
JAN 20/09

BRI



757

PARTS CATALOG (MAINTENANCE)

FIG ITEM	PART NUMBER	1 2 3 4 5 6 7	NOMENCLATURE	EFFECT FROM TO	UNITS PER ASSY
3 516	78001-462		.HOSE ASSY- SUPPLIER CODE: V24984 SPECIFICATION NUMBER: 10-61998-462 OPTIONAL PART: A1650-462 V03925 R29280-8-0662 V50599	107107 121503 904999	1
521	78001-463		.HOSE ASSY- SUPPLIER CODE: V24984 SPECIFICATION NUMBER: 10-61998-463 OPTIONAL PART: A1650-463 V03925 R29280-8-3001 V50599	107107 904949	1
531	R29280-8-0580		.HOSE ASSY- SUPPLIER CODE: V50599 SPECIFICATION NUMBER: 10-61998-406 OPTIONAL PART: 78001-406 V24984 A1650-406 V03925 AE706493-406 V00624 OPTIONAL PART: AS4469-08-0580	107107 121503 904999	1
531	AS4469-08-0580		.HOSE ASSY- OPTIONAL PART: R29280-8-0580 V50599	107107 121503 904999	1

MISSING ITEM NUMBERS NOT APPLICABLE

- ITEM NOT ILLUSTRATED

BRI

38-11-52-03

BOEING PROPRIETARY - Copyright © - Unpublished Work - See title page for details.

38-11-52
FIG. 03
PAGE 7
JAN 20/09



757

PARTS CATALOG (MAINTENANCE)

FIG ITEM	PART NUMBER	1 2 3 4 5 6 7	NOMENCLATURE	EFFECT FROM TO	UNITS PER ASSY
3 536	78001-486		.HOSE ASSY- SUPPLIER CODE: V24984 SPECIFICATION NUMBER: 10-61998-486 OPTIONAL PART: A1650-486 V98441 AE706493-486 V00624 R29280-8-5240 V50599 OPTIONAL PART: AS4469-08-5240	002004 006100 107107 121503 904999	1
536	AS4469-08-5240		.HOSE ASSY- OPTIONAL PART: 78001-486 V24984	002004 006100 107107 121503 904999	1
536 541	AS4469-08-5200 78001-465		.HOSE ASSY- .HOSE ASSY- SUPPLIER CODE: V24984 SPECIFICATION NUMBER: 10-61998-465 OPTIONAL PART: A1650-465 V03925 R29280-8-4800 V50599	017100 107107 121503 904999	1 1
546	A1650-411		.HOSE ASSY- SUPPLIER CODE: V98441 SPECIFICATION NUMBER: 10-61998-411 OPTIONAL PART: 78001-411 V24984 AE706493-411 V00624 R29280-8-0440 V50599	107107 121503 904999	1

MISSING ITEM NUMBERS NOT APPLICABLE

- ITEM NOT ILLUSTRATED

38-11-52-03

38-11-52
FIG. 03
PAGE 8
JAN 20/09

BRI

BOEING PROPRIETARY - Copyright © - Unpublished Work - See title page for details.



757

PARTS CATALOG (MAINTENANCE)

FIG ITEM	PART NUMBER	1 2 3 4 5 6 7	NOMENCLATURE	EFFECT FROM TO	UNITS PER ASSY
3 551	78001-412		.HOSE ASSY- SUPPLIER CODE: V24984 SPECIFICATION NUMBER: 10-61998-412 OPTIONAL PART: A1650-412 V03925 AE706493-412 V00624 R29284-8-0520-0 V50599	107107 121503 904999	1
556	78001-471		.HOSE ASSY- SUPPLIER CODE: V24984 SPECIFICATION NUMBER: 10-61998-471 OPTIONAL PART: A1650-471 V03925 R29284-8-0176-2 V50599	107107 121503 904999	1
561	R29281-8-0550		.HOSE ASSY- SUPPLIER CODE: V50599 SPECIFICATION NUMBER: 10-61998-156 OPTIONAL PART: 78001-156 V24984 A1650-156 V03925 AE706493-156 V00624 OPTIONAL PART: AS4470-08-0550	121503 950999	1
561	AS4470-08-0550		.HOSE ASSY- OPTIONAL PART: R29281-8-0550	121503 950999	1
566	NAS1763J080808		.TEE	107107 121503 904999	1
571	MS21912J8		.TEE	107107 121503 904999	3
574	69-22976-5		.TEE- POSITION DATA: UPPER	107107 121503 904999	1

MISSING ITEM NUMBERS NOT APPLICABLE

- ITEM NOT ILLUSTRATED

38-11-52-03

38-11-52
FIG. 03
PAGE 9
JAN 20/09

BRI



757

PARTS CATALOG (MAINTENANCE)

FIG ITEM	PART NUMBER	1 2 3 4 5 6 7	NOMENCLATURE	EFFECT FROM TO	UNITS PER ASSY
3					
576	69-22976-6	. TEE-HALF		107107	3
		POSITION DATA:		121503	
		UPR		904999	
578	69-22976-5	. TEE-		107107	1
		POSITION DATA:		121503	
		UPPER		904999	
581	69-24475-6	. TEE-HALF		107107	3
		POSITION DATA:		121503	
		LWR		904999	
586	FT881	. TEE-		107107	1
		SUPPLIER CODE:		121503	
		V24984		904999	
591	MS21905J8	. TEE		107107	2
				121503	
				904999	
596	MS21906J8	. CROSS		107107	1
				121503	
				904999	
601	65-52978-3	. CROSS		107107	1
				121503	
				904999	
606	65-52978-4	. CROSS		107107	1
				121503	
				904999	
611	66-17212-2	. SLEEVE		121503	8
				950999	
616	66-17212-2	. SLEEVE		107107	10
				904949	
621	66-18200-3	. RETAINER		107107	2
				904949	
631	66-17948-2	. RETAINER		107107	33
				121503	
				904999	
641	66-17948-2	. RETAINER		107107	2
				904949	
646	N5	. CLIP-		107107	33
		SUPPLIER CODE:		121503	
		V06229		904999	
656	N5	. CLIP-		107107	2
		SUPPLIER CODE:		904949	
		V06229			
661	69-50697-1	. CLIP ASSY		107107	4
				904949	
671	SL854C3F1CM	.. INSERT-		107107	1
		SUPPLIER CODE:		904949	
		V97393			
676	69-50697-3	.. CLIP		107107	1
				904949	

MISSING ITEM NUMBERS NOT APPLICABLE

- ITEM NOT ILLUSTRATED

38-11-52-03

38-11-52
FIG. 03
PAGE 10
JAN 20/09

BRI

BOEING PROPRIETARY - Copyright © - Unpublished Work - See title page for details.



757

PARTS CATALOG (MAINTENANCE)

FIG ITEM	PART NUMBER	1 2 3 4 5 6 7	NOMENCLATURE	EFFECT FROM TO	UNITS PER ASSY
3					
686	417N2111-1	.	SUPPORT ASSY	107107 904949	2
701	S38J1	.	SUPPORT SUPPLIER CODE: V59237 SPECIFICATION NUMBER: BACS38J1 OPTIONAL PART: 30187-2 V26835	121503 950999	3
716	S38J2	.	SUPPORT SUPPLIER CODE: V59237 SPECIFICATION NUMBER: BACS38J2 OPTIONAL PART: 30187-3 V26835	121503 950999	3
721	MS3367-1-9	.	STRAP	107107 121503 904999	19
736	TM3S10	.	PLATE SUPPLIER CODE: V06383 SPECIFICATION NUMBER: STBP19M12	107107 121503 904999	19
741	TM3S10	.	PLATE SUPPLIER CODE: V06383 SPECIFICATION NUMBER: STBP19M12	121503 950999	19
751	AN924-8J	.	NUT	107107 121503 904999	2
756	AP1008-08JL	.	CAP ASSY SUPPLIER CODE: V01673 SPECIFICATION NUMBER: BACC14AD08JL OPTIONAL PART: US2103-08JL V50808	107107 121503 904999	6

MISSING ITEM NUMBERS NOT APPLICABLE

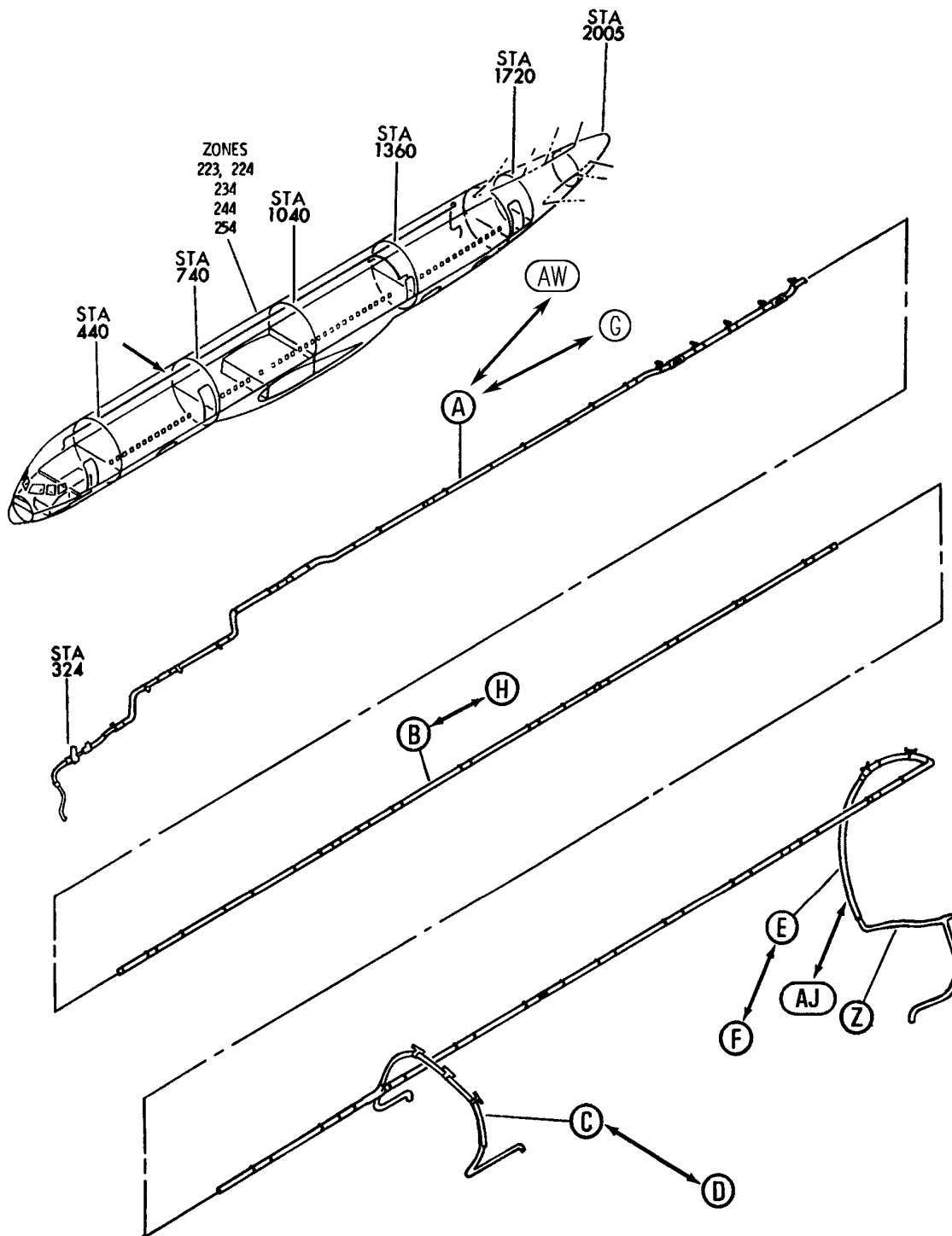
- ITEM NOT ILLUSTRATED

38-11-52-03

38-11-52
FIG. 03
PAGE 11
JAN 20/09

BRI

BOEING
757
PARTS CATALOG (MAINTENANCE)



Y 38115203A SHT 1 REV 296

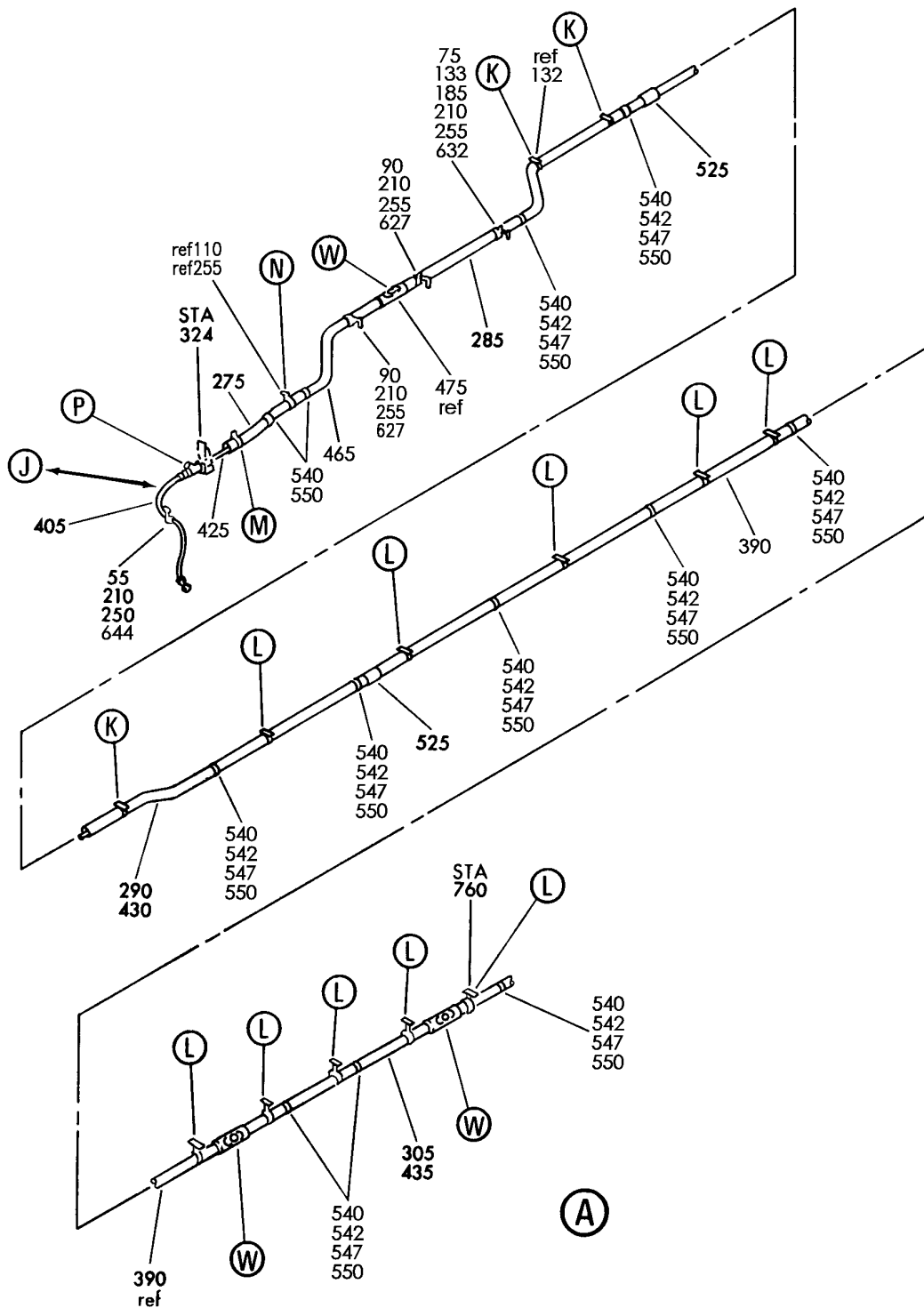
LINE INSTL-PASS. WATER SYS OVHD SUPPLY
FIGURE 3A (SHEET 1)

38-11-52-03A

BRI
MAY 28/07

38-11-52-03A
PAGE 0


BOEING
 757
PARTS CATALOG (MAINTENANCE)



Y 38115203A SHT 2 REV 332

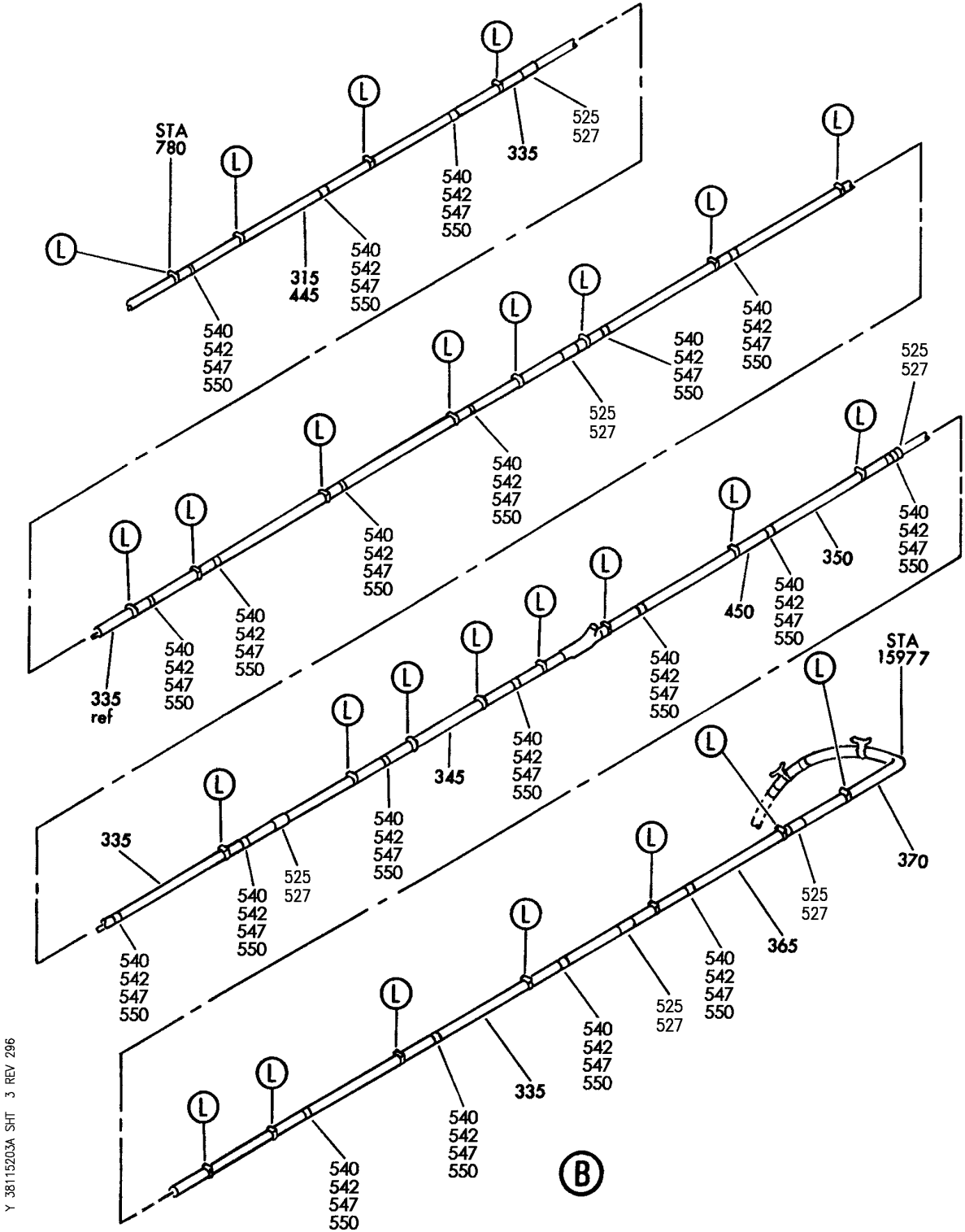
LINE INSTL-PASS. WATER SYS OVHD SUPPLY
 FIGURE 3A (SHEET 2)

38-11-52-03A

BRI
MAY 20/09

38-11-52-03A
 PAGE 0A


BOEING
 757
PARTS CATALOG (MAINTENANCE)



Y 38115203A SHT 3 REV 296

LINE INSTL-PASS. WATER SYS OVHD SUPPLY
 FIGURE 3A (SHEET 3)

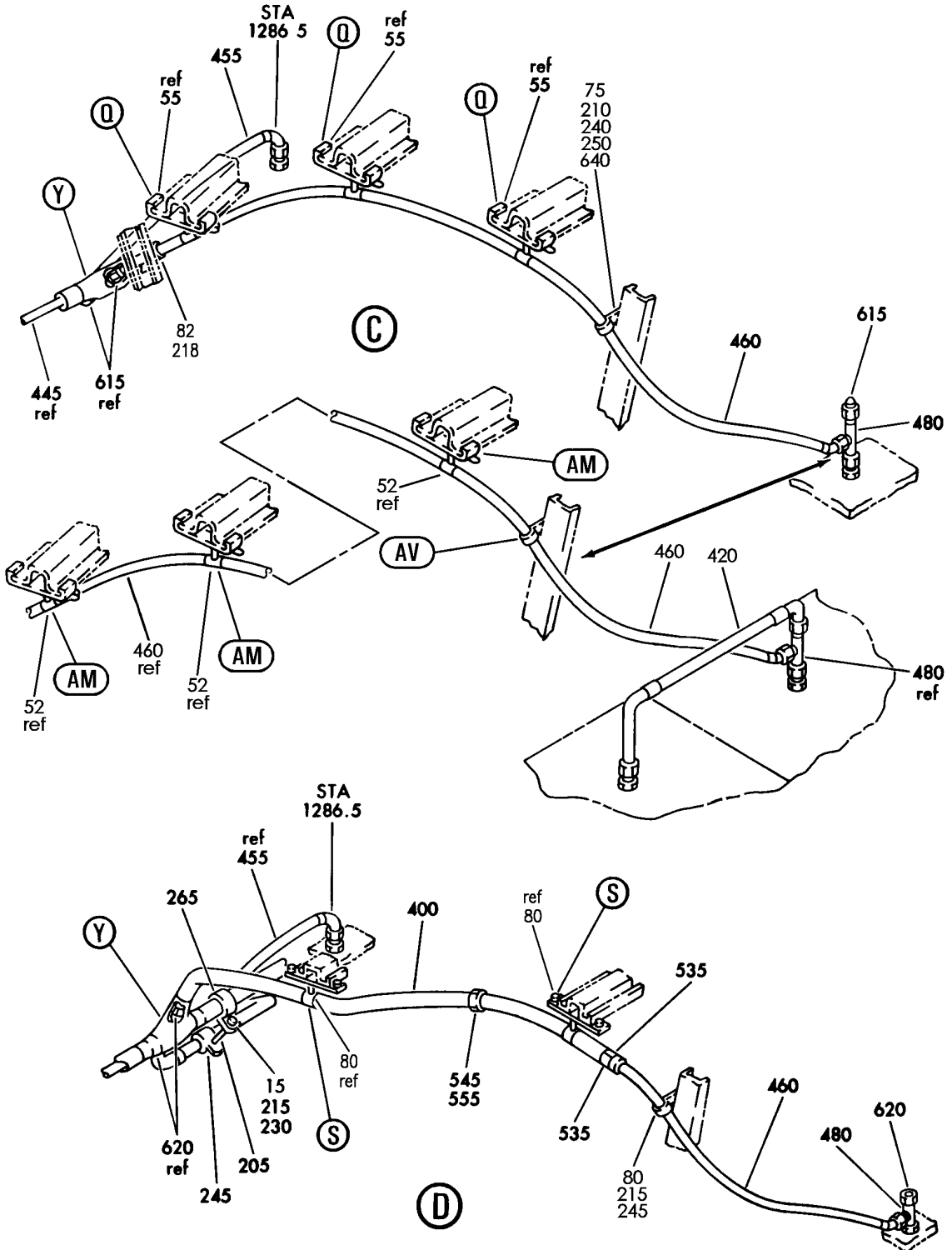
38-11-52-03A

BRI
MAY 28/07

38-11-52-03A
PAGE 0B

BOEING PROPRIETARY - Copyright © - Unpublished Work - See title page for details.

BOEING
757
PARTS CATALOG (MAINTENANCE)



Y 38115203A SHT 4 REV 332

LINE INSTL-PASS. WATER SYS OVHD SUPPLY
FIGURE 3A (SHEET 4)

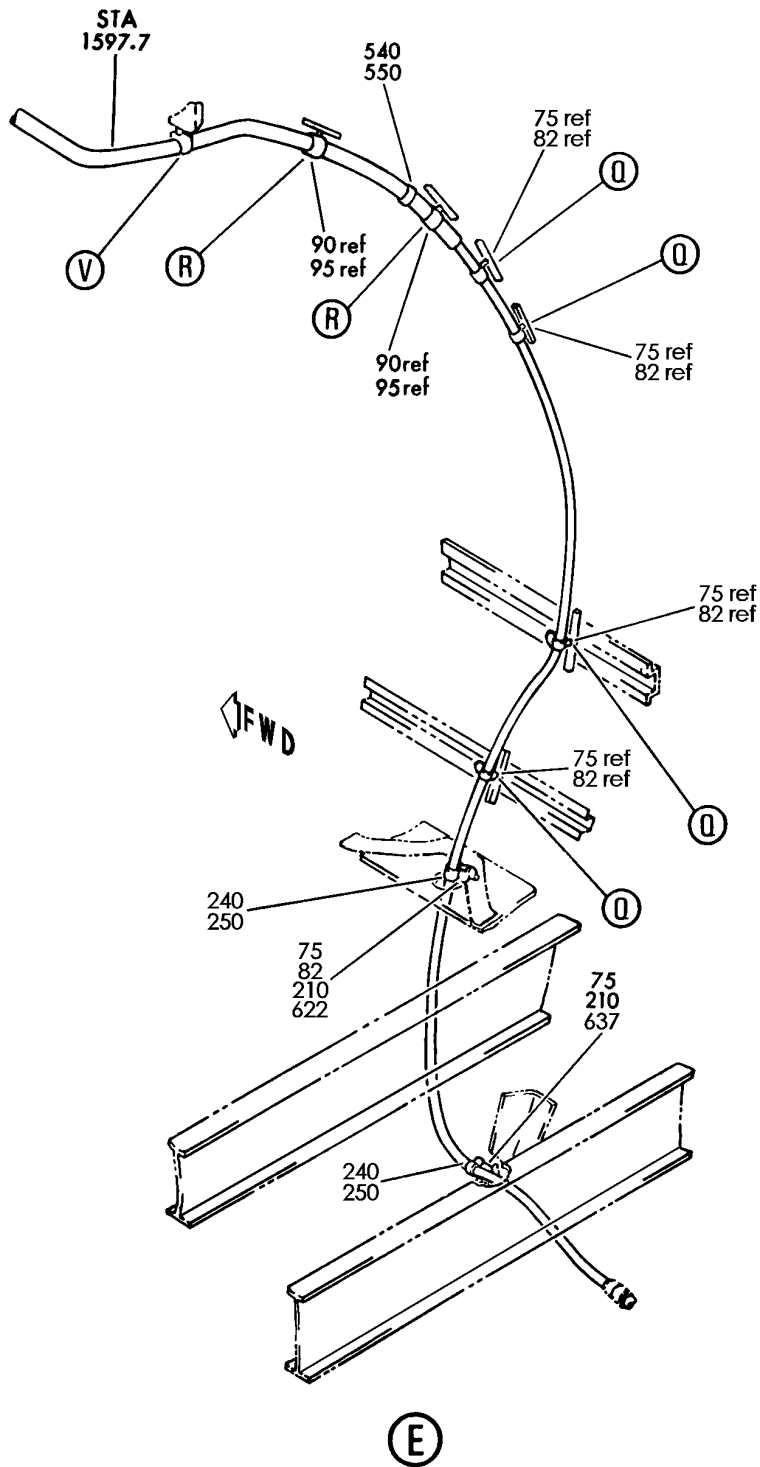
38-11-52-03A

BRI
MAY 20/09

38-11-52-03A
PAGE 0C

BOEING PROPRIETARY - Copyright © - Unpublished Work - See title page for details.

BOEING
757
PARTS CATALOG (MAINTENANCE)



Y 38115203A SH1 5 REV 222

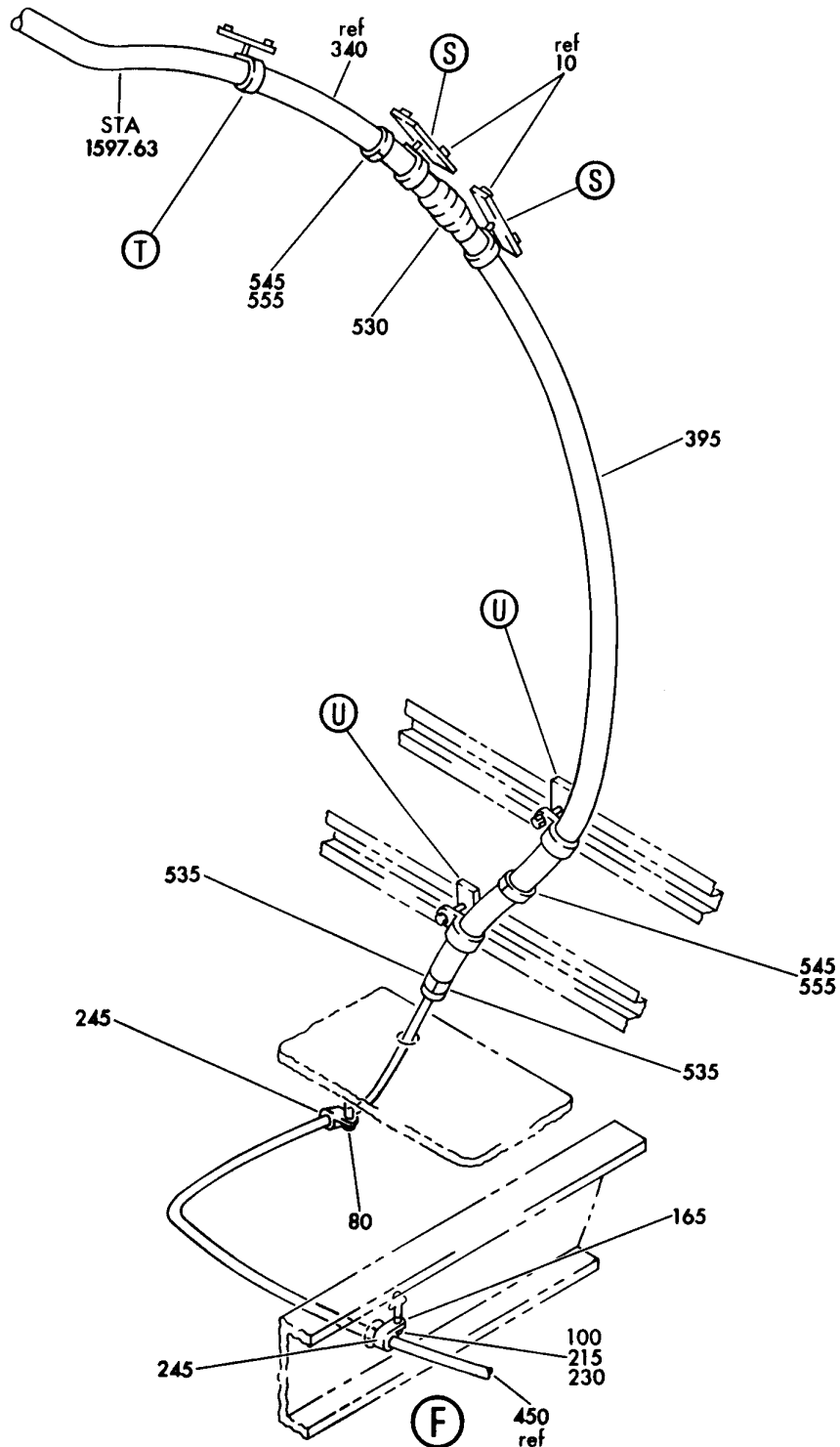
LINE INSTL-PASS. WATER SYS OVHD SUPPLY
FIGURE 3A (SHEET 5)

38-11-52-03A

BRI
MAY 28/07

38-11-52-03A
PAGE 0D

BOEING
757
PARTS CATALOG (MAINTENANCE)



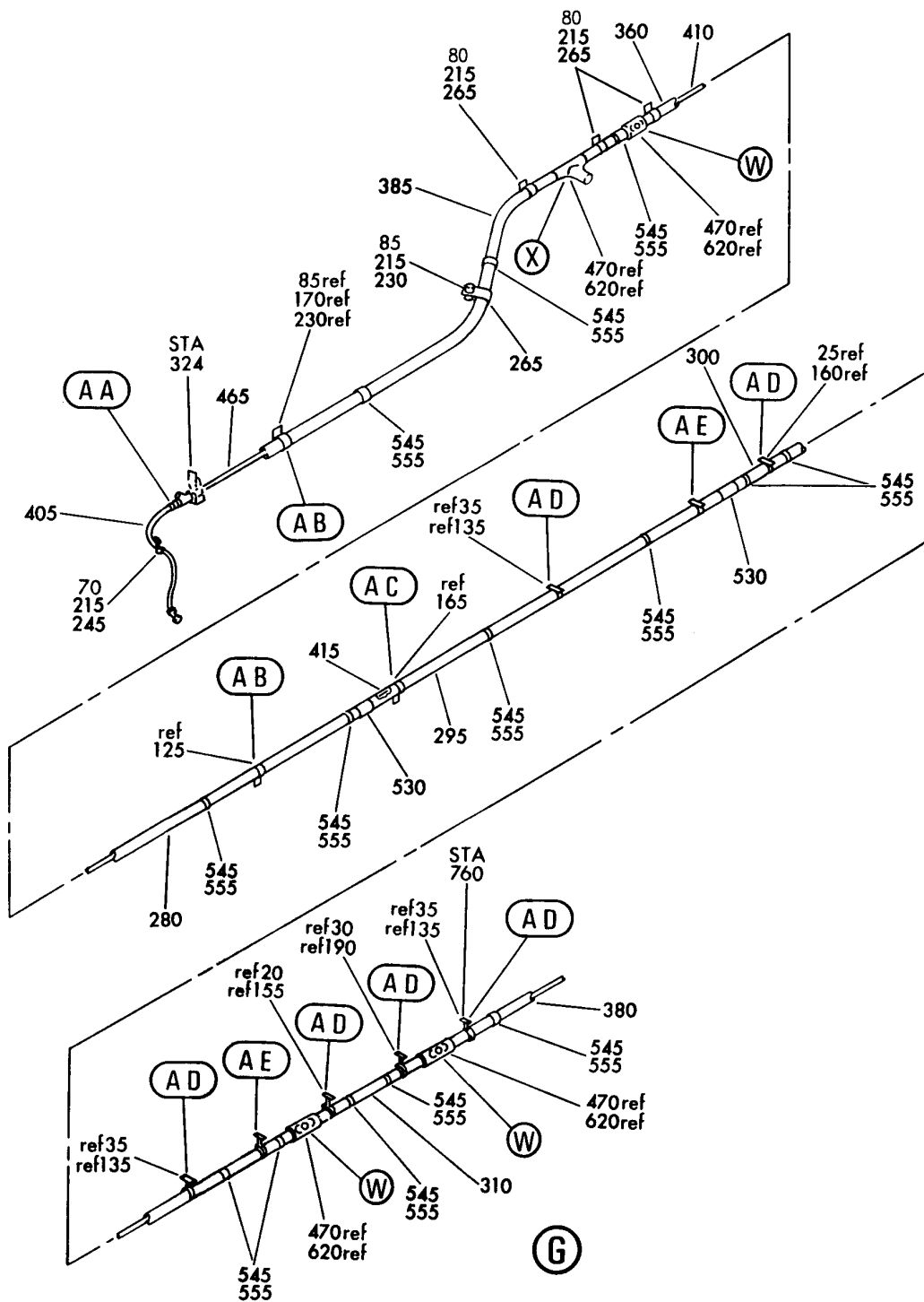
Y 38115203A SHT 6 REV 181

LINE INSTL-PASS. WATER SYS OVHD SUPPLY
FIGURE 3A (SHEET 6)

38-11-52-03A

BRI
MAY 28/07

38-11-52-03A
PAGE 0E



Y 38115203A SHT. 7 REV. 332

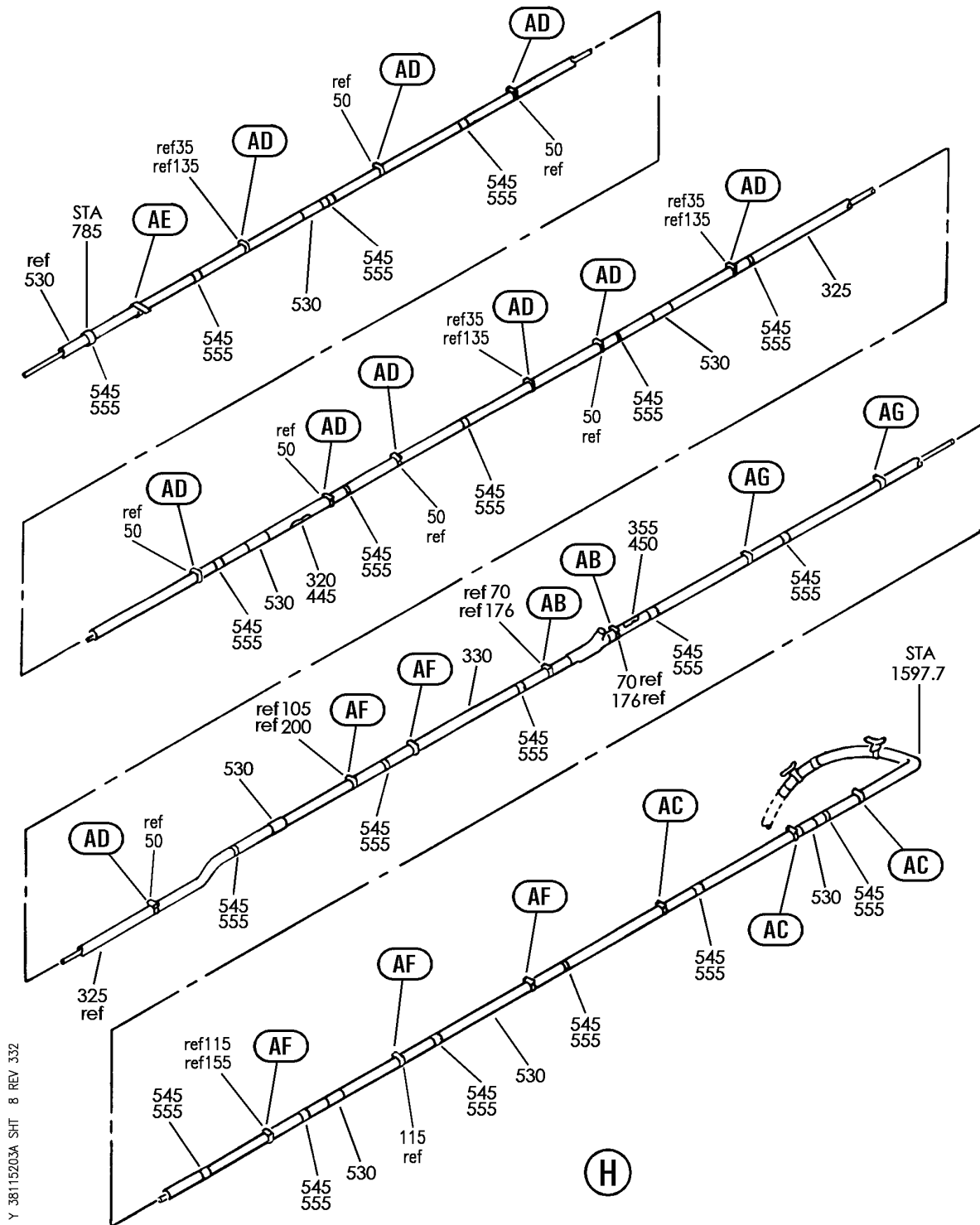
LINE INSTL-PASS. WATER SYS OVHD SUPPLY
FIGURE 3A (SHEET 7)

38-11-52-03A

BRI
MAY 20/09

38-11-52-03A
PAGE OF


BOEING
 757
PARTS CATALOG (MAINTENANCE)



Y 38115203A SHT 8 REV 332

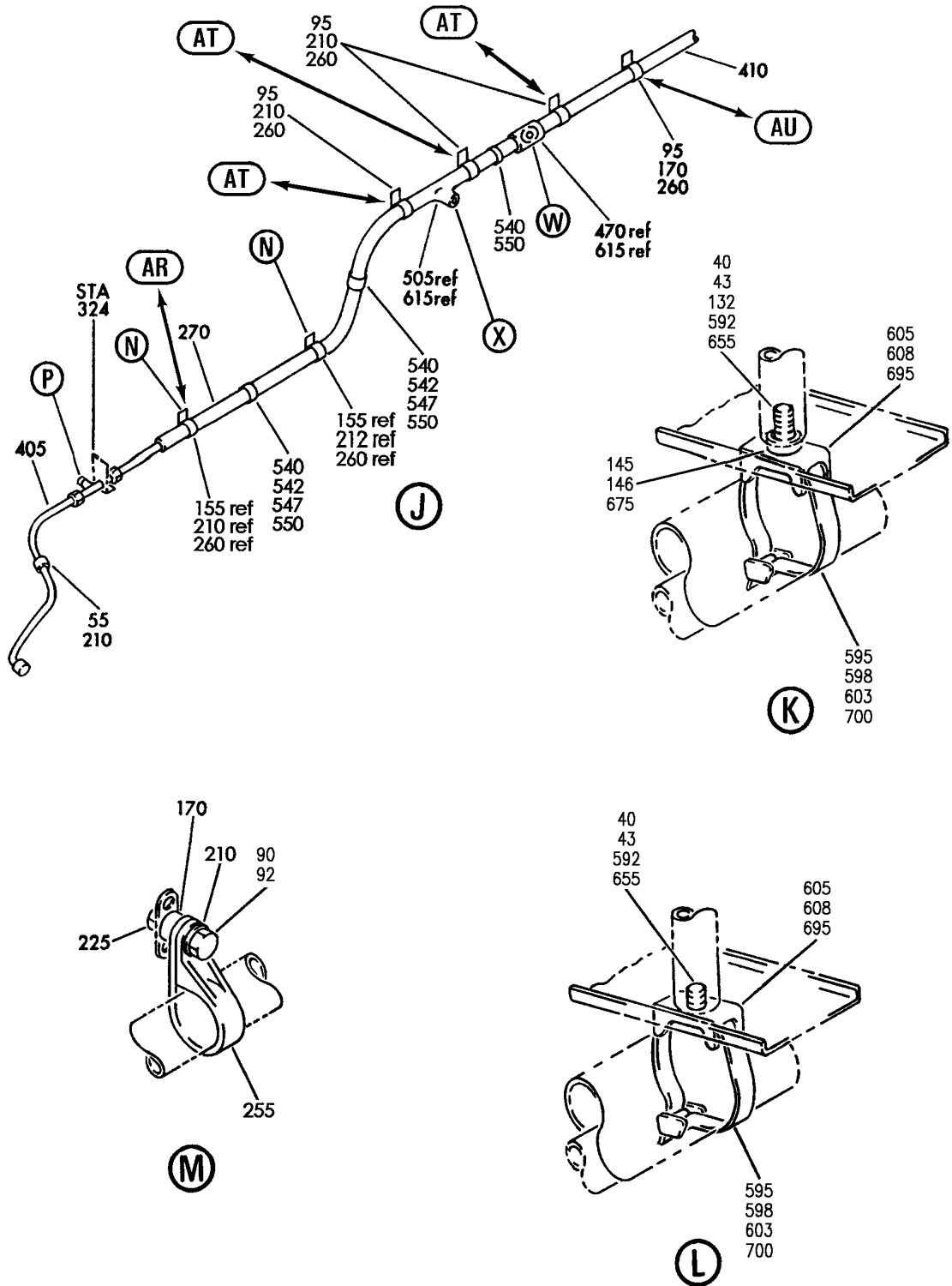
LINE INSTL-PASS. WATER SYS OVHD SUPPLY
 FIGURE 3A (SHEET 8)

38-11-52-03A

BRI
 MAY 20/09

38-11-52-03A
 PAGE 08


BOEING
 757
PARTS CATALOG (MAINTENANCE)



Y 38115203A SHT 9 REV 332

LINE INSTL-PASS. WATER SYS OVHD SUPPLY
 FIGURE 3A (SHEET 9)

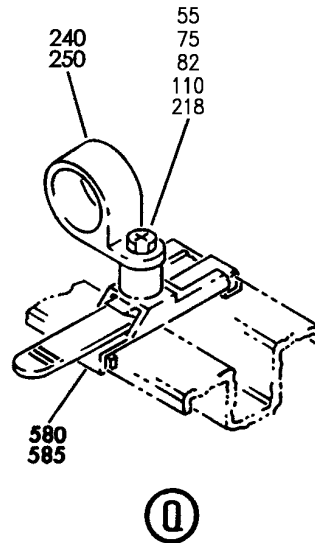
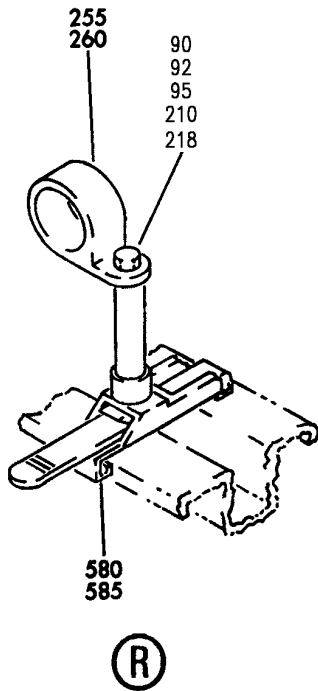
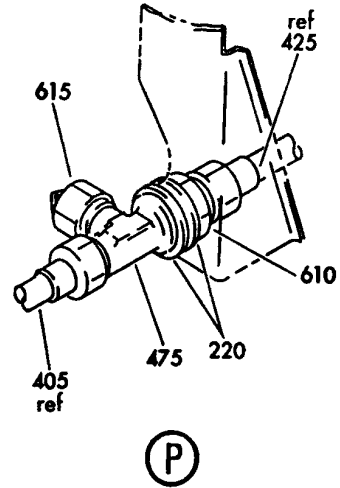
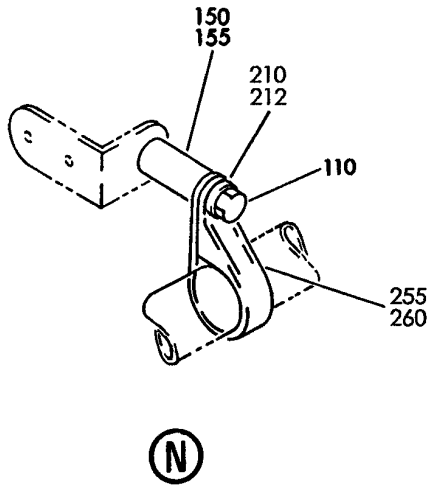
38-11-52-03A

BRI
MAY 20/09

38-11-52-03A
 PAGE 0H

BOEING PROPRIETARY - Copyright © - Unpublished Work - See title page for details.

BOEING
757
PARTS CATALOG (MAINTENANCE)



Y 38115203A SH1 10 REV 332

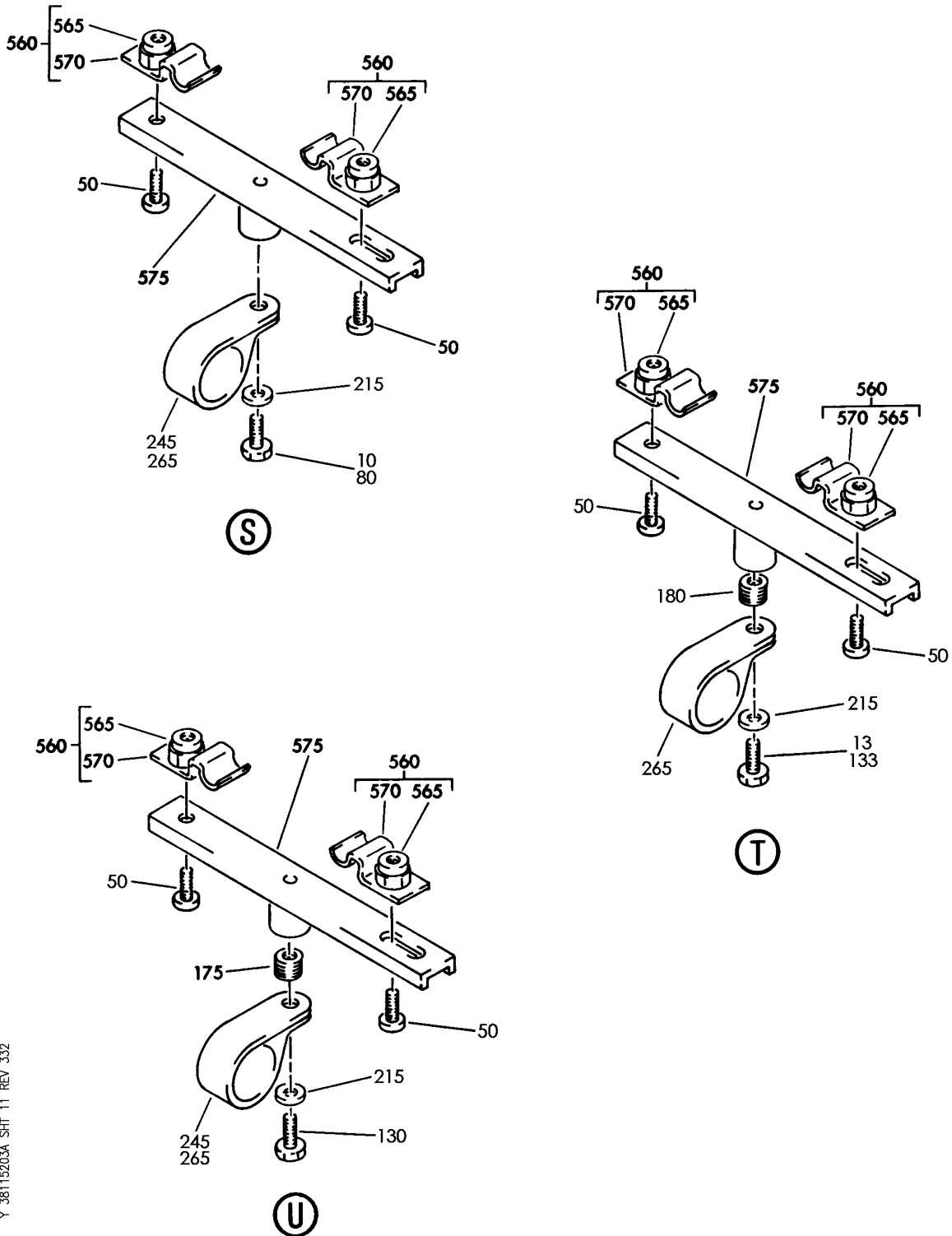
LINE INSTL-PASS. WATER SYS OVHD SUPPLY
FIGURE 3A (SHEET 10)

38-11-52-03A

BRI
MAY 20/09

38-11-52-03A
PAGE 01


BOEING
 757
PARTS CATALOG (MAINTENANCE)



Y 38115203A SHT 11 REV 332

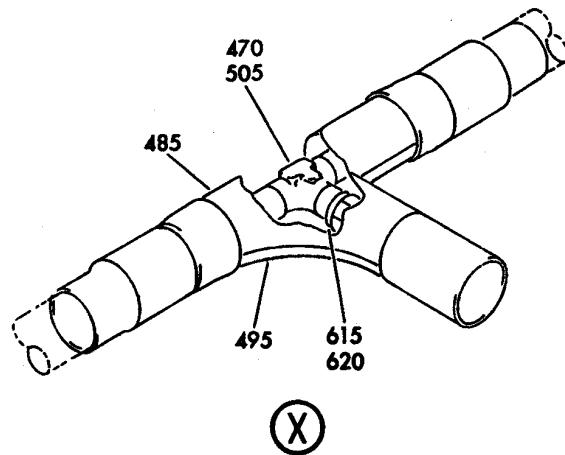
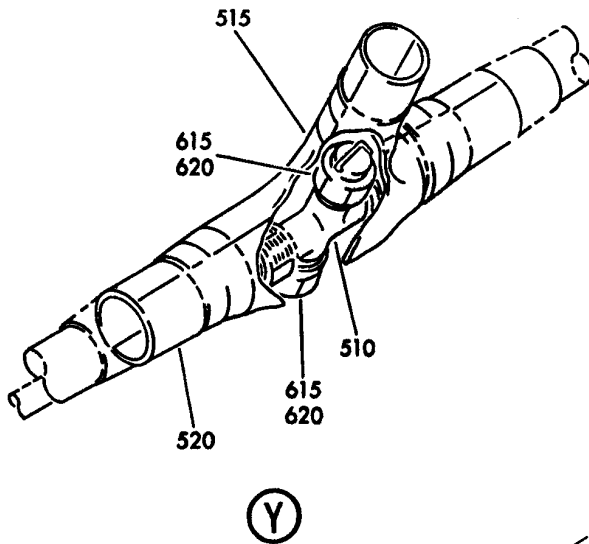
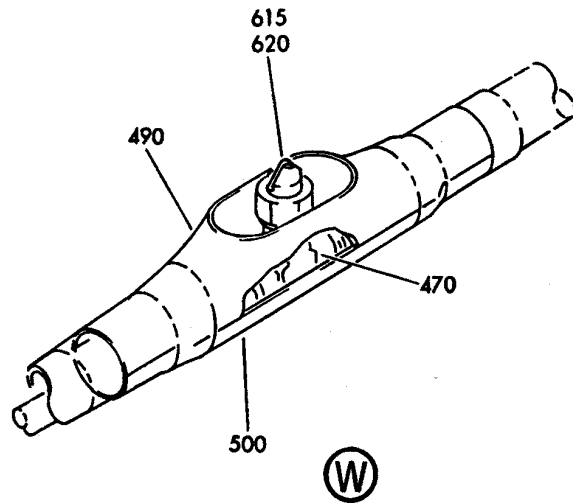
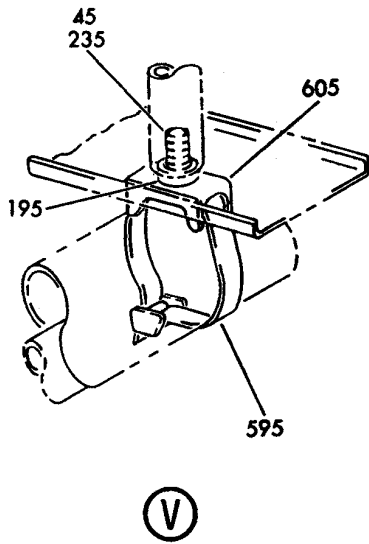
LINE INSTL-PASS. WATER SYS OVHD SUPPLY
 FIGURE 3A (SHEET 11)

38-11-52-03A

BRI
MAY 20/09

38-11-52-03A
 PAGE 0J

BOEING
757
PARTS CATALOG (MAINTENANCE)



Y 38115203A SHT 12 REV 212

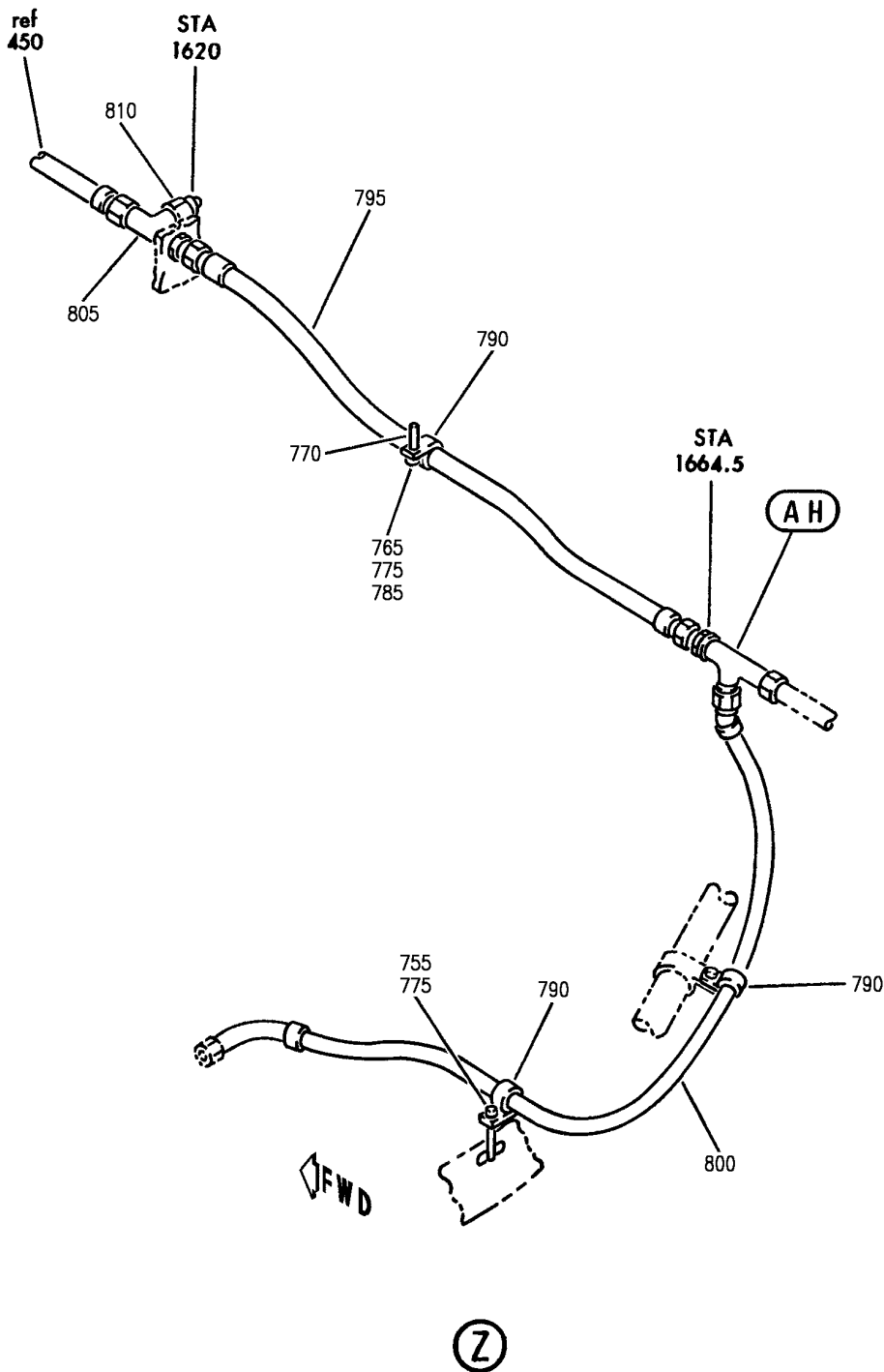
LINE INSTL-PASS. WATER SYS OVHD SUPPLY
FIGURE 3A (SHEET 12)

38-11-52-03A

BRI
MAY 28/07

38-11-52-03A
PAGE OK

BOEING
757
PARTS CATALOG (MAINTENANCE)



Y 38115203A SHT 13 REV 296

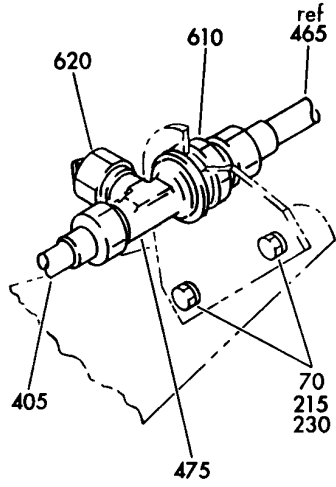
LINE INSTL-PASS. WATER SYS OVHD SUPPLY
FIGURE 3A (SHEET 13)

38-11-52-03A

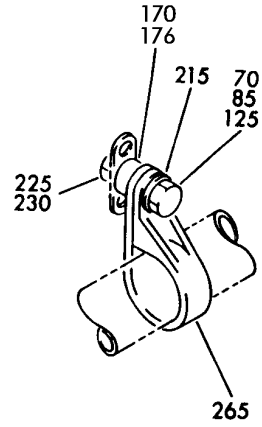
BRI
MAY 28/07

38-11-52-03A
PAGE 0L

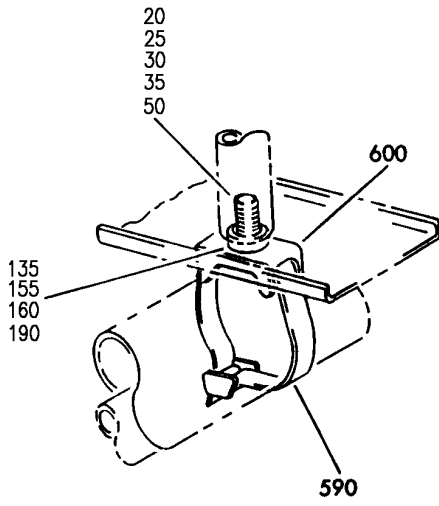
BOEING
757
PARTS CATALOG (MAINTENANCE)



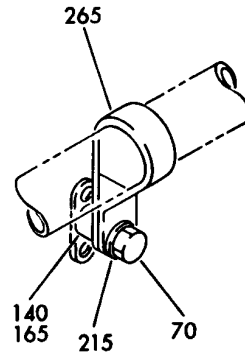
AA



AB



AD



AC

Y 38115203A SH1 14 REV 332

LINE INSTL-PASS. WATER SYS OVHD SUPPLY
FIGURE 3A (SHEET 14)

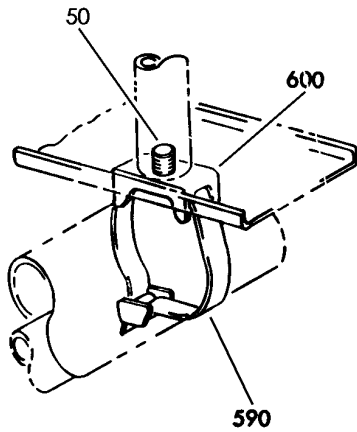
38-11-52-03A

BRI
MAY 20/09

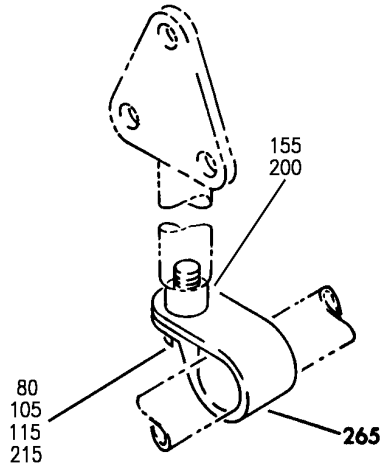
38-11-52-03A
PAGE 0M

BOEING PROPRIETARY - Copyright © - Unpublished Work - See title page for details.

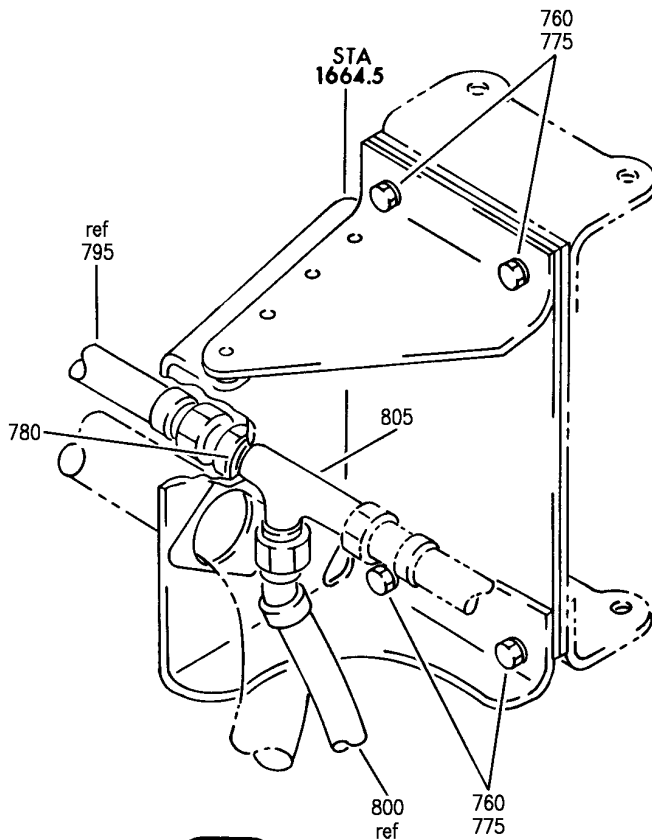
BOEING
757
PARTS CATALOG (MAINTENANCE)



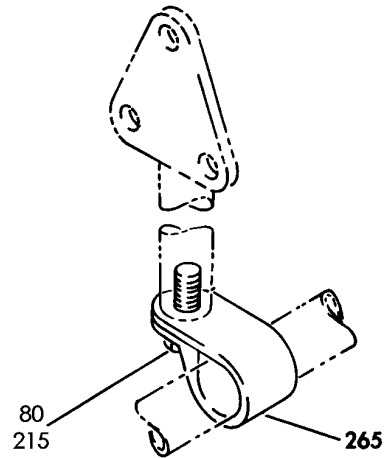
AE



AF



AH



AG

Y 38115203A SH1 15 REV 332

LINE INSTL-PASS. WATER SYS OVHD SUPPLY
FIGURE 3A (SHEET 15)

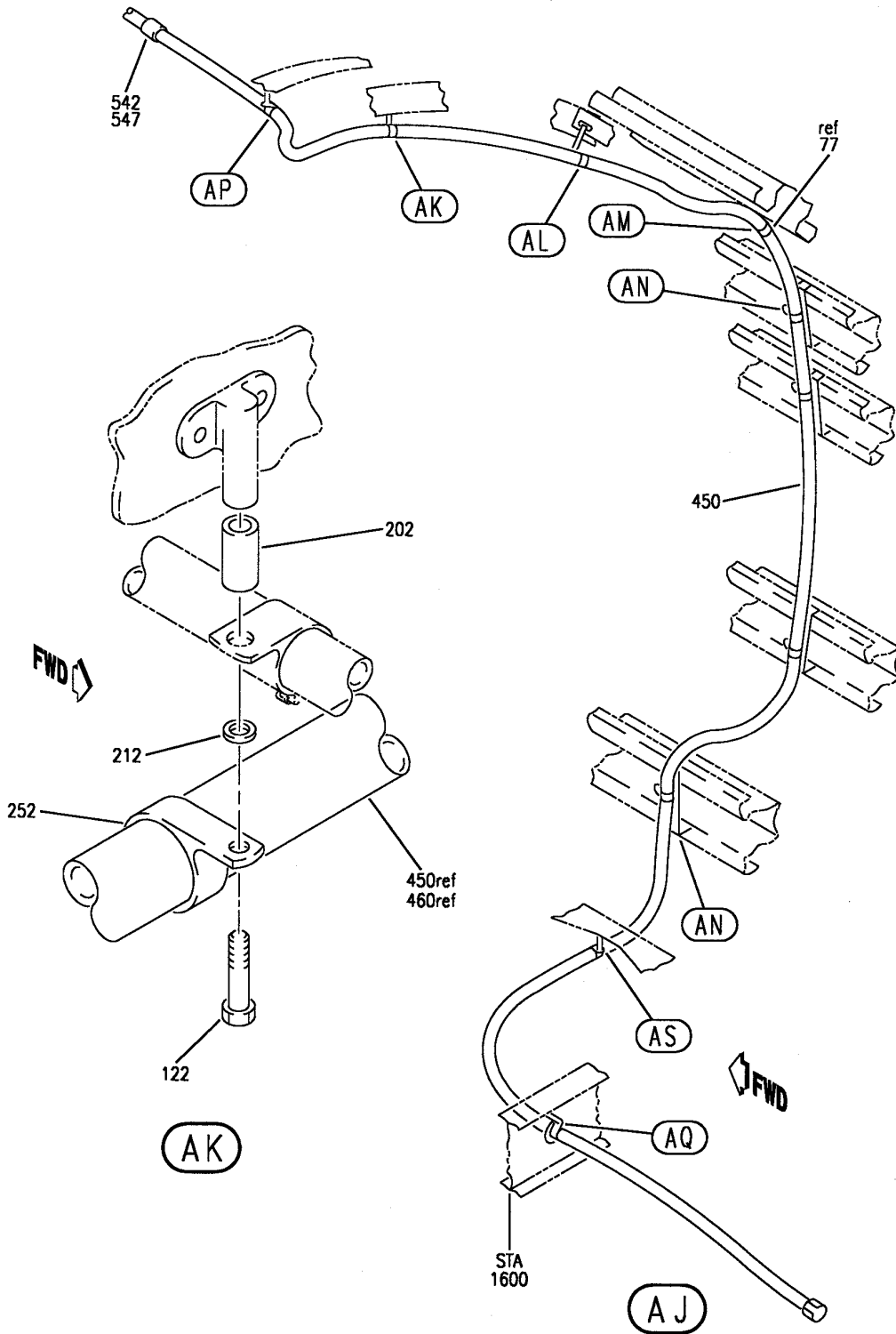
38-11-52-03A

BRI
MAY 20/09

38-11-52-03A
PAGE ON

BOEING PROPRIETARY - Copyright © - Unpublished Work - See title page for details.

BOEING
757
PARTS CATALOG (MAINTENANCE)



Y 38115203A SHT 16 REV 212

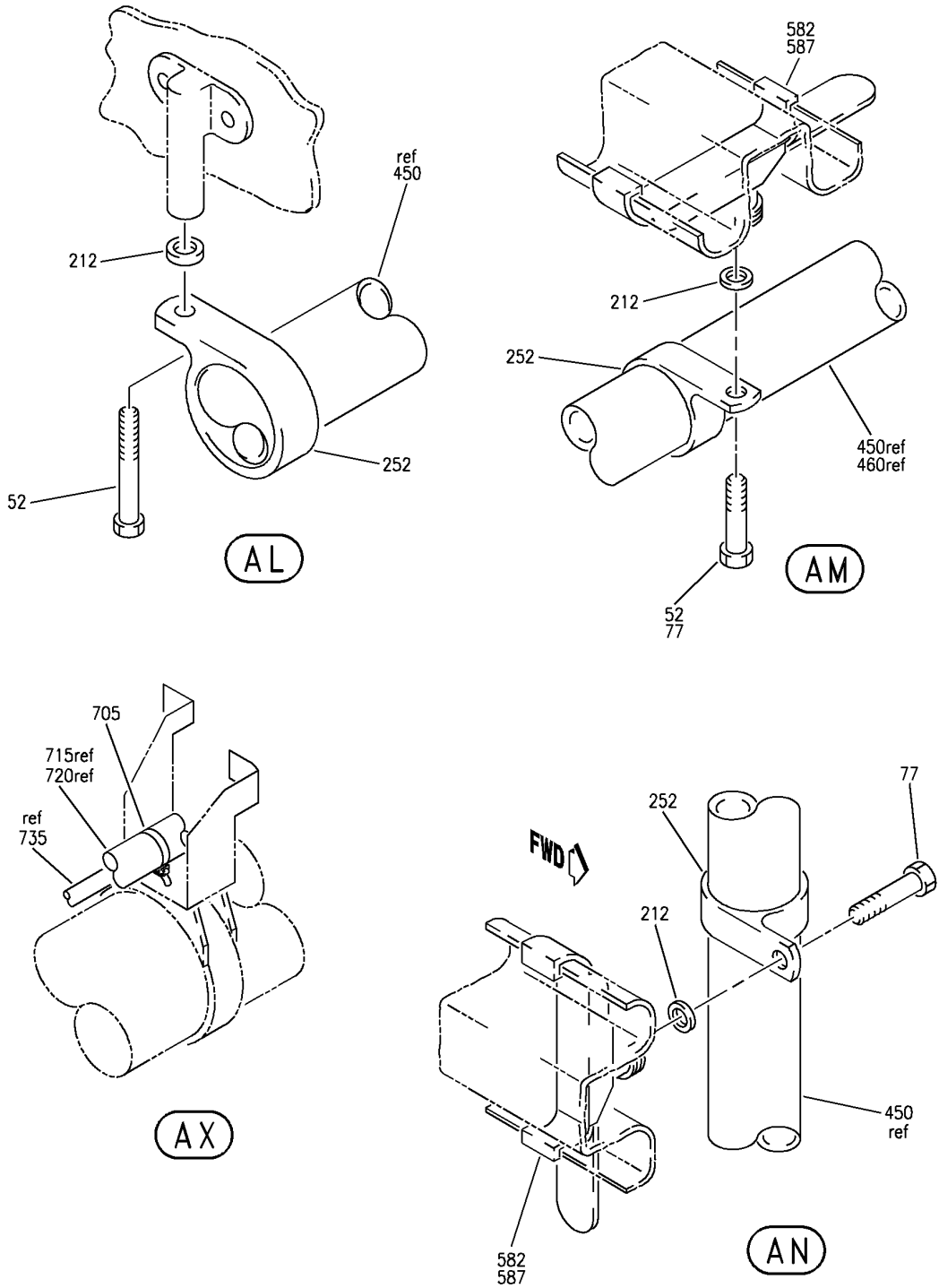
LINE INSTL-PASS. WATER SYS OVHD SUPPLY
FIGURE 3A (SHEET 16)

38-11-52-03A

BRI
MAY 28/07

38-11-52-03A
PAGE 00

BOEING
757
PARTS CATALOG (MAINTENANCE)



Y 38115203A SHT 17 REV 296

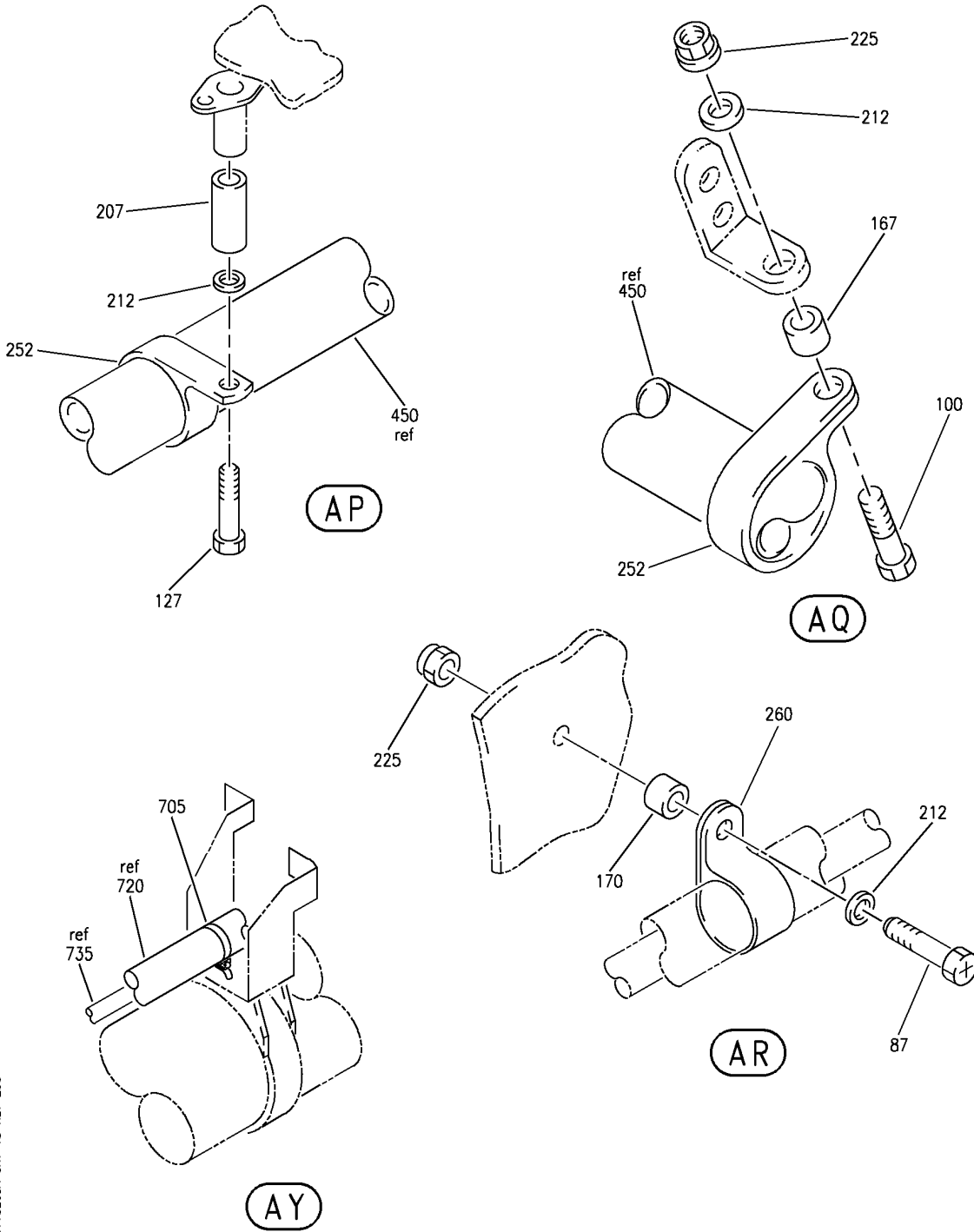
LINE INSTL-PASS. WATER SYS OVHD SUPPLY
FIGURE 3A (SHEET 17)

BRI
MAY 28/07

38-11-52-03A

38-11-52-03A
PAGE 0P

BOEING
757
PARTS CATALOG (MAINTENANCE)



Y 38115203A SHT 18 REV 296

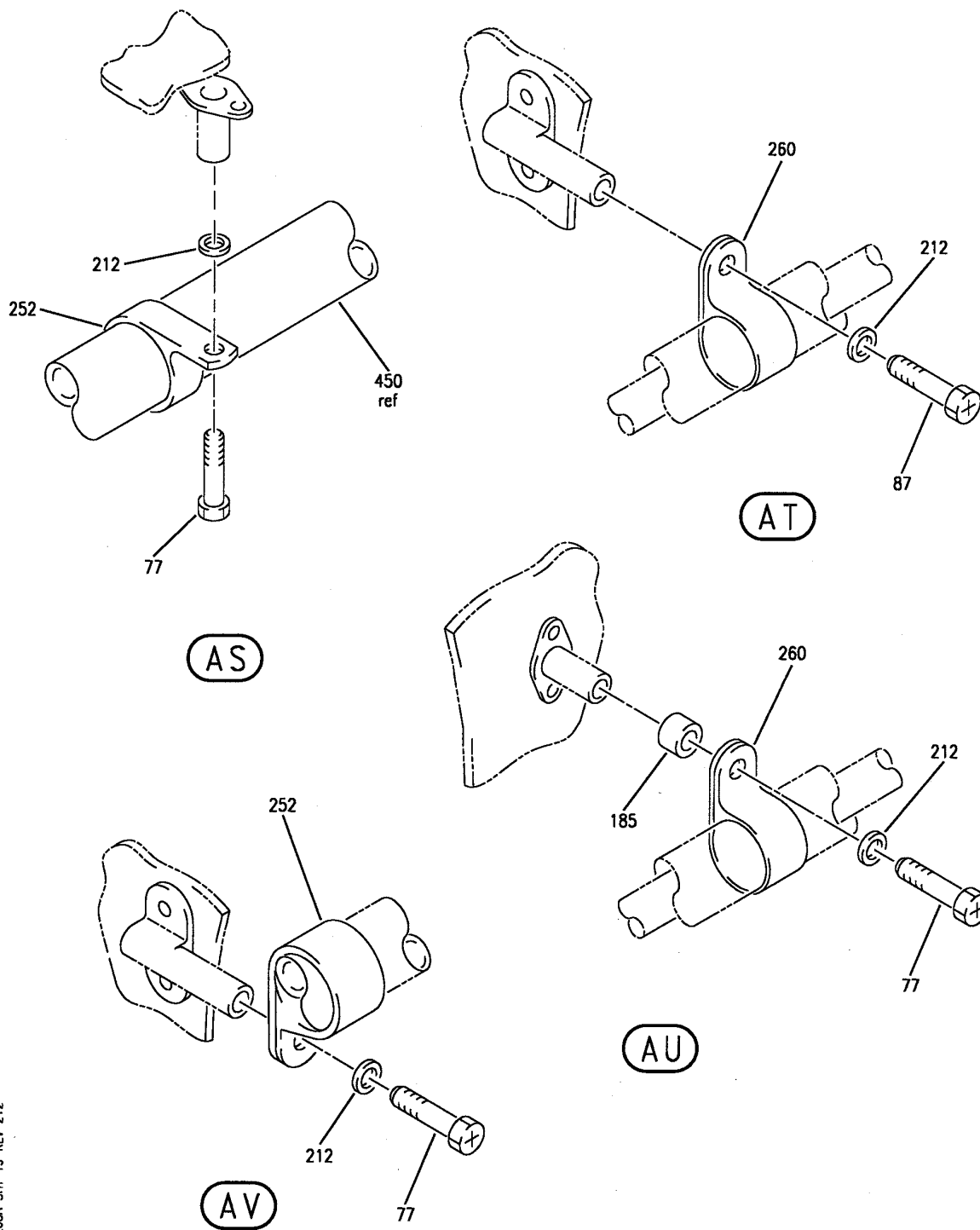
LINE INSTL-PASS. WATER SYS OVHD SUPPLY
FIGURE 3A (SHEET 18)

38-11-52-03A

BRI
MAY 28/07

38-11-52-03A
PAGE 00

BOEING
757
PARTS CATALOG (MAINTENANCE)



Y 38115203A SHT 19 REV 212

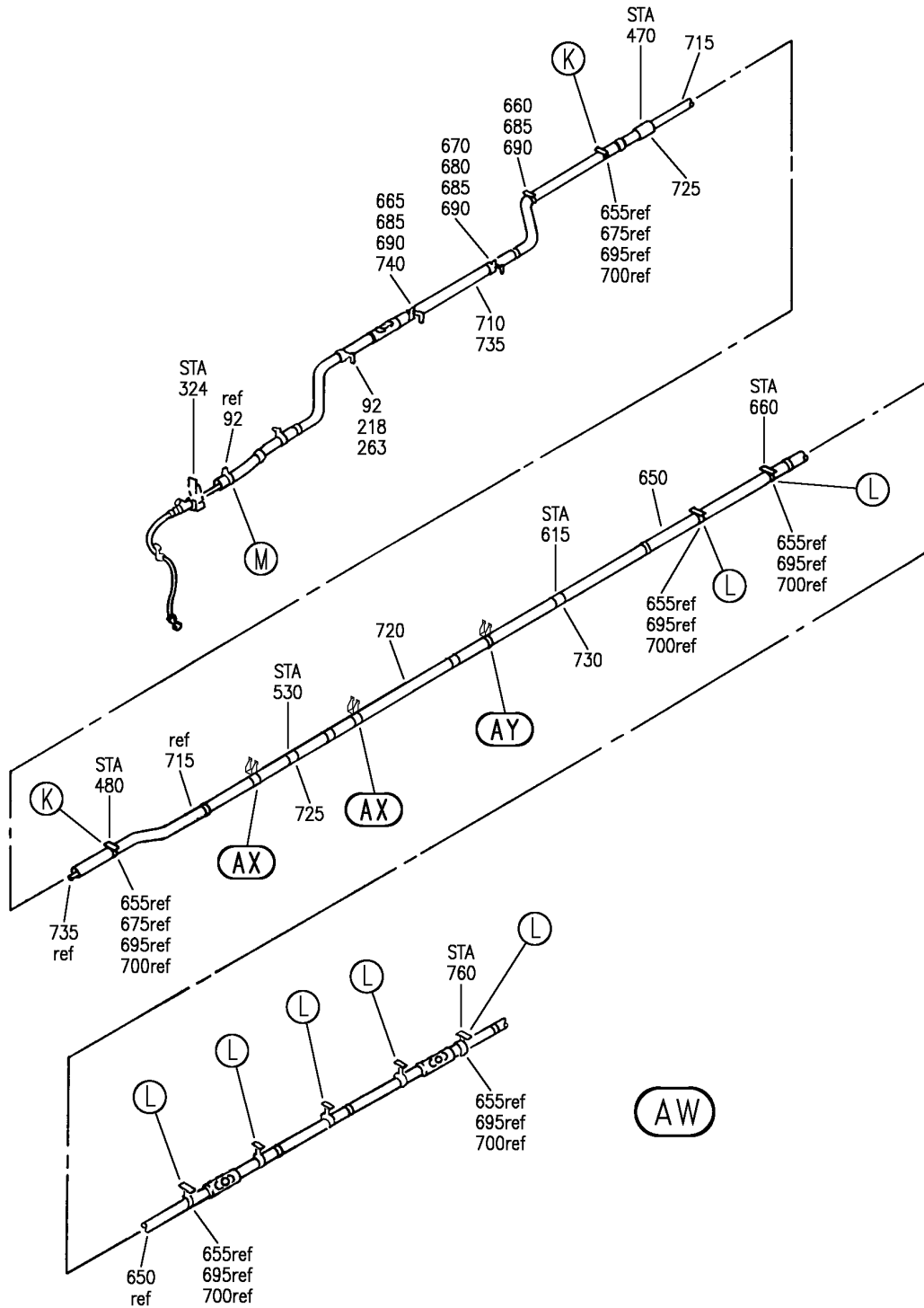
LINE INSTL-PASS. WATER SYS OVHD SUPPLY
FIGURE 3A (SHEET 19)

38-11-52-03A

BRI
MAY 28/07

38-11-52-03A
PAGE OR

BOEING
757
PARTS CATALOG (MAINTENANCE)



Y 38115203A SHT 20 REV 296

LINE INSTL-PASS. WATER SYS OVHD SUPPLY
FIGURE 3A (SHEET 20)

38-11-52-03A

BRI
MAY 28/07

38-11-52-03A
PAGE 05



757

PARTS CATALOG (MAINTENANCE)

FIG ITEM	PART NUMBER	1 2 3 4 5 6 7	NOMENCLATURE	EFFECT FROM TO	UNITS PER ASSY
3A			LINE INSTL-PASS. WATER SYS OVHD SUPPLY	101102 108120 504903	
- 1	417N2101-202		LINE INSTL-PASS. WATER SYS OVHD SUPPLY FOR NHA/OTHER SYS DET SEE: 25-20-00-07D	504903	RF
- 1	417N2101-204		LINE INSTL-PASS. WATER SYS OVHD SUPPLY FOR NHA SEE: 25-20-00-07D	101102	RF
- 1	417N2101-205		LINE INSTL-PASS. WATER SYS OVHD SUPPLY FOR NHA/OTHER SYS DET SEE: 25-20-00-07D	108120	RF
10	NAS1801-3-12		.SCREW	108120 504903	2
13	NAS1801-3-24		.SCREW	108120 504903	1
15	NAS1801-3-32		.SCREW	108120 504903	1
20	NAS8203A18		.SCREW	108120 504903	1
25	NAS8203A16		.SCREW	108120 504903	1
30	NAS8203A14		.SCREW	108120 504903	1
35	NAS8203A12		.SCREW	108120 504903	6
40	NAS8203A12		.SCREW	101102 108120	40
45	NAS8203A8		.SCREW	101102 108120	1
50	NAS8203A8		.SCREW	108120 504903	20
60	BACS12GU3K10		.SCREW	101102 108120	7
70	BACS12GU3K10		.SCREW	108120 504903	9
75	BACS12GU3K12		.SCREW	101102 108120	8
80	BACS12GU3K12		.SCREW	108120 504903	12
85	BACS12GU3K14		.SCREW	108120 504903	2
95	BACS12GU3K14		.SCREW	101102 108120	6
100	BACS12GU3K16		.SCREW	108120 504903	1

MISSING ITEM NUMBERS NOT APPLICABLE

- ITEM NOT ILLUSTRATED

38-11-52-03A

38-11-52
FIG. 03A
PAGE 1
JAN 20/09

BRI

BOEING PROPRIETARY - Copyright © - Unpublished Work - See title page for details.



757

PARTS CATALOG (MAINTENANCE)

FIG ITEM	PART NUMBER	1 2 3 4 5 6 7	NOMENCLATURE	EFFECT FROM TO	UNITS PER ASSY
3A					
105	BACS12GU3K18	.	SCREW	108120 504903	1
110	BACS12GU3K19	.	SCREW	101102 108120	1
115	BACS12GU3K20	.	SCREW	108120 504903	1
125	BACS12GU3K9	.	SCREW	108120 504903	1
130	NAS1801-3-16	.	SCREW	108120 504903	2
135	NAS43DD3-13FC	.	SPACER	108120 504903	6
140	NAS43DD3-11FC	.	SPACER	108120 504903	1
150	NAS43DD3-32FC	.	SPACER	101102 108120	1
155	NAS43DD3-32FC	.	SPACER	108120 504903	2
160	NAS43DD3-26FC	.	SPACER	108120 504903	1
165	NAS43DD3-16FC	.	SPACER	108120 504903	2
170	NAS43DD3-12FC	.	SPACER	101102 108120 504903	1
175	NAS43DD3-10FC	.	SPACER	108120 504903	2
176	NAS43DD3-10	.	SPACER	108120 504903	2
180	NAS43DD3-56FC	.	SPACER-	108120 504903	1
185	NAS43DD3-7FC	.	SPACER	101102 108120 504903	1
190	NAS43DD3-19FC	.	SPACER	108120 504903	1
195	NAS43DD3-8FC	.	SPACER	101102 108120	1
200	NAS43DD3-24FC	.	SPACER	108120 504903	1
205	NAS43DD3-82FC	.	SPACER	108120 504903	1
210	NAS1149D0332J	.	WASHER	101102 108120	18
215	NAS1149D0332J	.	WASHER	108120 504903	32
220	BACW10P194L	.	WASHER	101102 108120	2

MISSING ITEM NUMBERS NOT APPLICABLE

- ITEM NOT ILLUSTRATED

38-11-52-03A

38-11-52
FIG. 03A
PAGE 2
JAN 20/09

BRI

BOEING PROPRIETARY - Copyright © - Unpublished Work - See title page for details.



757

PARTS CATALOG (MAINTENANCE)

FIG ITEM	PART NUMBER	1 2 3 4 5 6 7	NOMENCLATURE	EFFECT FROM TO	UNITS PER ASSY
3A 225	BRH10C3D	.NUT	SUPPLIER CODE: V52828 SPECIFICATION NUMBER: BACN10JC3CD OPTIONAL PART: T6C1032JCD V11815 NS202486-02 V80539 102LH9075-3W V72962 H51650-3BAC V15653	101102 108120	1
230	BRH10C3D	.NUT	SUPPLIER CODE: V52828 SPECIFICATION NUMBER: BACN10JC3CD OPTIONAL PART: T6C1032JCD V11815 NS202486-02 V80539 102LH9075-3W V72962 H51650-3BAC V15653	108120 504903	6
235	PLH53CD	.NUT	SUPPLIER CODE: VF0224 SPECIFICATION NUMBER: BACN10YR3CD OPTIONAL PART: H52732-3CD V15653	101102 108120	1
240	BACC10DK10	.CLAMP		101102 108120	4
245	BACC10DK10	.CLAMP		108120 504903	5
260	BACC10DK20	.CLAMP		101102 108120	9
265	BACC10DK20	.CLAMP		108120 504903	29
270	417N2101-123	.TUBE-HOSE SHROUD	TUBING MATERIAL: STOCK .020 WALL X 1.25 O.D. 6061-T4 TUBE PER WW-T-700/6	101102 108120	1

MISSING ITEM NUMBERS NOT APPLICABLE

- ITEM NOT ILLUSTRATED

38-11-52-03A

38-11-52
FIG. 03A
PAGE 3
JAN 20/09

BRI

BOEING PROPRIETARY - Copyright © - Unpublished Work - See title page for details.



757

PARTS CATALOG (MAINTENANCE)

FIG ITEM	PART NUMBER	1 2 3 4 5 6 7	NOMENCLATURE	EFFECT FROM TO	UNITS PER ASSY
3A					
280	417N2101-10	.	TUBE-HOSE SHROUD TUBING MATERIAL: STOCK .020 WALL BY 1 1/4 O.D 6061-T4, WW-T-700/6	108120 504903	1
285	417N2101-95	.	TUBE-HOSE SHROUD TUBING MATERIAL: STOCK .020 WALL X 1.25 O.D. 6061-T4, WW-T-700/6	101102 108120	1
290	417N2101-102	.	TUBE-HOSE SHROUD TUBING MATERIAL: STOCK .020 WALL X 1.25 O.D. 6061-T4, WW-T-700/6	101102 108120	1
295	417N2101-11	.	TUBE-HOSE SHROUD TUBING MATERIAL: STOCK .020 WALL BY 1 1/4 O.D 6061-T4, WW-T-700/6	108120 504903	1
300	417N2101-12	.	TUBE-HOSE SHROUD TUBING MATERIAL: STOCK .020 WALL BY 1 1/4 O.D 6061-T4, WW-T-700/6	108120 504903	1
305	417N2101-71	.	TUBE-HOSE SHROUD TUBING MATERIAL: STOCK .020 WALL X 1 1/4 O.D. 6061-T4, WW-T-700/6	101102 108120	1
310	417N2101-13	.	TUBE-HOSE SHROUD TUBING MATERIAL: STOCK .020 WALL BY 1 1/4 O.D 6061-T4, WW-T-700/6	108120 504903	1
315	417N2101-116	.	TUBE-HOSE SHROUD TUBING MATERIAL: STOCK .020 WALL X 1.25 O.D. 6061-T4, WW-T-700/6	101102 108120	1
320	417N2101-16	.	TUBE-HOSE SHROUD TUBING MATERIAL: STOCK .020 WALL BY 1 1/4 O.D 6061-T4, WW-T-700/6	108120 504903	1
325	417N2101-17	.	TUBE-HOSE SHROUD TUBING MATERIAL: STOCK .020 WALL BY 1 1/4 O.D 6061-T4, WW-T-700/6	108120 504903	1
330	417N2101-18	.	TUBE-HOSE SHROUD TUBING MATERIAL: STOCK .020 WALL BY 1 1/4 O.D 6061-T4, WW-T-700/6	108120 504903	1

MISSING ITEM NUMBERS NOT APPLICABLE

- ITEM NOT ILLUSTRATED

38-11-52-03A

38-11-52
FIG. 03A
PAGE 4
JAN 20/09

BRI

BOEING PROPRIETARY - Copyright © - Unpublished Work - See title page for details.



757

PARTS CATALOG (MAINTENANCE)

FIG ITEM	PART NUMBER	1 2 3 4 5 6 7	NOMENCLATURE	EFFECT FROM TO	UNITS PER ASSY
3A					
335	417N2101-20	.TUBE-HOSE SHROUD	TUBING MATERIAL: STOCK .020 WALL (OPTIONAL .028 WALL) X 1-1/4 O.D. 6061-T4, WW-T-700/6	101102 108120 504903	1
345	417N2101-98	.TUBE-HOSE SHROUD	TUBING MATERIAL: STOCK .020 WALL X 1.25 O.D. 6061-T4, WW-T-700/6	101102 108120	1
350	417N2101-106	.TUBE-HOSE SHROUD	TUBING MATERIAL: WW-T-700/6 6061 T4 TUBING 1.25 O.D X 0.02 WALL THICKNESS X 93.3 LENGTH	101102 108120	1
355	417N2101-19	.TUBE-HOSE SHROUD	TUBING MATERIAL: STOCK .020 WALL BY 1 1/4 O.D 6061-T4, WW-T-700/6	108120 504903	1
360	417N2101-25	.TUBE-HOSE SHROUD	TUBING MATERIAL: STOCK .020 WALL BY 1 1/4 O.D 6061-T4, WW-T-700/6	101102 108120 504903	1
365	417N2101-107	.TUBE-HOSE SHROUD	TUBING MATERIAL: WW-T-700/6 6061 T4 TUBING 1.25 O.D X 0.02 WALL THICKNESS X 51.6 LENGTH	101102 108120	1
370	417N2101-115	.TUBE-HOSE SHROUD	TUBING MATERIAL: STOCK .020 WALL X 1.25 O.D. 6061-T4, WW-T-700/6	101102 108120	1
375	417N2101-63	.TUBE-HOSE SHROUD	TUBING MATERIAL: STOCK .020 WALL X 1.25 O.D. 6061-T4, WW-T-700/6	108120 504903	1
380	417N2101-87	.TUBE-HOSE SHROUD	TUBING MATERIAL: STOCK .020 WALL X 1.25 O.D. 6061-T4 WW-T-700/6	108120 504903	1
385	417N2101-9	.TUBE-HOSE SHROUD	TUBING MATERIAL: STOCK .020 WALL BY 1 1/4 O.D 6061-T4, WW-T-700/6	108120 504903	1

MISSING ITEM NUMBERS NOT APPLICABLE

- ITEM NOT ILLUSTRATED

38-11-52-03A

38-11-52
FIG. 03A
PAGE 5
JAN 20/09

BRI

BOEING PROPRIETARY - Copyright © - Unpublished Work - See title page for details.



757

PARTS CATALOG (MAINTENANCE)

FIG ITEM	PART NUMBER	1 2 3 4 5 6 7	NOMENCLATURE	EFFECT FROM TO	UNITS PER ASSY
3A 390	417N2101-117	.	TUBE-HOSE SHROUD TUBING MATERIAL: WW-T-700/6 6061 T4 TUBING 1.25 O.D X 0.02 WALL THICKNESS X 136.0 LENGTH	101102 108120	1
395	417N2101-22	.	TUBE-HOSE SHROUD TUBING MATERIAL: STOCK .020 WALL BY 1 1/4 O.D 6061-T4, WW-T-700/6	108120 504903	1
400	417N2101-58	.	TUBE-HOSE SHROUD TUBING MATERIAL: STOCK .020 WALL X 1.25 O.D 6061-T4, WW-T-700/6	108120 504903	1
405	78001-609	.	HOSE ASSY- SUPPLIER CODE: V24984 SPECIFICATION NUMBER: 10-61998-609 OPTIONAL PART: A1650-609 V98441 R29281-8-0350 V50599 OPTIONAL PART: AS4470-08-0350	101102 108120 504903	1
405	AS4470-08-0350	.	HOSE ASSY- OPTIONAL PART: 78001-609 V24984	101102 108120 504903	1

MISSING ITEM NUMBERS NOT APPLICABLE

- ITEM NOT ILLUSTRATED

38-11-52-03A

38-11-52
FIG. 03A
PAGE 6
JAN 20/09

BRI

BOEING PROPRIETARY - Copyright © - Unpublished Work - See title page for details.



757

PARTS CATALOG (MAINTENANCE)

FIG ITEM	PART NUMBER	1 2 3 4 5 6 7	NOMENCLATURE	EFFECT FROM TO	UNITS PER ASSY
3A 410	78001-428		.HOSE ASSY- SUPPLIER CODE: V24984 SPECIFICATION NUMBER: 10-61998-428 OPTIONAL PART: AE706493-428 V00624 A1650-428 V03925 R29280-8-0146 V50599 OPTIONAL PART: AS4469-08-0146 USED ON: 417N2101-202 417N2101-203 417N2101-204 417N2101-205 MODREF17628	101102 108120 504903	1
410	AS4469-08-0146		.HOSE ASSY- OPTIONAL PART: 78001-428 V24984	101102 108120 504903	1
415	A1650-438		.HOSE ASSY- SUPPLIER CODE: V98441 SPECIFICATION NUMBER: 10-61998-438 OPTIONAL PART: R29280-8-3011 V50599 AE706493-438 V00624 78001-438 V24984 OPTIONAL PART: AS4469-08-3020	108120 504903	1
415	AS4469-08-3011		.HOSE ASSY- OPTIONAL PART: AS4469-08-3020	108120 504903	1
415	AS4469-08-3020		.HOSE ASSY- OPTIONAL PART: A1650-438 V24984 AS4469-08-3011	108120 504903	1

MISSING ITEM NUMBERS NOT APPLICABLE

- ITEM NOT ILLUSTRATED

38-11-52-03A

38-11-52
FIG. 03A
PAGE 7
JAN 20/09

BRI



757

PARTS CATALOG (MAINTENANCE)

FIG ITEM	PART NUMBER	1 2 3 4 5 6 7	NOMENCLATURE	EFFECT FROM TO	UNITS PER ASSY
3A 420	78001-470		.HOSE ASSY- SUPPLIER CODE: V24984 SPECIFICATION NUMBER: 10-61998-470 OPTIONAL PART: R29285-8-0134-0 V50599 A1650-470 V03925 OPTIONAL PART: AS4474H0134-000	101102	1
420	AS4474H0134-000		.HOSE ASSY- OPTIONAL PART: 78001-470 V24984	101102	1
430	78001-843		.HOSE ASSY- SUPPLIER CODE: V24984 SPECIFICATION NUMBER: 10-61998-843 OPTIONAL PART: A1650-843 V98441 OPTIONAL PART: AS4469-08-3050	101102 108120	1
430	AS4469-08-3050		.HOSE ASSY- OPTIONAL PART: 78001-843 V24984	101102 108120	1
435	R29280-8-0580		.HOSE ASSY- SUPPLIER CODE: V50599 SPECIFICATION NUMBER: 10-61998-406 OPTIONAL PART: 78001-406 V24984 A1650-406 V03925 AE706493-406 V00624 OPTIONAL PART: AS4469-08-0580	101102 108120 504903	1
435	AS4469-08-0580		.HOSE ASSY- OPTIONAL PART: R29280-8-0580 V50599	101102 108120 504903	1

MISSING ITEM NUMBERS NOT APPLICABLE

- ITEM NOT ILLUSTRATED

38-11-52-03A

38-11-52
FIG. 03A
PAGE 8
JAN 20/09

BRI

BOEING PROPRIETARY - Copyright © - Unpublished Work - See title page for details.



757

PARTS CATALOG (MAINTENANCE)

FIG ITEM	PART NUMBER	1 2 3 4 5 6 7	NOMENCLATURE	EFFECT FROM TO	UNITS PER ASSY
3A 440	78001-1004		.HOSE ASSY- SUPPLIER CODE: V24984 SPECIFICATION NUMBER: 10-61998-1004 OPTIONAL PART: A1650-1004 V98441 OPTIONAL PART: AS4469-08-0484	101102 108120	1
440	AS4469-08-0484		.HOSE ASSY- OPTIONAL PART: 78001-1004 V24984	101102 108120	1
445	AS4469-08-5200		.HOSE ASSY	101102 108120 504903	1
450	78001-465		.HOSE ASSY- SUPPLIER CODE: V24984 SPECIFICATION NUMBER: 10-61998-465 OPTIONAL PART: A1650-465 V03925 R29280-8-4800 V50599 OPTIONAL PART: AS4469-08-4800	101102 108120 504903	1
450	AS4469-08-4800		.HOSE ASSY- OPTIONAL PART: 78001-465 V24984	101102 108120 504903	1
455	78001-471		.HOSE ASSY- SUPPLIER CODE: V24984 SPECIFICATION NUMBER: 10-61998-471 OPTIONAL PART: A1650-471 V03925 R29284-8-0176-2 V50599 OPTIONAL PART: AS4471-08-0202 AS4473H0176-240	101102 108120 504903	1

MISSING ITEM NUMBERS NOT APPLICABLE

- ITEM NOT ILLUSTRATED

38-11-52-03A

38-11-52
FIG. 03A
PAGE 9
JAN 20/09

BRI

BOEING PROPRIETARY - Copyright © - Unpublished Work - See title page for details.



757

PARTS CATALOG (MAINTENANCE)

FIG ITEM	PART NUMBER	1 2 3 4 5 6 7	NOMENCLATURE	EFFECT FROM TO	UNITS PER ASSY
3A 455	AS4471-08-0202	.HOSE ASSY-	OPTIONAL PART: AS4473H0176-240 78001-471 V24984	101102 108120 504903	1
455	AS4473H0176-240	.HOSE ASSY-	OPTIONAL PART: AS4471-08-0202 78001-471 V24984	101102 108120 504903	1
460	R29281-8-0550	.HOSE ASSY-	SUPPLIER CODE: V50599 SPECIFICATION NUMBER: 10-61998-156 OPTIONAL PART: 78001-156 V24984 A1650-156 V03925 AE706493-156 V00624 OPTIONAL PART: AS4470-08-0550	101102 108120 504903	1
460	AS4470-08-0550	.HOSE ASSY-	OPTIONAL PART: R29281-8-0550 V50599	101102 108120 504903	1
465	78001-404	.HOSE ASSY-	SUPPLIER CODE: V24984 SPECIFICATION NUMBER: 10-61998-404 OPTIONAL PART: AE706493-404 V00624 A1650-404 V03925 R29280-8-0506 V50599 OPTIONAL PART: AS4469-08-0510	108120 504903	1
465	AS4469-08-0506	.HOSE ASSY-	OPTIONAL PART: AS4469-08-0510	108120 504903	1

MISSING ITEM NUMBERS NOT APPLICABLE

- ITEM NOT ILLUSTRATED

38-11-52-03A

38-11-52
FIG. 03A
PAGE 10
JAN 20/09

BRI

BOEING PROPRIETARY - Copyright © - Unpublished Work - See title page for details.



757

PARTS CATALOG (MAINTENANCE)

FIG ITEM	PART NUMBER	1 2 3 4 5 6 7	NOMENCLATURE	EFFECT FROM TO	UNITS PER ASSY
3A					
465	AS4469-08-0510	.HOSE ASSY-		108120	1
		OPTIONAL PART:		504903	
		AS4469-08-0506			
		78001-404			
		V24984			
470	BACT16BL080808J	.TEE		101102	4
				108120	
				504903	
475	BACT16BN080808J	.TEE		101102	1
				108120	
				504903	
480	BCREF116858	.TEE-		101102	1
		OVERLENGTH PART NUMBER:		108120	
		BACT16BR080808JN		504903	
485	69-22976-5	.TEE-UPPER		101102	1
				108120	
				504903	
490	69-22976-6	.TEE-UPR HALF		101102	3
				108120	
				504903	
495	69-24475-5	.TEE-UPPER		101102	1
				108120	
				504903	
500	69-24475-6	.TEE-LWR HALF		101102	3
				108120	
				504903	
505	MS21905J8	.TEE		101102	1
				108120	
				504903	
510	MS21906J8	.CROSS		101102	1
				108120	
				504903	
515	65-52978-3	.CROSS		101102	1
				108120	
				504903	
520	65-52978-4	.CROSS		101102	1
				108120	
				504903	
525	66-17212-2	.SLEEVE		101102	8
				108120	
530	66-17212-2	.SLEEVE		108120	9
				504903	
535	66-18200-3	.RETAINER		108120	4
				504903	
540	66-17948-2	.RETAINER		101102	33
				108120	
545	66-17948-2	.RETAINER		108120	37
				504903	

MISSING ITEM NUMBERS NOT APPLICABLE

- ITEM NOT ILLUSTRATED

38-11-52-03A

38-11-52
FIG. 03A
PAGE 11
JAN 20/09

BRI

BOEING PROPRIETARY - Copyright © - Unpublished Work - See title page for details.

 **BOEING**
757
PARTS CATALOG (MAINTENANCE)

FIG ITEM	PART NUMBER	1 2 3 4 5 6 7	NOMENCLATURE	EFFECT FROM TO	UNITS PER ASSY
3A 550	N5	.CLIP-	SUPPLIER CODE: V06229 OPTIONAL PART: MS29513-028	101102 108120	33
550	MS29513-028	.PACKING-	OPTIONAL PART: N5 V06229	101102 108120	33
555	N5	.CLIP-	SUPPLIER CODE: V06229 OPTIONAL PART: MS29513-028	108120 504903	37
555	MS29513-028	.PACKING-	OPTIONAL PART: N5 V06229	108120 504903	37
560	69-50697-1	.CLIP ASSY		108120 504903	16
565	SL854C3F1CM	..INSERT-	SUPPLIER CODE: V97393	108120 504903	1
570	69-50697-3	..CLIP		108120 504903	16
575	417N2111-1	.SUPPORT ASSY		108120 504903	8
580	BACS38P1	.SUPPORT		101102 108120	9
585	BACS38P2	.SUPPORT		101102 108120	9
590	T05R0	.STRAP	SUPPLIER CODE: V53421 SPECIFICATION NUMBER: BACS38K1 OPTIONAL PART: PLT2SM V06383	108120 504903	19
595	T05R0	.STRAP	SUPPLIER CODE: V53421 SPECIFICATION NUMBER: BACS38K1 OPTIONAL PART: PLT2SM V06383	101102 108120	41

MISSING ITEM NUMBERS NOT APPLICABLE

— ITEM NOT ILLUSTRATED

38-11-52-03A

38-11-52
FIG. 03A
PAGE 12
JAN 20/09

BRI

BOEING PROPRIETARY - Copyright © - Unpublished Work - See title page for details.



757

PARTS CATALOG (MAINTENANCE)

FIG ITEM	PART NUMBER	1 2 3 4 5 6 7	NOMENCLATURE	EFFECT FROM TO	UNITS PER ASSY
3A 600	TM3S10		.PLATE SUPPLIER CODE: V06383 SPECIFICATION NUMBER: STBP19M12	108120 504903	19
605	TM3S10		.PLATE SUPPLIER CODE: V06383 SPECIFICATION NUMBER: STBP19M12	101102 108120	41
610	AN924-8J		.NUT	101102 108120 504903	1
615	AP1008-08JL		.CAP ASSY SUPPLIER CODE: V01673 SPECIFICATION NUMBER: BACC14AD08JL OPTIONAL PART: US2103-08JL V50808	101102 108120	6
620	AP1008-08JL		.CAP ASSY SUPPLIER CODE: V01673 SPECIFICATION NUMBER: BACC14AD08JL OPTIONAL PART: US2103-08JL V50808	108120 504903	8
622	BACN10GH3A10		.NUTPLATE SUPPLIER CODE: V04169 SPECIFICATION NUMBER: BACN10GH3A10 ATTACHING PARTS	108120	1
- 625	NAS1398D4A		.RIVET- SIZE DETERMINED ON INSTL. -----*-----	108120	2
627	WS1-332A16		.NUTPLATE SUPPLIER CODE: V04169 SPECIFICATION NUMBER: BACN10GH3A16 ATTACHING PARTS	108120	2
- 630	BACR15BB4AD		.RIVET- SIZE DETERMINED ON INSTL. -----*-----	108120	4

MISSING ITEM NUMBERS NOT APPLICABLE

- ITEM NOT ILLUSTRATED

38-11-52-03A

38-11-52
FIG. 03A
PAGE 13
JAN 20/09

BRI

BOEING PROPRIETARY - Copyright © - Unpublished Work - See title page for details.



757

PARTS CATALOG (MAINTENANCE)

FIG ITEM	PART NUMBER	1 2 3 4 5 6 7	NOMENCLATURE	EFFECT FROM TO	UNITS PER ASSY
3A 632	WS14A10		.NUTPLATE SUPPLIER CODE: V04169 SPECIFICATION NUMBER: BACN10TL3A10 ATTACHING PARTS	108120	1
- 635	BACR15BB4AD		.RIVET- SIZE DETERMINED ON INSTL. -----*-----	108120	2
637	WSI333-24		.NUTPLATE SUPPLIER CODE: V04169 SPECIFICATION NUMBER: BACN10TM3-24 ATTACHING PARTS	108120	1
- 638	BACR15BB3AD		.RIVET- SIZE DETERMINED ON INSTL. -----*-----	108120	3
640	BACN10TS3-12		.NUTPLATE ATTACHING PARTS	108120	1
- 642	BACR15BB4A		.RIVET- SIZE DETERMINED ON INSTL. -----*-----	108120	2
644	BACN10TS3-20		.NUTPLATE ATTACHING PARTS	108120	1
- 645	BACR15BB4AD		.RIVET- SIZE DETERMINED ON INSTL. -----*-----	108120	2
- 750	417N2101-206		LINE INSTL-PASS WATER SYS OVHD SUPPLY FOR NHA SEE: 25-20-00-09	101102 108120 504903	RF
755	BACS12GU3K10		.SCREW	101102 108120 504903	1
760	BACS12GU3K12		.SCREW	101102 108120 504903	4
765	BACS12GU3K20		.SCREW	101102 108120 504903	1
770	NAS43DD3-32FC		.SPACER	101102 108120 504903	1
775	NAS1149D0332J		.WASHER	101102 108120 504903	6

MISSING ITEM NUMBERS NOT APPLICABLE

- ITEM NOT ILLUSTRATED

38-11-52-03A

38-11-52
FIG. 03A
PAGE 14
JAN 20/09

BRI

BOEING PROPRIETARY - Copyright © - Unpublished Work - See title page for details.



757

PARTS CATALOG (MAINTENANCE)

FIG ITEM	PART NUMBER	1 2 3 4 5 6 7	NOMENCLATURE	EFFECT FROM TO	UNITS PER ASSY
3A 780	NAS1149C1232R	.	WASHER	101102 108120	1
785	BRH10C3D	.	NUT SUPPLIER CODE: V52828 SPECIFICATION NUMBER: BACN10JC3CD OPTIONAL PART: T6C1032JCD V11815 NS202486-02 V80539 102LH9075-3W V72962 H51650-3BAC V15653	504903 101102 108120 504903	1
790	BACC10DK10	.	CLAMP	101102 108120	3
795	A1650-411	.	HOSE ASSY- SUPPLIER CODE: V98441 SPECIFICATION NUMBER: 10-61998-411 OPTIONAL PART: AE706493-411 V00624 R29280-8-0440 V50599 78001-411 V24984 OPTIONAL PART: AS4469-08-0440	504903 101102 108120 504903	1
795	AS4469-08-0440	.	HOSE ASSY- OPTIONAL PART: A1650-411 V98441	101102 108120 504903	1

MISSING ITEM NUMBERS NOT APPLICABLE

- ITEM NOT ILLUSTRATED

BRI

38-11-52-03A

BOEING PROPRIETARY - Copyright © - Unpublished Work - See title page for details.

38-11-52
FIG. 03A
PAGE 15
JAN 20/09



757

PARTS CATALOG (MAINTENANCE)

FIG ITEM	PART NUMBER	1 2 3 4 5 6 7	NOMENCLATURE	EFFECT FROM TO	UNITS PER ASSY
3A 800	78001-412		.HOSE ASSY- SUPPLIER CODE: V24984 SPECIFICATION NUMBER: 10-61998-412 OPTIONAL PART: AE706493-412 V00624 A1650-412 V03925 R29284-8-0520-0 V50599 OPTIONAL PART: AS4473H0520-000	101102 108120 504903	1
800	AS4473H0520-000		.HOSE ASSY- OPTIONAL PART: 78001-412 V24984	101102 108120 504903	1
805	BACT16BN080808J		.TEE	101102 108120 504903	2
810	AP1008-08JL		.CAP ASSY SUPPLIER CODE: V01673 SPECIFICATION NUMBER: BACC14AD08JL OPTIONAL PART: US2103-08JL V50808	101102 108120 504903	1

MISSING ITEM NUMBERS NOT APPLICABLE

- ITEM NOT ILLUSTRATED

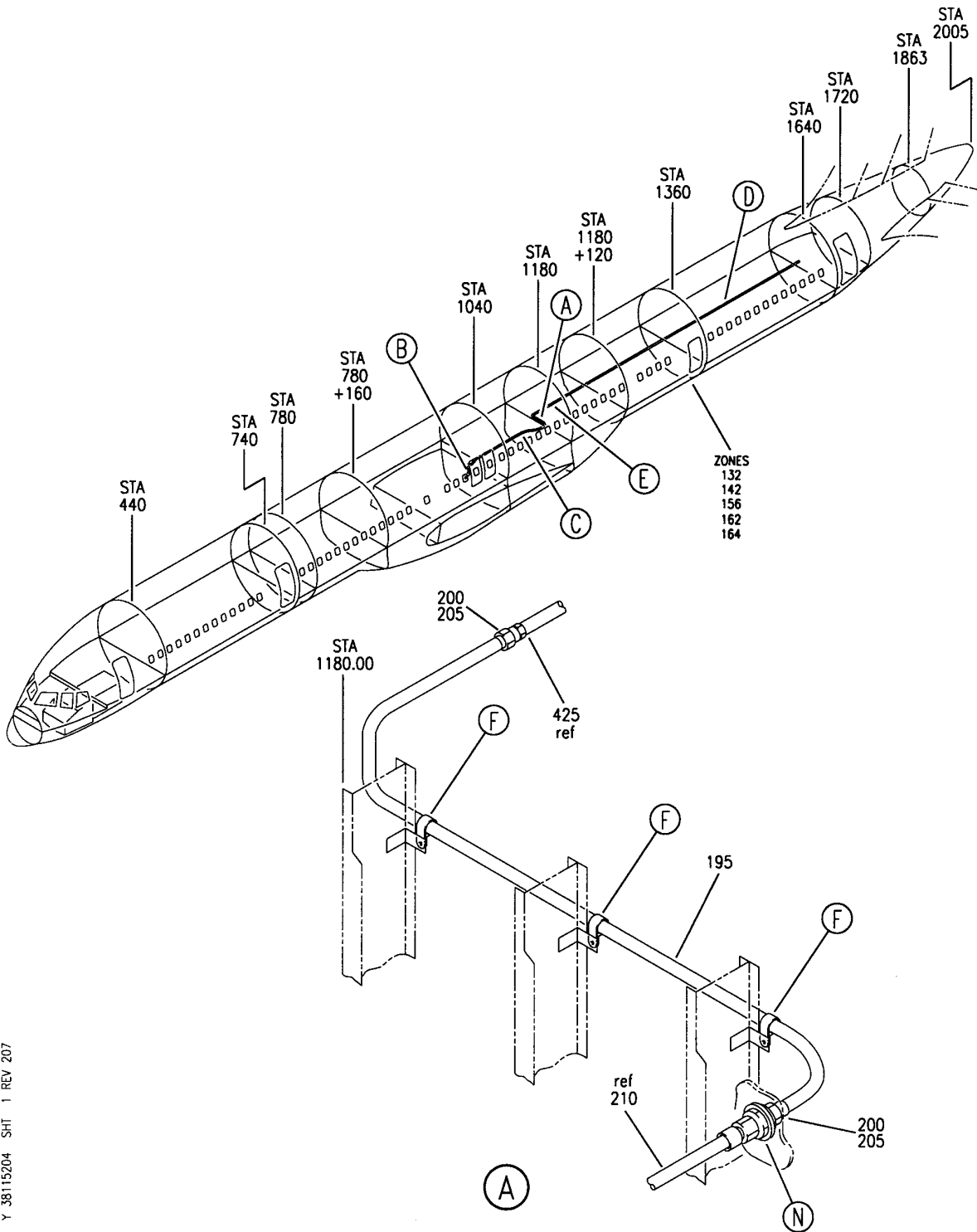
38-11-52-03A

38-11-52
FIG. 03A
PAGE 16
JAN 20/09

BRI

BOEING PROPRIETARY - Copyright © - Unpublished Work - See title page for details.

BOEING
757
PARTS CATALOG (MAINTENANCE)



Y 38115204 SHT 1 REV 207

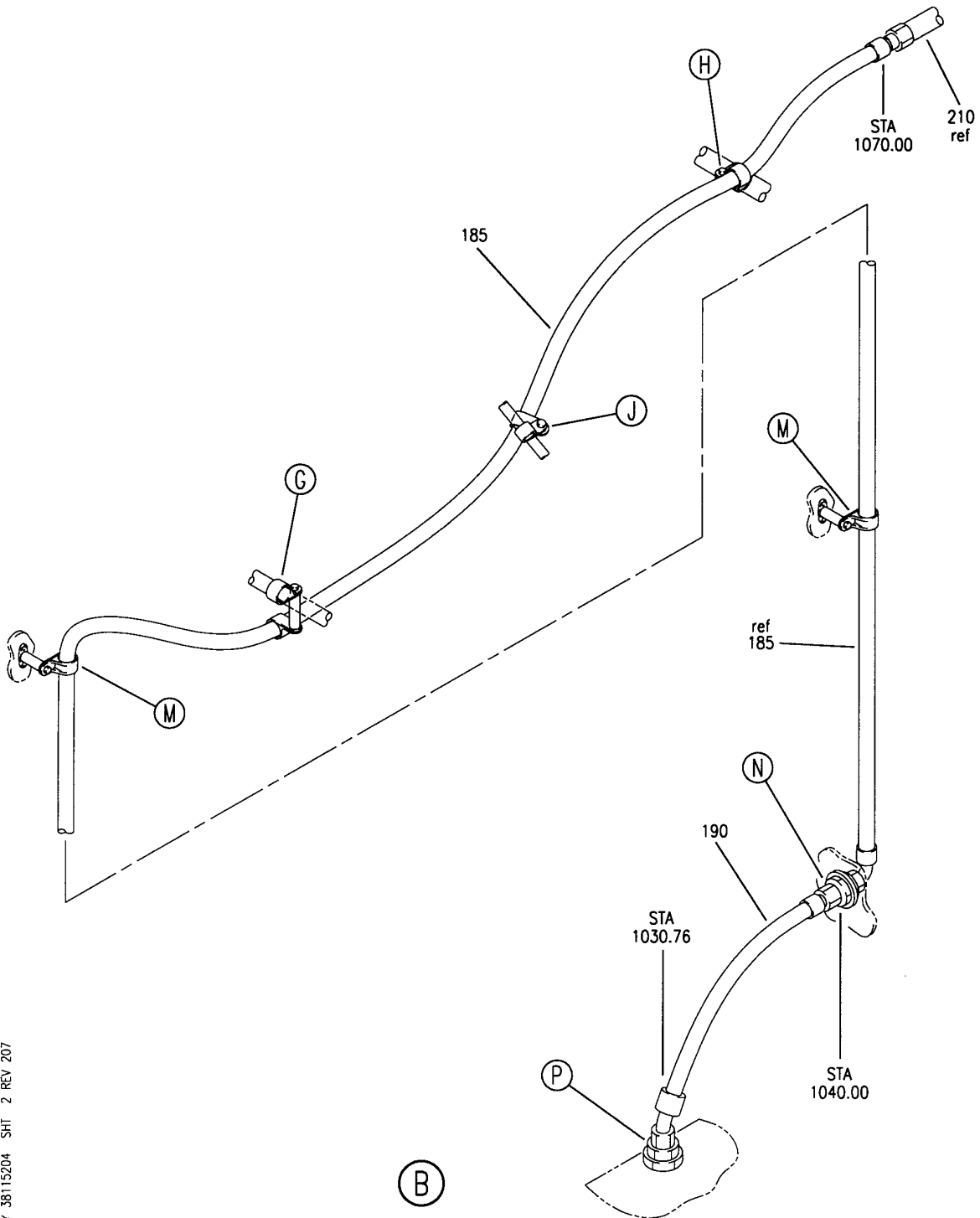
LINE INSTL-PNEU POTABLE WATER
FIGURE 4 (SHEET 1)

38-11-52-04

BRI
JAN 20/09

38-11-52-04
PAGE 0

BOEING
757
PARTS CATALOG (MAINTENANCE)



Y 38115204 SHT 2 REV 207

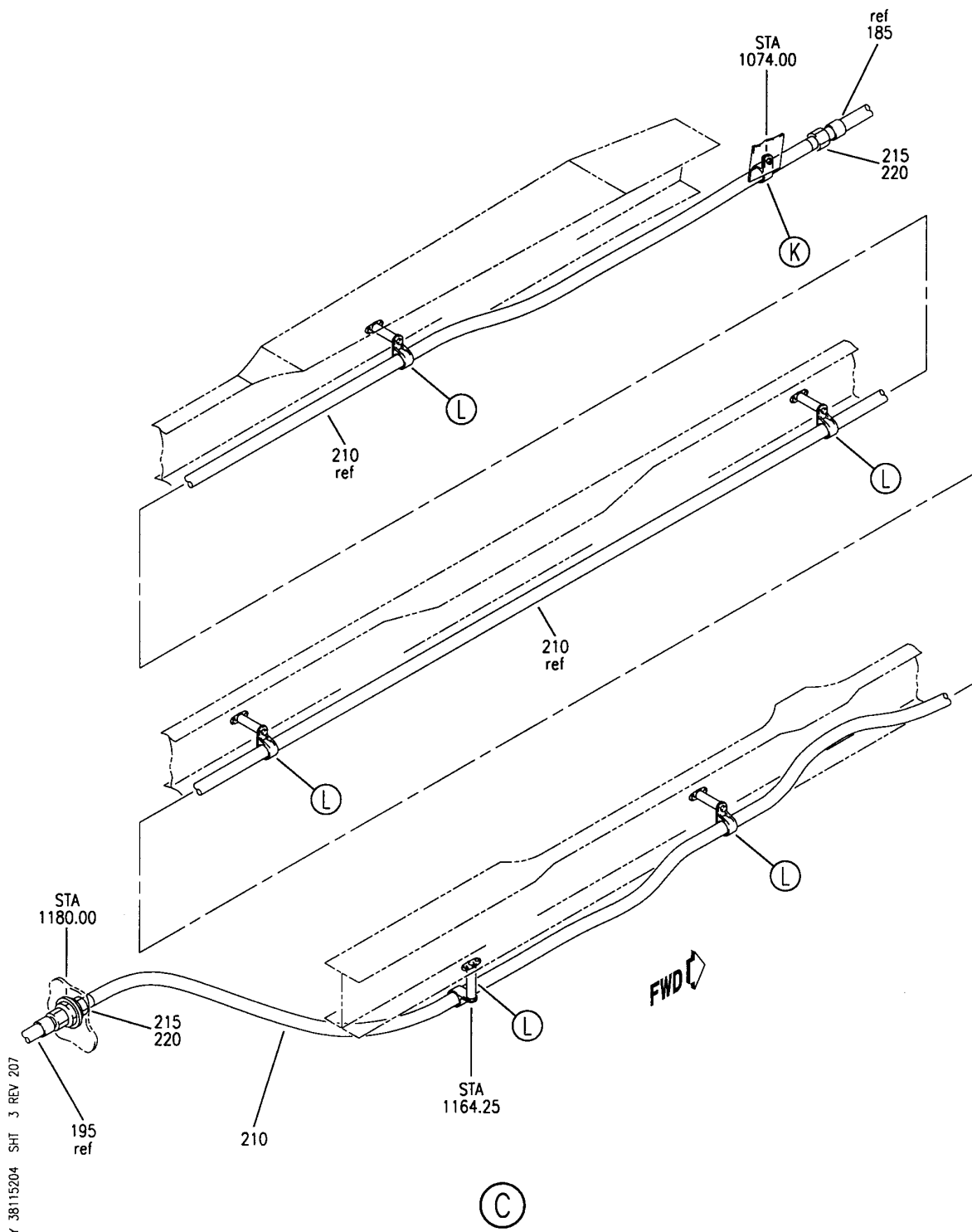
LINE INSTL-PNEU POTABLE WATER
FIGURE 4 (SHEET 2)

38-11-52-04

BRI
JAN 20/09

38-11-52-04
PAGE 0A

BOEING
757
PARTS CATALOG (MAINTENANCE)



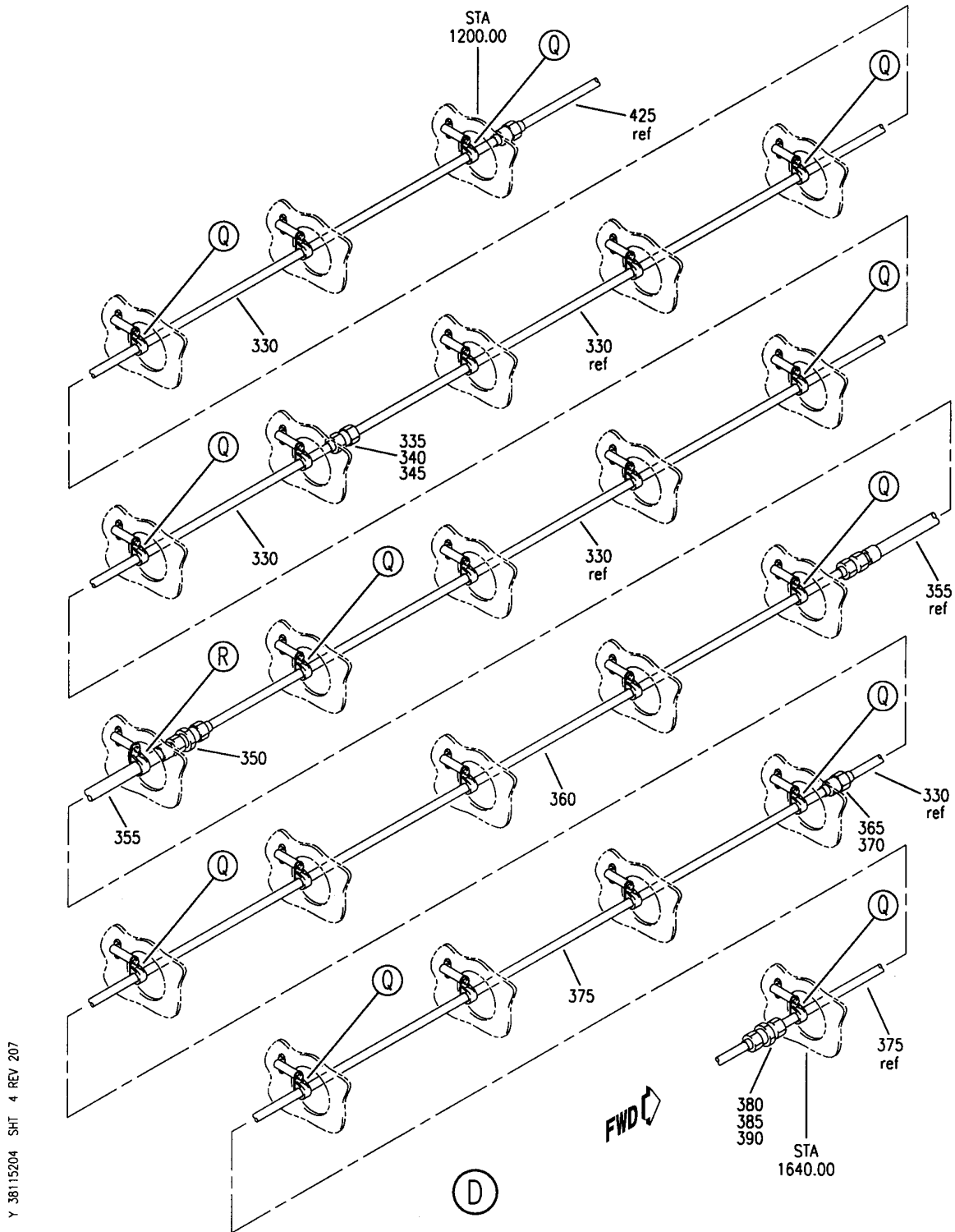
LINE INSTL-PNEU POTABLE WATER
FIGURE 4 (SHEET 3)

38-11-52-04

BRI
JAN 20/09

38-11-52-04
PAGE 0B

BOEING
757
PARTS CATALOG (MAINTENANCE)



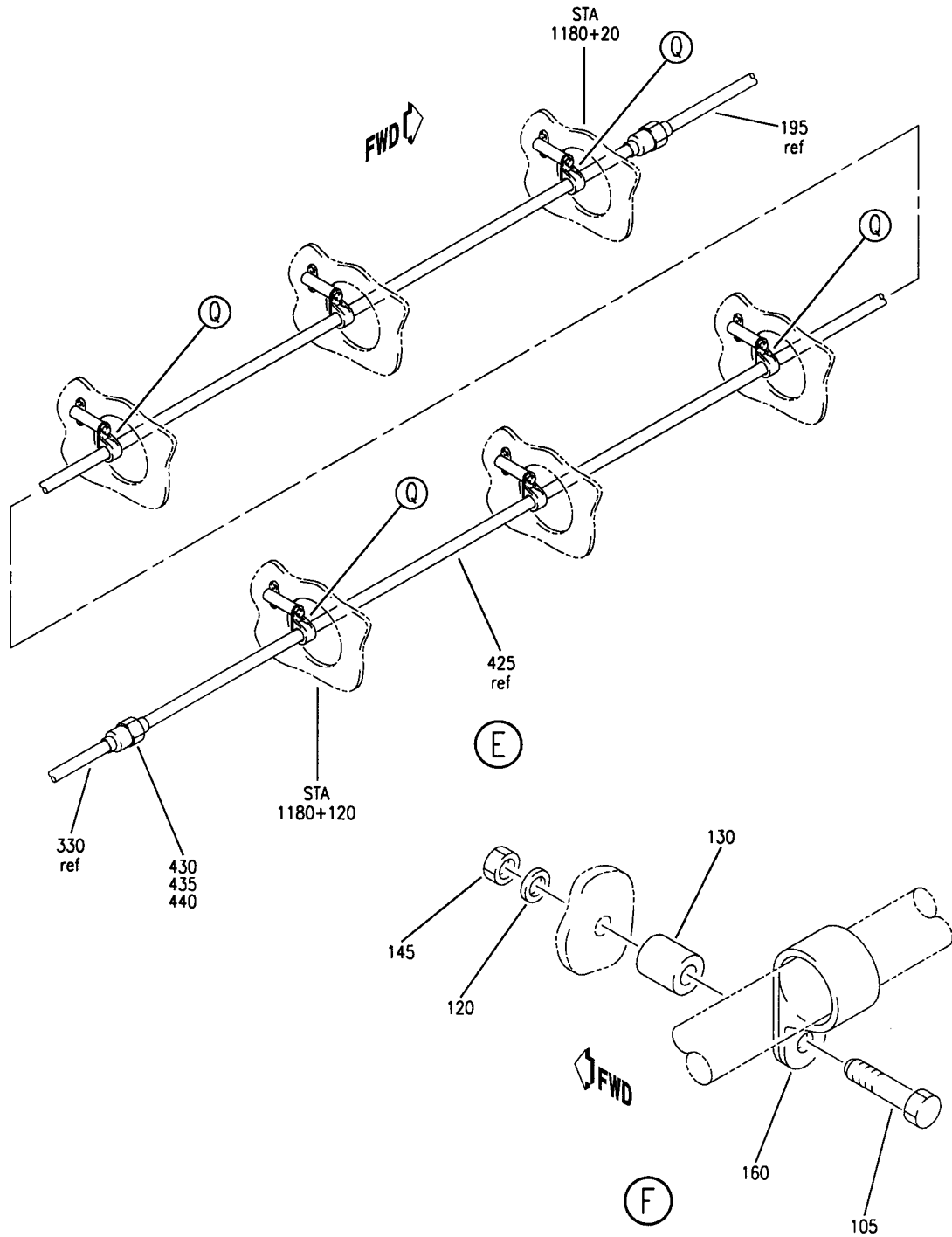
LINE INSTL-PNEU POTABLE WATER
FIGURE 4 (SHEET 4)

38-11-52-04

BRI
JAN 20/09

38-11-52-04
PAGE 0C

BOEING
757
PARTS CATALOG (MAINTENANCE)



Y 38115204 SH1 5 REV 207

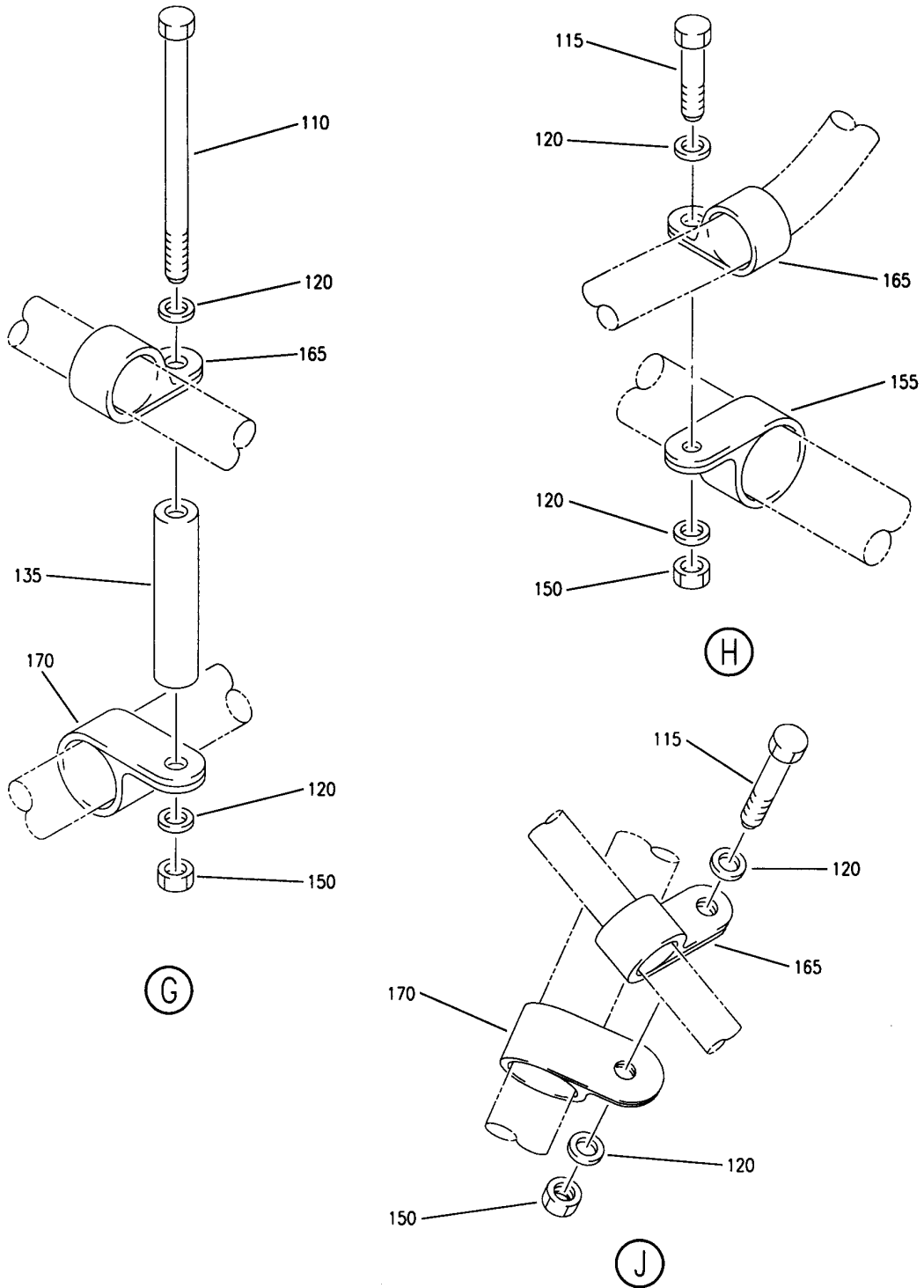
LINE INSTL-PNEU POTABLE WATER
FIGURE 4 (SHEET 5)

38-11-52-04

BRI
JAN 20/09

38-11-52-04
PAGE 0D

BOEING
757
PARTS CATALOG (MAINTENANCE)



Y 38115204 SHT 6 REV 207

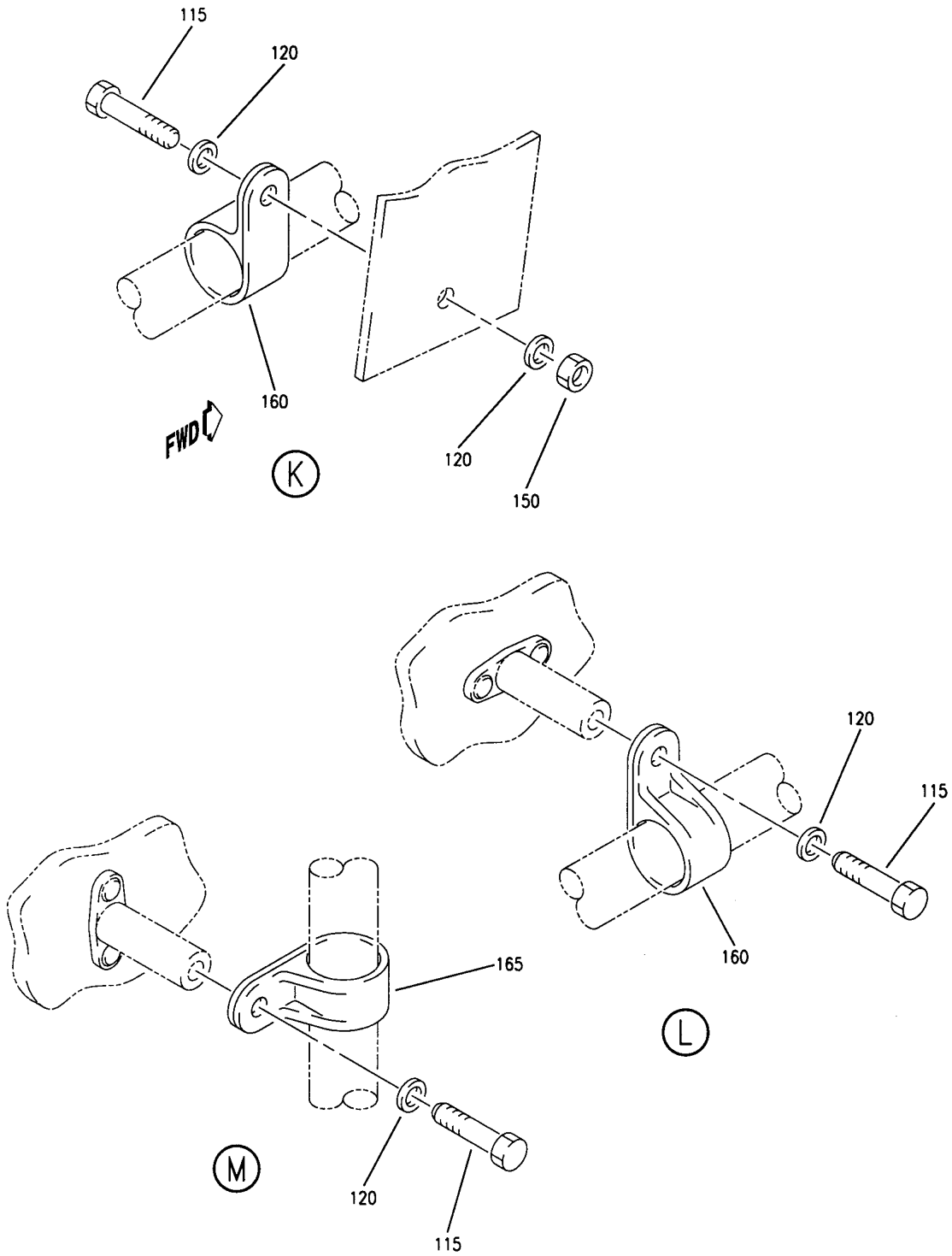
LINE INSTL-PNEU POTABLE WATER
FIGURE 4 (SHEET 6)

38-11-52-04

BRI
JAN 20/09

38-11-52-04
PAGE 0E

BOEING
757
PARTS CATALOG (MAINTENANCE)



Y 38115204 SHT 7 REV 207

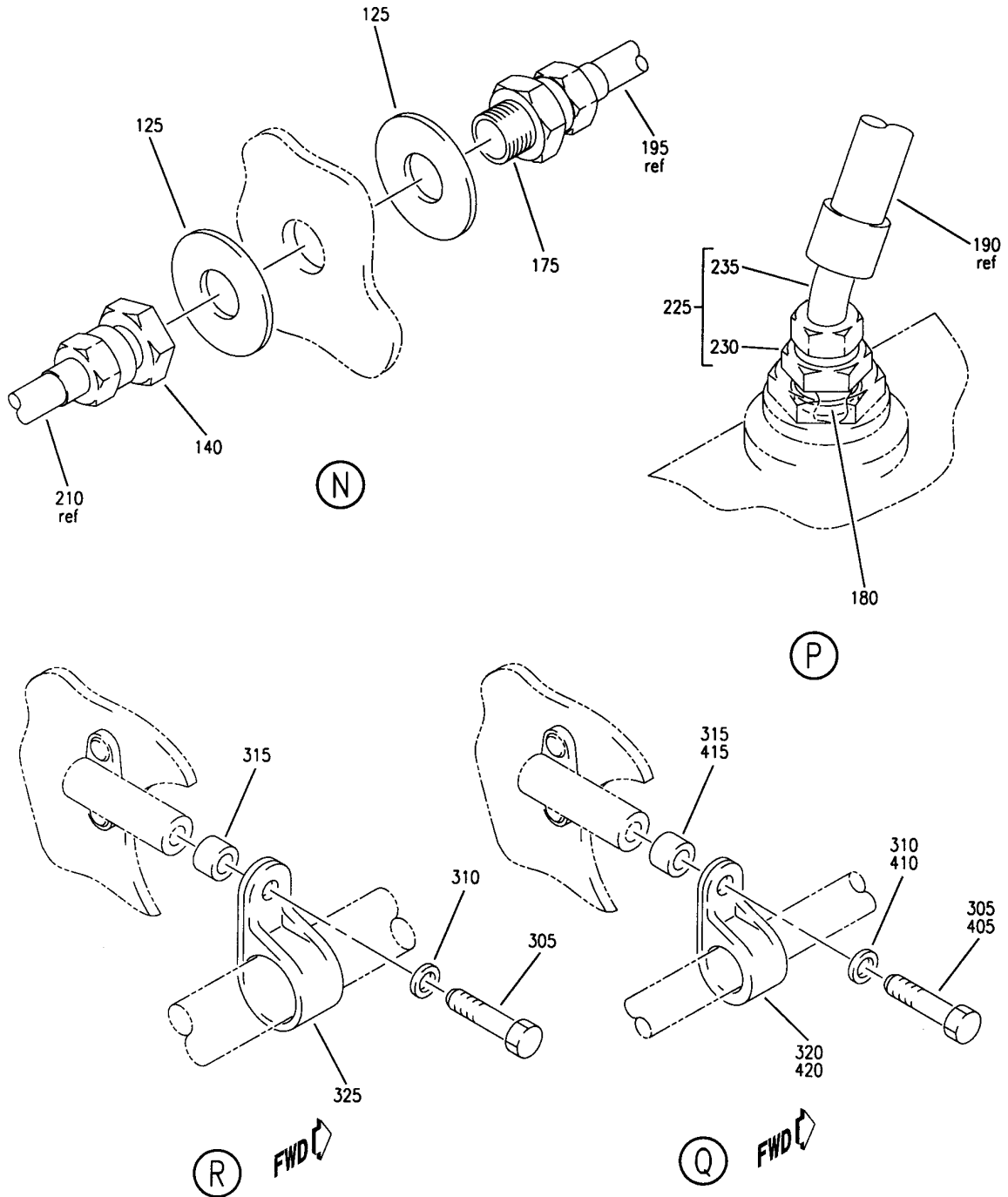
LINE INSTL-PNEU POTABLE WATER
FIGURE 4 (SHEET 7)

38-11-52-04

BRI
JAN 20/09

38-11-52-04
PAGE OF

BOEING
757
PARTS CATALOG (MAINTENANCE)



Y 38115204 SH1 8 REV 207

LINE INSTL-PNEU POTABLE WATER
FIGURE 4 (SHEET 8)

38-11-52-04

BRI
JAN 20/09

38-11-52-04
PAGE 0G



757

PARTS CATALOG (MAINTENANCE)

FIG ITEM	PART NUMBER	1 2 3 4 5 6 7	NOMENCLATURE	EFFECT FROM TO	UNITS PER ASSY
4			LINE INSTL-PNEU POTABLE WATER	103106	
- 100	MODREF17865		LINE INSTL-PNEU POTABLE WATER MODULE NUMBER: 417N2653-1 REV A	103106	1
105	BACS12GU3K15		.SCREW	103106	3
110	BACS12GU3K32		.SCREW	103106	1
115	BACS12GU3K9		.SCREW	103106	10
120	NAS1149D0332J		.WASHER	103106	18
125	NAS1149E0963R		.WASHER	103106	4
130	NAS43DD3-30FC		.SPACER	103106	3
135	NAS43DD3-96FC		.SPACER	103106	1
140	AN924-6T		.NUT	103106	2
145	BRC600-8-3GP		.NUT	103106	3
			SUPPLIER CODE: V52828 SPECIFICATION NUMBER: BACN10YD1G OPTIONAL PART: 130120G V60119		
150	PLH53CD		.NUT SUPPLIER CODE: VF0224 SPECIFICATION NUMBER: BACN10YR3CD OPTIONAL PART: H52732-3CD V15653	103106	4
155	JM44LC13WH12R		.CLAMP SUPPLIER CODE: V22175 SPECIFICATION NUMBER: BACC10GE12C OPTIONAL PART: S369WHSS12 V18076 TA12C32WH12 V84971 509SS12 V83930	103106	1

MISSING ITEM NUMBERS NOT APPLICABLE

- ITEM NOT ILLUSTRATED

38-11-52-04

38-11-52
FIG. 04
PAGE 1
JAN 20/09

BRI



757

PARTS CATALOG (MAINTENANCE)

FIG ITEM	PART NUMBER	1 2 3 4 5 6 7	NOMENCLATURE	EFFECT FROM TO	UNITS PER ASSY
4 160	JM44LC13WH6R	.CLAMP	SUPPLIER CODE: V22175 SPECIFICATION NUMBER: BACC10GE6C OPTIONAL PART: TA12C32WH6 V84971 509SS6 V83930 S714WSSH6 V18076	103106	9
165	JM44LC13WH7R	.CLAMP	SUPPLIER CODE: V22175 SPECIFICATION NUMBER: BACC10GE7C OPTIONAL PART: TA12C32WH7 V84971 509SS7 V83930 S369WSSH7 V18076	103106	5
170	JM44LC13WH8R	.CLAMP	SUPPLIER CODE: V22175 SPECIFICATION NUMBER: BACC10GE8C OPTIONAL PART: S369WHSS6 V18076 TA12C32WH6 V84971 509SS8 V83930	103106	1
175	MS21924-6T	.UNION		103106	2
180	MS28778-8	.PACKING		103106	1
185	73042-162	.HOSE ASSY-	SUPPLIER CODE: V24984 SPECIFICATION NUMBER: 10-61042-162	103106	1
190	73042-170	.HOSE ASSY-	SUPPLIER CODE: V24984 SPECIFICATION NUMBER: 10-61042-170	103106	1

MISSING ITEM NUMBERS NOT APPLICABLE

- ITEM NOT ILLUSTRATED

38-11-52-04

38-11-52
FIG. 04
PAGE 2
JAN 20/09

BRI



757

PARTS CATALOG (MAINTENANCE)

FIG ITEM	PART NUMBER	1 2 3 4 5 6 7	NOMENCLATURE	EFFECT FROM TO	UNITS PER ASSY
4					
195	417N2609-33	.TUBE ASSY-	TUBING MATERIAL: PNEUMATIC, POTABLE WATER, TI, .375" O/D X 60.162", 4 BENDS.	103106	1
200	AS1581T06	..SLEEVE		103106	2
205	BACN10YA6L	..NUT		103106	2
210	417N2609-34	.TUBE ASSY-	TUBING MATERIAL: PNEUMATIC, POTABLE WATER, TI, .375 O/D X 109.563", 14 BENDS.	103106	1
215	AS1581T06	..SLEEVE		103106	2
220	BACN10YA6L	..NUT		103106	2
225	417N2616-1	.RESTRICTOR ASSY		103106	1
230	MS21916J8-6	..REDUCER		103106	1
235	417N2616-2	..ORIFICE		103106	1
- 300	MODREF17866	LINE INSTL-PNEU MODULE NUMBER: 417N2653-2 REV A		103106	1
305	BACS12GU3K12	.SCREW		103106	23
310	NAS1149D0332J	.WASHER		103106	23
315	NAS43DD3-16FC	.SPACER		103106	23
320	JM44LC13WH6R	.CLAMP SUPPLIER CODE: V22175 SPECIFICATION NUMBER: BACC10GE6C OPTIONAL PART: TA12C32WH6 V84971 509SS6 V83930 S714WSSH6 V18076		103106	22
325	JM44LC13WH9R	.CLAMP SUPPLIER CODE: V22175 SPECIFICATION NUMBER: BACC10GE9C OPTIONAL PART: TA12C32WH9 V84971 509SS9 V83930 S714WSSH9 V18076		103106	1

MISSING ITEM NUMBERS NOT APPLICABLE

- ITEM NOT ILLUSTRATED

BRI

38-11-52-04

38-11-52
FIG. 04
PAGE 3
JAN 20/09



757

PARTS CATALOG (MAINTENANCE)

FIG ITEM	PART NUMBER	1 2 3 4 5 6 7	NOMENCLATURE	EFFECT FROM TO	UNITS PER ASSY
4					
330	417N2609-32		.TUBE ASSY- TUBING MATERIAL: PNEUMATIC, POTABLE WATER, TI, .375" O/D X 118.337", STRAIGHT.	103106	2
335	AS1581T06		..SLEEVE	103106	1
340	AS1582T06		..UNION	103106	1
345	BACN10YA6L		..NUT	103106	1
350	MS21902-6T		.UNION	103106	1
355	AS4469-06-0136		.HOSE ASSY	103106	1
360	417N2609-38		.TUBE- TUBING MATERIAL: PNEUMATIC, POTABLE WATER, TI, .375" O/D X 106.337", STRAIGHT.	103106	1
365	AS1582T06		..UNION	103106	1
370	BACN10YA6L		..NUT	103106	1
375	417N2609-35		.TUBE ASSY- TUBING MATERIAL: PNEUMATIC, POTABLE WATER, TI, .375" O/D X 83.337", STRAIGHT.	103106	1
380	AS1581T06		..SLEEVE	103106	1
385	AS1582T06		..UNION	103106	1
390	BACN10YA6L		..NUT	103106	1

MISSING ITEM NUMBERS NOT APPLICABLE

- ITEM NOT ILLUSTRATED

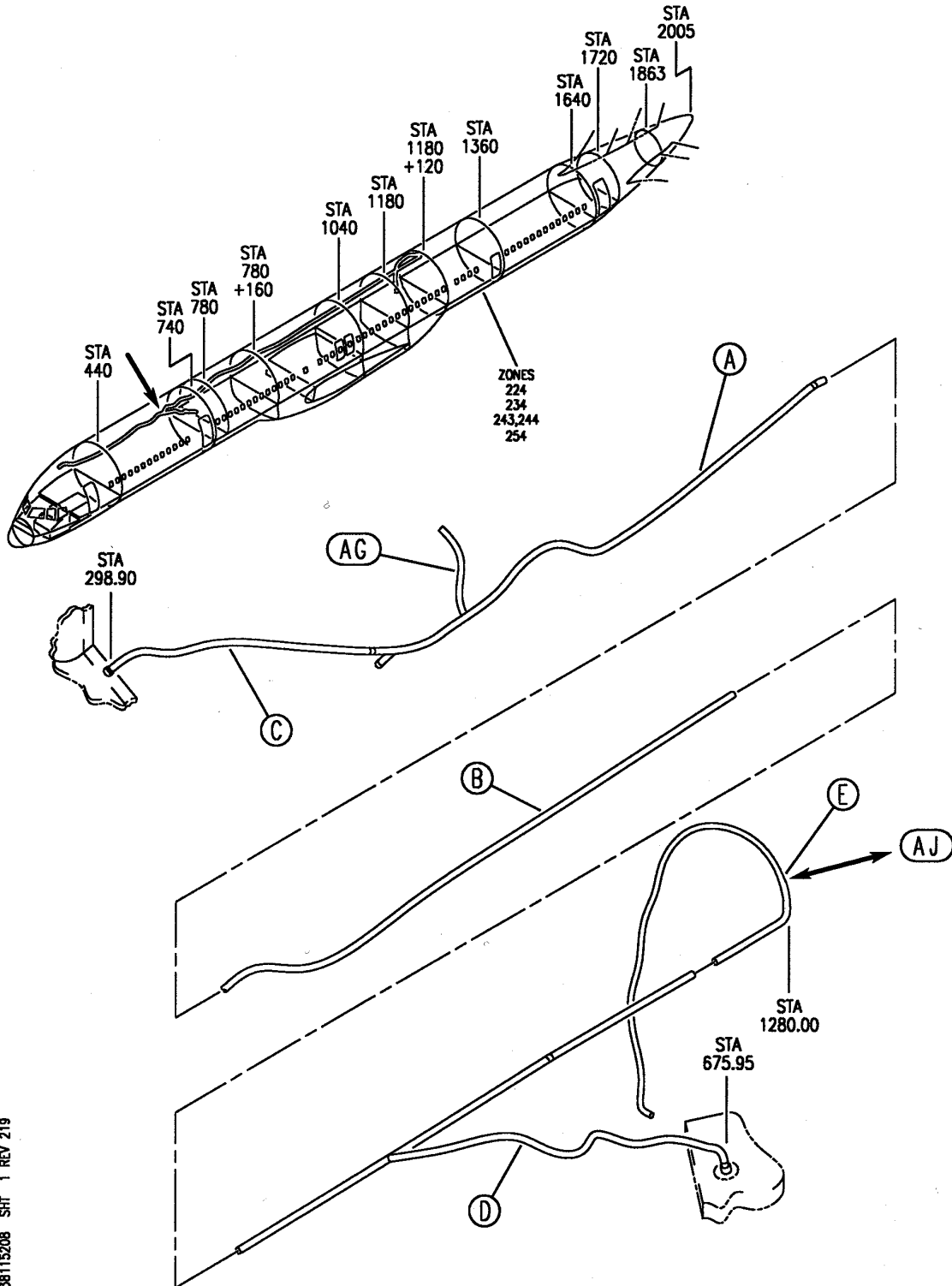
38-11-52-04

38-11-52
FIG. 04
PAGE 4
JAN 20/09

BRI

BOEING PROPRIETARY - Copyright © - Unpublished Work - See title page for details.

BOEING
757
PARTS CATALOG (MAINTENANCE)



Y 38115208 SHT 1 REV 219

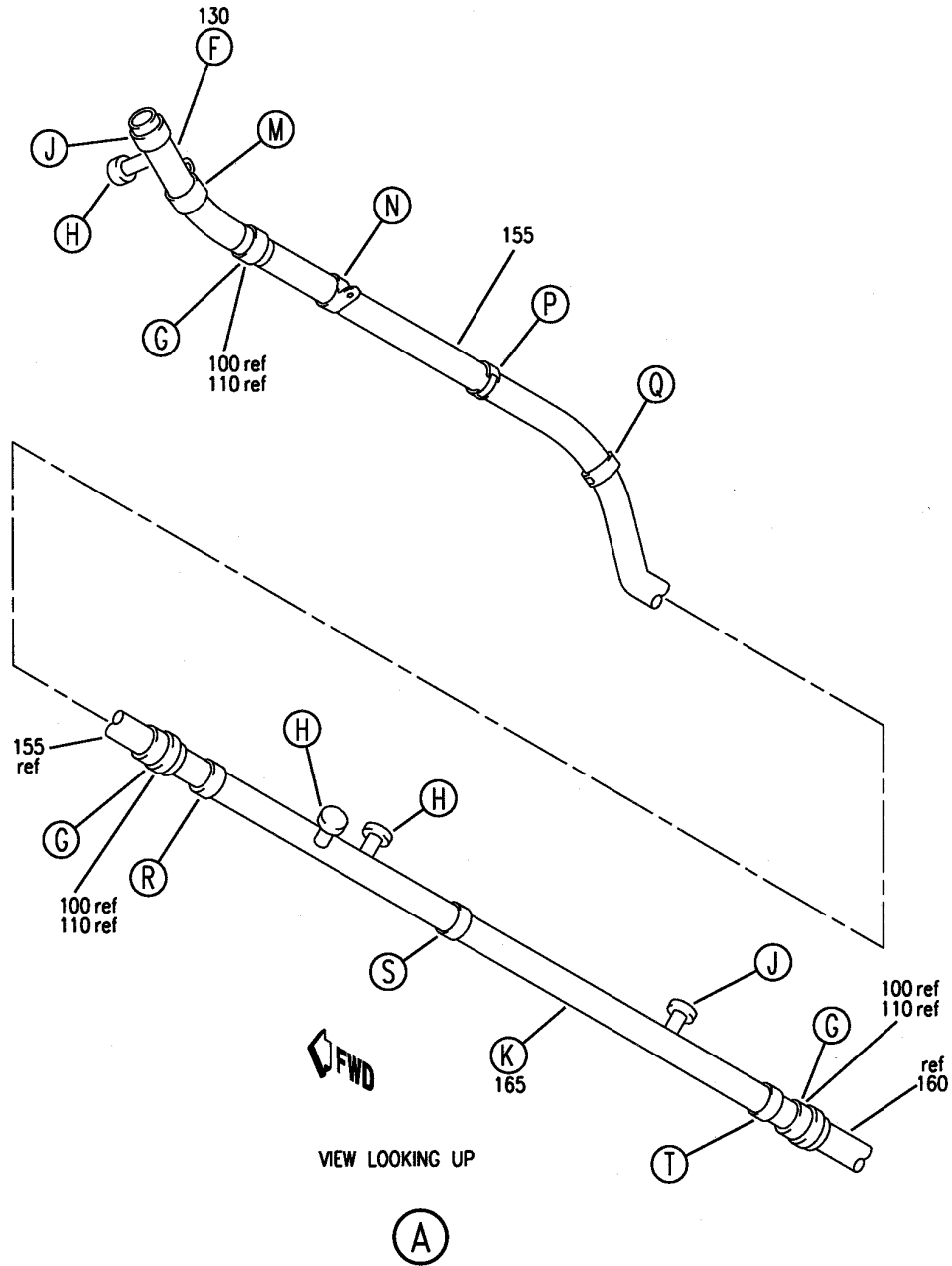
LINE, SUPPLY AND SHROUD INSTL
FIGURE 8 (SHEET 1)

38-11-52-08

BRI
JAN 20/09

38-11-52-08
PAGE 0

BOEING
757
PARTS CATALOG (MAINTENANCE)



Y 38115208 SHT 2 REV 212

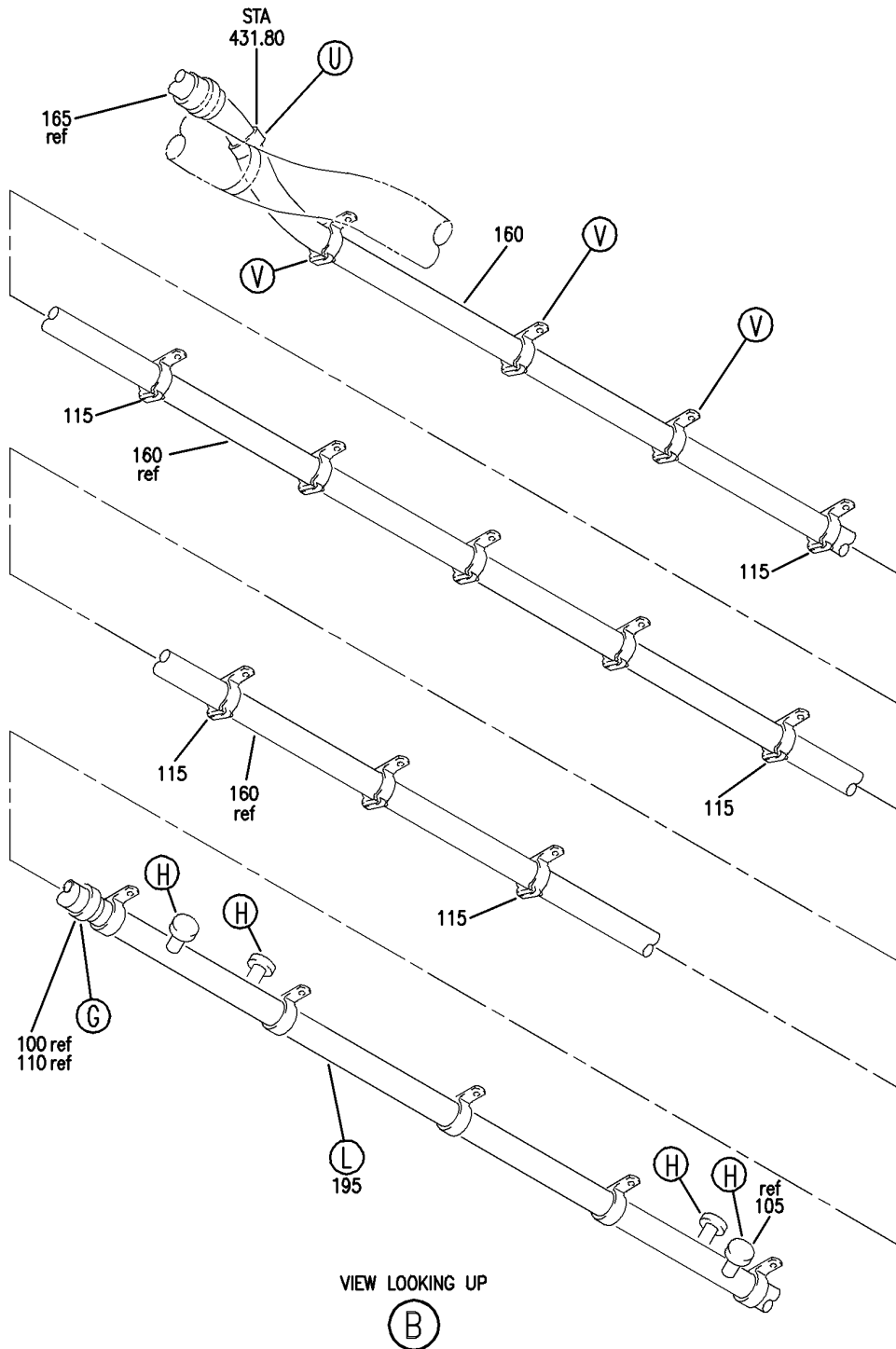
LINE, SUPPLY AND SHROUD INSTL
FIGURE 8 (SHEET 2)

38-11-52-08

BRI
JAN 20/09

38-11-52-08
PAGE 0A

BOEING
757
PARTS CATALOG (MAINTENANCE)



Y 38115208 SHT 3 REV 251

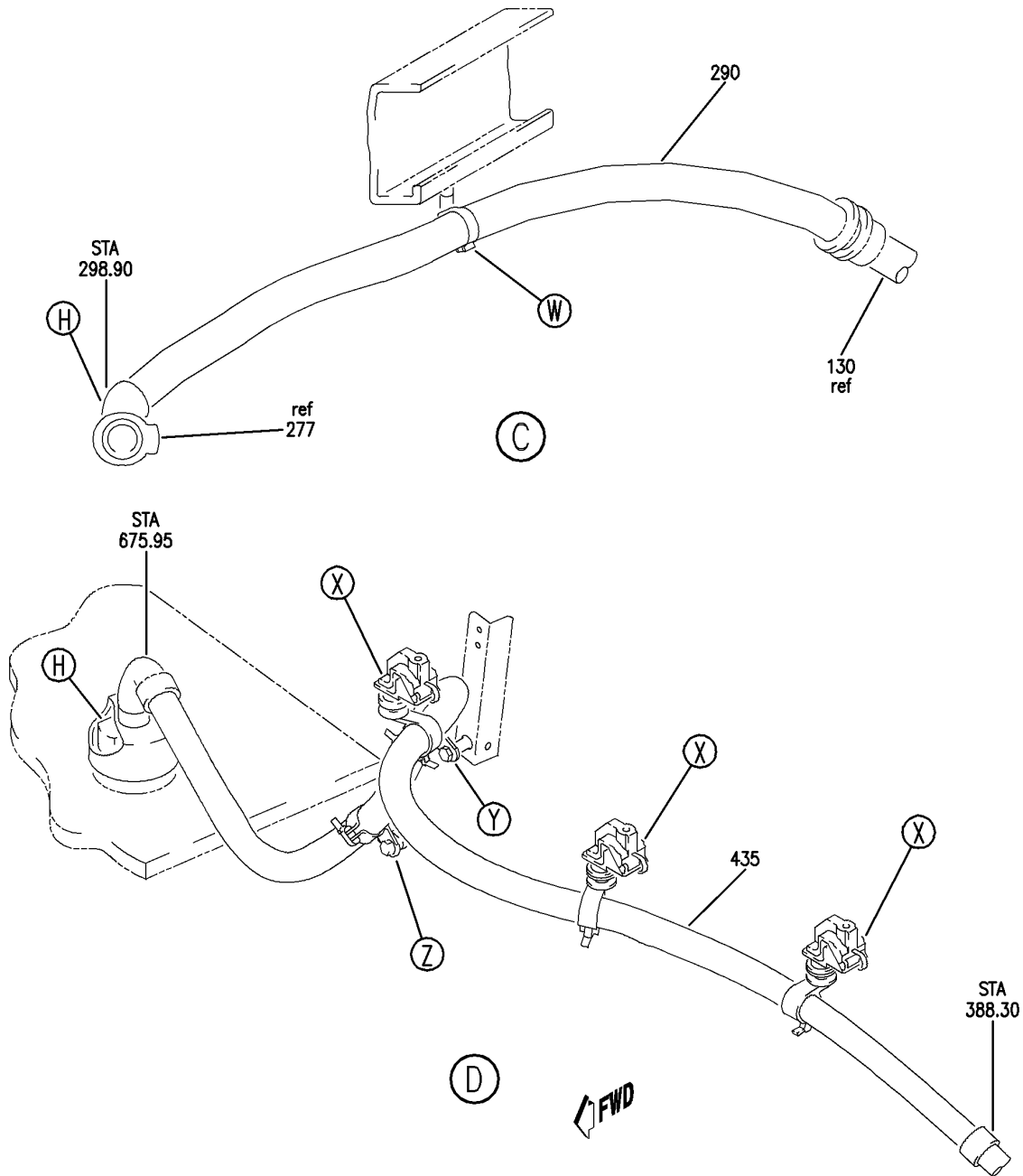
LINE, SUPPLY AND SHROUD INSTL
FIGURE 8 (SHEET 3)

38-11-52-08

BRI
JAN 20/09

38-11-52-08
PAGE 0B

BOEING
757
PARTS CATALOG (MAINTENANCE)



Y 38115208 SH 4 REV 251

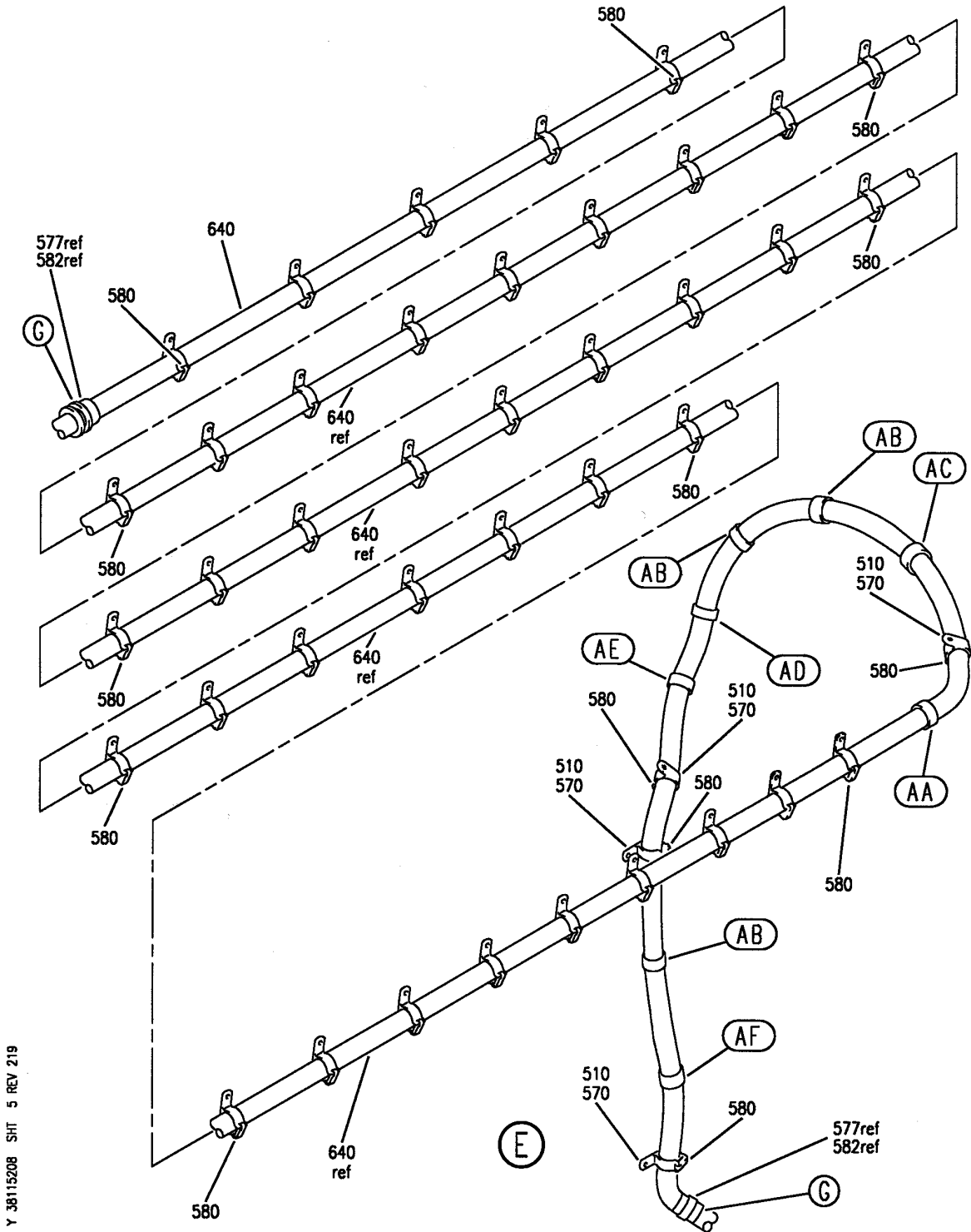
LINE, SUPPLY AND SHROUD INSTL
FIGURE 8 (SHEET 4)

38-11-52-08

BRI
JAN 20/09

38-11-52-08
PAGE 0C


BOEING
 757
PARTS CATALOG (MAINTENANCE)



Y 38115208 SHT 5 REV 219

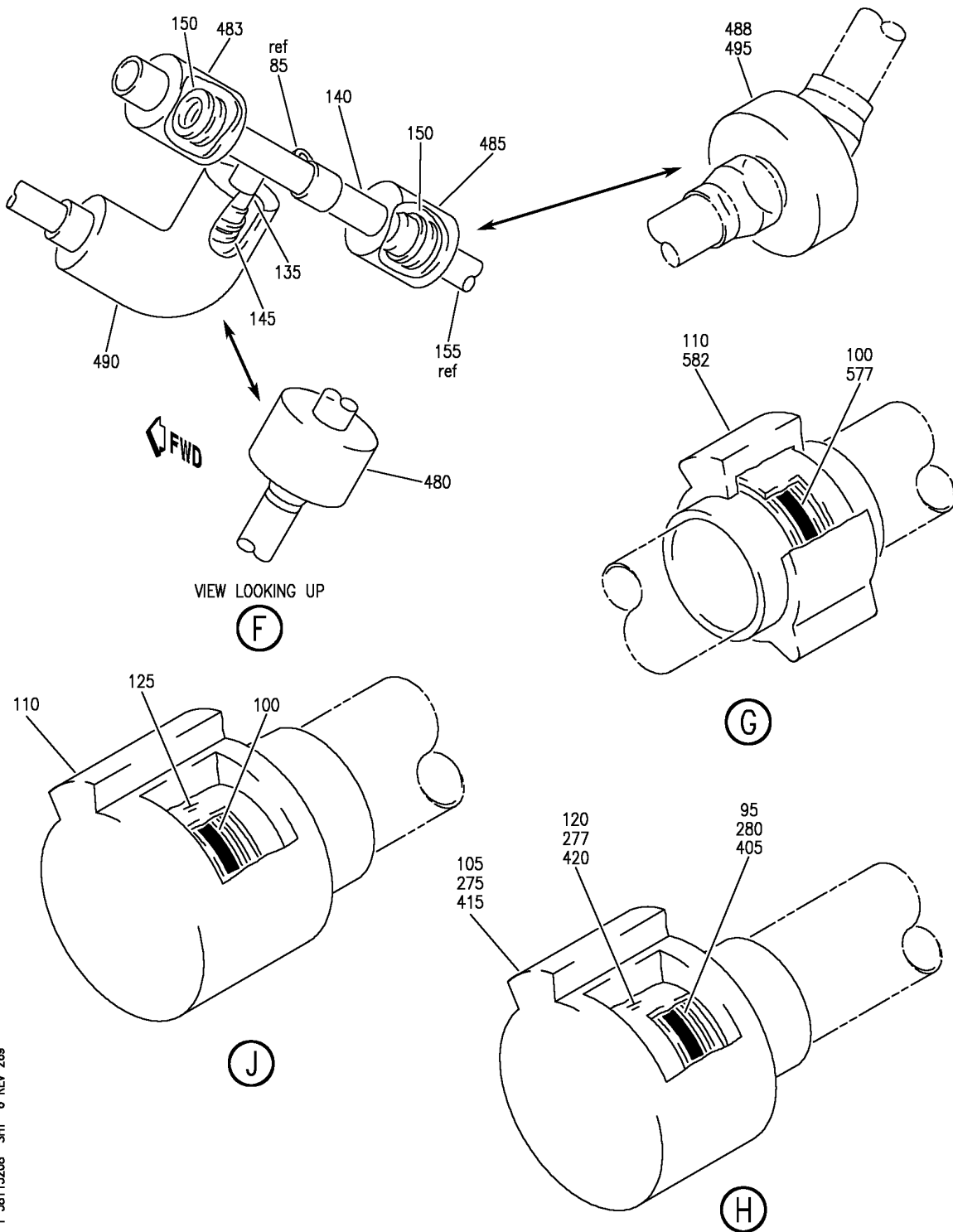
LINE, SUPPLY AND SHROUD INSTL
 FIGURE 8 (SHEET 5)

38-11-52-08

BRI
 JAN 20/09

38-11-52-08
 PAGE 0D

BOEING
757
PARTS CATALOG (MAINTENANCE)



Y 38115208 SH-T 6 REV 269

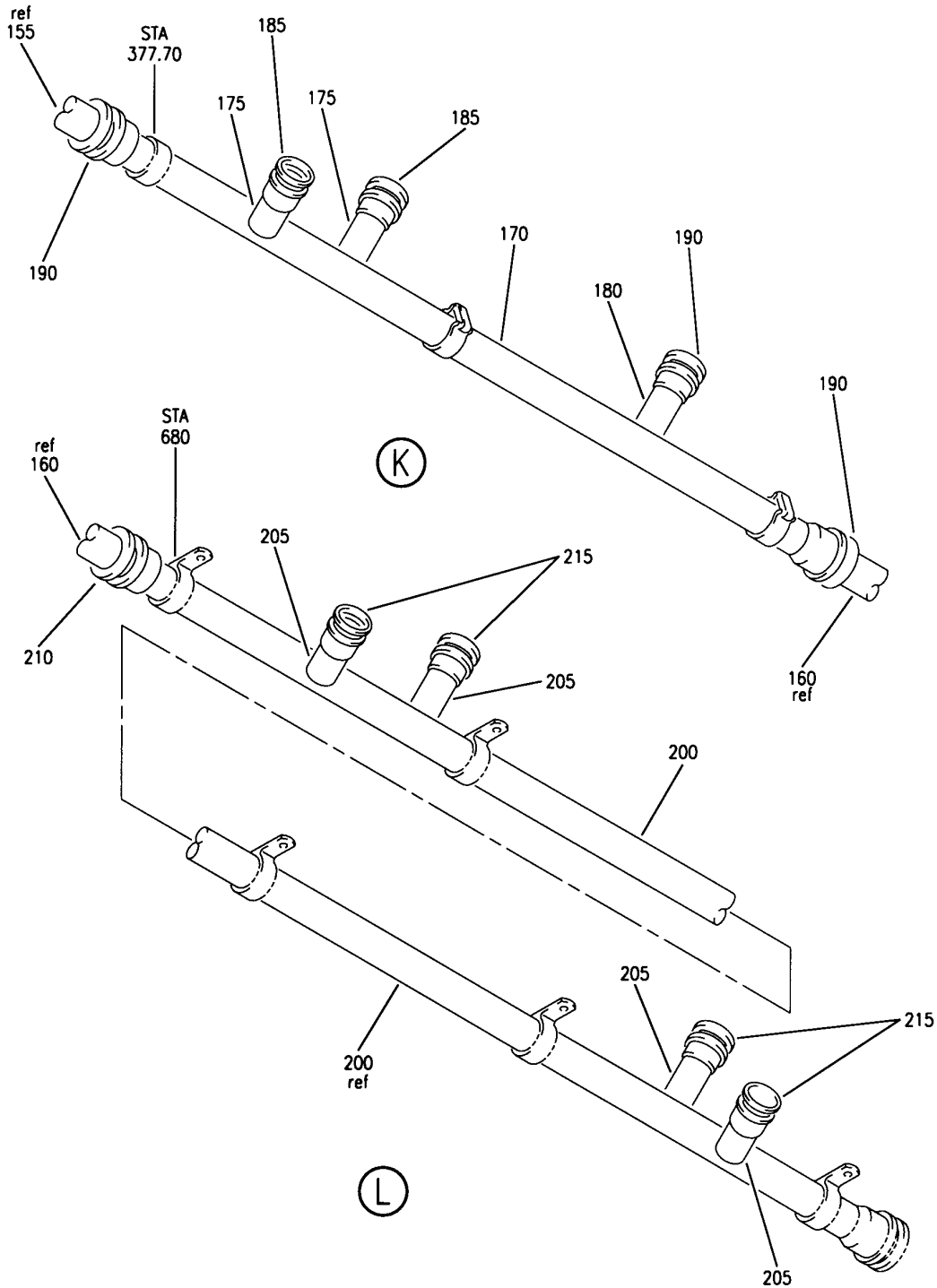
LINE, SUPPLY AND SHROUD INSTL
FIGURE 8 (SHEET 6)

38-11-52-08

BRI
JAN 20/09

38-11-52-08
PAGE 0E

BOEING
757
PARTS CATALOG (MAINTENANCE)



Y 38115208 SHF 7 REV 203

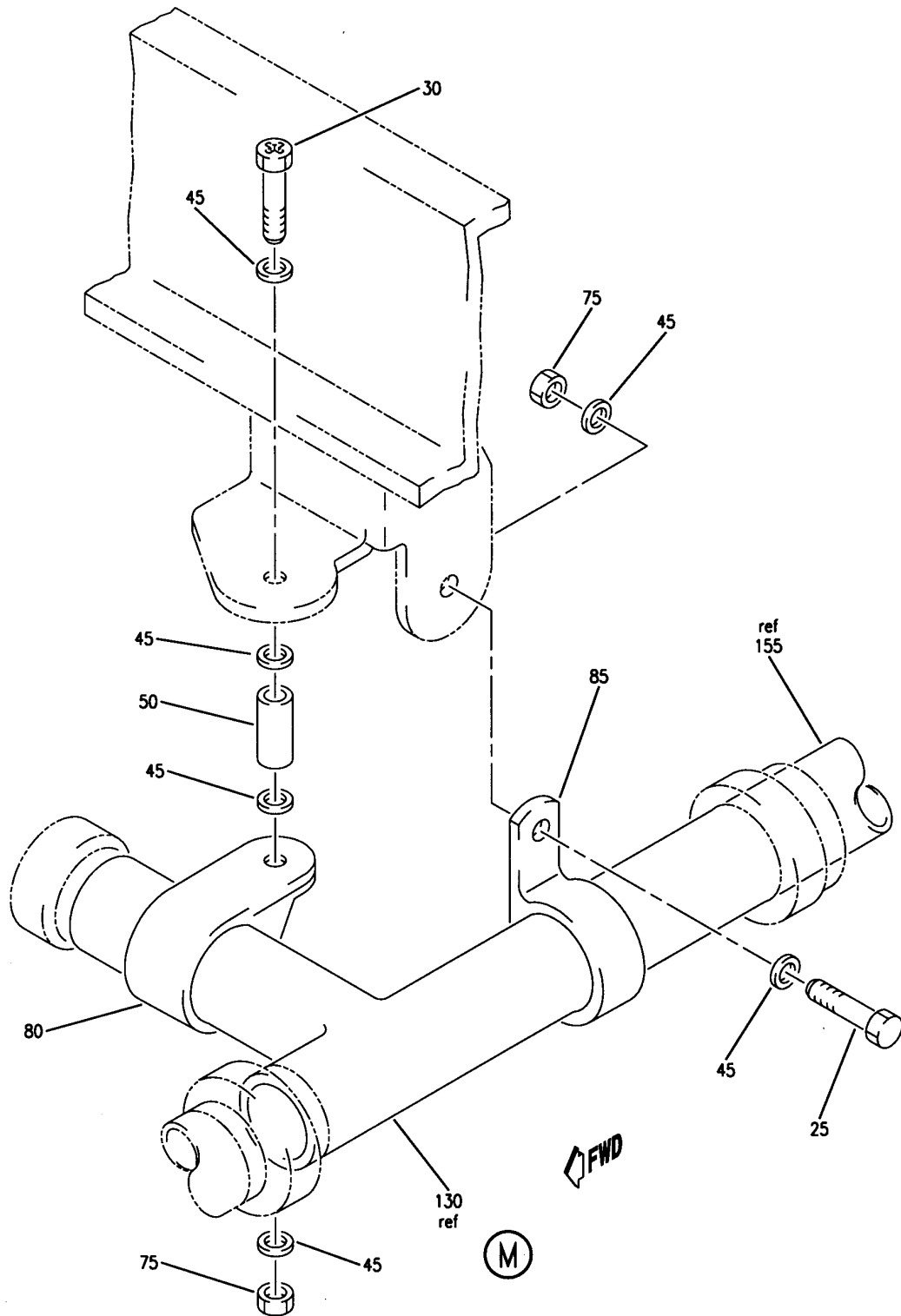
LINE, SUPPLY AND SHROUD INSTL
FIGURE 8 (SHEET 7)

38-11-52-08

BRI
JAN 20/09

38-11-52-08
PAGE OF

BOEING
757
PARTS CATALOG (MAINTENANCE)



Y 38115208 SHT 8 REV 205

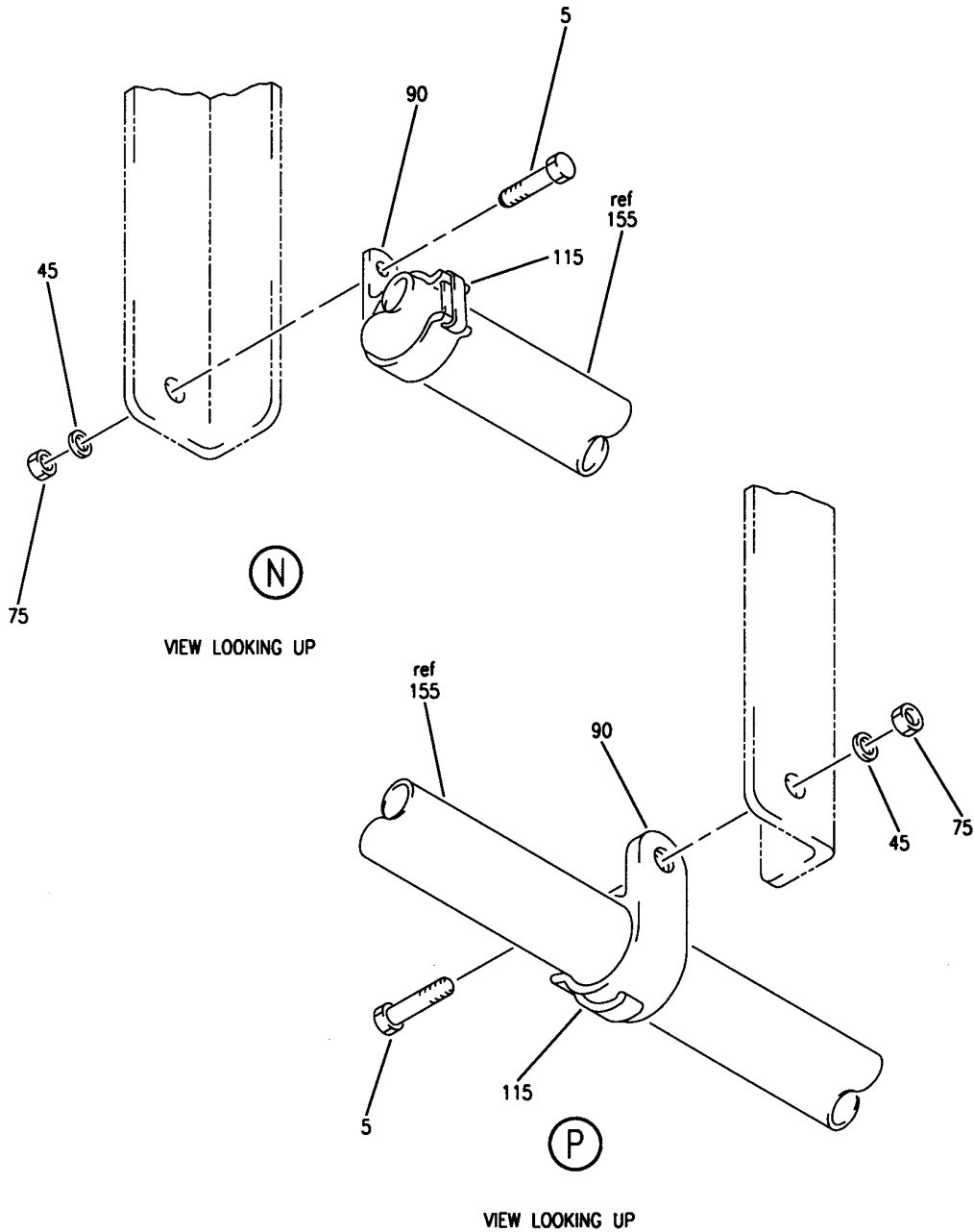
LINE, SUPPLY AND SHROUD INSTL
FIGURE 8 (SHEET 8)

38-11-52-08

BRI
JAN 20/09

38-11-52-08
PAGE 08

BOEING
757
PARTS CATALOG (MAINTENANCE)



Y 38115208 SH 9 REV 205

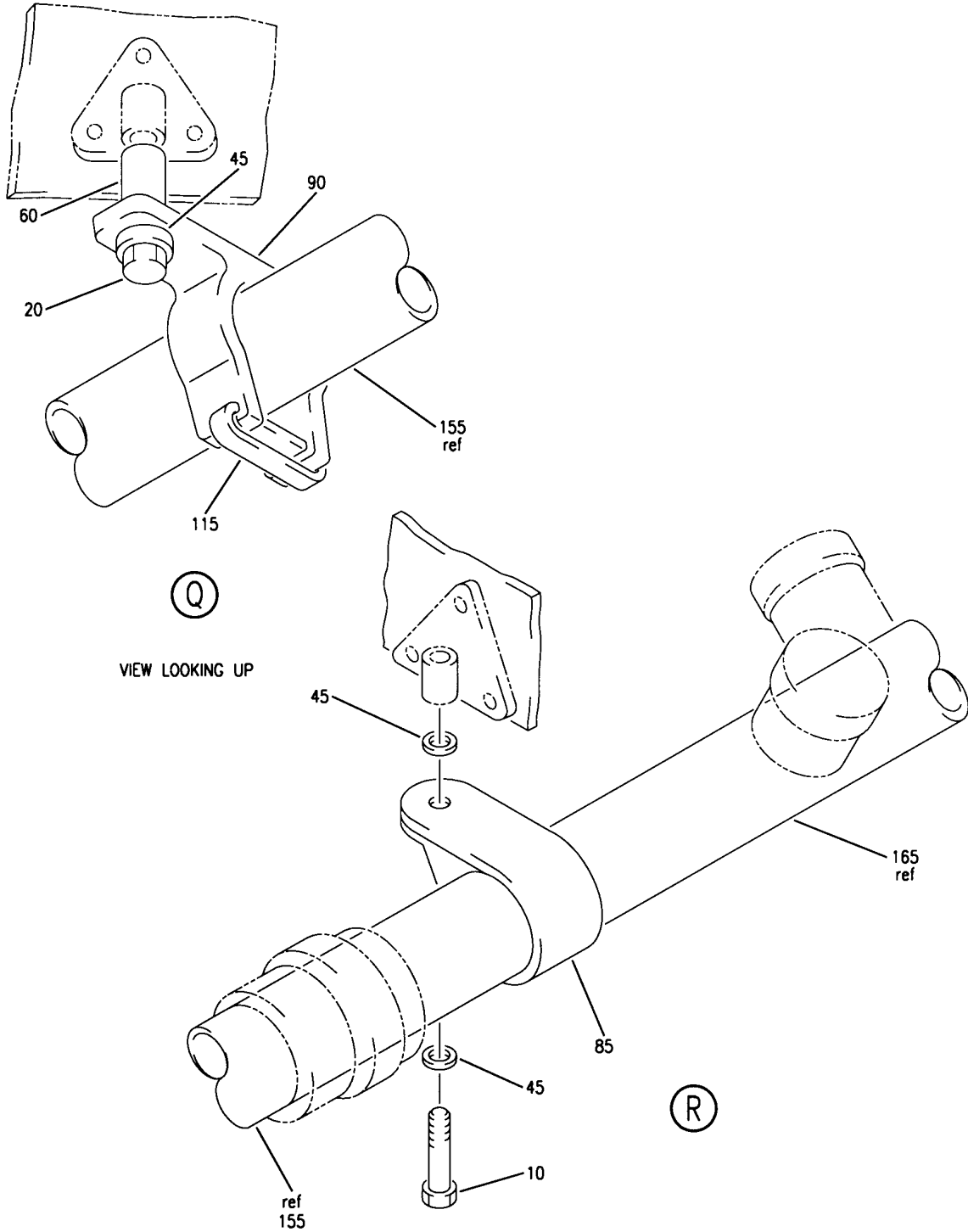
LINE, SUPPLY AND SHROUD INSTL
FIGURE 8 (SHEET 9)

38-11-52-08

BRI
JAN 20/09

38-11-52-08
PAGE 0H

BOEING
757
PARTS CATALOG (MAINTENANCE)



Y 38115208 SHT 10 REV 203

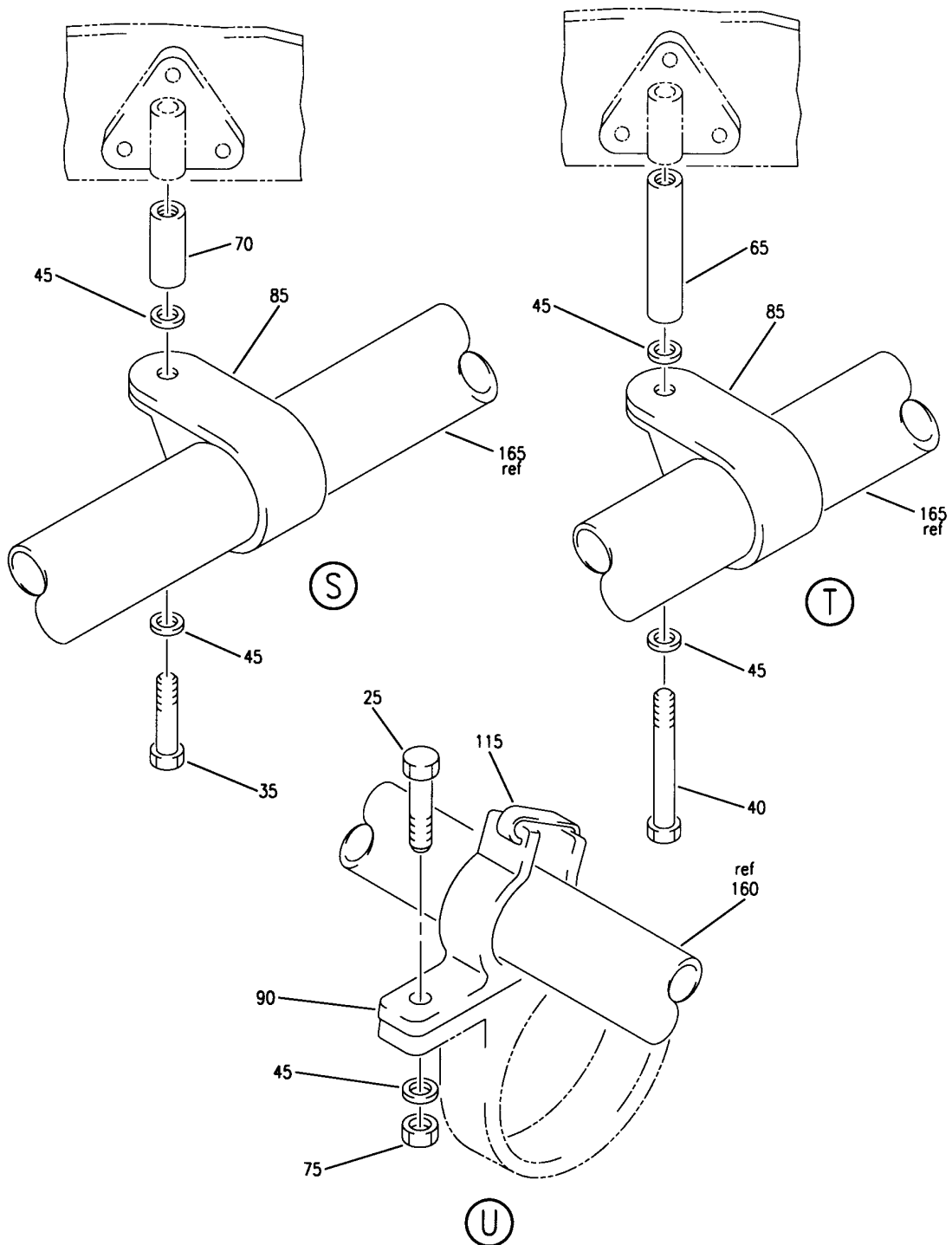
LINE, SUPPLY AND SHROUD INSTL
FIGURE 8 (SHEET 10)

38-11-52-08

BRI
JAN 20/09

38-11-52-08
PAGE 01

BOEING
757
PARTS CATALOG (MAINTENANCE)



Y 38115208 SHT 11 REV 203

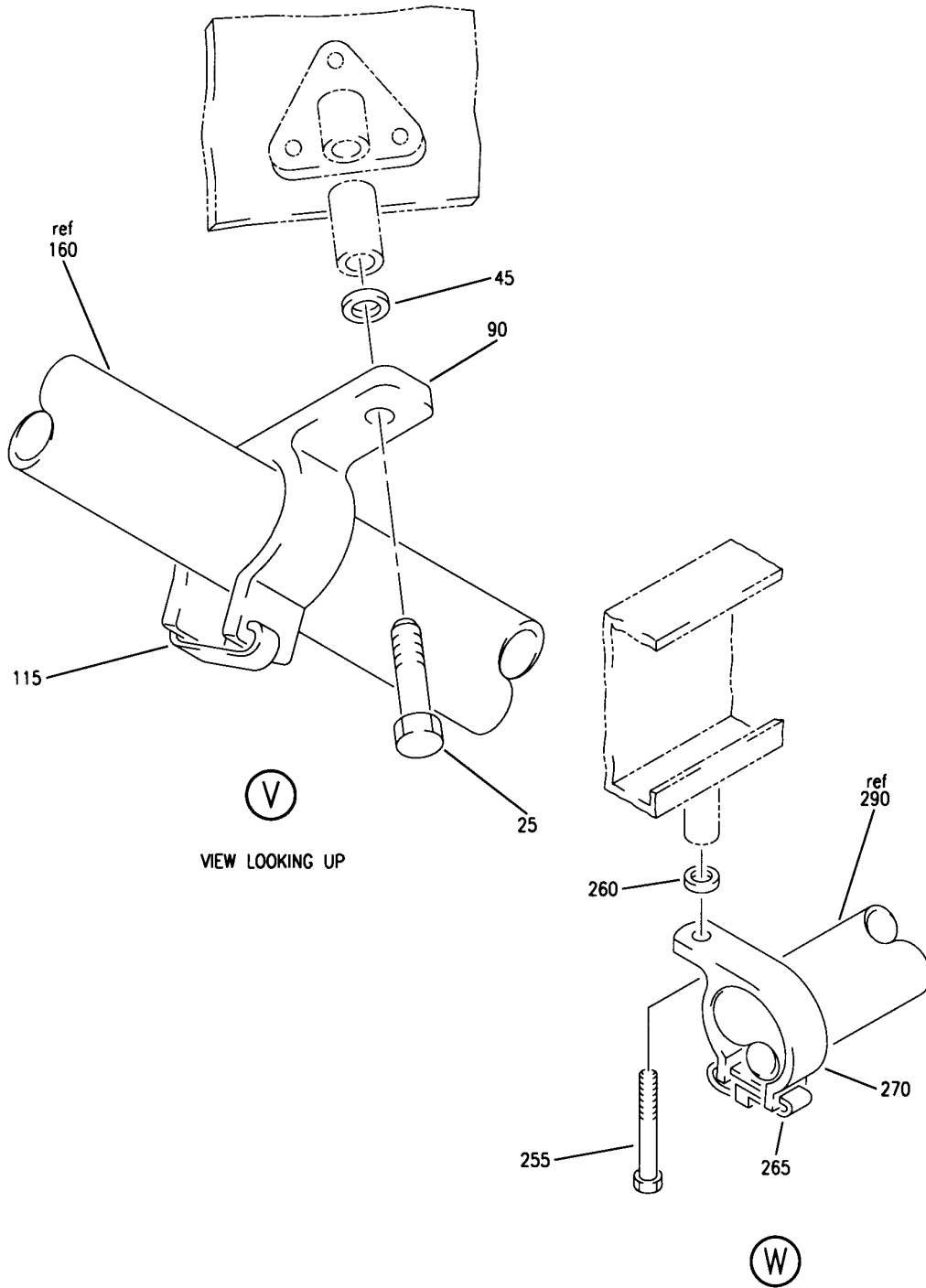
LINE, SUPPLY AND SHROUD INSTL
FIGURE 8 (SHEET 11)

38-11-52-08

BRI
JAN 20/09

38-11-52-08
PAGE 0J

BOEING
757
PARTS CATALOG (MAINTENANCE)



Y 38115208 SHT 12 REV 203

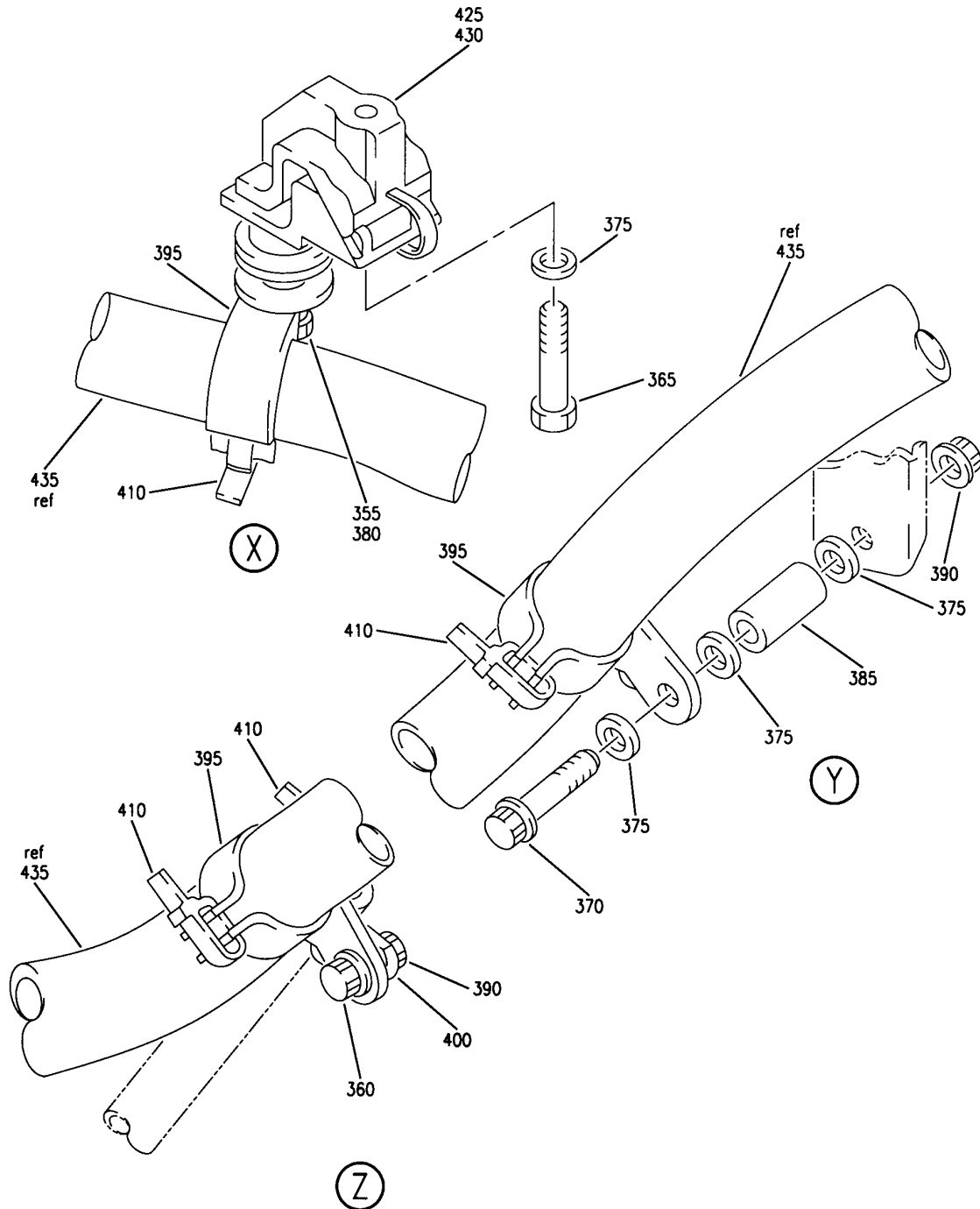
LINE, SUPPLY AND SHROUD INSTL
FIGURE 8 (SHEET 12)

38-11-52-08

BRI
JAN 20/09

38-11-52-08
PAGE OK

BOEING
757
PARTS CATALOG (MAINTENANCE)



Y 38115208 SHT 13 REV 203

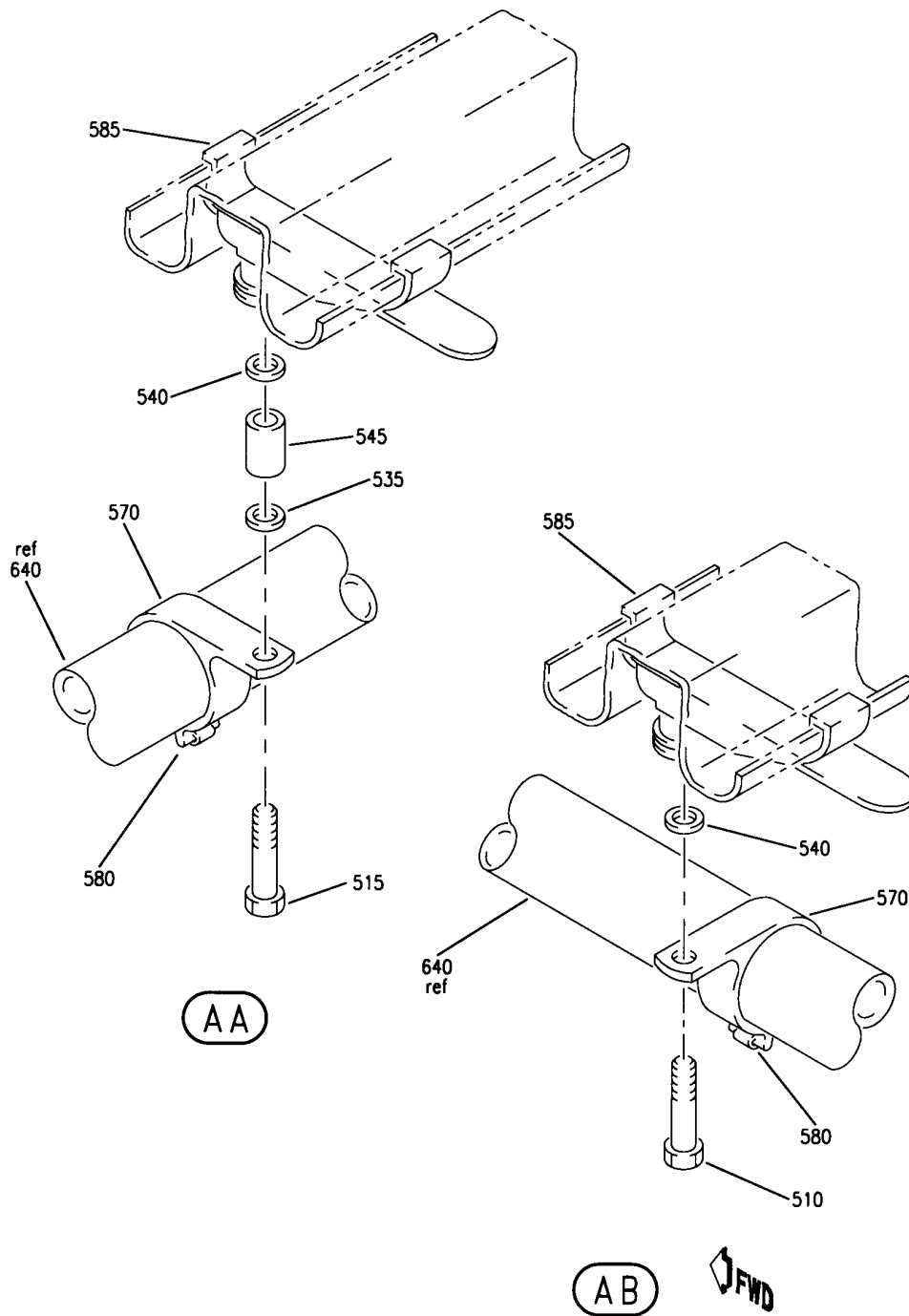
LINE, SUPPLY AND SHROUD INSTL
FIGURE 8 (SHEET 13)

38-11-52-08

BRI
JAN 20/09

38-11-52-08
PAGE 01

BOEING
757
PARTS CATALOG (MAINTENANCE)



Y 38115208 SH1 14 REV 203

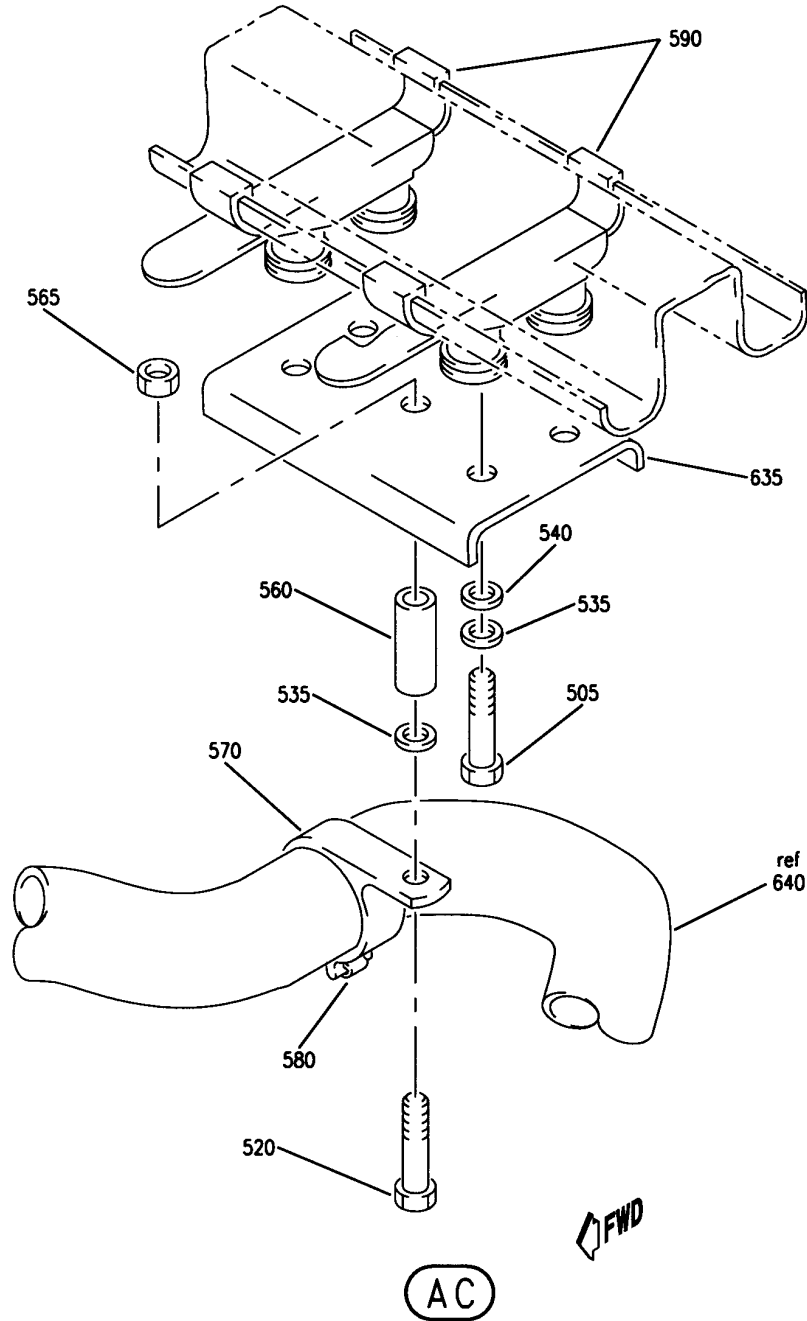
LINE, SUPPLY AND SHROUD INSTL
FIGURE 8 (SHEET 14)

38-11-52-08

BRI
JAN 20/09

38-11-52-08
PAGE 0M

BOEING
757
PARTS CATALOG (MAINTENANCE)



Y 38115208 SHT 15 REV 205

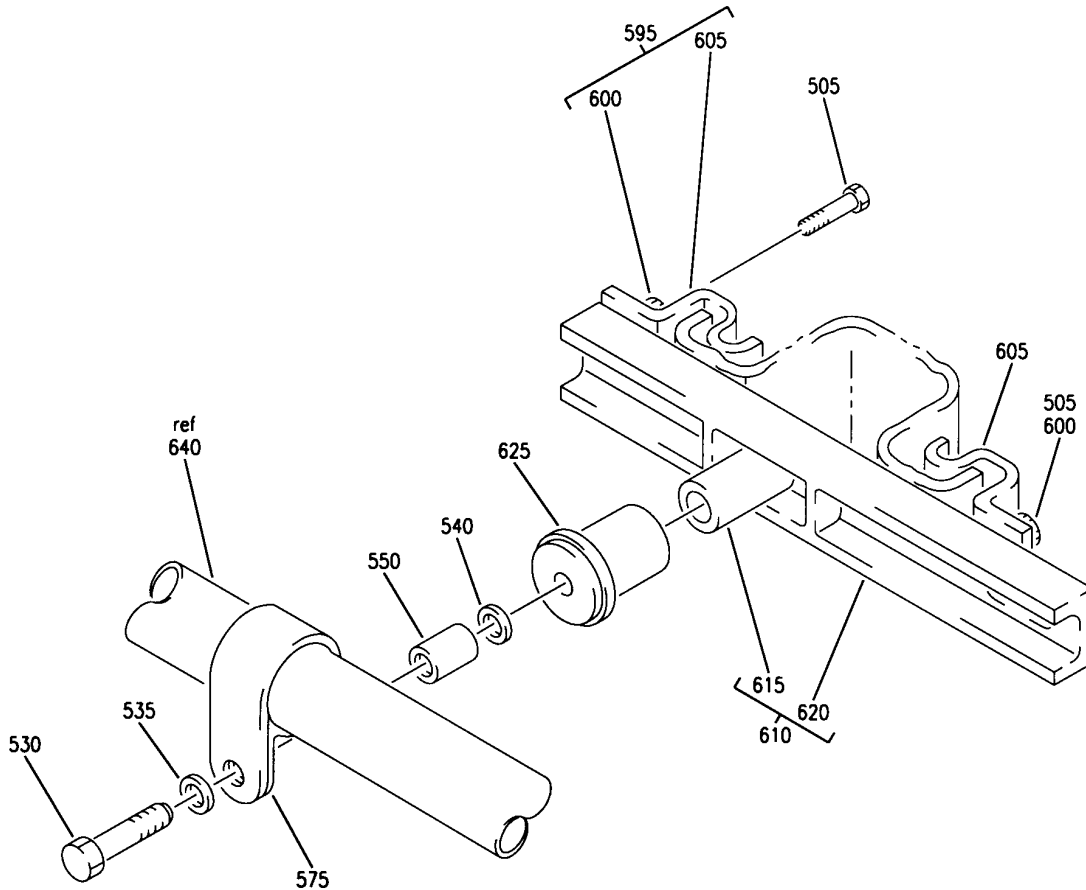
LINE, SUPPLY AND SHROUD INSTL
FIGURE 8 (SHEET 15)

38-11-52-08

BRI
JAN 20/09

38-11-52-08
PAGE ON

BOEING
757
PARTS CATALOG (MAINTENANCE)



FWD

AD

Y 38115208 SHT 16 REV 203

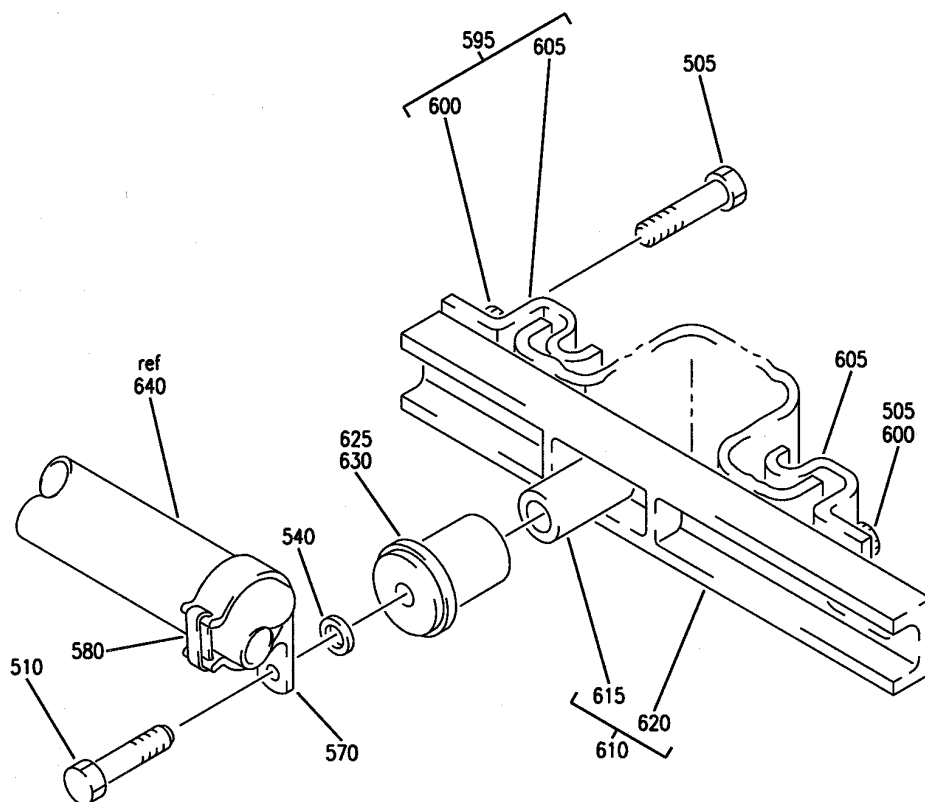
LINE, SUPPLY AND SHROUD INSTL
FIGURE 8 (SHEET 16)

38-11-52-08

BRI
JAN 20/09

38-11-52-08
PAGE 00

BOEING
757
PARTS CATALOG (MAINTENANCE)



↙ FWD

AE

Y 38115208 SHT 17 REV 212

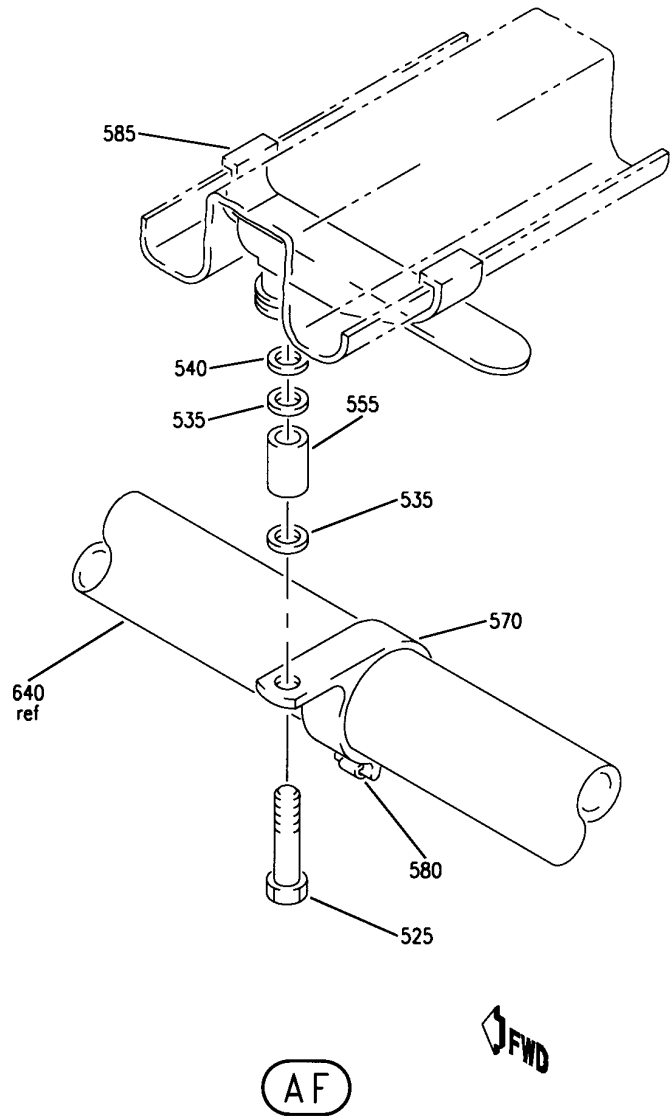
LINE, SUPPLY AND SHROUD INSTL
FIGURE 8 (SHEET 17)

38-11-52-08

BRI
JAN 20/09

38-11-52-08
PAGE 0P

BOEING
757
PARTS CATALOG (MAINTENANCE)



Y 38115208 SHT 18 REV 203

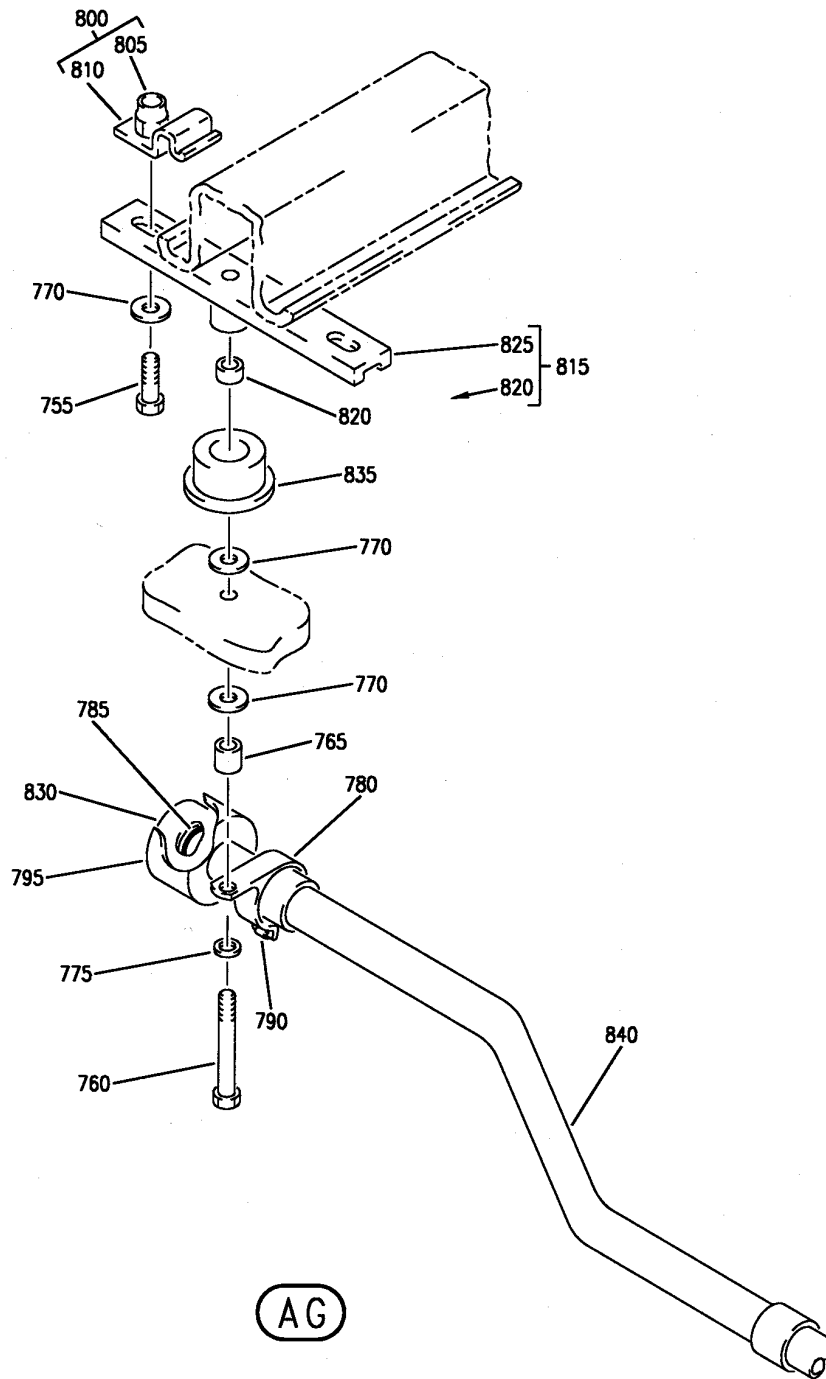
LINE, SUPPLY AND SHROUD INSTL
FIGURE 8 (SHEET 18)

38-11-52-08

BRI
JAN 20/09

38-11-52-08
PAGE 00

BOEING
757
PARTS CATALOG (MAINTENANCE)



Y 38115208 SHT 19 REV 213

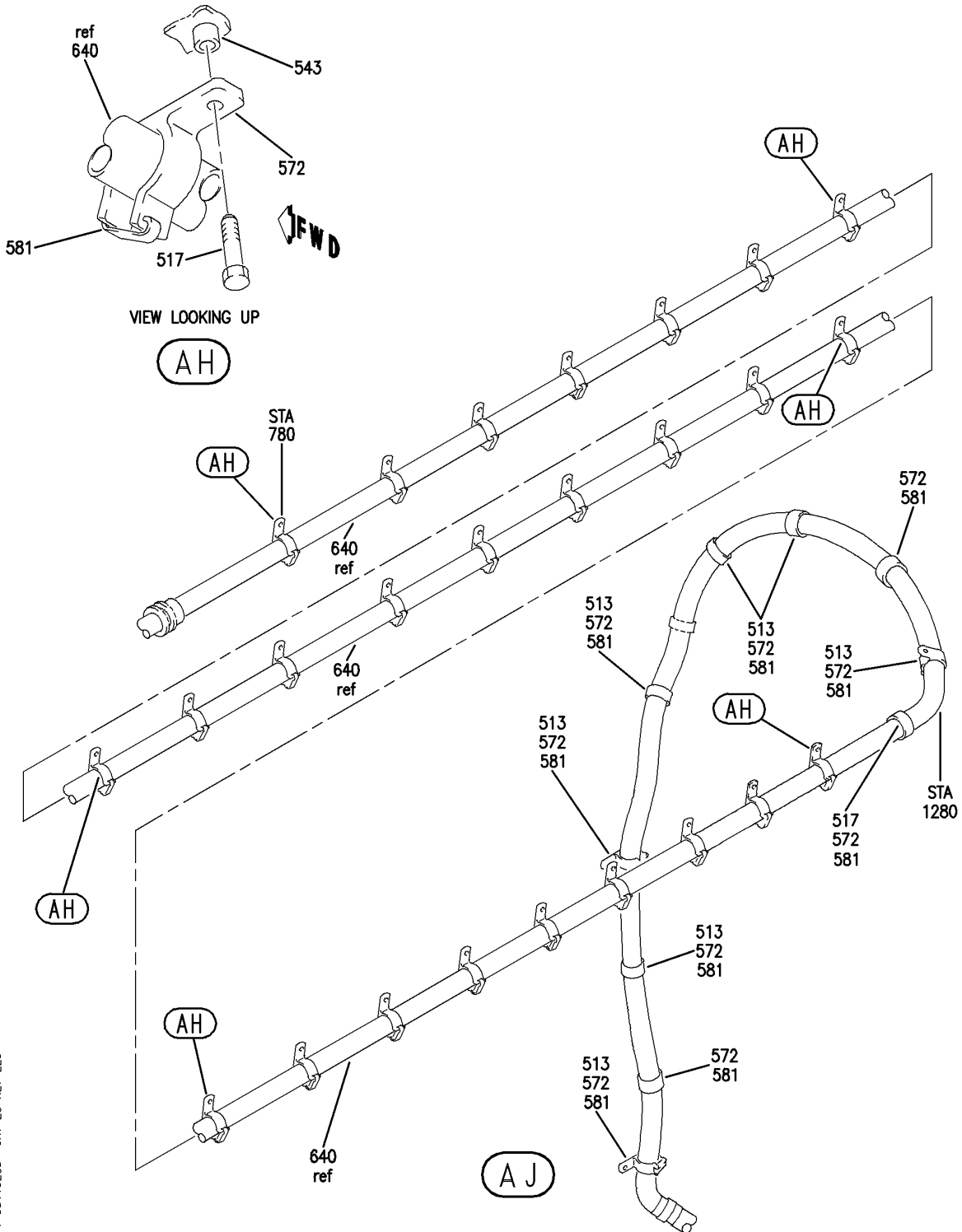
LINE, SUPPLY AND SHROUD INSTL
FIGURE 8 (SHEET 19)

38-11-52-08

BRI
JAN 20/09

38-11-52-08
PAGE OR

BOEING
757
PARTS CATALOG (MAINTENANCE)



Y 38115208 SHT 20 REV 225

LINE, SUPPLY AND SHROUD INSTL
FIGURE 8 (SHEET 20)

38-11-52-08

BRI
JAN 20/09

38-11-52-08
PAGE 05



757

PARTS CATALOG (MAINTENANCE)

FIG ITEM	PART NUMBER	1 2 3 4 5 6 7	NOMENCLATURE	EFFECT FROM TO	UNITS PER ASSY
8			LINE, SUPPLY AND SHROUD INSTL	103106	
- 250	MODREF17226		SUPPLY INSTL-LAV A BRANCH LINE MODULE NUMBER: 417N2151-100 REV A	103106	1
255	BACS21GU3K9		.SCREW	103106	1
260	NAS1149D0332J		.WASHER	103106	1
265	PLT1MXMR		.STRAP SUPPLIER CODE: V06383 SPECIFICATION NUMBER: BACS38K9	103106	1
270	NMC1005-4		.CLAMP- SUPPLIER CODE: V03296	103106	1
275	14C34-10A		.COUPLING- SUPPLIER CODE: V24984 OPTIONAL PART: W994BF10DE V79326 14C33-10 V24984	103106	1
275	W994BF10DE		.COUPLING- SUPPLIER CODE: V79326 OPTIONAL PART: 14C34-10A V24984 14C33-10 V24984	103106	1
275	14C33-10		.COUPLING- SUPPLIER CODE: V24984 OPTIONAL PART: W994BF10DE V79326 14C34-10A V24984	103106	1
277	LC200-10C		.CAP- SUPPLIER CODE: V24984	103106	1
280	NAS1611-017A		.PACKING- OPTIONAL PART: NAS1611-017	103106	1
280	NAS1611-017		.PACKING- OPTIONAL PART: NAS1611-017A	103106	1

MISSING ITEM NUMBERS NOT APPLICABLE

- ITEM NOT ILLUSTRATED

38-11-52-08

38-11-52
FIG. 08
PAGE 1
JAN 20/09

BRI



757

PARTS CATALOG (MAINTENANCE)

FIG ITEM	PART NUMBER	1 2 3 4 5 6 7	NOMENCLATURE	EFFECT FROM TO	UNITS PER ASSY
8					
290	S417U206-1351		.HOSE ASSY-	103106	1
- 478	MODREF22866		SHROUD INSTL-MAIN OVHD SUPPLY LINE, (LAV A, G1A) MODULE NUMBER: 417N2151-206 REV A POSITION DATA: FWD	103105	1
- 478	MODREF191416		SUPPLY INSTL-MAIN OVHD SUPPLY LINE, (LAV A, G1A) MODULE NUMBER: 417N2151-206 REV B POSITION DATA: FWD	106106	1
480	BOE2225-0004		.SHROUD- SUPPLIER CODE: V16632	103106	1
483	BOE2225-0004		.SHROUD- SUPPLIER CODE: V16632	103106	1
488	BOE2225-0007		.SHROUD- SUPPLIER CODE: V16632	103106	1
495	BOE2225-0006		.SHROUD- SUPPLIER CODE: V16632	103106	1
- 700	MODREF17304		SUPPLY INSTL-LAV A SHROUD MODULE NUMBER: 417N2151-201 REV A	103105	1
- 700	MODREF191414		SUPPLY INSTL-LAV A SHROUD MODULE NUMBER: 417N2151-201 REV B	106106	1
- 705	BOE2268-0004		.HOSE- SUPPLIER CODE: V16632	103106	1

MISSING ITEM NUMBERS NOT APPLICABLE

- ITEM NOT ILLUSTRATED

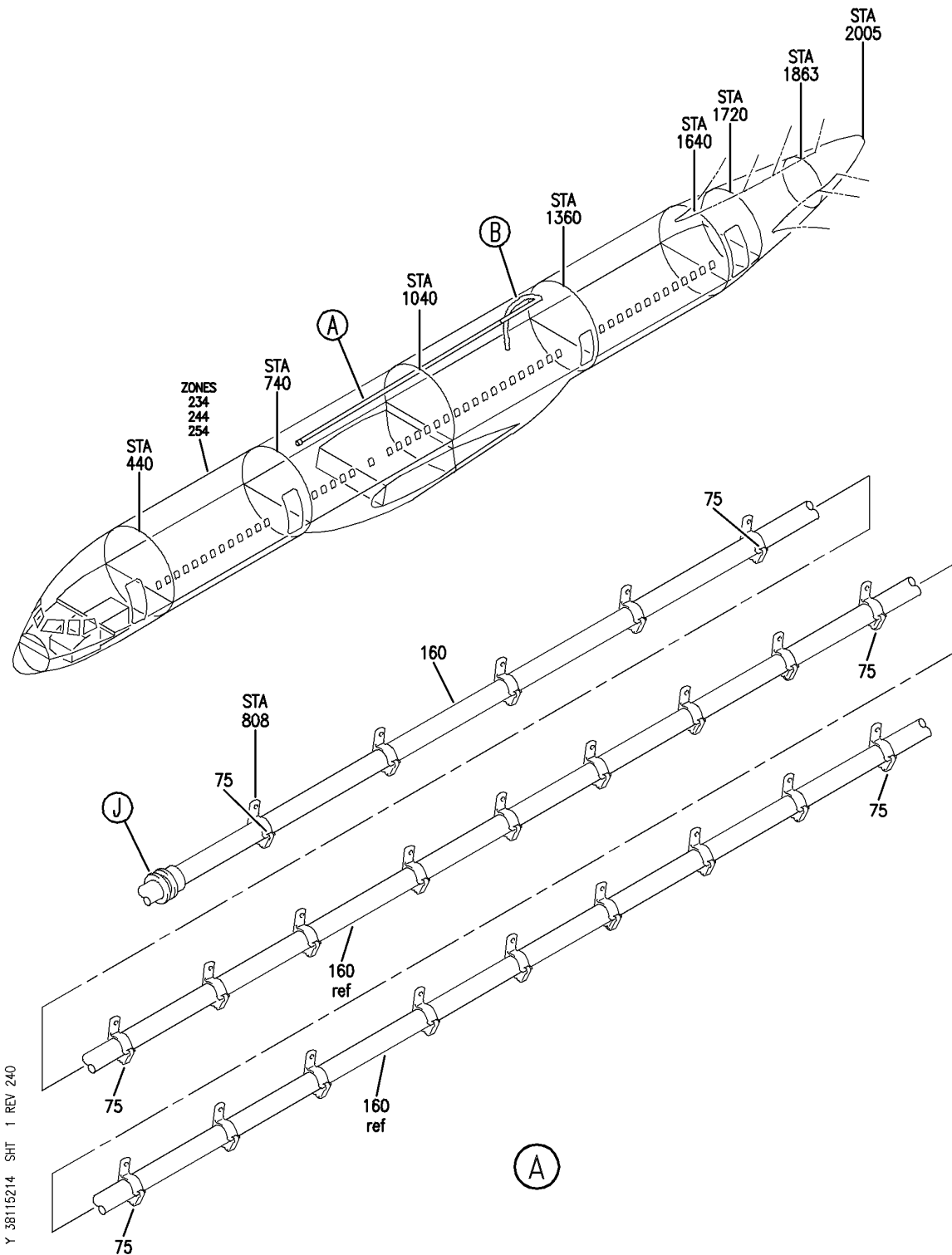
38-11-52-08

38-11-52
FIG. 08
PAGE 2
JAN 20/09

BRI

BOEING PROPRIETARY - Copyright © - Unpublished Work - See title page for details.

BOEING
757
PARTS CATALOG (MAINTENANCE)



Y 38115214 SHT 1 REV 240

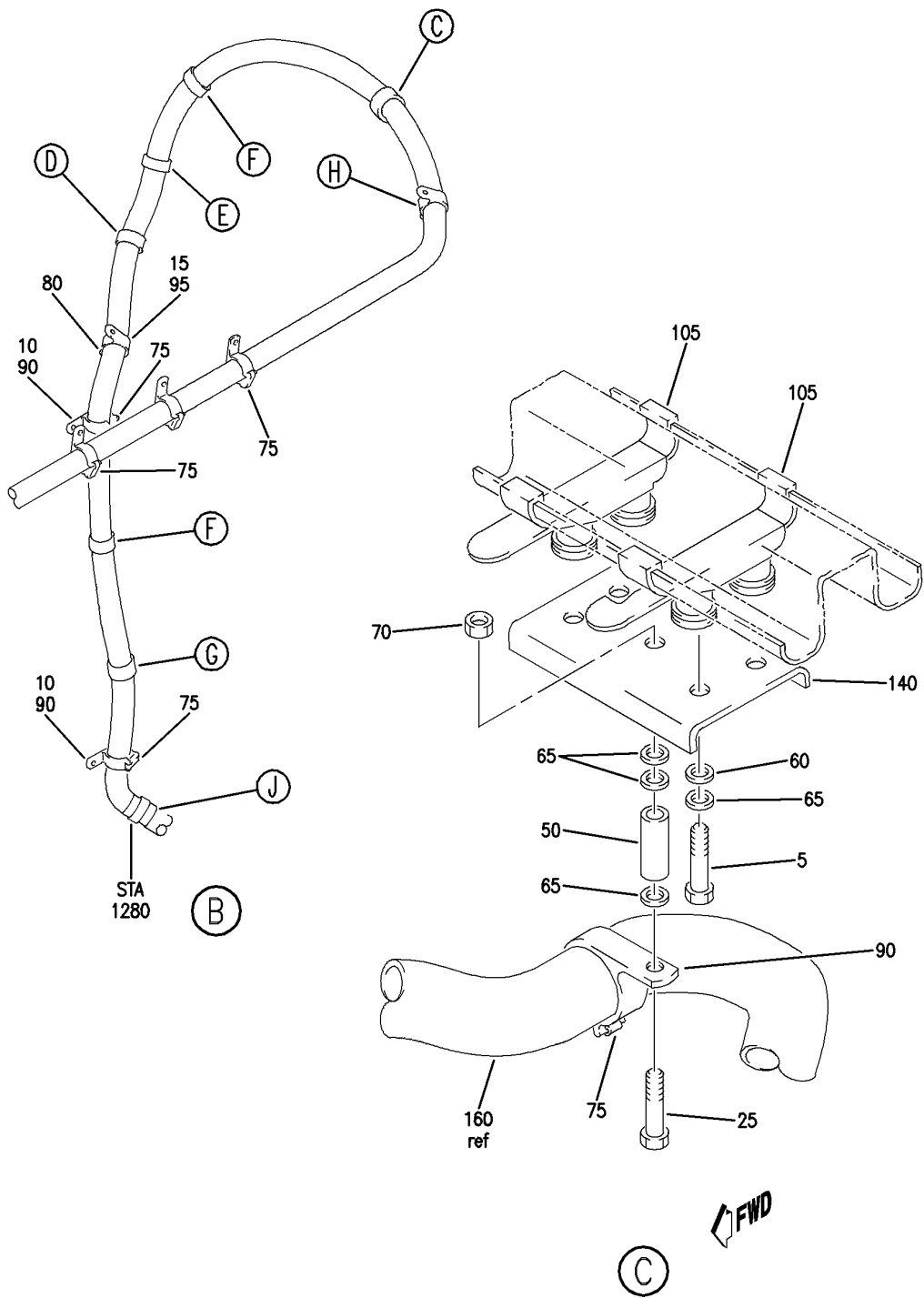
LINE INSTL-(-200) MAIN OVHD SUPPLY, AFT
FIGURE 14 (SHEET 1)

38-11-52-14

BRI
JAN 20/09

38-11-52-14
PAGE 0

BOEING
757
PARTS CATALOG (MAINTENANCE)



Y 38115214 SH1 2 REV 240

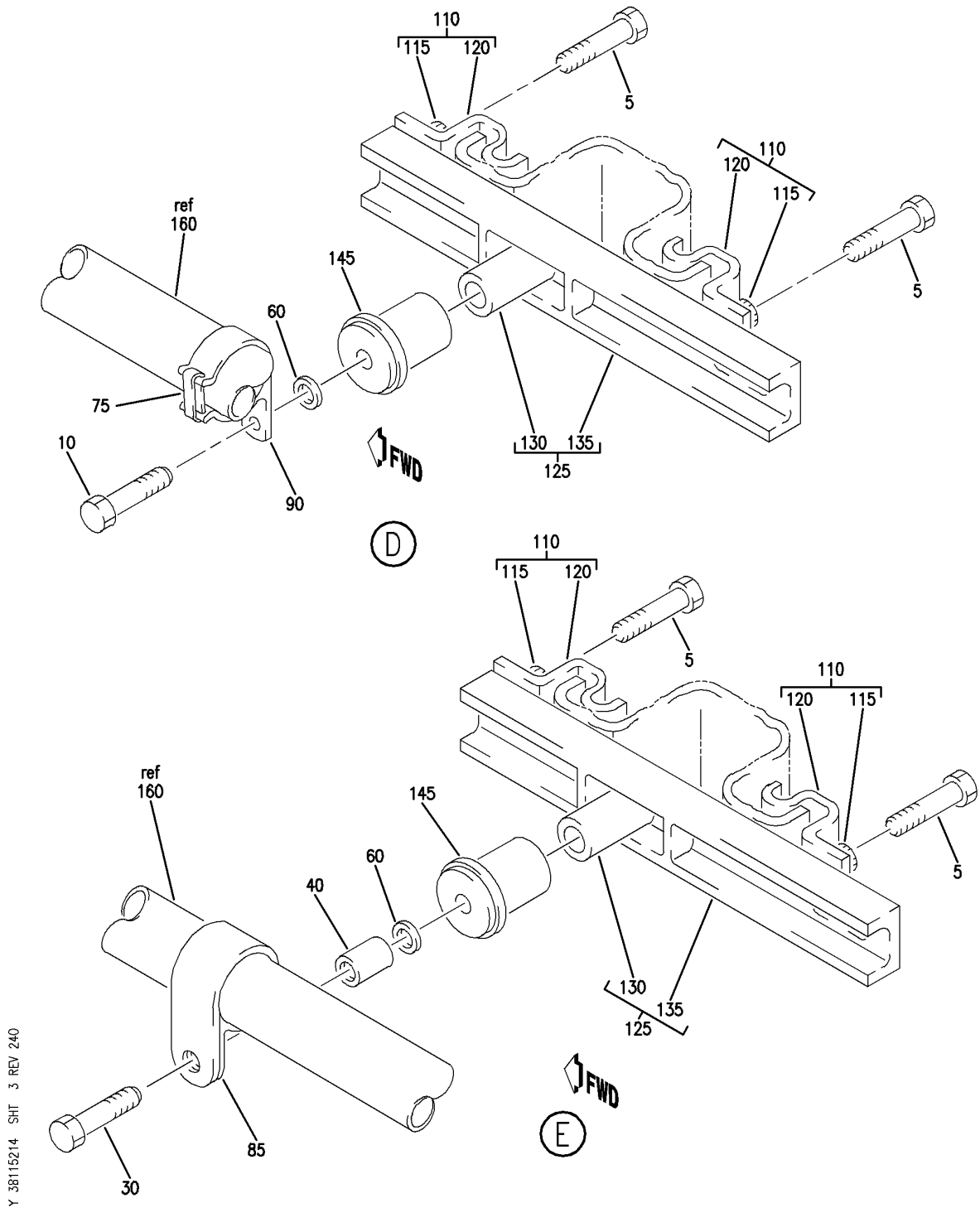
LINE INSTL-(-200) MAIN OVHD SUPPLY, AFT
FIGURE 14 (SHEET 2)

38-11-52-14

BRI
JAN 20/09

38-11-52-14
PAGE 0A

BOEING
757
PARTS CATALOG (MAINTENANCE)



Y 38115214 SHT 3 REV 240

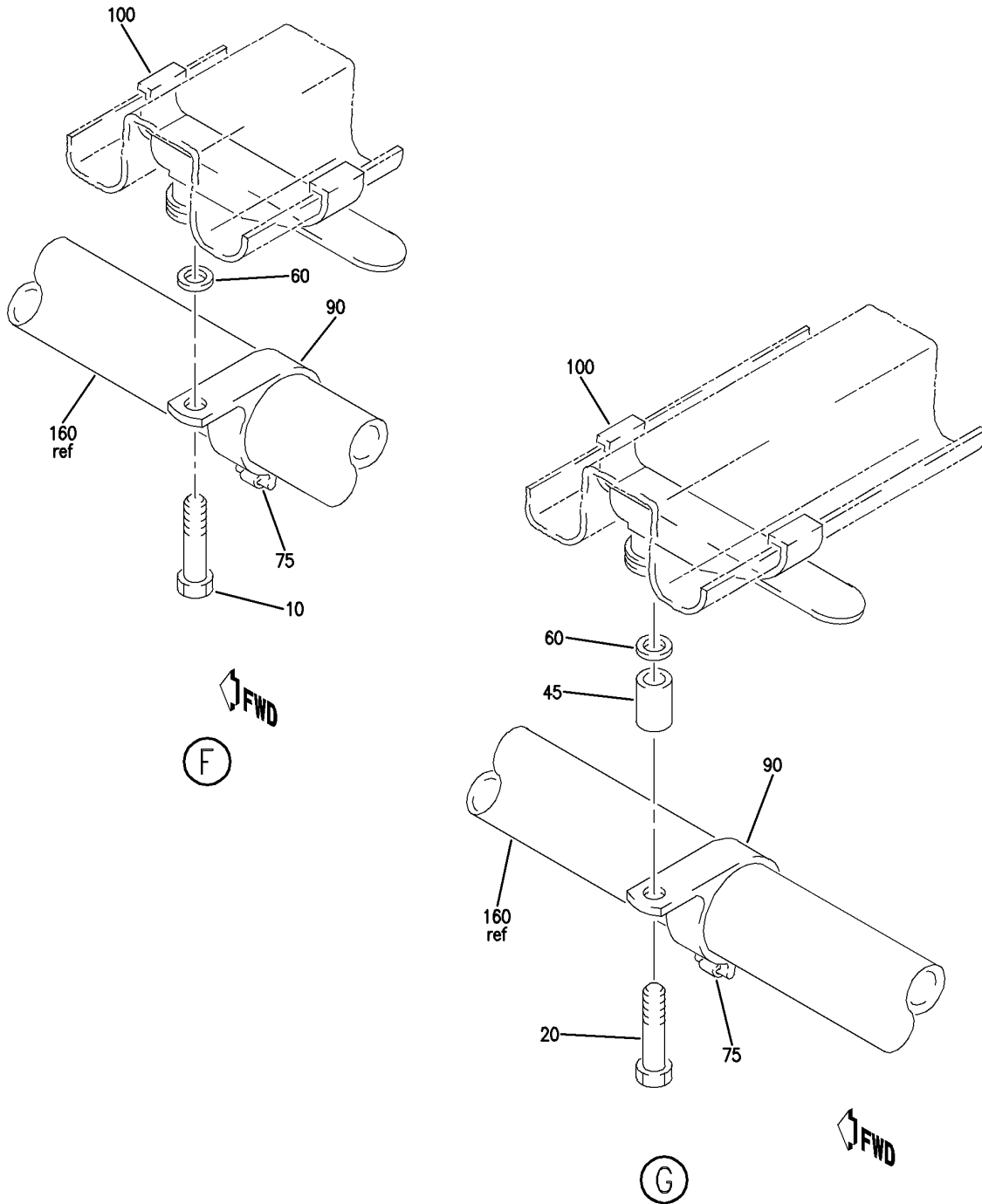
LINE INSTL-(-200) MAIN OVHD SUPPLY, AFT
FIGURE 14 (SHEET 3)

38-11-52-14

BRI
JAN 20/09

38-11-52-14
PAGE 0B

BOEING
757
PARTS CATALOG (MAINTENANCE)



Y 38115214 SH 4 REV 240

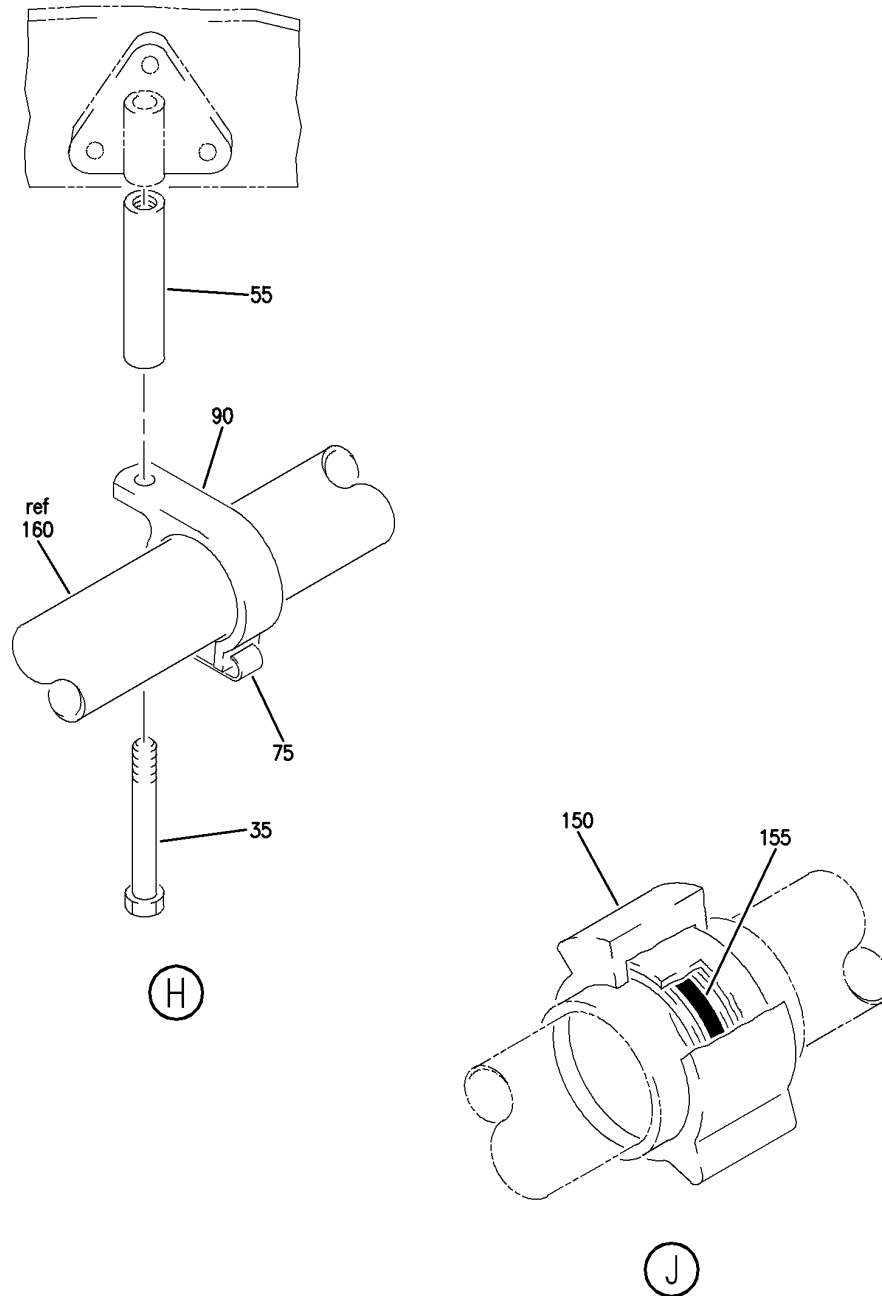
LINE INSTL-(-200) MAIN OVHD SUPPLY, AFT
FIGURE 14 (SHEET 4)

38-11-52-14

BRI
JAN 20/09

38-11-52-14
PAGE 0C

BOEING
757
PARTS CATALOG (MAINTENANCE)



Y 38115214 SH1 5 REV 240

LINE INSTL-(-200) MAIN OVHD SUPPLY, AFT
FIGURE 14 (SHEET 5)

BRI
JAN 20/09

38-11-52-14

38-11-52-14
PAGE 0D



757

PARTS CATALOG (MAINTENANCE)

FIG ITEM	PART NUMBER	1 2 3 4 5 6 7	NOMENCLATURE	EFFECT FROM TO	UNITS PER ASSY
14			LINE INSTL-(-200) MAIN OVHD SUPPLY, AFT	103106	
- 1	MODREF17312		LINE INSTL-(-200) MAIN OVHD SUPPLY MODULE NUMBER: 417N2151-8 REV A POSITION DATA: AFT	103106	1
5	BACS12GU3K8	.SCREW		103106	8
10	BACS12GU3K10	.SCREW		103106	5
15	BACS12GU3K10	.SCREW		103106	1
20	BACS12GU3K17	.SCREW		103106	1
25	BACS12GU3K18	.SCREW		103106	1
30	BACS12GU3K20	.SCREW		103106	1
35	BACS12GU3K34	.SCREW		103106	1
40	NAS43DD3-30FC	.SPACER		103106	1
45	NAS43DD3-32FC	.SPACER		103106	1
50	NAS43DD3-34FC	.SPACER		103106	1
55	NAS43DD3-96FC	.SPACER		103106	1
60	BACW10DZ3	.WASHER		103106	9
65	NAS1149D0332J	.WASHER		103106	7
70	PLH53CD	.NUT		103106	1
			SUPPLIER CODE: VF0224 SPECIFICATION NUMBER: BACN10YR3CD OPTIONAL PART: H52732-3CD V15653		
75	PLT1MXMR	.STRAP		103106	34
			SUPPLIER CODE: V06383 SPECIFICATION NUMBER: BACS38K9		
80	PLT1MXMR	.STRAP		103106	1
			SUPPLIER CODE: V06383 SPECIFICATION NUMBER: BACS38K9		
85	BACC10DK16	.CLAMP		103106	1
90	NMC1005-5	.CLAMP-		103106	8
			SUPPLIER CODE: V03296		
95	NMC1005-5	.CLAMP-		103106	1
			SUPPLIER CODE: V03296		
100	BACS38P5	.SUPPORT		103106	3
105	BACS38P7	.SUPPORT		103106	2
110	69-50697-1	.CLIP ASSY		103106	4

MISSING ITEM NUMBERS NOT APPLICABLE

- ITEM NOT ILLUSTRATED

38-11-52-14

38-11-52
FIG. 14
PAGE 1
JAN 20/09

BRI



757

PARTS CATALOG (MAINTENANCE)

FIG ITEM	PART NUMBER	1 2 3 4 5 6 7	NOMENCLATURE	EFFECT FROM TO	UNITS PER ASSY
14					
115	SL854C3F1CM	..	INSERT- SUPPLIER CODE: V97393	103106	1
120	69-50697-3	..	CLIP	103106	1
125	417N2111-1	.	SUPPORT ASSY	103106	2
130	NAS1395C3L	..	INSERT- OPTIONAL PART: NA2030-02L V32387	103106	1
130	NA2030-02L	..	INSERT- SUPPLIER CODE: V32387 OPTIONAL PART: NAS1395C3L	103106	1
135	417N2111-2	..	SUPPORT	103106	1
140	417A2106-81	.	BRACKET	103106	1
145	411N4026-8	.	CAP ASSY	103106	2
150	14C34-12A	.	COUPLING- SUPPLIER CODE: V24984 OPTIONAL PART: W994BF12DE V79326 14C33-12 V24984	103106	2
150	14C33-12	.	COUPLING- SUPPLIER CODE: V24984 OPTIONAL PART: W994BF12DE V79326 14C34-12A V24984	103106	2
150	W994BF12DE	.	COUPLING- SUPPLIER CODE: V79326 OPTIONAL PART: 14C33-12 V24984 14C34-12A V24984	103106	2
155	NAS1611-117A	.	PACKING	103106	2
160	AS4798-12-6060	.	HOSE ASSY	103106	1

MISSING ITEM NUMBERS NOT APPLICABLE

- ITEM NOT ILLUSTRATED

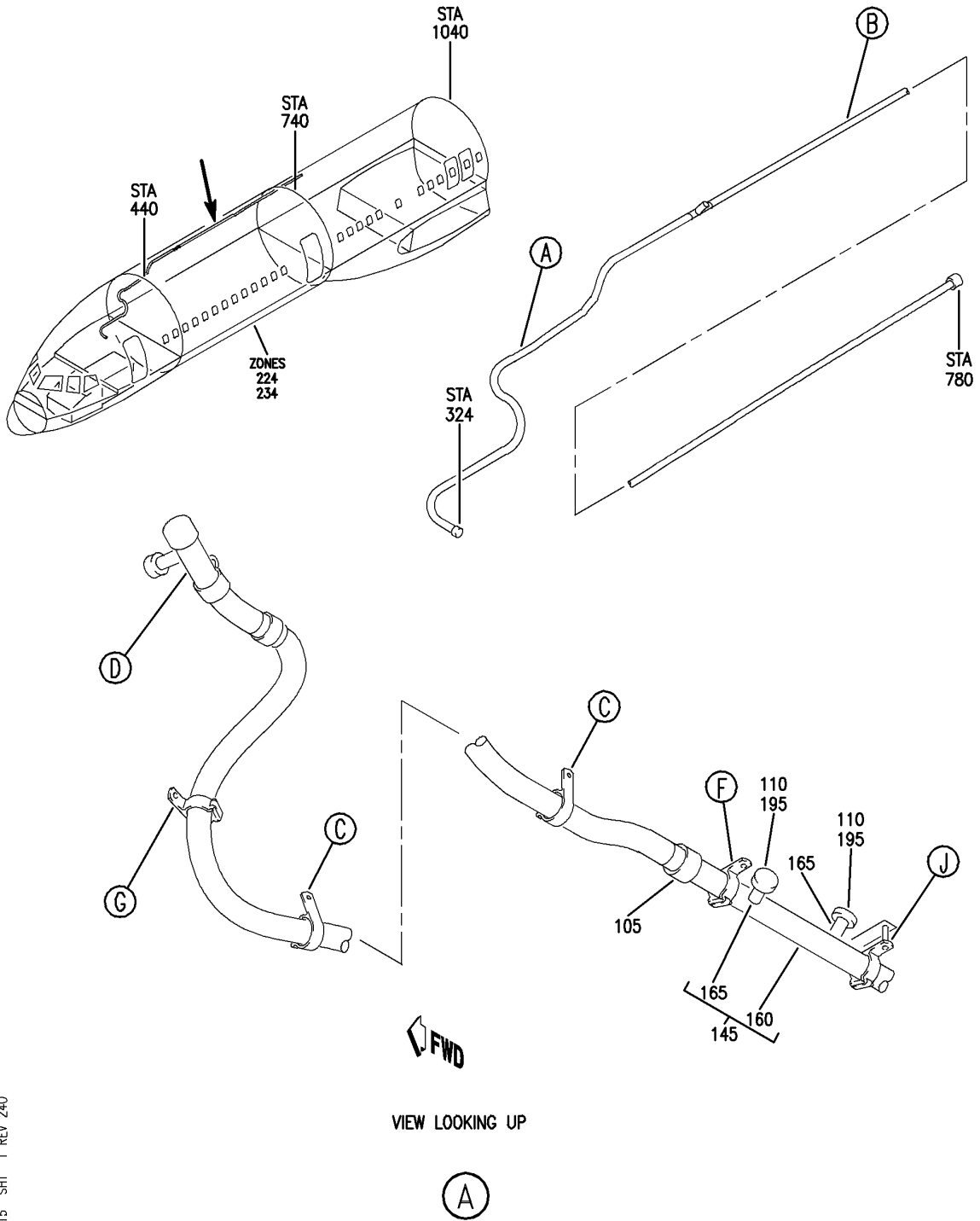
38-11-52-14

38-11-52
FIG. 14
PAGE 2
JAN 20/09

BRI

BOEING PROPRIETARY - Copyright © - Unpublished Work - See title page for details.

BOEING
757
PARTS CATALOG (MAINTENANCE)



Y 38115215 SHT 1 REV 240

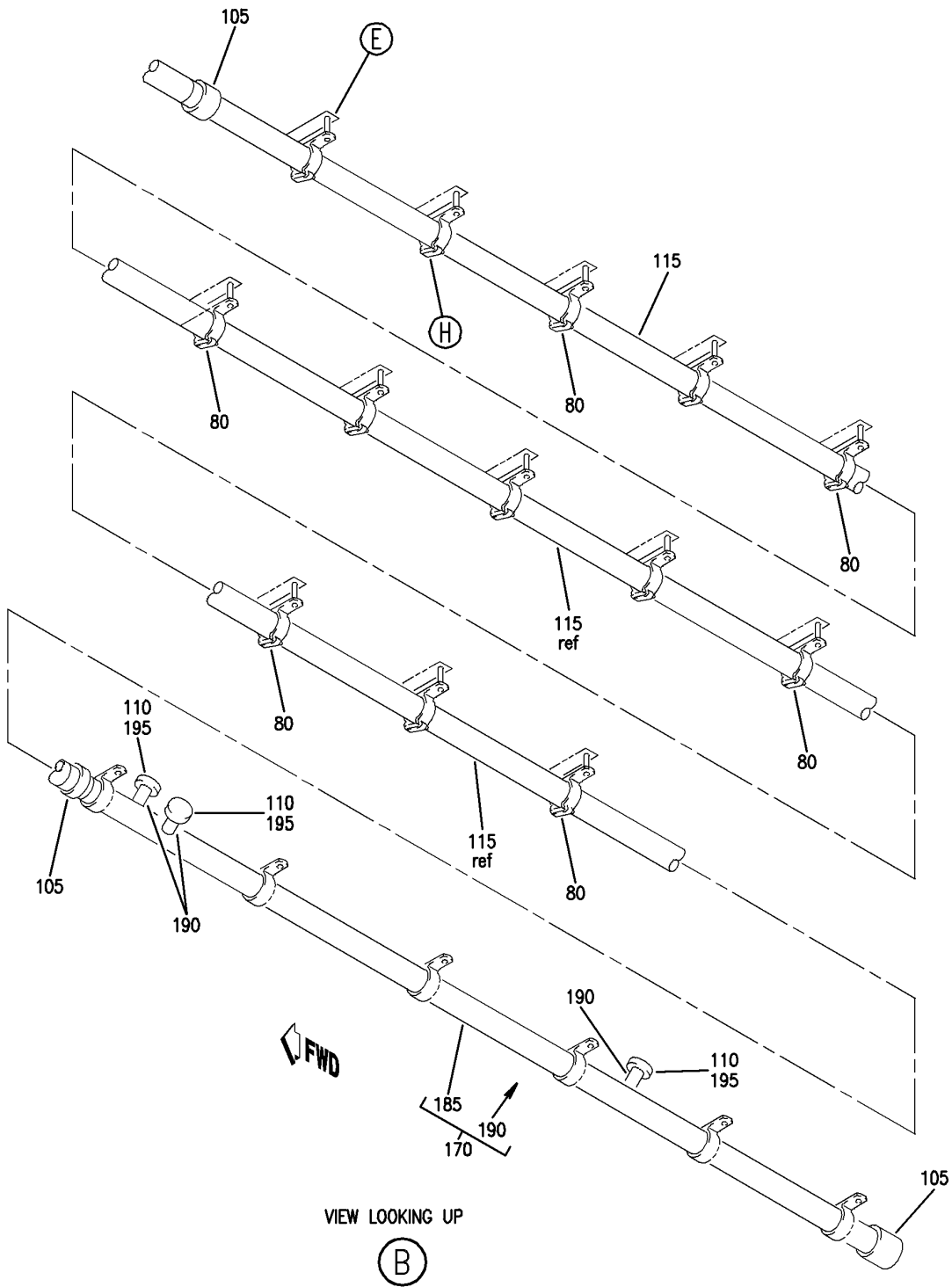
LINE INSTL-(-200/-300) MAIN OVHD SUPPLY, FWD
FIGURE 15 (SHEET 1)

38-11-52-15

BRI
JAN 20/09

38-11-52-15
PAGE 0

BOEING
757
PARTS CATALOG (MAINTENANCE)



Y 38115215 SHT 2 REV 240

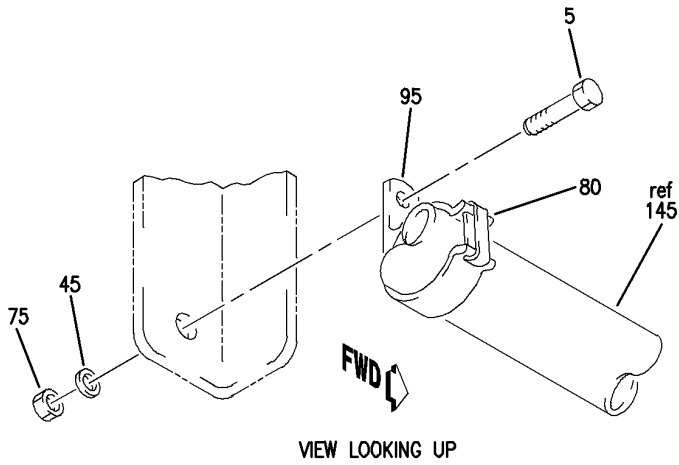
LINE INSTL-(-200/-300) MAIN OVHD SUPPLY, FWD
FIGURE 15 (SHEET 2)

38-11-52-15

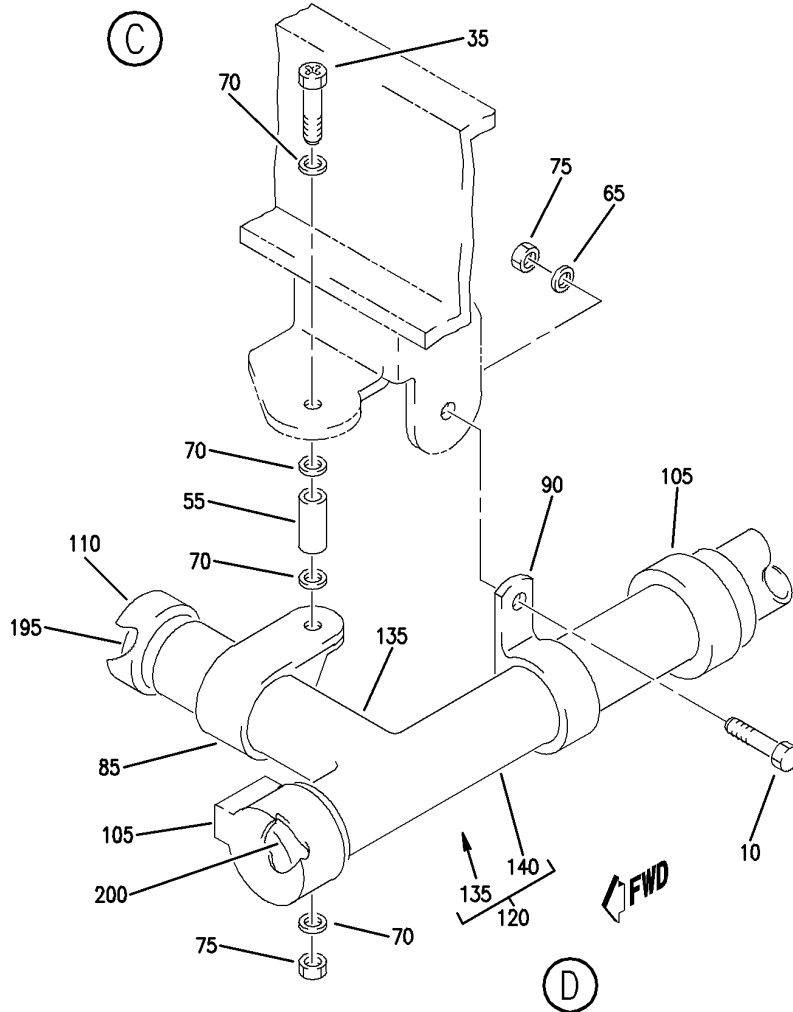
BRI
JAN 20/09

38-11-52-15
PAGE 0A

BOEING
757
PARTS CATALOG (MAINTENANCE)



VIEW LOOKING UP



Y 38115215 SHT 3 REV 240

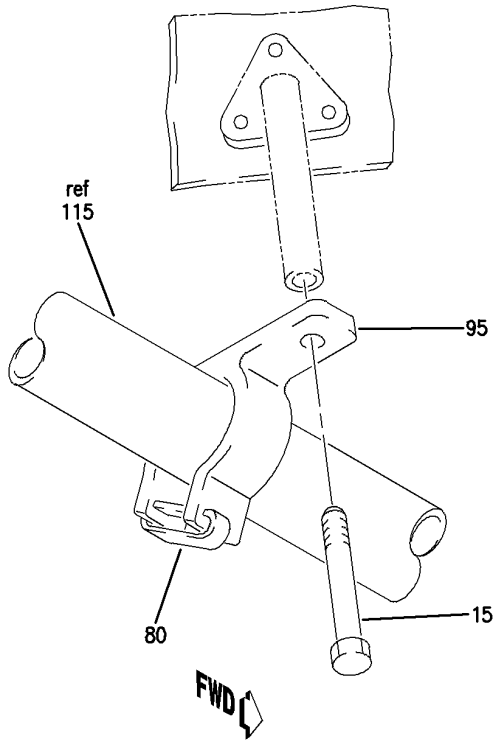
LINE INSTL-(-200/-300) MAIN OVHD SUPPLY, FWD
FIGURE 15 (SHEET 3)

38-11-52-15

BRI
JAN 20/09

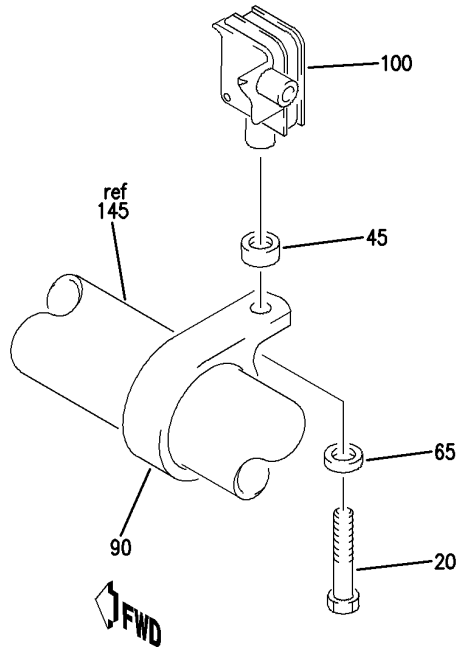
38-11-52-15
PAGE 0B

BOEING
757
PARTS CATALOG (MAINTENANCE)



VIEW LOOKING UP

(E)



(F)

Y 38115215 SH4 4 REV 240

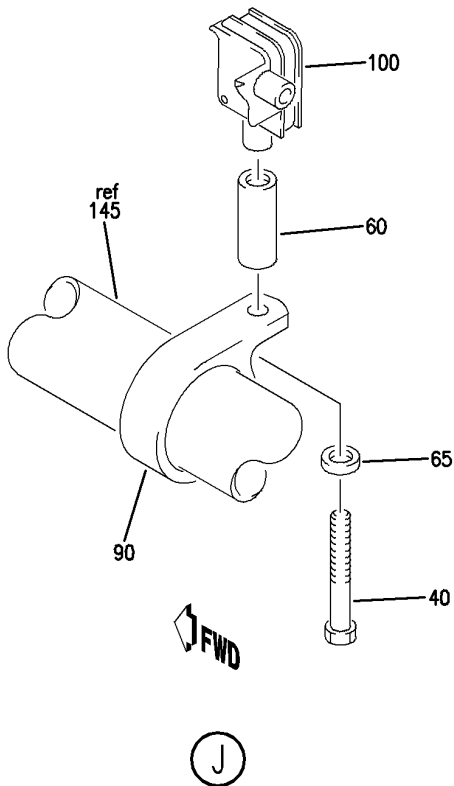
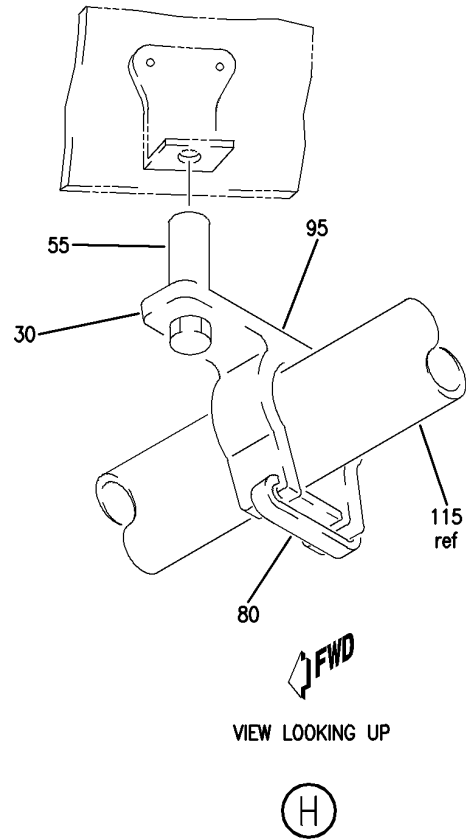
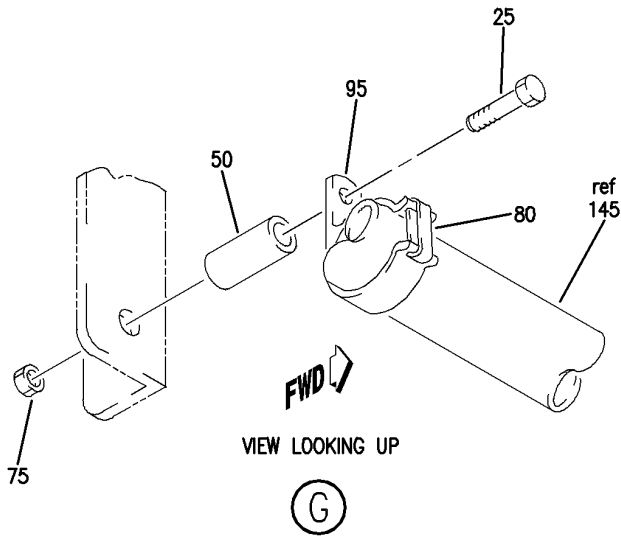
LINE INSTL-(-200/-300) MAIN OVHD SUPPLY, FWD
FIGURE 15 (SHEET 4)

38-11-52-15

BRI
JAN 20/09

38-11-52-15
PAGE 0C

BOEING
757
PARTS CATALOG (MAINTENANCE)



Y 38115215 SHT 5 REV 240

LINE INSTL-(-200/-300) MAIN OVHD SUPPLY, FWD
FIGURE 15 (SHEET 5)

38-11-52-15

BRI
JAN 20/09

38-11-52-15
PAGE 0D



757

PARTS CATALOG (MAINTENANCE)

FIG ITEM	PART NUMBER	1 2 3 4 5 6 7	NOMENCLATURE	EFFECT FROM TO	UNITS PER ASSY
15			LINE INSTL-(-200/-300) MAIN OVHD SUPPLY, FWD	103106	
- 1	MODREF17310		LINE INSTL-(-200/-300) MAIN OVHD SUPPLY MODULE NUMBER: 417N2151-6 REV A POSITION DATA: FWD	103106	1
5	BACS12GU3K8	.SCREW		103106	2
10	BACS12GU3K9	.SCREW		103106	1
15	BACS12GU3K10	.SCREW		103106	1
20	BACS12GU3K12	.SCREW		103106	1
25	BACS12GU3K16	.SCREW		103106	1
30	BACS12GU3K21	.SCREW		103106	1
35	BACS12GU3K22	.SCREW		103106	1
40	BACS12GU3K28	.SCREW		103106	1
45	NAS43DD3-17FC	.SPACER		103106	1
50	NAS43DD3-32FC	.SPACER		103106	1
55	NAS43DD3-48FC	.SPACER		103106	2
60	NAS43DD3-80FC	.SPACER		103106	1
65	NAS1149D0316J	.WASHER		103106	3
70	NAS1149D0332J	.WASHER		103106	4
75	PLH53CD	.NUT		103106	5
			SUPPLIER CODE: VF0224 SPECIFICATION NUMBER: BACN10YR3CD OPTIONAL PART: H52732-3CD V15653		
80	PLT1MXMR	.STRAP		103106	16
			SUPPLIER CODE: V06383 SPECIFICATION NUMBER: BACS38K9		
85	BACC10DK10	.CLAMP		103106	1
90	BACC10DK12	.CLAMP		103106	3
95	NMC1005-5	.CLAMP-		103106	5
			SUPPLIER CODE: V03296		
100	411A4902-7	.CLIP ASSY		103106	2
105	14C34-12A	.COUPLING-		103106	6
			SUPPLIER CODE: V24984 OPTIONAL PART: 14C33-12 V24984 W994BF12DE V79326		

MISSING ITEM NUMBERS NOT APPLICABLE

- ITEM NOT ILLUSTRATED

38-11-52-15

38-11-52
FIG. 15
PAGE 1
JAN 20/09

BRI



757

PARTS CATALOG (MAINTENANCE)

FIG ITEM	PART NUMBER	1 2 3 4 5 6 7	NOMENCLATURE	EFFECT FROM TO	UNITS PER ASSY
15 105	14C33-12		.COUPLING- SUPPLIER CODE: V24984 OPTIONAL PART: 14C34-12A V24984 W994BF12DE V79326	103106	6
105	W994BF12DE		.COUPLING- SUPPLIER CODE: V79326 OPTIONAL PART: 14C34-12A V24984 14C33-12 V24984	103106	6
110	14C34-10A		.COUPLING- SUPPLIER CODE: V24984 OPTIONAL PART: 14C33-10 V24984 W994BF10DE V79326	103106	6
110	14C33-10		.COUPLING- SUPPLIER CODE: V24984 OPTIONAL PART: 14C34-10A V24984 W994BF10DE V79326	103106	6
110	W994BF10DE		.COUPLING- SUPPLIER CODE: V79326 OPTIONAL PART: 14C34-10A V24984 14C33-10 V24984	103106	6
115	AS4479-12-2800		.HOSE ASSY	103106	1
120	417N2310-325		.TUBE ASSY	103106	1
- 125	AS4734C10		.. FERRULE	103106	1
- 130	AS4734C12		.. FERRULE	103106	2

MISSING ITEM NUMBERS NOT APPLICABLE

- ITEM NOT ILLUSTRATED

38-11-52-15

38-11-52
FIG. 15
PAGE 2
JAN 20/09

BRI



757

PARTS CATALOG (MAINTENANCE)

FIG ITEM	PART NUMBER	1 2 3 4 5 6 7	NOMENCLATURE	EFFECT FROM TO	UNITS PER ASSY
15					
135	417N2310-312	..	TUBE ASSY- TUBING MATERIAL: STOCK .028 WALL X .625 O.D. X 3.10. CRES TUBE TYPE AISI321/347 MIL-T- 8808/MIL-T-8808-858	103106	1
140	417N2310-326	..	TUBE ASSY- TUBING MATERIAL: STOCK .028 WALL X .75 O.D. X 7.80. CRES TUBE TYPE AISI321/347 MIL-T- 8808/MIL-T-8808-858	103106	1
145	417N2130-338	.	TUBE ASSY	103106	1
- 150	AS4734C10	..	FERRULE	103106	2
- 155	AS4734C12	..	FERRULE	103106	2
160	417N2310-339	..	TUBE- TUBING MATERIAL: MIL-T-8808 347 ANNEALED TUBING 0.75 O.D X 0.028 WALL THICKNESS X 23.6 LENGTH	103106	1
165	417N2310-340	..	TUBE- TUBING MATERIAL: MIL-T-8808 347 ANNEALED TUBING 0.625 O.D X 0.028 WALL THICKNESS X 2.10 LENGTH	103106	2
170	417N2310-341	.	TUBE ASSY	103106	1
- 175	AS4734C10	..	FERRULE	103106	3
- 180	AS4734C12	..	FERRULE	103106	2
185	417N2310-342	..	TUBE- TUBING MATERIAL: MIL-T-8808 321 ANNEALED TUBING 0.75 O.D X 0.028 WALL THICKNESS X 102.50 LENGTH	103106	1
190	417N2310-343	..	TUBE- TUBING MATERIAL: MIL-T-8808 321 ANNEALED TUBING 0.625 O.D X 0.028 WALL THICKNESS X 2.10 LENGTH	103106	3
195	LC200-10C	.	CAP- SUPPLIER CODE: V24984	103106	6
200	LC200-12C	.	CAP- SUPPLIER CODE: V24984	103106	1

MISSING ITEM NUMBERS NOT APPLICABLE

- ITEM NOT ILLUSTRATED

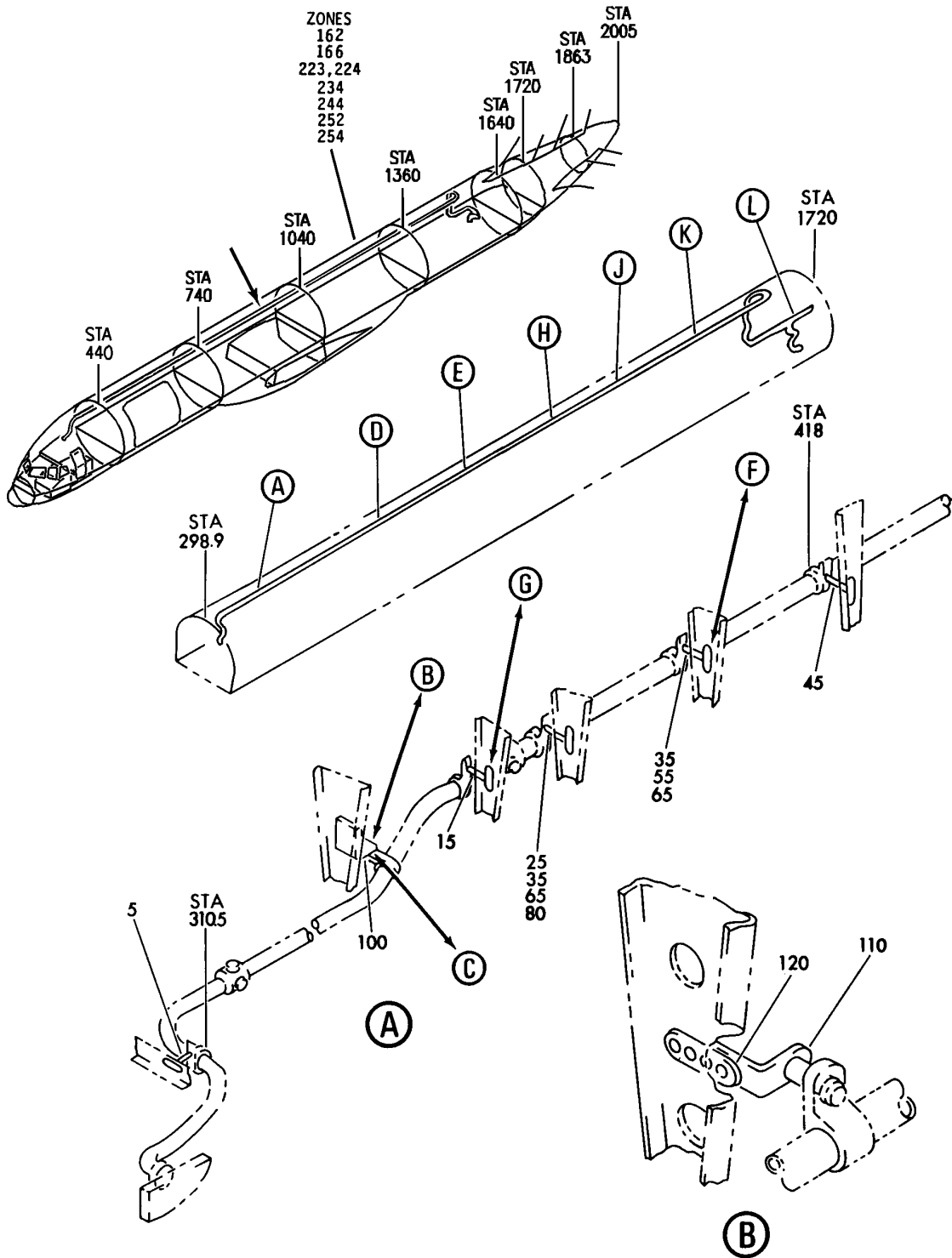
38-11-52-15

38-11-52
FIG. 15
PAGE 3
JAN 20/09

BRI

BOEING PROPRIETARY - Copyright © - Unpublished Work - See title page for details.


BOEING
 757
PARTS CATALOG (MAINTENANCE)



Y 38115302 SHT 1 REV 219

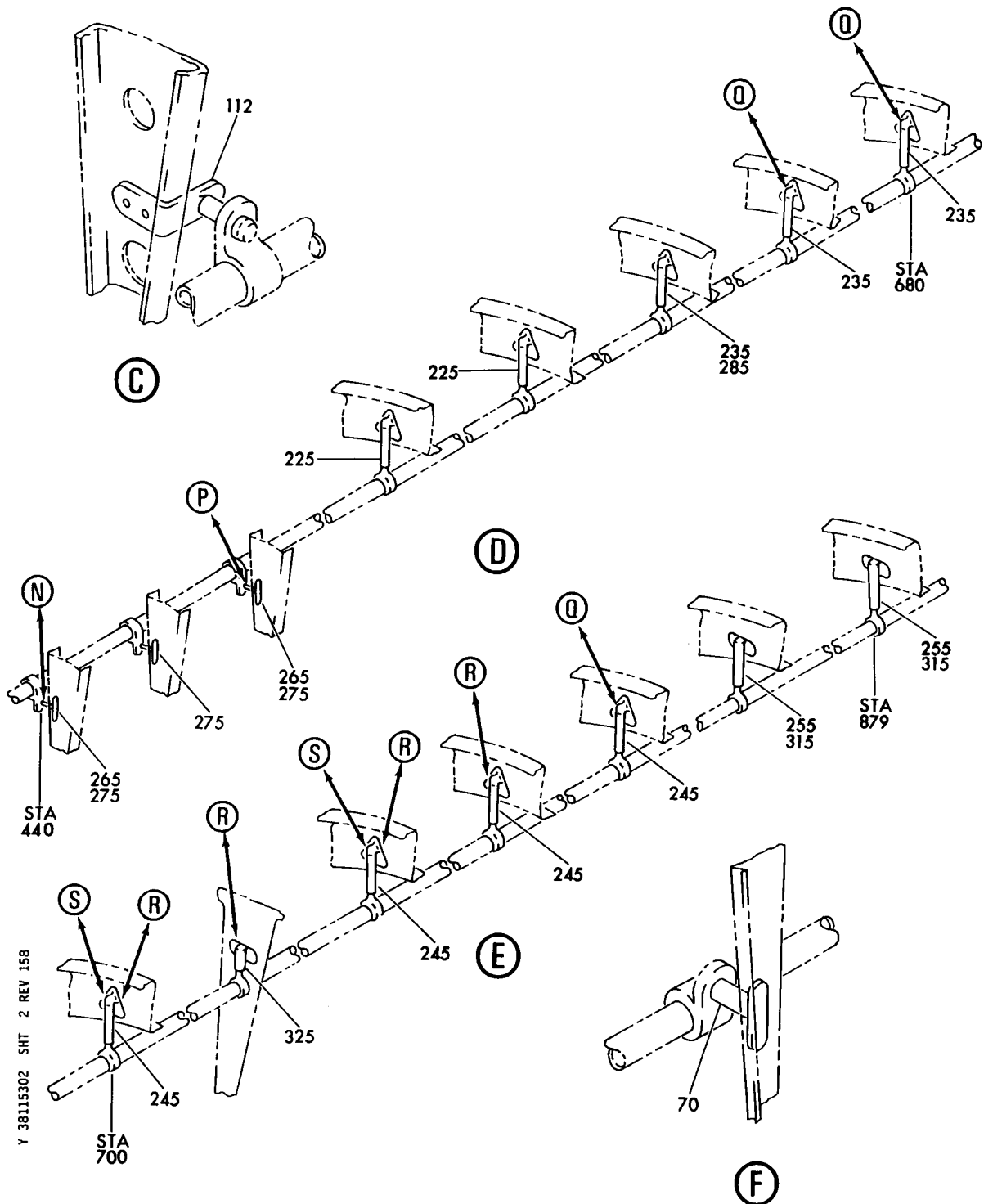
SUPPORT INSTL-WATER LINE OVERHEAD SUPPLY, PASS. WATER SYSTEM
 FIGURE 2 (SHEET 1)

38-11-53-02

BRI
 MAY 28/07

38-11-53-02
 PAGE 0

BOEING
757
PARTS CATALOG (MAINTENANCE)



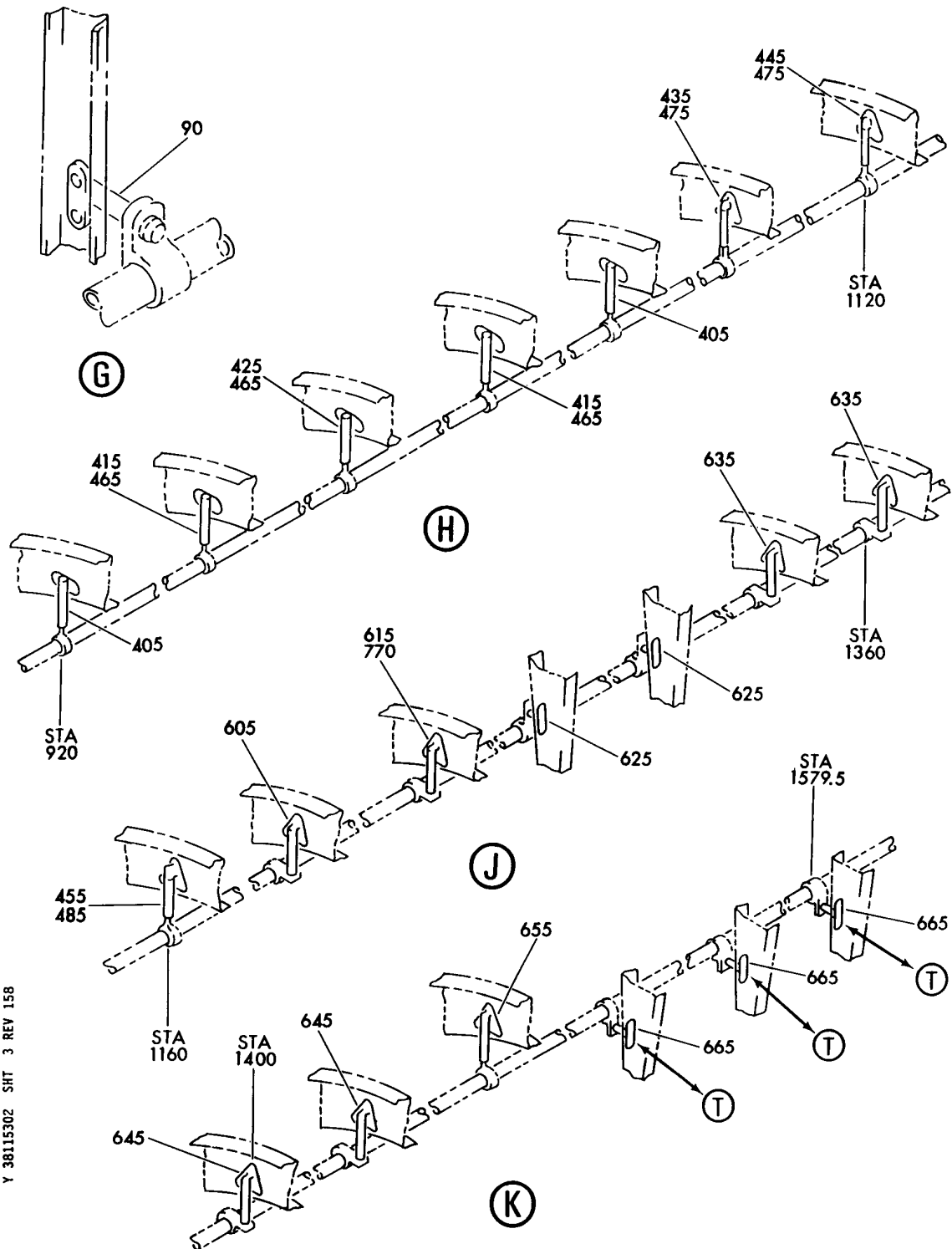
SUPPORT INSTL-WATER LINE OVERHEAD SUPPLY, PASS. WATER SYSTEM
FIGURE 2 (SHEET 2)

38-11-53-02

BRI
MAY 28/07

38-11-53-02
PAGE 0A

BOEING
757
PARTS CATALOG (MAINTENANCE)



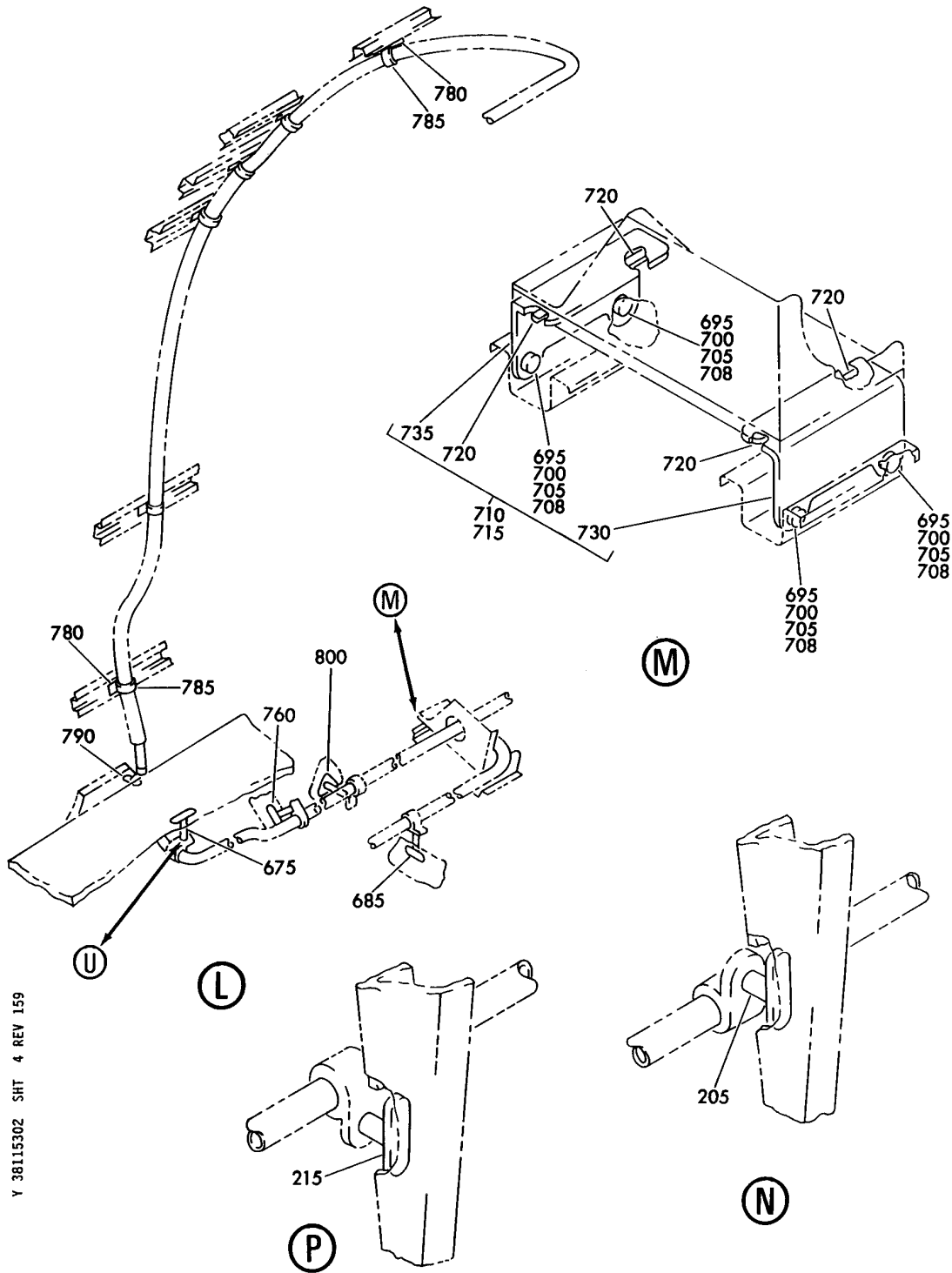
SUPPORT INSTL-WATER LINE OVERHEAD SUPPLY, PASS. WATER SYSTEM
FIGURE 2 (SHEET 3)

38-11-53-02

BRI
MAY 28/07

38-11-53-02
PAGE 0B

BOEING
757
PARTS CATALOG (MAINTENANCE)



Y 38115302 SHT 4 REV 159

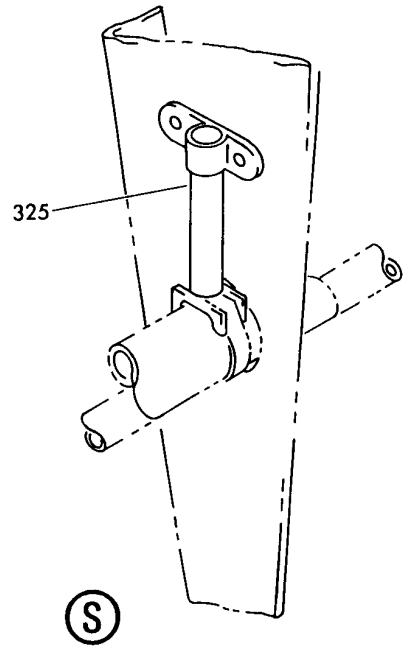
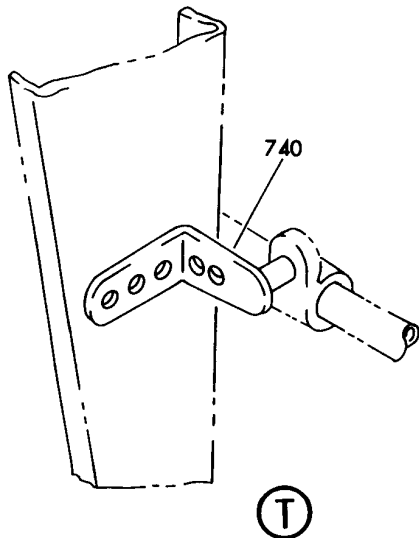
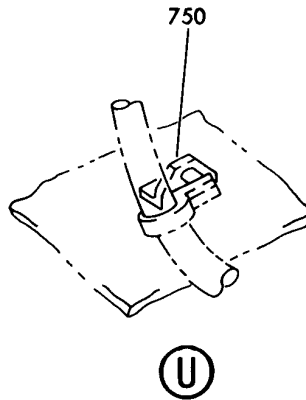
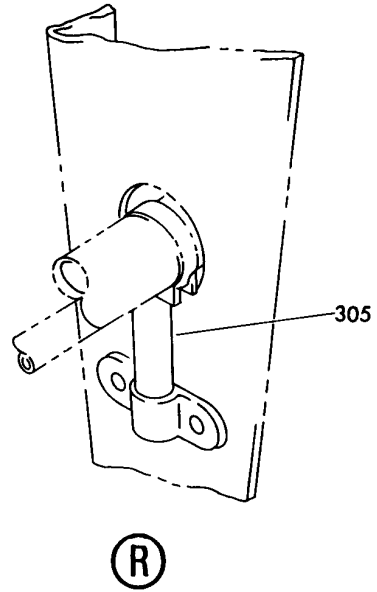
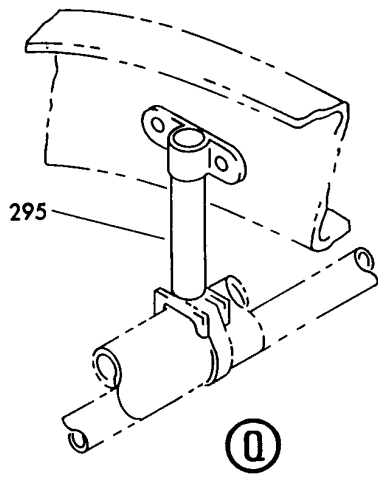
SUPPORT INSTL-WATER LINE OVERHEAD SUPPLY, PASS. WATER SYSTEM
FIGURE 2 (SHEET 4)

38-11-53-02

BRI
MAY 28/07

38-11-53-02
PAGE 0C

BOEING
757
PARTS CATALOG (MAINTENANCE)



Y 38115302 SHT 5 REV 158

SUPPORT INSTL-WATER LINE OVERHEAD SUPPLY, PASS. WATER SYSTEM
FIGURE 2 (SHEET 5)

38-11-53-02

BRI
MAY 28/07

38-11-53-02
PAGE 0D



757

PARTS CATALOG (MAINTENANCE)

FIG ITEM	PART NUMBER	1 2 3 4 5 6 7	NOMENCLATURE	EFFECT FROM TO	UNITS PER ASSY
2			SUPPORT INSTL-WATER LINE OVERHEAD SUPPLY, PASS. WATER SYSTEM	002004 006100 107107 121503 904999	
- 1	417N2101-2		SUPPORT INSTL-WATER LINE POSITION DATA: SECT. 41 VARIABLE DRAWING REF: 417N2101-111 417N2101-122 417N2101-127 REWORK DRAWING REF: 417N2101-41 FOR NHA SEE: 25-20-00-01E 25-20-00-03A	002004 006100 107107 121503 904999	RF
5	BACN10TS3-20		.NUTPLATE- OPTIONAL PART: BACN10GH3A20	006100 107107 121503 904951 953999	1
5	BACN10GH3A20		.NUT- OPTIONAL PART: BACN10TS3-20	006100 107107 121503 904951 953999	1
- 10	BACR15BB4AD		ATTACHING PARTS .RIVET- SIZE DETERMINED ON INSTL.	006100 107107 121503 904951 953999	2
15	BACN10TS3-8		-----*----- .NUT- OPTIONAL PART: BACN10GH3A8	107107 121503 904949	1
15	WS1-332A8		.NUTPLATE- SUPPLIER CODE: V04169 SPECIFICATION NUMBER: BACN10GH3A8 OPTIONAL PART: BACN10TS3-8	107107 121503 904949	1
- 20	BACR15BB4AD		ATTACHING PARTS .RIVET- SIZE DETERMINED ON INSTL. -----*-----	107107 121503 904949	2

MISSING ITEM NUMBERS NOT APPLICABLE

- ITEM NOT ILLUSTRATED

38-11-53-02

38-11-53
FIG. 02
PAGE 1
JAN 20/09

BRI

BOEING
757
PARTS CATALOG (MAINTENANCE)

FIG ITEM	PART NUMBER	1 2 3 4 5 6 7	NOMENCLATURE	EFFECT FROM TO	UNITS PER ASSY
2					
25	BACN10TS3-12		.NUTPLATE- OPTIONAL PART: BACN10GH3A12	107107 904949	1
25	BACN10GH3A12		.NUTPLATE- OPTIONAL PART: BACN10TS3-12 ATTACHING PARTS	107107 904949	1
- 30	BACR15BB4AD		.RIVET- SIZE DETERMINED ON INSTL. -----*-----	107107 904949	2
45	WS14A10		.NUTPLATE SUPPLIER CODE: V04169 SPECIFICATION NUMBER: BACN10TL3A10 ATTACHING PARTS	002004 006100 950999	1
- 50	BACR15BB4AD		.RIVET- SIZE DETERMINED ON INSTL. -----*-----	002004 006100 950999	2
55	BACN10TS3-8		.NUT- OPTIONAL PART: BACN10GH3A8	107107 904949	1
55	WS1-332A8		.NUTPLATE- SUPPLIER CODE: V04169 SPECIFICATION NUMBER: BACN10GH3A8 OPTIONAL PART: BACN10TS3-8 ATTACHING PARTS	107107 904949	1
- 60	BACR15BB4AD		.RIVET- SIZE DETERMINED ON INSTL. -----*-----	107107 904949	2
65	WSI332-12		.NUTPLATE SUPPLIER CODE: V04169 SPECIFICATION NUMBER: BACN10GH3-12 ATTACHING PARTS	121503	2
- 68	BACR15BB4AD		.RIVET- SIZE DETERMINED ON INSTL. -----*-----	121503	4
70	WS14A10		.NUTPLATE SUPPLIER CODE: V04169 SPECIFICATION NUMBER: BACN10TL3A10	002004 006100 950999	1

MISSING ITEM NUMBERS NOT APPLICABLE

- ITEM NOT ILLUSTRATED

38-11-53-02

38-11-53
FIG. 02
PAGE 2
JAN 20/09

BRI

BOEING PROPRIETARY - Copyright © - Unpublished Work - See title page for details.

 **BOEING**
757
PARTS CATALOG (MAINTENANCE)

FIG ITEM	PART NUMBER	1 2 3 4 5 6 7	NOMENCLATURE	EFFECT FROM TO	UNITS PER ASSY
2			ATTACHING PARTS		
- 75	BACR15BB4AD		.RIVET- SIZE DETERMINED ON INSTL.	002004 006100 950999	2
			-----*-----		
80	BACN10TS3-10		.NUT	002004 006100 950999	1
			ATTACHING PARTS		
- 85	BACR15BB4AD		.RIVET- SIZE DETERMINED ON INSTL.	002004 006100 950999	2
			-----*-----		
90	BACN10TS3-6		.NUT	002004 006100 950999	1
			ATTACHING PARTS		
- 95	BACR15BB4AD		.RIVET- SIZE DETERMINED ON INSTL.	002004 006100 950999	2
			-----*-----		
100	BACB2D011D2G1T		.BRACKET	002004 107107 121503 904949 952952	1
			ATTACHING PARTS		
- 105	BACR15BB4AD		.RIVET- SIZE DETERMINED ON INSTL.	002004 107107 121503 904949 952952	2
			-----*-----		
110	NS102557-02-1		.BRACKET- SUPPLIER CODE: V80539 SPECIFICATION NUMBER: BACB20G7F8L3 OPTIONAL PART: TA101CHT1-7-8 V84971 NS102557-02-1 V07170 REWORK DRAWING REF: 417N2101-41	002004 006100 950999	1

MISSING ITEM NUMBERS NOT APPLICABLE

- ITEM NOT ILLUSTRATED

BRI

38-11-53-02

BOEING PROPRIETARY - Copyright © - Unpublished Work - See title page for details.

38-11-53
FIG. 02
PAGE 3
JAN 20/09



**757
PARTS CATALOG (MAINTENANCE)**

FIG ITEM	PART NUMBER	1 2 3 4 5 6 7	NOMENCLATURE	EFFECT FROM TO	UNITS PER ASSY
2			ATTACHING PARTS		
- 115	BACR15BB4AD		.RIVET- SIZE DETERMINED ON INSTL. REWORK DRAWING REF: 417N2101-41 -----*-----	002004 006100 950999	2
- 200	417N2101-3		SUPPORT INSTL-WATER LINE OVERHEAD SUPPLY POSITION DATA: SECT. 43 VARIABLE DRAWING REF: 417N2101-114 REWORK DRAWING REF: 417N2101-42 FOR NHA SEE: 25-20-00-01E 25-20-00-03A	002004 006100 107107 121503 904999	RF
205	BACN10TL3A3		.NUT	107107 904949	1
- 210	BACR15BB4AD		ATTACHING PARTS .RIVET- SIZE DETERMINED ON INSTL. -----*-----	107107 904949	2
215	K1000-3BAC		.NUTPLATE SUPPLIER CODE: V15653 SPECIFICATION NUMBER: BACN10JR3 OPTIONAL PART: NS103202-02 V80539 RMA9201-3 V72962 VN102A1-02 V92215 BR2000A3 V52828 T8088S1032 V11815	107107 904949	1
- 220	BACR15DR3PAC		ATTACHING PARTS .RIVET- SIZE DETERMINED ON INSTL. -----*-----	107107 904949	2
225	417N2110-4		.NUTPLATE-SPACER	107107 904949	2
- 230	BACR15BB5AD		ATTACHING PARTS .RIVET- SIZE DETERMINED ON INSTL. -----*-----	107107 904949	6

MISSING ITEM NUMBERS NOT APPLICABLE

- ITEM NOT ILLUSTRATED

38-11-53-02

38-11-53
FIG. 02
PAGE 4
JAN 20/09

BRI

 **BOEING**
757
PARTS CATALOG (MAINTENANCE)

FIG ITEM	PART NUMBER	1 2 3 4 5 6 7	NOMENCLATURE	EFFECT FROM TO	UNITS PER ASSY
2					
235	417N2110-3	.	NUTPLATE-SPACER	107107 904949	3
- 240	BACR15BB5AD	.	ATTACHING PARTS RIVET-	107107 904949	9
			SIZE DETERMINED ON INSTL. -----*-----		
245	417N2110-2	.	NUTPLATE-SPACER	107107 904949	4
			ATTACHING PARTS		
- 250	BACR15BB5AD	.	RIVET-	107107 904949	12
			SIZE DETERMINED ON INSTL. -----*-----		
255	BACN10TS3-20	.	NUTPLATE	107107 904949	2
			ATTACHING PARTS		
- 260	BACR15BB4AD	.	RIVET-	107107 904949	4
			SIZE DETERMINED ON INSTL. -----*-----		
- 400	417N2101-4		SUPPORT INSTL-WATER LINE OVERHEAD SUPPLY POSITION DATA: SECT. 44 FOR NHA SEE: 25-20-00-01E 25-20-00-03A	002004 006100 107107 121503 904999	RF
405	BACN10TS3-20	.	NUTPLATE-	107107 904949	2
			OPTIONAL PART: BACN10GH3A20		
405	BACN10GH3A20	.	NUT-	107107 904949	2
			OPTIONAL PART: BACN10TS3-20		
- 410	BACR15BB4AD	.	ATTACHING PARTS RIVET-	107107 904949	4
			SIZE DETERMINED ON INSTL. -----*-----		
415	BACN10TS3-18	.	NUT-	107107 904949	2
			OPTIONAL PART: BACN10GH3A18		
415	BACN10GH3A18	.	NUT-	107107 904949	2
			OPTIONAL PART: BACN10TS3-18		
- 420	BACR15BB4AD	.	ATTACHING PARTS RIVET-	107107 904949	4
			SIZE DETERMINED ON INSTL. -----*-----		
425	BACN10TS3-16	.	NUTPLATE-	107107 904949	1
			OPTIONAL PART: BACN10GH3A16		

MISSING ITEM NUMBERS NOT APPLICABLE

- ITEM NOT ILLUSTRATED

BRI

38-11-53-02

38-11-53
FIG. 02
PAGE 5
JAN 20/09



757

PARTS CATALOG (MAINTENANCE)

FIG ITEM	PART NUMBER	1 2 3 4 5 6 7	NOMENCLATURE	EFFECT FROM TO	UNITS PER ASSY
2					
425	WS1-332A16		.NUTPLATE- SUPPLIER CODE: V04169 SPECIFICATION NUMBER: BACN10GH3A16 OPTIONAL PART: BACN10TS3-16 ATTACHING PARTS	107107 904949	1
- 430	BACR15BB4AD		.RIVET- SIZE DETERMINED ON INSTL. -----*-----	107107 904949	2
435	417N2110-1		.NUTPLATE-SPACER ATTACHING PARTS	107107 904949	1
- 440	BACR15BB5AD		.RIVET- SIZE DETERMINED ON INSTL. -----*-----	107107 904949	3
445	417N2110-2		.NUTPLATE-SPACER ATTACHING PARTS	107107 904949	1
- 450	BACR15BB5AD		.RIVET- SIZE DETERMINED ON INSTL. -----*-----	107107 904949	3
455	417N2110-3		.NUTPLATE-SPACER ATTACHING PARTS	107107 904949	1
- 460	BACR15BB5AD		.RIVET- SIZE DETERMINED ON INSTL. -----*-----	107107 904949	3
- 600	417N2101-5		SUPPORT INSTL-WATER LINE OVERHEAD SUPPLY POSITION DATA: SECT. 46 VARIABLE DRAWING REF: 417N2101-49 417N2101-113 REWORK DRAWING REF: 417N2101-44 FOR NHA SEE: 25-20-00-01E 25-20-00-03A	002004 006100 107107 121503 904999	RF
605	417N2110-4		.NUTPLATE-SPACER ATTACHING PARTS	107107 904949	1
- 610	BACR15BB5AD		.RIVET- SIZE DETERMINED ON INSTL. -----*-----	107107 904949	3
615	66-16876-3		.NUTPLATE-SPACER	107107 904949	1

MISSING ITEM NUMBERS NOT APPLICABLE

- ITEM NOT ILLUSTRATED

38-11-53-02

38-11-53
FIG. 02
PAGE 6
JAN 20/09

BRI



757

PARTS CATALOG (MAINTENANCE)

FIG ITEM	PART NUMBER	1 2 3 4 5 6 7	NOMENCLATURE	EFFECT FROM TO	UNITS PER ASSY
2			ATTACHING PARTS		
- 620	BACR15BB5AD		.RIVET- SIZE DETERMINED ON INSTL. -----*-----	107107 904949	3
625	BACN10TL3A3		.NUT	107107 904949	2
- 630	BACR15BB4AD		ATTACHING PARTS .RIVET- SIZE DETERMINED ON INSTL. -----*-----	107107 904949	4
635	66-16876-1		.NUTPLATE	107107 904949	2
- 640	BACR15BB5AD		ATTACHING PARTS .RIVET- SIZE DETERMINED ON INSTL. -----*-----	107107 904949	6
645	417N2110-4		.NUTPLATE-SPACER	107107 904949	2
- 650	BACR15BB5AD		ATTACHING PARTS .RIVET- SIZE DETERMINED ON INSTL. -----*-----	107107 904949	6
655	417N2110-3		.NUTPLATE-SPACER	107107 904949	1
- 660	BACR15BB5AD		ATTACHING PARTS .RIVET- SIZE DETERMINED ON INSTL. -----*-----	107107 904949	3
665	K1000-3BAC		.NUTPLATE SUPPLIER CODE: V15653 SPECIFICATION NUMBER: BACN10JR3 OPTIONAL PART: NS103202-02 V80539 RMA9201-3 V72962 VN102A1-02 V92215 BR2000A3 V52828 T8088S1032 V11815	002004 006100 107107 121503 904999	3

MISSING ITEM NUMBERS NOT APPLICABLE

- ITEM NOT ILLUSTRATED

38-11-53-02

38-11-53
FIG. 02
PAGE 7
JAN 20/09

BRI



**757
PARTS CATALOG (MAINTENANCE)**

FIG ITEM	PART NUMBER	1 2 3 4 5 6 7	NOMENCLATURE	EFFECT FROM TO	UNITS PER ASSY
2			ATTACHING PARTS		
- 670	BACR15DR3PAC		.RIVET- SIZE DETERMINED ON INSTL.	002004 006100 107107 121503 904999	6
			-----*-----		
675	WSI4A16		.NUT SUPPLIER CODE: V04169 SPECIFICATION NUMBER: BACN10TL3A16	107107	1
			ATTACHING PARTS		
- 680	BACR15BA4AD		.RIVET- SIZE DETERMINED ON INSTL.	107107	2
			-----*-----		
685	BACN10TS3-18		.NUT	002004 006100 107107 121503 904999	1
			ATTACHING PARTS		
- 690	BACR15BB5AD		.RIVET- SIZE DETERMINED ON INSTL.	002004 006100 107107 121503 904999	2
			-----*-----		
695	HST10AG6-2		.BOLT- SUPPLIER CODE: VOPTK6 SPECIFICATION NUMBER: BACB30VT6K2 OPTIONAL PART: HST10AG6-2 V06725 HST10AG6-2 V56878 HST10AG6-2 V73197 WC10K6-2 V60516 QUALIFIED OPTIONAL DATA: (BACB30VT6K2 WITH BACC30BL6 OPTIONAL TO BACR15FT6D)	107107 904949	4

MISSING ITEM NUMBERS NOT APPLICABLE

- ITEM NOT ILLUSTRATED

BRI

38-11-53-02

BOEING PROPRIETARY - Copyright © - Unpublished Work - See title page for details.

38-11-53
FIG. 02
PAGE 8
JAN 20/09



757

PARTS CATALOG (MAINTENANCE)

FIG ITEM	PART NUMBER	1 2 3 4 5 6 7	NOMENCLATURE	EFFECT FROM TO	UNITS PER ASSY
2 700	BACC30BL6		.COLLAR- SUPPLIER CODE: V73197 SPECIFICATION NUMBER: BACC30BL6 OPTIONAL PART: HST79-6 V92215 HST79CY6 V56878 HST79CY6 V5M902 QUALIFIED OPTIONAL DATA: (BACB30VT6K2 WITH BACC30BL6 OPTIONAL TO BACR15FT6D)	107107 904949	4
705	BACR15FT6D		.RIVET- SIZE DETERMINED ON INSTL. QUALIFIED OPTIONAL DATA: (BACB30VT6K2 WITH BACC30BL6 OPTIONAL TO BACR15FT6D)	107107 904949	4
708	BACR15FT6D		.RIVET- SIZE DETERMINED ON INSTL.	002004 006100 121503 950999	4
710	417N2314-1		.BRACKET ASSY	002004 006100 107107 121503 904999	1
715	417N2314-3		.BRACKET ASSY	002004 006100 107107 121503 904999	1

MISSING ITEM NUMBERS NOT APPLICABLE

- ITEM NOT ILLUSTRATED

38-11-53-02

38-11-53
FIG. 02
PAGE 9
JAN 20/09

BRI

BOEING PROPRIETARY - Copyright © - Unpublished Work - See title page for details.



757

PARTS CATALOG (MAINTENANCE)

FIG ITEM	PART NUMBER	1 2 3 4 5 6 7	NOMENCLATURE	EFFECT FROM TO	UNITS PER ASSY
2 720	K1000-3BAC		..NUTPLATE SUPPLIER CODE: V15653 SPECIFICATION NUMBER: BACN10JR3 OPTIONAL PART: NS103202-02 V80539 RMA9201-3 V72962 VN102A1-02 V92215 BR2000A3 V52828 T8088S1032 V11815 ATTACHING PARTS	002004 006100 107107 121503 904999	2
- 725	BACR15BA3AD		..RIVET- SIZE DETERMINED ON INSTL.	002004 006100 107107 121503 904999	4
			-----*-----		
730	417N2314-2		..BRACKET- USED ON: 417N2314-1	002004 006100 107107 121503 904999	1
735	417N2314-4		..BRACKET- USED ON: 417N2314-3	002004 006100 107107 121503 904999	1
750	417N2326-1		.BRACKET ATTACHING PARTS	904949	1
- 755	BACR15FT6D		.RIVET- SIZE DETERMINED ON INSTL.	904949	2
			-----*-----		
760	BACN10TS3-20		.NUTPLATE ATTACHING PARTS	904949	1
- 765	BACR15BB4AD		.RIVET- SIZE DETERMINED ON INSTL.	904949	2
			-----*-----		

MISSING ITEM NUMBERS NOT APPLICABLE

- ITEM NOT ILLUSTRATED

38-11-53-02

38-11-53
FIG. 02
PAGE 10
JAN 20/09

BRI



757

PARTS CATALOG (MAINTENANCE)

FIG ITEM	PART NUMBER	1 2 3 4 5 6 7	NOMENCLATURE	EFFECT FROM TO	UNITS PER ASSY
2 780	S38J1	.	SUPPORT SUPPLIER CODE: V59237 SPECIFICATION NUMBER: BACS38J1 OPTIONAL PART: 30187-2 V26835	002004 006100 121503 950999	6
785	S38J2	.	SUPPORT SUPPLIER CODE: V59237 SPECIFICATION NUMBER: BACS38J2 OPTIONAL PART: 30187-3 V26835	002004 006100 121503 950999	6
790	BACN10GH3A10	.	NUTPLATE SUPPLIER CODE: V04169 SPECIFICATION NUMBER: BACN10GH3A10 ATTACHING PARTS	002004 006100 121503 950999	1
- 795	NAS1398D4A	.	RIVET- SIZE DETERMINED ON INSTL.	002004 006100 121503 950999	2
800	WSI333-24	-----*-----	.NUTPLATE SUPPLIER CODE: V04169 SPECIFICATION NUMBER: BACN10TM3-24 ATTACHING PARTS	002004 006100 121503 950999	1
- 805	BACR15BB3AD	.	RIVET- SIZE DETERMINED ON INSTL.	002004 006100 121503 950999	3
		-----*-----			

MISSING ITEM NUMBERS NOT APPLICABLE

- ITEM NOT ILLUSTRATED

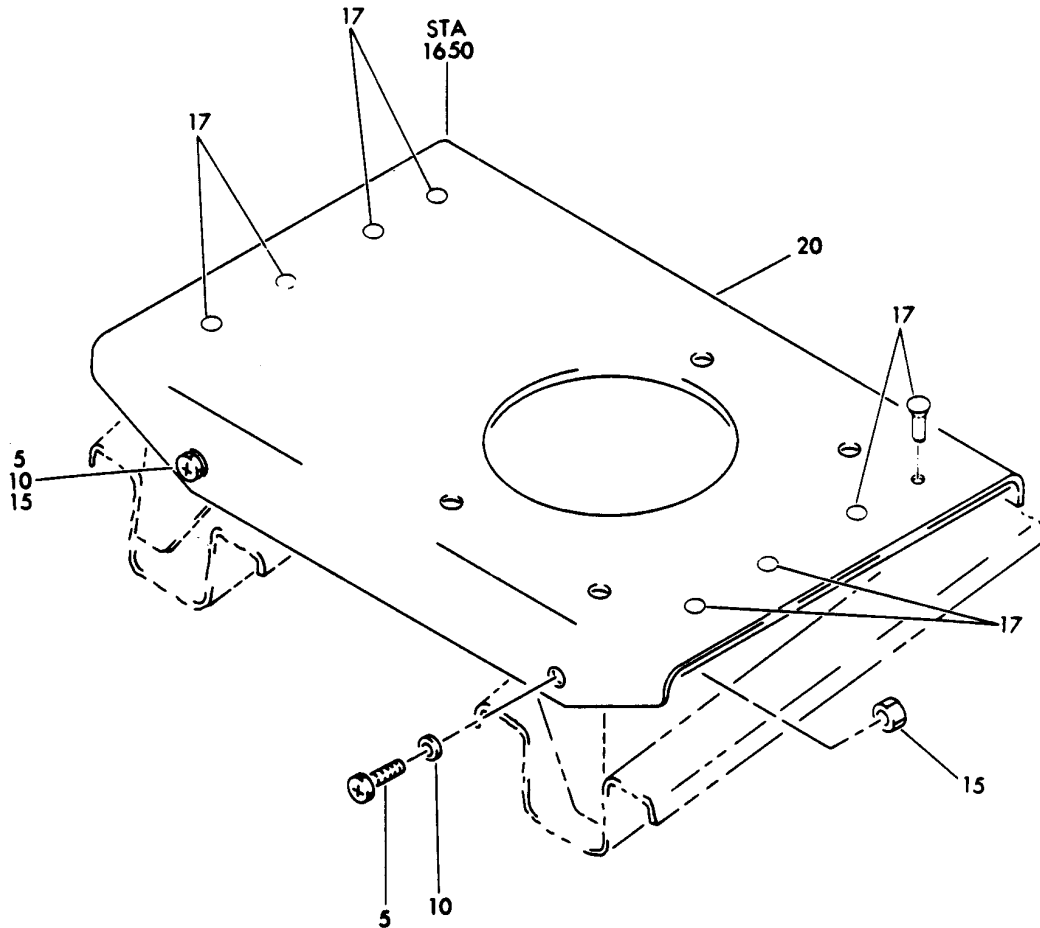
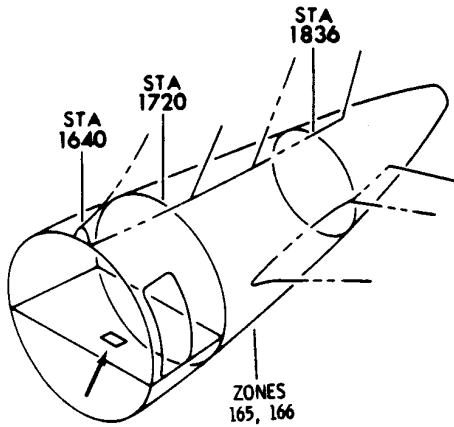
BRI

38-11-53-02

BOEING PROPRIETARY - Copyright © - Unpublished Work - See title page for details.

38-11-53
FIG. 02
PAGE 11
JAN 20/09

BOEING
757
PARTS CATALOG (MAINTENANCE)



Y 38115303 SHT 1 REV 023

SUPPORT INSTL-DRAIN VALVE
FIGURE 3

38-11-53-03

BRI
MAY 28/07

38-11-53-03
PAGE 0



757

PARTS CATALOG (MAINTENANCE)

FIG ITEM	PART NUMBER	1 2 3 4 5 6 7	NOMENCLATURE	EFFECT FROM TO	UNITS PER ASSY
3			SUPPORT INSTL-DRAIN VALVE	002004 006102 107999	
- 1	417N2516-1		SUPPORT INSTL-DRAIN VALVE FOR NHA SEE: 25-20-00-03A 25-20-00-09	002004 006102 107999	RF
5	NAS1801-3-7		.SCREW	002004 006102 107999	2
10	AN960PD10L		.WASHER	002004 006102 107999	2
15	BRH10A3		.NUT SUPPLIER CODE: V52828 SPECIFICATION NUMBER: BACN10JC3 OPTIONAL PART: H10-3BAC V15653 NS202101-02 V80539 RMLH9075-3W V72962 VN303A02 V92215 96-02 V80539 T6S1032J V11815	002004 006102 107999	2
17	BACR15FT6D		.RIVET- SIZE DETERMINED ON INSTL.	002004 006102 107999	8
20	417N2518-1		.BRACKET ASSY	002004 006102 107999	1

MISSING ITEM NUMBERS NOT APPLICABLE

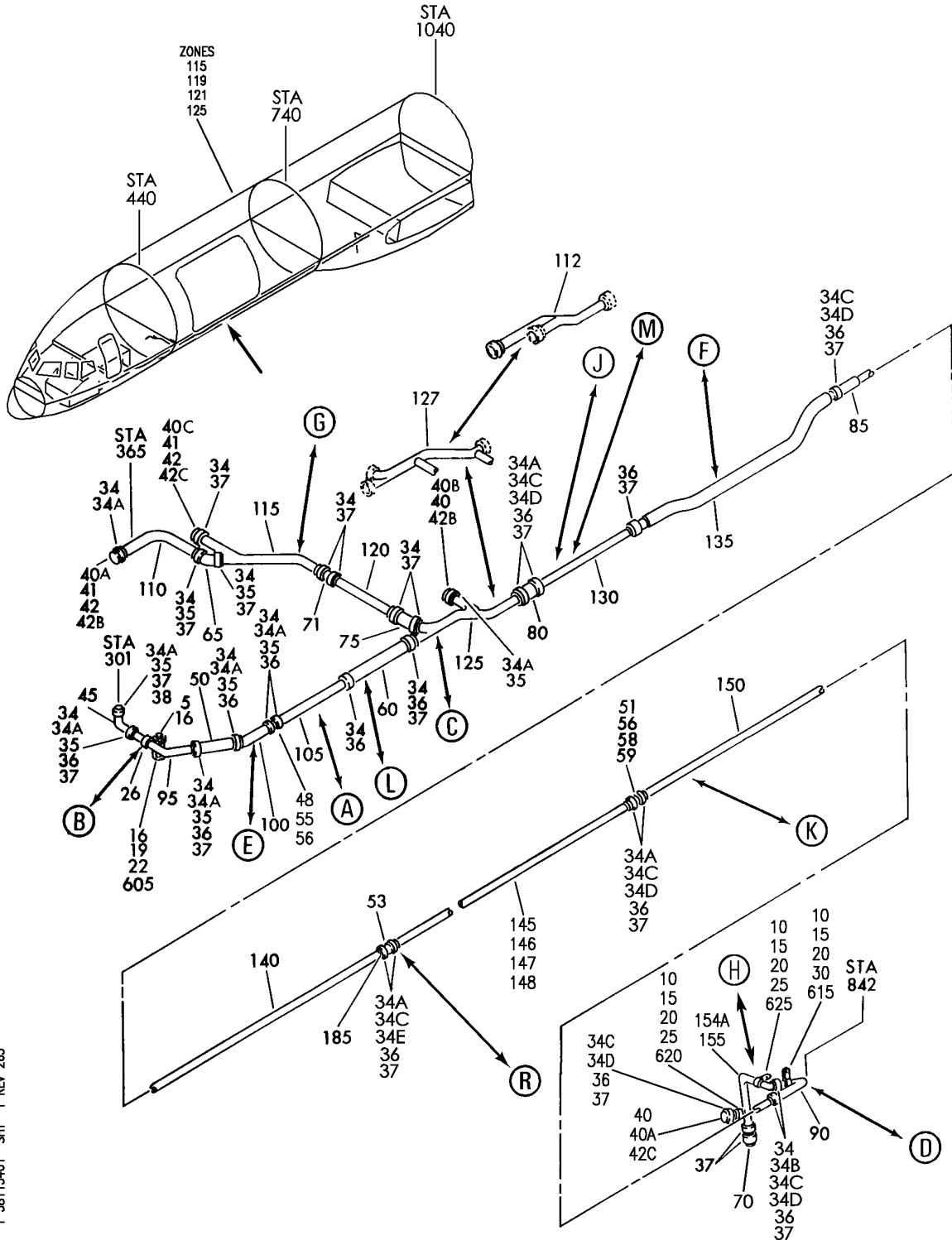
- ITEM NOT ILLUSTRATED

38-11-53-03

38-11-53
FIG. 03
PAGE 1
JAN 20/09

BRI

BOEING
757
PARTS CATALOG (MAINTENANCE)



Y 38115401 SHT 1 REV 265

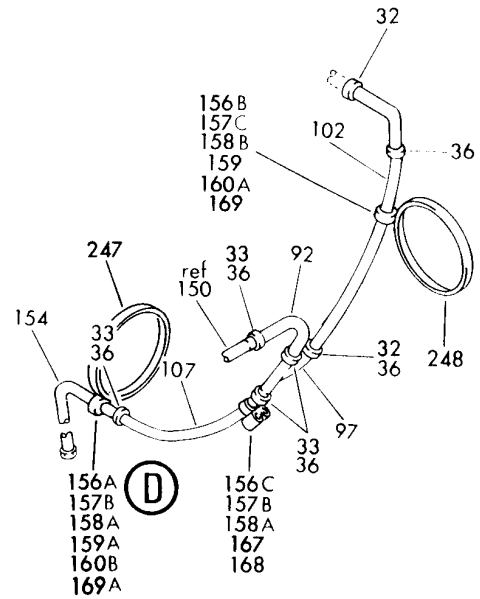
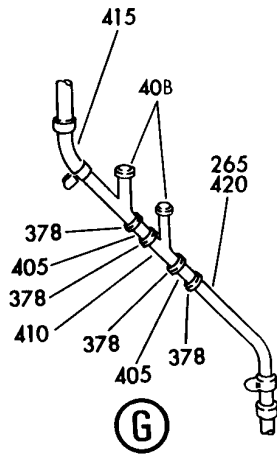
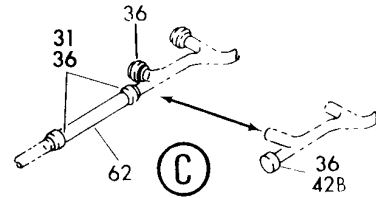
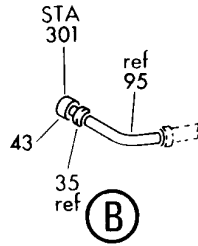
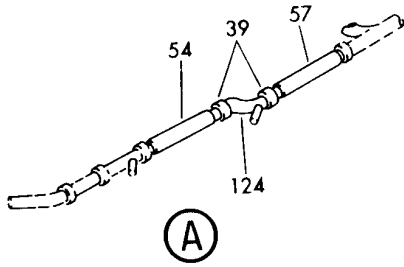
DRAIN AND SUPPORT INSTL-WASTE WATER FWD
FIGURE 1 (SHEET 1)

38-11-54-01

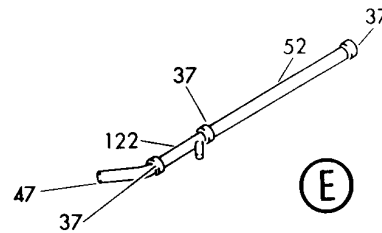
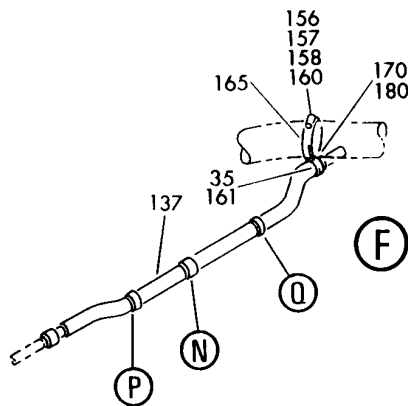
BRI
MAY 28/07

38-11-54-01
PAGE 0


BOEING
 757
PARTS CATALOG (MAINTENANCE)



Y 38115401 SHT 2 REV 157



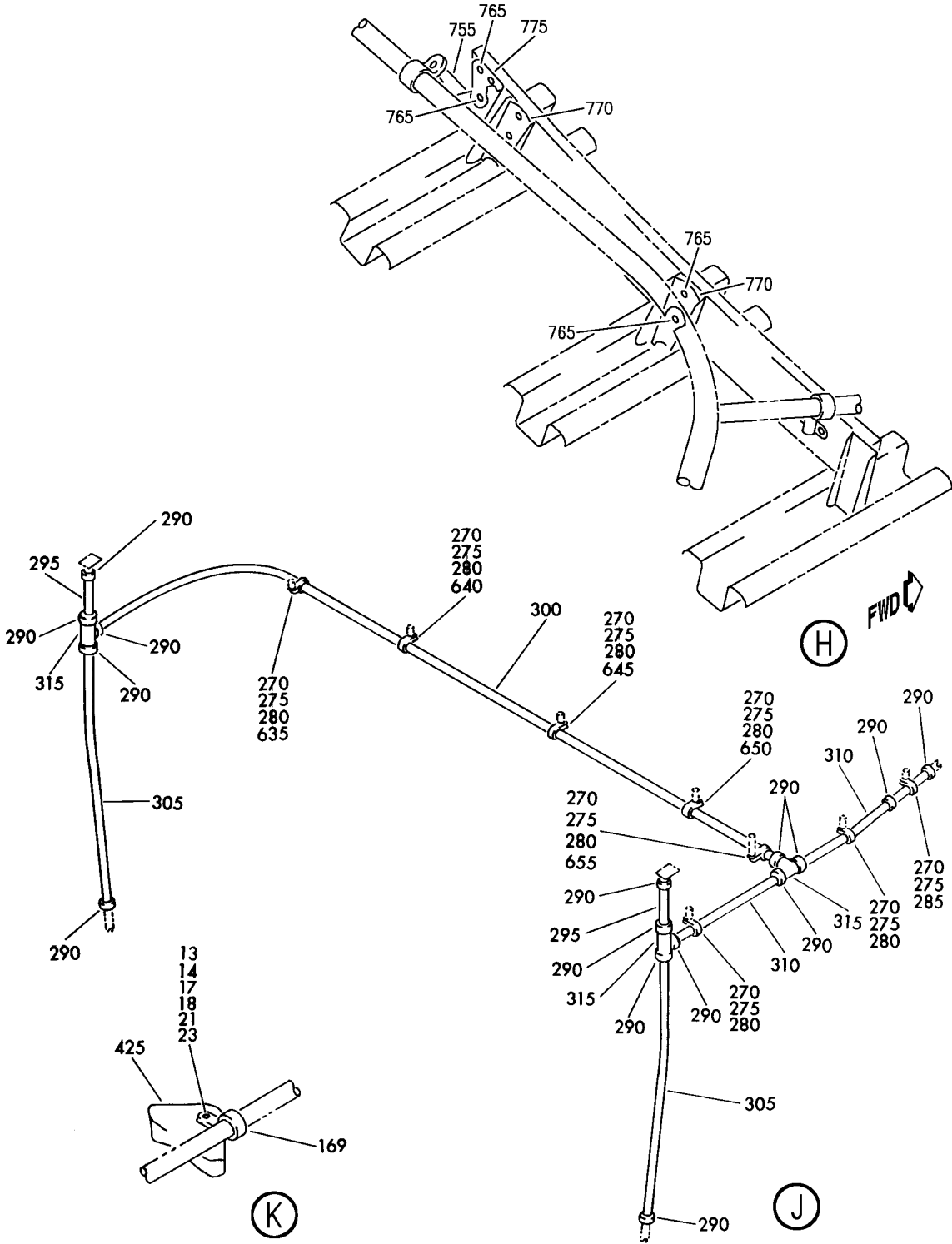
DRAIN AND SUPPORT INSTL-WASTE WATER FWD
FIGURE 1 (SHEET 2)

38-11-54-01

BRI
MAY 28/07

38-11-54-01
PAGE 0A

BOEING
757
PARTS CATALOG (MAINTENANCE)



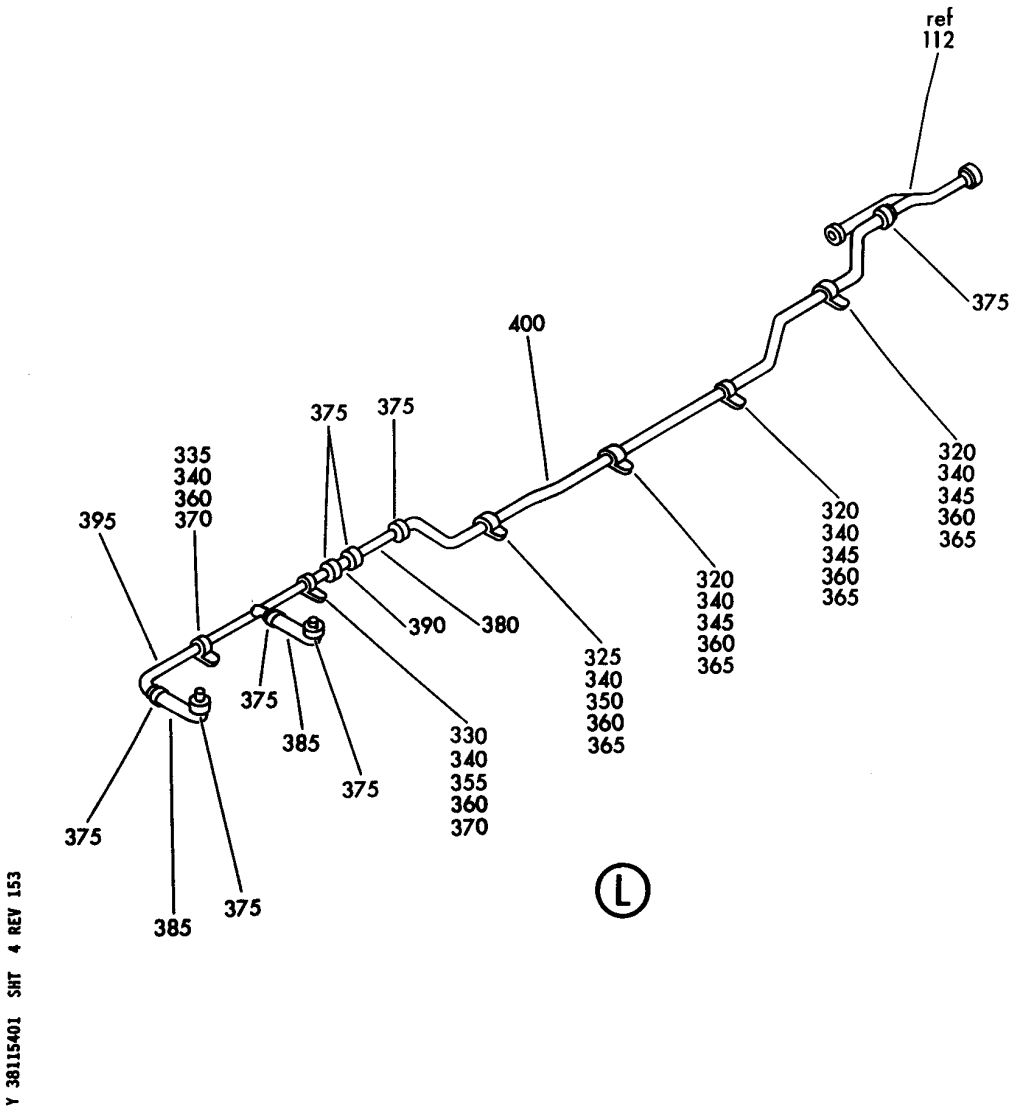
DRAIN AND SUPPORT INSTL-WASTE WATER FWD
FIGURE 1 (SHEET 3)

38-11-54-01

BRI
MAY 28/07

38-11-54-01
PAGE 0B

BOEING
757
PARTS CATALOG (MAINTENANCE)



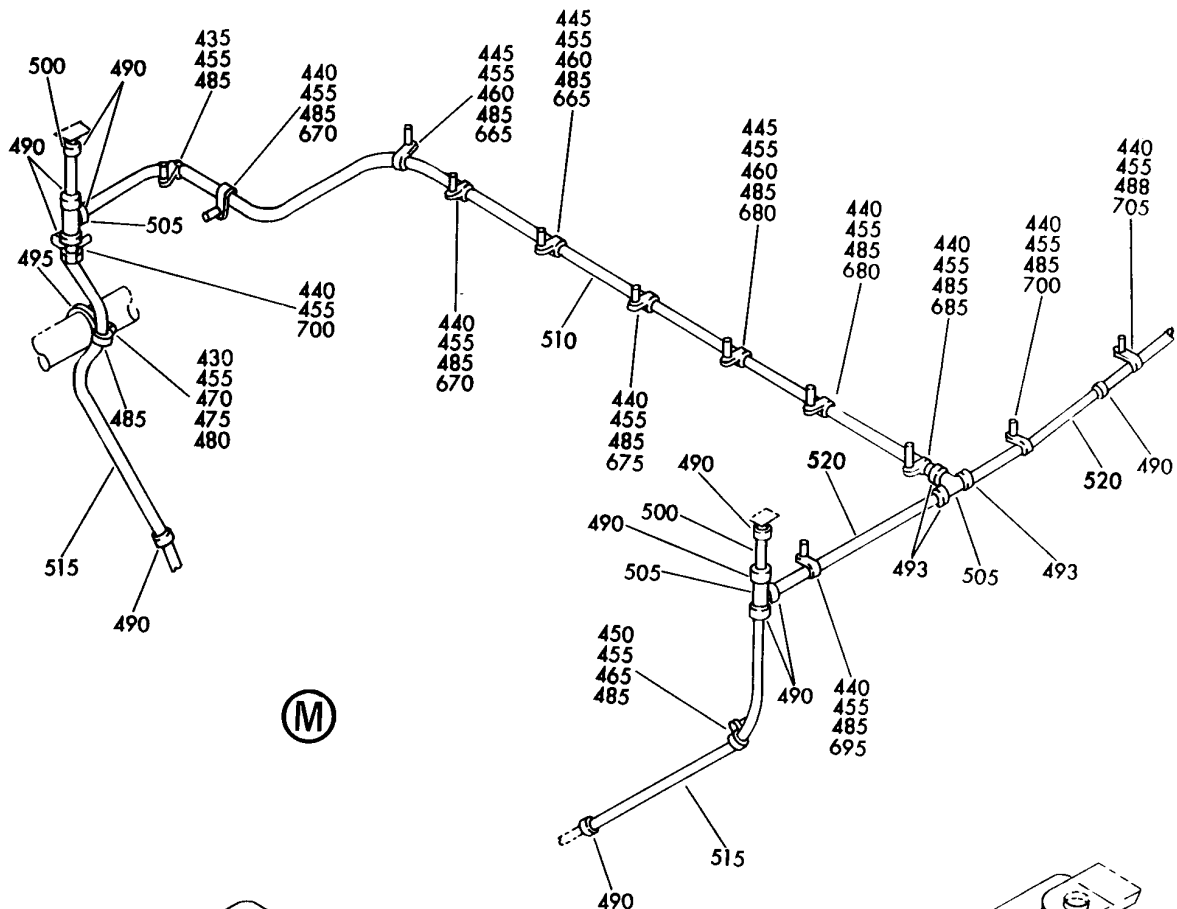
DRAIN AND SUPPORT INSTL-WASTE WATER FWD
FIGURE 1 (SHEET 4)

38-11-54-01

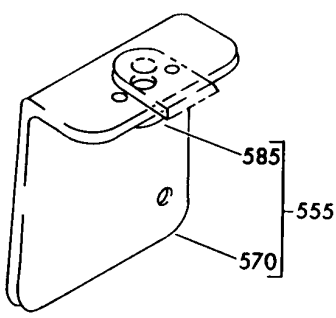
BRI
MAY 28/07

38-11-54-01
PAGE 0C

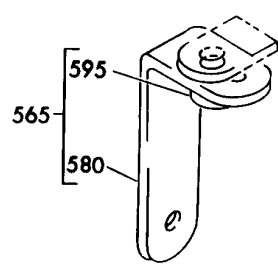
BOEING
757
PARTS CATALOG (MAINTENANCE)



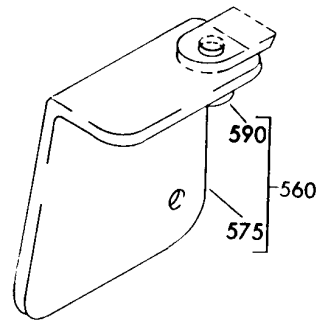
(M)



(Q)



(P)



(N)

Y 38115401 SHT 5 REV 157

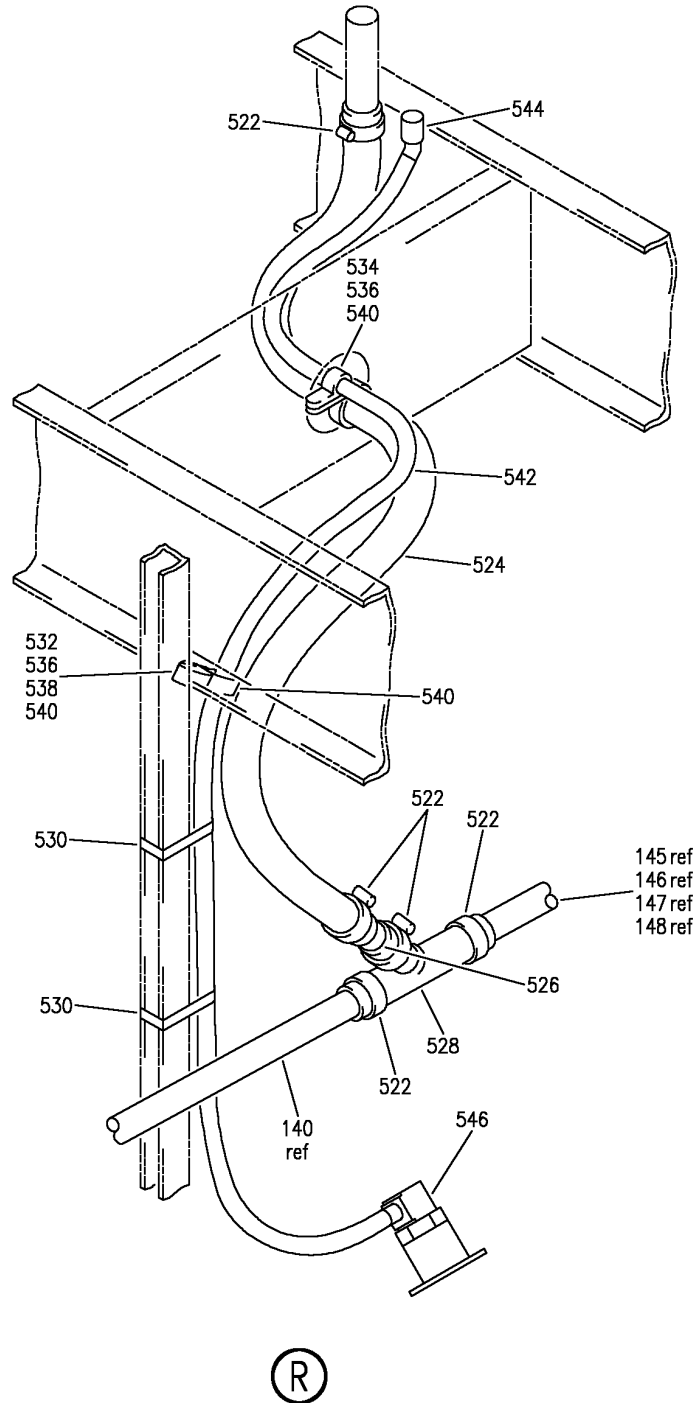
DRAIN AND SUPPORT INSTL-WASTE WATER FWD
FIGURE 1 (SHEET 5)

38-11-54-01

BRI
MAY 28/07

38-11-54-01
PAGE 0D

BOEING
757
PARTS CATALOG (MAINTENANCE)



Y 38115401 SH1 6 REV 265

DRAIN AND SUPPORT INSTL-WASTE WATER FWD
FIGURE 1 (SHEET 6)

38-11-54-01

BRI
MAY 28/07

38-11-54-01
PAGE 0E



757

PARTS CATALOG (MAINTENANCE)

FIG ITEM	PART NUMBER	1 2 3 4 5 6 7	NOMENCLATURE	EFFECT FROM TO	UNITS PER ASSY
1			DRAIN AND SUPPORT INSTL- WASTE WATER FWD	002004 006100 107107 121503 904999	
- 1	417N2104-29		DRAIN INSTL-WASTE WATER POSITION DATA: FWD VARIABLE DRAWING REF: 417N2104-46 417N2104-50 FOR NHA SEE: 25-20-00-01A 25-20-00-03A	002004 107107 121503 904949 952952	RF
- 1	417N2104-55		DRAIN INSTL-WASTE WATER POSITION DATA: FWD VARIABLE DRAWING REF: 417N2104-30 417N2104-56 FOR NHA SEE: 25-20-00-01A 25-20-00-03A	006100 950951 953999	RF
5	NAS1801-3-20		.SCREW	002004 006100 107107 121503 904999	1
10	NAS1801-3-12		.SCREW	002004 006100 107107 121503 904999	3
14	NAS1801-3-49		.SCREW	002004 006100 121503 904999	1
15	AN960PD10L		.WASHER	002004 006100 107107 121503 904999	3
16	AN960PD10L		.WASHER	002004 006100 107107 121503 904999	2

MISSING ITEM NUMBERS NOT APPLICABLE

- ITEM NOT ILLUSTRATED

38-11-54-01

38-11-54
FIG. 01
PAGE 1
JAN 20/09

BRI



757

PARTS CATALOG (MAINTENANCE)

FIG ITEM	PART NUMBER	1 2 3 4 5 6 7	NOMENCLATURE	EFFECT FROM TO	UNITS PER ASSY
1	18 AN960JD10L	.	WASHER	002004 006100 121503 904999	1
	19 BRH10A3	.	NUT SUPPLIER CODE: V52828 SPECIFICATION NUMBER: BACN10JC3 OPTIONAL PART: H10-3BAC V15653 NS202101-02 V80539 RMLH9075-3W V72962 VN303A02 V92215 96-02 V80539 T6S1032J V11815	002004 006100 107107 121503 904999	1
	20 BRH10A3	.	NUT SUPPLIER CODE: V52828 SPECIFICATION NUMBER: BACN10JC3 OPTIONAL PART: H10-3BAC V15653 NS202101-02 V80539 RMLH9075-3W V72962 VN303A02 V92215 96-02 V80539 T6S1032J V11815	002004 006100 107107 121503 904999	3
	21 NAS42DD6-152	.	SPACER	002004 006100 121503 904999	1
	22 NAS43DD3-40	.	SPACER	002004 006100 107107 121503 904999	1

MISSING ITEM NUMBERS NOT APPLICABLE

- ITEM NOT ILLUSTRATED

38-11-54-01

38-11-54
FIG. 01
PAGE 2
JAN 20/09

BRI

BOEING
757
PARTS CATALOG (MAINTENANCE)

FIG ITEM	PART NUMBER	1 2 3 4 5 6 7	NOMENCLATURE	EFFECT FROM TO	UNITS PER ASSY
1	25	BACC10DK16	.CLAMP	002004 006100 107107 121503 904999	2
	26	BACC10DK16	.CLAMP	002004 006100 107107 121503 904999	1
	30	BACC10DK20	.CLAMP	002004 006100 107107 121503 904999	1
	34	12	.CLAMP SUPPLIER CODE: V7Z588 SPECIFICATION NUMBER: STBC10GG34-38 OPTIONAL PART: WWD34-38H V66295	002004 006100 107107 121503 904999	17
	34C	12	.CLAMP SUPPLIER CODE: V7Z588 SPECIFICATION NUMBER: STBC10GG34-38 OPTIONAL PART: WWD34-38H V66295	002004 006100 107107 121503 904999	10
	35	12	.CLAMP- SUPPLIER CODE: V7Z588 SPECIFICATION NUMBER: STBC10GG34-38 OPTIONAL PART: WWD34-38H V66295	002004 006100 107107 121503 904999	9
	38	12	.CLAMP SUPPLIER CODE: V7Z588 SPECIFICATION NUMBER: STBC10GG34-38 OPTIONAL PART: WWD34-38H V66295	002004 006100 107107 121503 904999	1

MISSING ITEM NUMBERS NOT APPLICABLE

— ITEM NOT ILLUSTRATED

BRI

38-11-54-01

38-11-54
FIG. 01
PAGE 3
JAN 20/09



757

PARTS CATALOG (MAINTENANCE)

FIG ITEM	PART NUMBER	1 2 3 4 5 6 7	NOMENCLATURE	EFFECT FROM TO	UNITS PER ASSY
1	40 69B50212-1	.	CAP-DRAIN	002004 006100 107107 121503 904999	2
	41 69B50212-1	.	CAP-DRAIN	002004 006100 107107 121503 904999	2
	45 BOE2013-0324	.	HOSE- SUPPLIER CODE: V16632 SPECIFICATION NUMBER: 69-27191-324 OPTIONAL PART: 713488-324 V70628	002004 006100 107107 121503 904999	1
	48 BOE2013-0314	.	HOSE ASSY- SUPPLIER CODE: V16632 SPECIFICATION NUMBER: 69-27191-314 OPTIONAL PART: 713488-314 V70628 IT4350-314 V26831	002004 006100 107107	1
	48 IT4350-314	.	HOSE ASSY- SUPPLIER CODE: V26831 SPECIFICATION NUMBER: 69-27191-314 OPTIONAL PART: 713488-314 V70628 BOE2013-0314 V16632	002004 006100 107107	1
	48 713488-314	.	HOSE- SUPPLIER CODE: V70628 SPECIFICATION NUMBER: 69-27191-314 OPTIONAL PART: IT4350-314 V26831 BOE2013-0314 V16632	002004 006100 107107	1

MISSING ITEM NUMBERS NOT APPLICABLE

- ITEM NOT ILLUSTRATED

38-11-54-01

38-11-54
FIG. 01
PAGE 4
JAN 20/09

BRI



757

PARTS CATALOG (MAINTENANCE)

FIG ITEM	PART NUMBER	1 2 3 4 5 6 7	NOMENCLATURE	EFFECT FROM TO	UNITS PER ASSY
1	50 BOE2013-0325		.HOSE- SUPPLIER CODE: V16632 SPECIFICATION NUMBER: 69-27191-325 OPTIONAL PART: 713488-325 V70628	002004 006100 107107 121503 904999	1
	51 BOE2013-0314		.HOSE ASSY- SUPPLIER CODE: V16632 SPECIFICATION NUMBER: 69-27191-314 OPTIONAL PART: 713488-314 V70628 IT4350-314 V26831	002004 006100 107107	1
	51 IT4350-314		.HOSE ASSY- SUPPLIER CODE: V26831 SPECIFICATION NUMBER: 69-27191-314 OPTIONAL PART: 713488-314 V70628 BOE2013-0314 V16632	002004 006100 107107	1
	51 713488-314		.HOSE- SUPPLIER CODE: V70628 SPECIFICATION NUMBER: 69-27191-314 OPTIONAL PART: IT4350-314 V26831 BOE2013-0314 V16632	002004 006100 107107	1
	53 BOE2013-0314		.HOSE ASSY- SUPPLIER CODE: V16632 SPECIFICATION NUMBER: 69-27191-314 OPTIONAL PART: 713488-314 V70628 IT4350-314 V26831	002004 006100 107107 121503	1

MISSING ITEM NUMBERS NOT APPLICABLE

- ITEM NOT ILLUSTRATED

38-11-54-01

38-11-54
FIG. 01
PAGE 5
JAN 20/09

BRI

BOEING PROPRIETARY - Copyright © - Unpublished Work - See title page for details.



757

PARTS CATALOG (MAINTENANCE)

FIG ITEM	PART NUMBER	1 2 3 4 5 6 7	NOMENCLATURE	EFFECT FROM TO	UNITS PER ASSY
1					
53	BOE2013-0425	.HOSE-	SUPPLIER CODE: V16632 SPECIFICATION NUMBER: 69-27191-425 OPTIONAL PART: IT4353-425 V26831	121503 904999	1
53	IT4353-425	.HOSE-	SUPPLIER CODE: V26831 SPECIFICATION NUMBER: 69-27191-425 OPTIONAL PART: BOE2013-0425 V16632	121503 904999	1
53	IT4350-314	.HOSE ASSY-	SUPPLIER CODE: V26831 SPECIFICATION NUMBER: 69-27191-314 OPTIONAL PART: 713488-314 V70628 BOE2013-0314 V16632	002004 006100 107107 121503	1
53	713488-314	.HOSE-	SUPPLIER CODE: V70628 SPECIFICATION NUMBER: 69-27191-314 OPTIONAL PART: IT4350-314 V26831 BOE2013-0314 V16632	002004 006100 107107 121503	1
55	IT4350-314	.HOSE ASSY-	SUPPLIER CODE: V26831 SPECIFICATION NUMBER: 69-27191-314 OPTIONAL PART: 713488-314 V70628 BOE2013-0314 V16632	002004 006100 107107 121503 904952	1

MISSING ITEM NUMBERS NOT APPLICABLE

- ITEM NOT ILLUSTRATED

38-11-54-01

38-11-54
FIG. 01
PAGE 6
JAN 20/09

BRI



757

PARTS CATALOG (MAINTENANCE)

FIG ITEM	PART NUMBER	1 2 3 4 5 6 7	NOMENCLATURE	EFFECT FROM TO	UNITS PER ASSY
1	55 BOE2013-0314		.HOSE ASSY- SUPPLIER CODE: V16632 SPECIFICATION NUMBER: 69-27191-314 OPTIONAL PART: 713488-314 V70628 IT4350-314 V26831	002004 006100 107107 121503 904952	1
	55 713488-314		.HOSE- SUPPLIER CODE: V70628 SPECIFICATION NUMBER: 69-27191-314 OPTIONAL PART: IT4350-314 V26831 BOE2013-0314 V16632	002004 006100 107107 121503 904952	1
	60 IT4350-341		.HOSE- SUPPLIER CODE: V26831 SPECIFICATION NUMBER: 69-27191-341 OPTIONAL PART: 713488-341 V70628 BOE2013-0341 V16632	002004 006100 107107 121503 904999	1
	60 BOE2013-0341		.HOSE- SUPPLIER CODE: V16632 SPECIFICATION NUMBER: 69-27191-341 OPTIONAL PART: 713488-341 V70628 IT4350-341 V26831	002004 006100 107107 121503 904999	1

MISSING ITEM NUMBERS NOT APPLICABLE

- ITEM NOT ILLUSTRATED

38-11-54-01

38-11-54
FIG. 01
PAGE 7
JAN 20/09

BRI



757

PARTS CATALOG (MAINTENANCE)

FIG ITEM	PART NUMBER	1 2 3 4 5 6 7	NOMENCLATURE	EFFECT FROM TO	UNITS PER ASSY
1 65	BOE2013-0342	.HOSE-	SUPPLIER CODE: V16632 SPECIFICATION NUMBER: 69-27191-342 OPTIONAL PART: 713488-342 V70628 IT4350-342 V26831	002004 006100 107107 121503 904999	1
70	IT4350-328	.HOSE-	SUPPLIER CODE: V26831 SPECIFICATION NUMBER: 69-27191-328 OPTIONAL PART: 713488-328 V70628 BOE2013-0328 V16632	002004 006100 107107 121503 904999	1
70	BOE2013-0328	.HOSE-	SUPPLIER CODE: V16632 SPECIFICATION NUMBER: 69-27191-328 OPTIONAL PART: 713488-328 V70628 IT4350-328 V26831	002004 006100 107107 121503 904999	1
70	713488-328	.HOSE-	SUPPLIER CODE: V70628 SPECIFICATION NUMBER: 69-27191-328 OPTIONAL PART: BOE2013-0328 V16632 IT4350-328 V26831	002004 006100 107107 121503 904999	1

MISSING ITEM NUMBERS NOT APPLICABLE

- ITEM NOT ILLUSTRATED

38-11-54-01

38-11-54
FIG. 01
PAGE 8
JAN 20/09

BRI



757

PARTS CATALOG (MAINTENANCE)

FIG ITEM	PART NUMBER	1 2 3 4 5 6 7	NOMENCLATURE	EFFECT FROM TO	UNITS PER ASSY
1	71 BOE2013-0328		.HOSE- SUPPLIER CODE: V16632 SPECIFICATION NUMBER: 69-27191-328 OPTIONAL PART: 713488-328 V70628 IT4350-328 V26831	002004 006100 107107 121503 904999	1
	71 IT4350-328		.HOSE- SUPPLIER CODE: V26831 SPECIFICATION NUMBER: 69-27191-328 OPTIONAL PART: 713488-328 V70628 BOE2013-0328 V16632	002004 006100 107107 121503 904999	1
	71 713488-328		.HOSE- SUPPLIER CODE: V70628 SPECIFICATION NUMBER: 69-27191-328 OPTIONAL PART: BOE2013-0328 V16632 IT4350-328 V26831	002004 006100 107107 121503 904999	1
	75 IT4350-343		.HOSE- SUPPLIER CODE: V26831 SPECIFICATION NUMBER: 69-27191-343 OPTIONAL PART: 713488-343 V70628 BOE2013-0343 V16632	002004 006100 107107 121503 904999	1

MISSING ITEM NUMBERS NOT APPLICABLE

- ITEM NOT ILLUSTRATED

38-11-54-01

38-11-54
FIG. 01
PAGE 9
JAN 20/09

BRI



757

PARTS CATALOG (MAINTENANCE)

FIG ITEM	PART NUMBER	1 2 3 4 5 6 7	NOMENCLATURE	EFFECT FROM TO	UNITS PER ASSY
1	75 BOE2013-0343		.HOSE- SUPPLIER CODE: V16632 SPECIFICATION NUMBER: 69-27191-343 OPTIONAL PART: 713488-343 V70628 IT4350-343 V26831	002004 006100 107107 121503 904999	1
	80 IT4350-344		.HOSE ASSY- SUPPLIER CODE: V26831 SPECIFICATION NUMBER: 69-27191-344 OPTIONAL PART: 713488-344 V70628 BOE2013-0344 V16632	002004 006100 107107 121503 904999	1
	80 BOE2013-0344		.HOSE ASSY- SUPPLIER CODE: V16632 SPECIFICATION NUMBER: 69-27191-344 OPTIONAL PART: 713488-344 V70628 IT4350-344 V26831	002004 006100 107107 121503 904999	1
	85 BOE2013-0317		.HOSE- SUPPLIER CODE: V16632 SPECIFICATION NUMBER: 69-27191-317 OPTIONAL PART: 713488-317 V70628	002004 006100 107107 121503 904999	1
	90 IT4350-353		.HOSE- SUPPLIER CODE: V26831 SPECIFICATION NUMBER: 69-27191-353 OPTIONAL PART: BOE2013-0353 V16632	002004 006100 107107 121503 904999	1

MISSING ITEM NUMBERS NOT APPLICABLE

- ITEM NOT ILLUSTRATED

38-11-54-01

38-11-54
FIG. 01
PAGE 10
JAN 20/09

BRI



757

PARTS CATALOG (MAINTENANCE)

FIG ITEM	PART NUMBER	1 2 3 4 5 6 7	NOMENCLATURE	EFFECT FROM TO	UNITS PER ASSY
1	90 BOE2013-0353		.HOSE- SUPPLIER CODE: V16632 SPECIFICATION NUMBER: 69-27191-353 OPTIONAL PART: IT4350-353 V26831	002004 006100 107107 121503 904999	1
	95 417N2104-8		.TUBE- TUBING MATERIAL: 1.00 O.D X 0.016 WALL THICKNESS X 22.8 LENGTH MIL-T-8808 321 ANNEALED TUBING OPTIONAL TUBE WALL THICKNESS IS .028	002004 006100 107107 121503 904999	1
	100 417N2104-7		.TUBE- TUBING MATERIAL: 1.00 O.D X 0.016 WALL THICKNESS X 17.7 LENGTH MIL-T-8808 321 ANNEALED TUBING OPTIONAL TUBE WALL THICKNESS IS .020	002004 006100 107107 121503 904999	1
	105 417N2104-6		.TUBE- TUBING MATERIAL: STOCK 1.00 O.D. X .016 WALL OPTIONAL - 1.00 O.D. X .020 WALL CRES TUBE TYPE AISI 321 OR 347 PER MIL-T-8808.	002004 006100 107107 121503 904999	1
	110 417N2104-19		.TUBE- TUBING MATERIAL: 1.00 O.D X 0.016 WALL THICKNESS X 28.5 LENGTH MIL-T-8808 321 ANNEALED TUBING OPTIONAL TUBE WALL THICKNESS IS .028	002004 006100 107107 121503 904999	1
	115 417N2310-38		.TUBE ASSY-	002004 006100 107107 121503 904999	1
-	116 417N2310-39		..TUBE- TUBING MATERIAL: STOCK .028 WALL X 1.00 O.D. X 26.0 CRES TUBE TYPE AISI 321/347 MIL-T-8808/MIL-T-8808-85 MIL-T-8808-858	002004 006100 107107 121503 904999	1

MISSING ITEM NUMBERS NOT APPLICABLE

- ITEM NOT ILLUSTRATED

38-11-54-01

38-11-54
FIG. 01
PAGE 11
JAN 20/09

BRI



757

PARTS CATALOG (MAINTENANCE)

FIG ITEM	PART NUMBER	1 2 3 4 5 6 7	NOMENCLATURE	EFFECT FROM TO	UNITS PER ASSY
1					
- 117	417N2310-40	..	TUBE- TUBING MATERIAL: STOCK .028 WALL X 1.00 O.D. X 3.0 CRES TUBE TYPE AISI 321/347 MIL-T-8808/MIL-T-8808-85 MIL-T-8808-858	002004 006100 107107 121503 904999	1
- 118	417N2310-42	..	TUBE- TUBING MATERIAL: STOCK .028 WALL X 1.00 O.D. X 12.0 CRES TUBE TYPE AISI 321/347 MIL-T-8808/MIL-T-8808-85 MIL-T-8808-858	002004 006100 107107 121503 904999	1
120	417N2104-18	.	TUBE- TUBING MATERIAL: 1.00 O.D X 0.016 WALL THICKNESS X 30.6 LENGTH MIL-T-8808 321 ANNEALED TUBING OPTIONAL TUBE WALL THICKNESS IS .028	002004 006100 107107 121503 904999	1
125	417N2310-34	.	TUBE ASSY-	002004 006100 107107 121503 904999	1
- 126	417N2310-35	..	TUBE- TUBING MATERIAL: STOCK .028 WALL X 1.00 O.D. X 4.9 CRES TUBE TYPE AISI 321/347 MIL-T-8808/ MIL-T-8808-858	002004 006100 107107 121503 904999	1
-126A	417N2310-36	..	TUBE- TUBING MATERIAL: STOCK .028 WALL X 1.00 O.D. X 20.0 CRES TUBE TYPE AISI 321/347 MIL-T-8808/ MIL-T-8808-858	002004 006100 107107 121503 904999	1
-126B	417N2310-37	..	TUBE- TUBING MATERIAL: STOCK .028 WALL X 1.00 O.D. X 3.6 CRES TUBE TYPE AISI 321/347 MIL-T-8808/ MIL-T-8808-858	002004 006100 107107 121503 904999	1

MISSING ITEM NUMBERS NOT APPLICABLE

- ITEM NOT ILLUSTRATED

38-11-54-01

38-11-54
FIG. 01
PAGE 12
JAN 20/09

BRI



757

PARTS CATALOG (MAINTENANCE)

FIG ITEM	PART NUMBER	1 2 3 4 5 6 7	NOMENCLATURE	EFFECT FROM TO	UNITS PER ASSY
1 -126C	417N2310-41	..	TUBE- TUBING MATERIAL: STOCK .028 WALL X 1.00 O.D. X 19.0 CRES TUBE TYPE AISI 321/347 PER MIL-T-8808/ MIL-T-8808-858	002004 006100 107107 121503 904999	1
130	417N2104-17	.	TUBE- TUBING MATERIAL: 1.00 O.D X 0.016 WALL THICKNESS X 56.2 LENGTH MIL-T-8808 321 ANNEALED TUBING OPTIONAL TUBE WALL THICKNESS IS .028	002004 006100 107107 121503 904999	1
137	417N2104-21	.	TUBE- TUBING MATERIAL: STOCK 1.50.O.D. X .020 WALL 6061-T4 TUBE PER WW-T-700/6	002004 006100 107107 121503 904999	1
140	417N2104-4	.	TUBE- TUBING MATERIAL: STOCK 1.00 O.D. X .016 WALL OPTIONAL - 1.00 O.D. X .020 WALL CRES TUBE TYPE AISI 321 OR 347 PER MIL-T-8808.	002004 006100 107107 121503 904999	1
145	417N2104-3	.	TUBE- TUBING MATERIAL: STOCK 1.00 O.D. X .016 WALL OPTIONAL - 1.00 O.D. X .020 WALL CRES TUBE TYPE AISI 321 OR 347 PER MIL-T-8808.	002004 006100 107107 121503 904999	1
150	417N2104-2	.	TUBE- TUBING MATERIAL: 1.00 O.D X 0.016 WALL THICKNESS X 74.1 LENGTH MIL-T-8808 321 ANNEALED TUBING OPTIONAL TUBE WALL THICKNESS IS .028	002004 006100 107107 121503 904999	1
154A	417N2310-151	.	TUBE ASSY-	006100 904999	1
-154B	417N2310-152	..	TUBE- TUBING MATERIAL: STOCK .028 WALL X 1.00 O.D. X 17.0 CRES TUBE TYPE AISI 321/347 MIL-T-8808/ MIL-T-8808-858	006100 904999	1

MISSING ITEM NUMBERS NOT APPLICABLE

- ITEM NOT ILLUSTRATED

38-11-54-01

38-11-54
FIG. 01
PAGE 13
JAN 20/09

BRI



757

PARTS CATALOG (MAINTENANCE)

FIG ITEM	PART NUMBER	1 2 3 4 5 6 7	NOMENCLATURE	EFFECT FROM TO	UNITS PER ASSY
1 -154C	417N2310-153	..	TUBE- TUBING MATERIAL: STOCK .028 WALL X 1.00 O.D. X 7.0 CRES TUBE TYPE AISI 321/347 MIL-T-8808/ MIL-T-8808-858	006100 904999	1
-154D	417N2310-154	..	ADAPTOR- TUBING MATERIAL: STOCK .035 WALL X 2.00 O.D. X 7.1 CRES TUBE TYPE AISI 321/347 MIL-T-8808/ MIL-T-8808-858	006100 904999	1
155	417N2310-48	.	TUBE ASSY-	002004 107107 121503	1
-155A	417N2310-31	..	TUBE ASSY- TUBING MATERIAL: STOCK .028 WALL X 1.00 O.D. X 21.0 CRES TUBE TYPE AISI 321/347 MIL-T-8808/ MIL-T-8808-858	002004 107107 121503	1
-155B	417N2310-49	..	TUBE ASSY- TUBING MATERIAL: STOCK .028 WALL X 1.00 O.D. X 7.10 CRES TUBE TYPE AISI 321/347 MIL-T-8808/ MIL-T-8808-858	002004 107107 121503	1
156	BACB30NE3-19	.	BOLT-	002004 006100 107107 121503 904999	1
157	AN960KD10L	.	WASHER-	002004 006100 107107 121503 904999	1

MISSING ITEM NUMBERS NOT APPLICABLE

- ITEM NOT ILLUSTRATED

38-11-54-01

38-11-54
FIG. 01
PAGE 14
JAN 20/09

BRI



757

PARTS CATALOG (MAINTENANCE)

FIG ITEM	PART NUMBER	1 2 3 4 5 6 7	NOMENCLATURE	EFFECT FROM TO	UNITS PER ASSY
1 158	BRH10C3D	.NUT-	SUPPLIER CODE: V52828 SPECIFICATION NUMBER: BACN10JC3CD OPTIONAL PART: T6C1032JCD V11815 NS202486-02 V80539 102LH9075-3W V72962 H51650-3BAC V15653	002004 006100 107107 121503 904999	1
160	BACB19F10S	.BLOCK-		002004 006100 107107 121503 904999	1
161	S258DT24	.CLAMP-	SUPPLIER CODE: V18076 SPECIFICATION NUMBER: BACC10DW24D OPTIONAL PART: TA4C44D24T V84971 475-24 V83930 8084D24T V72285 475A24 V83930	002004 006100 107107 121503 904999	1
165	BC1083-070S	.CLAMP-	SUPPLIER CODE: V14242 SPECIFICATION NUMBER: BACC10FY070S OPTIONAL PART: 3140AB070 V94581 57490-070 V98625 B06A070S V10234 MBC68941-070 V8W928 57490-697 V8W928	002004 006100 107107 121503 904999	1

MISSING ITEM NUMBERS NOT APPLICABLE

- ITEM NOT ILLUSTRATED

38-11-54-01

38-11-54
FIG. 01
PAGE 15
JAN 20/09

BRI



757

PARTS CATALOG (MAINTENANCE)

FIG ITEM	PART NUMBER	1 2 3 4 5 6 7	NOMENCLATURE	EFFECT FROM TO	UNITS PER ASSY
1 170	NAS43DD3-39	.	SPACER-	002004 006100 107107 121503 904999	1
180	BACC15AN10	.	CLIP-	002004 006100 107107 121503 904999	1
- 550	417N2104-13		SUPPORT INSTL- POSITION DATA: SECTION 41 FOR NHA SEE: 25-20-00-03A	002004 006100 107107 121503 904999	RF
605	417N2109-1	.	BRACKET	002004 006100 107107 121503 904999	1

MISSING ITEM NUMBERS NOT APPLICABLE

- ITEM NOT ILLUSTRATED

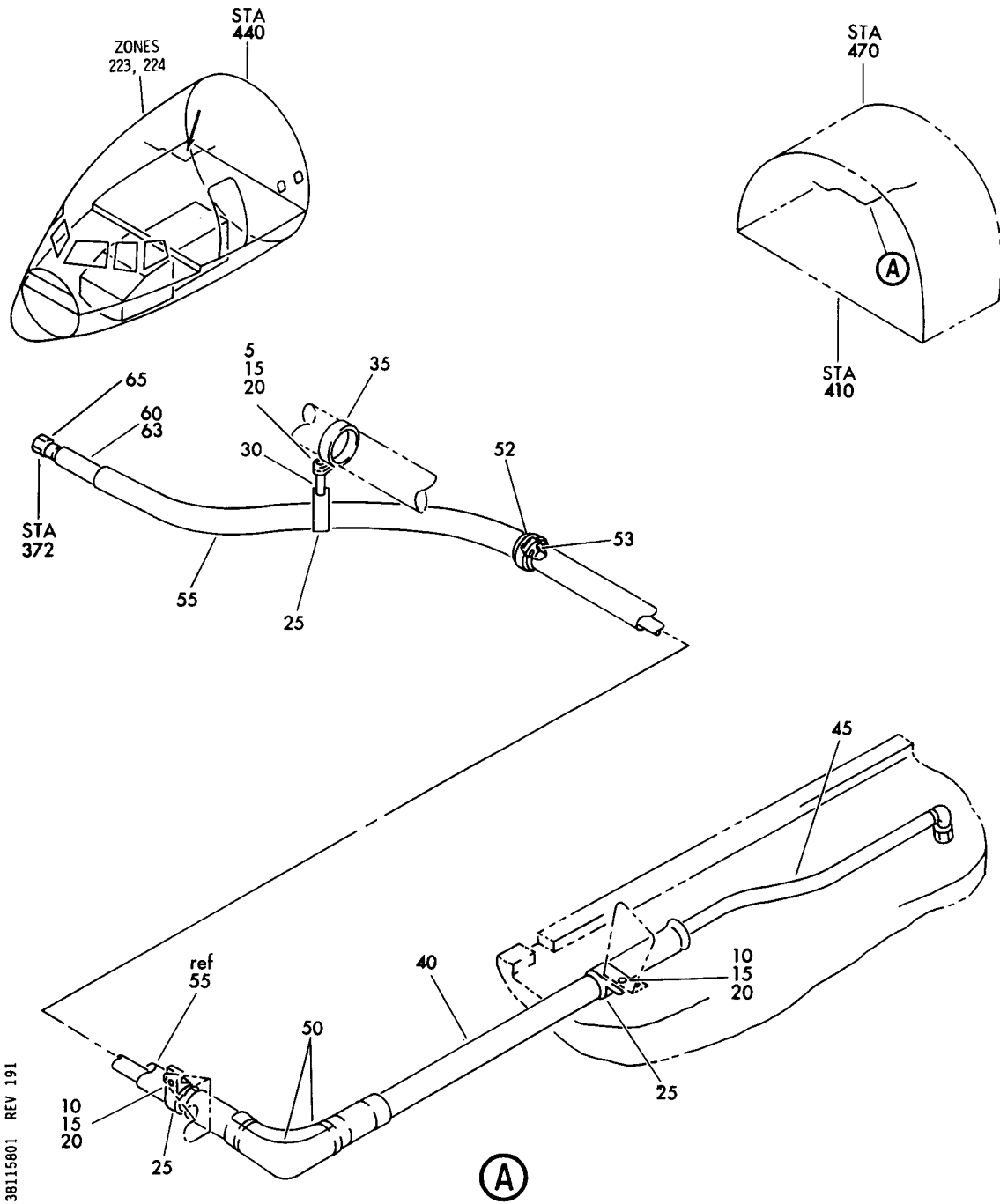
BRI

38-11-54-01

BOEING PROPRIETARY - Copyright © - Unpublished Work - See title page for details.

38-11-54
FIG. 01
PAGE 16
JAN 20/09

BOEING
757
PARTS CATALOG (MAINTENANCE)



Y 38115801 REV 191

LINE INSTL-LAV WATER FWD (LAV F)
FIGURE 1

38-11-58-01

BRI
MAY 28/07

38-11-58-01
PAGE 0



757

PARTS CATALOG (MAINTENANCE)

FIG ITEM	PART NUMBER	1 2 3 4 5 6 7	NOMENCLATURE	EFFECT FROM TO	UNITS PER ASSY
1			LINE INSTL-LAV WATER FWD (LAV F)	107949	
- 1	417N2201-4		LINE INSTL-LAV WATER LAV F POSITION DATA: FWD REWORKED BY RAPID REVISION: RR92014-87 FOR NHA SEE: 25-20-00-01E 25-20-00-07D	107107 121949	RF
5	NAS1801-3-27	.SCREW		107949	1
10	NAS1801-3-8	.SCREW		107949	2
15	AN960-10L	.WASHER		107949	3
20	BRH10A3	.NUT		107949	3
			SUPPLIER CODE: V52828 SPECIFICATION NUMBER: BACN10JC3 OPTIONAL PART: H10-3BAC V15653 NS202101-02 V80539 RMLH9075-3W V72962 VN303A02 V92215 96-02 V80539 T6S1032J V11815		
25	BACC10DK20	.CLAMP		107949	3
30	NAS43DD3-77	.SPACER		107949	1
35	MS21919WDG32	.CLAMP-		107949	1
40	417N2201-5	.SHROUD		107949	1
45	AS4477-08-0304	.HOSE-		107949	1
			OPTIONAL PART: 78001-431 V24984		

MISSING ITEM NUMBERS NOT APPLICABLE

- ITEM NOT ILLUSTRATED

38-11-58-01

38-11-58
FIG. 01
PAGE 1
JAN 20/09

BRI



757

PARTS CATALOG (MAINTENANCE)

FIG ITEM	PART NUMBER	1 2 3 4 5 6 7	NOMENCLATURE	EFFECT FROM TO	UNITS PER ASSY
1 45	78001-431		.HOSE- SUPPLIER CODE: V24984 SPECIFICATION NUMBER: 10-61998-431 OPTIONAL PART: R29289-8-304 V50599 AE706493-431 V00624 A1650-431 V03925 OPTIONAL PART: AS4477-08-0304	107949	1
50	417N2204-1		.ELBOW	107949	2
52	N5		.CLIP- SUPPLIER CODE: V06229 OPTIONAL PART: MS29513-028	107949	1
52	MS29513-028		.PACKING- OPTIONAL PART: N5 V06229	107949	1
53	66-17948-2		.RETAINER-HOSE	107949	1
55	417N2201-11		.SHROUD-	107107 121949	1
60	A1650-430		.HOSE- SUPPLIER CODE: V03925 SPECIFICATION NUMBER: 10-61998-430 OPTIONAL PART: R29282-8-0401 V50599 AE706493-430 V00624 78001-430 V24984 OPTIONAL PART: AS4471-08-0404	107107 121949	1
60	AS4471-08-0401		.HOSE- OPTIONAL PART: A1650-430 V03925 AS4471-08-0404	107107 121949	1

MISSING ITEM NUMBERS NOT APPLICABLE

- ITEM NOT ILLUSTRATED

BRI

38-11-58-01

BOEING PROPRIETARY - Copyright © - Unpublished Work - See title page for details.

38-11-58
FIG. 01
PAGE 2
JAN 20/09



**757
PARTS CATALOG (MAINTENANCE)**

FIG ITEM	PART NUMBER	1 2 3 4 5 6 7	NOMENCLATURE	EFFECT FROM TO	UNITS PER ASSY
1	60 AS4471-08-0404		.HOSE- OPTIONAL PART: AS4471-08-0401 A1650-430 V03925	107107 121949	1
	65 AP1008-08JL		.CAP ASSY- SUPPLIER CODE: V01673 SPECIFICATION NUMBER: BACC14AD08JL OPTIONAL PART: US2103-08JL V50808 POST RAPID REVISION: RR92014-87	504903	1

MISSING ITEM NUMBERS NOT APPLICABLE

— ITEM NOT ILLUSTRATED

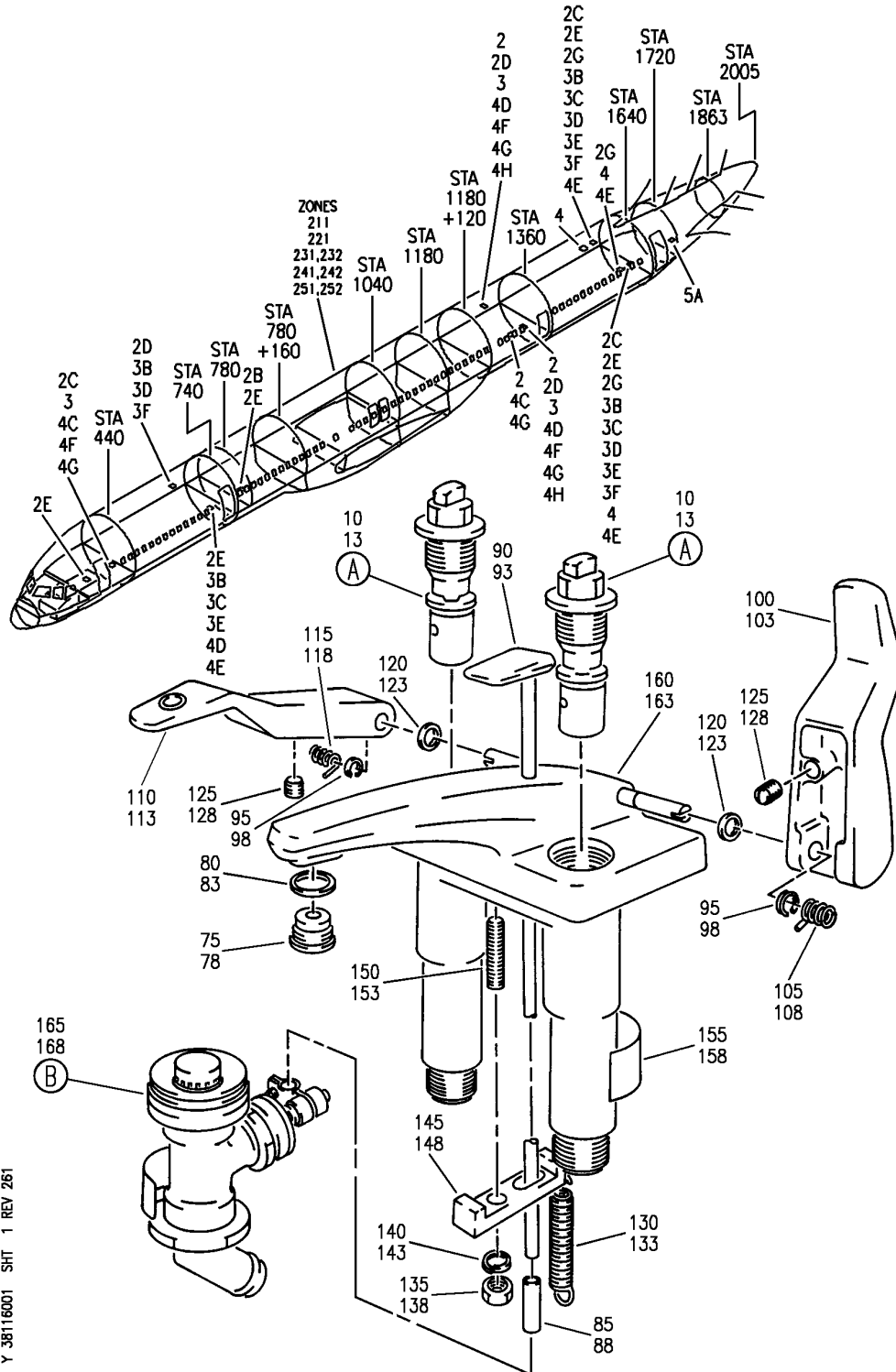
BRI

38-11-58-01

BOEING PROPRIETARY - Copyright © - Unpublished Work - See title page for details.

38-11-58
FIG. 01
PAGE 3
JAN 20/09

BOEING
757
PARTS CATALOG (MAINTENANCE)



Y 38116001 SHT 1 REV 261

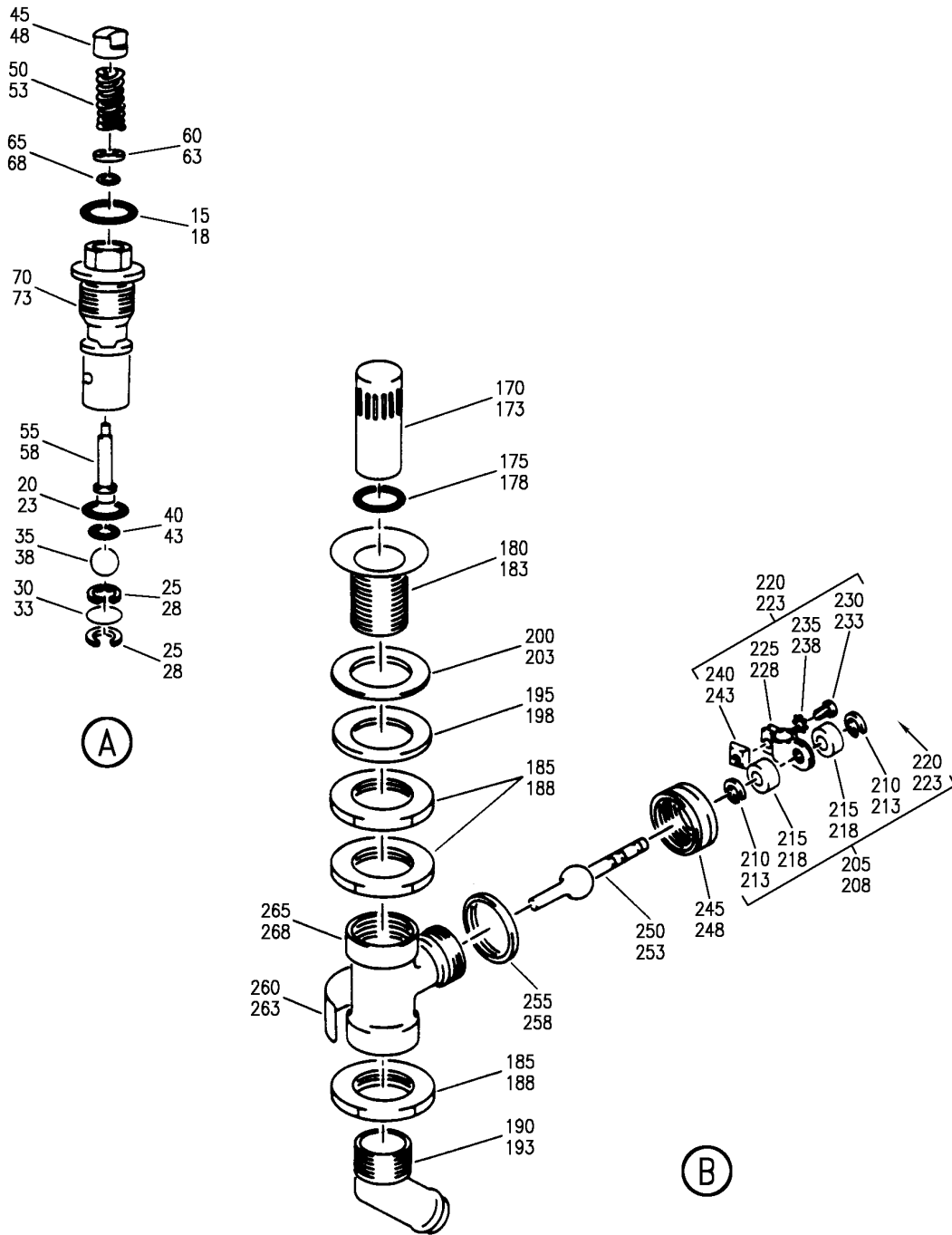
FAUCET AND DRAIN ASSY-LAV
FIGURE 1 (SHEET 1)

38-11-60-01

BRI
MAY 28/07

38-11-60-01
PAGE 0

BOEING
757
PARTS CATALOG (MAINTENANCE)



Y 38116001 SHT 2 REV 261

FAUCET AND DRAIN ASSY-LAV
FIGURE 1 (SHEET 2)

38-11-60-01

BRI
MAY 28/07

38-11-60-01
PAGE 0A



757

PARTS CATALOG (MAINTENANCE)

FIG ITEM	PART NUMBER	1 2 3 4 5 6 7	NOMENCLATURE	EFFECT FROM TO	UNITS PER ASSY
1			FAUCET AND DRAIN ASSY-LAV	107107 121503 904949 952999	
1	600420-2		FAUCET AND DRAIN ASSY-LAV A SUPPLIER CODE: V80477 SPECIFICATION NUMBER: 60B50027-20 COMPONENT MAINT MANUAL REF: 38-11-01 OPTIONAL PART: 1A081-0212-1 VS5825 FOR NHA SEE: 38-11-51-10	107107 121503 904949 952999	RF
3	600420-2		FAUCET AND DRAIN ASSY-LAV C, D AND F SUPPLIER CODE: V80477 SPECIFICATION NUMBER: 60B50027-20 COMPONENT MAINT MANUAL REF: 38-11-01 OPTIONAL PART: 1A081-0212-1 VS5825 FOR NHA SEE: 38-11-51-10	107107 121503 904949	RF
4D	600420-2		FAUCET AND DRAIN ASSY-LAV C, D AND S SUPPLIER CODE: V80477 SPECIFICATION NUMBER: 60B50027-20 COMPONENT MAINT MANUAL REF: 38-11-01 OPTIONAL PART: 1A081-0212-1 VS5825 FOR NHA SEE: 38-11-51-02B	953999	RF

MISSING ITEM NUMBERS NOT APPLICABLE

- ITEM NOT ILLUSTRATED

38-11-60-01

38-11-60
FIG. 01
PAGE 1
JAN 20/09

BRI



757

PARTS CATALOG (MAINTENANCE)

FIG ITEM	PART NUMBER	1 2 3 4 5 6 7	NOMENCLATURE	EFFECT FROM TO	UNITS PER ASSY
1	4H 600420-2		FAUCET AND DRAIN ASSY-LAV C AND D SUPPLIER CODE: V80477 SPECIFICATION NUMBER: 60B50027-20 COMPONENT MAINT MANUAL REF: 38-11-01 OPTIONAL PART: 1A081-0212-1 VS5825 FOR NHA SEE: 38-11-51-02B	952952	RF
-	7 600380-2		. FAUCET ASSY- SUPPLIER CODE: V27045	107107 121503 904949 953999	1
-	7 600380-2		. FAUCET ASSY- SUPPLIER CODE: V27045	952952	1
-	7 600380-2		. FAUCET ASSY- LAV B SUPPLIER CODE: V27045	107107 121503 904949 953999	1
	10 600430		.. CARTRIDGE ASSY- SUPPLIER CODE: V80477	107107 121503 904949 953999	2
	10 600430		.. CARTRIDGE ASSY- SUPPLIER CODE: V80477	952952	2
	13 600430		.. CARTRIDGE ASSY- LAV B SUPPLIER CODE: V80477	107107 121503 904949 953999	2
	15 10007-015		... SEAL- SUPPLIER CODE: V80477	107107 121503 904949 953999	1
	15 10007-015		... SEAL- SUPPLIER CODE: V80477	952952	1
	18 10007-015		... SEAL- LAV B SUPPLIER CODE: V80477	107107 121503 904949 953999	1

MISSING ITEM NUMBERS NOT APPLICABLE

- ITEM NOT ILLUSTRATED

38-11-60-01

38-11-60
FIG. 01
PAGE 2
JAN 20/09

BRI



757

PARTS CATALOG (MAINTENANCE)

FIG ITEM	PART NUMBER	1 2 3 4 5 6 7	NOMENCLATURE	EFFECT FROM TO	UNITS PER ASSY
1					
20	10007-012	...	SEAL- SUPPLIER CODE: V80477	107107 121503 904949 953999	1
20	10007-012	...	SEAL- SUPPLIER CODE: V80477	952952	1
23	10007-012	...	SEAL- LAV B SUPPLIER CODE: V80477	107107 121503 904949 953999	1
25	11301-5037	...	RING-RETAINING SUPPLIER CODE: V80477	107107 121503 904949 953999	2
25	11301-5037	...	RING-RETAINING SUPPLIER CODE: V80477	952952	2
28	11301-5037	...	RING-RETAINING LAV B SUPPLIER CODE: V80477	107107 121503 904949 953999	2
30	600374	...	SCREEN- SUPPLIER CODE: V80477	107107 121503 904949 953999	1
30	600374	...	SCREEN- SUPPLIER CODE: V80477	952952	1
33	600374	...	SCREEN- LAV B SUPPLIER CODE: V80477	107107 121503 904949 953999	1
35	600373	...	BALL- SUPPLIER CODE: V80477	107107 121503 904949 953999	1
35	600373	...	BALL- SUPPLIER CODE: V80477	952952	1
38	600373	...	BALL- LAV B SUPPLIER CODE: V80477	107107 121503 904949 953999	1
40	10007-011	...	SEAL- SUPPLIER CODE: V80477	107107 121503 904949 953999	1

MISSING ITEM NUMBERS NOT APPLICABLE

- ITEM NOT ILLUSTRATED

38-11-60-01

38-11-60
FIG. 01
PAGE 3
JAN 20/09

BRI

BOEING PROPRIETARY - Copyright © - Unpublished Work - See title page for details.



757

PARTS CATALOG (MAINTENANCE)

FIG ITEM	PART NUMBER	1 2 3 4 5 6 7	NOMENCLATURE	EFFECT FROM TO	UNITS PER ASSY
1					
40	10007-011	...	SEAL- SUPPLIER CODE: V80477	952952	1
43	10007-011	...	SEAL- LAV B SUPPLIER CODE: V80477	107107 121503 904949 953999	1
45	600433	...	BUTTON- SUPPLIER CODE: V80477	107107 121503 904949 953999	1
45	600433	...	BUTTON- SUPPLIER CODE: V80477	952952	1
48	600433	...	BUTTON- LAV B SUPPLIER CODE: V80477	107107 121503 904949 953999	1
50	600447	...	SPRING- SUPPLIER CODE: V80477	107107 121503 904949 953999	1
50	600447	...	SPRING- SUPPLIER CODE: V80477	952952	1
53	600447	...	SPRING- LAV B SUPPLIER CODE: V80477	107107 121503 904949 953999	1
55	600434	...	ROD-PUSH SUPPLIER CODE: V80477	107107 121503 904949 953999	1
55	600434	...	ROD-PUSH SUPPLIER CODE: V80477	952952	1
58	600434	...	ROD-PUSH LAV B SUPPLIER CODE: V80477	107107 121503 904949 953999	1
60	600398	...	WASHER- SUPPLIER CODE: V80477	107107 121503 904949 953999	1
60	600398	...	WASHER- SUPPLIER CODE: V80477	952952	1

MISSING ITEM NUMBERS NOT APPLICABLE

- ITEM NOT ILLUSTRATED

38-11-60-01

38-11-60
FIG. 01
PAGE 4
JAN 20/09

BRI

BOEING PROPRIETARY - Copyright © - Unpublished Work - See title page for details.



757

PARTS CATALOG (MAINTENANCE)

FIG ITEM	PART NUMBER	1 2 3 4 5 6 7	NOMENCLATURE	EFFECT FROM TO	UNITS PER ASSY
1					
63	600398	...	WASHER- LAV B SUPPLIER CODE: V80477	107107 121503 904949 953999	1
65	10007-006	...	SEAL- SUPPLIER CODE: V80477	107107 121503 904949 953999	1
65	10007-006	...	SEAL- SUPPLIER CODE: V80477	952952	1
68	10007-006	...	SEAL- LAV B SUPPLIER CODE: V80477	107107 121503 904949 953999	1
70	600385	...	BODY- SUPPLIER CODE: V80477	107107 121503 904949 953999	1
70	600385	...	BODY- SUPPLIER CODE: V80477	952952	1
73	600385	...	BODY- LAV B SUPPLIER CODE: V80477	107107 121503 904949 953999	1
75	600399	..	DIFFUSER ASSY- SUPPLIER CODE: V80477	107107 121503 904949 953999	1
75	600399	..	DIFFUSER ASSY- SUPPLIER CODE: V80477	952952	1
78	600399	..	DIFFUSER ASSY- LAV B SUPPLIER CODE: V80477	107107 121503 904949 953999	1
80	600444	..	GASKET- SUPPLIER CODE: V80477	107107 121503 904949 953999	1
80	600444	..	GASKET- SUPPLIER CODE: V80477	952952	1
83	600444	..	GASKET- LAV B SUPPLIER CODE: V80477	107107 121503 904949 953999	1

MISSING ITEM NUMBERS NOT APPLICABLE

- ITEM NOT ILLUSTRATED

38-11-60-01

38-11-60
FIG. 01
PAGE 5
JAN 20/09

BRI

BOEING PROPRIETARY - Copyright © - Unpublished Work - See title page for details.



757

PARTS CATALOG (MAINTENANCE)

FIG ITEM	PART NUMBER	1 2 3 4 5 6 7	NOMENCLATURE	EFFECT FROM TO	UNITS PER ASSY
1					
85	600264	..	SPACER- SUPPLIER CODE: V80477	107107 121503 904949 953999 952952	1
85	600264	..	SPACER- SUPPLIER CODE: V80477		1
88	600264	..	SPACER- LAV B SUPPLIER CODE: V80477	107107 121503 904949 953999	1
90	600402	..	ACTUATOR-DRAIN SUPPLIER CODE: V80477	107107 121503 904949 953999	1
90	600402	..	ACTUATOR-DRAIN SUPPLIER CODE: V80477	952952	1
93	600402	..	ACTUATOR-DRAIN LAV B SUPPLIER CODE: V80477	107107 121503 904949 953999	1
95	11306-5018	..	RING-RETAINER SUPPLIER CODE: V80477	107107 121503 904949 953999	2
95	11306-5018	..	RING-RETAINER SUPPLIER CODE: V80477	952952	2
98	11306-5018	..	RING-RETAINER LAV B SUPPLIER CODE: V80477	107107 121503 904949 953999	2
100	600408	..	HANDLE-COLD SUPPLIER CODE: V80477	107107 121503 904949 953999	1
100	600408	..	HANDLE-COLD SUPPLIER CODE: V80477	952952	1
103	600408	..	HANDLE-COLD LAV B SUPPLIER CODE: V80477	107107 121503 904949 953999	1
105	600406	..	SPRING- SUPPLIER CODE: V80477 POSITION DATA: R	107107 121503 904949 953999	1

MISSING ITEM NUMBERS NOT APPLICABLE

- ITEM NOT ILLUSTRATED

38-11-60-01

38-11-60
FIG. 01
PAGE 6
JAN 20/09

BRI

BOEING PROPRIETARY - Copyright © - Unpublished Work - See title page for details.



757

PARTS CATALOG (MAINTENANCE)

FIG ITEM	PART NUMBER	1 2 3 4 5 6 7	NOMENCLATURE	EFFECT FROM TO	UNITS PER ASSY
1 105	600406		.. SPRING- SUPPLIER CODE: V80477 POSITION DATA: R	952952	1
108	600406		.. SPRING- LAV B SUPPLIER CODE: V80477 POSITION DATA: R	107107 121503 904949 953999	1
110	600409		.. HANDLE-HOT SUPPLIER CODE: V80477	107107 121503 904949 953999	1
110	600409		.. HANDLE-HOT SUPPLIER CODE: V80477	952952	1
113	600409		.. HANDLE-HOT LAV B SUPPLIER CODE: V80477	107107 121503 904949 953999	1
115	600407		.. SPRING- SUPPLIER CODE: V80477 POSITION DATA: L	107107 121503 904949 953999	1
115	600407		.. SPRING- SUPPLIER CODE: V80477 POSITION DATA: L	952952	1
118	600407		.. SPRING- LAV B SUPPLIER CODE: V80477 POSITION DATA: L	107107 121503 904949 953999	1
120	600393		.. SPACER- SUPPLIER CODE: V80477	107107 121503 904949 953999	2
120	600393		.. SPACER- SUPPLIER CODE: V80477	952952	2
123	600393		.. SPACER- LAV B SUPPLIER CODE: V80477	107107 121503 904949 953999	2

MISSING ITEM NUMBERS NOT APPLICABLE

- ITEM NOT ILLUSTRATED

38-11-60-01

38-11-60
FIG. 01
PAGE 7
JAN 20/09

BRI



757

PARTS CATALOG (MAINTENANCE)

FIG ITEM	PART NUMBER	1 2 3 4 5 6 7	NOMENCLATURE	EFFECT FROM TO	UNITS PER ASSY
1					
125	600437	..	SCREW-HANDLE ADJ SUPPLIER CODE: V80477	107107 121503 904949 953999	2
125	600437	..	SCREW-HANDLE ADJ SUPPLIER CODE: V80477	952952	2
128	600437	..	SCREW-HANDLE ADJ LAV B SUPPLIER CODE: V80477	107107 121503 904949 953999	2
130	600452	..	SPRING- SUPPLIER CODE: V80477	107107 121503 904949 953999	1
130	600452	..	SPRING- SUPPLIER CODE: V80477	952952	1
133	600452	..	SPRING- LAV B SUPPLIER CODE: V80477	107107 121503 904949 953999	1
135	10601CB251	..	NUT- SUPPLIER CODE: V80477	107107 121503 904949 953999	1
135	10601CB251	..	NUT- SUPPLIER CODE: V80477	952952	1
138	10601CB251	..	NUT- LAV B SUPPLIER CODE: V80477	107107 121503 904949 953999	1
140	10700B251	..	LOCKWASHER- SUPPLIER CODE: V80477	107107 121503 904949 953999	1
140	10700B251	..	LOCKWASHER- SUPPLIER CODE: V80477	952952	1
143	10700B251	..	LOCKWASHER- LAV B SUPPLIER CODE: V80477	107107 121503 904949 953999	1
145	600403	..	BRACKET-MTG SUPPLIER CODE: V80477	107107 121503 904949 953999	1

MISSING ITEM NUMBERS NOT APPLICABLE

- ITEM NOT ILLUSTRATED

38-11-60-01

38-11-60
FIG. 01
PAGE 8
JAN 20/09

BRI

BOEING PROPRIETARY - Copyright © - Unpublished Work - See title page for details.



757

PARTS CATALOG (MAINTENANCE)

FIG ITEM	PART NUMBER	1 2 3 4 5 6 7	NOMENCLATURE	EFFECT FROM TO	UNITS PER ASSY
1					
145	600403	..	BRACKET-MTG SUPPLIER CODE: V80477	952952	1
148	600403	..	BRACKET-MTG LAV B SUPPLIER CODE: V80477	107107 121503 904949 953999	1
150	10300CB2524	..	SETSCREW- SUPPLIER CODE: V80477	107107 121503 904949 953999	1
150	10300CB2524	..	SETSCREW- SUPPLIER CODE: V80477	952952	1
153	10300CB2524	..	SETSCREW- LAV B SUPPLIER CODE: V80477	107107 121503 904949 953999	1
155	600445-2	..	NAMEPLATE- SUPPLIER CODE: V27045	107107 121503 904949 953999	1
155	600445-2	..	NAMEPLATE- SUPPLIER CODE: V27045	952952	1
158	600445-2	..	NAMEPLATE- LAV B SUPPLIER CODE: V27045	107107 121503 904949 953999	1
160	600405	..	BODY ASSY- SUPPLIER CODE: V80477	107107 121503 904949 953999	1
160	600405	..	BODY ASSY- SUPPLIER CODE: V80477	952952	1
163	600405	..	BODY ASSY- LAV B SUPPLIER CODE: V80477	107107 121503 904949 953999	1
165	600011-5	.DRAIN ASSY- SUPPLIER CODE: V27045		107107 121503 904949 953999	1
165	600011-5	.DRAIN ASSY- SUPPLIER CODE: V27045		952952	1

MISSING ITEM NUMBERS NOT APPLICABLE

- ITEM NOT ILLUSTRATED

38-11-60-01

38-11-60
FIG. 01
PAGE 9
JAN 20/09

BRI

BOEING PROPRIETARY - Copyright © - Unpublished Work - See title page for details.



757

PARTS CATALOG (MAINTENANCE)

FIG ITEM	PART NUMBER	1 2 3 4 5 6 7	NOMENCLATURE	EFFECT FROM TO	UNITS PER ASSY
1					
168	600011-5		.DRAIN ASSY- LAV B SUPPLIER CODE: V27045	107107 121503 904949 953999	1
170	600263-1		..VALVE- SUPPLIER CODE: V80477	107107 121503 904949 953999	1
170	600263-1		..VALVE- SUPPLIER CODE: V80477	952952	1
173	600263-1		..VALVE- LAV B SUPPLIER CODE: V80477	107107 121503 904949 953999	1
175	10004-119		..SEAL- SUPPLIER CODE: V80477	107107 121503 904949 953999	1
175	10004-119		..SEAL- SUPPLIER CODE: V80477	952952	1
178	10004-119		..SEAL- LAV B SUPPLIER CODE: V80477	107107 121503 904949 953999	1
180	8800-001-1		..FLANGE-VALVE SUPPLIER CODE: V80477	107107 121503 904949 953999	1
180	8800-001-1		..FLANGE-VALVE SUPPLIER CODE: V80477	952952	1
183	8800-001-1		..FLANGE-VALVE LAV B SUPPLIER CODE: V80477	107107 121503 904949 953999	1
185	600730		..NUT- SUPPLIER CODE: V80477	107107 121503 904949 953999	3
185	600730		..NUT- SUPPLIER CODE: V80477	952952	3
188	600730		..NUT- LAV B SUPPLIER CODE: V80477	107107 121503 904949 953999	3

MISSING ITEM NUMBERS NOT APPLICABLE

- ITEM NOT ILLUSTRATED

38-11-60-01

38-11-60
FIG. 01
PAGE 10
JAN 20/09

BRI



757

PARTS CATALOG (MAINTENANCE)

FIG ITEM	PART NUMBER	1 2 3 4 5 6 7	NOMENCLATURE	EFFECT FROM TO	UNITS PER ASSY
1					
190	600049	..	FITTING-END SUPPLIER CODE: V80477	107107 121503 904949 953999	1
190	600049	..	FITTING-END SUPPLIER CODE: V80477	952952	1
193	600049	..	FITTING-END LAV B SUPPLIER CODE: V80477	107107 121503 904949 953999	1
195	600729	..	WASHER-BEVEL SUPPLIER CODE: V80477	107107 121503 904949 953999	1
195	600729	..	WASHER-BEVEL SUPPLIER CODE: V80477	952952	1
198	600729	..	WASHER-BEVEL LAV B SUPPLIER CODE: V80477	107107 121503 904949 953999	1
200	8800-007	..	GASKET- SUPPLIER CODE: V80477	107107 121503 904949 953999	1
200	8800-007	..	GASKET- SUPPLIER CODE: V80477	952952	1
203	8800-007	..	GASKET- LAV B SUPPLIER CODE: V80477	107107 121503 904949 953999	1
205	600175-2	..	ACTUATOR ASSY- SUPPLIER CODE: V27045	107107 121503 904949 953999	1
205	600175-2	..	ACTUATOR ASSY- SUPPLIER CODE: V27045	952952	1
208	600175-2	..	ACTUATOR ASSY- LAV B SUPPLIER CODE: V27045	107107 121503 904949 953999	1
210	11305-1025	...	RING-RETAINING SUPPLIER CODE: V27045	107107 121503 904949 953999	2

MISSING ITEM NUMBERS NOT APPLICABLE

- ITEM NOT ILLUSTRATED

38-11-60-01

38-11-60
FIG. 01
PAGE 11
JAN 20/09

BRI

BOEING PROPRIETARY - Copyright © - Unpublished Work - See title page for details.



757

PARTS CATALOG (MAINTENANCE)

FIG ITEM	PART NUMBER	1 2 3 4 5 6 7	NOMENCLATURE	EFFECT FROM TO	UNITS PER ASSY
1					
210	11305-1025	...	RING-RETAINING SUPPLIER CODE: V27045	952952	2
213	11305-1025	...	RING-RETAINING LAV B SUPPLIER CODE: V27045	107107 121503 904949 953999	2
215	8800-009	...	TUBE- SUPPLIER CODE: V27045	107107 121503 904949 953999	2
215	8800-009	...	TUBE- SUPPLIER CODE: V27045	952952	2
218	8800-009	...	TUBE- LAV B SUPPLIER CODE: V27045	107107 121503 904949 953999	2
220	600725	...	LINK ASSY- SUPPLIER CODE: V27045	107107 121503 904949 953999	1
220	600725	...	LINK ASSY- SUPPLIER CODE: V27045	952952	1
223	600725	...	LINK ASSY- LAV B SUPPLIER CODE: V27045	107107 121503 904949 953999	1
225	600723	LINK- SUPPLIER CODE: V27045	107107 121503 904949 953999	1
225	600723	LINK- SUPPLIER CODE: V27045	952952	1
228	600723	LINK- LAV B SUPPLIER CODE: V27045	107107 121503 904949 953999	1
230	10107CB0606	SCREW- SUPPLIER CODE: V80477	952952	1
230	10107CB0606	SCREW- SUPPLIER CODE: V80477	107107 121503 904949 953999	1

MISSING ITEM NUMBERS NOT APPLICABLE

- ITEM NOT ILLUSTRATED

BRI

38-11-60-01

38-11-60
FIG. 01
PAGE 12
JAN 20/09



757

PARTS CATALOG (MAINTENANCE)

FIG ITEM	PART NUMBER	1 2 3 4 5 6 7	NOMENCLATURE	EFFECT FROM TO	UNITS PER ASSY
1					
233	10107CB0606	SCREW- LAV B SUPPLIER CODE: V80477	107107 121503 904949 953999	1
235	10703E06	LOCKWASHER- SUPPLIER CODE: V80477	952952	1
235	10703E06	LOCKWASHER- SUPPLIER CODE: V80477	107107 121503 904949 953999	1
238	10703E06	LOCKWASHER- LAV B SUPPLIER CODE: V80477	107107 121503 904949 953999	1
240	10600CC061	NUT- SUPPLIER CODE: V80477	952952	1
240	10600CC061	NUT- SUPPLIER CODE: V80477	107107 121503 904949 953999	1
243	10600CC061	NUT- LAV B SUPPLIER CODE: V80477	107107 121503 904949 953999	1
245	600728	..	CAP- SUPPLIER CODE: V80477	107107 121503 904949 953999	1
245	600728	..	CAP- SUPPLIER CODE: V80477	952952	1
248	600728	..	CAP- LAV B SUPPLIER CODE: V80477	107107 121503 904949 953999	1
250	600112-5	..	ACTUATOR- SUPPLIER CODE: V27045	107107 121503 904949 953999	1
250	600112-5	..	ACTUATOR- SUPPLIER CODE: V27045	952952	1
253	600112-5	..	ACTUATOR- LAV B SUPPLIER CODE: V27045	107107 121503 904949 953999	1

MISSING ITEM NUMBERS NOT APPLICABLE

- ITEM NOT ILLUSTRATED

38-11-60-01

38-11-60
FIG. 01
PAGE 13
JAN 20/09

BRI

BOEING PROPRIETARY - Copyright © - Unpublished Work - See title page for details.



757

PARTS CATALOG (MAINTENANCE)

FIG ITEM	PART NUMBER	1 2 3 4 5 6 7	NOMENCLATURE	EFFECT FROM TO	UNITS PER ASSY
1					
255	600733	..	NUT-JAM SUPPLIER CODE: V80477	107107 121503 904949 953999	1
255	600733	..	NUT-JAM SUPPLIER CODE: V80477	952952	1
258	600733	..	NUT-JAM LAV B SUPPLIER CODE: V80477	107107 121503 904949 953999	1
260	600446-2	..	NAMEPLATE- SUPPLIER CODE: V27045	107107 121503 904949 953999	1
260	600446-2	..	NAMEPLATE- SUPPLIER CODE: V27045	952952	1
263	600446-2	..	NAMEPLATE- LAV B SUPPLIER CODE: V27045	107107 121503 904949 953999	1
265	600048	..	HOUSING- SUPPLIER CODE: V80477	107107 121503 904949 953999	1
265	600048	..	HOUSING- SUPPLIER CODE: V80477	952952	1
268	600048	..	HOUSING- LAV B SUPPLIER CODE: V80477	107107 121503 904949 953999	1

MISSING ITEM NUMBERS NOT APPLICABLE

- ITEM NOT ILLUSTRATED

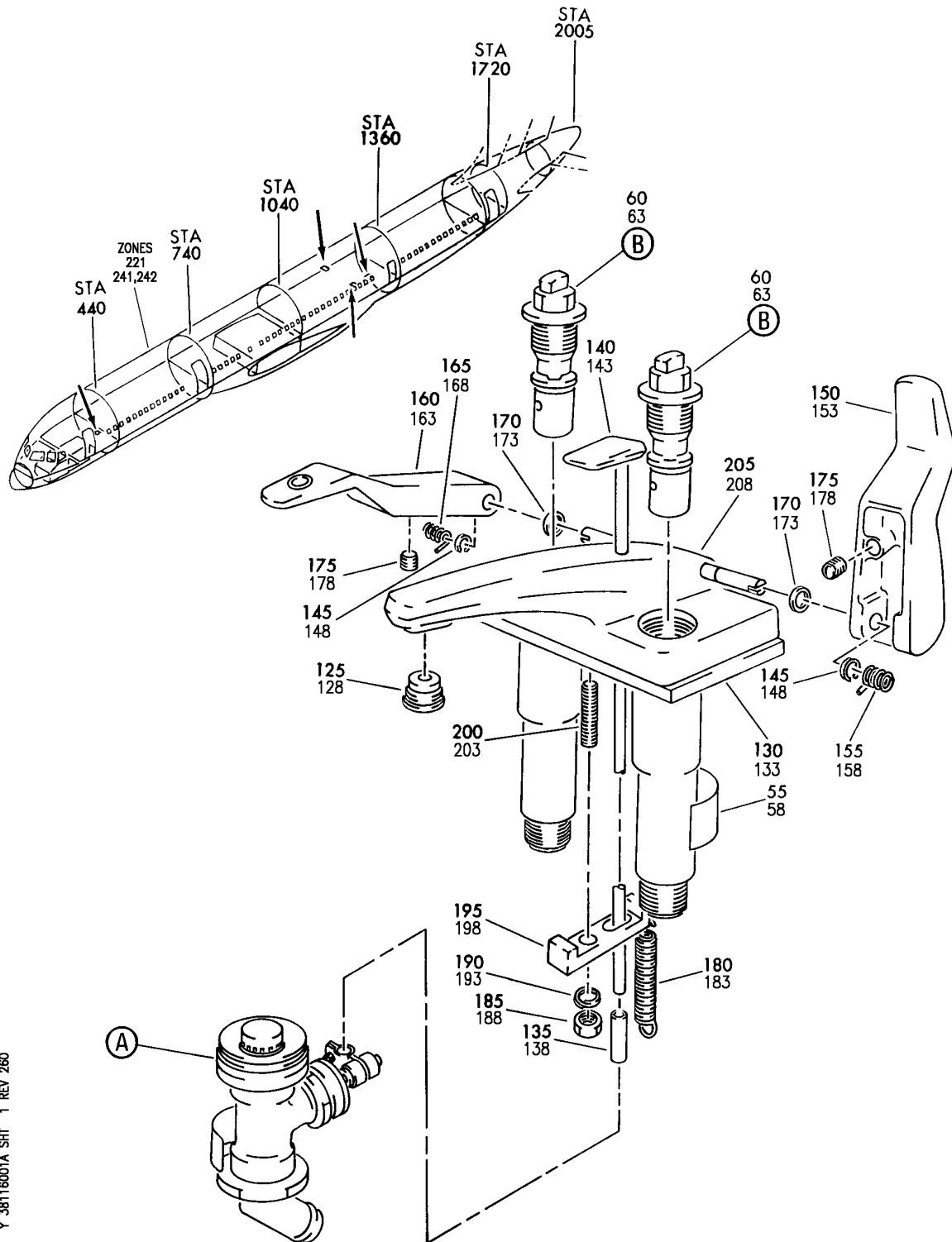
38-11-60-01

38-11-60
FIG. 01
PAGE 14
JAN 20/09

BRI

BOEING PROPRIETARY - Copyright © - Unpublished Work - See title page for details.

BOEING
757
PARTS CATALOG (MAINTENANCE)



Y 38116001A SHT 1 REV 260

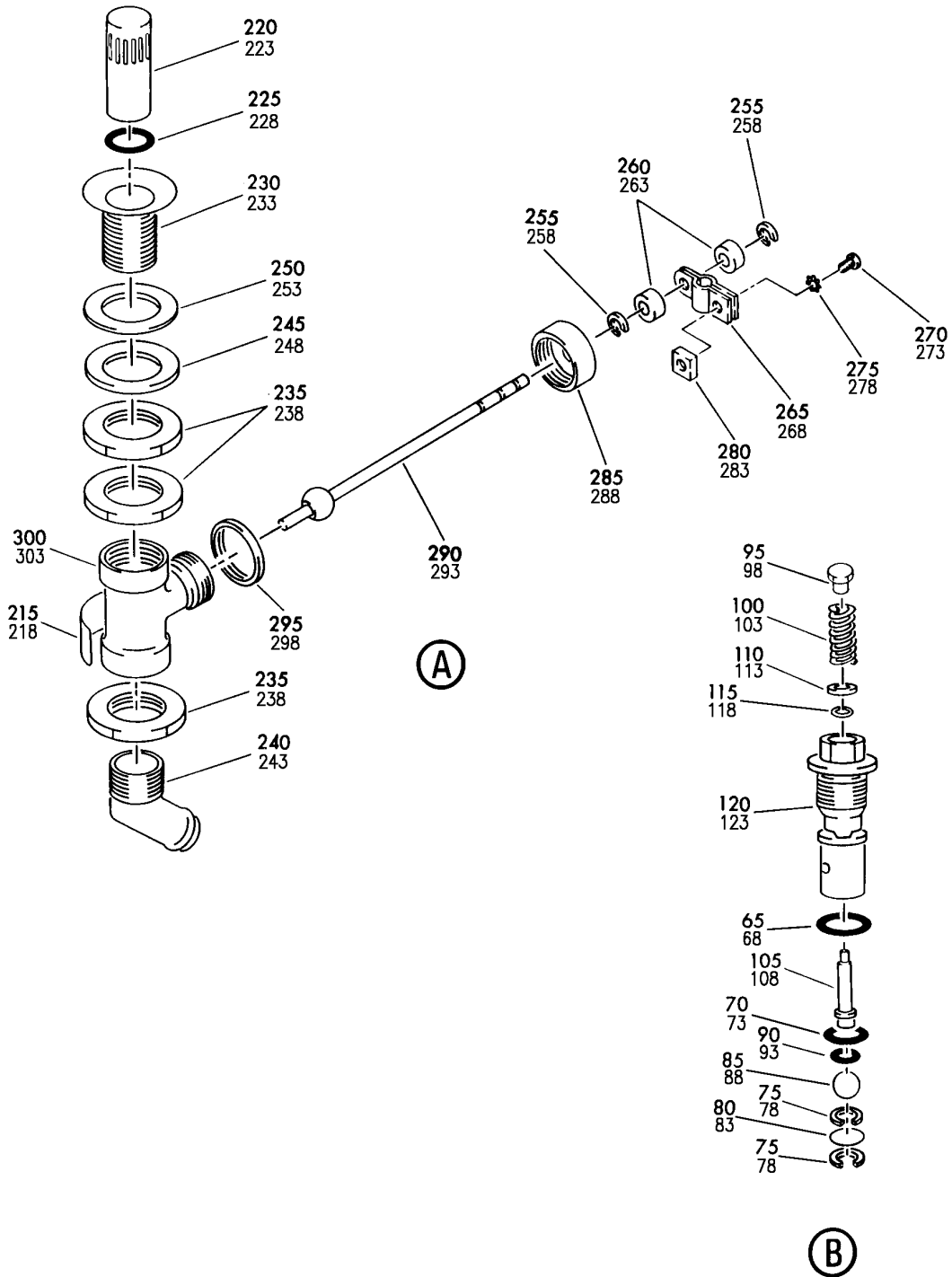
FAUCET AND DRAIN ASSY-LAV
FIGURE 1A (SHEET 1)

38-11-60-01A

BRI
MAY 28/07

38-11-60-01A
PAGE 0

BOEING
757
PARTS CATALOG (MAINTENANCE)



Y 38116001A SHT 2 REV 260

FAUCET AND DRAIN ASSY-LAV
FIGURE 1A (SHEET 2)

38-11-60-01A

BRI
MAY 28/07

38-11-60-01A
PAGE 0A



757

PARTS CATALOG (MAINTENANCE)

FIG ITEM	PART NUMBER	1 2 3 4 5 6 7	NOMENCLATURE	EFFECT FROM TO	UNITS PER ASSY
1 A			FAUCET AND DRAIN ASSY-LAV	121503	
- 1	1A081-0212-1		FAUCET AND DRAIN ASSY-LAV SUPPLIER CODE: VS5825 SPECIFICATION NUMBER: 60B50027-20 COMPONENT MAINT MANUAL REF: 25-41-14 OPTIONAL PART: 600420-2 V80477 FOR NHA SEE: 38-11-51-02B 38-11-51-10 38-11-51-02 38-11-51-02B 38-11-51-03 38-11-51-02 38-11-51-03 38-11-51-10	904949 952999 121503 904949 952999	RF
- 50	1A082-0213-1		. FAUCET ASSY- SUPPLIER CODE: VS5825	121503 904949 953999	1
- 50	1A082-0213-1		. FAUCET ASSY- SUPPLIER CODE: VS5825	952952	1
- 53	1A082-0213-1		. FAUCET ASSY- LAV B SUPPLIER CODE: VS5825	952952	1
55	3A084-0443-1		.. LABEL-IDENT SUPPLIER CODE: VS5825	121503 904949 953999	1
55	3A084-0443-1		.. LABEL-IDENT SUPPLIER CODE: VS5825	952952	1
58	3A084-0443-1		.. LABEL-IDENT LAV B SUPPLIER CODE: VS5825	952952	1
60	2A083-0613-1		.. CARTRIDGE ASSY- SUPPLIER CODE: VS5825	121503 904949 953999	2
60	2A083-0613-1		.. CARTRIDGE ASSY- SUPPLIER CODE: VS5825	952952	2

MISSING ITEM NUMBERS NOT APPLICABLE

- ITEM NOT ILLUSTRATED

38-11-60-01A

38-11-60
FIG. 01A
PAGE 1
JAN 20/09

BRI



757

PARTS CATALOG (MAINTENANCE)

FIG ITEM	PART NUMBER	1 2 3 4 5 6 7	NOMENCLATURE	EFFECT FROM TO	UNITS PER ASSY
1 A					
63	2A083-0613-1	..	CARTRIDGE ASSY- LAV B SUPPLIER CODE: VS5825	952952	2
65	F5-2-1014	...	PACKING- SUPPLIER CODE: VS5825	121503 904949 953999	1
65	F5-2-1014	...	PACKING- SUPPLIER CODE: VS5825	952952	1
68	F5-2-1014	...	PACKING- LAV B SUPPLIER CODE: VS5825	952952	1
70	F5-8-7	...	PACKING- SUPPLIER CODE: VS5825	121503 904949 953999	1
70	F5-8-7	...	PACKING- SUPPLIER CODE: VS5825	952952	1
73	F5-8-7	...	PACKING- LAV B SUPPLIER CODE: VS5825	952952	1
75	F5-11-10	...	RING-RETAINING SUPPLIER CODE: VS5825	121503 904949 953999	2
75	F5-11-10	...	RING-RETAINING SUPPLIER CODE: VS5825	952952	2
78	F5-11-10	...	RING-RETAINING LAV B SUPPLIER CODE: VS5825	952952	2
80	3A084-0461-1	...	MESH- SUPPLIER CODE: VS5825	121503 904949 953999	1
80	3A084-0461-1	...	MESH- SUPPLIER CODE: VS5825	952952	1
83	3A084-0461-1	...	MESH- LAV B SUPPLIER CODE: VS5825	952952	1
85	3A084-0462-1	...	BALL- SUPPLIER CODE: VS5825	121503 904949 953999	1

MISSING ITEM NUMBERS NOT APPLICABLE

- ITEM NOT ILLUSTRATED

38-11-60-01A

38-11-60
FIG. 01A
PAGE 2
JAN 20/09

BRI

BOEING PROPRIETARY - Copyright © - Unpublished Work - See title page for details.



757

PARTS CATALOG (MAINTENANCE)

FIG ITEM	PART NUMBER	1 2 3 4 5 6 7	NOMENCLATURE	EFFECT FROM TO	UNITS PER ASSY
1 A					
85	3A084-0462-1	...	BALL- SUPPLIER CODE: VS5825	952952	1
88	3A084-0462-1	...	BALL- SUPPLIER CODE: VS5825	952952	1
90	F5-9-6	...	PACKING- SUPPLIER CODE: VS5825	121503 904949 953999	1
90	F5-9-6	...	PACKING- SUPPLIER CODE: VS5825	952952	1
93	F5-9-6	...	PACKING- LAV B SUPPLIER CODE: VS5825	952952	1
95	3A084-0460-1	...	BUTTON- SUPPLIER CODE: VS5825	121503 904949 953999	1
95	3A084-0460-1	...	BUTTON- SUPPLIER CODE: VS5825	952952	1
98	3A084-0460-1	...	BUTTON- LAV B SUPPLIER CODE: VS5825	952952	1
100	3A084-0463-1	...	SPRING- SUPPLIER CODE: VS5825	121503 904949 953999	1
100	3A084-0463-1	...	SPRING- SUPPLIER CODE: VS5825	952952	1
103	3A084-0463-1	...	SPRING- LAV B SUPPLIER CODE: VS5825	952952	1
105	2A084-0612-1	...	ROD-PUSH SUPPLIER CODE: VS5825	121503 904949 953999	1
105	2A084-0612-1	...	ROD-PUSH SUPPLIER CODE: VS5825	952952	1
108	2A084-0612-1	...	ROD-PUSH LAV B SUPPLIER CODE: VS5825	952952	1
110	3A084-0562-1	...	WASHER- SUPPLIER CODE: VS5825	121503 904949 953999	1

MISSING ITEM NUMBERS NOT APPLICABLE

- ITEM NOT ILLUSTRATED

38-11-60-01A

38-11-60
FIG. 01A
PAGE 3
JAN 20/09

BRI

BOEING PROPRIETARY - Copyright © - Unpublished Work - See title page for details.



757

PARTS CATALOG (MAINTENANCE)

FIG ITEM	PART NUMBER	1 2 3 4 5 6 7	NOMENCLATURE	EFFECT FROM TO	UNITS PER ASSY
1 A					
110	3A084-0562-1	...	WASHER- SUPPLIER CODE: VS5825	952952	1
113	3A084-0562-1	...	WASHER- LAV B SUPPLIER CODE: VS5825	952952	1
115	F5-7-1	...	PACKING- SUPPLIER CODE: VS5825	121503 904949 953999	1
115	F5-7-1	...	PACKING- SUPPLIER CODE: VS5825	952952	1
118	F5-7-1	...	PACKING- LAV B SUPPLIER CODE: VS5825	952952	1
120	2A084-0611-1	...	BODY- SUPPLIER CODE: VS5825	121503 904949 953999	1
120	2A084-0611-1	...	BODY- SUPPLIER CODE: VS5825	952952	1
123	2A084-0611-1	...	BODY- LAV B SUPPLIER CODE: VS5825	952952	1
125	3A083-0469-1	..	DIFFUSER ASSY- SUPPLIER CODE: VS5825	121503 904949 953999	1
125	3A083-0469-1	..	DIFFUSER ASSY- SUPPLIER CODE: VS5825	952952	1
128	3A083-0469-1	..	DIFFUSER ASSY- LAV B SUPPLIER CODE: VS5825	952952	1
130	2A084-0609-1	..	GASKET- SUPPLIER CODE: VS5825	121503 904949 953999	1
130	2A084-0609-1	..	GASKET- SUPPLIER CODE: VS5825	952952	1
133	2A084-0609-1	..	GASKET- LAV B SUPPLIER CODE: VS5825	952952	1

MISSING ITEM NUMBERS NOT APPLICABLE

- ITEM NOT ILLUSTRATED

38-11-60-01A

38-11-60
FIG. 01A
PAGE 4
JAN 20/09

BRI

BOEING PROPRIETARY - Copyright © - Unpublished Work - See title page for details.



757

PARTS CATALOG (MAINTENANCE)

FIG ITEM	PART NUMBER	1 2 3 4 5 6 7	NOMENCLATURE	EFFECT FROM TO	UNITS PER ASSY
1 A					
135	3A084-0455-1	..	SLEEVE- SUPPLIER CODE: VS5825	121503 904949 953999	1
135	3A084-0455-1	..	SLEEVE- SUPPLIER CODE: VS5825	952952	1
138	3A084-0455-1	..	SLEEVE- LAV B SUPPLIER CODE: VS5825	952952	1
140	3A083-1278-1	..	ACTUATOR- SUPPLIER CODE: VS5825	121503 904949 953999	1
140	3A083-1278-1	..	ACTUATOR- SUPPLIER CODE: VS5825	952952	1
143	3A083-1278-1	.	ACTUATOR- LAV B SUPPLIER CODE: VS5825	952952	1
145	F18-18	..	RING-RETAINING SUPPLIER CODE: VS5825	121503 904949 953999	2
145	F18-18	..	RING-RETAINING SUPPLIER CODE: VS5825	952952	2
148	F18-18	..	RING-RETAINING LAV B SUPPLIER CODE: VS5825	952952	2
150	2A084-0610-2	..	HANDLE-COLD SUPPLIER CODE: VS5825	121503 904949 953999	1
150	2A084-0610-2	..	HANDLE-COLD SUPPLIER CODE: VS5825	952952	1
153	2A084-0610-2	..	HANDLE-COLD LAV B SUPPLIER CODE: VS5825	952952	1
155	3A084-0456-1	..	SPRING- SUPPLIER CODE: VS5825	121503 904949 953999	1
155	3A084-0456-1	..	SPRING- SUPPLIER CODE: VS5825	952952	1

MISSING ITEM NUMBERS NOT APPLICABLE

- ITEM NOT ILLUSTRATED

38-11-60-01A

38-11-60
FIG. 01A
PAGE 5
JAN 20/09

BRI

BOEING PROPRIETARY - Copyright © - Unpublished Work - See title page for details.



757

PARTS CATALOG (MAINTENANCE)

FIG ITEM	PART NUMBER	1 2 3 4 5 6 7	NOMENCLATURE	EFFECT FROM TO	UNITS PER ASSY
1A 158	3A084-0456-1	..	SPRING- LAV B SUPPLIER CODE: VS5825	952952	1
160	2A084-0610-1	..	HANDLE-HOT SUPPLIER CODE: VS5825	121503 904949 953999	1
160	2A084-0610-1	..	HANDLE-HOT SUPPLIER CODE: VS5825	952952	1
163	2A084-0610-1	..	HANDLE-HOT LAV B SUPPLIER CODE: VS5825	952952	1
165	3A084-0457-1	..	SPRING- SUPPLIER CODE: VS5825	121503 904949 953999	1
165	3A084-0457-1	..	SPRING- SUPPLIER CODE: VS5825	952952	1
168	3A084-0457-1	..	SPRING- LAV B SUPPLIER CODE: VS5825	952952	1
170	3A084-0458-1	..	SPACER- SUPPLIER CODE: VS5825	121503 904949 953999	2
170	3A084-0458-1	..	SPACER- SUPPLIER CODE: VS5825	952952	2
173	3A084-0458-1	..	SPACER- LAV B SUPPLIER CODE: VS5825	952952	2
175	3A084-0459-1	..	SCREW-HANDLE ADJUSTING SUPPLIER CODE: VS5825	121503 904949 953999	2
175	3A084-0459-1	..	SCREW-HANDLE ADJUSTING SUPPLIER CODE: VS5825	952952	2
178	3A084-0459-1	..	SCREW-HANDLE ADJUSTING LAV B SUPPLIER CODE: VS5825	952952	2
180	3A084-0474-1	..	SPRING- SUPPLIER CODE: VS5825	121503 904949 953999	1

MISSING ITEM NUMBERS NOT APPLICABLE

- ITEM NOT ILLUSTRATED

38-11-60-01A

38-11-60
FIG. 01A
PAGE 6
JAN 20/09

BRI

BOEING PROPRIETARY - Copyright © - Unpublished Work - See title page for details.



757

PARTS CATALOG (MAINTENANCE)

FIG ITEM	PART NUMBER	1 2 3 4 5 6 7	NOMENCLATURE	EFFECT FROM TO	UNITS PER ASSY
1 A					
180	3A084-0474-1	..	SPRING- SUPPLIER CODE: VS5825	952952	1
183	3A084-0474-1	..	SPRING- LAV B SUPPLIER CODE: VS5825	952952	1
185	F13-0M6	..	NUT- SUPPLIER CODE: VS5825	121503 904949 953999	1
185	F13-0M6	..	NUT- SUPPLIER CODE: VS5825	952952	1
188	F13-0M6	..	NUT- LAV B SUPPLIER CODE: VS5825	952952	1
190	F12-0M6	..	WASHER- SUPPLIER CODE: VS5825	121503 904949 953999	1
190	F12-0M6	..	WASHER- SUPPLIER CODE: VS5825	952952	1
193	F12-0M6	..	WASHER- LAV B SUPPLIER CODE: VS5825	952952	1
195	3A084-0453-1	..	BRACKET-MTG SUPPLIER CODE: VS5825	121503 904949 953999	1
195	3A084-0453-1	..	BRACKET-MTG SUPPLIER CODE: VS5825	952952	1
198	3A084-0453-1	..	BRACKET-MTG LAV B SUPPLIER CODE: VS5825	952952	1
200	F14-0M6	..	SETSCREW- SUPPLIER CODE: VS5825	121503 904949 953999	1
200	F14-0M6	..	SETSCREW- SUPPLIER CODE: VS5825	952952	1
203	F14-0M6	..	SETSCREW- LAV B SUPPLIER CODE: VS5825	952952	1

MISSING ITEM NUMBERS NOT APPLICABLE

- ITEM NOT ILLUSTRATED

38-11-60-01A

38-11-60
FIG. 01A
PAGE 7
JAN 20/09

BRI

BOEING PROPRIETARY - Copyright © - Unpublished Work - See title page for details.



757

PARTS CATALOG (MAINTENANCE)

FIG ITEM	PART NUMBER	1 2 3 4 5 6 7	NOMENCLATURE	EFFECT FROM TO	UNITS PER ASSY
1A					
205	1A083-1280-1	..	BODY- SUPPLIER CODE: VS5825	121503 904949 953999	1
205	1A083-1280-1	..	BODY- SUPPLIER CODE: VS5825	952952	1
208	1A083-1280-1	..	BODY- LAV B SUPPLIER CODE: VS5825	952952	1
- 210	1A082-0214-1	.DRAIN ASSY-	SUPPLIER CODE: VS5825	121503 904949 953999	1
- 210	1A082-0214-1	.DRAIN ASSY-	SUPPLIER CODE: VS5825	952952	1
- 213	1A082-0214-1	.DRAIN ASSY-	LAV B SUPPLIER CODE: VS5825	952952	1
215	3A084-0442-1	..	LABEL-IDENT SUPPLIER CODE: VS5825	121503 904949 953999	1
215	3A084-0442-1	..	LABEL-IDENT SUPPLIER CODE: VS5825	952952	1
218	3A084-0442-1	..	LABEL-IDENT LAV B SUPPLIER CODE: VS5825	952952	1
220	2A084-0606-1	..	VALVE- SUPPLIER CODE: VS5825	121503 904949 953999	1
220	2A084-0606-1	..	VALVE- SUPPLIER CODE: VS5825	952952	1
223	2A084-0606-1	..	VALVE- LAV B SUPPLIER CODE: VS5825	952952	1
225	D2-119	..	PACKING- SUPPLIER CODE: VS5825	121503 904949 953999	1
225	D2-119	..	PACKING- SUPPLIER CODE: VS5825	952952	1

MISSING ITEM NUMBERS NOT APPLICABLE

- ITEM NOT ILLUSTRATED

38-11-60-01A

38-11-60
FIG. 01A
PAGE 8
JAN 20/09

BRI

BOEING PROPRIETARY - Copyright © - Unpublished Work - See title page for details.



757

PARTS CATALOG (MAINTENANCE)

FIG ITEM	PART NUMBER	1 2 3 4 5 6 7	NOMENCLATURE	EFFECT FROM TO	UNITS PER ASSY
1 A					
228	D2-119		.. PACKING- LAV B SUPPLIER CODE: VS5825	952952	1
230	3A084-0444-1		.. FLANGE- SUPPLIER CODE: VS5825	121503 904949 953999	1
230	3A084-0444-1		.. FLANGE- SUPPLIER CODE: VS5825	952952	1
233	3A084-0444-1		.. FLANGE- LAV B SUPPLIER CODE: VS5825	952952	1
235	3A084-0447-1		.. NUT-JAM SUPPLIER CODE: VS5825	121503 904949 953999	3
235	3A084-0447-1		.. NUT-JAM SUPPLIER CODE: VS5825	952952	3
238	3A084-0447-1		.. NUT-JAM LAV B SUPPLIER CODE: VS5825	952952	3
240	2A084-0605-1		.. FITTING-END SUPPLIER CODE: VS5825	121503 904949 953999	1
240	2A084-0605-1		.. FITTING-END SUPPLIER CODE: VS5825	952952	1
243	2A084-0605-1		.. FITTING-END LAV B SUPPLIER CODE: VS5825	952952	1
245	3A084-0499-1		.. WASHER-BEVEL SUPPLIER CODE: VS5825	121503 904949 953999	1
245	3A084-0499-1		.. WASHER-BEVEL SUPPLIER CODE: VS5825	952952	1
248	3A084-0499-1		.. WASHER-BEVEL LAV B SUPPLIER CODE: VS5825	952952	1
250	3A084-0448-1		.. GASKET- SUPPLIER CODE: VS5825	121503 904949 953999	1

MISSING ITEM NUMBERS NOT APPLICABLE

- ITEM NOT ILLUSTRATED

38-11-60-01A

38-11-60
FIG. 01A
PAGE 9
JAN 20/09

BRI

BOEING PROPRIETARY - Copyright © - Unpublished Work - See title page for details.



757

PARTS CATALOG (MAINTENANCE)

FIG ITEM	PART NUMBER	1 2 3 4 5 6 7	NOMENCLATURE	EFFECT FROM TO	UNITS PER ASSY
1 A					
250	3A084-0448-1	..	GASKET- SUPPLIER CODE: VS5825	952952	1
253	3A084-0448-1	..	GASKET- LAV B SUPPLIER CODE: VS5825	952952	1
255	D13-5	..	RING-RETAINING SUPPLIER CODE: VS5825	121503 904949 953999	2
255	D13-5	..	RING-RETAINING SUPPLIER CODE: VS5825	952952	2
258	D13-5	..	RING-RETAINING LAV B SUPPLIER CODE: VS5825	952952	2
260	3A084-0450-1	..	TUBE- SUPPLIER CODE: VS5825	121503 904949 953999	2
260	3A084-0450-1	..	TUBE- SUPPLIER CODE: VS5825	952952	2
263	3A084-0450-1	..	TUBE- LAV B SUPPLIER CODE: VS5825	952952	2
265	3A084-0451-1	..	LINK- SUPPLIER CODE: VS5825	121503 904949 953999	1
265	3A084-0451-1	..	LINK- SUPPLIER CODE: VS5825	952952	1
268	3A084-0451-1	..	LINK- LAV B SUPPLIER CODE: VS5825	952952	1
270	D16-0M4	..	SCREW- SUPPLIER CODE: VS5825	121503 904949 953999	1
270	D16-0M4	..	SCREW- SUPPLIER CODE: VS5825	952952	1
273	D16-0M4	..	SCREW- LAV B SUPPLIER CODE: VS5825	952952	1

MISSING ITEM NUMBERS NOT APPLICABLE

- ITEM NOT ILLUSTRATED

38-11-60-01A

38-11-60
FIG. 01A
PAGE 10
JAN 20/09

BRI

BOEING PROPRIETARY - Copyright © - Unpublished Work - See title page for details.



757

PARTS CATALOG (MAINTENANCE)

FIG ITEM	PART NUMBER	1 2 3 4 5 6 7	NOMENCLATURE	EFFECT FROM TO	UNITS PER ASSY
1 A					
275	D17-0M4	..	WASHER-LOCK SUPPLIER CODE: VS5825	121503 904949 953999	1
275	D17-0M4	..	WASHER-LOCK SUPPLIER CODE: VS5825	952952	1
278	D17-0M4	..	WASHER-LOCK LAV B SUPPLIER CODE: VS5825	952952	1
280	3A084-0558-1	..	NUT- SUPPLIER CODE: VS5825	121503 904949 953999	1
280	3A084-0558-1	..	NUT- SUPPLIER CODE: VS5825	952952	1
283	3A084-0558-1	..	NUT- LAV B SUPPLIER CODE: VS5825	952952	1
285	3A084-0445-1	..	CAP- SUPPLIER CODE: VS5825	121503 904949 953999	1
285	3A084-0445-1	..	CAP- SUPPLIER CODE: VS5825	952952	1
288	3A084-0445-1	..	CAP- LAV B SUPPLIER CODE: VS5825	952952	1
290	2A083-0607-1	..	ACTUATOR- SUPPLIER CODE: VS5825	121503 904949 953999	1
290	2A083-0607-1	..	ACTUATOR- SUPPLIER CODE: VS5825	952952	1
293	2A083-0607-1	..	ACTUATOR- LAV B SUPPLIER CODE: VS5825	952952	1
295	3A084-0446-1	..	NUT-JAM SUPPLIER CODE: VS5825	121503 904949 953999	1
295	3A084-0446-1	..	NUT-JAM SUPPLIER CODE: VS5825	952952	1

MISSING ITEM NUMBERS NOT APPLICABLE

- ITEM NOT ILLUSTRATED

38-11-60-01A

38-11-60
FIG. 01A
PAGE 11
JAN 20/09

BRI

BOEING PROPRIETARY - Copyright © - Unpublished Work - See title page for details.



757

PARTS CATALOG (MAINTENANCE)

FIG ITEM	PART NUMBER	1 2 3 4 5 6 7	NOMENCLATURE	EFFECT FROM TO	UNITS PER ASSY
1 A 298	3A084-0446-1		..NUT-JAM LAV B SUPPLIER CODE: VS5825	952952	1
300	3A084-0604-1		..HOUSING- SUPPLIER CODE: VS5825	121503 904949 953999	1
300	3A084-0604-1		..HOUSING- SUPPLIER CODE: VS5825	952952	1
303	3A084-0604-1		..HOUSING- LAV B SUPPLIER CODE: VS5825	952952	1

MISSING ITEM NUMBERS NOT APPLICABLE

- ITEM NOT ILLUSTRATED

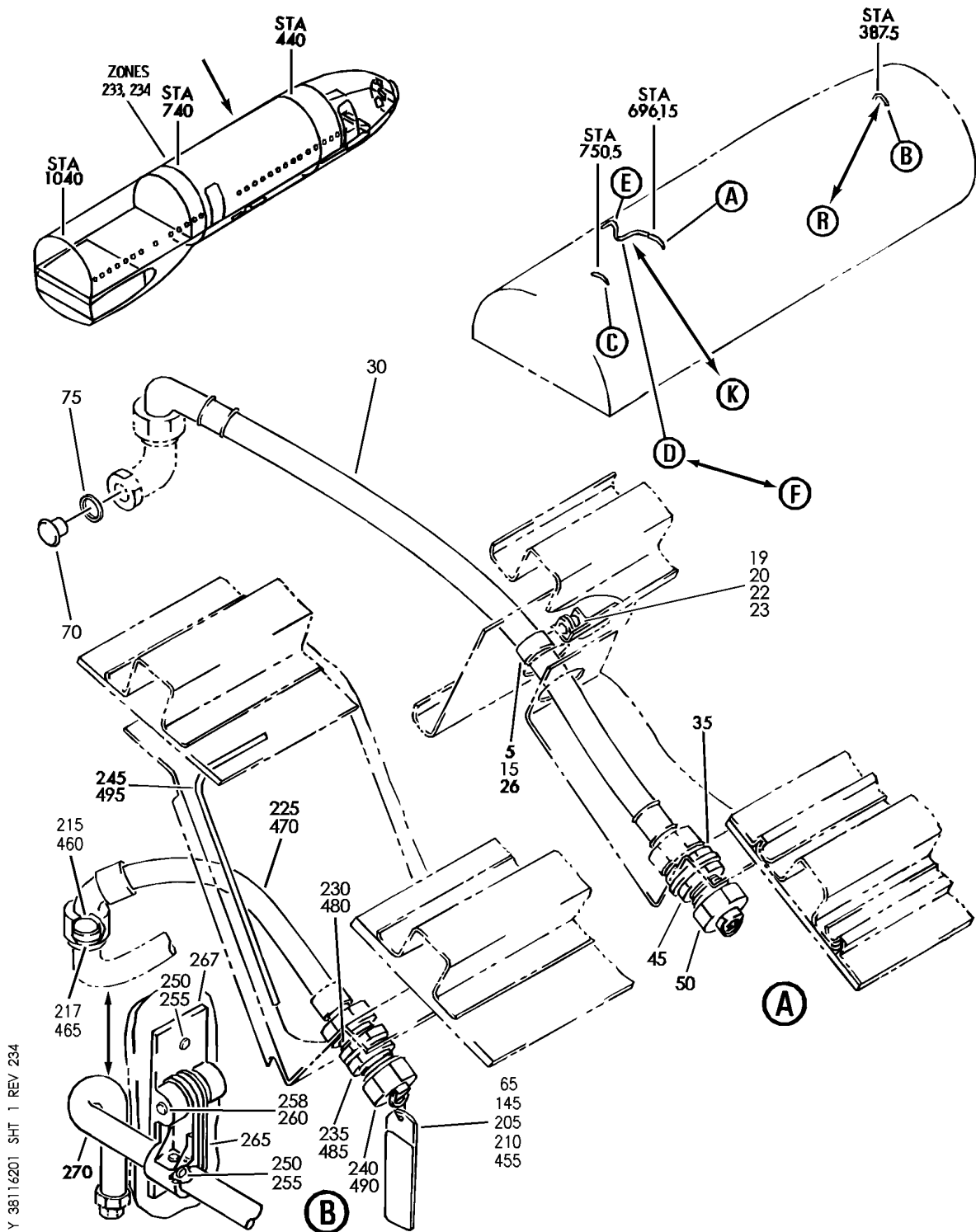
38-11-60-01A

38-11-60
FIG. 01A
PAGE 12
JAN 20/09

BRI

BOEING PROPRIETARY - Copyright © - Unpublished Work - See title page for details.


BOEING
 757
PARTS CATALOG (MAINTENANCE)



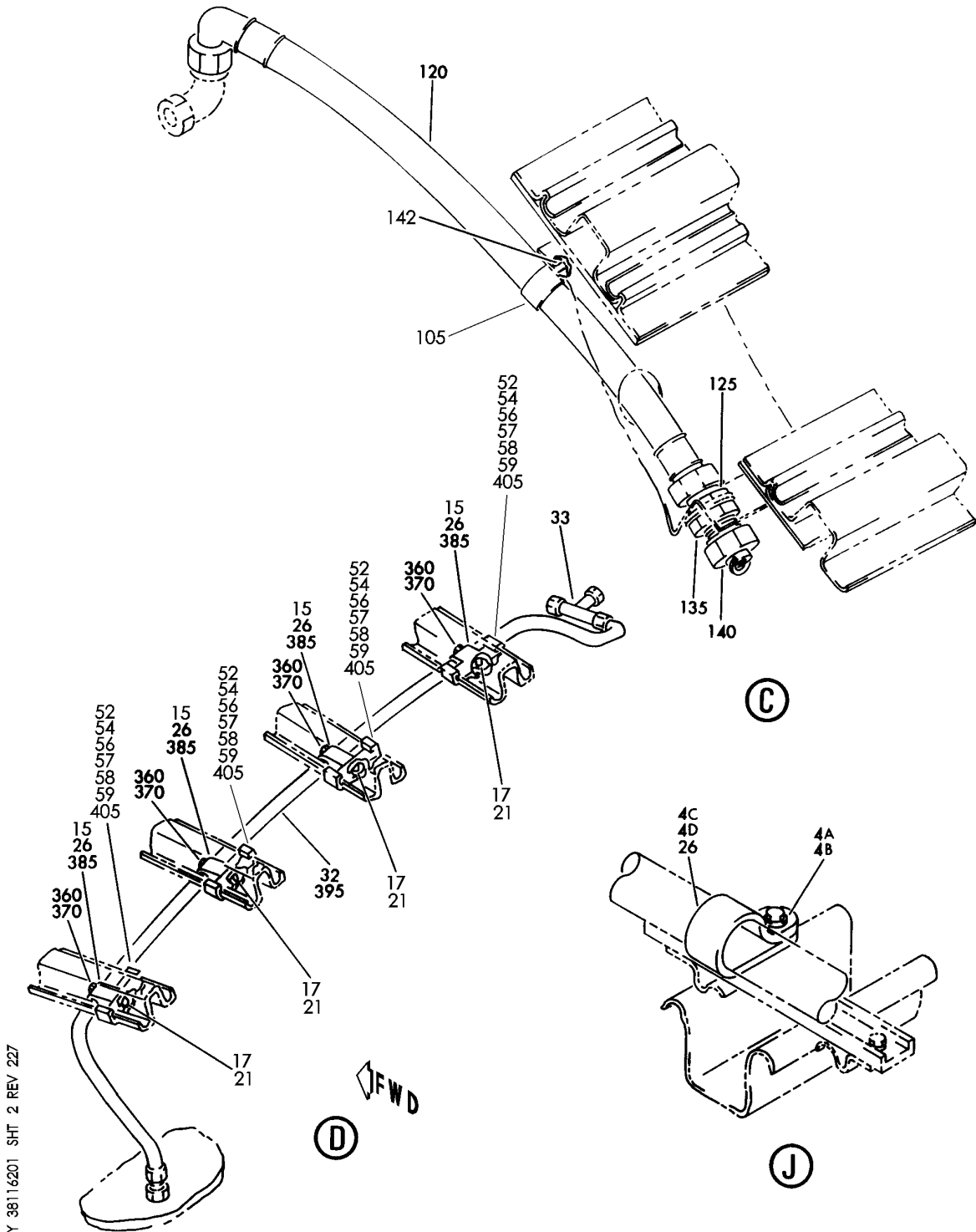
LINE INSTL-GALLEY AND LAV WATER FWD
 FIGURE 1 (SHEET 1)

38-11-62-01

BRI
 MAY 28/07

38-11-62-01
 PAGE 0

BOEING
757
PARTS CATALOG (MAINTENANCE)



Y 38116201 SH1 2 REV 227

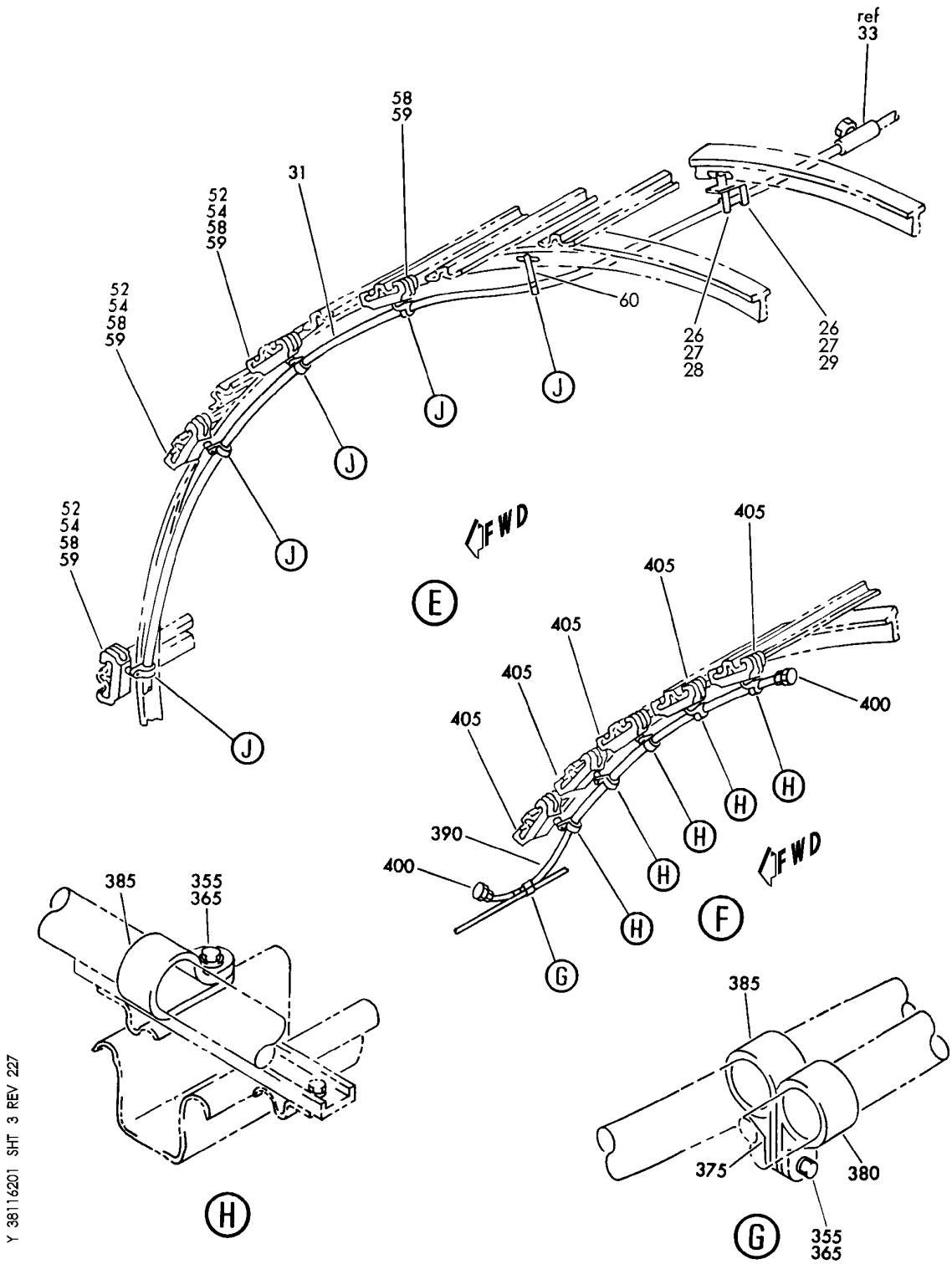
LINE INSTL-GALLEY AND LAV WATER FWD
FIGURE 1 (SHEET 2)

38-11-62-01

BRI
MAY 28/07

38-11-62-01
PAGE 0A

BOEING
757
PARTS CATALOG (MAINTENANCE)



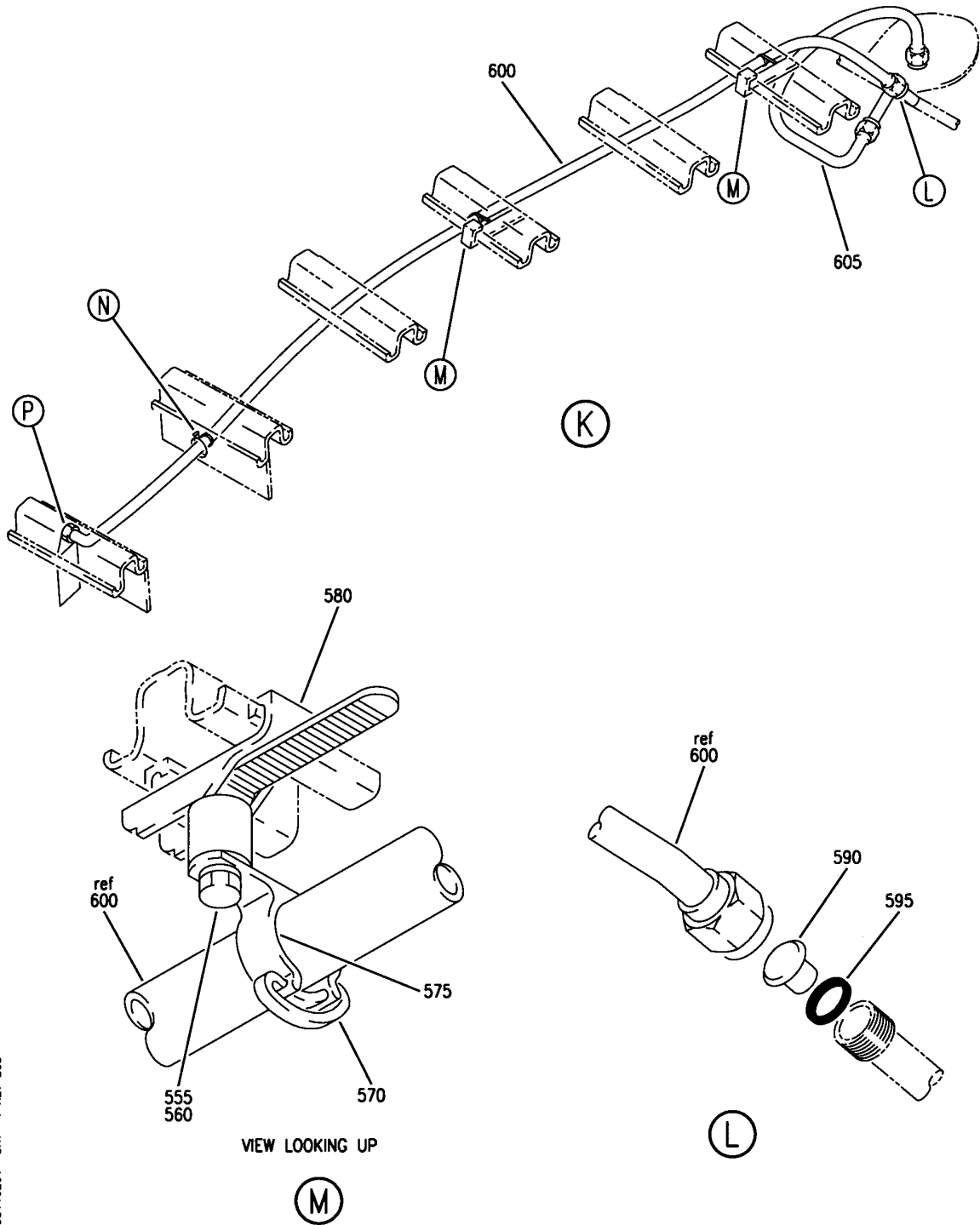
LINE INSTL-GALLEY AND LAV WATER FWD
FIGURE 1 (SHEET 3)

38-11-62-01

BRI
MAY 28/07

38-11-62-01
PAGE 0B

BOEING
757
PARTS CATALOG (MAINTENANCE)



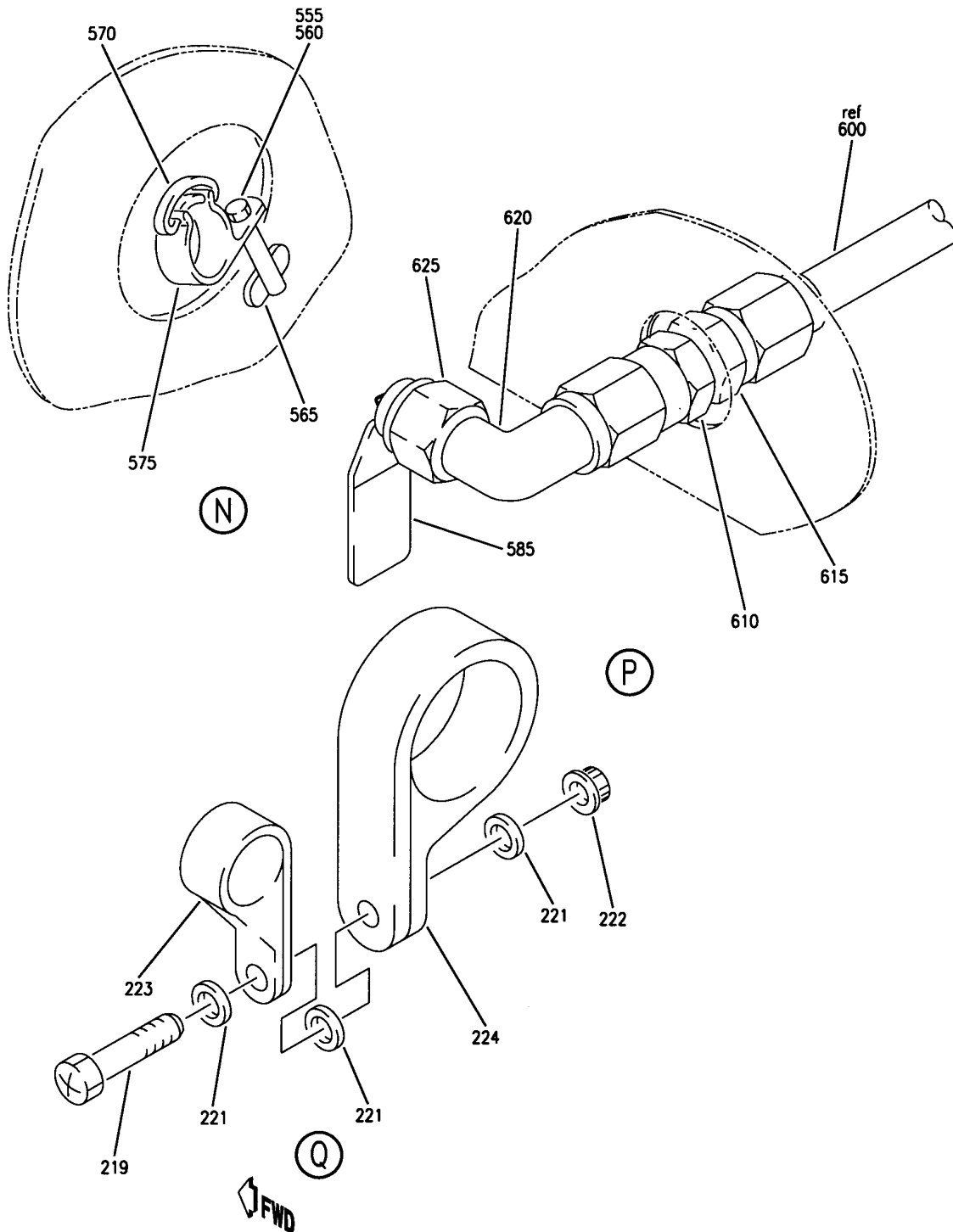
LINE INSTL-GALLEY AND LAV WATER FWD
FIGURE 1 (SHEET 4)

38-11-62-01

BRI
MAY 28/07

38-11-62-01
PAGE 0C

BOEING
757
PARTS CATALOG (MAINTENANCE)



Y 38116201 SHT 5 REV 205

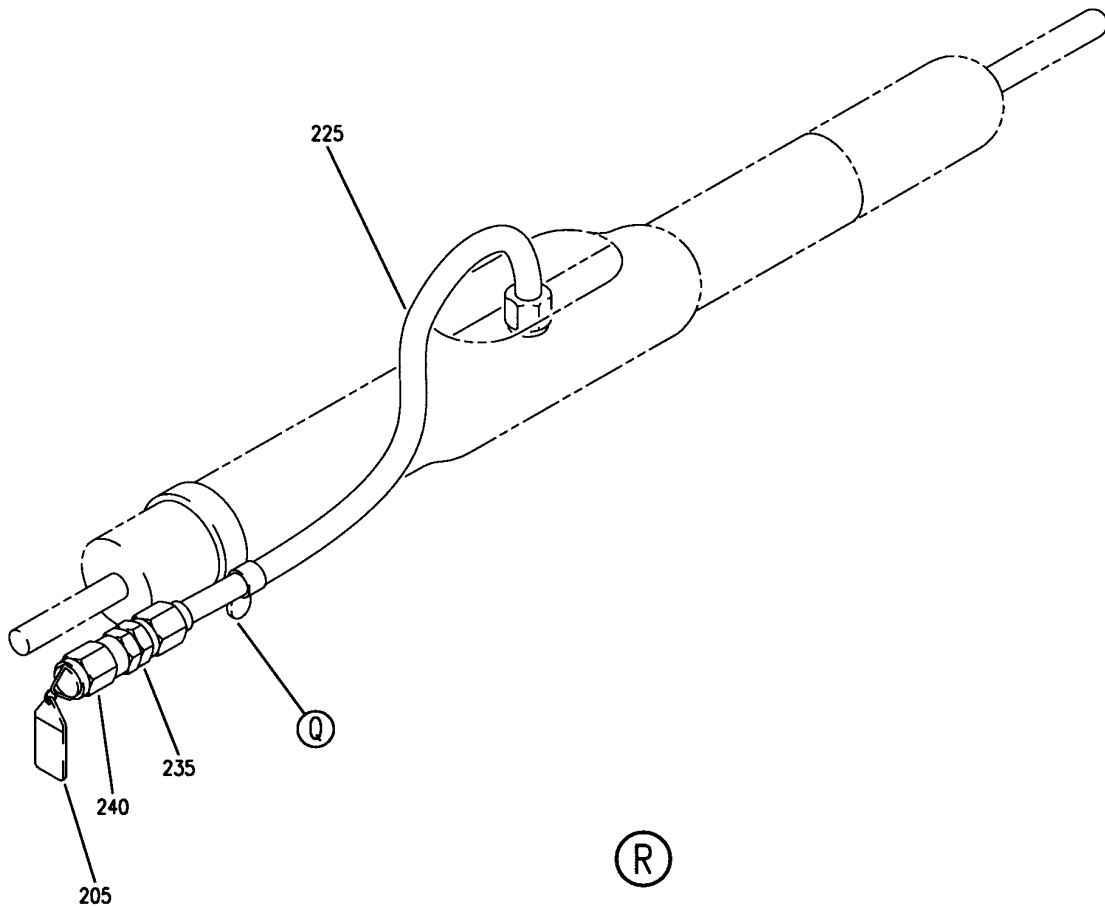
LINE INSTL-GALLEY AND LAV WATER FWD
FIGURE 1 (SHEET 5)

38-11-62-01

BRI
MAY 28/07

38-11-62-01
PAGE 0D

BOEING
757
PARTS CATALOG (MAINTENANCE)



Y 38116201 SHIT 6 REV 205

LINE INSTL-GALLEY AND LAV WATER FWD
FIGURE 1 (SHEET 6)

38-11-62-01

BRI
MAY 28/07

38-11-62-01
PAGE 0E



757

PARTS CATALOG (MAINTENANCE)

FIG ITEM	PART NUMBER	1 2 3 4 5 6 7	NOMENCLATURE	EFFECT FROM TO	UNITS PER ASSY
1			LINE INSTL-GALLEY AND LAV WATER FWD	002004 006100 108999	
- 1	417N2201-1		LINE INSTL-GALLEY 2A AND 2B WATER POSITION DATA: FWD FOR NHA SEE: 25-20-00-01E 25-20-00-07D	121949	RF
- 3	417N2201-34		LINE INSTL-GALLEY 2A AND LAV S WATER POSITION DATA: FWD FOR NHA SEE: 25-20-00-07D	108120	RF
4A	NAS1801-3-6		.SCREW	108120	5
4B	AN960JD10L		.WASHER	108120	5
5	BACC10DK10		.CLAMP- ATTACHING PARTS	121949	1
- 7	NAS1801-3-11		.SCREW-	121949	1
- 9	NAS43DD3-12		.SPACER	121949	1
- 11	AN960KD10L		.WASHER	121949	2
- 13	BRH10A3		.NUT SUPPLIER CODE: V52828 SPECIFICATION NUMBER: BACN10JC3 OPTIONAL PART: H10-3BAC V15653 NS202101-02 V80539 RMLH9075-3W V72962 VN303A02 V92215 96-02 V80539 T6S1032J V11815 -----*-----	121949	1
26	BACC10DK10		.CLAMP ATTACHING PARTS	108120	12
27	NAS1801-3-48		.SCREW	108120	2
28	NAS42DD6-93		.SPACER	108120	1
29	NAS42DD6-128		.SPACER -----*-----	108120	1

MISSING ITEM NUMBERS NOT APPLICABLE

- ITEM NOT ILLUSTRATED

BRI

38-11-62-01

38-11-62
FIG. 01
PAGE 1
JAN 20/09



757

PARTS CATALOG (MAINTENANCE)

FIG ITEM	PART NUMBER	1 2 3 4 5 6 7	NOMENCLATURE	EFFECT FROM TO	UNITS PER ASSY
1					
30	78001-456		.HOSE ASSY- SUPPLIER CODE: V24984 SPECIFICATION NUMBER: 10-61998-456 OPTIONAL PART: R29282-8-0194 V50599 A1650-456 V03925 OPTIONAL PART: AS4471-08-0194	121949	1
31	78001-807		.HOSE ASSY- SUPPLIER CODE: V24984 SPECIFICATION NUMBER: 10-61998-807 OPTIONAL PART: A1650-807 V98441 OPTIONAL PART: AS4471-08-1390	108120	1
31	AS4471-08-1390		.HOSE ASSY- OPTIONAL PART: 78001-807 V24984	108120	1
32	AS4471-08-0570		.HOSE ASSY- OPTIONAL PART: 78001-669 V24984	108120	1
32	78001-669		.HOSE ASSY- SUPPLIER CODE: V24984 SPECIFICATION NUMBER: 10-61998-669 OPTIONAL PART: AS4471-08-0570	108120	1
35	MS21924J8		.UNION	121949	1
45	AN924-8J		.NUT	121949	1
50	AP1008-08JL		.CAP ASSY SUPPLIER CODE: V01673 SPECIFICATION NUMBER: BACC14AD08JL OPTIONAL PART: US2103-08JL V50808	121949	1

MISSING ITEM NUMBERS NOT APPLICABLE

- ITEM NOT ILLUSTRATED

38-11-62-01

38-11-62
FIG. 01
PAGE 2
JAN 20/09

BRI



757

PARTS CATALOG (MAINTENANCE)

FIG ITEM	PART NUMBER	1 2 3 4 5 6 7	NOMENCLATURE	EFFECT FROM TO	UNITS PER ASSY
1					
58	S38J1	.	SUPPORT SUPPLIER CODE: V59237 SPECIFICATION NUMBER: BACS38J1 OPTIONAL PART: 30187-2 V26835	108120	8
59	S38J2	.	SUPPORT SUPPLIER CODE: V59237 SPECIFICATION NUMBER: BACS38J2 OPTIONAL PART: 30187-3 V26835	108120	8
60	BACN10TS3-14	.	NUTPLATE ATTACHING PARTS	108120	1
- 61	BACR15BB4AD	.	RIVET -----*-----	108120	2
70	MS20615-8M5	.	RIVET- POST RAPID REVISION: RR92002-132A-E	505505 507903	1
75	28-031	.	GROMMET SUPPLIER CODE: V77969 SPECIFICATION NUMBER: BACG20C4	505505 507903	1
- 100	417N2201-2	LINE	INSTL-GALLEY 2B WATER POSITION DATA: FWD FOR NHA SEE: 25-20-00-01E	904949	RF
- 100	417N2201-36	LINE	INSTL-GALLEY 2B WATER POSITION DATA: FWD FOR NHA SEE: 25-20-00-01E	121503	RF
105	BACC10DK10	.	CLAMP ATTACHING PARTS	121503 904949	1
- 110	NAS1801-3-10	.	SCREW	121503 904949	1
- 115	AN960JD10L	.	WASHER- -----*-----	121503 904949	1

MISSING ITEM NUMBERS NOT APPLICABLE

- ITEM NOT ILLUSTRATED

38-11-62-01

38-11-62
FIG. 01
PAGE 3
JAN 20/09

BRI



757

PARTS CATALOG (MAINTENANCE)

FIG ITEM	PART NUMBER	1 2 3 4 5 6 7	NOMENCLATURE	EFFECT FROM TO	UNITS PER ASSY
1 120	78001-457		.HOSE ASSY- SUPPLIER CODE: V24984 SPECIFICATION NUMBER: 10-61998-457 OPTIONAL PART: R29282-8-0174 V50599 A1650-457 V03925 OPTIONAL PART: AS4471-08-0174	904949	1
120	78001-212		.HOSE ASSY- SUPPLIER CODE: V24984 SPECIFICATION NUMBER: 10-61998-212 OPTIONAL PART: R29282-8-0162 V50599 A1650-212 V98441 AE706493-212 V00624 OPTIONAL PART: AS4471-08-0162	121503	1
120	AS4471-08-0174		.HOSE ASSY- OPTIONAL PART: 78001-457 V24984	904949	1
120	AS4471-08-0162		.HOSE ASSY- OPTIONAL PART: 78001-212 V24984	121503	1
125	MS21924J8		.UNION	121503 904949	1
135	AN924-8J		.NUT	121503 904949	1
140	AP1008-08JL		.CAP ASSY SUPPLIER CODE: V01673 SPECIFICATION NUMBER: BACC14AD08JL OPTIONAL PART: US2103-08JL V50808	121503 904949	1

MISSING ITEM NUMBERS NOT APPLICABLE

- ITEM NOT ILLUSTRATED

38-11-62-01

38-11-62
FIG. 01
PAGE 4
JAN 20/09

BRI



**757
PARTS CATALOG (MAINTENANCE)**

FIG ITEM	PART NUMBER	1 2 3 4 5 6 7	NOMENCLATURE	EFFECT FROM TO	UNITS PER ASSY
1 142	WSI4-6		.NUTPLATE SUPPLIER CODE: V04169 SPECIFICATION NUMBER: BACN10TL3-6	904949	1
- 143	BACR15BB3AD		.RIVET	904949	2
- 200	417N2201-3		-----*----- LINE INSTL-GALLEY 1B WATER POSITION DATA: FWD FOR NHA SEE: 25-20-00-01E 25-20-00-01A	002004 006100 904949 952999	RF
- 200	417N2201-20		LINE INSTL-GALLEY 1B WATER POSITION DATA: FWD FOR NHA SEE: 25-20-00-01A	950951	RF
- 200	417N2201-30		LINE INSTL-GALLEY 1B WATER POSITION DATA: FWD FOR NHA SEE: 25-20-00-01E	121503	RF
205	417N2205-1		.TAG ASSY- (EQUIPMENT/FURNISHINGS ONLY) FUNCTIONAL REFERENCE: PLACARDS AND MARKINGS FOR DETAILS SEE 11-35-85-01	002004 006100 121503 904999	1
210	65-63183-13		..TAG	002004 006100 121503 904999	1
215	MS20615-8M5		.RIVET- OPTIONAL PART: MS20613-8C5	002004 006100 121503 904999	1
215	MS20613-8C5		.RIVET- OPTIONAL PART: MD20615-8M5	950951	1
217	28-031		.GROMMET SUPPLIER CODE: V77969 SPECIFICATION NUMBER: BACG20C4	002004 006100 121503 904999	1

MISSING ITEM NUMBERS NOT APPLICABLE

- ITEM NOT ILLUSTRATED

38-11-62-01

38-11-62
FIG. 01
PAGE 5
JAN 20/09

BRI

BOEING PROPRIETARY - Copyright © - Unpublished Work - See title page for details.



757

PARTS CATALOG (MAINTENANCE)

FIG ITEM	PART NUMBER	1 2 3 4 5 6 7	NOMENCLATURE	EFFECT FROM TO	UNITS PER ASSY
1 225	78001-429		.HOSE- SUPPLIER CODE: V24984 SPECIFICATION NUMBER: 10-61998-429 OPTIONAL PART: R29281-8-0106 V50599 AE706493-429 V00624 A1650-429 V03925 OPTIONAL PART: AS4470-08-0106	904949 952999	1
225	78001-442		.HOSE- SUPPLIER CODE: V24984 SPECIFICATION NUMBER: 10-61998-442 OPTIONAL PART: R29281-8-0114 V50599 AE706493-442 V00624 A1650-442 V03925 OPTIONAL PART: AS4470-08-0114	950951	1
225	78001-2		.HOSE- SUPPLIER CODE: V24984 SPECIFICATION NUMBER: 10-61998-2 OPTIONAL PART: A1650-2 V98441 OPTIONAL PART: AS4471-08-0060	121503	1
225	AS4470-08-0114		.HOSE- OPTIONAL PART: 78001-442 V24984	950951	1
225	AS4470-08-0106		.HOSE ASSY- OPTIONAL PART: 78001-429 V24984	904949 952999	1

MISSING ITEM NUMBERS NOT APPLICABLE

- ITEM NOT ILLUSTRATED

38-11-62-01

38-11-62
FIG. 01
PAGE 6
JAN 20/09

BRI



757

PARTS CATALOG (MAINTENANCE)

FIG ITEM	PART NUMBER	1 2 3 4 5 6 7	NOMENCLATURE	EFFECT FROM TO	UNITS PER ASSY
1					
225	AS4471-08-0060	.HOSE ASSY-		121503	1
		OPTIONAL PART:			
		78001-2			
		V24984			
230	MS21924J8	.UNION		002004	1
				006100	
				108503	
				904999	
235	AN924-8J	.NUT-		002004	1
				006100	
				121503	
				904999	
240	AP1008-08JL	.CAP ASSY-		002004	1
		SUPPLIER CODE:		006100	
		V01673		121503	
		SPECIFICATION NUMBER:		904999	
		BACC14AD08JL			
		OPTIONAL PART:			
		US2103-08JL			
		V50808			
245	BACG20ZM657B	.GROMMET-		002004	1
				006100	
				121503	
				904999	
- 350	417N2201-42	LINE INSTL-GALLEY LAV S		950951	RF
		WATER			
		POSITION DATA:			
		FWD			
		FOR NHA SEE:			
		25-20-00-01A			
360	BACS12GU3K8	.SCREW		950951	4
370	NAS1149D0332J	.WASHER		950951	4
385	BACC10DK10	.CLAMP		950951	10
395	78001-669	.HOSE ASSY-		950951	1
		SUPPLIER CODE:			
		V24984			
		SPECIFICATION NUMBER:			
		10-61998-669			
		OPTIONAL PART:			
		AS4471-08-0570			
395	AS4471-08-0570	.HOSE ASSY-		950951	1
		OPTIONAL PART:			
		78001-669			
		V24984			

MISSING ITEM NUMBERS NOT APPLICABLE

- ITEM NOT ILLUSTRATED

BRI

38-11-62-01

38-11-62
FIG. 01
PAGE 7
JAN 20/09



757

PARTS CATALOG (MAINTENANCE)

FIG ITEM	PART NUMBER	1 2 3 4 5 6 7	NOMENCLATURE	EFFECT FROM TO	UNITS PER ASSY
1 405	30187-1		.SUPPORT SUPPLIER CODE: V26835 SPECIFICATION NUMBER: BACS38J4 OPTIONAL PART: S38J4 V59237	950951	9
- 450	417N2201-102		LINE INSTL-GALLEY 1B PROVISIONS WATER FOR NHA SEE: 25-20-00-07D	108120	RF
455	417N2205-1		.TAG ASSY	108120	1
460	MS20615-8M5		.RIVET	108120	1
465	28-031		.GROMMET SUPPLIER CODE: V77969 SPECIFICATION NUMBER: BACG20C4	108120	1
470	AS4469-08-0146		.HOSE ASSY	108120	1
480	MS21924J8		.UNION	108120	1
485	AN924-8J		.NUT	108120	1
490	AP1008-08JL		.CAP ASSY SUPPLIER CODE: V01673 SPECIFICATION NUMBER: BACC14AD08JL OPTIONAL PART: US2103-08JL V50808	108120	1
495	BACG20ZM657B		.GROMMET	108120	1
- 550	417N2201-105		LINE INSTL-GALLEY 2C AND LAV G WATER	002004 006100 121503 904999	RF

MISSING ITEM NUMBERS NOT APPLICABLE

- ITEM NOT ILLUSTRATED

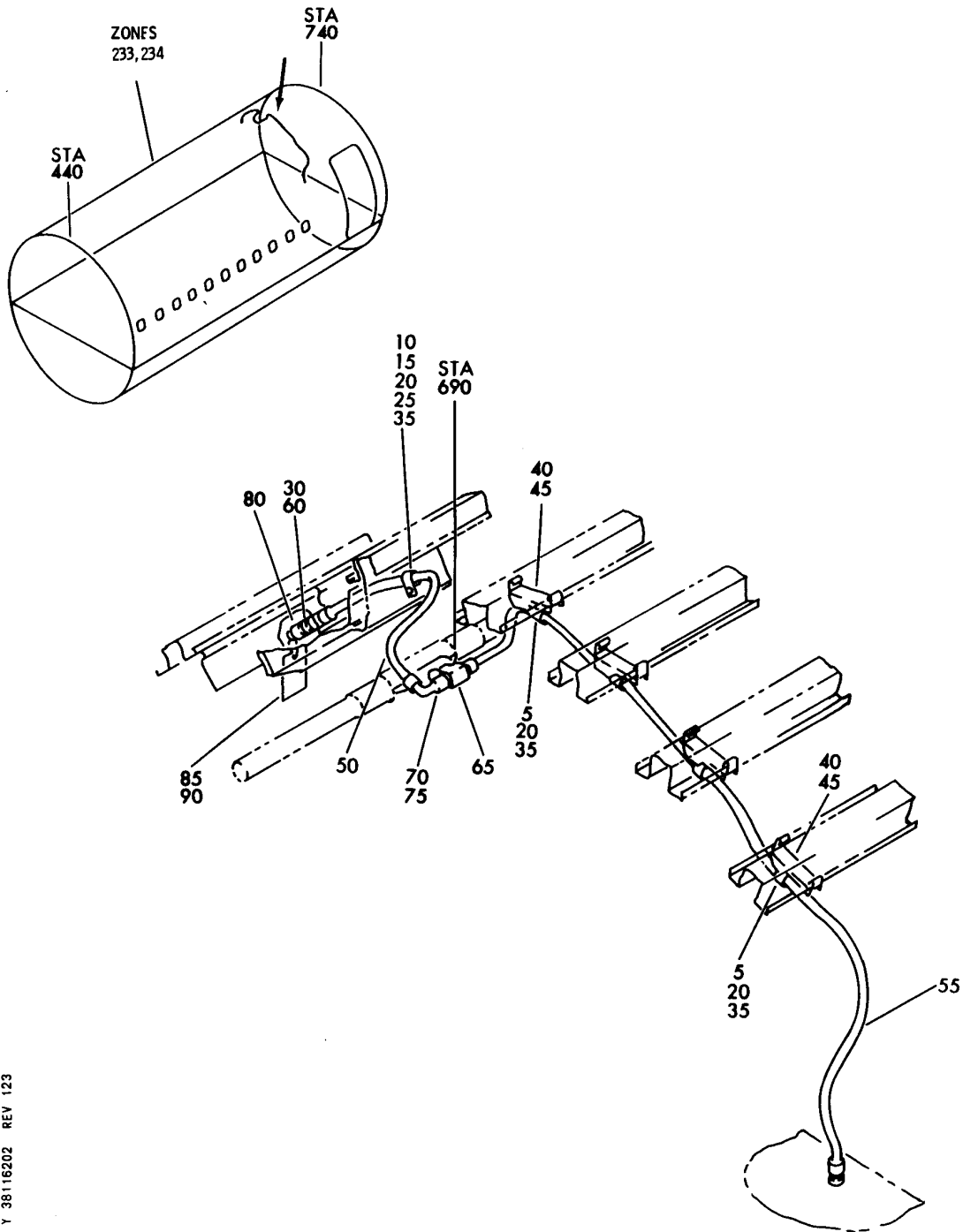
BRI

38-11-62-01

BOEING PROPRIETARY - Copyright © - Unpublished Work - See title page for details.

38-11-62
FIG. 01
PAGE 8
JAN 20/09

BOEING
757
PARTS CATALOG (MAINTENANCE)



Y 38116202 REV 123

LINE INSTL-LAV AND GALLEY WATER FWD (LAV S AND PROVISIONS FOR GALLEY 2A)
FIGURE 2

38-11-62-02

BRI
JAN 20/09

38-11-62-02
PAGE 0



757

PARTS CATALOG (MAINTENANCE)

FIG ITEM	PART NUMBER	1 2 3 4 5 6 7	NOMENCLATURE	EFFECT FROM TO	UNITS PER ASSY
2			LINE INSTL-LAV AND GALLEY WATER FWD (LAV S AND PROVISIONS FOR GALLEY 2A)	952999	
- 1	417N2201-35		LINE INSTL-LAV AND GALLEY WATER LAV S AND PROVISIONS FOR GALLEY 2A POSITION DATA: FWD FOR NHA SEE: 25-20-00-01A	952999	RF
	5 BACS12GU3K10		.SCREW-	952999	4
	10 BACS12GU3K11		.SCREW-	952999	1
	15 NAS43DD3-12		.SPACER	952999	1
	20 AN960JD10L		.WASHER-	952999	6
	25 PLH53CD		.NUT- SUPPLIER CODE: VF0224 SPECIFICATION NUMBER: BACN10YR3CD OPTIONAL PART: H52732-3CD V15653	952999	1
	30 AN924-8J		.NUT	952999	1
	35 BACC10DK10		.CLAMP-	952999	5
	40 S38J1		.SUPPORT SUPPLIER CODE: V59237 SPECIFICATION NUMBER: BACS38J1 OPTIONAL PART: 30187-2 V26835	952999	4
	45 S38J2		.SUPPORT SUPPLIER CODE: V59237 SPECIFICATION NUMBER: BACS38J2 OPTIONAL PART: 30187-3 V26835	952999	4

MISSING ITEM NUMBERS NOT APPLICABLE

- ITEM NOT ILLUSTRATED

38-11-62-02

38-11-62
FIG. 02
PAGE 1
JAN 20/09

BRI



757

PARTS CATALOG (MAINTENANCE)

FIG ITEM	PART NUMBER	1 2 3 4 5 6 7	NOMENCLATURE	EFFECT FROM TO	UNITS PER ASSY
2					
50	78001-456		.HOSE ASSY- SUPPLIER CODE: V24984 SPECIFICATION NUMBER: 10-61998-456 OPTIONAL PART: A1650-456 V03925 R29282-8-0194 V50599	952999	1
55	78001-656		.HOSE ASSY- SUPPLIER CODE: V24984 SPECIFICATION NUMBER: 10-61998-656	952999	1
60	MS21924J8		.UNION	952999	1
65	NAS1764J080808		.TEE	952999	1
70	28-031		.GROMMET SUPPLIER CODE: V77969 SPECIFICATION NUMBER: BACG20C4	952999	1
75	MS20613-8C5		.RIVET- OPTIONAL PART: MS20615-8M5	952999	1
75	MS20615-8M5		.RIVET	952999	1
80	AP1008-08JL		.CAP ASSY SUPPLIER CODE: V01673 SPECIFICATION NUMBER: BACC14AD08JL OPTIONAL PART: US2103-08JL V50808	952999	1
85	417N2205-1		.TAG ASSY-(WATER/WASTE ONLY) FUNCTIONAL REFERENCE: PLACARDS AND MARKINGS FOR DETAILS SEE 11-35-85-01	952999	1
90	65-63183-13		..TAG	952999	1

MISSING ITEM NUMBERS NOT APPLICABLE

- ITEM NOT ILLUSTRATED

38-11-62-02

38-11-62
FIG. 02
PAGE 2
JAN 20/09

BRI

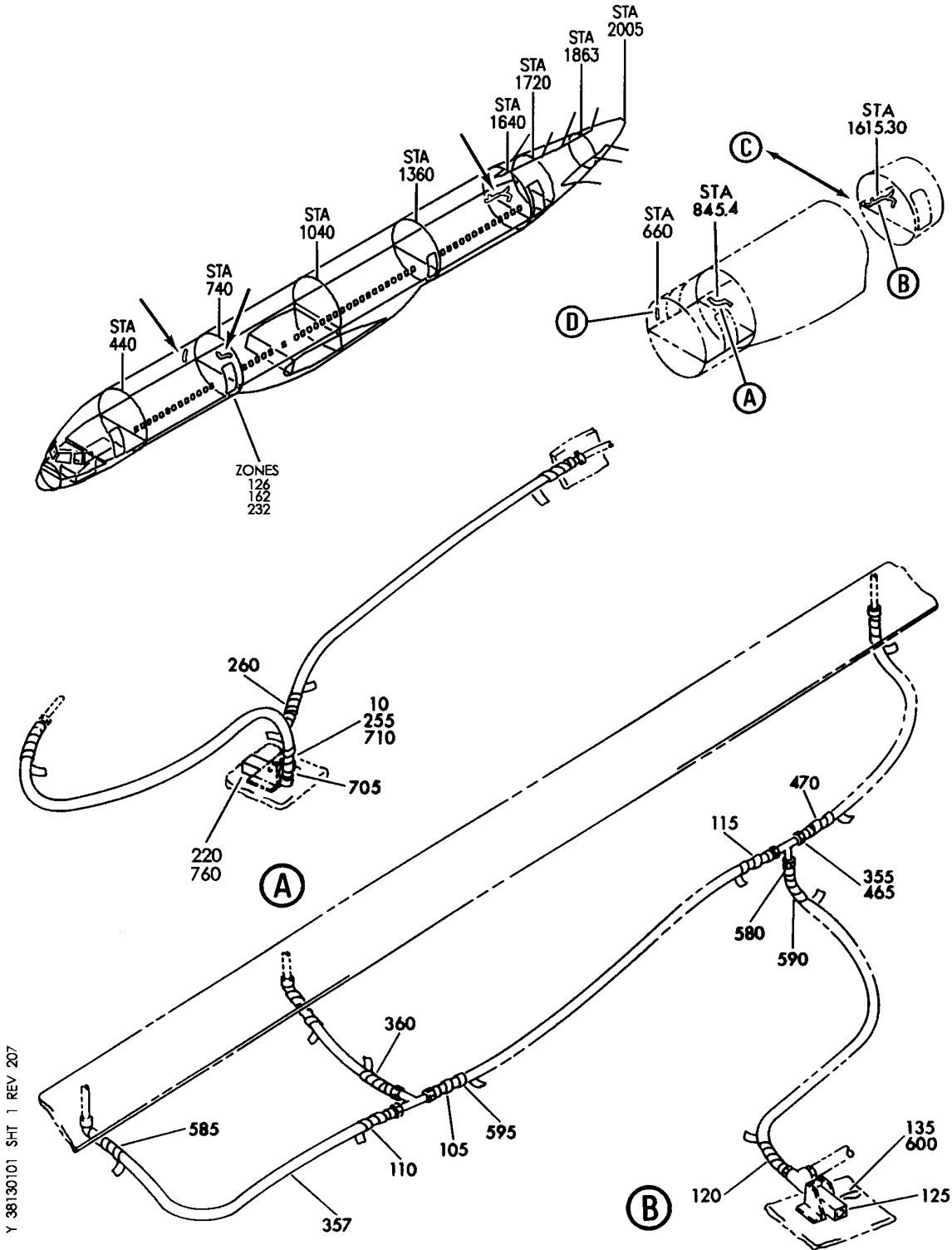
BOEING PROPRIETARY - Copyright © - Unpublished Work - See title page for details.

WATER HEATING

BRI
MAY 28/07

38-13-00
SECTION TITLE
PAGE 1

BOEING
757
PARTS CATALOG (MAINTENANCE)



Y 38130101 SHT 1 REV 207

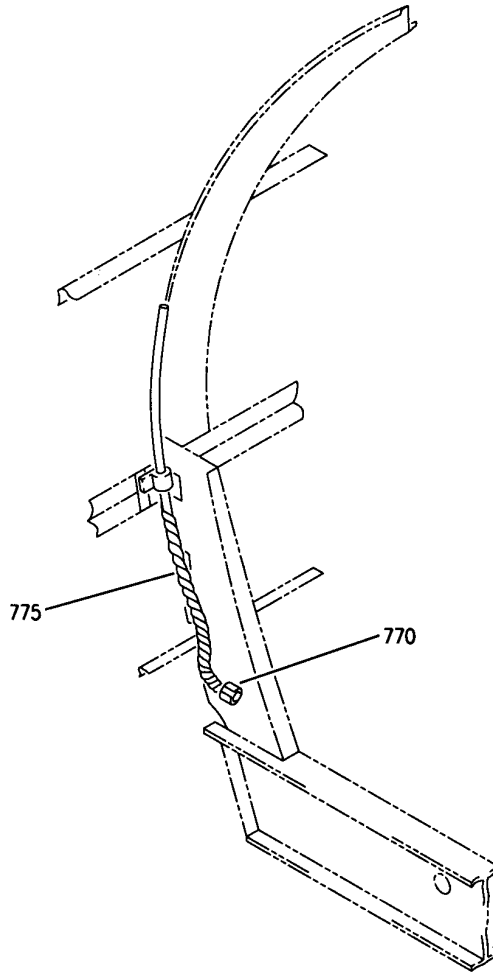
HEATER INSTL-WATER SYS
FIGURE 1 (SHEET 1)

38-13-01-01

BRI
MAY 28/07

38-13-01-01
PAGE 0

BOEING
757
PARTS CATALOG (MAINTENANCE)



ⓓ

Y 38130101 SH1 3 REV 207

HEATER INSTL-WATER SYS
FIGURE 1 (SHEET 3)

38-13-01-01

BRI
MAY 28/07

38-13-01-01
PAGE 0B



757

PARTS CATALOG (MAINTENANCE)

FIG ITEM	PART NUMBER	1 2 3 4 5 6 7	NOMENCLATURE	EFFECT FROM TO	UNITS PER ASSY
1			HEATER INSTL-WATER SYS	002004 006102 107999	
- 100	417N2322-2		HEATER INSTL-WATER SYS VARIABLE DRAWING REF: 417N2322-2 FOR NHA SEE: 25-20-00-01E 25-20-00-03A 25-20-00-07D	002004 006102 107503 904999	RF
- 100	417N2322-31		HEATER INSTL-WATER SYS FOR NHA SEE: 25-20-00-07D	504903	RF
105	417N2322-6		.TAPE- FOR SPARES PROCURE: 5841010013 V99742	002004 006102 107999	AR
110	115529-14		.TAPE-HEATER SUPPLIER CODE: V85932 SPECIFICATION NUMBER: S417N204-14 ELECTRICAL EQUIP NUMBER: B00114	002004 006102 107503 904999	1
110	115529-21		.TAPE-HEATER SUPPLIER CODE: V85932 SPECIFICATION NUMBER: S417N204-21	504903	1
115	115529-13		.TAPE-HEATER SUPPLIER CODE: V85932 SPECIFICATION NUMBER: S417N204-13 ELECTRICAL EQUIP NUMBER: B00113	002004 006102 107999	1
120	115529-11		.TAPE-HEATER SUPPLIER CODE: V85932 SPECIFICATION NUMBER: S417N204-11 ELECTRICAL EQUIP NUMBER: B00111	002004 006102 107999	1

MISSING ITEM NUMBERS NOT APPLICABLE

- ITEM NOT ILLUSTRATED

38-13-01-01

38-13-01
FIG. 01
PAGE 1
JAN 20/09

BRI



757

PARTS CATALOG (MAINTENANCE)

FIG ITEM	PART NUMBER	1 2 3 4 5 6 7	NOMENCLATURE	EFFECT FROM TO	UNITS PER ASSY
1 125	115529-18		.PAD-HEATING SUPPLIER CODE: V85932 SPECIFICATION NUMBER: S417N204-18 ELECTRICAL EQUIP NUMBER: B00116	002004 006102 107999	1
135	3100-101-3		.THERMOSTAT- SUPPLIER CODE: V14604 ELECTRICAL EQUIP NUMBER: B00103	002004 006102 107999	1
- 150	417N2322-16		HEATER INSTL-WATER SYS FOR NHA SEE: 25-20-00-03A	002004 006100 107107 121503 904999	RF
- 250	417N2322-3		HEATER INSTL-WATER SYS FOR NHA SEE: 25-20-00-01E 25-20-00-07D	121949 952999	RF
- 250	417N2322-23		HEATER INSTL-WATER SYS	952999	RF
255	417N2322-6		.TAPE- FOR SPARES PROCURE: 5841010013 V99742	121949 952999	AR
260	115529-17		.TAPE-HEATER SUPPLIER CODE: V85932 SPECIFICATION NUMBER: S417N204-17 ELECTRICAL EQUIP NUMBER: B00118	121949 952999	1
265	115529-23		.TAPE-HEATER SUPPLIER CODE: V85932 SPECIFICATION NUMBER: S417N204-23	952999	1
- 460	417N2322-17		HEATER INSTL-WATER SYS FOR NHA SEE: 25-20-00-03A 25-20-00-09	002004 006102 107999	RF
465	417N2322-6		.TAPE- FOR SPARES PROCURE: 5841010013 V99742	002004 006102 107999	AR

MISSING ITEM NUMBERS NOT APPLICABLE

- ITEM NOT ILLUSTRATED

38-13-01-01

38-13-01
FIG. 01
PAGE 2
JAN 20/09

BRI



757

PARTS CATALOG (MAINTENANCE)

FIG ITEM	PART NUMBER	1 2 3 4 5 6 7	NOMENCLATURE	EFFECT FROM TO	UNITS PER ASSY
1 470	115529-13		.TAPE-HEATER SUPPLIER CODE: V85932 SPECIFICATION NUMBER: S417N204-13 ELECTRICAL EQUIP NUMBER: B00109	002004 006102 107999	1
- 765	417N2322-40		HEATER INSTL-WATER SYS FOR NHA SEE: 25-20-00-07D	108120	RF
770	417N2322-6		.TAPE- FOR SPARES PROCURE: 5841010013 V99742	108120	AR
775	115529-23		.TAPE-HEATER SUPPLIER CODE: V85932 SPECIFICATION NUMBER: S417N204-23 ELECTRICAL EQUIP NUMBER: B10273	108120	1

MISSING ITEM NUMBERS NOT APPLICABLE

- ITEM NOT ILLUSTRATED

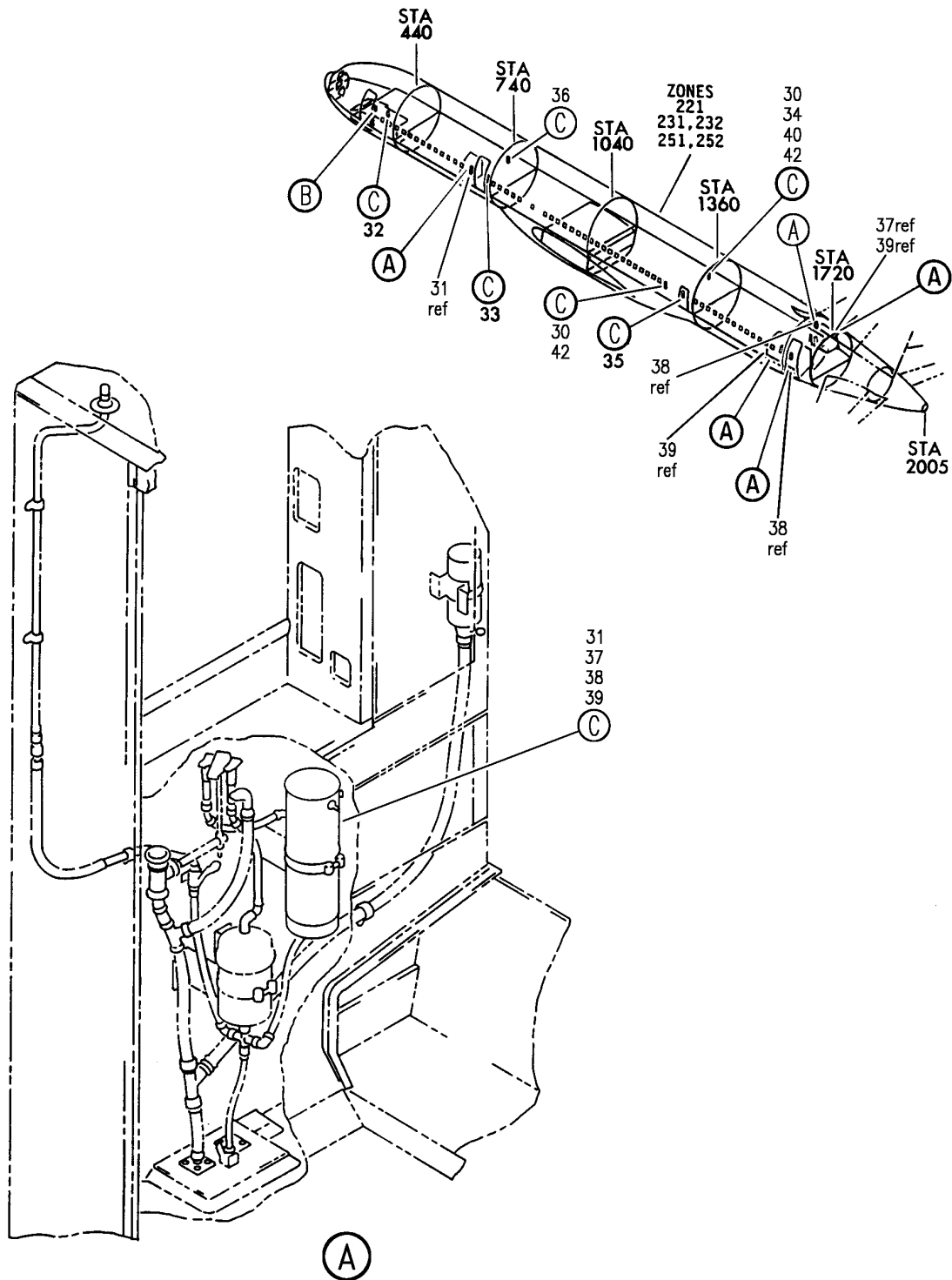
BRI

38-13-01-01

BOEING PROPRIETARY - Copyright © - Unpublished Work - See title page for details.

38-13-01
FIG. 01
PAGE 3
JAN 20/09

BOEING
757
PARTS CATALOG (MAINTENANCE)



Y 38135101 SHT 1 REV 264

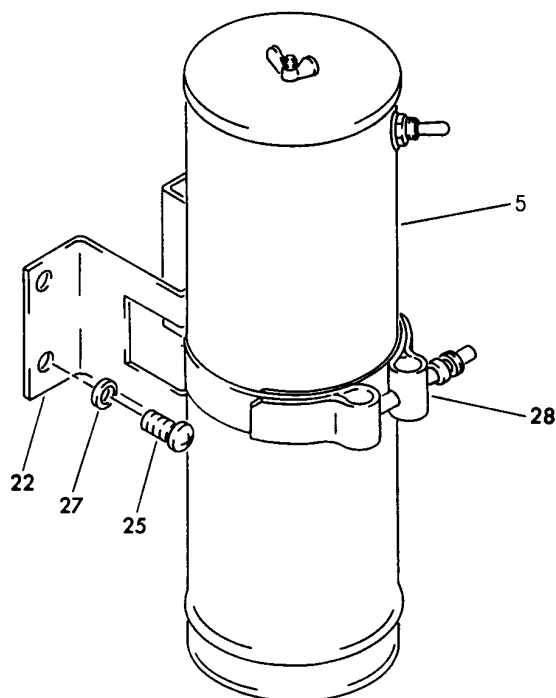
PLUMBING ASSY-(WATER HEATING ONLY)
FIGURE 1 (SHEET 1)

38-13-51-01

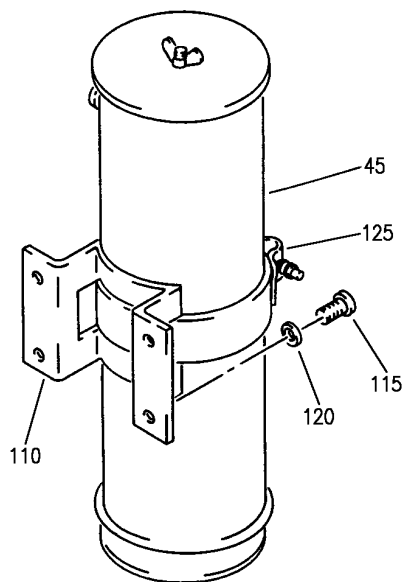
BRI
MAY 28/07

38-13-51-01
PAGE 0

BOEING
757
PARTS CATALOG (MAINTENANCE)



(B)



(C)

Y 38135101 SH1 2 REV 264

PLUMBING ASSY-(WATER HEATING ONLY)
FIGURE 1 (SHEET 2)

38-13-51-01

BRI
MAY 28/07

38-13-51-01
PAGE 0A



757

PARTS CATALOG (MAINTENANCE)

FIG ITEM	PART NUMBER	1 2 3 4 5 6 7	NOMENCLATURE	EFFECT FROM TO	UNITS PER ASSY
1			PLUMBING ASSY-(WATER HEATING ONLY)	107107 121503 904949	
- 1	0A112-0021-31		PLUMBING ASSY-LAV A (WATER HEATING ONLY) SUPPLIER CODE: VS5825 FOR NHA/OTHER SYS DET SEE: 25-41-01-06H	121503 904949	RF
5	8921340G1		.HEATER ASSY-WATER H1 SUPPLIER CODE: V13545 SPECIFICATION NUMBER: 60B50064-1 CONFIG CHG DATA FROM A CMM: SUPSD BY 24E507040G01 COMPONENT MAINT MANUAL REF: 38-10-02 OPTIONAL PART: 1A081-0157-12 VS5825 FOR DETAILS SEE: 38-13-51-50	121503 904949	1
5	24E507040G01		.HEATER ASSY-WATER H1 SUPPLIER CODE: VOAJJO SPECIFICATION NUMBER: 60B50064-2 CONFIG CHG DATA FROM A CMM: SUPERSEDES 8921340G1 COMPONENT MAINT MANUAL REF: 38-13-51 FOR DETAILS SEE: 38-13-51-50A	121503 904949	1
5	24E507040G04		.HEATER ASSY-WATER H1 SUPPLIER CODE: VOAJJO SPECIFICATION NUMBER: 60B50064-4 COMPONENT MAINT MANUAL REF: 38-13-51 FOR DETAILS SEE: 38-13-51-50A	121503 904949	1

R
R
R
R
R
R
R
R

MISSING ITEM NUMBERS NOT APPLICABLE

- ITEM NOT ILLUSTRATED

38-13-51-01

38-13-51
FIG. 01
PAGE 1
MAY 20/09

BRI



757

PARTS CATALOG (MAINTENANCE)

FIG ITEM	PART NUMBER	1 2 3 4 5 6 7	NOMENCLATURE	EFFECT FROM TO	UNITS PER ASSY
1	5 1A081-0157-12		.HEATER ASSY-WATER H1 SUPPLIER CODE: VS5825 COMPONENT MAINT MANUAL REF: 25-41-15 FUNCTIONAL REFERENCE: LIGHTS FOR DETAILS SEE 33-26-52-20 WATER/WASTE FOR DETAILS SEE 38-13-51-10G	121503 904949	1
	22 2A114-0012-3		.SUPPORT-WATER HEATER SUPPLIER CODE: VS5825 ATTACHING PARTS	121503 904949	1
	25 NAS603-5P		.SCREW	121503 904949	4
	27 AN960PD10L		.WASHER	107107 121503 904949	4
	28 M630103-102		-----*----- .CLAMP- CONFIG CHG DATA FROM A CMM: SUPERSEDES M630044-102	121503 904949	1
	28 M630044-102		.CLAMP- CONFIG CHG DATA FROM A CMM: SUPSD BY M630103-102	121503 904949	1
	32 0A122-0020-21		PLUMBING ASSY-LAV F (WATER HEATING ONLY) SUPPLIER CODE: VS5825 FOR NHA/OTHER SYS DET SEE: 25-41-01-09D	121503 904949	RF
	34 0A122-0020-31		PLUMBING ASSY-LAV D (WATER HEATING ONLY) SUPPLIER CODE: VS5825 FOR NHA/OTHER SYS DET SEE: 25-41-04-95	121503 904949	RF
	35 0A122-0020-32		PLUMBING ASSY-LAV C (WATER HEATING ONLY) SUPPLIER CODE: VS5825 FOR NHA/OTHER SYS DET SEE: 25-41-04-96	121503 904949	RF

MISSING ITEM NUMBERS NOT APPLICABLE

- ITEM NOT ILLUSTRATED

38-13-51-01

38-13-51
FIG. 01
PAGE 2
MAY 20/09

BRI



757

PARTS CATALOG (MAINTENANCE)

FIG ITEM	PART NUMBER	1 2 3 4 5 6 7	NOMENCLATURE	EFFECT FROM TO	UNITS PER ASSY
1					
45	1A081-0157-12		.HEATER ASSY-WATER H1 SUPPLIER CODE: VS5825 COMPONENT MAINT MANUAL REF: 25-41-15 FUNCTIONAL REFERENCE: LIGHTS FOR DETAILS SEE 33-26-52-20 WATER/WASTE FOR DETAILS SEE 38-13-51-10G	121503 904949	1
45	8921340G1		.HEATER ASSY-WATER SUPPLIER CODE: V13545 SPECIFICATION NUMBER: 60B50064-1 CONFIG CHG DATA FROM A CMM: SUPSD BY 24E507040G01 COMPONENT MAINT MANUAL REF: 38-10-02 OPTIONAL PART: 1A081-0157-12 VS5825 FOR DETAILS SEE: 38-13-51-50	121503 904949	1
45	24E507040G01		.HEATER ASSY-WATER SUPPLIER CODE: VOAJJO SPECIFICATION NUMBER: 60B50064-2 CONFIG CHG DATA FROM A CMM: SUPERSEDES 8921340G1 COMPONENT MAINT MANUAL REF: 38-13-51 FOR DETAILS SEE: 38-13-51-50A	121503 904949	1
45	24E507040G04		.HEATER ASSY-WATER SUPPLIER CODE: VOAJJO SPECIFICATION NUMBER: 60B50064-4 COMPONENT MAINT MANUAL REF: 38-13-51 FOR DETAILS SEE: 38-13-51-50A	121503 904949	1
110	2A114-0012-1		.SUPPORT-HEATER FILTER SUPPLIER CODE: VS5825	121503 904949	1

MISSING ITEM NUMBERS NOT APPLICABLE

- ITEM NOT ILLUSTRATED

38-13-51-01

38-13-51
FIG. 01
PAGE 3
MAY 20/09

BRI



757

PARTS CATALOG (MAINTENANCE)

FIG ITEM	PART NUMBER	1 2 3 4 5 6 7	NOMENCLATURE	EFFECT FROM TO	UNITS PER ASSY
1			ATTACHING PARTS		
115	NAS603-5P	.	SCREW	121503 904949	4
120	AN960PD10L	.	WASHER	121503 904949	4
			-----*-----		
125	M630103-102	.	CLAMP- CONFIG CHG DATA FROM A CMM: SUPERSEDES M630044-102	121503 904949	1
125	M630044-102	.	CLAMP- CONFIG CHG DATA FROM A CMM: SUPSD BY M60103-102	121503 904949	1

MISSING ITEM NUMBERS NOT APPLICABLE

- ITEM NOT ILLUSTRATED

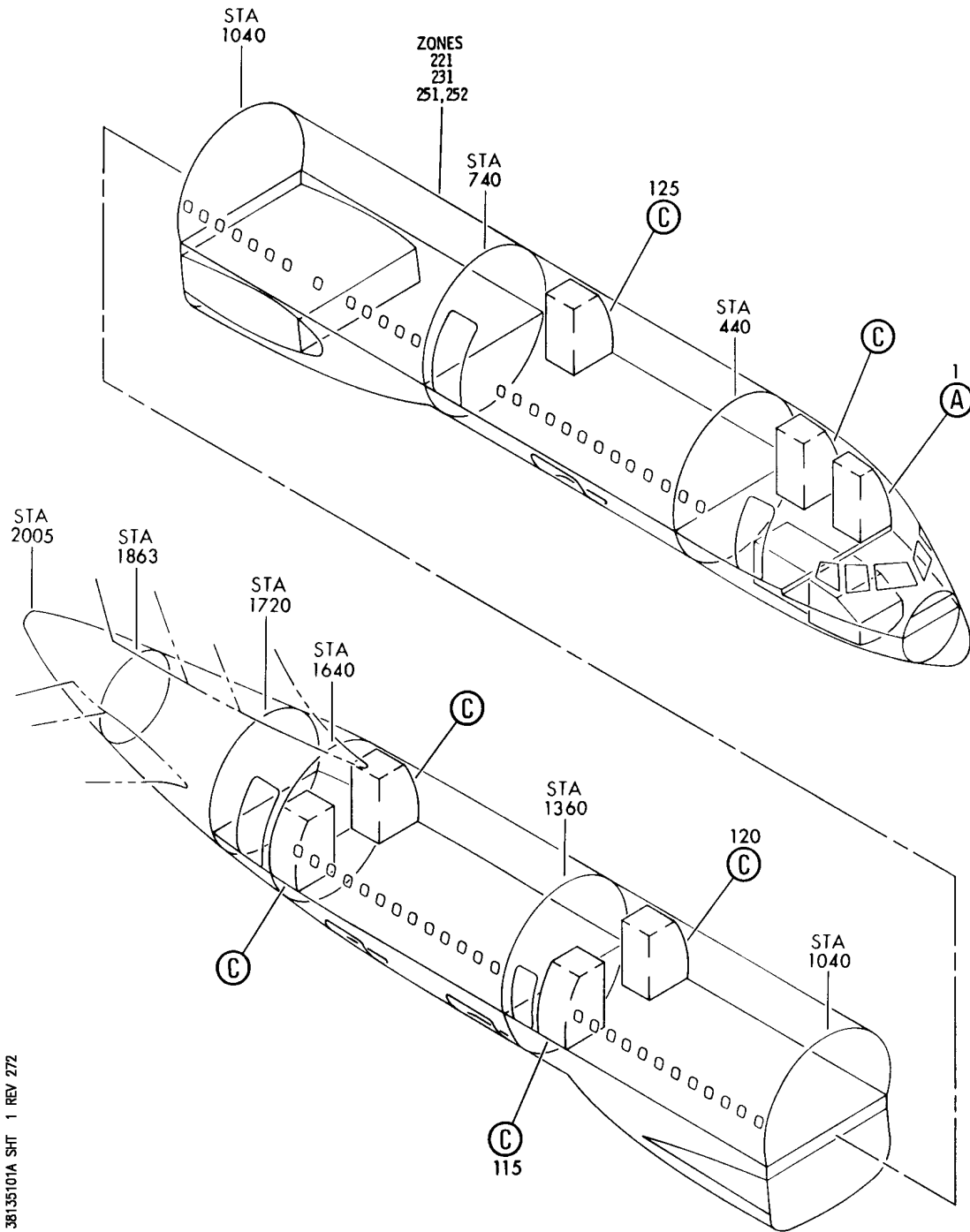
BRI

38-13-51-01

BOEING PROPRIETARY - Copyright © - Unpublished Work - See title page for details.

38-13-51
FIG. 01
PAGE 4
MAY 20/09

BOEING
757
PARTS CATALOG (MAINTENANCE)



Y 38135101A SHT 1 REV 272

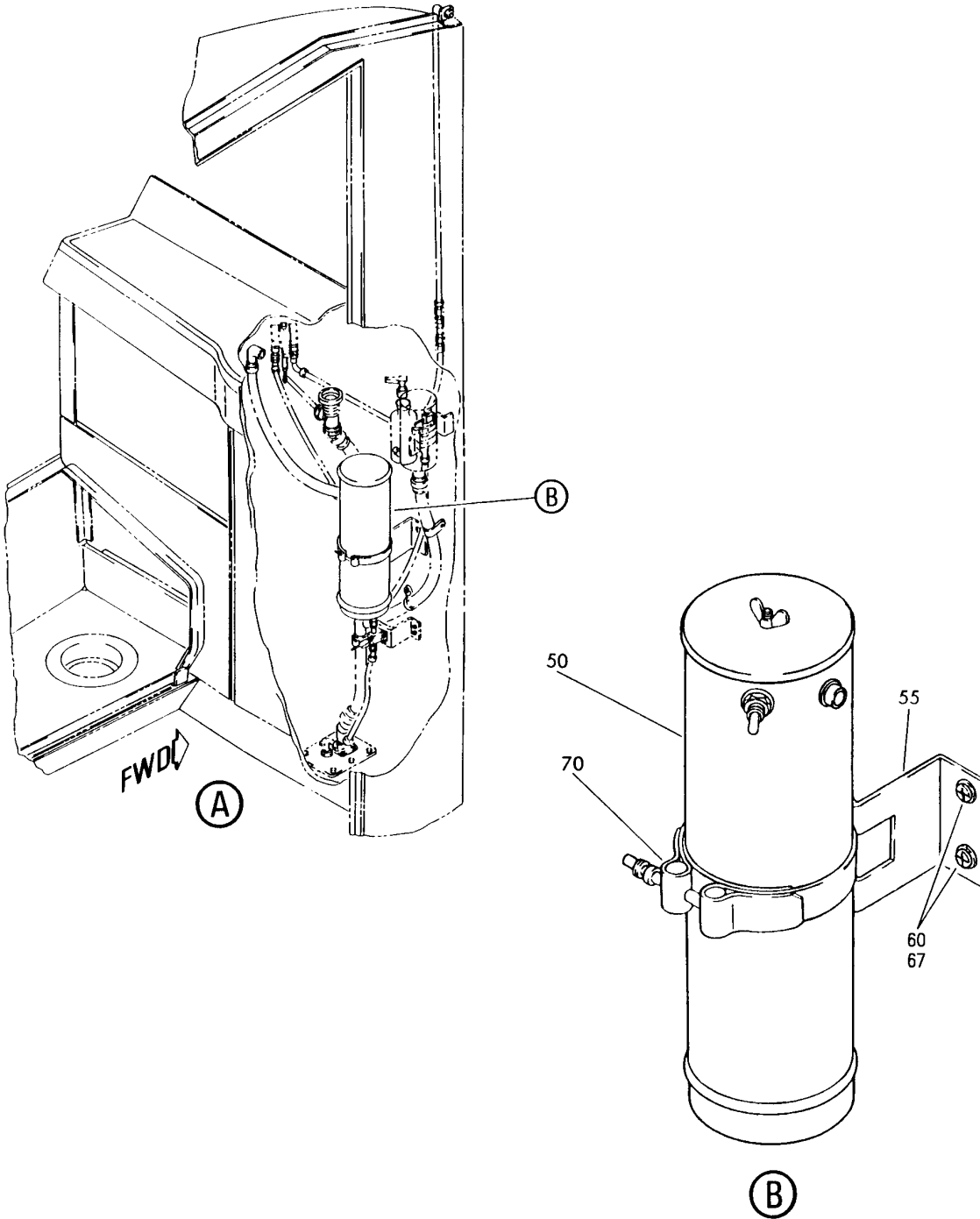
PLUMBING ASSY (WATER HEATING ONLY)
FIGURE 1A (SHEET 1)

38-13-51-01A

BRI
JAN 20/09

38-13-51-01A
PAGE 0

BOEING
757
PARTS CATALOG (MAINTENANCE)



Y 38135101A SHT 2 REV 270

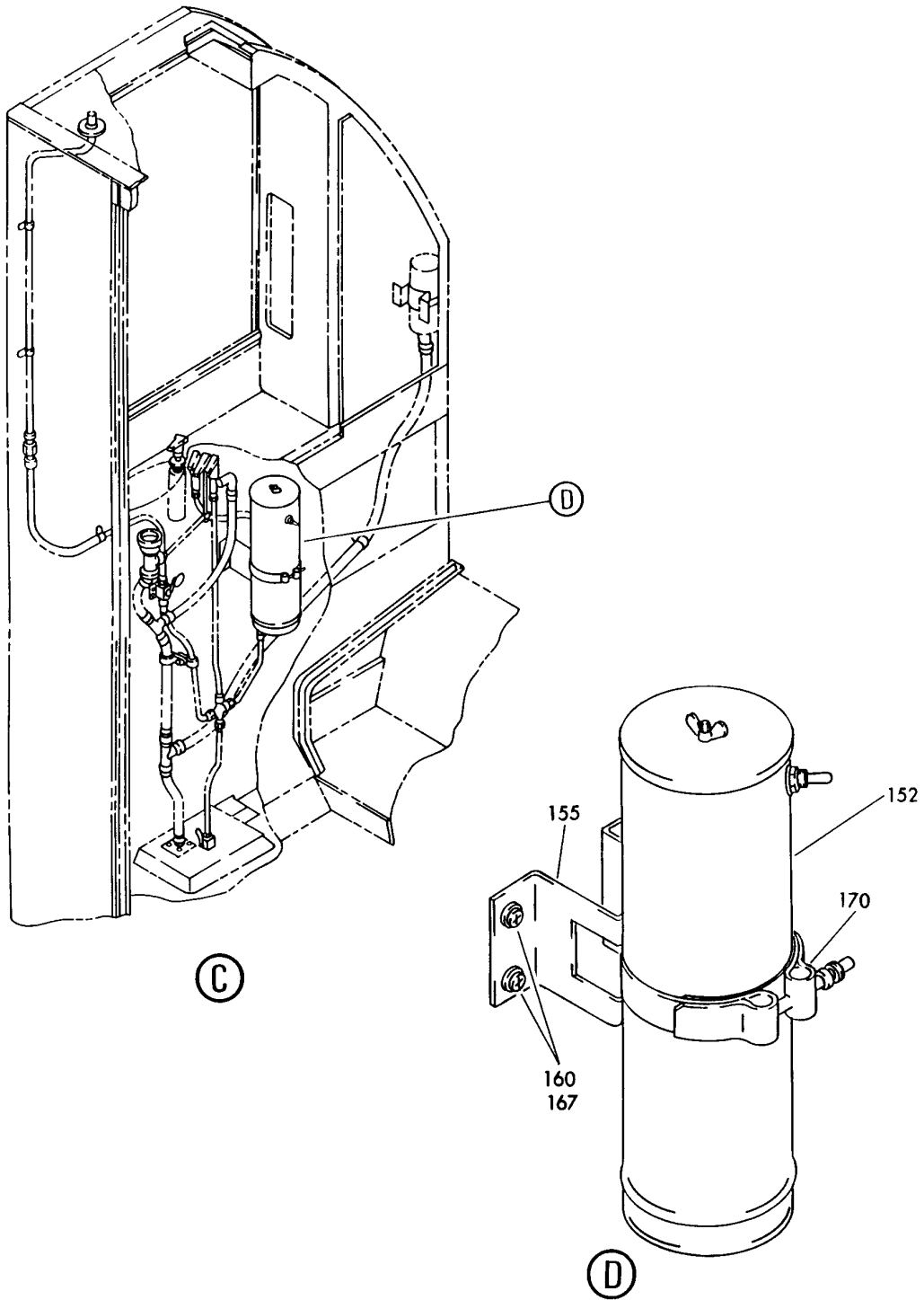
PLUMBING ASSY (WATER HEATING ONLY)
FIGURE 1A (SHEET 2)

38-13-51-01A

BRI
JAN 20/09

38-13-51-01A
PAGE 0A

BOEING
757
PARTS CATALOG (MAINTENANCE)



Y 38135101A SHT 3 REV 272

PLUMBING ASSY (WATER HEATING ONLY)
FIGURE 1A (SHEET 3)

38-13-51-01A

BRI
JAN 20/09

38-13-51-01A
PAGE 0B

BOEING
757
PARTS CATALOG (MAINTENANCE)

FIG ITEM	PART NUMBER	1 2 3 4 5 6 7	NOMENCLATURE	EFFECT FROM TO	UNITS PER ASSY
1A			PLUMBING ASSY (WATER HEATING ONLY)	952999	
1	0A112-0021-31		PLUMBING ASSY-LAV A (WATER HEATING ONLY) SUPPLIER CODE: VS5825 FOR NHA/OTHER SYS DET SEE: 25-41-01-06	952999	RF
50	24E507040G01		.HEATER ASSY-H1 SUPPLIER CODE: VOAJJO SPECIFICATION NUMBER: 60B50064-2 COMPONENT MAINT MANUAL REF: 38-13-51 FOR DETAILS SEE: 38-13-51-50A	952999	1
50	24E507040G04		.HEATER ASSY-H1 SUPPLIER CODE: VOAJJO SPECIFICATION NUMBER: 60B50064-4 COMPONENT MAINT MANUAL REF: 38-13-51 FOR DETAILS SEE: 38-13-51-50A	952999	1
55	2A114-0012-3		.SUPPORT-HEATER SUPPLIER CODE: VS5825 ATTACHING PARTS	952999	1
60	NAS603-5P		.SCREW	952999	4
67	AN960PD10L		.WASHER	952999	4
			-----*-----		
70	M630103-102		.CLAMP-	952999	1
115	0A122-0020-31		PLUMBING ASSY-LAV D (WATER HEATING ONLY) SUPPLIER CODE: VS5825 FOR NHA/OTHER SYS DET SEE: 25-41-04-57	952999	RF
120	0A122-0020-32		PLUMBING ASSY-LAV C (WATER HEATING ONLY) SUPPLIER CODE: VS5825 FOR NHA/OTHER SYS DET SEE: 25-41-04-60	952999	RF

MISSING ITEM NUMBERS NOT APPLICABLE

— ITEM NOT ILLUSTRATED

38-13-51-01A

38-13-51
FIG. 01A
PAGE 1
MAY 20/09

BRI

BOEING PROPRIETARY - Copyright © - Unpublished Work - See title page for details.



757

PARTS CATALOG (MAINTENANCE)

FIG ITEM	PART NUMBER	1 2 3 4 5 6 7	NOMENCLATURE	EFFECT FROM TO	UNITS PER ASSY
1A 125	0A122-0020-51		PLUMBING ASSY-LAV S (WATER HEATING ONLY) SUPPLIER CODE: VS5825 FOR NHA/OTHER SYS DET SEE: 25-41-03-08C	952999	RF
152	24E507040G01		.HEATER ASSY-H1 SUPPLIER CODE: VOAJJO SPECIFICATION NUMBER: 60B50064-2 COMPONENT MAINT MANUAL REF: 38-13-51 FOR DETAILS SEE: 38-13-51-50A	952999	1
152	24E507040G04		.HEATER ASSY-H1 SUPPLIER CODE: VOAJJO SPECIFICATION NUMBER: 60B50064-4 COMPONENT MAINT MANUAL REF: 38-13-51 FOR DETAILS SEE: 38-13-51-50A	952999	1
155	2A114-0012-1		.SUPPORT-HEATER LAV F, K AND M LAV C, D AND S SUPPLIER CODE: VS5825 ATTACHING PARTS	952999	1
160	NAS603-5P		.SCREW	952999	4
167	AN960PD10L		.WASHER	952999	4
170	M630103-102		-----*----- .CLAMP- LAV F, K AND M LAV C, D AND S	952999	1

R
R
R
R
R
R
R
R

MISSING ITEM NUMBERS NOT APPLICABLE

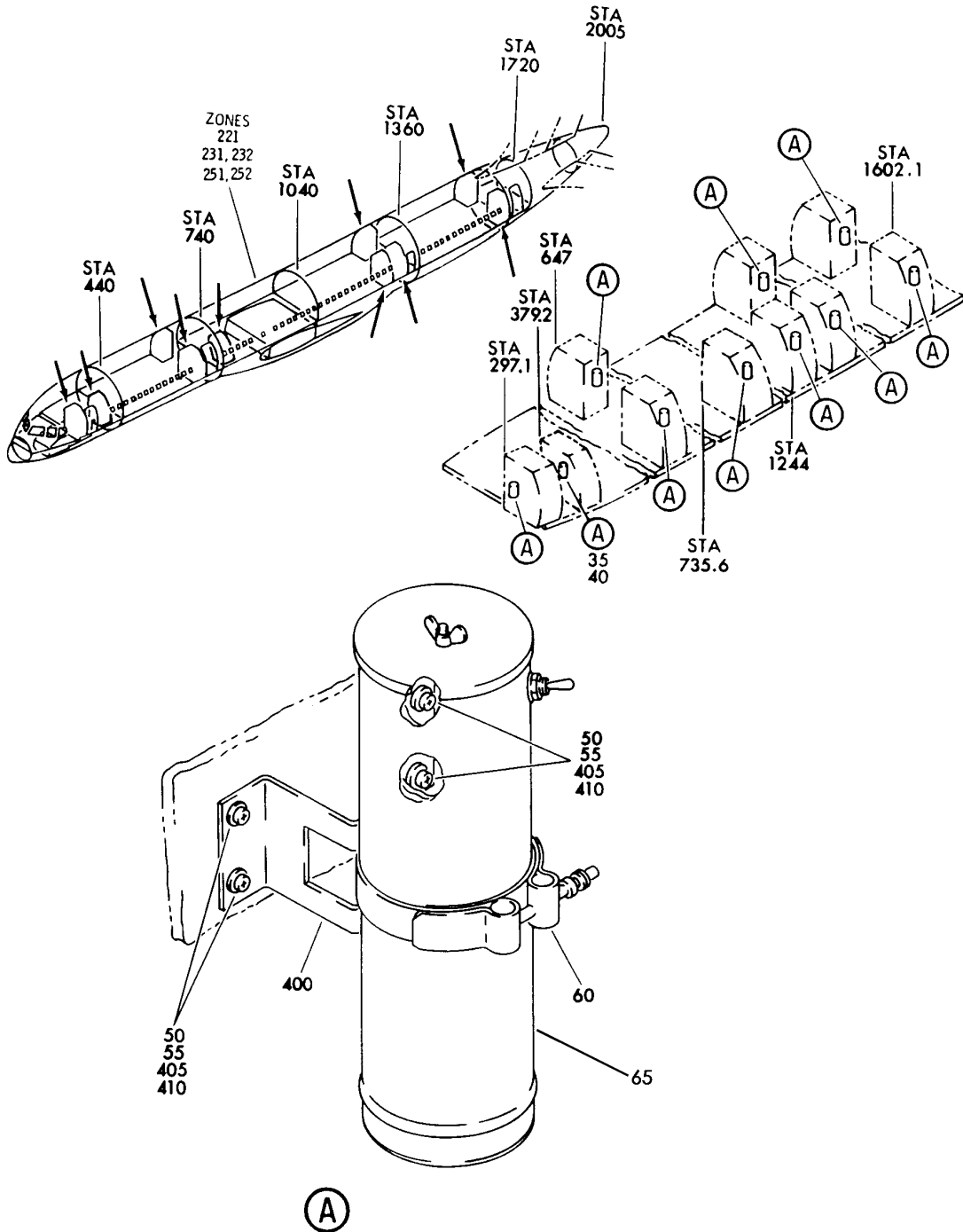
- ITEM NOT ILLUSTRATED

38-13-51-01A

38-13-51
FIG. 01A
PAGE 2
MAY 20/09

BRI

BOEING
757
PARTS CATALOG (MAINTENANCE)



Y 38135110C REV 225

PLUMBING ASSY-LAV (WATER HEATER ONLY)
FIGURE 10C

38-13-51-10C

BRI
JAN 20/09

38-13-51-10C
PAGE 0



757

PARTS CATALOG (MAINTENANCE)

FIG ITEM	PART NUMBER	1 2 3 4 5 6 7	NOMENCLATURE	EFFECT FROM TO	UNITS PER ASSY
10C			PLUMBING ASSY-LAV (WATER HEATER ONLY)	950951	
- 5	0A122-0020-11		PLUMBING ASSY-LAV D (WATER HEATER ONLY) SUPPLIER CODE: VS5825 FOR NHA/OTHER SYS DET SEE: 25-41-04-43	950951	RF
- 10	0A122-0020-12		PLUMBING ASSY-LAV C (WATER HEATER ONLY) SUPPLIER CODE: VS5825 FOR NHA/OTHER SYS DET SEE: 25-41-04-27	950951	RF
- 15	0A122-0020-81		PLUMBING ASSY-LAV S (WATER HEATER ONLY) SUPPLIER CODE: VS5825 FOR NHA/OTHER SYS DET SEE: 25-41-03-08A	950951	RF
60	M630103-102		.CLAMP	950951	1
65	1A081-0157-12		.HEATER ASSY-WATER H1 SUPPLIER CODE: VS5825 COMPONENT MAINT MANUAL REF: 25-41-15 FUNCTIONAL REFERENCE: LIGHTS FOR DETAILS SEE 33-26-52-20 WATER/WASTE FOR DETAILS SEE 38-13-51-10G	950951	1
65	8921340G1		.HEATER ASSY-WATER H1 SUPPLIER CODE: V13545 SPECIFICATION NUMBER: 60B50064-1 COMPONENT MAINT MANUAL REF: 38-10-02 OPTIONAL PART: 1A081-0157-12 VS5825 FOR DETAILS SEE: 38-13-51-50	950951	1
400	2A114-0012-1		.SUPPORT-LAV C, D AND S SUPPLIER CODE: VS5825	950951	1

MISSING ITEM NUMBERS NOT APPLICABLE

- ITEM NOT ILLUSTRATED

38-13-51-10C

38-13-51
FIG. 10C
PAGE 1
JAN 20/09

BRI

BOEING PROPRIETARY - Copyright © - Unpublished Work - See title page for details.



757

PARTS CATALOG (MAINTENANCE)

FIG ITEM	PART NUMBER	1 2 3 4 5 6 7	NOMENCLATURE	EFFECT FROM TO	UNITS PER ASSY
10C			ATTACHING PARTS		
405	NAS603-5P	.	SCREW	950951	4
405	NAS603-5P	.	SCREW	950951	4
410	AN960PD10L	.	WASHER	950951	4
410	AN960PD10L	.	WASHER	950951	4
			-----*-----		

MISSING ITEM NUMBERS NOT APPLICABLE

- ITEM NOT ILLUSTRATED

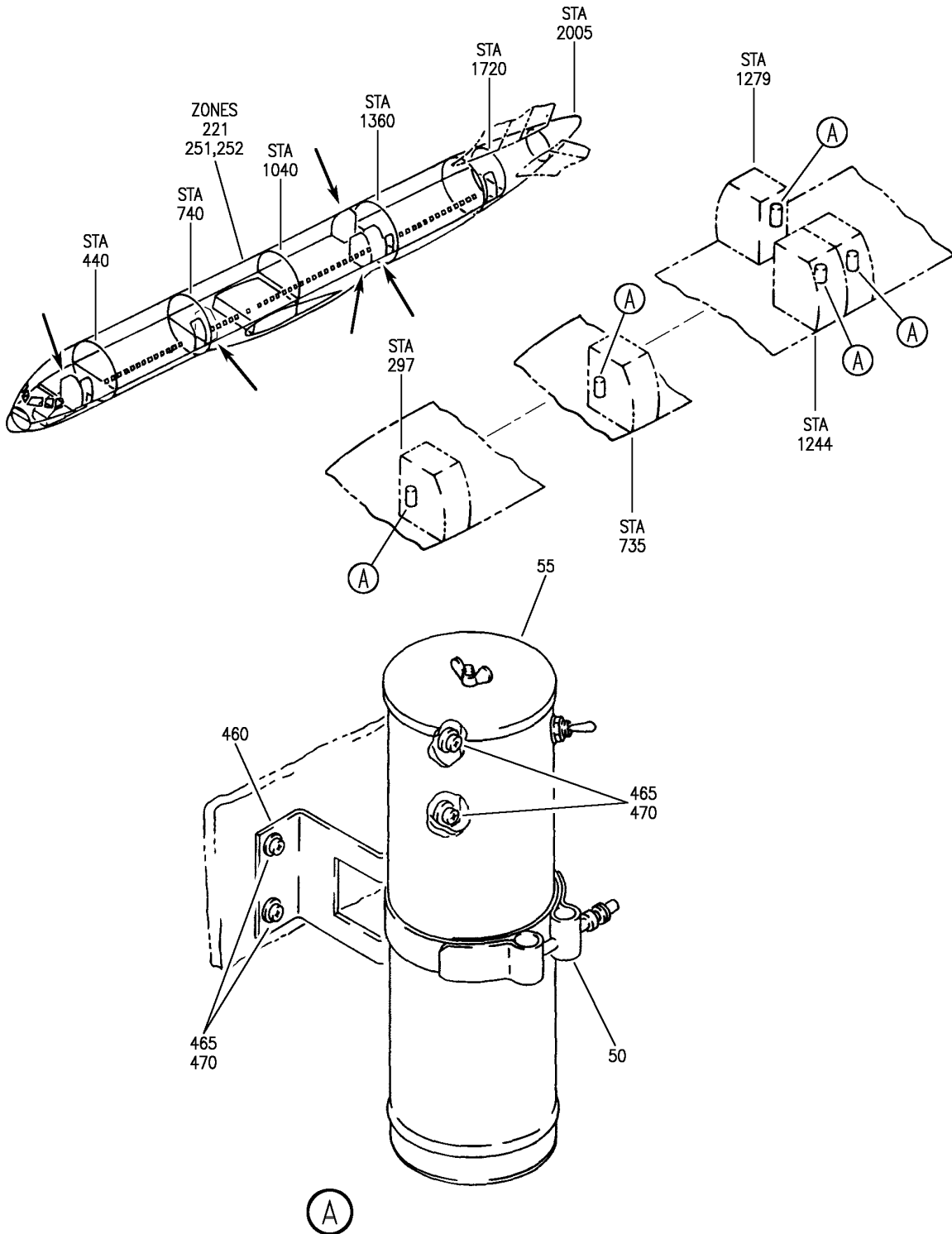
BRI

38-13-51-10C

BOEING PROPRIETARY - Copyright © - Unpublished Work - See title page for details.

38-13-51
FIG. 10C
PAGE 2
JAN 20/09

BOEING
757
PARTS CATALOG (MAINTENANCE)



Y 38135110D REV 258

PLUMBING ASSY-LAV (WATER HEATER ONLY)
FIGURE 10D

38-13-51-10D

BRI
MAY 28/07

38-13-51-10D
PAGE 0



757

PARTS CATALOG (MAINTENANCE)

FIG ITEM	PART NUMBER	1 2 3 4 5 6 7	NOMENCLATURE	EFFECT FROM TO	UNITS PER ASSY
10D			PLUMBING ASSY-LAV (WATER HEATER ONLY)	002004 006100	
- 1	0A112-0021-71		PLUMBING ASSY-LAV A (WATER HEATER ONLY) SUPPLIER CODE: VS5825 FOR NHA/OTHER SYS DET SEE: 25-41-01-06F	002004 006100	RF
- 5	0A122-0020-91		PLUMBING ASSY-LAV B AND D (WATER HEATER ONLY) SUPPLIER CODE: VS5825 FOR NHA/OTHER SYS DET SEE: 25-41-04-21 25-41-04-44	002004 006010	RF
- 5	0A122-0020-221		PLUMBING ASSY-LAV B AND D (WATER HEATER ONLY) SUPPLIER CODE: VS5825 FOR NHA/OTHER SYS DET SEE: 25-41-04-21 25-41-04-44	011100	RF
- 10	0A122-0020-92		PLUMBING ASSY-LAV C (WATER HEATER ONLY) SUPPLIER CODE: VS5825 FOR NHA/OTHER SYS DET SEE: 25-41-04-28	002004 006010	RF
- 10	0A122-0020-222		PLUMBING ASSY-LAV C (WATER HEATER ONLY) SUPPLIER CODE: VS5825 FOR NHA/OTHER SYS DET SEE: 25-41-04-28	011100	RF
50	M630103-102		.CLAMP	002004 006100	1
55	24E507040G01		.HEATER ASSY-WATER, H1 SUPPLIER CODE: VOAJJO SPECIFICATION NUMBER: 60B50064-2 CONFIG CHG DATA FROM A CMM: SUPSD BY 1A081-0157-12 COMPONENT MAINT MANUAL REF: 38-13-51 FOR DETAILS SEE: 38-13-51-50A	002004 006100	1

MISSING ITEM NUMBERS NOT APPLICABLE

- ITEM NOT ILLUSTRATED

38-13-51-10D

38-13-51
FIG. 10D
PAGE 1
JAN 20/09

BRI

BOEING PROPRIETARY - Copyright © - Unpublished Work - See title page for details.

BOEING
757
PARTS CATALOG (MAINTENANCE)

FIG ITEM	PART NUMBER	1 2 3 4 5 6 7	NOMENCLATURE	EFFECT FROM TO	UNITS PER ASSY
10D 55	1A081-0157-12		.HEATER ASSY-WATER, H1 SUPPLIER CODE: VS5825 CONFIG CHG DATA FROM A CMM: SUPERSEDES 24E507040G01 COMPONENT MAINT MANUAL REF: 25-41-15 FUNCTIONAL REFERENCE: LIGHTS FOR DETAILS SEE 33-26-52-20 WATER/WASTE FOR DETAILS SEE 38-13-51-10G	002004 006100	1
	55 8921340G1		.HEATER ASSY-WATER, H1 SUPPLIER CODE: V13545 SPECIFICATION NUMBER: 60B50064-1 COMPONENT MAINT MANUAL REF: 38-10-02 OPTIONAL PART: 1A081-0157-12 VS5825 FOR DETAILS SEE: 38-13-51-50	002004 006100	1
R R R R R R R R	55 24E507040G04		.HEATER ASSY-WATER, H1 SUPPLIER CODE: VOAJJO SPECIFICATION NUMBER: 60B50064-4 COMPONENT MAINT MANUAL REF: 38-13-51 FOR DETAILS SEE: 38-13-51-50A	002004 006100	1
	460 2A114-0012-3		.SUPPORT-LAV A SUPPLIER CODE: VS5825	002004 006100	1
-	462 2A114-0012-1		.SUPPORT-LAV B, C AND D SUPPLIER CODE: VS5825 ATTACHING PARTS	002004 006100	1
	465 NAS603-5P		.SCREW	002004 006100	4
	470 AN960PD10L		.WASHER -----*-----	002004 006100	4

MISSING ITEM NUMBERS NOT APPLICABLE

- ITEM NOT ILLUSTRATED

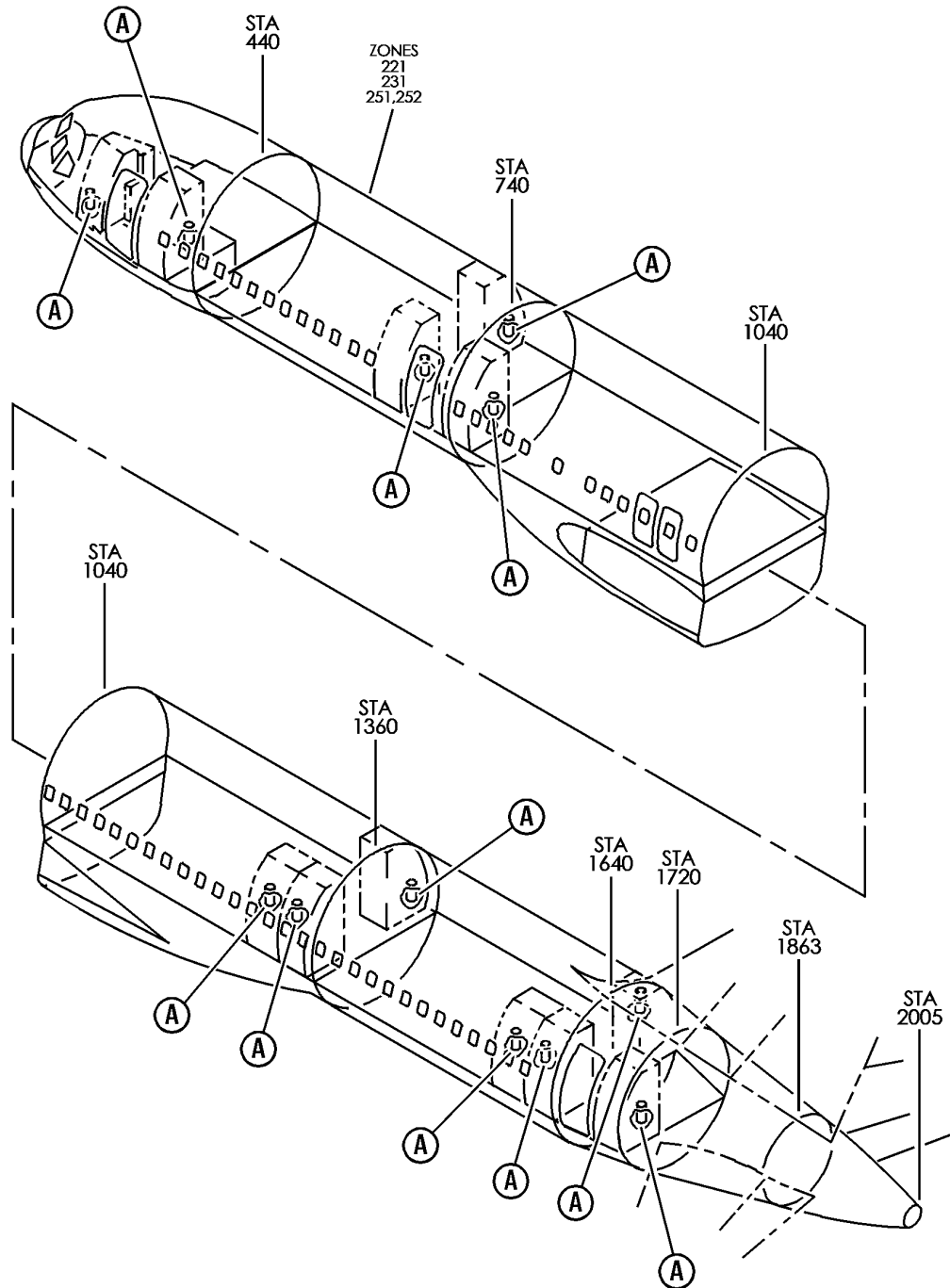
BRI

38-13-51-10D

BOEING PROPRIETARY - Copyright © - Unpublished Work - See title page for details.

38-13-51
FIG. 10D
PAGE 2
MAY 20/09

BOEING
757
PARTS CATALOG (MAINTENANCE)



Y 38135110G SHT 1 REV 225

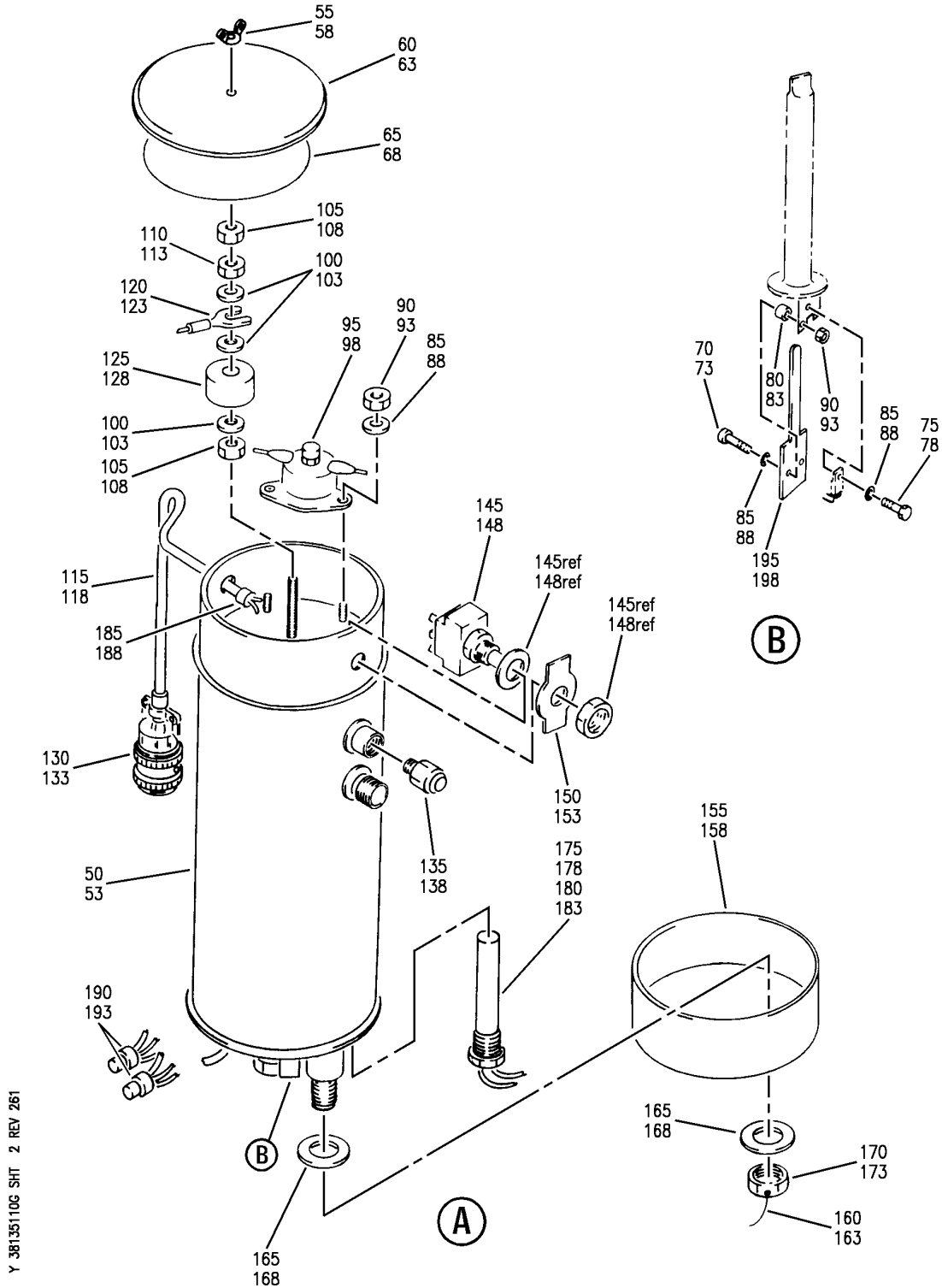
HEATER ASSY-WATER H1 (WATER/WASTE ONLY)
FIGURE 10G (SHEET 1)

38-13-51-10G

BRI
MAY 28/07

38-13-51-10G
PAGE 0


BOEING
 757
PARTS CATALOG (MAINTENANCE)



Y 38135110G SHT 2 REV 261

HEATER ASSY-WATER H1 (WATER/WASTE ONLY)
 FIGURE 10G (SHEET 2)

38-13-51-10G

BRI
MAY 28/07

38-13-51-10G
 PAGE 0A



757

PARTS CATALOG (MAINTENANCE)

FIG ITEM	PART NUMBER	1 2 3 4 5 6 7	NOMENCLATURE	EFFECT FROM TO	UNITS PER ASSY
10G			HEATER ASSY-WATER H1 (WATER/WASTE ONLY)	002004 006951	
- 1	1A081-0157-12		HEATER ASSY-WATER H1 (WATER/WASTE ONLY) SUPPLIER CODE: VS5825 COMPONENT MAINT MANUAL REF: 25-41-15 FOR NHA/OTHER SYS DET SEE: 38-11-51-01A 38-11-51-15J 38-11-51-20A 38-11-51-20E 38-11-51-25A 38-11-51-26B 38-11-51-27C 38-11-51-30C 38-11-51-30D 38-11-51-30J 38-13-51-01 38-13-51-10C	101106 108951	RF
- 1	1A081-0157-12		HEATER ASSY-WATER H1 (WATER/WASTE ONLY) SUPPLIER CODE: VS5825 CONFIG CHG DATA FROM A CMM: SUPERSEDES 24E507040G01 COMPONENT MAINT MANUAL REF: 25-41-15 FOR NHA/OTHER SYS DET SEE: 38-11-51-02L 38-11-51-10C 38-13-51-10D	002004 006100 107107	RF
50	1A083-0159-12		.TANK- SUPPLIER CODE: VS5825	101106 108951	1
55	M4WING		.TEST-WING SUPPLIER CODE: VS5825	101106 108951	1
60	2A084-0385-1		.COVER- SUPPLIER CODE: VS5825	101106 108951	1
65	3A084-0565-1		.PLACARD-WIRING SUPPLIER CODE: VS5825	101106 108951	1
70	M3X16		.SCREW-PAN HEAD SUPPLIER CODE: VS5825	101106 108951	2

MISSING ITEM NUMBERS NOT APPLICABLE

- ITEM NOT ILLUSTRATED

38-13-51-10G

38-13-51
FIG. 10G
PAGE 1
JAN 20/09

BRI



757

PARTS CATALOG (MAINTENANCE)

FIG ITEM	PART NUMBER	1 2 3 4 5 6 7	NOMENCLATURE	EFFECT FROM TO	UNITS PER ASSY
10G					
75	M3X6	.	SCREW-PAN HEAD SUPPLIER CODE: VS5825	101106 108951	1
80	3A084-0526-1	.	SPACER- SUPPLIER CODE: VS5825	101106 108951	2
85	M3WASHER	.	WASHER- SUPPLIER CODE: VS5825	101106 108951	5
90	M3NYLONNUT	.	NUT-NYLON RING SUPPLIER CODE: VS5825	101106 108951	4
95	CR71	.	THERMOSTAT-MANUAL RESET SUPPLIER CODE: VS5825	101106 108951	1
100	M4WASHER	.	WASHER- SUPPLIER CODE: VS5825	101106 108951	5
105	M4HEX	.	NUT-HEX SUPPLIER CODE: VS5825	101106 108951	2
110	M4HEXNYLON	.	NUT-HEX NYLON RING SUPPLIER CODE: VS5825	101106 108951	1
115	W51B8-1-18	.	LEAD-ELEC WIRE SUPPLIER CODE: VS5825	101106 108951	1
120	R125-4	.	TERMINAL-GND SUPPLIER CODE: VS5825	101106 108951	1
125	SF5-251Y05A01	.	INDUCTOR-RF SUPPLIER CODE: VS5825	101106 108951	1
130	BACC45FT14C7P	.	CONNECTOR	101106 108951	1
135	D532B2M140	.	VALVE-RELIEF SUPPLIER CODE: V91816 CONFIG CHG DATA FROM A CMM: SUPSD BY D532T2M140	101106 108951	1
135	D532T2M140	.	VALVE-RELIEF SUPPLIER CODE: V91816 CONFIG CHG DATA FROM A CMM: SUPERSEDES D532B2M140	101106 108951	1
145	S21B	.	SWITCH-TOGGLE SUPPLIER CODE: VS5825	101106 108951	1

MISSING ITEM NUMBERS NOT APPLICABLE

- ITEM NOT ILLUSTRATED

38-13-51-10G

38-13-51
FIG. 10G
PAGE 2
JAN 20/09

BRI

BOEING PROPRIETARY - Copyright © - Unpublished Work - See title page for details.



757

PARTS CATALOG (MAINTENANCE)

FIG ITEM	PART NUMBER	1 2 3 4 5 6 7	NOMENCLATURE	EFFECT FROM TO	UNITS PER ASSY
10G 150	AT201		.PLATE-ON-OFF SUPPLIER CODE: VS5825	101106 108951	1
155	2A084-0384-1		.COVER- SUPPLIER CODE: VS5825 POSITION DATA: BOTTOM	101106 108951	1
160	SWMG3		.WIRE-LOCK SUPPLIER CODE: VS5825	101106 108951	1
165	3A084-0563-1		.WASHER- SUPPLIER CODE: VS5825	101106 108951	2
170	NAS1423C9		.NUT	101106 108951	1
175	TK85009		.CARTRIDGE- SUPPLIER CODE: VS5825	101106 108951	3
180	SUM1TUBEB2		.SLEEVING-HEAT SHRINK SUPPLIER CODE: VS5825	101106 108951	3
185	TYB23M		.TYRAP- SUPPLIER CODE: VS5825	101106 108951	1
190	8SD		.TERMINAL-STAND OFF SUPPLIER CODE: VS5825	101106 108951	2
195	2A081-0547-1		.CONTROL ASSY-ELECTRONIC TEMP SUPPLIER CODE: VS5825	101106 108951	1
195	2A081-0547-11		CONFIG CHG DATA FROM A CMM: SUPSD BY 2A081-0547-11 .CONTROL ASSY-ELECTRONIC TEMP SUPPLIER CODE: VS5825 CONFIG CHG DATA FROM A CMM: SUPERSEDES 2A081-0547-1	101106 108951	1

MISSING ITEM NUMBERS NOT APPLICABLE

- ITEM NOT ILLUSTRATED

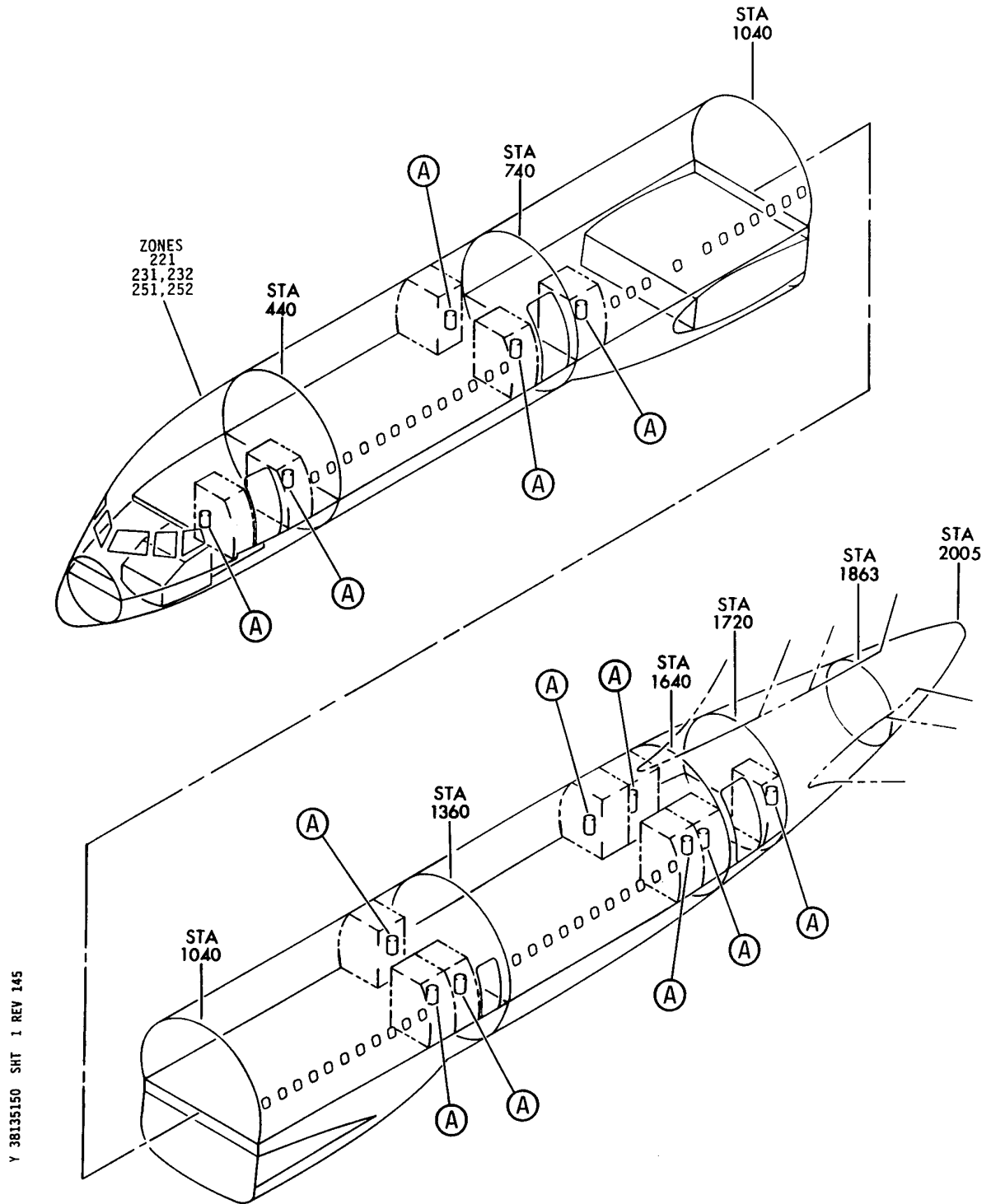
38-13-51-10G

38-13-51
FIG. 10G
PAGE 3
JAN 20/09

BRI

BOEING PROPRIETARY - Copyright © - Unpublished Work - See title page for details.

BOEING
757
PARTS CATALOG (MAINTENANCE)



Y 38135150 SHT 1 REV 145

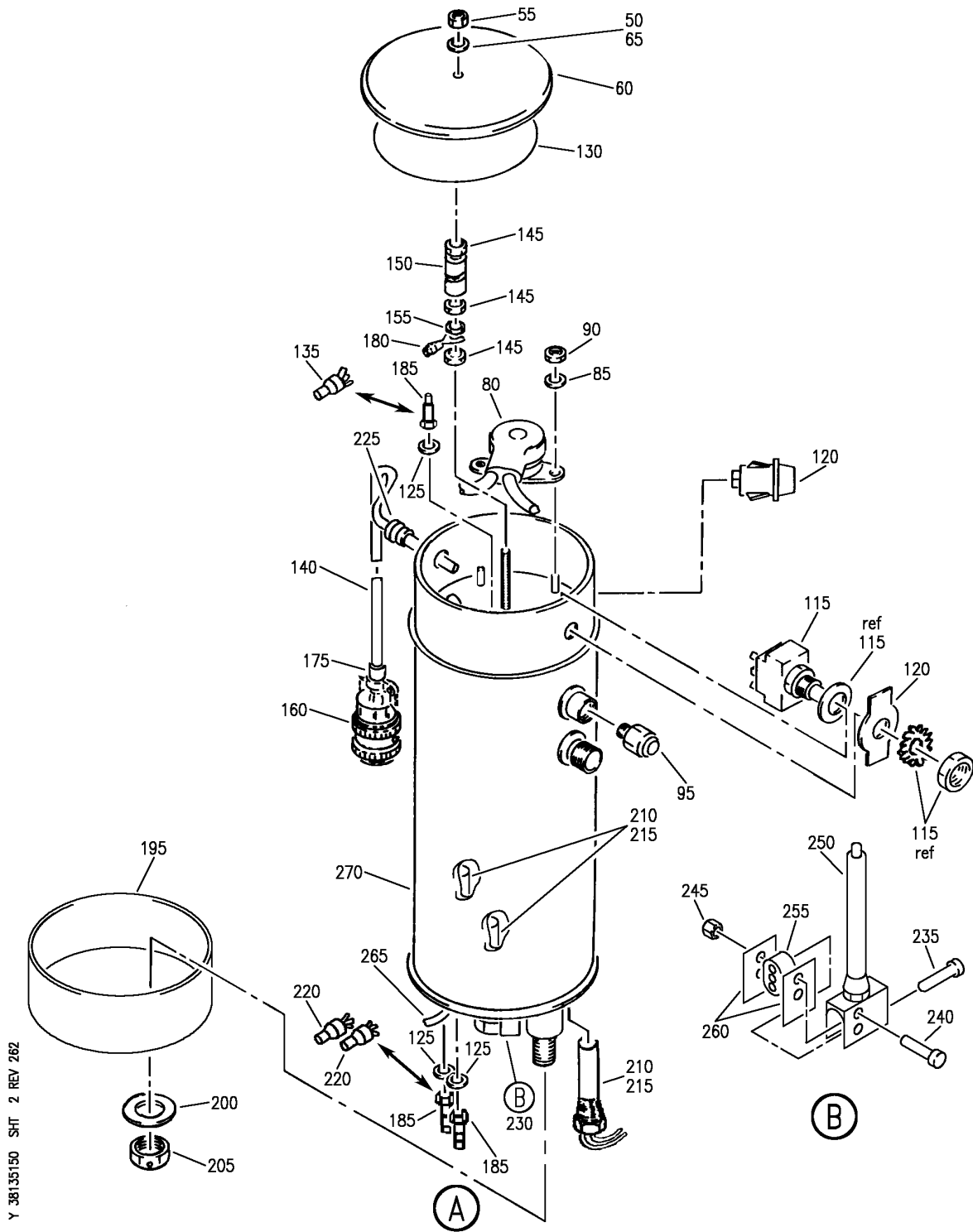
HEATER ASSY-WATER, LAV H1
FIGURE 50 (SHEET 1)

38-13-51-50

BRI
MAY 28/07

38-13-51-50
PAGE 0

BOEING
757
PARTS CATALOG (MAINTENANCE)



Y 38135150 SHT 2 REV 262

HEATER ASSY-WATER, LAV H1
FIGURE 50 (SHEET 2)

38-13-51-50

BRI
MAY 28/07

38-13-51-50
PAGE 0A



757

PARTS CATALOG (MAINTENANCE)

FIG ITEM	PART NUMBER	1 2 3 4 5 6 7	NOMENCLATURE	EFFECT FROM TO	UNITS PER ASSY
50			HEATER ASSY-WATER, LAV H1	101107	
- 1	8921340G1		HEATER ASSY-WATER SUPPLIER CODE: V13545 SPECIFICATION NUMBER: 60B50064-1 COMPONENT MAINT MANUAL REF: 38-10-02 OPTIONAL PART: 1A081-0157-12 VS5825 FOR NHA SEE: 38-13-51-01	121999 121503 904949	RF
- 1	8921340G1		HEATER ASSY-WATER H1 LAV SUPPLIER CODE: V13545 SPECIFICATION NUMBER: 60B50064-1 COMPONENT MAINT MANUAL REF: 38-10-02 OPTIONAL PART: 1A081-0157-12 VS5825 FOR NHA SEE: 38-11-51-01A 38-11-51-02L 38-11-51-10C 38-11-51-20A 38-11-51-26B 38-11-51-27C 38-11-51-30C 38-11-51-30D 38-11-51-30J	101107 504903 950951	RF
- 1	8921340G1		HEATER ASSY-WATER LAV A, B SUPPLIER CODE: V13545 SPECIFICATION NUMBER: 60B50064-1 COMPONENT MAINT MANUAL REF: 38-10-02 OPTIONAL PART: 1A081-0157-12 VS5825 FOR NHA SEE: 38-13-51-01	121503 904949	RF

MISSING ITEM NUMBERS NOT APPLICABLE

- ITEM NOT ILLUSTRATED

38-13-51-50

38-13-51
FIG. 50
PAGE 1
JAN 20/09

BRI



757

PARTS CATALOG (MAINTENANCE)

FIG ITEM	PART NUMBER	1 2 3 4 5 6 7	NOMENCLATURE	EFFECT FROM TO	UNITS PER ASSY
50					
50	110-3-16		.DYNASEAL- LAV A, B SUPPLIER CODE: V86579 USED WITH: 22FT10-32 601032 060132	950951	1
50	110-3-16		.DYNASEAL- SUPPLIER CODE: V86579 USED WITH: 22FT10-32 601032 060132	101106 504903	1
50	110-3-16		.DYNASEAL- SUPPLIER CODE: V86579 USED WITH: 22FT10-32 601032 060132	103107	1
55	22FT1032		.NUT- LAV A, B SUPPLIER CODE: V80539 CONFIG CHG DATA FROM A CMM: REPLD BY 601032 REPLD BY 060132 USED ON: 8921340G1	950951	1
55	22FT1032		.NUT- SUPPLIER CODE: V80539 CONFIG CHG DATA FROM A CMM: REPLD BY 601032 REPLD BY 060132 USED ON: 8921340G1	101106 504903	1
55	22FT1032		.NUT- SUPPLIER CODE: V80539 CONFIG CHG DATA FROM A CMM: REPLD BY 601032 REPLD BY 060132 USED ON: 8921340G1	103107	1

MISSING ITEM NUMBERS NOT APPLICABLE

- ITEM NOT ILLUSTRATED

38-13-51-50

38-13-51
FIG. 50
PAGE 2
JAN 20/09

BRI



757

PARTS CATALOG (MAINTENANCE)

FIG ITEM	PART NUMBER	1 2 3 4 5 6 7	NOMENCLATURE	EFFECT FROM TO	UNITS PER ASSY
50					
60	8921087P1		.COVER- LAV A, B SUPPLIER CODE: V13545 CONFIG CHG DATA FROM A CMM: SUPSDS 24C506586P1 USED ON: 8921340G1	950951	1
60	8921087P1		.COVER- SUPPLIER CODE: V13545 CONFIG CHG DATA FROM A CMM: SUPSDS 24C506586P1 USED ON: 8921340G1	101106 504903	1
60	8921087P1		.COVER- SUPPLIER CODE: V13545 CONFIG CHG DATA FROM A CMM: SUPSDS 24C506586P1 USED ON: 8921340G1	103107	1
60	24C506586P1		.COVER- LAV A, B SUPPLIER CODE: V13545 CONFIG CHG DATA FROM A CMM: SUPSD BY 8921087P1	950951	1
60	24C506586P1		.COVER- SUPPLIER CODE: V13545 CONFIG CHG DATA FROM A CMM: SUPSD BY 8921087P1	101106 504903	1
60	24C506586P1		.COVER- SUPPLIER CODE: V13545 CONFIG CHG DATA FROM A CMM: SUPSD BY 8921087P1	103107	1
80	24B506591P1		.THERMOSTAT-MANUAL RESET LAV A, B SUPPLIER CODE: V13545 ATTACHING PARTS	952999	1
85	AN960C6L		.WASHER	103107	2
85	AN960C6L		.WASHER- LAV A, B	950951	2
85	AN960C6L		.WASHER	101106 504903	2

MISSING ITEM NUMBERS NOT APPLICABLE

- ITEM NOT ILLUSTRATED

38-13-51-50

38-13-51
FIG. 50
PAGE 3
JAN 20/09

BRI

BOEING PROPRIETARY - Copyright © - Unpublished Work - See title page for details.



757

PARTS CATALOG (MAINTENANCE)

FIG ITEM	PART NUMBER	1 2 3 4 5 6 7	NOMENCLATURE	EFFECT FROM TO	UNITS PER ASSY
50					
90	22FT632		.NUT- SUPPLIER CODE: V80539	103107	2
90	22FT632		.NUT- LAV A, B SUPPLIER CODE: V80539	950951	2
90	22FT632		.NUT- SUPPLIER CODE: V80539	101106 504903	2
			-----*-----		
95	D532B2M140		.VALVE-RELIEF SUPPLIER CODE: V91816	103107	1
95	D532B2M140		.VALVE-RELIEF LAV A, B SUPPLIER CODE: V91816	950951	1
95	D532B2M140		.VALVE-RELIEF SUPPLIER CODE: V91816	101106 504903	1
100	30-5632-4		.PLATE-ON-OFF LAV A, B SUPPLIER CODE: V27191	950951	1
100	30-5632-4		.PLATE-ON-OFF SUPPLIER CODE: V27191	103107	1
100	30-5632-4		.PLATE-ON-OFF SUPPLIER CODE: V27191	101106 504903	1
115	8822K21		.SWITCH-TG SUPPLIER CODE: V55841 OPTIONAL PART: MS35059-24	103107	1
115	8822K21		.SWITCH-TG LAV A, B SUPPLIER CODE: V55841 OPTIONAL PART: MS35059-24	950951	1
115	8822K21		.SWITCH-TG SUPPLIER CODE: V55841 OPTIONAL PART: MS35059-24	101106 504903	1

MISSING ITEM NUMBERS NOT APPLICABLE

- ITEM NOT ILLUSTRATED

38-13-51-50

38-13-51
FIG. 50
PAGE 4
JAN 20/09

BRI

BOEING PROPRIETARY - Copyright © - Unpublished Work - See title page for details.



757

PARTS CATALOG (MAINTENANCE)

FIG ITEM	PART NUMBER	1 2 3 4 5 6 7	NOMENCLATURE	EFFECT FROM TO	UNITS PER ASSY
50					
115	MS35059-24	.	SWITCH-TG OPTIONAL PART: 8822K21 V55841	101106 504903	1
115	MS35059-24	.	SWITCH-TG OPTIONAL PART: 8822K21 V55841	103107	1
115	8822K21	.	SWITCH-TG LAV A, B SUPPLIER CODE: V55841 OPTIONAL PART: MS35059-24	950951	1
120	B1050N3	.	LIGHT-IND SUPPLIER CODE: V13545	103107	1
120	B1050N3	.	LIGHT-IND LAV A, B SUPPLIER CODE: V13545	950951	1
120	B1050N3	.	LIGHT-IND SUPPLIER CODE: V13545	101106 504903	1
125	AN960C6L	.	WASHER- LAV A, B	950951	3
125	AN960C6L	.	WASHER	101106 504903	3
125	AN960C6L	.	WASHER	103107	3
130	8921386G1	.	PLACARD- LAV A, B SUPPLIER CODE: VS5825 PLACARD CONTENT: SCHEMATIC	950951	1
135	NP5115	.	CONNECTOR-CLOSED END SUPPLIER CODE: V14726 V04618 CONFIG CHG DATA FROM A CMM: REPLACED BY 35653	950951	1
135	NP5115	.	CONNECTOR-CLOSED END SUPPLIER CODE: V14726 V04618 CONFIG CHG DATA FROM A CMM: REPLACED BY 35653 USED ON: 8921340G1	101106 504903	1

MISSING ITEM NUMBERS NOT APPLICABLE

- ITEM NOT ILLUSTRATED

38-13-51-50

38-13-51
FIG. 50
PAGE 5
JAN 20/09

BRI



757

PARTS CATALOG (MAINTENANCE)

FIG ITEM	PART NUMBER	1 2 3 4 5 6 7	NOMENCLATURE	EFFECT FROM TO	UNITS PER ASSY
50 135	NP5115		.CONNECTOR-CLOSED END SUPPLIER CODE: V14726 V04618 CONFIG CHG DATA FROM A CMM: REPLACED BY 35653 USED ON: 8921340G1	103107	1
135	35653		.CONNECTOR-CLOSED END LAV A, B SUPPLIER CODE: V00779 CONFIG CHG DATA FROM A CMM: REPLACES NP5115	950951	1
135	35653		.CONNECTOR-CLOSED END SUPPLIER CODE: V00779 CONFIG CHG DATA FROM A CMM: REPLACES NP5115	101106 504903	1
135	35653		.CONNECTOR-CLOSED END SUPPLIER CODE: V00779 CONFIG CHG DATA FROM A CMM: REPLACES NP5115	103107	1
140	24C506588G1		.LEAD ASSY-CONNECTOR LAV A, B SUPPLIER CODE: V13545	950951	1
140	24C506588G1		.LEAD ASSY-CONNECTOR SUPPLIER CODE: V13545 USED ON: 8921340G1	101106 504903	1
140	24C506588G1		.LEAD ASSY-CONNECTOR SUPPLIER CODE: V13545 USED ON: 8921340G1	103107	1
145	22FT632		ATTACHING PARTS .NUT-SELF-LOCKING LAV A, B SUPPLIER CODE: V80539	950951	3

MISSING ITEM NUMBERS NOT APPLICABLE

- ITEM NOT ILLUSTRATED

38-13-51-50

38-13-51
FIG. 50
PAGE 6
JAN 20/09

BRI

BOEING PROPRIETARY - Copyright © - Unpublished Work - See title page for details.



757

PARTS CATALOG (MAINTENANCE)

FIG ITEM	PART NUMBER	1 2 3 4 5 6 7	NOMENCLATURE	EFFECT FROM TO	UNITS PER ASSY
50 145	22FT632		.NUT-SELF-LOCKING SUPPLIER CODE: V80539 USED ON: 8921340G1	101106 504903	3
145	22FT632		.NUT-SELF-LOCKING SUPPLIER CODE: V80539 USED ON: 8921340G1	103107	3
150	AWG4		-----*----- .TUBING- LAV A, B SUPPLIER CODE: V13545 TUBING MATERIAL: TEFLON, .015 WALL X .875 LG.	950951	1
150	AWG4		.TUBING- SUPPLIER CODE: V13545 TUBING MATERIAL: TEFLON, .015 WALL X .875 LG. USED ON: 8921340G1	101106 504903	1
150	AWG4		.TUBING- SUPPLIER CODE: V13545 TUBING MATERIAL: TEFLON, .015 WALL X .875 LG. USED ON: 8921340G1	103107	1
155	AN960C6L		.WASHER- LAV A, B	950951	1
155	AN960C6L		.WASHER- USED ON: 8921340G1	101106 504903	1
155	AN960C6L		.WASHER- USED ON: 8921340G1	103107	1
160	BACC45FT14C7P		..CONNECTOR- LAV A, B	950951	1
160	BACC45FT14C7P		..CONNECTOR- USED ON: 24C506588G1	101106 504903	1

MISSING ITEM NUMBERS NOT APPLICABLE

- ITEM NOT ILLUSTRATED

38-13-51-50

38-13-51
FIG. 50
PAGE 7
JAN 20/09

BRI



757

PARTS CATALOG (MAINTENANCE)

FIG ITEM	PART NUMBER	1 2 3 4 5 6 7	NOMENCLATURE	EFFECT FROM TO	UNITS PER ASSY
50					
160	BACC45FT14C7P	..	CONNECTOR- USED ON: 24C506588G1	103107	1
- 165	MS24254-16P	...	CONTACT- LAV A, B	950951	7
- 165	MS24254-16P	...	CONTACT	101106 504903	7
- 165	MS24254-16P	...	CONTACT	103107	7
- 170	MS27187-1	...	PLUG	950951	4
- 170	MS27187-1	...	PLUG	101106 504903	4
- 170	MS27187-1	...	PLUG	103107	4
175	BMS1-59	..	TUBING-1/2 OD X 1/2 LG LAV A, B SUPPLIER CODE: V28014	950951	1
175	BMS1-59	..	TUBING-1/2 OD X 1/2 LG SUPPLIER CODE: V28014 USED ON: 24C506588G1	101106 504903	1
175	BMS1-59	..	TUBING-1/2 OD X 1/2 LG SUPPLIER CODE: V28014 USED ON: 24C506588G1	103107	1
180	32054	..	TERMINAL-SPADED SUPPLIER CODE: V04618	950951	1
180	32054	..	TERMINAL-SPADED SUPPLIER CODE: V04618 USED ON: 24C506588G1	101106 504903	1
180	32054	..	TERMINAL-SPADED SUPPLIER CODE: V04618 USED ON: 24C506588G1	103107	1
185	680	.	TERMINAL-STANDOFF LAV A, B SUPPLIER CODE: V08289	950951	3
185	680	.	TERMINAL-STANDOFF SUPPLIER CODE: V08289 USED ON: 8921340G1	101106 504903	3

MISSING ITEM NUMBERS NOT APPLICABLE

- ITEM NOT ILLUSTRATED

38-13-51-50

38-13-51
FIG. 50
PAGE 8
JAN 20/09

BRI

BOEING PROPRIETARY - Copyright © - Unpublished Work - See title page for details.



757

PARTS CATALOG (MAINTENANCE)

FIG ITEM	PART NUMBER	1 2 3 4 5 6 7	NOMENCLATURE	EFFECT FROM TO	UNITS PER ASSY
50 185	680		. TERMINAL-STANDOFF SUPPLIER CODE: V08289 USED ON: 8921340G1	103107	3
190	AN960C6L		. WASHER- USED ON: 8921340G1	101106 504903	3
190	AN960C6L		. WASHER- USED ON: 8921340G1	103107	3
195	8921088P1		. COVER- LAV A, B SUPPLIER CODE: V13545 POSITION DATA: BOTTOM CONFIG CHG DATA FROM A CMM: SUPSDS 24C506593P1	950951	1
195	8921088P1		. COVER- SUPPLIER CODE: V13545 POSITION DATA: BOTTOM CONFIG CHG DATA FROM A CMM: SUPSDS 24C506593P1 USED ON: 8921340G1	101106 504903	1
195	8921088P1		. COVER- SUPPLIER CODE: V13545 POSITION DATA: BOTTOM CONFIG CHG DATA FROM A CMM: SUPSDS 24C506593P1 USED ON: 8921340G1	103107	1
195	24C506593P1		. COVER- LAV A, B SUPPLIER CODE: V13545 POSITION DATA: BOTTOM CONFIG CHG DATA FROM A CMM: SUPSD BY 8921088P1	950951	1

MISSING ITEM NUMBERS NOT APPLICABLE

- ITEM NOT ILLUSTRATED

38-13-51-50

38-13-51
FIG. 50
PAGE 9
JAN 20/09

BRI

BOEING PROPRIETARY - Copyright © - Unpublished Work - See title page for details.



757

PARTS CATALOG (MAINTENANCE)

FIG ITEM	PART NUMBER	1 2 3 4 5 6 7	NOMENCLATURE	EFFECT FROM TO	UNITS PER ASSY
50 195	24C506593P1		.COVER- SUPPLIER CODE: V13545 POSITION DATA: BOTTOM CONFIG CHG DATA FROM A CMM: SUPSD BY 8921088P1 USED ON: 8921340G1	101106 504903	1
195	24C506593P1		.COVER- SUPPLIER CODE: V13545 POSITION DATA: BOTTOM CONFIG CHG DATA FROM A CMM: SUPSD BY 8921088P1 USED ON: 8921340G1	103107	1
200	AN960PD916L		ATTACHING PARTS .WASHER- LAV A, B	950951	1
200	AN960PD916L		.WASHER- USED ON: 8921340G1	101106 504903	1
200	AN960PD916L		.WASHER- USED ON: 8921340G1	103107	1
205	8921475P2		-----*----- .NUT- LAV A, B SUPPLIER CODE: V13545 ATTACHING PARTS	950951	1
205	8921475P2		.NUT- SUPPLIER CODE: V13545 USED ON: 8921340G1	101106 504903	1
205	8921475P2		.NUT- SUPPLIER CODE: V13545 USED ON: 8921340G1 -----*-----	103107	1

MISSING ITEM NUMBERS NOT APPLICABLE

- ITEM NOT ILLUSTRATED

38-13-51-50

38-13-51
FIG. 50
PAGE 10
JAN 20/09

BRI

BOEING PROPRIETARY - Copyright © - Unpublished Work - See title page for details.



757

PARTS CATALOG (MAINTENANCE)

FIG ITEM	PART NUMBER	1 2 3 4 5 6 7	NOMENCLATURE	EFFECT FROM TO	UNITS PER ASSY
50					
210	8921081P1		.HEATER-CARTRIDGE LAV A, B SUPPLIER CODE: V13545 CONFIG CHG DATA FROM A CMM: REPLD BY 24D5072339P01	950951	3
210	8921081P1		.HEATER-CARTRIDGE SUPPLIER CODE: V13545 CONFIG CHG DATA FROM A CMM: REPLD BY 24D5072339P01	101106 504903	3
210	8921081P1		.HEATER-CARTRIDGE SUPPLIER CODE: V13545 CONFIG CHG DATA FROM A CMM: REPLD BY 24D5072339P01	103107	3
210	24D507239P01		.HEATER-CARTRIDGE LAV A, B SUPPLIER CODE: V13545 CONFIG CHG DATA FROM A CMM: REPLD BY 24D5072339P01	950951	3
210	24D507239P01		.HEATER-CARTRIDGE SUPPLIER CODE: V13545 CONFIG CHG DATA FROM A CMM: REPLACES 8921081P1	101106 504903	3
210	24D507239P01		.HEATER-CARTRIDGE SUPPLIER CODE: V13545 CONFIG CHG DATA FROM A CMM: REPLACES 8921081P1	103107	3
215	KYNAR1		.SLEEVING-HEAT SHRINK, 1 IN. LG. SUPPLIER CODE: V13545 USED ON: 8921340G1	101106 504903	3
215	KYNAR1		.SLEEVING-HEAT SHRINK, 1 IN. LG. SUPPLIER CODE: V13545 USED ON: 8921340G1	103107	3

MISSING ITEM NUMBERS NOT APPLICABLE

- ITEM NOT ILLUSTRATED

38-13-51-50

38-13-51
FIG. 50
PAGE 11
JAN 20/09

BRI

BOEING PROPRIETARY - Copyright © - Unpublished Work - See title page for details.



757

PARTS CATALOG (MAINTENANCE)

FIG ITEM	PART NUMBER	1 2 3 4 5 6 7	NOMENCLATURE	EFFECT FROM TO	UNITS PER ASSY
50 220	NP5670		.CONNECTOR-CLOSED END LAV A, B SUPPLIER CODE: V14726 CONFIG CHG DATA FROM A CMM: REPLACED BY 35653	950951	2
220	NP5670		.CONNECTOR-CLOSED END SUPPLIER CODE: V14726 CONFIG CHG DATA FROM A CMM: REPLACED BY 35653 USED ON: 8921340G1	101106 504903	2
220	NP5670		.CONNECTOR-CLOSED END SUPPLIER CODE: V14726 CONFIG CHG DATA FROM A CMM: REPLACED BY 35653 USED ON: 8921340G1	103107	2
220	35653		.CONNECTOR-CLOSED END LAV A, B SUPPLIER CODE: V04618 CONFIG CHG DATA FROM A CMM: REPLACES NP5670	950951	2
220	35653		.CONNECTOR-CLOSED END SUPPLIER CODE: V04618 CONFIG CHG DATA FROM A CMM: REPLACES NP5670	101106 504903	2
220	35653		.CONNECTOR-CLOSED END SUPPLIER CODE: V04618 CONFIG CHG DATA FROM A CMM: REPLACES NP5670	103107	2
225	SR5P4		.CLAMP-STRAIN, RELIEF LAV A, B SUPPLIER CODE: V28520	950951	1
225	SR5P4		.CLAMP-STRAIN, RELIEF SUPPLIER CODE: V28520 USED ON: 8921340G1	101106 504903	1

MISSING ITEM NUMBERS NOT APPLICABLE

- ITEM NOT ILLUSTRATED

38-13-51-50

38-13-51
FIG. 50
PAGE 12
JAN 20/09

BRI



757

PARTS CATALOG (MAINTENANCE)

FIG ITEM	PART NUMBER	1 2 3 4 5 6 7	NOMENCLATURE	EFFECT FROM TO	UNITS PER ASSY
50					
225	SR5P4		.CLAMP-STRAIN, RELIEF SUPPLIER CODE: V28520 USED ON: 8921340G1	103107	1
230	8921156G2		.THERMOSTAT ASSY- LAV A, B SUPPLIER CODE: V13545	950951	1
230	8921156G2		.THERMOSTAT ASSY- SUPPLIER CODE: V13545 USED ON: 8921340G1	101106 504903	1
230	8921156G2		.THERMOSTAT ASSY- SUPPLIER CODE: V13545 USED ON: 8921340G1	103107	1
235	8921288P1		..SCREW-ADJUSTMENT LAV A, B SUPPLIER CODE: V13545	950951	1
235	8921288P1		..SCREW-ADJUSTMENT SUPPLIER CODE: V13545	101106 504903	1
235	8921288P1		..SCREW-ADJUSTMENT SUPPLIER CODE: V13545	103107	1
240	MS35233-8		..SCREW- LAV A, B	950951	2
240	MS35233-8		..SCREW	101106 504903	2
240	MS35233-8		..SCREW	103107	2
245	79LH1660-26		..NUT- LAV A, B SUPPLIER CODE: V72962	950951	2
245	79LH1660-26		..NUT- SUPPLIER CODE: V72962	101106 504903	2
245	79LH1660-26		..NUT- SUPPLIER CODE: V72962	103107	2
250	8921154G1		..ACTUATOR-THERMO LAV A, B SUPPLIER CODE: V13545	950951	1

MISSING ITEM NUMBERS NOT APPLICABLE

- ITEM NOT ILLUSTRATED

38-13-51-50

38-13-51
FIG. 50
PAGE 13
JAN 20/09

BRI

BOEING PROPRIETARY - Copyright © - Unpublished Work - See title page for details.



757

PARTS CATALOG (MAINTENANCE)

FIG ITEM	PART NUMBER	1 2 3 4 5 6 7	NOMENCLATURE	EFFECT FROM TO	UNITS PER ASSY
50					
250	8921154G1	..	ACTUATOR-THERMO SUPPLIER CODE: V13545	101106 504903	1
250	8921154G1	..	ACTUATOR-THERMO SUPPLIER CODE: V13545	103107	1
255	8921157G1	..	SWITCH-SNAP-ACTION LAV A, B SUPPLIER CODE: V13545	950951	1
255	8921157G1	..	SWITCH-SNAP-ACTION SUPPLIER CODE: V13545	101106 504903	1
255	8921157G1	..	SWITCH-SNAP-ACTION SUPPLIER CODE: V13545	103107	1
260	8921158P1	..	INSULATOR- LAV A, B SUPPLIER CODE: V13545	950951	2
260	8921158P1	..	INSULATOR- SUPPLIER CODE: V13545	101106 504903	2
260	8921158P1	..	INSULATOR- SUPPLIER CODE: V13545	103107	2
265	24C506589G1	.WIRE ASSY-FEED THRU LAV A, B SUPPLIER CODE: V13545		950951	AR
270	8921385G1	.TANK-WATER LAV A, B SUPPLIER CODE: V13545		950951	1
270	8921385G1	.TANK-WATER SUPPLIER CODE: V13545 USED ON: 8921340G1		101106 504903	1
270	8921385G1	.TANK-WATER SUPPLIER CODE: V13545 USED ON: 8921340G1		103107	1

MISSING ITEM NUMBERS NOT APPLICABLE

- ITEM NOT ILLUSTRATED

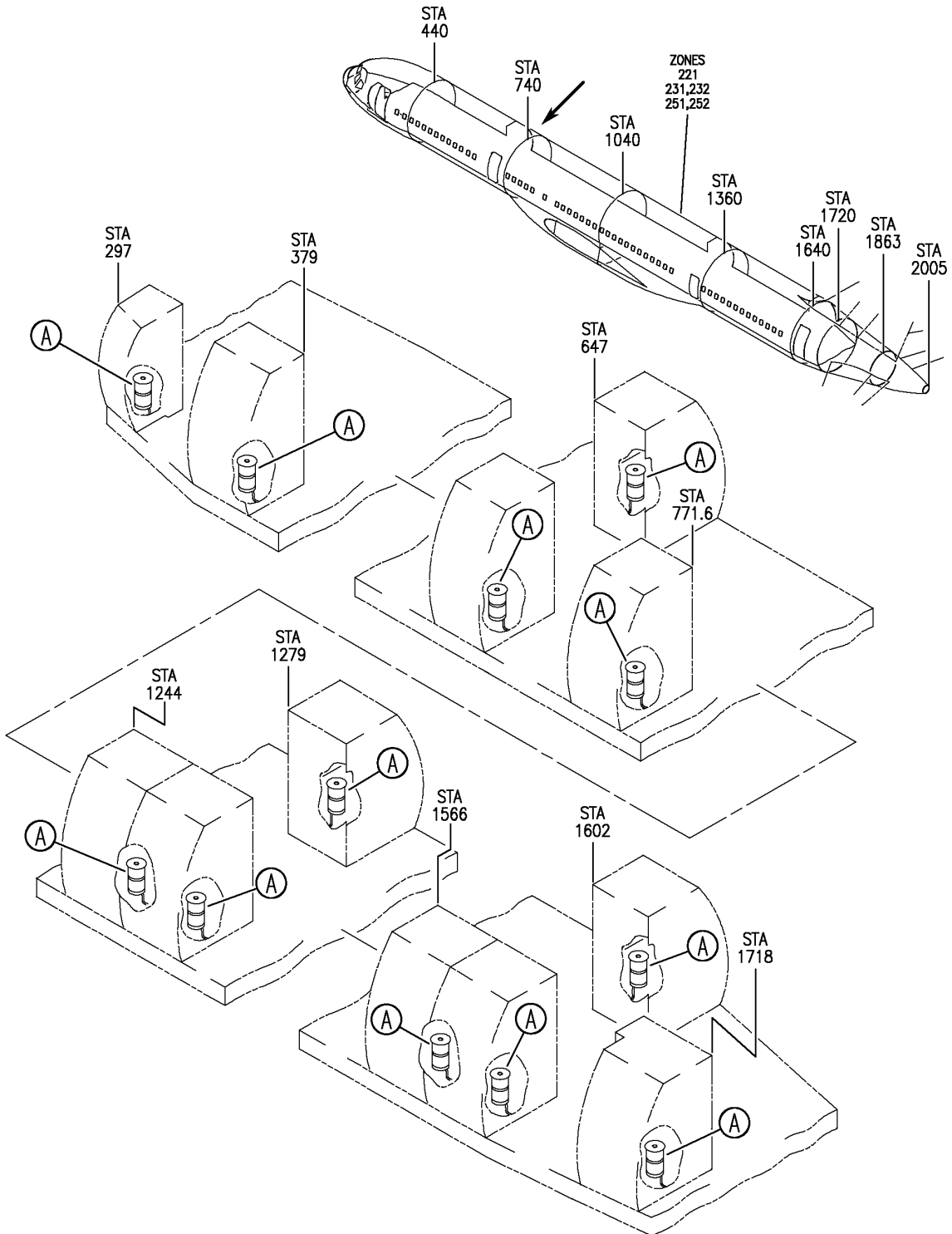
BRI

38-13-51-50

BOEING PROPRIETARY - Copyright © - Unpublished Work - See title page for details.

38-13-51
FIG. 50
PAGE 14
JAN 20/09

BOEING
757
PARTS CATALOG (MAINTENANCE)



Y 38135150A SHT 1 REV 251

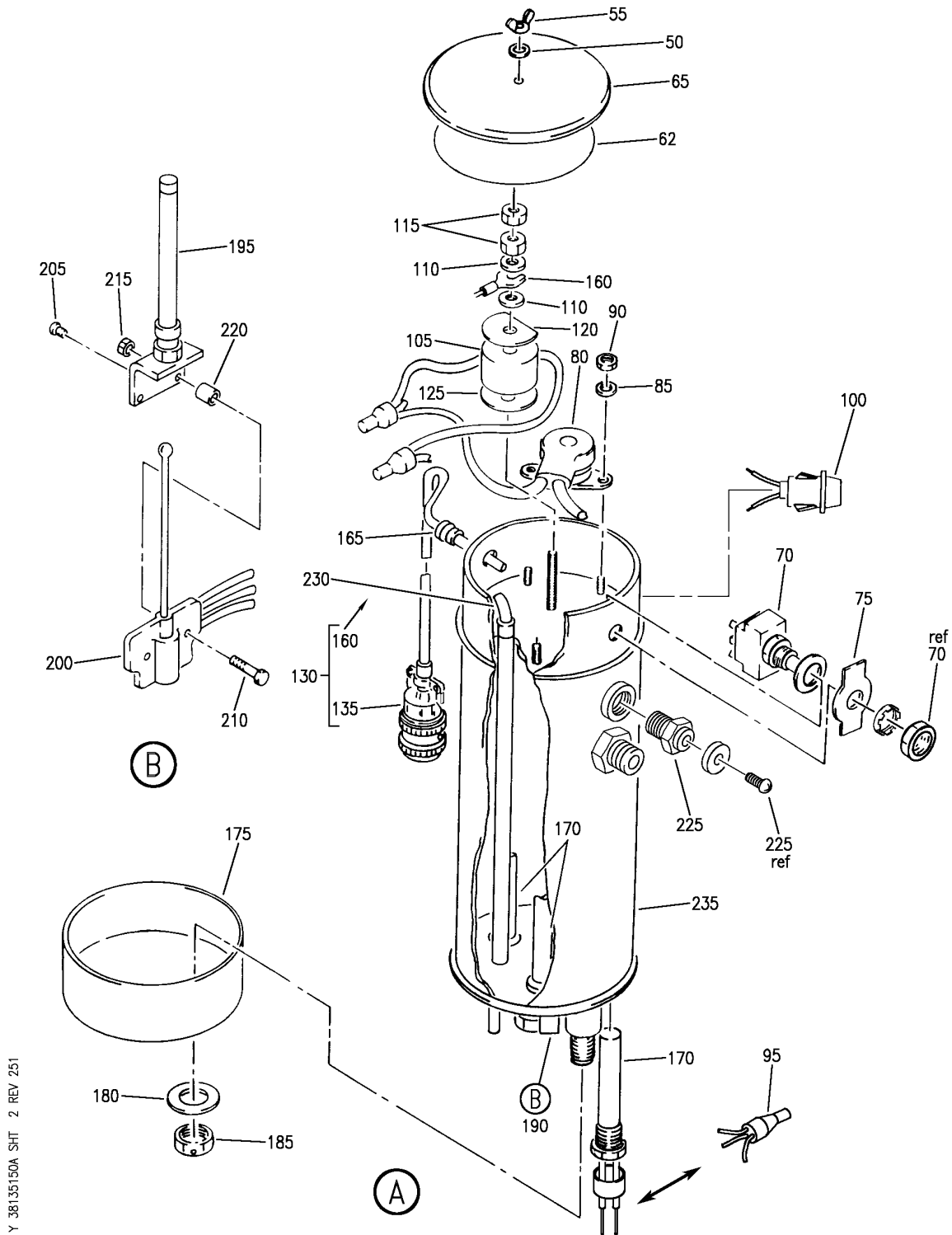
HEATER ASSY-WATER, LAV
FIGURE 50A (SHEET 1)

38-13-51-50A

BRI
MAY 28/07

38-13-51-50A
PAGE 0

BOEING
757
PARTS CATALOG (MAINTENANCE)



Y 38135150A SHT 2 REV 251

HEATER ASSY-WATER, LAV
FIGURE 50A (SHEET 2)

38-13-51-50A

BRI
MAY 28/07

38-13-51-50A
PAGE 0A



757

PARTS CATALOG (MAINTENANCE)

FIG ITEM	PART NUMBER	1 2 3 4 5 6 7	NOMENCLATURE	EFFECT FROM TO	UNITS PER ASSY
50A			HEATER ASSY-WATER, LAV	002004 006100 107107 121503 904949 952999	
- 1	24E507040G01		HEATER ASSY-WATER, LAV SUPPLIER CODE: VOAJJO SPECIFICATION NUMBER: 60B50064-2 CONFIG CHG DATA FROM A CMM: SUPERSEDES 8921340G1 COMPONENT MAINT MANUAL REF: 38-13-51 FOR NHA SEE: 38-13-51-01	121503 904949	RF
- 1	24E507040G01		HEATER ASSY-WATER, LAV SUPPLIER CODE: VOAJJO SPECIFICATION NUMBER: 60B50064-2 CONFIG CHG DATA FROM A CMM: SUPERSEDES 8921340G1 SUPSD BY 1A081-0157-12 COMPONENT MAINT MANUAL REF: 38-13-51 FOR NHA SEE: 38-11-51-02L 38-11-51-10C	107107	RF
- 1	24E507040G01		HEATER ASSY-WATER, LAV SUPPLIER CODE: VOAJJO SPECIFICATION NUMBER: 60B50064-2 CONFIG CHG DATA FROM A CMM: SUPSD BY 1A081-0157-12 COMPONENT MAINT MANUAL REF: 38-13-51 FOR NHA SEE: 38-13-51-10D	002004 006100	RF

MISSING ITEM NUMBERS NOT APPLICABLE

- ITEM NOT ILLUSTRATED

38-13-51-50A

38-13-51
FIG. 50A
PAGE 1
JAN 20/09

BRI



757

PARTS CATALOG (MAINTENANCE)

FIG ITEM	PART NUMBER	1 2 3 4 5 6 7	NOMENCLATURE	EFFECT FROM TO	UNITS PER ASSY
50A 55	601032	.NUT-	SUPPLIER CODE: V06641 CONFIG CHG DATA FROM A CMM: SUPERSEDES MS35426-26 OPTIONAL PART: 0601032WNA V40970	002004 006100 121503 904949 952999	1
55	0601032WNA	.NUT-	SUPPLIER CODE: V13545 OPTIONAL PART: 601032 V06641	002004 006100 121503 904949 952999	1
62	24C507097P02	.PLACARD-	SUPPLIER CODE: VS5825 PLACARD CONTENT: SCHEMATIC	002004 006100 121503 904949 952999	1
65	24C506586P1	.COVER-TOP	SUPPLIER CODE: V13545 OPTIONAL PART: 8921469P3 VOAJJO	002004 006100 121503 904949 952999	1
65	8921469P3	.COVER-TOP	SUPPLIER CODE: VOAJJO OPTIONAL PART: 24C506586P1 VOAJJO	002004 006100 121503 904949 952999	1
70	8822K21	.SWITCH-TOGGLE	SUPPLIER CODE: V55841 OPTIONAL PART: MS35059-24	002004 006100 121503 904949 952999	1
70	MS35059-24	.SWITCH-TOGGLE	OPTIONAL PART: 8822K21 V27191	002004 006100 121503 904949 952999	1
75	30-5632-4	.PLATE-ON-OFF	SUPPLIER CODE: V27191	002004 006100 121503 904949 952999	1

MISSING ITEM NUMBERS NOT APPLICABLE

- ITEM NOT ILLUSTRATED

38-13-51-50A

38-13-51
FIG. 50A
PAGE 3
MAY 20/09

BRI

BOEING PROPRIETARY - Copyright © - Unpublished Work - See title page for details.



757

PARTS CATALOG (MAINTENANCE)

FIG ITEM	PART NUMBER	1 2 3 4 5 6 7	NOMENCLATURE	EFFECT FROM TO	UNITS PER ASSY
50A 80	24B506591P1		.THERMOSTAT-MANUAL RESET SUPPLIER CODE: VOAJJO	002004 006100 121503 904949 952999	1
85	AN960C6L		ATTACHING PARTS .WASHER	002004 006100 121503 904949 952999	2
90	22FT632		.NUT-SELF-LOCKING SUPPLIER CODE: V80539	002004 006100 121503 904949 952999	2
95	35653		-----*----- .CONNECTOR-CLOSED END SUPPLIER CODE: V00779	002004 006100 121503 904949 952999	5
100	24B506590P1		.LIGHT-IND SUPPLIER CODE: VOAJJO	002004 006100 121503 904949 952999	1
105	24B507067P01		.INDUCTOR- SUPPLIER CODE: VOAJJO	002004 006100 121503 904949 952999	1
110	AN960C10L		ATTACHING PARTS .WASHER	002004 006100 121503 904949 952999	2
115	22FT1032		.NUT-SELF-LOCKING SUPPLIER CODE: V80539	002004 006100 121503 904949 952999	2
120	24B507081P01		-----*----- .WASHER-INSULATING SUPPLIER CODE: VS5825	002004 006100 121503 904949 952999	1

MISSING ITEM NUMBERS NOT APPLICABLE

- ITEM NOT ILLUSTRATED

38-13-51-50A

38-13-51
FIG. 50A
PAGE 4
MAY 20/09

BRI

BOEING PROPRIETARY - Copyright © - Unpublished Work - See title page for details.



757

PARTS CATALOG (MAINTENANCE)

FIG ITEM	PART NUMBER	1 2 3 4 5 6 7	NOMENCLATURE	EFFECT FROM TO	UNITS PER ASSY
50A 125	24B507081P02		.WASHER-INSULATING SUPPLIER CODE: VS5825	002004 006100 121503 904949 952999	1
130	24C506588G1		.LEAD ASSY-CONNECTOR SUPPLIER CODE: VOAJJO	002004 006100 121503 904949 952999	1
135	BACC45FT14C7P		..CONNECTOR- QUALIFIED OPTIONAL DATA: BACC45FT14-7P, MS3902931-229, MS27291-3 AND MS27488-16 ARE OPTIONAL TO BACC45FT14C7P	002004 006100 121503 904949 952999	1
- 140	BACC45FT14-7P		..CONNECTOR- QUALIFIED OPTIONAL DATA: BACC45FT14-7P, MS3902931-229, MS27291-3 AND MS27488-16 ARE OPTIONAL TO BACC45FT14C7P USED WITH: M3902931-229 MS27291-3 MS27488-16	002004 006100 121503 904949 952999	1
- 145	M3902931-229		..PIN- QUALIFIED OPTIONAL DATA: BACC45FT14-7P, MS3902931-229, MS27291-3 AND MS27488-16 ARE OPTIONAL TO BACC45FT14C7P USED WITH: MS27291-3 MS27488-16 BACC45FT14-7P	002004 006100 121503 904949 952999	7

MISSING ITEM NUMBERS NOT APPLICABLE

- ITEM NOT ILLUSTRATED

38-13-51-50A

38-13-51
FIG. 50A
PAGE 5
MAY 20/09

BRI



757

PARTS CATALOG (MAINTENANCE)

FIG ITEM	PART NUMBER	1 2 3 4 5 6 7	NOMENCLATURE	EFFECT FROM TO	UNITS PER ASSY
50A - 150	MS27291-3		.. SUPPORT- QUALIFIED OPTIONAL DATA: BACC45FT14-7P, MS3902931-229, MS27291-3 AND MS27488-16 ARE OPTIONAL TO BACC45FT14C7P USED WITH: M3902931-229 MS27488-16 BACC45FT14C7P	002004 006100 121503 904949 952999	1
- 155	MS27488-16		.. PLUG- QUALIFIED OPTIONAL DATA: BACC45FT14-7P, MS3902931-229, MS27291-3 AND MS27488-16 ARE OPTIONAL TO BACC45FT14C7P USED WITH: M3902931-229 MS27291-3 BACC45FT14-7P	002004 006100 121503 904949 952999	4
160	32054		.. TERMINAL-SPADED SUPPLIER CODE: V00779 OPTIONAL PART: 32051 V00779	002004 006100 121503 904949 952999	1
160	32051		.. TERMINAL-SPADED SUPPLIER CODE: V00779 OPTIONAL PART: 32054 V00779	002004 006100 121503 904949 952999	1
165	SR5P4		. CLAMP-STRAIN, RELIEF SUPPLIER CODE: V28520	002004 006100 121503 904949 952999	1
170	24D507239P01		. HEATER-CARTRIDGE SUPPLIER CODE: VOAJJO	002004 006100 121503 904949 952999	3

MISSING ITEM NUMBERS NOT APPLICABLE

- ITEM NOT ILLUSTRATED

38-13-51-50A

38-13-51
FIG. 50A
PAGE 6
MAY 20/09

BRI

BOEING PROPRIETARY - Copyright © - Unpublished Work - See title page for details.



757

PARTS CATALOG (MAINTENANCE)

FIG ITEM	PART NUMBER	1 2 3 4 5 6 7	NOMENCLATURE	EFFECT FROM TO	UNITS PER ASSY
50A 175	24C506593P2	.COVER-	SUPPLIER CODE: VOAJJO POSITION DATA: BOTTOM ATTACHING PARTS	002004 006100 121503 904949 952999	1
180	AN960PD916L	.WASHER-	CONFIG CHG DATA FROM A CMM: SUPSD BY NAS1149D0916J	002004 006100 121503 904949 952999	1
180	NAS1149D0916J	.WASHER-	CONFIG CHG DATA FROM A CMM: SUPERSEDES AN960PD916L	002004 006100 121503 904949 952999	1
185	8921475P3	.NUT-	SUPPLIER CODE: VOAJJO CONFIG CHG DATA FROM A CMM: SUPERSEDES 8921475P2	002004 006100 121503 904949 952999	1
185	8921475P3	.NUT-	SUPPLIER CODE: VOAJJO CONFIG CHG DATA FROM A CMM: SUPERSEDES 8921475P2	002004 006100 121503 904949 952999	1
190	24D507039G02	-----*----- .THERMOSTAT ASSY-ELECTRONIC	SUPPLIER CODE: VOAJJO	002004 006100 121503 904949 952999	1
195	24D507002G01	..FRAME-	SUPPLIER CODE: VOAJJO	002004 006100 121503 904949 952999	1
200	24D507078G02	..BOARD-CKT	SUPPLIER CODE: VOAJJO	002004 006100 121503 904949 952999	1
205	MS35231-13	ATTACHING PARTS ..SCREW-	CONFIG CHG DATA FROM A CMM: REPLD BY MS35214-12	002004 006100 121503 904949 952999	1

MISSING ITEM NUMBERS NOT APPLICABLE

- ITEM NOT ILLUSTRATED

38-13-51-50A

38-13-51
FIG. 50A
PAGE 7
MAY 20/09

BRI

BOEING PROPRIETARY - Copyright © - Unpublished Work - See title page for details.

BOEING
757
PARTS CATALOG (MAINTENANCE)

FIG ITEM	PART NUMBER	1 2 3 4 5 6 7	NOMENCLATURE	EFFECT FROM TO	UNITS PER ASSY
50A 205	MS35214-12	..	SCREW- CONFIG CHG DATA FROM A CMM: REPLDS MS35231-13 OPTIONAL PART: MS35214-12C	002004 006100 121503 904949 952999	1
205	MS35214-12C	..	SCREW- OPTIONAL PART: MS35214-12	002004 006100 121503 904949 952999	1
210	MS35275-218	..	SCREW -----*----- ATTACHING PARTS	002004 006100 121503 904949 952999	2
215	24B507007P01	..	SPACER- SUPPLIER CODE: VOAJJO	002004 006100 121503 904949 952999	2
220	MS21043-04	..	NUT	002004 006100 121503 904949 952999	2
225	D532B2M140	. VALVE-RELIEF	SUPPLIER CODE: V91816 SB DATA FROM A CMM: PRE 24E507040-38-2 CONFIG CHG DATA FROM A CMM: SUPSD BY D532T2M140	002004 006100 121503 904949 952999	1
225	D532T2M140	. VALVE-RELIEF	SUPPLIER CODE: V91816 SB DATA FROM A CMM: PRE 24E507040-38-2 CONFIG CHG DATA FROM A CMM: SUPEREDS D532B2M140 SUPSD BY 2E1922-2 OPTIONAL PART: D532T1-2M140 V91816	002004 006100 121503 904949 952999	1

MISSING ITEM NUMBERS NOT APPLICABLE

— ITEM NOT ILLUSTRATED

BRI

38-13-51-50A

BOEING PROPRIETARY - Copyright © - Unpublished Work - See title page for details.

38-13-51
FIG. 50A
PAGE 8
MAY 20/09



757

PARTS CATALOG (MAINTENANCE)

FIG ITEM	PART NUMBER	1 2 3 4 5 6 7	NOMENCLATURE	EFFECT FROM TO	UNITS PER ASSY
50A 225	D532T1-2M140	.	VALVE-RELIEF SUPPLIER CODE: V91816 SB DATA FROM A CMM: PRE 24E507040-38-2 CONFIG CHG DATA FROM A CMM: SUPSD BY 2E1922-2 OPTIONAL PART: D532T2M140 V91816	002004 006100 121503 904949 952999	1
225	2E1922-2	.	VALVE-RELIEF SUPPLIER CODE: VOAJJO SB DATA FROM A CMM: POST 24E507040-38-2 CONFIG CHG DATA FROM A CMM: SUPERSEDES D532T2M140 SUPERSEDES D532T1-2M140	002004 006100 121503 904949 952999	1
230	24C506589G3	.	WIRE ASSY-FEED THRU SUPPLIER CODE: VOAJJO	002004 006100 121503 904949 952999	1
235	8921385G1	.	TANK-WATER SUPPLIER CODE: VOAJJO	002004 006100 121503 904949 952999	1

MISSING ITEM NUMBERS NOT APPLICABLE

- ITEM NOT ILLUSTRATED

38-13-51-50A

38-13-51
FIG. 50A
PAGE 9
MAY 20/09

BRI

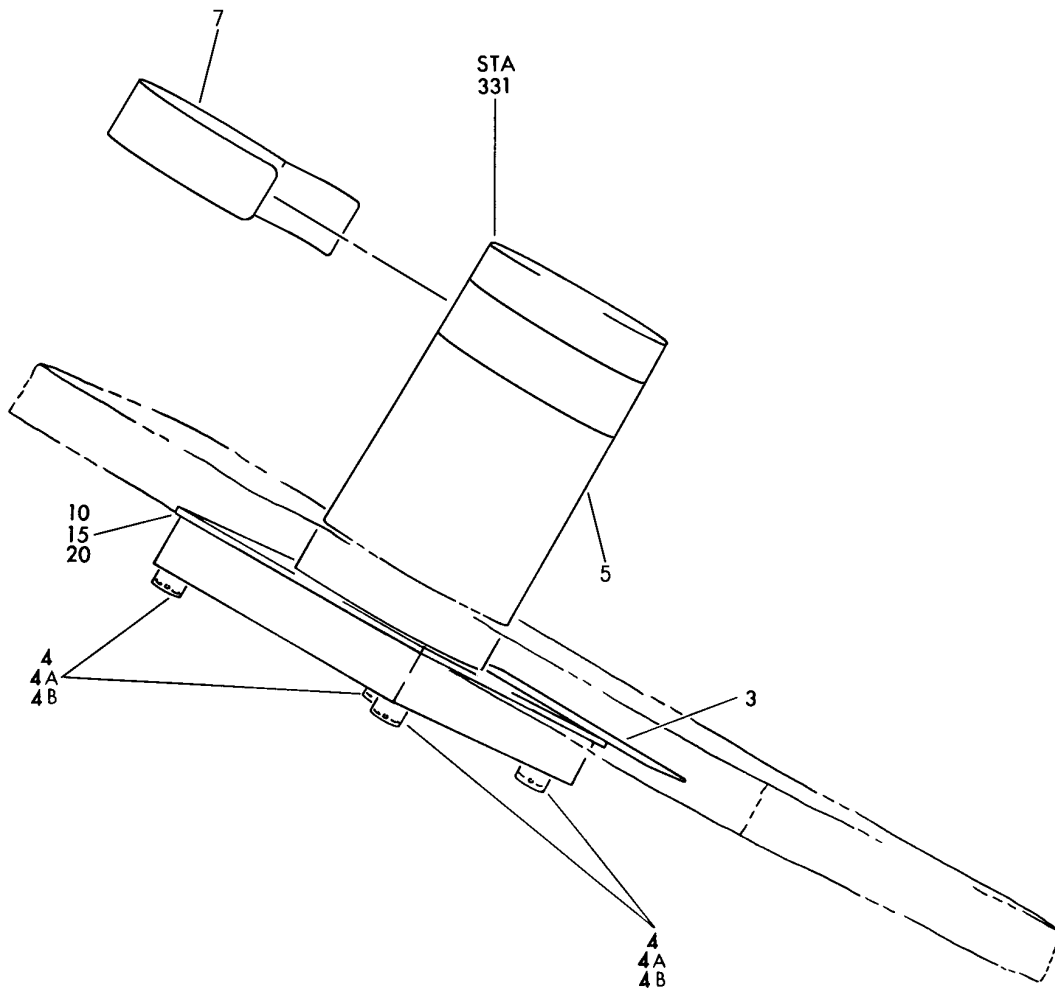
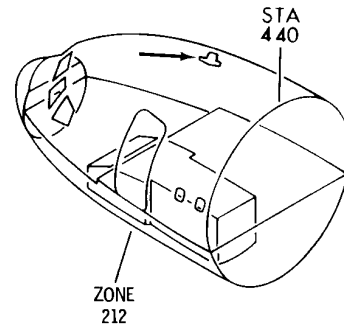
BOEING PROPRIETARY - Copyright © - Unpublished Work - See title page for details.

WATER QUANTITY INDICATION

BRI
MAY 28/07

38-14-00
SECTION TITLE
PAGE 1

BOEING
757
PARTS CATALOG (MAINTENANCE)



Y 38140101 REV 305

INDICATOR INSTL-WATER QTY
FIGURE 1

38-14-01-01

BRI
MAY 28/07

38-14-01-01
PAGE 0



757

PARTS CATALOG (MAINTENANCE)

FIG ITEM	PART NUMBER	1 2 3 4 5 6 7	NOMENCLATURE	EFFECT FROM TO	UNITS PER ASSY
1			INDICATOR INSTL-WATER QTY	002004 006102 107999	
- 1	417N2106-2		INDICATOR INSTL-WATER QTY VARIABLE DRAWING REF: 417N2106-1 417N2106-3 417N2106-4 417N2106-5 FOR NHA SEE: 25-20-00-01A 25-20-00-03A	002004 006100 107107 121503 904999	RF
- 1	417N2106-101SP		INDICATOR INSTL-WATER QTY FOR NHA SEE: 25-20-00-07D	108120	RF
- 1	417N2106-103SP		INDICATOR INSTL-WATER QTY	101102	RF
3	BAC27NPA0938		.PLACARD- PLACARD CONTENT: WATER (U.S. GALLONS)	002004 006102 107999	1
4	NAS1352C06-12		.SCREW-	002004 006102 107999	4
5	115-160		.INDICATOR- SUPPLIER CODE: V34830 SPECIFICATION NUMBER: 60B50402-14 ELECTRICAL EQUIP NUMBER: N10005 COMPONENT MAINT MANUAL REF: 38-14-11 OPTIONAL PART: 163CV60 V35918	006102 107949 952999	1
5	115-216		.INDICATOR- SUPPLIER CODE: V34830 SPECIFICATION NUMBER: 60B50402-18 ELECTRICAL EQUIP NUMBER: N10005	950951	1

MISSING ITEM NUMBERS NOT APPLICABLE

- ITEM NOT ILLUSTRATED

BRI

38-14-01-01

38-14-01
FIG. 01
PAGE 1
JAN 20/09



757

PARTS CATALOG (MAINTENANCE)

FIG ITEM	PART NUMBER	1 2 3 4 5 6 7	NOMENCLATURE	EFFECT FROM TO	UNITS PER ASSY
1					
5	115A160-2		.INDICATOR- SUPPLIER CODE: V34830 SPECIFICATION NUMBER: 60B50402-25 COMPONENT MAINT MANUAL REF: 38-14-16 OPTIONAL PART: 163CV62 V35918	006102 107949 952999	1
5	115A216-1		.INDICATOR-WATER QTY SUPPLIER CODE: V34830 SPECIFICATION NUMBER: 60B50402-26 OPTIONAL PART: 163CV63 V35918	950951	1
5	163CV63		.INDICATOR-WATER QTY SUPPLIER CODE: V35918 SPECIFICATION NUMBER: S417N207-6 ELECTRICAL EQUIP NUMBER: N10005 OPTIONAL PART: 115A216-1 V34830	950951	1
5	163CV60		.INDICATOR- SUPPLIER CODE: V35918 SPECIFICATION NUMBER: S417N207-3 OPTIONAL PART: 115-160 V34830	006102 107949 952999	1
5	163CV62		.INDICATOR- SUPPLIER CODE: V35918 SPECIFICATION NUMBER: S417N207-5 OPTIONAL PART: 115A160-2 V34830	006102 107949 952999	1
5	163CV61		.INDICATOR- SUPPLIER CODE: V35918 SPECIFICATION NUMBER: S417N207-4	950951	1

MISSING ITEM NUMBERS NOT APPLICABLE

- ITEM NOT ILLUSTRATED

38-14-01-01

38-14-01
FIG. 01
PAGE 2
JAN 20/09

BRI



757

PARTS CATALOG (MAINTENANCE)

FIG ITEM	PART NUMBER	1 2 3 4 5 6 7	NOMENCLATURE	EFFECT FROM TO	UNITS PER ASSY
1					
7	N501B24-39-1		..NAMEPLATE- SUPPLIER CODE: V35918	006102 107949 952999	1
7	N501B24-41-1		..NAMEPLATE- SUPPLIER CODE: V35918	006102 107949 952999	1
7	N501B24-42-1		..NAMEPLATE- SUPPLIER CODE: V35918	950951	1
10	411N2571-4		.PLATE-DOORWAY LINING	107107 121503 904949 952999	1
10	411N2571-5		.PLATE-DOORWAY LINING	002004 006100 950951	1
20	411N2571-101SP		.PLATE- USED ON: 417N2106-101SP 417N2106-102SP 417N2106-103SP 417N2106-104SP 417N2106-105SP MODREF17129 MODREF17132	101102 108120 504903	1

MISSING ITEM NUMBERS NOT APPLICABLE

- ITEM NOT ILLUSTRATED

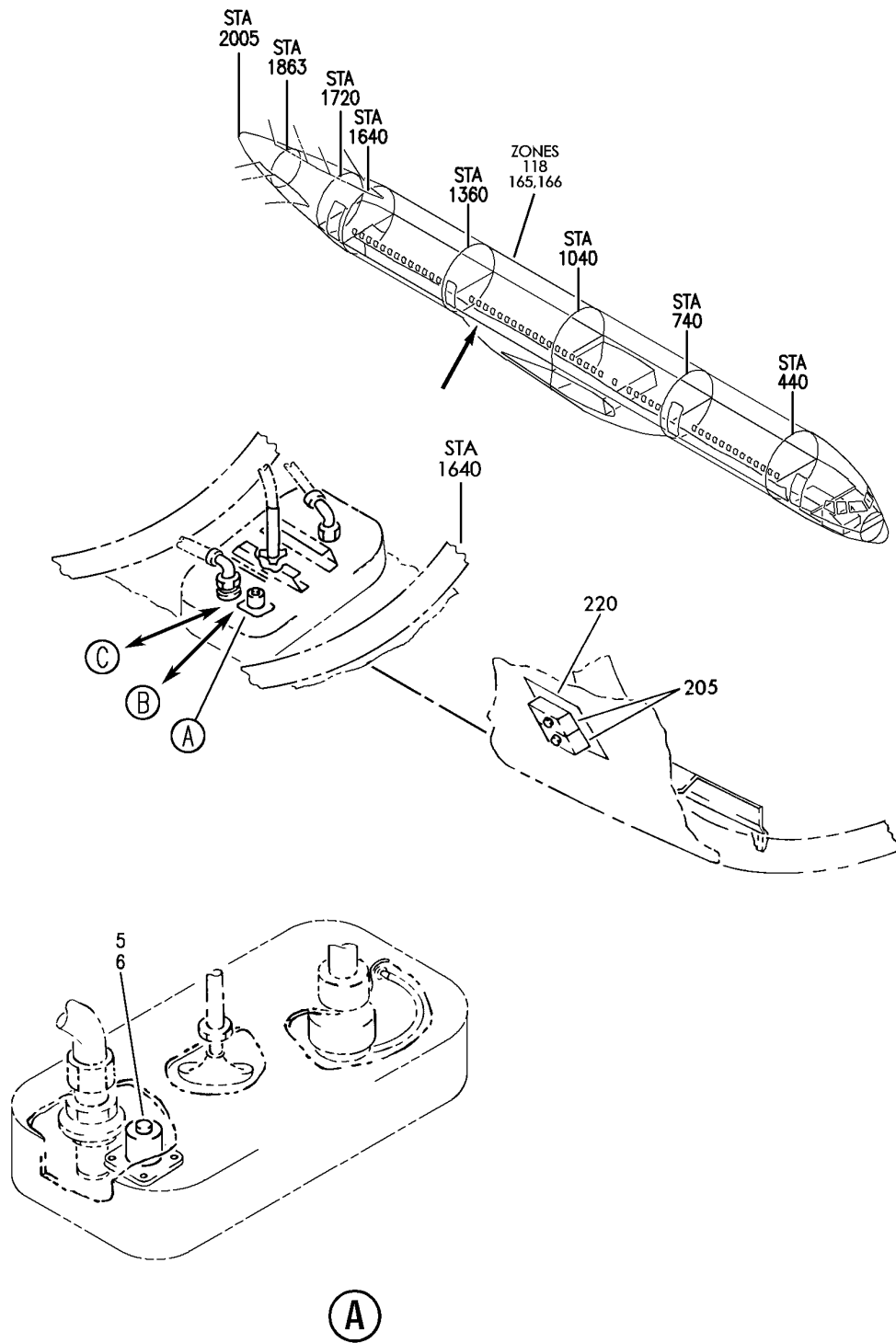
BRI

38-14-01-01

BOEING PROPRIETARY - Copyright © - Unpublished Work - See title page for details.

38-14-01
FIG. 01
PAGE 3
JAN 20/09

BOEING
757
PARTS CATALOG (MAINTENANCE)



Y 38140102 SHT 1 REV 282

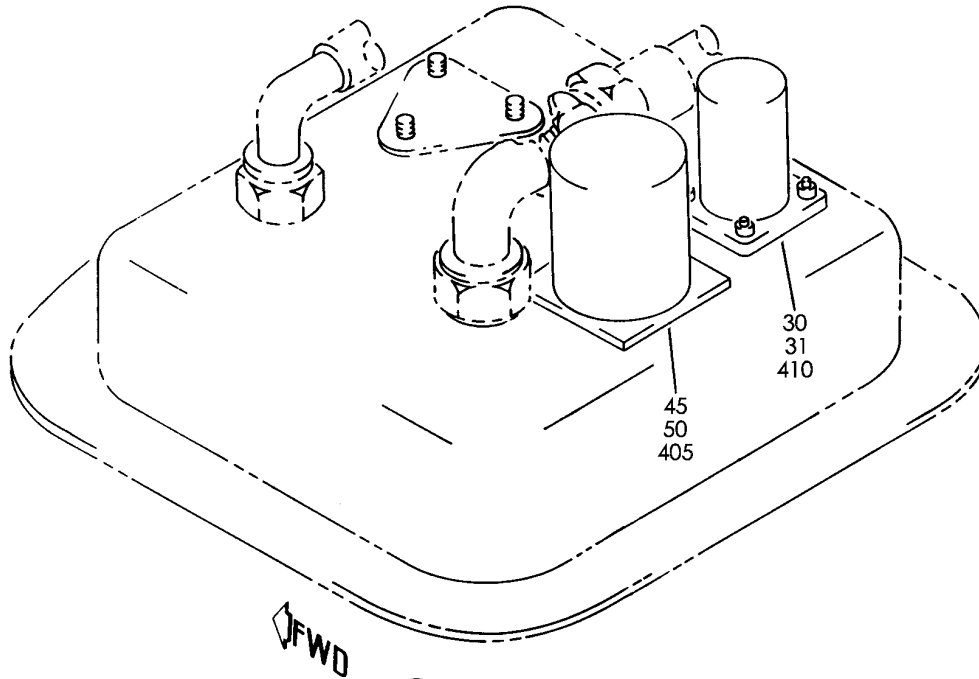
VALVE INSTL-PASS. WATER SYS TANK FILL AND OVERFLOW (WATER QUANTITY INDICATION ONLY)
FIGURE 2 (SHEET 1)

BRI
MAY 28/07

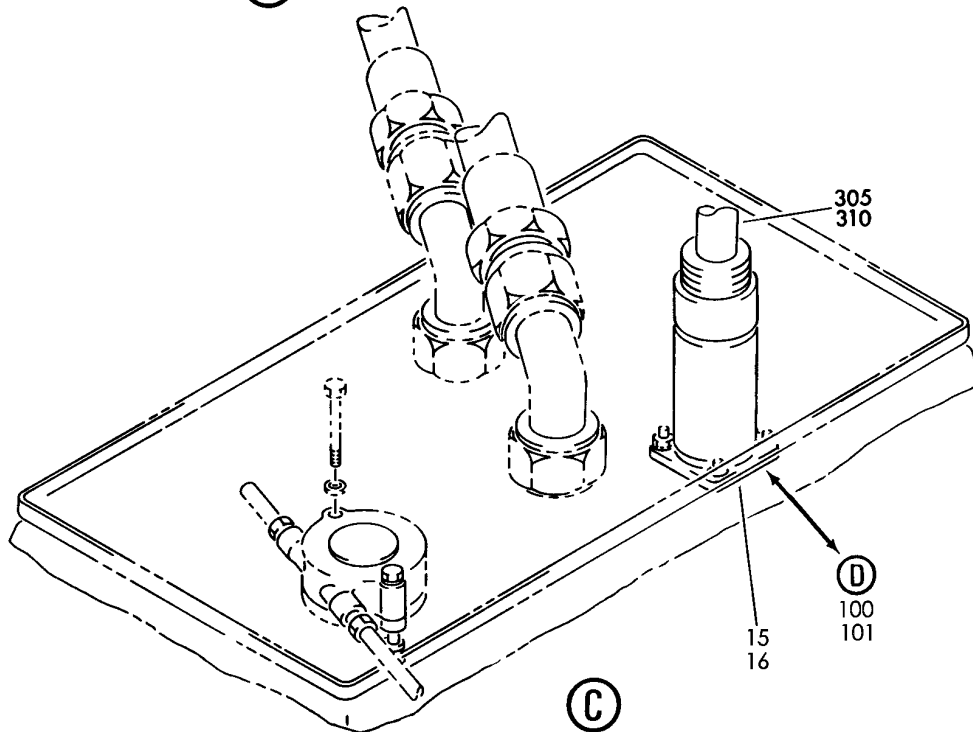
38-14-01-02

38-14-01-02
PAGE 0

BOEING
757
PARTS CATALOG (MAINTENANCE)



(B)



(C)

Y 38140102 SHT 2 REV 241

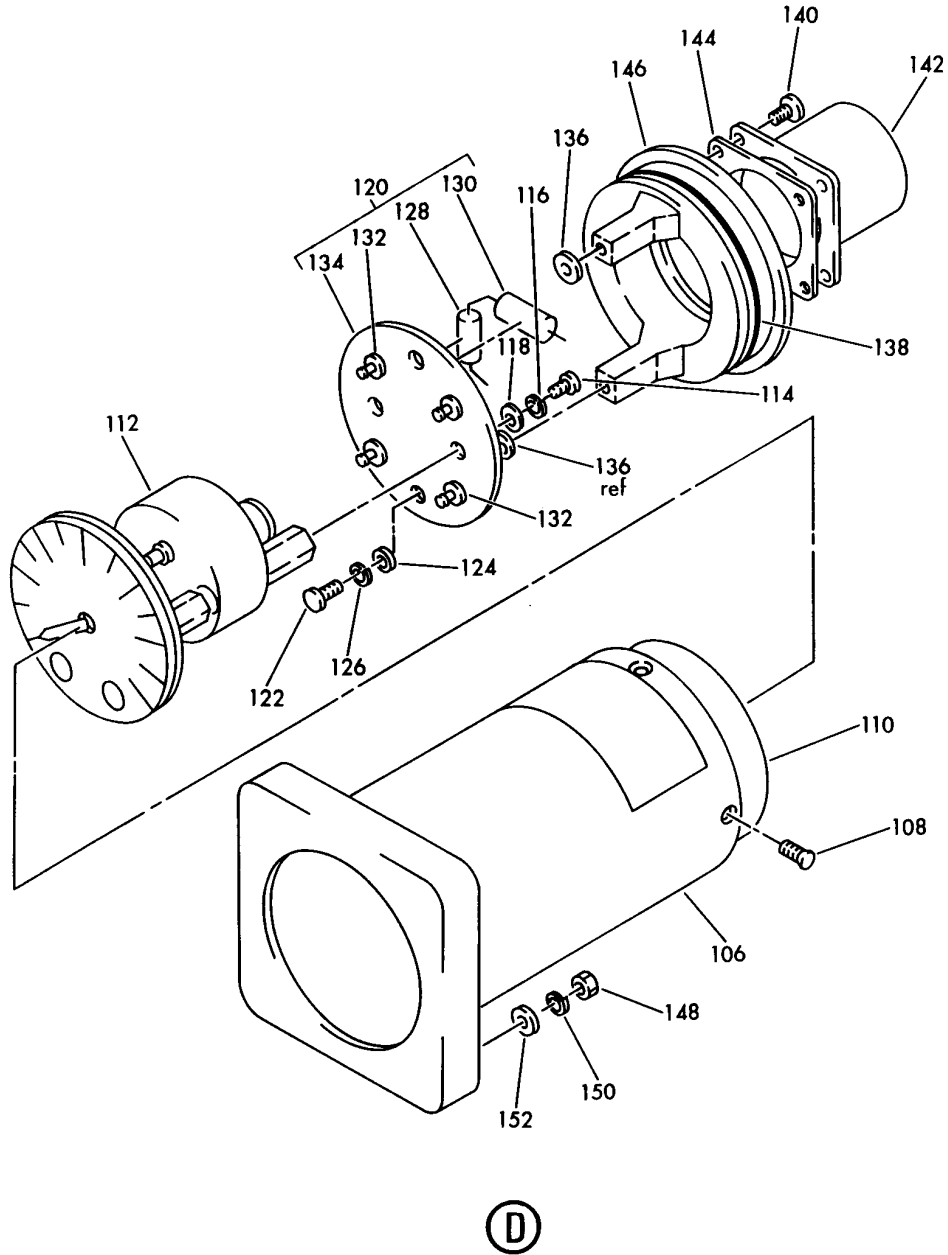
VALVE INSTL-PASS. WATER SYS TANK FILL AND OVERFLOW (WATER QUANTITY INDICATION ONLY)
FIGURE 2 (SHEET 2)

BRI
MAY 28/07

38-14-01-02

38-14-01-02
PAGE 0A

BOEING
757
PARTS CATALOG (MAINTENANCE)



Y 38140102 SHT 3 REV 150

VALVE INSTL-PASS. WATER SYS TANK FILL AND OVERFLOW (WATER QUANTITY INDICATION ONLY)
FIGURE 2 (SHEET 3)

38-14-01-02

BRI
MAY 28/07

38-14-01-02
PAGE 0B



757

PARTS CATALOG (MAINTENANCE)

FIG ITEM	PART NUMBER	1 2 3 4 5 6 7	NOMENCLATURE	EFFECT FROM TO	UNITS PER ASSY
2			VALVE INSTL-PASS. WATER SYS TANK FILL AND OVERFLOW (WATER QUANTITY INDICATION ONLY)	002004 006102 107999	
- 1	417N2515-1		VALVE INSTL-PASS. WATER SYS WATER TANK FILL AND OVERFLOW (WATER QUANTITY INDICATION ONLY) POSITION DATA: AFT VARIABLE DRAWING REF: 417N2515-2 FOR NHA/ADDITIONAL DET SEE: 25-20-00-01A 25-20-00-01E	002004 006100 107107 121503 904999	RF
- 1	417N2515-43		VALVE INSTL-PASS. WATER SYS WATER TANK FILL AND OVERFLOW POSITION DATA: AFT FOR NHA SEE: 25-20-00-07D	101102 108120 504903	RF
5	115-161		. GAUGE-QTY SUPPLIER CODE: V34830 SPECIFICATION NUMBER: 60B50402-15 ELECTRICAL EQUIP NUMBER: N10006 COMPONENT MAINT MANUAL REF: 38-14-12 OPTIONAL PART: 163CV57 V35918	002004 006100 107107 121503 904949 952999	1
5	163CV57		. GAUGE-QTY SUPPLIER CODE: V35918 SPECIFICATION NUMBER: S417N207-1 ELECTRICAL EQUIP NUMBER: N10006 OPTIONAL PART: 115-161 V34830	002004 006100 107107 121503 904949 952999	1

MISSING ITEM NUMBERS NOT APPLICABLE

- ITEM NOT ILLUSTRATED

38-14-01-02

38-14-01
FIG. 02
PAGE 1
JAN 20/09

BRI



757

PARTS CATALOG (MAINTENANCE)

FIG ITEM	PART NUMBER	1 2 3 4 5 6 7	NOMENCLATURE	EFFECT FROM TO	UNITS PER ASSY
2	5 163CV58		. GAUGE-QTY SUPPLIER CODE: V35918 SPECIFICATION NUMBER: S417N207-2 ELECTRICAL EQUIP NUMBER: N10006 OPTIONAL PART: 115-217 V34830 USED ON: 417N2515-42	950951	1
	6 115-217		. GAUGE ASSY-QTY SUPPLIER CODE: V34830 SPECIFICATION NUMBER: 60B50402-17 ELECTRICAL EQUIP NUMBER: N10006 COMPONENT MAINT MANUAL REF: 38-14-12 OPTIONAL PART: 163CV58 V35918	950951	1
	15 115-161		. GAUGE-QTY SUPPLIER CODE: V34830 SPECIFICATION NUMBER: 60B50402-15 ELECTRICAL EQUIP NUMBER: N10006 COMPONENT MAINT MANUAL REF: 38-14-12	101102 108120 504903	1
	15 163CV57		. GAUGE-QTY SUPPLIER CODE: V35918 SPECIFICATION NUMBER: S417N207-1 ELECTRICAL EQUIP NUMBER: N10006	101102 108120 504903	1
-	20 AN960KD6L		ATTACHING PARTS . WASHER	101102 108120 504903	4

MISSING ITEM NUMBERS NOT APPLICABLE

- ITEM NOT ILLUSTRATED

BRI

38-14-01-02

BOEING PROPRIETARY - Copyright © - Unpublished Work - See title page for details.

38-14-01
FIG. 02
PAGE 2
JAN 20/09



**757
PARTS CATALOG (MAINTENANCE)**

FIG ITEM	PART NUMBER	1 2 3 4 5 6 7	NOMENCLATURE	EFFECT FROM TO	UNITS PER ASSY
2 - 25	BRH10C06M		.NUT- SUPPLIER CODE: V52828 SPECIFICATION NUMBER: BACN10JC06CM OPTIONAL PART: T6C632JM V11815 97E62 V80539 109LH9075-62W V72962 VN303D62 V92215 NS202101SE62 V80539 H01-06BAC V15653 -----*-----	101102 108120 504903	4
- 42	0307-0560		..BOARD ASSY-MTG SUPPLIER CODE: V34830	002004 006100 950999	1
- 300	286N2632-012		WIRE BUNDLE ASSY-	107107	RF
- 301	286N2632-021		WIRE BUNDLE ASSY-	002004 006100 121503 904999	RF
- 302	286N2632-327		WIRE BUNDLE ASSY	504903	RF
- 303	286N2632-328		WIRE BUNDLE ASSY	101102	RF
- 303	286N2632-343		WIRE BUNDLE ASSY-	108120	RF
310	BACC45FT10D5S		.CONNECTOR- ELECTRICAL EQUIP NUMBER: D00056 WIRING DIAGRAM REF: 381411	002004 006102 107999	1

MISSING ITEM NUMBERS NOT APPLICABLE

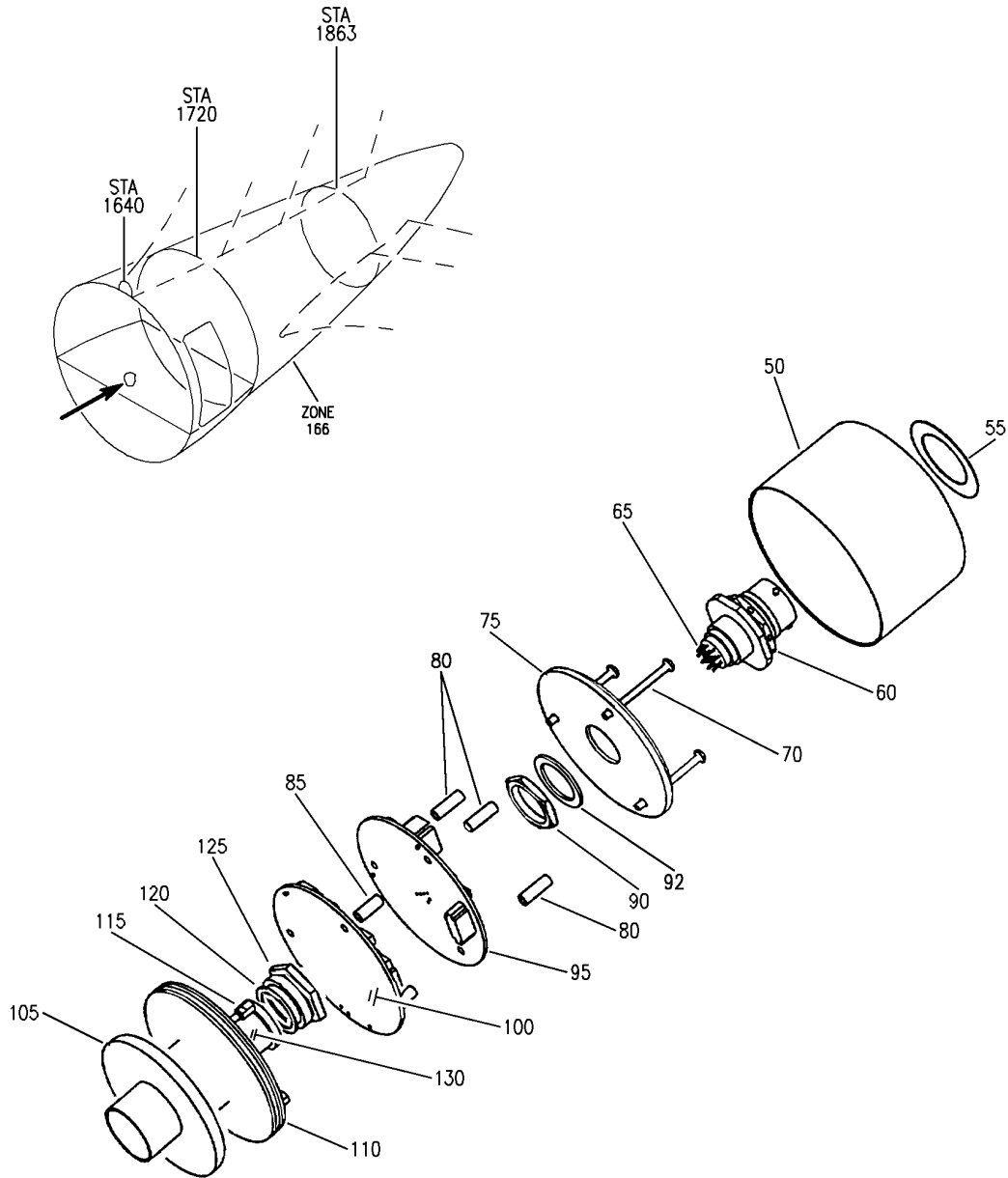
- ITEM NOT ILLUSTRATED

38-14-01-02

38-14-01
FIG. 02
PAGE 3
JAN 20/09

BRI

BOEING
757
PARTS CATALOG (MAINTENANCE)



Y 38145101 REV 261

SENSOR ASSY-WATER QUANTITY
FIGURE 1

38-14-51-01

BRI
JAN 20/09

38-14-51-01
PAGE 0



757

PARTS CATALOG (MAINTENANCE)

FIG ITEM	PART NUMBER	1 2 3 4 5 6 7	NOMENCLATURE	EFFECT FROM TO	UNITS PER ASSY
1					
- 1	2400A2		SENSOR ASSY-WATER QUANTITY SENSOR ASSY-WATER QUANTITY SUPPLIER CODE: V59885 SPECIFICATION NUMBER: S417N208-1 CONFIG CHG DATA FROM A CMM: SUPSD BY 2400A3 COMPONENT MAINT MANUAL REF: 38-10-01 FOR NHA SEE: 38-11-01-05	103106 103103	RF
- 1	2400A3		SENSOR ASSY-WATER QUANTITY SUPPLIER CODE: V59885 SPECIFICATION NUMBER: S417N208-2 CONFIG CHG DATA FROM A CMM: SUPSDS 2400A2 COMPONENT MAINT MANUAL REF: 38-10-01 FOR NHA SEE: 38-11-01-05	103106	RF
- 40	00514-0327-0018		.LABEL-GENERIC SUPPLIER CODE: V59885 USED ON: 2400A3	103106	1
- 45	02316-0196-0002		.LABEL-CAUTION SUPPLIER CODE: V59885 USED ON: 2400A3	103106	1
50	02400-0013-0001		.HOUSING- SUPPLIER CODE: V59885	103106	1
55	02400-0014-0001		.WASHER- SUPPLIER CODE: V59885	103106	1
60	M8372374W1212N		.CONNECTOR-CIRCULAR SUPPLIER CODE: V59885	103106	1
65	00871-1545-0001		.CONTACT-CONN. SUPPLIER CODE: V59885	103106	1
70	NAS600-22P		.SCREW	103106	3
75	02400-0004-0001		.PLATE-CONN. MTG SUPPLIER CODE: VS5825	103106	1

MISSING ITEM NUMBERS NOT APPLICABLE

- ITEM NOT ILLUSTRATED

38-14-51-01

38-14-51
FIG. 01
PAGE 1
JAN 20/09

BRI



757

PARTS CATALOG (MAINTENANCE)

FIG ITEM	PART NUMBER	1 2 3 4 5 6 7	NOMENCLATURE	EFFECT FROM TO	UNITS PER ASSY
1					
80	2020RA560-3		.SPACER- SUPPLIER CODE: V51506	103106	3
85	2020RA470-23		.SPACER- SUPPLIER CODE: V51506	103106	3
90	C07939-0001		.NUT- SUPPLIER CODE: V4U021	103106	1
92	00070-2207-0001		.WASHER- SUPPLIER CODE: VS5825 USED ON: 2400A3	103106	1
95	02400-0007-0002		.CARD ASSY-CKT, PWR SUPPLY SUPPLIER CODE: V59885 CONFIG CHG DATA FROM A CMM: SUPSD BY 02400-0007-0004 OPTIONAL PART: 02400-0007-0001 V59885 USED ON: 2400A2	103103	1
95	02400-0007-0001		.CARD ASSY-CKT, PWR SUPPLY SUPPLIER CODE: V59885 CONFIG CHG DATA FROM A CMM: SUPSD BY 02400-0007-0004 OPTIONAL PART: 02400-0007-0002 V59885 USED ON: 2400A2	103103	1
95	02400-0007-0004		.CARD ASSY-CKT, PWR SUPPLY SUPPLIER CODE: V59885 CONFIG CHG DATA FROM A CMM: SUPSDS 02400-0007-0002 SUPSDS 02400-0007-0001 OPTIONAL PART: 02400-0007-0003 V59885 USED ON: 2400A3	103106	1

MISSING ITEM NUMBERS NOT APPLICABLE

- ITEM NOT ILLUSTRATED

38-14-51-01

38-14-51
FIG. 01
PAGE 2
JAN 20/09

BRI

BOEING PROPRIETARY - Copyright © - Unpublished Work - See title page for details.



757

PARTS CATALOG (MAINTENANCE)

FIG ITEM	PART NUMBER	1 2 3 4 5 6 7	NOMENCLATURE	EFFECT FROM TO	UNITS PER ASSY
1					
95	02400-0007-0003		.CARD ASSY-CKT, PWR SUPPLY SUPPLIER CODE: V59885 OPTIONAL PART: 02400-0007-0004 V59885 USED ON: 2400A3	103106	1
100	02400-0010-0002		.CARD ASSY-CKT, TRANSDUCER SUPPLIER CODE: V59885 CONFIG CHG DATA FROM A CMM: SUPSD BY 02400-0072-0002 USED ON: 2400A2	103103	1
100	02400-0072-0002		.CARD ASSY-CKT, TRANSDUCER SUPPLIER CODE: V59885 CONFIG CHG DATA FROM A CMM: SUPSDS 02400-0010-0002 OPTIONAL PART: 02400-0072-0001 V59885 USED ON: 2400A3	103106	1
100	02400-0072-0001		.CARD ASSY-CKT, TRANSDUCER SUPPLIER CODE: V59885 OPTIONAL PART: 02400-0072-0002 V59885 USED ON: 2400A3	103106	1
105	02400-0011-0003		.BASE- SUPPLIER CODE: VS5825	103106	1
110	2-148E540-80		.PACKING- SUPPLIER CODE: V02697	103106	1
115	9724SS0440-7		.STANDOFF- SUPPLIER CODE: V02697	103106	3
120	02400-0019-0001		.GASKET- SUPPLIER CODE: VS5825	103106	1
125	02400-0012-0001		.CAP-SPRT SUPPLIER CODE: VS5825	103106	1

MISSING ITEM NUMBERS NOT APPLICABLE

- ITEM NOT ILLUSTRATED

38-14-51-01

38-14-51
FIG. 01
PAGE 3
JAN 20/09

BRI



757

PARTS CATALOG (MAINTENANCE)

FIG ITEM	PART NUMBER	1 2 3 4 5 6 7	NOMENCLATURE	EFFECT FROM TO	UNITS PER ASSY
1 130	02400-0017-0001		. TRANSDUCER-ULTRASONIC SUPPLIER CODE: V59885	103106	1

MISSING ITEM NUMBERS NOT APPLICABLE

- ITEM NOT ILLUSTRATED

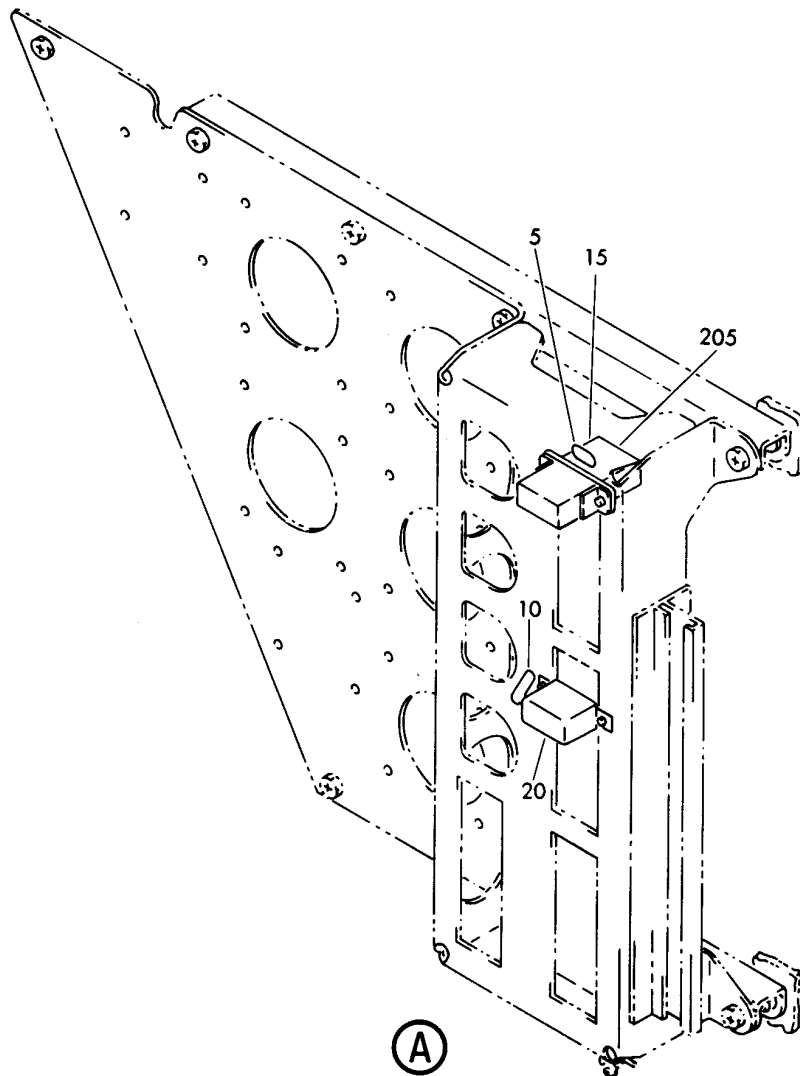
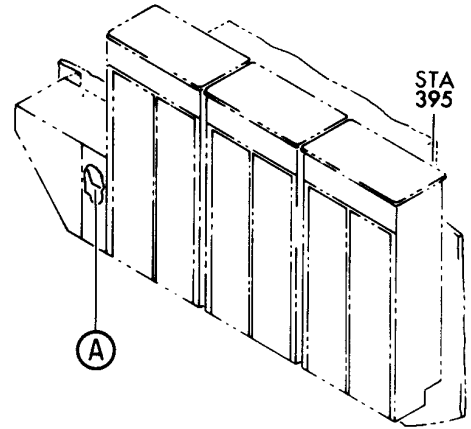
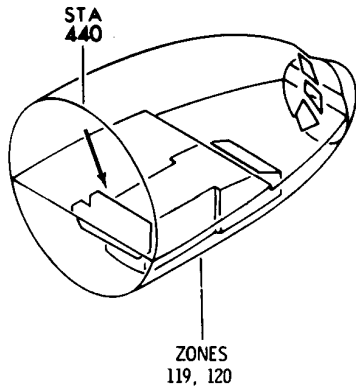
BRI

38-14-51-01

BOEING PROPRIETARY - Copyright © - Unpublished Work - See title page for details.

38-14-51
FIG. 01
PAGE 4
JAN 20/09

BOEING
757
PARTS CATALOG (MAINTENANCE)



Y 38147101 SHT 1 REV 040

PANEL ASSY-P34 APU/EXT PWR (WATER QUANTITY INDICATION ONLY)
FIGURE 1

38-14-71-01

BRI
MAY 28/07

38-14-71-01
PAGE 0



757

PARTS CATALOG (MAINTENANCE)

FIG ITEM	PART NUMBER	1 2 3 4 5 6 7	NOMENCLATURE	EFFECT FROM TO	UNITS PER ASSY
1			PANEL ASSY-P34 APU/EXT PWR (WATER QUANTITY INDICATION ONLY)	002004 006102 107107 121503 904999	
- 1	284N1316-1		PANEL ASSY-P34 APU/EXT PWR (WATER QUANTITY INDICATION ONLY) VARIABLE DRAWING REF: 284N1316-5023 284N1316-5047 284N1316-5063 284N1316-5064 284N1316-5067 FOR NHA SEE: 31-01-34-02	002004 006100 107107 121503 904999	RF
5	BAC27NEX0361		.DECAL- PLACARD CONTENT: K5	002004 006102 107107 121503 904999	1
15	ES210-1632		.RELAY- SUPPLIER CODE: V99699 SPECIFICATION NUMBER: BACR13CF2AB OPTIONAL PART: JD4L018 V35344 JD4L031 V35344 BR246S0111 V56623 BR64S105 V56623 FCA210-71 V78290 61GB2319-1A320 V98927 ELECTRICAL EQUIP NUMBER: K00005	002004 006102 107107 121503 904999	1
- 200	286N1240-002		WIRE BUNDLE ASSY-(WATER QUANTITY INDICATION ONLY)	121503 904949	RF
- 200	286N1240-003		WIRE BUNDLE ASSY-(WATER QUANTITY INDICATION ONLY)	107107	RF
- 200	286N1240-006		WIRE BUNDLE ASSY-(WATER QUANTITY INDICATION ONLY)	002004 006100 950999	RF

MISSING ITEM NUMBERS NOT APPLICABLE

- ITEM NOT ILLUSTRATED

38-14-71-01

38-14-71
FIG. 01
PAGE 1
JAN 20/09

BRI



757

PARTS CATALOG (MAINTENANCE)

FIG ITEM	PART NUMBER	1 2 3 4 5 6 7	NOMENCLATURE	EFFECT FROM TO	UNITS PER ASSY
1 205	RSF116200		. SOCKET- SUPPLIER CODE: V58982 SPECIFICATION NUMBER: BACS16X1A OPTIONAL PART: 102-006-1 V09922 000300-1538 V05574 ELECTRICAL EQUIP NUMBER: D00050 WIRING DIAGRAM REF: 381411	002004 006100 107107 121503 904999	1

MISSING ITEM NUMBERS NOT APPLICABLE

- ITEM NOT ILLUSTRATED

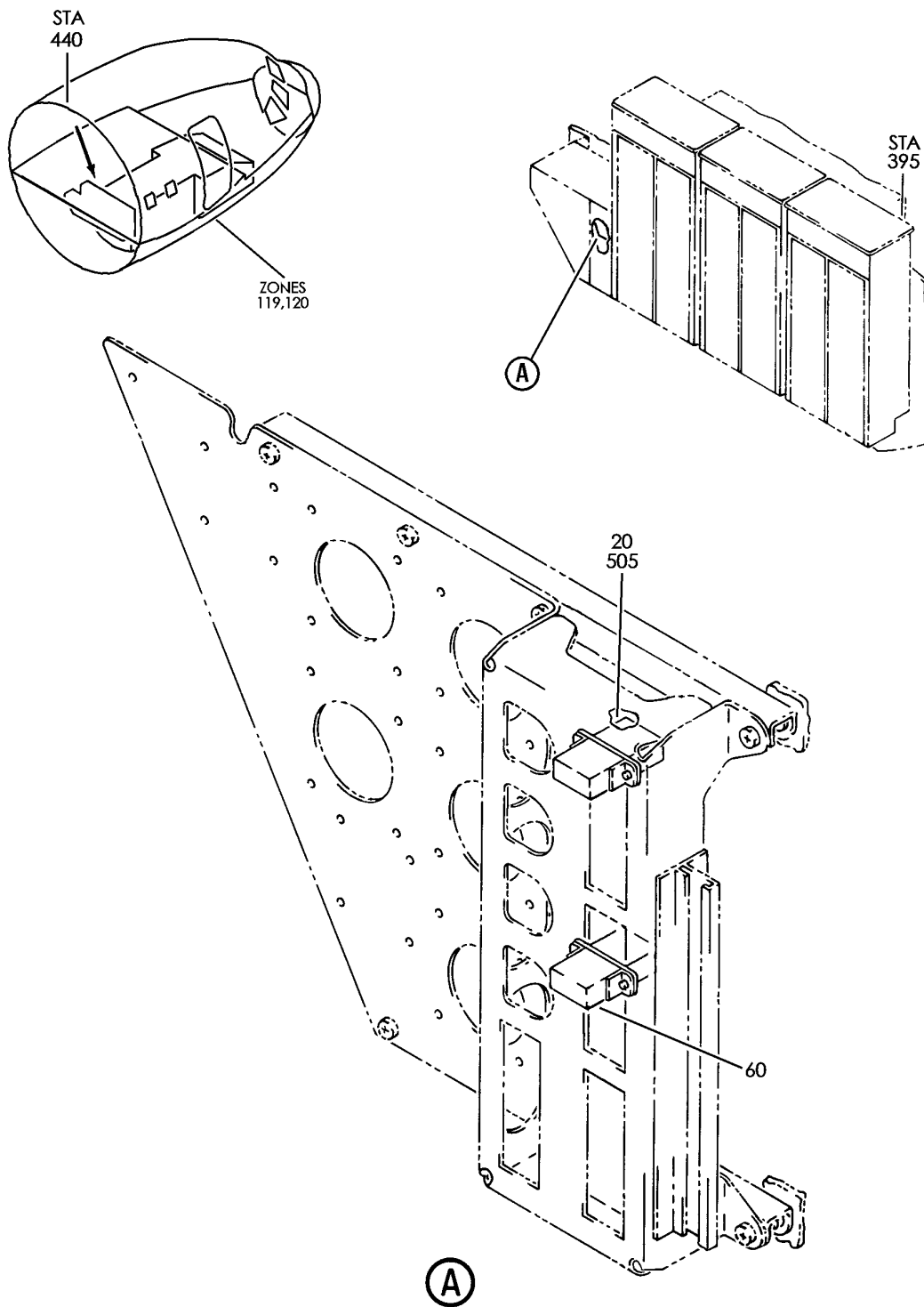
BRI

38-14-71-01

BOEING PROPRIETARY - Copyright © - Unpublished Work - See title page for details.

38-14-71
FIG. 01
PAGE 2
JAN 20/09

BOEING
757
PARTS CATALOG (MAINTENANCE)



Y 38147101A REV 227

PACKAGE ASSY-OPTION P34 APU/EXT PWR (WATER QUANTITY INDICATION ONLY)
FIGURE 1A

BRI
MAY 28/07

38-14-71-01A

38-14-71-01A
PAGE 0



757

PARTS CATALOG (MAINTENANCE)

FIG ITEM	PART NUMBER	1 2 3 4 5 6 7	NOMENCLATURE	EFFECT FROM TO	UNITS PER ASSY
1 A			PACKAGE ASSY-OPTION P34 APU/EXT PWR (WATER QUANTITY INDICATION ONLY)	101102 504903	
- 1	284N1316-1001		PACKAGE ASSY-OPTION P34 APU/EXT PWR (WATER QUANTITY INDICATION ONLY) FOR NHA/OTHER SYS DET SEE: 31-01-34-01	101102 504903	RF
20	ES210-1632		.RELAY- SUPPLIER CODE: V99699 SPECIFICATION NUMBER: BACR13CF2AB OPTIONAL PART: JD4L018 V35344 JD4L031 V35344 BR246S0111 V56623 BR64S105 V56623 FCA210-71 V78290 61GB2319-1A320 V98927 ELECTRICAL EQUIP NUMBER: K00005	101102 504903	1
- 500	286N1240-321		WIRE BUNDLE ASSY	504903	RF
- 500	286N1240-322		WIRE BUNDLE ASSY	101102	RF
505	RSF116200		.SOCKET- SUPPLIER CODE: V58982 SPECIFICATION NUMBER: BACS16X1A OPTIONAL PART: 102-006-1 V09922 000300-1538 V05574 ELECTRICAL EQUIP NUMBER: D00050 WIRING DIAGRAM REF: 381411	101102 504903	1

MISSING ITEM NUMBERS NOT APPLICABLE

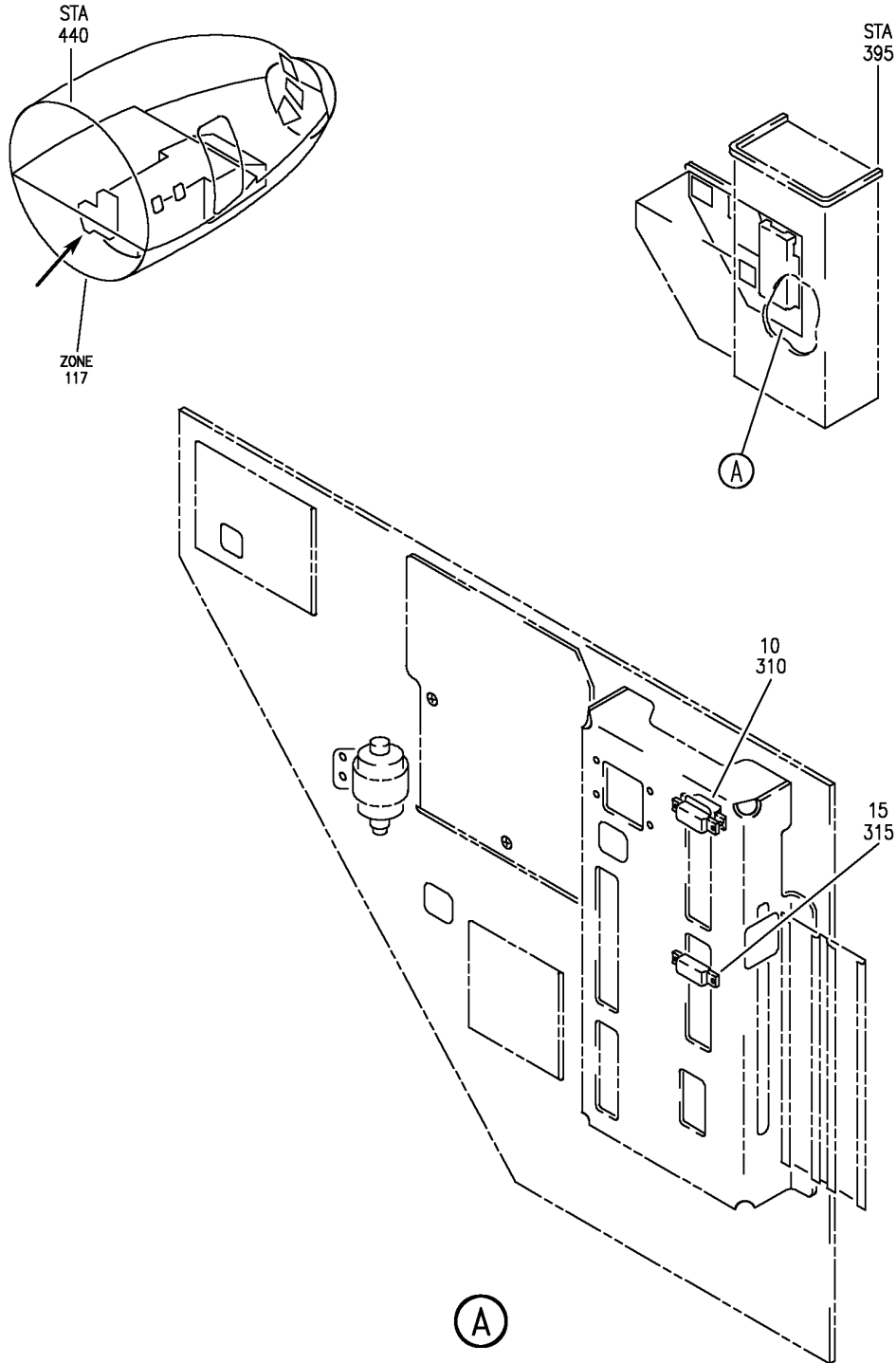
- ITEM NOT ILLUSTRATED

38-14-71-01A

38-14-71
FIG. 01A
PAGE 1
JAN 20/09

BRI

BOEING
757
PARTS CATALOG (MAINTENANCE)



Y 38147102 REV 263

PANEL ASSY-P34 APU/EXT PWR (WATER/WASTE ONLY)
FIGURE 2

38-14-71-02

BRI
JAN 20/09

38-14-71-02
PAGE 0



757

PARTS CATALOG (MAINTENANCE)

FIG ITEM	PART NUMBER	1 2 3 4 5 6 7	NOMENCLATURE	EFFECT FROM TO	UNITS PER ASSY
2			PANEL ASSY-P34 APU/EXT PWR (WATER/WASTE ONLY)	103106 108120	
- 2	284N1316-147		PANEL ASSY-P34 APU/EXT PWR (WATER/WASTE ONLY)	108120	RF
			FOR NHA/OTHER SYS DET SEE: 24-00-58-05C		
- 4	MODREF31492		PANEL ASSY-P34 APU/EXT PWR (WATER/WASTE ONLY)	103105	1
			MODULE NUMBER: 284N1316-207 REV A		
			FOR OTHER SYS DETAILS SEE: 11-36-09-08 24-22-03-04 24-23-01-03 24-41-01-02 24-51-01-03 24-51-03-02 24-51-04-03 24-51-54-04 24-53-73-02 24-54-01-02 31-01-34-03 33-21-71-02 33-22-71-02 33-24-71-02 33-42-71-03		
- 5	MODREF34794		PANEL ASSY-P34 APU/EXT PWR (WATER/WASTE ONLY)	106106	1
			MODULE NUMBER: 284N1316-207 REV B		
			FOR OTHER SYS DETAILS SEE: 11-36-09-08 24-22-03-04 24-23-01-03 24-41-01-02 24-51-01-03 24-51-03-02 24-51-04-03 24-51-54-04 24-53-73-02 24-54-01-02 31-01-34-03 33-21-71-02 33-22-71-02 33-24-71-02 33-42-71-03		

MISSING ITEM NUMBERS NOT APPLICABLE

- ITEM NOT ILLUSTRATED

BRI

38-14-71-02

38-14-71
FIG. 02
PAGE 1
JAN 20/09



757

PARTS CATALOG (MAINTENANCE)

FIG ITEM	PART NUMBER	1 2 3 4 5 6 7	NOMENCLATURE	EFFECT FROM TO	UNITS PER ASSY
2 10	ES210-1632		.RELAY- SUPPLIER CODE: V99699 SPECIFICATION NUMBER: BACR13CF2AB OPTIONAL PART: JD4L018 V35344 JD4L031 V35344 BR246S0111 V56623 BR64S105 V56623 FCA210-71 V78290 61GB2319-1A320 V98927 ELECTRICAL EQUIP NUMBER: K00005	103106 108120	1
- 301	286N1240-323		WIRE BUNDLE ASSY	108120	RF
- 302	286N1240-602		WIRE BUNDLE ASSY	103106	RF
310	RSF116200		.SOCKET- SUPPLIER CODE: V58982 SPECIFICATION NUMBER: BACS16X1A OPTIONAL PART: 102-006-1 V09922 000300-1538 V05574 ELECTRICAL EQUIP NUMBER: D00050 WIRING DIAGRAM REF: 381411	103106 108120	1

MISSING ITEM NUMBERS NOT APPLICABLE

- ITEM NOT ILLUSTRATED

BRI

38-14-71-02

BOEING PROPRIETARY - Copyright © - Unpublished Work - See title page for details.

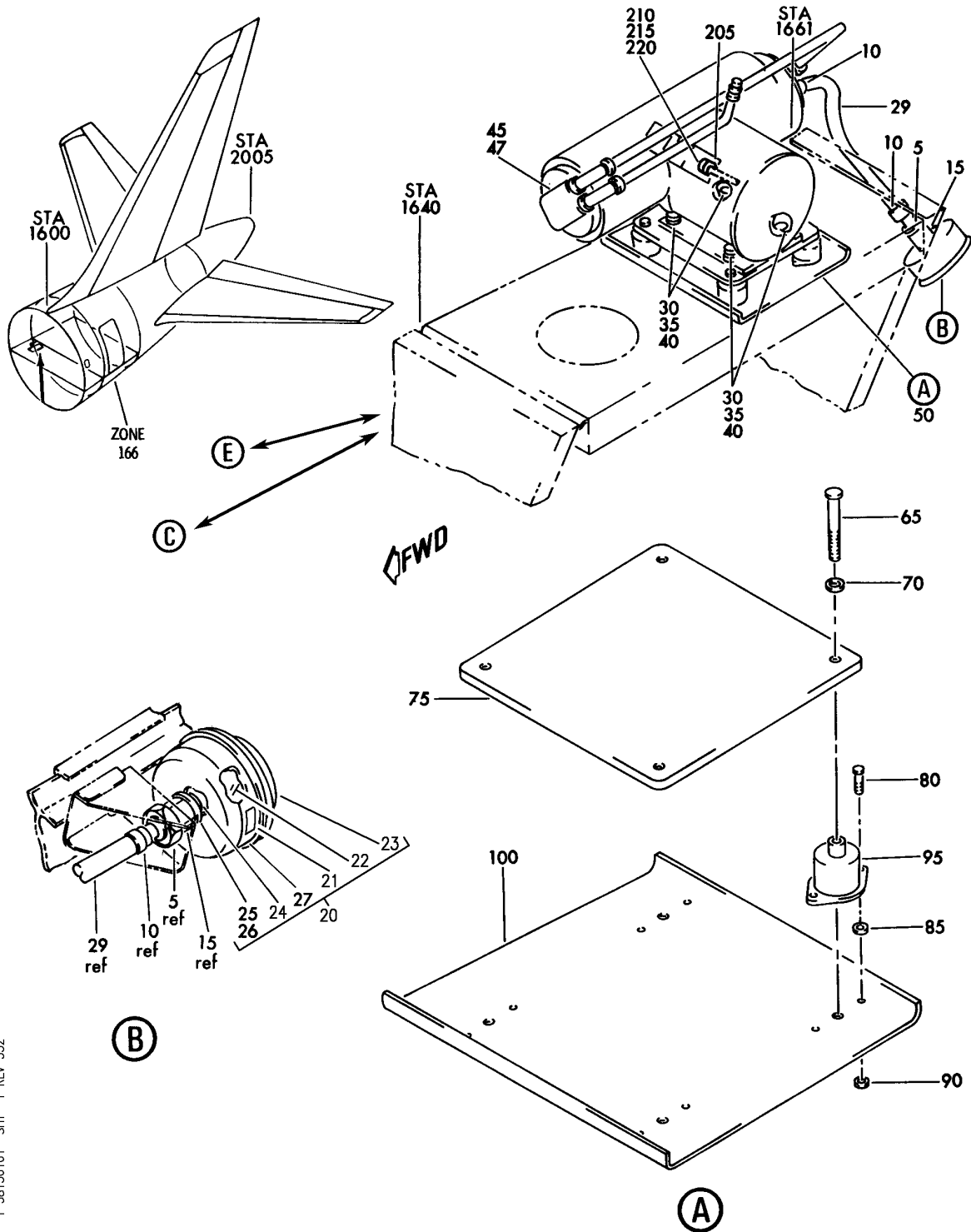
38-14-71
FIG. 02
PAGE 2
JAN 20/09

WATER TANK PRESSURIZATION

BRI
MAY 28/07

38-15-00
SECTION TITLE
PAGE 1

BOEING
757
PARTS CATALOG (MAINTENANCE)



Y 38150101 SHT 1 REV 332

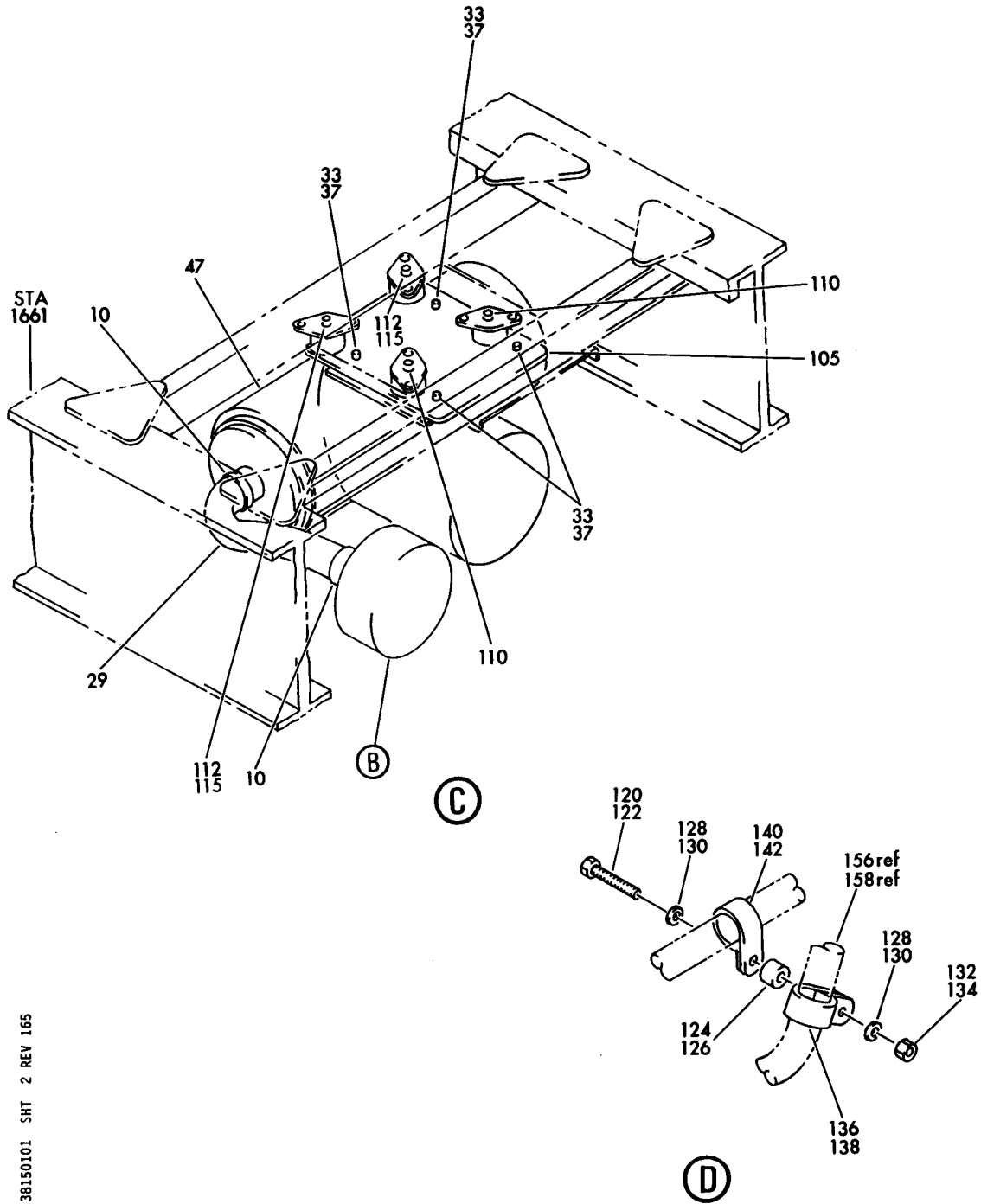
COMPRESSOR AND BRACKET INSTL- PASS. WATER SYS AIR
FIGURE 1 (SHEET 1)

38-15-01-01

BRI
MAY 20/09

38-15-01-01
PAGE 0

BOEING
757
PARTS CATALOG (MAINTENANCE)



Y 38150101 SHT 2 REV 165

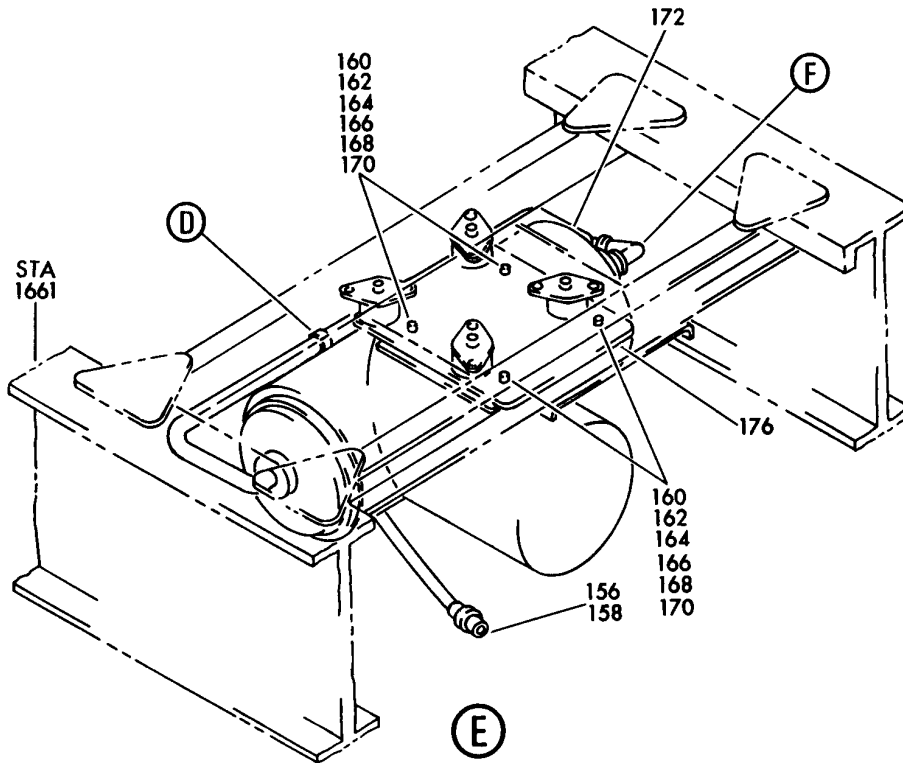
COMPRESSOR AND BRACKET INSTL- PASS. WATER SYS AIR
FIGURE 1 (SHEET 2)

38-15-01-01

BRI
MAY 28/07

38-15-01-01
PAGE 0A

BOEING
757
PARTS CATALOG (MAINTENANCE)



Y 38150101 SHT 3 REV 232

COMPRESSOR AND BRACKET INSTL- PASS. WATER SYS AIR
FIGURE 1 (SHEET 3)

38-15-01-01

BRI
MAY 28/07

38-15-01-01
PAGE 08



757

PARTS CATALOG (MAINTENANCE)

FIG ITEM	PART NUMBER	1 2 3 4 5 6 7	NOMENCLATURE	EFFECT FROM TO	UNITS PER ASSY
1			COMPRESSOR AND BRACKET INSTL- PASS. WATER SYS AIR	002004 006010 107107 121503 904999	
1	417N2601-6		COMPRESSOR INSTL-PASS. WATER SYS AIR FOR NHA SEE: 25-20-00-03A	002004 006010 107107 121503 904999	RF
5	AN924-8D		.NUT-	002004 006010 107107 121503 904999	1
10	AN737TW22		.CLAMP-	002004 006010 107107 121503 904999	2
15	69B55695-2		.ADAPTER-FILTER	002004 006010 107107 121503 904999	1
20	135157-4		.FILTER ASSY-AIR SUPPLIER CODE: V70210 OPTIONAL PART: 76367 V40912 15SM76367 V40912	002004 006010 107107 121503 904999	1
20	76367		.FILTER ASSY-AIR SUPPLIER CODE: V55799 OPTIONAL PART: 15SM76367 V40912 135157-4 V10912	002004 006010 107107 121503 904999	1
20	15SM76367		.FILTER ASSY-AIR SUPPLIER CODE: V55799 OPTIONAL PART: 135157-4 V70210 76367 V40912	002004 006010 107107 121503 904999	1

MISSING ITEM NUMBERS NOT APPLICABLE

- ITEM NOT ILLUSTRATED

38-15-01-01

38-15-01
FIG. 01
PAGE 1
JAN 20/09

BRI



757

PARTS CATALOG (MAINTENANCE)

FIG ITEM	PART NUMBER	1 2 3 4 5 6 7	NOMENCLATURE	EFFECT FROM TO	UNITS PER ASSY
1	21 2217007-3		.. PLATE-IDENT SUPPLIER CODE: V70210	002004 006010 107107 121503 904999	1
- 21A	S8265		.. DECAL-RUBBER CURE DATE SUPPLIER CODE: V70210	002004 006010 107107 121503 904999	1
	22 137847-1		.. CARTRIDGE- SUPPLIER CODE: V70210 USED ON: 135157-4	002004 006010 107107 121503 904999	1
	23 79030		.. CARTRIDGE- SUPPLIER CODE: V55799 USED ON: 76367	002004 006010 107107 121503 904999	1
	24 76658D76658		.. SHAFT- SUPPLIER CODE: V40912 USED ON: 76367	002004 006010 107107 121503 904999	1
	25 76659D76659		.. NUT- SUPPLIER CODE: V40912 USED ON: 76367	002004 006010 107107 121503 904999	1
	26 73415D73415		.. WASHER- SUPPLIER CODE: V40912 USED ON: 76367	002004 006010 107107 121503 904999	1
	27 73365C73365		.. CASE- SUPPLIER CODE: V40912 USED ON: 76367	002004 006010 107107 121503 904999	1
	29 BOE2013-0417		.HOSE- SUPPLIER CODE: V16632 SPECIFICATION NUMBER: 69-27191-417	002004 006010 107107 121503 904999	1

MISSING ITEM NUMBERS NOT APPLICABLE

- ITEM NOT ILLUSTRATED

38-15-01-01

38-15-01
FIG. 01
PAGE 2
JAN 20/09

BRI



757

PARTS CATALOG (MAINTENANCE)

FIG ITEM	PART NUMBER	1 2 3 4 5 6 7	NOMENCLATURE	EFFECT FROM TO	UNITS PER ASSY
1	33 NAS1801-4-9	.	SCREW-	002004	4
				006010	
				107107	
	37 AN960JD416	.	WASHER-	121503	
				904999	
				002004	
	40 MS21042L4	.	NUT-	006010	
				107107	
				121503	
				904999	

MISSING ITEM NUMBERS NOT APPLICABLE

- ITEM NOT ILLUSTRATED

BRI

38-15-01-01

BOEING PROPRIETARY - Copyright © - Unpublished Work - See title page for details.

38-15-01
FIG. 01
PAGE 3
JAN 20/09



757

PARTS CATALOG (MAINTENANCE)

FIG ITEM	PART NUMBER	1 2 3 4 5 6 7	NOMENCLATURE	EFFECT FROM TO	UNITS PER ASSY
1 47	28823-1		.COMPRESSOR ASSY-AIR SUPPLIER CODE: V07649 V07649 SPECIFICATION NUMBER: 60B50012-6 ELECTRICAL EQUIP NUMBER: M00142 COMPONENT MAINT MANUAL REF: 38-15-11 QUALIFIED I/W DATA: 28823-1 TOGETHER WITH 135157-4 AIR FILTER, 69-76594-33 BRACKET AND 69-27191-417 HOSE INTER- CHANGEABLE WITH 28823-7 TOGETHER WITH NAS1352N08LN14 (4),NAS1149D0816J (8),45323 MOUNTING PLATE AND 10-61042-216 HOSE 417N2601-16 TOGETHER WITH 45323 ADAPTER PLATE AND 10-61042-216 HOSE INTERCHANGEABLE WITH 28823-1 COM- PRESSOR TOGETHER WITH 135157-4 AIR FILTER, 69-76594-33 BRACKET ASSY AND 69-27191-417 HOSE 28823-9 TOGETHER WITH 45323 ADAPTER PLATE AND 10-61042-216 HOSE INTERCHANGEABLE WITH 28823-1 COM- PRESSOR TOGETHER WITH 135157-4 AIR FILTER, 69-76594-33 BRACKET ASSY AND 69-27191-417 HOSE. FOR DETAILS SEE: 38-15-01-51	002004 006010 107107 121503 904999	1
105	69-76594-33		.BRACKET ASSY-	002004 006010 107107 121503 904999	1

MISSING ITEM NUMBERS NOT APPLICABLE

- ITEM NOT ILLUSTRATED

38-15-01-01

38-15-01
FIG. 01
PAGE 4
JAN 20/09

BRI



757

PARTS CATALOG (MAINTENANCE)

FIG ITEM	PART NUMBER	1 2 3 4 5 6 7	NOMENCLATURE	EFFECT FROM TO	UNITS PER ASSY
1			ATTACHING PARTS		
110	NAS514P832-8		.SCREW-	002004 006010 107107 121503 904999	2
112	NAS1801-08-8		.SCREW-	002004 006010 107107 121503 904999	2
- 115	AN960JD8L		.WASHER-	002004 006010 107107 121503 904999	2
- 200	286N2632-001		-----*----- WIRE BUNDLE ASSY-	002004 006010 107107 121503 904999	RF
210	BACC45FT10A5S		.CONNECTOR- ELECTRICAL EQUIP NUMBER: D00062 WIRING DIAGRAM REF: 381511	002004 006010 107107 121503 904999	1

MISSING ITEM NUMBERS NOT APPLICABLE

- ITEM NOT ILLUSTRATED

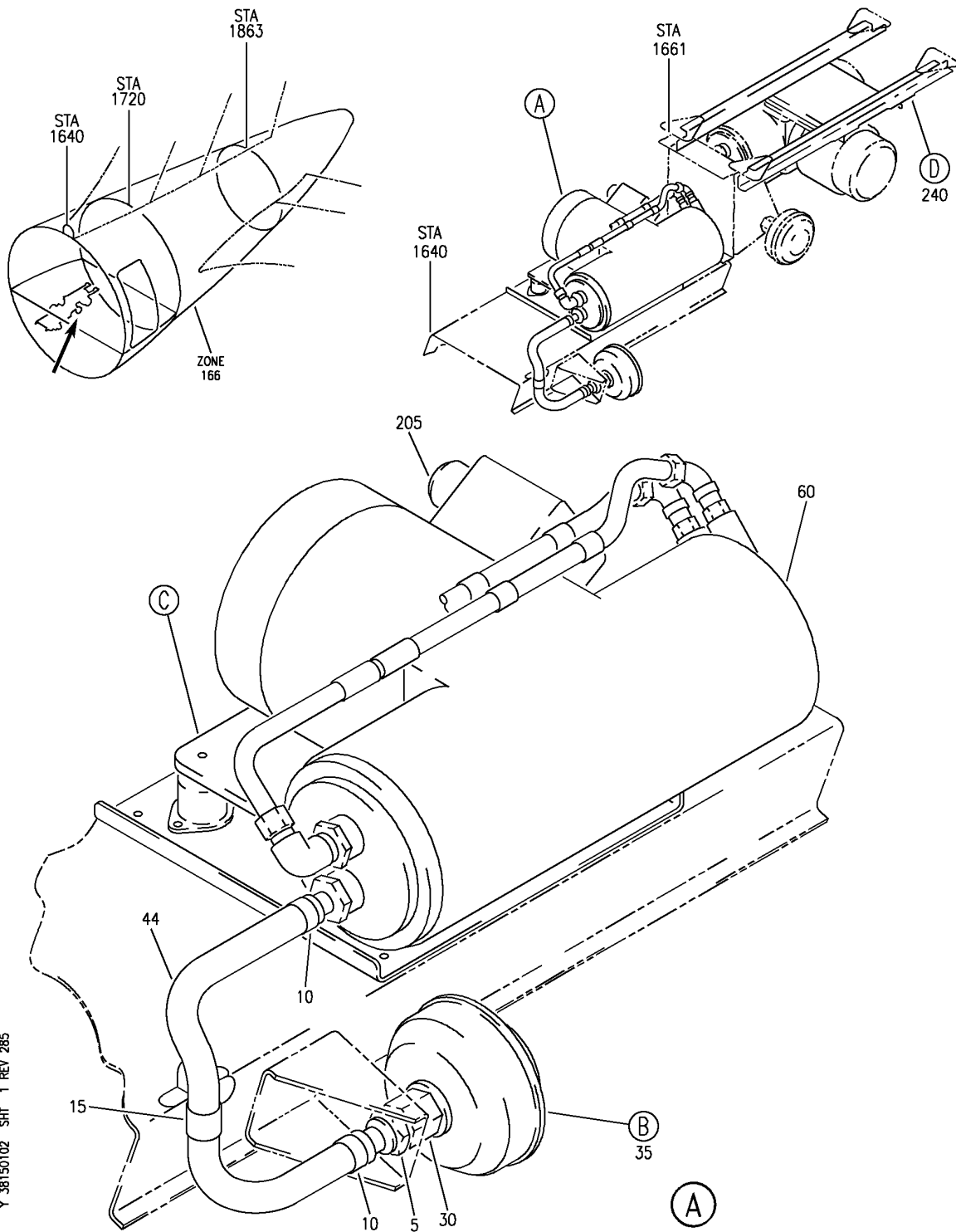
BRI

38-15-01-01

BOEING PROPRIETARY - Copyright © - Unpublished Work - See title page for details.

38-15-01
FIG. 01
PAGE 5
JAN 20/09

BOEING
757
PARTS CATALOG (MAINTENANCE)



Y 38150102 SHT 1 REV 285

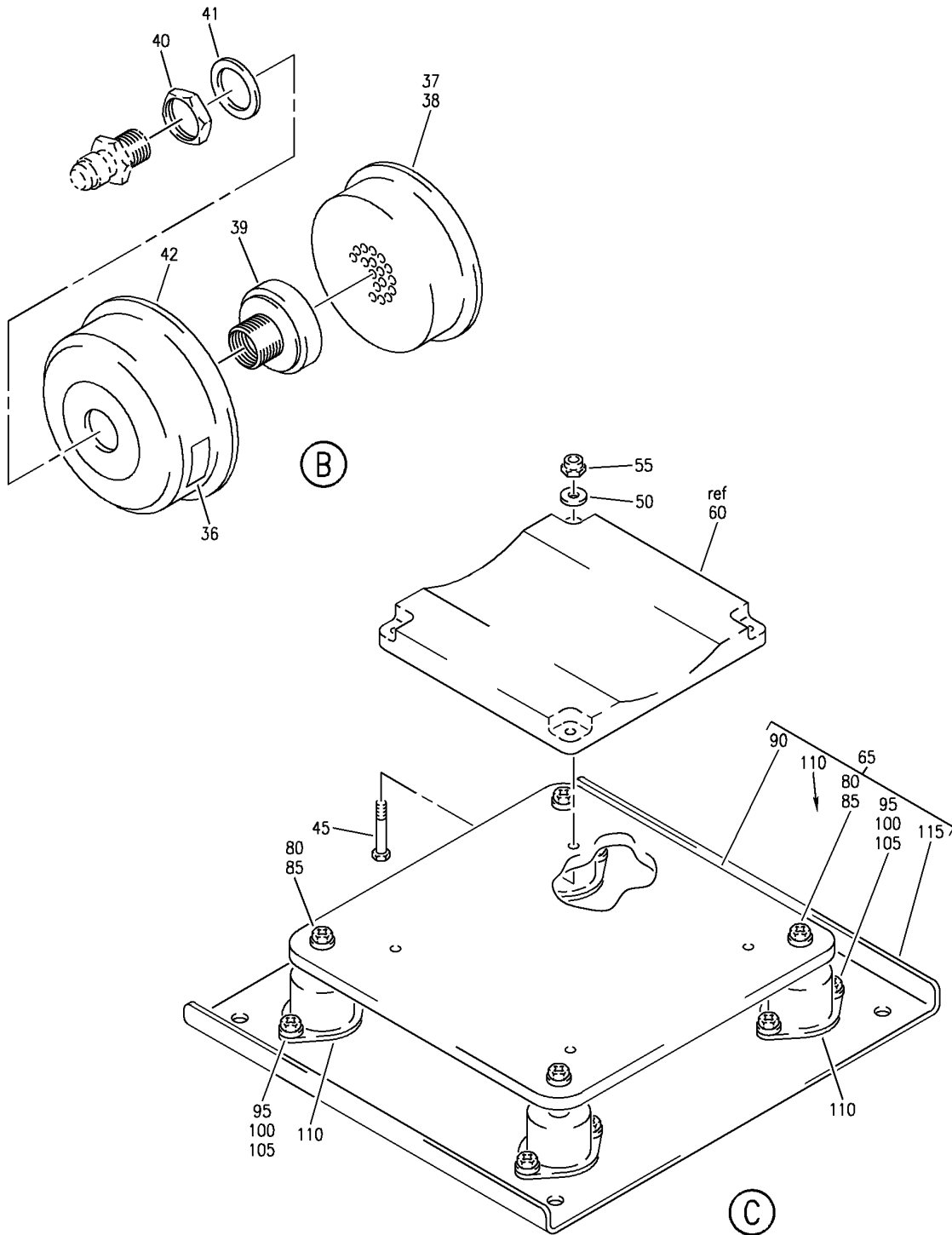
COMPRESSOR AND BRACKET INSTL- PASS. WATER SYS AIR
FIGURE 2 (SHEET 1)

38-15-01-02

BRI
MAY 28/07

38-15-01-02
PAGE 0

BOEING
757
PARTS CATALOG (MAINTENANCE)



Y 38150102 SHT 2 REV 305

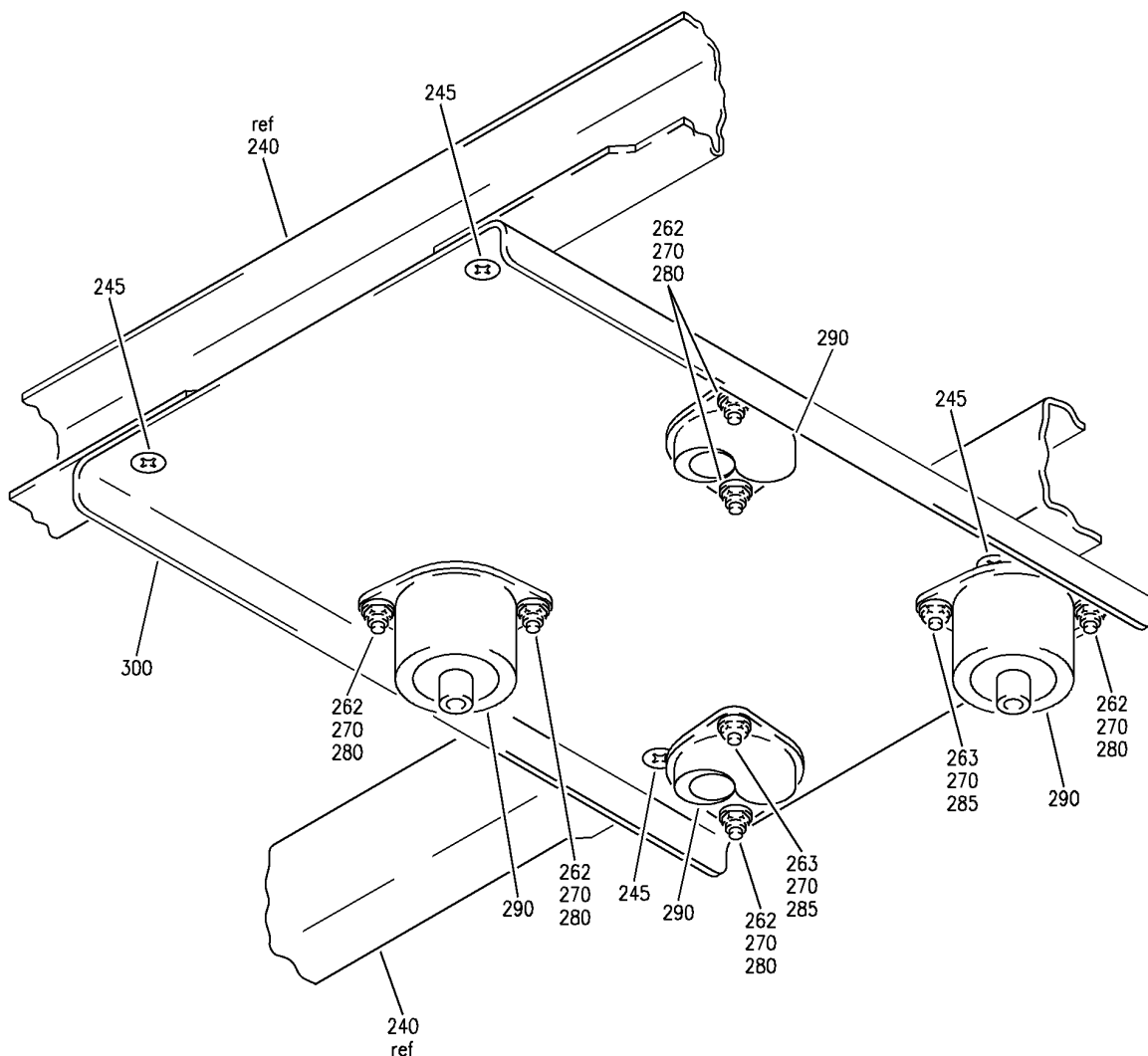
COMPRESSOR AND BRACKET INSTL- PASS. WATER SYS AIR
FIGURE 2 (SHEET 2)

38-15-01-02

BRI
MAY 28/07

38-15-01-02
PAGE 0A

BOEING
757
PARTS CATALOG (MAINTENANCE)



Y 38150102 SH1 3 REV 285

FWD
VIEW LOOKING UP (D)

COMPRESSOR AND BRACKET INSTL- PASS. WATER SYS AIR
FIGURE 2 (SHEET 3)

38-15-01-02

BRI
MAY 28/07

38-15-01-02
PAGE 0B



757

PARTS CATALOG (MAINTENANCE)

FIG ITEM	PART NUMBER	1 2 3 4 5 6 7	NOMENCLATURE	EFFECT FROM TO	UNITS PER ASSY
2			COMPRESSOR AND BRACKET INSTL- PASS. WATER SYS AIR	002004 006010 107107 121503 904999	
- 220	417N2602-6		BRACKET INSTL- FOR NHA SEE: 25-20-00-03A	002004 006010 107107 121503 904999	RF
240	417N2605-7		.SUPPORT ASSY	002004 006010 107107 121503 904999	1
245	NAS514P1032-8		.. SCREW	002004 006010 107107 121503 904999	4
262	NAS1801-08-8		.. SCREW	002004 006010 107107 121503 904999	6
263	NAS514P832-8		.. SCREW	002004 006010 107107 121503 904999	2
270	NAS620C8LP		.. WASHER	002004 006010 107107 121503 904999	8

MISSING ITEM NUMBERS NOT APPLICABLE

- ITEM NOT ILLUSTRATED

BRI

38-15-01-02

BOEING PROPRIETARY - Copyright © - Unpublished Work - See title page for details.

38-15-01
FIG. 02
PAGE 1
JAN 20/09



757

PARTS CATALOG (MAINTENANCE)

FIG ITEM	PART NUMBER	1 2 3 4 5 6 7	NOMENCLATURE	EFFECT FROM TO	UNITS PER ASSY
2 280	BRH10A08	. .	NUT SUPPLIER CODE: V52828 SPECIFICATION NUMBER: BACN10JC08 OPTIONAL PART: H10-08BAC V15653 NS202101-82 V80539 RMLH9075-82W V72962 VN303A82 V92215 96-82 V80539 T6S832J V11815	002004 006010 107107 121503 904999	6
285	MS21042L08	. .	NUT	002004 006010 107107 121503 904999	2
290	T22AB5	. .	SHOCKMOUNT- SUPPLIER CODE: V13636	002004 006010 107107 121503 904999	4
300	417N2607-18	. .	PAN-MTG	002004 006010 107107 121503 904999	1

MISSING ITEM NUMBERS NOT APPLICABLE

- ITEM NOT ILLUSTRATED

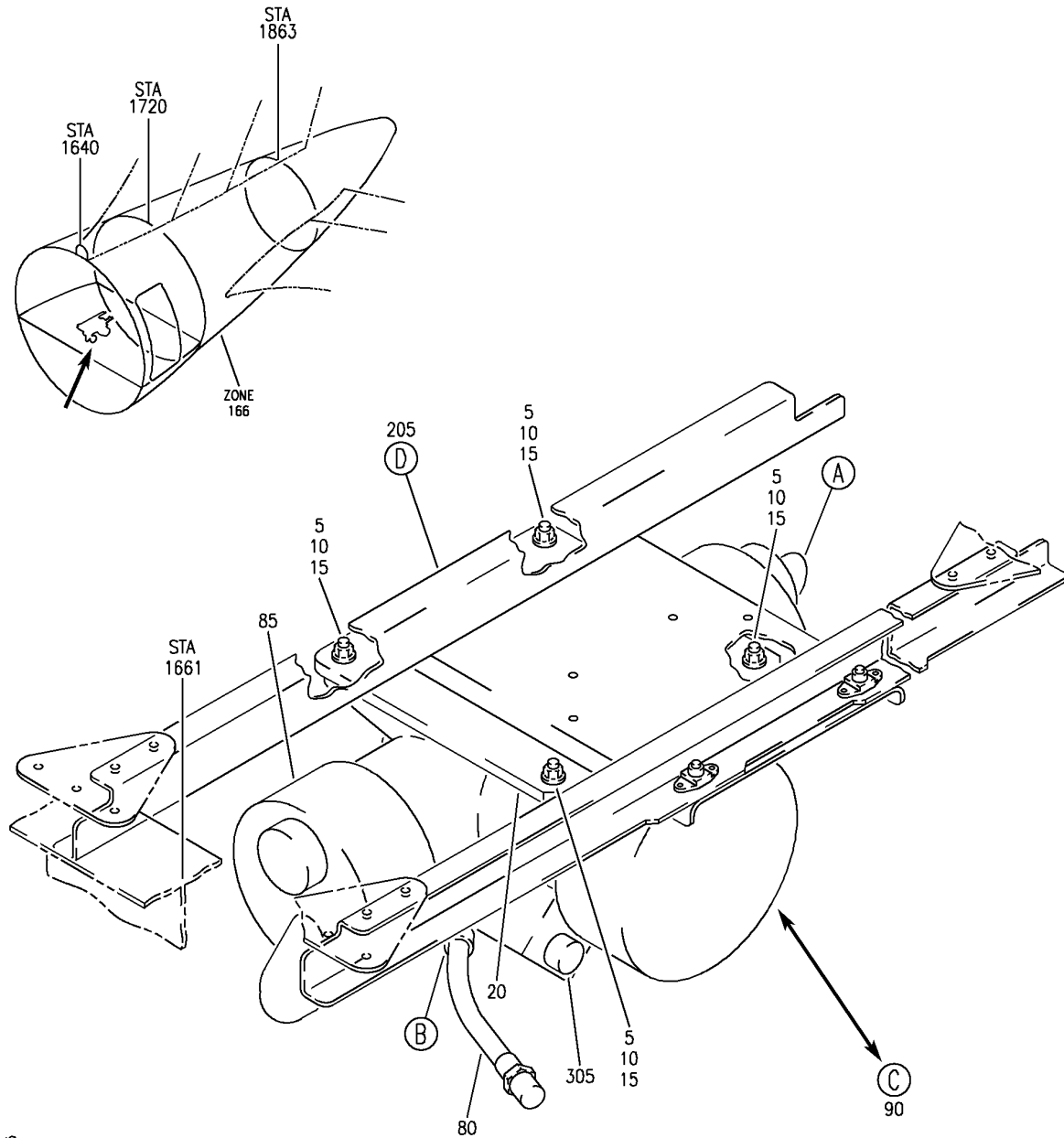
BRI

38-15-01-02

BOEING PROPRIETARY - Copyright © - Unpublished Work - See title page for details.

38-15-01
FIG. 02
PAGE 2
JAN 20/09

BOEING
757
PARTS CATALOG (MAINTENANCE)



Y 38150102B SHT 1 REV 285

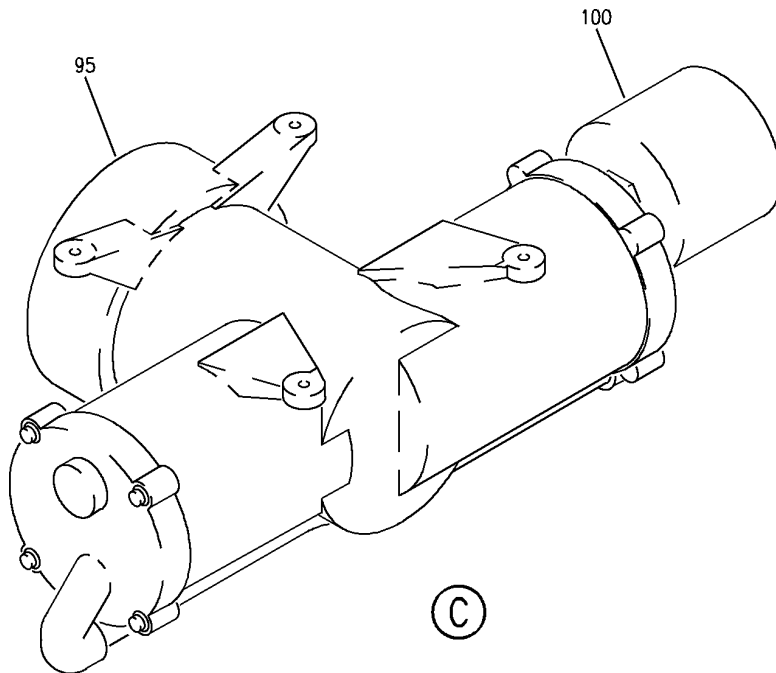
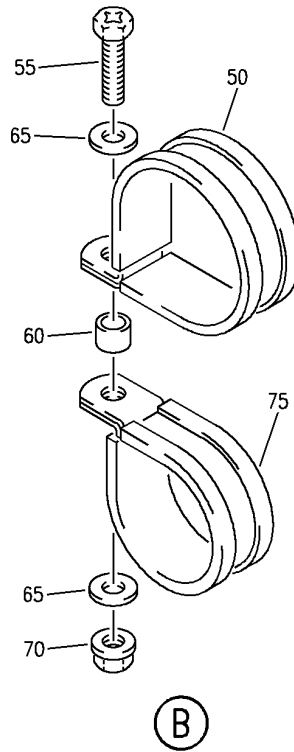
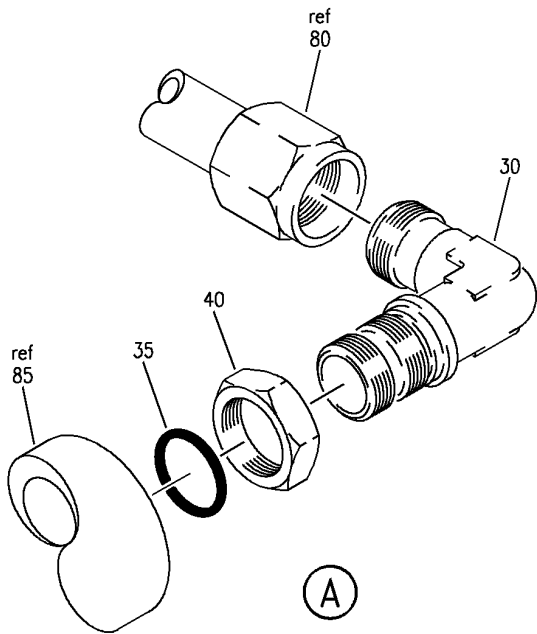
COMPRESSOR AND BRACKET INSTL- PASS. WATER SYS AIR
FIGURE 2B (SHEET 1)

38-15-01-02B

BRI
MAY 28/07

38-15-01-02B
PAGE 0

BOEING
757
PARTS CATALOG (MAINTENANCE)



Y 38150102B SHT 2 REV 285

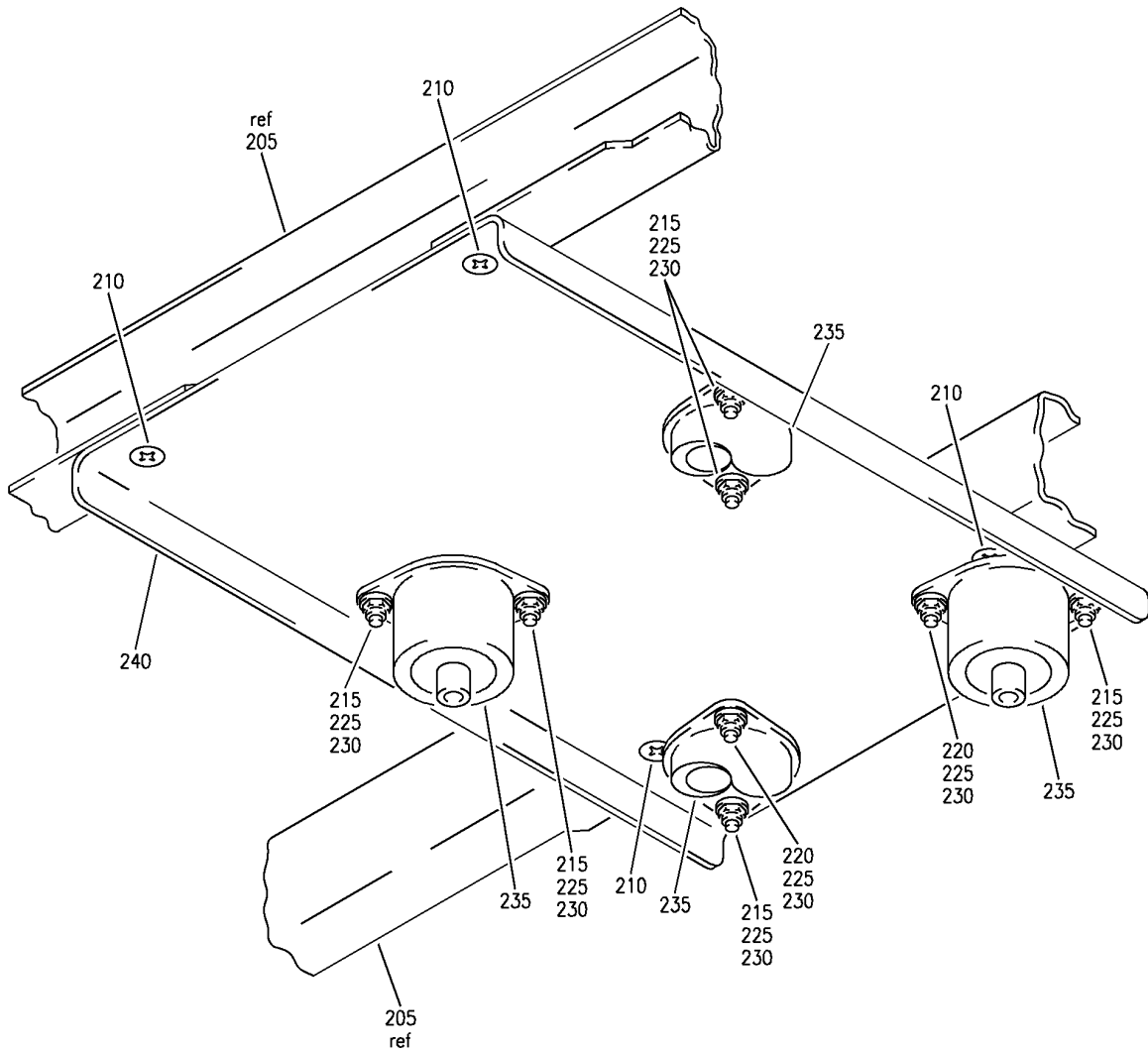
COMPRESSOR AND BRACKET INSTL- PASS. WATER SYS AIR
FIGURE 2B (SHEET 2)

38-15-01-02B

BRI
MAY 28/07

38-15-01-02B
PAGE 0A

BOEING
757
PARTS CATALOG (MAINTENANCE)



Y 38150102B SHT 3 REV 285

FWD
VIEW LOOKING UP **D**

COMPRESSOR AND BRACKET INSTL- PASS. WATER SYS AIR
FIGURE 2B (SHEET 3)

38-15-01-02B

BRI
MAY 28/07

38-15-01-02B
PAGE 0B



757

PARTS CATALOG (MAINTENANCE)

FIG ITEM	PART NUMBER	1 2 3 4 5 6 7	NOMENCLATURE	EFFECT FROM TO	UNITS PER ASSY
2B			COMPRESSOR AND BRACKET INSTL- PASS. WATER SYS AIR	011102 108120 504903	
- 1	417N2601-7		COMPRESSOR INSTL-PASS. WATER SYS AIR FOR NHA SEE: 25-20-00-03A 25-20-00-09	011102 108120 504903	RF
	5 BACB30NT2K5		.BOLT-	011102 108120 504903	4
	10 NAS1149DN832J		.WASHER-	011102 108120 504903	4
	15 PLH508CD		.NUT- SUPPLIER CODE: VF0224 SPECIFICATION NUMBER: BACN10YR08CD OPTIONAL PART: H52732-08CD V15653	011102 108120 504903	4
	20 45323		.PLATE-ADAPTER SUPPLIER CODE: V07649	011102 108120 504903	1
-	25 BACS12ER08K8		ATTACHING PARTS .SCREW-	011102 108120 504903	4
	30 MS21908D6		-----*----- .ELBOW-	011102 108120 504903	1
	35 MS28778-6		.PACKING-	011102 108120 504903	1
	40 AN924-6D		.NUT-	011102 108120 504903	1

MISSING ITEM NUMBERS NOT APPLICABLE

- ITEM NOT ILLUSTRATED

38-15-01-02B

38-15-01
FIG. 02B
PAGE 1
JAN 20/09

BRI

BOEING PROPRIETARY - Copyright © - Unpublished Work - See title page for details.



757

PARTS CATALOG (MAINTENANCE)

FIG ITEM	PART NUMBER	1 2 3 4 5 6 7	NOMENCLATURE	EFFECT FROM TO	UNITS PER ASSY
2B 50	JM44LC13WS8R	.CLAMP-	SUPPLIER CODE: V22175 SPECIFICATION NUMBER: BACC10GE8 OPTIONAL PART: S369WH8 V18076 TA12C32WS8 V84971 509S8 V83930	011102 108120 504903	1
55	BACS12GU3K10	.SCREW-		011102 108120 504903	1
60	NAS43DD3-16FC	.SPACER-		011102 108120 504903	1
65	NAS1149D0316J	.WASHER-		011102 108120 504903	2
70	PLH53CD	.NUT-	SUPPLIER CODE: VF0224 SPECIFICATION NUMBER: BACN10YR3CD OPTIONAL PART: H52732-3CD V15653	011102 108120 504903	1
75	JM44LC13WS6R	.CLAMP-	SUPPLIER CODE: V22175 SPECIFICATION NUMBER: BACC10GE6 OPTIONAL PART: TA12C32WS6 V84971 509S6 V83930 S714WH6 V18076	011102 108120 504903	1
80	73042-216	.HOSE ASSY-	SUPPLIER CODE: V24984 SPECIFICATION NUMBER: 10-61042-216	011102 108120 504903	1

MISSING ITEM NUMBERS NOT APPLICABLE

- ITEM NOT ILLUSTRATED

38-15-01-02B

38-15-01
FIG. 02B
PAGE 2
JAN 20/09

BRI

BOEING PROPRIETARY - Copyright © - Unpublished Work - See title page for details.



757

PARTS CATALOG (MAINTENANCE)

FIG ITEM	PART NUMBER	1 2 3 4 5 6 7	NOMENCLATURE	EFFECT FROM TO	UNITS PER ASSY
2B 85	28823-7	.	COMPRESSOR ASSY-AIR SUPPLIER CODE: V07649 FUNCTIONAL DESCRIPTION: PROVIDES LOW PRESSURE AIR SOURCE FOR OPERATION OF A PRESSURIZED POTABLE WATER SYSTEM SPECIFICATION NUMBER: 60B50012-9 MISCELLANEOUS DATA: PN 28823-14 CAN REPLACE BUT NOT BE REPLACED BY PN 28823-7. PN 28823-7 CAN BE REWORKED INTO PN 28823-14 PER SENIORS SERVICE BULLETIN 28823-38-03. COMPONENT MAINT MANUAL REF: 38-15-12 QUALIFIED I/W DATA: 28823-1 TOGETHER WITH 135157-4 AIR FILTER, 69-76594-33 BRACKET AND 69-27191-417 HOSE INTER- CHANGEABLE WITH 28823-7 TOGETHER WITH NAS1352N08LN14 (4),NAS1149D0816J(8),453 23 MOUNTING PLATE AND 10-61042-216 HOSE OPTIONAL PART: 417N2601-16 FOR DETAILS SEE: 38-15-01-52	011102 108120 504903	1

MISSING ITEM NUMBERS NOT APPLICABLE

- ITEM NOT ILLUSTRATED

38-15-01-02B

38-15-01
FIG. 02B
PAGE 3
JAN 20/09

BRI



757

PARTS CATALOG (MAINTENANCE)

FIG ITEM	PART NUMBER	1 2 3 4 5 6 7	NOMENCLATURE	EFFECT FROM TO	UNITS PER ASSY
2B 85	28823-9		.COMPRESSOR ASSY-AIR SUPPLIER CODE: V07649 FUNCTIONAL DESCRIPTION: PROVIDES LOW PRESSURE AIR SOURCE FOR OPERATION OF A PRESSURIZED POTABLE WATER SYSTEM QUALIFIED I/W DATA: 28823-9 TOGETHER WITH 45323 ADAPTER PLATE AND 10-61042-216 HOSE INTERCHANGEABLE WITH 28823-1 COMPRESSOR TOGETHER WITH 135157-4 AIR FILTER, 69-76594-33 BRACKET ASSY AND 69-27191-417 HOSE FOR DETAILS SEE: 38-15-01-52	011102 108120 504903	1
90	417N2601-16		.COMPRESSOR ASSY-AIR FUNCTIONAL DESCRIPTION: PROVIDES LOW PRESSURE AIR SOURCE FOR OPERATION OF A PRESSURIZED POTABLE WATER SYSTEM QUALIFIED I/W DATA: 417N2601-16 TOGETHER WITH 45323 ADAPTER PLATE AND 10-61042-216 HOSE INTERCHANGEABLE WITH 28823-1 COM- PRESSOR TOGETHER WITH 135157-4 AIR FILTER, 69-76594-33 BRACKET ASSY AND 69-27191-417 HOSE OPTIONAL PART: 28823-7 V07649	011102 108120 504903	1

MISSING ITEM NUMBERS NOT APPLICABLE

- ITEM NOT ILLUSTRATED

38-15-01-02B

38-15-01
FIG. 02B
PAGE 4
JAN 20/09

BRI

BOEING
757
PARTS CATALOG (MAINTENANCE)

FIG ITEM	PART NUMBER	1 2 3 4 5 6 7	NOMENCLATURE	EFFECT FROM TO	UNITS PER ASSY
2B 95	28823-10	..	COMPRESSOR-AIR PASSENGER WATER SYSTEM SUPPLIER CODE: V96142 FUNCTIONAL DESCRIPTION: PROVIDES LOW PRESSURE AIR SOURCE FOR OPERATION OF A PRESSURIZED POTABLE WATER SYSTEM SPECIFICATION NUMBER: 60B50012-10	011102 108120 504903	1
100	47179	..	FILTER-AIR SUPPLIER CODE: V07649 SPECIFICATION NUMBER: 60B50012-11	011102 108120 504903	1
- 200	417N2602-18		BRACKET INSTL-AIR CPRSR SPRT UNIQUE FLOOR BEAM FOR NHA SEE: 25-20-00-07D	504903	RF
- 200	417N2602-8		BRACKET INSTL- FOR NHA SEE: 25-20-00-07D 25-20-00-03A	011102 108120	RF
205	417N2605-7	.	SUPPORT ASSY	011102 108120	1
205	417N2605-15	.	SUPPORT ASSY	504903	1
210	NAS514P1032-8	..	SCREW	011102 108120 504903	4
215	NAS1801-08-8	..	SCREW	011102 108120 504903	6
220	NAS514P832-8	..	SCREW	011102 108120 504903	2
225	NAS620C8LP	..	WASHER	011102 108120 504903	8

MISSING ITEM NUMBERS NOT APPLICABLE

- ITEM NOT ILLUSTRATED

BRI

38-15-01-02B

BOEING PROPRIETARY - Copyright © - Unpublished Work - See title page for details.

38-15-01
FIG. 02B
PAGE 5
JAN 20/09



757

PARTS CATALOG (MAINTENANCE)

FIG ITEM	PART NUMBER	1 2 3 4 5 6 7	NOMENCLATURE	EFFECT FROM TO	UNITS PER ASSY
2B 230	BRH10A08	. .	NUT SUPPLIER CODE: V52828 SPECIFICATION NUMBER: BACN10JC08 OPTIONAL PART: H10-08BAC V15653 NS202101-82 V80539 RMLH9075-82W V72962 VN303A82 V92215 96-82 V80539 T6S832J V11815	011102 108120 504903	8
235	T22AB5	. .	SHOCKMOUNT- SUPPLIER CODE: V13636	011102 108120 504903	4
240	417N2607-18	. .	PAN-MTG	011102 108120 504903	1
- 300	286N2632-021		WIRE BUNDLE ASSY	011100	RF
- 300	286N2632-343		WIRE BUNDLE ASSY	108120	RF
- 300	286N2632-327		WIRE BUNDLE ASSY	504903	RF
- 300	286N2632-328		WIRE BUNDLE ASSY	101102	RF
305	BACC45FT10A5S	. .	CONNECTOR- ELECTRICAL EQUIP NUMBER: D00062 WIRING DIAGRAM REF: 381511	011102 108120 504903	1

MISSING ITEM NUMBERS NOT APPLICABLE

- ITEM NOT ILLUSTRATED

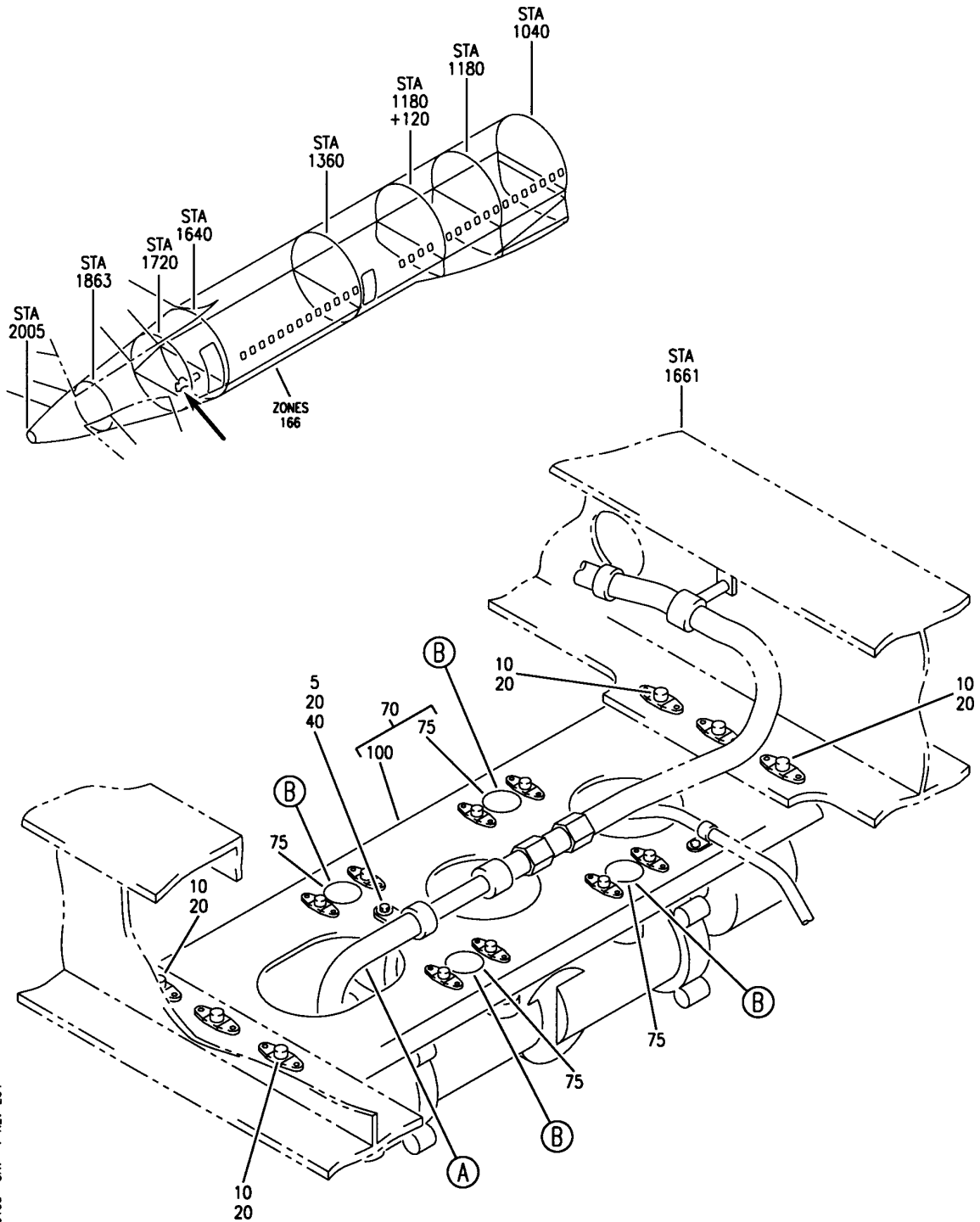
38-15-01-02B

38-15-01
FIG. 02B
PAGE 6
JAN 20/09

BRI

BOEING PROPRIETARY - Copyright © - Unpublished Work - See title page for details.

BOEING
757
PARTS CATALOG (MAINTENANCE)



Y 38150103 SHT 1 REV 204

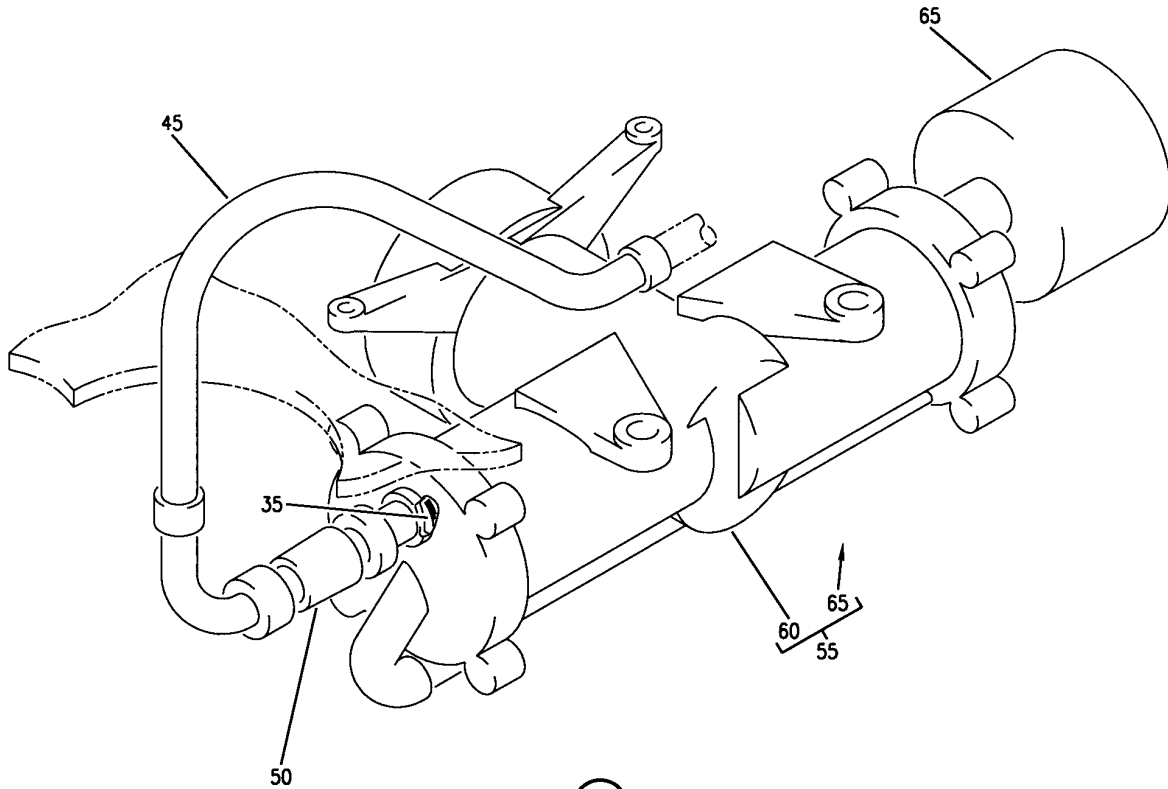
COMPRESSOR INSTL-POTABLE WATER
FIGURE 3 (SHEET 1)

38-15-01-03

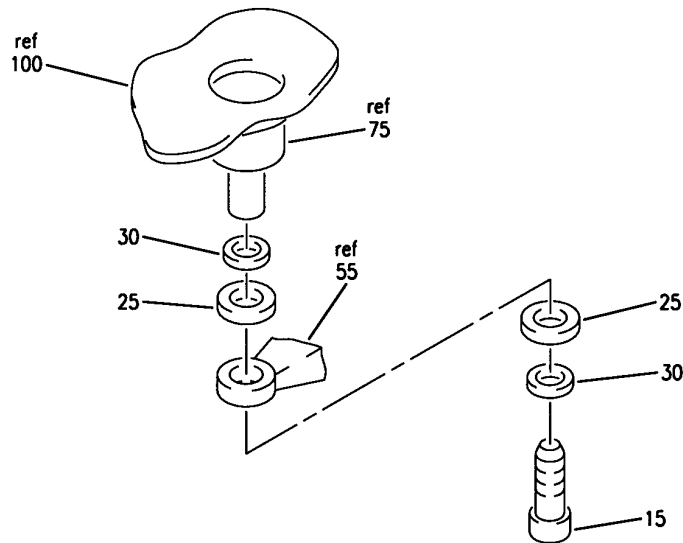
BRI
JAN 20/09

38-15-01-03
PAGE 0

BOEING
757
PARTS CATALOG (MAINTENANCE)



(A)



(B)

Y 38150103 SH1 2 REV 204

COMPRESSOR INSTL-POTABLE WATER
FIGURE 3 (SHEET 2)

38-15-01-03

BRI
JAN 20/09

38-15-01-03
PAGE 0A



757

PARTS CATALOG (MAINTENANCE)

FIG ITEM	PART NUMBER	1 2 3 4 5 6 7	NOMENCLATURE	EFFECT FROM TO	UNITS PER ASSY
3			COMPRESSOR INSTL-POTABLE WATER	103106	
- 1	MODREF17802		COMPRESSOR INSTL-POTABLE WATER MODULE NUMBER: 417N2601-15 REV A	103106	1
5	BACS12GU3K08		.SCREW	103106	1
10	BACS12GU3K10		.SCREW	103106	6
15	BACS12GU08K11		.SCREW	103106	4
20	NAS1149D0363J		.WASHER	103106	7
25	NAS1149D0332J		.WASHER	103106	8
30	NAS1149DN832J		.WASHER	103106	8
35	MS28778-6		.PACKING	103106	1
40	JM44LC13WH8R		.CLAMP SUPPLIER CODE: V22175 SPECIFICATION NUMBER: BACC10GE8C OPTIONAL PART: S369WHSS6 V18076 TA12C32WH6 V84971 509SS8 V83930	103106	1
45	AS117-06B0134		.HOSE ASSY	103106	1
50	CV020T3E3		.VALVE-CHK SUPPLIER CODE: V91816	103106	1
55	417N2601-16		.COMPRESSOR ASSY-AIR FUNCTIONAL DESCRIPTION: PROVIDES LOW PRESSURE AIR SOURCE FOR OPERATION OF A PRESSURIZED POTABLE WATER SYSTEM ELECTRICAL EQUIP NUMBER: M00142	103106	1

MISSING ITEM NUMBERS NOT APPLICABLE

- ITEM NOT ILLUSTRATED

38-15-01-03

38-15-01
FIG. 03
PAGE 1
JAN 20/09

BRI



757

PARTS CATALOG (MAINTENANCE)

FIG ITEM	PART NUMBER	1 2 3 4 5 6 7	NOMENCLATURE	EFFECT FROM TO	UNITS PER ASSY
3					
55	28823-7	.	COMPRESSOR ASSY-AIR SUPPLIER CODE: V07649 FUNCTIONAL DESCRIPTION: PROVIDES LOW PRESSURE AIR SOURCE FOR OPERATION OF A PRESSURIZED POTABLE WATER SYSTEM SPECIFICATION NUMBER: 60B50012-9 MISCELLANEOUS DATA: PN 28823-14 CAN REPLACE BUT NOT BE REPLACED BY PN 28823-7. PN 28823-7 CAN BE REWORKED INTO PN 28823-14 PER SENIORS SERVICE BULLETIN 28823-38-03. COMPONENT MAINT MANUAL REF: 38-15-12	103106	1
55	28823-9	.	COMPRESSOR ASSY-AIR SUPPLIER CODE: V07649 FUNCTIONAL DESCRIPTION: PROVIDES LOW PRESSURE AIR SOURCE FOR OPERATION OF A PRESSURIZED POTABLE WATER SYSTEM	103106	1
60	28823-10	..	COMPRESSOR-AIR PASSENGER WATER SYSTEM SUPPLIER CODE: V96142 FUNCTIONAL DESCRIPTION: PROVIDES LOW PRESSURE AIR SOURCE FOR OPERATION OF A PRESSURIZED POTABLE WATER SYSTEM SPECIFICATION NUMBER: 60B50012-10	103106	1
65	47179	..	FILTER-AIR SUPPLIER CODE: V07649 SPECIFICATION NUMBER: 60B50012-11	103106	1
70	417N2605-300	.	BRACKET ASSY	103106	1
75	T22AB5	..	SHOCKMOUNT- SUPPLIER CODE: V13636	103106	4

MISSING ITEM NUMBERS NOT APPLICABLE

- ITEM NOT ILLUSTRATED

38-15-01-03

38-15-01
FIG. 03
PAGE 2
JAN 20/09

BRI



757

PARTS CATALOG (MAINTENANCE)

FIG ITEM	PART NUMBER	1 2 3 4 5 6 7	NOMENCLATURE	EFFECT FROM TO	UNITS PER ASSY
3			ATTACHING PARTS		
- 80	BACS12GU08K9	..	SCREW	103106	8
- 85	NAS620A8L	..	WASHER	103106	8
- 90	BRF200C08D	..	NUTPLATE	103106	8
			SUPPLIER CODE: V52828		
			SPECIFICATION NUMBER: BACN10JR08CFD		
			OPTIONAL PART: NS202476-82		
			V80539		
			102F9201-82		
			V72962		
			T8092C832CD		
			V11815		
			K51602-08BAC		
			V15653		
- 95	BACR15CE3AD	..	RIVET-	103106	16
			SIZE DETERMINED ON INSTL.		
			-----*-----		
100	417N2605-310	..	BRACKET	103106	1

MISSING ITEM NUMBERS NOT APPLICABLE

- ITEM NOT ILLUSTRATED

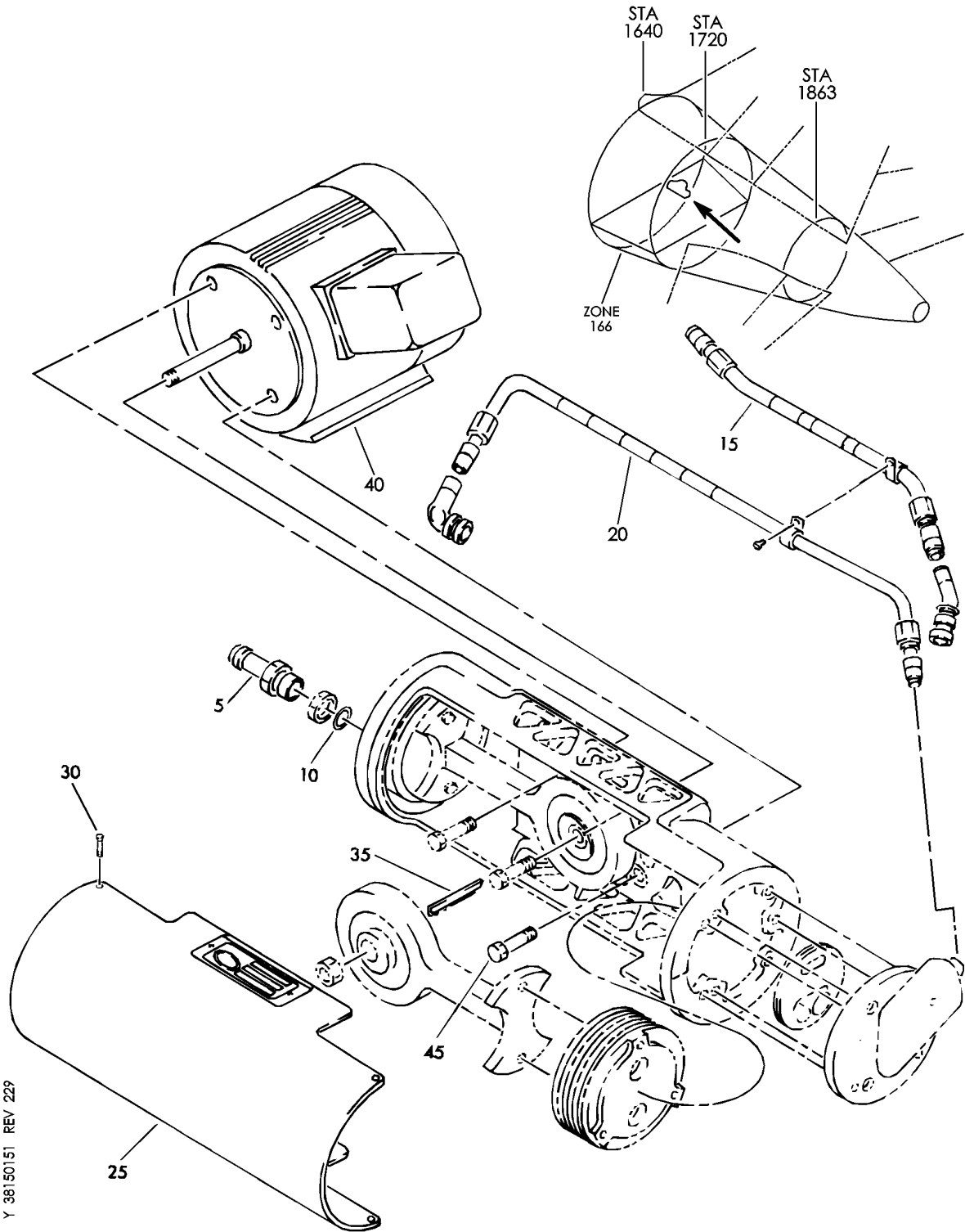
38-15-01-03

38-15-01
FIG. 03
PAGE 3
JAN 20/09

BRI

BOEING PROPRIETARY - Copyright © - Unpublished Work - See title page for details.

BOEING
757
PARTS CATALOG (MAINTENANCE)



Y 38150151 REV 229

COMPRESSOR ASSY-AIR
FIGURE 51

38-15-01-51

BRI
MAY 28/07

38-15-01-51
PAGE 0



757

PARTS CATALOG (MAINTENANCE)

FIG ITEM	PART NUMBER	1 2 3 4 5 6 7	NOMENCLATURE	EFFECT FROM TO	UNITS PER ASSY
51			COMPRESSOR ASSY-AIR	002004 006010 107107 121503 904999	
- 1	28823-1		COMPRESSOR ASSY-AIR SUPPLIER CODE: V07649 SPECIFICATION NUMBER: 60B50012-6 ELECTRICAL EQUIP NUMBER: M00142 COMPONENT MAINT MANUAL REF: 38-15-11 QUALIFIED I/W DATA: 28823-1 TOGETHER WITH 135157-4 AIR FILTER, 69-76594-33 BRACKET AND 69-27191-417 HOSE INTER- CHANGEABLE WITH 28823-7 TOGETHER WITH NAS1352N08LN14 (4),NAS1149D0816J (8),45323 MOUNTING PLATE AND 10-61042-216 HOSE. 417N2601-16 TOGETHER WITH 45323 ADAPTER PLATE AND 10-61042-216 HOSE INTERCHANGEABLE WITH 28823-1 COM- PRESSOR TOGETHER WITH 135157-4 AIR FILTER, 69-76594-33 BRACKET ASSY AND 69-27191-417 HOSE 28823-9 TOGETHER WITH 45323 ADAPTER PLATE AND 10-61042-216 HOSE INTERCHANGEABLE WITH 28823-1 COM- PRESSOR TOGETHER WITH 135157-4 AIR FILTER, 69-76594-33 BRACKET ASSY AND 69-27191-417 HOSE. FOR NHA SEE: 38-15-01-01	002004 006010 107107 121503 904999	RF

MISSING ITEM NUMBERS NOT APPLICABLE

- ITEM NOT ILLUSTRATED

38-15-01-51

38-15-01
FIG. 51
PAGE 1
JAN 20/09

BRI



757

PARTS CATALOG (MAINTENANCE)

FIG ITEM	PART NUMBER	1 2 3 4 5 6 7	NOMENCLATURE	EFFECT FROM TO	UNITS PER ASSY
51	5 40084		.FITTING-HOSE END SST SUPPLIER CODE: V07649 OPTIONAL PART: 40440 V07649	002004 006010 107107 121503 904999	1
	5 40440		.FITTING-HOSE END ALUM SUPPLIER CODE: V07649 OPTIONAL PART: 40084 V07649	002004 006010 107107 121503 904999	1
10	150701-8		.PACKING- SUPPLIER CODE: V95272	002004 006010 107107 121503 904999	1
15	40089		.TUBE ASSY-OUTPUT SUPPLIER CODE: V07649 OPTIONAL PART: 40748 V07649	002004 006010 107107 121503 904999	1
15	40748		.TUBE ASSY-OUTPUT SUPPLIER CODE: V07649 OPTIONAL PART: 40089 V07649	002004 006010 107107 121503 904999	1
20	40088		.MANIFOLD ASSY-CROSSOVER SUPPLIER CODE: V07649 OPTIONAL PART: 40749 V07649	002004 006010 107107 121503 904999	1
20	40749		.MANIFOLD ASSY-CROSSOVER SUPPLIER CODE: V07649 OPTIONAL PART: 40088 V07649	002004 006010 107107 121503 904999	1
25	31070		.COVER- SUPPLIER CODE: V07649	002004 006010 107107 121503 904999	1

MISSING ITEM NUMBERS NOT APPLICABLE

- ITEM NOT ILLUSTRATED

38-15-01-51

38-15-01
FIG. 51
PAGE 2
JAN 20/09

BRI

BOEING PROPRIETARY - Copyright © - Unpublished Work - See title page for details.



757

PARTS CATALOG (MAINTENANCE)

FIG ITEM	PART NUMBER	1 2 3 4 5 6 7	NOMENCLATURE	EFFECT FROM TO	UNITS PER ASSY
51					
30	30214		ATTACHING PARTS .SCREW-FIL HD 6-32 X 1-4 SUPPLIER CODE: V07649	002004 006010 107107 121503 904999	8
40	29992		-----*----- .MOTOR- SUPPLIER CODE: V07649	002004 006010 107107 121503 904999	1
45	30211		ATTACHING PARTS .SCREW-HEX HD 5-16-24 X 3-4 SUPPLIER CODE: V07649 -----*-----	002004 006010 107107 121503 904999	4

MISSING ITEM NUMBERS NOT APPLICABLE

- ITEM NOT ILLUSTRATED

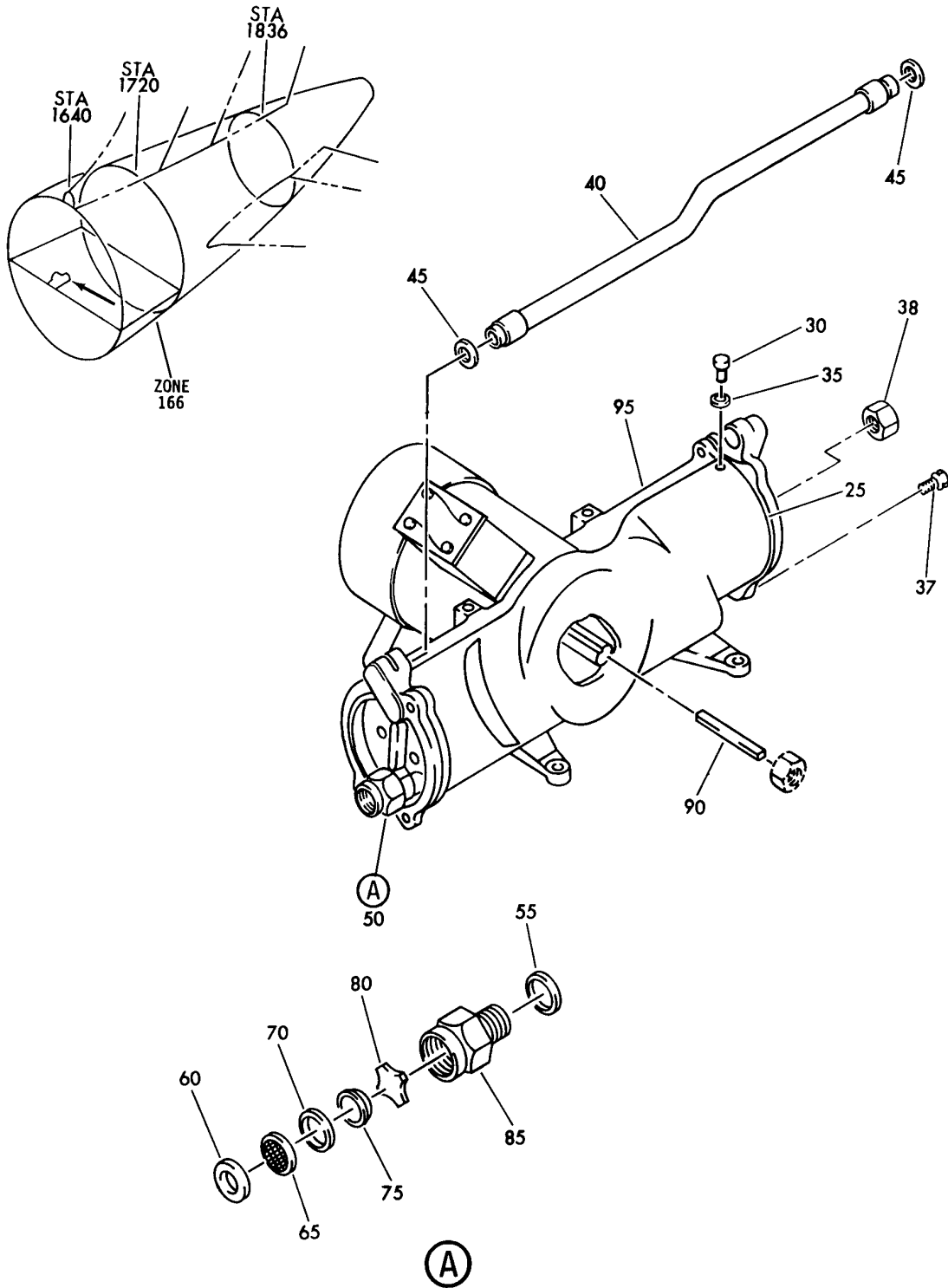
BRI

38-15-01-51

BOEING PROPRIETARY - Copyright © - Unpublished Work - See title page for details.

38-15-01
FIG. 51
PAGE 3
JAN 20/09

BOEING
757
PARTS CATALOG (MAINTENANCE)



Y 38150152 REV 229

COMPRESSOR ASSY-AIR
FIGURE 52

38-15-01-52

BRI
MAY 28/07

38-15-01-52
PAGE 0



757

PARTS CATALOG (MAINTENANCE)

FIG ITEM	PART NUMBER	1 2 3 4 5 6 7	NOMENCLATURE	EFFECT FROM TO	UNITS PER ASSY
52			COMPRESSOR ASSY-AIR	011102 108120 504903	
- 1	28823-7		<p>COMPRESSOR ASSY-AIR</p> <p>SUPPLIER CODE: V07649</p> <p>FUNCTIONAL DESCRIPTION: PROVIDES LOW PRESSURE AIR SOURCE FOR OPERATION OF A PRESSURIZED POTABLE WATER SYSTEM</p> <p>SPECIFICATION NUMBER: 60B50012-9</p> <p>MISCELLANEOUS DATA: PN 28823-14 CAN REPLACE BUT NOT BE REPLACED BY PN 28823-7. PN 28823-7 CAN BE REWORKED INTO PN 28823-14 PER SENIORS SERVICE BULLETIN 28823-38-03.</p> <p>ELECTRICAL EQUIP NUMBER: M00142</p> <p>COMPONENT MAINT MANUAL REF: 38-15-12</p> <p>QUALIFIED I/W DATA: 28823-1 TOGETHER WITH 135157-4 AIR FILTER, 69-76594-33 BRACKET AND 69-27191-417 HOSE INTER- CHANGEABLE WITH 28823-7 TOGETHER WITH NAS1352N08LN14 (4),NAS1149D0816J(8),453 23 MOUNTING PLATE AND 10-61042-216 HOSE</p> <p>FOR NHA SEE: 38-15-01-02B</p>	011102 108120 504903	RF

MISSING ITEM NUMBERS NOT APPLICABLE

- ITEM NOT ILLUSTRATED

38-15-01-52

38-15-01
FIG. 52
PAGE 1
JAN 20/09

BRI

 **BOEING**
757
PARTS CATALOG (MAINTENANCE)

FIG ITEM	PART NUMBER	1 2 3 4 5 6 7	NOMENCLATURE	EFFECT FROM TO	UNITS PER ASSY
52 - 1	28823-9		COMPRESSOR ASSY-AIR SUPPLIER CODE: V07649 FUNCTIONAL DESCRIPTION: PROVIDES LOW PRESSURE AIR SOURCE FOR OPERATION OF A PRESSURIZED POTABLE WATER SYSTEM QUALIFIED I/W DATA: 28823-9 TOGETHER WITH 45323 ADAPTER PLATE AND 10-61042-216 HOSE INTERCHANGEABLE WITH 28823-1 COMPRESSOR TOGETHER WITH 135157-4 AIR FILTER, 69-76594-33 BRACKET ASSY AND 69-27191-417 HOSE FOR NHA SEE: 38-15-01-02B	011102 108120 504903	RF
25	44384-1		.COVER- SUPPLIER CODE: V07649 USED ON: 28823-7	011102 108120 504903	1
30	47383		ATTACHING PARTS .SCREW-FIL HD 6-32 X 1/4 IN. LG SUPPLIER CODE: V07649 USED ON: 28823-7	011102 108120 504903	9
35	44556		.WASHER- SUPPLIER CODE: V07649 USED ON: 28823-7	011102 108120 504903	9
37	MS9556-07		-----*----- .BOLT- NOT APPROVED FOR ETOPS. USED ON: 28823-7	011102 108120 504903	4
38	MS21044C3		.NUT- USED ON: 28823-7	011102 108120 504903	2

MISSING ITEM NUMBERS NOT APPLICABLE

- ITEM NOT ILLUSTRATED

BRI

38-15-01-52

BOEING PROPRIETARY - Copyright © - Unpublished Work - See title page for details.

38-15-01
FIG. 52
PAGE 2
JAN 20/09



757

PARTS CATALOG (MAINTENANCE)

FIG ITEM	PART NUMBER	1 2 3 4 5 6 7	NOMENCLATURE	EFFECT FROM TO	UNITS PER ASSY
52					
40	44362		.TUBE- SUPPLIER CODE: V07649 USED ON: 28823-7	011102 108120 504903	1
45	44510		.PACKING- SUPPLIER CODE: V07649 USED ON: 28823-7	011102 108120 504903	2
50	44367		.FILTER ASSY-INLET SUPPLIER CODE: V07649 OPTIONAL PART: 44367-10 V07649 USED ON: 28823-7	011102 108120 504903	1
50	44367-10		.FILTER ASSY-INLET SUPPLIER CODE: V07649 OPTIONAL PART: 44367 V07649 USED ON: 28823-7	011102 108120 504903	1
55	40095		..PACKING- SUPPLIER CODE: V07649	011102 108120 504903	1
60	44503		..RING-RETAINING SUPPLIER CODE: V07649 CONFIG CHG DATA FROM A CMM: SUPSD BY 44503-1	011102 108120 504903	1
60	44503-1		..RING-RETAINING SUPPLIER CODE: V07649 CONFIG CHG DATA FROM A CMM: SUPERSEDES 44503	011102 108120 504903	1
65	44373		..SCREEN- SUPPLIER CODE: V07649	011102 108120 504903	1
70	44509		..PACKING- SUPPLIER CODE: V07649	011102 108120 504903	1
75	44502		..DISC- SUPPLIER CODE: V07649	011102 108120 504903	1

MISSING ITEM NUMBERS NOT APPLICABLE

- ITEM NOT ILLUSTRATED

38-15-01-52

38-15-01
FIG. 52
PAGE 3
JAN 20/09

BRI

BOEING PROPRIETARY - Copyright © - Unpublished Work - See title page for details.



757

PARTS CATALOG (MAINTENANCE)

FIG ITEM	PART NUMBER	1 2 3 4 5 6 7	NOMENCLATURE	EFFECT FROM TO	UNITS PER ASSY
52					
80	44739		.. DEFLECTOR- SUPPLIER CODE: V07649	011102 108120 504903	1
85	44372		.. HOUSING- SUPPLIER CODE: V07649 CONFIG CHG DATA FROM A CMM: SUPSD BY 44372-1	011102 108120 504903	1
85	44372-1		.. HOUSING- SUPPLIER CODE: V07649 CONFIG CHG DATA FROM A CMM: SUPERSEDES 44372	011102 108120 504903	1
90	44445		. KEY-STEP SUPPLIER CODE: V07649 USED ON: 28823-7	011102 108120 504903	1
95	45618		. MOTOR-AC SUPPLIER CODE: V07649 OPTIONAL PART: 45619 V07649 USED ON: 28823-7	011102 108120 504903	1
95	45619		. MOTOR-AC SUPPLIER CODE: V07649 OPTIONAL PART: 45618 V07649 USED ON: 28823-7	011102 108120 504903	1

MISSING ITEM NUMBERS NOT APPLICABLE

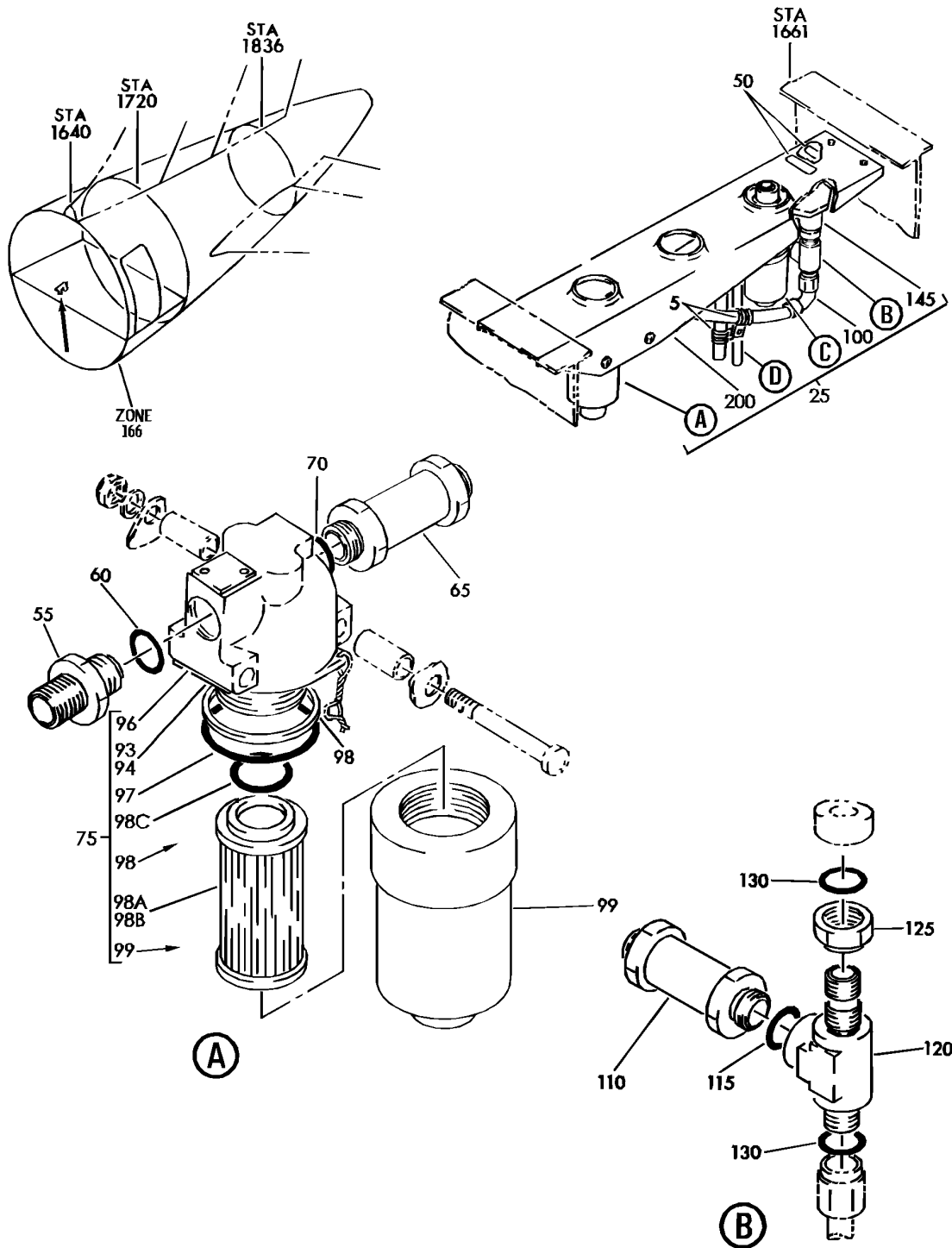
- ITEM NOT ILLUSTRATED

38-15-01-52

38-15-01
FIG. 52
PAGE 4
JAN 20/09

BRI

BOEING
757
PARTS CATALOG (MAINTENANCE)



Y 38155105 SHT 1 REV 244

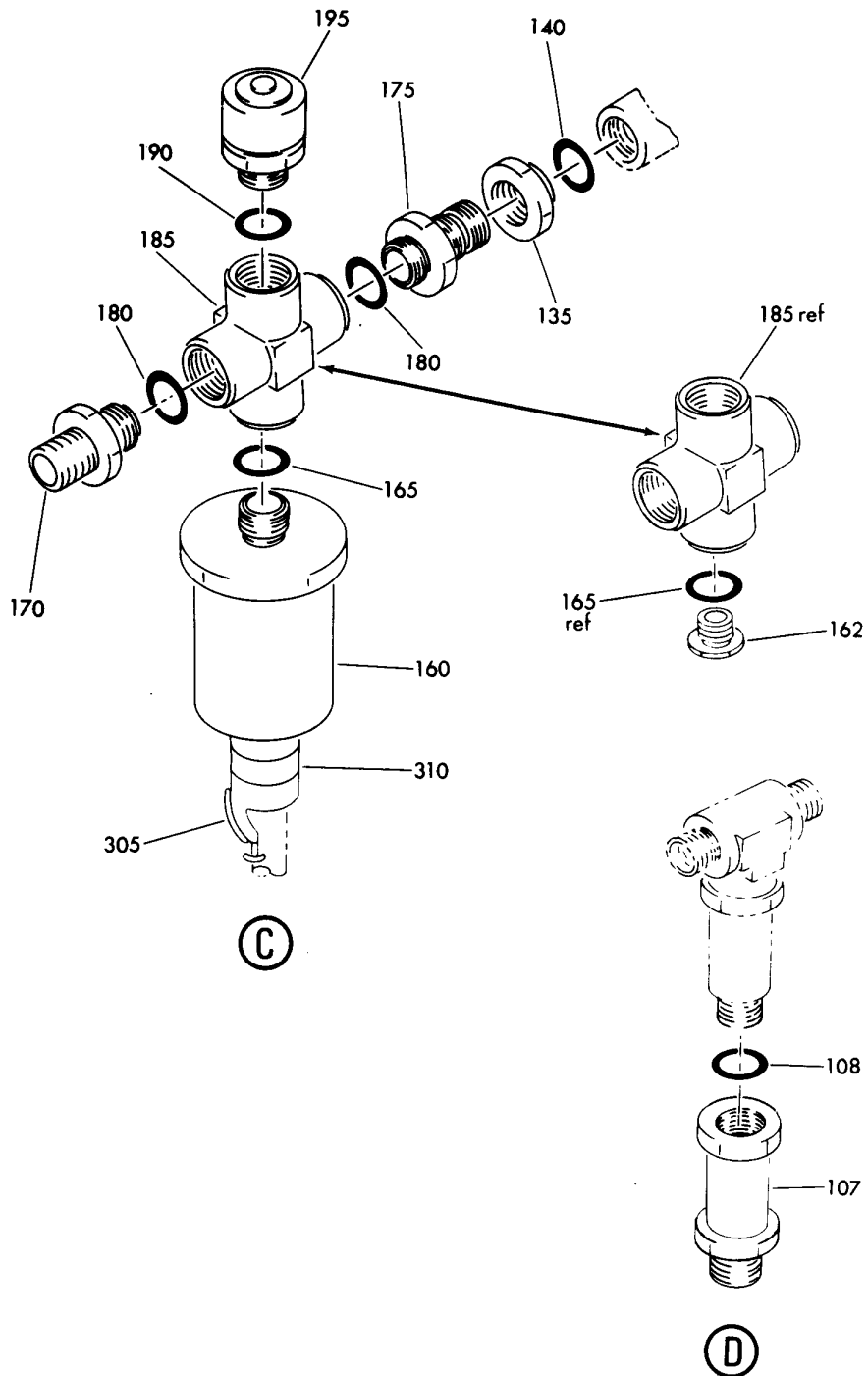
EQUIPMENT INSTL-PNEU SYS
FIGURE 5 (SHEET 1)

38-15-51-05

BRI
MAY 28/07

38-15-51-05
PAGE 0

BOEING
757
PARTS CATALOG (MAINTENANCE)



Y 38155105 SHT 2 REV 068

EQUIPMENT INSTL-PNEU SYS
FIGURE 5 (SHEET 2)

38-15-51-05

BRI
MAY 28/07

38-15-51-05
PAGE 0A



757

PARTS CATALOG (MAINTENANCE)

FIG ITEM	PART NUMBER	1 2 3 4 5 6 7	NOMENCLATURE	EFFECT FROM TO	UNITS PER ASSY
5			EQUIPMENT INSTL-PNEU SYS	002004 006102 107999	
- 1	417N2608-15		EQUIPMENT INSTL-PNEU SYS FOR NHA SEE: 25-20-00-03A	107107	RF
- 1	417N2608-26		EQUIPMENT INSTL-PNEU SYS FOR NHA SEE: 25-20-00-09 25-20-00-03A	018102 108120 504903	RF
- 1	417N2608-21		EQUIPMENT INSTL-PNEU SYS FOR NHA SEE: 25-20-00-03A	002004 006017 121503 904999	RF
	5 MS21919DG8		.CLAMP	002004 006102 107999	2
- 10	NAS1801-3-6		ATTACHING PARTS .SCREW	002004 006102 107999	1
- 15	AN960PD10L		.WASHER-	002004 006100 107107 121503 904999	1
- 15	AN960KD10L		.WASHER-	002004 006102 107999	1
- 20	BRH10A3		.NUT- SUPPLIER CODE: V52828 SPECIFICATION NUMBER: BACN10JC3 OPTIONAL PART: H10-3BAC V15653 NS202101-02 V80539 RMLH9075-3W V72962 VN303A02 V92215 96-02 V80539 T6S1032J V11815	002004 006100 107107 121503 904999	1

MISSING ITEM NUMBERS NOT APPLICABLE

- ITEM NOT ILLUSTRATED

38-15-51-05

38-15-51
FIG. 05
PAGE 1
JAN 20/09

BRI



757

PARTS CATALOG (MAINTENANCE)

FIG ITEM	PART NUMBER	1 2 3 4 5 6 7	NOMENCLATURE	EFFECT FROM TO	UNITS PER ASSY
5					
- 20	MS21042L3	.	NUT-	002004 006102 107999	1
			-----*-----		
25	417N2608-28	.	EQUIPMENT ASSY- (WATER/WASTE ONLY) FUNCTIONAL REFERENCE: PLACARDS AND MARKINGS FOR DETAILS SEE 11-35-62-01	018102 108120 504903	1
25	417N2608-19	.	EQUIPMENT ASSY-PNEU EQPT POST SERVICE BULLETIN: 38-0014R1 38-0014 FUNCTIONAL REFERENCE: PLACARDS AND MARKINGS FOR DETAILS SEE 11-35-62-01	002004 006017 107107 121503 904999	1
- 30	NAS1801-3-6	.	SCREW	002004 006102 107999	4
- 32	AN960PD10	.	WASHER	002004 006100 107107 121503 904999	4
- 32	AN960KD10	.	WASHER-	002004 006102 107999	4
			-----*-----		
55	MS21902D6	..	UNION	002004 006102 107999	1
60	MS28778-6	..	PACKING	002004 006102 107999	1
65	CV020T3E3	..	VALVE-CHK SUPPLIER CODE: V91816	002004 006102 107999	1
70	MS28778-6	..	PACKING	002004 006102 107999	1
75	7510742	..	FILTER ASSY-AIR SUPPLIER CODE: V05228 OPTIONAL PART: 7585982 V05228	002004 006102 107999	1

MISSING ITEM NUMBERS NOT APPLICABLE

- ITEM NOT ILLUSTRATED

38-15-51-05

38-15-51
FIG. 05
PAGE 2
JAN 20/09

BRI

BOEING PROPRIETARY - Copyright © - Unpublished Work - See title page for details.

 **BOEING**
757
PARTS CATALOG (MAINTENANCE)

FIG ITEM	PART NUMBER	1 2 3 4 5 6 7	NOMENCLATURE	EFFECT FROM TO	UNITS PER ASSY
5	75 7585982		.. FILTER ASSY-AIR SUPPLIER CODE: V05228 OPTIONAL PART: 7510742 V05228 ATTACHING PARTS	002004 006102 107999	1
- 80	NAS604-62P		.. SCREW	002004 006102 107999	2
- 85	AN960PD416L		.. WASHER-	002004 006100 107107 121503 904999	2
- 85	AN960KD416L		.. WASHER-	002004 006102 107999	2
- 90	NAS43DD4-56		.. SPACER	002004 006102 107999	4
- 92	BRH10A4		.. NUT- SUPPLIER CODE: V52828 SPECIFICATION NUMBER: BACN10JC4 OPTIONAL PART: T6S428J V11815 96-048 V80539 VN303A048 V92215 RMLH9075-4W V72962 NS202101-048 V80539 H10-4BAC V15653	002004 006100 107107 121503 904999	2
- 92	MS21042L4		.. NUT-	002004 006102 107999	2
93	7586011		-----*----- ... NAMEPLATE- SUPPLIER CODE: V05228 USED ON: 7585982	002004 006102 107999	1

MISSING ITEM NUMBERS NOT APPLICABLE

- ITEM NOT ILLUSTRATED

BRI

38-15-51-05

BOEING PROPRIETARY - Copyright © - Unpublished Work - See title page for details.

38-15-51
FIG. 05
PAGE 3
JAN 20/09



757

PARTS CATALOG (MAINTENANCE)

FIG ITEM	PART NUMBER	1 2 3 4 5 6 7	NOMENCLATURE	EFFECT FROM TO	UNITS PER ASSY
5					
93	7580372		...NAMEPLATE- SUPPLIER CODE: V05228 USED ON: 7510742 ATTACHING PARTS	002004 006100 107107 121503 904999	1
94	30743		...SCREW-DRIVE SUPPLIER CODE: V05228 -----*-----	002004 006102 107999	2
96	7581598		...HEAD- SUPPLIER CODE: V05228	002004 006102 107999	1
97	7582481		...PACKING- SUPPLIER CODE: V05228	002004 006102 107999	1
98	32152		...RING-RTNR SUPPLIER CODE: V05228	002004 006102 107999	1
98A	7586010		...ELEMENT- SUPPLIER CODE: V05228 FOR ELEMENT MAINTENANCE USE FILTER MAINT KIT DEFINED IN FILTER MAINT KIT LIST. FILTER MAINTENANCE KIT REF: 654T0035-7 USED ON: 7585982	002004 006102 107999	1
98B	7585797		...ELEMENT-FILTER POTABLE WATER SUPPLIER CODE: V05228 USED ON: 7510742	002004 006100 107107 121503 904999	1
98C	7582480	PACKING- SUPPLIER CODE: V05228	002004 006102 107999	1
99	30053-3		...CASE- SUPPLIER CODE: V05228	002004 006102 107999	1
100	73042-164		..HOSE ASSY-PASS. WATER SYS SUPPLIER CODE: V24984 SPECIFICATION NUMBER: 10-61042-164	002004 006102 107999	1

MISSING ITEM NUMBERS NOT APPLICABLE

- ITEM NOT ILLUSTRATED

38-15-51-05

38-15-51
FIG. 05
PAGE 4
JAN 20/09

BRI



757

PARTS CATALOG (MAINTENANCE)

FIG ITEM	PART NUMBER	1 2 3 4 5 6 7	NOMENCLATURE	EFFECT FROM TO	UNITS PER ASSY
5					
102	417N2608-31	..	VALVE ASSY-CHK UNLOADER OPTIONAL PART: 10561 VOBV85	018102 108120 504903	1
103	MS21902K6	...	UNION	018102 108120 504903	1
104	MS28778-6	...	PACKING	018102 108120 504903	1
105	CV99-237	...	VALVE- SUPPLIER CODE: V91816	018102 108120 504903	1
107	10561	..	VALVE-CHK SUPPLIER CODE: VOBV85 OPTIONAL PART: 417N2608-31	002004 006102 107999	1
108	MS28778-6	..	PACKING-	002004 006100 107107 121503 904999	1
110	CV020T3E3	..	VALVE-CHK SUPPLIER CODE: V91816	002004 006102 108999	1
115	MS28778-6	..	PACKING-	002004 006102 108999	1
120	MS21910D6	..	TEE	002004 006102 107999	1
125	AN924-6D	..	NUT	002004 006102 107999	1
130	MS28778-6	..	PACKING	002004 006102 107999	2
135	AN924-6D	..	NUT	002004 006102 107999	1
140	MS28778-6	..	PACKING	002004 006102 107999	1

MISSING ITEM NUMBERS NOT APPLICABLE

- ITEM NOT ILLUSTRATED

38-15-51-05

38-15-51
FIG. 05
PAGE 5
JAN 20/09

BRI

BOEING PROPRIETARY - Copyright © - Unpublished Work - See title page for details.



757

PARTS CATALOG (MAINTENANCE)

FIG ITEM	PART NUMBER	1 2 3 4 5 6 7	NOMENCLATURE	EFFECT FROM TO	UNITS PER ASSY
5					
145	1552-002-23	..	REGULATOR-PRESSURE SUPPLIER CODE: V04577 COMPONENT MAINT MANUAL REF: 38-15-01 ATTACHING PARTS	002004 006102 107999	1
- 150	NAS1801-3-6	..	SCREW	002004 006102 107999	2
- 155	AN960PD10	..	WASHER-	002004 006100 107107 121503 904999	2
- 155	AN960KD10	..	WASHER-	002004 006102 107999	2
			-----*-----		
162	AN814-6D	..	PLUG-	002004 006102 107999	1
165	MS28778-6	..	PACKING	002004 006102 107999	1
170	MS21902D6	..	UNION	002004 006102 107999	1
175	MS21924D6	..	UNION	002004 006102 107999	1
180	MS28778-6	..	PACKING	002004 006102 107999	1
185	AN937D6	..	CROSS	002004 006102 107999	1
190	MS28778-6	..	PACKING	002004 006102 107999	1
195	D524TP6D60	..	VALVE-RELIEF SUPPLIER CODE: V91816 PRE ALERT SB: 38A0030	002004 006100 121503 904952	1
195	RV05-362	..	VALVE-RELIEF SUPPLIER CODE: V91816 POST ALERT SB: 38A0030	002004 006102 107999	1

MISSING ITEM NUMBERS NOT APPLICABLE

- ITEM NOT ILLUSTRATED

38-15-51-05

38-15-51
FIG. 05
PAGE 6
JAN 20/09

BRI

BOEING PROPRIETARY - Copyright © - Unpublished Work - See title page for details.



757

PARTS CATALOG (MAINTENANCE)

FIG ITEM	PART NUMBER	1 2 3 4 5 6 7	NOMENCLATURE	EFFECT FROM TO	UNITS PER ASSY
5 200	417N2610-3		. . CHANNEL ASSY	002004 006102 107999	1

MISSING ITEM NUMBERS NOT APPLICABLE

- ITEM NOT ILLUSTRATED

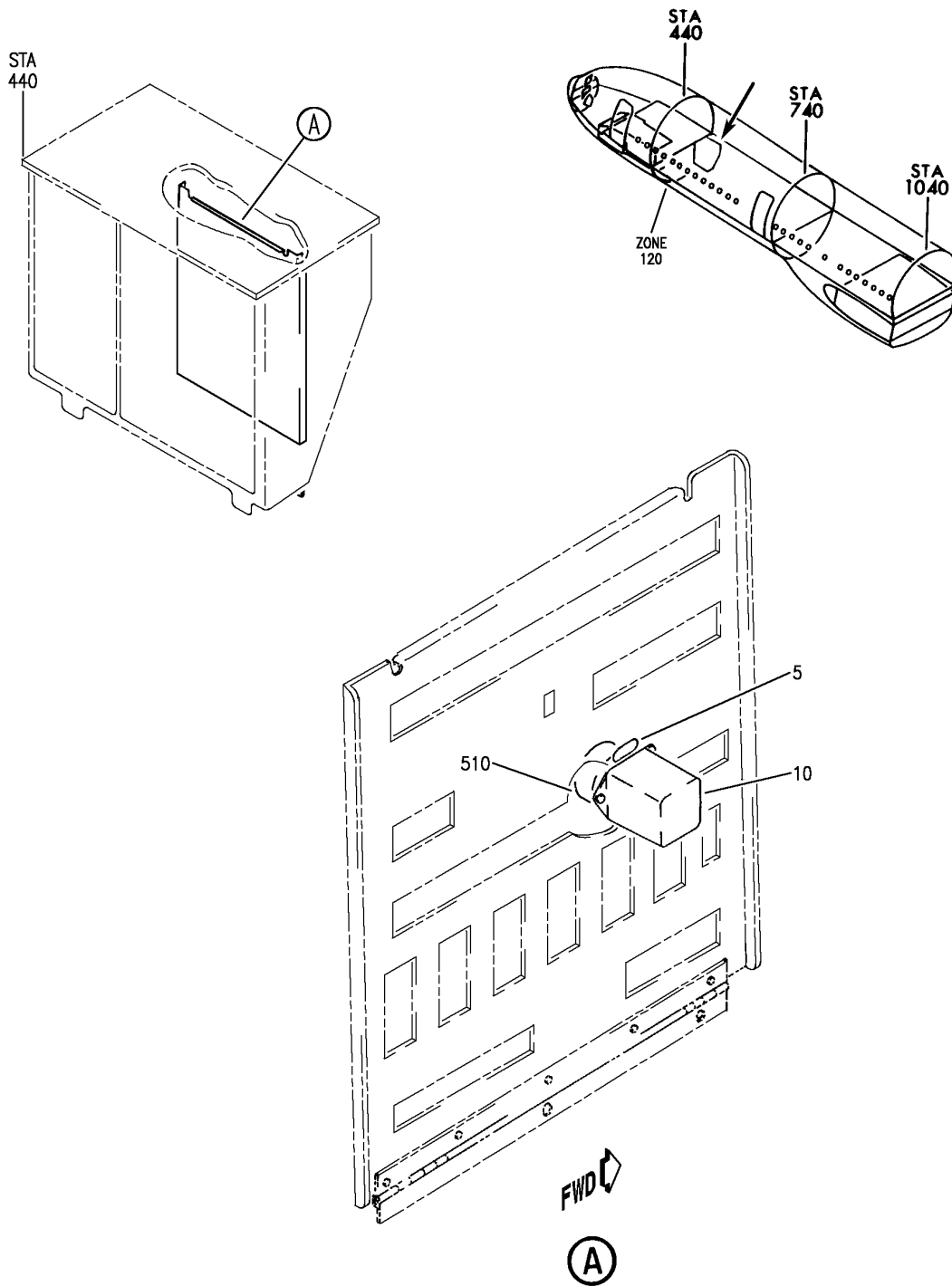
BRI

38-15-51-05

BOEING PROPRIETARY - Copyright © - Unpublished Work - See title page for details.

38-15-51
FIG. 05
PAGE 7
JAN 20/09

BOEING
757
PARTS CATALOG (MAINTENANCE)



Y 38157102 REV 268

PANEL ASSY-P37 MISC RELAY R (WATER/WASTE ONLY)
FIGURE 2

38-15-71-02

BRI
MAY 28/07

38-15-71-02
PAGE 0



757

PARTS CATALOG (MAINTENANCE)

FIG ITEM	PART NUMBER	1 2 3 4 5 6 7	NOMENCLATURE	EFFECT FROM TO	UNITS PER ASSY
2			PANEL ASSY-P37 MISC RELAY R (WATER/WASTE ONLY)	002004 006100 107107 121503 904999	
- 1	284N1127-1		PANEL ASSY-P37 MISC RELAY (WATER/WASTE ONLY) POSITION DATA: R VARIABLE DRAWING REF: 284N1127-5028 284N1127-5039 284N1127-5063 284N1127-5064 284N1127-5068 REWORKED BY SB: 33-0039 34-0200 REWORKED BY ALERT SB: 27A0130 FOR NHA/OTHER SYS DET SEE: 31-01-37-01B	002004 006100 107107 121503 904999	RF
5	BAC27TEX0671		.DECAL- POSITION DATA: K6	002004 006100 107107 121503 904999	1
10	FCC400-6		.RELAY- SUPPLIER CODE: V00213 SPECIFICATION NUMBER: 10-60450-2 ELECTRICAL EQUIP NUMBER: K00006 OPTIONAL PART: G59673-2 V73949 9524-6507 V73949 V35344 A410-159673-02	107107 121503 904949	1

MISSING ITEM NUMBERS NOT APPLICABLE

- ITEM NOT ILLUSTRATED

BRI

38-15-71-02

BOEING PROPRIETARY - Copyright © - Unpublished Work - See title page for details.

38-15-71
FIG. 02
PAGE 1
JAN 20/09



757

PARTS CATALOG (MAINTENANCE)

FIG ITEM	PART NUMBER	1 2 3 4 5 6 7	NOMENCLATURE	EFFECT FROM TO	UNITS PER ASSY
2 10	FCC400-8		.RELAY- SUPPLIER CODE: V00213 SPECIFICATION NUMBER: 10-60450-6 ELECTRICAL EQUIP NUMBER: K00006 OPTIONAL PART: A410-159673-06 V73949 9524-8208 V35344 9524-10214 V58657	002004 006100 950999	1
- 500	286N1270-002		WIRE BUNDLE ASSY- REWORKED BY ALERT SB: 27A0130 34A0222	121503 904949	RF
- 500	286N1270-003		WIRE BUNDLE ASSY- REWORKED BY ALERT SB: 27A0130 34A0222	107107	RF
- 500	286N1270-005		WIRE BUNDLE ASSY- REWORKED BY SB: 33-0039 REWORKED BY ALERT SB: 27A0130 34A0222	002004 006100 950999	RF
510	000300-0445		.SOCKET- SUPPLIER CODE: V05574 SPECIFICATION NUMBER: 10-60450-5 ELECTRICAL EQUIP NUMBER: D00060 WIRING DIAGRAM REF: 381511 OPTIONAL PART: 105-100-02 V26742 82164-1F V12054	002004 006100 107107 121503 904999	1

MISSING ITEM NUMBERS NOT APPLICABLE

- ITEM NOT ILLUSTRATED

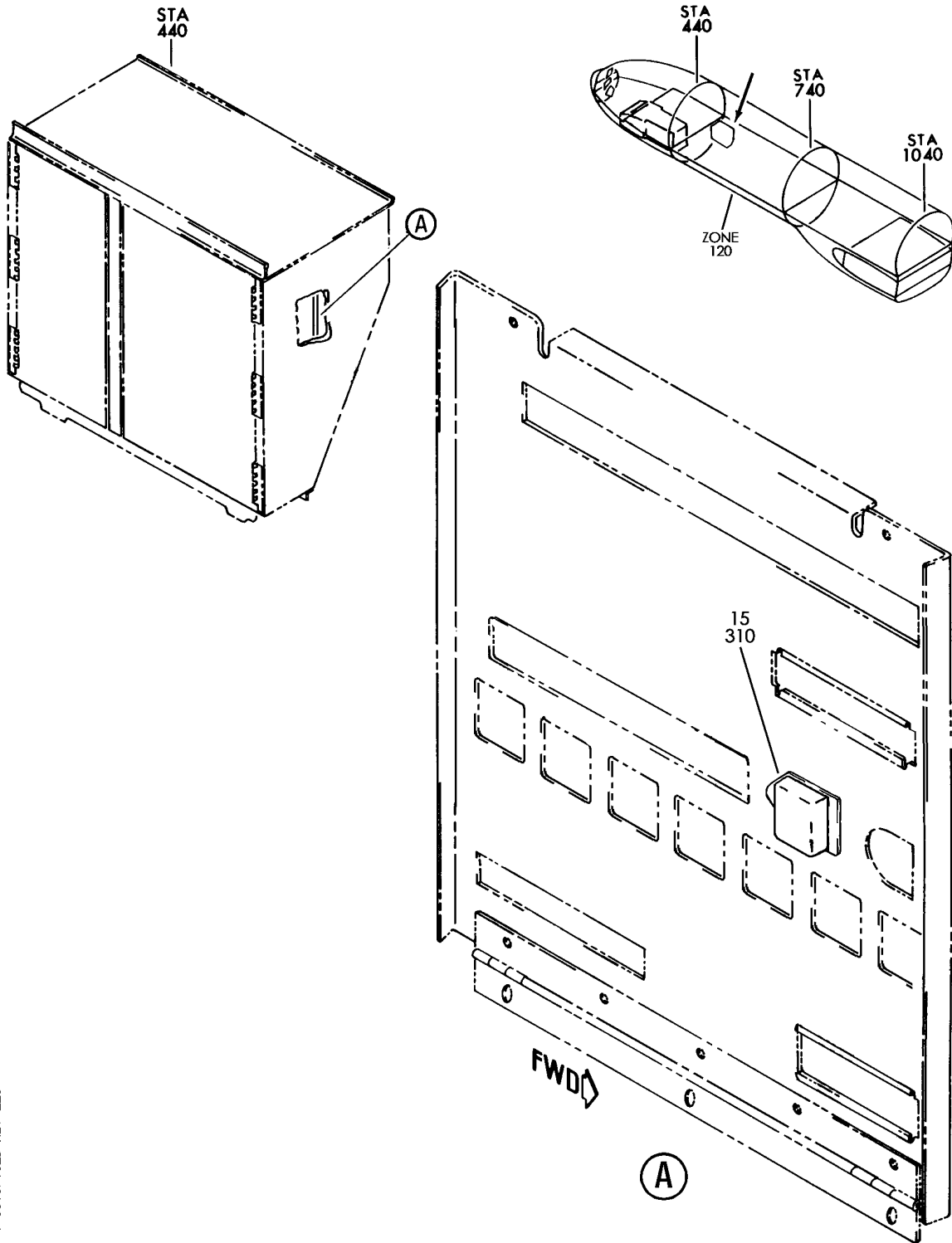
BRI

38-15-71-02

BOEING PROPRIETARY - Copyright © - Unpublished Work - See title page for details.

38-15-71
FIG. 02
PAGE 2
JAN 20/09

BOEING
757
PARTS CATALOG (MAINTENANCE)



Y 38157102B REV 226

PACKAGE ASSY-OPTION P37 MISC RELAY (WATER AND WASTE ONLY)
FIGURE 2B

38-15-71-02B

BRI
MAY 28/07

38-15-71-02B
PAGE 0



757

PARTS CATALOG (MAINTENANCE)

FIG ITEM	PART NUMBER	1 2 3 4 5 6 7	NOMENCLATURE	EFFECT FROM TO	UNITS PER ASSY
2B			PACKAGE ASSY-OPTION P37 MISC RELAY (WATER AND WASTE ONLY)	101102 504903	
- 1	284N1127-1043		PACKAGE ASSY-OPTION P37 MISC RELAY (WATER AND WASTE ONLY) MISCELLANEOUS DATA: 757-200 MINOR MODEL REWORKED BY ALERT SB: 27A0130 FOR NHA/OTHER SYS DET SEE: 31-01-37-02	101102 504903	RF
15	FCC400-8		.RELAY- SUPPLIER CODE: V00213 SPECIFICATION NUMBER: 10-60450-6 ELECTRICAL EQUIP NUMBER: K00006 OPTIONAL PART: A410-159673-06 V73949 9524-8208 V35344 9524-10214 V58657	101102 504903	1
- 300	286N1270-336		WIRE BUNDLE ASSY- REWORKED BY ALERT SB: 34A0222 27A0130	504903	RF
- 301	286N1270-361		WIRE BUNDLE ASSY- REWORKED BY ALERT SB: 34A0222 27A0130	101101	RF
- 301	286N1270-399		WIRE BUNDLE ASSY- REWORKED BY ALERT SB: 34A0222 27A0130	102102	RF

MISSING ITEM NUMBERS NOT APPLICABLE

- ITEM NOT ILLUSTRATED

38-15-71-02B

38-15-71
FIG. 02B
PAGE 1
JAN 20/09

BRI



757

PARTS CATALOG (MAINTENANCE)

FIG ITEM	PART NUMBER	1 2 3 4 5 6 7	NOMENCLATURE	EFFECT FROM TO	UNITS PER ASSY
2B 310	000300-0445		. SOCKET- SUPPLIER CODE: V05574 SPECIFICATION NUMBER: 10-60450-5 ELECTRICAL EQUIP NUMBER: D00060 WIRING DIAGRAM REF: 381511 OPTIONAL PART: 105-100-02 V26742 82164-1F V12054	101102 504903	1

MISSING ITEM NUMBERS NOT APPLICABLE

- ITEM NOT ILLUSTRATED

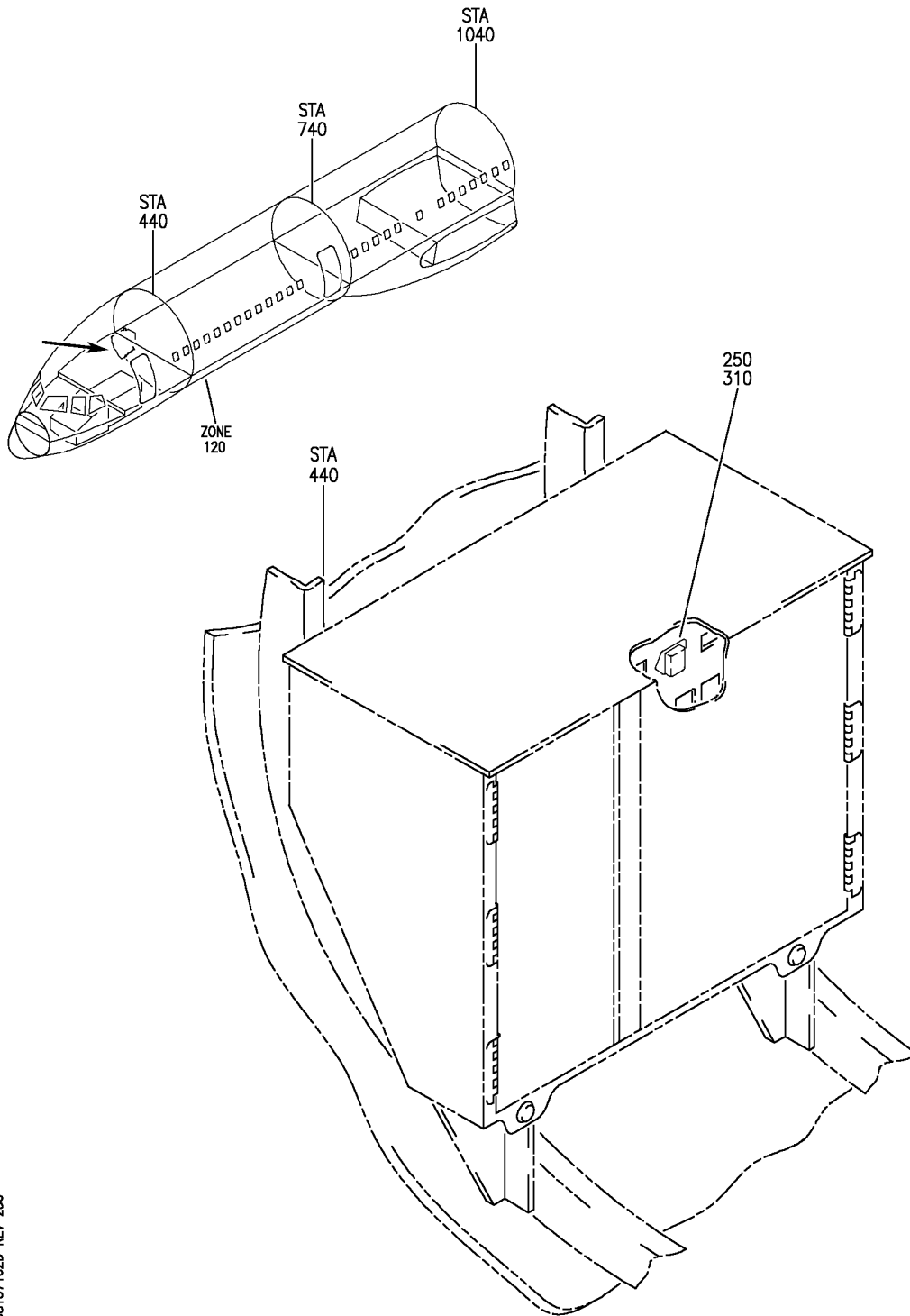
BRI

38-15-71-02B

BOEING PROPRIETARY - Copyright © - Unpublished Work - See title page for details.

38-15-71
FIG. 02B
PAGE 2
JAN 20/09

BOEING
757
PARTS CATALOG (MAINTENANCE)



Y 38157102D REV 250

PANEL INSTL-P37 R MISC RELAY (WATER AND WASTE ONLY)
FIGURE 2D

38-15-71-02D

BRI
JAN 20/09

38-15-71-02D
PAGE 0

BOEING PROPRIETARY - Copyright © - Unpublished Work - See title page for details.



757

PARTS CATALOG (MAINTENANCE)

FIG ITEM	PART NUMBER	1 2 3 4 5 6 7	NOMENCLATURE	EFFECT FROM TO	UNITS PER ASSY
2D			PANEL INSTL-P37 R MISC RELAY (WATER AND WASTE ONLY)	103106 108120	
- 1	MODREF185037		PANEL INSTL-P37 R MISC RELAY (WATER AND WASTE ONLY) MODULE NUMBER: 284N1127-169 REV D FOR OTHER SYS DETAILS SEE: 11-36-12-02A 21-25-71-02D 21-44-71-02D 21-45-31-01D 21-51-55-01D 21-58-71-02D 21-61-71-02D 23-31-51-05 24-21-51-05 24-51-01-02 24-51-02-03 24-51-58-02D 27-62-71-03D 28-22-71-03D 29-21-71-01D 30-11-71-02D 30-21-71-03D 30-31-71-02D 30-32-71-02D 30-33-71-02D 30-34-51-01D 31-01-37-10 31-31-71-02D 32-09-02-04D 32-42-71-02D 32-61-71-02D 33-43-55-01D 33-51-71-01D 34-12-71-02D 34-25-50-01D 34-61-52-01D 35-21-71-02D 36-11-71-02D 73-21-55-01D 74-31-71-02D 76-11-71-02D 77-12-71-01D 78-34-71-02D 78-36-71-02D 80-11-71-02D	106106	1
MISSING ITEM NUMBERS NOT APPLICABLE					

- ITEM NOT ILLUSTRATED

38-15-71-02D

38-15-71
FIG. 02D
PAGE 1
JAN 20/09

BRI



757
PARTS CATALOG (MAINTENANCE)

FIG ITEM	PART NUMBER	1 2 3 4 5 6 7	NOMENCLATURE	EFFECT FROM TO	UNITS PER ASSY
2D - 3	284N1127-118		PANEL INSTL-P37 R MISC RELAY (WATER AND WASTE ONLY) FOR NHA/OTHER SYS DET SEE: 24-00-58-05C	108108	RF
- 4	284N1127-139		PANEL INSTL-P37 R MISC RELAY (WATER AND WASTE ONLY) FOR NHA/OTHER SYS DET SEE: 24-00-58-05C	109120	RF

MISSING ITEM NUMBERS NOT APPLICABLE

- ITEM NOT ILLUSTRATED

BRI

38-15-71-02D

BOEING PROPRIETARY - Copyright © - Unpublished Work - See title page for details.

38-15-71
FIG. 02D
PAGE 2
JAN 20/09



757

PARTS CATALOG (MAINTENANCE)

FIG ITEM	PART NUMBER	1 2 3 4 5 6 7	NOMENCLATURE	EFFECT FROM TO	UNITS PER ASSY
2D - 8	MODREF31945		PANEL INSTL-P37 R MISC RELAY (WATER AND WASTE ONLY) MODULE NUMBER: 284N1127-169 REV B FOR OTHER SYS DETAILS SEE: 11-36-12-02A 21-25-71-02D 21-44-71-02D 21-45-31-01D 21-51-55-01D 21-58-71-02D 21-61-71-02D 23-31-51-05 24-21-51-05 24-51-01-02 24-51-02-03 24-51-58-02D 27-62-71-03D 28-22-71-03D 29-21-71-01D 30-11-71-02D 30-21-71-03D 30-31-71-02D 30-32-71-02D 30-33-71-02D 30-34-51-01D 31-01-37-10 31-31-71-02D 32-09-02-04D 32-42-71-02D 32-61-71-02D 33-43-55-01D 33-51-71-01D 34-12-71-02D 34-25-50-01D 34-61-52-01D 35-21-71-02D 36-11-71-02D 73-21-55-01D 74-31-71-02D 76-11-71-02D 77-12-71-01D 78-34-71-02D 78-36-71-02D 80-11-71-02D	103103	1

MISSING ITEM NUMBERS NOT APPLICABLE

- ITEM NOT ILLUSTRATED

BRI

38-15-71-02D

BOEING PROPRIETARY - Copyright © - Unpublished Work - See title page for details.

38-15-71
FIG. 02D
PAGE 3
JAN 20/09



757

PARTS CATALOG (MAINTENANCE)

FIG ITEM	PART NUMBER	1 2 3 4 5 6 7	NOMENCLATURE	EFFECT FROM TO	UNITS PER ASSY
2D - 8	MODREF34305		PANEL INSTL-P37 R MISC RELAY (WATER AND WASTE ONLY) MODULE NUMBER: 284N1127-169 REV C FOR OTHER SYS DETAILS SEE: 11-36-12-02A 21-25-71-02D 21-44-71-02D 21-45-31-01D 21-51-55-01D 21-58-71-02D 21-61-71-02D 23-31-51-05 24-21-51-05 24-51-01-02 24-51-02-03 24-51-58-02D 27-62-71-03D 28-22-71-03D 29-21-71-01D 30-11-71-02D 30-21-71-03D 30-31-71-02D 30-32-71-02D 30-33-71-02D 30-34-51-01D 31-01-37-10 31-31-71-02D 32-09-02-04D 32-42-71-02D 32-61-71-02D 33-43-55-01D 33-51-71-01D 34-12-71-02D 34-25-50-01D 34-61-52-01D 35-21-71-02D 36-11-71-02D 73-21-55-01D 74-31-71-02D 76-11-71-02D 77-12-71-01D 78-34-71-02D 78-36-71-02D 80-11-71-02D	104105	1

MISSING ITEM NUMBERS NOT APPLICABLE

- ITEM NOT ILLUSTRATED

BRI

38-15-71-02D

BOEING PROPRIETARY - Copyright © - Unpublished Work - See title page for details.

38-15-71
 FIG. 02D
 PAGE 4
 JAN 20/09



757

PARTS CATALOG (MAINTENANCE)

FIG ITEM	PART NUMBER	1 2 3 4 5 6 7	NOMENCLATURE	EFFECT FROM TO	UNITS PER ASSY
2D 250	FCC400-8		.RELAY- SUPPLIER CODE: V00213 SPECIFICATION NUMBER: 10-60450-6 ELECTRICAL EQUIP NUMBER: K00006 OPTIONAL PART: 9524-10214 V58657 9524-8208 V35344 A410-159673-06 V73949	103106 108120	1
- 300	286N1270-360		WIRE BUNDLE ASSY- REWORKED BY ALERT SB: 34A0222	108120	RF
- 302 310	286N1270-602 000300-0445		WIRE BUNDLE ASSY .SOCKET- SUPPLIER CODE: V05574 SPECIFICATION NUMBER: 10-60450-5 ELECTRICAL EQUIP NUMBER: D00060 WIRING DIAGRAM REF: 381511 OPTIONAL PART: 105-100-02 V26742 82164-1F V12054	103106 103106 108120	RF 1

MISSING ITEM NUMBERS NOT APPLICABLE

- ITEM NOT ILLUSTRATED

38-15-71-02D

38-15-71
FIG. 02D
PAGE 5
JAN 20/09

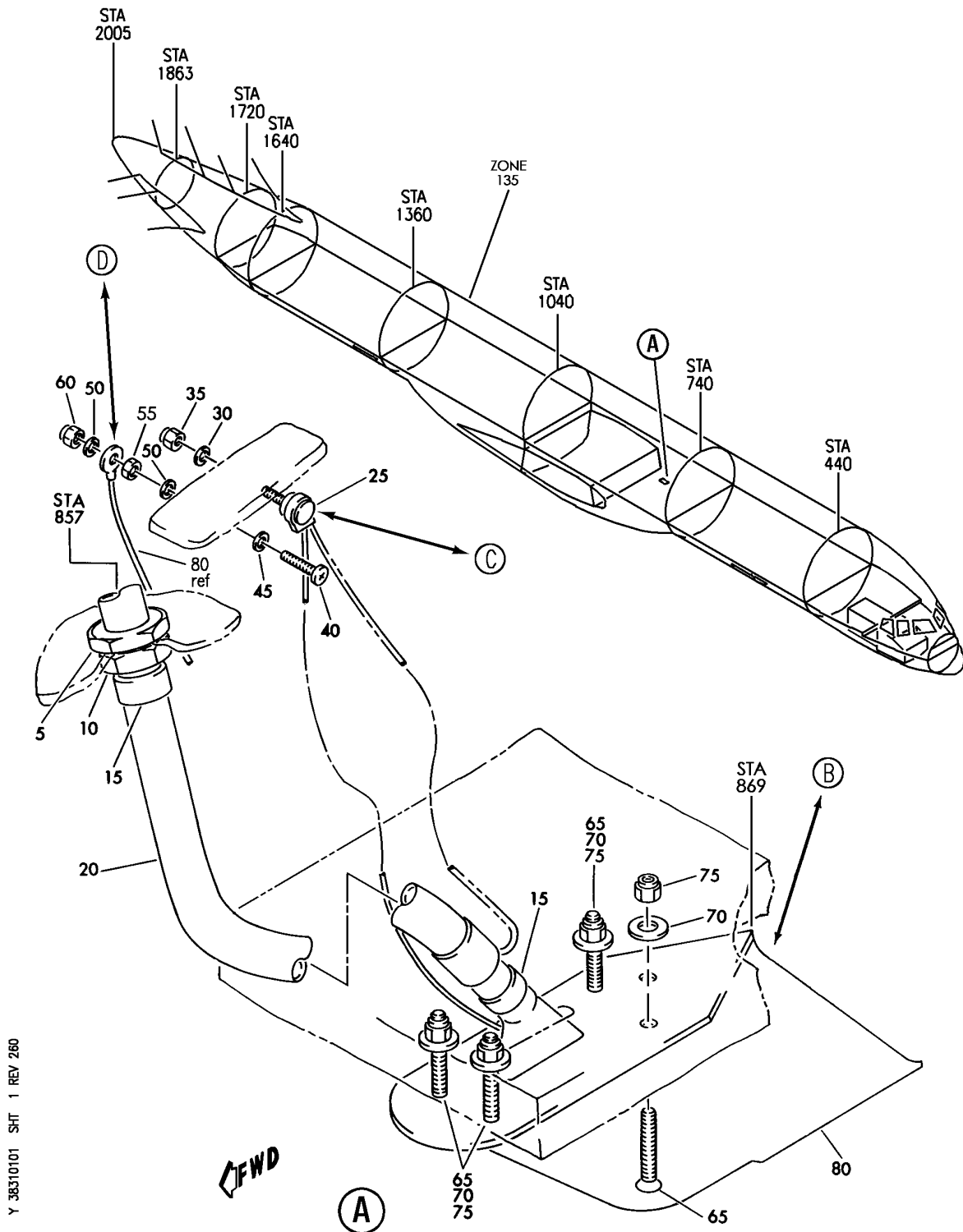
BRI

WASTE WATER SYSTEM

BRI
MAY 28/07

38-31-00
SECTION TITLE
PAGE 1

BOEING
757
PARTS CATALOG (MAINTENANCE)



Y 38310101 SHT 1 REV 260

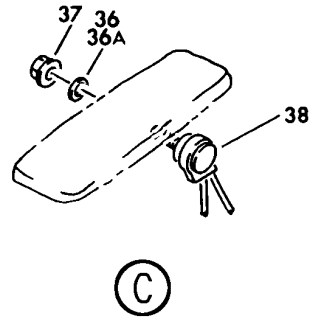
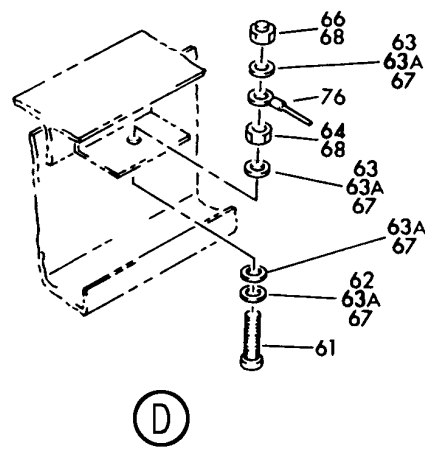
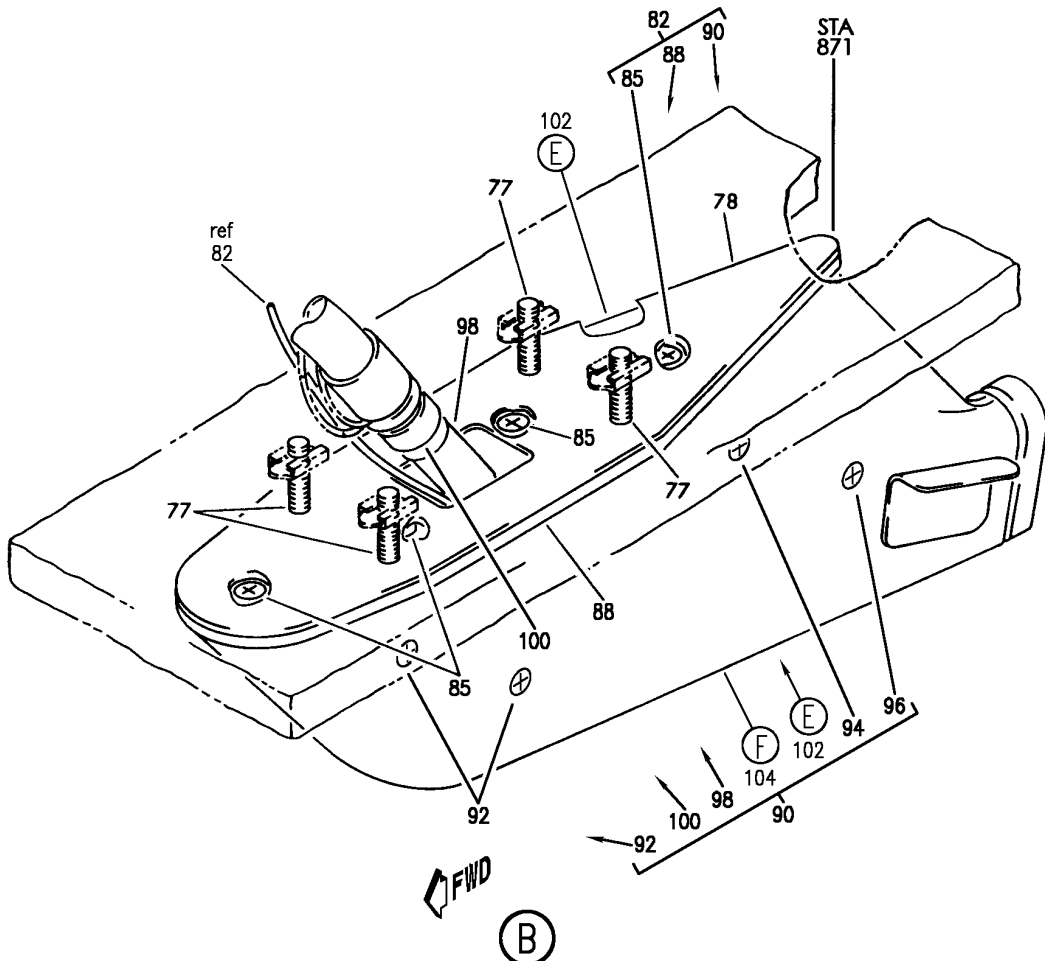
MAST INSTL-STA 869.28 WASTE WATER FWD DRAIN
FIGURE 1 (SHEET 1)

38-31-01-01

BRI
MAY 28/07

38-31-01-01
PAGE 0

BOEING
757
PARTS CATALOG (MAINTENANCE)



Y 38310101 SHT 2 REV 260

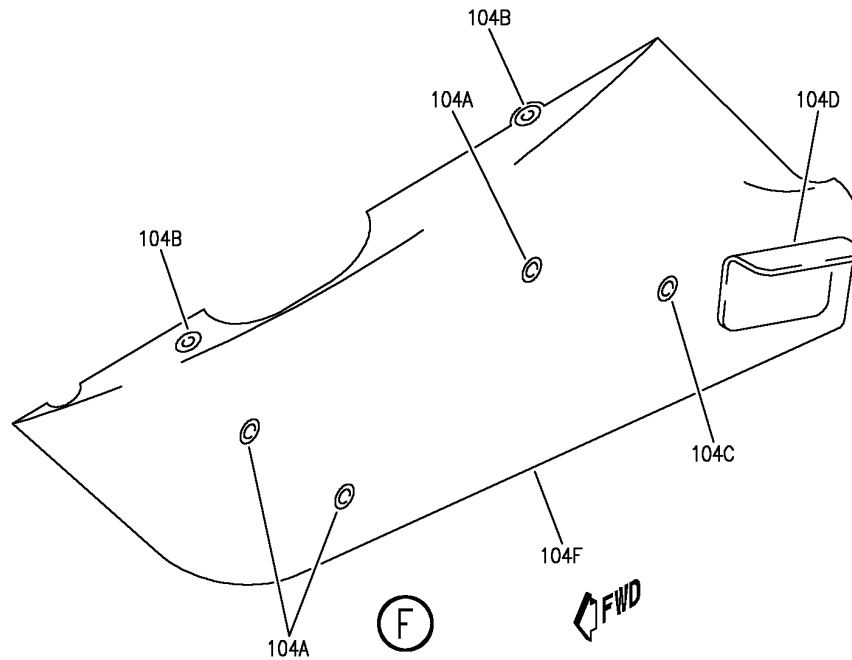
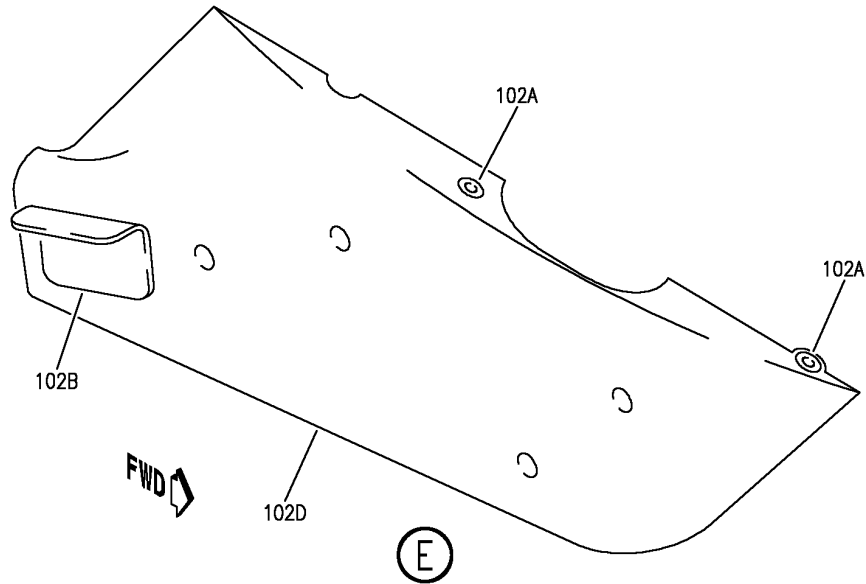
MAST INSTL-STA 869.28 WASTE WATER FWD DRAIN
FIGURE 1 (SHEET 2)

38-31-01-01

BRI
MAY 28/07

38-31-01-01
PAGE 0A

BOEING
757
PARTS CATALOG (MAINTENANCE)



Y 38310101 SHT 3 REV 260

MAST INSTL-STA 869.28 WASTE WATER FWD DRAIN
FIGURE 1 (SHEET 3)

38-31-01-01

BRI
MAY 28/07

38-31-01-01
PAGE 0B



757

PARTS CATALOG (MAINTENANCE)

FIG ITEM	PART NUMBER	1 2 3 4 5 6 7	NOMENCLATURE	EFFECT FROM TO	UNITS PER ASSY
1			MAST INSTL-STA 869.28 WASTE WATER FWD DRAIN	002004 006102 107999	
- 1	417N2105-6		MAST INSTL-WASTE WATER DRAIN POSITION DATA: STA 869.28 FWD FOR NHA SEE: 25-20-00-03A	002004 006100 107107 121503 904999	RF
- 1	417N2105-101		MAST INSTL-WASTE WATER DRAIN POSITION DATA: STA 871.00 FWD FOR NHA SEE: 25-20-00-09	101102 504903	RF
5	66-17278-1		.CONNECTOR-STRAIGHT	002004 006102 107999	1
10	AN924-16D		.NUT	002004 006102 107999	1
15	AN737TW46		.CLAMP-	002004 006102 107999	2
20	79235-001		.HOSE-HEATED SUPPLIER CODE: V24984 SPECIFICATION NUMBER: 10-61479-2 ELECTRICAL EQUIP NUMBER: B10063 OPTIONAL PART: 713491-2 V70628	002004 006102 107999	1
20	713491-2		.HOSE-HEATED SUPPLIER CODE: V70628 SPECIFICATION NUMBER: 10-61479-2 ELECTRICAL EQUIP NUMBER: B10063 OPTIONAL PART: 79235-002 V24984	002004 006102 107999	1
36	AN960KD10L		.WASHER	002004 006102 107999	1
36A	NAS1149D0316J		.WASHER	101102 504903	1

MISSING ITEM NUMBERS NOT APPLICABLE

- ITEM NOT ILLUSTRATED

BRI

38-31-01-01

38-31-01
FIG. 01
PAGE 1
JAN 20/09



757

PARTS CATALOG (MAINTENANCE)

FIG ITEM	PART NUMBER	1 2 3 4 5 6 7	NOMENCLATURE	EFFECT FROM TO	UNITS PER ASSY
1					
37	MS21042L3	.	NUT	002004 006102 107999	1
38	3100-101-3	.	THERMOSTAT- SUPPLIER CODE: V14604 ELECTRICAL EQUIP NUMBER: B10064	002004 006102 107999	1
61	NAS1801-4-11	.	SCREW-	002004 006102 107999	1
63A	NAS1149D0416J	.	WASHER	101102 504903	4
68	MS21042L4	.	NUT-	002004 006102 107999	2
76	940CW21-14	.	JUMPER- SUPPLIER CODE: V91812 SPECIFICATION NUMBER: BACJ40AB21-14 OPTIONAL PART: 100221-14 V1FF12 RBEJ40AB21-14 V1GK47	002004 006102 107999	2
77	BACB30LR5-20	.	BOLT-	002004 006102 107999	4
78	417N2119-1	.	SEAL	002004 006102 107999	1
82	417N2117-2	.	MAST ASSY-DRAIN ELECTRICAL EQUIP NUMBER: B00041	006100 108120 950951 953999	1
82	417N2117-6	.	MAST ASSY-DRAIN ELECTRICAL EQUIP NUMBER: B00041 QUALIFIED SB I/W DATA: (POST BAA CIC	002004 006102 107999	1
82	417N2117-8	.	MAST ASSY-DRAIN ELECTRICAL EQUIP NUMBER: B00041 QUALIFIED SB I/W DATA: POST BAA CIC	002004 006102 107999	1
85	BACB30LU4P4	..	BOLT	002004 006102 107999	4

MISSING ITEM NUMBERS NOT APPLICABLE

- ITEM NOT ILLUSTRATED

38-31-01-01

38-31-01
FIG. 01
PAGE 2
JAN 20/09

BRI



757

PARTS CATALOG (MAINTENANCE)

FIG ITEM	PART NUMBER	1 2 3 4 5 6 7	NOMENCLATURE	EFFECT FROM TO	UNITS PER ASSY
1					
88	417N2118-1	..	PLATE-ADPTR	002004 006102 107999	1
88	417N2118-3	..	PLATE-ADPTR	002004 006102 107999	1
90	417T2093-1	..	MAST ASSY- COMPONENT MAINT MANUAL REF: 38-31-01	002004 006102 107999	1
90	417T2093-10	..	MAST ASSY-	002004 006102 107999	1
92	NAS1801-3-14	...	SCREW	002004 006102 107999	2
94	NAS1801-3-10	...	SCREW	002004 006102 107999	1
96	NAS1801-3-5	...	SCREW	002004 006102 107999	1
98	90234-2	...	HEATER ASSY- SUPPLIER CODE: V04849 SPECIFICATION NUMBER: 10-61434-2 OPTIONAL PART: 8921536G2 V13545 USED ON: 417T2093-1	002004 006102 107999	1
98	8921536G2	...	HEATER ASSY- SUPPLIER CODE: V13545 SPECIFICATION NUMBER: 10-61434-2 OPTIONAL PART: 90234-2 V04849 USED ON: 417T2093-1	002004 006102 107999	1
98	90234-5	...	HEATER ASSY- SUPPLIER CODE: V04849 SPECIFICATION NUMBER: 10-61434-5 USED ON: 417T2093-10	002004 006102 107999	1

MISSING ITEM NUMBERS NOT APPLICABLE

- ITEM NOT ILLUSTRATED

38-31-01-01

38-31-01
FIG. 01
PAGE 3
JAN 20/09

BRI



757

PARTS CATALOG (MAINTENANCE)

FIG ITEM	PART NUMBER	1 2 3 4 5 6 7	NOMENCLATURE	EFFECT FROM TO	UNITS PER ASSY
1					
100	417T2093-6	...	TAPE	002004 006102 107999	1
102	417T2093-4	...	MAST ASSY-HALF	002004 006102 107999	1
102A	MS21209F4-20	INSERT-STEEL WIRE HELI-COIL INSERT	002004 006102 107999	2
102B	69-56298-2	ANGLE	002004 006102 107999	1
-102C	BACR15BA6D	ATTACHING PARTS RIVET- SIZE DETERMINED ON INSTL.	002004 006102 107999	2
102D	65-14036-12	-----*----- DRAIN-HALF	002004 006102 107999	1
104	417T2093-5	...	MAST ASSY-HALF	002004 006102 107999	1
104A	MS21209F1-20	INSERT-STEEL WIRE HELI-COIL	002004 006102 107999	3
104B	MS21209F4-20	INSERT-STEEL WIRE HELI-COIL	002004 006102 107999	2
104C	3591-3CN0190	INSERT-STEEL WIRE SUPPLIER CODE: V26344	002004 006102 107999	1
104D	69-56298-1	ANGLE	002004 006102 107999	1
-104E	BACR15BA6D	ATTACHING PARTS RIVET- SIZE DETERMINED ON INSTL.	002004 006102 107999	2
104F	65-14036-13	-----*----- DRAIN-HALF	002004 006102 107999	1

MISSING ITEM NUMBERS NOT APPLICABLE

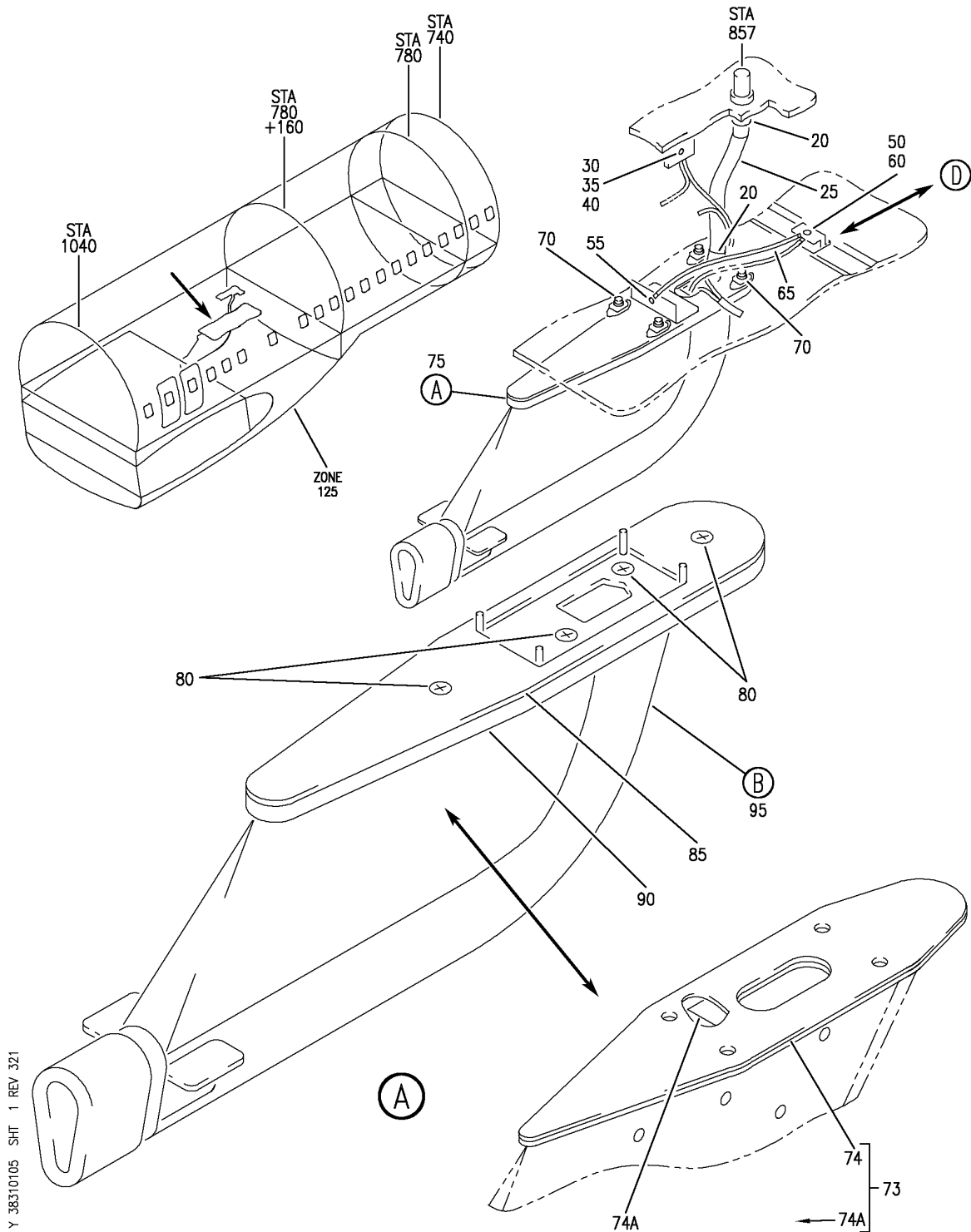
- ITEM NOT ILLUSTRATED

BRI

38-31-01-01

38-31-01
FIG. 01
PAGE 4
JAN 20/09

BOEING
757
PARTS CATALOG (MAINTENANCE)



Y 38310105 SHT 1 REV 321

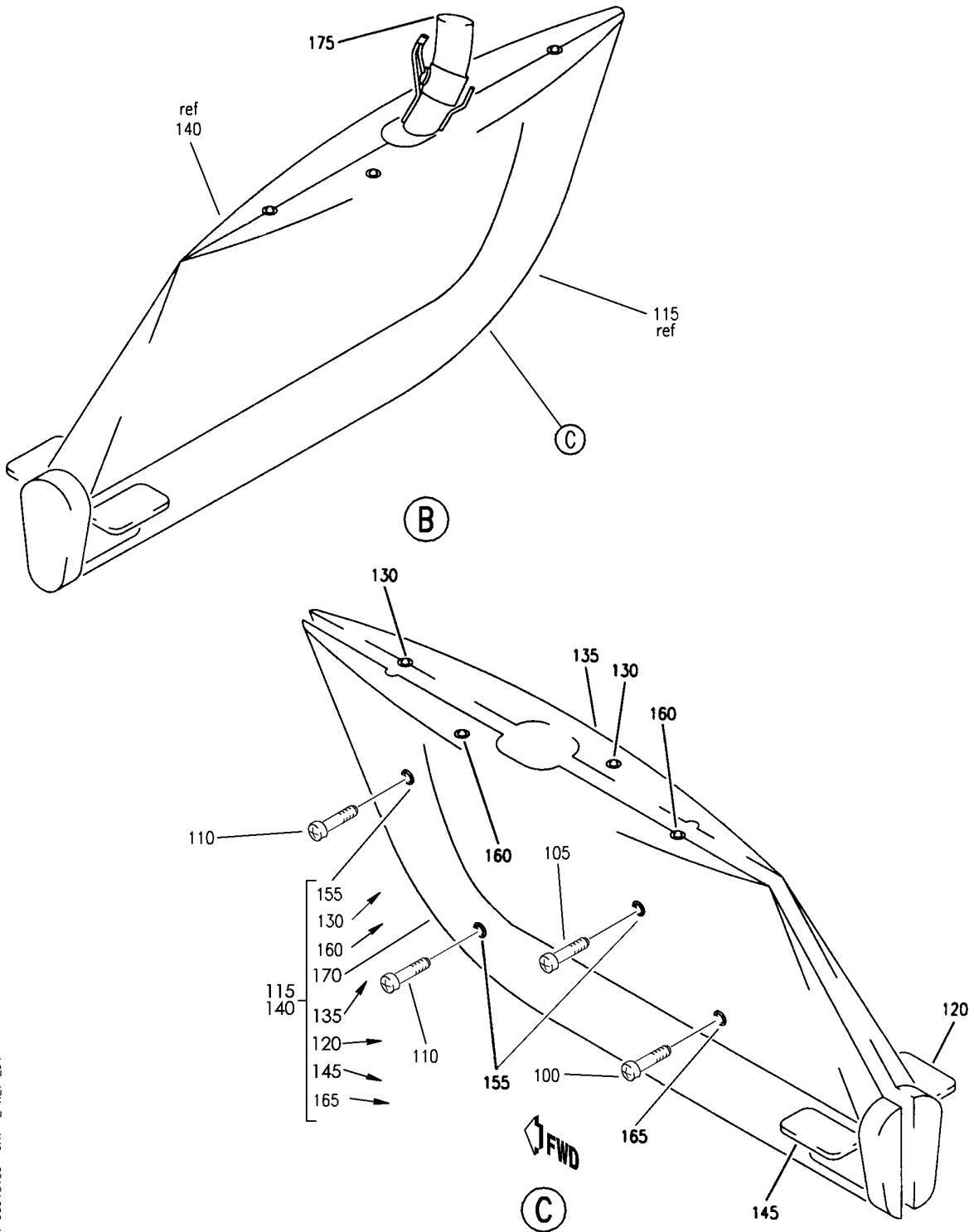
MAST INSTL-DRAIN WASTE WATER FWD
FIGURE 5 (SHEET 1)

38-31-01-05

BRI
JAN 20/09

38-31-01-05
PAGE 0

BOEING
757
PARTS CATALOG (MAINTENANCE)



Y 38310105 SHT 2 REV 234

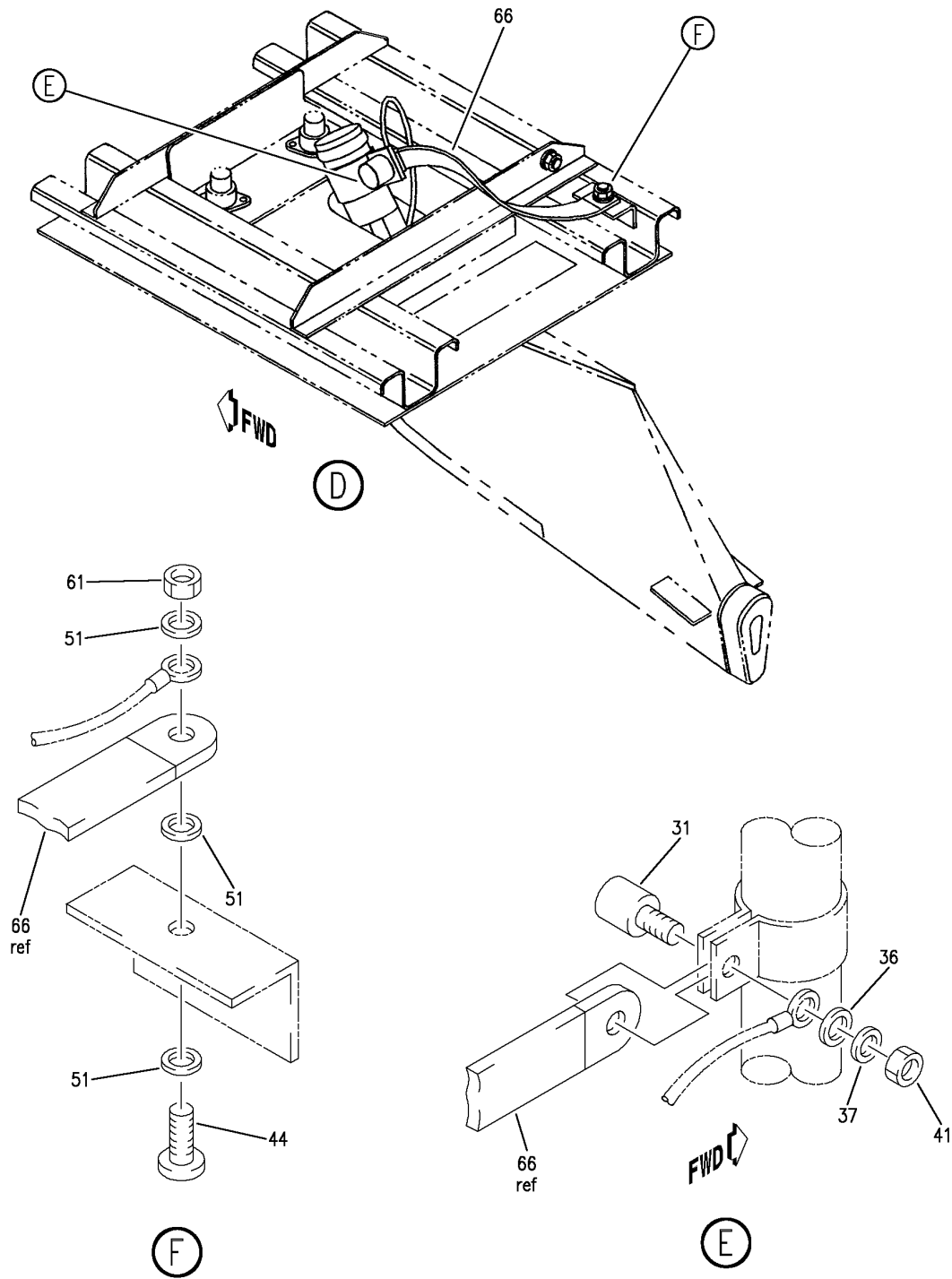
MAST INSTL-DRAIN WASTE WATER FWD
FIGURE 5 (SHEET 2)

38-31-01-05

BRI
JAN 20/09

38-31-01-05
PAGE 0A

BOEING
757
PARTS CATALOG (MAINTENANCE)



Y 38310105 SH1 3 REV 321

MAST INSTL-DRAIN WASTE WATER FWD
FIGURE 5 (SHEET 3)

38-31-01-05

BRI
JAN 20/09

38-31-01-05
PAGE 0B



757

PARTS CATALOG (MAINTENANCE)

FIG ITEM	PART NUMBER	1 2 3 4 5 6 7	NOMENCLATURE	EFFECT FROM TO	UNITS PER ASSY
5			MAST INSTL-DRAIN WASTE WATER FWD	103106 108120	
- 1	417N2156-1		MAST INSTL-DRAIN WASTE WATER POSITION DATA: FWD FOR NHA SEE: 25-20-00-09	108120	RF
- 1	MODREF17404		MAST INSTL-DRAIN WASTE WATER MODULE NUMBER: 417N2156-2 REV A POSITION DATA: FWD	103105	1
- 1	MODREF102195		MAST INSTL-DRAIN WASTE WATER MODULE NUMBER: 417N2156-2 REV C POSITION DATA: FWD	106106	1
20	BACC10JB030C038		.CLAMP	103106 108120	2
25	713491-2		.HOSE-HEATED SUPPLIER CODE: V70628 SPECIFICATION NUMBER: 10-61479-2 ELECTRICAL EQUIP NUMBER: B10063 OPTIONAL PART: 79235-002 V24984	103106 108120	1
25	79235-002		.HOSE-HEATED SUPPLIER CODE: V24984 SPECIFICATION NUMBER: 10-61479-2 ELECTRICAL EQUIP NUMBER: B10063 OPTIONAL PART: 713491-2 V70628	103106 108120	1
30	3100-101-3		.THERMOSTAT- SUPPLIER CODE: V14604 ELECTRICAL EQUIP NUMBER: B10064	103106 108120	1
35	NAS1149D0332J		.WASHER-	103106 108120	1

MISSING ITEM NUMBERS NOT APPLICABLE

- ITEM NOT ILLUSTRATED

38-31-01-05

38-31-01
FIG. 05
PAGE 1
JAN 20/09

BRI



757

PARTS CATALOG (MAINTENANCE)

FIG ITEM	PART NUMBER	1 2 3 4 5 6 7	NOMENCLATURE	EFFECT FROM TO	UNITS PER ASSY
5					
40	PLH53CD	.NUT-	SUPPLIER CODE: VF0224 SPECIFICATION NUMBER: BACN10YR3CD OPTIONAL PART: H52732-3CD V15653	103106 108120	1
45	MS35338-43	.WASHER-	POSITION DATA: FWD	103106 108120	1
50	MS35338-44	.WASHER-		103106 108120	1
55	PLH53CD	.NUT	SUPPLIER CODE: VF0224 SPECIFICATION NUMBER: BACN10YR3CD OPTIONAL PART: H52732-3CD V15653	103106 108120	1
60	PLH54CD	.NUT-	SUPPLIER CODE: VF0224 SPECIFICATION NUMBER: BACN10YR4CD OPTIONAL PART: H52732-4CD V15653	103106 108120	1
65	1002BC14	.JUMPER	SUPPLIER CODE: V1FF12 SPECIFICATION NUMBER: BACJ40A21-14	103106 108120	1
70	BACB30LR5-16	.BOLT-		103106 108120	4
73	5E2675-1	.MAST ASSY-	SUPPLIER CODE: VOAJJO SPECIFICATION NUMBER: S417A207-1 ELECTRICAL EQUIP NUMBER: B00041 COMPONENT MAINT MANUAL REF: 38-10-12	103106	1
74	417N2119-1	..SEAL		103106	1
74A	2E2002-1	..LABEL-	SUPPLIER CODE: VOAJJO	103106	1

MISSING ITEM NUMBERS NOT APPLICABLE

- ITEM NOT ILLUSTRATED

38-31-01-05

38-31-01
FIG. 05
PAGE 2
JAN 20/09

BRI

BOEING PROPRIETARY - Copyright © - Unpublished Work - See title page for details.



757

PARTS CATALOG (MAINTENANCE)

FIG ITEM	PART NUMBER	1 2 3 4 5 6 7	NOMENCLATURE	EFFECT FROM TO	UNITS PER ASSY
5					
75	478W1610-4	.	MAST ASSY-DRAIN	108120	1
80	BACB30LU4P4	..	BOLT	108120	4
85	417N2119-1	..	SEAL	108120	1
90	417N2118-3	..	PLATE-ADPTR	108120	1
95	417T2093-10	..	MAST ASSY	108120	1
100	NAS1801-3-5	...	SCREW	108120	1
105	NAS1801-3-10	...	SCREW	108120	1
110	NAS1801-3-14	...	SCREW	108120	2
115	417T2093-4	...	MAST ASSY-HALF	108120	1
120	69-56298-2	ANGLE ATTACHING PARTS	108120	1
- 125	BACR15BA6D8	RIVET -----*-----	108120	2
130	MS21209F4-20	INSERT-STEEL WIRE HELI-COIL INSERT	108120	2
135	65-14036-12	DRAIN-HALF	108120	1
140	417T2093-5	...	MAST ASSY-HALF	108120	1
145	69-56298-1	ANGLE ATTACHING PARTS	108120	1
- 150	BACR15BA6D8	RIVET -----*-----	108120	2
155	MS21209F1-20	INSERT-STEEL WIRE HELI-COIL INSERT	108120	3
160	MS21209F4-20	INSERT-STEEL WIRE HELI-COIL INSERT	108120	2
165	3591-3CN0190	INSERT-STEEL WIRE SUPPLIER CODE: V26344	108120	1
170	65-14036-13	DRAIN-HALF	108120	1
175	90234-5	...	HEATER ASSY- SUPPLIER CODE: V04849 SPECIFICATION NUMBER: 10-61434-5	108120	1

MISSING ITEM NUMBERS NOT APPLICABLE

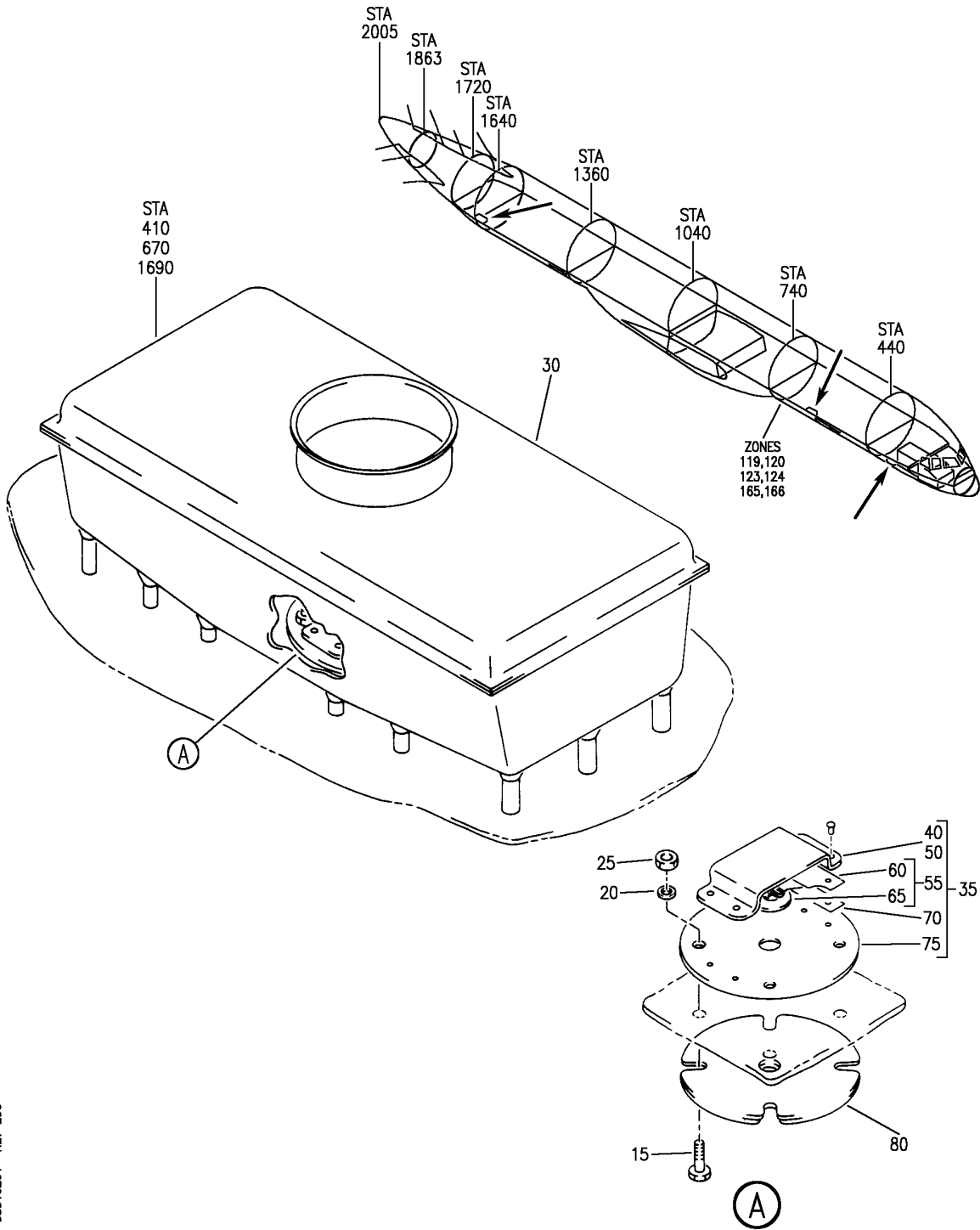
- ITEM NOT ILLUSTRATED

38-31-01-05

38-31-01
FIG. 05
PAGE 3
JAN 20/09

BRI

BOEING
757
PARTS CATALOG (MAINTENANCE)



Y 38310201 REV 290

BLADDER INSTL-ENTRY DOOR AND GALLEY FLOOR DRAIN
FIGURE 1

38-31-02-01

BRI
MAY 28/07

38-31-02-01
PAGE 0



757

PARTS CATALOG (MAINTENANCE)

FIG ITEM	PART NUMBER	1 2 3 4 5 6 7	NOMENCLATURE	EFFECT FROM TO	UNITS PER ASSY
1			BLADDER INSTL-ENTRY DOOR AND GALLEY FLOOR DRAIN	002004 006999	
- 1	417N2719-1		BLADDER INSTL-ENTRY DOOR AND GALLEY FLOOR DRAIN POSITION DATA: NO. 1 DOOR AREA FOR NHA SEE: 38-31-54-25	002004 006100 107107 121503 904999	RF
- 1	417N2719-8		BLADDER INSTL-ENTRY DOOR AND GALLEY FLOOR DRAIN POSITION DATA: NO. 1 DOOR AREA FOR NHA SEE: 25-20-00-08A	101102 108120 504903	RF
- 1	MODREF17949		BLADDER INSTL-ENTRY DOOR AND GALLEY FLOOR DRAIN MODULE NUMBER: 417N2719-8 REV A POSITION DATA: NO. 1 DOOR AREA	103106	1
- 5	417N2719-2		BLADDER INSTL-ENTRY DOOR AND GALLEY FLOOR DRAIN POSITION DATA: NO. 2 DOOR AREA FOR NHA SEE: 38-31-54-24	002004 006100 107107 121503 904999	RF
- 5	417N2719-9		BLADDER INSTL-ENTRY DOOR AND GALLEY FLOOR DRAIN POSITION DATA: NO. 2 DOOR AREA FOR NHA SEE: 25-20-00-08A	101102 108120 504903	RF
- 5	MODREF17950		BLADDER INSTL-ENTRY DOOR AND GALLEY FLOOR DRAIN MODULE NUMBER: 417N2719-9 REV A POSITION DATA: NO. 2 DOOR AREA	103106	1
- 10	417N2719-3		BLADDER INSTL-ENTRY DOOR AND GALLEY FLOOR DRAIN POSITION DATA: NO. 4 DOOR AREA FOR NHA SEE: 38-31-54-57	002004 006100 107107 121503 904999	RF

MISSING ITEM NUMBERS NOT APPLICABLE

- ITEM NOT ILLUSTRATED

38-31-02-01

38-31-02
FIG. 01
PAGE 1
JAN 20/09

BRI



757

PARTS CATALOG (MAINTENANCE)

FIG ITEM	PART NUMBER	1 2 3 4 5 6 7	NOMENCLATURE	EFFECT FROM TO	UNITS PER ASSY
1					
- 10	417N2719-10		BLADDER INSTL-ENTRY DOOR AND GALLEY FLOOR DRAIN POSITION DATA: NO. 4 DOOR AREA FOR NHA SEE: 25-20-00-08A	101102 108120 504903	RF
- 10	MODREF17948		BLADDER INSTL-ENTRY DOOR AND GALLEY FLOOR DRAIN MODULE NUMBER: 417N2719-10 REV A POSITION DATA: NO. 4 DOOR AREA	103106	1
15	NAS6703-5		.BOLT	002004 006999	4
20	MS35338-138		.WASHER	002004 006999	4
25	BACN10MG10		.NUT	002004 006999	4
30	417N2705-1		.BLADDER ASSY- OPTIONAL PART: 417N2705-4	002004 006999	1
30	417N2705-4		.BLADDER ASSY- OPTIONAL PART: 417N2705-1	101106 108120 504903	1
35	417N2704-1		.VALVE ASSY-SUMP	002004 006999	1
35	417N2704-2		.VALVE ASSY-SUMP	002004 006999	1
40	417N2714-2		..RETAINER ASSY-SEAL	002004 006999	1
			ATTACHING PARTS		
- 45	BACR15BA4AD		..RIVET- SIZE DETERMINED ON INSTL. -----*-----	002004 006999	4
50	69-41867-1		...RETAINER	002004 006999	1
55	69-68855-1		..VALVE ASSY-SPR	002004 006999	1
60	69-68855-2		...SPRING	002004 006999	1
65	69-68856-1		...VALVE-WATER DRAIN	002004 006999	1
70	69-68856-2		..FILLER	002004 006999	1
75	417N2710-3		..PLATE-BRG	002004 006999	1
80	417N2715-1		.PLATE ASSY-MTG	002004 006999	1

MISSING ITEM NUMBERS NOT APPLICABLE

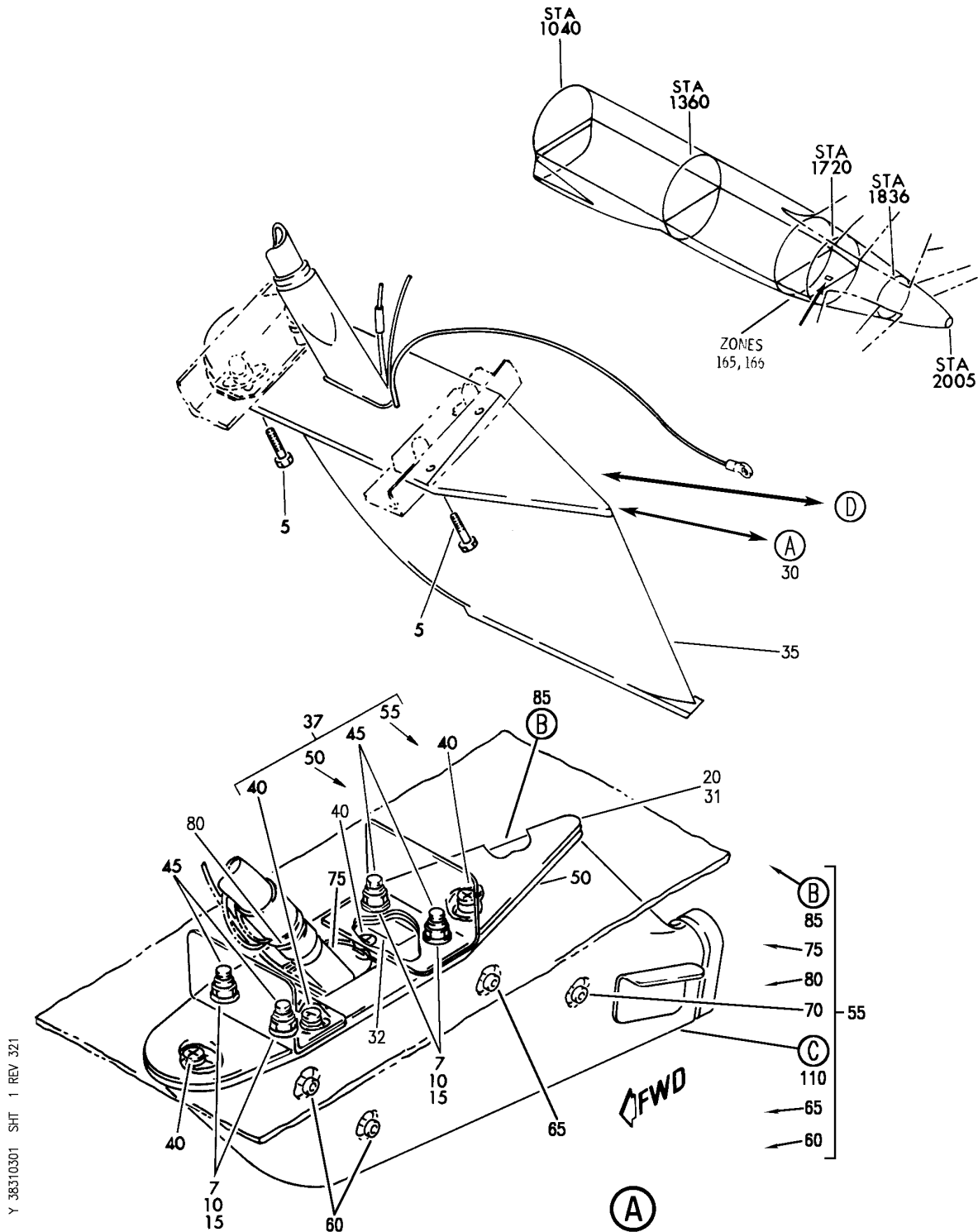
- ITEM NOT ILLUSTRATED

38-31-02-01

38-31-02
FIG. 01
PAGE 2
JAN 20/09

BRI

BOEING
757
PARTS CATALOG (MAINTENANCE)



Y 38310301_SHT 1 REV 321

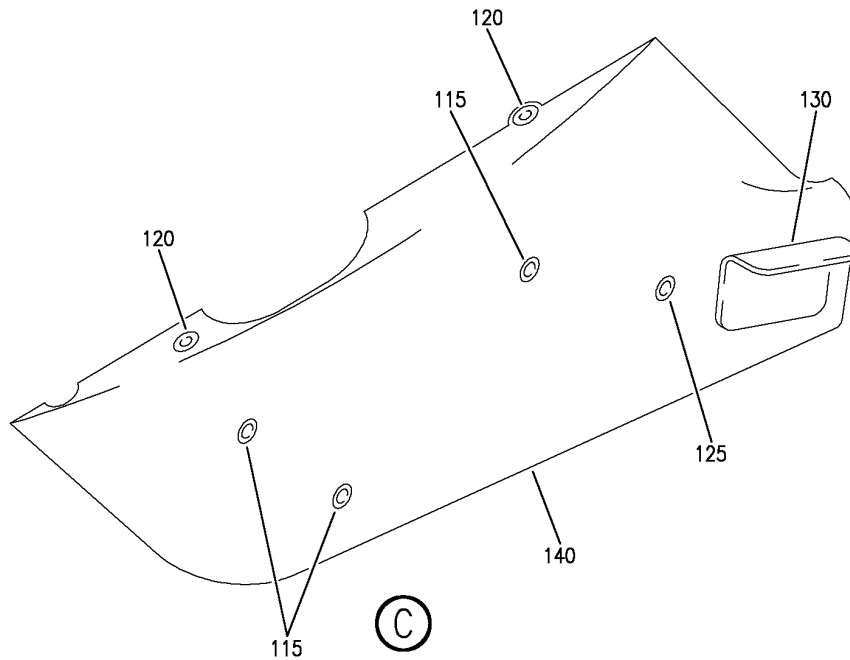
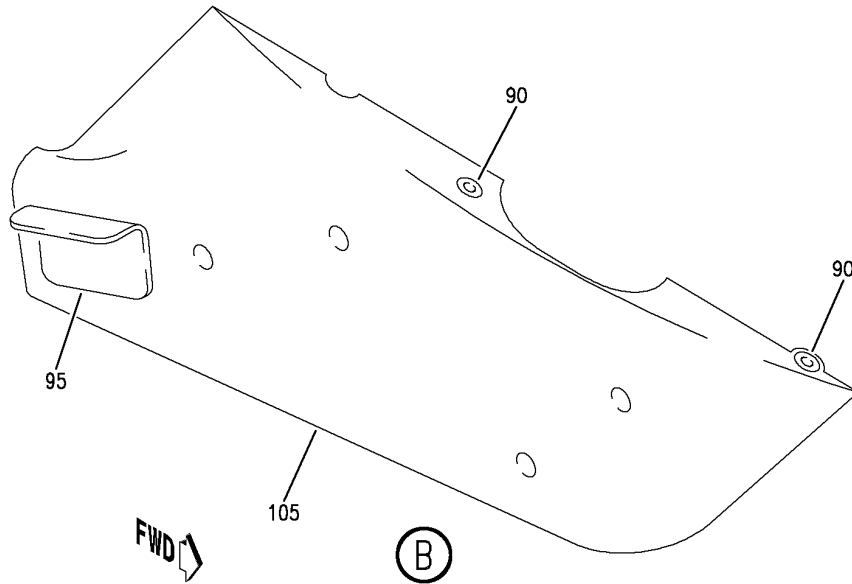
MAST INSTL-DRAIN WASTE WATER AFT
FIGURE 1 (SHEET 1)

38-31-03-01

BRI
MAY 20/08

38-31-03-01
PAGE 0

BOEING
757
PARTS CATALOG (MAINTENANCE)



Y 38310301 SH1 2 REV 249

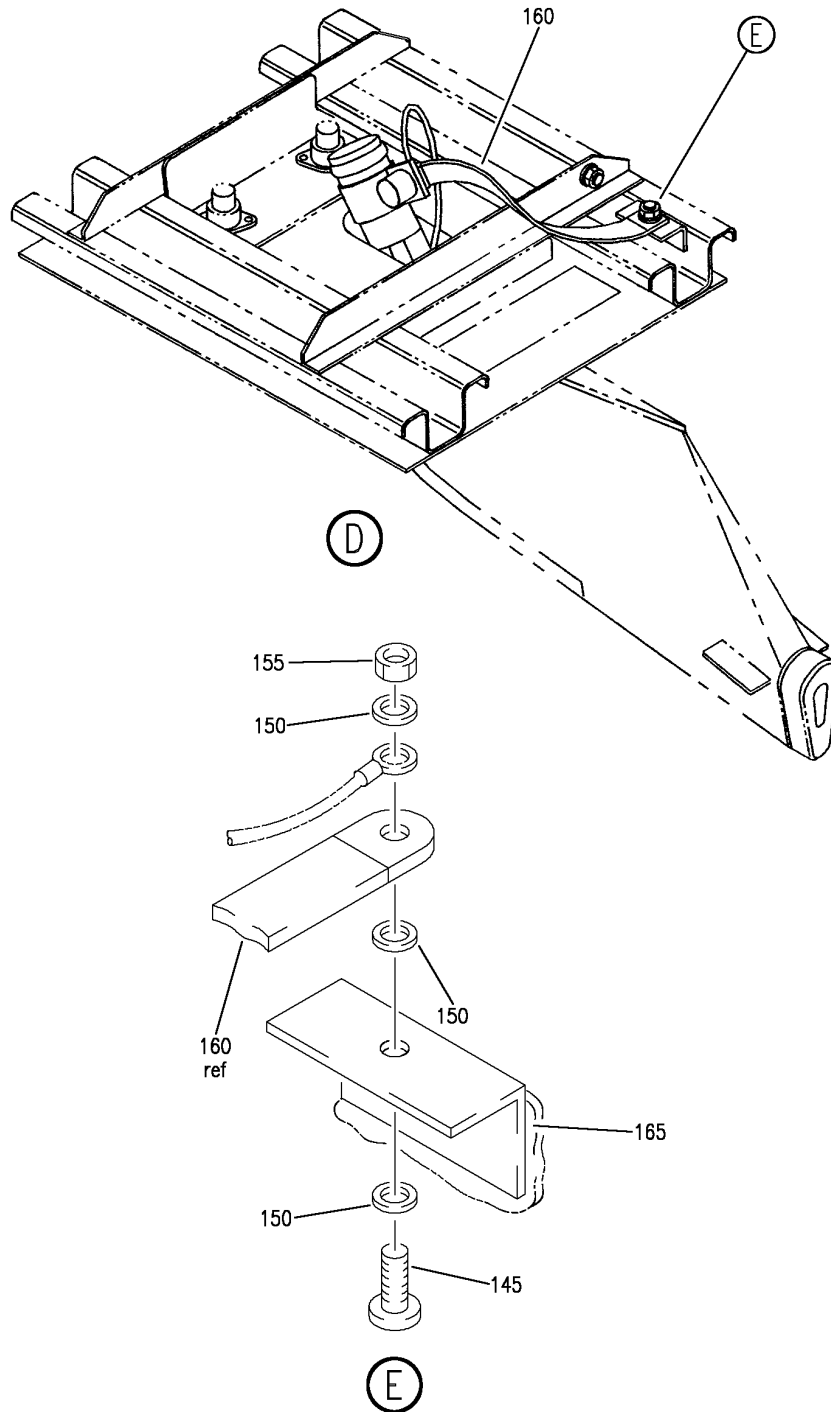
MAST INSTL-DRAIN WASTE WATER AFT
FIGURE 1 (SHEET 2)

38-31-03-01

BRI
MAY 28/07

38-31-03-01
PAGE 0A

BOEING
757
PARTS CATALOG (MAINTENANCE)



Y 38310301 SHT 3 REV 321

MAST INSTL-DRAIN WASTE WATER AFT
FIGURE 1 (SHEET 3)

38-31-03-01

BRI
MAY 20/08

38-31-03-01
PAGE 0B



757

PARTS CATALOG (MAINTENANCE)

FIG ITEM	PART NUMBER	1 2 3 4 5 6 7	NOMENCLATURE	EFFECT FROM TO	UNITS PER ASSY
1			MAST INSTL-DRAIN WASTE WATER AFT	002004 006102 107999	
- 1	417N2303-7		MAST INSTL-DRAIN WASTE WATER POSITION DATA: AFT FOR NHA SEE: 25-20-00-03A	002004 006100 107107 121503 904999	RF
- 1	417N2303-8		MAST INSTL-DRAIN WASTE WATER POSITION DATA: AFT FOR NHA SEE: 25-20-00-09	101102 108120 504903	RF
7	BACB30LU5-8		.BOLT	002004 006102 107999	4
20	417N2119-3		.SEAL-	101102 108120 504903	1
37	417N2117-4		.MAST ASSY-DRAIN ELECTRICAL EQUIP NUMBER: B00042	002004 006102 107999	1
37	417N2117-5		.MAST ASSY-DRAIN ELECTRICAL EQUIP NUMBER: B00042	002004 006102 107999	1
37	417N2117-7		.MAST ASSY-DRAIN ELECTRICAL EQUIP NUMBER: B00042	002004 006102 107999	1
40	BACB30LU4P4		..BOLT	002004 006102 107107 121999	4
50	417N2118-2		..PLATE-ADAPTER	002004 006102 107999	1
50	417N2118-4		..PLATE-ADAPTER	002004 006102 107999	1
55	417T2093-1		..MAST ASSY- COMPONENT MAINT MANUAL REF: 38-31-01	002004 006102 107107 121999	1
55	417T2093-10		..MAST ASSY-	002004 006102 107107 121999	1

MISSING ITEM NUMBERS NOT APPLICABLE

- ITEM NOT ILLUSTRATED

BRI

38-31-03-01

38-31-03
FIG. 01
PAGE 1
JAN 20/09



757

PARTS CATALOG (MAINTENANCE)

FIG ITEM	PART NUMBER	1 2 3 4 5 6 7	NOMENCLATURE	EFFECT FROM TO	UNITS PER ASSY
1					
60	NAS1801-3-14	...	SCREW	002004 006102 107107 121999	2
65	NAS1801-3-10	...	SCREW	002004 006102 107107 121999	1
70	NAS1801-3-5	...	SCREW	002004 006102 107107 121999	1
75	90234-2	...	HEATER ASSY- SUPPLIER CODE: V04849 SPECIFICATION NUMBER: 10-61434-2 OPTIONAL PART: 8921536G2 V13545 USED ON: 417T2093-1	002004 006102 107107 121999	1
75	8921536G2	...	HEATER ASSY- SUPPLIER CODE: V13545 SPECIFICATION NUMBER: 10-61434-2 OPTIONAL PART: 90234-2 V04849 USED ON: 417T2093-1	002004 006102 107107 121999	1
75	90234-5	...	HEATER ASSY- SUPPLIER CODE: V04849 SPECIFICATION NUMBER: 10-61434-5 USED ON: 417T2093-10	002004 006102 107107 121999	1
80	417T2093-6	...	TAPE	002004 006102 107107 121999	1
85	417T2093-4	...	MAST ASSY-HALF	002004 006102 107107 121999	1

MISSING ITEM NUMBERS NOT APPLICABLE

- ITEM NOT ILLUSTRATED

38-31-03-01

38-31-03
FIG. 01
PAGE 2
JAN 20/09

BRI

BOEING PROPRIETARY - Copyright © - Unpublished Work - See title page for details.



757

PARTS CATALOG (MAINTENANCE)

FIG ITEM	PART NUMBER	1 2 3 4 5 6 7	NOMENCLATURE	EFFECT FROM TO	UNITS PER ASSY
1					
90	MS21209F4-20	INSERT-STEEL WIRE HELI-COIL	002004 006102 107107 121999	2
95	69-56298-2	ANGLE	002004 006102 107107 121999	1
- 100	BACR15BA6D	ATTACHING PARTS RIVET- SIZE DETERMINED ON INSTL.	002004 006102 107107 121999	2
105	65-14036-12*	DRAIN-HALF	002004 006102 107107 121999	1
110	417T2093-5	...	MAST ASSY-HALF	002004 006102 107107 121999	1
115	MS21209F1-20	INSERT-STEEL WIRE HELI-COIL	002004 006102 107107 121999	3
120	MS21209F4-20	INSERT-STEEL WIRE HELI-COIL	002004 006102 107107 121999	2
125	3591-3CN0190	INSERT-STEEL WIRE SUPPLIER CODE: V26344	002004 006102 107107 121999	1
130	69-56298-1	ANGLE	002004 006102 107107 121999	1
- 135	BACR15BA6D	ATTACHING PARTS RIVET- SIZE DETERMINED ON INSTL.	002004 006102 107107 121999	2
140	65-14036-13*	DRAIN-HALF	002004 006102 107107 121999	1

MISSING ITEM NUMBERS NOT APPLICABLE

- ITEM NOT ILLUSTRATED

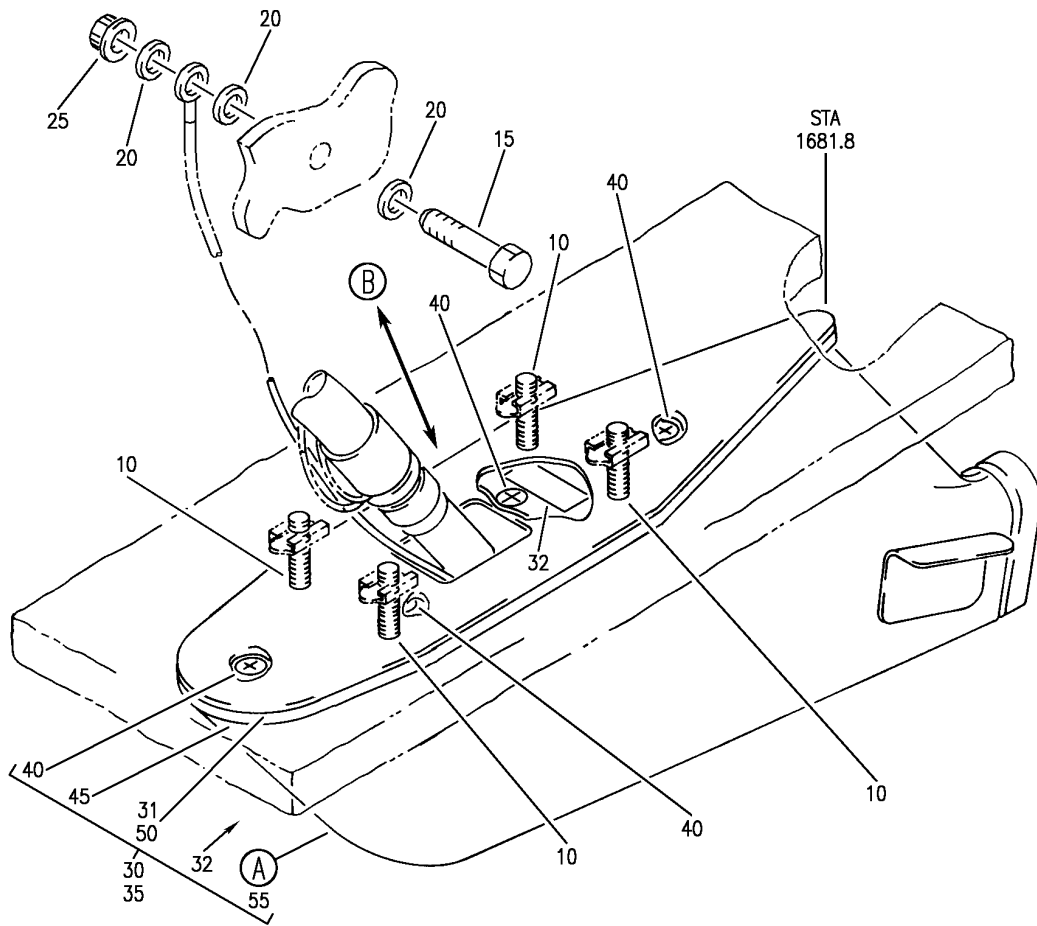
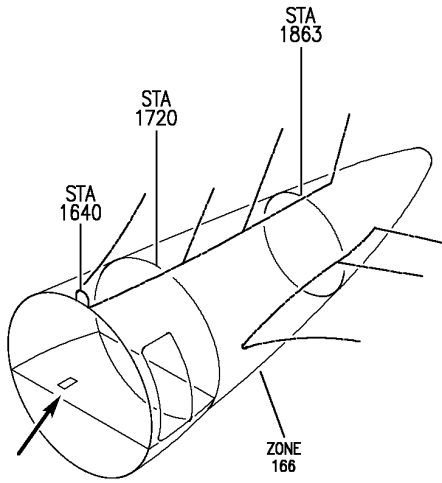
38-31-03-01

38-31-03
FIG. 01
PAGE 3
JAN 20/09

BRI

BOEING PROPRIETARY - Copyright © - Unpublished Work - See title page for details.

BOEING
757
PARTS CATALOG (MAINTENANCE)



Y 38310310 SHT 1 REV 326

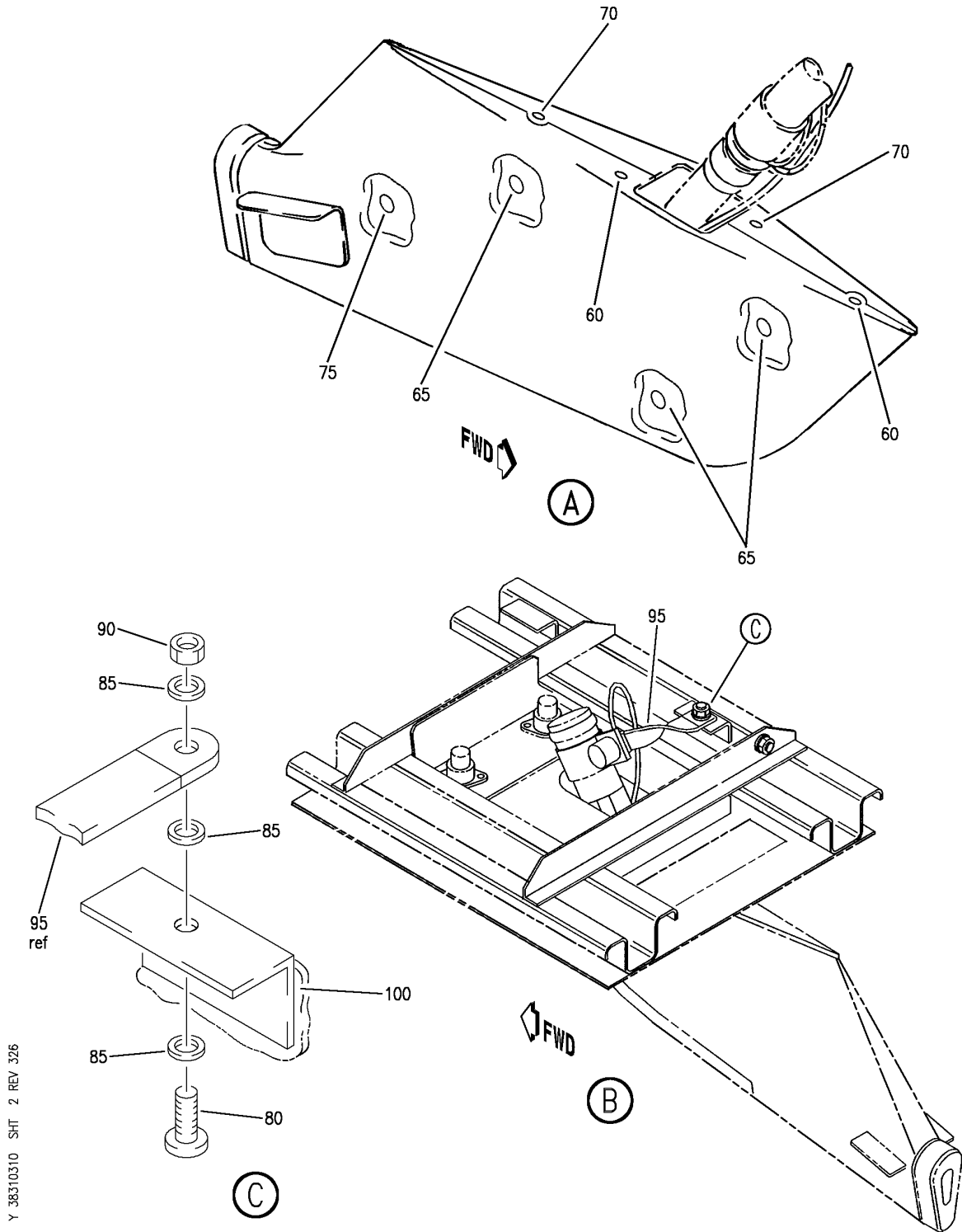
MAST INSTL-DRAIN AFT
FIGURE 10 (SHEET 1)

38-31-03-10

BRI
JAN 20/09

38-31-03-10
PAGE 0

BOEING
757
PARTS CATALOG (MAINTENANCE)



Y 38310310 SHT 2 REV 326

MAST INSTL-DRAIN AFT
FIGURE 10 (SHEET 2)

38-31-03-10

BRI
JAN 20/09

38-31-03-10
PAGE 0A



757

PARTS CATALOG (MAINTENANCE)

FIG ITEM	PART NUMBER	1 2 3 4 5 6 7	NOMENCLATURE	EFFECT FROM TO	UNITS PER ASSY
10			MAST INSTL-DRAIN	103106	
- 3	MODREF17598		AFT MAST INSTL-DRAIN	103106	1
			MODULE NUMBER: 417N2356-2 REV A		
			POSITION DATA: AFT		
10	BACB30LR5-8		.BOLT	103106	4
15	NAS1801-3-7		.SCREW-	103106	1
20	NAS1149D0316H		.WASHER-	103106	3
25	PLH53CD		.NUT-	103106	1
			SUPPLIER CODE: VF0224		
			SPECIFICATION NUMBER: BACN10YR3CD		
			OPTIONAL PART: H52732-3CD V15653		
30	5E2675-2		.MAST ASSY-	103106	1
			SUPPLIER CODE: VOAJJO		
			SPECIFICATION NUMBER: S417A207-2		
			ELECTRICAL EQUIP NUMBER: B00042		
			COMPONENT MAINT MANUAL REF: 38-10-12		
31	417N2119-3		..SEAL	103106	1
32	2E2002-1		..LABEL-	103106	1
			SUPPLIER CODE: VOAJJO		

MISSING ITEM NUMBERS NOT APPLICABLE

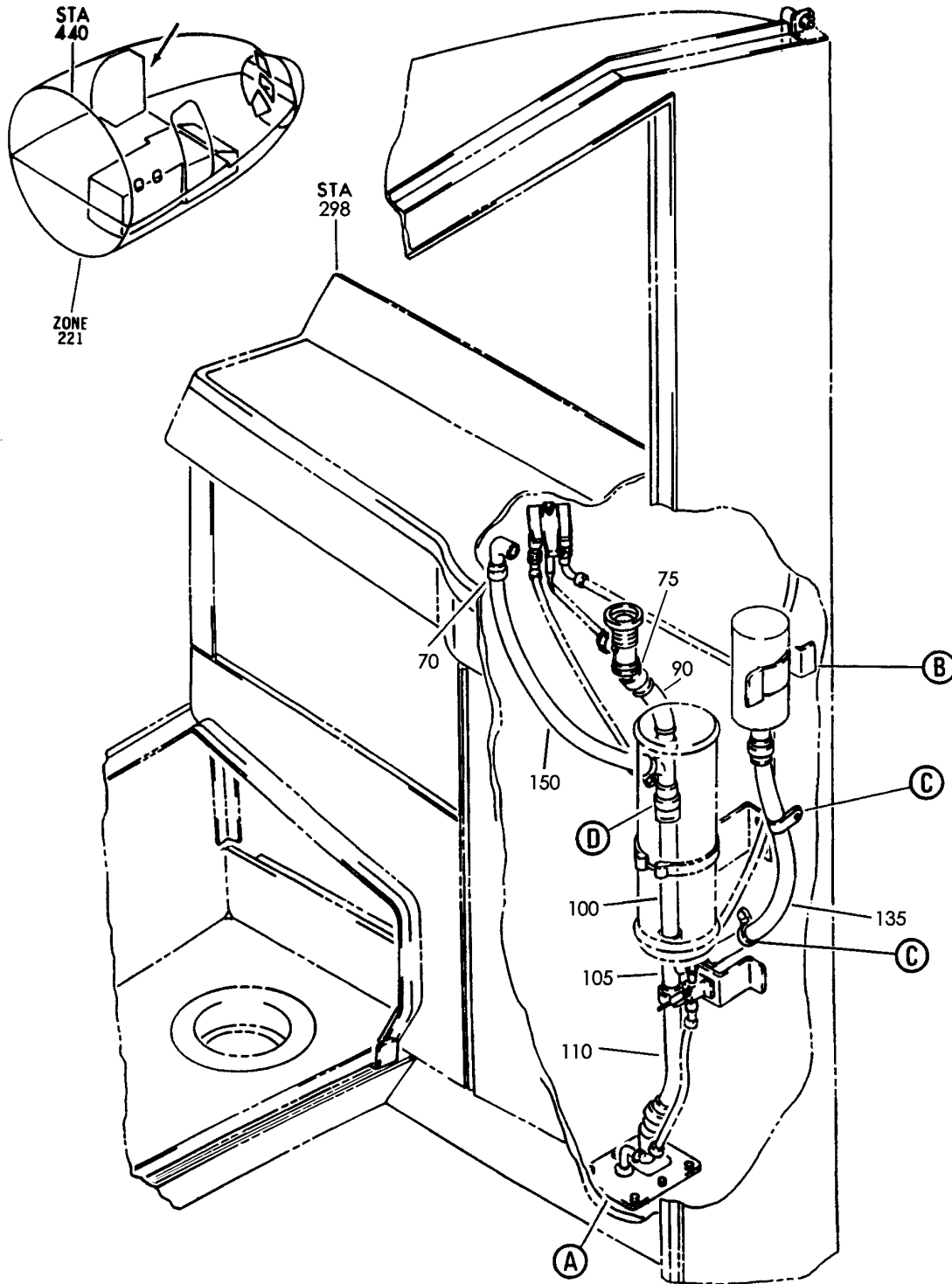
- ITEM NOT ILLUSTRATED

38-31-03-10

38-31-03
FIG. 10
PAGE 1
JAN 20/09

BRI

BOEING
757
PARTS CATALOG (MAINTENANCE)



Y 38315150 SHT 1 REV 233

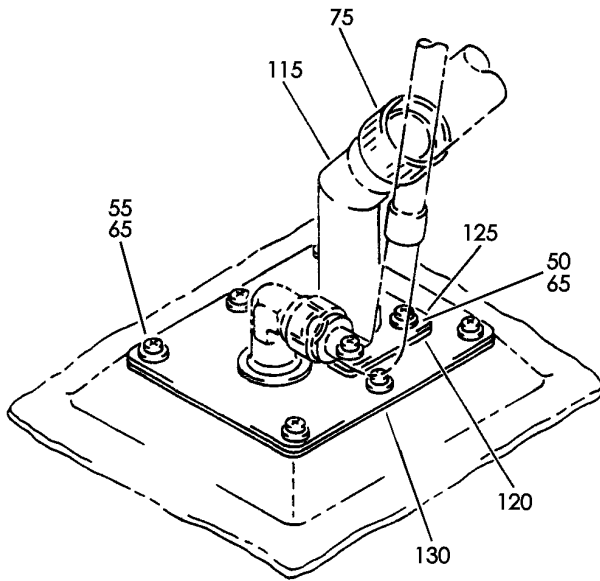
PLUMBING ASSY-SEG 260 LAV A (WASTE WATER SYSTEM ONLY)
FIGURE 50 (SHEET 1)

38-31-51-50

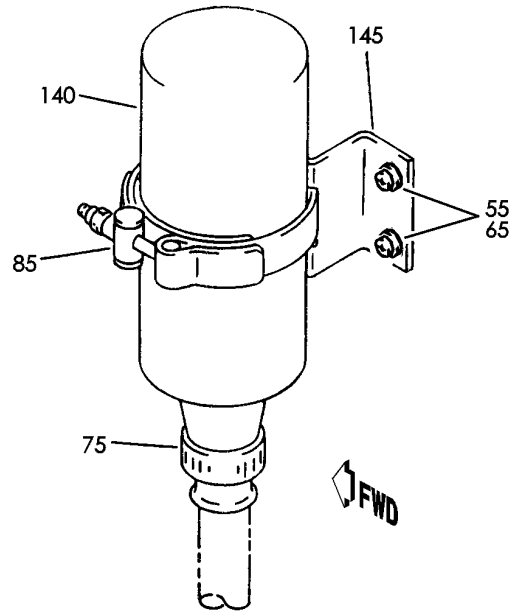
BRI
JAN 20/09

38-31-51-50
PAGE 0

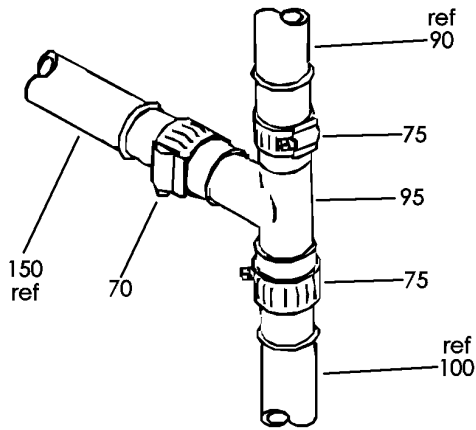
BOEING
757
PARTS CATALOG (MAINTENANCE)



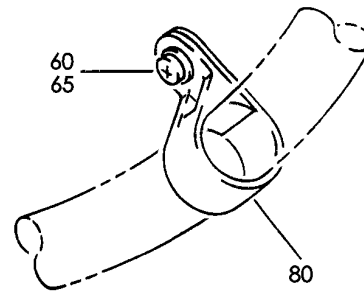
(A)



(B)



(D)



(C)

Y 38315150 SHT 2 REV 233

PLUMBING ASSY-SEG 260 LAV A (WASTE WATER SYSTEM ONLY)
FIGURE 50 (SHEET 2)

38-31-51-50

BRI
JAN 20/09

38-31-51-50
PAGE 0A



757

PARTS CATALOG (MAINTENANCE)

FIG ITEM	PART NUMBER	1 2 3 4 5 6 7	NOMENCLATURE	EFFECT FROM TO	UNITS PER ASSY
50			PLUMBING ASSY-SEG 260 LAV A (WASTE WATER SYSTEM ONLY)	108120 504903	
- 1	D75D26014-111		PLUMBING ASSY-SEG 260, LAV A (WASTE WATER SYSTEM ONLY) SUPPLIER CODE: VS5825 FOR NHA/ADDITIONAL DET SEE: 25-41-01-12 25-41-01-06Q	108120 504903	RF
50	NAS1801-3-8	.	SCREW	108120 504903	4
55	NAS1801-3-5	.	SCREW	108120 504903	10
60	NAS1801-3-7	.	SCREW	108120 504903	2
65	AN960KD10L	.	WASHER	108120 504903	16
70	NAS1922-0100-1	.	CLAMP	108120 504903	2
75	NAS1922-0125-1	.	CLAMP	108120 504903	8
80	BACC10DK20	.	CLAMP	108120 504903	2
85	M630102-67	.	CLAMP	108120 504903	1
90	IT4350-314	.	HOSE ASSY-DRAIN SUPPLIER CODE: V26831 SPECIFICATION NUMBER: 69-27191-314 CONFIG CHG DATA FROM A CMM: SUPERSEDES 2A081-0598-1 OPTIONAL PART: 713488-314 V70628 BOE2013-0314 V16632	108120 504903	1
90	BOE2013-0314	.	HOSE ASSY- SUPPLIER CODE: V16632 SPECIFICATION NUMBER: 69-27191-314 OPTIONAL PART: 713488-314 V70628 IT4350-314 V26831	108120 504903	1

MISSING ITEM NUMBERS NOT APPLICABLE

- ITEM NOT ILLUSTRATED

38-31-51-50

38-31-51
FIG. 50
PAGE 1
JAN 20/09

BRI



757

PARTS CATALOG (MAINTENANCE)

FIG ITEM	PART NUMBER	1 2 3 4 5 6 7	NOMENCLATURE	EFFECT FROM TO	UNITS PER ASSY
50					
90	713488-314		.HOSE- SUPPLIER CODE: V70628 SPECIFICATION NUMBER: 69-27191-314 OPTIONAL PART: IT4350-314 V26831 BOE2013-0314 V16632	108120 504903	1
90	2A081-0598-1		.HOSE ASSY-DRAIN SUPPLIER CODE: VS5825 CONFIG CHG DATA FROM A CMM: SUPSD BY IT4350-314	108120 504903	1
95	D75D30149-111		.TUBE ASSY-TEE SUPPLIER CODE: VS5825	108120 504903	1
100	IT4350-515		.HOSE ASSY-DRAIN SUPPLIER CODE: V26831 SPECIFICATION NUMBER: 10-27191-515 CONFIG CHG DATA FROM A CMM: SUPERSEDES 2A081-598-6 OPTIONAL PART: BOE2013-0515 V16632	108120 504903	1
100	2A081-0598-6		.HOSE ASSY-DRAIN SUPPLIER CODE: VS5825 CONFIG CHG DATA FROM A CMM: SUPSD BY IT4350-515	108120 504903	1
105	D75D30148-111		.TUBE ASSY-TEE SUPPLIER CODE: VS5825	108120 504903	1
110	IT4350-344		.HOSE ASSY-DRAIN SUPPLIER CODE: V26831 SPECIFICATION NUMBER: 69-27191-344 CONFIG CHG DATA FROM A CMM: SUPERSEDES 2A081-0598-3 OPTIONAL PART: BOE2013-0344 V16632 713488-344 V70628	108120 504903	1

MISSING ITEM NUMBERS NOT APPLICABLE

- ITEM NOT ILLUSTRATED

38-31-51-50

38-31-51
FIG. 50
PAGE 2
JAN 20/09

BRI

BOEING PROPRIETARY - Copyright © - Unpublished Work - See title page for details.



757

PARTS CATALOG (MAINTENANCE)

FIG ITEM	PART NUMBER	1 2 3 4 5 6 7	NOMENCLATURE	EFFECT FROM TO	UNITS PER ASSY
50 110	BOE2013-0344		.HOSE ASSY- SUPPLIER CODE: V16632 SPECIFICATION NUMBER: 69-27191-344 OPTIONAL PART: 713488-344 V70628 IT4350-344 V26831	108120 504903	1
110	2A081-0598-3		.HOSE ASSY-DRAIN SUPPLIER CODE: VS5825 CONFIG CHG DATA FROM A CMM: SUPSD BY IT4350-344	108120 504903	1
115	D75D30151-111		.FITTING ASSY-DRAIN SUPPLIER CODE: VS5825	108120 504903	1
120	D75D80154-111		.GASKET- SUPPLIER CODE: VS5825	108120 504903	1
125	D75D30152-111		.PLATE ASSY-DRAIN SUPPLIER CODE: VS5825	108120 504903	1
130	D75D80155-111		.GASKET- SUPPLIER CODE: VS5825	108120 504903	1
135	IT4350-395		.HOSE ASSY-DRAIN SUPPLIER CODE: V16632 SPECIFICATION NUMBER: 69-27191-395 CONFIG CHG DATA FROM A CMM: SUPERSEDES 2A081-0598-9 OPTIONAL PART: BOE2013-0395 V16632	108120 504903	1
135	2A081-0598-9		.HOSE ASSY-DRAIN SUPPLIER CODE: VS5825 CONFIG CHG DATA FROM A CMM: SUPSD BY BOE2013-0395	108120 504903	1
140	2A081-0621-1		.MUFFLER-DRAIN SUPPLIER CODE: VS5825	108120 504903	1
145	D75D70259-913		.SUPPORT-MUFFLER SUPPLIER CODE: VS5825	108120 504903	1

MISSING ITEM NUMBERS NOT APPLICABLE

- ITEM NOT ILLUSTRATED

38-31-51-50

38-31-51
FIG. 50
PAGE 3
JAN 20/09

BRI



757

PARTS CATALOG (MAINTENANCE)

FIG ITEM	PART NUMBER	1 2 3 4 5 6 7	NOMENCLATURE	EFFECT FROM TO	UNITS PER ASSY
50 150	IT4350-420		.HOSE ASSY-DRAIN SUPPLIER CODE: V26831 SPECIFICATION NUMBER: 69-27191-420 CONFIG CHG DATA FROM A CMM: SUPERSEDES 2A081-0597-4 OPTIONAL PART: BOE2013-0420 V16632	108120 504903	1
150	BOE2013-0420		.HOSE ASSY- SUPPLIER CODE: V16632 SPECIFICATION NUMBER: 69-27191-420 OPTIONAL PART: IT4350-420 V26831	108120 504903	1
150	2A081-0597-4		.HOSE ASSY-DRAIN SUPPLIER CODE: VS5825 CONFIG CHG DATA FROM A CMM: SUPSD BY IT4350-420	108120 504903	1

MISSING ITEM NUMBERS NOT APPLICABLE

- ITEM NOT ILLUSTRATED

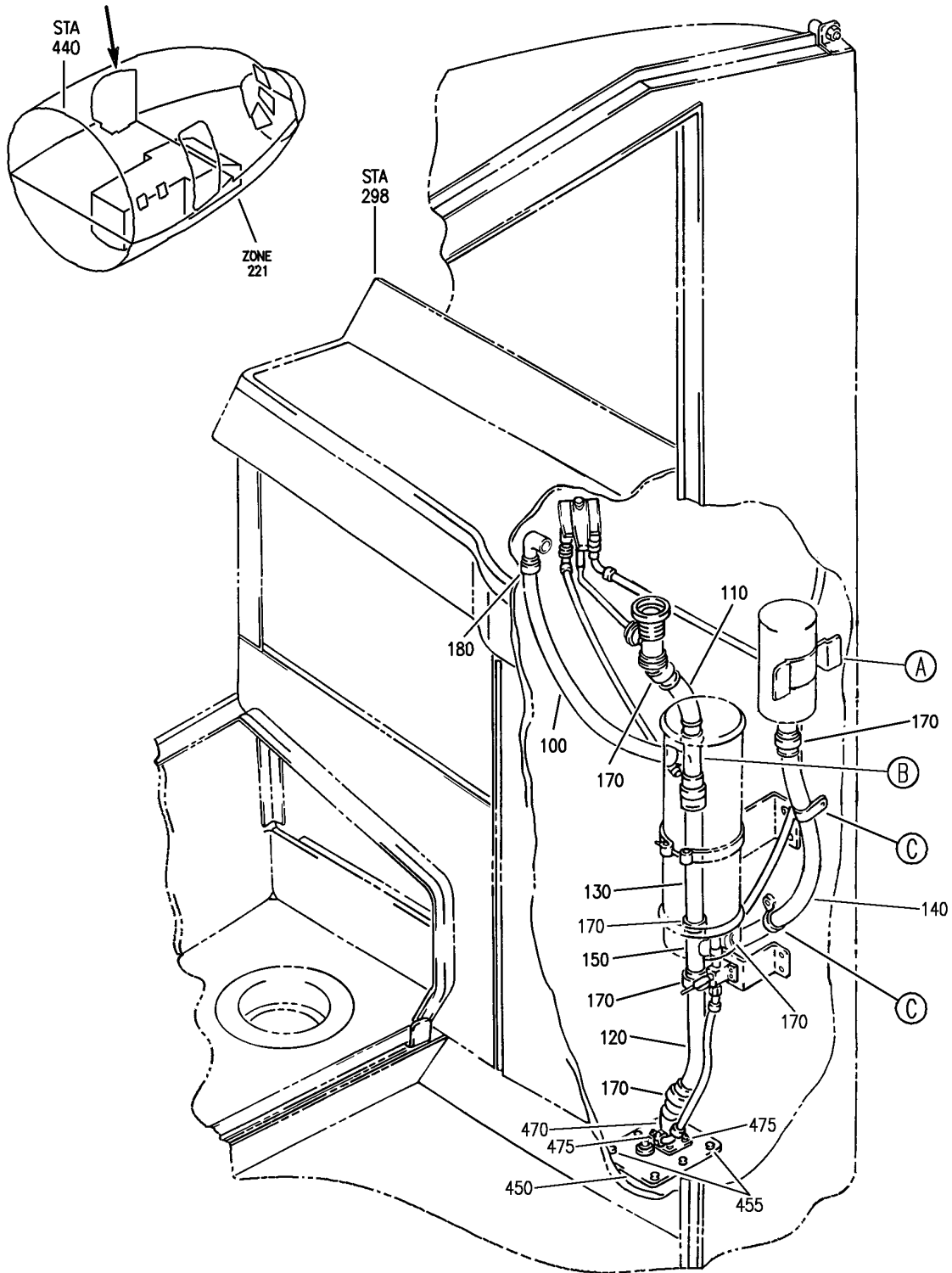
BRI

38-31-51-50

BOEING PROPRIETARY - Copyright © - Unpublished Work - See title page for details.

38-31-51
FIG. 50
PAGE 4
JAN 20/09

BOEING
757
PARTS CATALOG (MAINTENANCE)



Y 38315150C SHT 1 REV 264

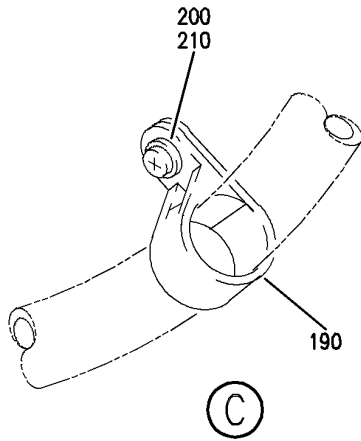
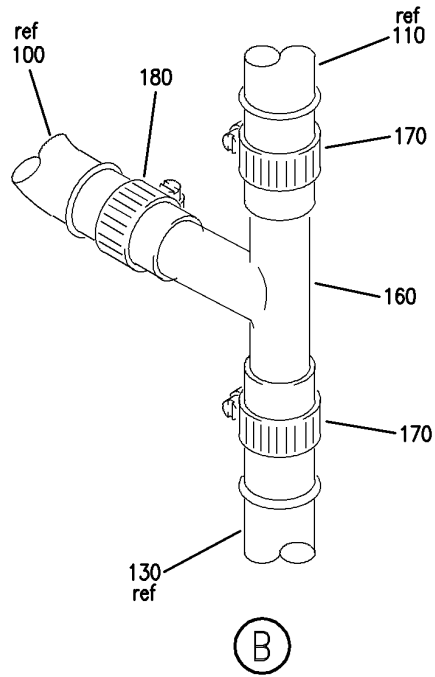
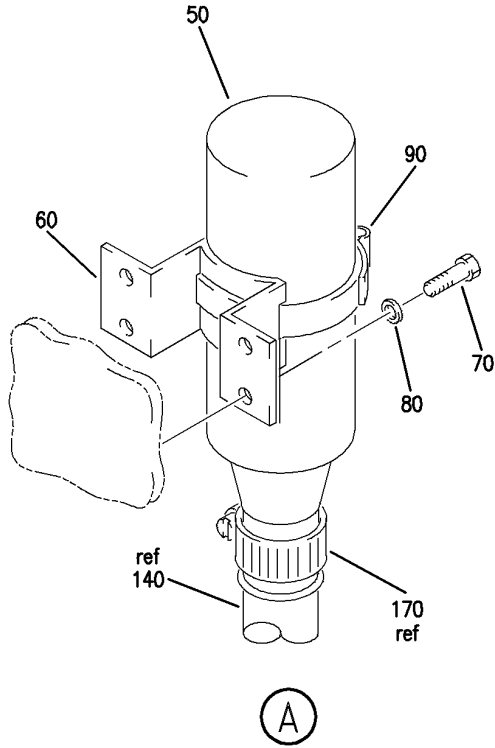
PLUMBING ASSY-LAV A (WASTE WATER SYSTEM ONLY)
FIGURE 50C (SHEET 1)

38-31-51-50C

BRI
JAN 20/09

38-31-51-50C
PAGE 0

BOEING
757
PARTS CATALOG (MAINTENANCE)



Y 38315150C SH1 2 REV 237

PLUMBING ASSY-LAV A (WASTE WATER SYSTEM ONLY)
FIGURE 50C (SHEET 2)

38-31-51-50C

BRI
JAN 20/09

38-31-51-50C
PAGE 0A



757

PARTS CATALOG (MAINTENANCE)

FIG ITEM	PART NUMBER	1 2 3 4 5 6 7	NOMENCLATURE	EFFECT FROM TO	UNITS PER ASSY
50C			PLUMBING ASSY-LAV A (WASTE WATER SYSTEM ONLY)	107107	
- 1	0A112-0021-31		PLUMBING ASSY-LAV A (WASTE WATER SYSTEM ONLY)	107107	RF
			SUPPLIER CODE: VS5825		
50	2A081-0621-1		.MUFFLER-DRAIN SUPPLIER CODE: VS5825	107107	1
			CONFIG CHG DATA FROM A CMM: SUPERSEDES 813200-403		
- 55	813200-403		.MUFFLER-DRAIN SUPPLIER CODE: V92824	107107	1
			CONFIG CHG DATA FROM A CMM: SUPSD BY 2A081-0621-1		
60	2A114-0081-7		.SUPPORT-MUFFLER SUPPLIER CODE: VS5825	107107	1
			ATTACHING PARTS		
70	NAS603-5P		.SCREW	107107	4
80	AN960PD10L		.WASHER	107107	4
			-----*-----		
90	M630102-67		.CLAMP	107107	1
100	IT4350-420		.HOSE ASSY-DRAIN SUPPLIER CODE: V26831	107107	1
			SPECIFICATION NUMBER: 69-27191-420		
			CONFIG CHG DATA FROM A CMM: SUPERSEDES 2A081-0597-4		
			OPTIONAL PART: BOE2013-0420 V16632		
100	2A081-0597-4		.HOSE ASSY-DRAIN SUPPLIER CODE: VS5825	107107	1
			CONFIG CHG DATA FROM A CMM: SUPSDS 41032-12-0164 SUPSD BY IT4350-420		
100	BOE2013-0420		.HOSE ASSY-DRAIN SUPPLIER CODE: V16632	107107	1
			SPECIFICATION NUMBER: 69-27191-420		
			OPTIONAL PART: IT4350-420 V26831		

MISSING ITEM NUMBERS NOT APPLICABLE

- ITEM NOT ILLUSTRATED

38-31-51-50C

38-31-51
FIG. 50C
PAGE 1
JAN 20/09

BRI

BOEING PROPRIETARY - Copyright © - Unpublished Work - See title page for details.



757

PARTS CATALOG (MAINTENANCE)

FIG ITEM	PART NUMBER	1 2 3 4 5 6 7	NOMENCLATURE	EFFECT FROM TO	UNITS PER ASSY
50C - 105	41032-12-0164		.HOSE ASSY-DRAIN SUPPLIER CODE: V24984 CONFIG CHG DATA FROM A CMM: SUPSD BY 2A081-0597-4	107107	1
110	2A081-0598-1		.HOSE ASSY-DRAIN SUPPLIER CODE: VS5825 CONFIG CHG DATA FROM A CMM: SUPSD BY BOE2013-0314 SUPSDS 41032-16-0052	107107	1
110	BOE2013-0314		.HOSE ASSY-DRAIN SUPPLIER CODE: V16632 SPECIFICATION NUMBER: 69-27191-314 CONFIG CHG DATA FROM A CMM: SUPERSEDES 2A081-0598-1 OPTIONAL PART: 713488-314 V70628 IT4350-314 V26831	107107	1
110	IT4350-314		.HOSE ASSY-DRAIN SUPPLIER CODE: V26831 SPECIFICATION NUMBER: 69-27191-314 OPTIONAL PART: 713488-314 V70628 BOE2013-0314 V16632	107107	1
110	713488-314		.HOSE-DRAIN SUPPLIER CODE: V70628 SPECIFICATION NUMBER: 69-27191-314 OPTIONAL PART: IT4350-314 V26831 BOE2013-0314 V16632	107107	1
- 115	41032-16-0052		.HOSE ASSY-DRAIN SUPPLIER CODE: V24984 CONFIG CHG DATA FROM A CMM: SUPSD BY 2A081-0598-1	107107	1

MISSING ITEM NUMBERS NOT APPLICABLE

- ITEM NOT ILLUSTRATED

38-31-51-50C

38-31-51
FIG. 50C
PAGE 2
JAN 20/09

BRI

BOEING PROPRIETARY - Copyright © - Unpublished Work - See title page for details.



757

PARTS CATALOG (MAINTENANCE)

FIG ITEM	PART NUMBER	1 2 3 4 5 6 7	NOMENCLATURE	EFFECT FROM TO	UNITS PER ASSY
50C 120	IT4350-344	.	HOSE ASSY-DRAIN SUPPLIER CODE: V26831 SPECIFICATION NUMBER: 69-27191-344 CONFIG CHG DATA FROM A CMM: SUPERSEDES 2A081-0598-3 OPTIONAL PART: BOE2013-0344 V16632 713488-344 V70628	107107	1
120	2A081-0598-3	.	HOSE ASSY-DRAIN SUPPLIER CODE: VS5825 CONFIG CHG DATA FROM A CMM: SUPSD BY IT4350-344 SUPSDS 41032-16-0070	107107	1
120	BOE2013-0344	.	HOSE ASSY-DRAIN SUPPLIER CODE: V16632 SPECIFICATION NUMBER: 69-27191-344 OPTIONAL PART: IT4350-344 V26831 713488-344 V70628	107107	1
- 125	41032-16-0070	.	HOSE ASSY-DRAIN SUPPLIER CODE: V24984 CONFIG CHG DATA FROM A CMM: SUPSD BY 2A081-0598-3	107107	1
130	2A081-0598-6	.	HOSE ASSY-DRAIN SUPPLIER CODE: VS5825 CONFIG CHG DATA FROM A CMM: SUPSD BY IT4350-515	107107	1
130	IT4350-515	.	HOSE ASSY-DRAIN SUPPLIER CODE: V26831 SPECIFICATION NUMBER: 69-27191-515 CONFIG CHG DATA FROM A CMM: SUPERSEDES 2A081-0598-6 OPTIONAL PART: BOE2013-0515 V16632	107107	1

MISSING ITEM NUMBERS NOT APPLICABLE

- ITEM NOT ILLUSTRATED

38-31-51-50C

38-31-51
FIG. 50C
PAGE 3
JAN 20/09

BRI

BOEING PROPRIETARY - Copyright © - Unpublished Work - See title page for details.



757

PARTS CATALOG (MAINTENANCE)

FIG ITEM	PART NUMBER	1 2 3 4 5 6 7	NOMENCLATURE	EFFECT FROM TO	UNITS PER ASSY
50C 130	2A081-0598-6		.HOSE ASSY-DRAIN SUPPLIER CODE: VS5825 CONFIG CHG DATA FROM A CMM: SUPSD BY IT4350-515 SUPSDS 41032-16-0102	107107	1
- 135	41032-16-0102		.HOSE ASSY-DRAIN SUPPLIER CODE: V24984 CONFIG CHG DATA FROM A CMM: SUPSD BY 2A081-0598-6	107107	1
140	2A081-0598-9		.HOSE ASSY-DRAIN SUPPLIER CODE: VS5825 CONFIG CHG DATA FROM A CMM: SUPSD BY BOE2013-0395 SUPSDS 41032-16-0230	107107	1
140	BOE2013-0395		.HOSE ASSY-DRAIN SUPPLIER CODE: V16632 SPECIFICATION NUMBER: 69-27191-395 CONFIG CHG DATA FROM A CMM: SUPERSEDES 2A081-0598-9 OPTIONAL PART: IT4350-395 V26831	107107	1
- 145	41032-16-0230		.HOSE ASSY-DRAIN SUPPLIER CODE: V24984 CONFIG CHG DATA FROM A CMM: SUPSD BY 2A081-0598-9	107107	1
150	2A114-0142-11		.TUBE ASSY- SUPPLIER CODE: VS5825	107107	1
160	2A114-0141-11		.TEE- SUPPLIER CODE: VS5825	107107	1
170	NAS1922-0125-1		.CLAMP	107107	8
180	NAS1922-0100-1		.CLAMP	107107	2
190	BACC10DK20		.CLAMP ATTACHING PARTS	107107	2
200	NAS602-7P		.SCREW	107107	2
210	AN960PD8L		.WASHER -----*-----	107107	2

MISSING ITEM NUMBERS NOT APPLICABLE

- ITEM NOT ILLUSTRATED

38-31-51-50C

38-31-51
FIG. 50C
PAGE 4
JAN 20/09

BRI

BOEING PROPRIETARY - Copyright © - Unpublished Work - See title page for details.



757

PARTS CATALOG (MAINTENANCE)

FIG ITEM	PART NUMBER	1 2 3 4 5 6 7	NOMENCLATURE	EFFECT FROM TO	UNITS PER ASSY
50C - 400	0A112-0010-61		CABINET ASSY-SINK AND FLOOR (WASTE WATER SYSTEM ONLY) SUPPLIER CODE: VS5825 FOR NHA/OTHER SYS DET SEE: 25-41-01-06E	107107	RF
450	2A114-0215-1		.PLATE-DRAIN FTG SUPPLIER CODE: VS5825 ATTACHING PARTS	107107	1
455 - 460	NAS603-5P AN960PD10L		.SCREW .WASHER	107107 107107	6 6
- 465	3A114-0289-1		-----*----- .GASKET- SUPPLIER CODE: VS5825	107107	1
470	2A114-0006-11		.FITTING-WATER DRAIN SUPPLIER CODE: VS5825 ATTACHING PARTS	107107	1
475 - 480	NAS1096-3-8 AN960PD10L		.SCREW .WASHER	107107 107107	4 4
- 485	3A114-0118-1		-----*----- .GASKET- SUPPLIER CODE: VS5825	107107	1

MISSING ITEM NUMBERS NOT APPLICABLE

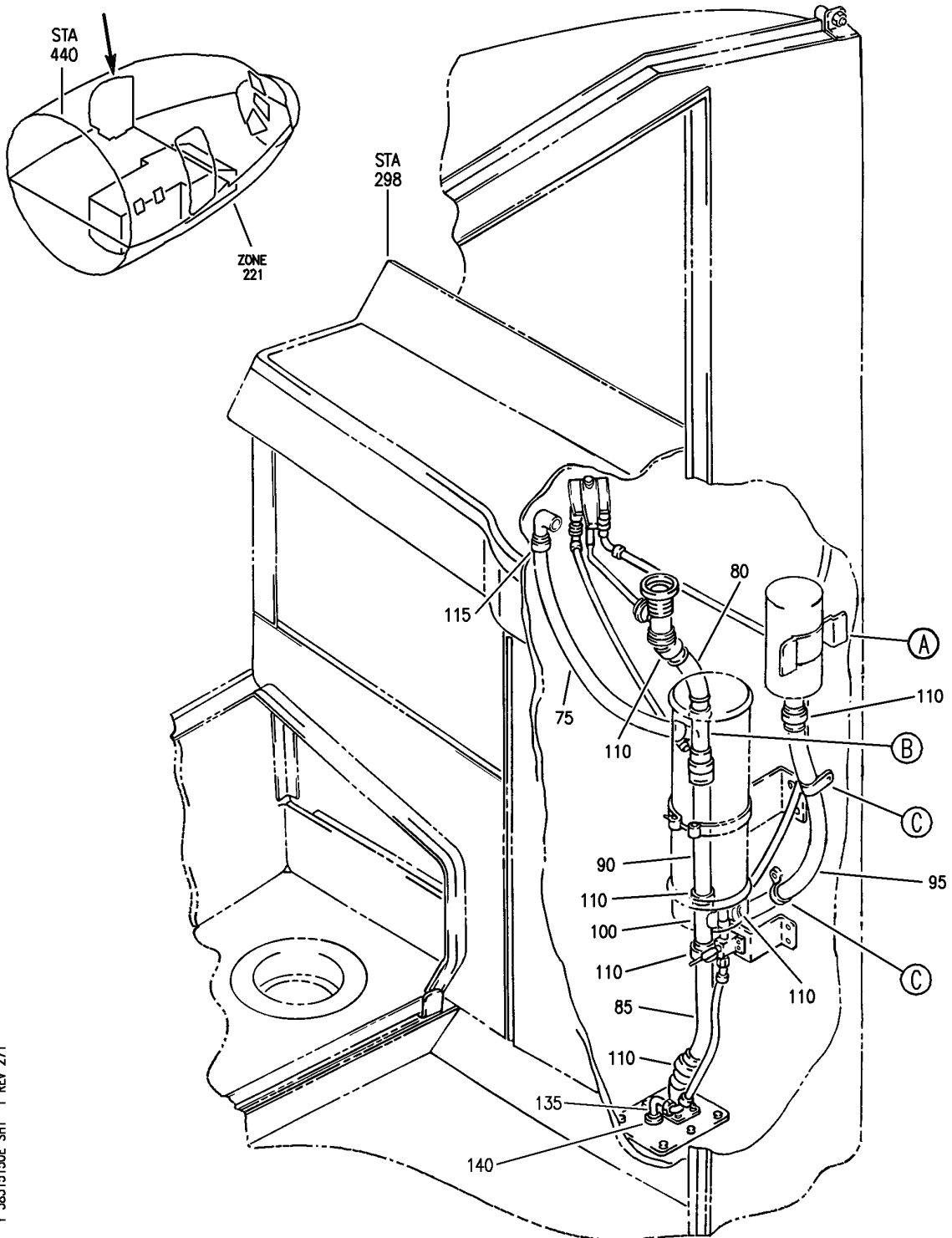
- ITEM NOT ILLUSTRATED

38-31-51-50C

38-31-51
FIG. 50C
PAGE 5
JAN 20/09

BRI

BOEING
757
PARTS CATALOG (MAINTENANCE)



Y 38315150E SHT 1 REV 271

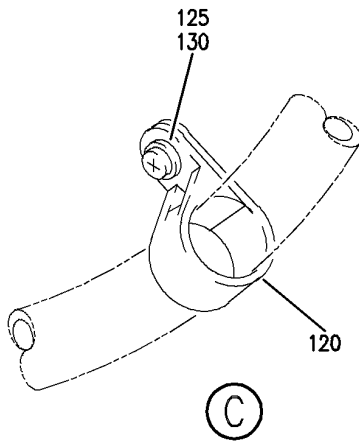
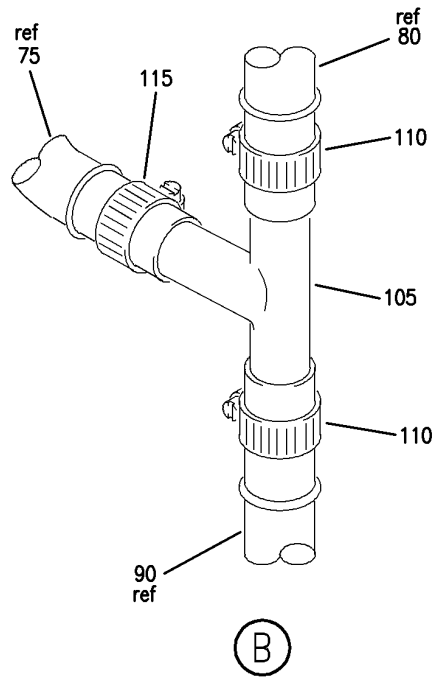
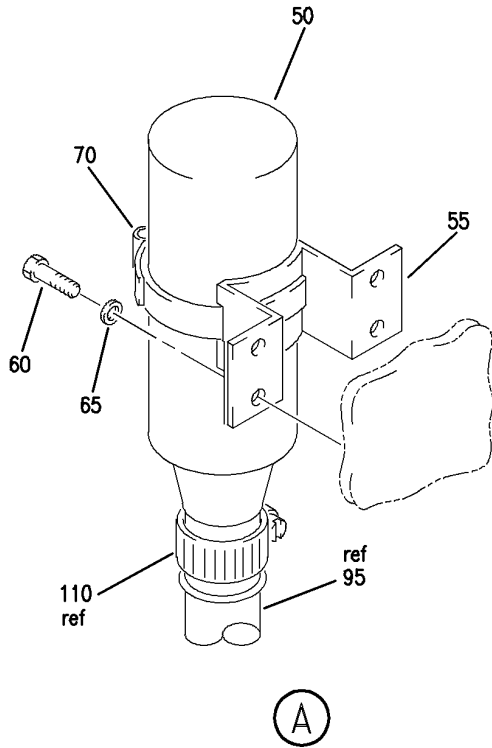
PLUMBING ASSY-LAV A (WASTE WATER SYSTEM ONLY)
FIGURE 50E (SHEET 1)

38-31-51-50E

BRI
JAN 20/09

38-31-51-50E
PAGE 0

BOEING
757
PARTS CATALOG (MAINTENANCE)



Y 38315150E SHT 2 REV 238

PLUMBING ASSY-LAV A (WASTE WATER SYSTEM ONLY)
FIGURE 50E (SHEET 2)

38-31-51-50E

BRI
JAN 20/09

38-31-51-50E
PAGE 0A



757

PARTS CATALOG (MAINTENANCE)

FIG ITEM	PART NUMBER	1 2 3 4 5 6 7	NOMENCLATURE	EFFECT FROM TO	UNITS PER ASSY
50E			PLUMBING ASSY-LAV A (WASTE WATER SYSTEM ONLY)	950951	
- 1	0A112-0021-21		PLUMBING ASSY-LAV A (WASTE WATER SYSTEM ONLY) SUPPLIER CODE: VS5825 FOR NHA/OTHER SYS DET SEE: 25-41-01-06B	950951	RF
50	2A081-0621-1		.MUFFLER-DRAIN SUPPLIER CODE: VS5825	950951	1
55	2A114-0081-7		.SUPPORT-MUFFLER SUPPLIER CODE: VS5825	950951	1
60	NAS603-5P		.SCREW	950951	4
65	AN960PD10L		.WASHER	950951	4
			-----*-----		
70	M630102-67		.CLAMP	950951	1
75	2A081-0597-4		.HOSE ASSY-DRAIN SUPPLIER CODE: VS5825 CONFIG CHG DATA FROM A CMM: SUPSD BY IT4350-420	950951	1
75	IT4350-420		.HOSE ASSY-DRAIN SUPPLIER CODE: V26831 SPECIFICATION NUMBER: 69-27191-420 CONFIG CHG DATA FROM A CMM: SUPERSEDES 2A081-0597-4 OPTIONAL PART: BOE2013-0420 V16632	950951	1
75	BOE2013-0420		.HOSE ASSY-DRAIN SUPPLIER CODE: V16632 SPECIFICATION NUMBER: 69-27191-420 OPTIONAL PART: IT4350-420 V26831	950951	1
80	2A081-0598-1		.HOSE ASSY-DRAIN SUPPLIER CODE: VS5825 CONFIG CHG DATA FROM A CMM: SUPSD BY BOE2013-0314	950951	1

MISSING ITEM NUMBERS NOT APPLICABLE

- ITEM NOT ILLUSTRATED

38-31-51-50E

38-31-51
FIG. 50E
PAGE 1
JAN 20/09

BRI

BOEING PROPRIETARY - Copyright © - Unpublished Work - See title page for details.



757

PARTS CATALOG (MAINTENANCE)

FIG ITEM	PART NUMBER	1 2 3 4 5 6 7	NOMENCLATURE	EFFECT FROM TO	UNITS PER ASSY
50E 80	BOE2013-0314		.HOSE ASSY-DRAIN SUPPLIER CODE: V16632 SPECIFICATION NUMBER: 69-27191-314 CONFIG CHG DATA FROM A CMM: SUPERSEDES 2A081-0598-1 OPTIONAL PART: 713488-314 V70628 IT4350-314 V26831 OPTIONAL PART: 713488-314 V70628 IT4350-314 V26831	950951	1
80	IT4350-314		.HOSE ASSY-DRAIN SUPPLIER CODE: V26831 SPECIFICATION NUMBER: 69-27191-314 OPTIONAL PART: BOE2013-0314 V16632 713488-314 V70628 OPTIONAL PART: 713488-314 V70628 BOE2013-0314 V16632	950951	1
80	713488-314		.HOSE-DRAIN SUPPLIER CODE: V70628 SPECIFICATION NUMBER: 69-27191-314 OPTIONAL PART: BOE2013-0314 V16632 IT4350-314 V26831 OPTIONAL PART: IT4350-314 V26831 BOE2013-0314 V16632	950951	1

MISSING ITEM NUMBERS NOT APPLICABLE

- ITEM NOT ILLUSTRATED

38-31-51-50E

38-31-51
FIG. 50E
PAGE 2
JAN 20/09

BRI



757

PARTS CATALOG (MAINTENANCE)

FIG ITEM	PART NUMBER	1 2 3 4 5 6 7	NOMENCLATURE	EFFECT FROM TO	UNITS PER ASSY
50E 85	2A081-0598-3		.HOSE ASSY-DRAIN SUPPLIER CODE: VS5825 CONFIG CHG DATA FROM A CMM: SUPSD BY IT4350-314	950951	1
85	IT4350-344		.HOSE ASSY-DRAIN SUPPLIER CODE: V26831 SPECIFICATION NUMBER: 69-27191-344 CONFIG CHG DATA FROM A CMM: SUPERSEDES 2A081-0598-3 OPTIONAL PART: 713488-344 V70628 BOE2013-0344 V16632 OPTIONAL PART: BOE2013-0344 V16632	950951	1
85	BOE2013-0344		.HOSE ASSY-DRAIN SUPPLIER CODE: V16632 SPECIFICATION NUMBER: 69-27191-344 OPTIONAL PART: 713488-344 V70628 IT4350-344 V26831 OPTIONAL PART: IT4350-344 V26831	950951	1
90	2A081-0598-6		.HOSE ASSY-DRAIN SUPPLIER CODE: VS5825 CONFIG CHG DATA FROM A CMM: SUPSD BY IT4350-515	950951	1
90	IT4350-515		.HOSE ASSY-DRAIN SUPPLIER CODE: V26831 SPECIFICATION NUMBER: 69-27191-515 CONFIG CHG DATA FROM A CMM: SUPERSEDES 2A081-0598-6 OPTIONAL PART: BOE2013-0515 V16632	950951	1

MISSING ITEM NUMBERS NOT APPLICABLE

- ITEM NOT ILLUSTRATED

38-31-51-50E

38-31-51
FIG. 50E
PAGE 3
JAN 20/09

BRI



757

PARTS CATALOG (MAINTENANCE)

FIG ITEM	PART NUMBER	1 2 3 4 5 6 7	NOMENCLATURE	EFFECT FROM TO	UNITS PER ASSY
50E					
95	2A081-0598-9		.HOSE ASSY-DRAIN SUPPLIER CODE: VS5825 CONFIG CHG DATA FROM A CMM: SUPSD BY IT4350-395	950951	1
95	IT4350-395		.HOSE ASSY-DRAIN SUPPLIER CODE: V16632 SPECIFICATION NUMBER: 69-27191-395 CONFIG CHG DATA FROM A CMM: SUPERSEDES 2A081-0598-6 OPTIONAL PART: BOE2013-0395 V16632 OPTIONAL PART: BOE2013-0395 V16632	950951	1
95	BOE2013-0395		.HOSE ASSY-DRAIN SUPPLIER CODE: V16632 SPECIFICATION NUMBER: 69-27191-395 OPTIONAL PART: IT4350-395 V26831 OPTIONAL PART: IT4350-395 V26831	950951	1
100	2A114-0142-11		.TUBE ASSY- SUPPLIER CODE: VS5825	950951	1
105	2A114-0141-11		.TEE- SUPPLIER CODE: VS5825	950951	1
110	NAS1922-0125-1		.CLAMP	950951	8
115	NAS1922-0100-1		.CLAMP	950951	2
120	BACC10DK20		.CLAMP ATTACHING PARTS	950951	2
125	NAS602-7P		.SCREW	950951	2
130	AN960PD8L		.WASHER -----*-----	950951	2

MISSING ITEM NUMBERS NOT APPLICABLE

- ITEM NOT ILLUSTRATED

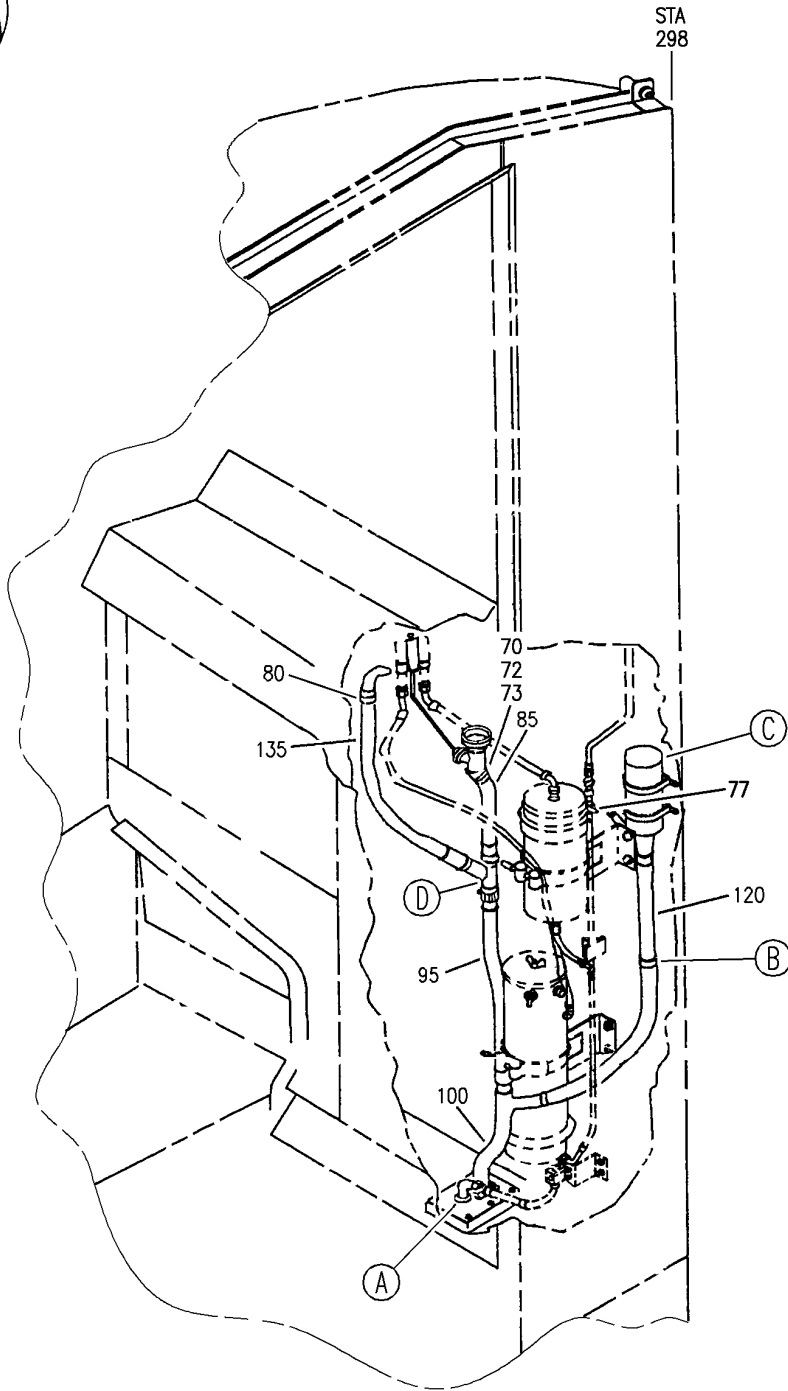
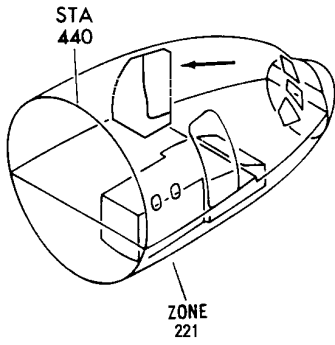
38-31-51-50E

38-31-51
FIG. 50E
PAGE 4
JAN 20/09

BRI

BOEING PROPRIETARY - Copyright © - Unpublished Work - See title page for details.

BOEING
757
PARTS CATALOG (MAINTENANCE)



Y 38315150J SHT 1 REV 270

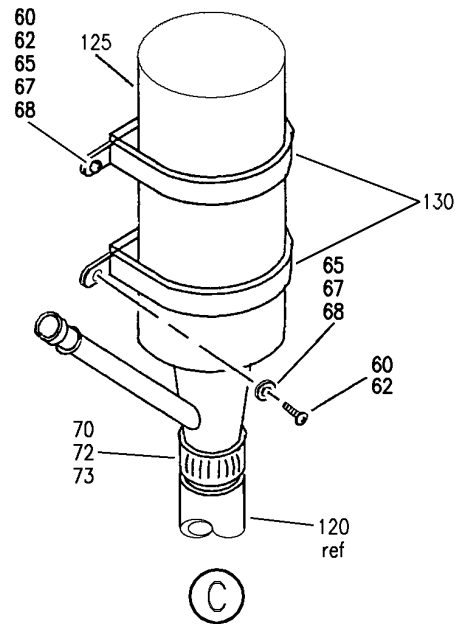
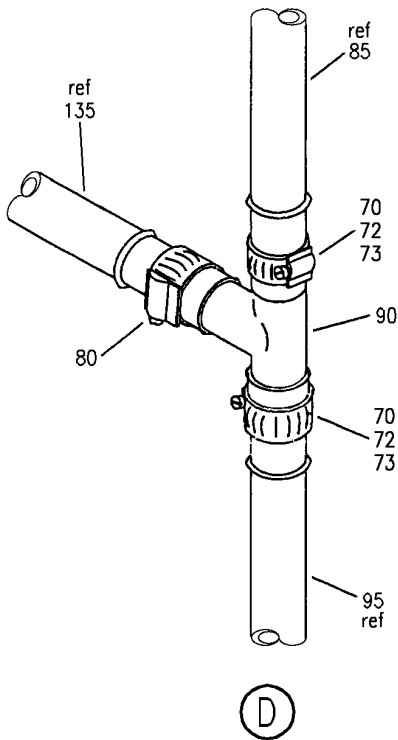
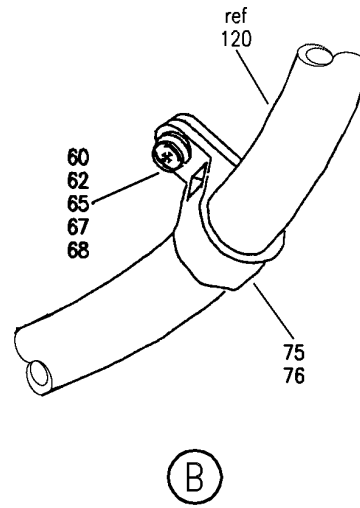
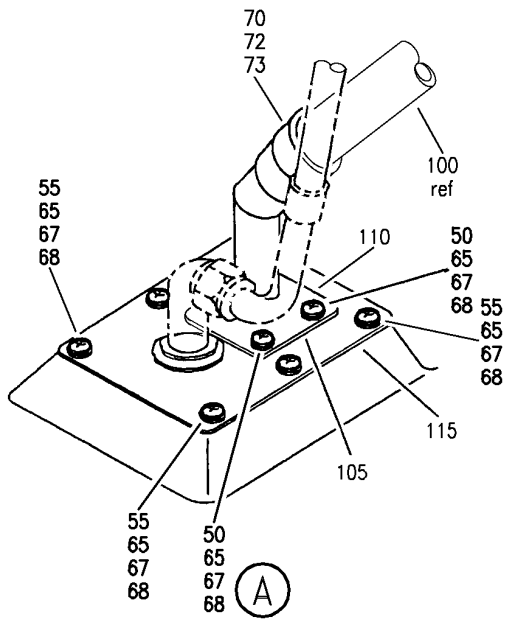
PLUMBING ASSY-SEG 260 LAV A (WASTE WATER SYSTEM ONLY)
FIGURE 50J (SHEET 1)

38-31-51-50J

BRI
MAY 28/07

38-31-51-50J
PAGE 0

BOEING
757
PARTS CATALOG (MAINTENANCE)



Y 38315150J SHT 2 REV 270

PLUMBING ASSY-SEG 260 LAV A (WASTE WATER SYSTEM ONLY)
FIGURE 50J (SHEET 2)

38-31-51-50J

BRI
MAY 28/07

38-31-51-50J
PAGE 0A



757

PARTS CATALOG (MAINTENANCE)

FIG ITEM	PART NUMBER	1 2 3 4 5 6 7	NOMENCLATURE	EFFECT FROM TO	UNITS PER ASSY
50J			PLUMBING ASSY-SEG 260 LAV A (WASTE WATER SYSTEM ONLY)	101102	
- 1	D75D26005-111		PLUMBING ASSY-SEG 260 LAV A (WASTE WATER SYSTEM ONLY) SUPPLIER CODE: VS5825 FOR NHA/ADDITIONAL DET SEE: 25-41-01-46A	101102	RF
50	NAS1801-3-8	.	SCREW	101102	4
55	NAS1801-3-5	.	SCREW	101102	6
62	NAS1801-3-7	.	SCREW	101102	4
68	NAS1149D0332K	.	WASHER	101102	14
73	NAS1922-0125-1	.	CLAMP	101102	8
76	BACC10DK20	.	CLAMP	101102	2
77	BACC10DK8A	.	CLAMP	101102	1
80	NAS1922-0100-1	.	CLAMP	101102	2
85	IT4350-314	.	HOSE ASSY-DRAIN SUPPLIER CODE: V26831 SPECIFICATION NUMBER: 69-27191-314 OPTIONAL PART: 713488-314 V70628 BOE2013-0314 V16632	101102	1
85	BOE2013-0314	.	HOSE ASSY-DRAIN SUPPLIER CODE: V16632 SPECIFICATION NUMBER: 69-27191-314 OPTIONAL PART: 713488-314 V70628 IT4350-314 V26831	101102	1
85	713488-314	.	HOSE-DRAIN SUPPLIER CODE: V70628 SPECIFICATION NUMBER: 69-27191-314 OPTIONAL PART: IT4350-314 V26831 BOE2013-0314 V16632	101102	1

MISSING ITEM NUMBERS NOT APPLICABLE

- ITEM NOT ILLUSTRATED

38-31-51-50J

38-31-51
FIG. 50J
PAGE 1
JAN 20/09

BRI

BOEING PROPRIETARY - Copyright © - Unpublished Work - See title page for details.



757

PARTS CATALOG (MAINTENANCE)

FIG ITEM	PART NUMBER	1 2 3 4 5 6 7	NOMENCLATURE	EFFECT FROM TO	UNITS PER ASSY
50J					
90	D75D30149-111	.	TUBE ASSY-TEE SUPPLIER CODE: VS5825	101102	1
95	IT4350-376	.	HOSE ASSY-DRAIN SUPPLIER CODE: V26831 SPECIFICATION NUMBER: 69-27191-376 OPTIONAL PART: BOE2013-0376 V16632	101102	1
95	BOE2013-0376	.	HOSE ASSY-DRAIN SUPPLIER CODE: V16632 SPECIFICATION NUMBER: 69-27191-376 OPTIONAL PART: IT4350-376 V26831	101102	1
100	D75D30238-111	.	FITTING-DRAIN SUPPLIER CODE: VS5825	101102	1
105	D75D80154-111	.	GASKET- SUPPLIER CODE: VS5825	101102	1
110	D75D30152-111	.	PLATE ASSY-DRAIN SUPPLIER CODE: VS5825	101102	1
115	D75D80155-111	.	GASKET- SUPPLIER CODE: VS5825	101102	1
120	IT4350-356	.	HOSE ASSY-DRAIN SUPPLIER CODE: V26831 SPECIFICATION NUMBER: 69-27191-356 OPTIONAL PART: BOE2013-0356 V16632	101102	1
125	2A081-0621-1	.	MUFFLER-DRAIN SUPPLIER CODE: VS5825	101102	1
130	MS21919DG43	.	CLAMP	101102	2

MISSING ITEM NUMBERS NOT APPLICABLE

- ITEM NOT ILLUSTRATED

38-31-51-50J

38-31-51
FIG. 50J
PAGE 2
JAN 20/09

BRI

BOEING PROPRIETARY - Copyright © - Unpublished Work - See title page for details.



**757
PARTS CATALOG (MAINTENANCE)**

FIG ITEM	PART NUMBER	1 2 3 4 5 6 7	NOMENCLATURE	EFFECT FROM TO	UNITS PER ASSY
50J 135	IT4350-420		.HOSE ASSY-DRAIN SUPPLIER CODE: V26831 SPECIFICATION NUMBER: 69-27191-420 OPTIONAL PART: BOE2013-0420 V16632	101102	1
135	BOE2013-0420		.HOSE ASSY-DRAIN SUPPLIER CODE: V16632 SPECIFICATION NUMBER: 69-27191-420 OPTIONAL PART: IT4350-420 V26831	101102	1

MISSING ITEM NUMBERS NOT APPLICABLE

— ITEM NOT ILLUSTRATED

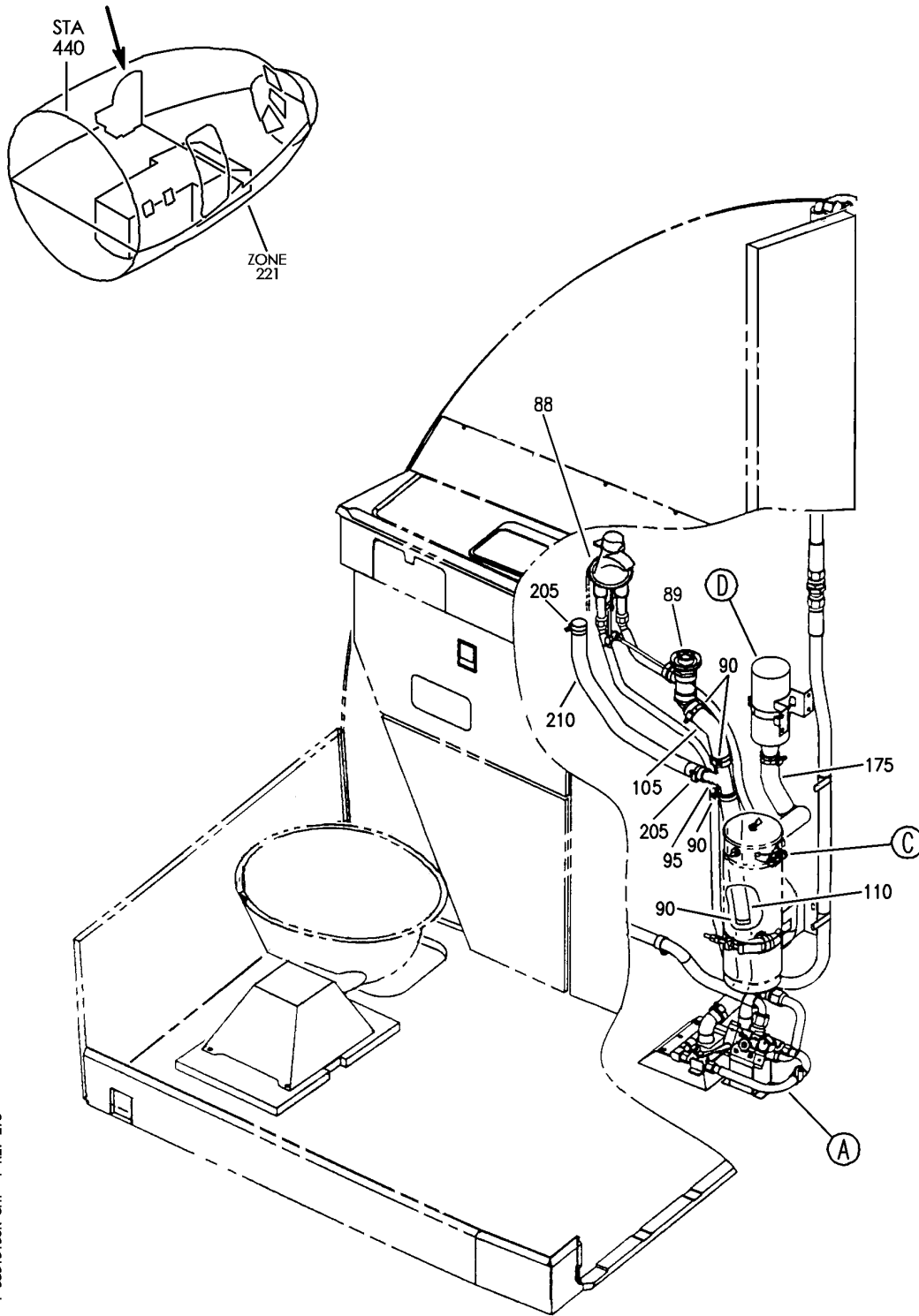
BRI

38-31-51-50J

BOEING PROPRIETARY - Copyright © - Unpublished Work - See title page for details.

38-31-51
FIG. 50J
PAGE 3
JAN 20/09

BOEING
757
PARTS CATALOG (MAINTENANCE)



Y 38315150K SHT 1 REV 273

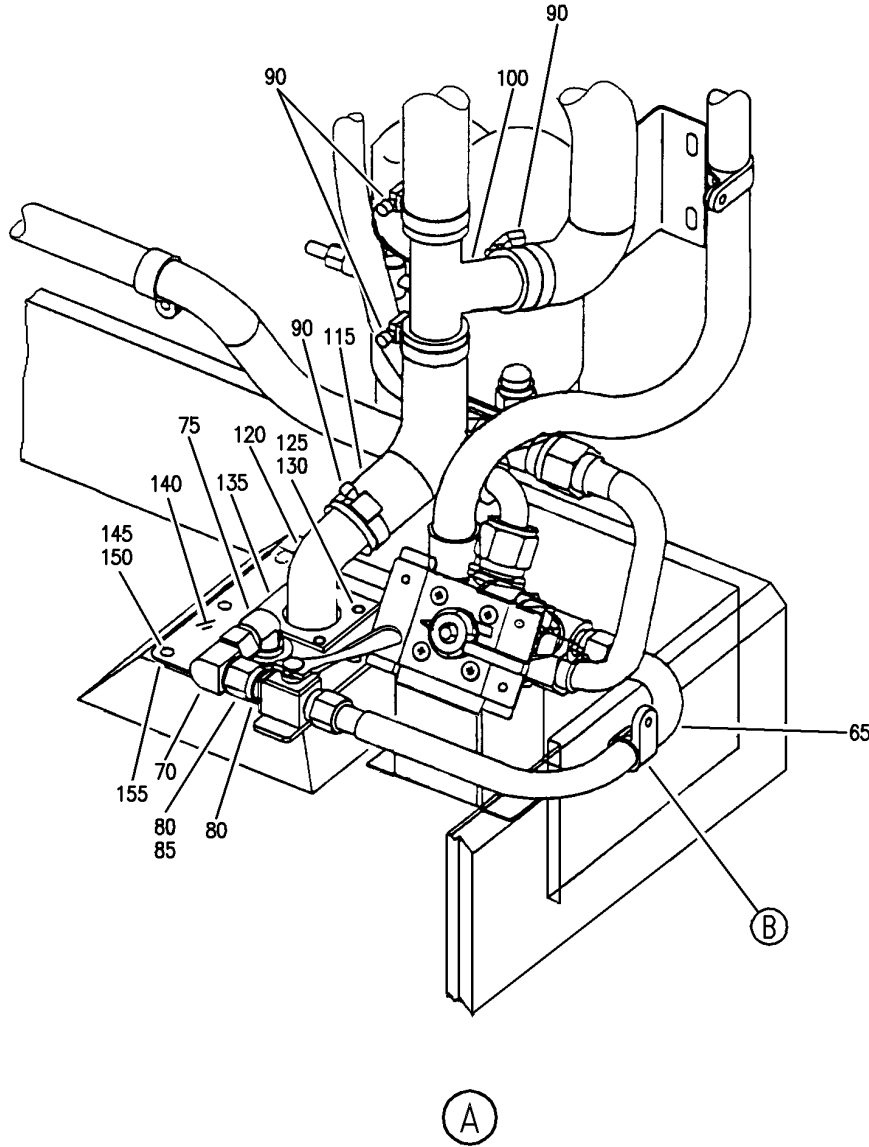
PLUMBING ASSY-SEG 260,LAV A (WATER/WASTE ONLY)
FIGURE 50K (SHEET 1)

38-31-51-50K

BRI
JAN 20/09

38-31-51-50K
PAGE 0

BOEING
757
PARTS CATALOG (MAINTENANCE)



Y 38315150K SHT 2 REV 246

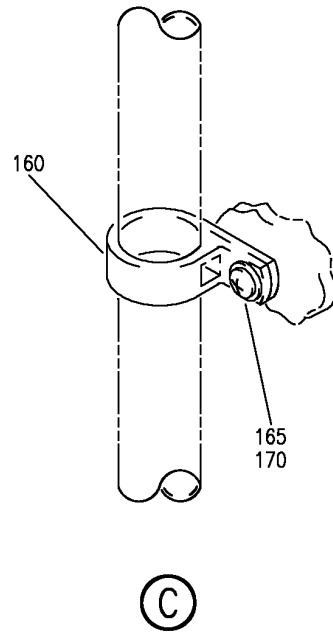
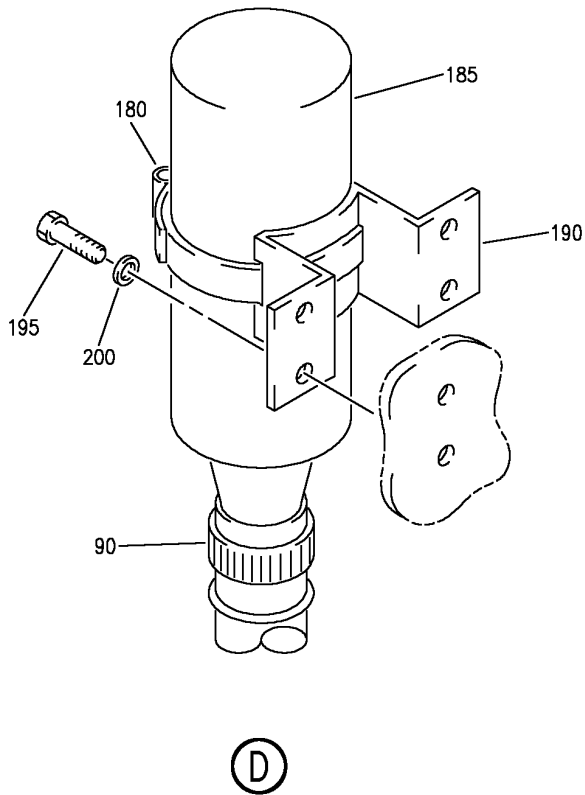
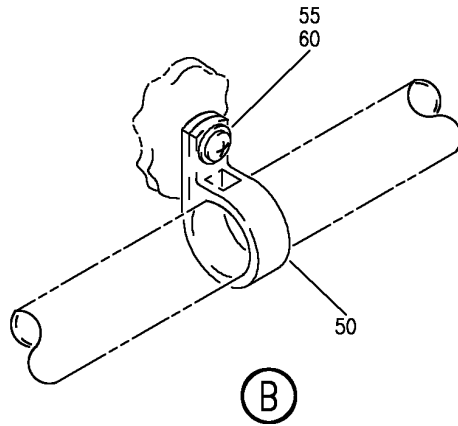
PLUMBING ASSY-SEG 260,LAV A (WATER/WASTE ONLY)
FIGURE 50K (SHEET 2)

38-31-51-50K

BRI
JAN 20/09

38-31-51-50K
PAGE 0A

BOEING
757
PARTS CATALOG (MAINTENANCE)



Y 38315150K SHT 3 REV 246

PLUMBING ASSY-SEG 260,LAV A (WATER/WASTE ONLY)
FIGURE 50K (SHEET 3)

38-31-51-50K

BRI
JAN 20/09

38-31-51-50K
PAGE 0B



757

PARTS CATALOG (MAINTENANCE)

FIG ITEM	PART NUMBER	1 2 3 4 5 6 7	NOMENCLATURE	EFFECT FROM TO	UNITS PER ASSY
50K			PLUMBING ASSY-SEG 260,LAV A (WATER/WASTE ONLY)	103106	
- 1	D71D26009-111		PLUMBING ASSY-SEG 260,LAV A (WATER/WASTE ONLY) SUPPLIER CODE: VS5825 FOR NHA/ADDITIONAL DET SEE: 25-41-01-40E	103106	RF
95	D75D30149-111		.TUBE ASSY-TEE SUPPLIER CODE: VS5825	103106	1
100	D75D30148-111		.TUBE ASSY-TEE SUPPLIER CODE: VS5825	103106	1
105	IT4350-314		.HOSE ASSY-DRAIN SUPPLIER CODE: V26831 SPECIFICATION NUMBER: 69-27191-314 OPTIONAL PART: 713488-314 V70628 BOE2013-0314 V16632	103106	1
105	BOE2013-0314		.HOSE ASSY-DRAIN SUPPLIER CODE: V16632 SPECIFICATION NUMBER: 69-27191-314 OPTIONAL PART: 713488-314 V70628 IT4350-314 V26831	103106	1
105	713488-314		.HOSE-DRAIN SUPPLIER CODE: V70628 SPECIFICATION NUMBER: 69-27191-314 OPTIONAL PART: BOE2013-0314 V16632 IT4350-314 V26831	103106	1

MISSING ITEM NUMBERS NOT APPLICABLE

- ITEM NOT ILLUSTRATED

38-31-51-50K

38-31-51
FIG. 50K
PAGE 1
JAN 20/09

BRI

BOEING PROPRIETARY - Copyright © - Unpublished Work - See title page for details.

BOEING
757
PARTS CATALOG (MAINTENANCE)

FIG ITEM	PART NUMBER	1 2 3 4 5 6 7	NOMENCLATURE	EFFECT FROM TO	UNITS PER ASSY
50K 110	IT4350-515		.HOSE ASSY-DRAIN SUPPLIER CODE: V26831 SPECIFICATION NUMBER: 69-27191-515 OPTIONAL PART: BOE2013-0515 V16632	103106	1
115	IT4350-344		.HOSE ASSY-DRAIN SUPPLIER CODE: V26831 SPECIFICATION NUMBER: 69-27191-344 OPTIONAL PART: BOE2013-0344 V16632 713488-344 V70628	103106	1
115	BOE2013-0344		.HOSE ASSY-DRAIN SUPPLIER CODE: V16632 SPECIFICATION NUMBER: 69-27191-344 OPTIONAL PART: IT4350-344 V26831 713488-344 V70628	103106	1
120	D75D30151-111		.FITTING ASSY-DRAIN SUPPLIER CODE: VS5825 ATTACHING PARTS	103106	1
125	NAS1801-3-8		.SCREW	103106	4
130	NAS1149D0332K		.WASHER -----*-----	103106	4
135	D75D80154-111		.GASKET- SUPPLIER CODE: VS5825	103106	1
140	D75D30152-111		.PLATE ASSY-DRAIN SUPPLIER CODE: VS5825 ATTACHING PARTS	103106	1
145	NAS1801-3-5		.SCREW	103106	6
150	NAS1149D0332K		.WASHER -----*-----	103106	6
155	D75D80155-111		.GASKET- SUPPLIER CODE: VS5825	103106	1
160	BACC10DK20		.CLAMP	103106	1

MISSING ITEM NUMBERS NOT APPLICABLE

— ITEM NOT ILLUSTRATED

38-31-51-50K

38-31-51
FIG. 50K
PAGE 2
JAN 20/09

BRI

BOEING PROPRIETARY - Copyright © - Unpublished Work - See title page for details.



757

PARTS CATALOG (MAINTENANCE)

FIG ITEM	PART NUMBER	1 2 3 4 5 6 7	NOMENCLATURE	EFFECT FROM TO	UNITS PER ASSY
50K			ATTACHING PARTS		
165	NAS1801-3-8	.	SCREW	103106	1
170	NAS1149D0332K	.	WASHER	103106	1
			-----*-----		
175	IT4350-395	.	HOSE ASSY-DRAIN	103106	1
			SUPPLIER CODE: V16632		
			SPECIFICATION NUMBER: 69-27191-395		
			OPTIONAL PART: BOE2013-0395		
			V16632		
180	M630102-67	.	CLAMP	103106	1
185	2A081-0621-1	.	MUFFLER-DRAIN	103106	1
			SUPPLIER CODE: VS5825		
190	D75D70259-913	.	SUPPORT-MUFFLER	103106	1
			SUPPLIER CODE: VS5825		
			ATTACHING PARTS		
195	NAS1801-3-5	.	SCREW	103106	4
200	NAS1149D0332K	.	WASHER	103106	4
			-----*-----		
205	NAS1922-0100-1	.	CLAMP	103106	2
210	IT4350-420	.	HOSE ASSY-DRAIN	103106	1
			SUPPLIER CODE: V26831		
			SPECIFICATION NUMBER: 69-27191-420		
			OPTIONAL PART: BOE2013-0420		
			V16632		

MISSING ITEM NUMBERS NOT APPLICABLE

- ITEM NOT ILLUSTRATED

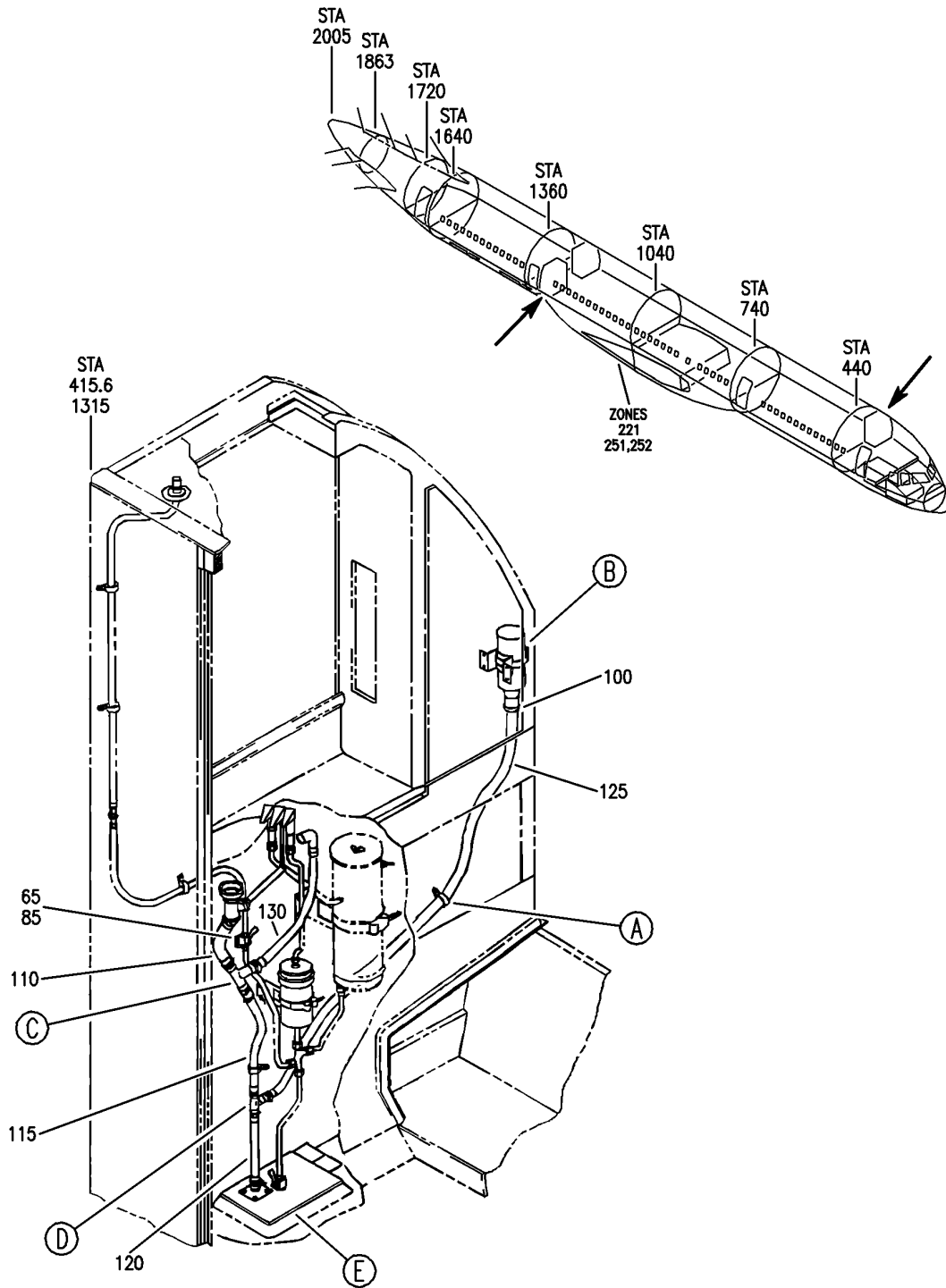
38-31-51-50K

38-31-51
FIG. 50K
PAGE 3
JAN 20/09

BRI

BOEING PROPRIETARY - Copyright © - Unpublished Work - See title page for details.

BOEING
757
PARTS CATALOG (MAINTENANCE)



Y 383151C SHT 1 REV 238

PLUMBING ASSY-SEG 260 LAV (WASTE WATER SYSTEM ONLY)
FIGURE 51C (SHEET 1)

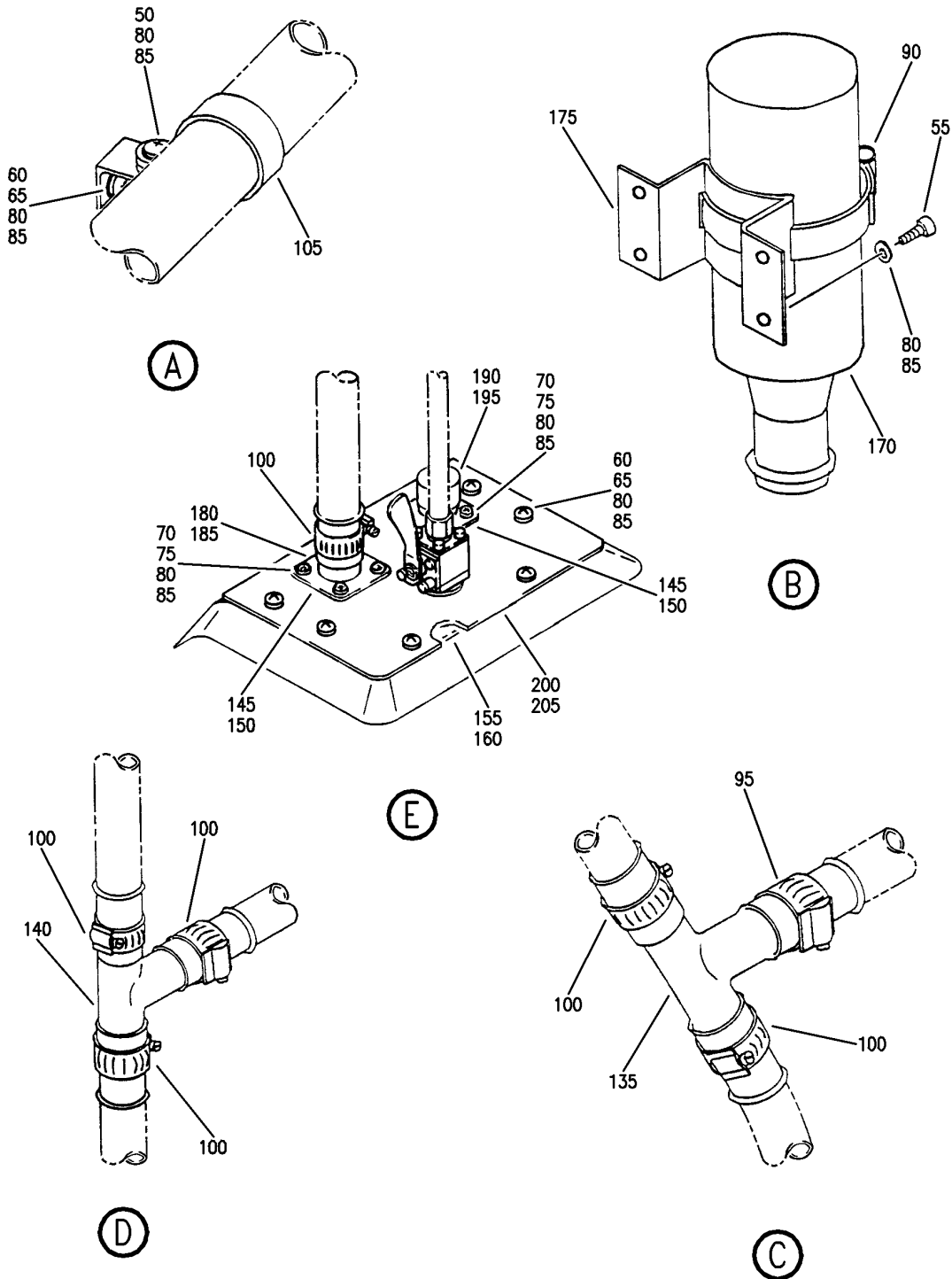
38-31-51-51C

BRI
JAN 20/09

38-31-51-51C
PAGE 0

BOEING PROPRIETARY - Copyright © - Unpublished Work - See title page for details.

BOEING
757
PARTS CATALOG (MAINTENANCE)



Y 383151C SHT 2 REV 238

PLUMBING ASSY-SEG 260 LAV (WASTE WATER SYSTEM ONLY)
FIGURE 51C (SHEET 2)

38-31-51-51C

BRI
JAN 20/09

38-31-51-51C
PAGE 0A

BOEING PROPRIETARY - Copyright © - Unpublished Work - See title page for details.



757

PARTS CATALOG (MAINTENANCE)

FIG ITEM	PART NUMBER	1 2 3 4 5 6 7	NOMENCLATURE	EFFECT FROM TO	UNITS PER ASSY
51C			PLUMBING ASSY-SEG 260 LAV (WASTE WATER SYSTEM ONLY)	504903	
- 1	D75D26021-111		PLUMBING ASSY-SEG 260 LAV C (WASTE WATER SYSTEM ONLY) SUPPLIER CODE: VS5825 FOR NHA/OTHER SYS DET SEE: 25-41-03-50A	504903	RF
- 5	D75D26022-111		PLUMBING ASSY-SEG 260 LAV D (WASTE WATER SYSTEM ONLY) SUPPLIER CODE: VS5825 FOR NHA/OTHER SYS DET SEE: 25-41-03-51A	504903	RF
- 10	D75D26023-111		PLUMBING ASSY-SEG 260 LAV F (WASTE WATER SYSTEM ONLY) SUPPLIER CODE: VS5825 FOR NHA/OTHER SYS DET SEE: 25-41-01-12B	504903	RF
50	NAS1801-3-10	.	SCREW	504903	1
55	NAS1801-3-4	.	SCREW	504903	4
60	NAS1801-3-5	.	SCREW-LAV C AND D	504903	8
65	NAS1801-3-5	.	SCREW-LAV F	504903	7
70	NAS1801-3-8	.	SCREW-LAV C AND D	504903	8
75	NAS1801-3-8	.	SCREW-LAV F	504903	8
80	AN960KD10L	.	WASHER-LAV C AND D	504903	21
85	AN960KD10L	.	WASHER-LAV F	504903	20
90	M630102-67	.	CLAMP-	504903	1
95	NAS1922-0100-1	.	CLAMP	504903	2
100	NAS1922-0125-1	.	CLAMP	504903	8
105	BACC10DK20	.	CLAMP	504903	1
110	IT4350-314	.	HOSE ASSY-DRAIN SUPPLIER CODE: V26831 SPECIFICATION NUMBER: 69-27191-314 OPTIONAL PART: 713488-314 V70628 BOE2013-0314 V16632	504903	1

MISSING ITEM NUMBERS NOT APPLICABLE

- ITEM NOT ILLUSTRATED

38-31-51-51C

38-31-51
FIG. 51C
PAGE 1
JAN 20/09

BRI



757

PARTS CATALOG (MAINTENANCE)

FIG ITEM	PART NUMBER	1 2 3 4 5 6 7	NOMENCLATURE	EFFECT FROM TO	UNITS PER ASSY
51C 110	BOE2013-0314		.HOSE ASSY-DRAIN SUPPLIER CODE: V16632 SPECIFICATION NUMBER: 69-27191-314 OPTIONAL PART: 713488-314 V70628 IT4350-314 V26831	504903	1
110	713488-314		.HOSE-DRAIN SUPPLIER CODE: V70628 SPECIFICATION NUMBER: 69-27191-314 OPTIONAL PART: IT4350-314 V26831 BOE2013-0314 V16632	504903	1
115	IT4350-398		.HOSE ASSY-DRAIN SUPPLIER CODE: V26831 SPECIFICATION NUMBER: 69-27191-398 OPTIONAL PART: BOE2013-0398 V16632	504903	1
120	IT4350-344		.HOSE ASSY-DRAIN SUPPLIER CODE: V26831 SPECIFICATION NUMBER: 69-27191-344 OPTIONAL PART: 713488-344 V70628 BOE2013-0344 V16632	504903	1
120	BOE2013-0344		.HOSE ASSY-DRAIN SUPPLIER CODE: V16632 SPECIFICATION NUMBER: 69-27191-344 OPTIONAL PART: 713488-344 V70628 IT4350-344 V26831	504903	1

MISSING ITEM NUMBERS NOT APPLICABLE

- ITEM NOT ILLUSTRATED

38-31-51-51C

38-31-51
FIG. 51C
PAGE 2
JAN 20/09

BRI

BOEING PROPRIETARY - Copyright © - Unpublished Work - See title page for details.



757

PARTS CATALOG (MAINTENANCE)

FIG ITEM	PART NUMBER	1 2 3 4 5 6 7	NOMENCLATURE	EFFECT FROM TO	UNITS PER ASSY
51C 125	BOE2013-0379		.HOSE ASSY-DRAIN SUPPLIER CODE: V16632 SPECIFICATION NUMBER: 69-27191-379	504903	1
130	BOE2013-0310		.HOSE ASSY-DRAIN SUPPLIER CODE: V16632 SPECIFICATION NUMBER: 69-27191-310 OPTIONAL PART: 713488-310 V70628	504903	1
135	D75D30258-111		.TUBE ASSY-TEE SUPPLIER CODE: VS5825	504903	1
140	D75D30148-111		.TUBE ASSY-TEE SUPPLIER CODE: VS5825	504903	1
145	D75D80154-111		.GASKET-LAV C AND D SUPPLIER CODE: VS5825	504903	2
- 150	D75D80136-111		.GASKET-LAV F SUPPLIER CODE: VS5825	504903	2
155	D75D80156-111		.GASKET-LAV C AND D SUPPLIER CODE: VS5825	504903	1
160	D75D80242-111		.GASKET-LAV F SUPPLIER CODE: VS5825	504903	1
165	D75D30227-111		.ANGLE- SUPPLIER CODE: VS5825	504903	1
170	2A081-0621-1		.MUFFLER-DRAIN SUPPLIER CODE: VS5825	504903	1
175	D75D70259-911		.SUPPORT-MUFFLER SUPPLIER CODE: VS5825	504903	1
180	D75D30261-111		.FITTING-DRAIN, LAV C AND D SUPPLIER CODE: VS5825	504903	1
185	D75D30230-111		.FITTING ASSY-DRAIN, LAV F SUPPLIER CODE: VS5825	504903	1

MISSING ITEM NUMBERS NOT APPLICABLE

- ITEM NOT ILLUSTRATED

38-31-51-51C

BRI

BOEING PROPRIETARY - Copyright © - Unpublished Work - See title page for details.

38-31-51
FIG. 51C
PAGE 3
JAN 20/09



757

PARTS CATALOG (MAINTENANCE)

FIG ITEM	PART NUMBER	1 2 3 4 5 6 7	NOMENCLATURE	EFFECT FROM TO	UNITS PER ASSY
51C 190	D75D30264-111		.FITTING-TOILET FLUSH, LAV , C AND D SUPPLIER CODE: VS5825	504903	1
195	D75D30314-111		.FITTING ASSY-DRAIN, LAV F SUPPLIER CODE: VS5825	504903	1
200	D75D30260-111		.PLATE-DRAIN, LAV C AND D SUPPLIER CODE: VS5825	504903	1
205	D75D30315-111		.PLATE-DRAIN, LAV F SUPPLIER CODE: VS5825	504903	1

MISSING ITEM NUMBERS NOT APPLICABLE

- ITEM NOT ILLUSTRATED

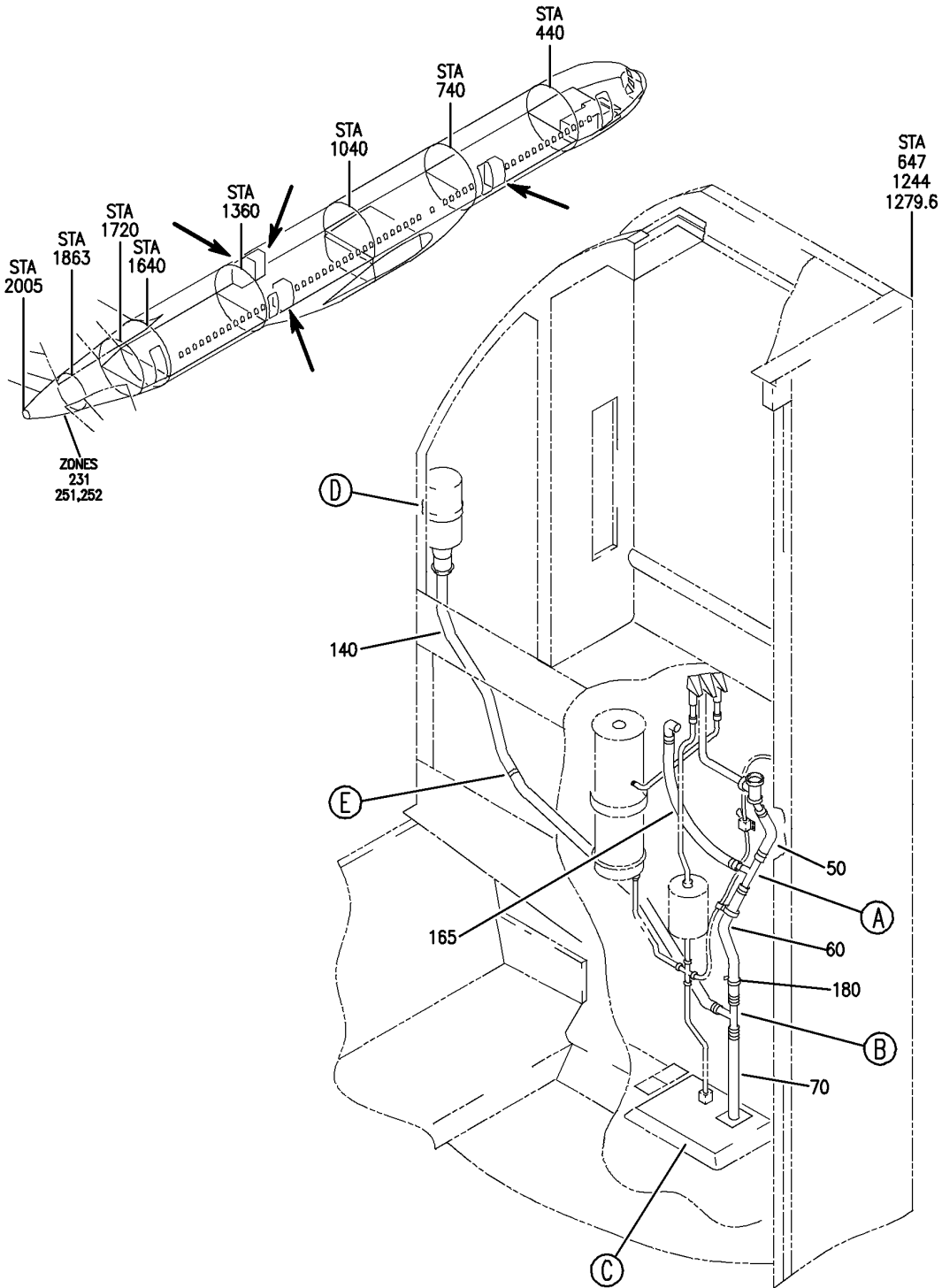
BRI

38-31-51-51C

BOEING PROPRIETARY - Copyright © - Unpublished Work - See title page for details.

38-31-51
FIG. 51C
PAGE 4
JAN 20/09

BOEING
757
PARTS CATALOG (MAINTENANCE)



Y 38315151H SHT 1 REV 242

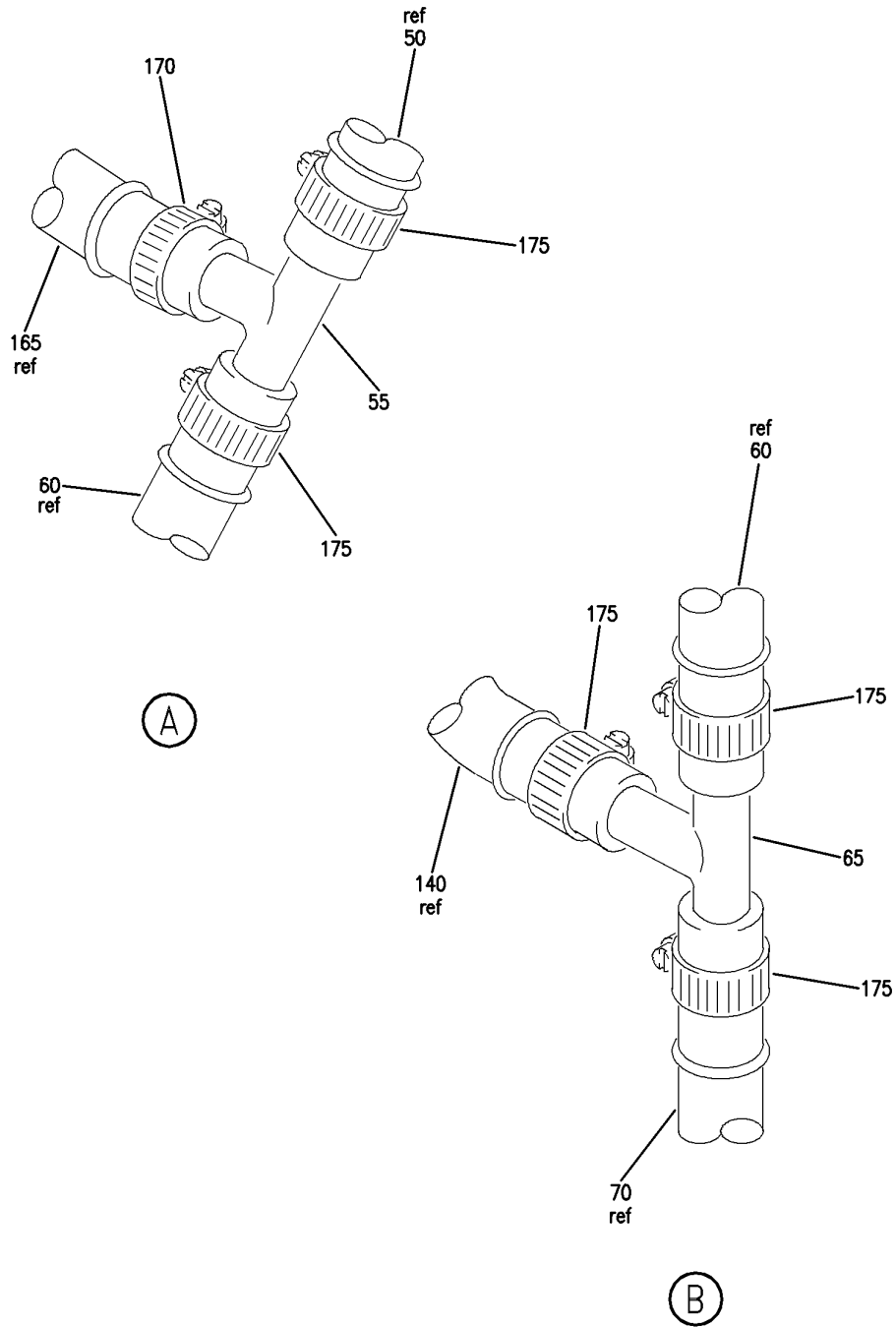
PLUMBING ASSY-SEG 260 LAV (WASTE WATER SYSTEM ONLY)
FIGURE 51H (SHEET 1)

38-31-51-51H

BRI
MAY 28/07

38-31-51-51H
PAGE 0

BOEING
757
PARTS CATALOG (MAINTENANCE)



Y 38315151H SHT 2 REV 242

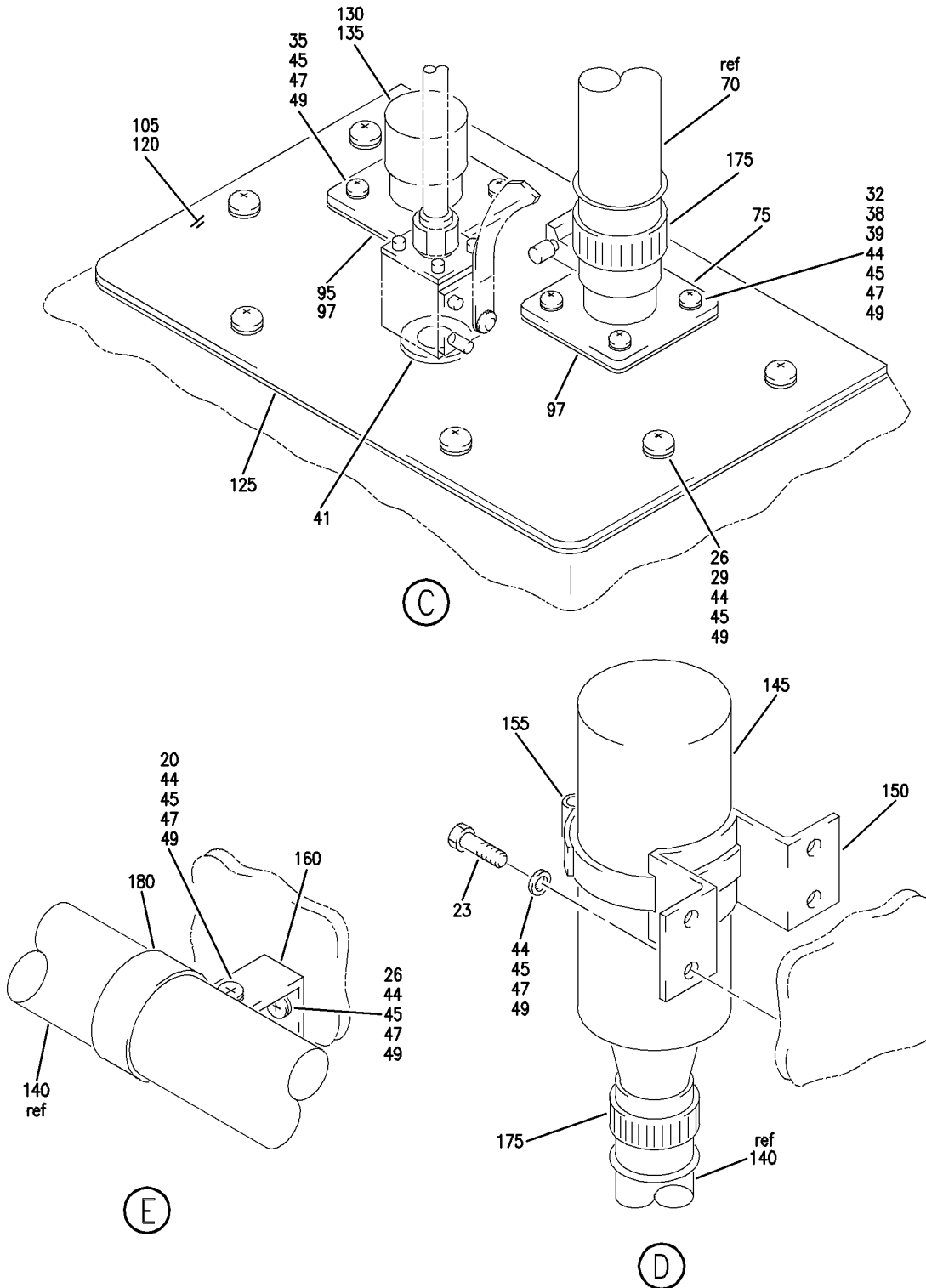
PLUMBING ASSY-SEG 260 LAV (WASTE WATER SYSTEM ONLY)
FIGURE 51H (SHEET 2)

38-31-51-51H

BRI
MAY 28/07

38-31-51-51H
PAGE 0A

BOEING
757
PARTS CATALOG (MAINTENANCE)



Y 383151H SHT 3 REV 247

PLUMBING ASSY-SEG 260 LAV (WASTE WATER SYSTEM ONLY)
FIGURE 51H (SHEET 3)

38-31-51-51H

BRI
MAY 28/07

38-31-51-51H
PAGE 0B

BOEING PROPRIETARY - Copyright © - Unpublished Work - See title page for details.



757

PARTS CATALOG (MAINTENANCE)

FIG ITEM	PART NUMBER	1 2 3 4 5 6 7	NOMENCLATURE	EFFECT FROM TO	UNITS PER ASSY
51H			PLUMBING ASSY-SEG 260 LAV (WASTE WATER SYSTEM ONLY)	101102	
- 1	D75D26024-111		PLUMBING ASSY-SEG 260 LAV B AND D (WASTE WATER SYSTEM ONLY) SUPPLIER CODE: VS5825 FOR NHA/ADDITIONAL DET SEE: 25-41-03-51H 25-41-03-52C	101102	RF
	20 NAS1801-3-10	.	SCREW	101102	1
	23 NAS1801-3-4	.	SCREW	101102	4
	29 NAS1801-3-5	.	SCREW	101102	7
	38 NAS1801-3-8	.	SCREW	101102	8
-	39 NAS1801-3-8	.	SCREW	101102	1
-	48 NAS1149D0332K	.	WASHER	101102	1
	49 NAS1149D0332K	.	WASHER	101102	20
	50 IT4350-314	.	HOSE ASSY-DRAIN SUPPLIER CODE: V26831 SPECIFICATION NUMBER: 69-27191-314 OPTIONAL PART: 713488-314 V70628 BOE2013-0314 V16632	101102	1
	50 BOE2013-0314	.	HOSE ASSY-DRAIN SUPPLIER CODE: V16632 SPECIFICATION NUMBER: 69-27191-314 OPTIONAL PART: 713488-314 V70628 IT4350-314 V26831	101102	1
	50 713488-314	.	HOSE-DRAIN SUPPLIER CODE: V70628 SPECIFICATION NUMBER: 69-27191-314 OPTIONAL PART: IT4350-314 V26831 BOE2013-0314 V16632	101102	1

MISSING ITEM NUMBERS NOT APPLICABLE

- ITEM NOT ILLUSTRATED

38-31-51-51H

38-31-51
FIG. 51H
PAGE 1
JAN 20/09

BRI



757

PARTS CATALOG (MAINTENANCE)

FIG ITEM	PART NUMBER	1 2 3 4 5 6 7	NOMENCLATURE	EFFECT FROM TO	UNITS PER ASSY
51H					
55	D75D30258-111	.TUBE ASSY-TEE SUPPLIER CODE: VS5825		101102	1
60	BOE2013-0398	.HOSE ASSY-DRAIN SUPPLIER CODE: V16632 SPECIFICATION NUMBER: 69-27191-398 OPTIONAL PART: IT4350-398 V26831		101102	1
65	D75D30148-111	.TUBE ASSY-TEE SUPPLIER CODE: VS5825		101102	1
70	IT4350-344	.HOSE ASSY-DRAIN SUPPLIER CODE: V26831 SPECIFICATION NUMBER: 69-27191-344 OPTIONAL PART: 713488-344 V70628 BOE2013-0344 V16632		101102	1
70	BOE2013-0344	.HOSE ASSY-DRAIN SUPPLIER CODE: V16632 SPECIFICATION NUMBER: 69-27191-344 OPTIONAL PART: 713488-344 V70628 IT4350-344 V26831		101102	1
75	D75D30261-111	.FITTING-DRAIN SUPPLIER CODE: VS5825		101102	1
97	D75D80154-111	.GASKET- SUPPLIER CODE: VS5825		101102	2
105	D75D30260-111	.PLATE-DRAIN LAV B AND D SUPPLIER CODE: VS5825		101102	1
- 110	D75D30260-211	.PLATE-DRAIN LAV C SUPPLIER CODE: VS5825		101102	1
125	D75D80156-111	.GASKET- SUPPLIER CODE: VS5825		101102	1

MISSING ITEM NUMBERS NOT APPLICABLE

- ITEM NOT ILLUSTRATED

38-31-51-51H

38-31-51
FIG. 51H
PAGE 2
JAN 20/09

BRI

BOEING PROPRIETARY - Copyright © - Unpublished Work - See title page for details.



757

PARTS CATALOG (MAINTENANCE)

FIG ITEM	PART NUMBER	1 2 3 4 5 6 7	NOMENCLATURE	EFFECT FROM TO	UNITS PER ASSY
51H 130	D75D30264-111	.	FITTING-TOILET FLUSH SUPPLIER CODE: VS5825	101102	1
140	BOE2013-0379	.	HOSE ASSY-DRAIN SUPPLIER CODE: V16632 SPECIFICATION NUMBER: 69-27191-379	101102	1
145	2A081-0621-1	.	MUFFLER-DRAIN SUPPLIER CODE: VS5825	101102	1
150	D75D70259-911	.	SUPPORT-MUFFLER SUPPLIER CODE: VS5825	101102	1
155	M630102-67	.	CLAMP	101102	1
160	D75D30227-111	.	ANGLE- SUPPLIER CODE: VS5825	101102	1
165	BOE2013-0310	.	HOSE ASSY-DRAIN SUPPLIER CODE: V16632 SPECIFICATION NUMBER: 69-27191-310 OPTIONAL PART: 713488-310 V70628	101102	1
170	NAS1922-0100-1	.	CLAMP	101102	2
175	NAS1922-0125-1	.	CLAMP	101102	8
180	BACC10DK20	.	CLAMP	101102	2

MISSING ITEM NUMBERS NOT APPLICABLE

- ITEM NOT ILLUSTRATED

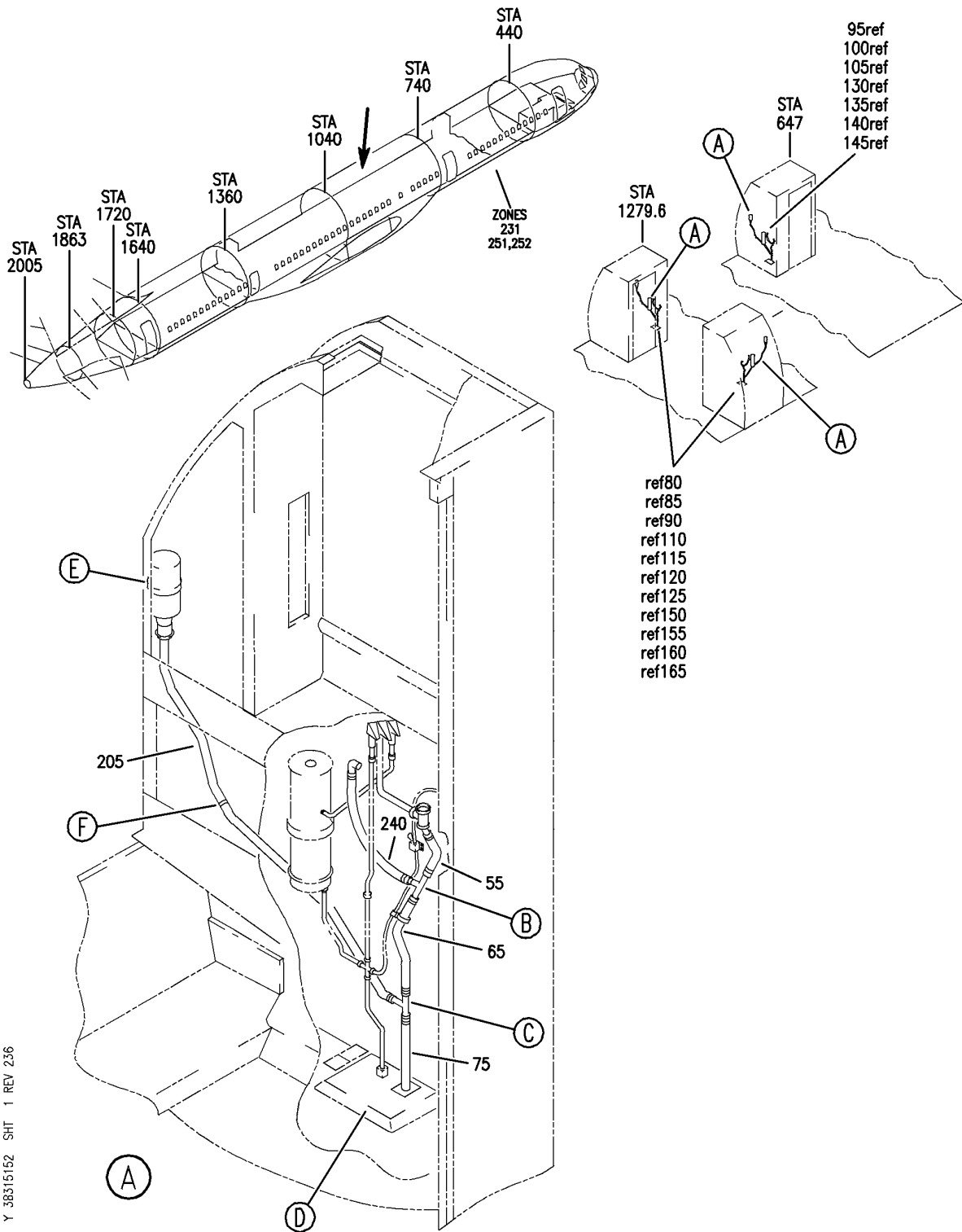
38-31-51-51H

38-31-51
FIG. 51H
PAGE 3
JAN 20/09

BRI

BOEING PROPRIETARY - Copyright © - Unpublished Work - See title page for details.

BOEING
757
PARTS CATALOG (MAINTENANCE)



Y 38315152 SHT 1 REV 236

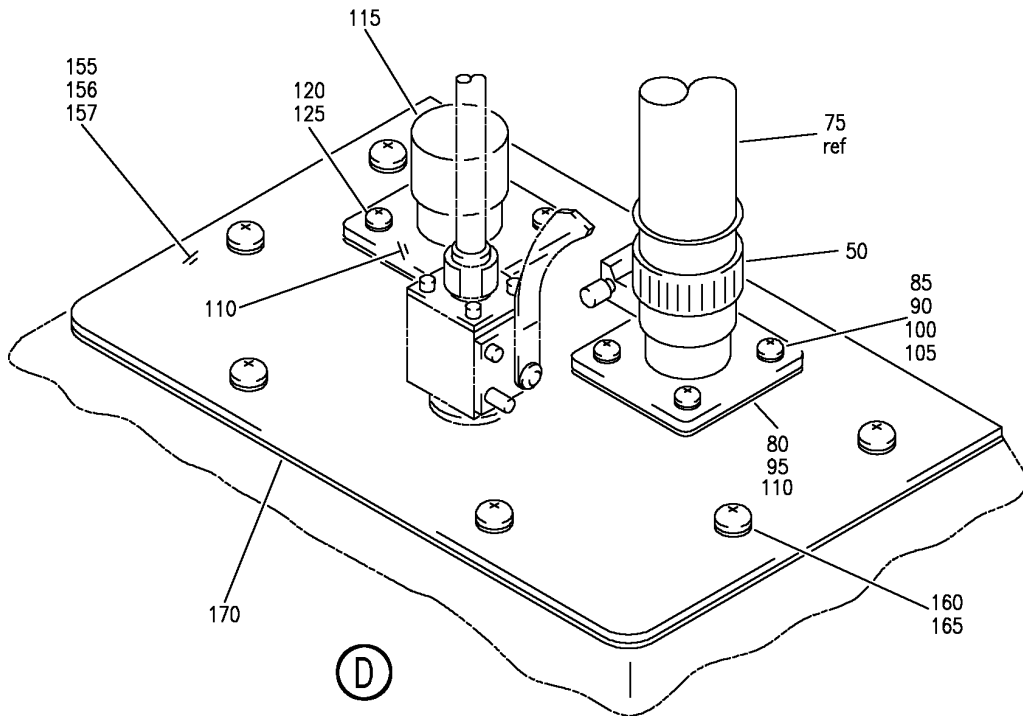
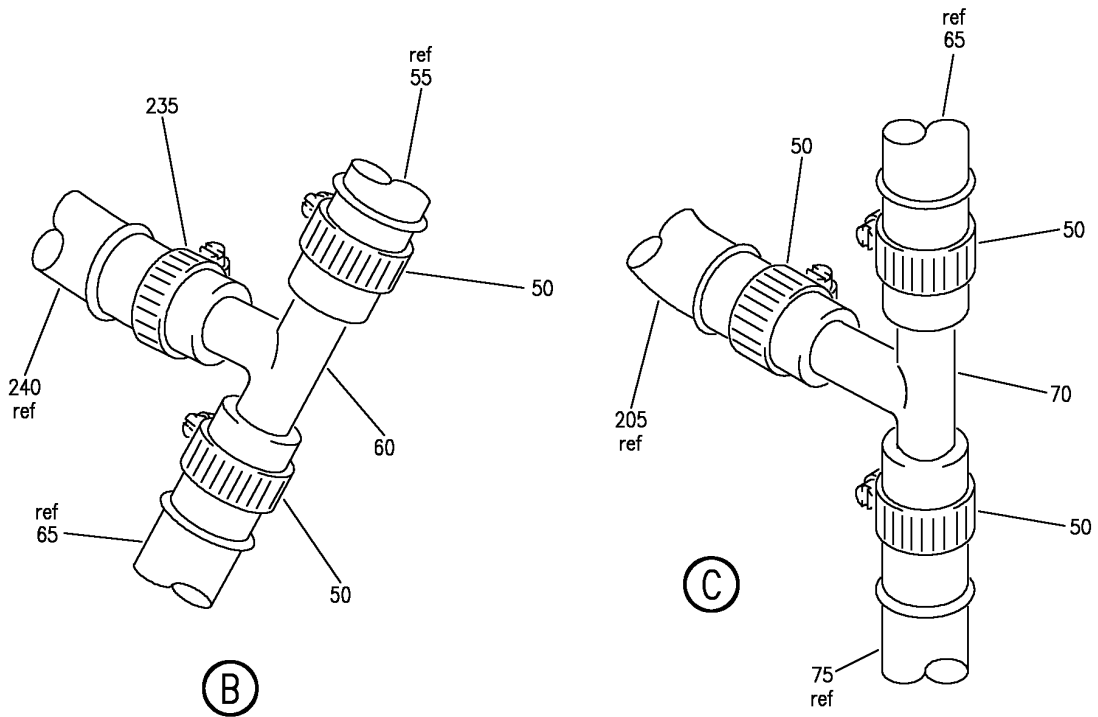
PLUMBING ASSY-SEG 260 LAV (WASTE WATER SYSTEM ONLY)
FIGURE 52 (SHEET 1)

38-31-51-52

BRI
JAN 20/09

38-31-51-52
PAGE 0

BOEING
757
PARTS CATALOG (MAINTENANCE)



Y 38315152 SHT 2 REV 262

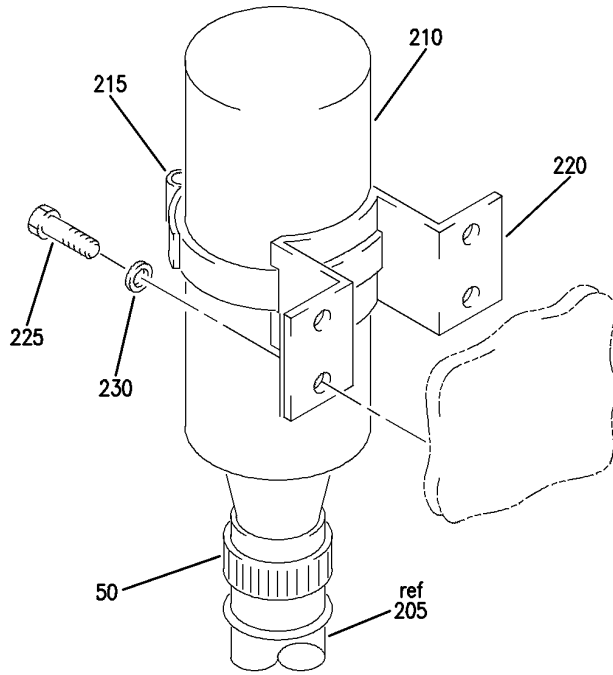
PLUMBING ASSY-SEG 260 LAV (WASTE WATER SYSTEM ONLY)
FIGURE 52 (SHEET 2)

38-31-51-52

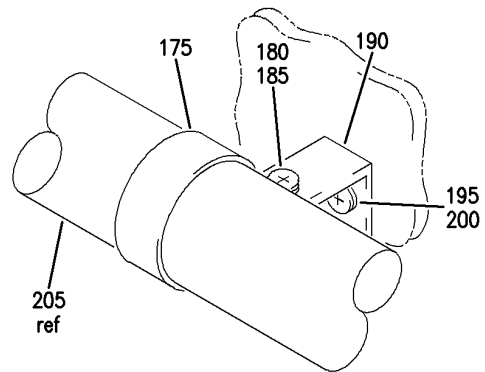
BRI
JAN 20/09

38-31-51-52
PAGE 0A

BOEING
757
PARTS CATALOG (MAINTENANCE)



(E)



(F)

Y 38315152 SH1 3 REV 236

PLUMBING ASSY-SEG 260 LAV (WASTE WATER SYSTEM ONLY)
FIGURE 52 (SHEET 3)

38-31-51-52

BRI
JAN 20/09

38-31-51-52
PAGE 0B

BOEING PROPRIETARY - Copyright © - Unpublished Work - See title page for details.



757

PARTS CATALOG (MAINTENANCE)

FIG ITEM	PART NUMBER	1 2 3 4 5 6 7	NOMENCLATURE	EFFECT FROM TO	UNITS PER ASSY
52			PLUMBING ASSY-SEG 260 LAV (WASTE WATER SYSTEM ONLY)	108120	
- 1	D75D26021-111		PLUMBING ASSY-SEG 260 LAV C (WASTE WATER SYSTEM ONLY) SUPPLIER CODE: VS5825 FOR NHA/ADDITIONAL DET SEE: 25-41-03-25A	108120	RF
- 5	D75D26022-111		PLUMBING ASSY-SEG 260 LAV D (WASTE WATER SYSTEM ONLY) SUPPLIER CODE: VS5825 FOR NHA/ADDITIONAL DET SEE: 25-41-03-51M	108120	RF
- 10	D75D26027-111		PLUMBING ASSY-SEG 260 LAV S (WASTE WATER SYSTEM ONLY) SUPPLIER CODE: VS5825 FOR NHA/ADDITIONAL DET SEE: 25-41-03-08Q	108120	RF
50	NAS1922-0125-1		.CLAMP	108120	8
55	IT4350-314		.HOSE ASSY- SUPPLIER CODE: V26831 SPECIFICATION NUMBER: 69-27191-314 OPTIONAL PART: 713488-314 V70628 BOE2013-0314 V16632	108120	1
55	BOE2013-0314		.HOSE ASSY- SUPPLIER CODE: V16632 SPECIFICATION NUMBER: 69-27191-314 OPTIONAL PART: 713488-314 V70628 IT4350-314 V26831	108120	1

MISSING ITEM NUMBERS NOT APPLICABLE

- ITEM NOT ILLUSTRATED

BRI

38-31-51-52

38-31-51
FIG. 52
PAGE 1
JAN 20/09



757

PARTS CATALOG (MAINTENANCE)

FIG ITEM	PART NUMBER	1 2 3 4 5 6 7	NOMENCLATURE	EFFECT FROM TO	UNITS PER ASSY
52					
55	713488-314		.HOSE- SUPPLIER CODE: V70628 SPECIFICATION NUMBER: 69-27191-314 OPTIONAL PART: IT4350-314 V26831 BOE2013-0314 V16632	108120	1
60	D75D30258-111		.TUBE ASSY- SUPPLIER CODE: VS5825	108120	1
65	BOE2013-0398		.HOSE ASSY- SUPPLIER CODE: V16632 SPECIFICATION NUMBER: 69-27191-398 OPTIONAL PART: IT4350-398 V26831	108120	1
70	D75D30148-111		.TUBE ASSY-TEE SUPPLIER CODE: VS5825	108120	1
75	IT4350-344		.HOSE ASSY- SUPPLIER CODE: V26831 SPECIFICATION NUMBER: 69-27191-344 OPTIONAL PART: 713488-344 V70628 BOE2013-0344 V16632	108120	1
75	BOE2013-0344		.HOSE ASSY- SUPPLIER CODE: V16632 SPECIFICATION NUMBER: 69-27191-344 OPTIONAL PART: IT4350-344 V26831 713488-344 V70628	108120	1
80	D75D30261-111		.FITTING-DRAIN LAV C AND D SUPPLIER CODE: VS5825	108120	1

MISSING ITEM NUMBERS NOT APPLICABLE

- ITEM NOT ILLUSTRATED

38-31-51-52

38-31-51
FIG. 52
PAGE 2
JAN 20/09

BRI



757

PARTS CATALOG (MAINTENANCE)

FIG ITEM	PART NUMBER	1 2 3 4 5 6 7	NOMENCLATURE	EFFECT FROM TO	UNITS PER ASSY
52			ATTACHING PARTS		
85	NAS1801-3-8	.	SCREW	108120	4
90	NAS1149D0332K	.	WASHER	108120	4
			-----*-----		
95	D75D30427-111	.	FITTING-DRAIN LAV S	108120	1
			SUPPLIER CODE: VS5825		
			ATTACHING PARTS		
100	NAS1801-3-8	.	SCREW	108120	3
105	NAS1149D0332K	.	WASHER	108120	3
			-----*-----		
110	D75D80154-111	.	GASKET-LAV C AND D	108120	2
			SUPPLIER CODE: VS5825		
- 112	D75D80136-111	.	GASKET-LAV S	108120	2
			SUPPLIER CODE: VS5825		
115	D75D30264-111	.	FITTING-TOILET FLUSH LAV C AND D	108120	1
			SUPPLIER CODE: VS5825		
			ATTACHING PARTS		
120	NAS1801-3-8	.	SCREW	108120	4
125	NAS1149D0332K	.	WASHER	108120	4
			-----*-----		
155	D75D30260-211	.	PLATE-DRAIN LAV C	108120	1
			SUPPLIER CODE: VS5825		
156	D75D30260-111	.	PLATE-DRAIN LAV D	108120	1
			SUPPLIER CODE: VS5825		
157	D75D30428-111	.	PLATE-DRAIN LAV S	108120	1
			SUPPLIER CODE: VS5825		
			ATTACHING PARTS		
160	NAS1801-3-5	.	SCREW	108120	6
165	AN960KD10L	.	WASHER	108120	6
			-----*-----		
170	D75D80156-111	.	GASKET-	108120	1
			SUPPLIER CODE: VS5825		
175	BACC10DK20	.	CLAMP	108120	1
			ATTACHING PARTS		
180	NAS1801-3-10	.	SCREW	108120	1
185	AN960KD10L	.	WASHER	108120	1
			-----*-----		
190	D75D30227-111	.	ANGLE-	108120	1
			SUPPLIER CODE: VS5825		

MISSING ITEM NUMBERS NOT APPLICABLE

- ITEM NOT ILLUSTRATED

38-31-51-52

38-31-51
FIG. 52
PAGE 3
JAN 20/09

BRI



757

PARTS CATALOG (MAINTENANCE)

FIG ITEM	PART NUMBER	1 2 3 4 5 6 7	NOMENCLATURE	EFFECT FROM TO	UNITS PER ASSY
52			ATTACHING PARTS		
195	NAS1801-3-5	.	SCREW	108120	1
200	NAS1149D0332K	.	WASHER	108120	1
			-----*-----		
205	BOE2013-0379	.	HOSE ASSY-	108120	1
			SUPPLIER CODE: V16632		
			SPECIFICATION NUMBER: 69-27191-379		
210	2A081-0621-1	.	MUFFLER-DRAIN	108120	1
			SUPPLIER CODE: VS5825		
215	M630102-67	.	CLAMP	108120	1
220	D75D70259-911	.	SUPPORT-MUFFLER	108120	1
			SUPPLIER CODE: VS5825		
			ATTACHING PARTS		
225	NAS1801-3-4	.	SCREW	108120	4
230	NAS1149D0332K	.	WASHER	108120	4
			-----*-----		
235	NAS1922-0100-1	.	CLAMP	108120	2
240	BOE2013-0310	.	HOSE ASSY-	108120	1
			SUPPLIER CODE: V16632		
			SPECIFICATION NUMBER: 69-27191-310		
			OPTIONAL PART: 713488-310 V70628		

MISSING ITEM NUMBERS NOT APPLICABLE

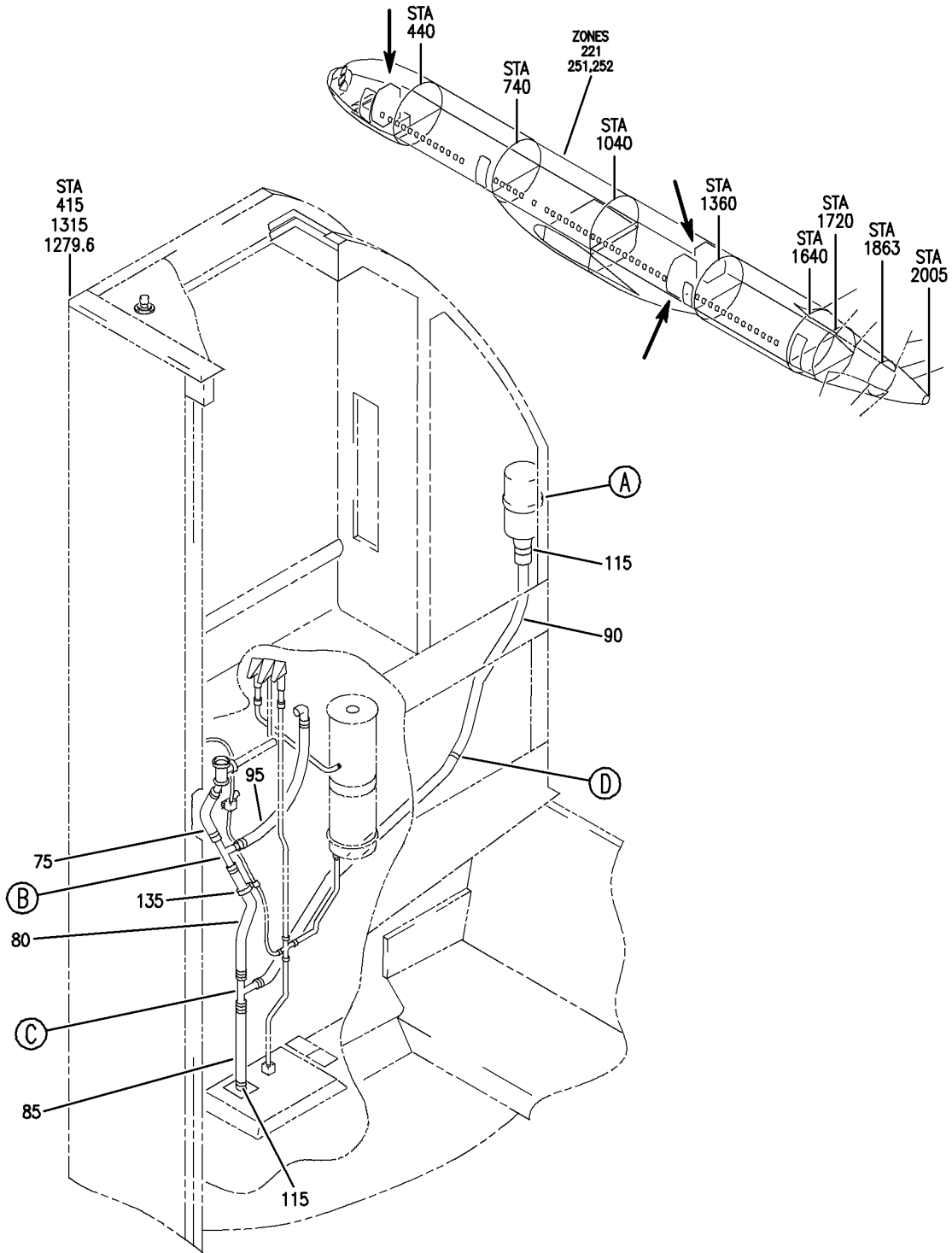
- ITEM NOT ILLUSTRATED

38-31-51-52

38-31-51
FIG. 52
PAGE 4
JAN 20/09

BRI

BOEING
757
PARTS CATALOG (MAINTENANCE)



Y 38315152B SHT 1 REV 241

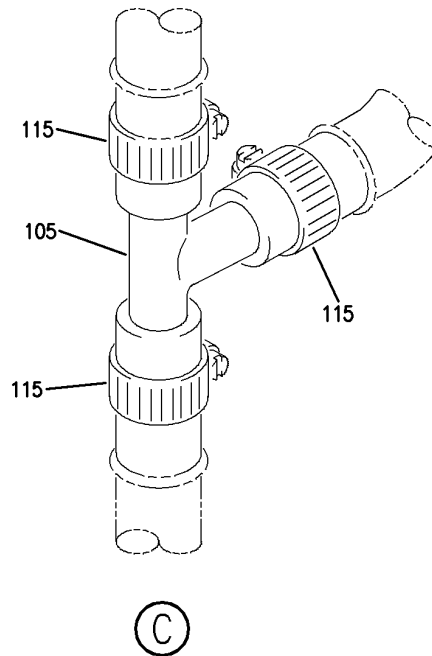
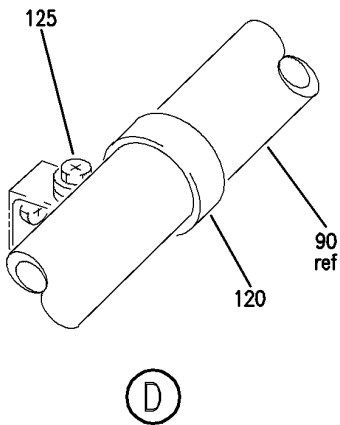
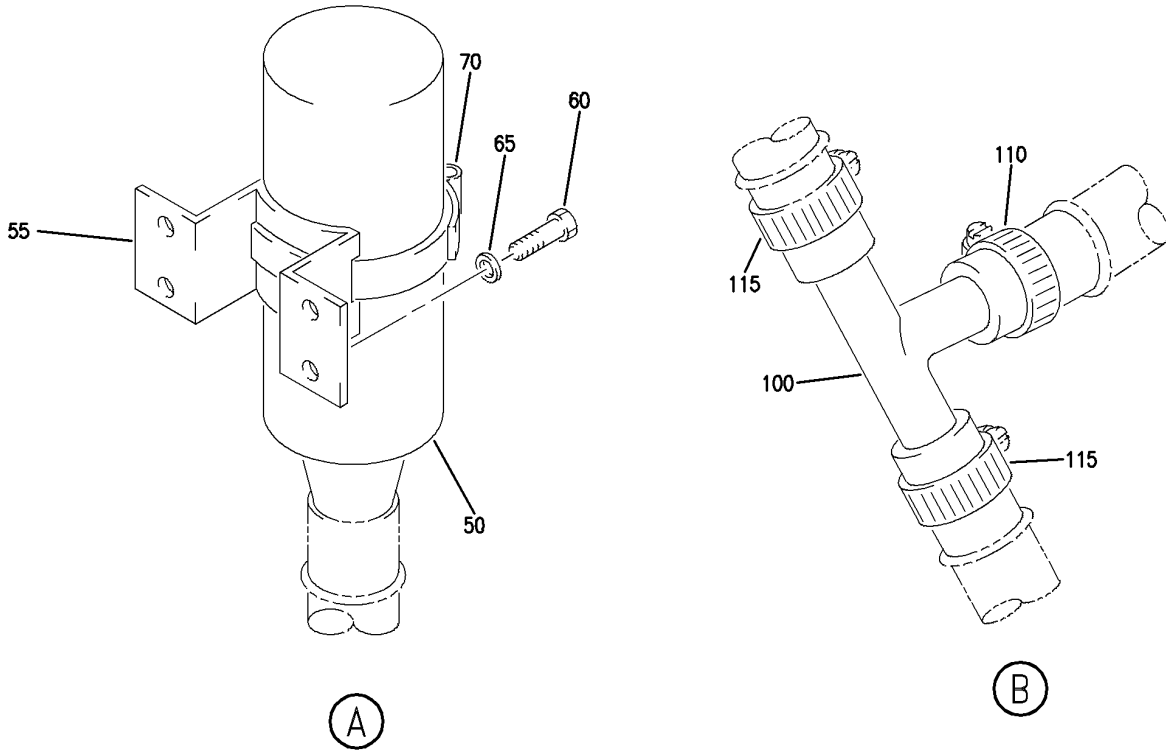
PLUMBING ASSY-LAV (WASTE WATER SYSTEM ONLY)
FIGURE 52B (SHEET 1)

38-31-51-52B

BRI
JAN 20/09

38-31-51-52B
PAGE 0

BOEING
757
PARTS CATALOG (MAINTENANCE)



Y 38315152B SHT 2 REV 241

PLUMBING ASSY-LAV (WASTE WATER SYSTEM ONLY)
FIGURE 52B (SHEET 2)

38-31-51-52B

BRI
JAN 20/09

38-31-51-52B
PAGE 0A



757

PARTS CATALOG (MAINTENANCE)

FIG ITEM	PART NUMBER	1 2 3 4 5 6 7	NOMENCLATURE	EFFECT FROM TO	UNITS PER ASSY
52B			PLUMBING ASSY-LAV (WASTE WATER SYSTEM ONLY)	107107	
- 1	0A122-0020-31		PLUMBING ASSY-LAV D (WASTE WATER SYSTEM ONLY) SUPPLIER CODE: VS5825 FOR NHA/ADDITIONAL DET SEE: 25-41-03-51B	107107	RF
- 5	0A122-0020-32		PLUMBING ASSY-LAV C (WASTE WATER SYSTEM ONLY) SUPPLIER CODE: VS5825 FOR NHA/ADDITIONAL DET SEE: 25-41-03-50B	107107	RF
- 10	0A122-0020-21		PLUMBING ASSY-LAV F (WASTE WATER SYSTEM ONLY) SUPPLIER CODE: VS5825 FOR NHA/ADDITIONAL DET SEE: 25-41-01-09E	107107	RF
50	813200-403		.MUFFLER-DRAIN SUPPLIER CODE: V92824 CONFIG CHG DATA FROM A CMM: SUPSD BY 2A081-0621-1	107107	1
50	2A081-0621-1		.MUFFLER-DRAIN SUPPLIER CODE: VS5825 CONFIG CHG DATA FROM A CMM: SUPERSEDES 813200-403	107107	1
55	2A114-0081-3		.SUPPORT-MUFFLER SUPPLIER CODE: VS5825 ATTACHING PARTS	107107	1
60	NAS603-4P		.SCREW	107107	4
65	AN960PD10L		.WASHER -----*-----	107107	4
70	M630102-67		.CLAMP	107107	1
75	41032-16-0052		.HOSE ASSY-DRAIN SUPPLIER CODE: V24984 CONFIG CHG DATA FROM A CMM: SUPSD BY 2A081-0598-1	107107	1
75	2A081-0598-1		.HOSE ASSY-DRAIN SUPPLIER CODE: VS5825 CONFIG CHG DATA FROM A CMM: SUPSD BY IT4350-314 SUPSDS 41032-16-0052	107107	1

MISSING ITEM NUMBERS NOT APPLICABLE

- ITEM NOT ILLUSTRATED

38-31-51-52B

38-31-51
FIG. 52B
PAGE 1
JAN 20/09

BRI



757

PARTS CATALOG (MAINTENANCE)

FIG ITEM	PART NUMBER	1 2 3 4 5 6 7	NOMENCLATURE	EFFECT FROM TO	UNITS PER ASSY
52B 75	IT4350-314		.HOSE ASSY-DRAIN SUPPLIER CODE: V26831 SPECIFICATION NUMBER: 69-27191-314 CONFIG CHG DATA FROM A CMM: SUPERSEDES 2A081-0598-1 OPTIONAL PART: BOE2013-0314 V16632 713488-314 V70628	107107	1
75	BOE2013-0314		.HOSE ASSY-DRAIN SUPPLIER CODE: V16632 SPECIFICATION NUMBER: 69-27191-314 OPTIONAL PART: IT4350-314 V26831 713488-314 V70628	107107	1
75	713488-314		.HOSE-DRAIN SUPPLIER CODE: V70628 SPECIFICATION NUMBER: 69-27191-314 OPTIONAL PART: IT4350-314 V26831 BOE2013-0314 V16632	107107	1
80	41032-16-0064		.HOSE ASSY-DRAIN SUPPLIER CODE: V24984 CONFIG CHG DATA FROM A CMM: SUPSD BY 2A081-0598-2	107107	1
80	2A081-0598-2		.HOSE ASSY-DRAIN SUPPLIER CODE: VS5825 CONFIG CHG DATA FROM A CMM: SUPERSEDES 41032-16-0064 SUPSD BY IT4350-344	107107	1

MISSING ITEM NUMBERS NOT APPLICABLE

- ITEM NOT ILLUSTRATED

38-31-51-52B

38-31-51
FIG. 52B
PAGE 2
JAN 20/09

BRI

BOEING PROPRIETARY - Copyright © - Unpublished Work - See title page for details.



757

PARTS CATALOG (MAINTENANCE)

FIG ITEM	PART NUMBER	1 2 3 4 5 6 7	NOMENCLATURE	EFFECT FROM TO	UNITS PER ASSY
52B 80	IT4350-344		.HOSE ASSY-DRAIN SUPPLIER CODE: V26831 SPECIFICATION NUMBER: 69-27191-344 CONFIG CHG DATA FROM A CMM: SUPERSEDES 2A081-0598-2 OPTIONAL PART: BOE2013-0344 V16632 713488-344 V70628	107107	1
80	BOE2013-0344		.HOSE ASSY-DRAIN SUPPLIER CODE: V16632 SPECIFICATION NUMBER: 69-27191-344 OPTIONAL PART: IT4350-344 V26831 713488-344 V70628	107107	1
85	41032-16-0132		.HOSE ASSY-DRAIN SUPPLIER CODE: V24984 CONFIG CHG DATA FROM A CMM: SUPSD BY 2A081-0598-7	107107	1
85	2A081-0598-7		.HOSE ASSY-DRAIN SUPPLIER CODE: VS5825 CONFIG CHG DATA FROM A CMM: SUPERSEDES 41032-16-0132 SUPSD BY IT4350-398	107107	1
85	2A081-0598-7		.HOSE ASSY-DRAIN SUPPLIER CODE: VS5825 CONFIG CHG DATA FROM A CMM: SUPERSEDES 41032-16-0132 SUPSD BY IT4350-398	107107	1
85	IT4350-398		.HOSE ASSY-DRAIN SUPPLIER CODE: VS5825 SPECIFICATION NUMBER: 69-27191-398 CONFIG CHG DATA FROM A CMM: SUPERSEDES 2A081-0598-7 OPTIONAL PART: BOE2013-0398 V16632	107107	1

MISSING ITEM NUMBERS NOT APPLICABLE

- ITEM NOT ILLUSTRATED

38-31-51-52B

38-31-51
FIG. 52B
PAGE 3
JAN 20/09

BRI

BOEING PROPRIETARY - Copyright © - Unpublished Work - See title page for details.



757

PARTS CATALOG (MAINTENANCE)

FIG ITEM	PART NUMBER	1 2 3 4 5 6 7	NOMENCLATURE	EFFECT FROM TO	UNITS PER ASSY
52B 90	41032-16-0431		.HOSE ASSY-DRAIN SUPPLIER CODE: V24984 CONFIG CHG DATA FROM A CMM: SUPSD BY 2A081-0598-12	107107	1
90	2A081-0598-12		.HOSE ASSY-DRAIN SUPPLIER CODE: VS5825 CONFIG CHG DATA FROM A CMM: SUPERSEDES 41032-16-0431 SUPSD BY IT4350-399	107107	1
90	IT4350-399		.HOSE ASSY-DRAIN SUPPLIER CODE: V26831 SPECIFICATION NUMBER: 69-27191-399 CONFIG CHG DATA FROM A CMM: SUPERSEDES 2A081-0598-12 OPTIONAL PART: BOE2013-0399 V16632	107107	1
90	BOE2013-0399		.HOSE ASSY-DRAIN SUPPLIER CODE: V16632 SPECIFICATION NUMBER: 69-27191-399 OPTIONAL PART: IT4350-399 V26831	107107	1
95	41032-12-0130		.HOSE ASSY-DRAIN SUPPLIER CODE: V24984 CONFIG CHG DATA FROM A CMM: SUPSD BY 2A081-0597-1	107107	1
95	2A081-0597-1		.HOSE ASSY-DRAIN SUPPLIER CODE: VS5825 CONFIG CHG DATA FROM A CMM: SUPERSEDES 41032-12-0130 SUPSD BY IT4350-305	107107	1
95	IT4350-305		.HOSE ASSY-DRAIN SUPPLIER CODE: VS5825 SPECIFICATION NUMBER: 69-27191-305 CONFIG CHG DATA FROM A CMM: SUPERSEDES 2A081-0597-1	107107	1

MISSING ITEM NUMBERS NOT APPLICABLE

- ITEM NOT ILLUSTRATED

38-31-51-52B

38-31-51
FIG. 52B
PAGE 4
JAN 20/09

BRI

BOEING PROPRIETARY - Copyright © - Unpublished Work - See title page for details.



757

PARTS CATALOG (MAINTENANCE)

FIG ITEM	PART NUMBER	1 2 3 4 5 6 7	NOMENCLATURE	EFFECT FROM TO	UNITS PER ASSY
52B 100	2A114-0141-1		.TUBE ASSY-TEE SUPPLIER CODE: VS5825	107107	1
105	2A114-0142-1		.TUBE ASSY-BEE SUPPLIER CODE: VS5825	107107	1
110	NAS1922-0100-1		.CLAMP	107107	2
115	NAS1922-0125-1		.CLAMP	107107	8
120	BACC10DK20		.CLAMP	107107	1
			ATTACHING PARTS		
125	NAS603-8P		.SCREW	107107	1
- 130	AN960PD10L		.WASHER	107107	1
135	BACC10DK20		.CLAMP	107107	1
			-----*-----		

MISSING ITEM NUMBERS NOT APPLICABLE

- ITEM NOT ILLUSTRATED

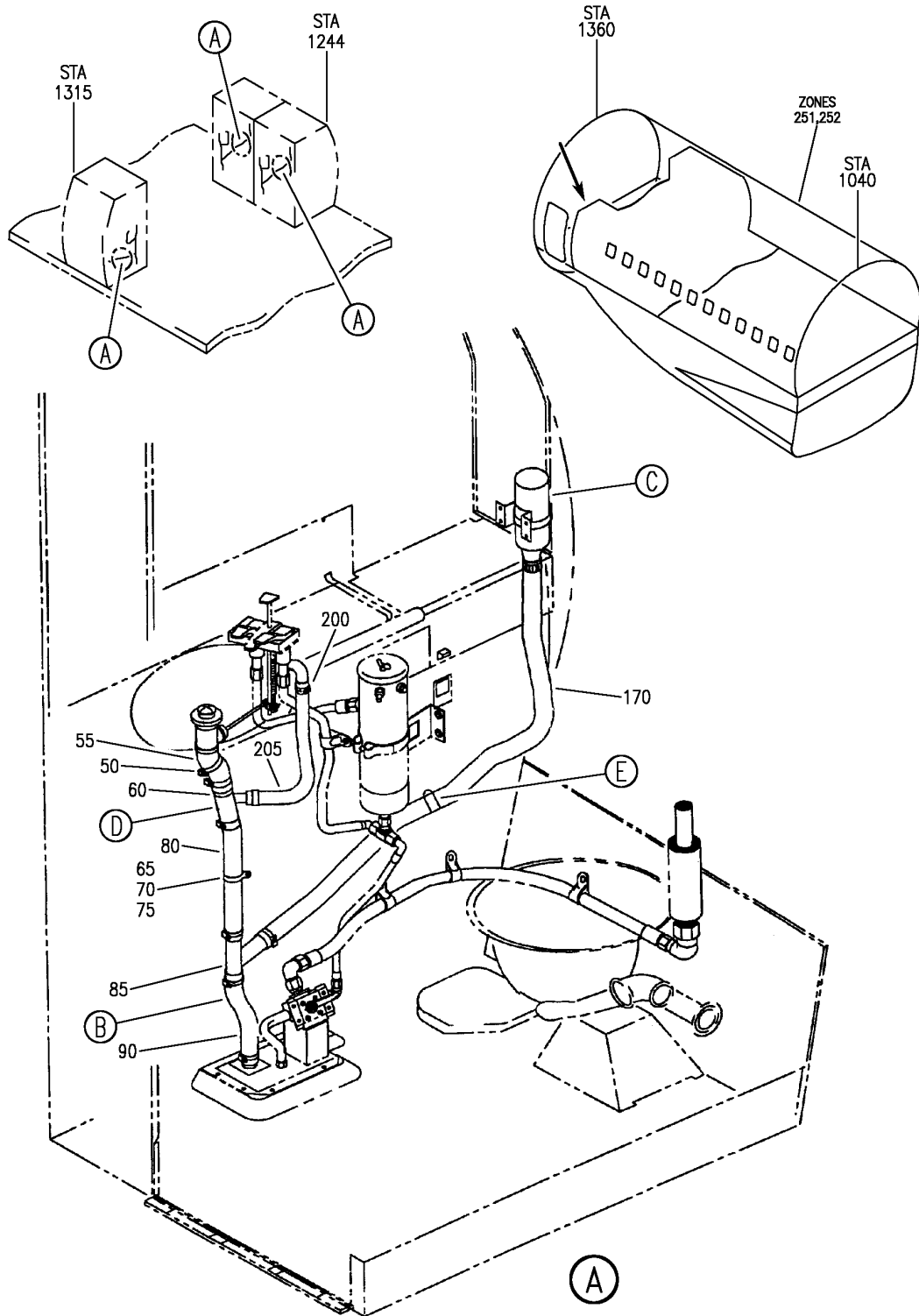
38-31-51-52B

38-31-51
FIG. 52B
PAGE 5
JAN 20/09

BRI

BOEING PROPRIETARY - Copyright © - Unpublished Work - See title page for details.

BOEING
757
PARTS CATALOG (MAINTENANCE)



Y 38315152E SHT 1 REV 262

PLUMBING ASSY-SEG 260 LAV (WASTE WATER SYSTEM ONLY)
FIGURE 52E (SHEET 1)

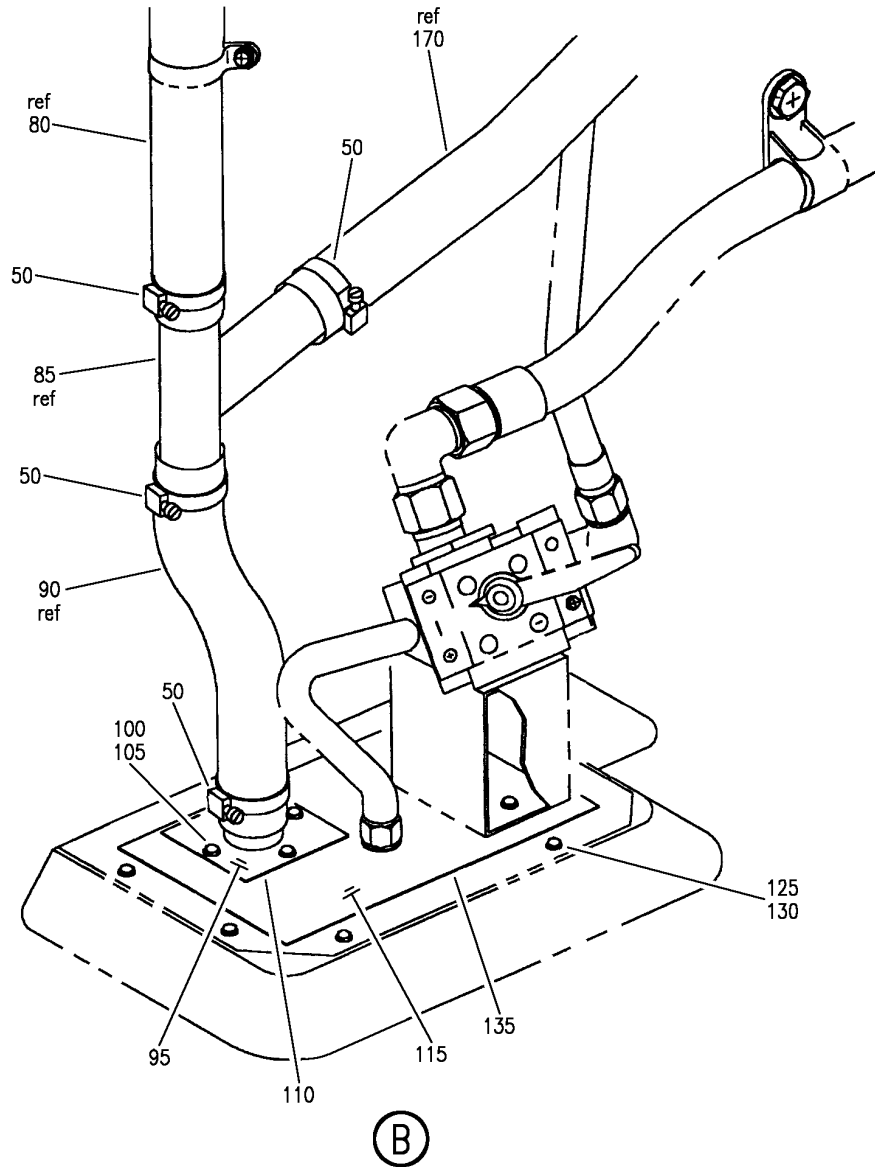
38-31-51-52E

BRI
JAN 20/09

38-31-51-52E
PAGE 0

BOEING PROPRIETARY - Copyright © - Unpublished Work - See title page for details.

BOEING
757
PARTS CATALOG (MAINTENANCE)



Y 38315152E SHT 2 REV 262

PLUMBING ASSY-SEG 260 LAV (WASTE WATER SYSTEM ONLY)
FIGURE 52E (SHEET 2)

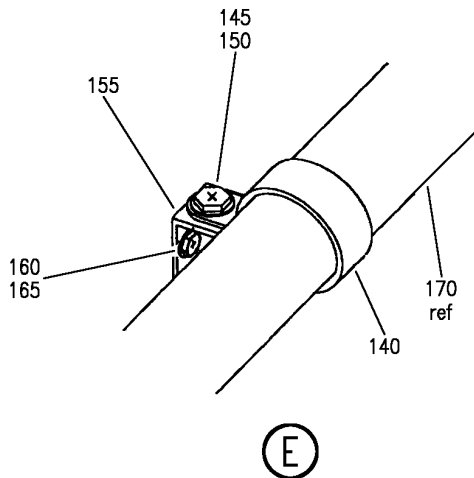
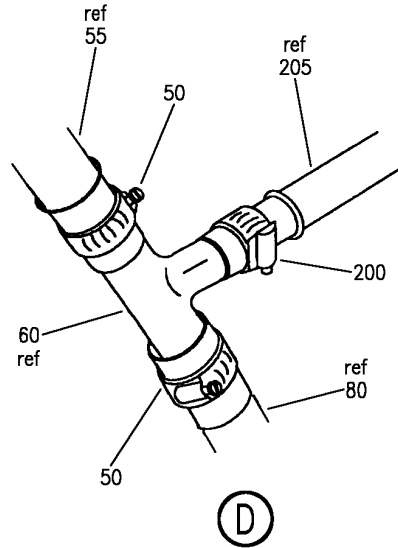
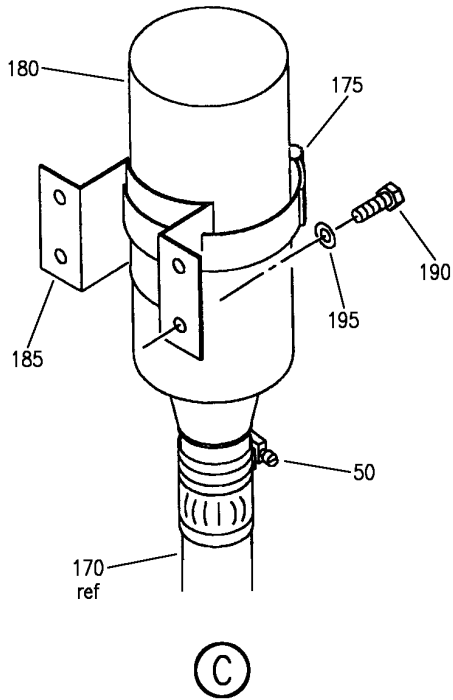
38-31-51-52E

BRI
JAN 20/09

38-31-51-52E
PAGE 0A

BOEING PROPRIETARY - Copyright © - Unpublished Work - See title page for details.

BOEING
757
PARTS CATALOG (MAINTENANCE)



Y 38315152E SHT 3 REV 262

PLUMBING ASSY-SEG 260 LAV (WASTE WATER SYSTEM ONLY)
FIGURE 52E (SHEET 3)

38-31-51-52E

BRI
JAN 20/09

38-31-51-52E
PAGE 08

BOEING PROPRIETARY - Copyright © - Unpublished Work - See title page for details.



757

PARTS CATALOG (MAINTENANCE)

FIG ITEM	PART NUMBER	1 2 3 4 5 6 7	NOMENCLATURE	EFFECT FROM TO	UNITS PER ASSY
52E			PLUMBING ASSY-SEG 260 LAV (WASTE WATER SYSTEM ONLY)	103106	
- 1	D71D26011-111		PLUMBING ASSY-SEG 260 LAV B AND D (WASTE WATER SYSTEM ONLY) SUPPLIER CODE: VS5825 FOR NHA/ADDITIONAL DET SEE: 25-41-03-52F 25-41-03-51R	103106	RF
- 5	D71D26012-111		PLUMBING ASSY-SEG 260 LAV C (WASTE WATER SYSTEM ONLY) SUPPLIER CODE: VS5825 FOR NHA/ADDITIONAL DET SEE: 25-41-03-50Q	103106	RF
50	NAS1922-0125-1		.CLAMP	103106	8
55	IT4350-314		.HOSE ASSY-DRAIN SUPPLIER CODE: V26831 SPECIFICATION NUMBER: 69-27191-314 OPTIONAL PART: 713488-314 V70628 BOE2013-0314 V16632	103106	1
55	BOE2013-0314		.HOSE ASSY-DRAIN SUPPLIER CODE: V16632 SPECIFICATION NUMBER: 69-27191-314 OPTIONAL PART: 713488-314 V70628 IT4350-314 V26831	103106	1
55	713488-314		.HOSE-DRAIN SUPPLIER CODE: V70628 SPECIFICATION NUMBER: 69-27191-314 OPTIONAL PART: IT4350-314 V26831 BOE2013-0314 V16632	103106	1

MISSING ITEM NUMBERS NOT APPLICABLE

- ITEM NOT ILLUSTRATED

38-31-51-52E

38-31-51
FIG. 52E
PAGE 1
JAN 20/09

BRI



757

PARTS CATALOG (MAINTENANCE)

FIG ITEM	PART NUMBER	1 2 3 4 5 6 7	NOMENCLATURE	EFFECT FROM TO	UNITS PER ASSY
52E					
60	D75D30258-111	.TUBE ASSY-TEE SUPPLIER CODE: VS5825		103106	1
65	BACC10DK20	.CLAMP ATTACHING PARTS		103106	1
70	NAS1801-06-8	.SCREW		103106	1
75	NAS1149DN616K	.WASHER -----*-----		103106	1
80	BOE2013-0398	.HOSE ASSY-DRAIN SUPPLIER CODE: V16632 SPECIFICATION NUMBER: 69-27191-398 OPTIONAL PART: IT4350-398 V26831		103106	1
85	D75D30148-111	.TUBE ASSY-TEE SUPPLIER CODE: VS5825		103106	1
90	IT4350-344	.HOSE ASSY-DRAIN SUPPLIER CODE: V26831 SPECIFICATION NUMBER: 69-27191-344 OPTIONAL PART: 713488-344 V70628 BOE2013-0344 V16632		103106	1
90	BOE2013-0344	.HOSE ASSY-DRAIN SUPPLIER CODE: V16632 SPECIFICATION NUMBER: 69-27191-344 OPTIONAL PART: 713488-344 V70628 IT4350-344 V26831		103106	1
95	D75D30230-111	.FITTING ASSY-DRAIN SUPPLIER CODE: VS5825 ATTACHING PARTS		103106	1
100	NAS1801-3-8	.SCREW		103106	3
105	NAS1149D0332K	.WASHER -----*-----		103106	3
110	D75D80136-111	.GASKET- SUPPLIER CODE: VS5825		103106	1

MISSING ITEM NUMBERS NOT APPLICABLE

- ITEM NOT ILLUSTRATED

38-31-51-52E

38-31-51
FIG. 52E
PAGE 2
JAN 20/09

BRI

BOEING PROPRIETARY - Copyright © - Unpublished Work - See title page for details.



757

PARTS CATALOG (MAINTENANCE)

FIG ITEM	PART NUMBER	1 2 3 4 5 6 7	NOMENCLATURE	EFFECT FROM TO	UNITS PER ASSY
52E 115	D71D30186-111		.PLATE-DRAIN, LAV B AND D SUPPLIER CODE: VS5825	103106	1
- 120	D71D30186-211		.PLATE-DRAIN, LAV C SUPPLIER CODE: VS5825 ATTACHING PARTS	103106	1
125	NAS1801-3-5		.SCREW	103106	6
130	NAS1149D0332K		.WASHER -----*-----	103106	6
135	D75D80156-111		.GASKET- SUPPLIER CODE: VS5825	103106	1
140	BACC10DK20		.CLAMP ATTACHING PARTS	103106	1
145	NAS1801-3-10		.SCREW	103106	1
150	NAS1149D0332K		.WASHER -----*-----	103106	1
155	D75D30227-111		.ANGLE- SUPPLIER CODE: VS5825 ATTACHING PARTS	103106	1
160	NAS1801-3-5		.SCREW	103106	1
165	NAS1149D0332K		.WASHER -----*-----	103106	1
170	BOE2013-0379		.HOSE ASSY-DRAIN SUPPLIER CODE: V16632 SPECIFICATION NUMBER: 69-27191-379	103106	1
175	M630102-67		.CLAMP	103106	1
180	2A081-0621-1		.MUFFLER-DRAIN SUPPLIER CODE: VS5825	103106	1
185	D75D70259-911		.SUPPORT-MUFFLER SUPPLIER CODE: VS5825 ATTACHING PARTS	103106	1
190	NAS1801-3-4		.SCREW	103106	4
195	NAS1149D0332K		.WASHER -----*-----	103106	4
200	NAS1922-0100-1		.CLAMP	103106	2

MISSING ITEM NUMBERS NOT APPLICABLE

- ITEM NOT ILLUSTRATED

38-31-51-52E

38-31-51
FIG. 52E
PAGE 3
JAN 20/09

BRI

BOEING PROPRIETARY - Copyright © - Unpublished Work - See title page for details.



757

PARTS CATALOG (MAINTENANCE)

FIG ITEM	PART NUMBER	1 2 3 4 5 6 7	NOMENCLATURE	EFFECT FROM TO	UNITS PER ASSY
52 E 205	BOE2013-0310		.HOSE ASSY-DRAIN SUPPLIER CODE: V16632 SPECIFICATION NUMBER: 69-27191-310 OPTIONAL PART: 713488-310 V70628	103106	1

MISSING ITEM NUMBERS NOT APPLICABLE

- ITEM NOT ILLUSTRATED

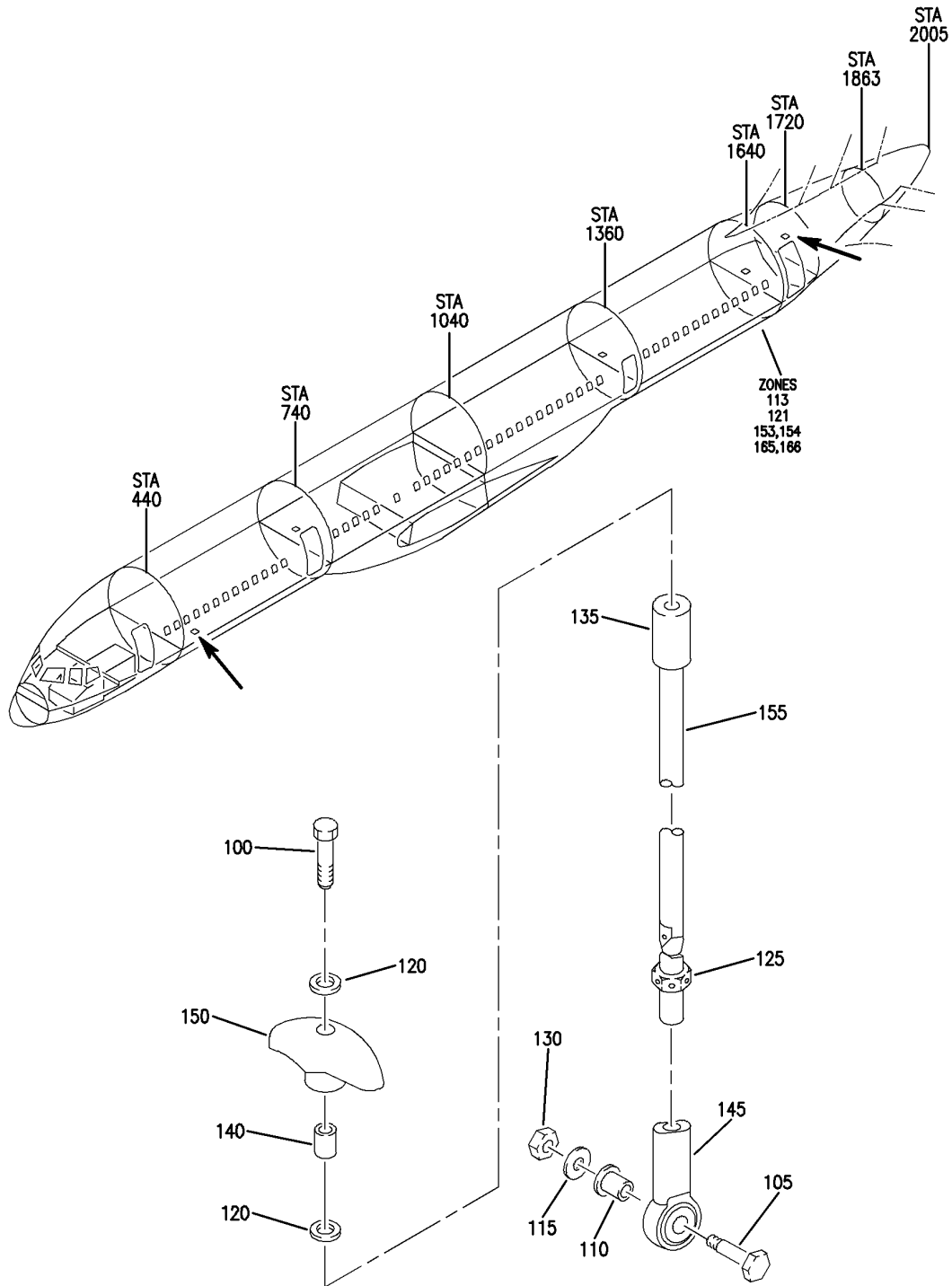
BRI

38-31-51-52E

BOEING PROPRIETARY - Copyright © - Unpublished Work - See title page for details.

38-31-51
FIG. 52E
PAGE 4
JAN 20/09

BOEING
757
PARTS CATALOG (MAINTENANCE)



Y 38315190 REV 243

LINKAGE ASSY-HANDLE PULL
FIGURE 90

38-31-51-90

BRI
JAN 20/09

38-31-51-90
PAGE 0



757

PARTS CATALOG (MAINTENANCE)

FIG ITEM	PART NUMBER	1 2 3 4 5 6 7	NOMENCLATURE	EFFECT FROM TO	UNITS PER ASSY
90			LINKAGE ASSY-HANDLE PULL	103106	
- 20	4112-0011-7		LINKAGE ASSY-HANDLE PULL SUPPLIER CODE: V86831 FOR NHA SEE: 38-11-05-01	103106	RF
100	MS21295-43		.SCREW	103106	1
105	NAS6603-9		.BOLT- USED ON: 4112-0011-7	103106	1
110	2160-0113-1		.SPACER-LINKAGE SUPPLIER CODE: V86831	103106	1
115	AN960C10L		.WASHER	103106	1
120	RS723		.WASHER- SUPPLIER CODE: V86831	103106	2
125	NAS509-4C		.NUT	103106	1
130	NAS679C3M		.NUT	103106	1
140	2157-0167		.SLEEVE- SUPPLIER CODE: V86831	103106	1
145	2147-0051-1		ATTACHING PARTS .ROD END-FEMALE SUPPLIER CODE: V86831	103106	1
150	2084-0057		-----*----- .HANDLE- SUPPLIER CODE: V86831	103106	1
155	2147-0027-7		.ROD-PULL SUPPLIER CODE: V86831 USED ON: 4112-0011-7	103106	1

MISSING ITEM NUMBERS NOT APPLICABLE

- ITEM NOT ILLUSTRATED

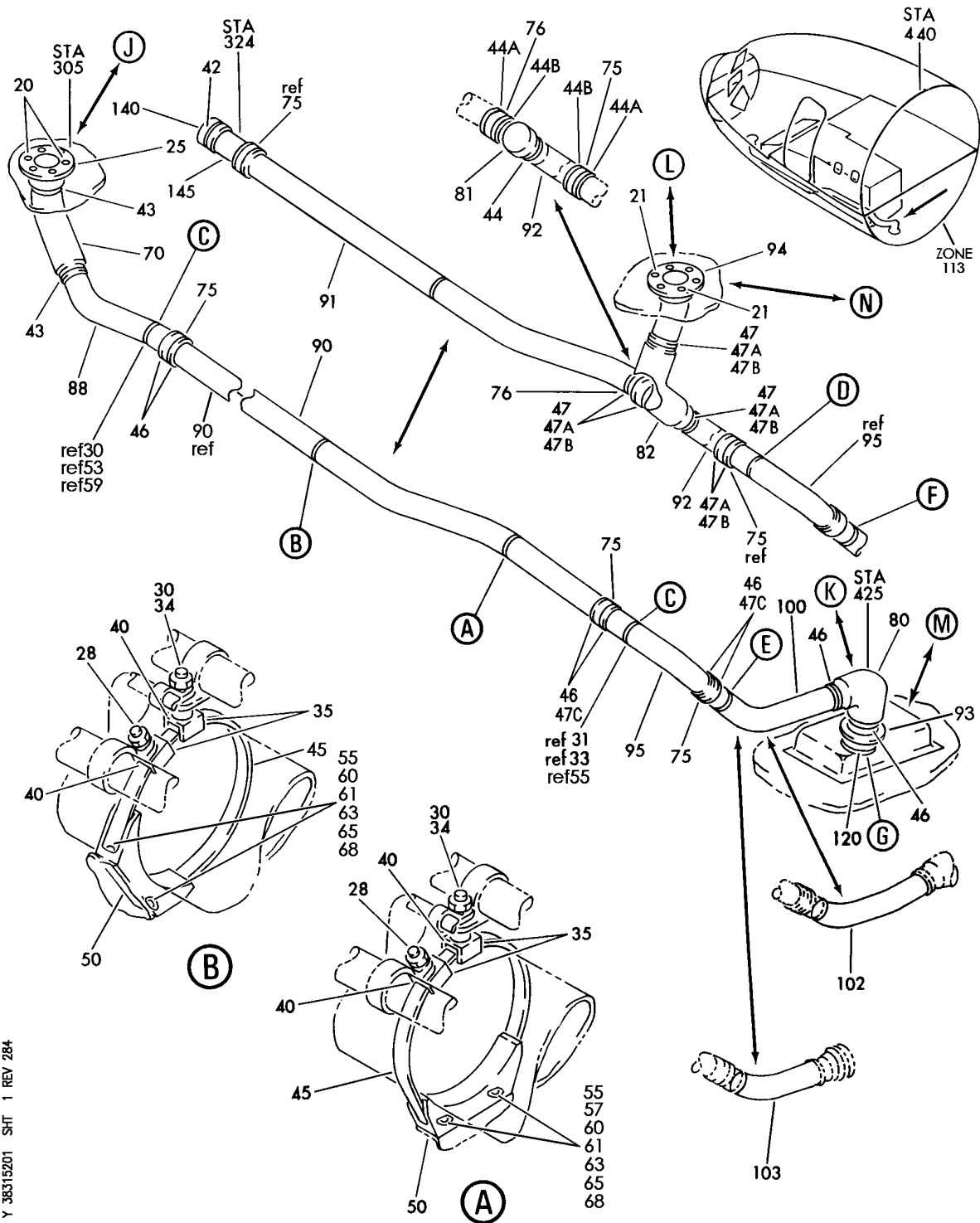
38-31-51-90

38-31-51
FIG. 90
PAGE 1
JAN 20/09

BRI

BOEING PROPRIETARY - Copyright © - Unpublished Work - See title page for details.

BOEING
757
PARTS CATALOG (MAINTENANCE)



Y 38315201 SH1 1 REV 284

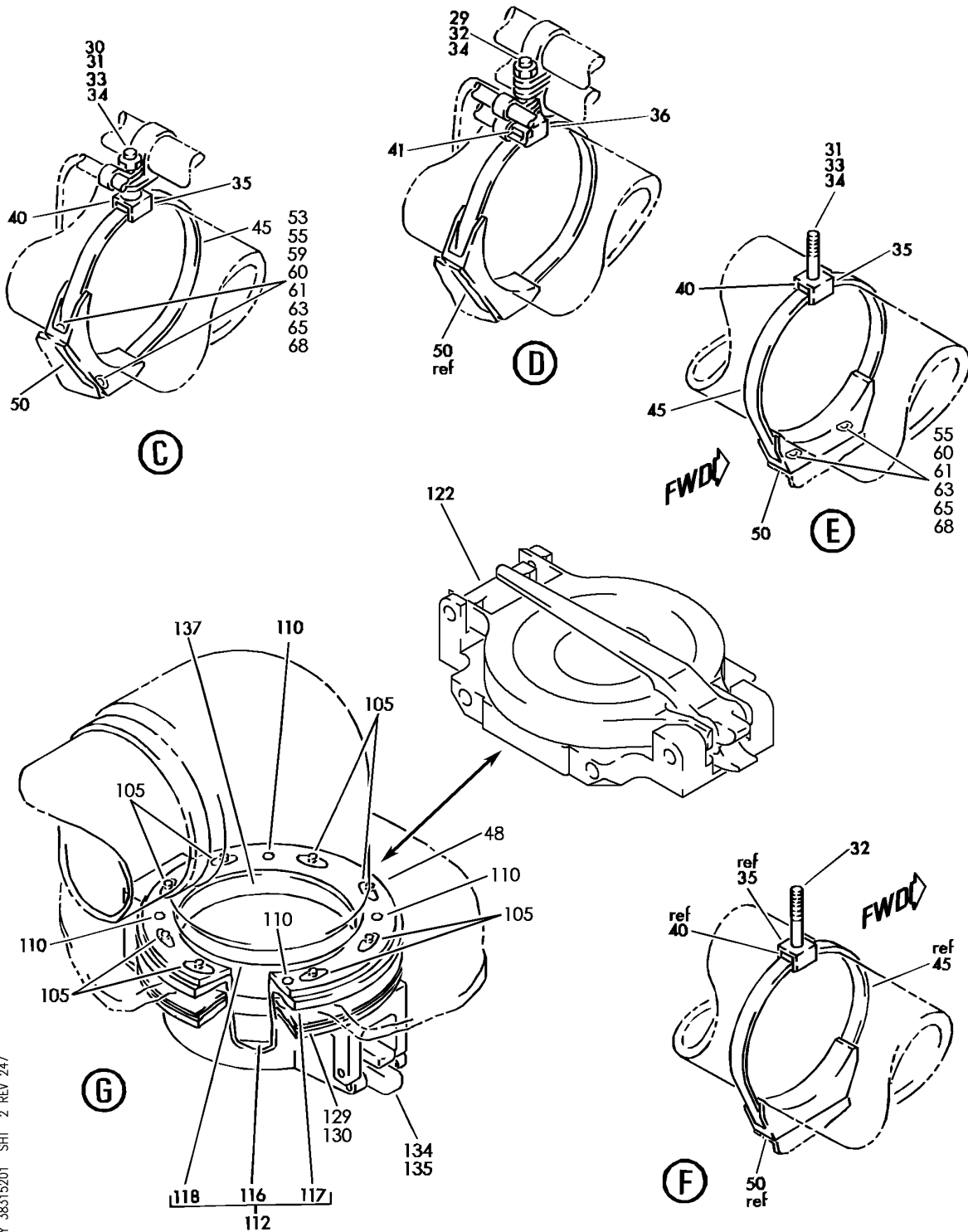
DUCT INSTL-FWD LAV
FIGURE 1 (SHEET 1)

38-31-52-01

BRI
MAY 28/07

38-31-52-01
PAGE 0

BOEING
757
PARTS CATALOG (MAINTENANCE)



Y 38315201 SHT 2 REV 247

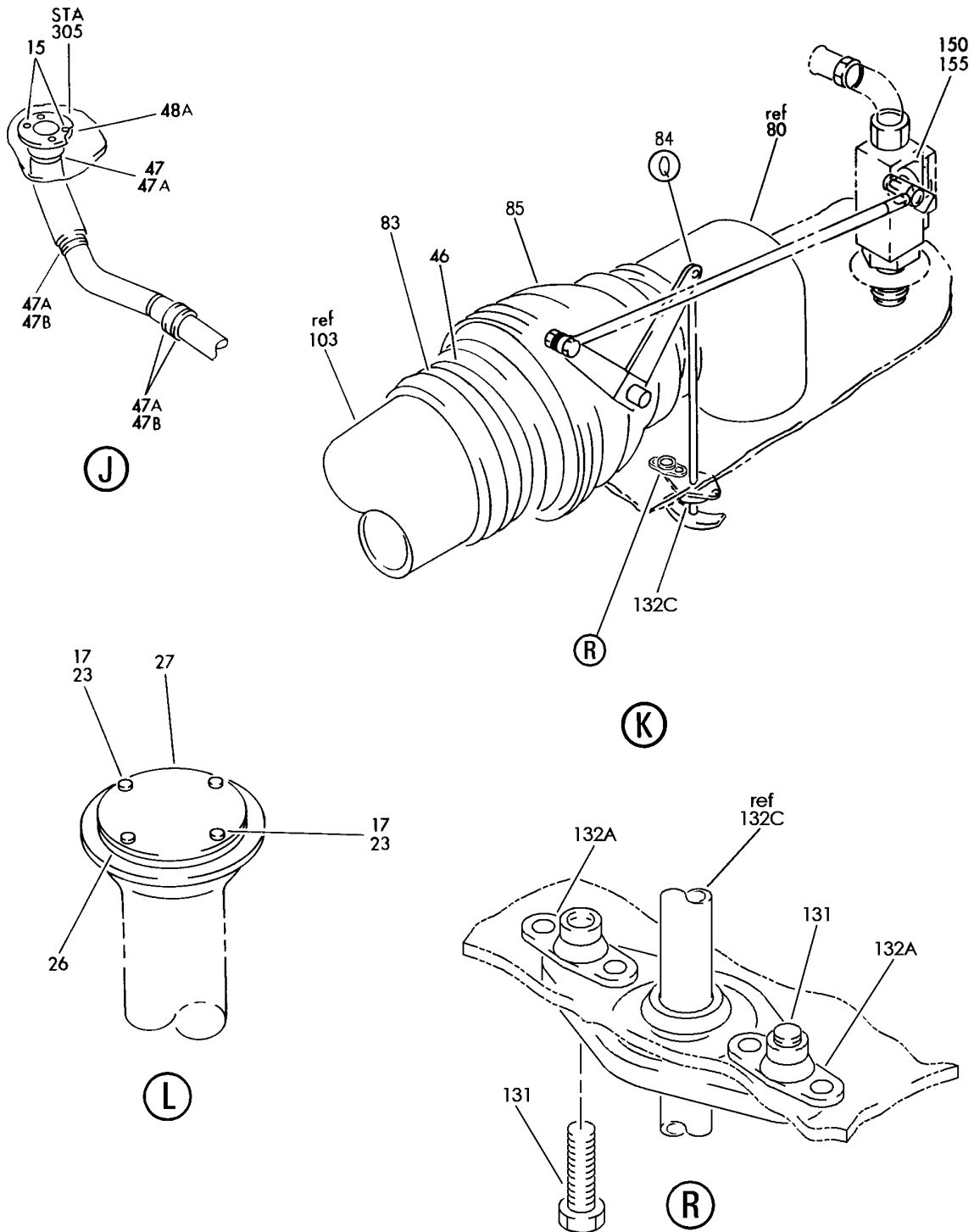
DUCT INSTL-FWD LAV
FIGURE 1 (SHEET 2)

38-31-52-01

BRI
MAY 28/07

38-31-52-01
PAGE 0A

BOEING
757
PARTS CATALOG (MAINTENANCE)



Y 38315201 SH1 3 REV 275

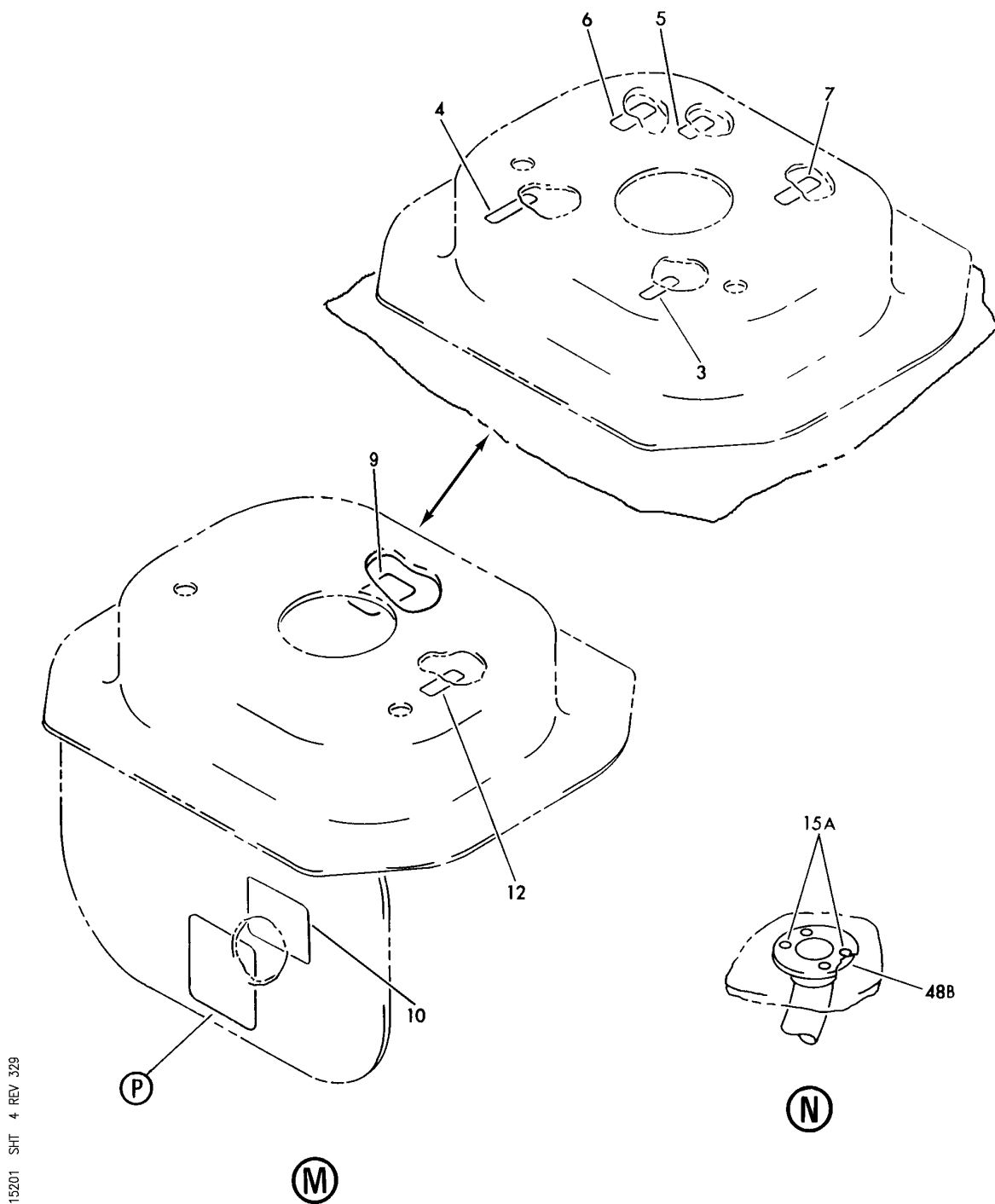
DUCT INSTL-FWD LAV
FIGURE 1 (SHEET 3)

38-31-52-01

BRI
MAY 28/07

38-31-52-01
PAGE 0B

BOEING
757
PARTS CATALOG (MAINTENANCE)



Y 38315201 SHIT 4 REV 329

DUCT INSTL-FWD LAV
FIGURE 1 (SHEET 4)

38-31-52-01

BRI
JAN 20/09

38-31-52-01
PAGE 0C

BOEING
757
PARTS CATALOG (MAINTENANCE)

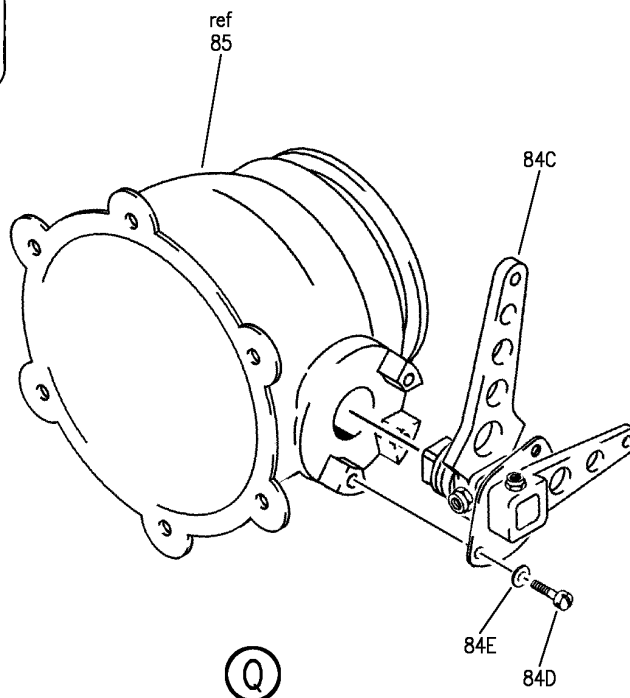
LAVATORY SERVICING PROCEDURE

WITHOUT DRAIN PLUG

1. OPEN OUTER TOILET DRAIN CAP AND CONNECT WASTE DRAIN LINE FROM TOILET SERVICE CART.
2. OPEN DRAIN VALVE BY PULLING-OUT VALVE HANDLE.
3. PUMP WATER THROUGH EACH FLUSH LINE. THIS WILL CAUSE TANK TO EMPTY, RINSE INSIDE OF TANK AND FILL PRECHARGE TANK. CONTINUE THIS OPERATION FOR 5 MINUTES.
4. CLOSE DRAIN VALVE BY PUSHING HANDLE.
5. DO NOT ATTEMPT TO ADD ANY PRECHARGE INTO TOILET TANK. PRECHARGE HAS AUTOMATICALLY BEEN INCLUDED WHILE FLUSHING.

11

(P)



Y 38315201 SH1 5 REV 275

DUCT INSTL-FWD LAV
FIGURE 1 (SHEET 5)

38-31-52-01

BRI
MAY 28/07

38-31-52-01
PAGE 0D



757

PARTS CATALOG (MAINTENANCE)

FIG ITEM	PART NUMBER	1 2 3 4 5 6 7	NOMENCLATURE	EFFECT FROM TO	UNITS PER ASSY
1			DUCT INSTL-FWD LAV	002004 006100 107107 121999	
- 1	417N8201-13		DUCT INSTL-LAV POSITION DATA: FWD VARIABLE DRAWING REF: 417N8201-16 417N8201-18 FOR NHA SEE: 25-20-00-01A 25-20-00-01E 25-20-00-03A	107107 904949 952952	RF
- 1	417N8201-29		DUCT INSTL-LAV POSITION DATA: FWD VARIABLE DRAWING REF: 417N8201-31 FOR NHA SEE: 25-20-00-01E 25-20-00-03A	002004 121503	RF
- 1	417N8201-40		DUCT INSTL-LAV POSITION DATA: FWD FOR NHA SEE: 25-20-00-03A	006100 950951 953999	RF
- 1	417N8201-45		DUCT INSTL-LAV POSITION DATA: FWD FOR NHA SEE: 25-20-00-11B	504903	RF
3	BAC27DPA5057		.MARKER-ALUMINUM FOIL PLACARD CONTENT: LH AFT FLUSH	121503	1
4	BAC27NPA5058		.MARKER-ALUMINUM FOIL PLACARD CONTENT: LH FWD FLUSH	002004 006100 121503 950951 953999	1
5	BAC27DPA5059		.MARKER-ALUMINUM FOIL PLACARD CONTENT: TOILET DRAIN	002004 006100 121903 950951 953999	1

MISSING ITEM NUMBERS NOT APPLICABLE

- ITEM NOT ILLUSTRATED

38-31-52-01

38-31-52
FIG. 01
PAGE 1
JAN 20/09

BRI



757

PARTS CATALOG (MAINTENANCE)

FIG ITEM	PART NUMBER	1 2 3 4 5 6 7	NOMENCLATURE	EFFECT FROM TO	UNITS PER ASSY
1	6 BAC27DPA5060		.MARKER-ALUMINUM FOIL PLACARD CONTENT: LH FWD TOILET	002004 006100 121503 950951 953999	1
	7 BAC27DPA5061		.MARKER-ALUMINUM FOIL PLACARD CONTENT: LH AFT TOILET	121503	1
	15 BACS12ER3K14		.SCREW	002004 006100 121503 950951 953999	4
15A	BACS12ER3K14		.SCREW-	121503	4
20	NAS514P1032-5		.SCREW	002004 006100 107107 121503 904999	6
	21 NAS514P1032-5		.SCREW	107107 121503 904949	6
	22 BACB30LU3-8		.BOLT	002004 121503	8
	25 417N1066-5		.ADAPTOR-TOILET DRAIN OPTIONAL PART: 417N1066-2	002004 006100 107107 121503 904999	1
	25 417N1066-2		.ADAPTOR-TOILET DRAIN OPTIONAL PART: 417N1066-5	002004 006100 107107 121503 904999	1
	25 417N1066-7		.ADAPTOR-TOILET DRAIN	002004 121903	1
	25 417N1066-6		.ADAPTOR-TOILET DRAIN	121503	1
	25 417N1066-1		.ADAPTOR-TOILET DRAIN	002004 006100 107107 121503 904999	1
	28 NAS6703-4		.BOLT	002004 006100 107107 121503 904999	2

MISSING ITEM NUMBERS NOT APPLICABLE

- ITEM NOT ILLUSTRATED

BRI

38-31-52-01

BOEING PROPRIETARY - Copyright © - Unpublished Work - See title page for details.

38-31-52
FIG. 01
PAGE 2
JAN 20/09



757

PARTS CATALOG (MAINTENANCE)

FIG ITEM	PART NUMBER	1 2 3 4 5 6 7	NOMENCLATURE	EFFECT FROM TO	UNITS PER ASSY
1					
28	NAS6803-4	.	BOLT- OPTIONAL PART: BACB30NM3K4	002004	2
28	BACB30NM3K4	.	BOLT- OPTIONAL PART: NAS6803-4	002004 504903	2
30	NAS6703-9	.	BOLT	002004 006100 107107 121503 904999	3
31	NAS6703-9	.	BOLT	002004 006100 504903 950999	2
32	NAS6703-19	.	BOLT	107107 121503 904949	2
33	NAS6803-19	.	BOLT- OPTIONAL PART: BACB30NM3K19	121503	2
33	BACB30NM3K19	.	BOLT- OPTIONAL PART: NAS6803-19	121503	2
34	NAS6803-9	.	BOLT- OPTIONAL PART: BACB30NM3K9	002004	5
34	BACB30NM3K9	.	BOLT- OPTIONAL PART: NAS6803-9	002004 504903	5
35	BACC15AN10	.	CLIP	002004 006100 107107 121999	7
35	BACC15AN10	.	CLIP	121503	7
40	BACB19F10S	.	BLOCK	002004 006100 107107 121999	7
43	64	.	CLAMP- SUPPLIER CODE: V7Z588 SPECIFICATION NUMBER: STBC10GG146 OPTIONAL PART: WWD146H V66295	002004 006100 107107 121503 904999	2

MISSING ITEM NUMBERS NOT APPLICABLE

- ITEM NOT ILLUSTRATED

38-31-52-01

38-31-52
FIG. 01
PAGE 3
JAN 20/09

BRI



757

PARTS CATALOG (MAINTENANCE)

FIG ITEM	PART NUMBER	1 2 3 4 5 6 7	NOMENCLATURE	EFFECT FROM TO	UNITS PER ASSY
1					
45	NAS1922-0400-3	.CLAMP-	OPTIONAL PART: BACC10JB126C156	002004 006100 107107 121503 904951 953999	5
45	BACC10JB126C156	.CLAMP-	OPTIONAL PART: NAS1922-0400-3 NAS1922-0400-1	002004 006100 107107 121999	5
45	NAS1922-0400-1	.CLAMP-	OPTIONAL PART: BACC10JB126C156	952952	5
46	64	.CLAMP-	SUPPLIER CODE: V7Z588 SPECIFICATION NUMBER: STBC10GG146 OPTIONAL PART: WWD146H V66295	002004 006100 107107 121503 904999	8
47	64	.CLAMP	SUPPLIER CODE: V7Z588 SPECIFICATION NUMBER: STBC10GG146 OPTIONAL PART: WWD146H V66295	107107 121503 904949	4
47A	BACC10JB126A156	.CLAMP-	OPTIONAL PART: STBC10GG160	002004 006100 121903 950951 953999	10
47B	72	.CLAMP-	SUPPLIER CODE: V7Z588 SPECIFICATION NUMBER: STBC10GG160 OPTIONAL PART: WWD160H V66295 BACC10JB126A156	002004 006100 121503 950951 953999	10
48	65C30209-7	.RING ASSY		002004 006100 107107 121999	1

MISSING ITEM NUMBERS NOT APPLICABLE

- ITEM NOT ILLUSTRATED

38-31-52-01

38-31-52
FIG. 01
PAGE 4
JAN 20/09

BRI

BOEING PROPRIETARY - Copyright © - Unpublished Work - See title page for details.



757

PARTS CATALOG (MAINTENANCE)

FIG ITEM	PART NUMBER	1 2 3 4 5 6 7	NOMENCLATURE	EFFECT FROM TO	UNITS PER ASSY
1					
48A	65C30209-24	.RING	ASSY	006100 121903 950951 953999	1
48B	65C30209-24	.RING	ASSY	002004 121503	1
- 49	BACR15BA4D		ATTACHING PARTS .RIVET- SIZE DETERMINED ON INSTL.	002004 006100 107107 121503 904951 953999	4
50	214T3424-6	-----*	.SUPPORT	002004 006100 107107 121999	5
53	BACS12GU3K16		ATTACHING PARTS .SCREW	002004 006100 121903 950951 953999	2
53	NAS1801-3-16	.SCREW		107107 904949 952952	2
55	NAS1801-3-8	.SCREW		107107 904949 952952	8
55	BACS12GU3K8	.SCREW		002004 006100 121903 950951 953999	8
57	NAS43DD3-16FC	.SPACER		002004 006100 107107 121999	2
59	NAS43DD3-32FC	.SPACER		002004 006100 121903 950951 953999	2
59	NAS43DD3-32	.SPACER		107107 904949 952952	2

MISSING ITEM NUMBERS NOT APPLICABLE

- ITEM NOT ILLUSTRATED

38-31-52-01

38-31-52
FIG. 01
PAGE 5
JAN 20/09

BRI



757

PARTS CATALOG (MAINTENANCE)

FIG ITEM	PART NUMBER	1 2 3 4 5 6 7	NOMENCLATURE	EFFECT FROM TO	UNITS PER ASSY
1					
60	AN960PD10L	.	WASHER	107107 904949 952952	20
61	AN960JD10L	.	WASHER	002004 006100 121503 950951 953999	6
61	NAS1149D0332J	.	WASHER	504903	6
63	AN960PD10L	.	WASHER	002004 006100 121503 950951 953999	4
63	NAS1149D0316J	.	WASHER	504903	4
65	AN960JD10L	.	WASHER	002004 006100 121503 950951 953999	2
65	NAS1149D0316J	.	WASHER	504903	2
68	BRH10C3D	.	NUT	107107 904949 952952	10
			SUPPLIER CODE: V52828		
			SPECIFICATION NUMBER: BACN10JC3CD		
			OPTIONAL PART: T6C1032JCD V11815 NS202486-02 V80539 102LH9075-3W V72962 H51650-3BAC V15653		
68	PLH53CD	.	NUT	002004 006100 121903 950951 953999	10
			SUPPLIER CODE: VF0224		
			SPECIFICATION NUMBER: BACN10YR3CD		
			OPTIONAL PART: H52732-3CD V15653		
			-----*-----		

MISSING ITEM NUMBERS NOT APPLICABLE

- ITEM NOT ILLUSTRATED

BRI

38-31-52-01

BOEING PROPRIETARY - Copyright © - Unpublished Work - See title page for details.

38-31-52
FIG. 01
PAGE 6
JAN 20/09



757

PARTS CATALOG (MAINTENANCE)

FIG ITEM	PART NUMBER	1 2 3 4 5 6 7	NOMENCLATURE	EFFECT FROM TO	UNITS PER ASSY
1					
70	IT4986-30		.CONNECTOR-DRAIN SYS SUPPLIER CODE: V26831 SPECIFICATION NUMBER: S417N802-30	002004 006016 018100 121903 950951 953999	1
70	IT4986-8		.CONNECTOR-DRAIN SYS SUPPLIER CODE: V26831 SPECIFICATION NUMBER: S417N802-8 OPTIONAL PART: FA5064 V24984	002004 006100 107107 121503 904999	1
75	IT4986-3		.CONNECTOR-DRAIN SYS SUPPLIER CODE: V26831 SPECIFICATION NUMBER: S417N802-3 OPTIONAL PART: FA5056 V24984	002004 006100 107107 121999	3
76	IT4986-3		.CONNECTOR-DRAIN SYS SUPPLIER CODE: V26831 SPECIFICATION NUMBER: S417N802-3 OPTIONAL PART: FA5056 V24984	002004 121503	1
79	IT4986-11		.CONNECTOR-DRAIN SYS SUPPLIER CODE: V26831 SPECIFICATION NUMBER: S417N802-11 OPTIONAL PART: FA5068 V24984	121503	1
80	IT4986-1		.CONNECTOR-DRAIN SYS SUPPLIER CODE: V26831 SPECIFICATION NUMBER: S417N802-1 OPTIONAL PART: FA5054 V24984	002004 006100 107107 121999	1

MISSING ITEM NUMBERS NOT APPLICABLE

- ITEM NOT ILLUSTRATED

38-31-52-01

38-31-52
FIG. 01
PAGE 7
JAN 20/09

BRI



757

PARTS CATALOG (MAINTENANCE)

FIG ITEM	PART NUMBER	1 2 3 4 5 6 7	NOMENCLATURE	EFFECT FROM TO	UNITS PER ASSY
1					
82	IT4986-10		.CONNECTOR-DRAIN SYS SUPPLIER CODE: V26831 SPECIFICATION NUMBER: S417N802-10 OPTIONAL PART: FA5067 V24984	107107 121503 904949	1
88	417N8203-4		.DUCT ASSY	002004 006100 107107 121999	1
90	417N8203-3		.DUCT ASSY	002004 006100 504903 950999	1
91	417N8203-18		.DUCT ASSY	107107 121503 904949	1
92	417N8203-20		.DUCT ASSY	107107 121503 904949	1
94	417N8212-1		.ADAPTOR ASSY-	107107 904949	1
94	417N8212-14		.ADAPTOR ASSY- OPTIONAL PART: 417N8212-29	121503	1
94	417N8212-29		.ADAPTOR ASSY- OPTIONAL PART: 417N8212-14	121503	1
95	417N8203-2		.DUCT	002004 006100 950999	1
95	417N8203-16		.DUCT	107107 121503 904949	1
102	417N8203-23		.DUCT ASSY-	002004 006100 107107 121999	1
105	BACB30LU3-8		.BOLT	002004 006100 107107 121503 904999	8

MISSING ITEM NUMBERS NOT APPLICABLE

- ITEM NOT ILLUSTRATED

38-31-52-01

38-31-52
FIG. 01
PAGE 8
JAN 20/09

BRI

BOEING PROPRIETARY - Copyright © - Unpublished Work - See title page for details.



757

PARTS CATALOG (MAINTENANCE)

FIG ITEM	PART NUMBER	1 2 3 4 5 6 7	NOMENCLATURE	EFFECT FROM TO	UNITS PER ASSY
1 110	BACR15BA6D		.RIVET- SIZE DETERMINED ON INSTL.	002004 006100 107107 121503 904999 952952	4
110	BACR15BA4D		.RIVET- SIZE DETERMINED ON INSTL.		4
122	2651-311-6		.CAP AND FLANGE ASSY- SUPPLIER CODE: V86831 MISCELLANEOUS DATA: 10-62213-1 OR 10-62213-2 CAN REPLACE BUT NOT BE REPLACED BY 2651-311-6 COMPONENT MAINT MANUAL REF: 38-37-01 QUALIFIED I/W DATA: 4259-20 OR 4259-31 OR D008-100 OR V4259J064S21 TOGETHER WITH V2651-301C10 OR 2651-301 AND 2651-269-6 CAN REPLACE OR BE REPLACED BY 2651-311-6 FOR DETAILS SEE: 38-32-38-50	002004 121503	1
122	2651-269-6		.CAP AND FLANGE ASSY- SUPPLIER CODE: V86831 QUALIFIED I/W DATA: 4259-20 OR 4259-31 OR D008-100 OR V4259J064S21 TOGETHER WITH V2651-301C10 OR 2651-301 AND 2651-269-6 CAN REPLACE OR BE REPLACED BY 2651-311-6 FOR DETAILS SEE: 38-32-38-50	002004 121503	1
122	10-62213-1		.DRAIN ASSY- SUPPLIER CODE: V81205	002004 121503	1

MISSING ITEM NUMBERS NOT APPLICABLE

- ITEM NOT ILLUSTRATED

BRI

38-31-52-01

38-31-52
FIG. 01
PAGE 9
JAN 20/09



757

PARTS CATALOG (MAINTENANCE)

FIG ITEM	PART NUMBER	1 2 3 4 5 6 7	NOMENCLATURE	EFFECT FROM TO	UNITS PER ASSY
1 129	2174		.GASKET-HEATER SUPPLIER CODE: V98085 SPECIFICATION NUMBER: 10-60795-1 10-60795-2 MISCELLANEOUS DATA: 2174 IS QUALIFIED TO 10-60795-1 AND 10-60795-2. 10-60795-1 AND 10-60795-2 ARE FULLY INTERCHANGEABLE. OPTIONAL PART: 43-1479-1 V11416	002004 006100 107107 121999	1
129	43-1479		.GASKET-HEATER SUPPLIER CODE: V14604 SPECIFICATION NUMBER: 10-60795-1 OPTIONAL PART: 43-1479-1 V14604 2174 V98085	006100 950951 953999	1
129	43-1479-1		.GASKET-HEATER SUPPLIER CODE: V14604 SPECIFICATION NUMBER: 10-60795-1 OPTIONAL PART: 43-1479 V14604 2174 V98085	006100 950951 953999	1
130	69-71690-2		.SHIM	002004 107107 121503 904949 952952	1

MISSING ITEM NUMBERS NOT APPLICABLE

- ITEM NOT ILLUSTRATED

BRI

38-31-52-01

BOEING PROPRIETARY - Copyright © - Unpublished Work - See title page for details.

38-31-52
FIG. 01
PAGE 10
JAN 20/09



757

PARTS CATALOG (MAINTENANCE)

FIG ITEM	PART NUMBER	1 2 3 4 5 6 7	NOMENCLATURE	EFFECT FROM TO	UNITS PER ASSY
1 134	10101000CN		. VALVE-WASTE DRAIN SUPPLIER CODE: V99321 SPECIFICATION NUMBER: 10-62213-1 MISCELLANEOUS DATA: 737-SL-38-012 AND 757-SL- 38-009 CALL OUT 10101000CN OPT TO 331-0001-01 COMPONENT MAINT MANUAL REF: 38-30-08 OPTIONAL PART: 331-0001-01 V99321 FOR DETAILS SEE: 38-31-55-08	002004 006100 107107 121503 904951 953999	1

MISSING ITEM NUMBERS NOT APPLICABLE

- ITEM NOT ILLUSTRATED

BRI

38-31-52-01

BOEING PROPRIETARY - Copyright © - Unpublished Work - See title page for details.

38-31-52
FIG. 01
PAGE 11
JAN 20/09



757

PARTS CATALOG (MAINTENANCE)

FIG ITEM	PART NUMBER	1 2 3 4 5 6 7	NOMENCLATURE	EFFECT FROM TO	UNITS PER ASSY
1 134	331-0001-01		. VALVE-WASTE DRAIN SUPPLIER CODE: V99321 SPECIFICATION NUMBER: 10-62213-1 MISCELLANEOUS DATA: 10-62213-1 OR 10-62213-2 CAN REPLACE BUT NOT BE REPLACED BY 10-60916-1 OR B229S64 OR V2651-216C00 OR 2651-216 OR V2651-216C10 OR 4259-20 OR 4259-31 OR D0008-100 OR V4259J064S20 OR 2651-311-6 OR 10101000CJ OR 2651-311-8 OR 10101000CJ2 10-62213-2 CAN REPLACE BUT NOT BE REPLACED BY 10-62213-1 737-SL-38-012 AND 757-SL- 38-009 CALL OUT 10101000CN OPT TO 331-0001-01 COMPONENT MAINT MANUAL REF: 38-30-08 OPTIONAL PART: 10101000CN V99321 OPTIONAL PART: 10101000CN V99321 FOR DETAILS SEE: 38-32-38-51	002004 006100 107107 121503 904951 953999	1
134	9527-1		. VALVE-WASTE DRAIN SUPPLIER CODE: V06177 SPECIFICATION NUMBER: 10-62213-6 COMPONENT MAINT MANUAL REF: 38-30-01	002004 006100 107107 121503 904951 953999	1
134	332-0001-01		. VALVE-WASTE DRAIN SUPPLIER CODE: V99321 COMPONENT MAINT MANUAL REF: 38-30-06	002004 006100 107107 121503 904951 953999	1

R
R
R
R
R
R

MISSING ITEM NUMBERS NOT APPLICABLE

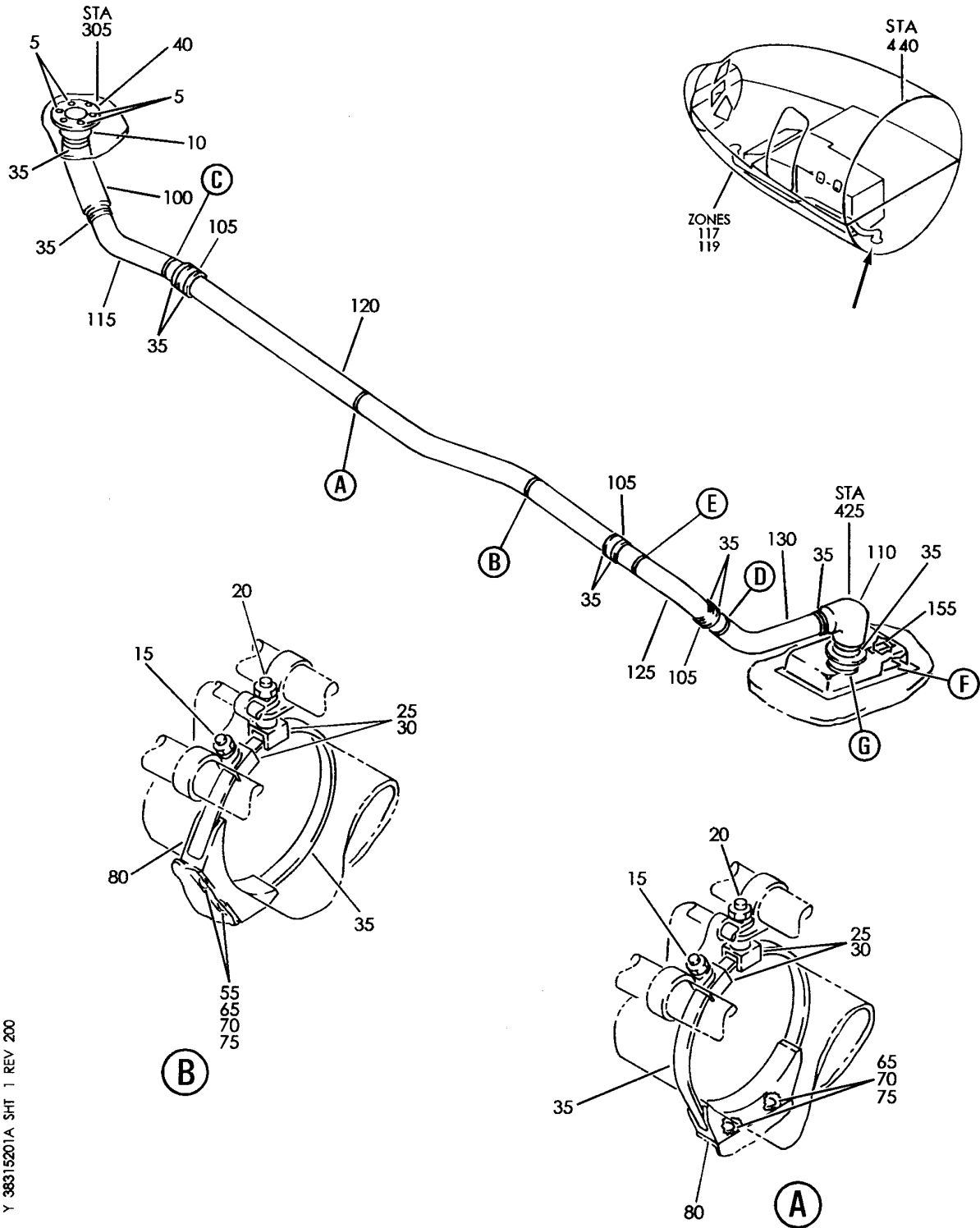
- ITEM NOT ILLUSTRATED

38-31-52-01

38-31-52
FIG. 01
PAGE 12
MAY 20/09

BRI

BOEING
757
PARTS CATALOG (MAINTENANCE)



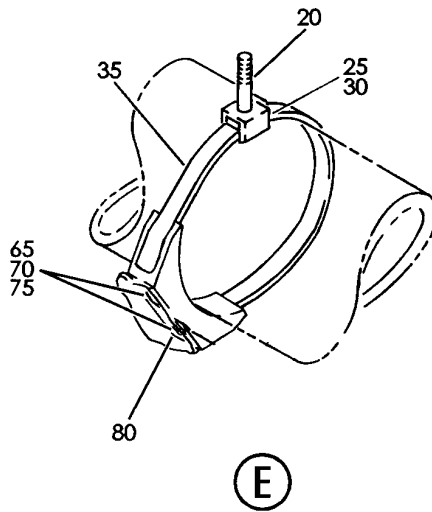
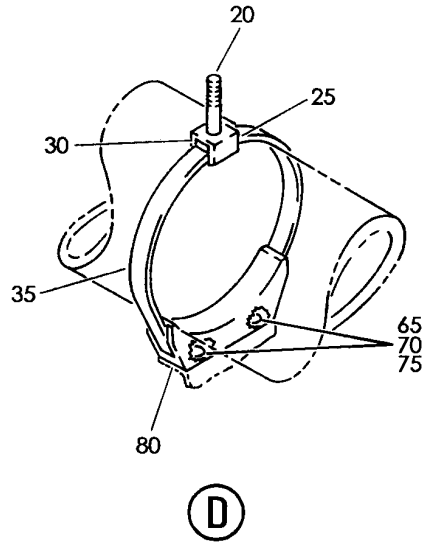
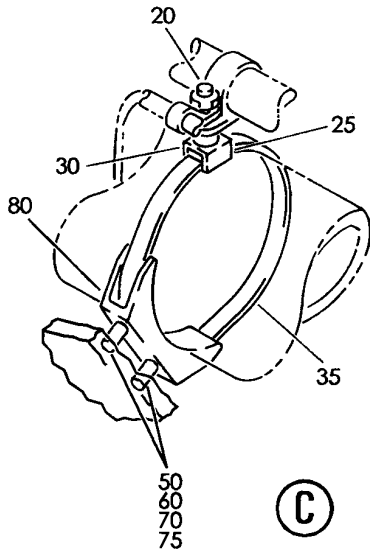
DUCT AND VALVE INSTL FWD LAV
FIGURE 1A (SHEET 1)

38-31-52-01A

BRI
MAY 28/07

38-31-52-01A
PAGE 0

BOEING
757
PARTS CATALOG (MAINTENANCE)



Y 38315201A SHT 2 REV 200

DUCT AND VALVE INSTL FWD LAV
FIGURE 1A (SHEET 2)

BRI
MAY 28/07

38-31-52-01A

38-31-52-01A
PAGE 0A

BOEING
757
PARTS CATALOG (MAINTENANCE)

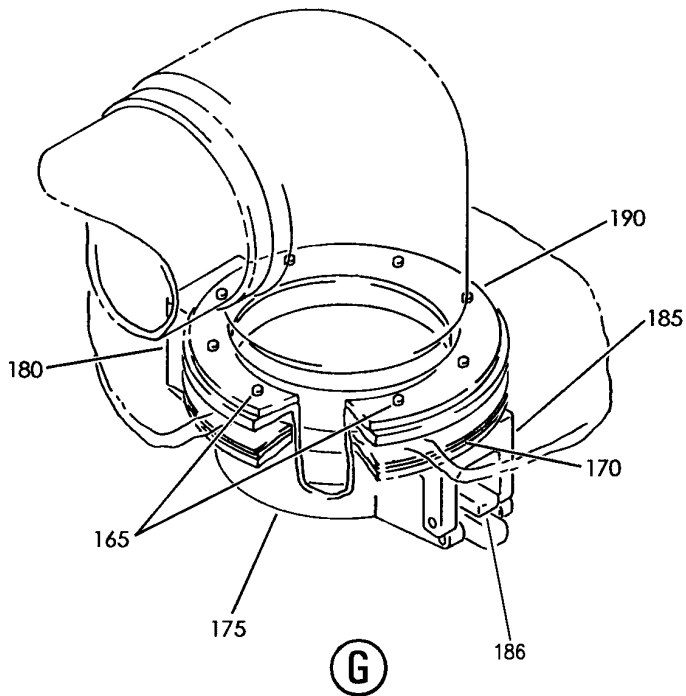
LAVATORY SERVICING PROCEDURE

WITHOUT DRAIN PLUG

1. OPEN OUTER TOILET DRAIN CAP AND CONNECT WASTE DRAIN LINE FROM TOILET SERVICE CART.
2. OPEN DRAIN VALVE BY PULLING-OUT VALVE HANDLE.
3. PUMP WATER THROUGH EACH FLUSH LINE. THIS WILL CAUSE TANK TO EMPTY, RINSE INSIDE OF TANK AND FILL PRECHARGE TANK. CONTINUE THIS OPERATION FOR 5 MINUTES.
4. CLOSE DRAIN VALVE BY PUSHING HANDLE.
5. DO NOT ATTEMPT TO ADD ANY PRECHARGE INTO TOILET TANK. PRECHARGE HAS AUTOMATICALLY BEEN INCLUDED WHILE FLUSHING.

160
205

F



Y 38315201A SHT 3 REV 255

DUCT AND VALVE INSTL FWD LAV
FIGURE 1A (SHEET 3)

BRI
MAY 28/07

38-31-52-01A

38-31-52-01A
PAGE 0B



757

PARTS CATALOG (MAINTENANCE)

FIG ITEM	PART NUMBER	1 2 3 4 5 6 7	NOMENCLATURE	EFFECT FROM TO	UNITS PER ASSY
1 A			DUCT AND VALVE INSTL FWD LAV	101102 108120	
- 1	417N8201-48		DUCT INSTL-LAV POSITION DATA: FWD FOR NHA SEE: 25-20-00-11B	504903 101102 108120	RF
5	BACS12ER3K14		.SCREW	101102 108120	4
10	417N1066-7		.ADAPTOR-TOILET DRAIN	101102 108120	1
15	BACB30NM3K4		.BOLT	101102 108120	2
20	BACB30NM3K9		.BOLT	101102 108120	5
25	BACC15AN10		.CLIP	101102 108120	7
30	BACB19F10S		.BLOCK	101102 108120	7
35	BACC10JB126C156		.CLAMP	101102 108120	15
40	65C30209-24		.RING ASSY	101102 108120	1
45	214T3424-6		.SUPPORT	101102 108120	2
50	NAS43DD3-32FC		.SPACER	101102 108120	2
55	NAS43DD3-16FC		.SPACER	101102 108120	2
60	BACS12ER3K16		.SCREW	101102 108120	2
65	BACS12ER3K8		.SCREW	101102 108120	2
70	NAS1149D0332J		.WASHER	101102 108120	2
75	PLH53CD		.NUT SUPPLIER CODE: VF0224 SPECIFICATION NUMBER: BACN10YR3CD OPTIONAL PART: H52732-3CD V15653	101102 108120	2
80	214T3424-6		.SUPPORT	101102 108120	3
- 85	BACS12ER3K8		ATTACHING PARTS .SCREW	101102 108120	2

MISSING ITEM NUMBERS NOT APPLICABLE

- ITEM NOT ILLUSTRATED

38-31-52-01A

38-31-52
FIG. 01A
PAGE 1
JAN 20/09

BRI

BOEING PROPRIETARY - Copyright © - Unpublished Work - See title page for details.



757

PARTS CATALOG (MAINTENANCE)

FIG ITEM	PART NUMBER	1 2 3 4 5 6 7	NOMENCLATURE	EFFECT FROM TO	UNITS PER ASSY
1A					
- 90	NAS1149D0332J	.WASHER		101102 108120	2
- 95	PLH53CD	.NUT		101102 108120	2
		SUPPLIER CODE:			
		VF0224			
		SPECIFICATION NUMBER:			
		BACN10YR3CD			
		OPTIONAL PART:			
		H52732-3CD			
		V15653			
		-----*-----			
100	IT4986-30	.CONNECTOR-DRAIN SYS		101102 108120	1
		SUPPLIER CODE:			
		V26831			
		SPECIFICATION NUMBER:			
		S417N802-30			
105	IT4986-3	.CONNECTOR-DRAIN SYS		101102 108120	3
		SUPPLIER CODE:			
		V26831			
		SPECIFICATION NUMBER:			
		S417N802-3			
		OPTIONAL PART:			
		FA5056			
		V24984			
110	IT4986-1	.CONNECTOR-DRAIN SYS		101102 108120	1
		SUPPLIER CODE:			
		V26831			
		SPECIFICATION NUMBER:			
		S417N802-1			
		OPTIONAL PART:			
		FA5054			
		V24984			
115	417N8203-4	.DUCT ASSY		101102 108120	1
120	417N8203-3	.DUCT ASSY		101102 108120	1
125	417N8203-2	.DUCT		101102 108120	1
130	417N8203-23	.DUCT ASSY		101102 108120	1
- 135	417N8201-49	VALVE INSTL-LAV		101102 108120	RF
		POSITION DATA:			
		FWD			
		FOR NHA SEE:			
		25-20-00-11B			

MISSING ITEM NUMBERS NOT APPLICABLE

- ITEM NOT ILLUSTRATED

38-31-52-01A

38-31-52
FIG. 01A
PAGE 2
JAN 20/09

BRI



757

PARTS CATALOG (MAINTENANCE)

FIG ITEM	PART NUMBER	1 2 3 4 5 6 7	NOMENCLATURE	EFFECT FROM TO	UNITS PER ASSY
1A - 145	417N8201-51		DUCT INSTL-LAV POSITION DATA: FWD FOR NHA SEE: 25-20-00-11B	504903	RF
155	BAC27DPA5059		.MARKER-ALUMINUM FOIL PLACARD CONTENT: TOILET DRAIN	101102 108120	1
160	BAC29PPS14920		.DECAL	504903 101102 108120	1
165	BACB30NT3K5		.BOLT	504903 101102	8
170	2174		.GASKET-HEATER SUPPLIER CODE: V98085 SPECIFICATION NUMBER: 10-60795-1 10-60795-2 MISCELLANEOUS DATA: 2174 IS QUALIFIED TO 10-60795-1 AND 10-60795-2. 10-60795-1 AND 10-60795-2 ARE FULLY INTERCHANGEABLE. OPTIONAL PART: 43-1479-1 V11416	101102 504903	1
170	43-1479		.GASKET-HEATER SUPPLIER CODE: V14604 SPECIFICATION NUMBER: 10-60795-1 OPTIONAL PART: 43-1479-1 V14604 2174 V98085	101102 504903	1
170	43-1479-1		.GASKET-HEATER SUPPLIER CODE: V14604 SPECIFICATION NUMBER: 10-60795-1 OPTIONAL PART: 43-1479 V14604 2174 V98085	101102 504903	1

MISSING ITEM NUMBERS NOT APPLICABLE

- ITEM NOT ILLUSTRATED

38-31-52-01A

38-31-52
FIG. 01A
PAGE 3
JAN 20/09

BRI

BOEING PROPRIETARY - Copyright © - Unpublished Work - See title page for details.



757

PARTS CATALOG (MAINTENANCE)

FIG ITEM	PART NUMBER	1 2 3 4 5 6 7	NOMENCLATURE	EFFECT FROM TO	UNITS PER ASSY
1A 175	4001-0034-1		.ADAPTOR ASSY- SUPPLIER CODE: V86831 SPECIFICATION NUMBER: 10-62213-3	504903	1
180	10101000CN		.VALVE-WASTE DRAIN SUPPLIER CODE: V99321 SPECIFICATION NUMBER: 10-62213-1 MISCELLANEOUS DATA: 737-SL-38-012 AND 757-SL-38-009 CALL OUT 10101000CN OPT TO 331-0001-01 COMPONENT MAINT MANUAL REF: 38-30-08 OPTIONAL PART: 331-0001-01 V99321 FOR DETAILS SEE: 38-31-55-08	101102 108120	1

MISSING ITEM NUMBERS NOT APPLICABLE

- ITEM NOT ILLUSTRATED

BRI

38-31-52-01A

BOEING PROPRIETARY - Copyright © - Unpublished Work - See title page for details.

38-31-52
FIG. 01A
PAGE 4
JAN 20/09



757

PARTS CATALOG (MAINTENANCE)

FIG ITEM	PART NUMBER	1 2 3 4 5 6 7	NOMENCLATURE	EFFECT FROM TO	UNITS PER ASSY
1A 180	331-0001-01		.VALVE-WASTE DRAIN SUPPLIER CODE: V99321 SPECIFICATION NUMBER: 10-62213-1 MISCELLANEOUS DATA: 10-62213-1 OR 10-62213-2 CAN REPLACE BUT NOT BE REPLACED BY 10-60916-1 OR B229S64 OR V2651-216C00 OR 2651-216 OR V2651-216C10 OR 4259-20 OR 4259-31 OR D0008-100 OR V4259J064S20 OR 2651-311-6 OR 10101000CJ OR 2651-311-8 OR 10101000CJ2 10-62213-2 CAN REPLACE BUT NOT BE REPLACED BY 10-62213-1 737-SL-38-012 AND 757-SL-38-009 CALL OUT 10101000CN OPT TO 331-0001-01 COMPONENT MAINT MANUAL REF: 38-30-08 OPTIONAL PART: 10101000CN V99321 OPTIONAL PART: 10101000CN V99321 FOR DETAILS SEE: 38-32-38-51	101102 108120	1
R R R R R	180	332-0001-01	.VALVE-WASTE DRAIN SUPPLIER CODE: V99321 COMPONENT MAINT MANUAL REF: 38-30-06	101102 108120	1
	185	0218-0032-8	.VALVE ASSY- SUPPLIER CODE: V86831 SPECIFICATION NUMBER: 10-62213-5 COMPONENT MAINT MANUAL REF: 38-37-10	504903	1

MISSING ITEM NUMBERS NOT APPLICABLE

- ITEM NOT ILLUSTRATED

38-31-52-01A

38-31-52
FIG. 01A
PAGE 5
MAY 20/09

BRI



757

PARTS CATALOG (MAINTENANCE)

FIG ITEM	PART NUMBER	1 2 3 4 5 6 7	NOMENCLATURE	EFFECT FROM TO	UNITS PER ASSY
1 A 186	4028-0063-1		..CAP ASSY- SUPPLIER CODE: V86831 CONFIG CHG DATA FROM A CMM: REPLCD BY 4028-0063-2	504903	1
186A	4028-0063-2		..CAP ASSY- SUPPLIER CODE: V86831 CONFIG CHG DATA FROM A CMM: REPLCS 4028-0063-1	504903	1
190	65C30209-7		.RING ASSY	101102	1

MISSING ITEM NUMBERS NOT APPLICABLE

- ITEM NOT ILLUSTRATED

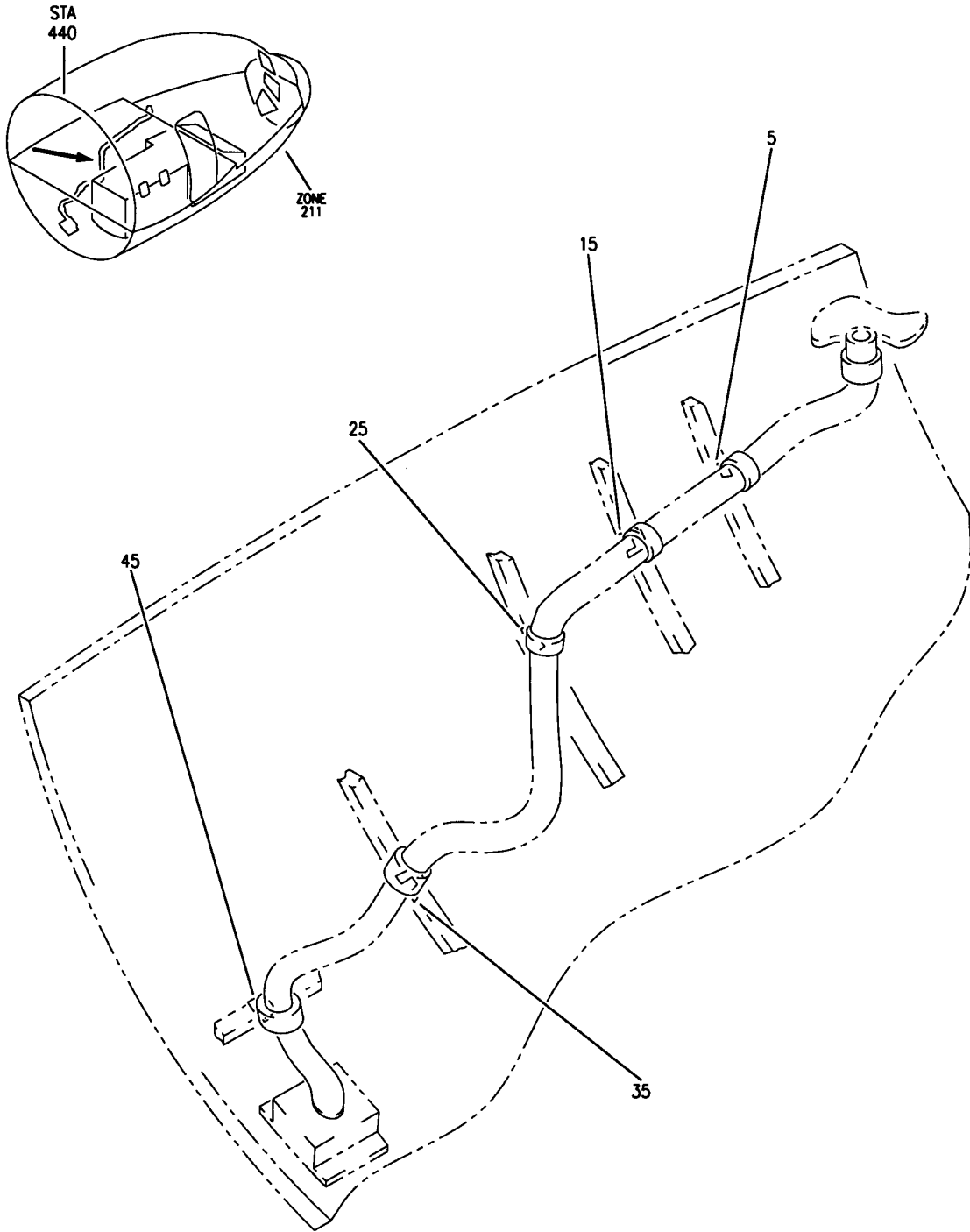
38-31-52-01A

38-31-52
FIG. 01A
PAGE 6
MAY 20/09

BRI

BOEING PROPRIETARY - Copyright © - Unpublished Work - See title page for details.

BOEING
757
PARTS CATALOG (MAINTENANCE)



Y 38315204 REV 187

DUCT INSTL-LAV FWD
FIGURE 4

38-31-52-04

BRI
MAY 28/07

38-31-52-04
PAGE 0



757

PARTS CATALOG (MAINTENANCE)

FIG ITEM	PART NUMBER	1 2 3 4 5 6 7	NOMENCLATURE	EFFECT FROM TO	UNITS PER ASSY
4			DUCT INSTL-LAV FWD	002004 006102 107999	
- 1	417N8201-41		DUCT INSTL-LAV POSITION DATA: FWD VARIABLE DRAWING REF: 417N8201-23 FOR NHA SEE: 25-20-00-08A 25-20-00-03A	006102 108903 950951 953999	RF
- 1	417N8201-2		DUCT INSTL-LAV VARIABLE DRAWING REF: 417N8201-23 FOR NHA SEE: 25-20-00-03A	002004 107107 904949 952952	RF
	5 417N8213-1		.BRACKET	002004 006102 107999	1
- 10	BACR15FT6D		ATTACHING PARTS .RIVET- SIZE DETERMINED ON INSTL.	002004 006102 107999	3
	15 417N8205-4		-----*----- .BRACKET	002004 006102 107999	1
- 20	BACR15FT6D		ATTACHING PARTS .RIVET- SIZE DETERMINED ON INSTL.	002004 006102 107999	2
	25 417N8205-6		-----*----- .BRACKET	002004 006102 107999	1
- 30	BACR15FT6D		ATTACHING PARTS .RIVET- SIZE DETERMINED ON INSTL.	002004 006102 107999	3
	35 417N8206-5		-----*----- .BRACKET ASSY	006102 108903 950951 953999	1
	35 417N8206-4		.BRACKET ASSY	002004 107107 904949 952952	1

MISSING ITEM NUMBERS NOT APPLICABLE

- ITEM NOT ILLUSTRATED

38-31-52-04

38-31-52
FIG. 04
PAGE 1
JAN 20/09

BRI

BOEING PROPRIETARY - Copyright © - Unpublished Work - See title page for details.



757

PARTS CATALOG (MAINTENANCE)

FIG ITEM	PART NUMBER	1 2 3 4 5 6 7	NOMENCLATURE	EFFECT FROM TO	UNITS PER ASSY
4			ATTACHING PARTS		
- 40	BACR15FT6D		.RIVET- SIZE DETERMINED ON INSTL.	002004 006102 107999	4
			-----*-----		
45	417N8216-1		.BRACKET	002004 006102 107999	1
			ATTACHING PARTS		
- 50	BACR15FT6D		.RIVET- SIZE DETERMINED ON INSTL.	002004 006102 107999	7
			-----*-----		
- 55	L8006K5		.BOLT SUPPLIER CODE: V06725 SPECIFICATION NUMBER: BACB30MY6K5	002004 006102 107999	3

MISSING ITEM NUMBERS NOT APPLICABLE

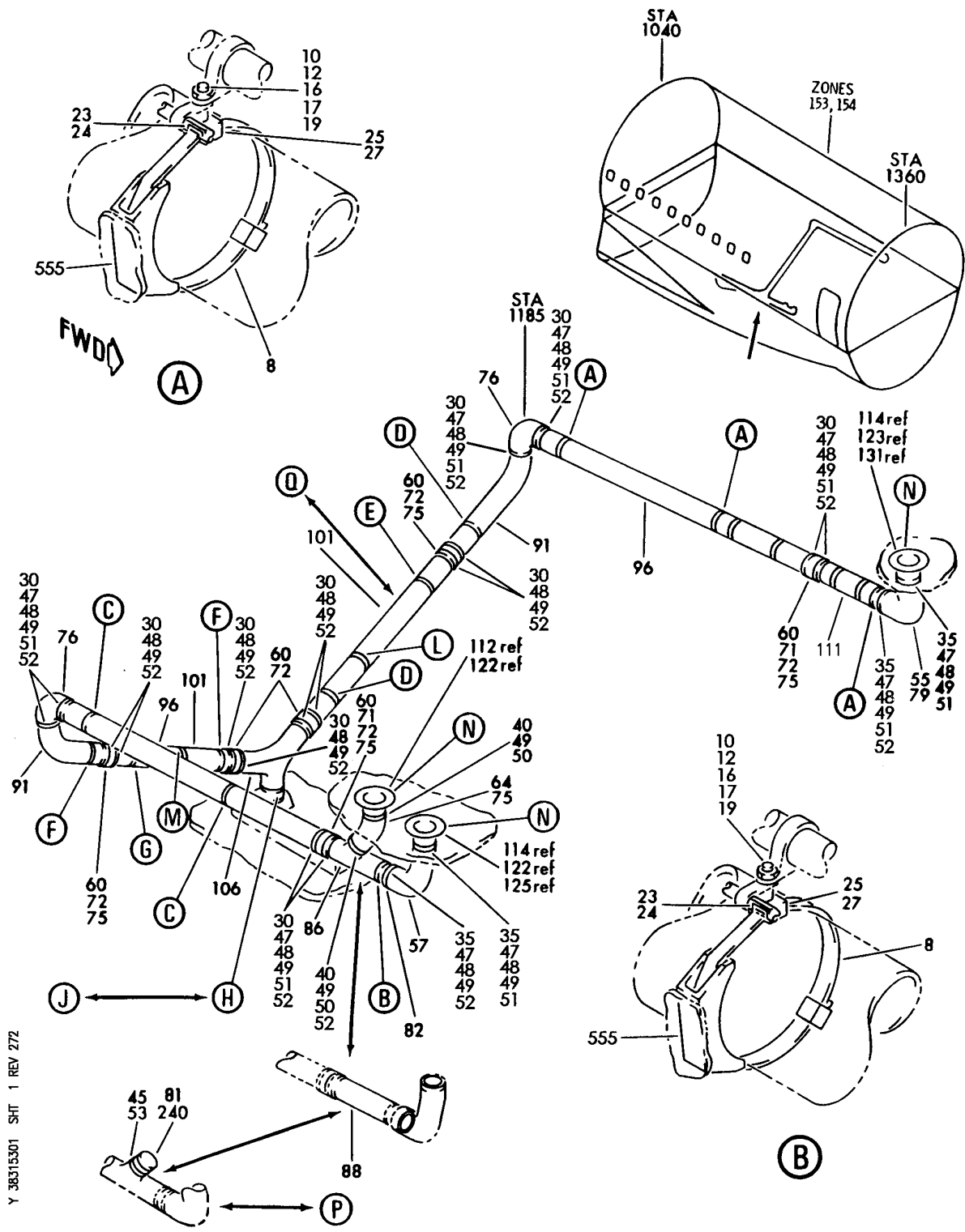
- ITEM NOT ILLUSTRATED

38-31-52-04

38-31-52
FIG. 04
PAGE 2
JAN 20/09

BRI

BOEING
757
PARTS CATALOG (MAINTENANCE)



Y 38315301 SHT 1 REV 272

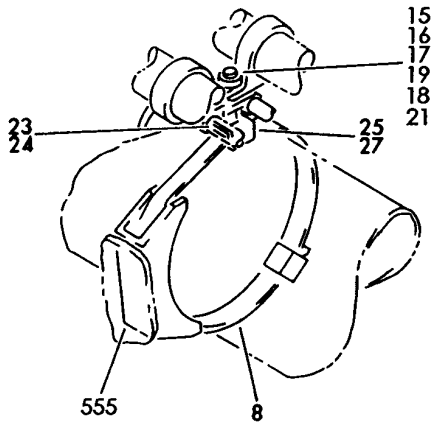
DUCT AND SUPPORT INSTL-MID CAB. LAV WASTE SYS
FIGURE 1 (SHEET 1)

38-31-53-01

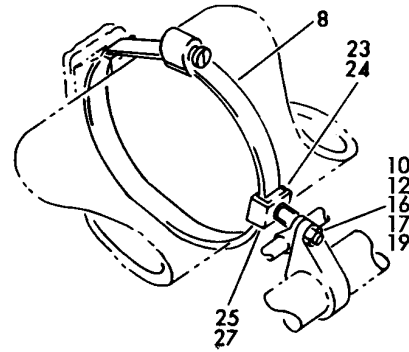
BRI
MAY 28/07

38-31-53-01
PAGE 0

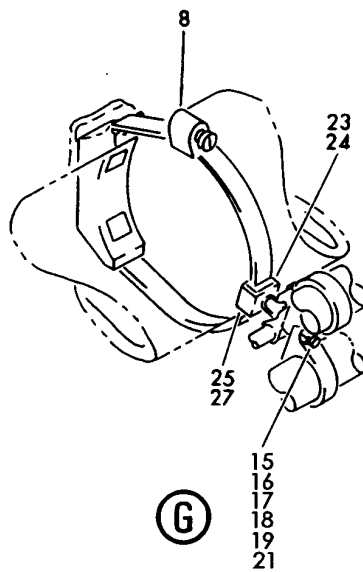
BOEING
757
PARTS CATALOG (MAINTENANCE)



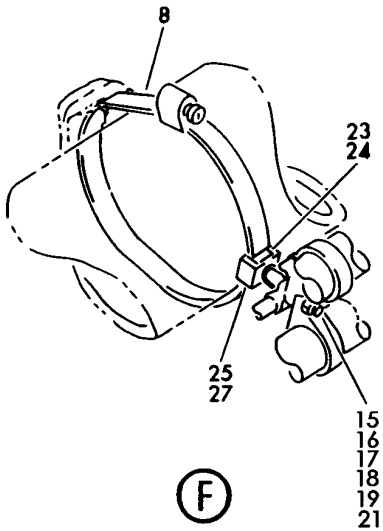
(C)



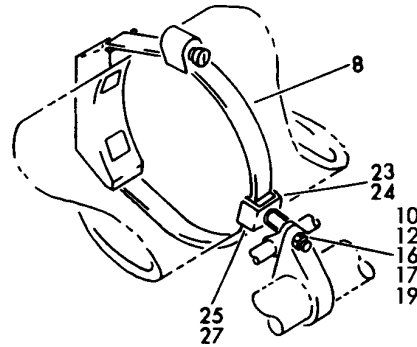
(D)



(G)



(F)



(E)

Y 38315301 SH1 2 REV 206

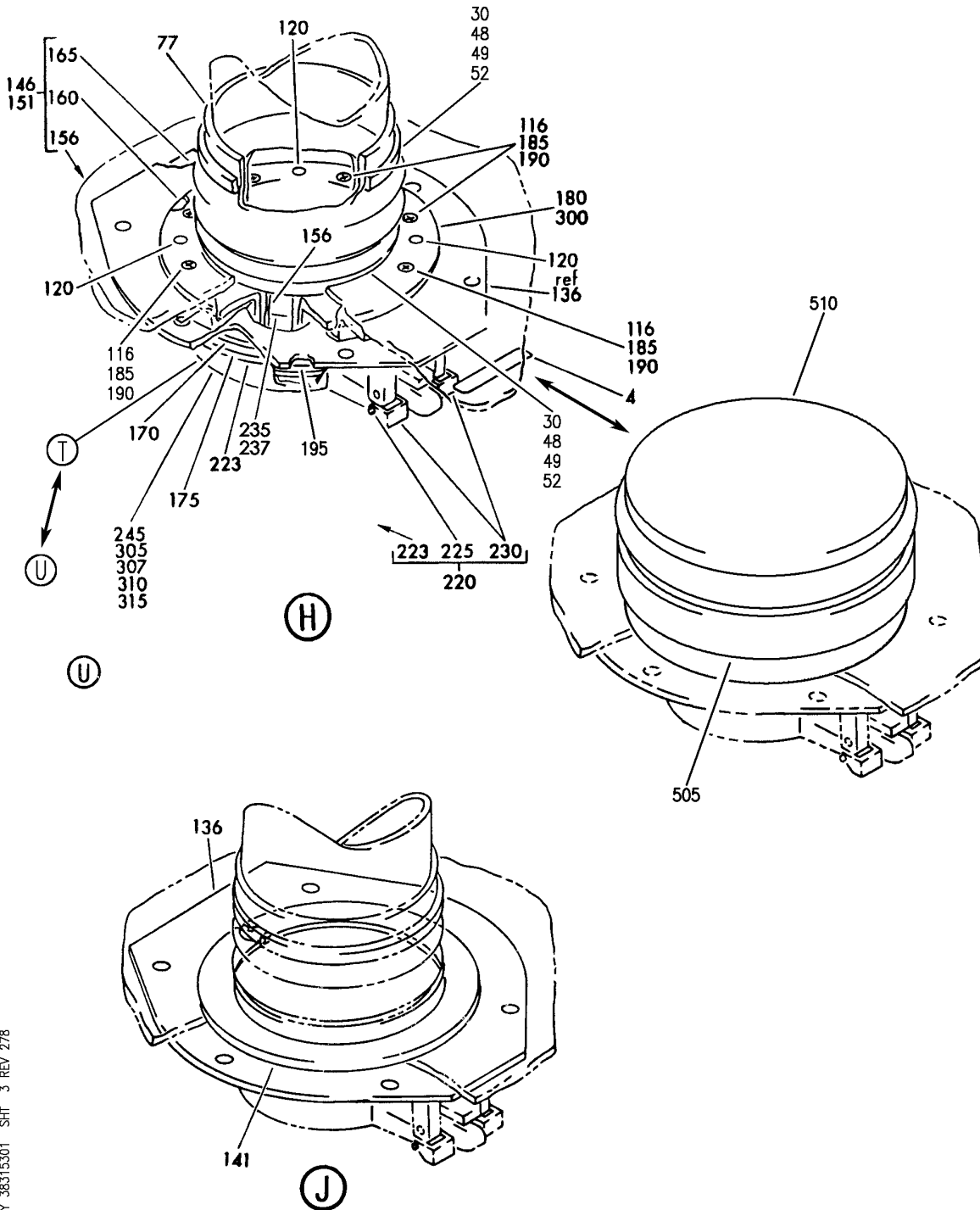
DUCT AND SUPPORT INSTL-MID CAB. LAV WASTE SYS
FIGURE 1 (SHEET 2)

38-31-53-01

BRI
MAY 28/07

38-31-53-01
PAGE 0A


BOEING
 757
PARTS CATALOG (MAINTENANCE)



Y 38315301 SHT 3 REV 278

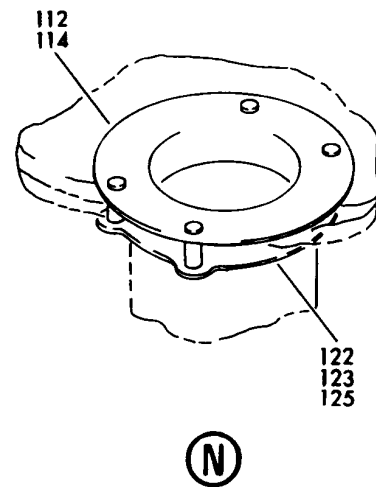
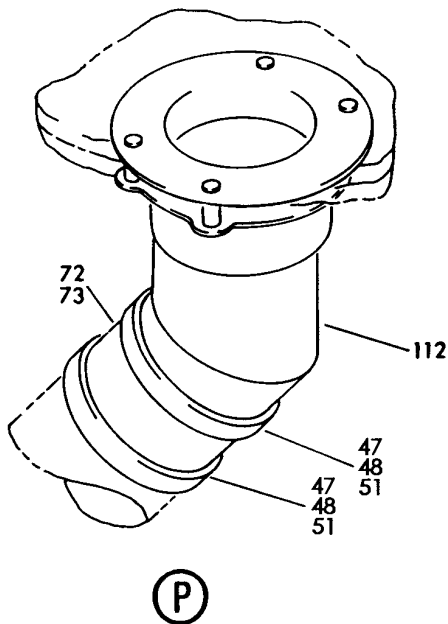
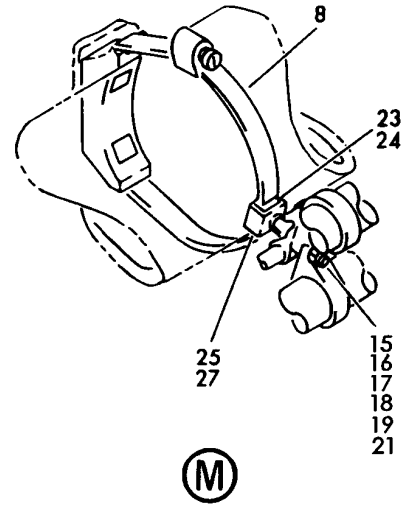
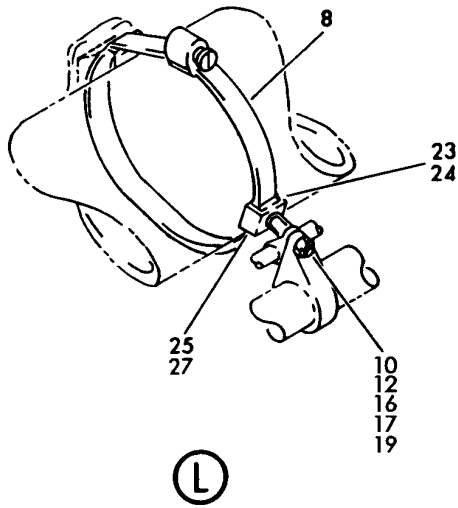
DUCT AND SUPPORT INSTL-MID CAB. LAV WASTE SYS
 FIGURE 1 (SHEET 3)

38-31-53-01

BRI
 MAY 28/07

38-31-53-01
 PAGE 0B

BOEING
757
PARTS CATALOG (MAINTENANCE)



Y 38315301 SHT 4 REV 206

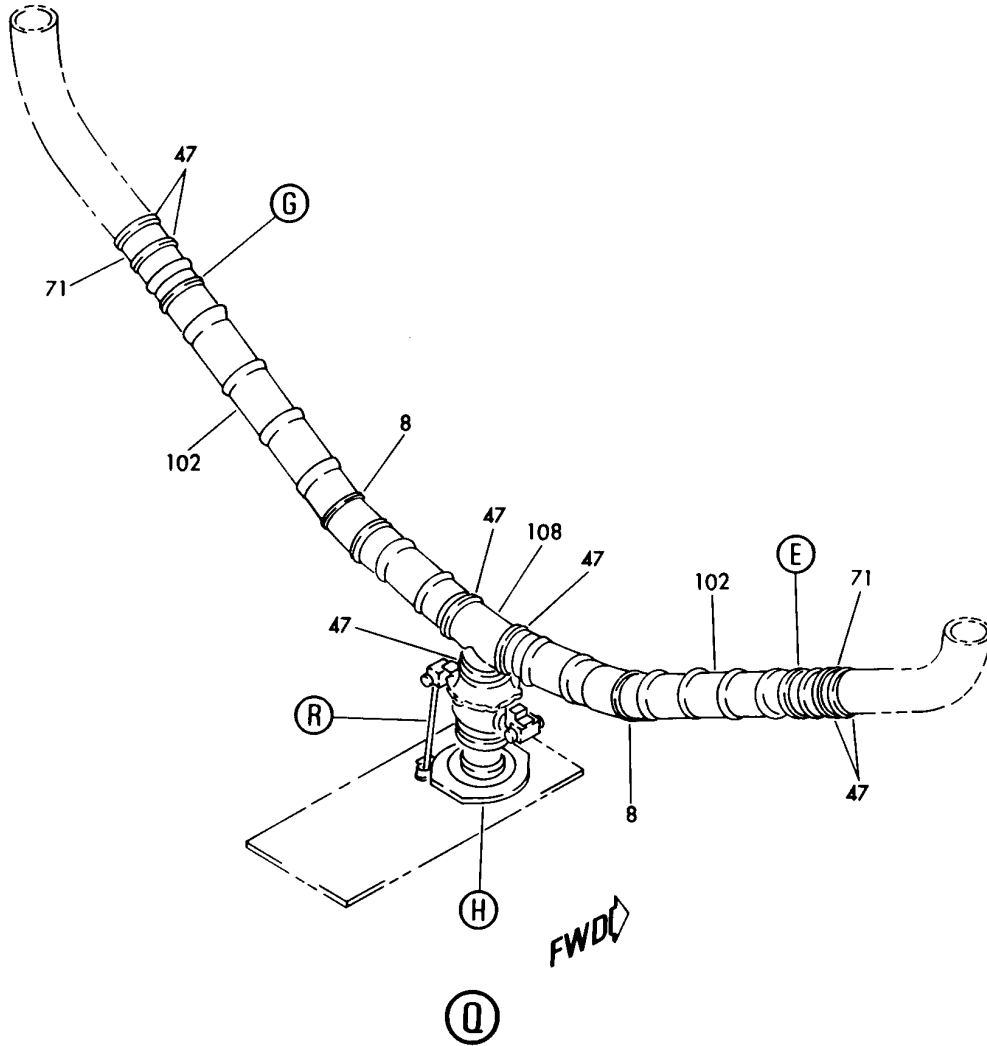
DUCT AND SUPPORT INSTL-MID CAB. LAV WASTE SYS
FIGURE 1 (SHEET 4)

38-31-53-01

BRI
MAY 28/07

38-31-53-01
PAGE 0C

BOEING
757
PARTS CATALOG (MAINTENANCE)



Y 38315301 SHT 5 REV 186

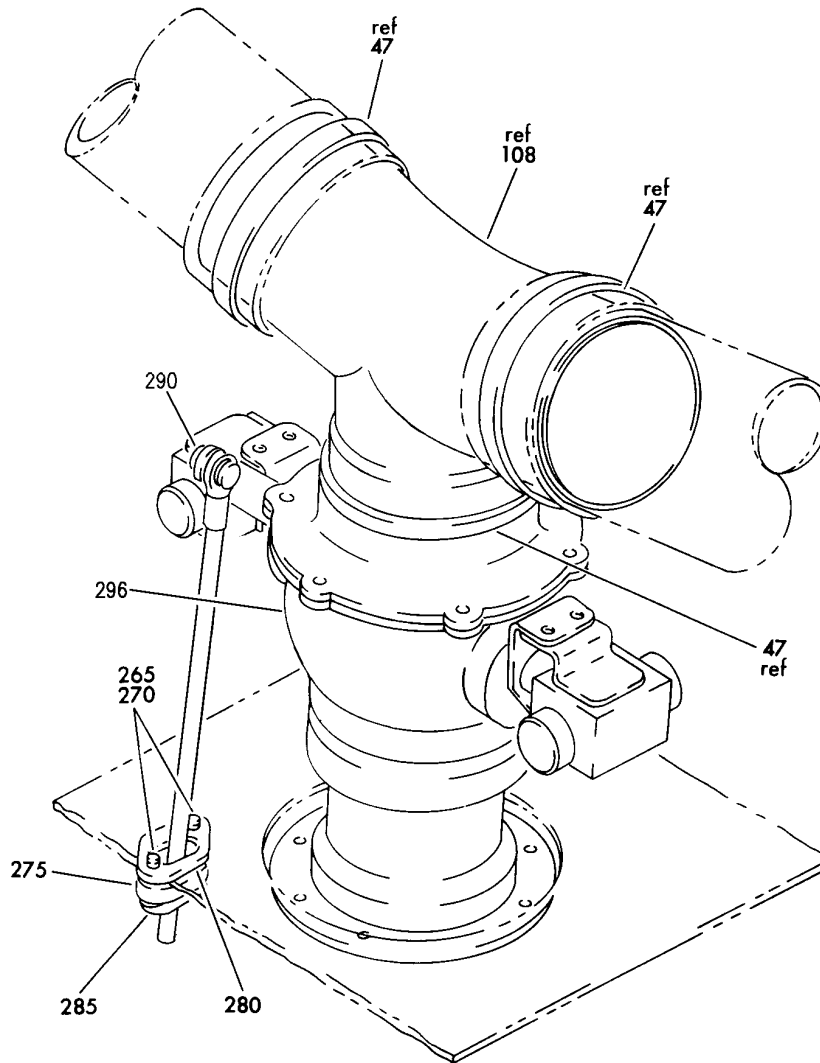
DUCT AND SUPPORT INSTL-MID CAB. LAV WASTE SYS
FIGURE 1 (SHEET 5)

38-31-53-01

BRI
MAY 28/07

38-31-53-01
PAGE 0D

BOEING
757
PARTS CATALOG (MAINTENANCE)



® FWD

Y 38315301 SH1 6 REV 275

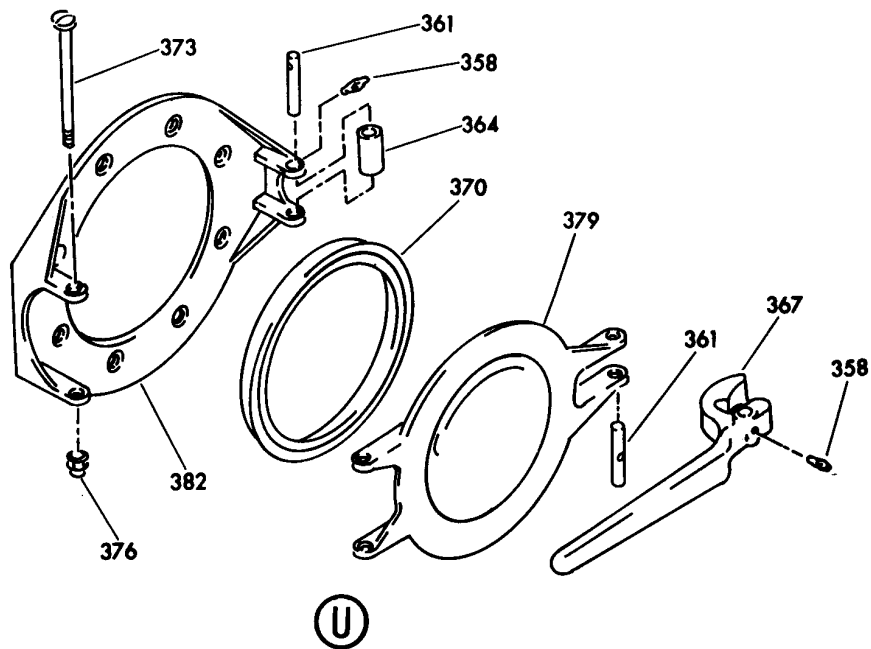
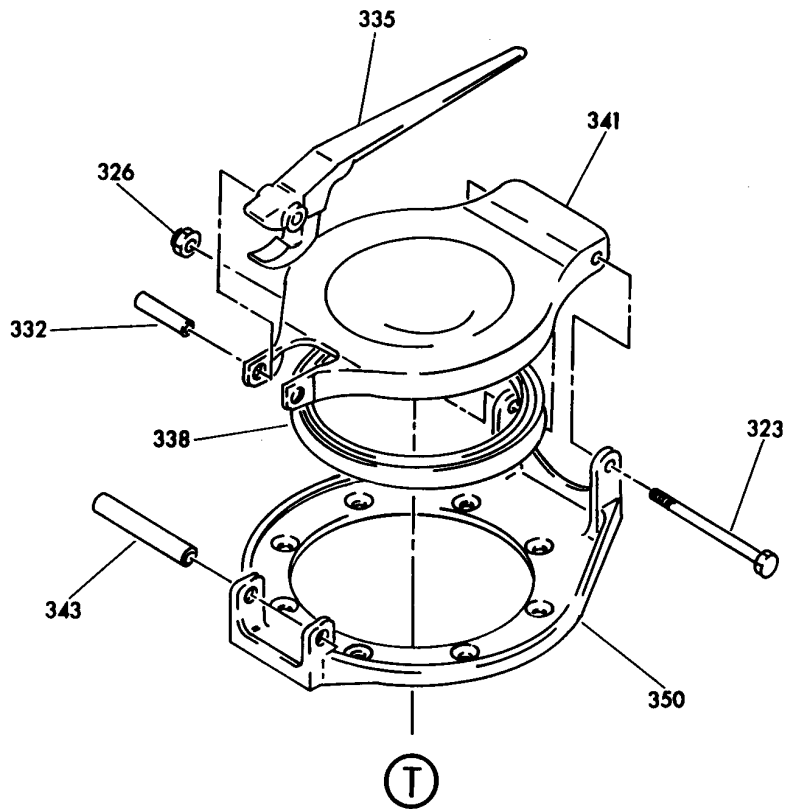
DUCT AND SUPPORT INSTL-MID CAB. LAV WASTE SYS
FIGURE 1 (SHEET 6)

38-31-53-01

BRI
MAY 28/07

38-31-53-01
PAGE 0E

BOEING
757
PARTS CATALOG (MAINTENANCE)



Y 38315301 SMT 7 REV 165

DUCT AND SUPPORT INSTL-MID CAB. LAV WASTE SYS
FIGURE 1 (SHEET 7)

38-31-53-01

BRI
MAY 28/07

38-31-53-01
PAGE OF



757

PARTS CATALOG (MAINTENANCE)

FIG ITEM	PART NUMBER	1 2 3 4 5 6 7	NOMENCLATURE	EFFECT FROM TO	UNITS PER ASSY
1			DUCT AND SUPPORT INSTL-MID CAB. LAV WASTE SYS	002004 006100 107107 121503 904999	
- 1	417N8301-1		DUCT INSTL-LAV WASTE SYS POSITION DATA: MID CAB. VARIABLE DRAWING REF: 417N8301-12 417N8301-13 FOR NHA SEE: 25-20-00-01A 25-20-00-01E 25-20-00-03A	107107 904949 952952	RF
- 1	417N8301-16		DUCT INSTL-LAV B, C AND D 4 DOOR (WASTE SYSTEM ONLY) POSITION DATA: MID CAB. VARIABLE DRAWING REF: 417N8301-17 FOR NHA/OTHER SYS DET SEE: 25-20-00-01A 25-20-00-01E 25-20-00-03A	002004 121503	RF
- 1	417N8301-23		DUCT INSTL-WASTE SYS LAV B C AND D 4 DOOR (WASTE SYSTEM ONLY) POSITION DATA: MID CAB. VARIABLE DRAWING REF: 417N8301-17 417N8301-18 FOR NHA/OTHER SYS DET SEE: 25-20-00-01A 25-20-00-03A	006100 950951 953999	RF
4	BAC27DPA5059		.MARKER- PLACARD CONTENT: TOILET DRAIN	002004 006100 121503 950951 953999	1
8	NAS1922-0400-1		.CLAMP- OPTIONAL PART: BACC10JB126C156	107107 904949 952952	14
8	NAS1922-0400-3		.CLAMP- OPTIONAL PART: BACC10JB126C156	002004 006100 121503 953999	14

MISSING ITEM NUMBERS NOT APPLICABLE

- ITEM NOT ILLUSTRATED

38-31-53-01

38-31-53
FIG. 01
PAGE 1
JAN 20/09

BRI



757

PARTS CATALOG (MAINTENANCE)

FIG ITEM	PART NUMBER	1 2 3 4 5 6 7	NOMENCLATURE	EFFECT FROM TO	UNITS PER ASSY
1					
8	BACC10JB126C156	.CLAMP-	OPTIONAL PART: NAS1922-0400-1	107107 904949 952952	14
8	BACC10JB126C156	.CLAMP-	OPTIONAL PART: NAS1922-0400-3	002004 006100 121503 953999	14
10	NAS6703-13	.BOLT-		107107 904949 952952	7
12	BACB30NM3K13	.BOLT		002004 006100 121503 953999	8
15	NAS6703-20	.BOLT		107107 952952	6
17	NAS6703-13	.BOLT-		904949	14
18	BACB30NM3K13	.BOLT		121503 950951	6
19	BACB30NM3K13	.BOLT		950951	14
21	BACB30NM3K20	.BOLT		002004 006100 121503 950951 953999	6
23	BACB19F10S	.BLOCK-		107107 904949 952952	12
24	BACB19F10S	.BLOCK		002004 006100 121503 953999	18
25	BACC15AN10	.CLIP-		107107 904949 952952	14
27	BACC15AN10	.CLIP		002004 006100 121503 953999	18
30	64	.CLAMP-	SUPPLIER CODE: V7Z588 SPECIFICATION NUMBER: STBC10GG146 OPTIONAL PART: WWD146H V66295	107107 904949 952952	18

MISSING ITEM NUMBERS NOT APPLICABLE

- ITEM NOT ILLUSTRATED

38-31-53-01

38-31-53
FIG. 01
PAGE 2
JAN 20/09

BRI

BOEING PROPRIETARY - Copyright © - Unpublished Work - See title page for details.



757

PARTS CATALOG (MAINTENANCE)

FIG ITEM	PART NUMBER	1 2 3 4 5 6 7	NOMENCLATURE	EFFECT FROM TO	UNITS PER ASSY
1					
35	64		.CLAMP- SUPPLIER CODE: V7Z588 SPECIFICATION NUMBER: STBC10GG146 OPTIONAL PART: WWD146H V66295	107107 904949 952952	4
45	64		.CLAMP SUPPLIER CODE: V7Z588 SPECIFICATION NUMBER: STBC10GG146 OPTIONAL PART: WWD146H V66295	107107 952952	1
48	BACC10JB126A156		.CLAMP	002004 006100 121503 950951 953999	22
50	BACC10JB126A156		.CLAMP	002004 006100 953999	2
53	BACC10JB126A156		.CLAMP-	953999	1
55	IT4986-34		.CONNECTOR-ELBOW SUPPLIER CODE: V26831 SPECIFICATION NUMBER: S417N802-34	002004 006100 121503 950951 953999	1
57	IT4986-33		.CONNECTOR-ELBOW SUPPLIER CODE: V26831 SPECIFICATION NUMBER: S417N802-33	002004 006100 121503 950951 953999	1
60	IT4986-3		.CONNECTOR-FLEXIBLE SUPPLIER CODE: V26831 SPECIFICATION NUMBER: S417N802-3 OPTIONAL PART: FA5056 V24984	107107 904949 952952	6

MISSING ITEM NUMBERS NOT APPLICABLE

- ITEM NOT ILLUSTRATED

38-31-53-01

38-31-53
FIG. 01
PAGE 3
JAN 20/09

BRI



757

PARTS CATALOG (MAINTENANCE)

FIG ITEM	PART NUMBER	1 2 3 4 5 6 7	NOMENCLATURE	EFFECT FROM TO	UNITS PER ASSY
1 60	IT4986-3		.CONNECTOR-FLEXIBLE SUPPLIER CODE: V26831 SPECIFICATION NUMBER: S417N802-3 OPTIONAL PART: FA5056 V24984	121503 950951 953999	6
72	IT4986-3		.CONNECTOR-FLEXIBLE SUPPLIER CODE: V26831 SPECIFICATION NUMBER: S417N802-3 OPTIONAL PART: FA5056 V24984	002004 006100	7
76	IT4986-7		.CONNECTOR-FLEXIBLE SUPPLIER CODE: V26831 SPECIFICATION NUMBER: S417N802-7 OPTIONAL PART: FA5059 V24984	002004 006100 107107 121503 904999	2
77	IT4986-9		.CONNECTOR-FLEXIBLE SUPPLIER CODE: V26831 SPECIFICATION NUMBER: S417N802-9 OPTIONAL PART: FA5065 V24984	002004 006100 107107 121503 904999	1
79	IT4986-6		.CONNECTOR-FLEXIBLE SUPPLIER CODE: V26831 SPECIFICATION NUMBER: S417N802-6 OPTIONAL PART: FA5058-2 V24984	107107 904949 952952	1
81	IT4986-11		.CONNECTOR- SUPPLIER CODE: V26831 SPECIFICATION NUMBER: S417N802-11 OPTIONAL PART: FA5068 V24984	107107 952952	1

MISSING ITEM NUMBERS NOT APPLICABLE

- ITEM NOT ILLUSTRATED

38-31-53-01

38-31-53
FIG. 01
PAGE 4
JAN 20/09

BRI



757

PARTS CATALOG (MAINTENANCE)

FIG ITEM	PART NUMBER	1 2 3 4 5 6 7	NOMENCLATURE	EFFECT FROM TO	UNITS PER ASSY
1	82 IT4986-5		.CONNECTOR- SUPPLIER CODE: V26831 SPECIFICATION NUMBER: S417N802-5 OPTIONAL PART: FA5058-1 V24984	107107 904949 952952	1
	86 417N8303-5		.DUCT ASSY-	002004 006100 950951 953999	1
	88 417N8303-6		.DUCT-	121503	1
	91 417N8303-3		.DUCT ASSY-	002004 006100 107107 121503 904999	2
	96 417N8303-4		.DUCT-	002004 006100 107107 121503 904999	2
	101 417N8303-2		.DUCT-	002004 006100 107107 121503 904999	2
	106 417N8303-1		.DUCT ASSY-	002004 006100 107107 121503 904999	1
	111 417N8303-6		.DUCT-	904951	2
	112 417N8212-11		.ADAPTOR ASSY-	002004 006100	1
	114 417N1066-7		.ADAPTOR	002004 006100 121503 950951 953999	2
	116 BACB30LH3U8		.BOLT-	107107 904949 952952	8
	120 BACR15BA6D		.RIVET- SIZE DETERMINED ON INSTL.	107107 904949 952952	4

MISSING ITEM NUMBERS NOT APPLICABLE

- ITEM NOT ILLUSTRATED

38-31-53-01

38-31-53
FIG. 01
PAGE 5
JAN 20/09

BRI

 **BOEING**
757
PARTS CATALOG (MAINTENANCE)

FIG ITEM	PART NUMBER	1 2 3 4 5 6 7	NOMENCLATURE	EFFECT FROM TO	UNITS PER ASSY
1					
122	65C30209-24	.	RING ASSY	002004 006100 121503 950951 953999	1
123	65C30209-24	.	RING ASSY	002004 006100 121503 950951 953999	1
125	65C30209-24	.	RING ASSY-	002004 006100	1
- 126	BACS12ER3K14	.	ATTACHING PARTS SCREW	002004 006100 121503 950951 953999	4
- 127	BACS12ER3K14	.	SCREW-	002004 006100	4
- 131	BACS12ER3K14	.	SCREW	002004 006100 121503 950951 953999	4
			-----*-----		
136	417N8308-1	.	RING ASSY-MTG OPTIONAL PART: 417N8303-3	002004 006100 107107 121503 904999	1
136	417N8308-3	.	RING ASSY-MTG OPTIONAL PART: 417N8303-1	006100 950951 953999	1
170	69-71690-2	.	SHIM	002004 107107 121503 904949 952952	1

MISSING ITEM NUMBERS NOT APPLICABLE

- ITEM NOT ILLUSTRATED

BRI

38-31-53-01

BOEING PROPRIETARY - Copyright © - Unpublished Work - See title page for details.

38-31-53
FIG. 01
PAGE 6
JAN 20/09



**757
PARTS CATALOG (MAINTENANCE)**

FIG ITEM	PART NUMBER	1 2 3 4 5 6 7	NOMENCLATURE	EFFECT FROM TO	UNITS PER ASSY
1 175	2174		.GASKET-HEATER SUPPLIER CODE: V98085 SPECIFICATION NUMBER: 10-60795-1 10-60795-2 MISCELLANEOUS DATA: 2174 IS QUALIFIED TO 10-60795-1 AND 10-60795-2. 10-60795-1 AND 10-60795-2 ARE FULLY INTERCHANGEABLE. OPTIONAL PART: 43-1479-1 V11416	002004 006100 107107 121503 904999	1
180	65C30209-7		.RING ASSY	002004 006100 107107 121503 904999	1
185	BACB30NT3K10		.BOLT	006100 950951 953999	8
190	BACB30LU3-17		.BOLT	002004 121503	8
195	2651-311-6		.CAP AND FLANGE ASSY- SUPPLIER CODE: V86831 MISCELLANEOUS DATA: 10-62213-1 OR 10-62213-2 CAN REPLACE BUT NOT BE REPLACED BY 2651-311-6 COMPONENT MAINT MANUAL REF: 38-37-01 QUALIFIED I/W DATA: 4259-20 OR 4259-31 OR D008-100 OR V4259J064S21 TOGETHER WITH V2651-301C10 OR 2651-301 AND 2651-269-6 CAN REPLACE OR BE REPLACED BY 2651-311-6 PRE SERVICE LETTER: 38-009 FOR DETAILS SEE: 38-32-38-50	002004 006100 107107 121503 904999	1

MISSING ITEM NUMBERS NOT APPLICABLE

— ITEM NOT ILLUSTRATED

38-31-53-01

38-31-53
FIG. 01
PAGE 7
JAN 20/09

BRI



757

PARTS CATALOG (MAINTENANCE)

FIG ITEM	PART NUMBER	1 2 3 4 5 6 7	NOMENCLATURE	EFFECT FROM TO	UNITS PER ASSY
1					
195	2651-311-1		.CAP AND FLANGE ASSY- SUPPLIER CODE: V86831 COMPONENT MAINT MANUAL REF: 38-37-01 FOR DETAILS SEE: 38-32-38-50	107107 904949 952952	1
195	V4259J064S21		.PLUG ASSY- SUPPLIER CODE: V84971	107107 904949 952952	1
195	10-62213-1		.DRAIN ASSY- SUPPLIER CODE: V81205	002004 006100 107107 121503 904999	1
240	IT4986-11		.CONNECTOR- SUPPLIER CODE: V26831 SPECIFICATION NUMBER: S417N802-11 OPTIONAL PART: FA5068 V24984	107107	1

MISSING ITEM NUMBERS NOT APPLICABLE

- ITEM NOT ILLUSTRATED

BRI

38-31-53-01

BOEING PROPRIETARY - Copyright © - Unpublished Work - See title page for details.

38-31-53
FIG. 01
PAGE 8
JAN 20/09



**757
PARTS CATALOG (MAINTENANCE)**

FIG ITEM	PART NUMBER	1 2 3 4 5 6 7	NOMENCLATURE	EFFECT FROM TO	UNITS PER ASSY
1 245	10101000CN		. VALVE- SUPPLIER CODE: V99321 SPECIFICATION NUMBER: 10-62213-1 MISCELLANEOUS DATA: 737-SL-38-012 AND 757-SL-38-009 CALL OUT 10101000CN OPT TO 331-0001-01 COMPONENT MAINT MANUAL REF: 38-30-08 OPTIONAL PART: 331-0001-01 V99321 OPTIONAL PART: 331-0001-01 V99321 SERVICE BULLETIN OPT DATA: 9527-1 V99321 POST SERVICE BULLETIN: 1010100C-38-2 V99321 POST SERVICE LETTER: 38-009 FOR DETAILS SEE: 38-31-55-08	002004 006100 107107 121503 904999	1

MISSING ITEM NUMBERS NOT APPLICABLE

— ITEM NOT ILLUSTRATED

38-31-53-01

38-31-53
FIG. 01
PAGE 9
JAN 20/09

BRI



757

PARTS CATALOG (MAINTENANCE)

FIG ITEM	PART NUMBER	1 2 3 4 5 6 7 NOMENCLATURE	EFFECT FROM TO	UNITS PER ASSY
1 245	331-0001-01	. VALVE- SUPPLIER CODE: V99321 SPECIFICATION NUMBER: 10-62213-1 MISCELLANEOUS DATA: 10-62213-1 OR 10-62213-2 CAN REPLACE BUT NOT BE REPLACED BY 10-60916-1 OR B229S64 OR V2651-216C00 OR 2651-216 OR V2651-216C10 OR 4259-20 OR 4259-31 OR D0008-100 OR V4259J064S20 OR 2651-311-6 OR 10101000CJ OR 2651-311-8 OR 10101000CJ2 10-62213-2 CAN REPLACE BUT NOT BE REPLACED BY 10-62213-1 737-SL-38-012 AND 757-SL-38-009 CALL OUT 10101000CN OPT TO 331-0001-01 COMPONENT MAINT MANUAL REF: 38-30-08 OPTIONAL PART: 10101000CN V99321 OPTIONAL PART: 10101000CN V99321 SERVICE BULLETIN OPT DATA: 9527-1 V99321 POST SERVICE LETTER: 38-009 FOR DETAILS SEE: 38-32-38-51	002004 006100 107107 121503 904999	1

MISSING ITEM NUMBERS NOT APPLICABLE

- ITEM NOT ILLUSTRATED

38-31-53-01

38-31-53
FIG. 01
PAGE 10
JAN 20/09

BRI



757

PARTS CATALOG (MAINTENANCE)

FIG ITEM	PART NUMBER	1 2 3 4 5 6 7	NOMENCLATURE	EFFECT FROM TO	UNITS PER ASSY
1 245	9527-1		.VALVE- SUPPLIER CODE: V06177 SPECIFICATION NUMBER: 10-62213-6 COMPONENT MAINT MANUAL REF: 38-30-01 SERVICE BULLETIN OPT DATA: 331-0001-01 V99321 10101000CN V99321 POST SERVICE LETTER: 38-009	002004 006100 107107 121503 904999	1
R R R R R	245	332-0001-01	.VALVE- SUPPLIER CODE: V99321 COMPONENT MAINT MANUAL REF: 38-30-06	002004 006100 107107 121503 904999	1
	383	214T3424-6	.SUPPORT-DUCT	002004 006100 107107 121503 904999	6
	- 384	NAS1801-3-8	ATTACHING PARTS .SCREW-	002004 006100 107107 121503 904999	12
	- 385	AN960PD10L	.WASHER-	002004 006100 107107 121503 904999	12

MISSING ITEM NUMBERS NOT APPLICABLE

- ITEM NOT ILLUSTRATED

BRI

38-31-53-01

BOEING PROPRIETARY - Copyright © - Unpublished Work - See title page for details.

38-31-53
FIG. 01
PAGE 11
MAY 20/09



757

PARTS CATALOG (MAINTENANCE)

FIG ITEM	PART NUMBER	1 2 3 4 5 6 7	NOMENCLATURE	EFFECT FROM TO	UNITS PER ASSY
1 - 386	BRH10C3D		.NUT- SUPPLIER CODE: V52828 SPECIFICATION NUMBER: BACN10JC3CD OPTIONAL PART: T6C1032JCD V11815 NS202486-02 V80539 102LH9075-3W V72962 H51650-3BAC V15653	002004 006100 107107 121503 904999	12
- 550	417N8301-2		-----*----- SUPPORT INSTL-LAV WASTE POSITION DATA: MID CAB. FOR NHA SEE: 25-20-00-03A	002004 006100 107107 121503 904999	RF
555	214T3424-6		.SUPPORT-DUCT	002004 006100 107107 121503 904999	6
- 560	NAS1801-3-8		ATTACHING PARTS .SCREW	002004 006100 107107 121503 904999	12
- 565	AN960PD10L		.WASHER	002004 006100 107107 121503 904999	12

MISSING ITEM NUMBERS NOT APPLICABLE

- ITEM NOT ILLUSTRATED

BRI

38-31-53-01

BOEING PROPRIETARY - Copyright © - Unpublished Work - See title page for details.

38-31-53
FIG. 01
PAGE 12
MAY 20/09



**757
PARTS CATALOG (MAINTENANCE)**

FIG ITEM	PART NUMBER	1 2 3 4 5 6 7 NOMENCLATURE	EFFECT FROM TO	UNITS PER ASSY
1 - 570	BRH10C3D	.NUT SUPPLIER CODE: V52828 SPECIFICATION NUMBER: BACN10JC3CD OPTIONAL PART: T6C1032JCD V11815 NS202486-02 V80539 102LH9075-3W V72962 H51650-3BAC V15653 -----*-----	002004 006100 107107 121503 904999	12

MISSING ITEM NUMBERS NOT APPLICABLE

- ITEM NOT ILLUSTRATED

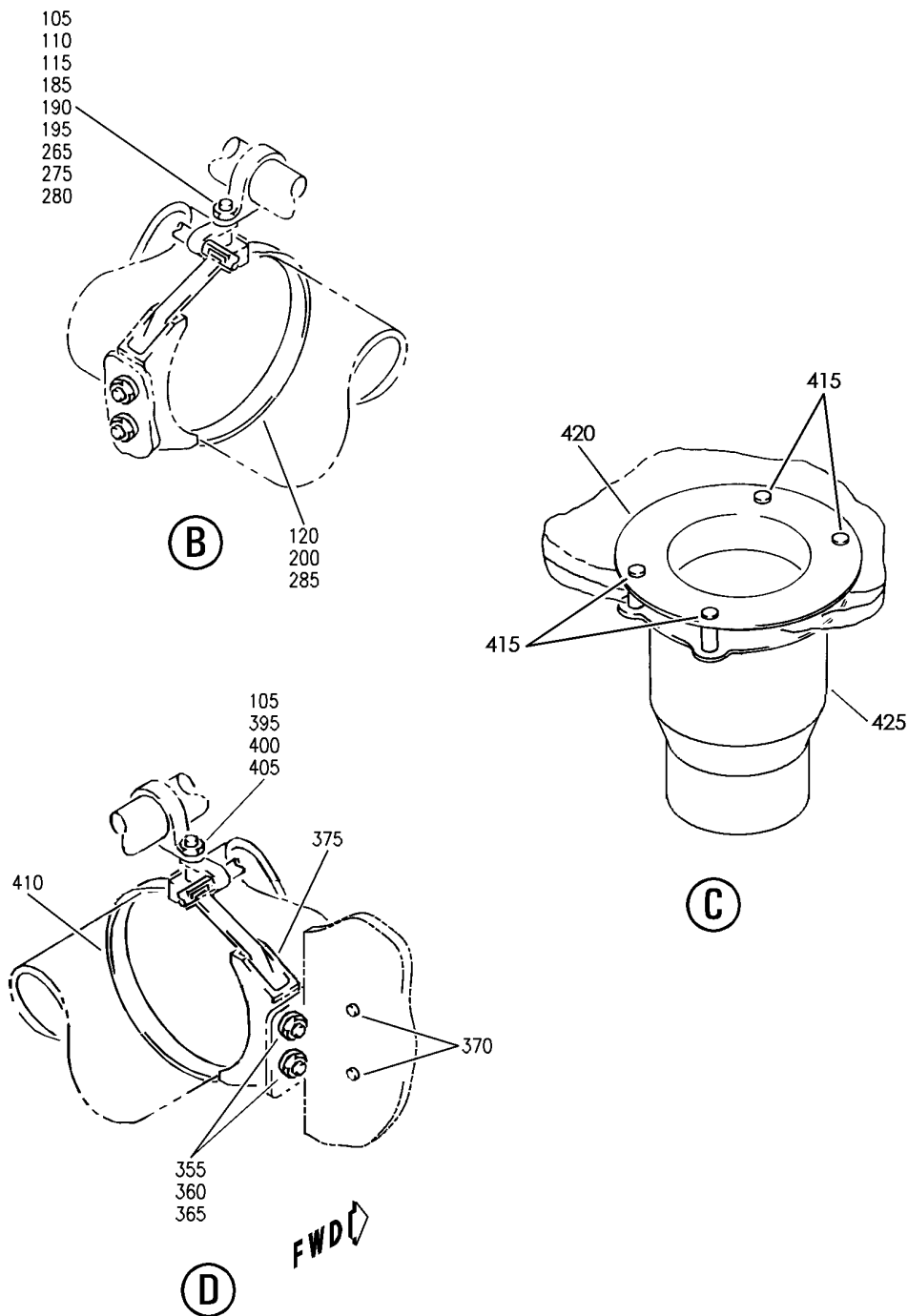
BRI

38-31-53-01

BOEING PROPRIETARY - Copyright © - Unpublished Work - See title page for details.

38-31-53
FIG. 01
PAGE 13
MAY 20/09

BOEING
757
PARTS CATALOG (MAINTENANCE)



Y 38315303 SH1 2 REV 244

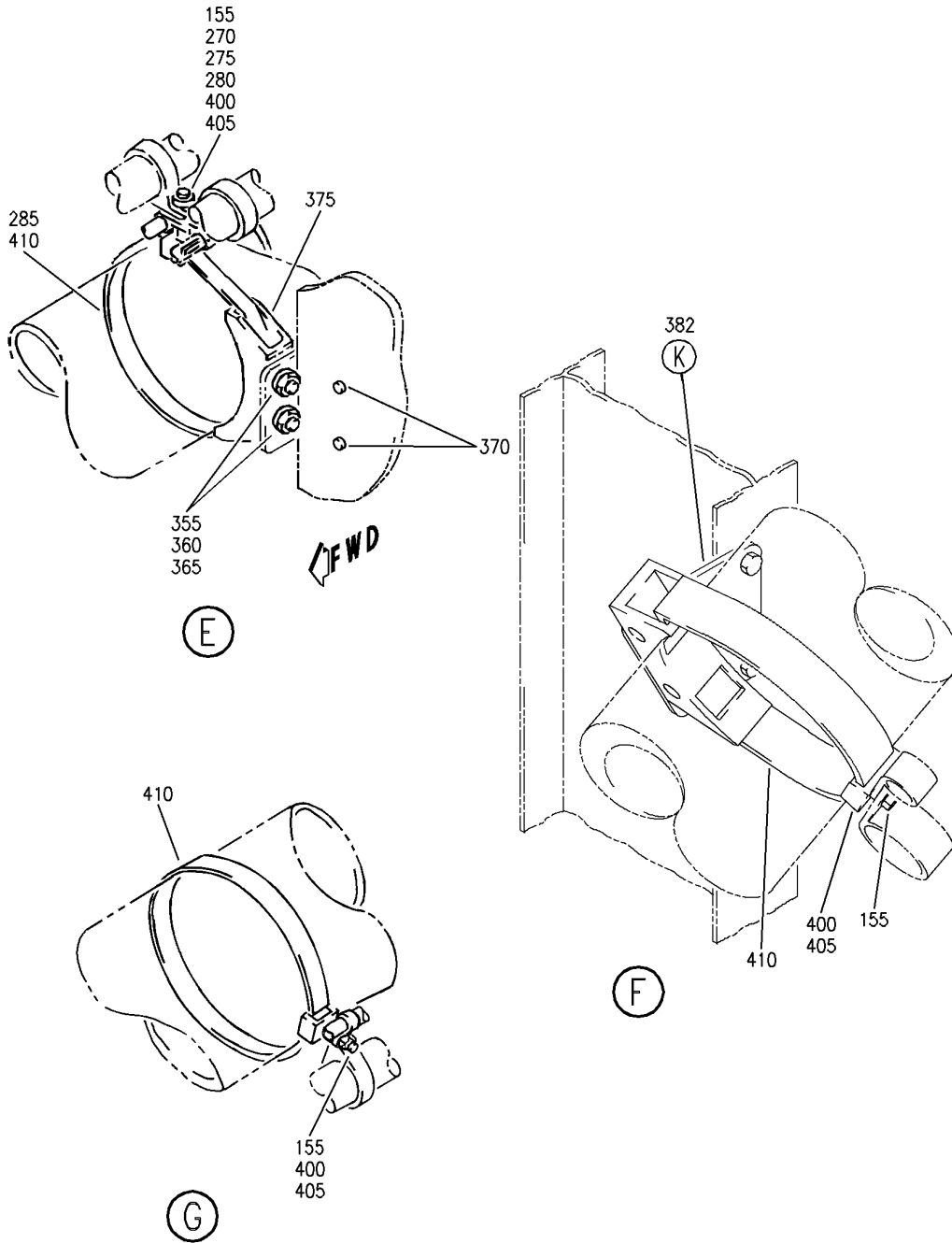
VALVE AND DUCT INSTL-MID CAB. LAV WASTE SYS
FIGURE 3 (SHEET 2)

38-31-53-03

BRI
MAY 28/07

38-31-53-03
PAGE 0A

BOEING
757
PARTS CATALOG (MAINTENANCE)



Y 38315303 SH1 3 REV 244

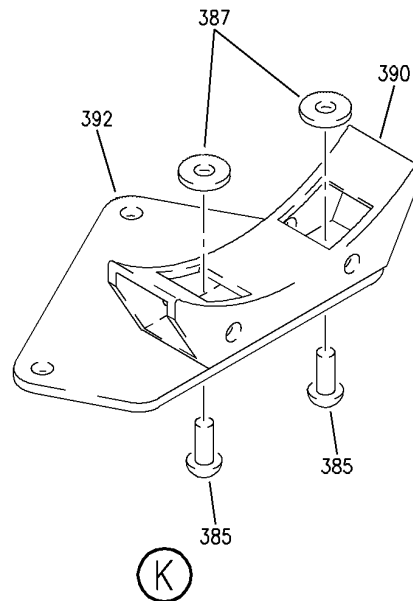
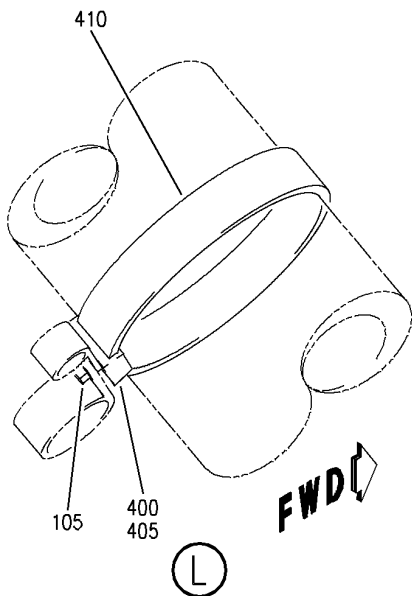
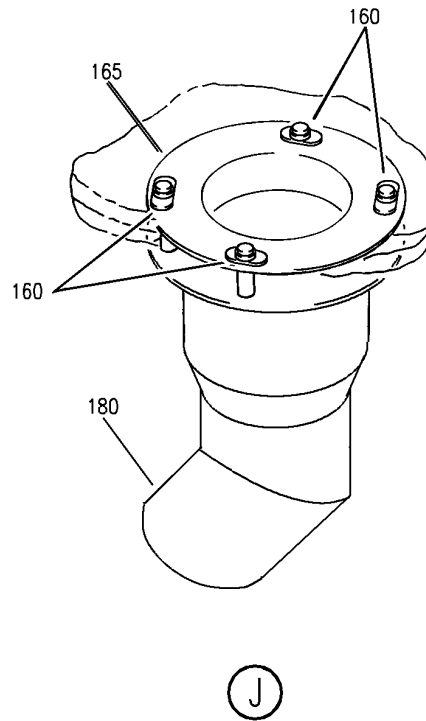
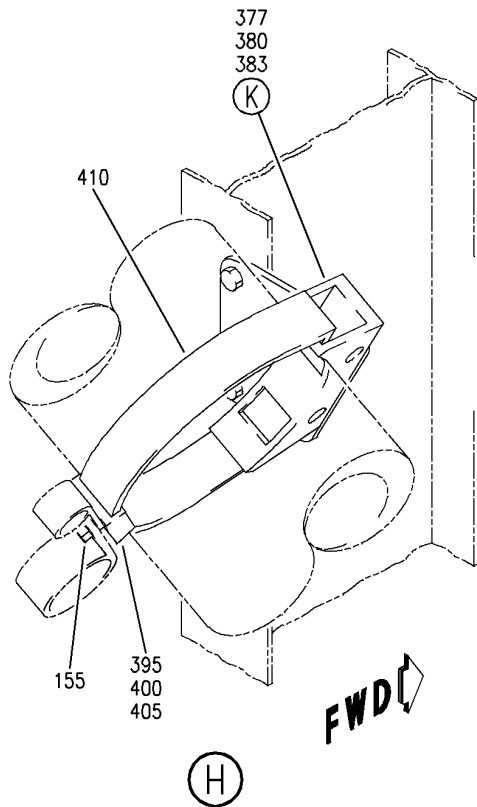
VALVE AND DUCT INSTL-MID CAB. LAV WASTE SYS
FIGURE 3 (SHEET 3)

38-31-53-03

BRI
MAY 28/07

38-31-53-03
PAGE 0B

BOEING
757
PARTS CATALOG (MAINTENANCE)



Y 38315303 SH1 4 REV 244

VALVE AND DUCT INSTL-MID CAB. LAV WASTE SYS
FIGURE 3 (SHEET 4)

38-31-53-03

BRI
MAY 28/07

38-31-53-03
PAGE 0C



757

PARTS CATALOG (MAINTENANCE)

FIG ITEM	PART NUMBER	1 2 3 4 5 6 7	NOMENCLATURE	EFFECT FROM TO	UNITS PER ASSY
3			VALVE AND DUCT INSTL-MID CAB. LAV WASTE SYS	101102 108120 504903	
- 1	417N8301-34		VALVE INST-MID CAB. LAV (WASTE SYSTEM ONLY) POSITION DATA: DOOR 3 FOR NHA/OTHER SYS DET SEE: 25-20-00-09	101102 108120	RF
- 1	417N8301-35		VALVE INST-MID CAB. LAV (WASTE SYSTEM) POSITION DATA: AFT DOOR 3 FOR NHA/OTHER SYS DET SEE: 25-20-00-11B	504903	RF
5	BAC27DPA5059		.MARKER-ALUMINUM FOIL PLACARD CONTENT: TOILET DRAIN	101102 108120 504903	1
15	2174		.GASKET-HEATER SUPPLIER CODE: V98085 SPECIFICATION NUMBER: 10-60795-1 10-60795-2 MISCELLANEOUS DATA: 2174 IS QUALIFIED TO 10-60795-1 AND 10-60795-2. 10-60795-1 AND 10-60795-2 ARE FULLY INTERCHANGEABLE. OPTIONAL PART: 43-1479-1 V11416	101102 108120 504903	1
20	65C30209-7		.RING ASSY	101102 108120	1
25	BACB30NT3K10		.BOLT	101102 108120 504903	8

MISSING ITEM NUMBERS NOT APPLICABLE

- ITEM NOT ILLUSTRATED

38-31-53-03

38-31-53
FIG. 03
PAGE 1
JAN 20/09

BRI



757

PARTS CATALOG (MAINTENANCE)

FIG ITEM	PART NUMBER	1 2 3 4 5 6 7	NOMENCLATURE	EFFECT FROM TO	UNITS PER ASSY
3	30 10101000CN		.VALVE- SUPPLIER CODE: V99321 SPECIFICATION NUMBER: 10-62213-1 MISCELLANEOUS DATA: 737-SL-38-012 AND 757-SL-38-009 CALL OUT 10101000CN OPT TO 331-0001-01 COMPONENT MAINT MANUAL REF: 38-30-08 OPTIONAL PART: 331-0001-01 V99321 FOR DETAILS SEE: 38-31-55-08	101102 108120	1
	30 331-0001-01		.VALVE- SUPPLIER CODE: V99321 SPECIFICATION NUMBER: 10-62213-1 MISCELLANEOUS DATA: 10-62213-1 OR 10-62213-2 CAN REPLACE BUT NOT BE REPLACED BY 10-60916-1 OR B229S64 OR V2651-216C00 OR 2651-216 OR V2651-216C10 OR 4259-20 OR 4259-31 OR D0008-100 OR V4259J064S20 OR 2651-311-6 OR 10101000CJ OR 2651-311-8 OR 10101000CJ2 10-62213-2 CAN REPLACE BUT NOT BE REPLACED BY 10-62213-1 737-SL-38-012 AND 757-SL-38-009 CALL OUT 10101000CN OPT TO 331-0001-01 COMPONENT MAINT MANUAL REF: 38-30-08 OPTIONAL PART: 10101000CN V99321 FOR DETAILS SEE: 38-32-38-51	101102 108120	1

MISSING ITEM NUMBERS NOT APPLICABLE

- ITEM NOT ILLUSTRATED

38-31-53-03

38-31-53
FIG. 03
PAGE 2
JAN 20/09

BRI



757

PARTS CATALOG (MAINTENANCE)

FIG ITEM	PART NUMBER	1 2 3 4 5 6 7	NOMENCLATURE	EFFECT FROM TO	UNITS PER ASSY
3					
30	9527-1		. VALVE- SUPPLIER CODE: V06177 SPECIFICATION NUMBER: 10-62213-6 COMPONENT MAINT MANUAL REF: 38-30-01	101102 108120	1
30	332-0001-01		. VALVE- SUPPLIER CODE: V99321 COMPONENT MAINT MANUAL REF: 38-30-06	101102 108120	1
35	4001-0034-1		. ADAPTOR ASSY- SUPPLIER CODE: V86831 SPECIFICATION NUMBER: 10-62213-3	504903	1
40	0218-0032-8		. VALVE ASSY-WASTE DRAIN SUPPLIER CODE: V86831 SPECIFICATION NUMBER: 10-62213-5 COMPONENT MAINT MANUAL REF: 38-37-10	504903	1
45	4028-0063-1		.. CAP ASSY- SUPPLIER CODE: V86831 CONFIG CHG DATA FROM A CMM: REPLCD BY 4028-0063-2	504903	1
- 50	4028-0063-2		.. CAP ASSY- SUPPLIER CODE: V86831 CONFIG CHG DATA FROM A CMM: REPLCS 4028-0063-1	504903	1
- 100	417N8301-29		DUCT INSTL-LAV WASTE SYS POSITION DATA: UPR,MID CAB. LAV C AND D FOR NHA SEE: 25-20-00-11B	504903	RF
105	BACB30NM3K13		. BOLT	504903	7
110	BACB19F10S		. BLOCK	504903	1
115	BACC15AN10		. CLIP	504903	1
120	NAS1922-0400-3		. CLAMP	504903	1
125	417N8303-6		. DUCT	504903	1

MISSING ITEM NUMBERS NOT APPLICABLE

- ITEM NOT ILLUSTRATED

38-31-53-03

38-31-53
FIG. 03
PAGE 3
MAY 20/09

BRI



757

PARTS CATALOG (MAINTENANCE)

FIG ITEM	PART NUMBER	1 2 3 4 5 6 7	NOMENCLATURE	EFFECT FROM TO	UNITS PER ASSY
3					
- 150	417N8301-32		DUCT INSTL-LAV WASTE SYS POSITION DATA: UPR, MID CAB. LAVS B, C AND D FOR NHA SEE: 25-20-00-11B	101102	RF
155	BACB30NM3K20		.BOLT	101102	6
160	BACS12ER3K14		.SCREW	101102	4
165	65C30209-24		.RING ASSY-RETAINING	101102	1
170	BACC10JB126A156		.CLAMP	101102	2
175	IT4986-3		.CONNECTOR- SUPPLIER CODE: V26831 SPECIFICATION NUMBER: S417N802-3 OPTIONAL PART: FA5056 V24984	101102	1
180	417N8212-11		.ADAPTOR ASSY	101102	1
185	BACB30NM3K13		.BOLT	101102	1
190	BACB19F10S		.BLOCK	101102	1
195	BACC15AN10		.CLIP	101102	1
200	NAS1922-0400-3		.CLAMP	101102	1
205	417N8303-5		.DUCT ASSY	101102	1
- 250	417N8301-30		DUCT INSTL-LAV WASTE SYS POSITION DATA: UPR, MID CAB. LAVS C AND D FOR NHA SEE: 25-20-00-11B	108120	RF
255	BACC10JB126A156		.CLAMP	108120	1
260	IT4986-11		.CONNECTOR- SUPPLIER CODE: V26831 SPECIFICATION NUMBER: S417N802-11 OPTIONAL PART: FA5068 V24984	108120	1
265	BACB30NM3K13		.BOLT	108120	1
270	BACB30NM3K20		.BOLT	108120	2
275	BACB19F10S		.BLOCK	108120	3
280	BACC15AN10		.CLIP	108120	3
285	NAS1922-0400-3		.CLAMP	108120	2
290	417N8303-5		.DUCT ASSY	108120	1

MISSING ITEM NUMBERS NOT APPLICABLE

- ITEM NOT ILLUSTRATED

38-31-53-03

38-31-53
FIG. 03
PAGE 4
MAY 20/09

BRI



757

PARTS CATALOG (MAINTENANCE)

FIG ITEM	PART NUMBER	1 2 3 4 5 6 7	NOMENCLATURE	EFFECT FROM TO	UNITS PER ASSY
3					
- 350	417N8301-31		DUCT INSTL-LAV WASTE SYS POSITION DATA: MID CAB. LAVS C AND D DOOR 4 FOR NHA SEE: 25-20-00-09	101102 108120 504903	RF
355	NAS1801-3-8		.SCREW	101102 108120 504903	12
360	AN960PD10L		.WASHER	101102 108120 504903	12
365	BRH10C3D		.NUT SUPPLIER CODE: V52828 SPECIFICATION NUMBER: BACN10JC3CD OPTIONAL PART: T6C1032JCD V11815 NS202486-02 V80539 102LH9075-3W V72962 H51650-3BAC V15653	101102 108120 504903	12
375	214T3424-6		.SUPPORT-DUCT	101102 108120 504903	6
377	417N8316-3		.SUPPORT ASSY-DUCT	101102 108120 504903	3
382	417N8316-4		.SUPPORT ASSY-DUCT	101102 108120 504903	3
385	BACR15BB8AD		..RIVET- SIZE DETERMINED ON INSTL.	101102 108120 504903	2
387	AN960KD416		..WASHER	101102 108120 504903	2
390	214T3424-6		..SUPPORT-DUCT	101102 108120 504903	1
392	417N8313-2		..SUPPORT-DUCT	101102 108120 504903	1

MISSING ITEM NUMBERS NOT APPLICABLE

- ITEM NOT ILLUSTRATED

38-31-53-03

38-31-53
FIG. 03
PAGE 5
MAY 20/09

BRI



757

PARTS CATALOG (MAINTENANCE)

FIG ITEM	PART NUMBER	1 2 3 4 5 6 7	NOMENCLATURE	EFFECT FROM TO	UNITS PER ASSY
3					
395	BACB30NM3K13	.	BOLT	101102 108120 504903	7
400	BACB19F10S	.	BLOCK	101102 108120 504903	14
405	BACC15AN10	.	CLIP	101102 108120 504903	14
410	NAS1922-0400-3	.	CLAMP-	101102 108120 504903	14
			OPTIONAL PART: BACC10JB126C156	108120 504903	
410	BACC10JB126C156	.	CLAMP-	101102 108120 504903	14
			OPTIONAL PART: NAS1922-0400-3	108120 504903	
413	BACC10JB126A156	.	CLAMP-	101102 108120 504903	21
415	BACS12ER3K14	.	SCREW	101102 108120 504903	8
420	65C30209-24	.	RING ASSY	101102 108120 504903	2
425	417N1066-7	.	ADAPTOR	101102 108120 504903	2
430	IT4986-33	.	CONNECTOR-	101102 108120 504903	1
			SUPPLIER CODE: V26831		
			SPECIFICATION NUMBER: S417N802-33		
435	IT4986-34	.	CONNECTOR-	101102 108120 504903	1
			SUPPLIER CODE: V26831		
			SPECIFICATION NUMBER: S417N802-34		
440	IT4986-3	.	CONNECTOR-	101102 108120 504903	6
			SUPPLIER CODE: V26831		
			SPECIFICATION NUMBER: S417N802-3		
			OPTIONAL PART: FA5056 V24984		

MISSING ITEM NUMBERS NOT APPLICABLE

- ITEM NOT ILLUSTRATED

38-31-53-03

38-31-53
FIG. 03
PAGE 6
MAY 20/09

BRI



757

PARTS CATALOG (MAINTENANCE)

FIG ITEM	PART NUMBER	1 2 3 4 5 6 7	NOMENCLATURE	EFFECT FROM TO	UNITS PER ASSY
3					
445	IT4986-7		.CONNECTOR- SUPPLIER CODE: V26831 SPECIFICATION NUMBER: S417N802-7 OPTIONAL PART: FA5059 V24984	101102 108120 504903	2
447	IT4986-9		.CONNECTOR- SUPPLIER CODE: V26831 SPECIFICATION NUMBER: S417N802-9 OPTIONAL PART: FA5065 V24984	101102 108120 504903	1
450	417N8303-3		.DUCT ASSY	101102 108120 504903	2
455	417N8303-4		.DUCT	101102 108120 504903	2
460	417N8303-6		.DUCT	101102 108120 504903	1
465	417N8303-2		.DUCT	101102 108120 504903	2
470	417N8303-1		.DUCT ASSY	101102 108120 504903	1

MISSING ITEM NUMBERS NOT APPLICABLE

- ITEM NOT ILLUSTRATED

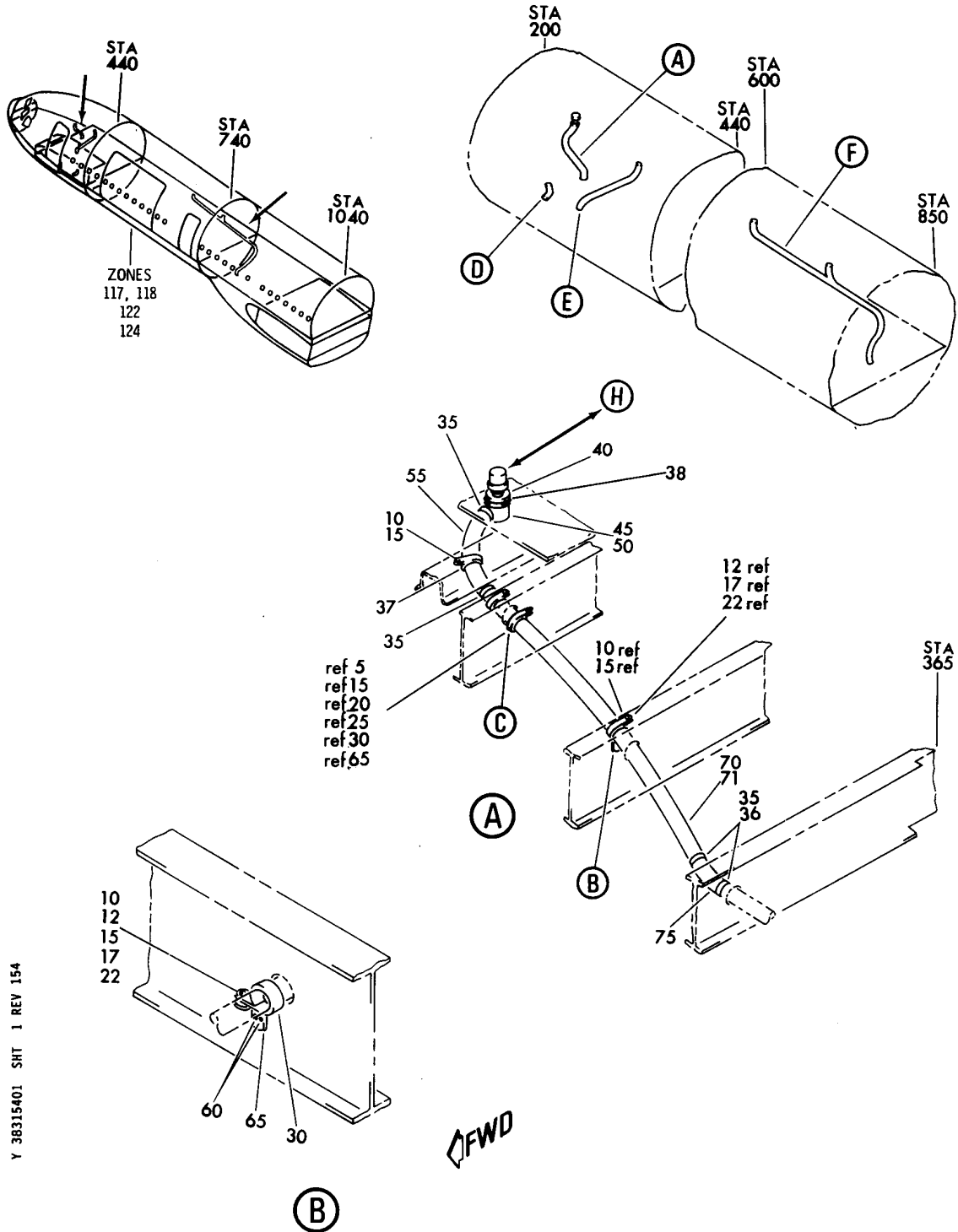
BRI

38-31-53-03

BOEING PROPRIETARY - Copyright © - Unpublished Work - See title page for details.

38-31-53
FIG. 03
PAGE 7
MAY 20/09

BOEING
757
PARTS CATALOG (MAINTENANCE)



Y 38315401 SHT 1 REV 154

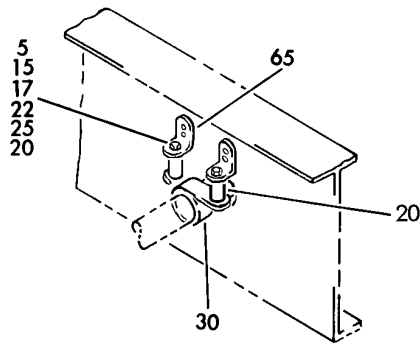
DRAIN INSTL-WASTE WATER FWD
FIGURE 1 (SHEET 1)

38-31-54-01

BRI
MAY 28/07

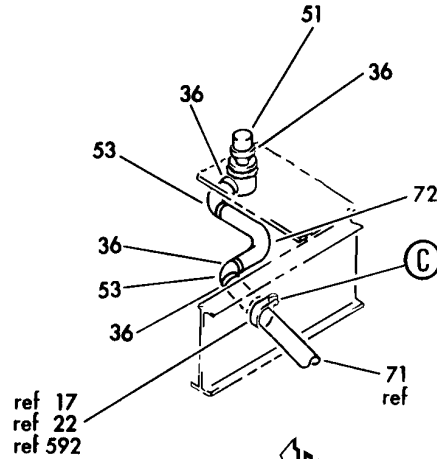
38-31-54-01
PAGE 0

BOEING
757
PARTS CATALOG (MAINTENANCE)



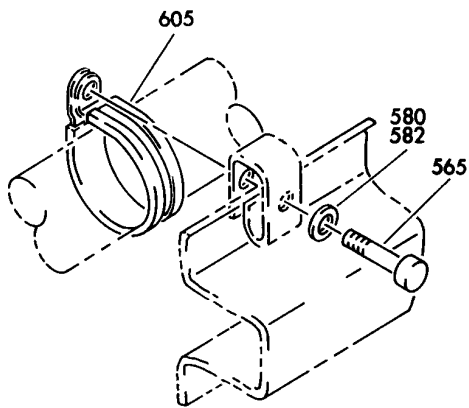
(C)

FWD

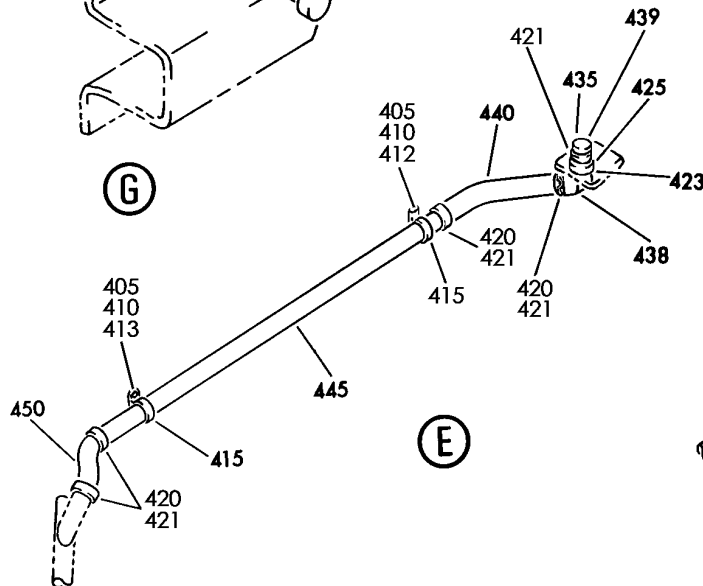


(H)

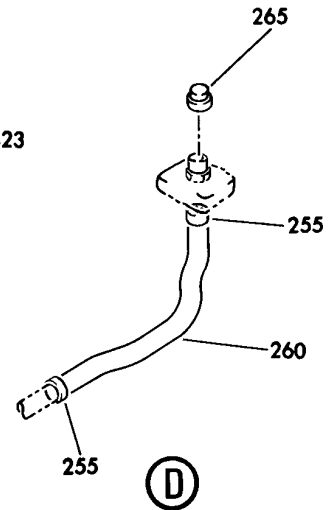
FWD



(G)



(E)



(D)

Y 38315401 SHT 2 REV 219

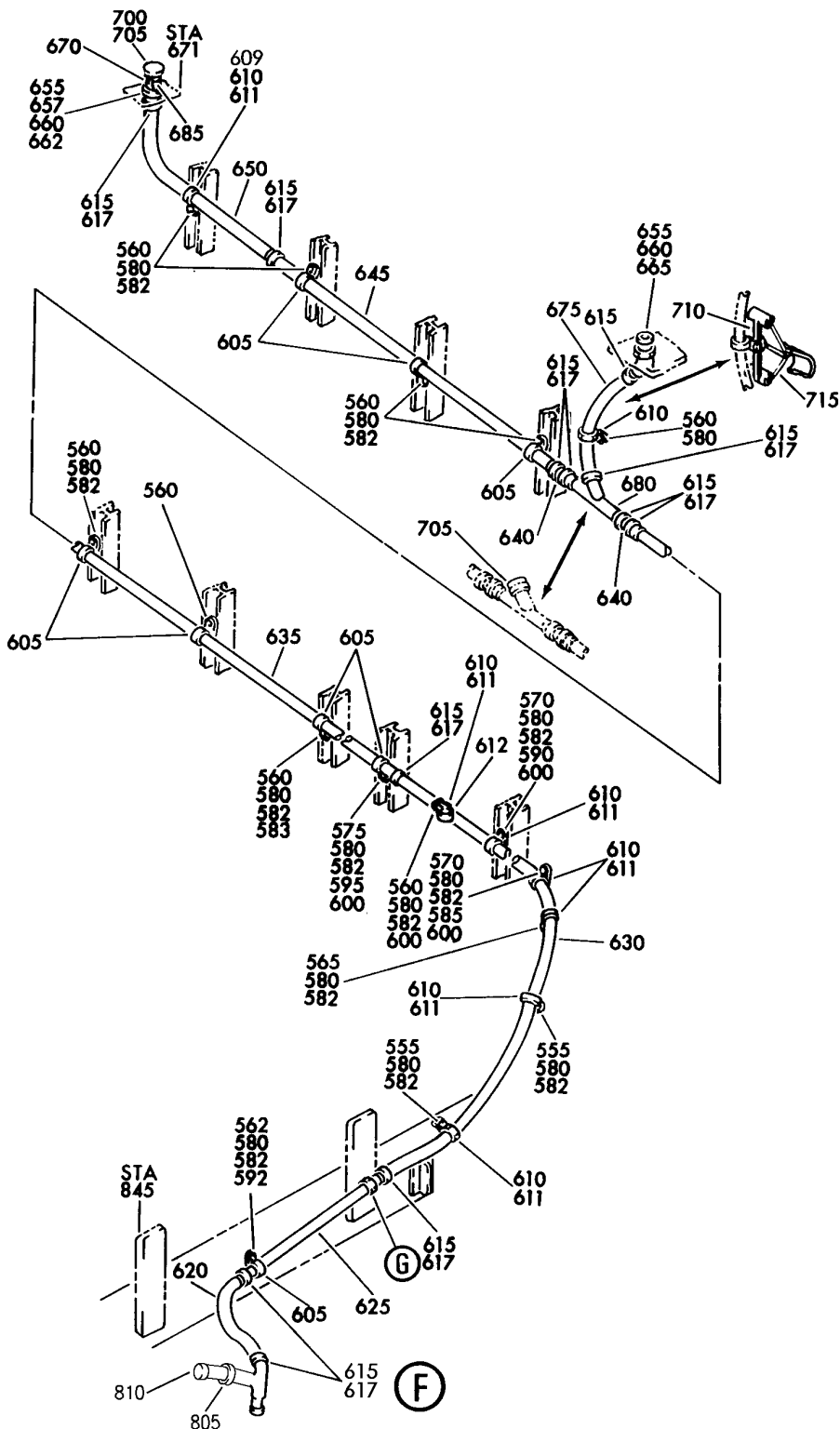
DRAIN INSTL-WASTE WATER FWD
FIGURE 1 (SHEET 2)

38-31-54-01

BRI
MAY 28/07

38-31-54-01
PAGE 0A

BOEING
757
PARTS CATALOG (MAINTENANCE)



Y 38315401 SH1 3 REV 233

DRAIN INSTL-WASTE WATER FWD
FIGURE 1 (SHEET 3)

38-31-54-01

BRI
MAY 28/07

38-31-54-01
PAGE 0B



757

PARTS CATALOG (MAINTENANCE)

FIG ITEM	PART NUMBER	1 2 3 4 5 6 7	NOMENCLATURE	EFFECT FROM TO	UNITS PER ASSY
1			DRAIN INSTL-WASTE WATER FWD	002004 006102 107999	
- 1	417N2202-1		DRAIN INSTL-WASTE WATER GALLEY 1A POSITION DATA: FWD FOR NHA SEE: 25-20-00-01A 25-20-00-01E 25-20-00-07D	002004 006102 107503 904999	RF
	5 NAS1801-3-22		.SCREW	002004 006102 107503 904999	1
	10 NAS1801-3-12		.SCREW	002004 006102 107503 904999	2
	15 AN960KD10L		.WASHER-	002004 006102 107503 904999	3
	20 NAS43DD3-52		.SPACER	002004 006102 107503 904999	1
	25 MS21042L3		.NUT-	002004 006102 107503 904999	1
	30 BACC10DK16		.CLAMP	002004 006102 107503 904999	2
	35 AN737TW46		.CLAMP-	002004 006102 107503 904999	4
	37 BACC10DK20		.CLAMP	002004 006102 107503 904999	1
	40 AN924-16D		.NUT	002004 006102 107503 904999	1

MISSING ITEM NUMBERS NOT APPLICABLE

- ITEM NOT ILLUSTRATED

38-31-54-01

38-31-54
FIG. 01
PAGE 1
JAN 20/09

BRI

BOEING PROPRIETARY - Copyright © - Unpublished Work - See title page for details.



757

PARTS CATALOG (MAINTENANCE)

FIG ITEM	PART NUMBER	1 2 3 4 5 6 7	NOMENCLATURE	EFFECT FROM TO	UNITS PER ASSY
1	50 66-17361-1		.CONNECTOR	101102 107503 904999	1
	55 IT4350-343		.HOSE- SUPPLIER CODE: V26831 SPECIFICATION NUMBER: 69-27191-343 OPTIONAL PART: 713488-343 V70628 BOE2013-0343 V16632	002004 006102 107503 904999	1
	55 BOE2013-0343		.HOSE- SUPPLIER CODE: V16632 SPECIFICATION NUMBER: 69-27191-343 OPTIONAL PART: 713488-343 V70628 IT4350-343 V26831	002004 006102 107503 904999	1
	60 BACR15BB4AD		.RIVET- SIZE DETERMINED ON INSTL.	002004 006102 107503 904999	2
	65 NS102545-02-1		.BRACKET SUPPLIER CODE: V80539 SPECIFICATION NUMBER: BACB20G7D12L3 OPTIONAL PART: NS102545-02-1 V07170 TA102CHT1-7-12 V84971	002004 006102 107503 904999	1
	70 417N2202-2		.TUBE- TUBING MATERIAL: STOCK 1.00 O.D. X .016 WALL OPTIONAL - 1.00 O.D. X .028 WALL CRES TUBE TYPE AISI 321 OR 347 PER MIL-T-8808	002004 006102 107503 904999	1

MISSING ITEM NUMBERS NOT APPLICABLE

- ITEM NOT ILLUSTRATED

38-31-54-01

38-31-54
FIG. 01
PAGE 2
JAN 20/09

BRI



757

PARTS CATALOG (MAINTENANCE)

FIG ITEM	PART NUMBER	1 2 3 4 5 6 7	NOMENCLATURE	EFFECT FROM TO	UNITS PER ASSY
1	75 IT4350-322		.HOSE ASSY- SUPPLIER CODE: V26831 SPECIFICATION NUMBER: 69-27191-322 OPTIONAL PART: 713488-322 V70628 BOE2013-0322 V16632	002004 006102 107503 904999	1
	75 BOE2013-0322		.HOSE ASSY- SUPPLIER CODE: V16632 SPECIFICATION NUMBER: 69-27191-322 OPTIONAL PART: 713488-322 V70628 IT4350-322 V26831	002004 006102 107503 904999	1
	75 713488-322		.HOSE ASSY- SUPPLIER CODE: V70628 SPECIFICATION NUMBER: 69-27191-322 OPTIONAL PART: IT4350-322 V26831 BOE2013-0322 V16632	002004 006102 107503 904999	1
- 250	417N2202-3		DRAIN INSTL-WASTE WATER LAV F POSITION DATA: FWD FOR NHA SEE: 25-20-00-01E 25-20-00-07D	107107 121949	RF
	255 AN737TW46		.CLAMP-	107107 121949	2
	260 BOE2013-0356		.HOSE ASSY- SUPPLIER CODE: V16632 SPECIFICATION NUMBER: 69-27191-356	107107 121949	1

MISSING ITEM NUMBERS NOT APPLICABLE

- ITEM NOT ILLUSTRATED

38-31-54-01

38-31-54
FIG. 01
PAGE 3
JAN 20/09

BRI



757

PARTS CATALOG (MAINTENANCE)

FIG ITEM	PART NUMBER	1 2 3 4 5 6 7	NOMENCLATURE	EFFECT FROM TO	UNITS PER ASSY
1					
- 400	417N2202-4		DRAIN INSTL-WASTE WATER GALLEY 1B POSITION DATA: FWD FOR NHA SEE: 25-20-00-01A 25-20-00-01E	121503 904999	RF
- 400	417N2202-73		DRAIN INSTL-WASTE WATER GALLEY 1B POSITION DATA: FWD FOR NHA SEE: 25-20-00-07D	108120	RF
- 403	417N2202-6		SUPPORT INSTL-WASTE WATER GALLEY 1B DRAIN POSITION DATA: FWD	121503 904999	RF
- 403	417N2202-74		SUPPORT INSTL-WASTE WATER GALLEY 1B DRAIN POSITION DATA: FWD FOR NHA SEE: 25-20-00-07D	108120	RF
405	NAS1801-3-12		.SCREW- USED ON: 417N2202-4 417N2202-64 417N2202-73	108503 904999	2
410	AN960KD10L		.WASHER- USED ON: 417N2202-4 417N2202-64	121503 904999	2
410	NAS1149D0316J		.WASHER- USED ON: 417N2202-73	108120	2
412	WS14A12		.NUT- SUPPLIER CODE: V04169 SPECIFICATION NUMBER: BACN10TL3A12 OPTIONAL PART: WS1-4A12 V04169 USED ON: 417N2202-6 417N2202-74 MODREF17498	108503 904999	1

MISSING ITEM NUMBERS NOT APPLICABLE

- ITEM NOT ILLUSTRATED

38-31-54-01

38-31-54
FIG. 01
PAGE 4
JAN 20/09

BRI



757

PARTS CATALOG (MAINTENANCE)

FIG ITEM	PART NUMBER	1 2 3 4 5 6 7	NOMENCLATURE	EFFECT FROM TO	UNITS PER ASSY
1					
413	BACN10TL3A14		.NUT- USED ON: 417N2202-6 417N2202-74 MODREF17498	108503 904999	1
415	BACC10DK16		.CLAMP- USED ON: 417N2202-4 417N2202-64 417N2202-73	108503 904999	2
420	AN737TW46		.CLAMP- USED ON: 417N2202-4 417N2202-64	121503 904999	4
421	BACC10JB032C046		.CLAMP- USED ON: 417N2202-73	108120	5
423	NAS1149D2116J		.WASHER- USED ON: 417N2202-73	108120	1
425	AN924-16D		.NUT- USED ON: 417N2202-73 417N2202-4	108503 904999	1
435	66-16504-1		.CONNECTOR- OPTIONAL PART: 66-16504-2 USED ON: 417N2202-4 417N2202-73	108503 904999	1
435	66-16504-2		.CONNECTOR- OPTIONAL PART: 66-16504-1 USED ON: 417N2202-4 417N2202-73	108503 904999	1
439	69B50212-1		.CAP-DRAIN USED ON: 417N2202-73	108120	1

MISSING ITEM NUMBERS NOT APPLICABLE

- ITEM NOT ILLUSTRATED

38-31-54-01

38-31-54
FIG. 01
PAGE 5
JAN 20/09

BRI

BOEING PROPRIETARY - Copyright © - Unpublished Work - See title page for details.



757

PARTS CATALOG (MAINTENANCE)

FIG ITEM	PART NUMBER	1 2 3 4 5 6 7	NOMENCLATURE	EFFECT FROM TO	UNITS PER ASSY
1 440	IT4350-343		.HOSE- SUPPLIER CODE: V26831 SPECIFICATION NUMBER: 69-27191-343 OPTIONAL PART: 713488-343 V70628 BOE2013-0343 V16632 USED ON: 417N2202-4 417N2202-64 417N2202-73	108503 904999	1
440	BOE2013-0343		.HOSE- SUPPLIER CODE: V16632 SPECIFICATION NUMBER: 69-27191-343 OPTIONAL PART: 713488-343 V70628 IT4350-343 V26831 USED ON: 417N2202-4 417N2202-64 417N2202-73	108503 904999	1
445	417N2202-5		.TUBE- TUBING MATERIAL: STOCK 1.00 O.D. X .016 WALL OPTIONAL - 1.00 O.D. X .028 WALL CRES TUBE TYPE AISI 321 OR 347 PER MIL-T-8808 USED ON: 417N2202-4 417N2202-64 417N2202-73	108503 904999	1

MISSING ITEM NUMBERS NOT APPLICABLE

- ITEM NOT ILLUSTRATED

38-31-54-01

38-31-54
FIG. 01
PAGE 6
JAN 20/09

BRI



757

PARTS CATALOG (MAINTENANCE)

FIG ITEM	PART NUMBER	1 2 3 4 5 6 7	NOMENCLATURE	EFFECT FROM TO	UNITS PER ASSY
1 450	BOE2013-0342		.HOSE- SUPPLIER CODE: V16632 SPECIFICATION NUMBER: 69-27191-342 OPTIONAL PART: 713488-342 V70628 IT4350-342 V26831 USED ON: 417N2202-4 417N2202-64 417N2202-73	108503 904999	1
- 550	417N2202-7		DRAIN INSTL-WASTE WATER (GALLEY 2A AND 2B) POSITION DATA: FWD FOR NHA SEE: 25-20-00-01E	904949	RF
- 550	417N2202-48		DRAIN INSTL-WASTE WATER GALLEY 2A AND 2B POSITION DATA: FWD FOR NHA SEE: 25-20-00-01E	121503	RF
- 553	417N2202-52		DRAIN INSTL-WASTE WATER GALLEY 2A POSITION DATA: FWD FOR NHA SEE: 25-20-00-01A 25-20-00-07D	108120 504903 952999	RF
555	NAS1801-3-10		.SCREW	108949 952999	2
560	NAS1801-3-12		.SCREW-	108949 952999	9
562	NAS1801-3-10		.SCREW-	108949 952999	1
565	NAS1801-3-7		.SCREW-	108949 952999	2
570	NAS1801-3-14		.SCREW-	108949 952999	2
575	NAS1801-3-17		.SCREW	108949 952999	1
580	AN960KD10L		.WASHER-	121503 904949	16

MISSING ITEM NUMBERS NOT APPLICABLE

- ITEM NOT ILLUSTRATED

38-31-54-01

38-31-54
FIG. 01
PAGE 7
JAN 20/09

BRI



757

PARTS CATALOG (MAINTENANCE)

FIG ITEM	PART NUMBER	1 2 3 4 5 6 7	NOMENCLATURE	EFFECT FROM TO	UNITS PER ASSY
1					
582	AN960KD10L	.	WASHER	108120 504903 952999	15
585	NAS43DD3-15	.	SPACER	108949 952999	1
590	NAS43DD3-16	.	SPACER	108949 952999	1
592	NAS43DD3-16	.	SPACER-	108949 952999	1
595	NAS43DD3-34	.	SPACER-	121503	1
595	NAS43DD3-32	.	SPACER-	108949 952999	1
600	MS21042L3	.	NUT-	108949 952999	4
605	BACC10DK16	.	CLAMP	108949 952999	9
610	BACC10DK20	.	CLAMP	121503 904949	7
611	BACC10DK20	.	CLAMP	108120 504903 952999	6
612	BACC10DK24	.	CLAMP	108949 952999	1
615	AN737TW46	.	CLAMP-	121503 904949	12
617	AN737TW46	.	CLAMP	108120 504903 952999	11
620	IT4350-431	.	HOSE- SUPPLIER CODE: V26831 SPECIFICATION NUMBER: 69-27191-431 OPTIONAL PART: BOE2013-0431 V16632	108949 952999	1
620	BOE2013-0431	.	HOSE- SUPPLIER CODE: V16632 SPECIFICATION NUMBER: 69-27191-431 OPTIONAL PART: IT4350-431 V26831	108949 952999	1

MISSING ITEM NUMBERS NOT APPLICABLE

- ITEM NOT ILLUSTRATED

38-31-54-01

38-31-54
FIG. 01
PAGE 8
JAN 20/09

BRI



757

PARTS CATALOG (MAINTENANCE)

FIG ITEM	PART NUMBER	1 2 3 4 5 6 7	NOMENCLATURE	EFFECT FROM TO	UNITS PER ASSY
1 625	417N2202-57	.	TUBE- TUBING MATERIAL: STOCK 1.00 O.D. X .016 WALL OPTIONAL - 1.00 O.D. X .028 WALL CRES TUBE TYPE AISI 321 OR 347 PER MIL-T-8808	108903 952999	1
625	417N2202-13	.	TUBE- TUBING MATERIAL: STOCK 1.00 O.D. X .016 WALL OPTIONAL - 1.00 O.D. X .028 WALL CRES TUBE TYPE AISI 321 OR 347 PER MIL-T-8808	904949	1
630	BOE2013-0430	.	HOSE- SUPPLIER CODE: V16632 SPECIFICATION NUMBER: 69-27191-430 OPTIONAL PART: IT4350-430 V26831	108949 952999	1
630	IT4350-430	.	HOSE- SUPPLIER CODE: V26831 SPECIFICATION NUMBER: 69-27191-430 OPTIONAL PART: BOE2013-0430 V16632	108949 952999	1
635	417N2202-47	.	TUBE- TUBING MATERIAL: STOCK STOCK SIZE 1.00 O.D. X .016 WALL OPTIONAL 1.00 O.D. X .028 WALL CRES TUBE TYPE AIS I 321 OR 347 PER MIL-T-8808	108903 952999	1
635	417N2202-12	.	TUBE- TUBING MATERIAL: STOCK 1.00 O.D. X .016 WALL OPTIONAL - 1.00 O.D. X .028 WALL CRES TUBE TYPE AISI 321 OR 347 PER MIL-T-8808	904949	1

MISSING ITEM NUMBERS NOT APPLICABLE

- ITEM NOT ILLUSTRATED

38-31-54-01

38-31-54
FIG. 01
PAGE 9
JAN 20/09

BRI



757

PARTS CATALOG (MAINTENANCE)

FIG ITEM	PART NUMBER	1 2 3 4 5 6 7	NOMENCLATURE	EFFECT FROM TO	UNITS PER ASSY
1 640	BOE2013-0328	.HOSE-	SUPPLIER CODE: V16632 SPECIFICATION NUMBER: 69-27191-328 OPTIONAL PART: 713488-328 V70628 IT4350-328 V26831	108949 952999	2
640	IT4350-328	.HOSE-	SUPPLIER CODE: V26831 SPECIFICATION NUMBER: 69-27191-328 OPTIONAL PART: 713488-328 V70628 BOE2013-0328 V16632	108949 952999	2
640	713488-328	.HOSE-	SUPPLIER CODE: V70628 SPECIFICATION NUMBER: 69-27191-328 OPTIONAL PART: BOE2013-0328 V16632 IT4350-328 V26831	108949 952999	2
645	417N2202-10	.TUBE-	TUBING MATERIAL: STOCK 1.00 O.D. X .016 WALL OPTIONAL - 1.00 O.D. X .028 WALL CRES TUBE TYPE AISI 321 OR 347 PER MIL-T-8808	108949 952999	1
650	BOE2013-0319	.HOSE-	SUPPLIER CODE: V16632 SPECIFICATION NUMBER: 69-27191-319 OPTIONAL PART: 713488-319 V70628 IT4350-319 V26831	108949 952999	1
655	AN960C2116	.WASHER-		121503 904949	2

MISSING ITEM NUMBERS NOT APPLICABLE

- ITEM NOT ILLUSTRATED

38-31-54-01

38-31-54
FIG. 01
PAGE 10
JAN 20/09

BRI



757

PARTS CATALOG (MAINTENANCE)

FIG ITEM	PART NUMBER	1 2 3 4 5 6 7	NOMENCLATURE	EFFECT FROM TO	UNITS PER ASSY
1					
657	AN960C2116	.	WASHER	108120 504903 952999	1
660	AN924-16D	.	NUT	121503	2
662	AN924-16D	.	NUT	904949 108120	1
665	66-16504-1	.	CONNECTOR- OPTIONAL PART: 66-16504-2	504903 952999 121503	1
665	66-16504-2	.	CONNECTOR- OPTIONAL PART: 66-16504-1	904949 121503	1
670	66-17278-1	.	CONNECTOR	904949	1
675	BOE2013-0320	.	HOSE- SUPPLIER CODE: V16632 SPECIFICATION NUMBER: 69-27191-320 OPTIONAL PART: 713488-320 V70628	108949 952999 121503 904949	1
680	69-51901-1	.	FITTING ASSY-Y	108949 952999	1
685	AN737TW46	.	CLAMP-	108949 952999	1
700	69B50212-1	.	CAP	121503	1
705	69B50212-1	.	CAP	904949 108120	2
710	S38J1	.	SUPPORT SUPPLIER CODE: V59237 SPECIFICATION NUMBER: BACS38J1 OPTIONAL PART: 30187-2 V26835	504903 952999 121503	1
715	S38J2	.	SUPPORT SUPPLIER CODE: V59237 SPECIFICATION NUMBER: BACS38J2 OPTIONAL PART: 30187-3 V26835	121503	1

MISSING ITEM NUMBERS NOT APPLICABLE

- ITEM NOT ILLUSTRATED

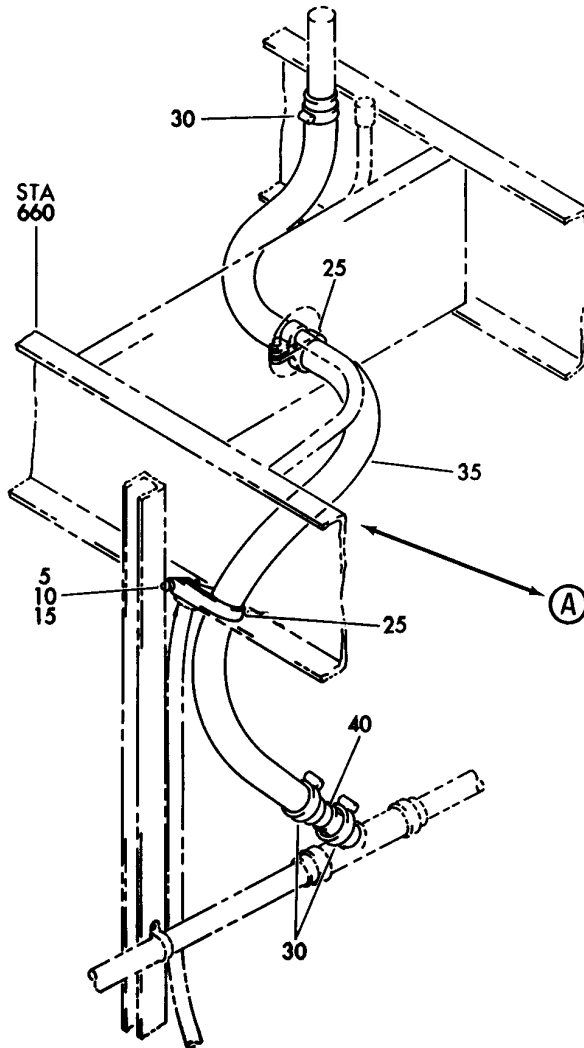
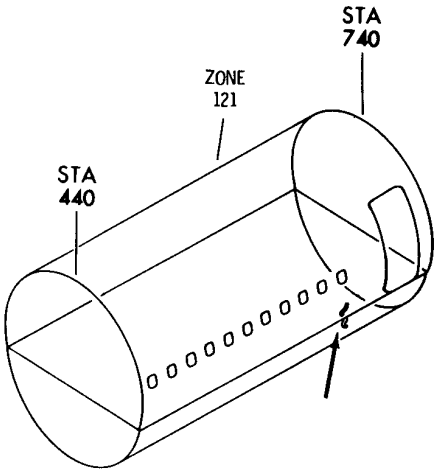
38-31-54-01

38-31-54
FIG. 01
PAGE 11
JAN 20/09

BRI

BOEING PROPRIETARY - Copyright © - Unpublished Work - See title page for details.

BOEING
757
PARTS CATALOG (MAINTENANCE)



Y 38315403 SHT 1 REV 153

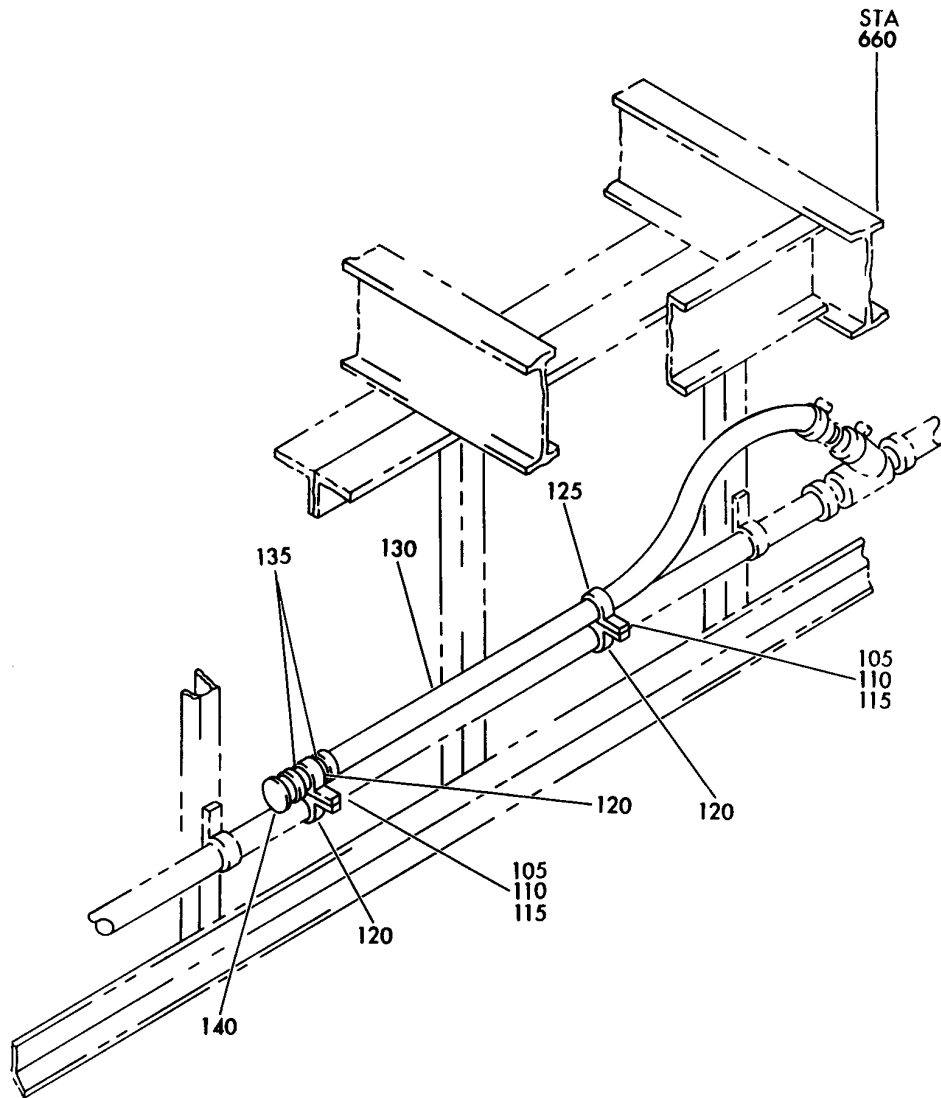
DRAIN INSTL-WASTE WATER FWD
FIGURE 3 (SHEET 1)

38-31-54-03

BRI
JAN 20/09

38-31-54-03
PAGE 0

BOEING
757
PARTS CATALOG (MAINTENANCE)



(A)

Y 38315403 SHT 2 REV 153

DRAIN INSTL-WASTE WATER FWD
FIGURE 3 (SHEET 2)

38-31-54-03

BRI
JAN 20/09

38-31-54-03
PAGE 0A



757

PARTS CATALOG (MAINTENANCE)

FIG ITEM	PART NUMBER	1 2 3 4 5 6 7	NOMENCLATURE	EFFECT FROM TO	UNITS PER ASSY
3			DRAIN INSTL-WASTE WATER FWD	108120 950999	
- 1	417N2202-27		DRAIN INSTL-WASTE WATER LAV S POSITION DATA: FWD FOR NHA SEE: 25-20-00-01A	950999	RF
- 1	417N2202-72		DRAIN INSTL-WASTE WATER LAV S POSITION DATA: FWD FOR NHA SEE: 25-20-00-07D	108120	RF
5	NAS514P1032-12		.SCREW-	108120 950999	1
10	AN960KD10L		.WASHER	108120 950999	1
15	MS21042L3		.NUT	108120 950999	1
25	BACC10DK20		.CLAMP	108120 950999	2
30	AN737TW46		.CLAMP	108120 950999	3
35	BOE2013-0426		.HOSE- SUPPLIER CODE: V16632 SPECIFICATION NUMBER: 69-27191-426 OPTIONAL PART: IT4350-426 V26831	108120 950999	1
40	417N2310-63		.TUBE	108120 950999	1

MISSING ITEM NUMBERS NOT APPLICABLE

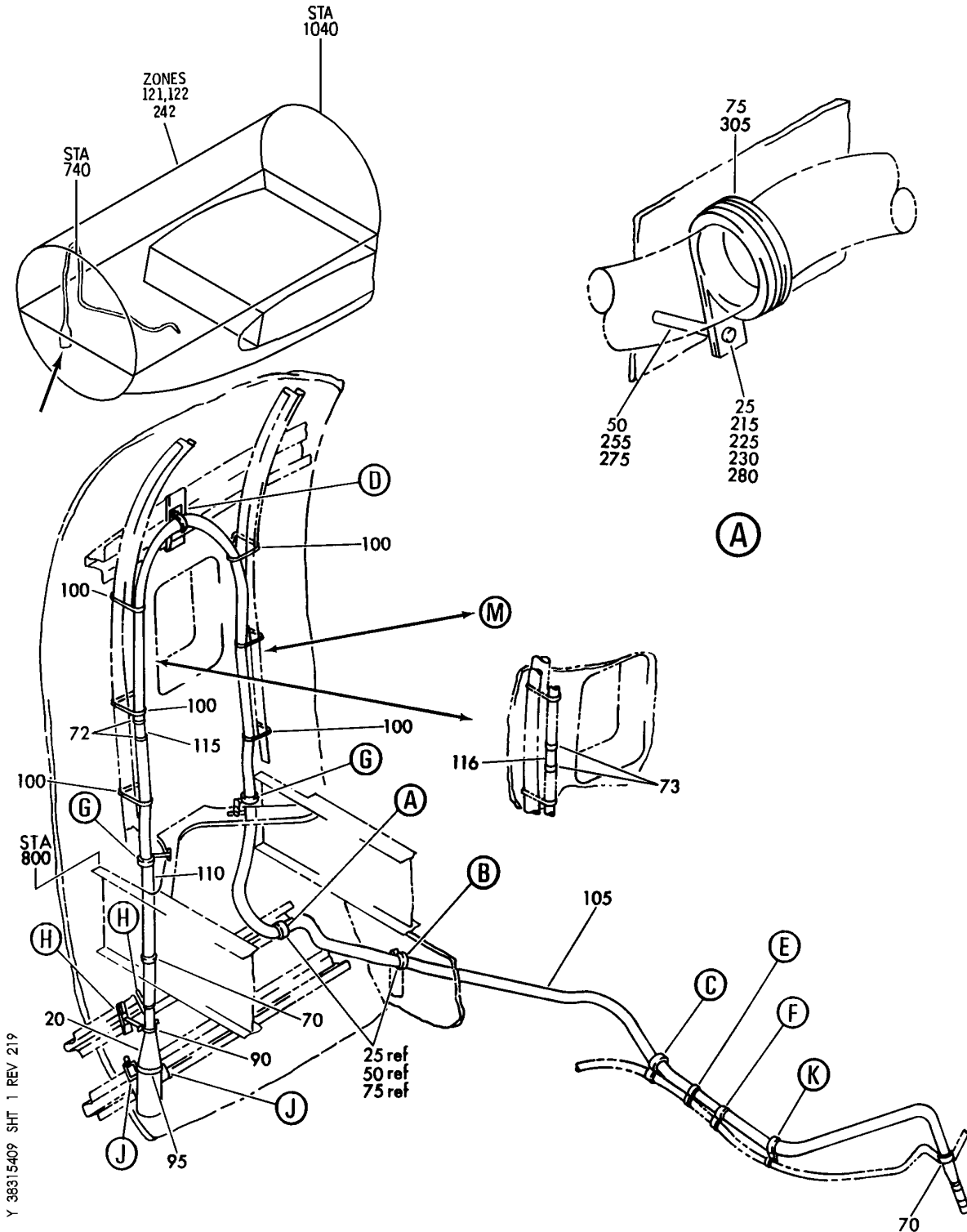
- ITEM NOT ILLUSTRATED

38-31-54-03

38-31-54
FIG. 03
PAGE 1
JAN 20/09

BRI

BOEING
757
PARTS CATALOG (MAINTENANCE)



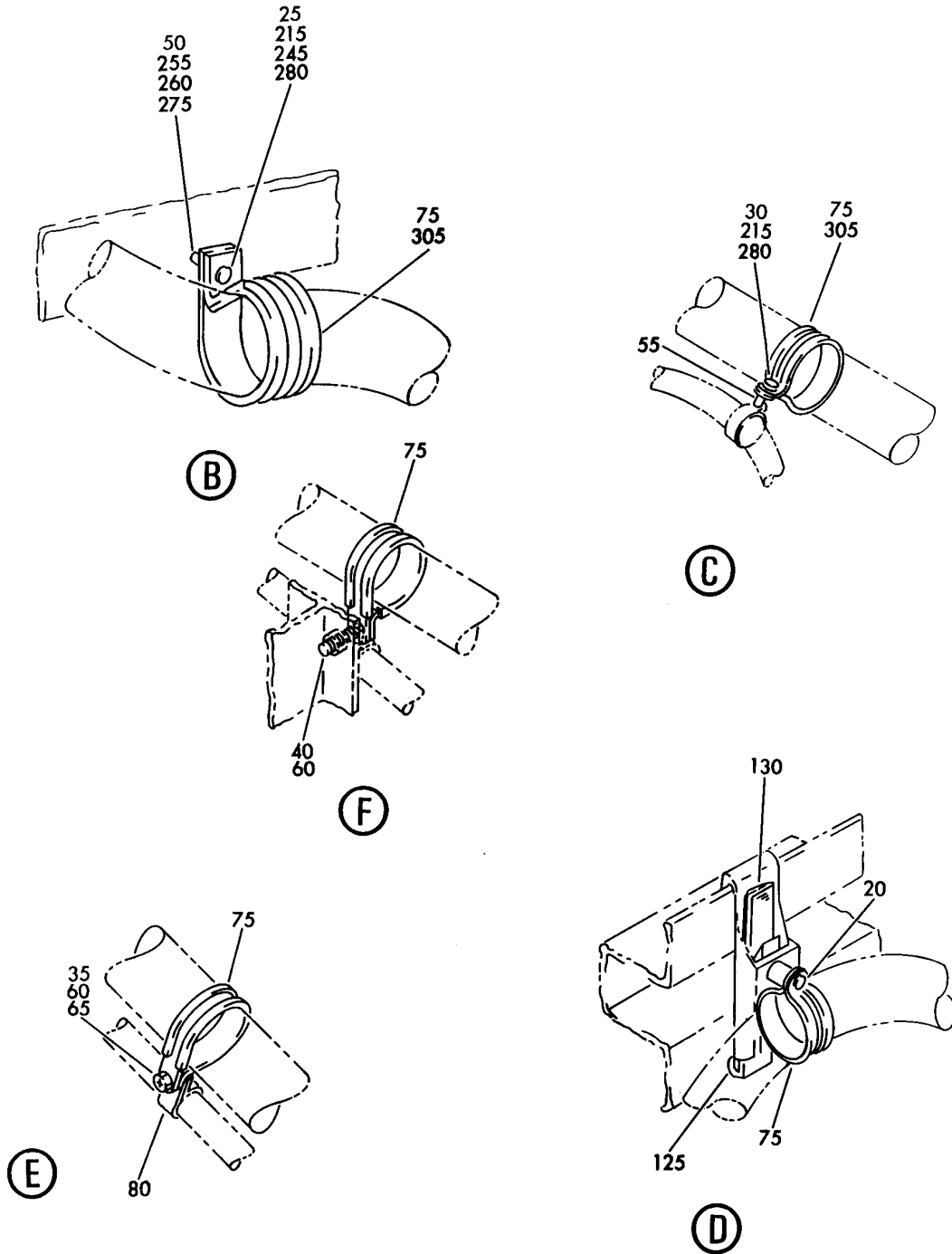
MUFFLER INSTL-WASTE WATER FWD
FIGURE 9 (SHEET 1)

38-31-54-09

BRI
MAY 28/07

38-31-54-09
PAGE 0

BOEING
757
PARTS CATALOG (MAINTENANCE)



Y 38315409 SHT 2 REV 154

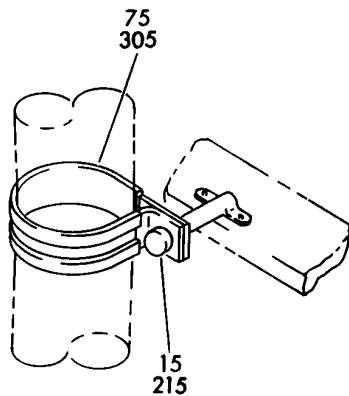
MUFFLER INSTL-WASTE WATER FWD
FIGURE 9 (SHEET 2)

38-31-54-09

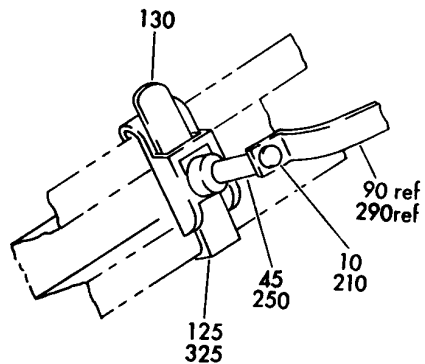
BRI
MAY 28/07

38-31-54-09
PAGE 0A

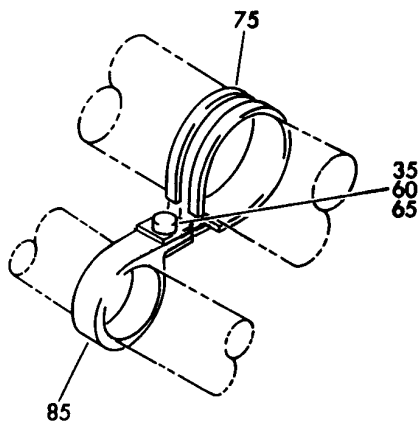
BOEING
757
PARTS CATALOG (MAINTENANCE)



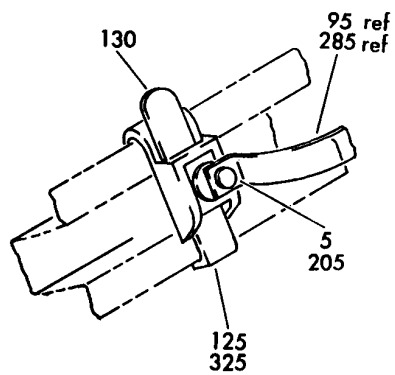
(G)



(H)



(K)



(J)

Y 38315409 SHT 3 REV 154

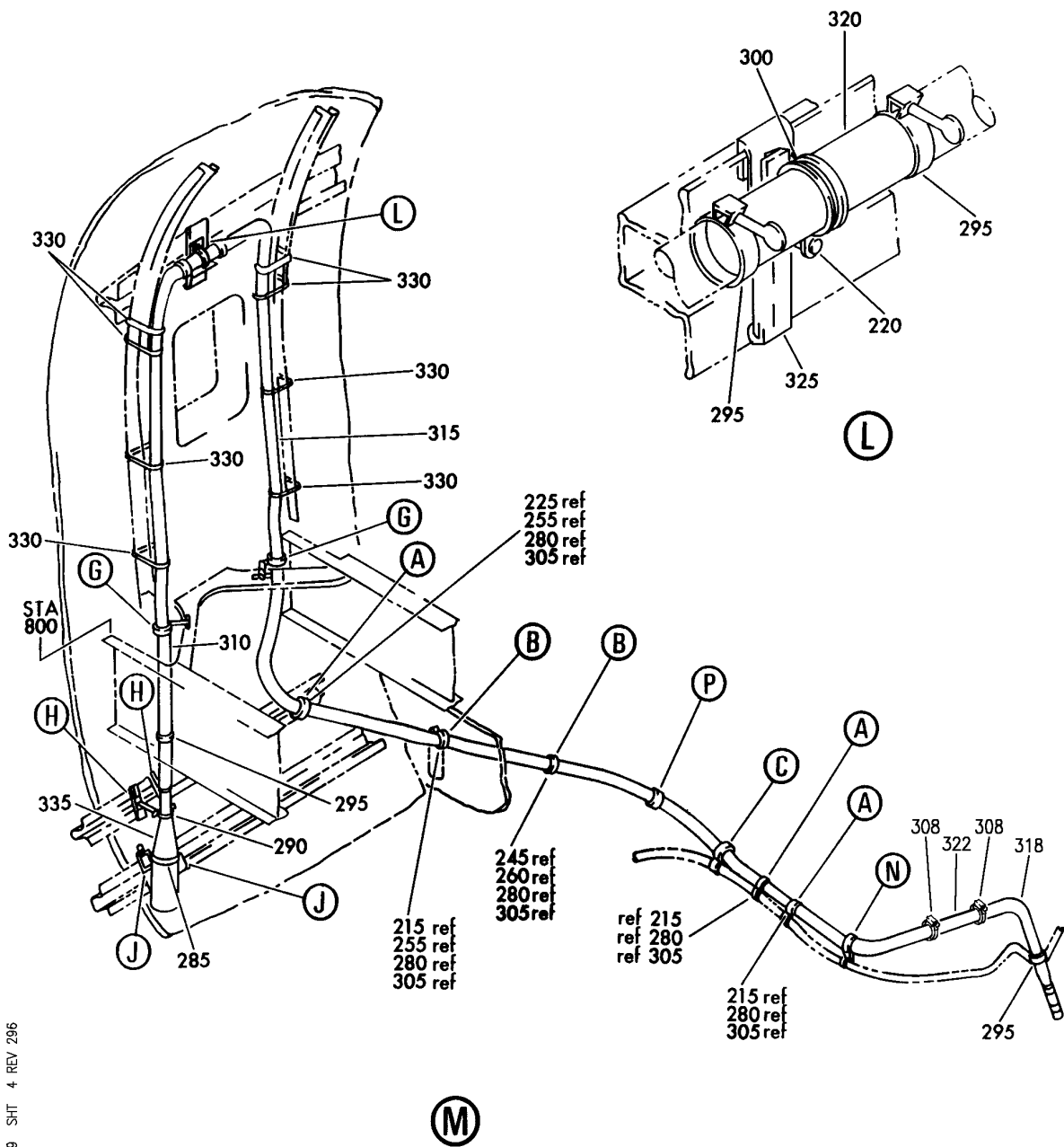
MUFFLER INSTL-WASTE WATER FWD
FIGURE 9 (SHEET 3)

38-31-54-09

BRI
MAY 28/07

38-31-54-09
PAGE 0B

BOEING
757
PARTS CATALOG (MAINTENANCE)



Y 38315409 SH 4 REV 296

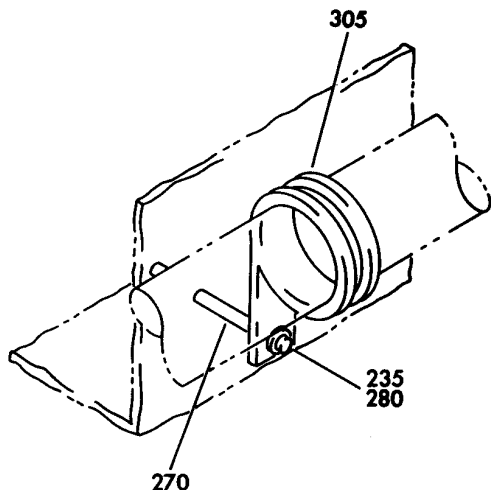
MUFFLER INSTL-WASTE WATER FWD
FIGURE 9 (SHEET 4)

38-31-54-09

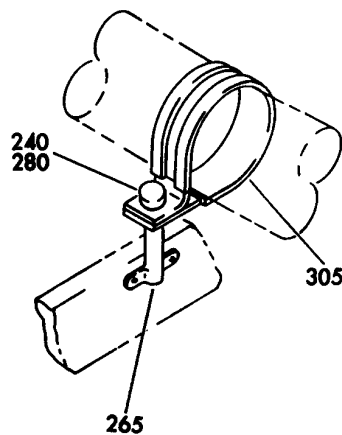
BRI
MAY 28/07

38-31-54-09
PAGE 0C

BOEING
757
PARTS CATALOG (MAINTENANCE)



(N)



(P)

Y 38315409 SHT 5 REV 154

MUFFLER INSTL-WASTE WATER FWD
FIGURE 9 (SHEET 5)

38-31-54-09

BRI
MAY 28/07

38-31-54-09
PAGE 0D



757

PARTS CATALOG (MAINTENANCE)

FIG ITEM	PART NUMBER	1 2 3 4 5 6 7	NOMENCLATURE	EFFECT FROM TO	UNITS PER ASSY
9			MUFFLER INSTL-WASTE WATER FWD	002004 006102 108903 950999	
1	417N2202-55		MUFFLER INSTL-WASTE WATER POSITION DATA: FWD FOR NHA SEE: 25-20-00-01A	952952	RF
5	BACS12GU3K7	.	SCREW	952952	2
10	BACS12GU3K22	.	SCREW	952952	2
15	BACS12GU3K8	.	SCREW	952952	2
20	BACS12GU3K10	.	SCREW	952952	1
25	BACS12GU3K46	.	SCREW	952952	2
30	BACS12GU3K40	.	SCREW	952952	1
35	BACS12GU3K11	.	SCREW	952952	2
40	BACS12GU3K12	.	SCREW	952952	1
45	NAS43DD3-63FC	.	SPACER	952952	2
50	NAS43DD3-144FC	.	SPACER	952952	2
55	NAS43DD3-85FC	.	SPACER	952952	1
60	AN960JD10L	.	WASHER	952952	3
65	PLH53CD	.	NUT	952952	2
			SUPPLIER CODE: VF0224 SPECIFICATION NUMBER: BACN10YR3CD OPTIONAL PART: H52732-3CD V15653		
70	BACC10JB062A080	.	CLAMP	952952	2
72	BACC10JB062A080	.	CLAMP	952952	2
75	JM44LC13WS38R	.	CLAMP	952952	9
			SUPPLIER CODE: V22175 SPECIFICATION NUMBER: BACC10GE38 OPTIONAL PART: S369WH38 V18076 TA12C32WS38 V84971 509S38 V83930		
80	BACC10DK20	.	CLAMP	952952	1
85	BACC10DK16	.	CLAMP	952952	1

MISSING ITEM NUMBERS NOT APPLICABLE

- ITEM NOT ILLUSTRATED

38-31-54-09

38-31-54
FIG. 09
PAGE 1
JAN 20/09

BRI



757

PARTS CATALOG (MAINTENANCE)

FIG ITEM	PART NUMBER	1 2 3 4 5 6 7	NOMENCLATURE	EFFECT FROM TO	UNITS PER ASSY
9					
90	751-32-8		.CLAMP SUPPLIER CODE: V83930 SPECIFICATION NUMBER: BACC10BA32 OPTIONAL PART: TA04C34D32 V84971	952952	1
95	751-60-10		.CLAMP SUPPLIER CODE: V83930 SPECIFICATION NUMBER: BACC10BA60 OPTIONAL PART: TA04C34D60 V84971	952952	1
100	T012L0		.STRAP SUPPLIER CODE: V53421 SPECIFICATION NUMBER: BACS38K6	952952	6
105	AS1504-08B2153		.HOSE- OPTIONAL PART: AS1504-08B2160	952952	1
105	AS1504-08B2160		.HOSE- OPTIONAL PART: AS1504-08B2153	952952	1
110	AS1504-08B0500		.HOSE-	952952	1
115	417N2310-170		.TUBE	952952	1
120	417N2416-1		.MUFFLER	952952	1
125	S38J1		.SUPPORT SUPPLIER CODE: V59237 SPECIFICATION NUMBER: BACS38J1 OPTIONAL PART: 30187-2 V26835	952952	5
130	S38J2		.SUPPORT SUPPLIER CODE: V59237 SPECIFICATION NUMBER: BACS38J2 OPTIONAL PART: 30187-3 V26835	952952	5

MISSING ITEM NUMBERS NOT APPLICABLE

- ITEM NOT ILLUSTRATED

38-31-54-09

38-31-54
FIG. 09
PAGE 2
JAN 20/09

BRI

BOEING PROPRIETARY - Copyright © - Unpublished Work - See title page for details.



757

PARTS CATALOG (MAINTENANCE)

FIG ITEM	PART NUMBER	1 2 3 4 5 6 7	NOMENCLATURE	EFFECT FROM TO	UNITS PER ASSY
9					
200	417N2202-60		MUFFLER INSTL-WASTE WATER POSITION DATA: FWD FOR NHA SEE: 25-20-00-08A 25-20-00-01A 25-20-00-03A	002004 006102 108903 950951 953999	RF
205	BACS12GU3K7		.SCREW	002004 006102 108903 950951 953999	2
210	BACS12GU3K22		.SCREW	002004 006102 108903 950951 953999	2
215	BACS12GU3K8		.SCREW	002004 006102 108903 950951 953999	5
220	BACS12GU3K10		.SCREW	002004 006102 108903 950951 953999	1
225	BACS12GU3K46		.SCREW	002004 006102 108903 950951 953999	1
230	BACS12GU3K16		.SCREW	002004 006102 108903 950951 953999	1
235	BACS12GU3K56		.SCREW	002004 006102 108903 950951 953999	1
240	BACS12GU3K20		.SCREW	002004 006102 108903 950951 953999	1

MISSING ITEM NUMBERS NOT APPLICABLE

- ITEM NOT ILLUSTRATED

38-31-54-09

38-31-54
FIG. 09
PAGE 3
JAN 20/09

BRI

BOEING PROPRIETARY - Copyright © - Unpublished Work - See title page for details.



757

PARTS CATALOG (MAINTENANCE)

FIG ITEM	PART NUMBER	1 2 3 4 5 6 7	NOMENCLATURE	EFFECT FROM TO	UNITS PER ASSY
9					
245	BACS12GU3K18	.	SCREW	002004 006102 108903 950951 953999	1
250	NAS43DD3-63FC	.	SPACER	002004 006102 108903 950951 953999	2
255	NAS43DD3-144FC	.	SPACER	002004 006102 108903 950951 953999	1
260	NAS43DD3-40FC	.	SPACER	002004 006102 108903 950951 953999	1
265	NAS43DD3-48FC	.	SPACER	002004 006102 108903 950951 953999	1
270	NAS43DD3-192FC	.	SPACER	002004 006102 108903 950951 953999	1
275	NAS43DD3-32FC	.	SPACER	002004 006102 108903 950951 953999	1
280	AN960JD10L	.	WASHER	002004 006102 108903 950951 953999	8
285	751-60-10	.	CLAMP SUPPLIER CODE: V83930 SPECIFICATION NUMBER: BACC10BA60 OPTIONAL PART: TA04C34D60 V84971	002004 006102 108903 950951 953999	1

MISSING ITEM NUMBERS NOT APPLICABLE

- ITEM NOT ILLUSTRATED

38-31-54-09

38-31-54
FIG. 09
PAGE 4
JAN 20/09

BRI

BOEING PROPRIETARY - Copyright © - Unpublished Work - See title page for details.



**757
PARTS CATALOG (MAINTENANCE)**

FIG ITEM	PART NUMBER	1 2 3 4 5 6 7	NOMENCLATURE	EFFECT FROM TO	UNITS PER ASSY
9 290	751-32-8	.CLAMP	SUPPLIER CODE: V83930 SPECIFICATION NUMBER: BACC10BA32 OPTIONAL PART: TA04C34D32 V84971	002004 006102 108903 950951 953999	1
295	BACC10JB062A080	.CLAMP		002004 006102 108903 950951 953999	4
300	JM44LC13WS32R	.CLAMP	SUPPLIER CODE: V22175 SPECIFICATION NUMBER: BACC10GE32 OPTIONAL PART: S369WH32 V18076 TA12C32WS32 V84971 509S32 V83930	002004 006102 108903 950951 953999	1
305	JM44LC13WS38R	.CLAMP	SUPPLIER CODE: V22175 SPECIFICATION NUMBER: BACC10GE38 OPTIONAL PART: S369WH38 V18076 TA12C32WS38 V84971 509S38 V83930	002004 006102 108903 950951 953999	10
310	AS1504-08B0772	.HOSE-	OPTIONAL PART: AS1504-08B0780	002004 006102 108903 950951 953999	1
310	AS1504-08B0780	.HOSE-	OPTIONAL PART: AS1504-08B0772	002004 006102 108903 950951 953999	1

MISSING ITEM NUMBERS NOT APPLICABLE

— ITEM NOT ILLUSTRATED

38-31-54-09

38-31-54
FIG. 09
PAGE 5
JAN 20/09

BRI

BOEING PROPRIETARY - Copyright © - Unpublished Work - See title page for details.



757

PARTS CATALOG (MAINTENANCE)

FIG ITEM	PART NUMBER	1 2 3 4 5 6 7	NOMENCLATURE	EFFECT FROM TO	UNITS PER ASSY
9					
315	AS1504-08B2100	.	HOSE	002004 006102 108903 950951 953999	1
320	417N2310-170	.	TUBE	002004 006102 108903 950951 953999	1
325	30187-1	.	SUPPORT SUPPLIER CODE: V26835 SPECIFICATION NUMBER: BACS38J4 OPTIONAL PART: S38J4 V59237	002004 006102 108903 950951 953999	5
330	T012L0	.	STRAP SUPPLIER CODE: V53421 SPECIFICATION NUMBER: BACS38K6	002004 006102 108903 950951 953999	8
335	417N2416-1	.	MUFFLER	002004 006102 108903 950951 953999	1

MISSING ITEM NUMBERS NOT APPLICABLE

- ITEM NOT ILLUSTRATED

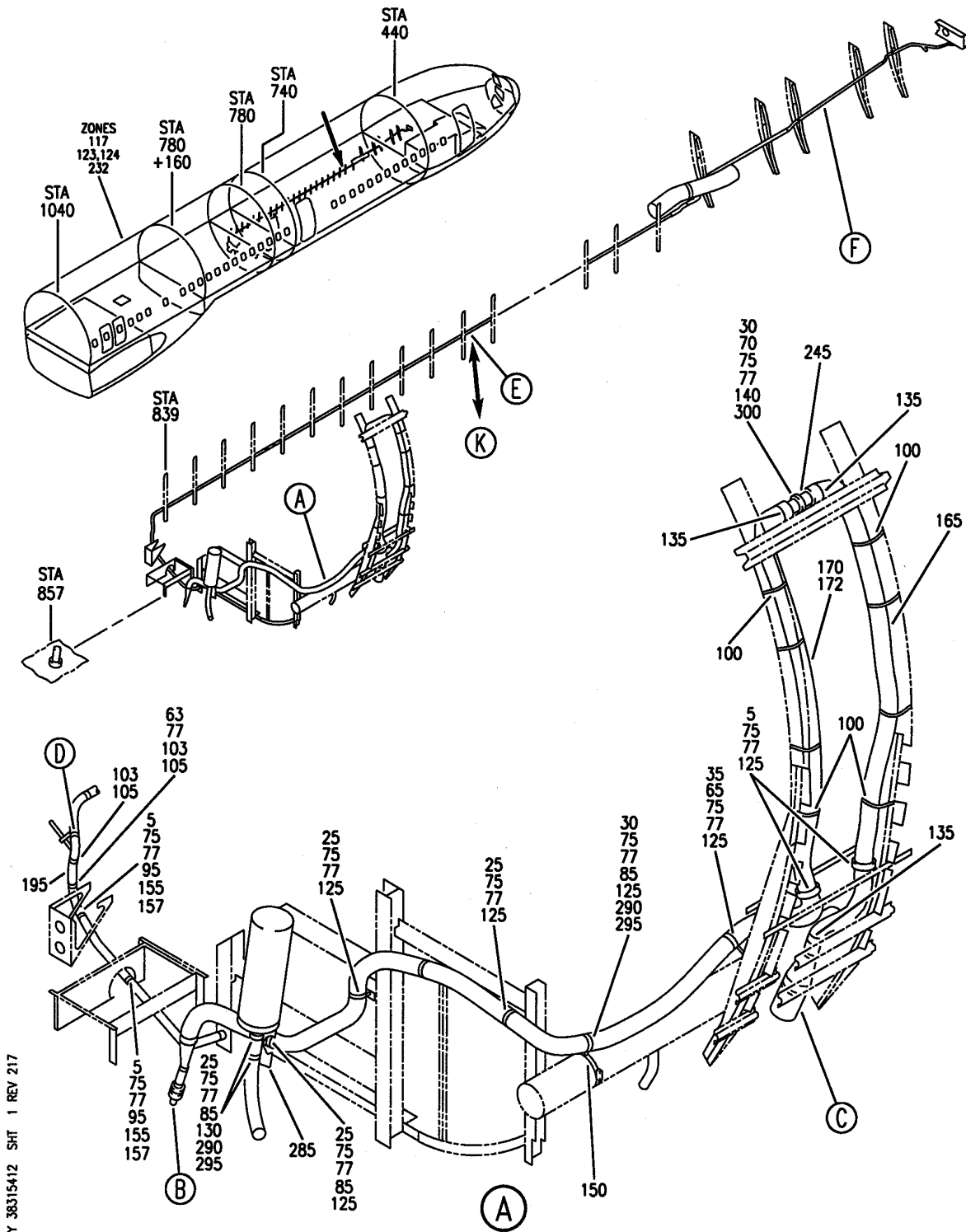
BRI

38-31-54-09

BOEING PROPRIETARY - Copyright © - Unpublished Work - See title page for details.

38-31-54
FIG. 09
PAGE 6
JAN 20/09

BOEING
757
PARTS CATALOG (MAINTENANCE)



Y 38315412 SHT 1 REV 217

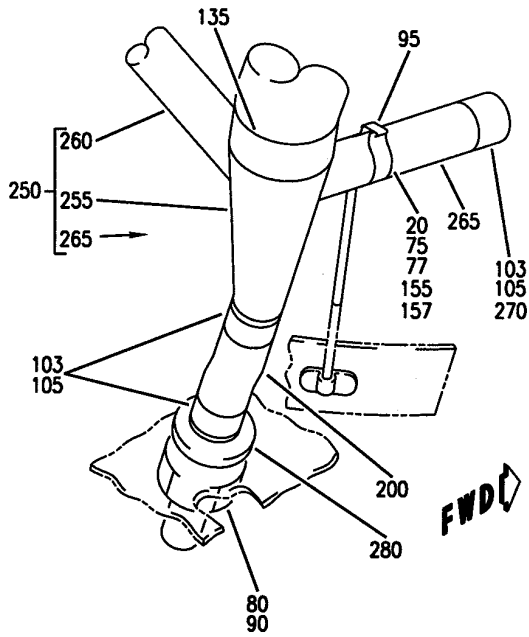
DRAIN INSTL-BASIC FWD GRAY WATER
FIGURE 12 (SHEET 1)

38-31-54-12

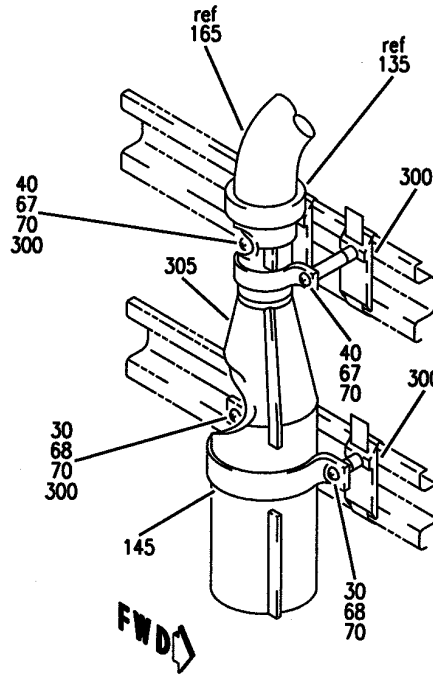
BRI
JAN 20/09

38-31-54-12
PAGE 0

BOEING
757
PARTS CATALOG (MAINTENANCE)



(B)



(C)

Y 38315412 SH1 2 REV 217

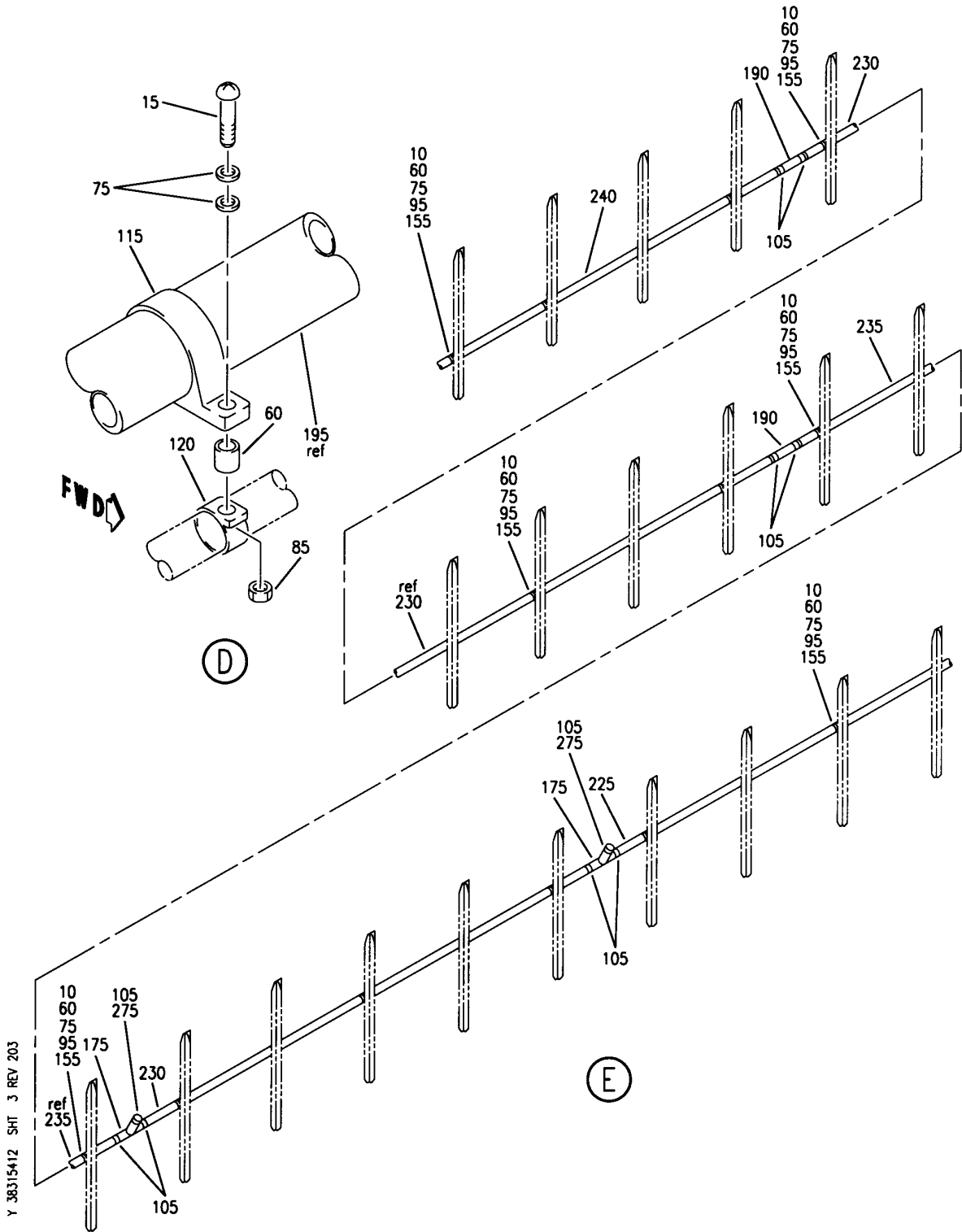
DRAIN INSTL-BASIC FWD GRAY WATER
FIGURE 12 (SHEET 2)

38-31-54-12

BRI
JAN 20/09

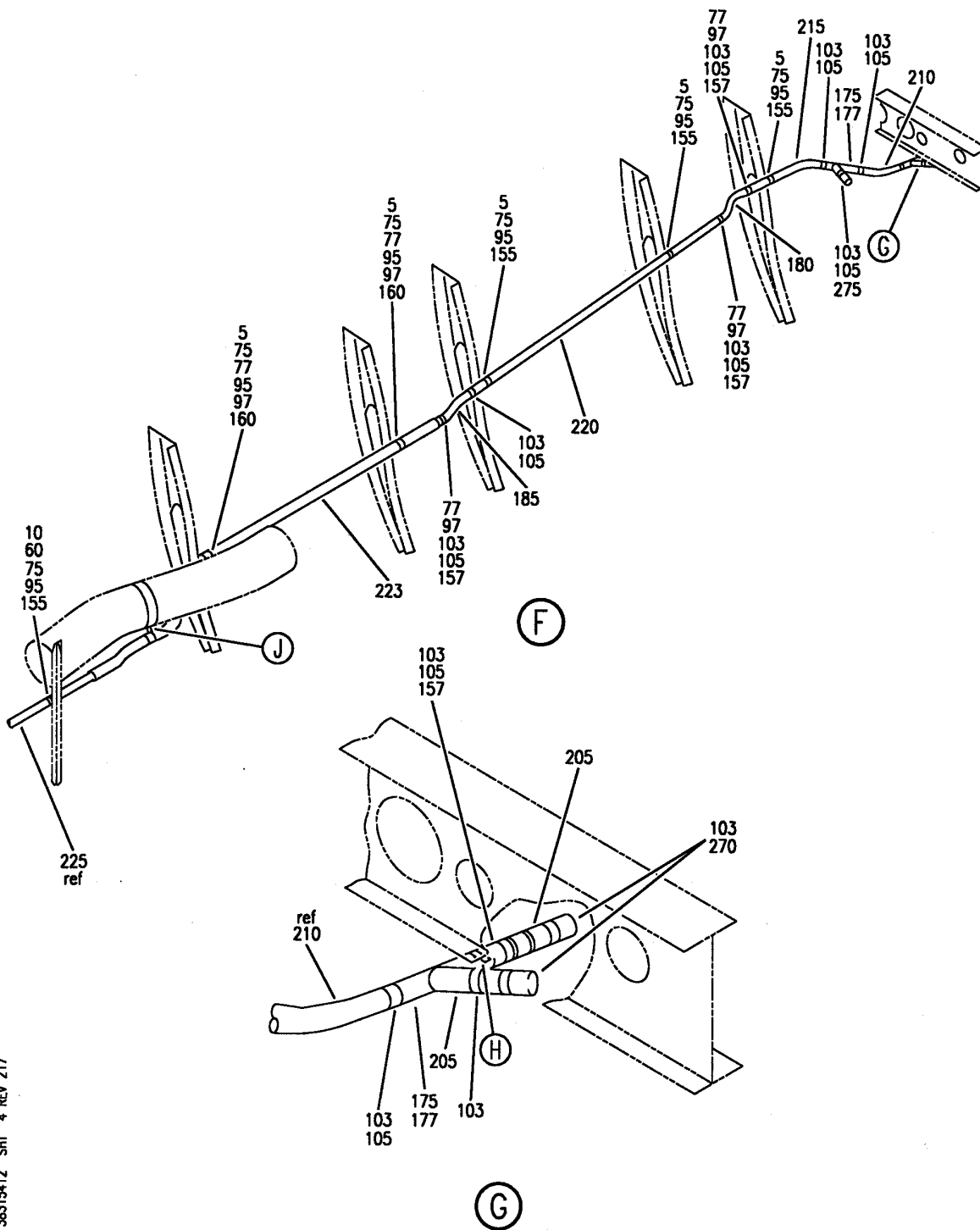
38-31-54-12
PAGE 0A


BOEING
 757
PARTS CATALOG (MAINTENANCE)



DRAIN INSTL-BASIC FWD GRAY WATER
FIGURE 12 (SHEET 3)

BOEING
757
PARTS CATALOG (MAINTENANCE)



Y 38315412 SH1 4 REV 217

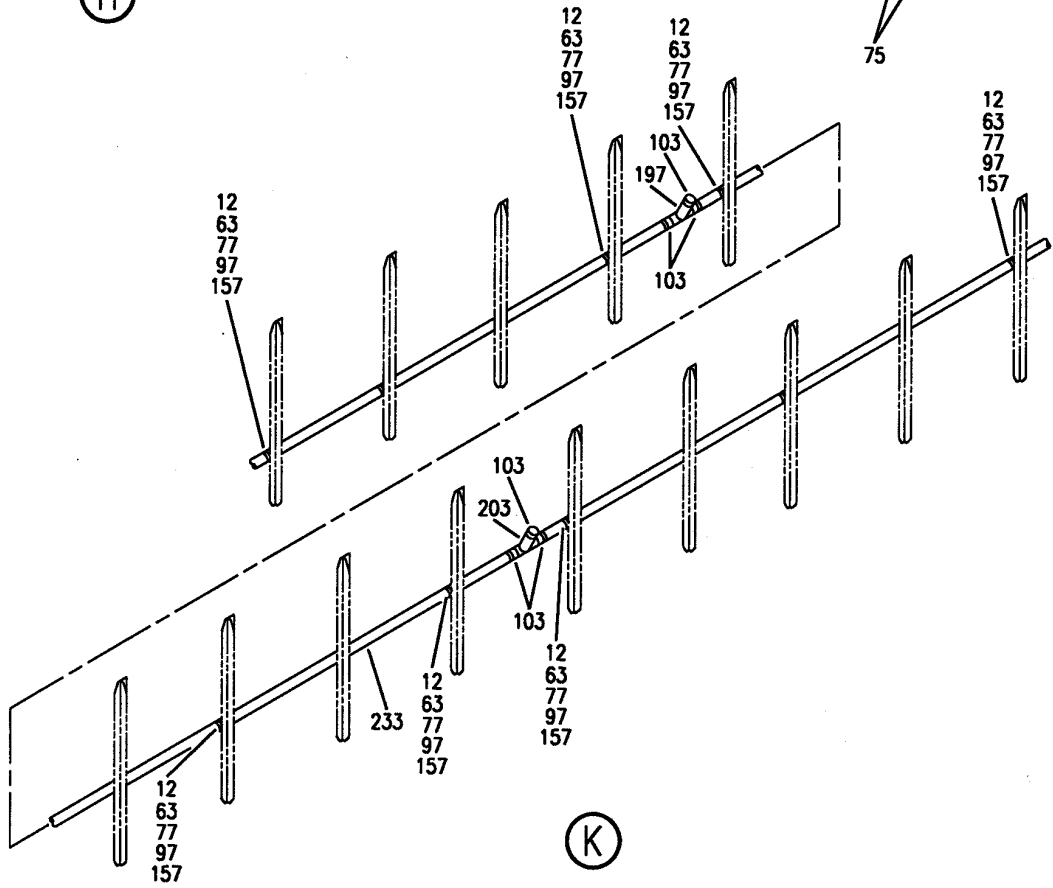
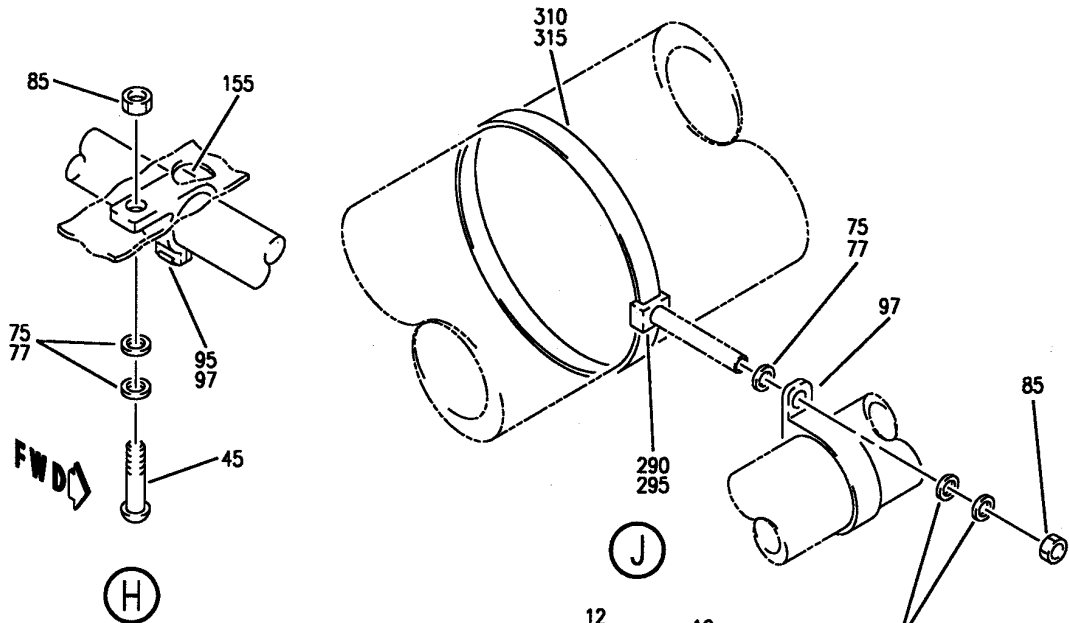
DRAIN INSTL-BASIC FWD GRAY WATER
FIGURE 12 (SHEET 4)

38-31-54-12

BRI
JAN 20/09

38-31-54-12
PAGE 0C

BOEING
757
PARTS CATALOG (MAINTENANCE)



Y 38315412 SHT 5 REV 217

DRAIN INSTL-BASIC FWD GRAY WATER
FIGURE 12 (SHEET 5)

38-31-54-12

BRI
JAN 20/09

38-31-54-12
PAGE 0D



757

PARTS CATALOG (MAINTENANCE)

FIG ITEM	PART NUMBER	1 2 3 4 5 6 7	NOMENCLATURE	EFFECT FROM TO	UNITS PER ASSY
12			DRAIN INSTL-BASIC FWD GRAY WATER	108120	
- 400	417N2154-15		DRAIN INSTL-DRAIN MAST FITTING FWD GRAY WATER FOR NHA SEE: 25-20-00-09	108120	RF
405	66-17278-1		.CONNECTOR ATTACHING PARTS	108120	1
- 410	NAS1149D2116J		.WASHER	108120	1
- 415	AN924-16D		.NUT -----*-----	108120	1

MISSING ITEM NUMBERS NOT APPLICABLE

- ITEM NOT ILLUSTRATED

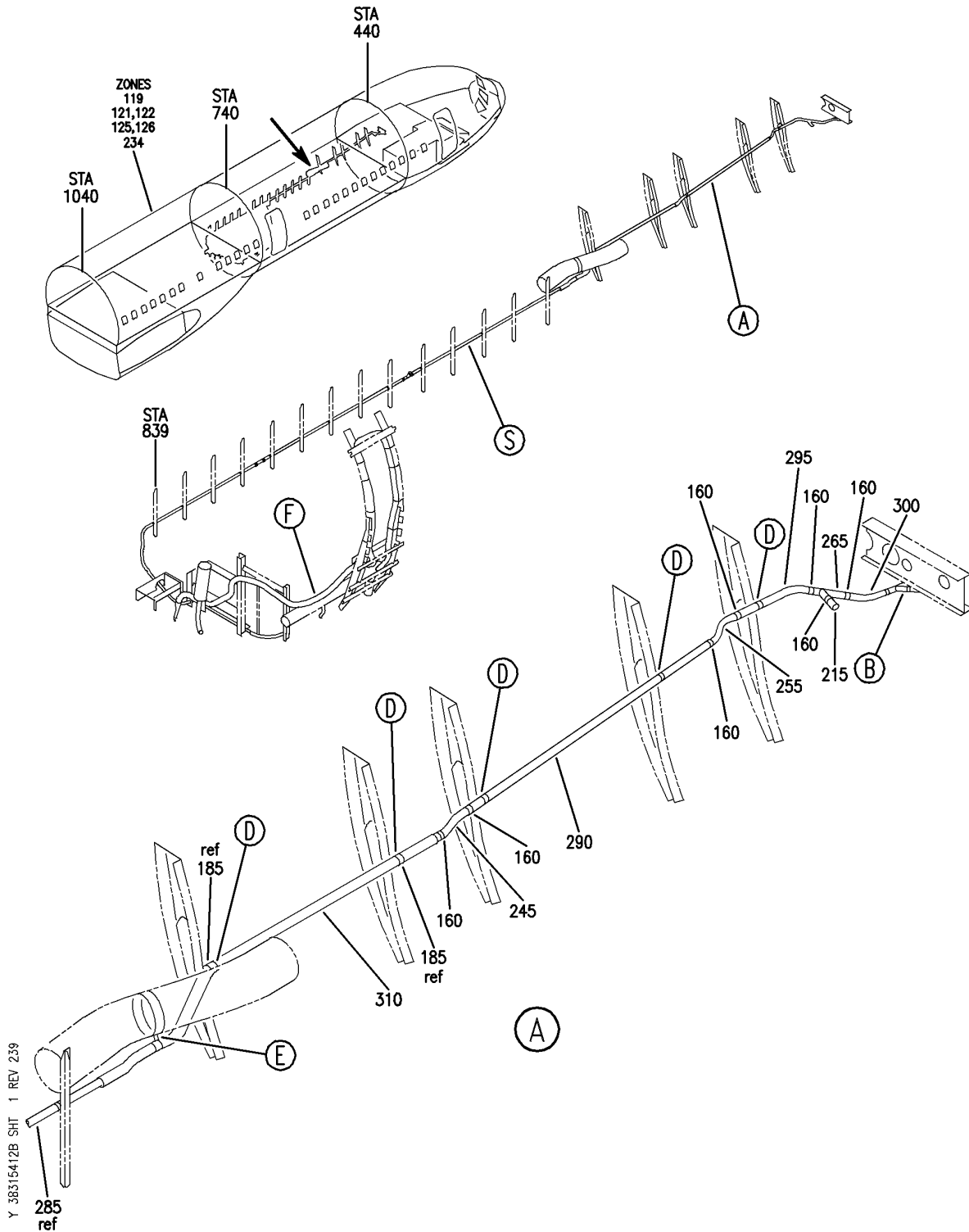
BRI

38-31-54-12

BOEING PROPRIETARY - Copyright © - Unpublished Work - See title page for details.

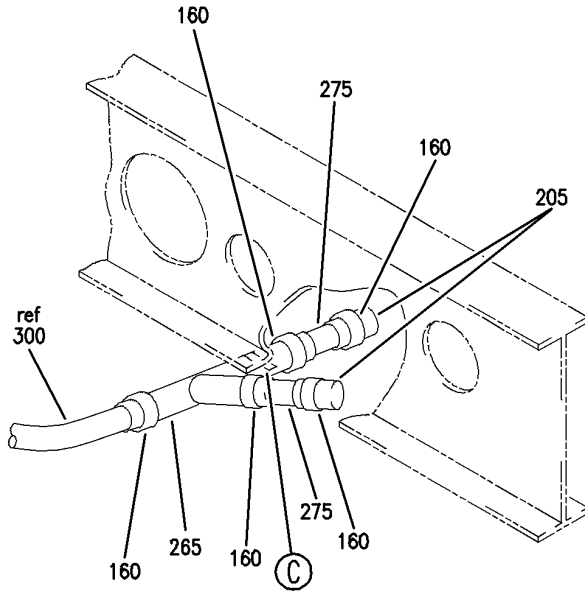
38-31-54
FIG. 12
PAGE 1
JAN 20/09

BOEING
757
PARTS CATALOG (MAINTENANCE)

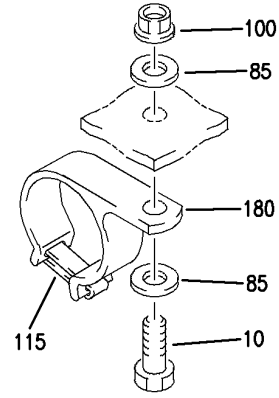


DRAIN INSTL-GRAY WATER FWD
FIGURE 12B (SHEET 1)

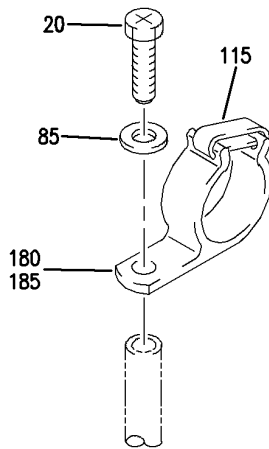
BOEING
757
PARTS CATALOG (MAINTENANCE)



(B)



(C)



(D)

Y 38315412B SHT 2 REV 239

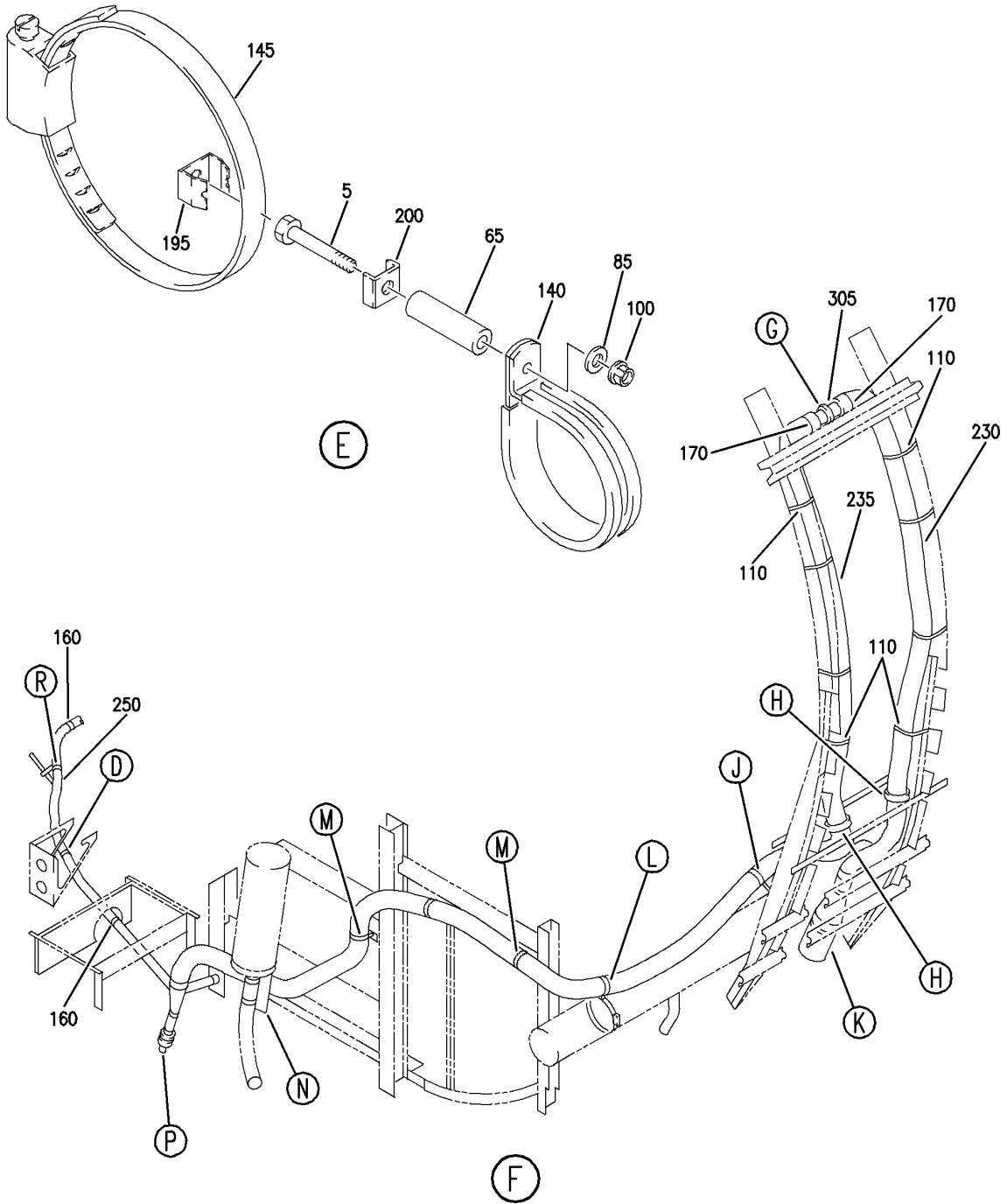
DRAIN INSTL-GRAY WATER FWD
FIGURE 12B (SHEET 2)

38-31-54-12B

BRI
JAN 20/09

38-31-54-12B
PAGE 0A

BOEING
757
PARTS CATALOG (MAINTENANCE)



Y 38315412B SHT 3 REV 239

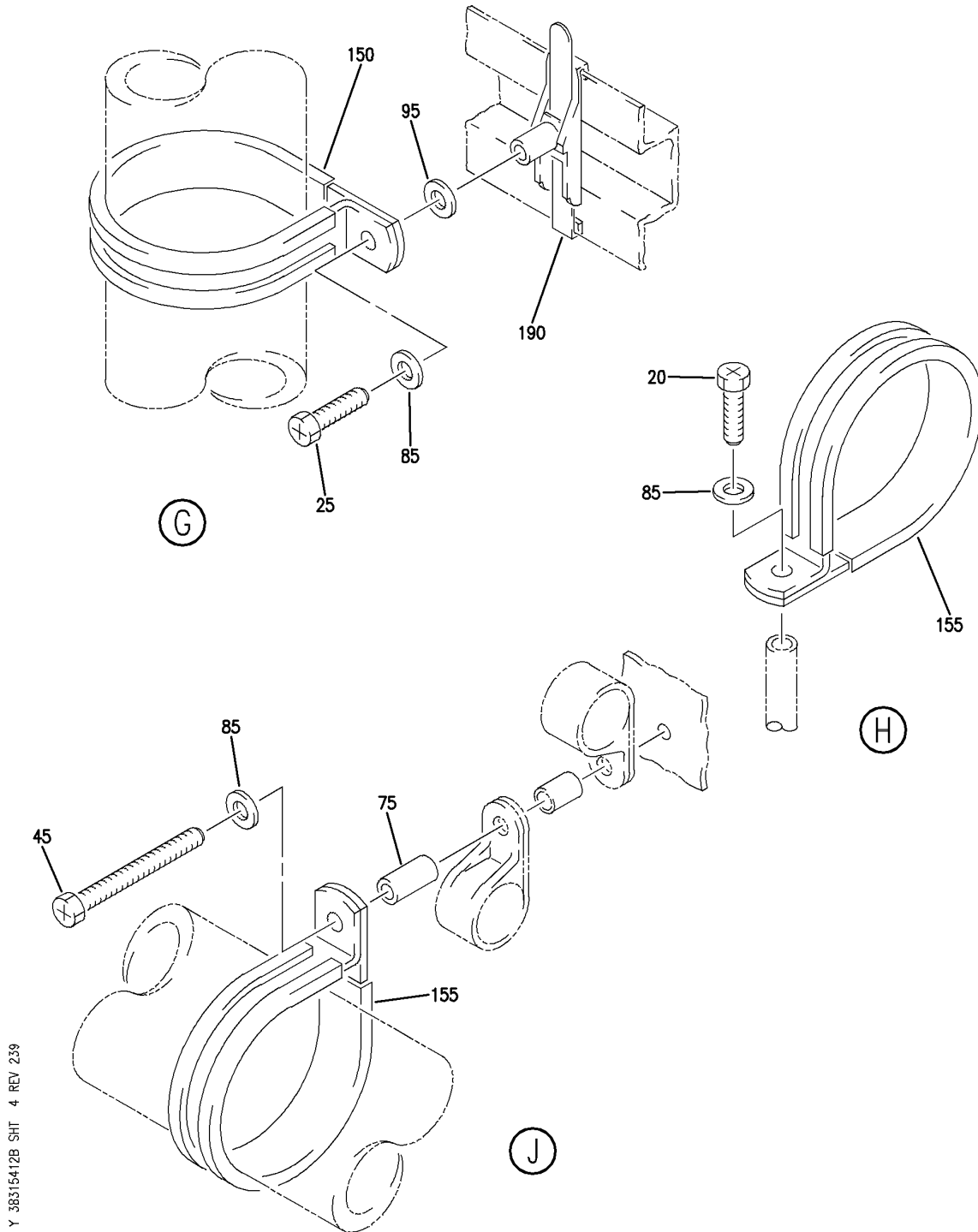
DRAIN INSTL-GRAY WATER FWD
FIGURE 12B (SHEET 3)

38-31-54-12B

BRI
JAN 20/09

38-31-54-12B
PAGE 0B

BOEING
757
PARTS CATALOG (MAINTENANCE)



Y 38315412B SHT 4 REV 239

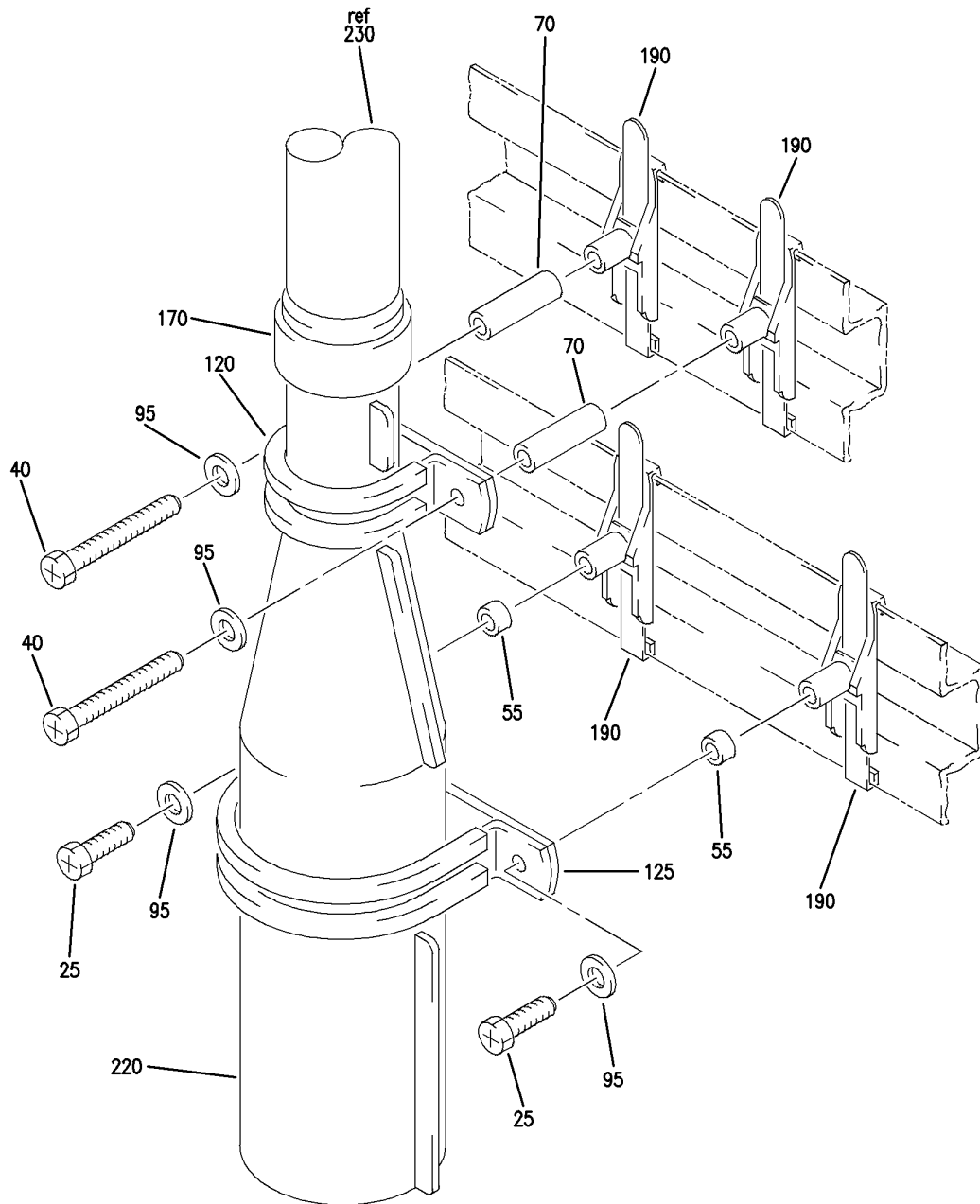
DRAIN INSTL-GRAY WATER FWD
FIGURE 12B (SHEET 4)

38-31-54-12B

BRI
JAN 20/09

38-31-54-12B
PAGE 0C

BOEING
757
PARTS CATALOG (MAINTENANCE)



(K)

Y 38315412B SHT 5 REV 239

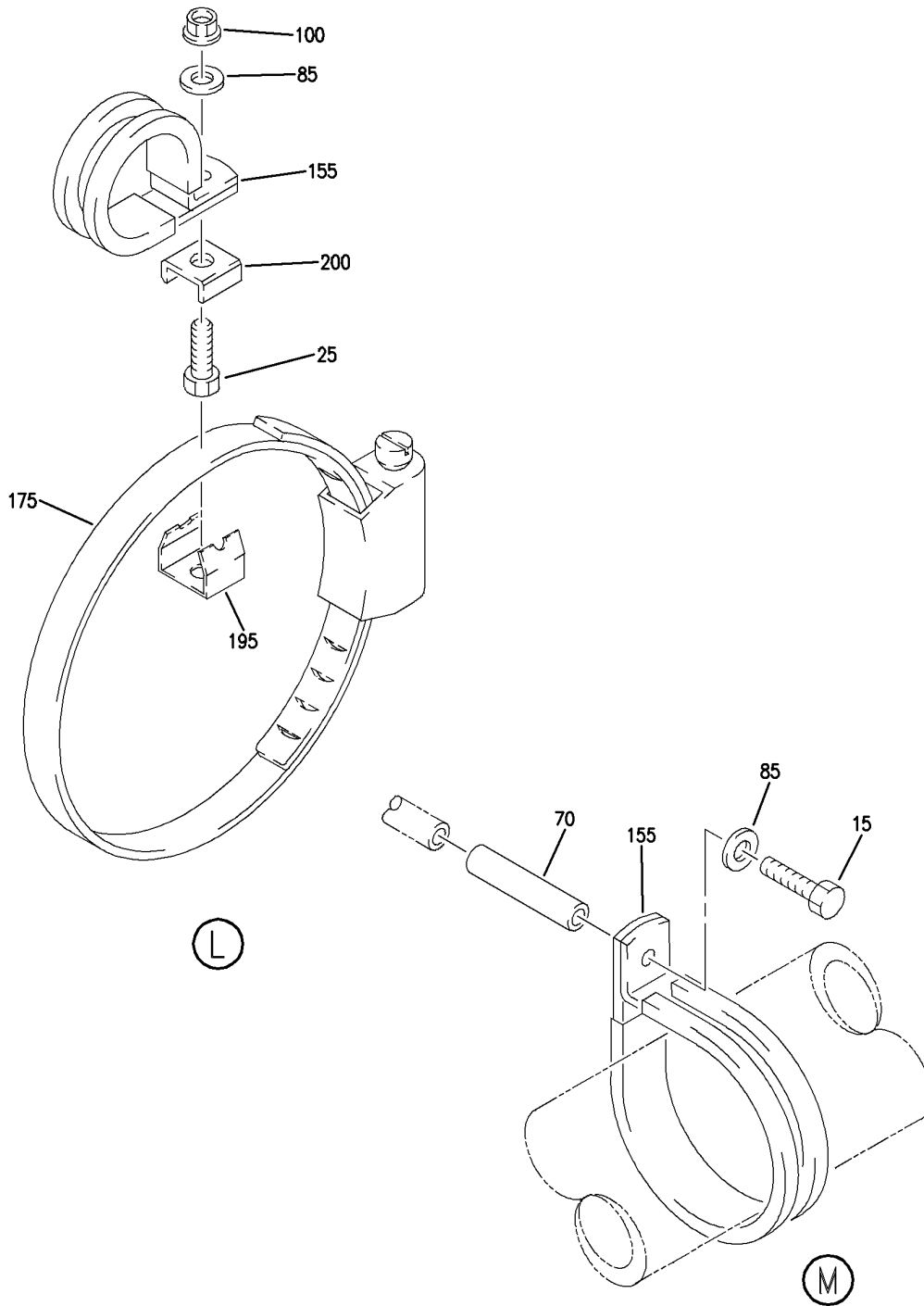
DRAIN INSTL-GRAY WATER FWD
FIGURE 12B (SHEET 5)

38-31-54-12B

BRI
JAN 20/09

38-31-54-12B
PAGE 0D

BOEING
757
PARTS CATALOG (MAINTENANCE)



Y 38315412B SHT 6 REV 239

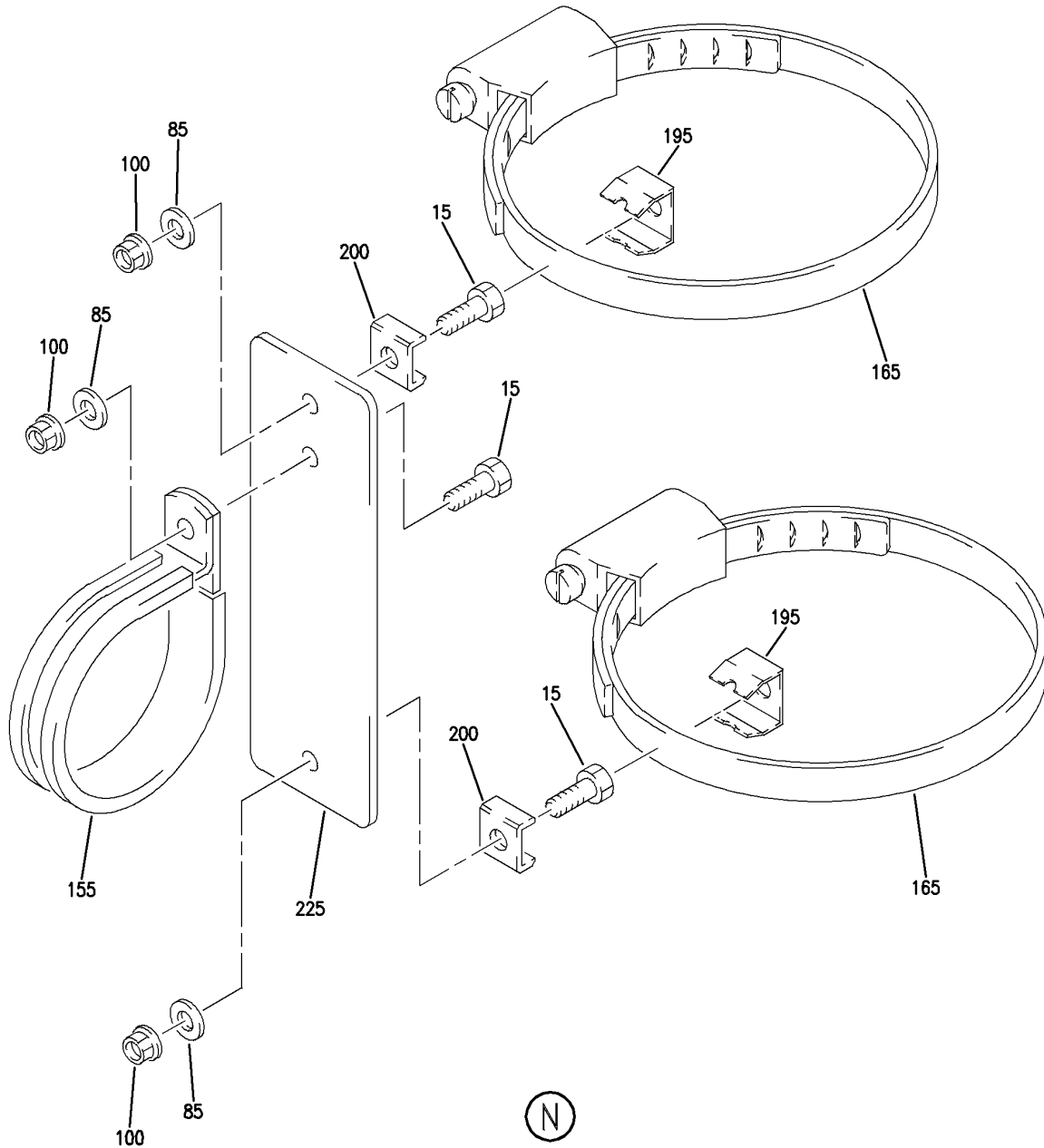
DRAIN INSTL-GRAY WATER FWD
FIGURE 12B (SHEET 6)

38-31-54-12B

BRI
JAN 20/09

38-31-54-12B
PAGE 0E

BOEING
757
PARTS CATALOG (MAINTENANCE)



Y 38315412B SHT 7 REV 239

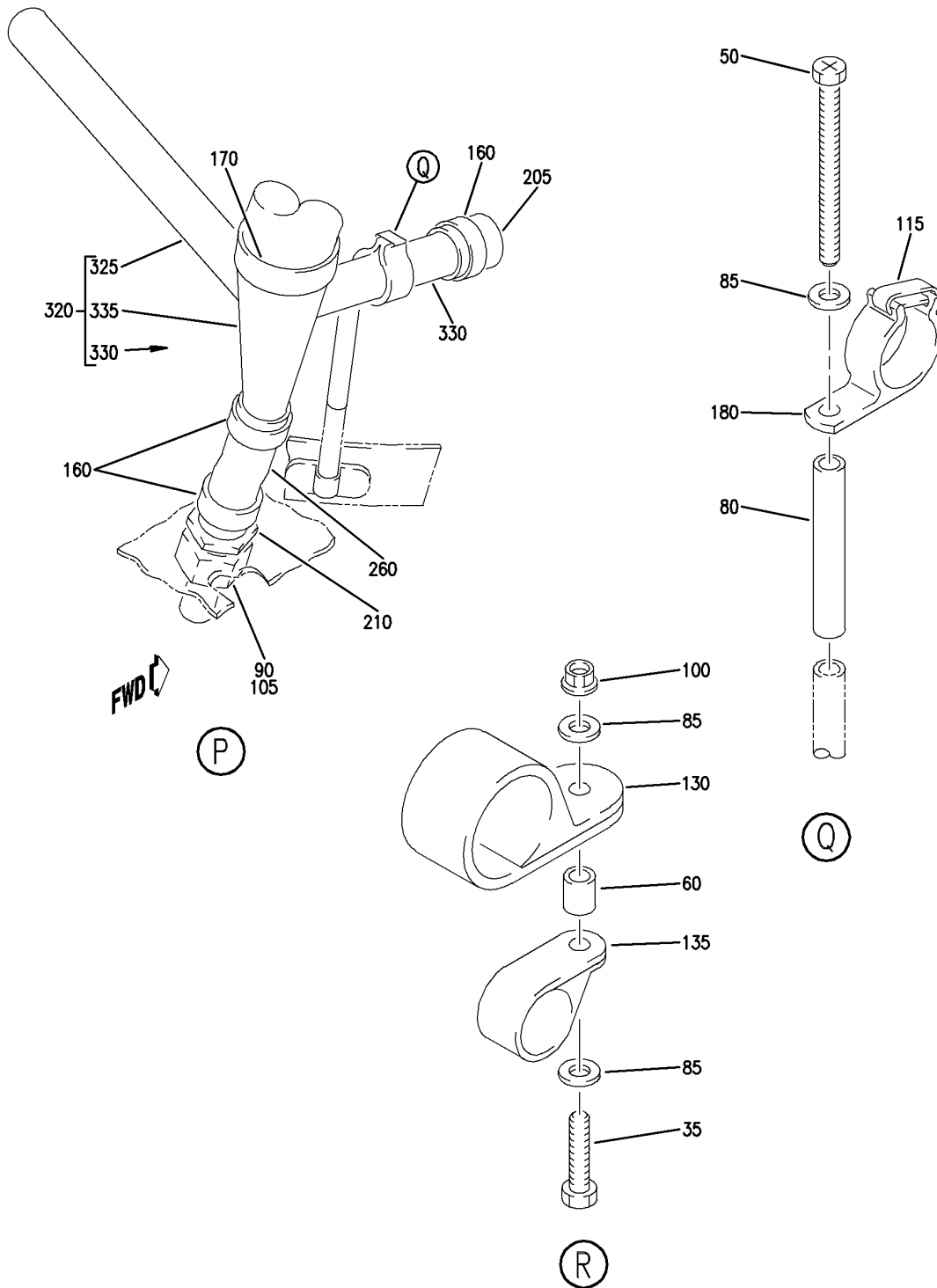
DRAIN INSTL-GRAY WATER FWD
FIGURE 12B (SHEET 7)

38-31-54-12B

BRI
JAN 20/09

38-31-54-12B
PAGE 0F

BOEING
757
PARTS CATALOG (MAINTENANCE)



Y 38315412B SHT 8 REV 239

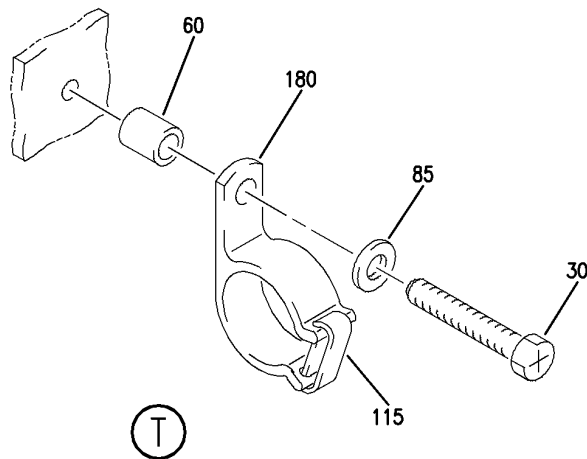
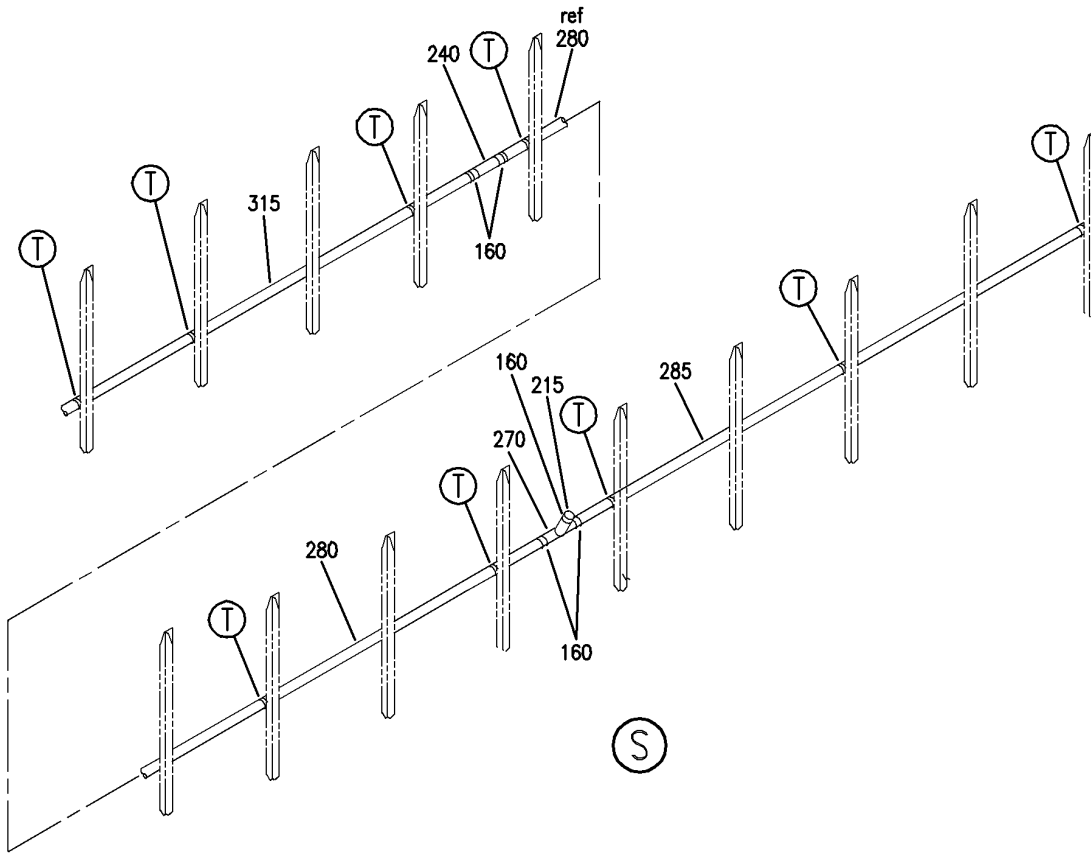
DRAIN INSTL-GRAY WATER FWD
FIGURE 12B (SHEET 8)

38-31-54-12B

BRI
JAN 20/09

38-31-54-12B
PAGE 0G

BOEING
757
PARTS CATALOG (MAINTENANCE)



Y 38315412B SHT 9 REV 239

DRAIN INSTL-GRAY WATER FWD
FIGURE 12B (SHEET 9)

38-31-54-12B

BRI
JAN 20/09

38-31-54-12B
PAGE 0H



757

PARTS CATALOG (MAINTENANCE)

FIG ITEM	PART NUMBER	1 2 3 4 5 6 7	NOMENCLATURE	EFFECT FROM TO	UNITS PER ASSY
12B			DRAIN INSTL-GRAY WATER FWD	106106	
- 1	417N2154-22		DRAIN INSTL-GRAY WATER POSITION DATA: FWD	106106	RF
5	BACB3ONE3-19		.BOLT	106106	1
10	BACB30NM3K5		.BOLT	106106	1
15	BACS12GU3K8		.SCREW	106106	6
20	BACS12GU3K9		.SCREW	106106	8
25	BACS12GU3K10		.SCREW	106106	4
30	BACS12GU3K14		.SCREW	106106	9
35	BACS12GU3K18		.SCREW	106106	1
40	BACS12GU3K22		.SCREW	106106	2
45	BACS12GU3K40		.SCREW	106106	1
50	BACS12GU3K48		.SCREW	106106	2
55	NAS43DD3-12FC		.SPACER	106106	2
60	NAS43DD3-22FC		.SPACER	106106	10
65	NAS43DD3-39FC		.SPACER	106106	1
70	NAS43DD3-63FC		.SPACER	106106	5
75	NAS43DD3-72FC		.SPACER	106106	1
80	NAS43DD3-152FC		.SPACER	106106	1
85	NAS1149D0316J		.WASHER	106106	32
90	NAS1149D2032J		.WASHER	106106	1
95	BACW10DZ3		.WASHER	106106	5
100	PLH53CD		.NUT	106106	7
			SUPPLIER CODE: VF0224		
			SPECIFICATION NUMBER: BACN10YR3CD		
			OPTIONAL PART: H52732-3CD V15653		
105	AS5178D16		.NUT- OPTIONAL PART: AN924-16D	106106	1
105	AN924-16D		.NUT- OPTIONAL PART: AS5178D16	106106	1
110	T012L0		.STRAP SUPPLIER CODE: V53421	106106	8
			SPECIFICATION NUMBER: BACS38K6		
115	PLT1MXMR		.STRAP SUPPLIER CODE: V06383	106106	17
			SPECIFICATION NUMBER: BACS38K9		

MISSING ITEM NUMBERS NOT APPLICABLE

- ITEM NOT ILLUSTRATED

38-31-54-12B

38-31-54
FIG. 12B
PAGE 1
JAN 20/09

BRI

BOEING PROPRIETARY - Copyright © - Unpublished Work - See title page for details.



757

PARTS CATALOG (MAINTENANCE)

FIG ITEM	PART NUMBER	1 2 3 4 5 6 7	NOMENCLATURE	EFFECT FROM TO	UNITS PER ASSY
12B 120	751-32-8	.	CLAMP SUPPLIER CODE: V83930 SPECIFICATION NUMBER: BACC10BA32 OPTIONAL PART: TA04C34D32 V84971	106106	1
125	751-60-10	.	CLAMP SUPPLIER CODE: V83930 SPECIFICATION NUMBER: BACC10BA60 OPTIONAL PART: TA04C34D60 V84971	106106	1
130	BACC10DK19	.	CLAMP	106106	1
135	BACC10DK8A	.	CLAMP	106106	1
140	S258DT24	.	CLAMP SUPPLIER CODE: V18076 SPECIFICATION NUMBER: BACC10DW24D OPTIONAL PART: TA4C44D24T V84971 475-24 V83930 8084D24T V72285 475A24 V83930	106106	1
145	3140AB070E	.	CLAMP SUPPLIER CODE: V94581 SPECIFICATION NUMBER: BACC10FY070SE OPTIONAL PART: BC1083-070SE V14242 NE103338-070 V8W928	106106	1

MISSING ITEM NUMBERS NOT APPLICABLE

- ITEM NOT ILLUSTRATED

38-31-54-12B

38-31-54
FIG. 12B
PAGE 2
JAN 20/09

BRI

BOEING PROPRIETARY - Copyright © - Unpublished Work - See title page for details.



757

PARTS CATALOG (MAINTENANCE)

FIG ITEM	PART NUMBER	1 2 3 4 5 6 7	NOMENCLATURE	EFFECT FROM TO	UNITS PER ASSY
12B 150	JM44LC13WS32R	.CLAMP	SUPPLIER CODE: V22175 SPECIFICATION NUMBER: BACC10GE32 OPTIONAL PART: S369WH32 V18076 TA12C32WS32 V84971 509S32 V83930	106106	1
155	JM44LC13WS38R	.CLAMP	SUPPLIER CODE: V22175 SPECIFICATION NUMBER: BACC10GE38 OPTIONAL PART: S369WH38 V18076 TA12C32WS38 V84971 509S38 V83930	106106	8
160	BACC10JB030C038	.CLAMP		106106	22
165	BACC10JB054C068	.CLAMP		106106	2
170	BACC10JB062C080	.CLAMP		106106	4
175	BACC10JB142C176	.CLAMP		106106	1
180	NMC1005-5	.CLAMP-	SUPPLIER CODE: V03296	106106	15
185	NMC1005-6	.CLAMP-	SUPPLIER CODE: V03296	106106	2
190	BACS38P5	.SUPPORT		106106	5
195	BACC15AN10	.CLIP		106106	4
200	BACB19F10S	.BLOCK		106106	4
205	69B50212-1	.CAP-		106106	3
210	66-17278-1	.CONNECTOR		106106	1
215	417A2431-2	.PLUG		106106	2
220	417N2416-1	.MUFFLER		106106	1
225	417N2315-316	.BRACKET		106106	1
230	AS1504-08B0780	.HOSE		106106	1
235	AS1504-08B2160	.HOSE		106106	1

MISSING ITEM NUMBERS NOT APPLICABLE

- ITEM NOT ILLUSTRATED

38-31-54-12B

38-31-54
FIG. 12B
PAGE 3
JAN 20/09

BRI

BOEING PROPRIETARY - Copyright © - Unpublished Work - See title page for details.



757

PARTS CATALOG (MAINTENANCE)

FIG ITEM	PART NUMBER	1 2 3 4 5 6 7	NOMENCLATURE	EFFECT FROM TO	UNITS PER ASSY
12B 240	BOE2013-0314		.HOSE ASSY- SUPPLIER CODE: V16632 SPECIFICATION NUMBER: 69-27191-314 OPTIONAL PART: 713488-314 V70628 IT4350-314 V26831	106106	1
240	IT4350-314		.HOSE ASSY- SUPPLIER CODE: V26831 SPECIFICATION NUMBER: 69-27191-314 OPTIONAL PART: 713488-314 V70628 BOE2013-0314 V16632	106106	1
240	713488-314		.HOSE- SUPPLIER CODE: V70628 SPECIFICATION NUMBER: 69-27191-314 OPTIONAL PART: IT4350-314 V26831 BOE2013-0314 V16632	106106	1
245	BOE2013-0317		.HOSE- SUPPLIER CODE: V16632 SPECIFICATION NUMBER: 69-27191-317 OPTIONAL PART: 713488-317 V70628	106106	1
250	BOE2013-0318		.HOSE- SUPPLIER CODE: V16632 SPECIFICATION NUMBER: 69-27191-318 OPTIONAL PART: 713488-318 V70628	106106	1

MISSING ITEM NUMBERS NOT APPLICABLE

- ITEM NOT ILLUSTRATED

38-31-54-12B

38-31-54
FIG. 12B
PAGE 4
JAN 20/09

BRI

BOEING PROPRIETARY - Copyright © - Unpublished Work - See title page for details.



757

PARTS CATALOG (MAINTENANCE)

FIG ITEM	PART NUMBER	1 2 3 4 5 6 7	NOMENCLATURE	EFFECT FROM TO	UNITS PER ASSY
12B 255	BOE2013-0322		.HOSE ASSY- SUPPLIER CODE: V16632 SPECIFICATION NUMBER: 69-27191-322 OPTIONAL PART: 713488-322 V70628 IT4350-322 V26831	106106	1
255	IT4350-322		.HOSE ASSY- SUPPLIER CODE: V26831 SPECIFICATION NUMBER: 69-27191-322 OPTIONAL PART: 713488-322 V70628 BOE2013-0322 V16632	106106	1
255	713488-322		.HOSE ASSY- SUPPLIER CODE: V70628 SPECIFICATION NUMBER: 69-27191-322 OPTIONAL PART: IT4350-322 V26831 BOE2013-0322 V16632	106106	1
260	BOE2013-0328		.HOSE- SUPPLIER CODE: V16632 SPECIFICATION NUMBER: 69-27191-328 OPTIONAL PART: 713488-328 V70628 IT4350-328 V26831	106106	1

MISSING ITEM NUMBERS NOT APPLICABLE

- ITEM NOT ILLUSTRATED

38-31-54-12B

38-31-54
FIG. 12B
PAGE 5
JAN 20/09

BRI

BOEING PROPRIETARY - Copyright © - Unpublished Work - See title page for details.



757

PARTS CATALOG (MAINTENANCE)

FIG ITEM	PART NUMBER	1 2 3 4 5 6 7	NOMENCLATURE	EFFECT FROM TO	UNITS PER ASSY
12B 260	IT4350-328	.HOSE-	SUPPLIER CODE: V26831 SPECIFICATION NUMBER: 69-27191-328 OPTIONAL PART: 713488-328 V70628 BOE2013-0328 V16632	106106	1
260	713488-328	.HOSE-	SUPPLIER CODE: V70628 SPECIFICATION NUMBER: 69-27191-328 OPTIONAL PART: BOE2013-0328 V16632 IT4350-328 V26831	106106	1
265	BOE2013-0425	.HOSE-	SUPPLIER CODE: V16632 SPECIFICATION NUMBER: 69-27191-425 OPTIONAL PART: IT4353-425 V26831	106106	2
265	IT4353-425	.HOSE-	SUPPLIER CODE: V26831 SPECIFICATION NUMBER: 69-27191-425 OPTIONAL PART: BOE2013-0425 V16632	106106	2
270	69-27191-619	.HOSE		106106	1
275	417A2403-65	.TUBE		106106	2
280	417N2143-2	.TUBE-	TUBING MATERIAL: GRAY WATER DRAIN, TI, 1.00 IN. O.D X 97.5 IN., STRAIGHT.	106106	1
285	417N2143-4	.TUBE-	TUBING MATERIAL: GRAY WATER DRAIN, TI, 1.0 IN. O.D X 95.88 IN., STRAIGHT.	106106	1

MISSING ITEM NUMBERS NOT APPLICABLE

- ITEM NOT ILLUSTRATED

38-31-54-12B

38-31-54
FIG. 12B
PAGE 6
JAN 20/09

BRI

BOEING PROPRIETARY - Copyright © - Unpublished Work - See title page for details.



757

PARTS CATALOG (MAINTENANCE)

FIG ITEM	PART NUMBER	1 2 3 4 5 6 7	NOMENCLATURE	EFFECT FROM TO	UNITS PER ASSY
12B 290	417N2143-5	.TUBE-	TUBING MATERIAL: GRAY WATER DRAIN, TI, 1.0 IN. O.D X 56.91 IN., STRAIGHT.	106106	1
295	417N2143-6	.TUBE-	TUBING MATERIAL: GRAY WATER DRAIN, TI, 1.0 IN. O.D X 16.93 IN., BENT.	106106	1
300	417N2143-7	.TUBE-	TUBING MATERIAL: GRAY WATER DRAIN, TI, 1.0 IN. O.D X 10.47 IN., BENT.	106106	1
305	417N2310-170	.TUBE-	TUBING MATERIAL: STOCK 0.028 WALL X 2.00 O.D X 5.00 CRES CRES TUBE TYPE AISI 321/347. MIL-T-8808/ MIL-T-8808-858.	106106	1
310	417N2104-21	.TUBE-	TUBING MATERIAL: STOCK 1.5 O.D X .02 WALL 6061-T4 TUBE PER WW-T- 700/6	106106	1
315	417N2143-38	.TUBE-	TUBING MATERIAL: 1.0 O.D X 0.02 WALL X 75.70. AMS 4943 TI-3AL- 2.5V ANNEALED TUBING	106106	1
320	417N2310-151	.TUBE ASSY		106106	1
325	417N2310-152	..TUBE-	TUBING MATERIAL: STOCK 0.028 WALL X 1.00 O.D X 17.0 CRES TUBE TYPE AISI 321/347 MIL- T-8808/ MIL-T-8808-858	106106	1
330	417N2310-153	..TUBE-	TUBING MATERIAL: STOCK 0.028 WALL X 1.00 O.D X 7.0 CRES TUBE TYPE AISI 321/347 MIL- T-8808/ MIL-T-8808-858	106106	1

MISSING ITEM NUMBERS NOT APPLICABLE

- ITEM NOT ILLUSTRATED

38-31-54-12B

38-31-54
FIG. 12B
PAGE 7
JAN 20/09

BRI

BOEING PROPRIETARY - Copyright © - Unpublished Work - See title page for details.



757

PARTS CATALOG (MAINTENANCE)

FIG ITEM	PART NUMBER	1 2 3 4 5 6 7	NOMENCLATURE	EFFECT FROM TO	UNITS PER ASSY
12B 335	417N2310-154		.. ADAPTOR- TUBING MATERIAL: STOCK 0.035 WALL X 2.00 O.D X 7.10 CRES TUBE TYPE AISI 321/347 MIL- T-8808/ MIL-T-8808-858	106106	1

MISSING ITEM NUMBERS NOT APPLICABLE

- ITEM NOT ILLUSTRATED

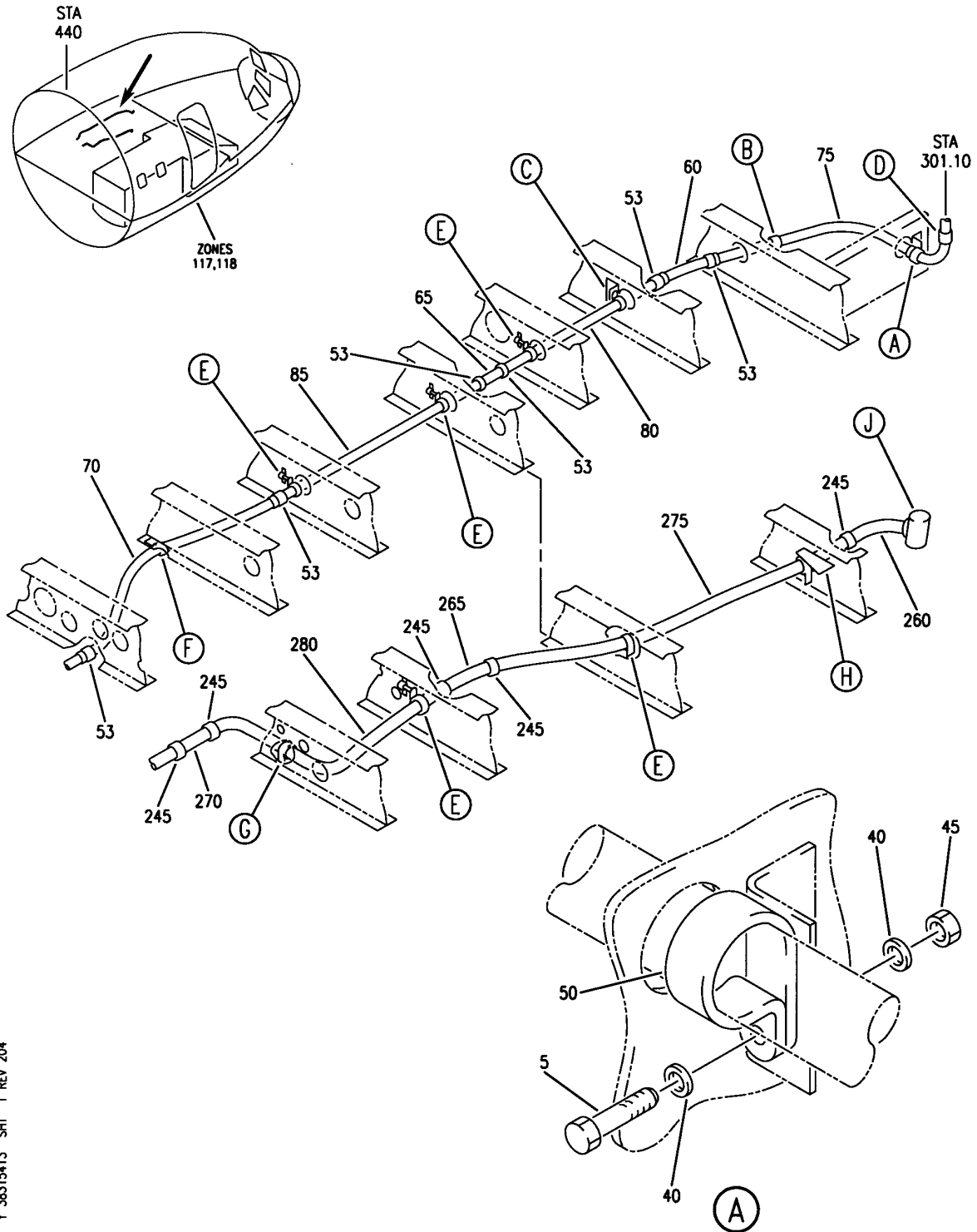
BRI

38-31-54-12B

BOEING PROPRIETARY - Copyright © - Unpublished Work - See title page for details.

38-31-54
FIG. 12B
PAGE 8
JAN 20/09


BOEING
 757
PARTS CATALOG (MAINTENANCE)



Y 38315413 SHT 1 REV 204

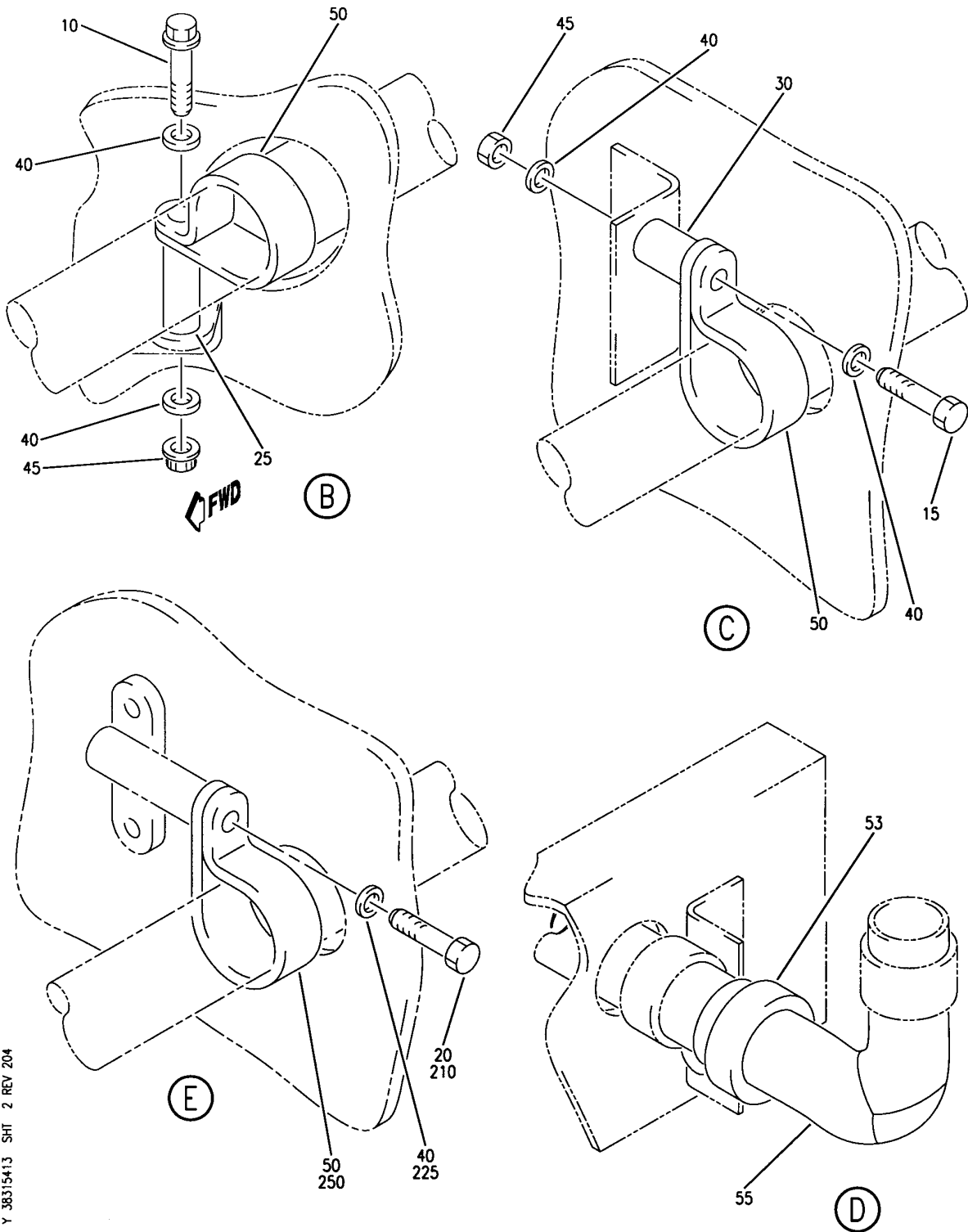
DRAIN INSTL-FWD GRAY WATER
FIGURE 13 (SHEET 1)

38-31-54-13

BRI
JAN 20/09

38-31-54-13
PAGE 0

BOEING
757
PARTS CATALOG (MAINTENANCE)



Y 38315413 SHT 2 REV 204

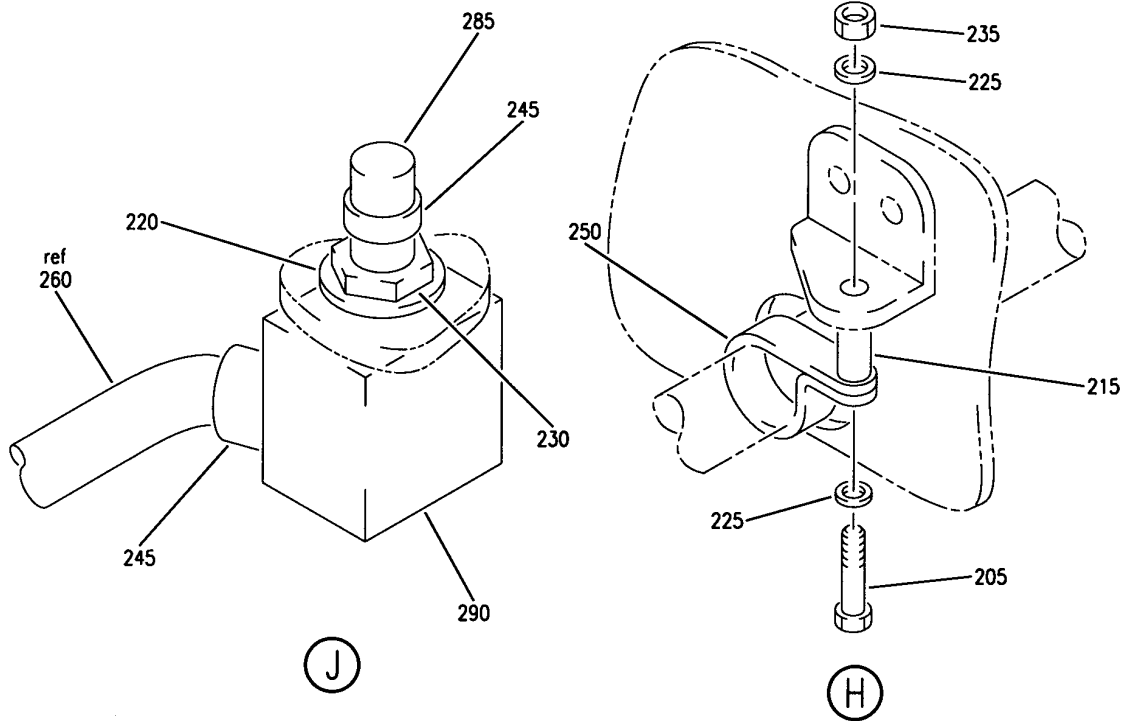
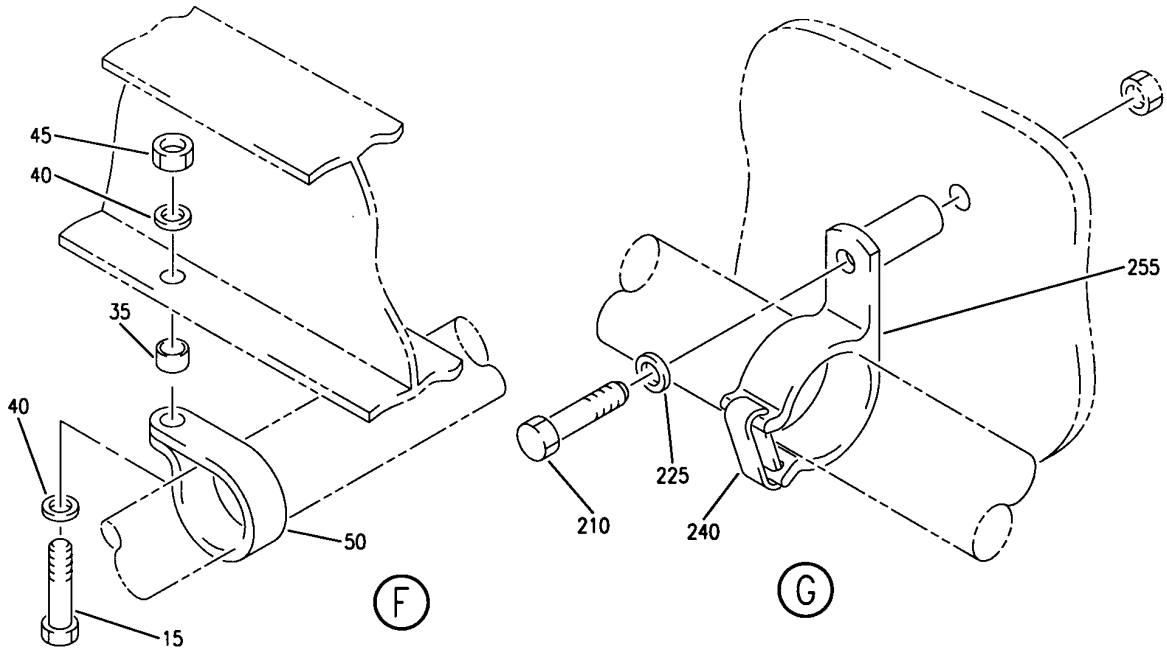
DRAIN INSTL-FWD GRAY WATER
FIGURE 13 (SHEET 2)

38-31-54-13

BRI
JAN 20/09

38-31-54-13
PAGE 0A

BOEING
757
PARTS CATALOG (MAINTENANCE)



Y 38315413 SH1 3 REV 204

DRAIN INSTL-FWD GRAY WATER
FIGURE 13 (SHEET 3)

38-31-54-13

BRI
JAN 20/09

38-31-54-13
PAGE 0B



757

PARTS CATALOG (MAINTENANCE)

FIG ITEM	PART NUMBER	1 2 3 4 5 6 7	NOMENCLATURE	EFFECT FROM TO	UNITS PER ASSY
13			DRAIN INSTL-FWD GRAY WATER	103106	
- 1	MODREF25678		DRAIN INSTL-LAV A GRAY WATER MODULE NUMBER: 417N2154-2 REV B POSITION DATA: FWD	103106	1
5	BACS12GU3K14	.SCREW		103106	1
10	BACS12GU3K24	.SCREW		103106	1
15	BACS12GU3K16	.SCREW		103106	2
20	BACS12GU3K10	.SCREW		103106	3
25	NAS43DD3-40FC	.SPACER		103106	1
30	NAS43DD3-16FC	.SPACER		103106	1
35	NAS43DD3-8FC	.SPACER		103106	1
40	NAS1149D0316J	.WASHER		103106	11
45	PLH53CD	.NUT		103106	4
			SUPPLIER CODE: VF0224 SPECIFICATION NUMBER: BACN10YR3CD OPTIONAL PART: H52732-3CD V15653		
50	BACC10DK16	.CLAMP		103106	7
53	BACC10JB030C038	.CLAMP		103106	7
55	IT4351-383	.ELBOW-		103106	1
			SUPPLIER CODE: V26831 SPECIFICATION NUMBER: 69-27191-383 OPTIONAL PART: BOE2013-0383 V16632		
55	BOE2013-0383	.ELBOW-		103106	1
			SUPPLIER CODE: V16632 SPECIFICATION NUMBER: 69-27191-383 OPTIONAL PART: IT4351-383 V26831		
60	BOE2013-0325	.HOSE-		103106	1
			SUPPLIER CODE: V16632 SPECIFICATION NUMBER: 69-27191-325 OPTIONAL PART: 713488-325 V70628		

MISSING ITEM NUMBERS NOT APPLICABLE

- ITEM NOT ILLUSTRATED

38-31-54-13

38-31-54
FIG. 13
PAGE 1
JAN 20/09

BRI



757

PARTS CATALOG (MAINTENANCE)

FIG ITEM	PART NUMBER	1 2 3 4 5 6 7	NOMENCLATURE	EFFECT FROM TO	UNITS PER ASSY
13 65	IT4350-314		.HOSE ASSY- SUPPLIER CODE: V26831 SPECIFICATION NUMBER: 69-27191-314 OPTIONAL PART: 713488-314 V70628 BOE2013-0314 V16632	103106	1
65	BOE2013-0314		.HOSE ASSY- SUPPLIER CODE: V16632 SPECIFICATION NUMBER: 69-27191-314 OPTIONAL PART: 713488-314 V70628 IT4350-314 V26831	103106	1
65	713488-314		.HOSE- SUPPLIER CODE: V70628 SPECIFICATION NUMBER: 69-27191-314 OPTIONAL PART: IT4350-314 V26831 BOE2013-0314 V16632	103106	1
70	BOE2013-0318		.HOSE- SUPPLIER CODE: V16632 SPECIFICATION NUMBER: 69-27191-318 OPTIONAL PART: 713488-318 V70628 OPTIONAL PART: IT4350-318 V26831	103106	1
70	IT4350-318		.HOSE- SUPPLIER CODE: V26831 OPTIONAL PART: BOE2013-0318 V16632	103106	1

MISSING ITEM NUMBERS NOT APPLICABLE

- ITEM NOT ILLUSTRATED

38-31-54-13

38-31-54
FIG. 13
PAGE 2
JAN 20/09

BRI



757

PARTS CATALOG (MAINTENANCE)

FIG ITEM	PART NUMBER	1 2 3 4 5 6 7	NOMENCLATURE	EFFECT FROM TO	UNITS PER ASSY
13					
75	417N2143-11	.TUBE-	TUBING MATERIAL: GRAY WATER DRAIN, TI, 1.00" O.D. X 20.25" BENT	103106	1
80	417N2143-10	.TUBE-	TUBING MATERIAL: GRAY WATER DRAIN, TI, 1.00" O.D. X 17.85", STRAIGHT	103106	1
85	417N2143-9	.TUBE-	TUBING MATERIAL: GRAY WATER DRAIN, TI, 1.00" O.D. X 26.76", STRAIGHT	103106	1
- 200	MODREF25681	DRAIN INSTL-G1A	GRAY WATER MODULE NUMBER: 417N2154-3 REV B POSITION DATA: FWD	103106	1
205	BACS12GU3K22	.SCREW		103106	1
210	BACS12GU3K9	.SCREW		103106	3
215	NAS43DD3-52FC	.SPACER		103106	1
220	NAS1149D2132J	.WASHER		103106	1
225	NAS1149D0316J	.WASHER		103106	5
230	AN924-16J	.NUT		103106	1
235	PLH53CD	.NUT	SUPPLIER CODE: VF0224 SPECIFICATION NUMBER: BACN10YR3CD OPTIONAL PART: H52732-3CD V15653	103106	1
240	PLT1MXMR	.STRAP	SUPPLIER CODE: V06383 SPECIFICATION NUMBER: BACS38K9	103106	1
245	BACC10JB030C038	.CLAMP		103106	7
250	BACC10DK16	.CLAMP		103106	3
255	NMC1005-5	.CLAMP-	SUPPLIER CODE: V03296	103106	1

MISSING ITEM NUMBERS NOT APPLICABLE

- ITEM NOT ILLUSTRATED

38-31-54-13

38-31-54
FIG. 13
PAGE 3
JAN 20/09

BRI



757

PARTS CATALOG (MAINTENANCE)

FIG ITEM	PART NUMBER	1 2 3 4 5 6 7	NOMENCLATURE	EFFECT FROM TO	UNITS PER ASSY
13 260	IT4350-343		.HOSE- SUPPLIER CODE: V26831 SPECIFICATION NUMBER: 69-27191-343 OPTIONAL PART: 713488-343 V70628 BOE2013-0343 V16632	103106	1
260	BOE2013-0343		.HOSE- SUPPLIER CODE: V16632 SPECIFICATION NUMBER: 69-27191-343 OPTIONAL PART: 713488-343 V70628 IT4350-343 V26831	103106	1
265	IT4350-322		.HOSE ASSY- SUPPLIER CODE: V26831 SPECIFICATION NUMBER: 69-27191-322 OPTIONAL PART: 713488-322 V70628 BOE2013-0322 V16632	103106	1
265	BOE2013-0322		.HOSE ASSY- SUPPLIER CODE: V16632 SPECIFICATION NUMBER: 69-27191-322 OPTIONAL PART: 713488-322 V70628 IT4350-322 V26831	103106	1

MISSING ITEM NUMBERS NOT APPLICABLE

- ITEM NOT ILLUSTRATED

38-31-54-13

38-31-54
FIG. 13
PAGE 4
JAN 20/09

BRI



757

PARTS CATALOG (MAINTENANCE)

FIG ITEM	PART NUMBER	1 2 3 4 5 6 7	NOMENCLATURE	EFFECT FROM TO	UNITS PER ASSY
13 265	713488-322		.HOSE ASSY- SUPPLIER CODE: V70628 SPECIFICATION NUMBER: 69-27191-322 OPTIONAL PART: IT4350-322 V26831 BOE2013-0322 V16632	103106	1
270	BOE2013-0518		.HOSE- SUPPLIER CODE: V16632 OPTIONAL PART: IT4350-518 V26831	103106	1
270	IT4350-518		.HOSE- SUPPLIER CODE: V26831 OPTIONAL PART: BOE2013-0518 V16632	103106	1
275	417N2143-13		.TUBE- TUBING MATERIAL: GRAY WATER DRAIN, TI, 1.0 IN. O.D X 38.41 IN., BENT.	103106	1
280	417N2143-12		.TUBE- TUBING MATERIAL: GRAY WATER DRAIN, TI, 1.0 IN. O.D X 30.91 IN., BENT.	103106	1
285	69B50212-1		.CAP	103106	1
290	66-17361-1		.CONNECTOR	103106	1

MISSING ITEM NUMBERS NOT APPLICABLE

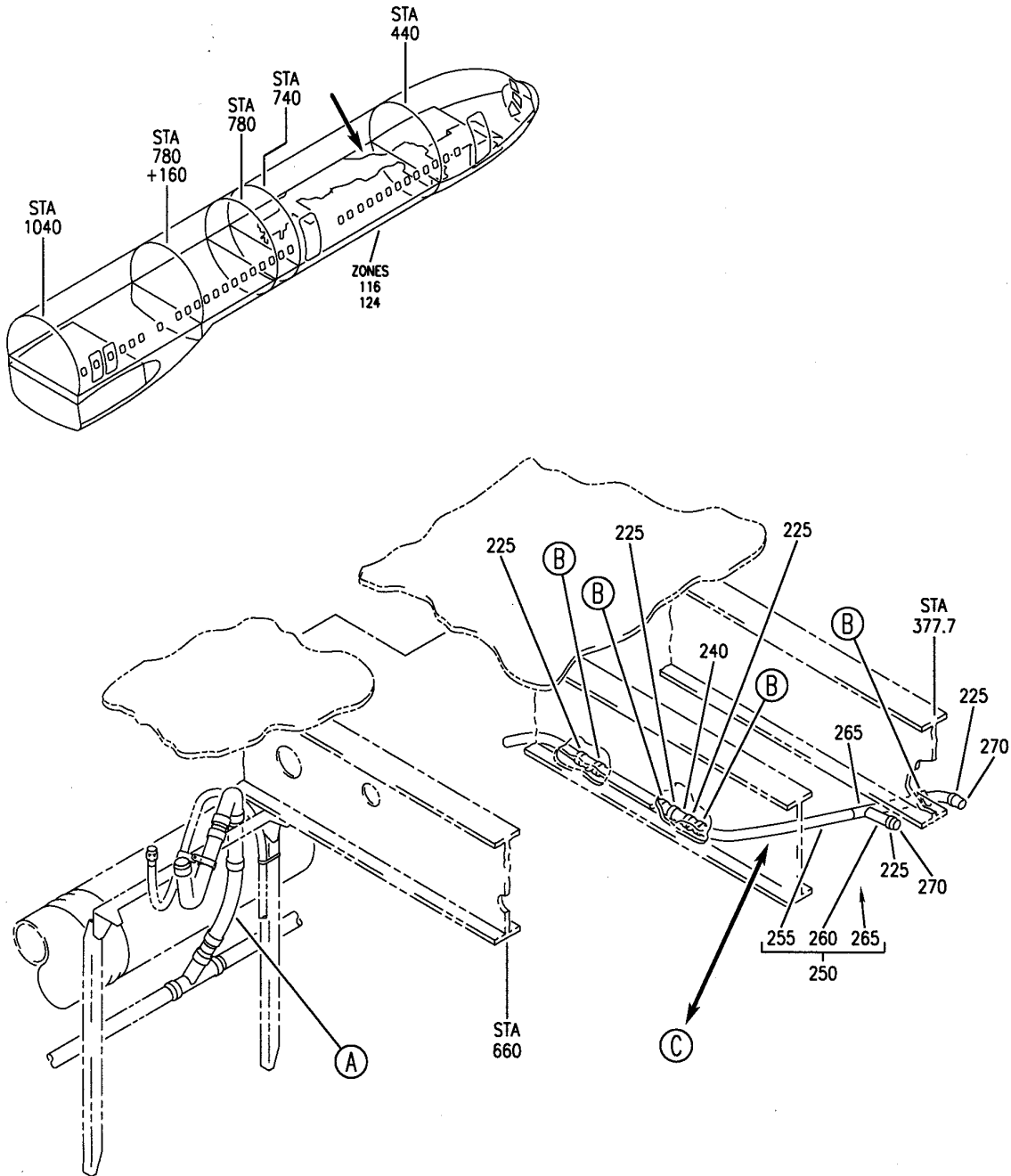
- ITEM NOT ILLUSTRATED

38-31-54-13

38-31-54
FIG. 13
PAGE 5
JAN 20/09

BRI

BOEING
757
PARTS CATALOG (MAINTENANCE)



Y 38315414 SHT 1 REV 212

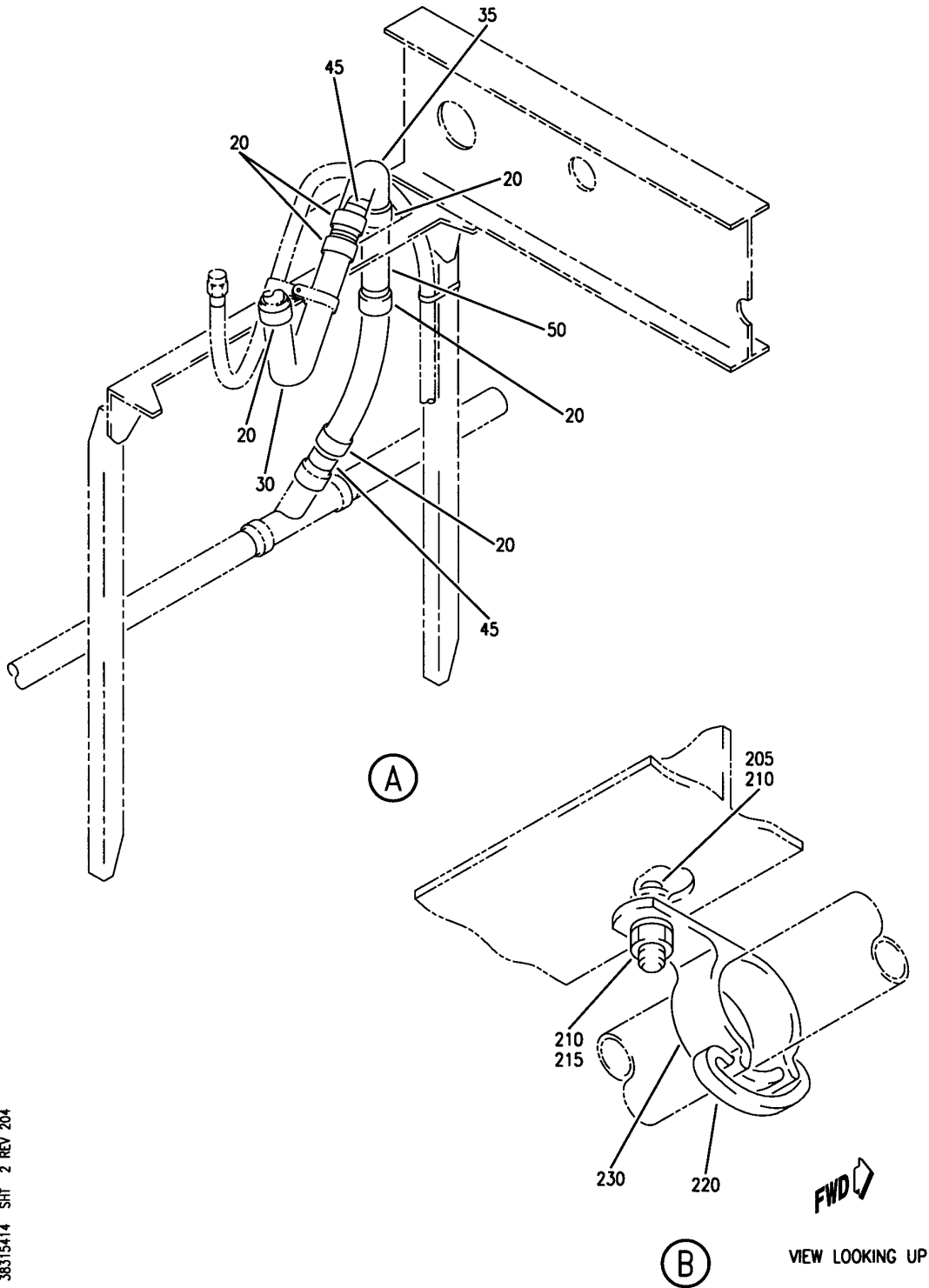
DRAIN INSTL-FWD GRAY WATER
FIGURE 14 (SHEET 1)

38-31-54-14

BRI
JAN 20/09

38-31-54-14
PAGE 0

BOEING
757
PARTS CATALOG (MAINTENANCE)



Y 38315414 SH1 2 REV 204

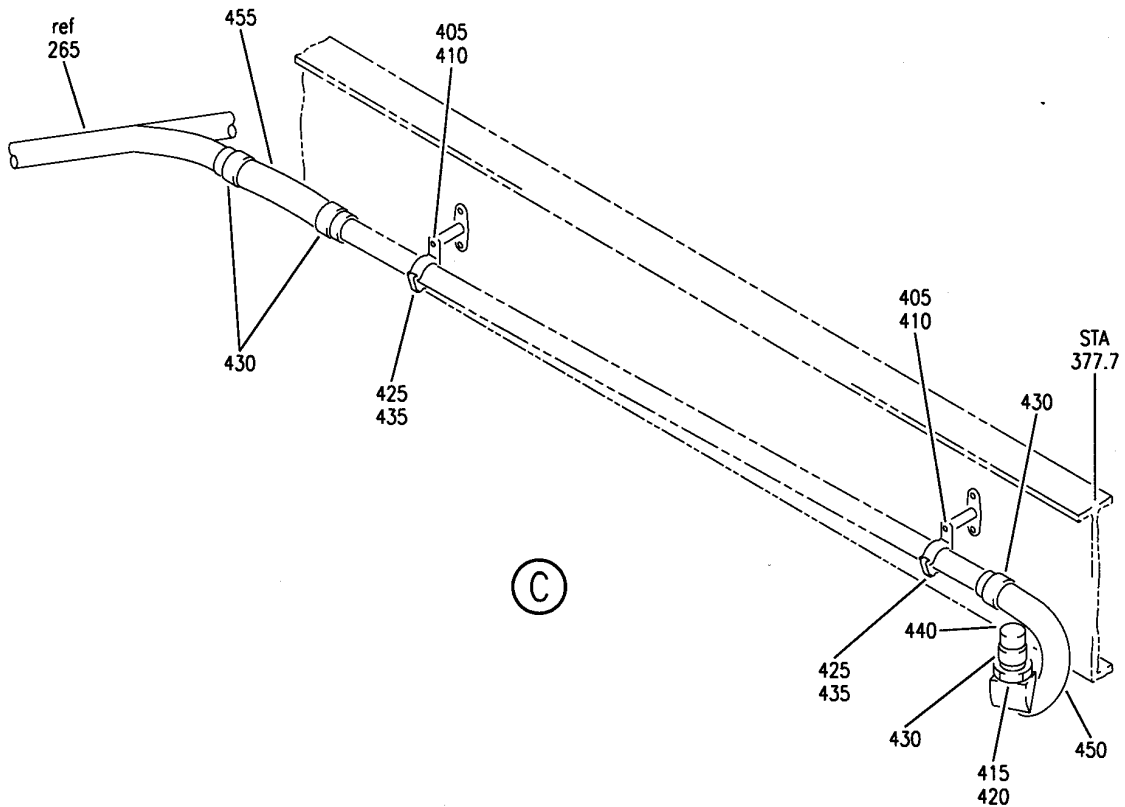
DRAIN INSTL-FWD GRAY WATER
FIGURE 14 (SHEET 2)

38-31-54-14

BRI
JAN 20/09

38-31-54-14
PAGE 0A

BOEING
757
PARTS CATALOG (MAINTENANCE)



Y 38315414 SH1 3 REV 212

DRAIN INSTL-FWD GRAY WATER
FIGURE 14 (SHEET 3)

38-31-54-14

BRI
JAN 20/09

38-31-54-14
PAGE 0B



757

PARTS CATALOG (MAINTENANCE)

FIG ITEM	PART NUMBER	1 2 3 4 5 6 7	NOMENCLATURE	EFFECT FROM TO	UNITS PER ASSY
14					
- 200	MODREF31223		DRAIN INSTL-FWD GRAY WATER DRAIN INSTL-TRNK LN G1A, G1B GRAY WATER MODULE NUMBER: 417N2154-7 REV B POSITION DATA: FWD	103106 103106	1
205	BACS12GU3K14		.SCREW	103106	4
210	NAS1149D0316J		.WASHER	103106	8
215	PLH53CD		.NUT	103106	4
			SUPPLIER CODE: VF0224 SPECIFICATION NUMBER: BACN10YR3CD OPTIONAL PART: H52732-3CD V15653		
220	PLT1MXMR		.STRAP SUPPLIER CODE: V06383 SPECIFICATION NUMBER: BACS38K9	103106	4
225	BACC10JB030C038		.CLAMP	103106	5
230	NMC1005-5		.CLAMP- SUPPLIER CODE: V03296	103106	4
235	IT4350-343		.HOSE- SUPPLIER CODE: V26831 SPECIFICATION NUMBER: 69-27191-343 OPTIONAL PART: 713488-343 V70628 BOE2013-0343 V16632	103106	1
235	BOE2013-0343		.HOSE- SUPPLIER CODE: V16632 SPECIFICATION NUMBER: 69-27191-343 OPTIONAL PART: 713488-343 V70628 IT4350-343 V26831	103106	1

MISSING ITEM NUMBERS NOT APPLICABLE

- ITEM NOT ILLUSTRATED

38-31-54-14

38-31-54
FIG. 14
PAGE 1
JAN 20/09

BRI



757

PARTS CATALOG (MAINTENANCE)

FIG ITEM	PART NUMBER	1 2 3 4 5 6 7	NOMENCLATURE	EFFECT FROM TO	UNITS PER ASSY
14 240	IT4350-328	.HOSE-	SUPPLIER CODE: V26831 SPECIFICATION NUMBER: 69-27191-328 OPTIONAL PART: 713488-328 V70628 BOE2013-0328 V16632	103106	1
240	BOE2013-0328	.HOSE-	SUPPLIER CODE: V16632 SPECIFICATION NUMBER: 69-27191-328 OPTIONAL PART: 713488-328 V70628 IT4350-328 V26831	103106	1
240	713488-328	.HOSE-	SUPPLIER CODE: V70628 SPECIFICATION NUMBER: 69-27191-328 OPTIONAL PART: BOE2013-0328 V16632 IT4350-328 V26831	103106	1
245	417N2143-15	.TUBE-	TUBING MATERIAL: GRAY WATER DRAIN, TI, 1.00" O.D. X 31.56", STRAIGHT	103106	1
250	417N2310-38	.TUBE ASSY		103106	1
255	417N2310-39	..TUBE-	TUBING MATERIAL: STOCK .028 WALL X 1.00 O.D. X 26.0 CRES TUBE TYPE AISI 321/347 MIL-T-8808/ MIL-T-8808-858	103106	1

MISSING ITEM NUMBERS NOT APPLICABLE

- ITEM NOT ILLUSTRATED

38-31-54-14

38-31-54
FIG. 14
PAGE 2
JAN 20/09

BRI



757

PARTS CATALOG (MAINTENANCE)

FIG ITEM	PART NUMBER	1 2 3 4 5 6 7	NOMENCLATURE	EFFECT FROM TO	UNITS PER ASSY
14 260	417N2310-40	..	TUBE- TUBING MATERIAL: STOCK .028 WALL X 1.00 O.D. X 3.0 CRES TUBE TYPE AISI 321/347 MIL-T-8808/ MIL-T-8808-858	103106	1
265	417N2310-42	..	TUBE- TUBING MATERIAL: STOCK .028 WALL X 1.00 O.D. X 12.0 CRES TUBE TYPE AISI 321/347 PER MIL-T-8808/ MIL-T-8808-858	103106	1
270 - 400	69B50212-1 MODREF31220	.CAP	DRAIN INSTL-GRAY WATER MODULE NUMBER: 417N2154-18 REV B POSITION DATA: FWD	103106 103106	2 1
405	BACS12GU3K9	.SCREW		103106	2
410	NAS1149D0316J	.WASHER		103106	2
415	BACW10P377L	.WASHER-		103106	1
420	AN924-16J	.NUT		103106	1
425	PLT1MXMR	.STRAP	SUPPLIER CODE: V06383 SPECIFICATION NUMBER: BACS38K9	103106	2
430	BACC10JB030C038	.CLAMP		103106	4
435	NMC1005-5	.CLAMP-	SUPPLIER CODE: V03296	103106	2
440	69B50212-1	.CAP		103106	1
445	66-16504-1	.CONNECTOR		103106	1
450	BOE2013-0343	.HOSE-	SUPPLIER CODE: V16632 SPECIFICATION NUMBER: 69-27191-343 OPTIONAL PART: 713488-343 V70628 IT4350-343 V26831	103106	1

MISSING ITEM NUMBERS NOT APPLICABLE

- ITEM NOT ILLUSTRATED

38-31-54-14

38-31-54
FIG. 14
PAGE 3
JAN 20/09

BRI



757

PARTS CATALOG (MAINTENANCE)

FIG ITEM	PART NUMBER	1 2 3 4 5 6 7	NOMENCLATURE	EFFECT FROM TO	UNITS PER ASSY
14 450	IT4350-343		.HOSE- SUPPLIER CODE: V26831 SPECIFICATION NUMBER: 69-27191-343 OPTIONAL PART: 713488-343 V70628 BOE2013-0343 V16632	103106	1
455	BOE2013-0342		.HOSE- SUPPLIER CODE: V16632 SPECIFICATION NUMBER: 69-27191-342 OPTIONAL PART: 713488-342 V70628 IT4350-342 V26831	103106	1

MISSING ITEM NUMBERS NOT APPLICABLE

- ITEM NOT ILLUSTRATED

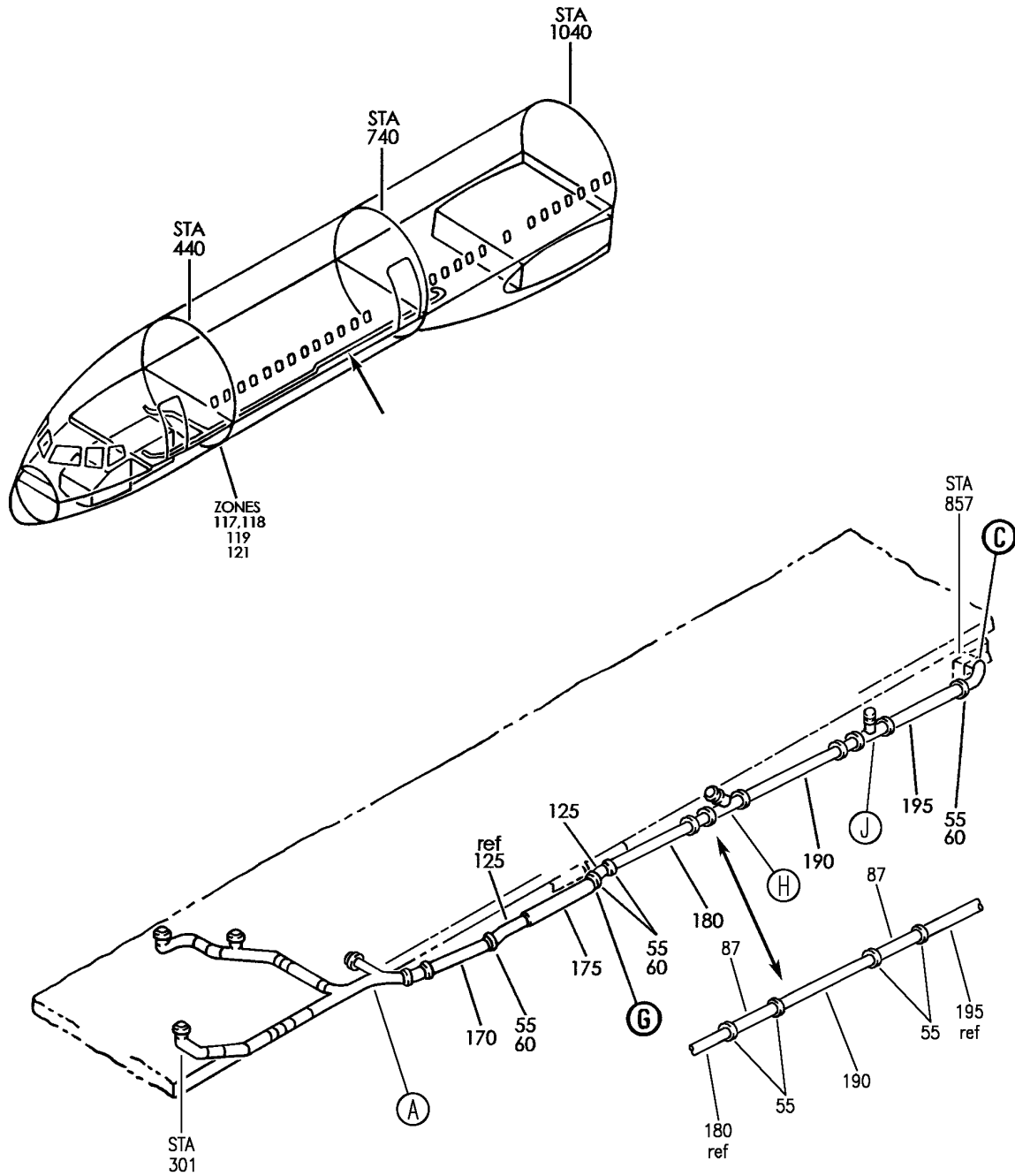
BRI

38-31-54-14

BOEING PROPRIETARY - Copyright © - Unpublished Work - See title page for details.

38-31-54
FIG. 14
PAGE 4
JAN 20/09

BOEING
757
PARTS CATALOG (MAINTENANCE)



Y 38315416 SHT 1 REV 291

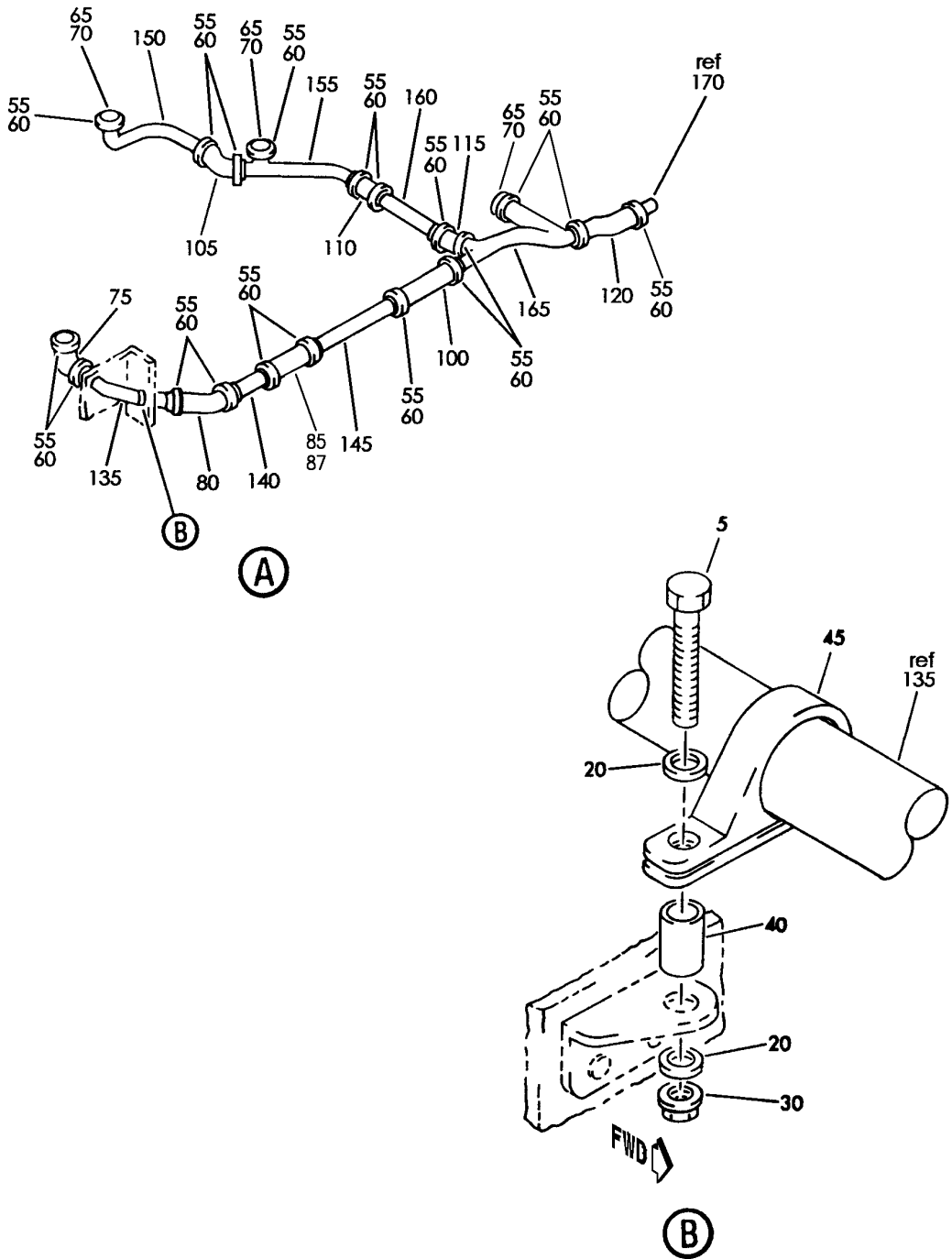
DRAIN INSTL-WASTE WATER FWD
FIGURE 16 (SHEET 1)

38-31-54-16

BRI
MAY 28/07

38-31-54-16
PAGE 0

BOEING
757
PARTS CATALOG (MAINTENANCE)



Y 38315416 SH1 2 REV 291

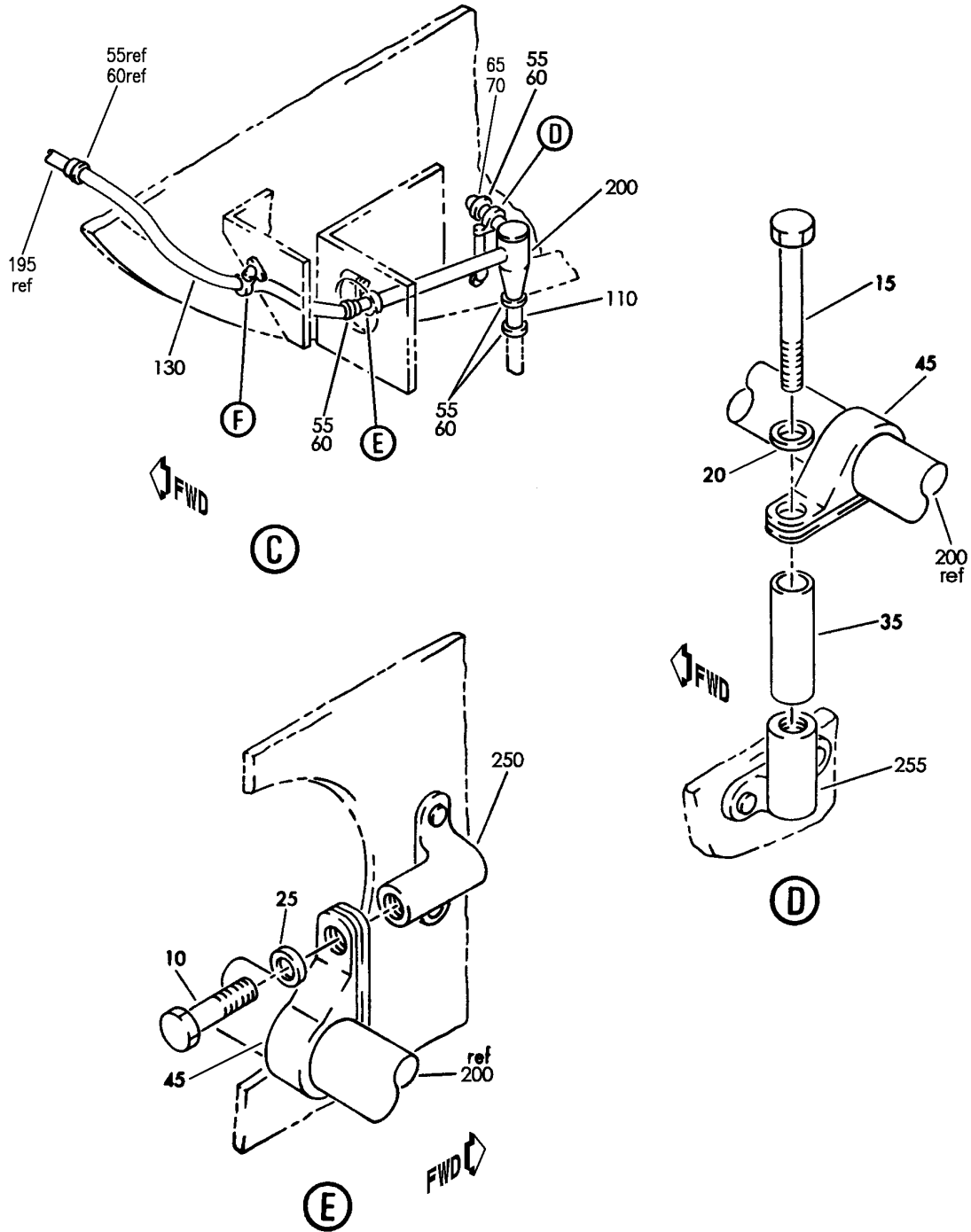
DRAIN INSTL-WASTE WATER FWD
FIGURE 16 (SHEET 2)

38-31-54-16

BRI
MAY 28/07

38-31-54-16
PAGE 0A

BOEING
757
PARTS CATALOG (MAINTENANCE)



Y 38315416 SH1 3 REV 291

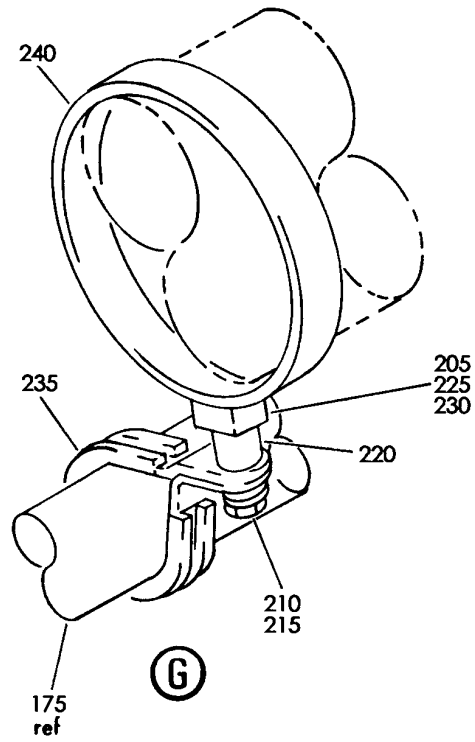
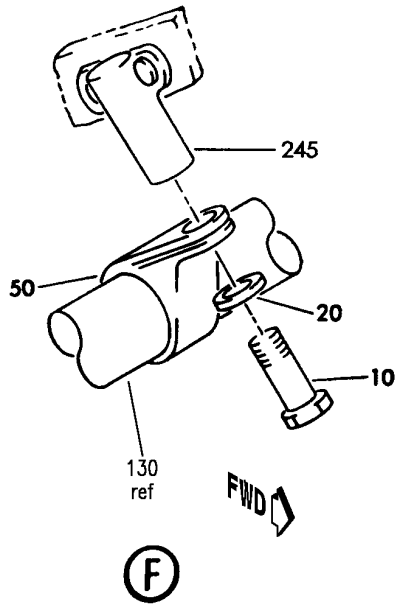
DRAIN INSTL-WASTE WATER FWD
FIGURE 16 (SHEET 3)

38-31-54-16

BRI
MAY 28/07

38-31-54-16
PAGE 0B

BOEING
757
PARTS CATALOG (MAINTENANCE)



Y 38315416 SH1 4 REV 291

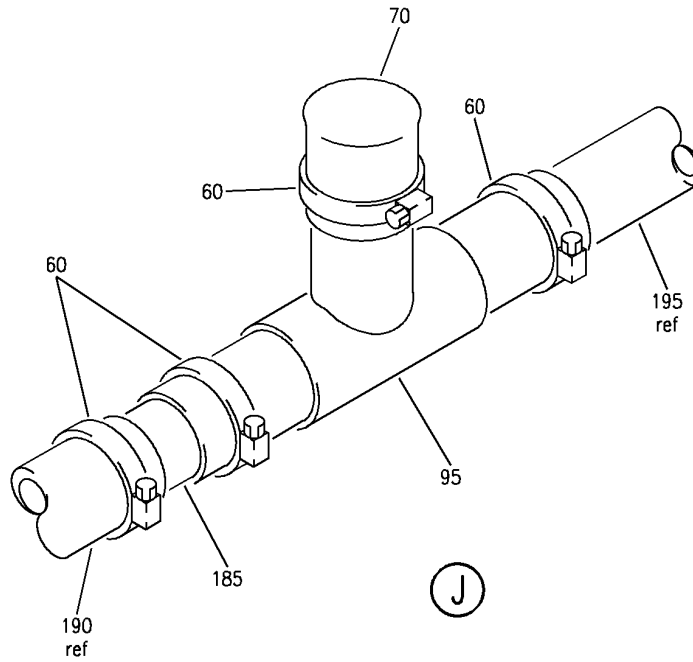
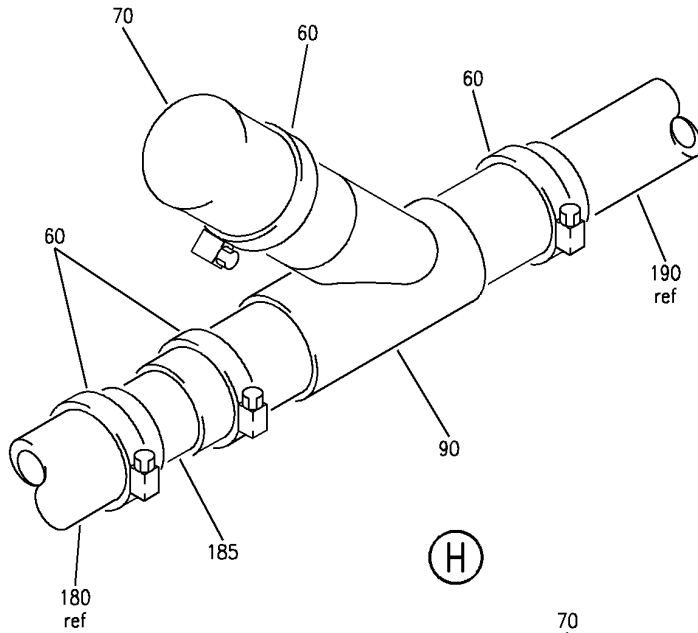
DRAIN INSTL-WASTE WATER FWD
FIGURE 16 (SHEET 4)

38-31-54-16

BRI
MAY 28/07

38-31-54-16
PAGE 0C

BOEING
757
PARTS CATALOG (MAINTENANCE)



Y 38315416 SH1 5 REV 291

DRAIN INSTL-WASTE WATER FWD
FIGURE 16 (SHEET 5)

38-31-54-16

BRI
MAY 28/07

38-31-54-16
PAGE 0D



757

PARTS CATALOG (MAINTENANCE)

FIG ITEM	PART NUMBER	1 2 3 4 5 6 7	NOMENCLATURE	EFFECT FROM TO	UNITS PER ASSY
16			DRAIN INSTL- WASTE WATER FWD	101102 108120 504903	
- 1	417N2104-101		DRAIN INSTL- FOR NHA SEE: 25-20-00-08A	101102 108120 504903	RF
5	NAS1801-3-20		.SCREW	101102 108120 504903	1
10	NAS1801-3-12		.SCREW	101102 108120 504903	2
15	NAS1801-3-49		.SCREW	101102 108120 504903	1
20	AN960PD10L		.WASHER	101102 108120 504903	4
25	NAS1149D0332J		.WASHER	101102 108120 504903	1
30	MS21042L3		.NUT	101102 108120 504903	1
35	NAS42DD6-152		.SPACER	101102 108120 504903	1
40	NAS43DD3-40FC		.SPACER	101102 108120 504903	1
45	BACC10DK16		.CLAMP	101102 108120 504903	3
50	BACC10DK20		.CLAMP	101102 108120 504903	1
60	12		.CLAMP SUPPLIER CODE: V7Z588 SPECIFICATION NUMBER: STBC10GG34-38 OPTIONAL PART: WWD34-38H V66295	101102 108120 504903	35
70	69B50212-1		.CAP-DRAIN	101102 108120 504903	6

MISSING ITEM NUMBERS NOT APPLICABLE

- ITEM NOT ILLUSTRATED

38-31-54-16

38-31-54
FIG. 16
PAGE 1
JAN 20/09

BRI



757

PARTS CATALOG (MAINTENANCE)

FIG ITEM	PART NUMBER	1 2 3 4 5 6 7	NOMENCLATURE	EFFECT FROM TO	UNITS PER ASSY
16 75	BOE2013-0324	.HOSE-	SUPPLIER CODE: V16632 SPECIFICATION NUMBER: 69-27191-324 OPTIONAL PART: 713488-324 V70628 OPTIONAL PART: IT4351-324 V26831	101102 108120 504903	1
75	IT4351-324	.HOSE-	SUPPLIER CODE: V26831 OPTIONAL PART: BOE2013-0324 V16632	101102 108120 504903	1
80	BOE2013-0325	.HOSE-	SUPPLIER CODE: V16632 SPECIFICATION NUMBER: 69-27191-325 OPTIONAL PART: 713488-325 V70628	101102 108120 504903	1
85	BOE2013-0314	.HOSE ASSY-	SUPPLIER CODE: V16632 SPECIFICATION NUMBER: 69-27191-314 OPTIONAL PART: 713488-314 V70628 IT4350-314 V26831	101102 108120 504903	1
85	IT4350-314	.HOSE ASSY-	SUPPLIER CODE: V26831 SPECIFICATION NUMBER: 69-27191-314 OPTIONAL PART: 713488-314 V70628 BOE2013-0314 V16632	101102 108120 504903	1

MISSING ITEM NUMBERS NOT APPLICABLE

- ITEM NOT ILLUSTRATED

38-31-54-16

38-31-54
FIG. 16
PAGE 2
JAN 20/09

BRI



757

PARTS CATALOG (MAINTENANCE)

FIG ITEM	PART NUMBER	1 2 3 4 5 6 7	NOMENCLATURE	EFFECT FROM TO	UNITS PER ASSY
16 85	713488-314		.HOSE- SUPPLIER CODE: V70628 SPECIFICATION NUMBER: 69-27191-314 OPTIONAL PART: IT4350-314 V26831 BOE2013-0314 V16632	101102 108120 504903	1
90	BOE2013-0425		.HOSE- SUPPLIER CODE: V16632 SPECIFICATION NUMBER: 69-27191-425 OPTIONAL PART: IT4353-425 V26831 OPTIONAL PART: IT4353-425 V26831	101102 108120 504903	1
90	IT4353-425		.HOSE- SUPPLIER CODE: V26831 SPECIFICATION NUMBER: 69-27191-425 OPTIONAL PART: BOE2013-0425 V16632 OPTIONAL PART: BOE2013-0425 V16632	101102 108120 504903	1
95	BOE2013-0526		.HOSE- SUPPLIER CODE: V16632 SPECIFICATION NUMBER: 69-27191-526 OPTIONAL PART: IT4352-526 V26831	101102 108120 504903	1
95	IT4352-526		.HOSE- SUPPLIER CODE: V26831 OPTIONAL PART: BOE2013-0526 V16632	101102 108120 504903	1

MISSING ITEM NUMBERS NOT APPLICABLE

- ITEM NOT ILLUSTRATED

38-31-54-16

38-31-54
FIG. 16
PAGE 3
JAN 20/09

BRI



757

PARTS CATALOG (MAINTENANCE)

FIG ITEM	PART NUMBER	1 2 3 4 5 6 7	NOMENCLATURE	EFFECT FROM TO	UNITS PER ASSY
16 100	BOE2013-0341	.HOSE-	SUPPLIER CODE: V16632 SPECIFICATION NUMBER: 69-27191-341 OPTIONAL PART: 713488-341 V70628 IT4350-341 V26831	101102 108120 504903	1
100	IT4350-341	.HOSE-	SUPPLIER CODE: V26831 SPECIFICATION NUMBER: 69-27191-341 OPTIONAL PART: 713488-341 V70628 BOE2013-0341 V16632	101102 108120 504903	1
105	BOE2013-0342	.HOSE-	SUPPLIER CODE: V16632 SPECIFICATION NUMBER: 69-27191-342 OPTIONAL PART: 713488-342 V70628 IT4350-342 V26831	101102 108120 504903	1
110	BOE2013-0328	.HOSE-	SUPPLIER CODE: V16632 SPECIFICATION NUMBER: 69-27191-328 OPTIONAL PART: 713488-328 V70628 IT4350-328 V26831	101102 108120 504903	2

MISSING ITEM NUMBERS NOT APPLICABLE

- ITEM NOT ILLUSTRATED

38-31-54-16

38-31-54
FIG. 16
PAGE 4
JAN 20/09

BRI



757

PARTS CATALOG (MAINTENANCE)

FIG ITEM	PART NUMBER	1 2 3 4 5 6 7	NOMENCLATURE	EFFECT FROM TO	UNITS PER ASSY
16 110	IT4350-328	.HOSE-	SUPPLIER CODE: V26831 SPECIFICATION NUMBER: 69-27191-328 OPTIONAL PART: 713488-328 V70628 BOE2013-0328 V16632	101102 108120 504903	2
110	713488-328	.HOSE-	SUPPLIER CODE: V70628 SPECIFICATION NUMBER: 69-27191-328 OPTIONAL PART: BOE2013-0328 V16632 IT4350-328 V26831	101102 108120 504903	2
115	BOE2013-0343	.HOSE-	SUPPLIER CODE: V16632 SPECIFICATION NUMBER: 69-27191-343 OPTIONAL PART: 713488-343 V70628 IT4350-343 V26831	101102 108120 504903	1
115	IT4350-343	.HOSE-	SUPPLIER CODE: V26831 SPECIFICATION NUMBER: 69-27191-343 OPTIONAL PART: 713488-343 V70628 BOE2013-0343 V16632	101102 108120 504903	1

MISSING ITEM NUMBERS NOT APPLICABLE

- ITEM NOT ILLUSTRATED

38-31-54-16

38-31-54
FIG. 16
PAGE 5
JAN 20/09

BRI



757

PARTS CATALOG (MAINTENANCE)

FIG ITEM	PART NUMBER	1 2 3 4 5 6 7	NOMENCLATURE	EFFECT FROM TO	UNITS PER ASSY
16 120	BOE2013-0344		.HOSE ASSY- SUPPLIER CODE: V16632 SPECIFICATION NUMBER: 69-27191-344 OPTIONAL PART: 713488-344 V70628 IT4350-344 V26831	101102 108120 504903	1
120	IT4350-344		.HOSE ASSY- SUPPLIER CODE: V26831 SPECIFICATION NUMBER: 69-27191-344 OPTIONAL PART: 713488-344 V70628 BOE2013-0344 V16632	101102 108120 504903	1
125	BOE2013-0317		.HOSE- SUPPLIER CODE: V16632 SPECIFICATION NUMBER: 69-27191-317 OPTIONAL PART: 713488-317 V70628 OPTIONAL PART: IT4350-317 V26831	101102 108120 504903	1
125	IT4350-317		.HOSE- SUPPLIER CODE: V26831 OPTIONAL PART: BOE2013-0317 V16632	101102 108120 504903	1
130	BOE2013-0318		.HOSE- SUPPLIER CODE: V16632 SPECIFICATION NUMBER: 69-27191-318 OPTIONAL PART: 713488-318 V70628 OPTIONAL PART: IT4350-318 V26831	101102 108120 504903	1

MISSING ITEM NUMBERS NOT APPLICABLE

- ITEM NOT ILLUSTRATED

38-31-54-16

38-31-54
FIG. 16
PAGE 6
JAN 20/09

BRI



757

PARTS CATALOG (MAINTENANCE)

FIG ITEM	PART NUMBER	1 2 3 4 5 6 7	NOMENCLATURE	EFFECT FROM TO	UNITS PER ASSY
16 130	IT4350-318		.HOSE- SUPPLIER CODE: V26831 OPTIONAL PART: BOE2013-0318 V16632	101102 108120 504903	1
135	417N2104-8		.TUBE- TUBING MATERIAL: 1.00 O.D X 0.016 WALL THICKNESS X 22.8 LENGTH MIL-T-8808 321 ANNEALED TUBING OPTIONAL TUBE WALL THICKNESS IS .028	101102 108120 504903	1
140	417N2104-7		.TUBE- TUBING MATERIAL: 1.00 O.D X 0.016 WALL THICKNESS X 17.7 LENGTH MIL-T-8808 321 ANNEALED TUBING OPTIONAL TUBE WALL THICKNESS IS .020	101102 108120 504903	1
145	417N2104-6		.TUBE- TUBING MATERIAL: STOCK 1.00 O.D. X .016 WALL OPTIONAL - 1.00 O.D. X .020 WALL CRES TUBE TYPE AISI 321 OR 347 PER MIL-T-8808.	101102 108120 504903	1
150	417N2104-19		.TUBE- TUBING MATERIAL: 1.00 O.D X 0.016 WALL THICKNESS X 28.5 LENGTH MIL-T-8808 321 ANNEALED TUBING OPTIONAL TUBE WALL THICKNESS IS .028	101102 108120 504903	1
155	417N2310-38		.TUBE ASSY	101102 108120 504903	1
- 156	417N2310-39		..TUBE- TUBING MATERIAL: STOCK .028 WALL X 1.00 O.D. X 26.0 CRES TUBE TYPE AISI 321/347 MIL-T-8808/ MIL-T-8808-858	101102 108120 504903	1

MISSING ITEM NUMBERS NOT APPLICABLE

- ITEM NOT ILLUSTRATED

38-31-54-16

38-31-54
FIG. 16
PAGE 7
JAN 20/09

BRI

BOEING PROPRIETARY - Copyright © - Unpublished Work - See title page for details.



757

PARTS CATALOG (MAINTENANCE)

FIG ITEM	PART NUMBER	1 2 3 4 5 6 7	NOMENCLATURE	EFFECT FROM TO	UNITS PER ASSY
16 - 157	417N2310-40	..	TUBE- TUBING MATERIAL: STOCK .028 WALL X 1.00 O.D. X 3.0 CRES TUBE TYPE AISI 321/347 MIL-T-8808/ MIL-T-8808-858	101102 108120 504903	1
- 158	417N2310-42	..	TUBE- TUBING MATERIAL: STOCK .028 WALL X 1.00 O.D. X 12.0 CRES TUBE TYPE AISI 321/347 PER MIL-T-8808/MIL-T-8808-85 MIL-T-8808-858	101102 108120 504903	1
160	417N2104-18	.	TUBE- TUBING MATERIAL: 1.00 O.D X 0.016 WALL THICKNESS X 30.6 LENGTH MIL-T-8808 321 ANNEALED TUBING OPTIONAL TUBE WALL THICKNESS IS .028	101102 108120 504903	1
165	417N2310-34	.	TUBE ASSY	101102 108120 504903	1
- 166	417N2310-35	..	TUBE- TUBING MATERIAL: STOCK .028 WALL X 1.00 O.D. X 4.9 CRES TUBE TYPE AISI 321/347 MIL-T-8808/MIL-T-8808-85 MIL-T-8808-858	101102 108120 504903	1
- 167	417N2310-36	..	TUBE- TUBING MATERIAL: STOCK .028 WALL X 1.00 O.D. X 20.0 CRES TUBE TYPE AISI 321/347 MIL-T-8808/MIL-T-8808-85 MIL-T-8808-858	101102 108120 504903	1
- 168	417N2310-37	..	TUBE- TUBING MATERIAL: STOCK .028 WALL X 1.00 O.D. X 3.6 CRES TUBE TYPE AISI 321/347 MIL-T-8808/MIL-T-8808-85 MIL-T-8808-858	101102 108120 504903	1

MISSING ITEM NUMBERS NOT APPLICABLE

- ITEM NOT ILLUSTRATED

38-31-54-16

38-31-54
FIG. 16
PAGE 8
JAN 20/09

BRI



757

PARTS CATALOG (MAINTENANCE)

FIG ITEM	PART NUMBER	1 2 3 4 5 6 7	NOMENCLATURE	EFFECT FROM TO	UNITS PER ASSY
16 - 169	417N2310-41	..	TUBE- TUBING MATERIAL: STOCK .028 WALL X 1.00 O.D. X 19.0 CRES TUBE TYPE AISI 321/347 PER MIL-T-8808/MIL-T-8808-85 MIL-T-8808-858	101102 108120 504903	1
170	417N2104-17	.	TUBE- TUBING MATERIAL: 1.00 O.D X 0.016 WALL THICKNESS X 56.2 LENGTH MIL-T-8808 321 ANNEALED TUBING OPTIONAL TUBE WALL THICKNESS IS .028	101102 108120 504903	1
175	417N2104-21	.	TUBE- TUBING MATERIAL: STOCK 1.50.D. X .020 WALL 6061-T4 TUBE PER WW-T-700/6	101102 108120 504903	1
180	417N2104-4	.	TUBE- TUBING MATERIAL: STOCK 1.00 O.D. X .016 WALL OPTIONAL - 1.00 O.D. X .020 WALL CRES TUBE TYPE AISI 321 OR 347 PER MIL-T-8808.	101102 108120 504903	1
185	65C36352-6	.	TUBE- TUBING MATERIAL: STOCK 1.00 O.D. X .016 WALL (OPTIONAL .020 WALL) X 3.1 AISI 321 OR 347 CRES TUBING PER MIL-7-8808.	101102 108120 504903	2
190	417N2104-3	.	TUBE- TUBING MATERIAL: STOCK 1.00 O.D. X .016 WALL OPTIONAL - 1.00 O.D. X .020 WALL CRES TUBE TYPE AISI 321 OR 347 PER MIL-T-8808.	101102 108120 504903	1
195	417N2104-2	.	TUBE- TUBING MATERIAL: 1.00 O.D X 0.016 WALL THICKNESS X 74.1 LENGTH MIL-T-8808 321 ANNEALED TUBING OPTIONAL TUBE WALL THICKNESS IS .028	101102 108120 504903	1

MISSING ITEM NUMBERS NOT APPLICABLE

- ITEM NOT ILLUSTRATED

38-31-54-16

38-31-54
FIG. 16
PAGE 9
JAN 20/09

BRI



757

PARTS CATALOG (MAINTENANCE)

FIG ITEM	PART NUMBER	1 2 3 4 5 6 7	NOMENCLATURE	EFFECT FROM TO	UNITS PER ASSY
16 200	417N2310-151	.	TUBE ASSY	101102 108120 504903	1
- 201	417N2310-152	..	TUBE- TUBING MATERIAL: STOCK .028 WALL X 1.00 O.D. X 17.0 CRES TUBE TYPE AISI 321/347 MIL-T-8808/ MIL-T-8808-858	101102 108120 504903	1
- 202	417N2310-153	..	TUBE- TUBING MATERIAL: STOCK .028 WALL X 1.00 O.D. X 7.0 CRES TUBE TYPE AISI 321/347 MIL-T-8808/ MIL-T-8808-858	101102 108120 504903	1
- 203	417N2310-154	..	ADAPTOR- TUBING MATERIAL: STOCK .035 WALL X 2.00 O.D. X 7.1 CRES TUBE TYPE AISI 321/347 MIL-T-8808/ MIL-T-8808-858	101102 108120 504903	1
205	BACB30NE3-19	.	BOLT	101102 108120 504903	1
210	AN960JD10L	.	WASHER	101102 108120 504903	1
215	BRH10C3D	.	NUT SUPPLIER CODE: V52828 SPECIFICATION NUMBER: BACN10JC3CD OPTIONAL PART: T6C1032JCD V11815 NS202486-02 V80539 102LH9075-3W V72962 H51650-3BAC V15653	101102 108120 504903	1
220	NAS43DD3-39FC	.	SPACER	101102 108120 504903	1

MISSING ITEM NUMBERS NOT APPLICABLE

- ITEM NOT ILLUSTRATED

38-31-54-16

38-31-54
FIG. 16
PAGE 10
JAN 20/09

BRI

BOEING PROPRIETARY - Copyright © - Unpublished Work - See title page for details.



757

PARTS CATALOG (MAINTENANCE)

FIG ITEM	PART NUMBER	1 2 3 4 5 6 7	NOMENCLATURE	EFFECT FROM TO	UNITS PER ASSY
16					
225	BACB19F10S	.	BLOCK	101102 108120 504903	1
230	BACC15AN10	.	CLIP	101102 108120 504903	1
235	S258DT24	.	CLAMP SUPPLIER CODE: V18076 SPECIFICATION NUMBER: BACC10DW24D OPTIONAL PART: TA4C44D24T V84971 475-24 V83930 8084D24T V72285 475A24 V83930	101102 108120 504903	1
240	BC1083-070S	.	CLAMP SUPPLIER CODE: V14242 SPECIFICATION NUMBER: BACC10FY070S OPTIONAL PART: 3140AB070 V94581 57490-070 V98625 B06A070S V10234 MBC68941-070 V8W928 57490-697 V8W928	101102 108120 504903	1
245	BACN10TS3-8	.	NUT	101102 108120 504903	1
250	BACN10TS3-12	.	NUTPLATE	101102 108120 504903	1
255	BACN10TS3-18	.	NUT	101102 108120 504903	1

MISSING ITEM NUMBERS NOT APPLICABLE

- ITEM NOT ILLUSTRATED

38-31-54-16

38-31-54
FIG. 16
PAGE 11
JAN 20/09

BRI



757

PARTS CATALOG (MAINTENANCE)

FIG ITEM	PART NUMBER	1 2 3 4 5 6 7 NOMENCLATURE	EFFECT FROM TO	UNITS PER ASSY
16 - 260	BACR15BB4D	ATTACHING PARTS .RIVET- SIZE DETERMINED ON INSTL. -----*-----	101102 108120 504903	6

MISSING ITEM NUMBERS NOT APPLICABLE

- ITEM NOT ILLUSTRATED

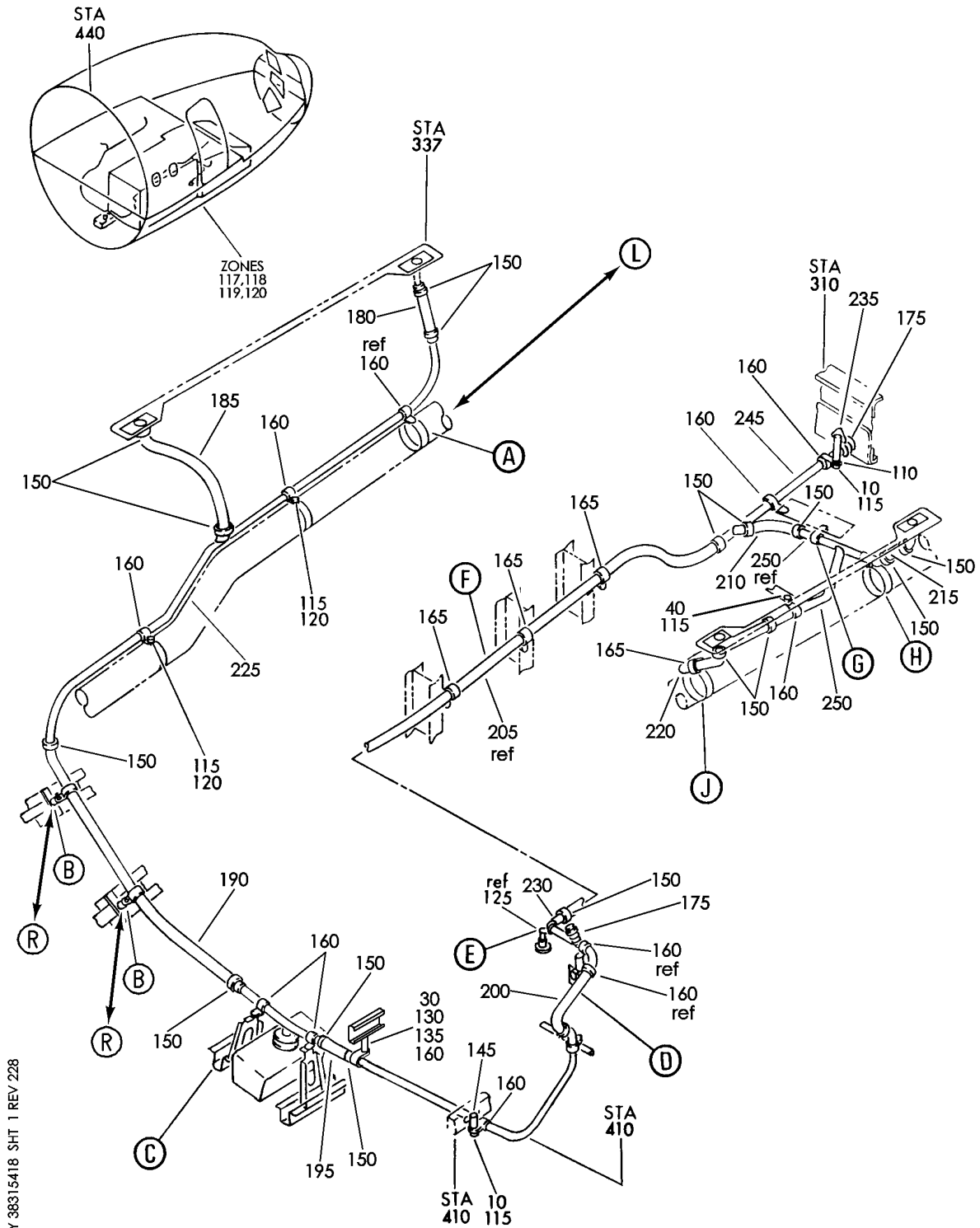
BRI

38-31-54-16

BOEING PROPRIETARY - Copyright © - Unpublished Work - See title page for details.

38-31-54
 FIG. 16
 PAGE 12
 JAN 20/09

BOEING
757
PARTS CATALOG (MAINTENANCE)



Y 38315418 SHT 1 REV 228

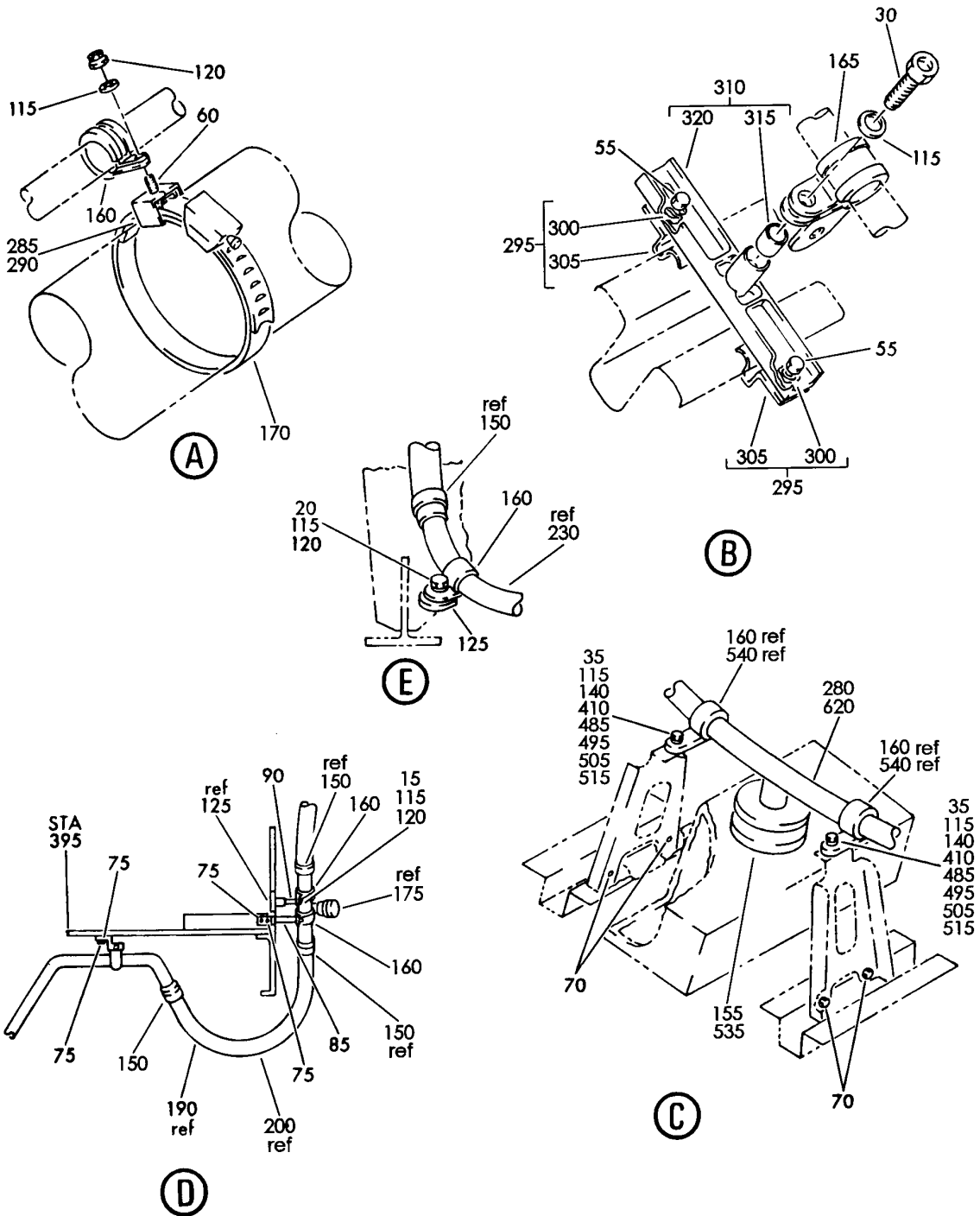
DRAIN INSTL-NO. 1 DOOR AND GALLEY GUTTER
FIGURE 18 (SHEET 1)

38-31-54-18

BRI
MAY 28/07

38-31-54-18
PAGE 0

BOEING
757
PARTS CATALOG (MAINTENANCE)



Y 38315418 SHT 2 REV 228

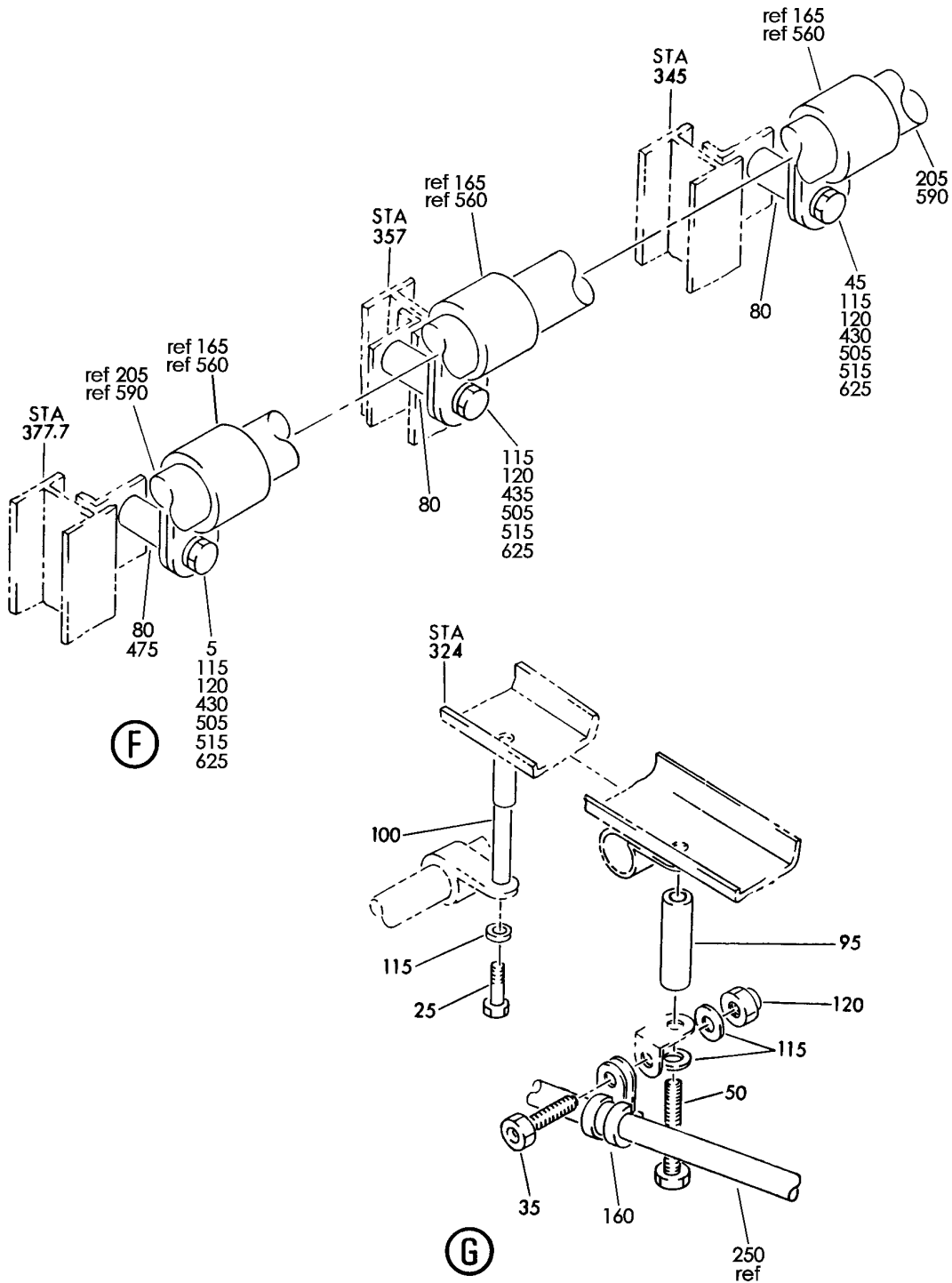
DRAIN INSTL-NO. 1 DOOR AND GALLEY GUTTER
FIGURE 18 (SHEET 2)

38-31-54-18

BRI
MAY 28/07

38-31-54-18
PAGE 0A

BOEING
757
PARTS CATALOG (MAINTENANCE)



Y 38315418 SH 3 REV 228

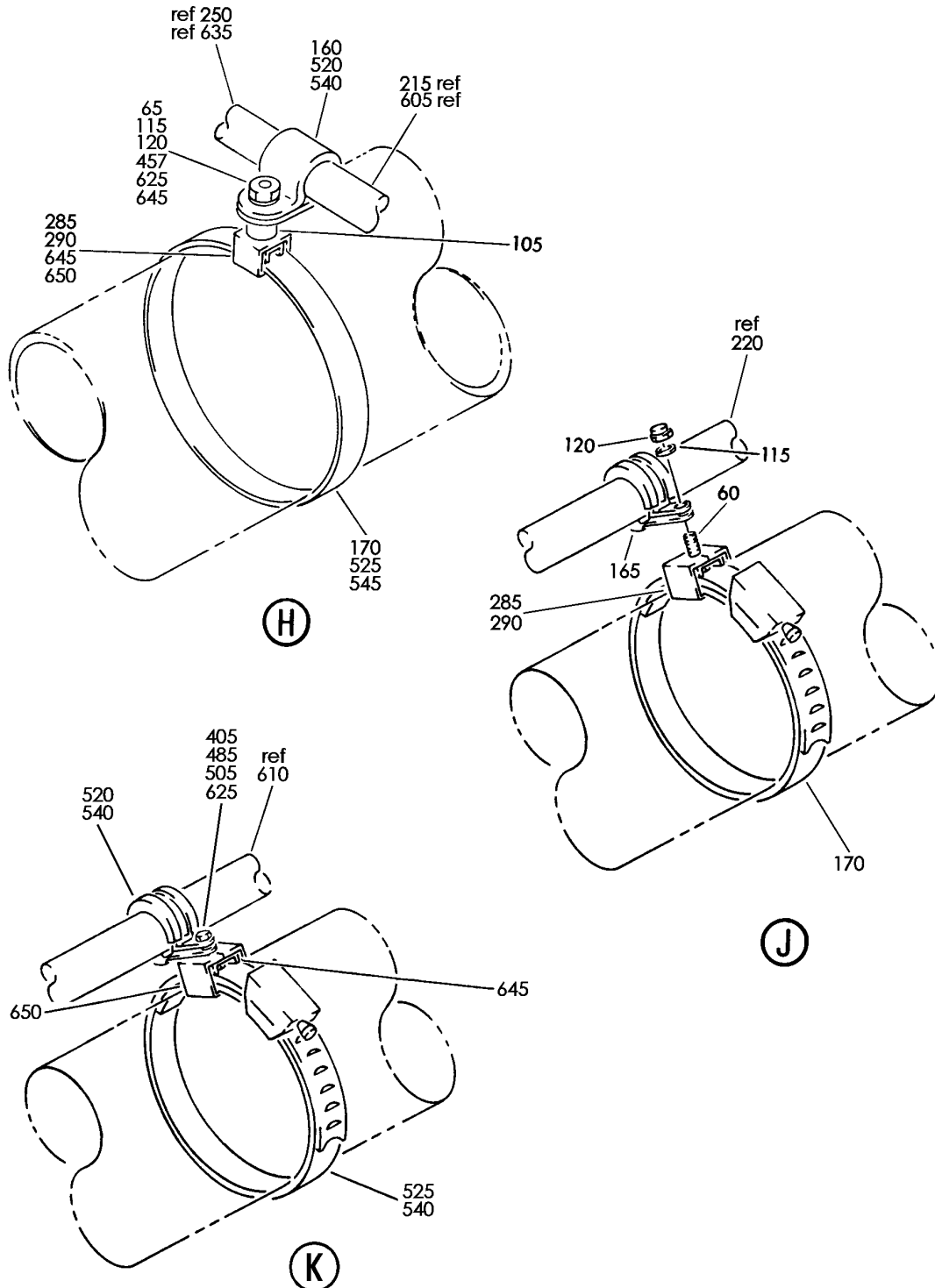
DRAIN INSTL-NO. 1 DOOR AND GALLEY GUTTER
FIGURE 18 (SHEET 3)

38-31-54-18

BRI
MAY 28/07

38-31-54-18
PAGE 0B

BOEING
757
PARTS CATALOG (MAINTENANCE)



Y 38315418 SH. 4 REV 228

DRAIN INSTL-NO. 1 DOOR AND GALLEY GUTTER
FIGURE 18 (SHEET 4)

38-31-54-18

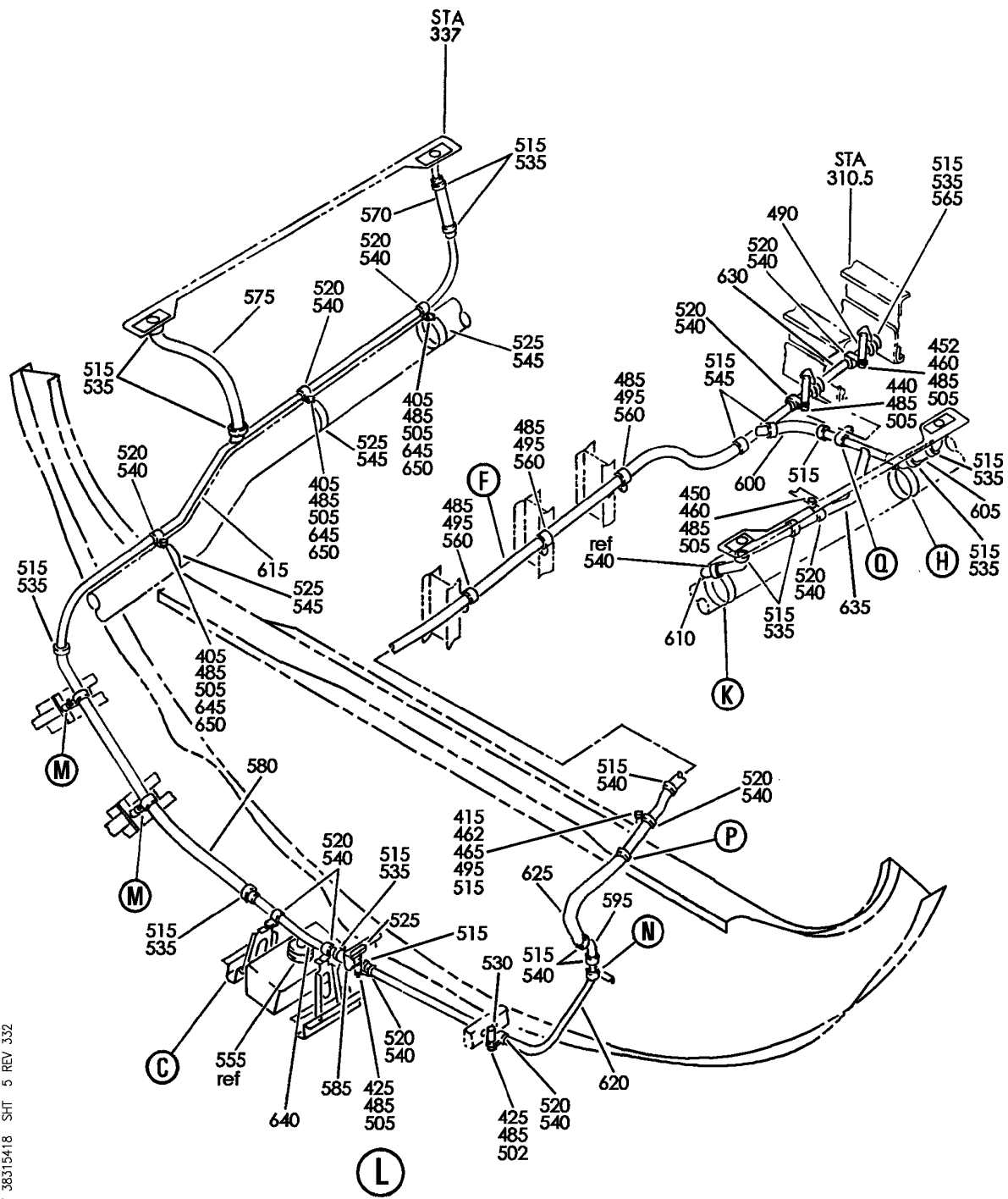
BRI
MAY 28/07

38-31-54-18
PAGE 0C

BOEING

757

PARTS CATALOG (MAINTENANCE)



Y 38315418 SHT 5 REV 332

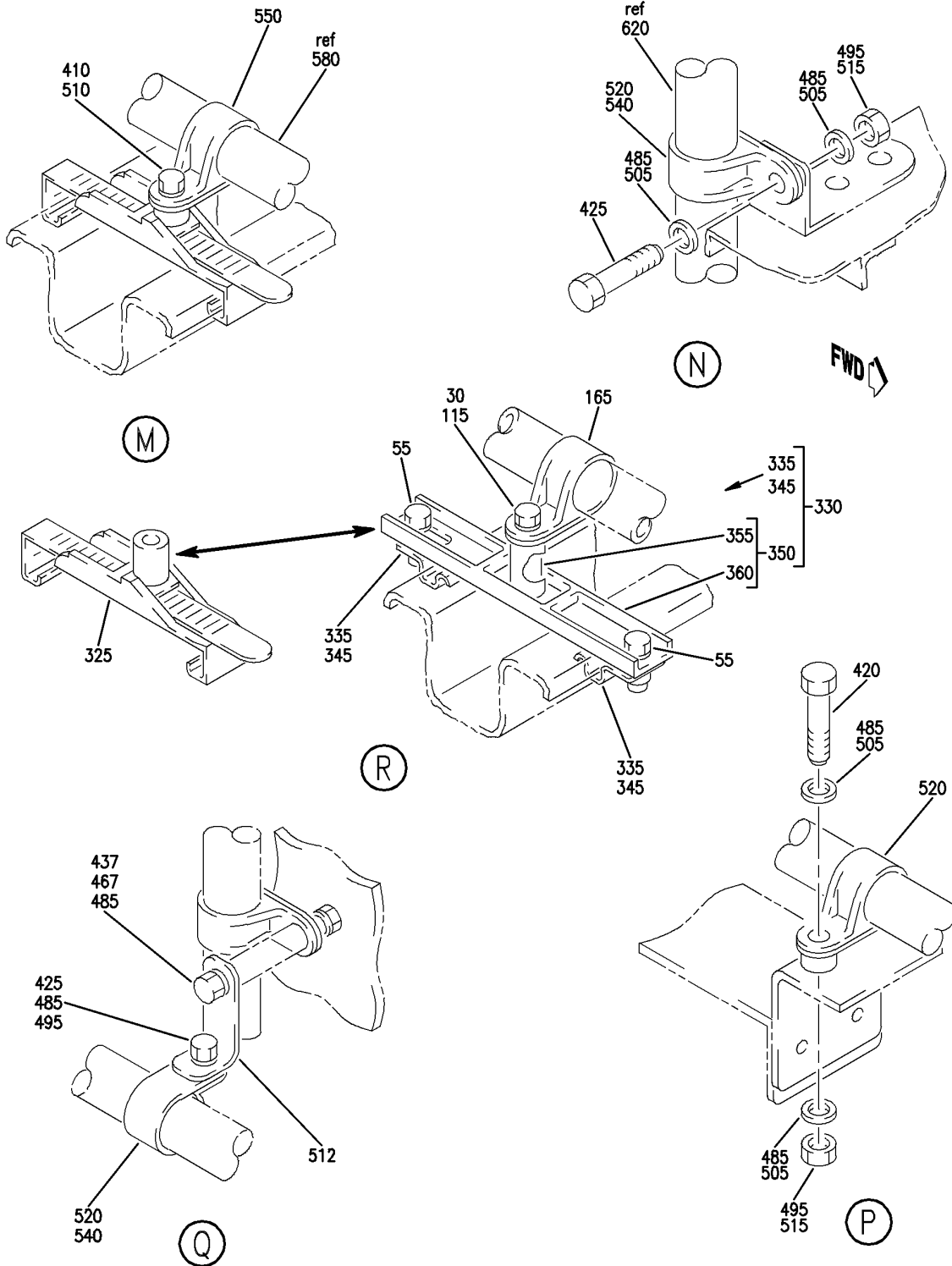
DRAIN INSTL-NO. 1 DOOR AND GALLEY GUTTER
FIGURE 18 (SHEET 5)

38-31-54-18

BRI
MAY 20/09

38-31-54-18
PAGE 0D

BOEING
757
PARTS CATALOG (MAINTENANCE)



Y 38315418 SH1 6 REV 228

DRAIN INSTL-NO. 1 DOOR AND GALLEY GUTTER
FIGURE 18 (SHEET 6)

38-31-54-18

BRI
MAY 28/07

38-31-54-18
PAGE 0E



757

PARTS CATALOG (MAINTENANCE)

FIG ITEM	PART NUMBER	1 2 3 4 5 6 7	NOMENCLATURE	EFFECT FROM TO	UNITS PER ASSY
18			DRAIN INSTL-NO. 1 DOOR AND GALLEY GUTTER	101102 108120 504903	
- 1	417N2701-51		DRAIN INSTL-NO. 1 DOOR AND GALLEY GUTTER FOR NHA SEE: 25-20-00-08A	101101	RF
- 1	417N2701-57		DRAIN INSTL-NO. 1 DOOR AND GALLEY GUTTER FOR NHA SEE: 25-20-00-08A	102102 108120 504903	RF
5	NAS1801-3-24		.SCREW	101102 108120 504903	1
10	NAS1801-3-10		.SCREW	101102 108120 504903	2
15	NAS1801-3-32		.SCREW	101102 108120 504903	1
20	NAS1801-3-23		.SCREW	101102 108120 504903	1
25	NAS1801-3-31		.SCREW	101102 108120 504903	1
30	NAS1801-3-12		.SCREW	101102 108120 504903	3
35	NAS1801-3-8		.SCREW	101102 108120 504903	3
40	NAS1801-3-11		.SCREW	101102 108120 504903	1
45	NAS1801-3-36		.SCREW	101102 108120 504903	1
50	NAS1801-3-21		.SCREW	101102 108120 504903	1
55	NAS603-8P		.SCREW	101102 108120 504903	4
60	NAS6703-4		.BOLT	101102 108120 504903	2

MISSING ITEM NUMBERS NOT APPLICABLE

- ITEM NOT ILLUSTRATED

38-31-54-18

38-31-54
FIG. 18
PAGE 1
JAN 20/09

BRI



757

PARTS CATALOG (MAINTENANCE)

FIG ITEM	PART NUMBER	1 2 3 4 5 6 7	NOMENCLATURE	EFFECT FROM TO	UNITS PER ASSY
18					
65	NAS6703-10	.	BOLT	101102 108120 504903	1
75	BACR15BB4AD	.	RIVET- SIZE DETERMINED ON INSTL.	101102 108120 504903	4
80	NAS43DD3-56	.	SPACER	101102 108120 504903	1
85	NAS43DD3-96	.	SPACER	101102 108120 504903	4
90	NAS43DD3-58	.	SPACER	101102 108120 504903	1
95	NAS43DD3-80	.	SPACER	101102 108120 504903	1
100	NAS43DD3-112FC	.	SPACER	101102 108120 504903	1
105	NAS43DD3-24	.	SPACER	101102 108120 504903	1
110	NAS43DD3-4	.	SPACER	101102 108120 504903	1
115	AN960KD10L	.	WASHER	101102 108120 504903	21
120	MS21042L3	.	NUT	101102 108120 504903	11
125	BACN10X32-6	.	NUTPLATE	101102 108120 504903	1
130	BACN10GH3A26	.	NUTPLATE	101101	1

MISSING ITEM NUMBERS NOT APPLICABLE

- ITEM NOT ILLUSTRATED

BRI

38-31-54-18

38-31-54
FIG. 18
PAGE 2
JAN 20/09



757

PARTS CATALOG (MAINTENANCE)

FIG ITEM	PART NUMBER	1 2 3 4 5 6 7	NOMENCLATURE	EFFECT FROM TO	UNITS PER ASSY
18 140	BRC500-8-3	.NUT	SUPPLIER CODE: V52828 SPECIFICATION NUMBER: BACN10FX21 OPTIONAL PART: F49322-3-21 V15653 SL240-3-1 V97393 130061 V60119 A11330-8-3 V72962	101102 108120 504903	2
145	BACN10TS3-10	.NUT		101102 108120 504903	1
150	12	.CLAMP	SUPPLIER CODE: V7Z588 SPECIFICATION NUMBER: STBC10GG34-38 OPTIONAL PART: WWD34-38H V66295	101102 108120 504903	18
155	48	.CLAMP	SUPPLIER CODE: V7Z588 SPECIFICATION NUMBER: STBC10GG98-114 OPTIONAL PART: WWD98-114 V66295	101102 108120 504903	1
160	BACC10DK12	.CLAMP		101102 108120 504903	15
165	BACC10DK15	.CLAMP		101102 108120 504903	6
170	NAS1922-0400-1	.CLAMP-	OPTIONAL PART: NAS1922-0400-3	101102 108120 504903	3
170	NAS1922-0400-3	.CLAMP-	OPTIONAL PART: NAS1922-0400-1	101102 108120 504903	3
175	417N2718-1	.CAP		101102 108120 504903	2

MISSING ITEM NUMBERS NOT APPLICABLE

- ITEM NOT ILLUSTRATED

38-31-54-18

38-31-54
FIG. 18
PAGE 3
JAN 20/09

BRI

BOEING PROPRIETARY - Copyright © - Unpublished Work - See title page for details.



757

PARTS CATALOG (MAINTENANCE)

FIG ITEM	PART NUMBER	1 2 3 4 5 6 7	NOMENCLATURE	EFFECT FROM TO	UNITS PER ASSY
18 180	BOE2013-0301	.HOSE-	SUPPLIER CODE: V16632 SPECIFICATION NUMBER: 69-27191-301 OPTIONAL PART: 713488-301 V70628 IT4350-301 V26831	101102 108120 504903	1
180	IT4350-301	.HOSE-	SUPPLIER CODE: V26831 SPECIFICATION NUMBER: 69-27191-301 OPTIONAL PART: 713488-301 V70628 BOE2013-0301 V16632	101102 108120 504903	1
180	713488-301	.HOSE-	SUPPLIER CODE: V70628 SPECIFICATION NUMBER: 69-27191-301 OPTIONAL PART: IT4350-301 V26831 BOE2013-0301 V16632	101102 108120 504903	1
185	BOE2013-0412	.HOSE-	SUPPLIER CODE: V16632 SPECIFICATION NUMBER: 69-27191-412 OPTIONAL PART: IT4350-412 V26831	101102 108120 504903	1
185	IT4350-412	.HOSE-	SUPPLIER CODE: V26831 SPECIFICATION NUMBER: 69-27191-412 OPTIONAL PART: BOE2013-0412 V16632	101102 108120 504903	1

MISSING ITEM NUMBERS NOT APPLICABLE

- ITEM NOT ILLUSTRATED

38-31-54-18

38-31-54
FIG. 18
PAGE 4
JAN 20/09

BRI



757

PARTS CATALOG (MAINTENANCE)

FIG ITEM	PART NUMBER	1 2 3 4 5 6 7	NOMENCLATURE	EFFECT FROM TO	UNITS PER ASSY
18 190	BOE2013-0374	.HOSE-	SUPPLIER CODE: V16632 SPECIFICATION NUMBER: 69-27191-374	101102 108120 504903	1
195	BOE2013-0350	.HOSE-	SUPPLIER CODE: V16632 SPECIFICATION NUMBER: 69-27191-350 OPTIONAL PART: IT4350-350 V26831	101102 108120 504903	1
195	IT4350-350	.HOSE-	SUPPLIER CODE: V26831 SPECIFICATION NUMBER: 69-27191-350 OPTIONAL PART: BOE2013-0350 V16632	101102 108120 504903	1
200	BOE2013-0300	.HOSE-	SUPPLIER CODE: V16632 SPECIFICATION NUMBER: 69-27191-300 OPTIONAL PART: 713488-300 V70628 IT4350-300 V26831	101102 108120 504903	1
200	IT4350-300	.HOSE-	SUPPLIER CODE: V26831 SPECIFICATION NUMBER: 69-27191-300 OPTIONAL PART: 713488-300 V70628 BOE2013-0300 V16632	101102 108120 504903	1
200	BOE2013-0370	.HOSE-	SUPPLIER CODE: V16632 SPECIFICATION NUMBER: 69-27191-370	101102 108120 504903	1

MISSING ITEM NUMBERS NOT APPLICABLE

- ITEM NOT ILLUSTRATED

38-31-54-18

38-31-54
FIG. 18
PAGE 5
JAN 20/09

BRI

BOEING PROPRIETARY - Copyright © - Unpublished Work - See title page for details.



757

PARTS CATALOG (MAINTENANCE)

FIG ITEM	PART NUMBER	1 2 3 4 5 6 7	NOMENCLATURE	EFFECT FROM TO	UNITS PER ASSY
18 205	BOE2013-0348	.HOSE-	SUPPLIER CODE: V16632 SPECIFICATION NUMBER: 69-27191-348 OPTIONAL PART: 713488-348 V70628	101102 108120 504903	1
210	BOE2013-0368	.HOSE-	SUPPLIER CODE: V16632 SPECIFICATION NUMBER: 69-27191-368 OPTIONAL PART: IT4350-368 V26831	101102 108120 504903	1
210	IT4350-368	.HOSE-	SUPPLIER CODE: V26831 SPECIFICATION NUMBER: 69-27191-368 OPTIONAL PART: BOE2013-0368 V16632	101102 108120 504903	1
215	BOE2013-0304	.HOSE-	SUPPLIER CODE: V16632 SPECIFICATION NUMBER: 69-27191-304 OPTIONAL PART: 713488-304 V70628 IT4350-304 V26831	101102 108120 504903	1
215	IT4350-304	.HOSE-	SUPPLIER CODE: V26831 SPECIFICATION NUMBER: 69-27191-304 OPTIONAL PART: 713488-304 V70628 BOE2013-0304 V16632	101102 108120 504903	1

MISSING ITEM NUMBERS NOT APPLICABLE

- ITEM NOT ILLUSTRATED

38-31-54-18

38-31-54
FIG. 18
PAGE 6
JAN 20/09

BRI



757

PARTS CATALOG (MAINTENANCE)

FIG ITEM	PART NUMBER	1 2 3 4 5 6 7	NOMENCLATURE	EFFECT FROM TO	UNITS PER ASSY
18 215	713488-304		.HOSE- SUPPLIER CODE: V70628 SPECIFICATION NUMBER: 69-27191-304 OPTIONAL PART: IT4350-304 V26831 BOE2013-0304 V16632	101102 108120 504903	1
220	BOE2013-0334		.HOSE- SUPPLIER CODE: V16632 SPECIFICATION NUMBER: 69-27191-334 OPTIONAL PART: 713488-334 V70628	101102 108120 504903	1
225	417N2716-33		.TUBE ASSY	101102 108120 504903	1
230	417N2716-29		.TUBE ASSY	101102 108120 504903	1
235	417N2110-3		.NUTPLATE	101102 108120 504903	1
- 240	BACR15FT5AD		ATTACHING PARTS .RIVET	101102 108120 504903	3
245	417N2716-7		-----*----- .TUBE ASSY	101102 108120 504903	1
250	417N2716-26		.TUBE ASSY	101102 108120 504903	1
- 255	417N2701-15		.TUBE- OPTIONAL PART: 417N2701-54	101102 108120 504903	1
- 255	417N2701-54		.TUBE ASSY- OPTIONAL PART: 417N2701-15	101102 108120 504903	1
- 260	417N2701-32		..TUBE	101102 108120 504903	1

MISSING ITEM NUMBERS NOT APPLICABLE

- ITEM NOT ILLUSTRATED

38-31-54-18

38-31-54
FIG. 18
PAGE 7
JAN 20/09

BRI

BOEING PROPRIETARY - Copyright © - Unpublished Work - See title page for details.



757

PARTS CATALOG (MAINTENANCE)

FIG ITEM	PART NUMBER	1 2 3 4 5 6 7	NOMENCLATURE	EFFECT FROM TO	UNITS PER ASSY
18 - 265	417N2701-33	..	TUBE	101102 108120 504903	1
270	BOE2013-0304	..	HOSE- SUPPLIER CODE: V16632 SPECIFICATION NUMBER: 69-27191-304 OPTIONAL PART: 713488-304 V70628 IT4350-304 V26831	101102 108120 504903	1
270	IT4350-304	..	HOSE- SUPPLIER CODE: V26831 SPECIFICATION NUMBER: 69-27191-304 OPTIONAL PART: 713488-304 V70628 IT4350-304 V26831	101102 108120 504903	1
270	713488-304	..	HOSE- SUPPLIER CODE: V70628 SPECIFICATION NUMBER: 69-27191-304 OPTIONAL PART: IT4350-304 V26831 BOE2013-0304 V16632	101102 108120 504903	1
275	12	..	CLAMP SUPPLIER CODE: V7Z588 SPECIFICATION NUMBER: STBC10GG34-38 OPTIONAL PART: WWD34-38H V66295	101102 108120 504903	2
280	417N2706-3	.	CAP ASSY	101102 108120 504903	1
285	BACC15AN10	.	CLIP	101102 108120 504903	3

MISSING ITEM NUMBERS NOT APPLICABLE

- ITEM NOT ILLUSTRATED

38-31-54-18

38-31-54
FIG. 18
PAGE 8
JAN 20/09

BRI



757

PARTS CATALOG (MAINTENANCE)

FIG ITEM	PART NUMBER	1 2 3 4 5 6 7	NOMENCLATURE	EFFECT FROM TO	UNITS PER ASSY
18					
290	BACB19F10S	.	BLOCK	101102 108120 504903	3
295	415N2005-3	.	CLIP ASSY-STGR	101101	4
300	SL854C3F1CM	..	INSERT- SUPPLIER CODE: V97393	101101	1
305	415N2005-4	..	CLIP	101101	1
310	417N2111-1	.	SUPPORT ASSY	101101	2
315	NAS1395C3L	..	INSERT- OPTIONAL PART: NA2030-02L V32387	101101	1
315	NA2030-02L	..	INSERT- SUPPLIER CODE: V32387 OPTIONAL PART: NAS1395C3L	101101	1
320	417N2111-2	..	SUPPORT	101101	1
325	BACS38P5	.	SUPPORT- OPTIONAL PART: 417N2701-60	102102 108120 504903	2
330	417N2701-60	.	CLIP ASSY-STGR OPTIONAL PART:	102102 108120	2
335	415N2005-3	..	CLIP ASSY	504903 102102 108120 504903	2
- 340	SL854C3F1CM	...	INSERT- SUPPLIER CODE: V97393	102102 108120 504903	1
345	415N2005-4	...	CLIP	102102 108120 504903	1
350	417N2111-1	..	SUPPORT ASSY	102102 108120 504903	1
355	NA2030-02L	...	INSERT- SUPPLIER CODE: V32387 OPTIONAL PART: NAS1395C3L	102102 108120 504903	1
355	NAS1395C3L	...	INSERT- OPTIONAL PART: NA2030-02L V32387	102102 108120 504903	1
360	417N2111-2	...	SUPPORT	102102 108120 504903	1

MISSING ITEM NUMBERS NOT APPLICABLE

- ITEM NOT ILLUSTRATED

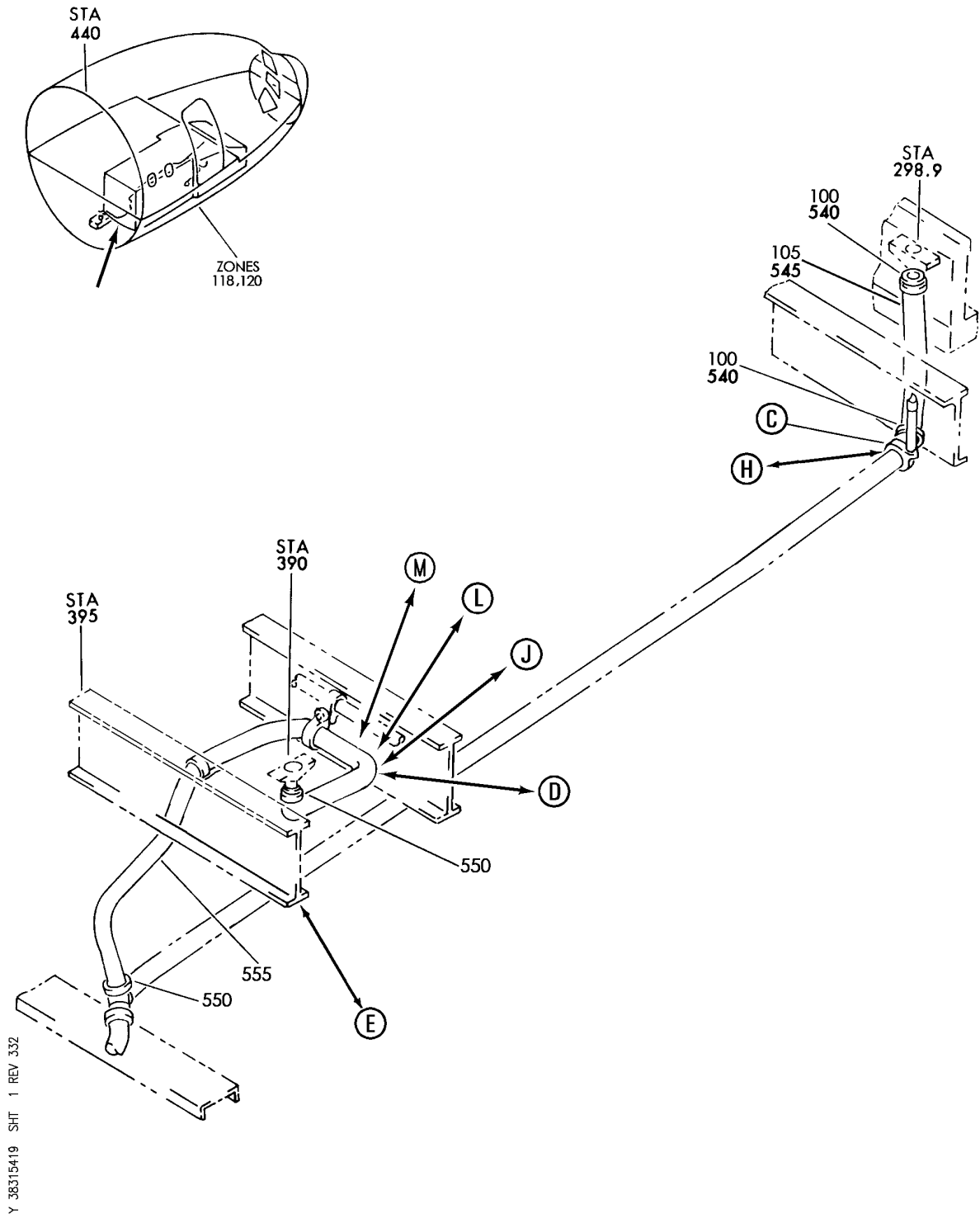
38-31-54-18

38-31-54
FIG. 18
PAGE 9
JAN 20/09

BRI

BOEING PROPRIETARY - Copyright © - Unpublished Work - See title page for details.

BOEING
757
PARTS CATALOG (MAINTENANCE)



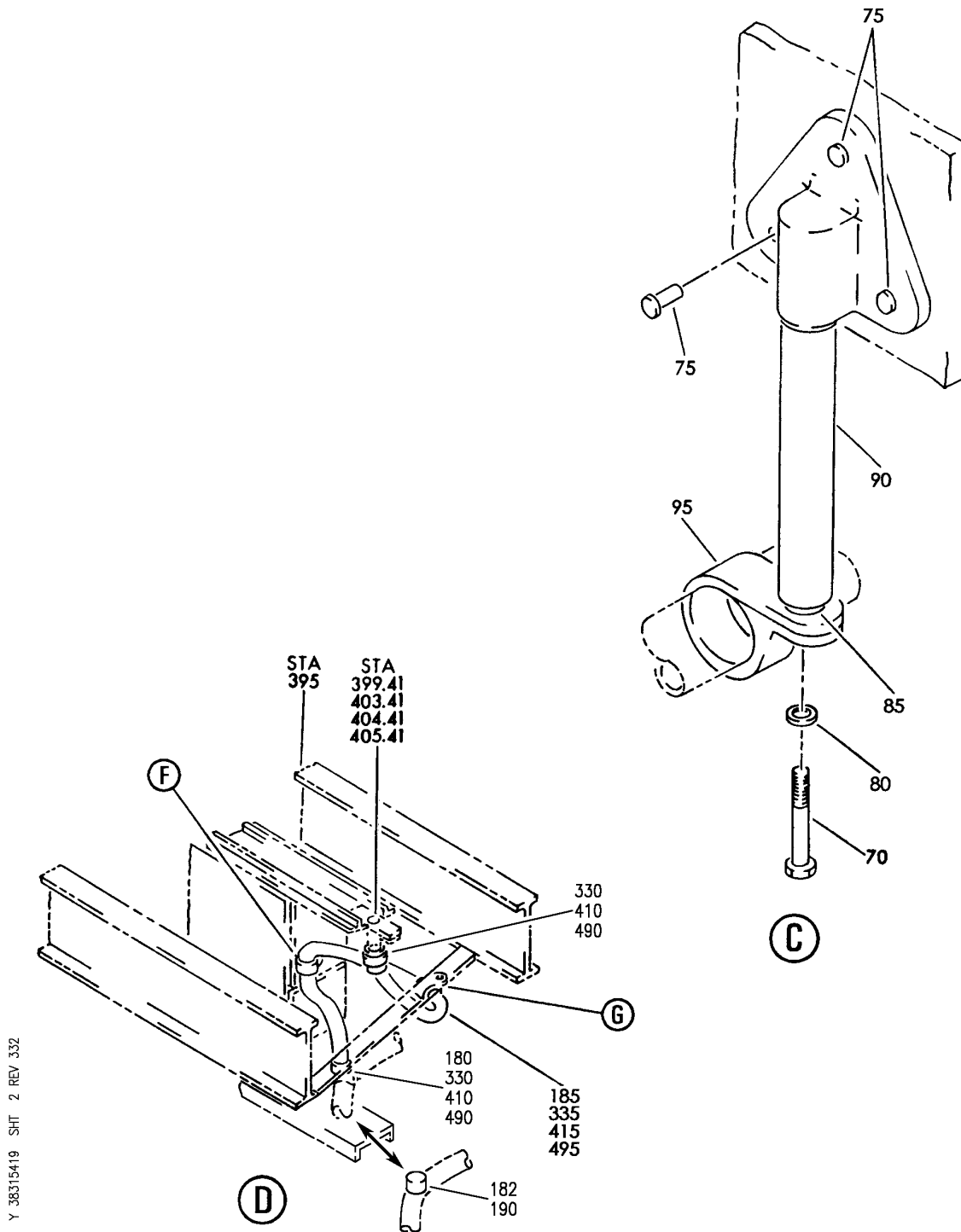
DRAIN INSTL-NO. 1 DOOR AND GALLEY GUTTER
FIGURE 19 (SHEET 1)

38-31-54-19

BRI
MAY 20/09

38-31-54-19
PAGE 0

BOEING
757
PARTS CATALOG (MAINTENANCE)



Y 38315419 SH1 2 REV 332

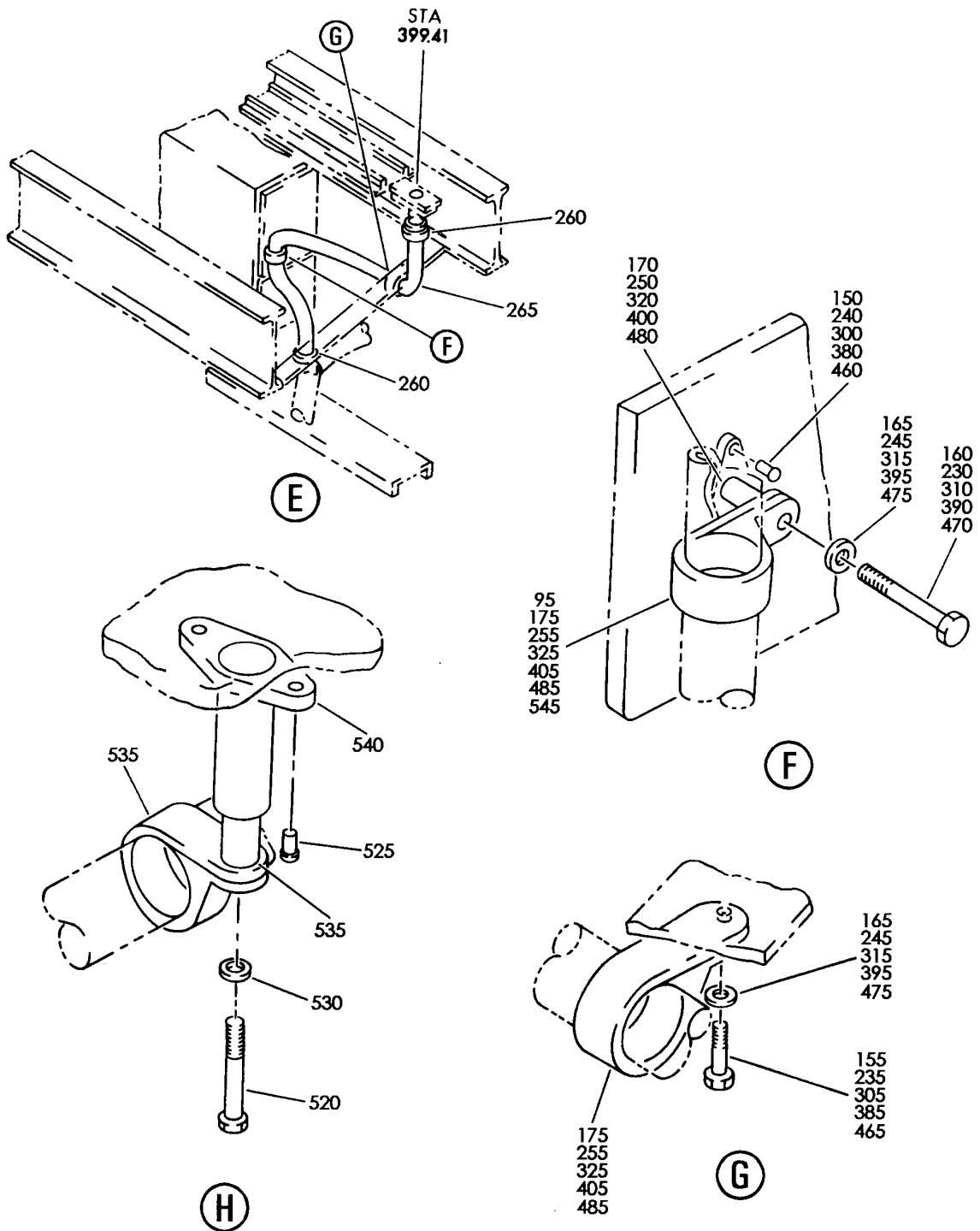
DRAIN INSTL-NO. 1 DOOR AND GALLEY GUTTER
FIGURE 19 (SHEET 2)

38-31-54-19

BRI
MAY 20/09

38-31-54-19
PAGE 0A

BOEING
757
PARTS CATALOG (MAINTENANCE)



Y 38315419 SHT 3 REV 209

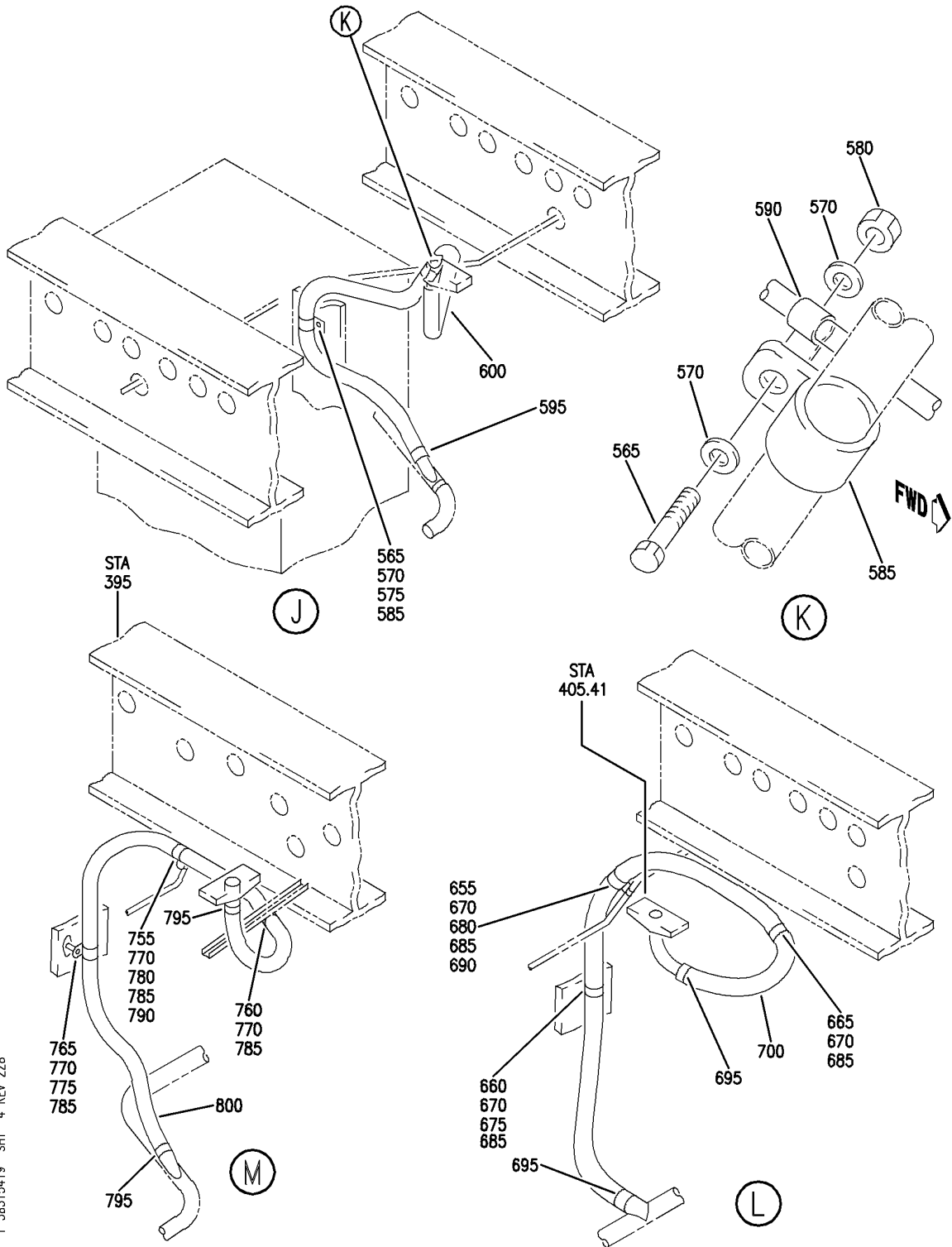
DRAIN INSTL-NO. 1 DOOR AND GALLEY GUTTER
FIGURE 19 (SHEET 3)

38-31-54-19

BRI
MAY 28/07

38-31-54-19
PAGE 0B

BOEING
757
PARTS CATALOG (MAINTENANCE)



Y 38315419 SHT 4 REV 228

DRAIN INSTL-NO. 1 DOOR AND GALLEY GUTTER
FIGURE 19 (SHEET 4)

38-31-54-19

BRI
MAY 28/07

38-31-54-19
PAGE 0C



757

PARTS CATALOG (MAINTENANCE)

FIG ITEM	PART NUMBER	1 2 3 4 5 6 7	NOMENCLATURE	EFFECT FROM TO	UNITS PER ASSY
19			DRAIN INSTL-NO. 1 DOOR AND GALLEY GUTTER	101102 108120 504903	
- 65	417N2701-39		DRAIN INSTL-NO. 1 DOOR AND GALLEY GUTTER FOR NHA SEE: 25-20-00-07D	101102 108120 504903	RF
70	NAS1801-3-10		.SCREW	101102 108120 504903	1
75	BACR15FT5AD		.RIVET	101102 108120 504903	3
80	AN960KD10L		.WASHER	101102 108120 504903	1
85	NAS43DD3-4		.SPACER	101102 108120 504903	1
90	417N2110-3		.NUTPLATE	101102 108120 504903	1
95	BACC10DK12		.CLAMP	101102 108120 504903	1
100	12		.CLAMP SUPPLIER CODE: V7Z588 SPECIFICATION NUMBER: STBC10GG34-38 OPTIONAL PART: WWD34-38H V66295	101102 108120 504903	2
105	BOE2013-0309		.HOSE- SUPPLIER CODE: V16632 SPECIFICATION NUMBER: 69-27191-309 OPTIONAL PART: 713488-309 V70628	101102 108120 504903	1
- 145	417N2701-40		DRAIN INSTL-NO. 1 DOOR AND GALLEY GUTTER FOR NHA SEE: 25-20-00-07D	108120	RF
150	BACR15BB4AD		.RIVET- SIZE DETERMINED ON INSTL.	108120	2
155	NAS1801-3-10		.SCREW-	108120	1
155	NAS1801-3-7		.SCREW-	108120	1

MISSING ITEM NUMBERS NOT APPLICABLE

- ITEM NOT ILLUSTRATED

38-31-54-19

38-31-54
FIG. 19
PAGE 1
JAN 20/09

BRI



757

PARTS CATALOG (MAINTENANCE)

FIG ITEM	PART NUMBER	1 2 3 4 5 6 7	NOMENCLATURE	EFFECT FROM TO	UNITS PER ASSY
19					
160	NAS1801-3-12	.	SCREW-	108120	1
165	AN960KD10L	.	WASHER-	108120	2
170	WSI4A8	.	NUT-PLATE	108120	1
			SUPPLIER CODE: V04169		
			SPECIFICATION NUMBER: BACN10TL3A8		
175	BACC10DK15	.	CLAMP-	108120	2
180	12	.	CLAMP	108120	1
			SUPPLIER CODE: V7Z588		
			SPECIFICATION NUMBER: STBC10GG34-38		
			OPTIONAL PART: WWD34-38H V66295		
182	12	.	CLAMP-	108120	1
			SUPPLIER CODE: V7Z588		
			SPECIFICATION NUMBER: STBC10GG34-38		
			OPTIONAL PART: WWD34-38H V66295		
185	BOE2013-0428	.	HOSE-	108120	1
			SUPPLIER CODE: V16632		
			SPECIFICATION NUMBER: 69-27191-428		
			OPTIONAL PART: IT4350-428 V26831		
185	IT4350-428	.	HOSE-	108120	1
			SUPPLIER CODE: V26831		
			OPTIONAL PART: BOE2013-0428 V16632		

MISSING ITEM NUMBERS NOT APPLICABLE

- ITEM NOT ILLUSTRATED

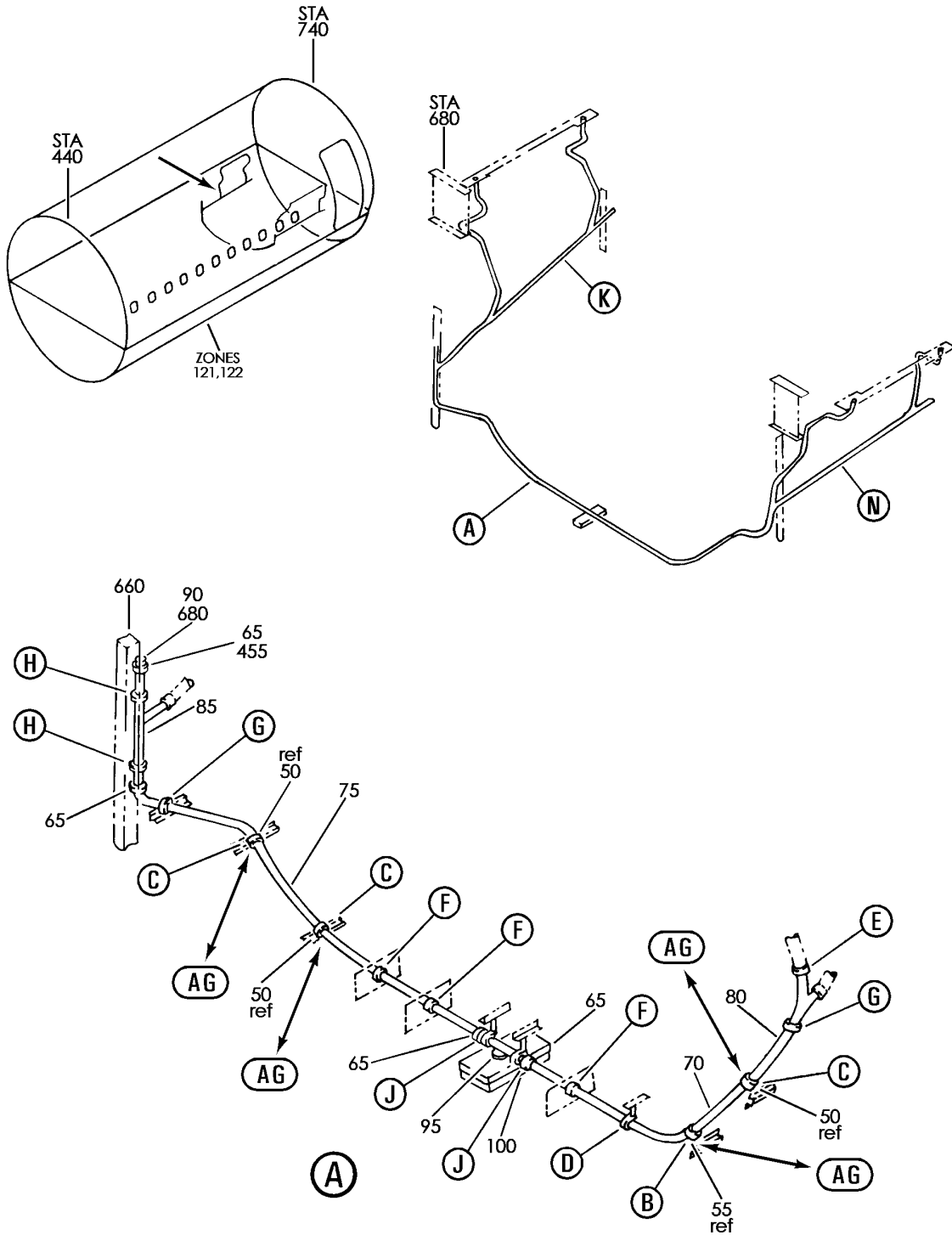
38-31-54-19

38-31-54
FIG. 19
PAGE 2
JAN 20/09

BRI

BOEING PROPRIETARY - Copyright © - Unpublished Work - See title page for details.


BOEING
 757
PARTS CATALOG (MAINTENANCE)



Y 38315420 SHT 1 REV 226

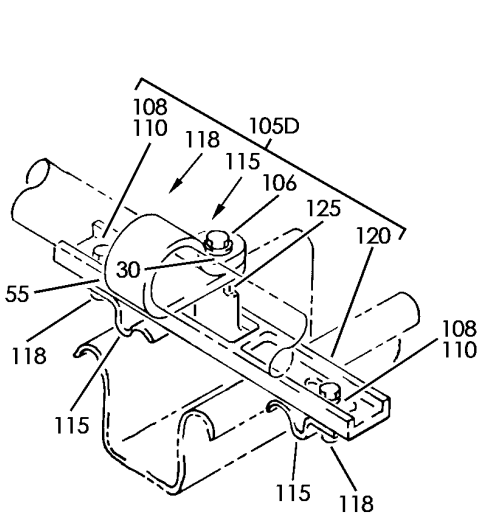
DRAIN INSTL-NO. 2 DOOR AND GALLEY GUTTER
FIGURE 20 (SHEET 1)

38-31-54-20

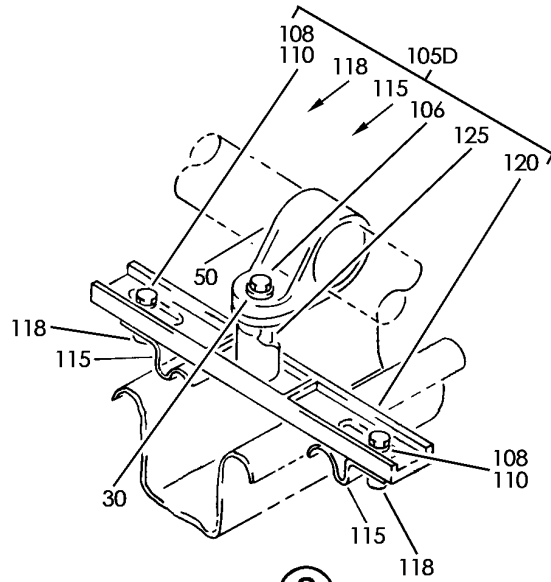
BRI
MAY 28/07

38-31-54-20
PAGE 0

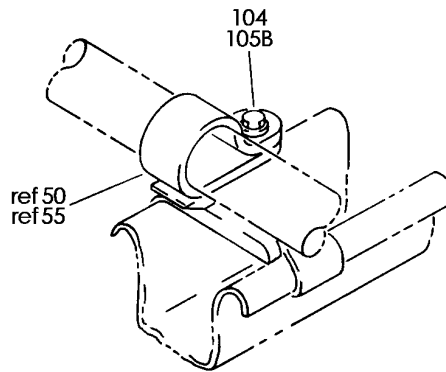

BOEING
 757
PARTS CATALOG (MAINTENANCE)



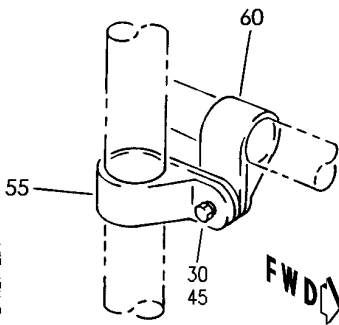
(B)



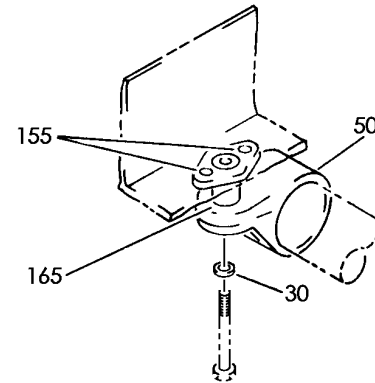
(C)



(AG)



(E)



(D)

Y 38315420 SHT 2 REV 234

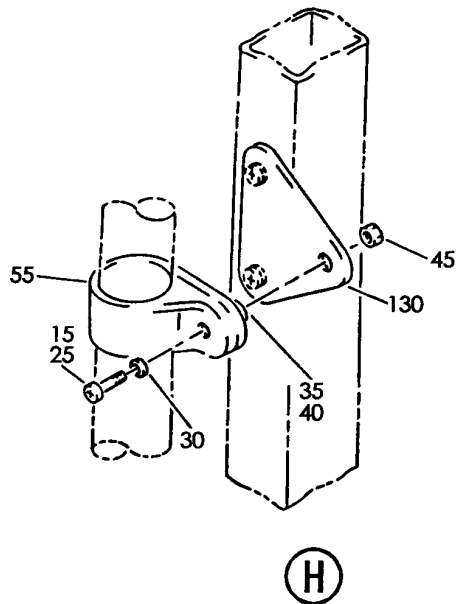
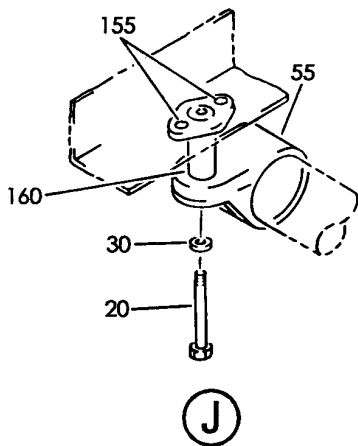
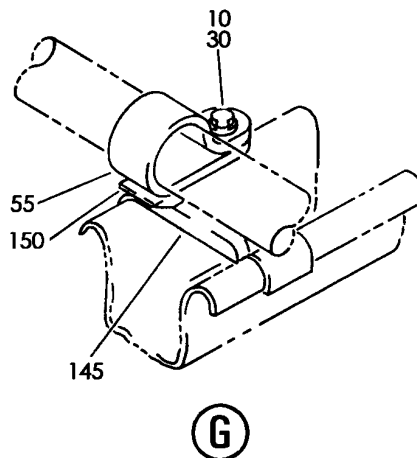
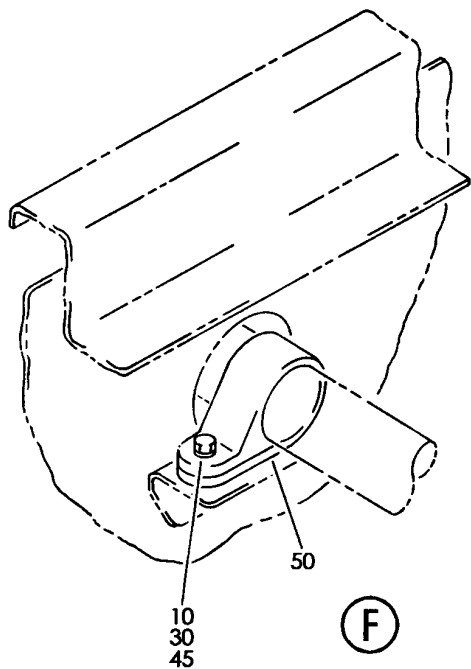
DRAIN INSTL-NO. 2 DOOR AND GALLEY GUTTER
FIGURE 20 (SHEET 2)

38-31-54-20

BRI
MAY 28/07

38-31-54-20
PAGE 0A

BOEING
757
PARTS CATALOG (MAINTENANCE)



Y 38315420 SHT 3 REV 208

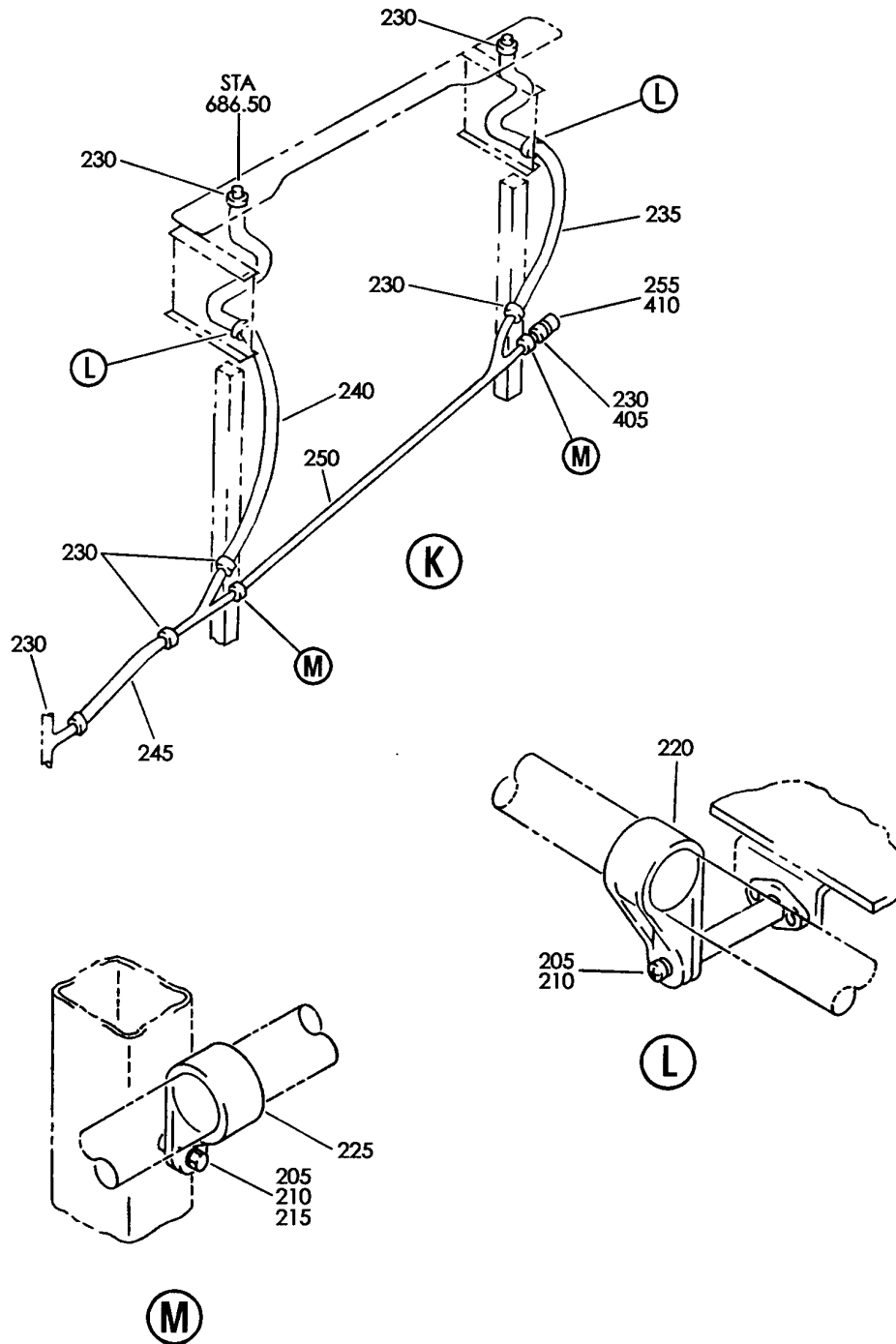
DRAIN INSTL-NO. 2 DOOR AND GALLEY GUTTER
FIGURE 20 (SHEET 3)

38-31-54-20

BRI
MAY 28/07

38-31-54-20
PAGE 0B

BOEING
757
PARTS CATALOG (MAINTENANCE)



Y 38315420 SHT 4 REV 208

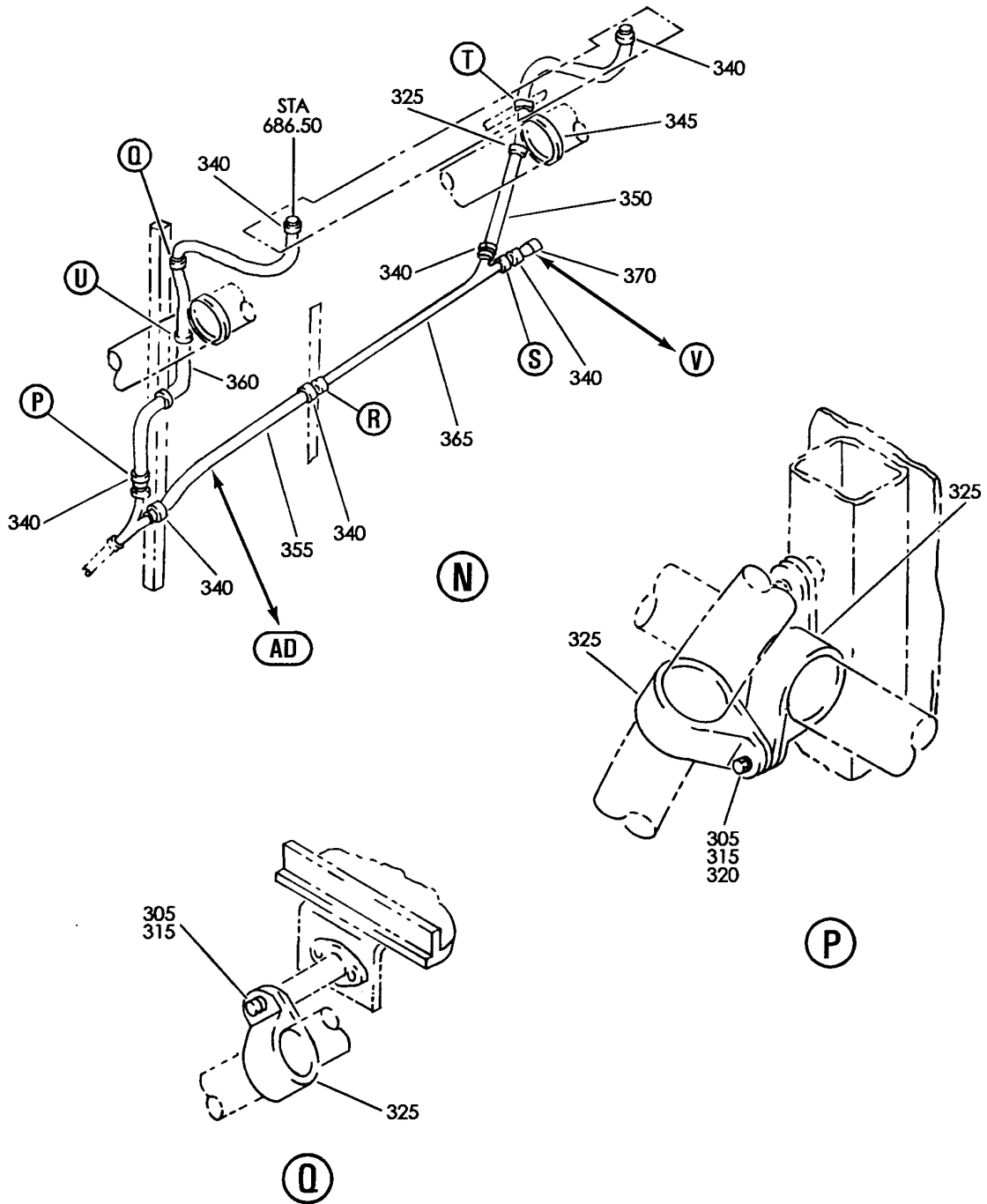
DRAIN INSTL-NO. 2 DOOR AND GALLEY GUTTER
FIGURE 20 (SHEET 4)

38-31-54-20

BRI
MAY 28/07

38-31-54-20
PAGE 0C

BOEING
757
PARTS CATALOG (MAINTENANCE)



Y 38315420 SHT 5 REV 208

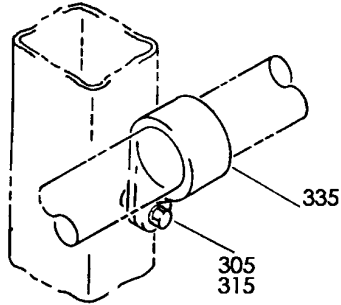
DRAIN INSTL-NO. 2 DOOR AND GALLEY GUTTER
FIGURE 20 (SHEET 5)

38-31-54-20

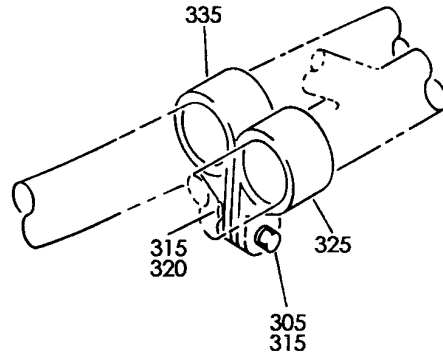
BRI
MAY 28/07

38-31-54-20
PAGE 0D

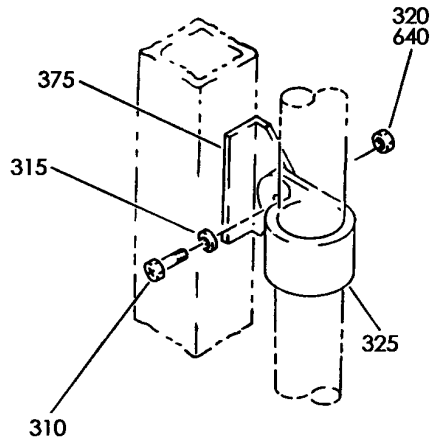
BOEING
757
PARTS CATALOG (MAINTENANCE)



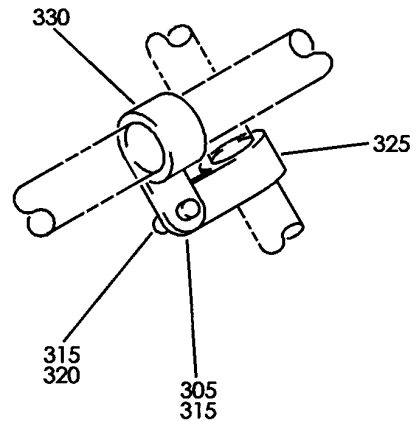
(R)



(S)



(U)



(T)

Y 38315420 SHT 6 REV 208

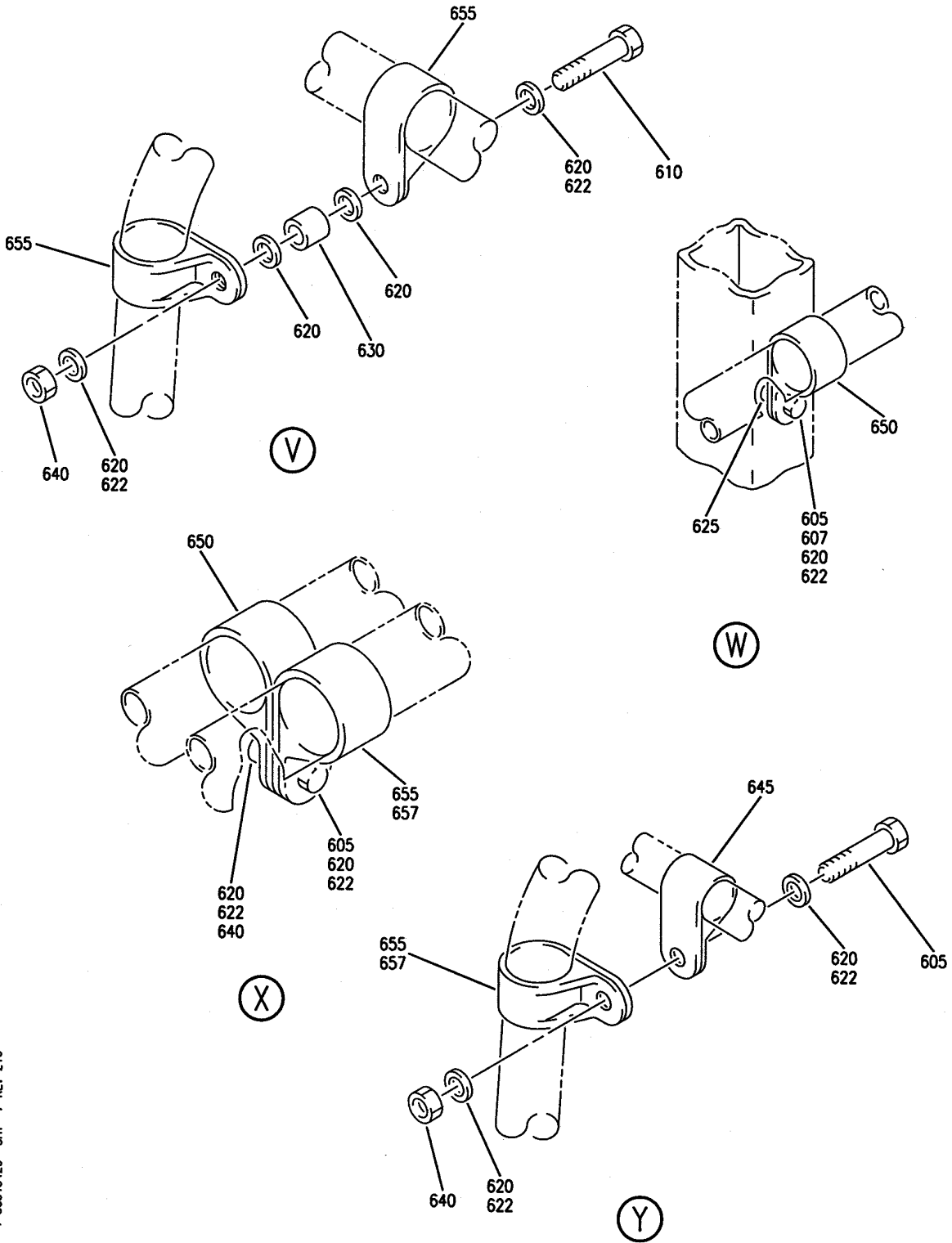
DRAIN INSTL-NO. 2 DOOR AND GALLEY GUTTER
FIGURE 20 (SHEET 6)

38-31-54-20

BRI
MAY 28/07

38-31-54-20
PAGE 0E

BOEING
757
PARTS CATALOG (MAINTENANCE)



Y 38315420 SH1 7 REV 216

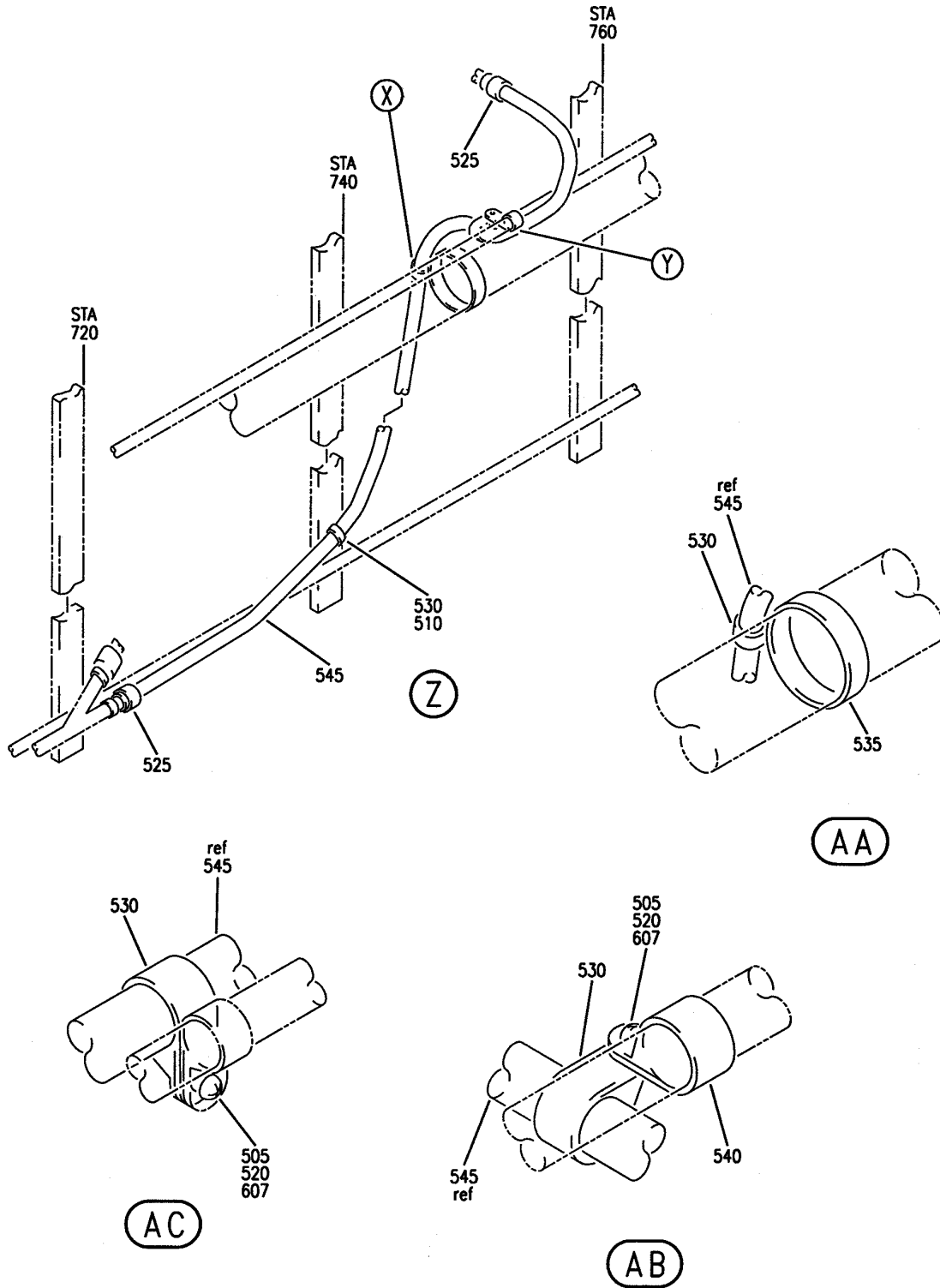
DRAIN INSTL-NO. 2 DOOR AND GALLEY GUTTER
FIGURE 20 (SHEET 7)

38-31-54-20

BRI
MAY 28/07

38-31-54-20
PAGE OF

BOEING
757
PARTS CATALOG (MAINTENANCE)



Y 38315420 SHT 8 REV 216

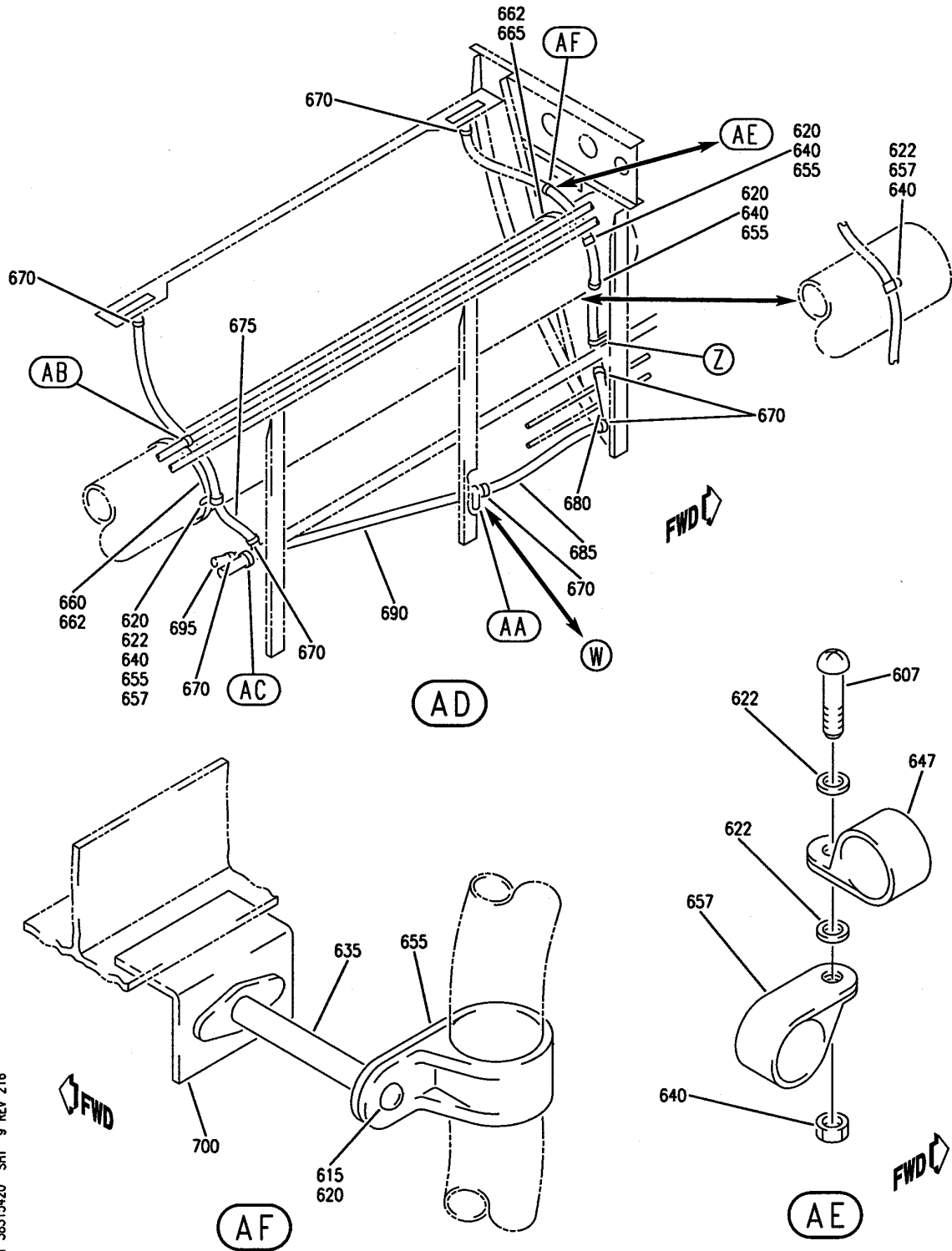
DRAIN INSTL-NO. 2 DOOR AND GALLEY GUTTER
FIGURE 20 (SHEET 8)

38-31-54-20

BRI
MAY 28/07

38-31-54-20
PAGE 0G

BOEING
757
PARTS CATALOG (MAINTENANCE)



Y 38315420 SHT 9 REV 216

DRAIN INSTL-NO. 2 DOOR AND GALLEY GUTTER
FIGURE 20 (SHEET 9)

38-31-54-20

BRI
MAY 28/07

38-31-54-20
PAGE 0H



757

PARTS CATALOG (MAINTENANCE)

FIG ITEM	PART NUMBER	1 2 3 4 5 6 7	NOMENCLATURE	EFFECT FROM TO	UNITS PER ASSY
20			DRAIN INSTL-NO. 2 DOOR AND GALLEY GUTTER	101102 108120 504903	
- 1	417N2702-35		DRAIN INSTL-NO. 2 DOOR AND GALLEY GUTTER FOR NHA SEE: 25-20-00-08A	101102 108120 504903	RF
10	NAS1801-3-8		.SCREW	101102 108120 504903	4
15	NAS1801-3-14		.SCREW	101102 108120 504903	2
20	NAS1801-3-16		.SCREW	101102 108120 504903	2
25	NAS1801-3-34		.SCREW	101102 108120 504903	2
30	AN960KD10L		.WASHER	101102 108120 504903	15
35	NAS43DD3-20		.SPACER	101102 108120 504903	2
40	NAS43DD3-96FC		.SPACER	101102 108120 504903	2
42	NAS42DD3-16FC		.SPACER	101102 108120 504903	1
45	MS21042L3		.NUT	101102 108120 504903	6
50	BACC10DK15		.CLAMP	101102 108120 504903	7
55	BACC10DK12		.CLAMP	101102 108120 504903	8
60	BACC10DK8A		.CLAMP	101102 108120 504903	1
65	AN737TW38		.CLAMP	101102 108120 504903	4

MISSING ITEM NUMBERS NOT APPLICABLE

- ITEM NOT ILLUSTRATED

38-31-54-20

38-31-54
FIG. 20
PAGE 1
JAN 20/09

BRI

 **BOEING**
757
PARTS CATALOG (MAINTENANCE)

FIG ITEM	PART NUMBER	1 2 3 4 5 6 7	NOMENCLATURE	EFFECT FROM TO	UNITS PER ASSY
20					
70	BOE2013-0367	.HOSE-DRAIN SUPPLIER CODE: V16632 SPECIFICATION NUMBER: 69-27191-367 OPTIONAL PART: IT4350-367 V26831		101102 108120 504903	1
70	IT4350-367	.HOSE-DRAIN SUPPLIER CODE: V26831 OPTIONAL PART: BOE2013-0367 V16632		101102 108120 504903	1
75	BOE2013-0365	.HOSE-DRAIN SUPPLIER CODE: V16632 SPECIFICATION NUMBER: 69-27191-365 OPTIONAL PART: IT4350-365 V26831		101102 108120 504903	1
75	IT4350-365	.HOSE-DRAIN SUPPLIER CODE: V26831 OPTIONAL PART: BOE2013-0365 V16632		101102 108120 504903	1
80	417N2716-20	.TUBE ASSY		101102 108120 504903	1
85	417N2712-10	.TUBE ASSY		101102 108120 504903	1
- 86	417N2712-11	..TUBE- TUBING MATERIAL: STOCK .75 O.D. X .025 WALL X 18.6 OPT .028 WALL AISI 321 OR 347 CRES TUBING PER MIL-T-8808 USED ON: 417N2712-10		101102 108120 504903	1

MISSING ITEM NUMBERS NOT APPLICABLE

- ITEM NOT ILLUSTRATED

BRI

38-31-54-20

BOEING PROPRIETARY - Copyright © - Unpublished Work - See title page for details.

38-31-54
FIG. 20
PAGE 2
JAN 20/09



757

PARTS CATALOG (MAINTENANCE)

FIG ITEM	PART NUMBER	1 2 3 4 5 6 7	NOMENCLATURE	EFFECT FROM TO	UNITS PER ASSY
20					
- 87	417N2712-7	..	TUBE- TUBING MATERIAL: STOCK .75 O.D. X .025 WALL X 4.0 OPT .028 WALL AISI 321 OR 347 CRES TUBING PER MIL-T-8808. USED ON: 417N2712-10	101102 108120 504903	1
- 88	417N2716-22	..	TUBE- TUBING MATERIAL: STOCK .75 O.D. X .025 WALL X 14.8 OPT .028 WALL CRES. TUBE TYPE AISI 321/347 MIL-T-8808 USED ON: 417N2716-20	101102 108120 504903	1
- 89	417N2716-27	..	TUBE- TUBING MATERIAL: STOCK 0.75 O.D X 0.025 WALL X 22.1 CRES. TUBE TYPE AISI 321/347 MIL-T-8808 USED ON: 417N2716-20	101102 108120 504903	1
90	417N2718-1	.	CAP-DRAIN TUBE	101102 108120 504903	1
95	48	.	CLAMP SUPPLIER CODE: V7Z588 SPECIFICATION NUMBER: STBC10GG98-114 OPTIONAL PART: WWD98-114 V66295	101102 108120 504903	1
100	417N2706-2	.	CAP ASSY-BLADDER	101102 108120 504903	1
104	417N2702-47	.	ATTACHMENT ASSY-STGR OPTIONAL PART: 417N2702-46	101102 108120 504903	4
105B	NAS1801-3-8	..	SCREW	101102 108120 504903	1
105D	417N2702-46	.	ATTACHMENT ASSY-STGR OPTIONAL PART: 417N2702-47	101102 108120 504903	4

MISSING ITEM NUMBERS NOT APPLICABLE

- ITEM NOT ILLUSTRATED

38-31-54-20

38-31-54
FIG. 20
PAGE 3
JAN 20/09

BRI



757

PARTS CATALOG (MAINTENANCE)

FIG ITEM	PART NUMBER	1 2 3 4 5 6 7	NOMENCLATURE	EFFECT FROM TO	UNITS PER ASSY
20					
106	NAS1801-3-12	..	SCREW- USED ON: 417N2702-46 USED WITH: AN960KD10L	101102 108120 504903	1
108	NAS1801-3-7	..	SCREW- USED ON: 417N2702-46	101102 108120 504903	2
110	AN960KD10L	..	WASHER- USED ON: 417N2702-46	101102 108120 504903	2
115	415N2005-3	..	CLIP ASSY- USED ON: 417N2702-46	101102 108120 504903	2
118	SL854C3F1CM	...	INSERT- SUPPLIER CODE: V97393	101102 108120 504903	1
120	417N2111-1	..	SUPPORT ASSY- USED ON: 417N2702-46	101102 108120 504903	1
125	NAS1395C3L	...	INSERT- OPTIONAL PART: NA2030-02L V32387	101102 108120 504903	1
125	NA2030-02L	...	INSERT-STEEL SUPPLIER CODE: V32387 OPTIONAL PART: NAS1395C3L V80205	101102 108120 504903	1
130	417N2717-1	.	BRACKET-SPRT	101102 108120 504903	2
- 135	NAS1801-3-8	.	ATTACHING PARTS SCREW	101102 108120 504903	4
- 140	AN960KD10L	.	WASHER	101102 108120 504903	4
145	S38J1	-----*	SUPPORT-ATTACHMENT SUPPLIER CODE: V59237 SPECIFICATION NUMBER: BACS38J1 OPTIONAL PART: 30187-2 V26835	101102 108120 504903	2

MISSING ITEM NUMBERS NOT APPLICABLE

- ITEM NOT ILLUSTRATED

38-31-54-20

38-31-54
FIG. 20
PAGE 4
JAN 20/09

BRI



757

PARTS CATALOG (MAINTENANCE)

FIG ITEM	PART NUMBER	1 2 3 4 5 6 7	NOMENCLATURE	EFFECT FROM TO	UNITS PER ASSY
20 150	S38J2		.SUPPORT SUPPLIER CODE: V59237 SPECIFICATION NUMBER: BACS38J2 OPTIONAL PART: 30187-3 V26835	101102 108120 504903	2
155	BACR15BB4AD		.RIVET- SIZE DETERMINED ON INSTL.	101102 108120 504903	6
160	BACN10TL3A18		.NUT	101102 108120 504903	2
165	WS1-4A6		.NUT SUPPLIER CODE: V04169 SPECIFICATION NUMBER: BACN10TL3A6	101102 108120 504903	1
- 200	417N2702-36		DRAIN INSTL-NO. 2 DOOR AND GALLEY GUTTER FOR NHA SEE: 25-20-00-07D	101102 108120 504903	RF
205	NAS1801-3-12		.SCREW	101102 108120 504903	4
210	AN960KD10L		.WASHER	101102 108120 504903	4
215	NAS43DD3-14		.SPACER	101102 108120 504903	2
220	BACC10DK15		.CLAMP	101102 108120 504903	2
225	BACC10DK12		.CLAMP	101102 108120 504903	2
230	AN737TW38		.CLAMP	101102 108120 504903	7
235	BOE2013-0309		.HOSE-DRAIN SUPPLIER CODE: V16632 SPECIFICATION NUMBER: 69-27191-309 OPTIONAL PART: 713488-309 V70628	101102 108120 504903	1

MISSING ITEM NUMBERS NOT APPLICABLE

- ITEM NOT ILLUSTRATED

38-31-54-20

38-31-54
FIG. 20
PAGE 5
JAN 20/09

BRI



757

PARTS CATALOG (MAINTENANCE)

FIG ITEM	PART NUMBER	1 2 3 4 5 6 7	NOMENCLATURE	EFFECT FROM TO	UNITS PER ASSY
20 240	BOE2013-0334	.HOSE-DRAIN SUPPLIER CODE: V16632 SPECIFICATION NUMBER: 69-27191-334 OPTIONAL PART: 713488-334 V70628		101102 108120 504903	1
245	BOE2013-0335	.HOSE-DRAIN SUPPLIER CODE: V16632 SPECIFICATION NUMBER: 69-27191-335 OPTIONAL PART: 713488-335 V70628 IT4350-335 V26831 OPTIONAL PART: IT4350-335 V26831		101102 108120 504903	1
245	IT4350-335	.HOSE-DRAIN SUPPLIER CODE: V26831 SPECIFICATION NUMBER: 69-27191-335 OPTIONAL PART: BOE2013-0335 V16632 713488-335 V70628 OPTIONAL PART: BOE2013-0335 V16632		101102 108120 504903	1
245	713488-335	.HOSE-DRAIN SUPPLIER CODE: V70628 SPECIFICATION NUMBER: 69-27191-335 OPTIONAL PART: BOE2013-0335 V16632 IT4350-335 V26831		101102 108120 504903	1
250	417N2716-14	.TUBE ASSY		101102 108120 504903	1

MISSING ITEM NUMBERS NOT APPLICABLE

- ITEM NOT ILLUSTRATED

38-31-54-20

38-31-54
FIG. 20
PAGE 6
JAN 20/09

BRI



757

PARTS CATALOG (MAINTENANCE)

FIG ITEM	PART NUMBER	1 2 3 4 5 6 7	NOMENCLATURE	EFFECT FROM TO	UNITS PER ASSY
20					
- 251	417N2716-15	..	TUBE- TUBING MATERIAL: STOCK .750 O.D. X .025 OR .028 WALL X 7.2. AISI 321 OR 347 CRES. TUBE PER MIL-T-8808	101102 108120 504903	1
- 252	417N2716-16	..	TUBE- TUBING MATERIAL: STOCK .750 O.D. X .025 OR .028 WALL X 31.80. AISI 321 OR 347 CRES. TUBE PER MIL-T-8808	101102 108120 504903	1
- 253	417N2716-17	..	TUBE- TUBING MATERIAL: STOCK .750 O.D. X .025 OR .028 WALL X 3.5. AISI 321 OR 347 CRES. TUBE PER MIL-T-8808	101102 108120 504903	1
- 254	417N2716-19	..	TUBE- TUBING MATERIAL: STOCK .750 O.D. X .025 OR .028 WALL X 8.6. AISI 321 OR 347 CRES. TUBE PER MIL-T-8808	101102 108120 504903	1
255	417N2718-1	.	CAP-DRAIN TUBE	101102 108120 504903	1
- 500	417N2702-40		DRAIN INSTL-NO. 2 DOOR AND GALLEY GUTTER BRANCHLINE POSITION DATA: STA 750.0, LBL 42.0 FOR NHA SEE: 25-20-00-07D	504903	RF
505	NAS1801-3-12	.	SCREW	504903	2
510	NAS43DD3-14	.	SPACER	504903	1
520	MS21042L3	.	NUT	504903	2
525	AN737TW38	.	CLAMP	504903	2
530	BACC10DK15	.	CLAMP	504903	3
535	BACC10GW0800-1	.	CLAMP	504903	1
540	BACC10DK10	.	CLAMP	504903	1
545	BOE2013-0411	.	HOSE-DRAIN SUPPLIER CODE: V16632 SPECIFICATION NUMBER: 69-27191-411 OPTIONAL PART: IT4350-411 V26831	504903	1

MISSING ITEM NUMBERS NOT APPLICABLE

- ITEM NOT ILLUSTRATED

38-31-54-20

38-31-54
FIG. 20
PAGE 7
JAN 20/09

BRI



757

PARTS CATALOG (MAINTENANCE)

FIG ITEM	PART NUMBER	1 2 3 4 5 6 7	NOMENCLATURE	EFFECT FROM TO	UNITS PER ASSY
20 545	IT4350-411		.HOSE-DRAIN SUPPLIER CODE: V26831 OPTIONAL PART: BOE2013-0411 V16632	504903	1
- 600	417N2702-45		DRAIN INSTL-NO. 2 DOOR AND GALLEY GUTTER FOR NHA SEE: 25-20-00-07D	101102 504903	RF
607	BACS12GU3K12		.SCREW	101102 504903	4
610	BACS12GU3K16		.SCREW	101102 504903	1
622	NAS1149D0332J		.WASHER	101102 504903	11
625	NAS42DD6-14FC		.SPACER	101102 504903	1
630	NAS42DD6-16FC		.SPACER	101102 504903	1
640	PLH53CD		.NUT SUPPLIER CODE: VF0224 SPECIFICATION NUMBER: BACN10YR3CD OPTIONAL PART: H52732-3CD V15653	101102 504903	6
647	BACC10DK10		.CLAMP	101102 504903	2
650	BACC10DK12		.CLAMP	101102 504903	2
657	BACC10DK15		.CLAMP	101102 504903	7
662	BACC10GW0800-1E		.CLAMP	101102 504903	2
670	BACC10JB032C046		.CLAMP	101102 504903	7
675	BOE2013-0337		.HOSE- SUPPLIER CODE: V16632 SPECIFICATION NUMBER: 69-27191-337 OPTIONAL PART: 713488-337 V70628 OPTIONAL PART: IT4350-337 V26831	101102 504903	1

MISSING ITEM NUMBERS NOT APPLICABLE

- ITEM NOT ILLUSTRATED

38-31-54-20

38-31-54
FIG. 20
PAGE 8
JAN 20/09

BRI



757

PARTS CATALOG (MAINTENANCE)

FIG ITEM	PART NUMBER	1 2 3 4 5 6 7	NOMENCLATURE	EFFECT FROM TO	UNITS PER ASSY
20 675	713488-337	.	HOSE-DRAIN SUPPLIER CODE: V70628 SPECIFICATION NUMBER: 69-27191-337 OPTIONAL PART: BOE2013-0337 V16632	101102 504903	1
675	IT4350-337	.	HOSE-DRAIN SUPPLIER CODE: V26831 OPTIONAL PART: BOE2013-0337 V16632	101102 504903	1
680	BOE2013-0366	.	HOSE- SUPPLIER CODE: V16632 SPECIFICATION NUMBER: 69-27191-366	101102 504903	1
685	BOE2013-0410	.	HOSE- SUPPLIER CODE: V16632 SPECIFICATION NUMBER: 69-27191-410 OPTIONAL PART: IT4350-410 V26831	101102 504903	1
685	IT4350-410	.	HOSE- SUPPLIER CODE: V26831 SPECIFICATION NUMBER: 69-27191-410 OPTIONAL PART: BOE2013-0410 V16632	101102 504903	1
690	417N2716-35	.	TUBE ASSY	101102 504903	1
- 692	417N2716-36	..	TUBE- TUBING MATERIAL: STOCK .75 O.D. X .025 WALL X 26.1. OPT .028 WALL AISI 321/347 CRES TUBE PER MIL-T-8808	101102 504903	1
- 693	417N2716-6	..	TUBE- TUBING MATERIAL: STOCK .75 O.D. X .025 WALL X 2.4 OPT .028 WALL CRES. TUBE TYPE AISI 321/347 MIL-T-8808	101102 504903	1

MISSING ITEM NUMBERS NOT APPLICABLE

- ITEM NOT ILLUSTRATED

38-31-54-20

38-31-54
FIG. 20
PAGE 9
JAN 20/09

BRI



757

PARTS CATALOG (MAINTENANCE)

FIG ITEM	PART NUMBER	1 2 3 4 5 6 7	NOMENCLATURE	EFFECT FROM TO	UNITS PER ASSY
20 695	417N2718-1	.	CAP	101102 504903	1

MISSING ITEM NUMBERS NOT APPLICABLE

- ITEM NOT ILLUSTRATED

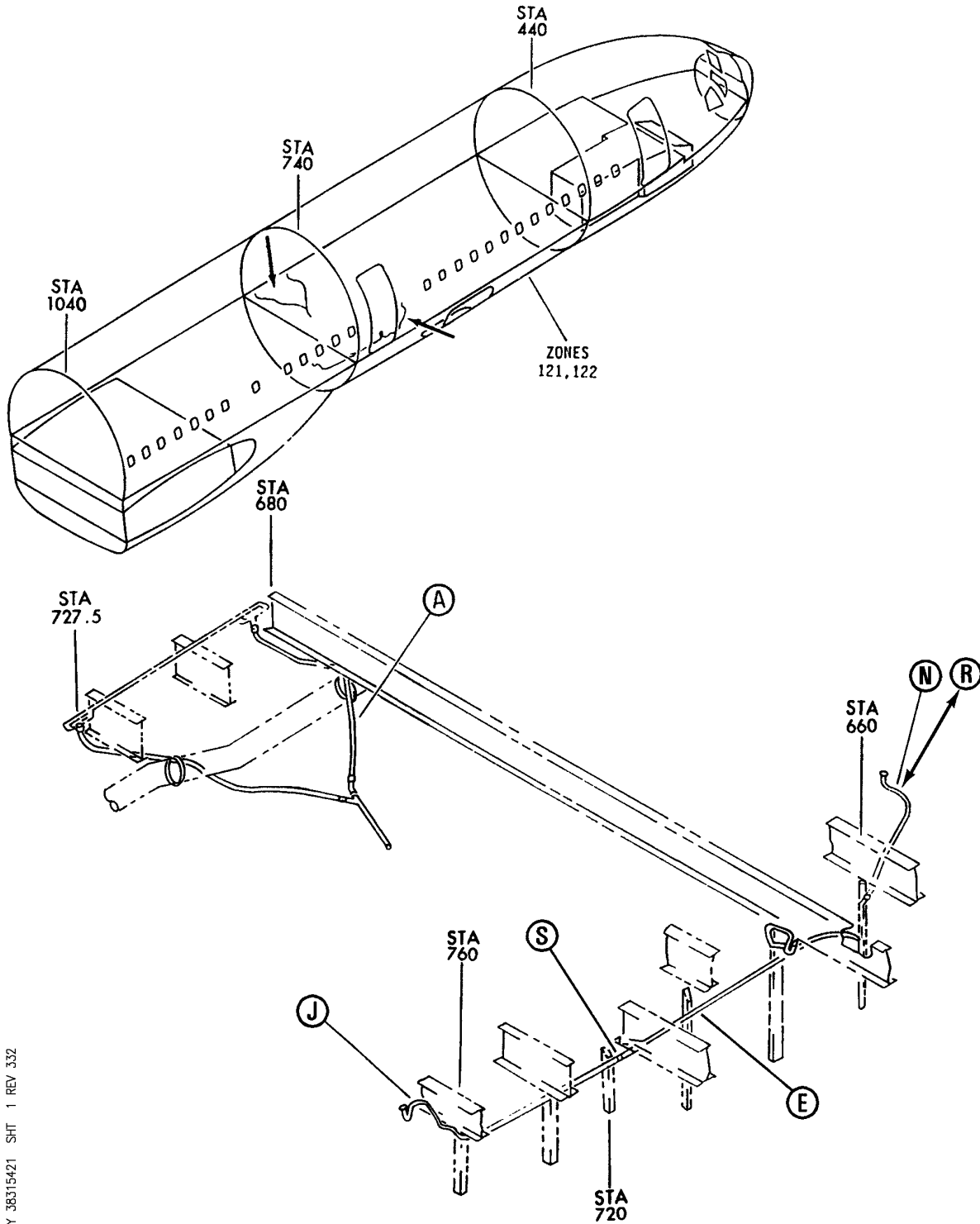
BRI

38-31-54-20

BOEING PROPRIETARY - Copyright © - Unpublished Work - See title page for details.

38-31-54
FIG. 20
PAGE 10
JAN 20/09

BOEING
757
PARTS CATALOG (MAINTENANCE)



Y 38315421 SHT 1 REV 332

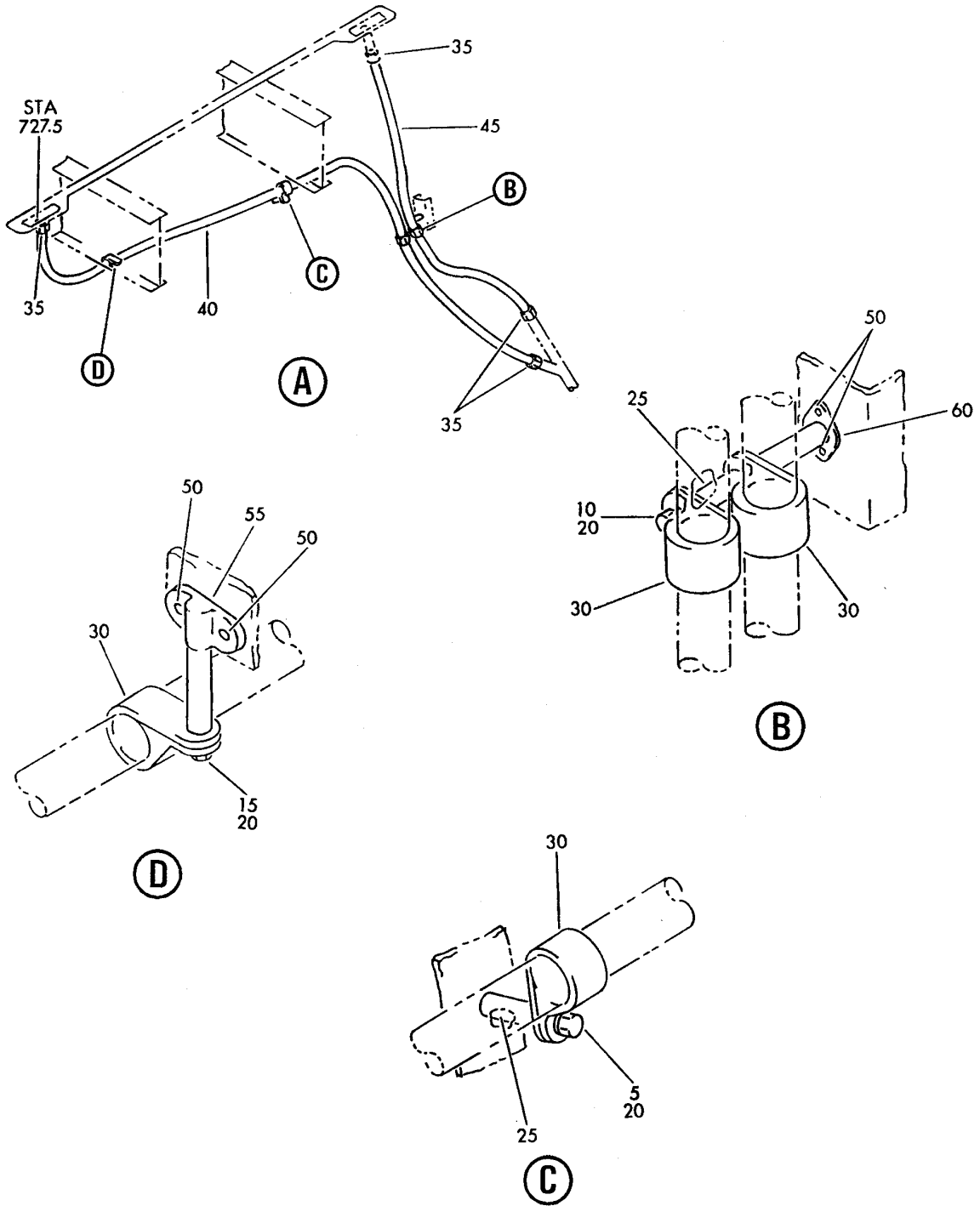
DRAIN INSTL-NO. 2 DOOR AND GALLEY GUTTER
FIGURE 21 (SHEET 1)

38-31-54-21

BRI
MAY 20/09

38-31-54-21
PAGE 0

BOEING
757
PARTS CATALOG (MAINTENANCE)



Y 38315421 SHT 2 REV 209

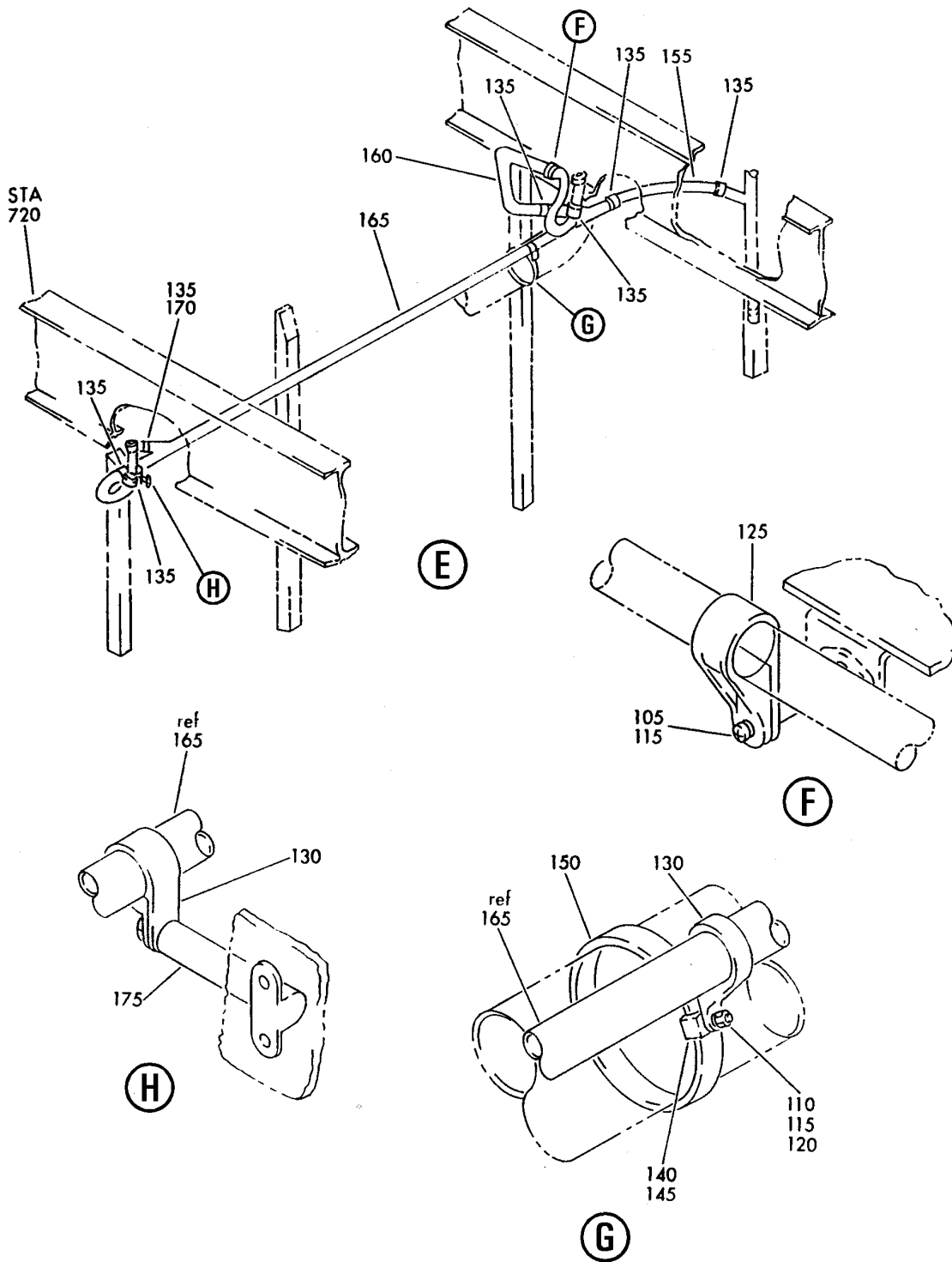
DRAIN INSTL-NO. 2 DOOR AND GALLEY GUTTER
FIGURE 21 (SHEET 2)

38-31-54-21

BRI
MAY 28/07

38-31-54-21
PAGE 0A

BOEING
757
PARTS CATALOG (MAINTENANCE)



Y 38315421 SHT 3 REV 209

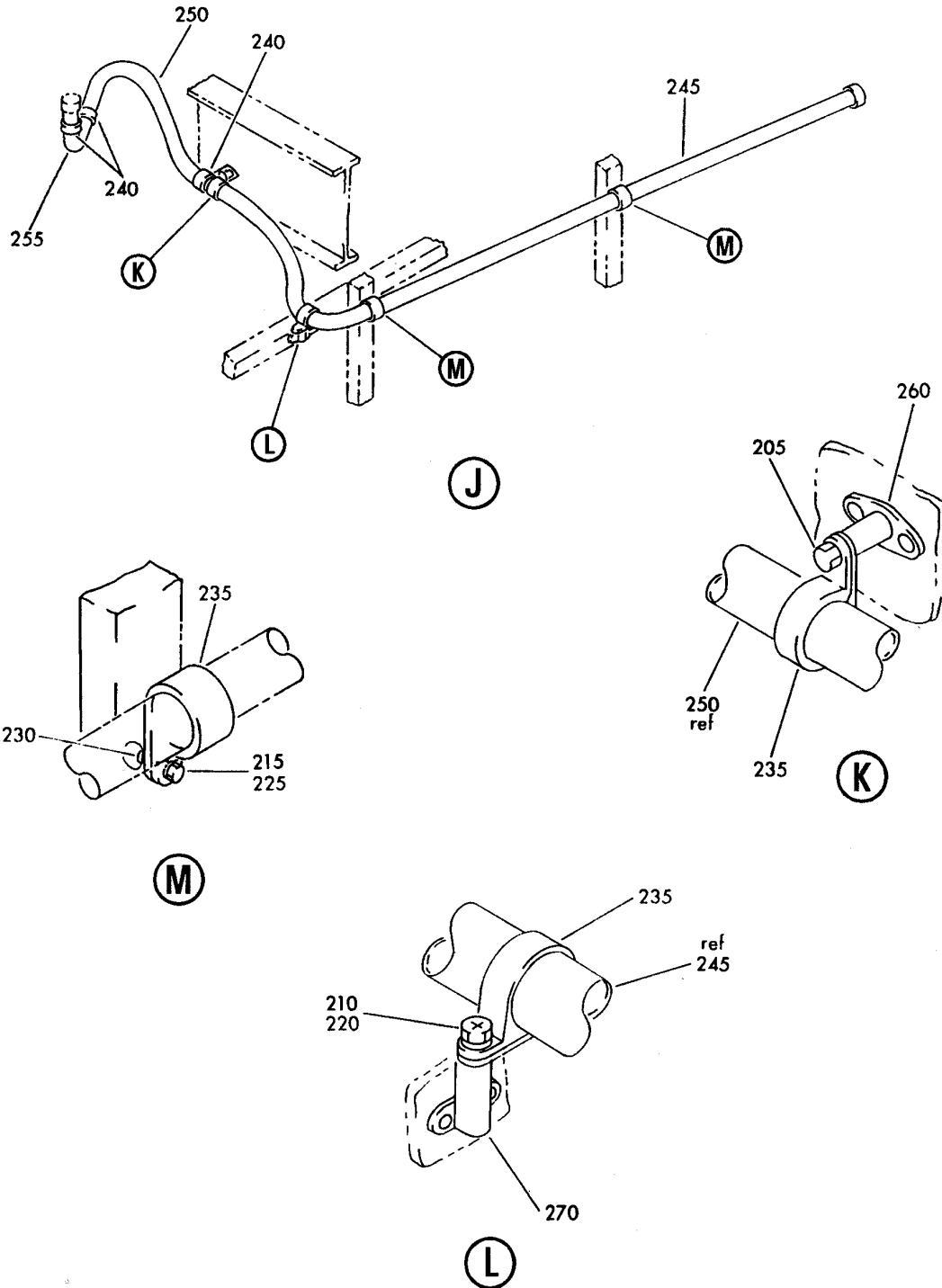
DRAIN INSTL-NO. 2 DOOR AND GALLEY GUTTER
FIGURE 21 (SHEET 3)

38-31-54-21

BRI
MAY 28/07

38-31-54-21
PAGE 0B

BOEING
757
PARTS CATALOG (MAINTENANCE)



Y 38315421 SHT 4 REV 209

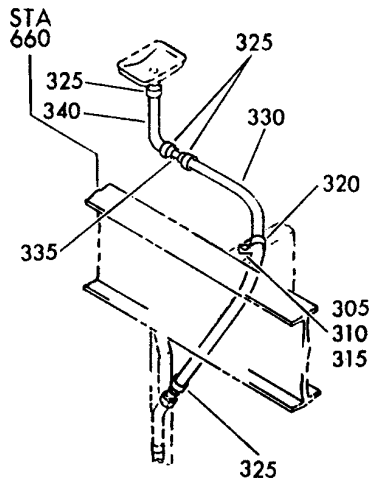
DRAIN INSTL-NO. 2 DOOR AND GALLEY GUTTER
FIGURE 21 (SHEET 4)

38-31-54-21

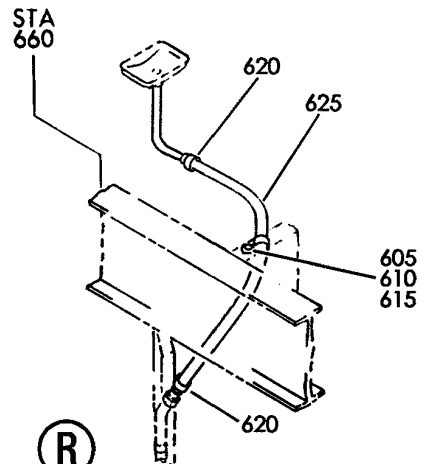
BRI
MAY 28/07

38-31-54-21
PAGE 0C

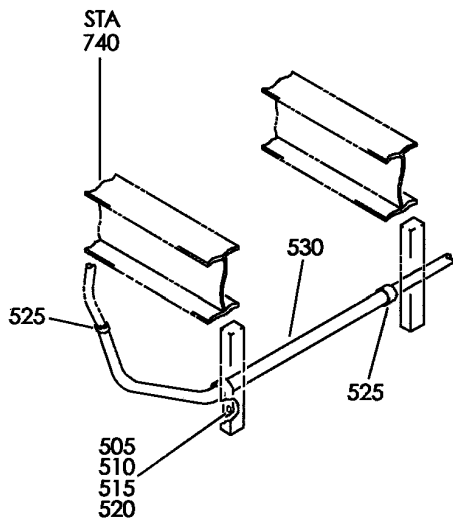

BOEING
 757
PARTS CATALOG (MAINTENANCE)



(N)



(R)



(S)

Y 38315421 SH1 5 REV 332

DRAIN INSTL-NO. 2 DOOR AND GALLEY GUTTER
FIGURE 21 (SHEET 5)

38-31-54-21

BRI
MAY 20/09

38-31-54-21
PAGE 0D



757

PARTS CATALOG (MAINTENANCE)

FIG ITEM	PART NUMBER	1 2 3 4 5 6 7	NOMENCLATURE	EFFECT FROM TO	UNITS PER ASSY
21			DRAIN INSTL-NO. 2 DOOR AND GALLEY GUTTER	101102 108120 504903	
- 1	417N2702-29		DRAIN INSTL-NO. 2 DOOR AND GALLEY GUTTER FOR NHA SEE: 25-20-00-07D	108120	RF
5	NAS1801-3-24		.SCREW	108120	1
10	NAS1801-3-32		.SCREW	108120	1
15	NAS1801-3-8		.SCREW	108120	1
20	AN960KD10L		.WASHER	108120	3
25	NAS43DD3-64		.SPACER	108120	2
30	BACC10DK15		.CLAMP	108120	4
35	AN737TW38		.CLAMP	108120	4
40	BOE2013-0348		.HOSE-DRAIN SUPPLIER CODE: V16632 SPECIFICATION NUMBER: 69-27191-348 OPTIONAL PART: 713488-348 V70628	108120	1
45	BOE2013-0366		.HOSE-DRAIN SUPPLIER CODE: V16632 SPECIFICATION NUMBER: 69-27191-366	108120	1
50	BACR15BB4AD		.RIVET- SIZE DETERMINED ON INSTL.	108120	4
55	WS1-332A8		.NUTPLATE SUPPLIER CODE: V04169 SPECIFICATION NUMBER: BACN10GH3A8	108120	1
60	WS14A10		.NUTPLATE SUPPLIER CODE: V04169 SPECIFICATION NUMBER: BACN10TL3A10	108120	1
- 500	417N2702-41		DRAIN INSTL-NO. 2 DOOR AND GALLEY GUTTER FOR NHA SEE: 25-20-00-07D	101102 504903	RF
505	NAS1801-3-14		.SCREW	101102 504903	1
510	NAS43DD3-14		.SPACER	101102 504903	1
515	NAS43DD3-15		.SPACER	101102 504903	1

MISSING ITEM NUMBERS NOT APPLICABLE

- ITEM NOT ILLUSTRATED

38-31-54-21

38-31-54
FIG. 21
PAGE 1
JAN 20/09

BRI



757

PARTS CATALOG (MAINTENANCE)

FIG ITEM	PART NUMBER	1 2 3 4 5 6 7	NOMENCLATURE	EFFECT FROM TO	UNITS PER ASSY
21					
520	NAS1149D0332K	.	WASHER	101102 504903	1
525	BACC10JB032C046	.	CLAMP	101102 504903	2
530	BOE2013-0355	.	HOSE-DRAIN SUPPLIER CODE: V16632 SPECIFICATION NUMBER: 69-27191-355 OPTIONAL PART: IT4350-355 V26831	101102 504903	1
530	IT4350-355	.	HOSE-DRAIN SUPPLIER CODE: V26831 SPECIFICATION NUMBER: 69-27191-355 OPTIONAL PART: BOE2013-0355 V16632	101102 504903	1
- 600	417N2702-42		DRAIN INSTL-NO. 2 DOOR AND GALLEY GUTTER FOR NHA SEE: 25-20-00-07D	504903	RF
605	NAS1801-3-12	.	SCREW	504903	1
610	NAS1149D0332K	.	WASHER	504903	1
615	MS21042L3	.	NUT	504903	1
620	BACC10JB032C046	.	CLAMP	504903	2
625	BOE2013-0309	.	HOSE-DRAIN SUPPLIER CODE: V16632 SPECIFICATION NUMBER: 69-27191-309 OPTIONAL PART: 713488-309 V70628	504903	1

MISSING ITEM NUMBERS NOT APPLICABLE

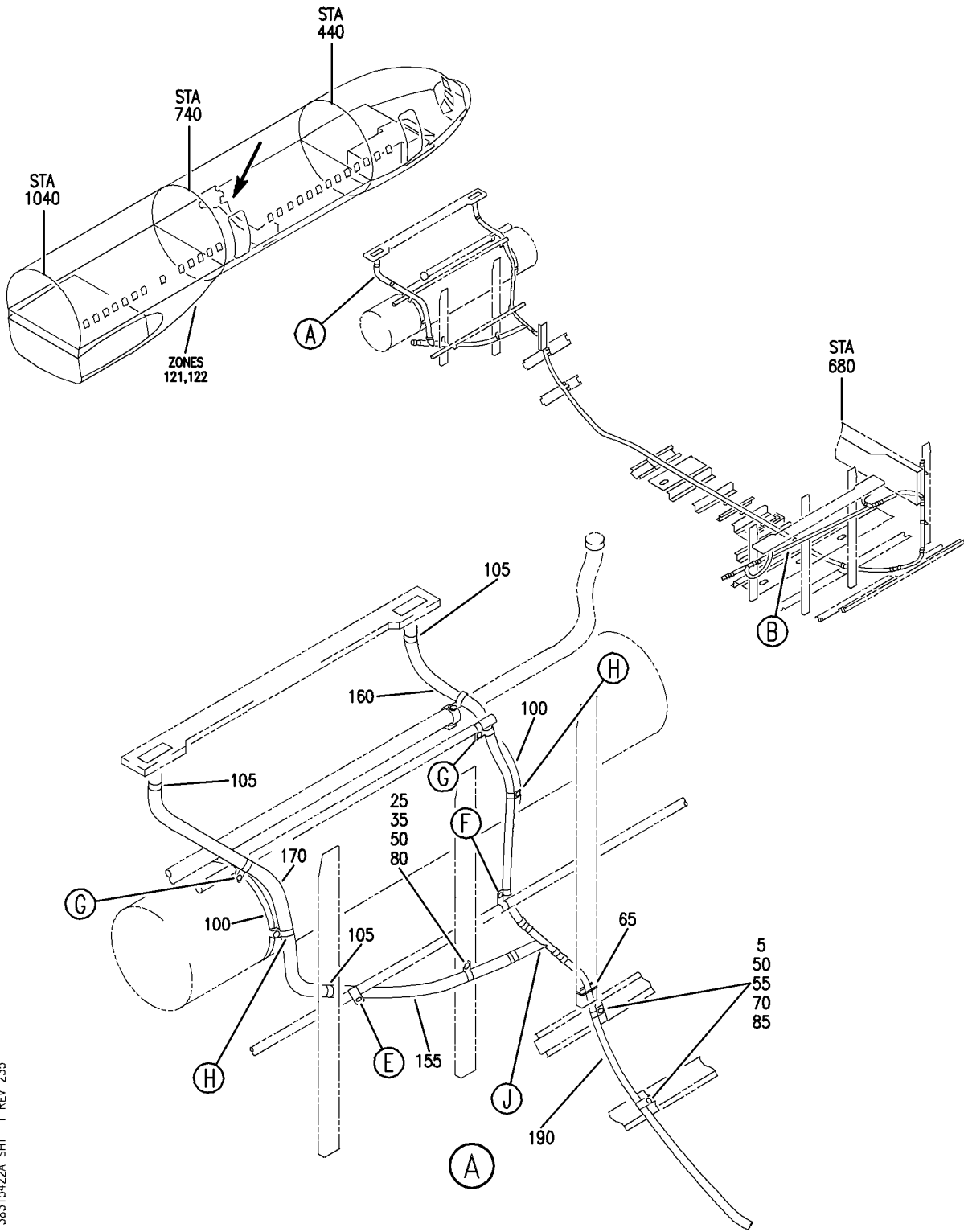
- ITEM NOT ILLUSTRATED

38-31-54-21

38-31-54
FIG. 21
PAGE 2
JAN 20/09

BRI

BOEING
757
PARTS CATALOG (MAINTENANCE)



Y 38315422A SHT 1 REV 235

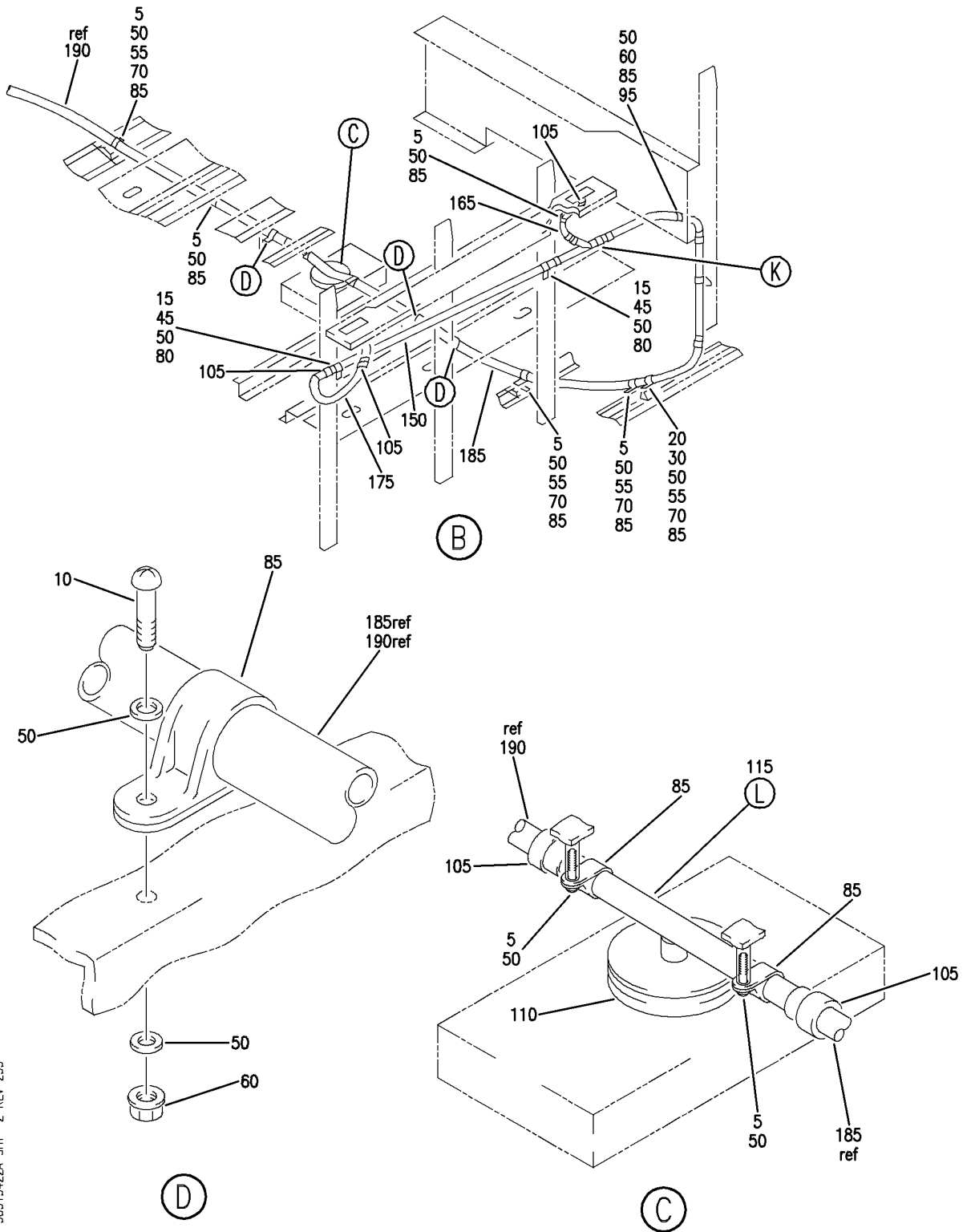
DRAIN INSTL-NO. 2 DOOR AND GALLEY GUTTER
FIGURE 22A (SHEET 1)

38-31-54-22A

BRI
JAN 20/09

38-31-54-22A
PAGE 0


BOEING
 757
PARTS CATALOG (MAINTENANCE)



Y 38315422A SHT 2 REV 235

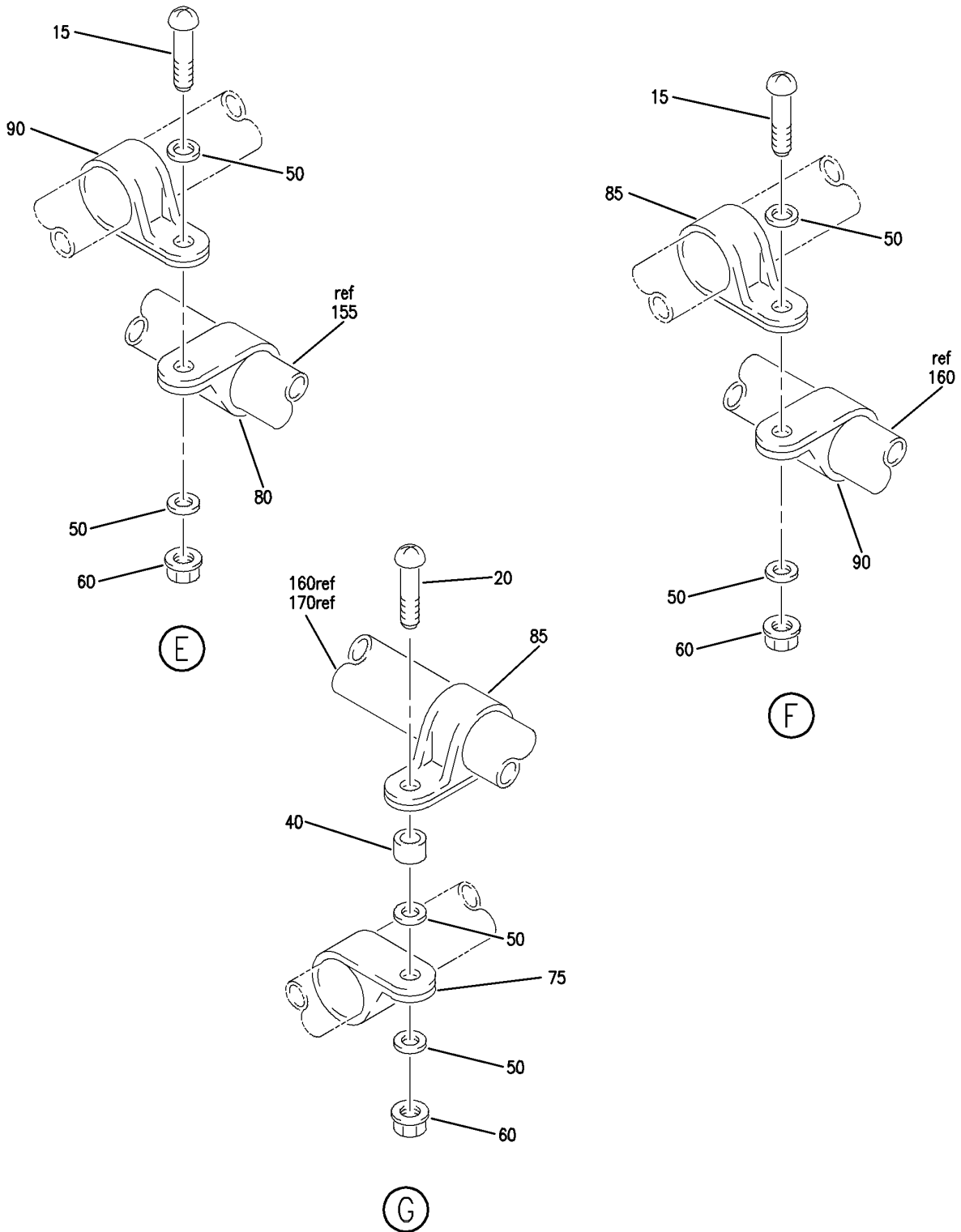
DRAIN INSTL-NO. 2 DOOR AND GALLEY GUTTER
FIGURE 22A (SHEET 2)

38-31-54-22A

BRI
JAN 20/09

38-31-54-22A
PAGE 0A

BOEING
757
PARTS CATALOG (MAINTENANCE)



Y 38315422A SHT 3 REV 235

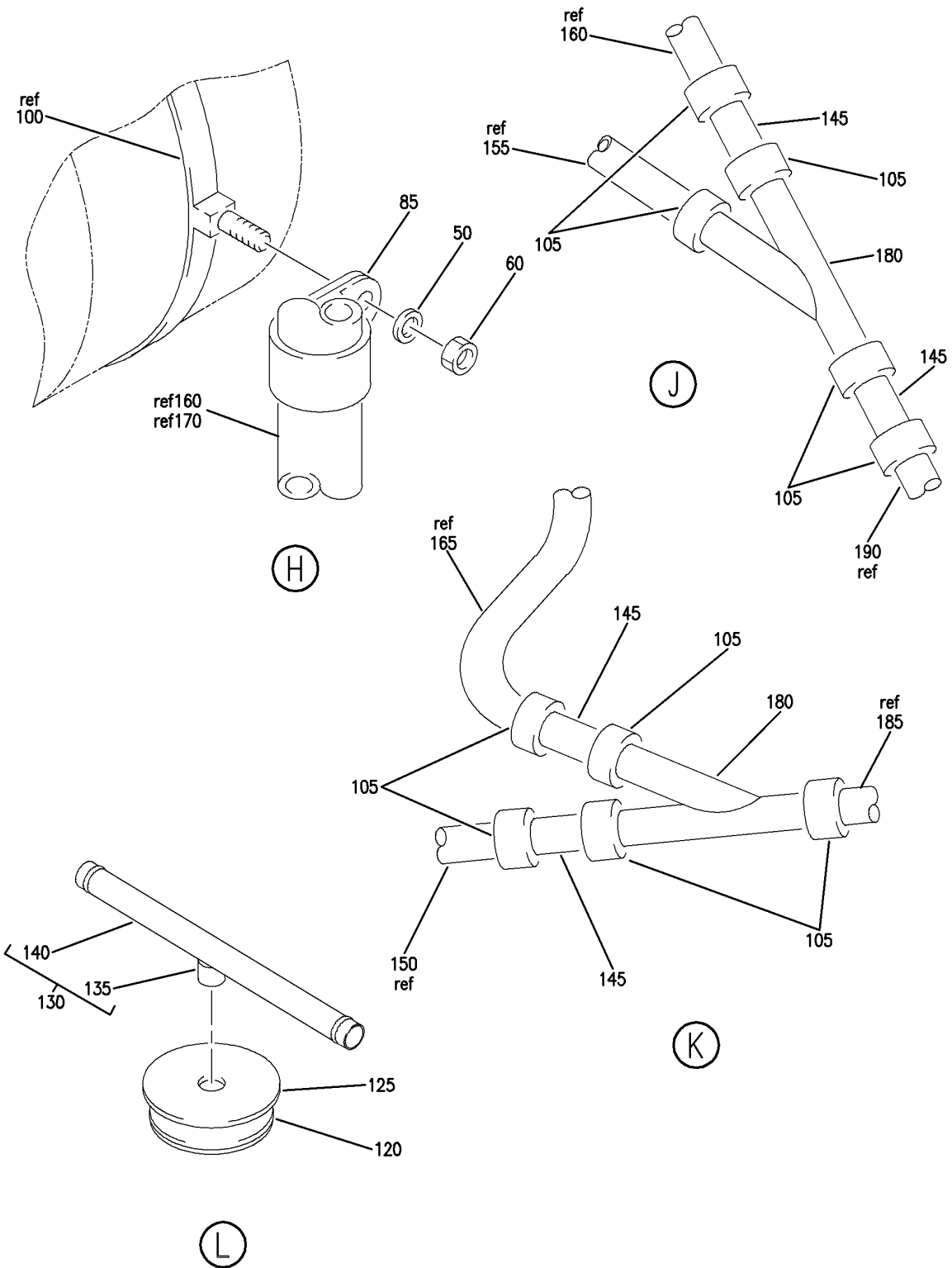
DRAIN INSTL-NO. 2 DOOR AND GALLEY GUTTER
FIGURE 22A (SHEET 3)

38-31-54-22A

BRI
JAN 20/09

38-31-54-22A
PAGE 0B

BOEING
757
PARTS CATALOG (MAINTENANCE)



Y 38315422A SHT 4 REV 235

DRAIN INSTL-NO. 2 DOOR AND GALLEY GUTTER
FIGURE 22A (SHEET 4)

38-31-54-22A

BRI
JAN 20/09

38-31-54-22A
PAGE 0C



757

PARTS CATALOG (MAINTENANCE)

FIG ITEM	PART NUMBER	1 2 3 4 5 6 7	NOMENCLATURE	EFFECT FROM TO	UNITS PER ASSY
22A			DRAIN INSTL-NO. 2 DOOR AND GALLEY GUTTER	103106	
- 1	MODREF24687		DRAIN INSTL-NO. 2 DOOR AND GALLEY GUTTER MODULE NUMBER: 417N2702-303 REV B	103106	1
5	BACS12GU3K9		.SCREW	103106	9
10	BACS12GU3K10		.SCREW	103106	3
15	BACS12GU3K12		.SCREW	103106	4
20	BACS12GU3K14		.SCREW	103106	3
25	BACS12GU3K24		.SCREW	103106	1
30	NAS43DD3-20FC		.SPACER	103106	1
35	NAS43DD3-45FC		.SPACER	103106	1
40	NAS43DD3-8FC		.SPACER	103106	2
45	NAS43DD3-14FC		.SPACER	103106	2
50	NAS1149D0316J		.WASHER	103106	30
55	BACW10DZ3		.WASHER	103106	6
60	PLH53CD		.NUT	103106	10
			SUPPLIER CODE: VF0224 SPECIFICATION NUMBER: BACN10YR3CD OPTIONAL PART: H52732-3CD V15653		
65	T05R0		.STRAP SUPPLIER CODE: V53421 SPECIFICATION NUMBER: BACS38K1 OPTIONAL PART: PLT2SM V06383	103106	AR
- 67	T05R0		.STRAP SUPPLIER CODE: V53421 SPECIFICATION NUMBER: BACS38K1 OPTIONAL PART: PLT2SM V06383	103106	AR
70	BACS38P5		.SUPPORT	103106	6
75	BACC10DK10		.CLAMP	103106	2
80	BACC10DK12		.CLAMP	103106	4
85	BACC10DK15		.CLAMP	103106	19
90	BACC10DK16		.CLAMP	103106	2
95	BACC10GW0250-1E		.CLAMP	103106	1
100	BACC10GW0800-1E		.CLAMP	103106	2

MISSING ITEM NUMBERS NOT APPLICABLE

- ITEM NOT ILLUSTRATED

38-31-54-22A

38-31-54
FIG. 22A
PAGE 1
JAN 20/09

BRI

BOEING PROPRIETARY - Copyright © - Unpublished Work - See title page for details.



757

PARTS CATALOG (MAINTENANCE)

FIG ITEM	PART NUMBER	1 2 3 4 5 6 7	NOMENCLATURE	EFFECT FROM TO	UNITS PER ASSY
22A 105	BACC10JB026C034	.CLAMP-	OPTIONAL PART: BACC10JB022C030	103106	18
105	BACC10JB022C030	.CLAMP-	OPTIONAL PART: BACC10JB026C034	103106	18
110	BACC10JB082C112	.CLAMP		103106	1
115	417N2706-2	.CAP ASSY-BLADDER		103106	1
120	417N2709-1	..CAP ASSY-CYLINDER		103106	1
125	417N2708-1	..CAP ASSY-PLATE		103106	1
130	417N2707-2	..TUBE ASSY		103106	1
135	417N2707-6	...TUBE-	TUBING MATERIAL: 0.75 O.D. X 0.025 WALL X 10.0 OPT 0.028 WALL 321 CRES TUBING PER MIL-T-8808	103106	1
140	417N2707-7	...TUBE-	TUBING MATERIAL: 0.75 O.D. X 0.025 WALL X 0.4 OPT 0.028 WALL 321 CRES TUBING PER MIL-T-8808	103106	1
145	417N2723-2	.TUBE-STRAIGHT	TUBING MATERIAL: 0.75 O.D. X 0.028 WALL X 2.90 AISI 321/347 CRES TUBING PER MIL-T-8808	103106	4
150	417N2723-10	.TUBE-STRAIGHT	TUBING MATERIAL: 0.75 O.D. X 0.028 WALL X 43.86 AISI 321/347 CRES TUBING PER MIL-T-8808	103106	1
155	417N2723-14	.TUBE-STRAIGHT	TUBING MATERIAL: 0.75 O.D. X 0.028 WALL X 36.38 AISI 321/347 CRES TUBING PER MIL-T-8808	103106	1
160	BOE2013-0353	.HOSE-	SUPPLIER CODE: V16632 SPECIFICATION NUMBER: 69-27191-353 OPTIONAL PART: IT4350-353 V26831	103106	1

MISSING ITEM NUMBERS NOT APPLICABLE

- ITEM NOT ILLUSTRATED

38-31-54-22A

38-31-54
FIG. 22A
PAGE 2
JAN 20/09

BRI

BOEING PROPRIETARY - Copyright © - Unpublished Work - See title page for details.



757

PARTS CATALOG (MAINTENANCE)

FIG ITEM	PART NUMBER	1 2 3 4 5 6 7	NOMENCLATURE	EFFECT FROM TO	UNITS PER ASSY
22A 160	IT4350-353	.HOSE-	SUPPLIER CODE: V26831 SPECIFICATION NUMBER: 69-27191-353 OPTIONAL PART: BOE2013-0353 V16632	103106	1
165	BOE2013-0308	.HOSE-	SUPPLIER CODE: V16632 SPECIFICATION NUMBER: 69-27191-308 OPTIONAL PART: 713488-308 V70628 IT4350-308 V26831	103106	1
165	IT4350-308	.HOSE-	SUPPLIER CODE: V26831 SPECIFICATION NUMBER: 69-27191-308 OPTIONAL PART: 713488-308 V70628 BOE2013-0308 V16632	103106	1
165	713488-308	.HOSE-	SUPPLIER CODE: V70628 SPECIFICATION NUMBER: 69-27191-308 OPTIONAL PART: IT4350-308 V26831 BOE2013-0308 V16632	103106	1
170	BOE2013-0355	.HOSE-	SUPPLIER CODE: V16632 SPECIFICATION NUMBER: 69-27191-355 OPTIONAL PART: IT4350-355 V26831	103106	1

MISSING ITEM NUMBERS NOT APPLICABLE

- ITEM NOT ILLUSTRATED

38-31-54-22A

38-31-54
FIG. 22A
PAGE 3
JAN 20/09

BRI

BOEING PROPRIETARY - Copyright © - Unpublished Work - See title page for details.



757

PARTS CATALOG (MAINTENANCE)

FIG ITEM	PART NUMBER	1 2 3 4 5 6 7	NOMENCLATURE	EFFECT FROM TO	UNITS PER ASSY
22A 170	IT4350-355	.HOSE-	SUPPLIER CODE: V26831 SPECIFICATION NUMBER: 69-27191-355 OPTIONAL PART: BOE2013-0355 V16632	103106	1
175	BOE2013-0412	.HOSE-	SUPPLIER CODE: V16632 SPECIFICATION NUMBER: 69-27191-412 OPTIONAL PART: IT4350-412 V26831	103106	1
175	IT4350-412	.HOSE-	SUPPLIER CODE: V26831 SPECIFICATION NUMBER: 69-27191-412 OPTIONAL PART: BOE2013-0412 V16632	103106	1
180	BOE2013-0539	.HOSE-	SUPPLIER CODE: V16632 SPECIFICATION NUMBER: 69-27191-539 OPTIONAL PART: IT4353-539 V26831	103106	2
180	IT4353-539	.HOSE-	SUPPLIER CODE: V26831 SPECIFICATION NUMBER: 69-27191-539 OPTIONAL PART: BOE2013-0539 V16632	103106	2

MISSING ITEM NUMBERS NOT APPLICABLE

- ITEM NOT ILLUSTRATED

38-31-54-22A

38-31-54
FIG. 22A
PAGE 4
JAN 20/09

BRI



757

PARTS CATALOG (MAINTENANCE)

FIG ITEM	PART NUMBER	1 2 3 4 5 6 7	NOMENCLATURE	EFFECT FROM TO	UNITS PER ASSY
22A 185	BOE2013-0634	.HOSE-	SUPPLIER CODE: V16632 SPECIFICATION NUMBER: 69-27191-634 OPTIONAL PART: IT4350-634 V26831 OPTIONAL PART: 713488-634	103106	1
185	713488-634	.HOSE-	OPTIONAL PART: BOE2013-0634 IT4350-634	103106	1
185	IT4350-634	.HOSE-	SUPPLIER CODE: V26831 SPECIFICATION NUMBER: 69-27191-634 OPTIONAL PART: BOE2013-0634 V16632 OPTIONAL PART: 713488-634	103106	1
190	BOE2013-0635	.HOSE-	SUPPLIER CODE: V16632 SPECIFICATION NUMBER: 69-27191-635 OPTIONAL PART: IT4350-635 V26831	103106	1
190	713488-635	.HOSE-	OPTIONAL PART: BOE2013-0635 IT4350-635	103106	1
190	IT4350-635	.HOSE-	SUPPLIER CODE: V26831 SPECIFICATION NUMBER: 69-27191-635 OPTIONAL PART: BOE2013-0635 V16632 OPTIONAL PART: 713488-635	103106	1

MISSING ITEM NUMBERS NOT APPLICABLE

- ITEM NOT ILLUSTRATED

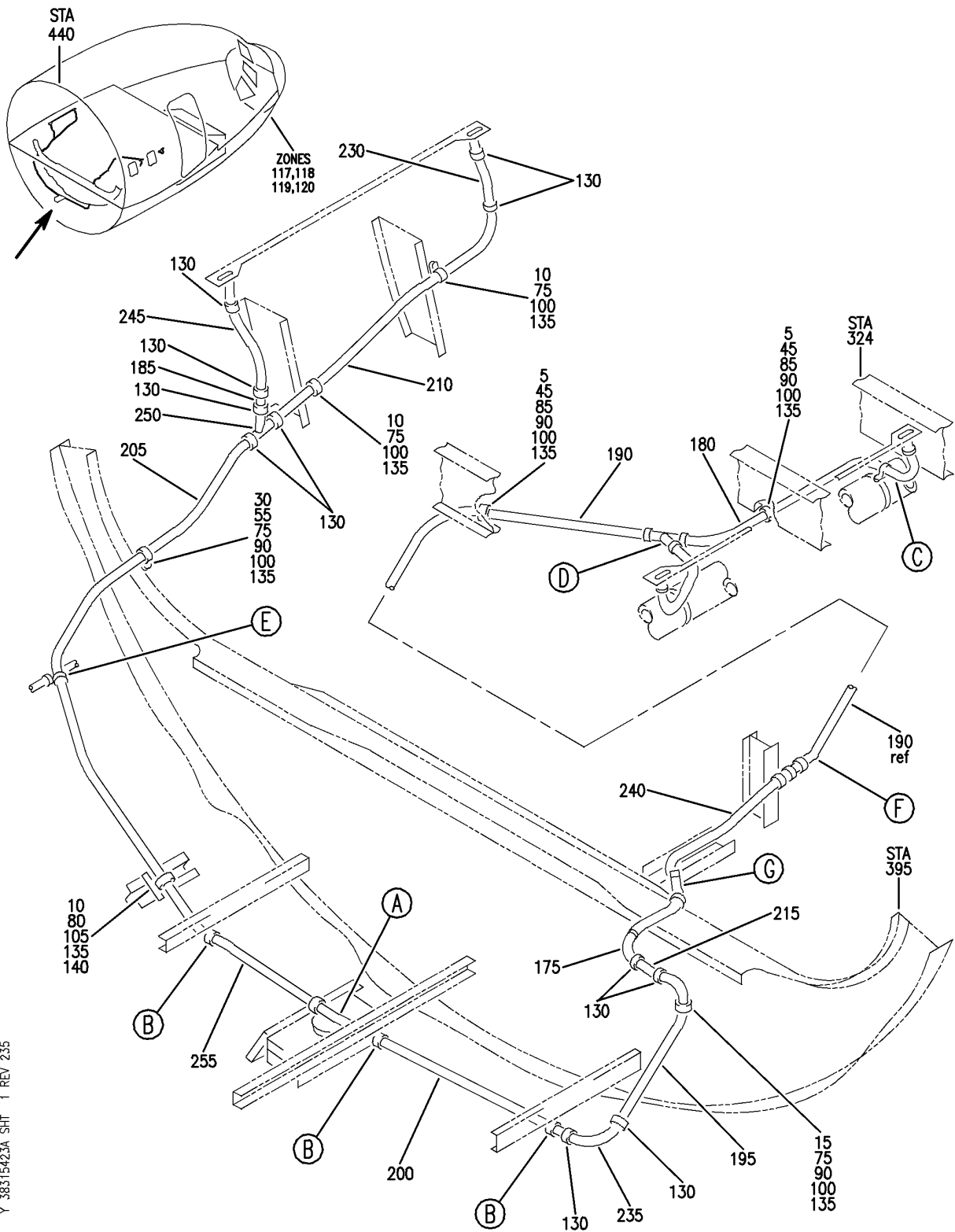
38-31-54-22A

38-31-54
FIG. 22A
PAGE 5
JAN 20/09

BRI

BOEING PROPRIETARY - Copyright © - Unpublished Work - See title page for details.

BOEING
757
PARTS CATALOG (MAINTENANCE)



Y 38315423A SHT 1 REV 235

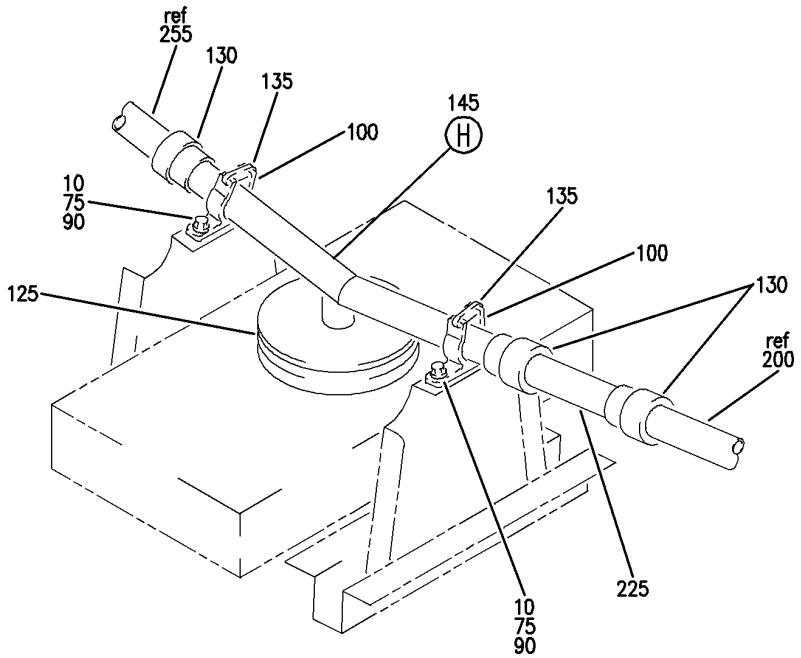
DRAIN INSTL-NO.1 DOOR AND GALLEY GUTTER
FIGURE 23A (SHEET 1)

38-31-54-23A

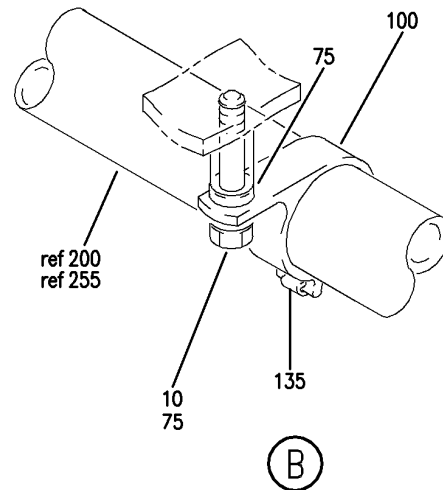
BRI
JAN 20/09

38-31-54-23A
PAGE 0

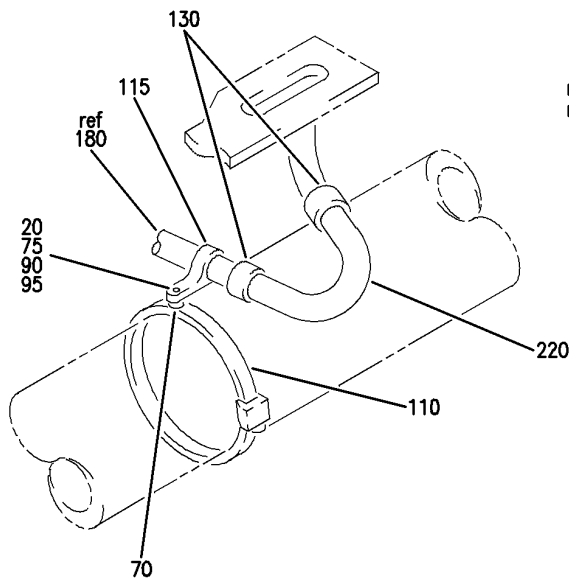
BOEING
757
PARTS CATALOG (MAINTENANCE)



(A)



(B)



(C)

Y 38315423A SH1 2 REV 235

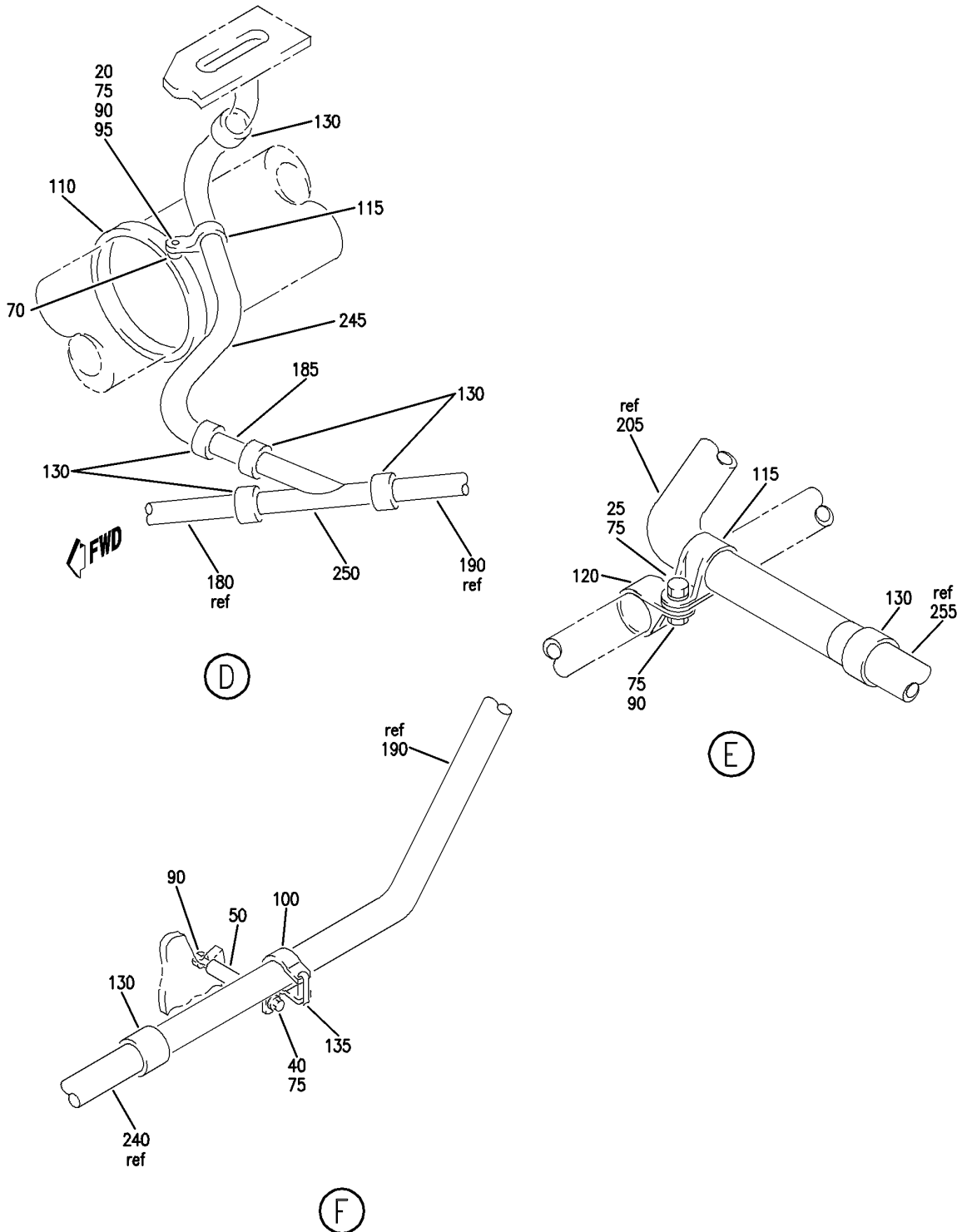
DRAIN INSTL-NO.1 DOOR AND GALLEY GUTTER
FIGURE 23A (SHEET 2)

38-31-54-23A

BRI
JAN 20/09

38-31-54-23A
PAGE 0A


BOEING
 757
PARTS CATALOG (MAINTENANCE)



Y 38315423A SH1 3 REV 235

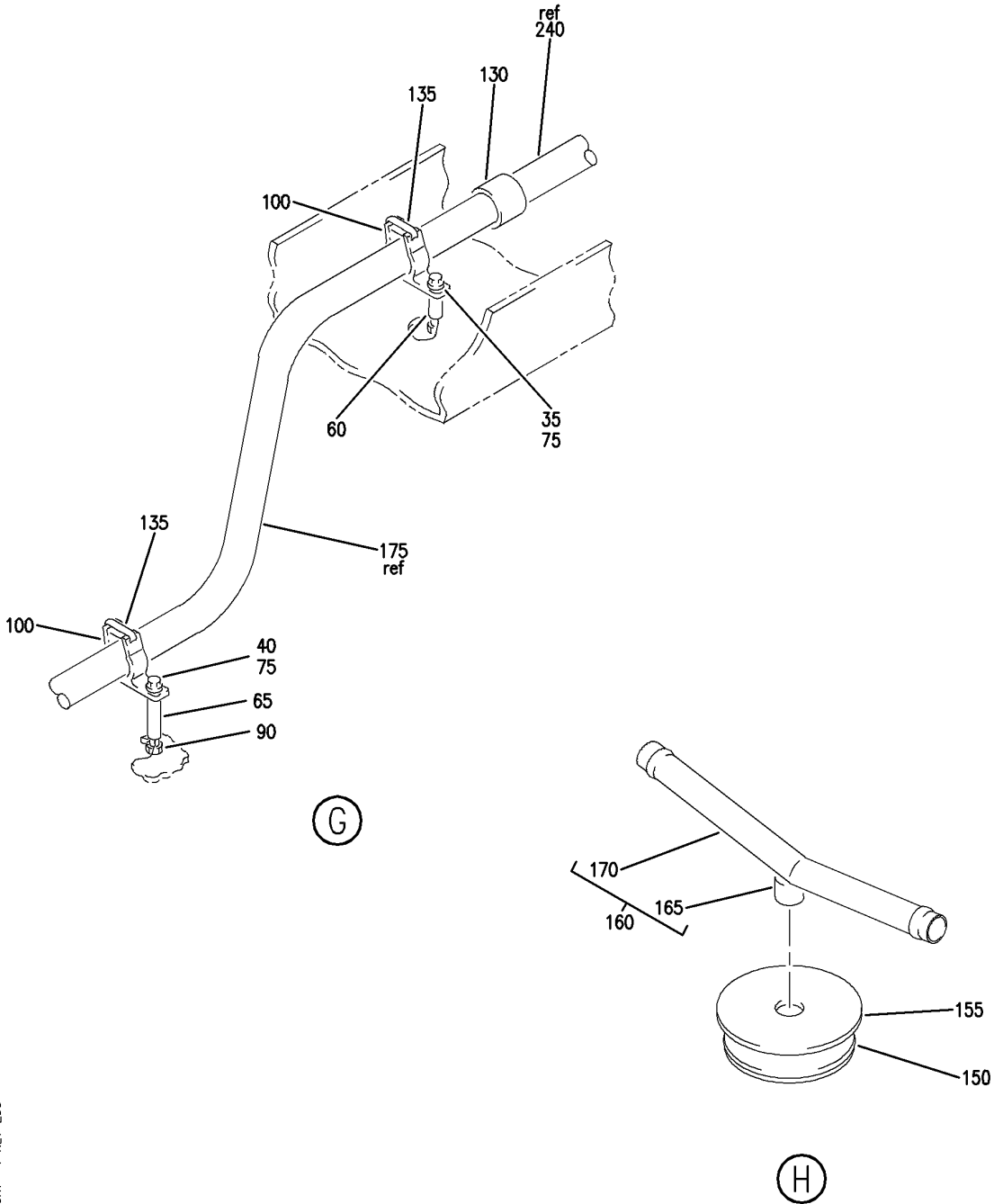
DRAIN INSTL-NO.1 DOOR AND GALLEY GUTTER
FIGURE 23A (SHEET 3)

38-31-54-23A

BRI
JAN 20/09

38-31-54-23A
PAGE 0B

BOEING
757
PARTS CATALOG (MAINTENANCE)



Y 38315423A SH1 4 REV 235

DRAIN INSTL-NO.1 DOOR AND GALLEY GUTTER
FIGURE 23A (SHEET 4)

38-31-54-23A

BRI
JAN 20/09

38-31-54-23A
PAGE 0C



757

PARTS CATALOG (MAINTENANCE)

FIG ITEM	PART NUMBER	1 2 3 4 5 6 7	NOMENCLATURE	EFFECT FROM TO	UNITS PER ASSY
23A			DRAIN INSTL-NO.1 DOOR AND GALLEY GUTTER	103106	
- 1	MODREF24686		DRAIN INSTL-NO.1 DOOR AND GALLEY GUTTER MODULE NUMBER: 417N2701-304 REV B	103106	1
5	BACB30NM3K6		.BOLT	103106	2
10	BACS12GU3K9		.SCREW	103106	8
15	BACS12GU3K10		.SCREW	103106	1
20	BACS12GU3K11		.SCREW	103106	2
25	BACS12GU3K12		.SCREW	103106	1
30	BACS12GU3K14		.SCREW	103106	1
35	BACS12GU3K24		.SCREW	103106	1
40	BACS12GU3K32		.SCREW	103106	2
45	NAS43DD3-10FC		.SPACER	103106	2
50	NAS43DD3-103FC		.SPACER	103106	1
55	NAS43DD3-20FC		.SPACER	103106	1
60	NAS43DD3-58FC		.SPACER	103106	1
65	NAS43DD3-96FC		.SPACER	103106	1
70	BACB19F10S		.BLOCK	103106	2
75	NAS1149D0316J		.WASHER	103106	19
80	BACW10DZ3		.WASHER	103106	1
85	BACW10BN3AC		.WASHER	103106	2
90	PLH53CD		.NUT	103106	11
			SUPPLIER CODE: VF0224		
			SPECIFICATION NUMBER: BACN10YR3CD		
			OPTIONAL PART: H52732-3CD V15653		
95	BACC15AN10		.CLIP	103106	2
100	NMC1005-4		.CLAMP- SUPPLIER CODE: V03296	103106	14
105	NMC1005-5		.CLAMP- SUPPLIER CODE: V03296	103106	1
110	NAS1922-0400-3		.CLAMP	103106	2
115	BACC10DK12		.CLAMP	103106	3
120	BACC10DK8A		.CLAMP	103106	1
125	BACC10JB082C112		.CLAMP- OPTIONAL PART: STBC10GG98-114	103106	1

MISSING ITEM NUMBERS NOT APPLICABLE

- ITEM NOT ILLUSTRATED

38-31-54-23A

38-31-54
FIG. 23A
PAGE 1
JAN 20/09

BRI

BOEING PROPRIETARY - Copyright © - Unpublished Work - See title page for details.



757

PARTS CATALOG (MAINTENANCE)

FIG ITEM	PART NUMBER	1 2 3 4 5 6 7	NOMENCLATURE	EFFECT FROM TO	UNITS PER ASSY
23A 125	48		.CLAMP- SUPPLIER CODE: V7Z588 SPECIFICATION NUMBER: STBC10GG98-114 OPTIONAL PART: WWD98-114 V66295 BACC10JB082C112	103106	1
130	BACC10JB026C034		.CLAMP- OPTIONAL PART: BACC10JB022C030	103106	24
130	BACC10JB022C030		.CLAMP- OPTIONAL PART: BACC10JB026C034	103106	24
135	PLT1MXMR		.STRAP SUPPLIER CODE: V06383 SPECIFICATION NUMBER: BACS38K9	103106	15
140	BACS38P5		.SUPPORT	103106	1
145	417N2706-3		.CAP ASSY-SUMP BLADDER	103106	1
150	417N2709-1		..CAP ASSY-CYLINDER	103106	1
155	417N2708-1		..CAP ASSY-PLATE	103106	1
160	417N2707-3		..TUBE ASSY	103106	1
165	417N2707-5		...TUBE- TUBING MATERIAL: 0.75 O.D. X 0.025 WALL X 0.5 OPT. 0.028 WALL 321 CRES TUBING PER MIL-T-8808	103106	1
170	417N2707-8		...TUBE- TUBING MATERIAL: 0.75 O.D. X 0.025 WALL X 10.0 OPT. 0.028 WALL 321 CRES TUBING PER MIL-T-8808	103106	1
175	417N2723-18		.TUBE ASSY- TUBING MATERIAL: STOCK .75 O.D. X .028 WALL X 23.7, CRES. TUBE TYPE 321/347 MIL-T-8808	103106	1

MISSING ITEM NUMBERS NOT APPLICABLE

- ITEM NOT ILLUSTRATED

38-31-54-23A

38-31-54
FIG. 23A
PAGE 2
JAN 20/09

BRI

BOEING PROPRIETARY - Copyright © - Unpublished Work - See title page for details.



757

PARTS CATALOG (MAINTENANCE)

FIG ITEM	PART NUMBER	1 2 3 4 5 6 7	NOMENCLATURE	EFFECT FROM TO	UNITS PER ASSY
23A 180	417N2723-1	.	TUBE-BENT TUBING MATERIAL: 0.75 O.D. X 0.028 WALL X 29.3 AISI 321/347 CRES TUBING PER MIL-T-8808	103106	1
185	417N2723-2	.	TUBE-BENT TUBING MATERIAL: 0.75 O.D. X 0.028 WALL X 2.9 AISI 321/347 CRES TUBING PER MIL-T-8808	103106	2
190	417N2723-3	.	TUBE-BENT TUBING MATERIAL: 0.75 O.D. X 0.028 WALL X 37.25 AISI 321/347 CRES TUBING PER MIL-T-8808	103106	1
195	417N2723-5	.	TUBE-BENT TUBING MATERIAL: 0.75 O.D. X 0.028 WALL X 22.00 AISI 321/347 CRES TUBING PER MIL-T-8808	103106	1
200	417N2723-6	.	TUBE-BENT TUBING MATERIAL: 0.75 O.D. X 0.028 WALL X 31.50 AISI 321/347 CRES TUBING PER MIL-T-8808	103106	1
205	417N2723-7	.	TUBE-BENT TUBING MATERIAL: 0.75 O.D. X 0.028 WALL X 41.75 AISI 321/347 CRES TUBING PER MIL-T-8808	103106	1
210	417N2723-8	.	TUBE-BENT TUBING MATERIAL: 0.75 O.D. X 0.028 WALL X 40.00 AISI 321/347 CRES TUBING PER MIL-T-8808	103106	1

MISSING ITEM NUMBERS NOT APPLICABLE

- ITEM NOT ILLUSTRATED

38-31-54-23A

38-31-54
FIG. 23A
PAGE 3
JAN 20/09

BRI

BOEING PROPRIETARY - Copyright © - Unpublished Work - See title page for details.



757

PARTS CATALOG (MAINTENANCE)

FIG ITEM	PART NUMBER	1 2 3 4 5 6 7	NOMENCLATURE	EFFECT FROM TO	UNITS PER ASSY
23A 215	BOE2013-0300	.HOSE-	SUPPLIER CODE: V16632 SPECIFICATION NUMBER: 69-27191-300 OPTIONAL PART: 713488-300 V70628 IT4350-300 V26831	103106	1
215	IT4350-300	.HOSE-	SUPPLIER CODE: V26831 SPECIFICATION NUMBER: 69-27191-300 OPTIONAL PART: 713488-300 V70628 BOE2013-0300 V16632	103106	1
215	BOE2013-0370	.HOSE-	SUPPLIER CODE: V16632 SPECIFICATION NUMBER: 69-27191-370	103106	1
220	BOE2013-0304	.HOSE-	SUPPLIER CODE: V16632 SPECIFICATION NUMBER: 69-27191-304 OPTIONAL PART: 713488-304 V70628 IT4350-304 V26831	103106	1
220	IT4350-304	.HOSE-	SUPPLIER CODE: V26831 SPECIFICATION NUMBER: 69-27191-304 OPTIONAL PART: 713488-304 V70628 BOE2013-0304 V16632	103106	1

MISSING ITEM NUMBERS NOT APPLICABLE

- ITEM NOT ILLUSTRATED

38-31-54-23A

38-31-54
FIG. 23A
PAGE 4
JAN 20/09

BRI

BOEING PROPRIETARY - Copyright © - Unpublished Work - See title page for details.



757

PARTS CATALOG (MAINTENANCE)

FIG ITEM	PART NUMBER	1 2 3 4 5 6 7	NOMENCLATURE	EFFECT FROM TO	UNITS PER ASSY
23A 220	713488-304	.HOSE-	SUPPLIER CODE: V70628 SPECIFICATION NUMBER: 69-27191-304 OPTIONAL PART: IT4350-304 V26831 BOE2013-0304 V16632	103106	1
225	BOE2013-0350	.HOSE-	SUPPLIER CODE: V16632 SPECIFICATION NUMBER: 69-27191-350 OPTIONAL PART: IT4350-350 V26831	103106	1
225	IT4350-350	.HOSE-	SUPPLIER CODE: V26831 SPECIFICATION NUMBER: 69-27191-350 OPTIONAL PART: BOE2013-0350 V16632	103106	1
230	BOE2013-0351	.HOSE-	SUPPLIER CODE: V16632 SPECIFICATION NUMBER: 69-27191-351 OPTIONAL PART: IT4350-351 V26831	103106	1
230	IT4350-351	.HOSE-	SUPPLIER CODE: V26831 SPECIFICATION NUMBER: 69-27191-351 OPTIONAL PART: BOE2013-0351 V16632	103106	1

MISSING ITEM NUMBERS NOT APPLICABLE

- ITEM NOT ILLUSTRATED

38-31-54-23A

38-31-54
FIG. 23A
PAGE 5
JAN 20/09

BRI



757

PARTS CATALOG (MAINTENANCE)

FIG ITEM	PART NUMBER	1 2 3 4 5 6 7	NOMENCLATURE	EFFECT FROM TO	UNITS PER ASSY
23A 235	BOE2013-0368	.HOSE-	SUPPLIER CODE: V16632 SPECIFICATION NUMBER: 69-27191-368 OPTIONAL PART: IT4350-368 V26831	103106	1
235	IT4350-368	.HOSE-	SUPPLIER CODE: V26831 SPECIFICATION NUMBER: 69-27191-368 OPTIONAL PART: BOE2013-0368 V16632	103106	1
240	BOE2013-0391	.HOSE-	SUPPLIER CODE: V16632 SPECIFICATION NUMBER: 69-27191-391 OPTIONAL PART: IT4350-391 V26831	103106	1
240	IT4350-391	.HOSE-	SUPPLIER CODE: V26831 SPECIFICATION NUMBER: 69-27191-391 OPTIONAL PART: BOE2013-0391 V16632	103106	1
245	BOE2013-0410	.HOSE-	SUPPLIER CODE: V16632 SPECIFICATION NUMBER: 69-27191-410 OPTIONAL PART: IT4350-410 V26831	103106	2
245	IT4350-410	.HOSE-	SUPPLIER CODE: V26831 SPECIFICATION NUMBER: 69-27191-410 OPTIONAL PART: BOE2013-0410 V16632	103106	2

MISSING ITEM NUMBERS NOT APPLICABLE

- ITEM NOT ILLUSTRATED

38-31-54-23A

38-31-54
FIG. 23A
PAGE 6
JAN 20/09

BRI

BOEING PROPRIETARY - Copyright © - Unpublished Work - See title page for details.



757

PARTS CATALOG (MAINTENANCE)

FIG ITEM	PART NUMBER	1 2 3 4 5 6 7	NOMENCLATURE	EFFECT FROM TO	UNITS PER ASSY
23A 250	BOE2013-0539	.HOSE-	SUPPLIER CODE: V16632 SPECIFICATION NUMBER: 69-27191-539 OPTIONAL PART: IT4353-539 V26831	103106	2
250	IT4353-539	.HOSE-	SUPPLIER CODE: V26831 SPECIFICATION NUMBER: 69-27191-539 OPTIONAL PART: BOE2013-0539 V16632	103106	2
255	BOE2013-0632	.HOSE-	SUPPLIER CODE: V16632 SPECIFICATION NUMBER: 69-27191-632 OPTIONAL PART: IT4350-632 V26831	103106	1
255	IT4350-632	.HOSE-	SUPPLIER CODE: V26831 SPECIFICATION NUMBER: 69-27191-632 OPTIONAL PART: BOE2013-0632 V16632	103106	1

MISSING ITEM NUMBERS NOT APPLICABLE

- ITEM NOT ILLUSTRATED

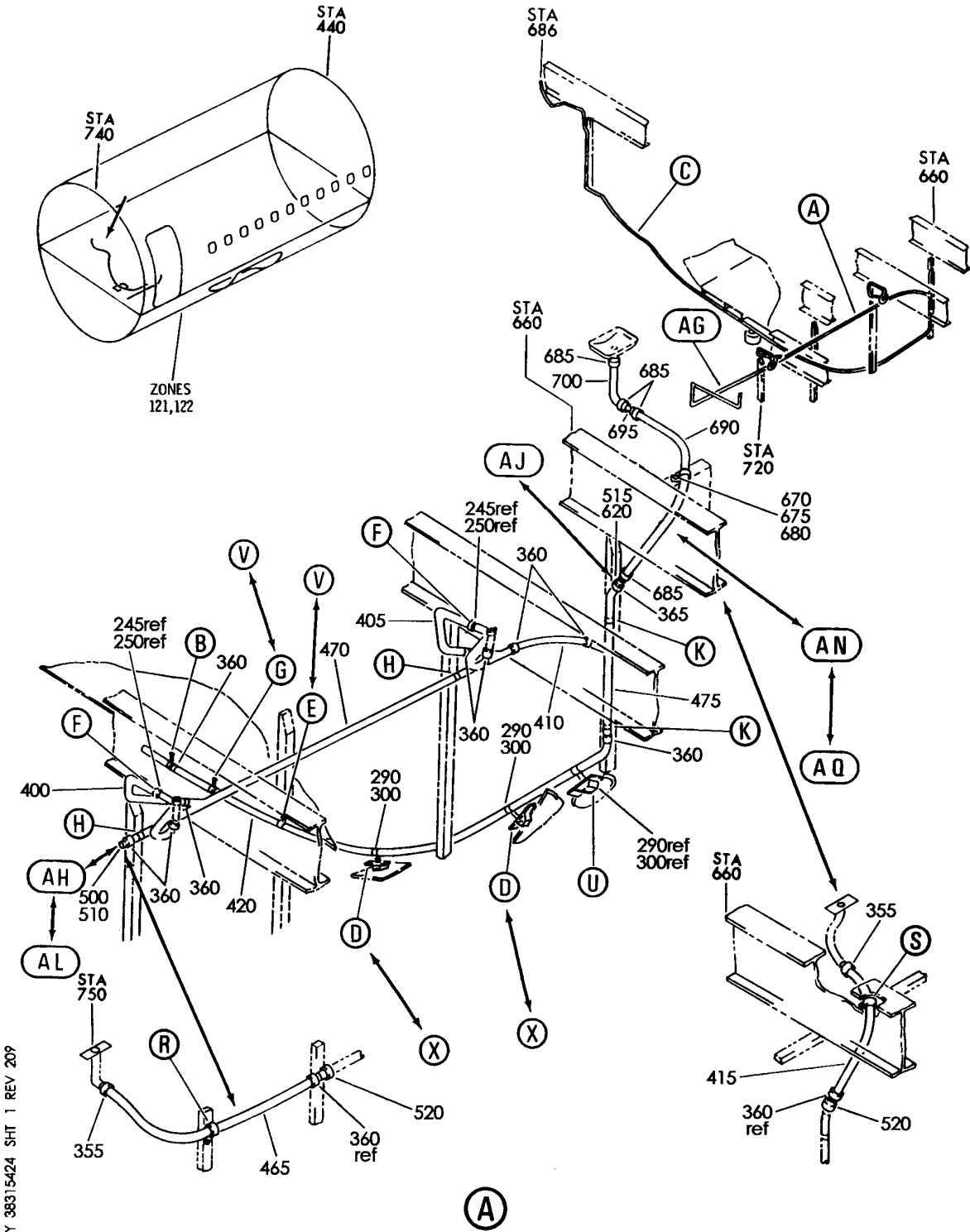
38-31-54-23A

38-31-54
FIG. 23A
PAGE 7
JAN 20/09

BRI

BOEING PROPRIETARY - Copyright © - Unpublished Work - See title page for details.

BOEING
757
PARTS CATALOG (MAINTENANCE)



Y 38315424 SHT 1 REV 209

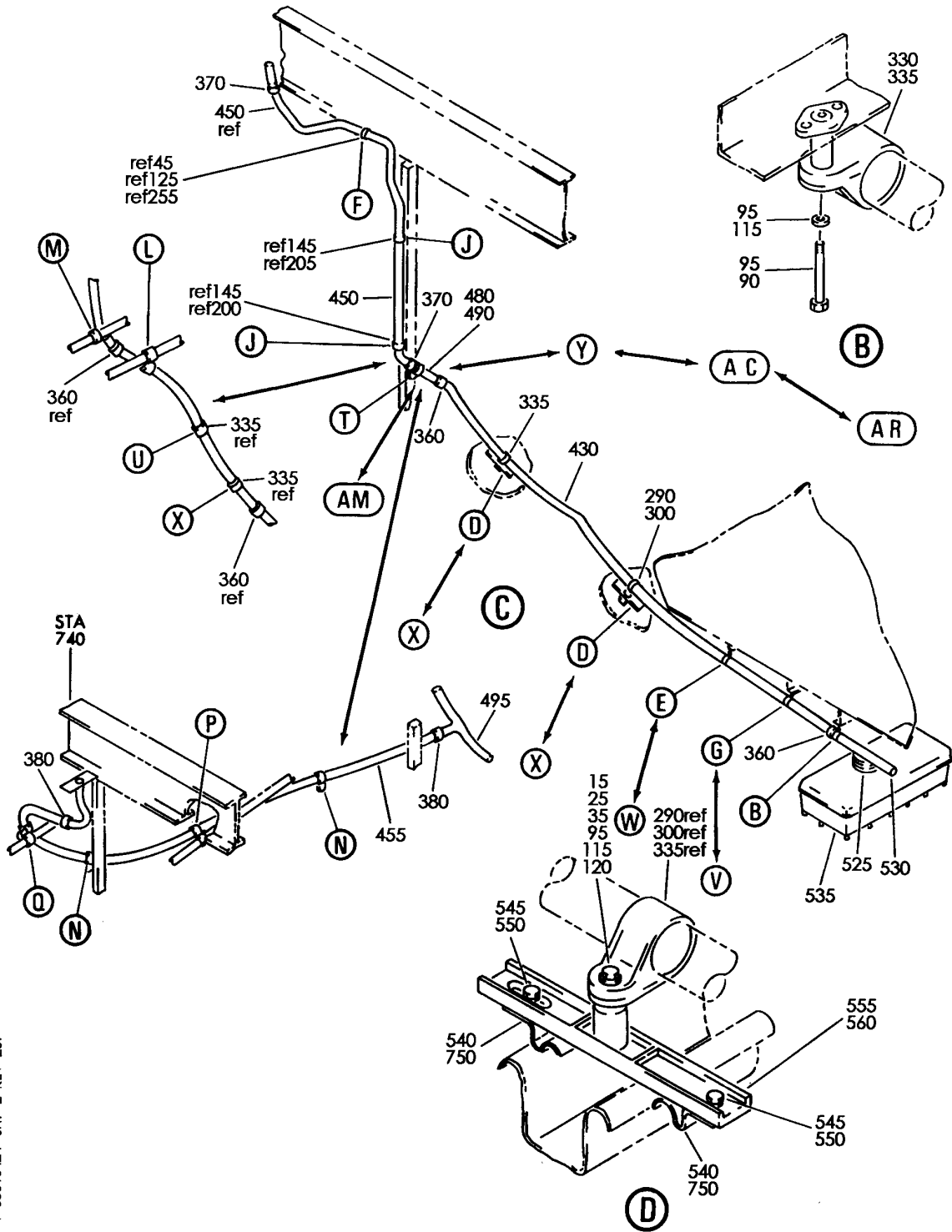
DRAIN INSTL-NO. 2 DOOR AND GALLEY GUTTER
FIGURE 24 (SHEET 1)

38-31-54-24

BRI
MAY 28/07

38-31-54-24
PAGE 0


BOEING
 757
PARTS CATALOG (MAINTENANCE)



Y 38315424 SHT 2 REV 20P

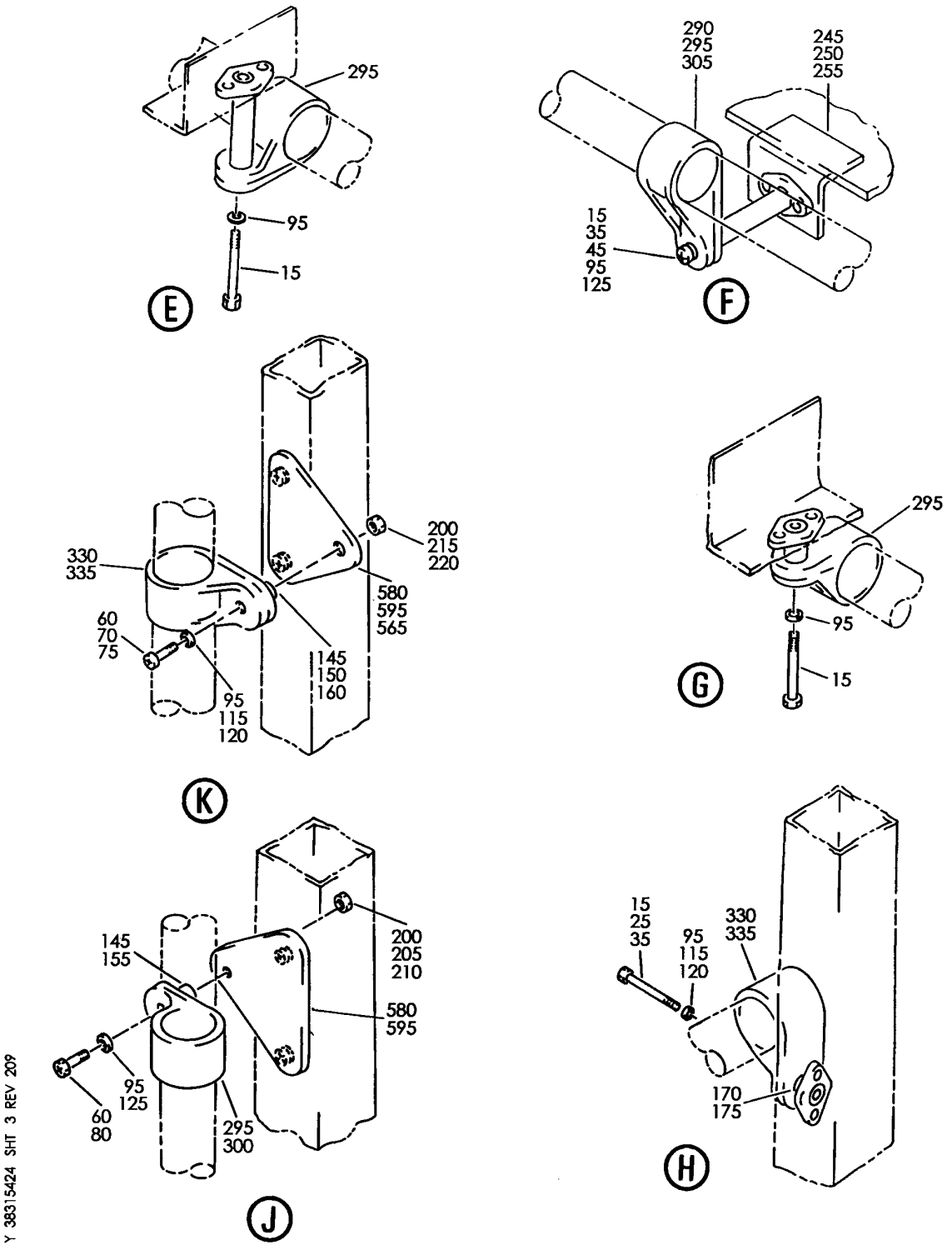
DRAIN INSTL-NO. 2 DOOR AND GALLEY GUTTER
FIGURE 24 (SHEET 2)

38-31-54-24

BRI
MAY 28/07

38-31-54-24
PAGE 0A

BOEING
757
PARTS CATALOG (MAINTENANCE)



Y 38315424 SHT 3 REV 209

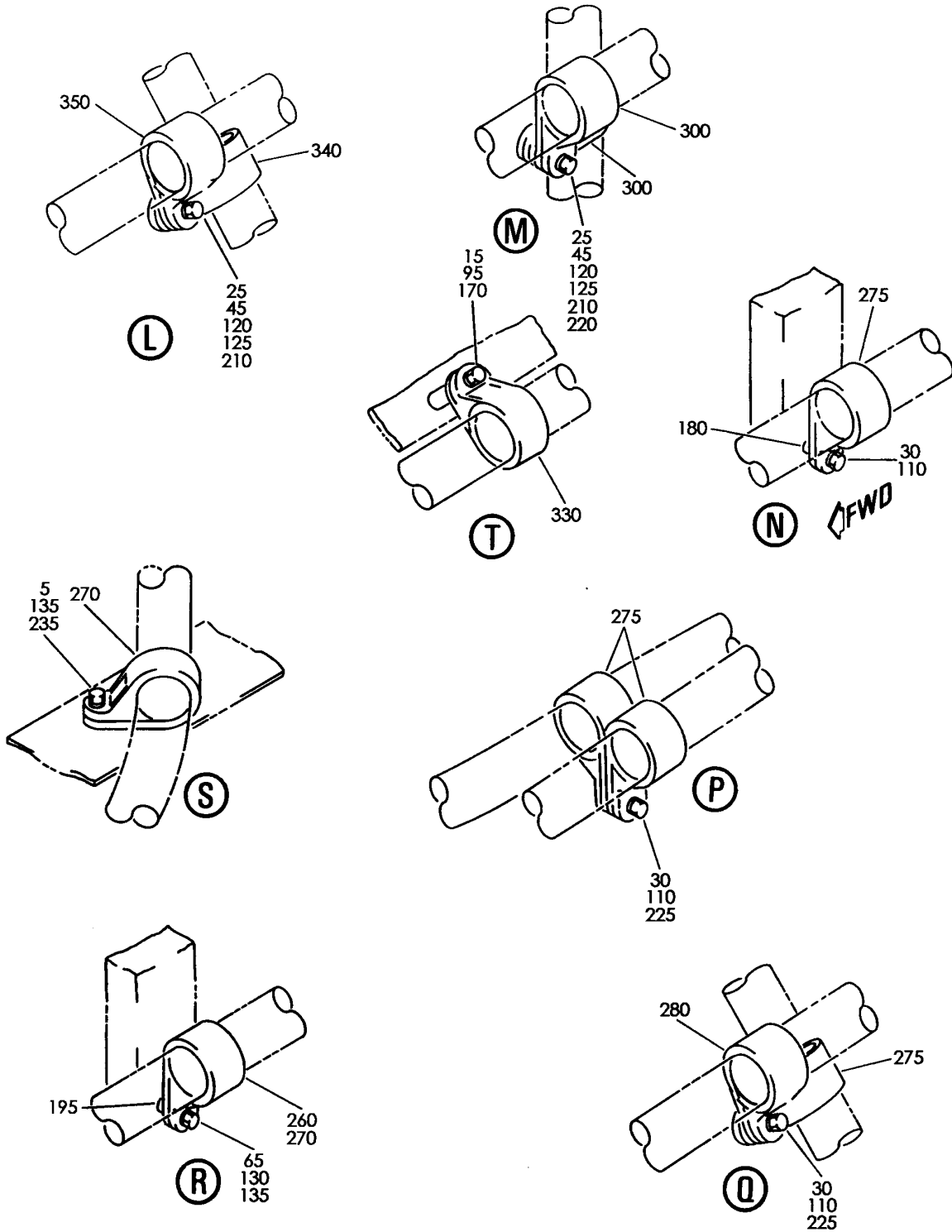
DRAIN INSTL-NO. 2 DOOR AND GALLEY GUTTER
FIGURE 24 (SHEET 3)

38-31-54-24

BRI
MAY 28/07

38-31-54-24
PAGE 0B

BOEING
757
PARTS CATALOG (MAINTENANCE)



Y 38315424 SHT 4 REV 209

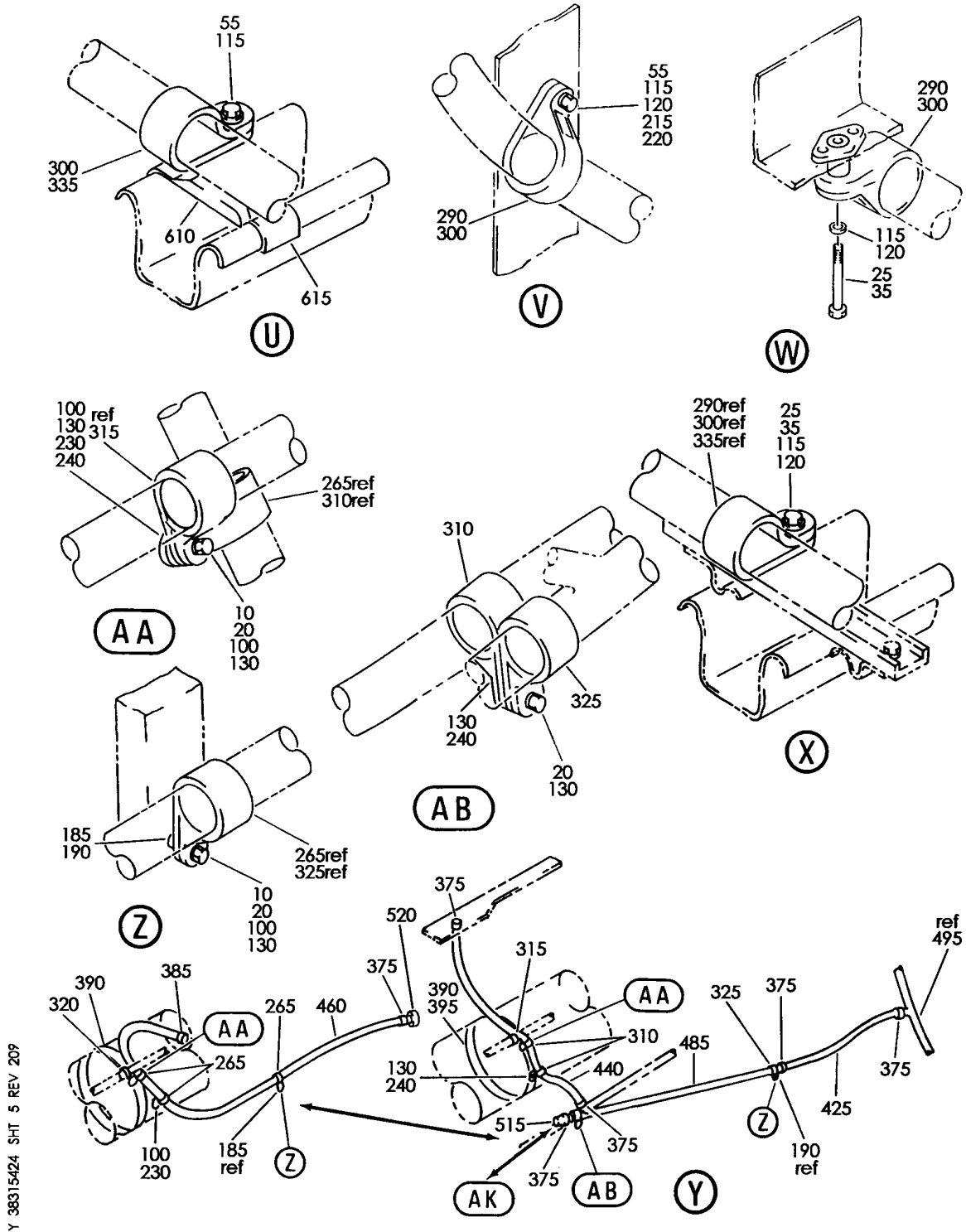
DRAIN INSTL-NO. 2 DOOR AND GALLEY GUTTER
FIGURE 24 (SHEET 4)

38-31-54-24

BRI
MAY 28/07

38-31-54-24
PAGE 0C

BOEING
757
PARTS CATALOG (MAINTENANCE)



Y 38315424 SHT 5 REV 209

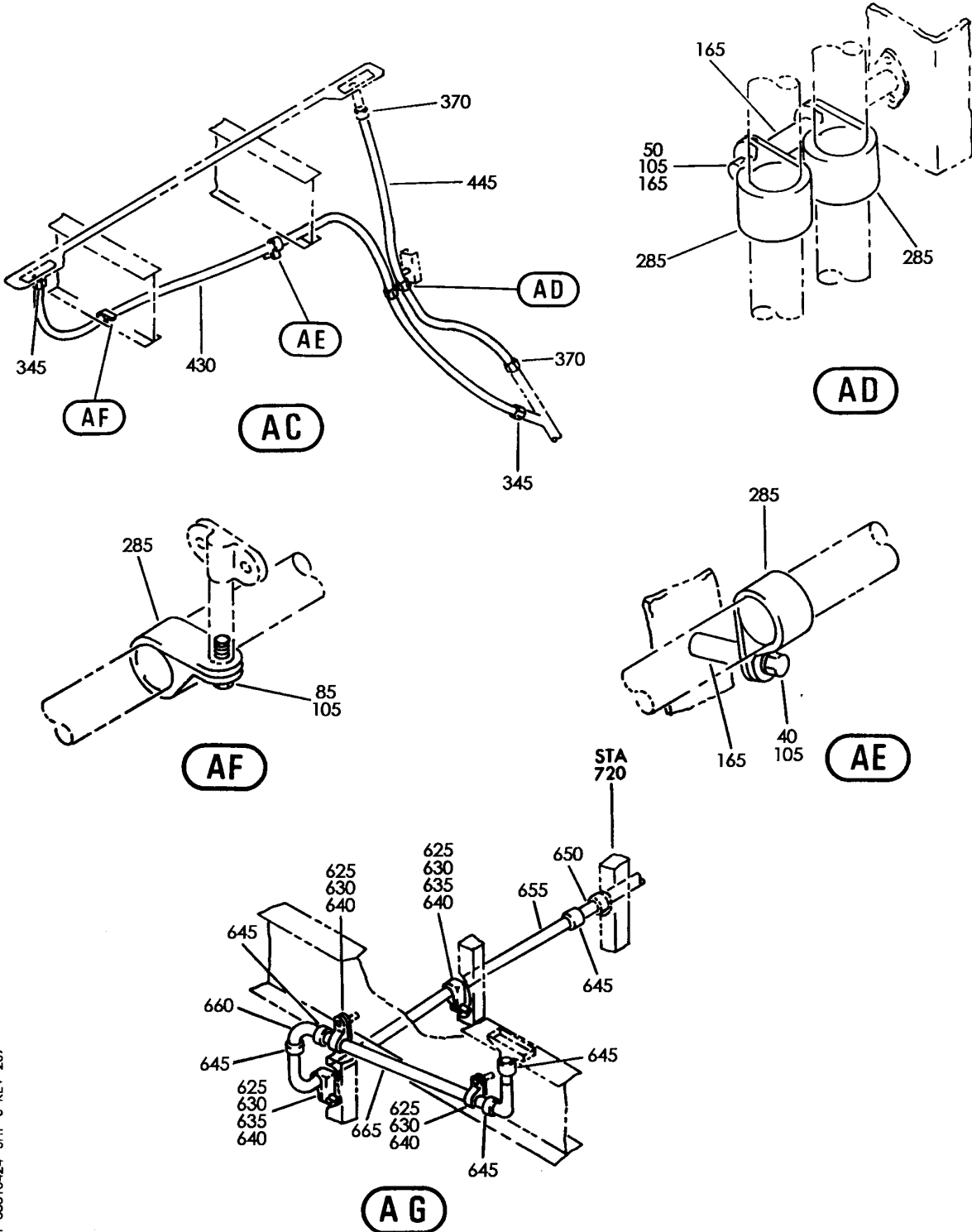
DRAIN INSTL-NO. 2 DOOR AND GALLEY GUTTER
FIGURE 24 (SHEET 5)

38-31-54-24

BRI
MAY 28/07

38-31-54-24
PAGE 0D

BOEING
757
PARTS CATALOG (MAINTENANCE)



Y 38315424 SHT 6 REV 209

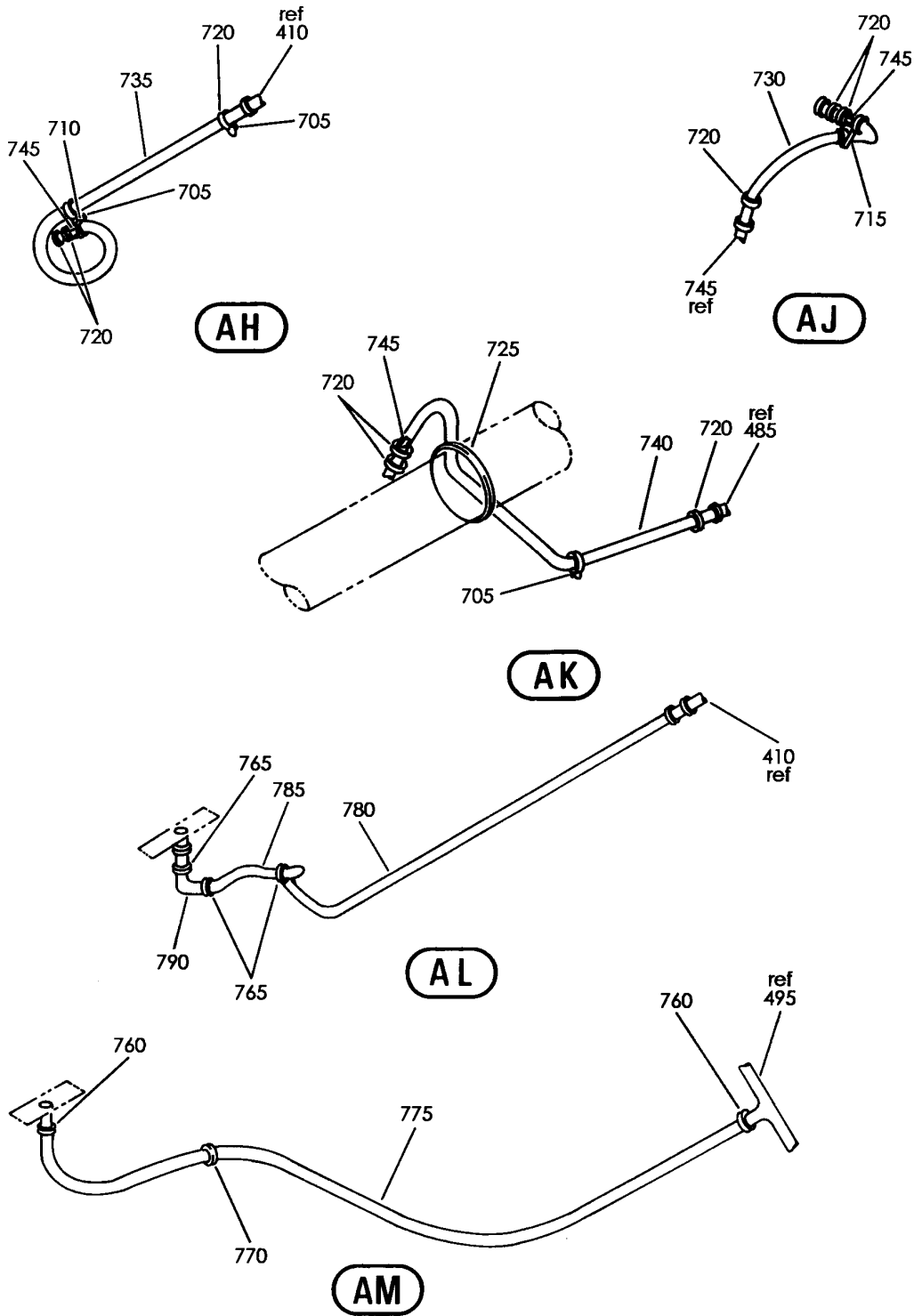
DRAIN INSTL-NO. 2 DOOR AND GALLEY GUTTER
FIGURE 24 (SHEET 6)

38-31-54-24

BRI
MAY 28/07

38-31-54-24
PAGE 0E

BOEING
757
PARTS CATALOG (MAINTENANCE)



Y 38315424 SHT 7 REV 209

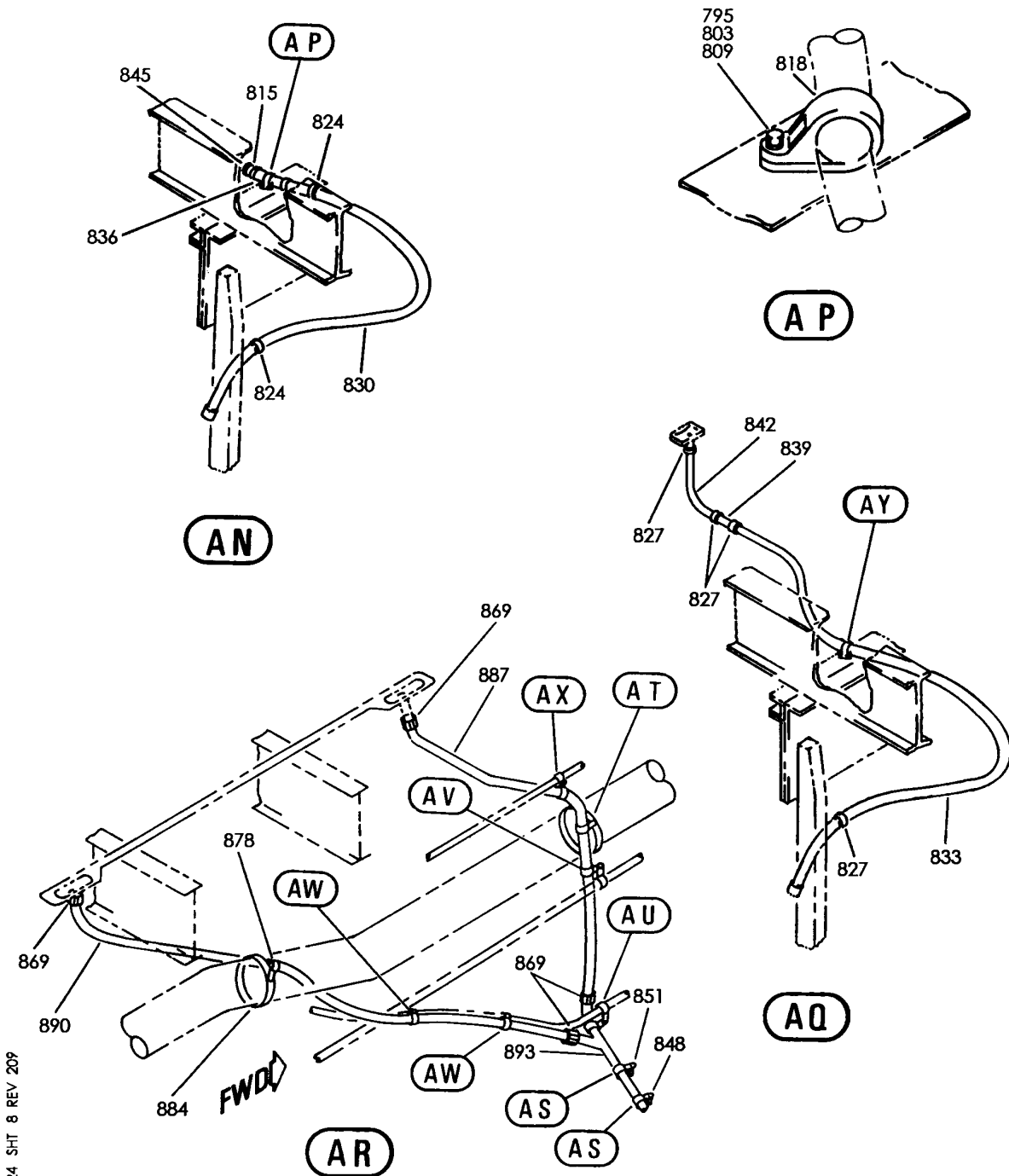
DRAIN INSTL-NO. 2 DOOR AND GALLEY GUTTER
FIGURE 24 (SHEET 7)

38-31-54-24

BRI
MAY 28/07

38-31-54-24
PAGE OF

BOEING
757
PARTS CATALOG (MAINTENANCE)



Y 38315424 SHT 8 REV 209

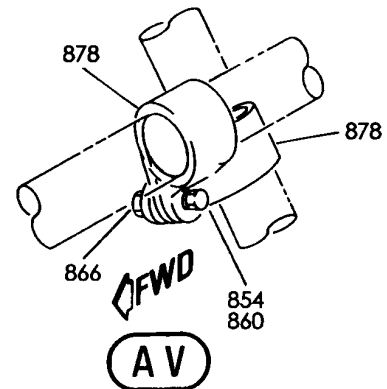
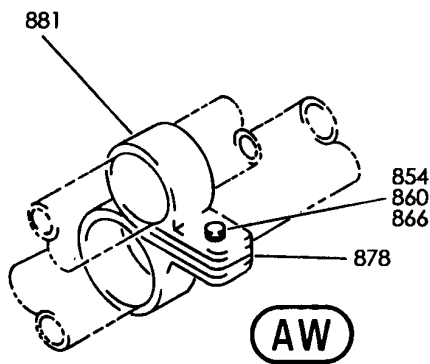
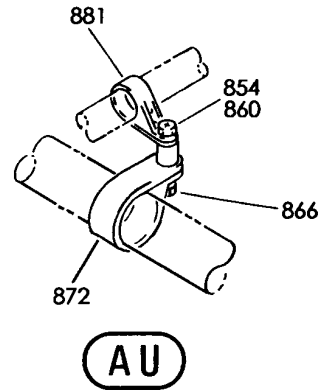
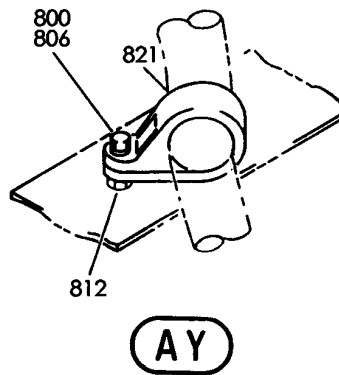
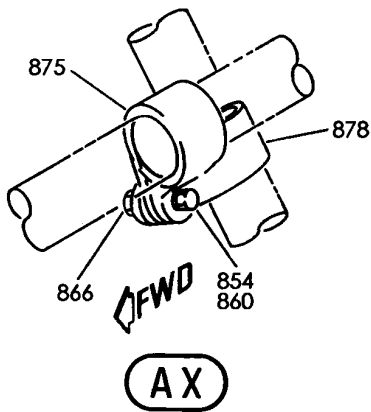
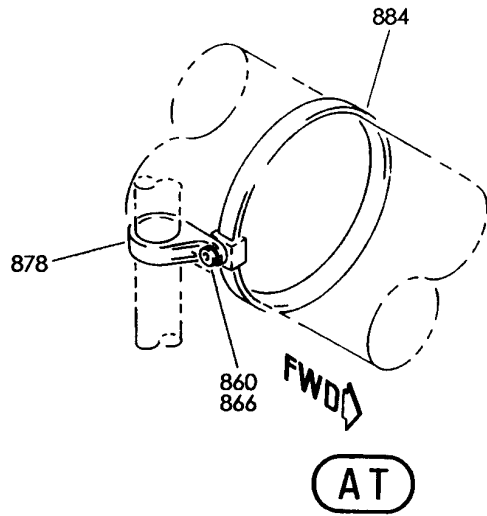
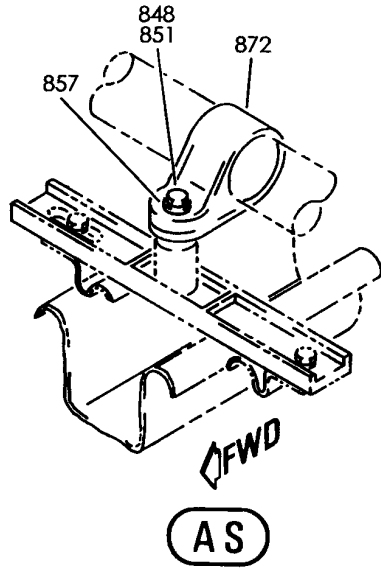
DRAIN INSTL-NO. 2 DOOR AND GALLEY GUTTER
FIGURE 24 (SHEET 8)

38-31-54-24

BRI
MAY 28/07

38-31-54-24
PAGE 08

BOEING
757
PARTS CATALOG (MAINTENANCE)



Y 38315424 SHT 9 REV 209

DRAIN INSTL-NO. 2 DOOR AND GALLEY GUTTER
FIGURE 24 (SHEET 9)

38-31-54-24

BRI
MAY 28/07

38-31-54-24
PAGE 0H



**757
PARTS CATALOG (MAINTENANCE)**

FIG ITEM	PART NUMBER	1 2 3 4 5 6 7	NOMENCLATURE	EFFECT FROM TO	UNITS PER ASSY
24			DRAIN INSTL-NO. 2 DOOR AND GALLEY GUTTER	002004 006100 107107 121503 904999	
- 1	417N2702-8		DRAIN INSTL-NO. 2 DOOR AND GALLEY GUTTER VARIABLE DRAWING REF: 417N2702-3 417N2702-4 417N2702-9 417N2702-10 417N2702-25 FOR NHA SEE: 25-20-00-01A 25-20-00-01E 25-20-00-03A	002004 006100 107107 121503 904999	RF
5	NAS1801-3-12	.	SCREW	121503 904949	1
10	NAS1801-3-12	.	SCREW	121503 904949	2
20	NAS1801-3-12	.	SCREW	002004 006100 107107 121503 904949	3
35	NAS1801-3-12	.	SCREW	002004 006100 107107 121503 904951	12
40	NAS1801-3-24	.	SCREW	950999	1
50	NAS1801-3-32	.	SCREW	950999	1
55	NAS1801-3-8	.	SCREW	002004 006100 107107 121503 904999	5
65	NAS1801-3-14	.	SCREW	002004 006100 121503 904949	1
70	NAS1801-3-14	.	SCREW	002004 006100 107107 121503 904949	2

MISSING ITEM NUMBERS NOT APPLICABLE

- ITEM NOT ILLUSTRATED

38-31-54-24

38-31-54
FIG. 24
PAGE 1
JAN 20/09

BRI



757

PARTS CATALOG (MAINTENANCE)

FIG ITEM	PART NUMBER	1 2 3 4 5 6 7	NOMENCLATURE	EFFECT FROM TO	UNITS PER ASSY
24					
75	NAS1801-3-14	.	SCREW	002004 006100 107107 121503 904999	2
80	NAS1801-3-14	.	SCREW	002004 006100 107107 121503 904949	2
85	NAS1801-3-8	.	SCREW	950999	1
90	NAS1801-3-16	.	SCREW	002004 006100 107107 121503 904999	2
100	AN960KD10L	.	WASHER-	121503 904949	4
105	AN960KD10L	.	WASHER	950999	3
115	AN960KD10L	.	WASHER-	002004 006100 107107 121503 904951	17
120	AN960KD10L	.	WASHER	952999	18
125	AN960KD10L	.	WASHER	002004 006100 107107 121503 904951	5
130	AN960KD10L	.	WASHER-	002004 006100 107107 121503 904949	6
135	AN960KD10L	.	WASHER	121503 904949	2
140	AN960KD10L	.	WASHER	002004 006100	1
150	NAS43DD3-20	.	SPACER	002004 006100 107107 121503 904999	2
155	NAS43DD3-20	.	SPACER	002004 006100 107107 121503 904999	2

MISSING ITEM NUMBERS NOT APPLICABLE

- ITEM NOT ILLUSTRATED

38-31-54-24

38-31-54
FIG. 24
PAGE 2
JAN 20/09

BRI



757

PARTS CATALOG (MAINTENANCE)

FIG ITEM	PART NUMBER	1 2 3 4 5 6 7	NOMENCLATURE	EFFECT FROM TO	UNITS PER ASSY
24					
165	NAS43DD3-64	.	SPACER	950999	2
175	NAS43DD3-14	.	SPACER	002004	2
				006100	
				107107	
				121503	
				904999	
185	NAS43DD3-14	.	SPACER	121503	1
				904949	
190	NAS43DD3-14	.	SPACER	002004	1
				006100	
				107107	
				121503	
				904949	
195	NAS43DD3-14	.	SPACER	002004	1
				006100	
				121503	
				904949	
205	MS21042L3	.	NUT	002004	1
				006100	
				107107	
				121503	
				904949	
210	MS21042L3	.	NUT	002004	4
				006100	
				107107	
				121503	
				904949	
215	MS21042L3	.	NUT-	002004	4
				006100	
				107107	
				121503	
				904949	
220	MS21042L3	.	NUT	950951	7
230	MS21042L3	.	NUT-	121503	2
				904949	
235	MS21042L3	.	NUT	121503	1
				904949	
240	MS21042L3	.	NUT-	002004	3
				006100	
				107107	
				121503	
				904949	
245	417N2720-1	.	BRACKET ASSY-	002004	2
				006100	
				107107	
				121503	
				904999	

MISSING ITEM NUMBERS NOT APPLICABLE

- ITEM NOT ILLUSTRATED

38-31-54-24

38-31-54
FIG. 24
PAGE 3
JAN 20/09

BRI

BOEING PROPRIETARY - Copyright © - Unpublished Work - See title page for details.



757

PARTS CATALOG (MAINTENANCE)

FIG ITEM	PART NUMBER	1 2 3 4 5 6 7	NOMENCLATURE	EFFECT FROM TO	UNITS PER ASSY
24					
250	417N2720-1	.	BRACKET ASSY	002004 006100 107107 121503 904999	2
255	417N2720-1	.	BRACKET ASSY	002004 006100 107107 121503 904949	1
260	BACC10DK15	.	CLAMP	002004 006100	1
265	BACC10DK15	.	CLAMP	121503 904949	3
270	BACC10DK15	.	CLAMP	121503 904949	2
280	BACC10DK10	.	CLAMP	121503 904949	1
285	BACC10DK15	.	CLAMP	950999	4
290	BACC10DK15	.	CLAMP	952999	11
300	BACC10DK15	.	CLAMP	002004 006100 107107 121503 904951	11
305	BACC10DK15	.	CLAMP	002004 006100 107107 121503 904949	3
310	BACC10DK15	.	CLAMP	002004 006100 107107 121503 904949	3
315	BACC10DK10	.	CLAMP	002004 006100 107107 121503 904999	1
320	BACC10DK10	.	CLAMP	121503 904949	1
325	BACC10DK12	.	CLAMP	002004 006100 107107 121503 904949	2

MISSING ITEM NUMBERS NOT APPLICABLE

- ITEM NOT ILLUSTRATED

38-31-54-24

38-31-54
FIG. 24
PAGE 4
JAN 20/09

BRI



757

PARTS CATALOG (MAINTENANCE)

FIG ITEM	PART NUMBER	1 2 3 4 5 6 7	NOMENCLATURE	EFFECT FROM TO	UNITS PER ASSY
24					
335	BACC10DK12	.	CLAMP	002004 006100 107107 121503 904999	8
340	BACC10DK12	.	CLAMP	002004 006100 107107 121503 904999	1
345	AN737TW38	.	CLAMP	950999	2
350	BACC10DK8A	.	CLAMP	002004 006100 107107 121503 904999	1
355	AN737TW38	.	CLAMP	002004 006100 121503 904949	2
360	AN737TW38	.	CLAMP	002004 006100 107107 121503 904951	9
365	AN737TW38	.	CLAMP	002004 006100 107107 121503 904949	1
370	AN737TW38	.	CLAMP	107107 121503 904949	4
375	AN737TW38	.	CLAMP	002004 006100 107107 121503 904949	5
385	AN737TW38	.	CLAMP	121503 904949	1
390	BACC10GW0800-1	.	CLAMP	121503 904949	2
395	BACC10GW0800-1	.	CLAMP	002004 006100 107107	1

MISSING ITEM NUMBERS NOT APPLICABLE

- ITEM NOT ILLUSTRATED

38-31-54-24

38-31-54
FIG. 24
PAGE 5
JAN 20/09

BRI



757

PARTS CATALOG (MAINTENANCE)

FIG ITEM	PART NUMBER	1 2 3 4 5 6 7	NOMENCLATURE	EFFECT FROM TO	UNITS PER ASSY
24 400	BOE2013-0309	.HOSE-DRAIN SUPPLIER CODE: V16632 SPECIFICATION NUMBER: 69-27191-309 OPTIONAL PART: 713488-309 V70628		002004 006100 107107 121503 904999	1
405	BOE2013-0334	.HOSE-DRAIN SUPPLIER CODE: V16632 SPECIFICATION NUMBER: 69-27191-334 OPTIONAL PART: 713488-334 V70628		002004 006100 107107 121503 904999	1
410	BOE2013-0335	.HOSE-DRAIN SUPPLIER CODE: V16632 SPECIFICATION NUMBER: 69-27191-335 OPTIONAL PART: 713488-335 V70628 IT4350-335 V26831		002004 006100 107107 121503 904999	1
410	IT4350-335	.HOSE-DRAIN SUPPLIER CODE: V26831 SPECIFICATION NUMBER: 69-27191-335 OPTIONAL PART: 713488-335 V70628 BOE2013-0335 V16632		002004 006100 107107 121503 904999	1
410	713488-335	.HOSE-DRAIN SUPPLIER CODE: V70628 SPECIFICATION NUMBER: 69-27191-335 OPTIONAL PART: IT4350-335 V26831 BOE2013-0335 V16632		002004 006100 107107 121503 904999	1

MISSING ITEM NUMBERS NOT APPLICABLE

- ITEM NOT ILLUSTRATED

38-31-54-24

38-31-54
FIG. 24
PAGE 6
JAN 20/09

BRI



757

PARTS CATALOG (MAINTENANCE)

FIG ITEM	PART NUMBER	1 2 3 4 5 6 7	NOMENCLATURE	EFFECT FROM TO	UNITS PER ASSY
24 415	BOE2013-0309	.HOSE-DRAIN SUPPLIER CODE: V16632 SPECIFICATION NUMBER: 69-27191-309 OPTIONAL PART: 713488-309 V70628		121503 904949	1
420	BOE2013-0365	.HOSE-DRAIN SUPPLIER CODE: V16632 SPECIFICATION NUMBER: 69-27191-365		002004 006100 107107 121503 904999	1
425	BOE2013-0410	.HOSE-DRAIN SUPPLIER CODE: V16632 SPECIFICATION NUMBER: 69-27191-410 OPTIONAL PART: IT4350-410 V26831		002004 006100 107107 121503 904949	1
425	IT4350-410	.HOSE-DRAIN SUPPLIER CODE: V26831 SPECIFICATION NUMBER: 69-27191-410 OPTIONAL PART: BOE2013-0410 V16632		002004 006100 107107 121503 904949	1
430	BOE2013-0367	.HOSE-DRAIN SUPPLIER CODE: V16632 SPECIFICATION NUMBER: 69-27191-367		002004 006100 107107 121503 904999	1
435	BOE2013-0348	.HOSE-DRAIN SUPPLIER CODE: V16632 SPECIFICATION NUMBER: 69-27191-348 OPTIONAL PART: 713488-348 V70628		950999	1

MISSING ITEM NUMBERS NOT APPLICABLE

- ITEM NOT ILLUSTRATED

38-31-54-24

38-31-54
FIG. 24
PAGE 7
JAN 20/09

BRI



757

PARTS CATALOG (MAINTENANCE)

FIG ITEM	PART NUMBER	1 2 3 4 5 6 7	NOMENCLATURE	EFFECT FROM TO	UNITS PER ASSY
24 440	BOE2013-0337	.HOSE-DRAIN SUPPLIER CODE: V16632 SPECIFICATION NUMBER: 69-27191-337 OPTIONAL PART: 713488-337 V70628		002004 006100 107107 121503 904949	1
445	BOE2013-0366	.HOSE-DRAIN SUPPLIER CODE: V16632 SPECIFICATION NUMBER: 69-27191-366		950999	1
450	BOE2013-0366	.HOSE-DRAIN SUPPLIER CODE: V16632 SPECIFICATION NUMBER: 69-27191-366		002004 006100 107107 121503 904949	1
460	BOE2013-0411	.HOSE-DRAIN SUPPLIER CODE: V16632 SPECIFICATION NUMBER: 69-27191-411		121503 904949	1
465	BOE2013-0355	.HOSE-DRAIN SUPPLIER CODE: V16632 SPECIFICATION NUMBER: 69-27191-355 OPTIONAL PART: IT4350-355 V26831		002004 006100 121503 904949	1
465	IT4350-355	.HOSE-DRAIN SUPPLIER CODE: V26831 SPECIFICATION NUMBER: 69-27191-355 OPTIONAL PART: BOE2013-0355 V16632		002004 006100 121503 904949	1
470	417N2716-14	.TUBE ASSY-		002004 006100 107107 121503 904999	1
475	417N2712-10	.TUBE ASSY		002004 006100 107107 121503 904999	1

MISSING ITEM NUMBERS NOT APPLICABLE

- ITEM NOT ILLUSTRATED

38-31-54-24

38-31-54
FIG. 24
PAGE 8
JAN 20/09

BRI



757

PARTS CATALOG (MAINTENANCE)

FIG ITEM	PART NUMBER	1 2 3 4 5 6 7	NOMENCLATURE	EFFECT FROM TO	UNITS PER ASSY
24 485	417N2716-35	.	TUBE ASSY	002004 006100 107107 121503 904949	1
495	417N2716-20	.	TUBE ASSY	002004 006100 107107 121503 904999	1
500	417N2718-1	.	CAP-DRAIN TUBE	107107 121503 904951	1
505	417N2718-1	.	CAP-DRAIN TUBE	107107 121503 904951	1
510	417N2718-1	.	CAP-DRAIN TUBE	952999	1
515	417N2718-1	.	CAP-DRAIN TUBE	002004 006100 107107	1
525	48	.	CLAMP SUPPLIER CODE: V7Z588 SPECIFICATION NUMBER: STBC10GG98-114 OPTIONAL PART: WWD98-114 V66295	002004 006100 107107 121503 904999	1
530	417N2706-2	.	CAP ASSY-BLADDER	002004 006100 107107 121503 904999	1
535	417N2719-2	.	BLADDER INSTL- FOR DETAILS SEE: 38-31-02-01	002004 006100 107107 121503 904999	1
540	69-50697-1	.	CLIP ASSY	002004 006100 107107 121503 904999	8
545	NAS1801-3-7	.	SCREW	002004 006100 107107 121503 904999	8

MISSING ITEM NUMBERS NOT APPLICABLE

- ITEM NOT ILLUSTRATED

38-31-54-24

38-31-54
FIG. 24
PAGE 9
JAN 20/09

BRI



757

PARTS CATALOG (MAINTENANCE)

FIG ITEM	PART NUMBER	1 2 3 4 5 6 7	NOMENCLATURE	EFFECT FROM TO	UNITS PER ASSY
24 550	AN960KD10L	.	WASHER-	002004 006100 107107 121503 904999	8
555	417N2111-1	.	SUPPORT ASSY	002004 006100 107107 121503 904999	4
560	NA2030-02L	..	INSERT-STEEL SUPPLIER CODE: V32387 OPTIONAL PART: NAS1395C3L	002004 006100 107107 121503 904999	1
560	NAS1395C3L	..	INSERT- OPTIONAL PART: NA2030-02L V32387	002004 006100 107107 121503 904999	1
595	417N2717-1	.	BRACKET-SPRT	002004 006100 107107 121503 904999	3
- 600	NAS1801-3-8		ATTACHING PARTS .SCREW	002004 006100 107107 121503 904999	6
- 605	AN960KD10L	.	WASHER-	002004 006100 107107 121503 904999	6
610	S38J1	-----*	SUPPORT-ATTACHMENT SUPPLIER CODE: V59237 SPECIFICATION NUMBER: BACS38J1 OPTIONAL PART: 30187-2 V26835	002004 006100 107107 121503 904999	2

MISSING ITEM NUMBERS NOT APPLICABLE

- ITEM NOT ILLUSTRATED

BRI

38-31-54-24

38-31-54
FIG. 24
PAGE 10
JAN 20/09



757

PARTS CATALOG (MAINTENANCE)

FIG ITEM	PART NUMBER	1 2 3 4 5 6 7	NOMENCLATURE	EFFECT FROM TO	UNITS PER ASSY
24 615	S38J2	.SUPPORT	SUPPLIER CODE: V59237 SPECIFICATION NUMBER: BACS38J2 OPTIONAL PART: 30187-3 V26835	002004 006100 107107 121503 904999	2
670	NAS1801-3-12	.SCREW		952999	1
675	AN960JD10L	.WASHER		952999	1
680	MS21042L3	.NUT		952999	1
685	10	.CLAMP-	SUPPLIER CODE: V7Z588 SPECIFICATION NUMBER: STBC10GG26-34 OPTIONAL PART: WWD26-34H V66295 SNP10 V53421	952999	4
685	SNP10	.CLAMP-	SUPPLIER CODE: V53421 OPTIONAL PART: STBC10GG26-34	952999	4
690	BOE2013-0308	.HOSE-	SUPPLIER CODE: V16632 SPECIFICATION NUMBER: 69-27191-308 OPTIONAL PART: 713488-308 V70628 IT4350-308 V26831	952999	1
690	IT4350-308	.HOSE-	SUPPLIER CODE: V26831 SPECIFICATION NUMBER: 69-27191-308 OPTIONAL PART: 713488-308 V70628 BOE2013-0308 V16632	952999	1

MISSING ITEM NUMBERS NOT APPLICABLE

- ITEM NOT ILLUSTRATED

38-31-54-24

38-31-54
FIG. 24
PAGE 11
JAN 20/09

BRI



757

PARTS CATALOG (MAINTENANCE)

FIG ITEM	PART NUMBER	1 2 3 4 5 6 7	NOMENCLATURE	EFFECT FROM TO	UNITS PER ASSY
24 690	713488-308		.HOSE- SUPPLIER CODE: V70628 SPECIFICATION NUMBER: 69-27191-308 OPTIONAL PART: IT4350-308 V26831 BOE2013-0308 V16632	952999	1
695 700	417N2310-53 BOE2013-0371		.TUBE .ELBOW- SUPPLIER CODE: V16632 SPECIFICATION NUMBER: 69-27191-371	952999 952999	1 1
795 803 809	BACS12GU3K9 AN960JD10L PLH53CD		.SCREW .WASHER .NUT SUPPLIER CODE: VF0224 SPECIFICATION NUMBER: BACN10YR3CD OPTIONAL PART: H52732-3CD V15653	952999 952999 952999	1 1 1
815 818 824 830	AN737TW38 BACC10DK15 BACC10JB026A034 BOE2013-0309		.CLAMP .CLAMP .CLAMP .HOSE- SUPPLIER CODE: V16632 SPECIFICATION NUMBER: 69-27191-309 OPTIONAL PART: 713488-309 V70628	952999 952999 952999 952999	1 1 2 1
836 845	417N2310-53 417N2718-1		.TUBE .CAP	952999 952999	1 1

MISSING ITEM NUMBERS NOT APPLICABLE

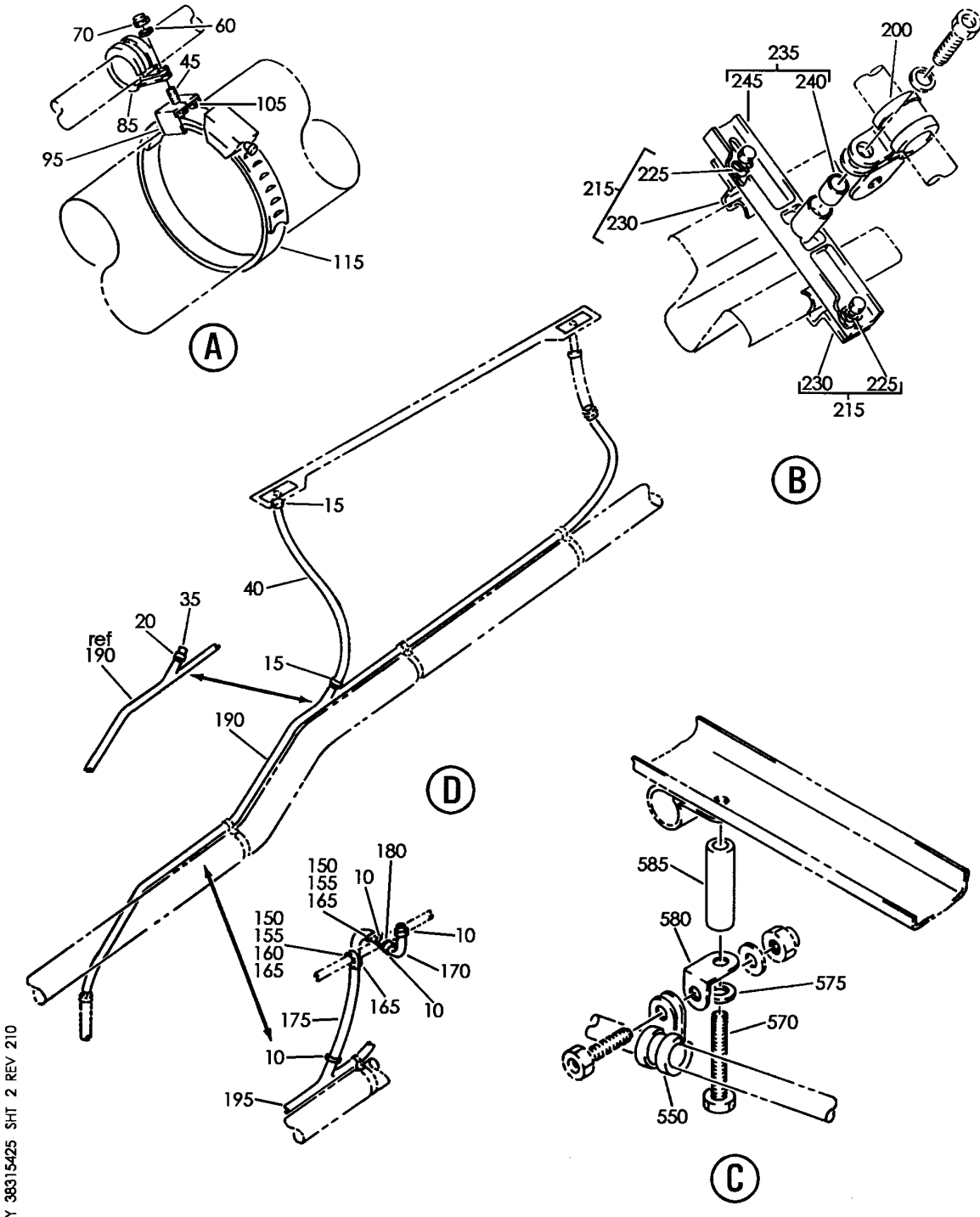
- ITEM NOT ILLUSTRATED

38-31-54-24

38-31-54
FIG. 24
PAGE 12
JAN 20/09

BRI

BOEING
757
PARTS CATALOG (MAINTENANCE)



Y 38315425 SHT 2 REV 210

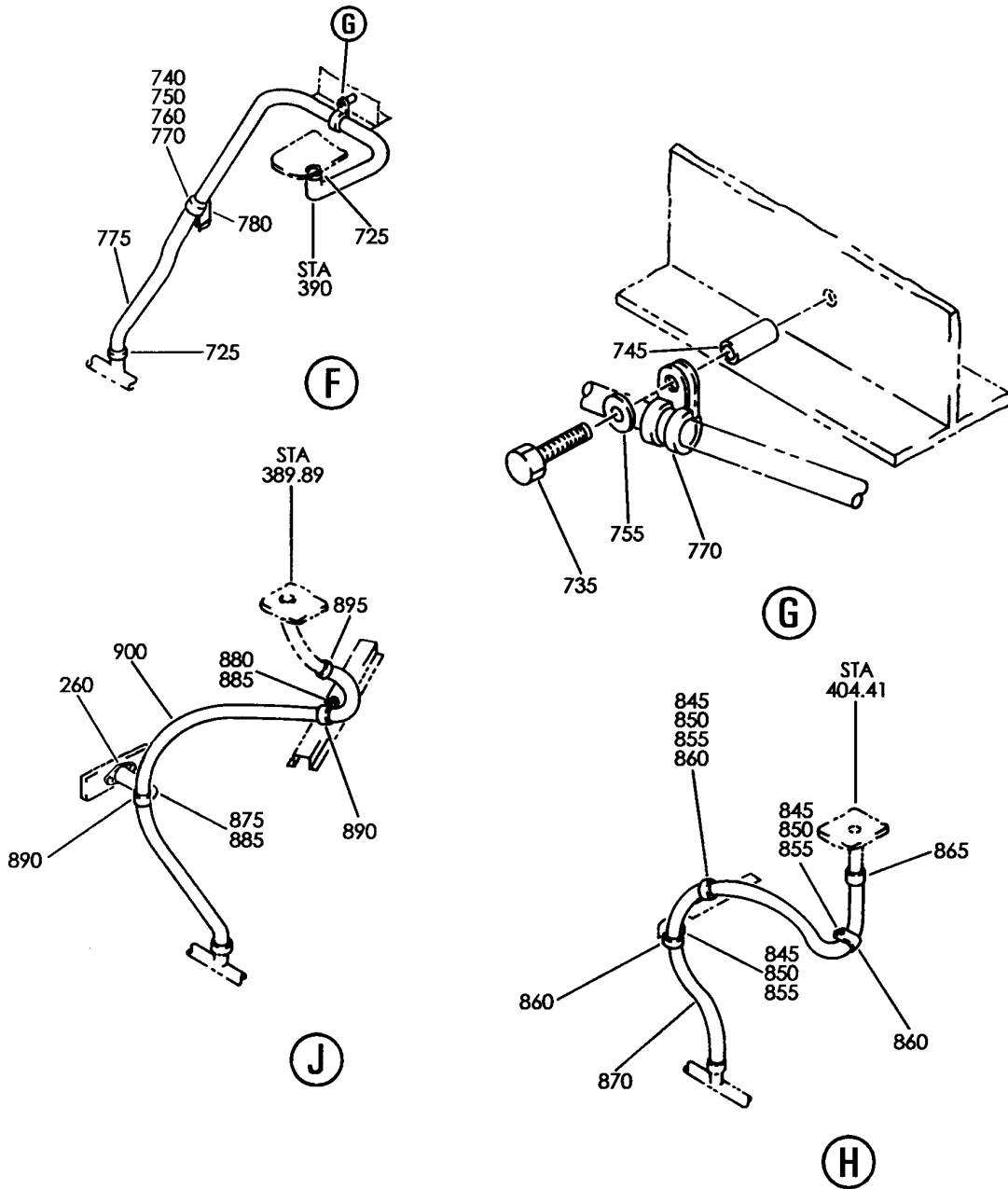
DRAIN INSTL-NO. 1 DOOR AND GALLEY GUTTER
FIGURE 25 (SHEET 2)

38-31-54-25

BRI
MAY 28/07

38-31-54-25
PAGE 0A

BOEING
757
PARTS CATALOG (MAINTENANCE)



Y 38315425 SHT 3 REV 210

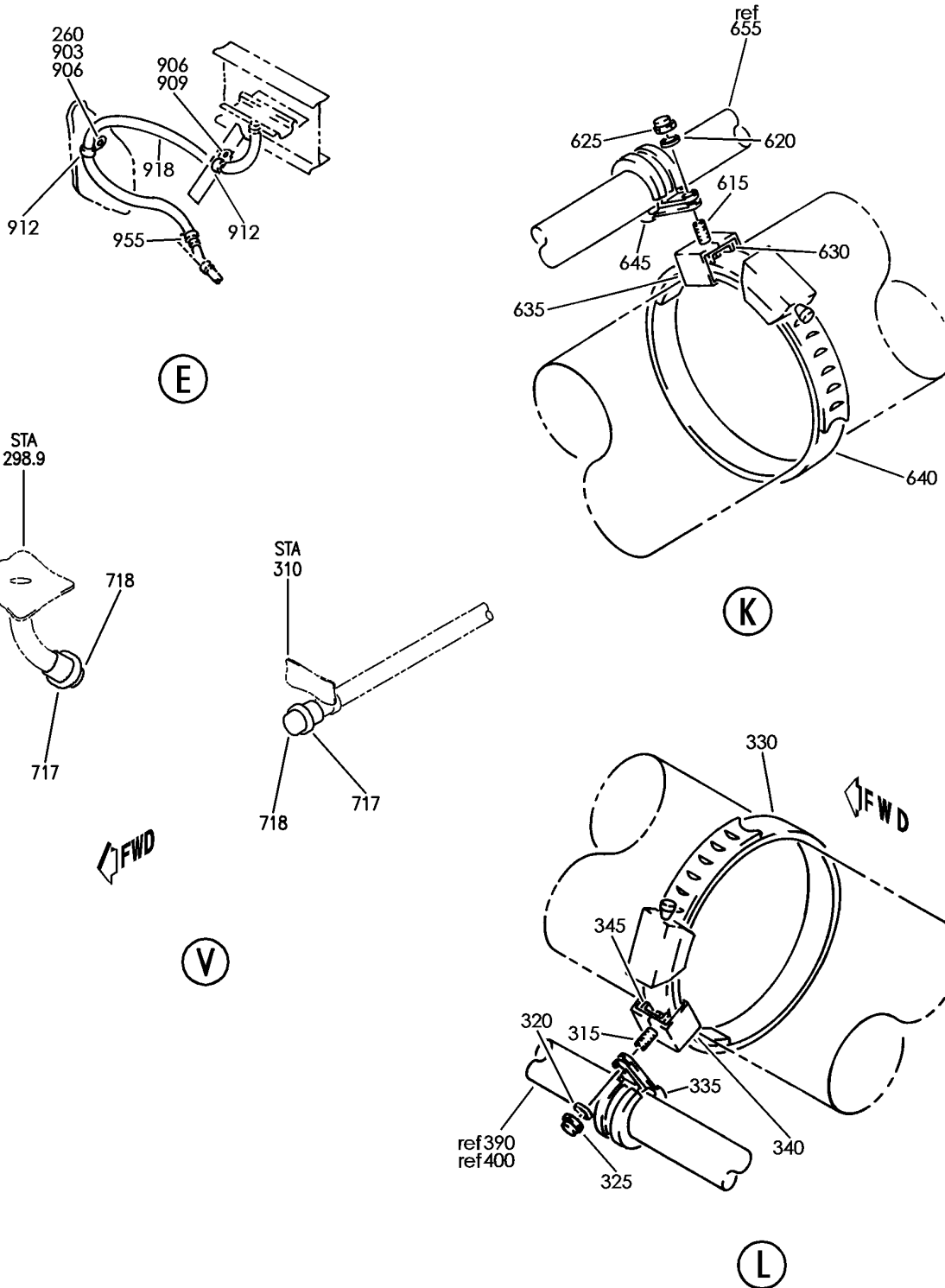
DRAIN INSTL-NO. 1 DOOR AND GALLEY GUTTER
FIGURE 25 (SHEET 3)

38-31-54-25

BRI
MAY 28/07

38-31-54-25
PAGE 0B

BOEING
757
PARTS CATALOG (MAINTENANCE)



Y 38315425 SHT 4 REV 242

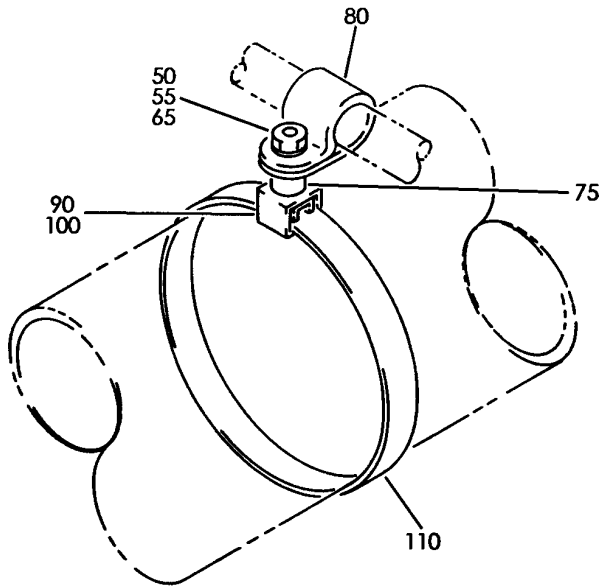
DRAIN INSTL-NO. 1 DOOR AND GALLEY GUTTER
FIGURE 25 (SHEET 4)

38-31-54-25

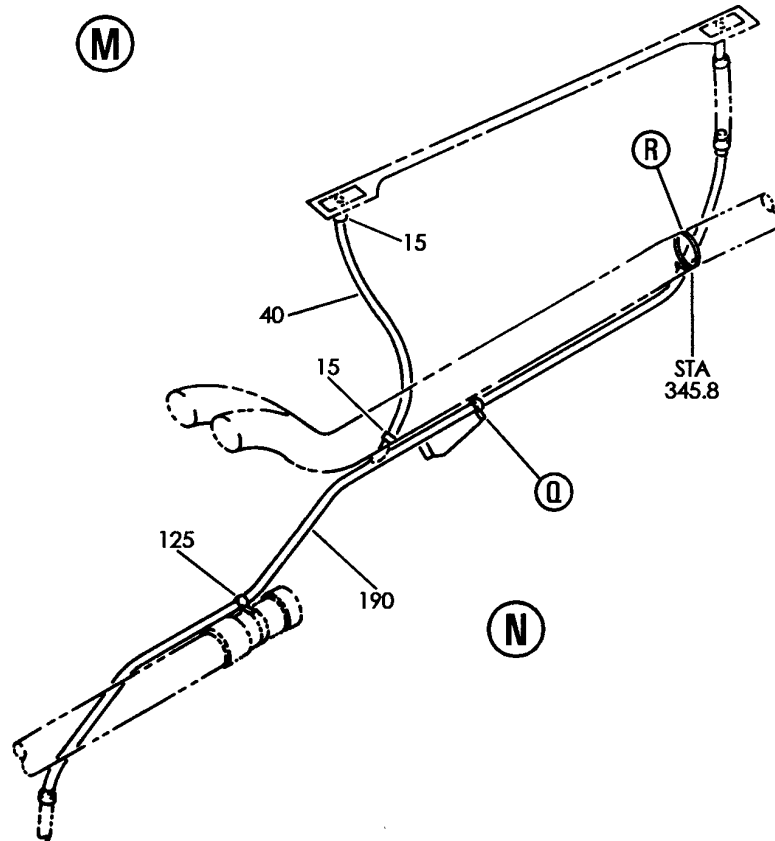
BRI
MAY 28/07

38-31-54-25
PAGE 0C

BOEING
757
PARTS CATALOG (MAINTENANCE)



(M)



(N)

Y 38315425 SHT 5 REV 210

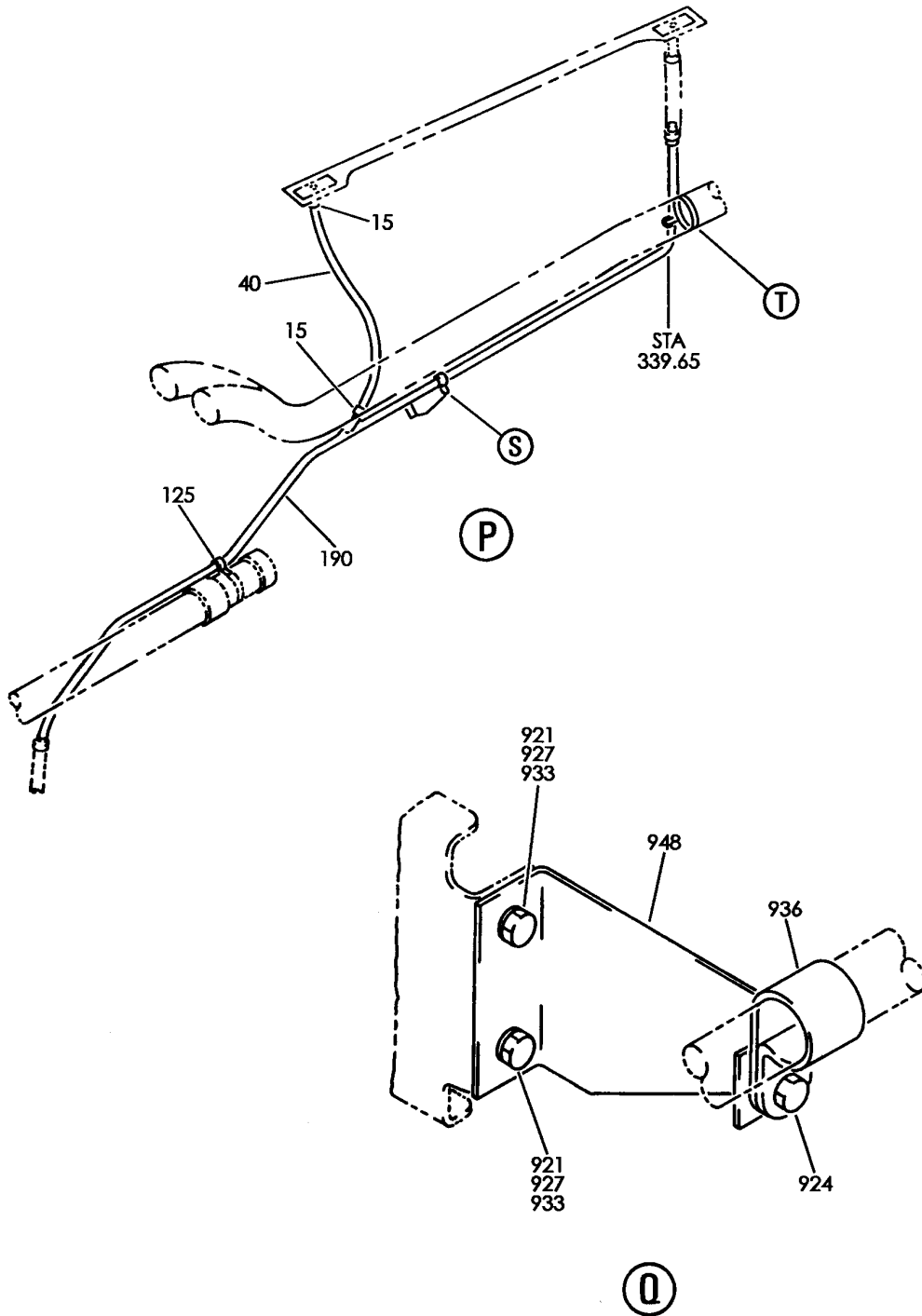
DRAIN INSTL-NO. 1 DOOR AND GALLEY GUTTER
FIGURE 25 (SHEET 5)

38-31-54-25

BRI
MAY 28/07

38-31-54-25
PAGE 0D

BOEING
757
PARTS CATALOG (MAINTENANCE)



Y 38315425 SHT 6 REV 210

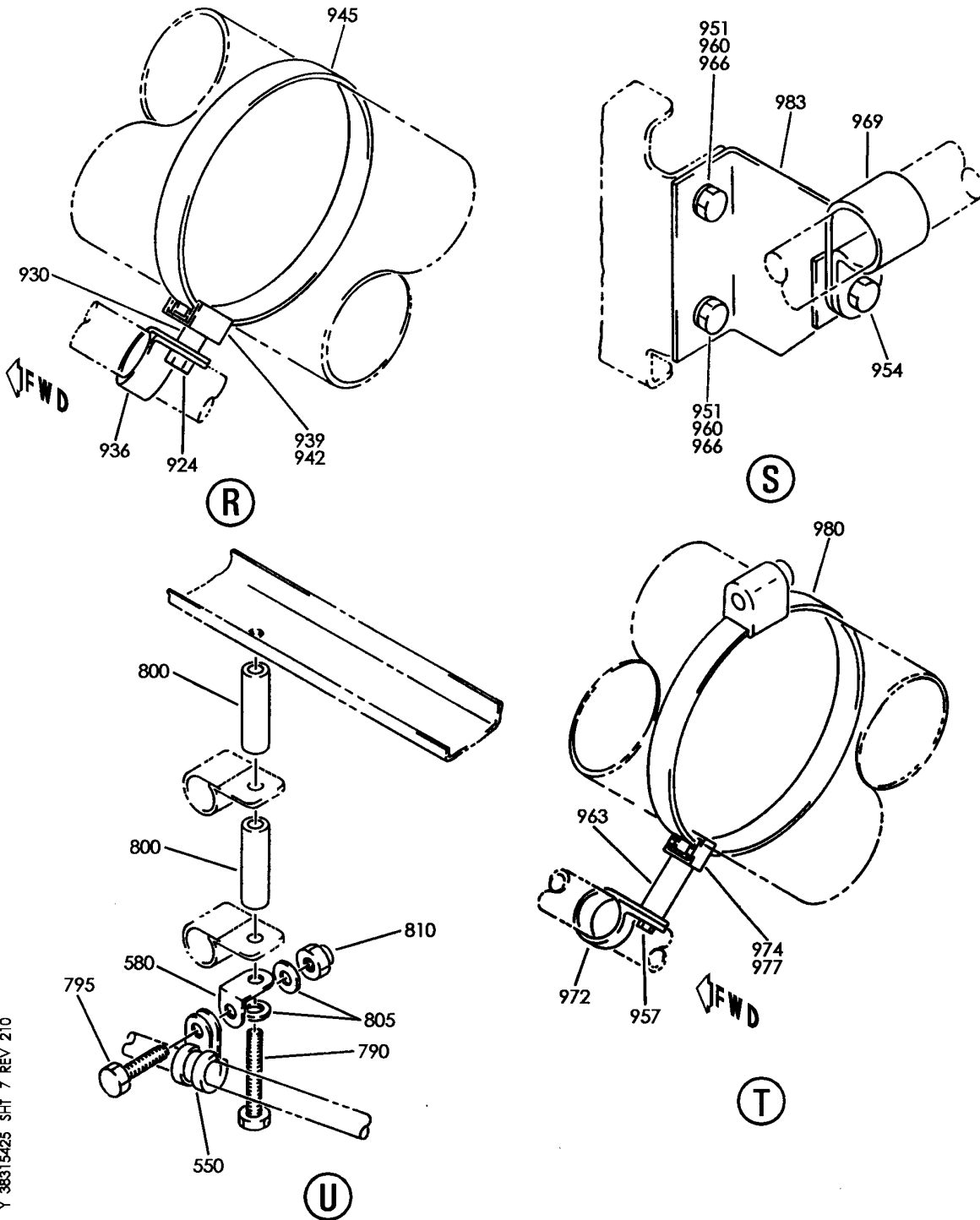
DRAIN INSTL-NO. 1 DOOR AND GALLEY GUTTER
FIGURE 25 (SHEET 6)

38-31-54-25

BRI
MAY 28/07

38-31-54-25
PAGE 0E

BOEING
757
PARTS CATALOG (MAINTENANCE)



Y 38315425 SHT 7 REV 210

DRAIN INSTL-NO. 1 DOOR AND GALLEY GUTTER
FIGURE 25 (SHEET 7)

38-31-54-25

BRI
MAY 28/07

38-31-54-25
PAGE OF



757

PARTS CATALOG (MAINTENANCE)

FIG ITEM	PART NUMBER	1 2 3 4 5 6 7	NOMENCLATURE	EFFECT FROM TO	UNITS PER ASSY
25			DRAIN INSTL-NO. 1 DOOR AND GALLEY GUTTER	002004 006100 107107 121503 904999	
- 1	417N2701-24		DRAIN INSTL-NO. 1 DOOR AND GALLEY GUTTER VARIABLE DRAWING REF: 417N2701-10 417N2701-11 417N2701-19 417N2701-34 FOR NHA SEE: 25-20-00-01A 25-20-00-01E 25-20-00-03A	002004 107107 121503 904949 952952	RF
- 1	417N2701-36		DRAIN INSTL-NO. 1 DOOR AND GALLEY GUTTER VARIABLE DRAWING REF: 417N2701-11 417N2701-19 417N2701-29 417N2701-34 FOR NHA SEE: 25-20-00-03A	006100 950951 953999	RF
5 12			.CLAMP- SUPPLIER CODE: V7Z588 SPECIFICATION NUMBER: STBC10GG34-38 OPTIONAL PART: WWD34-38H V66295	002004 006100 107107 121503 904999	18
15 12			.CLAMP SUPPLIER CODE: V7Z588 SPECIFICATION NUMBER: STBC10GG34-38 OPTIONAL PART: WWD34-38H V66295	002004 006100 107107 121503 904999	2

MISSING ITEM NUMBERS NOT APPLICABLE

- ITEM NOT ILLUSTRATED

38-31-54-25

38-31-54
FIG. 25
PAGE 1
JAN 20/09

BRI



757

PARTS CATALOG (MAINTENANCE)

FIG ITEM	PART NUMBER	1 2 3 4 5 6 7	NOMENCLATURE	EFFECT FROM TO	UNITS PER ASSY
25	BOE2013-0301	.HOSE-	SUPPLIER CODE: V16632 SPECIFICATION NUMBER: 69-27191-301 OPTIONAL PART: 713488-301 V70628 IT4350-301 V26831	002004 006100 107107 121503 904999	1
25	IT4350-301	.HOSE-	SUPPLIER CODE: V26831 SPECIFICATION NUMBER: 69-27191-301 OPTIONAL PART: 713488-301 V70628 BOE2013-0301 V16632	002004 006100 107107 121503 904999	1
25	713488-301	.HOSE-	SUPPLIER CODE: V70628 SPECIFICATION NUMBER: 69-27191-301 OPTIONAL PART: IT4350-301 V26831 BOE2013-0301 V16632	002004 006100 107107 121503 904999	1
30	BOE2013-0370	.HOSE-	SUPPLIER CODE: V16632 SPECIFICATION NUMBER: 69-27191-370	002004 006100 107107 121503 904999	1
30	BOE2013-0300	.HOSE-	SUPPLIER CODE: V16632 SPECIFICATION NUMBER: 69-27191-300 OPTIONAL PART: 713488-300 V70628 IT4350-300 V26831	002004 006100 107107 121503 904999	1

MISSING ITEM NUMBERS NOT APPLICABLE

- ITEM NOT ILLUSTRATED

38-31-54-25

38-31-54
FIG. 25
PAGE 2
JAN 20/09

BRI



757

PARTS CATALOG (MAINTENANCE)

FIG ITEM	PART NUMBER	1 2 3 4 5 6 7	NOMENCLATURE	EFFECT FROM TO	UNITS PER ASSY
25					
30	IT4350-300	.HOSE-	SUPPLIER CODE: V26831 SPECIFICATION NUMBER: 69-27191-300 OPTIONAL PART: 713488-300 V70628 BOE2013-0300 V16632	002004 006100 107107 121503 904999	1
40	BOE2013-0412	.HOSE-	SUPPLIER CODE: V16632 SPECIFICATION NUMBER: 69-27191-412 OPTIONAL PART: IT4350-412 V26831	002004 006100 107107 121503 904999	1
40	IT4350-412	.HOSE-	SUPPLIER CODE: V26831 SPECIFICATION NUMBER: 69-27191-412 OPTIONAL PART: BOE2013-0412 V16632	002004 006100 107107 121503 904999	1
45	NAS6703-4	.BOLT		002004 006100 107107 121503 904999	1
50	NAS6703-10	.BOLT		002004 006100 107107 121503 904999	1
55	AN960KD10L	.WASHER-		002004 006100 107107 121503 904999	1
60	AN960KD10L	.WASHER		002004 006100 107107 121503 904999	1

MISSING ITEM NUMBERS NOT APPLICABLE

- ITEM NOT ILLUSTRATED

38-31-54-25

38-31-54
FIG. 25
PAGE 3
JAN 20/09

BRI

BOEING PROPRIETARY - Copyright © - Unpublished Work - See title page for details.



757

PARTS CATALOG (MAINTENANCE)

FIG ITEM	PART NUMBER	1 2 3 4 5 6 7	NOMENCLATURE	EFFECT FROM TO	UNITS PER ASSY
25					
65	MS21042L3	.	NUT-	002004 006100 107107 121503 904999	1
70	MS21042L3	.	NUT	002004 006100 107107 121503 904999	1
75	NAS43DD3-24	.	SPACER	002004 006100 107107 121503 904999	1
80	BACC10DK12	.	CLAMP	002004 006100 107107 121503 904999	1
85	BACC10DK12	.	CLAMP	002004 006100 107107 121503 904999	1
90	BACC15AN10	.	CLIP	002004 006100 107107 121503 904999	1
95	BACC15AN10	.	CLIP	002004 006100 107107 121503 904999	1
100	BACB19F10S	.	BLOCK	002004 006100 107107 121503 904999	1
105	BACB19F10S	.	BLOCK	002004 006100 107107 121503 904999	1

MISSING ITEM NUMBERS NOT APPLICABLE

- ITEM NOT ILLUSTRATED

38-31-54-25

38-31-54
FIG. 25
PAGE 4
JAN 20/09

BRI

BOEING PROPRIETARY - Copyright © - Unpublished Work - See title page for details.



757

PARTS CATALOG (MAINTENANCE)

FIG ITEM	PART NUMBER	1 2 3 4 5 6 7	NOMENCLATURE	EFFECT FROM TO	UNITS PER ASSY
25					
110	NAS1922-0400-1	.CLAMP-	OPTIONAL PART: NAS1922-400-3	002004 006100 107107 121503 904999	1
110	NAS1922-0400-3	.CLAMP-	OPTIONAL PART: NAS1922-0400-1	006100 950951 953999	1
115	NAS1922-0400-1	.CLAMP-	OPTIONAL PART: NAS1922-0400-3	002004 006100 107107 121503 904999	1
115	NAS1922-0400-3	.CLAMP-	OPTIONAL PART: NAS1922-0400-1	006100 950951 953999	1
120	BACC10DK12	.CLAMP		002004 006100 107107 121503 904999	1
125	BACC10DK12	.CLAMP		002004 006100 107107 121503 904999	1
- 130	AN960KD10L		ATTACHING PARTS .WASHER-	002004 006100 107107 121503 904999	1
- 135	AN960KD10L	.WASHER		002004 006100 107107 121503 904999	1
- 140	MS21042L3	.NUT-		002004 006100 107107 121503 904999	1
- 145	MS21042L3	.NUT		002004 006100 107107 121503 904999	1
			-----*		

MISSING ITEM NUMBERS NOT APPLICABLE

- ITEM NOT ILLUSTRATED

38-31-54-25

38-31-54
FIG. 25
PAGE 5
JAN 20/09

BRI



757

PARTS CATALOG (MAINTENANCE)

FIG ITEM	PART NUMBER	1 2 3 4 5 6 7	NOMENCLATURE	EFFECT FROM TO	UNITS PER ASSY
25 190	417N2716-33	.	TUBE ASSY	002004 006100 107107 121503 904999	1
200	BACC10DK15	.	CLAMP	002004 006100 107107 121503 904999	2
- 205	NAS1801-3-12		ATTACHING PARTS .SCREW	002004 006100 107107 121503 904999	2
- 210	AN960KD10L	.	WASHER-	002004 006100 107107 121503 904999	2
215	69-50697-1	-----*-----	.CLIP ASSY-STGR	002004 006100 107107 121503 904999	4
215	415N2005-3	.	CLIP ASSY-STGR	002004 006100 107107 121503 904999	4
- 220	NAS603-8P		ATTACHING PARTS .SCREW	002004 006100 107107 121503 904999	4
225	SL854C3F1CM	-----*-----	..INSERT- SUPPLIER CODE: V97393	002004 006100 107107 121503 904999	1
230	69-50697-3	..	CLIP- USED ON: 69-50697-1	002004 006100 107107 121503 904999	1

MISSING ITEM NUMBERS NOT APPLICABLE

- ITEM NOT ILLUSTRATED

38-31-54-25

38-31-54
FIG. 25
PAGE 6
JAN 20/09

BRI



757

PARTS CATALOG (MAINTENANCE)

FIG ITEM	PART NUMBER	1 2 3 4 5 6 7	NOMENCLATURE	EFFECT FROM TO	UNITS PER ASSY
25 230	415N2005-4	..	CLIP- USED ON: 415N2005-3	002004 006100 107107 121503 904999	1
235	417N2111-1	.	SUPPORT ASSY-STGR ATTACHMENT	002004 006100 107107 121503 904999	2
240	NAS1395C3L	..	INSERT- OPTIONAL PART: NA2030-02L V32387	002004 006100 107107 121503 904999	1
240	NA2030-02L	..	INSERT- SUPPLIER CODE: V32387	002004 006100 107107 121503 904999	1
245	417N2111-2	..	SUPPORT	002004 006100 107107 121503 904999	1
250	BOE2013-0302	.	HOSE- SUPPLIER CODE: V16632 SPECIFICATION NUMBER: 69-27191-302 OPTIONAL PART: 713488-302 V70628	107107	1
250	BOE2013-0374	.	HOSE- SUPPLIER CODE: V16632 SPECIFICATION NUMBER: 69-27191-374	002004 006100 121503 904999	1
255	BACC10DK12	.	CLAMP	002004 006100 107107 121503 904999	2
- 265	NAS1801-3-8	.	ATTACHING PARTS SCREW	002004 006100 107107 121503 904999	2

MISSING ITEM NUMBERS NOT APPLICABLE

- ITEM NOT ILLUSTRATED

38-31-54-25

38-31-54
FIG. 25
PAGE 7
JAN 20/09

BRI

BOEING PROPRIETARY - Copyright © - Unpublished Work - See title page for details.



757

PARTS CATALOG (MAINTENANCE)

FIG ITEM	PART NUMBER	1 2 3 4 5 6 7	NOMENCLATURE	EFFECT FROM TO	UNITS PER ASSY
25 - 270	AN960KD10L	.	WASHER-	002004 006100 107107 121503 904999	2
- 275	BRC500-8-3	.	NUT SUPPLIER CODE: V52828 SPECIFICATION NUMBER: BACN10FX21 OPTIONAL PART: F49322-3-21 V15653 SL240-3-1 V97393 130061 V60119 A11330-8-3 V72962 -----*-----	002004 006100 107107 121503 904999	2
280	417N2706-3	.	CAP ASSY-SUMP	002004 006100 107107 121503 904999	1
285	48	.	CLAMP- SUPPLIER CODE: V7Z588 SPECIFICATION NUMBER: STBC10GG98-114 OPTIONAL PART: WWD98-114 V66295	002004 006100 107107 121503 904999	1
290	417N2719-1	.	BLADDER INSTL- FOR DETAILS SEE: 38-31-02-01	002004 006100 107107 121503 904999	1
295	BOE2013-0350	.	HOSE- SUPPLIER CODE: V16632 SPECIFICATION NUMBER: 69-27191-350 OPTIONAL PART: IT4350-350 V26831	002004 006100 107107 121503 904999	1

MISSING ITEM NUMBERS NOT APPLICABLE

- ITEM NOT ILLUSTRATED

38-31-54-25

38-31-54
FIG. 25
PAGE 8
JAN 20/09

BRI



757

PARTS CATALOG (MAINTENANCE)

FIG ITEM	PART NUMBER	1 2 3 4 5 6 7	NOMENCLATURE	EFFECT FROM TO	UNITS PER ASSY
25					
295	IT4350-350	.HOSE-	SUPPLIER CODE: V26831	002004 006100 107107	1
			SPECIFICATION NUMBER: 69-27191-350	121503 904999	
			OPTIONAL PART: BOE2013-0350 V16632		
300	BACC10DK12	.CLAMP		002004 006100 107107 121503 904999	1
- 305	NAS1801-3-12	ATTACHING PARTS .SCREW		002004 006100 107107 121503 904999	1
- 310	AN960KD10L	.WASHER-		002004 006100 107107 121503 904999	1
- 310	AN960PD10L	.WASHER-		002004 006100 107107 121503 904999	1
315	NAS6703-4	-----*----- .BOLT		006100 950951 953999	1
320	NAS1149D0332J	.WASHER		006100 950951 953999	1
325	MS21042L3	.NUT		006100 950951 953999	1
330	NAS1922-0400-1	.CLAMP-	OPTIONAL PART: NAS1922-0400-3	006100 950951 953999	1
330	NAS1922-0400-3	.CLAMP-	OPTIONAL PART: NAS1922-0400-1	006100 950951 953999	1
335	BACC10DK12	.CLAMP		006100 950951 953999	1

MISSING ITEM NUMBERS NOT APPLICABLE

- ITEM NOT ILLUSTRATED

38-31-54-25

38-31-54
FIG. 25
PAGE 9
JAN 20/09

BRI



757

PARTS CATALOG (MAINTENANCE)

FIG ITEM	PART NUMBER	1 2 3 4 5 6 7	NOMENCLATURE	EFFECT FROM TO	UNITS PER ASSY
25					
340	BACC15AN10	.	CLIP	006100 950951 953999	1
345	BACB19F10S	.	BLOCK	006100 950951 953999	1
350	BACC10DK12	.	CLAMP	002004 006100 107107 121503 904999	1
- 355	NAS1801-3-10		ATTACHING PARTS .SCREW	002004 006100 107107 121503 904999	1
- 355	AN960KD10L	.	WASHER-	002004 006100 107107 121503 904999	1
360	BACC10DK12	-----*	.CLAMP	002004 006100 107107 121503 904999	1
- 370	AN960KD10L		ATTACHING PARTS .WASHER-	002004 006100 107107 121503 904999	1
- 375	MS21042L3	.	NUT-	002004 006100 107107 121503 904999	1
		-----*			

MISSING ITEM NUMBERS NOT APPLICABLE

- ITEM NOT ILLUSTRATED

38-31-54-25

38-31-54
FIG. 25
PAGE 10
JAN 20/09

BRI

BOEING PROPRIETARY - Copyright © - Unpublished Work - See title page for details.



757

PARTS CATALOG (MAINTENANCE)

FIG ITEM	PART NUMBER	1 2 3 4 5 6 7	NOMENCLATURE	EFFECT FROM TO	UNITS PER ASSY
25 380	12		.CLAMP- SUPPLIER CODE: V7Z588 SPECIFICATION NUMBER: STBC10GG34-38 OPTIONAL PART: WWD34-38H V66295 QUALIFIED OPTIONAL DATA: (417N2701-15 OPT 417N2701-32 TOGETHER WITH 417N2701-33, 69-27191-304 AND TWO STBC10GG34-38)	002004 006100 107107 121503 904999	2
385	BOE2013-0304		.HOSE- SUPPLIER CODE: V16632 SPECIFICATION NUMBER: 69-27191-304 QUALIFIED OPTIONAL DATA: (417N2701-15 OPT 417N2701-32 TOGETHER WITH 417N2701-33, 69-27191-304 AND TWO STBC10GG34-38) OPTIONAL PART: 713488-304 V70628 IT4350-304 V26831	002004 006100 107107 121503 904999	1
385	IT4350-304		.HOSE- SUPPLIER CODE: V26831 SPECIFICATION NUMBER: 69-27191-304 OPTIONAL PART: 713488-304 V70628 BOE2013-0304 V16632	002004 006100 107107 121503 904999	1

MISSING ITEM NUMBERS NOT APPLICABLE

- ITEM NOT ILLUSTRATED

38-31-54-25

38-31-54
FIG. 25
PAGE 11
JAN 20/09

BRI



757

PARTS CATALOG (MAINTENANCE)

FIG ITEM	PART NUMBER	1 2 3 4 5 6 7	NOMENCLATURE	EFFECT FROM TO	UNITS PER ASSY
25 385	713488-304		.HOSE- SUPPLIER CODE: V70628 SPECIFICATION NUMBER: 69-27191-304 OPTIONAL PART: IT4350-304 V26831 BOE2013-0304 V16632	002004 006100 107107 121503 904999	1
390	417N2701-15		.TUBE- QUALIFIED OPTIONAL DATA: (417N2701-15 OPT 417N2701-32 TOGETHER WITH 417N2701-33, 69-27191-304 AND TWO STBC10GG34-38)	002004 006100 107107 121503 904999	1
395	417N2701-32		.TUBE- QUALIFIED OPTIONAL DATA: (417N2701-15 OPT 417N2701-32 TOGETHER WITH 417N2701-33, 69-27191-304 AND TWO STBC10GG34-38)	002004 006100 107107 121503 904999	1
400	417N2701-33		.TUBE- QUALIFIED OPTIONAL DATA: (417N2701-15 OPT 417N2701-32 TOGETHER WITH 417N2701-33, 69-27191-304 AND TWO STBC10GG34-38)	002004 006100 107107 121503 904999	1
405	BACC10DK12		.CLAMP	002004 006100 107107 121503 904999	1
- 410	NAS1801-3-32		ATTACHING PARTS .SCREW	002004 006100 107107 121503 904999	1
- 415	AN960KD10L		.WASHER-	002004 006100 107107 121503 904999	1

MISSING ITEM NUMBERS NOT APPLICABLE

- ITEM NOT ILLUSTRATED

38-31-54-25

38-31-54
FIG. 25
PAGE 12
JAN 20/09

BRI

BOEING PROPRIETARY - Copyright © - Unpublished Work - See title page for details.

 **BOEING**
757
PARTS CATALOG (MAINTENANCE)

FIG ITEM	PART NUMBER	1 2 3 4 5 6 7	NOMENCLATURE	EFFECT FROM TO	UNITS PER ASSY
25					
- 420	MS21042L3	.	NUT-	002004 006100 107107 121503 904999	1
- 425	NAS43DD3-96	.	SPACER	002004 006100 107107 121503 904999	1
435	417N2718-1	-----*	.CAP	107107	1
440	BACC10DK12	.	CLAMP	002004 006100 107107 121503 904999	1
- 445	NAS1801-3-23		ATTACHING PARTS .SCREW	002004 006100 107107 121503 904999	1
- 450	AN960KD10L	.	WASHER-	002004 006100 107107 121503 904999	1
- 455	NAS43DD3-58	.	SPACER	002004 006100 107107 121503 904999	1
460	417N2716-29	-----*	.TUBE ASSY	002004 006100 107107 121503 904999	1
465	BACC10DK15	.	CLAMP	002004 006100 107107 121503 904999	3

MISSING ITEM NUMBERS NOT APPLICABLE

- ITEM NOT ILLUSTRATED

BRI

38-31-54-25

BOEING PROPRIETARY - Copyright © - Unpublished Work - See title page for details.

38-31-54
FIG. 25
PAGE 13
JAN 20/09



757

PARTS CATALOG (MAINTENANCE)

FIG ITEM	PART NUMBER	1 2 3 4 5 6 7	NOMENCLATURE	EFFECT FROM TO	UNITS PER ASSY
25			ATTACHING PARTS		
- 470	NAS1801-3-36		.SCREW	002004 006100 107107 121503 904999	3
- 475	NAS43DD3-96		.SPACER	002004 006100 107107 121503 904999	3
- 480	AN960KD10L		.WASHER-	002004 006100 107107 121503 904999	3
- 485	MS21042L3		.NUT-	002004 006100 107107 121503 904999	3
490	BOE2013-0348		-----*----- .HOSE- SUPPLIER CODE: V16632 SPECIFICATION NUMBER: 69-27191-348 OPTIONAL PART: 713488-348 V70628	002004 006100 107107 121503 904999	1
495	BACC10DK12		.CLAMP	002004 006100 107107 121503 904999	1
- 500	NAS1801-3-31		ATTACHING PARTS .SCREW	002004 006100 107107 121503 904999	1
- 505	AN960KD10L		.WASHER-	002004 006100 107107 121503 904999	1

MISSING ITEM NUMBERS NOT APPLICABLE

- ITEM NOT ILLUSTRATED

38-31-54-25

38-31-54
FIG. 25
PAGE 14
JAN 20/09

BRI



757

PARTS CATALOG (MAINTENANCE)

FIG ITEM	PART NUMBER	1 2 3 4 5 6 7	NOMENCLATURE	EFFECT FROM TO	UNITS PER ASSY
25 - 510	NAS43DD3-112	.	SPACER	002004 006100 107107 121503 904999	1
515	BACC10DK12	-----*----- .	CLAMP	002004 006100 107107 121503 904999	1
- 520	NAS1801-3-10		ATTACHING PARTS .SCREW	002004 006100 107107 121503 904999	1
- 525	AN960KD10L	.	WASHER-	002004 006100 107107 121503 904999	1
- 530	NAS43DD3-56	.	SPACER	002004 006100 107107 121503 904999	1
535	417N2716-7	-----*----- .	TUBE ASSY	002004 006100 107107 121503 904999	1
540	BOE2013-0304	.	HOSE- SUPPLIER CODE: V16632 SPECIFICATION NUMBER: 69-27191-304 OPTIONAL PART: 713488-304 V70628 IT4350-304 V26831	002004 006100 107107 121503 904999	1

MISSING ITEM NUMBERS NOT APPLICABLE

- ITEM NOT ILLUSTRATED

38-31-54-25

38-31-54
FIG. 25
PAGE 15
JAN 20/09

BRI



757

PARTS CATALOG (MAINTENANCE)

FIG ITEM	PART NUMBER	1 2 3 4 5 6 7	NOMENCLATURE	EFFECT FROM TO	UNITS PER ASSY
25 540	IT4350-304	.HOSE-	SUPPLIER CODE: V26831 SPECIFICATION NUMBER: 69-27191-304 OPTIONAL PART: 713488-304 V70628 BOE2013-0304 V16632	002004 006100 107107 121503 904999	1
540	713488-304	.HOSE-	SUPPLIER CODE: V70628 SPECIFICATION NUMBER: 69-27191-304 OPTIONAL PART: IT4350-304 V26831 BOE2013-0304 V16632	002004 006100 107107 121503 904999	1
545	BOE2013-0368	.HOSE-	SUPPLIER CODE: V16632 SPECIFICATION NUMBER: 69-27191-368 OPTIONAL PART: IT4350-368 V26831	002004 006100 107107 121503 904999	1
545	IT4350-368	.HOSE-	SUPPLIER CODE: V26831 SPECIFICATION NUMBER: 69-27191-368 OPTIONAL PART: BOE2013-0368 V16632	002004 006100 107107 121503 904999	1
550	BACC10DK12	.CLAMP		002004 006100 107107 121503 904999	1
- 555	NAS1801-3-8	ATTACHING PARTS .SCREW		002004 006100 107107 121503 904999	1

MISSING ITEM NUMBERS NOT APPLICABLE

- ITEM NOT ILLUSTRATED

38-31-54-25

38-31-54
FIG. 25
PAGE 16
JAN 20/09

BRI

BOEING PROPRIETARY - Copyright © - Unpublished Work - See title page for details.



757

PARTS CATALOG (MAINTENANCE)

FIG ITEM	PART NUMBER	1 2 3 4 5 6 7	NOMENCLATURE	EFFECT FROM TO	UNITS PER ASSY
25					
- 560	AN960KD10L	.	WASHER-	002004 006100 107107 121503 904999	1
- 565	MS21042L3	.	NUT-	002004 006100 107107 121503 904999	1
570	NAS1801-3-21	-----*	.SCREW	002004 006100 107107 121503 904999	1
575	AN960KD10L	.	WASHER-	002004 006100 107107 121503 904999	1
580	BACB20E6A12H	.	BRACKET	002004 006100 107107 121503 904999	1
585	NAS43DD3-80	.	SPACER	002004 006100 107107 121503 904999	1
590	BACC10DK12	.	CLAMP	002004 006100 107107 121503 904999	1
- 605	NAS1801-3-11		ATTACHING PARTS .SCREW	002004 006100 107107 121503 904999	1
- 610	AN960KD10L	.	WASHER-	002004 006100 107107 121503 904999	1
		-----*			

MISSING ITEM NUMBERS NOT APPLICABLE

- ITEM NOT ILLUSTRATED

38-31-54-25

38-31-54
FIG. 25
PAGE 17
JAN 20/09

BRI



757

PARTS CATALOG (MAINTENANCE)

FIG ITEM	PART NUMBER	1 2 3 4 5 6 7	NOMENCLATURE	EFFECT FROM TO	UNITS PER ASSY
25 615	NAS6703-4	.	BOLT	002004 006100 107107 121503 904999	1
620	AN960KD10L	.	WASHER-	002004 006100 107107 121503 904999	1
625	MS21042L3	.	NUT-	002004 006100 107107 121503 904999	1
630	BACB19F10S	.	BLOCK	002004 006100 107107 121503 904999	1
635	BACC15AN10	.	CLIP	002004 006100 107107 121503 904999	1
640	NAS1922-0400-1	.	CLAMP- OPTIONAL PART: NAS1922-0400-3	002004 006100 107107 121503 904999	1
640	NAS1922-0400-3	.	CLAMP- OPTIONAL PART: NAS1922-0400-1	006100 950951 953999	1
645	BACC10DK15	.	CLAMP	002004 006100 107107 121503 904999	1
650	417N2716-26	.	TUBE ASSY	002004 006100 107107 121503 904999	1

MISSING ITEM NUMBERS NOT APPLICABLE

- ITEM NOT ILLUSTRATED

38-31-54-25

38-31-54
FIG. 25
PAGE 18
JAN 20/09

BRI



757

PARTS CATALOG (MAINTENANCE)

FIG ITEM	PART NUMBER	1 2 3 4 5 6 7	NOMENCLATURE	EFFECT FROM TO	UNITS PER ASSY
25 655	BOE2013-0334		.HOSE- SUPPLIER CODE: V16632 SPECIFICATION NUMBER: 69-27191-334 OPTIONAL PART: 713488-334 V70628	002004 006100 107107 121503 904999	1
715	12		.CLAMP- SUPPLIER CODE: V7Z588 SPECIFICATION NUMBER: STBC10GG34-38 OPTIONAL PART: WWD34-38H V66295	002004 006100 107107 121503 904999	1
720	BOE2013-0309		.HOSE- SUPPLIER CODE: V16632 SPECIFICATION NUMBER: 69-27191-309 OPTIONAL PART: 713488-309 V70628	002004 006100 950999	1
720	BOE2013-0310		.HOSE ASSY- SUPPLIER CODE: V16632 SPECIFICATION NUMBER: 69-27191-310 OPTIONAL PART: 713488-310 V70628	107107 121503 904949	1
725	12		.CLAMP- SUPPLIER CODE: V7Z588 SPECIFICATION NUMBER: STBC10GG34-38 OPTIONAL PART: WWD34-38H V66295	002004 006010 121503 904949 952999	2
730	NAS1801-3-12		.SCREW-	121503 904949 952999	1
735	NAS1801-3-11		.SCREW	002004 006010	1

MISSING ITEM NUMBERS NOT APPLICABLE

- ITEM NOT ILLUSTRATED

38-31-54-25

38-31-54
FIG. 25
PAGE 19
JAN 20/09

BRI



757

PARTS CATALOG (MAINTENANCE)

FIG ITEM	PART NUMBER	1 2 3 4 5 6 7	NOMENCLATURE	EFFECT FROM TO	UNITS PER ASSY
25					
740	NAS1801-3-8	.	SCREW-	002004 006010 121503 904949 952999	1
745	NAS43DD3-10	.	SPACER	002004 006010	1
750	AN960KD10L	.	WASHER-	002004 006010 121503 904949 952999	2
755	AN960JD10L	.	WASHER	002004 006010	1
760	MS21042L3	.	NUT-	002004 006010 121503 904949 952999	2
765	BACC10DK15	.	CLAMP-	121503 904949 952999	3
770	BACC10DK15	.	CLAMP	002004 006010	2
775	BOE2013-0333	.	HOSE- SUPPLIER CODE: V16632 SPECIFICATION NUMBER: 69-27191-333 OPTIONAL PART: 713488-333 V70628	121503 904949 952999	1
775	BOE2013-0411	.	HOSE- SUPPLIER CODE: V16632 SPECIFICATION NUMBER: 69-27191-411	002004 006010	1
780	417N2713-10	.	BRACKET-	002004 006010 121503 904949 952999	1
- 785	L8008K7		ATTACHING PARTS .BOLT SUPPLIER CODE: V06725 SPECIFICATION NUMBER: BACB30MY8K7	002004 006010 121503 904949 952999	2

MISSING ITEM NUMBERS NOT APPLICABLE

- ITEM NOT ILLUSTRATED

38-31-54-25

38-31-54
FIG. 25
PAGE 20
JAN 20/09

BRI



757

PARTS CATALOG (MAINTENANCE)

FIG ITEM	PART NUMBER	1 2 3 4 5 6 7	NOMENCLATURE	EFFECT FROM TO	UNITS PER ASSY
25 - 815	HL79-8		.COLLAR SUPPLIER CODE: V5M902 SPECIFICATION NUMBER: BACC30M8 OPTIONAL PART: HL79-8 V73197 HL79-8 V92215 66014-8 V56878 HL79-8 V56878 -----*-----	002004 006010 121503 904949 952999	2
820	417N2711-1		.BRACKET	002004 006017 107107 121503 904999	1
820	417N2711-3		.BRACKET	018100	1
825	417N2711-2		.BRACKET	002004 006017 107107 121503 904999	1
825	417N2711-4		.BRACKET ATTACHING PARTS	018100	1
- 830	L8005K2		.BOLT SUPPLIER CODE: V06725 SPECIFICATION NUMBER: BACB30MY5K2	002004 006100 107107 121503 904999	4
- 835	HL70-5		.COLLAR SUPPLIER CODE: V5M902 SPECIFICATION NUMBER: BACC30M5 OPTIONAL PART: HL70-5 V73197 HL70-5 V92215 66014-5 V56878 HL70-5 V56878 -----*-----	002004 006100 107107 121503 904999	4
875	NAS1801-3-12		.SCREW	950951	1

MISSING ITEM NUMBERS NOT APPLICABLE

- ITEM NOT ILLUSTRATED

38-31-54-25

38-31-54
FIG. 25
PAGE 21
JAN 20/09

BRI

BOEING PROPRIETARY - Copyright © - Unpublished Work - See title page for details.



757

PARTS CATALOG (MAINTENANCE)

FIG ITEM	PART NUMBER	1 2 3 4 5 6 7	NOMENCLATURE	EFFECT FROM TO	UNITS PER ASSY
25					
880	NAS1801-3-10	.	SCREW	950951	1
885	AN960KD10L	.	WASHER	950951	2
890	BACC10DK15	.	CLAMP	950951	2
895	12	.	CLAMP	950951	1
			SUPPLIER CODE: V7Z588		
			SPECIFICATION NUMBER: STBC10GG34-38		
			OPTIONAL PART: WWD34-38H V66295		
900	BOE2013-0428	.	HOSE-	950951	1
			SUPPLIER CODE: V16632		
			SPECIFICATION NUMBER: 69-27191-428		

MISSING ITEM NUMBERS NOT APPLICABLE

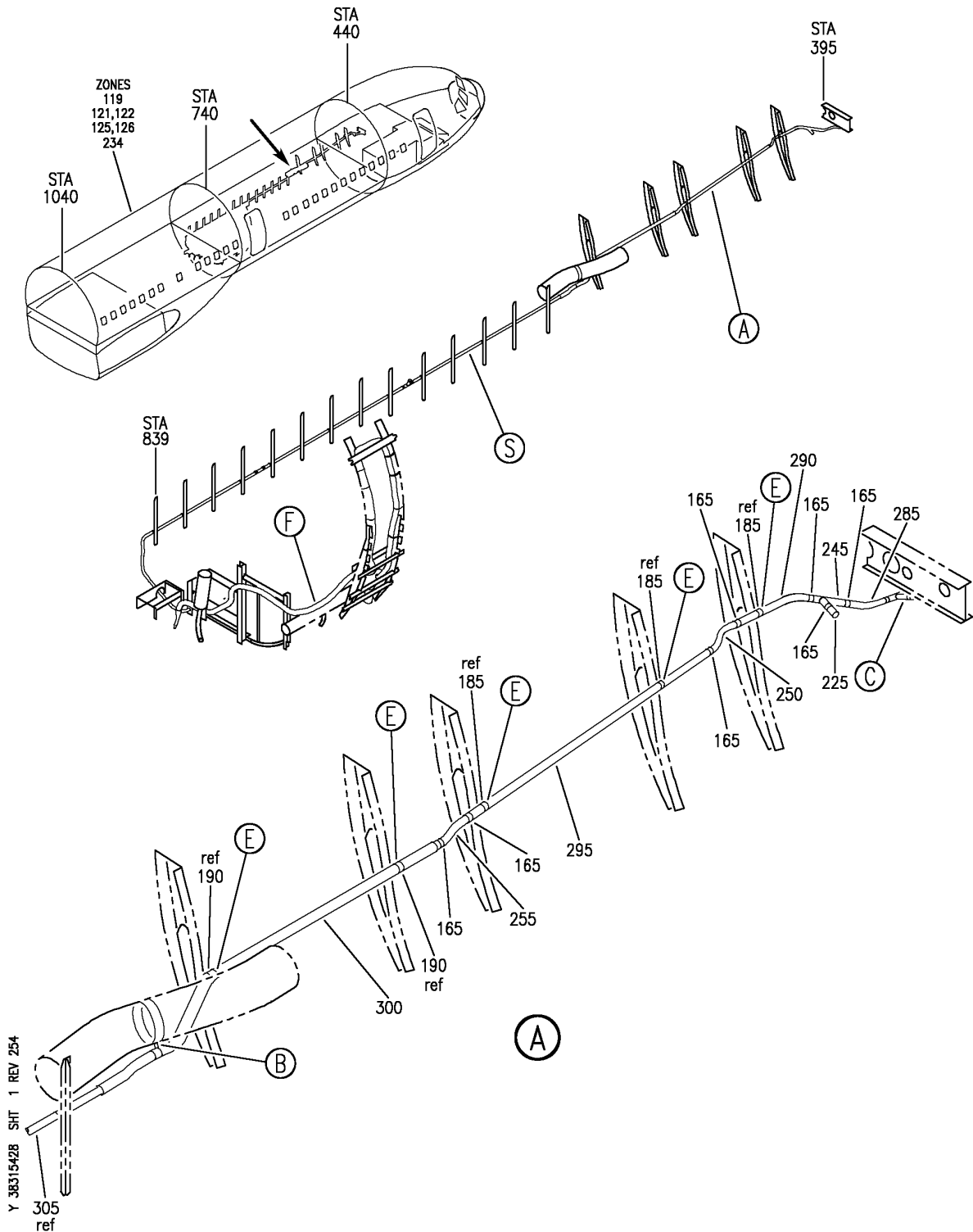
- ITEM NOT ILLUSTRATED

38-31-54-25

38-31-54
FIG. 25
PAGE 22
JAN 20/09

BRI

BOEING
757
PARTS CATALOG (MAINTENANCE)



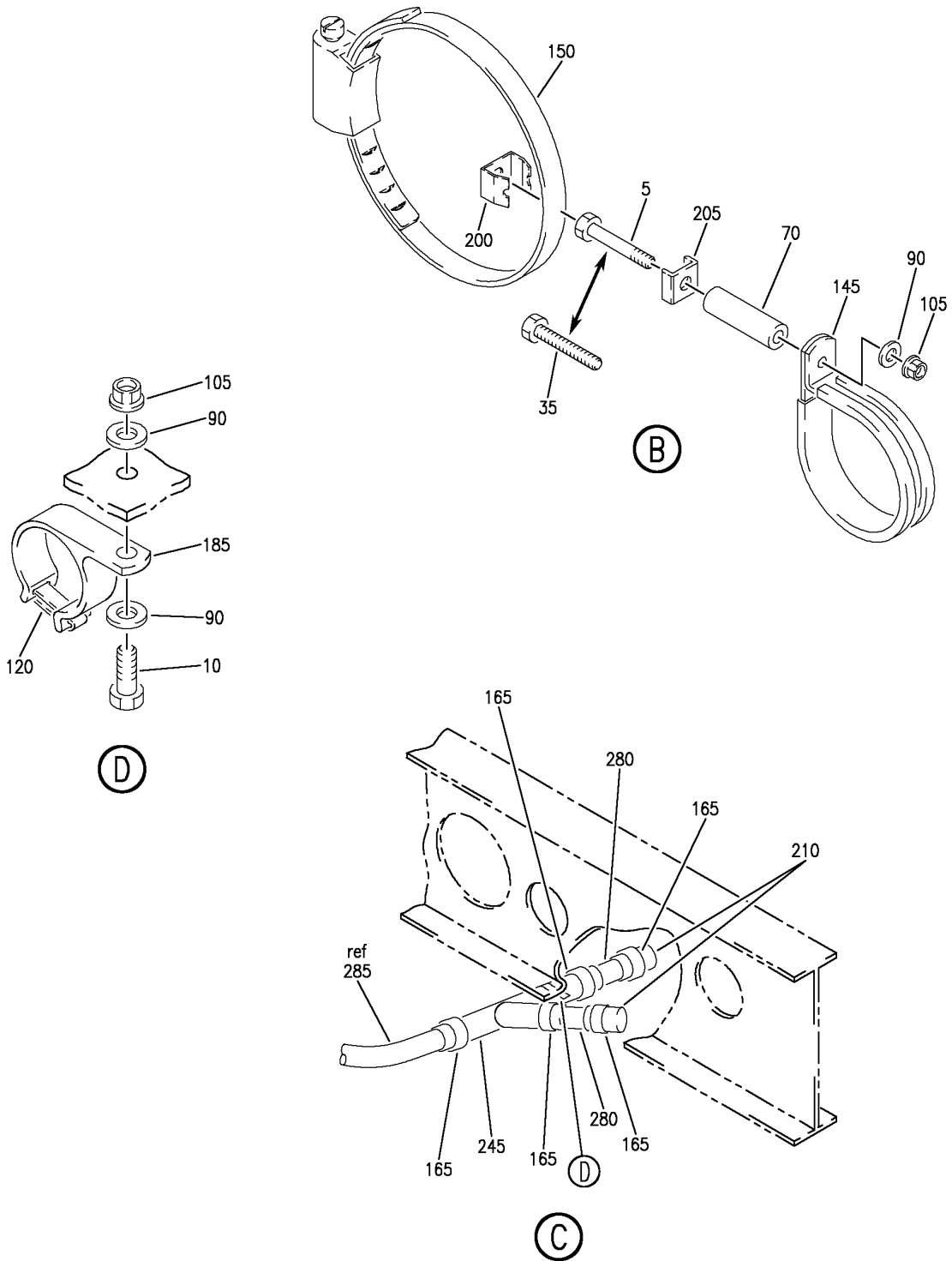
DRAIN INSTL-GRAY WATER FWD
FIGURE 28 (SHEET 1)

38-31-54-28

BRI
JAN 20/09

38-31-54-28
PAGE 0

BOEING
757
PARTS CATALOG (MAINTENANCE)



Y 38315428 SH1 2 REV 254

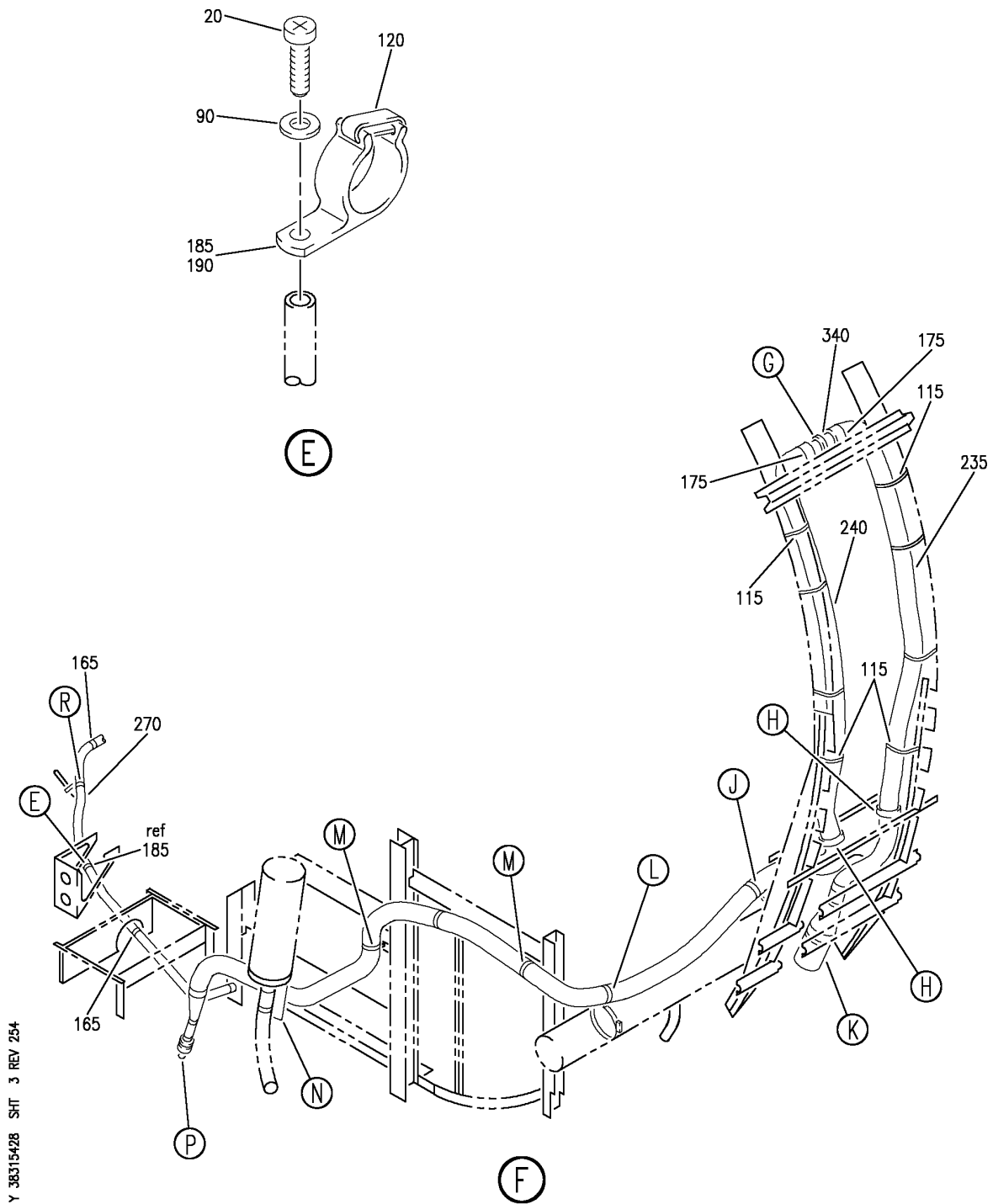
DRAIN INSTL-GRAY WATER FWD
FIGURE 28 (SHEET 2)

38-31-54-28

BRI
JAN 20/09

38-31-54-28
PAGE 0A

BOEING
757
PARTS CATALOG (MAINTENANCE)



Y 38315428 SH1 3 REV 254

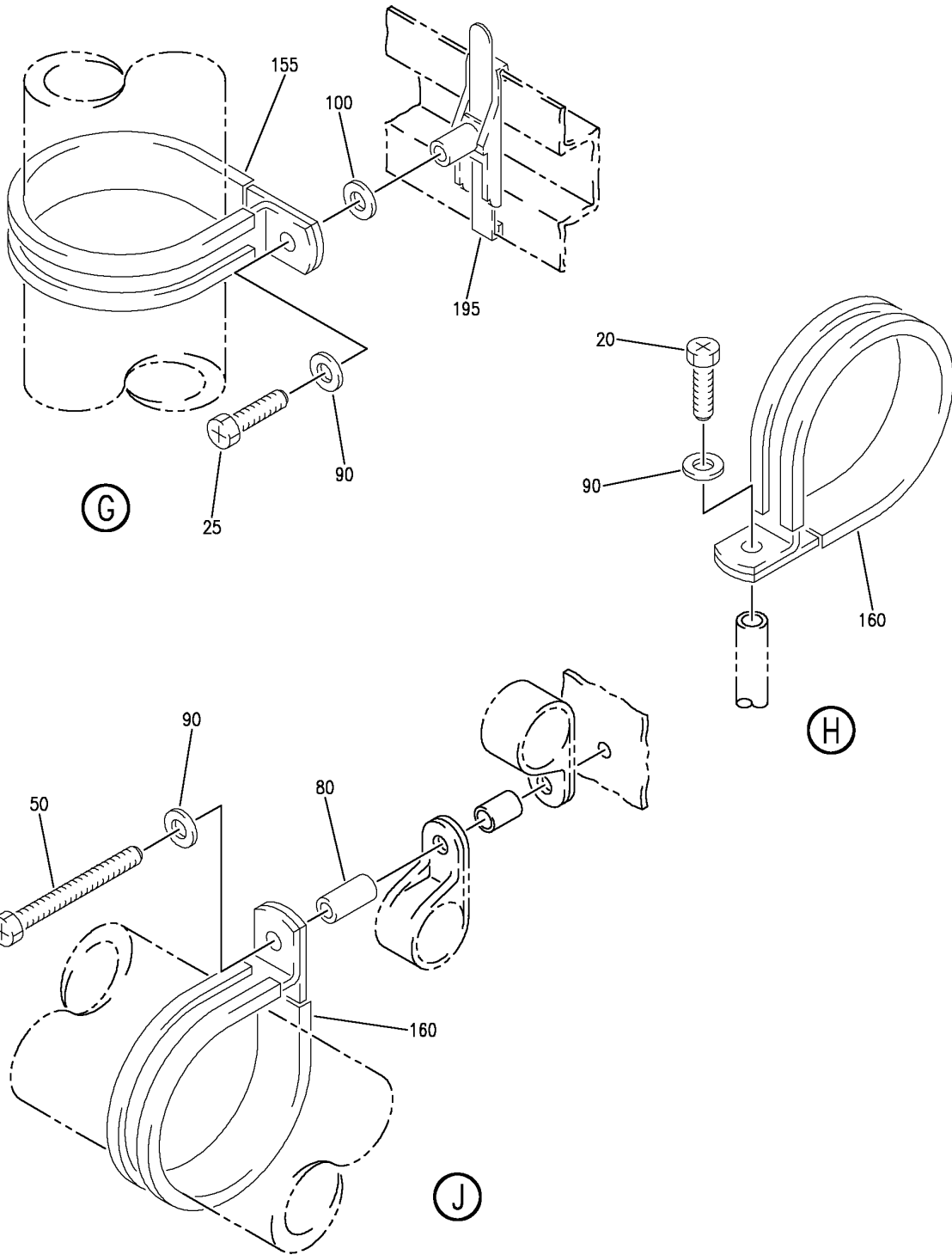
DRAIN INSTL-GRAY WATER FWD
FIGURE 28 (SHEET 3)

38-31-54-28

BRI
JAN 20/09

38-31-54-28
PAGE 0B

BOEING
757
PARTS CATALOG (MAINTENANCE)



Y 38315428 SH 4 REV 254

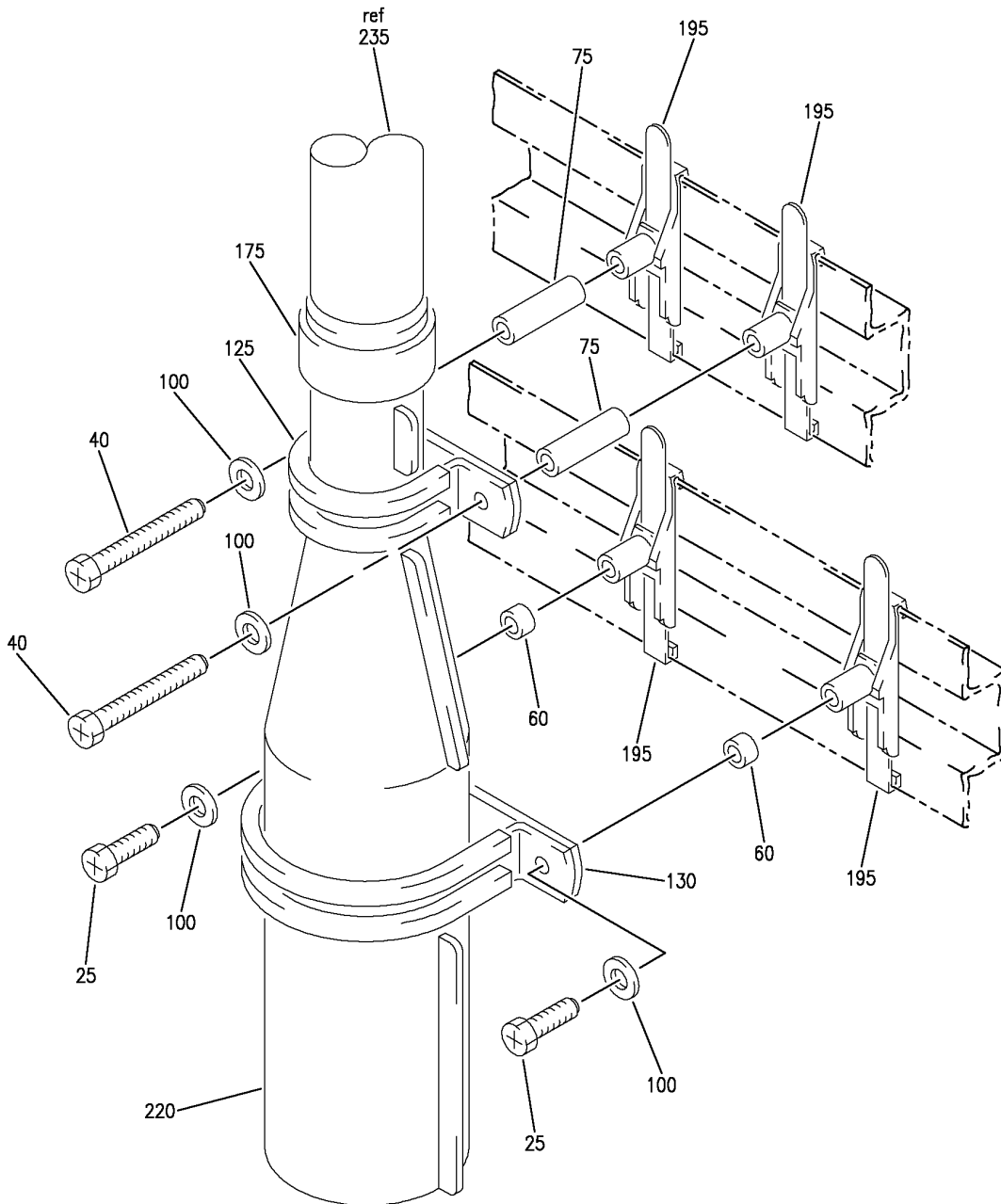
DRAIN INSTL-GRAY WATER FWD
FIGURE 28 (SHEET 4)

38-31-54-28

BRI
JAN 20/09

38-31-54-28
PAGE 0C

BOEING
757
PARTS CATALOG (MAINTENANCE)



(K)

Y 38315428 SH 5 REV 254

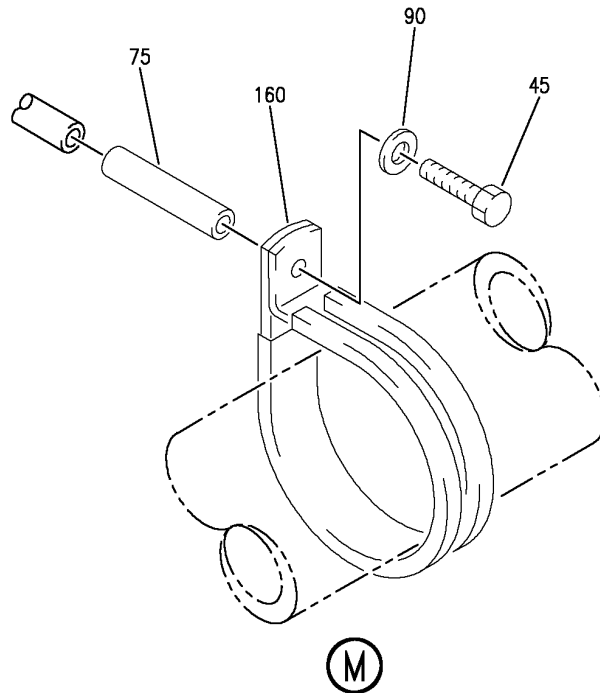
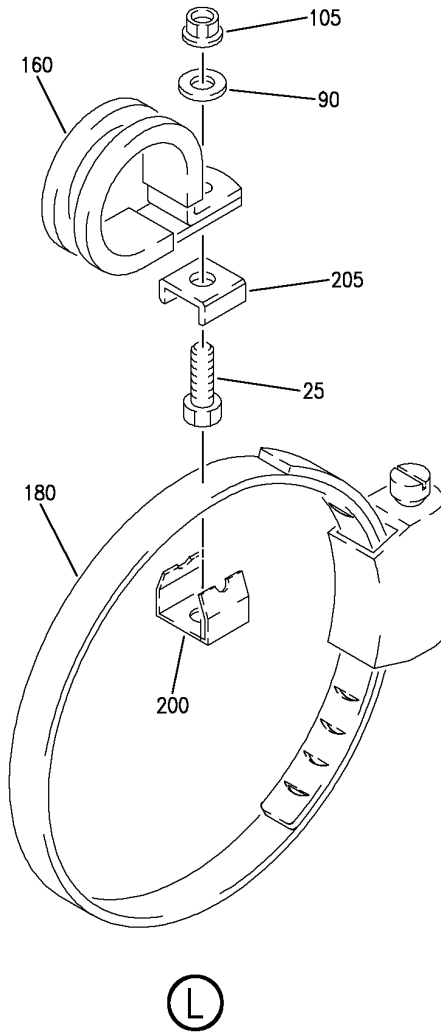
DRAIN INSTL-GRAY WATER FWD
FIGURE 28 (SHEET 5)

38-31-54-28

BRI
JAN 20/09

38-31-54-28
PAGE 0D

BOEING
757
PARTS CATALOG (MAINTENANCE)



Y 38315428 SH1 6 REV 254

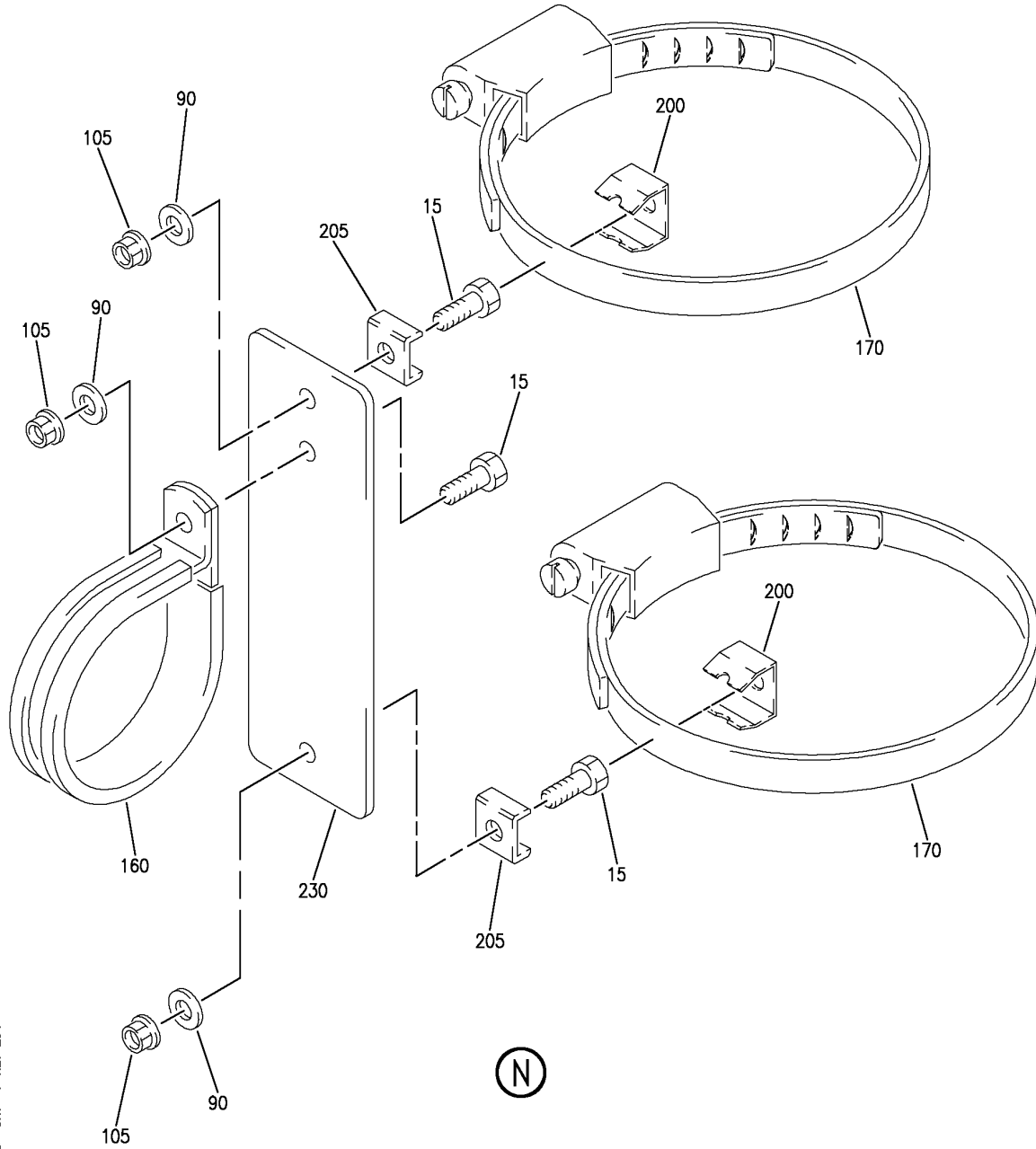
DRAIN INSTL-GRAY WATER FWD
FIGURE 28 (SHEET 6)

38-31-54-28

BRI
JAN 20/09

38-31-54-28
PAGE 0E

BOEING
757
PARTS CATALOG (MAINTENANCE)



Y 38315428 SH7 7 REV 254

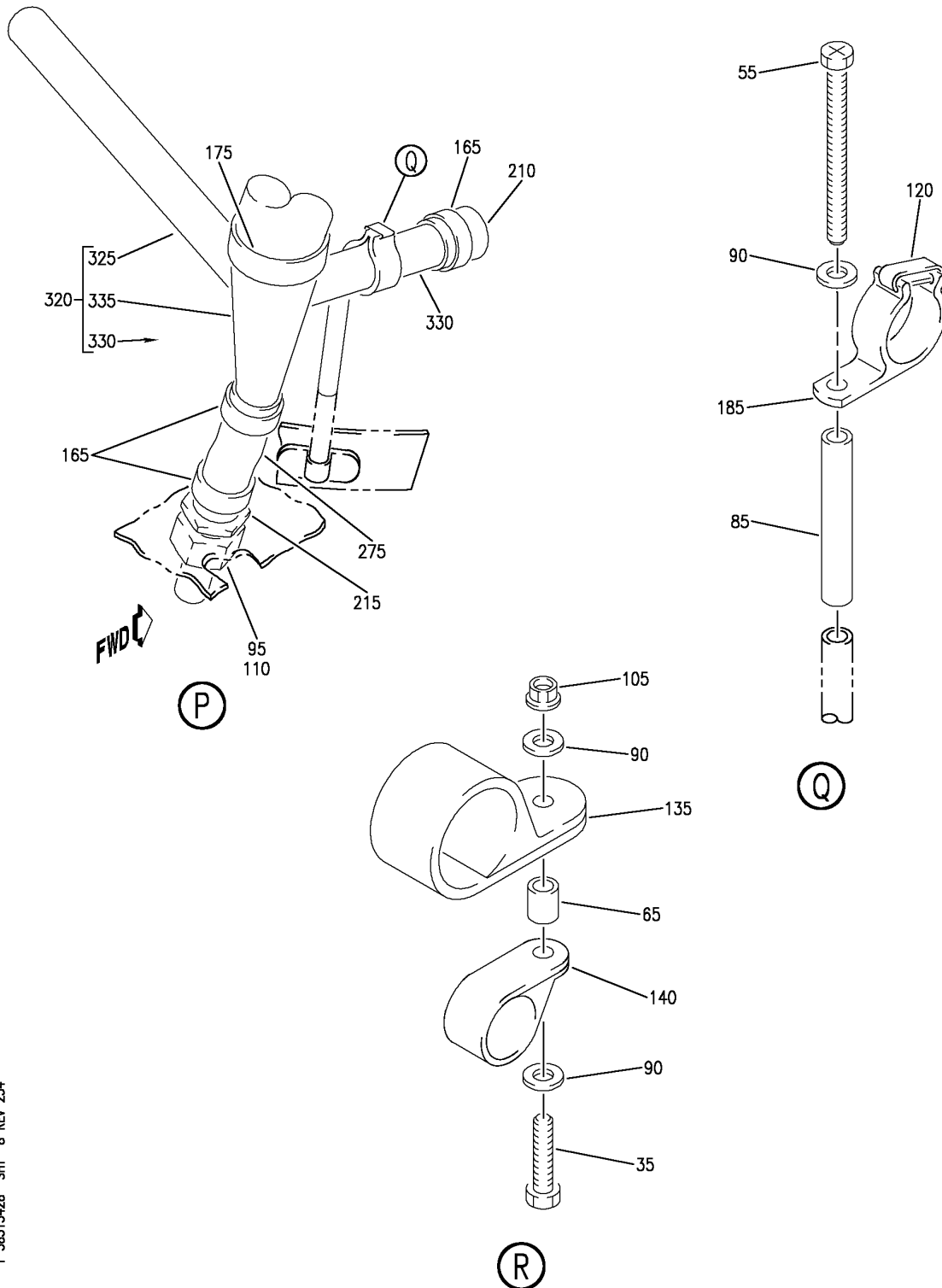
DRAIN INSTL-GRAY WATER FWD
FIGURE 28 (SHEET 7)

BRI
JAN 20/09

38-31-54-28

38-31-54-28
PAGE OF

BOEING
757
PARTS CATALOG (MAINTENANCE)



Y 38315428 SH1 & REV 254

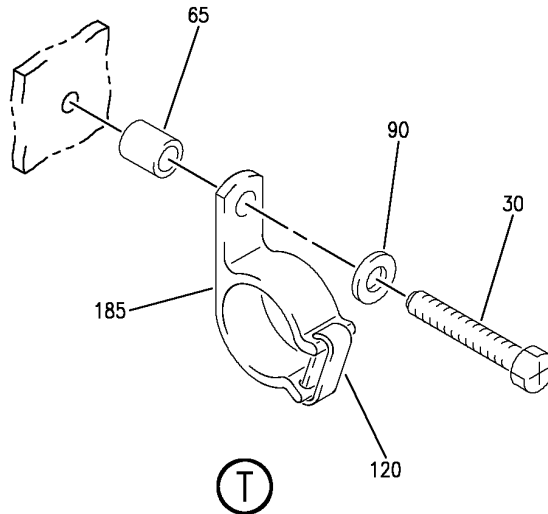
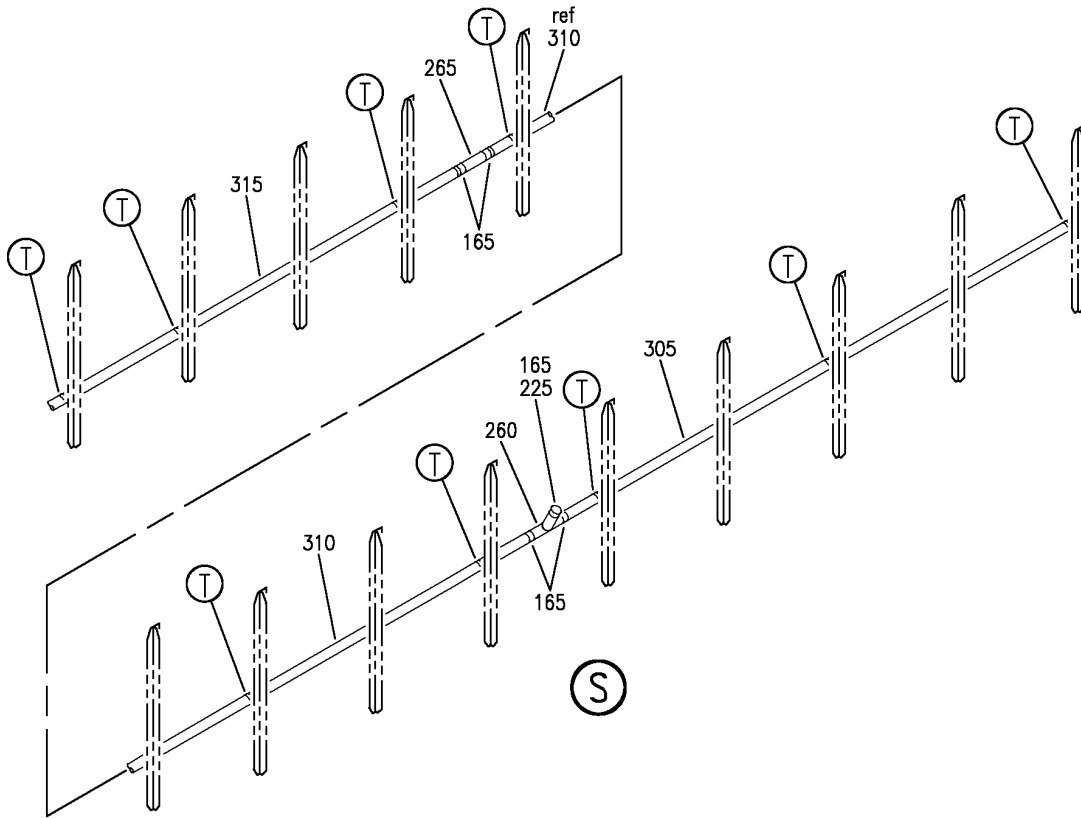
DRAIN INSTL-GRAY WATER FWD
FIGURE 28 (SHEET 8)

38-31-54-28

BRI
JAN 20/09

38-31-54-28
PAGE 06

BOEING
757
PARTS CATALOG (MAINTENANCE)



Y 38315428 SH 9 REV 254

DRAIN INSTL-GRAY WATER FWD
FIGURE 28 (SHEET 9)

38-31-54-28

BRI
JAN 20/09

38-31-54-28
PAGE 0H



757

PARTS CATALOG (MAINTENANCE)

FIG ITEM	PART NUMBER	1 2 3 4 5 6 7	NOMENCLATURE	EFFECT FROM TO	UNITS PER ASSY
28			DRAIN INSTL-GRAY WATER FWD	103106	
- 1	MODREF31703		DRAIN INSTL-GRAY WATER MODULE NUMBER: 417N2154-32 REV A POSITION DATA: FWD	103106	1
5	BACB30NE3-19		.BOLT	103106	1
10	BACB30NM3K5		.BOLT	103106	1
15	BACS12GU3K8		.SCREW	103106	3
20	BACS12GU3K9		.SCREW	103106	8
25	BACS12GU3K10		.SCREW	103106	4
30	BACS12GU3K14		.SCREW	103106	9
35	BACS12GU3K18		.SCREW	103106	2
40	BACS12GU3K22		.SCREW	103106	2
45	BACS12GU3K26		.SCREW	103106	3
50	BACS12GU3K40		.SCREW	103106	1
55	BACS12GU3K48		.SCREW	103106	1
60	NAS43DD3-12FC		.SPACER	103106	2
65	NAS43DD3-22FC		.SPACER	103106	10
70	NAS43DD3-39FC		.SPACER	103106	1
75	NAS43DD3-63FC		.SPACER	103106	5
80	NAS43DD3-72FC		.SPACER	103106	1
85	NAS43DD3-152FC		.SPACER	103106	1
90	NAS1149D0316J		.WASHER	103106	32
95	NAS1149D2032J		.WASHER	103106	1
100	BACW10DZ3		.WASHER	103106	5
105	PLH53CD		.NUT	103106	7
			SUPPLIER CODE: VF0224 SPECIFICATION NUMBER: BACN10YR3CD OPTIONAL PART: H52732-3CD V15653		
110	AS5178D16		.NUT- OPTIONAL PART: AN924-16D	103106	1
110	AN924-16D		.NUT- OPTIONAL PART: AS5178D16	103106	1
115	T012L0		.STRAP SUPPLIER CODE: V53421 SPECIFICATION NUMBER: BACS38K6	103106	8

MISSING ITEM NUMBERS NOT APPLICABLE

- ITEM NOT ILLUSTRATED

38-31-54-28

38-31-54
FIG. 28
PAGE 1
JAN 20/09

BRI



757

PARTS CATALOG (MAINTENANCE)

FIG ITEM	PART NUMBER	1 2 3 4 5 6 7	NOMENCLATURE	EFFECT FROM TO	UNITS PER ASSY
28 120	PLT1MXMR	.STRAP	SUPPLIER CODE: V06383 SPECIFICATION NUMBER: BACS38K9	103106	17
125	751-32-8	.CLAMP	SUPPLIER CODE: V83930 SPECIFICATION NUMBER: BACC10BA32 OPTIONAL PART: TA04C34D32 V84971	103106	1
130	751-60-10	.CLAMP	SUPPLIER CODE: V83930 SPECIFICATION NUMBER: BACC10BA60 OPTIONAL PART: TA04C34D60 V84971	103106	1
135	BACC10DK8A	.CLAMP		103106	1
140	BACC10DK19	.CLAMP		103106	1
145	S258DT24	.CLAMP	SUPPLIER CODE: V18076 SPECIFICATION NUMBER: BACC10DW24D OPTIONAL PART: TA4C44D24T V84971 475-24 V83930 8084D24T V72285 475A24 V83930	103106	1
150	3140AB070E	.CLAMP	SUPPLIER CODE: V94581 SPECIFICATION NUMBER: BACC10FY070SE OPTIONAL PART: BC1083-070SE V14242 NE103338-070 V8W928	103106	1

MISSING ITEM NUMBERS NOT APPLICABLE

- ITEM NOT ILLUSTRATED

38-31-54-28

38-31-54
FIG. 28
PAGE 2
JAN 20/09

BRI



757

PARTS CATALOG (MAINTENANCE)

FIG ITEM	PART NUMBER	1 2 3 4 5 6 7	NOMENCLATURE	EFFECT FROM TO	UNITS PER ASSY
28 155	JM44LC13WS32R	.CLAMP	SUPPLIER CODE: V22175 SPECIFICATION NUMBER: BACC10GE32 OPTIONAL PART: S369WH32 V18076 TA12C32WS32 V84971 509S32 V83930	103106	1
160	JM44LC13WS38R	.CLAMP	SUPPLIER CODE: V22175 SPECIFICATION NUMBER: BACC10GE38 OPTIONAL PART: S369WH38 V18076 TA12C32WS38 V84971 509S38 V83930	103106	8
165	BACC10JB030C038	.CLAMP		103106	22
170	BACC10JB054C068	.CLAMP		103106	2
175	BACC10JB062C080	.CLAMP		103106	4
180	BACC10JB142C176	.CLAMP		103106	1
185	NMC1005-5	.CLAMP-	SUPPLIER CODE: V03296	103106	15
190	NMC1005-6	.CLAMP-	SUPPLIER CODE: V03296	103106	2
195	BACS38P5	.SUPPORT		103106	5
200	BACC15AN10	.CLIP		103106	4
205	BACB19F10S	.BLOCK		103106	4
210	69B50212-1	.CAP		103106	3
215	66-17278-1	.CONNECTOR		103106	1
220	417N2416-1	.MUFFLER		103106	1
225	417A2431-2	.PLUG		103106	2
230	417N2315-316	.BRACKET		103106	1
235	AS1504-08B0780	.HOSE		103106	1
240	AS1504-08B2160	.HOSE		103106	1

MISSING ITEM NUMBERS NOT APPLICABLE

- ITEM NOT ILLUSTRATED

38-31-54-28

38-31-54
FIG. 28
PAGE 3
JAN 20/09

BRI



757

PARTS CATALOG (MAINTENANCE)

FIG ITEM	PART NUMBER	1 2 3 4 5 6 7	NOMENCLATURE	EFFECT FROM TO	UNITS PER ASSY
28 245	IT4353-425	.HOSE-	SUPPLIER CODE: V26831 SPECIFICATION NUMBER: 69-27191-425 OPTIONAL PART: BOE2013-0425 V16632 OPTIONAL PART: BOE2013-0425 V16632	103106	2
245	BOE2013-0425	.HOSE-	SUPPLIER CODE: V16632 SPECIFICATION NUMBER: 69-27191-425 OPTIONAL PART: IT4353-425 V26831 OPTIONAL PART: IT4353-425 V26831	103106	2
250	IT4350-322	.HOSE ASSY-	SUPPLIER CODE: V26831 SPECIFICATION NUMBER: 69-27191-322 OPTIONAL PART: BOE2013-0322 V16632 713488-322 V70628	103106	1
250	BOE2013-0322	.HOSE ASSY-	SUPPLIER CODE: V16632 SPECIFICATION NUMBER: 69-27191-322 OPTIONAL PART: IT4350-322 V26831 713488-322 V70628	103106	1

MISSING ITEM NUMBERS NOT APPLICABLE

- ITEM NOT ILLUSTRATED

38-31-54-28

38-31-54
FIG. 28
PAGE 4
JAN 20/09

BRI



757

PARTS CATALOG (MAINTENANCE)

FIG ITEM	PART NUMBER	1 2 3 4 5 6 7	NOMENCLATURE	EFFECT FROM TO	UNITS PER ASSY
28 250	713488-322		.HOSE ASSY- SUPPLIER CODE: V70628 SPECIFICATION NUMBER: 69-27191-322 OPTIONAL PART: IT4350-322 V26831 BOE2013-0322 V16632	103106	1
255	IT4350-317		.HOSE- SUPPLIER CODE: V26831 OPTIONAL PART: BOE2013-0317 V16632	103106	1
255	BOE2013-0317		.HOSE- SUPPLIER CODE: V16632 SPECIFICATION NUMBER: 69-27191-317 OPTIONAL PART: 713488-317 V70628 OPTIONAL PART: IT4350-317 V26831	103106	1
260	IT4353-619		.HOSE- SUPPLIER CODE: V26831 OPTIONAL PART: BOE2013-0619 V16632	103106	1
260	BOE2013-0619		.HOSE- SUPPLIER CODE: V16632 SPECIFICATION NUMBER: 69-27191-619 OPTIONAL PART: IT4353-619 V26831	103106	1

MISSING ITEM NUMBERS NOT APPLICABLE

- ITEM NOT ILLUSTRATED

38-31-54-28

38-31-54
FIG. 28
PAGE 5
JAN 20/09

BRI



757

PARTS CATALOG (MAINTENANCE)

FIG ITEM	PART NUMBER	1 2 3 4 5 6 7	NOMENCLATURE	EFFECT FROM TO	UNITS PER ASSY
28 265	IT4350-314		.HOSE ASSY- SUPPLIER CODE: V26831 SPECIFICATION NUMBER: 69-27191-314 OPTIONAL PART: BOE2013-0314 V16632 713488-314 V70628 OPTIONAL PART: BOE2013-0314 V16632	103106	1
265	BOE2013-0314		.HOSE ASSY- SUPPLIER CODE: V16632 SPECIFICATION NUMBER: 69-27191-314 OPTIONAL PART: IT4350-314 V26831 713488-314 V70628 OPTIONAL PART: IT4350-314 V26831	103106	1
265	713488-314		.HOSE- SUPPLIER CODE: V70628 SPECIFICATION NUMBER: 69-27191-314 OPTIONAL PART: BOE2013-0314 V16632 IT4350-314 V26831	103106	1
270	IT4350-318		.HOSE- SUPPLIER CODE: V26831 OPTIONAL PART: BOE2013-0318 V16632	103106	1

MISSING ITEM NUMBERS NOT APPLICABLE

- ITEM NOT ILLUSTRATED

38-31-54-28

38-31-54
FIG. 28
PAGE 6
JAN 20/09

BRI



757

PARTS CATALOG (MAINTENANCE)

FIG ITEM	PART NUMBER	1 2 3 4 5 6 7	NOMENCLATURE	EFFECT FROM TO	UNITS PER ASSY
28 270	BOE2013-0318	.HOSE-	SUPPLIER CODE: V16632 SPECIFICATION NUMBER: 69-27191-318 OPTIONAL PART: 713488-318 V70628 OPTIONAL PART: IT4350-318 V26831	103106	1
275	IT4350-328	.HOSE-	SUPPLIER CODE: V26831 SPECIFICATION NUMBER: 69-27191-328 OPTIONAL PART: BOE2013-0328 V16632 713488-328 V70628	103106	1
275	BOE2013-0328	.HOSE-	SUPPLIER CODE: V16632 SPECIFICATION NUMBER: 69-27191-328 OPTIONAL PART: IT4350-328 V26831 713488-328 V70628	103106	1
275	713488-328	.HOSE-	SUPPLIER CODE: V70628 SPECIFICATION NUMBER: 69-27191-328 OPTIONAL PART: BOE2013-0328 V16632 IT4350-328 V26831	103106	1
280	417A2403-65	.TUBE		103106	2
285	417N2143-7	.TUBE-	TUBING MATERIAL: GRAY WATER DRAIN, TI, 1.00 INCH O.D. X 10.47 INCHES, BENT	103106	1

MISSING ITEM NUMBERS NOT APPLICABLE

- ITEM NOT ILLUSTRATED

38-31-54-28

38-31-54
FIG. 28
PAGE 7
JAN 20/09

BRI



757

PARTS CATALOG (MAINTENANCE)

FIG ITEM	PART NUMBER	1 2 3 4 5 6 7	NOMENCLATURE	EFFECT FROM TO	UNITS PER ASSY
28 290	417N2143-6	.TUBE-	TUBING MATERIAL: GRAY WATER DRAIN, TI, 1.00 INCH O.D. X 16.93 INCHES, BENT	103106	1
295	417N2143-5	.TUBE-	TUBING MATERIAL: GRAY WATER DRAIN, TI, 1.00 INCH O.D. X 56.91 INCHES, STRAIGHT	103106	1
300	417N2104-21	.TUBE-	TUBING MATERIAL: STOCK 1.50 O.D. X 0.020 WALL. 6061-T4 TUBE PER WW-T-700/6.	103106	1
305	417N2143-4	.TUBE-	TUBING MATERIAL: GRAY WATER DRAIN, TI, 1.00 INCH O.D. X 95.88 INCHES, STRAIGHT	103106	1
310	417N2143-2	.TUBE-	TUBING MATERIAL: GRAY WATER DRAIN, TI, 1.00 INCH O.D. X 97.50 INCHES, STRAIGHT	103106	1
315	417N2143-38	.TUBE-	TUBING MATERIAL: 1.0 O.D X 0.02 WALL X 75.70. AMS 4943 TI-3AL- 2.5V ANNEALED TUBING	103106	1
320	417N2310-151	.TUBE ASSY		103106	1
325	417N2310-152	..TUBE-	TUBING MATERIAL: STOCK 0.028 WALL X 1.00 O.D X 17.0 CRES TUBE TYPE AISI 321/347 MIL- T-8808/ MIL-T-8808-858	103106	1
330	417N2310-153	..TUBE-	TUBING MATERIAL: STOCK 0.028 WALL X 1.00 O.D X 7.0 CRES TUBE TYPE AISI 321/347 MIL- T-8808/ MIL-T-8808-858	103106	1
335	417N2310-154	..ADAPTOR-	TUBING MATERIAL: STOCK 0.035 WALL X 2.00 O.D X 7.10 CRES TUBE TYPE AISI 321/347 MIL- T-8808/ MIL-T-8808-858	103106	1

MISSING ITEM NUMBERS NOT APPLICABLE

- ITEM NOT ILLUSTRATED

38-31-54-28

38-31-54
FIG. 28
PAGE 8
JAN 20/09

BRI



757

PARTS CATALOG (MAINTENANCE)

FIG ITEM	PART NUMBER	1 2 3 4 5 6 7	NOMENCLATURE	EFFECT FROM TO	UNITS PER ASSY
28 340	417N2310-170		.TUBE- TUBING MATERIAL: STOCK .028 WALL X 2.00 O.D X 5.00 CRES TUBE TYPE AISI 321/347. MIL-T-8808/ MIL-T-8808-858	103106	1

MISSING ITEM NUMBERS NOT APPLICABLE

- ITEM NOT ILLUSTRATED

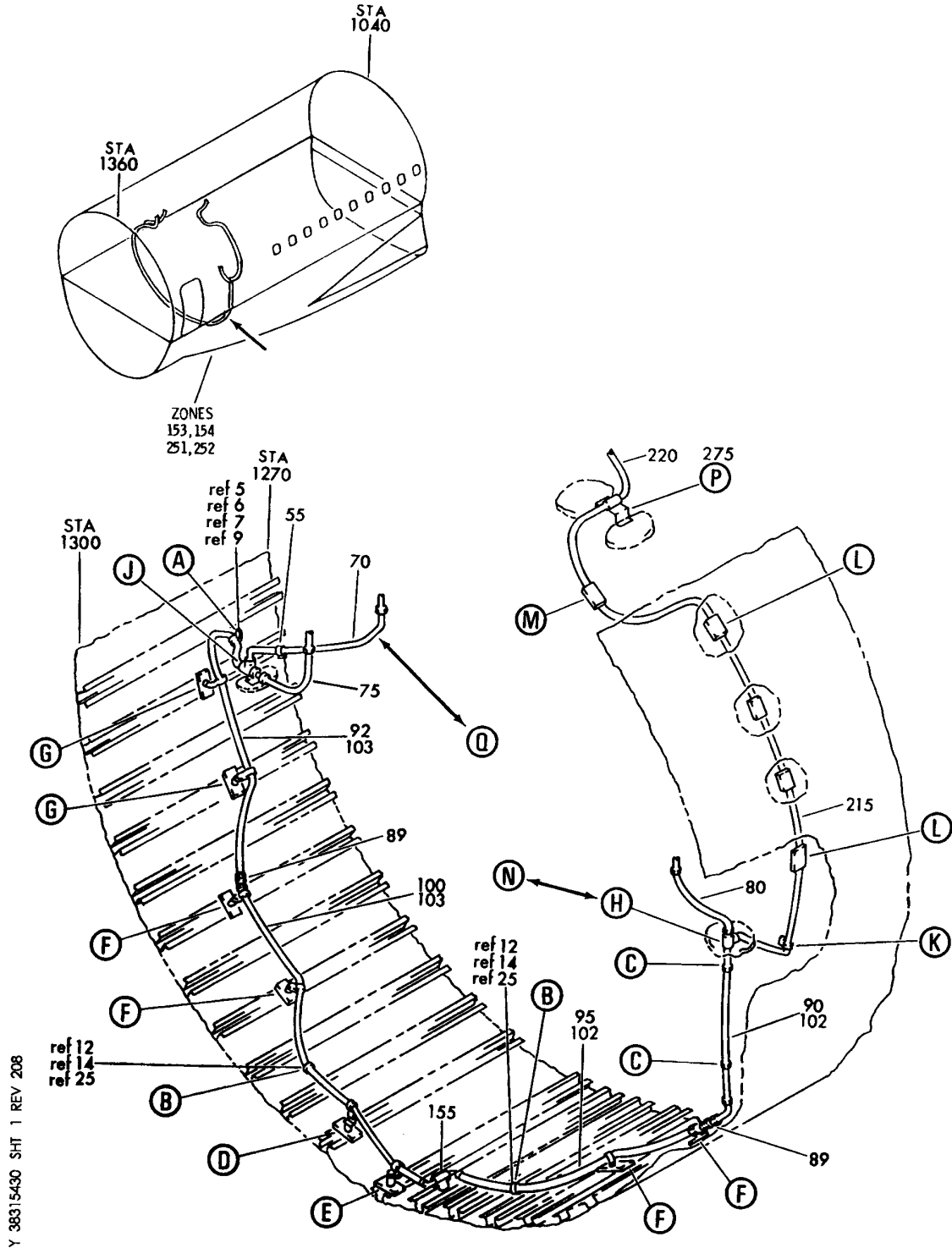
BRI

38-31-54-28

BOEING PROPRIETARY - Copyright © - Unpublished Work - See title page for details.

38-31-54
FIG. 28
PAGE 9
JAN 20/09

BOEING
757
PARTS CATALOG (MAINTENANCE)



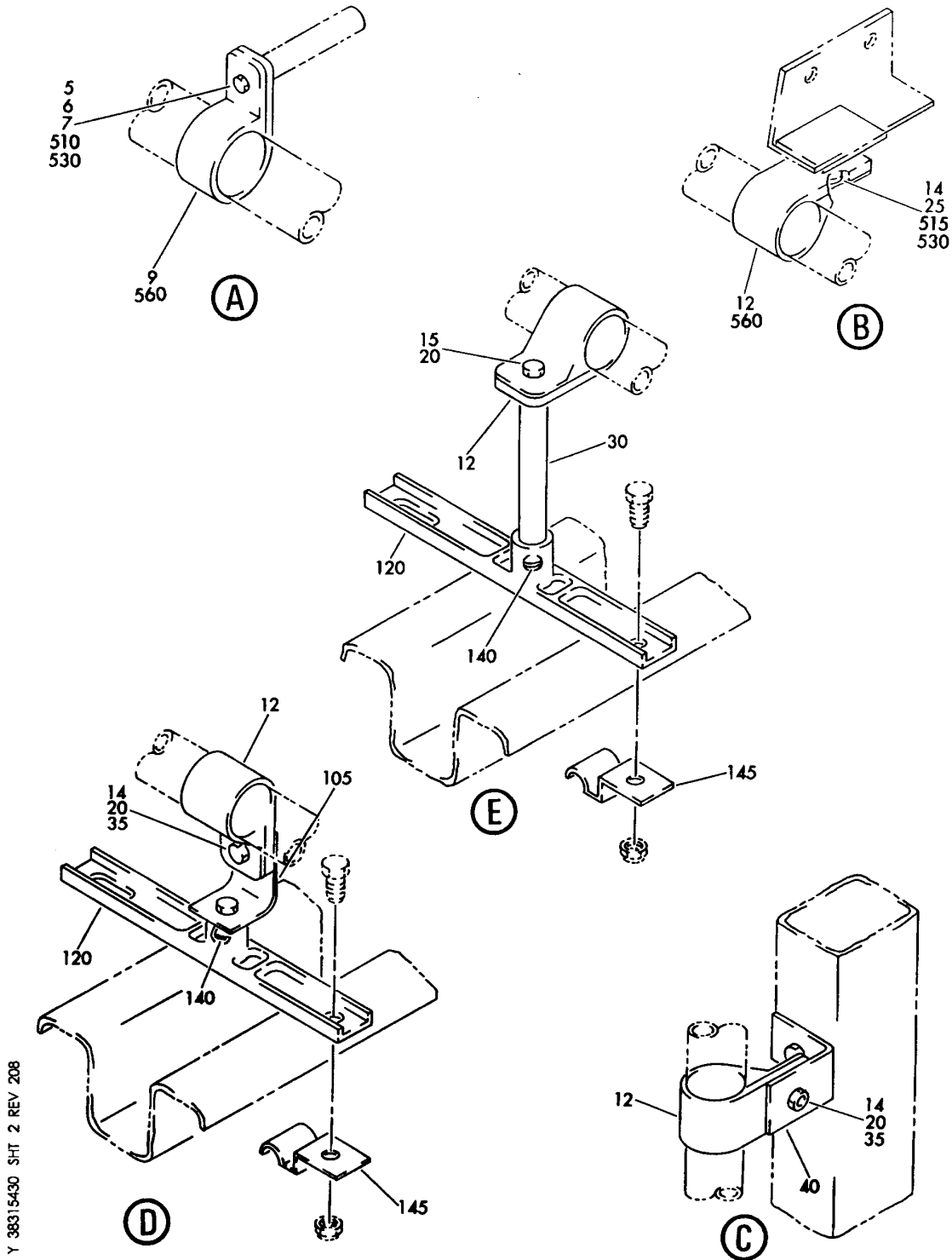
DRAIN INSTL-PASS. WATER SYS MID CAB. LAV AFT
FIGURE 30 (SHEET 1)

38-31-54-30

BRI
MAY 28/07

38-31-54-30
PAGE 0

BOEING
757
PARTS CATALOG (MAINTENANCE)



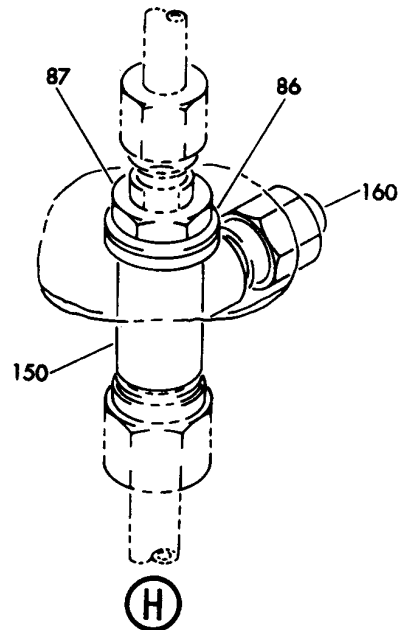
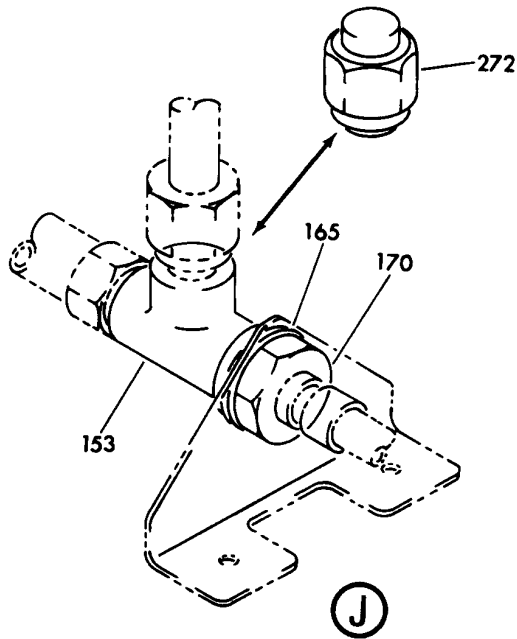
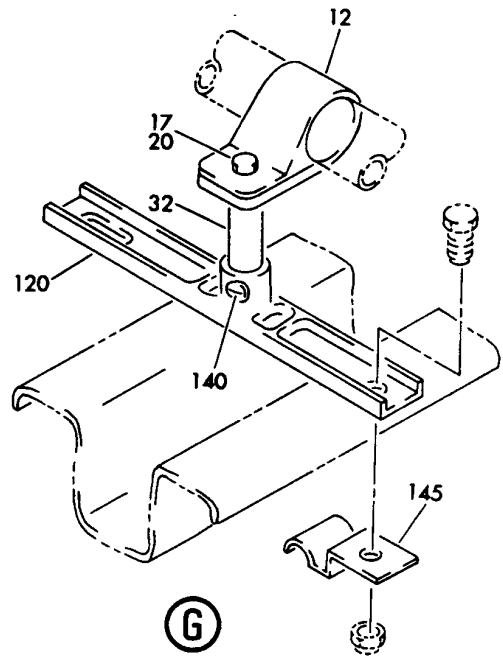
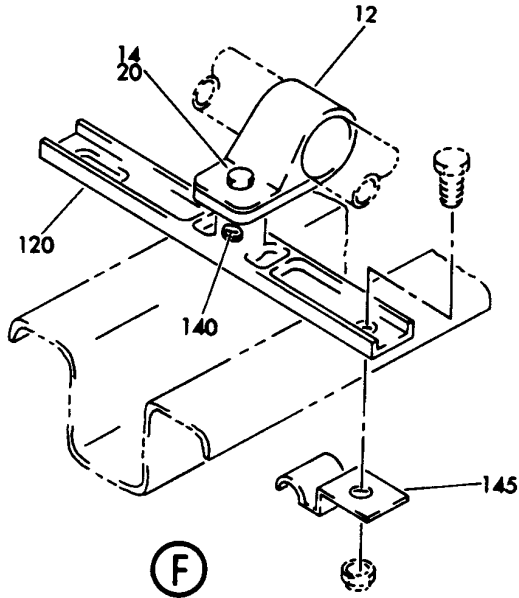
DRAIN INSTL-PASS. WATER SYS MID CAB. LAV AFT
FIGURE 30 (SHEET 2)

38-31-54-30

BRI
MAY 28/07

38-31-54-30
PAGE 0A

BOEING
757
PARTS CATALOG (MAINTENANCE)



Y 38315430 SHT 3 REV 208

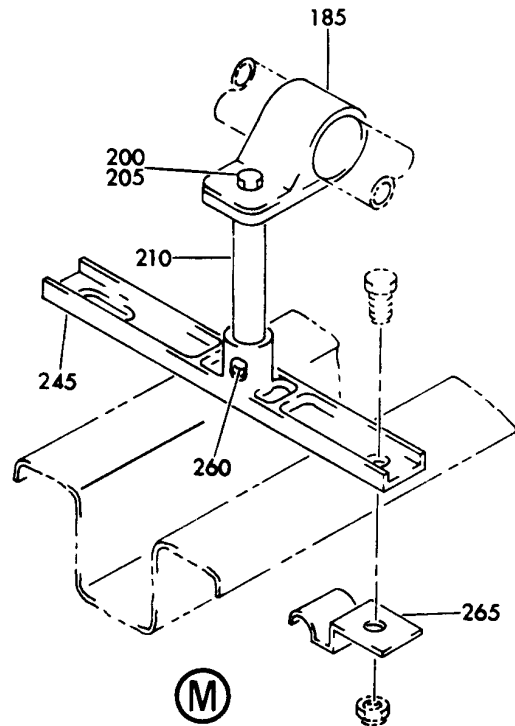
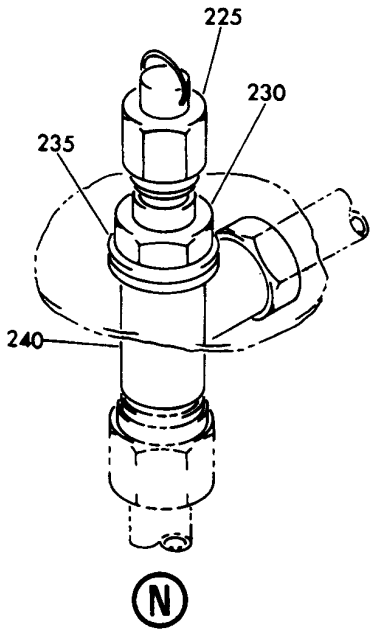
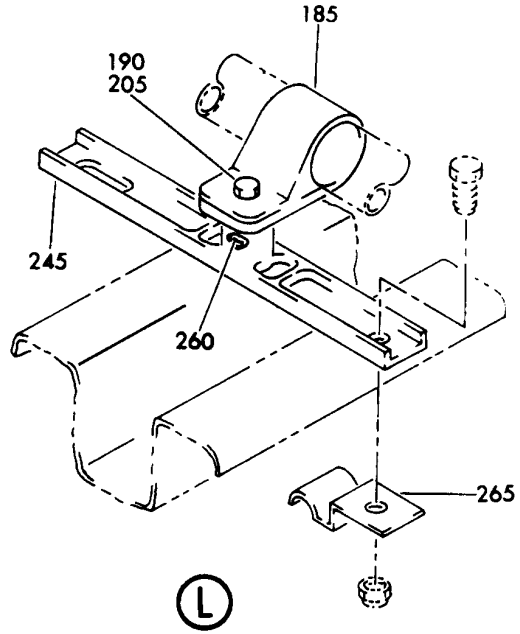
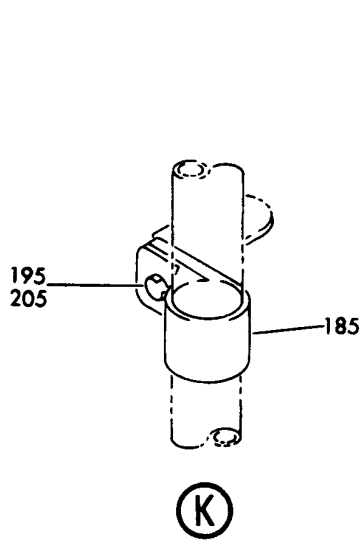
DRAIN INSTL-PASS. WATER SYS MID CAB. LAV AFT
FIGURE 30 (SHEET 3)

38-31-54-30

BRI
MAY 28/07

38-31-54-30
PAGE 0B

BOEING
757
PARTS CATALOG (MAINTENANCE)



Y 38315430 SHT 4 REV 208

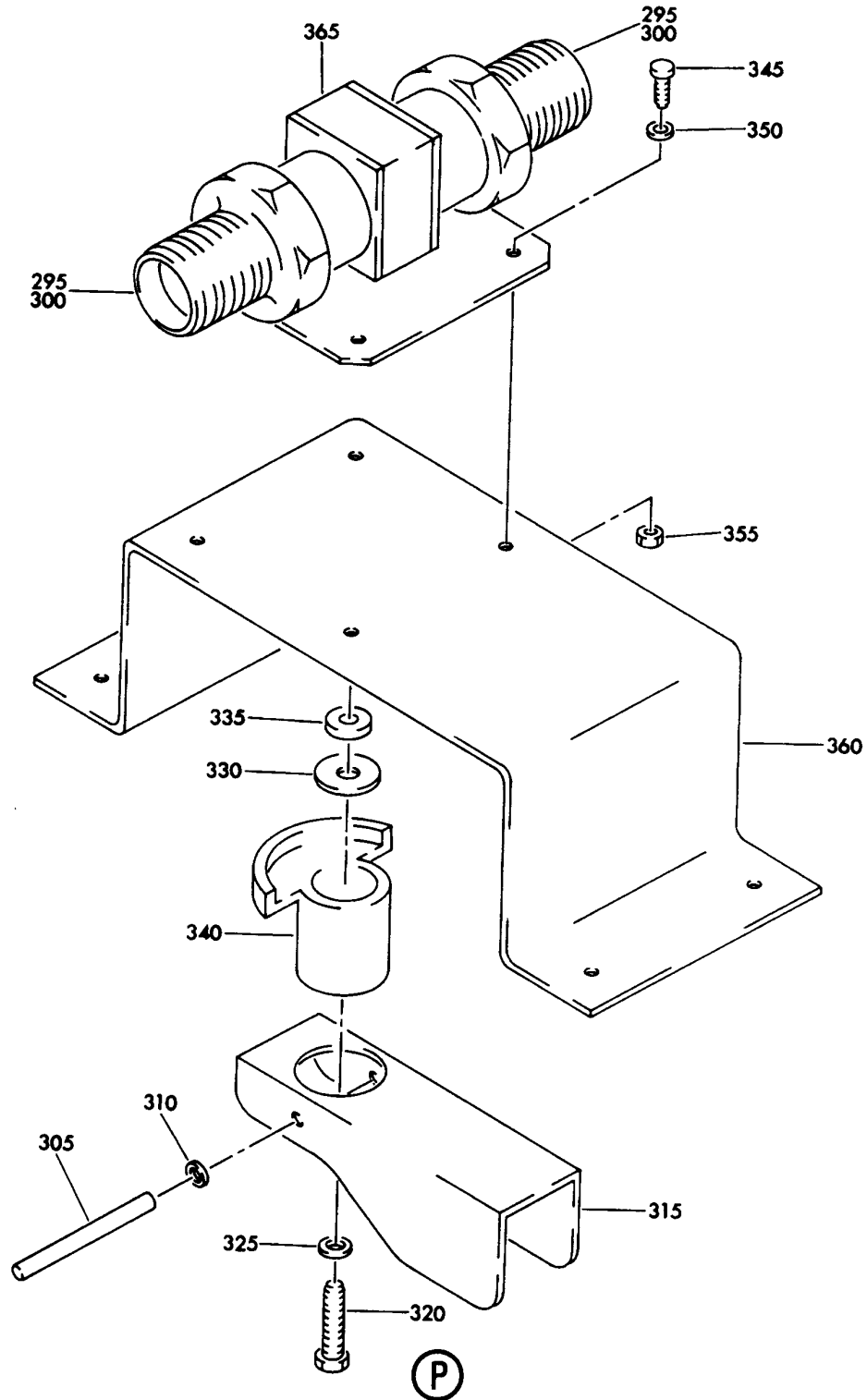
DRAIN INSTL-PASS. WATER SYS MID CAB. LAV AFT
FIGURE 30 (SHEET 4)

38-31-54-30

BRI
MAY 28/07

38-31-54-30
PAGE 0C

BOEING
757
PARTS CATALOG (MAINTENANCE)



Y 38315430 SHT 5 REV 208

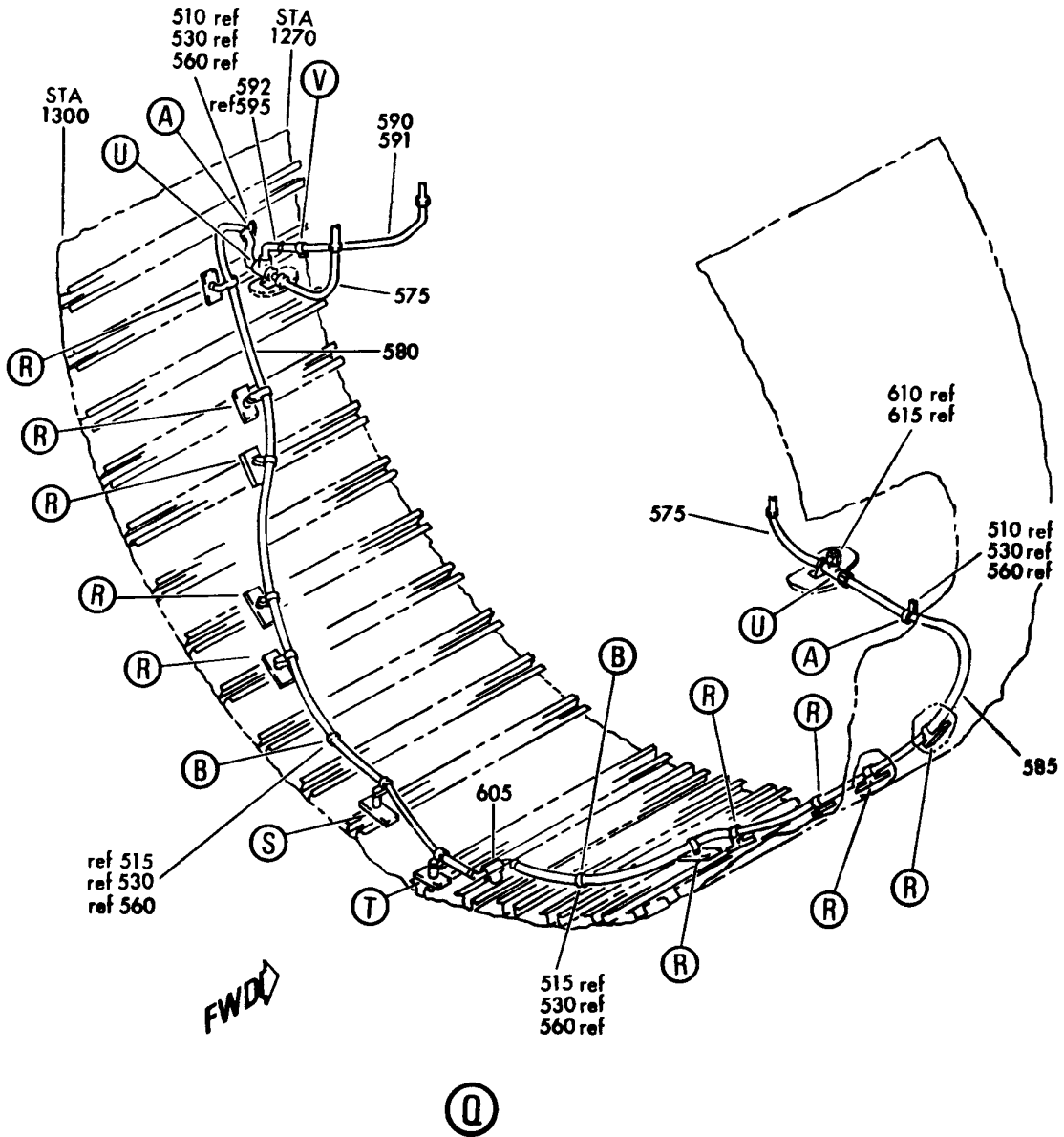
DRAIN INSTL-PASS. WATER SYS MID CAB. LAV AFT
FIGURE 30 (SHEET 5)

38-31-54-30

BRI
MAY 28/07

38-31-54-30
PAGE 0D

BOEING
757
PARTS CATALOG (MAINTENANCE)



Y 38315430 SHT 6 REV 208

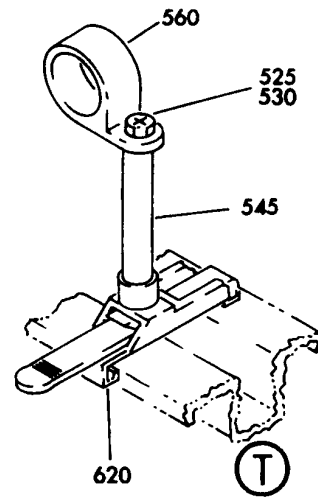
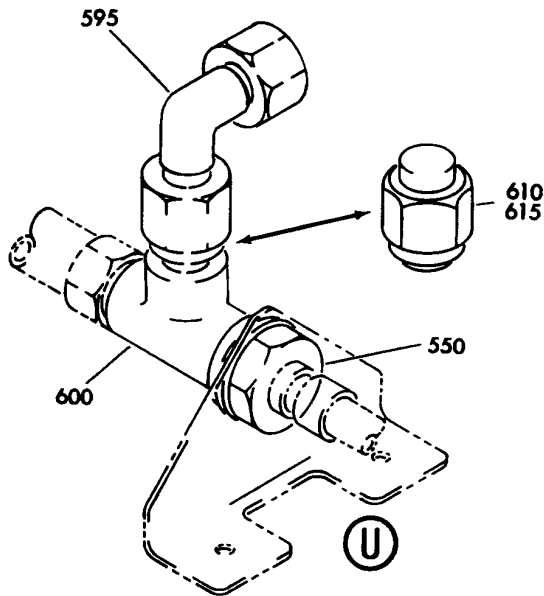
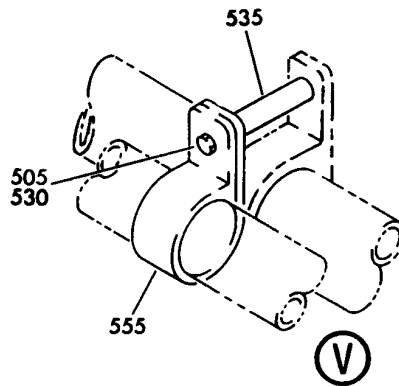
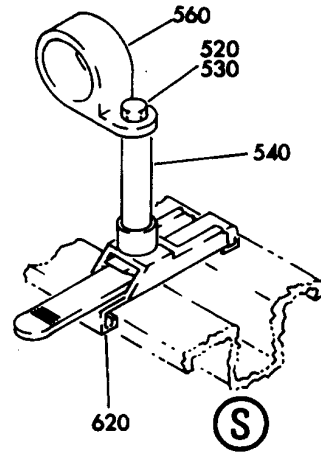
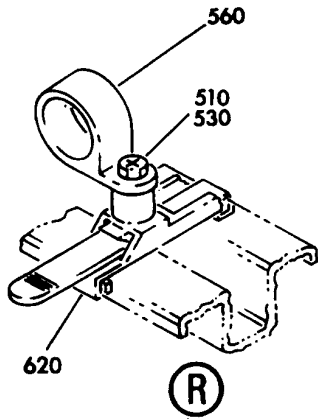
DRAIN INSTL-PASS. WATER SYS MID CAB. LAV AFT
FIGURE 30 (SHEET 6)

38-31-54-30

BRI
MAY 28/07

38-31-54-30
PAGE 0E

BOEING
757
PARTS CATALOG (MAINTENANCE)



Y 38815430 SHT 7 REV 208

DRAIN INSTL-PASS. WATER SYS MID CAB. LAV AFT
FIGURE 30 (SHEET 7)

38-31-54-30

BRI
MAY 28/07

38-31-54-30
PAGE OF



757

PARTS CATALOG (MAINTENANCE)

FIG ITEM	PART NUMBER	1 2 3 4 5 6 7	NOMENCLATURE	EFFECT FROM TO	UNITS PER ASSY
30			DRAIN INSTL-PASS. WATER SYS MID CAB. LAV AFT	002004 006100 107107 121503 904999 107107	
- 1	417N2305-1		DRAIN INSTL-PASS. WATER SYS MID CAB. LAV POSITION DATA: AFT VARIABLE DRAWING REF: 417N2305-6 FOR NHA SEE: 25-20-00-01E 25-20-00-03A		RF
- 1	417N2305-7		DRAIN INSTL-PASS. WATER SYS MID CAB. LAV POSITION DATA: AFT VARIABLE DRAWING REF: 417N2305-6 FOR NHA SEE: 25-20-00-01A 25-20-00-01E 25-20-00-03A	002004 121503 904949 952952	RF
5	NAS1801-3-10		.SCREW	002004 107107 121503 904949 952952	1
6	AN960PD10L		.WASHER	002004 107107 121503 904949 952952	1

MISSING ITEM NUMBERS NOT APPLICABLE

- ITEM NOT ILLUSTRATED

38-31-54-30

38-31-54
FIG. 30
PAGE 1
JAN 20/09

BRI



757

PARTS CATALOG (MAINTENANCE)

FIG ITEM	PART NUMBER	1 2 3 4 5 6 7	NOMENCLATURE	EFFECT FROM TO	UNITS PER ASSY				
30	7 BRH10A3	.NUT	SUPPLIER CODE: V52828 SPECIFICATION NUMBER: BACN10JC3 OPTIONAL PART: H10-3BAC V15653 NS202101-02 V80539 RMLH9075-3W V72962 VN303A02 V92215 96-02 V80539 T6S1032J V11815	002004 107107 121503 904949 952952	1				
						9 BACC10DK10	.CLAMP	002004 107107 121503 904949 952952	1
						14 NAS1801-3-8	ATTACHING PARTS .SCREW	002004 107107 121503 904949 952952	9
						17 NAS1801-3-16	.SCREW	002004 107107 121503 904949 952952	2

MISSING ITEM NUMBERS NOT APPLICABLE

- ITEM NOT ILLUSTRATED

BRI

38-31-54-30

38-31-54
 FIG. 30
 PAGE 2
 JAN 20/09



757

PARTS CATALOG (MAINTENANCE)

FIG ITEM	PART NUMBER	1 2 3 4 5 6 7	NOMENCLATURE	EFFECT FROM TO	UNITS PER ASSY
30					
25	AN960PD10	.	WASHER	002004 107107 121503 904949 952952	2
30	NAS43DD3-128	.	SPACER	002004 107107 121503 904949 952952	1
32	NAS43DD3-32	.	SPACER	002004 107107 121503 904949 952952	2
35	BRH10A3	.	NUT SUPPLIER CODE: V52828 SPECIFICATION NUMBER: BACN10JC3 OPTIONAL PART: H10-3BAC V15653 NS202101-02 V80539 RMLH9075-3W V72962 VN303A02 V92215 96-02 V80539 T6S1032J V11815 -----*-----	002004 107107 121503 904949 952952	3
40	417N2321-1	.	BRACKET	002004 107107 121503 904949 952952	2
- 45	NAS1801-3-8	.	ATTACHING PARTS SCREW	002004 107107 121503 904949 952952	2

MISSING ITEM NUMBERS NOT APPLICABLE

- ITEM NOT ILLUSTRATED

38-31-54-30

38-31-54
FIG. 30
PAGE 3
JAN 20/09

BRI



757

PARTS CATALOG (MAINTENANCE)

FIG ITEM	PART NUMBER	1 2 3 4 5 6 7	NOMENCLATURE	EFFECT FROM TO	UNITS PER ASSY
30					
- 50	AN960PD10L	.	WASHER	002004 107107 121503 904949 952952	2
		-----*			
55	BACC10DK8A	.	CLAMP	002004 006100	1
			ATTACHING PARTS		
- 60	NAS1801-3-20	.	SCREW	002004 006100	1
- 65	NAS43DD3-26	.	SPACER	002004 006100	1
		-----*			
70	417N2305-8	.	TUBE-	002004 006100	1
75	78001-449	.	HOSE ASSY- SUPPLIER CODE: V24984 SPECIFICATION NUMBER: 10-61998-449 OPTIONAL PART: R29280-6-0136 V50599 AE706493-449 V00624 A1650-449 V03925	003004 107107 121503 904949 952952	1
80	78001-416	.	HOSE ASSY- SUPPLIER CODE: V24984 SPECIFICATION NUMBER: 10-61998-416 OPTIONAL PART: AE706493-416 V00624 A1650-416 V03925 R29284-6-0136-180 V50599	003004 107107 121503 904949 952952	1
86	AN960PD916	.	WASHER	002004 107107 121503 904949 952952	1

MISSING ITEM NUMBERS NOT APPLICABLE

- ITEM NOT ILLUSTRATED

38-31-54-30

38-31-54
FIG. 30
PAGE 4
JAN 20/09

BRI



757

PARTS CATALOG (MAINTENANCE)

FIG ITEM	PART NUMBER	1 2 3 4 5 6 7	NOMENCLATURE	EFFECT FROM TO	UNITS PER ASSY
30					
87	AN924-6D	.	NUT	002004 107107 121503 904949 952952	1
89	MS21902J8	.	UNION	002004 107107 121503 904949 952952	2
90	A1650-418	.	HOSE ASSY- SUPPLIER CODE: V98441 SPECIFICATION NUMBER: 10-61998-418 OPTIONAL PART: 78001-418 V24984 AE706493-418 V00624 R29281-8-0360 V50599	107107	1
92	R29281-8-0550	.	HOSE ASSY- SUPPLIER CODE: V50599 SPECIFICATION NUMBER: 10-61998-156 OPTIONAL PART: AE706493-156 V00624 A1650-156 V03925 78001-156 V24984	107107	1
95	78001-432	.	HOSE ASSY- SUPPLIER CODE: V24984 SPECIFICATION NUMBER: 10-61998-432 OPTIONAL PART: AE706493-432 V00624 A1650-432 V03925 R29282-8-0480 V50599	107107	1

MISSING ITEM NUMBERS NOT APPLICABLE

- ITEM NOT ILLUSTRATED

38-31-54-30

38-31-54
FIG. 30
PAGE 5
JAN 20/09

BRI



757

PARTS CATALOG (MAINTENANCE)

FIG ITEM	PART NUMBER	1 2 3 4 5 6 7	NOMENCLATURE	EFFECT FROM TO	UNITS PER ASSY
30 95	78001-454		.HOSE ASSY- SUPPLIER CODE: V24984 SPECIFICATION NUMBER: 10-61998-454 OPTIONAL PART: R29289-8-0491 V50599 A1650-454 V03925	107107	1
100	78001-433		.HOSE ASSY- SUPPLIER CODE: V24984 SPECIFICATION NUMBER: 10-61998-433 OPTIONAL PART: AE706493-433 V00624 A1650-433 V03925 R29282-8-0700 V50599	107107	1
100	78001-455		.HOSE ASSY- SUPPLIER CODE: V24984 SPECIFICATION NUMBER: 10-61998-455 OPTIONAL PART: R29289-8-0711 V50599 A1650-455 V03925	107107	1
102	78001-214		.HOSE ASSY- SUPPLIER CODE: V24984 SPECIFICATION NUMBER: 10-61998-214 OPTIONAL PART: R29282-8-0860 V50599 AE706493-214 V00624	002004 121503 904949 952952	2
103	78001-593		.HOSE ASSY- SUPPLIER CODE: V24984 SPECIFICATION NUMBER: 10-61998-593	002004 121503 904949 952952	2

MISSING ITEM NUMBERS NOT APPLICABLE

- ITEM NOT ILLUSTRATED

38-31-54-30

38-31-54
FIG. 30
PAGE 6
JAN 20/09

BRI



757

PARTS CATALOG (MAINTENANCE)

FIG ITEM	PART NUMBER	1 2 3 4 5 6 7	NOMENCLATURE	EFFECT FROM TO	UNITS PER ASSY
30					
105	BACB20E6A12H	.	BRACKET	002004 107107 121503 904949 952952	1
- 110	NAS1801-3-8	.	ATTACHING PARTS SCREW	002004 107107 121503 904949 952952	1
- 115	AN960PD10L	.	WASHER	002004 107107 121503 904949 952952	1
120	417N2111-1	-----*	SUPPORT ASSY-STGR ATTACHMENT	002004 107107 121503 904949 952952	8
- 125	BACS12CK3-6	.	ATTACHING PARTS SCREW	002004 107107 121503 904949 952952	16
- 130	AN960PD10L	.	WASHER	002004 107107 121503 904949 952952	16
135	NAS1395C3L	-----*	.. INSERT	002004 107107 121503 904949 952952	1
140	NA2030-02L	..	INSERT- SUPPLIER CODE: V32387	002004 107107 121503 904949 952952	1
145	69-50697-1	.	CLIP ASSY-STGR	002004 107107 121503 904949 952952	16

MISSING ITEM NUMBERS NOT APPLICABLE

- ITEM NOT ILLUSTRATED

38-31-54-30

38-31-54
FIG. 30
PAGE 7
JAN 20/09

BRI



757

PARTS CATALOG (MAINTENANCE)

FIG ITEM	PART NUMBER	1 2 3 4 5 6 7	NOMENCLATURE	EFFECT FROM TO	UNITS PER ASSY
30 150	APX804J060806	. TEE	SUPPLIER CODE: V01673 SPECIFICATION NUMBER: BACT16AX060806J OPTIONAL PART: APX804-060806J V01673 DBOT16AX060806J V14798 ER804-060806J V50948 FER1551-060806J V14397 NAF1844-060806J V52930 US1929-060806J V50808 ER804-060806J V88334 LER804A060806J V11328 AFP329-060806J V30974	002004 107107 121503 904949 952952	1
153	APX804J060806	. TEE	SUPPLIER CODE: V01673 SPECIFICATION NUMBER: BACT16AX060806J OPTIONAL PART: APX804-060806J V01673 DBOT16AX060806J V14798 ER804-060806J V50948 FER1551-060806J V14397 NAF1844-060806J V52930 US1929-060806J V50808 ER804-060806J V88334 LER804A060806J V11328 AFP329-060806J V30974	003004 107107 121503 904949 952952	1

MISSING ITEM NUMBERS NOT APPLICABLE

- ITEM NOT ILLUSTRATED

38-31-54-30

38-31-54
FIG. 30
PAGE 8
JAN 20/09

BRI



757

PARTS CATALOG (MAINTENANCE)

FIG ITEM	PART NUMBER	1 2 3 4 5 6 7	NOMENCLATURE	EFFECT FROM TO	UNITS PER ASSY
30 155	NAS1764J080808	.	TEE	002004 107107 121503 904949 952952	1
160	AP1008-06JL	.	CAP ASSY SUPPLIER CODE: V01673 SPECIFICATION NUMBER: BACC14AD06JL OPTIONAL PART: DBOC14AD6JL V14798 FER22661-06JL V14397 2-02813-04JL V11328 4690009-06JL V50948 AFP241-06JL V30974 US2103-06JL V50808	002004 107107 121503 904949 952952	1
165	AN924-6D	.	NUT	002004 107107 121503 904949 952952	2
170	AN960PD916	.	WASHER	002004 107107 121503 904949 952952	2

MISSING ITEM NUMBERS NOT APPLICABLE

- ITEM NOT ILLUSTRATED

38-31-54-30

38-31-54
FIG. 30
PAGE 9
JAN 20/09

BRI

BOEING PROPRIETARY - Copyright © - Unpublished Work - See title page for details.



757

PARTS CATALOG (MAINTENANCE)

FIG ITEM	PART NUMBER	1 2 3 4 5 6 7	NOMENCLATURE	EFFECT FROM TO	UNITS PER ASSY
30 272	AP1008-06JL		.CAP ASSY- SUPPLIER CODE: V01673 SPECIFICATION NUMBER: BACC14AD06JL OPTIONAL PART: DBOC14AD6JL V14798 FER22661-06JL V14397 2-02813-04JL V11328 4690009-06JL V50948 AFP241-06JL V30974 US2103-06JL V50808	107107 121503 904949 952952	1
- 500	417N2305-9		DRAIN INSTL-PASS. WATER SYS MID CAB. LAV POSITION DATA: AFT VARIABLE DRAWING REF: 417N2305-6 FOR NHA SEE: 25-20-00-03A	006100 950951 953999	RF
505	BACS12GU3K32		.SCREW	006100 950951 953999	1
510	BACS12GU3K8		.SCREW	006100 950951 953999	12
515	BACS12GU3K6		.SCREW	006100 950951 953999	2
520	BACS12GU3K28		.SCREW	006100 950951 953999	1
525	BACS12GU3K40		.SCREW	006100 950951 953999	1
527	NAS42DD6-16FC		.SPACER	006100 950951 953999	1
530	NAS1149D0316J		.WASHER	006100 950951 953999	19

MISSING ITEM NUMBERS NOT APPLICABLE

- ITEM NOT ILLUSTRATED

38-31-54-30

38-31-54
FIG. 30
PAGE 10
JAN 20/09

BRI



757

PARTS CATALOG (MAINTENANCE)

FIG ITEM	PART NUMBER	1 2 3 4 5 6 7	NOMENCLATURE	EFFECT FROM TO	UNITS PER ASSY
30					
535	NAS43DD3-59FC	.	SPACER	006100 950951 953999	1
540	NAS43DD3-75FC	.	SPACER	006100 950951 953999	1
545	NAS43DD3-128FC	.	SPACER	006100 950951 953999	1
550	AN924-6D	.	NUT	006100 950951 953999	2
555	BACC10DK6	.	CLAMP	006100 950951 953999	1
560	BACC10DK10	.	CLAMP	006100 950951 953999	16
575	AS4469-06-0136	.	HOSE ASSY- OPTIONAL PART: 78001-449 V24984	006100 950951 953999	2
575	78001-449	.	HOSE ASSY- SUPPLIER CODE: V24984 SPECIFICATION NUMBER: 10-61998-449 OPTIONAL PART: A1650-449 V03925 AE706493-449 V00624 R29280-6-0136 V50599 OPTIONAL PART: AS4469-06-0136	006100 950951 953999	2
580	AS4471-08-1280	.	HOSE ASSY- OPTIONAL PART: 78001-593 V24984	006100 950951 953999	1
580	78001-593	.	HOSE ASSY- SUPPLIER CODE: V24984 SPECIFICATION NUMBER: 10-61998-593 OPTIONAL PART: AS4471-08-1280	006100 950951 953999	1

MISSING ITEM NUMBERS NOT APPLICABLE

- ITEM NOT ILLUSTRATED

38-31-54-30

38-31-54
FIG. 30
PAGE 11
JAN 20/09

BRI



757

PARTS CATALOG (MAINTENANCE)

FIG ITEM	PART NUMBER	1 2 3 4 5 6 7	NOMENCLATURE	EFFECT FROM TO	UNITS PER ASSY
30					
585	AS4471-08-1080	.HOSE ASSY-		006100	1
		OPTIONAL PART:		950951	
		78001-601		953999	
		V24984			
585	78001-601	.HOSE ASSY-		006100	1
		SUPPLIER CODE:		950951	
		V24984		953999	
		SPECIFICATION NUMBER:			
		10-61998-601			
		OPTIONAL PART:			
		A1650-601			
		V98441			
		R29282-8-1084			
		V50599			
		OPTIONAL PART:			
		AS4471-08-1080			
595	AP1042J0606	.ELBOW		006100	1
		SUPPLIER CODE:		950951	
		V01673		953999	
		SPECIFICATION NUMBER:			
		BACE21BT0606J			
600	APX804J060806	.TEE		006100	2
		SUPPLIER CODE:		950951	
		V01673		953999	
		SPECIFICATION NUMBER:			
		BACT16AX060806J			
		OPTIONAL PART:			
		APX804-060806J			
		V01673			
		DBOT16AX060806J			
		V14798			
		ER804-060806J			
		V50948			
		FER1551-060806J			
		V14397			
		NAF1844-060806J			
		V52930			
		US1929-060806J			
		V50808			
		ER804-060806J			
		V88334			
		LER804A060806J			
		V11328			
		AFP329-060806J			
		V30974			
605	BACT16BT060808J	.TEE		006100	1
				950951	
				953999	

MISSING ITEM NUMBERS NOT APPLICABLE

- ITEM NOT ILLUSTRATED

38-31-54-30

38-31-54
FIG. 30
PAGE 12
JAN 20/09

BRI

BOEING PROPRIETARY - Copyright © - Unpublished Work - See title page for details.



757

PARTS CATALOG (MAINTENANCE)

FIG ITEM	PART NUMBER	1 2 3 4 5 6 7	NOMENCLATURE	EFFECT FROM TO	UNITS PER ASSY
30 610	AP1008-06JL	.CAP ASSY SUPPLIER CODE: V01673 SPECIFICATION NUMBER: BACC14AD06JL OPTIONAL PART: DBOC14AD6JL V14798 FER22661-06JL V14397 2-02813-04JL V11328 4690009-06JL V50948 AFP241-06JL V30974 US2103-06JL V50808		006100 950951 953999	1
615	AP1008-06JL	.CAP ASSY SUPPLIER CODE: V01673 SPECIFICATION NUMBER: BACC14AD06JL OPTIONAL PART: DBOC14AD6JL V14798 FER22661-06JL V14397 2-02813-04JL V11328 4690009-06JL V50948 AFP241-06JL V30974 US2103-06JL V50808		950951 953999	1
620	30187-1	.SUPPORT SUPPLIER CODE: V26835 SPECIFICATION NUMBER: BACS38J4 OPTIONAL PART: S38J4 V59237		006100 950951 953999	12

MISSING ITEM NUMBERS NOT APPLICABLE

- ITEM NOT ILLUSTRATED

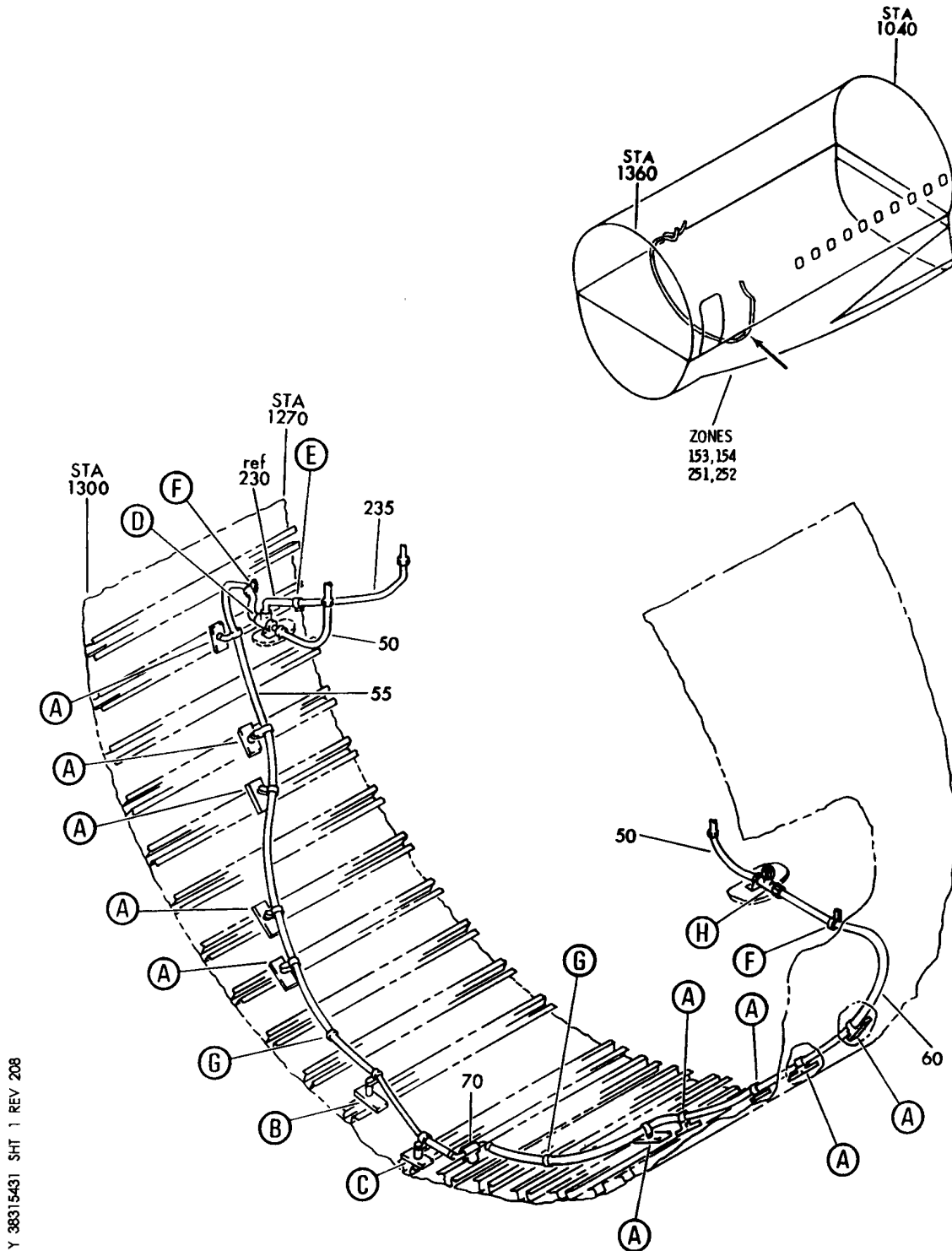
BRI

38-31-54-30

BOEING PROPRIETARY - Copyright © - Unpublished Work - See title page for details.

38-31-54
FIG. 30
PAGE 13
JAN 20/09

BOEING
757
PARTS CATALOG (MAINTENANCE)



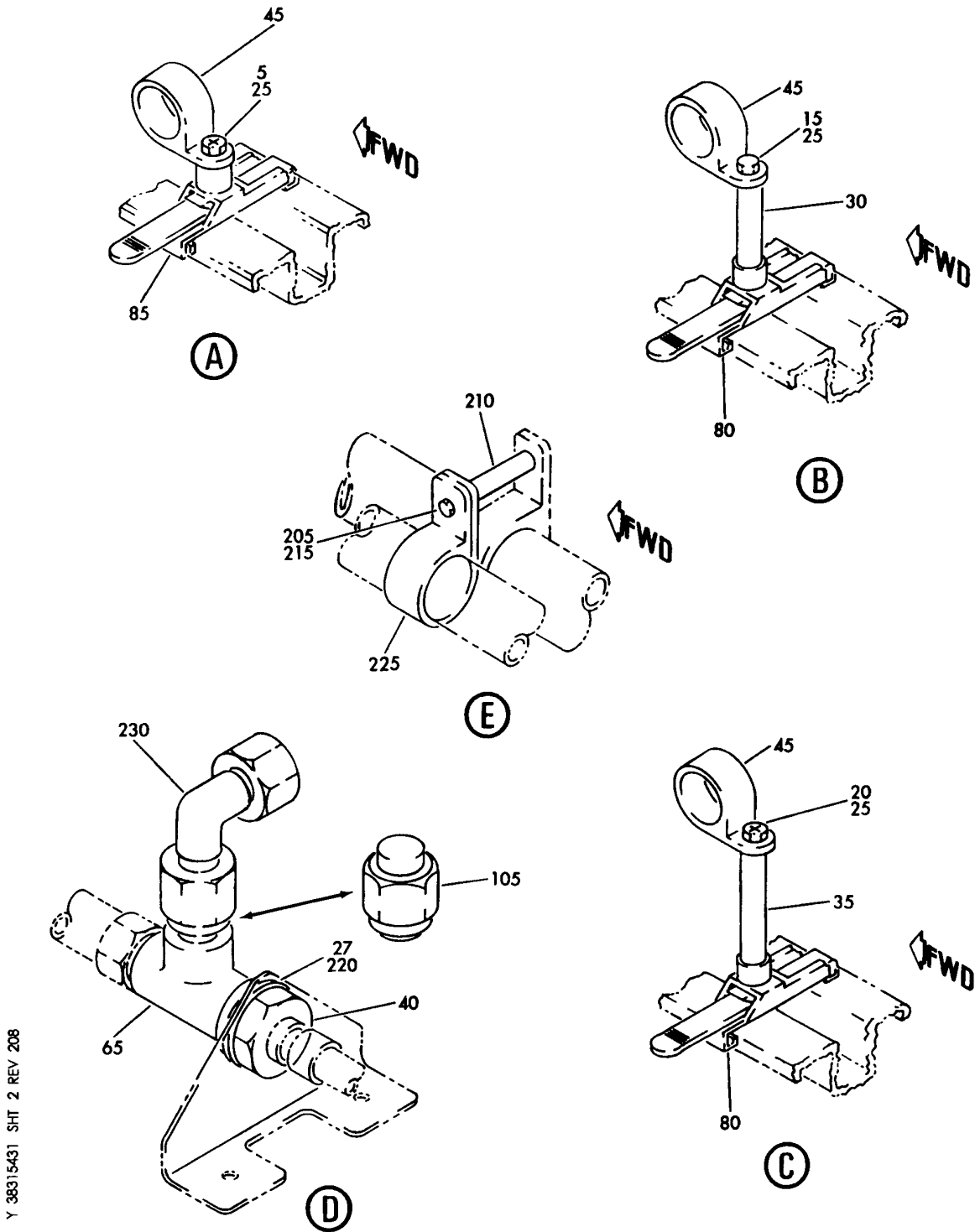
DRAIN INSTL-PASS. WATER SYS MID CAB. LAV AFT
FIGURE 31 (SHEET 1)

38-31-54-31

BRI
MAY 28/07

38-31-54-31
PAGE 0

BOEING
757
PARTS CATALOG (MAINTENANCE)



Y 38315431 SHT 2 REV 208

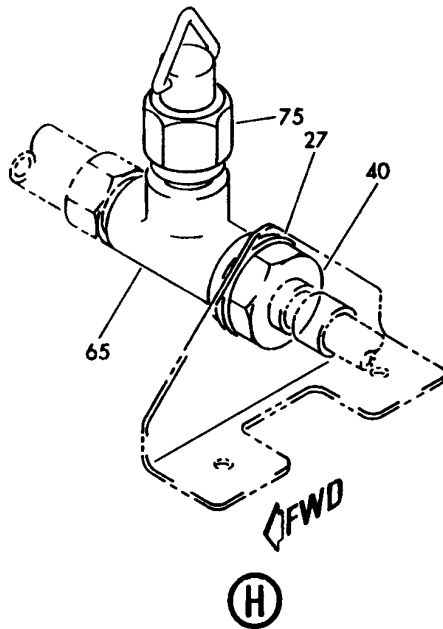
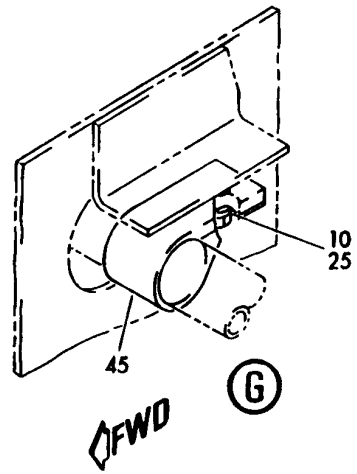
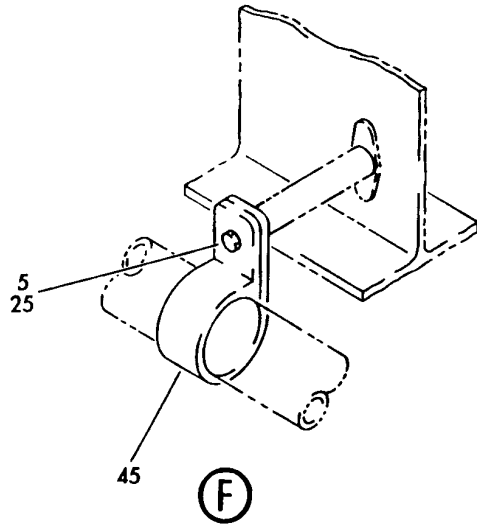
DRAIN INSTL-PASS. WATER SYS MID CAB. LAV AFT
FIGURE 31 (SHEET 2)

38-31-54-31

BRI
MAY 28/07

38-31-54-31
PAGE 0A

BOEING
757
PARTS CATALOG (MAINTENANCE)



Y 38315431 SHT 3 REV 208

DRAIN INSTL-PASS. WATER SYS MID CAB. LAV AFT
FIGURE 31 (SHEET 3)

38-31-54-31

BRI
MAY 28/07

38-31-54-31
PAGE 0B

 **BOEING**
757
PARTS CATALOG (MAINTENANCE)

FIG ITEM	PART NUMBER	1 2 3 4 5 6 7	NOMENCLATURE	EFFECT FROM TO	UNITS PER ASSY
31			DRAIN INSTL-PASS. WATER SYS MID CAB. LAV AFT	101102 108120 504903	
- 1	417N2305-11		DRAIN INSTL-PASS. WATER SYS MID CAB. LAV POSITION DATA: AFT FOR NHA SEE: 25-20-00-09	101102 108120 504903	RF
5	BACS12GU3K8		.SCREW	101102 108120 504903	12
10	BACS12GU3K6		.SCREW	101102 108120 504903	2
15	BACS12GU3K28		.SCREW	101102 108120 504903	1
20	BACS12GU3K40		.SCREW	101102 108120 504903	1
25	NAS1149D0316J		.WASHER	101102 108120 504903	16
30	NAS1149D0963J		.WASHER	101102 108120 504903	2
35	NAS43DD3-75FC		.SPACER	101102 108120 504903	1
40	NAS43DD3-128FC		.SPACER	101102 108120 504903	1
45	AN924-6D		.NUT	101102 108120 504903	2
50	BACC10DK10		.CLAMP	101102 108120 504903	16
55	AS4469-06-0136		.HOSE ASSY- OPTIONAL PART: 78001-449 V24984	101102 108120 504903	2

MISSING ITEM NUMBERS NOT APPLICABLE

- ITEM NOT ILLUSTRATED

BRI

38-31-54-31

BOEING PROPRIETARY - Copyright © - Unpublished Work - See title page for details.

38-31-54
FIG. 31
PAGE 1
JAN 20/09



757

PARTS CATALOG (MAINTENANCE)

FIG ITEM	PART NUMBER	1 2 3 4 5 6 7	NOMENCLATURE	EFFECT FROM TO	UNITS PER ASSY
31 55	78001-449		.HOSE ASSY- SUPPLIER CODE: V24984 SPECIFICATION NUMBER: 10-61998-449 OPTIONAL PART: A1650-449 V03925 AE706493-449 V00624 R29280-6-0136 V50599 OPTIONAL PART: AS4469-06-0136	101102 108120 504903	2
60	AS4471-08-1280		.HOSE ASSY- OPTIONAL PART: 78001-593 V24984 A1650-593	101102 108120 504903	1
60	78001-593		.HOSE ASSY- SUPPLIER CODE: V24984 SPECIFICATION NUMBER: 10-61998-593 OPTIONAL PART: AS4471-08-1280 A1650-593	101102 108120 504903	1
60	A1650-593		.HOSE ASSY- OPTIONAL PART: AS4471-08-1280 78001-593 V24984	101102 108120 504903	1
65	AS4471-08-1080		.HOSE ASSY- OPTIONAL PART: 78001-601 V24984	101102 108120 504903	1
65	78001-601		.HOSE ASSY- SUPPLIER CODE: V24984 SPECIFICATION NUMBER: 10-61998-601 OPTIONAL PART: A1650-601 V98441 R29282-8-1084 V50599 OPTIONAL PART: AS4471-08-1080	101102 108120 504903	1

MISSING ITEM NUMBERS NOT APPLICABLE

- ITEM NOT ILLUSTRATED

38-31-54-31

38-31-54
FIG. 31
PAGE 2
JAN 20/09

BRI



757

PARTS CATALOG (MAINTENANCE)

FIG ITEM	PART NUMBER	1 2 3 4 5 6 7	NOMENCLATURE	EFFECT FROM TO	UNITS PER ASSY
31					
70	BACT16BN060806J	.	TEE	101102 108120 504903	2
75	BCREF116873	.	TEE- OVERLENGTH PART NUMBER: BACT16BT080808JN	101102 108120 504903	1
80	AP1008-06JL	.	CAP ASSY SUPPLIER CODE: V01673 SPECIFICATION NUMBER: BACC14AD06JL OPTIONAL PART: DBOC14AD6JL V14798 FER22661-06JL V14397 2-02813-04JL V11328 4690009-06JL V50948 AFP241-06JL V30974 US2103-06JL V50808	101102 108120 504903	1
85	30187-1	.	SUPPORT SUPPLIER CODE: V26835 SPECIFICATION NUMBER: BACS38J4 OPTIONAL PART: S38J4 V59237	101102 108120 504903	2
90	S38J5	.	CLIP SUPPLIER CODE: V59237 SPECIFICATION NUMBER: BACS38J5 OPTIONAL PART: 30187-8 V26835	101102 108120 504903	10
- 100	417N2305-12		CAP INSTL-WATER SYS MID CAB. LAV POSITION DATA: AFT FOR NHA SEE: 25-20-00-07D	108120 504903	RF

MISSING ITEM NUMBERS NOT APPLICABLE

- ITEM NOT ILLUSTRATED

38-31-54-31

38-31-54
FIG. 31
PAGE 3
JAN 20/09

BRI



757

PARTS CATALOG (MAINTENANCE)

FIG ITEM	PART NUMBER	1 2 3 4 5 6 7	NOMENCLATURE	EFFECT FROM TO	UNITS PER ASSY
31 105	AP1008-06JL		.CAP ASSY- SUPPLIER CODE: V01673 SPECIFICATION NUMBER: BACC14AD06JL OPTIONAL PART: DBOC14AD6JL V14798 FER22661-06JL V14397 2-02813-04JL V11328 4690009-06JL V50948 AFP241-06JL V30974 US2103-06JL V50808	108120 504903	1
- 200	417N2305-10		DRAIN INSTL-SYS LAV B FOR NHA SEE: 25-20-00-07D	101102	RF
205	BACS12GU3K32		.SCREW	101102	1
210	NAS43DD3-59FC		.SPACER	101102	1
215	NAS1149D0316J		.WASHER	101102	1
220	NAS1149D0963J		.WASHER	101102	1
225	BACC10DK6		.CLAMP	101102	1
230	AP1042JN0606		.ELBOW SUPPLIER CODE: V01673 SPECIFICATION NUMBER: BACE21BT0606JN	101102	1
235	417N2305-8		.TUBE	101102	1
- 240	MS21921-6J		..NUT	101102	2
- 245	AP2097HP06		..SLEEVE SUPPLIER CODE: V01673 SPECIFICATION NUMBER: BACS13BX06HP OPTIONAL PART: 2-02903-06HP V11328 35235VN06 V08199 AFP175V06P V30974 DBOS13BX06HP V14798	101102	2

MISSING ITEM NUMBERS NOT APPLICABLE

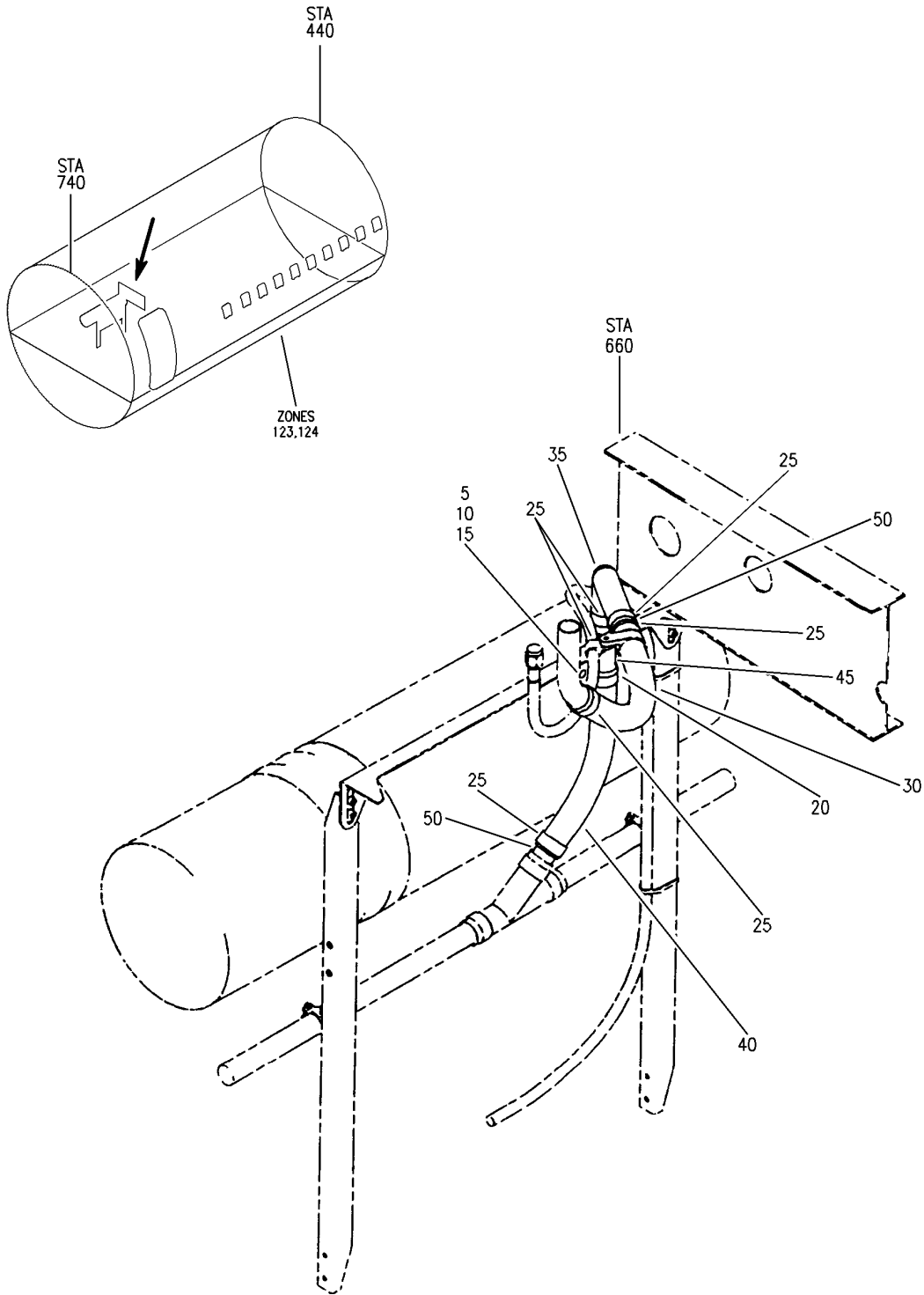
- ITEM NOT ILLUSTRATED

38-31-54-31

38-31-54
FIG. 31
PAGE 4
JAN 20/09

BRI

BOEING
757
PARTS CATALOG (MAINTENANCE)



Y 38315433 REV 234

DRAIN INSTL-GRAY WATER FWD
FIGURE 33

38-31-54-33

BRI
JAN 20/09

38-31-54-33
PAGE 0



757

PARTS CATALOG (MAINTENANCE)

FIG ITEM	PART NUMBER	1 2 3 4 5 6 7	NOMENCLATURE	EFFECT FROM TO	UNITS PER ASSY
33			DRAIN INSTL-GRAY WATER FWD	103106	
- 1	417N2154-10		DRAIN INSTL-GRAY WATER POSITION DATA: FWD	103106	RF
5	BACS12ER3K12		.SCREW	103106	1
10	NAS1149D0316J		.WASHER	103106	1
15	PLH53CD		.NUT	103106	1
			SUPPLIER CODE: VF0224		
			SPECIFICATION NUMBER: BACN10YR3CD		
			OPTIONAL PART: H52732-3CD V15653		
20	BACC10DK16		.CLAMP	103106	1
25	BACC10JB030C038		.CLAMP	103106	6
30	IT4350-329		.HOSE-	103106	1
			SUPPLIER CODE: V26831		
			SPECIFICATION NUMBER: 69-27191-329		
			OPTIONAL PART: 713488-329 V70628 BOE2013-0329 V16632		
30	BOE2013-0329		.HOSE-	103106	1
			SUPPLIER CODE: V16632		
			SPECIFICATION NUMBER: 69-27191-329		
			OPTIONAL PART: 713488-329 V70628 IT4350-329 V26831		
35	BOE2013-0383		.ELBOW-	103106	1
			SUPPLIER CODE: V16632		
			SPECIFICATION NUMBER: 69-27191-383		
			OPTIONAL PART: IT4351-383 V26831		

MISSING ITEM NUMBERS NOT APPLICABLE

- ITEM NOT ILLUSTRATED

38-31-54-33

38-31-54
FIG. 33
PAGE 1
JAN 20/09

BRI



757

PARTS CATALOG (MAINTENANCE)

FIG ITEM	PART NUMBER	1 2 3 4 5 6 7	NOMENCLATURE	EFFECT FROM TO	UNITS PER ASSY
33					
35	IT4351-383		.ELBOW- SUPPLIER CODE: V26831 SPECIFICATION NUMBER: 69-27191-383 OPTIONAL PART: BOE2013-0383 V16632	103106	1
40	BOE2013-0345		.HOSE- SUPPLIER CODE: V16632 SPECIFICATION NUMBER: 69-27191-345 OPTIONAL PART: 713488-345 V70628 IT4350-345 V26831	103106	1
40	IT4350-345		.HOSE- SUPPLIER CODE: V26831 SPECIFICATION NUMBER: 69-27191-345 OPTIONAL PART: 713488-345 V70628 BOE2013-0345 V16632	103106	1
45	417A2403-56		.TUBE	103106	1
50	417A2403-65		.TUBE	103106	2

MISSING ITEM NUMBERS NOT APPLICABLE

- ITEM NOT ILLUSTRATED

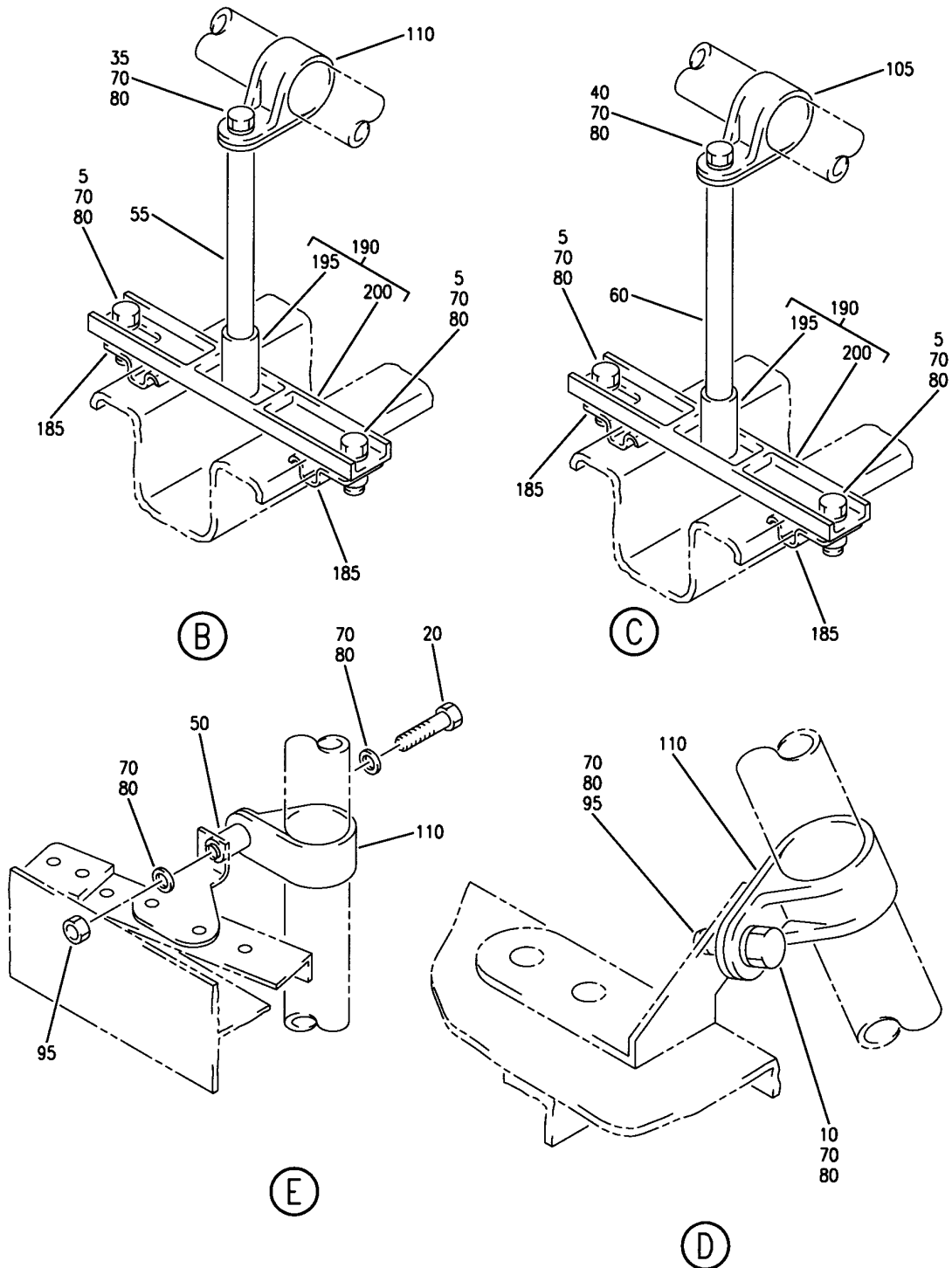
38-31-54-33

38-31-54
FIG. 33
PAGE 2
JAN 20/09

BRI

BOEING PROPRIETARY - Copyright © - Unpublished Work - See title page for details.


BOEING
 757
PARTS CATALOG (MAINTENANCE)



Y 38315451 SHT 2 REV 208

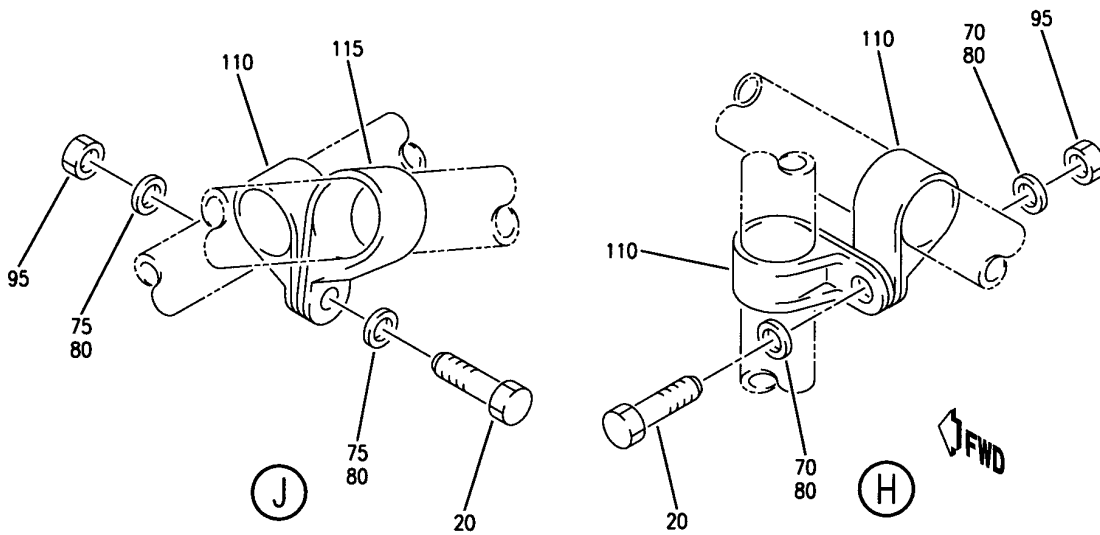
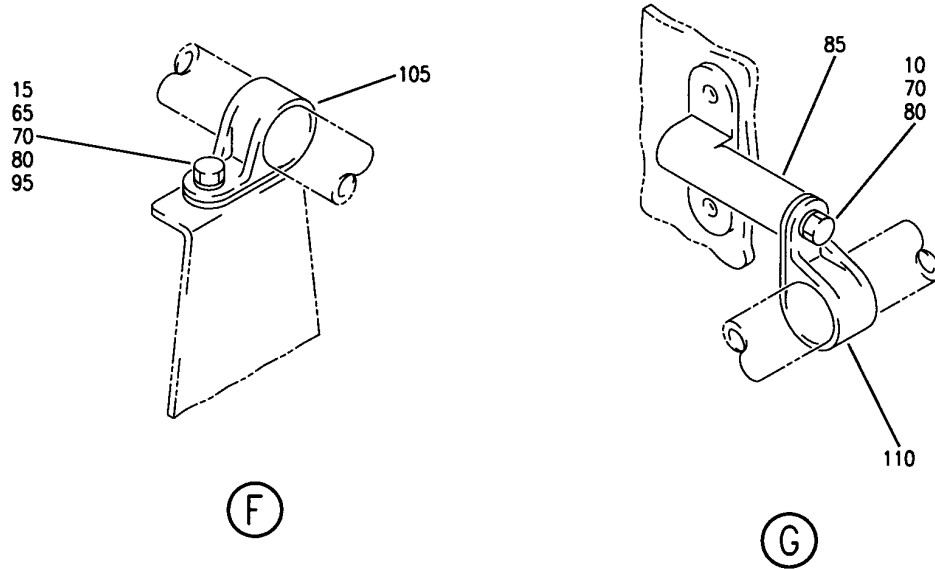
DRAIN INSTL-GALLEY AND DOOR GUTTER FLOOR AFT
 FIGURE 51 (SHEET 2)

38-31-54-51

BRI
 MAY 28/07

38-31-54-51
 PAGE 0A

BOEING
757
PARTS CATALOG (MAINTENANCE)



Y 38315451 SHT 3 REV 208

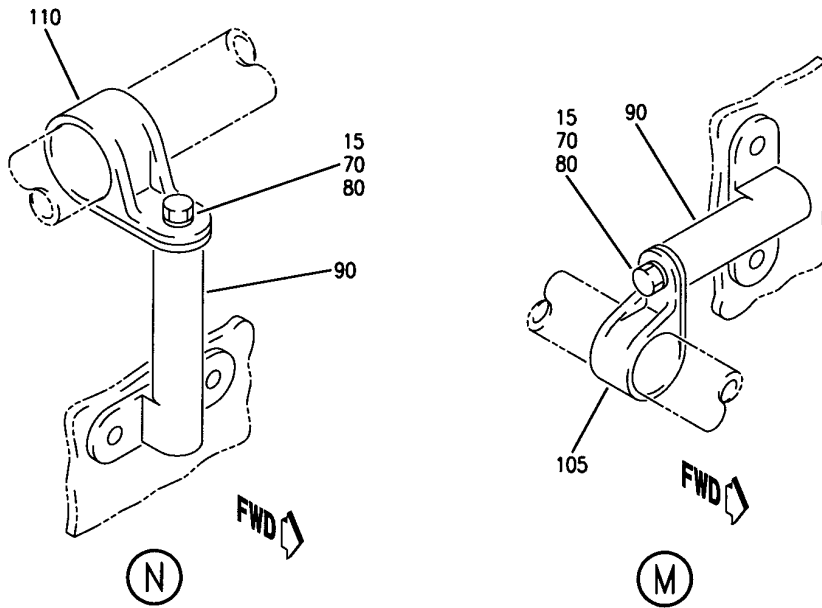
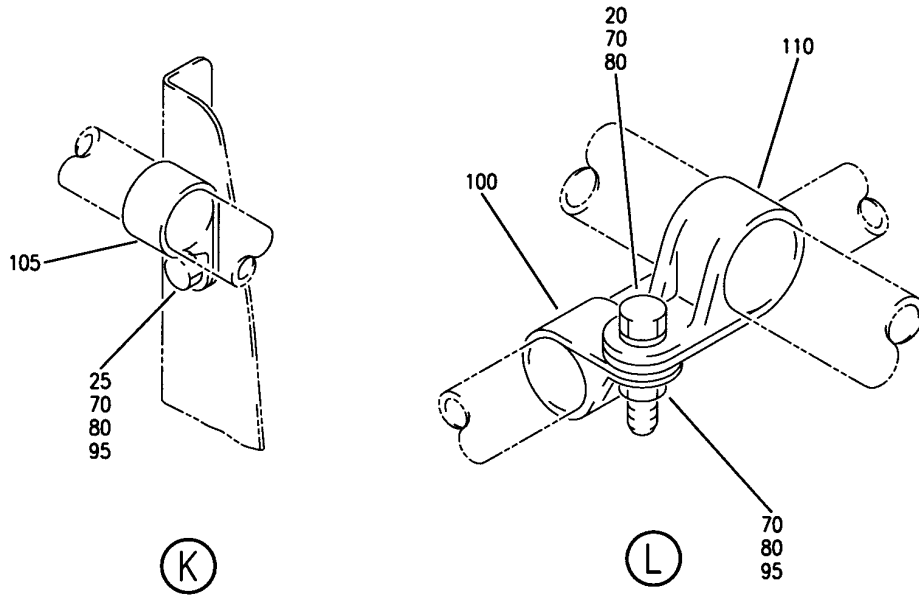
DRAIN INSTL-GALLEY AND DOOR GUTTER FLOOR AFT
FIGURE 51 (SHEET 3)

38-31-54-51

BRI
MAY 28/07

38-31-54-51
PAGE 0B

BOEING
757
PARTS CATALOG (MAINTENANCE)



Y 38315451 SHT 4 REV 208

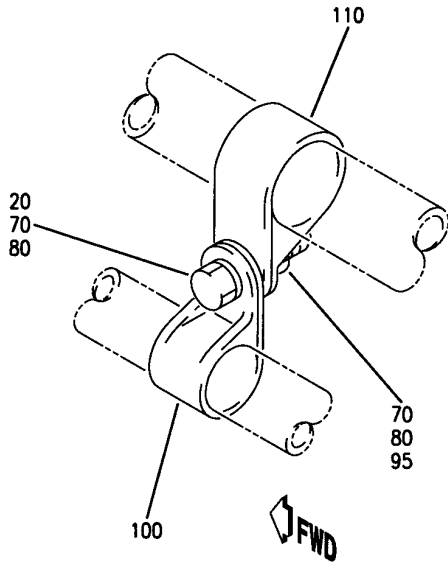
DRAIN INSTL-GALLEY AND DOOR GUTTER FLOOR AFT
FIGURE 51 (SHEET 4)

38-31-54-51

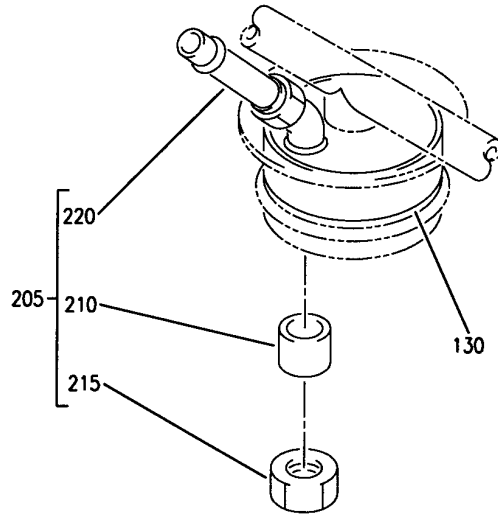
BRI
MAY 28/07

38-31-54-51
PAGE 0C

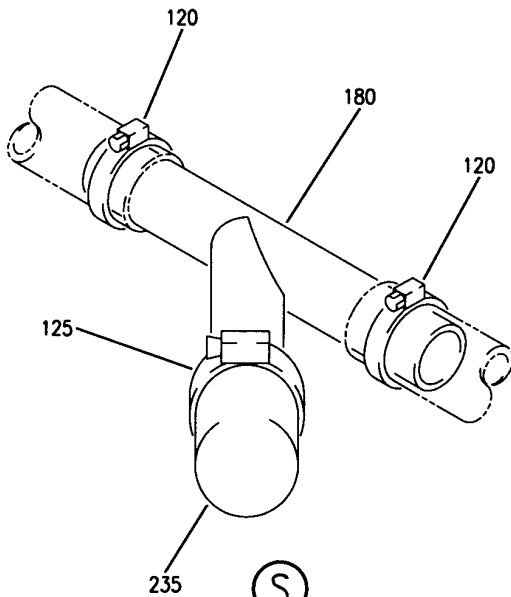
BOEING
757
PARTS CATALOG (MAINTENANCE)



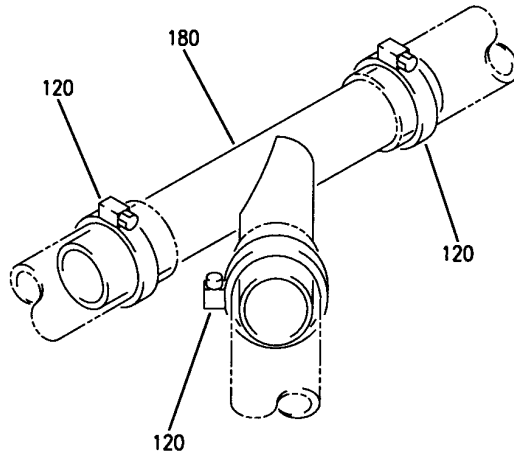
(P)



(Q)



(S)



(R)

Y 38315451 SHT 5 REV 208

DRAIN INSTL-GALLEY AND DOOR GUTTER FLOOR AFT
FIGURE 51 (SHEET 5)

38-31-54-51

BRI
MAY 28/07

38-31-54-51
PAGE 08



757

PARTS CATALOG (MAINTENANCE)

FIG ITEM	PART NUMBER	1 2 3 4 5 6 7	NOMENCLATURE	EFFECT FROM TO	UNITS PER ASSY
51			DRAIN INSTL-GALLEY AND DOOR GUTTER FLOOR AFT	101102	
- 1	417N2703-109		DRAIN INSTL-GALLEY AND DOOR GUTTER FLOOR POSITION DATA: AFT FOR NHA SEE: 25-20-00-07D	101102	RF
5	BACS12CK3-10	.SCREW		101102	8
10	BACS12GU3K10	.SCREW		101102	2
15	BACS12GU3K12	.SCREW		101102	4
20	BACS12GU3K14	.SCREW		101102	5
25	BACS12GU3K16	.SCREW		101102	1
30	BACS12GU3K37	.SCREW		101102	2
35	BACS12GU3K58	.SCREW		101102	1
40	BACS12GU3K60	.SCREW		101102	1
45	NAS43DD3-100FC	.SPACER		101102	2
50	NAS43DD3-16FC	.SPACER		101102	1
55	NAS43DD3-180FC	.SPACER		101102	1
60	NAS43DD3-192FC	.SPACER		101102	1
65	NAS43DD3-5FC	.SPACER		101102	2
80	NAS1149D0316J	.WASHER		101102	30
85	BACN10GH3A10	.NUTPLATE	SUPPLIER CODE: V04169 SPECIFICATION NUMBER: BACN10GH3A10	101102	1
90	WS1-332A16	.NUTPLATE	SUPPLIER CODE: V04169 SPECIFICATION NUMBER: BACN10GH3A16	101102	2
95	PLH53CD	.NUT	SUPPLIER CODE: VF0224 SPECIFICATION NUMBER: BACN10YR3CD OPTIONAL PART: H52732-3CD V15653	101102	9
100	BACC10DK10	.CLAMP		101102	2
105	BACC10DK12	.CLAMP		101102	7
110	BACC10DK14	.CLAMP		101102	10
115	BACC10DK20	.CLAMP		101102	1
120	BACC10JB022C030	.CLAMP		101102	18
125	BACC10JB026C034	.CLAMP		101102	1
130	BACC10JB082C112	.CLAMP		101102	1

MISSING ITEM NUMBERS NOT APPLICABLE

- ITEM NOT ILLUSTRATED

38-31-54-51

38-31-54
FIG. 51
PAGE 1
JAN 20/09

BRI



757

PARTS CATALOG (MAINTENANCE)

FIG ITEM	PART NUMBER	1 2 3 4 5 6 7	NOMENCLATURE	EFFECT FROM TO	UNITS PER ASSY
51 135	BOE2013-0301	.HOSE-	SUPPLIER CODE: V16632 SPECIFICATION NUMBER: 69-27191-301 OPTIONAL PART: 713488-301 V70628 IT4350-301 V26831	101102	1
135	IT4350-301	.HOSE-	SUPPLIER CODE: V26831 SPECIFICATION NUMBER: 69-27191-301 OPTIONAL PART: 713488-301 V70628 BOE2013-0301 V16632	101102	1
135	713488-301	.HOSE-	SUPPLIER CODE: V70628 SPECIFICATION NUMBER: 69-27191-301 OPTIONAL PART: IT4350-301 V26831 BOE2013-0301 V16632	101102	1
140	BOE2013-0302	.HOSE-	SUPPLIER CODE: V16632 SPECIFICATION NUMBER: 69-27191-302 OPTIONAL PART: 713488-302 V70628	101102	1
145	BOE2013-0308	.HOSE-	SUPPLIER CODE: V16632 SPECIFICATION NUMBER: 69-27191-308 OPTIONAL PART: 713488-308 V70628 IT4350-308 V26831	101102	1

MISSING ITEM NUMBERS NOT APPLICABLE

- ITEM NOT ILLUSTRATED

38-31-54-51

38-31-54
FIG. 51
PAGE 2
JAN 20/09

BRI



757

PARTS CATALOG (MAINTENANCE)

FIG ITEM	PART NUMBER	1 2 3 4 5 6 7	NOMENCLATURE	EFFECT FROM TO	UNITS PER ASSY
51 145	IT4350-308	.HOSE-	SUPPLIER CODE: V26831 SPECIFICATION NUMBER: 69-27191-308 OPTIONAL PART: 713488-308 V70628 BOE2013-0308 V16632	101102	1
145	713488-308	.HOSE-	SUPPLIER CODE: V70628 SPECIFICATION NUMBER: 69-27191-308 OPTIONAL PART: IT4350-308 V26831 BOE2013-0308 V16632	101102	1
150	BOE2013-0309	.HOSE-	SUPPLIER CODE: V16632 SPECIFICATION NUMBER: 69-27191-309 OPTIONAL PART: 713488-309 V70628	101102	1
155	BOE2013-0310	.HOSE ASSY-	SUPPLIER CODE: V16632 SPECIFICATION NUMBER: 69-27191-310 OPTIONAL PART: 713488-310 V70628	101102	1
160	BOE2013-0311	.HOSE-	SUPPLIER CODE: V16632 SPECIFICATION NUMBER: 69-27191-311 OPTIONAL PART: 713488-311 V70628	101102	1

MISSING ITEM NUMBERS NOT APPLICABLE

- ITEM NOT ILLUSTRATED

38-31-54-51

38-31-54
FIG. 51
PAGE 3
JAN 20/09

BRI



757

PARTS CATALOG (MAINTENANCE)

FIG ITEM	PART NUMBER	1 2 3 4 5 6 7	NOMENCLATURE	EFFECT FROM TO	UNITS PER ASSY
51 165	BOE2013-0312	.HOSE-	SUPPLIER CODE: V16632 SPECIFICATION NUMBER: 69-27191-312 OPTIONAL PART: 713488-312 V70628	101102	1
170	BOE2013-0313	.HOSE-	SUPPLIER CODE: V16632 SPECIFICATION NUMBER: 69-27191-313 OPTIONAL PART: 713488-313 V70628 IT4350-313 V26831	101102	1
170	IT4350-313	.HOSE-	SUPPLIER CODE: V26831 SPECIFICATION NUMBER: 69-27191-313 OPTIONAL PART: 713488-313 V70628 BOE2013-0313 V16632	101102	1
170	713488-313	.HOSE-	SUPPLIER CODE: V70628 SPECIFICATION NUMBER: 69-27191-313 OPTIONAL PART: IT4350-313 V26831 BOE2013-0313 V16632	101102	1
175	BOE2013-0338	.HOSE-	SUPPLIER CODE: V16632 SPECIFICATION NUMBER: 69-27191-338 OPTIONAL PART: 713488-338 V70628	101102	1
180	417N2712-1	.TUBE ASSY		101102	4
185	69-50697-1	.CLIP ASSY		101102	8
190	417N2111-1	.SUPPORT ASSY		101102	4

MISSING ITEM NUMBERS NOT APPLICABLE

- ITEM NOT ILLUSTRATED

38-31-54-51

38-31-54
FIG. 51
PAGE 4
JAN 20/09

BRI



757

PARTS CATALOG (MAINTENANCE)

FIG ITEM	PART NUMBER	1 2 3 4 5 6 7	NOMENCLATURE	EFFECT FROM TO	UNITS PER ASSY
51					
195	NAS1395C3L	..	INSERT- OPTIONAL PART: NA2030-02L V32387	101102	1
195	NA2030-02L	..	INSERT- SUPPLIER CODE: V32387 OPTIONAL PART: NAS1395C3L V32387	101102	1
200	417N2111-2	..	SUPPORT	101102	1
205	417N2706-16	.	CAP ASSY	101102	1
210	NAS1057T9-050	..	SPACER	101102	1
215	AN924-6C	..	NUT	101102	1
220	417N2706-9	..	TUBE ASSY	101102	1
- 225	AP2097H06	...	SLEEVE SUPPLIER CODE: V01673 SPECIFICATION NUMBER: BACS13BX06H OPTIONAL PART: 2-02903-06H V11328 35235V06 V08199 AFP175V06 V30974 DB0S13BX06H V14798	101102	1
- 230	MS21907J6	...	ELBOW	101102	1
235	417N2718-1	.	CAP	101102	1

MISSING ITEM NUMBERS NOT APPLICABLE

- ITEM NOT ILLUSTRATED

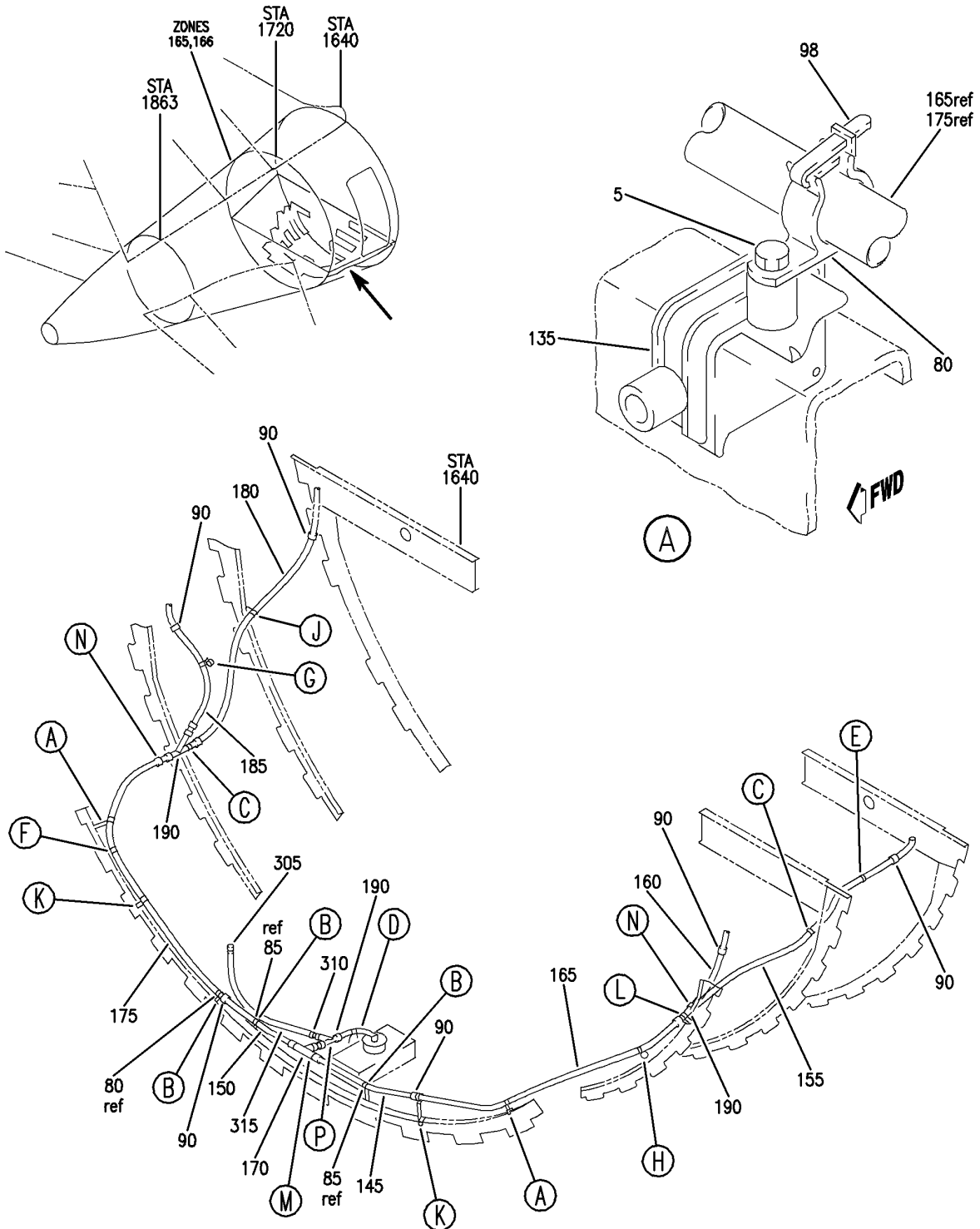
38-31-54-51

38-31-54
FIG. 51
PAGE 5
JAN 20/09

BRI

BOEING PROPRIETARY - Copyright © - Unpublished Work - See title page for details.

BOEING
757
PARTS CATALOG (MAINTENANCE)



Y 38315455A SHT 1 REV 234

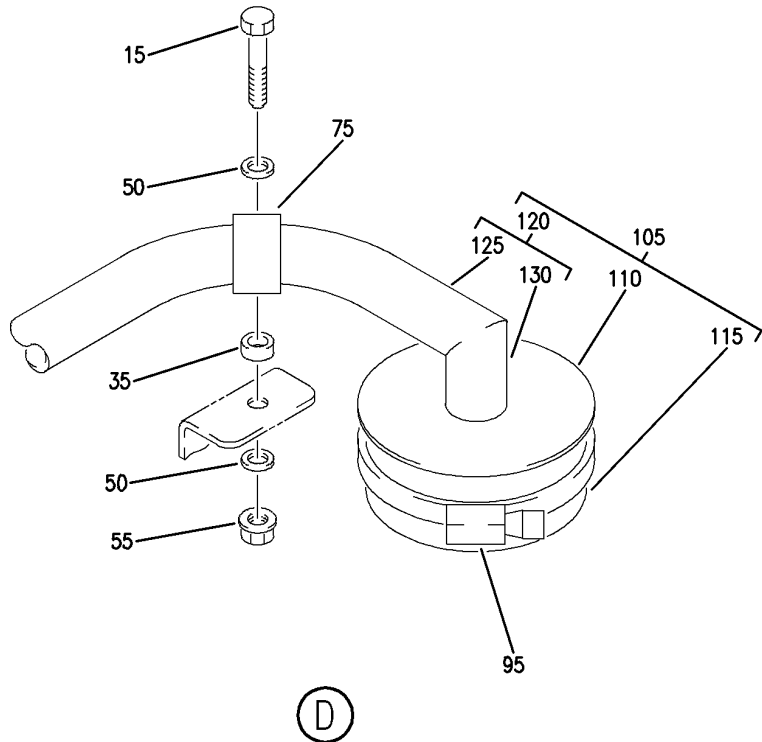
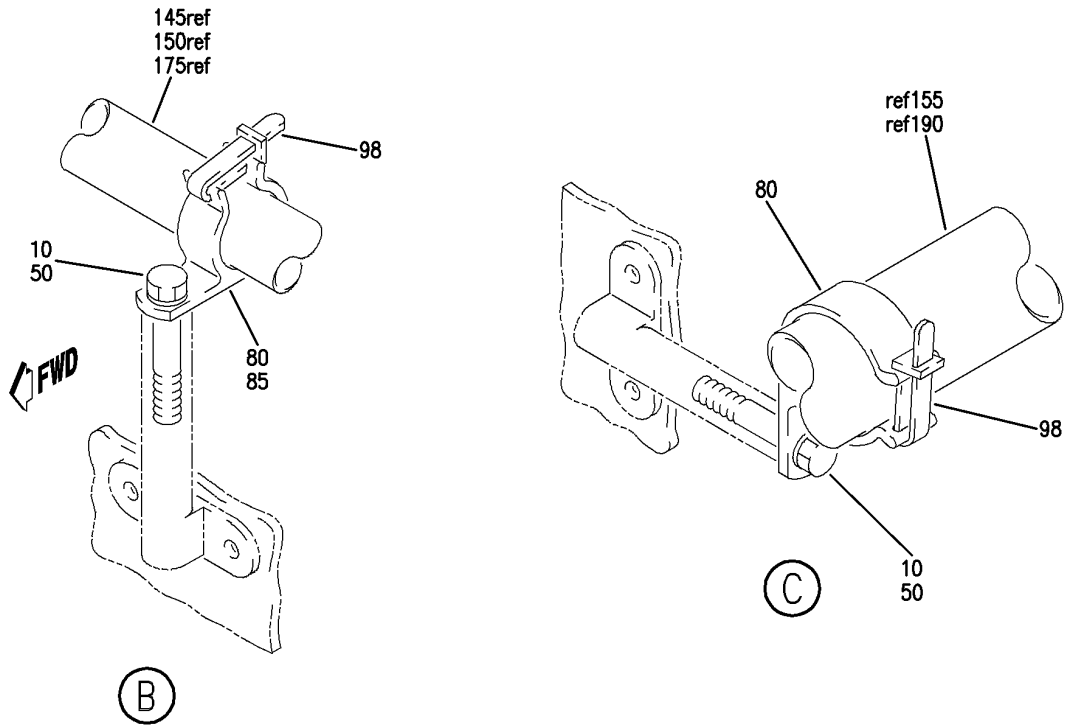
DRAIN INSTL-GALLEY AND DOOR GUTTER AFT
FIGURE 55A (SHEET 1)

38-31-54-55A

BRI
JAN 20/09

38-31-54-55A
PAGE 0

BOEING
757
PARTS CATALOG (MAINTENANCE)



Y 38315455A SHT 2 REV 234

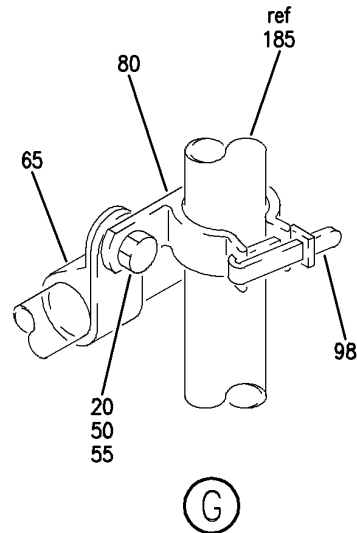
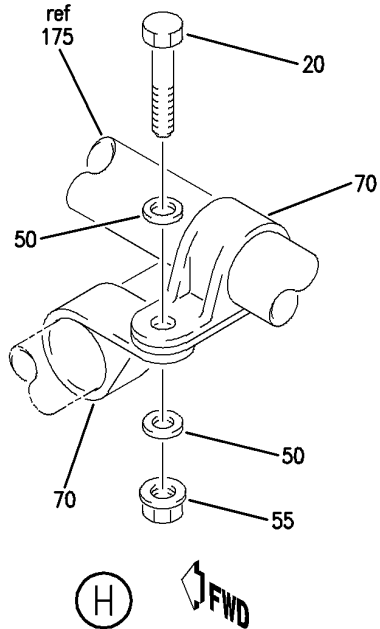
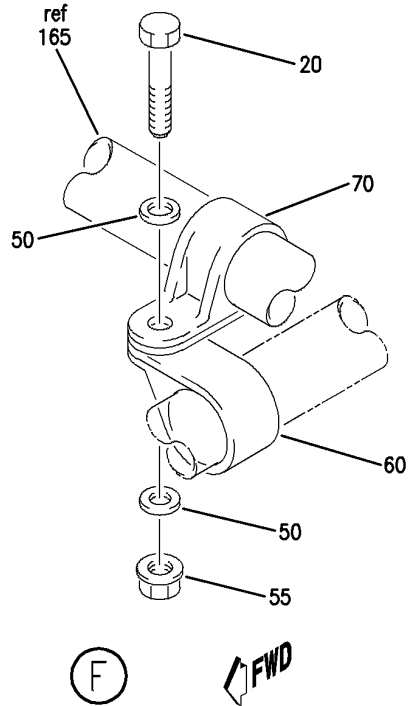
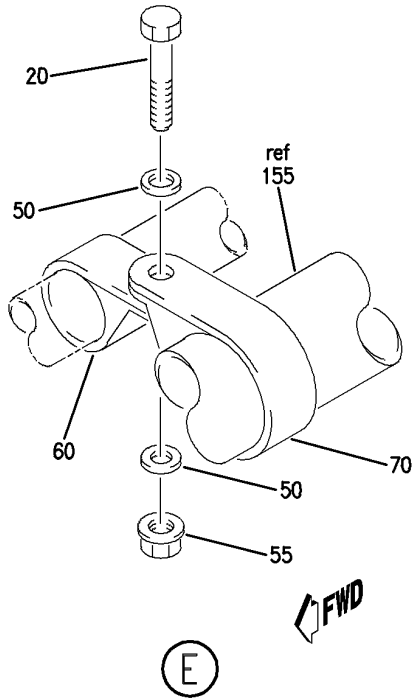
DRAIN INSTL-GALLEY AND DOOR GUTTER AFT
FIGURE 55A (SHEET 2)

38-31-54-55A

BRI
JAN 20/09

38-31-54-55A
PAGE 0A

BOEING
757
PARTS CATALOG (MAINTENANCE)



Y 38315455A SHT 3 REV 234

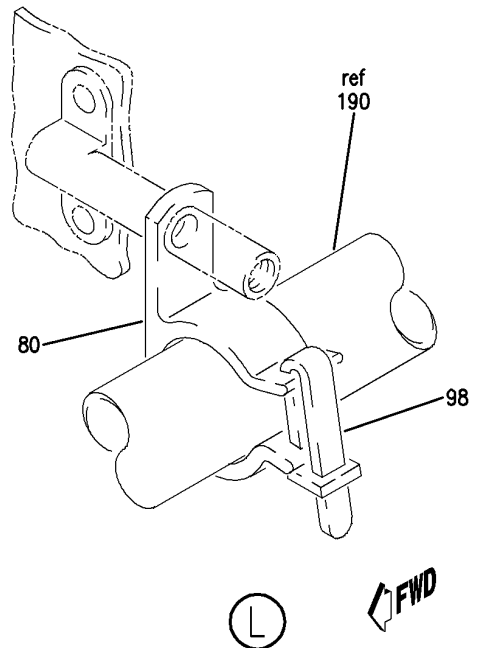
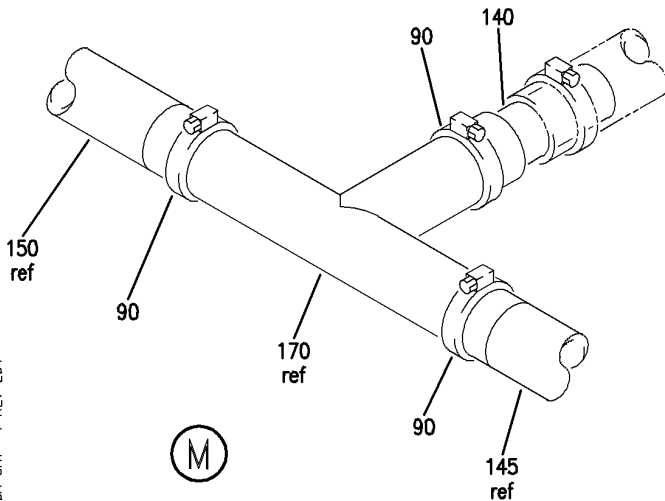
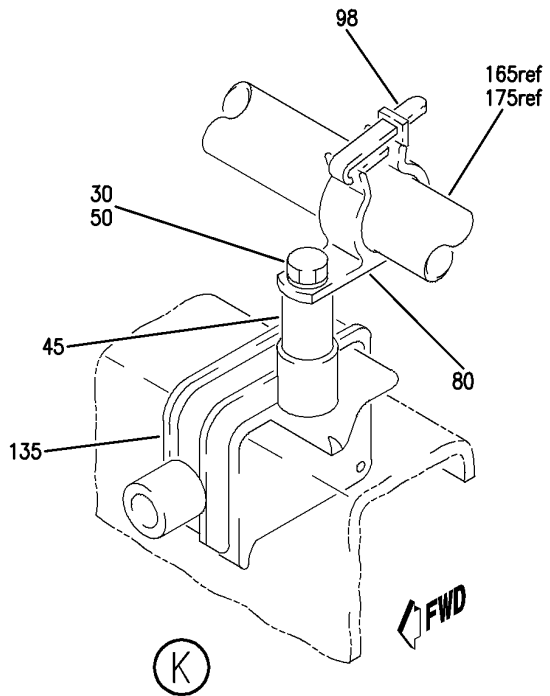
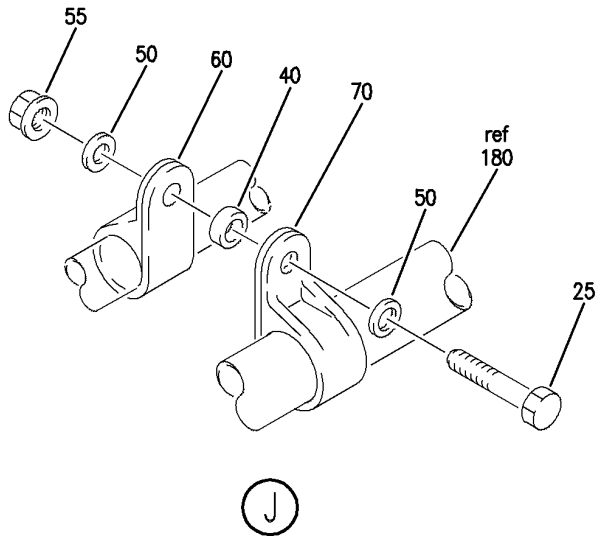
DRAIN INSTL-GALLEY AND DOOR GUTTER AFT
FIGURE 55A (SHEET 3)

38-31-54-55A

BRI
JAN 20/09

38-31-54-55A
PAGE 0B

BOEING
757
PARTS CATALOG (MAINTENANCE)



Y 38315455A SHT 4 REV 234

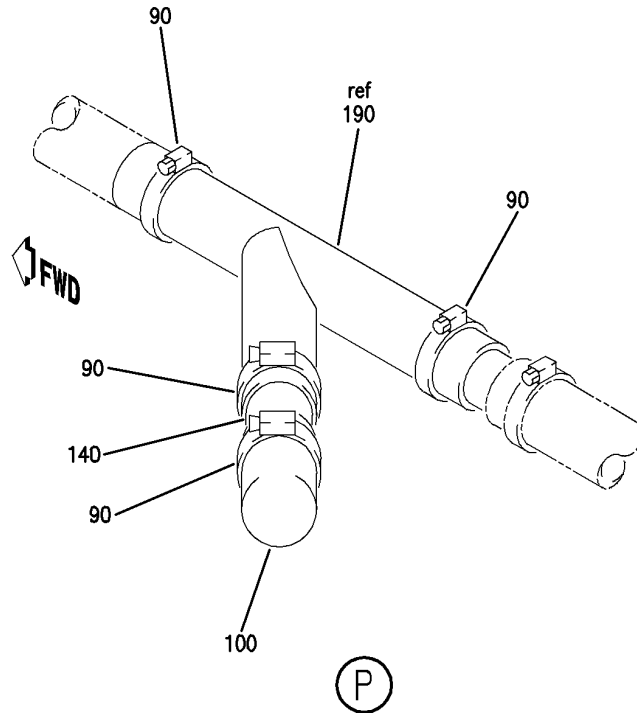
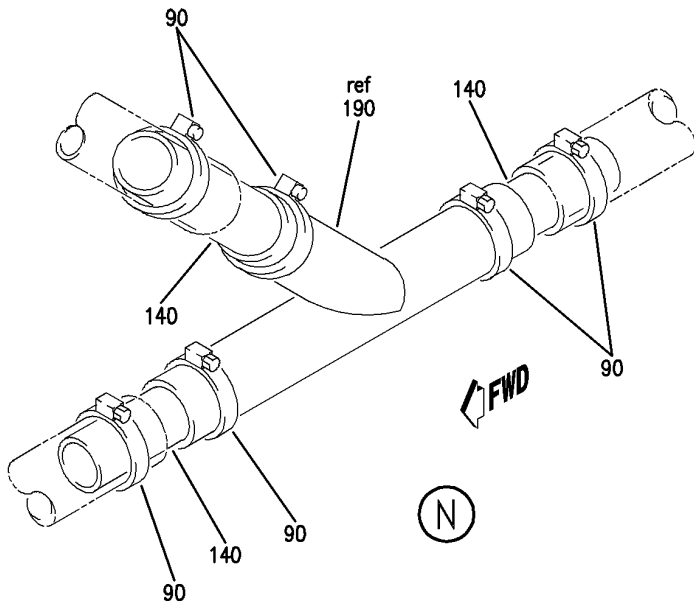
DRAIN INSTL-GALLEY AND DOOR GUTTER AFT
FIGURE 55A (SHEET 4)

38-31-54-55A

BRI
JAN 20/09

38-31-54-55A
PAGE 0C

BOEING
757
PARTS CATALOG (MAINTENANCE)



Y 38315455A SHT 5 REV 234

DRAIN INSTL-GALLEY AND DOOR GUTTER AFT
FIGURE 55A (SHEET 5)

38-31-54-55A

BRI
JAN 20/09

38-31-54-55A
PAGE 0D



757

PARTS CATALOG (MAINTENANCE)

FIG ITEM	PART NUMBER	1 2 3 4 5 6 7	NOMENCLATURE	EFFECT FROM TO	UNITS PER ASSY
55A			DRAIN INSTL-GALLEY AND DOOR GUTTER AFT	103106	
- 1	MODREF24688		DRAIN INSTL-GALLEY AND DOOR GUTTER MODULE NUMBER: 417N2703-304 REV B POSITION DATA: AFT	103106	1
5	BACS12GU3K8	.	SCREW	103106	2
10	BACS12GU3K9	.	SCREW	103106	5
15	BACS12GU3K11	.	SCREW	103106	1
20	BACS12GU3K12	.	SCREW	103106	4
25	BACS12GU3K16	.	SCREW	103106	1
30	BACS12GU3K20	.	SCREW	103106	2
35	NAS43DD3-5FC	.	SPACER	103106	1
40	NAS43DD3-8FC	.	SPACER	103106	1
45	NAS43DD3-48FC	.	SPACER	103106	2
50	NAS1149D0332J	.	WASHER	103106	18
55	PLH53CD	.	NUT	103106	6
			SUPPLIER CODE: VF0224 SPECIFICATION NUMBER: BACN10YR3CD OPTIONAL PART: H52732-3CD V15653		
60	BACC10DK10	.	CLAMP	103106	3
65	BACC10DK8A	.	CLAMP	103106	1
70	BACC10DK14	.	CLAMP	103106	5
75	BACC10DK12	.	CLAMP	103106	1
80	NMC1005-5	.	CLAMP-	103106	9
			SUPPLIER CODE: V03296		
85	NMC1005-4	.	CLAMP-	103106	2
			SUPPLIER CODE: V03296		
90	BACC10JB022C030	.	CLAMP	103106	25
95	BACC10JB082C112	.	CLAMP-	103106	1
			OPTIONAL PART: STBC10GG98-114		

MISSING ITEM NUMBERS NOT APPLICABLE

- ITEM NOT ILLUSTRATED

38-31-54-55A

38-31-54
FIG. 55A
PAGE 1
JAN 20/09

BRI

BOEING PROPRIETARY - Copyright © - Unpublished Work - See title page for details.



757

PARTS CATALOG (MAINTENANCE)

FIG ITEM	PART NUMBER	1 2 3 4 5 6 7	NOMENCLATURE	EFFECT FROM TO	UNITS PER ASSY
55A 95	48	.	CLAMP- SUPPLIER CODE: V7Z588 SPECIFICATION NUMBER: STBC10GG98-114 OPTIONAL PART: WWD98-114 V66295 BACC10JB082C112	103106	1
98	PLT1MXMR	.	STRAP SUPPLIER CODE: V06383 SPECIFICATION NUMBER: BACS38K9	103106	11
100	417N2718-1	.	CAP	103106	1
105	417N2706-301	.	CAP ASSY	103106	1
110	417N2708-1	..	CAP ASSY-PLATE	103106	1
115	417N2709-1	..	CAP ASSY-CYLINDER	103106	1
120	417N2707-301	..	TUBE ASSY	103106	1
125	417N2707-302	...	TUBE- TUBING MATERIAL: STOCK .75 O.D. X .025 WALL X 10.0, OPT .028 WALL 321 CRES TUBE PER MIL-T-8808	103106	1
130	417N2707-303	...	TUBE- TUBING MATERIAL: STOCK .75 O.D. X .025 WALL X 1.2, OPT .028 WALL 321 CRES TUBE PER MIL-T-8808	103106	1
135	411A4902-7	.	CLIP ASSY-SPRT	103106	4
140	417A2403-38	.	TUBE- OPTIONAL PART: 417A2403-106	103106	8
140	417A2403-106	.	TUBE- OPTIONAL PART: 417A2403-38	103106	8
145	417N2723-16	.	TUBE-	103106	1
150	417N2723-17	.	TUBE-	103106	1

MISSING ITEM NUMBERS NOT APPLICABLE

- ITEM NOT ILLUSTRATED

38-31-54-55A

38-31-54
FIG. 55A
PAGE 2
JAN 20/09

BRI

BOEING PROPRIETARY - Copyright © - Unpublished Work - See title page for details.



757

PARTS CATALOG (MAINTENANCE)

FIG ITEM	PART NUMBER	1 2 3 4 5 6 7	NOMENCLATURE	EFFECT FROM TO	UNITS PER ASSY
55A 155	BOE2013-0581	.HOSE ASSY-	SUPPLIER CODE: V16632 SPECIFICATION NUMBER: 69-27191-581 OPTIONAL PART: 713488-581 V70628 IT4350-581 V26831	103106	1
155	713488-581	.HOSE ASSY-	SUPPLIER CODE: V70628 SPECIFICATION NUMBER: 69-27191-581 OPTIONAL PART: BOE2013-0581 V16632 IT4350-581 V26831	103106	1
160	BOE2013-0351	.HOSE-	SUPPLIER CODE: V16632 SPECIFICATION NUMBER: 69-27191-351 OPTIONAL PART: IT4350-351 V26831	103106	1
160	IT4350-351	.HOSE-	SUPPLIER CODE: V26831 SPECIFICATION NUMBER: 69-27191-351 OPTIONAL PART: BOE2013-0351 V16632	103106	1
165	69-27191-632	.HOSE ASSY		103106	1
170	BOE2013-0546	.HOSE-	SUPPLIER CODE: V16632 SPECIFICATION NUMBER: 69-27191-546	103106	1

MISSING ITEM NUMBERS NOT APPLICABLE

- ITEM NOT ILLUSTRATED

38-31-54-55A

38-31-54
FIG. 55A
PAGE 3
JAN 20/09

BRI

BOEING PROPRIETARY - Copyright © - Unpublished Work - See title page for details.



757

PARTS CATALOG (MAINTENANCE)

FIG ITEM	PART NUMBER	1 2 3 4 5 6 7	NOMENCLATURE	EFFECT FROM TO	UNITS PER ASSY
55A 175	BOE2013-0333	.HOSE-	SUPPLIER CODE: V16632 SPECIFICATION NUMBER: 69-27191-333 OPTIONAL PART: 713488-333 V70628	103106	1
180	BOE2013-0313	.HOSE-	SUPPLIER CODE: V16632 SPECIFICATION NUMBER: 69-27191-313 OPTIONAL PART: IT4350-313 V26831 713488-313 V70628	103106	1
180	IT4350-313	.HOSE-	SUPPLIER CODE: V26831 SPECIFICATION NUMBER: 69-27191-313 OPTIONAL PART: BOE2013-0313 V16632 713488-313 V70628	103106	1
180	713488-313	.HOSE-	SUPPLIER CODE: V70628 SPECIFICATION NUMBER: 69-27191-313 OPTIONAL PART: BOE2013-0313 V16632 IT4350-313 V26831	103106	1
185	BOE2013-0301	.HOSE-	SUPPLIER CODE: V16632 SPECIFICATION NUMBER: 69-27191-301 OPTIONAL PART: 713488-301 V70628 IT4350-301 V26831	103106	1

MISSING ITEM NUMBERS NOT APPLICABLE

- ITEM NOT ILLUSTRATED

38-31-54-55A

38-31-54
FIG. 55A
PAGE 4
JAN 20/09

BRI

BOEING PROPRIETARY - Copyright © - Unpublished Work - See title page for details.



757

PARTS CATALOG (MAINTENANCE)

FIG ITEM	PART NUMBER	1 2 3 4 5 6 7	NOMENCLATURE	EFFECT FROM TO	UNITS PER ASSY
55A 185	IT4350-301	.HOSE-	SUPPLIER CODE: V26831 SPECIFICATION NUMBER: 69-27191-301 OPTIONAL PART: 713488-301 V70628 BOE2013-0301 V16632	103106	1
185	713488-301	.HOSE-	SUPPLIER CODE: V70628 SPECIFICATION NUMBER: 69-27191-301 OPTIONAL PART: IT4350-301 V26831 BOE2013-0301 V16632	103106	1
190	BOE2013-0539	.HOSE-	SUPPLIER CODE: V16632 SPECIFICATION NUMBER: 69-27191-539 OPTIONAL PART: IT4353-539 V26831	103106	3
190	IT4353-539	.HOSE-	SUPPLIER CODE: V26831 SPECIFICATION NUMBER: 69-27191-539 OPTIONAL PART: BOE2013-0539 V16632	103106	3
- 300	MODREF24689	DRAIN INSTL-GALLEY AND DOOR GUTTER	MODULE NUMBER: 417N2703-305 REV B POSITION DATA: AFT	103106	1
305	BACC10JB014D022	.CLAMP		103106	1
310	BACC10JB022C030	.CLAMP		103106	1

MISSING ITEM NUMBERS NOT APPLICABLE

- ITEM NOT ILLUSTRATED

38-31-54-55A

38-31-54
FIG. 55A
PAGE 5
JAN 20/09

BRI

BOEING PROPRIETARY - Copyright © - Unpublished Work - See title page for details.



757

PARTS CATALOG (MAINTENANCE)

FIG ITEM	PART NUMBER	1 2 3 4 5 6 7	NOMENCLATURE	EFFECT FROM TO	UNITS PER ASSY
55A 315	BOE2013-0633		.HOSE ASSY- SUPPLIER CODE: V16632 SPECIFICATION NUMBER: 69-27191-633 OPTIONAL PART: IT4350-633 V26831	103106	1
315	IT4350-633		.HOSE ASSY- SUPPLIER CODE: V26831 SPECIFICATION NUMBER: 69-27191-633 OPTIONAL PART: BOE2013-0633 V16632	103106	1

MISSING ITEM NUMBERS NOT APPLICABLE

- ITEM NOT ILLUSTRATED

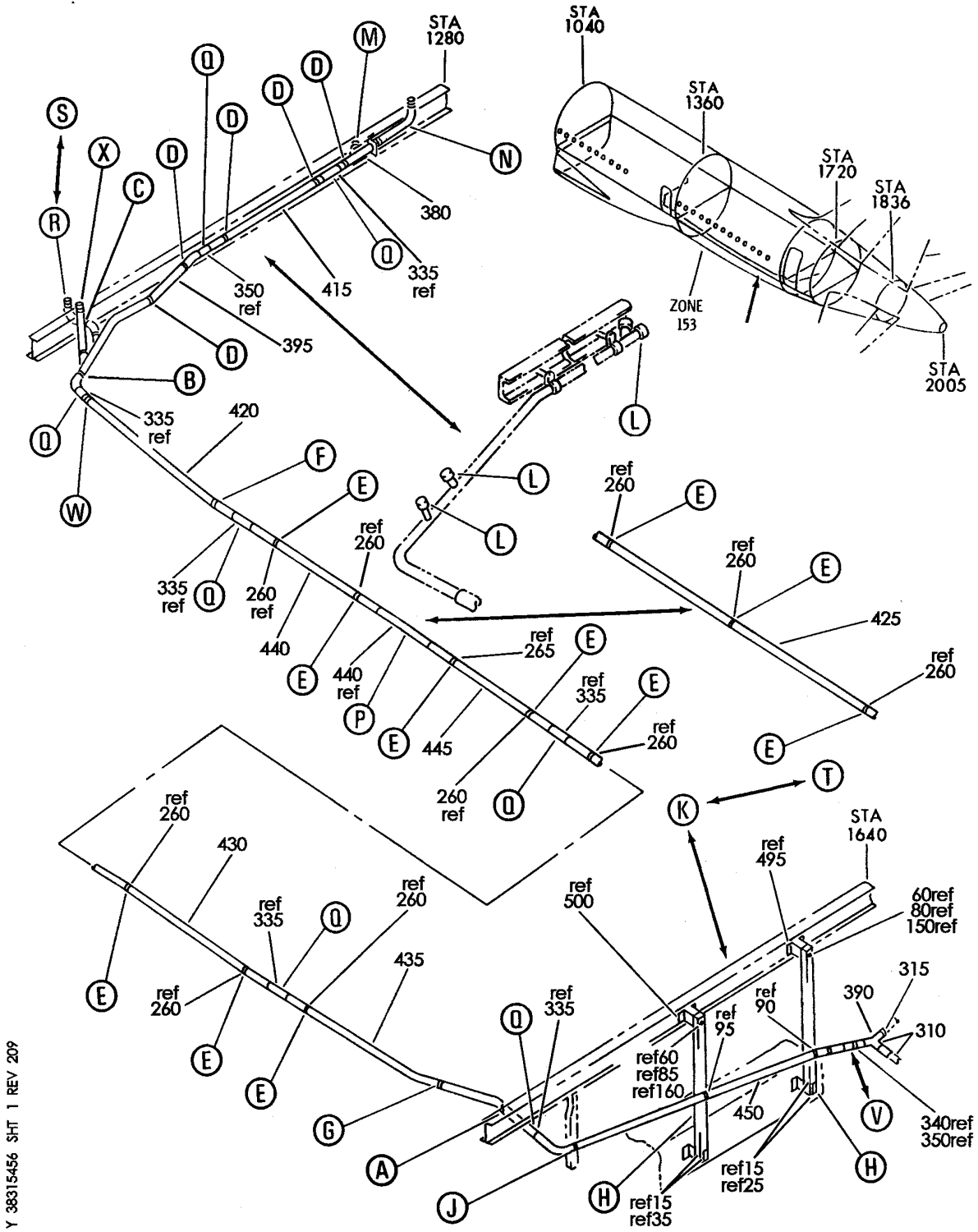
BRI

38-31-54-55A

BOEING PROPRIETARY - Copyright © - Unpublished Work - See title page for details.

38-31-54
FIG. 55A
PAGE 6
JAN 20/09

BOEING
757
PARTS CATALOG (MAINTENANCE)



Y 38315456 SHT 1 REV 209

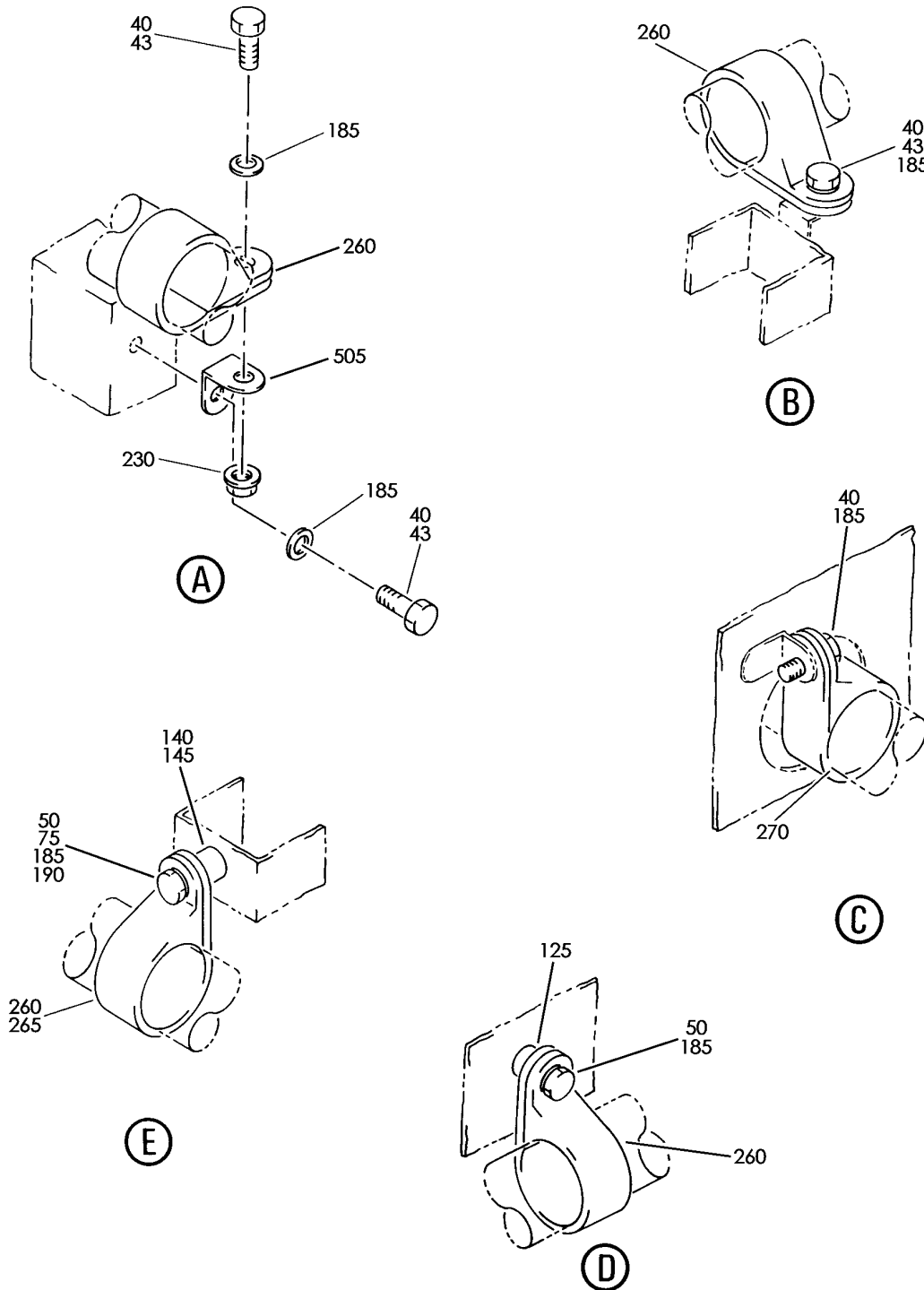
DRAIN INSTL-WASTE WATER AFT
FIGURE 56 (SHEET 1)

38-31-54-56

BRI
MAY 28/07

38-31-54-56
PAGE 0

BOEING
757
PARTS CATALOG (MAINTENANCE)



Y 38315456 SH1 2 REV 229

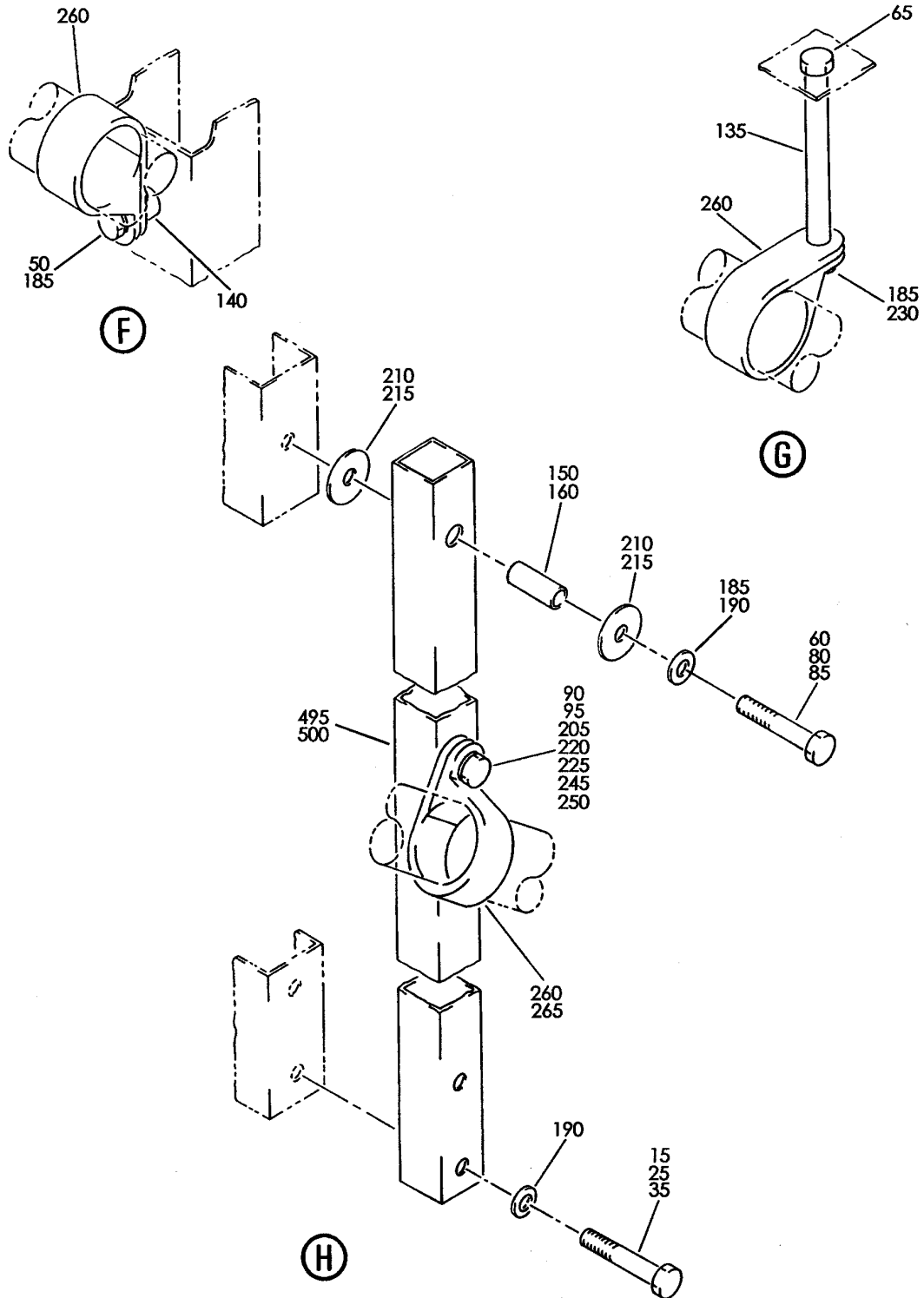
DRAIN INSTL-WASTE WATER AFT
FIGURE 56 (SHEET 2)

38-31-54-56

BRI
MAY 28/07

38-31-54-56
PAGE 0A

BOEING
757
PARTS CATALOG (MAINTENANCE)



Y 38315456 SHT 3 REV 209

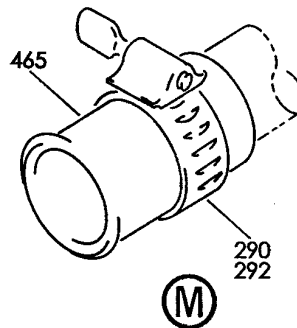
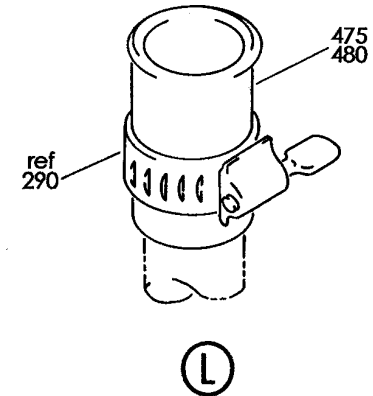
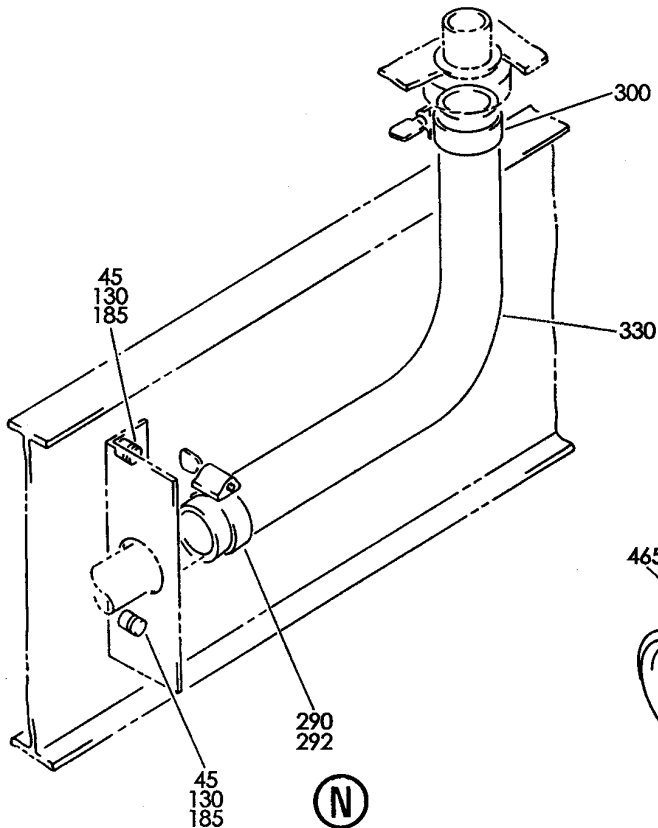
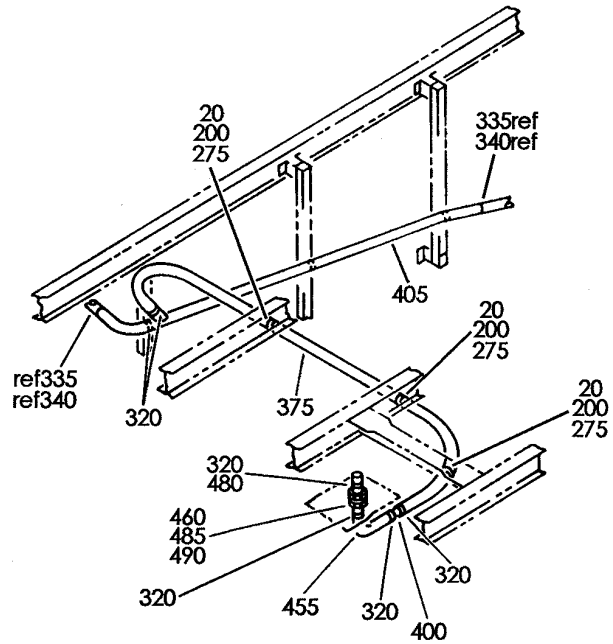
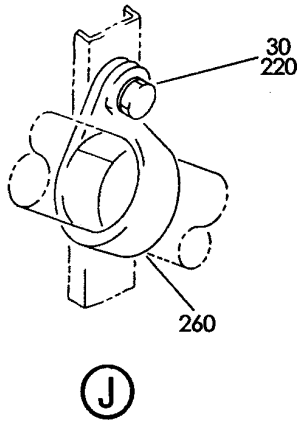
DRAIN INSTL-WASTE WATER AFT
FIGURE 56 (SHEET 3)

38-31-54-56

BRI
MAY 28/07

38-31-54-56
PAGE 0B

BOEING
757
PARTS CATALOG (MAINTENANCE)



Y 38315456 SHT 4 REV 215

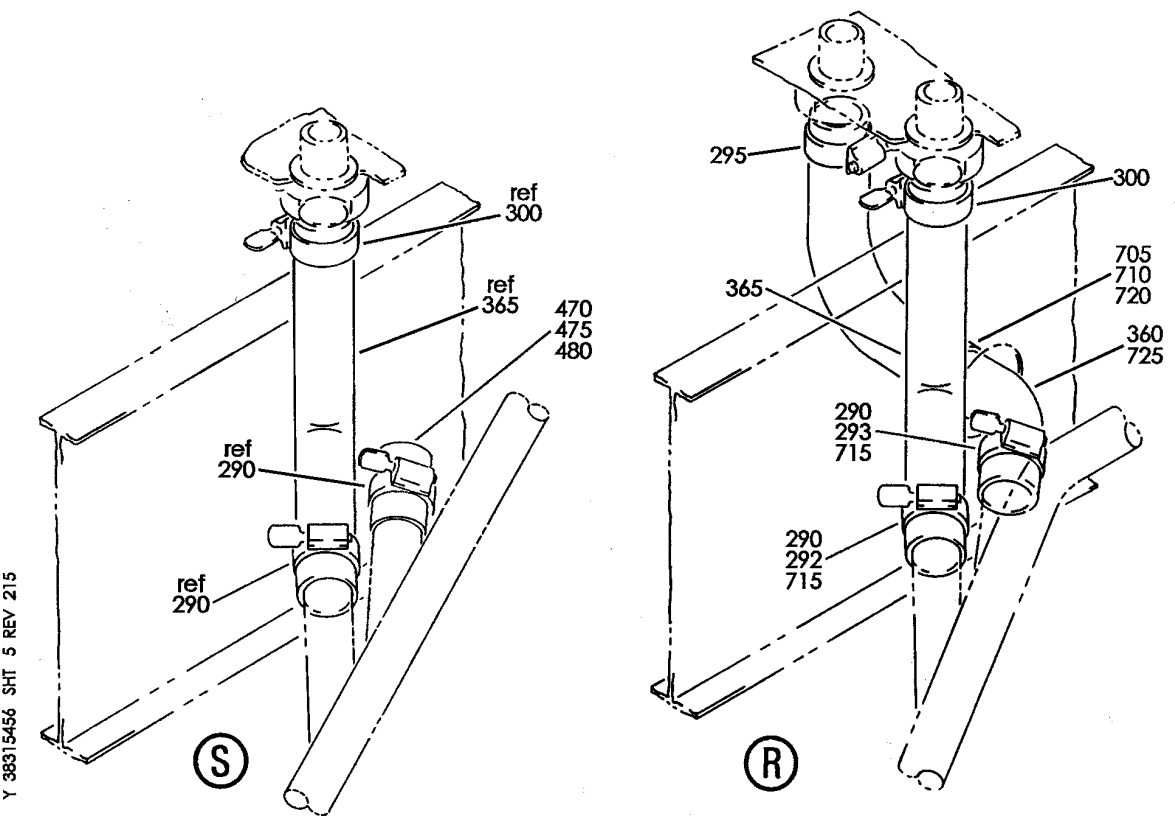
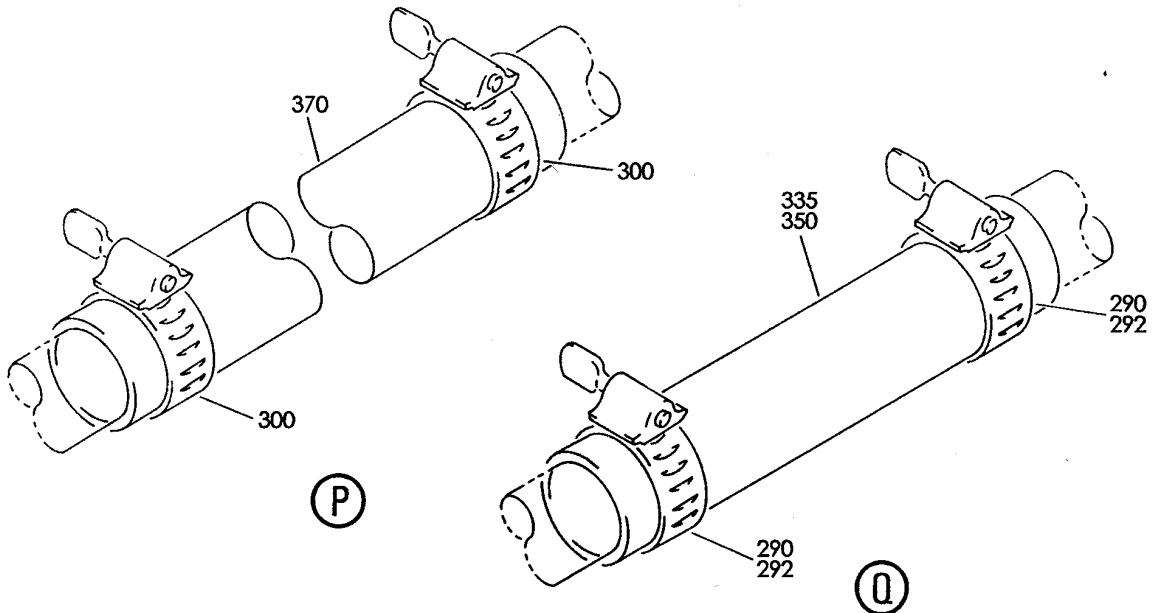
DRAIN INSTL-WASTE WATER AFT
FIGURE 56 (SHEET 4)

38-31-54-56

BRI
MAY 28/07

38-31-54-56
PAGE 0C

BOEING
757
PARTS CATALOG (MAINTENANCE)



Y 38315456 SHT 5 REV 215

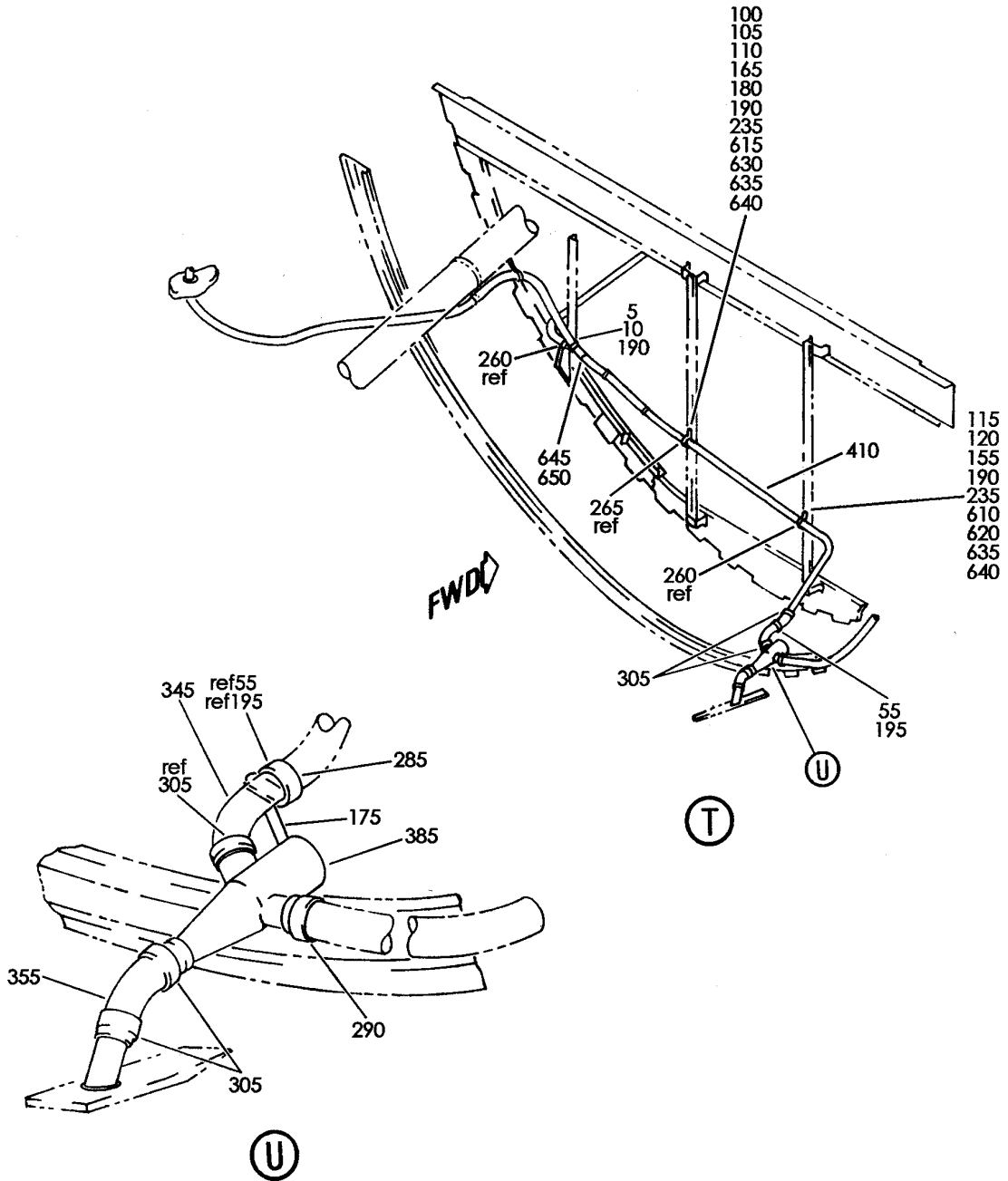
DRAIN INSTL-WASTE WATER AFT
FIGURE 56 (SHEET 5)

38-31-54-56

BRI
MAY 28/07

38-31-54-56
PAGE 0D

BOEING
757
PARTS CATALOG (MAINTENANCE)



Y 38315456 SH-T 6 REV 209

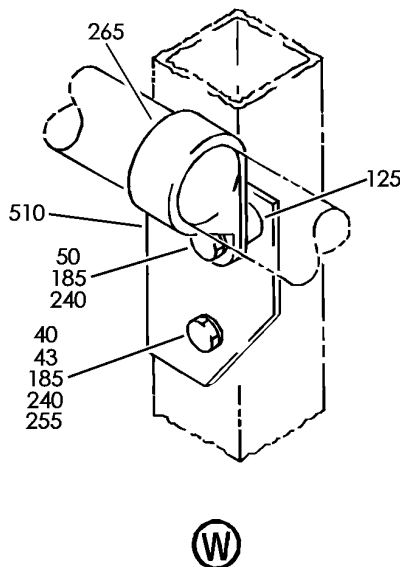
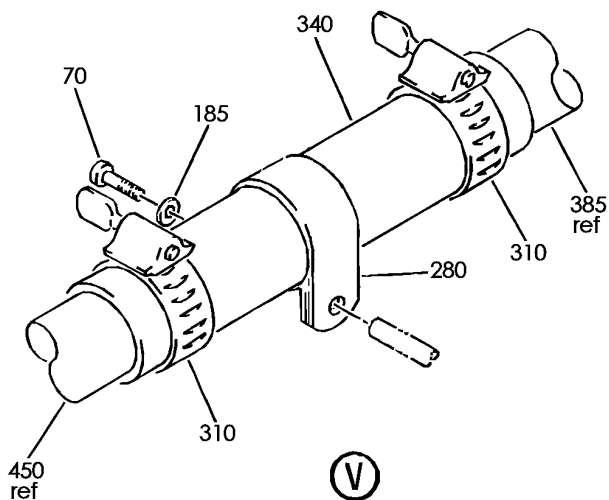
DRAIN INSTL-WASTE WATER AFT
FIGURE 56 (SHEET 6)

38-31-54-56

BRI
MAY 28/07

38-31-54-56
PAGE 0E

BOEING
757
PARTS CATALOG (MAINTENANCE)



Y 38315456 SH7 7 REV 229

DRAIN INSTL-WASTE WATER AFT
FIGURE 56 (SHEET 7)

38-31-54-56

BRI
MAY 28/07

38-31-54-56
PAGE OF



757

PARTS CATALOG (MAINTENANCE)

FIG ITEM	PART NUMBER	1 2 3 4 5 6 7	NOMENCLATURE	EFFECT FROM TO	UNITS PER ASSY
56			DRAIN INSTL-WASTE WATER AFT	002004 006102 107999	
- 1	417N2302-2		DRAIN INSTL-WASTE WATER POSITION DATA: AFT VARIABLE DRAWING REF: 417N2302-10 417N2302-23 417N2302-24 417N2302-28 417N2302-31 FOR NHA SEE: 25-20-00-01A 25-20-00-01E 25-20-00-03A	002004 107107 121503 904949 952952	RF
- 1	417N2302-37		DRAIN INSTL-WASTE WATER POSITION DATA: AFT VARIABLE DRAWING REF: 417N2302-10 417N2302-24 417N2302-34 FOR NHA SEE: 25-20-00-03A	006014 950951 953999	RF
- 1	417N2302-38		DRAIN INSTL-WASTE WATER POSITION DATA: AFT FOR NHA SEE: 25-20-00-03A	015100	RF
- 1	417N2302-42		DRAIN INSTL-WASTE WATER LAVS B, C AND D POSITION DATA: AFT FOR NHA SEE: 25-20-00-09	101102 504903	RF
- 1	417N2302-45		DRAIN INSTL-WASTE WATER LAVS B, C AND D POSITION DATA: AFT FOR NHA SEE: 25-20-00-09	108120	RF
5	BACS12GU3K8		.SCREW	002004 006014 950951 953999	1
10	BACS12GU3K22		.SCREW	015100	1

MISSING ITEM NUMBERS NOT APPLICABLE

- ITEM NOT ILLUSTRATED

38-31-54-56

38-31-54
FIG. 56
PAGE 1
JAN 20/09

BRI



757

PARTS CATALOG (MAINTENANCE)

FIG ITEM	PART NUMBER	1 2 3 4 5 6 7	NOMENCLATURE	EFFECT FROM TO	UNITS PER ASSY
56					
15	BACS12GU3K9	.	SCREW	006102 108120 504903 950951 953999	4
20	NAS1801-3-8	.	SCREW	952999	3
25	NAS1801-3-9	.	SCREW	002004 107107 121503 904949 952952	2
30	NAS1801-3-9	.	SCREW	107107 121503 904949 952952	1
35	NAS1801-3-9	.	SCREW	002004 107107 121503 904949 952952	2
40	BACS12GU3K10	.	SCREW	006100 950951 953999	5
40	NAS1801-3-10	.	SCREW	002004 107107 121503 904949 952952	5
43	BACS12GU3K10	.	SCREW	101102 108120 504903	4
45	BACS12GU3K11	.	SCREW	006102 108120 504903 950951 953999	2
45	NAS1801-3-11	.	SCREW	002004 107107 121503 904949 952952	2
50	NAS1801-3-14	.	SCREW	002004 107107 121503 904949 952952	14

MISSING ITEM NUMBERS NOT APPLICABLE

- ITEM NOT ILLUSTRATED

BRI

38-31-54-56

BOEING PROPRIETARY - Copyright © - Unpublished Work - See title page for details.

38-31-54
FIG. 56
PAGE 2
JAN 20/09



757

PARTS CATALOG (MAINTENANCE)

FIG ITEM	PART NUMBER	1 2 3 4 5 6 7	NOMENCLATURE	EFFECT FROM TO	UNITS PER ASSY
56					
50	BACS12GU3K14	.	SCREW	006102 108120 504903 950951 953999	14
55	BACS12GU3K20	.	SCREW	002004 006100 950951 953999	1
60	BACS12GU3K22	.	SCREW	006102 108120 504903 950951 953999	2
65	BACS12GU3K56	.	SCREW	006102 108120 504903 950951 953999	1
65	NAS1801-3-56	.	SCREW	002004 107107 121503 904949 952952	1
70	NAS1801-3-13	.	SCREW	107107 121503 904949 952952	1
75	BACS12GU3K14	.	SCREW	006102 108120 504903 950951 953999	1
75	NAS1801-3-14	.	SCREW	002004 107107 121503 904949 952952	1
80	NAS1801-3-22	.	SCREW	002004 107107 121503 904949 952952	1
85	NAS1801-3-22	.	SCREW	002004 107107 121503 904949 952952	1

MISSING ITEM NUMBERS NOT APPLICABLE

- ITEM NOT ILLUSTRATED

38-31-54-56

38-31-54
FIG. 56
PAGE 3
JAN 20/09

BRI

BOEING PROPRIETARY - Copyright © - Unpublished Work - See title page for details.



757

PARTS CATALOG (MAINTENANCE)

FIG ITEM	PART NUMBER	1 2 3 4 5 6 7	NOMENCLATURE	EFFECT FROM TO	UNITS PER ASSY
56					
90	NAS603-18P	.	SCREW	107107 121503 904949 952952	1
95	NAS603-18P	.	SCREW	107107 121503 904949 952952	1
100	BACS12GU3K42	.	SCREW	015100	1
105	NAS8203A18	.	SCREW	002004	1
110	NAS1801-3-32	.	SCREW	006014 950951 953999	1
115	BACS12GU3K28	.	SCREW	015100	1
120	NAS8203A18	.	SCREW	006014 950951 953999	1
125	NAS43DD3-16	.	SPACER	002004 107107 121503 904949 952952	6
125	NAS43DD3-16FC	.	SPACER	006102 108120 504903 950951 953999	6
130	NAS43DD3-16	.	SPACER	002004 107107 121503 904949 952952	2
135	NAS43DD3-184	.	SPACER	002004 107107 121503 904949 952952	1
135	NAS43DD3-184FC	.	SPACER	006102 108120 504903 950951 953999	1
140	NAS43DD3-20	.	SPACER	002004 107107 121503 904949 952952	8

MISSING ITEM NUMBERS NOT APPLICABLE

- ITEM NOT ILLUSTRATED

38-31-54-56

38-31-54
FIG. 56
PAGE 4
JAN 20/09

BRI



757

PARTS CATALOG (MAINTENANCE)

FIG ITEM	PART NUMBER	1 2 3 4 5 6 7	NOMENCLATURE	EFFECT FROM TO	UNITS PER ASSY
56					
140	NAS43DD3-20FC	.	SPACER	006102 108120 504903 950951 953999	8
145	NAS43DD3-20	.	SPACER	002004 107107 121503 904949 952952	1
145	NAS43DD3-20FC	.	SPACER	006102 108120 504903 950951 953999	1
150	NAS43HT3-44	.	SPACER	002004 107107 121503 904949 952952	1
150	NAS43HT3-40	.	SPACER	006102 108120 504903 950951 953999	1
155	NAS43DD3-40FC	.	SPACER	015100	1
160	NAS43HT3-44	.	SPACER	002004 107107 121503 904949 952952	1
160	NAS43HT3-40	.	SPACER	006102 108120 504903 950951 953999	1
165	NAS43DD3-56FC	.	SPACER	006014 950951 953999	1
170	NAS43DD3-56FC	.	SPACER	015100	1
175	NAS43DD3-64FC	.	SPACER	002004 006100 950951 953999	1
180	NAS43DD3-96FC	.	SPACER	015100	1
185	NAS1149D0332J	.	WASHER	015102 108120 504903	25

MISSING ITEM NUMBERS NOT APPLICABLE

- ITEM NOT ILLUSTRATED

38-31-54-56

38-31-54
FIG. 56
PAGE 5
JAN 20/09

BRI



757

PARTS CATALOG (MAINTENANCE)

FIG ITEM	PART NUMBER	1 2 3 4 5 6 7	NOMENCLATURE	EFFECT FROM TO	UNITS PER ASSY
56 185	AN960JD10L	.	WASHER-	002004 006014 107107 121503 904999	25
185	AN960PD10L	.	WASHER-	002004 006014 107107 121503 904999	25
190	AN960JD10L	.	WASHER-	002004 006014 107107 121503 904999	4
190	NAS1149D0332J	.	WASHER	015102 108120 504903	4
190	AN960PD10L	.	WASHER-	002004 006014 107107 121503 904999	4
195	AN960JD10L	.	WASHER	002004 006014 950951 953999	1
195	NAS1149D0332J	.	WASHER	015102 108120 504903	1
200 205	AN960KD10L AN960PD10L	.	WASHER WASHER	952999 107107 121503 904949 952952	3 1
210	BACW10P348GE	.	WASHER	002004 006102 107999	2
215	BACW10P348GE	.	WASHER	002004 006102 107999	2
220	AN960PD10L	.	WASHER	107107 121503 904949 952952	2
220	AN960JD10L	.	WASHER	002004 006014 950951 953999	2

MISSING ITEM NUMBERS NOT APPLICABLE

- ITEM NOT ILLUSTRATED

38-31-54-56

38-31-54
FIG. 56
PAGE 6
JAN 20/09

BRI



757

PARTS CATALOG (MAINTENANCE)

FIG ITEM	PART NUMBER	1 2 3 4 5 6 7	NOMENCLATURE	EFFECT FROM TO	UNITS PER ASSY
56					
220	NAS1149D0332J	.	WASHER	015100	2
225	AN960PD10L	.	WASHER	107107	1
				121503	
				904949	
				952952	
225	AN960JD10L	.	WASHER	002004	1
				006014	
				950951	
				953999	
225	NAS1149D0332J	.	WASHER	015100	1
230	BRH10A3	.	NUT	002004	2
			SUPPLIER CODE:	006014	
			V52828	107107	
			SPECIFICATION NUMBER:	121503	
			BACN10JC3	904999	
			OPTIONAL PART:		
			H10-3BAC		
			V15653		
			NS202101-02		
			V80539		
			RMLH9075-3W		
			V72962		
			VN303A02		
			V92215		
			96-02		
			V80539		
			T6S1032J		
			V11815		
230	PLH53CD	.	NUT	015100	2
			SUPPLIER CODE:		
			VF0224		
			SPECIFICATION NUMBER:		
			BACN10YR3CD		
			OPTIONAL PART:		
			H52732-3CD		
			V15653		
235	PLH53CD	.	NUT	002004	2
			SUPPLIER CODE:	006100	
			VF0224	950951	
			SPECIFICATION NUMBER:	953999	
			BACN10YR3CD		
			OPTIONAL PART:		
			H52732-3CD		
			V15653		

MISSING ITEM NUMBERS NOT APPLICABLE

- ITEM NOT ILLUSTRATED

38-31-54-56

38-31-54
FIG. 56
PAGE 7
JAN 20/09

BRI



757

PARTS CATALOG (MAINTENANCE)

FIG ITEM	PART NUMBER	1 2 3 4 5 6 7	NOMENCLATURE	EFFECT FROM TO	UNITS PER ASSY
56 240	PLH53CD	.NUT	SUPPLIER CODE: VF0224 SPECIFICATION NUMBER: BACN10YR3CD OPTIONAL PART: H52732-3CD V15653	006102 108120 504903 950951 953999	4
245	BRH10A3	.NUT	SUPPLIER CODE: V52828 SPECIFICATION NUMBER: BACN10JC3 OPTIONAL PART: H10-3BAC V15653 NS202101-02 V80539 RMLH9075-3W V72962 VN303A02 V92215 96-02 V80539 T6S1032J V11815	107107 121503 904949 952952	1
250	BRH10A3	.NUT	SUPPLIER CODE: V52828 SPECIFICATION NUMBER: BACN10JC3 OPTIONAL PART: H10-3BAC V15653 NS202101-02 V80539 RMLH9075-3W V72962 VN303A02 V92215 96-02 V80539 T6S1032J V11815	107107 121503 904949 952952	1
255	MS21042L3	.NUT		002004 107107 121503 904949 952952	1

MISSING ITEM NUMBERS NOT APPLICABLE

- ITEM NOT ILLUSTRATED

38-31-54-56

38-31-54
FIG. 56
PAGE 8
JAN 20/09

BRI

 **BOEING**
757
PARTS CATALOG (MAINTENANCE)

FIG ITEM	PART NUMBER	1 2 3 4 5 6 7	NOMENCLATURE	EFFECT FROM TO	UNITS PER ASSY
56					
260	BACC10DK16	.	CLAMP	002004 006102 107999	19
265	BACC10DK16	.	CLAMP	002004 006102 107999	2
270	BACC10DK19	.	CLAMP	006100 950951 953999	1
270	BACC10DK20	.	CLAMP	002004 107107 121503 904949 952952	1
275	BACC10DK20	.	CLAMP	952999	3
280	BACC10DK20	.	CLAMP	107107 121503 904949 952952	1
285	BACC10DK19	.	CLAMP	006102 108120 504903 950951 953999	1
290	BACC10JB032A046	.	CLAMP	006102 108120 504903 950951 953999	18
290	12	.	CLAMP SUPPLIER CODE: V7Z588 SPECIFICATION NUMBER: STBC10GG34-38 OPTIONAL PART: WWD34-38H V66295	002004 107107 121503 904949 952952	18
295	BACC10JB032A046	.	CLAMP	006100	1
295	12	.	CLAMP SUPPLIER CODE: V7Z588 SPECIFICATION NUMBER: STBC10GG34-38 OPTIONAL PART: WWD34-38H V66295	002004 952952	1

MISSING ITEM NUMBERS NOT APPLICABLE

— ITEM NOT ILLUSTRATED

BRI

38-31-54-56

BOEING PROPRIETARY - Copyright © - Unpublished Work - See title page for details.

38-31-54
FIG. 56
PAGE 9
JAN 20/09



757

PARTS CATALOG (MAINTENANCE)

FIG ITEM	PART NUMBER	1 2 3 4 5 6 7	NOMENCLATURE	EFFECT FROM TO	UNITS PER ASSY
56					
300	BACC10JB032A046	.	CLAMP	006102 108120 504903 950951 953999	4
300	12	.	CLAMP SUPPLIER CODE: V7Z588 SPECIFICATION NUMBER: STBC10GG34-38 OPTIONAL PART: WWD34-38H V66295	002004 107107 121503 904949 952952	4
305	BACC10JB032A046	.	CLAMP	002004 006100 950951 953999	4
310	12	.	CLAMP SUPPLIER CODE: V7Z588 SPECIFICATION NUMBER: STBC10GG34-38 OPTIONAL PART: WWD34-38H V66295	107107 121503 904949 952952	4
315	12	.	CLAMP SUPPLIER CODE: V7Z588 SPECIFICATION NUMBER: STBC10GG34-38 OPTIONAL PART: WWD34-38H V66295	002004 107107 121503 904949	1
320	12	.	CLAMP SUPPLIER CODE: V7Z588 SPECIFICATION NUMBER: STBC10GG34-38 OPTIONAL PART: WWD34-38H V66295	952999	5

MISSING ITEM NUMBERS NOT APPLICABLE

- ITEM NOT ILLUSTRATED

38-31-54-56

38-31-54
FIG. 56
PAGE 10
JAN 20/09

BRI



757

PARTS CATALOG (MAINTENANCE)

FIG ITEM	PART NUMBER	1 2 3 4 5 6 7	NOMENCLATURE	EFFECT FROM TO	UNITS PER ASSY
56 330	BOE2013-0331	.HOSE-	SUPPLIER CODE: V16632 SPECIFICATION NUMBER: 69-27191-331 OPTIONAL PART: 713488-331 V70628 IT4350-331 V26831 OPTIONAL PART: IT4350-331 V26831	002004 006102 107999	1
330	IT4350-331	.HOSE-	SUPPLIER CODE: V26831 OPTIONAL PART: BOE2013-0331 V16632 713488-331 V70628 OPTIONAL PART: BOE2013-0331 V16632	002004 006102 107999	1
330	713488-331	.HOSE-	SUPPLIER CODE: V70628 OPTIONAL PART: BOE2013-0331 V16632 IT4350-331 V26831	002004 006102 107999	1
335	BOE2013-0314	.HOSE ASSY-	SUPPLIER CODE: V16632 SPECIFICATION NUMBER: 69-27191-314 OPTIONAL PART: 713488-314 V70628 IT4350-314 V26831	002004 006102 107999	6

MISSING ITEM NUMBERS NOT APPLICABLE

- ITEM NOT ILLUSTRATED

38-31-54-56

38-31-54
FIG. 56
PAGE 11
JAN 20/09

BRI



757

PARTS CATALOG (MAINTENANCE)

FIG ITEM	PART NUMBER	1 2 3 4 5 6 7	NOMENCLATURE	EFFECT FROM TO	UNITS PER ASSY
56 335	IT4350-314		.HOSE ASSY- SUPPLIER CODE: V26831 SPECIFICATION NUMBER: 69-27191-314 OPTIONAL PART: 713488-314 V70628 BOE2013-0314 V16632	002004 006102 107999	6
335	713488-314		.HOSE- SUPPLIER CODE: V70628 SPECIFICATION NUMBER: 69-27191-314 OPTIONAL PART: IT4350-314 V26831 BOE2013-0314 V16632	002004 006102 107999	6
340	BOE2013-0314		.HOSE ASSY- SUPPLIER CODE: V16632 SPECIFICATION NUMBER: 69-27191-314 OPTIONAL PART: 713488-314 V70628 IT4350-314 V26831	107107 121503 904949 952952	1
340	IT4350-314		.HOSE ASSY- SUPPLIER CODE: V26831 SPECIFICATION NUMBER: 69-27191-314 OPTIONAL PART: 713488-314 V70628 BOE2013-0314 V16632	107107 121503 904949 952952	1

MISSING ITEM NUMBERS NOT APPLICABLE

- ITEM NOT ILLUSTRATED

38-31-54-56

38-31-54
FIG. 56
PAGE 12
JAN 20/09

BRI



757

PARTS CATALOG (MAINTENANCE)

FIG ITEM	PART NUMBER	1 2 3 4 5 6 7	NOMENCLATURE	EFFECT FROM TO	UNITS PER ASSY
56 340	713488-314		.HOSE- SUPPLIER CODE: V70628 SPECIFICATION NUMBER: 69-27191-314 OPTIONAL PART: IT4350-314 V26831 BOE2013-0314 V16632	107107 121503 904949 952952	1
345	BOE2013-0322		.HOSE ASSY- SUPPLIER CODE: V16632 SPECIFICATION NUMBER: 69-27191-322 OPTIONAL PART: 713488-322 V70628 IT4350-322 V26831	002004 006102 108120 504903 950951 953999	1
345	IT4350-322		.HOSE ASSY- SUPPLIER CODE: V26831 SPECIFICATION NUMBER: 69-27191-322 OPTIONAL PART: 713488-322 V70628 BOE2013-0322 V16632	002004 006102 108120 504903 950951 953999	1
345	713488-322		.HOSE ASSY- SUPPLIER CODE: V70628 SPECIFICATION NUMBER: 69-27191-322 OPTIONAL PART: IT4350-322 V26831 BOE2013-0322 V16632	002004 006102 108120 504903 950951 953999	1

MISSING ITEM NUMBERS NOT APPLICABLE

- ITEM NOT ILLUSTRATED

38-31-54-56

38-31-54
FIG. 56
PAGE 13
JAN 20/09

BRI



757

PARTS CATALOG (MAINTENANCE)

FIG ITEM	PART NUMBER	1 2 3 4 5 6 7	NOMENCLATURE	EFFECT FROM TO	UNITS PER ASSY
56 350	BOE2013-0328	.HOSE-	SUPPLIER CODE: V16632 SPECIFICATION NUMBER: 69-27191-328 OPTIONAL PART: 713488-328 V70628 IT4350-328 V26831	002004 006102 107999	1
350	IT4350-328	.HOSE-	SUPPLIER CODE: V26831 SPECIFICATION NUMBER: 69-27191-328 OPTIONAL PART: 713488-328 V70628 BOE2013-0328 V16632	002004 006102 107999	1
350	713488-328	.HOSE-	SUPPLIER CODE: V70628 SPECIFICATION NUMBER: 69-27191-328 OPTIONAL PART: BOE2013-0328 V16632 IT4350-328 V26831	002004 006102 107999	1
355	BOE2013-0314	.HOSE ASSY-	SUPPLIER CODE: V16632 SPECIFICATION NUMBER: 69-27191-314 OPTIONAL PART: 713488-314 V70628 IT4350-314 V26831	002004 006102 107951 953999	1

MISSING ITEM NUMBERS NOT APPLICABLE

- ITEM NOT ILLUSTRATED

38-31-54-56

38-31-54
FIG. 56
PAGE 14
JAN 20/09

BRI



757

PARTS CATALOG (MAINTENANCE)

FIG ITEM	PART NUMBER	1 2 3 4 5 6 7	NOMENCLATURE	EFFECT FROM TO	UNITS PER ASSY
56 355	BOE2013-0328	.HOSE-	SUPPLIER CODE: V16632 SPECIFICATION NUMBER: 69-27191-328 OPTIONAL PART: 713488-328 V70628 IT4350-328 V26831	952952	1
355	IT4350-328	.HOSE-	SUPPLIER CODE: V26831 SPECIFICATION NUMBER: 69-27191-328 OPTIONAL PART: 713488-328 V70628 BOE2013-0328 V16632	952952	1
355	713488-328	.HOSE-	SUPPLIER CODE: V70628 SPECIFICATION NUMBER: 69-27191-328 OPTIONAL PART: BOE2013-0328 V16632 IT4350-328 V26831	952952	1
355	IT4350-314	.HOSE ASSY-	SUPPLIER CODE: V26831 SPECIFICATION NUMBER: 69-27191-314 OPTIONAL PART: 713488-314 V70628 BOE2013-0314 V16632	002004 006102 107951 953999	1

MISSING ITEM NUMBERS NOT APPLICABLE

- ITEM NOT ILLUSTRATED

38-31-54-56

38-31-54
FIG. 56
PAGE 15
JAN 20/09

BRI



757

PARTS CATALOG (MAINTENANCE)

FIG ITEM	PART NUMBER	1 2 3 4 5 6 7	NOMENCLATURE	EFFECT FROM TO	UNITS PER ASSY
56 355	713488-314		.HOSE- SUPPLIER CODE: V70628 SPECIFICATION NUMBER: 69-27191-314 OPTIONAL PART: IT4350-314 V26831 BOE2013-0314 V16632	002004 006102 107951 953999	1
360	BOE2013-0329		.HOSE- SUPPLIER CODE: V16632 SPECIFICATION NUMBER: 69-27191-329 OPTIONAL PART: 713488-329 V70628 IT4350-329 V26831	002004 006100 952952	1
360	IT4350-329		.HOSE- SUPPLIER CODE: V26831 SPECIFICATION NUMBER: 69-27191-329 OPTIONAL PART: 713488-329 V70628 BOE2013-0329 V16632	002004 006100 952952	1
365	BOE2013-0326		.HOSE- SUPPLIER CODE: V16632 SPECIFICATION NUMBER: 69-27191-326 OPTIONAL PART: 713488-326 V70628 IT4350-326 V26831	002004 101102 107949 952952	1

MISSING ITEM NUMBERS NOT APPLICABLE

- ITEM NOT ILLUSTRATED

38-31-54-56

38-31-54
FIG. 56
PAGE 16
JAN 20/09

BRI



757

PARTS CATALOG (MAINTENANCE)

FIG ITEM	PART NUMBER	1 2 3 4 5 6 7	NOMENCLATURE	EFFECT FROM TO	UNITS PER ASSY
56 365	IT4350-326		.HOSE- SUPPLIER CODE: V26831 SPECIFICATION NUMBER: 69-27191-326 OPTIONAL PART: 713488-326 V70628 BOE2013-0326 V16632	002004 101102 107949 952952	1
370	BOE2013-0316		.HOSE ASSY- SUPPLIER CODE: V16632 SPECIFICATION NUMBER: 69-27191-316 OPTIONAL PART: 713488-316 V70628 IT4350-316 V26831	002004 006102 107999	1
370	IT4350-316		.HOSE- SUPPLIER CODE: V26831 SPECIFICATION NUMBER: 69-27191-316 OPTIONAL PART: 713488-316 V70628 BOE2013-0316 V16632	002004 006102 107999	1
370	713488-316		.HOSE- SUPPLIER CODE: V70628 SPECIFICATION NUMBER: 69-27191-316 OPTIONAL PART: IT4350-316 V26831 BOE2013-0316 V16632	002004 006102 107999	1
375	BOE2013-0429		.HOSE- SUPPLIER CODE: V16632 SPECIFICATION NUMBER: 69-27191-429	952999	1
380	417N2310-1		.TUBE ASSY	002004 006102 107999	1

MISSING ITEM NUMBERS NOT APPLICABLE

- ITEM NOT ILLUSTRATED

38-31-54-56

38-31-54
FIG. 56
PAGE 17
JAN 20/09

BRI



757

PARTS CATALOG (MAINTENANCE)

FIG ITEM	PART NUMBER	1 2 3 4 5 6 7	NOMENCLATURE	EFFECT FROM TO	UNITS PER ASSY
56					
- 381	417N2310-2	..	TUBE- TUBING MATERIAL: STOCK .028 WALL X 1.00 O.D. X 12.00. CRES TUBE TYPE AISI 321/347 MIL-T-8808/ MIL-T-8808-858	002004 006102 107999	1
- 382	417N2310-3	..	TUBE- TUBING MATERIAL: STOCK .028 WALL X 1.00 O.D. X 5.00. CRES TUBE TYPE AISI 321/347 MIL-T-8808/ MIL-T-8808-858	002004 006102 107999	1
- 383	417N2311-1	..	BRACKET	002004 006102 107999	1
385	417N2310-159	.	TUBE ASSY	002004 006100 950999	1
- 386	417N2310-160	..	TUBE- TUBING MATERIAL: STOCK .028 WALL X 2.0 O.D X 3.0 CRES TUBE TYPE AISI 321/347 MIL-T-8808/ MIL-T-8808-858	002004 006100 950999	2
- 387	417N2310-161	..	ADAPTOR- TUBING MATERIAL: STOCK .035 WALL X 2.0 O.D X 7.1 CRES TUBE TYPE AISI 321/347 MIL-T-8808/ MIL-T-8808-858	002004 006100 950999	1
390	417N2310-27	.	TUBE ASSY	107107 121503 904949	1
- 391	417N2310-28	..	TUBE- TUBING MATERIAL: STOCK 1.00 O.D X .028 WALL X 8.1 CRES TUBE TUBE TYPE AISI 321/347 MIL-T-8808/ MIL-T-8808-858	107107 121503 904949	1
- 392	417N2310-29	..	TUBE- TUBING MATERIAL: STOCK 1.00 O.D X .028 WALL X 3.0 CRES TUBE TUBE TYPE AISI 321/347 MIL-T-8808/ MIL-T-8808-858	107107 121503 904949	1

MISSING ITEM NUMBERS NOT APPLICABLE

- ITEM NOT ILLUSTRATED

38-31-54-56

38-31-54
FIG. 56
PAGE 18
JAN 20/09

BRI



757

PARTS CATALOG (MAINTENANCE)

FIG ITEM	PART NUMBER	1 2 3 4 5 6 7	NOMENCLATURE	EFFECT FROM TO	UNITS PER ASSY
56 395	417N2310-47	.	TUBE ASSY	002004 006102 107999	1
- 396	417N2310-25	..	TUBE- TUBING MATERIAL: STOCK 1.00 O.D X .028 WALL X 2.7 CRES TUBE TYPE AISI 321/347 MIL-T-8808/ MIL-T-8808-858	002004 006102 107999	1
- 397	417N2310-26	..	TUBE- TUBING MATERIAL: STOCK 1.00 O.D X .028 WALL X 2.8 CRES TUBE TYPE AISI 321/347 MIL-T-8808/ MIL-T-8808-858	002004 006102 107999	1
- 398	417N2310-44	..	TUBE- TUBING MATERIAL: STOCK 1.00 O.D X .028 WALL X 30.8 CRES TUBE TYPE AISI 321/347 MIL-T-8808/ MIL-T-8808-858	002004 006102 107999	1
- 399	417N2310-46	..	TUBE- TUBING MATERIAL: STOCK 1.00 O.D X .028 WALL X 17.2 CRES TUBE TYPE AISI 321/347 MIL-T-8808/ MIL-T-8808-858	002004 006102 107999	1
400	417N2310-63	.	TUBE- TUBING MATERIAL: STOCK 1.00 O.D. X .016 WALL X 3.60 LONG OPTIONAL - 1.00 O.D. X .028 WALL X 3.60 LONG CRES TUBE TYPE AISI 321/347 PER MIL-T-8808/ MIL-T-8808-858	952999	1
405	417N2310-120	.	TUBE ASSY	952999	1
- 406	417N2310-118	..	TUBE- TUBING MATERIAL: STOCK .028 WALL X 1.00 O.D. X 17.3 CRES TUBE TYPE AISI 321/347 MIL-T-8808/ MIL-T-8808-858	952999	1

MISSING ITEM NUMBERS NOT APPLICABLE

- ITEM NOT ILLUSTRATED

38-31-54-56

38-31-54
FIG. 56
PAGE 19
JAN 20/09

BRI



757

PARTS CATALOG (MAINTENANCE)

FIG ITEM	PART NUMBER	1 2 3 4 5 6 7	NOMENCLATURE	EFFECT FROM TO	UNITS PER ASSY
56					
- 407	417N2310-119	..	TUBE- TUBING MATERIAL: STOCK .028 WALL X 1.00 O.D. X 66.5 CRES TUBE TYPE AISI 321/347 MIL-T-8808/ MIL-T-8808-858	952999	1
- 408	417N2310-121	..	TUBE- TUBING MATERIAL: STOCK .028 WALL X 1.00 O.D. X 4.00 CRES TUBE TYPE AISI 321/347 MIL-T-8808/ MIL-T-8808-858	952999	1
410	417N2310-171	.	TUBE ASSY	002004 950951	1
- 411	417N2310-172	..	TUBE- TUBING MATERIAL: STOCK .028 WALL X 1.00 O.D X 82.3 CRES TUBE TYPE AISI 321/347, MIL-T-8808-858	002004 950951	1
- 412	417N2310-173	..	TUBE- TUBING MATERIAL: STOCK .028 WALL X 1.00 O.D X 3.00 CRES TUBE TYPE AISI 321/347, MIL-T-8808-858	002004 950951	1
415	417N2302-4	.	TUBE- TUBING MATERIAL: STOCK 1.00 O.D. X .016 WALL OPTIONAL - 1.00 O.D. X .020 WALL CRES TUBE TYPE AISI 321/347 MIL-T-8808	002004 006102 107999	1
420	417N2302-5	.	TUBE- TUBING MATERIAL: MIL-T-8808 321 ANNEALED TUBING OPTIONAL TUBE WALL THICKNESS IS .020 1.00 O.D X .016 WALL THICKNESS X 50.5 LENGTH	002004 006102 107999	1
430	417N2302-7	.	TUBE- TUBING MATERIAL: STOCK 1.00 O.D. X .016 WALL OPTIONAL - 1.00 O.D. X .020 WALL CRES TUBE TYPE AISI 321/347 MIL-T-8808	002004 006102 107999	1

MISSING ITEM NUMBERS NOT APPLICABLE

- ITEM NOT ILLUSTRATED

38-31-54-56

38-31-54
FIG. 56
PAGE 20
JAN 20/09

BRI



757

PARTS CATALOG (MAINTENANCE)

FIG ITEM	PART NUMBER	1 2 3 4 5 6 7	NOMENCLATURE	EFFECT FROM TO	UNITS PER ASSY
56 435	417N2302-8	.	TUBE- TUBING MATERIAL: STOCK 1.00 O.D. X .016 WALL OPTIONAL - 1.00 O.D. X .020 WALL CRES TUBE TYPE AISI 321/347 MIL-T-8808	002004 006102 107999	1
440	417N2302-14	.	TUBE- TUBING MATERIAL: STOCK 1.00 O.D. X .016 WALL OPTIONAL - 1.00 O.D. X .020 WALL CRES TUBE TYPE AISI 321/347 MIL-T-8808	002004 006102 107999	1
445	417N2302-15	.	TUBE- TUBING MATERIAL: STOCK 1.00 O.D. X .016 WALL OPTIONAL - 1.00 O.D. X .020 WALL CRES TUBE TYPE AISI 321/347 MIL-T-8808	002004 006102 107999	1
450	417N2302-18	.	TUBE- TUBING MATERIAL: 1.00 IN. OD .016 IN. WALL 82.6 IN. LG MIL-T-8808 321 ANNEALED TUBING 1.00 IN. OD .016 IN. WALL 82.6 IN. LG MIL-T-8808 347 ANNEALED TUBING	006100 107107 121503 904949	1
455	BOE2013-0383	.	ELBOW- SUPPLIER CODE: V16632 SPECIFICATION NUMBER: 69-27191-383 OPTIONAL PART: IT4351-383 V26831	952999	1
455	IT4351-383	.	ELBOW- SUPPLIER CODE: V26831 SPECIFICATION NUMBER: 69-27191-383 OPTIONAL PART: BOE2013-0383 V16632	952999	1
460	66-17278-1	.	CONNECTOR	952999	1

MISSING ITEM NUMBERS NOT APPLICABLE

- ITEM NOT ILLUSTRATED

38-31-54-56

38-31-54
FIG. 56
PAGE 21
JAN 20/09

BRI

 **BOEING**
757
PARTS CATALOG (MAINTENANCE)

FIG ITEM	PART NUMBER	1 2 3 4 5 6 7	NOMENCLATURE	EFFECT FROM TO	UNITS PER ASSY
56					
465	69B50212-1	.	CAP-	002004 006102 107999	1
470	69B50212-1	.	CAP-	107107 121503 904999	1
480	69B50212-1	.	CAP	952999	1
485	AN924-16D	.	NUT	952999	1
490	AN960KD2116L	.	WASHER	952999	1
495	417N2309-2	.	STANCHION	002004 006100 107107 950999	1
495	417N2309-4	.	STANCHION	121503 904949	1
500	417N2309-3	.	STANCHION	002004 006100 107107 950999	1
500	417N2309-5	.	STANCHION	121503 904949	1
505	AN743-12	.	BRACKET	002004 006102 107999	1
510	417N8305-31	.	BRACKET	002004 006102 107999	1
- 600	417N2302-41		DRAIN INSTL-WASTE WATER POSITION DATA: AFT FOR NHA SEE: 25-20-00-09	101102 108120 504903	RF
605	BACS12GU3K22	.	SCREW	101102 108120 504903	1
610	BACS12GU3K28	.	SCREW	101102 108120 504903	1
615	BACS12GU3K42	.	SCREW	101102 108120 504903	1
620	NAS43DD3-40FC	.	SPACER	101102 108120 504903	1
625	NAS43DD3-56FC	.	SPACER	101102 108120 504903	1

MISSING ITEM NUMBERS NOT APPLICABLE

- ITEM NOT ILLUSTRATED

BRI

38-31-54-56

BOEING PROPRIETARY - Copyright © - Unpublished Work - See title page for details.

38-31-54
FIG. 56
PAGE 22
JAN 20/09



757

PARTS CATALOG (MAINTENANCE)

FIG ITEM	PART NUMBER	1 2 3 4 5 6 7	NOMENCLATURE	EFFECT FROM TO	UNITS PER ASSY
56					
630	NAS43DD3-96FC	.	SPACER	101102 108120 504903	1
635	PLH53CD	.	NUT SUPPLIER CODE: VF0224 SPECIFICATION NUMBER: BACN10YR3CD OPTIONAL PART: H52732-3CD V15653	101102 108120 504903	2
640	BACC10DK16	.	CLAMP	101102 108120 504903	3
645	BACC10JB032C046	.	CLAMP	101102 108120 504903	1
650	69B50212-1	.	CAP-DRAIN	101102 108120 504903	1
655	417N2310-171	.	TUBE ASSY	101102 108120 504903	1
- 660	417N2310-172	..	TUBE- TUBING MATERIAL: STOCK .028 WALL X 1.00 O.D X 82.3 CRES TUBE TYPE AISI 321/347, MIL-T-8808-858	101102 108120 504903	1
- 665	417N2310-173	..	TUBE- TUBING MATERIAL: STOCK .028 WALL X 1.00 O.D X 3.00 CRES TUBE TYPE AISI 321/347, MIL-T-8808-858	101102 108120 504903	1
- 700	417N2302-43		DRAIN INSTL-WASTE WATER LAV A, C AND D POSITION DATA: AFT FOR NHA SEE: 25-20-00-07D	101102	RF
705	BACS12GU3K10	.	SCREW	101102	1
710	NAS1149D0332J	.	WASHER	101102	1
715	BACC10JB032C046	.	CLAMP	101102	2
720	BACC10DK19	.	CLAMP	101102	1

MISSING ITEM NUMBERS NOT APPLICABLE

- ITEM NOT ILLUSTRATED

38-31-54-56

38-31-54
FIG. 56
PAGE 23
JAN 20/09

BRI



**757
PARTS CATALOG (MAINTENANCE)**

FIG ITEM	PART NUMBER	1 2 3 4 5 6 7	NOMENCLATURE	EFFECT FROM TO	UNITS PER ASSY
56 725	BOE2013-0329		.HOSE- SUPPLIER CODE: V16632 SPECIFICATION NUMBER: 69-27191-329 OPTIONAL PART: 713488-329 V70628 IT4350-329 V26831	101102	1
725	IT4350-329		.HOSE- SUPPLIER CODE: V26831 SPECIFICATION NUMBER: 69-27191-329 OPTIONAL PART: 713488-329 V70628 BOE2013-0329 V16632	101102	1

MISSING ITEM NUMBERS NOT APPLICABLE

— ITEM NOT ILLUSTRATED

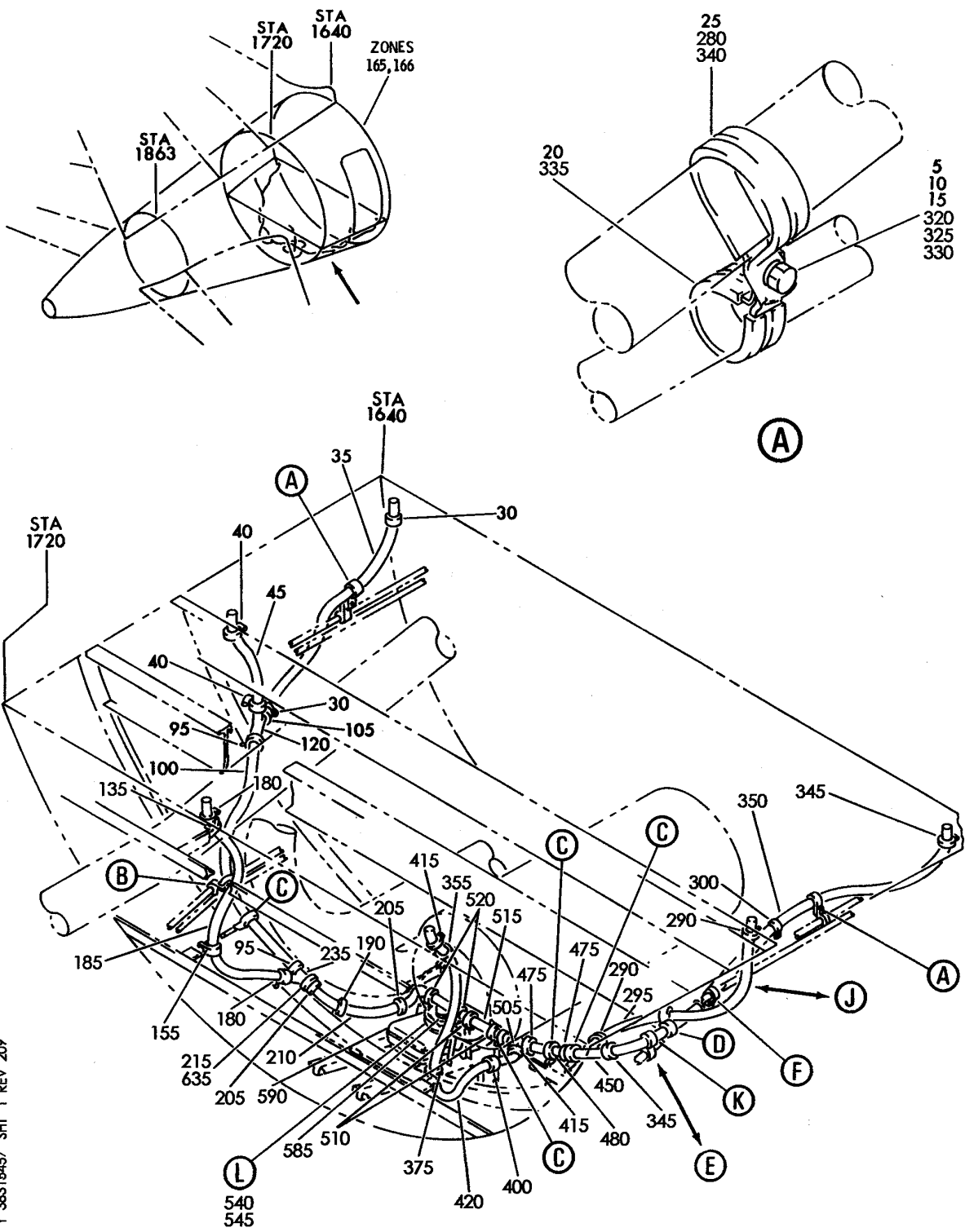
BRI

38-31-54-56

BOEING PROPRIETARY - Copyright © - Unpublished Work - See title page for details.

38-31-54
FIG. 56
PAGE 24
JAN 20/09

BOEING
757
PARTS CATALOG (MAINTENANCE)



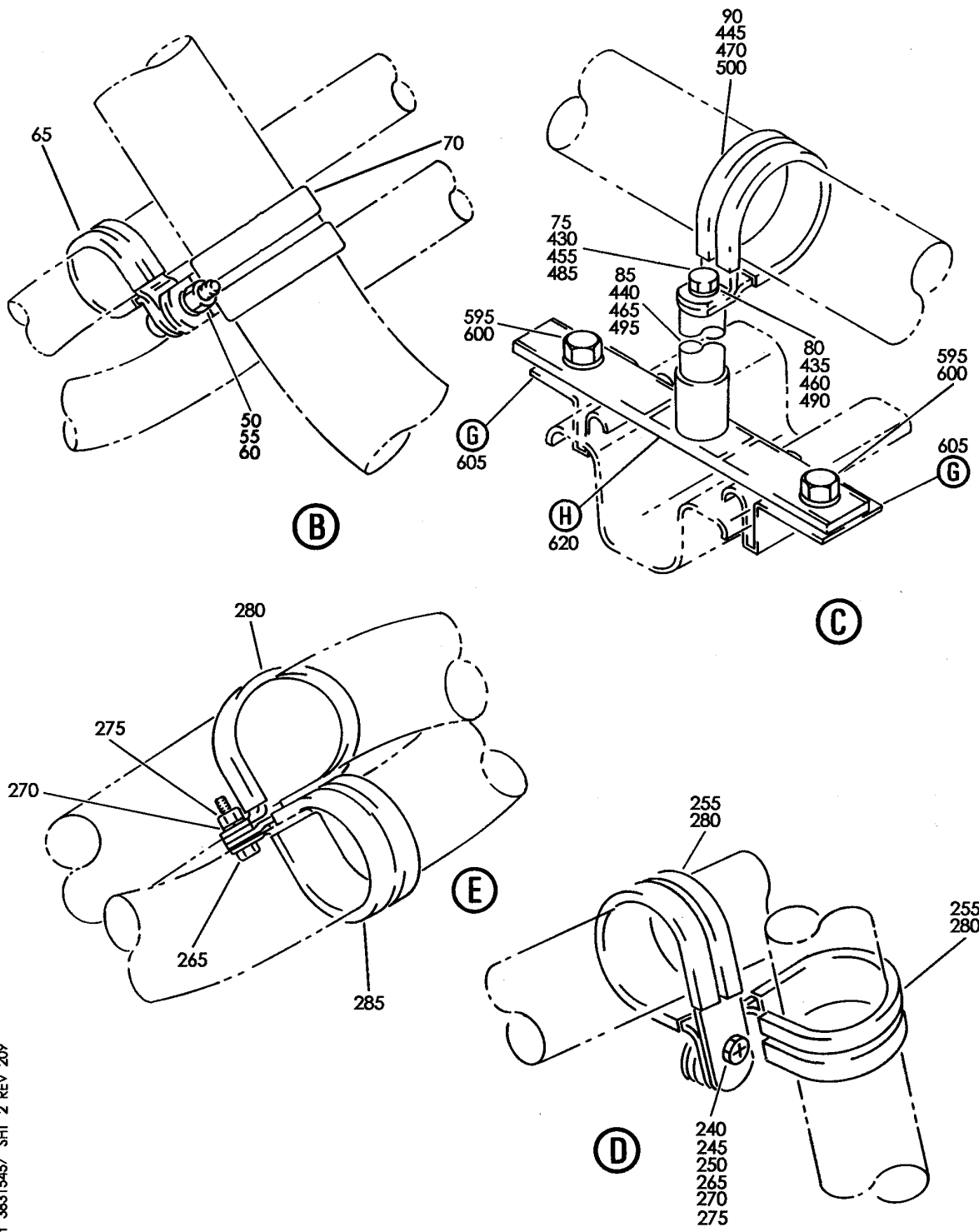
DRAIN INSTL-GALLEY AND DOOR GUTTER FLOOR AFT
FIGURE 57 (SHEET 1)

38-31-54-57

BRI
MAY 28/07

38-31-54-57
PAGE 0

BOEING
757
PARTS CATALOG (MAINTENANCE)



Y 38315457 SHT 2 REV 209

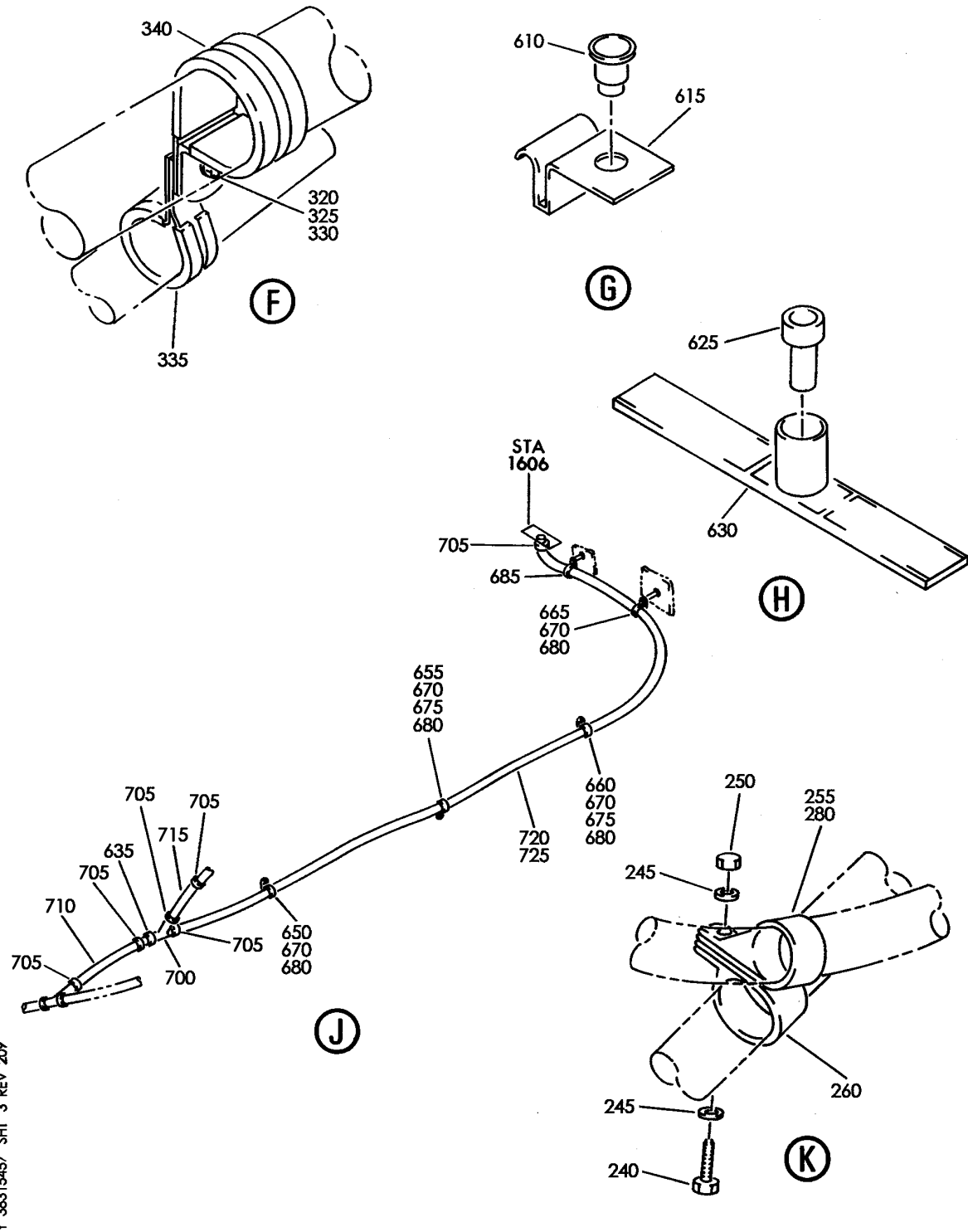
DRAIN INSTL-GALLEY AND DOOR GUTTER FLOOR AFT
FIGURE 57 (SHEET 2)

38-31-54-57

BRI
MAY 28/07

38-31-54-57
PAGE 0A

BOEING
757
PARTS CATALOG (MAINTENANCE)



Y 38315457 SHT 3 REV 209

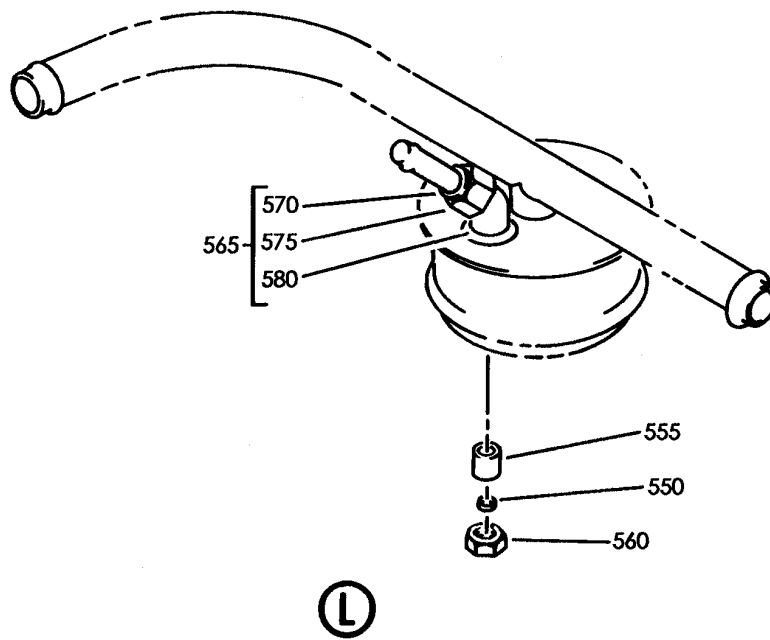
DRAIN INSTL-GALLEY AND DOOR GUTTER FLOOR AFT
FIGURE 57 (SHEET 3)

38-31-54-57

BRI
MAY 28/07

38-31-54-57
PAGE 0B

BOEING
757
PARTS CATALOG (MAINTENANCE)



Y 38315457 SHT 4 REV 209

DRAIN INSTL-GALLEY AND DOOR GUTTER FLOOR AFT
FIGURE 57 (SHEET 4)

38-31-54-57

BRI
MAY 28/07

38-31-54-57
PAGE 0C



757

PARTS CATALOG (MAINTENANCE)

FIG ITEM	PART NUMBER	1 2 3 4 5 6 7	NOMENCLATURE	EFFECT FROM TO	UNITS PER ASSY
57			DRAIN INSTL-GALLEY AND DOOR GUTTER FLOOR AFT	002004 006100 107999	
- 1	417N2703-5		DRAIN INSTL-GALLEY AND DOOR GUTTER FLOOR AFT VARIABLE DRAWING REF: 417N2703-17 FOR NHA SEE: 25-20-00-01A 25-20-00-03A	002004 006100 107107 121503 904999	RF
- 1	417N2703-101		DRAIN INSTL-GALLEY AND DOOR GUTTER FLOOR AFT FOR NHA SEE: 25-20-00-07D	108120 504903	RF
5	NAS1801-3-12		.SCREW	002004 006100 107999	1
10	AN960KD10L		.WASHER-	002004 006100 107999	1
15	MS21042L3		.NUT-	002004 006100 107999	1
20	BACC10DK10		.CLAMP	002004 006100 107999	1
25	BACC10DK15		.CLAMP	002004 006100 107999	1
30	AN737TW38		.CLAMP	002004 006100 107999	2
35	BOE2013-0302		.HOSE- SUPPLIER CODE: V16632 SPECIFICATION NUMBER: 69-27191-302 OPTIONAL PART: 713488-302 V70628	002004 006100 107107 121503 904999	1
40	AN737TW38		.CLAMP	002004 006100 107999	2

MISSING ITEM NUMBERS NOT APPLICABLE

- ITEM NOT ILLUSTRATED

38-31-54-57

38-31-54
FIG. 57
PAGE 1
JAN 20/09

BRI



757

PARTS CATALOG (MAINTENANCE)

FIG ITEM	PART NUMBER	1 2 3 4 5 6 7	NOMENCLATURE	EFFECT FROM TO	UNITS PER ASSY
57					
45	BOE2013-0311	.HOSE-	SUPPLIER CODE: V16632	002004 006100 107107	1
			SPECIFICATION NUMBER: 69-27191-311	121503	
			OPTIONAL PART: 713488-311	904999	
			V70628		
50	NAS1801-3-12	.SCREW		002004 006100 107999	1
55	AN960KD10L	.WASHER-		002004 006100 107999	1
60	MS21042L3	.NUT-		002004 006100 107999	1
65	BACC10DK10	.CLAMP		002004 006100 107999	1
70	BACC10DK15	.CLAMP		002004 006100 107999	1
75	NAS1801-3-58	.SCREW		002004 006100 107999	1
80	AN960KD10L	.WASHER-		002004 006100 107999	1
85	NAS43DD3-180	.SPACER		002004 006100 107999	1
90	BACC10DK15	.CLAMP		002004 006100 107999	1
95	AN737TW38	.CLAMP		002004 006100 107999	2
100	BOE2013-0312	.HOSE-	SUPPLIER CODE: V16632	002004 006100 107999	1
			SPECIFICATION NUMBER: 69-27191-312		
			OPTIONAL PART: 713488-312		
			V70628		
105	BACC10DK12	.CLAMP		002004 006100 107999	1

MISSING ITEM NUMBERS NOT APPLICABLE

- ITEM NOT ILLUSTRATED

38-31-54-57

38-31-54
FIG. 57
PAGE 2
JAN 20/09

BRI



757

PARTS CATALOG (MAINTENANCE)

FIG ITEM	PART NUMBER	1 2 3 4 5 6 7	NOMENCLATURE	EFFECT FROM TO	UNITS PER ASSY
57			ATTACHING PARTS		
- 110	NAS1801-3-10		.SCREW	002004 006100 107999	1
- 115	AN960KD10L		.WASHER-	002004 006100 107999	1
			-----*-----		
120	417N2712-1		.TUBE ASSY	002004 006100 107999	1
- 125	083253302-31		..TUBE ASSY- SUPPLIER CODE: V67354	002004 006100 107999	1
- 130	MS3367		..STRAP	002004 006100 107999	AR
135	BACC10DK15		.CLAMP	002004 006100 107999	1
			ATTACHING PARTS		
- 140	NAS1801-3-10		.SCREW	002004 006100 107999	1
- 145	AN960KD10L		.WASHER-	002004 006100 107999	1
- 150	MS21042L3		.NUT-	002004 006100 107999	1
			-----*-----		
155	BACC10DK15		.CLAMP	002004 006100 107999	1
			ATTACHING PARTS		
- 160	NAS1801-3-14		.SCREW	002004 006100 107999	1
- 165	AN960KD10L		.WASHER-	002004 006100 107999	1
- 170	NAS43DD3-16		.SPACER	002004 006100 107999	1
- 175	MS21042L3		.NUT-	002004 006100 107999	1
			-----*-----		

MISSING ITEM NUMBERS NOT APPLICABLE

- ITEM NOT ILLUSTRATED

38-31-54-57

38-31-54
FIG. 57
PAGE 3
JAN 20/09

BRI

BOEING PROPRIETARY - Copyright © - Unpublished Work - See title page for details.



757

PARTS CATALOG (MAINTENANCE)

FIG ITEM	PART NUMBER	1 2 3 4 5 6 7	NOMENCLATURE	EFFECT FROM TO	UNITS PER ASSY
57					
180	AN737TW38	.	CLAMP	002004 006100 107999	2
185	BOE2013-0302	.	HOSE- SUPPLIER CODE: V16632 SPECIFICATION NUMBER: 69-27191-302 OPTIONAL PART: 713488-302 V70628	002004 006100 107999	1
190	BACC10DK15	.	CLAMP	002004 006100 107999	1
- 195	NAS1801-3-10	.	ATTACHING PARTS SCREW	002004 006100 107999	1
- 200	AN960KD10L	.	WASHER-	002004 006100 107999	1
205	AN737TW38	.	-----*----- CLAMP	002004 006100 107999	2
210	BOE2013-0311	.	HOSE- SUPPLIER CODE: V16632 SPECIFICATION NUMBER: 69-27191-311 OPTIONAL PART: 713488-311 V70628	002004 006100 107999	1
215	BACC10DK12	.	CLAMP	002004 006100 107999	1
- 220	NAS1801-3-16	.	ATTACHING PARTS SCREW	002004 006100 107999	1
- 225	AN960KD10L	.	WASHER-	002004 006100 107999	1
- 230	MS21042L3	.	NUT- -----*-----	002004 006100 107999	1

MISSING ITEM NUMBERS NOT APPLICABLE

- ITEM NOT ILLUSTRATED

38-31-54-57

38-31-54
FIG. 57
PAGE 4
JAN 20/09

BRI



757

PARTS CATALOG (MAINTENANCE)

FIG ITEM	PART NUMBER	1 2 3 4 5 6 7	NOMENCLATURE	EFFECT FROM TO	UNITS PER ASSY
57					
235	417N2712-1	.	TUBE ASSY	002004 006100 107999	1
240	NAS1801-3-14	.	SCREW-	002004 006100 107999	2
245	AN960KD10L	.	WASHER-	002004 006100 107999	3
250	MS21042L3	.	NUT-	002004 006100 107999	2
255	BACC10DK15	.	CLAMP-	002004 006100 107999	3
260	BACC10DK20	.	CLAMP-	002004 006100 107999	1
290	AN737TW38	.	CLAMP	002004 006100 107107 121503 904999	2
295	BOE2013-0308	.	HOSE- SUPPLIER CODE: V16632 SPECIFICATION NUMBER: 69-27191-308 OPTIONAL PART: 713488-308 V70628 IT4350-308 V26831	002004 006100 107107 121503 904999	1
295	IT4350-308	.	HOSE- SUPPLIER CODE: V26831 SPECIFICATION NUMBER: 69-27191-308 OPTIONAL PART: 713488-308 V70628 BOE2013-0308 V16632	002004 006100 107107 121503 904999	1

MISSING ITEM NUMBERS NOT APPLICABLE

- ITEM NOT ILLUSTRATED

38-31-54-57

38-31-54
FIG. 57
PAGE 5
JAN 20/09

BRI

BOEING PROPRIETARY - Copyright © - Unpublished Work - See title page for details.



757

PARTS CATALOG (MAINTENANCE)

FIG ITEM	PART NUMBER	1 2 3 4 5 6 7	NOMENCLATURE	EFFECT FROM TO	UNITS PER ASSY
57 295	713488-308		.HOSE- SUPPLIER CODE: V70628 SPECIFICATION NUMBER: 69-27191-308 OPTIONAL PART: IT4350-308 V26831 BOE2013-0308 V16632	002004 006100 107107 121503 904999	1
300	BACC10DK15		.CLAMP-	002004 006100 107999	1
- 305	NAS1801-3-10		ATTACHING PARTS .SCREW-	002004 006100 107999	1
- 310	AN960KD10L		.WASHER-	002004 006100 107999	1
345	AN737TW38		-----*----- .CLAMP	002004 006100 107999	2
350	BOE2013-0338		.HOSE- SUPPLIER CODE: V16632 SPECIFICATION NUMBER: 69-27191-338 OPTIONAL PART: 713488-338 V70628	002004 006100 107999	1
355	BACC10DK15		.CLAMP	002004 006100 107999	1
- 360	NAS1801-3-10		ATTACHING PARTS .SCREW	002004 006100 107999	1
- 365	AN960KD10L		.WASHER-	002004 006100 107999	1
- 370	MS21042L3		.NUT-	002004 006100 107999	1
375	BACC10DK15		-----*----- .CLAMP	002004 006100 107999	1

MISSING ITEM NUMBERS NOT APPLICABLE

- ITEM NOT ILLUSTRATED

38-31-54-57

38-31-54
FIG. 57
PAGE 6
JAN 20/09

BRI

 **BOEING**
757
PARTS CATALOG (MAINTENANCE)

FIG ITEM	PART NUMBER	1 2 3 4 5 6 7	NOMENCLATURE	EFFECT FROM TO	UNITS PER ASSY
57			ATTACHING PARTS		
- 380	NAS1801-3-14		.SCREW	002004 006100 107999	1
- 385	AN960KD10L		.WASHER-	002004 006100 107999	1
- 390	NAS43DD3-16		.SPACER	002004 006100 107999	1
- 395	MS21042L3		.NUT-	002004 006100 107999	1
			-----*-----		
400	BACC10DK15		.CLAMP	002004 006100 107999	1
			ATTACHING PARTS		
- 405	NAS1801-3-10		.SCREW	002004 006100 107999	1
- 410	AN960KD10L		.WASHER-	002004 006100 107999	1
			-----*-----		
415	AN737TW38		.CLAMP	002004 006100 107999	2
420	BOE2013-0333		.HOSE- SUPPLIER CODE: V16632 SPECIFICATION NUMBER: 69-27191-333 OPTIONAL PART: 713488-333 V70628	003004 006100 107107 121503 904999	1
430	NAS1801-3-37		.SCREW	002004 006100 107999	1
435	AN960KD10L		.WASHER-	002004 006100 107999	1
440	NAS43DD3-100		.SPACER	002004 006100 107999	1
445	BACC10DK12		.CLAMP	002004 006100 107999	1

MISSING ITEM NUMBERS NOT APPLICABLE

- ITEM NOT ILLUSTRATED

BRI

38-31-54-57

BOEING PROPRIETARY - Copyright © - Unpublished Work - See title page for details.

38-31-54
FIG. 57
PAGE 7
JAN 20/09



757

PARTS CATALOG (MAINTENANCE)

FIG ITEM	PART NUMBER	1 2 3 4 5 6 7	NOMENCLATURE	EFFECT FROM TO	UNITS PER ASSY
57					
450	417N2712-1	.	TUBE ASSY	002004 006100 107999	1
455	NAS1801-3-58	.	SCREW	002004 006100 107999	1
460	AN960KD10L	.	WASHER-	002004 006100 107999	1
465	NAS43DD3-180	.	SPACER	002004 006100 107999	1
470	BACC10DK15	.	CLAMP	002004 006100 107999	1
475	AN737TW38	.	CLAMP	002004 006100 107999	2
480	BOE2013-0309	.	HOSE- SUPPLIER CODE: V16632 SPECIFICATION NUMBER: 69-27191-309 OPTIONAL PART: 713488-309 V70628	002004 006100 107999	1
485	NAS1801-3-60	.	SCREW	002004 006100 107999	1
490	AN960KD10L	.	WASHER-	002004 006100 107999	1
495	NAS43DD3-192	.	SPACER	002004 006100 107999	1
500	BACC10DK12	.	CLAMP	002004 006100 107999	1
505	417N2712-1	.	TUBE ASSY	002004 006100 107999	1
510	AN737TW38	.	CLAMP	002004 006100 107999	2

MISSING ITEM NUMBERS NOT APPLICABLE

- ITEM NOT ILLUSTRATED

38-31-54-57

38-31-54
FIG. 57
PAGE 8
JAN 20/09

BRI

BOEING PROPRIETARY - Copyright © - Unpublished Work - See title page for details.



**757
PARTS CATALOG (MAINTENANCE)**

FIG ITEM	PART NUMBER	1 2 3 4 5 6 7	NOMENCLATURE	EFFECT FROM TO	UNITS PER ASSY
57					
515	BOE2013-0310	.HOSE ASSY-	SUPPLIER CODE: V16632	002004 006100 107999	1
			SPECIFICATION NUMBER: 69-27191-310		
			OPTIONAL PART: 713488-310 V70628		
520	BACC10DK12	.CLAMP		002004 006100 107999	2
			ATTACHING PARTS		
- 525	NAS1801-3-10	.SCREW		002004 006100 107999	2
- 530	AN960KD10L	.WASHER-		002004 006100 107999	2
- 535	MS21042L3	.NUT-		002004 006100 107999	2
			-----*-----		
540	417N2706-1	.CAP ASSY		107999	1
545	417N2706-10	.CAP ASSY-VARIABLE		002004 006100	1
550	MS28778-6	..PACKING		002004 006100	1
555	NAS1057T9-050	..SPACER		002004 006100	1
560	AN924-6C	..NUT		002004 006100	1
565	417N2706-9	..TUBE ASSY		002004 006100	1
570	AP2097H06	...SLEEVE	SUPPLIER CODE: V01673	002004 006100	1
			SPECIFICATION NUMBER: BACS13BX06H		
			OPTIONAL PART: 2-02903-06H V11328 35235V06 V08199 AFP175V06 V30974 DB0S13BX06H V14798		
575	MS21921-6J	...NUT		002004 006100	1

MISSING ITEM NUMBERS NOT APPLICABLE

- ITEM NOT ILLUSTRATED

38-31-54-57

38-31-54
FIG. 57
PAGE 9
JAN 20/09

BRI



757

PARTS CATALOG (MAINTENANCE)

FIG ITEM	PART NUMBER	1 2 3 4 5 6 7	NOMENCLATURE	EFFECT FROM TO	UNITS PER ASSY
57					
580	MS21907J6	. . .	ELBOW	002004 006100	1
585	48	. CLAMP		002004	1
		SUPPLIER CODE:		006100	
		V7Z588		107999	
		SPECIFICATION NUMBER:			
		STBC10GG98-114			
		OPTIONAL PART:			
		WWD98-114			
		V66295			
590	417N2719-3	. BLADDER INSTL-		002004	1
		FOR DETAILS SEE:		006100	
		38-31-02-01		107107	
				121503	
				904999	
595	BACS12CK3-10	. SCREW		002004	8
				006100	
				107999	
600	AN960KD10L	. WASHER-		002004	8
				006100	
				107999	
605	69-50697-1	. CLIP ASSY-STGR		002004	8
				006100	
				107999	
610	SL854C3F1CM	. . INSERT-		002004	1
		SUPPLIER CODE:		006100	
		V97393		107999	
615	69-50697-3	. . CLIP		002004	1
				006100	
				107999	
620	417N2111-1	. SUPPORT ASSY		002004	4
				006100	
				107999	
625	NA2030-02L	. . INSERT-		002004	1
		SUPPLIER CODE:		006100	
		V32387		107999	
		OPTIONAL PART:			
		NAS1395C3L			
625	NAS1395C3L	. . INSERT-		002004	1
		OPTIONAL PART:		006100	
		NA2030-02L		107999	
		V32387			
630	417N2111-2	. . SUPPORT		002004	1
				006100	
				107999	

MISSING ITEM NUMBERS NOT APPLICABLE

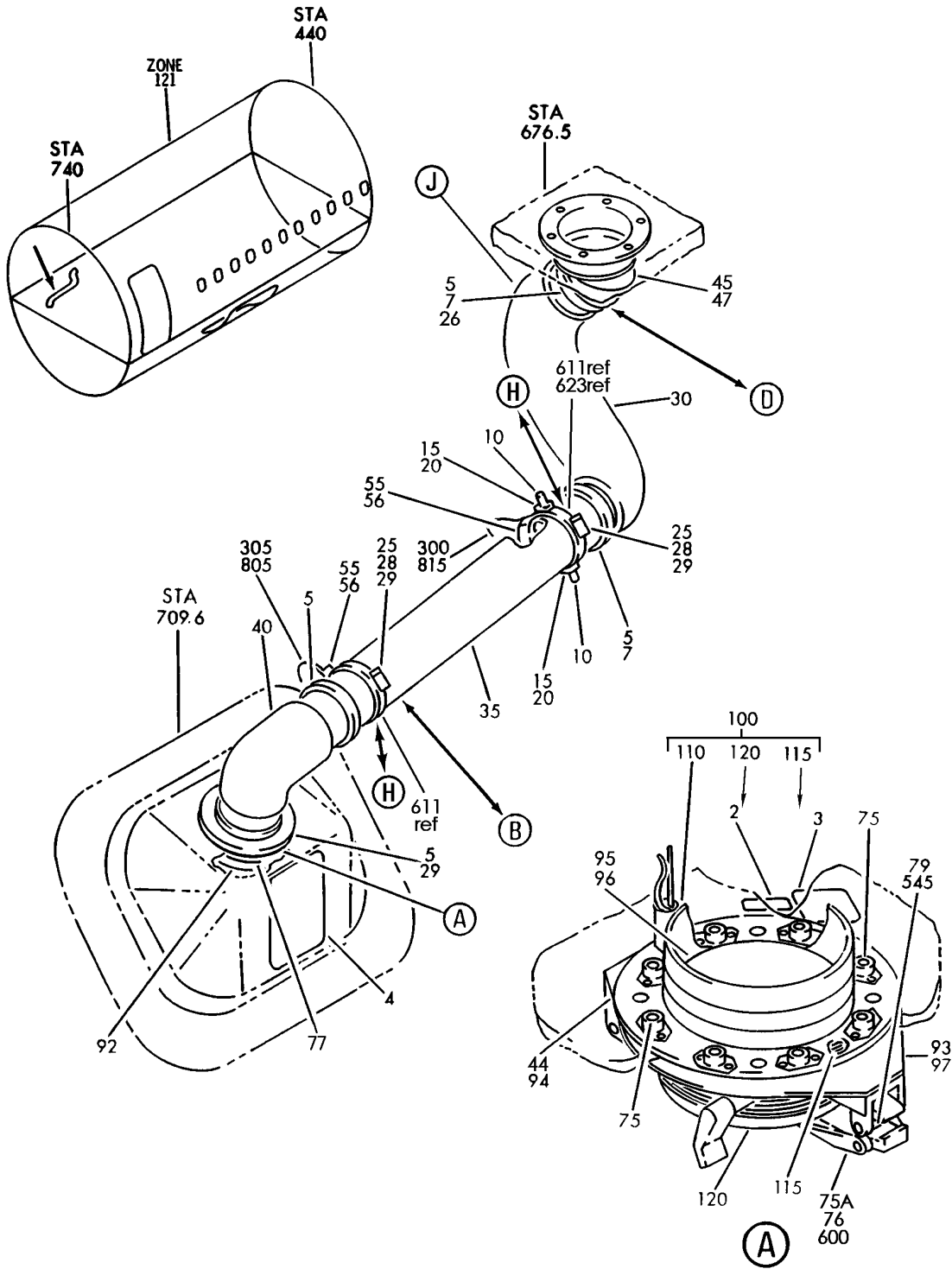
- ITEM NOT ILLUSTRATED

38-31-54-57

38-31-54
FIG. 57
PAGE 10
JAN 20/09

BRI


BOEING
 757
PARTS CATALOG (MAINTENANCE)



Y 38315503 SHT 1 REV 284

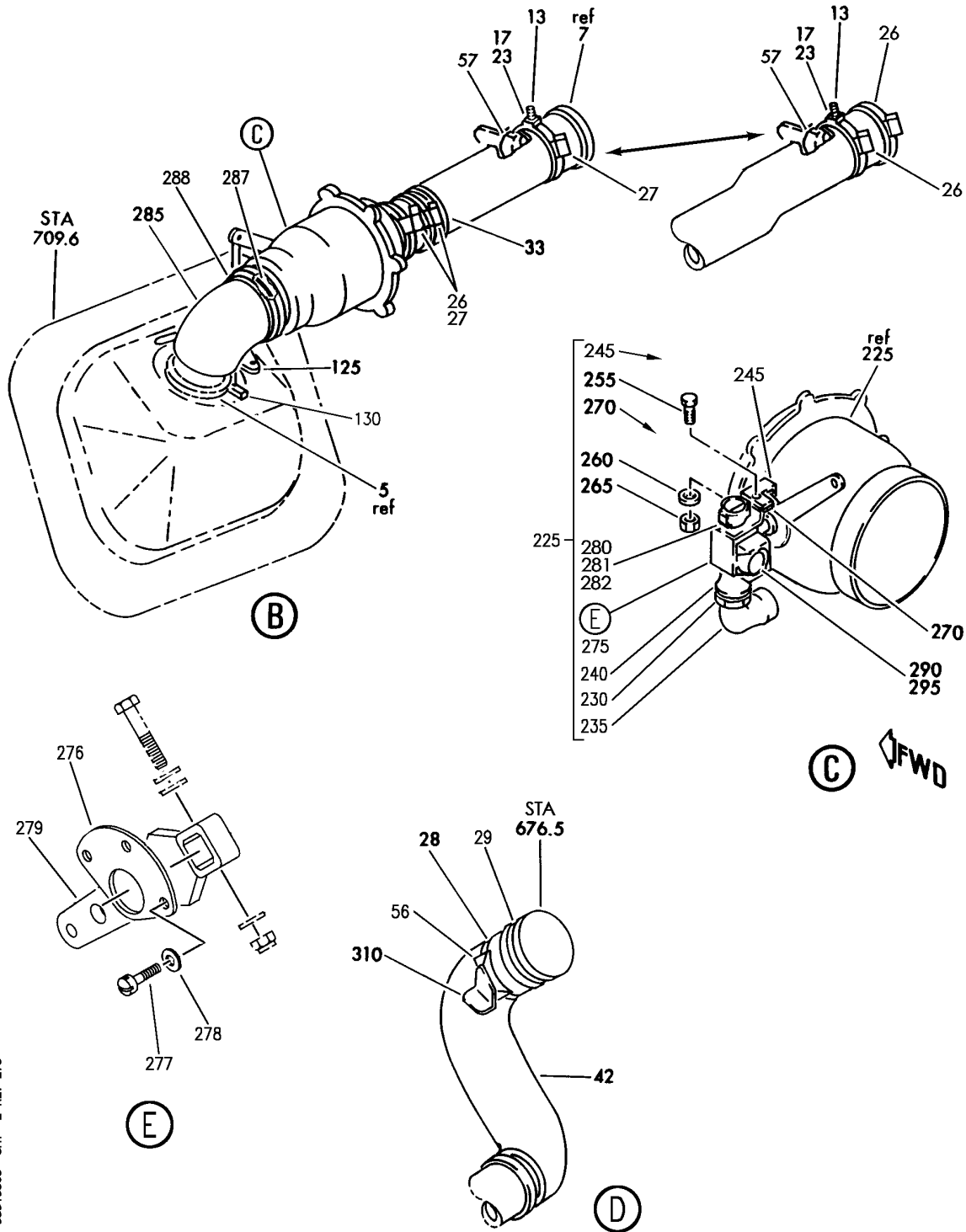
DUCT INSTL-FWD LAV WASTE SYSTEM (LAV S)
 FIGURE 3 (SHEET 1)

38-31-55-03

BRI
JAN 20/09

38-31-55-03
 PAGE 0

BOEING
757
PARTS CATALOG (MAINTENANCE)



Y 38315503 SH1 2 REV 275

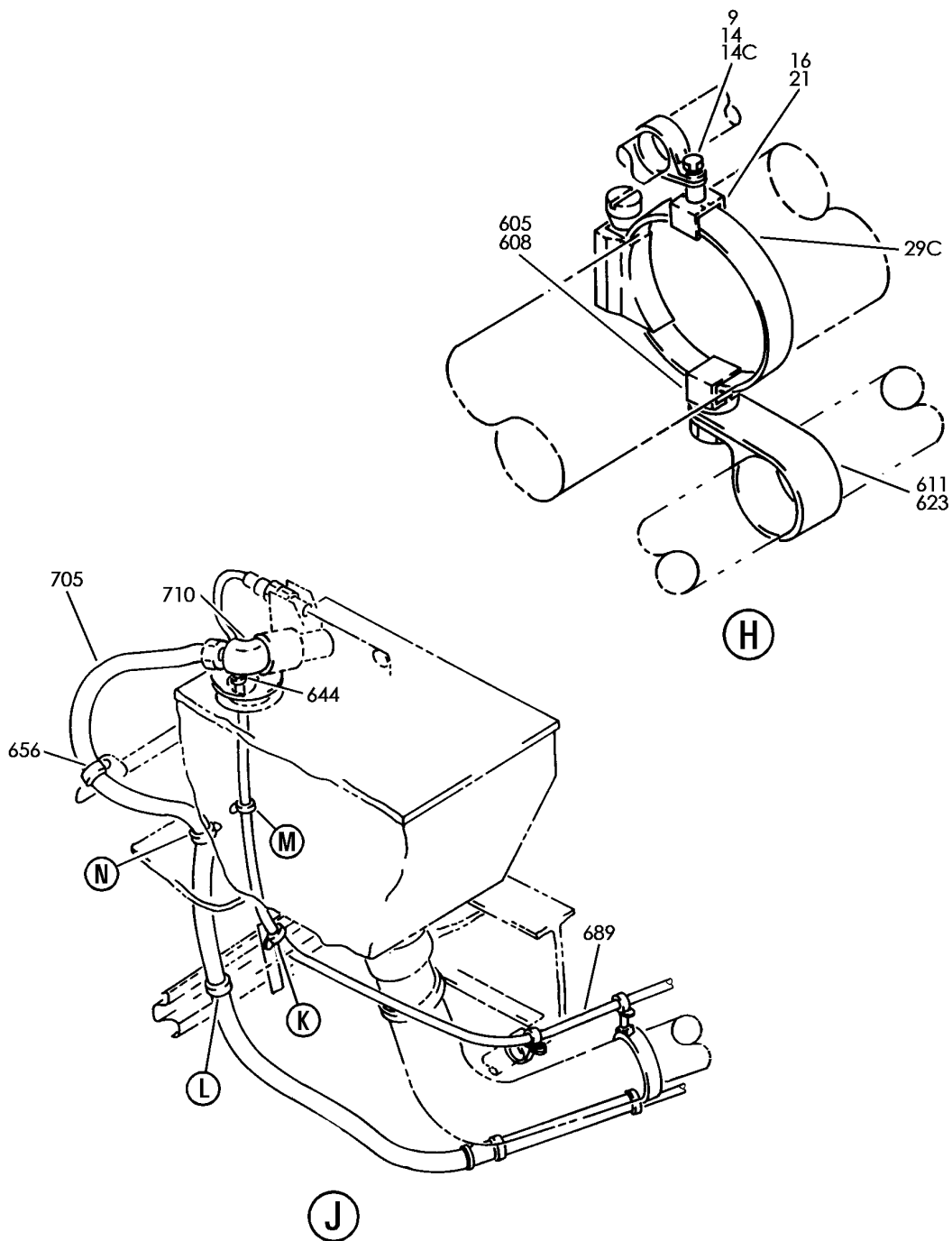
DUCT INSTL-FWD LAV WASTE SYSTEM (LAV S)
FIGURE 3 (SHEET 2)

38-31-55-03

BRI
JAN 20/09

38-31-55-03
PAGE 0A

BOEING
757
PARTS CATALOG (MAINTENANCE)



Y 38315503 SHT 3 REV 247

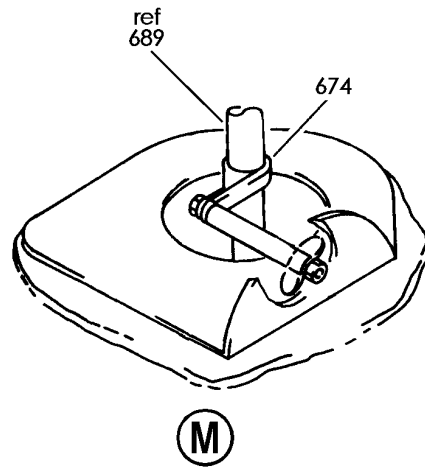
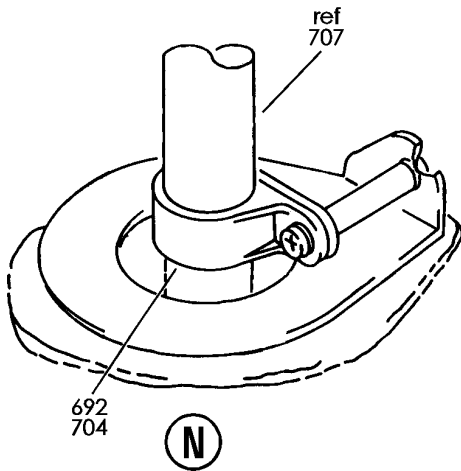
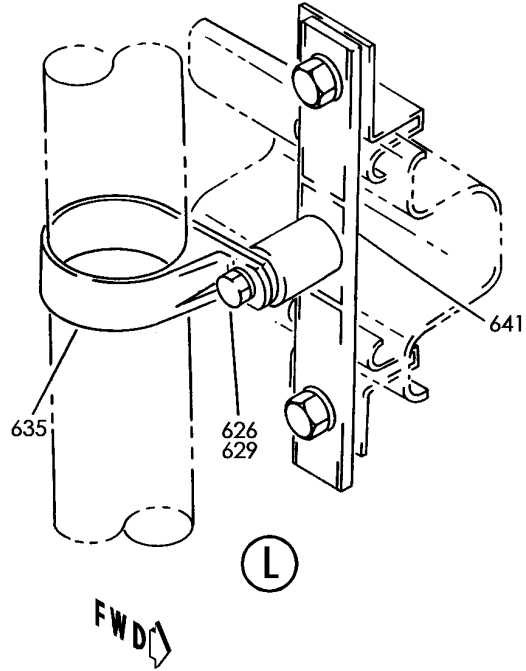
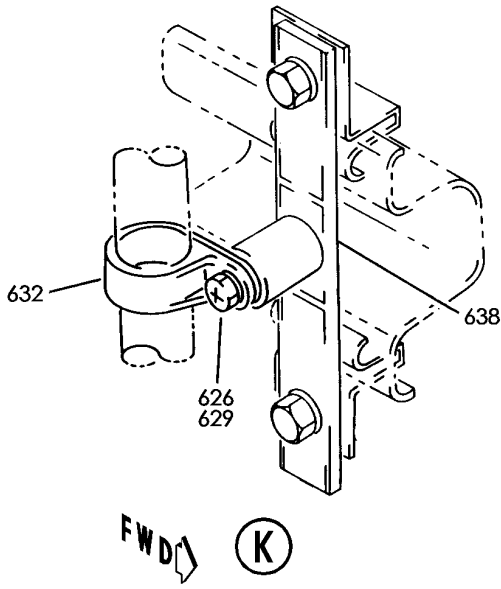
DUCT INSTL-FWD LAV WASTE SYSTEM (LAV S)
FIGURE 3 (SHEET 3)

38-31-55-03

BRI
JAN 20/09

38-31-55-03
PAGE 0B

BOEING
757
PARTS CATALOG (MAINTENANCE)



Y 38315503 SH 4 REV 247

DUCT INSTL-FWD LAV WASTE SYSTEM (LAV S)
FIGURE 3 (SHEET 4)

38-31-55-03

BRI
JAN 20/09

38-31-55-03
PAGE 0C



757

PARTS CATALOG (MAINTENANCE)

FIG ITEM	PART NUMBER	1 2 3 4 5 6 7	NOMENCLATURE	EFFECT FROM TO	UNITS PER ASSY
3			DUCT INSTL-FWD LAV WASTE SYSTEM (LAV S)	950999	
- 1	417N8501-27		DUCT INSTL-WASTE SYS LAV S POSITION DATA: FWD FOR NHA/OTHER SYS DET SEE: 25-20-00-01A	952952	RF
- 1	417N8501-31		DUCT INSTL-WASTE SYS LAV S POSITION DATA: FWD FOR NHA SEE: 25-20-00-01A	950951 953999	RF
5	64		.CLAMP SUPPLIER CODE: V7Z588 SPECIFICATION NUMBER: STBC10GG146 OPTIONAL PART: WWD146H V66295	950999	4
10	NAS6703-12		.BOLT	950999	2
15	BACB19F10S		.BLOCK	950999	2
20	BACC15AN10		.CLIP	950999	2
25	NAS1922-0400-1		.CLAMP- OPTIONAL PART: BACC10JB126C156	950999	2
25	BACC10JB126C156		.CLAMP	950999	2
30	IT4986-18		.CONNECTOR-ELBOW SUPPLIER CODE: V26831 SPECIFICATION NUMBER: S417N802-18 OPTIONAL PART: FA5096-18 V24984	950999	1
35	417N8502-2		.DUCT	950999	1
40	IT4986-17		.CONNECTOR-ELBOW SUPPLIER CODE: V26831 SPECIFICATION NUMBER: S417N802-17 OPTIONAL PART: FA5096-17 V24984	950999	1
45	417N8212-3		.ADAPTOR ASSY ATTACHING PARTS	950999	1
- 50	NAS514P1032-5		.SCREW -----*-----	950999	6

MISSING ITEM NUMBERS NOT APPLICABLE

- ITEM NOT ILLUSTRATED

38-31-55-03

38-31-55
FIG. 03
PAGE 1
JAN 20/09

BRI



757

PARTS CATALOG (MAINTENANCE)

FIG ITEM	PART NUMBER	1 2 3 4 5 6 7	NOMENCLATURE	EFFECT FROM TO	UNITS PER ASSY
3					
55	214T3424-6		.SUPPORT ATTACHING PARTS	950999	2
- 60	NAS1801-3-6		.SCREW	950999	4
- 65	AN960KD10L		.WASHER-	950999	4
- 67	AN960JD10L		.WASHER-	950999	2
- 70	MS21042L3		.NUT	950999	4
			-----*-----		
75	BACB30LH3U8		.BOLT	950999	8
76	10101000CN		.VALVE-DRAIN	950999	1
			SUPPLIER CODE: V99321		
			SPECIFICATION NUMBER: 10-62213-1		
			MISCELLANEOUS DATA: 737-SL-38-012 AND 757-SL-38-009 CALL OUT 10101000CN OPT TO 331-0001-01		
			COMPONENT MAINT MANUAL REF: 38-30-08		
			OPTIONAL PART: 331-0001-01 V99321		
			SERVICE BULLETIN OPT DATA: 9527-1 V99321		
			POST SERVICE BULLETIN: 10101000C-38-2 V99321		
			POST SERVICE LETTER: 38-009		
			FOR DETAILS SEE: 38-31-55-08		

MISSING ITEM NUMBERS NOT APPLICABLE

- ITEM NOT ILLUSTRATED

38-31-55-03

38-31-55
FIG. 03
PAGE 2
JAN 20/09

BRI



757

PARTS CATALOG (MAINTENANCE)

FIG ITEM	PART NUMBER	1 2 3 4 5 6 7	NOMENCLATURE	EFFECT FROM TO	UNITS PER ASSY
3 76	331-0001-01	.	VALVE-DRAIN SUPPLIER CODE: V99321 SPECIFICATION NUMBER: 10-62213-1 MISCELLANEOUS DATA: 10-62213-1 OR 10-62213-2 CAN REPLACE BUT NOT BE REPLACED BY 10-60916-1 OR B229S64 OR V2651-216C00 OR 2651-216 OR V2651-216C10 OR 4259-20 OR 4259-31 OR D0008-100 OR V4259J064S20 OR 2651-311-6 OR 10101000CJ OR 2651-311-8 OR 10101000CJ2 10-62213-2 CAN REPLACE BUT NOT BE REPLACED BY 10-62213-1 737-SL-38-012 AND 757-SL-38-009 CALL OUT 10101000CN OPT TO 331-0001-01 COMPONENT MAINT MANUAL REF: 38-30-08 OPTIONAL PART: 10101000CN V99321 SERVICE BULLETIN OPT DATA: 9527-1 V99321 POST SERVICE LETTER: 38-009 FOR DETAILS SEE: 38-32-38-51	950999	1

MISSING ITEM NUMBERS NOT APPLICABLE

- ITEM NOT ILLUSTRATED

38-31-55-03

38-31-55
FIG. 03
PAGE 3
JAN 20/09

BRI



757

PARTS CATALOG (MAINTENANCE)

FIG ITEM	PART NUMBER	1 2 3 4 5 6 7	NOMENCLATURE	EFFECT FROM TO	UNITS PER ASSY
3					
76	9527-1		.VALVE-WASTE DRAIN SUPPLIER CODE: V06177 SPECIFICATION NUMBER: 10-62213-6 COMPONENT MAINT MANUAL REF: 38-30-01 SERVICE BULLETIN OPT DATA: 10101000CN V99321 331-0001-01 V99321 POST SERVICE LETTER: 38-009	950951	1
R	76	332-0001-01	.VALVE-DRAIN SUPPLIER CODE: V99321 COMPONENT MAINT MANUAL REF: 38-30-06	950999	1
R					
R	79	2651-311-9	.CAP AND FLANGE ASSY- SUPPLIER CODE: V86831 COMPONENT MAINT MANUAL REF: 38-37-01 PRE SERVICE LETTER: 38-009 FOR DETAILS SEE: 38-32-38-50	952952	1
R					
R	92	69-71690-2	.SHIM- OPTIONAL PART: 69-71690-3	952952	1
	92	69-71690-3	.SHIM- OPTIONAL PART: 69-71690-2	952952	1
	93	2174	.GASKET-HEATER SUPPLIER CODE: V98085 SPECIFICATION NUMBER: 10-60795-1 10-60795-2 MISCELLANEOUS DATA: 2174 IS QUALIFIED TO 10-60795-1 AND 10-60795-2. 10-60795-1 AND 10-60795-2 ARE FULLY INTERCHANGEABLE. OPTIONAL PART: 43-1479-1 V11416	950999	1

MISSING ITEM NUMBERS NOT APPLICABLE

- ITEM NOT ILLUSTRATED

38-31-55-03

38-31-55
FIG. 03
PAGE 4
MAY 20/09

BRI



**757
PARTS CATALOG (MAINTENANCE)**

FIG ITEM	PART NUMBER	1 2 3 4 5 6 7	NOMENCLATURE	EFFECT FROM TO	UNITS PER ASSY
3					
94	65C30209-7		.RING ASSY	950999	1
- 800	417N8501-4		SUPPORT INSTL-LAV S WASTE SYS POSITION DATA: FWD FOR NHA SEE: 25-20-00-01A	950999	RF
805	65C28108-41		.BRACKET ATTACHING PARTS	950999	1
- 810	BACR15FT5D		.RIVET- SIZE DETERMINED ON INSTL. -----*-----	950999	2
815	65C28108-42		.BRACKET ATTACHING PARTS	950999	1
- 820	BACR15FT5D		.RIVET- SIZE DETERMINED ON INSTL. -----*-----	950999	2

MISSING ITEM NUMBERS NOT APPLICABLE

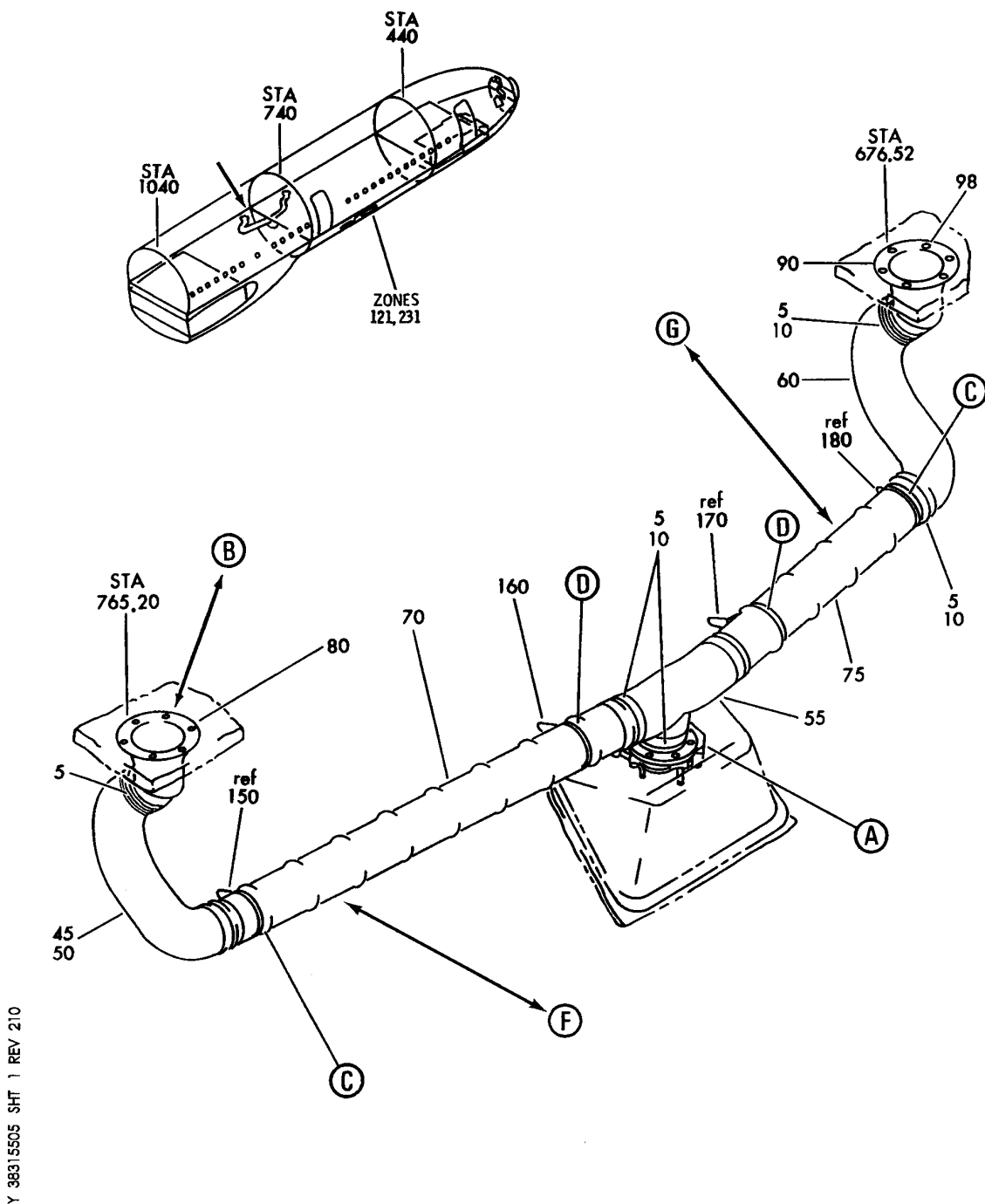
- ITEM NOT ILLUSTRATED

38-31-55-03

38-31-55
FIG. 03
PAGE 5
MAY 20/09

BRI

BOEING
757
PARTS CATALOG (MAINTENANCE)



Y 38315505 SHT 1 REV 210

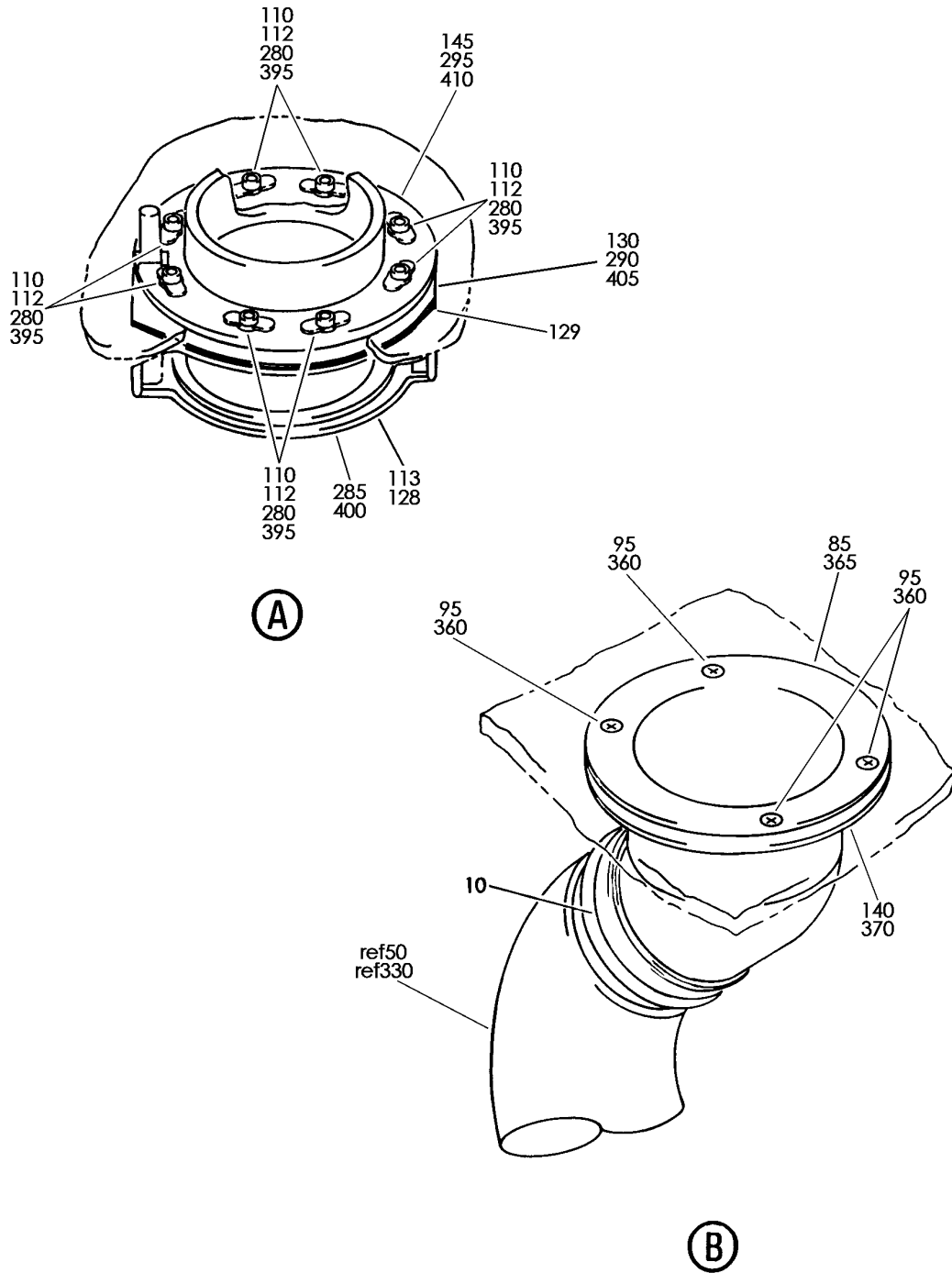
DUCT INSTL-FWD LAV WASTE SYSTEM (S AND T ONLY)
FIGURE 5 (SHEET 1)

38-31-55-05

BRI
JAN 20/09

38-31-55-05
PAGE 0

BOEING
757
PARTS CATALOG (MAINTENANCE)



Y 38315505 SH1 2 REV 247

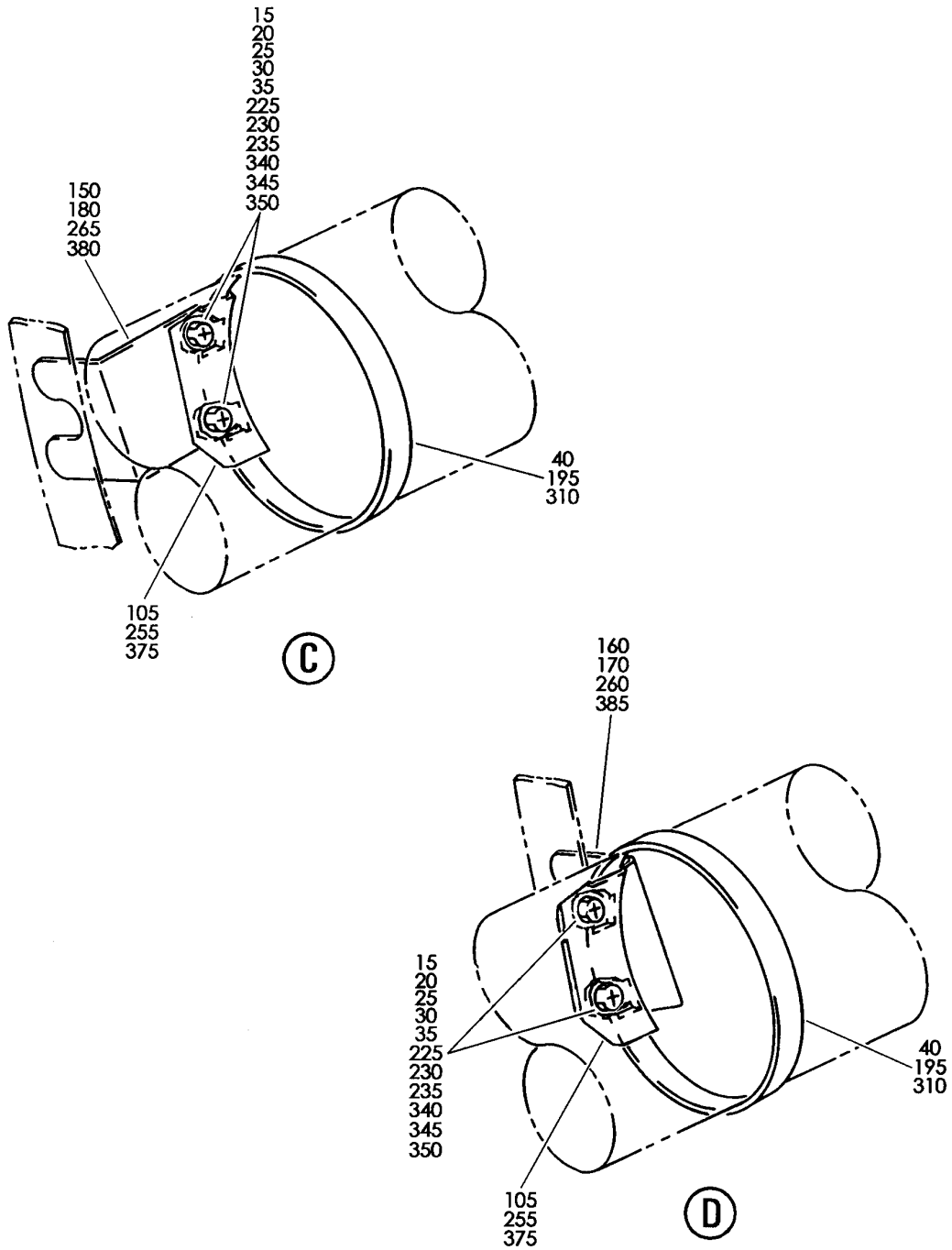
DUCT INSTL-FWD LAV WASTE SYSTEM (S AND T ONLY)
FIGURE 5 (SHEET 2)

38-31-55-05

BRI
JAN 20/09

38-31-55-05
PAGE 0A

BOEING
757
PARTS CATALOG (MAINTENANCE)



Y 38315505 SHT 3 REV 210

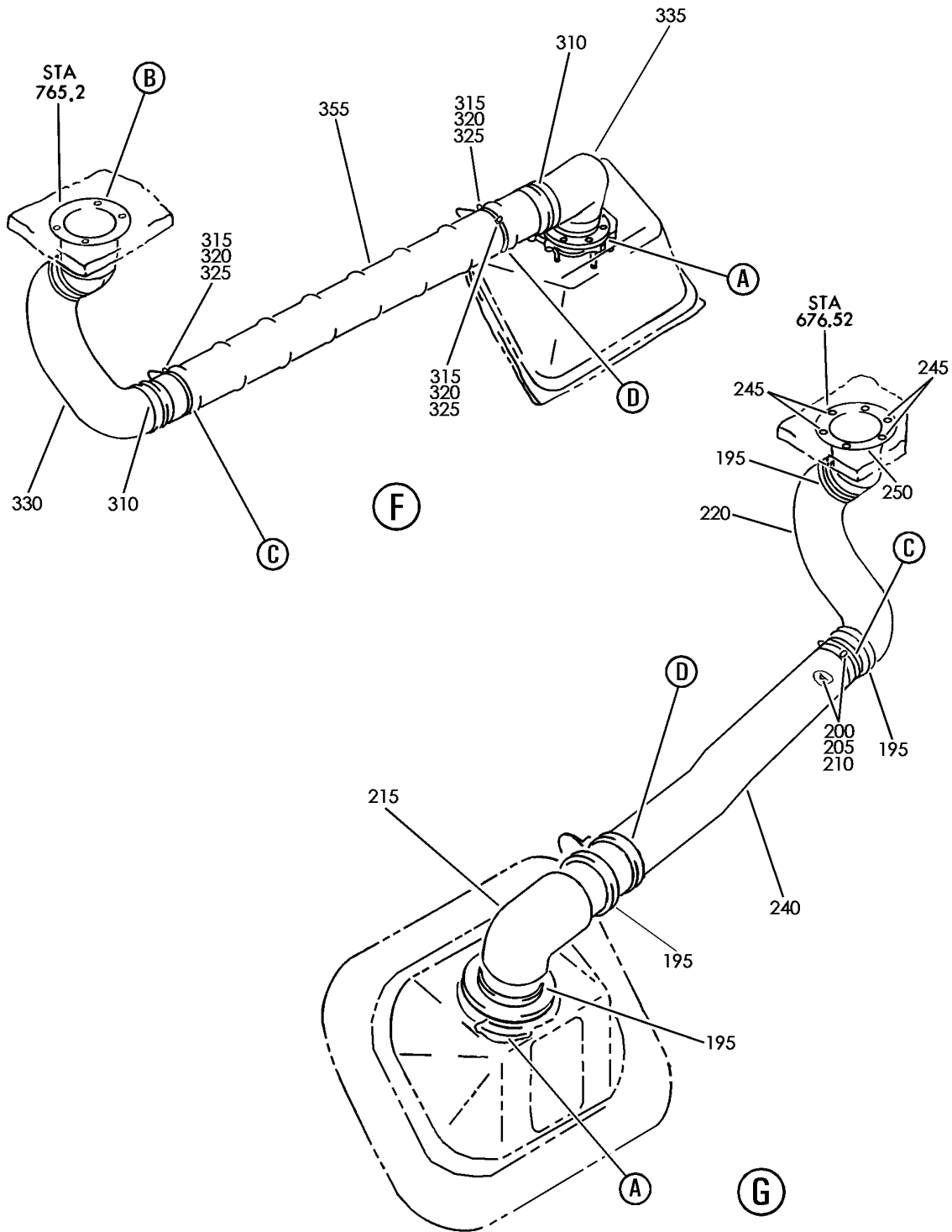
DUCT INSTL-FWD LAV WASTE SYSTEM (S AND T ONLY)
FIGURE 5 (SHEET 3)

38-31-55-05

BRI
JAN 20/09

38-31-55-05
PAGE 0B

BOEING
757
PARTS CATALOG (MAINTENANCE)



Y 38315505 SHT 4 REV 247

DUCT INSTL-FWD LAV WASTE SYSTEM (S AND T ONLY)
FIGURE 5 (SHEET 4)

38-31-55-05

BRI
JAN 20/09

38-31-55-05
PAGE 0C

 **BOEING**
757
PARTS CATALOG (MAINTENANCE)

FIG ITEM	PART NUMBER	1 2 3 4 5 6 7	NOMENCLATURE	EFFECT FROM TO	UNITS PER ASSY
5			DUCT INSTL-FWD LAV WASTE SYSTEM (S AND T ONLY)	108120	
- 190	417N8501-49		DUCT INSTL-LAV WASTE SYSTEM (S ONLY)	108120	RF
			POSITION DATA: FWD FOR NHA SEE: 25-20-00-11B		
195	BACC10JB126C156	.	CLAMP	108120	6
200	BACC15AN10	.	CLIP	108120	2
205	BACB19F10S	.	BLOCK-BOLT	108120	2
210	NAS6703-12	.	BOLT	108120	2
215	IT4986-17	.	CONNECTOR-ELBOW	108120	1
			SUPPLIER CODE: V26831 SPECIFICATION NUMBER: S417N802-17 OPTIONAL PART: FA5096-17 V24984		
220	IT4986-18	.	CONNECTOR-ELBOW	108120	1
			SUPPLIER CODE: V26831 SPECIFICATION NUMBER: S417N802-18 OPTIONAL PART: FA5096-18 V24984		
225	BACS12GU3K8	.	SCREW-	108120	4
230	NAS1149D0332J	.	WASHER	108120	4
235	PLH53CD	.	NUT	108120	4
			SUPPLIER CODE: VF0224 SPECIFICATION NUMBER: BACN10YR3CD OPTIONAL PART: H52732-3CD V15653		
240	417N8502-2	.	DUCT	108120	1
			ATTACHING PARTS		
245	BACS12ER3K6	.	SCREW	108120	6
			-----*-----		
250	417N8212-30	.	ADAPTOR ASSY-	108120	1
255	214T3424-6	.	SUPPORT	108120	2
260	65C28108-41	.	BRACKET	108120	1
265	65C28108-42	.	BRACKET	108120	1

MISSING ITEM NUMBERS NOT APPLICABLE

- ITEM NOT ILLUSTRATED

BRI

38-31-55-05

BOEING PROPRIETARY - Copyright © - Unpublished Work - See title page for details.

38-31-55
FIG. 05
PAGE 1
JAN 20/09



**757
PARTS CATALOG (MAINTENANCE)**

FIG ITEM	PART NUMBER	1 2 3 4 5 6 7	NOMENCLATURE	EFFECT FROM TO	UNITS PER ASSY
5			ATTACHING PARTS		
- 270	BACR15FT5D		.RIVET- SIZE DETERMINED ON INSTL. -----*-----	108120	4
- 390	417N8501-45		VALVE INSTL-SHAW 1-PC FOR NHA/OTHER SYS DET SEE: 25-20-00-11B	108120	RF
395	BACB30NT3K5		.BOLT	108120	8
400	331-0001-01		.VALVE-DRAIN SUPPLIER CODE: V99321 SPECIFICATION NUMBER: 10-62213-1 MISCELLANEOUS DATA: 10-62213-1 OR 10-62213-2 CAN REPLACE BUT NOT BE REPLACED BY 10-60916-1 OR B229S64 OR V2651-216C00 OR 2651-216 OR V2651-216C10 OR 4259-20 OR 4259-31 OR D0008-100 OR V4259J064S20 OR 2651-311-6 OR 10101000CJ OR 2651-311-8 OR 10101000CJ2 10-62213-2 CAN REPLACE BUT NOT BE REPLACED BY 10-62213-1 737-SL-38-012 AND 757-SL-38-009 CALL OUT 10101000CN OPT TO 331-0001-01 COMPONENT MAINT MANUAL REF: 38-30-08 OPTIONAL PART: 10101000CN V99321 FOR DETAILS SEE: 38-32-38-51	108120	1

MISSING ITEM NUMBERS NOT APPLICABLE

- ITEM NOT ILLUSTRATED

38-31-55-05

38-31-55
FIG. 05
PAGE 2
JAN 20/09

BRI

BOEING
757
PARTS CATALOG (MAINTENANCE)

FIG ITEM	PART NUMBER	1 2 3 4 5 6 7	NOMENCLATURE	EFFECT FROM TO	UNITS PER ASSY
5 400	10101000CN		. VALVE-DRAIN SUPPLIER CODE: V99321 SPECIFICATION NUMBER: 10-62213-1 MISCELLANEOUS DATA: 737-SL-38-012 AND 757-SL-38-009 CALL OUT 10101000CN OPT TO 331-0001-01 COMPONENT MAINT MANUAL REF: 38-30-08 OPTIONAL PART: 331-0001-01 V99321 FOR DETAILS SEE: 38-31-55-08	108120	1
R R R R R	400	332-0001-01	. VALVE-DRAIN SUPPLIER CODE: V99321 COMPONENT MAINT MANUAL REF: 38-30-06	108120	1
	405	43-1749	. GASKET-HEATER SUPPLIER CODE: V11416 ELECTRICAL EQUIP NUMBER: B10122	108120	1
	405	2174	. GASKET-HEATER SUPPLIER CODE: V98085 SPECIFICATION NUMBER: 10-60795-1 10-60795-2 MISCELLANEOUS DATA: 2174 IS QUALIFIED TO 10-60795-1 AND 10-60795-2. 10-60795-1 AND 10-60795-2 ARE FULLY INTERCHANGEABLE. OPTIONAL PART: 43-1479-1 V11416	108120	1
	410	65C30209-7	. RING ASSY ATTACHING PARTS	108120	1
-	415	BACR15BA4D	. RIVET -----*-----	108120	4

MISSING ITEM NUMBERS NOT APPLICABLE

- ITEM NOT ILLUSTRATED

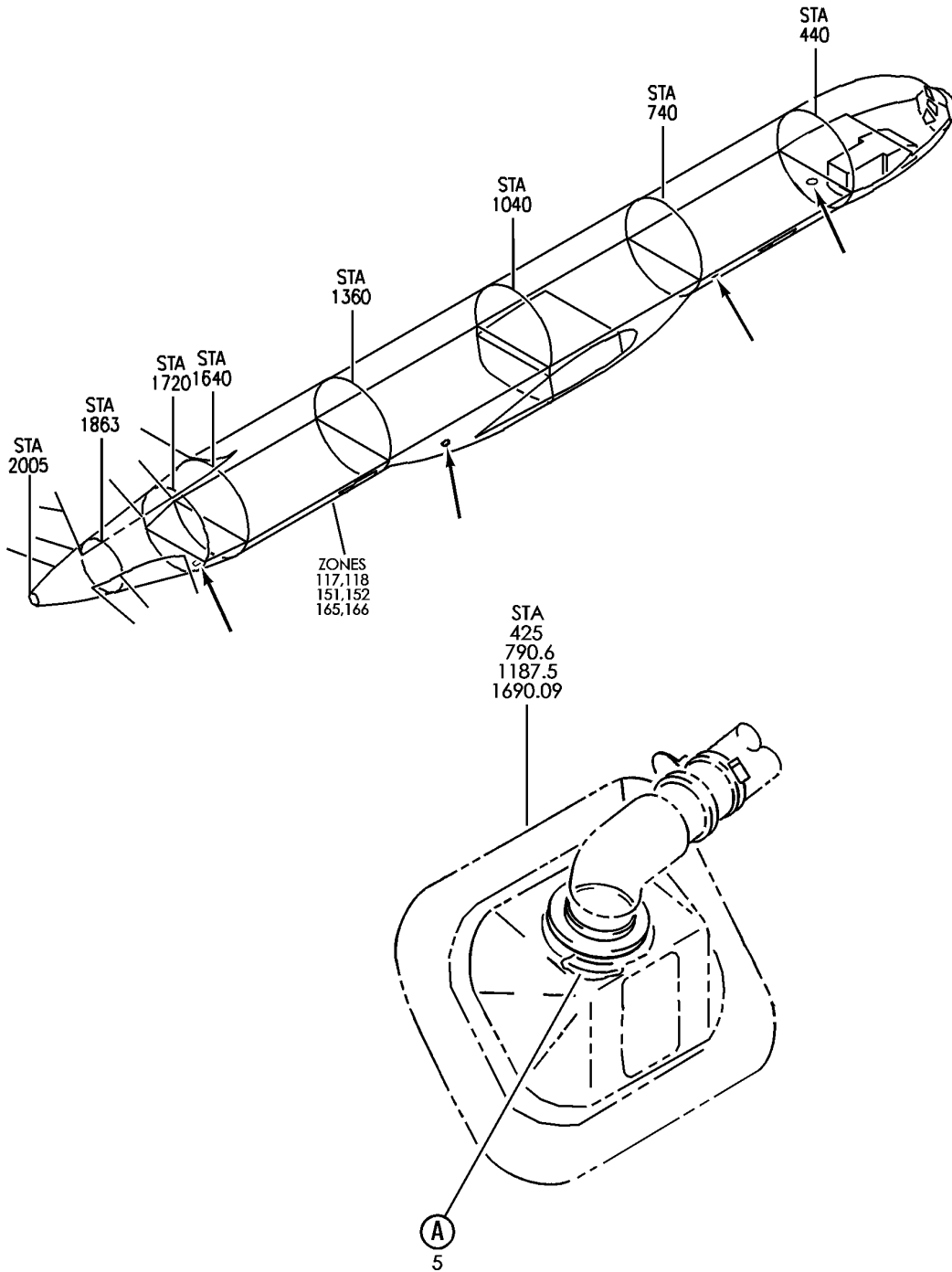
BRI

38-31-55-05

BOEING PROPRIETARY - Copyright © - Unpublished Work - See title page for details.

38-31-55
FIG. 05
PAGE 3
MAY 20/09

BOEING
757
PARTS CATALOG (MAINTENANCE)



Y 38315508 SHT 1 REV 219

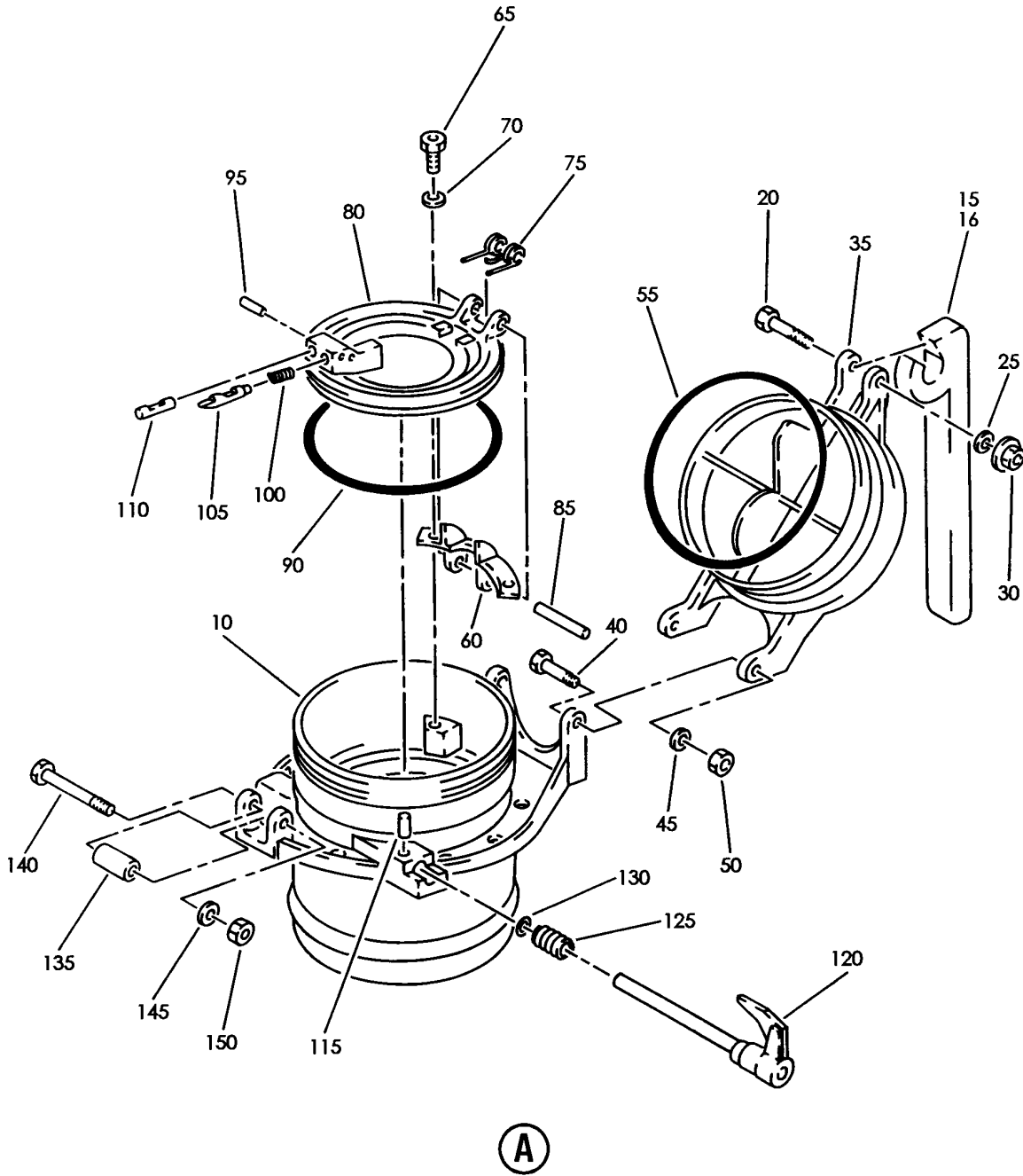
VALVE-WASTE SYS LAV DRAIN
FIGURE 8 (SHEET 1)

38-31-55-08

BRI
MAY 28/07

38-31-55-08
PAGE 0

BOEING
757
PARTS CATALOG (MAINTENANCE)



Y 38315508 SHT 2 REV 208

VALVE-WASTE SYS LAV DRAIN
FIGURE 8 (SHEET 2)

38-31-55-08

BRI
MAY 28/07

38-31-55-08
PAGE 0A



757

PARTS CATALOG (MAINTENANCE)

FIG ITEM	PART NUMBER	1 2 3 4 5 6 7	NOMENCLATURE	EFFECT FROM TO	UNITS PER ASSY
8			VALVE-WASTE SYS LAV DRAIN	002004 006102 107999	
- 1	10101000CN		VALVE-WASTE SYS LAV DRAIN SUPPLIER CODE: V99321 SPECIFICATION NUMBER: 10-62213-1 MISCELLANEOUS DATA: 737-SL-38-012 AND 757-SL-38-009 CALL OUT 10101000CN OPT TO 331-0001-01 COMPONENT MAINT MANUAL REF: 38-30-08 OPTIONAL PART: 331-0001-01 V99321 FOR NHA SEE: 38-31-52-01 38-31-52-01A 38-31-53-01 38-31-53-03 38-31-55-03 38-31-55-05	002004 006102 107503 904999	RF
5	10101C742		.NIPPLE ASSY- SUPPLIER CODE: V99321	002004 121903	1
5	10101C742		.NIPPLE ASSY- SUPPLIER CODE: V99321	002004 006100 107107 121503 904949 952952	1
5	10101C742		.NIPPLE ASSY- SUPPLIER CODE: V99321	101102 953999	1
5	10101C742		.NIPPLE ASSY- SUPPLIER CODE: V99321	108120	1
10	10101C734		..NIPPLE- SUPPLIER CODE: V99321	002004 121903	1
10	10101C734		..NIPPLE- SUPPLIER CODE: V99321	002004 006100 107107 121503 904949 952952	1

MISSING ITEM NUMBERS NOT APPLICABLE

- ITEM NOT ILLUSTRATED

38-31-55-08

38-31-55
FIG. 08
PAGE 1
JAN 20/09

BRI



757

PARTS CATALOG (MAINTENANCE)

FIG ITEM	PART NUMBER	1 2 3 4 5 6 7	NOMENCLATURE	EFFECT FROM TO	UNITS PER ASSY
8					
10	10101C734		..NIPPLE- SUPPLIER CODE: V99321	101102 953999	1
10	10101C734		..NIPPLE- SUPPLIER CODE: V99321	108120	1
15	1-01-05		..HANDLE-CAP SUPPLIER CODE: V99321 POSITION DATA: OUTER OPTIONAL PART: 1-01-06 V99321	002004 121903	1
15	1-01-05		..HANDLE-CAP SUPPLIER CODE: V99321 POSITION DATA: OUTER OPTIONAL PART: 1-01-06 V99321	002004 006100 107107 121503 904949 952952	1
15	1-01-05		..HANDLE-CAP SUPPLIER CODE: V99321 POSITION DATA: OUTER OPTIONAL PART: 1-01-06 V99321	101102 953999	1
15	1-01-05		..HANDLE-CAP SUPPLIER CODE: V99321 POSITION DATA: OUTER OPTIONAL PART: 1-01-06 V99321	108120	1
15	1-01-06		..HANDLE-CAP SUPPLIER CODE: V99321 POSITION DATA: OUTER CONFIG CHG DATA FROM A CMM: SUPSD BY 1-01-09 OPTIONAL PART: 1-01-05 V99321	002004 121903	1

MISSING ITEM NUMBERS NOT APPLICABLE

- ITEM NOT ILLUSTRATED

38-31-55-08

38-31-55
FIG. 08
PAGE 2
JAN 20/09

BRI

BOEING PROPRIETARY - Copyright © - Unpublished Work - See title page for details.



757

PARTS CATALOG (MAINTENANCE)

FIG ITEM	PART NUMBER	1 2 3 4 5 6 7	NOMENCLATURE	EFFECT FROM TO	UNITS PER ASSY
8					
15	1-01-06		..HANDLE-CAP SUPPLIER CODE: V99321 POSITION DATA: OUTER CONFIG CHG DATA FROM A CMM: SUPSD BY 1-01-09 OPTIONAL PART: 1-01-05 V99321	002004 006100 107107 121503 904949 952952	1
15	1-01-06		..HANDLE-CAP SUPPLIER CODE: V99321 POSITION DATA: OUTER CONFIG CHG DATA FROM A CMM: SUPSD BY 1-01-09 OPTIONAL PART: 1-01-05 V99321	101102 953999	1
15	1-01-06		..HANDLE-CAP SUPPLIER CODE: V99321 POSITION DATA: OUTER CONFIG CHG DATA FROM A CMM: SUPSD BY 1-01-09 OPTIONAL PART: 1-01-05 V99321	108120	1
15	1-01-09		..HANDLE-CAP SUPPLIER CODE: V99321 POSITION DATA: OUTER CONFIG CHG DATA FROM A CMM: SUPERSEDES 1-01-06	002004 121903	1
15	1-01-09		..HANDLE-CAP SUPPLIER CODE: V99321 POSITION DATA: OUTER CONFIG CHG DATA FROM A CMM: SUPERSEDES 1-01-06	002004 006100 107107 121503 904949 952952	1

MISSING ITEM NUMBERS NOT APPLICABLE

- ITEM NOT ILLUSTRATED

38-31-55-08

38-31-55
FIG. 08
PAGE 3
JAN 20/09

BRI



757

PARTS CATALOG (MAINTENANCE)

FIG ITEM	PART NUMBER	1 2 3 4 5 6 7	NOMENCLATURE	EFFECT FROM TO	UNITS PER ASSY
8					
15	1-01-09	..	HANDLE-CAP SUPPLIER CODE: V99321 POSITION DATA: OUTER CONFIG CHG DATA FROM A CMM: SUPERSEDES 1-01-06	101102 953999	1
15	1-01-09	..	HANDLE-CAP SUPPLIER CODE: V99321 POSITION DATA: OUTER CONFIG CHG DATA FROM A CMM: SUPERSEDES 1-01-06	108120	1
20	AN3C13A	..	BOLT	002004 121903	1
20	AN3C13A	..	BOLT	002004 006100 107107 121503 904949 952952	1
20	AN3C13A	..	BOLT	101102 953999	1
20	AN3C13A	..	BOLT	108120	1
25	AN960C10	..	WASHER	002004 121903	1
25	AN960C10	..	WASHER	002004 006100 107107 121503 904949 952952	1
25	AN960C10	..	WASHER	101102 953999	1
25	AN960C10	..	WASHER	108120	1
30	MS21044C3	..	NUT	002004 121903	1
30	MS21044C3	..	NUT	002004 006100 107107 121503 904949 952952	1
30	MS21044C3	..	NUT	101102 953999	1
30	MS21044C3	..	NUT	108120	1
			-----*		

MISSING ITEM NUMBERS NOT APPLICABLE

- ITEM NOT ILLUSTRATED

38-31-55-08

38-31-55
FIG. 08
PAGE 4
JAN 20/09

BRI

BOEING PROPRIETARY - Copyright © - Unpublished Work - See title page for details.



757

PARTS CATALOG (MAINTENANCE)

FIG ITEM	PART NUMBER	1 2 3 4 5 6 7	NOMENCLATURE	EFFECT FROM TO	UNITS PER ASSY
8					
35	10101B519	..CAP-	SUPPLIER CODE: V99321 CONFIG CHG DATA FROM A CMM: SUPSD BY 10101C736	002004 121903	1
35	10101B519	..CAP-	SUPPLIER CODE: V99321 CONFIG CHG DATA FROM A CMM: SUPSD BY 10101C736	002004 006100 107107 121503 904949 952952	1
35	10101B519	..CAP-	SUPPLIER CODE: V99321 CONFIG CHG DATA FROM A CMM: SUPSD BY 10101C736	101102 953999	1
35	10101B519	..CAP-	SUPPLIER CODE: V99321 CONFIG CHG DATA FROM A CMM: SUPSD BY 10101C736	108120	1
35	10101C736	..CAP-	SUPPLIER CODE: V99321 POSITION DATA: OUTER CONFIG CHG DATA FROM A CMM: SUPERSEDES 10101B519	002004 121903	1
35	10101C736	..CAP-	SUPPLIER CODE: V99321 POSITION DATA: OUTER CONFIG CHG DATA FROM A CMM: SUPERSEDES 10101B519	002004 006100 107107 121503 904949 952952	1
35	10101C736	..CAP-	SUPPLIER CODE: V99321 POSITION DATA: OUTER CONFIG CHG DATA FROM A CMM: SUPERSEDES 10101B519	101102 953999	1
35	10101C736	..CAP-	SUPPLIER CODE: V99321 POSITION DATA: OUTER CONFIG CHG DATA FROM A CMM: SUPERSEDES 10101B519	108120	1

MISSING ITEM NUMBERS NOT APPLICABLE

- ITEM NOT ILLUSTRATED

38-31-55-08

38-31-55
FIG. 08
PAGE 5
JAN 20/09

BRI

BOEING PROPRIETARY - Copyright © - Unpublished Work - See title page for details.



757

PARTS CATALOG (MAINTENANCE)

FIG ITEM	PART NUMBER	1 2 3 4 5 6 7	NOMENCLATURE	EFFECT FROM TO	UNITS PER ASSY
8			ATTACHING PARTS		
40	AN3C6A	..	BOLT	002004 121903	2
40	AN3C6A	..	BOLT	002004 006100 107107 121503 904949 952952	2
40	AN3C6A	..	BOLT	101102 953999	2
40	AN3C6A	..	BOLT	108120	2
45	AN960C10	..	WASHER	002004 121903	2
45	AN960C10	..	WASHER	002004 006100 107107 121503 904949 952952	2
45	AN960C10	..	WASHER	101102 953999	2
45	AN960C10	..	WASHER	108120	2
50	MS21044C3	..	NUT	002004 121903	2
50	MS21044C3	..	NUT	002004 006100 107107 121503 904949 952952	2
50	MS21044C3	..	NUT	101102 953999	2
50	MS21044C3	..	NUT	108120	2
55	MS29513-342	..	PACKING- -----*----- CONFIG CHG DATA FROM A CMM: SUPSD BY PRP568-340-5768-60	002004 121903	1
55	MS29513-342	..	PACKING- CONFIG CHG DATA FROM A CMM: SUPSD BY PRP568-340-5768-60	002004 006100 107107 121503 904949 952952	1
55	MS29513-342	..	PACKING- CONFIG CHG DATA FROM A CMM: SUPSD BY PRP568-340-5768-60	101102 953999	1

MISSING ITEM NUMBERS NOT APPLICABLE

- ITEM NOT ILLUSTRATED

38-31-55-08

38-31-55
FIG. 08
PAGE 6
JAN 20/09

BRI

BOEING PROPRIETARY - Copyright © - Unpublished Work - See title page for details.



757

PARTS CATALOG (MAINTENANCE)

FIG ITEM	PART NUMBER	1 2 3 4 5 6 7	NOMENCLATURE	EFFECT FROM TO	UNITS PER ASSY
8					
55	MS29513-342	..	PACKING- CONFIG CHG DATA FROM A CMM: SUPSD BY PRP568-340-5768-60	108120	1
55	BCREF118458	..	PACKING- SUPPLIER CODE: V77308 OVERLENGTH PART NUMBER: PRP568-340-5768-60 CONFIG CHG DATA FROM A CMM: SUPERSEDES MS29513-342	002004 121903	1
55	BCREF118458	..	PACKING- SUPPLIER CODE: V77308 OVERLENGTH PART NUMBER: PRP568-340-5768-60 CONFIG CHG DATA FROM A CMM: SUPERSEDES MS29513-342	002004 006100 107107 121503 904949 952952	1
55	BCREF118458	..	PACKING- SUPPLIER CODE: V77308 OVERLENGTH PART NUMBER: PRP568-340-5768-60 CONFIG CHG DATA FROM A CMM: SUPERSEDES MS29513-342	101102 953999	1
55	BCREF118458	..	PACKING- SUPPLIER CODE: V77308 OVERLENGTH PART NUMBER: PRP568-340-5768-60 CONFIG CHG DATA FROM A CMM: SUPERSEDES MS29513-342	108120	1
60	10101C731	..	BRACKET-HINGE SUPPLIER CODE: V99321	002004 121903	1
60	10101C731	..	BRACKET-HINGE SUPPLIER CODE: V99321	002004 006100 107107 121503 904949 952952	1
60	10101C731	..	BRACKET-HINGE SUPPLIER CODE: V99321	101102 953999	1

MISSING ITEM NUMBERS NOT APPLICABLE

- ITEM NOT ILLUSTRATED

38-31-55-08

38-31-55
FIG. 08
PAGE 7
JAN 20/09

BRI



**757
PARTS CATALOG (MAINTENANCE)**

FIG ITEM	PART NUMBER	1 2 3 4 5 6 7	NOMENCLATURE	EFFECT FROM TO	UNITS PER ASSY
8					
60	10101C731		.. BRACKET-HINGE SUPPLIER CODE: V99321 ATTACHING PARTS	108120	1
65	NAS1352C06-7		.. SCREW	002004 121903	2
65	NAS1352C06-7		.. SCREW	002004 006100 107107 121503 904949 952952	2
65	NAS1352C06-7		.. SCREW	101102 953999	2
65	NAS1352C06-7		.. SCREW	108120	2
70	MS35338-136		.. WASHER	002004 121903	2
70	MS35338-136		.. WASHER	002004 006100 107107 121503 904949 952952	2
70	MS35338-136		.. WASHER	101102 953999	2
70	MS35338-136		.. WASHER	108120	2
			-----*-----		
75	1-01-27		.. SPRING-DBL TORSION SUPPLIER CODE: V99321	002004 121903	1
75	1-01-27		.. SPRING-DBL TORSION SUPPLIER CODE: V99321	002004 006100 107107 121503 904949 952952	1
75	1-01-27		.. SPRING-DBL TORSION SUPPLIER CODE: V99321	101102 953999	1
75	1-01-27		.. SPRING-DBL TORSION SUPPLIER CODE: V99321	108120	1
80	10101C724		.. DOOR- SUPPLIER CODE: V99321 POSITION DATA: INNER	002004 121903	1

MISSING ITEM NUMBERS NOT APPLICABLE

— ITEM NOT ILLUSTRATED

38-31-55-08

38-31-55
FIG. 08
PAGE 8
JAN 20/09

BRI



**757
PARTS CATALOG (MAINTENANCE)**

FIG ITEM	PART NUMBER	1 2 3 4 5 6 7	NOMENCLATURE	EFFECT FROM TO	UNITS PER ASSY
8					
80	10101C724	..	DOOR- SUPPLIER CODE: V99321 POSITION DATA: INNER	002004 006100 107107 121503 904949 952952	1
80	10101C724	..	DOOR- SUPPLIER CODE: V99321 POSITION DATA: INNER	101102 953999	1
80	10101C724	..	DOOR- SUPPLIER CODE: V99321 POSITION DATA: INNER	108120	1
85	10101-8	..	PIN-HINGE SUPPLIER CODE: V99321	002004 121903	1
85	10101-8	..	PIN-HINGE SUPPLIER CODE: V99321	002004 006100 107107 121503 904949 952952	1
85	10101-8	..	PIN-HINGE SUPPLIER CODE: V99321	101102 953999	1
85	10101-8	..	PIN-HINGE SUPPLIER CODE: V99321	108120	1
90	MS9068-336	..	PACKING-DOOR SUPPLIER CODE: V99321 POSITION DATA: INNER CONFIG CHG DATA FROM A CMM: SUPSD BY PRP568-336-5768-60	002004 121903	1
90	MS9068-336	..	PACKING-DOOR SUPPLIER CODE: V99321 POSITION DATA: INNER CONFIG CHG DATA FROM A CMM: SUPSD BY PRP568-336-5768-60	002004 006100 107107 121503 904949 952952	1

MISSING ITEM NUMBERS NOT APPLICABLE

— ITEM NOT ILLUSTRATED

38-31-55-08

38-31-55
FIG. 08
PAGE 9
JAN 20/09

BRI

BOEING PROPRIETARY - Copyright © - Unpublished Work - See title page for details.



757

PARTS CATALOG (MAINTENANCE)

FIG ITEM	PART NUMBER	1 2 3 4 5 6 7	NOMENCLATURE	EFFECT FROM TO	UNITS PER ASSY
8	90 MS9068-336	..	PACKING-DOOR SUPPLIER CODE: V99321 POSITION DATA: INNER CONFIG CHG DATA FROM A CMM: SUPSD BY PRP568-336-5768-60	101102 953999	1
	90 MS9068-336	..	PACKING-DOOR SUPPLIER CODE: V99321 POSITION DATA: INNER CONFIG CHG DATA FROM A CMM: SUPSD BY PRP568-336-5768-60	108120	1
	90 BCREF118459	..	PACKING-DOOR SUPPLIER CODE: V77308 POSITION DATA: INNER OVERLENGTH PART NUMBER: PRP568-336-5768-60 CONFIG CHG DATA FROM A CMM: SUPERSEDES MS9068-336	002004 121903	1
	90 BCREF118459	..	PACKING-DOOR SUPPLIER CODE: V77308 POSITION DATA: INNER OVERLENGTH PART NUMBER: PRP568-336-5768-60 CONFIG CHG DATA FROM A CMM: SUPERSEDES MS9068-336	002004 006100 107107 121503 904949 952952	1
	90 BCREF118459	..	PACKING-DOOR SUPPLIER CODE: V77308 POSITION DATA: INNER OVERLENGTH PART NUMBER: PRP568-336-5768-60 CONFIG CHG DATA FROM A CMM: SUPERSEDES MS9068-336	101102 953999	1

MISSING ITEM NUMBERS NOT APPLICABLE

- ITEM NOT ILLUSTRATED

38-31-55-08

38-31-55
FIG. 08
PAGE 10
JAN 20/09

BRI

BOEING PROPRIETARY - Copyright © - Unpublished Work - See title page for details.



757

PARTS CATALOG (MAINTENANCE)

FIG ITEM	PART NUMBER	1 2 3 4 5 6 7	NOMENCLATURE	EFFECT FROM TO	UNITS PER ASSY
8					
90	BCREF118459	..	PACKING-DOOR SUPPLIER CODE: V77308 POSITION DATA: INNER OVERLENGTH PART NUMBER: PRP568-336-5768-60 CONFIG CHG DATA FROM A CMM: SUPERSEDES MS9068-336	108120	1
95	MS51923-164	..	PIN	002004 121903	1
95	MS51923-164	..	PIN	002004 006100 107107 121503 904949 952952	1
95	MS51923-164	..	PIN	101102 953999	1
95	MS51923-164	..	PIN	108120	1
100	MS24585C112	..	SPRING	002004 121903	1
100	MS24585C112	..	SPRING	002004 006100 107107 121503 904949 952952	1
100	MS24585C112	..	SPRING	101102 953999	1
100	MS24585C112	..	SPRING	108120	1
105	10101B525	..	CATCH-PIN SUPPLIER CODE: V99321	002004 121903	1
105	10101B525	..	CATCH-PIN SUPPLIER CODE: V99321	002004 006100 107107 121503 904949 952952	1
105	10101B525	..	CATCH-PIN SUPPLIER CODE: V99321	101102 953999	1
105	10101B525	..	CATCH-PIN SUPPLIER CODE: V99321	108120	1

MISSING ITEM NUMBERS NOT APPLICABLE

- ITEM NOT ILLUSTRATED

38-31-55-08

38-31-55
FIG. 08
PAGE 11
JAN 20/09

BRI

BOEING PROPRIETARY - Copyright © - Unpublished Work - See title page for details.



**757
PARTS CATALOG (MAINTENANCE)**

FIG ITEM	PART NUMBER	1 2 3 4 5 6 7	NOMENCLATURE	EFFECT FROM TO	UNITS PER ASSY
8					
110	10101C727	..	PIN-STATIONARY SUPPLIER CODE: V99321	002004 121903	1
110	10101C727	..	PIN-STATIONARY SUPPLIER CODE: V99321	002004 006100 107107 121503 904949 952952	1
110	10101C727	..	PIN-STATIONARY SUPPLIER CODE: V99321	101102 953999	1
110	10101C727	..	PIN-STATIONARY SUPPLIER CODE: V99321	108120	1
115	MS16562-192	..	PIN- CONFIG CHG DATA FROM A CMM: SUPSD BY MS51923-150	002004 121903	1
115	MS16562-192	..	PIN- CONFIG CHG DATA FROM A CMM: SUPSD BY MS51923-150	002004 006100 107107 121503 904949 952952	1
115	MS16562-192	..	PIN- CONFIG CHG DATA FROM A CMM: SUPSD BY MS51923-150	101102 953999	1
115	MS16562-192	..	PIN- CONFIG CHG DATA FROM A CMM: SUPSD BY MS51923-150	108120	1
115	MS51923-150	..	PIN- CONFIG CHG DATA FROM A CMM: SUPERSEDES MS16562-192	002004 121903	1
115	MS51923-150	..	PIN- CONFIG CHG DATA FROM A CMM: SUPERSEDES MS16562-192	002004 006100 107107 121503 904949 952952	1
115	MS51923-150	..	PIN- CONFIG CHG DATA FROM A CMM: SUPERSEDES MS16562-192	101102 953999	1
115	MS51923-150	..	PIN- CONFIG CHG DATA FROM A CMM: SUPERSEDES MS16562-192	108120	1

MISSING ITEM NUMBERS NOT APPLICABLE

— ITEM NOT ILLUSTRATED

38-31-55-08

38-31-55
FIG. 08
PAGE 12
JAN 20/09

BRI

BOEING PROPRIETARY - Copyright © - Unpublished Work - See title page for details.



757

PARTS CATALOG (MAINTENANCE)

FIG ITEM	PART NUMBER	1 2 3 4 5 6 7	NOMENCLATURE	EFFECT FROM TO	UNITS PER ASSY
8					
120	10101C709	..	HANDLE-DOOR SUPPLIER CODE: V99321 POSITION DATA: INNER	002004 121903	1
120	10101C709	..	HANDLE-DOOR SUPPLIER CODE: V99321 POSITION DATA: INNER	002004 006100 107107 121503 904949 952952	1
120	10101C709	..	HANDLE-DOOR SUPPLIER CODE: V99321 POSITION DATA: INNER	101102 953999	1
120	10101C709	..	HANDLE-DOOR SUPPLIER CODE: V99321 POSITION DATA: INNER	108120	1
125	10101-13	..	SPRING-TORSION SUPPLIER CODE: V99321 CONFIG CHG DATA FROM A CMM: SUPSD BY 1-01-28	002004 121903	1
125	10101-13	..	SPRING-TORSION SUPPLIER CODE: V99321 CONFIG CHG DATA FROM A CMM: SUPSD BY 1-01-28	002004 006100 107107 121503 904949 952952	1
125	10101-13	..	SPRING-TORSION SUPPLIER CODE: V99321 CONFIG CHG DATA FROM A CMM: SUPSD BY 1-01-28	101102 953999	1
125	10101-13	..	SPRING-TORSION SUPPLIER CODE: V99321 CONFIG CHG DATA FROM A CMM: SUPSD BY 1-01-28	108120	1
125	1-01-28	..	SPRING-TORSION SUPPLIER CODE: V99321 CONFIG CHG DATA FROM A CMM: SUPERSEDES 10101-13	002004 121903	1

MISSING ITEM NUMBERS NOT APPLICABLE

- ITEM NOT ILLUSTRATED

38-31-55-08

38-31-55
FIG. 08
PAGE 13
JAN 20/09

BRI



757

PARTS CATALOG (MAINTENANCE)

FIG ITEM	PART NUMBER	1 2 3 4 5 6 7	NOMENCLATURE	EFFECT FROM TO	UNITS PER ASSY
8					
125	1-01-28	..	SPRING-TORSION SUPPLIER CODE: V99321 CONFIG CHG DATA FROM A CMM: SUPERSEDES 10101-13	002004 006100 107107 121503 904949 952952	1
125	1-01-28	..	SPRING-TORSION SUPPLIER CODE: V99321 CONFIG CHG DATA FROM A CMM: SUPERSEDES 10101-13	101102 953999	1
125	1-01-28	..	SPRING-TORSION SUPPLIER CODE: V99321 CONFIG CHG DATA FROM A CMM: SUPERSEDES 10101-13	108120	1
130	B76-74	..	PACKING-HANDLE SUPPLIER CODE: V99321 CONFIG CHG DATA FROM A CMM: SUPSD BY 5262133K5768-60	002004 121903	1
130	B76-74	..	PACKING-HANDLE SUPPLIER CODE: V99321 CONFIG CHG DATA FROM A CMM: SUPSD BY 5262133K5768-60	002004 006100 107107 121503 904949 952952	1
130	B76-74	..	PACKING-HANDLE SUPPLIER CODE: V99321 CONFIG CHG DATA FROM A CMM: SUPSD BY 5262133K5768-60	101102 953999	1
130	B76-74	..	PACKING-HANDLE SUPPLIER CODE: V99321 CONFIG CHG DATA FROM A CMM: SUPSD BY 5262133K5768-60	108120	1
130	5262133K5768-60	..	PACKING-HANDLE SUPPLIER CODE: V77308 CONFIG CHG DATA FROM A CMM: SUPERSEDES 1-01-13	002004 121903	1

MISSING ITEM NUMBERS NOT APPLICABLE

- ITEM NOT ILLUSTRATED

38-31-55-08

38-31-55
FIG. 08
PAGE 14
JAN 20/09

BRI



757

PARTS CATALOG (MAINTENANCE)

FIG ITEM	PART NUMBER	1 2 3 4 5 6 7	NOMENCLATURE	EFFECT FROM TO	UNITS PER ASSY
8					
130	5262133K5768-60	..	PACKING-HANDLE SUPPLIER CODE: V77308 CONFIG CHG DATA FROM A CMM: SUPERSEDES 1-01-13	002004 006100 107107 121503 904949 952952	1
130	5262133K5768-60	..	PACKING-HANDLE SUPPLIER CODE: V77308 CONFIG CHG DATA FROM A CMM: SUPERSEDES 1-01-13	101102 953999	1
130	5262133K5768-60	..	PACKING-HANDLE SUPPLIER CODE: V77308 CONFIG CHG DATA FROM A CMM: SUPERSEDES 1-01-13	108120	1
135	1-01-07	..	ROLLER- SUPPLIER CODE: V99321	002004 121903	1
135	1-01-07	..	ROLLER- SUPPLIER CODE: V99321	002004 006100 107107 121503 904949 952952	1
135	1-01-07	..	ROLLER- SUPPLIER CODE: V99321	101102 953999	1
135	1-01-07	..	ROLLER- SUPPLIER CODE: V99321 ATTACHING PARTS	108120	1
140	AN3C13A	..	BOLT	002004 121903	1
140	AN3C13A	..	BOLT	002004 006100 107107 121503 904949 952952	1
140	AN3C13A	..	BOLT	101102 953999	1
140	AN3C13A	..	BOLT	108120	1
145	AN960C10	..	WASHER	002004 121903	1

MISSING ITEM NUMBERS NOT APPLICABLE

- ITEM NOT ILLUSTRATED

38-31-55-08

38-31-55
FIG. 08
PAGE 15
JAN 20/09

BRI

BOEING PROPRIETARY - Copyright © - Unpublished Work - See title page for details.



757

PARTS CATALOG (MAINTENANCE)

FIG ITEM	PART NUMBER	1 2 3 4 5 6 7	NOMENCLATURE	EFFECT FROM TO	UNITS PER ASSY
8					
145	AN960C10	..	WASHER	002004 006100 107107 121503 904949 952952	1
145	AN960C10	..	WASHER	101102 953999	1
145	AN960C10	..	WASHER	108120	1
150	MS21044C3	..	NUT	002004 121903	1
150	MS21044C3	..	NUT	002004 006100 107107 121503 904949 952952	1
150	MS21044C3	..	NUT	101102 953999	1
150	MS21044C3	..	NUT	108120	1
- 155	1-01-19	-----*-----	.KIT-CAP ASSY SUPPLIER CODE: V99321 POSITION DATA: OUTER MISCELLANEOUS DATA: CONSISTS OF 1-01-09, AN3C13A, AN960C10, MS21044C3, 10101C736, AN3C6A, AN960C10, MS21044C3 AND PRP568-340-5768-60	002004 121903	RF
- 155	1-01-19		.KIT-CAP ASSY SUPPLIER CODE: V99321 POSITION DATA: OUTER MISCELLANEOUS DATA: CONSISTS OF 1-01-09, AN3C13A, AN960C10, MS21044C3, 10101C736, AN3C6A, AN960C10, MS21044C3 AND PRP568-340-5768-60	002004 006100 107107 121503 904949 952952	RF

MISSING ITEM NUMBERS NOT APPLICABLE

- ITEM NOT ILLUSTRATED

38-31-55-08

38-31-55
FIG. 08
PAGE 16
JAN 20/09

BRI



757

PARTS CATALOG (MAINTENANCE)

FIG ITEM	PART NUMBER	1 2 3 4 5 6 7	NOMENCLATURE	EFFECT FROM TO	UNITS PER ASSY
8					
- 155	1-01-19		.KIT-CAP ASSY SUPPLIER CODE: V99321 POSITION DATA: OUTER MISCELLANEOUS DATA: CONSISTS OF 1-01-09, AN3C13A, AN960C10, MS21044C3, 10101C736, AN3C6A, AN960C10, MS21044C3 AND PRP568-340-5768-60	101102 953999	RF
- 155	1-01-19		.KIT-CAP ASSY SUPPLIER CODE: V99321 POSITION DATA: OUTER MISCELLANEOUS DATA: CONSISTS OF 1-01-09, AN3C13A, AN960C10, MS21044C3, 10101C736, AN3C6A, AN960C10, MS21044C3 AND PRP568-340-5768-60	108120	RF
- 160	1-01-48		.KIT-HANDLE ASSY SUPPLIER CODE: V99321 MISCELLANEOUS DATA: CONSISTS OF 10101C709, MS51923-150, 1-01-28 AND 5262133K5768-60	002004 121903	RF
- 160	1-01-48		.KIT-HANDLE ASSY SUPPLIER CODE: V99321 MISCELLANEOUS DATA: CONSISTS OF 10101C709, MS51923-150, 1-01-28 AND 5262133K5768-60	002004 006100 107107 121503 904949 952952	RF
- 160	1-01-48		.KIT-HANDLE ASSY SUPPLIER CODE: V99321 MISCELLANEOUS DATA: CONSISTS OF 10101C709, MS51923-150, 1-01-28 AND 5262133K5768-60	101102 953999	RF

MISSING ITEM NUMBERS NOT APPLICABLE

- ITEM NOT ILLUSTRATED

38-31-55-08

38-31-55
FIG. 08
PAGE 17
JAN 20/09

BRI



757

PARTS CATALOG (MAINTENANCE)

FIG ITEM	PART NUMBER	1 2 3 4 5 6 7	NOMENCLATURE	EFFECT FROM TO	UNITS PER ASSY
8					
- 160	1-01-48		.KIT-HANDLE ASSY SUPPLIER CODE: V99321 MISCELLANEOUS DATA: CONSISTS OF 10101C709, MS51923-150, 1-01-28 AND 5262133K5768-60	108120	RF
- 165	1-01-49		.KIT-DOOR ASSY SUPPLIER CODE: V99321 POSITION DATA: INNER MISCELLANEOUS DATA: CONSISTS OF 10101C731, NAS1352C06-7, MS35338-136, 1-01-27, 10101C724, 10101-8, PRP568-336-5768-60, MS24585C112, 10101B525 10101C727 AND MS51923-164	002004 121903	RF
- 165	1-01-49		.KIT-DOOR ASSY SUPPLIER CODE: V99321 POSITION DATA: INNER MISCELLANEOUS DATA: CONSISTS OF 10101C731, NAS1352C06-7, MS35338-136, 1-01-27, 10101C724, 10101-8, PRP568-336-5768-60, MS24585C112, 10101B525 10101C727 AND MS51923-164	002004 006100 107107 121503 904949 952952	RF
- 165	1-01-49		.KIT-DOOR ASSY SUPPLIER CODE: V99321 POSITION DATA: INNER MISCELLANEOUS DATA: CONSISTS OF 10101C731, NAS1352C06-7, MS35338-136, 1-01-27, 10101C724, 10101-8, PRP568-336-5768-60, MS24585C112, 10101B525 10101C727 AND MS51923-164	101102 953999	RF

MISSING ITEM NUMBERS NOT APPLICABLE

- ITEM NOT ILLUSTRATED

38-31-55-08

38-31-55
FIG. 08
PAGE 18
JAN 20/09

BRI



757

PARTS CATALOG (MAINTENANCE)

FIG ITEM	PART NUMBER	1 2 3 4 5 6 7	NOMENCLATURE	EFFECT FROM TO	UNITS PER ASSY
8 - 165	1-01-49		.KIT-DOOR ASSY SUPPLIER CODE: V99321 POSITION DATA: INNER MISCELLANEOUS DATA: CONSISTS OF 10101C731, NAS1352C06-7, MS35338-136, 1-01-27, 10101C724, 10101-8, PRP568-336-5768-60, MS24585C112, 10101B525 10101C727 AND MS51923-164	108120	RF

MISSING ITEM NUMBERS NOT APPLICABLE

- ITEM NOT ILLUSTRATED

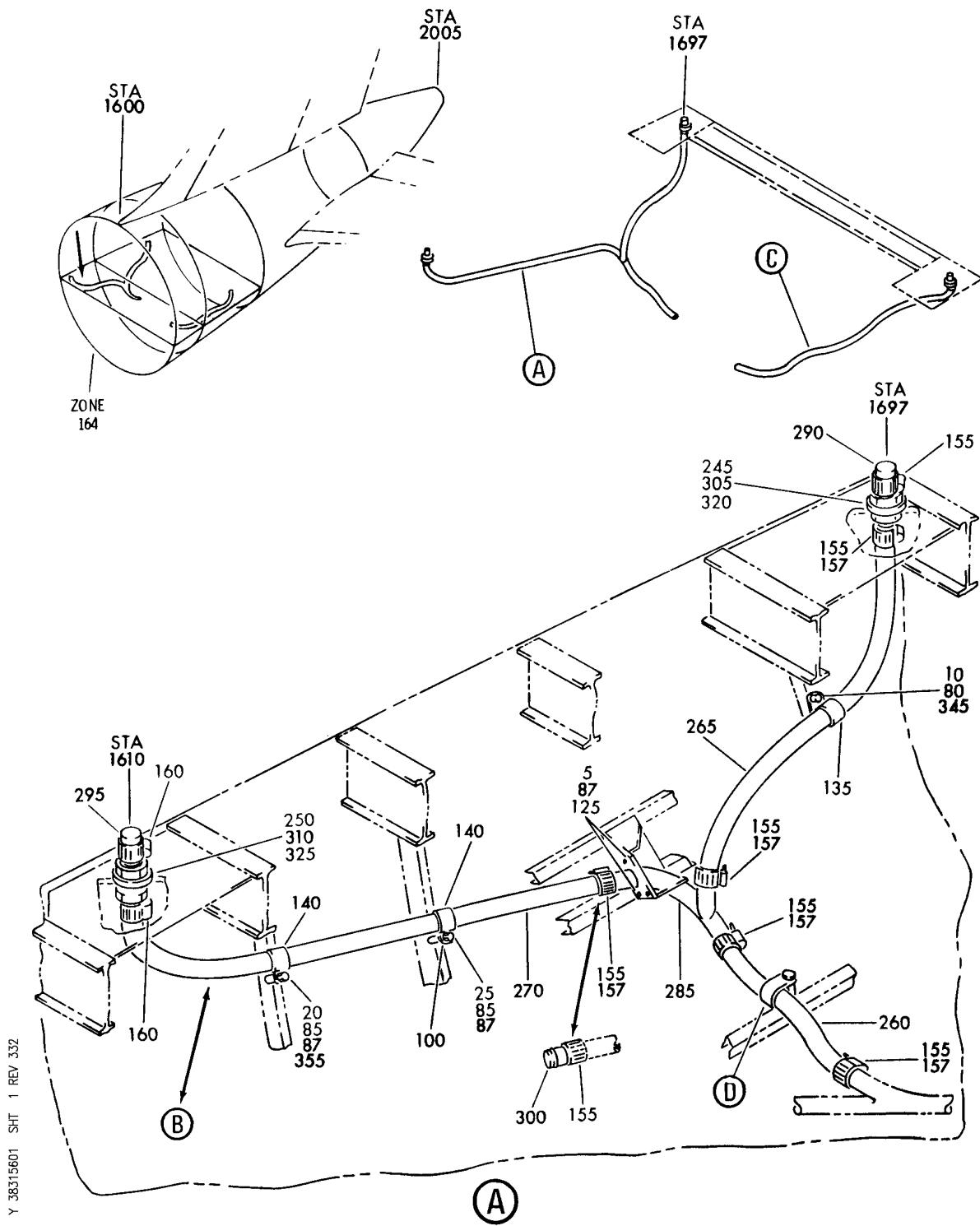
BRI

38-31-55-08

BOEING PROPRIETARY - Copyright © - Unpublished Work - See title page for details.

38-31-55
FIG. 08
PAGE 19
JAN 20/09

BOEING
757
PARTS CATALOG (MAINTENANCE)



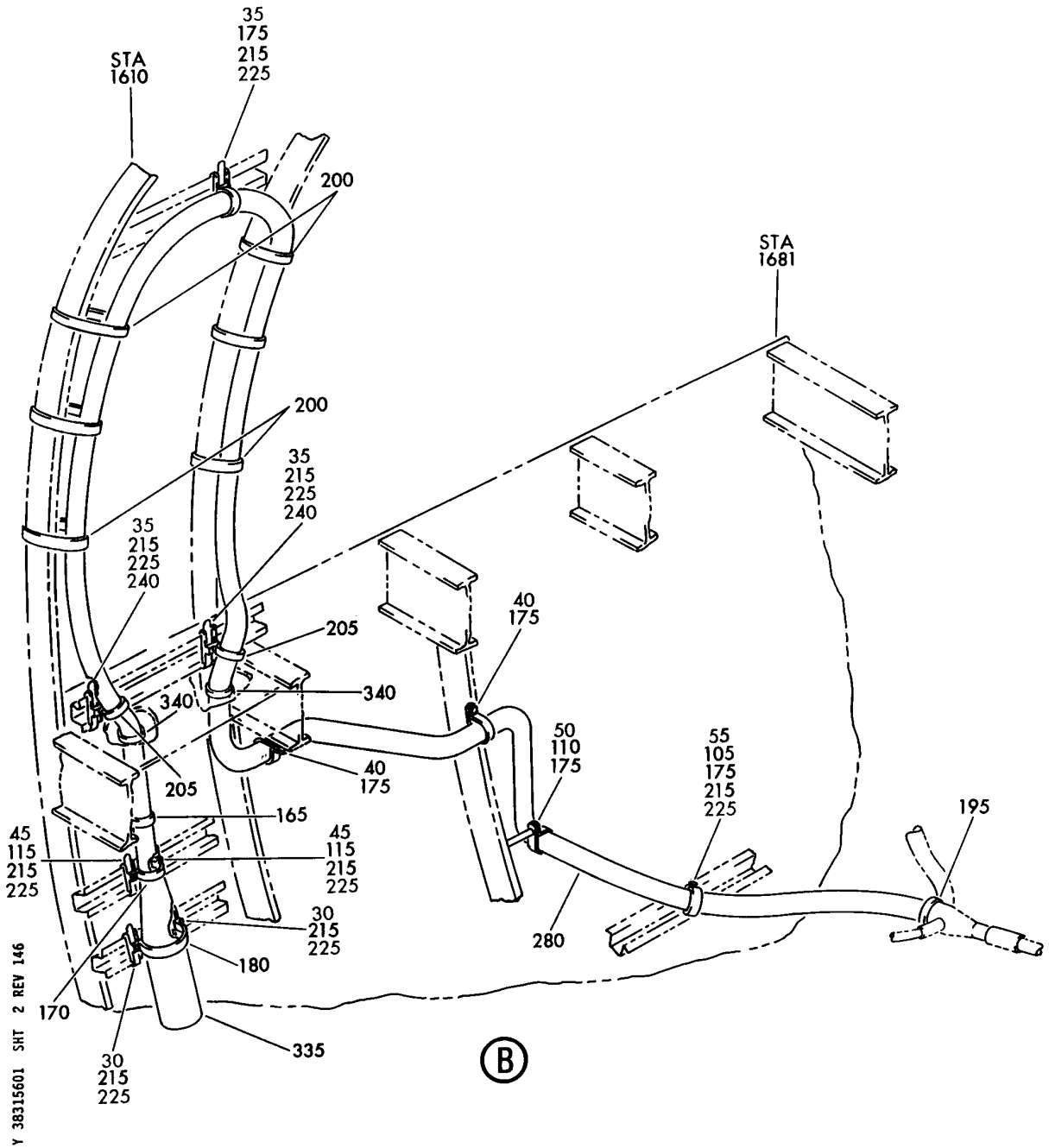
DRAIN INSTL-AFT GALLEY 4B
FIGURE 1 (SHEET 1)

38-31-56-01

BRI
MAY 20/09

38-31-56-01
PAGE 0

BOEING
757
PARTS CATALOG (MAINTENANCE)



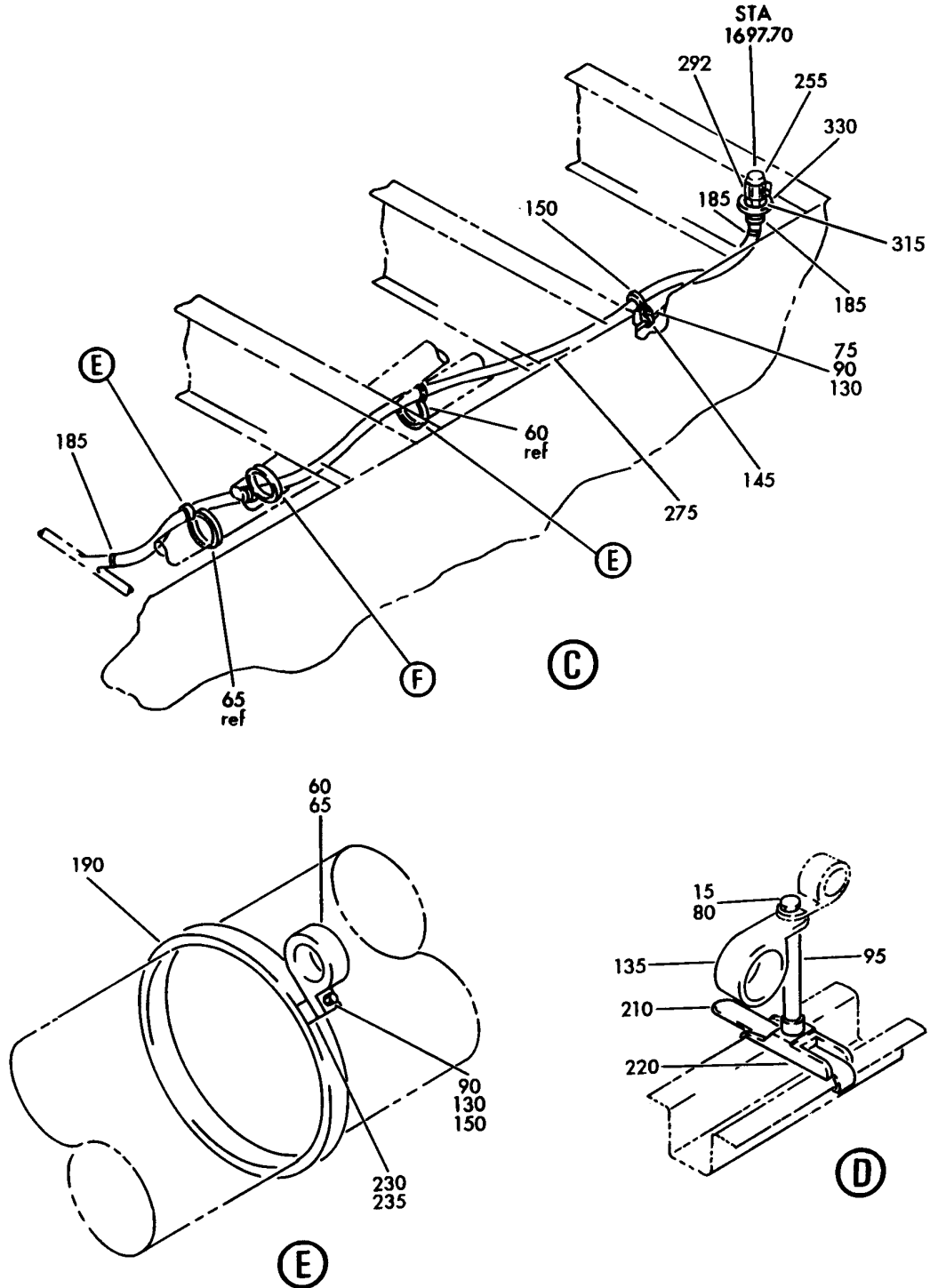
DRAIN INSTL-AFT GALLEY 4B
FIGURE 1 (SHEET 2)

38-31-56-01

BRI
MAY 28/07

38-31-56-01
PAGE 0A

BOEING
757
PARTS CATALOG (MAINTENANCE)



Y 38315601 SHT 3 REV 206

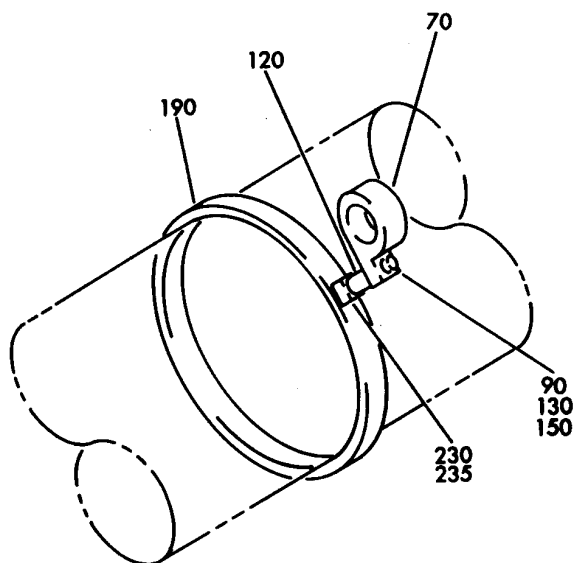
DRAIN INSTL-AFT GALLEY 4B
FIGURE 1 (SHEET 3)

38-31-56-01

BRI
MAY 28/07

38-31-56-01
PAGE 0B

BOEING
757
PARTS CATALOG (MAINTENANCE)



(F)

Y 38315601 SHT 4 REV 146

DRAIN INSTL-AFT GALLEY 4B
FIGURE 1 (SHEET 4)

38-31-56-01

BRI
MAY 28/07

38-31-56-01
PAGE 0C

 **BOEING**
757
PARTS CATALOG (MAINTENANCE)

FIG ITEM	PART NUMBER	1 2 3 4 5 6 7	NOMENCLATURE	EFFECT FROM TO	UNITS PER ASSY
1			DRAIN INSTL-AFT GALLEY 4B	002004 006100 107999	
- 1	417N2402-1		DRAIN INSTL-GALLEY 4B POSITION DATA: AFT VARIABLE DRAWING REF: 417N2402-2 417N2402-28 FOR NHA/ADDITIONAL DET SEE: 25-20-00-01A 25-20-00-01E 25-20-00-03A	002004 006100 107107 121503 904999	RF
- 1	417N2402-68		DRAIN INSTL-LAVS M & K GALLEYS 4B POSITION DATA: AFT FOR NHA SEE: 25-20-00-09	108120 504903	RF
- 3	417N2402-28		DRAIN INSTL-GALLEY 4B FOR NHA SEE: 25-20-00-07D	108120	RF
5	NAS1801-3-8		.SCREW	002004 006100 107107 121999	3
5	NAS1801-3-8		.SCREW	108120	3
10	NAS1801-3-16		.SCREW-	002004 006100 107107 121999	1
10	NAS1801-3-16		.SCREW	108120	1
15	NAS1801-3-62		.SCREW	002004 006100 107107 121999	1
15	NAS1801-3-62		.SCREW	108120	1
20	NAS1801-3-10		.SCREW-	952999	1
25	NAS1801-3-18		.SCREW-	952999	1
60	BACB30NM3K9		.BOLT	950951	1
60	BACB30NM3K9		.BOLT	108120	1
65	BACB30NM3K10		.BOLT	950951	1
65	BACB30NM3K10		.BOLT	108120	1
70	BACB30NM3K16		.BOLT	950951	1
70	BACB30NM3K16		.BOLT	108120	1
75	BACS12GU3K12		.SCREW	950951	1
75	BACS12GU3K12		.SCREW	108120	1

MISSING ITEM NUMBERS NOT APPLICABLE

- ITEM NOT ILLUSTRATED

BRI

38-31-56-01

BOEING PROPRIETARY - Copyright © - Unpublished Work - See title page for details.

38-31-56
FIG. 01
PAGE 1
JAN 20/09



757

PARTS CATALOG (MAINTENANCE)

FIG ITEM	PART NUMBER	1 2 3 4 5 6 7	NOMENCLATURE	EFFECT FROM TO	UNITS PER ASSY
1					
80	AN960PD10L	.	WASHER	002004 006100 107107 121503 904999	2
85	AN960PD10L	.	WASHER-	952999	2
87	AN960PD10L	.	WASHER	504903	5
87	AN960PD10L	.	WASHER	108120	5
90	AN960JD10L	.	WASHER	950951	4
90	AN960JD10L	.	WASHER	108120	4
95	NAS43DD3-168	.	SPACER	002004 006100 107107 121999	1
95	NAS43DD3-168	.	SPACER	108120	1
100	NAS43DD3-32	.	SPACER-	952999	1
120	NAS43DD3-32FC	.	SPACER	950951	1
120	NAS43DD3-32FC	.	SPACER	108120	1
125	BRH10A3	.	NUT	002004	3
			SUPPLIER CODE: V52828	006100 107107	
			SPECIFICATION NUMBER: BACN10JC3	121999	
			OPTIONAL PART: H10-3BAC V15653 NS202101-02 V80539 RMLH9075-3W V72962 VN303A02 V92215 96-02 V80539 T6S1032J V11815		

MISSING ITEM NUMBERS NOT APPLICABLE

- ITEM NOT ILLUSTRATED

BRI

38-31-56-01

BOEING PROPRIETARY - Copyright © - Unpublished Work - See title page for details.

38-31-56
FIG. 01
PAGE 2
JAN 20/09



757

PARTS CATALOG (MAINTENANCE)

FIG ITEM	PART NUMBER	1 2 3 4 5 6 7	NOMENCLATURE	EFFECT FROM TO	UNITS PER ASSY
1 125	BRH10A3	.NUT	SUPPLIER CODE: V52828 SPECIFICATION NUMBER: BACN10JC3 OPTIONAL PART: H10-3BAC V15653 NS202101-02 V80539 RMLH9075-3W V72962 VN303A02 V92215 96-02 V80539 T6S1032J V11815	108120	3
130	PLH53CD	.NUT	SUPPLIER CODE: VF0224 SPECIFICATION NUMBER: BACN10YR3CD OPTIONAL PART: H52732-3CD V15653	950951	4
130	PLH53CD	.NUT	SUPPLIER CODE: VF0224 SPECIFICATION NUMBER: BACN10YR3CD OPTIONAL PART: H52732-3CD V15653	108120	4
135	BACC10DK19	.CLAMP-		002004 006100 107107 121999	2
135	BACC10DK19	.CLAMP		108120	2
140	BACC10DK19	.CLAMP-		952999	2
145	BACC10DK10	.CLAMP		950951	1
145	BACC10DK10	.CLAMP		108120	1
150	BACC10DK20	.CLAMP		950951	4
150	BACC10DK20	.CLAMP		108120	4

MISSING ITEM NUMBERS NOT APPLICABLE

- ITEM NOT ILLUSTRATED

38-31-56-01

38-31-56
FIG. 01
PAGE 3
JAN 20/09

BRI



757

PARTS CATALOG (MAINTENANCE)

FIG ITEM	PART NUMBER	1 2 3 4 5 6 7	NOMENCLATURE	EFFECT FROM TO	UNITS PER ASSY
1 155	12		.CLAMP- SUPPLIER CODE: V7Z588 SPECIFICATION NUMBER: STBC10GG34-38 OPTIONAL PART: WWD34-38H V66295	002004 006100 107107 121503 904999	6
157	12		.CLAMP SUPPLIER CODE: V7Z588 SPECIFICATION NUMBER: STBC10GG34-38 OPTIONAL PART: WWD34-38H V66295	504903	5
157	12		.CLAMP SUPPLIER CODE: V7Z588 SPECIFICATION NUMBER: STBC10GG34-38 OPTIONAL PART: WWD34-38H V66295	108120	5
160	12		.CLAMP- SUPPLIER CODE: V7Z588 SPECIFICATION NUMBER: STBC10GG34-38 OPTIONAL PART: WWD34-38H V66295	952999	2
185	BACC10JB032A046		.CLAMP	108120	3
187	BACC10JB032A046		.CLAMP	504903	1
187	BACC10JB032A046		.CLAMP	108120	1
190	BACC10JB142A172		.CLAMP	950951	3
190	BACC10JB142A172		.CLAMP	108120	3
210	S38J1		.SUPPORT SUPPLIER CODE: V59237 SPECIFICATION NUMBER: BACS38J1 OPTIONAL PART: 30187-2 V26835	002004 006100 107107 121999	1

MISSING ITEM NUMBERS NOT APPLICABLE

- ITEM NOT ILLUSTRATED

38-31-56-01

38-31-56
FIG. 01
PAGE 4
JAN 20/09

BRI

BOEING PROPRIETARY - Copyright © - Unpublished Work - See title page for details.



757

PARTS CATALOG (MAINTENANCE)

FIG ITEM	PART NUMBER	1 2 3 4 5 6 7	NOMENCLATURE	EFFECT FROM TO	UNITS PER ASSY
1 210	S38J1	.	SUPPORT SUPPLIER CODE: V59237 SPECIFICATION NUMBER: BACS38J1 OPTIONAL PART: 30187-2 V26835	108120	1
220	S38J2	.	SUPPORT SUPPLIER CODE: V59237 SPECIFICATION NUMBER: BACS38J2 OPTIONAL PART: 30187-3 V26835	002004 006100 107107 121999	1
220	S38J2	.	SUPPORT SUPPLIER CODE: V59237 SPECIFICATION NUMBER: BACS38J2 OPTIONAL PART: 30187-3 V26835	108120	1
230	BACC15AN10	.	CLIP	950951	3
230	BACC15AN10	.	CLIP	108120	3
235	BACB19F10S	.	BLOCK	950951	3
235	BACB19F10S	.	BLOCK	108120	3
245	66-17278-1	.	CONNECTOR-STRAIGHT	002004 006100 107107 121999	1
245	66-17278-1	.	CONNECTOR-STRAIGHT	108120	1
250	66-17278-1	.	CONNECTOR-STRAIGHT	952999	1
255	66-17278-1	.	CONNECTOR	950951	1
255	66-17278-1	.	CONNECTOR	108120	1
260	BOE2013-0319	.	HOSE- SUPPLIER CODE: V16632 SPECIFICATION NUMBER: 69-27191-319 OPTIONAL PART: 713488-319 V70628 IT4350-319 V26831	107107 904949 952952	1

MISSING ITEM NUMBERS NOT APPLICABLE

- ITEM NOT ILLUSTRATED

38-31-56-01

38-31-56
FIG. 01
PAGE 5
JAN 20/09

BRI



757

PARTS CATALOG (MAINTENANCE)

FIG ITEM	PART NUMBER	1 2 3 4 5 6 7	NOMENCLATURE	EFFECT FROM TO	UNITS PER ASSY
1 260	BOE2013-0516	.HOSE-	SUPPLIER CODE: V16632 SPECIFICATION NUMBER: 69-27191-516 OPTIONAL PART: IT4350-516 V26831	002004 006100 108503 950951 953999	1
265	BOE2013-0323	.HOSE-	SUPPLIER CODE: V16632 SPECIFICATION NUMBER: 69-27191-323 OPTIONAL PART: 713488-323 V70628	002004 006100 107107 121999	1
265	BOE2013-0323	.HOSE-	SUPPLIER CODE: V16632 SPECIFICATION NUMBER: 69-27191-323 OPTIONAL PART: 713488-323 V70628	108120	1
270	BOE2013-0330	.HOSE-	SUPPLIER CODE: V16632 SPECIFICATION NUMBER: 69-27191-330 OPTIONAL PART: 713488-330 V70628 IT4350-330 V26831	952999	1
270	713488-330	.HOSE-	SUPPLIER CODE: V70628 SPECIFICATION NUMBER: 69-27191-330 OPTIONAL PART: BOE2013-330 V16632 IT4350-330 V26831	952999	1

MISSING ITEM NUMBERS NOT APPLICABLE

- ITEM NOT ILLUSTRATED

BRI

38-31-56-01

BOEING PROPRIETARY - Copyright © - Unpublished Work - See title page for details.

38-31-56
FIG. 01
PAGE 6
JAN 20/09



757

PARTS CATALOG (MAINTENANCE)

FIG ITEM	PART NUMBER	1 2 3 4 5 6 7	NOMENCLATURE	EFFECT FROM TO	UNITS PER ASSY
1 270	IT4350-330		.HOSE- SUPPLIER CODE: V26831 SPECIFICATION NUMBER: 69-27191-330 OPTIONAL PART: BOE2013-0330 V16632 713488-330 V70628	952999	1
275	BOE2013-0432		.HOSE- SUPPLIER CODE: V16632 SPECIFICATION NUMBER: 69-27191-432 OPTIONAL PART: IT4350-432 V26831	950951	1
275	BOE2013-0432		.HOSE- SUPPLIER CODE: V16632 SPECIFICATION NUMBER: 69-27191-432 OPTIONAL PART: IT4350-432 V26831	108120	1
285	417N2310-7		.TUBE ASSY	002004 006100 107107 121999	1
285	417N2310-7		.TUBE ASSY	108120	1
290	69B50212-1		.CAP-MOLDED	002004 006100 107107 121999	1
290	69B50212-1		.CAP-MOLDED	108120	1
292	69B50212-1		.CAP-MOLDED USED ON: 417N2402-68 MODREF17662	504903	1
292	69B50212-1		.CAP-MOLDED	108120	1
295	69B50212-1		.CAP-MOLDED	952999	1
300	69B50212-1		.CAP-MOLDED	002004 006100 107107 121503 904951	1

MISSING ITEM NUMBERS NOT APPLICABLE

- ITEM NOT ILLUSTRATED

38-31-56-01

38-31-56
FIG. 01
PAGE 7
JAN 20/09

BRI



757

PARTS CATALOG (MAINTENANCE)

FIG ITEM	PART NUMBER	1 2 3 4 5 6 7	NOMENCLATURE	EFFECT FROM TO	UNITS PER ASSY
1					
305	AN924-16D	.	NUT	002004 006100 107107 121999	1
305	AN924-16D	.	NUT	108120	1
310	AN924-16D	.	NUT-	952999	1
315	AN924-16D	.	NUT	950951	1
315	AN924-16D	.	NUT	108120	1
320	AN960PD2116L	.	WASHER	002004 006100 107107 121999	1
320	AN960PD2116L	.	WASHER	108120	1
325	AN960PD2116L	.	WASHER-	952999	1
330	AN960JD2116L	.	WASHER	950951	1
330	AN960JD2116L	.	WASHER	108120	1
345	BACN10GH3A10	.	NUTPLATE SUPPLIER CODE: V04169 SPECIFICATION NUMBER: BACN10GH3A10	504903	1
345	BACN10GH3A10	.	NUTPLATE SUPPLIER CODE: V04169 SPECIFICATION NUMBER: BACN10GH3A10	108120	1
- 350	BACR15BB4AD	.	RIVET- ATTACHING PARTS SIZE DETERMINED ON INSTL.	504903	2
- 350	BACR15BB4AD	.	RIVET- SIZE DETERMINED ON INSTL. -----*-----	108120	2

MISSING ITEM NUMBERS NOT APPLICABLE

- ITEM NOT ILLUSTRATED

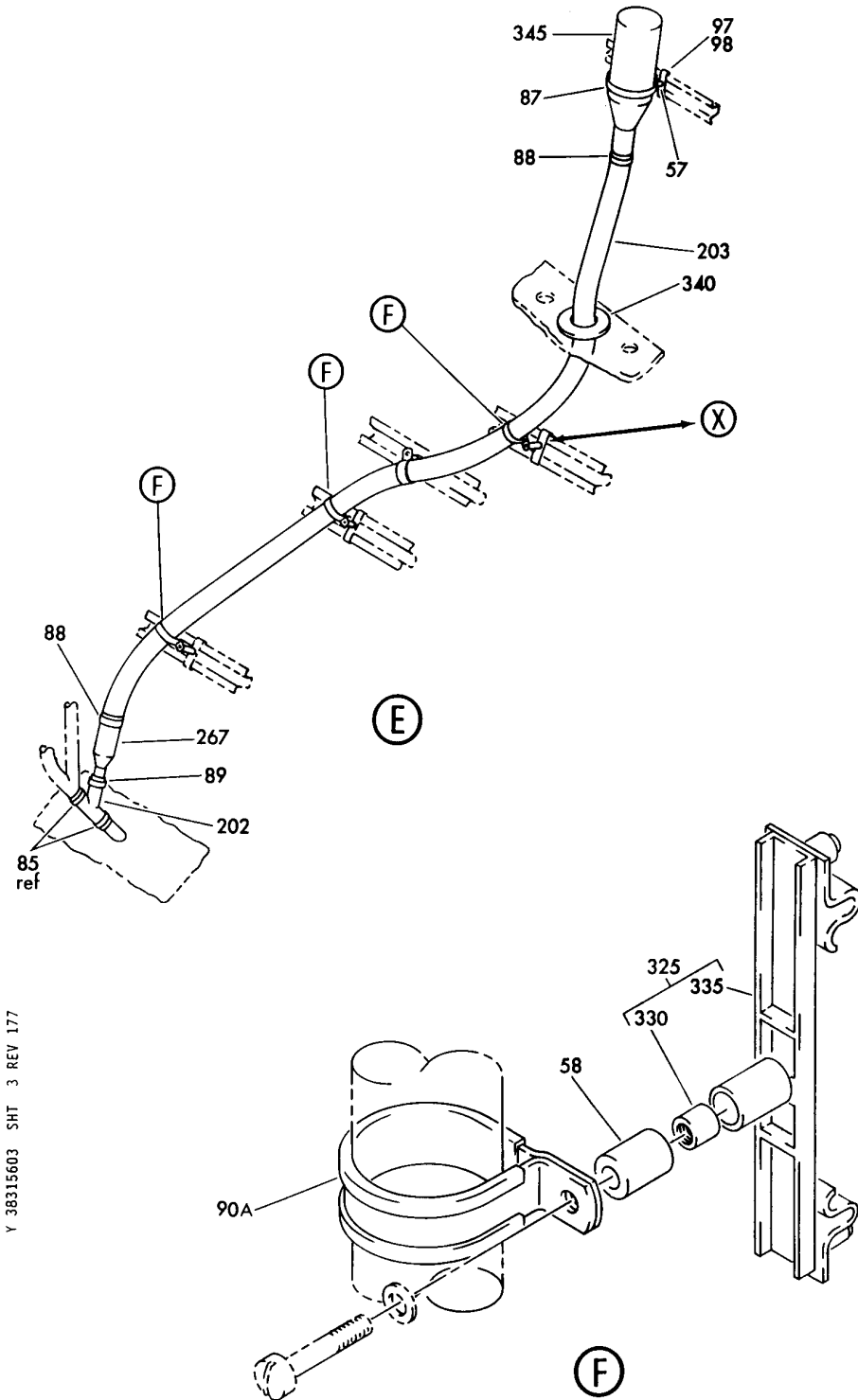
38-31-56-01

38-31-56
FIG. 01
PAGE 8
JAN 20/09

BRI

BOEING PROPRIETARY - Copyright © - Unpublished Work - See title page for details.

BOEING
757
PARTS CATALOG (MAINTENANCE)



Y 38315603 SHT 3 REV 177

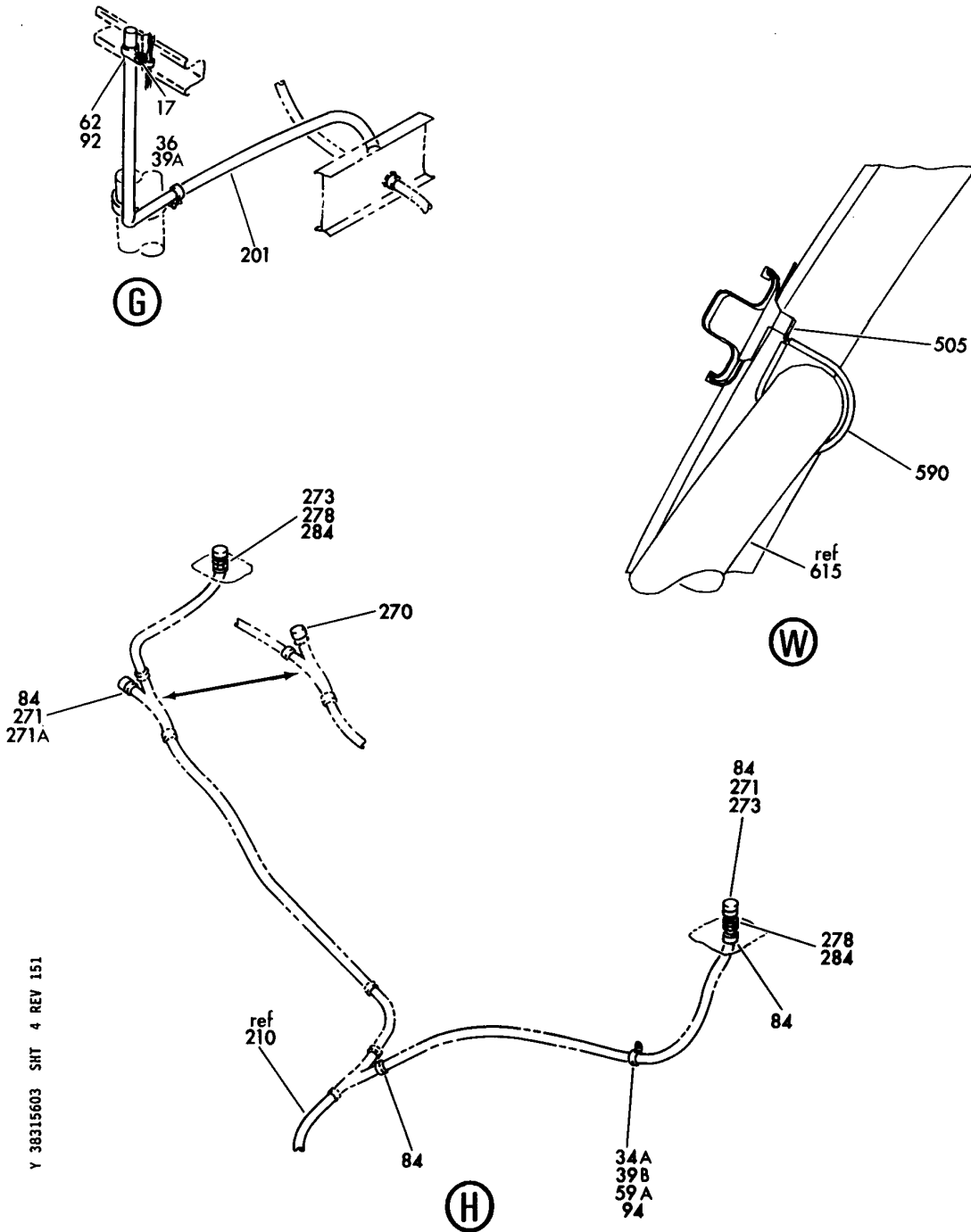
DRAIN INSTL-AFT LAVS AND GALLEYS
FIGURE 3 (SHEET 3)

38-31-56-03

BRI
JAN 20/09

38-31-56-03
PAGE 0B

BOEING
757
PARTS CATALOG (MAINTENANCE)



Y 38315603 SHT 4 REV 151

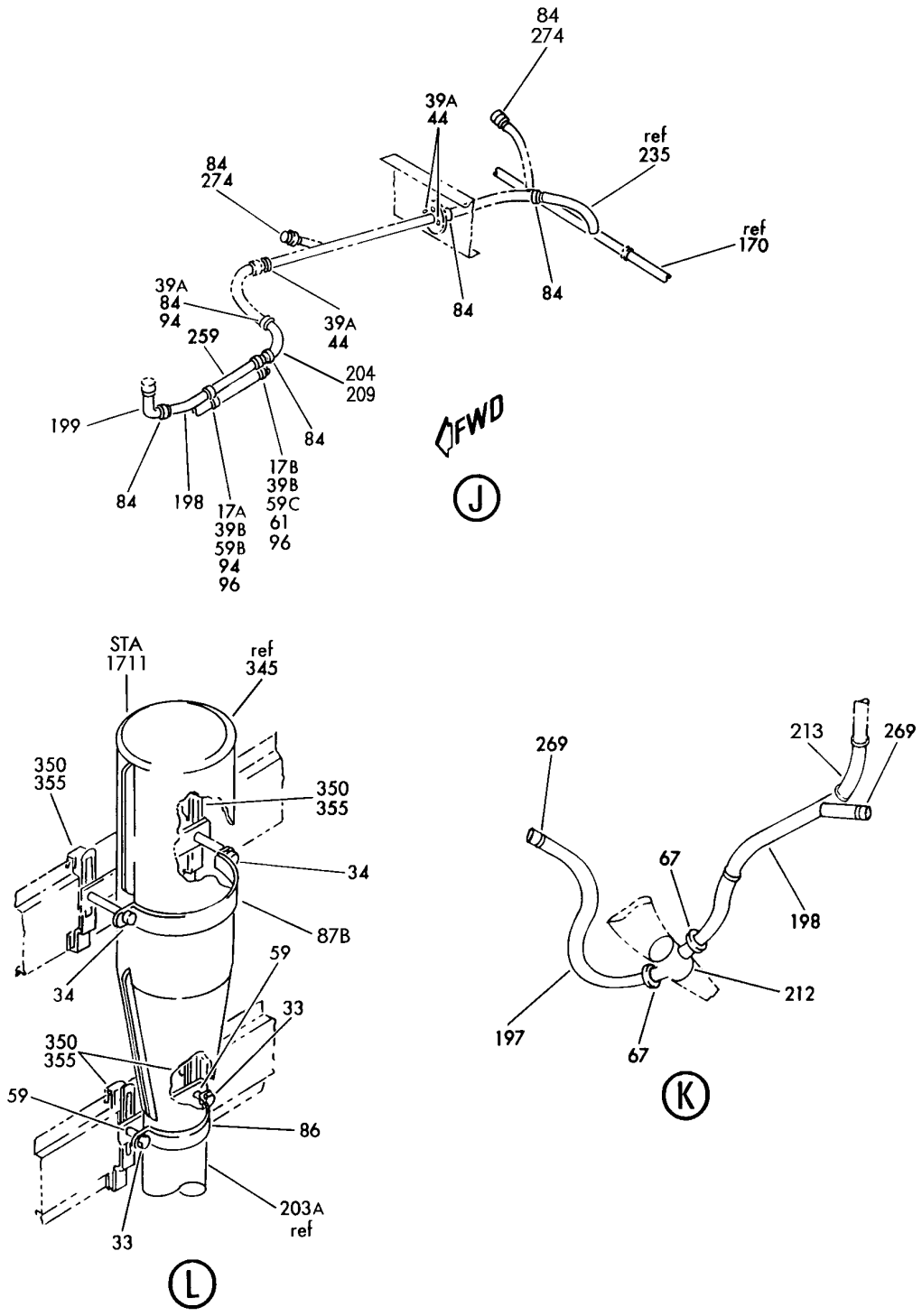
DRAIN INSTL-AFT LAVS AND GALLEYS
FIGURE 3 (SHEET 4)

38-31-56-03

BRI
JAN 20/09

38-31-56-03
PAGE 0C

BOEING
757
PARTS CATALOG (MAINTENANCE)



Y 38315603 SHT 5 REV 265

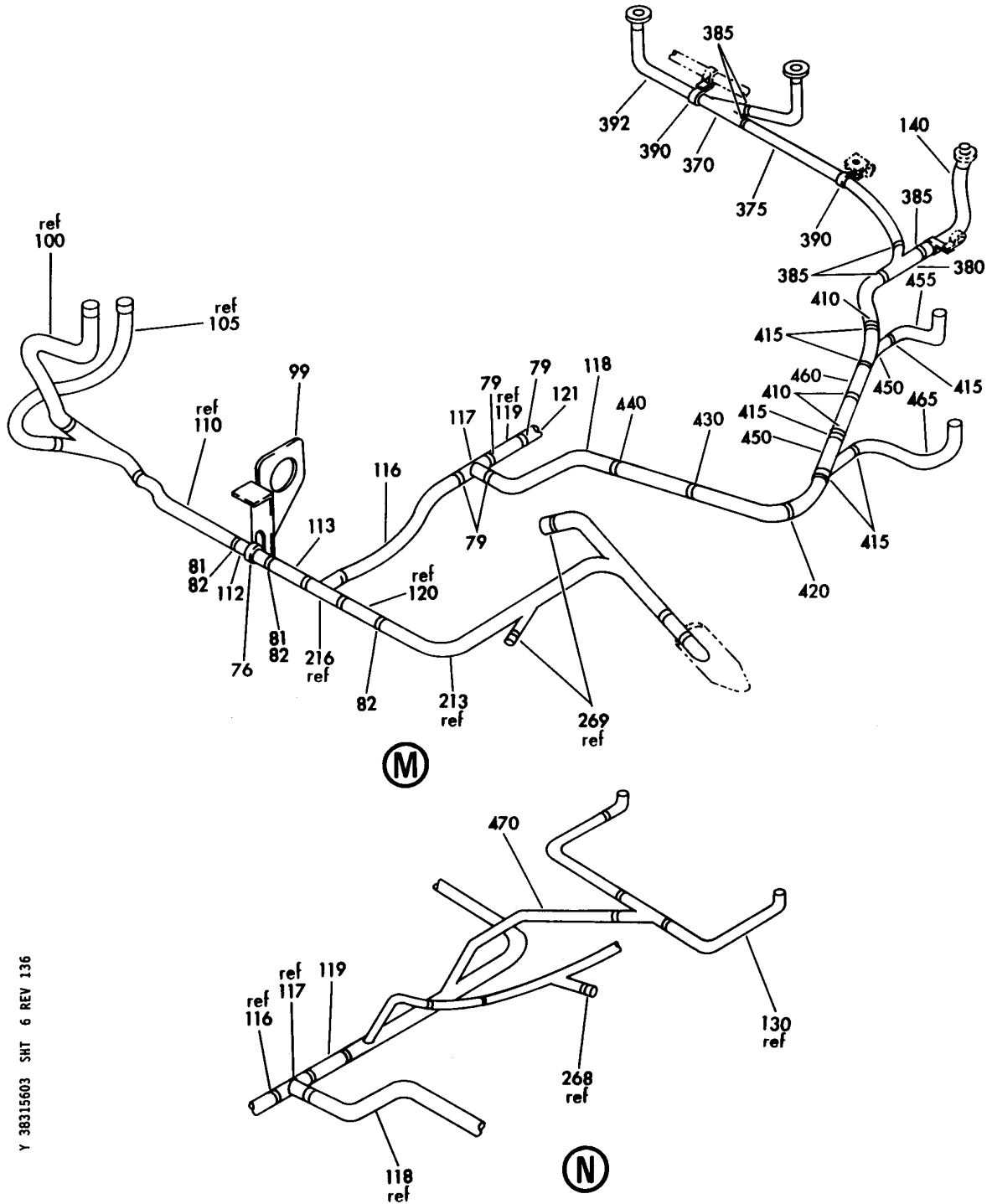
DRAIN INSTL-AFT LAVS AND GALLEYS
FIGURE 3 (SHEET 5)

38-31-56-03

BRI
JAN 20/09

38-31-56-03
PAGE 0D

BOEING
757
PARTS CATALOG (MAINTENANCE)



Y 38315603 SHT 6 REV 136

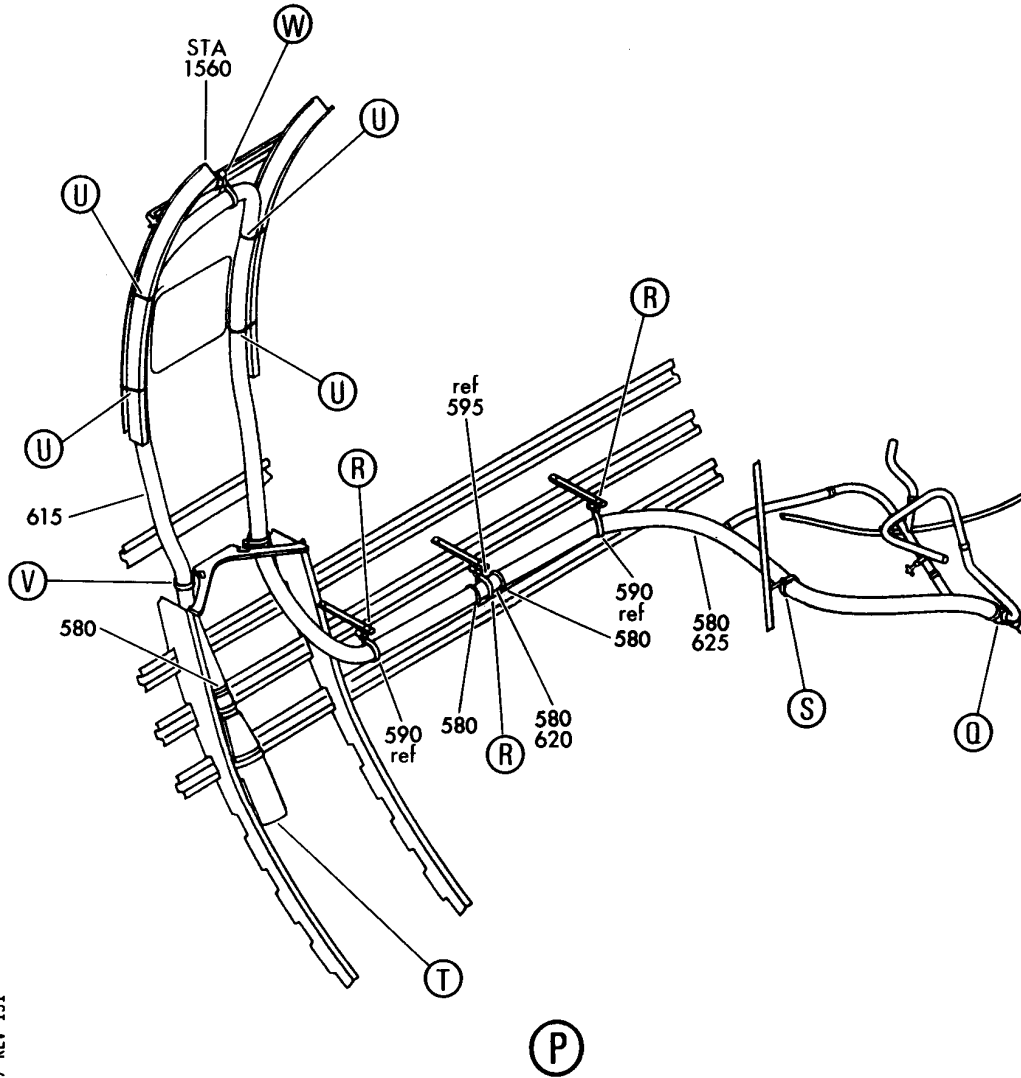
DRAIN INSTL-AFT LAVS AND GALLEYS
FIGURE 3 (SHEET 6)

38-31-56-03

BRI
JAN 20/09

38-31-56-03
PAGE 0E

BOEING
757
PARTS CATALOG (MAINTENANCE)



Y 38315603 SHT 7 REV 151

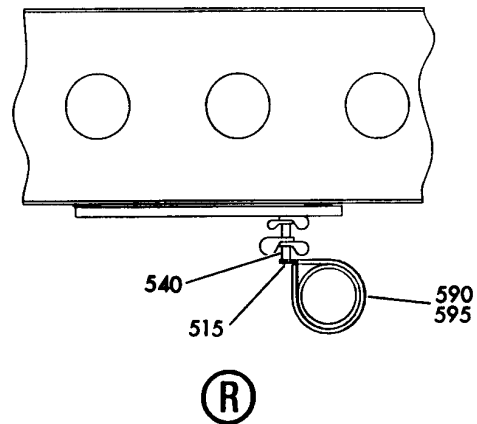
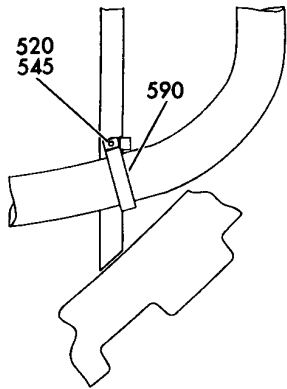
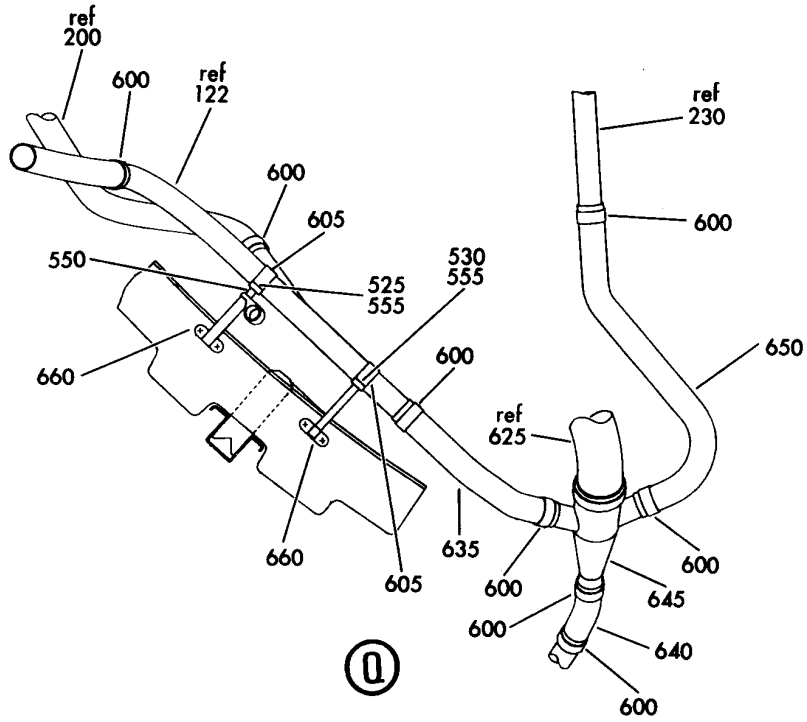
DRAIN INSTL-AFT LAVS AND GALLEYS
FIGURE 3 (SHEET 7)

38-31-56-03

BRI
JAN 20/09

38-31-56-03
PAGE OF

BOEING
757
PARTS CATALOG (MAINTENANCE)



Y 38315603 SH1 8 REV 151

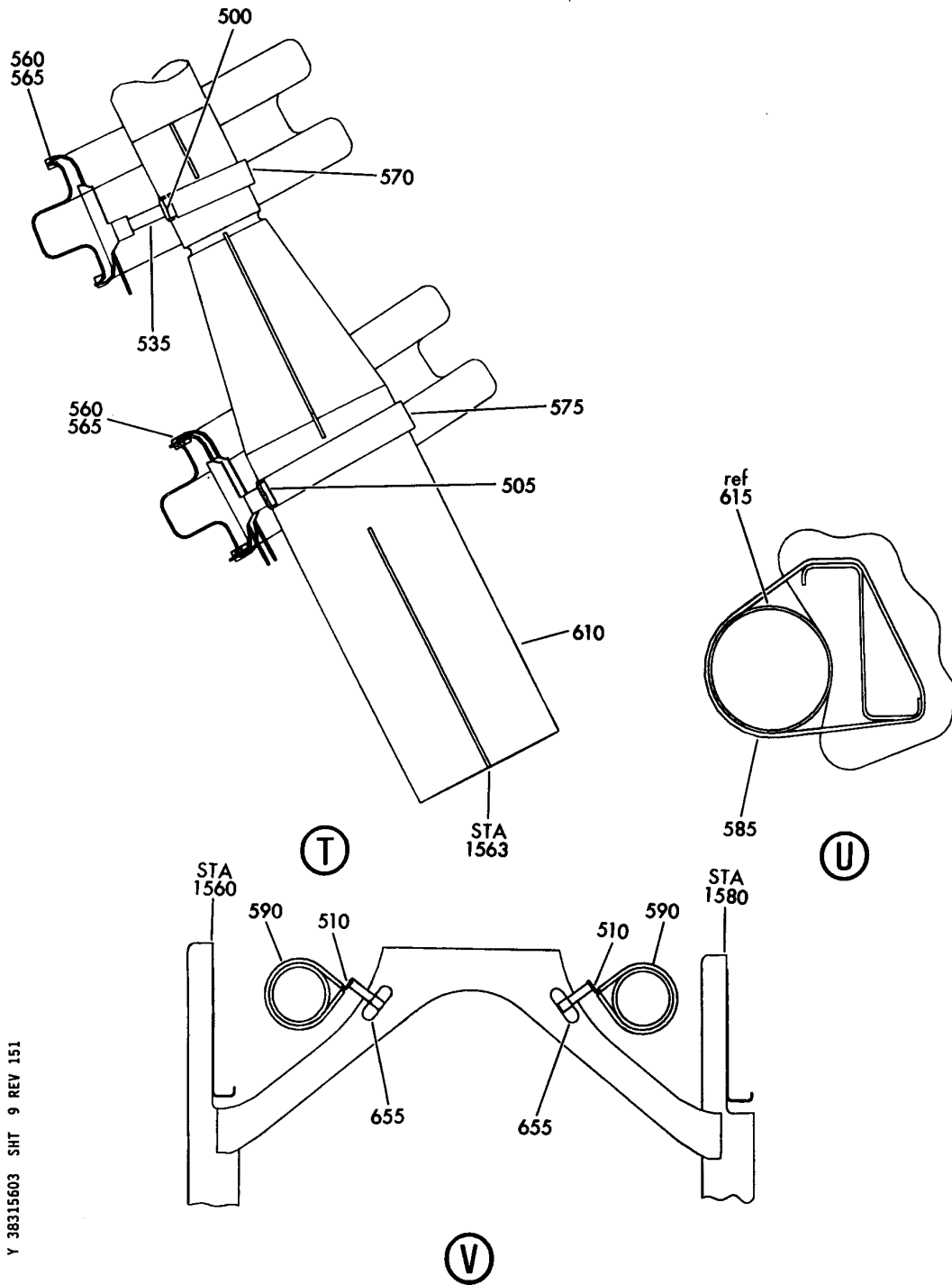
DRAIN INSTL-AFT LAVS AND GALLEYS
FIGURE 3 (SHEET 8)

38-31-56-03

BRI
JAN 20/09

38-31-56-03
PAGE 0G

BOEING
757
PARTS CATALOG (MAINTENANCE)



Y 38315603 SHT 9 REV 151

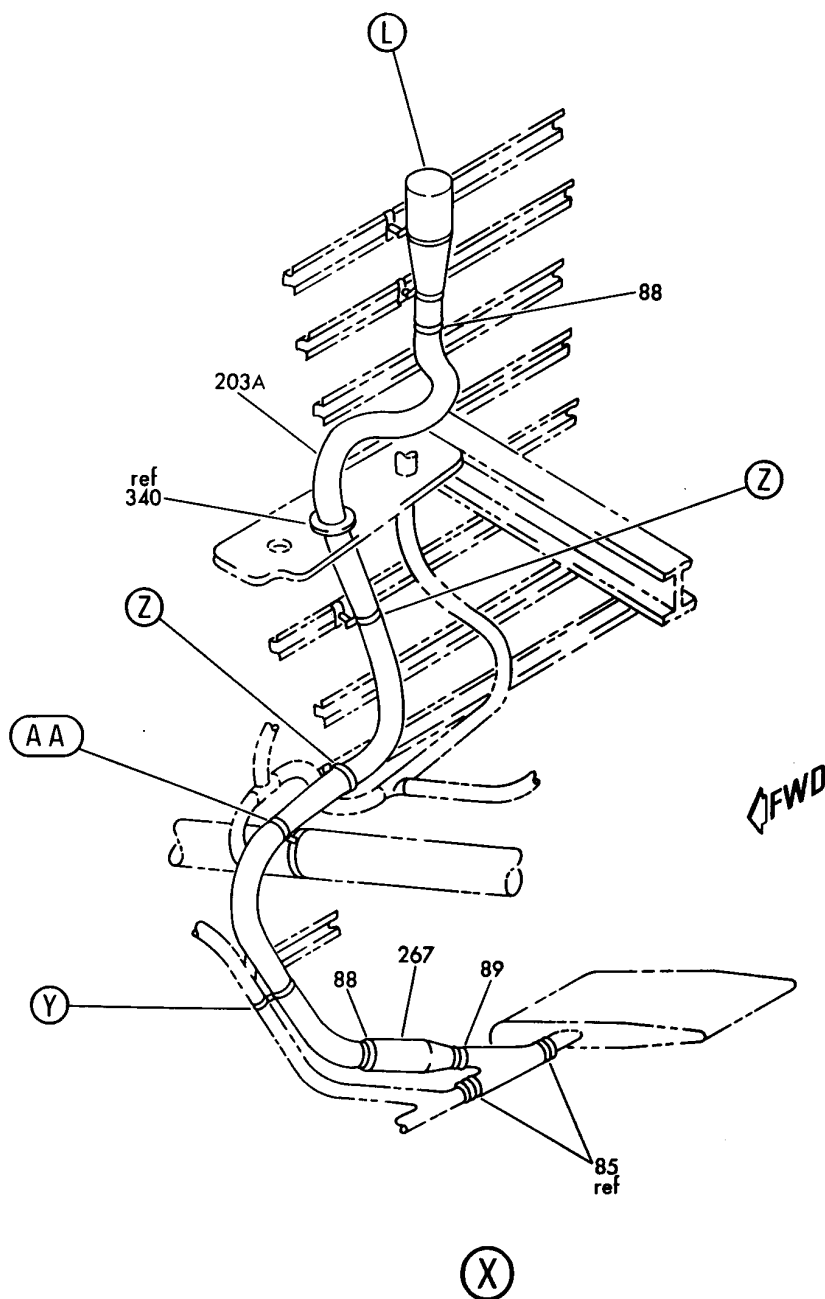
DRAIN INSTL-AFT LAVS AND GALLEYS
FIGURE 3 (SHEET 9)

38-31-56-03

BRI
JAN 20/09

38-31-56-03
PAGE 0H

BOEING
757
PARTS CATALOG (MAINTENANCE)



Y 38315603 SHT 10 REV 177

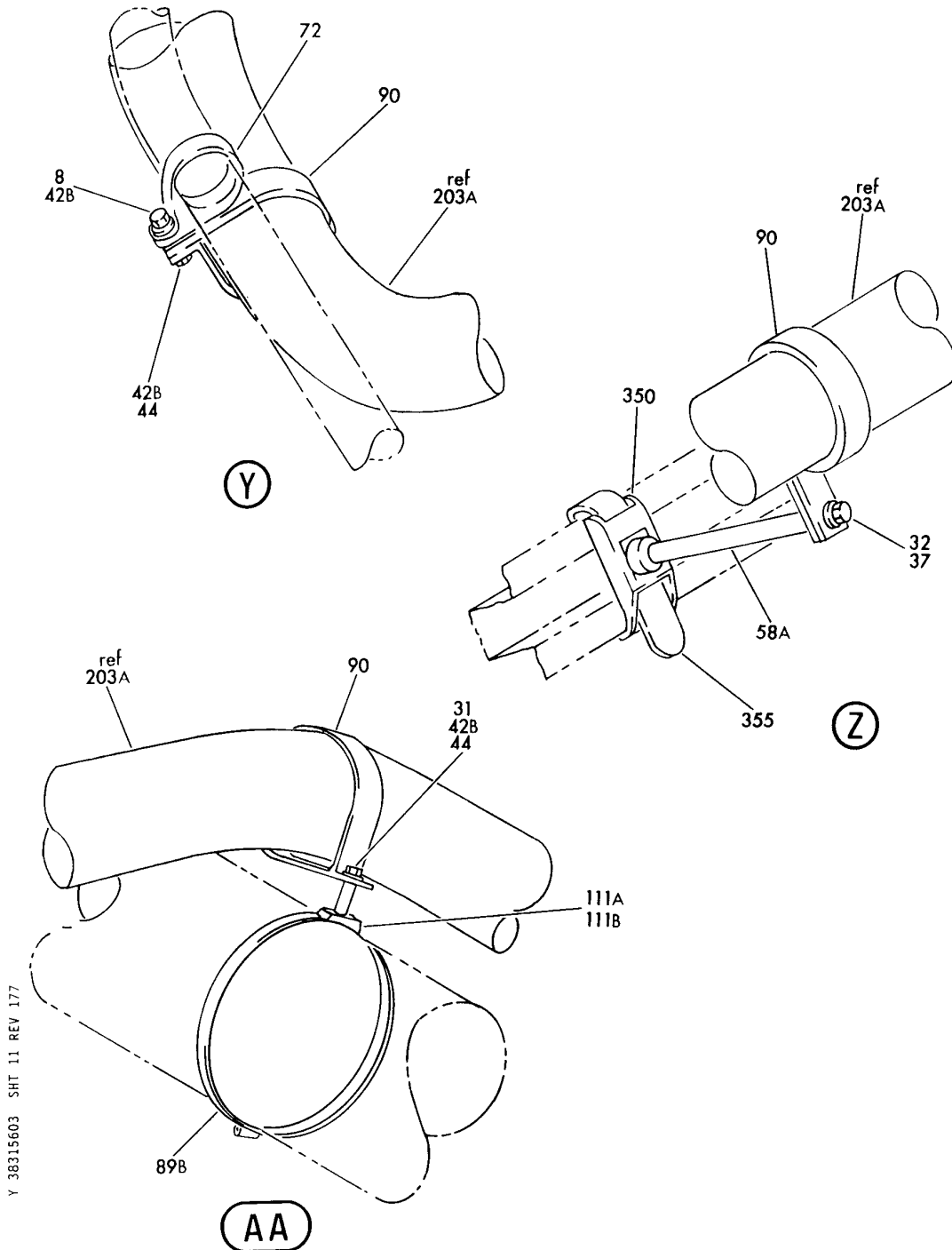
DRAIN INSTL-AFT LAVS AND GALLEYS
FIGURE 3 (SHEET 10)

38-31-56-03

BRI
JAN 20/09

38-31-56-03
PAGE 01

BOEING
757
PARTS CATALOG (MAINTENANCE)



Y 38315603 SHT 11 REV 177

DRAIN INSTL-AFT LAVS AND GALLEYS
FIGURE 3 (SHEET 11)

38-31-56-03

BRI
JAN 20/09

38-31-56-03
PAGE 0J



757

PARTS CATALOG (MAINTENANCE)

FIG ITEM	PART NUMBER	1 2 3 4 5 6 7	NOMENCLATURE	EFFECT FROM TO	UNITS PER ASSY
3			DRAIN INSTL-AFT LAVS AND GALLEYS	103106	
- 1	417N2402-31		DRAIN INSTL-LAVS AND GALLEYS	103106	RF
			POSITION DATA:		
			AFT		
15	NAS1801-3-9	.SCREW		103106	8
26	BACS12GU3K14	.SCREW		103106	1
28	BACS12GU3K9	.SCREW		103106	1
35	AN960KD10L	.WASHER		103106	9
39	AN960JD10L	.WASHER		103106	2
43	MS21042L3	.NUT		103106	4
53	NAS43DD3-22FC	.SPACER		103106	1
75	BACC10DK16	.CLAMP		103106	9
89A	12	.CLAMP		103106	44
			SUPPLIER CODE: V7Z588		
			SPECIFICATION NUMBER: STBC10GG34-38		
			OPTIONAL PART: WWD34-38H V66295		
94	BACC10DK19	.CLAMP		103106	6
114	BOE2013-0377	.HOSE-		103106	1
			SUPPLIER CODE: V16632		
			SPECIFICATION NUMBER: 69-27191-377		
			OPTIONAL PART: IT4350-377 V26831		
114	IT4350-377	.HOSE-		103106	1
			SUPPLIER CODE: V26831		
			SPECIFICATION NUMBER: 69-27191-377		
			OPTIONAL PART: BOE2013-0377 V16632		
120	BOE2013-0315	.HOSE-		103106	1
			SUPPLIER CODE: V16632		
			SPECIFICATION NUMBER: 69-27191-315		
			OPTIONAL PART: 713488-315 V70628 IT4350-315 V26831		

MISSING ITEM NUMBERS NOT APPLICABLE

- ITEM NOT ILLUSTRATED

38-31-56-03

38-31-56
FIG. 03
PAGE 1
JAN 20/09

BRI



757

PARTS CATALOG (MAINTENANCE)

FIG ITEM	PART NUMBER	1 2 3 4 5 6 7	NOMENCLATURE	EFFECT FROM TO	UNITS PER ASSY
3 120	IT4350-315		.HOSE- SUPPLIER CODE: V26831 SPECIFICATION NUMBER: 69-27191-315 OPTIONAL PART: 713488-315 V70628 BOE2013-0315 V16632	103106	1
121	417N2402-3		.TUBE- TUBING MATERIAL: STOCK 1.00 O.D. X .016 WALL OPTIONAL - 1.00 O.D. X .020 WALL CRES TUBE TYPE AISI 321/347 MIL-T-8808 TYPE ENDS II PER BAC5001	103106	1
122	BOE2013-0379		.HOSE ASSY- SUPPLIER CODE: V16632 SPECIFICATION NUMBER: 69-27191-379	103106	1
123	BOE2013-0380		.HOSE- SUPPLIER CODE: V16632 SPECIFICATION NUMBER: 69-27191-380 OPTIONAL PART: IT4350-380 V26831	103106	1
123	IT4350-380		.HOSE- SUPPLIER CODE: V26831 SPECIFICATION NUMBER: 69-27191-380 OPTIONAL PART: BOE2013-0380 V16632	103106	1
124	BOE2013-0381		.HOSE- SUPPLIER CODE: V16632 SPECIFICATION NUMBER: 69-27191-381 OPTIONAL PART: IT4350-381 V26831	103106	1

MISSING ITEM NUMBERS NOT APPLICABLE

- ITEM NOT ILLUSTRATED

38-31-56-03

38-31-56
FIG. 03
PAGE 2
JAN 20/09

BRI



757

PARTS CATALOG (MAINTENANCE)

FIG ITEM	PART NUMBER	1 2 3 4 5 6 7	NOMENCLATURE	EFFECT FROM TO	UNITS PER ASSY
3 128	BOE2013-0322		.HOSE ASSY- SUPPLIER CODE: V16632 SPECIFICATION NUMBER: 69-27191-322 OPTIONAL PART: 713488-322 V70628 IT4350-322 V26831	103106	1
128	IT4350-322		.HOSE ASSY- SUPPLIER CODE: V26831 SPECIFICATION NUMBER: 69-27191-322 OPTIONAL PART: 713488-322 V70628 BOE2013-0322 V16632	103106	1
128	713488-322		.HOSE ASSY- SUPPLIER CODE: V70628 SPECIFICATION NUMBER: 69-27191-322 OPTIONAL PART: IT4350-322 V26831 BOE2013-0322 V16632	103106	1
160	BOE2013-0328		.HOSE- SUPPLIER CODE: V16632 SPECIFICATION NUMBER: 69-27191-328 OPTIONAL PART: 713488-328 V70628 IT4350-328 V26831	103106	1

MISSING ITEM NUMBERS NOT APPLICABLE

- ITEM NOT ILLUSTRATED

38-31-56-03

38-31-56
FIG. 03
PAGE 3
JAN 20/09

BRI



757

PARTS CATALOG (MAINTENANCE)

FIG ITEM	PART NUMBER	1 2 3 4 5 6 7	NOMENCLATURE	EFFECT FROM TO	UNITS PER ASSY
3 160	IT4350-328		.HOSE- SUPPLIER CODE: V26831 SPECIFICATION NUMBER: 69-27191-328 OPTIONAL PART: 713488-328 V70628 BOE2013-0328 V16632	103106	1
160	713488-328		.HOSE- SUPPLIER CODE: V70628 SPECIFICATION NUMBER: 69-27191-328 OPTIONAL PART: BOE2013-0328 V16632 IT4350-328 V26831	103106	1
170	BOE2013-0329		.HOSE- SUPPLIER CODE: V16632 SPECIFICATION NUMBER: 69-27191-329 OPTIONAL PART: 713488-329 V70628 IT4350-329 V26831	103106	1
170	IT4350-329		.HOSE- SUPPLIER CODE: V26831 SPECIFICATION NUMBER: 69-27191-329 OPTIONAL PART: 713488-329 V70628 BOE2013-0329 V16632	103106	1
190	IT4350-375		.HOSE- SUPPLIER CODE: V26831 SPECIFICATION NUMBER: 69-27191-375 OPTIONAL PART: BOE2013-0375 V16632	103106	1

MISSING ITEM NUMBERS NOT APPLICABLE

- ITEM NOT ILLUSTRATED

38-31-56-03

38-31-56
FIG. 03
PAGE 4
JAN 20/09

BRI



757

PARTS CATALOG (MAINTENANCE)

FIG ITEM	PART NUMBER	1 2 3 4 5 6 7	NOMENCLATURE	EFFECT FROM TO	UNITS PER ASSY
3 190	BOE2013-0375	.HOSE-	SUPPLIER CODE: V16632 SPECIFICATION NUMBER: 69-27191-375 OPTIONAL PART: IT4350-375 V26831	103106	1
195	IT4350-376	.HOSE ASSY-	SUPPLIER CODE: V26831 SPECIFICATION NUMBER: 69-27191-376 OPTIONAL PART: BOE2013-0376 V16632	103106	1
195	BOE2013-0376	.HOSE ASSY-	SUPPLIER CODE: V16632 SPECIFICATION NUMBER: 69-27191-376 OPTIONAL PART: IT4350-376 V26831	103106	1
197	BOE2013-0316	.HOSE ASSY-	SUPPLIER CODE: V16632 SPECIFICATION NUMBER: 69-27191-316 OPTIONAL PART: 713488-316 V70628 IT4350-316 V26831	103106	1
197	IT4350-316	.HOSE-	SUPPLIER CODE: V26831 SPECIFICATION NUMBER: 69-27191-316 OPTIONAL PART: 713488-316 V70628 BOE2013-0316 V16632	103106	1

MISSING ITEM NUMBERS NOT APPLICABLE

- ITEM NOT ILLUSTRATED

38-31-56-03

38-31-56
FIG. 03
PAGE 5
JAN 20/09

BRI



757

PARTS CATALOG (MAINTENANCE)

FIG ITEM	PART NUMBER	1 2 3 4 5 6 7	NOMENCLATURE	EFFECT FROM TO	UNITS PER ASSY
3 197	713488-316		.HOSE- SUPPLIER CODE: V70628 SPECIFICATION NUMBER: 69-27191-316 OPTIONAL PART: IT4350-316 V26831 BOE2013-0316 V16632	103106	1
200	BOE2013-0378		.HOSE- SUPPLIER CODE: V16632 SPECIFICATION NUMBER: 69-27191-378	103106	1
205	417N2310-162		.TUBE ASSY-	103106	1
-207A	417N2310-163		..TUBE- TUBING MATERIAL: STOCK .028 WALL X 1.00 O.D X 8.3 CRES TUBE TYPE AISI 321/347 MIL-T-8808/ MIL-T-8808-858	103106	1
- 208	417N2310-75		..TUBE- TUBING MATERIAL: STOCK .028 WALL X 1.00 O.D X 3.8 CRES TUBE TYPE AISI 321/347 MIL-T-8808/ MIL-T-8808-858	103106	1
-208A	417N2310-76		..FLANGE	103106	1
210	417N2310-117		.TUBE ASSY-	103106	1
- 211	417N2310-105		..TUBE- TUBING MATERIAL: STOCK .028 WALL X 1.00 O.D. X 5.1 CRES TUBE TYPE AISI 321/347 MIL-T-8808/ MIL-T-8808-858	103106	1
-211A	417N2310-114		..TUBE- TUBING MATERIAL: STOCK .028 WALL X 1.00 O.D. X 11.2 CRES TUBE TYPE AISI 321/347 MIL-T-8808/ MIL-T-8808-858	103106	1

MISSING ITEM NUMBERS NOT APPLICABLE

- ITEM NOT ILLUSTRATED

38-31-56-03

38-31-56
FIG. 03
PAGE 6
JAN 20/09

BRI

BOEING PROPRIETARY - Copyright © - Unpublished Work - See title page for details.



757

PARTS CATALOG (MAINTENANCE)

FIG ITEM	PART NUMBER	1 2 3 4 5 6 7	NOMENCLATURE	EFFECT FROM TO	UNITS PER ASSY
3 -211B	417N2310-115	..	TUBE- TUBING MATERIAL: STOCK .028 WALL X 1.00 O.D. X 17.2 CRES TUBE TYPE AISI 321/347 MIL-T-8808/ MIL-T-8808-858	103106	1
-211C	417N2310-116	..	TUBE- TUBING MATERIAL: STOCK .028 WALL X 1.00 O.D. X 18.0 CRES TUBE TYPE AISI 321/347 MIL-T-8808/ MIL-T-8808-858	103106	1
212 -212A	417N2310-159 417N2310-160	. ..	TUBE ASSY TUBE- TUBING MATERIAL: STOCK .035 WALL X 1.0 O.D X 3.0 CRES TUBE TYPE AISII 321/347 MIL-T-8808/ MIL-T-8808-858	103106 103106	1 2
-212B	417N2310-161	..	ADAPTOR- TUBING MATERIAL: STOCK .035 WALL X 2.0 O.D X 7.1 CRES TUBE TYPE AISII 321/347 MIL-T-8808/ MIL-T-8808-858	103106	1
213 - 214	417N2310-169 417N2310-105	. ..	TUBE ASSY TUBE- TUBING MATERIAL: STOCK .028 WALL X 1.00 O.D. X 5.1 CRES TUBE TYPE AISI 321/347 MIL-T-8808/ MIL-T-8808-858	103106 103106	1 1
-214A	417N2310-168	..	TUBE- TUBING MATERIAL: STOCK .028 WALL X 1.00 O.D. X 20.5 CRES TUBE TYPE AISI 321/347 MIL-T-8808/ MIL-T-8808-858	103106	1
230	417N2402-4	. TUBING MATERIAL:	TUBE- TUBING MATERIAL: STOCK 1.00 O.D. X .016 WALL OPTIONAL - 1.00 O.D. X .020 WALL CRES TUBE TYPE AISI 321/347 MIL-T-8808	103106	1

MISSING ITEM NUMBERS NOT APPLICABLE

- ITEM NOT ILLUSTRATED

38-31-56-03

38-31-56
FIG. 03
PAGE 7
JAN 20/09

BRI



757

PARTS CATALOG (MAINTENANCE)

FIG ITEM	PART NUMBER	1 2 3 4 5 6 7	NOMENCLATURE	EFFECT FROM TO	UNITS PER ASSY
3					
255	417N2310-83	.	TUBE ASSY	103106	1
- 256	417N2310-84	..	TUBE- TUBING MATERIAL: STOCK .028 WALL X 1.00 O.D. X 7.0 CRES TUBE TYPE AISI 321/347 MIL-T-8808/ MIL-T-8808-858	103106	1
- 257	417N2310-85	..	TUBE- TUBING MATERIAL: STOCK .028 WALL X 1.00 O.D. X 3.5 CRES TUBE TYPE AISI 321/347 MIL-T-8808/ MIL-T-8808-858	103106	1
- 258	417N2310-86	..	FLANGE-MTG	103106	1
263	66-16504-1	.	CONNECTOR-ELBOW	103106	1
272	69B50212-1	.	CAP	103106	1
273	69B50212-1	.	CAP	103106	2
277	AN960KD2116L	.	WASHER	103106	1
278	AN960KD2116L	.	WASHER	103106	2
283	AN924-16D	.	NUT	103106	1
284	AN924-16D	.	NUT	103106	2
287	66-17278-1	.	CONNECTOR	103106	2
389	BACC10JB032A046	.	CLAMP- OPTIONAL PART: STBC10GG34-38 SNP32 V53421	103106	26
389	12	.	CLAMP- SUPPLIER CODE: V7Z588 SPECIFICATION NUMBER: STBC10GG34-38 OPTIONAL PART: WWD34-38H V66295 BACC10JB032A046 SNP32 V53421	103106	26
389	SNP32	.	CLAMP- SUPPLIER CODE: V53421 OPTIONAL PART: BACC10JB032A046 STBC10GG34-38	103106	26

MISSING ITEM NUMBERS NOT APPLICABLE

- ITEM NOT ILLUSTRATED

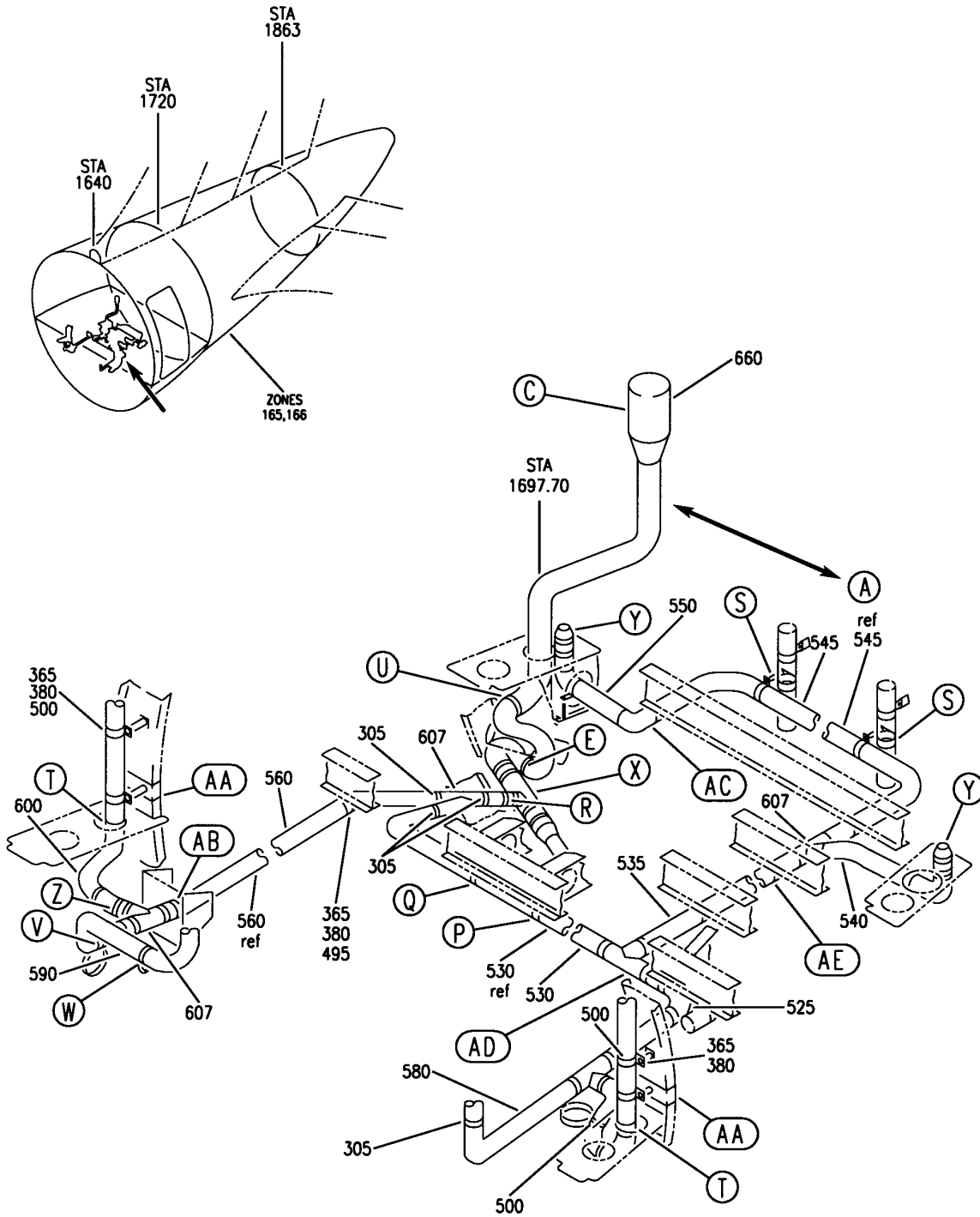
38-31-56-03

38-31-56
FIG. 03
PAGE 8
JAN 20/09

BRI

BOEING PROPRIETARY - Copyright © - Unpublished Work - See title page for details.

BOEING
757
PARTS CATALOG (MAINTENANCE)



Y 38315604 SHT 1 REV 209

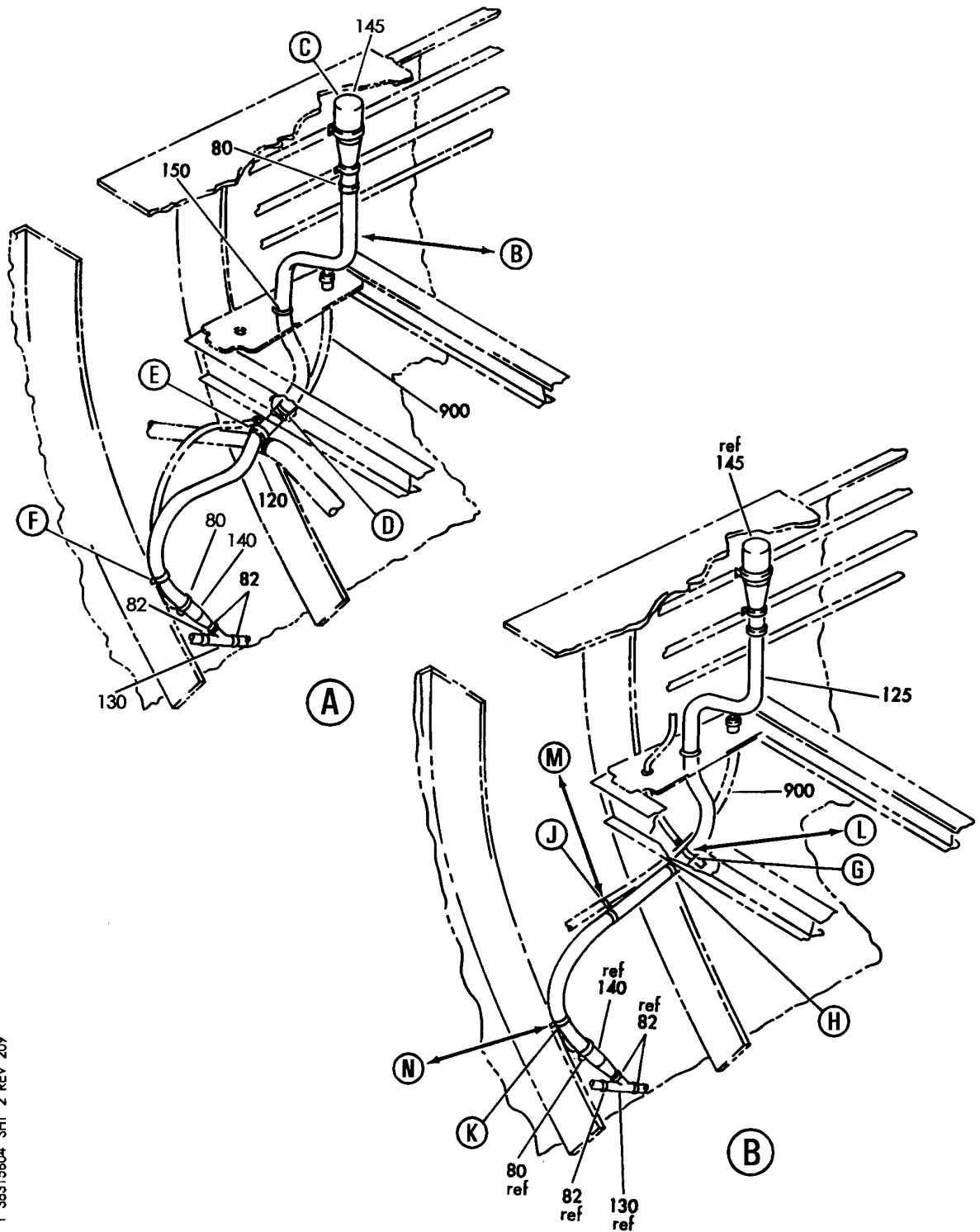
DRAIN AND MUFFLER INSTL-AFT LAVS AND GALLEYS
FIGURE 4 (SHEET 1)

38-31-56-04

BRI
MAY 28/07

38-31-56-04
PAGE 0

BOEING
757
PARTS CATALOG (MAINTENANCE)



Y 38315604 SHT 2 REV 209

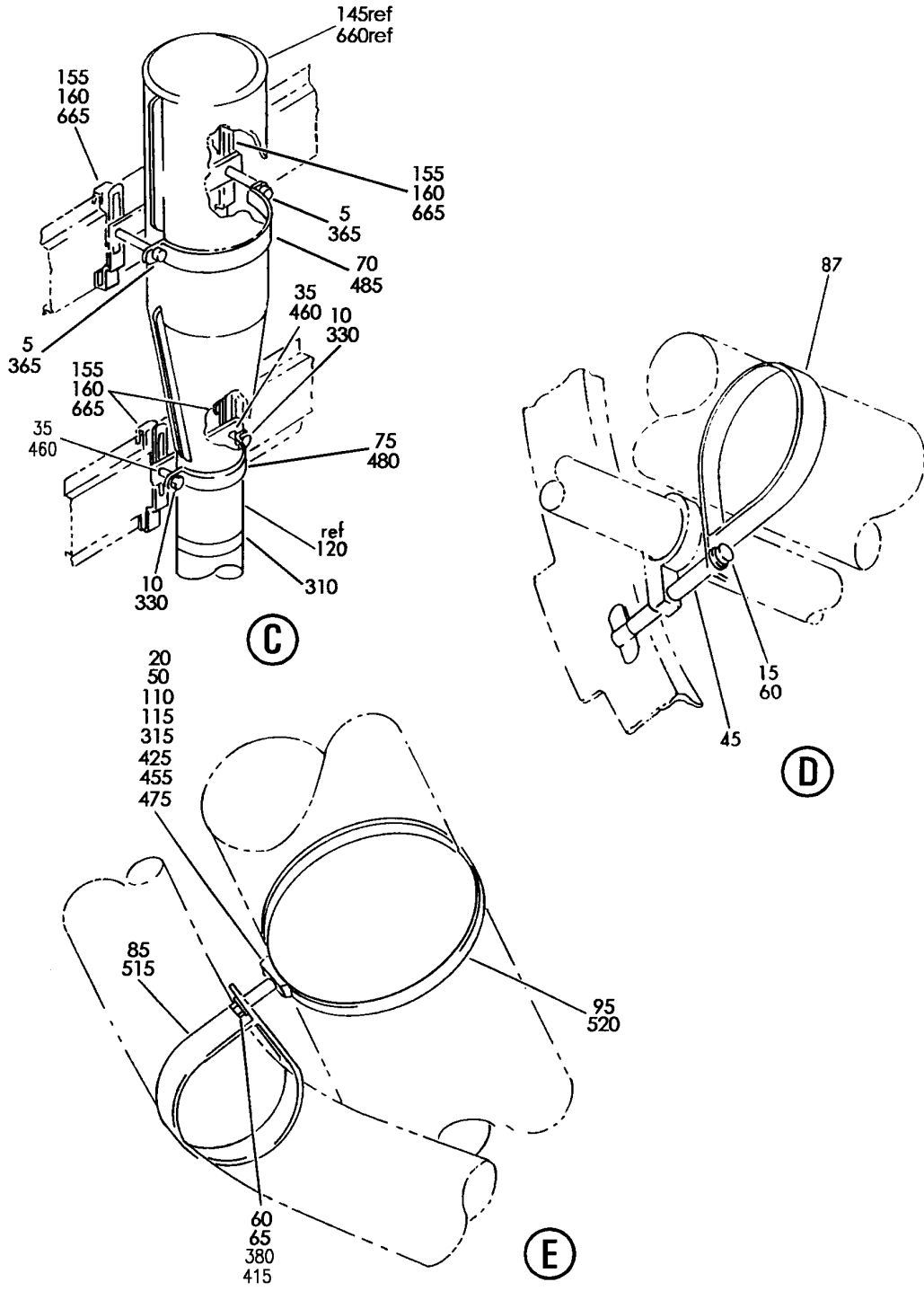
DRAIN AND MUFFLER INSTL-AFT LAVS AND GALLEYS
FIGURE 4 (SHEET 2)

38-31-56-04

BRI
MAY 28/07

38-31-56-04
PAGE 0A

BOEING
757
PARTS CATALOG (MAINTENANCE)

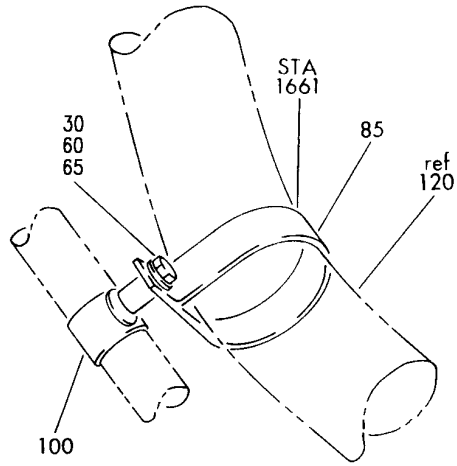


Y 38315604 SHT 3 REV 332

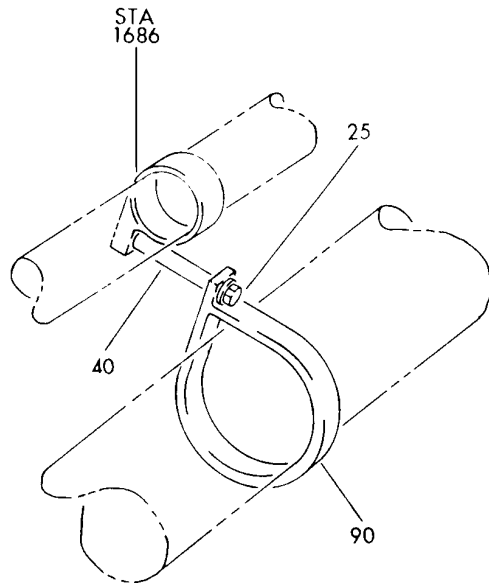
DRAIN AND MUFFLER INSTL-AFT LAVS AND GALLEYS
FIGURE 4 (SHEET 3)

38-31-56-04

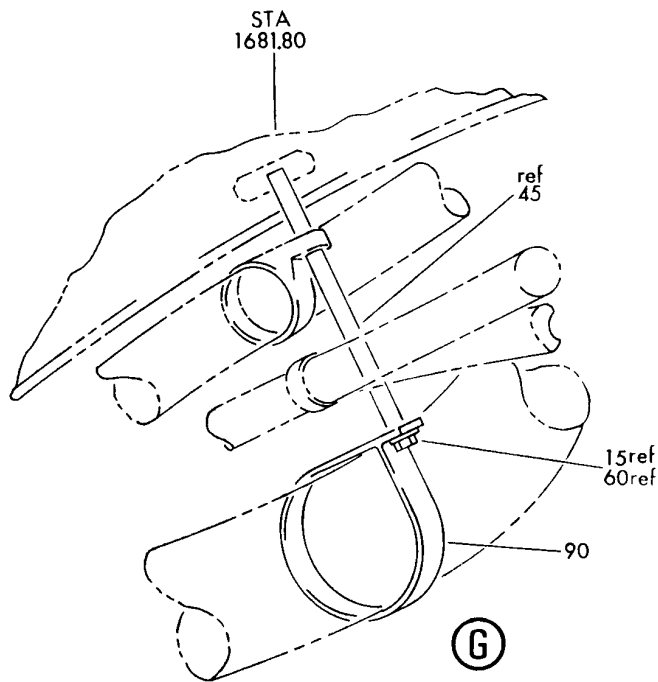
BOEING
757
PARTS CATALOG (MAINTENANCE)



(E)



(F)



(G)

Y 38315604 SH1 4 REV 332

DRAIN AND MUFFLER INSTL-AFT LAVS AND GALLEYS
FIGURE 4 (SHEET 4)

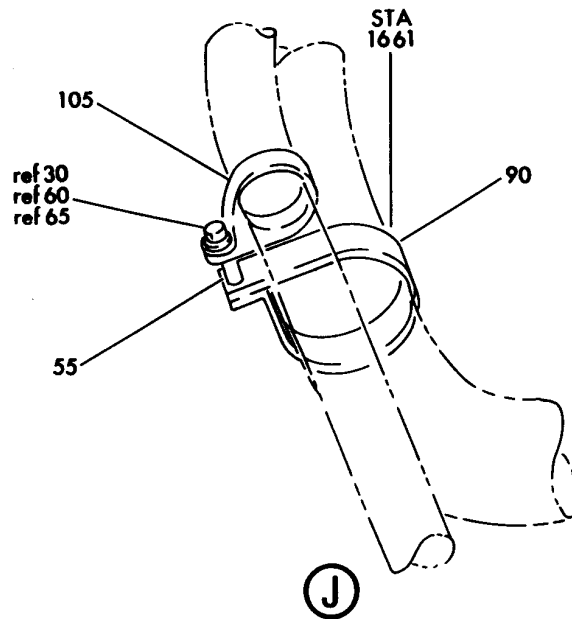
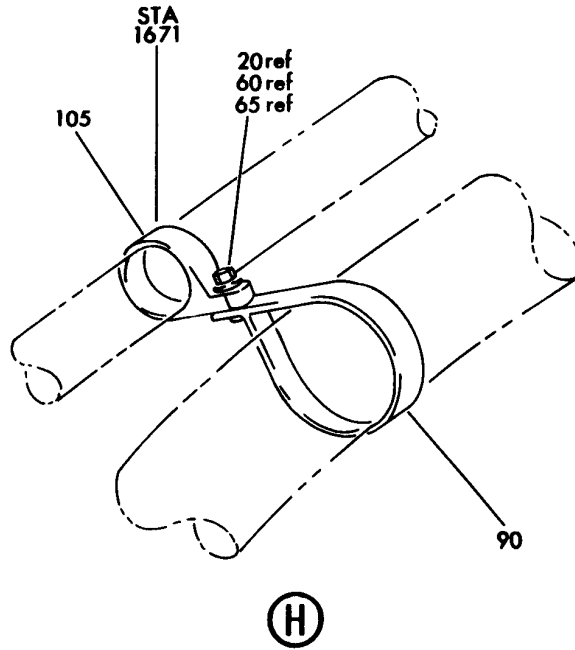
38-31-56-04

BRI
MAY 20/09

38-31-56-04
PAGE 0C

BOEING PROPRIETARY - Copyright © - Unpublished Work - See title page for details.

BOEING
757
PARTS CATALOG (MAINTENANCE)



Y 38315604 SHT 5 REV 122

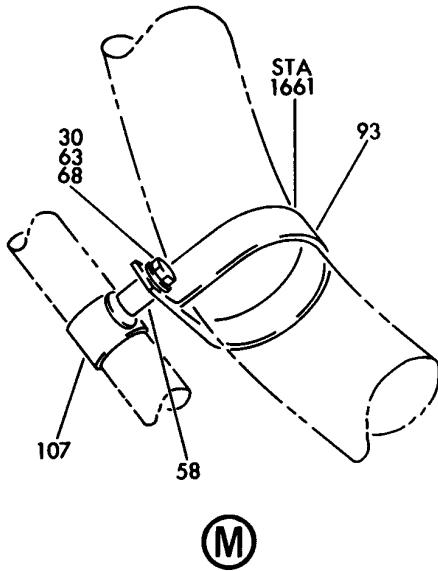
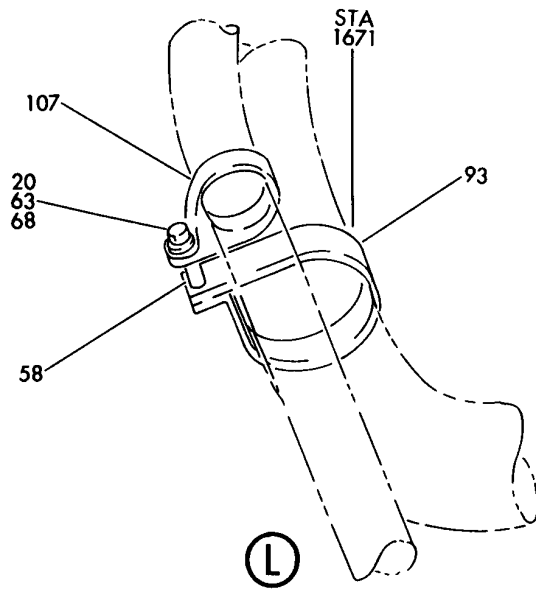
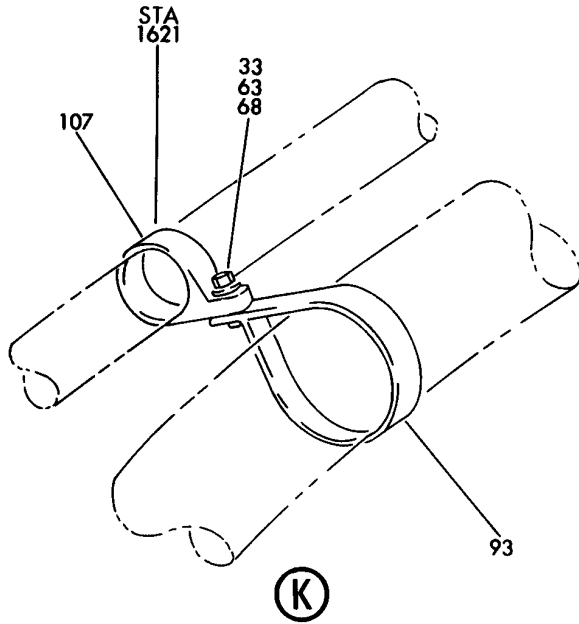
DRAIN AND MUFFLER INSTL-AFT LAVS AND GALLEYS
FIGURE 4 (SHEET 5)

38-31-56-04

BRI
MAY 28/07

38-31-56-04
PAGE 0D

BOEING
757
PARTS CATALOG (MAINTENANCE)



Y 38315604 SHT 6 REV 153

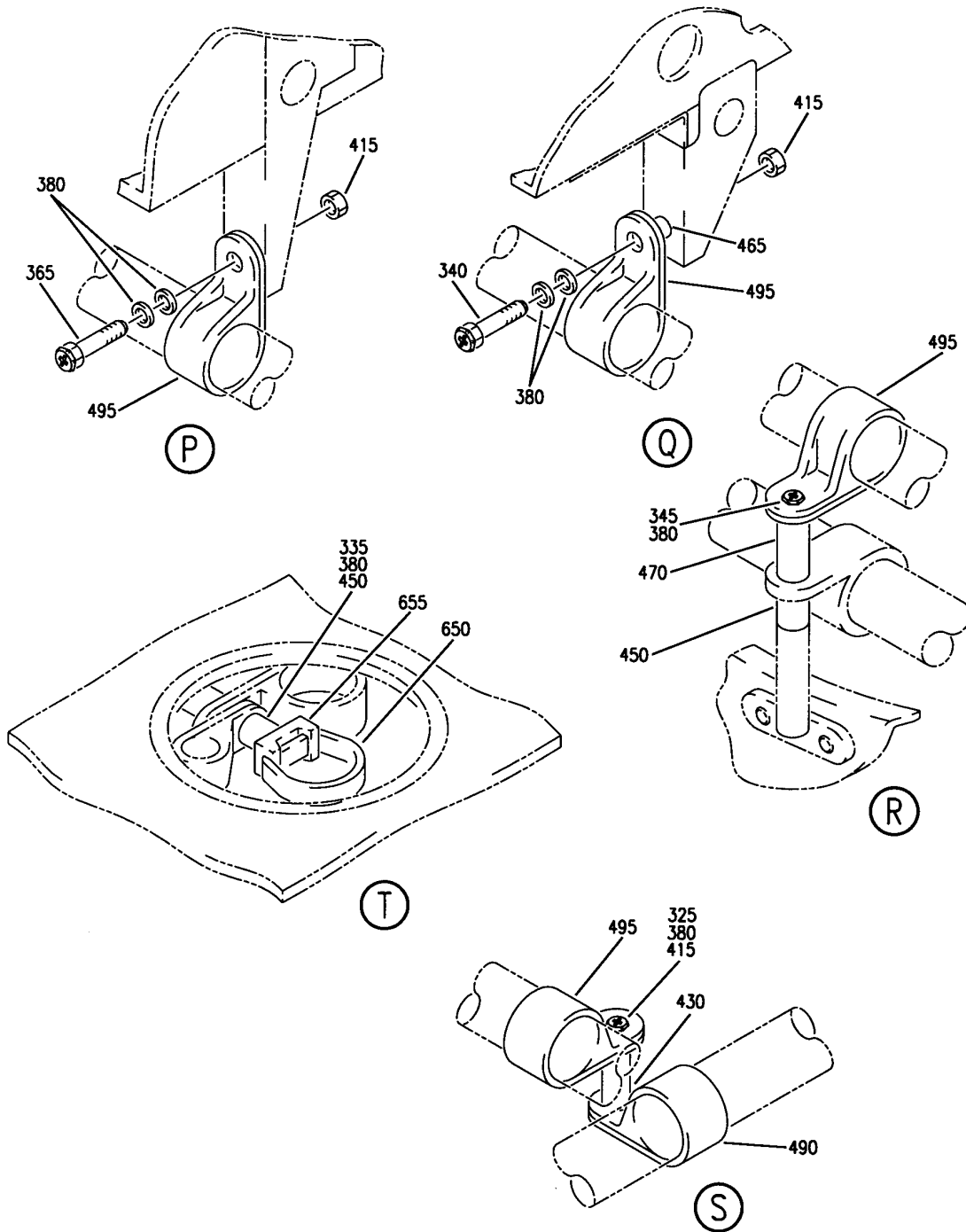
DRAIN AND MUFFLER INSTL-AFT LAVS AND GALLEYS
FIGURE 4 (SHEET 6)

38-31-56-04

BRI
MAY 28/07

38-31-56-04
PAGE 0E

BOEING
757
PARTS CATALOG (MAINTENANCE)



Y 38315604 SHT 7 REV 209

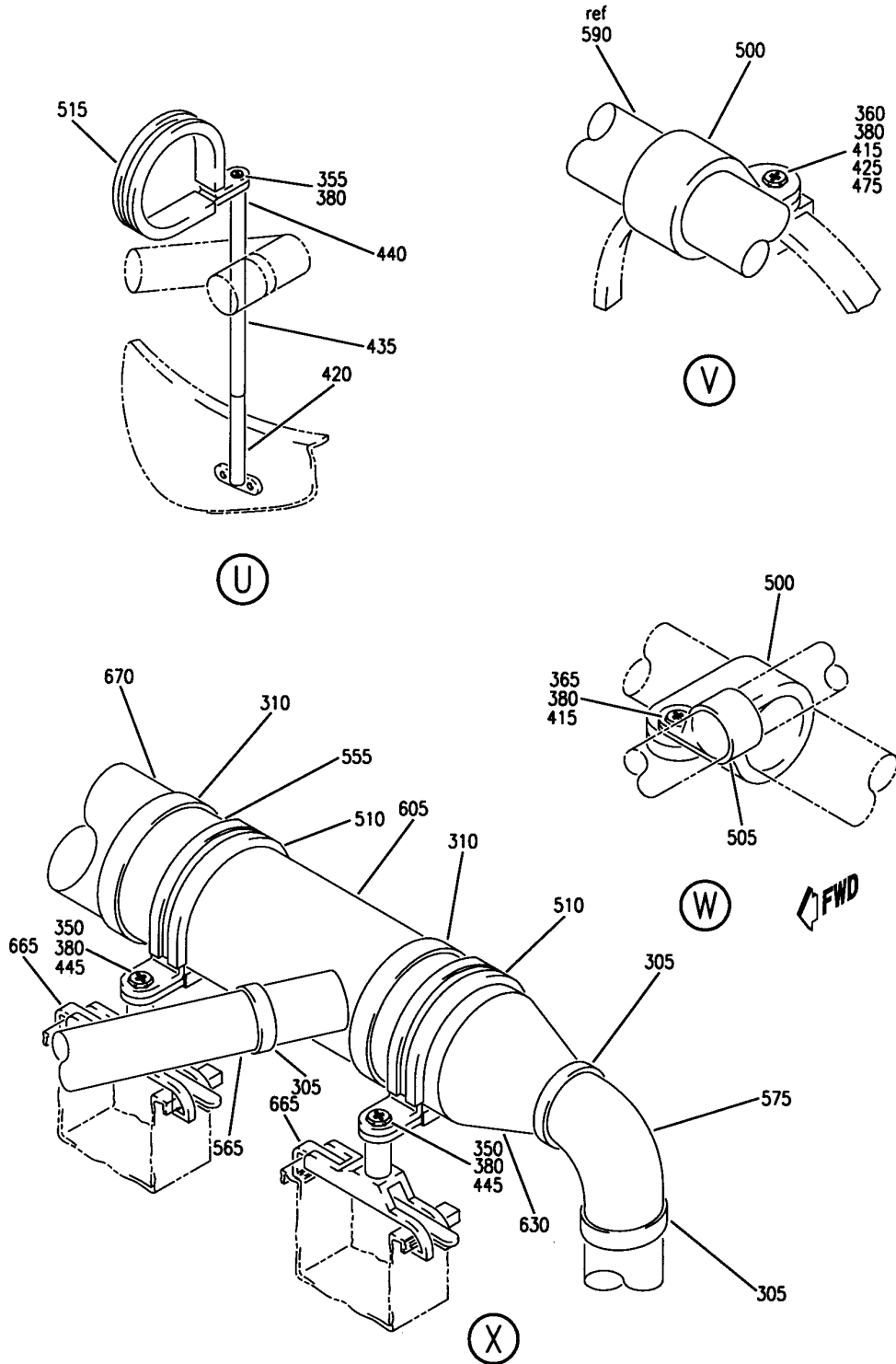
DRAIN AND MUFFLER INSTL-AFT LAVS AND GALLEYS
FIGURE 4 (SHEET 7)

38-31-56-04

BRI
MAY 28/07

38-31-56-04
PAGE OF

BOEING
757
PARTS CATALOG (MAINTENANCE)



Y 38315604 SHT 8 REV 209

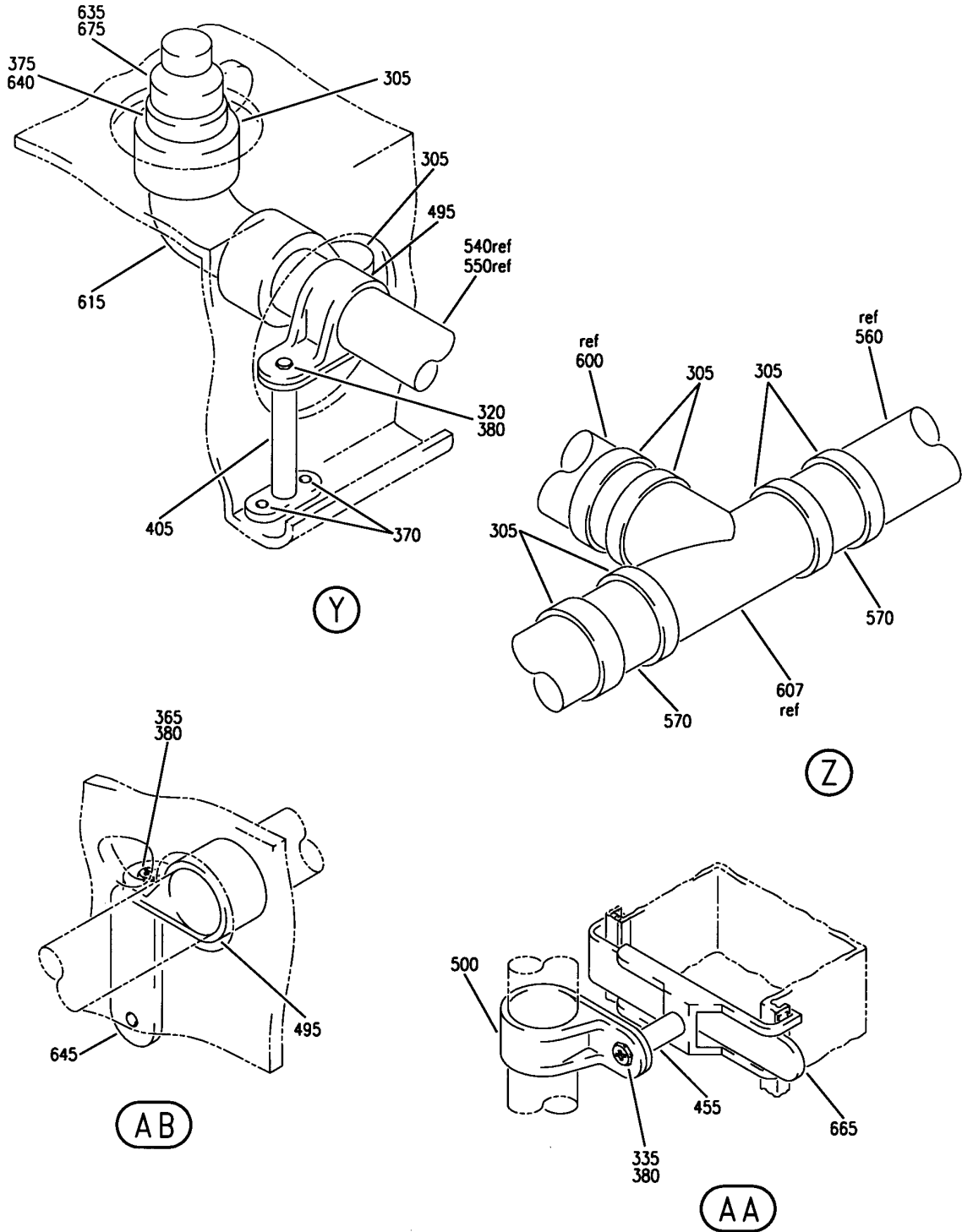
DRAIN AND MUFFLER INSTL-AFT LAVS AND GALLEYS
FIGURE 4 (SHEET 8)

38-31-56-04

BRI
MAY 28/07

38-31-56-04
PAGE 0G

BOEING
757
PARTS CATALOG (MAINTENANCE)



Y 38315604 SHT 9 REV 209

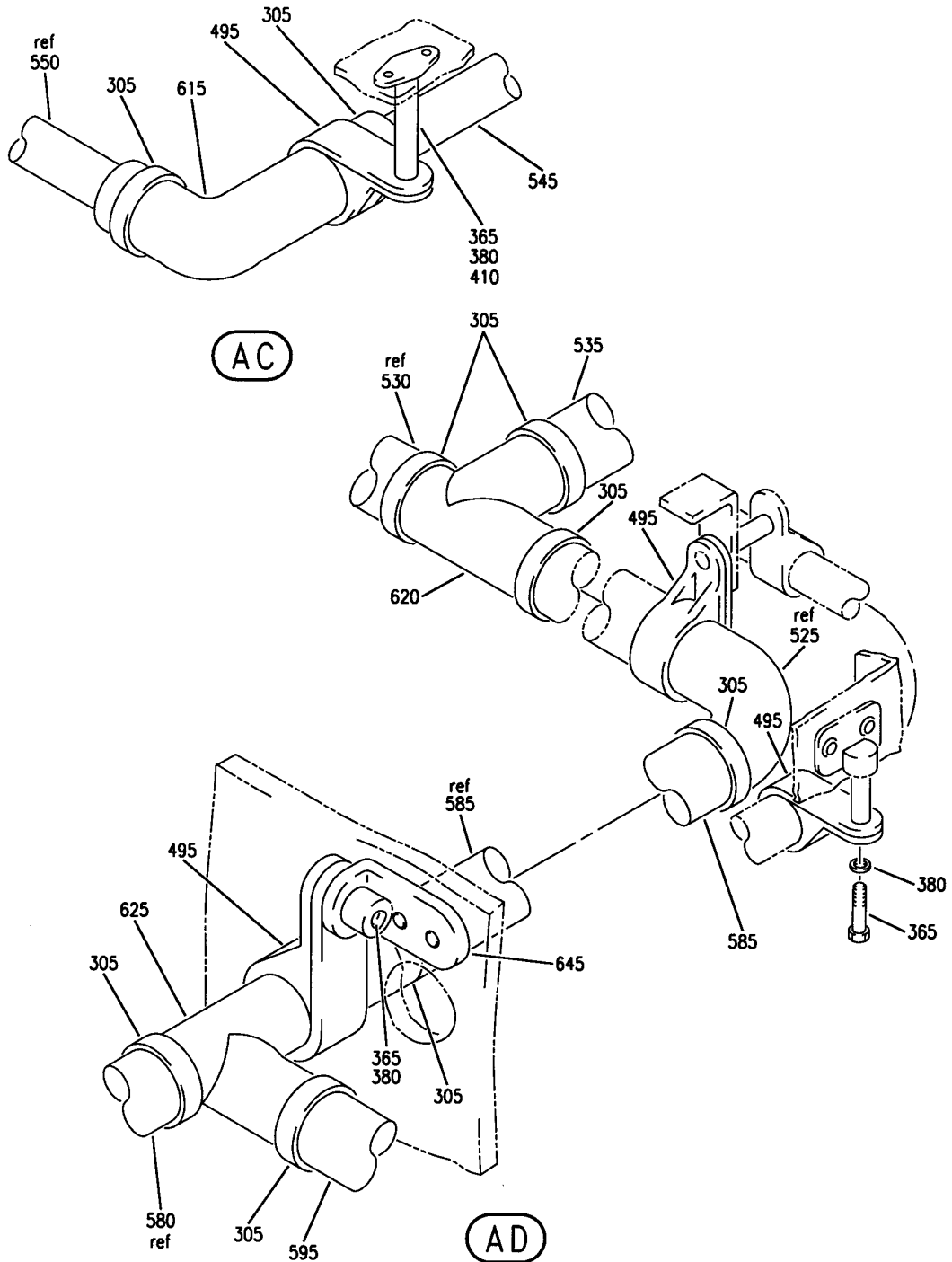
DRAIN AND MUFFLER INSTL-AFT LAVS AND GALLEYS
FIGURE 4 (SHEET 9)

38-31-56-04

BRI
MAY 28/07

38-31-56-04
PAGE 0H

BOEING
757
PARTS CATALOG (MAINTENANCE)



Y 38315604 SHT 10 REV 209

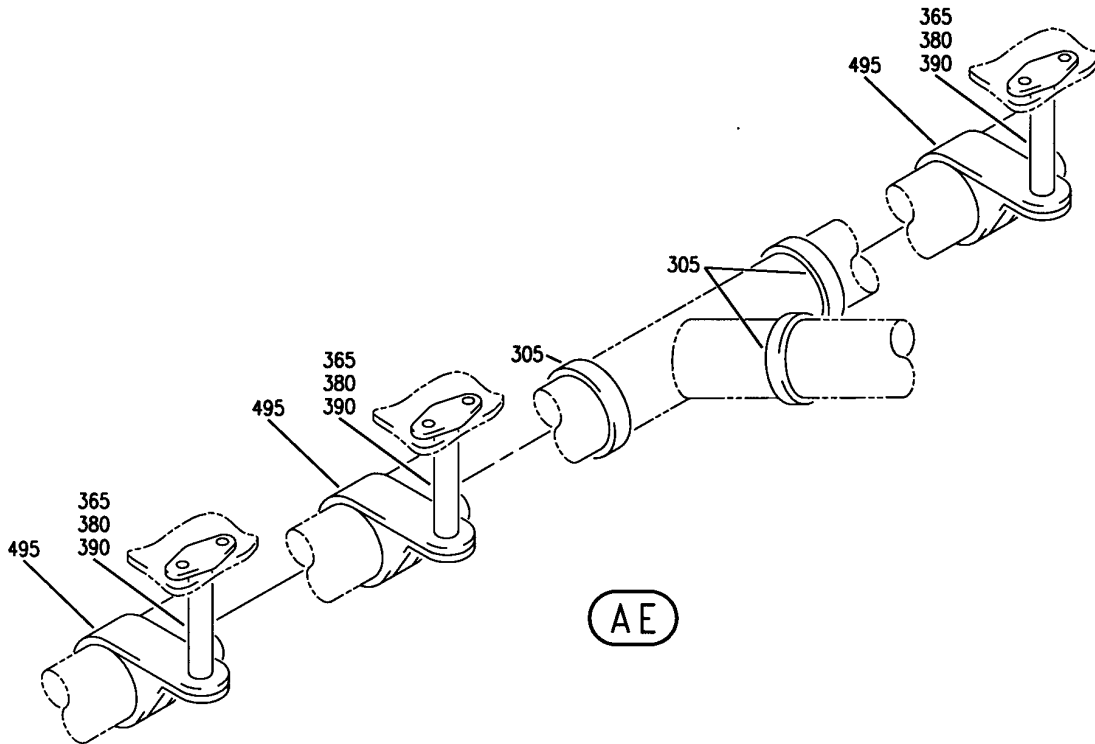
DRAIN AND MUFFLER INSTL-AFT LAVS AND GALLEYS
FIGURE 4 (SHEET 10)

38-31-56-04

BRI
MAY 28/07

38-31-56-04
PAGE 01

BOEING
757
PARTS CATALOG (MAINTENANCE)



Y 38315604 SH11 REV 209

DRAIN AND MUFFLER INSTL-AFT LAVS AND GALLEYS
FIGURE 4 (SHEET 11)

38-31-56-04

BRI
MAY 28/07

38-31-56-04
PAGE 0J



757

PARTS CATALOG (MAINTENANCE)

FIG ITEM	PART NUMBER	1 2 3 4 5 6 7	NOMENCLATURE	EFFECT FROM TO	UNITS PER ASSY
4			DRAIN AND MUFFLER INSTL- AFT LAVS AND GALLEYS	002004 006102 108999	
- 1	417N2402-22		MUFFLER INSTL-LAVS AND GALLEYS POSITION DATA: AFT FOR NHA SEE: 25-20-00-01A 25-20-00-01E	904949 952952	RF
- 1	417N2402-35		MUFFLER INSTL-LAVS AND GALLEYS POSITION DATA: AFT FOR NHA SEE: 25-20-00-01A 25-20-00-03A 25-20-00-09	002004 006102 108903 950951 953999	RF
5	NAS1801-3-7		.SCREW-	904949 952952	2
5	BACS12GU3K7		.SCREW-	002004 006102 108903 950951 953999	2
10	NAS1801-3-17		.SCREW-	904949 952952	2
10	BACS12GU3K17		.SCREW-	002004 006102 108903 950951 953999	2
15	NAS1801-3-85		.SCREW-	904949 952952	1
20	BACB30NE3-8		.BOLT-	002004 101102 108120 504903	1
20	NAS1801-3-8		.SCREW-	904949 952952	1
20	BACS12GU3K15		.SCREW-	002004 006102 108903 950951 953999	1
25	NAS1801-3-38		.SCREW-	904949 952952	1
30	NAS1801-3-18		.SCREW-	904949 952952	1

MISSING ITEM NUMBERS NOT APPLICABLE

- ITEM NOT ILLUSTRATED

38-31-56-04

38-31-56
FIG. 04
PAGE 1
JAN 20/09

BRI



757

PARTS CATALOG (MAINTENANCE)

FIG ITEM	PART NUMBER	1 2 3 4 5 6 7	NOMENCLATURE	EFFECT FROM TO	UNITS PER ASSY	
4	30	BACS12GU3K15	.SCREW-	002004 006102 108903 950951 953999	1	
	33	BACS12GU3K8	.SCREW-	002004 006102 108903 950951 953999	1	
	35	NAS43DD3-38	.SPACER-	904949 952952	2	
	35	NAS43DD3-38FC	.SPACER-	002004 006102 108903 950951 953999	2	
	40	NAS43DD3-102	.SPACER	904949 952952	1	
	45	NAS43DD3-100	.SPACER-	904949 952952	1	
	55	NAS43DD3-32	.SPACER-	904949 952952	1	
	58	NAS43DD3-28	.SPACER-	002004 006102 108903 950951 953999	2	
	60	AN960JD10L	.WASHER-	904949 952952	3	
	63	AN960JD10L	.WASHER	002004 006102 108903 950951 953999	3	
	65	MS21042L3	.NUT-	102102 504505 904949 952952	2	
	68	PLH53CD	.NUT-	002004 006102 108903 950951 953999	3	
			SUPPLIER CODE: VF0224			
			SPECIFICATION NUMBER: BACN10YR3CD			
			OPTIONAL PART: H52732-3CD V15653			

MISSING ITEM NUMBERS NOT APPLICABLE

- ITEM NOT ILLUSTRATED

38-31-56-04

38-31-56
FIG. 04
PAGE 2
JAN 20/09

BRI



757

PARTS CATALOG (MAINTENANCE)

FIG ITEM	PART NUMBER	1 2 3 4 5 6 7	NOMENCLATURE	EFFECT FROM TO	UNITS PER ASSY
4 70	751-60-10	.CLAMP-	SUPPLIER CODE: V83930 SPECIFICATION NUMBER: BACC10BA60 OPTIONAL PART: TA04C34D60 V84971 BACC10BA64	002004 006102 108903 950951 953999	1
70	751-64-10	.CLAMP-	SUPPLIER CODE: V83930 SPECIFICATION NUMBER: BACC10BA64 OPTIONAL PART: TA04C34D64 V84971 BACC10BA60	002004 006102 108999	1
75	751-32-8	.CLAMP	SUPPLIER CODE: V83930 SPECIFICATION NUMBER: BACC10BA32 OPTIONAL PART: TA04C34D32 V84971	002004 006102 108999	1
80	32	.CLAMP-	SUPPLIER CODE: V7Z588 SPECIFICATION NUMBER: STBC10GG66-82 OPTIONAL PART: WWD66-82H V66295	904949 952952	2
80	BACC10JB062A080	.CLAMP-		002004 006102 108903 950951 953999	2

MISSING ITEM NUMBERS NOT APPLICABLE

- ITEM NOT ILLUSTRATED

38-31-56-04

38-31-56
FIG. 04
PAGE 3
JAN 20/09

BRI



757

PARTS CATALOG (MAINTENANCE)

FIG ITEM	PART NUMBER	1 2 3 4 5 6 7	NOMENCLATURE	EFFECT FROM TO	UNITS PER ASSY
4 90	JM44LC13WS38R	.CLAMP-	SUPPLIER CODE: V22175 SPECIFICATION NUMBER: BACC10GE38 OPTIONAL PART: S369WH38 V18076 TA12C32WS38 V84971 509S38 V83930	904949 952952	4
93	JM44LC13WS38R	.CLAMP	SUPPLIER CODE: V22175 SPECIFICATION NUMBER: BACC10GE38 OPTIONAL PART: S369WH38 V18076 TA12C32WS38 V84971 509S38 V83930	002004 006102 108903 950951 953999	3
105	BACC10DK19	.CLAMP		904949 952952	2
107	BACC10DK19	.CLAMP-		002004 006102 108903 950951 953999	3
120	AS1504-08B1080	.HOSE-	OPTIONAL PART: AS1504-08B1082	002004 006102 108903 950951 953999	1
125	AS1504-08B0980	.HOSE-		904949 952952	1
125	AS1504-08B1082	.HOSE-	OPTIONAL PART: AS1504-08B1080	002004 006102 108903 950951 953999	1
145	417N2416-1	.MUFFLER		002004 006102 108999	1
150	417N2403-8	.SEAL		002004 006102 108999	1

MISSING ITEM NUMBERS NOT APPLICABLE

- ITEM NOT ILLUSTRATED

38-31-56-04

38-31-56
FIG. 04
PAGE 4
JAN 20/09

BRI



757

PARTS CATALOG (MAINTENANCE)

FIG ITEM	PART NUMBER	1 2 3 4 5 6 7	NOMENCLATURE	EFFECT FROM TO	UNITS PER ASSY
4 155	S38J1	.	SUPPORT SUPPLIER CODE: V59237 SPECIFICATION NUMBER: BACS38J1 OPTIONAL PART: 30187-2 V26835	002004 006102 108999	4
160	S38J2	.	SUPPORT SUPPLIER CODE: V59237 SPECIFICATION NUMBER: BACS38J2 OPTIONAL PART: 30187-3 V26835	002004 006102 108999	4
900			ILLUSTRATION REFERENCE: DRAIN INSTL-AFT GALLEY 4B 38-31-56-01	002004 006100 102102 108999	RF

MISSING ITEM NUMBERS NOT APPLICABLE

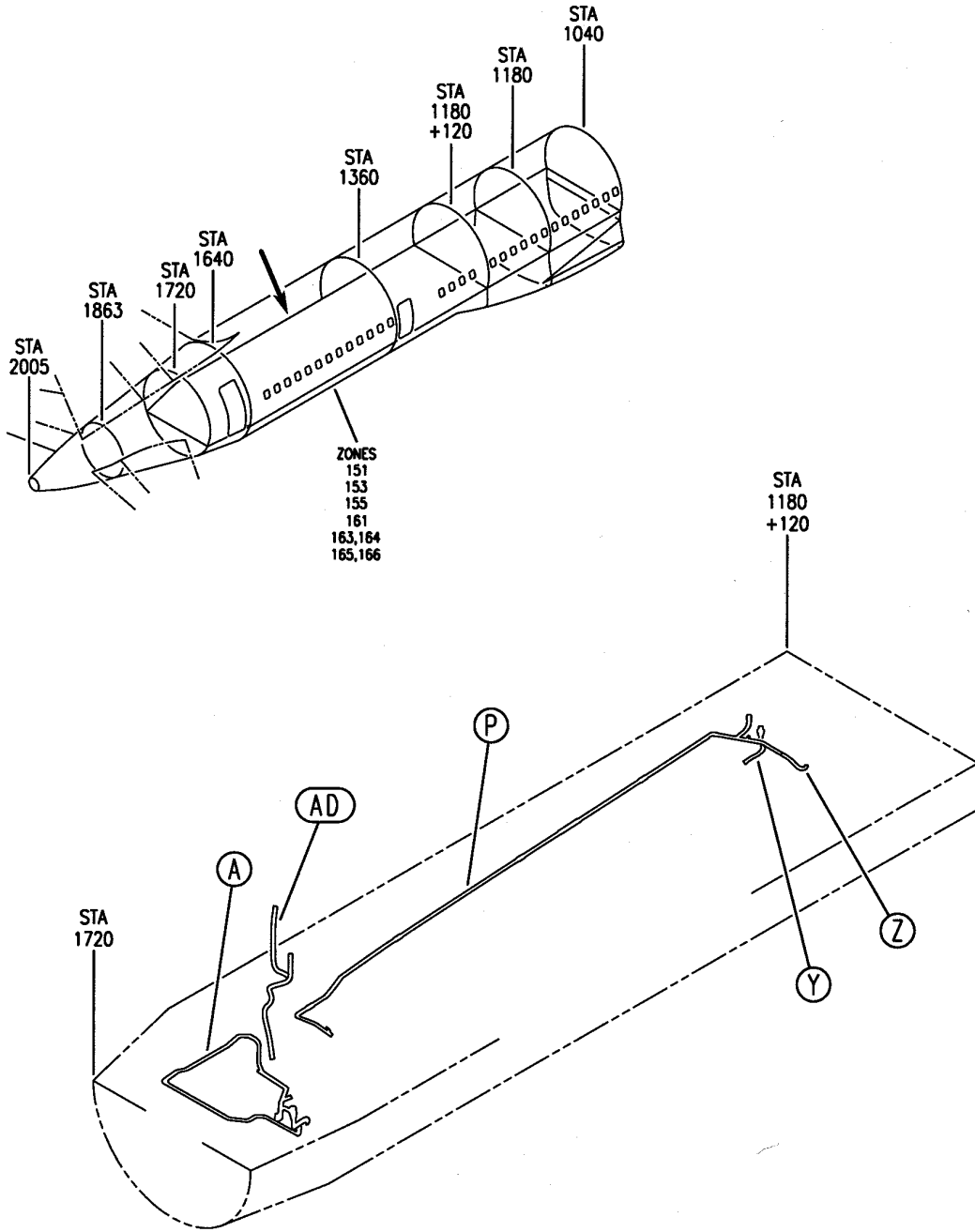
- ITEM NOT ILLUSTRATED

38-31-56-04

38-31-56
FIG. 04
PAGE 5
JAN 20/09

BRI

BOEING
757
PARTS CATALOG (MAINTENANCE)



Y 38315613 SHT 1 REV 212

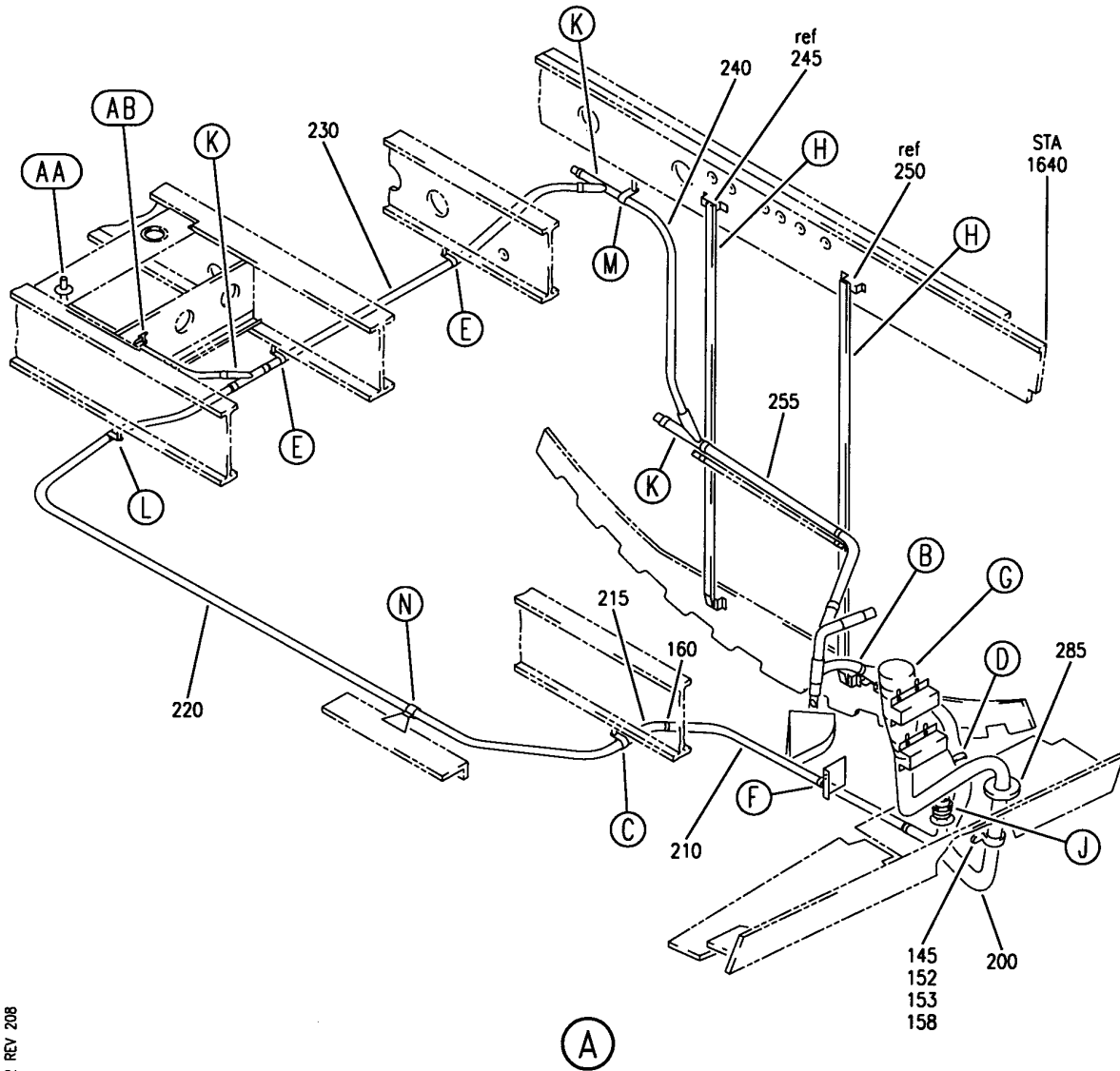
DRAIN INSTL-AFT LAVS AND GALLEYS
FIGURE 13 (SHEET 1)

38-31-56-13

BRI
JAN 20/09

38-31-56-13
PAGE 0

BOEING
757
PARTS CATALOG (MAINTENANCE)



Y 38315613 SHT 2 REV 208

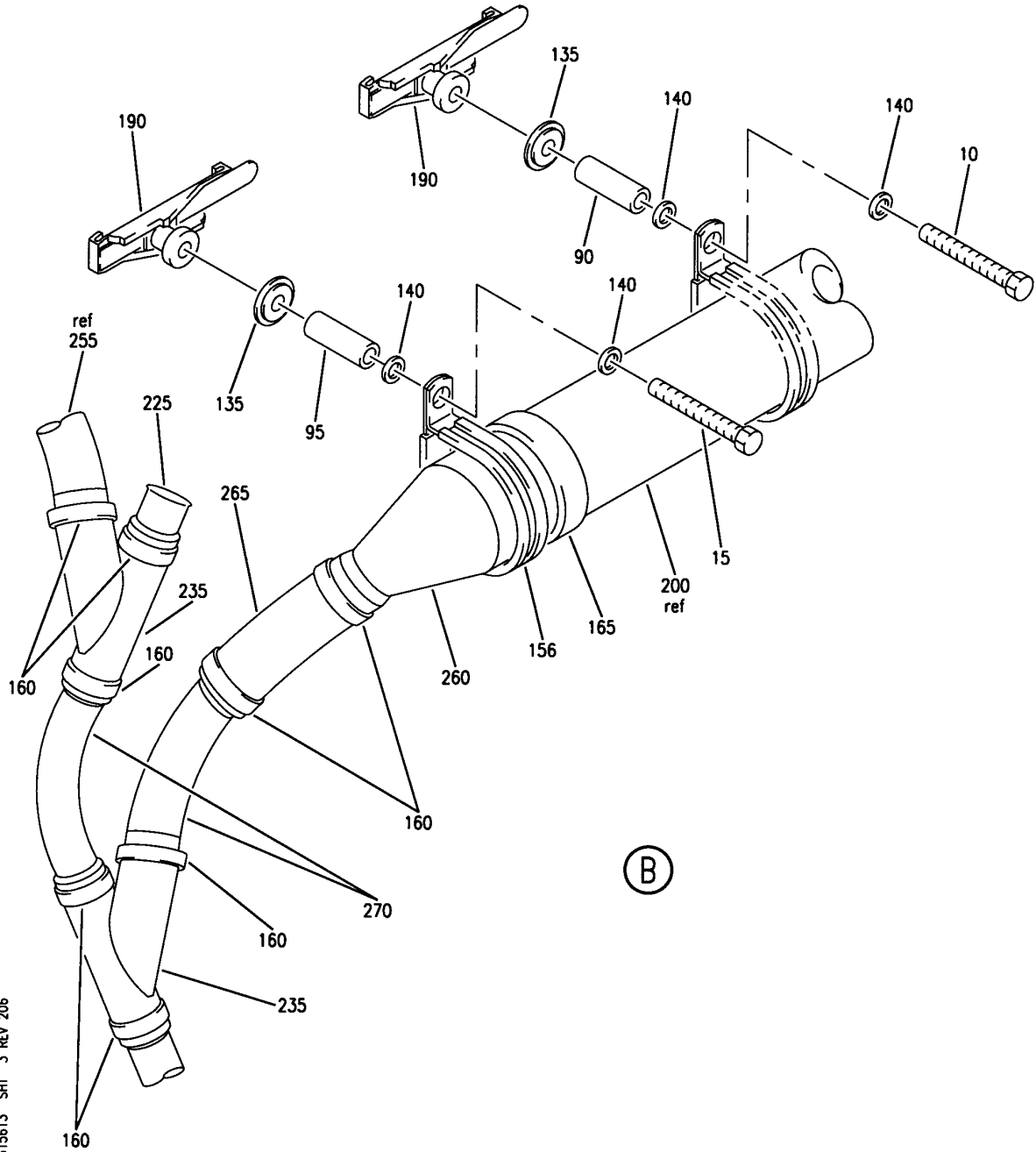
DRAIN INSTL-AFT LAVS AND GALLEYS
FIGURE 13 (SHEET 2)

38-31-56-13

BRI
JAN 20/09

38-31-56-13
PAGE 0A

BOEING
757
PARTS CATALOG (MAINTENANCE)



Y 38315613 SHT 3 REV 206

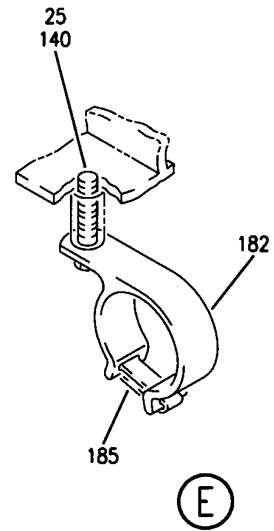
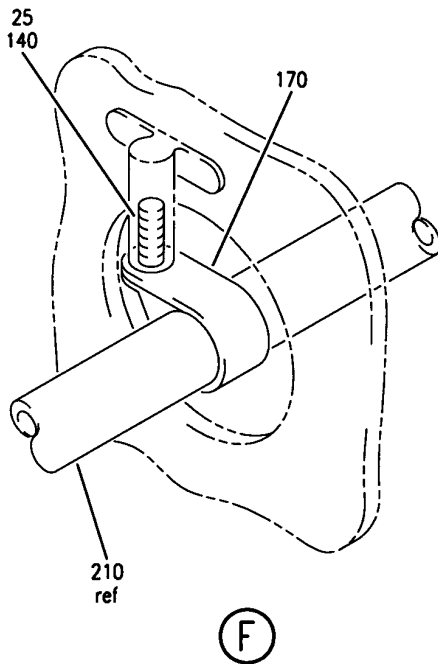
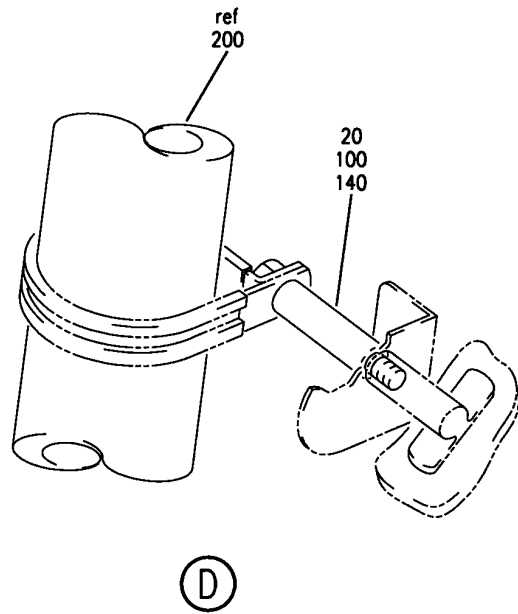
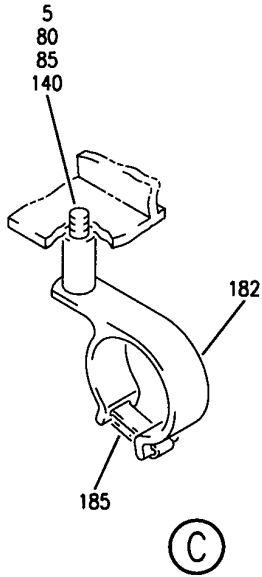
DRAIN INSTL-AFT LAVS AND GALLEYS
FIGURE 13 (SHEET 3)

38-31-56-13

BRI
JAN 20/09

38-31-56-13
PAGE 0B

BOEING
757
PARTS CATALOG (MAINTENANCE)



Y 38315613 SMT 4 REV 206

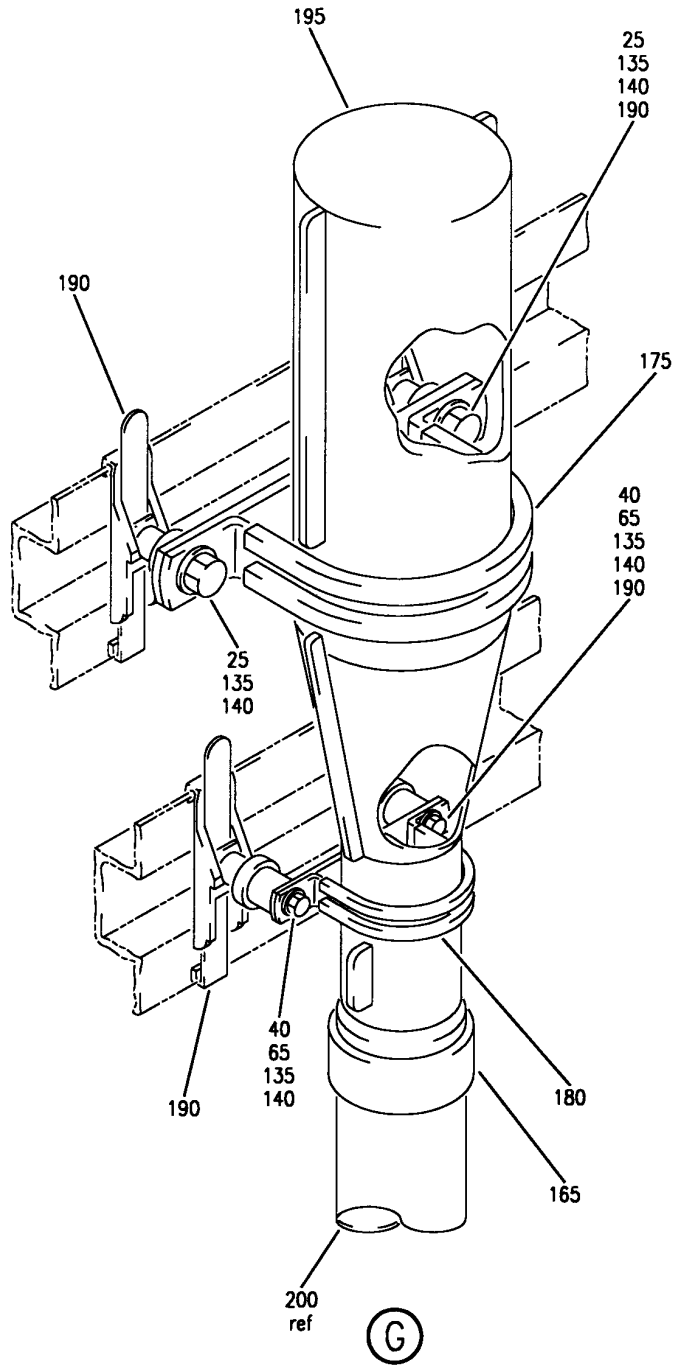
DRAIN INSTL-AFT LAVS AND GALLEYS
FIGURE 13 (SHEET 4)

38-31-56-13

BRI
JAN 20/09

38-31-56-13
PAGE 0C

BOEING
757
PARTS CATALOG (MAINTENANCE)



Y 38315613 SH1 5 REV 204

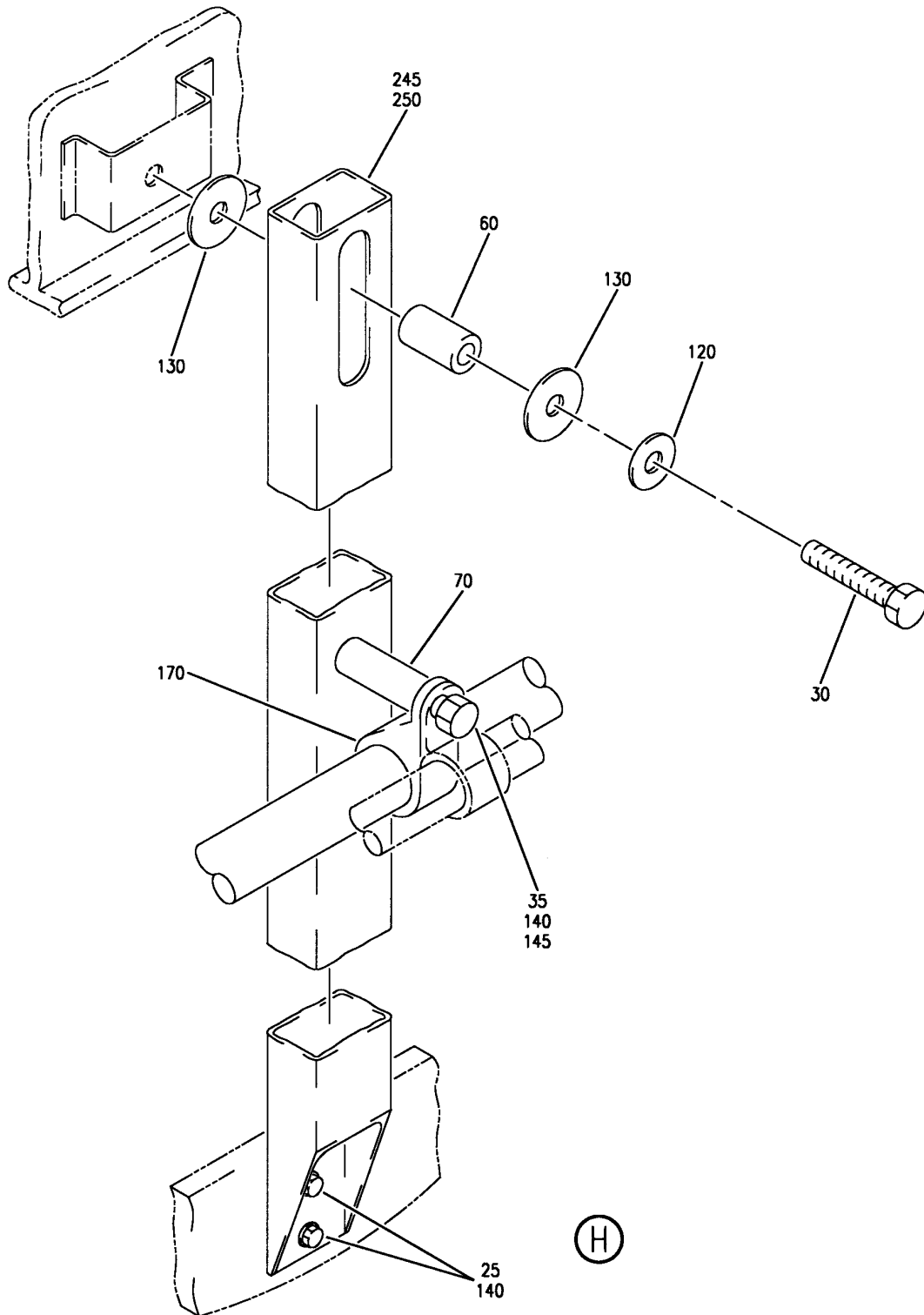
DRAIN INSTL-AFT LAVS AND GALLEYS
FIGURE 13 (SHEET 5)

38-31-56-13

BRI
JAN 20/09

38-31-56-13
PAGE 0D

BOEING
757
PARTS CATALOG (MAINTENANCE)



Y 38315613 SHT 6 REV 204

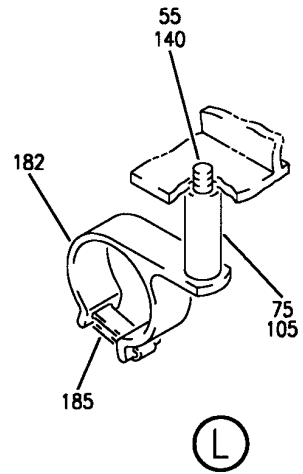
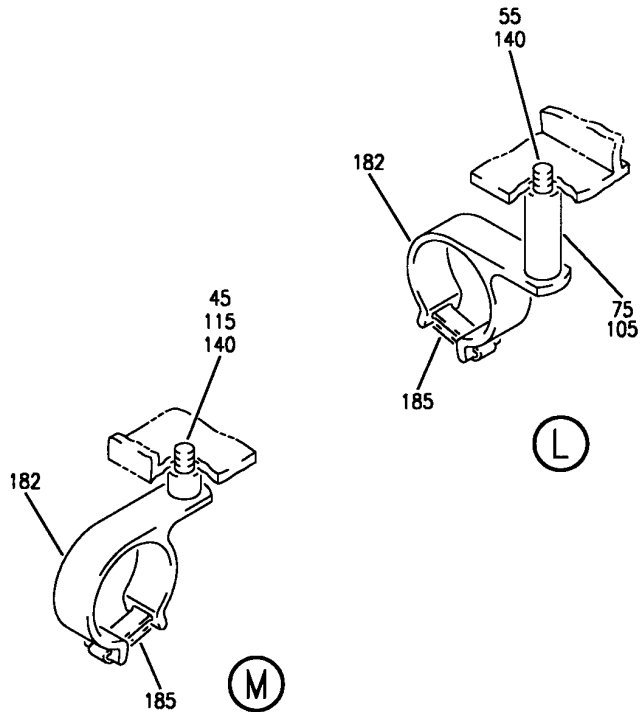
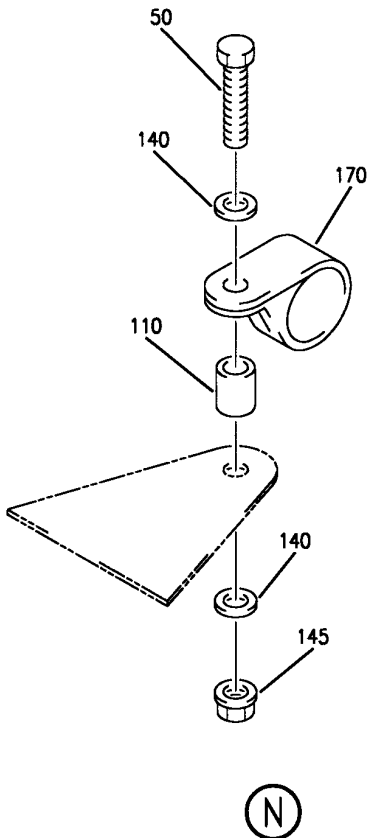
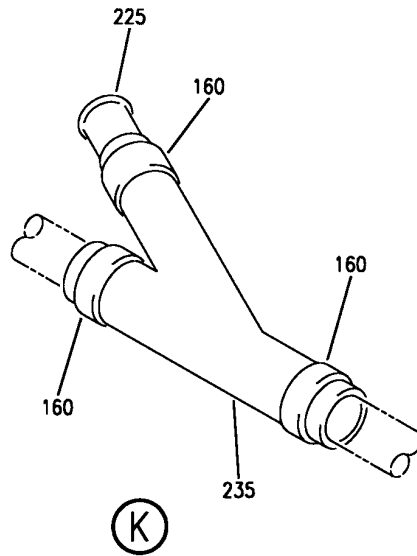
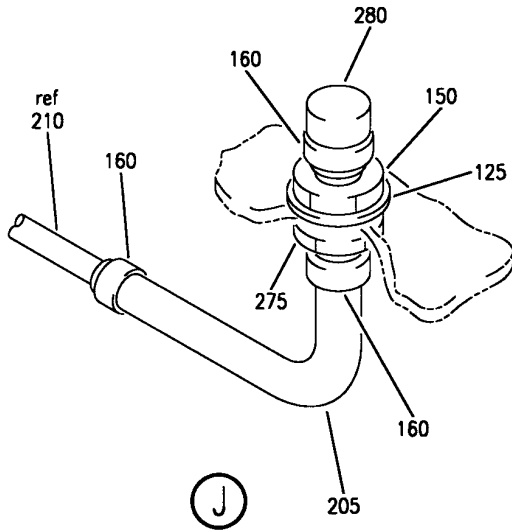
DRAIN INSTL-AFT LAVS AND GALLEYS
FIGURE 13 (SHEET 6)

38-31-56-13

BRI
JAN 20/09

38-31-56-13
PAGE 0E

BOEING
757
PARTS CATALOG (MAINTENANCE)



Y 38315613 SHT 7 REV 204

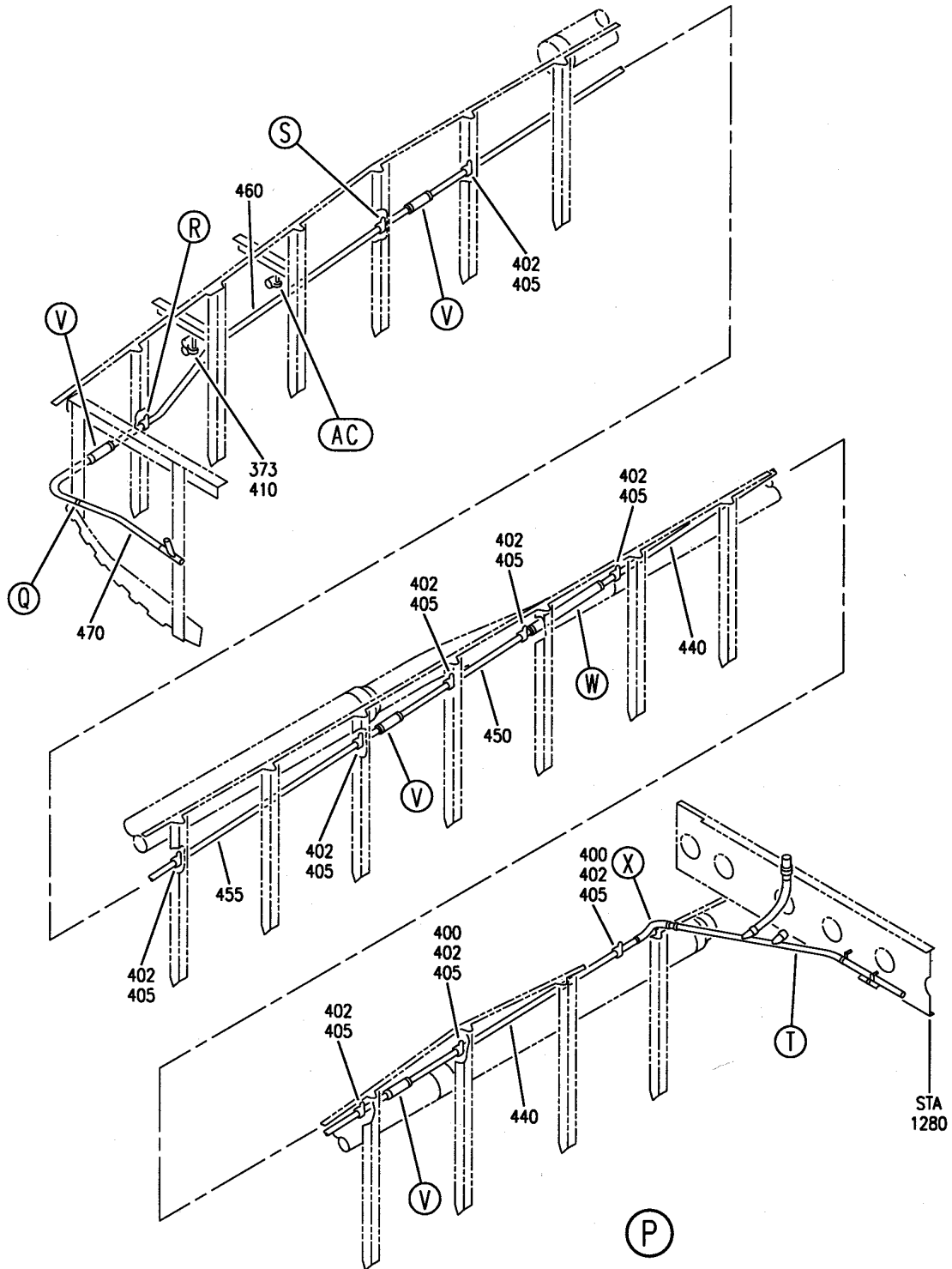
DRAIN INSTL-AFT LAVS AND GALLEYS
FIGURE 13 (SHEET 7)

38-31-56-13

BRI
JAN 20/09

38-31-56-13
PAGE OF

BOEING
757
PARTS CATALOG (MAINTENANCE)



Y 38315613 SHT 8 REV 212

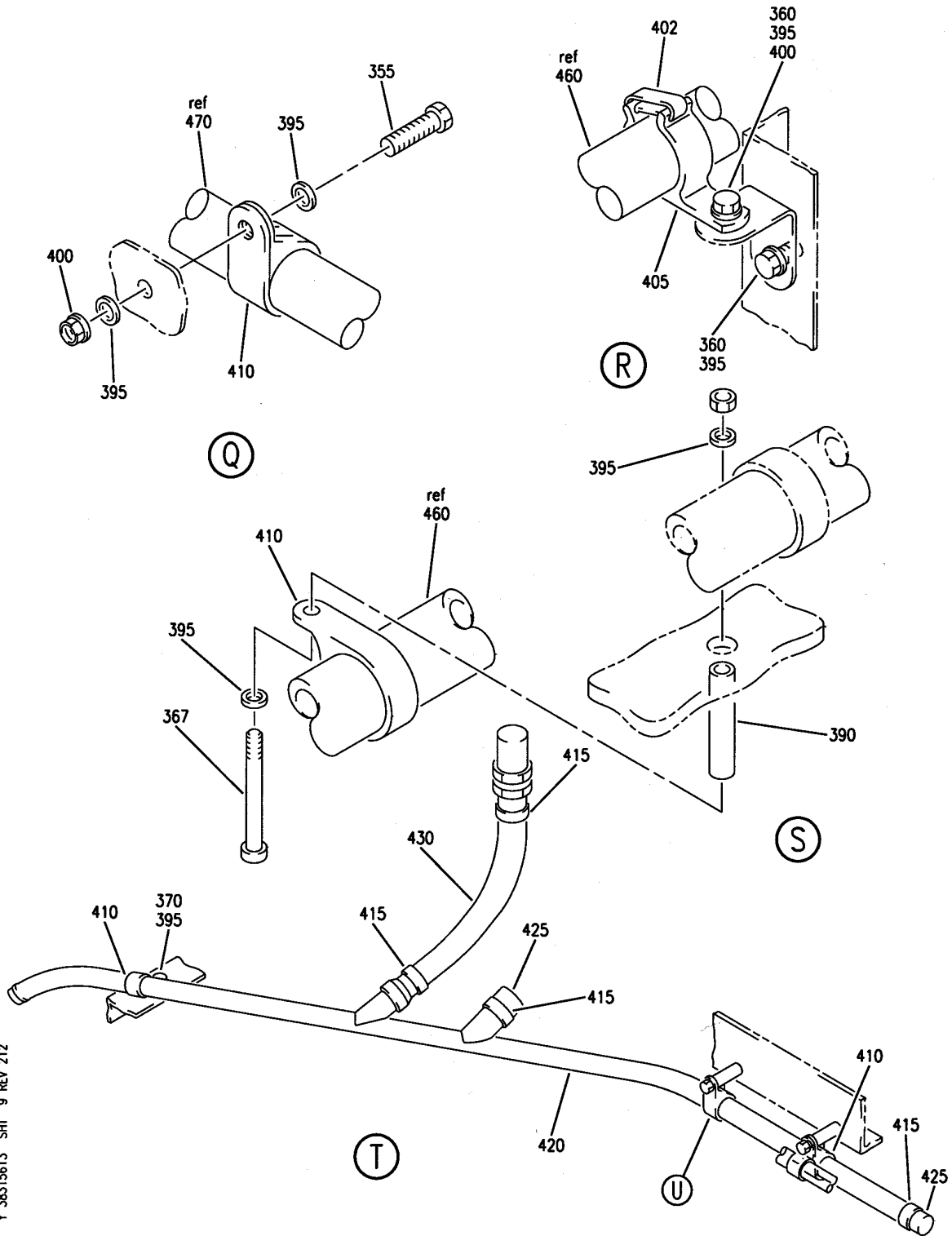
DRAIN INSTL-AFT LAVS AND GALLEYS
FIGURE 13 (SHEET 8)

38-31-56-13

BRI
JAN 20/09

38-31-56-13
PAGE 0G

BOEING
757
PARTS CATALOG (MAINTENANCE)



Y 38315613 SHT 9 REV 212

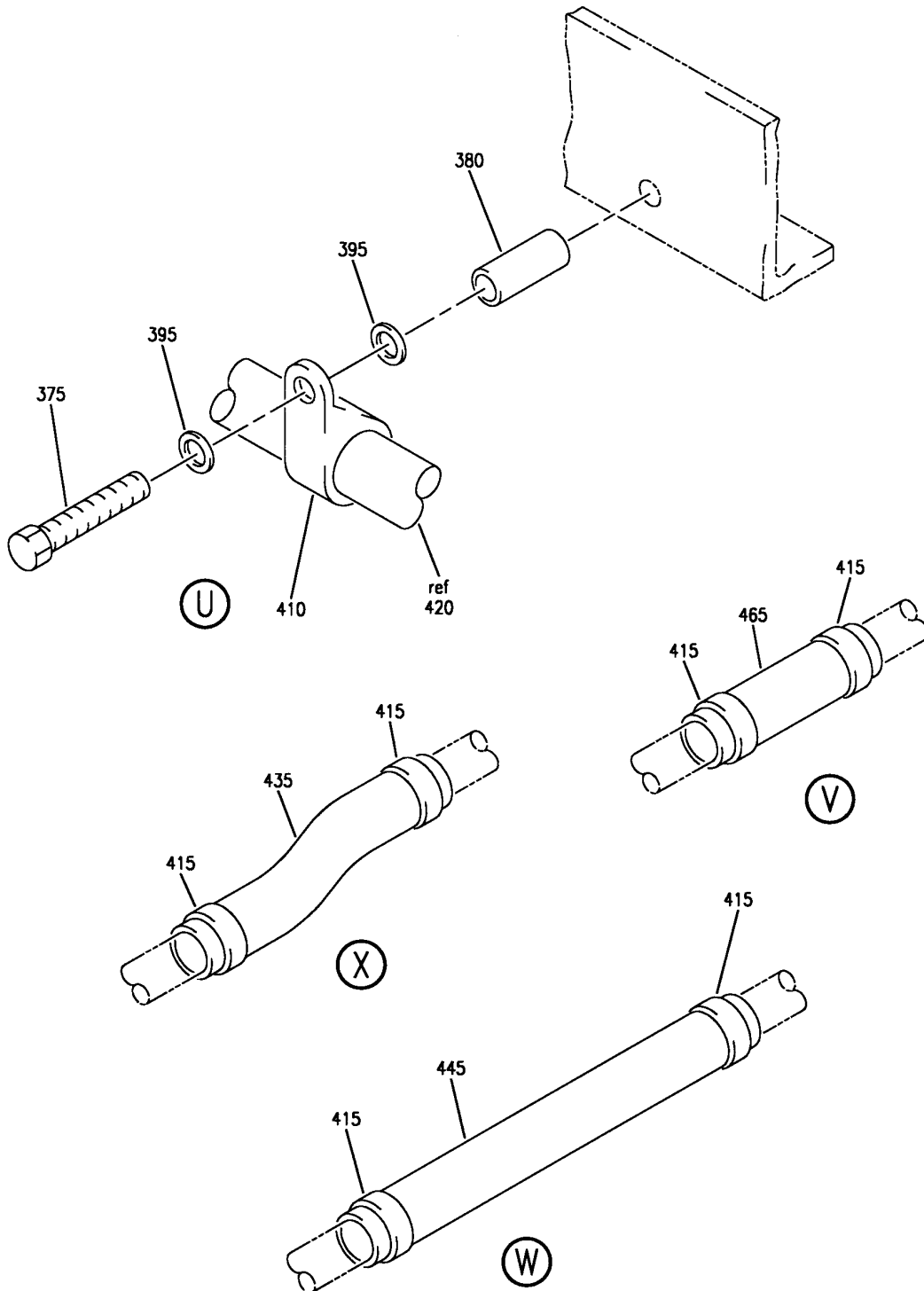
DRAIN INSTL-AFT LAVS AND GALLEYS
FIGURE 13 (SHEET 9)

38-31-56-13

BRI
JAN 20/09

38-31-56-13
PAGE 0H

BOEING
757
PARTS CATALOG (MAINTENANCE)



Y 38315613 SHT 10 REV 204

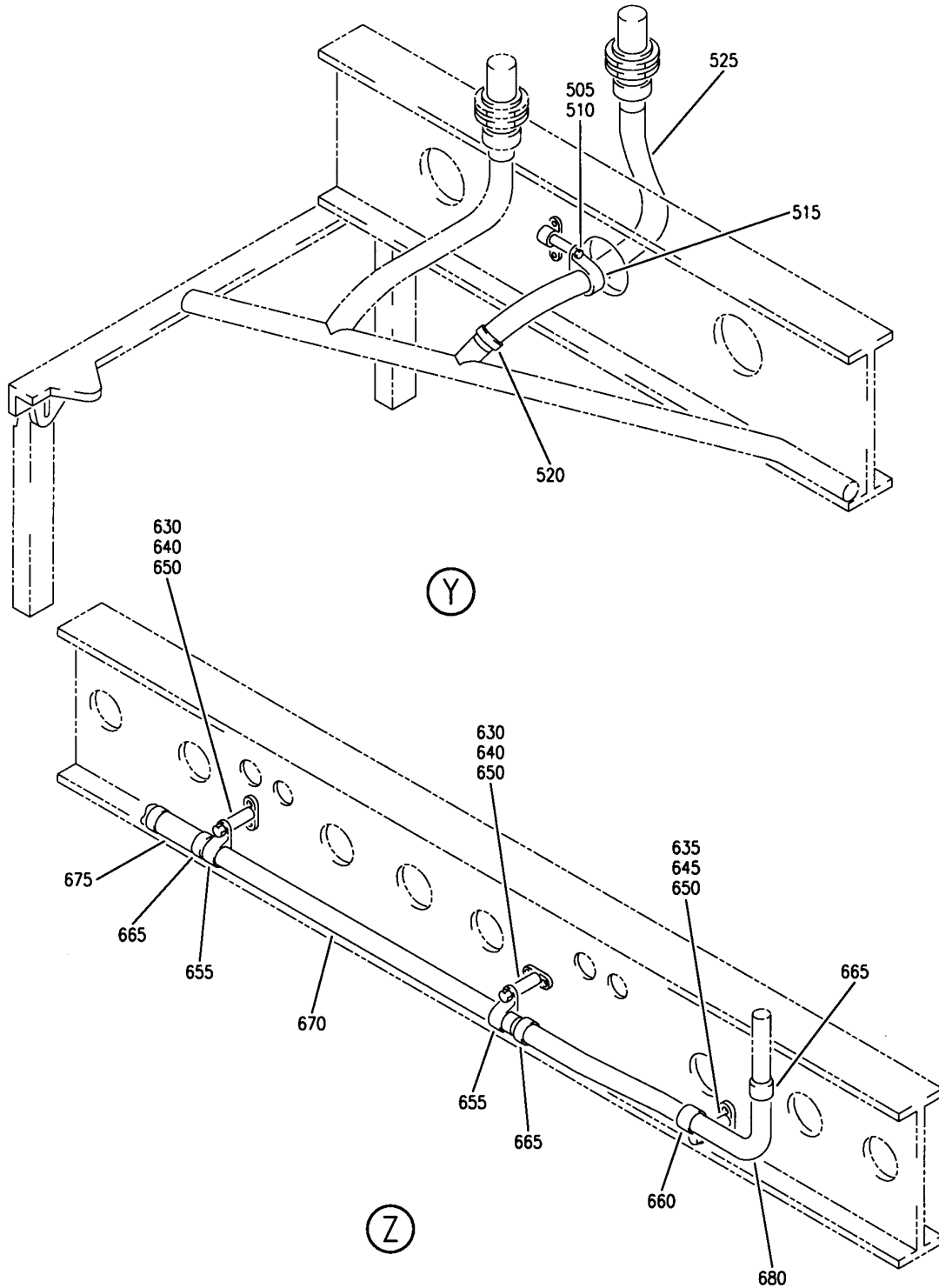
DRAIN INSTL-AFT LAVS AND GALLEYS
FIGURE 13 (SHEET 10)

38-31-56-13

BRI
JAN 20/09

38-31-56-13
PAGE 01

BOEING
757
PARTS CATALOG (MAINTENANCE)



Y 38315613 SH1 11 REV 207

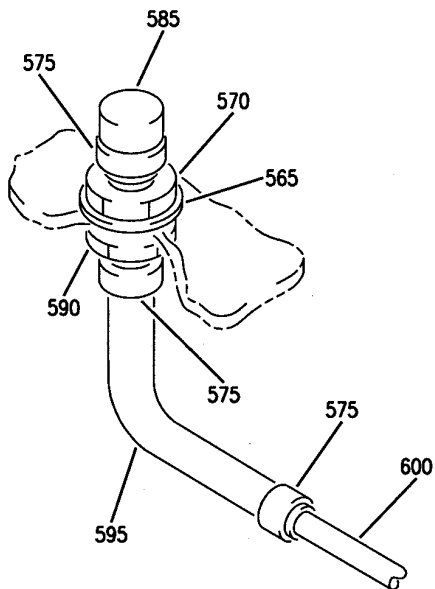
DRAIN INSTL-AFT LAVS AND GALLEYS
FIGURE 13 (SHEET 11)

38-31-56-13

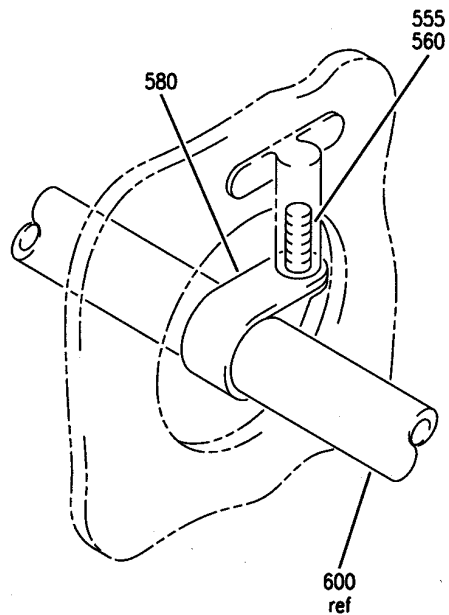
BRI
JAN 20/09

38-31-56-13
PAGE 0J

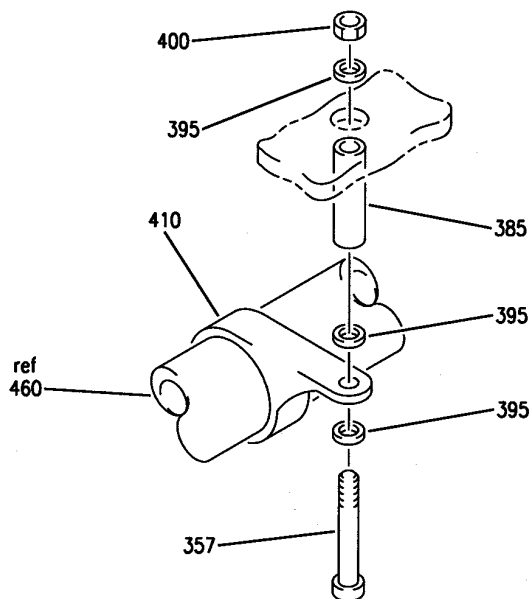
BOEING
757
PARTS CATALOG (MAINTENANCE)



AA



AB



AC

Y 38315613 SHT 12 REV 212

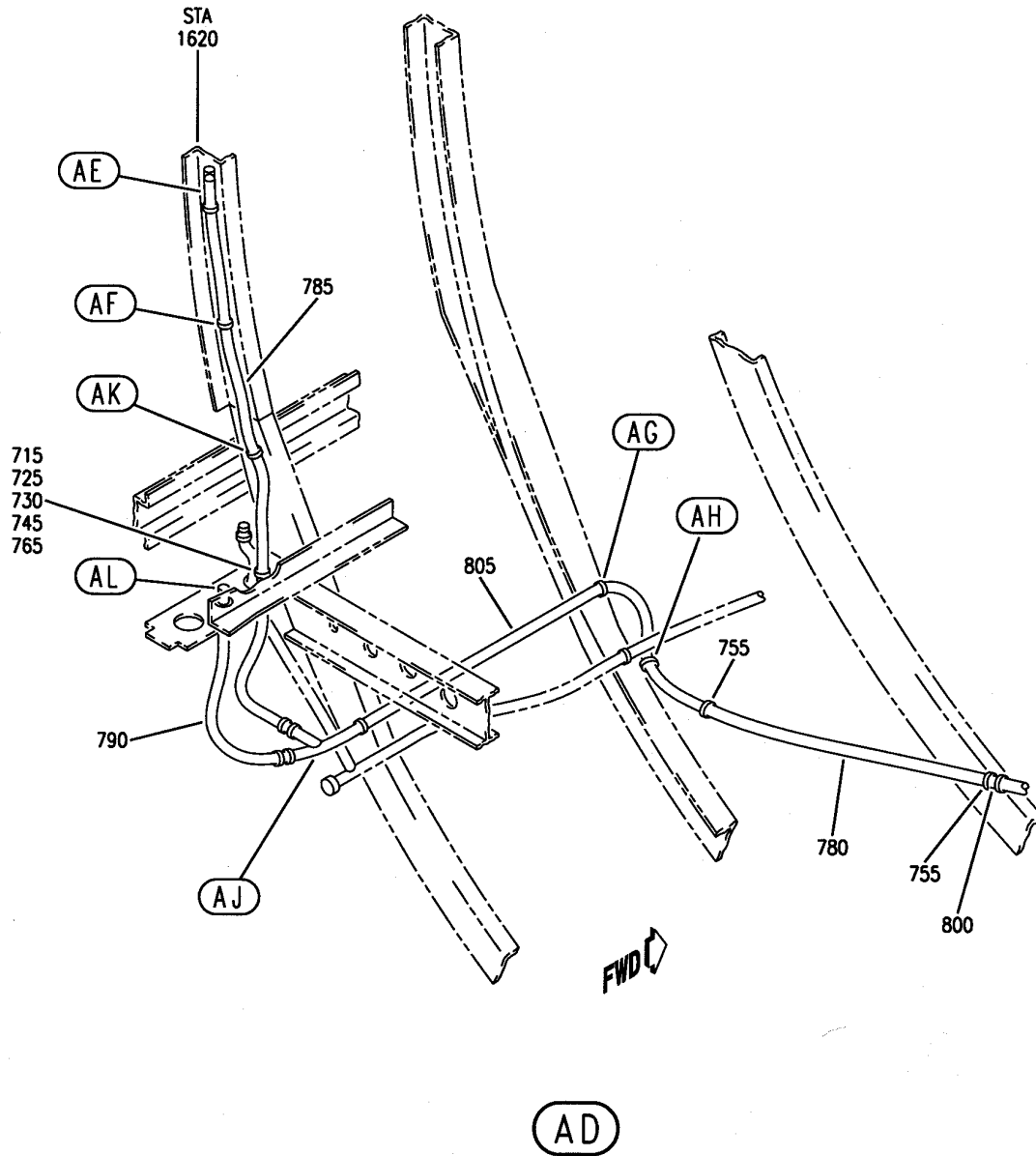
DRAIN INSTL-AFT LAVS AND GALLEYS
FIGURE 13 (SHEET 12)

38-31-56-13

BRI
JAN 20/09

38-31-56-13
PAGE OK

BOEING
757
PARTS CATALOG (MAINTENANCE)



Y 38315613 SHT 13 REV 212

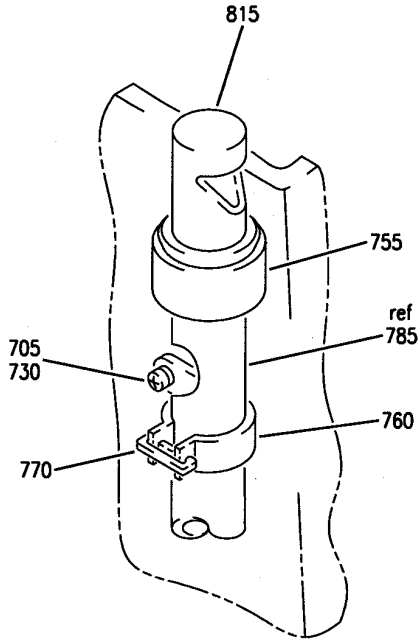
DRAIN INSTL-AFT LAVS AND GALLEYS
FIGURE 13 (SHEET 13)

38-31-56-13

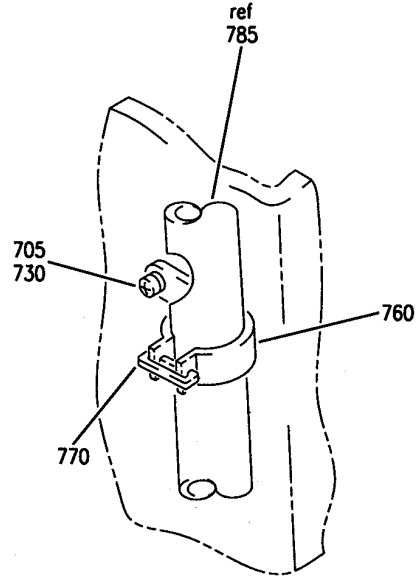
BRI
JAN 20/09

38-31-56-13
PAGE 01

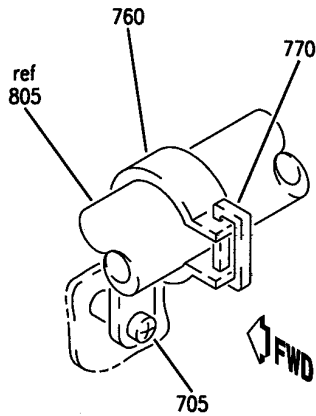
BOEING
757
PARTS CATALOG (MAINTENANCE)



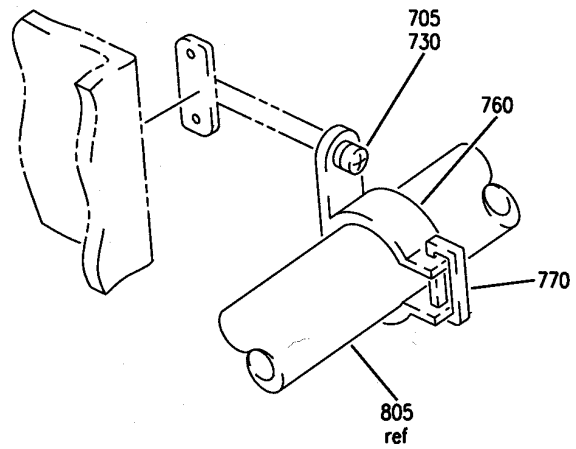
(AE)



(AF)



(AH)



(AG)

Y 38315613 SH1 14 REV 212

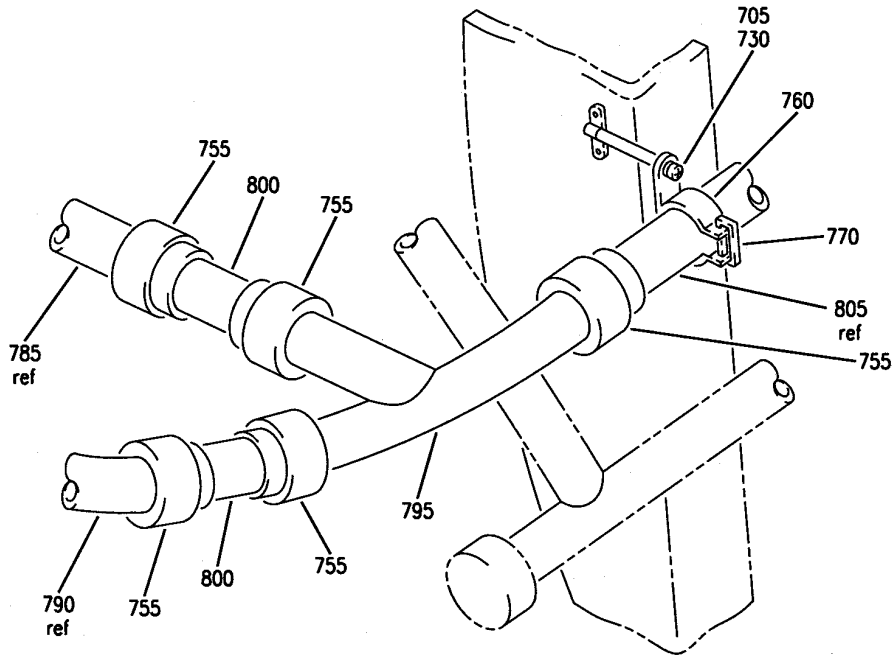
DRAIN INSTL-AFT LAVS AND GALLEYS
FIGURE 13 (SHEET 14)

38-31-56-13

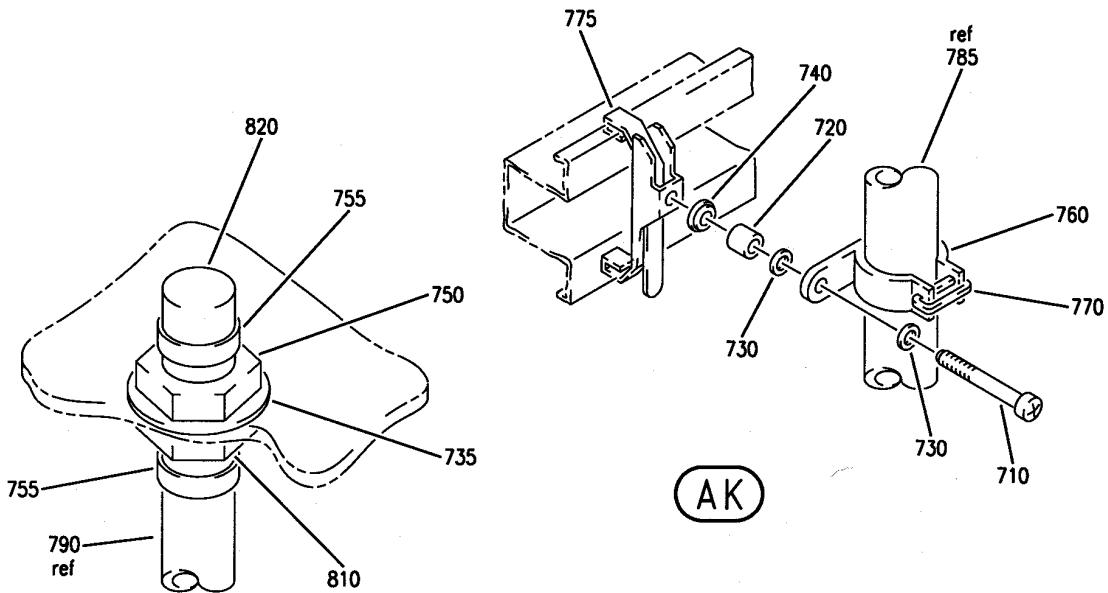
BRI
JAN 20/09

38-31-56-13
PAGE 0M

BOEING
757
PARTS CATALOG (MAINTENANCE)



(AJ)



(AK)

Y 38315613 SHT 15 REV 212

(AL)

DRAIN INSTL-AFT LAVS AND GALLEYS
FIGURE 13 (SHEET 15)

38-31-56-13



757

PARTS CATALOG (MAINTENANCE)

FIG ITEM	PART NUMBER	1 2 3 4 5 6 7	NOMENCLATURE	EFFECT FROM TO	UNITS PER ASSY
13			DRAIN INSTL-AFT LAVS AND GALLEYS	103106	RF
- 1	MODREF25697		DRAIN INSTL-GALLEY 4B BASELINE DRAIN MODULE NUMBER: 417N2454-10 REV B POSITION DATA: AFT RH	103106	1
5	BACS12GU3K13	.	SCREW	103106	1
10	BACS12GU3K24	.	SCREW	103106	1
15	BACS12GU3K26	.	SCREW	103106	1
20	BACS12GU3K32-1	.	SCREW	103106	1
25	BACS12GU3K9	.	SCREW	103106	9
30	BACS12GU3K22	.	SCREW	103106	2
33	BACS12GU3K39	.	SCREW	103106	1
35	BACS12GU3K42	.	SCREW	103106	2
40	BACS12GU3K17	.	SCREW	103106	2
45	BACS12GU3K16	.	SCREW	103106	1
50	BACS12GU3K18	.	SCREW	103106	1
55	BACS12GU3K12	.	SCREW	103106	1
60	NAS43HT3-40	.	SPACER	103106	2
65	NAS43DD3-32FC	.	SPACER	103106	2
70	NAS43DD3-72FC	.	SPACER	103106	2
75	NAS43DD3-8FC	.	SPACER	103106	1
80	NAS43DD3-19FC	.	SPACER	103106	1
85	NAS43DD3-11FC	.	SPACER	103106	1
90	NAS43DD3-58FC	.	SPACER	103106	1
95	NAS43DD3-65FC	.	SPACER	103106	1
100	NAS43DD3-96FC	.	SPACER	103106	1
105	NAS43DD3-8FC	.	SPACER	103106	1
110	NAS43DD3-23FC	.	SPACER	103106	1
115	NAS43DD3-9FC	.	SPACER	103106	1
120	NAS1149D0332J	.	WASHER	103106	2
125	NAS1149D2190J	.	WASHER	103106	1
130	BACW10P348GE	.	WASHER	103106	4
135	BACW10DZ3	.	WASHER	103106	6
140	NAS1149D0316J	.	WASHER	103106	23
145	PLH53CD	.	NUT	103106	4
			SUPPLIER CODE: VF0224 SPECIFICATION NUMBER: BACN10YR3CD OPTIONAL PART: H52732-3CD V15653		
150	AN924-16D	.	NUT	103106	1
152	BACS12GU3K10	.	SCREW	103106	1
153	BACC10DK6	.	CLAMP	103106	1

MISSING ITEM NUMBERS NOT APPLICABLE

- ITEM NOT ILLUSTRATED

38-31-56-13

38-31-56
FIG. 13
PAGE 1
JAN 20/09

BRI



757

PARTS CATALOG (MAINTENANCE)

FIG ITEM	PART NUMBER	1 2 3 4 5 6 7	NOMENCLATURE	EFFECT FROM TO	UNITS PER ASSY
13 156	S392H32		.CLAMP- SUPPLIER CODE: V18076 SPECIFICATION NUMBER: BACC10BU32H OPTIONAL PART: 393CS32HT V83930 JM44LC24S32BW V22175 TA04C44S32HA V84971	103106	1
158	JM44LC13WS34R		.CLAMP SUPPLIER CODE: V22175 SPECIFICATION NUMBER: BACC10GE34 OPTIONAL PART: TA12C32WS34 V84971 509S34 V83930 S714WH34 V18076	103106	1
160	BACC10JB032C046		.CLAMP	103106	21
165	BACC10JB062C080		.CLAMP	103106	2
170	BACC10DK16		.CLAMP	103106	4
175	751-60-10		.CLAMP SUPPLIER CODE: V83930 SPECIFICATION NUMBER: BACC10BA60 OPTIONAL PART: TA04C34D60 V84971	103106	1
180	751-32-8		.CLAMP SUPPLIER CODE: V83930 SPECIFICATION NUMBER: BACC10BA32 OPTIONAL PART: TA04C34D32 V84971	103106	1
182	NMC1005-5		.CLAMP- SUPPLIER CODE: V03296	103106	5

MISSING ITEM NUMBERS NOT APPLICABLE

- ITEM NOT ILLUSTRATED

38-31-56-13

38-31-56
FIG. 13
PAGE 2
JAN 20/09

BRI



757

PARTS CATALOG (MAINTENANCE)

FIG ITEM	PART NUMBER	1 2 3 4 5 6 7	NOMENCLATURE	EFFECT FROM TO	UNITS PER ASSY
13 185	PLT1MXMR		.STRAP SUPPLIER CODE: V06383 SPECIFICATION NUMBER: BACS38K9	103106	5
190	BACS38P5		.SUPPORT	103106	6
195	417N2416-1		.MUFFLER	103106	1
200	AS1504-08B0940		.HOSE	103106	1
205	BOE2013-0530		.COUPLING- SUPPLIER CODE: V16632 SPECIFICATION NUMBER: 69-27191-530 OPTIONAL PART: IT4351-530 V26831	103106	1
205	IT4351-530		.ELBOW- SUPPLIER CODE: V26831 SPECIFICATION NUMBER: 69-27191-530 OPTIONAL PART: BOE2013-0530 V16632	103106	1
210	417N2143-24		.TUBE- TUBING MATERIAL: GRAY WATER DRAIN, TI, 1.00" O.D. X 24.3", BENT	103106	1
215	BOE2013-0344		.HOSE ASSY- SUPPLIER CODE: V16632 SPECIFICATION NUMBER: 69-27191-344 OPTIONAL PART: 713488-344 V70628 IT4350-344 V26831	103106	1
215	IT4350-344		.HOSE ASSY- SUPPLIER CODE: V26831 SPECIFICATION NUMBER: 69-27191-344 OPTIONAL PART: 713488-344 V70628 BOE2013-0344 V16632	103106	1

MISSING ITEM NUMBERS NOT APPLICABLE

- ITEM NOT ILLUSTRATED

38-31-56-13

38-31-56
FIG. 13
PAGE 3
JAN 20/09

BRI



757

PARTS CATALOG (MAINTENANCE)

FIG ITEM	PART NUMBER	1 2 3 4 5 6 7	NOMENCLATURE	EFFECT FROM TO	UNITS PER ASSY
13 220	417N2143-23	.TUBE-	TUBING MATERIAL: GRAY WATER DRAIN, TI, 1.00" O.D. X 86.6", BENT	103106	1
225	417A2431-2	.PLUG		103106	4
230	417N2143-22	.TUBE-	TUBING MATERIAL: GRAY WATER DRAIN, TI, 1.00" O.D. X 45.3", BENT	103106	1
235	BOE2013-0523	.HOSE-	SUPPLIER CODE: V16632 SPECIFICATION NUMBER: 69-27191-523 OPTIONAL PART: IT4353-523 V26831	103106	5
235	IT4353-523	.HOSE-	SUPPLIER CODE: V26831 SPECIFICATION NUMBER: 69-27191-523 OPTIONAL PART: BOE2013-0523 V16632	103106	5
240	417N2143-21	.TUBE-	TUBING MATERIAL: GRAY WATER DRAIN, TI, 1.00" O.D. X 25.7", BENT	103106	1
245	417N2309-3	.STANCHION-	TUBING MATERIAL: STOCK BAC1501-1079 X 43.0 7075-T6 TUBE PER WW-T-700/7	103106	1
250	417N2309-2	.STANCHION-	TUBING MATERIAL: STOCK BAC1501-1079 X 43.0 7075-T6, WW-T-700/7	103106	1
255	417N2143-20	.TUBE-	TUBING MATERIAL: GRAY WATER DRAIN, TI, 1.00" O.D. X 53.1", BENT	103106	1
260	417N2310-125	.ADAPTOR		103106	1

MISSING ITEM NUMBERS NOT APPLICABLE

- ITEM NOT ILLUSTRATED

38-31-56-13

38-31-56
FIG. 13
PAGE 4
JAN 20/09

BRI

BOEING PROPRIETARY - Copyright © - Unpublished Work - See title page for details.



757

PARTS CATALOG (MAINTENANCE)

FIG ITEM	PART NUMBER	1 2 3 4 5 6 7	NOMENCLATURE	EFFECT FROM TO	UNITS PER ASSY
13 265	BOE2013-0328	.HOSE-	SUPPLIER CODE: V16632 SPECIFICATION NUMBER: 69-27191-328 OPTIONAL PART: 713488-328 V70628 IT4350-328 V26831	103106	1
265	IT4350-328	.HOSE-	SUPPLIER CODE: V26831 SPECIFICATION NUMBER: 69-27191-328 OPTIONAL PART: 713488-328 V70628 BOE2013-0328 V16632	103106	1
265	713488-328	.HOSE-	SUPPLIER CODE: V70628 SPECIFICATION NUMBER: 69-27191-328 OPTIONAL PART: BOE2013-0328 V16632 IT4350-328 V26831	103106	1
270	417A2403-30	.TUBE-ELBOW		103106	2
275	66-17278-1	.CONNECTOR		103106	1
280	69B50212-1	.CAP		103106	1
285	417N2403-8	.SEAL		103106	1
- 353	MODREF25698	DRAIN INSTL-LAV B	MODULE NUMBER: 417N2454-2 REV B POSITION DATA: AFT	103106	1
355	BACS12GU3K16	.SCREW		103106	1
357	BACS12GU3K28	.SCREW		103106	1
360	BACS12GU3K10	.SCREW		103106	2
365	BACS12GU3K14	.SCREW		103106	1
367	BACS12GU3K36	.SCREW		103106	1
370	BACS12GU3K9	.SCREW		103106	1
373	BACS12GU3K54	.SCREW		103106	1
375	BACS12GU3K11	.SCREW		103106	1
380	NAS43DD3-6FC	.SPACER		103106	1
385	NAS43DD3-58FC	.SPACER-		103106	1

MISSING ITEM NUMBERS NOT APPLICABLE

- ITEM NOT ILLUSTRATED

38-31-56-13

38-31-56
FIG. 13
PAGE 5
JAN 20/09

BRI



757

PARTS CATALOG (MAINTENANCE)

FIG ITEM	PART NUMBER	1 2 3 4 5 6 7	NOMENCLATURE	EFFECT FROM TO	UNITS PER ASSY
13					
390	NAS43DD3-20FC	.	SPACER	103106	1
395	NAS1149D0316J	.	WASHER	103106	8
400	PLH53CD	.	NUT	103106	5
			SUPPLIER CODE: VF0224		
			SPECIFICATION NUMBER: BACN10YR3CD		
			OPTIONAL PART: H52732-3CD V15653		
402	PLT1MXMR	.	STRAP	103106	11
			SUPPLIER CODE: V06383		
			SPECIFICATION NUMBER: BACS38K9		
405	NMC1005-5	.	CLAMP-	103106	11
			SUPPLIER CODE: V03296		
410	BACC10DK16	.	CLAMP	103106	7
415	BACC10JB032C046	.	CLAMP	103106	16
420	417N2310-327	.	TUBE ASSY	103106	1
- 421	417N2310-328	..	TUBE-	103106	1
			TUBING MATERIAL: STOCK .028 WALL X 1.00 O.D. X 30.8 CRES TUBE TYPE AISI 321/347 MIL-T-8808/ MIL-T-8808-858		
- 422	417N2310-329	..	TUBE-	103106	1
			TUBING MATERIAL: STOCK .028 WALL X 1.00 O.D. X 16.4 CRES TUBE TYPE AISI 321/347 MIL-T-8808/ MIL-T-8808-858		
- 423	417N2310-330	..	TUBE-	103106	1
			TUBING MATERIAL: STOCK .028 WALL X 1.00 O.D. X 3.50 CRES TUBE TYPE AISI 321/347 MIL-T-8808/ MIL-T-8808-858		
- 424	417N2310-331	..	TUBE-	103106	1
			TUBING MATERIAL: STOCK .028 WALL X 1.00 O.D. X 3.00 CRES TUBE TYPE AISI 321/347 MIL-T-8808/ MIL-T-8808-858		

MISSING ITEM NUMBERS NOT APPLICABLE

- ITEM NOT ILLUSTRATED

38-31-56-13

38-31-56
FIG. 13
PAGE 6
JAN 20/09

BRI



757

PARTS CATALOG (MAINTENANCE)

FIG ITEM	PART NUMBER	1 2 3 4 5 6 7	NOMENCLATURE	EFFECT FROM TO	UNITS PER ASSY
13					
425	69B50212-1	.	CAP	103106	2
430	IT4350-511	.	HOSE-	103106	1
			SUPPLIER CODE: V26831		
			SPECIFICATION NUMBER: 69-27191-511		
			OPTIONAL PART: BOE2013-0511		
			V16632		
430	BOE2013-0511	.	HOSE-	103106	1
			SUPPLIER CODE: V16632		
			SPECIFICATION NUMBER: 69-27191-511		
			OPTIONAL PART: IT4350-511		
			V26831		
435	BOE2013-0344	.	HOSE ASSY-	103106	1
			SUPPLIER CODE: V16632		
			SPECIFICATION NUMBER: 69-27191-344		
			OPTIONAL PART: IT4350-344		
			V70628		
			IT4350-344		
			V26831		
435	IT4350-344	.	HOSE ASSY-	103106	1
			SUPPLIER CODE: V26831		
			SPECIFICATION NUMBER: 69-27191-344		
			OPTIONAL PART: 713488-344		
			V70628		
			BOE2013-0344		
			V16632		
440	417N2143-28	.	TUBE-	103106	2
			TUBING MATERIAL: GRAY WATER DRAIN, TI, 1.00" O.D. X 51.2", STRAIGHT		

MISSING ITEM NUMBERS NOT APPLICABLE

- ITEM NOT ILLUSTRATED

BRI

38-31-56-13

BOEING PROPRIETARY - Copyright © - Unpublished Work - See title page for details.

38-31-56
FIG. 13
PAGE 7
JAN 20/09



757

PARTS CATALOG (MAINTENANCE)

FIG ITEM	PART NUMBER	1 2 3 4 5 6 7	NOMENCLATURE	EFFECT FROM TO	UNITS PER ASSY
13 445	BOE2013-0316		.HOSE ASSY-DRAIN SUPPLIER CODE: V16632 SPECIFICATION NUMBER: 69-27191-316 OPTIONAL PART: 713488-316 V70628 IT4350-316 V26831	103106	1
445	IT4350-316		.HOSE-DRAIN SUPPLIER CODE: V26831 SPECIFICATION NUMBER: 69-27191-316 OPTIONAL PART: 713488-316 V70628 BOE2013-0316 V16632	103106	1
445	713488-316		.HOSE-DRAIN SUPPLIER CODE: V70628 SPECIFICATION NUMBER: 69-27191-316 OPTIONAL PART: IT4350-316 V26831 BOE2013-0316 V16632	103106	1
450	417N2143-27		.TUBE- TUBING MATERIAL: GRAY WATER DRAIN, TI, 1.00" O.D. X 31.5", STRAIGHT	103106	1
455	417N2143-2		.TUBE- TUBING MATERIAL: GRAY WATER DRAIN, TI, 1.00" O.D. X 97.50", STRAIGHT	103106	1
460	417N2143-26		.TUBE- TUBING MATERIAL: GRAY WATER DRAIN, TI, 1.00" O.D. X 78.5", BENT	103106	1

MISSING ITEM NUMBERS NOT APPLICABLE

- ITEM NOT ILLUSTRATED

38-31-56-13

38-31-56
FIG. 13
PAGE 8
JAN 20/09

BRI



757

PARTS CATALOG (MAINTENANCE)

FIG ITEM	PART NUMBER	1 2 3 4 5 6 7	NOMENCLATURE	EFFECT FROM TO	UNITS PER ASSY
13 465	BOE2013-0314		.HOSE ASSY- SUPPLIER CODE: V16632 SPECIFICATION NUMBER: 69-27191-314 OPTIONAL PART: 713488-314 V70628 IT4350-314 V26831	103106	4
465	IT4350-314		.HOSE ASSY- SUPPLIER CODE: V26831 SPECIFICATION NUMBER: 69-27191-314 OPTIONAL PART: 713488-314 V70628 BOE2013-0314 V16632	103106	4
465	713488-314		.HOSE- SUPPLIER CODE: V70628 SPECIFICATION NUMBER: 69-27191-314 OPTIONAL PART: IT4350-314 V26831 BOE2013-0314 V16632	103106	4
470	417N2143-25		.TUBE- TUBING MATERIAL: GRAY WATER DRAIN, TI, 1.00" O.D. X 35.4", BENT	103106	1
- 500	MODREF25699		DRAIN INSTL-LAV B MODULE NUMBER: 417N2454-3 REV B POSITION DATA: AFT	103106	1
505	BACS12GU3K9		.SCREW	103106	1
510	NAS1149D0316J		.WASHER	103106	1
515	BACC10DK19		.CLAMP	103106	1
520	BACC10JB032C046		.CLAMP	103106	1

MISSING ITEM NUMBERS NOT APPLICABLE

- ITEM NOT ILLUSTRATED

38-31-56-13

38-31-56
FIG. 13
PAGE 9
JAN 20/09

BRI



757

PARTS CATALOG (MAINTENANCE)

FIG ITEM	PART NUMBER	1 2 3 4 5 6 7	NOMENCLATURE	EFFECT FROM TO	UNITS PER ASSY
13 525	BOE2013-0329	.HOSE-	SUPPLIER CODE: V16632 SPECIFICATION NUMBER: 69-27191-329 OPTIONAL PART: 713488-329 V70628 IT4350-329 V26831	103106	1
525	IT4350-329	.HOSE-	SUPPLIER CODE: V26831 SPECIFICATION NUMBER: 69-27191-329 OPTIONAL PART: 713488-329 V70628 BOE2013-0329 V16632	103106	1
- 550	MODREF17680	DRAIN INSTL-GRAY WATER	MODULE NUMBER: 417N2454-4 REV A POSITION DATA: AFT G4B LEFT	103106	1
555	BACS12GU3K9	.SCREW		103106	1
560	NAS1149D0316J	.WASHER		103106	1
565	NAS1149D2132J	.WASHER		103106	1
570	AN924-16D	.NUT		103106	1
575	BACC10JB032C046	.CLAMP		103106	3
580	BACC10DK16	.CLAMP		103106	1
585	69B50212-1	.CAP		103106	1
590	66-17278-1	.CONNECTOR		103106	1
595	IT4351-530	.ELBOW-	SUPPLIER CODE: V26831 SPECIFICATION NUMBER: 69-27191-530 OPTIONAL PART: BOE2013-0530 V16632	103106	1
600	417N2143-36	.TUBE-	TUBING MATERIAL: GRAY WATER DRAIN, TI, 1.00" O.D. X 30.0", BENT	103106	1

MISSING ITEM NUMBERS NOT APPLICABLE

- ITEM NOT ILLUSTRATED

38-31-56-13

38-31-56
FIG. 13
PAGE 10
JAN 20/09

BRI



757

PARTS CATALOG (MAINTENANCE)

FIG ITEM	PART NUMBER	1 2 3 4 5 6 7	NOMENCLATURE	EFFECT FROM TO	UNITS PER ASSY
13 - 628	MODREF25700		DRAIN INSTL-LAV D MODULE NUMBER: 417N2454-5 REV B POSITION DATA: AFT	103106	1
630	BACS12GU3K11	.SCREW		103106	2
635	BACS12GU3K14	.SCREW		103106	1
640	NAS43DD3-6FC	.SPACER		103106	2
645	NAS43DD3-12FC	.SPACER		103106	1
650	NAS1149D0316J	.WASHER		103106	3
655	BACC10DK16	.CLAMP		103106	2
660	BACC10DK19	.CLAMP		103106	1
665	BACC10JB032C046	.CLAMP		103106	3
670	417N2143-29	.TUBE-	TUBING MATERIAL: GRAY WATER DRAIN, TI, 1.00" O.D. X 26.6", STRAIGHT	103106	1
675	BOE2013-0328	.HOSE-	SUPPLIER CODE: V16632 SPECIFICATION NUMBER: 69-27191-328 OPTIONAL PART: 713488-328 V70628 IT4350-328 V26831	103106	1
675	IT4350-328	.HOSE-	SUPPLIER CODE: V26831 SPECIFICATION NUMBER: 69-27191-328 OPTIONAL PART: 713488-328 V70628 BOE2013-0328 V16632	103106	1
675	713488-328	.HOSE-	SUPPLIER CODE: V70628 SPECIFICATION NUMBER: 69-27191-328 OPTIONAL PART: BOE2013-0328 V16632 IT4350-328 V26831	103106	1

MISSING ITEM NUMBERS NOT APPLICABLE

- ITEM NOT ILLUSTRATED

38-31-56-13

38-31-56
FIG. 13
PAGE 11
JAN 20/09

BRI



757

PARTS CATALOG (MAINTENANCE)

FIG ITEM	PART NUMBER	1 2 3 4 5 6 7	NOMENCLATURE	EFFECT FROM TO	UNITS PER ASSY
13 680	BOE2013-0445		.HOSE ASSY- SUPPLIER CODE: V16632 SPECIFICATION NUMBER: 69-27191-445 OPTIONAL PART: IT4350-445 V26831	103106	1

MISSING ITEM NUMBERS NOT APPLICABLE

- ITEM NOT ILLUSTRATED

BRI

38-31-56-13

BOEING PROPRIETARY - Copyright © - Unpublished Work - See title page for details.

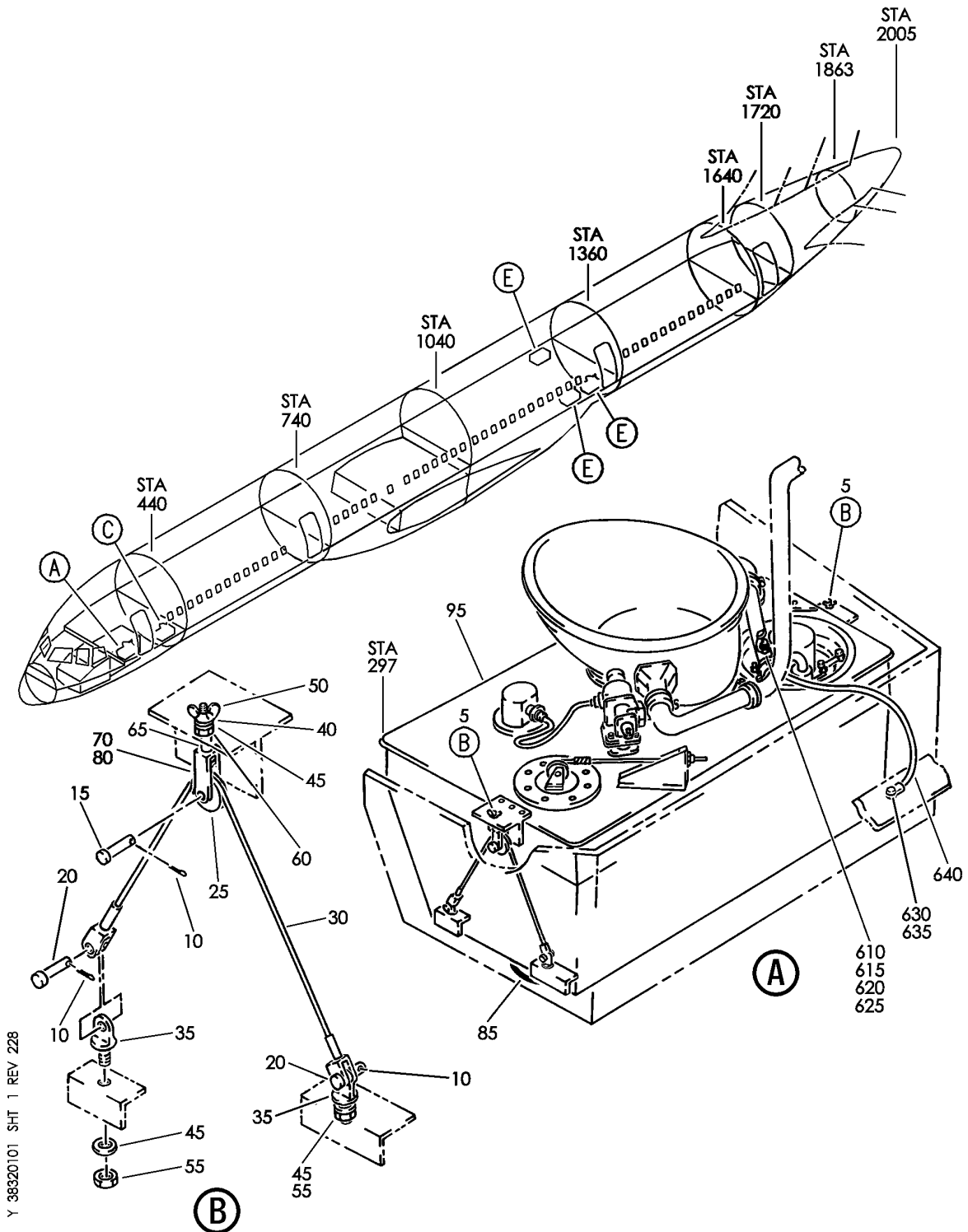
38-31-56
FIG. 13
PAGE 12
JAN 20/09

TOILET SYSTEM

BRI
MAY 28/07

38-32-00
SECTION TITLE
PAGE 1

BOEING
757
PARTS CATALOG (MAINTENANCE)



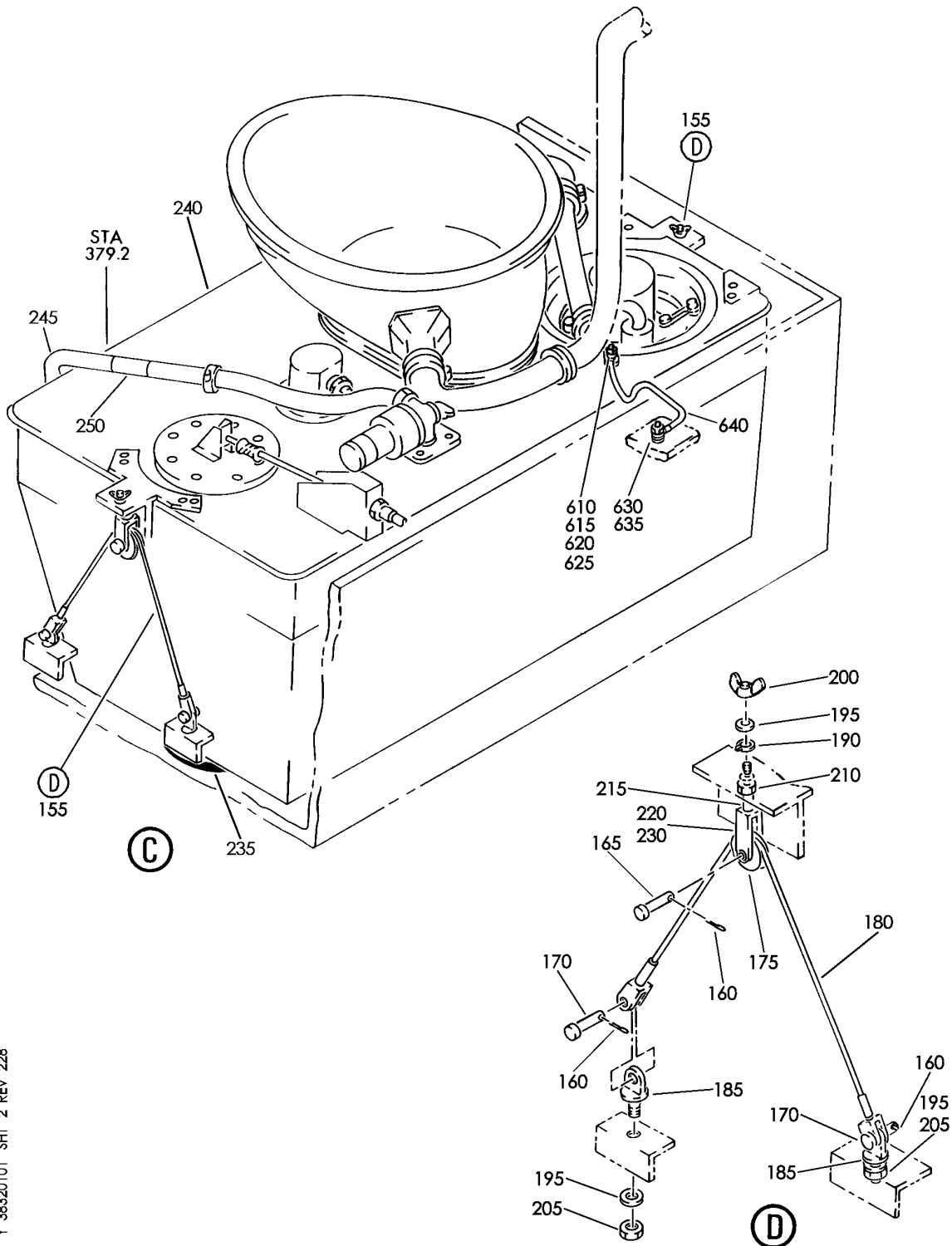
TOILET AND GROUND INSTL-757 FLUSHING
FIGURE 1 (SHEET 1)

38-32-01-01

BRI
MAY 28/07

38-32-01-01
PAGE 0

BOEING
757
PARTS CATALOG (MAINTENANCE)



Y 38320101 SHT 2 REV 228

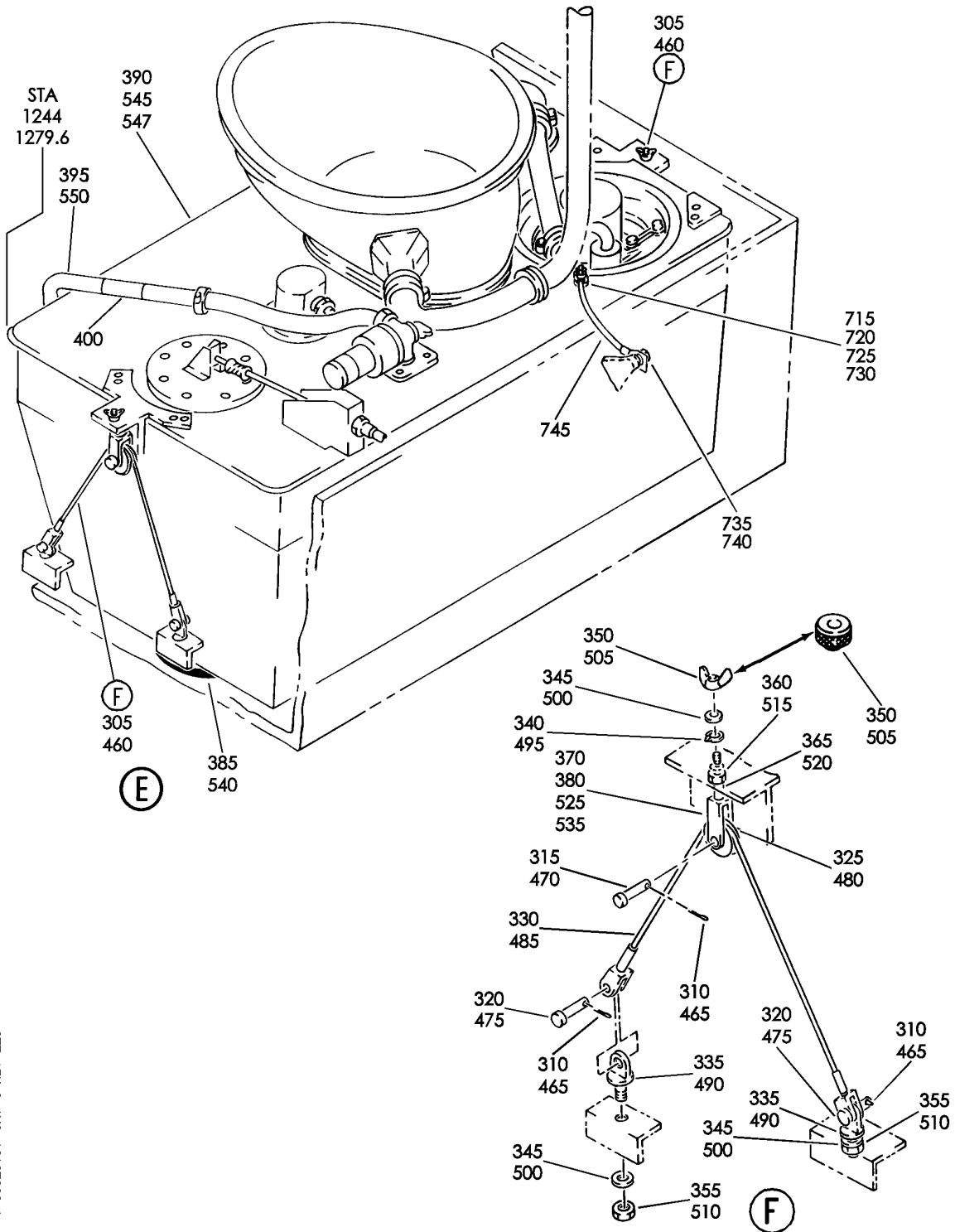
TOILET AND GROUND INSTL-757 FLUSHING
FIGURE 1 (SHEET 2)

38-32-01-01

BRI
MAY 28/07

38-32-01-01
PAGE 0A

BOEING
757
PARTS CATALOG (MAINTENANCE)



Y 38320101 SHT 3 REV 228

TOILET AND GROUND INSTL-757 FLUSHING
FIGURE 1 (SHEET 3)

38-32-01-01

BRI
MAY 28/07

38-32-01-01
PAGE 0B



757

PARTS CATALOG (MAINTENANCE)

FIG ITEM	PART NUMBER	1 2 3 4 5 6 7	NOMENCLATURE	EFFECT FROM TO	UNITS PER ASSY
1			TOILET AND GROUND INSTL- 757 FLUSHING	002004 006102 107999	
- 1	417N1112-101		TOILET INSTL-757 FLUSHING LAV A FOR NHA SEE: 25-20-00-01E	107107 904949	RF
- 1	417N1112-117		TOILET INSTL-757 FLUSHING LAV A FOR NHA SEE: 25-20-00-01A 25-20-00-01E 38-32-53-40	002004 006100 121503 950999	RF
- 1	417N1112-124		TOILET INSTL-757 FLUSHING LAV A FOR NHA SEE: 25-20-00-07D 25-20-00-09	101102 108120 504903	RF
5	417N1112-899		.TIEDOWN ASSY	002004 006102 107999	2
10	MS24665-151		..PIN	002004 006102 107999	3
15	MS20392-2C17		..PIN- OPTIONAL PART: BACP18BD2C19	002004 006102 107999	1
15	BACP18BD2C19		..PIN- OPTIONAL PART: MS20392-2C17	002004 006102 107999	1
20	MS20392-2C9		..PIN	002004 006102 107999	2
25	SMS24566M1B		..PULLEY SUPPLIER CODE: V29965 SPECIFICATION NUMBER: BACP30F13A OPTIONAL PART: R35F13A V25337 BMP30F13A V22277	002004 006102 107999	1
30	BACC2D3A00166AA		..CABLE ASSY	002004 006102 107999	1
35	AN42BC4A		..BOLT	002004 006102 107999	2

MISSING ITEM NUMBERS NOT APPLICABLE

- ITEM NOT ILLUSTRATED

BRI

38-32-01-01

38-32-01
FIG. 01
PAGE 1
JAN 20/09



757

PARTS CATALOG (MAINTENANCE)

FIG ITEM	PART NUMBER	1 2 3 4 5 6 7	NOMENCLATURE	EFFECT FROM TO	UNITS PER ASSY
1	40 MS25081C0	..	WASHER	002004 006102 107999	1
	45 AN960C10	..	WASHER	002004 006102 107999	3
	50 MS35426-13	..	NUT- OPTIONAL PART: SL2505-3 V97393	002004 006102 107999	1
	50 SL2505-3	..	NUT- SUPPLIER CODE: V97393 OPTIONAL PART: MS35426-13	002004 006102 107999	1
	55 MS21042L3	..	NUT	002004 006102 107999	4
	60 MS25082-3	..	NUT	002004 006102 107999	1
	65 NAS1454C3-0108	..	ROD- OPTIONAL PART: NAS1454C3-0200	002004 006102 107999	1
	65 NAS1454C3-0200	..	ROD- OPTIONAL PART: NAS1454C3-0108	002004 006102 107999	1
	70 66-15449-1	..	CLEVIS ASSY	002004 006102 107999	1
-	75 BACS13P3CN4	...	INSERT	002004 006102 107999	1
	80 AN481-3P	...	CLEVIS- OPTIONAL PART: MS27976-3	002004 006102 107999	1
	80 MS27976-3	...	CLEVIS- OPTIONAL PART: AN481-3P	002004 006102 107999	1

MISSING ITEM NUMBERS NOT APPLICABLE

- ITEM NOT ILLUSTRATED

BRI

38-32-01-01

BOEING PROPRIETARY - Copyright © - Unpublished Work - See title page for details.

38-32-01
FIG. 01
PAGE 2
JAN 20/09



757

PARTS CATALOG (MAINTENANCE)

FIG ITEM	PART NUMBER	1 2 3 4 5 6 7	NOMENCLATURE	EFFECT FROM TO	UNITS PER ASSY
1					
85	PRP1847-346		.GASKET- SUPPLIER CODE: V25184 SPECIFICATION NUMBER: BACG10T49 OPTIONAL PART: 2-346-47-071 V02697 SRCCZ1415-49 V95272 AN6227-49	002004 006102 107999	1
85	AN6227-49		.PACKING- OPTIONAL PART: BACG10T49	002004 006102 107999	1
95	16300-001		.TOILET ASSY- SUPPLIER CODE: V29780 SPECIFICATION NUMBER: S417N102-1 SB DATA FROM A CMM: PRE 16200-38-03 CONFIG CHG DATA FROM A CMM: REPLD BY 16300-008 COMPONENT MAINT MANUAL REF: 38-33-01 FOR DETAILS SEE: 38-32-01-33 38-32-02-02B 38-32-03-18 38-32-04-09 38-32-11-01	107107 904949	1

R
R
R
R
R
R
R
R
R
R
R
R
R
R
R

MISSING ITEM NUMBERS NOT APPLICABLE

- ITEM NOT ILLUSTRATED

38-32-01-01

38-32-01
FIG. 01
PAGE 3
MAY 20/09

BRI

BOEING
757
PARTS CATALOG (MAINTENANCE)

FIG ITEM	PART NUMBER	1 2 3 4 5 6 7	NOMENCLATURE	EFFECT FROM TO	UNITS PER ASSY
R R R R R R R R R R	1 95	16300-013	.TOILET ASSY-FLUSHING SUPPLIER CODE: V29780 SPECIFICATION NUMBER: S417N102-58 SB DATA FROM A CMM: POST 16200-38-03 CONFIG CHG DATA FROM A CMM: REPLS 16300-011 COMPONENT MAINT MANUAL REF: 38-33-01 FOR DETAILS SEE: 38-32-01-37 38-32-02-01A 38-32-03-19 38-32-04-16 38-32-05-14 38-32-11-01	002004 006102 107999	1
	- 150	417N1112-111	TOILET INSTL-757 FLUSHING LAV F FOR NHA SEE: 25-20-00-01E	107107 904949	RF
	- 150	417N1112-118	TOILET INSTL-757 FLUSHING LAV F FOR NHA SEE: 25-20-00-01E	121503	RF
	- 150	417N1112-125	TOILET INSTL-757 FLUSHING LAV F FOR NHA SEE: 25-20-00-07D	504903	RF
	155	417N1112-899	.TIEDOWN ASSY	107107 121949	2
	160	MS24665-151	..PIN	107107 121949	3
	165	MS20392-2C17	..PIN	107107 121949	1
	165	BACP18BD2C19	..PIN- OPTIONAL PART: MS20392-2C17	107107 121949	1
	170	MS20392-2C9	..PIN	107107 121949	2
	MISSING ITEM NUMBERS NOT APPLICABLE				

- ITEM NOT ILLUSTRATED

38-32-01-01

38-32-01
FIG. 01
PAGE 5
MAY 20/09

BRI



757

PARTS CATALOG (MAINTENANCE)

FIG ITEM	PART NUMBER	1 2 3 4 5 6 7	NOMENCLATURE	EFFECT FROM TO	UNITS PER ASSY
1					
175	SMS24566M1B	..	PULLEY SUPPLIER CODE: V29965 SPECIFICATION NUMBER: BACP30F13A OPTIONAL PART: R35F13A V25337 BMP30F13A V22277	107107 121949	1
180	BACC2D3A00166AA	..	CABLE ASSY	107107 121949	1
185	AN42BC4A	..	BOLT	107107 121949	2
190	MS25081C0	..	WASHER	107107 121949	1
195	AN960C10	..	WASHER	107107 121949	3
200	MS35426-13	..	NUT- OPTIONAL PART: SL2505-3 V97393	107107 121949	1
200	SL2505-3	..	NUT- SUPPLIER CODE: V97393 OPTIONAL PART: MS35426-13	107107 121949	1
205	MS21042L3	..	NUT	107107 121949	4
210	MS25082-3	..	NUT	107107 121949	1
215	NAS1454C3-0108	..	ROD- OPTIONAL PART: NAS1454C3-0200	107107 121949	1
215	NAS1454C3-0200	..	ROD- OPTIONAL PART: NAS1454C3-0108	107107 121949	1
220	66-15449-1	..	CLEVIS ASSY	107107 121949	1
- 225	BACS13P3CN4	...	INSERT	107107 121949	1
230	AN481-3P	...	CLEVIS- OPTIONAL PART: MS27976-3	107107 121949	1
230	MS27976-3	...	CLEVIS- OPTIONAL PART: AN481-3P	107107 121949	1

MISSING ITEM NUMBERS NOT APPLICABLE

- ITEM NOT ILLUSTRATED

38-32-01-01

38-32-01
FIG. 01
PAGE 6
MAY 20/09

BRI

BOEING PROPRIETARY - Copyright © - Unpublished Work - See title page for details.



757

PARTS CATALOG (MAINTENANCE)

FIG ITEM	PART NUMBER	1 2 3 4 5 6 7	NOMENCLATURE	EFFECT FROM TO	UNITS PER ASSY
1 235	PRP1847-346		.GASKET- SUPPLIER CODE: V25184 SPECIFICATION NUMBER: BACG10T49 OPTIONAL PART: 2-346-47-071 V02697 SRCCZ1415-49 V95272 AN6227-49	107107 121949	1
235	AN6227-49		.PACKING- OPTIONAL PART: BACG10T49	107107 121949	1
240	16200-022		.TOILET ASSY-FLUSHING SUPPLIER CODE: V29780 POSITION DATA: MID-CAB. SPECIFICATION NUMBER: S417N102-59 SB DATA FROM A CMM: POST 16200-38-03 CONFIG CHG DATA FROM A CMM: REPLS 16200-017 COMPONENT MAINT MANUAL REF: 38-33-01 FOR DETAILS SEE: 38-32-01-34 38-32-02-04 38-32-03-15 38-32-04-16 38-32-11-04	107107 121949	1

MISSING ITEM NUMBERS NOT APPLICABLE

- ITEM NOT ILLUSTRATED

BRI

38-32-01-01

BOEING PROPRIETARY - Copyright © - Unpublished Work - See title page for details.

38-32-01
FIG. 01
PAGE 7
MAY 20/09

BOEING
757
PARTS CATALOG (MAINTENANCE)

FIG ITEM	PART NUMBER	1 2 3 4 5 6 7	NOMENCLATURE	EFFECT FROM TO	UNITS PER ASSY
1 240	16200-001		.TOILET ASSY-FLUSHING SUPPLIER CODE: V29780 POSITION DATA: MID-CAB. SPECIFICATION NUMBER: S417N102-3 SB DATA FROM A CMM: PRE 16200-38-03 CONFIG CHG DATA FROM A CMM: REPLD BY 16200-011 COMPONENT MAINT MANUAL REF: 38-33-01 FOR DETAILS SEE: 38-32-01-44 38-32-02-05 38-32-03-11 38-32-04-08 38-32-11-02	107107 904949	1
	16200-017		.TOILET ASSY-FLUSHING SUPPLIER CODE: V29780 POSITION DATA: MID-CAB. SPECIFICATION NUMBER: S417N102-47 SB DATA FROM A CMM: PRE 16200-38-03 POST 3600-38-001 CONFIG CHG DATA FROM A CMM: REPLS 16200-011 REPLD BY 16200-022 COMPONENT MAINT MANUAL REF: 38-33-01 FOR DETAILS SEE: 38-32-01-49 38-32-02-06 38-32-03-05 38-32-04-03 38-32-11-03	107107 121949	1

MISSING ITEM NUMBERS NOT APPLICABLE

— ITEM NOT ILLUSTRATED

BRI

38-32-01-01

BOEING PROPRIETARY - Copyright © - Unpublished Work - See title page for details.

38-32-01
FIG. 01
PAGE 8
MAY 20/09



757

PARTS CATALOG (MAINTENANCE)

FIG ITEM	PART NUMBER	1 2 3 4 5 6 7	NOMENCLATURE	EFFECT FROM TO	UNITS PER ASSY
1 240	16200-011		.TOILET ASSY-FLUSHING SUPPLIER CODE: V29780 POSITION DATA: MID-CAB. SPECIFICATION NUMBER: S417N102-31 SB DATA FROM A CMM: PRE 3600-38-001 PRE 16200-38-03 CONFIG CHG DATA FROM A CMM: REPLS 16200-001 REPLD BY 16200-017 COMPONENT MAINT MANUAL REF: 38-33-01 FOR DETAILS SEE: 38-32-01-43 38-32-02-10 38-32-03-12 38-32-04-15 38-32-11-03	107107 121949	1
245	41201-352		.HOSE ASSY- SUPPLIER CODE: V24984 SPECIFICATION NUMBER: 10-60871-352	107107 121949	1
250	65-49666-4		.SHEATH-NYLON	108120	1
- 300	417N1112-348		TOILET INSTL-757 FLUSHING LAV B FOR NHA SEE: 25-20-00-01A	002004	RF
- 300	417N1112-351		TOILET INSTL-757 FLUSHING LAV B FOR NHA SEE: 25-20-00-01A	006100	RF
- 300	417N1112-360		TOILET INSTL-757 FLUSHING LAV B FOR NHA SEE: 25-20-00-01A 38-32-53-40	101102	RF
305	417N1112-899		.TIEDOWN ASSY	002004 006102	2
310	MS24665-151		..PIN	002004 006102	3
315	MS20392-2C17		..PIN- OPTIONAL PART: BACP18BD2C19	002004 006102	1

MISSING ITEM NUMBERS NOT APPLICABLE

- ITEM NOT ILLUSTRATED

38-32-01-01

38-32-01
FIG. 01
PAGE 9
MAY 20/09

BRI



757

PARTS CATALOG (MAINTENANCE)

FIG ITEM	PART NUMBER	1 2 3 4 5 6 7	NOMENCLATURE	EFFECT FROM TO	UNITS PER ASSY
1					
315	BACP18BD2C19	..	PIN- OPTIONAL PART: MS20392-2C17	002004 006102	1
320	MS20392-2C9	..	PIN	002004 006102	2
325	SMS24566M1B	..	PULLEY SUPPLIER CODE: V29965 SPECIFICATION NUMBER: BACP30F13A OPTIONAL PART: R35F13A V25337 BMP30F13A V22277	002004 006102	1
330	BACC2D3A00166AA	..	CABLE ASSY	002004 006102	1
335	AN42BC4A	..	BOLT	002004 006102	2
340	MS25081C0	..	WASHER	002004 006102	1
345	AN960C10	..	WASHER	002004 006102	3
350	MS35426-13	..	NUT- OPTIONAL PART: SL2505-3 V97393	002004 006102	1
350	SL2505-3	..	NUT- SUPPLIER CODE: V97393 OPTIONAL PART: MS35426-13	002004 006102	1
355	MS21042L3	..	NUT	002004 006102	4
360	MS25082-3	..	NUT	002004 006102	1
365	NAS1454C3-0108	..	ROD- OPTIONAL PART: NAS1454C3-0200	002004 006102	1
365	NAS1454C3-0200	..	ROD- OPTIONAL PART: NAS1454C3-0108	002004 006102	1
370	66-15449-1	..	CLEVIS ASSY	002004 006102	1
- 375	BACS13P3CN4	...	INSERT	002004 006102	1
380	AN481-3P	...	CLEVIS- OPTIONAL PART: MS27976-3	002004 006102	1

MISSING ITEM NUMBERS NOT APPLICABLE

- ITEM NOT ILLUSTRATED

38-32-01-01

38-32-01
FIG. 01
PAGE 10
MAY 20/09

BRI

BOEING PROPRIETARY - Copyright © - Unpublished Work - See title page for details.



757

PARTS CATALOG (MAINTENANCE)

FIG ITEM	PART NUMBER	1 2 3 4 5 6 7	NOMENCLATURE	EFFECT FROM TO	UNITS PER ASSY
1					
380	MS27976-3		. . . CLEVIS- OPTIONAL PART: AN481-3P	002004 006102	1
385	PRP1847-346		. GASKET- SUPPLIER CODE: V25184 SPECIFICATION NUMBER: BACG10T49 OPTIONAL PART: 2-346-47-071 V02697 SRCCZ1415-49 V95272 AN6227-49	002004 006102	1
385	AN6227-49		. PACKING- OPTIONAL PART: BACG10T49	002004 006102	1
390	16200-011		. TOILET ASSY-FLUSHING SUPPLIER CODE: V29780 SPECIFICATION NUMBER: S417N102-31 SB DATA FROM A CMM: PRE 3600-38-001 PRE 16200-38-03 CONFIG CHG DATA FROM A CMM: REPLS 16200-001 REPLD BY 16200-017 COMPONENT MAINT MANUAL REF: 38-33-01 FOR DETAILS SEE: 38-32-01-43 38-32-02-10 38-32-03-12 38-32-04-15 38-32-11-03	002004 006102	1

MISSING ITEM NUMBERS NOT APPLICABLE

- ITEM NOT ILLUSTRATED

38-32-01-01

38-32-01
FIG. 01
PAGE 11
MAY 20/09

BRI



757

PARTS CATALOG (MAINTENANCE)

FIG ITEM	PART NUMBER	1 2 3 4 5 6 7	NOMENCLATURE	EFFECT FROM TO	UNITS PER ASSY
1 390	16200-017		.TOILET ASSY-FLUSHING SUPPLIER CODE: V29780 POSITION DATA: MID-CAB. SPECIFICATION NUMBER: S417N102-47 SB DATA FROM A CMM: PRE 16200-38-03 POST 3600-38-001 CONFIG CHG DATA FROM A CMM: REPLS 16200-011 REPLD BY 16200-022 COMPONENT MAINT MANUAL REF: 38-33-01 FOR DETAILS SEE: 38-32-01-49 38-32-02-06 38-32-03-05 38-32-04-03 38-32-11-03	002004 006102	1
390	16200-022		.TOILET ASSY-FLUSHING SUPPLIER CODE: V29780 POSITION DATA: MID-CAB. SPECIFICATION NUMBER: S417N102-59 SB DATA FROM A CMM: POST 16200-38-03 CONFIG CHG DATA FROM A CMM: REPLS 16200-017 COMPONENT MAINT MANUAL REF: 38-33-01 FOR DETAILS SEE: 38-32-01-34 38-32-02-04 38-32-03-15 38-32-04-16 38-32-11-04	002004 006102	1
395	41201-352		.HOSE ASSY- SUPPLIER CODE: V24984 SPECIFICATION NUMBER: 10-60871-352	002004 006102	1
400	65-49666-4		.SHEATH-NYLON	006100	1

MISSING ITEM NUMBERS NOT APPLICABLE

- ITEM NOT ILLUSTRATED

BRI

38-32-01-01

BOEING PROPRIETARY - Copyright © - Unpublished Work - See title page for details.

38-32-01
FIG. 01
PAGE 12
MAY 20/09



757

PARTS CATALOG (MAINTENANCE)

FIG ITEM	PART NUMBER	1 2 3 4 5 6 7	NOMENCLATURE	EFFECT FROM TO	UNITS PER ASSY
1					
- 450	417N1112-331		TOILET INSTL-757 FLUSHING LAV C FOR NHA SEE: 25-20-00-01E	107107 904949	RF
- 450	417N1112-349		TOILET INSTL-757 FLUSHING LAV C FOR NHA SEE: 25-20-00-01A 25-20-00-01E	002004 121503 952952	RF
- 450	417N1112-352		TOILET INSTL-757 FLUSHING LAV C FOR NHA SEE: 25-20-00-01A 38-32-53-40	006100 950951 953999	RF
- 450	417N1112-361		TOILET INSTL-757 FLUSHING LAV C FOR NHA SEE: 25-20-00-07D 25-20-00-09	101102 108120 504903	RF
- 455	417N1112-341		TOILET INSTL-757 FLUSHING LAV D FOR NHA SEE: 25-20-00-01E	107107 904949	RF
- 455	417N1112-350		TOILET INSTL-757 FLUSHING LAV D FOR NHA SEE: 25-20-00-01A 25-20-00-01E	002004 121503 952952	RF
- 455	417N1112-353		TOILET INSTL-757 FLUSHING LAV D FOR NHA SEE: 25-20-00-01A 38-32-53-40	006100 950951 953999	RF
- 455	417N1112-362		TOILET INSTL-757 FLUSHING LAV D FOR NHA SEE: 25-20-00-07D 25-20-00-09	101102 108120 504903	RF
460	417N1112-899		.TIEDOWN ASSY	002004 006102 107999	2
465	MS24665-151		..PIN	002004 006102 107999	3
470	MS20392-2C17		..PIN- OPTIONAL PART: BACP18BD2C19	002004 006102 107999	1

MISSING ITEM NUMBERS NOT APPLICABLE

- ITEM NOT ILLUSTRATED

BRI

38-32-01-01

BOEING PROPRIETARY - Copyright © - Unpublished Work - See title page for details.

38-32-01
FIG. 01
PAGE 13
MAY 20/09



757

PARTS CATALOG (MAINTENANCE)

FIG ITEM	PART NUMBER	1 2 3 4 5 6 7	NOMENCLATURE	EFFECT FROM TO	UNITS PER ASSY
1					
470	BACP18BD2C19	..	PIN- OPTIONAL PART: MS20392-2C17	002004 006102 107999	1
475	MS20392-2C9	..	PIN	002004 006102 107999	2
480	SMS24566M1B	..	PULLEY SUPPLIER CODE: V29965 SPECIFICATION NUMBER: BACP30F13A OPTIONAL PART: R35F13A V25337 BMP30F13A V22277	002004 006102 107999	1
485	BACC2D3A00166AA	..	CABLE ASSY	002004 006102 107999	1
490	AN42BC4A	..	BOLT	002004 006102 107999	2
495	MS25081C0	..	WASHER	002004 006102 107999	1
500	AN960C10	..	WASHER	002004 006102 107999	3
505	MS35426-13	..	NUT- OPTIONAL PART: SL2505-3 V97393	002004 006102 107999	1
505	SL2505-3	..	NUT- SUPPLIER CODE: V97393 OPTIONAL PART: MS35426-13	002004 006102 107999	1
510	MS21042L3	..	NUT	002004 006102 107999	4
515	MS25082-3	..	NUT	002004 006102 107999	1
520	NAS1454C3-0108	..	ROD- OPTIONAL PART: NAS1454C3-0200	002004 006102 107999	1
520	NAS1454C3-0200	..	ROD- OPTIONAL PART: NAS1454C3-0108	002004 006102 107999	1

MISSING ITEM NUMBERS NOT APPLICABLE

- ITEM NOT ILLUSTRATED

38-32-01-01

38-32-01
FIG. 01
PAGE 14
MAY 20/09

BRI



757

PARTS CATALOG (MAINTENANCE)

FIG ITEM	PART NUMBER	1 2 3 4 5 6 7	NOMENCLATURE	EFFECT FROM TO	UNITS PER ASSY
1	525 66-15449-1		..CLEVIS ASSY	002004 006102 107999	1
-	530 BACS13P3CN4		...INSERT	002004 006102 107999	1
	535 AN481-3P		...CLEVIS- OPTIONAL PART: MS27976-3	002004 006102 107999	1
	535 MS27976-3		...CLEVIS- OPTIONAL PART: AN481-3P	002004 006102 107999	1
	540 PRP1847-346		.GASKET- SUPPLIER CODE: V25184 SPECIFICATION NUMBER: BACG10T49 OPTIONAL PART: 2-346-47-071 V02697 SRCCZ1415-49 V95272 AN6227-49	002004 006102 107999	1
	540 AN6227-49		.PACKING- OPTIONAL PART: BACG10T49	002004 006102 107999	1
	545 16200-002		.TOILET ASSY-FLUSHING SUPPLIER CODE: V29780 SPECIFICATION NUMBER: S417N102-4 SB DATA FROM A CMM: PRE 16200-38-03 CONFIG CHG DATA FROM A CMM: REPLD BY 16200-012 COMPONENT MAINT MANUAL REF: 38-33-01 USED ON: 417N1112-331 FOR DETAILS SEE: 38-32-01-44 38-32-02-05 38-32-03-11 38-32-04-08 38-32-11-02	107107 904949	1

MISSING ITEM NUMBERS NOT APPLICABLE

- ITEM NOT ILLUSTRATED

BRI

38-32-01-01

38-32-01
FIG. 01
PAGE 15
MAY 20/09



757

PARTS CATALOG (MAINTENANCE)

FIG ITEM	PART NUMBER	1 2 3 4 5 6 7	NOMENCLATURE	EFFECT FROM TO	UNITS PER ASSY
1 545	16200-012		.TOILET ASSY-FLUSHING SUPPLIER CODE: V29780 SPECIFICATION NUMBER: S417N102-32 SB DATA FROM A CMM: PRE 3600-38-001 PRE 16200-38-03 CONFIG CHG DATA FROM A CMM: REPLS 16200-002 REPLD BY 16200-018 COMPONENT MAINT MANUAL REF: 38-33-01 USED ON: 417N1112-346 FOR DETAILS SEE: 38-32-01-43 38-32-02-10 38-32-03-12 38-32-04-15 38-32-11-03	002004 006102 107999	1
545	16200-018		.TOILET ASSY-FLUSHING SUPPLIER CODE: V29780 SPECIFICATION NUMBER: S417N102-48 SB DATA FROM A CMM: PRE 16200-38-03 POST 3600-38-001 CONFIG CHG DATA FROM A CMM: REPLS 16200-012 REPLD BY 16200-023 COMPONENT MAINT MANUAL REF: 38-33-01 USED ON: 417N1112-349 417N1112-352 FOR DETAILS SEE: 38-32-01-49 38-32-02-06 38-32-03-05 38-32-04-04 38-32-11-03	002004 006102 107999	1

MISSING ITEM NUMBERS NOT APPLICABLE

- ITEM NOT ILLUSTRATED

BRI

38-32-01-01

BOEING PROPRIETARY - Copyright © - Unpublished Work - See title page for details.

38-32-01
FIG. 01
PAGE 16
MAY 20/09



757

PARTS CATALOG (MAINTENANCE)

FIG ITEM	PART NUMBER	1 2 3 4 5 6 7	NOMENCLATURE	EFFECT FROM TO	UNITS PER ASSY
1 545	16200-023		.TOILET ASSY-FLUSHING SUPPLIER CODE: V29780 SPECIFICATION NUMBER: S417N102-60 SB DATA FROM A CMM: POST 16200-38-03 CONFIG CHG DATA FROM A CMM: REPLS 16200-018 COMPONENT MAINT MANUAL REF: 38-33-01 USED ON: 417N1112-361 MODREF17351 FOR DETAILS SEE: 38-32-01-34 38-32-02-04 38-32-03-15 38-32-04-16 38-32-11-04	002004 006102 107999	1
547	16200-001		.TOILET ASSY-FLUSHING SUPPLIER CODE: V29780 SPECIFICATION NUMBER: S417N102-3 SB DATA FROM A CMM: PRE 16200-38-03 CONFIG CHG DATA FROM A CMM: REPLD BY 16200-011 COMPONENT MAINT MANUAL REF: 38-33-01 USED ON: 417N1112-341 FOR DETAILS SEE: 38-32-01-44 38-32-02-05 38-32-03-11 38-32-04-08 38-32-11-02	107107 904949	1

MISSING ITEM NUMBERS NOT APPLICABLE

- ITEM NOT ILLUSTRATED

BRI

38-32-01-01

BOEING PROPRIETARY - Copyright © - Unpublished Work - See title page for details.

38-32-01
FIG. 01
PAGE 17
MAY 20/09



757

PARTS CATALOG (MAINTENANCE)

FIG ITEM	PART NUMBER	1 2 3 4 5 6 7	NOMENCLATURE	EFFECT FROM TO	UNITS PER ASSY
1 547	16200-011		.TOILET ASSY-FLUSHING SUPPLIER CODE: V29780 SPECIFICATION NUMBER: S417N102-31 SB DATA FROM A CMM: PRE 3600-38-001 PRE 16200-38-03 CONFIG CHG DATA FROM A CMM: REPLS 16200-001 REPLD BY 16200-017 COMPONENT MAINT MANUAL REF: 38-33-01 USED ON: 417N1112-347 FOR DETAILS SEE: 38-32-01-43 38-32-02-10 38-32-03-12 38-32-04-15 38-32-11-03	002004 006102 107999	1
547	16200-017		.TOILET ASSY-FLUSHING SUPPLIER CODE: V29780 SPECIFICATION NUMBER: S417N102-47 SB DATA FROM A CMM: PRE 16200-38-03 POST 3600-38-001 CONFIG CHG DATA FROM A CMM: REPLS 16200-011 REPLD BY 16200-022 COMPONENT MAINT MANUAL REF: 38-33-01 USED ON: 417N1112-350 417N1112-353 FOR DETAILS SEE: 38-32-01-49 38-32-02-06 38-32-03-05 38-32-04-03 38-32-11-03	002004 006102 107999	1

MISSING ITEM NUMBERS NOT APPLICABLE

- ITEM NOT ILLUSTRATED

BRI

38-32-01-01

BOEING PROPRIETARY - Copyright © - Unpublished Work - See title page for details.

38-32-01
FIG. 01
PAGE 18
MAY 20/09



757

PARTS CATALOG (MAINTENANCE)

FIG ITEM	PART NUMBER	1 2 3 4 5 6 7	NOMENCLATURE	EFFECT FROM TO	UNITS PER ASSY
1 547	16200-022		.TOILET ASSY-FLUSHING SUPPLIER CODE: V29780 SPECIFICATION NUMBER: S417N102-59 SB DATA FROM A CMM: POST 16200-38-03 CONFIG CHG DATA FROM A CMM: REPLS 16200-017 COMPONENT MAINT MANUAL REF: 38-33-01 USED ON: 417N1112-362 MODREF17352 FOR DETAILS SEE: 38-32-01-34 38-32-02-04 38-32-03-15 38-32-04-16 38-32-11-04	002004 006102 107999	1
550	41201-361		.HOSE ASSY- SUPPLIER CODE: V24984 SPECIFICATION NUMBER: 10-60871-361	002004 006102 107999	1
- 600	417N1111-101		GROUND INSTL-TOILET TANK ELEC LAV A FOR NHA SEE: 25-20-00-01A 25-20-00-01E 25-20-00-07D 38-32-53-40	002004 006102 107999	RF
- 605	417N1111-11		GROUND INSTL-TOILET TANK ELEC LAV F OPTIONAL PART: 417N1111-111 FOR NHA SEE: 25-20-00-01E	101102 107107 121949	RF
- 605	417N1111-111		GROUND INSTL-TOILET TANK ELEC LAV F OPTIONAL PART: 417N1111-11 FOR NHA SEE: 25-20-00-01E 25-20-00-07D	101102 107107 121949	RF
610	NAS563-25		.BOLT- USED ON: 417N1111-1 417N1111-11	101102 107107 121949	1

MISSING ITEM NUMBERS NOT APPLICABLE

- ITEM NOT ILLUSTRATED

38-32-01-01

38-32-01
FIG. 01
PAGE 19
MAY 20/09

BRI



757

PARTS CATALOG (MAINTENANCE)

FIG ITEM	PART NUMBER	1 2 3 4 5 6 7	NOMENCLATURE	EFFECT FROM TO	UNITS PER ASSY
1					
610	NAS563-25		.BOLT- USED ON: 417N1111-1	002004 006100 108120 950999	1
615	AN960-10L		.WASHER- USED ON: 417N1111-1 417N1111-11	101102 107107 121949	2
615	AN960-10L		.WASHER- USED ON: 417N1111-1	002004 006100 108120 950999	2
620	MS35338-43		.WASHER- USED ON: 417N1111-1 417N1111-11	101102 107107 121949	1
620	MS35338-43		.WASHER- USED ON: 417N1111-1	002004 006100 108120 950999	1
625	MS35650-305S		.NUT- USED ON: 417N1111-1 417N1111-11	101102 107107 121949	1
625	MS35650-305S		.NUT- USED ON: 417N1111-1	002004 006100 108120 950999	1
630	BRH10C3D		.NUT- SUPPLIER CODE: V52828 SPECIFICATION NUMBER: BACN10JC3CD OPTIONAL PART: T6C1032JCD V11815 NS202486-02 V80539 102LH9075-3W V72962 H51650-3BAC V15653 USED ON: 417N1111-101 417N1111-111 MODREF17261 MODREF17262	101102 107107 121949	1

MISSING ITEM NUMBERS NOT APPLICABLE

- ITEM NOT ILLUSTRATED

38-32-01-01

38-32-01
FIG. 01
PAGE 20
MAY 20/09

BRI



757

PARTS CATALOG (MAINTENANCE)

FIG ITEM	PART NUMBER	1 2 3 4 5 6 7	NOMENCLATURE	EFFECT FROM TO	UNITS PER ASSY
1 630	BRH10C3D		.NUT- SUPPLIER CODE: V52828 SPECIFICATION NUMBER: BACN10JC3CD OPTIONAL PART: T6C1032JCD V11815 NS202486-02 V80539 102LH9075-3W V72962 H51650-3BAC V15653 USED ON: 417N1111-101 417N1111-111 MODREF17261 MODREF17262	002004 006100 108120 950999	1
635	BACS53B1ES1		.STUD- USED ON: 417N1111-101 417N1111-111 MODREF17261 MODREF17262	002004 006100 108120 950999	1
635	BACS53B1ES1		.STUD- USED ON: 417N1111-101 417N1111-111 MODREF17261 MODREF17262	101102 107107 121949	1
640	1002BB18		.JUMPER ASSY SUPPLIER CODE: V1FF12 SPECIFICATION NUMBER: BACJ40A20-18 OPTIONAL PART: TJEJ40A20-18 V33483 740A20-18 V91812 RBEJ20-18 V1GK47	101102 107107 121949	1

MISSING ITEM NUMBERS NOT APPLICABLE

- ITEM NOT ILLUSTRATED

BRI

38-32-01-01

BOEING PROPRIETARY - Copyright © - Unpublished Work - See title page for details.

38-32-01
FIG. 01
PAGE 21
MAY 20/09



757

PARTS CATALOG (MAINTENANCE)

FIG ITEM	PART NUMBER	1 2 3 4 5 6 7	NOMENCLATURE	EFFECT FROM TO	UNITS PER ASSY
1 640	1002BB18		. JUMPER ASSY SUPPLIER CODE: V1FF12 SPECIFICATION NUMBER: BACJ40A20-18 OPTIONAL PART: TJEJ40A20-18 V33483 740A20-18 V91812 RBEJ20-18 V1GK47	002004 006100 108120 950999	1
- 700	417N1111-331		GROUND INSTL-TOILET TANK ELEC LAV C FOR NHA SEE: 25-20-00-01A 25-20-00-01E 25-20-00-07D 38-32-53-40	002004 006102 107999	RF
- 705	417N1111-311		GROUND INSTL-TOILET TANK ELEC LAV B FOR NHA SEE: 25-20-00-01A 38-32-53-40 25-20-00-07D	002004 006102	RF
- 710	417N1111-341		GROUND INSTL-TOILET TANK ELEC LAV D FOR NHA SEE: 25-20-00-01A 25-20-00-01E 25-20-00-07D 38-32-53-40	002004 006102 107999	RF

MISSING ITEM NUMBERS NOT APPLICABLE

- ITEM NOT ILLUSTRATED

BRI

38-32-01-01

BOEING PROPRIETARY - Copyright © - Unpublished Work - See title page for details.

38-32-01
FIG. 01
PAGE 22
MAY 20/09



757

PARTS CATALOG (MAINTENANCE)

FIG ITEM	PART NUMBER	1 2 3 4 5 6 7	NOMENCLATURE	EFFECT FROM TO	UNITS PER ASSY
1 735	BRH10C3D	.NUT-	SUPPLIER CODE: V52828 SPECIFICATION NUMBER: BACN10JC3CD OPTIONAL PART: T6C1032JCD V11815 NS202486-02 V80539 102LH9075-3W V72962 H51650-3BAC V15653 USED ON: 417N1111-331 417N1111-341 417N1111-311	107999	1
735	BRH10C3D	.NUT	SUPPLIER CODE: V52828 SPECIFICATION NUMBER: BACN10JC3CD OPTIONAL PART: T6C1032JCD V11815 NS202486-02 V80539 102LH9075-3W V72962 H51650-3BAC V15653	002004 006102	1
740	BACS53B1ES1	.STUD-	USED ON: 417N1111-311 417N1111-331 417N1111-341 MODREF17267 MODREF17268	107999	1
740	BACS53B1ES1	.STUD-	USED ON: 417N1111-311 417N1111-331 417N1111-341 MODREF17267 MODREF17268	002004 006102	1

MISSING ITEM NUMBERS NOT APPLICABLE

- ITEM NOT ILLUSTRATED

38-32-01-01

38-32-01
FIG. 01
PAGE 23
MAY 20/09

BRI



757

PARTS CATALOG (MAINTENANCE)

FIG ITEM	PART NUMBER	1 2 3 4 5 6 7	NOMENCLATURE	EFFECT FROM TO	UNITS PER ASSY
1 745	1002BC15		. JUMPER ASSY- SUPPLIER CODE: V1FF12 SPECIFICATION NUMBER: BACJ40A21-15 OPTIONAL PART: TJEJ40A21-15 V33483 740A21-15 V91812 RBEJ21-15 V1GK47 USED ON: 417N1111-3 417N1111-4	101102 107107 121949	1
745	1002BB18		. JUMPER ASSY- SUPPLIER CODE: V1FF12 SPECIFICATION NUMBER: BACJ40A20-18 OPTIONAL PART: TJEJ40A20-18 V33483 740A20-18 V91812 RBEJ20-18 V1GK47 USED ON: 417N1111-331 417N1111-341 MODREF17267 MODREF17268	107999	1
745	1002BB18		. JUMPER ASSY SUPPLIER CODE: V1FF12 SPECIFICATION NUMBER: BACJ40A20-18 OPTIONAL PART: TJEJ40A20-18 V33483 740A20-18 V91812 RBEJ20-18 V1GK47	002004 006102	1

MISSING ITEM NUMBERS NOT APPLICABLE

- ITEM NOT ILLUSTRATED

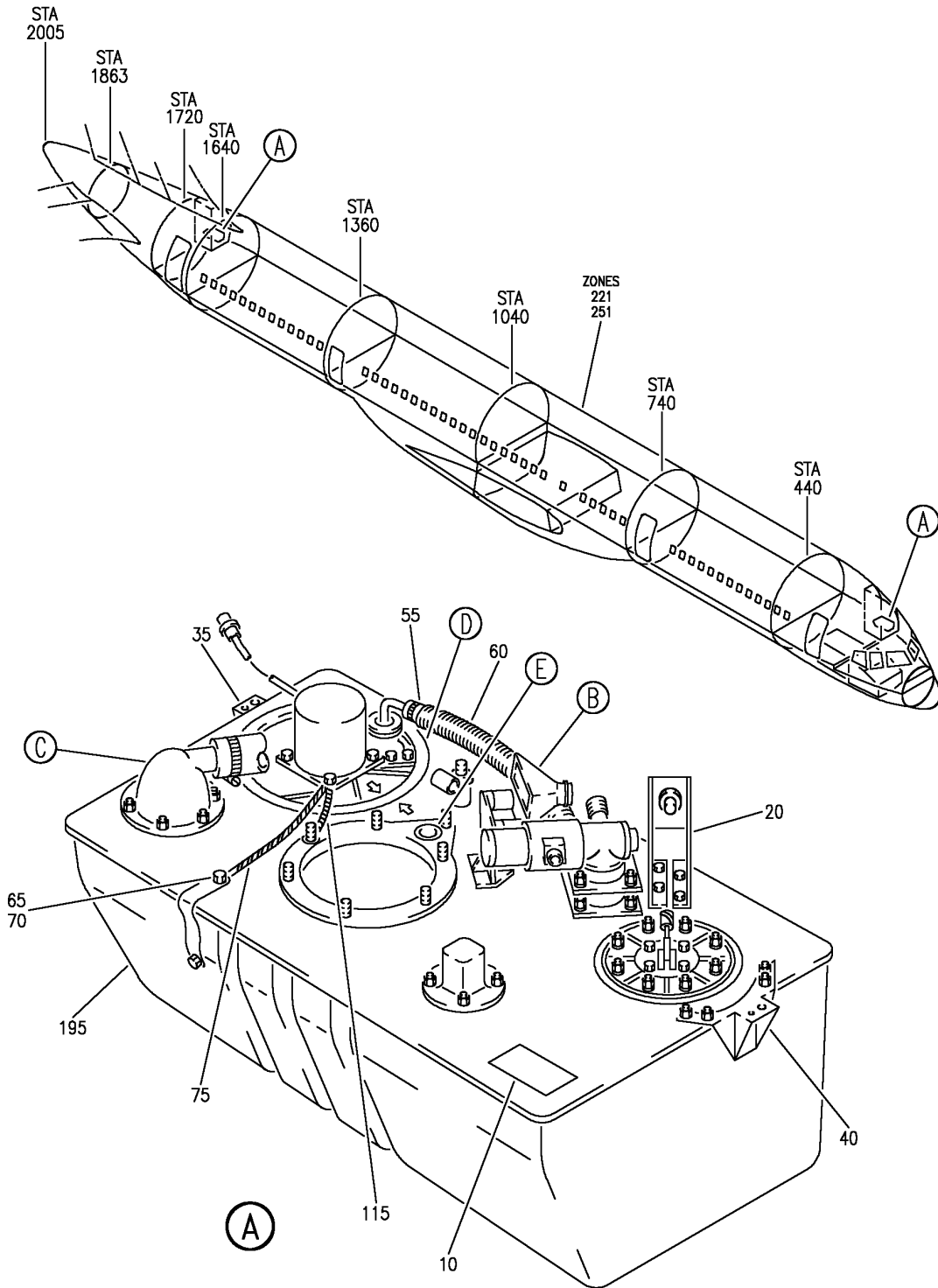
BRI

38-32-01-01

BOEING PROPRIETARY - Copyright © - Unpublished Work - See title page for details.

38-32-01
FIG. 01
PAGE 24
MAY 20/09

BOEING
757
PARTS CATALOG (MAINTENANCE)



Y 38320133 SH-T 1 REV 335

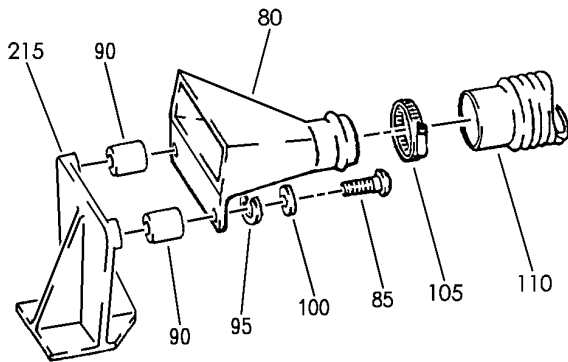
TOILET ASSY-FLUSHING (WATER/WASTE ONLY)
FIGURE 33 (SHEET 1)

38-32-01-33

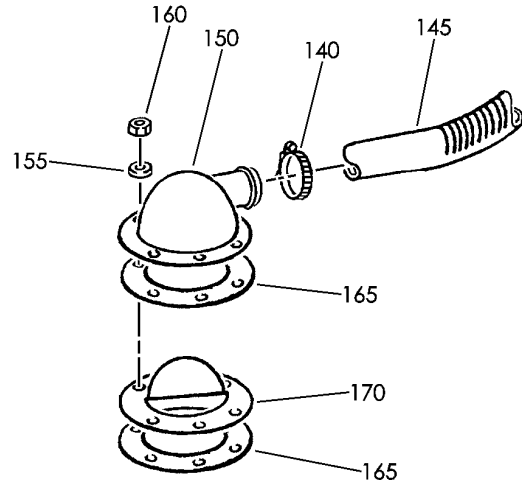
BRI
MAY 20/09

38-32-01-33
PAGE 0

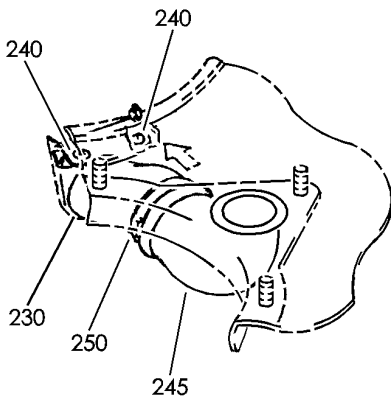
BOEING
757
PARTS CATALOG (MAINTENANCE)



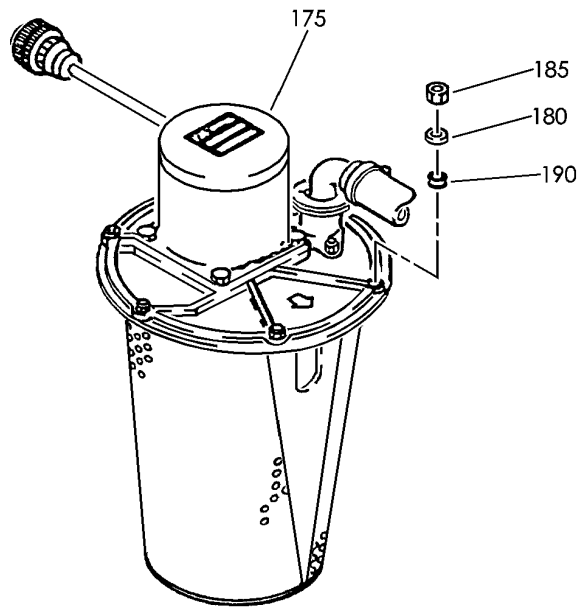
(B)



(C)



(E)



(D)

Y 38320133 SH1 2 REV 335

TOILET ASSY-FLUSHING (WATER/WASTE ONLY)
FIGURE 33 (SHEET 2)

38-32-01-33



757

PARTS CATALOG (MAINTENANCE)

FIG ITEM	PART NUMBER	1 2 3 4 5 6 7	NOMENCLATURE	EFFECT FROM TO	UNITS PER ASSY	
R R R R R R R R R R R R R R R	33		TOILET ASSY-FLUSHING (WATER/WASTE ONLY)	107107 904949	R F	
	- 1	16300-001	TOILET ASSY-FLUSHING (WATER/WASTE ONLY) SUPPLIER CODE: V29780 SPECIFICATION NUMBER: S417N102-1 SB DATA FROM A CMM: PRE 16200-38-03 CONFIG CHG DATA FROM A CMM: REPLD BY 16300-008 COMPONENT MAINT MANUAL REF: 38-33-01 FOR NHA/OTHER SYS DET SEE: 38-32-01-01	107107 904949		
	10	13507-001	.NAMEPLATE- SUPPLIER CODE: V29780	107107 904949		
	20	16302-005	.BRACKET-CABLE SPRT SUPPLIER CODE: V29780	107107 904949		
	- 25	AN960C10L	ATTACHING PARTS .WASHER	107107 904949		
	- 30	NAS679C3M	.NUT	107107 904949		
	35	16302-018	-----*----- .BRACKET-TIEDOWN SUPPLIER CODE: V29780	107107 904949		
	40	16202-002	.BRACKET-TIEDOWN SUPPLIER CODE: V29780	107107 904949		
	- 45	AN960C10L	ATTACHING PARTS .WASHER	107107 904949		
	- 50	NAS679C3M	.NUT	107107 904949		
	55	10HSS	-----*----- .CLAMP- SUPPLIER CODE: V76599	107107 904949		
	60	16004-027-4	.HOSE- SUPPLIER CODE: V29780	107107 904949		
	R R	65	AN960C10L	.WASHER		107107 904949

MISSING ITEM NUMBERS NOT APPLICABLE

- ITEM NOT ILLUSTRATED

38-32-01-33

38-32-01
FIG. 33
PAGE 1
MAY 20/09

BRI

 **BOEING**
757
PARTS CATALOG (MAINTENANCE)

FIG ITEM	PART NUMBER	1 2 3 4 5 6 7	NOMENCLATURE	EFFECT FROM TO	UNITS PER ASSY
33					
70	NAS679C3M	.	NUT	107107 904949	1
75	2435-14-3	.	STRAP-GROUNDING SUPPLIER CODE: V29780	107107 904949	1
80	4811-160-3	.	VENT-BOWL SUPPLIER CODE: V29780 ATTACHING PARTS	107107 904949	1
R	85	MS51957-125	.SCREW	107107 904949	2
R	90	4811-173-8	.SPACER- SUPPLIER CODE: V29780	107107 904949	2
R	95	MS35338-136	.WASHER	107107 904949	2
R	100	AN960C6	.WASHER	107107 904949	2
R			-----*-----		
	105	16HSS	.CLAMP- SUPPLIER CODE: V76599	107107 904949	2
	110	4811-196-033	.DUCT-FLEXIBLE SUPPLIER CODE: V29780	107107 904949	1
R	115	2435-14-21	.STRAP-GROUNDING SUPPLIER CODE: V29780	107107 904949	1
R	140	20HSS	.CLAMP- SUPPLIER CODE: V76599	107107 904949	2
	145	4811-196-032	.DUCT-FLEXIBLE SUPPLIER CODE: V29780	107107 904949	1
	150	4811-206	.VENT-AIR SUPPLIER CODE: V29780 ATTACHING PARTS	107107 904949	1
	155	AN960C8	.WASHER	107107 904949	5
	160	NAS679C08M	.NUT	107107 904949	5
			-----*-----		
	165	4811-191	.GASKET-VENT SUPPLIER CODE: V29780	107107 904949	2
	170	4811-190	.BAFFLE-VENT SUPPLIER CODE: V29780	107107 904949	1

MISSING ITEM NUMBERS NOT APPLICABLE

— ITEM NOT ILLUSTRATED

BRI

38-32-01-33

BOEING PROPRIETARY - Copyright © - Unpublished Work - See title page for details.

38-32-01
FIG. 33
PAGE 2
MAY 20/09



757

PARTS CATALOG (MAINTENANCE)

FIG ITEM	PART NUMBER	1 2 3 4 5 6 7	NOMENCLATURE	EFFECT FROM TO	UNITS PER ASSY
33					
175	16204-001		.MOTOR ASSY-PUMP FILTER SUPPLIER CODE: V29780 COMPONENT MAINT MANUAL REF: 38-33-02 FOR DETAILS SEE: 38-32-05-02 ATTACHING PARTS	107107 904949	1
R	180	AN960C8	.WASHER-	107107	6
R			CONFIG CHG DATA FROM A CMM:	904949	
R	180	NAS70C161-438	.WASHER-	107107	6
R			CONFIG CHG DATA FROM A CMM:	904949	
R			REPLS AN960C8		
	185	NAS679C08M	.NUT	107107 904949	6
			-----*-----		
R	190	4812-15	.GROMMET-	107107	6
R			SUPPLIER CODE:	904949	
R			V29780		
	195	16301-001	.TANK AND TOP ASSY-	107107	1
			SUPPLIER CODE:	904949	
			V29780		
-	205	16301-003	..TOP ASSY-BONDED	107107	1
			SUPPLIER CODE:	904949	
			V29780		
	215	4811-164	...SUPPORT-VENT BONDED	107107	1
			SUPPLIER CODE:	904949	
			V29780		
R	- 220	16202-014	...RING-BONDED	107107	1
R			SUPPLIER CODE:	904949	
R			V29780		
R			CONFIG CHG DATA FROM A CMM:		
R			REPLD BY 16202-034		
R	- 225	16202-034	...RING-BONDED	107107	1
R			SUPPLIER CODE:	904949	
R			V29780		
R			CONFIG CHG DATA FROM A CMM:		
R			REPLS 16202-014		
R	230	4811-275-2	...BRACKET-BONDED	107107	1
R			SUPPLIER CODE:	904949	
R			V29780		
R			CONFIG CHG DATA FROM A CMM:		
R			REPLD BY 16202-032		
R	230	16202-032	...BRACKET-BONDED	107107	1
R			SUPPLIER CODE:	904949	
R			V29780		
R			CONFIG CHG DATA FROM A CMM:		
R			REPLS 4811-275-2		

MISSING ITEM NUMBERS NOT APPLICABLE

- ITEM NOT ILLUSTRATED

38-32-01-33

38-32-01
FIG. 33
PAGE 3
MAY 20/09

BRI



757

PARTS CATALOG (MAINTENANCE)

FIG ITEM	PART NUMBER	1 2 3 4 5 6 7	NOMENCLATURE	EFFECT FROM TO	UNITS PER ASSY
33			ATTACHING PARTS		
240	NAS560CK2-3	...	SCREW	107107 904949	2
			-----*-----		
245	4811-276	...	HOSE-	107107 904949	1
			SUPPLIER CODE: V29780		
250	92	...	CLAMP-	107107 904949	1
			SUPPLIER CODE: V29780		
			CONFIG CHG DATA FROM A CMM: REPLD BY SNP360W		
250	SNP360W	...	CLAMP-	107107 904949	1
			SUPPLIER CODE: V29780		
			CONFIG CHG DATA FROM A CMM: REPLS 92		
			SUPSD BY SNP3410K2		
250	SNP3410K2	...	CLAMP-	107107 904949	1
			SUPPLIER CODE: V53421		
			CONFIG CHG DATA FROM A CMM: SUPERSEDES SNP360W		
- 260	4811-106	..	GASKET-BONDED	107107 904949	1
			SUPPLIER CODE: V29780		

R
R
R
R
R
R
R
R
R
R
R
R
R
R
R

MISSING ITEM NUMBERS NOT APPLICABLE

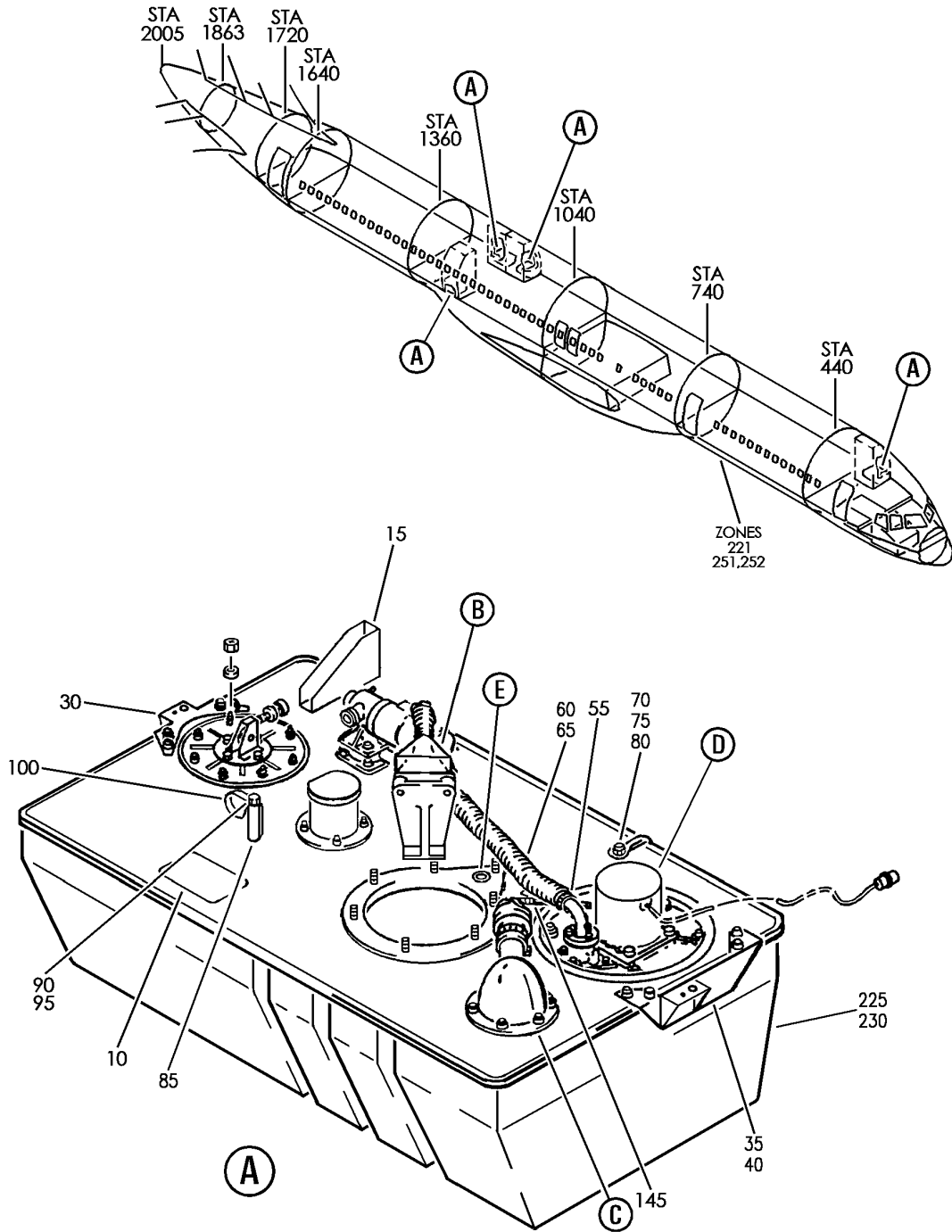
- ITEM NOT ILLUSTRATED

38-32-01-33

38-32-01
FIG. 33
PAGE 4
MAY 20/09

BRI

BOEING
757
PARTS CATALOG (MAINTENANCE)



Y 38320134 SH1 1 REV 335

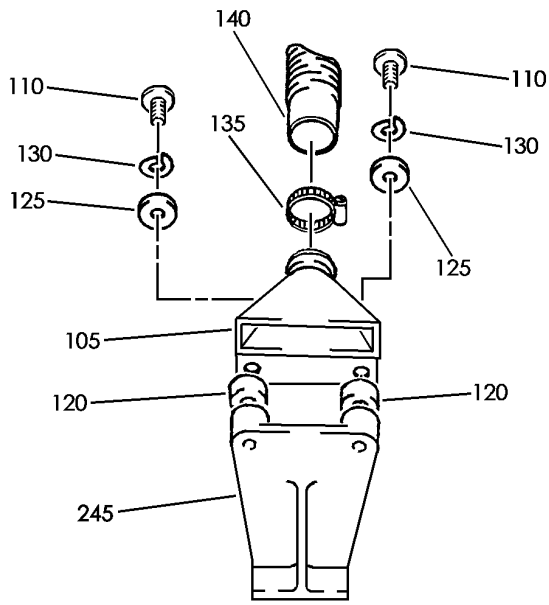
TOILET ASSY-FLUSHING (TOILET SYSTEM ONLY)
FIGURE 34 (SHEET 1)

38-32-01-34

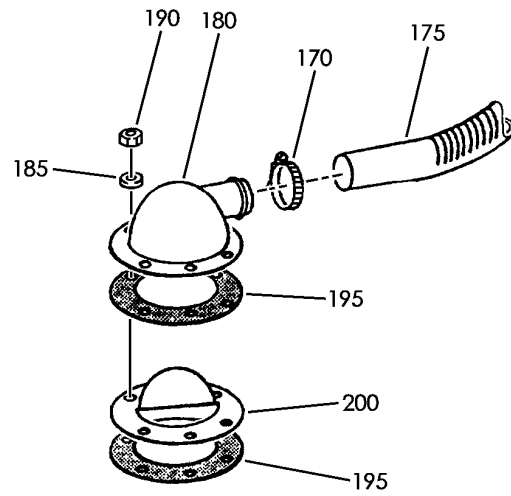
BRI
MAY 20/09

38-32-01-34
PAGE 0

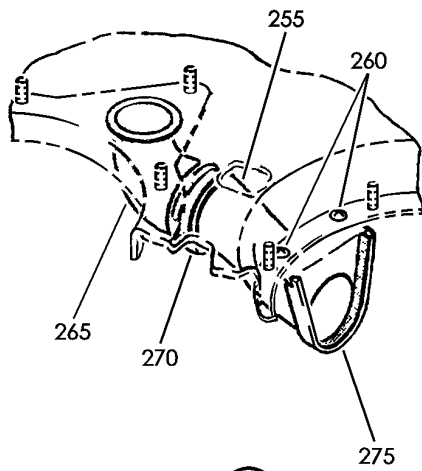

BOEING
 757
PARTS CATALOG (MAINTENANCE)



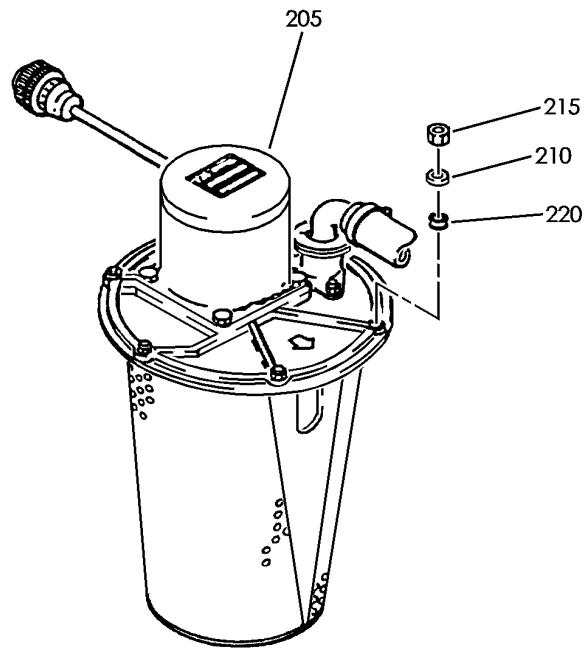
(B)



(C)



(E)



(D)

Y 38320134 SHT 2 REV 228

TOILET ASSY-FLUSHING (TOILET SYSTEM ONLY)
FIGURE 34 (SHEET 2)

38-32-01-34

BOEING
757
PARTS CATALOG (MAINTENANCE)

FIG ITEM	PART NUMBER	1 2 3 4 5 6 7	NOMENCLATURE	EFFECT FROM TO	UNITS PER ASSY
34					
R - 25	NAS679C3M	.	NUT	002004 006102 107999	4
R			-----*-----		
R	30 16202-002	.	BRACKET-TIE DOWN	002004	1
R			SUPPLIER CODE:	006102	
R			V29780	107999	
R	35 16302-017	.	BRACKET-TIE DOWN	002004	1
R			SUPPLIER CODE:	006102	
R			V29780	107999	
R			USED ON:		
R			16200-022		
R	40 16302-019	.	BRACKET-TIE DOWN	002004	1
R			SUPPLIER CODE:	006102	
R			V29780	107999	
R			USED ON:		
R			16200-023		
R			ATTACHING PARTS		
R - 45	AN960C10L	.	WASHER-	002004	8
R			CONFIG CHG DATA FROM A CMM:	006102	
R			REPLD BY NAS1149C0332R	107999	
R - 45	NAS1149C0332R	.	WASHER-	002004	8
R			CONFIG CHG DATA FROM A CMM:	006102	
R			REPLS AN960C10L	107999	
R - 50	NAS679C3M	.	NUT	002004	8
R				006102	
R				107999	
R			-----*-----		
R	55 H6SS	.	CLAMP-	002004	2
R			SUPPLIER CODE:	006102	
R			V76599	107999	
R	60 16004-027-5	.	HOSE-	002004	1
R			SUPPLIER CODE:	006102	
R			V29780	107999	
R			USED ON:		
R			16200-022		
R	65 16004-027-9	.	HOSE-	002004	1
R			SUPPLIER CODE:	006102	
R			V29780	107999	
R			USED ON:		
R			16200-023		
R	70 AN960C10L	.	WASHER-	002004	2
R			CONFIG CHG DATA FROM A CMM:	006102	
R			REPLD BY NAS1149C0332R	107999	

MISSING ITEM NUMBERS NOT APPLICABLE

- ITEM NOT ILLUSTRATED

38-32-01-34

38-32-01
FIG. 34
PAGE 2
MAY 20/09

BRI

BOEING PROPRIETARY - Copyright © - Unpublished Work - See title page for details.

 **BOEING**
757
PARTS CATALOG (MAINTENANCE)

FIG ITEM	PART NUMBER	1 2 3 4 5 6 7	NOMENCLATURE	EFFECT FROM TO	UNITS PER ASSY
R R R R R R R R R R R R R R	34				
	70	NAS1149C0332R	.WASHER- CONFIG CHG DATA FROM A CMM: REPLS AN960C10L USED WITH: NAS679C3M 2435-14-21 16201-019 16201-002	002004 006102 107999	2
	75	NAS679C3M	.NUT- USED WITH: 16201-019 16201-002 AN960C10L 2435-14-21	002004 006102 107999	1
	80	2435-14-21	.STRAP-GROUNDING SUPPLIER CODE: V29780 USED WITH: 16201-019 16201-002 NAS679C3M AN960C10L	002004 006102 107999	1
	85	3752-24	.SPACER- SUPPLIER CODE: V29780	002004 006102 107999	1
	90	AN960C10L	.WASHER- CONFIG CHG DATA FROM A CMM: REPLD BY NAS1149C0332R	002004 006102 107999	2
	90	NAS1149C0332R	.WASHER- CONFIG CHG DATA FROM A CMM: REPLS AN960C10L	002004 006102 107999	2
	95	NAS679C3M	.NUT	002004 006102 107999	1
	100	C10DK14	.CLAMP- SUPPLIER CODE: V03296	002004 006102 107999	1
	105	4811-160-3	.VENT-BOWL SUPPLIER CODE: V29780 ATTACHING PARTS	002004 006102 107999	1
	110	MS51957-30	.SCREW- USED ON: 16200-022	002004 006102 107999	2
	110	MS51957-125	.SCREW- USED ON: 16200-023	002004 006102 107999	2

MISSING ITEM NUMBERS NOT APPLICABLE

— ITEM NOT ILLUSTRATED

BRI

38-32-01-34

38-32-01
FIG. 34
PAGE 3
MAY 20/09



757

PARTS CATALOG (MAINTENANCE)

FIG ITEM	PART NUMBER	1 2 3 4 5 6 7	NOMENCLATURE	EFFECT FROM TO	UNITS PER ASSY
R	34				
R	120	4811-173-3	.SPACER- SUPPLIER CODE: V29780 USED ON: 16200-023	002004 006102 107999	2
R	125	AN960C6	.WASHER- CONFIG CHG DATA FROM A CMM: REPLD BY NAS1149CN632R	002004 006102 107999	2
R	125	NAS1149CN632R	.WASHER- CONFIG CHG DATA FROM A CMM: REPLS AN960C6	002004 006102 107999	2
R	130	MS35338-136	.WASHER	002004 006102 107999	2
R	135	16HSS	-----*----- .CLAMP- SUPPLIER CODE: V76599	002004 006102 107999	2
R	140	4811-196-034	.DUCT-FLEXIBLE SUPPLIER CODE: V29780	002004 006102 107999	1
R	145	2435-14-15	.STRAP-GROUNDING SUPPLIER CODE: V29780	002004 006102 107999	1
R	170	20HSS	.CLAMP- SUPPLIER CODE: V76599	002004 006102 107999	2
R	175	4811-196-035	.DUCT-FLEXIBLE SUPPLIER CODE: V29780	002004 006102 107999	1
R	180	4811-206	.VENT-AIR SUPPLIER CODE: V29780 ATTACHING PARTS	002004 006102 107999	1
R	185	AN960C8	.WASHER- CONFIG CHG DATA FROM A CMM: REPLD BY NAS1149CN832R	002004 006102 107999	5
R	185	NAS1149CN832R	.WASHER- CONFIG CHG DATA FROM A CMM: REPLS AN960C8	002004 006102 107999	5
R	190	NAS679C08M	.NUT	002004 006102 107999	5
R	195	4811-191	-----*----- .GASKET-VENT SUPPLIER CODE: V29780	002004 006102 107999	2

MISSING ITEM NUMBERS NOT APPLICABLE

- ITEM NOT ILLUSTRATED

38-32-01-34

38-32-01
FIG. 34
PAGE 4
MAY 20/09

BRI

BOEING PROPRIETARY - Copyright © - Unpublished Work - See title page for details.



757

PARTS CATALOG (MAINTENANCE)

FIG ITEM	PART NUMBER	1 2 3 4 5 6 7	NOMENCLATURE	EFFECT FROM TO	UNITS PER ASSY
34					
R	200	4811-190	.BAFFLE-VENT	002004	1
R			SUPPLIER CODE:	006102	
R			V29780	107999	
R	205	16204-002	.MOTOR ASSY-PUMP FILTER	002004	1
R			SUPPLIER CODE:	006102	
R			V29780	107999	
R			COMPONENT MAINT MANUAL REF:		
R			38-33-02		
R			FOR DETAILS SEE:		
R			38-32-05-03		
R			ATTACHING PARTS		
R	210	NAS70C161-438	.WASHER	002004	6
R				006102	
R				107999	
R	215	NAS679C08M	.NUT	002004	6
R				006102	
R				107999	
R	220	4812-15	-----*----- .GROMMET-	002004	6
R			SUPPLIER CODE:	006102	
R			V29780	107999	
R	225	16201-019	.TANK AND TOP ASSY-	002004	1
R			SUPPLIER CODE:	006102	
R			V29780	107999	
R			OPTIONAL PART:		
R			16201-001		
R			V29780		
R			USED ON:		
R			16200-022		
R	225	16201-001	.TANK AND TOP ASSY-	002004	1
R			SUPPLIER CODE:	006102	
R			V29780	107999	
R			OPTIONAL PART:		
R			16201-019		
R			V29780		
R			USED ON:		
R			16200-022		
R			USED WITH:		
R			NAS679C3M		
R			AN960C10L		
R			2435-14-21		
R	230	16201-020	.TANK AND TOP ASSY-	002004	1
R			SUPPLIER CODE:	006102	
R			V29780	107999	
R			OPTIONAL PART:		
R			16201-002		
R			V29780		
R			USED ON:		
R			16200-023		

MISSING ITEM NUMBERS NOT APPLICABLE

- ITEM NOT ILLUSTRATED

BRI

38-32-01-34

38-32-01
FIG. 34
PAGE 5
MAY 20/09

BOEING
757
PARTS CATALOG (MAINTENANCE)

FIG ITEM	PART NUMBER	1 2 3 4 5 6 7	NOMENCLATURE	EFFECT FROM TO	UNITS PER ASSY	
R R R R R R R R R R R R R R R R	34					
	265	4811-276	...	HOSE-	002004	1
				SUPPLIER CODE:	006102	
				V29780	107999	
	270	SNP360W	...	CLAMP-	002004	1
				SUPPLIER CODE:	006102	
				V29780	107999	
				CONFIG CHG DATA FROM A CMM:		
				SUPSD BY SNP3410K2		
	270	SNP3410K2	...	CLAMP-	002004	1
				SUPPLIER CODE:	006102	
				V53421	107999	
				CONFIG CHG DATA FROM A CMM:		
				SUPERSEDES SNP360W		
	275	4811-106	..	GASKET-BONDED	002004	1
				SUPPLIER CODE:	006102	
			V29780	107999		

MISSING ITEM NUMBERS NOT APPLICABLE

— ITEM NOT ILLUSTRATED

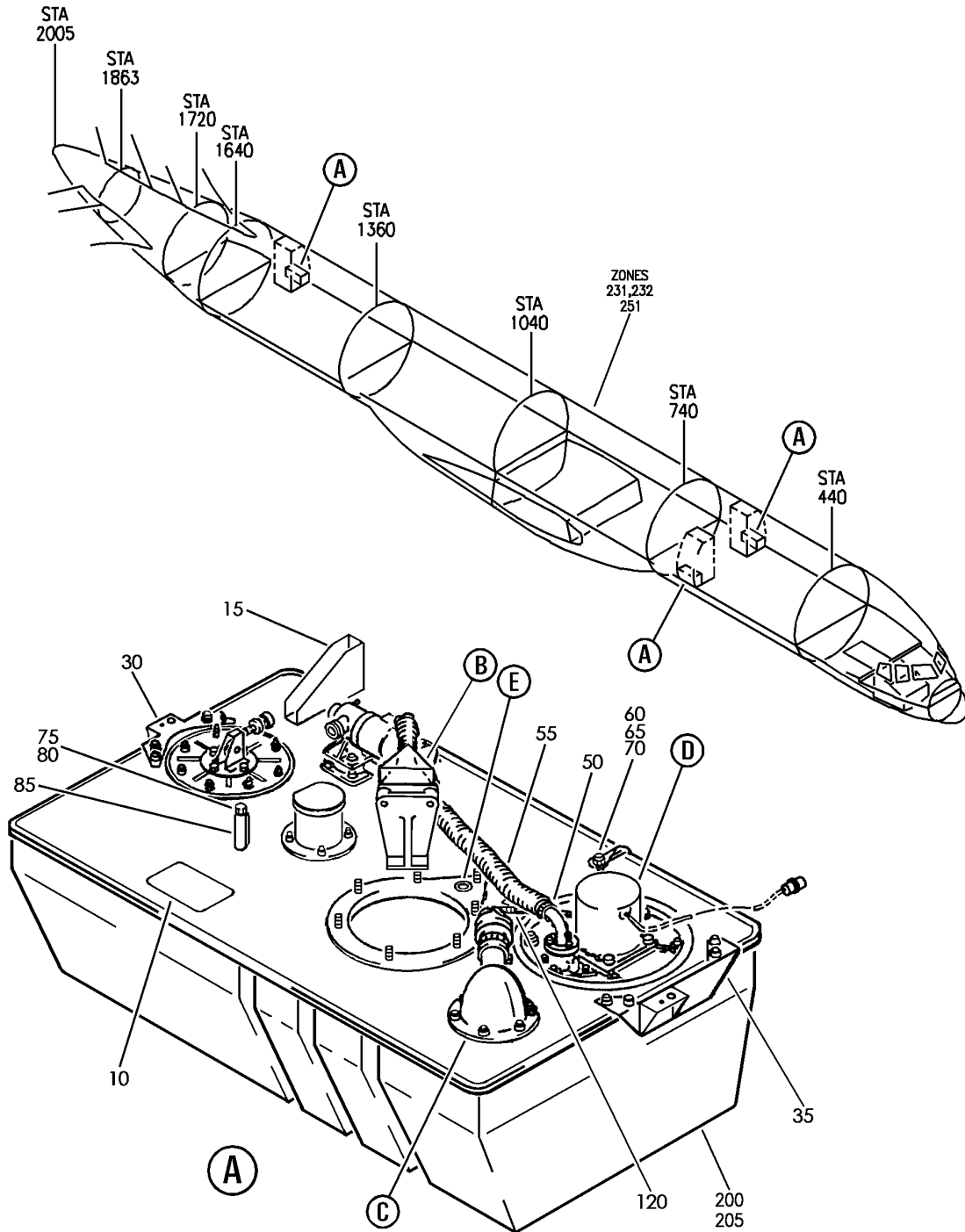
38-32-01-34

38-32-01
FIG. 34
PAGE 7
MAY 20/09

BRI

BOEING PROPRIETARY - Copyright © - Unpublished Work - See title page for details.

BOEING
757
PARTS CATALOG (MAINTENANCE)



Y 38320135 SH1 1 REV 335

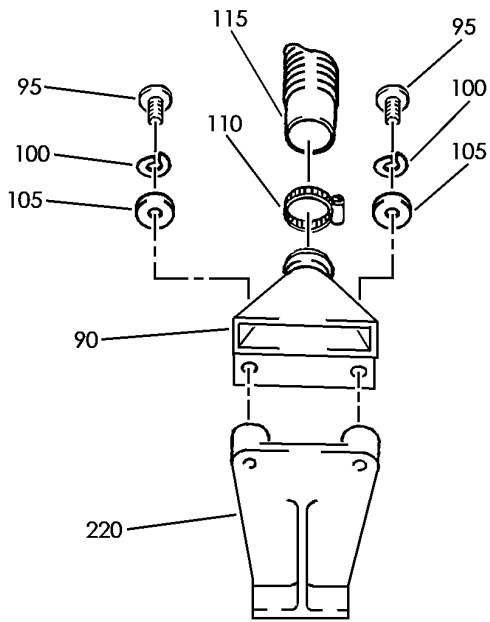
TOILET ASSY-FLUSHING (WATER/WASTE ONLY)
FIGURE 35 (SHEET 1)

38-32-01-35

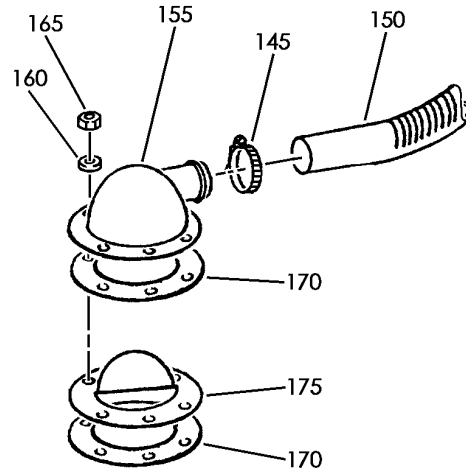
BRI
MAY 20/09

38-32-01-35
PAGE 0

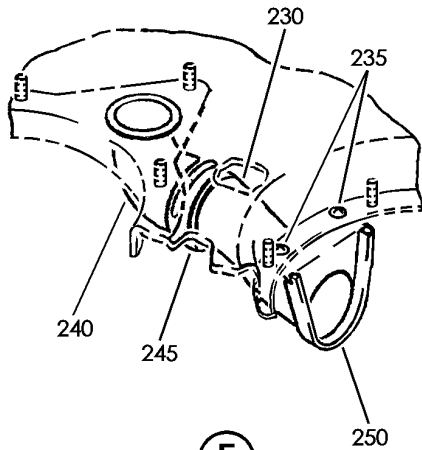

BOEING
 757
PARTS CATALOG (MAINTENANCE)



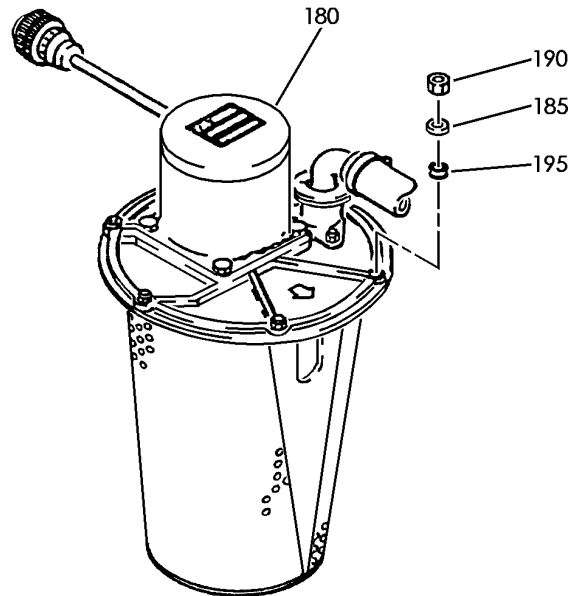
(B)



(C)



(E)



(D)

Y 38320135 SH1 2 REV 228

TOILET ASSY-FLUSHING (WATER/WASTE ONLY)
FIGURE 35 (SHEET 2)

38-32-01-35

BRI
JAN 20/09

38-32-01-35
PAGE 0A

BOEING
757
PARTS CATALOG (MAINTENANCE)

FIG ITEM	PART NUMBER	1 2 3 4 5 6 7	NOMENCLATURE	EFFECT FROM TO	UNITS PER ASSY
35			TOILET ASSY-FLUSHING (WATER/WASTE ONLY)	108120 950999	
- 1	16200-024		TOILET ASSY-FLUSHING (WATER/WASTE ONLY) SUPPLIER CODE: V29780 POSITION DATA: MID CAB. SPECIFICATION NUMBER: S417N102-61 SB DATA FROM A CMM: POST 16200-38-03 CONFIG CHG DATA FROM A CMM: REPLS 16200-019 COMPONENT MAINT MANUAL REF: 38-33-01 FOR NHA/OTHER SYS DET SEE: 38-32-53-03	108120 950999	RF
	10 13508-100		.NAMEPLATE- SUPPLIER CODE: V29780	108120 950999	1
	15 16302-005		.BRACKET-CABLE SPRT SUPPLIER CODE: V29780	108120 950999	1
R -	20 AN960C10L		.WASHER- CONFIG CHG DATA FROM A CMM: REPLD BY NAS1149C0332R	108120 950999	4
R -	20 NAS1149C0332R		.WASHER- CONFIG CHG DATA FROM A CMM: REPLS AN960C10L	108120 950999	4
R -	25 NAS679C3M		.NUT	108120 950999	4
	30 16202-002		-----*----- .BRACKET-TIE DOWN SUPPLIER CODE: V29780	108120 950999	1
	35 16302-017		.BRACKET-TIE DOWN SUPPLIER CODE: V29780 USED ON: 16200-024 ATTACHING PARTS	108120 950999	1
R -	40 AN960C10L		.WASHER- CONFIG CHG DATA FROM A CMM: REPLD BY NAS1149C0332R	108120 950999	8
R -	40 NAS1149C0332R		.WASHER- CONFIG CHG DATA FROM A CMM: REPLS AN960C10L	108120 950999	8

MISSING ITEM NUMBERS NOT APPLICABLE

- ITEM NOT ILLUSTRATED

BRI

38-32-01-35

38-32-01
FIG. 35
PAGE 1
MAY 20/09



757

PARTS CATALOG (MAINTENANCE)

FIG ITEM	PART NUMBER	1 2 3 4 5 6 7	NOMENCLATURE	EFFECT FROM TO	UNITS PER ASSY
35					
- 45	NAS679C3M	.	NUT	108120 950999	8
			-----*-----		
50	H6SS	.	CLAMP-	108120 950999	2
			SUPPLIER CODE: V76599		
55	16004-027-5	.	HOSE-	108120 950999	1
			SUPPLIER CODE: V29780		
			USED ON: 16200-024		
R	60	NAS679C3M	.NUT-	108120 950999	1
R			USED WITH: AN960C10L		
R			2435-14-21		
R			16201-001		
R			16201-002		
R	65	AN960C10L	.WASHER-	108120 950999	2
R			CONFIG CHG DATA FROM A CMM: REPLD BY NAS1149C0332R		
R	65	NAS1149C0332R	.WASHER-	108120 950999	2
R			CONFIG CHG DATA FROM A CMM: REPLS AN960C10L		
R			USED WITH: NAS679C3M		
R			2435-14-21		
R			16201-001		
R			16201-002		
R	70	2435-14-21	.STRAP-GROUNDING	108120 950999	1
R			SUPPLIER CODE: V29780		
R			USED WITH: 16201-001		
R			16201-002		
R			AN960C10L		
R			NAS679C3M		
R	75	NAS679C3M	.NUT	108120 950999	1
R	80	AN960C10L	.WASHER-	108120 950999	2
R			CONFIG CHG DATA FROM A CMM: REPLD BY NAS1149C0332R		
R	80	NAS1149C0332R	.WASHER-	108120 950999	2
R			CONFIG CHG DATA FROM A CMM: REPLS AN960C10L		
R	85	3752-24	.SPACER-	108120 950999	1
			SUPPLIER CODE: V29780		

MISSING ITEM NUMBERS NOT APPLICABLE

- ITEM NOT ILLUSTRATED

38-32-01-35

38-32-01
FIG. 35
PAGE 2
MAY 20/09

BRI

BOEING
757
PARTS CATALOG (MAINTENANCE)

FIG ITEM	PART NUMBER	1 2 3 4 5 6 7	NOMENCLATURE	EFFECT FROM TO	UNITS PER ASSY
35					
90	4811-160-3		.VENT-BOWL SUPPLIER CODE: V29780 ATTACHING PARTS	108120 950999	1
95	MS51957-30		.SCREW	108120 950999	2
100	MS35338-136		.WASHER	108120 950999	2
105	AN960C6		.WASHER- CONFIG CHG DATA FROM A CMM: REPLD BY NAS1149CN632R	108120 950999	2
105	NAS1149CN632R		.WASHER- CONFIG CHG DATA FROM A CMM: REPLS AN960C6	108120 950999	2
			-----*-----		
110	16HSS		.CLAMP- SUPPLIER CODE: V76599	108120 950999	2
115	4811-196-034		.DUCT-FLEXIBLE SUPPLIER CODE: V29780	108120 950999	1
120	2435-14-15		.STRAP-GROUNDING SUPPLIER CODE: V29780	108120 950999	1
145	20HSS		.CLAMP- SUPPLIER CODE: V76599	108120 950999	2
150	4811-196-035		.DUCT-FLEXIBLE SUPPLIER CODE: V29780	108120 950999	1
155	4811-206		.VENT-AIR SUPPLIER CODE: V29780 ATTACHING PARTS	108120 950999	1
160	AN960C8		.WASHER- CONFIG CHG DATA FROM A CMM: REPLD BY NAS1149CN832R	108120 950999	5
160	NAS1149CN832R		.WASHER- CONFIG CHG DATA FROM A CMM: REPLS AN960C8	108120 950999	5
165	NAS679C08M		.NUT	108120 950999	5
			-----*-----		
170	4811-191		.GASKET-VENT SUPPLIER CODE: V29780	108120 950999	2
175	4811-190		.BAFFLE-VENT SUPPLIER CODE: V29780	108120 950999	1

MISSING ITEM NUMBERS NOT APPLICABLE

— ITEM NOT ILLUSTRATED

BRI

38-32-01-35

BOEING PROPRIETARY - Copyright © - Unpublished Work - See title page for details.

38-32-01
FIG. 35
PAGE 3
MAY 20/09



**757
PARTS CATALOG (MAINTENANCE)**

FIG ITEM	PART NUMBER	1 2 3 4 5 6 7	NOMENCLATURE	EFFECT FROM TO	UNITS PER ASSY
35 180	16204-002		.MOTOR ASSY-PUMP FILTER SUPPLIER CODE: V29780 COMPONENT MAINT MANUAL REF: 38-33-02 FOR DETAILS SEE: 38-32-05-03 ATTACHING PARTS	108120 950999	1
185	NAS70C161-438		.WASHER	108120 950999	6
190	NAS679C08M		.NUT	108120 950999	6
195	4812-15		-----*----- .GROMMET- SUPPLIER CODE: V29780	108120 950999	6
200	16201-019		.TANK AND TOP ASSY- SUPPLIER CODE: V29780 OPTIONAL PART: 16201-001 V29780 USED ON: 16200-024	108120 950999	1
200	16201-001		.TANK AND TOP ASSY- SUPPLIER CODE: V29780 OPTIONAL PART: 16201-019 V29780 USED ON: 16200-024 USED WITH: NAS679C3M AN960C10L 2435-14-21	108120 950999	1
- 210	16201-023		..TOP ASSY-BONDED SUPPLIER CODE: V29780 USED ON: 16201-019	108120 950999	1
- 210	16201-005		..TOP ASSY-BONDED SUPPLIER CODE: V29780 USED ON: 16201-001	108120 950999	1

MISSING ITEM NUMBERS NOT APPLICABLE

- ITEM NOT ILLUSTRATED

38-32-01-35

38-32-01
FIG. 35
PAGE 4
MAY 20/09

BRI

BOEING
757
PARTS CATALOG (MAINTENANCE)

FIG ITEM	PART NUMBER	1 2 3 4 5 6 7	NOMENCLATURE	EFFECT FROM TO	UNITS PER ASSY	
R R R R R R R R R R	35 220	4811-164	...SUPPORT-VENT BONDED SUPPLIER CODE: V29780 USED ON: 16201-005 16201-023	108120 950999	1	
	- 225	16202-034	...RING-MTG SUPPLIER CODE: V29780	108120 950999	1	
	230	16202-032	...BRACKET- SUPPLIER CODE: V29780 ATTACHING PARTS	108120 950999	1	
	235	NAS560CK2-3	...SCREW -----*-----	108120 950999	2	
	240	4811-276	...HOSE- SUPPLIER CODE: V29780	108120 950999	1	
	245	SNP360W	...CLAMP- SUPPLIER CODE: V29780 CONFIG CHG DATA FROM A CMM: SUPSD BY SNP3410K2	108120 950999	1	
	245	SNP3410K2	...CLAMP- SUPPLIER CODE: V53421 CONFIG CHG DATA FROM A CMM: SUPERSEDES SNP360W	108120 950999	1	
	250	4811-106	..GASKET-BONDED SUPPLIER CODE: V29780	108120 950999	1	
	MISSING ITEM NUMBERS NOT APPLICABLE					

- ITEM NOT ILLUSTRATED

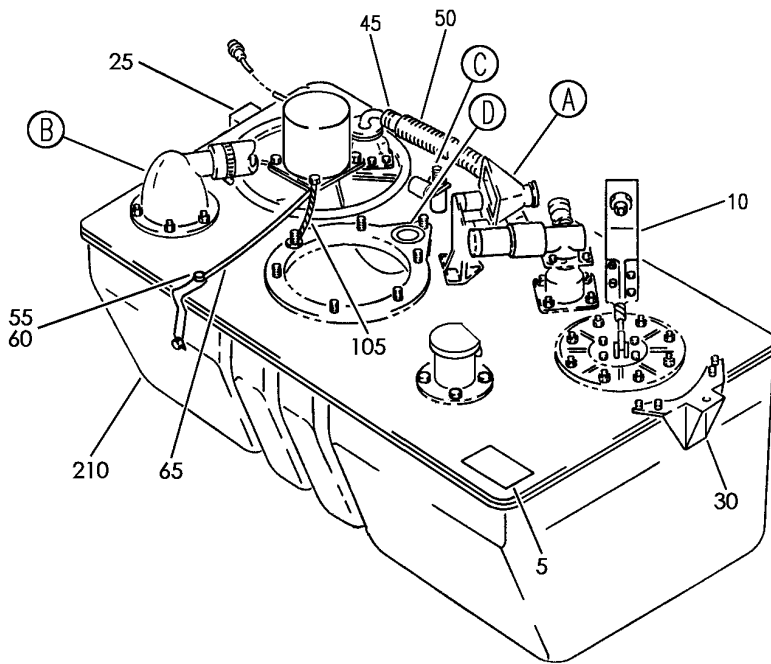
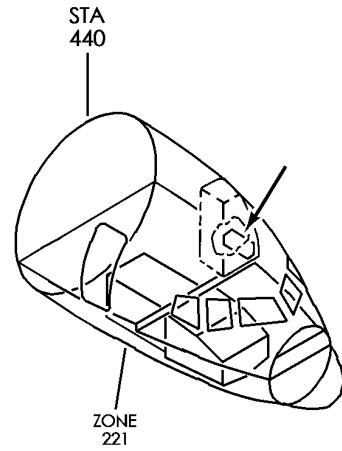
BRI

38-32-01-35

BOEING PROPRIETARY - Copyright © - Unpublished Work - See title page for details.

38-32-01
FIG. 35
PAGE 5
MAY 20/09

BOEING
757
PARTS CATALOG (MAINTENANCE)



Y 38320137 SH1 1 REV 335

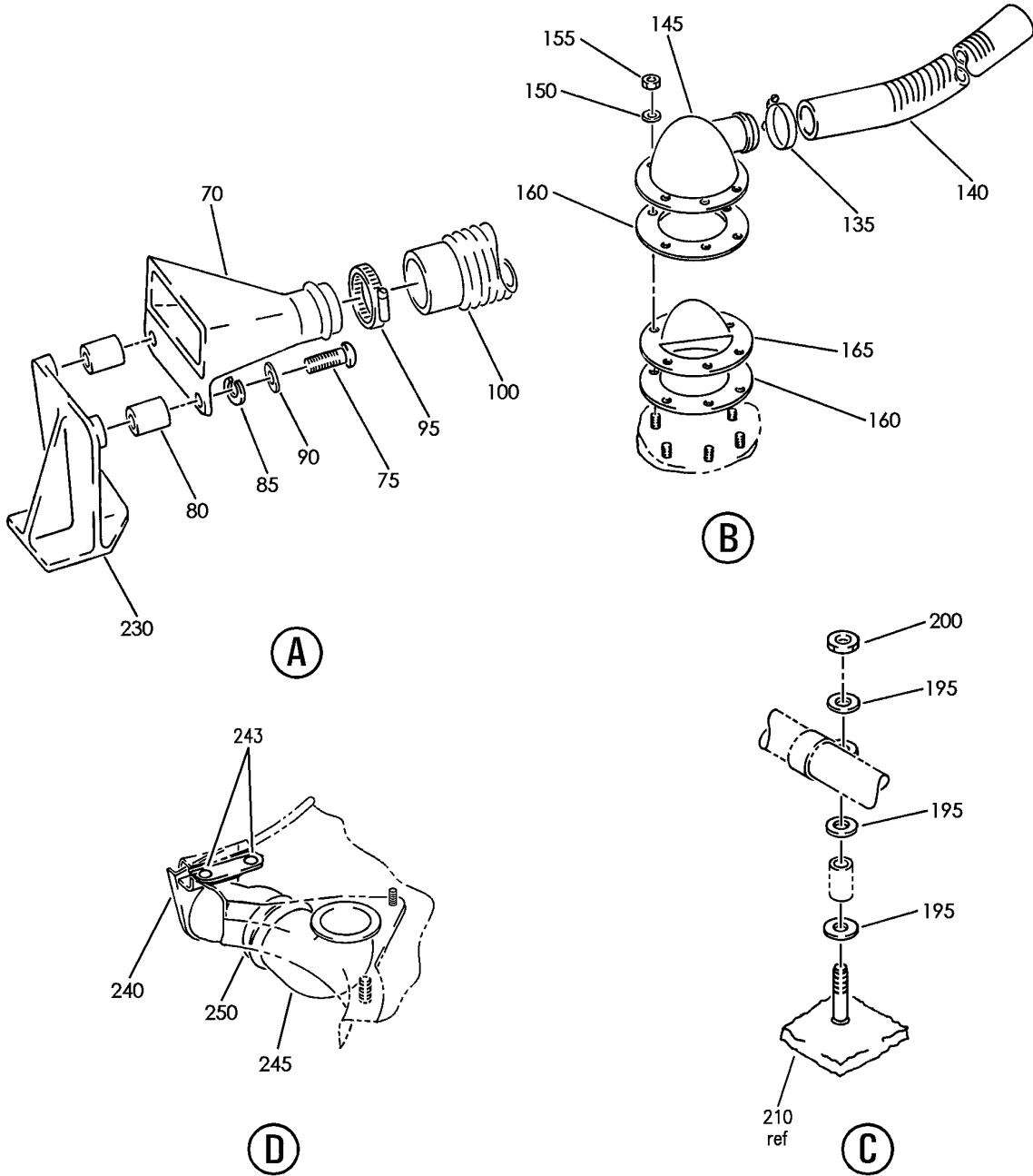
TOILET ASSY-FLUSHING (TOILET TANK ONLY)
FIGURE 37 (SHEET 1)

38-32-01-37

BRI
MAY 20/09

38-32-01-37
PAGE 0

BOEING
757
PARTS CATALOG (MAINTENANCE)



Y 38320137 SH1 2 REV 335

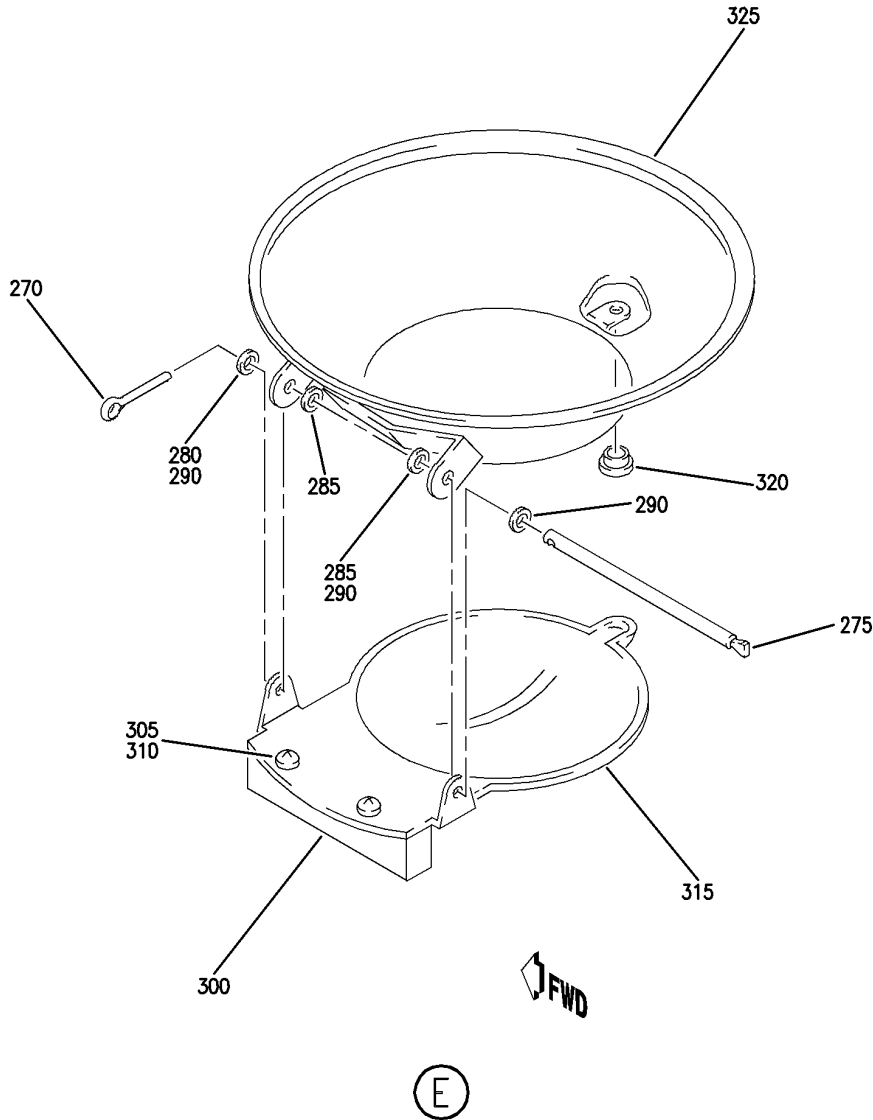
TOILET ASSY-FLUSHING (TOILET TANK ONLY)
FIGURE 37 (SHEET 2)

38-32-01-37

BRI
MAY 20/09

38-32-01-37
PAGE 0A

BOEING
757
PARTS CATALOG (MAINTENANCE)



Y 38320137 SH1 3 REV 231

TOILET ASSY-FLUSHING (TOILET TANK ONLY)
FIGURE 37 (SHEET 3)

38-32-01-37

BRI
MAY 28/07

38-32-01-37
PAGE 0B



757

PARTS CATALOG (MAINTENANCE)

FIG ITEM	PART NUMBER	1 2 3 4 5 6 7	NOMENCLATURE	EFFECT FROM TO	UNITS PER ASSY
37			TOILET ASSY-FLUSHING (TOILET TANK ONLY)	002004 006102 107999	
- 1	16300-013		TOILET ASSY-FLUSHING (TOILET TANK ONLY) SUPPLIER CODE: V29780 SPECIFICATION NUMBER: S417N102-58 SB DATA FROM A CMM: POST 16200-38-03 CONFIG CHG DATA FROM A CMM: REPLS 16300-011 COMPONENT MAINT MANUAL REF: 38-33-01 FOR NHA/ADDITIONAL DET SEE: 38-32-01-01	002004 006102 107999	RF
	5 13508-102		.NAMEPLATE- SUPPLIER CODE: V29780	002004 006102 107999	1
	10 16302-005		.BRACKET-CABLE SPRT SUPPLIER CODE: V29780	002004 006102 107999	1
R -	15 AN960C10L		.WASHER- CONFIG CHG DATA FROM A CMM:	002004 006102	4
R -	15 NAS1149C0332R		REPLD BY NAS1149C0332R .WASHER- CONFIG CHG DATA FROM A CMM:	107999 002004 006102	4
R -	20 NAS679C3M		REPLS AN960C10L .NUT	107999 002004 006102 107999	4
R	25 16202-018		-----*----- .BRACKET-TIEDOWN SUPPLIER CODE: V29780 CONFIG CHG DATA FROM A CMM:	002004 006102 107999	1
R	25 16302-018		REPLD BY 16302-018 .BRACKET-TIEDOWN SUPPLIER CODE: V29780 CONFIG CHG DATA FROM A CMM:	002004 006102 107999	1
R	30 16202-002		REPLS 16202-018 .BRACKET-TIEDOWN SUPPLIER CODE: V29780	002004 006102 107999	1

MISSING ITEM NUMBERS NOT APPLICABLE

- ITEM NOT ILLUSTRATED

38-32-01-37

38-32-01
FIG. 37
PAGE 1
MAY 20/09

BRI

BOEING
757
PARTS CATALOG (MAINTENANCE)

FIG ITEM	PART NUMBER	1 2 3 4 5 6 7	NOMENCLATURE	EFFECT FROM TO	UNITS PER ASSY
	37		ATTACHING PARTS		
R	- 35	AN960C10L	.WASHER-	002004	8
R			CONFIG CHG DATA FROM A CMM:	006102	
R			REPLD BY NAS1149C0332R	107999	
R	- 35	NAS1149C0332R	.WASHER-	002004	8
R			CONFIG CHG DATA FROM A CMM:	006102	
R			REPLS AN960C10L	107999	
	- 40	NAS679C3M	.NUT	002004	8
				006102	
				107999	
	45	H6SS	.CLAMP-	002004	2
			SUPPLIER CODE:	006102	
			V76599	107999	
	50	16004-027-4	.HOSE-	002004	1
			SUPPLIER CODE:	006102	
			V29780	107999	
R	55	AN960C10L	.WASHER-	002004	2
R			CONFIG CHG DATA FROM A CMM:	006102	
R			REPLD BY NAS1149C0332R	107999	
R	55	NAS1149C0332R	.WASHER-	002004	2
R			CONFIG CHG DATA FROM A CMM:	006102	
R			REPLS AN960C10L	107999	
R			USED WITH:		
R			NAS679C3M		
R			2435-14-3		
R			16301-001		
R	60	NAS679C3M	.NUT-	002004	1
R			USED WITH:	006102	
R			NAS1149C0332R	107999	
R			2435-14-3		
R			16301-001		
R	65	2435-14-3	.STRAP-GROUNDING	002004	1
R			SUPPLIER CODE:	006102	
R			V29780	107999	
R			USED WITH:		
R			NAS679C3M		
R			NAS1149C0332R		
R			16301-001		
	70	4811-160-3	.VENT-BOWL	002004	1
			SUPPLIER CODE:	006102	
			V29780	107999	
			ATTACHING PARTS		
	75	MS51957-125	.SCREW	002004	2
				006102	
				107999	
	80	4811-173-8	.SPACER-	002004	2
			SUPPLIER CODE:	006102	
			V29780	107999	

MISSING ITEM NUMBERS NOT APPLICABLE

- ITEM NOT ILLUSTRATED

BRI

38-32-01-37

BOEING PROPRIETARY - Copyright © - Unpublished Work - See title page for details.

38-32-01
FIG. 37
PAGE 2
MAY 20/09



757

PARTS CATALOG (MAINTENANCE)

FIG ITEM	PART NUMBER	1 2 3 4 5 6 7	NOMENCLATURE	EFFECT FROM TO	UNITS PER ASSY
37					
85	MS35338-136	.	WASHER	002004 006102 107999	2
90	AN960C6	.	WASHER- CONFIG CHG DATA FROM A CMM: REPLD BY NAS1149CN632R	002004 006102 107999	2
90	NAS1149CN632R	.	WASHER- CONFIG CHG DATA FROM A CMM: REPLS AN960C6	002004 006102 107999	2
			-----*-----		
95	16HSS	.	CLAMP- SUPPLIER CODE: V76599	002004 006102 107999	2
100	4811-196-039	.	DUCT-FLEXIBLE SUPPLIER CODE: V29780 CONFIG CHG DATA FROM A CMM: REPLD BY 4811-196-033	002004 006102 107999	1
100	4811-196-033	.	DUCT-FLEXIBLE SUPPLIER CODE: V29780 CONFIG CHG DATA FROM A CMM: REPLS 4811-196-039	002004 006102 107999	1
105	2435-14-21	.	STRAP-GROUNDING SUPPLIER CODE: V29780	002004 006102 107999	1
135	20HSS	.	CLAMP- SUPPLIER CODE: V76599	002004 006102 107999	2
140	4811-196-032	.	DUCT-FLEXIBLE SUPPLIER CODE: V29780	002004 006102 107999	1
145	4811-206	.	VENT-AIR SUPPLIER CODE: V29780	002004 006102 107999	1
			ATTACHING PARTS		
150	AN960C8	.	WASHER- CONFIG CHG DATA FROM A CMM: REPLD BY NAS1149CN832R	002004 006102 107999	5
150	NAS1149CN832R	.	WASHER- CONFIG CHG DATA FROM A CMM: REPLS AN960C8	002004 006102 107999	5
155	NAS679C08M	.	NUT	002004 006102 107999	5
			-----*-----		
160	4811-191	.	GASKET-VENT SUPPLIER CODE: V29780	002004 006102 107999	2

MISSING ITEM NUMBERS NOT APPLICABLE

- ITEM NOT ILLUSTRATED

38-32-01-37

38-32-01
FIG. 37
PAGE 3
MAY 20/09

BRI

BOEING PROPRIETARY - Copyright © - Unpublished Work - See title page for details.



757

PARTS CATALOG (MAINTENANCE)

FIG ITEM	PART NUMBER	1 2 3 4 5 6 7	NOMENCLATURE	EFFECT FROM TO	UNITS PER ASSY
37					
165	4811-190		.BAFFLE-VENT SUPPLIER CODE: V29780	002004 006102 107999	1
195	AN960C10L		.WASHER- CONFIG CHG DATA FROM A CMM: REPLD BY NAS1149C0332R	002004 006102 107999	3
195	NAS1149C0332R		.WASHER- CONFIG CHG DATA FROM A CMM: REPLS AN960C10L	002004 006102 107999	3
200	NAS679C3M		.NUT	002004 006102 107999	1
210	16301-011		.TANK AND TOP ASSY- SUPPLIER CODE: V29780 OPTIONAL PART: 16301-001 V29780	002004 006102 107999	1
210	16301-001		.TANK AND TOP ASSY- SUPPLIER CODE: V29780 OPTIONAL PART: 16301-011 V29780 USED WITH: NAS679C3M NAS1149C0332R 2435-14-3	002004 006102 107999	1
- 220	16301-013		..TOP ASSY-BONDED SUPPLIER CODE: V29780 USED ON: 16301-011	002004 006102 107999	1
- 220	16301-003		..TOP ASSY-BONDED SUPPLIER CODE: V29780 USED ON: 16301-001	002004 006102 107999	1
230	4811-164		...SUPPORT-VENT BONDED SUPPLIER CODE: V29780	002004 006102 107999	1
- 235	16202-034		...RING-BONDED SUPPLIER CODE: V29780	002004 006102 107999	1
240	16202-032		...BRACKET-BONDED SUPPLIER CODE: V29780	002004 006102 107999	1

MISSING ITEM NUMBERS NOT APPLICABLE

- ITEM NOT ILLUSTRATED

38-32-01-37

38-32-01
FIG. 37
PAGE 4
MAY 20/09

BRI

BOEING
757
PARTS CATALOG (MAINTENANCE)

FIG ITEM	PART NUMBER	1 2 3 4 5 6 7	NOMENCLATURE	EFFECT FROM TO	UNITS PER ASSY
37			ATTACHING PARTS		
R R R	243 NAS560CK2-3	...	SCREW-	002004 006102 107999	2
			-----*-----		
	245 4811-276	...	HOSE-	002004 006102 107999	1
R R R R R R R	250 SNP360W	...	CLAMP-	002004 006102 107999	1
			SUPPLIER CODE: V29780		
			CONFIG CHG DATA FROM A CMM: SUPSD BY SNP3410K2		
	250 SNP3410K2	...	CLAMP-	002004 006102 107999	1
			SUPPLIER CODE: V53421		
			CONFIG CHG DATA FROM A CMM: SUPERSEDES SNP360W		
-	260 4811-106	..	GASKET-BONDED	002004 006102 107999	1
			SUPPLIER CODE: V29780		

MISSING ITEM NUMBERS NOT APPLICABLE

- ITEM NOT ILLUSTRATED

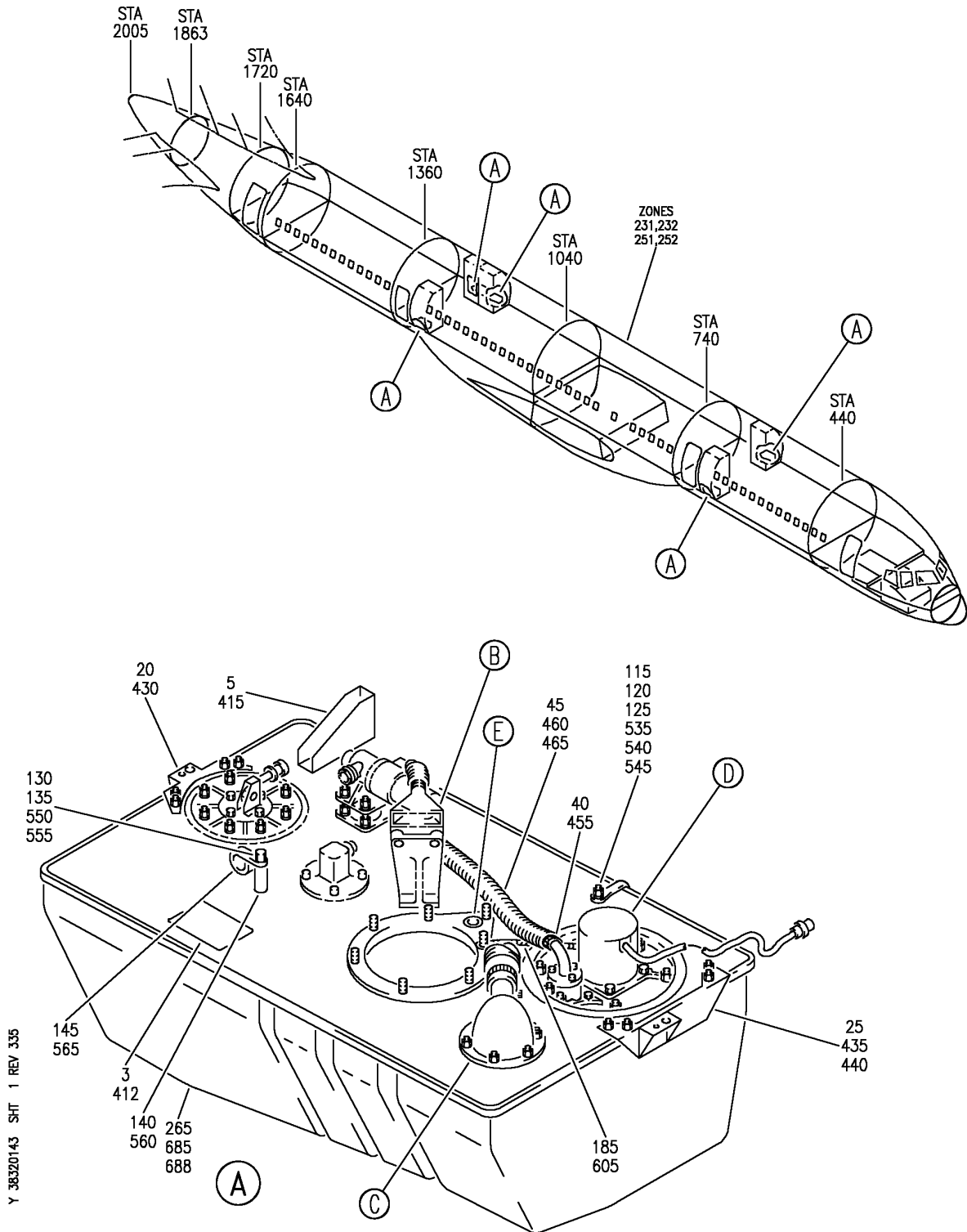
BRI

38-32-01-37

BOEING PROPRIETARY - Copyright © - Unpublished Work - See title page for details.

38-32-01
FIG. 37
PAGE 5
MAY 20/09

BOEING
757
PARTS CATALOG (MAINTENANCE)



Y 38320143 SH1 1 REV 335

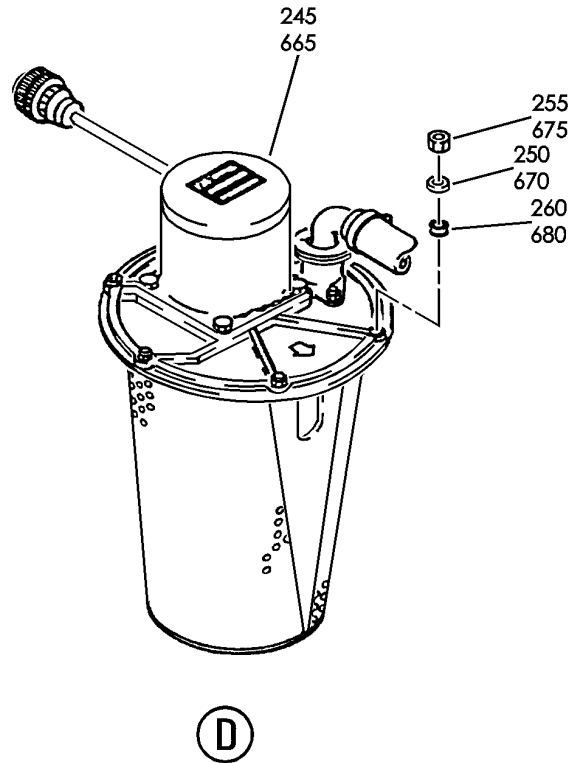
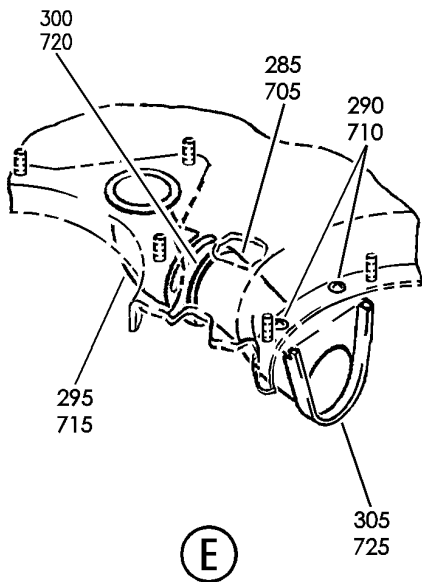
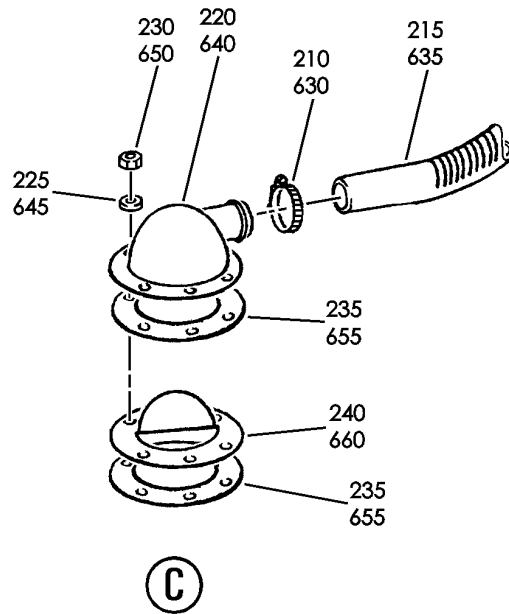
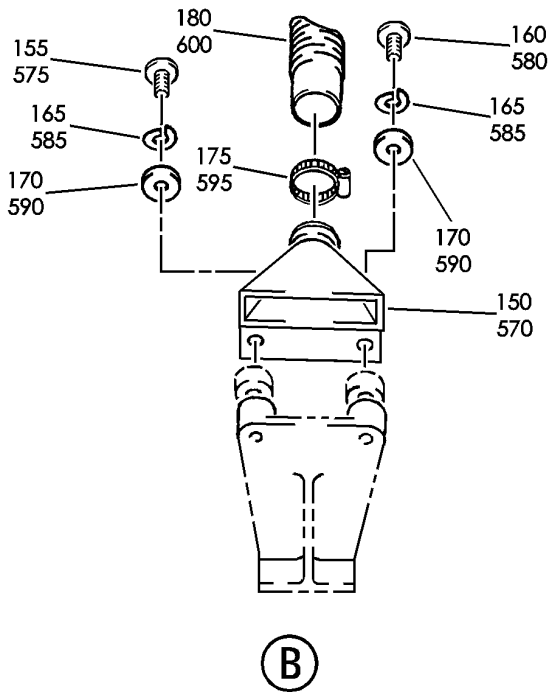
TOILET ASSY-FLUSHING (TOILET SYSTEM ONLY)
FIGURE 43 (SHEET 1)

38-32-01-43

BRI
MAY 20/09

38-32-01-43
PAGE 0


BOEING
 757
PARTS CATALOG (MAINTENANCE)



Y 38320143 SH1 2 REV 335

TOILET ASSY-FLUSHING (TOILET SYSTEM ONLY)
FIGURE 43 (SHEET 2)

38-32-01-43

BRI
MAY 20/09

38-32-01-43
PAGE 0A



757

PARTS CATALOG (MAINTENANCE)

FIG ITEM	PART NUMBER	1 2 3 4 5 6 7	NOMENCLATURE	EFFECT FROM TO	UNITS PER ASSY
43			TOILET ASSY-FLUSHING (TOILET SYSTEM ONLY)	002004 006102 107999	
- 1	16200-011		TOILET ASSY-FLUSHING LAV B AND D (TOILET SYSTEM ONLY) SUPPLIER CODE: V29780 POSITION DATA: MID-CAB SPECIFICATION NUMBER: S417N102-31 SB DATA FROM A CMM: PRE 3600-38-001 PRE 16200-38-03 CONFIG CHG DATA FROM A CMM: REPLS 16200-001 REPLD BY 16200-017 COMPONENT MAINT MANUAL REF: 38-33-01 FOR NHA/ADDITIONAL DET SEE: 38-32-01-01	002004 006102 107999	RF
R	3	13507-001	.NAMEPLATE- SUPPLIER CODE: V29780	002004 006102 107999	1
R	5	16302-005	.BRACKET-CABLE SPRT SUPPLIER CODE: V29780	002004 006102 107999	1
R	- 10	AN960C10L	ATTACHING PARTS .WASHER	002004 006102 107999	4
R	- 15	NAS679C3M	.NUT	002004 006102 107999	4
R	20	16202-002	-----*----- .BRACKET-TIEDOWN SUPPLIER CODE: V29780	002004 006102 107999	1
R	25	16302-017	.BRACKET-TIEDOWN SUPPLIER CODE: V29780	002004 006102 107999	1
R	- 30	AN960C10L	ATTACHING PARTS .WASHER	002004 006102 107999	8

MISSING ITEM NUMBERS NOT APPLICABLE

- ITEM NOT ILLUSTRATED

38-32-01-43

38-32-01
FIG. 43
PAGE 1
MAY 20/09

BRI

BOEING
757
PARTS CATALOG (MAINTENANCE)

FIG ITEM	PART NUMBER	1 2 3 4 5 6 7	NOMENCLATURE	EFFECT FROM TO	UNITS PER ASSY	
R R R R R R R R R R R R R R R R R R R R R	43					
	- 35	NAS679C3M	.NUT	002004 006102 107999	8	
	40	10HSS	.CLAMP- SUPPLIER CODE: V76599	002004 006102 107999	2	
	45	16004-027-5	.HOSE- SUPPLIER CODE: V29780	002004 006102 107999	1	
	115	AN960C10L	.WASHER	002004 006102 107999	1	
	120	NAS679C3M	.NUT	002004 006102 107999	1	
	125	2435-14-21	.STRAP-GROUNDING SUPPLIER CODE: V29780	002004 006102 107999	1	
	130	AN960C10L	.WASHER	002004 006102 107999	2	
	135	NAS679C3M	.NUT	002004 006102 107999	1	
	140	3752-24	.SPACER- SUPPLIER CODE: V29780	002004 006102 107999	1	
	145	C10DK14	.CLAMP- SUPPLIER CODE: V03296	002004 006102 107999	1	
	150	4811-160-3	.VENT-BOWL SUPPLIER CODE: V29780	002004 006102 107999	1	
	155	MS51957-30	ATTACHING PARTS .SCREW	002004 006102 107999	1	
	160	MS51957-30	.SCREW	002004 006102 107999	1	
	165	MS35338-136	.WASHER	002004 006102 107999	2	
	170	AN960C6	.WASHER	002004 006102 107999	2	
	-----*-----					

MISSING ITEM NUMBERS NOT APPLICABLE

- ITEM NOT ILLUSTRATED

BRI

38-32-01-43

38-32-01
FIG. 43
PAGE 2
MAY 20/09

BOEING PROPRIETARY - Copyright © - Unpublished Work - See title page for details.



757

PARTS CATALOG (MAINTENANCE)

FIG ITEM	PART NUMBER	1 2 3 4 5 6 7	NOMENCLATURE	EFFECT FROM TO	UNITS PER ASSY
R	43				
R	175	16HSS	.CLAMP- SUPPLIER CODE: V76599	002004 006102 107999	2
R	180	4811-196-029	.DUCT-FLEXIBLE SUPPLIER CODE: V29780 CONFIG CHG DATA FROM A CMM: REPLD BY 4811-196-034	002004 006102 107999	1
R	180	4811-196-034	.DUCT-FLEXIBLE SUPPLIER CODE: V29780 CONFIG CHG DATA FROM A CMM: REPLS 4811-196-029	002004 006102 107999	1
R	185	2435-14-15	.STRAP-GROUNDING SUPPLIER CODE: V29780	002004 006102 107999	1
R	210	20HSS	.CLAMP- SUPPLIER CODE: V76599	002004 006102 107999	2
R	215	4811-196-030	.DUCT-FLEXIBLE SUPPLIER CODE: V29780 CONFIG CHG DATA FROM A CMM: REPLD BY 4811-196-035 REPLD BY 4811-196-010	002004 006102 107999	1
R	215	4811-196-035	.DUCT-FLEXIBLE SUPPLIER CODE: V29780 CONFIG CHG DATA FROM A CMM: REPLS 4811-196-030	002004 006102 107999	1
R	215	4811-196-010	.DUCT-FLEXIBLE SUPPLIER CODE: V29780 CONFIG CHG DATA FROM A CMM: REPLS 4811-196-030	002004 006102 107999	1
R	220	4811-206	.VENT-AIR SUPPLIER CODE: V29780 ATTACHING PARTS	002004 006102 107999	1
R	225	AN960C8	.WASHER	002004 006102 107999	5
R	230	NAS679C08M	.NUT	002004 006102 107999	5
R	235	4811-191	-----*----- .GASKET-VENT SUPPLIER CODE: V29780	002004 006102 107999	2

MISSING ITEM NUMBERS NOT APPLICABLE

- ITEM NOT ILLUSTRATED

38-32-01-43

38-32-01
FIG. 43
PAGE 3
MAY 20/09

BRI



757

PARTS CATALOG (MAINTENANCE)

FIG ITEM	PART NUMBER	1 2 3 4 5 6 7	NOMENCLATURE	EFFECT FROM TO	UNITS PER ASSY
43					
R	412	13507-001	.NAMEPLATE-	002004	1
R			SUPPLIER CODE:	006102	
R			V29780	107999	
R	415	16302-005	.BRACKET-CABLE SPRT	002004	1
R			SUPPLIER CODE:	006102	
R			V29780	107999	
			ATTACHING PARTS		
R	- 420	AN960C10L	.WASHER	002004	4
R				006102	
R				107999	
R	- 425	NAS679C3M	.NUT	002004	4
R				006102	
R				107999	
			-----*-----		
R	430	16202-002	.BRACKET-TIEDOWN	002004	1
R			SUPPLIER CODE:	006102	
R			V29780	107999	
	435	16302-017	.BRACKET-TIEDOWN	950999	1
			SUPPLIER CODE:		
			V29780		
			USED ON:		
			16200-013		
R	440	16302-019	.BRACKET-TIEDOWN	002004	1
R			SUPPLIER CODE:	006102	
R			V29780	107999	
R			USED ON:		
R			16200-012		
R			16200-014		
			ATTACHING PARTS		
R	- 445	AN960C10L	.WASHER	002004	8
R				006102	
R				107999	
R	- 450	NAS679C3M	.NUT	002004	8
R				006102	
R				107999	
			-----*-----		
R	455	10HSS	.CLAMP-	002004	2
R			SUPPLIER CODE:	006102	
R			V76599	107999	
	460	16004-027-5	.HOSE-	950999	1
			SUPPLIER CODE:		
			V29780		
			USED ON:		
			16200-013		

MISSING ITEM NUMBERS NOT APPLICABLE

- ITEM NOT ILLUSTRATED

38-32-01-43

38-32-01
FIG. 43
PAGE 6
MAY 20/09

BRI

BOEING
757
PARTS CATALOG (MAINTENANCE)

FIG ITEM	PART NUMBER	1 2 3 4 5 6 7	NOMENCLATURE	EFFECT FROM TO	UNITS PER ASSY
R R R R R R R R R R R R R R R R R R R R	43				
	465	16004-027-9	.HOSE- SUPPLIER CODE: V29780 USED ON: 16200-012 16200-014	002004 006102 107999	1
	535	AN960C10L	.WASHER	002004 006102 107999	1
	540	NAS679C3M	.NUT	002004 006102 107999	1
	545	2435-14-21	.STRAP-GROUNDING SUPPLIER CODE: V29780	002004 006102 107999	1
	550	AN960C10L	.WASHER	002004 006102 107999	2
	555	NAS679C3M	.NUT	002004 006102 107999	1
	560	3752-24	.SPACER- SUPPLIER CODE: V29780	002004 006102 107999	1
	565	C10DK14	.CLAMP- SUPPLIER CODE: V03296	002004 006102 107999	1
	570	4811-160-3	.VENT-BOWL SUPPLIER CODE: V29780 ATTACHING PARTS	002004 006102 107999	1
	575	MS51957-30	.SCREW	002004 006102 107999	1
	580	MS51957-30	.SCREW	002004 006102 107999	1
	585	MS35338-136	.WASHER	002004 006102 107999	2
	590	AN960C6	.WASHER	002004 006102 107999	2
	595	16HSS	-----*----- .CLAMP- SUPPLIER CODE: V76599	002004 006102 107999	2

MISSING ITEM NUMBERS NOT APPLICABLE

— ITEM NOT ILLUSTRATED

BRI

38-32-01-43

BOEING PROPRIETARY - Copyright © - Unpublished Work - See title page for details.

38-32-01
FIG. 43
PAGE 7
MAY 20/09



757

PARTS CATALOG (MAINTENANCE)

FIG ITEM	PART NUMBER	1 2 3 4 5 6 7	NOMENCLATURE	EFFECT FROM TO	UNITS PER ASSY
R	43				
R	600	4811-196-029	. DUCT-FLEXIBLE SUPPLIER CODE: V29780 CONFIG CHG DATA FROM A CMM: REPLD BY 4811-196-034	002004 006102 107999	1
R	600	4811-196-034	. DUCT-FLEXIBLE SUPPLIER CODE: V29780 CONFIG CHG DATA FROM A CMM: REPLS 4811-196-029	002004 006102 107999	1
R	605	2435-14-15	. STRAP-GROUNDING SUPPLIER CODE: V29780	002004 006102 107999	1
R	630	20HSS	. CLAMP- SUPPLIER CODE: V76599	002004 006102 107999	2
R	635	4811-196-030	. DUCT-FLEXIBLE SUPPLIER CODE: V29780 CONFIG CHG DATA FROM A CMM: REPLD BY 4811-196-035 REPLD BY 4811-196-010	002004 006102 107999	1
R	635	4811-196-035	. DUCT-FLEXIBLE SUPPLIER CODE: V29780 CONFIG CHG DATA FROM A CMM: REPLS 4811-196-030	002004 006102 107999	1
R	635	4811-196-010	. DUCT-FLEXIBLE SUPPLIER CODE: V29780 CONFIG CHG DATA FROM A CMM: REPLS 4811-196-030	002004 006102 107999	1
R	640	4811-206	. VENT-AIR SUPPLIER CODE: V29780 ATTACHING PARTS	002004 006102 107999	1
R	645	AN960C8	. WASHER	002004 006102 107999	5
R	650	NAS679C08M	. NUT	002004 006102 107999	5
R	655	4811-191	-----*----- . GASKET-VENT SUPPLIER CODE: V29780	002004 006102 107999	2
R	660	4811-190	. BAFFLE-VENT SUPPLIER CODE: V29780	002004 006102 107999	1

MISSING ITEM NUMBERS NOT APPLICABLE

- ITEM NOT ILLUSTRATED

38-32-01-43

38-32-01
FIG. 43
PAGE 8
MAY 20/09

BRI


BOEING
 757
PARTS CATALOG (MAINTENANCE)

FIG ITEM	PART NUMBER	1 2 3 4 5 6 7	NOMENCLATURE	EFFECT FROM TO	UNITS PER ASSY
R R R R R R R R	43 665 16204-002		.MOTOR ASSY- MOTOR-PUMP SUPPLIER CODE: V29780 COMPONENT MAINT MANUAL REF: 38-33-02 FOR DETAILS SEE: 38-32-05-07 ATTACHING PARTS	002004 006102 107999	1
R R R R R	670 AN960C8		.WASHER	002004 006102 107999	6
R R R R	675 NAS679C08M		.NUT	002004 006102 107999	6
R R R	680 4812-15		-----*----- .GROMMET- SUPPLIER CODE: V29780	002004 006102 107999	6
R R R R	685 16201-001		.TANK AND TOP ASSY- SUPPLIER CODE: V29780 USED ON: 16200-013	950999	1
R R R R R R	688 16201-002		.TANK AND TOP ASSY- SUPPLIER CODE: V29780 USED ON: 16200-012 16200-014	002004 006102 107999	1
-	690 16201-005		..TOP ASSY-BONDED SUPPLIER CODE: V29780 USED ON: 16201-001	950999	1
R R R R R R	- 692 16201-006		..TOP ASSY-BONDED SUPPLIER CODE: V29780 USED ON: 16201-002	002004 006102 107999	1
R R R R R R	- 700 16202-014		...RING-BONDED SUPPLIER CODE: V29780	002004 006102 107999	1
R R R R R	705 4811-275-2		...BRACKET- SUPPLIER CODE: V29780 CONFIG CHG DATA FROM A CMM: REPLD BY 16202-032	002004 006102 107999	1

MISSING ITEM NUMBERS NOT APPLICABLE

- ITEM NOT ILLUSTRATED

38-32-01-43

38-32-01
 FIG. 43
 PAGE 9
 MAY 20/09

BRI



757

PARTS CATALOG (MAINTENANCE)

FIG ITEM	PART NUMBER	1 2 3 4 5 6 7	NOMENCLATURE	EFFECT FROM TO	UNITS PER ASSY
R R R R R R	43 705	16202-032	...BRACKET- SUPPLIER CODE: V29780 CONFIG CHG DATA FROM A CMM: REPLS 4811-275-2 ATTACHING PARTS	002004 006102 107999	1
	710	NAS560CK2-3	...SCREW -----*-----	002004 006102 107999	2
	715	4811-276	...HOSE- SUPPLIER CODE: V29780	002004 006102 107999	1
	720	SNP360W	...CLAMP- SUPPLIER CODE: V29780 CONFIG CHG DATA FROM A CMM: SUPSD BY SNP3410K2	002004 006102 107999	1
	720	SNP3410K2	...CLAMP- SUPPLIER CODE: V53421 CONFIG CHG DATA FROM A CMM: SUPERSEDES SNP360W	002004 006102 107999	1
	725	4811-106	..GASKET-BONDED SUPPLIER CODE: V29780	002004 006102 107999	1

MISSING ITEM NUMBERS NOT APPLICABLE

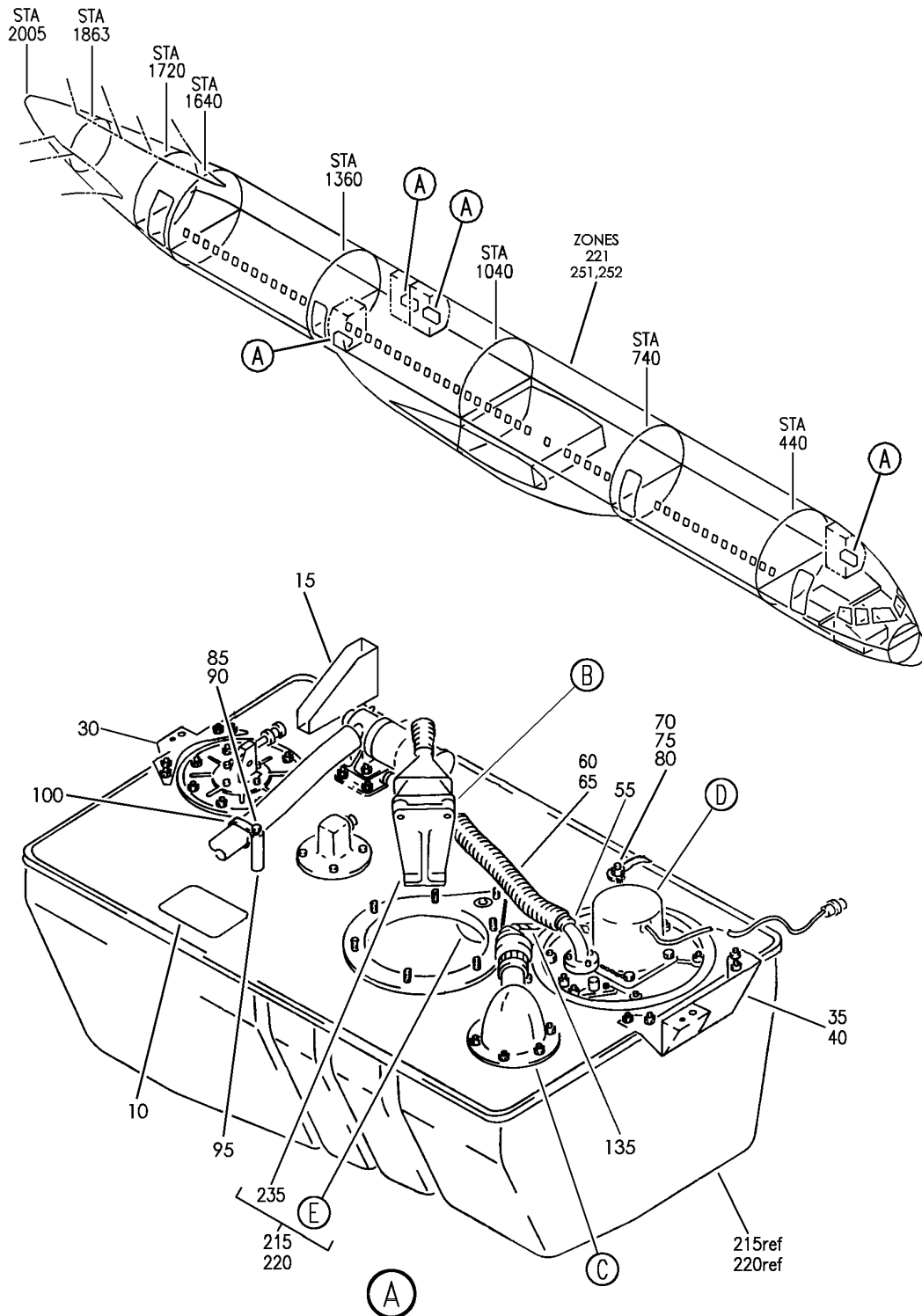
- ITEM NOT ILLUSTRATED

38-32-01-43

38-32-01
FIG. 43
PAGE 10
MAY 20/09

BRI

BOEING
757
PARTS CATALOG (MAINTENANCE)



Y 38320144 SH1 1 REV 335

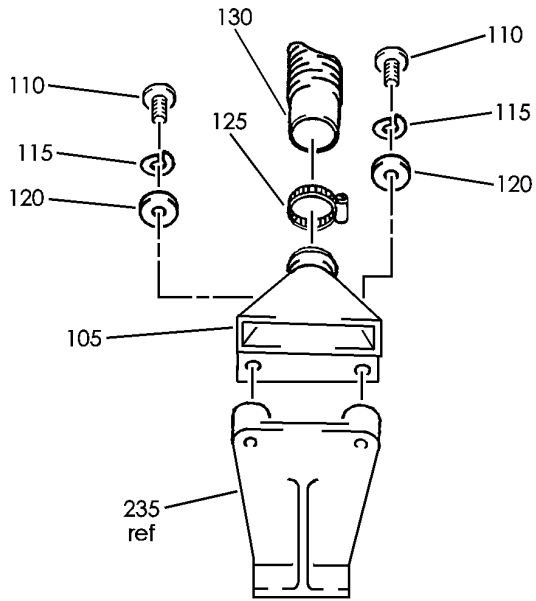
TOILET ASSY-FLUSHING (WATER/WASTE ONLY)
FIGURE 44 (SHEET 1)

38-32-01-44

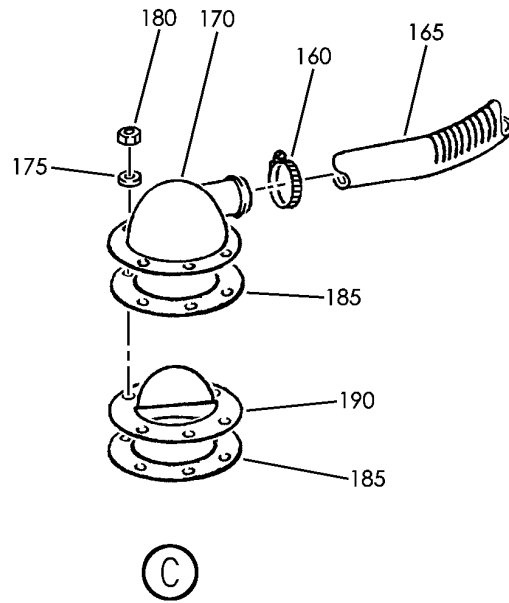
BRI
MAY 20/09

38-32-01-44
PAGE 0

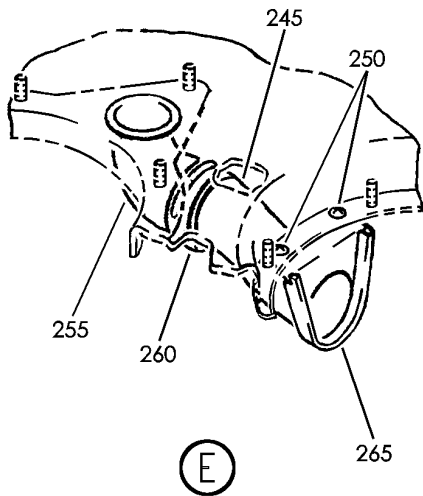
BOEING
757
PARTS CATALOG (MAINTENANCE)



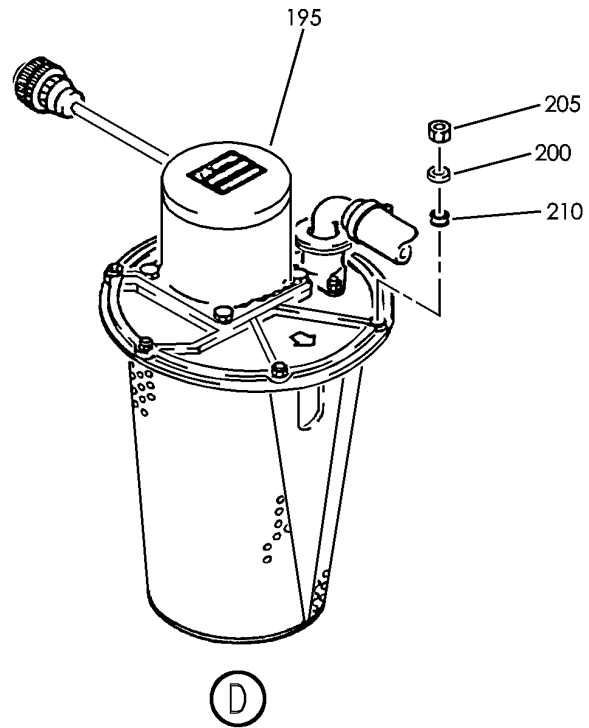
(B)



(C)



(E)



(D)

Y 38320144 SHT 2 REV 248

TOILET ASSY-FLUSHING (WATER/WASTE ONLY)
FIGURE 44 (SHEET 2)

38-32-01-44

BRI
MAY 28/07

38-32-01-44
PAGE 0A

BOEING
757
PARTS CATALOG (MAINTENANCE)

FIG ITEM	PART NUMBER	1 2 3 4 5 6 7	NOMENCLATURE	EFFECT FROM TO	UNITS PER ASSY
44					
- 1	16200-001		TOILET ASSY-FLUSHING (WATER/WASTE ONLY) TOILET ASSY-FLUSHING (WATER/WASTE ONLY) SUPPLIER CODE: V29780 POSITION DATA: MID-CAB. SPECIFICATION NUMBER: S417N102-3 SB DATA FROM A CMM: PRE 16200-38-03 CONFIG CHG DATA FROM A CMM: REPLD BY 16200-011 COMPONENT MAINT MANUAL REF: 38-33-01 FOR NHA/ADDITIONAL DET SEE: 38-32-01-01	107107 904949 107107 904949	RF
- 5	16200-002		TOILET ASSY-FLUSHING (WATER/WASTE ONLY) SUPPLIER CODE: V29780 SPECIFICATION NUMBER: S417N102-4 SB DATA FROM A CMM: PRE 16200-38-03 CONFIG CHG DATA FROM A CMM: REPLD BY 16200-012 COMPONENT MAINT MANUAL REF: 38-33-01 FOR NHA/ADDITIONAL DET SEE: 38-32-01-01	107107 904949	RF
R R R R R	10 13507-001		.NAMEPLATE- SUPPLIER CODE: V29780	107107 904949	1
R R R	15 16302-005		.BRACKET-CABLE SPRT SUPPLIER CODE: V29780	107107 904949	1
R R R	- 20 AN960C10L		ATTACHING PARTS .WASHER	107107 904949	4
R R R	- 25 NAS679C3M		.NUT	107107 904949	4
R R R	30 16202-002		-----*----- .BRACKET-TIEDOWN SUPPLIER CODE: V29780	107107 904949	1

MISSING ITEM NUMBERS NOT APPLICABLE

- ITEM NOT ILLUSTRATED

BRI

38-32-01-44

BOEING PROPRIETARY - Copyright © - Unpublished Work - See title page for details.

38-32-01
FIG. 44
PAGE 1
MAY 20/09



757

PARTS CATALOG (MAINTENANCE)

FIG ITEM	PART NUMBER	1 2 3 4 5 6 7	NOMENCLATURE	EFFECT FROM TO	UNITS PER ASSY
R R R R R R	44 - 225 16201-005		..TOP ASSY-BONDED SUPPLIER CODE: V29780 USED ON: 16201-001	107107 904949	1
	- 230 16201-006		..TOP ASSY-BONDED SUPPLIER CODE: V29780 USED ON: 16201-002	107107 904949	1
R R R R R R	235 4811-164		...SUPPORT-VENT BONDED SUPPLIER CODE: V29780	107107 904949	1
R R R R R R	- 240 16202-034		...RING-BONDED SUPPLIER CODE: V29780 CONFIG CHG DATA FROM A CMM: REPLS 16202-014	107107 904949	1
R R R R R R	- 240 16202-014		...RING-BONDED SUPPLIER CODE: V29780 CONFIG CHG DATA FROM A CMM: REPLD BY 16202-034	107107 904949	1
R R R R R R	245 4811-275-2		...BRACKET- SUPPLIER CODE: V29780 CONFIG CHG DATA FROM A CMM: REPLD BY 16202-032	107107 904949	1
R R R R R R	245 16202-032		...BRACKET- SUPPLIER CODE: V29780 CONFIG CHG DATA FROM A CMM: REPLS 4811-275-2 ATTACHING PARTS	107107 904949	1
R R	250 NAS560CK2-3		...SCREW -----*-----	107107 904949	2
R R R R R R	255 4811-276		...HOSE- SUPPLIER CODE: V29780	107107 904949	1
R R R R R R R R	260 SNP360W		...CLAMP- SUPPLIER CODE: V29780 CONFIG CHG DATA FROM A CMM: REPLS 92 SUPSD BY SNP3410K2 USED ON: 16201-005	107107 904949	1

MISSING ITEM NUMBERS NOT APPLICABLE

- ITEM NOT ILLUSTRATED

38-32-01-44

38-32-01
FIG. 44
PAGE 5
MAY 20/09

BRI



757

PARTS CATALOG (MAINTENANCE)

FIG ITEM	PART NUMBER	1 2 3 4 5 6 7	NOMENCLATURE	EFFECT FROM TO	UNITS PER ASSY
R R	44 260 92		...CLAMP- SUPPLIER CODE: V29780 CONFIG CHG DATA FROM A CMM: REPLD BY SNP360W USED ON: 16201-005	107107 904949	1
	260 SNP3410K2		...CLAMP- SUPPLIER CODE: V53421 CONFIG CHG DATA FROM A CMM: SUPERSEDES SNP360W USED ON: 16201-005	107107 904949	1
	260 SNP360W		...CLAMP- SUPPLIER CODE: V29780 CONFIG CHG DATA FROM A CMM: SUPSD BY SNP3410K2 USED ON: 16201-006	107107 904949	1
	260 SNP3410K2		...CLAMP- SUPPLIER CODE: V53421 CONFIG CHG DATA FROM A CMM: SUPERSEDES SNP360W USED ON: 16201-006	107107 904949	1
	265 4811-106		..GASKET-BONDED SUPPLIER CODE: V29780	107107 904949	1

MISSING ITEM NUMBERS NOT APPLICABLE

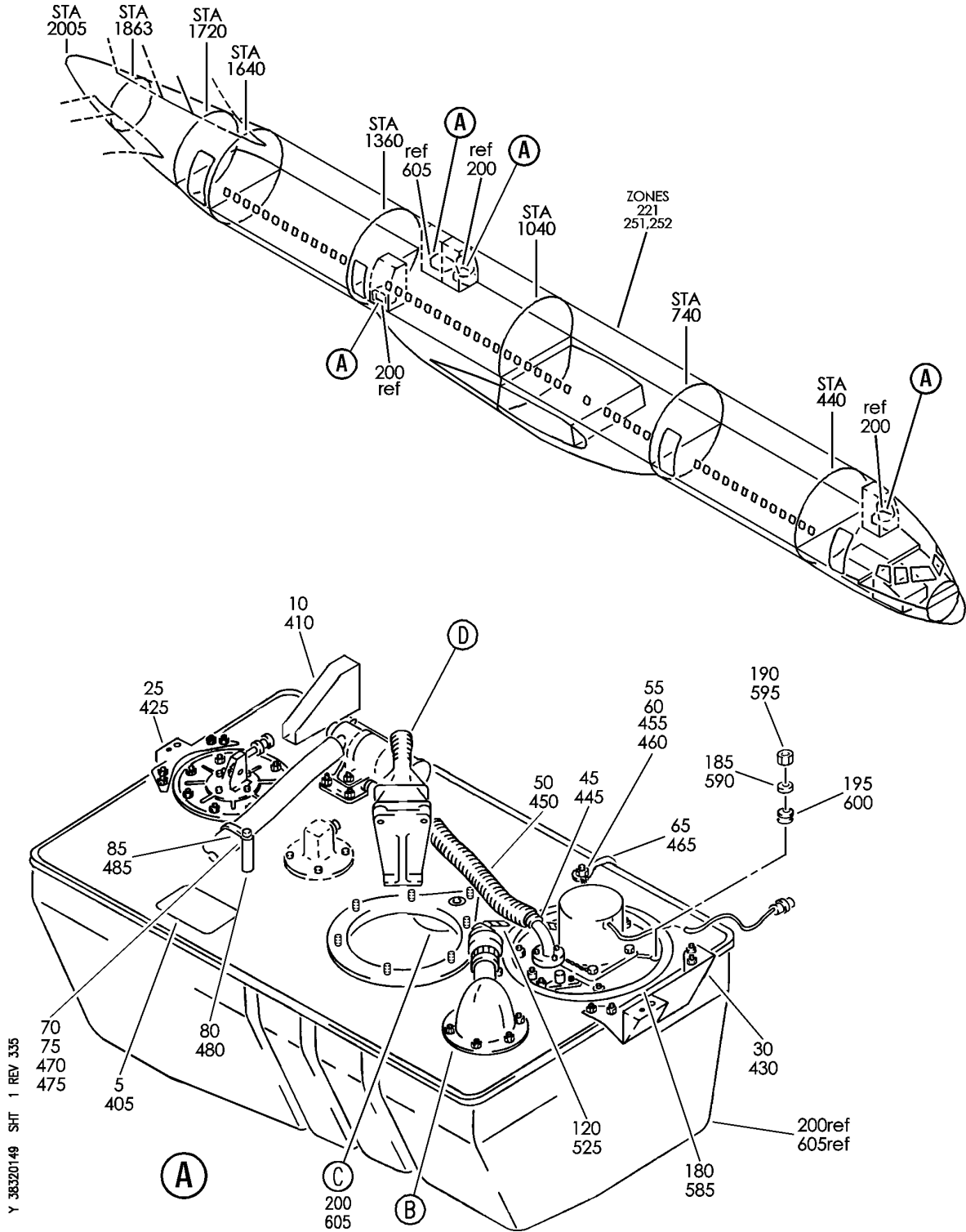
- ITEM NOT ILLUSTRATED

38-32-01-44

38-32-01
FIG. 44
PAGE 6
MAY 20/09

BRI

BOEING
757
PARTS CATALOG (MAINTENANCE)



Y 38320149 SHT 1 REV 335

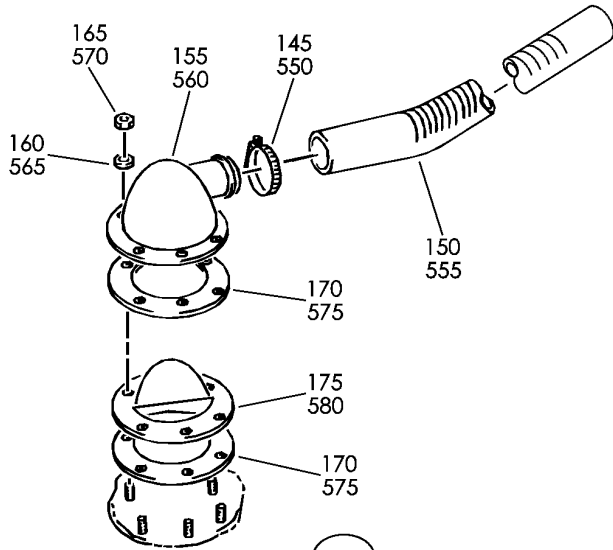
TOILET ASSY-FLUSHING (TOILET SYSTEM ONLY)
FIGURE 49 (SHEET 1)

38-32-01-49

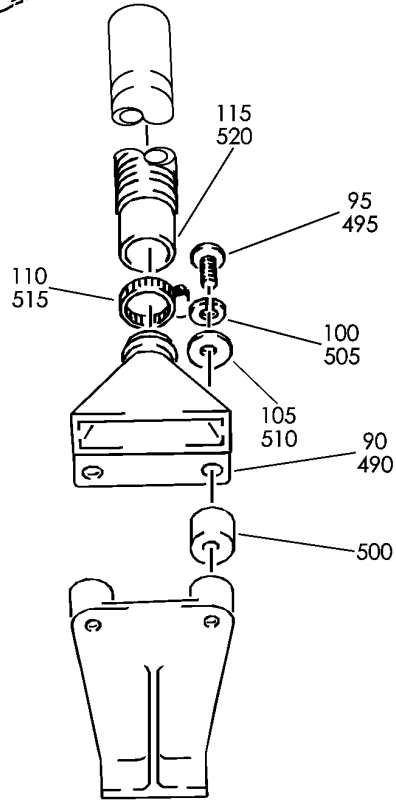
BRI
MAY 20/09

38-32-01-49
PAGE 0

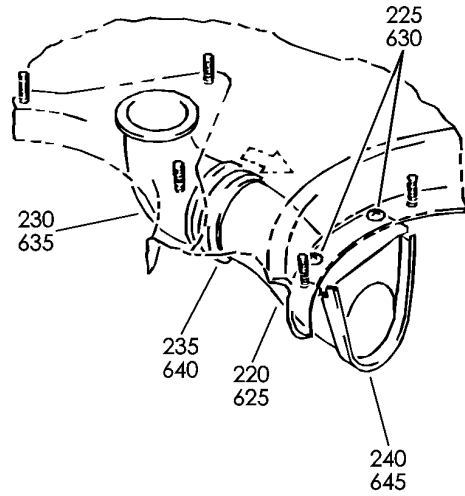
BOEING
757
PARTS CATALOG (MAINTENANCE)



(B)



(D)



(C)

Y 38320149 SH1 2 REV 335

TOILET ASSY-FLUSHING (TOILET SYSTEM ONLY)
FIGURE 49 (SHEET 2)

38-32-01-49

BRI
MAY 20/09

38-32-01-49
PAGE 0A

BOEING
757
PARTS CATALOG (MAINTENANCE)

FIG ITEM	PART NUMBER	1 2 3 4 5 6 7	NOMENCLATURE	EFFECT FROM TO	UNITS PER ASSY
49			TOILET ASSY-FLUSHING (TOILET SYSTEM ONLY)	002004 006102 107999	
- 1	16200-017		TOILET ASSY-FLUSHING (TOILET SYSTEM ONLY) SUPPLIER CODE: V29780 POSITION DATA: MID-CAB SPECIFICATION NUMBER: S417N102-47 SB DATA FROM A CMM: PRE 16200-38-03 POST 3600-38-001 CONFIG CHG DATA FROM A CMM: REPLS 16200-011 REPLD BY 16200-022 COMPONENT MAINT MANUAL REF: 38-33-01 FOR NHA/ADDITIONAL DET SEE: 38-32-01-01	002004 006102 107999	RF
R	5	13507-001	.NAMEPLATE- SUPPLIER CODE: V29780 CONFIG CHG DATA FROM A CMM: SUPSD BY 13508-100	002004 006102 107999	1
R	5	13508-100	.NAMEPLATE- SUPPLIER CODE: V29780 CONFIG CHG DATA FROM A CMM: SUPERSEDES 13507-001	002004 006102 107999	1
R	10	16302-005	.BRACKET-CABLE SPRT SUPPLIER CODE: V29780 ATTACHING PARTS	002004 006102 107999	1
R	- 15	AN960C10L	.WASHER	002004 006102 107999	4
R	- 20	NAS679C3M	.NUT	002004 006102 107999	4
R	25	16202-002	-----*----- .BRACKET-TIE DOWN SUPPLIER CODE: V29780	002004 006102 107999	1
R	30	16302-017	.BRACKET-TIE DOWN SUPPLIER CODE: V29780	002004 006102 107999	1

MISSING ITEM NUMBERS NOT APPLICABLE

- ITEM NOT ILLUSTRATED

BRI

38-32-01-49

38-32-01
FIG. 49
PAGE 1
MAY 20/09

BOEING
757
PARTS CATALOG (MAINTENANCE)

FIG ITEM	PART NUMBER	1 2 3 4 5 6 7	NOMENCLATURE	EFFECT FROM TO	UNITS PER ASSY
	49		ATTACHING PARTS		
R	- 35	AN960C10L	.WASHER	002004	8
R				006102	
R				107999	
R	- 40	NAS679C3M	.NUT	002004	8
R				006102	
R				107999	
R	45	H6SS	.CLAMP- -----*----- SUPPLIER CODE: V76599	002004	2
R				006102	
R				107999	
R	50	16004-027-5	.HOSE- SUPPLIER CODE: V29780	002004	1
R				006102	
R				107999	
R	55	NAS679C3M	.NUT	002004	1
R				006102	
R				107999	
R	60	AN960C10L	.WASHER	002004	1
R				006102	
R				107999	
R	65	2435-14-21	.STRAP-GROUNDING SUPPLIER CODE: V29780	002004	1
R				006102	
R				107999	
R	70	NAS679C3M	.NUT	002004	1
R				006102	
R				107999	
R	75	AN960C10L	.WASHER	002004	2
R				006102	
R				107999	
R	80	3752-24	.SPACER- SUPPLIER CODE: V29780	002004	1
R				006102	
R				107999	
R	85	C10DK14	.CLAMP- SUPPLIER CODE: V03296	002004	1
R				006102	
R				107999	
R	90	4811-160-3	.VENT-BOWL SUPPLIER CODE: V29780	002004	1
R				006102	
R				107999	
R	95	MS51957-30	ATTACHING PARTS .SCREW	002004	2
R				006102	
R				107999	
R	100	MS35338-136	.WASHER	002004	2
R				006102	
R				107999	
R	105	AN960C6	.WASHER	002004	2
R				006102	
R				107999	
			-----*-----		

MISSING ITEM NUMBERS NOT APPLICABLE

- ITEM NOT ILLUSTRATED

BRI

38-32-01-49

BOEING PROPRIETARY - Copyright © - Unpublished Work - See title page for details.

38-32-01
FIG. 49
PAGE 2
MAY 20/09

BOEING
757
PARTS CATALOG (MAINTENANCE)

FIG ITEM	PART NUMBER	1 2 3 4 5 6 7	NOMENCLATURE	EFFECT FROM TO	UNITS PER ASSY
49					
R	110		.CLAMP-	002004	2
R			SUPPLIER CODE:	006102	
R			V76599	107999	
R	115		.DUCT-FLEXIBLE	002004	1
R			SUPPLIER CODE:	006102	
R			V29780	107999	
R			CONFIG CHG DATA FROM A CMM:		
R			REPLD BY 4811-196-034		
R	115		.DUCT-FLEXIBLE	002004	1
R			SUPPLIER CODE:	006102	
R			V29780	107999	
R			CONFIG CHG DATA FROM A CMM:		
R			REPLS 4811-196-029		
R	120		.STRAP-GROUNDING	002004	1
R			SUPPLIER CODE:	006102	
R			V29780	107999	
R	145		.CLAMP-	002004	2
R			SUPPLIER CODE:	006102	
R			V76599	107999	
R	150		.DUCT-FLEXIBLE	002004	1
R			SUPPLIER CODE:	006102	
R			V29780	107999	
R			CONFIG CHG DATA FROM A CMM:		
R			REPLD BY 4811-196-035		
R			REPLD BY 4811-196-010		
R	150		.DUCT-FLEXIBLE	002004	1
R			SUPPLIER CODE:	006102	
R			V29780	107999	
R			CONFIG CHG DATA FROM A CMM:		
R			REPLS 4811-196-030		
R	150		.DUCT-FLEXIBLE	002004	1
R			SUPPLIER CODE:	006102	
R			V29780	107999	
R			CONFIG CHG DATA FROM A CMM:		
R			REPLS 4811-196-030		
R	155		.VENT-AIR	002004	1
R			SUPPLIER CODE:	006102	
R			V29780	107999	
R			ATTACHING PARTS		
R	160		.WASHER	002004	5
R				006102	
R				107999	
R	165		.NUT	002004	5
R				006102	
R				107999	
R			-----*-----		
R	170		.GASKET-VENT	002004	2
R			SUPPLIER CODE:	006102	
R			V29780	107999	

MISSING ITEM NUMBERS NOT APPLICABLE

— ITEM NOT ILLUSTRATED

BRI

38-32-01-49

BOEING PROPRIETARY - Copyright © - Unpublished Work - See title page for details.

38-32-01
FIG. 49
PAGE 3
MAY 20/09

 **BOEING**
757
PARTS CATALOG (MAINTENANCE)

FIG ITEM	PART NUMBER	1 2 3 4 5 6 7	NOMENCLATURE	EFFECT FROM TO	UNITS PER ASSY
R R R	49 - 420	NAS679C3M	.NUT	002004 006102 107999	4
R R R R R	425	16202-002	.BRACKET-TIE DOWN SUPPLIER CODE: V29780	002004 006102 107999	1
R R R	430	16302-019	.BRACKET-TIE DOWN SUPPLIER CODE: V29780 ATTACHING PARTS	002004 006102 107999	1
R R R	- 435	AN960C10L	.WASHER	002004 006102 107999	8
R R R	- 440	NAS679C3M	.NUT	002004 006102 107999	8
R R R R R	445	H6SS	.CLAMP- SUPPLIER CODE: V76599	002004 006102 107999	2
R R R R	450	16004-027-9	.HOSE- SUPPLIER CODE: V29780	002004 006102 107999	1
R R R R	455	NAS679C3M	.NUT	002004 006102 107999	1
R R R R	460	AN960C10L	.WASHER	002004 006102 107999	1
R R R R	465	2435-14-21	.STRAP-GROUNDING SUPPLIER CODE: V29780	002004 006102 107999	1
R R R R	470	NAS679C3M	.NUT	002004 006102 107999	1
R R R R	475	AN960C10L	.WASHER	002004 006102 107999	2
R R R R	480	3752-24	.SPACER- SUPPLIER CODE: V29780	002004 006102 107999	1
R R R R	485	C10DK14	.CLAMP- SUPPLIER CODE: V03296	002004 006102 107999	1
R R R	490	4811-160-3	.VENT-BOWL SUPPLIER CODE: V29780	002004 006102 107999	1

MISSING ITEM NUMBERS NOT APPLICABLE

- ITEM NOT ILLUSTRATED

BRI

38-32-01-49

BOEING PROPRIETARY - Copyright © - Unpublished Work - See title page for details.

38-32-01
FIG. 49
PAGE 6
MAY 20/09



757

PARTS CATALOG (MAINTENANCE)

FIG ITEM	PART NUMBER	1 2 3 4 5 6 7	NOMENCLATURE	EFFECT FROM TO	UNITS PER ASSY
49			ATTACHING PARTS		
R	495	MS51957-125	.SCREW	002004	2
R				006102	
R				107999	
R	500	4811-173-3	.SPACER-	002004	2
R			SUPPLIER CODE:	006102	
R			V29780	107999	
R	505	MS35338-136	.WASHER	002004	2
R				006102	
R				107999	
R	510	AN960C6	.WASHER	002004	2
R				006102	
R				107999	
R	515	16HSS	-----*----- .CLAMP-	002004	2
R			SUPPLIER CODE:	006102	
R			V76599	107999	
R	520	4811-196-029	.DUCT-FLEXIBLE	002004	1
R			SUPPLIER CODE:	006102	
R			V29780	107999	
R			CONFIG CHG DATA FROM A CMM:		
R			REPLD BY 4811-196-034		
R	520	4811-196-034	.DUCT-FLEXIBLE	002004	1
R			SUPPLIER CODE:	006102	
R			V29780	107999	
R			CONFIG CHG DATA FROM A CMM:		
R			REPLS 4811-196-029		
R	525	2435-14-15	.STRAP-GROUNDING	002004	1
R			SUPPLIER CODE:	006102	
R			V29780	107999	
R	550	20HSS	.CLAMP-	002004	2
R			SUPPLIER CODE:	006102	
R			V76599	107999	
R	555	4811-196-030	.DUCT-FLEXIBLE	002004	1
R			SUPPLIER CODE:	006102	
R			V29780	107999	
R			CONFIG CHG DATA FROM A CMM:		
R			REPLD BY 4811-196-035		
R			REPLD BY 4811-196-010		
R	555	4811-196-035	.DUCT-FLEXIBLE	002004	1
R			SUPPLIER CODE:	006102	
R			V29780	107999	
R			CONFIG CHG DATA FROM A CMM:		
R			REPLS 4811-196-030		
R	555	4811-196-010	.DUCT-FLEXIBLE	002004	1
R			SUPPLIER CODE:	006102	
R			V29780	107999	
R			CONFIG CHG DATA FROM A CMM:		
R			REPLS 4811-196-030		

MISSING ITEM NUMBERS NOT APPLICABLE

- ITEM NOT ILLUSTRATED

38-32-01-49

38-32-01
FIG. 49
PAGE 7
MAY 20/09

BRI



757

PARTS CATALOG (MAINTENANCE)

FIG ITEM	PART NUMBER	1 2 3 4 5 6 7	NOMENCLATURE	EFFECT FROM TO	UNITS PER ASSY
R R R	49 560 4811-206		.VENT-AIR SUPPLIER CODE: V29780 ATTACHING PARTS	002004 006102 107999	1
R R R	565 AN960C8		.WASHER	002004 006102 107999	5
R R R	570 NAS679C08M		.NUT	002004 006102 107999	5
R R R	575 4811-191		-----*----- .GASKET-VENT SUPPLIER CODE: V29780	002004 006102 107999	2
R R R	580 4811-190		.BAFFLE-VENT SUPPLIER CODE: V29780	002004 006102 107999	1
R R R	585 16204-002		.MOTOR ASSY-PUMP FILTER SUPPLIER CODE: V29780 COMPONENT MAINT MANUAL REF: 38-33-02 FOR DETAILS SEE: 38-32-05-11 ATTACHING PARTS	002004 006102 107999	1
R R R	590 NAS70C161-438		.WASHER	002004 006102 107999	6
R R R	595 NAS679C08M		.NUT	002004 006102 107999	6
R R R	600 4812-15		-----*----- .GROMMET- SUPPLIER CODE: V29780	002004 006102 107999	6
R R R	605 16201-002		.TANK AND TOP ASSY- SUPPLIER CODE: V29780	002004 006102 107999	1
R R R	- 610 16201-006		..TOP ASSY-BONDED SUPPLIER CODE: V29780	002004 006102 107999	1
R R R	- 620 16202-014		...RING-BONDED SUPPLIER CODE: V29780	002004 006102 107999	1
R R R	625 4811-275-2		...BRACKET- SUPPLIER CODE: V29780 CONFIG CHG DATA FROM A CMM: REPLD BY 16202-032	002004 006102 107999	1

MISSING ITEM NUMBERS NOT APPLICABLE

- ITEM NOT ILLUSTRATED

38-32-01-49

38-32-01
FIG. 49
PAGE 8
MAY 20/09

BRI

BOEING
757
PARTS CATALOG (MAINTENANCE)

FIG ITEM	PART NUMBER	1 2 3 4 5 6 7	NOMENCLATURE	EFFECT FROM TO	UNITS PER ASSY
R R R R R R	49 625	16202-032	...BRACKET- SUPPLIER CODE: V29780 CONFIG CHG DATA FROM A CMM: REPLS 4811-275-2 ATTACHING PARTS	002004 006102 107999	1
	630	NAS560CK2-3	...SCREW -----*-----	002004 006102 107999	2
	635	4811-276	...HOSE- SUPPLIER CODE: V29780	002004 006102 107999	1
	640	SNP360W	...CLAMP- SUPPLIER CODE: V29780 CONFIG CHG DATA FROM A CMM: SUPSD BY SNP3410K2	002004 006102 107999	1
	640	SNP3410K2	...CLAMP- SUPPLIER CODE: V53421 CONFIG CHG DATA FROM A CMM: SUPERSEDES SNP360W	002004 006102 107999	1
	645	4811-106	..GASKET-BONDED SUPPLIER CODE: V29780	002004 006102 107999	1

MISSING ITEM NUMBERS NOT APPLICABLE

— ITEM NOT ILLUSTRATED

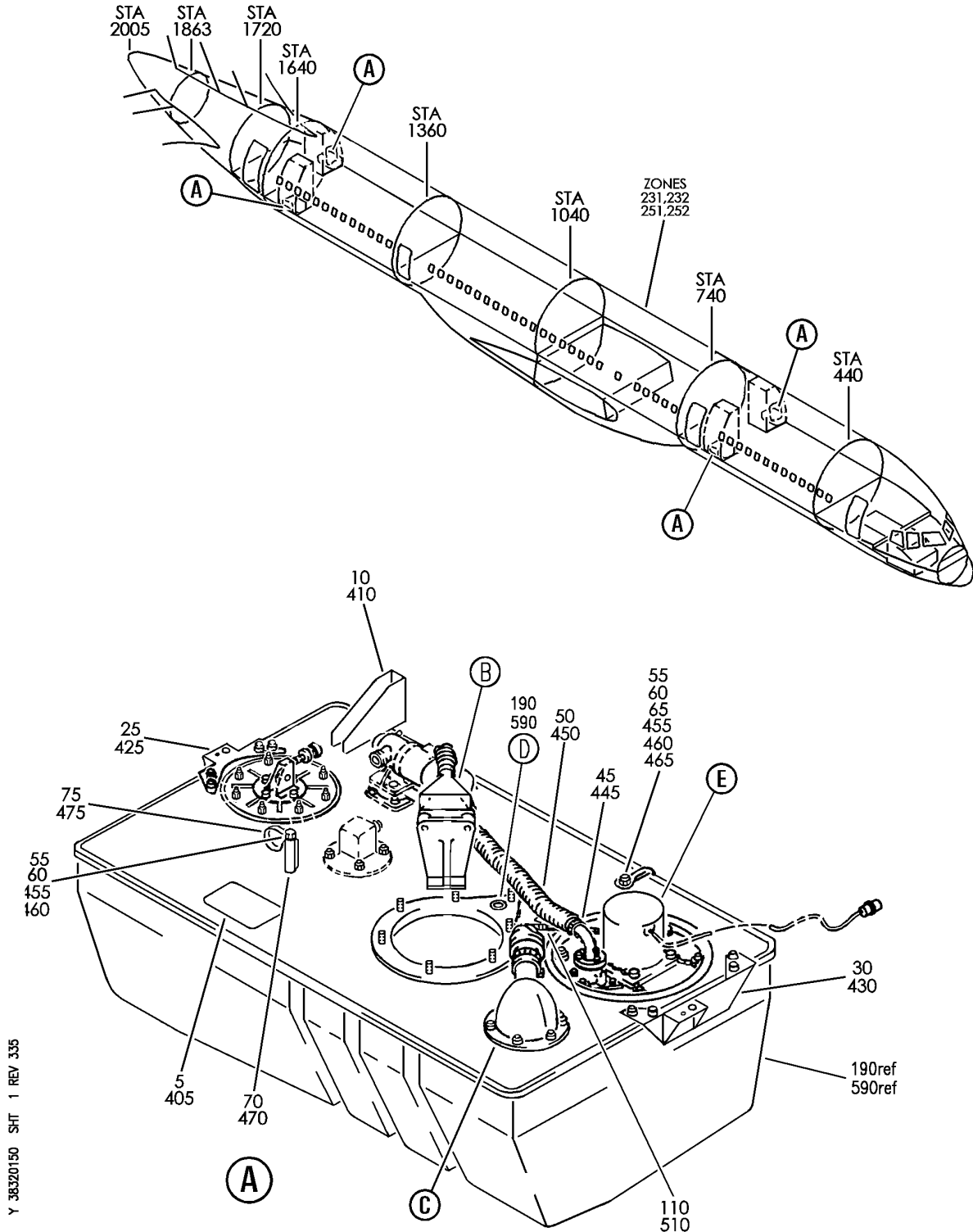
BRI

38-32-01-49

BOEING PROPRIETARY - Copyright © - Unpublished Work - See title page for details.

38-32-01
FIG. 49
PAGE 9
MAY 20/09

BOEING
757
PARTS CATALOG (MAINTENANCE)



Y 38320150 SH1 1 REV 335

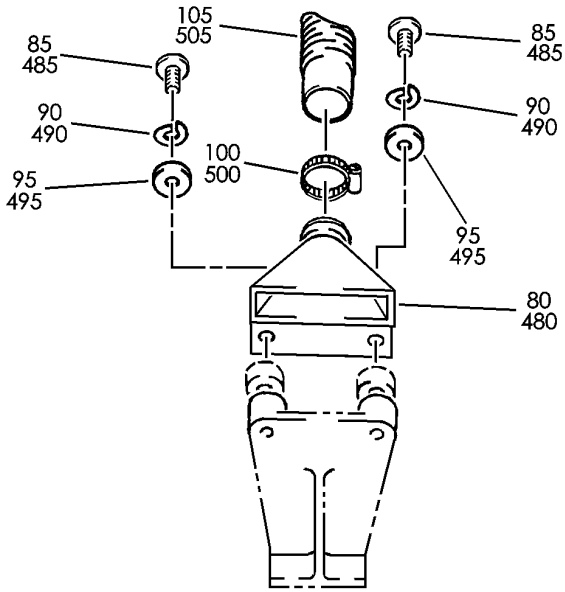
TOILET ASSY-FLUSHING (TOILET SYSTEM ONLY)
FIGURE 50 (SHEET 1)

38-32-01-50

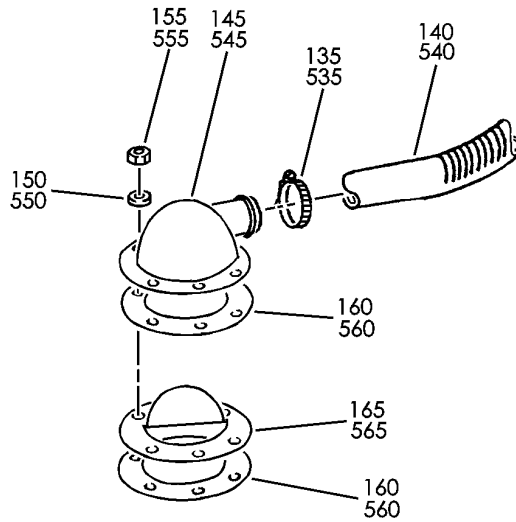
BRI
MAY 20/09

38-32-01-50
PAGE 0

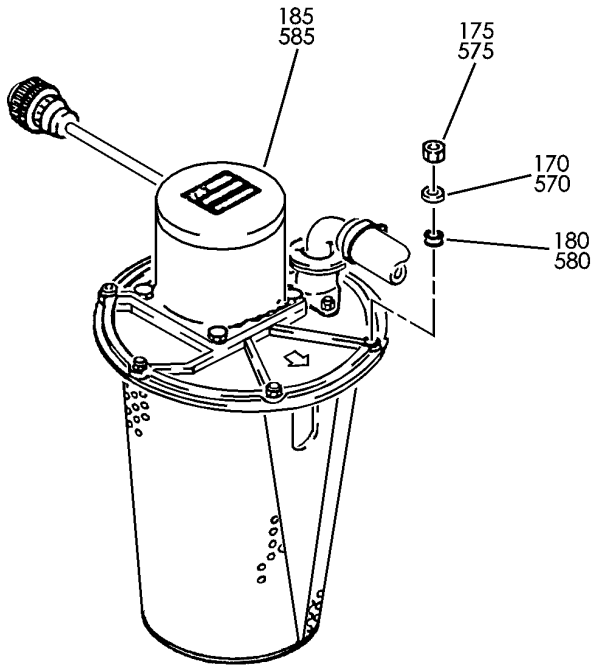
BOEING
757
PARTS CATALOG (MAINTENANCE)



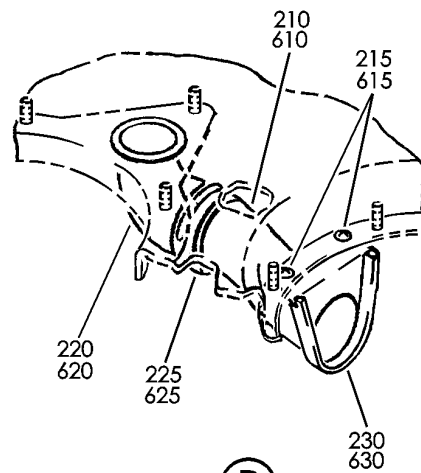
(B)



(C)



(E)



(D)

Y 38320150 SHT 2 REV 248

TOILET ASSY-FLUSHING (TOILET SYSTEM ONLY)
FIGURE 50 (SHEET 2)

38-32-01-50

BRI
JAN 20/09

38-32-01-50
PAGE 0A



757

PARTS CATALOG (MAINTENANCE)

FIG ITEM	PART NUMBER	1 2 3 4 5 6 7	NOMENCLATURE	EFFECT FROM TO	UNITS PER ASSY
50			TOILET ASSY-FLUSHING (TOILET SYSTEM ONLY)	950999	
- 1	16200-019		TOILET ASSY-FLUSHING (TOILET SYSTEM ONLY) SUPPLIER CODE: V29780 POSITION DATA: MID-CAB. SPECIFICATION NUMBER: S417N102-49 SB DATA FROM A CMM: PRE 16200-38-03 POST 3600-38-001 CONFIG CHG DATA FROM A CMM: REPLS 16200-013 REPLD BY 16200-024 COMPONENT MAINT MANUAL REF: 38-33-01 FOR NHA/ADDITIONAL DET SEE: 38-32-53-03	950999	RF
R	5	13507-001	.NAMEPLATE- SUPPLIER CODE: V29780 CONFIG CHG DATA FROM A CMM: SUPSD BY 13508-100 USED ON: 16200-019	950999	1
R					
R					
R	5	13508-100	.NAMEPLATE- SUPPLIER CODE: V29780 CONFIG CHG DATA FROM A CMM: SUPERSEDES 13507-001 USED ON: 16200-019	950999	1
R					
R					
R	10	16302-005	.BRACKET-CABLE SPRT SUPPLIER CODE: V29780	950999	1
-	15	AN960C10L	ATTACHING PARTS .WASHER	950999	4
-	20	NAS679C3M	.NUT	950999	4
	25	16202-002	-----*----- .BRACKET-TIEDOWN SUPPLIER CODE: V29780	950999	1
	30	16302-017	.BRACKET-TIEDOWN SUPPLIER CODE: V29780	950999	1
-	35	AN960C10L	ATTACHING PARTS .WASHER	950999	8

MISSING ITEM NUMBERS NOT APPLICABLE

- ITEM NOT ILLUSTRATED

38-32-01-50

38-32-01
FIG. 50
PAGE 1
MAY 20/09

BRI



757

PARTS CATALOG (MAINTENANCE)

FIG ITEM	PART NUMBER	1 2 3 4 5 6 7	NOMENCLATURE	EFFECT FROM TO	UNITS PER ASSY
50					
- 40	NAS679C3M	.	NUT	950999	8
		-----*			
R 45	H6SS	.	CLAMP-	950999	2
R			SUPPLIER CODE:		
R			V76599		
R			USED ON:		
R			16200-019		
50	16004-027-5	.	HOSE-	950999	1
			SUPPLIER CODE:		
			V29780		
R 55	AN960C10L	.	WASHER	950999	3
60	NAS679C3M	.	NUT	950999	2
65	2435-14-21	.	STRAP-GROUNDING	950999	1
			SUPPLIER CODE:		
			V29780		
70	3752-24	.	SPACER-	950999	1
			SUPPLIER CODE:		
			V29780		
75	C10DK14	.	CLAMP-	950999	1
			SUPPLIER CODE:		
			V03296		
80	4811-160-3	.	VENT-BOWL	950999	1
			SUPPLIER CODE:		
			V29780		
			ATTACHING PARTS		
85	MS51957-30	.	SCREW	950999	2
90	MS35338-136	.	WASHER	950999	2
95	AN960C6	.	WASHER	950999	2
		-----*			
100	16HSS	.	CLAMP-	950999	2
			SUPPLIER CODE:		
			V76599		
105	4811-196-029	.	DUCT-	950999	1
			SUPPLIER CODE:		
			V29780		
			CONFIG CHG DATA FROM A CMM:		
			REPLD BY 4811-196-034		
105	4811-196-034	.	DUCT-	950999	1
			SUPPLIER CODE:		
			V29780		
			CONFIG CHG DATA FROM A CMM:		
			REPLS 4811-196-029		
110	2435-14-15	.	STRAP-GROUNDING	950999	1
			SUPPLIER CODE:		
			V29780		
135	20HSS	.	CLAMP-	950999	2
			SUPPLIER CODE:		
			V76599		

MISSING ITEM NUMBERS NOT APPLICABLE

- ITEM NOT ILLUSTRATED

38-32-01-50

38-32-01
FIG. 50
PAGE 2
MAY 20/09

BRI



757

PARTS CATALOG (MAINTENANCE)

FIG ITEM	PART NUMBER	1 2 3 4 5 6 7	NOMENCLATURE	EFFECT FROM TO	UNITS PER ASSY
50					
R	140	4811-196-030	. DUCT-FLEXIBLE SUPPLIER CODE: V29780 CONFIG CHG DATA FROM A CMM: REPLD BY 4811-196-035 REPLD BY 4811-196-010	950999	1
R					
R	140	4811-196-035	. DUCT-FLEXIBLE SUPPLIER CODE: V29780 CONFIG CHG DATA FROM A CMM: REPLS 4811-196-030	950999	1
R					
R	140	4811-196-010	. DUCT-FLEXIBLE SUPPLIER CODE: V29780 CONFIG CHG DATA FROM A CMM: REPLS 4811-196-030	950999	1
R					
R	145	4811-206	. VENT-AIR SUPPLIER CODE: V29780 ATTACHING PARTS	950999	1
	150	AN960C8	. WASHER	950999	5
	155	NAS679C08M	. NUT	950999	5
			-----*-----		
	160	4811-191	. GASKET-VENT SUPPLIER CODE: V29780	950999	2
	165	4811-190	. BAFFLE-VENT SUPPLIER CODE: V29780	950999	1
	170	NAS70C161-438	. WASHER- USED ON: 16200-019	950999	6
	175	NAS679C08M	. NUT	950999	6
	180	4812-15	. GROMMET- SUPPLIER CODE: V29780	950999	6
	185	16204-002	. MOTOR ASSY-PUMP FILTER SUPPLIER CODE: V29780 COMPONENT MAINT MANUAL REF: 38-33-02 FOR DETAILS SEE: 38-32-05-12	950999	1
	190	16201-001	. TANK AND TOP ASSY- SUPPLIER CODE: V29780	950999	1
-	195	16201-005	.. TOP ASSY-BONDED SUPPLIER CODE: V29780	950999	1

MISSING ITEM NUMBERS NOT APPLICABLE

- ITEM NOT ILLUSTRATED

38-32-01-50

38-32-01
FIG. 50
PAGE 3
MAY 20/09

BRI

BOEING
757
PARTS CATALOG (MAINTENANCE)

FIG ITEM	PART NUMBER	1 2 3 4 5 6 7	NOMENCLATURE	EFFECT FROM TO	UNITS PER ASSY	
R R R R R R R R R	50					
	- 205	16202-014	...	RING-BONDED	950999	1
				SUPPLIER CODE: V29780		
	210	4811-275-2	...	BRACKET-	950999	1
				SUPPLIER CODE: V29780		
				CONFIG CHG DATA FROM A CMM: REPLD BY 16202-032		
	210	16202-032	...	BRACKET-	950999	1
				SUPPLIER CODE: V29780		
			CONFIG CHG DATA FROM A CMM: REPLS 4811-275-2			
			ATTACHING PARTS			
215	NAS560CK2-3	...	SCREW	950999	2	
			-----*-----			
220	4811-276	...	HOSE-	950999	1	
			SUPPLIER CODE: V29780			
225	SNP360W	...	CLAMP-	950999	1	
			SUPPLIER CODE: V29780			
			CONFIG CHG DATA FROM A CMM: SUPSD BY SNP3410K2			
225	SNP3410K2	...	CLAMP-	950999	1	
			SUPPLIER CODE: V53421			
			CONFIG CHG DATA FROM A CMM: SUPERSEDES SNP360W			
230	4811-106	..	GASKET-BONDED	950999	1	
			SUPPLIER CODE: V29780			

MISSING ITEM NUMBERS NOT APPLICABLE

- ITEM NOT ILLUSTRATED

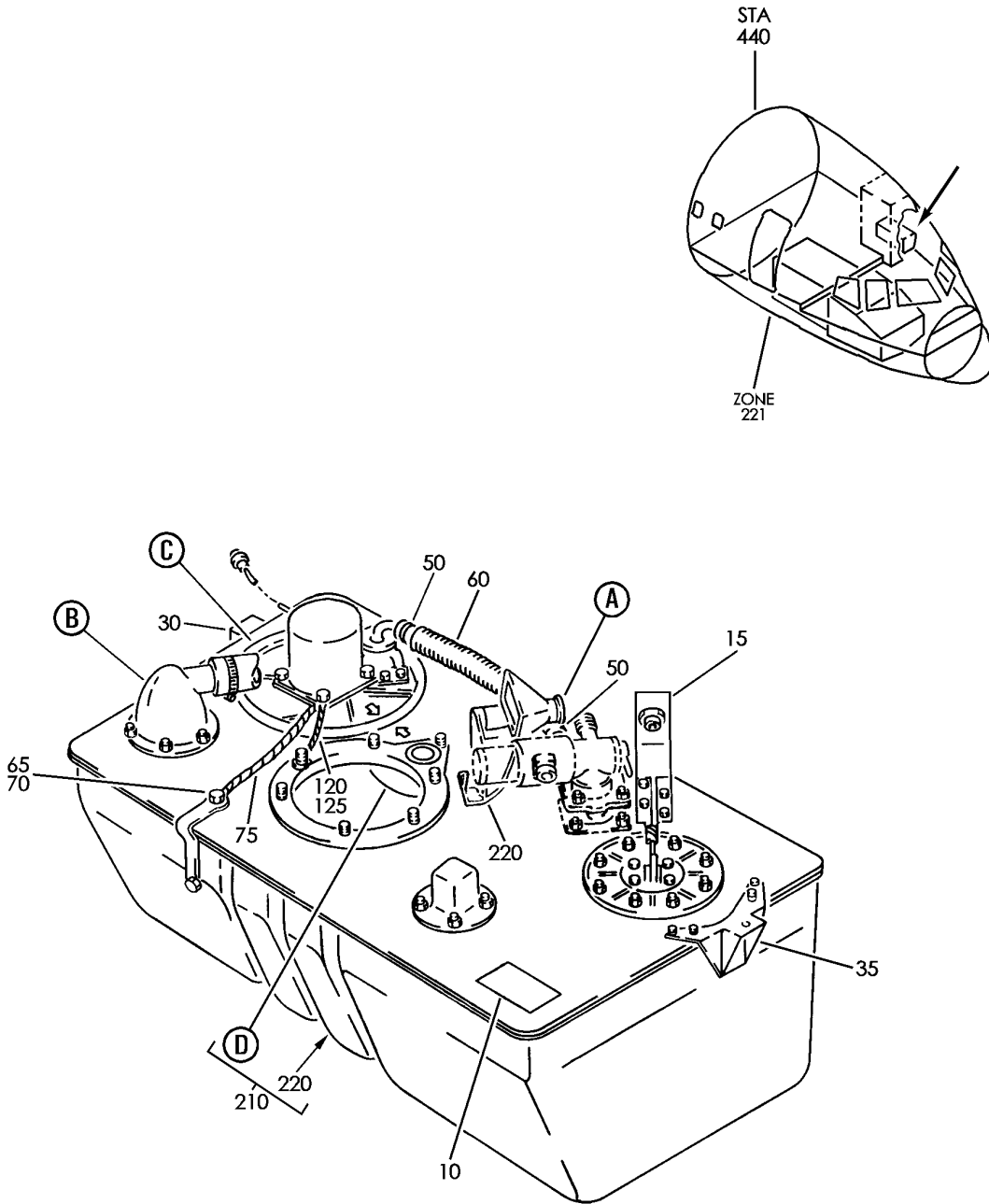
BRI

38-32-01-50

BOEING PROPRIETARY - Copyright © - Unpublished Work - See title page for details.

38-32-01
FIG. 50
PAGE 4
MAY 20/09

BOEING
757
PARTS CATALOG (MAINTENANCE)



Y 38320151 SHT 1 REV 248

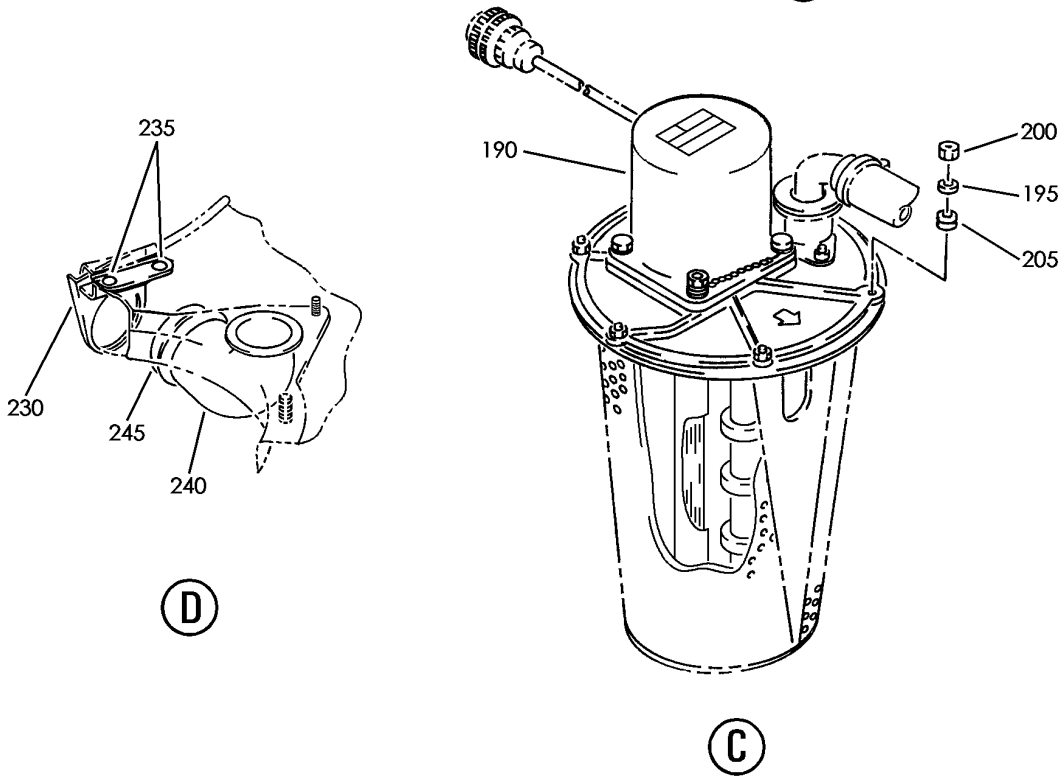
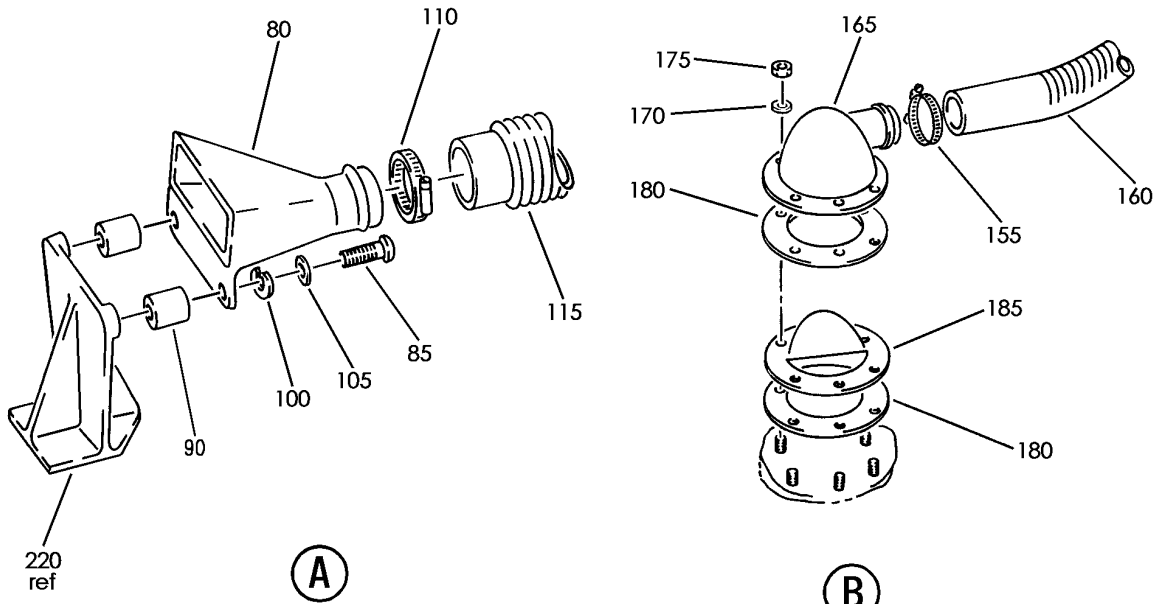
TOILET ASSY-FLUSHING (TOILET SYSTEM ONLY)
FIGURE 51 (SHEET 1)

38-32-01-51

BRI
MAY 28/07

38-32-01-51
PAGE 0

BOEING
757
PARTS CATALOG (MAINTENANCE)



Y 38320151 SH1 2 REV 335

TOILET ASSY-FLUSHING (TOILET SYSTEM ONLY)
FIGURE 51 (SHEET 2)

38-32-01-51

BRI
MAY 20/09

38-32-01-51
PAGE 0A



757

PARTS CATALOG (MAINTENANCE)

FIG ITEM	PART NUMBER	1 2 3 4 5 6 7	NOMENCLATURE	EFFECT FROM TO	UNITS PER ASSY
51			TOILET ASSY-FLUSHING (TOILET SYSTEM ONLY)	002004 006102 107999	
R R	- 1 16300-008		TOILET ASSY-FLUSHING (TOILET SYSTEM ONLY) SUPPLIER CODE: V29780 SPECIFICATION NUMBER: S417N102-30 SB DATA FROM A CMM: PRE 3600-38-001 PRE 16200-38-03 CONFIG CHG DATA FROM A CMM: REPLS 16300-001 REPLD BY 16300-011 COMPONENT MAINT MANUAL REF: 38-33-01 FOR NHA/ADDITIONAL DET SEE: 38-32-01-01	002004 006102 107999	RF
	- 1 16300-011		TOILET ASSY-FLUSHING (TOILET SYSTEM ONLY) SUPPLIER CODE: V29780 SPECIFICATION NUMBER: S417N102-46 SB DATA FROM A CMM: POST 3600-38-001 PRE 16200-38-03 CONFIG CHG DATA FROM A CMM: REPLS 16300-008 REPLD BY 16300-013 COMPONENT MAINT MANUAL REF: 38-33-01 FOR NHA/ADDITIONAL DET SEE: 38-32-01-01	002004 006102 107999	RF
	10 13507-001		.NAMEPLATE- SUPPLIER CODE: V29780 CONFIG CHG DATA FROM A CMM: SUPSD BY 13508-102 USED ON: 16300-011	002004 006102 107999	1
	10 13508-102		.NAMEPLATE- SUPPLIER CODE: V29780 CONFIG CHG DATA FROM A CMM: SUPERSEDES 13507-001 USED ON: 16300-011	002004 006102 107999	1

MISSING ITEM NUMBERS NOT APPLICABLE

- ITEM NOT ILLUSTRATED

38-32-01-51

38-32-01
FIG. 51
PAGE 1
MAY 20/09

BRI



757

PARTS CATALOG (MAINTENANCE)

FIG ITEM	PART NUMBER	1 2 3 4 5 6 7	NOMENCLATURE	EFFECT FROM TO	UNITS PER ASSY
51					
10	13507-001		.NAMEPLATE- SUPPLIER CODE: V29780 USED ON: 16300-008	002004 006102 107999	1
15	16302-005		.BRACKET-CABLE SPRT SUPPLIER CODE: V29780	002004 006102 107999	1
- 20	AN960C10L		ATTACHING PARTS .WASHER	002004 006102 107999	4
- 25	NAS679C3M		.NUT	002004 006102 107999	4
			-----*-----		
30	16302-018		.BRACKET-TIE DOWN SUPPLIER CODE: V29780	002004 006102 107999	1
35	16202-002		.BRACKET-TIE DOWN SUPPLIER CODE: V29780	002004 006102 107999	1
- 40	AN960C10L		ATTACHING PARTS .WASHER	002004 006102 107999	8
- 45	NAS679C3M		.NUT	002004 006102 107999	8
			-----*-----		
R R R	50	10HSS	.CLAMP- SUPPLIER CODE: V76599	002004 006102 107999	2
	60	16004-027-4	.HOSE- SUPPLIER CODE: V29780	002004 006102 107999	1
	65	NAS679C3M	.NUT	002004 006102 107999	1
R R R	70	AN960C10L	.WASHER	002004 006102 107999	1
	75	2435-14-3	.STRAP-GROUNDING SUPPLIER CODE: V29780	002004 006102 107999	1
	80	4811-160-3	.VENT-BOWL SUPPLIER CODE: V29780	002004 006102 107999	1

MISSING ITEM NUMBERS NOT APPLICABLE

- ITEM NOT ILLUSTRATED

38-32-01-51

38-32-01
FIG. 51
PAGE 2
MAY 20/09

BRI

BOEING
757
PARTS CATALOG (MAINTENANCE)

FIG ITEM	PART NUMBER	1 2 3 4 5 6 7	NOMENCLATURE	EFFECT FROM TO	UNITS PER ASSY
51			ATTACHING PARTS		
85	MS51957-125		.SCREW	002004 006102 107999	2
90	4811-173-8		.SPACER- SUPPLIER CODE: V29780	002004 006102 107999	2
100	MS35338-136		.WASHER	002004 006102 107999	2
105	AN960C6		.WASHER	002004 006102 107999	2
110	16HSS		-----*----- .CLAMP- SUPPLIER CODE: V76599	002004 006102 107999	2
115	4811-196-033		.DUCT-FLEXIBLE SUPPLIER CODE: V29780	002004 006102 107999	1
120	2435-14-9		.STRAP-GND SUPPLIER CODE: V29780 CONFIG CHG DATA FROM A CMM: REPLD BY 2435-14-21 USED ON: 16300-008	002004 006102 107999	1
120	2435-14-21		.STRAP-GND SUPPLIER CODE: V29780 CONFIG CHG DATA FROM A CMM: REPLS 2435-14-9 USED ON: 16300-008	002004 006102 107999	1
125	2435-14-21		.STRAP-GND SUPPLIER CODE: V29780 USED ON: 16300-011	002004 006102 107999	1
155	20HSS		.CLAMP- SUPPLIER CODE: V76599	002004 006102 107999	2
160	4811-196-032		.DUCT-FLEXIBLE SUPPLIER CODE: V29780	002004 006102 107999	1
165	4811-206		.VENT-AIR SUPPLIER CODE: V29780	002004 006102 107999	1

MISSING ITEM NUMBERS NOT APPLICABLE

— ITEM NOT ILLUSTRATED

BRI

38-32-01-51

BOEING PROPRIETARY - Copyright © - Unpublished Work - See title page for details.

38-32-01
FIG. 51
PAGE 3
MAY 20/09

BOEING
757
PARTS CATALOG (MAINTENANCE)

FIG ITEM	PART NUMBER	1 2 3 4 5 6 7	NOMENCLATURE	EFFECT FROM TO	UNITS PER ASSY
51			ATTACHING PARTS		
170	AN960C8		.WASHER	002004 006102 107999	5
175	NAS679C08M		.NUT	002004 006102 107999	5
			-----*-----		
180	4811-191		.GASKET-VENT SUPPLIER CODE: V29780	002004 006102 107999	2
185	4811-190		.BAFFLE-VENT SUPPLIER CODE: V29780	002004 006102 107999	1
190	16204-002		.MOTOR ASSY-PUMP FILTER SUPPLIER CODE: V29780 COMPONENT MAINT MANUAL REF: 38-33-02 FOR DETAILS SEE: 38-32-05-13 ATTACHING PARTS	002004 006102 107999	1
R	195	AN960C8	.WASHER-	002004	6
R			CONFIG CHG DATA FROM A CMM:	006102	
R			REPLD BY NAS70C161-438	107999	
R	195	NAS70C161-438	.WASHER-	002004	6
R			CONFIG CHG DATA FROM A CMM:	006102	
R			REPLS AN960C8	107999	
	200	NAS679C08M	.NUT	002004 006102 107999	6
			-----*-----		
	205	4812-15	.GROMMET-	002004	6
			SUPPLIER CODE: V29780	006102 107999	
	210	16301-001	.TANK AND TOP ASSY-	002004	1
			SUPPLIER CODE: V29780	006102 107999	
R	- 215	16301-003	..TOP ASSY-BONDED	002004	1
R			SUPPLIER CODE: V29780	006102 107999	
R		220	...SUPPORT-VENT BONDED	002004	1
			SUPPLIER CODE: V29780	006102 107999	
R	- 225	16202-014	...RING-BONDED	002004	1
R			SUPPLIER CODE: V29780	006102 107999	
R			CONFIG CHG DATA FROM A CMM: REPLD BY 16202-034		

MISSING ITEM NUMBERS NOT APPLICABLE

— ITEM NOT ILLUSTRATED

BRI

38-32-01-51

BOEING PROPRIETARY - Copyright © - Unpublished Work - See title page for details.

38-32-01
FIG. 51
PAGE 4
MAY 20/09



757

PARTS CATALOG (MAINTENANCE)

FIG ITEM	PART NUMBER	1 2 3 4 5 6 7	NOMENCLATURE	EFFECT FROM TO	UNITS PER ASSY
R R R R R R R R R R	51 - 225	16202-034	...RING-BONDED SUPPLIER CODE: V29780 CONFIG CHG DATA FROM A CMM: REPLS 16202-014	002004 006102 107999	1
	230	4811-275-2	...BRACKET-BONDED SUPPLIER CODE: V29780 CONFIG CHG DATA FROM A CMM: REPLD BY 16202-032	002004 006102 107999	1
	230	16202-032	...BRACKET-BONDED SUPPLIER CODE: V29780 CONFIG CHG DATA FROM A CMM: REPLS 4811-275-2	002004 006102 107999	1
	235	NAS560CK2-3	...SCREW -----*-----	002004 006102 107999	2
	240	4811-276	...HOSE- SUPPLIER CODE: V29780	002004 006102 107999	1
	245	SNP360W	...CLAMP- SUPPLIER CODE: V29780 CONFIG CHG DATA FROM A CMM: SUPSD BY SNP3410K2	002004 006102 107999	1
	245	SNP3410K2	...CLAMP- SUPPLIER CODE: V53421 CONFIG CHG DATA FROM A CMM: SUPERSEDES SNP360W	002004 006102 107999	1
	- 250	4811-106	..GASKET-BONDED SUPPLIER CODE: V29780	002004 006102 107999	1

MISSING ITEM NUMBERS NOT APPLICABLE

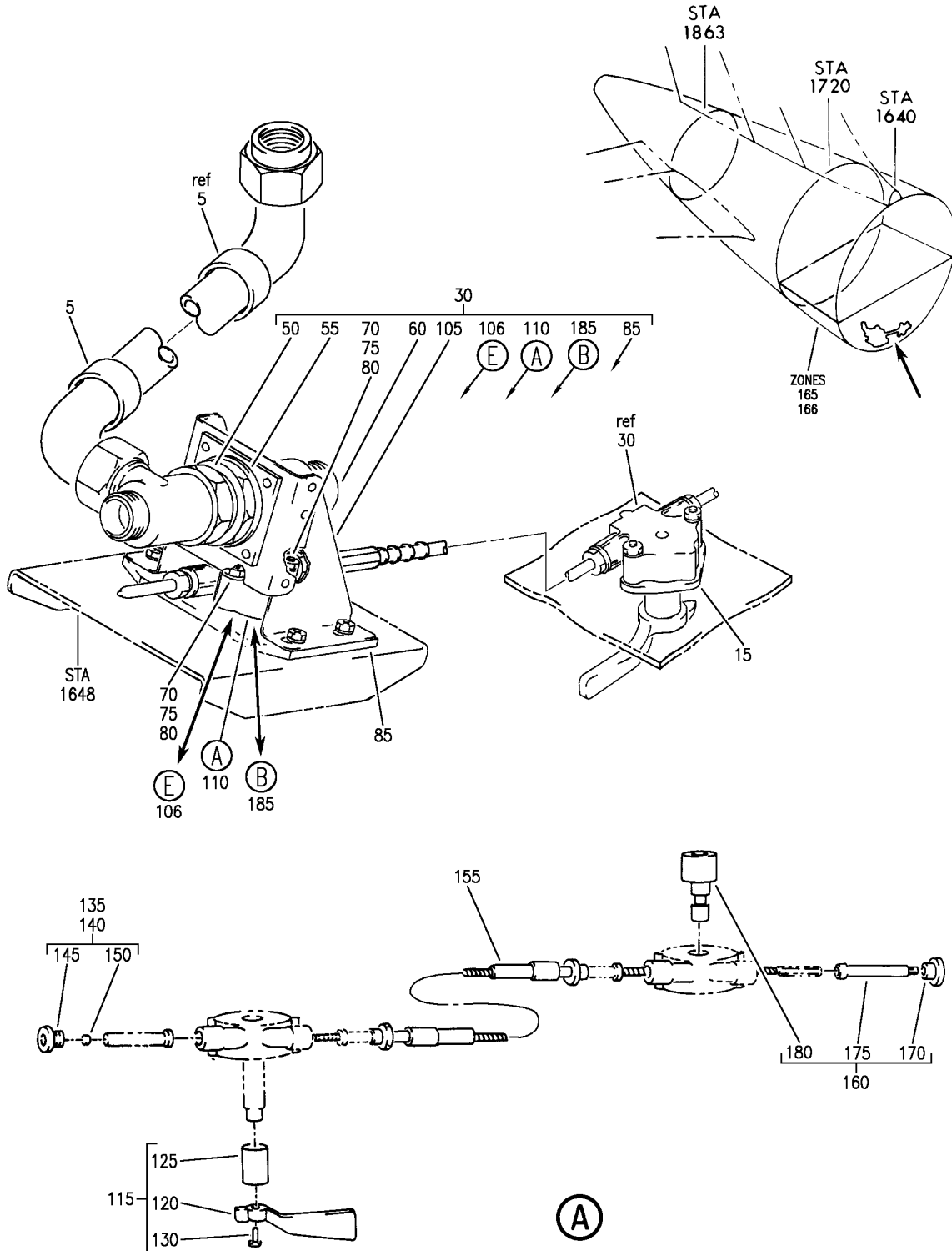
- ITEM NOT ILLUSTRATED

38-32-01-51

38-32-01
FIG. 51
PAGE 5
MAY 20/09

BRI

BOEING
757
PARTS CATALOG (MAINTENANCE)



Y 38320201 SHT 1 REV 303

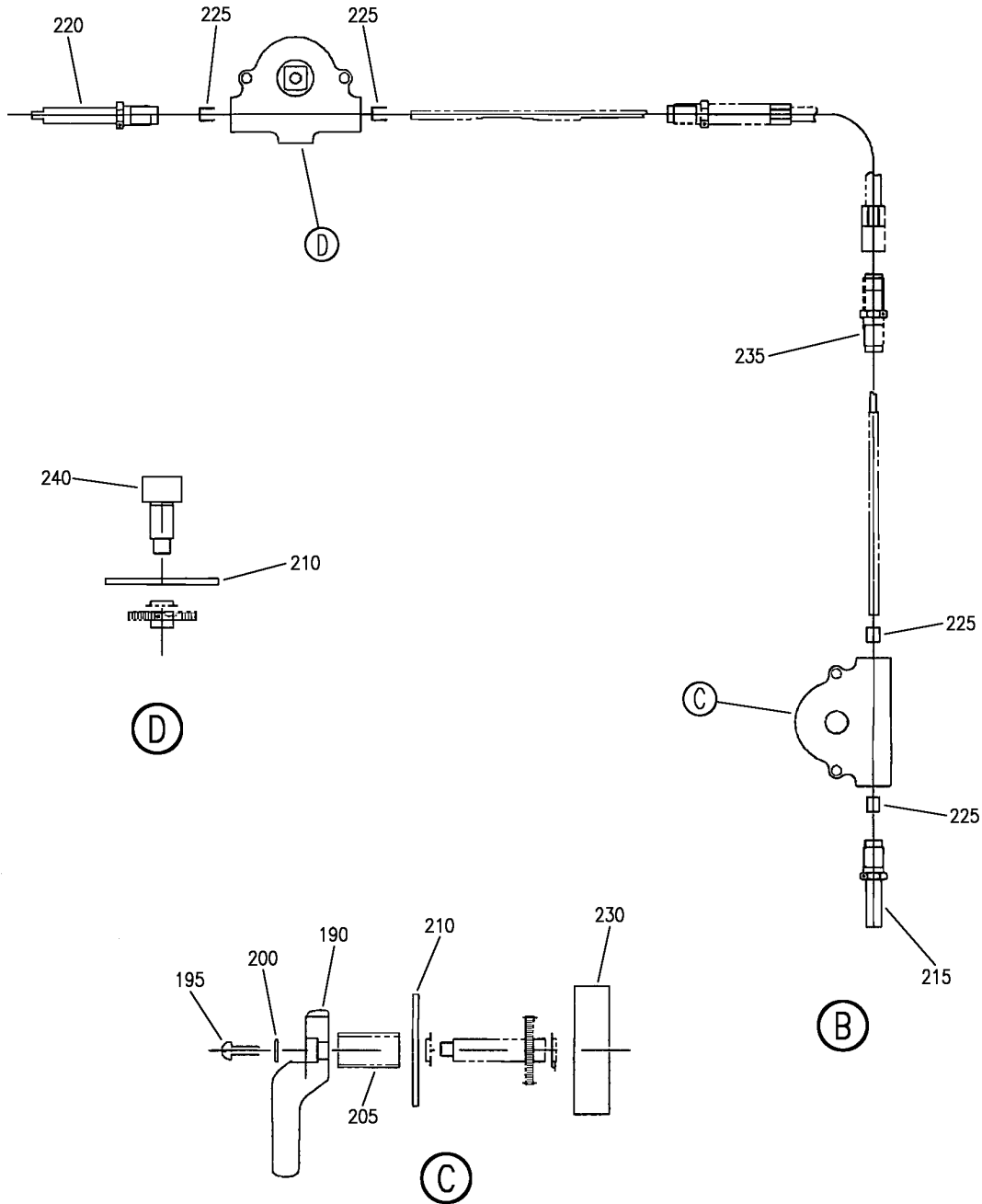
VALVE INSTL-PASS. WATER SYS WATER TANK DRAIN
FIGURE 1 (SHEET 1)

38-32-02-01

BRI
MAY 28/07

38-32-02-01
PAGE 0


BOEING
 757
PARTS CATALOG (MAINTENANCE)



Y 38320201 SHT 2 REV 259

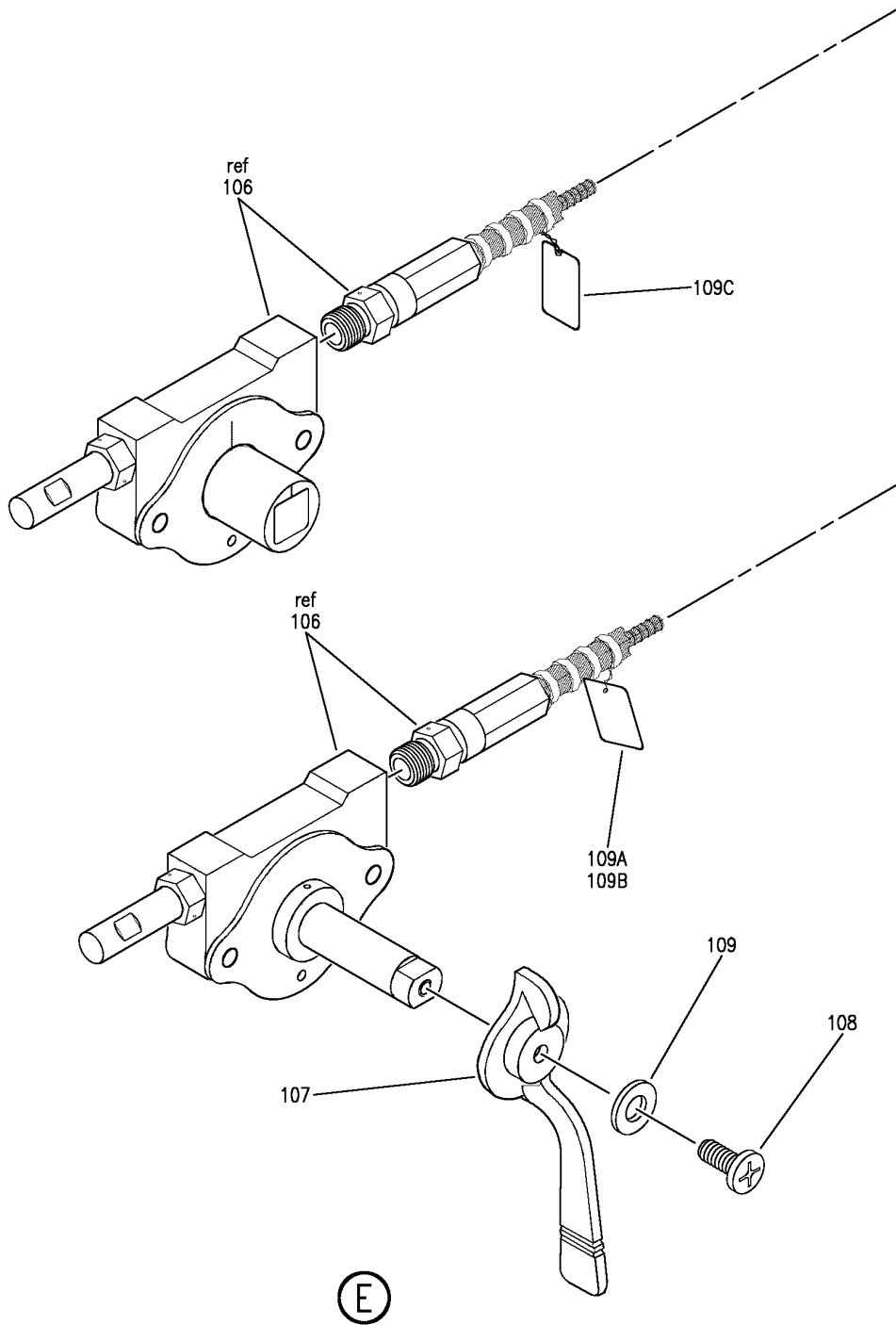
VALVE INSTL-PASS. WATER SYS WATER TANK DRAIN
 FIGURE 1 (SHEET 2)

38-32-02-01

BRI
 MAY 28/07

38-32-02-01
 PAGE 0A

BOEING
757
PARTS CATALOG (MAINTENANCE)



Y 38320201 SH-T 3 REV 303

VALVE INSTL-PASS. WATER SYS WATER TANK DRAIN
FIGURE 1 (SHEET 3)

38-32-02-01

BRI
MAY 28/07

38-32-02-01
PAGE 0B

 **BOEING**
757
PARTS CATALOG (MAINTENANCE)

FIG ITEM	PART NUMBER	1 2 3 4 5 6 7	NOMENCLATURE	EFFECT FROM TO	UNITS PER ASSY
1			VALVE INSTL-PASS. WATER SYS WATER TANK DRAIN	002004 006102 107999	
- 1	417N2521-1		VALVE INSTL-PASS. WATER SYS WATER TANK DRAIN FOR NHA SEE: 25-20-00-03A	002004 006100 107107 121503 904999	RF
- 1	417N2521-12		VALVE INSTL-PASS. WATER SYS WATER TANK DRAIN FOR NHA SEE: 25-20-00-09	101102 108120 504903	RF
5	78001-464		.HOSE ASSY- SUPPLIER CODE: V24984 SPECIFICATION NUMBER: 10-61998-464 OPTIONAL PART: R29284-16-0154-90 V50599 A1650-464 V03925	002004 006009 107107 121503 904949 952999	1
5	AS4473M0154-090		.HOSE ASSY-	010102 108120 504903 950951	1
10	NAS1763J160816		.TEE- OPTIONAL PART: FT912 V24984	002004 006102 107999	1
10	FT912		.TEE- SUPPLIER CODE: V24984 OPTIONAL PART: NAS1763J160816	002004 006102 107999	1
10	BCREF116867		.TEE- OVERLENGTH PART NUMBER: BACT16BR160816JN	002004 006102 107999	1
15	417N2519-2		.PLATE-INSULATOR	002004 006102 107999	1
- 20	BACS12CK3-24		ATTACHING PARTS .SCREW-	002004 006102 107999	2
- 25	AN960C10L		.WASHER-	002004 006102 107999	2

MISSING ITEM NUMBERS NOT APPLICABLE

- ITEM NOT ILLUSTRATED

BRI

38-32-02-01

BOEING PROPRIETARY - Copyright © - Unpublished Work - See title page for details.

38-32-02
FIG. 01
PAGE 1
JAN 20/09



757

PARTS CATALOG (MAINTENANCE)

FIG ITEM	PART NUMBER	1 2 3 4 5 6 7	NOMENCLATURE	EFFECT FROM TO	UNITS PER ASSY
1					
- 27	BRH10C3D	.	NUT- SUPPLIER CODE: V52828 SPECIFICATION NUMBER: BACN10JC3CD OPTIONAL PART: T6C1032JCD V11815 NS202486-02 V80539 102LH9075-3W V72962 H51650-3BAC V15653 -----*-----	002004 006102 107999	2
30	417N2517-1	.	VALVE ASSY ATTACHING PARTS	002004 006102 107999	1
- 40	NAS603-12P	.	SCREW-	002004 006102 107999	4
- 45	AN960KD10L	.	WASHER-	002004 006102 107999	4
50	AN924-16J	..	NUT- -----*-----	002004 006102 107999	1
55	AN960XC2116	..	WASHER	002004 006102 107999	1
60	3-118605	..	VALVE-DRAIN SUPPLIER CODE: V92003 SPECIFICATION NUMBER: 10-60783-6 COMPONENT MAINT MANUAL REF: 38-30-20 OPTIONAL PART: 12D117-6 V82829	002004 006102 107999	1

MISSING ITEM NUMBERS NOT APPLICABLE

- ITEM NOT ILLUSTRATED

38-32-02-01

38-32-02
FIG. 01
PAGE 2
JAN 20/09

BRI

BOEING
757
PARTS CATALOG (MAINTENANCE)

FIG ITEM	PART NUMBER	1 2 3 4 5 6 7	NOMENCLATURE	EFFECT FROM TO	UNITS PER ASSY
1					
60	12D117-6		.. VALVE-DRAIN SUPPLIER CODE: V82829 SPECIFICATION NUMBER: 10-60783-6 COMPONENT MAINT MANUAL REF: 38-10-15 OPTIONAL PART: 3-118605 V92003	002004 006102 107999	1
70	NAS1801-3-20		.. SCREW	002004 006102 107999	2
75	AN960PD10L		.. WASHER-	002004 006102 107999	2
80	BRH10A3		.. NUT- SUPPLIER CODE: V52828 SPECIFICATION NUMBER: BACN10JC3 OPTIONAL PART: H10-3BAC V15653 NS202101-02 V80539 RMLH9075-3W V72962 VN303A02 V92215 96-02 V80539 T6S1032J V11815	002004 006102 107999	2
85	417N2519-1		.. PLATE-INSULATOR	002004 006102 107999	1
- 90	BACS12ER3K9		ATTACHING PARTS .. SCREW	002004 006102 107999	2
- 95	AN960PD10L		.. WASHER	002004 006102 107999	2

MISSING ITEM NUMBERS NOT APPLICABLE

- ITEM NOT ILLUSTRATED

BRI

38-32-02-01

BOEING PROPRIETARY - Copyright © - Unpublished Work - See title page for details.

38-32-02
FIG. 01
PAGE 3
JAN 20/09



757

PARTS CATALOG (MAINTENANCE)

FIG ITEM	PART NUMBER	1 2 3 4 5 6 7	NOMENCLATURE	EFFECT FROM TO	UNITS PER ASSY
1 - 100	BRH10A3		..NUT SUPPLIER CODE: V52828 SPECIFICATION NUMBER: BACN10JC3 OPTIONAL PART: H10-3BAC V15653 NS202101-02 V80539 RMLH9075-3W V72962 VN303A02 V92215 96-02 V80539 T6S1032J V11815 -----*-----	002004 006102 107999	2
105	417N2520-1		..BRACKET ASSY	002004 006102 107999	1
106	7-44017-2		..ACTUATOR ASSY-REMOTE VALVE CONTROL SUPPLIER CODE: V78710 SPECIFICATION NUMBER: S417N202-2 COMPONENT MAINT MANUAL REF: 38-30-11 OPTIONAL PART: 35200-1 V04638 35200-5 V04638 575-206-024 V06970	002004 006102 107999	1
106	7-45527-2		..ACTUATOR ASSY-REMOTE VALVE CONTROL SUPPLIER CODE: V78710 COMPONENT MAINT MANUAL REF: 38-10-08	002004 006102 107999	1
107	61789-1		...HANDLE- SUPPLIER CODE: V78710	002004 006102 107999	1

MISSING ITEM NUMBERS NOT APPLICABLE

- ITEM NOT ILLUSTRATED

38-32-02-01

38-32-02
FIG. 01
PAGE 4
JAN 20/09

BRI



757

PARTS CATALOG (MAINTENANCE)

FIG ITEM	PART NUMBER	1 2 3 4 5 6 7	NOMENCLATURE	EFFECT FROM TO	UNITS PER ASSY
1			ATTACHING PARTS		
108	MS21090-350	...	SCREW	002004 006102 107999	1
109	NAS1149C0332R	...	WASHER	002004 006102 107999	1
109A	61646-1	-----*-----	...PLATE-IDENT SUPPLIER CODE: V78710	002004 006102 107999	1
109B	64369-1	...	PLATE-IDENT SUPPLIER CODE: V78710 USED ON: 7-45527-2	002004 006102 107999	1
109C	64371-1	...	PLATE-IDENT SUPPLIER CODE: V78710 USED ON: 7-45527-2	002004 006102 107999	1
110	35200-1	..	ACTUATOR ASSY-REMOTE VALVE CONTROL SUPPLIER CODE: V04638 SPECIFICATION NUMBER: S417N202-2 COMPONENT MAINT MANUAL REF: 38-11-01 OPTIONAL PART: 35200-5 V04638 7-44017-2 V78710 575-206-024 V06970	002004 006102 107999	1

MISSING ITEM NUMBERS NOT APPLICABLE

- ITEM NOT ILLUSTRATED

38-32-02-01

38-32-02
FIG. 01
PAGE 5
JAN 20/09

BRI



757

PARTS CATALOG (MAINTENANCE)

FIG ITEM	PART NUMBER	1 2 3 4 5 6 7	NOMENCLATURE	EFFECT FROM TO	UNITS PER ASSY
1					
110	35200-5	..	ACTUATOR ASSY-REMOTE VALVE CONTROL SUPPLIER CODE: V04638 SPECIFICATION NUMBER: S417N202-2 COMPONENT MAINT MANUAL REF: 38-11-01 OPTIONAL PART: 35200-1 V04638 7-44017-2 V78710 575-206-024 V06970	002004 006102 107999	1
115	35199	...	HANDLE ASSY- SUPPLIER CODE: V04638	002004 006102 107999	1
120	5255-3	HANDLE- SUPPLIER CODE: V04638	002004 006102 107999	1
125	35219	SPACER-HANDLE SHAFT SUPPLIER CODE: V04638	002004 006102 107999	1
130	NAS1635-3LE7	SCREW	002004 006102 107999	1
135	35197	...	BOX ASSY-INPUT CONTROL SUPPLIER CODE: V04638 CONFIG CHG DATA FROM A CMM: REPLD BY 35197-4	002004 006102 107999	1
135	35197-4	...	BOX ASSY-INPUT CONTROL SUPPLIER CODE: V04638 CONFIG CHG DATA FROM A CMM: REPLS 35197	002004 006102 107999	1
140	10238-11-2	TUBE ASSY-SPENT TRAVEL SUPPLIER CODE: V11346	002004 006102 107999	1
145	5001-3	SLEEVE-THREADED TUBE CONN. SUPPLIER CODE: V04638	002004 006102 107999	1
150	5019-34	PIN-DOWEL SUPPLIER CODE: V04638	002004 006102 107999	1

MISSING ITEM NUMBERS NOT APPLICABLE

- ITEM NOT ILLUSTRATED

38-32-02-01

38-32-02
FIG. 01
PAGE 6
JAN 20/09

BRI

BOEING PROPRIETARY - Copyright © - Unpublished Work - See title page for details.



757

PARTS CATALOG (MAINTENANCE)

FIG ITEM	PART NUMBER	1 2 3 4 5 6 7	NOMENCLATURE	EFFECT FROM TO	UNITS PER ASSY
1 155	35196		...CONTROL ASSY-POTABLE WATER SUPPLIER CODE: V04638 CONFIG CHG DATA FROM A CMM: SUPSD BY 35196-1	002004 006102 107999	1
155	35196-1		...CONTROL ASSY-POTABLE WATER SUPPLIER CODE: V04638 CONFIG CHG DATA FROM A CMM: SUPERSEDES 35196	002004 006102 107999	1
160	35198		...BOX ASSY-OUTPUT CONT SUPPLIER CODE: V04638	002004 006102 107999	1
170	5001-3	SLEEVE-THREADED TUBE CONN. SUPPLIER CODE: V04638 CONFIG CHG DATA FROM A CMM: SUPSD BY 5034-3	002004 006102 107999	1
170	5034-3	SLEEVE-THREADED TUBE CONN. SUPPLIER CODE: V04638 CONFIG CHG DATA FROM A CMM: SUPERSEDES 5001-3	002004 006102 107999	1
175	35216	TUBE-SPENT TRAVEL SUPPLIER CODE: V04638 CONFIG CHG DATA FROM A CMM: SUPSD BY 35205-1	002004 006102 107999	1
175	35205-1	TUBE ASSY-ANTITORSION SUPPLIER CODE: V04638 CONFIG CHG DATA FROM A CMM: SUPERSEDES 35216	002004 006102 107999	1
180	35206	ADAPTOR ASSY-VALVE SUPPLIER CODE: V04638	002004 006102 107999	1

MISSING ITEM NUMBERS NOT APPLICABLE

- ITEM NOT ILLUSTRATED

38-32-02-01

38-32-02
FIG. 01
PAGE 7
JAN 20/09

BRI

BOEING PROPRIETARY - Copyright © - Unpublished Work - See title page for details.



757

PARTS CATALOG (MAINTENANCE)

FIG ITEM	PART NUMBER	1 2 3 4 5 6 7	NOMENCLATURE	EFFECT FROM TO	UNITS PER ASSY
1 185	575-206-024		..ACTUATOR ASSY-REMOTE VALVE CONTROL SUPPLIER CODE: V06970 SPECIFICATION NUMBER: S417N202-2 COMPONENT MAINT MANUAL REF: 38-10-02 OPTIONAL PART: 35200-1 V04638 35200-5 V04638 7-44017-2 V78710	002004 006102 107999	1
190	565-100-129		...HANDLE ASSY- SUPPLIER CODE: V06970 ATTACHING PARTS	002004 006102 107999	1
195	NAS1351C3LN8		...SCREW	002004 006102 107999	1
200	5710-290-60		...WASHER- SUPPLIER CODE: V86982 -----*-----	002004 006102 107999	1
205	561-251-452		...SPACER- SUPPLIER CODE: V06970	002004 006102 107999	1
210	575-005-038		...COVER- SUPPLIER CODE: V06970	002004 006102 107999	2
215	575-014-036		...TUBE ASSY- SUPPLIER CODE: V06970	002004 006102 107999	1
220	575-014-035		...TUBE ASSY- SUPPLIER CODE: V06970	002004 006102 107999	1
225	4L6D		...BUSHING- SUPPLIER CODE: V96881	002004 006102 107999	4
230	575-001-078		...HOUSING- SUPPLIER CODE: V06970	002004 006102 107999	1
235	561-251-403		...TUBE- SUPPLIER CODE: V06970	002004 006102 107999	1

MISSING ITEM NUMBERS NOT APPLICABLE

- ITEM NOT ILLUSTRATED

38-32-02-01

38-32-02
FIG. 01
PAGE 8
JAN 20/09

BRI



757

PARTS CATALOG (MAINTENANCE)

FIG ITEM	PART NUMBER	1 2 3 4 5 6 7	NOMENCLATURE	EFFECT FROM TO	UNITS PER ASSY
1 240	575-008-007		... VALVE ASSY- SUPPLIER CODE: V06970	002004 006102 107999	1

MISSING ITEM NUMBERS NOT APPLICABLE

- ITEM NOT ILLUSTRATED

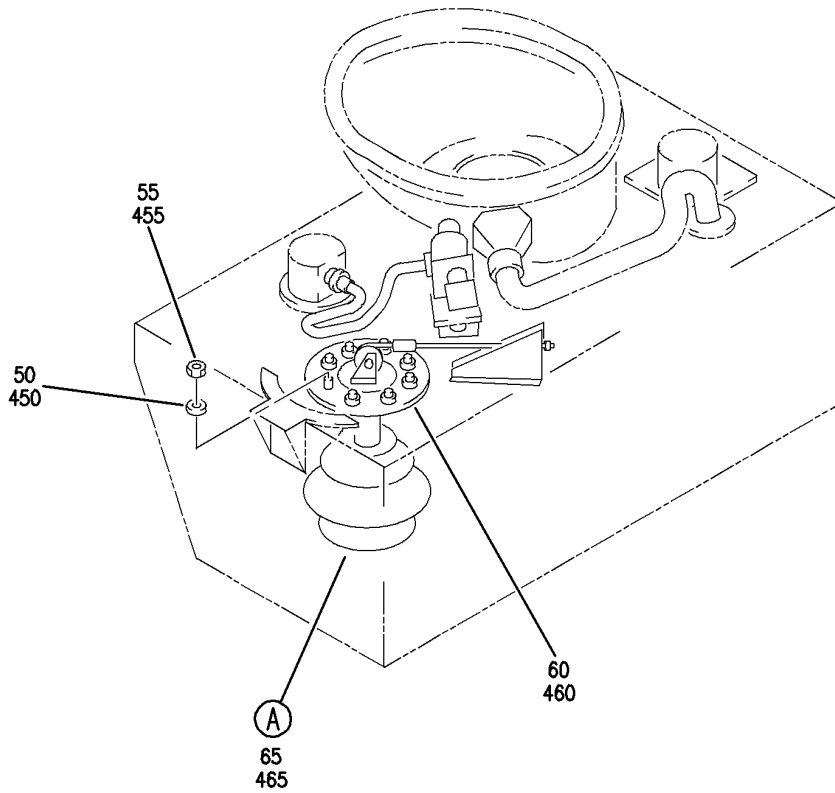
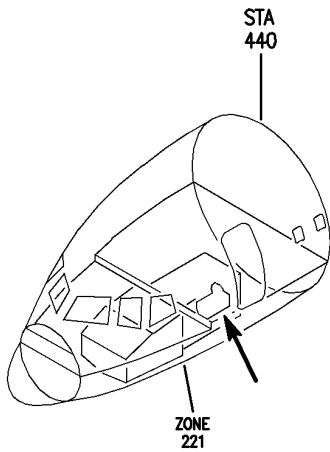
BRI

38-32-02-01

BOEING PROPRIETARY - Copyright © - Unpublished Work - See title page for details.

38-32-02
FIG. 01
PAGE 9
JAN 20/09

BOEING
757
PARTS CATALOG (MAINTENANCE)



Y 38320201A SH1 1 REV 247

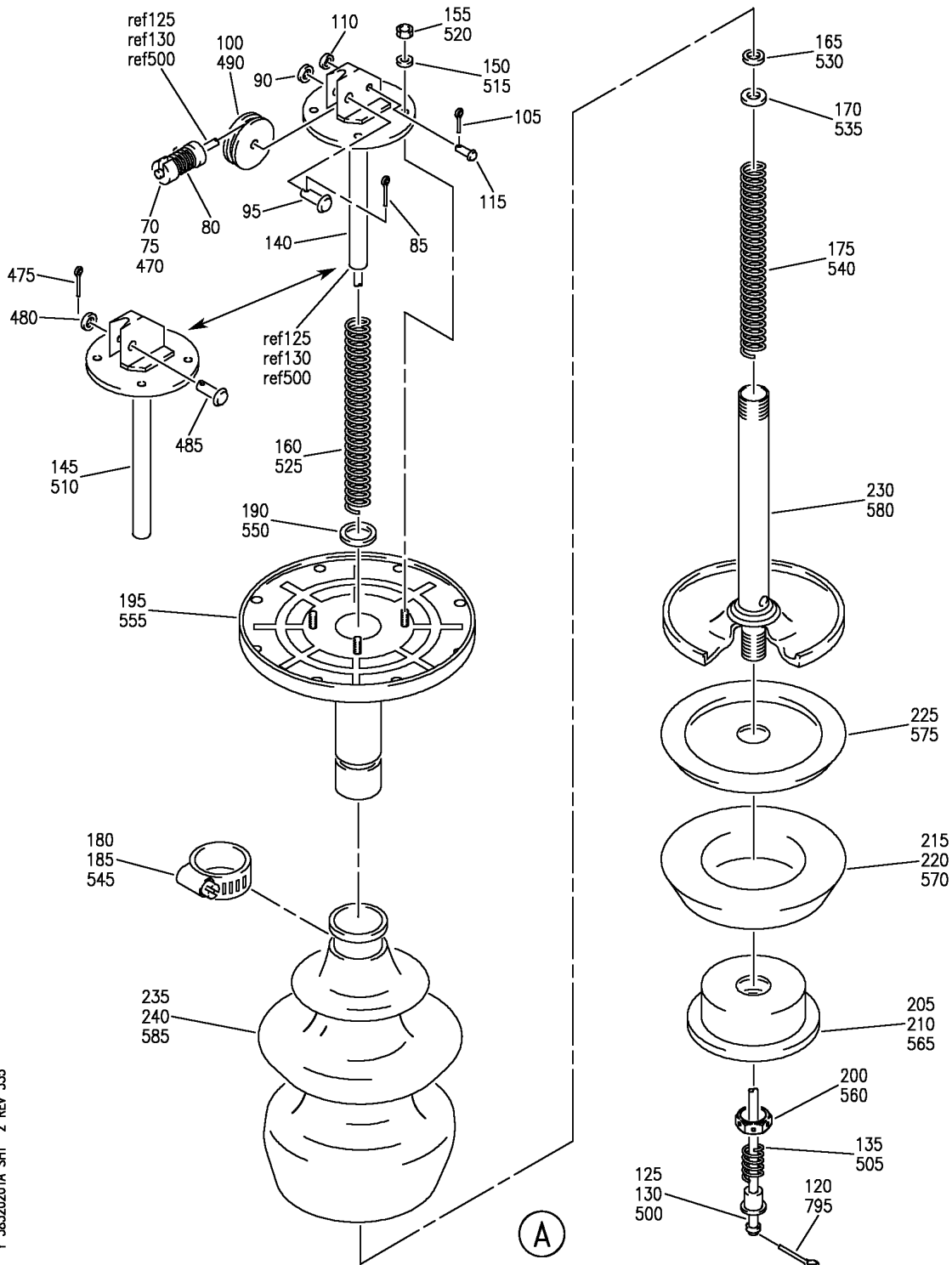
TOILET ASSY-FLUSHING (WASTE DRAIN VALVE ASSEMBLY ONLY)
FIGURE 1A (SHEET 1)

38-32-02-01A

BRI
MAY 28/07

38-32-02-01A
PAGE 0


BOEING
 757
PARTS CATALOG (MAINTENANCE)



Y 38320201A SHT 2 REV 335

TOILET ASSY-FLUSHING (WASTE DRAIN VALVE ASSEMBLY ONLY)
FIGURE 1A (SHEET 2)

38-32-02-01A

BRI
MAY 20/09

38-32-02-01A
PAGE 0A



**757
PARTS CATALOG (MAINTENANCE)**

FIG ITEM	PART NUMBER	1 2 3 4 5 6 7	NOMENCLATURE	EFFECT FROM TO	UNITS PER ASSY
1 A			TOILET ASSY-FLUSHING (WASTE DRAIN VALVE ASSEMBLY ONLY)	002004 006102 107999	
- 1	16300-008		TOILET ASSY-FLUSHING (WASTE DRAIN VALVE ASSEMBLY ONLY) SUPPLIER CODE: V29780 SPECIFICATION NUMBER: S417N102-30 SB DATA FROM A CMM: PRE 3600-38-001 PRE 16200-38-03 CONFIG CHG DATA FROM A CMM: REPLS 16300-001 REPLD BY 16300-011 COMPONENT MAINT MANUAL REF: 38-33-01 FOR NHA/ADDITIONAL DET SEE: 38-32-01-01	002004 006102 107999	RF
R R	- 1	16300-011	TOILET ASSY-FLUSHING (WASTE DRAIN VALVE ASSEMBLY ONLY) SUPPLIER CODE: V29780 SPECIFICATION NUMBER: S417N102-46 SB DATA FROM A CMM: PRE 16200-38-03 POST 3600-38-001 CONFIG CHG DATA FROM A CMM: REPLS 16300-008 REPLD BY 16300-013 COMPONENT MAINT MANUAL REF: 38-33-01 FOR NHA/ADDITIONAL DET SEE: 38-32-01-01	002004 006102 107999	RF
	50	AN960C8	.WASHER	002004 006102 107999	8
	55	NAS679C08M	.NUT	002004 006102 107999	8
	60	4670	.GASKET- SUPPLIER CODE: V29780	002004 006102 107999	1

MISSING ITEM NUMBERS NOT APPLICABLE

- ITEM NOT ILLUSTRATED

38-32-02-01A

38-32-02
FIG. 01A
PAGE 1
MAY 20/09

BRI

BOEING
757
PARTS CATALOG (MAINTENANCE)

FIG ITEM	PART NUMBER	1 2 3 4 5 6 7	NOMENCLATURE	EFFECT FROM TO	UNITS PER ASSY
1A 65	16205-001		.VALVE ASSY- SUPPLIER CODE: V29780 SB DATA FROM A CMM: PRE 3600-38-001 CONFIG CHG DATA FROM A CMM: REPLD BY 16205-002 COMPONENT MAINT MANUAL REF: 38-33-03	002004 006102 107999	1
R R R R R R R R R R R R R	65 16205-002		.VALVE ASSY- SUPPLIER CODE: V29780 V29780 SB DATA FROM A CMM: POST 3600-38-001 PRE 16205-38-002 CONFIG CHG DATA FROM A CMM: REPLS 16205-001 REPLD BY 16205-012 COMPONENT MAINT MANUAL REF: 38-33-03	002004 006102 107999	1
R R R R R R R R R R R R	65 16205-012		.VALVE ASSY- SUPPLIER CODE: V29780 SB DATA FROM A CMM: POST 16205-38-002 CONFIG CHG DATA FROM A CMM: REPLS 16205-002 COMPONENT MAINT MANUAL REF: 38-33-03	002004 006102 107999	1
R R R R R R R R R R R	70 3623		..DISCONNECT-CABLE SUPPLIER CODE: V29780 USED ON: 16205-001 16205-002	002004 006102 107999	1
R R R R R	75 3632		..DISCONNECT-CABLE SUPPLIER CODE: V29780 USED ON: 16205-012	002004 006102 107999	1
R	80 3625		..SPRING-DISC SUPPLIER CODE: V29780 USED ON: 16205-001 16205-002	002004 006102 107999	1

MISSING ITEM NUMBERS NOT APPLICABLE

— ITEM NOT ILLUSTRATED

38-32-02-01A

38-32-02
FIG. 01A
PAGE 2
MAY 20/09

BRI

BOEING PROPRIETARY - Copyright © - Unpublished Work - See title page for details.



757

PARTS CATALOG (MAINTENANCE)

FIG ITEM	PART NUMBER	1 2 3 4 5 6 7	NOMENCLATURE	EFFECT FROM TO	UNITS PER ASSY
1 A					
85	MS24665-151	..	PIN	002004 006102 107999	1
90	AN960C10L	..	WASHER	002004 006102 107999	1
95	MS9463-08	..	PIN	002004 006102 107999	1
100	MS24566-1B	..	PULLEY	002004 006102 107999	1
105	MS24665-18	..	PIN- USED ON: 16205-001 16205-002	002004 006102 107999	1
110	AN960C2L	..	WASHER- USED ON: 16205-001 16205-002	002004 006102 107999	1
115	4811-174-1	..	PIN-DRILLED SUPPLIER CODE: V29780 USED ON: 16205-001 16205-002	002004 006102 107999	1
120	MS24665-154	..	PIN	002004 006102 107999	1
125	4802-23-14	..	CABLE- SUPPLIER CODE: V29780 USED ON: 16205-001 16205-002	002004 006102 107999	1
130	4802-57-28	..	CABLE- SUPPLIER CODE: V29780 USED ON: 16205-012	002004 006102 107999	1
135	3628	..	SPRING-PRE TRAVEL SUPPLIER CODE: V29780	002004 006102 107999	1
140	16205-005	..	COVER- SUPPLIER CODE: V29780 USED ON: 16205-001 16205-002	002004 006102 107999	1

R
R
R
R
R

MISSING ITEM NUMBERS NOT APPLICABLE

- ITEM NOT ILLUSTRATED

38-32-02-01A

38-32-02
FIG. 01A
PAGE 3
MAY 20/09

BRI

BOEING PROPRIETARY - Copyright © - Unpublished Work - See title page for details.



757

PARTS CATALOG (MAINTENANCE)

FIG ITEM	PART NUMBER	1 2 3 4 5 6 7	NOMENCLATURE	EFFECT FROM TO	UNITS PER ASSY
1A 145	3622-2		..COVER- SUPPLIER CODE: V29780 USED ON: 16205-012 ATTACHING PARTS	002004 006102 107999	1
150	AN960C6L		..WASHER	002004 006102 107999	4
155	NAS679C06M		..NUT	002004 006102 107999	4
			-----*-----		
160	4802-26-3		..SPRING- SUPPLIER CODE: V29780	002004 006102 107999	1
165	4802-25-1		..WASHER- SUPPLIER CODE: V29780	002004 006102 107999	1
170	4802-25-2		..WASHER- SUPPLIER CODE: V29780	002004 006102 107999	1
175	4802-26-4		..SPRING- SUPPLIER CODE: V29780	002004 006102 107999	1
180	H10SS		..CLAMP- SUPPLIER CODE: V76599 USED ON: 16205-001	002004 006102 107999	1
185	H12SS		..CLAMP- SUPPLIER CODE: V76599 USED ON: 16205-002 16205-012	002004 006102 107999	1
190	RS75S		..SPIROLOX- SUPPLIER CODE: V80756	002004 006102 107999	1
195	4802-19-1		..HOUSING- SUPPLIER CODE: V29780	002004 006102 107999	1
200	4801-29		..NUT-SELF LOCKING SUPPLIER CODE: V29780	002004 006102 107999	1

R
R
R
R
R

MISSING ITEM NUMBERS NOT APPLICABLE

- ITEM NOT ILLUSTRATED

38-32-02-01A

38-32-02
FIG. 01A
PAGE 4
MAY 20/09

BRI

BOEING PROPRIETARY - Copyright © - Unpublished Work - See title page for details.



757

PARTS CATALOG (MAINTENANCE)

FIG ITEM	PART NUMBER	1 2 3 4 5 6 7	NOMENCLATURE	EFFECT FROM TO	UNITS PER ASSY
1A 205	16205-008		.. PLATE- SUPPLIER CODE: V29780 USED ON: 16205-001	002004 006102 107999	1
R R R R R	210	16205-010	.. PLATE- SUPPLIER CODE: V29780 USED ON: 16205-002 16205-012	002004 006102 107999	1
	215	4801-12	.. PLUG-VALVE SEAL SUPPLIER CODE: V29780 USED ON: 16205-001	002004 006102 107999	1
	220	4801-22	.. PLUG-VALVE SEAL SUPPLIER CODE: V29780 USED ON: 16205-002 16205-012	002004 006102 107999	1
	225	4673	.. PLATE-SUPPORT SUPPLIER CODE: V29780	002004 006102 107999	1
	230	16205-007	.. STEM-VALVE SUPPLIER CODE: V29780	002004 006102 107999	1
	235	14300-089	.. BOOT-BELLOWS SUPPLIER CODE: V29780 USED ON: 16205-001	002004 006102 107999	1
R R R R R	240	14300-139	.. BOOT-BELLOWS SUPPLIER CODE: V29780 USED ON: 16205-002 16205-012	002004 006102 107999	1

MISSING ITEM NUMBERS NOT APPLICABLE

- ITEM NOT ILLUSTRATED

38-32-02-01A

38-32-02
FIG. 01A
PAGE 5
MAY 20/09

BRI



757

PARTS CATALOG (MAINTENANCE)

FIG ITEM	PART NUMBER	1 2 3 4 5 6 7	NOMENCLATURE	EFFECT FROM TO	UNITS PER ASSY
1 A					
- 400	16300-013		TOILET ASSY-FLUSHING (WASTE DRAIN VALVE ASSEMBLY ONLY) SUPPLIER CODE: V29780 SPECIFICATION NUMBER: S417N102-58 SB DATA FROM A CMM: POST 16200-38-03 CONFIG CHG DATA FROM A CMM: REPLS 16300-011 COMPONENT MAINT MANUAL REF: 38-33-01 FOR NHA/ADDITIONAL DET SEE: 38-32-01-01	002004 006102 107999	RF
R	- 440	TY24M	.TIE-WRAP SUPPLIER CODE: V56501	002004 006102 107999	2
R	- 445	2435-14-27	.STRAP-GROUNDING SUPPLIER CODE: V29780	002004 006102 107999	1
R	450	AN960C8	.WASHER- CONFIG CHG DATA FROM A CMM: REPLD BY NAS1149CN832R	002004 006102 107999	8
R	450	NAS1149CN832R	.WASHER- CONFIG CHG DATA FROM A CMM: REPLS AN960C8	002004 006102 107999	8
R	455	NAS679C08M	.NUT	002004 006102 107999	8
R	460	4670	.GASKET- SUPPLIER CODE: V29780	002004 006102 107999	1
R	465	16205-012	.VALVE ASSY- SUPPLIER CODE: V29780 COMPONENT MAINT MANUAL REF: 38-33-03	002004 006102 107999	1
R	470	3632	..DISCONNECT- SUPPLIER CODE: V29780	002004 006102 107999	1
R	475	MS24665-151	..PIN	002004 006102 107999	1
R	480	AN960C10L	..WASHER	002004 006102 107999	1

MISSING ITEM NUMBERS NOT APPLICABLE

- ITEM NOT ILLUSTRATED

38-32-02-01A

38-32-02
FIG. 01A
PAGE 6
MAY 20/09

BRI

BOEING PROPRIETARY - Copyright © - Unpublished Work - See title page for details.

 **BOEING**
757
PARTS CATALOG (MAINTENANCE)

FIG ITEM	PART NUMBER	1 2 3 4 5 6 7	NOMENCLATURE	EFFECT FROM TO	UNITS PER ASSY
1 A					
485	MS9463-08	..	PIN	002004 006102 107999	1
490	MS24566-1B	..	PULLEY	002004 006102 107999	1
495	MS24665-154	..	PIN	002004 006102 107999	1
500	4802-57-28	..	CABLE- SUPPLIER CODE: V29780	002004 006102 107999	1
505	3628	..	SPRING-PRE TRAVEL SUPPLIER CODE: V29780	002004 006102 107999	1
510	3622-2	..	COVER- SUPPLIER CODE: V29780	002004 006102 107999	1
515	AN960C6L	..	ATTACHING PARTS WASHER	002004 006102 107999	4
520	NAS679C06M	..	NUT	002004 006102 107999	4
			-----*-----		
525	4802-26-3	..	SPRING- SUPPLIER CODE: V29780	002004 006102 107999	1
530	4802-25-1	..	WASHER- SUPPLIER CODE: V29780	002004 006102 107999	1
535	4802-25-2	..	WASHER- SUPPLIER CODE: V29780	002004 006102 107999	1
540	4802-26-4	..	SPRING- SUPPLIER CODE: V29780	002004 006102 107999	1
545	H12SS	..	CLAMP- SUPPLIER CODE: V76599	002004 006102 107999	1
550	RS75S	..	SPIROLOX- SUPPLIER CODE: V80756	002004 006102 107999	1
555	4802-19-1	..	HOUSING- SUPPLIER CODE: V29780	002004 006102 107999	1

MISSING ITEM NUMBERS NOT APPLICABLE

— ITEM NOT ILLUSTRATED

38-32-02-01A

38-32-02
FIG. 01A
PAGE 7
MAY 20/09

BRI

BOEING PROPRIETARY - Copyright © - Unpublished Work - See title page for details.



757

PARTS CATALOG (MAINTENANCE)

FIG ITEM	PART NUMBER	1 2 3 4 5 6 7	NOMENCLATURE	EFFECT FROM TO	UNITS PER ASSY
1 A					
560	4801-29		..NUT-SELF LOCKING SUPPLIER CODE: V29780	002004 006102 107999	1
565	16205-010		..PLATE- SUPPLIER CODE: V29780	002004 006102 107999	1
570	4801-22		..PLUG-VALVE SEAL SUPPLIER CODE: V29780	002004 006102 107999	1
575	4673		..PLATE-SUPPORT SUPPLIER CODE: V29780	002004 006102 107999	1
580	16205-007		..STEM-VALVE SUPPLIER CODE: V29780	002004 006102 107999	1
585	14300-139		..BOOT-BELLOWS SUPPLIER CODE: V29780	002004 006102 107999	1

MISSING ITEM NUMBERS NOT APPLICABLE

- ITEM NOT ILLUSTRATED

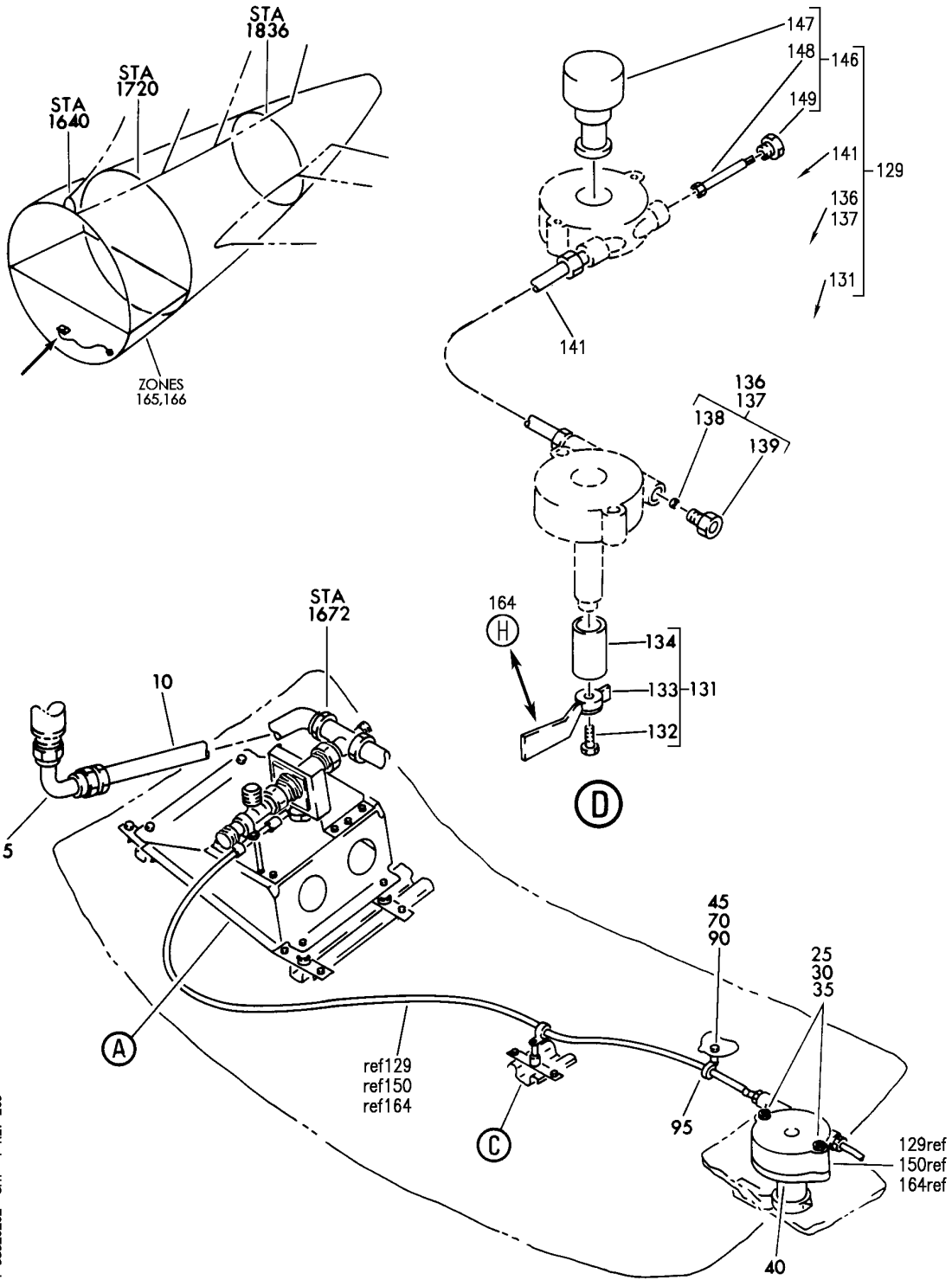
38-32-02-01A

38-32-02
FIG. 01A
PAGE 8
MAY 20/09

BRI

BOEING PROPRIETARY - Copyright © - Unpublished Work - See title page for details.


BOEING
 757
PARTS CATALOG (MAINTENANCE)



Y 38320202 SHT 1 REV 269

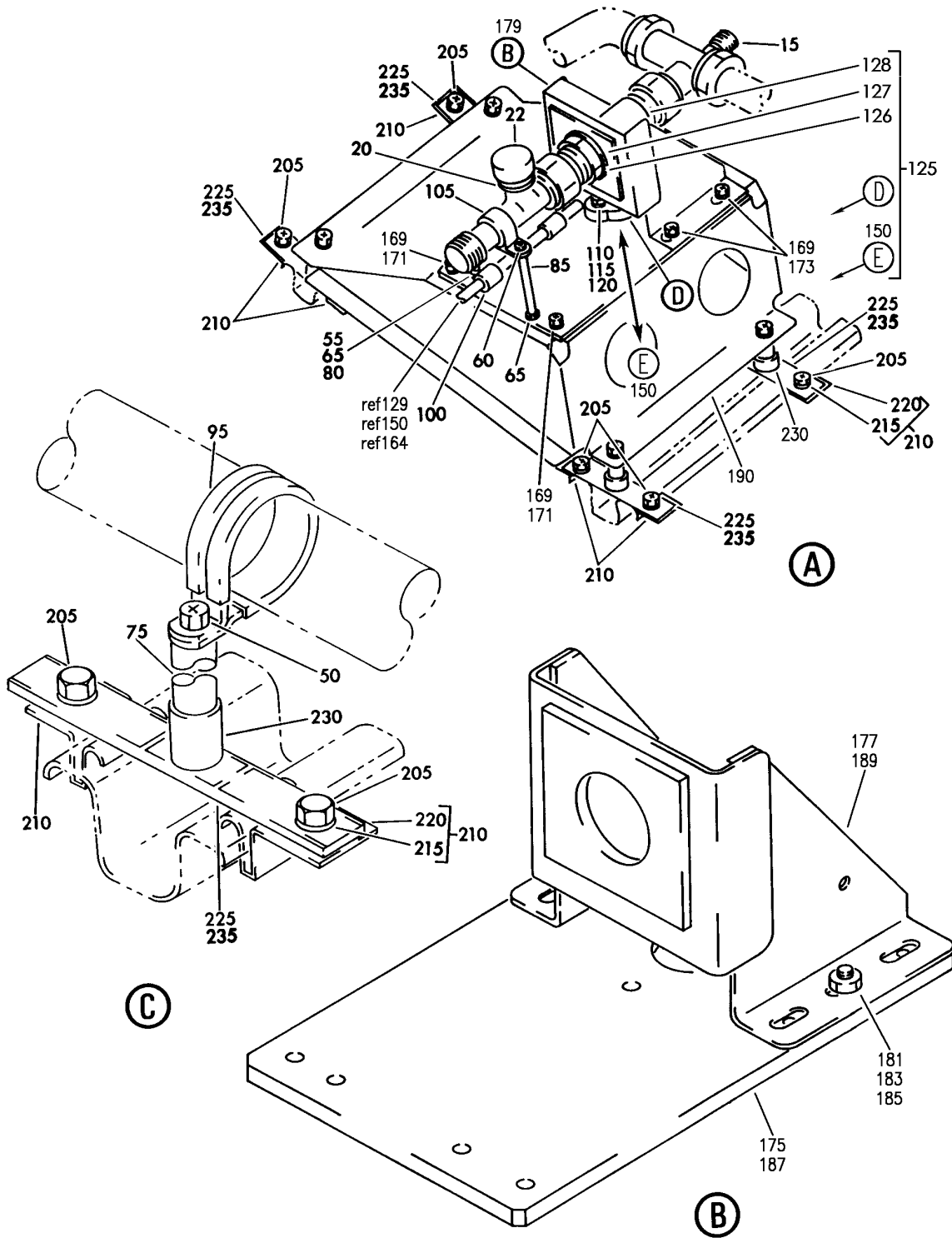
VALVE INSTL-PASS. WATER SYS WATER TANK DRAIN
 FIGURE 2 (SHEET 1)

38-32-02-02

BRI
JAN 20/08

38-32-02-02
 PAGE 0

BOEING
757
PARTS CATALOG (MAINTENANCE)



Y 38320202 SH1 2 REV 269

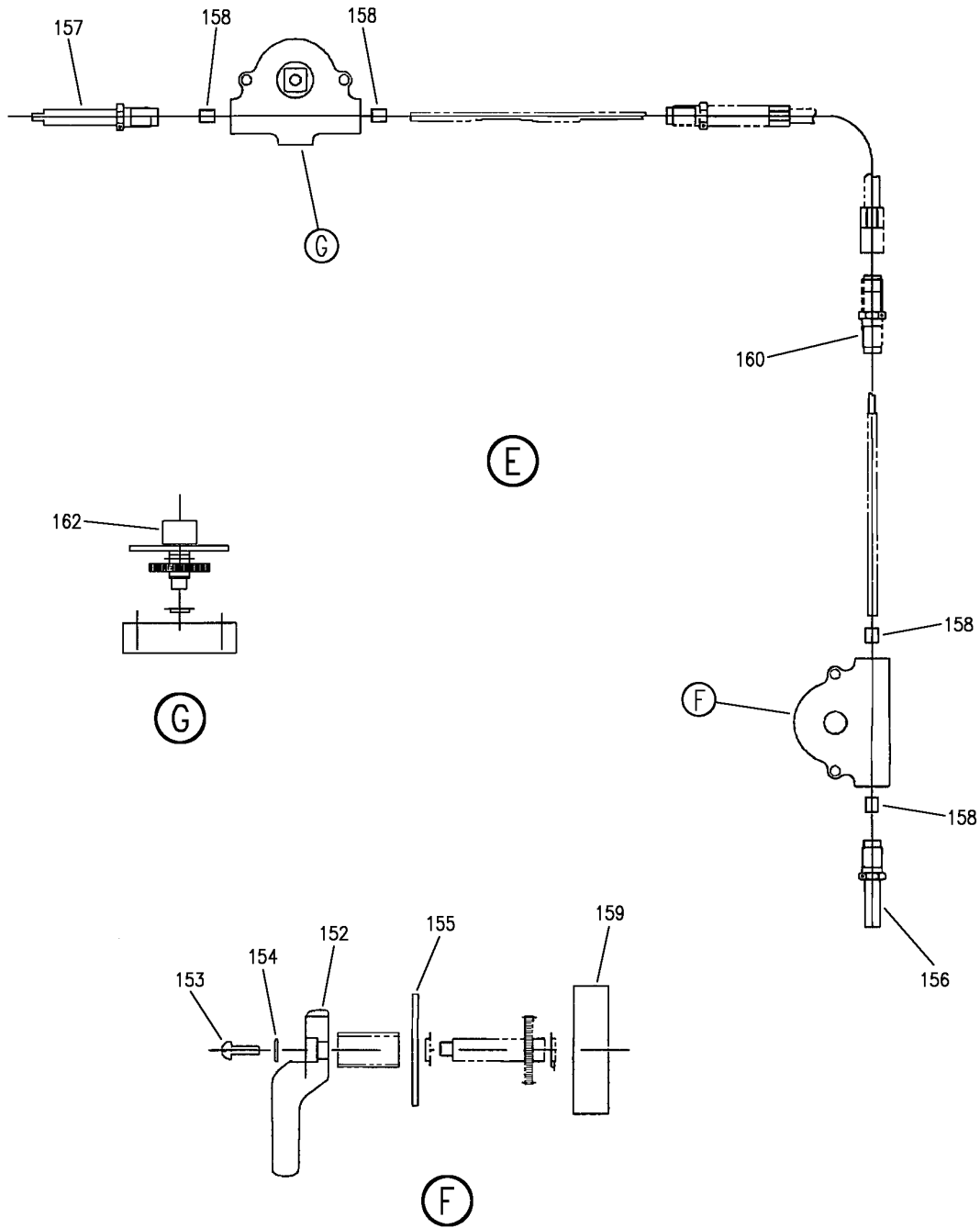
VALVE INSTL-PASS. WATER SYS WATER TANK DRAIN
FIGURE 2 (SHEET 2)

38-32-02-02

BRI
JAN 20/08

38-32-02-02
PAGE 0A

BOEING
757
PARTS CATALOG (MAINTENANCE)



Y 38320202 SH1 3 REV 259

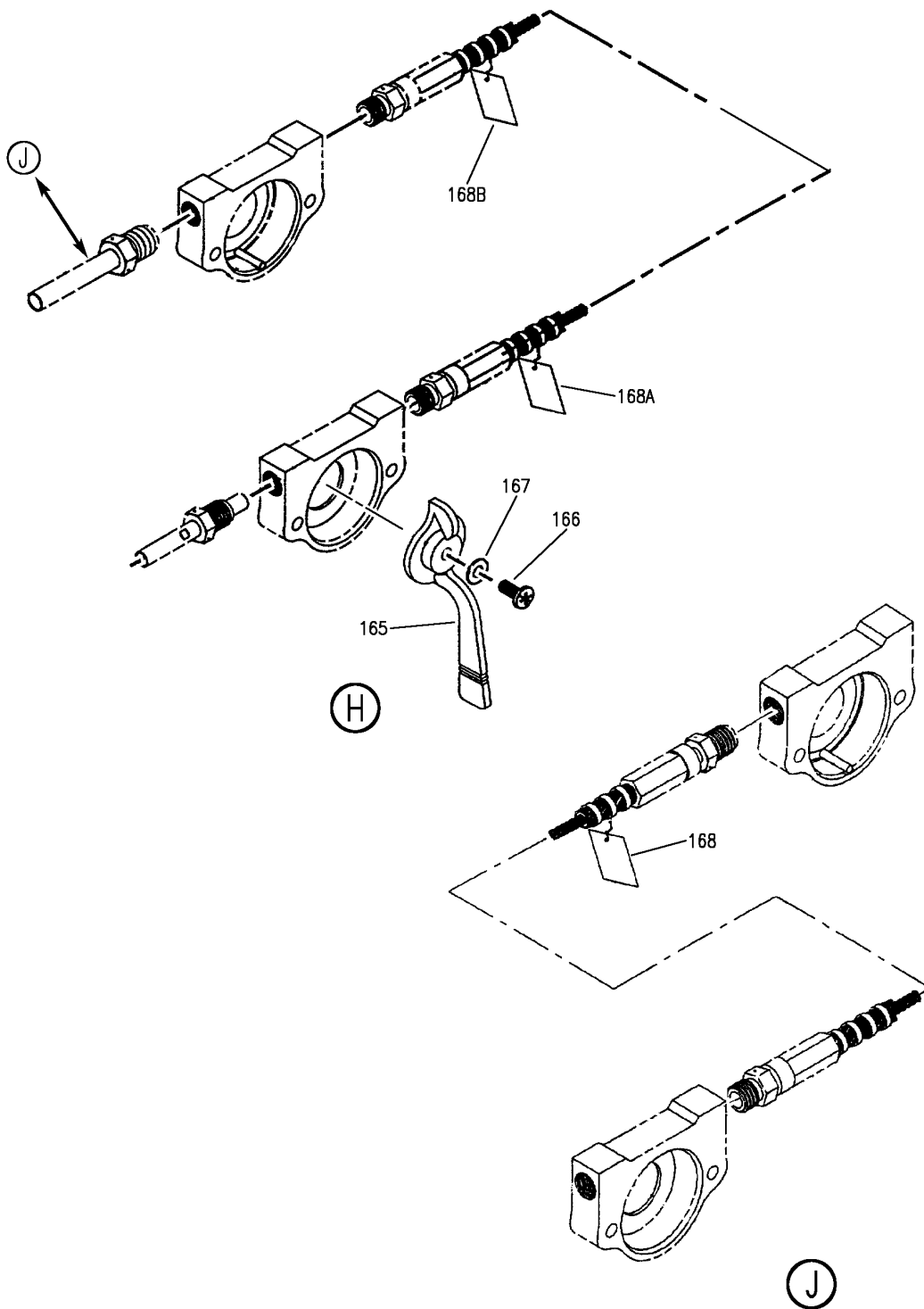
VALVE INSTL-PASS. WATER SYS WATER TANK DRAIN
FIGURE 2 (SHEET 3)

38-32-02-02

BRI
JAN 20/08

38-32-02-02
PAGE 0B

BOEING
757
PARTS CATALOG (MAINTENANCE)



Y 38320202 SH1 4 REV 269

VALVE INSTL-PASS. WATER SYS WATER TANK DRAIN
FIGURE 2 (SHEET 4)

38-32-02-02

BRI
JAN 20/08

38-32-02-02
PAGE 0C



757

PARTS CATALOG (MAINTENANCE)

FIG ITEM	PART NUMBER	1 2 3 4 5 6 7	NOMENCLATURE	EFFECT FROM TO	UNITS PER ASSY
2			VALVE INSTL-PASS. WATER SYS WATER TANK DRAIN	101106 108120 504903	
5	FT918		.FITTING- SUPPLIER CODE: V24984	101106 108120 504903	1
10	A1650-485		.HOSE ASSY- SUPPLIER CODE: V98441 SPECIFICATION NUMBER: 10-61998-485 OPTIONAL PART: 78001-485 V24984 OPTIONAL PART: AS4477-16-0200	101106 108120 504903	1
10	R29289-16-0200		.HOSE ASSY- SUPPLIER CODE: V50599 SPECIFICATION NUMBER: 10-61998-485 OPTIONAL PART: 78001-485 V24984 OPTIONAL PART: AS4477-16-0200	101106 108120 504903	1
10	AS4477-16-0200		.HOSE ASSY- OPTIONAL PART: R29289-16-0200 V50599 A1650-485 V98441	101106 108120 504903	1
15	FT915		.FITTING- SUPPLIER CODE: V24984	103106	1
20	FT916		.FITTING- SUPPLIER CODE: V24984	101106 108120 504903	1
25	BACS12CK3-24		.SCREW	101106 108120 504903	2
30	AN960C10L		.WASHER	101106 108120 504903	2

R
R
R
R
R
R

MISSING ITEM NUMBERS NOT APPLICABLE

- ITEM NOT ILLUSTRATED

38-32-02-02

38-32-02
FIG. 02
PAGE 1
MAY 20/09

BRI



757

PARTS CATALOG (MAINTENANCE)

FIG ITEM	PART NUMBER	1 2 3 4 5 6 7	NOMENCLATURE	EFFECT FROM TO	UNITS PER ASSY
R R R R R R R R R R	2 35	BRH10C3D	.NUT SUPPLIER CODE: V52828 SPECIFICATION NUMBER: BACN10JC3CD OPTIONAL PART: T6C1032JCD V11815 NS202486-02 V80539 102LH9075-3W V72962 H51650-3BAC V15653	101106 108120 504903	2
	45	BACS12GU3K7	.SCREW	101106 108120 504903	1
	50	BACS12GU3K26	.SCREW	101106 108120 504903	1
	55	BACS12GU3K12	.SCREW	101106 108120 504903	1
	60	BACS12GU3K48	.SCREW	101106 108120 504903	1
	65	AN960JD10L	.WASHER-	101106 108120 504903	2
	70	NAS43DD3-12FC	.SPACER	101106 108120 504903	1
	75	NAS43DD3-72FC	.SPACER	101106 108120 504903	1
	80	NAS43DD3-8FC	.SPACER	101106 108120 504903	1
	85	NAS43DD3-144FC	.SPACER	101106 108120 504903	1
R R R R R R R R R R	90	PLH53CD	.NUT SUPPLIER CODE: VF0224 SPECIFICATION NUMBER: BACN10YR3CD OPTIONAL PART: H52732-3CD V15653	101106 108120 504903	1

MISSING ITEM NUMBERS NOT APPLICABLE

- ITEM NOT ILLUSTRATED

38-32-02-02

38-32-02
FIG. 02
PAGE 2
MAY 20/09

BRI



757

PARTS CATALOG (MAINTENANCE)

FIG ITEM	PART NUMBER	1 2 3 4 5 6 7	NOMENCLATURE	EFFECT FROM TO	UNITS PER ASSY
2					
95	BACC10DK6	.	CLAMP	101106 108120 504903	2
100	BACC10EP6	.	CLAMP	101106 108120 504903	1
105	S258T16	.	CLAMP- SUPPLIER CODE: V18076 SPECIFICATION NUMBER: BACC10DW16S OPTIONAL PART: TA4C44S16T V84971 475CS16 V83930 8084C16T V72285	101106 108120 504903	1
R R R	110	BACS12GU3K20	.SCREW	101106 108120 504903	2
	115	AN960JD10L	.WASHER-	101106 108120 504903	2
R R R R R R R	120	PLH53CD	.NUT SUPPLIER CODE: VF0224 SPECIFICATION NUMBER: BACN10YR3CD OPTIONAL PART: H52732-3CD V15653	101106 108120 504903	2
	125	417N2521-9	.VALVE ASSY-DRAIN	101106 108120 504903	1
R R R	126	AN924-16J	..NUT	101106 108120 504903	1
	127	AN960XC2116	..WASHER	101106 108120 504903	1

MISSING ITEM NUMBERS NOT APPLICABLE

- ITEM NOT ILLUSTRATED

38-32-02-02

38-32-02
FIG. 02
PAGE 3
MAY 20/09

BRI



757

PARTS CATALOG (MAINTENANCE)

FIG ITEM	PART NUMBER	1 2 3 4 5 6 7	NOMENCLATURE	EFFECT FROM TO	UNITS PER ASSY
2 128	12D117-6	..	VALVE-DRAIN SUPPLIER CODE: V82829 SPECIFICATION NUMBER: 10-60783-6 COMPONENT MAINT MANUAL REF: 38-10-15 OPTIONAL PART: 3-118605 V92003	101106 108120 504903	1
128	3-118605	..	VALVE-DRAIN SUPPLIER CODE: V92003 SPECIFICATION NUMBER: 10-60783-6 COMPONENT MAINT MANUAL REF: 38-30-20 OPTIONAL PART: 12D117-6 V82829	101106 108120 504903	1
150	575-206-026	..	CABLE ASSY-CONT SUPPLIER CODE: V06970 SPECIFICATION NUMBER: S417N202-67 COMPONENT MAINT MANUAL REF: 38-10-02 OPTIONAL PART: 7-44017-67 V78710	101106 108120 504903	1
152	565-100-129	...	HANDLE ASSY- SUPPLIER CODE: V06970 ATTACHING PARTS	101106 108120 504903	1
153	NAS1351C3LN8	...	SCREW	101106 108120 504903	1
154	5710-290-60	...	WASHER- SUPPLIER CODE: V86982 -----*-----	101106 108120 504903	1
155	575-005-038	...	COVER- SUPPLIER CODE: V06970	101106 108120 504903	2
156	575-014-036	...	TUBE ASSY- SUPPLIER CODE: V06970	101106 108120 504903	1

MISSING ITEM NUMBERS NOT APPLICABLE

- ITEM NOT ILLUSTRATED

38-32-02-02

38-32-02
FIG. 02
PAGE 4
JAN 20/09

BRI



757

PARTS CATALOG (MAINTENANCE)

FIG ITEM	PART NUMBER	1 2 3 4 5 6 7	NOMENCLATURE	EFFECT FROM TO	UNITS PER ASSY
2					
157	575-014-035	...	TUBE ASSY- SUPPLIER CODE: V06970	101106 108120 504903	1
158	4L6D	...	BUSHING- SUPPLIER CODE: V96881	101106 108120 504903	4
159	575-001-078	...	HOUSING- SUPPLIER CODE: V06970	101106 108120 504903	1
160	561-251-403	...	TUBE- SUPPLIER CODE: V06970	101106 108120 504903	1
162	575-008-008	...	VALVE ASSY- SUPPLIER CODE: V06970	101106 108120 504903	1
164	7-44017-8	..	CABLE ASSY-CONT VALVE SUPPLIER CODE: V78710 SPECIFICATION NUMBER: S417N202-8 COMPONENT MAINT MANUAL REF: 38-30-11 OPTIONAL PART: 35200-4 V04638	101106 108120 504903	1
164	7-45527-67	..	CABLE ASSY- SUPPLIER CODE: V78710 SPECIFICATION NUMBER: S417N202-67 OPTIONAL PART: 575-206-026 V06970	101106 108120 504903	1
165	61789-3	...	HANDLE- SUPPLIER CODE: V78710 ATTACHING PARTS	101106 108120 504903	1
166	MS21090-350	...	SCREW	101106 108120 504903	1
167	NAS1149C0332R	...	WASHER	101106 108120 504903	1
-----*-----					

MISSING ITEM NUMBERS NOT APPLICABLE

- ITEM NOT ILLUSTRATED

BRI

38-32-02-02

38-32-02
FIG. 02
PAGE 5
JAN 20/09



757

PARTS CATALOG (MAINTENANCE)

FIG ITEM	PART NUMBER	1 2 3 4 5 6 7	NOMENCLATURE	EFFECT FROM TO	UNITS PER ASSY
2					
168	61651-1		...PLATE-IDENT SUPPLIER CODE: V78710 USED ON: 7-44017-8	101106 108120 504903	1
168A	64369-1		...PLATE-IDENT SUPPLIER CODE: V78710 USED ON: 7-45527-67	101106 108120 504903	1
168B	64371-1		...PLATE-IDENT SUPPLIER CODE: V78710 USED ON: 7-45527-67	101106 108120 504903	1
169	NAS8203A8		.SCREW	101106 108120 504903	6
171	AN960JD10L		.WASHER-	101106 108120 504903	2
173	AN960JD10		.WASHER-	101106 108120 504903	4
175	417N2543-1		.PLATE-INSULATOR	101106 108120 504903	1
177	417N2520-2		.BRACKET ASSY	101106 108120 504903	1
190	417N2541-3		.SUPPORT ASSY- OPTIONAL PART: 417N2541-4	101106 108120 504903	1
190	417N2541-4		.SUPPORT ASSY- OPTIONAL PART: 417N2541-3 ATTACHING PARTS	101106 108120 504903	1
R -	195	BACS12GU3K6	.SCREW	101106 108120 504903	4
R -	200	AN960JD10L	.WASHER-	101106 108120 504903	4
R	205	NAS8203A8	-----*----- .SCREW	101106 108120 504903	10

MISSING ITEM NUMBERS NOT APPLICABLE

- ITEM NOT ILLUSTRATED

BRI

38-32-02-02

BOEING PROPRIETARY - Copyright © - Unpublished Work - See title page for details.

38-32-02
FIG. 02
PAGE 6
MAY 20/09



757

PARTS CATALOG (MAINTENANCE)

FIG ITEM	PART NUMBER	1 2 3 4 5 6 7	NOMENCLATURE	EFFECT FROM TO	UNITS PER ASSY
2					
210	69-50697-1	.	CLIP ASSY-STRINGER	101106 108120 504903	10
215	SL854C3F1CM	..	INSERT- SUPPLIER CODE: V97393	101106 108120 504903	1
220	69-50697-3	..	CLIP	101106 108120 504903	1
225	417N2111-1	.	SUPPORT ASSY-STRINGER	101106 108120 504903	5
230	NAS1395C3L	..	INSERT- OPTIONAL PART: NA2030-02L V32387	101106 108120 504903	1
230	NA2030-02L	..	INSERT- SUPPLIER CODE: V32387 OPTIONAL PART: NAS1395C3L	101106 108120 504903	1
235	417N2111-2	..	SUPPORT	101106 108120 504903	1

MISSING ITEM NUMBERS NOT APPLICABLE

- ITEM NOT ILLUSTRATED

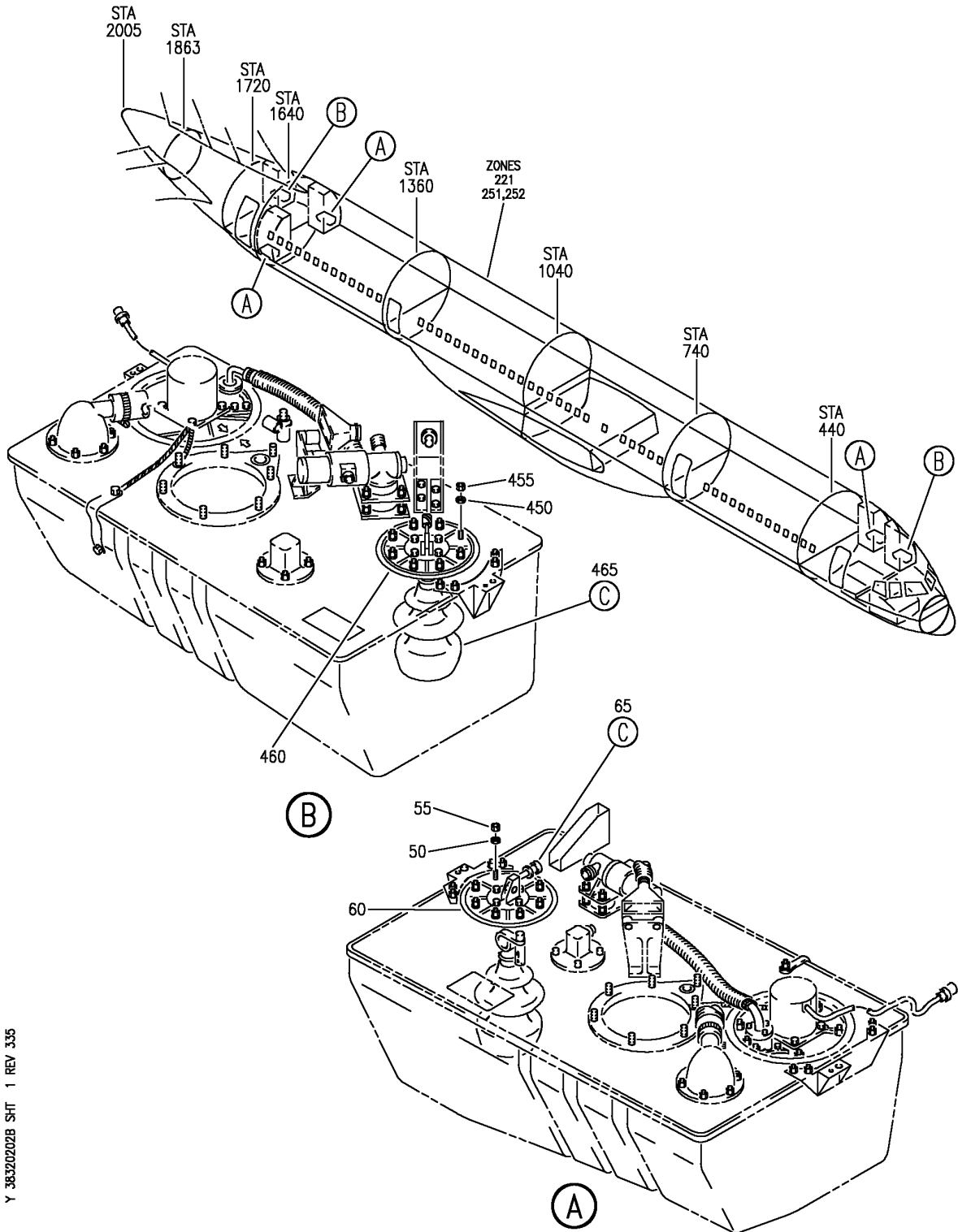
BRI

38-32-02-02

BOEING PROPRIETARY - Copyright © - Unpublished Work - See title page for details.

38-32-02
FIG. 02
PAGE 7
JAN 20/09

BOEING
757
PARTS CATALOG (MAINTENANCE)



Y 38320202B SHT 1 REV 335

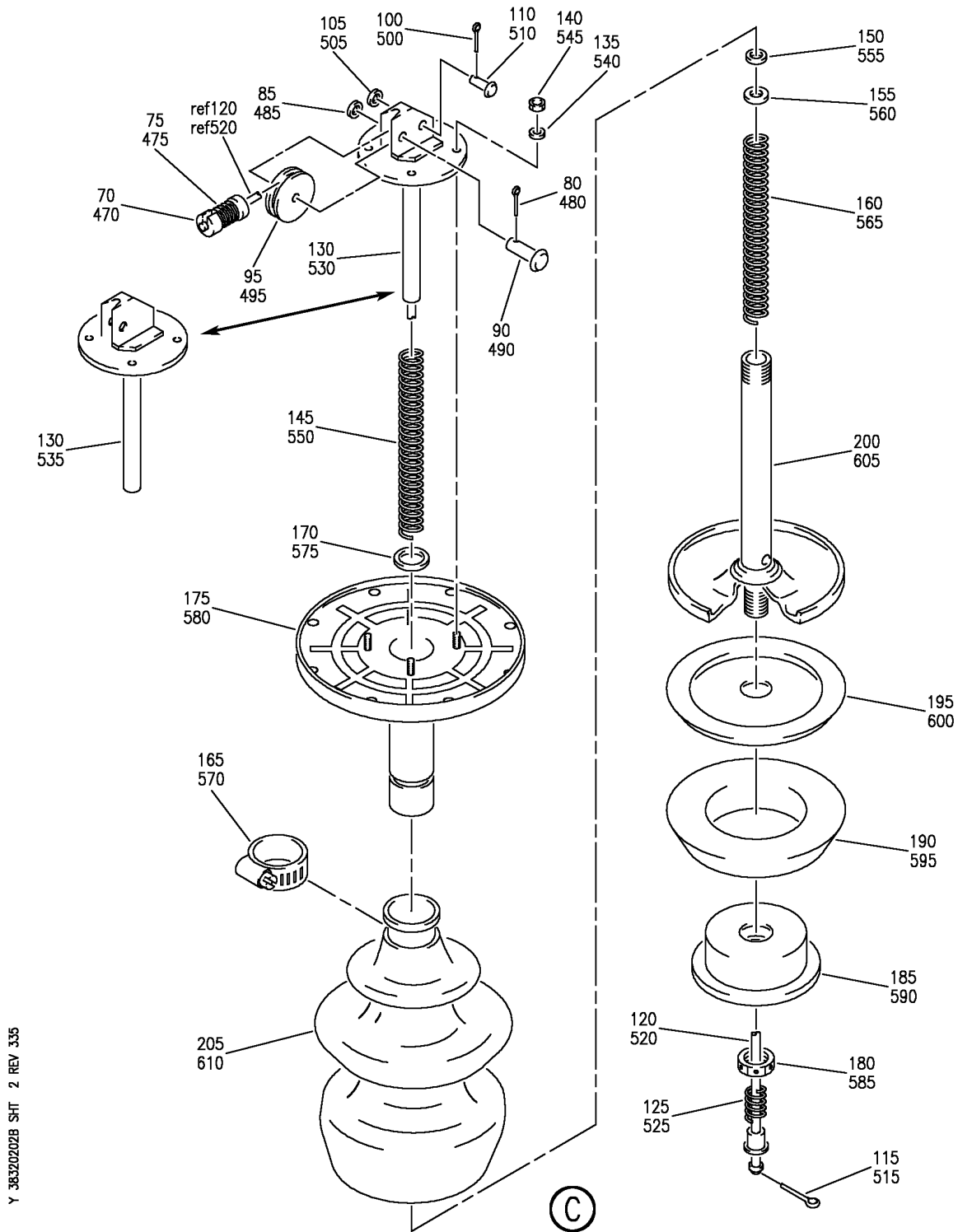
TOILET ASSY-FLUSHING (WASTE DRAIN VALVE ASSEMBLY ONLY)
FIGURE 2B (SHEET 1)

38-32-02-02B

BRI
MAY 20/09

38-32-02-02B
PAGE 0

BOEING
757
PARTS CATALOG (MAINTENANCE)



Y 38320202B SHT 2 REV 335

TOILET ASSY-FLUSHING (WASTE DRAIN VALVE ASSEMBLY ONLY)
FIGURE 2B (SHEET 2)

38-32-02-02B

BRI
MAY 20/09

38-32-02-02B
PAGE 0A

BOEING
757
PARTS CATALOG (MAINTENANCE)

FIG ITEM	PART NUMBER	1 2 3 4 5 6 7	NOMENCLATURE	EFFECT FROM TO	UNITS PER ASSY
2B			TOILET ASSY-FLUSHING (WASTE DRAIN VALVE ASSEMBLY ONLY)	107107 904949	
- 400	16300-001		TOILET ASSY-FLUSHING (WASTE DRAIN VALVE ASSEMBLY ONLY) SUPPLIER CODE: V29780 SPECIFICATION NUMBER: S417N102-1 SB DATA FROM A CMM: PRE 16200-38-03 CONFIG CHG DATA FROM A CMM: REPLD BY 16300-008 COMPONENT MAINT MANUAL REF: 38-33-01 FOR NHA/ADDITIONAL DET SEE: 38-32-01-01	107107 904949	RF
450	AN960C8		.WASHER	107107 904949	8
455	NAS679C08M		.NUT	107107 904949	8
460	4670		.GASKET- SUPPLIER CODE: V29780	107107 904949	1
465	16205-001		.VALVE ASSY- SUPPLIER CODE: V29780 SB DATA FROM A CMM: PRE 3600-38-001 CONFIG CHG DATA FROM A CMM: REPLD BY 16205-002 COMPONENT MAINT MANUAL REF: 38-33-03	107107 904949	1
R R R R R R R R R R	465	16205-002	.VALVE ASSY- SUPPLIER CODE: V29780 SB DATA FROM A CMM: PRE 16205-38-002 POST 3600-38-001 CONFIG CHG DATA FROM A CMM: REPLS 16205-001 REPLD BY 16205-012 COMPONENT MAINT MANUAL REF: 38-33-03	107107 904949	1

MISSING ITEM NUMBERS NOT APPLICABLE

- ITEM NOT ILLUSTRATED

BRI

38-32-02-02B

BOEING PROPRIETARY - Copyright © - Unpublished Work - See title page for details.

38-32-02
FIG. 02B
PAGE 1
MAY 20/09

 **BOEING**
757
PARTS CATALOG (MAINTENANCE)

FIG ITEM	PART NUMBER	1 2 3 4 5 6 7	NOMENCLATURE	EFFECT FROM TO	UNITS PER ASSY
2B 465	16205-012		. VALVE ASSY- SUPPLIER CODE: V29780 SB DATA FROM A CMM: POST 16205-38-002 CONFIG CHG DATA FROM A CMM: REPLS 16205-002 COMPONENT MAINT MANUAL REF: 38-33-03	107107 904949	1
470	3623		.. DISCONNECT-CABLE SUPPLIER CODE: V29780 USED ON: 16205-001 16205-002	107107 904949	1
470	3632		.. DISCONNECT-CABLE SUPPLIER CODE: V29780 USED ON: 16205-012	107107 904949	1
475	3625		.. SPRING-DISCONNECT SUPPLIER CODE: V29780 USED ON: 16205-001 16205-002	107107 904949	1
480	MS24665-151		.. PIN	107107 904949	1
485	AN960C10L		.. WASHER	107107 904949	1
490	MS9463-08		.. PIN	107107 904949	1
495	MS24566-1B		.. PULLEY	107107 904949	1
500	MS24665-18		.. PIN- USED ON: 16205-001 16205-002	107107 904949	1
505	AN960C2L		.. WASHER- USED ON: 16205-001 16205-002	107107 904949	1
510	4811-174-1		.. PIN-DRILLED SUPPLIER CODE: V29780 USED ON: 16205-001 16205-002	107107 904949	1

MISSING ITEM NUMBERS NOT APPLICABLE

— ITEM NOT ILLUSTRATED

BRI

38-32-02-02B

BOEING PROPRIETARY - Copyright © - Unpublished Work - See title page for details.

38-32-02
FIG. 02B
PAGE 2
MAY 20/09



757

PARTS CATALOG (MAINTENANCE)

FIG ITEM	PART NUMBER	1 2 3 4 5 6 7	NOMENCLATURE	EFFECT FROM TO	UNITS PER ASSY
2B					
515	MS24665-154	..	PIN	107107 904949	1
520	4802-23-14	..	CABLE- SUPPLIER CODE: V29780 USED ON: 16205-001 16205-002	107107 904949	1
520	4802-57-28	..	CABLE- SUPPLIER CODE: V29780 USED ON: 16205-012	107107 904949	1
525	3628	..	SPRING-PRE TRAVEL SUPPLIER CODE: V29780	107107 904949	1
530	16205-005	..	COVER- SUPPLIER CODE: V29780 USED ON: 16205-001 16205-002	107107 904949	1
535	3622-2	..	COVER- SUPPLIER CODE: V29780 USED ON: 16205-012	107107 904949	1
540	AN960C6L	..	ATTACHING PARTS WASHER	107107 904949	4
545	NAS679C06M	..	NUT	107107 904949	4
550	4802-26-3	..	-----*----- SPRING- SUPPLIER CODE: V29780	107107 904949	1
555	4802-25-1	..	WASHER- SUPPLIER CODE: V29780	107107 904949	1
560	4802-25-2	..	WASHER- SUPPLIER CODE: V29780	107107 904949	1
565	4802-26-4	..	SPRING- SUPPLIER CODE: V29780	107107 904949	1

MISSING ITEM NUMBERS NOT APPLICABLE

- ITEM NOT ILLUSTRATED

38-32-02-02B

38-32-02
FIG. 02B
PAGE 3
MAY 20/09

BRI

BOEING PROPRIETARY - Copyright © - Unpublished Work - See title page for details.



757

PARTS CATALOG (MAINTENANCE)

FIG ITEM	PART NUMBER	1 2 3 4 5 6 7	NOMENCLATURE	EFFECT FROM TO	UNITS PER ASSY
2B 570	H10SS	..	CLAMP- SUPPLIER CODE: V76599 USED ON: 16205-001	107107 904949	1
570	H12SS	..	CLAMP- SUPPLIER CODE: V76599 USED ON: 16205-002 16205-012	107107 904949	1
575	RS75S	..	SPIROLOX- SUPPLIER CODE: V80756	107107 904949	1
580	4802-19-1	..	HOUSING- SUPPLIER CODE: V29780	107107 904949	1
585	4801-29	..	NUT-SELF LOCKING SUPPLIER CODE: V29780	107107 904949	1
590	16205-008	..	PLATE- SUPPLIER CODE: V29780 USED ON: 16205-001	107107 904949	1
590	16205-010	..	PLATE- SUPPLIER CODE: V29780 USED ON: 16205-002 16205-012	107107 904949	1
595	4801-12	..	PLUG-VALVE SEAL SUPPLIER CODE: V29780 USED ON: 16205-001	107107 904949	1
595	4801-22	..	PLUG-VALVE SEAL SUPPLIER CODE: V29780 USED ON: 16205-002 16205-012	107107 904949	1
600	4673	..	PLATE-SUPPORT SUPPLIER CODE: V29780	107107 904949	1
605	16205-007	..	STEM-VALVE SUPPLIER CODE: V29780	107107 904949	1

MISSING ITEM NUMBERS NOT APPLICABLE

- ITEM NOT ILLUSTRATED

38-32-02-02B

38-32-02
FIG. 02B
PAGE 4
MAY 20/09

BRI

BOEING PROPRIETARY - Copyright © - Unpublished Work - See title page for details.



757

PARTS CATALOG (MAINTENANCE)

FIG ITEM	PART NUMBER	1 2 3 4 5 6 7	NOMENCLATURE	EFFECT FROM TO	UNITS PER ASSY
2B 610	14300-089		..BOOT-BELLOWS SUPPLIER CODE: V29780 USED ON: 16205-001	107107 904949	1
610	14300-139		..BOOT-BELLOWS SUPPLIER CODE: V29780 USED ON: 16205-002 16205-012	107107 904949	1

MISSING ITEM NUMBERS NOT APPLICABLE

- ITEM NOT ILLUSTRATED

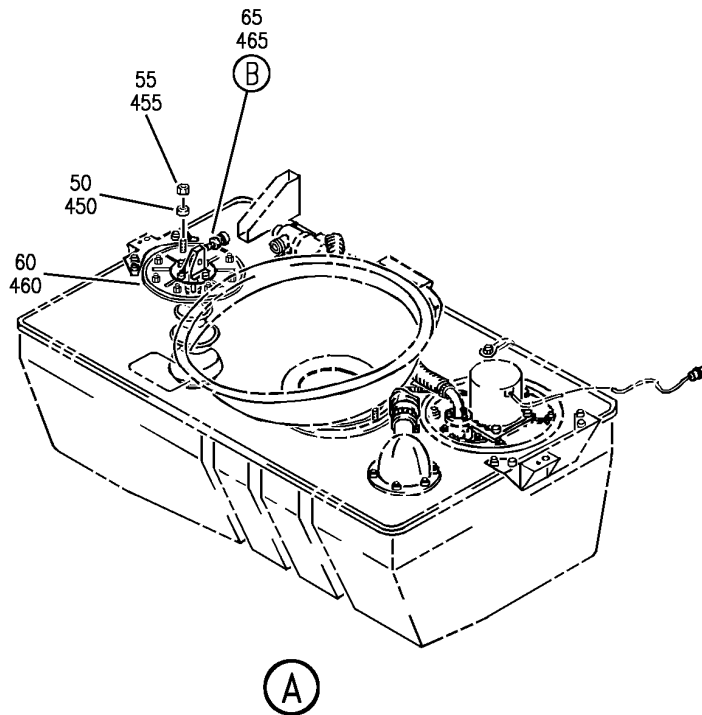
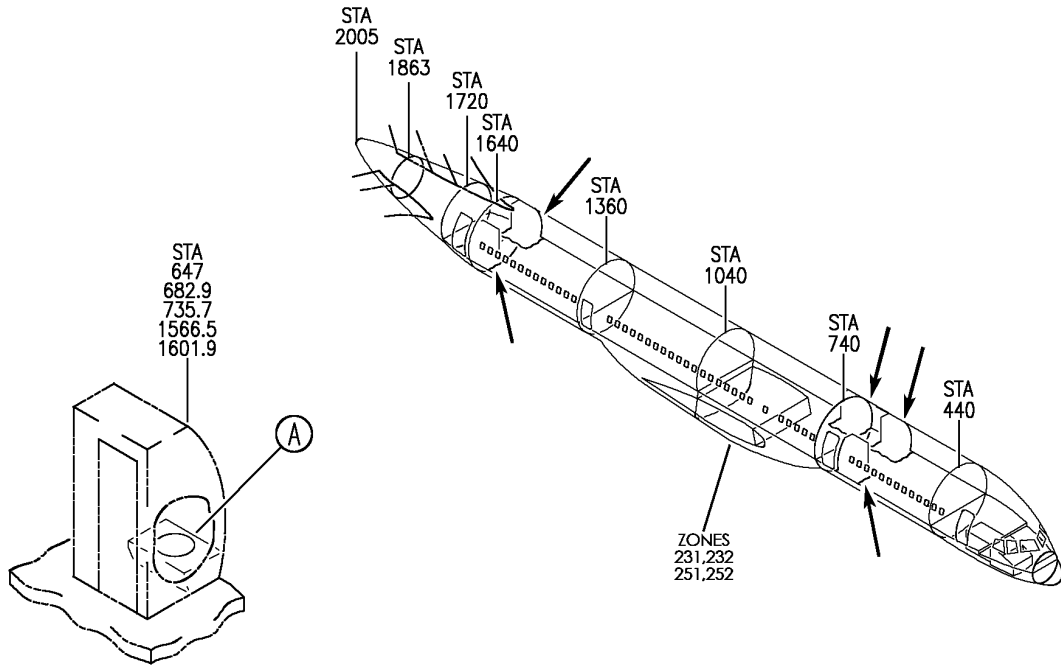
BRI

38-32-02-02B

BOEING PROPRIETARY - Copyright © - Unpublished Work - See title page for details.

38-32-02
FIG. 02B
PAGE 5
MAY 20/09

BOEING
757
PARTS CATALOG (MAINTENANCE)



Y 38320203A SHT 1 REV 247

TOILET ASSY-FLUSHING (TOILET TANK DRAIN VALVE ONLY)
FIGURE 3A (SHEET 1)

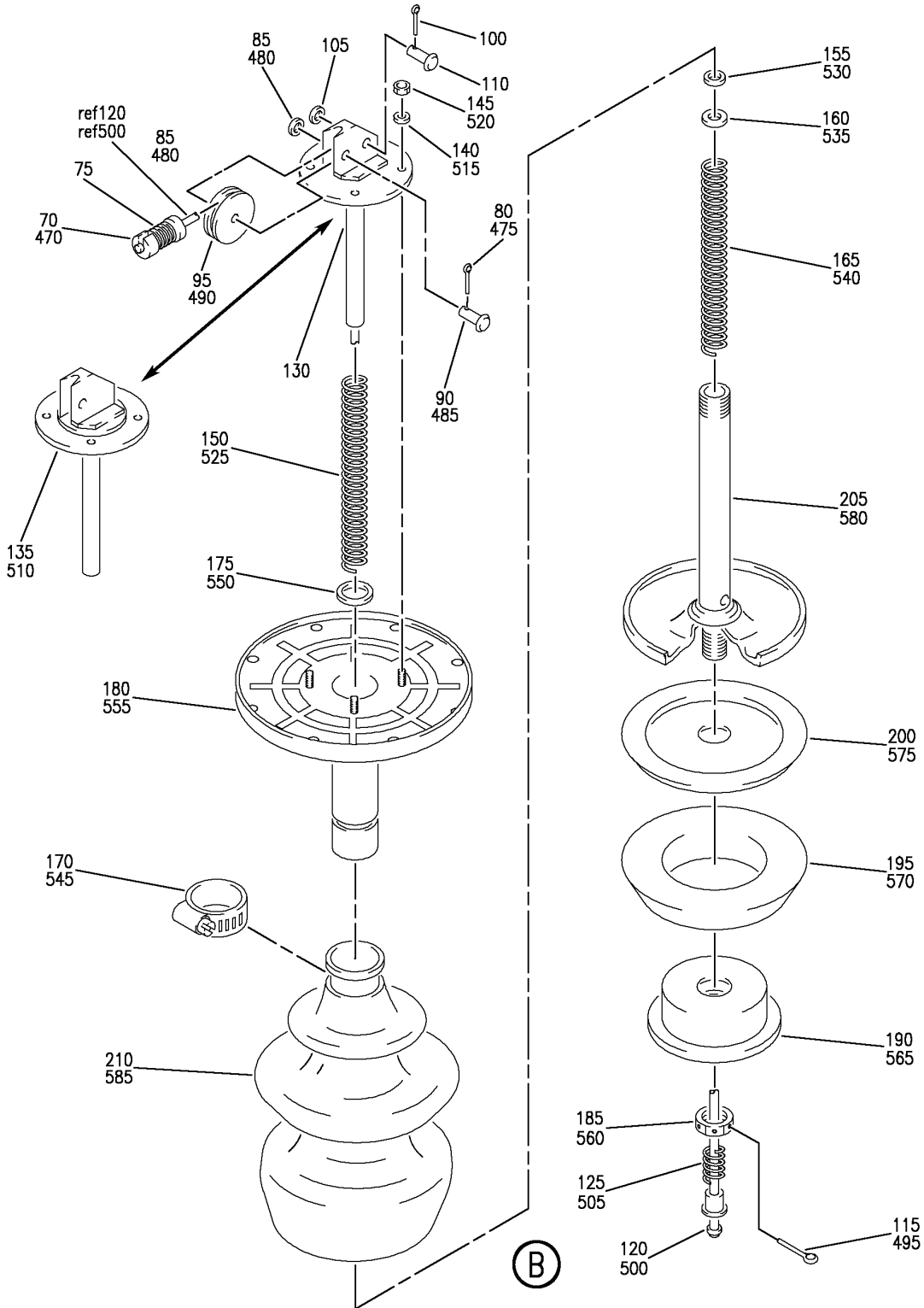
38-32-02-03A

BRI
JAN 20/09

38-32-02-03A
PAGE 0

BOEING PROPRIETARY - Copyright © - Unpublished Work - See title page for details.

BOEING
757
PARTS CATALOG (MAINTENANCE)



Y 38320203A SH1 2 REV 247

TOILET ASSY-FLUSHING (TOILET TANK DRAIN VALVE ONLY)
FIGURE 3A (SHEET 2)

38-32-02-03A

BRI
JAN 20/09

38-32-02-03A
PAGE 0A



757

PARTS CATALOG (MAINTENANCE)

FIG ITEM	PART NUMBER	1 2 3 4 5 6 7	NOMENCLATURE	EFFECT FROM TO	UNITS PER ASSY
3A			TOILET ASSY-FLUSHING (TOILET TANK DRAIN VALVE ONLY)	108120 950999	
- 400	16200-024		TOILET ASSY-FLUSHING (TOILET TANK DRAIN VALVE ONLY) SUPPLIER CODE: V29780 POSITION DATA: MID-CAB SPECIFICATION NUMBER: S417N102-61 SB DATA FROM A CMM: POST 16200-38-03 CONFIG CHG DATA FROM A CMM: REPLS 16200-019 COMPONENT MAINT MANUAL REF: 38-33-01 FOR NHA/ADDITIONAL DET SEE: 38-32-53-03	108120 950999	RF
R R R R R R R R R R	- 440	20125-074	.TIE-WRAP SUPPLIER CODE: V29780	108120 950999	2
	- 445	2435-14-27	.STRAP-GROUNDING SUPPLIER CODE: V29780	108120 950999	1
	450	AN960C8	.WASHER- CONFIG CHG DATA FROM A CMM: REPLD BY NAS1149CN832R	108120 950999	8
	450	NAS1149CN832R	.WASHER- CONFIG CHG DATA FROM A CMM: REPLS AN960C8	108120 950999	8
	455	NAS679C08M	.NUT	108120 950999	8
	460	4670	.GASKET- SUPPLIER CODE: V29780	108120 950999	1
	465	16205-012	.VALVE ASSY- SUPPLIER CODE: V29780 COMPONENT MAINT MANUAL REF: 38-33-03	108120 950999	1
	470	3632	..DISCONNECT- SUPPLIER CODE: V29780	108120 950999	1
	475	MS24665-151	..PIN	108120 950999	1
	480	AN960C10L	..WASHER	108120 950999	1

MISSING ITEM NUMBERS NOT APPLICABLE

- ITEM NOT ILLUSTRATED

38-32-02-03A

38-32-02
FIG. 03A
PAGE 1
MAY 20/09

BRI



757

PARTS CATALOG (MAINTENANCE)

FIG ITEM	PART NUMBER	1 2 3 4 5 6 7	NOMENCLATURE	EFFECT FROM TO	UNITS PER ASSY
3A					
485	MS9463-08	..	PIN	108120 950999	1
490	MS24566-1B	..	PULLEY	108120 950999	1
495	MS24665-154	..	PIN	108120 950999	1
500	4802-57-28	..	CABLE- SUPPLIER CODE: V29780	108120 950999	1
505	3628	..	SPRING-PRE TRAVEL SUPPLIER CODE: V29780	108120 950999	1
510	3622-2	..	COVER- SUPPLIER CODE: V29780	108120 950999	1
515	AN960C6L	..	ATTACHING PARTS WASHER	108120 950999	4
520	NAS679C06M	..	NUT	108120 950999	4
			-----*-----		
525	4802-26-3	..	SPRING- SUPPLIER CODE: V29780	108120 950999	1
530	4802-25-1	..	WASHER- SUPPLIER CODE: V29780	108120 950999	1
535	4802-25-2	..	WASHER- SUPPLIER CODE: V29780	108120 950999	1
540	4802-26-4	..	SPRING- SUPPLIER CODE: V29780	108120 950999	1
545	H12SS	..	CLAMP- SUPPLIER CODE: V76599	108120 950999	1
550	RS75S	..	SPIROLOX- SUPPLIER CODE: V80756	108120 950999	1
555	4802-19-1	..	HOUSING- SUPPLIER CODE: V29780	108120 950999	1
560	4801-29	..	NUT-SELF LOCKING SUPPLIER CODE: V29780	108120 950999	1
565	16205-010	..	PLATE- SUPPLIER CODE: V29780	108120 950999	1

MISSING ITEM NUMBERS NOT APPLICABLE

- ITEM NOT ILLUSTRATED

38-32-02-03A

38-32-02
FIG. 03A
PAGE 2
MAY 20/09

BRI

BOEING PROPRIETARY - Copyright © - Unpublished Work - See title page for details.



757

PARTS CATALOG (MAINTENANCE)

FIG ITEM	PART NUMBER	1 2 3 4 5 6 7	NOMENCLATURE	EFFECT FROM TO	UNITS PER ASSY
3A					
570	4801-22		.. PLUG-VALVE SEAL SUPPLIER CODE: V29780	108120 950999	1
575	4673		.. PLATE-SPRT SUPPLIER CODE: V29780	108120 950999	1
580	16205-007		.. STEM-VALVE SUPPLIER CODE: V29780	108120 950999	1
585	14300-139		.. BOOT-BELLOWS SUPPLIER CODE: V29780	108120 950999	1

MISSING ITEM NUMBERS NOT APPLICABLE

- ITEM NOT ILLUSTRATED

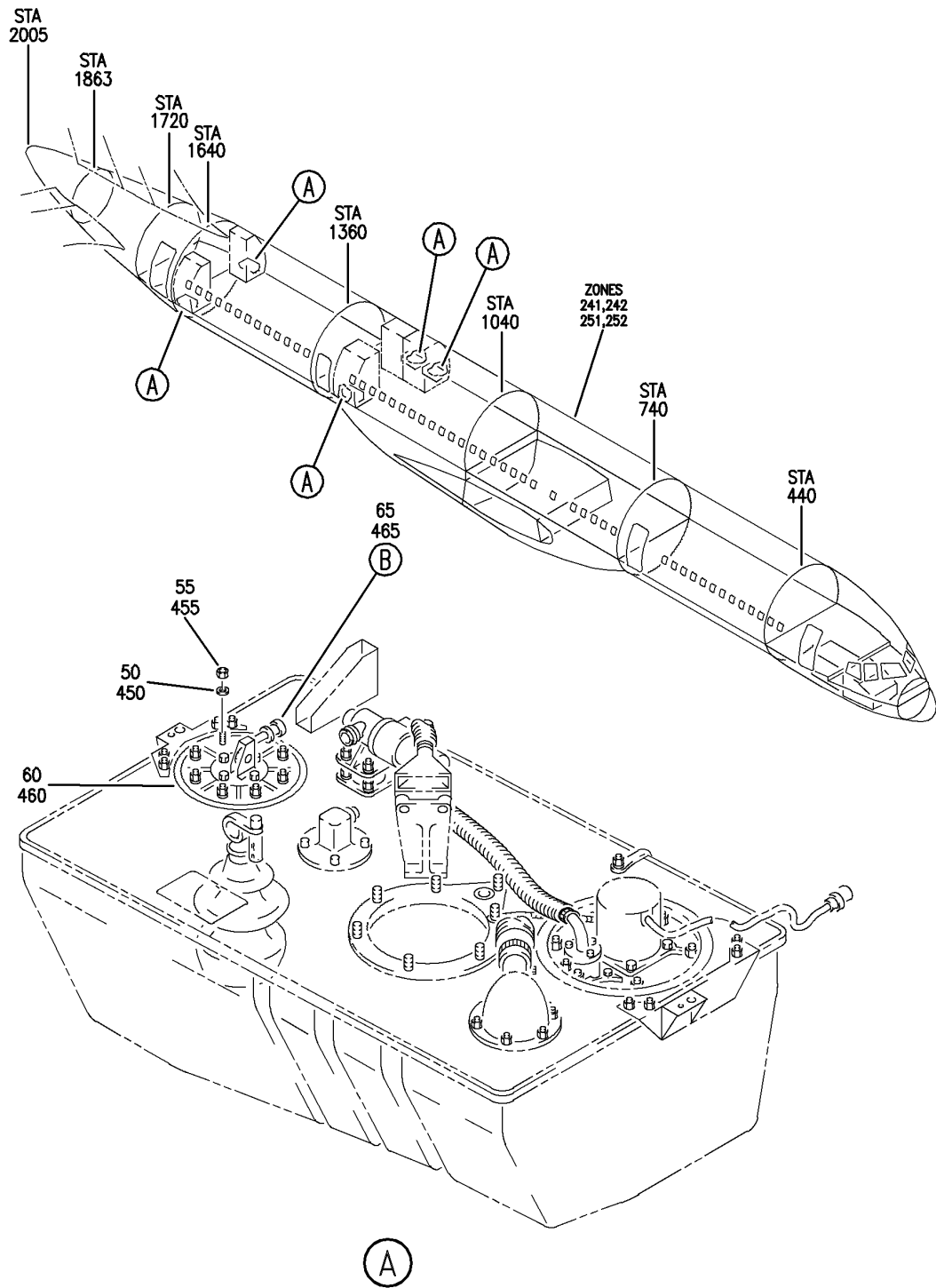
38-32-02-03A

BRI

BOEING PROPRIETARY - Copyright © - Unpublished Work - See title page for details.

38-32-02
FIG. 03A
PAGE 3
MAY 20/09

BOEING
757
PARTS CATALOG (MAINTENANCE)



Y 38320204 SHT 1 REV 247

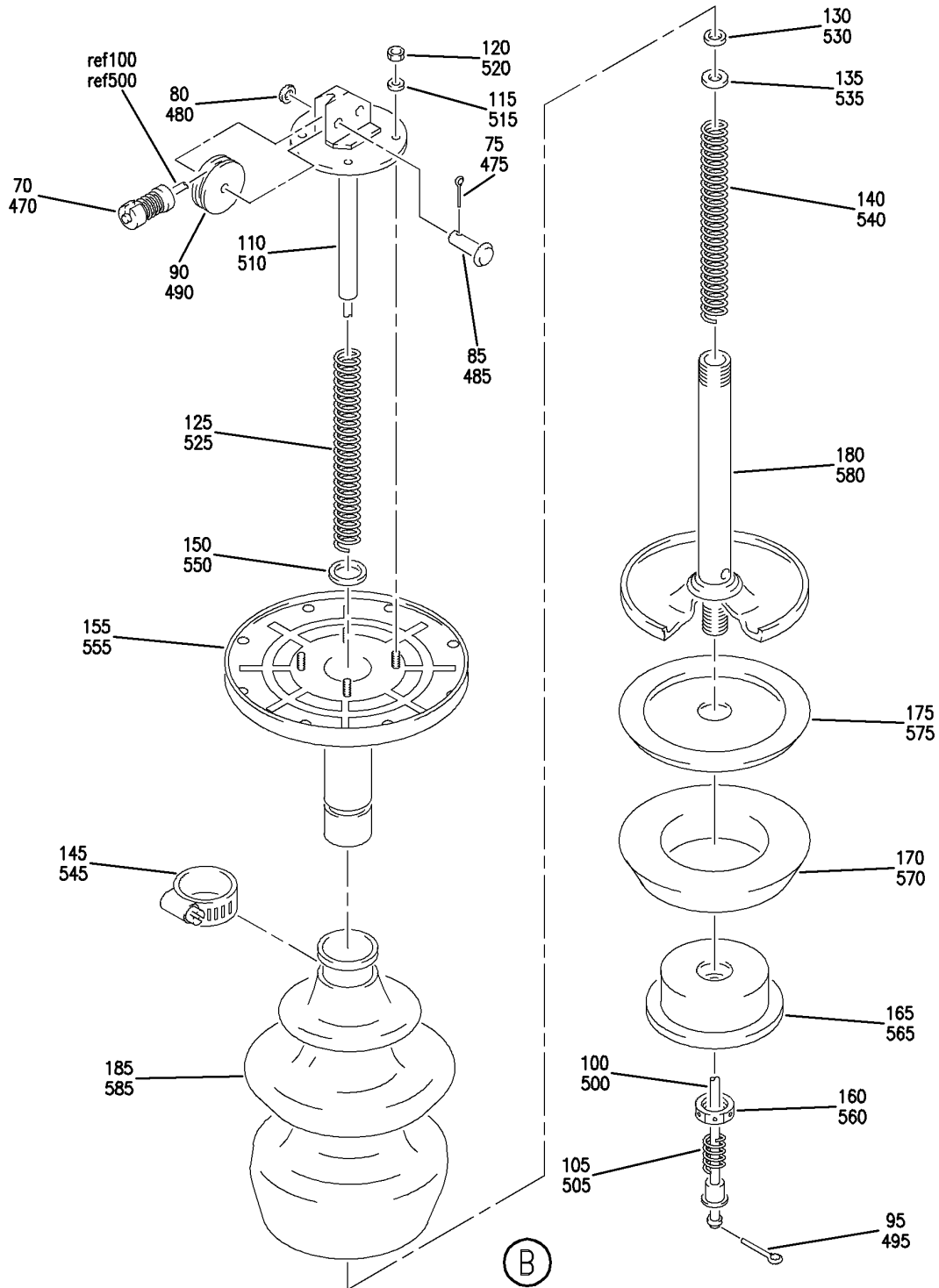
TOILET ASSY-FLUSHING (TOILET TANK DRAIN VALVE ONLY)
FIGURE 4 (SHEET 1)

38-32-02-04

BRI
MAY 28/07

38-32-02-04
PAGE 0


BOEING
 757
PARTS CATALOG (MAINTENANCE)



Y 38320204 SHT 2 REV 247

TOILET ASSY-FLUSHING (TOILET TANK DRAIN VALVE ONLY)
 FIGURE 4 (SHEET 2)

38-32-02-04

BRI
 MAY 28/07

38-32-02-04
 PAGE 0A


BOEING
 757
PARTS CATALOG (MAINTENANCE)

FIG ITEM	PART NUMBER	1 2 3 4 5 6 7	NOMENCLATURE	EFFECT FROM TO	UNITS PER ASSY
4			TOILET ASSY-FLUSHING (TOILET TANK DRAIN VALVE ONLY)	002004 006102 107999	
- 1	16200-022		TOILET ASSY-FLUSHING (TOILET TANK DRAIN VALVE ONLY) SUPPLIER CODE: V29780 POSITION DATA: MID-CAB. SPECIFICATION NUMBER: S417N102-59 SB DATA FROM A CMM: POST 16200-38-03 CONFIG CHG DATA FROM A CMM: REPLS 16200-017 COMPONENT MAINT MANUAL REF: 38-33-01 FOR NHA/ADDITIONAL DET SEE: 38-32-01-01	002004 006102 107999	RF
- 5	16200-023		TOILET ASSY-FLUSHING (TOILET TANK DRAIN VALVE ONLY) SUPPLIER CODE: V29780 POSITION DATA: MID-CAB. SPECIFICATION NUMBER: S417N102-60 SB DATA FROM A CMM: POST 16200-38-03 CONFIG CHG DATA FROM A CMM: REPLS 16200-018 COMPONENT MAINT MANUAL REF: 38-33-01 FOR NHA/ADDITIONAL DET SEE: 38-32-01-01	002004 006102 107999	RF
- 40	20125-074		.TIE-WRAP SUPPLIER CODE: V29780	002004 006102 107999	2
- 45	2435-14-27		.STRAP-GROUNDING SUPPLIER CODE: V29780	002004 006102 107999	1
50	AN960C8		.WASHER- CONFIG CHG DATA FROM A CMM: REPLD BY NAS1149CN832R	002004 006102 107999	8
50	NAS1149CN832R		.WASHER- CONFIG CHG DATA FROM A CMM: REPLS AN960C8	002004 006102 107999	8

MISSING ITEM NUMBERS NOT APPLICABLE

- ITEM NOT ILLUSTRATED

BRI

38-32-02-04

BOEING PROPRIETARY - Copyright © - Unpublished Work - See title page for details.

38-32-02
 FIG. 04
 PAGE 1
 MAY 20/09

BOEING
757
PARTS CATALOG (MAINTENANCE)

FIG ITEM	PART NUMBER	1 2 3 4 5 6 7	NOMENCLATURE	EFFECT FROM TO	UNITS PER ASSY
R R R R R R R R R R R R R R R R R R R R	4				
	55	NAS679C08M	.NUT	002004 006102 107999	8
	60	4670	.GASKET-DRAIN VALVE SUPPLIER CODE: V29780	002004 006102 107999	1
	65	16205-012	.VALVE ASSY-DRAIN SUPPLIER CODE: V29780 COMPONENT MAINT MANUAL REF: 38-33-03	002004 006102 107999	1
	70	3632	..DISCONNECT-CABLE SUPPLIER CODE: V29780	002004 006102 107999	1
	75	MS24665-151	..PIN	002004 006102 107999	1
	80	AN960C10L	..WASHER	002004 006102 107999	1
	85	MS9463-08	..PIN	002004 006102 107999	1
	90	MS24566-1B	..PULLEY	002004 006102 107999	1
	95	MS24665-154	..PIN	002004 006102 107999	1
	100	4802-57-28	..CABLE- SUPPLIER CODE: V29780	002004 006102 107999	1
	105	3628	..SPRING-PRE TRAVEL SUPPLIER CODE: V29780	002004 006102 107999	1
	110	3622-2	..COVER- SUPPLIER CODE: V29780 ATTACHING PARTS	002004 006102 107999	1
	115	AN960C6L	..WASHER	002004 006102 107999	4
	120	NAS679C06M	..NUT	002004 006102 107999	4
	125	4802-26-3	-----*----- ..SPRING- SUPPLIER CODE: V29780	002004 006102 107999	1

MISSING ITEM NUMBERS NOT APPLICABLE

— ITEM NOT ILLUSTRATED

BRI

38-32-02-04

BOEING PROPRIETARY - Copyright © - Unpublished Work - See title page for details.

38-32-02
FIG. 04
PAGE 2
MAY 20/09



757

PARTS CATALOG (MAINTENANCE)

FIG ITEM	PART NUMBER	1 2 3 4 5 6 7	NOMENCLATURE	EFFECT FROM TO	UNITS PER ASSY
R	4				
R	130	4802-25-1	.. WASHER- SUPPLIER CODE: V29780	002004 006102 107999	1
R	135	4802-25-2	.. WASHER- SUPPLIER CODE: V29780	002004 006102 107999	1
R	140	4802-26-4	.. SPRING- SUPPLIER CODE: V29780	002004 006102 107999	1
R	145	H12SS	.. CLAMP- SUPPLIER CODE: V76599	002004 006102 107999	1
R	150	RS75S	.. SPIROLOX- SUPPLIER CODE: V80756	002004 006102 107999	1
R	155	4802-19-1	.. HOUSING- SUPPLIER CODE: V29780	002004 006102 107999	1
R	160	4801-29	.. NUT-SELF LOCKING SUPPLIER CODE: V29780	002004 006102 107999	1
R	165	16205-010	.. PLATE- SUPPLIER CODE: V29780	002004 006102 107999	1
R	170	4801-22	.. PLUG-VALVE SEAL SUPPLIER CODE: V29780	002004 006102 107999	1
R	175	4673	.. PLATE-SPRT SUPPLIER CODE: V29780	002004 006102 107999	1
R	180	16205-007	.. STEM-VALVE SUPPLIER CODE: V29780	002004 006102 107999	1
R	185	14300-139	.. BOOT-BELLOWS SUPPLIER CODE: V29780	002004 006102 107999	1

MISSING ITEM NUMBERS NOT APPLICABLE

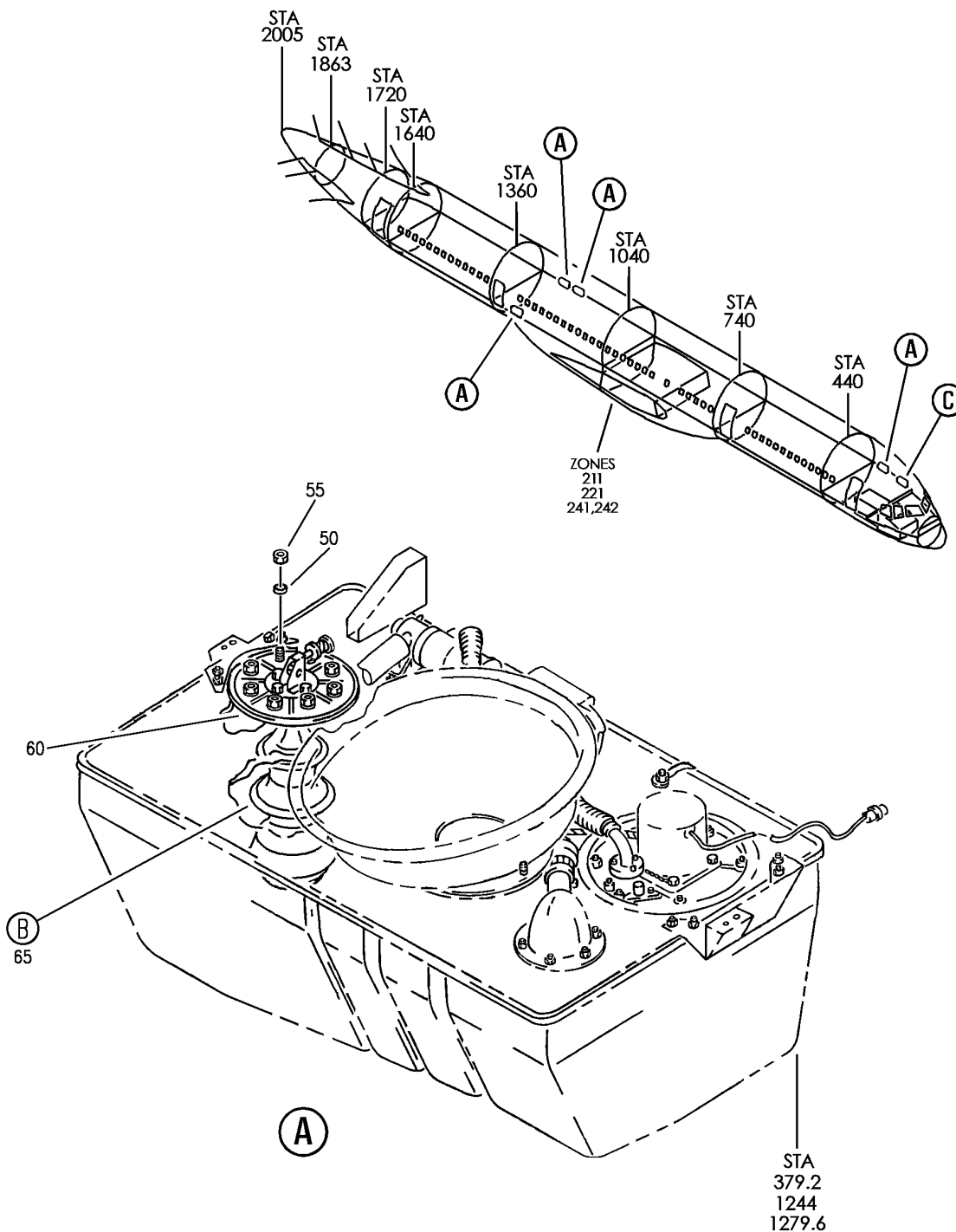
- ITEM NOT ILLUSTRATED

38-32-02-04

38-32-02
FIG. 04
PAGE 3
MAY 20/09

BRI

BOEING
757
PARTS CATALOG (MAINTENANCE)



Y 38320205 SHT 1 REV 247

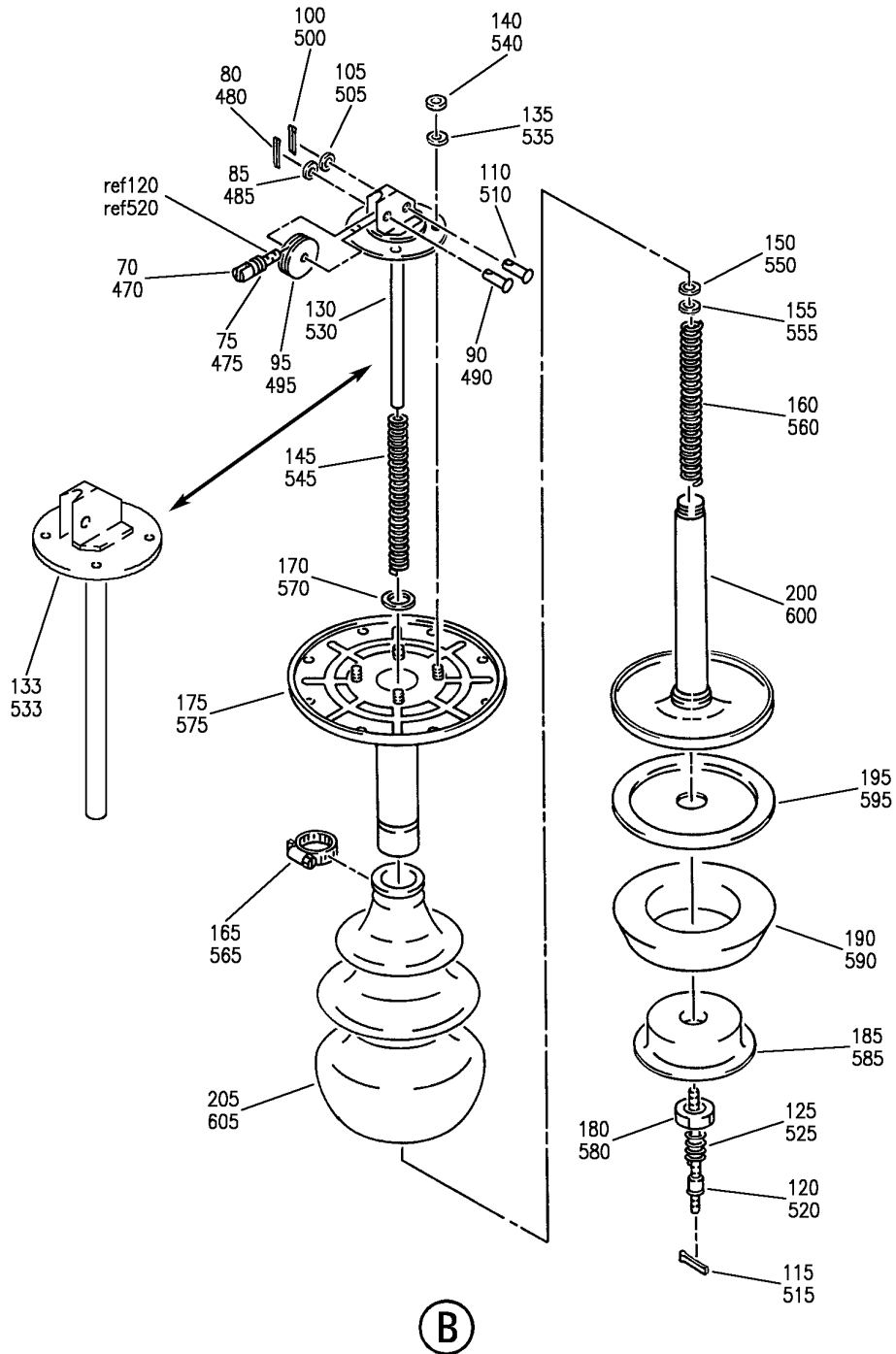
TOILET ASSY-FLUSHING (WASTE DRAIN VALVE ASSEMBLY ONLY)
FIGURE 5 (SHEET 1)

38-32-02-05

BRI
MAY 28/07

38-32-02-05
PAGE 0

BOEING
757
PARTS CATALOG (MAINTENANCE)



Y 38320205 SH1 2 REV 335

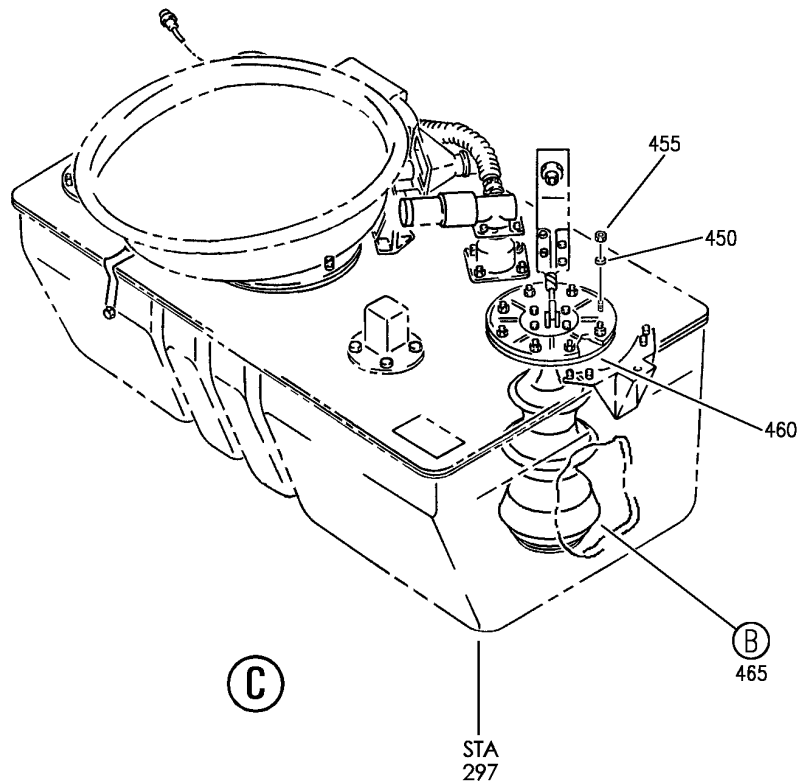
TOILET ASSY-FLUSHING (WASTE DRAIN VALVE ASSEMBLY ONLY)
FIGURE 5 (SHEET 2)

38-32-02-05

BRI
MAY 20/09

38-32-02-05
PAGE 0A

BOEING
757
PARTS CATALOG (MAINTENANCE)



Y 38320205 SHT 3 REV 247

TOILET ASSY-FLUSHING (WASTE DRAIN VALVE ASSEMBLY ONLY)
FIGURE 5 (SHEET 3)

38-32-02-05

BRI
MAY 28/07

38-32-02-05
PAGE 0B



757

PARTS CATALOG (MAINTENANCE)

FIG ITEM	PART NUMBER	1 2 3 4 5 6 7	NOMENCLATURE	EFFECT FROM TO	UNITS PER ASSY
5			TOILET ASSY-FLUSHING (WASTE DRAIN VALVE ASSEMBLY ONLY)	107107 904949	
- 1	16200-001		TOILET ASSY-FLUSHING (WASTE DRAIN VALVE ASSEMBLY ONLY) SUPPLIER CODE: V29780 POSITION DATA: MID-CAB. SPECIFICATION NUMBER: S417N102-3 SB DATA FROM A CMM: PRE 16200-38-03 CONFIG CHG DATA FROM A CMM: REPLD BY 16200-011 COMPONENT MAINT MANUAL REF: 38-33-01 FOR NHA/ADDITIONAL DET SEE: 38-32-01-01	107107 904949	RF
- 5	16200-002		TOILET ASSY-FLUSHING (WASTE DRAIN VALVE ASSEMBLY ONLY) SUPPLIER CODE: V29780 SPECIFICATION NUMBER: S417N102-4 SB DATA FROM A CMM: PRE 16200-38-03 CONFIG CHG DATA FROM A CMM: REPLD BY 16200-012 COMPONENT MAINT MANUAL REF: 38-33-01 FOR NHA/ADDITIONAL DET SEE: 38-32-01-01	107107 904949	RF
R	50	AN960C8	.WASHER	107107 904949	8
R	55	NAS679C3M	.NUT	107107 904949	8
R	60	4670	.GASKET- SUPPLIER CODE: V29780	107107 904949	1
R					
R					
R					
R					
R					
R					

MISSING ITEM NUMBERS NOT APPLICABLE

- ITEM NOT ILLUSTRATED

38-32-02-05

38-32-02
FIG. 05
PAGE 1
MAY 20/09

BRI



757

PARTS CATALOG (MAINTENANCE)

FIG ITEM	PART NUMBER	1 2 3 4 5 6 7	NOMENCLATURE	EFFECT FROM TO	UNITS PER ASSY
5					
R	85		.. WASHER	107107	1
R				904949	
R	90		.. PIN	107107	1
R				904949	
R	95		.. PULLEY	107107	1
R				904949	
R	100		.. PIN-	107107	1
R			USED ON:	904949	
R			16205-001		
R			16205-002		
R	105		.. WASHER-	107107	1
R			USED ON:	904949	
R			16205-001		
R			16205-002		
R	110		.. PIN-DRILLED	107107	1
R			SUPPLIER CODE:	904949	
R			V29780		
R			USED ON:		
R			16205-001		
R			16205-002		
R	115		.. PIN	107107	1
R				904949	
R	120		.. CABLE-	107107	1
R			SUPPLIER CODE:	904949	
R			V29780		
R			USED ON:		
R			16205-001		
R			16205-002		
R	120		.. CABLE-	107107	1
R			SUPPLIER CODE:	904949	
R			V29780		
R			USED ON:		
R			16205-012		
R	125		.. SPRING-PRE TRAVEL	107107	1
R			SUPPLIER CODE:	904949	
R			V29780		
R	130		.. COVER-	107107	1
R			SUPPLIER CODE:	904949	
R			V29780		
R			USED ON:		
R			16205-001		
R			16205-002		
R	133		.. COVER-	107107	1
R			SUPPLIER CODE:	904949	
R			V29780		
R			USED ON:		
R			16205-012		

MISSING ITEM NUMBERS NOT APPLICABLE

- ITEM NOT ILLUSTRATED

38-32-02-05

38-32-02
FIG. 05
PAGE 3
MAY 20/09

BRI



757

PARTS CATALOG (MAINTENANCE)

FIG ITEM	PART NUMBER	1 2 3 4 5 6 7	NOMENCLATURE	EFFECT FROM TO	UNITS PER ASSY
5			ATTACHING PARTS		
R	135		.. WASHER	107107	4
R				904949	
R	140		.. NUT	107107	4
R				904949	
			-----*-----		
R	145		.. SPRING-	107107	1
R			SUPPLIER CODE:	904949	
R			V29780		
R	150		.. WASHER-	107107	1
R			SUPPLIER CODE:	904949	
R			V29780		
R	155		.. WASHER-	107107	1
R			SUPPLIER CODE:	904949	
R			V29780		
R	160		.. SPRING-	107107	1
R			SUPPLIER CODE:	904949	
R			V29780		
R	165		.. CLAMP-	107107	1
R			SUPPLIER CODE:	904949	
R			V76599		
R			USED ON:		
R			16205-001		
R	165		.. CLAMP-	107107	1
R			SUPPLIER CODE:	904949	
R			V76599		
R			USED ON:		
R			16205-002		
R			16205-012		
R	170		.. SPIROLOX-	107107	1
R			SUPPLIER CODE:	904949	
R			V80756		
R	175		.. HOUSING-	107107	1
R			SUPPLIER CODE:	904949	
R			V29780		
R	180		.. NUT-SELF LOCKING	107107	1
R			SUPPLIER CODE:	904949	
R			V29780		
R	185		.. PLATE-	107107	1
R			SUPPLIER CODE:	904949	
R			V29780		
R			USED ON:		
R			16205-001		
R	185		.. PLATE-	107107	1
R			SUPPLIER CODE:	904949	
R			V29780		
R			USED ON:		
R			16205-002		
R			16205-012		

MISSING ITEM NUMBERS NOT APPLICABLE

- ITEM NOT ILLUSTRATED

38-32-02-05

38-32-02
FIG. 05
PAGE 4
MAY 20/09

BRI

 **BOEING**
757
PARTS CATALOG (MAINTENANCE)

FIG ITEM	PART NUMBER	1 2 3 4 5 6 7	NOMENCLATURE	EFFECT FROM TO	UNITS PER ASSY
5					
190	4801-12		.. PLUG-VALVE SEAL SUPPLIER CODE: V29780 USED ON: 16205-001	107107 904949	1
190	4801-22		.. PLUG-VALVE SEAL SUPPLIER CODE: V29780 USED ON: 16205-002 16205-012	107107 904949	1
195	4673		.. PLATE-SPRT SUPPLIER CODE: V29780	107107 904949	1
200	16205-007		.. STEM-VALVE SUPPLIER CODE: V29780	107107 904949	1
205	14300-089		.. BOOT-BELLOWS SUPPLIER CODE: V29780 USED ON: 16205-001	107107 904949	1
205	14300-139		.. BOOT-BELLOWS SUPPLIER CODE: V29780 USED ON: 16205-002 16205-012	107107 904949	1

R
R
R
R
R
R
R
R
R
R
R
R
R
R
R
R
R
R
R
R
R
R

MISSING ITEM NUMBERS NOT APPLICABLE

- ITEM NOT ILLUSTRATED

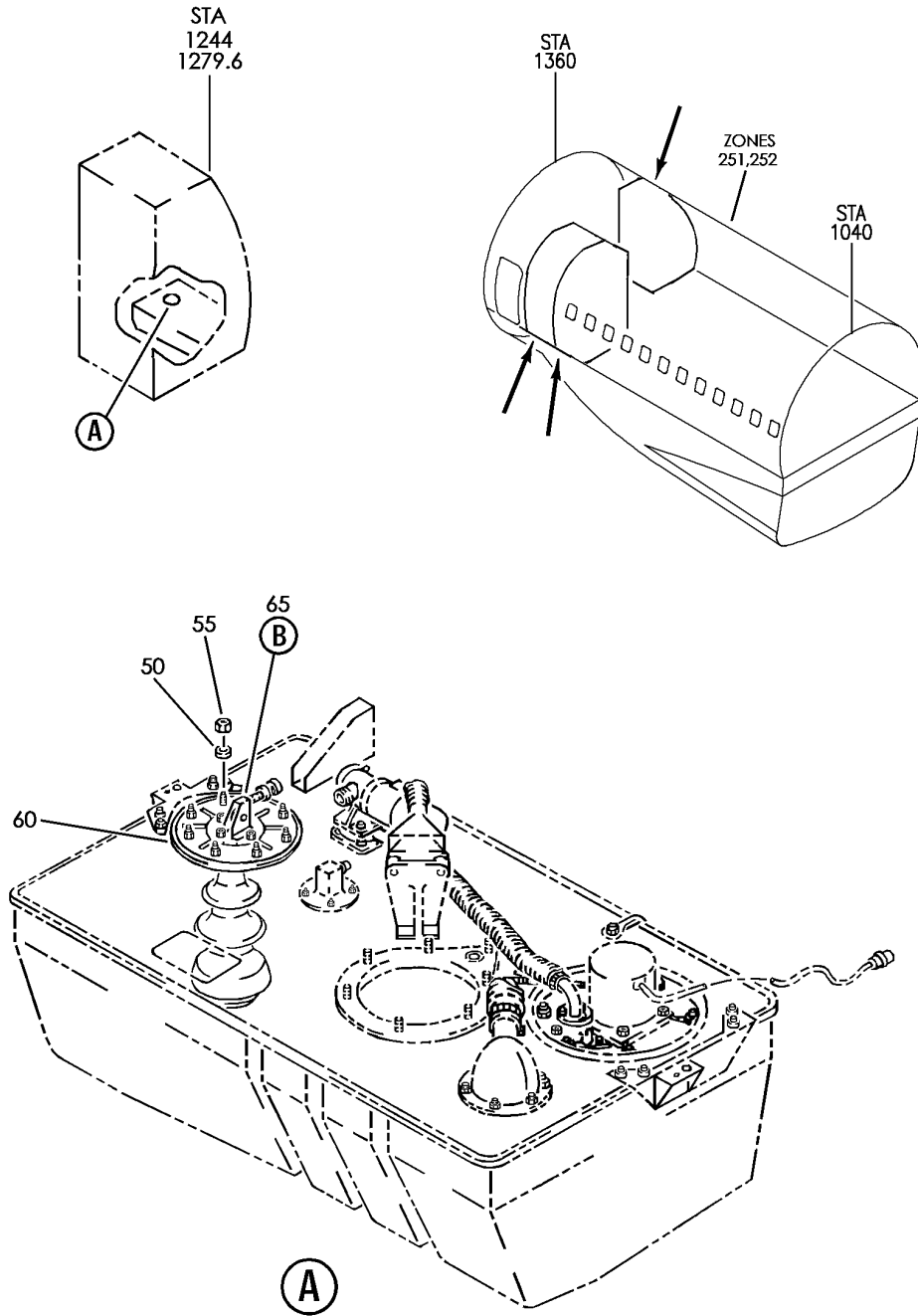
BRI

38-32-02-05

BOEING PROPRIETARY - Copyright © - Unpublished Work - See title page for details.

38-32-02
FIG. 05
PAGE 5
MAY 20/09

BOEING
757
PARTS CATALOG (MAINTENANCE)



Y 38320206 SHT 1 REV 247

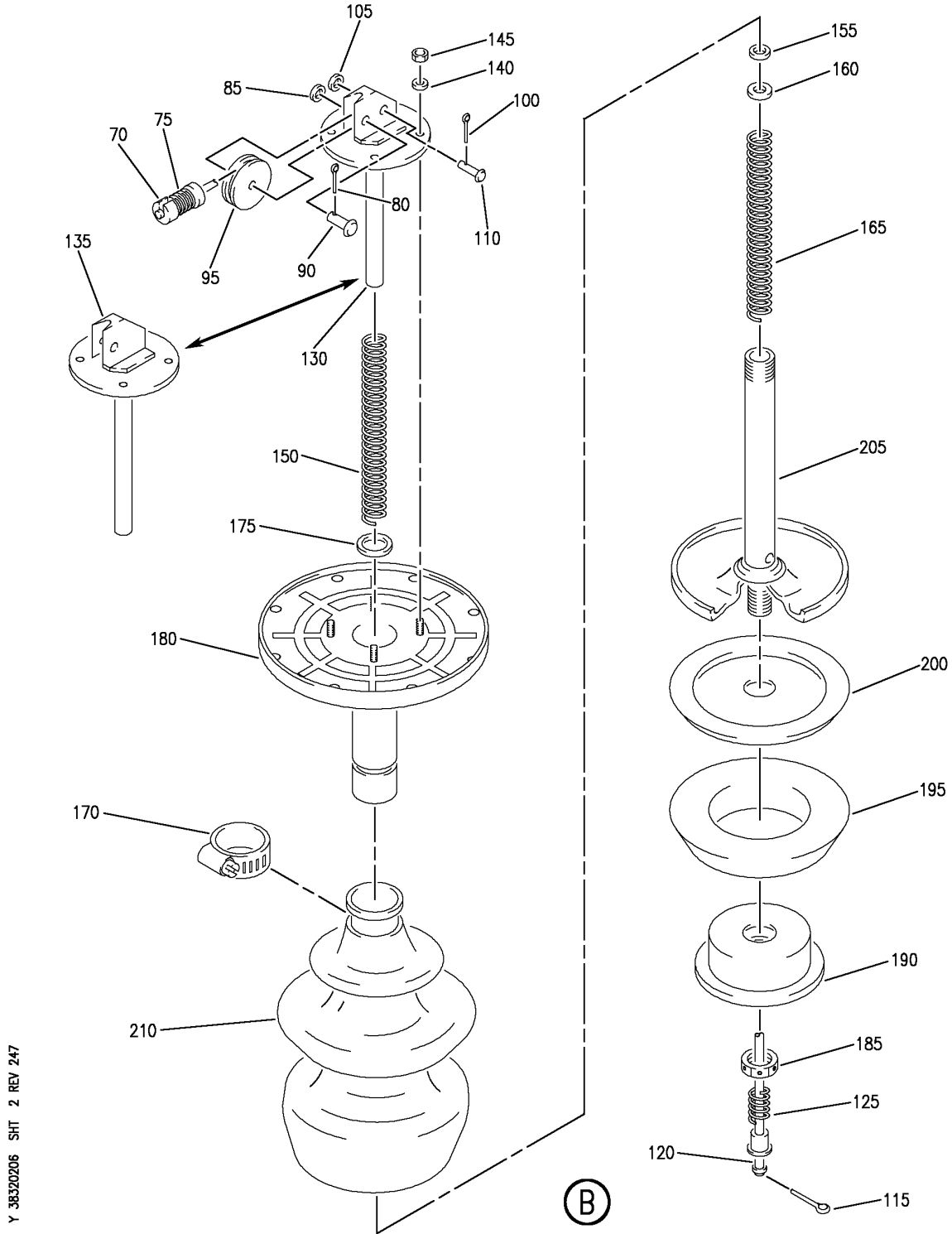
TOILET ASSY-FLUSHING (WASTE DRAIN VALVE ASSEMBLY ONLY)
FIGURE 6 (SHEET 1)

38-32-02-06

BRI
MAY 28/07

38-32-02-06
PAGE 0

BOEING
757
PARTS CATALOG (MAINTENANCE)



Y 38320206 SHT 2 REV 247

TOILET ASSY-FLUSHING (WASTE DRAIN VALVE ASSEMBLY ONLY)
FIGURE 6 (SHEET 2)

38-32-02-06

BRI
MAY 28/07

38-32-02-06
PAGE 0A



757

PARTS CATALOG (MAINTENANCE)

FIG ITEM	PART NUMBER	1 2 3 4 5 6 7	NOMENCLATURE	EFFECT FROM TO	UNITS PER ASSY	
R R R R R R R R R R R R	60	4670	.GASKET-DRAIN VALVE SUPPLIER CODE: V29780	002004 006102 107999	1	
	65	16205-001	.VALVE ASSY-DRAIN SUPPLIER CODE: V29780 SB DATA FROM A CMM: PRE SB 3600-38-001 CONFIG CHG DATA FROM A CMM: REPLD BY 16205-002 COMPONENT MAINT MANUAL REF: 38-33-03	002004 006102 107999	1	
	65	16205-002	.VALVE ASSY-DRAIN SUPPLIER CODE: V29780 SB DATA FROM A CMM: PRE 16205-38-002 POST 3600-38-001 CONFIG CHG DATA FROM A CMM: REPLS 16205-001 REPLD BY 16205-012 COMPONENT MAINT MANUAL REF: 38-33-03	002004 006102 107999	1	
	65	16205-012	.VALVE ASSY-DRAIN SUPPLIER CODE: V29780 SB DATA FROM A CMM: POST 16205-38-002 CONFIG CHG DATA FROM A CMM: REPLS 16205-002 COMPONENT MAINT MANUAL REF: 38-33-03	002004 006102 107999	1	
	70	3623	..DISCONNECT-CABLE SUPPLIER CODE: V29780 USED ON: 16205-001 16205-002	002004 006102 107999	1	
	70	3632	..DISCONNECT- SUPPLIER CODE: V29780 USED ON: 16205-012	002004 006102 107999	1	
	75	3625	..SPRING-DISCONNECT SUPPLIER CODE: V29780 USED ON: 16205-001 16205-002	002004 006102 107999	1	
	MISSING ITEM NUMBERS NOT APPLICABLE					

- ITEM NOT ILLUSTRATED

38-32-02-06

38-32-02
FIG. 06
PAGE 2
MAY 20/09

BRI

 **BOEING**
757
PARTS CATALOG (MAINTENANCE)

FIG ITEM	PART NUMBER	1 2 3 4 5 6 7	NOMENCLATURE	EFFECT FROM TO	UNITS PER ASSY
R R R R R R R R R R R R R R R R R R	6 80	MS24665-151	.. PIN	002004 006102 107999	1
	85	AN960C10L	.. WASHER	002004 006102 107999	1
	90	MS9463-08	.. PIN	002004 006102 107999	1
	95	MS24566-1B	.. PULLEY	002004 006102 107999	1
	100	MS24665-18	.. PIN- USED ON: 16205-001 16205-002	002004 006102 107999	1
	105	AN960C2L	.. WASHER- USED ON: 16205-001 16205-002	002004 006102 107999	1
	110	4811-174-1	.. PIN-DRILLED SUPPLIER CODE: V29780 USED ON: 16205-001 16205-002	002004 006102 107999	1
	115	MS24665-154	.. PIN	002004 006102 107999	1
	120	4802-23-14	.. CABLE- SUPPLIER CODE: V29780 USED ON: 16205-001 16205-002	002004 006102 107999	1
	120	4802-57-28	.. CABLE- SUPPLIER CODE: V29780 USED ON: 16205-012	002004 006102 107999	1
	125	3628	.. SPRING-PRE TRAVEL SUPPLIER CODE: V29780	002004 006102 107999	1
	130	16205-005	.. COVER- SUPPLIER CODE: V29780 USED ON: 16205-001 16205-002	002004 006102 107999	1

MISSING ITEM NUMBERS NOT APPLICABLE

— ITEM NOT ILLUSTRATED

BRI

38-32-02-06

BOEING PROPRIETARY - Copyright © - Unpublished Work - See title page for details.

38-32-02
FIG. 06
PAGE 3
MAY 20/09

BOEING
757
PARTS CATALOG (MAINTENANCE)

FIG ITEM	PART NUMBER	1 2 3 4 5 6 7	NOMENCLATURE	EFFECT FROM TO	UNITS PER ASSY
6					
R R R R R	135 3622-2	..	COVER- SUPPLIER CODE: V29780 USED ON: 16205-012 ATTACHING PARTS	002004 006102 107999	1
R R R R R	140 AN960C6L	..	WASHER	002004 006102 107999	4
R R R R R	145 NAS679C06M	..	NUT	002004 006102 107999	4
			-----*-----		
R R R R R	150 4802-26-3	..	SPRING- SUPPLIER CODE: V29780	002004 006102 107999	1
R R R R R	155 4802-25-1	..	WASHER- SUPPLIER CODE: V29780	002004 006102 107999	1
R R R R R	160 4802-25-2	..	WASHER- SUPPLIER CODE: V29780	002004 006102 107999	1
R R R R R	165 4802-26-4	..	SPRING- SUPPLIER CODE: V29780	002004 006102 107999	1
R R R R R	170 H10SS	..	CLAMP- SUPPLIER CODE: V76599 USED ON: 16205-001	002004 006102 107999	1
R R R R R	170 H12SS	..	CLAMP- SUPPLIER CODE: V76599 USED ON: 16205-002 16205-012	002004 006102 107999	1
R R R R R	175 RS75S	..	SPIROLOX- SUPPLIER CODE: V80756	002004 006102 107999	1
R R R R R	180 4802-19-1	..	HOUSING- SUPPLIER CODE: V29780	002004 006102 107999	1
R R R R R	185 4801-29	..	NUT-SELF LOCKING SUPPLIER CODE: V29780	002004 006102 107999	1

MISSING ITEM NUMBERS NOT APPLICABLE

— ITEM NOT ILLUSTRATED

BRI

38-32-02-06

BOEING PROPRIETARY - Copyright © - Unpublished Work - See title page for details.

38-32-02
FIG. 06
PAGE 4
MAY 20/09



757

PARTS CATALOG (MAINTENANCE)

FIG ITEM	PART NUMBER	1 2 3 4 5 6 7	NOMENCLATURE	EFFECT FROM TO	UNITS PER ASSY
R R R R R R R R R R R R R R	6 190	16205-008	.. PLATE- SUPPLIER CODE: V29780 USED ON: 16205-001	002004 006100 121503 950999	1
	190	16205-010	.. PLATE- SUPPLIER CODE: V29780 USED ON: 16205-002 16205-012	002004 006102 107999	1
	195	4801-12	.. PLUG-VALVE SEAL SUPPLIER CODE: V29780 USED ON: 16205-001	002004 006102 107999	1
	195	4801-22	.. PLUG-VALVE SEAL SUPPLIER CODE: V29780 USED ON: 16205-002 16205-012	002004 006102 107999	1
	200	4673	.. PLATE-SPRT SUPPLIER CODE: V29780	002004 006102 107999	1
	205	16205-007	.. STEM-VALVE SUPPLIER CODE: V29780	002004 006102 107999	1
	210	14300-089	.. BOOT-BELLOWS SUPPLIER CODE: V29780 USED ON: 16205-001	002004 006102 107999	1
	210	14300-139	.. BOOT-BELLOWS SUPPLIER CODE: V29780 USED ON: 16205-002 16205-012	002004 006102 107999	1

MISSING ITEM NUMBERS NOT APPLICABLE

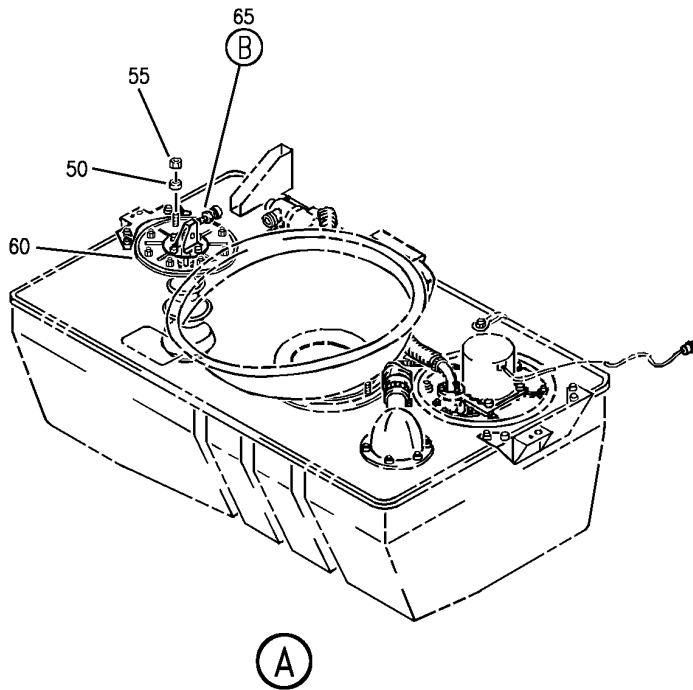
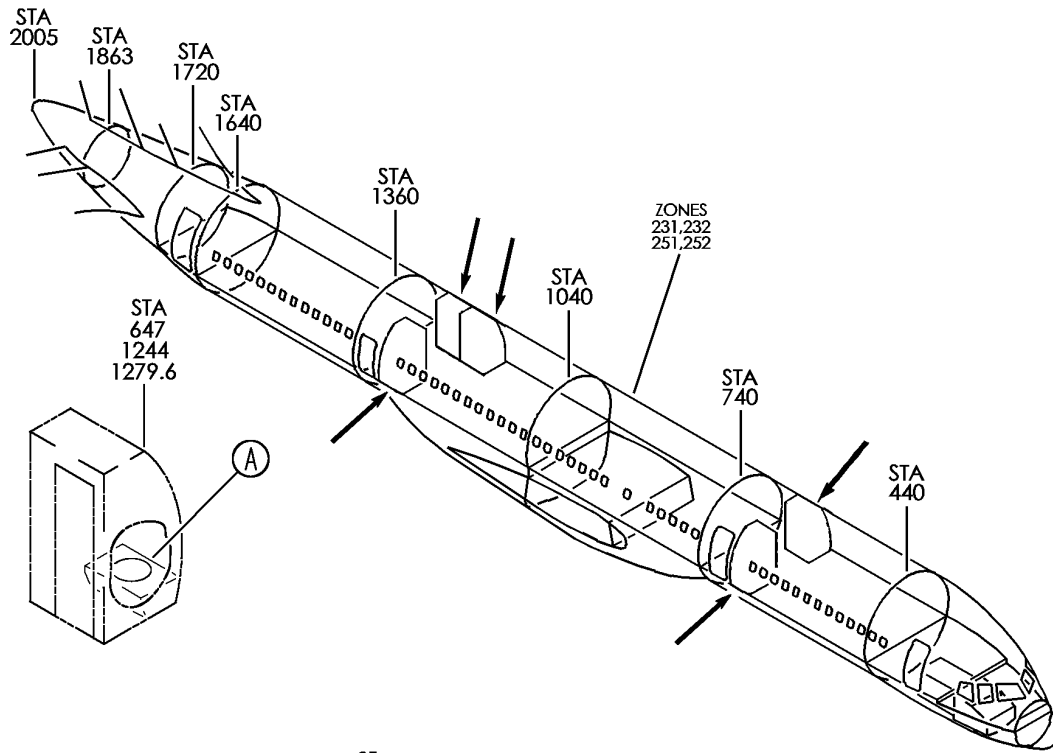
- ITEM NOT ILLUSTRATED

38-32-02-06

38-32-02
FIG. 06
PAGE 5
MAY 20/09

BRI

BOEING
757
PARTS CATALOG (MAINTENANCE)



Y 38320210 SHT 1 REV 247

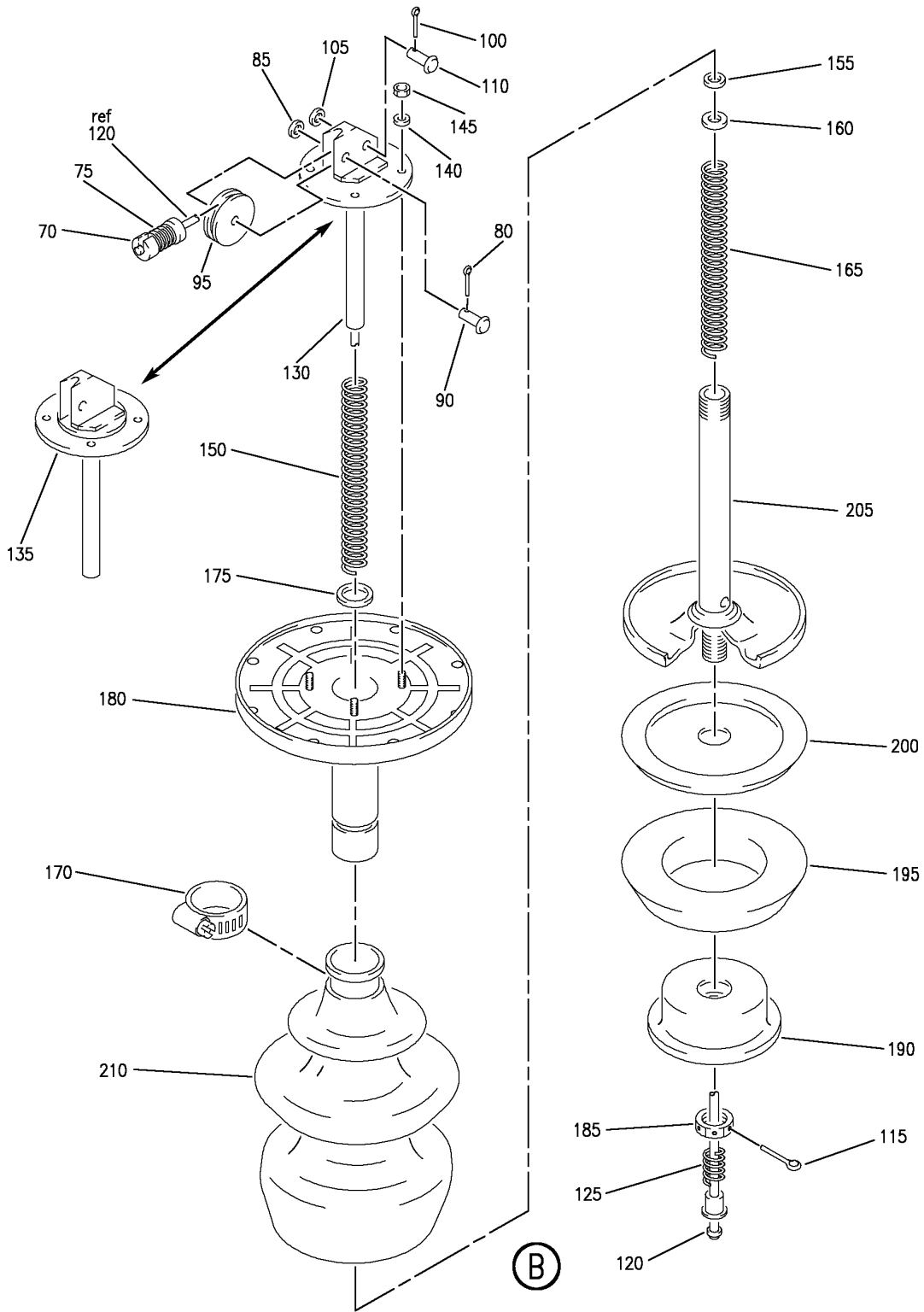
TOILET ASSY-FLUSHING (TOILET TANK DRAIN VALVE ONLY)
FIGURE 10 (SHEET 1)

38-32-02-10

BRI
MAY 28/07

38-32-02-10
PAGE 0

BOEING
757
PARTS CATALOG (MAINTENANCE)



Y 38320210 SHT 2 REV 247

TOILET ASSY-FLUSHING (TOILET TANK DRAIN VALVE ONLY)
FIGURE 10 (SHEET 2)

38-32-02-10

BRI
MAY 28/07

38-32-02-10
PAGE 0A



757

PARTS CATALOG (MAINTENANCE)

FIG ITEM	PART NUMBER	1 2 3 4 5 6 7	NOMENCLATURE	EFFECT FROM TO	UNITS PER ASSY
10			TOILET ASSY-FLUSHING (TOILET TANK DRAIN VALVE ONLY)	002004 006102 107999	
- 1	16200-011		TOILET ASSY-FLUSHING (TOILET TANK DRAIN VALVE ONLY) SUPPLIER CODE: V29780 POSITION DATA: MID-CAB. SPECIFICATION NUMBER: S417N102-31 SB DATA FROM A CMM: PRE 3600-38-001 PRE 16200-38-03 CONFIG CHG DATA FROM A CMM: REPLS 16200-001 REPLD BY 16200-017 COMPONENT MAINT MANUAL REF: 38-33-01 FOR NHA/ADDITIONAL DET SEE: 38-32-01-01	002004 006102 107999	RF
- 5	16200-012		TOILET ASSY-FLUSHING (TOILET TANK DRAIN VALVE ONLY) SUPPLIER CODE: V29780 POSITION DATA: MID-CAB. SPECIFICATION NUMBER: S417N102-32 SB DATA FROM A CMM: PRE 3600-38-001 PRE 16200-38-03 CONFIG CHG DATA FROM A CMM: REPLS 16200-002 REPLD BY 16200-018 COMPONENT MAINT MANUAL REF: 38-33-01 FOR NHA/ADDITIONAL DET SEE: 38-32-01-01	002004 006102 107999	RF

R
R
R
R
R
R
R
R
R
R
R
R
R
R
R
R
R
R
R
R
R
R

MISSING ITEM NUMBERS NOT APPLICABLE

- ITEM NOT ILLUSTRATED

38-32-02-10

38-32-02
FIG. 10
PAGE 1
MAY 20/09

BRI



757

PARTS CATALOG (MAINTENANCE)

FIG ITEM	PART NUMBER	1 2 3 4 5 6 7	NOMENCLATURE	EFFECT FROM TO	UNITS PER ASSY
10 - 10	16200-013		TOILET ASSY-FLUSHING (TOILET TANK DRAIN VALVE ONLY) SUPPLIER CODE: V29780 POSITION DATA: MID-CAB. SPECIFICATION NUMBER: S417N102-33 SB DATA FROM A CMM: PRE 3600-38-001 PRE 16200-38-03 CONFIG CHG DATA FROM A CMM: REPLS 16200-007 REPLD BY 16200-019 COMPONENT MAINT MANUAL REF: 38-33-01 FOR NHA/ADDITIONAL DET SEE: 38-32-53-03	950999	RF
R R	50 AN960C8		.WASHER	002004 006102 107999	8
	55 NAS679C3M		.NUT	002004 006102 107999	8
	60 4670		.GASKET- SUPPLIER CODE: V29780	002004 006102 107999	1
	65 16205-001		.VALVE ASSY- SUPPLIER CODE: V29780 SB DATA FROM A CMM: PRE SB 3600-38-001 CONFIG CHG DATA FROM A CMM: REPLD BY 16205-002 COMPONENT MAINT MANUAL REF: 38-33-03	002004 006102 107999	1
	65 16205-002		.VALVE ASSY- SUPPLIER CODE: V29780 SB DATA FROM A CMM: PRE 16205-38-002 POST 3600-38-001 CONFIG CHG DATA FROM A CMM: REPLS 16205-001 REPLD BY 16205-012 COMPONENT MAINT MANUAL REF: 38-33-03	002004 006102 107999	1

MISSING ITEM NUMBERS NOT APPLICABLE

- ITEM NOT ILLUSTRATED

38-32-02-10

38-32-02
FIG. 10
PAGE 2
MAY 20/09

BRI

BOEING
757
PARTS CATALOG (MAINTENANCE)

FIG ITEM	PART NUMBER	1 2 3 4 5 6 7	NOMENCLATURE	EFFECT FROM TO	UNITS PER ASSY
10					
R	65	16205-012	. VALVE ASSY- SUPPLIER CODE: V29780 SB DATA FROM A CMM: POST 16205-38-002 CONFIG CHG DATA FROM A CMM: REPLS 16205-002 COMPONENT MAINT MANUAL REF: 38-33-03	002004 006102 107999	1
R					
R					
R					
R					
R					
R					
R	70	3623	.. DISCONNECT-CABLE SUPPLIER CODE: V29780 USED ON: 16205-001 16205-002	002004 006102 107999	1
R					
R					
R					
R					
R	70	3632	.. DISCONNECT- SUPPLIER CODE: V29780 USED ON: 16205-012	002004 006102 107999	1
R					
R					
R					
R					
R	75	3625	.. SPRING-DISC. SUPPLIER CODE: V29780 USED ON: 16205-001 16205-002	002004 006102 107999	1
R					
R					
R					
R					
R	80	MS24665-151	.. PIN	002004 006102 107999	1
R					
R					
R	85	AN960C10L	.. WASHER	002004 006102 107999	1
R					
R					
R	90	MS9463-08	.. PIN	002004 006102 107999	1
R					
R					
R					
R	95	MS24566-1B	.. PULLEY	002004 006102 107999	1
R					
R					
R	100	MS24665-18	.. PIN- USED ON: 16205-001 16205-002	002004 006102 107999	1
R					
R					
R					
R	105	AN960C2L	.. WASHER- USED ON: 16205-001 16205-002	002004 006102 107999	1
R					
R					

MISSING ITEM NUMBERS NOT APPLICABLE

— ITEM NOT ILLUSTRATED

BRI

38-32-02-10

BOEING PROPRIETARY - Copyright © - Unpublished Work - See title page for details.

38-32-02
FIG. 10
PAGE 3
MAY 20/09



757

PARTS CATALOG (MAINTENANCE)

FIG ITEM	PART NUMBER	1 2 3 4 5 6 7	NOMENCLATURE	EFFECT FROM TO	UNITS PER ASSY
10					
R	110	4811-174-1	.. PIN-DRILLED	002004	1
R			SUPPLIER CODE:	006102	
R			V29780	107999	
R			USED ON:		
R			16205-001		
R			16205-002		
R	115	MS24665-154	.. PIN	002004	1
R				006102	
R				107999	
R	120	4802-23-14	.. CABLE-	002004	1
R			SUPPLIER CODE:	006102	
R			V29780	107999	
R			USED ON:		
R			16205-001		
R			16205-002		
R	120	4802-57-28	.. CABLE-	002004	1
R			SUPPLIER CODE:	006102	
R			V29780	107999	
R			USED ON:		
R			16205-012		
R	125	3628	.. SPRING-PRE TRAVEL	002004	1
R			SUPPLIER CODE:	006102	
R			V29780	107999	
R	130	16205-005	.. COVER-	002004	1
R			SUPPLIER CODE:	006102	
R			V29780	107999	
R			USED ON:		
R			16205-001		
R			16205-002		
R	135	3622-2	.. COVER-	002004	1
R			SUPPLIER CODE:	006102	
R			V29780	107999	
R			USED ON:		
R			16205-012		
R			ATTACHING PARTS		
R	140	AN960C6L	.. WASHER	002004	4
R				006102	
R				107999	
R	145	NAS679C06M	.. NUT	002004	4
R				006102	
R				107999	
R			-----*-----		
R	150	4802-26-3	.. SPRING-	002004	1
R			SUPPLIER CODE:	006102	
R			V29780	107999	
R	155	4802-25-1	.. WASHER-	002004	1
R			SUPPLIER CODE:	006102	
R			V29780	107999	

MISSING ITEM NUMBERS NOT APPLICABLE

- ITEM NOT ILLUSTRATED

38-32-02-10

38-32-02
FIG. 10
PAGE 4
MAY 20/09

BRI

BOEING
757
PARTS CATALOG (MAINTENANCE)

FIG ITEM	PART NUMBER	1 2 3 4 5 6 7	NOMENCLATURE	EFFECT FROM TO	UNITS PER ASSY
10					
R	160	4802-25-2	.. WASHER-	002004	1
R			SUPPLIER CODE:	006102	
R			V29780	107999	
R	165	4802-26-4	.. SPRING-	002004	1
R			SUPPLIER CODE:	006102	
R			V29780	107999	
R	170	H10SS	.. CLAMP-	002004	1
R			SUPPLIER CODE:	006102	
R			V76599	107999	
R			USED ON:		
R			16205-001		
R	170	H12SS	.. CLAMP-	002004	1
R			SUPPLIER CODE:	006102	
R			V76599	107999	
R			USED ON:		
R			16205-002		
R			16205-012		
R	175	RS75S	.. SPIROLOX-	002004	1
R			SUPPLIER CODE:	006102	
R			V80756	107999	
R	180	4802-19-1	.. HOUSING-	002004	1
R			SUPPLIER CODE:	006102	
R			V29780	107999	
R	185	4801-29	.. NUT-SELF LOCKING	002004	1
R			SUPPLIER CODE:	006102	
R			V29780	107999	
R	190	16205-008	.. PLATE-	002004	1
R			SUPPLIER CODE:	006102	
R			V29780	107999	
R			USED ON:		
R			16205-001		
R	190	16205-010	.. PLATE-	002004	1
R			SUPPLIER CODE:	006102	
R			V29780	107999	
R			USED ON:		
R			16205-002		
R			16205-012		
R	195	4801-12	.. PLUG-VALVE SEAL	002004	1
R			SUPPLIER CODE:	006102	
R			V29780	107999	
R			USED ON:		
R			16205-001		
R	195	4801-22	.. PLUG-VALVE SEAL	002004	1
R			SUPPLIER CODE:	006102	
R			V29780	107999	
R			USED ON:		
R			16205-002		
R			16205-012		

MISSING ITEM NUMBERS NOT APPLICABLE

— ITEM NOT ILLUSTRATED

BRI

38-32-02-10

BOEING PROPRIETARY - Copyright © - Unpublished Work - See title page for details.

38-32-02
FIG. 10
PAGE 5
MAY 20/09



**757
PARTS CATALOG (MAINTENANCE)**

FIG ITEM	PART NUMBER	1 2 3 4 5 6 7	NOMENCLATURE	EFFECT FROM TO	UNITS PER ASSY
R R R R R R R R R R R R R R R R	10				
	200	4673	.. PLATE-SPRT	002004	1
			SUPPLIER CODE:	006102	
			V29780	107999	
	205	16205-007	.. STEM-VALVE	002004	1
			SUPPLIER CODE:	006102	
			V29780	107999	
	210	14300-089	.. BOOT-BELLOWS	002004	1
			SUPPLIER CODE:	006102	
			V29780	107999	
			USED ON:		
			16205-001		
	210	14300-139	.. BOOT-BELLOWS	002004	1
			SUPPLIER CODE:	006102	
			V29780	107999	
			USED ON:		
		16205-002			
		16205-012			

MISSING ITEM NUMBERS NOT APPLICABLE

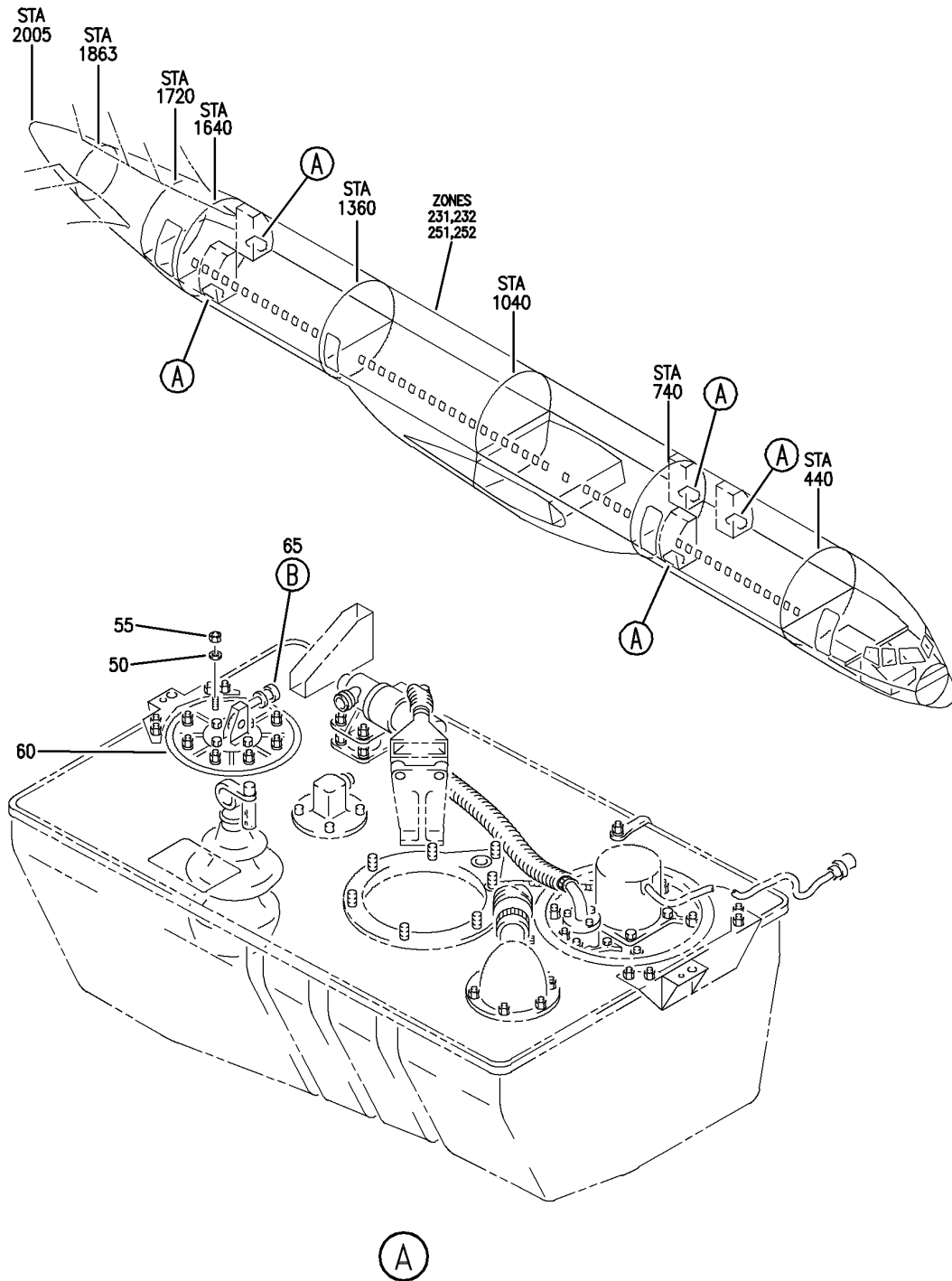
— ITEM NOT ILLUSTRATED

38-32-02-10

38-32-02
FIG. 10
PAGE 6
MAY 20/09

BRI

BOEING
757
PARTS CATALOG (MAINTENANCE)



Y 38320213 SHT 1 REV 247

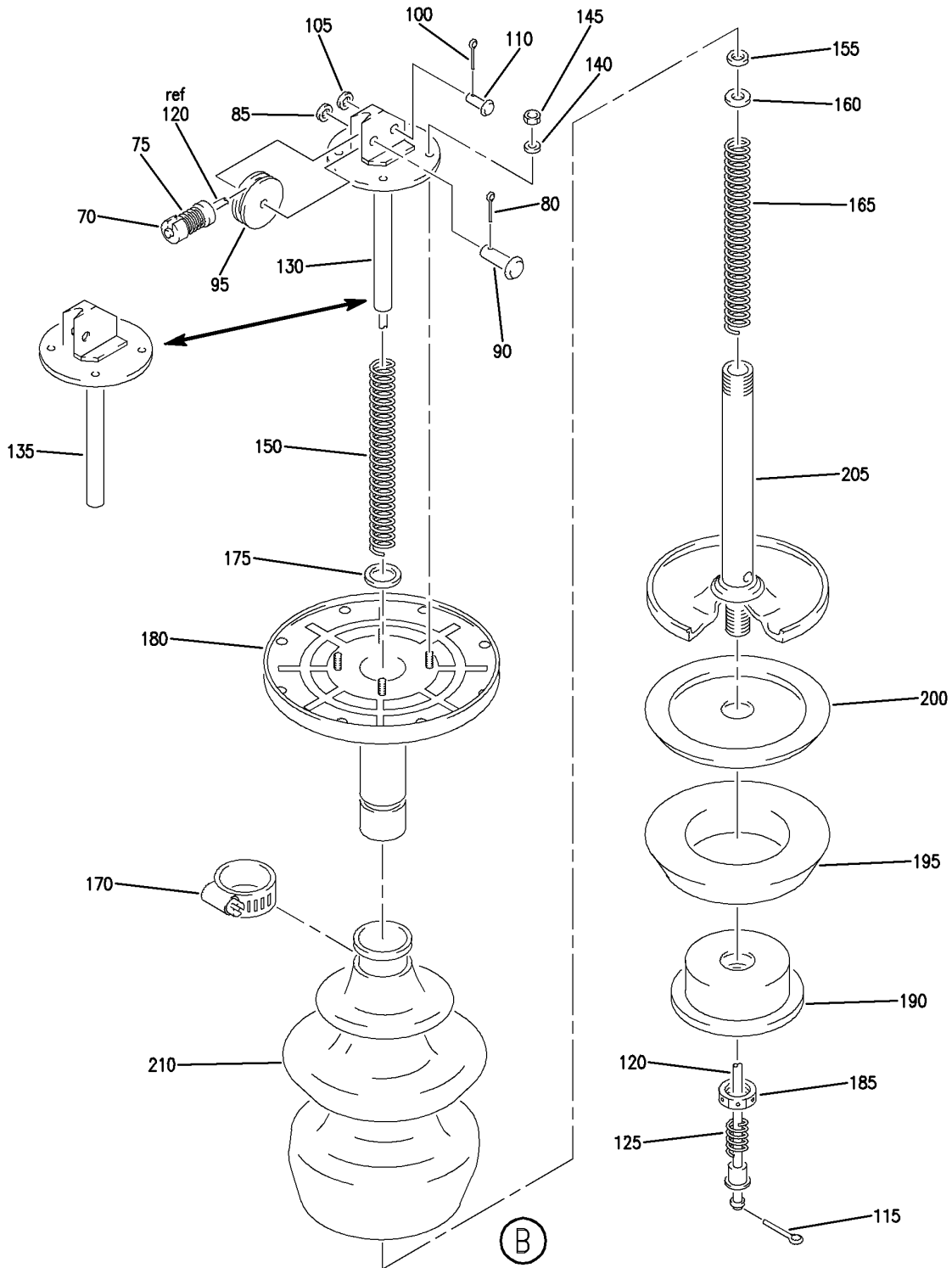
TOILET ASSY-FLUSHING (WASTE DRAIN VALVE ASSEMBLY ONLY)
FIGURE 13 (SHEET 1)

38-32-02-13

BRI
JAN 20/09

38-32-02-13
PAGE 0


BOEING
 757
PARTS CATALOG (MAINTENANCE)



Y 38320213 SHT 2 REV 247

TOILET ASSY-FLUSHING (WASTE DRAIN VALVE ASSEMBLY ONLY)
 FIGURE 13 (SHEET 2)

38-32-02-13

BRI
 JAN 20/09

38-32-02-13
 PAGE 0A



757

PARTS CATALOG (MAINTENANCE)

FIG ITEM	PART NUMBER	1 2 3 4 5 6 7	NOMENCLATURE	EFFECT FROM TO	UNITS PER ASSY
13			TOILET ASSY-FLUSHING (WASTE DRAIN VALVE ASSEMBLY ONLY)	950999	
- 1	16200-019		TOILET ASSY-FLUSHING (WASTE DRAIN VALVE ASSEMBLY ONLY) SUPPLIER CODE: V29780 POSITION DATA: MID-CAB. SPECIFICATION NUMBER: S417N102-49 SB DATA FROM A CMM: PRE 16200-38-03 POST 3600-38-001 CONFIG CHG DATA FROM A CMM: REPLS 16200-013 REPLD BY 16200-024 COMPONENT MAINT MANUAL REF: 38-33-01 FOR NHA/ADDITIONAL DET SEE: 38-32-53-03 ATTACHING PARTS	950999	RF
R 50	AN960C8		.WASHER	950999	8
55	NAS679C3M		.NUT	950999	8
			-----*-----		
60	4670		.GASKET- SUPPLIER CODE: V29780	950999	1
65	16205-001		.VALVE ASSY- SUPPLIER CODE: V29780 SB DATA FROM A CMM: PRE 3600-38-001 CONFIG CHG DATA FROM A CMM: REPLD BY 16205-002 COMPONENT MAINT MANUAL REF: 38-33-03	950999	1
65	16205-002		.VALVE ASSY- SUPPLIER CODE: V29780 SB DATA FROM A CMM: PRE 16205-38-002 POST 3600-38-001 CONFIG CHG DATA FROM A CMM: REPLS 16205-001 REPLD BY 16205-012 COMPONENT MAINT MANUAL REF: 38-33-03	950999	1

MISSING ITEM NUMBERS NOT APPLICABLE

- ITEM NOT ILLUSTRATED

38-32-02-13

38-32-02
FIG. 13
PAGE 1
MAY 20/09

BRI



757

PARTS CATALOG (MAINTENANCE)

FIG ITEM	PART NUMBER	1 2 3 4 5 6 7	NOMENCLATURE	EFFECT FROM TO	UNITS PER ASSY
13					
65	16205-012		. VALVE ASSY- SUPPLIER CODE: V29780 SB DATA FROM A CMM: POST 16205-38-002 CONFIG CHG DATA FROM A CMM: REPLS 16205-002 COMPONENT MAINT MANUAL REF: 38-33-03	950999	1
70	3623		.. DISCONNECT- SUPPLIER CODE: V29780 USED ON: 16205-001 16205-002	950999	1
70	3632		.. DISCONNECT- SUPPLIER CODE: V29780 USED ON: 16205-012	950999	1
75	3625		.. SPRING-DISC. SUPPLIER CODE: V29780 USED ON: 16205-001 16205-002	950999	1
80	MS24665-151		.. PIN	950999	1
85	AN960C10L		.. WASHER	950999	1
90	MS9463-08		.. PIN	950999	1
95	MS24566-1B		.. PULLEY	950999	1
100	MS24665-18		.. PIN- USED ON: 16205-001 16205-002	950999	1
105	AN960C2L		.. WASHER- USED ON: 16205-001 16205-002	950999	1
110	4811-174-1		.. PIN-DRILLED SUPPLIER CODE: V29780 USED ON: 16205-001 16205-002	950999	1
115	MS24665-154		.. PIN	950999	1

MISSING ITEM NUMBERS NOT APPLICABLE

- ITEM NOT ILLUSTRATED

38-32-02-13

38-32-02
FIG. 13
PAGE 2
JAN 20/09

BRI

BOEING PROPRIETARY - Copyright © - Unpublished Work - See title page for details.



757

PARTS CATALOG (MAINTENANCE)

FIG ITEM	PART NUMBER	1 2 3 4 5 6 7	NOMENCLATURE	EFFECT FROM TO	UNITS PER ASSY
13					
120	4802-23-14	..	CABLE- SUPPLIER CODE: V29780 USED ON: 16205-001 16205-002	950999	1
120	4802-57-28	..	CABLE- SUPPLIER CODE: V29780 USED ON: 16205-012	950999	1
125	3628	..	SPRING-PRE TRAVEL SUPPLIER CODE: V29780	950999	1
130	16205-005	..	COVER- SUPPLIER CODE: V29780 USED ON: 16205-001 16205-002	950999	1
135	3622-2	..	COVER- SUPPLIER CODE: V29780 USED ON: 16205-012	950999	1
140	AN960C6L	..	WASHER	950999	4
145	NAS679C06M	..	NUT	950999	4
			-----*-----		
150	4802-26-3	..	SPRING- SUPPLIER CODE: V29780	950999	1
155	4802-25-1	..	WASHER- SUPPLIER CODE: V29780	950999	1
160	4802-25-2	..	WASHER- SUPPLIER CODE: V29780	950999	1
165	4802-26-4	..	SPRING- SUPPLIER CODE: V29780	950999	1
170	H10SS	..	CLAMP- SUPPLIER CODE: V76599 USED ON: 16205-001	950999	1

MISSING ITEM NUMBERS NOT APPLICABLE

- ITEM NOT ILLUSTRATED

38-32-02-13

38-32-02
FIG. 13
PAGE 3
JAN 20/09

BRI

BOEING PROPRIETARY - Copyright © - Unpublished Work - See title page for details.



757

PARTS CATALOG (MAINTENANCE)

FIG ITEM	PART NUMBER	1 2 3 4 5 6 7	NOMENCLATURE	EFFECT FROM TO	UNITS PER ASSY
13 170	H12SS		..CLAMP- SUPPLIER CODE: V76599 USED ON: 16205-002 16205-012	950999	1
175	RS75S		..SPIROLOX- SUPPLIER CODE: V80756	950999	1
180	4802-19-1		..HOUSING- SUPPLIER CODE: V29780	950999	1
185	4801-29		..NUT-SELF LOCKING SUPPLIER CODE: V29780	950999	1
190	16205-008		..PLATE- SUPPLIER CODE: V29780 USED ON: 16205-001	950999	1
190	16205-010		..PLATE- SUPPLIER CODE: V29780 USED ON: 16205-002 16205-012	950999	1
195	4801-12		..PLUG-VALVE SEAL SUPPLIER CODE: V29780 USED ON: 16205-001	950999	1
195	4801-22		..PLUG-VALVE SEAL SUPPLIER CODE: V29780 USED ON: 16205-002 16205-012	950999	1
200	4673		..PLATE-SPRT SUPPLIER CODE: V29780	950999	1
205	16205-007		..STEM-VALVE SUPPLIER CODE: V29780	950999	1
210	14300-089		..BOOT-BELLOWS SUPPLIER CODE: V29780 USED ON: 16205-001	950999	1

MISSING ITEM NUMBERS NOT APPLICABLE

- ITEM NOT ILLUSTRATED

38-32-02-13

38-32-02
FIG. 13
PAGE 4
JAN 20/09

BRI



757

PARTS CATALOG (MAINTENANCE)

FIG ITEM	PART NUMBER	1 2 3 4 5 6 7	NOMENCLATURE	EFFECT FROM TO	UNITS PER ASSY
13 210	14300-139		. . B00T-BELLOWS SUPPLIER CODE: V29780 USED ON: 16205-002 16205-012	950999	1

MISSING ITEM NUMBERS NOT APPLICABLE

- ITEM NOT ILLUSTRATED

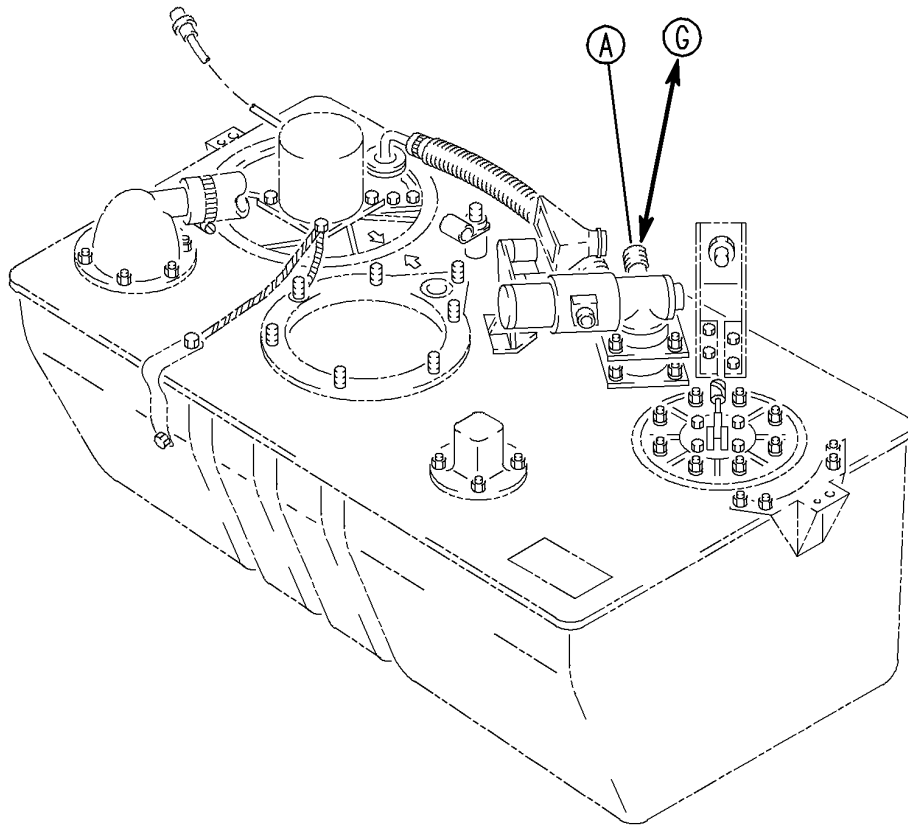
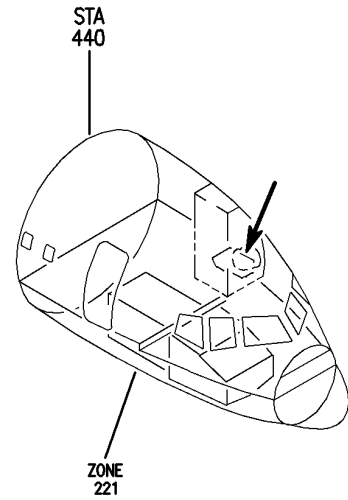
BRI

38-32-02-13

BOEING PROPRIETARY - Copyright © - Unpublished Work - See title page for details.

38-32-02
FIG. 13
PAGE 5
JAN 20/09

BOEING
757
PARTS CATALOG (MAINTENANCE)



Y 38320301 SHT 1 REV 224

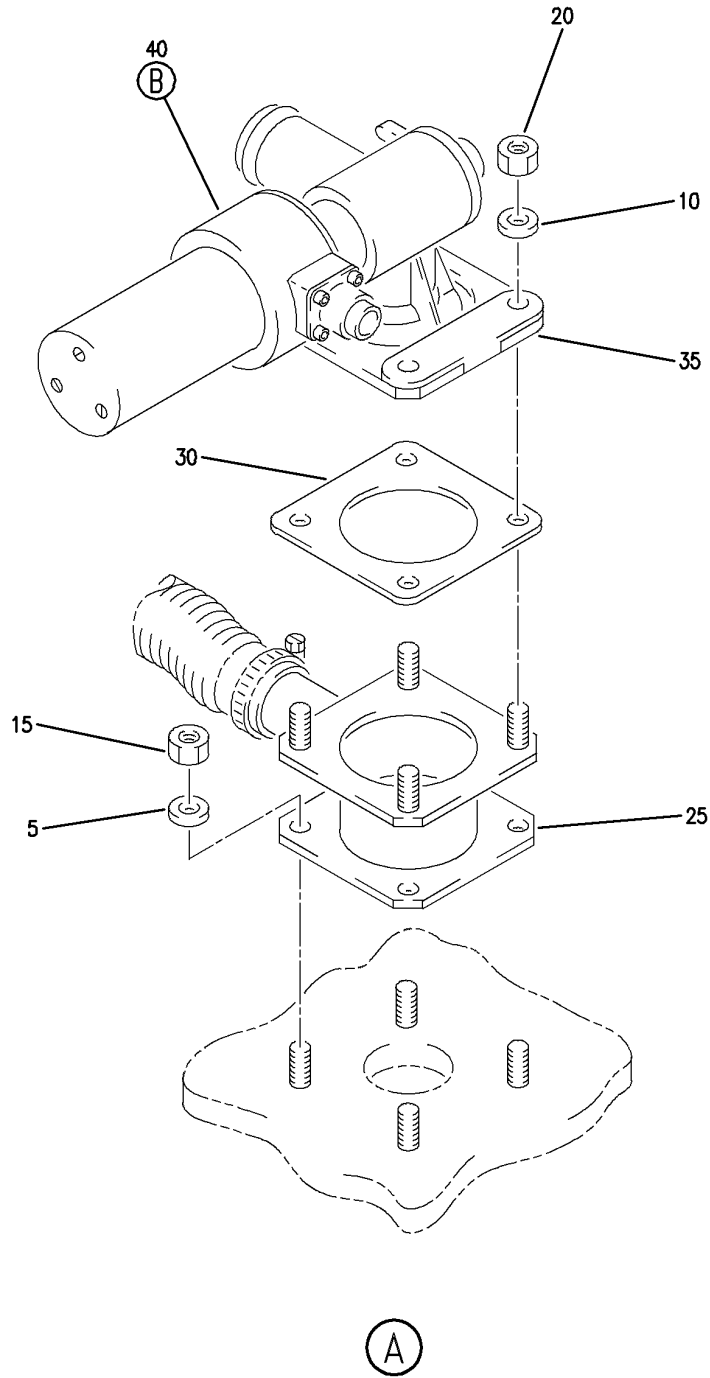
TOILET ASSY-FLUSHING LAV A (RINSE/FILL LINE SHUTOFF VALVE ONLY)
FIGURE 1 (SHEET 1)

38-32-03-01

BRI
MAY 28/07

38-32-03-01
PAGE 0

BOEING
757
PARTS CATALOG (MAINTENANCE)



Y 38320301 SHT 2 REV 224

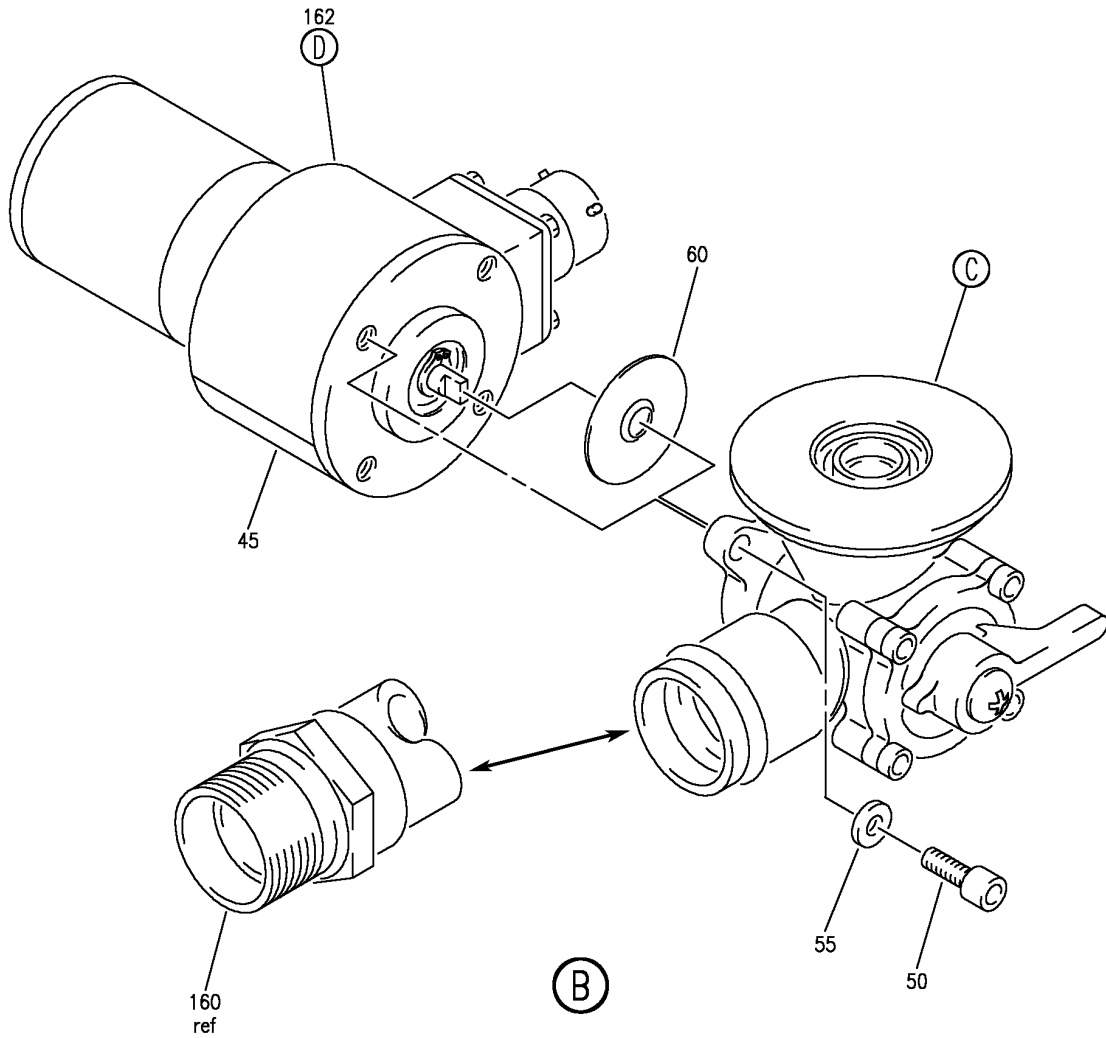
TOILET ASSY-FLUSHING LAV A (RINSE/FILL LINE SHUTOFF VALVE ONLY)
FIGURE 1 (SHEET 2)

38-32-03-01

BRI
MAY 28/07

38-32-03-01
PAGE 0A

BOEING
757
PARTS CATALOG (MAINTENANCE)



Y 38320301 SH 3 REV 335

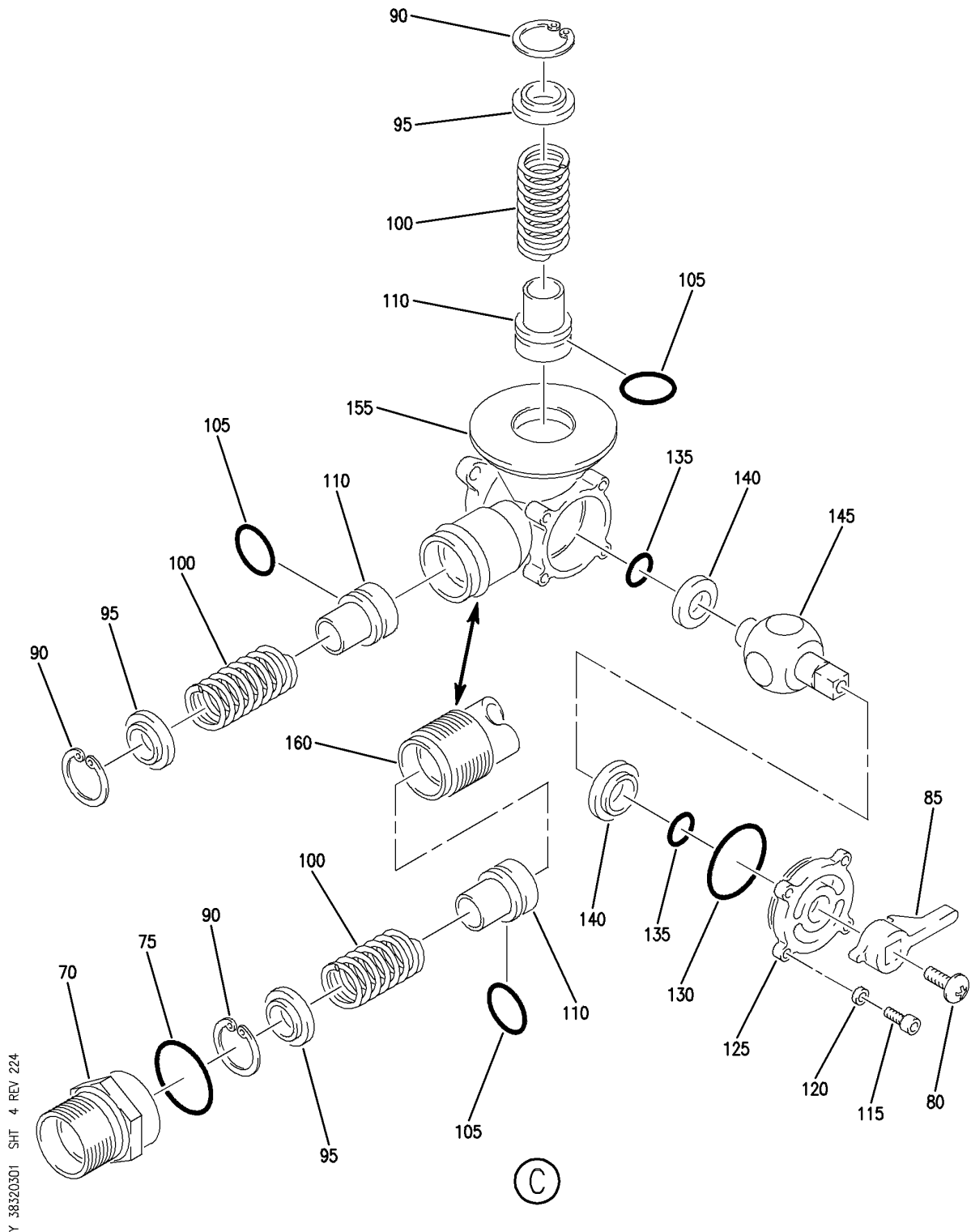
TOILET ASSY-FLUSHING LAV A (RINSE/FILL LINE SHUTOFF VALVE ONLY)
FIGURE 1 (SHEET 3)

38-32-03-01

BRI
MAY 20/09

38-32-03-01
PAGE 0B

BOEING
757
PARTS CATALOG (MAINTENANCE)



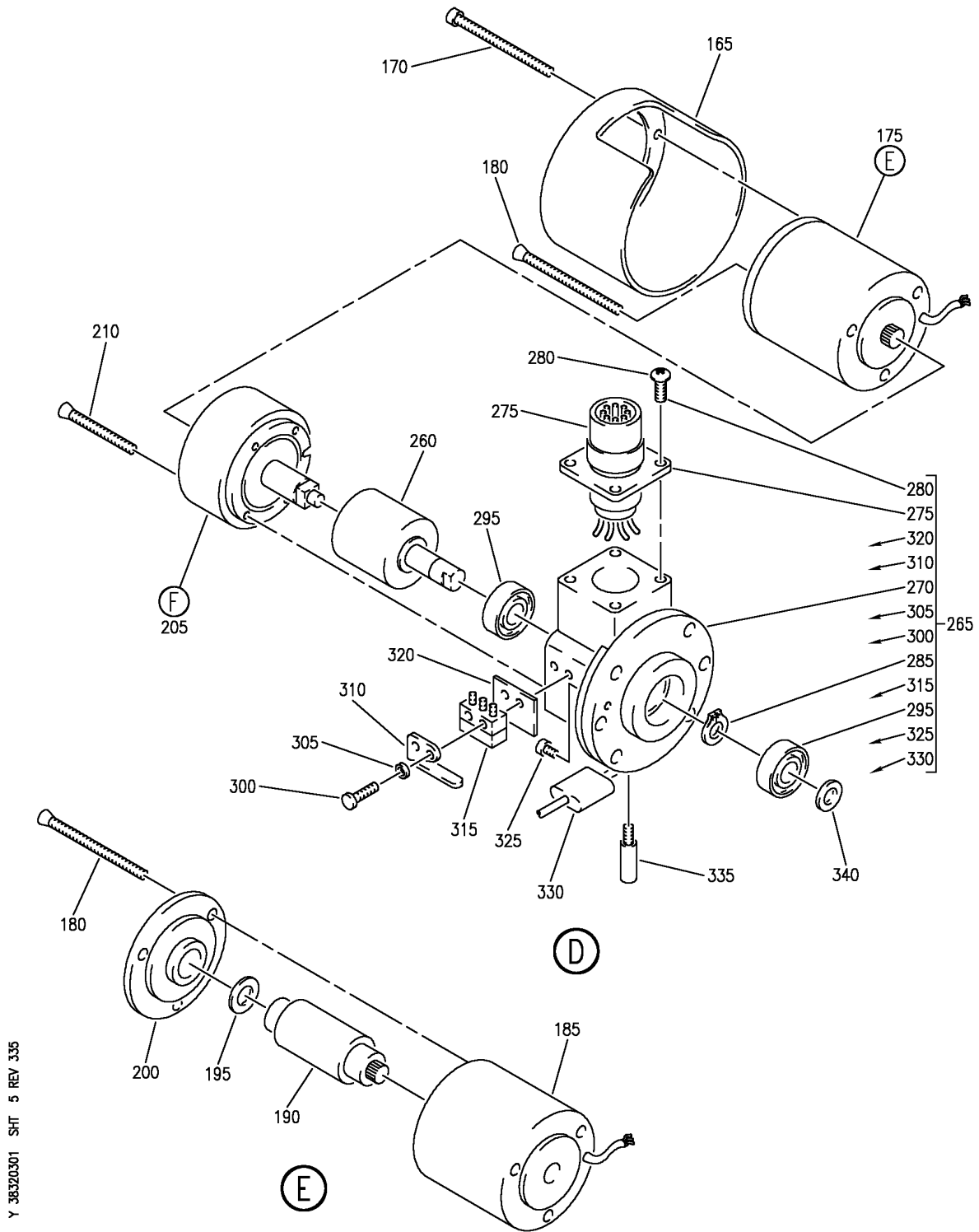
TOILET ASSY-FLUSHING LAV A (RINSE/FILL LINE SHUTOFF VALVE ONLY)
FIGURE 1 (SHEET 4)

38-32-03-01

BRI
MAY 28/07

38-32-03-01
PAGE 0C

BOEING
757
PARTS CATALOG (MAINTENANCE)



Y 38320301 SHT 5 REV 335

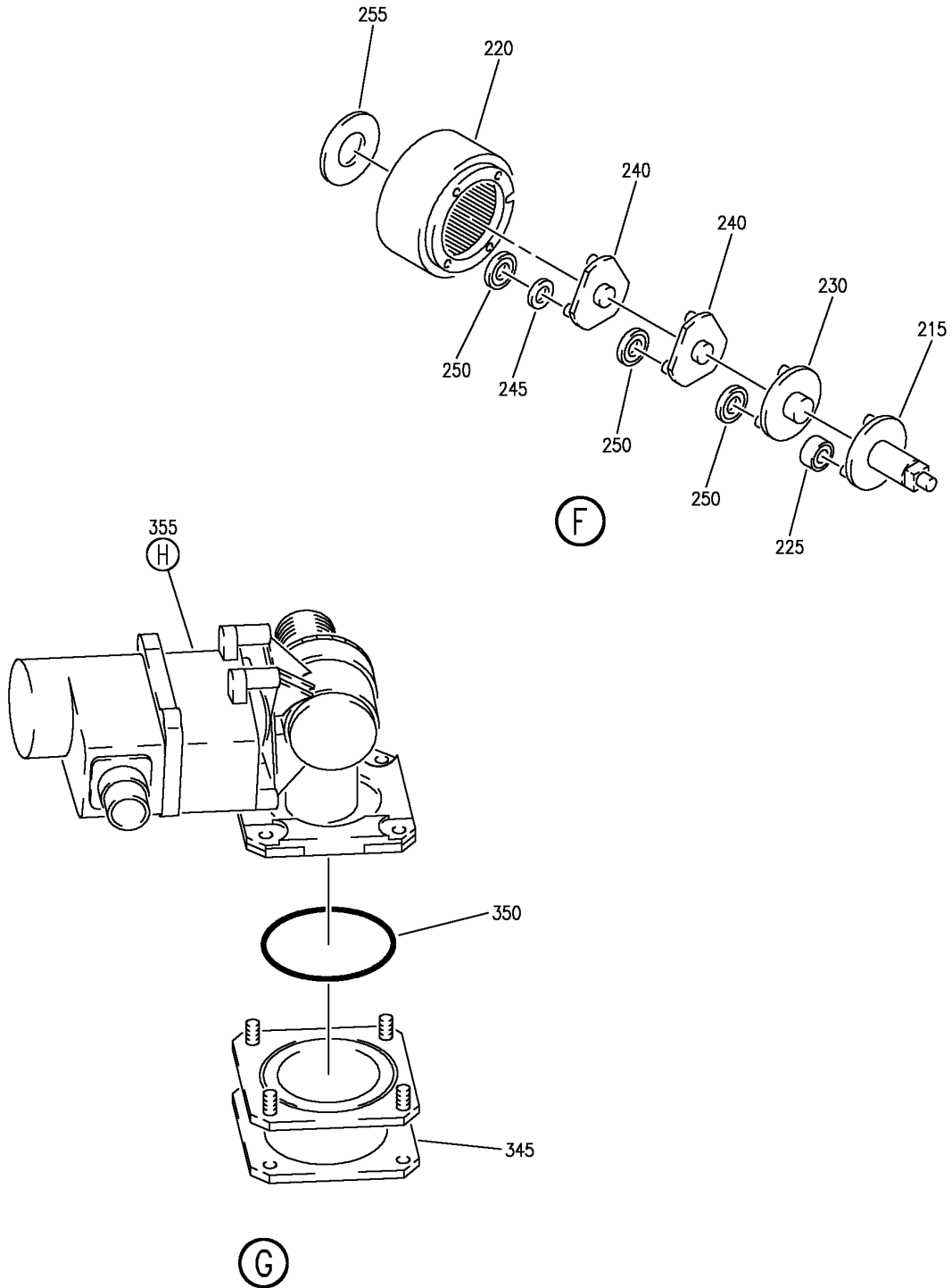
TOILET ASSY-FLUSHING LAV A (RINSE/FILL LINE SHUTOFF VALVE ONLY)
FIGURE 1 (SHEET 5)

38-32-03-01

BRI
MAY 20/09

38-32-03-01
PAGE 0D

BOEING
757
PARTS CATALOG (MAINTENANCE)



Y 38320301 SHIT 6 REV 335

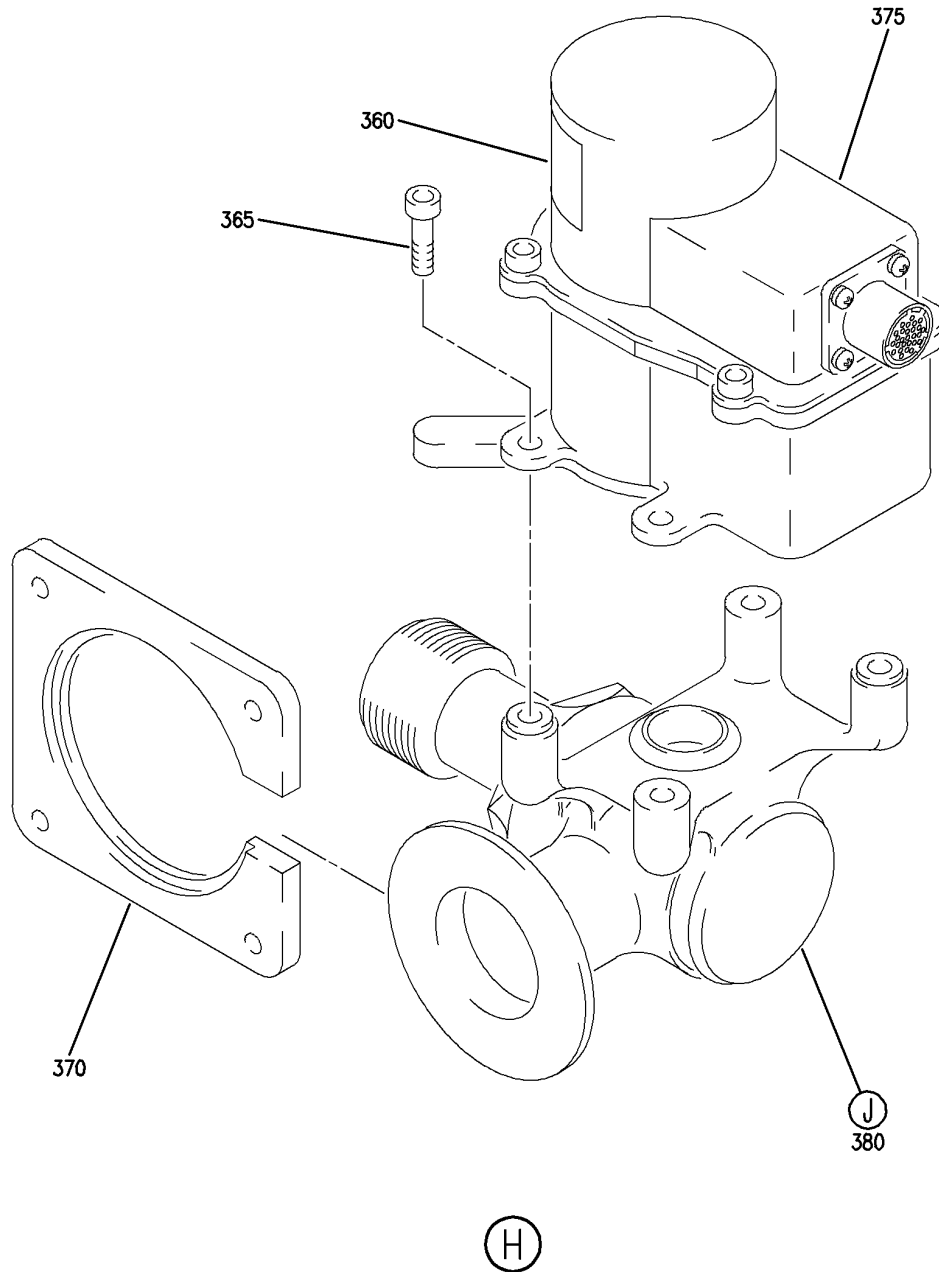
TOILET ASSY-FLUSHING LAV A (RINSE/FILL LINE SHUTOFF VALVE ONLY)
FIGURE 1 (SHEET 6)

38-32-03-01

BRI
MAY 20/09

38-32-03-01
PAGE 0E

BOEING
757
PARTS CATALOG (MAINTENANCE)



Y 38320301 SHT 7 REV 224

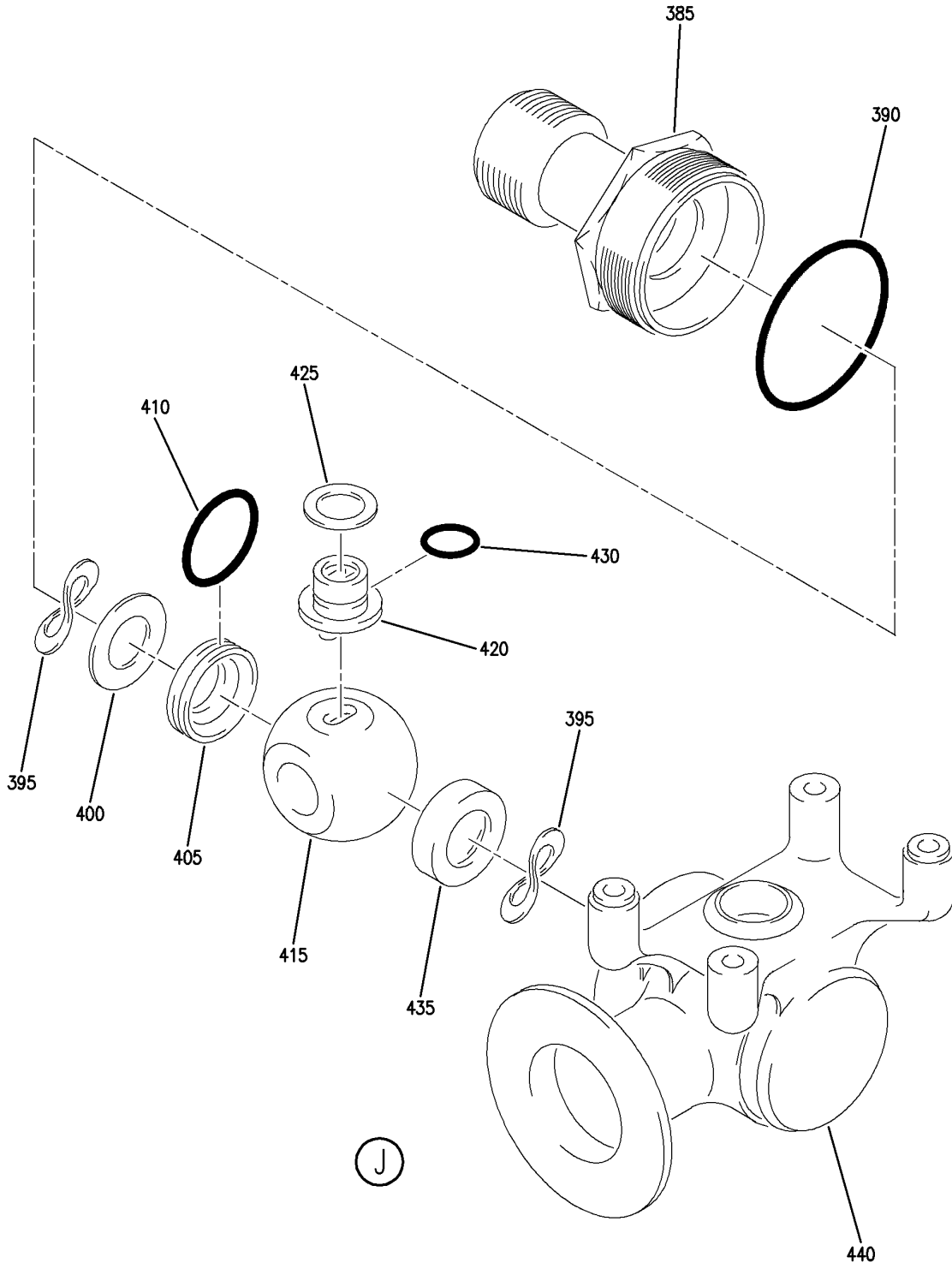
TOILET ASSY-FLUSHING LAV A (RINSE/FILL LINE SHUTOFF VALVE ONLY)
FIGURE 1 (SHEET 7)

38-32-03-01

BRI
MAY 28/07

38-32-03-01
PAGE OF

BOEING
757
PARTS CATALOG (MAINTENANCE)



Y 38320301 SHT 8 REV 224

TOILET ASSY-FLUSHING LAV A (RINSE/FILL LINE SHUTOFF VALVE ONLY)
FIGURE 1 (SHEET 8)

38-32-03-01

BRI
MAY 28/07

38-32-03-01
PAGE 06



757

PARTS CATALOG (MAINTENANCE)

FIG ITEM	PART NUMBER	1 2 3 4 5 6 7	NOMENCLATURE	EFFECT FROM TO	UNITS PER ASSY
1			TOILET ASSY-FLUSHING LAV A (RINSE/FILL LINE SHUTOFF VALVE ONLY)	002004 006102 107999	
- 1	16300-008		TOILET ASSY-FLUSHING LAV A (RINSE/FILL LINE SHUTOFF VALVE ONLY) SUPPLIER CODE: V29780 SPECIFICATION NUMBER: S417N102-30 SB DATA FROM A CMM: PRE 3600-38-001 PRE 16200-38-03 CONFIG CHG DATA FROM A CMM: REPLS 16300-001 REPLD BY 16200-011 COMPONENT MAINT MANUAL REF: 38-33-01 FOR NHA/ADDITIONAL DET SEE: 38-32-01-01	002004 006102 107999	RF
- 1	16300-011		TOILET ASSY-FLUSHING LAV A (RINSE/FILL LINE SHUTOFF VALVE ONLY) SUPPLIER CODE: V29780 SPECIFICATION NUMBER: S417N102-46 SB DATA FROM A CMM: PRE 16200-38-03 POST 3600-38-001 CONFIG CHG DATA FROM A CMM: REPLS 16300-008 REPLD BY 16300-013 COMPONENT MAINT MANUAL REF: 38-33-01 FOR NHA/ADDITIONAL DET SEE: 38-32-01-01	002004 006102 107999	RF
5	AN960C6		.WASHER	002004 006102 107999	4
10	AN960C8		.WASHER	002004 006102 107999	4
15	NAS679C06M		.NUT	002004 006102 107999	4
20	NAS679C08M		.NUT	002004 006102 107999	4

MISSING ITEM NUMBERS NOT APPLICABLE

- ITEM NOT ILLUSTRATED

38-32-03-01

38-32-03
FIG. 01
PAGE 1
JAN 20/09

BRI



757

PARTS CATALOG (MAINTENANCE)

FIG ITEM	PART NUMBER	1 2 3 4 5 6 7	NOMENCLATURE	EFFECT FROM TO	UNITS PER ASSY
1					
25	16202-003-1		.ADAPTER- SUPPLIER CODE: V29780 CONFIG CHG DATA FROM A CMM: REPLD BY 16202-036-1	002004 006102 107999	1
25	16202-036-1		.ADAPTER- SUPPLIER CODE: V29780 CONFIG CHG DATA FROM A CMM: REPLACES 16202-003-1	002004 006102 107999	1
30	4811-209		.GASKET- SUPPLIER CODE: V29780 CONFIG CHG DATA FROM A CMM: REPLD BY 4811-412	002004 006102 107999	1
30	4811-412		.GASKET- SUPPLIER CODE: V29780 CONFIG CHG DATA FROM A CMM: REPLACES 4811-209	002004 006102 107999	1
35	4812-161		.BRACE-MTG PLATE SUPPLIER CODE: V76599	002004 006102 107999	1
40	400300-1		.VALVE ASSY- SUPPLIER CODE: V80477 CONFIG CHG DATA FROM A CMM: REPLD BY 400300-2 COMPONENT MAINT MANUAL REF: 38-30-01	002004 006102 107999	1
40	400300-2		.VALVE ASSY- SUPPLIER CODE: V80477 SPECIFICATION NUMBER: 60B50341-2 CONFIG CHG DATA FROM A CMM: REPLACES 400300-1 COMPONENT MAINT MANUAL REF: 38-30-01 OPTIONAL PART: 18-8000-2 V96736	002004 006102 107999	1
45	400597-1		..NAMEPLATE- SUPPLIER CODE: V27045 USED ON: 400300-1	002004 006102 107999	1

R
R
R
R
R
R
R
R
R
R
R
R
R
R
R

MISSING ITEM NUMBERS NOT APPLICABLE

- ITEM NOT ILLUSTRATED

38-32-03-01

38-32-03
FIG. 01
PAGE 2
MAY 20/09

BRI



757

PARTS CATALOG (MAINTENANCE)

FIG ITEM	PART NUMBER	1 2 3 4 5 6 7	NOMENCLATURE	EFFECT FROM TO	UNITS PER ASSY
R R R R R R R R R R	1 45		.. NAMEPLATE- SUPPLIER CODE: V27045 USED ON: 400300-2	002004 006102 107999	1
	50	10100CB0808	.. SCREW-CAP SUPPLIER CODE: V80477	002004 006102 107999	4
	55	10700B082	.. WASHER- SUPPLIER CODE: V80477	002004 006102 107999	4
	60	400464-3	.. SEAL- SUPPLIER CODE: V80477	002004 006102 107999	1
	70	400712	.. ADAPTER- SUPPLIER CODE: V27045 USED ON: 400300-2	002004 006102 107999	1
	75	10002-021	.. SEAL- SUPPLIER CODE: V27045 USED ON: 400300-2	002004 006102 107999	1
	80	10108CB0804	.. SCREW-TRUSS HEAD SUPPLIER CODE: V27045	002004 006102 107999	1
	85	400573	.. HANDLE- SUPPLIER CODE: V27045	002004 006102 107999	1
	90	11310-81SP	.. RETAINER-RING SUPPLIER CODE: V27045	002004 006102 107999	2
	95	400584	.. RETAINER-SPR SUPPLIER CODE: V27045	002004 006102 107999	2
100	400579	.. SPRING- SUPPLIER CODE: V27045	002004 006102 107999	2	
105	10005-016	.. SEAL- SUPPLIER CODE: V27045	002004 006102 107999	2	
110	400582	.. SEAT- SUPPLIER CODE: V27045	002004 006102 107999	2	
R R R	115	10100CB0808	.. SCREW-CAP SUPPLIER CODE: V80477	002004 006102 107999	4

MISSING ITEM NUMBERS NOT APPLICABLE

- ITEM NOT ILLUSTRATED

38-32-03-01

38-32-03
FIG. 01
PAGE 3
MAY 20/09

BRI



757

PARTS CATALOG (MAINTENANCE)

FIG ITEM	PART NUMBER	1 2 3 4 5 6 7	NOMENCLATURE	EFFECT FROM TO	UNITS PER ASSY
1					
120	10700B082	..	WASHER- SUPPLIER CODE: V80477	002004 006102 107999	4
125	400575	..	CAP- SUPPLIER CODE: V27045	002004 006102 107999	1
130	10002-023	..	SEAL- SUPPLIER CODE: V27045	002004 006102 107999	1
135	10002-012	..	SEAL- SUPPLIER CODE: V27045	002004 006102 107999	2
140	400578	..	BUSHING- SUPPLIER CODE: V27045	002004 006102 107999	2
145	400569	..	ROTOR- SUPPLIER CODE: V27045	002004 006102 107999	1
- 150	400576	..	PLATE-MTG SUPPLIER CODE: V27045	002004 006102 107999	1
155	400567	..	BODY- SUPPLIER CODE: V27045 USED ON: 400300-1	002004 006102 107999	1
160	400708	..	BODY- SUPPLIER CODE: V27045 USED ON: 400300-2	002004 006102 107999	1
162	400574	..	ACTUATOR-MOTOR SUPPLIER CODE: V80477	002004 006102 107999	1
165	400802	...	COVER- SUPPLIER CODE: V27045	002004 006102 107999	1
R R R	170	10104CA0420	...SCREW-FILLISTER HEAD SUPPLIER CODE: V27045	002004 006102 107999	2
	175	400807	-----*----- ...ACTUATOR ASSY-MOTOR SUPPLIER CODE: V27045	002004 006102 107999	1
R R R	180	10104CB0228SCREW-FLAT HEAD SUPPLIER CODE: V27045	002004 006102 107999	3

MISSING ITEM NUMBERS NOT APPLICABLE

- ITEM NOT ILLUSTRATED

38-32-03-01

38-32-03
FIG. 01
PAGE 4
MAY 20/09

BRI



757

PARTS CATALOG (MAINTENANCE)

FIG ITEM	PART NUMBER	1 2 3 4 5 6 7	NOMENCLATURE	EFFECT FROM TO	UNITS PER ASSY
1					
185	400743-1	HOUSING AND STATOR ASSY SUPPLIER CODE: V27045	002004 006102 107999	1
190	400743-4	ROTOR ASSY- SUPPLIER CODE: V27045	002004 006102 107999	1
195	400743-3	WASHER- SUPPLIER CODE: V27045	002004 006102 107999	1
200	400743-2	COVER- SUPPLIER CODE: V27045	002004 006102 107999	1
205	400806	...	GEAR ASSY-RING SUPPLIER CODE: V27045	002004 006102 107999	1
R R R	210	10104CB0216	...SCREW-FLAT HEAD SUPPLIER CODE: V27045	002004 006102 107999	4
	215	400744-1	-----*-----PLATE-CARRIER SUPPLIER CODE: V27045	002004 006102 107999	1
	220	400744-2GEAR-RING SUPPLIER CODE: V27045	002004 006102 107999	1
225	400744-3GEAR-PLANET SUPPLIER CODE: V27045	002004 006102 107999	3	
230	400744-4PLATE-CARRIER SUPPLIER CODE: V27045	002004 006102 107999	1	
240	400744-6PLATE-CARRIER SUPPLIER CODE: V27045	002004 006102 107999	2	
245	400744-9WASHER- SUPPLIER CODE: V27045	002004 006102 107999	3	
R R R R R	250	400744-8GEAR-PLANET SUPPLIER CODE: V27045	002004 006102 107999	9
	255	400744-7SHIM-WASHER SUPPLIER CODE: V27045	002004 006102 107999	1
260	400805	...SHAFT-CLUTCH OUTPUT SUPPLIER CODE: V27045	002004 006102 107999	1	

MISSING ITEM NUMBERS NOT APPLICABLE

- ITEM NOT ILLUSTRATED

38-32-03-01

38-32-03
FIG. 01
PAGE 5
MAY 20/09

BRI



757

PARTS CATALOG (MAINTENANCE)

FIG ITEM	PART NUMBER	1 2 3 4 5 6 7	NOMENCLATURE	EFFECT FROM TO	UNITS PER ASSY
1					
R	265	400803	...BRACKET ASSY- SUPPLIER CODE: V27045	002004 006102 107999	1
R	270	400747-2BRACKET-ACTR SUPPLIER CODE: V27045	002004 006102 107999	1
R	275	400747-1CONNECTOR- SUPPLIER CODE: V27045	002004 006102 107999	1
R	280	10106CB0404SCREW-FILLISTER HEAD SUPPLIER CODE: V27045	002004 006102 107999	4
R	285	MS16625-1062	-----*-----RING-RETAINING SB DATA FROM A CMM: POST 400300-38-01	002004 006102 107999	1
R	295	400747-10BEARING- SUPPLIER CODE: V27045	002004 006102 107999	2
R	300	10109CB0207SCREW-PAN HEAD SUPPLIER CODE: V27045	002004 006102 107999	4
R	305	10702B02WASHER-INTERNAL TOOTH SUPPLIER CODE: V27045	002004 006102 107999	4
R	310	400747-8MICROSWITCH- SUPPLIER CODE: V27045	002004 006102 107999	2
R	315	400747-7MICROSWITCH- SUPPLIER CODE: V27045	002004 006102 107999	2
R	320	400747-9PAD-INSULATOR SUPPLIER CODE: V27045	002004 006102 107999	2
R	325	10110CB0203SCREW-PAN HEAD SUPPLIER CODE: V27045	002004 006102 107999	1
R	330	400747-14CAPACITOR-0.4 MFD SUPPLIER CODE: V27045	002004 006102 107999	1
R	335	400804	...PIN-DRIVE SUPPLIER CODE: V27045	002004 006102 107999	1
R	340	400743-3	...WASHER- SUPPLIER CODE: V27045	002004 006102 107999	1

MISSING ITEM NUMBERS NOT APPLICABLE

- ITEM NOT ILLUSTRATED

38-32-03-01

38-32-03
FIG. 01
PAGE 6
MAY 20/09

BRI



757

PARTS CATALOG (MAINTENANCE)

FIG ITEM	PART NUMBER	1 2 3 4 5 6 7	NOMENCLATURE	EFFECT FROM TO	UNITS PER ASSY
R R R R R R R R R R R R R R	1 345	4803-95-5	. ADAPTER- SUPPLIER CODE: V29780 USED WITH: 2-132N602-70 18-8000-2	002004 006102 107999	1
	350	2-132N602-70	. PACKING- SUPPLIER CODE: V02697 USED WITH: 4803-95-5 18-8000-2	002004 006102 107999	1
	355	18-8000-2	. VALVE ASSY- SUPPLIER CODE: V96736 SPECIFICATION NUMBER: 60B50341-2 COMPONENT MAINT MANUAL REF: 38-32-04 OPTIONAL PART: 400300-2 V80477 USED WITH: 4803-95-5 2-132N602-70	002004 006102 107999	1
	360	18-8079	.. PLATE-IDENT SUPPLIER CODE: V96736	002004 006102 107999	1
	365	NAS1352C08LE8	.. SCREW	002004 006102 107999	4
	370	18-8014	.. FLANGE-MTG RING SUPPLIER CODE: V96736	002004 006102 107999	1
	375	60-1100-1	.. ACTUATOR- SUPPLIER CODE: V96736	002004 006102 107999	1
	380	18-8001-2	.. BODY ASSY-FLOW SUPPLIER CODE: V96736	002004 006102 107999	1
	385	18-8011	... FITTING-MS33514-12 INLET SUPPLIER CODE: V96736	002004 006102 107999	1
	390	MS29513-026	... PACKING	002004 006102 107999	1

MISSING ITEM NUMBERS NOT APPLICABLE

- ITEM NOT ILLUSTRATED

38-32-03-01

38-32-03
FIG. 01
PAGE 7
MAY 20/09

BRI



757

PARTS CATALOG (MAINTENANCE)

FIG ITEM	PART NUMBER	1 2 3 4 5 6 7	NOMENCLATURE	EFFECT FROM TO	UNITS PER ASSY
1					
395	18-5624	...	WASHER-WAVE SUPPLIER CODE: V96736	002004 006102 107999	2
400	18-5634	...	SPACER- SUPPLIER CODE: V96736	002004 006102 107999	1
405	18-5613	...	SEAL-TEFLON SUPPLIER CODE: V96736	002004 006102 107999	1
410	MS29513-023	...	PACKING	002004 006102 107999	1
415	18-8012	...	BALL- SUPPLIER CODE: V96736	002004 006102 107999	1
420	18-8013	...	SHAFT- SUPPLIER CODE: V96736	002004 006102 107999	1
425	18-5618	...	WASHER-THRUST SUPPLIER CODE: V96736	002004 006102 107999	1
430	MS29513-012	...	PACKING	002004 006102 107999	1
435	18-5627	...	SEAL-TEFLON SUPPLIER CODE: V96736	002004 006102 107999	1
440	18-8010	...	BODY-VALVE SUPPLIER CODE: V96736	002004 006102 107999	1

MISSING ITEM NUMBERS NOT APPLICABLE

- ITEM NOT ILLUSTRATED

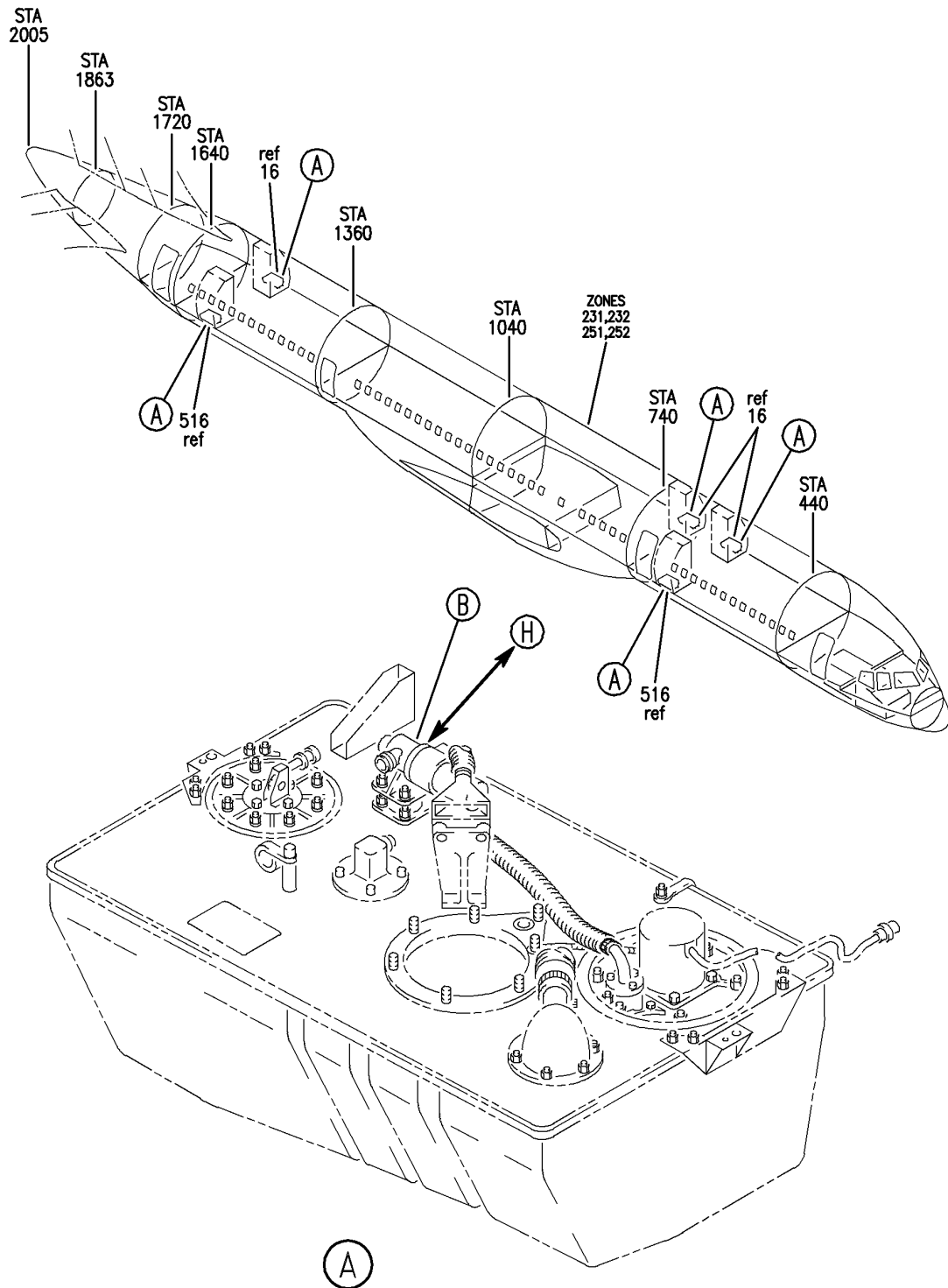
BRI

38-32-03-01

BOEING PROPRIETARY - Copyright © - Unpublished Work - See title page for details.

38-32-03
FIG. 01
PAGE 8
MAY 20/09

BOEING
757
PARTS CATALOG (MAINTENANCE)



Y 38320303 SHT 1 REV 225

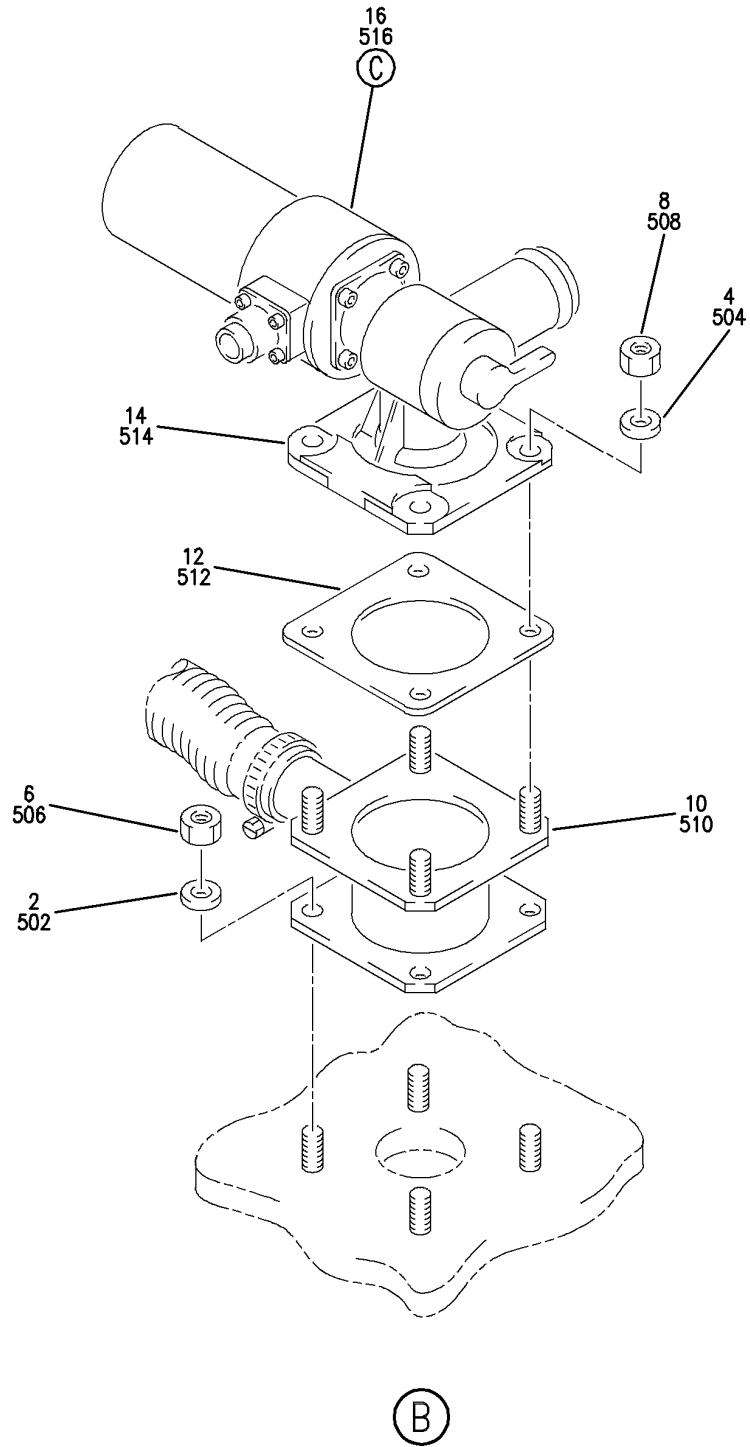
TOILET ASSY-FLUSHING (RINSE/FILL LINE SHUTOFF VALVE ONLY)
FIGURE 3 (SHEET 1)

38-32-03-03

BRI
JAN 20/09

38-32-03-03
PAGE 0

BOEING
757
PARTS CATALOG (MAINTENANCE)



Y 38320303 SHT 2 REV 225

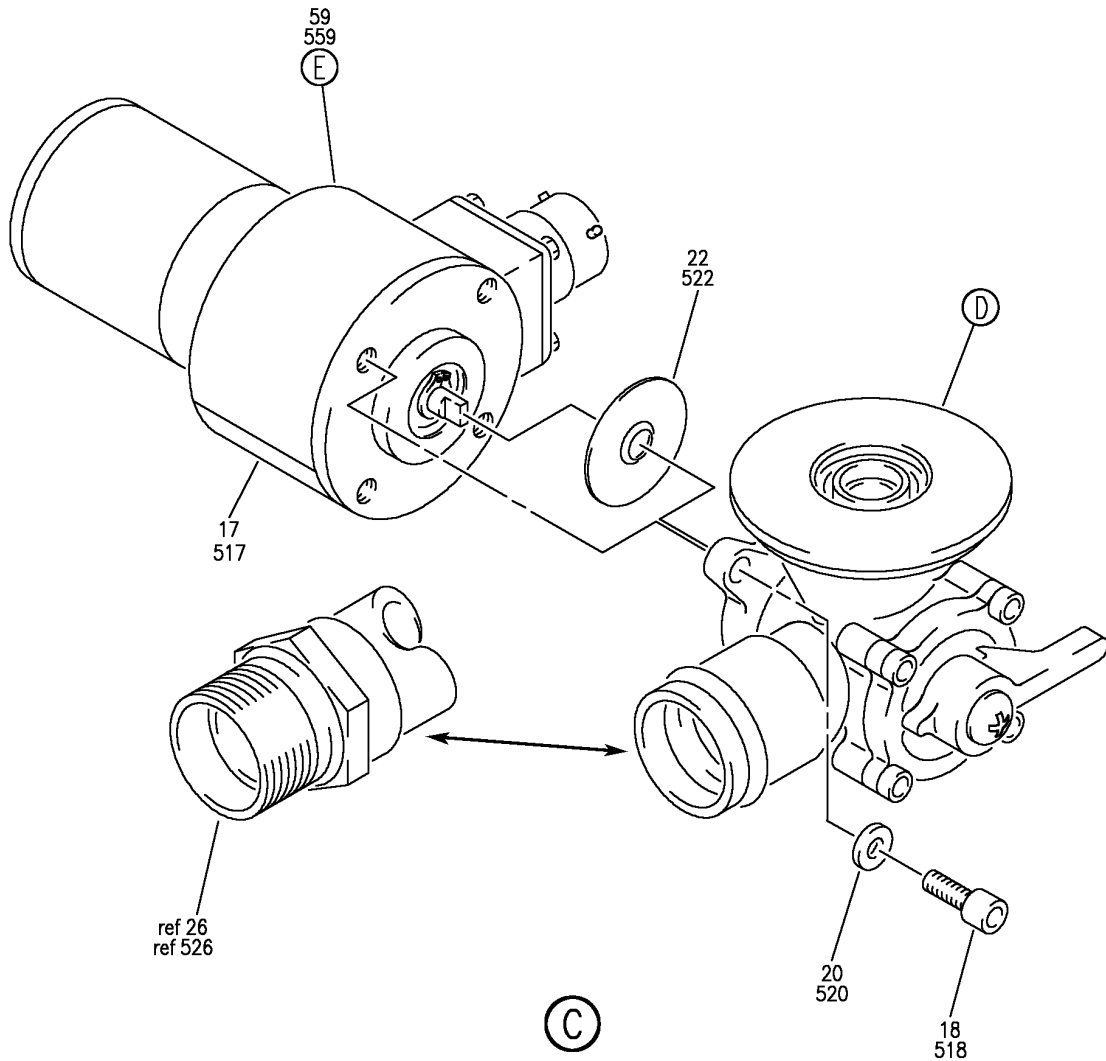
TOILET ASSY-FLUSHING (RINSE/FILL LINE SHUTOFF VALVE ONLY)
FIGURE 3 (SHEET 2)

38-32-03-03

BRI
JAN 20/09

38-32-03-03
PAGE 0A

BOEING
757
PARTS CATALOG (MAINTENANCE)



Y 38320303 SH1 3 REV 335

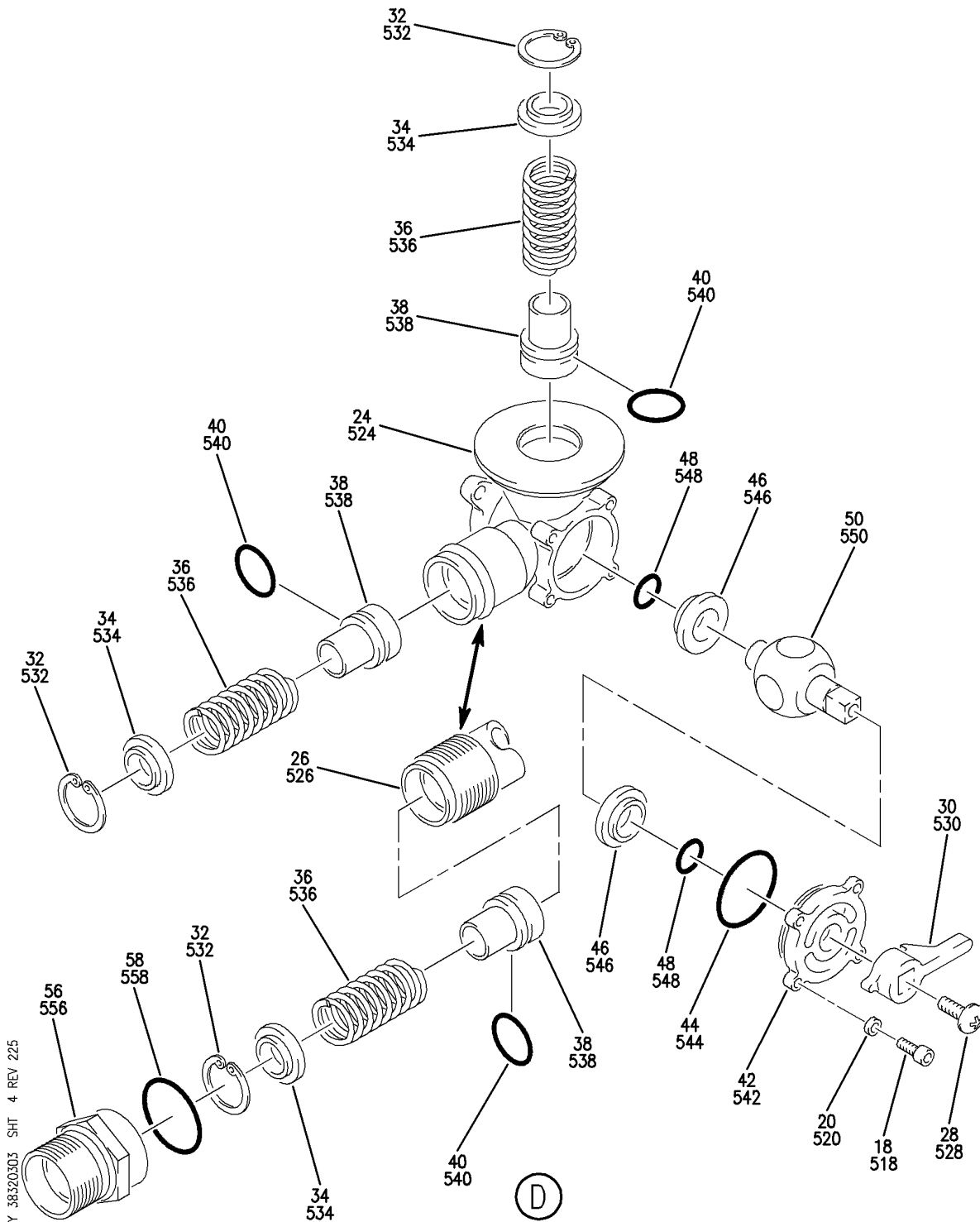
TOILET ASSY-FLUSHING (RINSE/FILL LINE SHUTOFF VALVE ONLY)
FIGURE 3 (SHEET 3)

38-32-03-03

BRI
MAY 20/09

38-32-03-03
PAGE 0B

BOEING
757
PARTS CATALOG (MAINTENANCE)



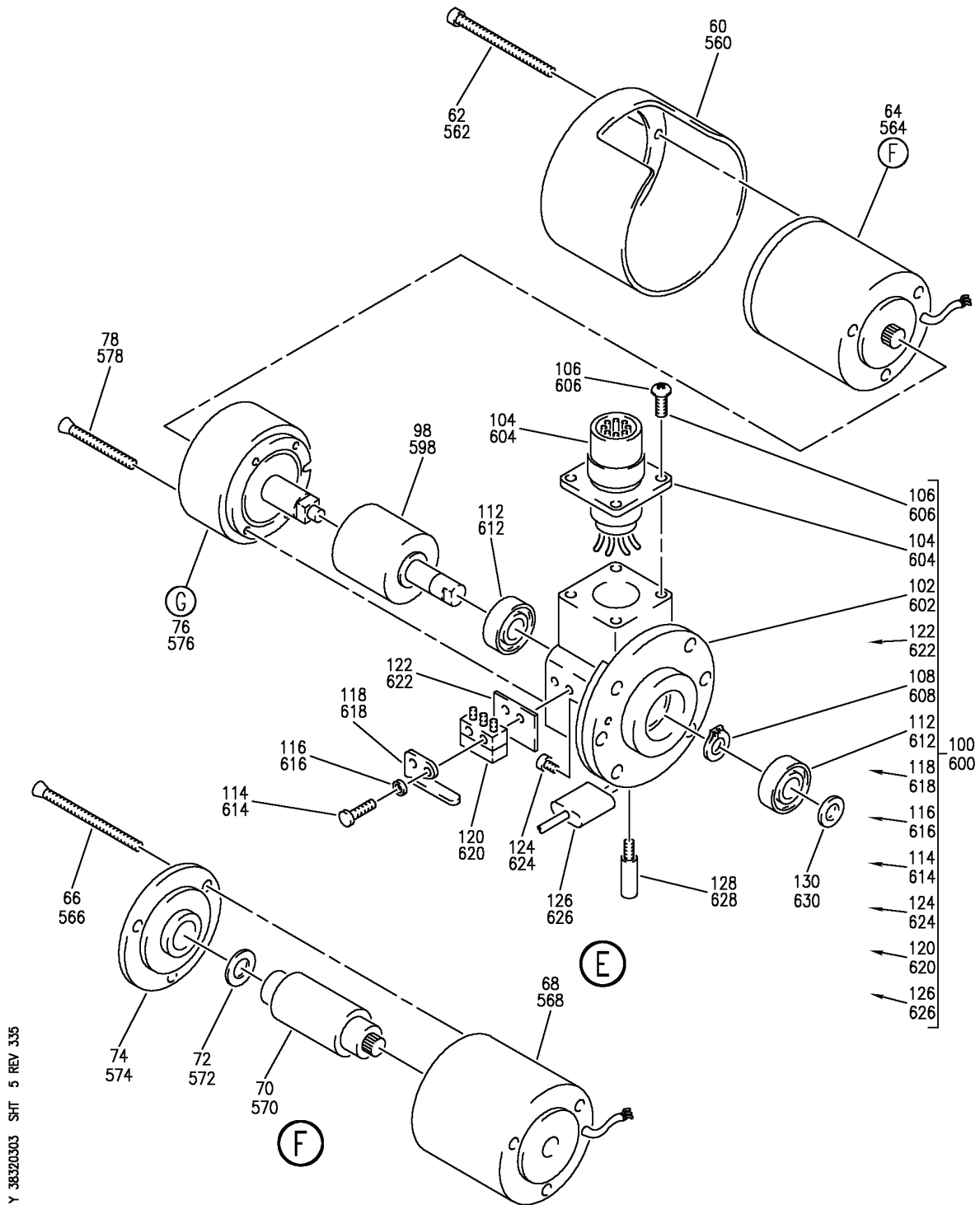
TOILET ASSY-FLUSHING (RINSE/FILL LINE SHUTOFF VALVE ONLY)
FIGURE 3 (SHEET 4)

38-32-03-03

BRI
JAN 20/09

38-32-03-03
PAGE 0C

BOEING
757
PARTS CATALOG (MAINTENANCE)



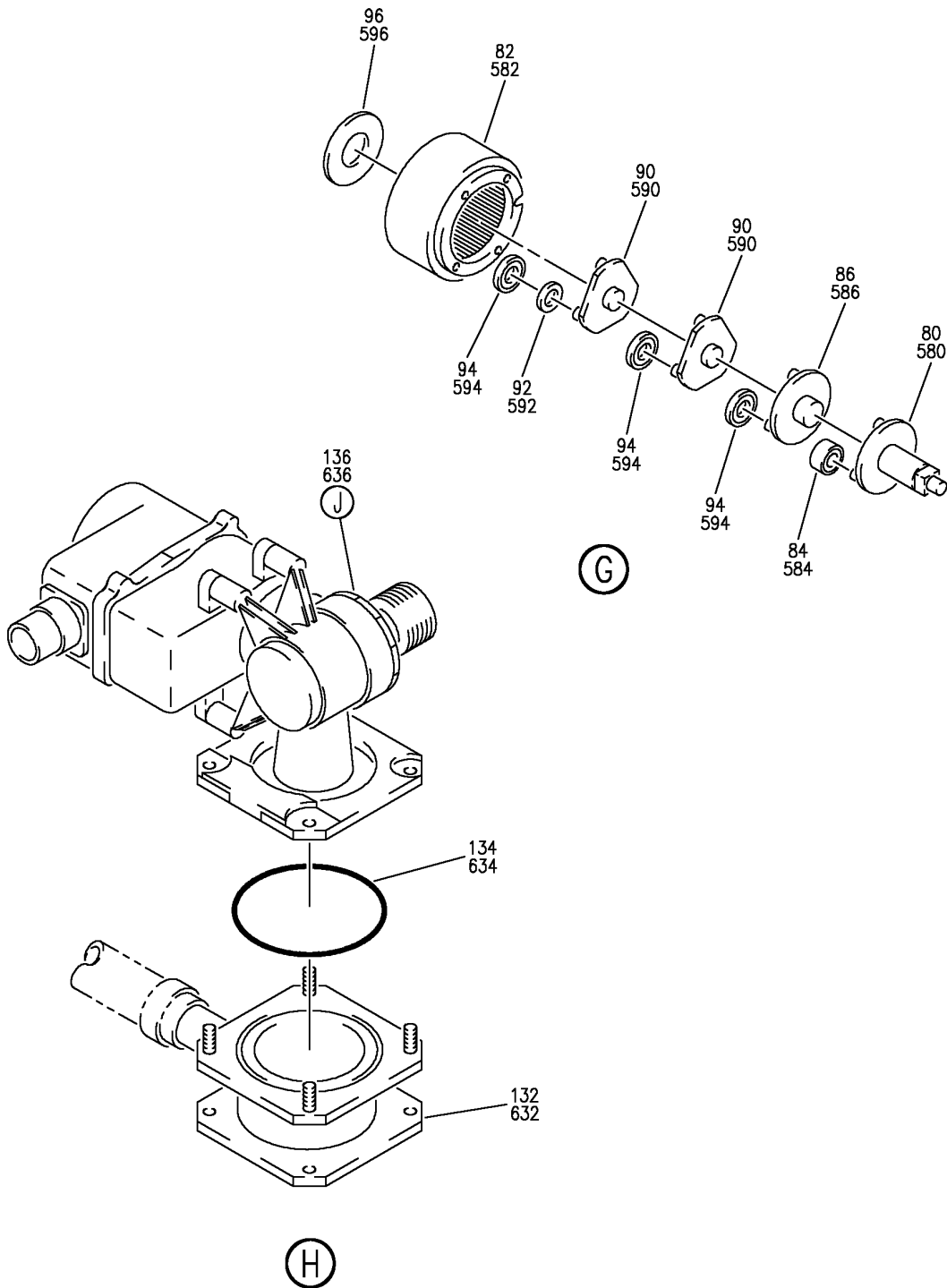
TOILET ASSY-FLUSHING (RINSE/FILL LINE SHUTOFF VALVE ONLY)
FIGURE 3 (SHEET 5)

38-32-03-03

BRI
MAY 20/09

38-32-03-03
PAGE 0D

BOEING
757
PARTS CATALOG (MAINTENANCE)



Y 38320303 SHIT 6 REV 335

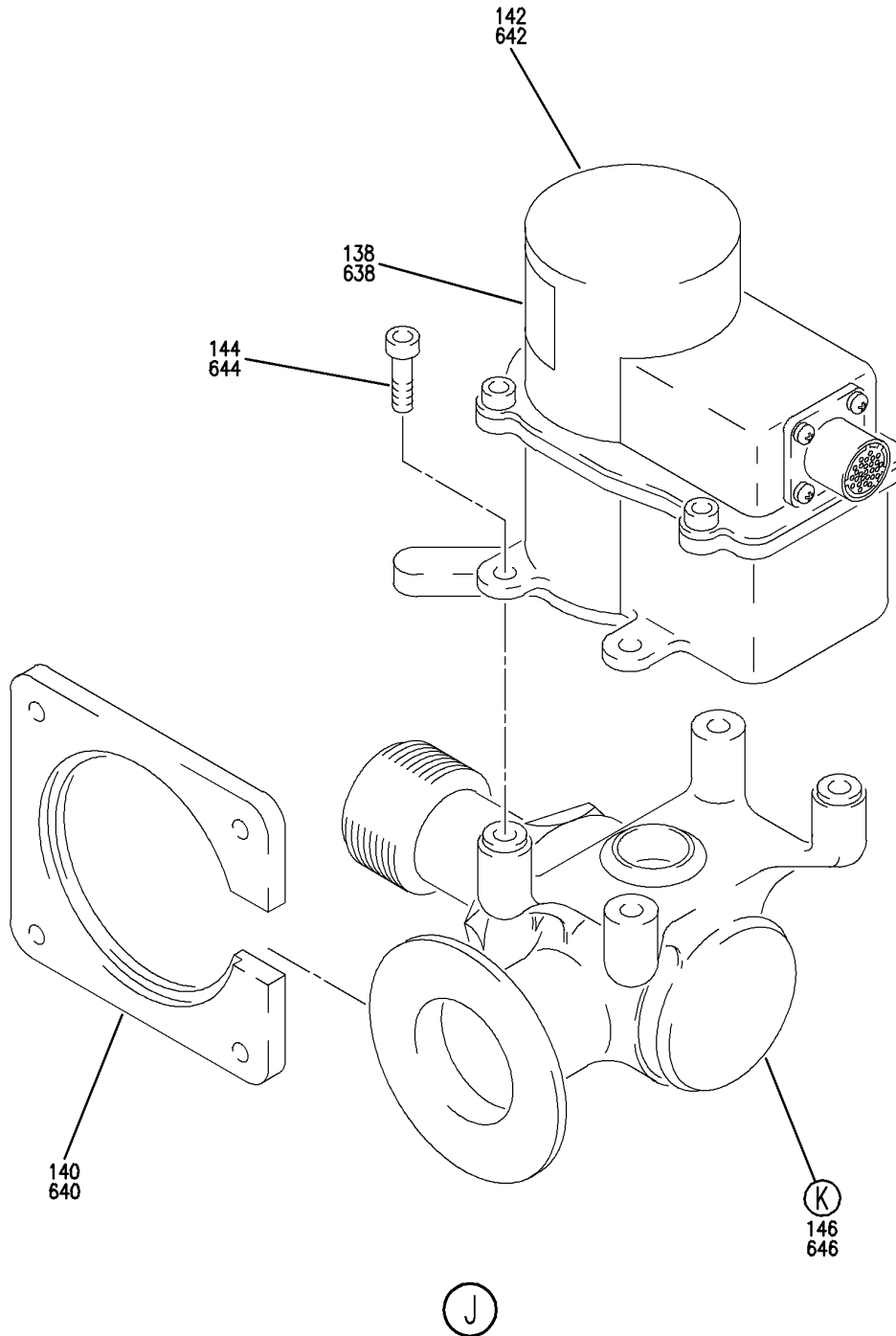
TOILET ASSY-FLUSHING (RINSE/FILL LINE SHUTOFF VALVE ONLY)
FIGURE 3 (SHEET 6)

38-32-03-03

BRI
MAY 20/09

38-32-03-03
PAGE 0E

BOEING
757
PARTS CATALOG (MAINTENANCE)



Y 38320303 SHT 7 REV 225

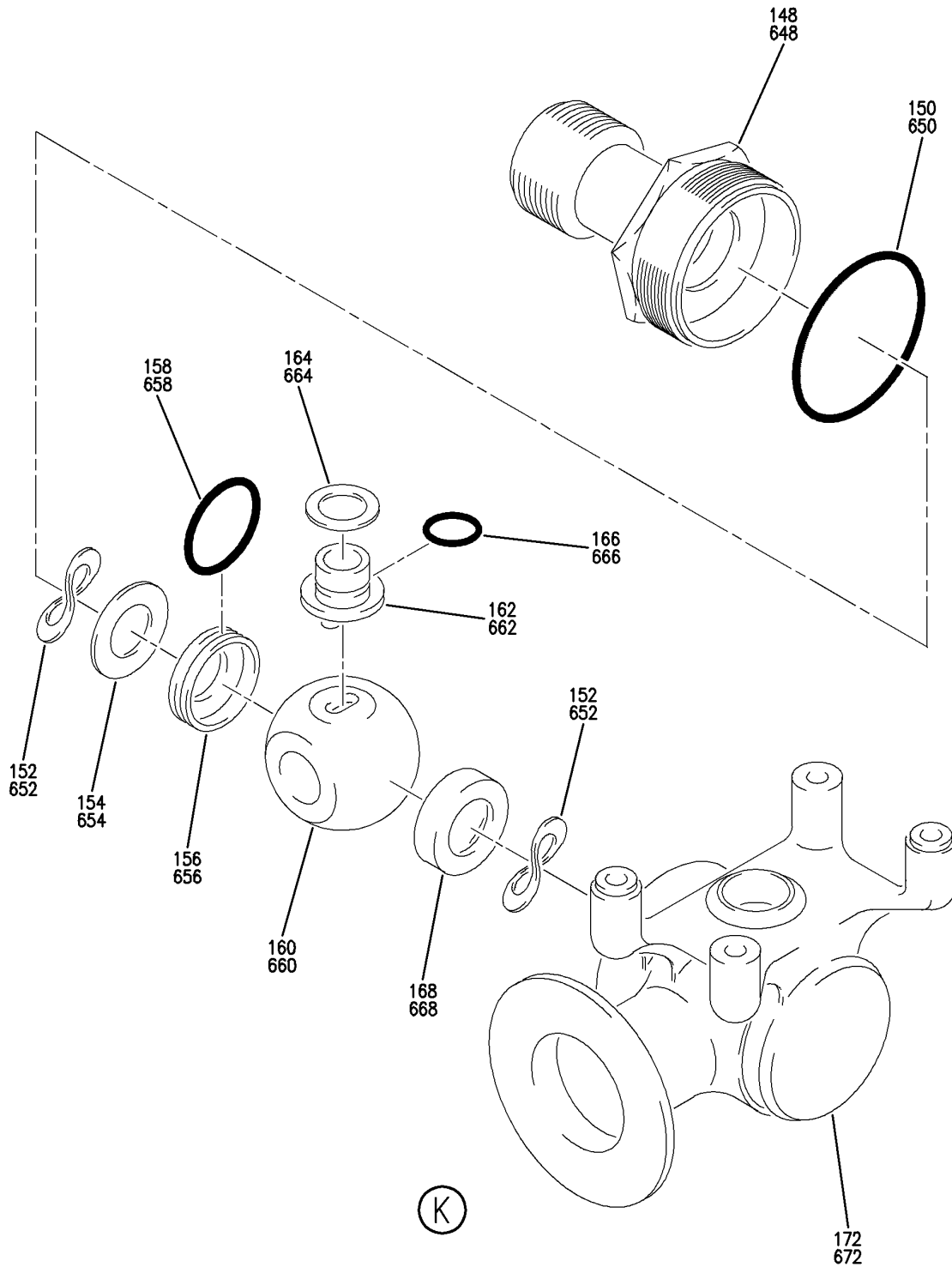
TOILET ASSY-FLUSHING (RINSE/FILL LINE SHUTOFF VALVE ONLY)
FIGURE 3 (SHEET 7)

38-32-03-03

BRI
JAN 20/09

38-32-03-03
PAGE OF

BOEING
757
PARTS CATALOG (MAINTENANCE)



Y 38320303 SHT 8 REV 225

TOILET ASSY-FLUSHING (RINSE/FILL LINE SHUTOFF VALVE ONLY)
FIGURE 3 (SHEET 8)

38-32-03-03

BRI
JAN 20/09

38-32-03-03
PAGE 06



757

PARTS CATALOG (MAINTENANCE)

FIG ITEM	PART NUMBER	1 2 3 4 5 6 7	NOMENCLATURE	EFFECT FROM TO	UNITS PER ASSY
3			TOILET ASSY-FLUSHING (RINSE/FILL LINE SHUTOFF VALVE ONLY)	950999	
- 1	16200-019		TOILET ASSY-FLUSHING (RINSE/FILL LINE SHUTOFF VALVE ONLY) SUPPLIER CODE: V29780 POSITION DATA: MID-CAB. SPECIFICATION NUMBER: S417N102-49 SB DATA FROM A CMM: PRE 16200-38-03 POST 3600-38-001 CONFIG CHG DATA FROM A CMM: REPLS 16200-013 REPLD BY 16200-024 COMPONENT MAINT MANUAL REF: 38-33-01 FOR NHA/ADDITIONAL DET SEE: 38-32-53-03	950999	RF
R	2	AN960C8	.WASHER	950999	4
R	4	AN960C6	.WASHER	950999	4
R	6	NAS679C08M	.NUT	950999	4
R	8	NAS679C06M	.NUT	950999	4
	10	16202-003-1	.ADAPTER- SUPPLIER CODE: V29780 CONFIG CHG DATA FROM A CMM: REPLD BY 16202-036-1	950999	1
	10	16202-036-1	.ADAPTER- SUPPLIER CODE: V29780 CONFIG CHG DATA FROM A CMM: REPLS 16202-003-1	950999	1
R	12	4811-209	.GASKET- SUPPLIER CODE: V29780 CONFIG CHG DATA FROM A CMM: REPLD BY 4811-412 USED WITH: 16202-003-1 400300-1 400300-2	950999	1

MISSING ITEM NUMBERS NOT APPLICABLE

- ITEM NOT ILLUSTRATED

38-32-03-03

38-32-03
FIG. 03
PAGE 1
MAY 20/09

BRI



757

PARTS CATALOG (MAINTENANCE)

FIG ITEM	PART NUMBER	1 2 3 4 5 6 7	NOMENCLATURE	EFFECT FROM TO	UNITS PER ASSY
R R R R R R	3 12	4811-412	.GASKET- SUPPLIER CODE: V29780 CONFIG CHG DATA FROM A CMM: REPLS 4811-209 USED WITH: 18-8000-2	950999	1
	14	4812-161	.BRACE-MTG PLATE SUPPLIER CODE: V76599	950999	1
	16	400300-1	.VALVE ASSY- SUPPLIER CODE: V80477 CONFIG CHG DATA FROM A CMM: REPLD BY 400300-2 COMPONENT MAINT MANUAL REF: 38-30-01	950999	1
R R R R R R R R R R R R	16	400300-2	.VALVE ASSY- SUPPLIER CODE: V80477 SPECIFICATION NUMBER: 60B50341-2 CONFIG CHG DATA FROM A CMM: REPLS 400300-1 COMPONENT MAINT MANUAL REF: 38-30-01 OPTIONAL PART: 18-8000-2 V96736	950999	1
	17	400597-1	..NAMEPLATE- SUPPLIER CODE: V27045 USED ON: 400300-1	950999	1
	17	400597-2	..NAMEPLATE- SUPPLIER CODE: V27045 USED ON: 400300-2	950999	1
R R R R	18	10100CB0808	..SCREW-CAP SUPPLIER CODE: V80477	950999	8
R R R	20	10700B082	..WASHER- SUPPLIER CODE: V80477	950999	8
R R R	22	400464-3	..SEAL- SUPPLIER CODE: V80477	950999	1

MISSING ITEM NUMBERS NOT APPLICABLE

- ITEM NOT ILLUSTRATED

38-32-03-03

38-32-03
FIG. 03
PAGE 2
MAY 20/09

BRI



757

PARTS CATALOG (MAINTENANCE)

FIG ITEM	PART NUMBER	1 2 3 4 5 6 7	NOMENCLATURE	EFFECT FROM TO	UNITS PER ASSY
3					
24	400567		.. BODY- SUPPLIER CODE: V27045 USED ON: 400300-1	950999	1
26	400708		.. BODY- SUPPLIER CODE: V27045 USED ON: 400300-2	950999	1
28	10108CB0804		.. SCREW-TRUSS HEAD SUPPLIER CODE: V27045	950999	1
30	400573		.. HANDLE- SUPPLIER CODE: V27045	950999	1
32	11310-81SP		.. RETAINER-RING SUPPLIER CODE: V27045	950999	2
34	400584		.. RETAINER-SPR SUPPLIER CODE: V27045	950999	2
36	400579		.. SPRING- SUPPLIER CODE: V27045	950999	2
38	400582		.. SEAT- SUPPLIER CODE: V27045	950999	2
40	10005-016		.. SEAL- SUPPLIER CODE: V27045	950999	2
42	400575		.. CAP- SUPPLIER CODE: V27045	950999	1
44	10002-023		.. SEAL- SUPPLIER CODE: V27045	950999	1
46	400578		.. BUSHING- SUPPLIER CODE: V27045	950999	2
48	10002-012		.. SEAL- SUPPLIER CODE: V27045	950999	2
50	400569		.. ROTOR- SUPPLIER CODE: V27045	950999	1
- 54	400576		.. PLATE-MTG SUPPLIER CODE: V27045	950999	1

R
R
R

MISSING ITEM NUMBERS NOT APPLICABLE

- ITEM NOT ILLUSTRATED

38-32-03-03

38-32-03
FIG. 03
PAGE 3
MAY 20/09

BRI



757

PARTS CATALOG (MAINTENANCE)

FIG ITEM	PART NUMBER	1 2 3 4 5 6 7	NOMENCLATURE	EFFECT FROM TO	UNITS PER ASSY
3					
56	400712		.. ADAPTER- SUPPLIER CODE: V27045 USED ON: 400300-2	950999	1
58	10002-021		.. SEAL- SUPPLIER CODE: V27045 USED ON: 400300-2	950999	1
59	400574		.. ACTUATOR-MOTOR SUPPLIER CODE: V80477	950999	1
60	400802		... COVER- SUPPLIER CODE: V27045	950999	1
62	10104CA0420		... SCREW-FILLISTER HEAD SUPPLIER CODE: V27045	950999	2
64	400807		-----*----- ... ACTUATOR ASSY-MOTOR SUPPLIER CODE: V27045	950999	1
66	10104CB0228	 SCREW-FLAT HEAD SUPPLIER CODE: V27045	950999	3
68	400743-1	 HOUSING AND STATOR ASSY SUPPLIER CODE: V27045	950999	1
70	400743-4	 ROTOR ASSY- SUPPLIER CODE: V27045	950999	1
72	400743-3	 WASHER- SUPPLIER CODE: V27045	950999	1
74	400743-2	 COVER- SUPPLIER CODE: V27045	950999	1
76	400806		... GEAR ASSY-RING SUPPLIER CODE: V27045	950999	1
78	10104CB0216		... SCREW-FLAT HEAD SUPPLIER CODE: V27045 -----*-----	950999	4

MISSING ITEM NUMBERS NOT APPLICABLE

- ITEM NOT ILLUSTRATED

38-32-03-03

38-32-03
FIG. 03
PAGE 4
MAY 20/09

BRI

BOEING
757
PARTS CATALOG (MAINTENANCE)

FIG ITEM	PART NUMBER	1 2 3 4 5 6 7	NOMENCLATURE	EFFECT FROM TO	UNITS PER ASSY
3					
80	400744-1	PLATE-CARRIER SUPPLIER CODE: V27045	950999	1
82	400744-2	GEAR-RING SUPPLIER CODE: V27045	950999	1
84	400744-3	GEAR-PLANET SUPPLIER CODE: V27045	950999	3
86	400744-4	PLATE-CARRIER SUPPLIER CODE: V27045	950999	1
90	400744-6	PLATE-CARRIER SUPPLIER CODE: V27045	950999	2
92	400744-9	WASHER- SUPPLIER CODE: V27045	950999	3
94	400744-8	GEAR-PLANET SUPPLIER CODE: V27045	950999	9
96	400744-7	SHIM-WASHER SUPPLIER CODE: V27045	950999	1
98	400805	...	SHAFT-CLUTCH OUTPUT SUPPLIER CODE: V27045	950999	1
100	400803	...	BRACKET ASSY- SUPPLIER CODE: V27045	950999	1
102	400747-2	BRACKET-ACTR SUPPLIER CODE: V27045	950999	1
104	400747-1	CONNECTOR- SUPPLIER CODE: V27045	950999	1
106	10106CB0404	ATTACHING PARTS SCREW-FILLISTER HEAD SUPPLIER CODE: V27045	950999	4
108	MS16625-1062	RING-RETAINING SB DATA FROM A CMM: POST 400300-38-01	950999	1
112	400747-10	BEARING- SUPPLIER CODE: V27045	950999	2

MISSING ITEM NUMBERS NOT APPLICABLE

— ITEM NOT ILLUSTRATED

BRI

38-32-03-03

38-32-03
FIG. 03
PAGE 5
MAY 20/09



757

PARTS CATALOG (MAINTENANCE)

FIG ITEM	PART NUMBER	1 2 3 4 5 6 7	NOMENCLATURE	EFFECT FROM TO	UNITS PER ASSY
3					
R	114	10109CB0207SCREW-PAN HEAD SUPPLIER CODE: V27045	950999	4
R	116	10702B02WASHER-INTERNAL TOOTH SUPPLIER CODE: V27045	950999	4
R	118	400747-8MICROSWITCH- SUPPLIER CODE: V27045	950999	2
R	120	400747-7MICROSWITCH- SUPPLIER CODE: V27045	950999	2
R	122	400747-9PAD-INSULATOR SUPPLIER CODE: V27045	950999	2
R	124	10110CB0203SCREW-PAN HEAD SUPPLIER CODE: V27045	950999	1
R	126	400747-14CAPACITOR-0.4 MFD SUPPLIER CODE: V27045	950999	1
R	128	400804	...PIN-DRIVE SUPPLIER CODE: V27045	950999	1
R	130	400743-3	...WASHER- SUPPLIER CODE: V27045	950999	1
R	132	4803-95-5	.ADAPTER- SUPPLIER CODE: V29780	950999	1
R	134	2-132N602-70	.PACKING- SUPPLIER CODE: V02697 USED WITH: 4803-95-5 18-8000-2	950999	1
R	136	18-8000-2	.VALVE ASSY- SUPPLIER CODE: V96736 SPECIFICATION NUMBER: 60B50341-2 COMPONENT MAINT MANUAL REF: 38-32-04 OPTIONAL PART: 400300-2 V80477 USED WITH: 4803-95-5 2-132N602-70	950999	1

MISSING ITEM NUMBERS NOT APPLICABLE

- ITEM NOT ILLUSTRATED

38-32-03-03

38-32-03
FIG. 03
PAGE 6
MAY 20/09

BRI



757

PARTS CATALOG (MAINTENANCE)

FIG ITEM	PART NUMBER	1 2 3 4 5 6 7	NOMENCLATURE	EFFECT FROM TO	UNITS PER ASSY
3					
138	18-8079	..	PLATE-IDENT SUPPLIER CODE: V96736	950999	1
140	18-8014	..	FLANGE-MTG RING SUPPLIER CODE: V96736	950999	1
142	60-1100-1	..	ACTUATOR- SUPPLIER CODE: V96736	950999	1
144	NAS1352C08LE8	..	ATTACHING PARTS SCREW -----*-----	950999	4
146	18-8001-2	..	BODY ASSY-FLOW SUPPLIER CODE: V96736	950999	1
148	18-8011	...	FITTING-MS33514-12 INLET SUPPLIER CODE: V96736	950999	1
150	MS29513-026	...	PACKING	950999	1
152	18-5624	...	WASHER-WAVE SUPPLIER CODE: V96736	950999	2
154	18-5634	...	SPACER- SUPPLIER CODE: V96736	950999	1
156	18-5613	...	SEAL-TEFLON SUPPLIER CODE: V96736	950999	1
158	MS29513-023	...	PACKING	950999	1
160	18-8012	...	BALL- SUPPLIER CODE: V96736	950999	1
162	18-8013	...	SHAFT- SUPPLIER CODE: V96736	950999	1
164	18-5618	...	WASHER-THRUST SUPPLIER CODE: V96736	950999	1
166	MS29513-012	...	PACKING	950999	1
168	18-5627	...	SEAL-TEFLON SUPPLIER CODE: V96736	950999	1
172	18-8010	...	BODY-VALVE SUPPLIER CODE: V96736	950999	1

MISSING ITEM NUMBERS NOT APPLICABLE

- ITEM NOT ILLUSTRATED

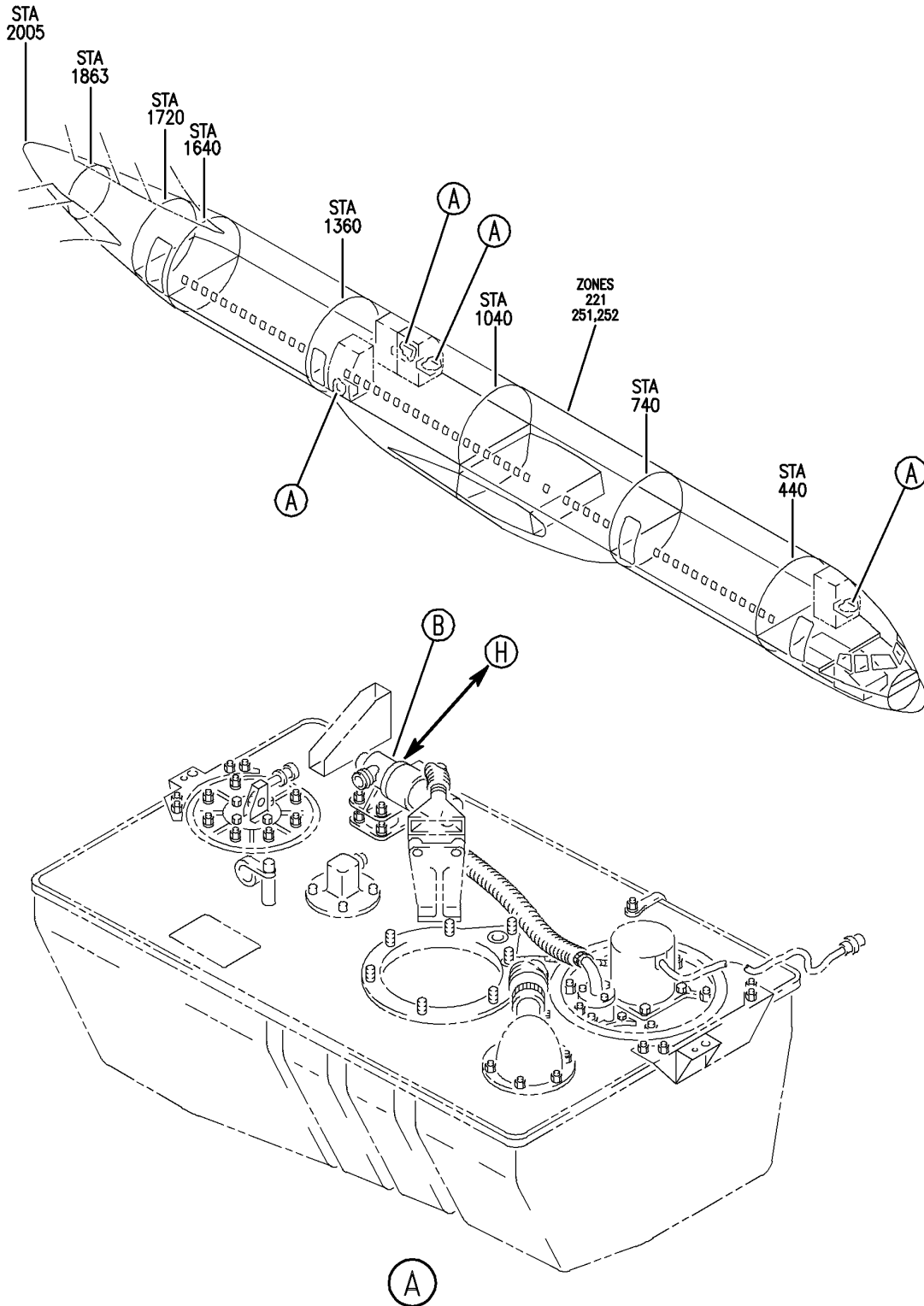
38-32-03-03

38-32-03
FIG. 03
PAGE 7
MAY 20/09

BRI

BOEING PROPRIETARY - Copyright © - Unpublished Work - See title page for details.

BOEING
757
PARTS CATALOG (MAINTENANCE)



Y 38320305 SHT 1 REV 224

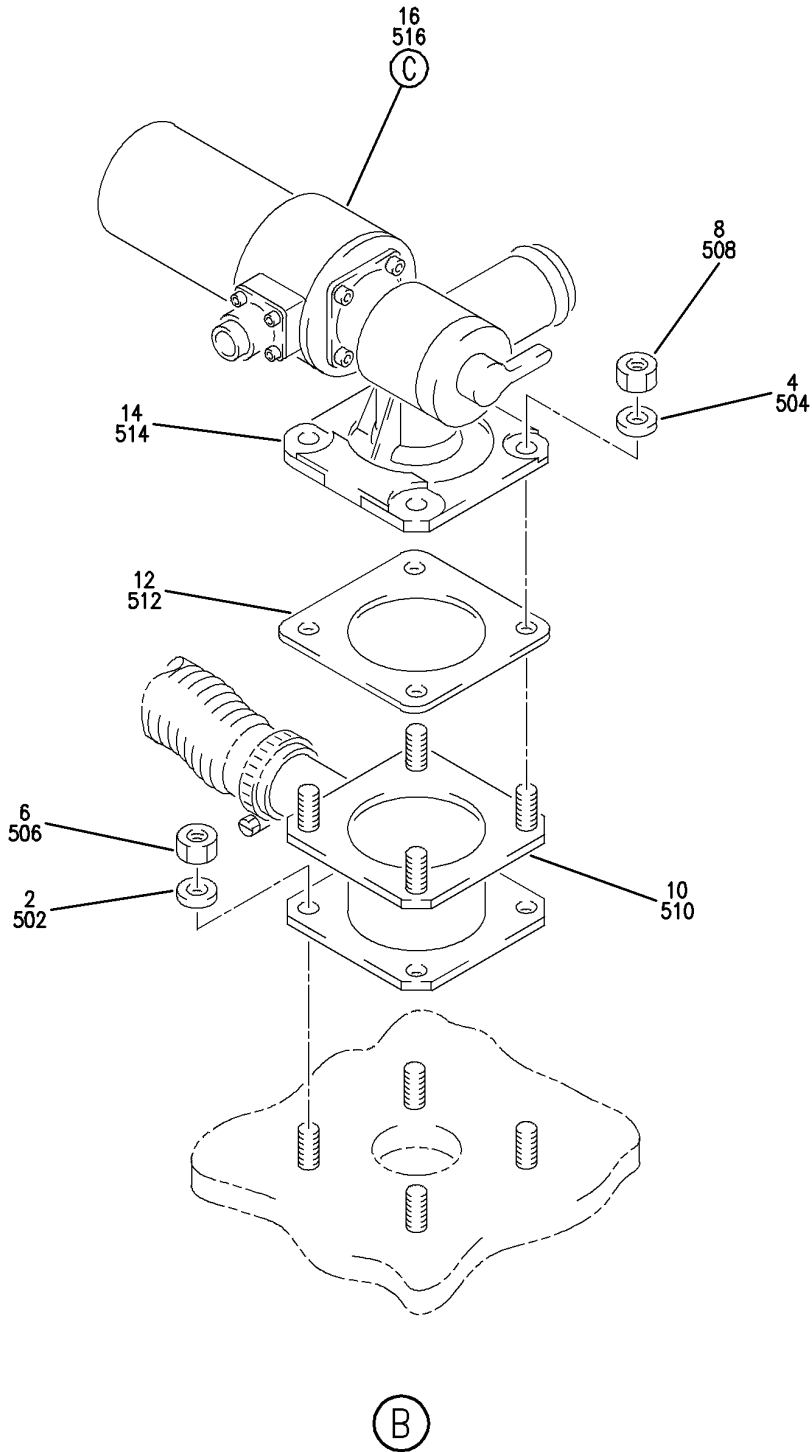
TOILET ASSY-FLUSHING (RINSE/FILL LINE SHUTOFF VALVE ONLY)
FIGURE 5 (SHEET 1)

38-32-03-05

BRI
MAY 28/07

38-32-03-05
PAGE 0

BOEING
757
PARTS CATALOG (MAINTENANCE)



Y 38320305 SHT 2 REV 224

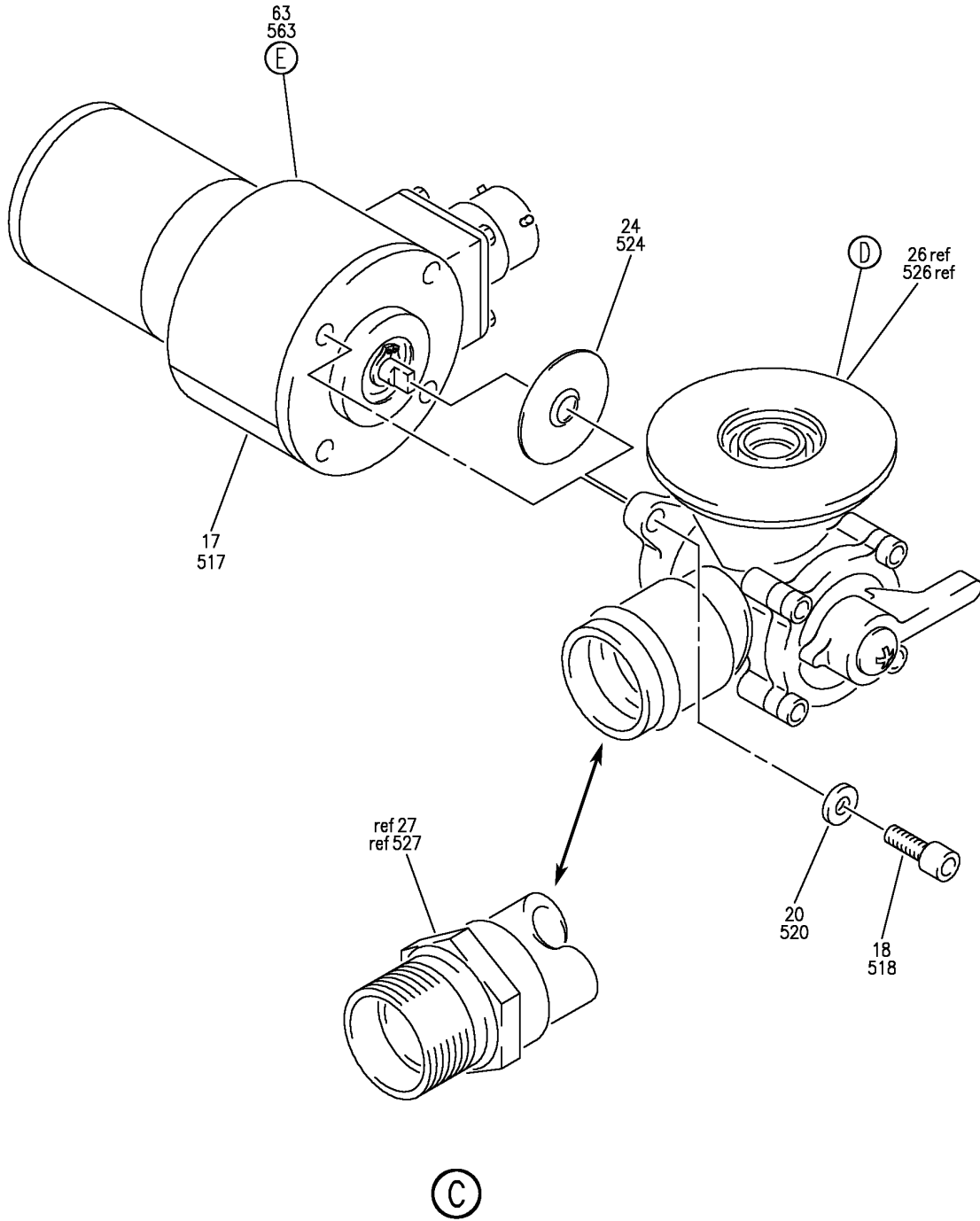
TOILET ASSY-FLUSHING (RINSE/FILL LINE SHUTOFF VALVE ONLY)
FIGURE 5 (SHEET 2)

38-32-03-05

BRI
MAY 28/07

38-32-03-05
PAGE 0A

BOEING
757
PARTS CATALOG (MAINTENANCE)



Y 38320305 SH-T 3 REV 335

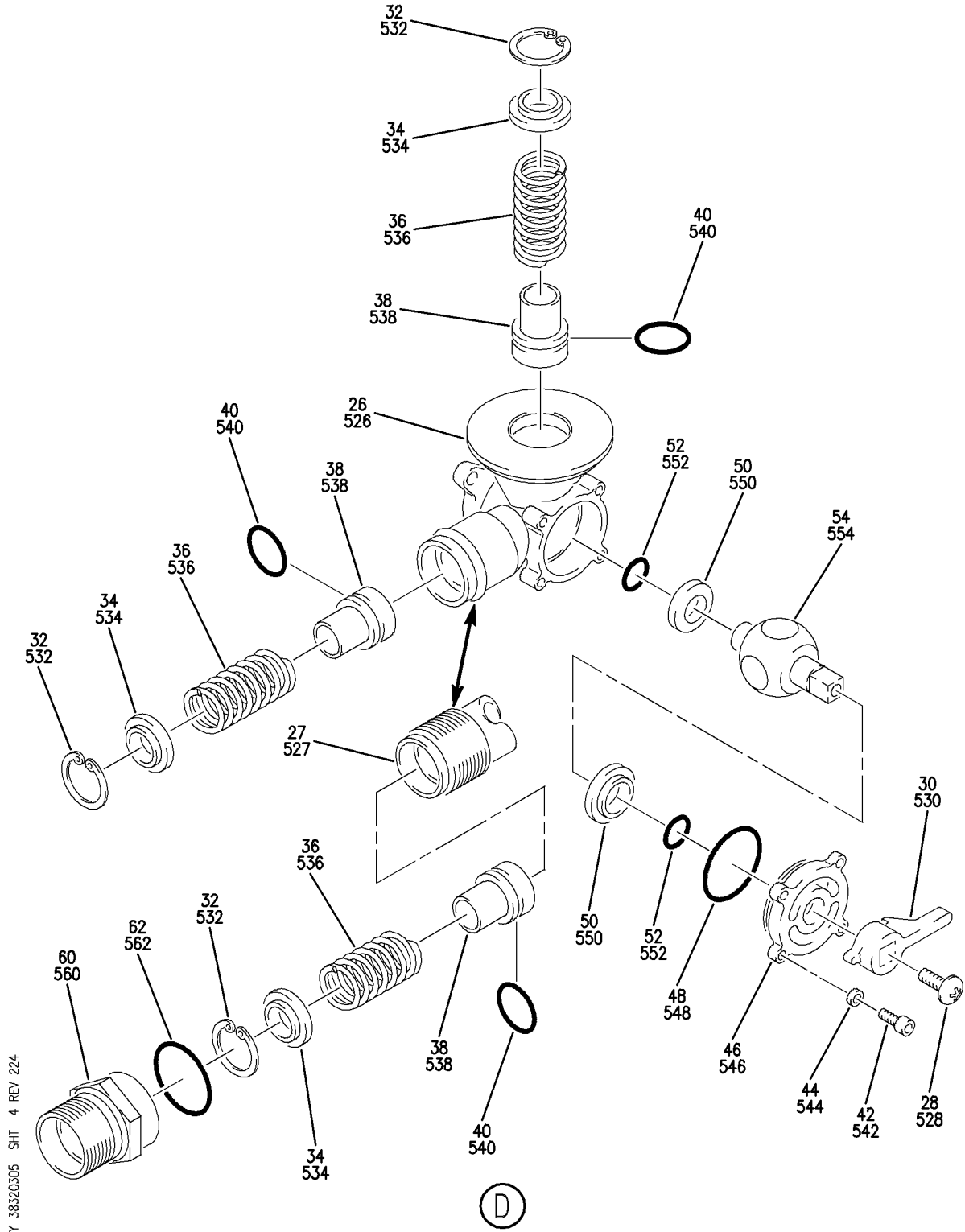
TOILET ASSY-FLUSHING (RINSE/FILL LINE SHUTOFF VALVE ONLY)
FIGURE 5 (SHEET 3)

38-32-03-05

BRI
MAY 20/09

38-32-03-05
PAGE 0B

BOEING
757
PARTS CATALOG (MAINTENANCE)



Y 38320305 SHT 4 REV 224

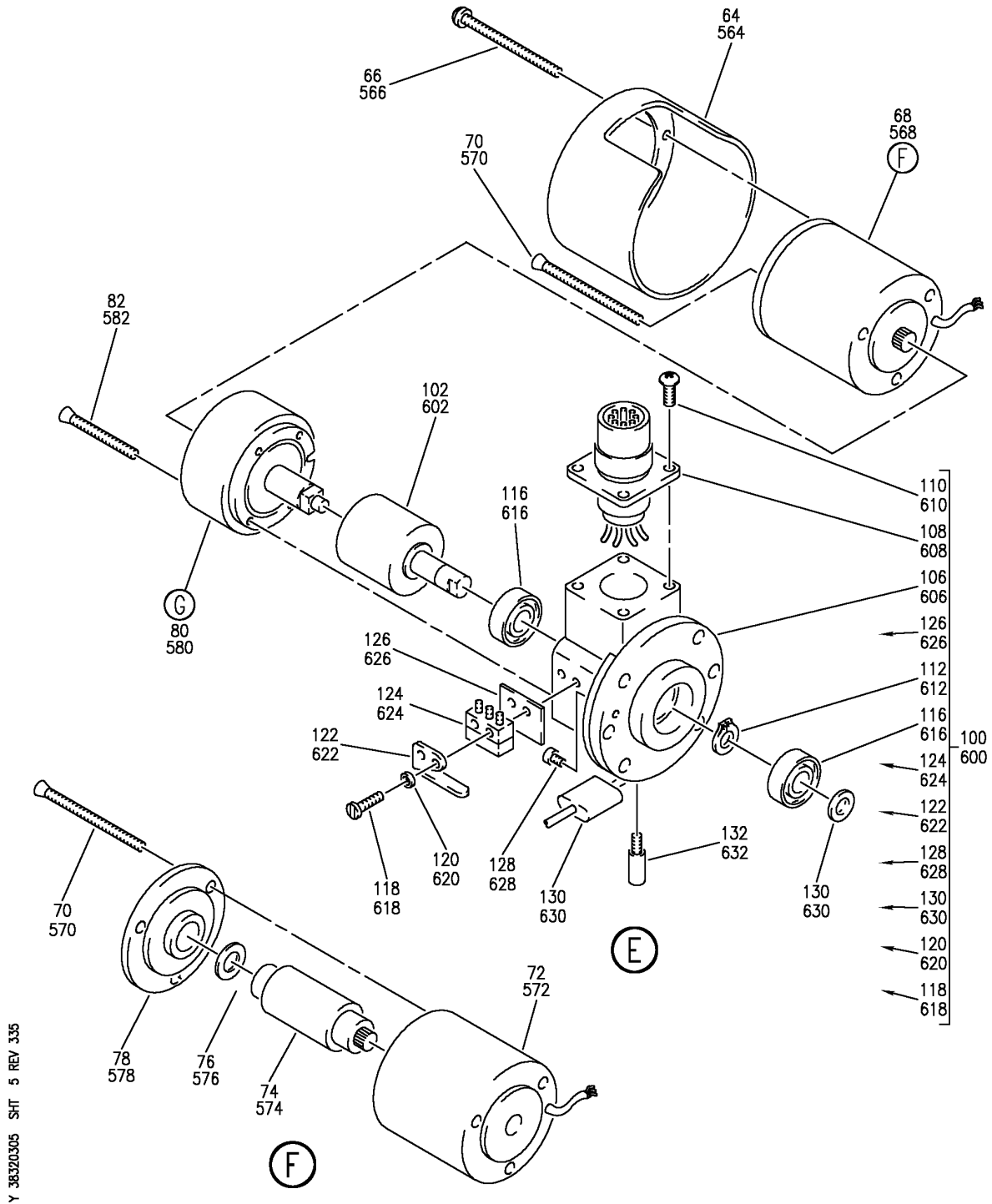
TOILET ASSY-FLUSHING (RINSE/FILL LINE SHUTOFF VALVE ONLY)
FIGURE 5 (SHEET 4)

38-32-03-05

BRI
MAY 28/07

38-32-03-05
PAGE 0C

BOEING
757
PARTS CATALOG (MAINTENANCE)



Y 38320305 SHT 5 REV 335

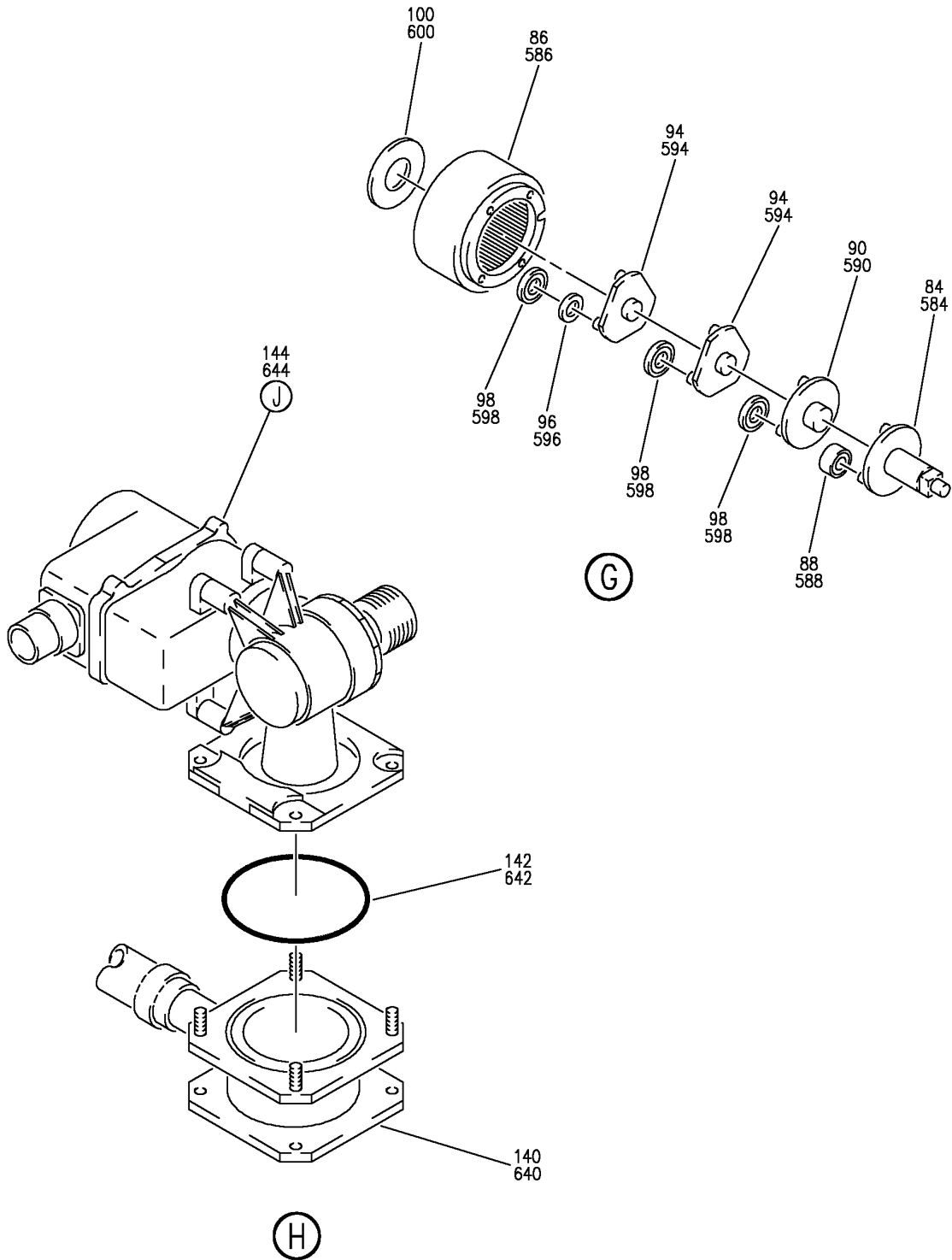
TOILET ASSY-FLUSHING (RINSE/FILL LINE SHUTOFF VALVE ONLY)
FIGURE 5 (SHEET 5)

38-32-03-05

BRI
MAY 20/09

38-32-03-05
PAGE 0D

BOEING
757
PARTS CATALOG (MAINTENANCE)



Y 38320305 SH-T 6 REV 335

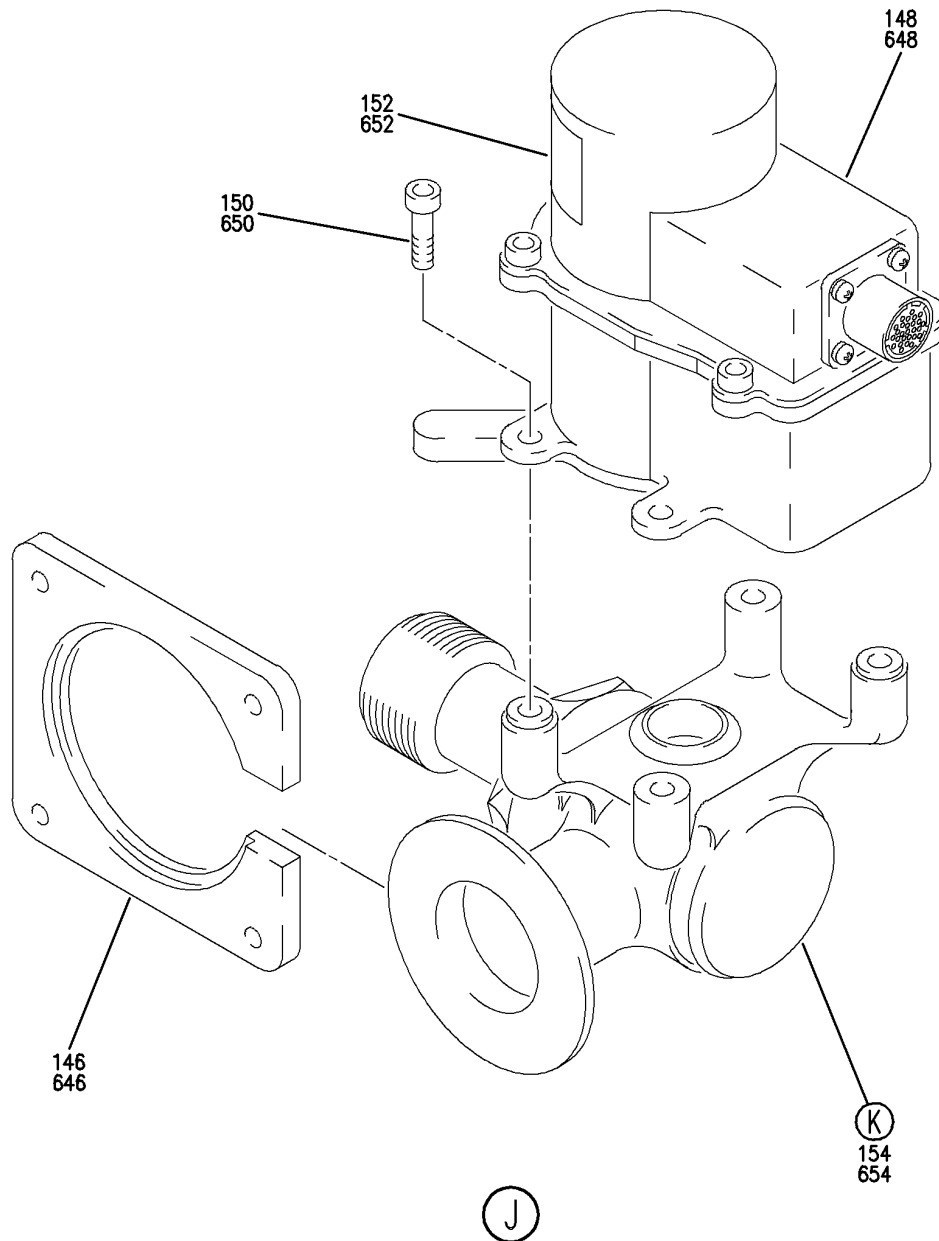
TOILET ASSY-FLUSHING (RINSE/FILL LINE SHUTOFF VALVE ONLY)
FIGURE 5 (SHEET 6)

38-32-03-05

BRI
MAY 20/09

38-32-03-05
PAGE 0E

BOEING
757
PARTS CATALOG (MAINTENANCE)



Y 38320305 SHT 7 REV 224

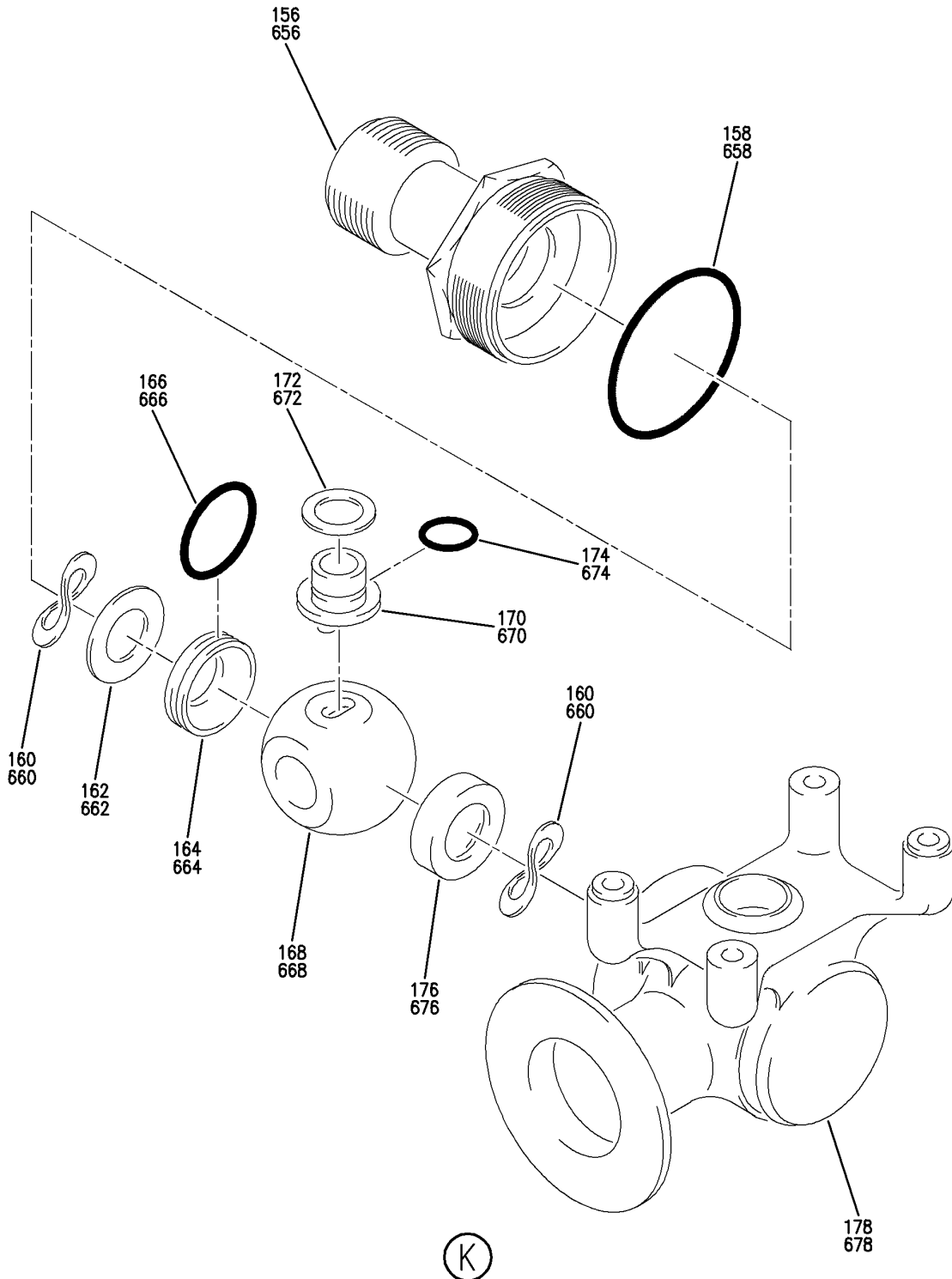
TOILET ASSY-FLUSHING (RINSE/FILL LINE SHUTOFF VALVE ONLY)
FIGURE 5 (SHEET 7)

38-32-03-05

BRI
MAY 28/07

38-32-03-05
PAGE OF

BOEING
757
PARTS CATALOG (MAINTENANCE)



Y 38320305 SHT 8 REV 224

TOILET ASSY-FLUSHING (RINSE/FILL LINE SHUTOFF VALVE ONLY)
FIGURE 5 (SHEET 8)

38-32-03-05

BRI
MAY 28/07

38-32-03-05
PAGE 06

BOEING
757
PARTS CATALOG (MAINTENANCE)

FIG ITEM	PART NUMBER	1 2 3 4 5 6 7	NOMENCLATURE	EFFECT FROM TO	UNITS PER ASSY	
R R R R R R R R R R R R	5		TOILET ASSY-FLUSHING (RINSE/FILL LINE SHUTOFF VALVE ONLY)	002004 006102 107999		
	- 1	16200-017	TOILET ASSY-FLUSHING (RINSE/FILL LINE SHUTOFF VALVE ONLY) SUPPLIER CODE: V29780 POSITION DATA: MID-CAB SPECIFICATION NUMBER: S417N102-47 SB DATA FROM A CMM: PRE 16200-38-03 POST 3600-38-001 CONFIG CHG DATA FROM A CMM: REPLS 16200-011 REPLD BY 16200-022 COMPONENT MAINT MANUAL REF: 38-33-01 FOR NHA/ADDITIONAL DET SEE: 38-32-01-01	002004 006102 107999	RF	
	2	AN960C8	.WASHER	002004 006102 107999	4	
	4	AN960C6	.WASHER	002004 006102 107999	4	
	6	NAS679C08M	.NUT	002004 006102 107999	4	
	8	NAS679C06M	.NUT	002004 006102 107999	4	
	10	16202-003-1	.ADAPTER- SUPPLIER CODE: V29780 CONFIG CHG DATA FROM A CMM: REPLD BY 16202-036-1	002004 006102 107999	1	
	10	16202-036-1	.ADAPTER- SUPPLIER CODE: V29780 CONFIG CHG DATA FROM A CMM: REPLACES 16202-003-1	002004 006102 107999	1	
	MISSING ITEM NUMBERS NOT APPLICABLE					

- ITEM NOT ILLUSTRATED

38-32-03-05

38-32-03
FIG. 05
PAGE 1
MAY 20/09

BRI

BOEING
757
PARTS CATALOG (MAINTENANCE)

FIG ITEM	PART NUMBER	1 2 3 4 5 6 7	NOMENCLATURE	EFFECT FROM TO	UNITS PER ASSY	
R R R R R R R R R R	5 12	4811-209	.GASKET- SUPPLIER CODE: V29780 CONFIG CHG DATA FROM A CMM: REPLD BY 4811-412 USED WITH: 16202-003-1 400300-1 400300-2	002004 006102 107999	1	
	12	4811-412	.GASKET- SUPPLIER CODE: V29780 CONFIG CHG DATA FROM A CMM: REPLACES 4811-209 USED WITH: 18-8000-2	002004 006102 107999	1	
	14	4812-161	.BRACE-MTG PLATE SUPPLIER CODE: V76599	002004 006102 107999	1	
	16	400300-1	.VALVE ASSY- SUPPLIER CODE: V80477 CONFIG CHG DATA FROM A CMM: REPLD BY 400300-2 COMPONENT MAINT MANUAL REF: 38-30-01	002004 006102 107999	1	
	16	400300-2	.VALVE ASSY- SUPPLIER CODE: V80477 SPECIFICATION NUMBER: 60B50341-2 CONFIG CHG DATA FROM A CMM: REPLACES 400300-1 COMPONENT MAINT MANUAL REF: 38-30-01 OPTIONAL PART: 18-8000-2 V96736	002004 006102 107999	1	
	17	400597-1	..NAMEPLATE- SUPPLIER CODE: V27045 USED ON: 400300-1	002004 006102 107999	1	
	17	400597-2	..NAMEPLATE- SUPPLIER CODE: V27045 USED ON: 400300-2	002004 006102 107999	1	
	MISSING ITEM NUMBERS NOT APPLICABLE					

— ITEM NOT ILLUSTRATED

38-32-03-05

38-32-03
FIG. 05
PAGE 2
MAY 20/09

BRI

 **BOEING**
757
PARTS CATALOG (MAINTENANCE)

FIG ITEM	PART NUMBER	1 2 3 4 5 6 7	NOMENCLATURE	EFFECT FROM TO	UNITS PER ASSY
R R R R R R R R R R R R R R R R R R R R	5				
	18	10100CB0808	.. SCREW-CAP SUPPLIER CODE: V80477	002004 006102 107999	4
	20	10700B082	.. WASHER- SUPPLIER CODE: V80477	002004 006102 107999	4
	24	400464-3	.. SEAL- SUPPLIER CODE: V80477	002004 006102 107999	1
	26	400567	.. BODY- SUPPLIER CODE: V27045 USED ON: 400300-1	002004 006102 107999	1
	27	400708	.. BODY- SUPPLIER CODE: V27045 USED ON: 400300-2	002004 006102 107999	1
	28	10108CB0804	.. SCREW-TRUSS HEAD SUPPLIER CODE: V27045	002004 006102 107999	1
	30	400573	.. HANDLE- SUPPLIER CODE: V27045	002004 006102 107999	1
	32	11310-81SP	.. RETAINER-RING SUPPLIER CODE: V27045	002004 006102 107999	2
	34	400584	.. RETAINER-SPRING SUPPLIER CODE: V27045	002004 006102 107999	2
	36	400579	.. SPRING- SUPPLIER CODE: V27045	002004 006102 107999	2
	38	400582	.. SEAT- SUPPLIER CODE: V27045	002004 006102 107999	2
	40	10005-016	.. SEAL- SUPPLIER CODE: V27045	002004 006102 107999	2
	42	10100CB0808	.. SCREW- SUPPLIER CODE: V80477	002004 006102 107999	4
	44	10700B082	.. WASHER- SUPPLIER CODE: V80477	002004 006102 107999	4
	46	400575	.. CAP- SUPPLIER CODE: V27045	002004 006102 107999	1

MISSING ITEM NUMBERS NOT APPLICABLE

— ITEM NOT ILLUSTRATED

38-32-03-05

38-32-03
FIG. 05
PAGE 3
MAY 20/09

BRI

 **BOEING**
757
PARTS CATALOG (MAINTENANCE)

FIG ITEM	PART NUMBER	1 2 3 4 5 6 7	NOMENCLATURE	EFFECT FROM TO	UNITS PER ASSY
R R R R R R R R R R R R R R R	5 48	10002-023	..SEAL- SUPPLIER CODE: V27045	002004 006102 107999	1
	50	400578	..BUSHING- SUPPLIER CODE: V27045	002004 006102 107999	2
	52	10002-012	..SEAL- SUPPLIER CODE: V27045	002004 006102 107999	2
	54	400569	..ROTOR- SUPPLIER CODE: V27045	002004 006102 107999	1
	58	400576	..PLATE-MTG SUPPLIER CODE: V27045	002004 006102 107999	1
	60	400712	..ADAPTER- SUPPLIER CODE: V27045 USED ON: 400300-2	002004 006102 107999	1
	62	10002-021	..SEAL- SUPPLIER CODE: V27045 USED ON: 400300-2	002004 006102 107999	1
	63	400574	..ACTUATOR-MOTOR SUPPLIER CODE: V80477	002004 006102 107999	1
	64	400802	...COVER- SUPPLIER CODE: V27045 ATTACHING PARTS	002004 006102 107999	1
	66	10104CA0420	...SCREW-FILLISTER HEAD SUPPLIER CODE: V27045 -----*-----	002004 006102 107999	2
	68	400807	...ACTUATOR ASSY-MOTOR SUPPLIER CODE: V27045	002004 006102 107999	1
	70	10104CB0228SCREW-FLAT HEAD SUPPLIER CODE: V27045	002004 006102 107999	3
	72	400743-1HOUSING AND STATOR ASSY SUPPLIER CODE: V27045	002004 006102 107999	1
	74	400743-4ROTOR ASSY- SUPPLIER CODE: V27045	002004 006102 107999	1

MISSING ITEM NUMBERS NOT APPLICABLE

— ITEM NOT ILLUSTRATED

38-32-03-05

38-32-03
FIG. 05
PAGE 4
MAY 20/09

BRI

 **BOEING**
757
PARTS CATALOG (MAINTENANCE)

FIG ITEM	PART NUMBER	1 2 3 4 5 6 7	NOMENCLATURE	EFFECT FROM TO	UNITS PER ASSY
5					
R	76	400743-3WASHER-	002004	1
R			SUPPLIER CODE:	006102	
R			V27045	107999	
R	78	400743-2COVER-	002004	1
R			SUPPLIER CODE:	006102	
R			V27045	107999	
R	80	400806	...GEAR ASSY-RING	002004	1
R			SUPPLIER CODE:	006102	
R			V27045	107999	
R			ATTACHING PARTS		
R	82	10104CB0216	...SCREW-FLAT HEAD	002004	4
R			SUPPLIER CODE:	006102	
R			V27045	107999	
R			-----*-----		
R	84	400744-1PLATE-CARRIER	002004	1
R			SUPPLIER CODE:	006102	
R			V27045	107999	
R	86	400744-2GEAR-RING	002004	1
R			SUPPLIER CODE:	006102	
R			V27045	107999	
R	88	400744-3GEAR-PLANET	002004	3
R			SUPPLIER CODE:	006102	
R			V27045	107999	
R	90	400744-4PLATE-CARRIER	002004	1
R			SUPPLIER CODE:	006102	
R			V27045	107999	
R	94	400744-6PLATE-CARRIER	002004	2
R			SUPPLIER CODE:	006102	
R			V27045	107999	
R	96	400744-9WASHER-	002004	3
R			SUPPLIER CODE:	006102	
R			V27045	107999	
R	98	400744-8GEAR-PLANET	002004	9
R			SUPPLIER CODE:	006102	
R			V27045	107999	
R	100	400744-7SHIM-WASHER	002004	1
R			SUPPLIER CODE:	006102	
R			V27045	107999	
R	102	400805	...SHAFT-CLUTCH OUTPUT	002004	1
R			SUPPLIER CODE:	006102	
R			V27045	107999	
R	104	400803	...BRACKET ASSY-	002004	1
R			SUPPLIER CODE:	006102	
R			V27045	107999	
R	106	400747-2BRACKET-ACTR	002004	1
R			SUPPLIER CODE:	006102	
R			V27045	107999	

MISSING ITEM NUMBERS NOT APPLICABLE

— ITEM NOT ILLUSTRATED

38-32-03-05

38-32-03
FIG. 05
PAGE 5
MAY 20/09

BRI

BOEING PROPRIETARY - Copyright © - Unpublished Work - See title page for details.



757

PARTS CATALOG (MAINTENANCE)

FIG ITEM	PART NUMBER	1 2 3 4 5 6 7	NOMENCLATURE	EFFECT FROM TO	UNITS PER ASSY
5					
R	108	400747-1CONNECTOR- SUPPLIER CODE: V27045	002004 006102 107999	1
R			ATTACHING PARTS		
R	110	10106CB0404SCREW-FILLISTER HEAD SUPPLIER CODE: V27045	002004 006102 107999	4
R			-----*-----		
R	112	MS11625-1062RING-RETAINING SB DATA FROM A CMM: POST 400300-38-01	002004 006102 107999	1
R					
R	116	400747-10BEARING- SUPPLIER CODE: V27045	002004 006102 107999	2
R					
R	118	10109CB0207SCREW-PAN HEAD SUPPLIER CODE: V27045	002004 006102 107999	4
R					
R	120	10702B02WASHER-INTERNAL TOOTH SUPPLIER CODE: V27045	002004 006102 107999	4
R					
R	122	400747-8MICROSWITCH- SUPPLIER CODE: V27045	002004 006102 107999	2
R					
R	124	400747-7MICROSWITCH- SUPPLIER CODE: V27045	002004 006102 107999	2
R					
R	126	400747-9PAD- SUPPLIER CODE: V27045	002004 006102 107999	2
R					
R	128	10110CB0203SCREW-PAN HEAD SUPPLIER CODE: V27045	002004 006102 107999	1
R					
R	130	400747-14CAPACITOR-0.4 MFD SUPPLIER CODE: V27045	002004 006102 107999	1
R					
R	132	400804	...PIN-DRIVE SUPPLIER CODE: V27045	002004 006102 107999	1
R					
R	135	400743-3	...WASHER- SUPPLIER CODE: V27045	002004 006102 107999	1
R					
R	140	4803-95-5	.ADAPTER- SUPPLIER CODE: V29780	002004 006102 107999	1
R					

MISSING ITEM NUMBERS NOT APPLICABLE

- ITEM NOT ILLUSTRATED

38-32-03-05

38-32-03
FIG. 05
PAGE 6
MAY 20/09

BRI

BOEING
757
PARTS CATALOG (MAINTENANCE)

FIG ITEM	PART NUMBER	1 2 3 4 5 6 7	NOMENCLATURE	EFFECT FROM TO	UNITS PER ASSY
5					
R	142	2-132N602-70	.PACKING-	002004	1
R			SUPPLIER CODE:	006102	
R			V02697	107999	
R			USED WITH:		
R			4803-95-5		
R			18-8000-2		
R	144	18-8000-2	.VALVE ASSY-	002004	1
R			SUPPLIER CODE:	006102	
R			V96736	107999	
R			SPECIFICATION NUMBER:		
R			60B50341-2		
R			COMPONENT MAINT MANUAL REF:		
R			38-32-04		
R			OPTIONAL PART:		
R			400300-2		
R			V80477		
R			USED WITH:		
R			4803-95-5		
R			2-132N602-70		
R	146	18-8014	..FLANGE-MTG RING	002004	1
R			SUPPLIER CODE:	006102	
R			V96736	107999	
R	148	60-1100-1	..ACTUATOR-	002004	1
R			SUPPLIER CODE:	006102	
R			V96736	107999	
R			ATTACHING PARTS		
R	150	NAS1352C08LE8	..SCREW	002004	4
R				006102	
R				107999	
R			-----*-----		
R	152	18-8079	..PLATE-IDENT	002004	1
R			SUPPLIER CODE:	006102	
R			V96736	107999	
R	154	18-8001-2	..BODY ASSY-FLOW	002004	1
R			SUPPLIER CODE:	006102	
R			V96736	107999	
R	156	18-8011	...FITTING-MS33514-12	002004	1
R			INLET	006102	
R			SUPPLIER CODE:	107999	
R			V96736		
R	158	MS29513-026	...PACKING	002004	1
R				006102	
R				107999	
R	160	18-5624	...WASHER-WAVE	002004	2
R			SUPPLIER CODE:	006102	
R			V96736	107999	
R	162	18-5634	...SPACER-	002004	1
R			SUPPLIER CODE:	006102	
R			V96736	107999	

MISSING ITEM NUMBERS NOT APPLICABLE

— ITEM NOT ILLUSTRATED

38-32-03-05

38-32-03
FIG. 05
PAGE 7
MAY 20/09

BRI

BOEING
757
PARTS CATALOG (MAINTENANCE)

FIG ITEM	PART NUMBER	1 2 3 4 5 6 7	NOMENCLATURE	EFFECT FROM TO	UNITS PER ASSY
R R R R R R R R R R R R R R R R R R	5 164	18-5613	...SEAL-TEFLON SUPPLIER CODE: V96736	002004 006102 107999	1
	166	MS29513-023	...PACKING	002004 006102 107999	1
	168	18-8012	...BALL- SUPPLIER CODE: V96736	002004 006102 107999	1
	170	18-8013	...SHAFT- SUPPLIER CODE: V96736	002004 006102 107999	1
	172	18-5618	...WASHER-THRUST SUPPLIER CODE: V96736	002004 006102 107999	1
	174	MS29513-012	...PACKING	002004 006102 107999	1
	176	18-5627	...SEAL-TEFLON SUPPLIER CODE: V96736	002004 006102 107999	1
	178	18-8010	...BODY-VALVE SUPPLIER CODE: V96736	002004 006102 107999	1
	- 500	16200-018	TOILET ASSY-FLUSHING (RINSE/FILL LINE SHUTOFF VALVE ONLY) SUPPLIER CODE: V29780 POSITION DATA: MID-CAB SPECIFICATION NUMBER: S417N102-48 SB DATA FROM A CMM: PRE 16200-38-03 POST 3600-38-001 CONFIG CHG DATA FROM A CMM: REPLS 16200-012 REPLD BY 16200-023 COMPONENT MAINT MANUAL REF: 38-33-01 FOR NHA/ADDITIONAL DET SEE: 38-32-01-01	002004 006102 107999	RF
	502	AN960C8	.WASHER	002004 006102 107999	4
	504	AN960C6	.WASHER	002004 006102 107999	4

MISSING ITEM NUMBERS NOT APPLICABLE

- ITEM NOT ILLUSTRATED

BRI

38-32-03-05

BOEING PROPRIETARY - Copyright © - Unpublished Work - See title page for details.

38-32-03
FIG. 05
PAGE 8
MAY 20/09



757

PARTS CATALOG (MAINTENANCE)

FIG ITEM	PART NUMBER	1 2 3 4 5 6 7	NOMENCLATURE	EFFECT FROM TO	UNITS PER ASSY
5					
R	506		.NUT	002004	4
R				006102	
R				107999	
R	508		.NUT	002004	4
R				006102	
R				107999	
R	510		.ADAPTER-	002004	1
R			SUPPLIER CODE:	006102	
R			V29780	107999	
R			CONFIG CHG DATA FROM A CMM:		
R			REPLD BY 16202-036-1		
R	510		.ADAPTER-	002004	1
R			SUPPLIER CODE:	006102	
R			V29780	107999	
R			CONFIG CHG DATA FROM A CMM:		
R			REPLACES 16202-003-1		
R	512		.GASKET-	002004	1
R			SUPPLIER CODE:	006102	
R			V29780	107999	
R			CONFIG CHG DATA FROM A CMM:		
R			REPLD BY 4811-412		
R			USED WITH:		
R			16202-003-1		
R			400300-1		
R			400300-2		
R	512		.GASKET-	002004	1
R			SUPPLIER CODE:	006102	
R			V29780	107999	
R			CONFIG CHG DATA FROM A CMM:		
R			REPLACES 4811-209		
R			USED WITH:		
R			18-8000-2		
R	514		.BRACE-MTG PLATE	002004	1
R			SUPPLIER CODE:	006102	
R			V76599	107999	
R	516		.VALVE ASSY-	002004	1
R			SUPPLIER CODE:	006102	
R			V80477	107999	
R			CONFIG CHG DATA FROM A CMM:		
R			REPLD BY 400300-2		
R			COMPONENT MAINT MANUAL REF:		
R			38-30-01		

MISSING ITEM NUMBERS NOT APPLICABLE

- ITEM NOT ILLUSTRATED

38-32-03-05

38-32-03
FIG. 05
PAGE 9
MAY 20/09

BRI

BOEING
757
PARTS CATALOG (MAINTENANCE)

FIG ITEM	PART NUMBER	1 2 3 4 5 6 7	NOMENCLATURE	EFFECT FROM TO	UNITS PER ASSY
5					
R	516	400300-2	. VALVE ASSY- SUPPLIER CODE: V80477 SPECIFICATION NUMBER: 60B50341-2 CONFIG CHG DATA FROM A CMM: REPLACES 400300-1 COMPONENT MAINT MANUAL REF: 38-30-01 OPTIONAL PART: 18-8000-2 V96736	002004 006102 107999	1
R	517	400597-1	.. NAMEPLATE- SUPPLIER CODE: V27045 USED ON: 400300-1 V96736	002004 006102 107999	1
R	517	400597-2	.. NAMEPLATE- SUPPLIER CODE: V27045 USED ON: 400300-2	002004 006102 107999	1
R	518	10100CB0808	.. SCREW-CAP SUPPLIER CODE: V80477	002004 006102 107999	4
R	520	10700B082	.. WASHER- SUPPLIER CODE: V80477	002004 006102 107999	4
R	524	400464-3	.. SEAL- SUPPLIER CODE: V80477	002004 006102 107999	1
R	526	400567	.. BODY- SUPPLIER CODE: V27045 USED ON: 400300-1	002004 006102 107999	1
R	527	400708	.. BODY- SUPPLIER CODE: V27045 USED ON: 400300-2	002004 006102 107999	1
R	528	10108CB0804	.. SCREW-TRUSS HEAD SUPPLIER CODE: V27045	002004 006102 107999	1
R	530	400573	.. HANDLE- SUPPLIER CODE: V27045	002004 006102 107999	1

MISSING ITEM NUMBERS NOT APPLICABLE

— ITEM NOT ILLUSTRATED

38-32-03-05

38-32-03
FIG. 05
PAGE 10
MAY 20/09

BRI



757

PARTS CATALOG (MAINTENANCE)

FIG ITEM	PART NUMBER	1 2 3 4 5 6 7	NOMENCLATURE	EFFECT FROM TO	UNITS PER ASSY
5					
R	532	11310-81SP	..RETAINER-RING SUPPLIER CODE: V27045	002004 006102 107999	2
R	534	400584	..RETAINER-SPRING SUPPLIER CODE: V27045	002004 006102 107999	2
R	536	400579	..SPRING- SUPPLIER CODE: V27045	002004 006102 107999	2
R	538	400582	..SEAT- SUPPLIER CODE: V27045	002004 006102 107999	2
R	540	10005-016	..SEAL- SUPPLIER CODE: V27045	002004 006102 107999	2
R	542	10100CB0808	..SCREW- SUPPLIER CODE: V80477	002004 006102 107999	4
R	544	10700B082	..WASHER- SUPPLIER CODE: V80477	002004 006102 107999	4
R	546	400575	..CAP- SUPPLIER CODE: V27045	002004 006102 107999	1
R	548	10002-023	..SEAL- SUPPLIER CODE: V27045	002004 006102 107999	1
R	550	400578	..BUSHING- SUPPLIER CODE: V27045	002004 006102 107999	2
R	552	10002-012	..SEAL- SUPPLIER CODE: V27045	002004 006102 107999	2
R	554	400569	..ROTOR- SUPPLIER CODE: V27045	002004 006102 107999	1
R	558	400576	..PLATE-MTG SUPPLIER CODE: V27045	002004 006102 107999	1
R	560	400712	..ADAPTER- SUPPLIER CODE: V27045 USED ON: 400300-2	002004 006102 107999	1
R	562	10002-021	..SEAL- SUPPLIER CODE: V27045 USED ON: 400300-2	002004 006102 107999	1

MISSING ITEM NUMBERS NOT APPLICABLE

- ITEM NOT ILLUSTRATED

38-32-03-05

38-32-03
FIG. 05
PAGE 11
MAY 20/09

BRI

 **BOEING**
757
PARTS CATALOG (MAINTENANCE)

FIG ITEM	PART NUMBER	1 2 3 4 5 6 7	NOMENCLATURE	EFFECT FROM TO	UNITS PER ASSY
5					
R	563	400574	.. ACTUATOR-MOTOR	002004	1
R			SUPPLIER CODE:	006102	
R			V80477	107999	
R	564	400802	... COVER-	002004	1
R			SUPPLIER CODE:	006102	
R			V27045	107999	
			ATTACHING PARTS		
R	566	10104CA0420	... SCREW-FILLISTER HEAD	002004	2
R			SUPPLIER CODE:	006102	
R			V27045	107999	
			-----*-----		
R	568	400807	... ACTUATOR ASSY-MOTOR	002004	1
R			SUPPLIER CODE:	006102	
R			V27045	107999	
R	570	10104CB0228 SCREW-FLAT HEAD	002004	3
R			SUPPLIER CODE:	006102	
R			V27045	107999	
R	572	400743-1 HOUSING AND STATOR ASSY	002004	1
R			SUPPLIER CODE:	006102	
R			V27045	107999	
R	574	400743-4 ROTOR ASSY-	002004	1
R			SUPPLIER CODE:	006102	
R			V27045	107999	
R	576	400743-3 WASHER-	002004	1
R			SUPPLIER CODE:	006102	
R			V27045	107999	
R	578	400743-2 COVER-	002004	1
R			SUPPLIER CODE:	006102	
R			V27045	107999	
R	580	400806	... GEAR ASSY-RING	002004	1
R			SUPPLIER CODE:	006102	
R			V27045	107999	
			ATTACHING PARTS		
R	582	10104CB0216	... SCREW-FLAT HEAD	002004	4
R			SUPPLIER CODE:	006102	
R			V27045	107999	
			-----*-----		
R	584	400744-1 PLATE-CARRIER	002004	1
R			SUPPLIER CODE:	006102	
R			V27045	107999	
R	586	400744-2 GEAR-RING	002004	1
R			SUPPLIER CODE:	006102	
R			V27045	107999	
R	588	400744-3 GEAR-PLANET	002004	3
R			SUPPLIER CODE:	006102	
R			V27045	107999	
R	590	400744-4 PLATE-CARRIER	002004	1
R			SUPPLIER CODE:	006102	
R			V27045	107999	

MISSING ITEM NUMBERS NOT APPLICABLE

— ITEM NOT ILLUSTRATED

BRI

38-32-03-05

38-32-03
FIG. 05
PAGE 12
MAY 20/09



757

PARTS CATALOG (MAINTENANCE)

FIG ITEM	PART NUMBER	1 2 3 4 5 6 7	NOMENCLATURE	EFFECT FROM TO	UNITS PER ASSY
5					
R	594	400744-6PLATE-CARRIER SUPPLIER CODE: V27045	002004 006102 107999	2
R	596	400744-9WASHER- SUPPLIER CODE: V27045	002004 006102 107999	3
R	598	400744-8GEAR-PLANET SUPPLIER CODE: V27045	002004 006102 107999	9
R	600	400744-7SHIM-WASHER SUPPLIER CODE: V27045	002004 006102 107999	1
R	602	400805	...SHAFT-CLUTCH OUTPUT SUPPLIER CODE: V27045	002004 006102 107999	1
R	604	400803	...BRACKET ASSY- SUPPLIER CODE: V27045	002004 006102 107999	1
R	606	400747-2BRACKET-ACTR SUPPLIER CODE: V27045	002004 006102 107999	1
R	608	400747-1CONNECTOR- SUPPLIER CODE: V27045	002004 006102 107999	1
R	610	10106CB0404SCREW-FILLISTER HEAD SUPPLIER CODE: V27045	002004 006102 107999	4
R	612	MS16625-1062RING-RETAINING SB DATA FROM A CMM: POST 400300-38-01	002004 006102 107999	1
R	616	400747-10BEARING- SUPPLIER CODE: V27045	002004 006102 107999	2
R	618	10109CB0207SCREW-PAN HEAD SUPPLIER CODE: V27045	002004 006102 107999	4
R	620	10702B02WASHER-INTERNAL TOOTH SUPPLIER CODE: V27045	002004 006102 107999	4
R	622	400747-8MICROSWITCH- SUPPLIER CODE: V27045	002004 006102 107999	2
R	624	400747-7MICROSWITCH- SUPPLIER CODE: V27045	002004 006102 107999	2

MISSING ITEM NUMBERS NOT APPLICABLE

- ITEM NOT ILLUSTRATED

38-32-03-05

38-32-03
FIG. 05
PAGE 13
MAY 20/09

BRI



757

PARTS CATALOG (MAINTENANCE)

FIG ITEM	PART NUMBER	1 2 3 4 5 6 7	NOMENCLATURE	EFFECT FROM TO	UNITS PER ASSY
5					
R	626	400747-9PAD-	002004	2
R			SUPPLIER CODE:	006102	
R			V27045	107999	
R	628	10110CB0203SCREW-PAN HEAD	002004	1
R			SUPPLIER CODE:	006102	
R			V27045	107999	
R	630	400747-14CAPACITOR-0.4 MFD	002004	1
R			SUPPLIER CODE:	006102	
R			V27045	107999	
R	632	400804	...PIN-DRIVE	002004	1
R			SUPPLIER CODE:	006102	
R			V27045	107999	
R	635	400743-3	...WASHER-	002004	1
R			SUPPLIER CODE:	006102	
R			V27045	107999	
R	640	4803-95-5	.ADAPTER-	002004	1
R			SUPPLIER CODE:	006102	
R			V29780	107999	
R	642	2-132N602-70	.PACKING-	002004	1
R			SUPPLIER CODE:	006102	
R			V02697	107999	
R			USED WITH:		
R			4803-95-5		
R			18-8000-2		
R	644	18-8000-2	.VALVE ASSY-	002004	1
R			SUPPLIER CODE:	006102	
R			V96736	107999	
R			SPECIFICATION NUMBER:		
R			60B50341-2		
R			COMPONENT MAINT MANUAL REF:		
R			38-32-04		
R			OPTIONAL PART:		
R			400300-2		
R			V80477		
R			USED WITH:		
R			4803-95-5		
R			2-132N602-70		
R	646	18-8014	..FLANGE-MTG RING	002004	1
R			SUPPLIER CODE:	006102	
R			V96736	107999	
R	648	60-1100-1	..ACTUATOR-	002004	1
R			SUPPLIER CODE:	006102	
R			V96736	107999	
R			ATTACHING PARTS		
R	650	NAS1352C08LE8	..SCREW	002004	4
R				006102	
R				107999	
			-----*-----		

MISSING ITEM NUMBERS NOT APPLICABLE

- ITEM NOT ILLUSTRATED

38-32-03-05

38-32-03
FIG. 05
PAGE 14
MAY 20/09

BRI

 **BOEING**
757
PARTS CATALOG (MAINTENANCE)

FIG ITEM	PART NUMBER	1 2 3 4 5 6 7	NOMENCLATURE	EFFECT FROM TO	UNITS PER ASSY
5					
R	652	18-8079	.. PLATE-IDENT SUPPLIER CODE: V96736	002004 006102 107999	1
R	654	18-8001-2	.. BODY ASSY-FLOW SUPPLIER CODE: V96736	002004 006102 107999	1
R	656	18-8011	... FITTING-MS33514-12 INLET SUPPLIER CODE: V96736	002004 006102 107999	1
R	658	MS29513-026	... PACKING	002004 006102 107999	1
R	660	18-5624	... WASHER-WAVE SUPPLIER CODE: V96736	002004 006102 107999	2
R	662	18-5634	... SPACER- SUPPLIER CODE: V96736	002004 006102 107999	1
R	664	18-5613	... SEAL-TEFLON SUPPLIER CODE: V96736	002004 006102 107999	1
R	666	MS29513-023	... PACKING	002004 006102 107999	1
R	668	18-8012	... BALL- SUPPLIER CODE: V96736	002004 006102 107999	1
R	670	18-8013	... SHAFT- SUPPLIER CODE: V96736	002004 006102 107999	1
R	672	18-5618	... WASHER-THRUST SUPPLIER CODE: V96736	002004 006102 107999	1
R	674	MS29513-012	... PACKING	002004 006102 107999	1
R	676	18-5627	... SEAL-TEFLON SUPPLIER CODE: V96736	002004 006102 107999	1
R	678	18-8010	... BODY-VALVE SUPPLIER CODE: V96736	002004 006102 107999	1

MISSING ITEM NUMBERS NOT APPLICABLE

— ITEM NOT ILLUSTRATED

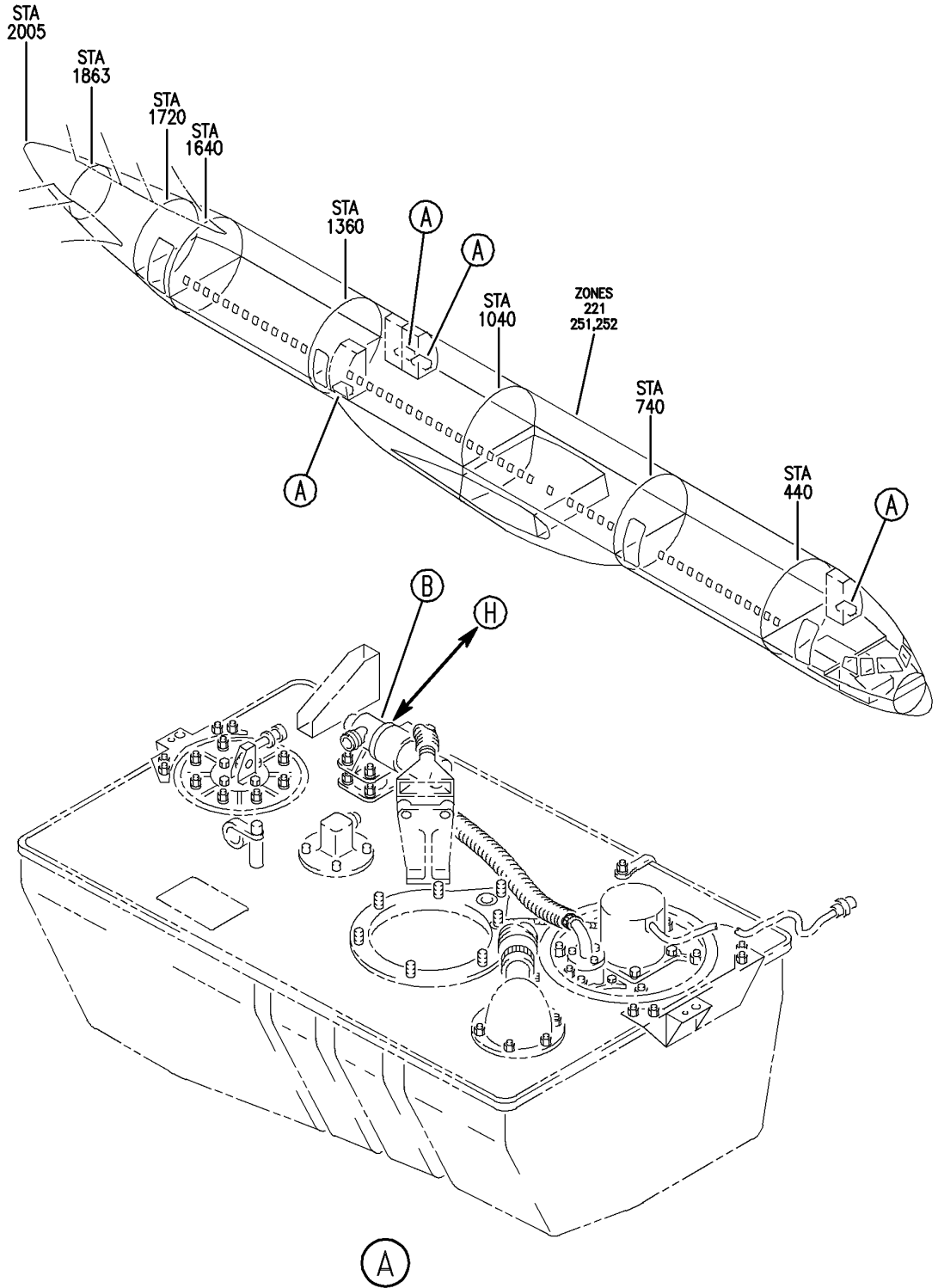
BRI

38-32-03-05

BOEING PROPRIETARY - Copyright © - Unpublished Work - See title page for details.

38-32-03
FIG. 05
PAGE 15
MAY 20/09

BOEING
757
PARTS CATALOG (MAINTENANCE)



Y 38320311 SHT 1 REV 224

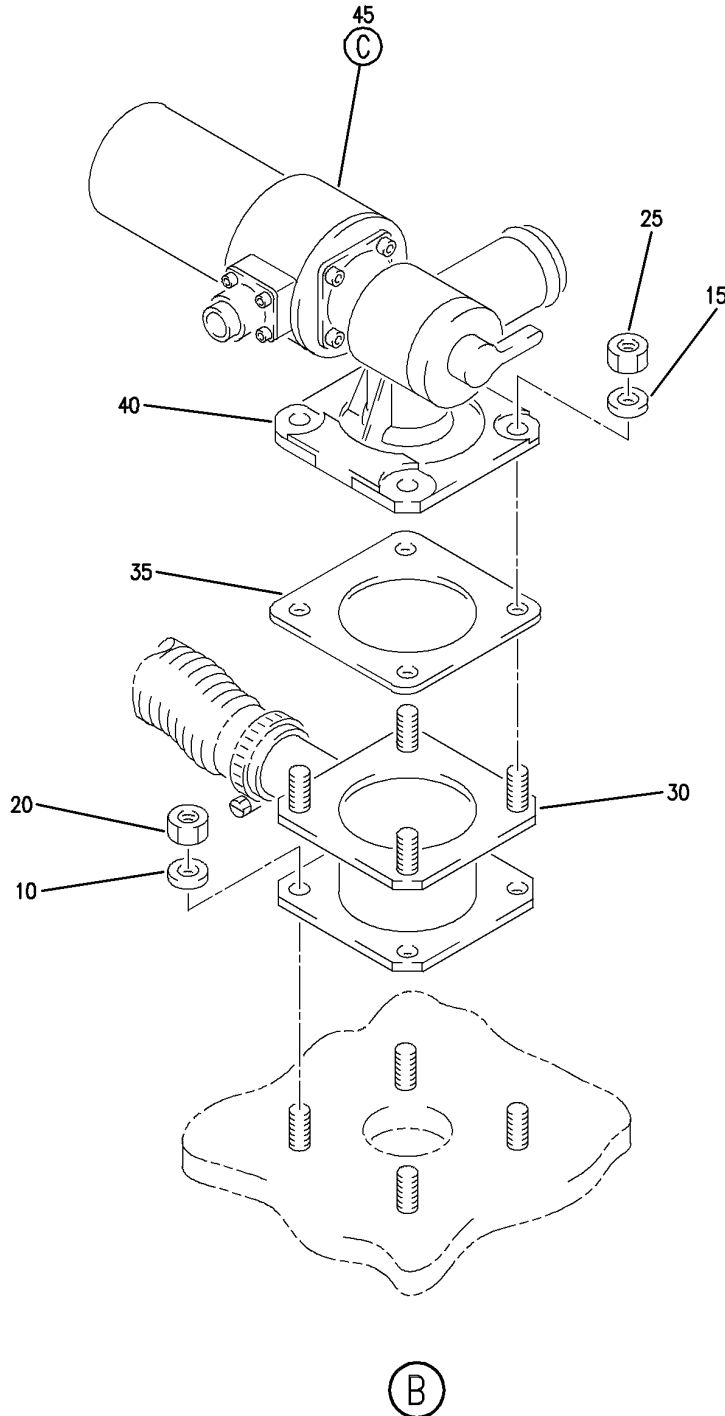
TOILET ASSY-FLUSHING (RINSE/FILL LINE SHUTOFF VALVE ONLY)
FIGURE 11 (SHEET 1)

38-32-03-11

BRI
MAY 28/07

38-32-03-11
PAGE 0

BOEING
757
PARTS CATALOG (MAINTENANCE)



Y 38320311 SHT 2 REV 224

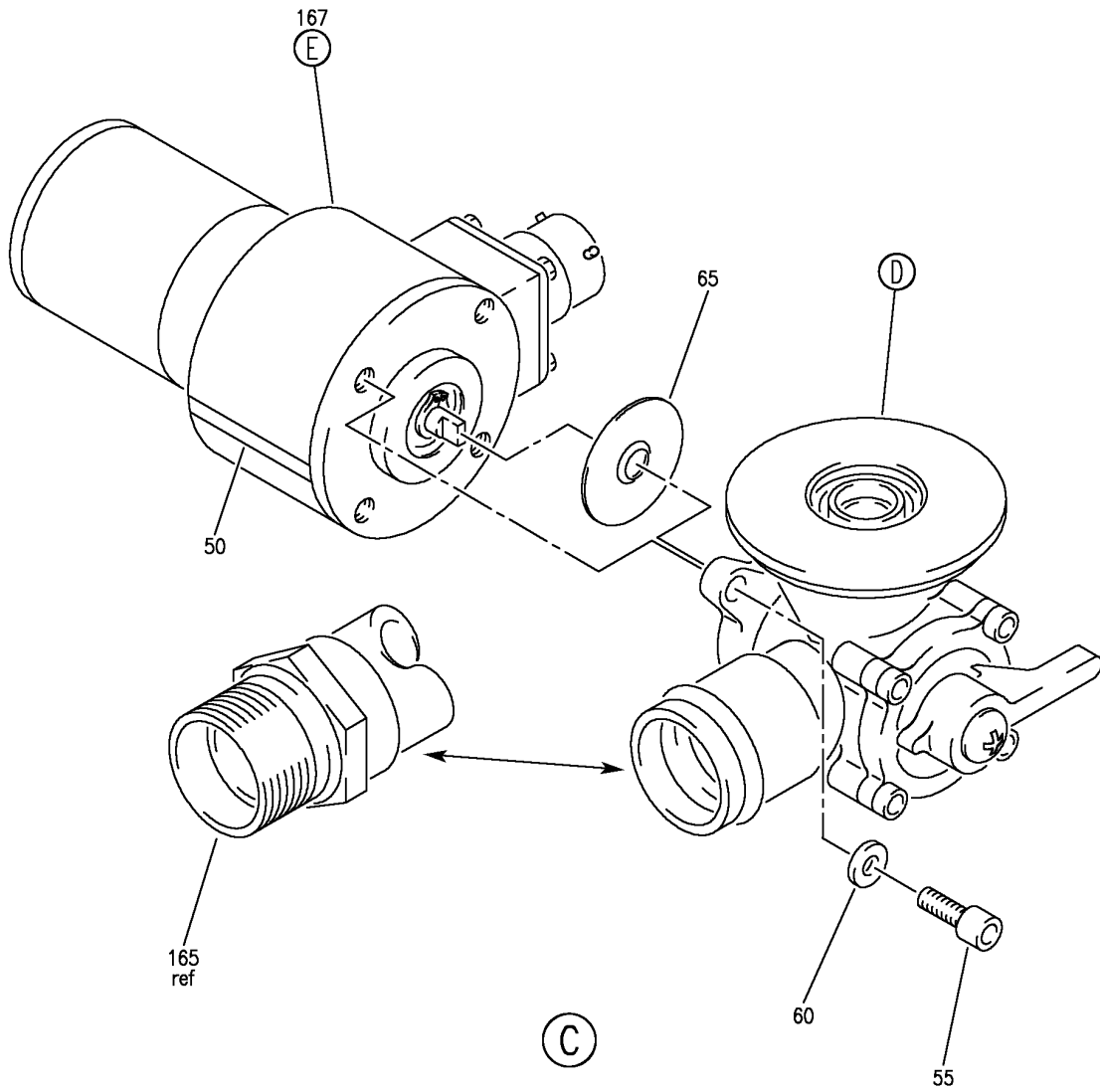
TOILET ASSY-FLUSHING (RINSE/FILL LINE SHUTOFF VALVE ONLY)
FIGURE 11 (SHEET 2)

38-32-03-11

BRI
MAY 28/07

38-32-03-11
PAGE 0A

BOEING
757
PARTS CATALOG (MAINTENANCE)



Y 38320311 SH1 3 REV 335

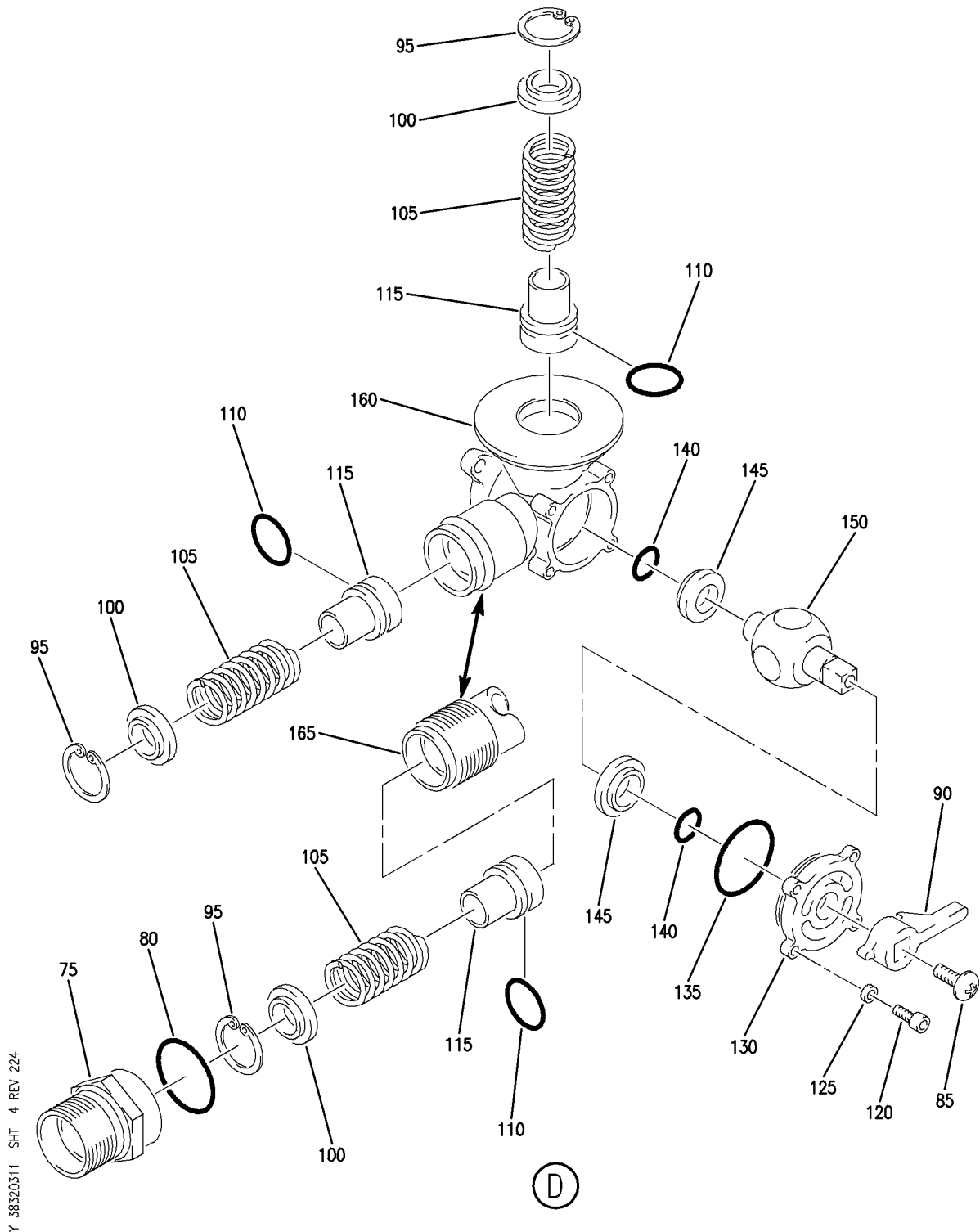
TOILET ASSY-FLUSHING (RINSE/FILL LINE SHUTOFF VALVE ONLY)
FIGURE 11 (SHEET 3)

38-32-03-11

BRI
MAY 20/09

38-32-03-11
PAGE 0B

BOEING
757
PARTS CATALOG (MAINTENANCE)



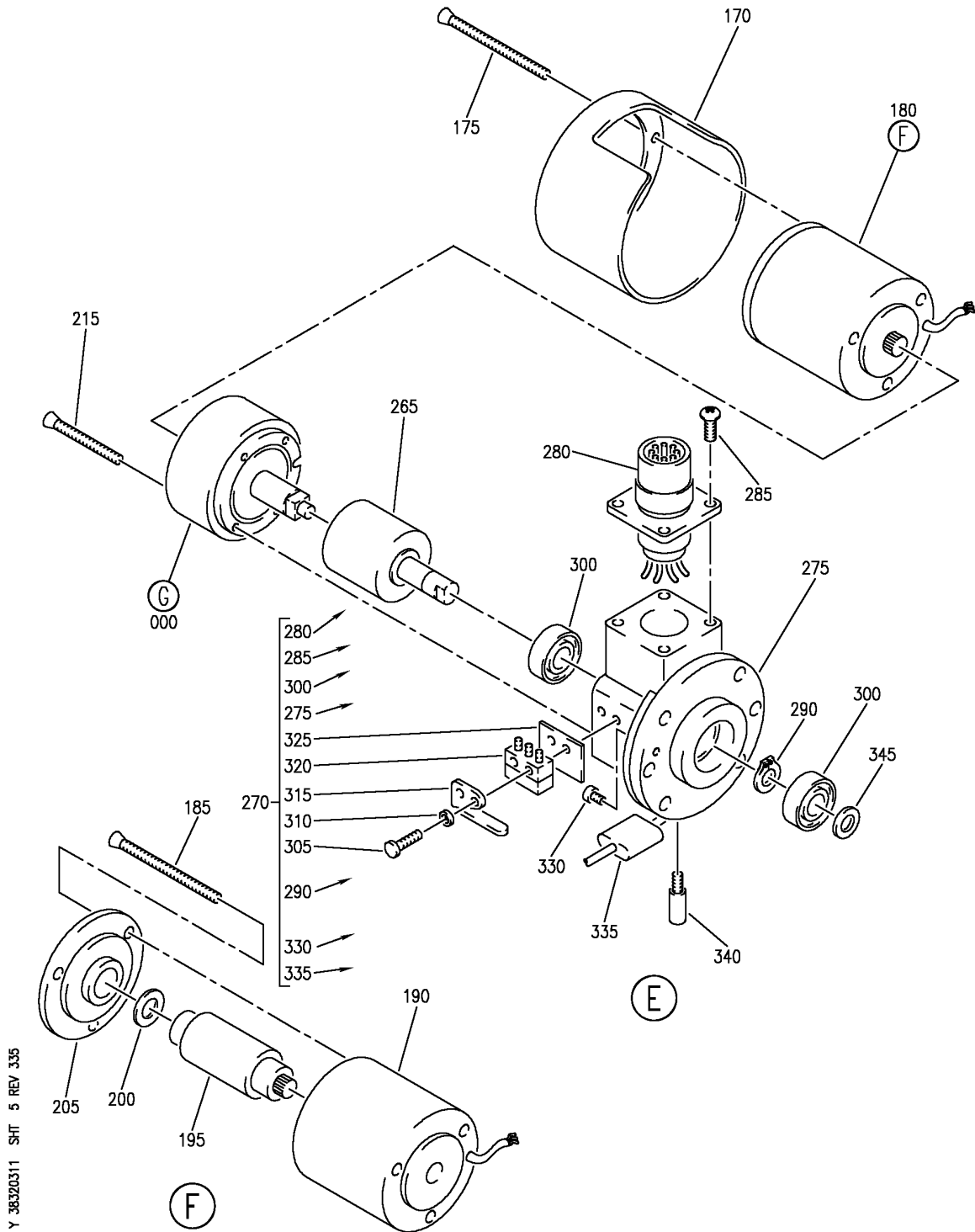
TOILET ASSY-FLUSHING (RINSE/FILL LINE SHUTOFF VALVE ONLY)
FIGURE 11 (SHEET 4)

38-32-03-11

BRI
MAY 28/07

38-32-03-11
PAGE 0C

BOEING
757
PARTS CATALOG (MAINTENANCE)



Y 38320311 SHT 5 REV 335

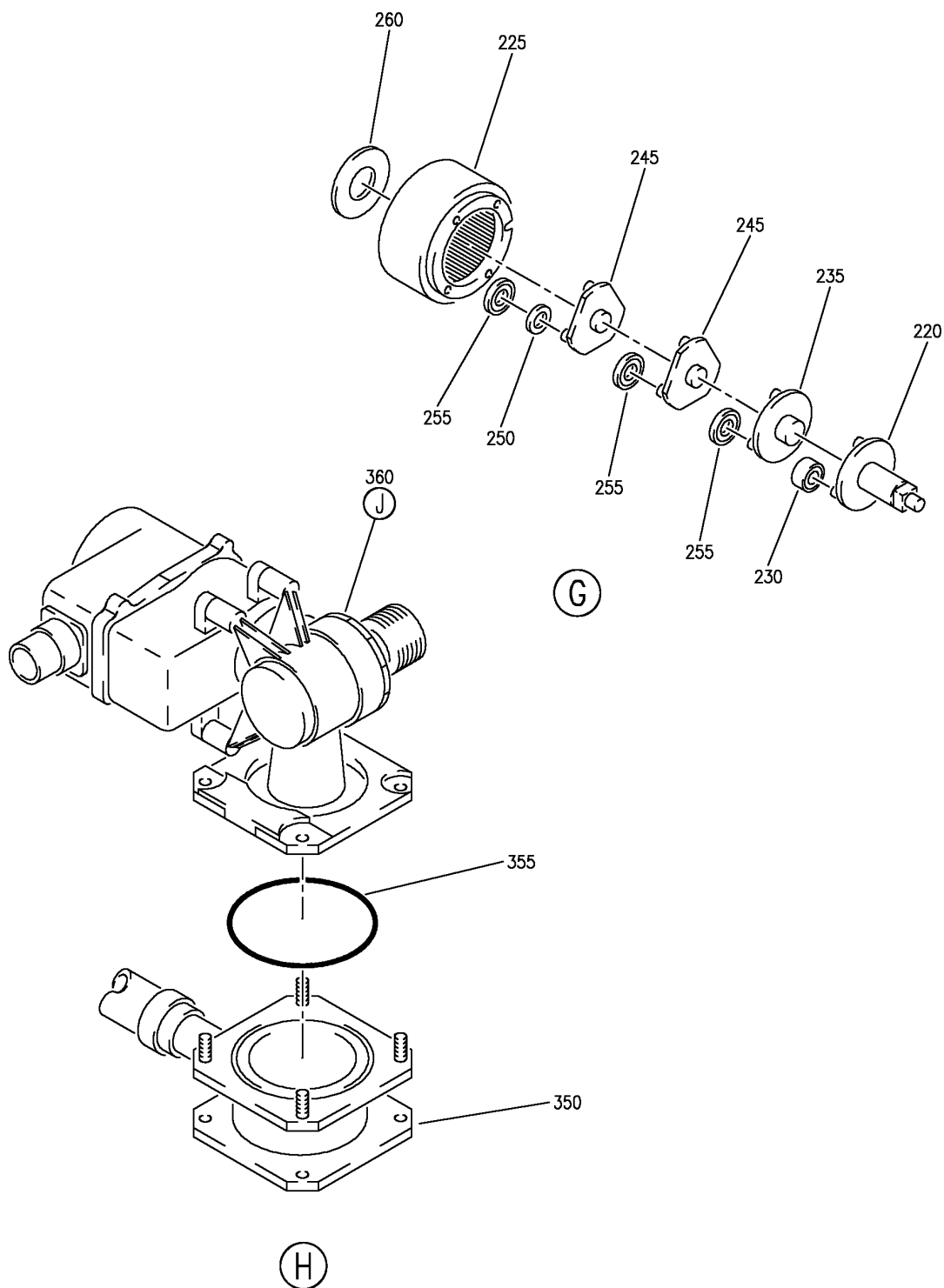
TOILET ASSY-FLUSHING (RINSE/FILL LINE SHUTOFF VALVE ONLY)
FIGURE 11 (SHEET 5)

38-32-03-11

BRI
MAY 20/09

38-32-03-11
PAGE 0D

BOEING
757
PARTS CATALOG (MAINTENANCE)



Y 38320311 SHIT 6 REV 335

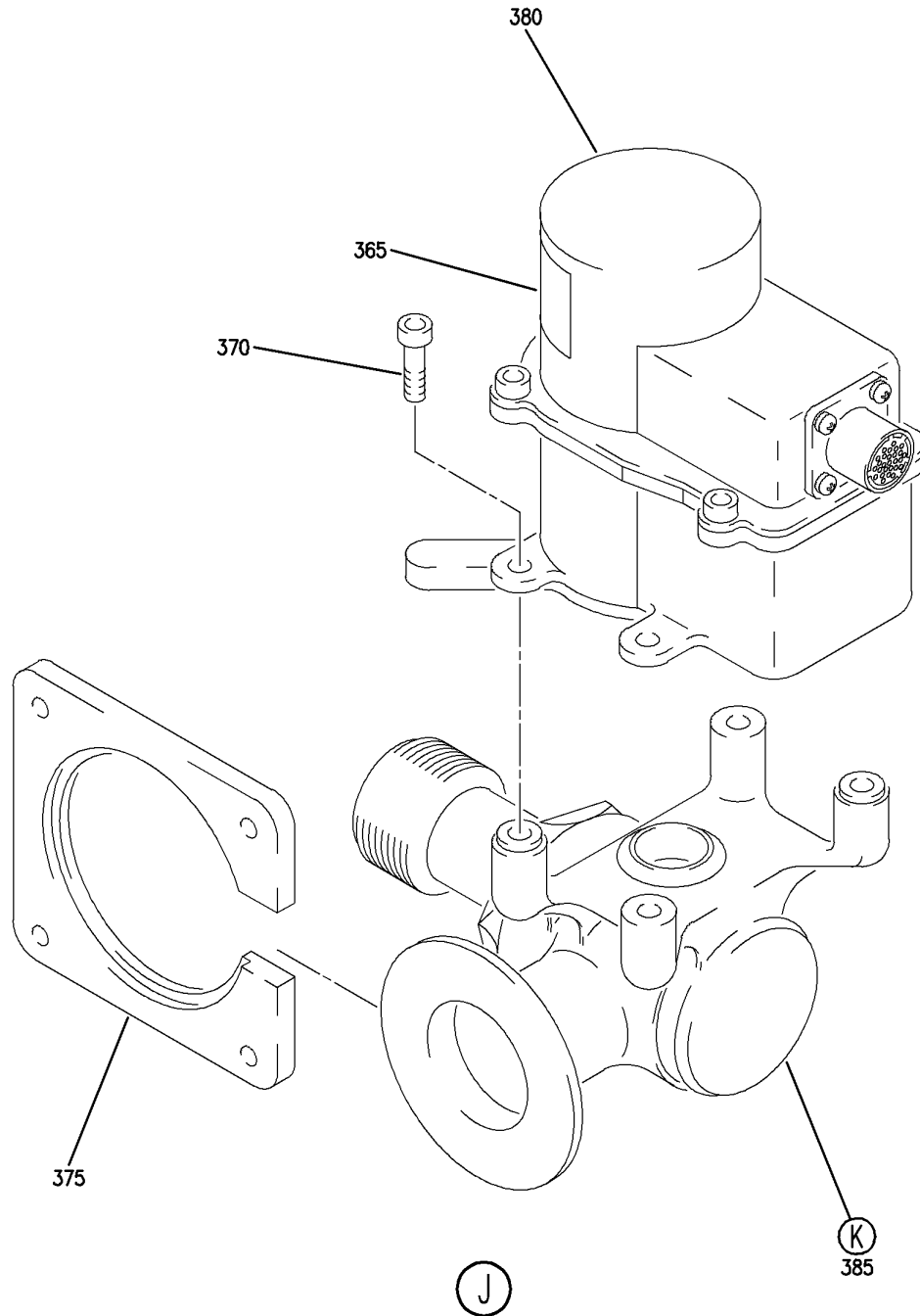
TOILET ASSY-FLUSHING (RINSE/FILL LINE SHUTOFF VALVE ONLY)
FIGURE 11 (SHEET 6)

38-32-03-11

BRI
MAY 20/09

38-32-03-11
PAGE 0E

BOEING
757
PARTS CATALOG (MAINTENANCE)



Y 38320311 SHT 7 REV 224

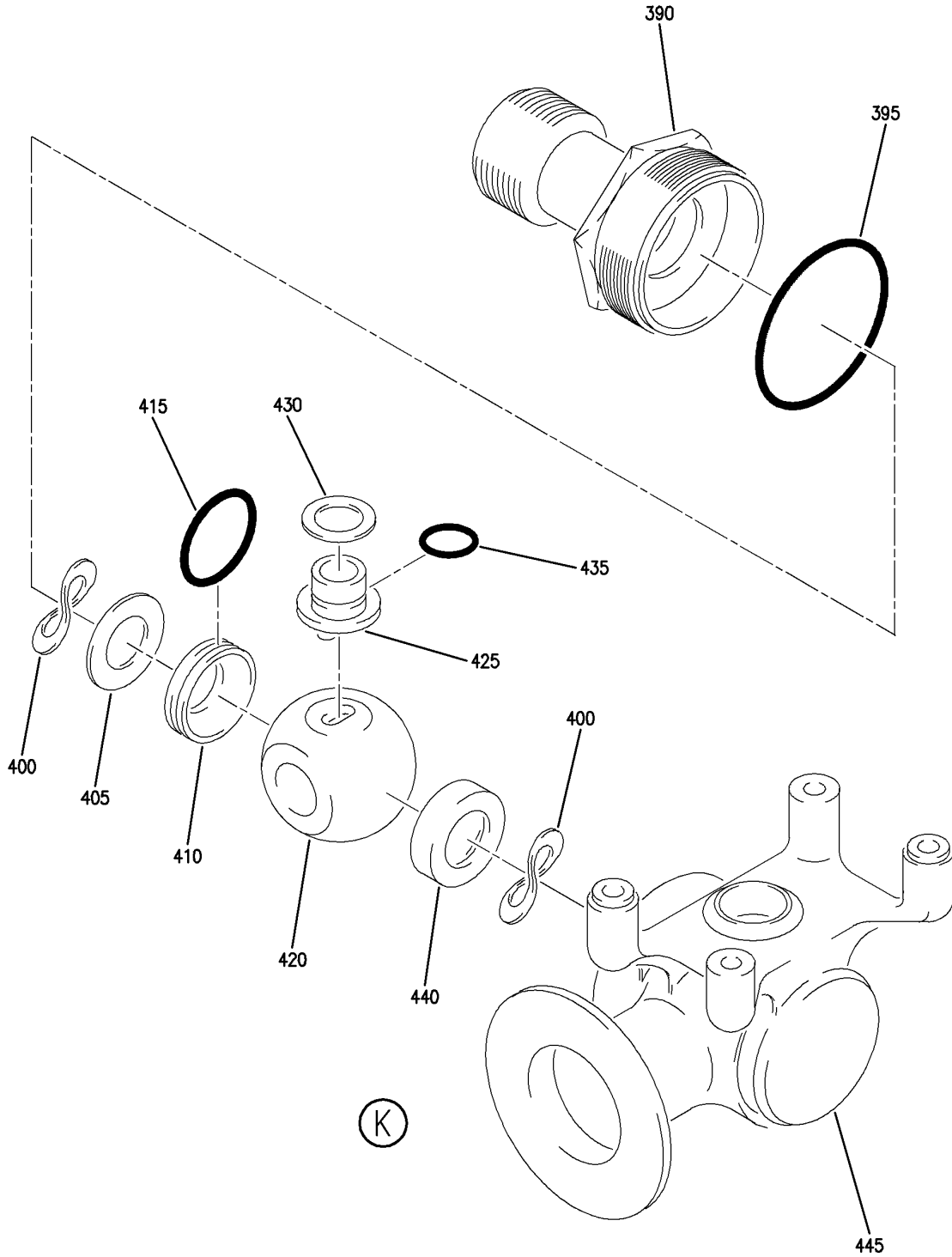
TOILET ASSY-FLUSHING (RINSE/FILL LINE SHUTOFF VALVE ONLY)
FIGURE 11 (SHEET 7)

38-32-03-11

BRI
MAY 28/07

38-32-03-11
PAGE OF

BOEING
757
PARTS CATALOG (MAINTENANCE)



Y 38320311 SHT 8 REV 224

TOILET ASSY-FLUSHING (RINSE/FILL LINE SHUTOFF VALVE ONLY)
FIGURE 11 (SHEET 8)

38-32-03-11

BRI
MAY 28/07

38-32-03-11
PAGE 06



757

PARTS CATALOG (MAINTENANCE)

FIG ITEM	PART NUMBER	1 2 3 4 5 6 7	NOMENCLATURE	EFFECT FROM TO	UNITS PER ASSY
11			TOILET ASSY-FLUSHING (RINSE/FILL LINE SHUTOFF VALVE ONLY)	107107 904949	
- 1	16200-001		TOILET ASSY-FLUSHING (RINSE/FILL LINE SHUTOFF VALVE ONLY) SUPPLIER CODE: V29780 POSITION DATA: MID-CAB. SPECIFICATION NUMBER: S417N102-3 SB DATA FROM A CMM: PRE 16200-38-03 CONFIG CHG DATA FROM A CMM: REPLD BY 16200-011 COMPONENT MAINT MANUAL REF: 38-33-01 FOR NHA/ADDITIONAL DET SEE: 38-32-01-01	107107 904949	RF
- 5	16200-002		TOILET ASSY-FLUSHING (RINSE/FILL LINE SHUTOFF VALVE ONLY) SUPPLIER CODE: V29780 SPECIFICATION NUMBER: S417N102-4 SB DATA FROM A CMM: PRE 16200-38-03 CONFIG CHG DATA FROM A CMM: REPLD BY 16200-012 COMPONENT MAINT MANUAL REF: 38-33-01 FOR NHA/ADDITIONAL DET SEE: 38-32-01-01	107107 904949	RF
R	10	AN960C8	.WASHER	107107 904949	4
R	15	AN960C6	.WASHER	107107 904949	4
R	20	NAS679C08M	.NUT	107107 904949	4
R	25	NAS679C06M	.NUT	107107 904949	4
R	30	16202-003-1	.ADAPTER- SUPPLIER CODE: V29780 CONFIG CHG DATA FROM A CMM: REPLD BY 16202-036-1	107107 904949	1

MISSING ITEM NUMBERS NOT APPLICABLE

- ITEM NOT ILLUSTRATED

38-32-03-11

38-32-03
FIG. 11
PAGE 1
MAY 20/09

BRI



757

PARTS CATALOG (MAINTENANCE)

FIG ITEM	PART NUMBER	1 2 3 4 5 6 7	NOMENCLATURE	EFFECT FROM TO	UNITS PER ASSY
11					
R	50		.. NAMEPLATE-	107107	1
R			SUPPLIER CODE:	904949	
R			V27045		
R			USED ON:		
R			400300-2		
R	55		.. SCREW-CAP	107107	4
R			SUPPLIER CODE:	904949	
R			V80477		
R	60		.. WASHER-	107107	4
R			SUPPLIER CODE:	904949	
R			V80477		
R	65		.. SEAL-	107107	1
R			SUPPLIER CODE:	904949	
R			V80477		
R	75		.. ADAPTER-	107107	1
R			SUPPLIER CODE:	904949	
R			V27045		
R			USED ON:		
R			400300-2		
R	80		.. SEAL-	107107	1
R			SUPPLIER CODE:	904949	
R			V27045		
R			USED ON:		
R			400300-2		
R	85		.. SCREW-	107107	1
R			SUPPLIER CODE:	904949	
R			V27045		
R	90		.. HANDLE-	107107	1
R			SUPPLIER CODE:	904949	
R			V27045		
R	95		.. RETAINER-RING	107107	2
R			SUPPLIER CODE:	904949	
R			V27045		
R	100		.. RETAINER-SPR	107107	2
R			SUPPLIER CODE:	904949	
R			V27045		
R	105		.. SPRING-	107107	2
R			SUPPLIER CODE:	904949	
R			V27045		
R	110		.. SEAL-	107107	2
R			SUPPLIER CODE:	904949	
R			V27045		
R	115		.. SEAT-	107107	2
R			SUPPLIER CODE:	904949	
R			V27045		
R	120		.. SCREW-	107107	4
R			SUPPLIER CODE:	904949	
R			V80477		

MISSING ITEM NUMBERS NOT APPLICABLE

- ITEM NOT ILLUSTRATED

38-32-03-11

38-32-03
FIG. 11
PAGE 3
MAY 20/09

BRI

BOEING PROPRIETARY - Copyright © - Unpublished Work - See title page for details.



757

PARTS CATALOG (MAINTENANCE)

FIG ITEM	PART NUMBER	1 2 3 4 5 6 7	NOMENCLATURE	EFFECT FROM TO	UNITS PER ASSY
R	11				
R	125	10700B082	.. WASHER- SUPPLIER CODE: V80477	107107 904949	4
R	130	400575	.. CAP- SUPPLIER CODE: V27045	107107 904949	1
R	135	10002-023	.. SEAL- SUPPLIER CODE: V27045	107107 904949	1
R	140	10002-012	.. SEAL- SUPPLIER CODE: V27045	107107 904949	2
R	145	400578	.. BUSHING- SUPPLIER CODE: V27045	107107 904949	2
R	150	400569	.. ROTOR- SUPPLIER CODE: V27045	107107 904949	1
R	155	400576	.. PLATE-MTG SUPPLIER CODE: V27045	107107 904949	1
R	160	400567	.. BODY- SUPPLIER CODE: V27045 USED ON: 400300-1	107107 904949	1
R	165	400708	.. BODY- SUPPLIER CODE: V27045 USED ON: 400300-2	107107 904949	1
R	167	400574	.. ACTUATOR- SUPPLIER CODE: V80477	107107 904949	1
R	170	400802	... COVER- SUPPLIER CODE: V27045	107107 904949	1
R	175	10104CA0420	... SCREW-FILLISTER HEAD SUPPLIER CODE: V27045	107107 904949	2
R	180	400807	-----*----- ... ACTUATOR ASSY-MOTOR SUPPLIER CODE: V27045	107107 904949	1
R	185	10104CB0228 SCREW-FLAT HEAD SUPPLIER CODE: V27045	107107 904949	3

MISSING ITEM NUMBERS NOT APPLICABLE

- ITEM NOT ILLUSTRATED

38-32-03-11

38-32-03
FIG. 11
PAGE 4
MAY 20/09

BRI



757

PARTS CATALOG (MAINTENANCE)

FIG ITEM	PART NUMBER	1 2 3 4 5 6 7	NOMENCLATURE	EFFECT FROM TO	UNITS PER ASSY
R	11				
R	190	400743-1HOUSING AND STATOR ASSY SUPPLIER CODE: V27045	107107 904949	1
R	195	400743-4ROTOR ASSY- SUPPLIER CODE: V27045	107107 904949	1
R	200	400743-3WASHER- SUPPLIER CODE: V27045	107107 904949	1
R	205	400743-2COVER- SUPPLIER CODE: V27045	107107 904949	1
R	210	400806	...GEAR ASSY-RING SUPPLIER CODE: V27045	107107 904949	1
R	215	10104CB0216	...SCREW-FLAT HEAD SUPPLIER CODE: V27045 -----*-----	107107 904949	4
R	220	400744-1PLATE-CARRIER SUPPLIER CODE: V27045	107107 904949	1
R	225	400744-2GEAR-RING SUPPLIER CODE: V27045	107107 904949	1
R	230	400744-3GEAR-PLANET SUPPLIER CODE: V27045	107107 904949	3
R	235	400744-4PLATE-CARRIER SUPPLIER CODE: V27045	107107 904949	1
R	245	400744-6PLATE-CARRIER SUPPLIER CODE: V27045	107107 904949	2
R	250	400744-9WASHER- SUPPLIER CODE: V27045	107107 904949	3
R	255	400744-8GEAR-PLANET SUPPLIER CODE: V27045	107107 904949	9
R	260	400744-7SHIM-WASHER SUPPLIER CODE: V27045	107107 904949	1
R	265	400805	...SHAFT-CLUTCH OUTPUT SUPPLIER CODE: V27045	107107 904949	1

MISSING ITEM NUMBERS NOT APPLICABLE

- ITEM NOT ILLUSTRATED

38-32-03-11

38-32-03
FIG. 11
PAGE 5
MAY 20/09

BRI



757

PARTS CATALOG (MAINTENANCE)

FIG ITEM	PART NUMBER	1 2 3 4 5 6 7	NOMENCLATURE	EFFECT FROM TO	UNITS PER ASSY
11					
R	270	400803	...BRACKET ASSY- SUPPLIER CODE: V27045	107107 904949	1
R	275	400747-2BRACKET-ACTR SUPPLIER CODE: V27045	107107 904949	1
R	280	400747-1CONNECTOR- SUPPLIER CODE: V27045	107107 904949	1
R	285	10106CB0404SCREW-FILLISTER HEAD SUPPLIER CODE: V27045	107107 904949	4
R	290	MS16625-1062	-----*-----RING-RETAINING SB DATA FROM A CMM: POST 400300-38-01	107107 904949	1
R	300	400747-10BEARING- SUPPLIER CODE: V27045	107107 904949	2
R	305	10109CB0207SCREW-PAN HEAD SUPPLIER CODE: V27045	107107 904949	4
R	310	10702B02WASHER-INTERNAL TOOTH SUPPLIER CODE: V27045	107107 904949	4
R	315	400747-8MICROSWITCH-ACTR SUPPLIER CODE: V27045	107107 904949	2
R	320	400747-7MICROSWITCH- SUPPLIER CODE: V27045	107107 904949	2
R	325	400747-9PAD-INSULATOR SUPPLIER CODE: V27045	107107 904949	2
R	330	10110CB0203SCREW-PAN HEAD SUPPLIER CODE: V27045	107107 904949	1
R	335	400747-14CAPACITOR-0.4 MFD SUPPLIER CODE: V27045	107107 904949	1
R	340	400804	...PIN-DRIVE SUPPLIER CODE: V27045	107107 904949	1
R	345	400743-3	...WASHER- SUPPLIER CODE: V27045	107107 904949	1

MISSING ITEM NUMBERS NOT APPLICABLE

- ITEM NOT ILLUSTRATED

38-32-03-11

38-32-03
FIG. 11
PAGE 6
MAY 20/09

BRI



757

PARTS CATALOG (MAINTENANCE)

FIG ITEM	PART NUMBER	1 2 3 4 5 6 7	NOMENCLATURE	EFFECT FROM TO	UNITS PER ASSY
R R R R R R R R R R	11				
	410	18-5613	...SEAL-TEFLON SUPPLIER CODE: V96736	107107 904949	1
	415	MS29513-023	...PACKING	107107 904949	1
	420	18-8012	...BALL- SUPPLIER CODE: V96736	107107 904949	1
	425	18-8013	...SHAFT- SUPPLIER CODE: V96736	107107 904949	1
	430	18-5618	...WASHER-THRUST SUPPLIER CODE: V96736	107107 904949	1
	435	MS29513-012	...PACKING	107107 904949	1
	440	18-5627	...SEAL-TEFLON SUPPLIER CODE: V96736	107107 904949	1
	445	18-8010	...BODY-VALVE SUPPLIER CODE: V96736	107107 904949	1
	MISSING ITEM NUMBERS NOT APPLICABLE				

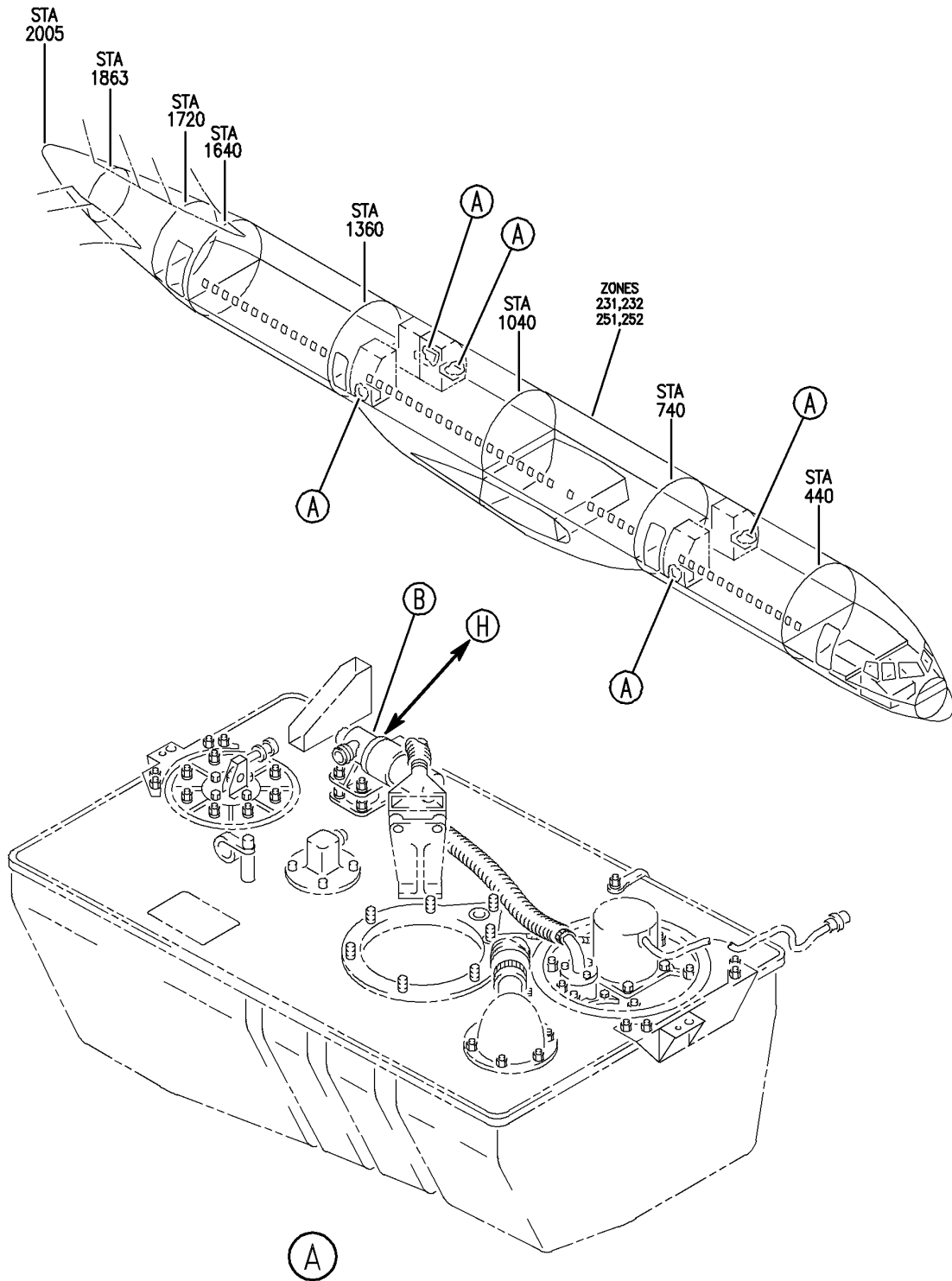
- ITEM NOT ILLUSTRATED

38-32-03-11

38-32-03
FIG. 11
PAGE 8
MAY 20/09

BRI

BOEING
757
PARTS CATALOG (MAINTENANCE)



Y 38320312 SHT 1 REV 225

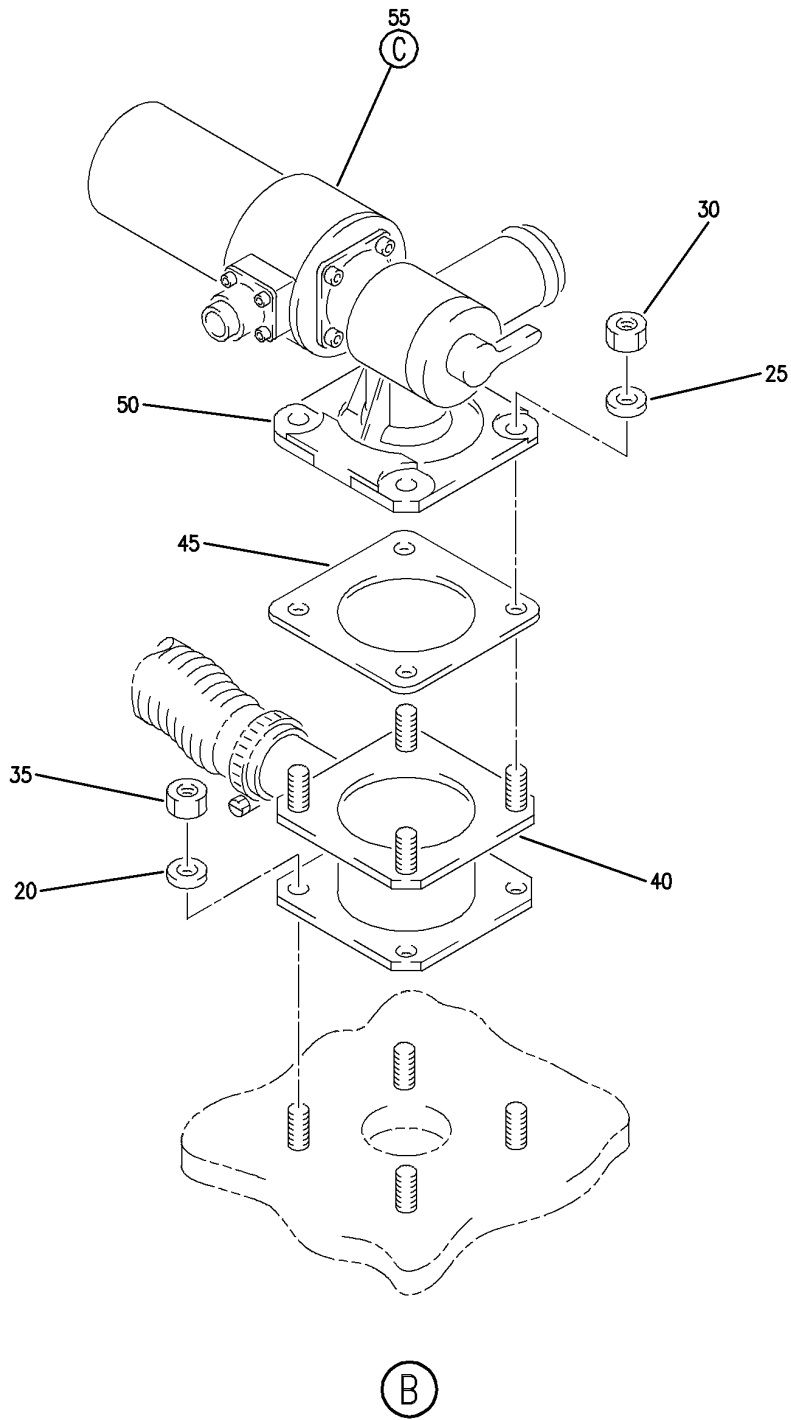
TOILET ASSY-FLUSHING (RINSE/FILL LINE SHUTOFF VALVE ONLY)
FIGURE 12 (SHEET 1)

38-32-03-12

BRI
MAY 28/07

38-32-03-12
PAGE 0

BOEING
757
PARTS CATALOG (MAINTENANCE)



Y 38320312 SHT 2 REV 225

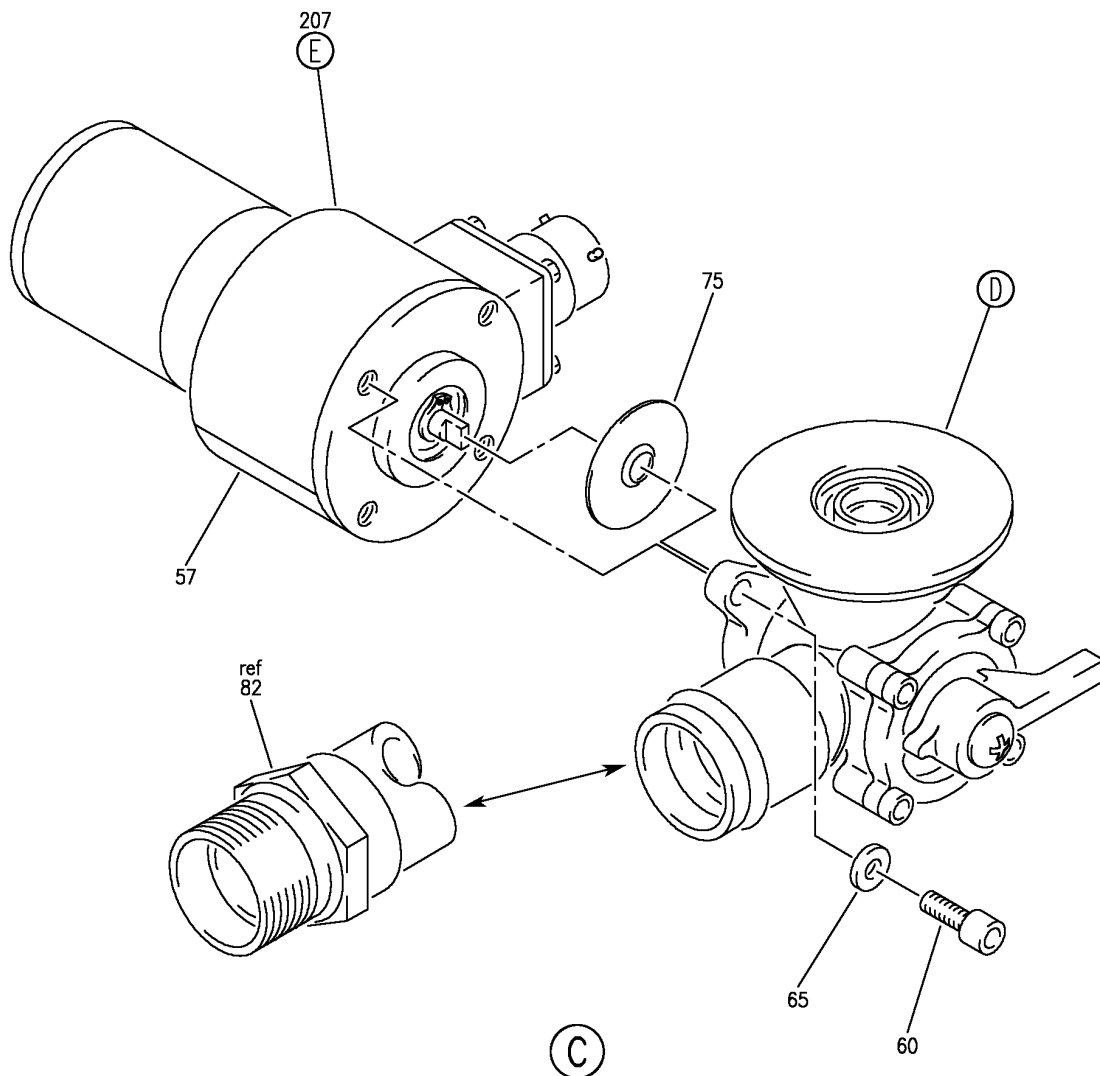
TOILET ASSY-FLUSHING (RINSE/FILL LINE SHUTOFF VALVE ONLY)
FIGURE 12 (SHEET 2)

38-32-03-12

BRI
MAY 28/07

38-32-03-12
PAGE 0A

BOEING
757
PARTS CATALOG (MAINTENANCE)



Y 38320312 SH1 3 REV 335

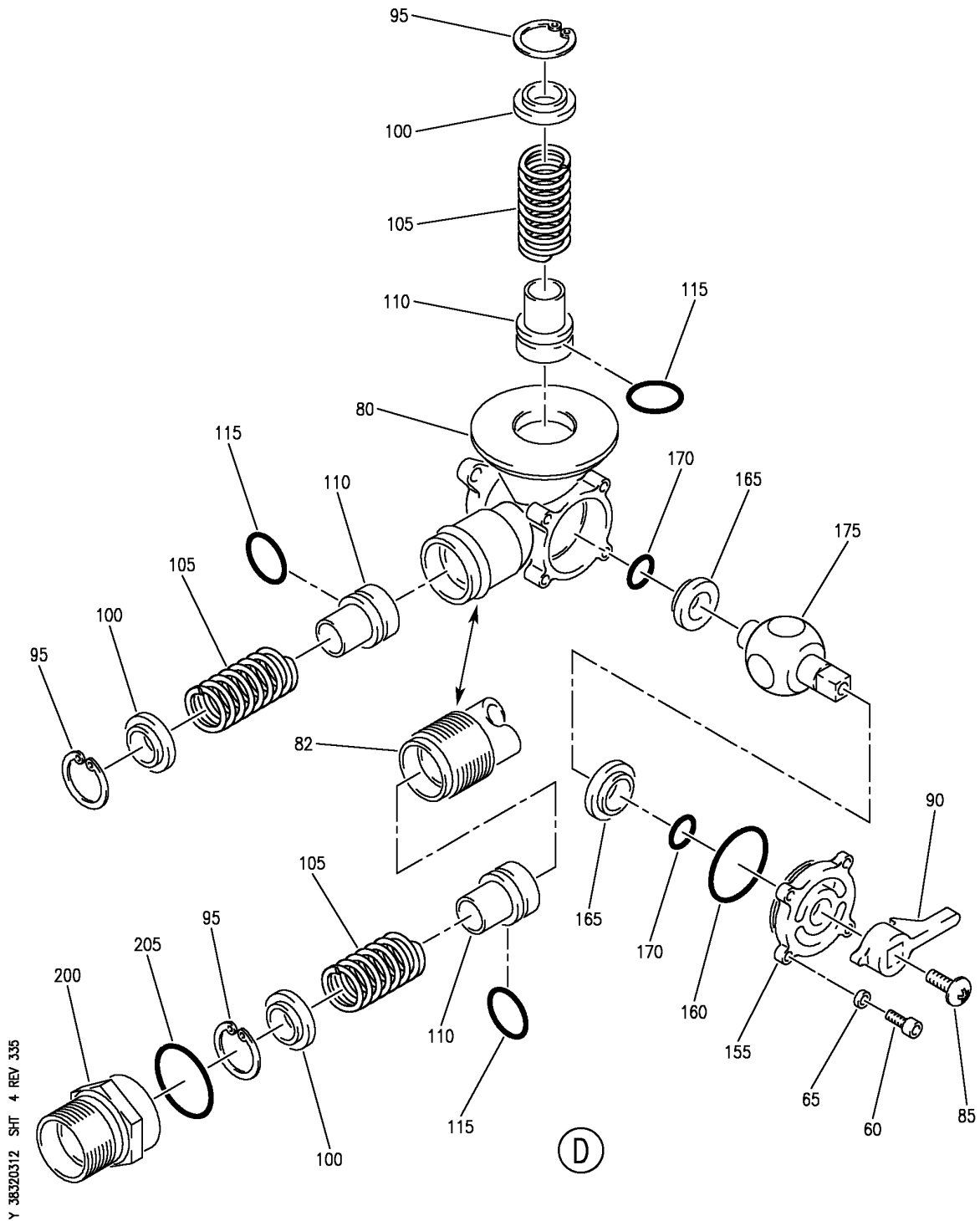
TOILET ASSY-FLUSHING (RINSE/FILL LINE SHUTOFF VALVE ONLY)
FIGURE 12 (SHEET 3)

38-32-03-12

BRI
MAY 20/09

38-32-03-12
PAGE 0B

BOEING
757
PARTS CATALOG (MAINTENANCE)



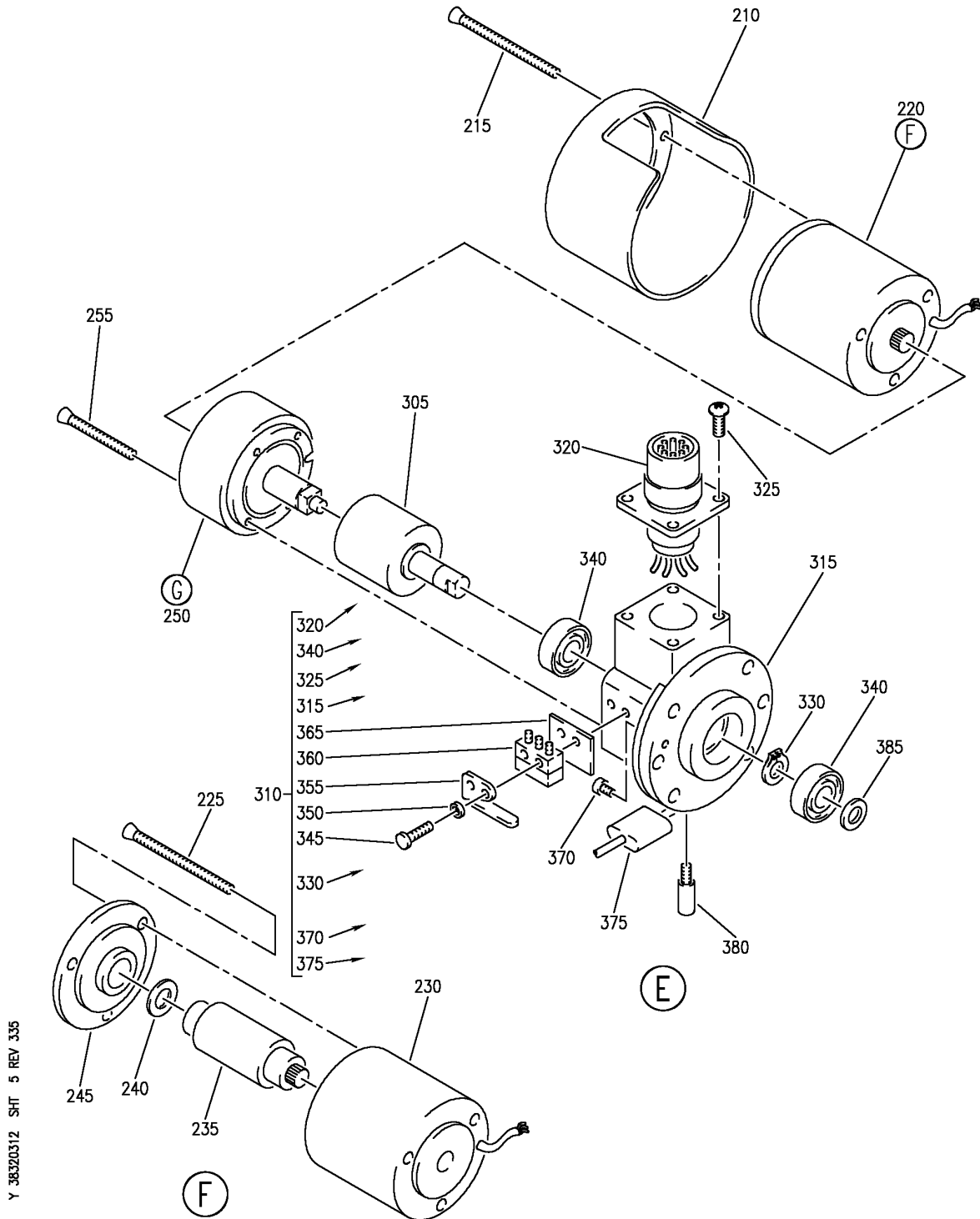
TOILET ASSY-FLUSHING (RINSE/FILL LINE SHUTOFF VALVE ONLY)
FIGURE 12 (SHEET 4)

38-32-03-12

BRI
MAY 20/09

38-32-03-12
PAGE 0C

BOEING
757
PARTS CATALOG (MAINTENANCE)



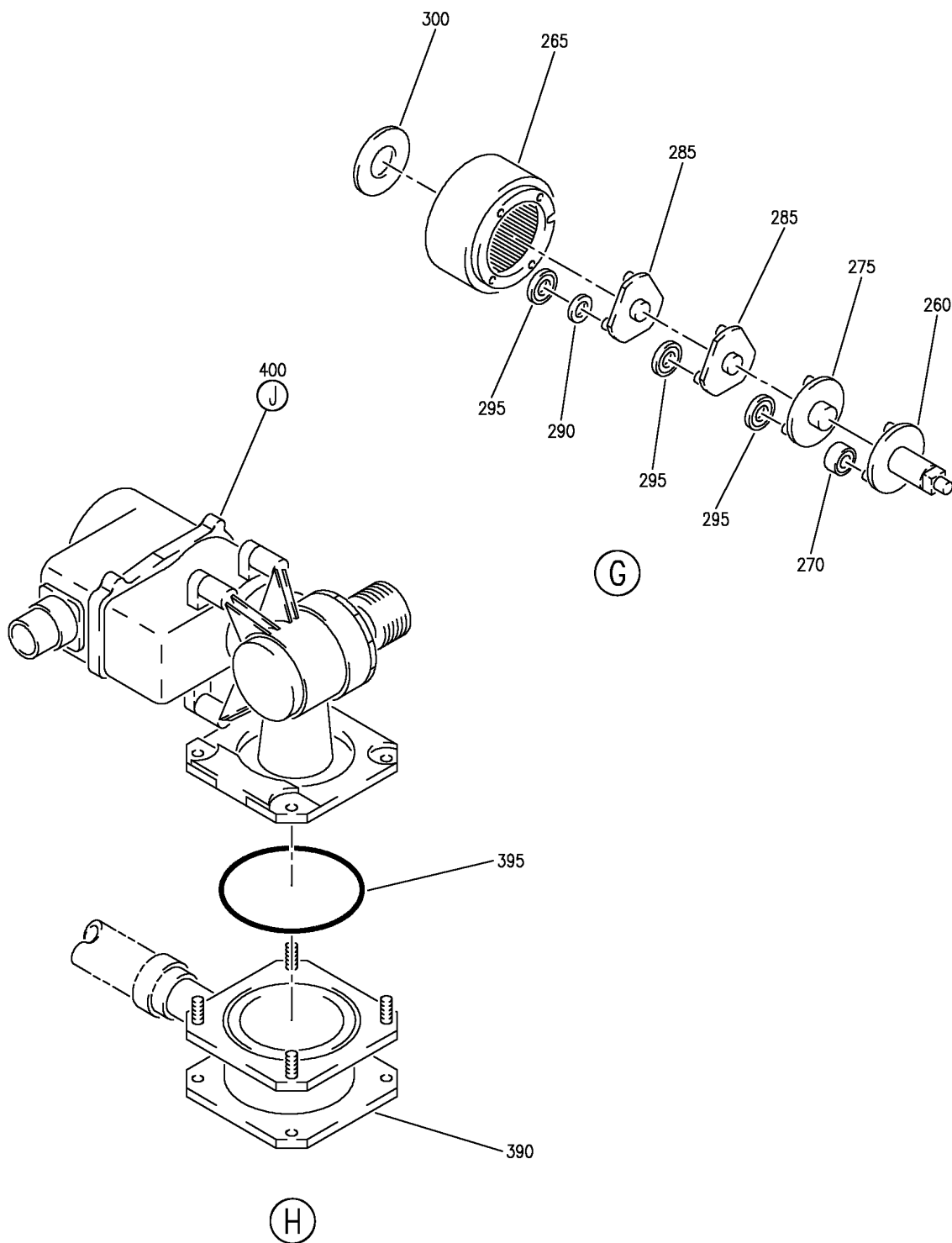
TOILET ASSY-FLUSHING (RINSE/FILL LINE SHUTOFF VALVE ONLY)
FIGURE 12 (SHEET 5)

38-32-03-12

BRI
MAY 20/09

38-32-03-12
PAGE 0D

BOEING
757
PARTS CATALOG (MAINTENANCE)



Y 38320312 SH-T 6 REV 335

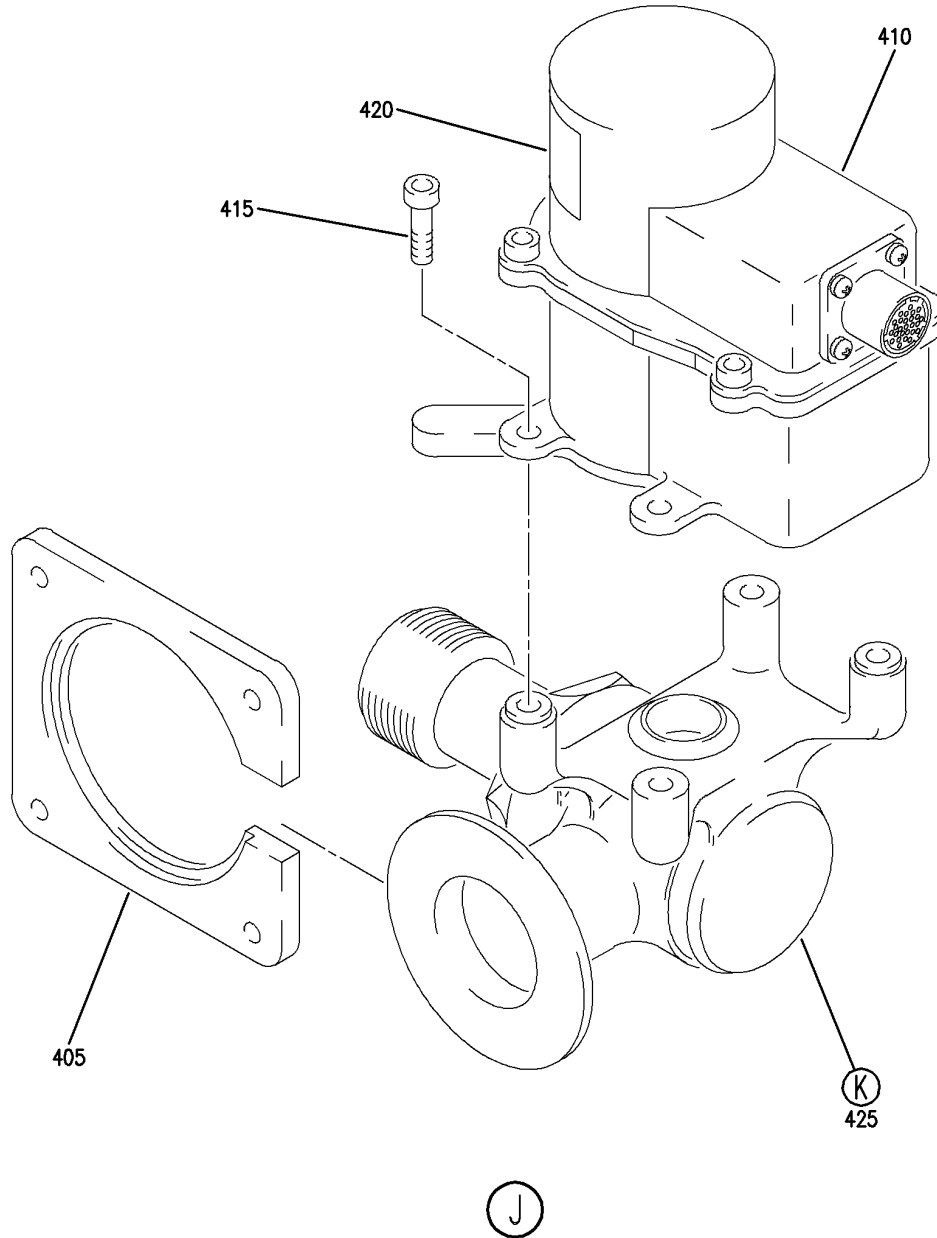
TOILET ASSY-FLUSHING (RINSE/FILL LINE SHUTOFF VALVE ONLY)
FIGURE 12 (SHEET 6)

38-32-03-12

BRI
MAY 20/09

38-32-03-12
PAGE 0E

BOEING
757
PARTS CATALOG (MAINTENANCE)



Y 38320312 SHT 7 REV 225

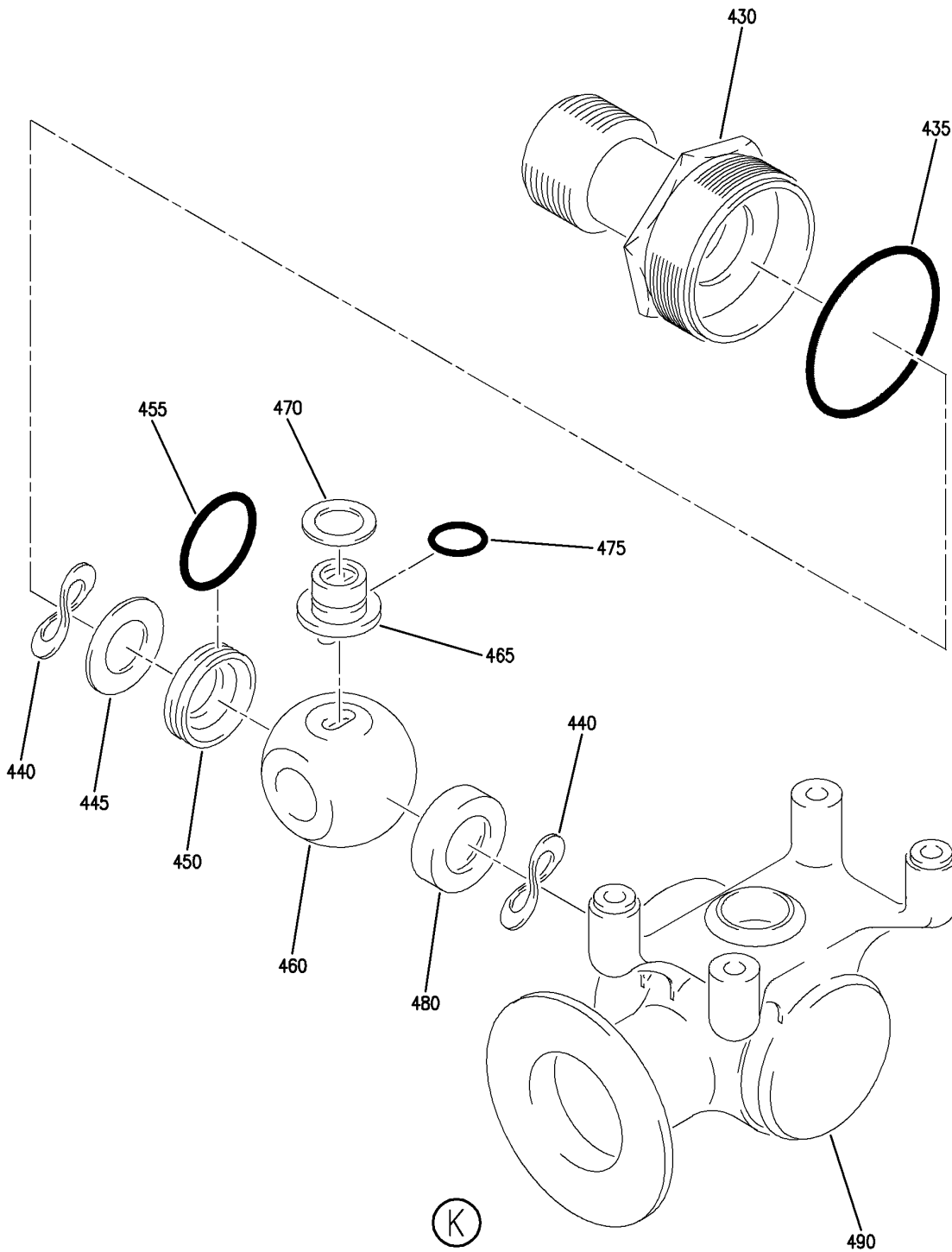
TOILET ASSY-FLUSHING (RINSE/FILL LINE SHUTOFF VALVE ONLY)
FIGURE 12 (SHEET 7)

38-32-03-12

BRI
MAY 28/07

38-32-03-12
PAGE OF

BOEING
757
PARTS CATALOG (MAINTENANCE)



Y 38320312 SHT 8 REV 225

TOILET ASSY-FLUSHING (RINSE/FILL LINE SHUTOFF VALVE ONLY)
FIGURE 12 (SHEET 8)

38-32-03-12

BRI
MAY 28/07

38-32-03-12
PAGE 06

BOEING
757
PARTS CATALOG (MAINTENANCE)

FIG ITEM	PART NUMBER	1 2 3 4 5 6 7	NOMENCLATURE	EFFECT FROM TO	UNITS PER ASSY	
R R R R R R R R R R R R	12 45	4811-209	.GASKET- SUPPLIER CODE: V29780 CONFIG CHG DATA FROM A CMM: REPLD BY 4811-412 USED WITH: 16202-003-1 400300-1 400300-2	002004 006102 107999	1	
	45	4811-412	.GASKET- SUPPLIER CODE: V29780 CONFIG CHG DATA FROM A CMM: REPLS 4811-209 USED WITH: 18-8000-2	002004 006102 107999	1	
	50	4812-161	.BRACE-MTG PLATE SUPPLIER CODE: V76599	002004 006102 107999	1	
	55	400300-1	.VALVE ASSY- SUPPLIER CODE: V80477 CONFIG CHG DATA FROM A CMM: REPLD BY 400300-2 COMPONENT MAINT MANUAL REF: 38-30-01	002004 006102 107999	1	
	55	400300-2	.VALVE ASSY- SUPPLIER CODE: V80477 SPECIFICATION NUMBER: 60B50341-2 CONFIG CHG DATA FROM A CMM: REPLS 400300-1 COMPONENT MAINT MANUAL REF: 38-30-01 OPTIONAL PART: 18-8000-2 V96736	002004 006102 107999	1	
	57	400597-1	..NAMEPLATE- SUPPLIER CODE: V27045 USED ON: 400300-1	002004 006102 107999	1	
	57	400597-2	..NAMEPLATE- SUPPLIER CODE: V27045 USED ON: 400300-2	002004 006102 107999	1	
	MISSING ITEM NUMBERS NOT APPLICABLE					

— ITEM NOT ILLUSTRATED

38-32-03-12

38-32-03
FIG. 12
PAGE 3
MAY 20/09

BRI

 **BOEING**
757
PARTS CATALOG (MAINTENANCE)

FIG ITEM	PART NUMBER	1 2 3 4 5 6 7	NOMENCLATURE	EFFECT FROM TO	UNITS PER ASSY
12					
R	60	10100CB0808	.. SCREW-CAP SUPPLIER CODE: V80477	002004 006102 107999	8
R	65	10700B082	.. WASHER- SUPPLIER CODE: V80477	002004 006102 107999	8
R	75	400464-3	.. SEAL- SUPPLIER CODE: V80477	002004 006102 107999	1
R	80	400567	.. BODY- SUPPLIER CODE: V27045 USED ON: 400300-1	002004 006102 107999	1
R	82	400708	.. BODY- SUPPLIER CODE: V27045 USED ON: 400300-2	002004 006102 107999	1
R	85	10108CB0804	.. SCREW-TRUSS HEAD SUPPLIER CODE: V27045	002004 006102 107999	1
R	90	400573	.. HANDLE- SUPPLIER CODE: V27045	002004 006102 107999	1
R	95	11310-81SP	.. RETAINER-RING SUPPLIER CODE: V27045	002004 006102 107999	2
R	100	400584	.. RETAINER-SPR SUPPLIER CODE: V27045	002004 006102 107999	2
R	105	400579	.. SPRING- SUPPLIER CODE: V27045	002004 006102 107999	2
R	110	400582	.. SEAT- SUPPLIER CODE: V27045	002004 006102 107999	2
R	115	10005-016	.. SEAL- SUPPLIER CODE: V27045	002004 006102 107999	2
R	155	400575	.. CAP- SUPPLIER CODE: V27045	002004 006102 107999	1
R	160	10002-023	.. SEAL- SUPPLIER CODE: V27045	002004 006102 107999	1
R	165	400578	.. BUSHING- SUPPLIER CODE: V27045	002004 006102 107999	2

MISSING ITEM NUMBERS NOT APPLICABLE

— ITEM NOT ILLUSTRATED

38-32-03-12

38-32-03
FIG. 12
PAGE 4
MAY 20/09

BRI

BOEING
757
PARTS CATALOG (MAINTENANCE)

FIG ITEM	PART NUMBER	1 2 3 4 5 6 7	NOMENCLATURE	EFFECT FROM TO	UNITS PER ASSY
R	12				
R	170	10002-012	..SEAL- SUPPLIER CODE: V27045	002004 006102 107999	2
R	175	400569	..ROTOR- SUPPLIER CODE: V27045	002004 006102 107999	1
R	195	400576	..PLATE-MTG SUPPLIER CODE: V27045	002004 006102 107999	1
R	200	400712	..ADAPTER- SUPPLIER CODE: V27045 USED ON: 400300-2	002004 006102 107999	1
R	205	10002-021	..SEAL- SUPPLIER CODE: V27045 USED ON: 400300-2	002004 006102 107999	1
R	207	400574	..ACTUATOR-MOTOR SUPPLIER CODE: V80477	002004 006102 107999	1
R	210	400802	...COVER- SUPPLIER CODE: V27045 ATTACHING PARTS	002004 006102 107999	1
R	215	10104CA0420	...SCREW-FILLISTER HEAD SUPPLIER CODE: V27045 -----*-----	002004 006102 107999	2
R	220	400807	...ACTUATOR ASSY- SUPPLIER CODE: V27045	002004 006102 107999	1
R	225	10104CB0228SCREW-FLAT HEAD SUPPLIER CODE: V27045	002004 006102 107999	3
R	230	400743-1HOUSING AND STATOR ASSY SUPPLIER CODE: V27045	002004 006102 107999	1
R	235	400743-4ROTOR ASSY- SUPPLIER CODE: V27045	002004 006102 107999	1
R	240	400743-3WASHER- SUPPLIER CODE: V27045	002004 006102 107999	1
R	245	400743-2COVER- SUPPLIER CODE: V27045	002004 006102 107999	1

MISSING ITEM NUMBERS NOT APPLICABLE

— ITEM NOT ILLUSTRATED

BRI

38-32-03-12

BOEING PROPRIETARY - Copyright © - Unpublished Work - See title page for details.

38-32-03
FIG. 12
PAGE 5
MAY 20/09



757

PARTS CATALOG (MAINTENANCE)

FIG ITEM	PART NUMBER	1 2 3 4 5 6 7	NOMENCLATURE	EFFECT FROM TO	UNITS PER ASSY
R R R	12 250 400806		...GEAR ASSY- SUPPLIER CODE: V27045 ATTACHING PARTS	002004 006102 107999	1
R R R	255 10104CB0216		...SCREW-FLAT HEAD SUPPLIER CODE: V27045 -----*-----	002004 006102 107999	4
R R R R	260 400744-1	PLATE- SUPPLIER CODE: V27045	002004 006102 107999	1
R R R R	265 400744-2	GEAR-RING SUPPLIER CODE: V27045	002004 006102 107999	1
R R R R	270 400744-3	GEAR-PLANET SUPPLIER CODE: V27045	002004 006102 107999	3
R R R R	275 400744-4	PLATE-CARRIER SUPPLIER CODE: V27045	002004 006102 107999	1
R R R R	285 400744-6	PLATE-CARRIER SUPPLIER CODE: V27045	002004 006102 107999	2
R R R R	290 400744-9	WASHER- SUPPLIER CODE: V27045	002004 006102 107999	3
R R R R	295 400744-8	GEAR-PLANET SUPPLIER CODE: V27045	002004 006102 107999	9
R R R R	300 400744-7	SHIM-WASHER SUPPLIER CODE: V27045	002004 006102 107999	1
R R R R	305 400805		...SHAFT-CLUTCH OUTPUT SUPPLIER CODE: V27045	002004 006102 107999	1
R R R R	310 400803		...BRACKET ASSY- SUPPLIER CODE: V27045	002004 006102 107999	1
R R R R	315 400747-2	BRACKET- SUPPLIER CODE: V27045	002004 006102 107999	1
R R R R	320 400747-1	CONNECTOR- SUPPLIER CODE: V27045 ATTACHING PARTS	002004 006102 107999	1
R R R	325 10106CB0404	SCREW-FILLISTER HEAD SUPPLIER CODE: V27045 -----*-----	002004 006102 107999	4

MISSING ITEM NUMBERS NOT APPLICABLE

- ITEM NOT ILLUSTRATED

38-32-03-12

38-32-03
FIG. 12
PAGE 6
MAY 20/09

BRI

BOEING PROPRIETARY - Copyright © - Unpublished Work - See title page for details.



757

PARTS CATALOG (MAINTENANCE)

FIG ITEM	PART NUMBER	1 2 3 4 5 6 7	NOMENCLATURE	EFFECT FROM TO	UNITS PER ASSY
R	12				
R	330	MS16625-1062RING-RETAINING	002004	1
R			SB DATA FROM A CMM:	006102	
R			POST 400300-38-01	107999	
R	340	400747-10BEARING-	002004	2
R			SUPPLIER CODE:	006102	
R			V27045	107999	
R	345	10109CB0207SCREW-PAN HEAD	002004	4
R			SUPPLIER CODE:	006102	
R			V27045	107999	
R	350	10702B02WASHER-INTERNAL TOOTH	002004	4
R			SUPPLIER CODE:	006102	
R			V27045	107999	
R	355	400747-8MICROSWITCH-ACTR	002004	2
R			SUPPLIER CODE:	006102	
R			V27045	107999	
R	360	400747-7MICROSWITCH-	002004	2
R			SUPPLIER CODE:	006102	
R			V27045	107999	
R	365	400747-9PAD-INSULATOR	002004	2
R			SUPPLIER CODE:	006102	
R			V27045	107999	
R	370	10110CB0203SCREW-PAN HEAD	002004	1
R			SUPPLIER CODE:	006102	
R			V27045	107999	
R	375	400747-14CAPACITOR-0.4 MFD	002004	1
R			SUPPLIER CODE:	006102	
R			V27045	107999	
R	380	400804	...PIN-DRIVE	002004	1
R			SUPPLIER CODE:	006102	
R			V27045	107999	
R	385	400743-3	...WASHER-	002004	1
R			SUPPLIER CODE:	006102	
R			V27045	107999	
R	390	4803-95-5	.ADAPTER-	002004	1
R			SUPPLIER CODE:	006102	
R			V29780	107999	
R	395	2-132N602-70	.PACKING-	002004	1
R			SUPPLIER CODE:	006102	
R			V02697	107999	
R			USED WITH:		
R			4803-95-5		
R			18-8000-2		

MISSING ITEM NUMBERS NOT APPLICABLE

- ITEM NOT ILLUSTRATED

38-32-03-12

38-32-03
FIG. 12
PAGE 7
MAY 20/09

BRI



757

PARTS CATALOG (MAINTENANCE)

FIG ITEM	PART NUMBER	1 2 3 4 5 6 7	NOMENCLATURE	EFFECT FROM TO	UNITS PER ASSY	
R R R R R R R R R R R R R R R R	12					
	460	18-8012	...	BALL- SUPPLIER CODE: V96736	002004 006102 107999	1
	465	18-8013	...	SHAFT- SUPPLIER CODE: V96736	002004 006102 107999	1
	470	18-5618	...	WASHER-THRUST SUPPLIER CODE: V96736	002004 006102 107999	1
	475	MS29513-012	...	PACKING	002004 006102 107999	1
	480	18-5627	...	SEAL-TEFLON SUPPLIER CODE: V96736	002004 006102 107999	1
	490	18-8010	...	BODY-VALVE SUPPLIER CODE: V96736	002004 006102 107999	1
	MISSING ITEM NUMBERS NOT APPLICABLE					

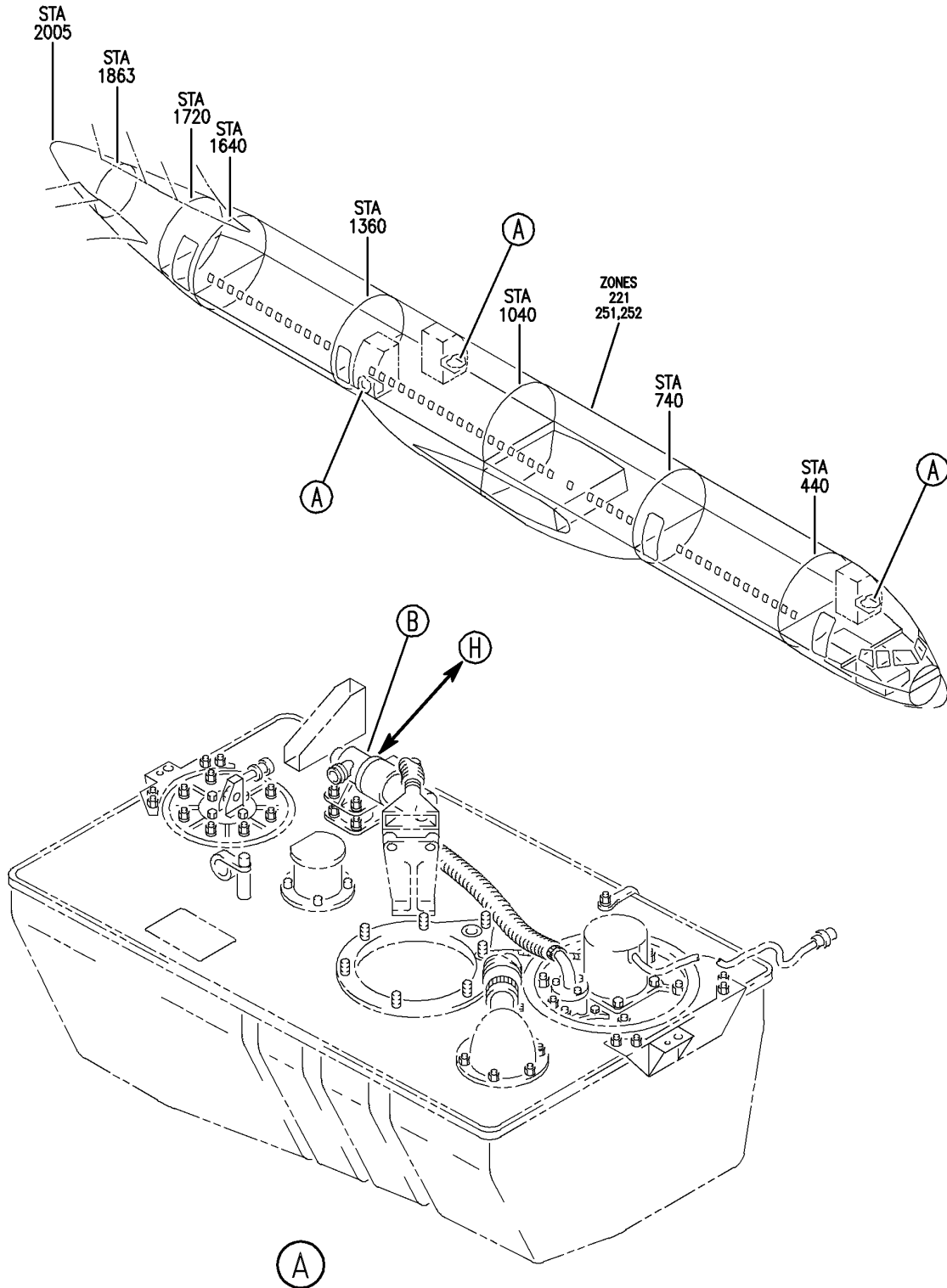
- ITEM NOT ILLUSTRATED

38-32-03-12

38-32-03
FIG. 12
PAGE 9
MAY 20/09

BRI

BOEING
757
PARTS CATALOG (MAINTENANCE)



Y 38320315 SHT 1 REV 224

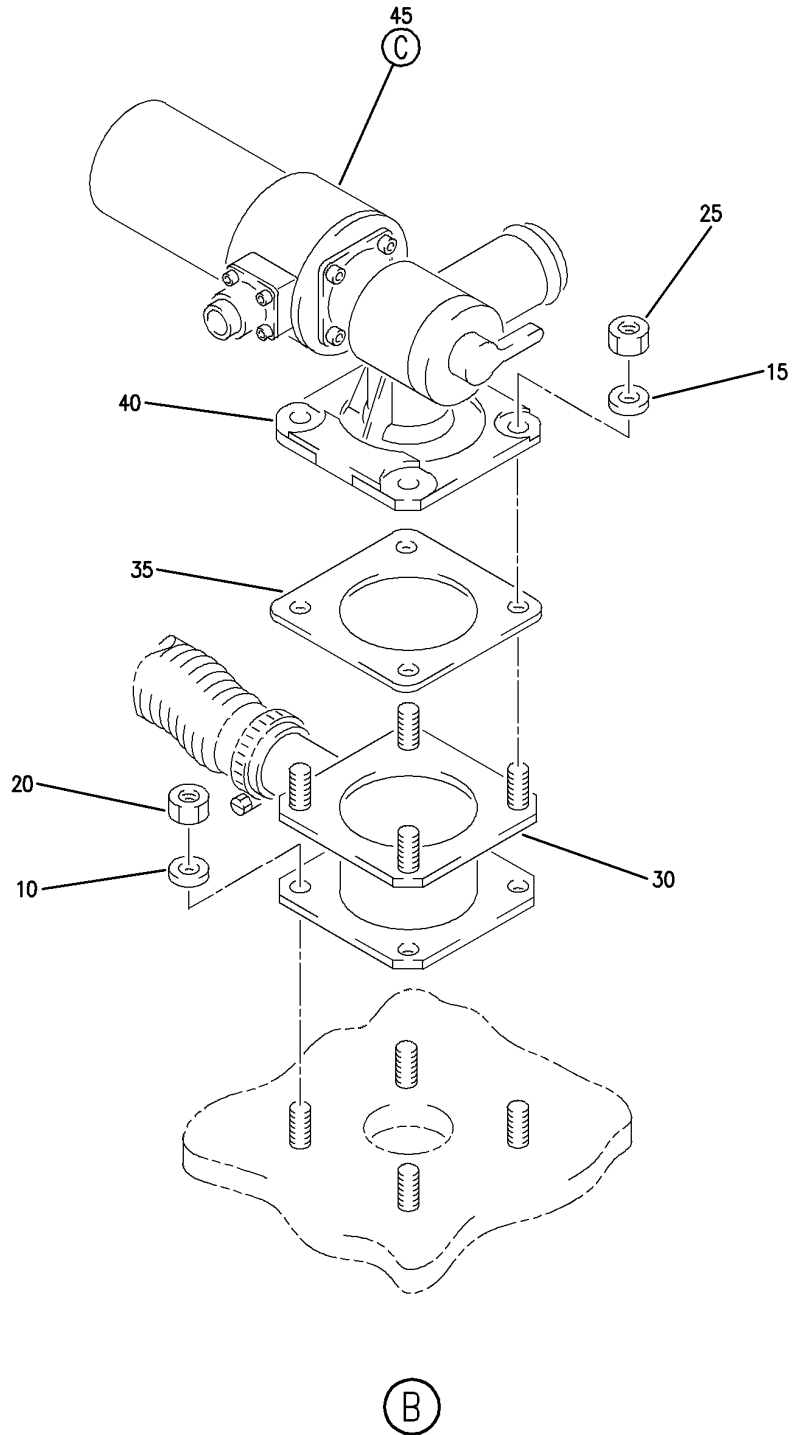
TOILET ASSY-FLUSHING (RINSE/FILL LINE SHUTOFF VALVE ONLY)
FIGURE 15 (SHEET 1)

38-32-03-15

BRI
MAY 28/07

38-32-03-15
PAGE 0

BOEING
757
PARTS CATALOG (MAINTENANCE)



Y 38320315 SHT 2 REV 224

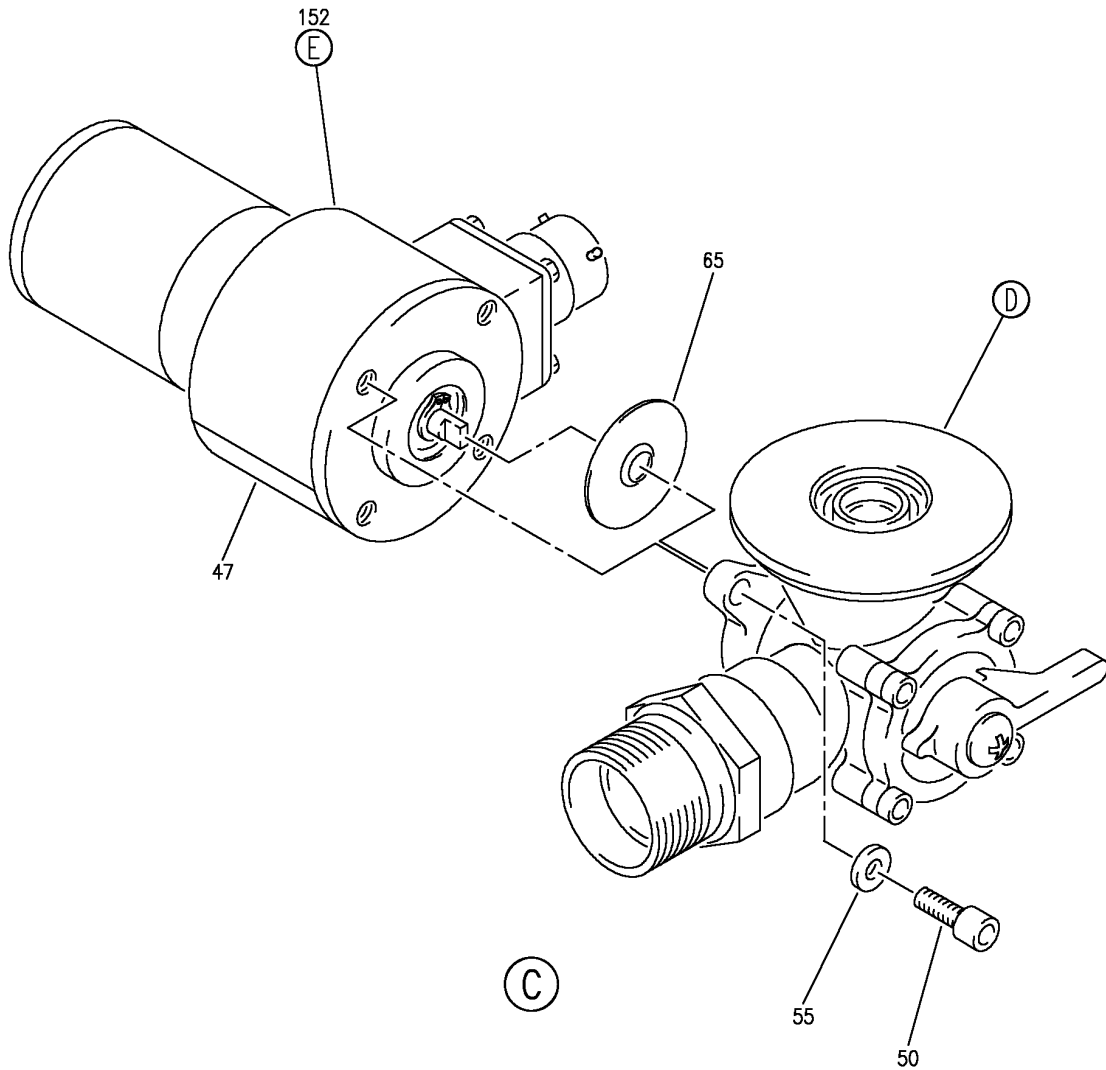
TOILET ASSY-FLUSHING (RINSE/FILL LINE SHUTOFF VALVE ONLY)
FIGURE 15 (SHEET 2)

38-32-03-15

BRI
MAY 28/07

38-32-03-15
PAGE 0A

BOEING
757
PARTS CATALOG (MAINTENANCE)



Y 38320315 SH1 3 REV 335

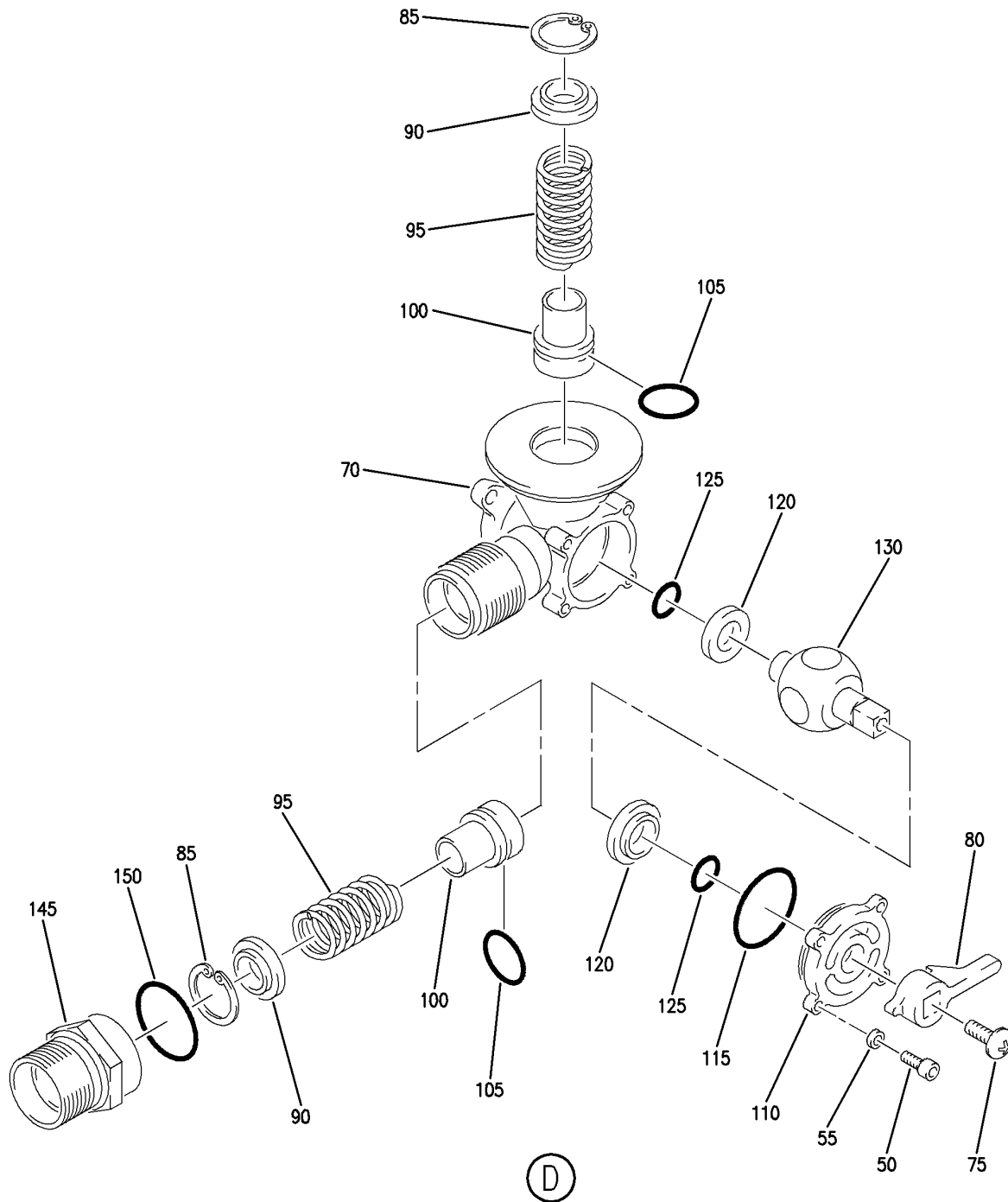
TOILET ASSY-FLUSHING (RINSE/FILL LINE SHUTOFF VALVE ONLY)
FIGURE 15 (SHEET 3)

38-32-03-15

BRI
MAY 20/09

38-32-03-15
PAGE 0B

BOEING
757
PARTS CATALOG (MAINTENANCE)



Y 38320315 SHT 4 REV 224

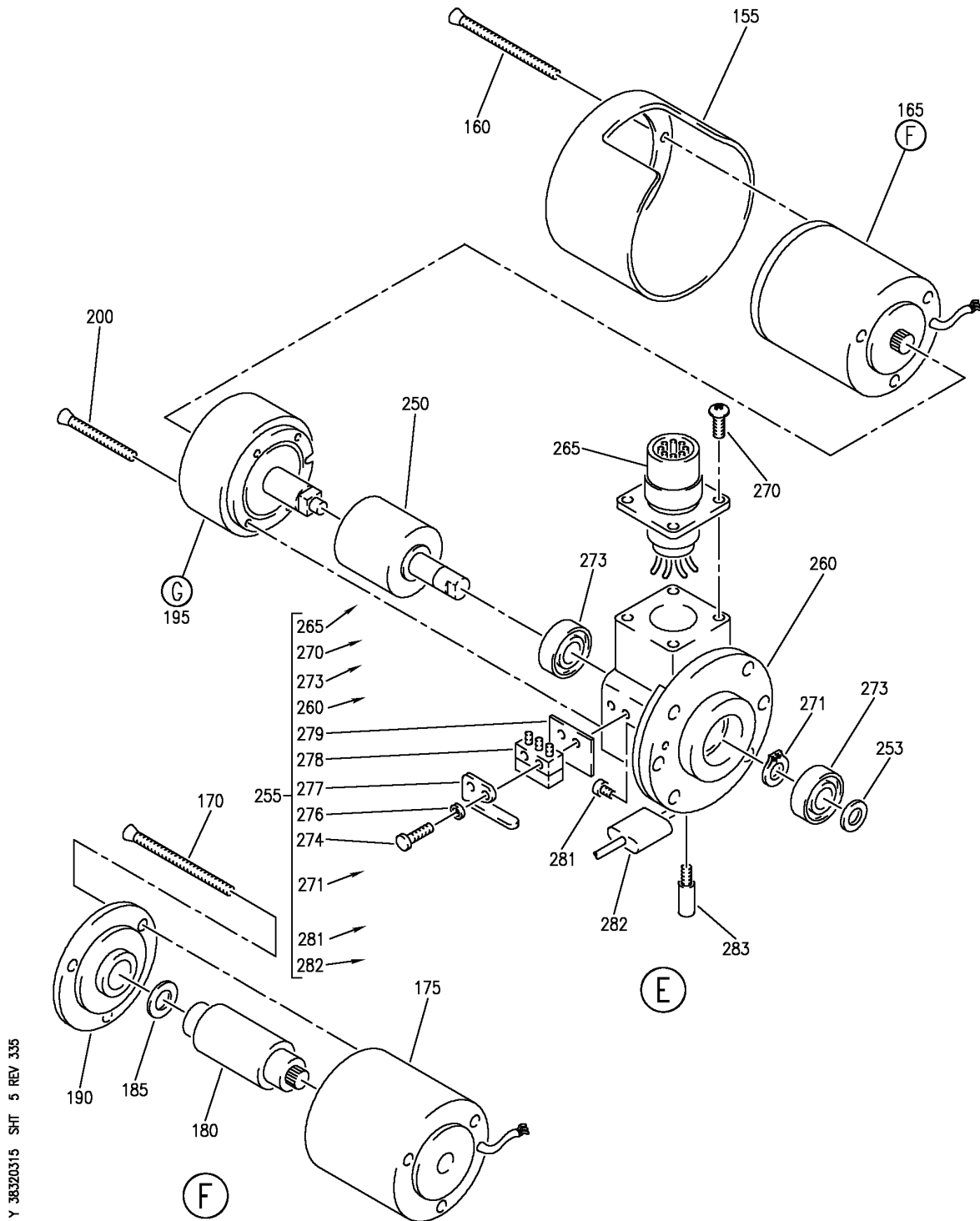
TOILET ASSY-FLUSHING (RINSE/FILL LINE SHUTOFF VALVE ONLY)
FIGURE 15 (SHEET 4)

38-32-03-15

BRI
MAY 28/07

38-32-03-15
PAGE 0C

BOEING
757
PARTS CATALOG (MAINTENANCE)



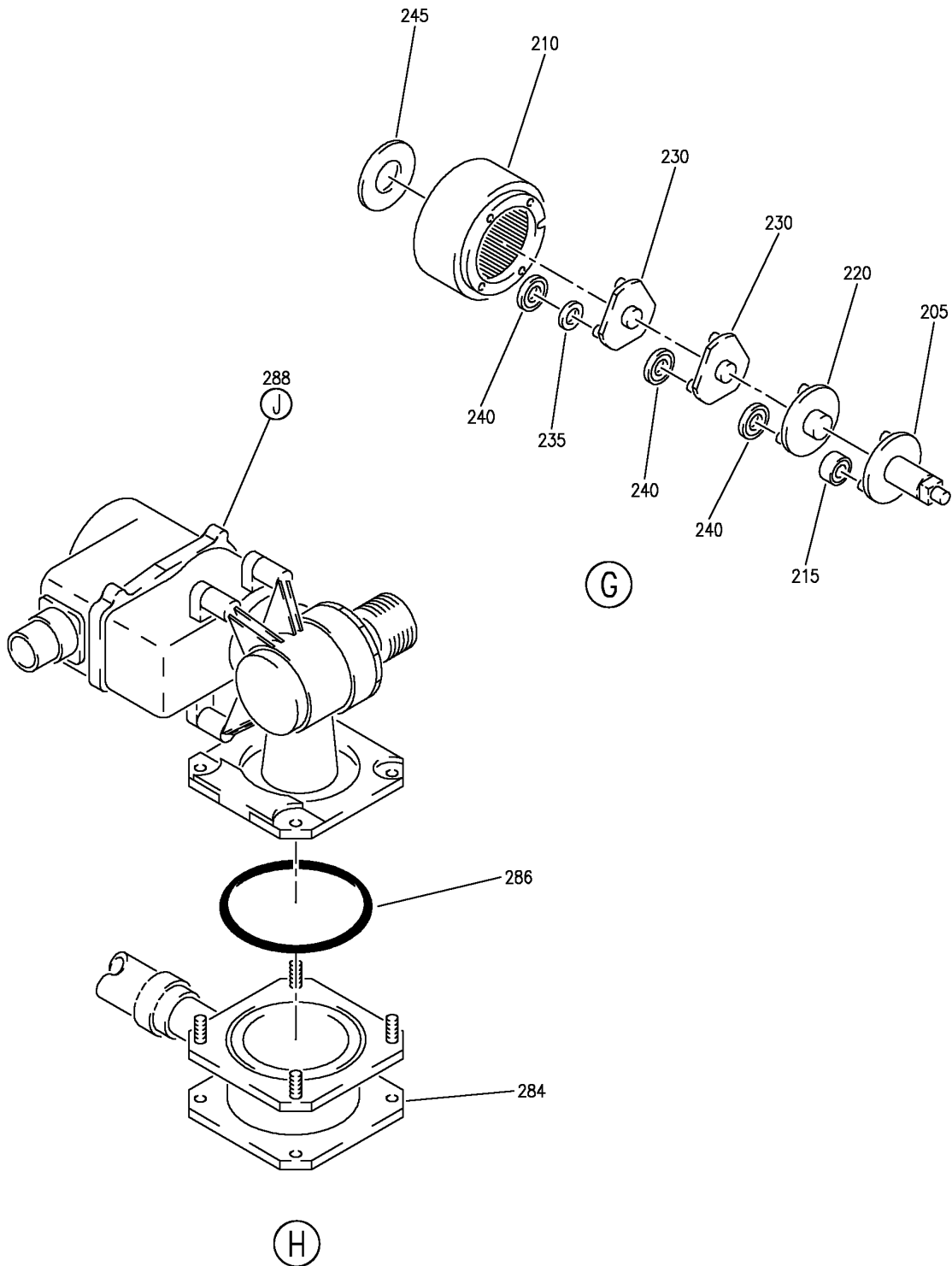
TOILET ASSY-FLUSHING (RINSE/FILL LINE SHUTOFF VALVE ONLY)
FIGURE 15 (SHEET 5)

38-32-03-15

BRI
MAY 20/09

38-32-03-15
PAGE 0D

BOEING
757
PARTS CATALOG (MAINTENANCE)



Y 38320315 SH-T 6 REV 335

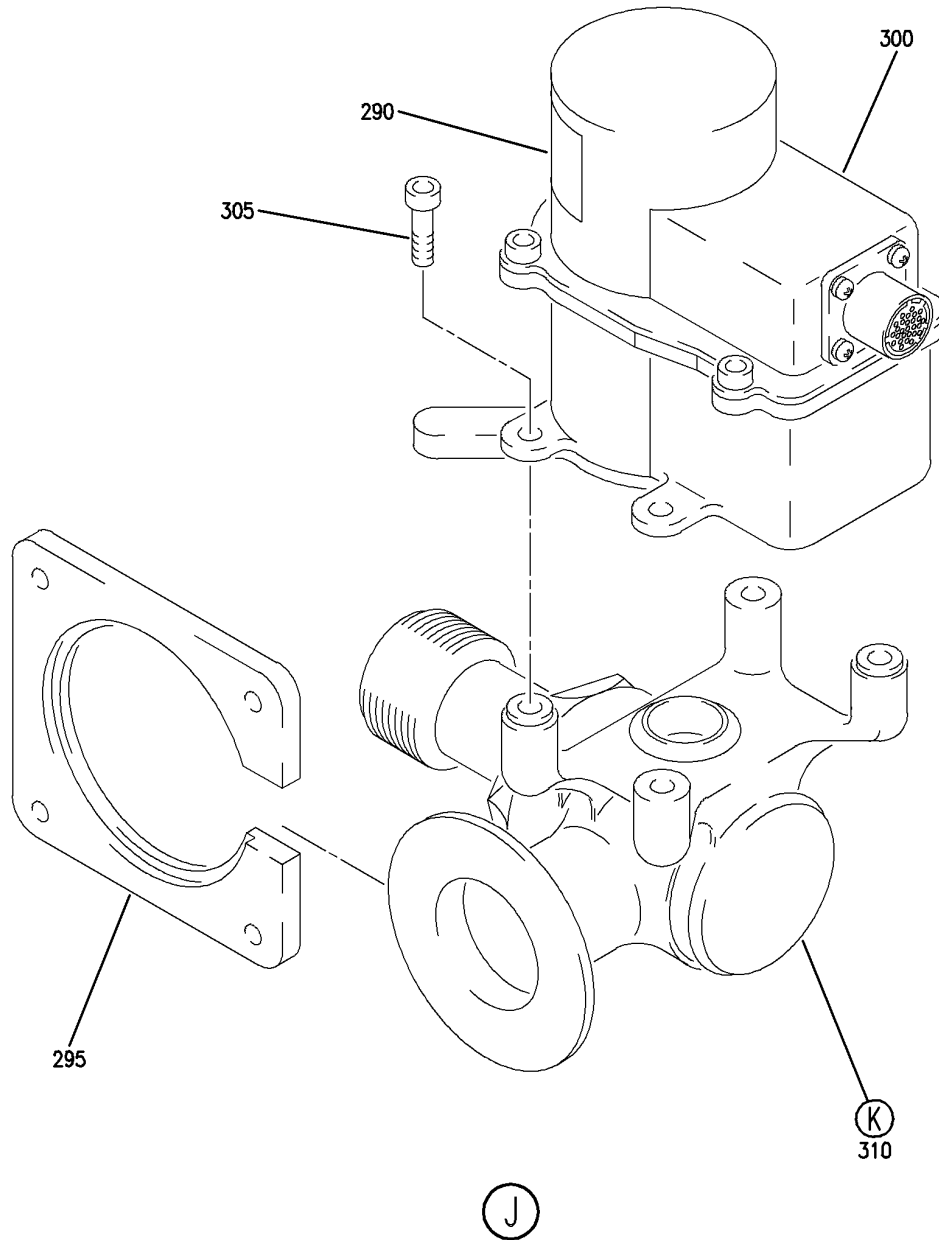
TOILET ASSY-FLUSHING (RINSE/FILL LINE SHUTOFF VALVE ONLY)
FIGURE 15 (SHEET 6)

38-32-03-15

BRI
MAY 20/09

38-32-03-15
PAGE 0E

BOEING
757
PARTS CATALOG (MAINTENANCE)



Y 38320315 SHT 7 REV 224

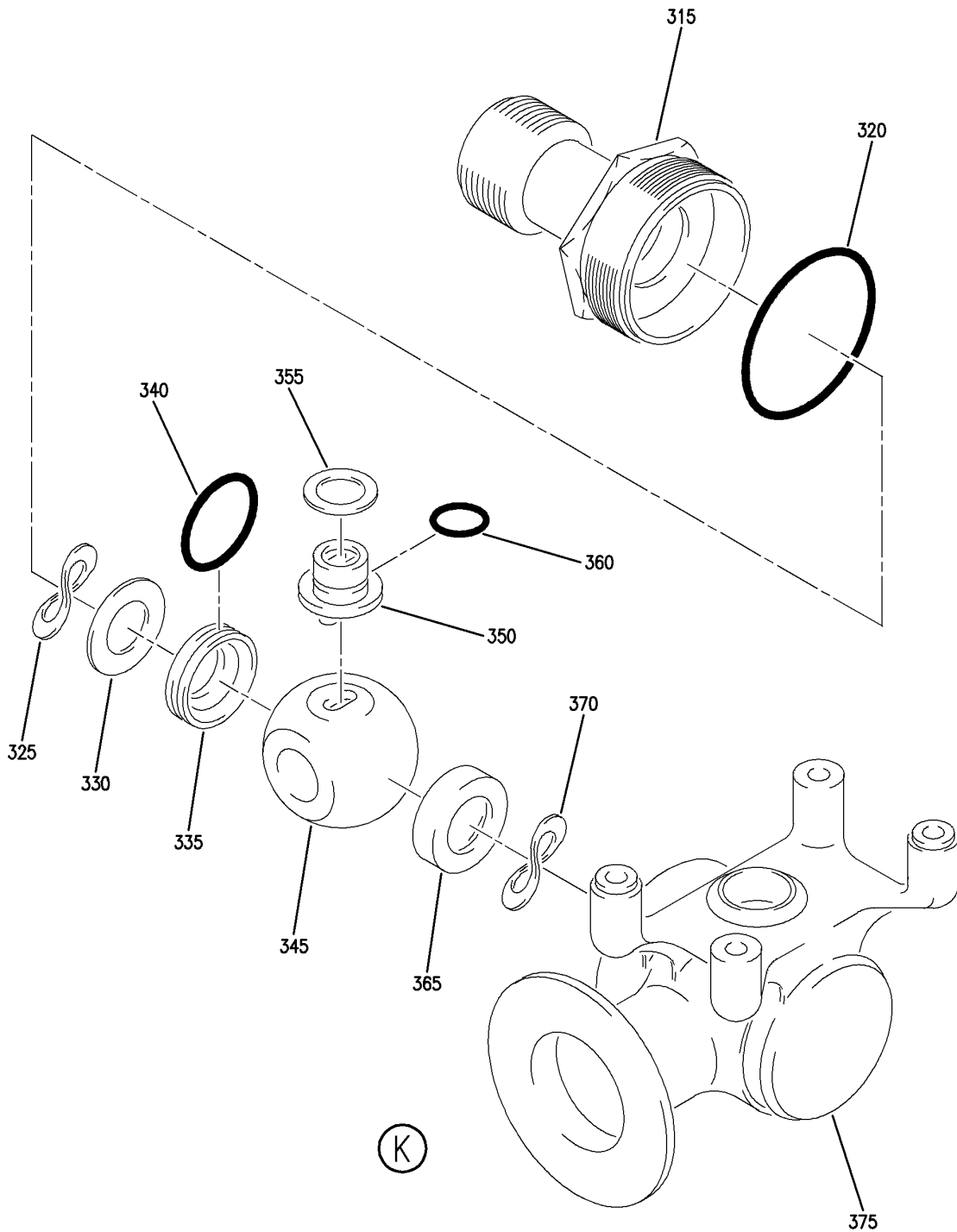
TOILET ASSY-FLUSHING (RINSE/FILL LINE SHUTOFF VALVE ONLY)
FIGURE 15 (SHEET 7)

38-32-03-15

BRI
MAY 28/07

38-32-03-15
PAGE OF

BOEING
757
PARTS CATALOG (MAINTENANCE)



Y 38320315 SHT 8 REV 224

TOILET ASSY-FLUSHING (RINSE/FILL LINE SHUTOFF VALVE ONLY)
FIGURE 15 (SHEET 8)

38-32-03-15

BRI
MAY 28/07

38-32-03-15
PAGE 0G



757

PARTS CATALOG (MAINTENANCE)

FIG ITEM	PART NUMBER	1 2 3 4 5 6 7	NOMENCLATURE	EFFECT FROM TO	UNITS PER ASSY
R R R R R R R R R R R R R R R	15				
	20	NAS679C06M	.NUT	002004 006102 107999	4
	25	NAS679C08M	.NUT	002004 006102 107999	4
	30	16202-036-1	.ADAPTER- SUPPLIER CODE: V29780 OPTIONAL PART: 4803-95-5 V29780 USED WITH: 400300-2	002004 006102 107999	1
	35	4811-412	.GASKET- SUPPLIER CODE: V29780 USED WITH: 400300-2	002004 006102 107999	1
	40	4812-161	.BRACE-MTG PLATE SUPPLIER CODE: V76599 USED WITH: 400300-2	002004 006102 107999	1
	45	400300-2	.VALVE ASSY- SUPPLIER CODE: V80477 SPECIFICATION NUMBER: 60B50341-2 COMPONENT MAINT MANUAL REF: 38-30-01 OPTIONAL PART: 18-8000-2 V96736 USED WITH: 16202-036-1 4811-412 4812-161	002004 006102 107999	1
	47	400597-2	..NAMEPLATE- SUPPLIER CODE: V27045	002004 006102 107999	1
	50	10100CB0808	..SCREW-CAP SUPPLIER CODE: V80477	002004 006102 107999	8
	55	10700B082	..WASHER- SUPPLIER CODE: V80477	002004 006102 107999	8

MISSING ITEM NUMBERS NOT APPLICABLE

- ITEM NOT ILLUSTRATED

38-32-03-15

38-32-03
FIG. 15
PAGE 2
MAY 20/09

BRI



757

PARTS CATALOG (MAINTENANCE)

FIG ITEM	PART NUMBER	1 2 3 4 5 6 7	NOMENCLATURE	EFFECT FROM TO	UNITS PER ASSY
15					
R	65	400464-3	.. SEAL- SUPPLIER CODE: V80477	002004 006102 107999	1
R	70	400708	.. BODY- SUPPLIER CODE: V27045	002004 006102 107999	1
R	75	10108CB0804	.. SCREW-TRUSS HEAD SUPPLIER CODE: V27045	002004 006102 107999	1
R	80	400573	.. HANDLE- SUPPLIER CODE: V27045	002004 006102 107999	1
R	85	11310-81SP	.. RETAINER-RING SUPPLIER CODE: V27045	002004 006102 107999	2
R	90	400584	.. RETAINER-SPRING SUPPLIER CODE: V27045	002004 006102 107999	2
R	95	400579	.. SPRING- SUPPLIER CODE: V27045	002004 006102 107999	2
R	100	400582	.. SEAT- SUPPLIER CODE: V27045	002004 006102 107999	2
R	105	10005-016	.. SEAL- SUPPLIER CODE: V27045	002004 006102 107999	2
R	110	400575	.. CAP- SUPPLIER CODE: V27045	002004 006102 107999	1
R	115	10002-023	.. SEAL- SUPPLIER CODE: V27045	002004 006102 107999	1
R	120	400578	.. BUSHING- SUPPLIER CODE: V27045	002004 006102 107999	2
R	125	10002-012	.. SEAL- SUPPLIER CODE: V27045	002004 006102 107999	2
R	130	400569	.. ROTOR- SUPPLIER CODE: V27045	002004 006102 107999	1
R	- 140	400576	.. PLATE-MTG SUPPLIER CODE: V27045	002004 006102 107999	1
R	145	400712	.. ADAPTER- SUPPLIER CODE: V27045	002004 006102 107999	1

MISSING ITEM NUMBERS NOT APPLICABLE

- ITEM NOT ILLUSTRATED

38-32-03-15

38-32-03
FIG. 15
PAGE 3
MAY 20/09

BRI

BOEING
757
PARTS CATALOG (MAINTENANCE)

FIG ITEM	PART NUMBER	1 2 3 4 5 6 7	NOMENCLATURE	EFFECT FROM TO	UNITS PER ASSY
R	15				
R	150	10002-021	.. SEAL- SUPPLIER CODE: V27045	002004 006102 107999	1
R	152	400574	.. ACTUATOR-MOTOR SUPPLIER CODE: V80477	002004 006102 107999	1
R	155	400802	... COVER- SUPPLIER CODE: V27045	002004 006102 107999	1
R	160	10104CA0420	... SCREW-FILLISTER HEAD SUPPLIER CODE: V27045	002004 006102 107999	2
R	165	400807	... ACTUATOR ASSY-MOTOR SUPPLIER CODE: V27045	002004 006102 107999	1
R	170	10104CB0228 SCREW-FLAT HEAD SUPPLIER CODE: V27045	002004 006102 107999	3
R	175	400743-1 HOUSING AND STATOR ASSY SUPPLIER CODE: V27045	002004 006102 107999	1
R	180	400743-4 ROTOR ASSY- SUPPLIER CODE: V27045	002004 006102 107999	1
R	185	400743-3 WASHER- SUPPLIER CODE: V27045	002004 006102 107999	1
R	190	400743-2 COVER- SUPPLIER CODE: V27045	002004 006102 107999	1
R	195	400806	... GEAR ASSY- SUPPLIER CODE: V27045	002004 006102 107999	1
R	200	10104CB0216	... SCREW-FLAT HEAD SUPPLIER CODE: V27045	002004 006102 107999	4
R	205	400744-1 PLATE-CARRIER SUPPLIER CODE: V27045	002004 006102 107999	1
R	210	400744-2 GEAR-RING SUPPLIER CODE: V27045	002004 006102 107999	1
R	215	400744-3 GEAR-PLANET SUPPLIER CODE: V27045	002004 006102 107999	3

MISSING ITEM NUMBERS NOT APPLICABLE

— ITEM NOT ILLUSTRATED

BRI

38-32-03-15

38-32-03
FIG. 15
PAGE 4
MAY 20/09

BOEING
757
PARTS CATALOG (MAINTENANCE)

FIG ITEM	PART NUMBER	1 2 3 4 5 6 7	NOMENCLATURE	EFFECT FROM TO	UNITS PER ASSY
R	15				
R	220	400744-4PLATE-CARRIER SUPPLIER CODE: V27045	002004 006102 107999	1
R	230	400744-6PLATE-CARRIER SUPPLIER CODE: V27045	002004 006102 107999	2
R	235	400744-9WASHER- SUPPLIER CODE: V27045	002004 006102 107999	3
R	240	400744-8GEAR-PLANET SUPPLIER CODE: V27045	002004 006102 107999	9
R	245	400744-7SHIM-WASHER SUPPLIER CODE: V27045	002004 006102 107999	1
R	250	400805	...SHAFT-CLUTCH OUTPUT SUPPLIER CODE: V27045	002004 006102 107999	1
R	253	400743-3	...WASHER- SUPPLIER CODE: V27045	002004 006102 107999	1
R	255	400803	...BRACKET ASSY- SUPPLIER CODE: V27045	002004 006102 107999	1
R	260	400747-2BRACKET-ACTR SUPPLIER CODE: V27045	002004 006102 107999	1
R	265	400747-1CONNECTOR- SUPPLIER CODE: V27045	002004 006102 107999	1
R	270	10106CB0404SCREW-FILLISTER HEAD SUPPLIER CODE: V27045	002004 006102 107999	4
R	271	MS16625-1062RING-RETAINING SB DATA FROM A CMM: POST 400300-38-01	002004 006102 107999	1
R	273	400747-10BEARING- SUPPLIER CODE: V27045	002004 006102 107999	2
R	274	10109CB0207SCREW-PAN HEAD SUPPLIER CODE: V27045	002004 006102 107999	4
R	276	10702B02WASHER-INTERNAL TOOTH SUPPLIER CODE: V27045	002004 006102 107999	4

MISSING ITEM NUMBERS NOT APPLICABLE

— ITEM NOT ILLUSTRATED

38-32-03-15

38-32-03
FIG. 15
PAGE 5
MAY 20/09

BRI

BOEING PROPRIETARY - Copyright © - Unpublished Work - See title page for details.



757

PARTS CATALOG (MAINTENANCE)

FIG ITEM	PART NUMBER	1 2 3 4 5 6 7	NOMENCLATURE	EFFECT FROM TO	UNITS PER ASSY
R	15				
R	277	400747-8MICROSWITCH-ACTR SUPPLIER CODE: V27045	002004 006102 107999	2
R	278	400747-7MICROSWITCH- SUPPLIER CODE: V27045	002004 006102 107999	2
R	279	400747-9PAD-INSULATOR SUPPLIER CODE: V27045	002004 006102 107999	2
R	281	10110CB0203SCREW-PAN HEAD SUPPLIER CODE: V27045	002004 006102 107999	1
R	282	400747-14CAPACITOR-0.4 MFD SUPPLIER CODE: V27045	002004 006102 107999	1
R	283	400804	...PIN-DRIVE SUPPLIER CODE: V27045	002004 006102 107999	1
R	284	4803-95-5	.ADAPTER- SUPPLIER CODE: V29780 OPTIONAL PART: 16202-036-1 V29780 USED WITH: 18-8000-2	002004 006102 107999	1
R	286	2-132N602-70	.PACKING- SUPPLIER CODE: V02697 USED WITH: 18-8000-2	002004 006102 107999	1
R	288	18-8000-2	.VALVE ASSY- SUPPLIER CODE: V96736 SPECIFICATION NUMBER: 60B50341-2 COMPONENT MAINT MANUAL REF: 38-32-04 OPTIONAL PART: 400300-2 V80477 USED WITH: 4803-95-5 2-132N602-70	002004 006102 107999	1
R	290	18-8079	..PLATE-IDENT SUPPLIER CODE: V96736	002004 006102 107999	1

MISSING ITEM NUMBERS NOT APPLICABLE

- ITEM NOT ILLUSTRATED

38-32-03-15

38-32-03
FIG. 15
PAGE 6
MAY 20/09

BRI



757

PARTS CATALOG (MAINTENANCE)

FIG ITEM	PART NUMBER	1 2 3 4 5 6 7	NOMENCLATURE	EFFECT FROM TO	UNITS PER ASSY
R	15				
R	295	18-8014	.. FLANGE-MTG RING SUPPLIER CODE: V96736	002004 006102 107999	1
R	300	60-1100-1	.. ACTUATOR- SUPPLIER CODE: V96736	002004 006102 107999	1
R	305	NAS1352C08LE8	.. SCREW	002004 006102 107999	4
R	310	18-8001-2	-----*----- .. BODY ASSY-FLOW SUPPLIER CODE: V96736	002004 006102 107999	1
R	315	18-8011	... FITTING-MS33514-12 INLET SUPPLIER CODE: V96736	002004 006102 107999	1
R	320	MS29513-026	... PACKING	002004 006102 107999	1
R	325	18-5624	... WASHER-WAVE SUPPLIER CODE: V96736	002004 006102 107999	1
R	330	18-5634	... SPACER- SUPPLIER CODE: V96736	002004 006102 107999	1
R	335	18-5613	... SEAL-TEFLON SUPPLIER CODE: V96736	002004 006102 107999	1
R	340	MS29513-023	... PACKING	002004 006102 107999	1
R	345	18-8012	... BALL- SUPPLIER CODE: V96736	002004 006102 107999	1
R	350	18-8013	... SHAFT- SUPPLIER CODE: V96736	002004 006102 107999	1
R	355	18-5618	... WASHER-THRUST SUPPLIER CODE: V96736	002004 006102 107999	1
R	360	MS29513-012	... PACKING	002004 006102 107999	1
R	365	18-5627	... SEAL-TEFLON SUPPLIER CODE: V96736	002004 006102 107999	1

MISSING ITEM NUMBERS NOT APPLICABLE

- ITEM NOT ILLUSTRATED

38-32-03-15

38-32-03
FIG. 15
PAGE 7
MAY 20/09

BRI



757

PARTS CATALOG (MAINTENANCE)

FIG ITEM	PART NUMBER	1 2 3 4 5 6 7	NOMENCLATURE	EFFECT FROM TO	UNITS PER ASSY
R R R R R R	15				
	370	18-5624	...WASHER-WAVE SUPPLIER CODE: V96736	002004 006102 107999	1
	375	18-8010	...BODY-VALVE SUPPLIER CODE: V96736	002004 006102 107999	1

MISSING ITEM NUMBERS NOT APPLICABLE

- ITEM NOT ILLUSTRATED

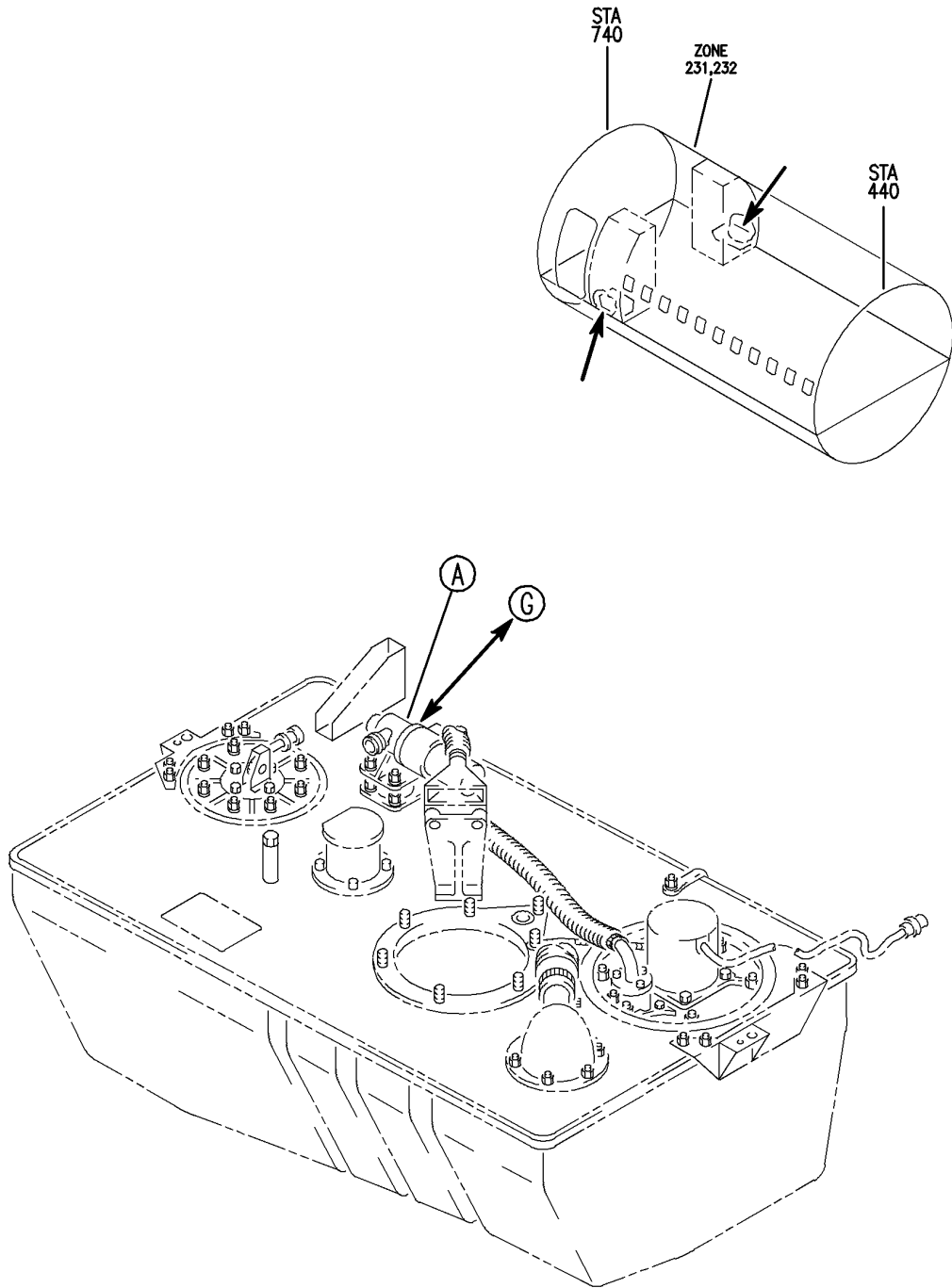
BRI

38-32-03-15

BOEING PROPRIETARY - Copyright © - Unpublished Work - See title page for details.

38-32-03
FIG. 15
PAGE 8
MAY 20/09

BOEING
757
PARTS CATALOG (MAINTENANCE)



Y 38320316 SHT 1 REV 225

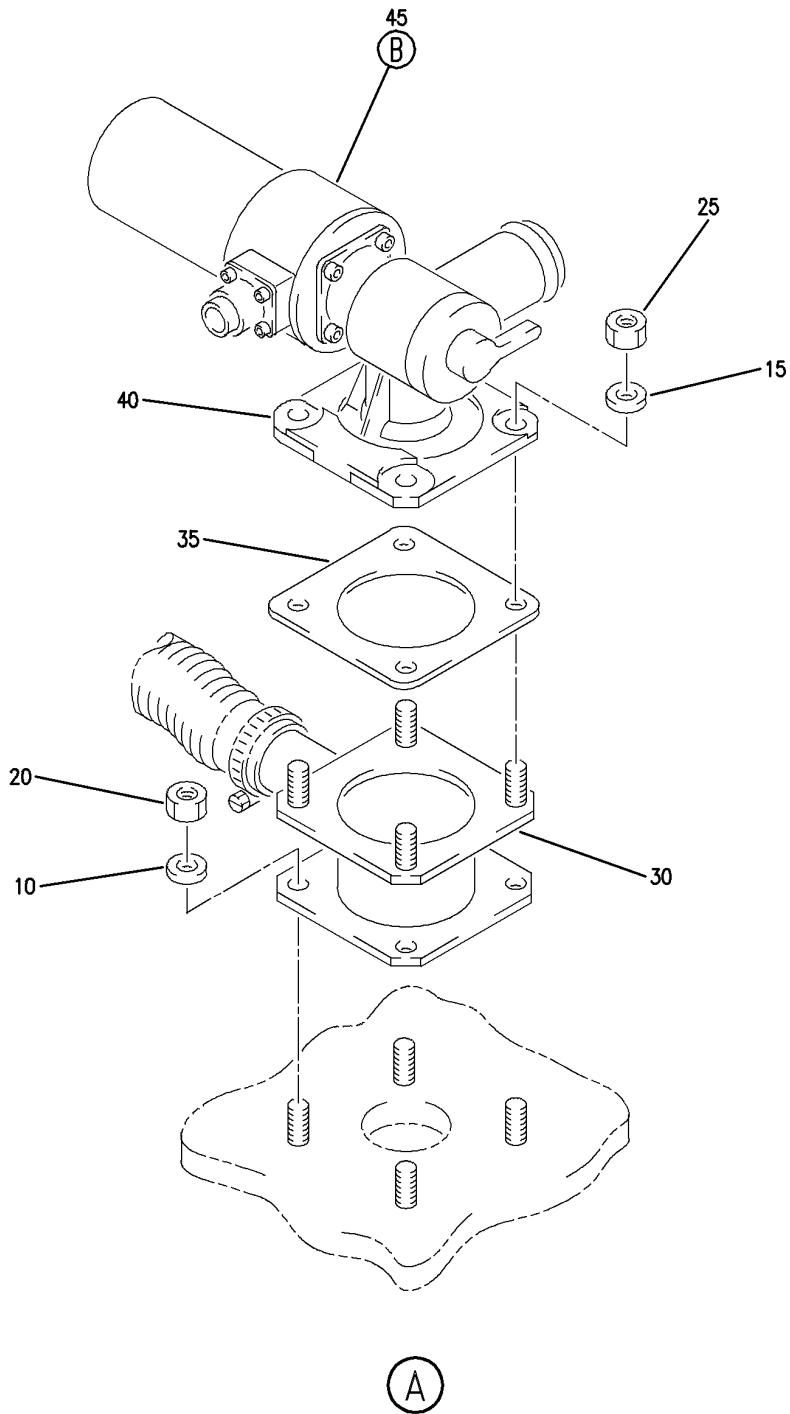
TOILET ASSY-FLUSHING (RINSE/FILL LINE SHUTOFF VALVE ONLY)
FIGURE 16 (SHEET 1)

38-32-03-16

BRI
JAN 20/09

38-32-03-16
PAGE 0

BOEING
757
PARTS CATALOG (MAINTENANCE)



Y 38320316 SHIT 2 REV 225

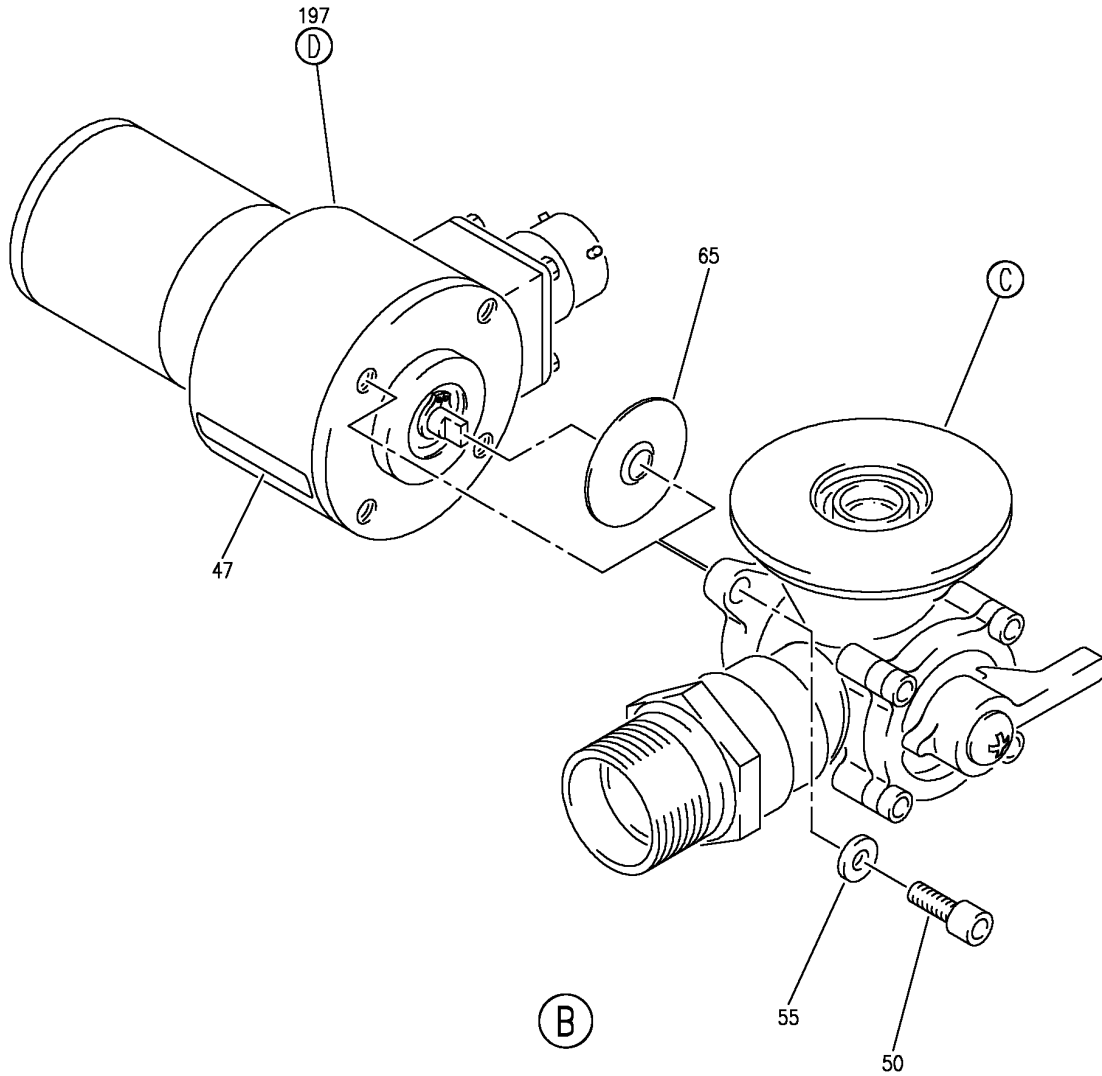
TOILET ASSY-FLUSHING (RINSE/FILL LINE SHUTOFF VALVE ONLY)
FIGURE 16 (SHEET 2)

38-32-03-16

BRI
JAN 20/09

38-32-03-16
PAGE 0A

BOEING
757
PARTS CATALOG (MAINTENANCE)



Y 38320316 SH-T 3 REV 335

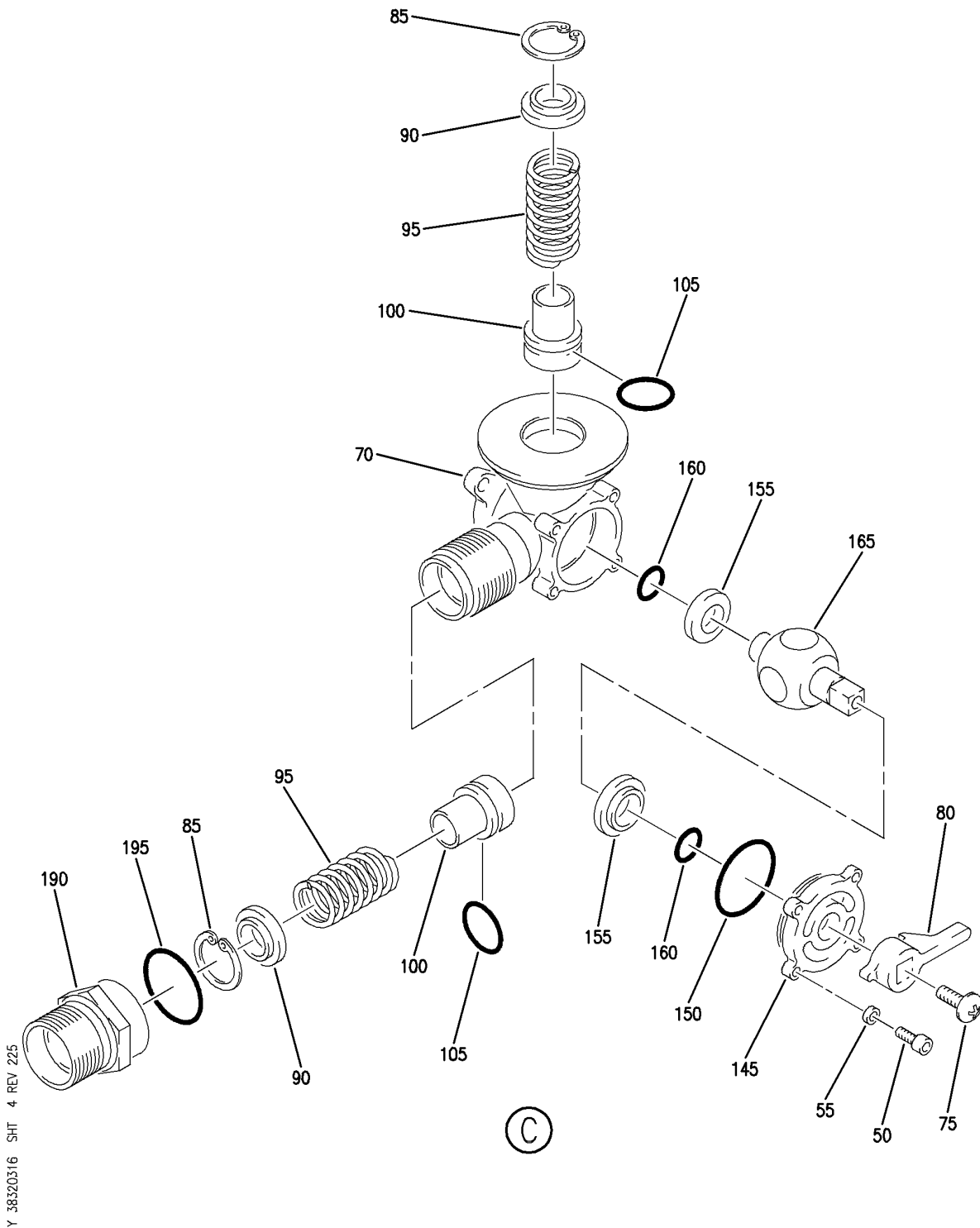
TOILET ASSY-FLUSHING (RINSE/FILL LINE SHUTOFF VALVE ONLY)
FIGURE 16 (SHEET 3)

38-32-03-16

BRI
MAY 20/09

38-32-03-16
PAGE 0B

BOEING
757
PARTS CATALOG (MAINTENANCE)



Y 38320316 SH1 4 REV 225

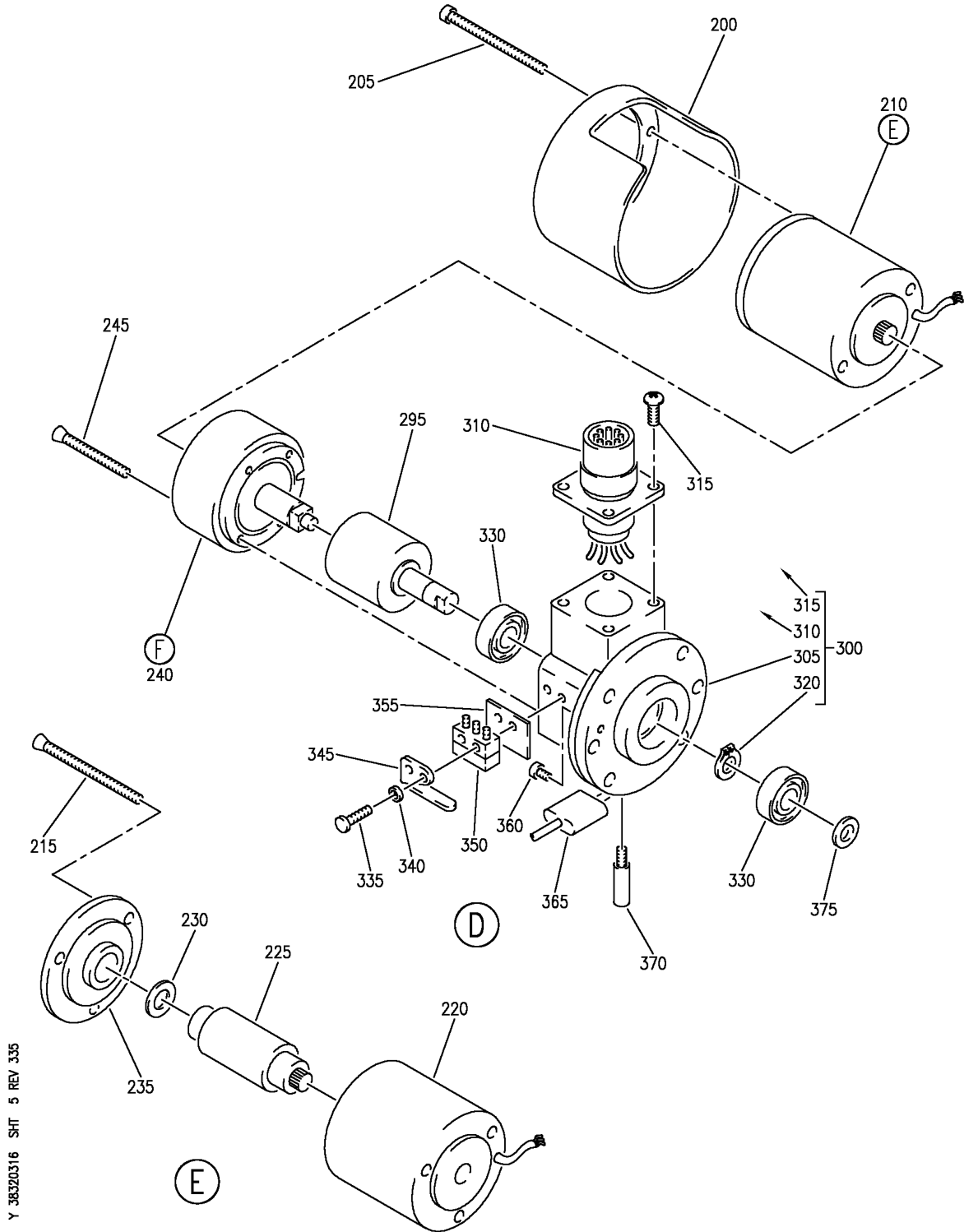
TOILET ASSY-FLUSHING (RINSE/FILL LINE SHUTOFF VALVE ONLY)
FIGURE 16 (SHEET 4)

38-32-03-16

BRI
JAN 20/09

38-32-03-16
PAGE 0C

BOEING
757
PARTS CATALOG (MAINTENANCE)



Y 38320316 SH1 5 REV 335

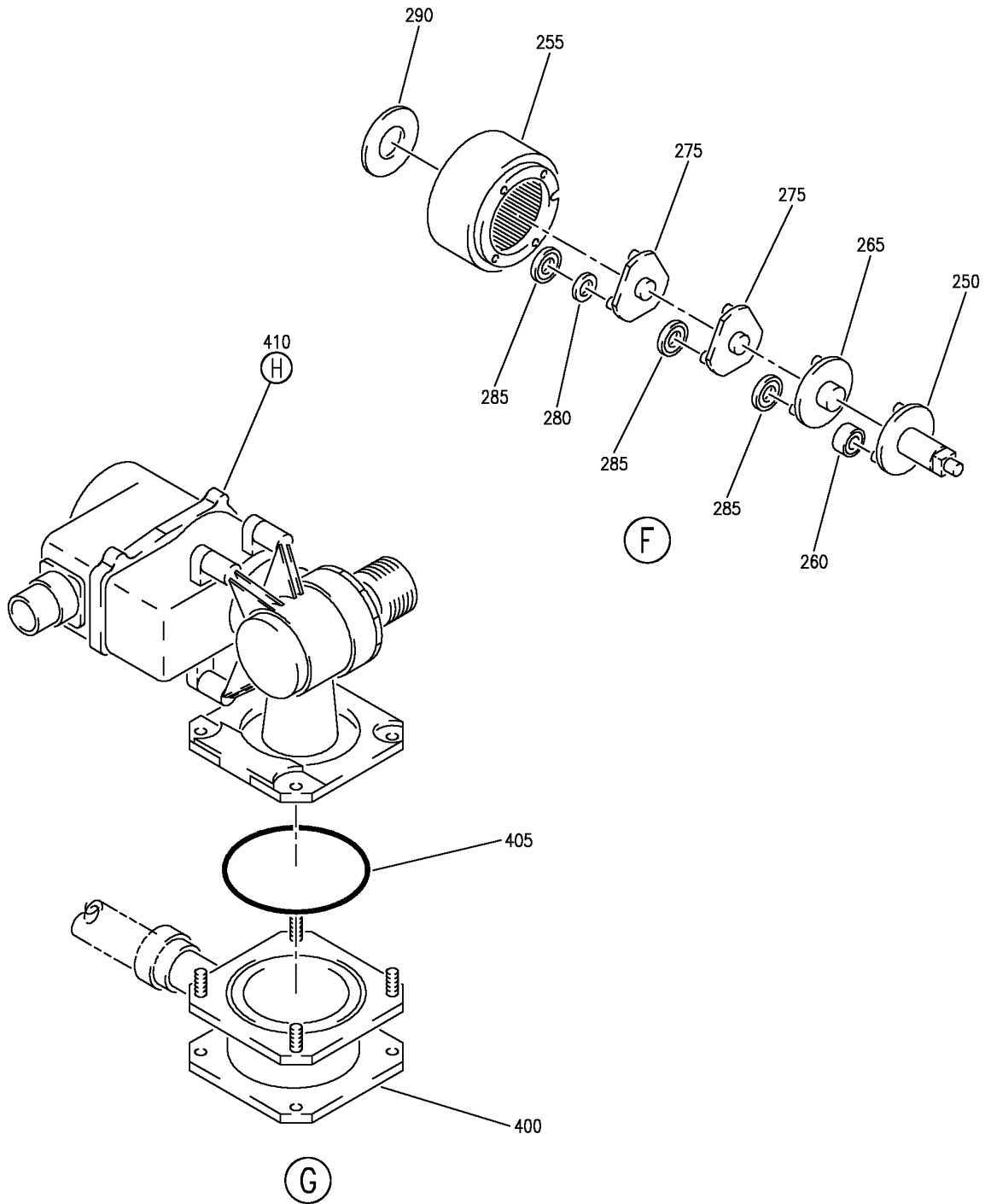
TOILET ASSY-FLUSHING (RINSE/FILL LINE SHUTOFF VALVE ONLY)
FIGURE 16 (SHEET 5)

38-32-03-16

BRI
MAY 20/09

38-32-03-16
PAGE 0D

BOEING
757
PARTS CATALOG (MAINTENANCE)



Y 38320316 SH-T 6 REV 335

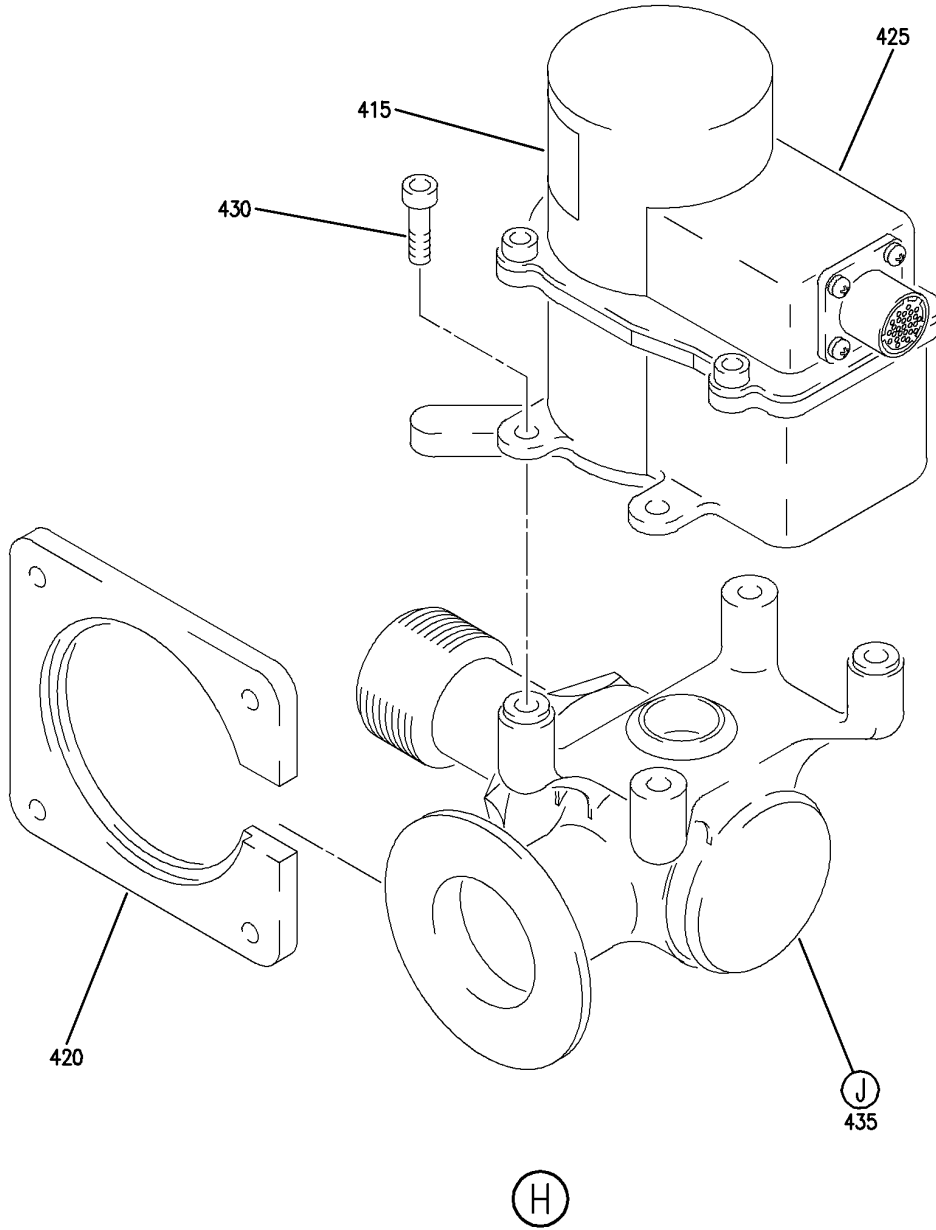
TOILET ASSY-FLUSHING (RINSE/FILL LINE SHUTOFF VALVE ONLY)
FIGURE 16 (SHEET 6)

38-32-03-16

BRI
MAY 20/09

38-32-03-16
PAGE 0E

BOEING
757
PARTS CATALOG (MAINTENANCE)



Y 38320316 SHT 7 REV 225

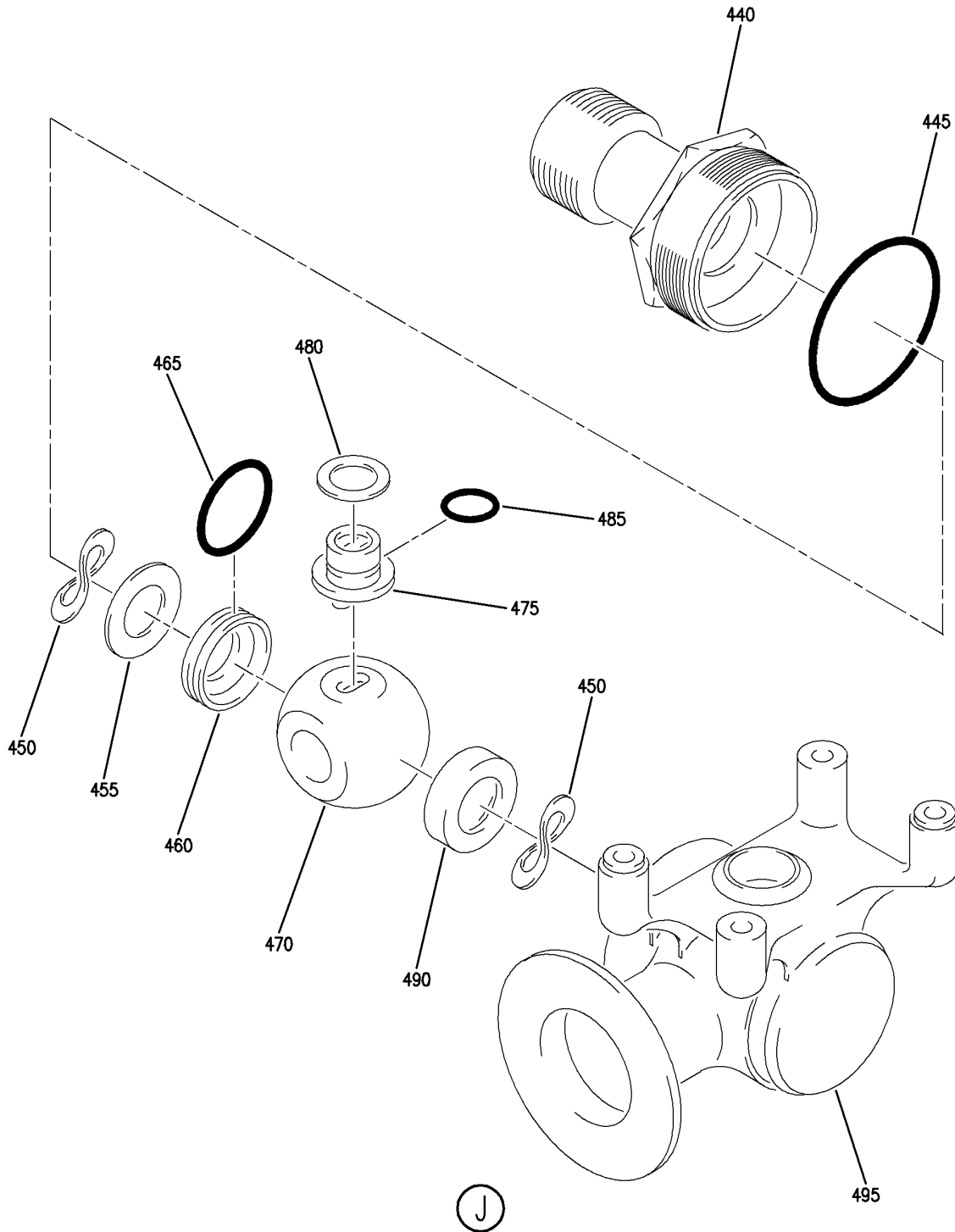
TOILET ASSY-FLUSHING (RINSE/FILL LINE SHUTOFF VALVE ONLY)
FIGURE 16 (SHEET 7)

38-32-03-16

BRI
JAN 20/09

38-32-03-16
PAGE OF

BOEING
757
PARTS CATALOG (MAINTENANCE)



Y 38320316 SHT 8 REV 225

TOILET ASSY-FLUSHING (RINSE/FILL LINE SHUTOFF VALVE ONLY)
FIGURE 16 (SHEET 8)

38-32-03-16

BRI
JAN 20/09

38-32-03-16
PAGE 06



**757
PARTS CATALOG (MAINTENANCE)**

FIG ITEM	PART NUMBER	1 2 3 4 5 6 7	NOMENCLATURE	EFFECT FROM TO	UNITS PER ASSY
16			TOILET ASSY-FLUSHING (RINSE/FILL LINE SHUTOFF VALVE ONLY)	108120 950999	
- 1	16200-024		TOILET ASSY-FLUSHING (RINSE/FILL LINE SHUTOFF VALVE ONLY) SUPPLIER CODE: V29780 POSITION DATA: MID-CAB. SPECIFICATION NUMBER: S417N102-61 SB DATA FROM A CMM: POST 16200-38-03 CONFIG CHG DATA FROM A CMM: REPLS 16200-019 COMPONENT MAINT MANUAL REF: 38-33-01 FOR NHA/ADDITIONAL DET SEE: 38-32-53-03	108120 950999	RF
R	10	AN960C6	.WASHER- CONFIG CHG DATA FROM A CMM: REPLD BY NAS1149CN632R	108120 950999	4
R	10	NAS1149CN632R	.WASHER- CONFIG CHG DATA FROM A CMM: REPLS AN960C6	108120 950999	4
R	15	AN960C8	.WASHER- CONFIG CHG DATA FROM A CMM: REPLD BY NAS1149CN832R	108120 950999	4
R	15	NAS1149CN832R	.WASHER- CONFIG CHG DATA FROM A CMM: REPLS AN960C8	108120 950999	4
R	20	NAS679C06M	.NUT	108120 950999	4
R	25	NAS679C08M	.NUT	108120 950999	4
R	30	16202-036-1	.ADAPTER- SUPPLIER CODE: V29780 OPTIONAL PART: 4803-95-5 V29780 USED WITH: 4811-412 4812-161 400300-2	108120 950999	1

MISSING ITEM NUMBERS NOT APPLICABLE

- ITEM NOT ILLUSTRATED

38-32-03-16

38-32-03
FIG. 16
PAGE 1
MAY 20/09

BRI



757

PARTS CATALOG (MAINTENANCE)

FIG ITEM	PART NUMBER	1 2 3 4 5 6 7	NOMENCLATURE	EFFECT FROM TO	UNITS PER ASSY
R R R R R R R R R R R R R R R R	16 35	4811-412	.GASKET- SUPPLIER CODE: V29780 USED WITH: 16202-036-1 4812-161 400300-2	108120 950999	1
	40	4812-161	.BRACE-MTG PLATE SUPPLIER CODE: V76599 USED WITH: 16202-036-1 4811-412 400300-2	108120 950999	1
	45	400300-2	.VALVE ASSY- SUPPLIER CODE: V80477 SPECIFICATION NUMBER: 60B50341-2 COMPONENT MAINT MANUAL REF: 38-30-01 OPTIONAL PART: 18-8000-2 V96736 USED WITH: 16202-036-1 4811-412 4812-161	108120 950999	1
	47	400597-2	..NAMEPLATE- SUPPLIER CODE: V27045	108120 950999	1
	50	10100CB0808	..SCREW-CAP SUPPLIER CODE: V80477	108120 950999	8
	55	10700B082	..WASHER- SUPPLIER CODE: V80477	108120 950999	8
	65	400464-3	..SEAL- SUPPLIER CODE: V80477	108120 950999	1
	70	400708	..BODY- SUPPLIER CODE: V27045	108120 950999	1
	75	10108CB0804	..SCREW-TRUSS HEAD SUPPLIER CODE: V27045	108120 950999	1
	80	400573	..HANDLE- SUPPLIER CODE: V27045	108120 950999	1

MISSING ITEM NUMBERS NOT APPLICABLE

- ITEM NOT ILLUSTRATED

38-32-03-16

38-32-03
FIG. 16
PAGE 2
MAY 20/09

BRI



757

PARTS CATALOG (MAINTENANCE)

FIG ITEM	PART NUMBER	1 2 3 4 5 6 7	NOMENCLATURE	EFFECT FROM TO	UNITS PER ASSY
16					
85	11310-81SP	..	RETAINER-RING SUPPLIER CODE: V27045	108120 950999	2
90	400584	..	RETAINER-SPR SUPPLIER CODE: V27045	108120 950999	2
95	400579	..	SPRING- SUPPLIER CODE: V27045	108120 950999	2
100	400582	..	SEAT- SUPPLIER CODE: V27045	108120 950999	2
105	10005-016	..	SEAL- SUPPLIER CODE: V27045	108120 950999	2
145	400575	..	CAP- SUPPLIER CODE: V27045	108120 950999	1
150	10002-023	..	SEAL- SUPPLIER CODE: V27045	108120 950999	1
155	400578	..	BUSHING- SUPPLIER CODE: V27045	108120 950999	2
160	10002-012	..	SEAL- SUPPLIER CODE: V27045	108120 950999	2
165	400569	..	ROTOR- SUPPLIER CODE: V27045	108120 950999	1
- 185	400576	..	PLATE-MOUNTING SUPPLIER CODE: V27045	108120 950999	1
190	400712	..	ADAPTER- SUPPLIER CODE: V27045	108120 950999	1
195	10002-021	..	SEAL- SUPPLIER CODE: V27045	108120 950999	1
197	400574	..	ACTUATOR-MOTOR SUPPLIER CODE: V80477	108120 950999	1
200	400802	...	COVER- SUPPLIER CODE: V27045	108120 950999	1

MISSING ITEM NUMBERS NOT APPLICABLE

- ITEM NOT ILLUSTRATED

38-32-03-16

38-32-03
FIG. 16
PAGE 3
MAY 20/09

BRI

BOEING PROPRIETARY - Copyright © - Unpublished Work - See title page for details.



757

PARTS CATALOG (MAINTENANCE)

FIG ITEM	PART NUMBER	1 2 3 4 5 6 7	NOMENCLATURE	EFFECT FROM TO	UNITS PER ASSY
16			ATTACHING PARTS		
R R R	205 10104CA0420		...SCREW-FILLISTER HEAD SUPPLIER CODE: V27045 -----*-----	108120 950999	2
	210 400807		...ACTUATOR ASSY-MOTOR SUPPLIER CODE: V27045	108120 950999	1
R R R	215 10104CB0228	SCREW-FLAT HEAD SUPPLIER CODE: V27045	108120 950999	3
	220 400743-1	HOUSING AND STATOR ASSY SUPPLIER CODE: V27045	108120 950999	1
	225 400743-4	ROTOR ASSY- SUPPLIER CODE: V27045	108120 950999	1
	230 400743-3	WASHER- SUPPLIER CODE: V27045	108120 950999	1
	235 400743-2	COVER- SUPPLIER CODE: V27045	108120 950999	1
	240 400806		...GEAR ASSY-RING SUPPLIER CODE: V27045	108120 950999	1
R R R	245 10104CB0216		ATTACHING PARTS ...SCREW-FLAT HEAD SUPPLIER CODE: V27045 -----*-----	108120 950999	4
	250 400744-1	PLATE-CARRIER SUPPLIER CODE: V27045	108120 950999	1
	255 400744-2	GEAR-RING SUPPLIER CODE: V27045	108120 950999	1
	260 400744-3	GEAR-PLANET SUPPLIER CODE: V27045	108120 950999	3
	265 400744-4	PLATE-CARRIER SUPPLIER CODE: V27045	108120 950999	1
	275 400744-6	PLATE-CARRIER SUPPLIER CODE: V27045	108120 950999	2
	280 400744-9	WASHER- SUPPLIER CODE: V27045	108120 950999	3

MISSING ITEM NUMBERS NOT APPLICABLE

- ITEM NOT ILLUSTRATED

38-32-03-16

38-32-03
FIG. 16
PAGE 4
MAY 20/09

BRI

BOEING PROPRIETARY - Copyright © - Unpublished Work - See title page for details.



757

PARTS CATALOG (MAINTENANCE)

FIG ITEM	PART NUMBER	1 2 3 4 5 6 7	NOMENCLATURE	EFFECT FROM TO	UNITS PER ASSY
R R R R R R	16 285 400744-8	GEAR-PLANET SUPPLIER CODE: V27045	108120 950999	9
R R R	290 400744-7	SHIM- SUPPLIER CODE: V27045	108120 950999	1
R R R	295 400805		...SHAFT-CLUTCH OUTPUT SUPPLIER CODE: V27045	108120 950999	1
R R R R	300 400803		...BRACKET ASSY- SUPPLIER CODE: V27045	108120 950999	1
R R R R	305 400747-2	BRACKET-ACTUATOR SUPPLIER CODE: V27045	108120 950999	1
R R R R	310 400747-1	CONNECTOR- SUPPLIER CODE: V27045	108120 950999	1
R R R	315 10106CB0404	SCREW-FILLISTER HEAD SUPPLIER CODE: V27045	108120 950999	4
R R R R	320 MS16625-1062	RING-RETAINING SB DATA FROM A CMM: POST 400300-38-01	108120 950999	1
R R R R	330 400747-10	BEARING- SUPPLIER CODE: V27045	108120 950999	2
R R R R	335 10109CB0207	SCREW-PAN HEAD SUPPLIER CODE: V27045	108120 950999	4
R R R R	340 10702B02	WASHER-INTERNAL TOOTH SUPPLIER CODE: V27045	108120 950999	4
R R R R	345 400747-8	MICROSWITCH-ACTR SUPPLIER CODE: V27045	108120 950999	2
R R R R	350 400747-7	MICROSWITCH- SUPPLIER CODE: V27045	108120 950999	2
R R R R	355 400747-9	PAD-INSULATOR SUPPLIER CODE: V27045	108120 950999	2
R R R	360 10110CB0203	SCREW-PAN HEAD SUPPLIER CODE: V27045	108120 950999	1

MISSING ITEM NUMBERS NOT APPLICABLE

- ITEM NOT ILLUSTRATED

38-32-03-16

38-32-03
FIG. 16
PAGE 5
MAY 20/09

BRI



757

PARTS CATALOG (MAINTENANCE)

FIG ITEM	PART NUMBER	1 2 3 4 5 6 7	NOMENCLATURE	EFFECT FROM TO	UNITS PER ASSY
16					
R	365	400747-14CAPACITOR-0.4 MFD SUPPLIER CODE: V27045	108120 950999	1
R	370	400804	...PIN-DRIVE SUPPLIER CODE: V27045	108120 950999	1
R	375	400743-3	...WASHER- SUPPLIER CODE: V27045	108120 950999	1
R	400	4803-95-5	.ADAPTER- SUPPLIER CODE: V29780	108120 950999	1
R			OPTIONAL PART: 16202-036-1 V29780		
R			USED WITH: 2-132N602-70 18-8000-2		
R	405	2-132N602-70	.PACKING- SUPPLIER CODE: V02697	108120 950999	1
R			USED WITH: 4803-95-5 18-8000-2		
R	410	18-8000-2	.VALVE ASSY- SUPPLIER CODE: V96736	108120 950999	1
R			SPECIFICATION NUMBER: 60B50341-2		
R			COMPONENT MAINT MANUAL REF: 38-32-04		
R			OPTIONAL PART: 400300-2 V80477		
R			USED WITH: 4803-95-5 2-132N602-70		
R	415	18-8079	..PLATE-IDENT SUPPLIER CODE: V96736	108120 950999	1
R	420	18-8014	..FLANGE-MTG RING SUPPLIER CODE: V96736	108120 950999	1
R	425	60-1100-1	..ACTUATOR- SUPPLIER CODE: V96736	108120 950999	1

MISSING ITEM NUMBERS NOT APPLICABLE

- ITEM NOT ILLUSTRATED

38-32-03-16

38-32-03
FIG. 16
PAGE 6
MAY 20/09

BRI



757

PARTS CATALOG (MAINTENANCE)

FIG ITEM	PART NUMBER	1 2 3 4 5 6 7	NOMENCLATURE	EFFECT FROM TO	UNITS PER ASSY
16			ATTACHING PARTS		
430	NAS1352C08LE8	..	SCREW	108120 950999	4
			-----*-----		
435	18-8001-2	..	BODY ASSY-FLOW SUPPLIER CODE: V96736	108120 950999	1
440	18-8011	...	FITTING-MS33514-12 INLET SUPPLIER CODE: V96736	108120 950999	1
445	MS29513-026	...	PACKING	108120 950999	1
450	18-5624	...	WASHER-WAVE SUPPLIER CODE: V96736	108120 950999	2
455	18-5634	...	SPACER- SUPPLIER CODE: V96736	108120 950999	1
460	18-5613	...	SEAL-TEFLON SUPPLIER CODE: V96736	108120 950999	1
465	MS29513-023	...	PACKING	108120 950999	1
470	18-8012	...	BALL- SUPPLIER CODE: V96736	108120 950999	1
475	18-8013	...	SHAFT- SUPPLIER CODE: V96736	108120 950999	1
480	18-5618	...	WASHER-THRUST SUPPLIER CODE: V96736	108120 950999	1
485	MS29513-012	...	PACKING	108120 950999	1
490	18-5627	...	SEAL-TEFLON SUPPLIER CODE: V96736	108120 950999	1
495	18-8010	...	BODY-VALVE SUPPLIER CODE: V96736	108120 950999	1

MISSING ITEM NUMBERS NOT APPLICABLE

- ITEM NOT ILLUSTRATED

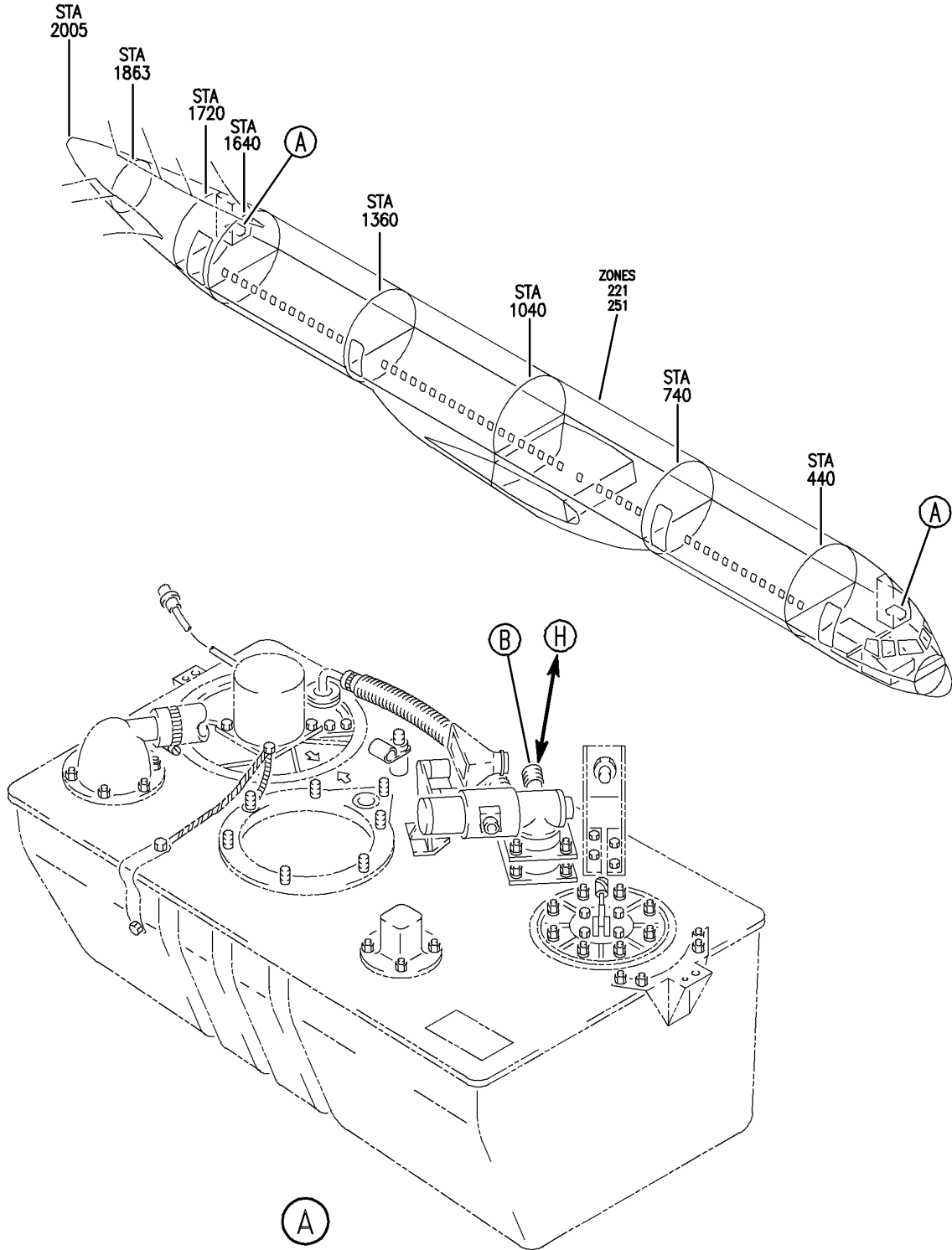
38-32-03-16

38-32-03
FIG. 16
PAGE 7
MAY 20/09

BRI

BOEING PROPRIETARY - Copyright © - Unpublished Work - See title page for details.

BOEING
757
PARTS CATALOG (MAINTENANCE)



Y 38320318 SHT 1 REV 224

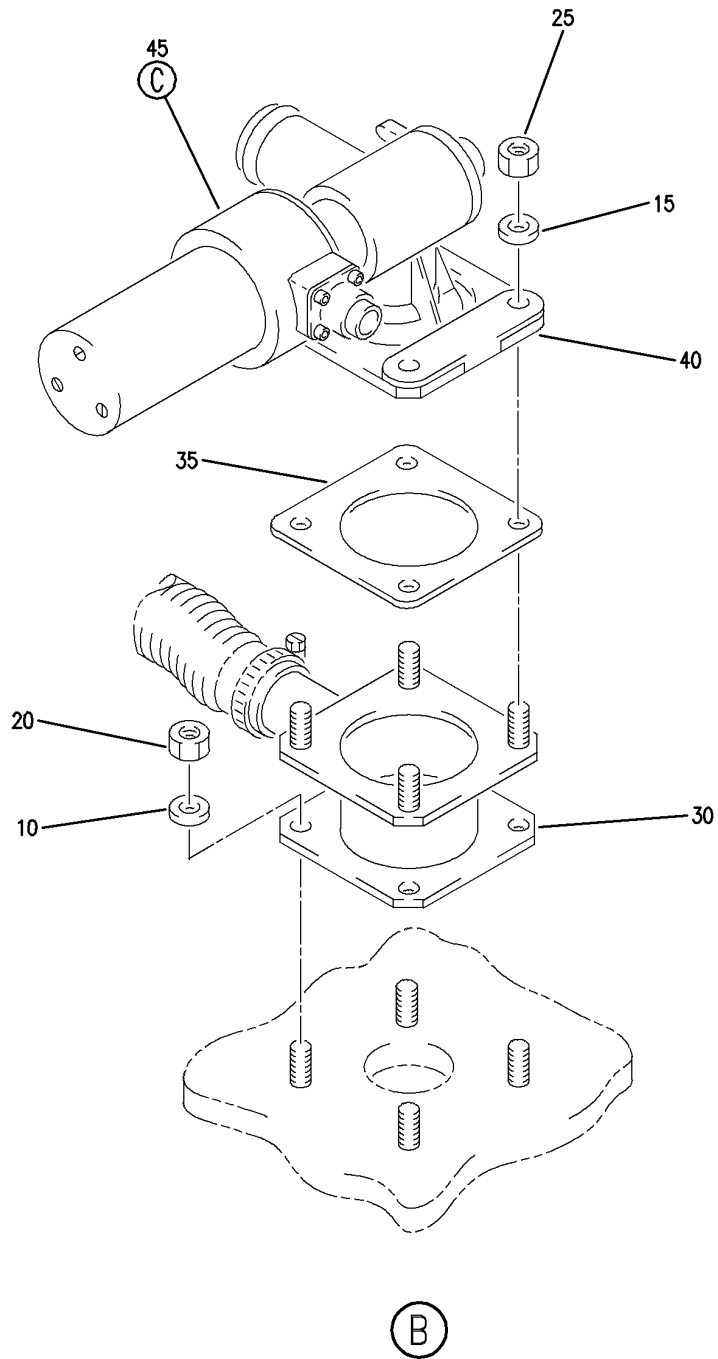
TOILET ASSY-FLUSHING (RINSE/FILL LINE SHUTOFF VALVE ONLY)
FIGURE 18 (SHEET 1)

38-32-03-18

BRI
MAY 28/07

38-32-03-18
PAGE 0

BOEING
757
PARTS CATALOG (MAINTENANCE)



Y 38320318 SHT 2 REV 224

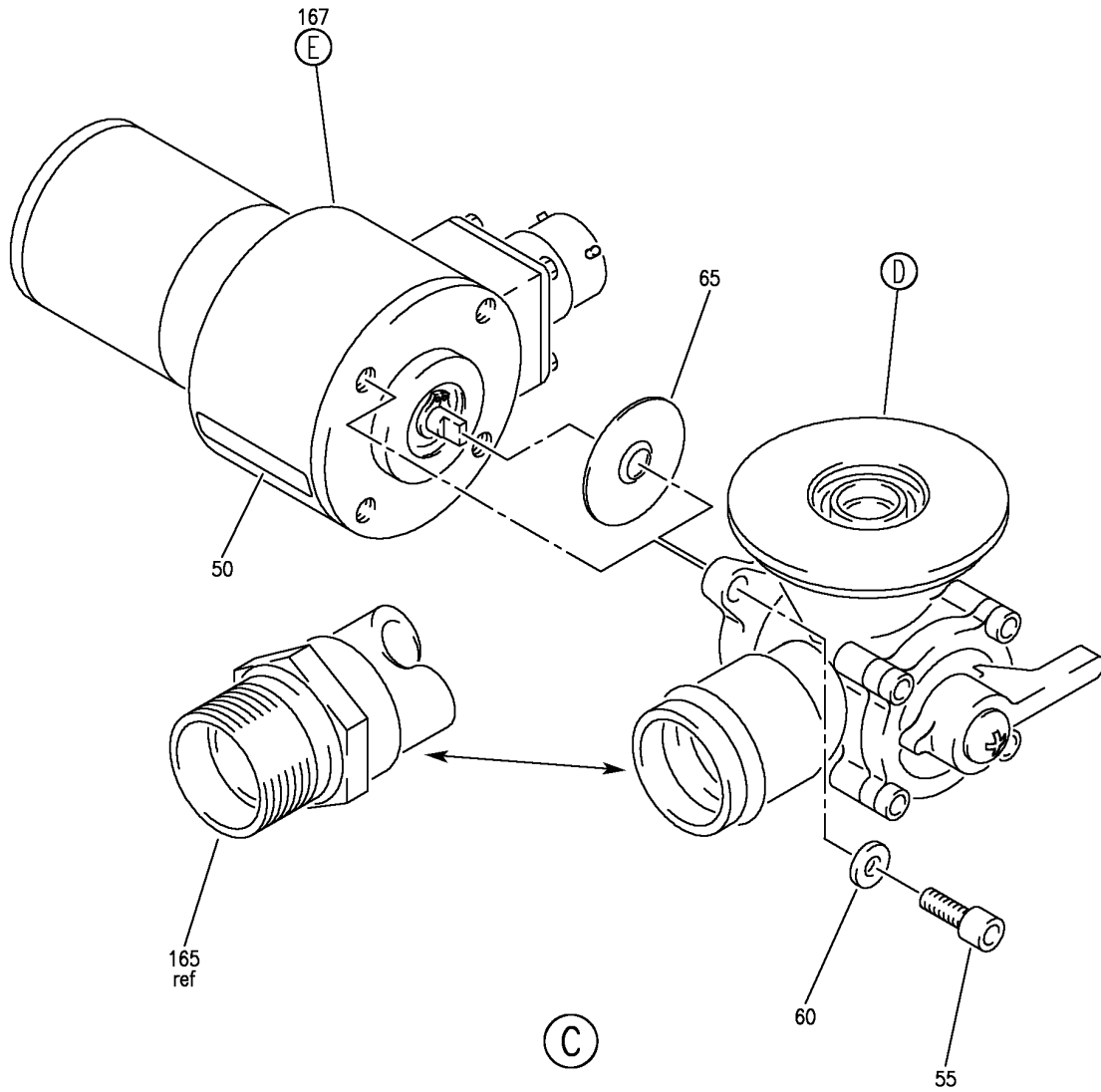
TOILET ASSY-FLUSHING (RINSE/FILL LINE SHUTOFF VALVE ONLY)
FIGURE 18 (SHEET 2)

38-32-03-18

BRI
MAY 28/07

38-32-03-18
PAGE 0A

BOEING
757
PARTS CATALOG (MAINTENANCE)



Y 38320318 SH1 3 REV 335

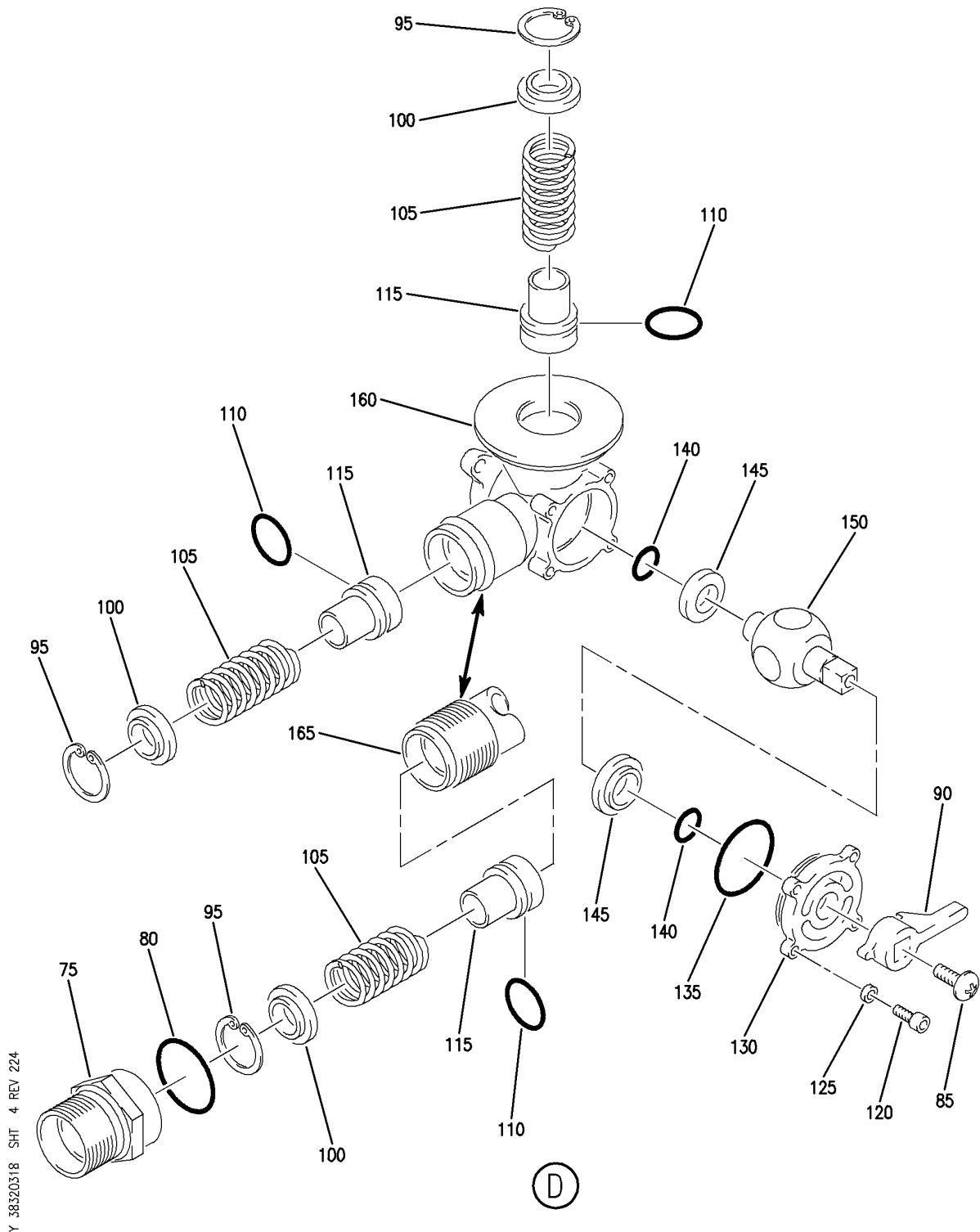
TOILET ASSY-FLUSHING (RINSE/FILL LINE SHUTOFF VALVE ONLY)
FIGURE 18 (SHEET 3)

38-32-03-18

BRI
MAY 20/09

38-32-03-18
PAGE 0B

BOEING
757
PARTS CATALOG (MAINTENANCE)



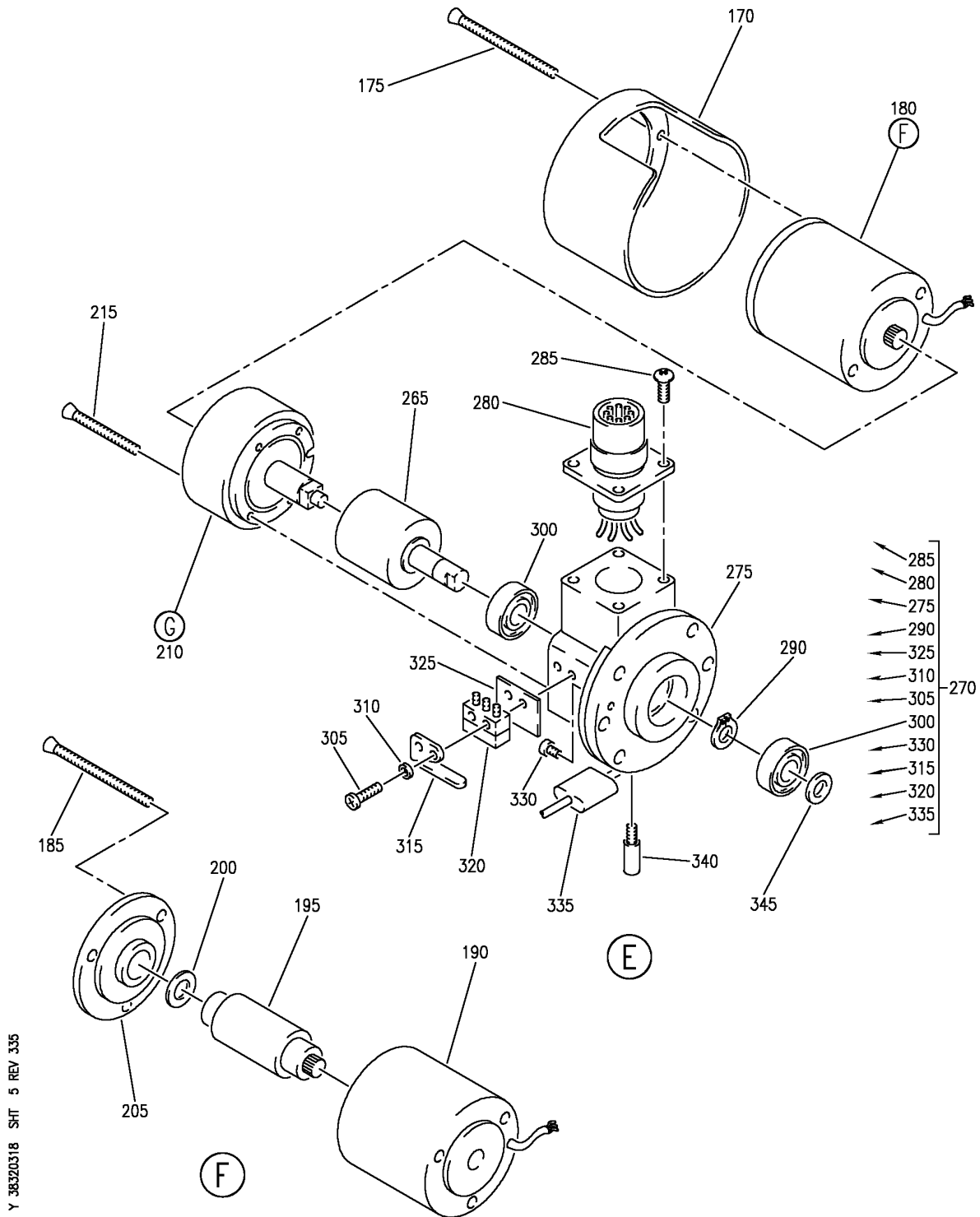
TOILET ASSY-FLUSHING (RINSE/FILL LINE SHUTOFF VALVE ONLY)
FIGURE 18 (SHEET 4)

38-32-03-18

BRI
MAY 28/07

38-32-03-18
PAGE 0C

BOEING
757
PARTS CATALOG (MAINTENANCE)



Y 38320318 SHT 5 REV 335

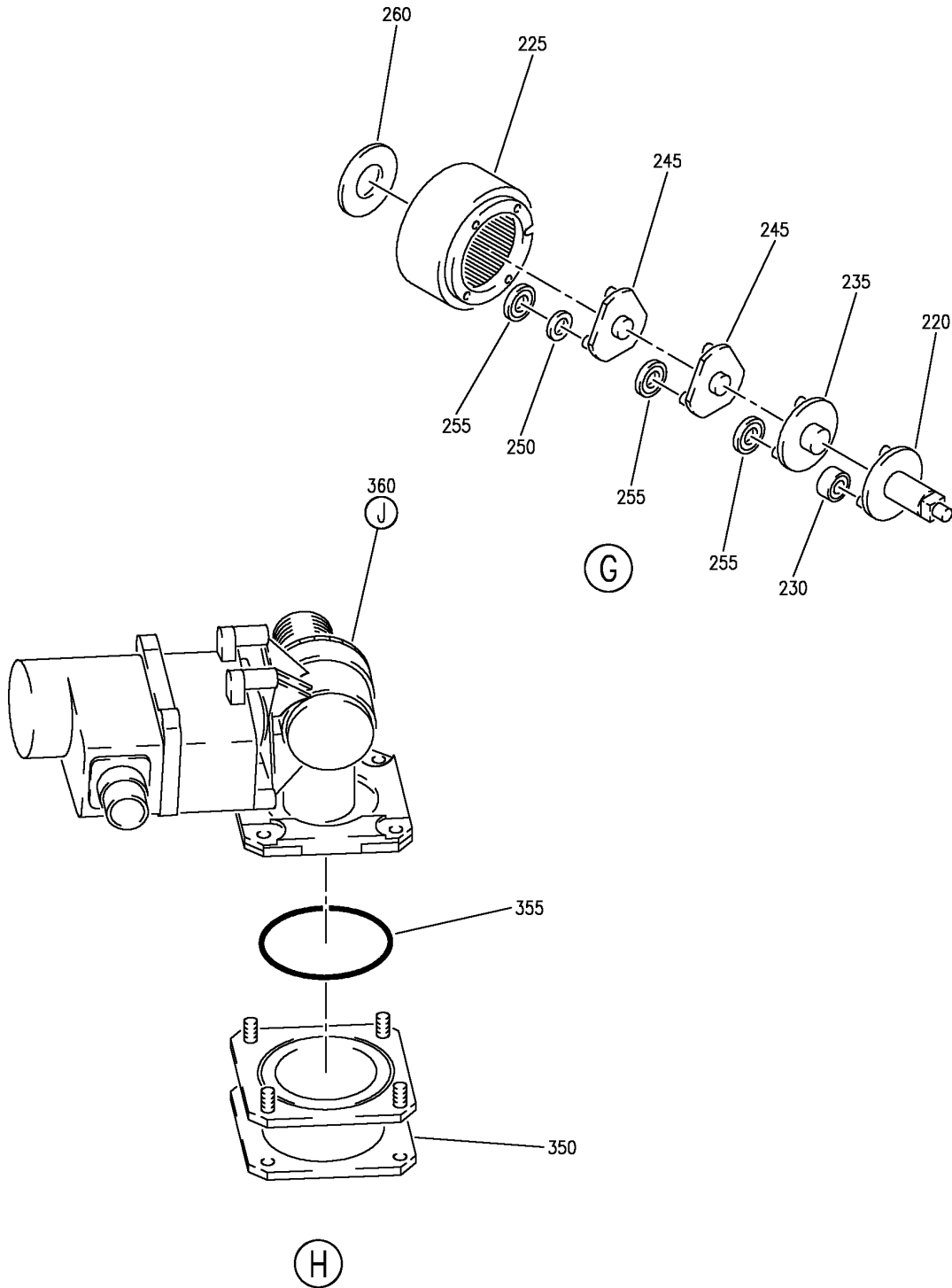
TOILET ASSY-FLUSHING (RINSE/FILL LINE SHUTOFF VALVE ONLY)
FIGURE 18 (SHEET 5)

38-32-03-18

BRI
MAY 20/09

38-32-03-18
PAGE 0D

BOEING
757
PARTS CATALOG (MAINTENANCE)



Y 38320318 SH-T 6 REV 335

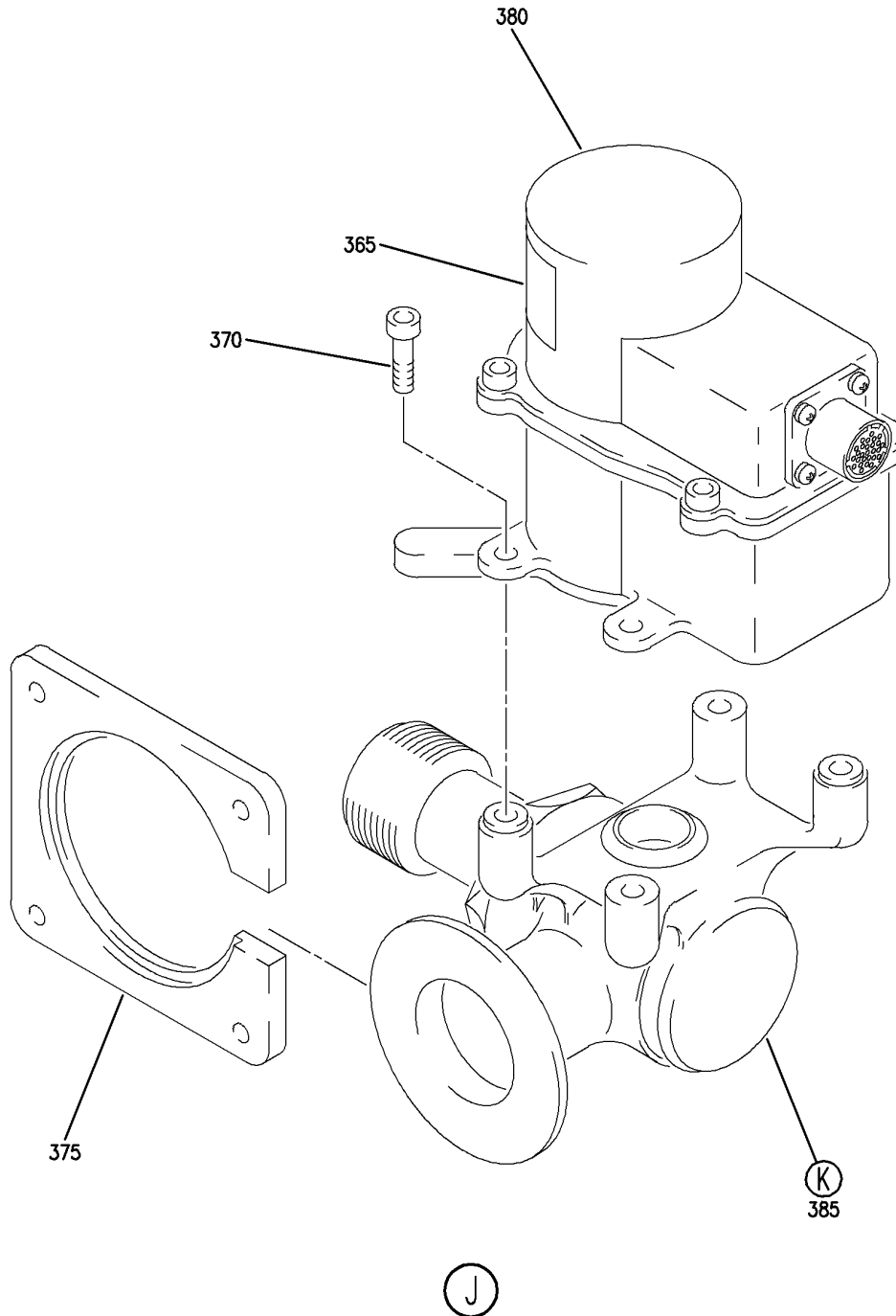
TOILET ASSY-FLUSHING (RINSE/FILL LINE SHUTOFF VALVE ONLY)
FIGURE 18 (SHEET 6)

38-32-03-18

BRI
MAY 20/09

38-32-03-18
PAGE 0E

BOEING
757
PARTS CATALOG (MAINTENANCE)



Y 38320318 SHT 7 REV 224

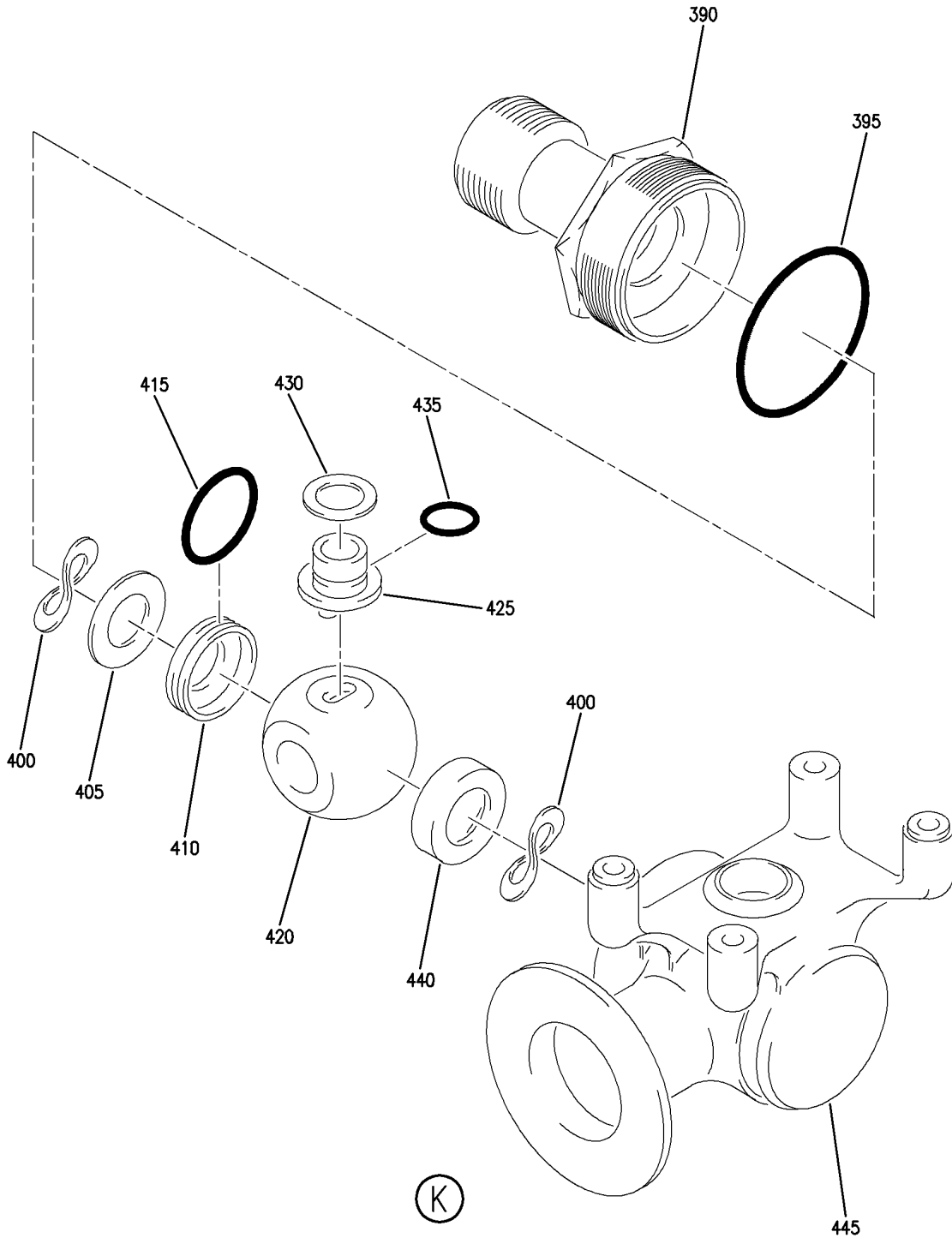
TOILET ASSY-FLUSHING (RINSE/FILL LINE SHUTOFF VALVE ONLY)
FIGURE 18 (SHEET 7)

38-32-03-18

BRI
MAY 28/07

38-32-03-18
PAGE OF

BOEING
757
PARTS CATALOG (MAINTENANCE)



Y 38320318 SHT 8 REV 224

TOILET ASSY-FLUSHING (RINSE/FILL LINE SHUTOFF VALVE ONLY)
FIGURE 18 (SHEET 8)

38-32-03-18

BRI
MAY 28/07

38-32-03-18
PAGE 0G

BOEING
757
PARTS CATALOG (MAINTENANCE)

FIG ITEM	PART NUMBER	1 2 3 4 5 6 7	NOMENCLATURE	EFFECT FROM TO	UNITS PER ASSY
18			TOILET ASSY-FLUSHING (RINSE/FILL LINE SHUTOFF VALVE ONLY)	107107 904949	
- 1	16300-001		TOILET ASSY-FLUSHING LAV A (RINSE/FILL LINE SHUTOFF VALVE ONLY) SUPPLIER CODE: V29780 SPECIFICATION NUMBER: S417N102-1 SB DATA FROM A CMM: PRE 16200-38-03 CONFIG CHG DATA FROM A CMM: REPLD BY 16300-008 COMPONENT MAINT MANUAL REF: 38-33-01 FOR NHA/ADDITIONAL DET SEE: 38-32-01-01	107107 904949	RF
	10 AN960C6		.WASHER	107107 904949	4
	15 AN960C8		.WASHER	107107 904949	4
	20 NAS679C06M		.NUT	107107 904949	4
	25 NAS679C08M		.NUT	107107 904949	4
	30 16202-003-1		.ADAPTER- SUPPLIER CODE: V29780 CONFIG CHG DATA FROM A CMM: REPLD BY 16202-036-1	107107 904949	1
R R R R R	30 16202-036-1		.ADAPTER- SUPPLIER CODE: V29780 CONFIG CHG DATA FROM A CMM: REPLS 16202-003-1	107107 904949	1
	35 4811-209		.GASKET- SUPPLIER CODE: V29780 CONFIG CHG DATA FROM A CMM: REPLD BY 4811-412	107107 904949	1
R R R R R	35 4811-412		.GASKET- SUPPLIER CODE: V29780 CONFIG CHG DATA FROM A CMM: REPLS 4811-209	107107 904949	1
	40 4812-161		.BRACE-MTG PLATE SUPPLIER CODE: V76599	107107 904949	1

MISSING ITEM NUMBERS NOT APPLICABLE

- ITEM NOT ILLUSTRATED

BRI

38-32-03-18

38-32-03
FIG. 18
PAGE 1
MAY 20/09



757

PARTS CATALOG (MAINTENANCE)

FIG ITEM	PART NUMBER	1 2 3 4 5 6 7	NOMENCLATURE	EFFECT FROM TO	UNITS PER ASSY
18					
45	400300-1		. VALVE ASSY- SUPPLIER CODE: V80477 CONFIG CHG DATA FROM A CMM: REPLD BY 400300-2 COMPONENT MAINT MANUAL REF: 38-30-01	107107 904949	1
45	400300-2		. VALVE ASSY- SUPPLIER CODE: V80477 SPECIFICATION NUMBER: 60B50341-2 CONFIG CHG DATA FROM A CMM: REPLS 400300-1 COMPONENT MAINT MANUAL REF: 38-30-01 OPTIONAL PART: 18-8000-2 V96736	107107 904949	1
50	400597-1		.. NAMEPLATE- SUPPLIER CODE: V27045 USED ON: 400300-1 V96736	107107 904949	1
50	400597-2		.. NAMEPLATE- SUPPLIER CODE: V27045 USED ON: 400300-2	107107 904949	1
55	10100CB0808		.. SCREW- SUPPLIER CODE: V80477	107107 904949	4
60	10700B082		.. WASHER- SUPPLIER CODE: V80477	107107 904949	4
65	400464-3		.. SEAL-TEFLON SUPPLIER CODE: V80477	107107 904949	1
75	400712		.. ADAPTER- SUPPLIER CODE: V27045 USED ON: 400300-2	107107 904949	1
80	10002-021		.. SEAL- SUPPLIER CODE: V27045 USED ON: 400300-2	107107 904949	1

MISSING ITEM NUMBERS NOT APPLICABLE

- ITEM NOT ILLUSTRATED

38-32-03-18

38-32-03
FIG. 18
PAGE 2
MAY 20/09

BRI



757

PARTS CATALOG (MAINTENANCE)

FIG ITEM	PART NUMBER	1 2 3 4 5 6 7	NOMENCLATURE	EFFECT FROM TO	UNITS PER ASSY
18					
85	10108CB0804	..	SCREW- SUPPLIER CODE: V27045	107107 904949	1
90	400573	..	HANDLE- SUPPLIER CODE: V27045	107107 904949	1
95	11310-81SP	..	RETAINER-RING SUPPLIER CODE: V27045	107107 904949	2
100	400584	..	RETAINER-SPR SUPPLIER CODE: V27045	107107 904949	2
105	400579	..	SPRING- SUPPLIER CODE: V27045	107107 904949	2
110	10005-016	..	SEAL- SUPPLIER CODE: V27045	107107 904949	2
115	400582	..	SEAT- SUPPLIER CODE: V27045	107107 904949	2
120	10100CB0808	..	SCREW- SUPPLIER CODE: V80477	107107 904949	4
125	10700B082	..	WASHER- SUPPLIER CODE: V80477	107107 904949	4
130	400575	..	CAP- SUPPLIER CODE: V27045	107107 904949	1
135	10002-023	..	SEAL- SUPPLIER CODE: V27045	107107 904949	1
140	10002-012	..	SEAL- SUPPLIER CODE: V27045	107107 904949	2
145	400578	..	BUSHING- SUPPLIER CODE: V27045	107107 904949	2
150	400569	..	ROTOR- SUPPLIER CODE: V27045	107107 904949	1
- 155	400576	..	PLATE-MTG SUPPLIER CODE: V27045	107107 904949	1

MISSING ITEM NUMBERS NOT APPLICABLE

- ITEM NOT ILLUSTRATED

38-32-03-18

38-32-03
FIG. 18
PAGE 3
MAY 20/09

BRI

BOEING PROPRIETARY - Copyright © - Unpublished Work - See title page for details.

 **BOEING**
757
PARTS CATALOG (MAINTENANCE)

FIG ITEM	PART NUMBER	1 2 3 4 5 6 7	NOMENCLATURE	EFFECT FROM TO	UNITS PER ASSY
18					
160	400567		.. BODY- SUPPLIER CODE: V27045 USED ON: 400300-1	107107 904949	1
165	400708		.. BODY- SUPPLIER CODE: V27045 USED ON: 400300-2	107107 904949	1
167	400574		.. ACTUATOR- SUPPLIER CODE: V80477	107107 904949	1
170	400802		... COVER- SUPPLIER CODE: V27045	107107 904949	1
R	175	10104CA0420	... SCREW-FILLISTER HEAD SUPPLIER CODE: V27045	107107 904949	2
R	180	400807	-----*----- ... ACTUATOR ASSY-MOTOR SUPPLIER CODE: V27045	107107 904949	1
R	185	10104CB0228 SCREW-FLAT HEAD SUPPLIER CODE: V27045	107107 904949	3
R	190	400743-1 HOUSING AND STATOR ASSY SUPPLIER CODE: V27045	107107 904949	1
	195	400743-4 ROTOR ASSY- SUPPLIER CODE: V27045	107107 904949	1
	200	400743-3 WASHER- SUPPLIER CODE: V27045	107107 904949	1
	205	400743-2 COVER- SUPPLIER CODE: V27045	107107 904949	1
	210	400806	... GEAR ASSY-RING SUPPLIER CODE: V27045	107107 904949	1
R	215	10104CB0216	... SCREW-FLAT HEAD SUPPLIER CODE: V27045 -----*-----	107107 904949	4

MISSING ITEM NUMBERS NOT APPLICABLE

— ITEM NOT ILLUSTRATED

BRI

38-32-03-18

38-32-03
FIG. 18
PAGE 4
MAY 20/09

 **BOEING**
757
PARTS CATALOG (MAINTENANCE)

FIG ITEM	PART NUMBER	1 2 3 4 5 6 7	NOMENCLATURE	EFFECT FROM TO	UNITS PER ASSY
18					
220	400744-1	PLATE-CARRIER SUPPLIER CODE: V27045	107107 904949	1
225	400744-2	GEAR-RING SUPPLIER CODE: V27045	107107 904949	1
230	400744-3	GEAR-PLANET SUPPLIER CODE: V27045	107107 904949	3
235	400744-4	PLATE-CARRIER SUPPLIER CODE: V27045	107107 904949	1
245	400744-6	PLATE-CARRIER SUPPLIER CODE: V27045	107107 904949	2
250	400744-9	WASHER- SUPPLIER CODE: V27045	107107 904949	3
255	400744-8	GEAR-PLANET SUPPLIER CODE: V27045	107107 904949	9
260	400744-7	SHIM-WASHER SUPPLIER CODE: V27045	107107 904949	1
265	400805	...	SHAFT-CLUTCH OUTPUT SUPPLIER CODE: V27045	107107 904949	1
270	400803	...	BRACKET ASSY- SUPPLIER CODE: V27045	107107 904949	1
275	400747-2	BRACKET-ACTR SUPPLIER CODE: V27045	107107 904949	1
280	400747-1	CONNECTOR- SUPPLIER CODE: V27045	107107 904949	1
285	10106CB0404	ATTACHING PARTS SCREW-FILLISTER HEAD SUPPLIER CODE: V27045	107107 904949	4
290	MS16625-1062	-----*----- RING-RETAINING SB DATA FROM A CMM: POST 400300-38-01	107107 904949	1
300	400747-10	BEARING- SUPPLIER CODE: V27045	107107 904949	2

MISSING ITEM NUMBERS NOT APPLICABLE

— ITEM NOT ILLUSTRATED

BRI

38-32-03-18

38-32-03
FIG. 18
PAGE 5
MAY 20/09

 **BOEING**
757
PARTS CATALOG (MAINTENANCE)

FIG ITEM	PART NUMBER	1 2 3 4 5 6 7	NOMENCLATURE	EFFECT FROM TO	UNITS PER ASSY
R R R R R R R R R R R R R R R R R	18 360	18-8000-2	. VALVE ASSY- SUPPLIER CODE: V96736 SPECIFICATION NUMBER: 60B50341-2 COMPONENT MAINT MANUAL REF: 38-32-04 OPTIONAL PART: 400300-2 V80477 USED WITH: 4803-95-5 2-132N602-70	107107 904949	1
	365	18-8079	.. PLATE-IDENT SUPPLIER CODE: V96736	107107 904949	1
	370	NAS1352C08LE8	.. SCREW	107107 904949	4
	375	18-8014	.. FLANGE-MTG RING SUPPLIER CODE: V96736	107107 904949	1
	380	60-1100-1	.. ACTUATOR- SUPPLIER CODE: V96736	107107 904949	1
	385	18-8001-2	.. BODY ASSY-FLOW SUPPLIER CODE: V96736	107107 904949	1
	390	18-8011	... FITTING-MS33514-12 INLET SUPPLIER CODE: V96736	107107 904949	1
	395	MS29513-026	... PACKING	107107 904949	1
	400	18-5624	... WASHER-WAVE SUPPLIER CODE: V96736	107107 904949	2
	405	18-5634	... SPACER- SUPPLIER CODE: V96736	107107 904949	1
	410	18-5613	... SEAL-TEFLON SUPPLIER CODE: V96736	107107 904949	1
	415	MS29513-023	... PACKING	107107 904949	1
	420	18-8012	... BALL- SUPPLIER CODE: V96736	107107 904949	1

MISSING ITEM NUMBERS NOT APPLICABLE

— ITEM NOT ILLUSTRATED

38-32-03-18

38-32-03
FIG. 18
PAGE 7
MAY 20/09

BRI



757

PARTS CATALOG (MAINTENANCE)

FIG ITEM	PART NUMBER	1 2 3 4 5 6 7	NOMENCLATURE	EFFECT FROM TO	UNITS PER ASSY
18					
425	18-8013	...	SHAFT- SUPPLIER CODE: V96736	107107 904949	1
430	18-5618	...	WASHER-THRUST SUPPLIER CODE: V96736	107107 904949	1
435	MS29513-012	...	PACKING	107107 904949	1
440	18-5627	...	SEAL-TEFLON SUPPLIER CODE: V96736	107107 904949	1
445	18-8010	...	BODY-VALVE SUPPLIER CODE: V96736	107107 904949	1

MISSING ITEM NUMBERS NOT APPLICABLE

- ITEM NOT ILLUSTRATED

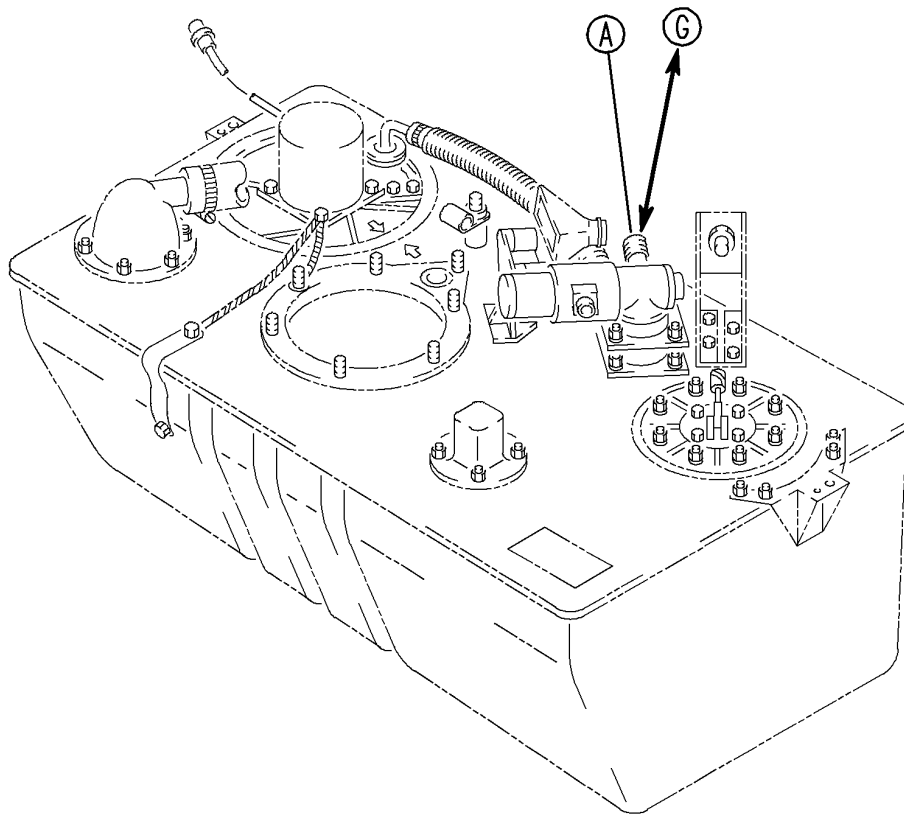
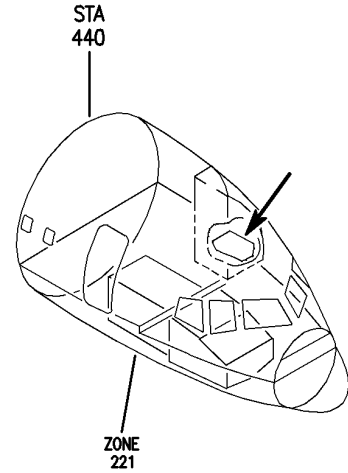
BRI

38-32-03-18

BOEING PROPRIETARY - Copyright © - Unpublished Work - See title page for details.

38-32-03
FIG. 18
PAGE 8
MAY 20/09

BOEING
757
PARTS CATALOG (MAINTENANCE)



Y 38320319 SHT 1 REV 224

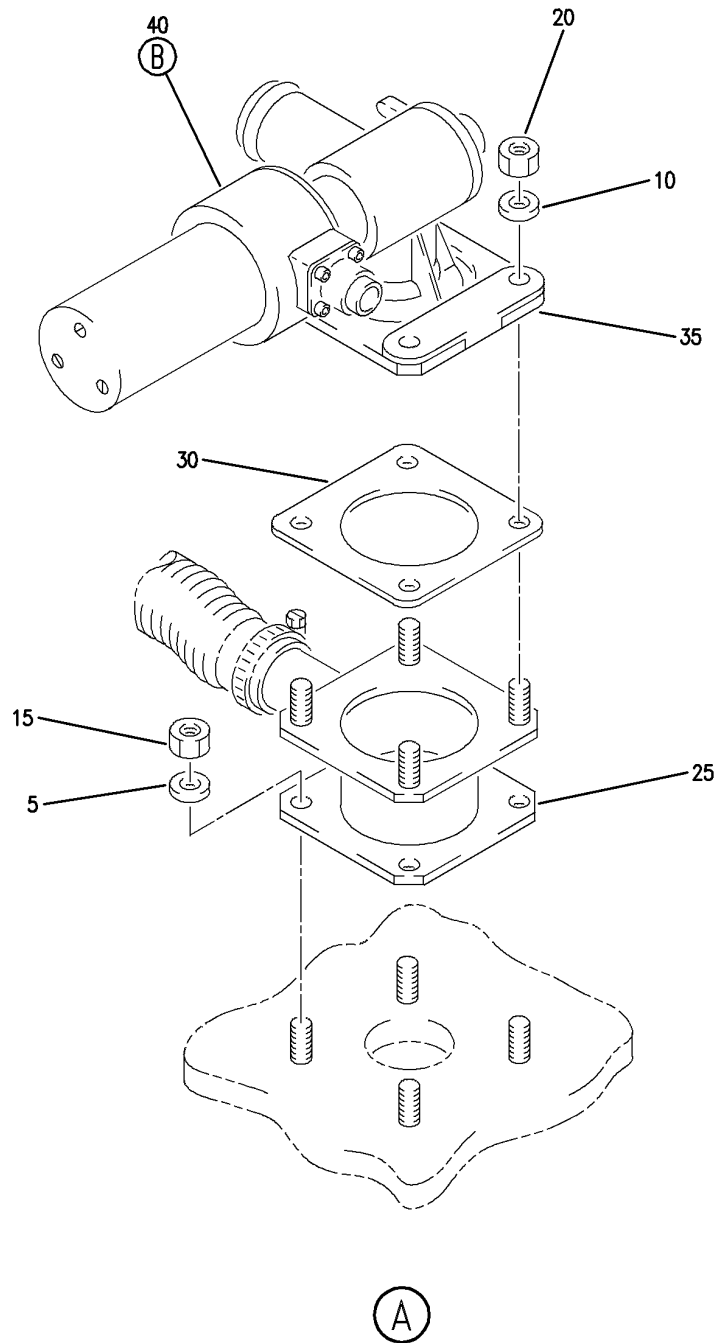
TOILET ASSY-FLUSHING LAV A (RINSE/FILL LINE SHUTOFF VALVE ONLY)
FIGURE 19 (SHEET 1)

BRI
MAY 28/07

38-32-03-19

38-32-03-19
PAGE 0

BOEING
757
PARTS CATALOG (MAINTENANCE)



Y 38320319 SHT 2 REV 224

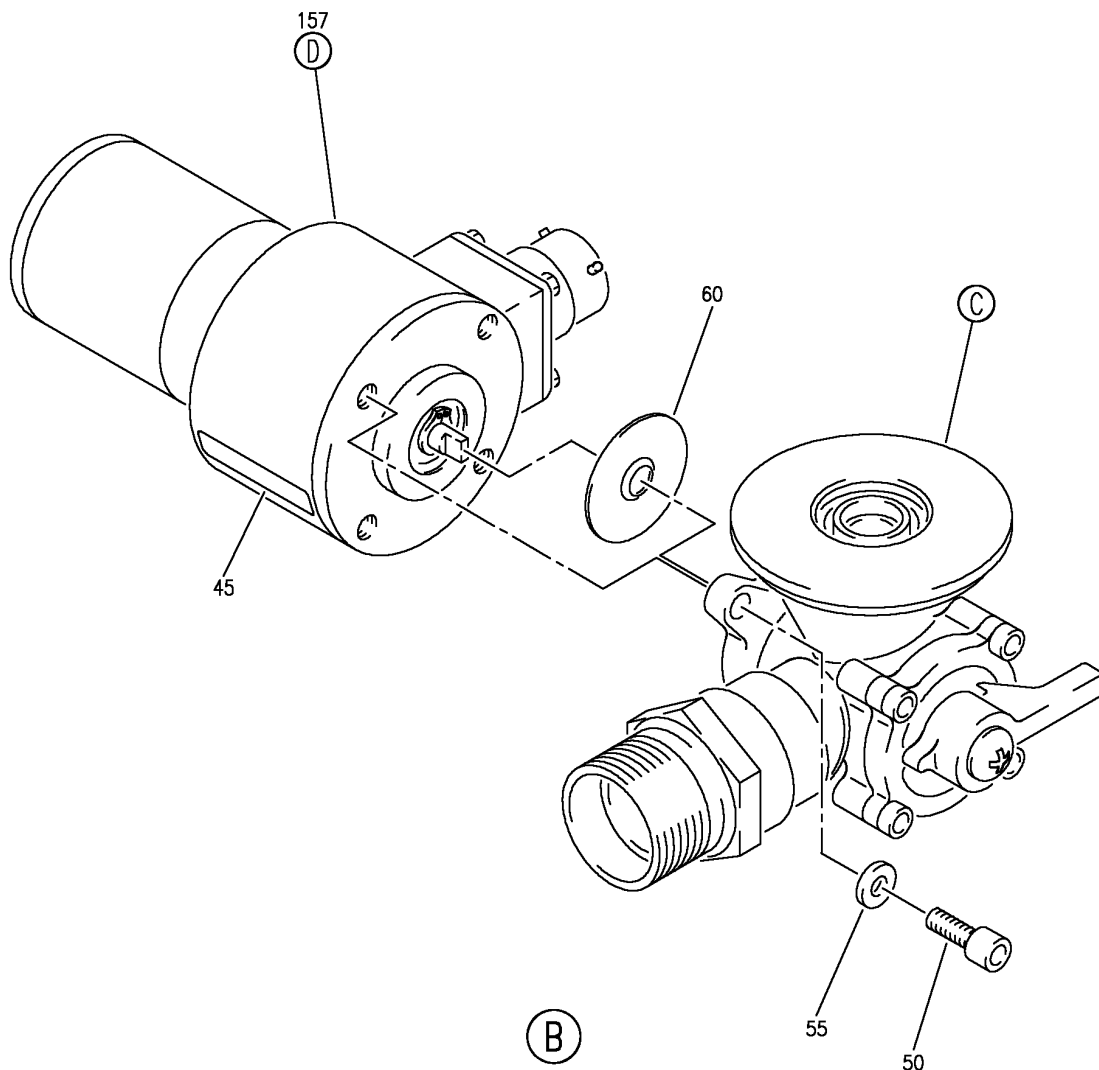
TOILET ASSY-FLUSHING LAV A (RINSE/FILL LINE SHUTOFF VALVE ONLY)
FIGURE 19 (SHEET 2)

38-32-03-19

BRI
MAY 28/07

38-32-03-19
PAGE 0A

BOEING
757
PARTS CATALOG (MAINTENANCE)



Y 38320319 SHIT 3 REV 335

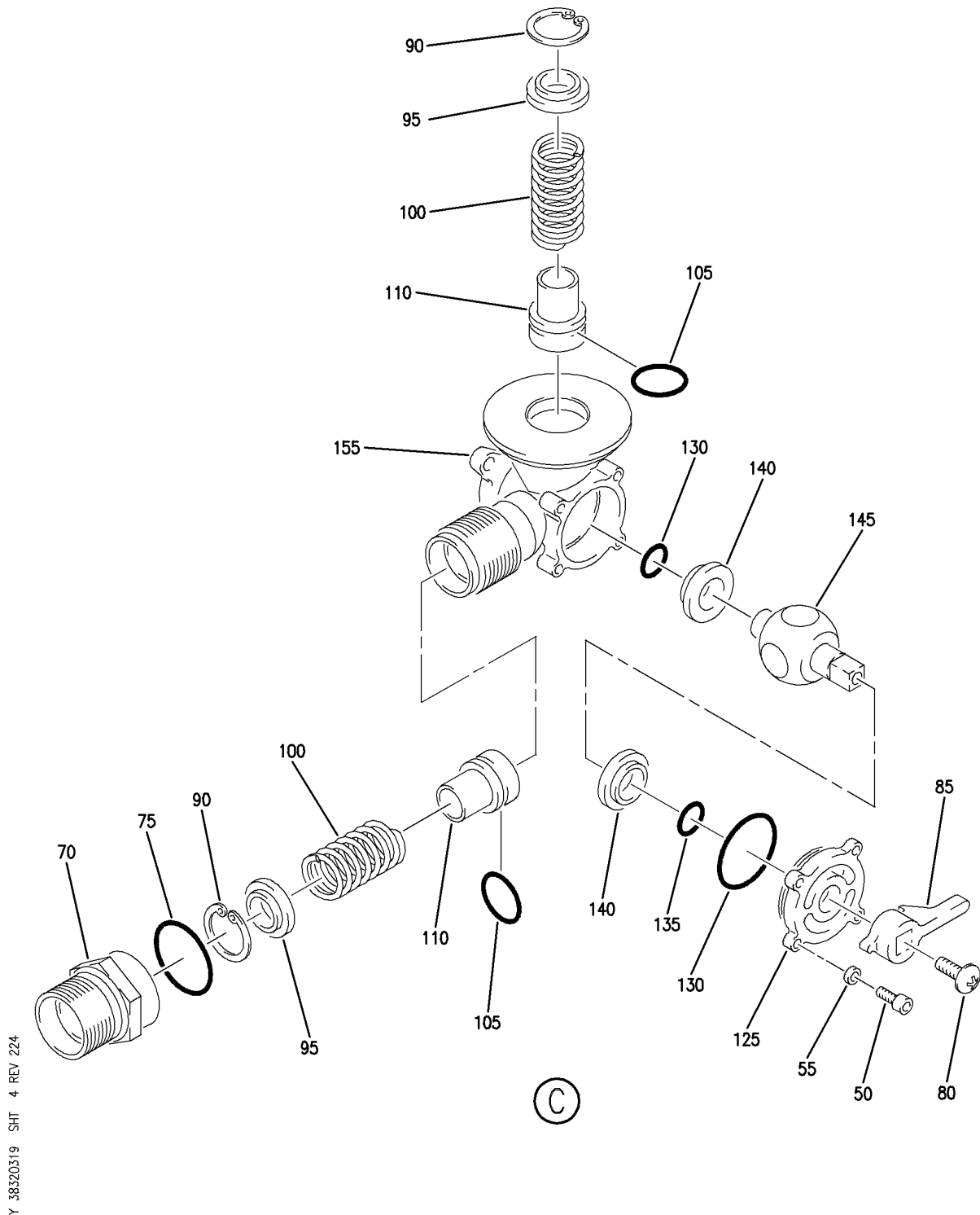
TOILET ASSY-FLUSHING LAV A (RINSE/FILL LINE SHUTOFF VALVE ONLY)
FIGURE 19 (SHEET 3)

38-32-03-19

BRI
MAY 20/09

38-32-03-19
PAGE 0B

BOEING
757
PARTS CATALOG (MAINTENANCE)



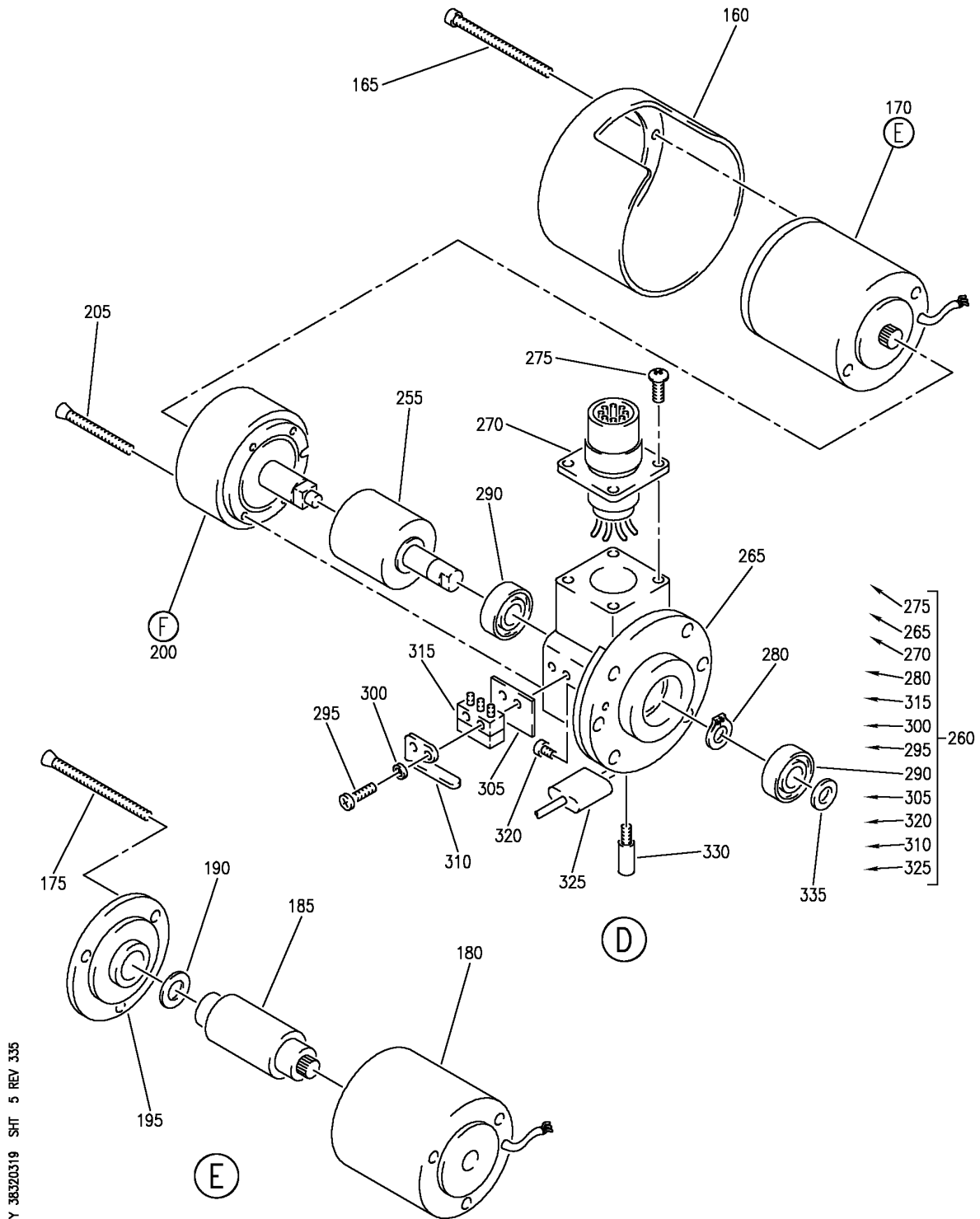
TOILET ASSY-FLUSHING LAV A (RINSE/FILL LINE SHUTOFF VALVE ONLY)
FIGURE 19 (SHEET 4)

BRI
MAY 28/07

38-32-03-19

38-32-03-19
PAGE 0C

BOEING
757
PARTS CATALOG (MAINTENANCE)



Y 38320319 SH-T 5 REV 335

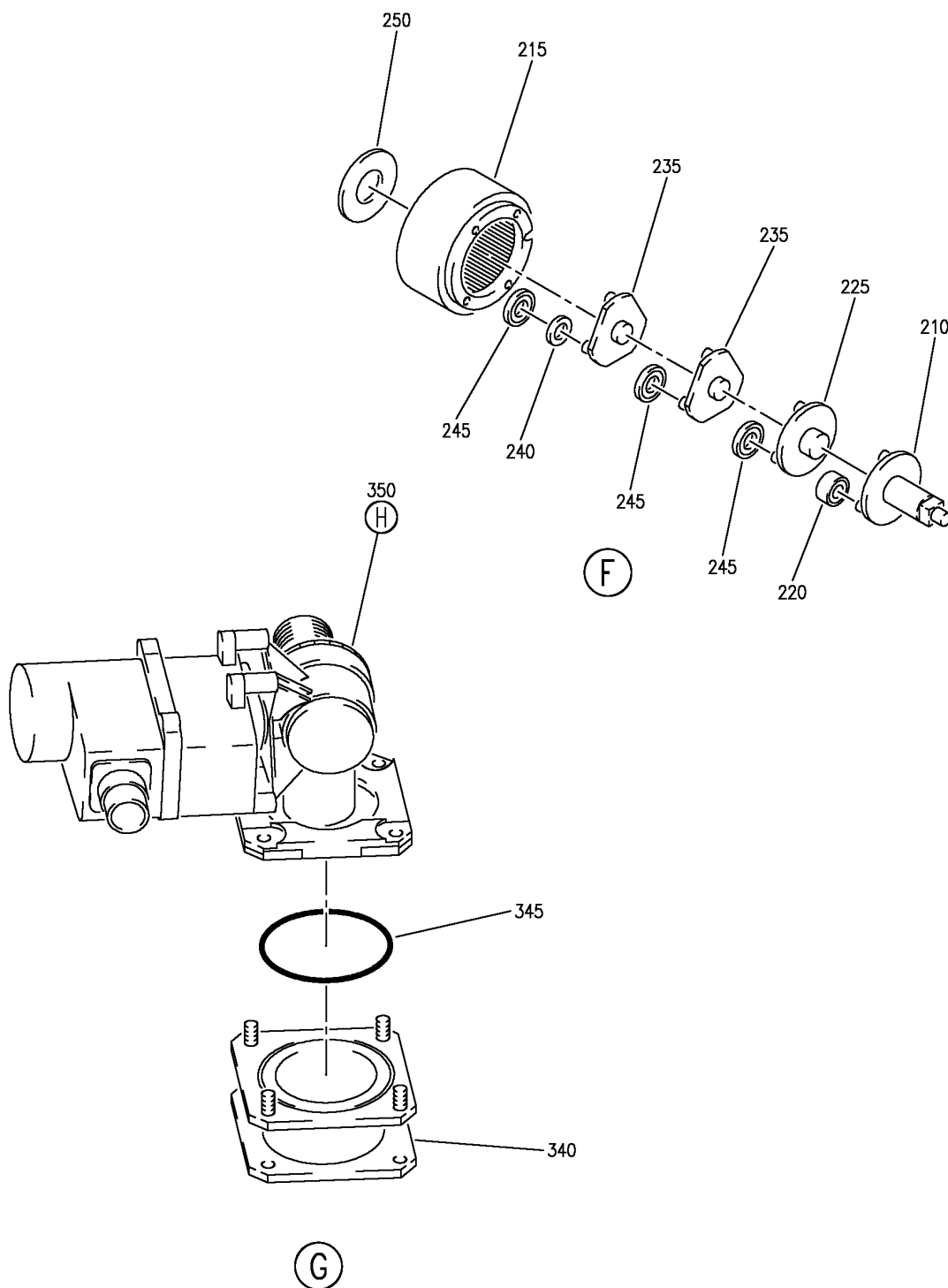
TOILET ASSY-FLUSHING LAV A (RINSE/FILL LINE SHUTOFF VALVE ONLY)
FIGURE 19 (SHEET 5)

38-32-03-19

BRI
MAY 20/09

38-32-03-19
PAGE 0D

BOEING
757
PARTS CATALOG (MAINTENANCE)



Y 38320319 SH-T 6 REV 335

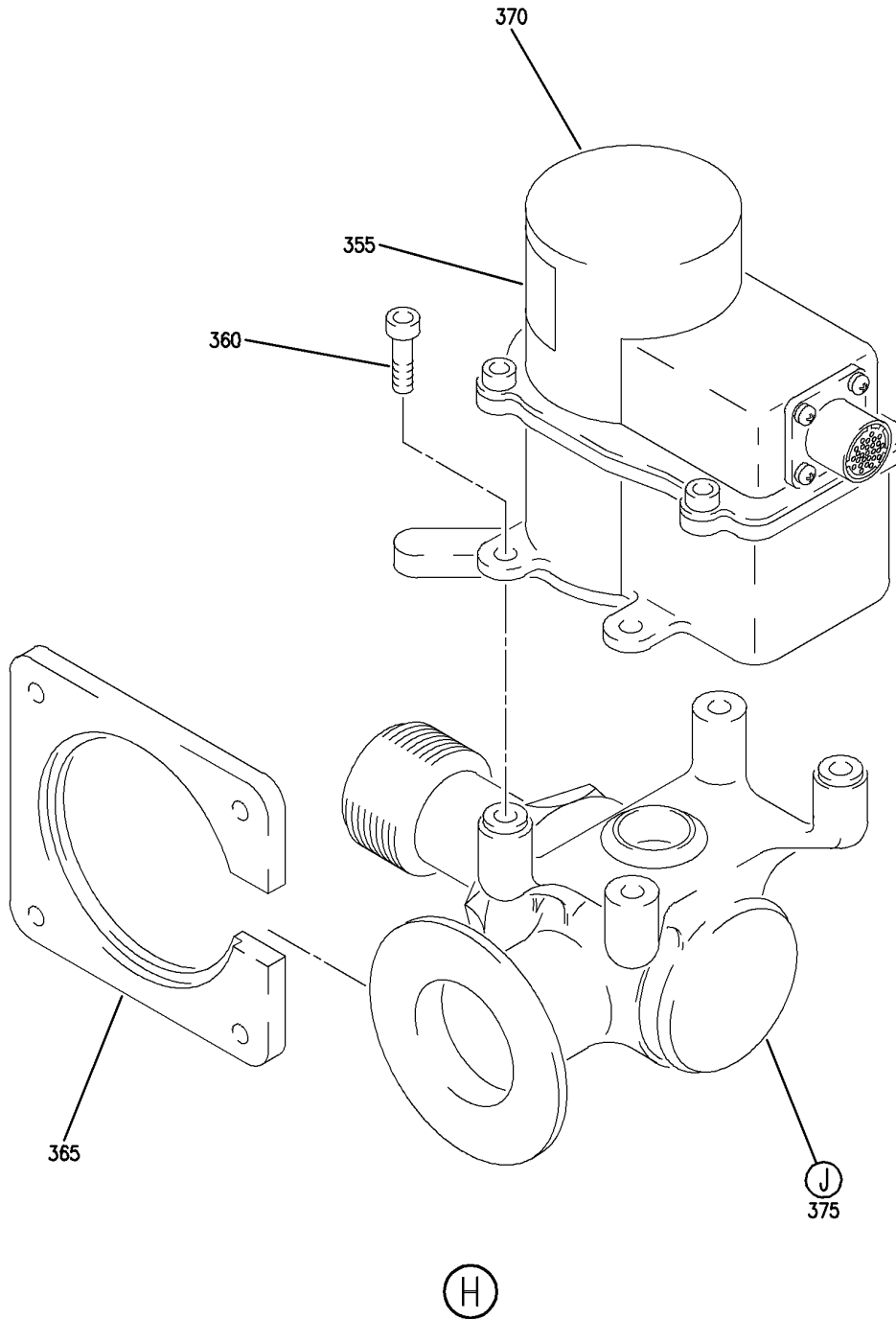
TOILET ASSY-FLUSHING LAV A (RINSE/FILL LINE SHUTOFF VALVE ONLY)
FIGURE 19 (SHEET 6)

38-32-03-19

BRI
MAY 20/09

38-32-03-19
PAGE 0E

BOEING
757
PARTS CATALOG (MAINTENANCE)



Y 38320319 SHT 7 REV 224

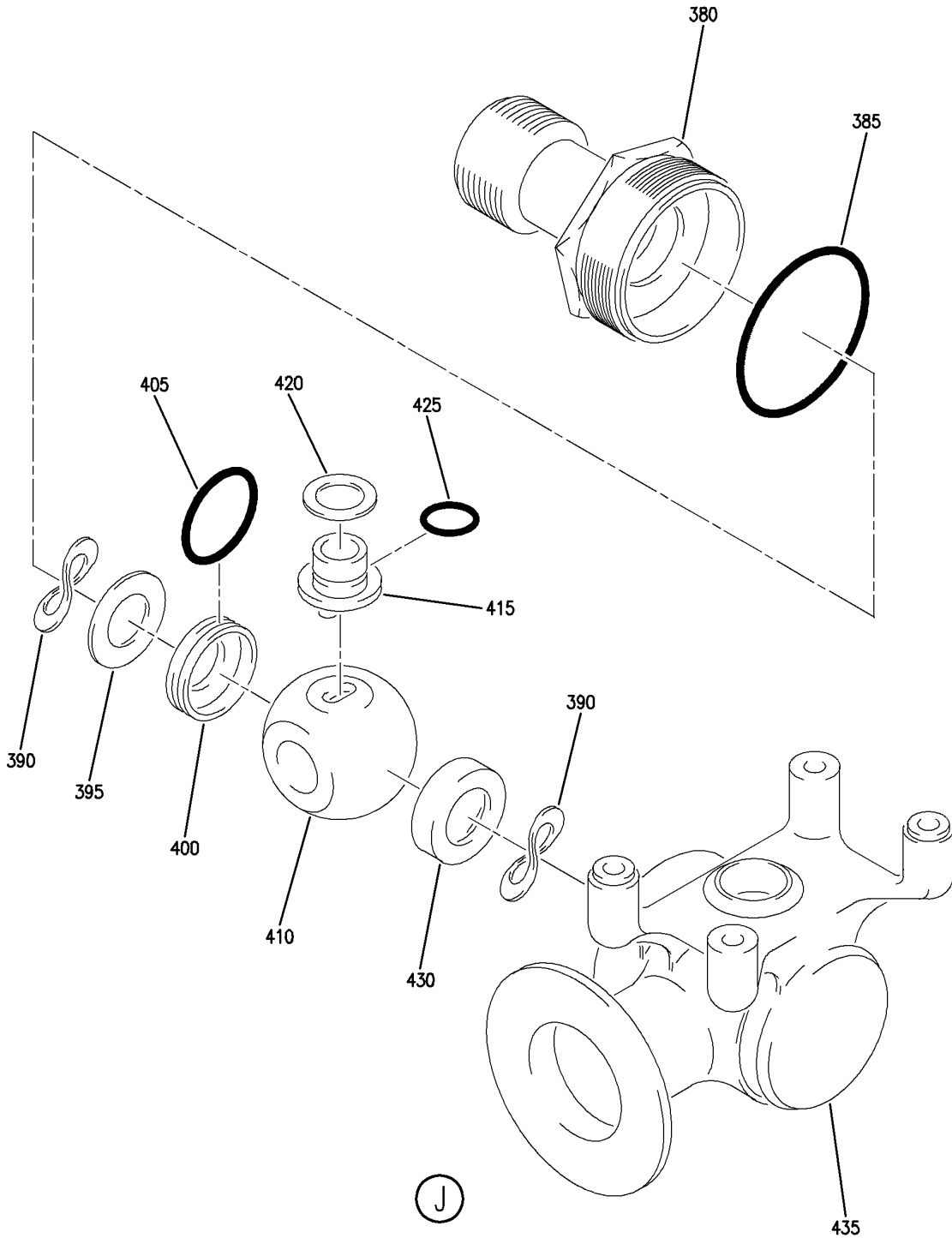
TOILET ASSY-FLUSHING LAV A (RINSE/FILL LINE SHUTOFF VALVE ONLY)
FIGURE 19 (SHEET 7)

38-32-03-19

BRI
MAY 28/07

38-32-03-19
PAGE OF

BOEING
757
PARTS CATALOG (MAINTENANCE)



Y 38320319 SHT 8 REV 224

TOILET ASSY-FLUSHING LAV A (RINSE/FILL LINE SHUTOFF VALVE ONLY)
FIGURE 19 (SHEET 8)

38-32-03-19

BRI
MAY 28/07

38-32-03-19
PAGE 0G



757

PARTS CATALOG (MAINTENANCE)

FIG ITEM	PART NUMBER	1 2 3 4 5 6 7	NOMENCLATURE	EFFECT FROM TO	UNITS PER ASSY
19			TOILET ASSY-FLUSHING LAV A (RINSE/FILL LINE SHUTOFF VALVE ONLY)	002004 006102 107999	
- 1	16300-013		TOILET ASSY-FLUSHING LAV A (RINSE/FILL LINE SHUTOFF VALVE ONLY) SUPPLIER CODE: V29780 SPECIFICATION NUMBER: S417N102-58 SB DATA FROM A CMM: POST 16200-38-03 CONFIG CHG DATA FROM A CMM: REPLS 16300-011 COMPONENT MAINT MANUAL REF: 38-33-01 FOR NHA/ADDITIONAL DET SEE: 38-32-01-01	002004 006102 107999	RF
R	5	AN960C6	.WASHER-	002004	4
R			CONFIG CHG DATA FROM A CMM:	006102	
R			REPLD BY NAS1149CN632R	107999	
R	5	NAS1149CN632R	.WASHER-	002004	4
R			CONFIG CHG DATA FROM A CMM:	006102	
R			REPLS AN960C6	107999	
R	10	AN960C8	.WASHER-	002004	4
R			CONFIG CHG DATA FROM A CMM:	006102	
R			REPLD BY NAS1149CN832R	107999	
R	10	NAS1149CN832R	.WASHER-	002004	4
R			CONFIG CHG DATA FROM A CMM:	006102	
R			REPLS AN960C8	107999	
	15	NAS679C06M	.NUT	002004	4
				006102	
				107999	
	20	NAS679C08M	.NUT	002004	4
				006102	
				107999	
R	25	16202-036-1	.ADAPTER-	002004	1
R			SUPPLIER CODE:	006102	
R			V29780	107999	
R			OPTIONAL PART:		
R			4803-95-5		
R			V29780		
R			USED WITH:		
R			4812-161		
R			4811-412		
R			400300-2		

MISSING ITEM NUMBERS NOT APPLICABLE

- ITEM NOT ILLUSTRATED

38-32-03-19

38-32-03
FIG. 19
PAGE 1
MAY 20/09

BRI



757

PARTS CATALOG (MAINTENANCE)

FIG ITEM	PART NUMBER	1 2 3 4 5 6 7	NOMENCLATURE	EFFECT FROM TO	UNITS PER ASSY
R R R R R R R R R R	19 30	4811-412	.GASKET- SUPPLIER CODE: V29780 USED WITH: 16202-036-1 4812-161 400300-2	002004 006102 107999	1
	35	4812-161	.BRACE-MTG PLATE SUPPLIER CODE: V76599 USED WITH: 16202-036-1 4811-412 400300-2	002004 006102 107999	1
	40	400300-2	.VALVE ASSY- SUPPLIER CODE: V80477 SPECIFICATION NUMBER: 60B50341-2 COMPONENT MAINT MANUAL REF: 38-30-01 OPTIONAL PART: 18-8000-2 V96736 USED WITH: 16202-036-1 4811-412 4812-161	002004 006102 107999	1
	45	400597-2	..NAMEPLATE- SUPPLIER CODE: V27045	002004 006102 107999	1
	50	10100CB0808	..SCREW-CAP SUPPLIER CODE: V80477	002004 006102 107999	4
	55	10700B082	..WASHER- SUPPLIER CODE: V80477	002004 006102 107999	4
	60	400464-3	..SEAL- SUPPLIER CODE: V80477	002004 006102 107999	1
	70	400712	..ADAPTER- SUPPLIER CODE: V27045	002004 006102 107999	1
	75	10002-021	..SEAL- SUPPLIER CODE: V27045	002004 006102 107999	1
	80	10108CB0804	..SCREW-TRUSS HEAD SUPPLIER CODE: V27045	002004 006102 107999	1

MISSING ITEM NUMBERS NOT APPLICABLE

- ITEM NOT ILLUSTRATED

38-32-03-19

38-32-03
FIG. 19
PAGE 2
MAY 20/09

BRI



757

PARTS CATALOG (MAINTENANCE)

FIG ITEM	PART NUMBER	1 2 3 4 5 6 7	NOMENCLATURE	EFFECT FROM TO	UNITS PER ASSY
19					
85	400573	..	HANDLE- SUPPLIER CODE: V27045	002004 006102 107999	1
90	11310-81SP	..	RETAINER-RING SUPPLIER CODE: V27045	002004 006102 107999	2
95	400584	..	RETAINER-SPR SUPPLIER CODE: V27045	002004 006102 107999	2
100	400579	..	SPRING- SUPPLIER CODE: V27045	002004 006102 107999	2
105	10005-016	..	SEAL- SUPPLIER CODE: V27045	002004 006102 107999	2
110	400582	..	SEAT- SUPPLIER CODE: V27045	002004 006102 107999	2
115	10100CB0808	..	SCREW-CAP SUPPLIER CODE: V80477	002004 006102 107999	4
120	10700B082	..	WASHER- SUPPLIER CODE: V80477	002004 006102 107999	4
125	400575	..	CAP- SUPPLIER CODE: V27045	002004 006102 107999	1
130	10002-023	..	SEAL- SUPPLIER CODE: V27045	002004 006102 107999	1
135	10002-012	..	SEAL- SUPPLIER CODE: V27045	002004 006102 107999	2
140	400578	..	BUSHING- SUPPLIER CODE: V27045	002004 006102 107999	2
145	400569	..	ROTOR- SUPPLIER CODE: V27045	002004 006102 107999	1
- 150	400576	..	PLATE-MTG SUPPLIER CODE: V27045	002004 006102 107999	1
155	400708	..	BODY- SUPPLIER CODE: V27045	002004 006102 107999	1
157	400574	..	ACTUATOR- SUPPLIER CODE: V80477	002004 006102 107999	1

R
R
R

MISSING ITEM NUMBERS NOT APPLICABLE

- ITEM NOT ILLUSTRATED

38-32-03-19

38-32-03
FIG. 19
PAGE 3
MAY 20/09

BRI

 **BOEING**
757
PARTS CATALOG (MAINTENANCE)

FIG ITEM	PART NUMBER	1 2 3 4 5 6 7	NOMENCLATURE	EFFECT FROM TO	UNITS PER ASSY
19					
160	400802		...COVER- SUPPLIER CODE: V27045 ATTACHING PARTS	002004 006102 107999	1
R	165	10104CA0420	...SCREW-FILLISTER HEAD SUPPLIER CODE: V27045 -----*-----	002004 006102 107999	2
R	170	400807	...ACTUATOR ASSY-MOTOR SUPPLIER CODE: V27045	002004 006102 107999	1
R	175	10104CB0228SCREW-FLAT HEAD SUPPLIER CODE: V27045	002004 006102 107999	3
R	180	400743-1HOUSING AND STATOR ASSY SUPPLIER CODE: V27045	002004 006102 107999	1
	185	400743-4ROTOR ASSY- SUPPLIER CODE: V27045	002004 006102 107999	1
	190	400743-3WASHER- SUPPLIER CODE: V27045	002004 006102 107999	1
	195	400743-2COVER- SUPPLIER CODE: V27045	002004 006102 107999	1
	200	400806	...GEAR ASSY-RING SUPPLIER CODE: V27045 ATTACHING PARTS	002004 006102 107999	1
R	205	10104CB0216	...SCREW-FLAT HEAD SUPPLIER CODE: V27045 -----*-----	002004 006102 107999	4
R	210	400744-1PLATE-CARRIER SUPPLIER CODE: V27045	002004 006102 107999	1
	215	400744-2GEAR-RING SUPPLIER CODE: V27045	002004 006102 107999	1
	220	400744-3GEAR-PLANET SUPPLIER CODE: V27045	002004 006102 107999	3
	225	400744-4PLATE-CARRIER SUPPLIER CODE: V27045	002004 006102 107999	1
	235	400744-6PLATE-CARRIER SUPPLIER CODE: V27045	002004 006102 107999	2

MISSING ITEM NUMBERS NOT APPLICABLE

— ITEM NOT ILLUSTRATED

BRI

38-32-03-19

BOEING PROPRIETARY - Copyright © - Unpublished Work - See title page for details.

38-32-03
FIG. 19
PAGE 4
MAY 20/09



757

PARTS CATALOG (MAINTENANCE)

FIG ITEM	PART NUMBER	1 2 3 4 5 6 7	NOMENCLATURE	EFFECT FROM TO	UNITS PER ASSY
19					
R	240	400744-9WASHER- SUPPLIER CODE: V27045	002004 006102 107999	3
R	245	400744-8GEAR-PLANET SUPPLIER CODE: V27045	002004 006102 107999	9
R	250	400744-7SHIM-WASHER SUPPLIER CODE: V27045	002004 006102 107999	1
R	255	400805	...SHAFT-CLUTCH OUTPUT SUPPLIER CODE: V27045	002004 006102 107999	1
R	260	400803	...BRACKET ASSY- SUPPLIER CODE: V27045	002004 006102 107999	1
R	265	400747-2BRACKET-ACTR SUPPLIER CODE: V27045	002004 006102 107999	1
R	270	400747-1CONNECTOR- SUPPLIER CODE: V27045	002004 006102 107999	1
R	275	10106CB0404	ATTACHING PARTSSCREW-FILLISTER HEAD SUPPLIER CODE: V27045	002004 006102 107999	4
R	280	MS16625-1062RING-RETAINING SB DATA FROM A CMM: POST 400300-38-01 -----*-----	002004 006102 107999	1
R	290	400747-10BEARING- SUPPLIER CODE: V27045	002004 006102 107999	2
R	295	10109CB0207SCREW-PAN HEAD SUPPLIER CODE: V27045	002004 006102 107999	4
R	300	10702B02WASHER-INTERNAL TOOTH SUPPLIER CODE: V27045	002004 006102 107999	4
R	305	400747-9PAD- SUPPLIER CODE: V27045	002004 006102 107999	2
R	310	400747-8MICROSWITCH- SUPPLIER CODE: V27045	002004 006102 107999	2
R	315	400747-7MICROSWITCH- SUPPLIER CODE: V27045	002004 006102 107999	2

MISSING ITEM NUMBERS NOT APPLICABLE

- ITEM NOT ILLUSTRATED

38-32-03-19

38-32-03
FIG. 19
PAGE 5
MAY 20/09

BRI



757

PARTS CATALOG (MAINTENANCE)

FIG ITEM	PART NUMBER	1 2 3 4 5 6 7	NOMENCLATURE	EFFECT FROM TO	UNITS PER ASSY
19					
370	60-1100-1	..	ACTUATOR- SUPPLIER CODE: V96736	002004 006102 107999	1
375	18-8001-2	..	BODY ASSY-FLOW SUPPLIER CODE: V96736	002004 006102 107999	1
380	18-8011	...	FITTING-MS33514-12 INLET SUPPLIER CODE: V96736	002004 006102 107999	1
385	MS29513-026	...	PACKING	002004 006102 107999	1
390	18-5624	...	WASHER-WAVE SUPPLIER CODE: V96736	002004 006102 107999	2
395	18-5634	...	SPACER- SUPPLIER CODE: V96736	002004 006102 107999	1
400	18-5613	...	SEAL-TEFLON SUPPLIER CODE: V96736	002004 006102 107999	1
405	MS29513-023	...	PACKING	002004 006102 107999	1
410	18-8012	...	BALL- SUPPLIER CODE: V96736	002004 006102 107999	1
415	18-8013	...	SHAFT- SUPPLIER CODE: V96736	002004 006102 107999	1
420	18-5618	...	WASHER-THRUST SUPPLIER CODE: V96736	002004 006102 107999	1
425	MS29513-012	...	PACKING	002004 006102 107999	1
430	18-5627	...	SEAL-TEFLON SUPPLIER CODE: V96736	002004 006102 107999	1
435	18-8010	...	BODY-VALVE SUPPLIER CODE: V96736	002004 006102 107999	1

MISSING ITEM NUMBERS NOT APPLICABLE

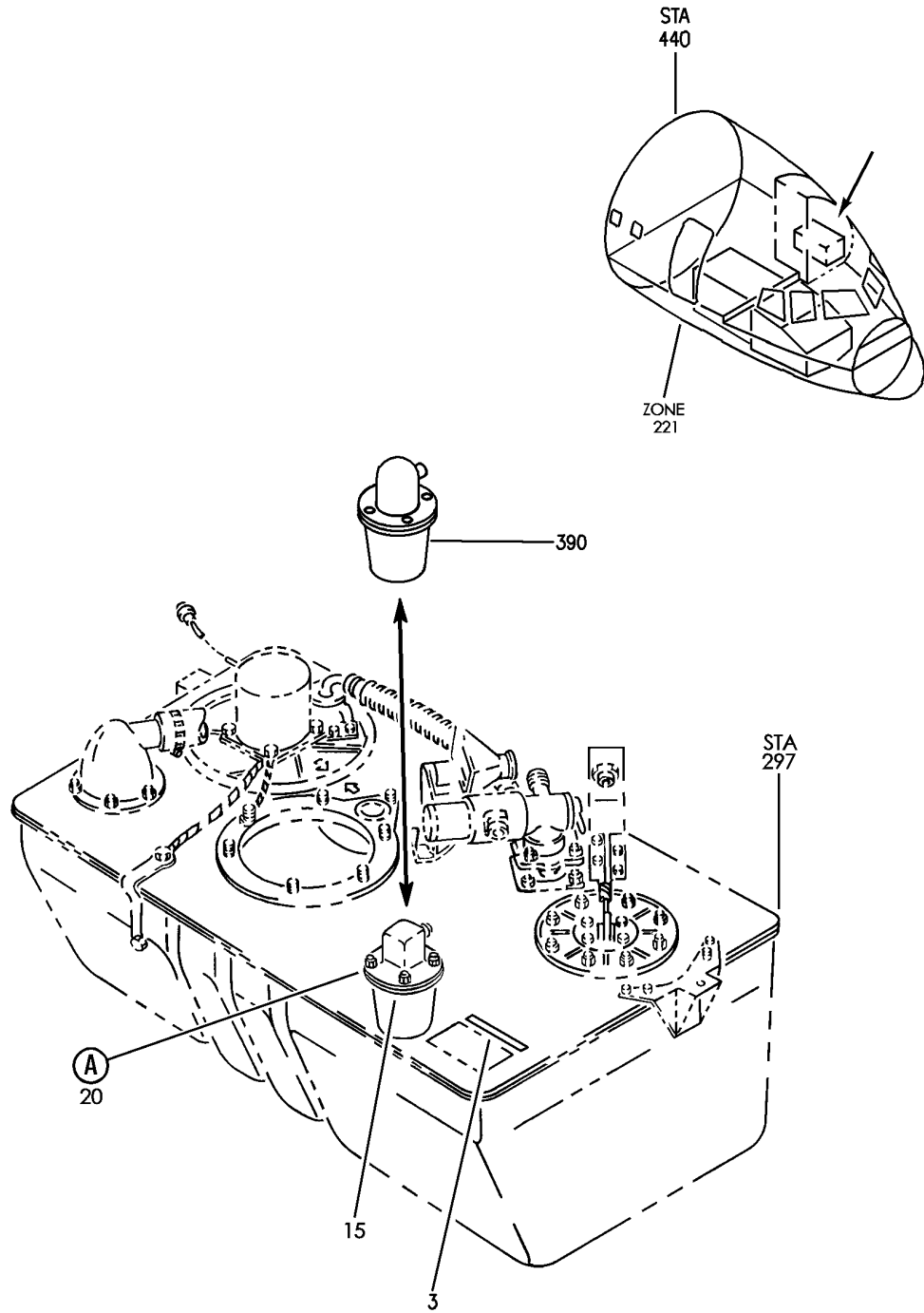
- ITEM NOT ILLUSTRATED

38-32-03-19

38-32-03
FIG. 19
PAGE 7
MAY 20/09

BRI

BOEING
757
PARTS CATALOG (MAINTENANCE)



Y 38320401 SHT 1 REV 242

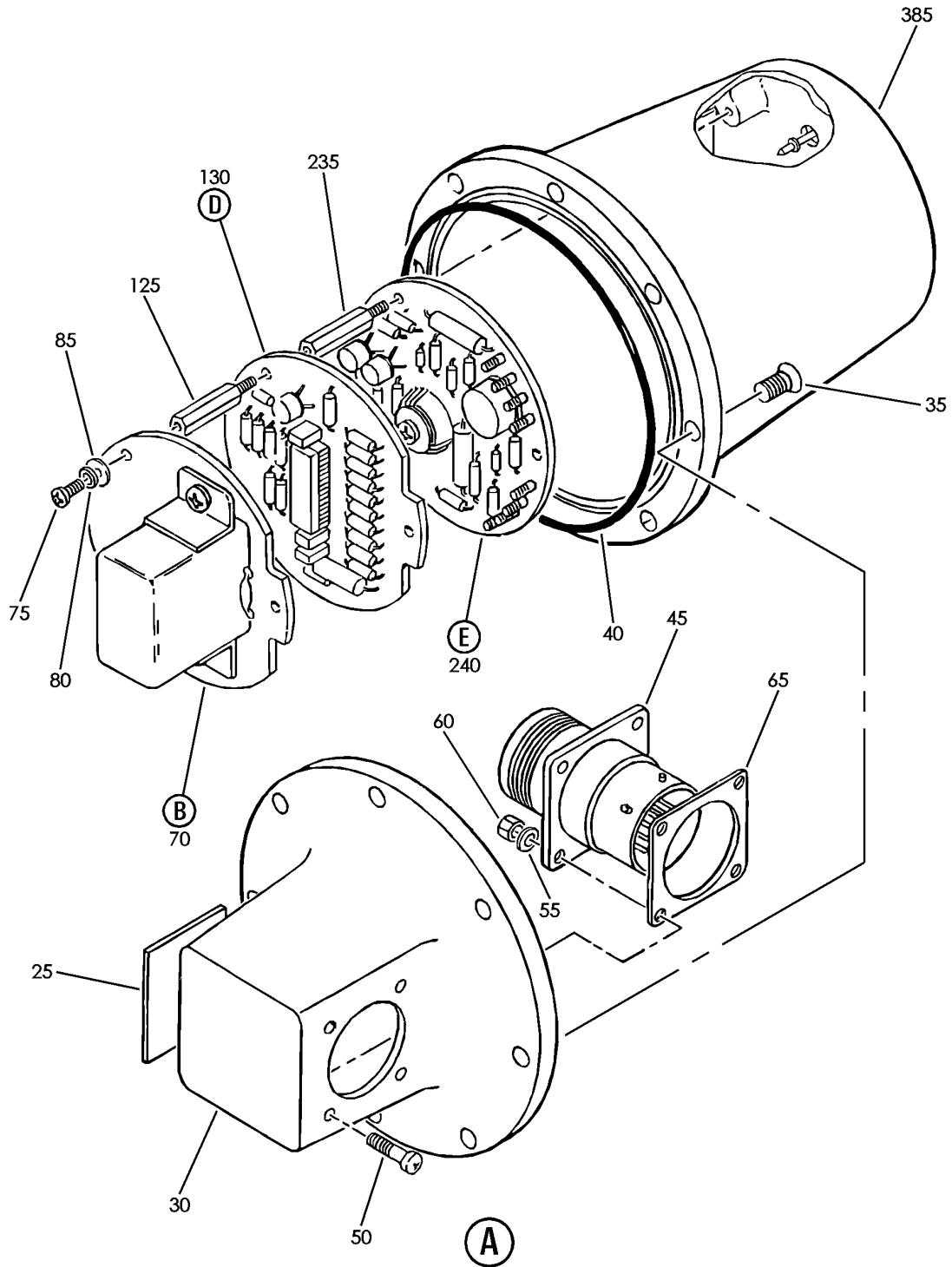
TOILET ASSY-FLUSHING (LEVEL SENSOR ONLY)
FIGURE 1 (SHEET 1)

38-32-04-01

BRI
MAY 28/07

38-32-04-01
PAGE 0

BOEING
757
PARTS CATALOG (MAINTENANCE)



Y 38320401 SHT 2 REV 222

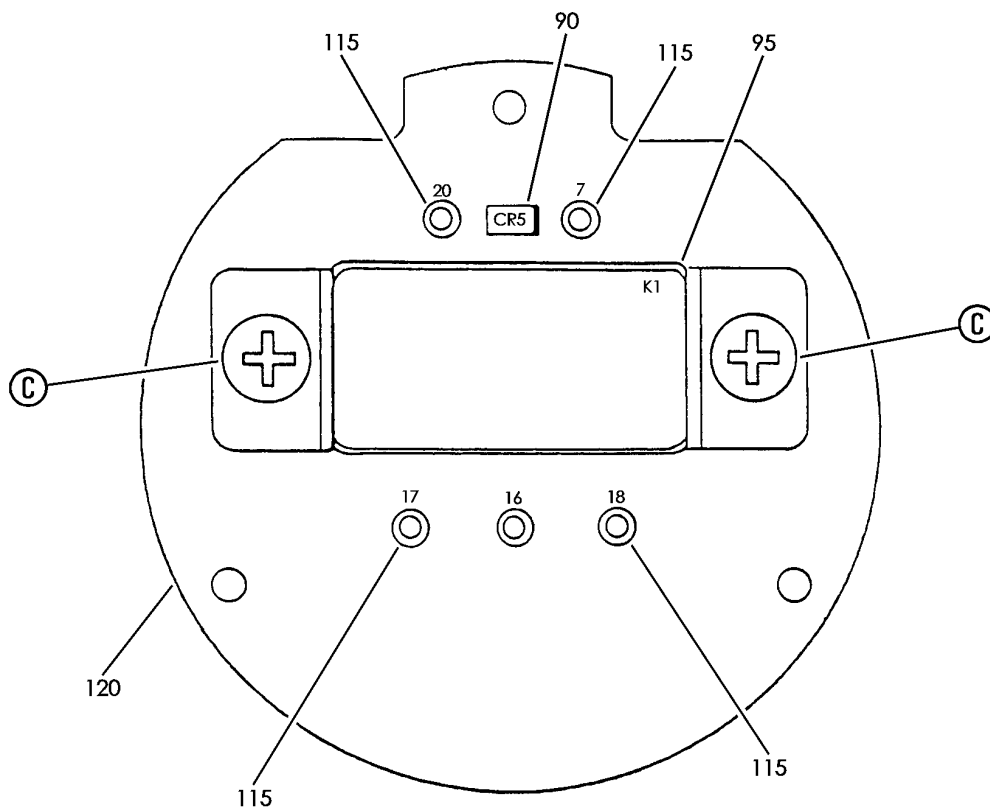
TOILET ASSY-FLUSHING (LEVEL SENSOR ONLY)
FIGURE 1 (SHEET 2)

38-32-04-01

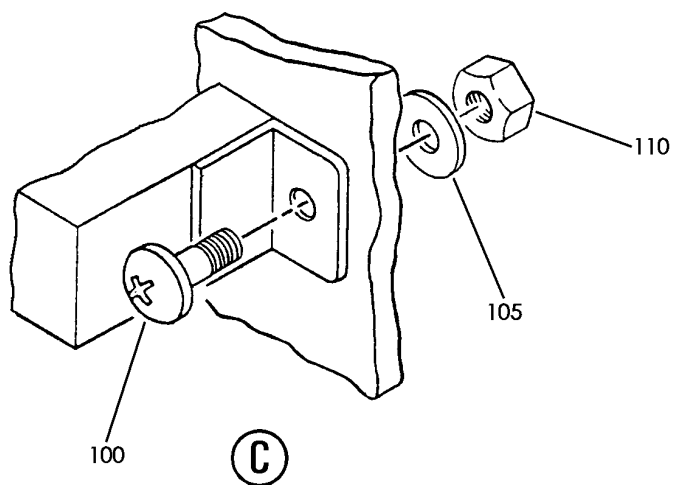
BRI
MAY 28/07

38-32-04-01
PAGE 0A

BOEING
757
PARTS CATALOG (MAINTENANCE)



(B)



(C)

Y 38320401 SHT 3 REV 222

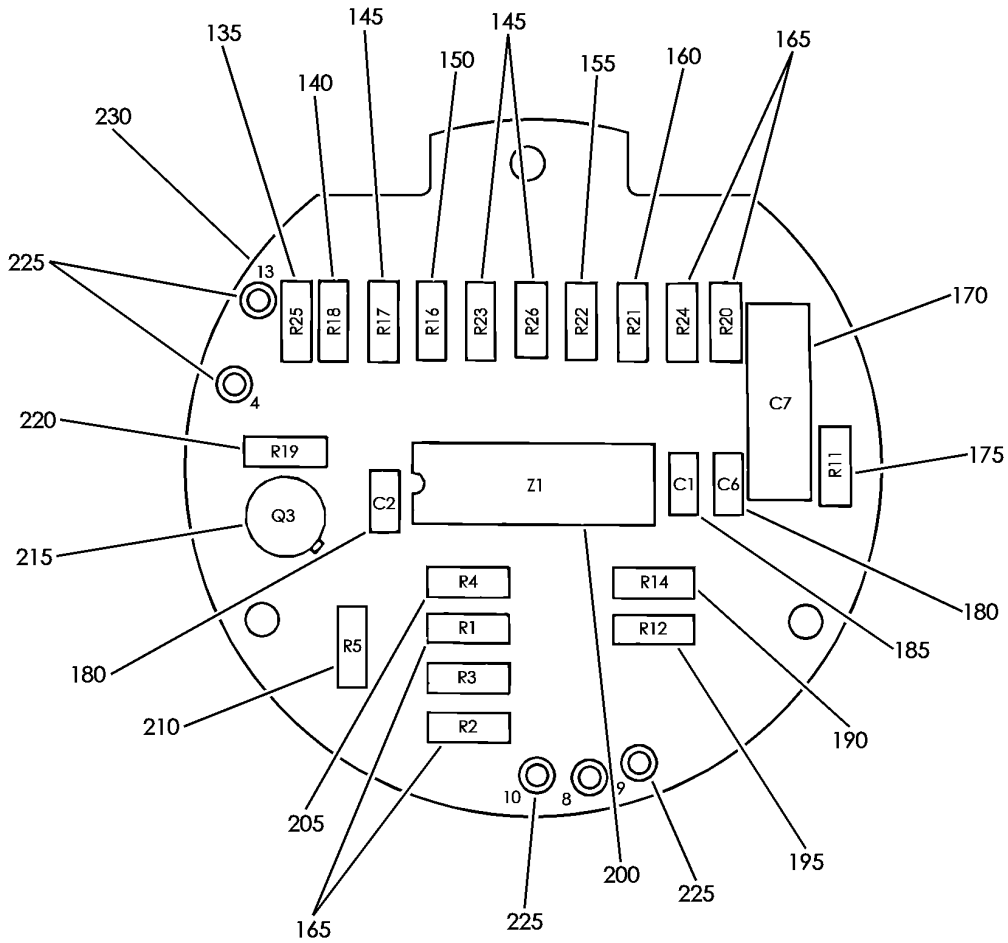
TOILET ASSY-FLUSHING (LEVEL SENSOR ONLY)
FIGURE 1 (SHEET 3)

38-32-04-01

BRI
MAY 28/07

38-32-04-01
PAGE 0B

BOEING
757
PARTS CATALOG (MAINTENANCE)



(D)

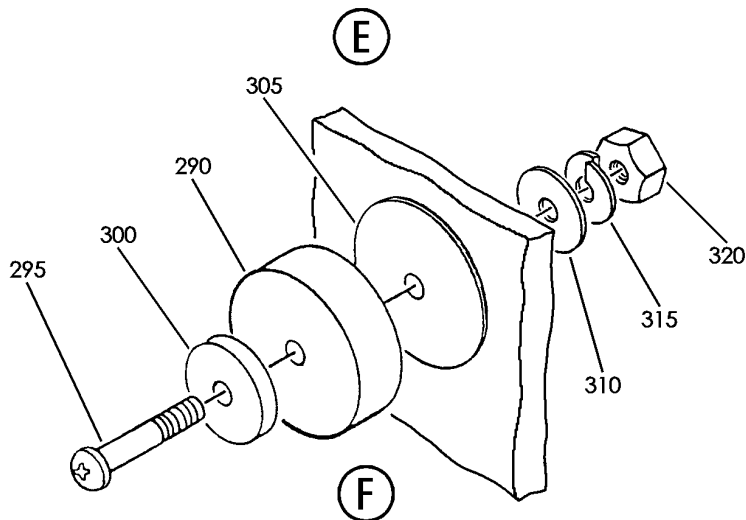
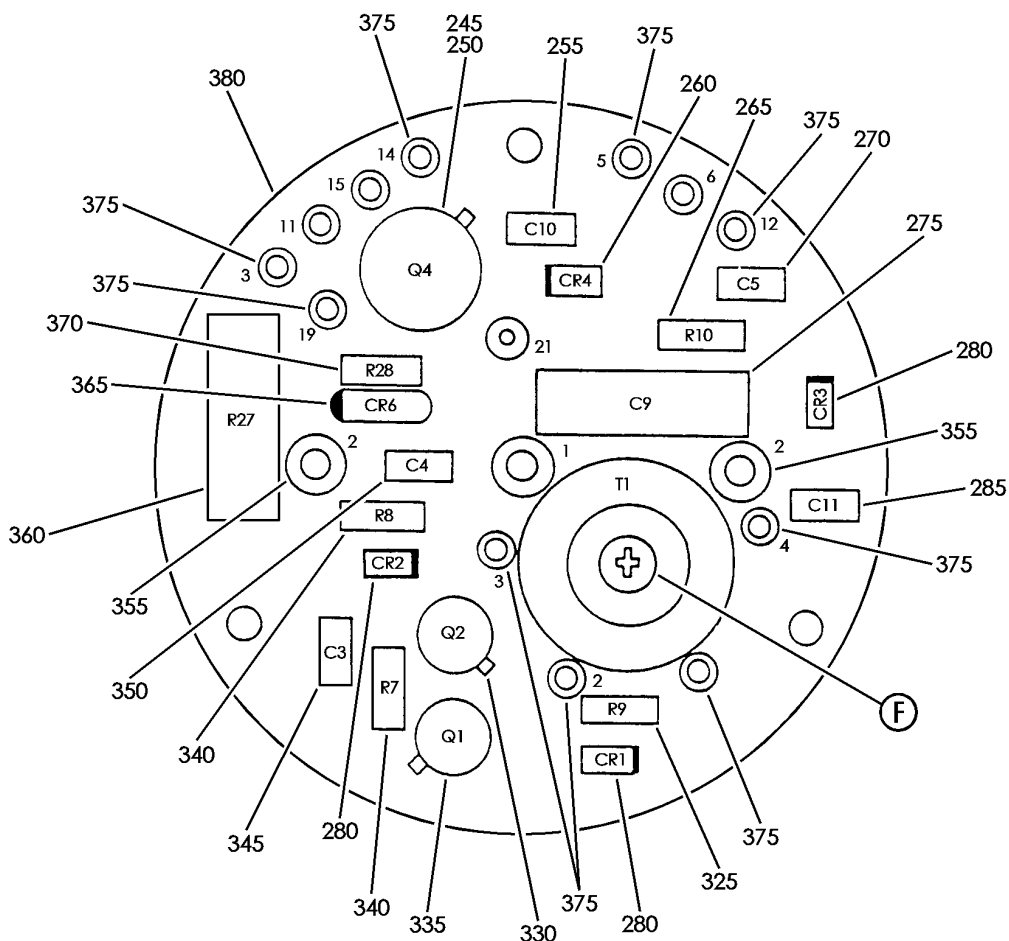
Y 38320401 SHT 4 REV 222

TOILET ASSY-FLUSHING (LEVEL SENSOR ONLY)
FIGURE 1 (SHEET 4)

38-32-04-01

BRI
MAY 28/07

38-32-04-01
PAGE 0C



Y 38320401 SHT 5 REV 222

TOILET ASSY-FLUSHING (LEVEL SENSOR ONLY)
FIGURE 1 (SHEET 5)

38-32-04-01



757

PARTS CATALOG (MAINTENANCE)

FIG ITEM	PART NUMBER	1 2 3 4 5 6 7	NOMENCLATURE	EFFECT FROM TO	UNITS PER ASSY
1			TOILET ASSY-FLUSHING (LEVEL SENSOR ONLY)	002004 006102 107999	
- 1	16300-008		TOILET ASSY-FLUSHING (LEVEL SENSOR ONLY) SUPPLIER CODE: V29780 SPECIFICATION NUMBER: S417N102-30 SB DATA FROM A CMM: PRE 3600-38-001 PRE 16200-38-03 CONFIG CHG DATA FROM A CMM: REPLS 16300-001 REPLD BY 16300-011 COMPONENT MAINT MANUAL REF: 38-33-01 FOR NHA/ADDITIONAL DET SEE: 38-32-01-01	002004 006102 107999	RF
- 1	16300-011		TOILET ASSY-FLUSHING (LEVEL SENSOR ONLY) SUPPLIER CODE: V29780 SPECIFICATION NUMBER: S417N102-46 SB DATA FROM A CMM: PRE 16200-38-03 POST 3600-38-001 CONFIG CHG DATA FROM A CMM: REPLS 16300-008 REPLD BY 16300-013 COMPONENT MAINT MANUAL REF: 38-33-01 FOR NHA/ADDITIONAL DET SEE: 38-32-01-01	002004 006102 107999	RF
R R R R R R	- 5 AN960C8		.WASHER	002004 006102 107999	4
	- 10 NAS679C08M		.NUT	002004 006102 107999	4
	15 16302-006		.GASKET- SUPPLIER CODE: V29780	002004 006102 107999	1

MISSING ITEM NUMBERS NOT APPLICABLE

- ITEM NOT ILLUSTRATED

38-32-04-01

38-32-04
FIG. 01
PAGE 1
MAY 20/09

BRI

 **BOEING**
757
PARTS CATALOG (MAINTENANCE)

FIG ITEM	PART NUMBER	1 2 3 4 5 6 7	NOMENCLATURE	EFFECT FROM TO	UNITS PER ASSY
1					
20	1111-0001		.DETECTOR ASSY-FLUID LEVEL SUPPLIER CODE: V86831 SPECIFICATION NUMBER: S283N202-1 SB DATA FROM A CMM: PRE 16200-38-03 CONFIG CHG DATA FROM A CMM: REPLD BY 0123FJ COMPONENT MAINT MANUAL REF: 38-30-03	002004 006102 107999	1
25	2124-0122		..NAMEPLATE- SUPPLIER CODE: V86831	002004 006102 107999	1
30	4038-0027		..COVER-MACHINED SUPPLIER CODE: V29780	002004 006102 107999	1
35	MS24693C25		..SCREW ATTACHING PARTS	002004 006102 107999	4
40	MS28775-038		-----*----- ..PACKING	002004 006102 107999	1
45	MS24264R12B12P		..CONNECTOR ATTACHING PARTS	002004 006102 107999	1
50	MS51957-15		..SCREW	002004 006102 107999	4
55	MS15795-803		..WASHER	002004 006102 107999	4
60	NAS679C04M		..NUT -----*-----	002004 006102 107999	4
65	2074-0031		..GASKET-CONN SUPPLIER CODE: V86831	002004 006102 107999	1
70	4232-0051		..BOARD-RELAY/SENSOR NO. 3 SUPPLIER CODE: V86831	002004 006102 107999	1
75	MS51957-3		..SCREW ATTACHING PARTS	002004 006102 107999	3

MISSING ITEM NUMBERS NOT APPLICABLE

— ITEM NOT ILLUSTRATED

BRI

38-32-04-01

BOEING PROPRIETARY - Copyright © - Unpublished Work - See title page for details.

38-32-04
FIG. 01
PAGE 2
MAY 20/09



757

PARTS CATALOG (MAINTENANCE)

FIG ITEM	PART NUMBER	1 2 3 4 5 6 7	NOMENCLATURE	EFFECT FROM TO	UNITS PER ASSY
1					
80	MS35338-134	..	WASHER	002004 006102 107999	3
85	MS15795-802	..	WASHER	002004 006102 107999	3
			-----*-----		
90	JANTX1N4246	...	DIODE- SUPPLIER CODE: V81350	002004 006102 107999	1
95	MS27401-14	...	RELAY	002004 006102 107999	1
			ATTACHING PARTS		
100	MS51957-15	...	SCREW	002004 006102 107999	2
105	MS15795-803	...	WASHER	002004 006102 107999	2
110	NAS679C04M	...	NUT	002004 006102 107999	2
			-----*-----		
115	4526B504	...	TERMINAL- SUPPLIER CODE: V15849	002004 006102 107999	5
120	2232-0051	...	BOARD-PRINTED CIRCUIT SUPPLIER CODE: V86831	002004 006102 107999	1
125	9732SS0256	..	STANDOFF-HEX SUPPLIER CODE: V06540	002004 006102 107999	3
130	4232-0048	..	BOARD-SENSOR NO. 1 SUPPLIER CODE: V86831	002004 006102 107999	1
135	RCR07G100JS	...	RESISTOR	002004 006102 107999	1
140	RCR07G3003JS	...	RESISTOR- OPTIONAL PART: RCR07G2803JS RCR07G3203JS	002004 006102 107999	1
140	RCR07G2803JS	...	RESISTOR- ALTERNATE PART FOR UNIT CALIBRATION OPTIONAL PART: RCR07G3003JS RCR07G3203JS	002004 006102 107999	1

MISSING ITEM NUMBERS NOT APPLICABLE

- ITEM NOT ILLUSTRATED

38-32-04-01

38-32-04
FIG. 01
PAGE 3
JAN 20/09

BRI

 **BOEING**
757
PARTS CATALOG (MAINTENANCE)

FIG ITEM	PART NUMBER	1 2 3 4 5 6 7	NOMENCLATURE	EFFECT FROM TO	UNITS PER ASSY	
1						
140	RCR07G3203JS	...	RESISTOR- ALTERNATE PART FOR UNIT CALIBRATION OPTIONAL PART: RCR07G3003JS RCR07G2803JS	002004 006102 107999	1	
145	RCR07G302JS	...	RESISTOR	002004 006102 107999	3	
150	RLR07C4993GR	...	RESISTOR	002004 006102 107999	1	
155	RLR07C3321GR	...	RESISTOR- OPTIONAL PART: RLR07C3301GR	002004 006102 107999	1	
R	155	RLR07C3301GR	...	RESISTOR- OPTIONAL PART: RLR07C3321GR	002004 006102 107999	1
R	160	RLR07C3921GR	...	RESISTOR- OPTIONAL PART: RLR07C3901GR	002004 006102 107999	1
R	160	RLR07C3901GR	...	RESISTOR- OPTIONAL PART: RLR07C3921GR	002004 006102 107999	1
R	165	RLR07C1003GR	...	RESISTOR	002004 006102 107999	5
R	170	M39003-01-2751	...	CAPACITOR	002004 006102 107999	1
R	175	RLR07C1002GR	...	RESISTOR	002004 006102 107999	1
R	180	M39014-01-1553	...	CAPACITOR	002004 006102 107999	2
R	185	M39014-01-1293	...	CAPACITOR	002004 006102 107999	1
R	190	RLR07C1201GR	...	RESISTOR	002004 006102 107999	1
R	195	RLR07C9091GR	...	RESISTOR	002004 006102 107999	1
R	200	LM139J883B	...	COMPARATOR-QUAD IC SUPPLIER CODE: V27014	002004 006102 107999	1

MISSING ITEM NUMBERS NOT APPLICABLE

— ITEM NOT ILLUSTRATED

BRI

38-32-04-01

BOEING PROPRIETARY - Copyright © - Unpublished Work - See title page for details.

38-32-04
FIG. 01
PAGE 4
MAY 20/09

 **BOEING**
757
PARTS CATALOG (MAINTENANCE)

FIG ITEM	PART NUMBER	1 2 3 4 5 6 7	NOMENCLATURE	EFFECT FROM TO	UNITS PER ASSY
1					
205	RLR07C1502GR	...	RESISTOR	002004 006102 107999	1
210	RLR07C1001GR	...	RESISTOR	002004 006102 107999	1
215	JANTX2N2907A	...	TRANSISTOR	002004 006102 107999	1
220	RCR07G303JS	...	RESISTOR	002004 006102 107999	1
225	4509B504	...	TERMINAL- SUPPLIER CODE: V15849	002004 006102 107999	5
230	2232-0048	...	BOARD-PRINTED CKT SUPPLIER CODE: V86831	002004 006102 107999	1
235	9732SS04400256	..	STANDOFF-HEX SUPPLIER CODE: V06540	002004 006102 107999	3
240	4232-0050	..	BOARD-SENSOR NO. 2 SUPPLIER CODE: V86831	002004 006102 107999	1
245	JANTX2N2219	...	TRANSISTOR	002004 006102 107999	1
250	506-038	...	PAD-MTG SUPPLIER CODE: V32559	002004 006102 107999	1
255	M39014-01-1553	...	CAPACITOR	002004 006102 107999	1
260	JANTX1N4246	...	DIODE- SUPPLIER CODE: V81350	002004 006102 107999	1
265	RCR07G105JS	...	RESISTOR	002004 006102 107999	1
270	M39014-01-1535	...	CAPACITOR	002004 006102 107999	1
275	M39003-01-2751	...	CAPACITOR	002004 006102 107999	1
280	JANTX1N4148-1	...	DIODE	002004 006102 107999	3

MISSING ITEM NUMBERS NOT APPLICABLE

— ITEM NOT ILLUSTRATED

BRI

38-32-04-01

BOEING PROPRIETARY - Copyright © - Unpublished Work - See title page for details.

38-32-04
FIG. 01
PAGE 5
MAY 20/09



757

PARTS CATALOG (MAINTENANCE)

FIG ITEM	PART NUMBER	1 2 3 4 5 6 7	NOMENCLATURE	EFFECT FROM TO	UNITS PER ASSY
R R R	1				
	285	M39014-01-1287	...CAPACITOR	002004 006102 107999	1
	290	4213-0005-4	...CORE ASSY-WIRE SUPPLIER CODE: V29780 ATTACHING PARTS	002004 006102 107999	1
	295	MS51957-17	...SCREW	002004 006102 107999	1
	300	5607-57	...WASHER-SHOULDER SUPPLIER CODE: V86928	002004 006102 107999	1
	305	5622-16-7	...WASHER-MYLAR SUPPLIER CODE: V86928	002004 006102 107999	1
	310	MS15795-803	...WASHER	002004 006102 107999	1
	315	MS35338-135	...WASHER	002004 006102 107999	1
	320	MS35649-244	...NUT	002004 006102 107999	1
			-----*-----		
	325	RCR07G101JS	...RESISTOR	002004 006102 107999	1
	330	JANTX2N2222A	...TRANSISTOR	002004 006102 107999	1
R R R	335	JANTX2N2907A	...TRANSISTOR	002004 006102 107999	1
	340	RLR07C1002GR	...RESISTOR	002004 006102 107999	2
R R R R R R R	345	M39014-01-1523	...CAPACITOR	002004 006102 107999	1
	350	M39014-01-1317	...CAPACITOR- OPTIONAL PART: M39014-01-1227	002004 006102 107999	1
	350	M39014-01-1227	...CAPACITOR- OPTIONAL PART: M39014-01-1317	002004 006102 107999	1

MISSING ITEM NUMBERS NOT APPLICABLE

- ITEM NOT ILLUSTRATED

38-32-04-01

38-32-04
FIG. 01
PAGE 6
MAY 20/09

BRI

BOEING
757
PARTS CATALOG (MAINTENANCE)

FIG ITEM	PART NUMBER	1 2 3 4 5 6 7	NOMENCLATURE	EFFECT FROM TO	UNITS PER ASSY
1					
355	4503366010300	...	TERMINAL- SUPPLIER CODE: V71729	002004 006102 107999	2
360	RWR89S2210FR	...	RESISTOR	002004 006102 107999	1
365	JANTX1N4960	...	DIODE	002004 006102 107999	1
370	RLR07C4701GR	...	RESISTOR	002004 006102 107999	1
375	4509B504	...	TERMINAL- SUPPLIER CODE: V15849	002004 006102 107999	12
380	2232-0050	...	BOARD-PRINTED CKT SUPPLIER CODE: V86831	002004 006102 107999	1
385	4090-0039	..	HOUSING ASSY- SUPPLIER CODE: V29780	002004 006102 107999	1
390	0123FJ	.	DETECTOR ASSY-FLUID LEVEL SUPPLIER CODE: V29780 SB DATA FROM A CMM: POST 16200-38-03 CONFIG CHG DATA FROM A CMM: REPLS 1111-0001 OPTIONAL PART: 1111-0006-1 V86831	002004 006102 107999	1
390	1111-0006-1	.	DETECTOR ASSY-FLUID LEVEL SUPPLIER CODE: V86831 OPTIONAL PART: 0123FJ V29780	002004 006102 107999	1

R
R
R
R
R
R
R
R
R
R
R
R
R
R
R
R

MISSING ITEM NUMBERS NOT APPLICABLE

- ITEM NOT ILLUSTRATED

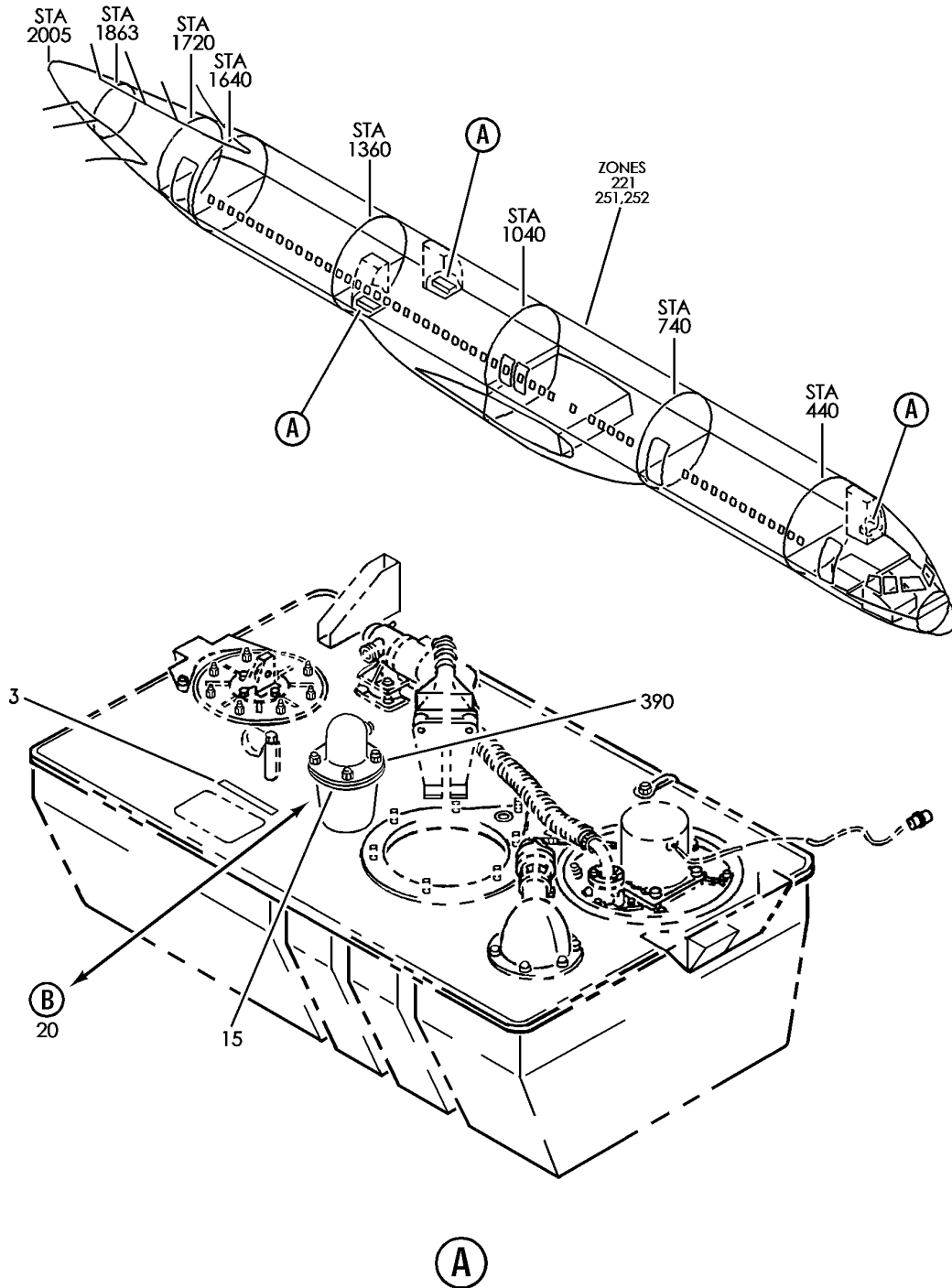
BRI

38-32-04-01

BOEING PROPRIETARY - Copyright © - Unpublished Work - See title page for details.

38-32-04
FIG. 01
PAGE 7
MAY 20/09

BOEING
757
PARTS CATALOG (MAINTENANCE)



Y 38320403 SHT 1 REV 242

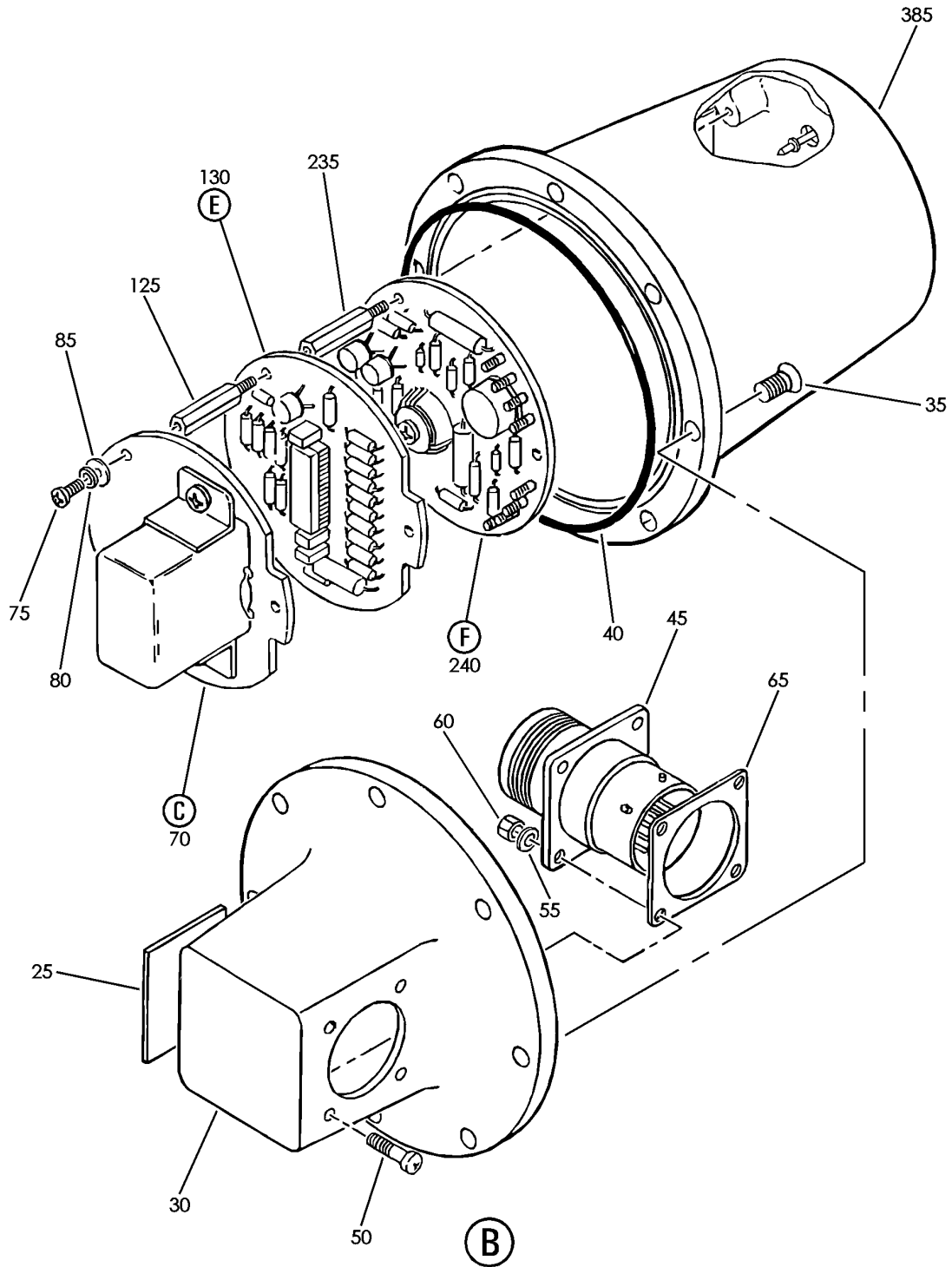
TOILET ASSY-FLUSHING (LEVEL SENSOR ONLY)
FIGURE 3 (SHEET 1)

38-32-04-03

BRI
MAY 28/07

38-32-04-03
PAGE 0

BOEING
757
PARTS CATALOG (MAINTENANCE)



Y 38320403 SHT 2 REV 222

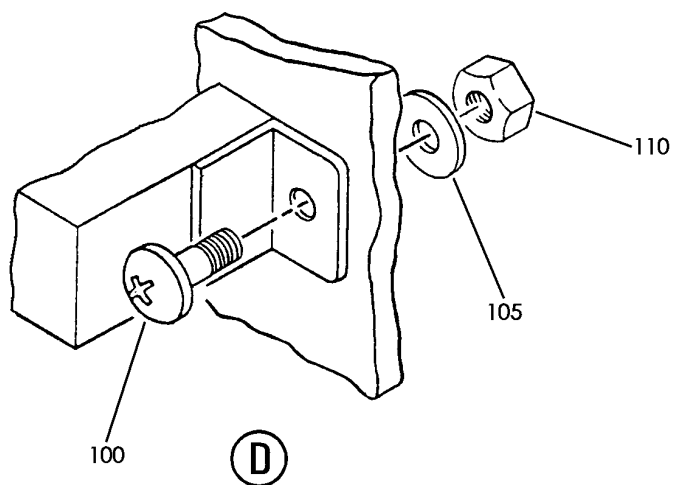
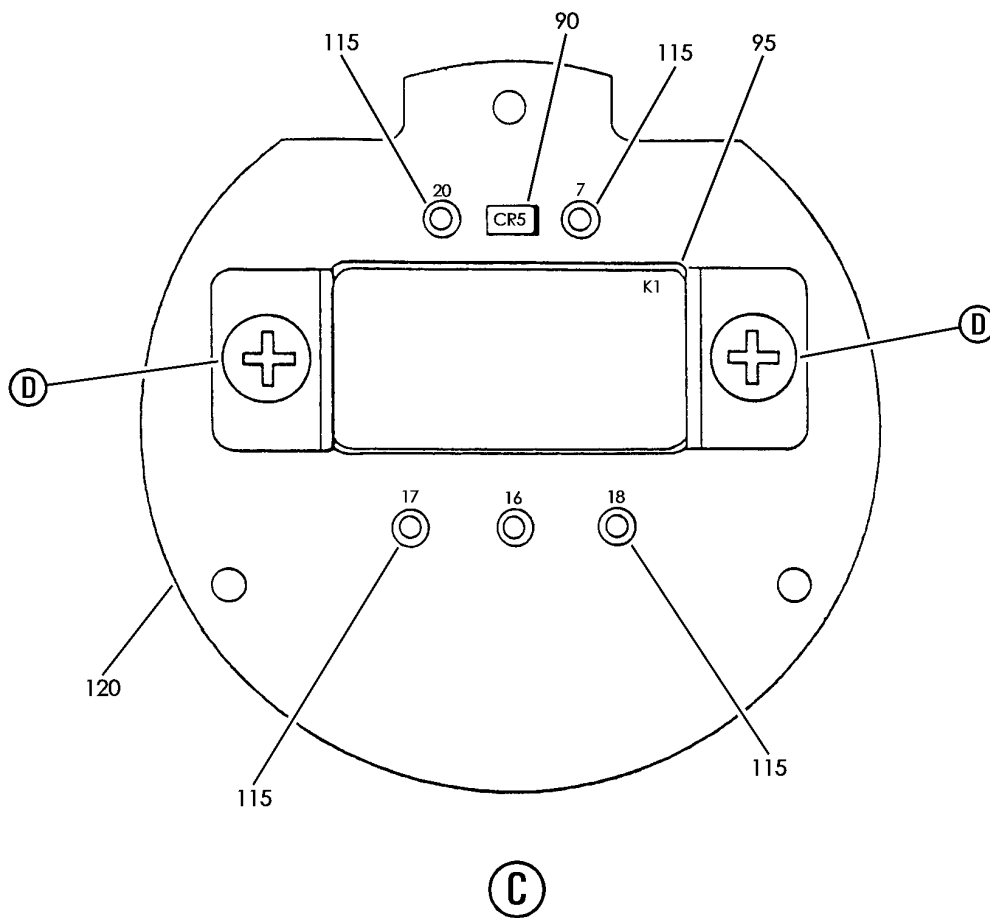
TOILET ASSY-FLUSHING (LEVEL SENSOR ONLY)
FIGURE 3 (SHEET 2)

38-32-04-03

BRI
MAY 28/07

38-32-04-03
PAGE 0A

BOEING
757
PARTS CATALOG (MAINTENANCE)



Y 38320403 SHT 3 REV 222

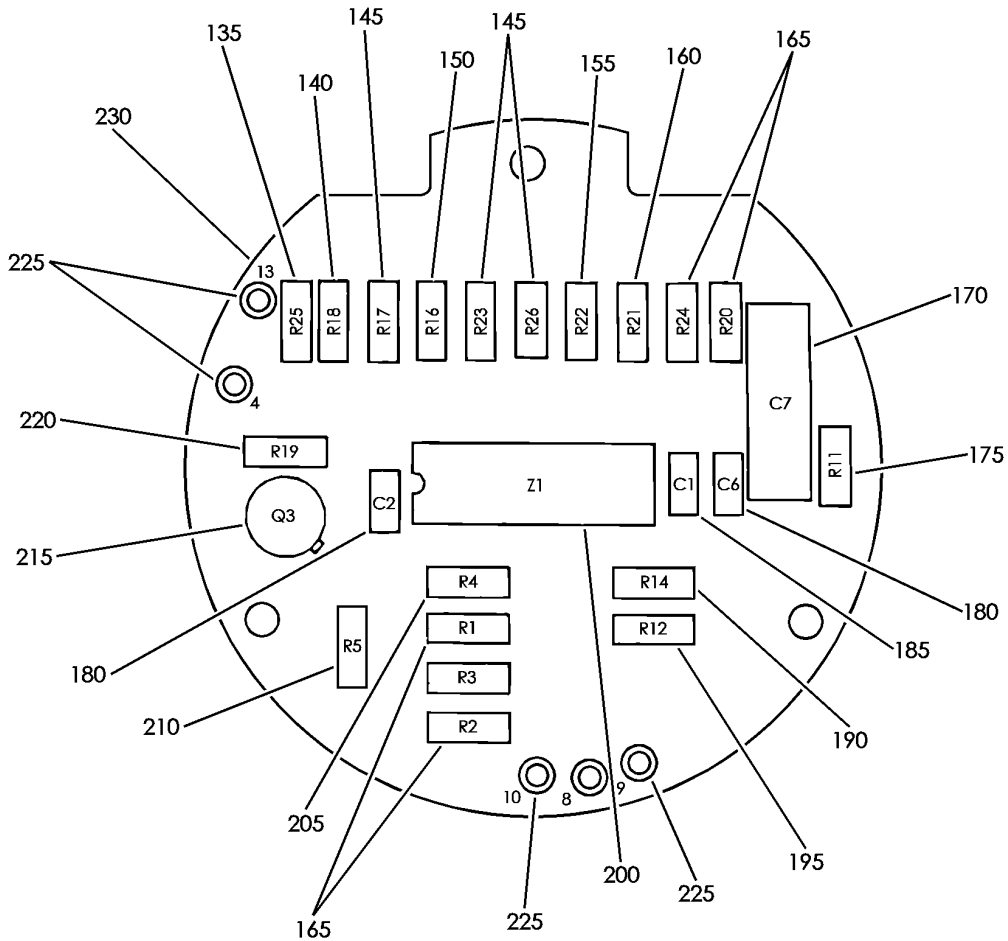
TOILET ASSY-FLUSHING (LEVEL SENSOR ONLY)
FIGURE 3 (SHEET 3)

38-32-04-03

BRI
MAY 28/07

38-32-04-03
PAGE 0B

BOEING
757
PARTS CATALOG (MAINTENANCE)



(E)

Y 38320403 SHT 4 REV 222

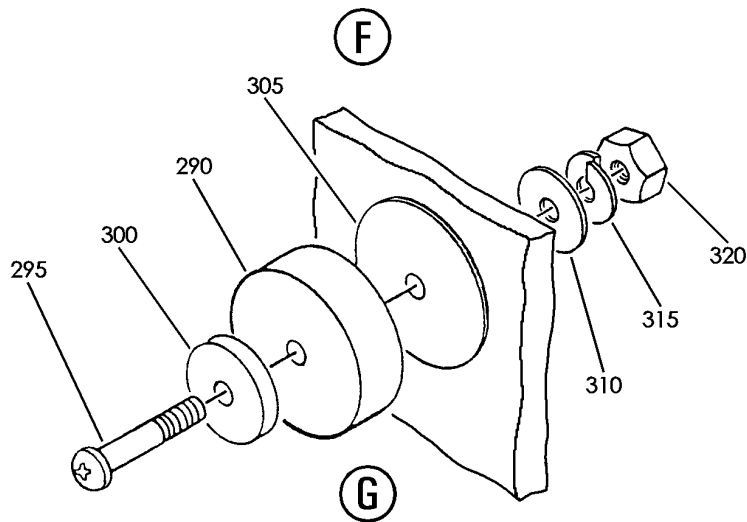
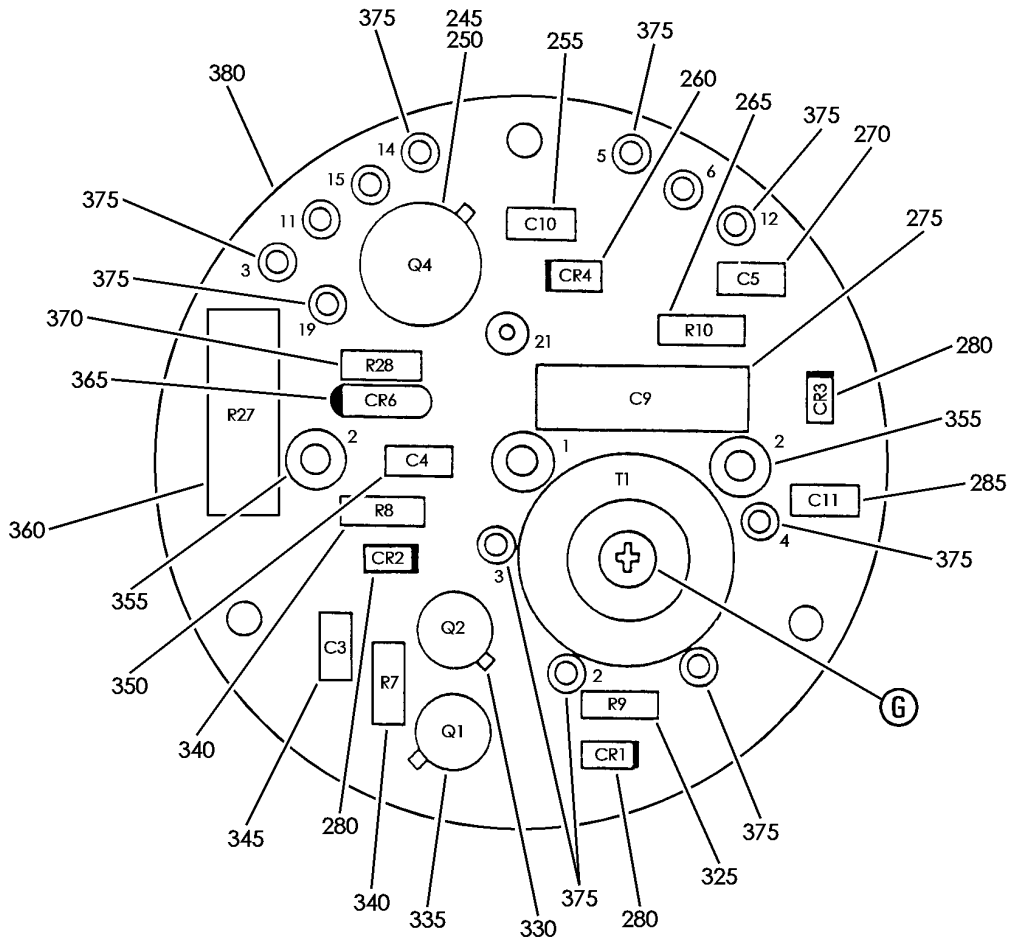
TOILET ASSY-FLUSHING (LEVEL SENSOR ONLY)
FIGURE 3 (SHEET 4)

38-32-04-03

BRI
MAY 28/07

38-32-04-03
PAGE 0C

BOEING
757
PARTS CATALOG (MAINTENANCE)



Y 38320403 SHT 5 REV 222

TOILET ASSY-FLUSHING (LEVEL SENSOR ONLY)
FIGURE 3 (SHEET 5)

38-32-04-03

BRI
MAY 28/07

38-32-04-03
PAGE 0D



757

PARTS CATALOG (MAINTENANCE)

FIG ITEM	PART NUMBER	1 2 3 4 5 6 7	NOMENCLATURE	EFFECT FROM TO	UNITS PER ASSY
3			TOILET ASSY-FLUSHING (LEVEL SENSOR ONLY)	002004 006102 107999	
- 1	16200-017		TOILET ASSY-FLUSHING (LEVEL SENSOR ONLY) SUPPLIER CODE: V29780 POSITION DATA: MID-CAB SPECIFICATION NUMBER: S417N102-47 SB DATA FROM A CMM: PRE 16200-38-03 POST 3600-38-001 CONFIG CHG DATA FROM A CMM: REPLS 16200-011 REPLD BY 16200-022 COMPONENT MAINT MANUAL REF: 38-33-01 FOR NHA/ADDITIONAL DET SEE: 38-32-01-01	002004 006102 107999	RF
R	3	16302-020	.DECAL-RETROFIT SUPPLIER CODE: V29780 SB DATA FROM A CMM: POST 16200-38-03	002004 006102 107999	1
R	- 5	AN960C8	.WASHER	002004 006102 107999	4
R	- 10	NAS679C08M	.NUT	002004 006102 107999	4
R	15	16302-006	.GASKET- SUPPLIER CODE: V29780	002004 006102 107999	1
R	20	1111-0001	.DETECTOR ASSY-FLUID LEVEL SUPPLIER CODE: V86831 SPECIFICATION NUMBER: S283N202-1 SB DATA FROM A CMM: PRE 16200-38-03 CONFIG CHG DATA FROM A CMM: REPLD BY 0123FJ COMPONENT MAINT MANUAL REF: 38-30-03	002004 006102 107999	1
R	25	2124-0122	..NAMEPLATE- SUPPLIER CODE: V86831	002004 006102 107999	1

MISSING ITEM NUMBERS NOT APPLICABLE

- ITEM NOT ILLUSTRATED

38-32-04-03

38-32-04
FIG. 03
PAGE 1
MAY 20/09

BRI

 **BOEING**
757
PARTS CATALOG (MAINTENANCE)

FIG ITEM	PART NUMBER	1 2 3 4 5 6 7	NOMENCLATURE	EFFECT FROM TO	UNITS PER ASSY
3					
R	30	4038-0027	..COVER-MACHINED	002004	1
R			SUPPLIER CODE:	006102	
R			V29780	107999	
			ATTACHING PARTS		
R	35	MS24693C25	..SCREW	002004	4
R				006102	
R				107999	
			-----*-----		
R	40	MS28775-038	..PACKING	002004	1
R				006102	
R				107999	
R	45	MS24264R12B12P	..CONNECTOR-RCPT	002004	1
R				006102	
R			ATTACHING PARTS	107999	
R	50	MS51957-15	..SCREW	002004	4
R				006102	
R				107999	
R	55	MS15795-803	..WASHER	002004	4
R				006102	
R				107999	
R	60	NAS679C04M	..NUT	002004	4
R				006102	
R				107999	
			-----*-----		
R	65	2074-0031	..GASKET-CONN	002004	1
R			SUPPLIER CODE:	006102	
R			V86831	107999	
R	70	4232-0051	..BOARD-RELAY SENSOR NO. 3	002004	1
R			SUPPLIER CODE:	006102	
R			V86831	107999	
			ATTACHING PARTS		
R	75	MS51957-3	..SCREW	002004	3
R				006102	
R				107999	
R	80	MS35338-134	..WASHER	002004	3
R				006102	
R				107999	
R	85	MS15795-802	..WASHER	002004	3
R				006102	
R				107999	
			-----*-----		
R	90	JANTX1N4246	...DIODE-1 AMP	002004	1
R			SUPPLIER CODE:	006102	
R			V81350	107999	
R	95	MS27401-14	...RELAY-10 AMP 2 PDT	002004	1
R				006102	
R				107999	

MISSING ITEM NUMBERS NOT APPLICABLE

— ITEM NOT ILLUSTRATED

BRI

38-32-04-03

BOEING PROPRIETARY - Copyright © - Unpublished Work - See title page for details.

38-32-04
FIG. 03
PAGE 2
MAY 20/09



757

PARTS CATALOG (MAINTENANCE)

FIG ITEM	PART NUMBER	1 2 3 4 5 6 7	NOMENCLATURE	EFFECT FROM TO	UNITS PER ASSY
3			ATTACHING PARTS		
R	100	MS51957-15	...SCREW	002004	2
R				006102	
R				107999	
R	105	MS15795-803	...WASHER	002004	2
R				006102	
R				107999	
R	110	NAS679C04M	...NUT	002004	2
R				006102	
R				107999	
R	115	4526B504	-----*----- ...TERMINAL-	002004	5
R			SUPPLIER CODE:	006102	
R			V15849	107999	
R	120	2232-0051	...BOARD-PRINTED CIRCUIT	002004	1
R			SUPPLIER CODE:	006102	
R			V86831	107999	
R	125	9732SS0256	..STANDOFF-HEX	002004	3
R			SUPPLIER CODE:	006102	
R			V06540	107999	
R	130	4232-0048	..BOARD-SENSOR NO. 1	002004	1
R			SUPPLIER CODE:	006102	
R			V86831	107999	
R	135	RCR07G100JS	...RESISTOR	002004	1
R				006102	
R				107999	
R	140	RCR07G3003JS	...RESISTOR-	002004	1
R			OPTIONAL PART:	006102	
R			RCR07G2803JS	107999	
R			RCR07G3203JS		
R	140	RCR07G2803JS	...RESISTOR-ALT PART FOR	002004	1
R			UNIT CALIBRATION	006102	
R			OPTIONAL PART:	107999	
R			RCR07G3003JS		
R			RCR07G3203JS		
R	140	RCR07G3203JS	...RESISTOR-ALT PART FOR	002004	1
R			UNIT CALIBRATION	006102	
R			OPTIONAL PART:	107999	
R			RCR07G3003JS		
R			RCR07G2803JS		
R	145	RCR07G302JS	...RESISTOR	002004	3
R				006102	
R				107999	
R	150	RLR07C4993GR	...RESISTOR	002004	1
R				006102	
R				107999	
R	155	RLR07C3321GR	...RESISTOR-	002004	1
R			OPTIONAL PART:	006102	
R			RLR07C3301GR	107999	

MISSING ITEM NUMBERS NOT APPLICABLE

- ITEM NOT ILLUSTRATED

38-32-04-03

38-32-04
FIG. 03
PAGE 3
MAY 20/09

BRI

 **BOEING**
757
PARTS CATALOG (MAINTENANCE)

FIG ITEM	PART NUMBER	1 2 3 4 5 6 7	NOMENCLATURE	EFFECT FROM TO	UNITS PER ASSY
3					
R	155	RLR07C3301GR	...RESISTOR-	002004	1
R			OPTIONAL PART:	006102	
R			RLR07C3321GR	107999	
R	160	RLR07C3921GR	...RESISTOR-	002004	1
R			OPTIONAL PART:	006102	
R			RLR07C3901GR	107999	
R	160	RLR07C3901GR	...RESISTOR-	002004	1
R			OPTIONAL PART:	006102	
R			RLR07C3921GR	107999	
R	165	RLR07C1003GR	...RESISTOR	002004	5
R				006102	
R				107999	
R	170	M39003-01-2751	...CAPACITOR	002004	1
R				006102	
R				107999	
R	175	RLR07C1002GR	...RESISTOR	002004	1
R				006102	
R				107999	
R	180	M39014-01-1553	...CAPACITOR	002004	2
R				006102	
R				107999	
R	185	M39014-01-1293	...CAPACITOR	002004	1
R				006102	
R				107999	
R	190	RLR07C1201GR	...RESISTOR	002004	1
R				006102	
R				107999	
R	195	RLR07C9091GR	...RESISTOR	002004	1
R				006102	
R				107999	
R	200	LM139J883B	...COMPARATOR-QUAD IC	002004	1
R			SUPPLIER CODE:	006102	
R			V27014	107999	
R	205	RLR07C1502GR	...RESISTOR	002004	1
R				006102	
R				107999	
R	210	RLR07C1001GR	...RESISTOR	002004	1
R				006102	
R				107999	
R	215	JANTX2N2907A	...TRANSISTOR-PNP	002004	1
R				006102	
R				107999	
R	220	RCR07G303JS	...RESISTOR	002004	1
R				006102	
R				107999	
R	225	4509B504	...TERMINAL-	002004	5
R			SUPPLIER CODE:	006102	
R			V15849	107999	

MISSING ITEM NUMBERS NOT APPLICABLE

— ITEM NOT ILLUSTRATED

BRI

38-32-04-03

BOEING PROPRIETARY - Copyright © - Unpublished Work - See title page for details.

38-32-04
FIG. 03
PAGE 4
MAY 20/09

BOEING
757
PARTS CATALOG (MAINTENANCE)

FIG ITEM	PART NUMBER	1 2 3 4 5 6 7	NOMENCLATURE	EFFECT FROM TO	UNITS PER ASSY
3					
R	230		...BOARD-PRINTED CKT	002004	1
R			SUPPLIER CODE:	006102	
R			V86831	107999	
R	235		..STANDOFF-HEX	002004	3
R			SUPPLIER CODE:	006102	
R			V06540	107999	
R	240		..BOARD-SENSOR NO. 2	002004	1
R			SUPPLIER CODE:	006102	
R			V86831	107999	
R	245		...TRANSISTOR-NPN	002004	1
R				006102	
R				107999	
R	250		...PAD-MTG	002004	1
R			SUPPLIER CODE:	006102	
R			V32559	107999	
R	255		...CAPACITOR	002004	1
R				006102	
R				107999	
R	260		...DIODE-	002004	1
R			SUPPLIER CODE:	006102	
R			V81350	107999	
R	265		...RESISTOR	002004	1
R				006102	
R				107999	
R	270		...CAPACITOR	002004	1
R				006102	
R				107999	
R	275		...CAPACITOR	002004	1
R				006102	
R				107999	
R	280		...DIODE	002004	3
R				006102	
R				107999	
R	285		...CAPACITOR	002004	1
R				006102	
R				107999	
R	290		...CORE ASSY-WIRE	002004	1
R			SUPPLIER CODE:	006102	
R			V29780	107999	
R			ATTACHING PARTS		
R	295		...SCREW	002004	1
R				006102	
R				107999	
R	300		...WASHER-SHOULDER	002004	1
R			SUPPLIER CODE:	006102	
R			V86928	107999	
R	305		...WASHER-MYLAR	002004	1
R			SUPPLIER CODE:	006102	
R			V86928	107999	

MISSING ITEM NUMBERS NOT APPLICABLE

— ITEM NOT ILLUSTRATED

38-32-04-03

38-32-04
FIG. 03
PAGE 5
MAY 20/09

BRI



**757
PARTS CATALOG (MAINTENANCE)**

FIG ITEM	PART NUMBER	1 2 3 4 5 6 7	NOMENCLATURE	EFFECT FROM TO	UNITS PER ASSY
3 R R R R R R R R R	385 4090-0039		. . HOUSING ASSY- SUPPLIER CODE: V29780	002004 006102 107999	1
	390 0123FJ		. DETECTOR ASSY-FLUID LEVEL SUPPLIER CODE: V29780 SB DATA FROM A CMM: POST 16200-38-03 CONFIG CHG DATA FROM A CMM: REPLS 1111-0001	002004 006102 107999	1

MISSING ITEM NUMBERS NOT APPLICABLE

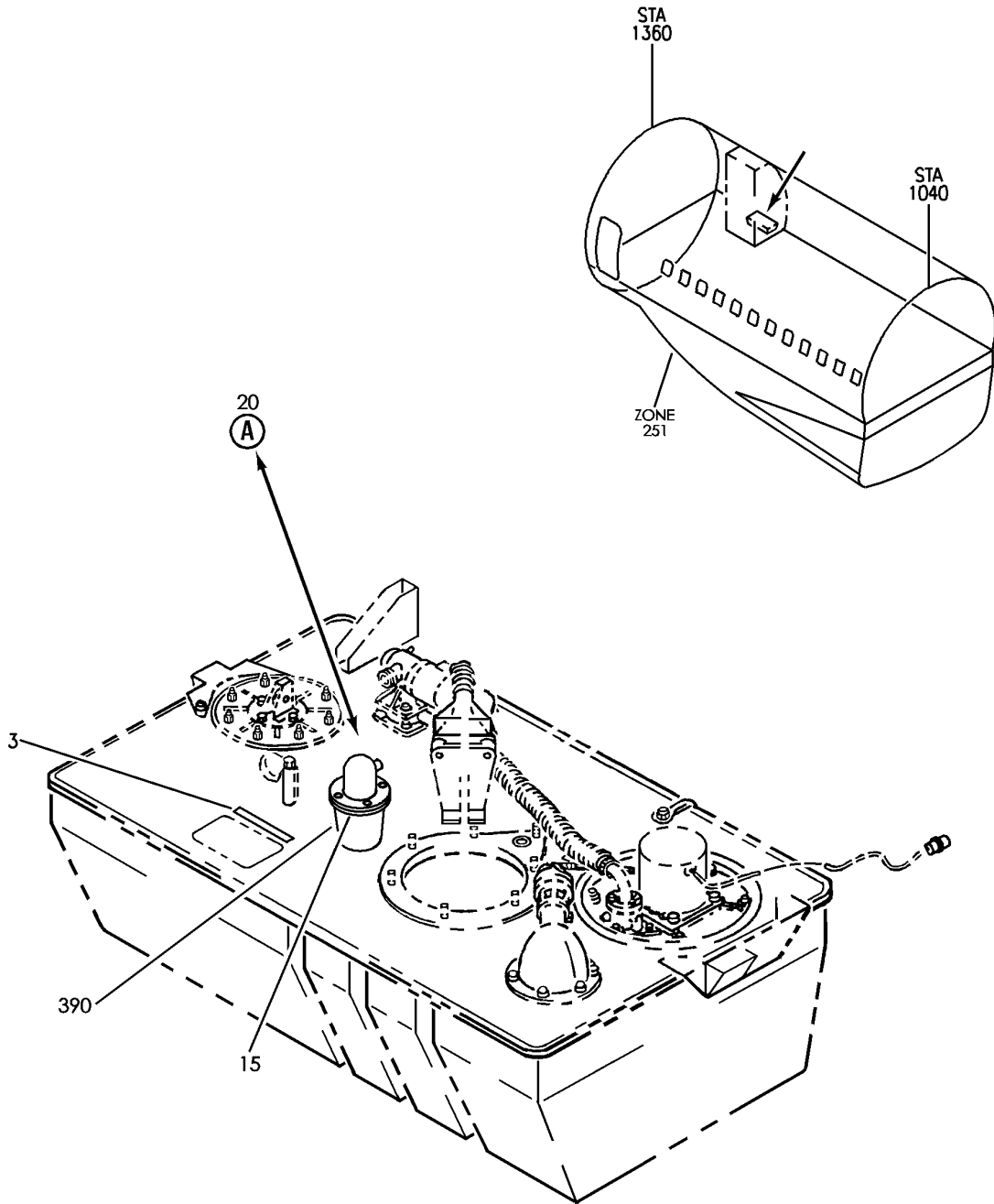
— ITEM NOT ILLUSTRATED

38-32-04-03

38-32-04
FIG. 03
PAGE 7
MAY 20/09

BRI

BOEING
757
PARTS CATALOG (MAINTENANCE)



Y 38320404 SHT 1 REV 242

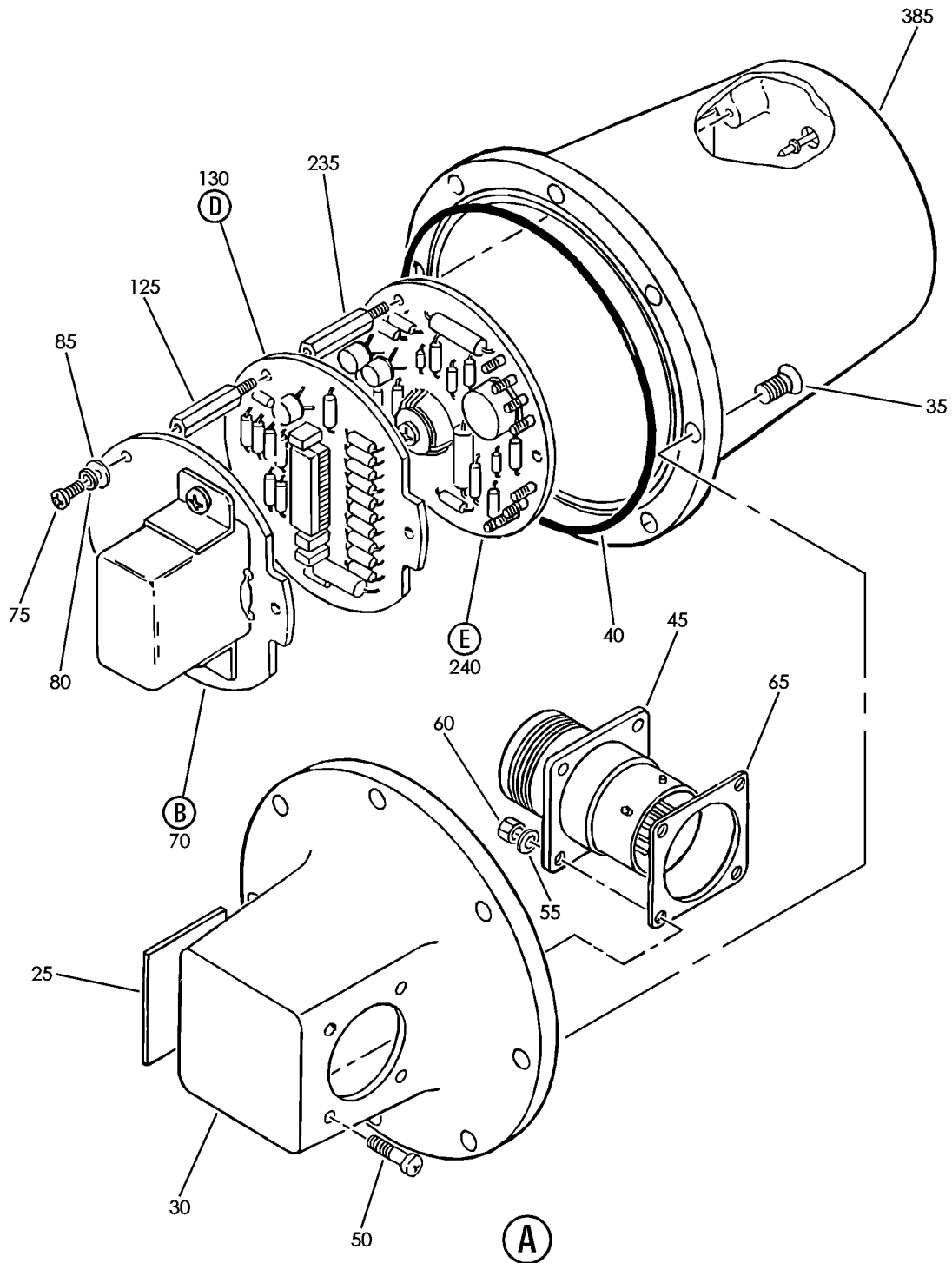
TOILET ASSY-FLUSHING (LEVEL SENSOR ONLY)
FIGURE 4 (SHEET 1)

38-32-04-04

BRI
MAY 28/07

38-32-04-04
PAGE 0

BOEING
757
PARTS CATALOG (MAINTENANCE)



Y 38320404 SHT 2 REV 223

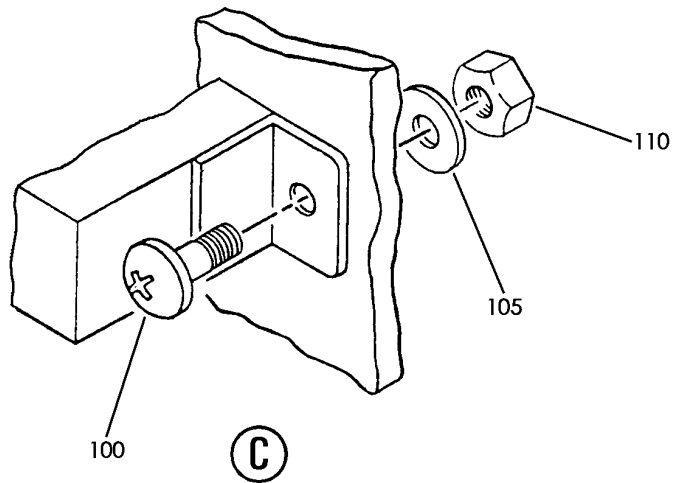
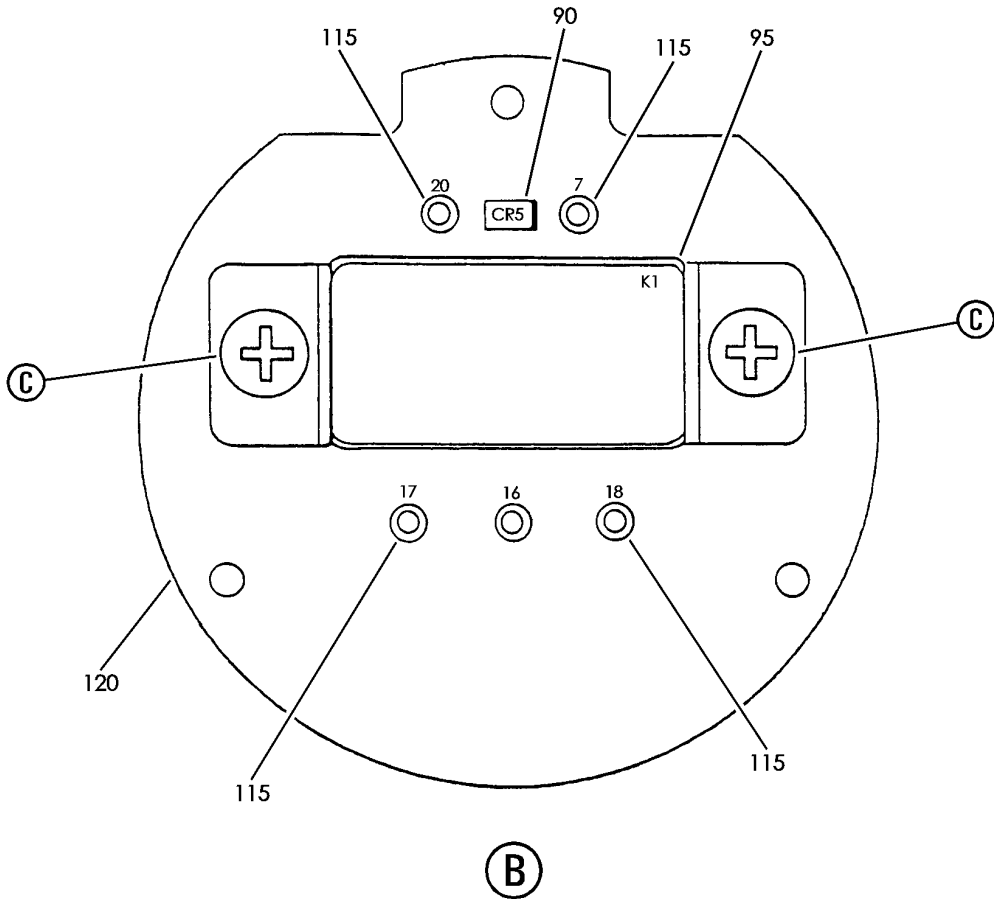
TOILET ASSY-FLUSHING (LEVEL SENSOR ONLY)
FIGURE 4 (SHEET 2)

38-32-04-04

BRI
MAY 28/07

38-32-04-04
PAGE 0A

BOEING
757
PARTS CATALOG (MAINTENANCE)



Y 38320404 SHT 3 REV 223

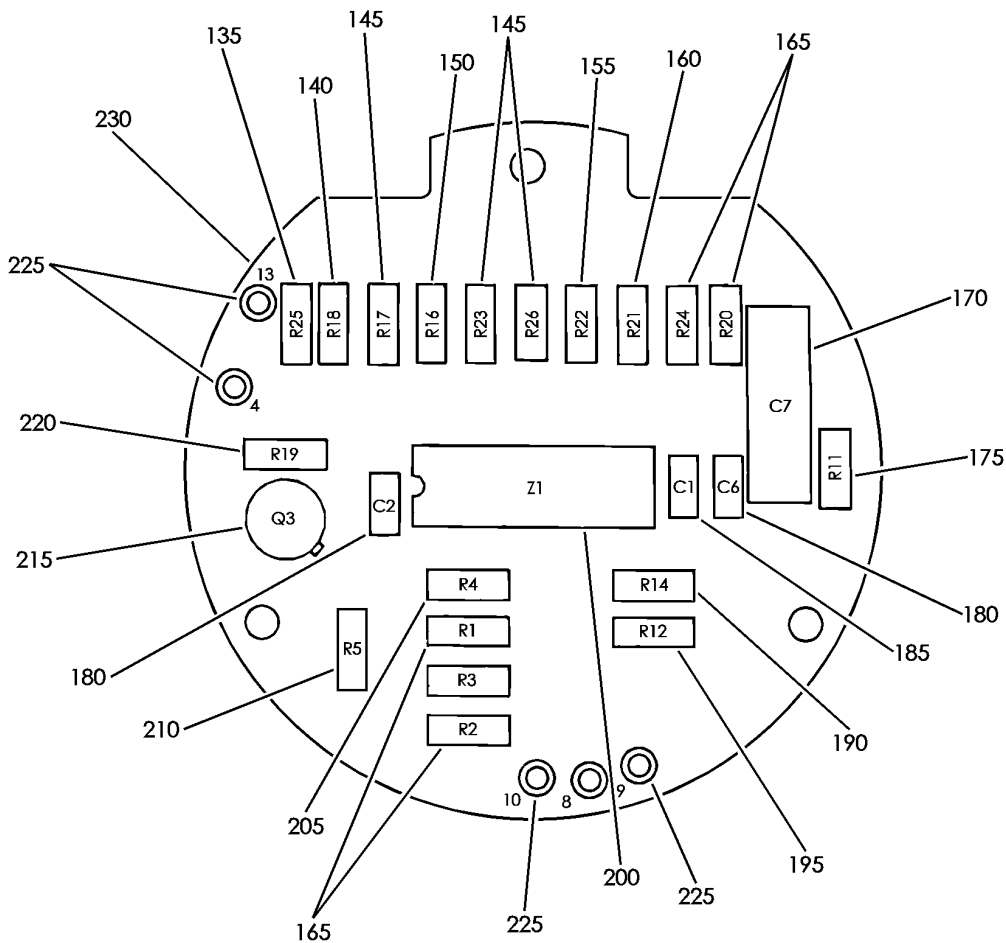
TOILET ASSY-FLUSHING (LEVEL SENSOR ONLY)
FIGURE 4 (SHEET 3)

38-32-04-04

BRI
MAY 28/07

38-32-04-04
PAGE 0B

BOEING
757
PARTS CATALOG (MAINTENANCE)



(D)

Y 38320404 SHT 4 REV 223

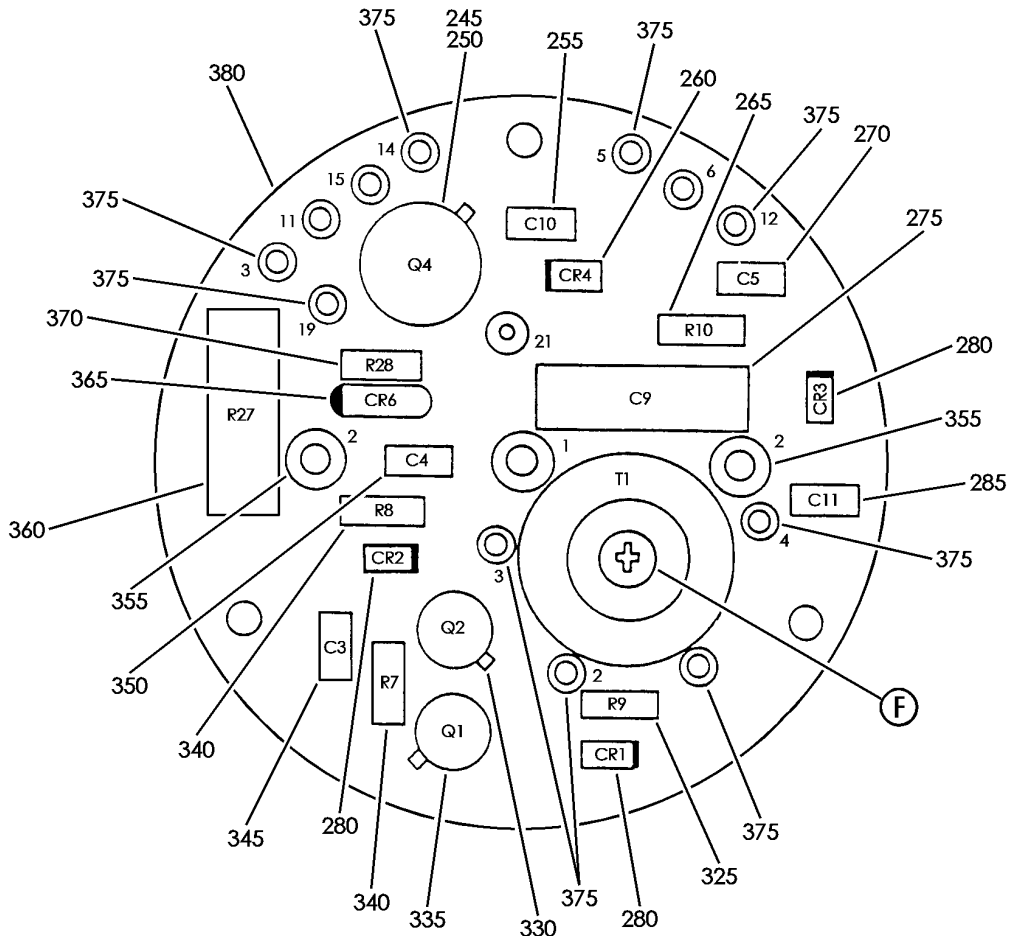
TOILET ASSY-FLUSHING (LEVEL SENSOR ONLY)
FIGURE 4 (SHEET 4)

38-32-04-04

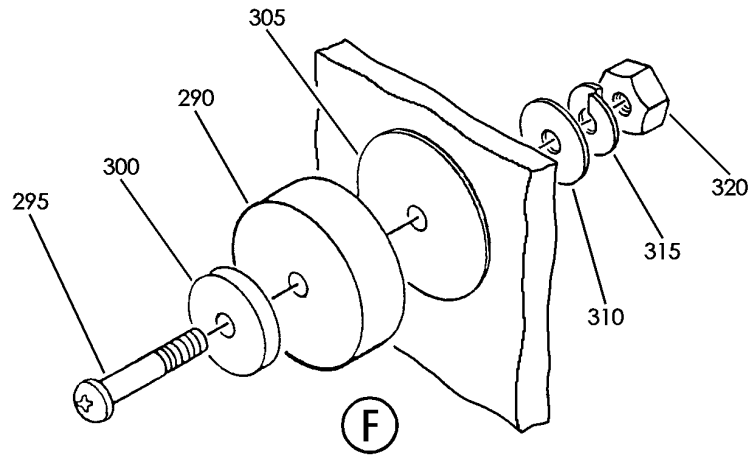
BRI
MAY 28/07

38-32-04-04
PAGE 0C

BOEING
 757
 PARTS CATALOG (MAINTENANCE)



(E)



Y 38320404 SHT 5 REV 223

TOILET ASSY-FLUSHING (LEVEL SENSOR ONLY)
 FIGURE 4 (SHEET 5)

38-32-04-04

BOEING
757
PARTS CATALOG (MAINTENANCE)

FIG ITEM	PART NUMBER	1 2 3 4 5 6 7	NOMENCLATURE	EFFECT FROM TO	UNITS PER ASSY
R R R	4 30		.. COVER-MACHINED SUPPLIER CODE: V86831	002004 006102 107999	1
			ATTACHING PARTS		
R R R	35	MS24693C25	.. SCREW	002004 006102 107999	4
			-----*-----		
R R R	40	MS28775-038	.. PACKING	002004 006102 107999	1
			ATTACHING PARTS		
R R R	45	MS24264R12B12P	.. CONNECTOR	002004 006102 107999	1
			ATTACHING PARTS		
R R R	50	MS51957-15	.. SCREW	002004 006102 107999	4
			ATTACHING PARTS		
R R R	55	MS15795-803	.. WASHER	002004 006102 107999	4
			ATTACHING PARTS		
R R R	60	NAS679C04M	.. NUT	002004 006102 107999	4
			-----*-----		
R R R	65	2074-0031	.. GASKET-CONN. SUPPLIER CODE: V86831	002004 006102 107999	1
			ATTACHING PARTS		
R R R	70	4232-0051	.. BOARD-RELAY/SENSOR NO. 3 SUPPLIER CODE: V86831	002004 006102 107999	1
			ATTACHING PARTS		
R R R	75	MS51957-3	.. SCREW	002004 006102 107999	3
			ATTACHING PARTS		
R R R	80	MS35338-134	.. WASHER	002004 006102 107999	3
			ATTACHING PARTS		
R R R	85	MS15795-802	.. WASHER	002004 006102 107999	3
			ATTACHING PARTS		
R R R	90	JANTX1N4246	... DIODE- SUPPLIER CODE: V81350	002004 006102 107999	1
			ATTACHING PARTS		
R R R	95	MS27401-14	... RELAY	002004 006102 107999	1
			ATTACHING PARTS		

MISSING ITEM NUMBERS NOT APPLICABLE

— ITEM NOT ILLUSTRATED

38-32-04-04

38-32-04
FIG. 04
PAGE 2
MAY 20/09

BRI

BOEING
757
PARTS CATALOG (MAINTENANCE)

FIG ITEM	PART NUMBER	1 2 3 4 5 6 7	NOMENCLATURE	EFFECT FROM TO	UNITS PER ASSY
4			ATTACHING PARTS		
R	100	MS51957-15	...SCREW	002004	2
R				006102	
R				107999	
R	105	MS15795-803	...WASHER	002004	2
R				006102	
R				107999	
R	110	NAS679C04M	...NUT	002004	2
R				006102	
R				107999	
R	115	4526B504	-----*----- ...TERMINAL-	002004	5
R			SUPPLIER CODE:	006102	
R			V15849	107999	
R	120	2232-0051	...BOARD-PRINTED CKT	002004	1
R			SUPPLIER CODE:	006102	
R			V86831	107999	
R	125	9732SS0256	..STANDOFF-HEX	002004	3
R			SUPPLIER CODE:	006102	
R			V06540	107999	
R	130	4232-0048	..BOARD-SENSOR NO. 1	002004	1
R			SUPPLIER CODE:	006102	
R			V86831	107999	
R	135	RCR07G100JS	...RESISTOR	002004	1
R				006102	
R				107999	
R	140	RCR07G3003JS	...RESISTOR-	002004	1
R			OPTIONAL PART:	006102	
R			RCR07G2803JS	107999	
R			RCR07G3203JS		
R	140	RCR07G2803JS	...RESISTOR-ALTERNATE PART	002004	1
R			FOR UNIT CALIBRATION	006102	
R			OPTIONAL PART:	107999	
R			RCR07G3003JS		
R			RCR07G3203JS		
R	140	RCR07G3203JS	...RESISTOR-ALTERNATE PART	002004	1
R			FOR UNIT CALIBRATION	006102	
R			OPTIONAL PART:	107999	
R			RCR07G3003JS		
R			RCR07G2803JS		
R	145	RCR07G302JS	...RESISTOR	002004	3
R				006102	
R				107999	
R	150	RLR07C4993GR	...RESISTOR	002004	1
R				006102	
R				107999	
R	155	RLR07C3321GR	...RESISTOR-	002004	1
R			OPTIONAL PART:	006102	
R			RLR07C3301GR	107999	

MISSING ITEM NUMBERS NOT APPLICABLE

— ITEM NOT ILLUSTRATED

38-32-04-04

38-32-04
FIG. 04
PAGE 3
MAY 20/09

BRI



757

PARTS CATALOG (MAINTENANCE)

FIG ITEM	PART NUMBER	1 2 3 4 5 6 7	NOMENCLATURE	EFFECT FROM TO	UNITS PER ASSY	
R R	4					
	155	RLR07C3301GR	...	RESISTOR- OPTIONAL PART: RLR07C3321GR	002004 006102 107999	1
	160	RLR07C3921GR	...	RESISTOR- OPTIONAL PART: RLR07C3901GR	002004 006102 107999	1
	160	RLR07C3901GR	...	RESISTOR- OPTIONAL PART: RLR07C3921GR	002004 006102 107999	1
	165	RLR07C1003GR	...	RESISTOR	002004 006102 107999	5
	170	M39003-01-2751	...	CAPACITOR	002004 006102 107999	1
	175	RLR07C1002GR	...	RESISTOR	002004 006102 107999	1
	180	M39014-01-1553	...	CAPACITOR	002004 006102 107999	2
	185	M39014-01-1293	...	CAPACITOR	002004 006102 107999	1
	190	RLR07C1201GR	...	RESISTOR	002004 006102 107999	1
	195	RLR07C9091GR	...	RESISTOR	002004 006102 107999	1
	200	LM139J883B	...	COMPARATOR-QUAD IC SUPPLIER CODE: V27014	002004 006102 107999	1
	205	RLR07C1502GR	...	RESISTOR	002004 006102 107999	1
	210	RLR07C1001GR	...	RESISTOR	002004 006102 107999	1
	215	JANTX2N2907A	...	TRANSISTOR	002004 006102 107999	1
	220	RCR07G303JS	...	RESISTOR	002004 006102 107999	1
	225	4509B504	...	TERMINAL- SUPPLIER CODE: V15849	002004 006102 107999	5

MISSING ITEM NUMBERS NOT APPLICABLE

- ITEM NOT ILLUSTRATED

38-32-04-04

38-32-04
FIG. 04
PAGE 4
MAY 20/09

BRI

 **BOEING**
757
PARTS CATALOG (MAINTENANCE)

FIG ITEM	PART NUMBER	1 2 3 4 5 6 7	NOMENCLATURE	EFFECT FROM TO	UNITS PER ASSY
4					
R	230	2232-0048	...BOARD-PRINTED CKT SUPPLIER CODE: V86831	002004 006102 107999	1
R	235	9732SS04400256	..STANDOFF-HEX SUPPLIER CODE: V06540	002004 006102 107999	3
R	240	4232-0050	..BOARD-SENSOR NO. 2 SUPPLIER CODE: V86831	002004 006102 107999	1
R	245	JANTX2N2219	...TRANSISTOR	002004 006102 107999	1
R	250	506-038	...PAD-MTG SUPPLIER CODE: V32559	002004 006102 107999	1
R	255	M39014-01-1553	...CAPACITOR	002004 006102 107999	1
R	260	JANTX1N4246	...DIODE- SUPPLIER CODE: V81350	002004 006102 107999	1
R	265	RCR07G105JS	...RESISTOR	002004 006102 107999	1
R	270	M39014-01-1535	...CAPACITOR	002004 006102 107999	1
R	275	M39003-01-2751	...CAPACITOR	002004 006102 107999	1
R	280	JANTX1N4148-1	...DIODE	002004 006102 107999	3
R	285	M39014-01-1287	...CAPACITOR	002004 006102 107999	1
R	290	4213-0005-4	...CORE ASSY-WIRE SUPPLIER CODE: V86831	002004 006102 107999	1
R	295	MS51957-17	ATTACHING PARTS ...SCREW	002004 006102 107999	1
R	300	5607-57	...WASHER-SHOULDER SUPPLIER CODE: V86928	002004 006102 107999	1
R	305	5622-16-7	...WASHER-MYLAR SUPPLIER CODE: V86928	002004 006102 107999	1

MISSING ITEM NUMBERS NOT APPLICABLE

— ITEM NOT ILLUSTRATED

38-32-04-04

38-32-04
FIG. 04
PAGE 5
MAY 20/09

BRI

BOEING PROPRIETARY - Copyright © - Unpublished Work - See title page for details.



**757
PARTS CATALOG (MAINTENANCE)**

FIG ITEM	PART NUMBER	1 2 3 4 5 6 7	NOMENCLATURE	EFFECT FROM TO	UNITS PER ASSY
4 R R R R R R R R R	385 4090-0039		. . HOUSING ASSY- SUPPLIER CODE: V86831	002004 006102 107999	1
	390 0123FJ		. DETECTOR ASSY-FLUID LEVEL SUPPLIER CODE: V29780 SB DATA FROM A CMM: POST 16200-38-03 CONFIG CHG DATA FROM A CMM: REPLS 1111-0001	002004 006102 107999	1

MISSING ITEM NUMBERS NOT APPLICABLE

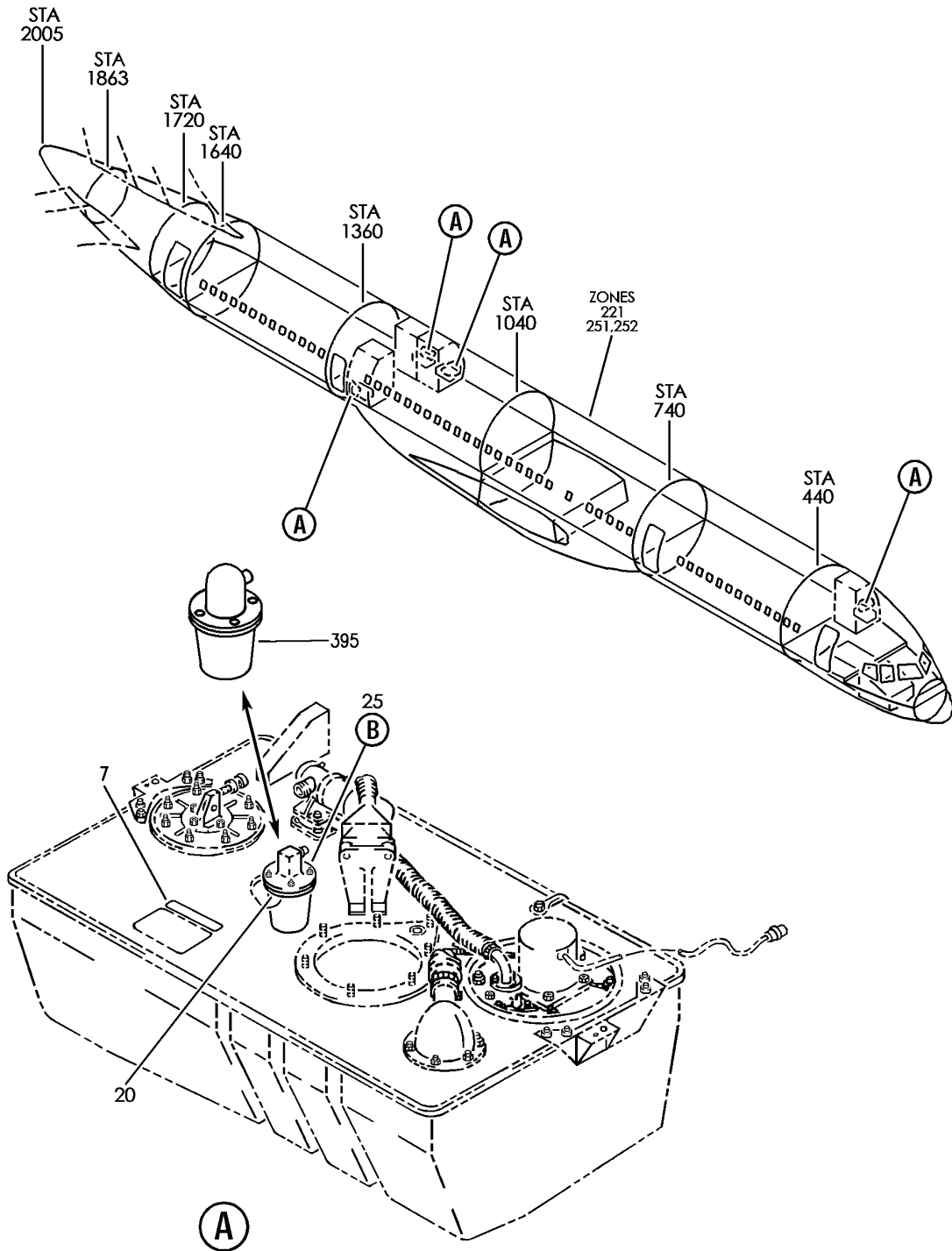
— ITEM NOT ILLUSTRATED

38-32-04-04

38-32-04
FIG. 04
PAGE 7
MAY 20/09

BRI

BOEING
757
PARTS CATALOG (MAINTENANCE)



Y 38320408 SH1 1 REV 252

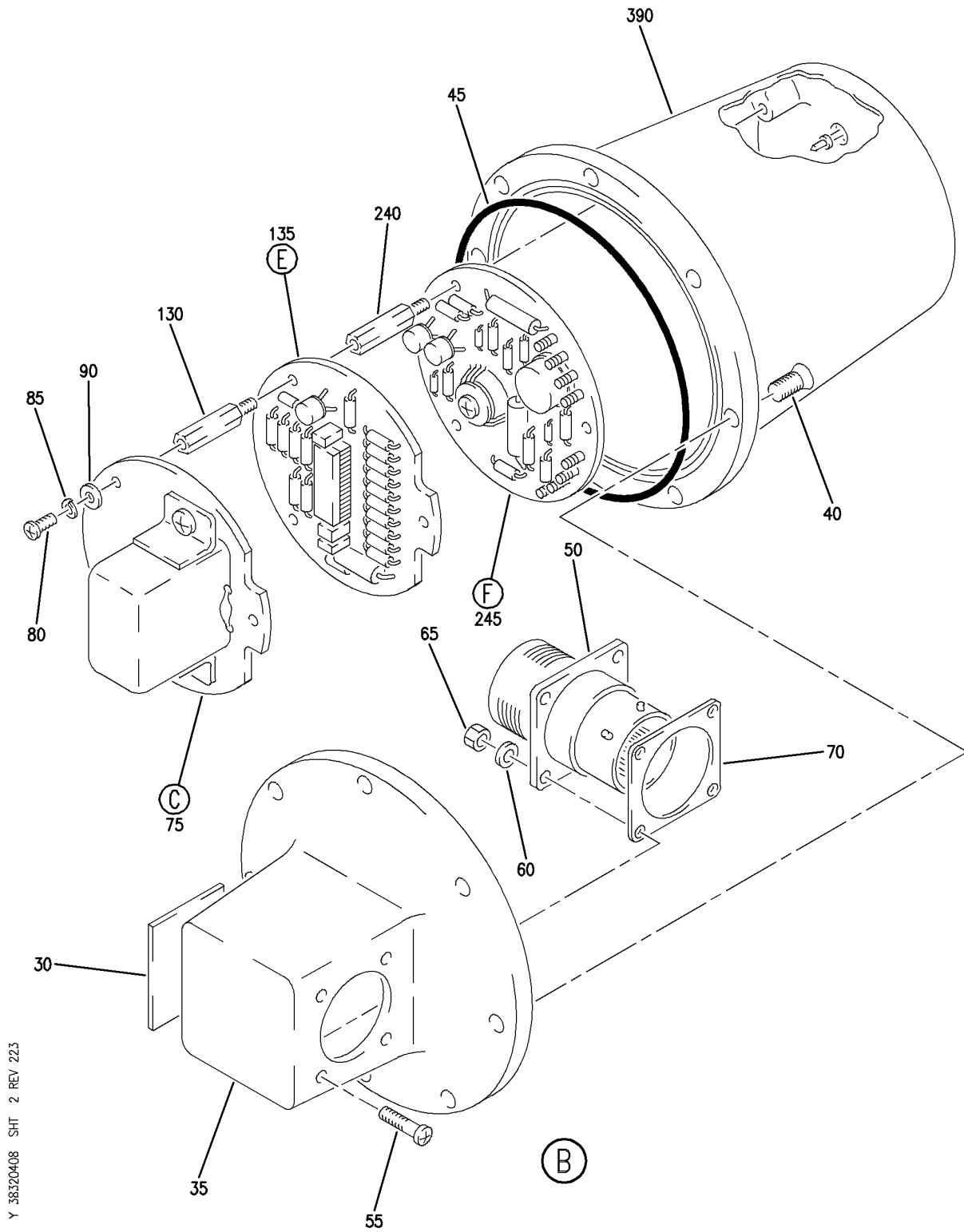
TOILET ASSY-FLUSHING (LEVEL SENSOR ONLY)
FIGURE 8 (SHEET 1)

38-32-04-08

BRI
MAY 28/07

38-32-04-08
PAGE 0

BOEING
757
PARTS CATALOG (MAINTENANCE)



Y 38320408 SHT 2 REV 223

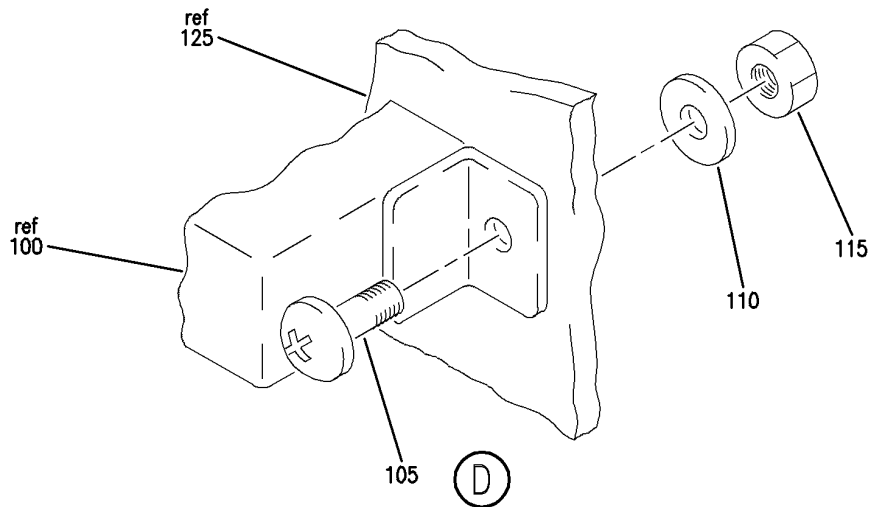
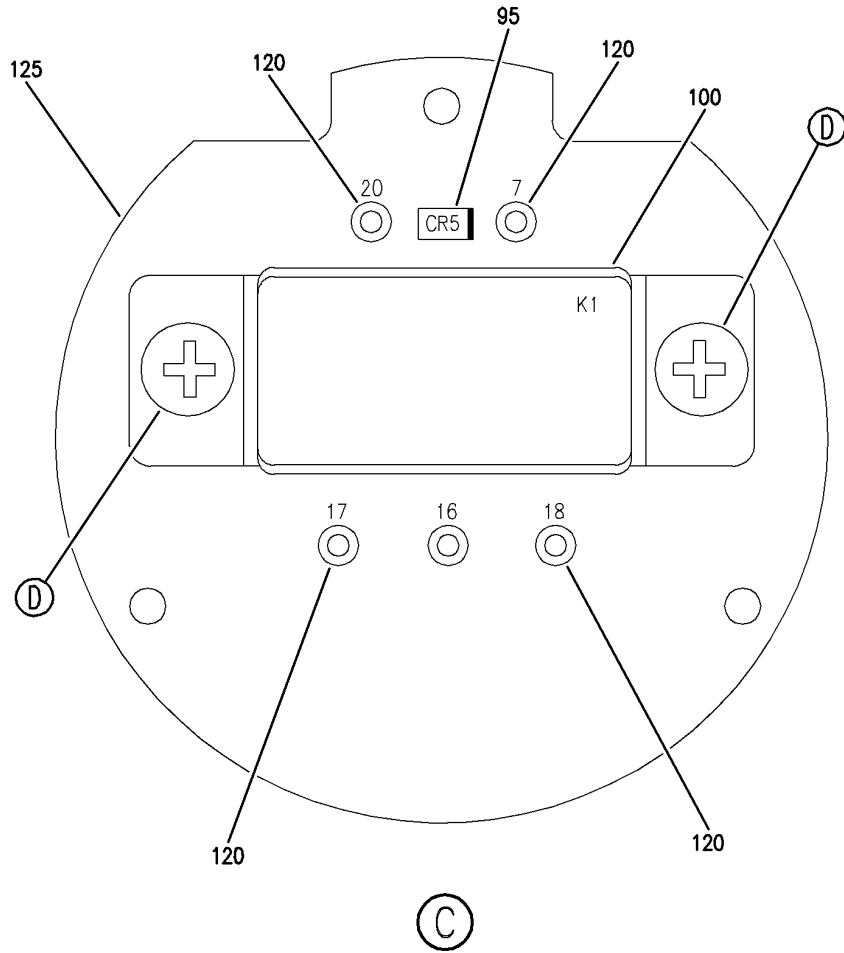
TOILET ASSY-FLUSHING (LEVEL SENSOR ONLY)
FIGURE 8 (SHEET 2)

38-32-04-08

BRI
MAY 28/07

38-32-04-08
PAGE 0A

BOEING
757
PARTS CATALOG (MAINTENANCE)



Y 38320408 SH1 3 REV 223

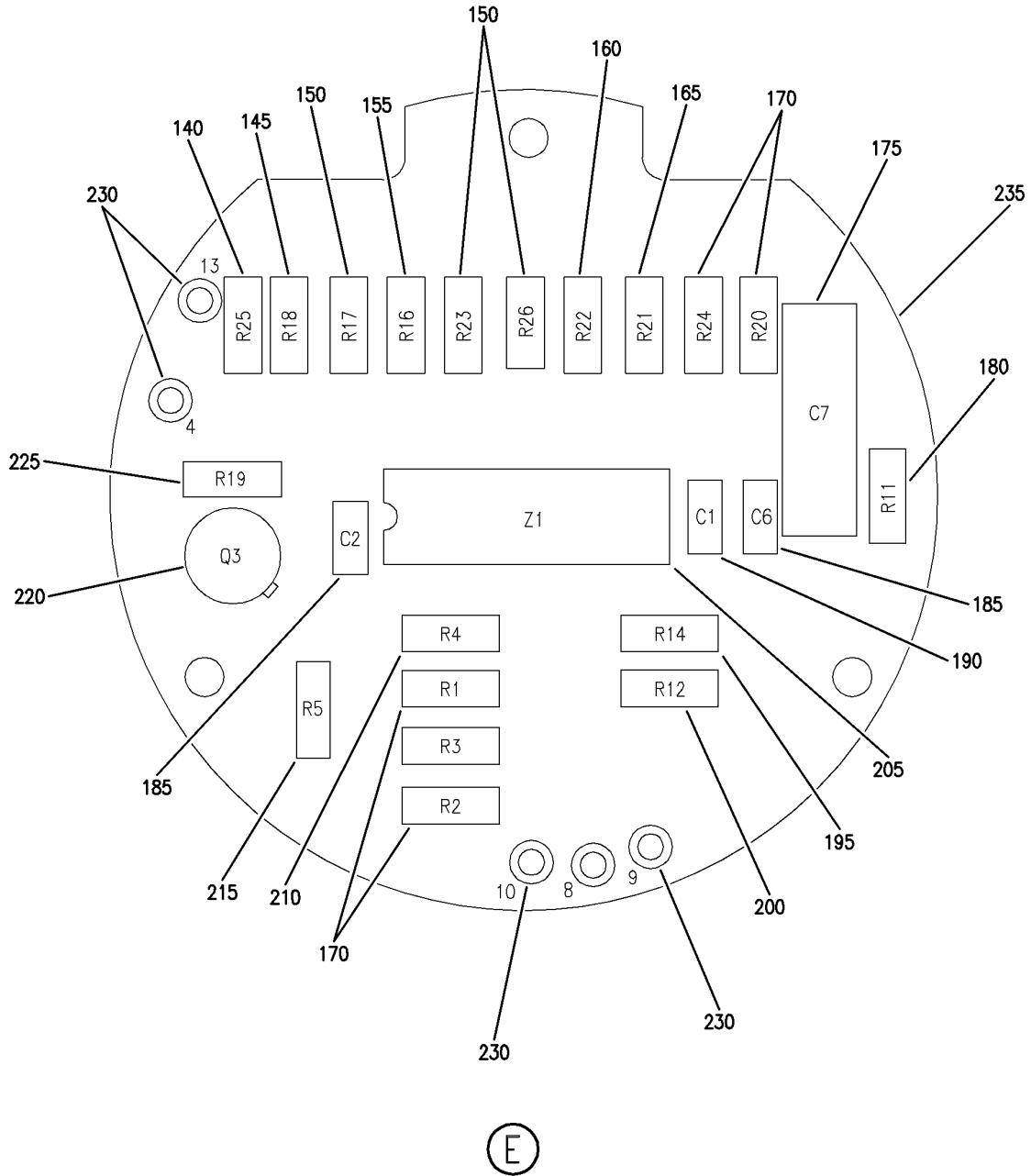
TOILET ASSY-FLUSHING (LEVEL SENSOR ONLY)
FIGURE 8 (SHEET 3)

38-32-04-08

BRI
MAY 28/07

38-32-04-08
PAGE 08

BOEING
757
PARTS CATALOG (MAINTENANCE)



Y 38320408 SHT 4 REV 223

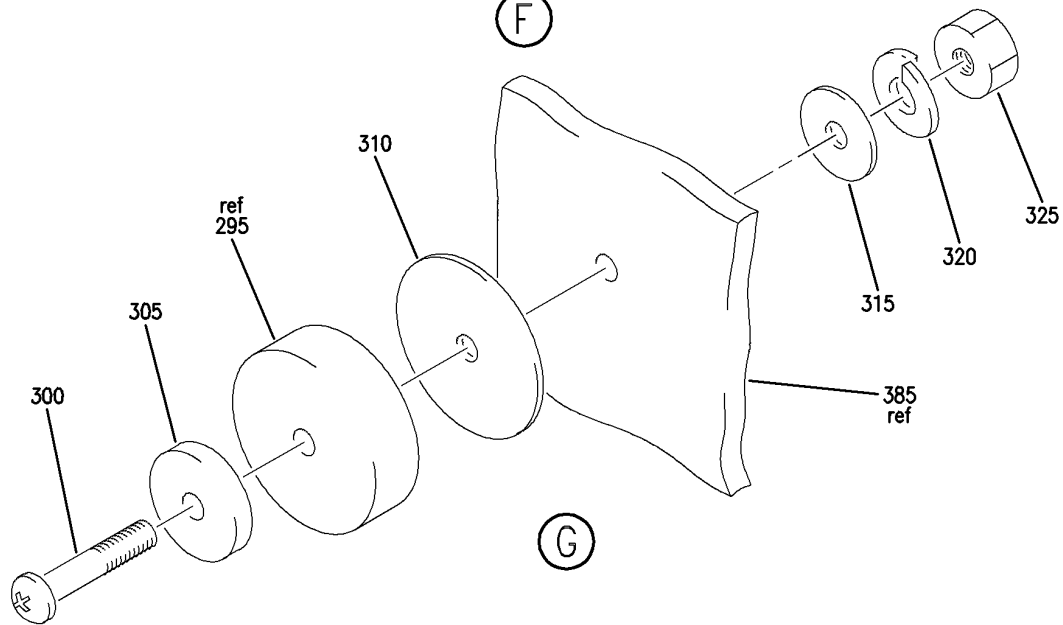
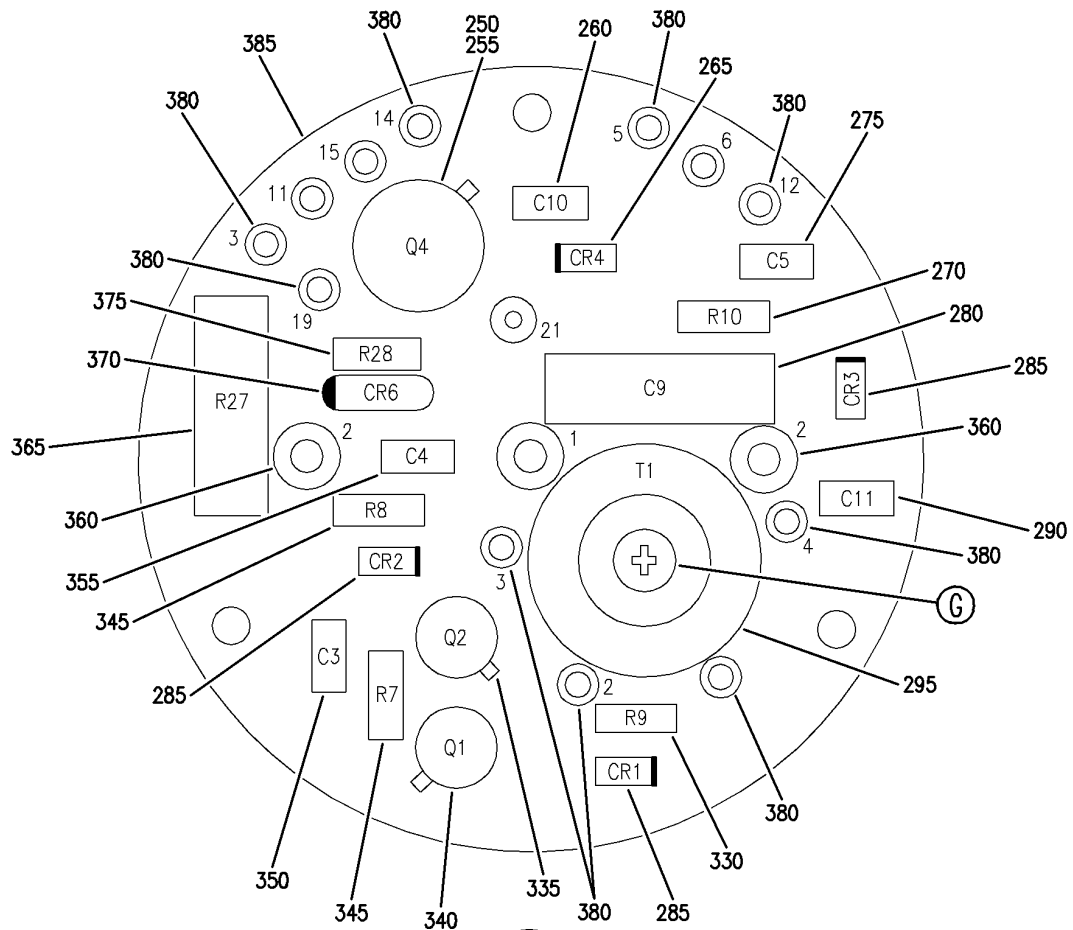
TOILET ASSY-FLUSHING (LEVEL SENSOR ONLY)
FIGURE 8 (SHEET 4)

38-32-04-08

BRI
MAY 28/07

38-32-04-08
PAGE 0C

BOEING
757
PARTS CATALOG (MAINTENANCE)



Y 38320408 SHT 5 REV 223

TOILET ASSY-FLUSHING (LEVEL SENSOR ONLY)
FIGURE 8 (SHEET 5)

38-32-04-08

BRI
MAY 28/07

38-32-04-08
PAGE 0D



757

PARTS CATALOG (MAINTENANCE)

FIG ITEM	PART NUMBER	1 2 3 4 5 6 7	NOMENCLATURE	EFFECT FROM TO	UNITS PER ASSY
8			TOILET ASSY-FLUSHING (LEVEL SENSOR ONLY)	107107 904949	
- 1	16200-001		TOILET ASSY-FLUSHING (LEVEL SENSOR ONLY) SUPPLIER CODE: V29780 POSITION DATA: MID-CAB. SPECIFICATION NUMBER: S417N102-3 SB DATA FROM A CMM: PRE 16200-38-03 CONFIG CHG DATA FROM A CMM: REPLD BY 16200-011 COMPONENT MAINT MANUAL REF: 38-33-01 FOR NHA/ADDITIONAL DET SEE: 38-32-01-01	107107 904949	RF
- 5	16200-002		TOILET ASSY-FLUSHING (LEVEL SENSOR ONLY) SUPPLIER CODE: V29780 SPECIFICATION NUMBER: S417N102-4 SB DATA FROM A CMM: PRE 16200-38-03 CONFIG CHG DATA FROM A CMM: REPLD BY 16200-012 COMPONENT MAINT MANUAL REF: 38-33-01 FOR NHA/ADDITIONAL DET SEE: 38-32-01-01	107107 904949	RF
R R R R R R R R R R	7	16302-020	.DECAL-RETROFIT SUPPLIER CODE: V29780 SB DATA FROM A CMM: POST 16200-38-03	107107 904949	1
-	10	AN960C8	.WASHER-	107107 904949	4
-	15	NAS679C08M	.NUT	107107 904949	4
	20	16302-006	.GASKET-FLUID LEVEL PROBE SUPPLIER CODE: V29780	107107 904949	1

MISSING ITEM NUMBERS NOT APPLICABLE

- ITEM NOT ILLUSTRATED

38-32-04-08

38-32-04
FIG. 08
PAGE 1
MAY 20/09

BRI

 **BOEING**
757
PARTS CATALOG (MAINTENANCE)

FIG ITEM	PART NUMBER	1 2 3 4 5 6 7	NOMENCLATURE	EFFECT FROM TO	UNITS PER ASSY
8					
R	95		...DIODE-	107107	1
R			SUPPLIER CODE:	904949	
R			V81350		
R	100		...RELAY	107107	1
R				904949	
			ATTACHING PARTS		
R	105		...SCREW	107107	2
R				904949	
R	110		...WASHER	107107	2
R				904949	
R	115		...NUT	107107	2
R				904949	
			-----*-----		
R	120		...TERMINAL-	107107	5
R			SUPPLIER CODE:	904949	
R			V15849		
R	125		...BOARD-PRINTED CKT	107107	1
R			SUPPLIER CODE:	904949	
R			V86831		
R	130		..STANDOFF-HEX	107107	3
R			SUPPLIER CODE:	904949	
R			V06540		
R	135		..BOARD-SENSOR NO. 1	107107	1
R			SUPPLIER CODE:	904949	
R			V86831		
R	140		...RESISTOR	107107	1
R				904949	
R	145		...RESISTOR-	107107	1
R			OPTIONAL PART:	904949	
R			RCR07G2803JS		
R			RCR07G3203JS		
R	145		...RESISTOR-	107107	1
R			ALTERNATE PART FOR	904949	
R			UNIT CALIBRATION		
R			OPTIONAL PART:		
R			RCR07G3003JS		
R			RCR07G3203JS		
R	145		...RESISTOR-	107107	1
R			ALTERNATE PART FOR	904949	
R			UNIT CALIBRATION		
R			OPTIONAL PART:		
R			RCR07G3003JS		
R			RCR07G2803JS		
R	150		...RESISTOR	107107	3
R				904949	
R	155		...RESISTOR	107107	1
R				904949	

MISSING ITEM NUMBERS NOT APPLICABLE

— ITEM NOT ILLUSTRATED

38-32-04-08

38-32-04
FIG. 08
PAGE 3
MAY 20/09

BRI

 **BOEING**
757
PARTS CATALOG (MAINTENANCE)

FIG ITEM	PART NUMBER	1 2 3 4 5 6 7	NOMENCLATURE	EFFECT FROM TO	UNITS PER ASSY
8					
R	160	RLR07C3321GR	...RESISTOR-	107107	1
R			OPTIONAL PART:	904949	
R			RLR07C3301GR		
R	160	RLR07C3301GR	...RESISTOR-	107107	1
R			OPTIONAL PART:	904949	
R			RLR07C3321GR		
R	165	RLR07C3921GR	...RESISTOR-	107107	1
R			OPTIONAL PART:	904949	
R			RLR07C3901GR		
R	165	RLR07C3901GR	...RESISTOR-	107107	1
R			OPTIONAL PART:	904949	
R			RLR07C3921GR		
R	170	RLR07C1003GR	...RESISTOR	107107	5
R				904949	
R	175	M39003-01-2751	...CAPACITOR	107107	1
R				904949	
R	180	RLR07C1002GR	...RESISTOR	107107	1
R				904949	
R	185	M39014-01-1553	...CAPACITOR	107107	2
R				904949	
R	190	M39014-01-1293	...CAPACITOR	107107	1
R				904949	
R	195	RLR07C1201GR	...RESISTOR	107107	1
R				904949	
R	200	RLR07C9091GR	...RESISTOR	107107	1
R				904949	
R	205	LM139J883B	...COMPARATOR-QUAD IC	107107	1
R			SUPPLIER CODE:	904949	
R			V27014		
R	210	RLR07C1502GR	...RESISTOR	107107	1
R				904949	
R	215	RLR07C1001GR	...RESISTOR	107107	1
R				904949	
R	220	JANTX2N2907A	...TRANSISTOR	107107	1
R				904949	
R	225	RCR07G303JS	...RESISTOR	107107	1
R				904949	
R	230	4509B504	...TERMINAL-	107107	5
R			SUPPLIER CODE:	904949	
R			V15849		
R	235	2232-0048	...BOARD-PRINTED CKT	107107	1
R			SUPPLIER CODE:	904949	
R			V86831		
R	240	9732SS04400256	..STANDOFF-HEX	107107	3
R			SUPPLIER CODE:	904949	
R			V06540		
R	245	4232-0050	..BOARD-SENSOR NO. 2	107107	1
R			SUPPLIER CODE:	904949	
R			V86831		

MISSING ITEM NUMBERS NOT APPLICABLE

— ITEM NOT ILLUSTRATED

38-32-04-08

38-32-04
FIG. 08
PAGE 4
MAY 20/09

BRI

BOEING
757
PARTS CATALOG (MAINTENANCE)

FIG ITEM	PART NUMBER	1 2 3 4 5 6 7	NOMENCLATURE	EFFECT FROM TO	UNITS PER ASSY
8					
R	250	JANTX2N2219	... TRANSISTOR	107107	1
R				904949	
R	255	506-038	... PAD-MTG	107107	1
R			SUPPLIER CODE:	904949	
R			V32559		
R	260	M39014-01-1553	... CAPACITOR	107107	1
R				904949	
R	265	JANTX1N4246	... DIODE-	107107	1
R			SUPPLIER CODE:	904949	
R			V81350		
R	270	RCR07G105JS	... RESISTOR	107107	1
R				904949	
R	275	M39014-01-1535	... CAPACITOR	107107	1
R				904949	
R	280	M39003-01-2751	... CAPACITOR	107107	1
R				904949	
R	285	JANTX1N4148-1	... DIODE	107107	3
R				904949	
R	290	M39014-01-1287	... CAPACITOR	107107	1
R				904949	
R	295	4213-0005-4	... CORE ASSY-WIRE	107107	1
R			SUPPLIER CODE:	904949	
R			V29780		
R			ATTACHING PARTS		
R	300	MS51957-17	... SCREW	107107	1
R				904949	
R	305	5607-57	... WASHER-SHOULDER	107107	1
R			SUPPLIER CODE:	904949	
R			V86928		
R	310	5622-16-7	... WASHER-MYLAR	107107	1
R			SUPPLIER CODE:	904949	
R			V86928		
R	315	MS15795-803	... WASHER	107107	1
R				904949	
R	320	MS35338-135	... WASHER	107107	1
R				904949	
R	325	MS35649-244	... NUT	107107	1
R				904949	
R			-----*-----		
R	330	RCR07G101JS	... RESISTOR	107107	1
R				904949	
R	335	JANTX2N2222A	... TRANSISTOR	107107	1
R				904949	
R	340	JANTX2N2907A	... TRANSISTOR	107107	1
R				904949	
R	345	RLR07C1002GR	... RESISTOR	107107	2
R				904949	
R	350	M39014-01-1523	... CAPACITOR	107107	1
R				904949	

MISSING ITEM NUMBERS NOT APPLICABLE

— ITEM NOT ILLUSTRATED

BRI

38-32-04-08

38-32-04
FIG. 08
PAGE 5
MAY 20/09



757

PARTS CATALOG (MAINTENANCE)

FIG ITEM	PART NUMBER	1 2 3 4 5 6 7	NOMENCLATURE	EFFECT FROM TO	UNITS PER ASSY
R R R R R R R R R R R R R R	8 355	M39014-01-1317	...CAPACITOR- OPTIONAL PART: M39014-01-1227	107107 904949	1
	355	M39014-01-1227	...CAPACITOR- OPTIONAL PART: M39014-01-1317	107107 904949	1
	360	4503366010300	...TERMINAL- SUPPLIER CODE: V71729	107107 904949	2
	365	RWR89S2210FR	...RESISTOR	107107 904949	1
	370	JANTX1N4960	...DIODE	107107 904949	1
	375	RLR07C4701GR	...RESISTOR	107107 904949	1
	380	4509B504	...TERMINAL- SUPPLIER CODE: V15849	107107 904949	12
	385	2232-0050	...BOARD-PRINTED CKT SUPPLIER CODE: V86831	107107 904949	1
	390	4090-0039	..HOUSING ASSY- SUPPLIER CODE: V29780	107107 904949	1
	395	0123FJ	.DETECTOR ASSY-FLUID LEVEL SUPPLIER CODE: V29780 SB DATA FROM A CMM: POST 16200-38-03 CONFIG CHG DATA FROM A CMM: REPLS 1111-0001	107107 904949	1

MISSING ITEM NUMBERS NOT APPLICABLE

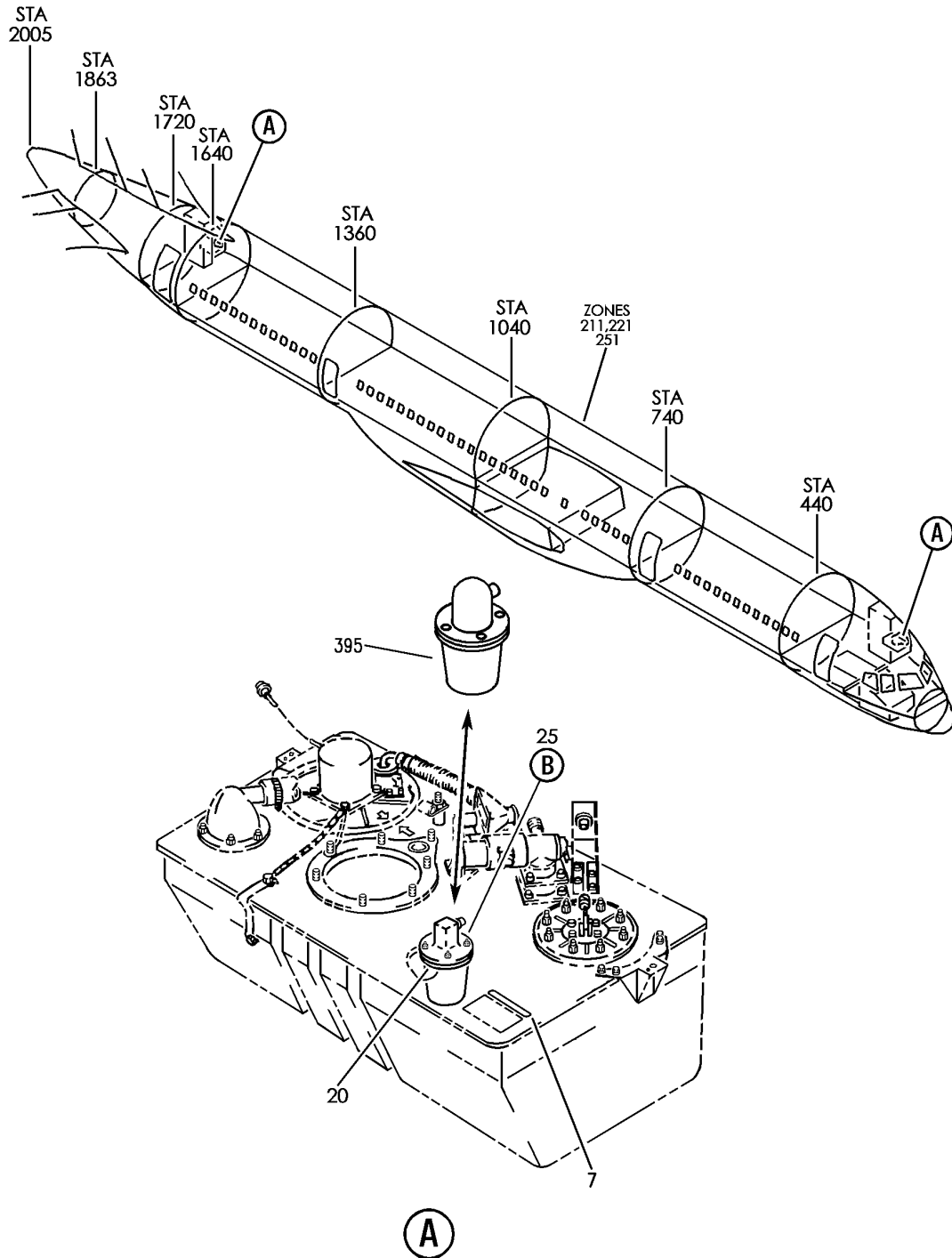
- ITEM NOT ILLUSTRATED

38-32-04-08

38-32-04
FIG. 08
PAGE 6
MAY 20/09

BRI

BOEING
757
PARTS CATALOG (MAINTENANCE)



Y 38320409 SHT 1 REV 252

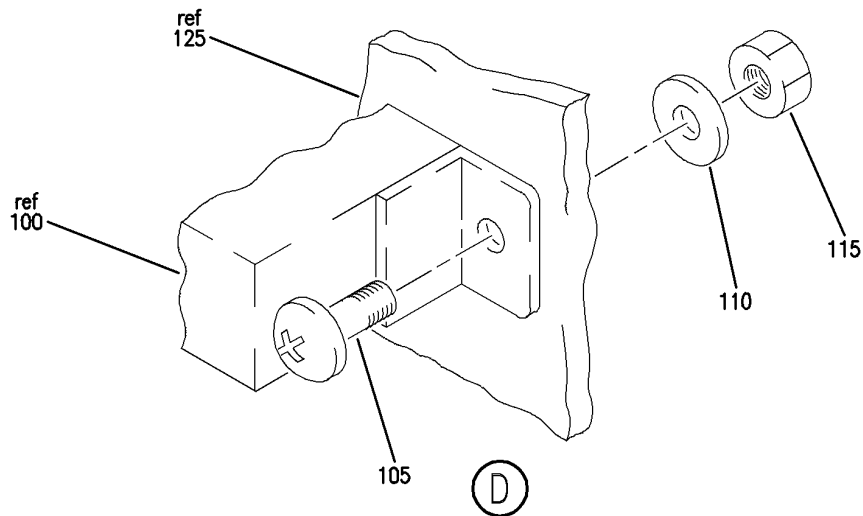
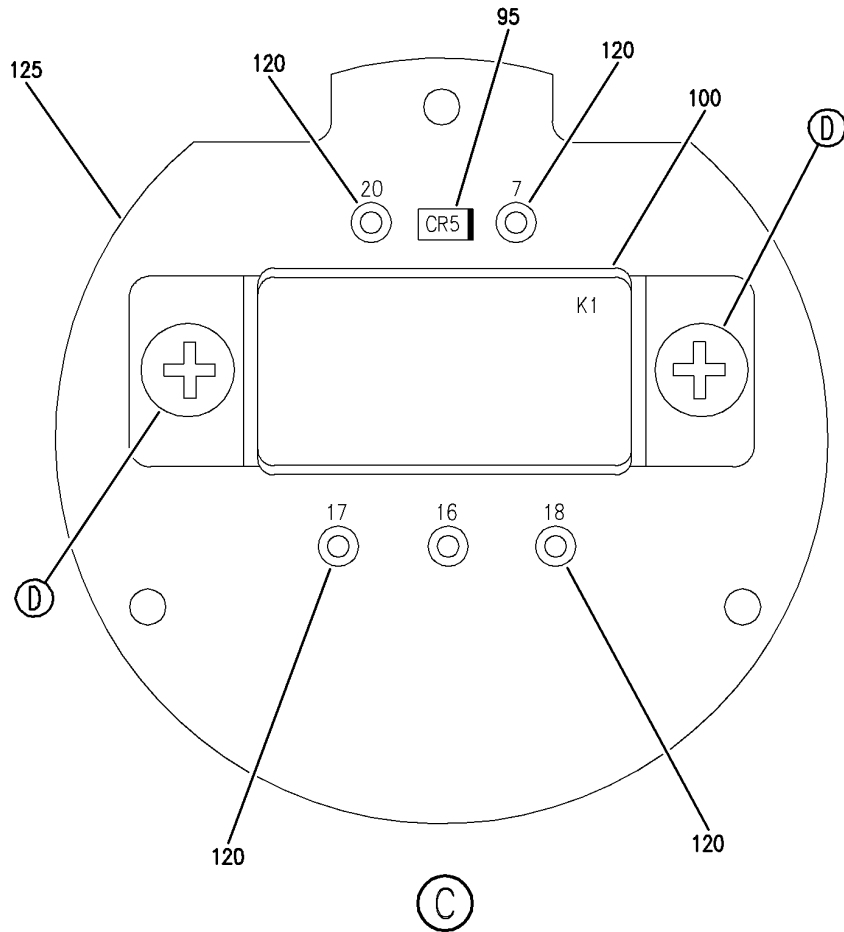
TOILET ASSY-FLUSHING (LEVEL SENSOR ONLY)
FIGURE 9 (SHEET 1)

38-32-04-09

BRI
MAY 28/07

38-32-04-09
PAGE 0

BOEING
757
PARTS CATALOG (MAINTENANCE)



Y 38320409 SH1 3 REV 223

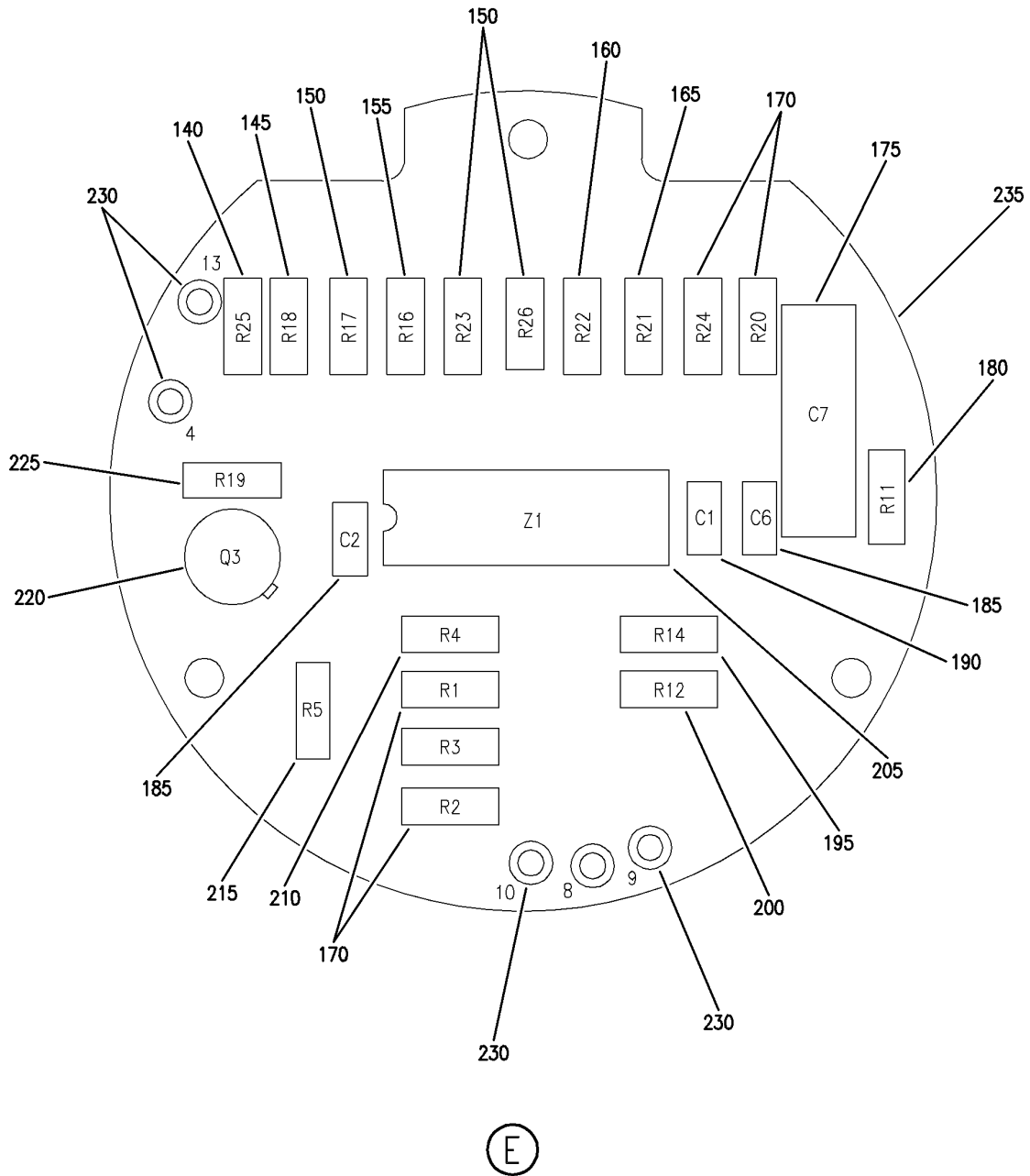
TOILET ASSY-FLUSHING (LEVEL SENSOR ONLY)
FIGURE 9 (SHEET 3)

38-32-04-09

BRI
MAY 28/07

38-32-04-09
PAGE 0B

BOEING
757
PARTS CATALOG (MAINTENANCE)



Y 38320409 SH1 4 REV 223

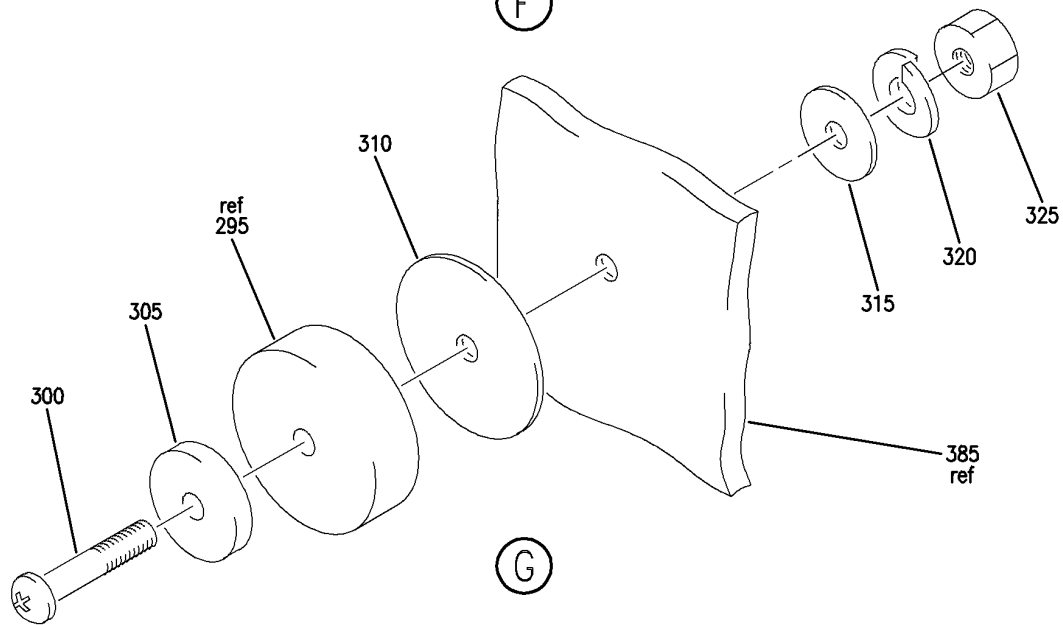
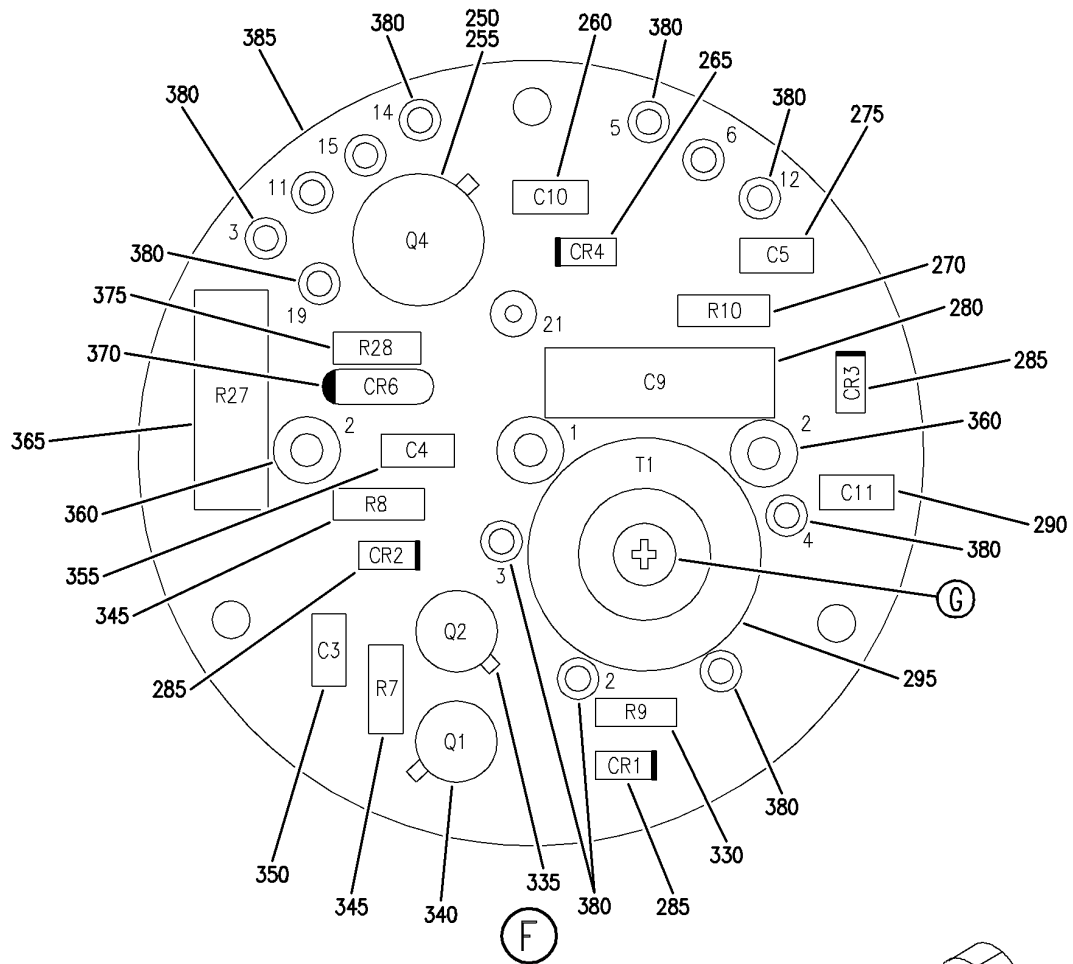
TOILET ASSY-FLUSHING (LEVEL SENSOR ONLY)
FIGURE 9 (SHEET 4)

38-32-04-09

BRI
MAY 28/07

38-32-04-09
PAGE 0C

BOEING
757
PARTS CATALOG (MAINTENANCE)



Y 38320409 SHT 5 REV 223

TOILET ASSY-FLUSHING (LEVEL SENSOR ONLY)
FIGURE 9 (SHEET 5)

38-32-04-09

BRI
MAY 28/07

38-32-04-09
PAGE 0D



757

PARTS CATALOG (MAINTENANCE)

FIG ITEM	PART NUMBER	1 2 3 4 5 6 7	NOMENCLATURE	EFFECT FROM TO	UNITS PER ASSY
9			TOILET ASSY-FLUSHING (LEVEL SENSOR ONLY)	107107 904949	
R R R R R R R R R R R R	- 1 16300-001		TOILET ASSY-FLUSHING (LEVEL SENSOR ONLY) SUPPLIER CODE: V29780 SPECIFICATION NUMBER: S417N102-1 SB DATA FROM A CMM: PRE 16200-38-03 CONFIG CHG DATA FROM A CMM: REPLD BY 16300-008 COMPONENT MAINT MANUAL REF: 38-33-01 FOR NHA/ADDITIONAL DET SEE: 38-32-01-01	107107 904949	RF
	- 10 AN960C8		.WASHER-	107107 904949	4
	- 15 NAS679C08M		.NUT	107107 904949	4
	20 16302-006		.GASKET- SUPPLIER CODE: V29780	107107 904949	1
	25 1111-0001		.DETECTOR ASSY-FLUID LEVEL SUPPLIER CODE: V86831 SPECIFICATION NUMBER: S283N202-1 SB DATA FROM A CMM: PRE 16200-38-03 CONFIG CHG DATA FROM A CMM: REPLD BY 0123FJ COMPONENT MAINT MANUAL REF: 38-30-03	107107 904949	1
	30 2124-0122		..NAMEPLATE- SUPPLIER CODE: V86831	107107 904949	1
	35 4038-0027		..COVER-MACHINED SUPPLIER CODE: V86831	107107 904949	1
	40 MS24693C25		ATTACHING PARTS ..SCREW	107107 904949	4
	45 MS28775-038		-----*----- ..PACKING	107107 904949	1
	50 MS24264R12B12P		..CONNECTOR	107107 904949	1

MISSING ITEM NUMBERS NOT APPLICABLE

- ITEM NOT ILLUSTRATED

38-32-04-09

38-32-04
FIG. 09
PAGE 1
MAY 20/09

BRI

BOEING
757
PARTS CATALOG (MAINTENANCE)

FIG ITEM	PART NUMBER	1 2 3 4 5 6 7	NOMENCLATURE	EFFECT FROM TO	UNITS PER ASSY
9			ATTACHING PARTS		
55	MS51957-15	..	SCREW	107107 904949	4
60	MS15795-803	..	WASHER	107107 904949	4
65	NAS679C04M	..	NUT	107107 904949	4
			-----*-----		
70	2074-0031	..	GASKET-CONN. SUPPLIER CODE: V86831	107107 904949	1
75	4232-0051	..	BOARD-RELAY/SENSOR NO. 3 SUPPLIER CODE: V86831	107107 904949	1
			ATTACHING PARTS		
80	MS51957-3	..	SCREW	107107 904949	3
85	MS35338-134	..	WASHER	107107 904949	3
90	MS15795-802	..	WASHER	107107 904949	3
			-----*-----		
95	JANTX1N4246	...	DIODE- SUPPLIER CODE: V81350	107107 904949	1
100	MS27401-14	...	RELAY	107107 904949	1
			ATTACHING PARTS		
105	MS51957-15	...	SCREW	107107 904949	2
110	MS15795-803	...	WASHER	107107 904949	2
115	NAS679C04M	...	NUT	107107 904949	2
			-----*-----		
120	4526B504	...	TERMINAL- SUPPLIER CODE: V15849	107107 904949	5
125	2232-0051	...	BOARD-PRINTED CKT SUPPLIER CODE: V86831	107107 904949	1
130	9732SS0256	..	STANDOFF-HEX SUPPLIER CODE: V06540	107107 904949	3
135	4232-0048	..	BOARD-SENSOR NO. 1 SUPPLIER CODE: V86831	107107 904949	1
140	RCR07G100JS	...	RESISTOR	107107 904949	1

MISSING ITEM NUMBERS NOT APPLICABLE

— ITEM NOT ILLUSTRATED

BRI

38-32-04-09

38-32-04
FIG. 09
PAGE 2
MAY 20/09



757

PARTS CATALOG (MAINTENANCE)

FIG ITEM	PART NUMBER	1 2 3 4 5 6 7	NOMENCLATURE	EFFECT FROM TO	UNITS PER ASSY
9					
145	RCR07G3003JS	...	RESISTOR- OPTIONAL PART: RCR07G2803JS RCR07G3203JS	107107 904949	1
145	RCR07G2803JS	...	RESISTOR-ALTERNATE PART FOR UNIT CALIBRATION OPTIONAL PART: RCR07G3003JS RCR07G3203JS	107107 904949	1
145	RCR07G3203JS	...	RESISTOR-ALTERNATE PART FOR UNIT CALIBRATION OPTIONAL PART: RCR07G3003JS RCR07G2803JS	107107 904949	1
150	RCR07G302JS	...	RESISTOR	107107 904949	3
155	RLR07C4993GR	...	RESISTOR	107107 904949	1
160	RLR07C3321GR	...	RESISTOR- OPTIONAL PART: RLR07C3301GR	107107 904949	1
160	RLR07C3301GR	...	RESISTOR- OPTIONAL PART: RLR07C3321GR	107107 904949	1
165	RLR07C3921GR	...	RESISTOR- OPTIONAL PART: RLR07C3901GR	107107 904949	1
165	RLR07C3901GR	...	RESISTOR- OPTIONAL PART: RLR07C3921GR	107107 904949	1
170	RLR07C1003GR	...	RESISTOR	107107 904949	5
175	M39003-01-2751	...	CAPACITOR	107107 904949	1
180	RLR07C1002GR	...	RESISTOR	107107 904949	1
185	M39014-01-1553	...	CAPACITOR	107107 904949	2
190	M39014-01-1293	...	CAPACITOR	107107 904949	1
195	RLR07C1201GR	...	RESISTOR	107107 904949	1
200	RLR07C9091GR	...	RESISTOR	107107 904949	1
205	LM139J883B	...	COMPARATOR-QUAD IC SUPPLIER CODE: V27014	107107 904949	1
210	RLR07C1502GR	...	RESISTOR	107107 904949	1

MISSING ITEM NUMBERS NOT APPLICABLE

- ITEM NOT ILLUSTRATED

38-32-04-09

38-32-04
FIG. 09
PAGE 3
MAY 20/09

BRI

BOEING PROPRIETARY - Copyright © - Unpublished Work - See title page for details.



757

PARTS CATALOG (MAINTENANCE)

FIG ITEM	PART NUMBER	1 2 3 4 5 6 7	NOMENCLATURE	EFFECT FROM TO	UNITS PER ASSY
9					
215	RLR07C1001GR	...	RESISTOR	107107 904949	1
220	JANTX2N2907A	...	TRANSISTOR	107107 904949	1
225	RCR07G303JS	...	RESISTOR	107107 904949	1
230	4509B504	...	TERMINAL- SUPPLIER CODE: V15849	107107 904949	5
235	2232-0048	...	BOARD-PRINTED CKT SUPPLIER CODE: V86831	107107 904949	1
240	9732SS04400256	..	STANDOFF-HEX SUPPLIER CODE: V06540	107107 904949	3
245	4232-0050	..	BOARD-SENSOR NO. 2 SUPPLIER CODE: V86831	107107 904949	1
250	JANTX2N2219	...	TRANSISTOR	107107 904949	1
255	506-038	...	PAD-MTG SUPPLIER CODE: V32559	107107 904949	1
260	M39014-01-1553	...	CAPACITOR	107107 904949	1
265	JANTX1N4246	...	DIODE- SUPPLIER CODE: V81350	107107 904949	1
270	RCR07G105JS	...	RESISTOR	107107 904949	1
275	M39014-01-1535	...	CAPACITOR	107107 904949	1
280	M39003-01-2751	...	CAPACITOR	107107 904949	1
285	JANTX1N4148-1	...	DIODE	107107 904949	3
290	M39014-01-1287	...	CAPACITOR	107107 904949	1
295	4213-0005-4	...	CORE ASSY-WIRE SUPPLIER CODE: V86831	107107 904949	1
300	MS51957-17	...	ATTACHING PARTS SCREW	107107 904949	1
305	5607-57	...	WASHER-SHOULDER SUPPLIER CODE: V86928	107107 904949	1

MISSING ITEM NUMBERS NOT APPLICABLE

- ITEM NOT ILLUSTRATED

38-32-04-09

38-32-04
FIG. 09
PAGE 4
MAY 20/09

BRI



757

PARTS CATALOG (MAINTENANCE)

FIG ITEM	PART NUMBER	1 2 3 4 5 6 7	NOMENCLATURE	EFFECT FROM TO	UNITS PER ASSY
9					
310	5622-16-7		...WASHER-MYLAR SUPPLIER CODE: V86928	107107 904949	1
315	MS15795-803		...WASHER	107107 904949	1
320	MS35338-135		...WASHER	107107 904949	1
325	MS35649-244		...NUT	107107 904949	1
			-----*-----		
330	RCR07G101JS		...RESISTOR	107107 904949	1
335	JANTX2N2222A		...TRANSISTOR	107107 904949	1
340	JANTX2N2907A		...TRANSISTOR	107107 904949	1
345	RLR07C1002GR		...RESISTOR	107107 904949	2
350	M39014-01-1523		...CAPACITOR	107107 904949	1
355	M39014-01-1317		...CAPACITOR- OPTIONAL PART: M39014-01-1227	107107 904949	1
355	M39014-01-1227		...CAPACITOR- OPTIONAL PART: M39014-01-1317	107107 904949	1
360	4503366010300		...TERMINAL- SUPPLIER CODE: V71729	107107 904949	2
365	RWR89S2210FR		...RESISTOR	107107 904949	1
370	JANTX1N4960		...DIODE	107107 904949	1
375	RLR07C4701GR		...RESISTOR	107107 904949	1
380	4509B504		...TERMINAL- SUPPLIER CODE: V15849	107107 904949	12
385	2232-0050		...BOARD-PRINTED CKT SUPPLIER CODE: V86831	107107 904949	1
390	4090-0039		..HOUSING ASSY- SUPPLIER CODE: V86831	107107 904949	1

MISSING ITEM NUMBERS NOT APPLICABLE

- ITEM NOT ILLUSTRATED

38-32-04-09

38-32-04
FIG. 09
PAGE 5
JAN 20/09

BRI



**757
PARTS CATALOG (MAINTENANCE)**

FIG ITEM	PART NUMBER	1 2 3 4 5 6 7	NOMENCLATURE	EFFECT FROM TO	UNITS PER ASSY
R R	9 395	0123FJ	.DETECTOR ASSY-FLUID LEVEL SUPPLIER CODE: V29780 SB DATA FROM A CMM: POST 16200-38-03 CONFIG CHG DATA FROM A CMM: REPLS 1111-0001 OPTIONAL PART: 1111-0006-1 V86831	107107 904949	1
	395	1111-0006-1	.DETECTOR ASSY-FLUID LEVEL SUPPLIER CODE: V86831 OPTIONAL PART: 0123FJ V29780	107107 904949	1

MISSING ITEM NUMBERS NOT APPLICABLE

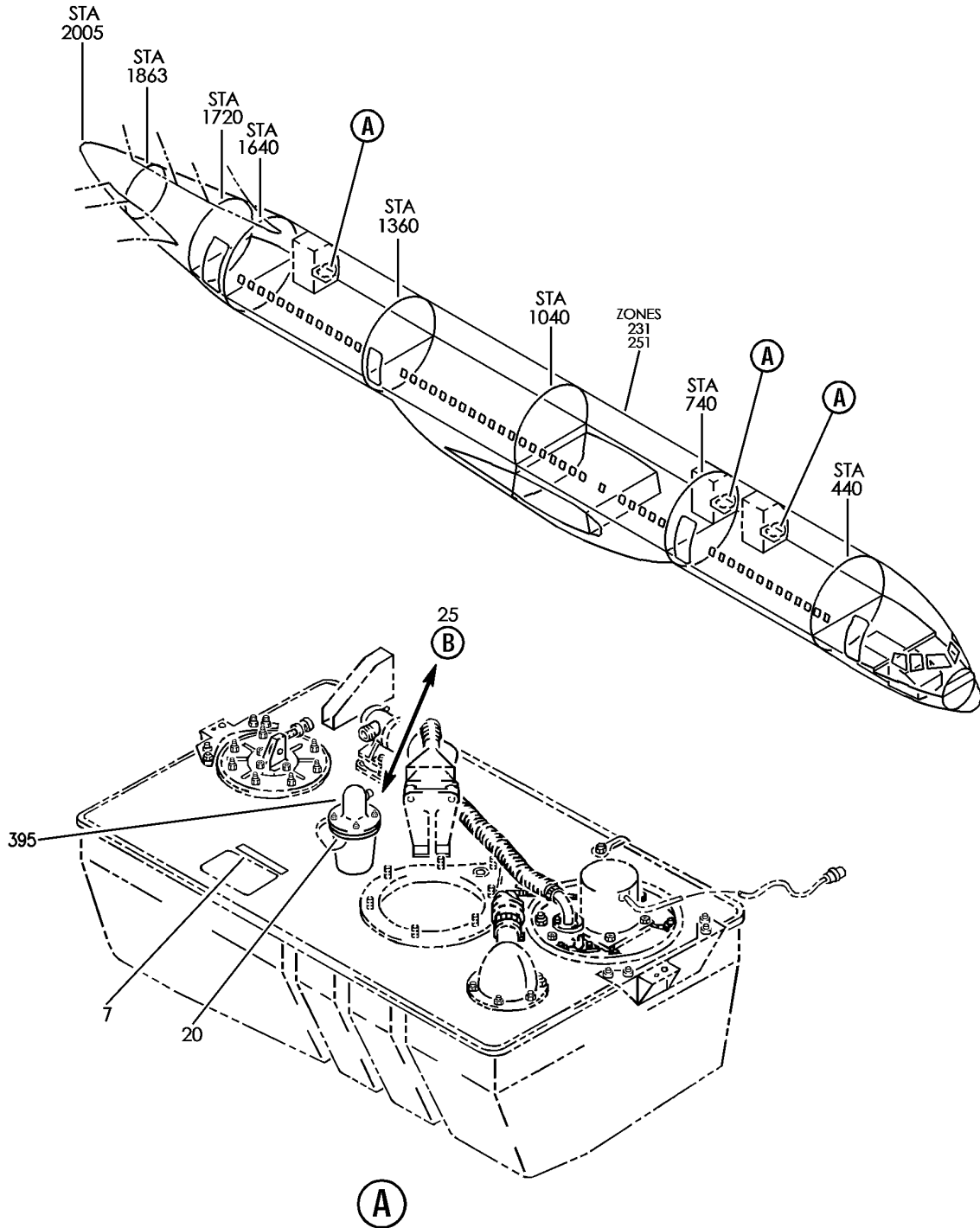
— ITEM NOT ILLUSTRATED

38-32-04-09

38-32-04
FIG. 09
PAGE 6
MAY 20/09

BRI

BOEING
757
PARTS CATALOG (MAINTENANCE)



Y 38320410 SHT 1 REV 242

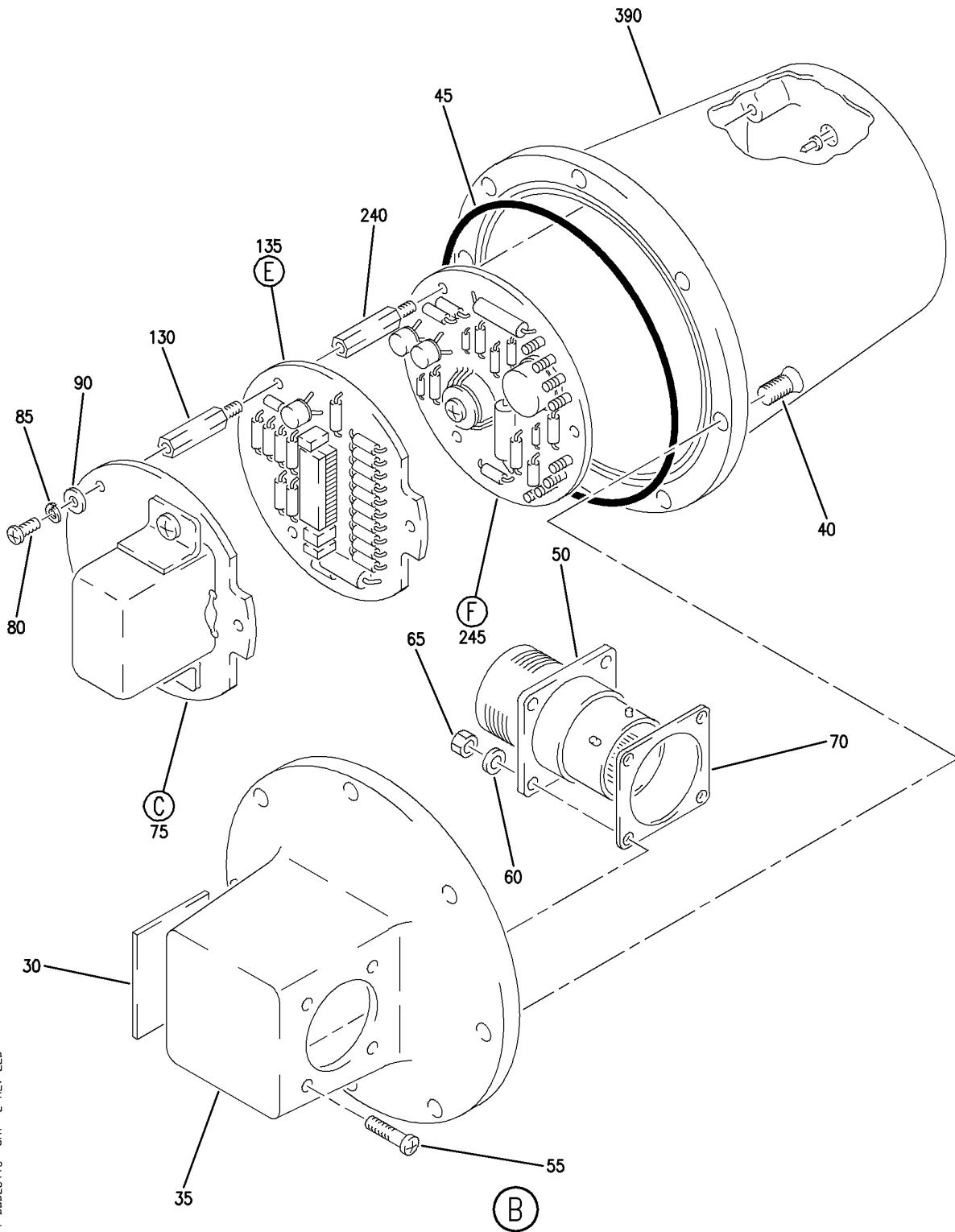
TOILET ASSY-FLUSHING (LEVEL SENSOR ONLY)
FIGURE 10 (SHEET 1)

38-32-04-10

BRI
JAN 20/09

38-32-04-10
PAGE 0

BOEING
757
PARTS CATALOG (MAINTENANCE)



Y 38320410 SHT 2 REV 223

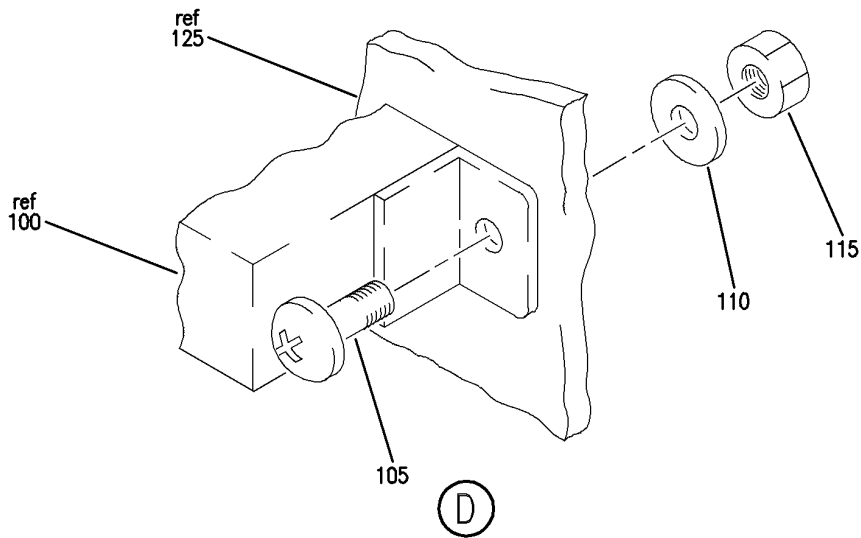
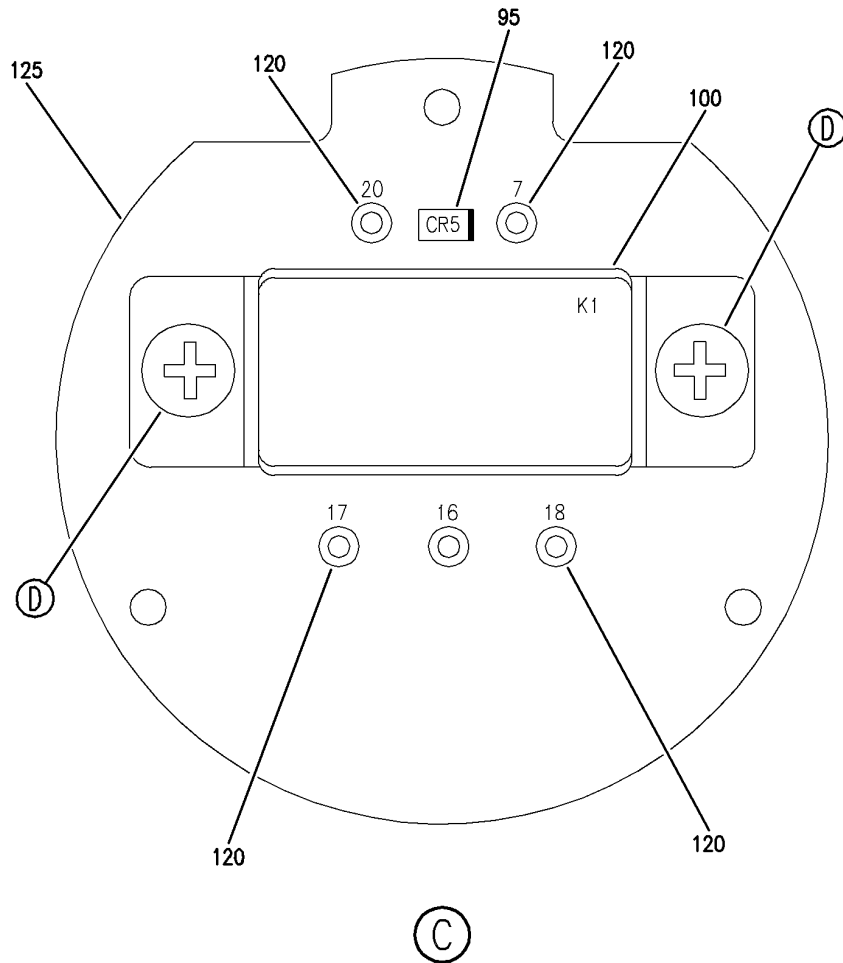
TOILET ASSY-FLUSHING (LEVEL SENSOR ONLY)
FIGURE 10 (SHEET 2)

38-32-04-10

BRI
JAN 20/09

38-32-04-10
PAGE 0A

BOEING
757
PARTS CATALOG (MAINTENANCE)



Y 38320410 SH1 3 REV 223

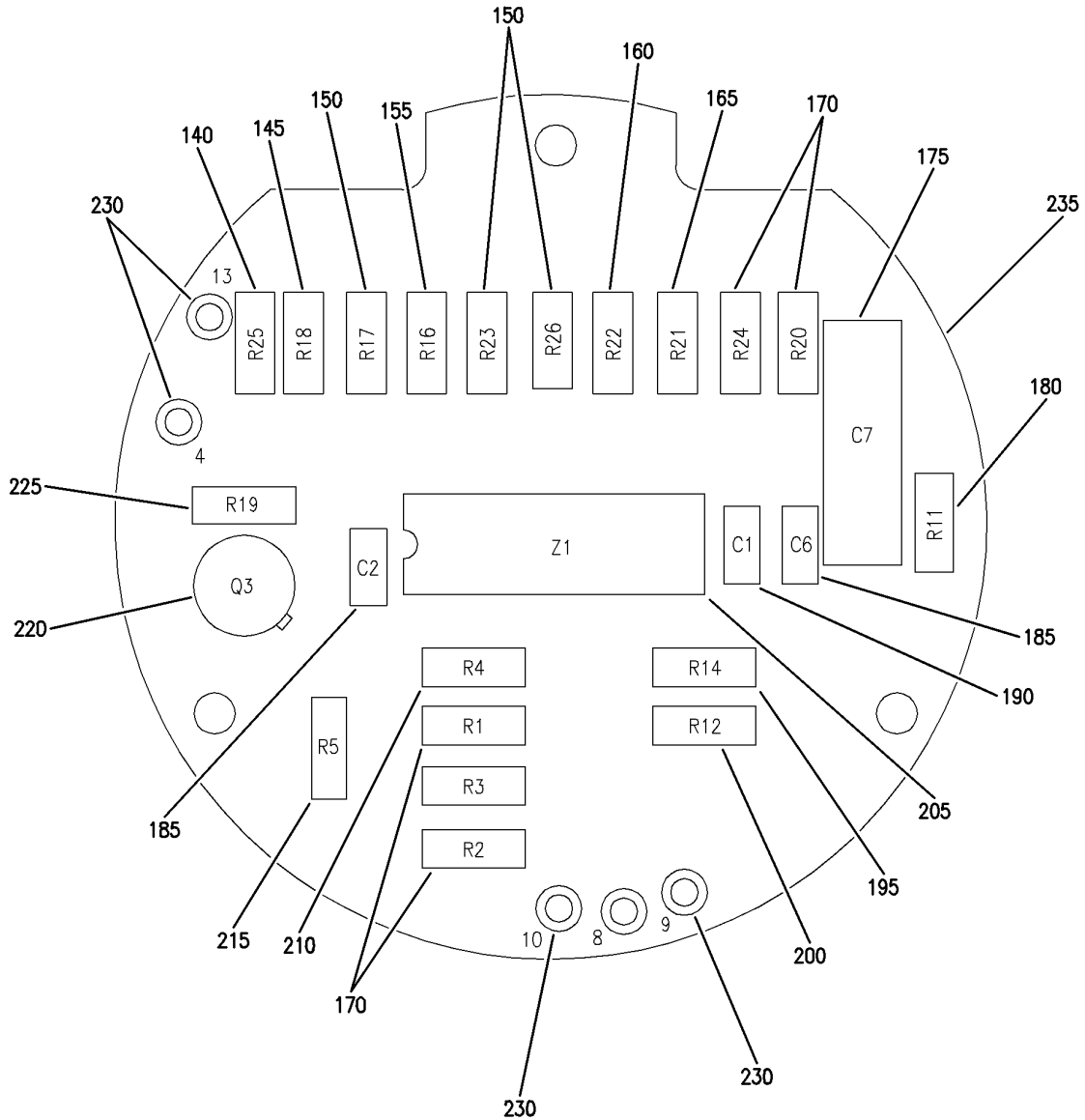
TOILET ASSY-FLUSHING (LEVEL SENSOR ONLY)
FIGURE 10 (SHEET 3)

38-32-04-10

BRI
JAN 20/09

38-32-04-10
PAGE 0B

BOEING
757
PARTS CATALOG (MAINTENANCE)



(E)

Y 38320410 SH1 4 REV 223

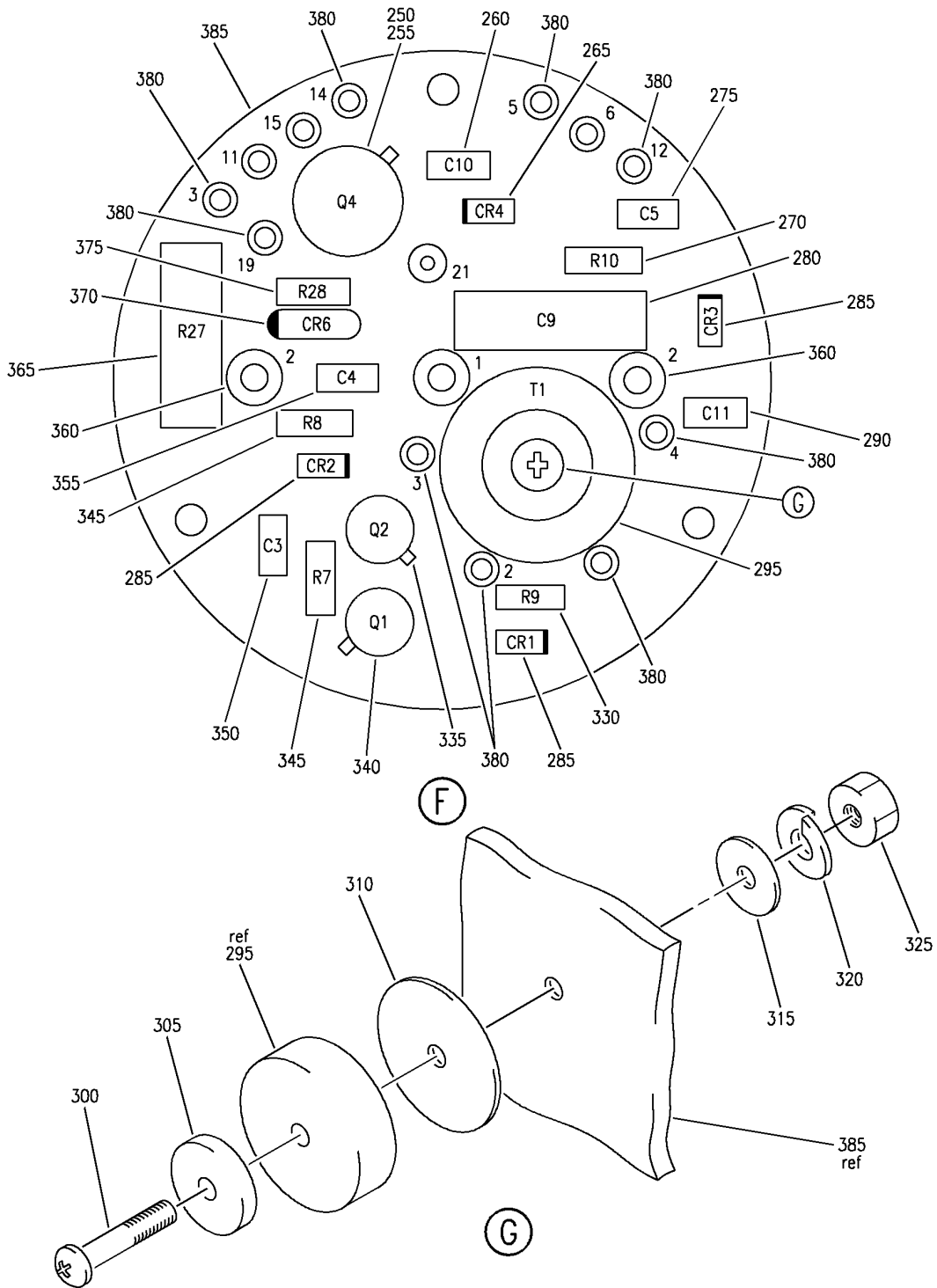
TOILET ASSY-FLUSHING (LEVEL SENSOR ONLY)
FIGURE 10 (SHEET 4)

38-32-04-10

BRI
JAN 20/09

38-32-04-10
PAGE 0C

BOEING
757
PARTS CATALOG (MAINTENANCE)



Y 38320410 SHT 5 REV 298

TOILET ASSY-FLUSHING (LEVEL SENSOR ONLY)
FIGURE 10 (SHEET 5)

38-32-04-10

BRI
JAN 20/09

38-32-04-10
PAGE 0D



757

PARTS CATALOG (MAINTENANCE)

FIG ITEM	PART NUMBER	1 2 3 4 5 6 7	NOMENCLATURE	EFFECT FROM TO	UNITS PER ASSY
10			TOILET ASSY-FLUSHING (LEVEL SENSOR ONLY)	950999	
- 1	16200-019		TOILET ASSY-FLUSHING (LEVEL SENSOR ONLY) SUPPLIER CODE: V29780 POSITION DATA: MID-CAB. SPECIFICATION NUMBER: S417N102-49 SB DATA FROM A CMM: PRE 16200-38-03 POST 3600-38-001 CONFIG CHG DATA FROM A CMM: REPLS 16200-013 REPLD BY 16200-024 COMPONENT MAINT MANUAL REF: 38-33-01 FOR NHA/ADDITIONAL DET SEE: 38-32-53-03	950999	RF
R R R R R	7	16302-020	.DECAL-RETROFIT SUPPLIER CODE: V29780 SB DATA FROM A CMM: POST 16200-38-03	950999	1
-	10	AN960C8	.WASHER-	950999	4
-	15	NAS679C08M	.NUT	950999	4
	20	16302-006	.GASKET- SUPPLIER CODE: V29780	950999	1
R R R R R R R R R R	25	1111-0001	.DETECTOR ASSY-FLUID LEVEL SUPPLIER CODE: V86831 SPECIFICATION NUMBER: S283N202-1 SB DATA FROM A CMM: PRE 16200-38-03 CONFIG CHG DATA FROM A CMM: REPLD BY 0123FJ COMPONENT MAINT MANUAL REF: 38-30-03	950999	1
	30	2124-0122	..NAMEPLATE- SUPPLIER CODE: V86831	950999	1
	35	4038-0027	..COVER-MACHINED SUPPLIER CODE: V86831	950999	1

MISSING ITEM NUMBERS NOT APPLICABLE

- ITEM NOT ILLUSTRATED

38-32-04-10

38-32-04
FIG. 10
PAGE 1
MAY 20/09

BRI



757

PARTS CATALOG (MAINTENANCE)

FIG ITEM	PART NUMBER	1 2 3 4 5 6 7	NOMENCLATURE	EFFECT FROM TO	UNITS PER ASSY
10			ATTACHING PARTS		
40	MS24693C25	..	SCREW	950999	4
			-----*-----		
45	MS28775-038	..	PACKING	950999	1
50	MS24264R12B12P	..	CONNECTOR	950999	1
			ATTACHING PARTS		
55	MS51957-15	..	SCREW	950999	4
60	MS15795-803	..	WASHER	950999	4
65	NAS679C04M	..	NUT	950999	4
			-----*-----		
70	2074-0031	..	GASKET-CONN.	950999	1
			SUPPLIER CODE:		
			V86831		
75	4232-0051	..	BOARD-RELAY/SENSOR NO. 3	950999	1
			SUPPLIER CODE:		
			V86831		
			ATTACHING PARTS		
80	MS51957-3	..	SCREW	950999	3
85	MS35338-134	..	WASHER	950999	3
90	MS15795-802	..	WASHER	950999	3
			-----*-----		
95	JANTX1N4246	...	DIODE-	950999	1
			SUPPLIER CODE:		
			V81350		
100	MS27401-14	...	RELAY	950999	1
			ATTACHING PARTS		
105	MS51957-15	...	SCREW	950999	2
110	MS15795-803	...	WASHER	950999	2
115	NAS679C04M	...	NUT	950999	2
			-----*-----		
120	4526B504	...	TERMINAL-	950999	5
			SUPPLIER CODE:		
			V15849		
125	2232-0051	...	BOARD-PRINTED CKT	950999	1
			SUPPLIER CODE:		
			V86831		
130	9732SS0256	..	STANDOFF-HEX	950999	3
			SUPPLIER CODE:		
			V06540		
135	4232-0048	..	BOARD-SENSOR NO. 1	950999	1
			SUPPLIER CODE:		
			V86831		
140	RCR07G100JS	...	RESISTOR	950999	1
145	RCR07G3003JS	...	RESISTOR-	950999	1
			OPTIONAL PART:		
			RCR07G2803JS		
			RCR07G3203JS		

MISSING ITEM NUMBERS NOT APPLICABLE

- ITEM NOT ILLUSTRATED

38-32-04-10

38-32-04
FIG. 10
PAGE 2
MAY 20/09

BRI



757

PARTS CATALOG (MAINTENANCE)

FIG ITEM	PART NUMBER	1 2 3 4 5 6 7	NOMENCLATURE	EFFECT FROM TO	UNITS PER ASSY
10					
145	RCR07G2803JS	...	RESISTOR-ALTERNATE PART FOR UNIT CALIBRATION OPTIONAL PART: RCR07G3003JS RCR07G3203JS	950999	1
145	RCR07G3203JS	...	RESISTOR-ALTERNATE PART FOR UNIT CALIBRATION OPTIONAL PART: RCR07G3003JS RCR07G2803JS	950999	1
150	RCR07G302JS	...	RESISTOR	950999	3
155	RLR07C4993GR	...	RESISTOR	950999	1
160	RLR07C3321GR	...	RESISTOR- OPTIONAL PART: RLR07C3301GR	950999	1
160	RLR07C3301GR	...	RESISTOR- OPTIONAL PART: RLR07C3321GR	950999	1
165	RLR07C3921GR	...	RESISTOR- OPTIONAL PART: RLR07C3901GR	950999	1
165	RLR07C3901GR	...	RESISTOR- OPTIONAL PART: RLR07C3921GR	950999	1
170	RLR07C1003GR	...	RESISTOR	950999	5
175	M39003-01-2751	...	CAPACITOR	950999	1
180	RLR07C1002GR	...	RESISTOR	950999	1
185	M39014-01-1553	...	CAPACITOR	950999	2
190	M39014-01-1293	...	CAPACITOR	950999	1
195	RLR07C1201GR	...	RESISTOR	950999	1
200	RLR07C9091GR	...	RESISTOR	950999	1
205	LM139J883B	...	COMPARATOR-QUAD IC SUPPLIER CODE: V27014	950999	1
210	RLR07C1502GR	...	RESISTOR	950999	1
215	RLR07C1001GR	...	RESISTOR	950999	1
220	JANTX2N2907A	...	TRANSISTOR	950999	1
225	RCR07G303JS	...	RESISTOR	950999	1
230	4509B504	...	TERMINAL- SUPPLIER CODE: V15849	950999	5
235	2232-0048	...	BOARD-PRINTED CKT SUPPLIER CODE: V86831	950999	1
240	9732SS04400256	..	STANDOFF-HEX SUPPLIER CODE: V06540	950999	3

MISSING ITEM NUMBERS NOT APPLICABLE

- ITEM NOT ILLUSTRATED

38-32-04-10

38-32-04
FIG. 10
PAGE 3
MAY 20/09

BRI



757

PARTS CATALOG (MAINTENANCE)

FIG ITEM	PART NUMBER	1 2 3 4 5 6 7	NOMENCLATURE	EFFECT FROM TO	UNITS PER ASSY
10					
245	4232-0050	..	BOARD-SENSOR NO. 2 SUPPLIER CODE: V86831	950999	1
250	JANTX2N2219	...	TRANSISTOR	950999	1
255	506-038	...	PAD-MTG SUPPLIER CODE: V32559	950999	1
260	M39014-01-1553	...	CAPACITOR	950999	1
265	JANTX1N4246	...	DIODE- SUPPLIER CODE: V81350	950999	1
270	RCR07G105JS	...	RESISTOR	950999	1
275	M39014-01-1535	...	CAPACITOR	950999	1
280	M39003-01-2751	...	CAPACITOR	950999	1
285	JANTX1N4148-1	...	DIODE	950999	3
290	M39014-01-1287	...	CAPACITOR	950999	1
295	4213-0005-4	...	CORE ASSY-WIRE SUPPLIER CODE: V86831 ATTACHING PARTS	950999	1
300	MS51957-17	...	SCREW	950999	1
305	5607-57	...	WASHER-SHOULDER SUPPLIER CODE: V86928	950999	1
310	5622-16-7	...	WASHER-MYLAR SUPPLIER CODE: V86928	950999	1
315	MS15795-803	...	WASHER	950999	1
320	MS35338-135	...	WASHER	950999	1
325	MS35649-244	...	NUT	950999	1
			-----*-----		
330	RCR07G101JS	...	RESISTOR	950999	1
335	JANTX2N2222A	...	TRANSISTOR	950999	1
340	JANTX2N2907A	...	TRANSISTOR	950999	1
345	RLR07C1002GR	...	RESISTOR	950999	2
350	M39014-01-1523	...	CAPACITOR	950999	1
355	M39014-01-1317	...	CAPACITOR- OPTIONAL PART: M39014-01-1227	950999	1
355	M39014-01-1227	...	CAPACITOR- OPTIONAL PART: M39014-01-1317	950999	1
360	4503366010300	...	TERMINAL- SUPPLIER CODE: V71729	950999	2
365	RWR89S2210FR	...	RESISTOR	950999	1
370	JANTX1N4960	...	DIODE	950999	1
375	RLR07C4701GR	...	RESISTOR	950999	1

MISSING ITEM NUMBERS NOT APPLICABLE

- ITEM NOT ILLUSTRATED

38-32-04-10

38-32-04
FIG. 10
PAGE 4
MAY 20/09

BRI



**757
PARTS CATALOG (MAINTENANCE)**

FIG ITEM	PART NUMBER	1 2 3 4 5 6 7	NOMENCLATURE	EFFECT FROM TO	UNITS PER ASSY
10					
380	4509B504		... TERMINAL- SUPPLIER CODE: V15849	950999	12
385	2232-0050		... BOARD-PRINTED CKT SUPPLIER CODE: V86831	950999	1
390	4090-0039		.. HOUSING ASSY- SUPPLIER CODE: V86831	950999	1
395	0123FJ		. DETECTOR ASSY-FLUID LEVEL SUPPLIER CODE: V29780 SB DATA FROM A CMM: POST 16200-38-03 CONFIG CHG DATA FROM A CMM: REPLS 1111-0001	950999	1

R
R
R
R
R
R
R

MISSING ITEM NUMBERS NOT APPLICABLE

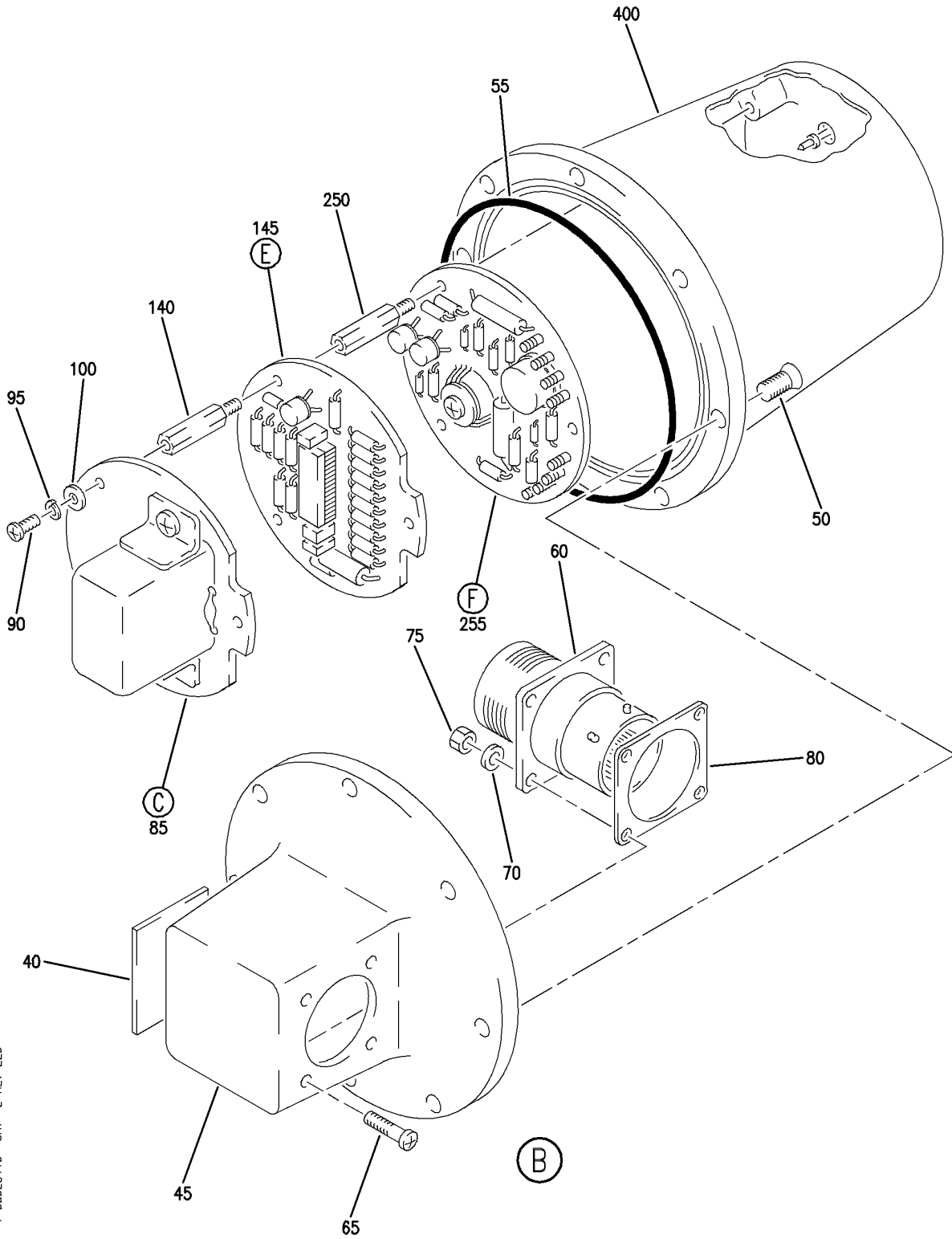
- ITEM NOT ILLUSTRATED

38-32-04-10

38-32-04
FIG. 10
PAGE 5
MAY 20/09

BRI

BOEING
757
PARTS CATALOG (MAINTENANCE)



Y 38320415 SHT 2 REV 223

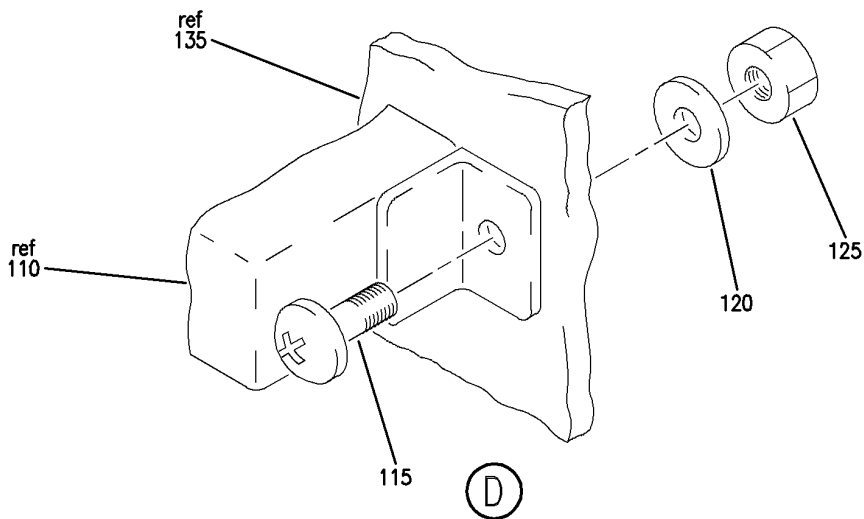
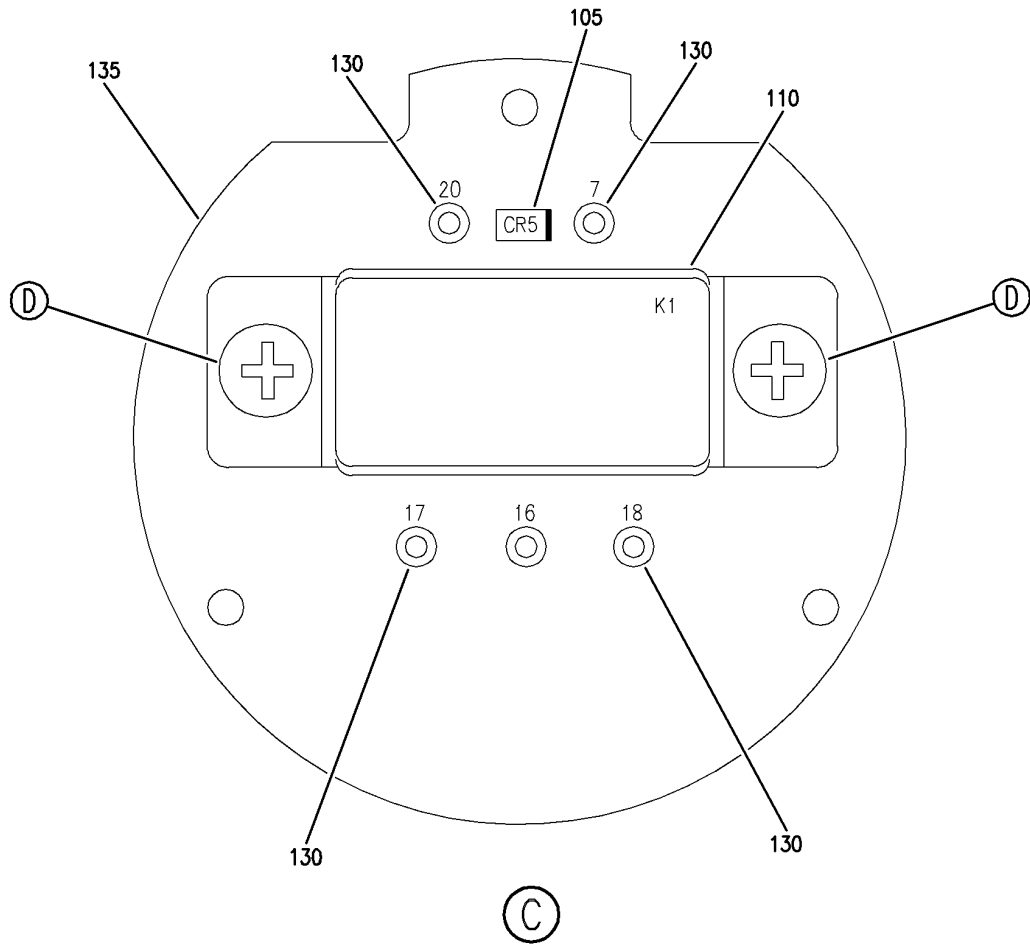
TOILET ASSY-FLUSHING (LEVER SENSOR ONLY)
FIGURE 15 (SHEET 2)

38-32-04-15

BRI
MAY 28/07

38-32-04-15
PAGE 0A

BOEING
757
PARTS CATALOG (MAINTENANCE)



Y 38320415 SHT 3 REV 223

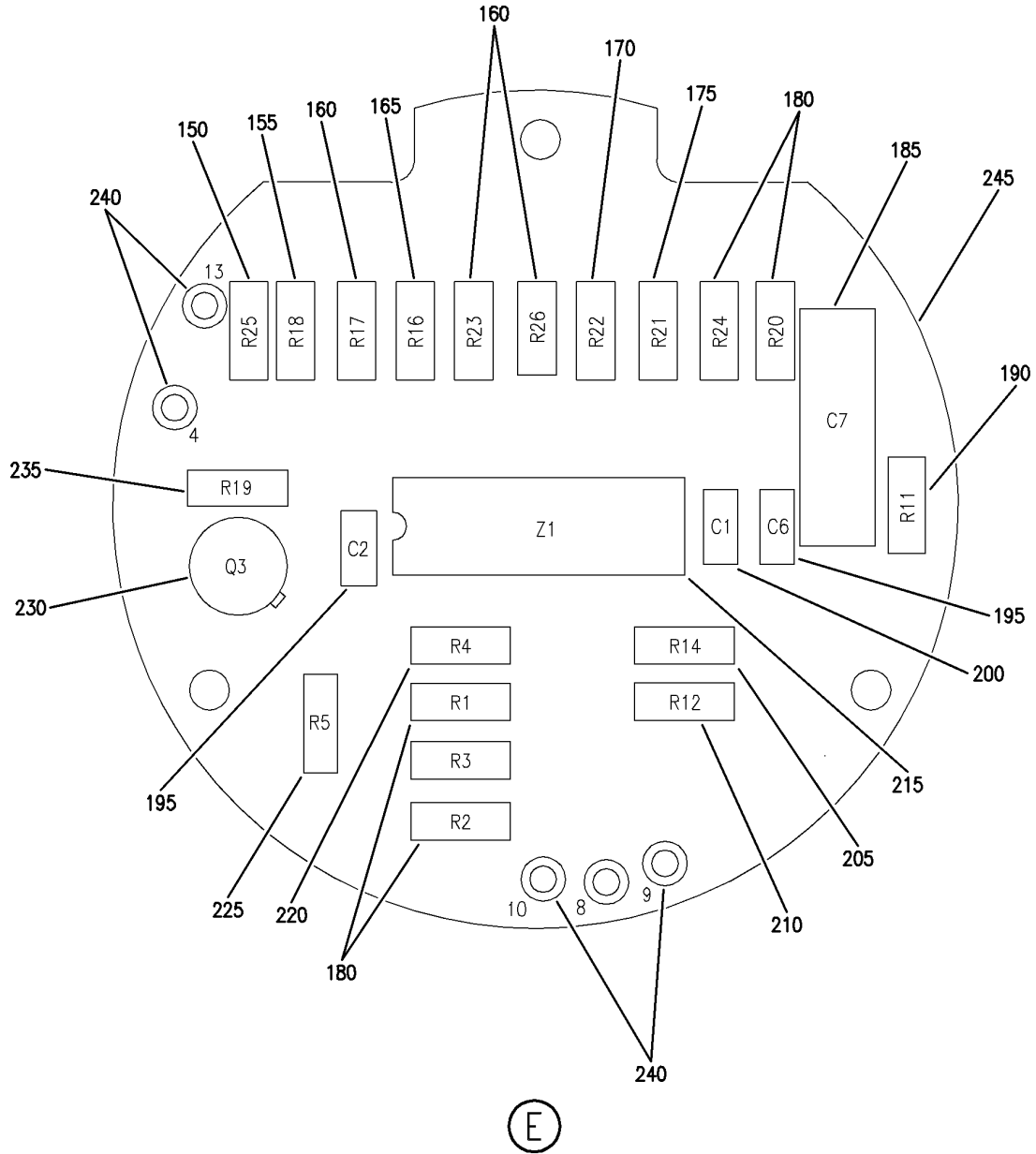
TOILET ASSY-FLUSHING (LEVER SENSOR ONLY)
FIGURE 15 (SHEET 3)

38-32-04-15

BRI
MAY 28/07

38-32-04-15
PAGE 0B

BOEING
757
PARTS CATALOG (MAINTENANCE)



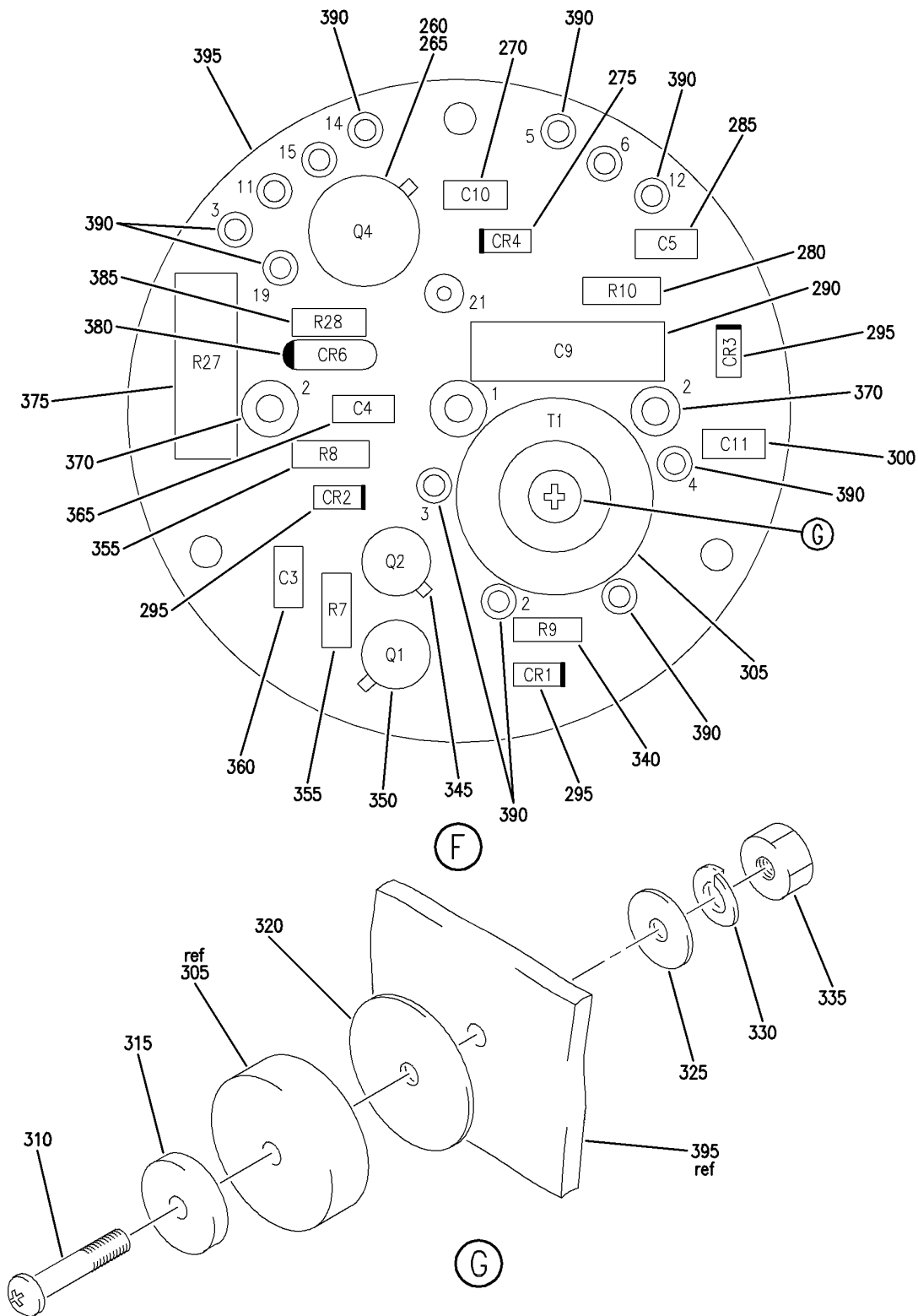
Y 38320415 SHT 4 REV 223

TOILET ASSY-FLUSHING (LEVER SENSOR ONLY)
FIGURE 15 (SHEET 4)

38-32-04-15

BRI
MAY 28/07

38-32-04-15
PAGE 0C



Y 38320415 SHT 5 REV 223

TOILET ASSY-FLUSHING (LEVER SENSOR ONLY)
FIGURE 15 (SHEET 5)

38-32-04-15

BOEING
757
PARTS CATALOG (MAINTENANCE)

FIG ITEM	PART NUMBER	1 2 3 4 5 6 7	NOMENCLATURE	EFFECT FROM TO	UNITS PER ASSY
15			TOILET ASSY-FLUSHING (LEVER SENSOR ONLY)	002004 006102 107999	
- 1	16200-011		TOILET ASSY-FLUSHING (LEVEL SENSOR ONLY) SUPPLIER CODE: V29780 POSITION DATA: MID-CAB. SPECIFICATION NUMBER: S417N102-31 SB DATA FROM A CMM: PRE 3600-38-001 PRE 16200-38-03 CONFIG CHG DATA FROM A CMM: REPLS 16200-001 REPLD BY 16200-017 COMPONENT MAINT MANUAL REF: 38-33-01 FOR NHA/ADDITIONAL DET SEE: 38-32-01-01	002004 006102 107999	RF
R R	- 5	16200-012	TOILET ASSY-FLUSHING (LEVEL SENSOR ONLY) SUPPLIER CODE: V29780 POSITION DATA: MID-CAB. SPECIFICATION NUMBER: S417N102-32 SB DATA FROM A CMM: PRE 3600-38-001 PRE 16200-38-03 CONFIG CHG DATA FROM A CMM: REPLS 16200-002 REPLD BY 16200-018 COMPONENT MAINT MANUAL REF: 38-33-01 FOR NHA/ADDITIONAL DET SEE: 38-32-01-01	002004 006102 107999	RF

MISSING ITEM NUMBERS NOT APPLICABLE

- ITEM NOT ILLUSTRATED

BRI

38-32-04-15

BOEING PROPRIETARY - Copyright © - Unpublished Work - See title page for details.

38-32-04
FIG. 15
PAGE 1
MAY 20/09

BOEING
757
PARTS CATALOG (MAINTENANCE)

FIG ITEM	PART NUMBER	1 2 3 4 5 6 7	NOMENCLATURE	EFFECT FROM TO	UNITS PER ASSY
	15		ATTACHING PARTS		
R	50		.. SCREW	002004	4
R				006102	
R				107999	
			-----*-----		
R	55		.. PACKING	002004	1
R				006102	
R				107999	
R	60		.. CONNECTOR	002004	1
R				006102	
R				107999	
			ATTACHING PARTS		
R	65		.. SCREW	002004	4
R				006102	
R				107999	
R	70		.. WASHER	002004	4
R				006102	
R				107999	
R	75		.. NUT	002004	4
R				006102	
R				107999	
			-----*-----		
R	80		.. GASKET-CONN	002004	1
R			SUPPLIER CODE:	006102	
R			V86831	107999	
R	85		.. BOARD-RELAY/SENSOR NO. 3	002004	1
R			SUPPLIER CODE:	006102	
R			V86831	107999	
			ATTACHING PARTS		
R	90		.. SCREW	002004	3
R				006102	
R				107999	
R	95		.. WASHER	002004	3
R				006102	
R				107999	
R	100		.. WASHER	002004	3
R				006102	
R				107999	
			-----*-----		
R	105		... DIODE-	002004	1
R			SUPPLIER CODE:	006102	
R			V81350	107999	
R	110		... RELAY	002004	1
R				006102	
R				107999	
			ATTACHING PARTS		
R	115		... SCREW	002004	2
R				006102	
R				107999	

MISSING ITEM NUMBERS NOT APPLICABLE

— ITEM NOT ILLUSTRATED

BRI

38-32-04-15

BOEING PROPRIETARY - Copyright © - Unpublished Work - See title page for details.

38-32-04
FIG. 15
PAGE 3
MAY 20/09

 **BOEING**
757
PARTS CATALOG (MAINTENANCE)

FIG ITEM	PART NUMBER	1 2 3 4 5 6 7	NOMENCLATURE	EFFECT FROM TO	UNITS PER ASSY
R	15				
R	120	MS15795-803	...WASHER	002004 006102 107999	2
R	125	NAS679C04M	...NUT	002004 006102 107999	2
R	130	4526B504	-----*----- ...TERMINAL- SUPPLIER CODE: V15849	002004 006102 107999	5
R	135	2232-0051	...BOARD-PRINTED CKT SUPPLIER CODE: V86831	002004 006102 107999	1
R	140	9732SS0256	..STANDOFF-HEX SUPPLIER CODE: V06540	002004 006102 107999	3
R	145	4232-0048	..BOARD-SENSOR NO. 1 SUPPLIER CODE: V86831	002004 006102 107999	1
R	150	RCR07G100JS	...RESISTOR	002004 006102 107999	1
R	155	RCR07G3003JS	...RESISTOR- OPTIONAL PART: RCR07G2803JS RCR07G3203JS	002004 006102 107999	1
R	155	RCR07G2803JS	...RESISTOR-ALTERNATE PART FOR UNIT CALIBRATION OPTIONAL PART: RCR07G3003JS RCR07G3203JS	002004 006102 107999	1
R	155	RCR07G3203JS	...RESISTOR-ALTERNATE PART FOR UNIT CALIBRATION OPTIONAL PART: RCR07G3003JS RCR07G2803JS	002004 006102 107999	1
R	160	RCR07G302JS	...RESISTOR	002004 006102 107999	3
R	165	RLR07C4993GR	...RESISTOR	002004 006102 107999	1
R	170	RLR07C3321GR	...RESISTOR- OPTIONAL PART: RLR07C3301GR	002004 006102 107999	1
R	170	RLR07C3301GR	...RESISTOR- OPTIONAL PART: RLR07C3321GR	002004 006102 107999	1

MISSING ITEM NUMBERS NOT APPLICABLE

— ITEM NOT ILLUSTRATED

38-32-04-15

38-32-04
FIG. 15
PAGE 4
MAY 20/09

BRI



757

PARTS CATALOG (MAINTENANCE)

FIG ITEM	PART NUMBER	1 2 3 4 5 6 7	NOMENCLATURE	EFFECT FROM TO	UNITS PER ASSY
15					
R	175	RLR07C3921GR	...RESISTOR-	002004	1
R			OPTIONAL PART:	006102	
R			RLR07C3901GR	107999	
R	175	RLR07C3901GR	...RESISTOR-	002004	1
R			OPTIONAL PART:	006102	
R			RLR07C3921GR	107999	
R	180	RLR07C1003GR	...RESISTOR	002004	5
R				006102	
R				107999	
R	185	M39003-01-2751	...CAPACITOR	002004	1
R				006102	
R				107999	
R	190	RLR07C1002GR	...RESISTOR	002004	1
R				006102	
R				107999	
R	195	M39014-01-1553	...CAPACITOR	002004	2
R				006102	
R				107999	
R	200	M39014-01-1293	...CAPACITOR	002004	1
R				006102	
R				107999	
R	205	RLR07C1201GR	...RESISTOR	002004	1
R				006102	
R				107999	
R	210	RLR07C9091GR	...RESISTOR	002004	1
R				006102	
R				107999	
R	215	LM139J883B	...COMPARATOR-QUAD IC	002004	1
R			SUPPLIER CODE:	006102	
R			V27014	107999	
R	220	RLR07C1502GR	...RESISTOR	002004	1
R				006102	
R				107999	
R	225	RLR07C1001GR	...RESISTOR	002004	1
R				006102	
R				107999	
R	230	JANTX2N2907A	...TRANSISTOR	002004	1
R				006102	
R				107999	
R	235	RCR07G303JS	...RESISTOR	002004	1
R				006102	
R				107999	
R	240	4509B504	...TERMINAL-	002004	5
R			SUPPLIER CODE:	006102	
R			V15849	107999	
R	245	2232-0048	...BOARD-PRINTED CKT	002004	1
R			SUPPLIER CODE:	006102	
R			V86831	107999	

MISSING ITEM NUMBERS NOT APPLICABLE

- ITEM NOT ILLUSTRATED

38-32-04-15

38-32-04
FIG. 15
PAGE 5
MAY 20/09

BRI

 **BOEING**
757
PARTS CATALOG (MAINTENANCE)

FIG ITEM	PART NUMBER	1 2 3 4 5 6 7	NOMENCLATURE	EFFECT FROM TO	UNITS PER ASSY
15					
R	250	9732SS04400256	..STANDOFF-HEX SUPPLIER CODE: V06540	002004 006102 107999	3
R	255	4232-0050	..BOARD-SENSOR NO. 2 SUPPLIER CODE: V86831	002004 006102 107999	1
R	260	JANTX2N2219	...TRANSISTOR	002004 006102 107999	1
R	265	506-038	...PAD-MTG SUPPLIER CODE: V32559	002004 006102 107999	1
R	270	M39014-01-1553	...CAPACITOR	002004 006102 107999	1
R	275	JANTX1N4246	...DIODE- SUPPLIER CODE: V81350	002004 006102 107999	1
R	280	RCR07G105JS	...RESISTOR	002004 006102 107999	1
R	285	M39014-01-1535	...CAPACITOR	002004 006102 107999	1
R	290	M39003-01-2751	...CAPACITOR	002004 006102 107999	1
R	295	JANTX1N4148-1	...DIODE	002004 006102 107999	3
R	300	M39014-01-1287	...CAPACITOR	002004 006102 107999	1
R	305	4213-0005-4	...CORE ASSY-WIRE SUPPLIER CODE: V86831	002004 006102 107999	1
R	310	MS51957-17	ATTACHING PARTS ...SCREW	002004 006102 107999	1
R	315	5607-57	...WASHER-SHOULDER SUPPLIER CODE: V86928	002004 006102 107999	1
R	320	5622-16-7	...WASHER-MYLAR SUPPLIER CODE: V86928	002004 006102 107999	1
R	325	MS15795-803	...WASHER	002004 006102 107999	1

MISSING ITEM NUMBERS NOT APPLICABLE

— ITEM NOT ILLUSTRATED

38-32-04-15

38-32-04
FIG. 15
PAGE 6
MAY 20/09

BRI

BOEING
757
PARTS CATALOG (MAINTENANCE)

FIG ITEM	PART NUMBER	1 2 3 4 5 6 7	NOMENCLATURE	EFFECT FROM TO	UNITS PER ASSY
R	15				
R	330		...WASHER	002004 006102 107999	1
R	335		...NUT	002004 006102 107999	1
R	340		-----*----- ...RESISTOR	002004 006102 107999	1
R	345		...TRANSISTOR	002004 006102 107999	1
R	350		...TRANSISTOR	002004 006102 107999	1
R	355		...RESISTOR	002004 006102 107999	2
R	360		...CAPACITOR	002004 006102 107999	1
R	365		...CAPACITOR- OPTIONAL PART: M39014-01-1227	002004 006102 107999	1
R	365		...CAPACITOR- OPTIONAL PART: M39014-01-1317	002004 006102 107999	1
R	370		...TERMINAL- SUPPLIER CODE: V71729	002004 006102 107999	2
R	375		...RESISTOR	002004 006102 107999	1
R	380		...DIODE	002004 006102 107999	1
R	385		...RESISTOR	002004 006102 107999	1
R	390		...TERMINAL- SUPPLIER CODE: V15849	002004 006102 107999	12
R	395		...BOARD-PRINTED CKT SUPPLIER CODE: V86831	002004 006102 107999	1
R	400		..HOUSING ASSY- SUPPLIER CODE: V86831	002004 006102 107999	1

MISSING ITEM NUMBERS NOT APPLICABLE

— ITEM NOT ILLUSTRATED

38-32-04-15

38-32-04
FIG. 15
PAGE 7
MAY 20/09

BRI



757
PARTS CATALOG (MAINTENANCE)

FIG ITEM	PART NUMBER	1 2 3 4 5 6 7	NOMENCLATURE	EFFECT FROM TO	UNITS PER ASSY
R R R R R R R	15 405 0123FJ		.DETECTOR ASSY-FLUID LEVEL SUPPLIER CODE: V29780 SB DATA FROM A CMM: POST 16200-38-03 CONFIG CHG DATA FROM A CMM: REPLS 1111-0001	002004 006102 107999	1

MISSING ITEM NUMBERS NOT APPLICABLE

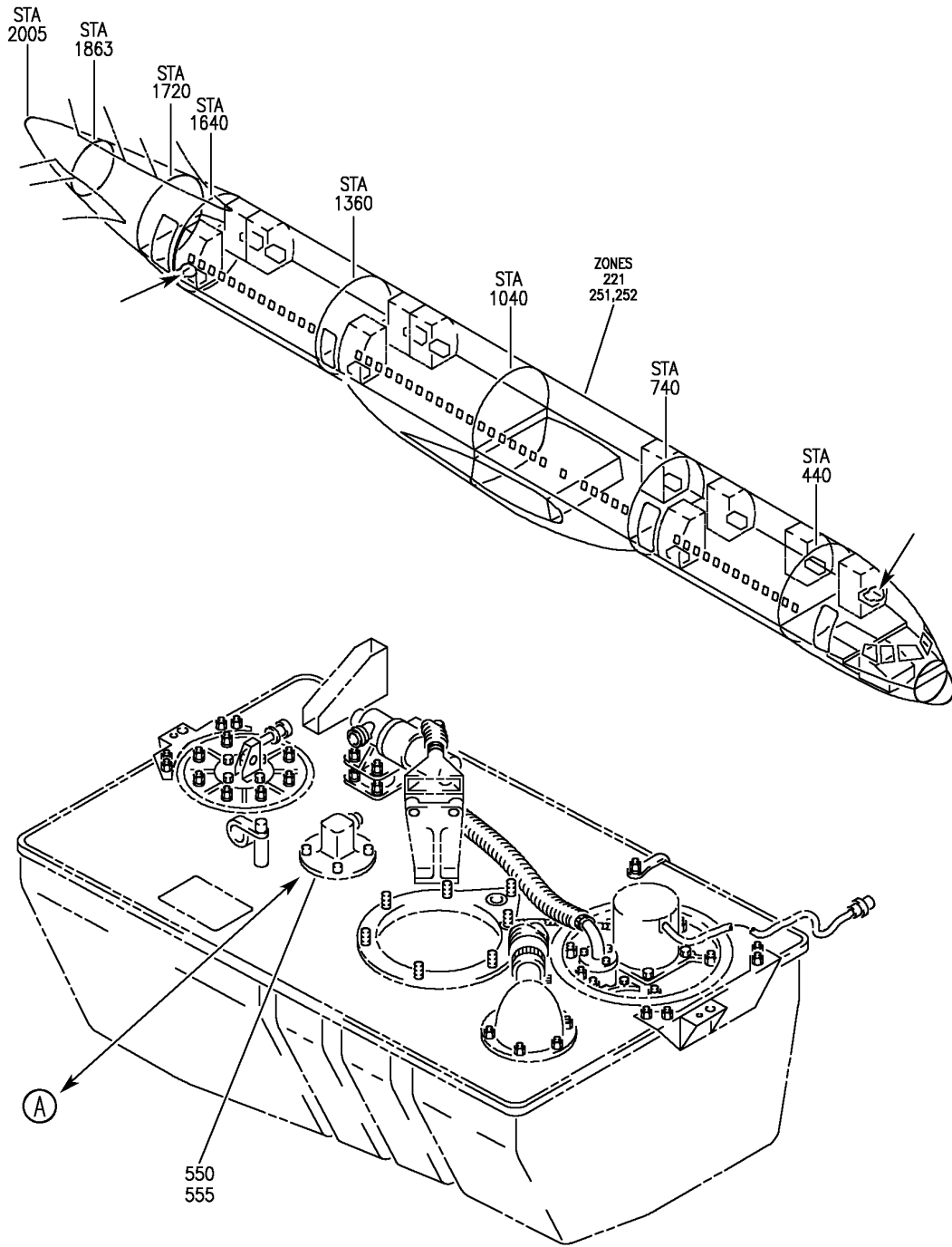
- ITEM NOT ILLUSTRATED

38-32-04-15

38-32-04
FIG. 15
PAGE 8
MAY 20/09

BRI

BOEING
757
PARTS CATALOG (MAINTENANCE)



Y 38320416 SHT 1 REV 335

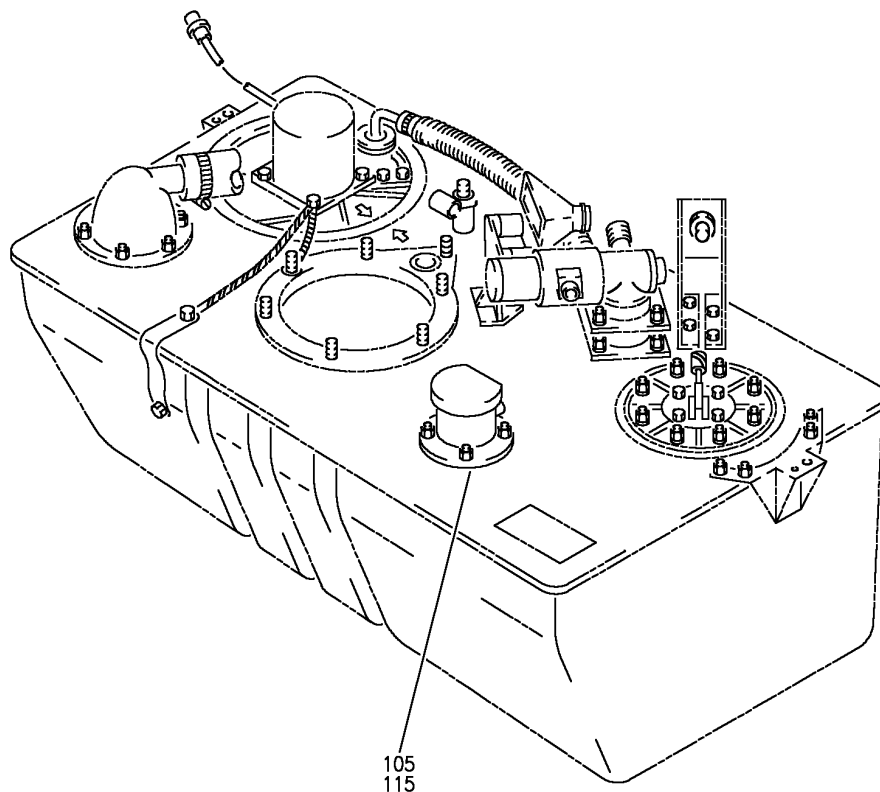
TOILET ASSY-FLUSHING (LEVEL SENSOR ONLY)
FIGURE 16

38-32-04-16

BRI
MAY 20/09

38-32-04-16
PAGE 0

BOEING
757
PARTS CATALOG (MAINTENANCE)



A

Y 38320416 SH1 2 REV 335

TOILET ASSY-FLUSHING (LEVEL SENSOR ONLY)

FIGURE 16

38-32-04-16

BRI
MAY 20/09

38-32-04-16
PAGE 0A



757

PARTS CATALOG (MAINTENANCE)

FIG ITEM	PART NUMBER	1 2 3 4 5 6 7	NOMENCLATURE	EFFECT FROM TO	UNITS PER ASSY
16			TOILET ASSY-FLUSHING (LEVEL SENSOR ONLY)	002004 006102 107999	
- 5	16200-022		TOILET ASSY-FLUSHING (LEVEL SENSOR ONLY) SUPPLIER CODE: V29780 POSITION DATA: MID-CAB. SPECIFICATION NUMBER: S417N102-59 SB DATA FROM A CMM: POST 16200-38-03 CONFIG CHG DATA FROM A CMM: REPLS 16200-017 COMPONENT MAINT MANUAL REF: 38-33-01 FOR NHA/ADDITIONAL DET SEE: 38-32-01-01	002004 006102 107999	RF
R R	- 10	16200-023	TOILET ASSY-FLUSHING (LEVEL SENSOR ONLY) SUPPLIER CODE: V29780 POSITION DATA: MID-CAB. SPECIFICATION NUMBER: S417N102-60 SB DATA FROM A CMM: POST 16200-38-03 CONFIG CHG DATA FROM A CMM: REPLS 16200-018 COMPONENT MAINT MANUAL REF: 38-33-01 FOR NHA/ADDITIONAL DET SEE: 38-32-01-01	002004 006102 107999	RF

MISSING ITEM NUMBERS NOT APPLICABLE

- ITEM NOT ILLUSTRATED

38-32-04-16

38-32-04
FIG. 16
PAGE 1
MAY 20/09

BRI



757

PARTS CATALOG (MAINTENANCE)

FIG ITEM	PART NUMBER	1 2 3 4 5 6 7	NOMENCLATURE	EFFECT FROM TO	UNITS PER ASSY
16					
- 15	16200-024		TOILET ASSY-FLUSHING (LEVEL SENSOR ONLY) SUPPLIER CODE: V29780 POSITION DATA: MID-CAB SPECIFICATION NUMBER: S417N102-61 SB DATA FROM A CMM: POST 16200-38-03 CONFIG CHG DATA FROM A CMM: REPLS 16200-019 COMPONENT MAINT MANUAL REF: 38-33-01 FOR NHA/ADDITIONAL DET SEE: 38-32-53-03	108120 950999	RF
R	105	16302-006	.GASKET- SUPPLIER CODE: V29780	002004 006102 107999	1
R	115	0123FJ	.DETECTOR ASSY-FLUID LEVEL SUPPLIER CODE: V29780 OPTIONAL PART: 1111-0006-1 V86831	002004 006102 107999	1
R	115	1111-0006-1	.DETECTOR ASSY-FLUID LEVEL SUPPLIER CODE: V86831 OPTIONAL PART: 0123FJ V29780	002004 006102 107999	1
R	- 125	AN960C8	ATTACHING PARTS .WASHER- CONFIG CHG DATA FROM A CMM: REPLD BY NAS1149CN832R	002004 006102 107999	4
R	- 125	NAS1149CN832R	.WASHER- CONFIG CHG DATA FROM A CMM: REPLS AN960C8	002004 006102 107999	4
R	- 135	NAS679C08M	.NUT	002004 006102 107999	4
R			-----*-----		

MISSING ITEM NUMBERS NOT APPLICABLE

- ITEM NOT ILLUSTRATED

38-32-04-16

38-32-04
FIG. 16
PAGE 2
MAY 20/09

BRI



757
PARTS CATALOG (MAINTENANCE)

FIG ITEM	PART NUMBER	1 2 3 4 5 6 7	NOMENCLATURE	EFFECT FROM TO	UNITS PER ASSY	
R R R R R R R R R R R	16 - 500	16300-013	TOILET ASSY-FLUSHING (LEVEL SENSOR ONLY) SUPPLIER CODE: V29780 SPECIFICATION NUMBER: S417N102-58 SB DATA FROM A CMM: POST 16200-38-03 CONFIG CHG DATA FROM A CMM: REPLS 16300-011 COMPONENT MAINT MANUAL REF: 38-33-01 FOR NHA/ADDITIONAL DET SEE: 38-32-01-01	002004 006102 107999	RF	
	550	16302-006	.GASKET- SUPPLIER CODE: V29780	002004 006102 107999	1	
	555	0123FJ	.DETECTOR ASSY-FLUID LEVEL SUPPLIER CODE: V29780 OPTIONAL PART: 1111-0006-1 V86831	002004 006102 107999	1	
	555	1111-0006-1	.DETECTOR ASSY-FLUID LEVEL SUPPLIER CODE: V86831 OPTIONAL PART: 0123FJ V29780	002004 006102 107999	1	
	- 560	AN960C8	ATTACHING PARTS .WASHER- CONFIG CHG DATA FROM A CMM: REPLD BY NAS1149CN832R	002004 006102 107999	4	
	- 560	NAS1149CN832R	.WASHER- CONFIG CHG DATA FROM A CMM: REPLS AN960C8	002004 006102 107999	4	
	- 565	NAS679C08M	.NUT-	002004 006102 107999	4	
	-----*-----					
	MISSING ITEM NUMBERS NOT APPLICABLE					

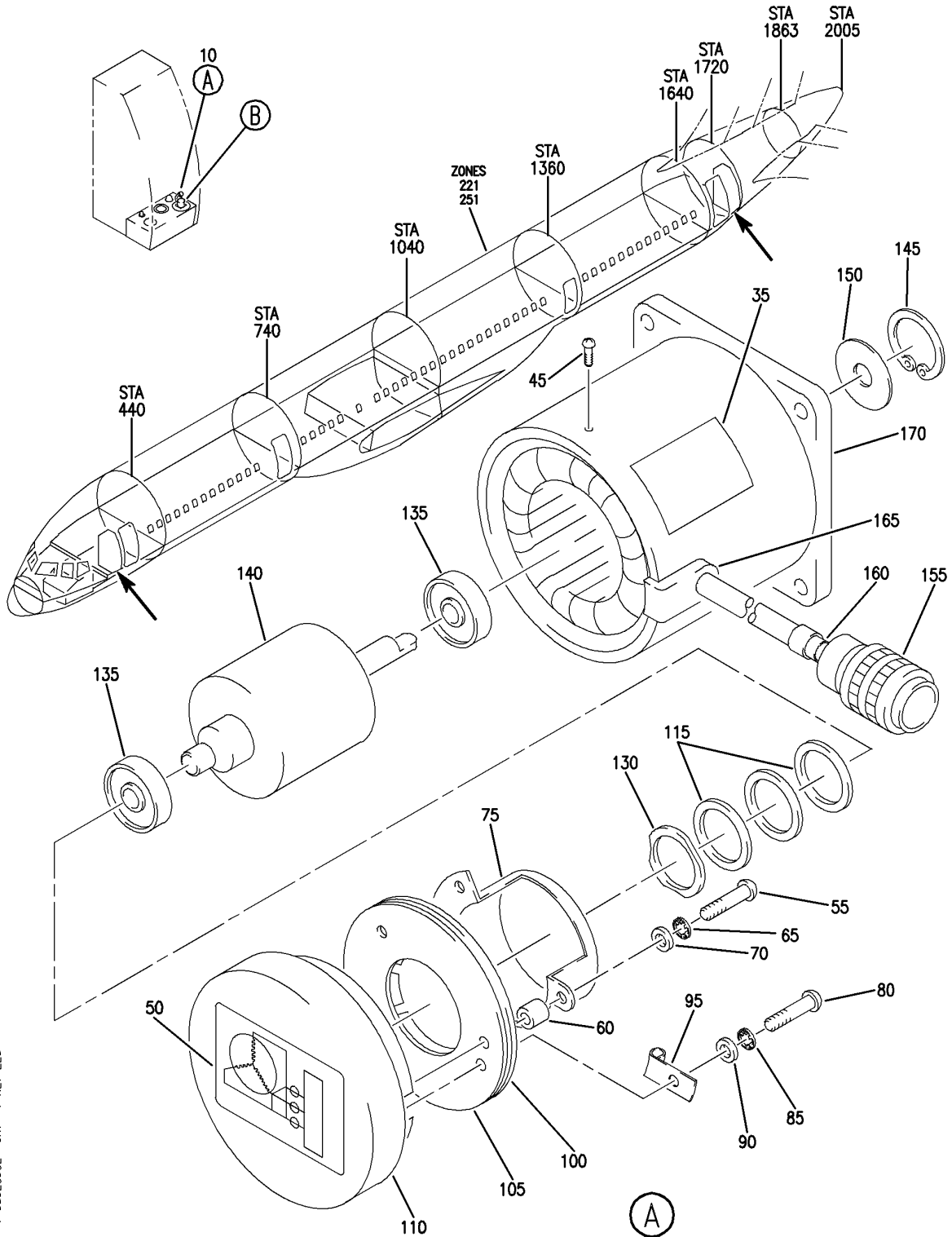
- ITEM NOT ILLUSTRATED

38-32-04-16

38-32-04
FIG. 16
PAGE 3
MAY 20/09

BRI

BOEING
757
PARTS CATALOG (MAINTENANCE)



Y 38320502 SHT 1 REV 228

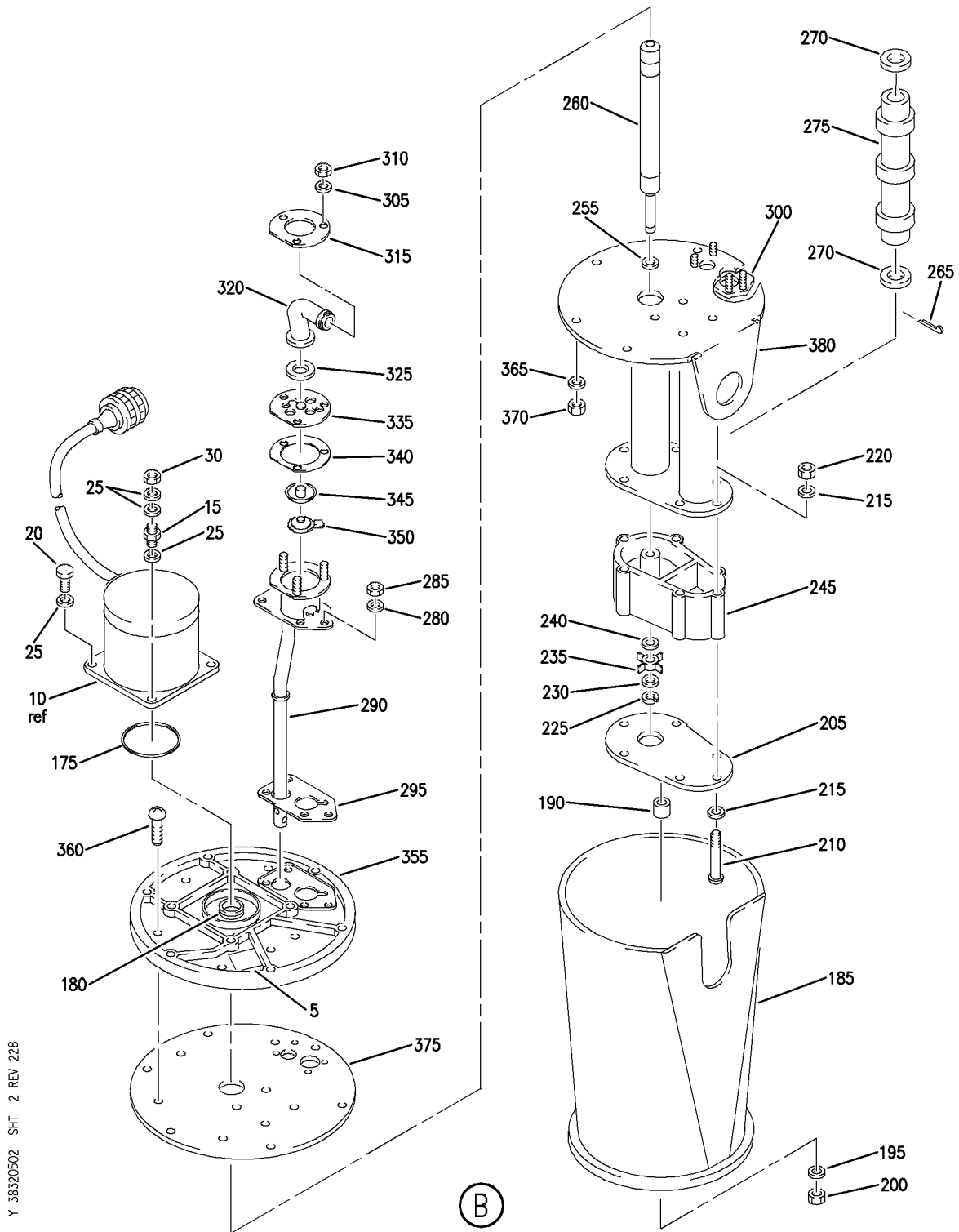
MOTOR ASSY-PUMP FILTER
FIGURE 2 (SHEET 1)

38-32-05-02

BRI
MAY 28/07

38-32-05-02
PAGE 0

BOEING
757
PARTS CATALOG (MAINTENANCE)



Y 38320502 SHT 2 REV 228

MOTOR ASSY-PUMP FILTER
FIGURE 2 (SHEET 2)

38-32-05-02

BRI
MAY 28/07

38-32-05-02
PAGE 0A

 **BOEING**
757
PARTS CATALOG (MAINTENANCE)

FIG ITEM	PART NUMBER	1 2 3 4 5 6 7	NOMENCLATURE	EFFECT FROM TO	UNITS PER ASSY
2			MOTOR ASSY-PUMP FILTER	107107 904949	
- 1	16204-001		MOTOR ASSY-PUMP FILTER SUPPLIER CODE: V29780 COMPONENT MAINT MANUAL REF: 38-33-02 FOR NHA SEE: 38-32-01-33	107107 904949	RF
5	2333-7		.DECAL-IDENT SUPPLIER CODE: V29780	107107 904949	1
10	4812-70		.MOTOR ASSY- SUPPLIER CODE: V29780	107107 904949	1
15	4812-25-1		ATTACHING PARTS .STUD- SUPPLIER CODE: V29780	107107 904949	1
20	NAS501-3H4A		.BOLT	107107 904949	3
25	AN960C10L		.WASHER	107107 904949	6
30	NAS679C3M		.NUT	107107 904949	1
35	4812-73		-----*----- .. LABEL-IDENT SUPPLIER CODE: V29780	107107 904949	1
- 40	4812-63		.. BELL ASSY-END SUPPLIER CODE: V29780 ATTACHING PARTS	107107 904949	1
45	MS35190-233		.. SCREW- OPTIONAL PART: MS24583-22	107107 904949	3
45	MS24583-22		.. SCREW- OPTIONAL PART: MS35190-233	107107 904949	3
50	4812-74		-----*----- ... LABEL-SCHEMATIC SUPPLIER CODE: V29780	107107 904949	1
55	AN515-6R10		... SCREW	107107 904949	3
60	4812-69		... SPACER- SUPPLIER CODE: V29780	107107 904949	3

MISSING ITEM NUMBERS NOT APPLICABLE

- ITEM NOT ILLUSTRATED

BRI

38-32-05-02

38-32-05
FIG. 02
PAGE 1
JAN 20/09



757

PARTS CATALOG (MAINTENANCE)

FIG ITEM	PART NUMBER	1 2 3 4 5 6 7	NOMENCLATURE	EFFECT FROM TO	UNITS PER ASSY
2					
65	MS35333-37	...	WASHER	107107 904949	3
70	NAS620-6L	...	WASHER	107107 904949	1
75	4812-68	...	ROTOR-TEMP. SENSOR SUPPLIER CODE: V29780	107107 904949	1
80	AN515-6R7	...	SCREW	107107 904949	1
85	MS35333-37	...	WASHER	107107 904949	1
90	NAS620-6L	...	WASHER	107107 904949	1
95	AD955	...	CLAMP- SUPPLIER CODE: V95270	107107 904949	1
100	4812-67-1	...	PROTECTOR-THRM SUPPLIER CODE: V29780	107107 904949	1
105	4812-67-2	...	INSULATOR- SUPPLIER CODE: V29780	107107 904949	1
110	4812-66	...	END BELL- SUPPLIER CODE: V29780	107107 904949	1
115	3205-18-1	..	WASHER-SHIM .003 IN SUPPLIER CODE: V29780	107107 904949	AR
- 120	3205-18-2	..	WASHER-SHIM .005 IN SUPPLIER CODE: V29780	107107 904949	AR
- 125	3205-18-3	..	WASHER-SHIM .010 IN SUPPLIER CODE: V29780	107107 904949	AR
130	3205-16	..	WASHER-SPR SUPPLIER CODE: V29780	107107 904949	1
135	3205-15	..	BEARING-BALL SUPPLIER CODE: V29780	107107 904949	2
140	4812-11-14	..	ROTOR ASSY- SUPPLIER CODE: V29780	107107 904949	1
145	MS16625-4086	..	PACKING	107107 904949	1
150	4812-11-17	..	WASHER-BRG COVER SUPPLIER CODE: V29780	107107 904949	1

MISSING ITEM NUMBERS NOT APPLICABLE

- ITEM NOT ILLUSTRATED

38-32-05-02

38-32-05
FIG. 02
PAGE 2
JAN 20/09

BRI

BOEING
757
PARTS CATALOG (MAINTENANCE)

FIG ITEM	PART NUMBER	1 2 3 4 5 6 7	NOMENCLATURE	EFFECT FROM TO	UNITS PER ASSY
2					
155	MS24266R14B7P	..	RECEPTACLE	107107 904949	1
160	3205-20-2	..	GROMMET- SUPPLIER CODE: V29780	107107 904949	1
165	3205-20-1	..	GROMMET- SUPPLIER CODE: V29780	107107 904949	1
170	4812-71	..	HOUSING-STATOR SUPPLIER CODE: V29780	107107 904949	1
175	2-132C557-70	.P	PACKING- SUPPLIER CODE: V02697	107107 904949	1
180	025-050-4	.S	SEAL- SUPPLIER CODE: V29780 CONFIG CHG DATA FROM A CMM: REPLD BY 025-050-12	107107 904949	2
180	025-050-12	.S	SEAL- SUPPLIER CODE: V29780 CONFIG CHG DATA FROM A CMM: REPLS 025-050-4	107107 904949	2
185	4812-116	.B	BASKET- SUPPLIER CODE: V29780	107107 904949	1
190	412-113-1	.S	SPACER- SUPPLIER CODE: V29780	107107 904949	1
195	AN960C8	.W	WASHER	107107 904949	1
200	NAS679C08M	.N	NUT	107107 904949	1
205	4812-94-7	-----*-----	.PLATE-IMPELLER HOUSING SUPPLIER CODE: V29780 ATTACHING PARTS	107107 904949	1
210	MS51957-53	.S	SCREW	107107 904949	6
215	AN960C8	.W	WASHER	107107 904949	12
220	NAS1291C08M	.N	NUT	107107 904949	6
225	MS16624-4025	-----*-----	.RING-RETAINING	107107 904949	1

MISSING ITEM NUMBERS NOT APPLICABLE

— ITEM NOT ILLUSTRATED

BRI

38-32-05-02

BOEING PROPRIETARY - Copyright © - Unpublished Work - See title page for details.

38-32-05
FIG. 02
PAGE 3
MAY 20/09



757

PARTS CATALOG (MAINTENANCE)

FIG ITEM	PART NUMBER	1 2 3 4 5 6 7	NOMENCLATURE	EFFECT FROM TO	UNITS PER ASSY
2					
230	340121020		.WASHER- SUPPLIER CODE: V29780	107107 904949	AR
235	3246		.IMPELLER- SUPPLIER CODE: V29780	107107 904949	1
240	4812-31		.WASHER-THRUST SUPPLIER CODE: V29780	107107 904949	AR
245	4812-105		.HOUSING-IMPELLER SUPPLIER CODE: V29780	107107 904949	1
255	4812-31		.WASHER-THRUST SUPPLIER CODE: V29780	107107 904949	AR
260	4812-117		.DRIVE SHAFT- SUPPLIER CODE: V29780 CONFIG CHG DATA FROM A CMM: REPLD BY 4812-174	107107 904949	1
260	4812-174		.DRIVE SHAFT- SUPPLIER CODE: V29780 CONFIG CHG DATA FROM A CMM: REPLS 4812-117	107107 904949	1
265	MS24665-87		.PIN	107107 904949	1
270	4812-107		.WASHER- SUPPLIER CODE: V29780	107107 904949	2
275	4812-141		.NOZZLE-SPRAY SUPPLIER CODE: V29780	107107 904949	1
280	NAS620C8		.WASHER	107107 904949	4
285	NAS1291C08M		.NUT	107107 904949	4
290	16202-018		.BRACKET-ANTI SIPHON VALVE SUPPLIER CODE: V29780	107107 904949	1
295	16202-022		.GASKET- SUPPLIER CODE: V29780	107107 904949	1
300	4812-147		.PLATE-MTG ANTI SIPHON VALVE SUPPLIER CODE: V29780 CONFIG CHG DATA FROM A CMM: REPLD BY 16202-030	107107 904949	1

MISSING ITEM NUMBERS NOT APPLICABLE

- ITEM NOT ILLUSTRATED

38-32-05-02

38-32-05
FIG. 02
PAGE 4
MAY 20/09

BRI



757

PARTS CATALOG (MAINTENANCE)

FIG ITEM	PART NUMBER	1 2 3 4 5 6 7	NOMENCLATURE	EFFECT FROM TO	UNITS PER ASSY
R R R R R R	2 300	16202-030	.PLATE-MTG ANTI SIPHON VALVE SUPPLIER CODE: V29780 CONFIG CHG DATA FROM A CMM: REPLS 4812-147	107107 904949	1
	305	AN960C8	.WASHER	107107 904949	3
	310	NAS679C08M	.NUT	107107 904949	3
	315	16202-028	.WASHER-RETENTION SUPPLIER CODE: V29780	107107 904949	1
	320	4812-139	.TUBE-INLET SUPPLIER CODE: V29780	107107 904949	1
	325	4812-144	.GASKET- SUPPLIER CODE: V29780 CONFIG CHG DATA FROM A CMM: REPLD BY 4812-155	107107 904949	1
	325	4812-155	.GASKET- SUPPLIER CODE: V29780 CONFIG CHG DATA FROM A CMM: REPLS 4812-144	107107 904949	1
	- 330	16202-026	.SEAT ASSY-VALVE SUPPLIER CODE: V29780	107107 904949	1
	335	16202-024	..PLATE ASSY- SUPPLIER CODE: V29780	107107 904949	1
	340	16202-025	..GASKET- SUPPLIER CODE: V29780	107107 904949	1
345	16202-027	.VALVE-MUSHROOM SUPPLIER CODE: V29780	107107 904949	1	
350	16202-020	.FLAPPER ASSY- SUPPLIER CODE: V29780	107107 904949	1	
355	4812-133	.PLATE-MTG SUPPLIER CODE: V29780	107107 904949	1	
360	MS51957-46	ATTACHING PARTS .SCREW	107107 904949	8	
365	AN960C8	.WASHER	107107 904949	16	

MISSING ITEM NUMBERS NOT APPLICABLE

- ITEM NOT ILLUSTRATED

38-32-05-02

38-32-05
FIG. 02
PAGE 5
MAY 20/09

BRI



757

PARTS CATALOG (MAINTENANCE)

FIG ITEM	PART NUMBER	1 2 3 4 5 6 7	NOMENCLATURE	EFFECT FROM TO	UNITS PER ASSY
2					
370	NAS1291C08M	.	NUT	107107 904949	8
			-----*-----		
375	4812-135	.	GASKET-BONDED SUPPLIER CODE: V29780	107107 904949	1
380	4812-134	.	FRAME ASSY- SUPPLIER CODE: V29780	107107 904949	1

R
R
R

MISSING ITEM NUMBERS NOT APPLICABLE

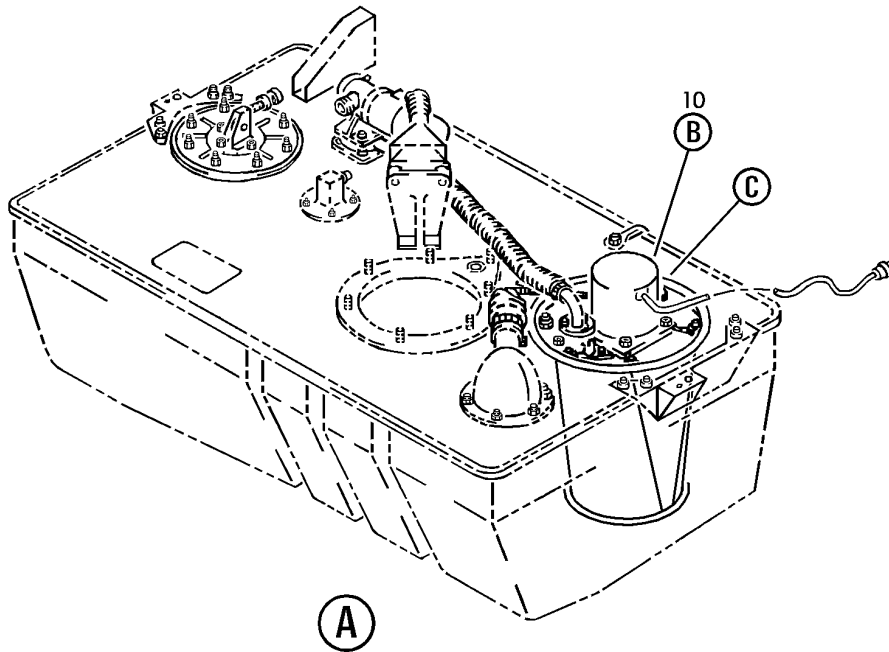
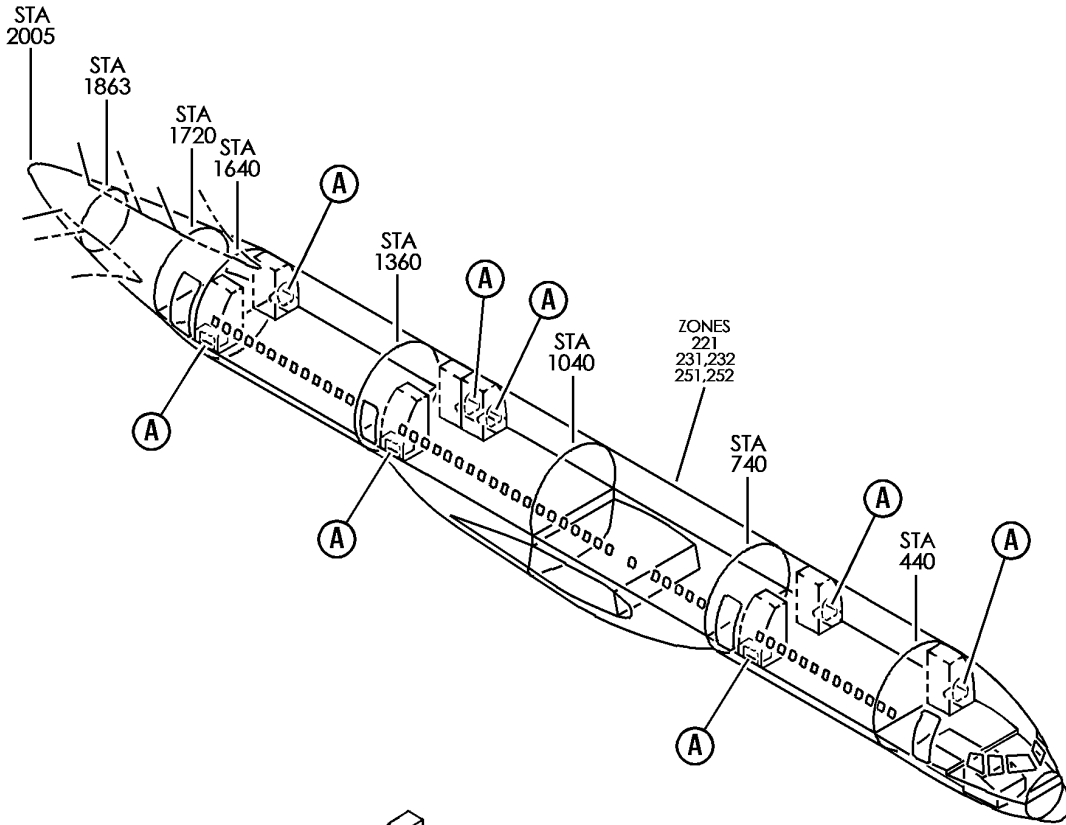
- ITEM NOT ILLUSTRATED

38-32-05-02

38-32-05
FIG. 02
PAGE 6
MAY 20/09

BRI

BOEING
757
PARTS CATALOG (MAINTENANCE)



Y 38320503 SHT 1 REV 228

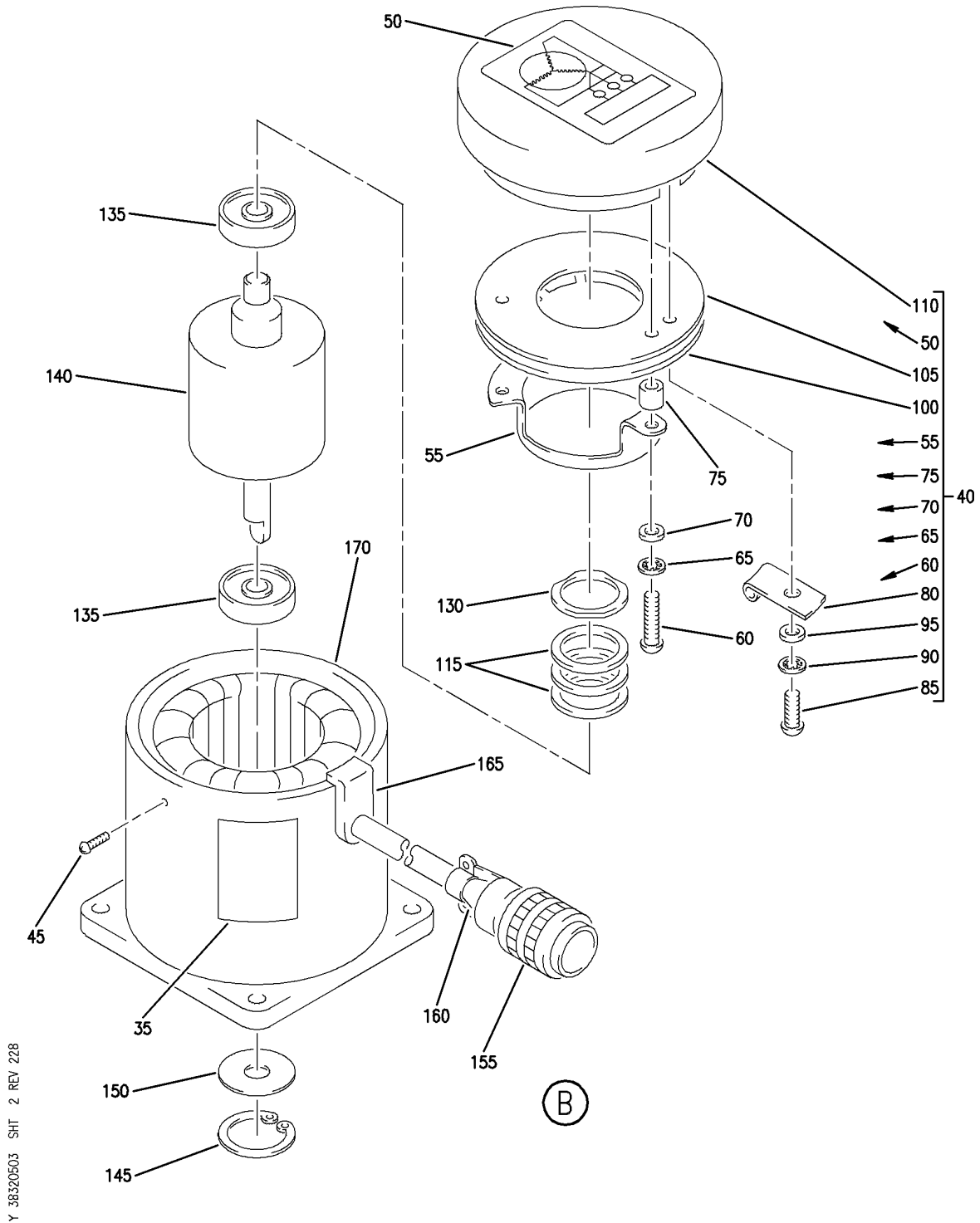
MOTOR ASSY-PUMP FILTER
FIGURE 3 (SHEET 1)

38-32-05-03

BRI
MAY 28/07

38-32-05-03
PAGE 0

BOEING
757
PARTS CATALOG (MAINTENANCE)



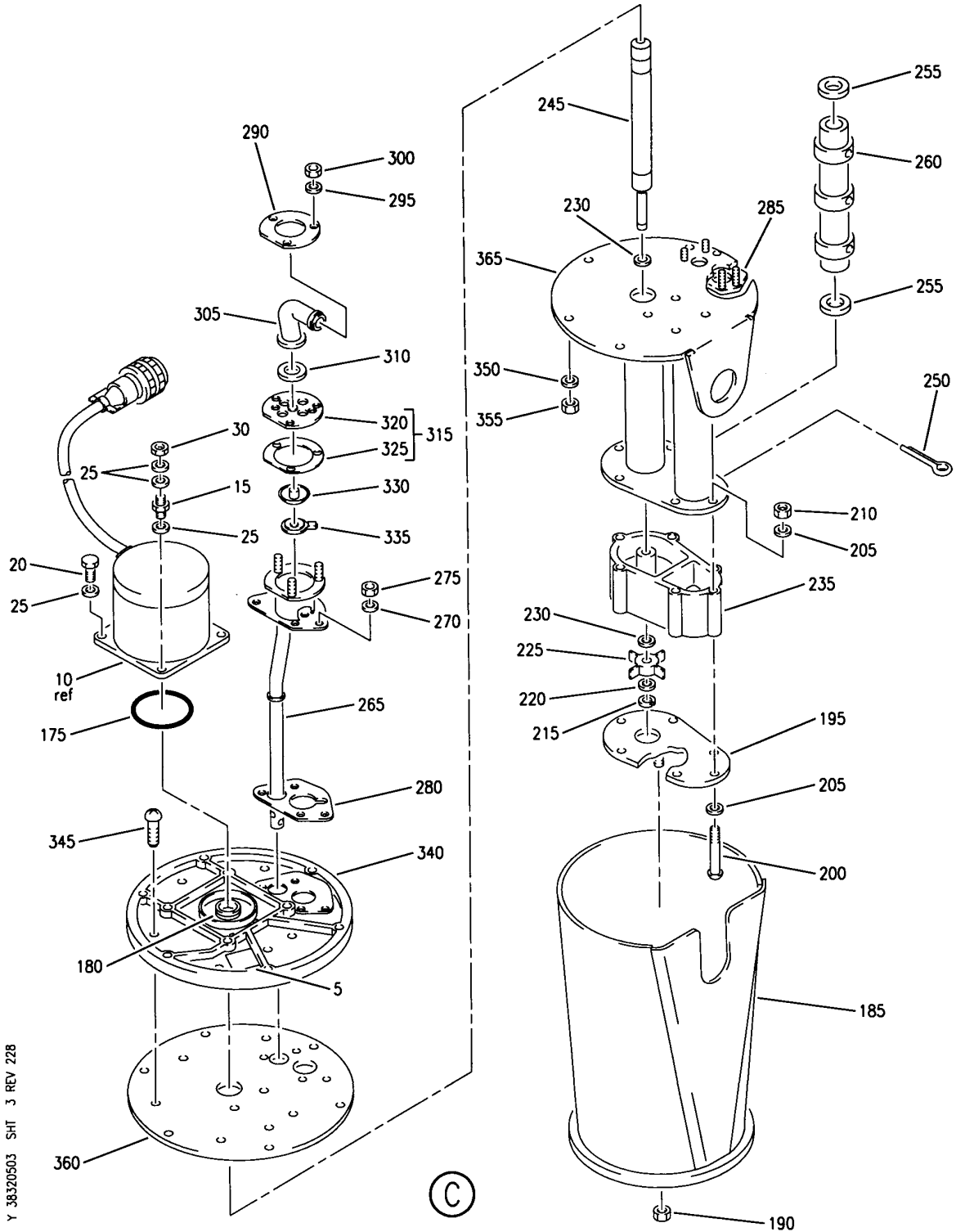
MOTOR ASSY-PUMP FILTER
FIGURE 3 (SHEET 2)

38-32-05-03

BRI
MAY 28/07

38-32-05-03
PAGE 0A

BOEING
757
PARTS CATALOG (MAINTENANCE)



Y 38320503 SHT 3 REV 228

MOTOR ASSY-PUMP FILTER
FIGURE 3 (SHEET 3)

38-32-05-03

BRI
MAY 28/07

38-32-05-03
PAGE 0B



757

PARTS CATALOG (MAINTENANCE)

FIG ITEM	PART NUMBER	1 2 3 4 5 6 7	NOMENCLATURE	EFFECT FROM TO	UNITS PER ASSY
3			MOTOR ASSY-PUMP FILTER	002004 006102 107999	
- 1	16204-002		MOTOR ASSY-PUMP FILTER SUPPLIER CODE: V29780 COMPONENT MAINT MANUAL REF: 38-33-02 FOR NHA SEE: 38-32-01-34 38-32-01-35	002004 006102 107999	RF
R	5	2333-7	.DECAL-IDENT SUPPLIER CODE: V29780	002004 006102 107999	1
R	10	4812-70	.MOTOR ASSY- SUPPLIER CODE: V29780	002004 006102 107999	1
R	15	4812-25-1	ATTACHING PARTS .STUD- SUPPLIER CODE: V29780	002004 006102 107999	1
R	20	NAS501-3H4A	.BOLT	002004 006102 107999	3
R	25	AN960C10L	.WASHER	002004 006102 107999	6
R	30	NAS679C3M	.NUT	002004 006102 107999	1
R	35	4812-73	-----*----- .. LABEL-IDENT SUPPLIER CODE: V29780	002004 006102 107999	1
R	40	4812-63	.. BELL ASSY-END SUPPLIER CODE: V29780 ATTACHING PARTS	002004 006102 107999	1
R	45	MS35190-233	.. SCREW- OPTIONAL PART: MS24583-22	002004 006102 107999	3
R	45	MS24583-22	.. SCREW- OPTIONAL PART: MS35190-233	002004 006102 107999	3
R	50	4812-74	-----*----- ... LABEL-SCHEMATIC SUPPLIER CODE: V29780	002004 006102 107999	1

MISSING ITEM NUMBERS NOT APPLICABLE

- ITEM NOT ILLUSTRATED

38-32-05-03

38-32-05
FIG. 03
PAGE 1
MAY 20/09

BRI

BOEING
757
PARTS CATALOG (MAINTENANCE)

FIG ITEM	PART NUMBER	1 2 3 4 5 6 7	NOMENCLATURE	EFFECT FROM TO	UNITS PER ASSY
3					
R	55		... ROTOR-TEMP SENSOR	002004	1
R			SUPPLIER CODE:	006102	
R			V29780	107999	
			ATTACHING PARTS		
R	60		... SCREW	002004	3
R				006102	
R				107999	
R	65		... WASHER	002004	3
R				006102	
R				107999	
R	70		... WASHER	002004	1
R				006102	
R				107999	
			-----*-----		
R	75		... SPACER-	002004	3
R			SUPPLIER CODE:	006102	
R			V29780	107999	
R	80		... CLAMP-	002004	1
R			SUPPLIER CODE:	006102	
R			V95270	107999	
			ATTACHING PARTS		
R	85		... SCREW	002004	1
R				006102	
R				107999	
R	90		... WASHER	002004	1
R				006102	
R				107999	
R	95		... WASHER	002004	1
R				006102	
R				107999	
			-----*-----		
R	100		... PROTECTOR-THRM	002004	1
R			SUPPLIER CODE:	006102	
R			V29780	107999	
R	105		... INSULATOR-	002004	1
R			SUPPLIER CODE:	006102	
R			V29780	107999	
R	110		... END BELL-	002004	1
R			SUPPLIER CODE:	006102	
R			V29780	107999	
R	115		.. WASHER-SHIM .003 IN	002004	AR
R			SUPPLIER CODE:	006102	
R			V29780	107999	
R	- 120		.. WASHER-SHIM .005 IN	002004	AR
R			SUPPLIER CODE:	006102	
R			V29780	107999	
R	- 125		.. WASHER-SHIM .010 IN	002004	AR
R			SUPPLIER CODE:	006102	
R			V29780	107999	

MISSING ITEM NUMBERS NOT APPLICABLE

- ITEM NOT ILLUSTRATED

BRI

38-32-05-03

38-32-05
FIG. 03
PAGE 2
MAY 20/09



757

PARTS CATALOG (MAINTENANCE)

FIG ITEM	PART NUMBER	1 2 3 4 5 6 7	NOMENCLATURE	EFFECT FROM TO	UNITS PER ASSY
3					
R	130	3205-16	.. WASHER-SPR SUPPLIER CODE: V29780	002004 006102 107999	1
R	135	3205-15	.. BEARING-BALL SUPPLIER CODE: V29780	002004 006102 107999	2
R	140	4812-11-14	.. ROTOR ASSY- SUPPLIER CODE: V29780	002004 006102 107999	1
R	145	MS16625-4086	.. PACKING	002004 006102 107999	1
R	150	4812-11-17	.. WASHER-BRG COVER SUPPLIER CODE: V29780	002004 006102 107999	1
R	155	MS24266R14B7P	.. RECEPTACLE	002004 006102 107999	1
R	160	3205-20-2	.. GROMMET- SUPPLIER CODE: V29780	002004 006102 107999	1
R	165	3205-20-1	.. GROMMET- SUPPLIER CODE: V29780	002004 006102 107999	1
R	170	4812-71	.. HOUSING-STATOR WITH CABLE SUPPLIER CODE: V29780	002004 006102 107999	1
R	175	2-132C557-70	.PACKING- SUPPLIER CODE: V02697 CONFIG CHG DATA FROM A CMM: REPLD BY 2-132N602-70	002004 006102 107999	1
R	175	2-132N602-70	.PACKING- SUPPLIER CODE: V02697 CONFIG CHG DATA FROM A CMM: REPLS 2-132C557-70	002004 006102 107999	1
R	180	025-050-12	.SEAL- SUPPLIER CODE: V29780	002004 006102 107999	2
R	185	4812-120	.BASKET- SUPPLIER CODE: V29780	002004 006102 107999	1
R	190	NAS679C08M	ATTACHING PARTS .NUT	002004 006102 107999	1
			-----*-----		

MISSING ITEM NUMBERS NOT APPLICABLE

- ITEM NOT ILLUSTRATED

38-32-05-03

38-32-05
FIG. 03
PAGE 3
MAY 20/09

BRI

BOEING PROPRIETARY - Copyright © - Unpublished Work - See title page for details.



757

PARTS CATALOG (MAINTENANCE)

FIG ITEM	PART NUMBER	1 2 3 4 5 6 7	NOMENCLATURE	EFFECT FROM TO	UNITS PER ASSY
3					
R	195	4812-171	.PLATE-IMPELLER HSG SUPPLIER CODE: V29780	002004 006102 107999	1
R			ATTACHING PARTS		
R	200	MS51957-53	.SCREW	002004 006102 107999	6
R	205	AN960C8	.WASHER	002004 006102 107999	12
R	210	NAS1291C08M	.NUT	002004 006102 107999	6
R			-----*-----		
R	215	MS16624-4025	.RING	002004 006102 107999	1
R	220	340121020	.WASHER- SUPPLIER CODE: V29780	002004 006102 107999	AR
R	225	4812-170	.IMPELLER- SUPPLIER CODE: V29780	002004 006102 107999	1
R	230	4812-31	.WASHER-THRUST SUPPLIER CODE: V29780	002004 006102 107999	AR
R	235	4812-105	.HOUSING-IMPELLER SUPPLIER CODE: V29780	002004 006102 107999	1
R	240	4812-172	.INSERT-IMPELLER HSG SUPPLIER CODE: V29780	002004 006102 107999	1
R	245	4812-168	.DRIVE SHAFT- SUPPLIER CODE: V29780	002004 006102 107999	1
R			CONFIG CHG DATA FROM A CMM: SUPSD BY 4812-174-20		
R	245	4812-174-20	.DRIVE SHAFT- SUPPLIER CODE: V29780	002004 006102 107999	1
R			CONFIG CHG DATA FROM A CMM: SUPERSEDES 4812-168		
R	250	MS24665-87	.PIN	002004 006102 107999	1
R	255	4812-107	.WASHER- SUPPLIER CODE: V29780	002004 006102 107999	2

MISSING ITEM NUMBERS NOT APPLICABLE

- ITEM NOT ILLUSTRATED

38-32-05-03

38-32-05
FIG. 03
PAGE 4
MAY 20/09

BRI

BOEING PROPRIETARY - Copyright © - Unpublished Work - See title page for details.



757

PARTS CATALOG (MAINTENANCE)

FIG ITEM	PART NUMBER	1 2 3 4 5 6 7	NOMENCLATURE	EFFECT FROM TO	UNITS PER ASSY
3					
R	260	4812-141	.NOZZLE-SPRAY	002004	1
R			SUPPLIER CODE:	006102	
R			V29780	107999	
R	265	16202-018	.BRACKET-ANTI SIPHON VALVE	002004	1
R			SUPPLIER CODE:	006102	
R			V29780	107999	
R			ATTACHING PARTS		
R	270	NAS620C8	.WASHER	002004	4
R				006102	
R				107999	
R	275	NAS1291C08M	.NUT	002004	4
R				006102	
R				107999	
R			-----*-----		
R	280	16202-022	.GASKET-	002004	1
R			SUPPLIER CODE:	006102	
R			V29780	107999	
R	285	16202-030	.PLATE-ANTI SIPHON VALVE	002004	1
R			MTG	006102	
R			SUPPLIER CODE:	107999	
R			V29780		
R	290	16202-028	.WASHER-RETENTION	002004	1
R			SUPPLIER CODE:	006102	
R			V29780	107999	
R			ATTACHING PARTS		
R	295	AN960C8	.WASHER	002004	3
R				006102	
R				107999	
R	300	NAS679C08M	.NUT	002004	3
R				006102	
R				107999	
R			-----*-----		
R	305	4812-139	.TUBE-INLET	002004	1
R			SUPPLIER CODE:	006102	
R			V29780	107999	
R	310	4812-155	.GASKET-	002004	1
R			SUPPLIER CODE:	006102	
R			V29780	107999	
R	315	16202-026	.SEAT ASSY-VALVE	002004	1
R			SUPPLIER CODE:	006102	
R			V29780	107999	
R	320	16202-024	..PLATE ASSY-	002004	1
R			SUPPLIER CODE:	006102	
R			V29780	107999	
R	325	16202-025	..GASKET-	002004	1
R			SUPPLIER CODE:	006102	
R			V29780	107999	

MISSING ITEM NUMBERS NOT APPLICABLE

- ITEM NOT ILLUSTRATED

38-32-05-03

38-32-05
FIG. 03
PAGE 5
MAY 20/09

BRI

BOEING
757
PARTS CATALOG (MAINTENANCE)

FIG ITEM	PART NUMBER	1 2 3 4 5 6 7	NOMENCLATURE	EFFECT FROM TO	UNITS PER ASSY
3					
R	330	16202-027	. VALVE-MUSHROOM	002004	1
R			SUPPLIER CODE:	006102	
R			V29780	107999	
R	335	16202-020	. FLAPPER ASSY-	002004	1
R			SUPPLIER CODE:	006102	
R			V29780	107999	
R	340	4812-133	. PLATE-MTG MOLDED	002004	1
R			SUPPLIER CODE:	006102	
R			V29780	107999	
R			ATTACHING PARTS		
R	345	MS51957-46	. SCREW	002004	8
R				006102	
R				107999	
R	350	AN960C8	. WASHER	002004	16
R				006102	
R				107999	
R	355	NAS1291C08M	. NUT	002004	8
R				006102	
R				107999	
R			-----*-----		
R	360	4812-135	. GASKET-BONDED	002004	1
R			SUPPLIER CODE:	006102	
R			V29780	107999	
R	365	4812-169	. FRAME ASSY-	002004	1
R			SUPPLIER CODE:	006102	
R			V29780	107999	

MISSING ITEM NUMBERS NOT APPLICABLE

— ITEM NOT ILLUSTRATED

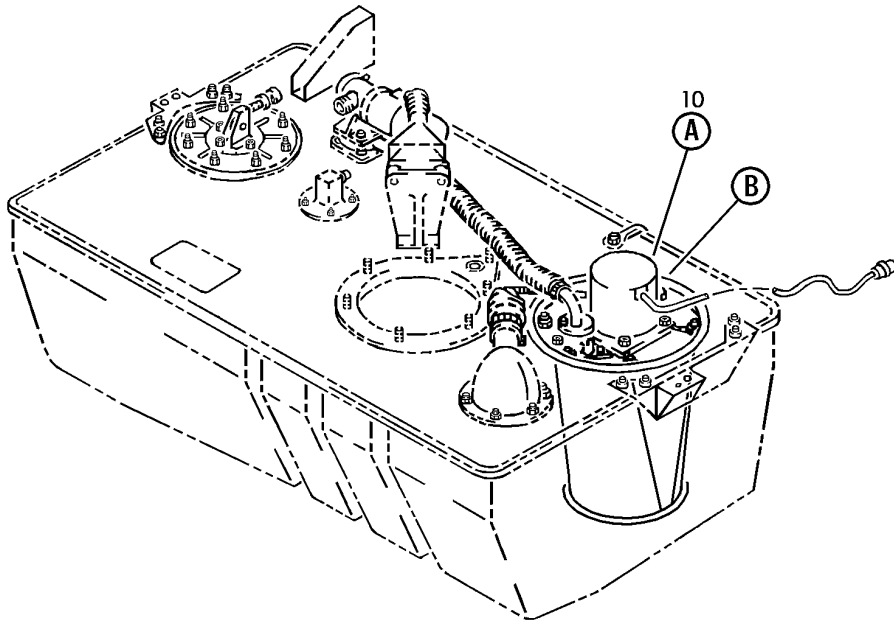
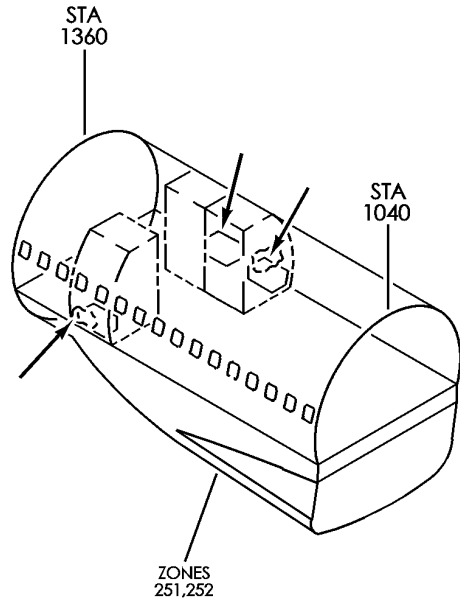
BRI

38-32-05-03

BOEING PROPRIETARY - Copyright © - Unpublished Work - See title page for details.

38-32-05
FIG. 03
PAGE 6
MAY 20/09

BOEING
757
PARTS CATALOG (MAINTENANCE)



Y 38320507 SHT 1 REV 228

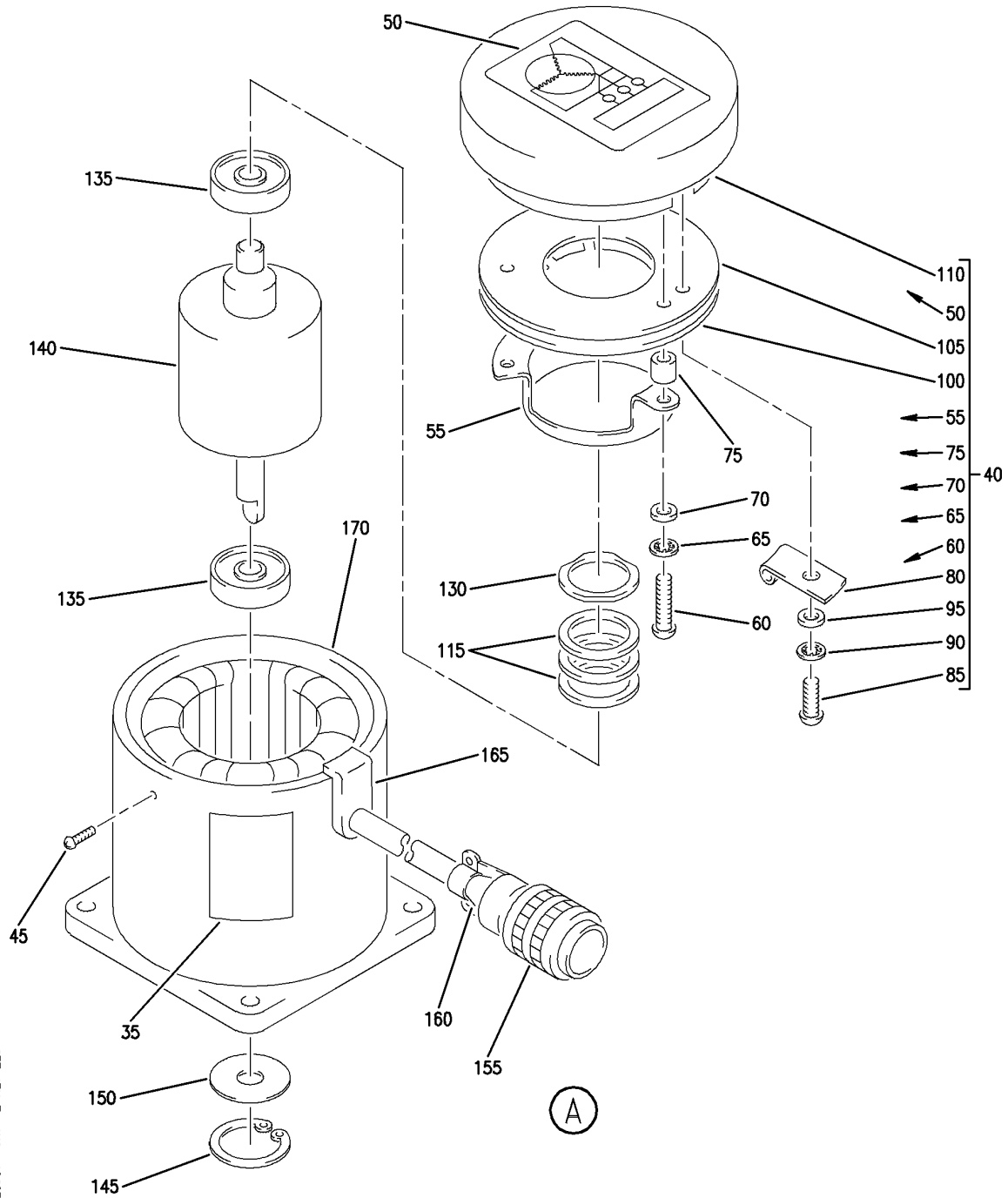
MOTOR ASSY-PUMP FILTER
FIGURE 7 (SHEET 1)

38-32-05-07

BRI
MAY 20/09

38-32-05-07
PAGE 0

BOEING
757
PARTS CATALOG (MAINTENANCE)



Y 38320507 SHT 2 REV 228

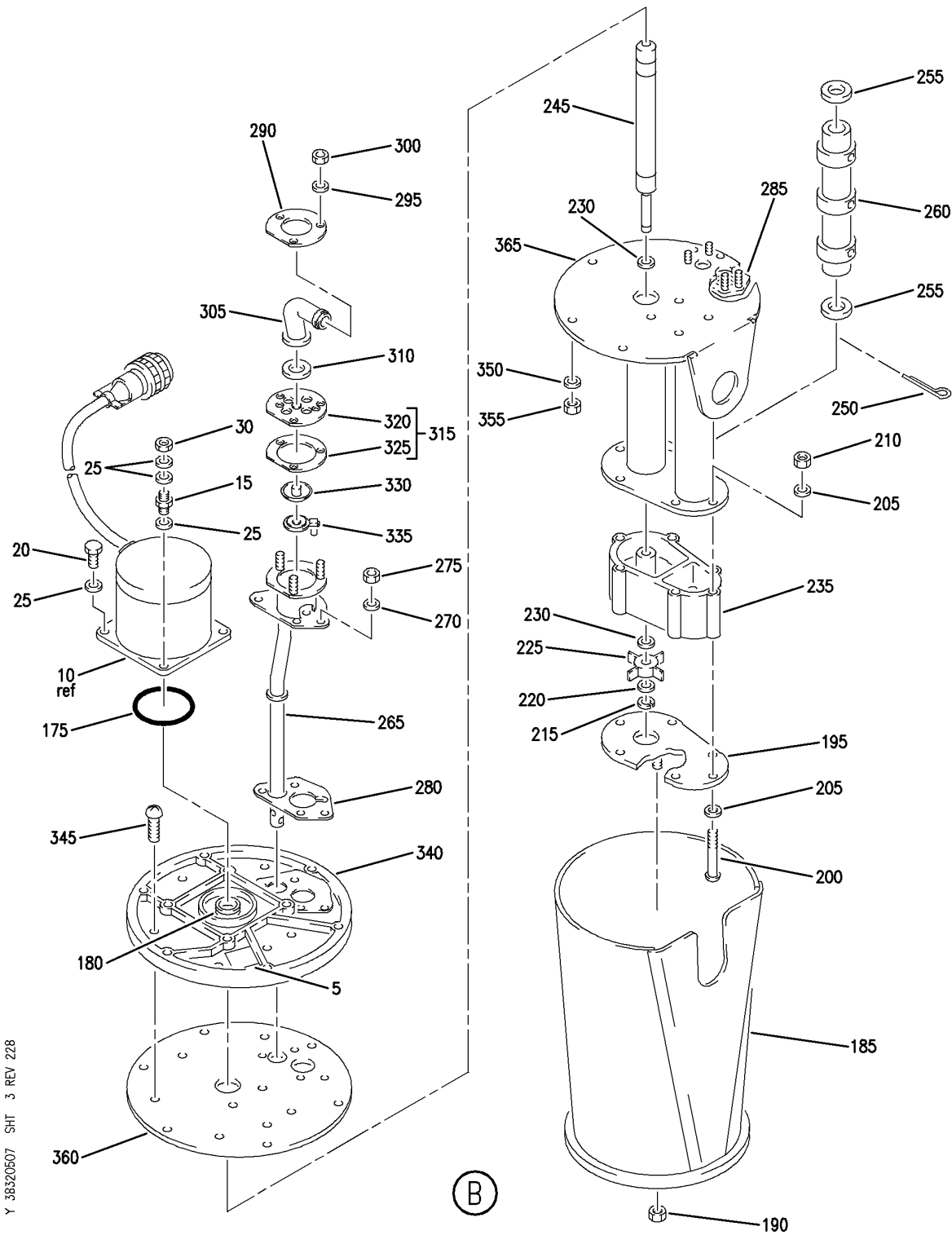
MOTOR ASSY-PUMP FILTER
FIGURE 7 (SHEET 2)

38-32-05-07

BRI
MAY 20/09

38-32-05-07
PAGE 0A


BOEING
 757
PARTS CATALOG (MAINTENANCE)



Y 38320507 SHT 3 REV 228

MOTOR ASSY-PUMP FILTER
 FIGURE 7 (SHEET 3)

38-32-05-07

BRI
 MAY 20/09

38-32-05-07
 PAGE 0B

 **BOEING**
757
PARTS CATALOG (MAINTENANCE)

FIG ITEM	PART NUMBER	1 2 3 4 5 6 7	NOMENCLATURE	EFFECT FROM TO	UNITS PER ASSY
R	7		MOTOR ASSY-PUMP FILTER	002004	
R				006102	
R				107999	
R	- 1	16204-002	MOTOR ASSY-PUMP FILTER	002004	RF
R			SUPPLIER CODE:	006102	
R			V29780	107999	
R			COMPONENT MAINT MANUAL REF:		
R			38-33-02		
R			FOR NHA SEE:		
R			38-32-01-43		
R	5	2333-7	.DECAL-IDENT	002004	1
R			SUPPLIER CODE:	006102	
R			V29780	107999	
R	10	4812-70	.MOTOR ASSY-	002004	1
R			SUPPLIER CODE:	006102	
R			V29780	107999	
R			ATTACHING PARTS		
R	15	4812-25-1	.STUD-	002004	1
R			SUPPLIER CODE:	006102	
R			V29780	107999	
R	20	NAS501-3H4A	.BOLT	002004	3
R				006102	
R				107999	
R	25	AN960C10L	.WASHER	002004	6
R				006102	
R				107999	
R	30	NAS679C3M	.NUT	002004	1
R				006102	
R				107999	
R	35	4812-73	-----*----- .. LABEL-IDENT	002004	1
R			SUPPLIER CODE:	006102	
R			V29780	107999	
R	40	4812-63	.. BELL ASSY-END	002004	1
R			SUPPLIER CODE:	006102	
R			V29780	107999	
R			ATTACHING PARTS		
R	45	MS35190-233	.. SCREW-	002004	3
R			OPTIONAL PART:	006102	
R			MS24583-22	107999	
R	45	MS24583-22	.. SCREW-	002004	3
R			OPTIONAL PART:	006102	
R			MS35190-233	107999	
R	50	4812-74	-----*----- ... LABEL-SCHEMATIC	002004	1
R			SUPPLIER CODE:	006102	
R			V29780	107999	

MISSING ITEM NUMBERS NOT APPLICABLE

- ITEM NOT ILLUSTRATED

BRI

38-32-05-07

38-32-05
FIG. 07
PAGE 1
MAY 20/09

BOEING
757
PARTS CATALOG (MAINTENANCE)

FIG ITEM	PART NUMBER	1 2 3 4 5 6 7	NOMENCLATURE	EFFECT FROM TO	UNITS PER ASSY
7					
R	55		... ROTOR-TEMP SENSOR	002004	1
R			SUPPLIER CODE:	006102	
R			V29780	107999	
			ATTACHING PARTS		
R	60		... SCREW	002004	3
R				006102	
R				107999	
R	65		... WASHER	002004	3
R				006102	
R				107999	
R	70		... WASHER	002004	1
R				006102	
R				107999	
			-----*-----		
R	75		... SPACER-	002004	3
R			SUPPLIER CODE:	006102	
R			V29780	107999	
R	80		... CLAMP-	002004	1
R			SUPPLIER CODE:	006102	
R			V95270	107999	
			ATTACHING PARTS		
R	85		... SCREW	002004	1
R				006102	
R				107999	
R	90		... WASHER	002004	1
R				006102	
R				107999	
R	95		... WASHER	002004	1
R				006102	
R				107999	
			-----*-----		
R	100		... PROTECTOR-THRM	002004	1
R			SUPPLIER CODE:	006102	
R			V29780	107999	
R	105		... INSULATOR-	002004	1
R			SUPPLIER CODE:	006102	
R			V29780	107999	
R	110		... END BELL-	002004	1
R			SUPPLIER CODE:	006102	
R			V29780	107999	
R	115		.. WASHER-SHIM .003 IN	002004	AR
R			SUPPLIER CODE:	006102	
R			V29780	107999	
R	- 120		.. WASHER-SHIM .005 IN	002004	AR
R			SUPPLIER CODE:	006102	
R			V29780	107999	
R	- 125		.. WASHER-SHIM .010 IN	002004	AR
R			SUPPLIER CODE:	006102	
R			V29780	107999	

MISSING ITEM NUMBERS NOT APPLICABLE

- ITEM NOT ILLUSTRATED

38-32-05-07

38-32-05
FIG. 07
PAGE 2
MAY 20/09

BRI

 **BOEING**
757
PARTS CATALOG (MAINTENANCE)

FIG ITEM	PART NUMBER	1 2 3 4 5 6 7	NOMENCLATURE	EFFECT FROM TO	UNITS PER ASSY
R	7				
R	130	3205-16	.. WASHER-SPR SUPPLIER CODE: V29780	002004 006102 107999	1
R	135	3205-15	.. BEARING-BALL SUPPLIER CODE: V29780	002004 006102 107999	2
R	140	4812-11-14	.. ROTOR ASSY- SUPPLIER CODE: V29780	002004 006102 107999	1
R	145	MS16625-4086	.. PACKING	002004 006102 107999	1
R	150	4812-11-17	.. WASHER-BRG COVER SUPPLIER CODE: V29780	002004 006102 107999	1
R	155	MS24266R14B7P	.. RECEPTACLE	002004 006102 107999	1
R	160	3205-20-2	.. GROMMET- SUPPLIER CODE: V29780	002004 006102 107999	1
R	165	3205-20-1	.. GROMMET- SUPPLIER CODE: V29780	002004 006102 107999	1
R	170	4812-71	.. HOUSING-STATOR WITH CABLE SUPPLIER CODE: V29780	002004 006102 107999	1
R	175	2-132C557-70	. PACKING- SUPPLIER CODE: V02697 CONFIG CHG DATA FROM A CMM: REPLD BY 2-132N602-70	002004 006102 107999	1
R	175	2-132N602-70	. PACKING- SUPPLIER CODE: V02697 CONFIG CHG DATA FROM A CMM: REPLS 2-132C557-70	002004 006102 107999	1
R	180	025-050-12	. SEAL- SUPPLIER CODE: V29780	002004 006102 107999	2
R	185	4812-120	. BASKET- SUPPLIER CODE: V29780	002004 006102 107999	1
R	190	NAS679C08M	ATTACHING PARTS . NUT	002004 006102 107999	1
			-----*-----		

MISSING ITEM NUMBERS NOT APPLICABLE

— ITEM NOT ILLUSTRATED

BRI

38-32-05-07

BOEING PROPRIETARY - Copyright © - Unpublished Work - See title page for details.

38-32-05
FIG. 07
PAGE 3
MAY 20/09

BOEING
757
PARTS CATALOG (MAINTENANCE)

FIG ITEM	PART NUMBER	1 2 3 4 5 6 7	NOMENCLATURE	EFFECT FROM TO	UNITS PER ASSY
7					
R R R	195 4812-171		.PLATE-IMPELLER HSG SUPPLIER CODE: V29780 ATTACHING PARTS	002004 006102 107999	1
R R R	200 MS51957-53		.SCREW	002004 006102 107999	6
R R R	205 AN960C8		.WASHER	002004 006102 107999	12
R R R	210 NAS1291C08M		.NUT	002004 006102 107999	6
R R R	215 MS16624-4025		-----*----- .RING	002004 006102 107999	1
R R R	220 340121020		.WASHER- SUPPLIER CODE: V29780	002004 006102 107999	AR
R R R	225 4812-170		.IMPELLER- SUPPLIER CODE: V29780	002004 006102 107999	1
R R R	230 4812-31		.WASHER-THRUST SUPPLIER CODE: V29780	002004 006102 107999	AR
R R R	235 4812-105		.HOUSING-IMPELLER SUPPLIER CODE: V29780	002004 006102 107999	1
R R R	240 4812-172		.INSERT-IMPELLER HSG SUPPLIER CODE: V29780	002004 006102 107999	1
R R R	245 4812-168		.DRIVE SHAFT- SUPPLIER CODE: V29780 CONFIG CHG DATA FROM A CMM: SUPSD BY 4812-174-20	002004 006102 107999	1
R R R	245 4812-174-20		.DRIVE SHAFT- SUPPLIER CODE: V29780 CONFIG CHG DATA FROM A CMM: SUPERSEDES 4812-168	002004 006102 107999	1
R R R	250 MS24665-87		.PIN	002004 006102 107999	1
R R R	255 4812-107		.WASHER- SUPPLIER CODE: V29780	002004 006102 107999	2

MISSING ITEM NUMBERS NOT APPLICABLE

— ITEM NOT ILLUSTRATED

38-32-05-07

38-32-05
FIG. 07
PAGE 4
MAY 20/09

BRI

BOEING PROPRIETARY - Copyright © - Unpublished Work - See title page for details.



757

PARTS CATALOG (MAINTENANCE)

FIG ITEM	PART NUMBER	1 2 3 4 5 6 7	NOMENCLATURE	EFFECT FROM TO	UNITS PER ASSY
R	7				
R	330	16202-027	. VALVE-MUSHROOM	002004	1
R			SUPPLIER CODE:	006102	
R			V29780	107999	
R	335	16202-020	. FLAPPER ASSY-	002004	1
R			SUPPLIER CODE:	006102	
R			V29780	107999	
R	340	4812-133	. PLATE-MTG MOLDED	002004	1
R			SUPPLIER CODE:	006102	
R			V29780	107999	
R			ATTACHING PARTS		
R	345	MS51957-46	. SCREW	002004	8
R				006102	
R				107999	
R	350	AN960C8	. WASHER	002004	16
R				006102	
R				107999	
R	355	NAS1291C08M	. NUT	002004	8
R				006102	
R				107999	
R			-----*-----		
R	360	4812-135	. GASKET-BONDED	002004	1
R			SUPPLIER CODE:	006102	
R			V29780	107999	
R	365	4812-169	. FRAME ASSY-	002004	1
R			SUPPLIER CODE:	006102	
R			V29780	107999	

MISSING ITEM NUMBERS NOT APPLICABLE

- ITEM NOT ILLUSTRATED

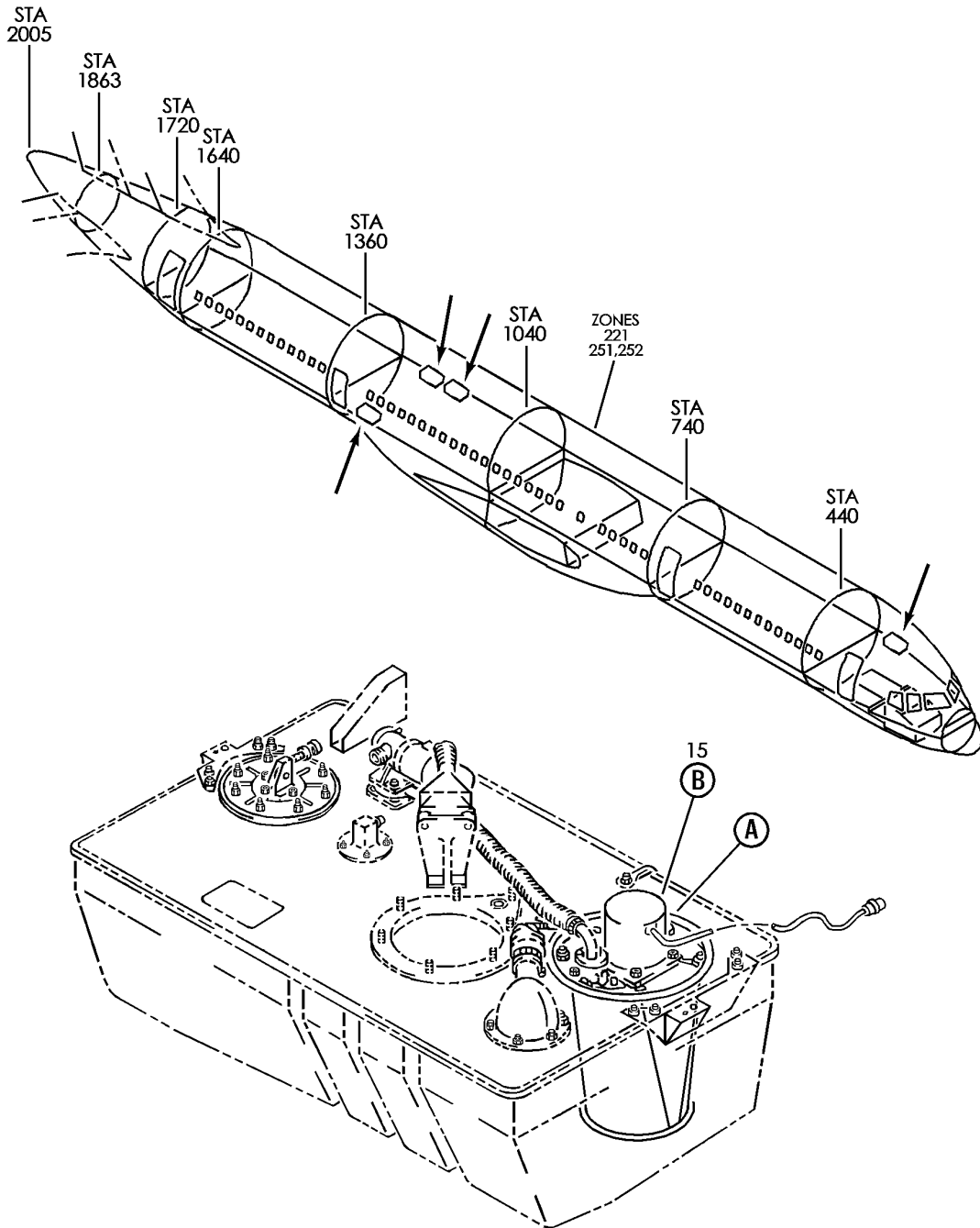
BRI

38-32-05-07

BOEING PROPRIETARY - Copyright © - Unpublished Work - See title page for details.

38-32-05
FIG. 07
PAGE 6
MAY 20/09

BOEING
757
PARTS CATALOG (MAINTENANCE)



Y 38320508 SHT 1 REV 228

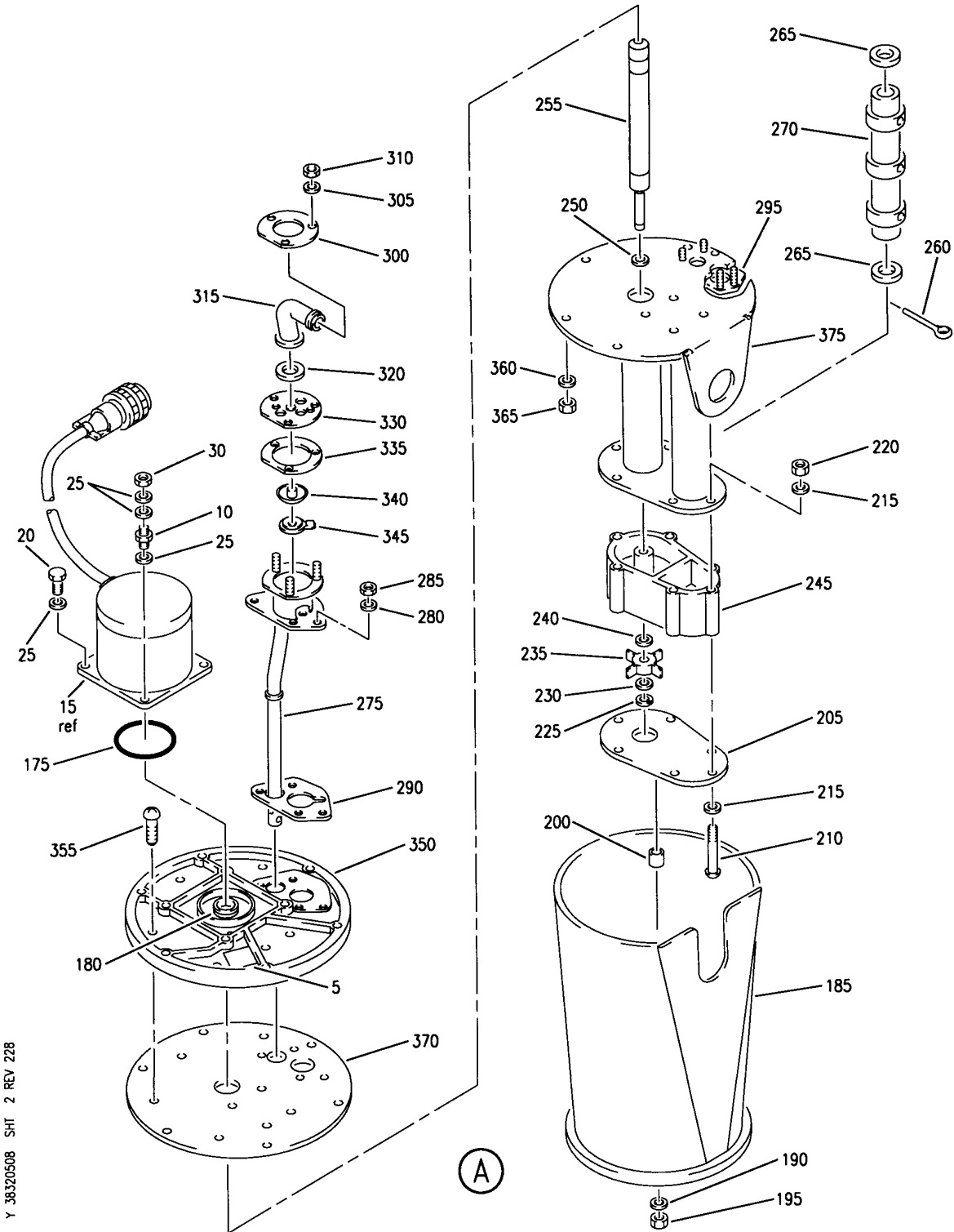
MOTOR ASSY-PUMP FILTER
FIGURE 8 (SHEET 1)

38-32-05-08

BRI
MAY 28/07

38-32-05-08
PAGE 0

BOEING
757
PARTS CATALOG (MAINTENANCE)



Y 38320508 SHT 2 REV 228

MOTOR ASSY-PUMP FILTER
FIGURE 8 (SHEET 2)

38-32-05-08

BRI
MAY 28/07

38-32-05-08
PAGE 0A



757

PARTS CATALOG (MAINTENANCE)

FIG ITEM	PART NUMBER	1 2 3 4 5 6 7	NOMENCLATURE	EFFECT FROM TO	UNITS PER ASSY
8			MOTOR ASSY-PUMP FILTER	107107	
- 1	16204-001		MOTOR ASSY-PUMP FILTER SUPPLIER CODE: V29780 COMPONENT MAINT MANUAL REF: 38-33-02 FOR NHA SEE: 38-32-01-44	904949 107107 904949	RF
R	5	2333-7	.DECAL-IDENT SUPPLIER CODE: V29780	107107 904949	1
R	10	4812-25-1	.STUD- SUPPLIER CODE: V29780	107107 904949	1
R	15	4812-70	.MOTOR ASSY- SUPPLIER CODE: V29780	107107 904949	1
R	20	NAS501-3H4A	ATTACHING PARTS .BOLT	107107 904949	3
R	25	AN960C10L	.WASHER	107107 904949	6
R	30	NAS679C3M	.NUT	107107 904949	1
R	35	4812-73	-----*----- .. LABEL-IDENT SUPPLIER CODE: V29780	107107 904949	1
R	- 40	4812-63	.. BELL ASSY-END SUPPLIER CODE: V29780 ATTACHING PARTS	107107 904949	1
R	45	MS35190-233	.. SCREW- OPTIONAL PART: MS24583-22	107107 904949	3
R	45	MS24583-22	.. SCREW- OPTIONAL PART: MS35190-233	107107 904949	3
R	50	4812-74	-----*----- ... LABEL-SCHEMATIC SUPPLIER CODE: V29780	107107 904949	1
R	55	4812-68	... ROTOR-TEMP SENSOR SUPPLIER CODE: V29780 ATTACHING PARTS	107107 904949	1
R	60	AN515-6R10	... SCREW	107107 904949	3

MISSING ITEM NUMBERS NOT APPLICABLE

- ITEM NOT ILLUSTRATED

38-32-05-08

38-32-05
FIG. 08
PAGE 1
MAY 20/09

BRI



757

PARTS CATALOG (MAINTENANCE)

FIG ITEM	PART NUMBER	1 2 3 4 5 6 7	NOMENCLATURE	EFFECT FROM TO	UNITS PER ASSY
8					
R	65	MS35333-37	...WASHER	107107	3
R				904949	
R	70	NAS620-6L	...WASHER	107107	1
R				904949	
			-----*-----		
R	75	4812-69	...SPACER-	107107	3
R			SUPPLIER CODE:	904949	
R			V29780		
R	80	AD955	...CLAMP-	107107	1
R			SUPPLIER CODE:	904949	
R			V95270		
			ATTACHING PARTS		
R	85	AN515-6R7	...SCREW	107107	1
R				904949	
R	90	MS35333-37	...WASHER	107107	1
R				904949	
R	95	NAS620-6L	...WASHER	107107	1
R				904949	
			-----*-----		
R	100	4812-67-1	...PROTECTOR-THRM	107107	1
R			SUPPLIER CODE:	904949	
R			V29780		
R	105	4812-67-2	...INSULATOR-	107107	1
R			SUPPLIER CODE:	904949	
R			V29780		
R	110	4812-66	...END BELL-	107107	1
R			SUPPLIER CODE:	904949	
R			V29780		
R	115	3205-18-1	..WASHER-SHIM .003 IN.	107107	AR
R			SUPPLIER CODE:	904949	
R			V29780		
R	- 120	3205-18-2	..WASHER-SHIM .005 IN.	107107	AR
R			SUPPLIER CODE:	904949	
R			V29780		
R	- 125	3205-18-3	..WASHER-SHIM .010 IN.	107107	AR
R			SUPPLIER CODE:	904949	
R			V29780		
R	130	3205-16	..WASHER-SPR	107107	1
R			SUPPLIER CODE:	904949	
R			V29780		
R	135	3205-15	..BEARING-BALL	107107	2
R			SUPPLIER CODE:	904949	
R			V29780		
R	140	4812-11-14	..ROTOR ASSY-	107107	1
R			SUPPLIER CODE:	904949	
R			V29780		
R	145	MS16625-4086	..PACKING	107107	1
R				904949	

MISSING ITEM NUMBERS NOT APPLICABLE

- ITEM NOT ILLUSTRATED

38-32-05-08

38-32-05
FIG. 08
PAGE 2
MAY 20/09

BRI



757

PARTS CATALOG (MAINTENANCE)

FIG ITEM	PART NUMBER	1 2 3 4 5 6 7	NOMENCLATURE	EFFECT FROM TO	UNITS PER ASSY
8					
R	150	4812-11-17	.. WASHER-BRG COVER SUPPLIER CODE: V29780	107107 904949	1
R	155	MS24266R14B7P	.. RECEPTACLE	107107 904949	1
R	160	3205-20-2	.. GROMMET- SUPPLIER CODE: V29780	107107 904949	1
R	165	3205-20-1	.. GROMMET- SUPPLIER CODE: V29780	107107 904949	1
R	170	4812-71	.. HOUSING-STATOR WITH CABLE SUPPLIER CODE: V29780	107107 904949	1
R	175	2-132C557-70	. PACKING- SUPPLIER CODE: V02697	107107 904949	1
R	180	025-050-4	. SEAL- SUPPLIER CODE: V29780 CONFIG CHG DATA FROM A CMM: REPLD BY 025-050-12	107107 904949	2
R	180	025-050-12	. SEAL- SUPPLIER CODE: V29780 CONFIG CHG DATA FROM A CMM: REPLS 025-050-4	107107 904949	2
R	185	4812-116	. BASKET- SUPPLIER CODE: V29780 ATTACHING PARTS	107107 904949	1
R	190	AN960C8	. WASHER	107107 904949	1
R	195	NAS679C08M	. NUT	107107 904949	1
R	200	4812-113-1	-----*----- . SPACER- SUPPLIER CODE: V29780	107107 904949	1
R	205	4812-94-7	. PLATE-IMPELLER HSG SUPPLIER CODE: V29780 ATTACHING PARTS	107107 904949	1
R	210	MS51957-53	. SCREW	107107 904949	6
R	215	AN960C8	. WASHER	107107 904949	12

MISSING ITEM NUMBERS NOT APPLICABLE

- ITEM NOT ILLUSTRATED

38-32-05-08

38-32-05
FIG. 08
PAGE 3
MAY 20/09

BRI



757

PARTS CATALOG (MAINTENANCE)

FIG ITEM	PART NUMBER	1 2 3 4 5 6 7	NOMENCLATURE	EFFECT FROM TO	UNITS PER ASSY
8					
R	220		.NUT	107107	6
R				904949	
			-----*-----		
R	225		.RING	107107	1
R				904949	
R	230		.WASHER-	107107	AR
R			SUPPLIER CODE:	904949	
R			V29780		
R	235		.IMPELLER-	107107	1
R			SUPPLIER CODE:	904949	
R			V29780		
R	240		.WASHER-THRUST	107107	AR
R			SUPPLIER CODE:	904949	
R			V29780		
R	245		.HOUSING-IMPELLER	107107	1
R			SUPPLIER CODE:	904949	
R			V29780		
R	250		.WASHER-THRUST	107107	AR
R			SUPPLIER CODE:	904949	
R			V29780		
R	255		.DRIVE SHAFT-	107107	1
R			SUPPLIER CODE:	904949	
R			V29780		
R			CONFIG CHG DATA FROM A CMM:		
R			REPLD BY 4812-174		
R	255		.DRIVE SHAFT-	107107	1
R			SUPPLIER CODE:	904949	
R			V29780		
R			CONFIG CHG DATA FROM A CMM:		
R			REPLS 4812-117		
R	260		.PIN	107107	1
R				904949	
R	265		.WASHER-	107107	2
R			SUPPLIER CODE:	904949	
R			V29780		
R	270		.NOZZLE-SPRAY	107107	1
R			SUPPLIER CODE:	904949	
R			V29780		
R	275		.BRACKET-ANTI SIPHON VALVE	107107	1
R			SUPPLIER CODE:	904949	
R			V29780		
			ATTACHING PARTS		
R	280		.WASHER	107107	4
R				904949	
R	285		.NUT	107107	4
R				904949	
			-----*-----		

MISSING ITEM NUMBERS NOT APPLICABLE

- ITEM NOT ILLUSTRATED

38-32-05-08

38-32-05
FIG. 08
PAGE 4
MAY 20/09

BRI

BOEING PROPRIETARY - Copyright © - Unpublished Work - See title page for details.



757

PARTS CATALOG (MAINTENANCE)

FIG ITEM	PART NUMBER	1 2 3 4 5 6 7	NOMENCLATURE	EFFECT FROM TO	UNITS PER ASSY
8					
R	290	16202-022	.GASKET- SUPPLIER CODE: V29780	107107 904949	1
R	295	4812-147	.PLATE-ANTI SIPHON VALVE MTG SUPPLIER CODE: V29780	107107 904949	1
R	295	16202-030	CONFIG CHG DATA FROM A CMM: REPLD BY 16202-030 .PLATE-ANTI SIPHON VALVE MTG SUPPLIER CODE: V29780	107107 904949	1
R	300	16202-028	CONFIG CHG DATA FROM A CMM: REPLS 4812-147 .WASHER-RETENTION SUPPLIER CODE: V29780	107107 904949	1
R	305	AN960C8	ATTACHING PARTS .WASHER	107107 904949	3
R	310	NAS679C08M	.NUT	107107 904949	3
R	315	4812-139	-----*----- .TUBE-INLET SUPPLIER CODE: V29780	107107 904949	1
R	320	4812-144	.GASKET- SUPPLIER CODE: V29780	107107 904949	1
R	320	4812-155	CONFIG CHG DATA FROM A CMM: REPLD BY 4812-155 .GASKET- SUPPLIER CODE: V29780	107107 904949	1
R	325	16202-026	CONFIG CHG DATA FROM A CMM: REPLS 4812-144 .SEAT ASSY-VALVE SUPPLIER CODE: V29780	107107 904949	1
R	330	16202-024	..PLATE ASSY- SUPPLIER CODE: V29780	107107 904949	1
R	335	16202-025	..GASKET- SUPPLIER CODE: V29780	107107 904949	1
R	340	16202-027	.VALVE-MUSHROOM SUPPLIER CODE: V29780	107107 904949	1

MISSING ITEM NUMBERS NOT APPLICABLE

- ITEM NOT ILLUSTRATED

38-32-05-08

38-32-05
FIG. 08
PAGE 5
MAY 20/09

BRI



757

PARTS CATALOG (MAINTENANCE)

FIG ITEM	PART NUMBER	1 2 3 4 5 6 7	NOMENCLATURE	EFFECT FROM TO	UNITS PER ASSY	
R R R R R R R R R R	8 345	16202-020	. FLAPPER ASSY- SUPPLIER CODE: V29780	107107 904949	1	
	350	4812-133	. PLATE-MTG MOLDED SUPPLIER CODE: V29780	107107 904949	1	
	355	MS51957-46	ATTACHING PARTS . SCREW	107107 904949	8	
	360	AN960C8	. WASHER	107107 904949	16	
	365	NAS1291C08M	. NUT	107107 904949	8	
	370	4812-135	-----*----- . GASKET-BONDED SUPPLIER CODE: V29780	107107 904949	1	
	375	4812-134	. FRAME ASSY- SUPPLIER CODE: V29780	107107 904949	1	
	MISSING ITEM NUMBERS NOT APPLICABLE					

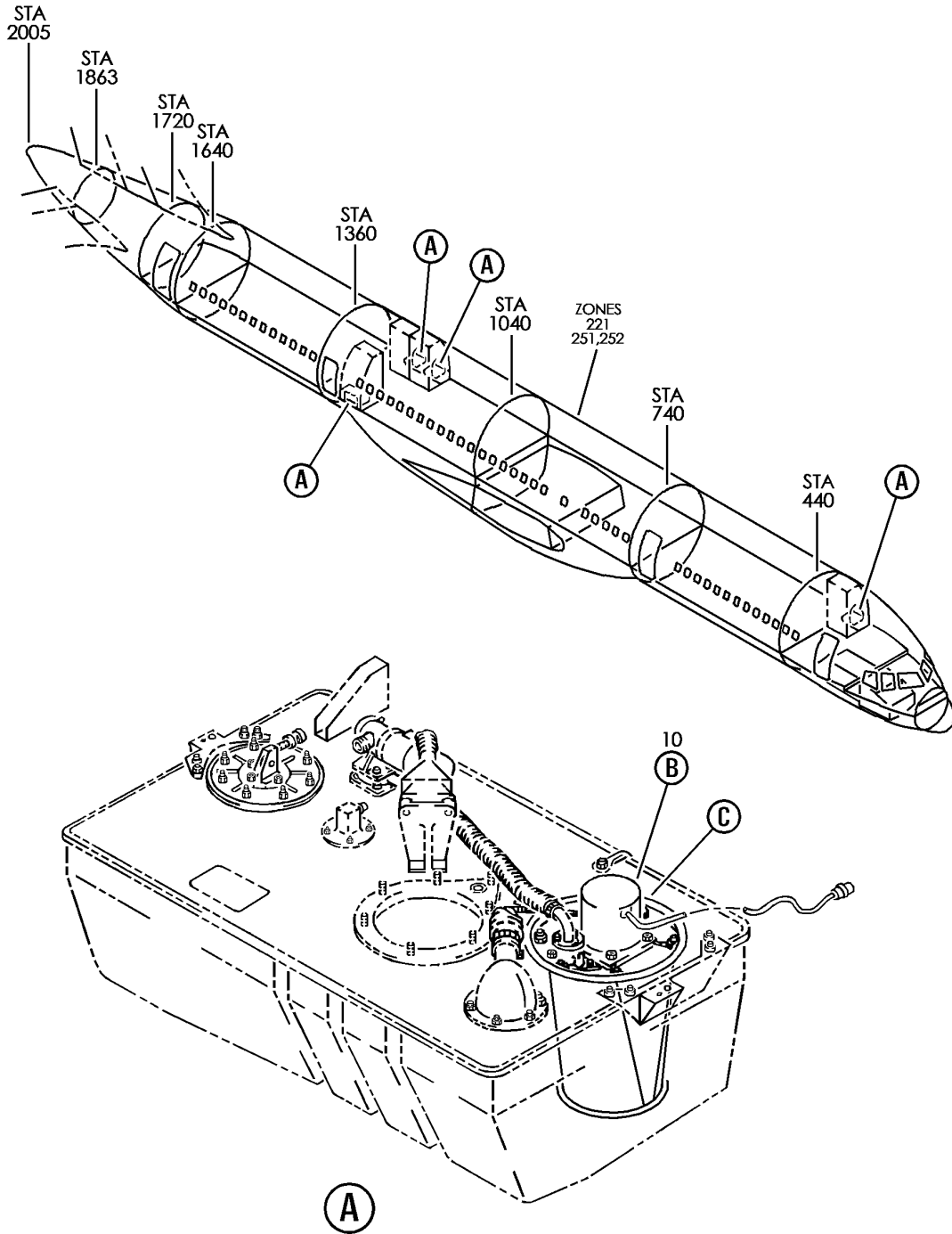
- ITEM NOT ILLUSTRATED

38-32-05-08

38-32-05
FIG. 08
PAGE 6
MAY 20/09

BRI

BOEING
757
PARTS CATALOG (MAINTENANCE)



Y 38320511 SHT 1 REV 228

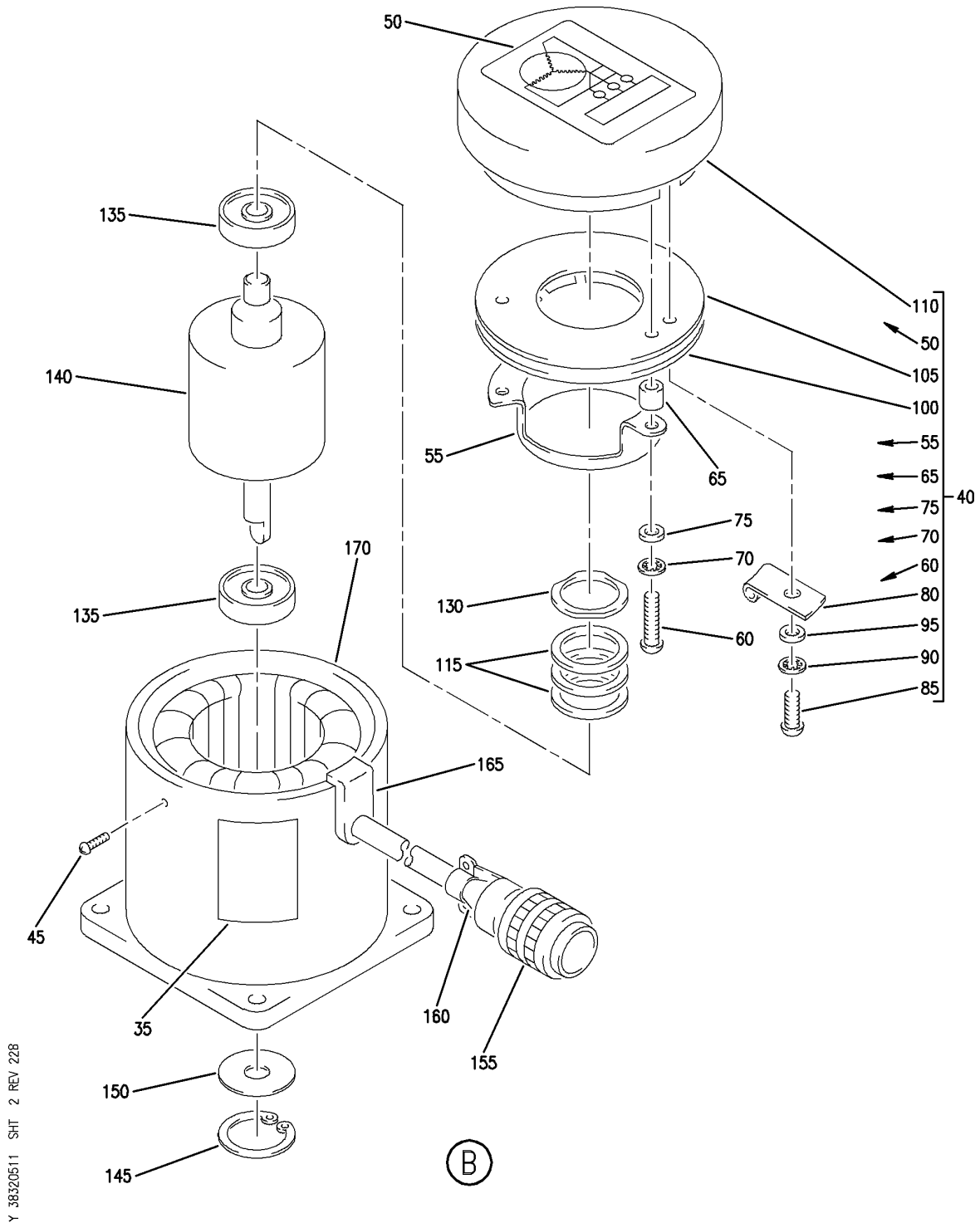
MOTOR ASSY-PUMP FILTER
FIGURE 11 (SHEET 1)

38-32-05-11

BRI
MAY 28/07

38-32-05-11
PAGE 0

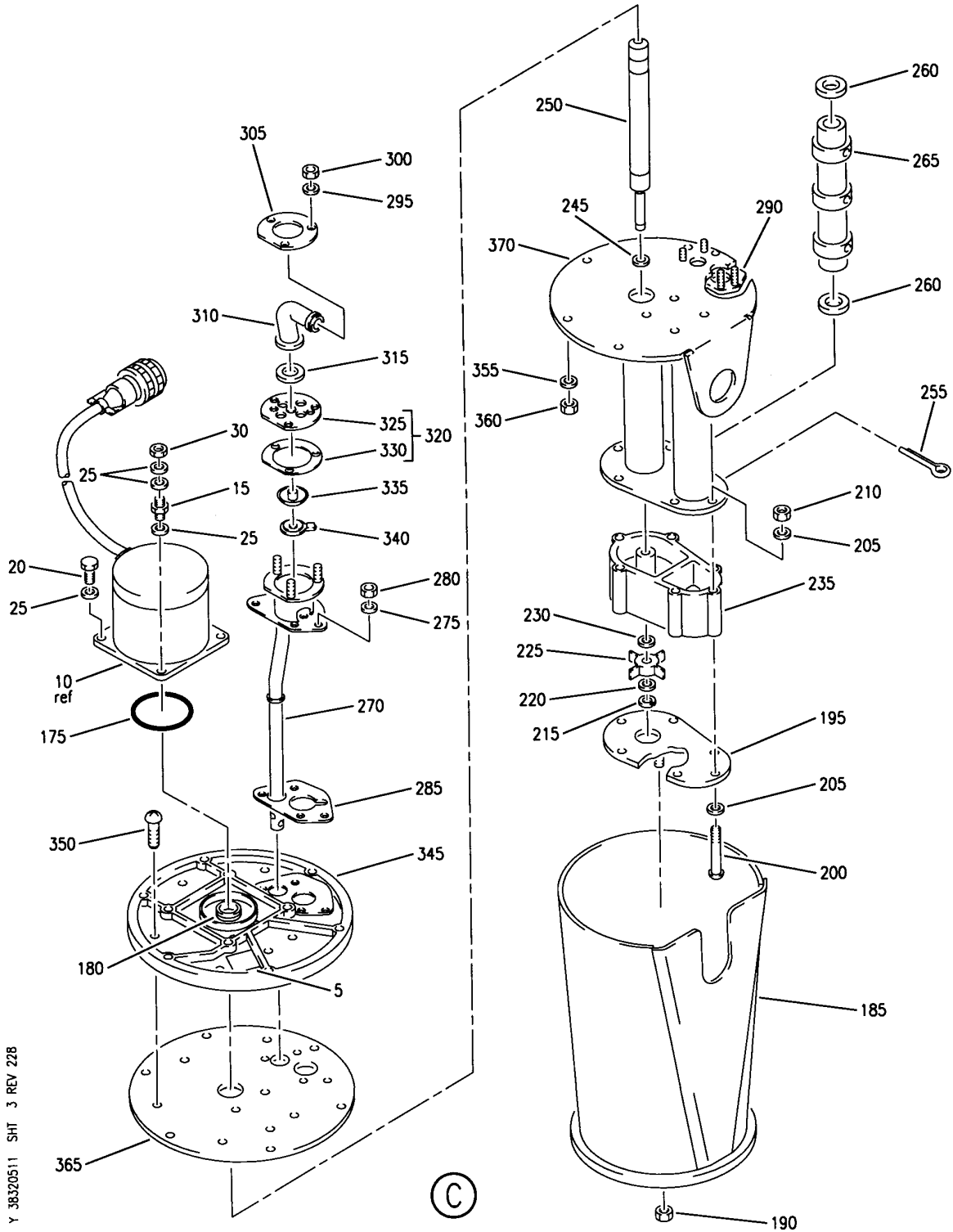
BOEING
757
PARTS CATALOG (MAINTENANCE)



MOTOR ASSY-PUMP FILTER
FIGURE 11 (SHEET 2)

38-32-05-11


BOEING
 757
PARTS CATALOG (MAINTENANCE)



Y 38320511 SH1 3 REV 228

MOTOR ASSY-PUMP FILTER
 FIGURE 11 (SHEET 3)

38-32-05-11

BRI
MAY 28/07

38-32-05-11
 PAGE 0B

BOEING
757
PARTS CATALOG (MAINTENANCE)

FIG ITEM	PART NUMBER	1 2 3 4 5 6 7	NOMENCLATURE	EFFECT FROM TO	UNITS PER ASSY
R	11		MOTOR ASSY-PUMP FILTER	002004	
R				006102	
R				107999	
R	- 1	16204-002	MOTOR ASSY-PUMP FILTER	002004	RF
R			SUPPLIER CODE:	006102	
R			V29780	107999	
R			COMPONENT MAINT MANUAL REF:		
R			38-33-02		
R			FOR NHA SEE:		
R			38-32-01-49		
R	5	2333-7	.DECAL-IDENT	002004	1
R			SUPPLIER CODE:	006102	
R			V29780	107999	
R	10	4812-70	.MOTOR ASSY-	002004	1
R			SUPPLIER CODE:	006102	
R			V29780	107999	
R			ATTACHING PARTS		
R	15	4812-25-1	.STUD-	002004	1
R			SUPPLIER CODE:	006102	
R			V29780	107999	
R	20	NAS501-3H4A	.BOLT	002004	3
R				006102	
R				107999	
R	25	AN960C10L	.WASHER	002004	6
R				006102	
R				107999	
R	30	NAS679C3M	.NUT	002004	1
R				006102	
R				107999	
R	35	4812-73	-----*----- .. LABEL-IDENT	002004	1
R			SUPPLIER CODE:	006102	
R			V29780	107999	
R	40	4812-63	.. BELL ASSY-END	002004	1
R			SUPPLIER CODE:	006102	
R			V29780	107999	
R			ATTACHING PARTS		
R	45	MS35190-233	.. SCREW-	002004	3
R			OPTIONAL PART:	006102	
R			MS24583-22	107999	
R	45	MS24583-22	.. SCREW-	002004	3
R			OPTIONAL PART:	006102	
R			MS35190-233	107999	
R	50	4812-74	-----*----- ... LABEL-SCHEMATIC	002004	1
R			SUPPLIER CODE:	006102	
R			V29780	107999	

MISSING ITEM NUMBERS NOT APPLICABLE

- ITEM NOT ILLUSTRATED

BRI

38-32-05-11

38-32-05
FIG. 11
PAGE 1
MAY 20/09



757

PARTS CATALOG (MAINTENANCE)

FIG ITEM	PART NUMBER	1 2 3 4 5 6 7	NOMENCLATURE	EFFECT FROM TO	UNITS PER ASSY
11					
R	55		... ROTOR-TEMP. SENSOR	002004	1
R			SUPPLIER CODE:	006102	
R			V29780	107999	
			ATTACHING PARTS		
R	60		... SCREW	002004	3
R				006102	
R				107999	
R	65		... SPACER-	002004	3
R			SUPPLIER CODE:	006102	
R			V29780	107999	
R	70		... WASHER	002004	3
R				006102	
R				107999	
R	75		... WASHER	002004	1
R				006102	
R				107999	
			-----*-----		
R	80		... CLAMP-	002004	1
R			SUPPLIER CODE:	006102	
R			V95270	107999	
			ATTACHING PARTS		
R	85		... SCREW	002004	1
R				006102	
R				107999	
R	90		... WASHER	002004	1
R				006102	
R				107999	
R	95		... WASHER	002004	1
R				006102	
R				107999	
			-----*-----		
R	100		... PROTECTOR-THRM	002004	1
R			SUPPLIER CODE:	006102	
R			V29780	107999	
R	105		... INSULATOR-	002004	1
R			SUPPLIER CODE:	006102	
R			V29780	107999	
R	110		... END BELL-	002004	1
R			SUPPLIER CODE:	006102	
R			V29780	107999	
R	115		.. WASHER-SHIM .003 IN	002004	AR
R			SUPPLIER CODE:	006102	
R			V29780	107999	
R	- 120		.. WASHER-SHIM .005 IN	002004	AR
R			SUPPLIER CODE:	006102	
R			V29780	107999	
R	- 125		.. WASHER-SHIM .010 IN	002004	AR
R			SUPPLIER CODE:	006102	
R			V29780	107999	

MISSING ITEM NUMBERS NOT APPLICABLE

- ITEM NOT ILLUSTRATED

38-32-05-11

38-32-05
FIG. 11
PAGE 2
MAY 20/09

BRI



757

PARTS CATALOG (MAINTENANCE)

FIG ITEM	PART NUMBER	1 2 3 4 5 6 7	NOMENCLATURE	EFFECT FROM TO	UNITS PER ASSY
11					
R	130	3205-16	.. WASHER-SPR SUPPLIER CODE: V29780	002004 006102 107999	1
R	135	3205-15	.. BEARING-BALL SUPPLIER CODE: V29780	002004 006102 107999	2
R	140	4812-11-14	.. ROTOR ASSY- SUPPLIER CODE: V29780	002004 006102 107999	1
R	145	MS16625-4086	.. PACKING	002004 006102 107999	1
R	150	4812-11-17	.. WASHER-BRG COVER SUPPLIER CODE: V29780	002004 006102 107999	1
R	155	MS24266R14B7P	.. RECEPTACLE	002004 006102 107999	1
R	160	3205-20-2	.. GROMMET- SUPPLIER CODE: V29780	002004 006102 107999	1
R	165	3205-20-1	.. GROMMET- SUPPLIER CODE: V29780	002004 006102 107999	1
R	170	4812-71	.. HOUSING-STATOR SUPPLIER CODE: V29780	002004 006102 107999	1
R	175	2-132C557-70	.PACKING- SUPPLIER CODE: V02697 CONFIG CHG DATA FROM A CMM: REPLD BY 2-132N602-70	002004 006102 107999	1
R	175	2-132N602-70	.PACKING- SUPPLIER CODE: V02697 CONFIG CHG DATA FROM A CMM: REPLS 2-132C557-70	002004 006102 107999	1
R	180	025-050-12	.SEAL- SUPPLIER CODE: V29780	002004 006102 107999	2
R	185	4812-120	.BASKET- SUPPLIER CODE: V29780	002004 006102 107999	1
R	190	NAS679C08M	ATTACHING PARTS .NUT	002004 006102 107999	1
			-----*-----		

MISSING ITEM NUMBERS NOT APPLICABLE

- ITEM NOT ILLUSTRATED

38-32-05-11

38-32-05
FIG. 11
PAGE 3
MAY 20/09

BRI

BOEING PROPRIETARY - Copyright © - Unpublished Work - See title page for details.



757

PARTS CATALOG (MAINTENANCE)

FIG ITEM	PART NUMBER	1 2 3 4 5 6 7	NOMENCLATURE	EFFECT FROM TO	UNITS PER ASSY
11					
R R R	195 4812-171		.PLATE-IMPELLER HOUDING SUPPLIER CODE: V29780 ATTACHING PARTS	002004 006102 107999	1
R R R	200 MS51957-53		.SCREW	002004 006102 107999	6
R R R	205 AN960C8		.WASHER	002004 006102 107999	12
R R R	210 NAS1291C08M		.NUT	002004 006102 107999	6
			-----*-----		
R R R	215 MS16624-4025		.RING-RETAINING	002004 006102 107999	1
R R R	220 340121020		.WASHER- SUPPLIER CODE: V29780	002004 006102 107999	AR
R R R	225 4812-170		.IMPELLER- SUPPLIER CODE: V29780	002004 006102 107999	1
R R R	230 4812-31		.WASHER-THRUST SUPPLIER CODE: V29780	002004 006102 107999	AR
R R R	235 4812-105		.HOUSING-IMPELLER SUPPLIER CODE: V29780	002004 006102 107999	1
R R R	240 4812-172		.INSERT-IMPELLER HOUSING SUPPLIER CODE: V29780	002004 006102 107999	1
R R R	245 4812-31		.WASHER-THRUST SUPPLIER CODE: V29780	002004 006102 107999	AR
R R R	250 4812-168		.DRIVE SHAFT- SUPPLIER CODE: V29780	002004 006102 107999	1
R R R	250 4812-174-20		CONFIG CHG DATA FROM A CMM: SUPSD BY 4812-174-20 .DRIVE SHAFT- SUPPLIER CODE: V29780	002004 006102 107999	1
R R R	255 MS24665-87		CONFIG CHG DATA FROM A CMM: SUPERSEDES 4812-168 .PIN	002004 006102 107999	1

MISSING ITEM NUMBERS NOT APPLICABLE

- ITEM NOT ILLUSTRATED

38-32-05-11

38-32-05
FIG. 11
PAGE 4
MAY 20/09

BRI

BOEING
757
PARTS CATALOG (MAINTENANCE)

FIG ITEM	PART NUMBER	1 2 3 4 5 6 7	NOMENCLATURE	EFFECT FROM TO	UNITS PER ASSY
11					
R	260	4812-107	.WASHER-	002004	2
R			SUPPLIER CODE:	006102	
R			V29780	107999	
R	265	4812-141	.NOZZLE-SPRAY	002004	1
R			SUPPLIER CODE:	006102	
R			V29780	107999	
R	270	16202-018	.BRACKET-ANTI SIPHON VALVE	002004	1
R			SUPPLIER CODE:	006102	
R			V29780	107999	
R			ATTACHING PARTS		
R	275	NAS620C8	.WASHER	002004	4
R				006102	
R				107999	
R	280	NAS1291C08M	.NUT	002004	4
R				006102	
R				107999	
R	285	16202-022	-----*----- .GASKET-	002004	1
R			SUPPLIER CODE:	006102	
R			V29780	107999	
R	290	16202-030	.PLATE-MTG	002004	1
R			ANTI SIPHON VALVE	006102	
R			SUPPLIER CODE:	107999	
R			V29780		
R	295	AN960C8	.WASHER	002004	3
R				006102	
R				107999	
R	300	NAS679C08M	.NUT	002004	3
R				006102	
R				107999	
R	305	16202-028	.WASHER-RETENTION	002004	1
R			SUPPLIER CODE:	006102	
R			V29780	107999	
R	310	4812-139	.TUBE-INLET	002004	1
R			SUPPLIER CODE:	006102	
R			V29780	107999	
R	315	4812-155	.GASKET-	002004	1
R			SUPPLIER CODE:	006102	
R			V29780	107999	
R	320	16202-026	.SEAT ASSY-VALVE	002004	1
R			SUPPLIER CODE:	006102	
R			V29780	107999	
R	325	16202-024	..PLATE ASSY-	002004	1
R			SUPPLIER CODE:	006102	
R			V29780	107999	
R	330	16202-025	..GASKET-	002004	1
R			SUPPLIER CODE:	006102	
R			V29780	107999	

MISSING ITEM NUMBERS NOT APPLICABLE

— ITEM NOT ILLUSTRATED

BRI

38-32-05-11

38-32-05
FIG. 11
PAGE 5
MAY 20/09



757

PARTS CATALOG (MAINTENANCE)

FIG ITEM	PART NUMBER	1 2 3 4 5 6 7	NOMENCLATURE	EFFECT FROM TO	UNITS PER ASSY
11					
R	335	16202-027	. VALVE-MUSHROOM	002004	1
R			SUPPLIER CODE:	006102	
R			V29780	107999	
R	340	16202-020	. FLAPPER ASSY-	002004	1
R			SUPPLIER CODE:	006102	
R			V29780	107999	
R	345	4812-133	. PLATE-MTG	002004	1
R			SUPPLIER CODE:	006102	
R			V29780	107999	
R			ATTACHING PARTS		
R	350	MS51957-46	. SCREW	002004	8
R				006102	
R				107999	
R	355	AN960C8	. WASHER	002004	16
R				006102	
R				107999	
R	360	NAS1291C08M	. NUT	002004	8
R				006102	
R				107999	
R			-----*-----		
R	365	4812-135	. GASKET-	002004	1
R			SUPPLIER CODE:	006102	
R			V29780	107999	
R	370	4812-169	. FRAME ASSY-	002004	1
R			SUPPLIER CODE:	006102	
R			V29780	107999	

MISSING ITEM NUMBERS NOT APPLICABLE

- ITEM NOT ILLUSTRATED

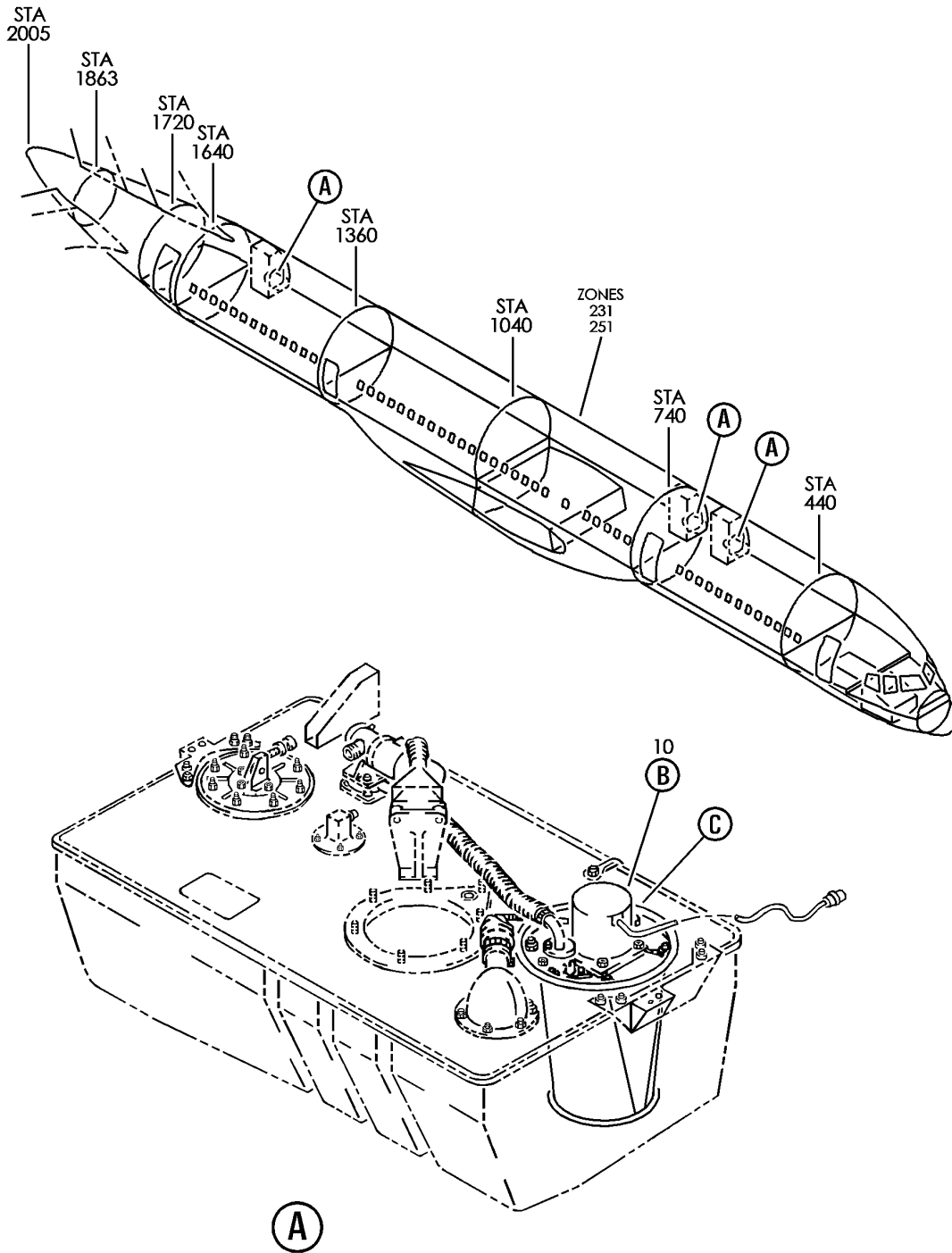
BRI

38-32-05-11

BOEING PROPRIETARY - Copyright © - Unpublished Work - See title page for details.

38-32-05
FIG. 11
PAGE 6
MAY 20/09

BOEING
757
PARTS CATALOG (MAINTENANCE)



Y 38320512 SHT 1 REV 228

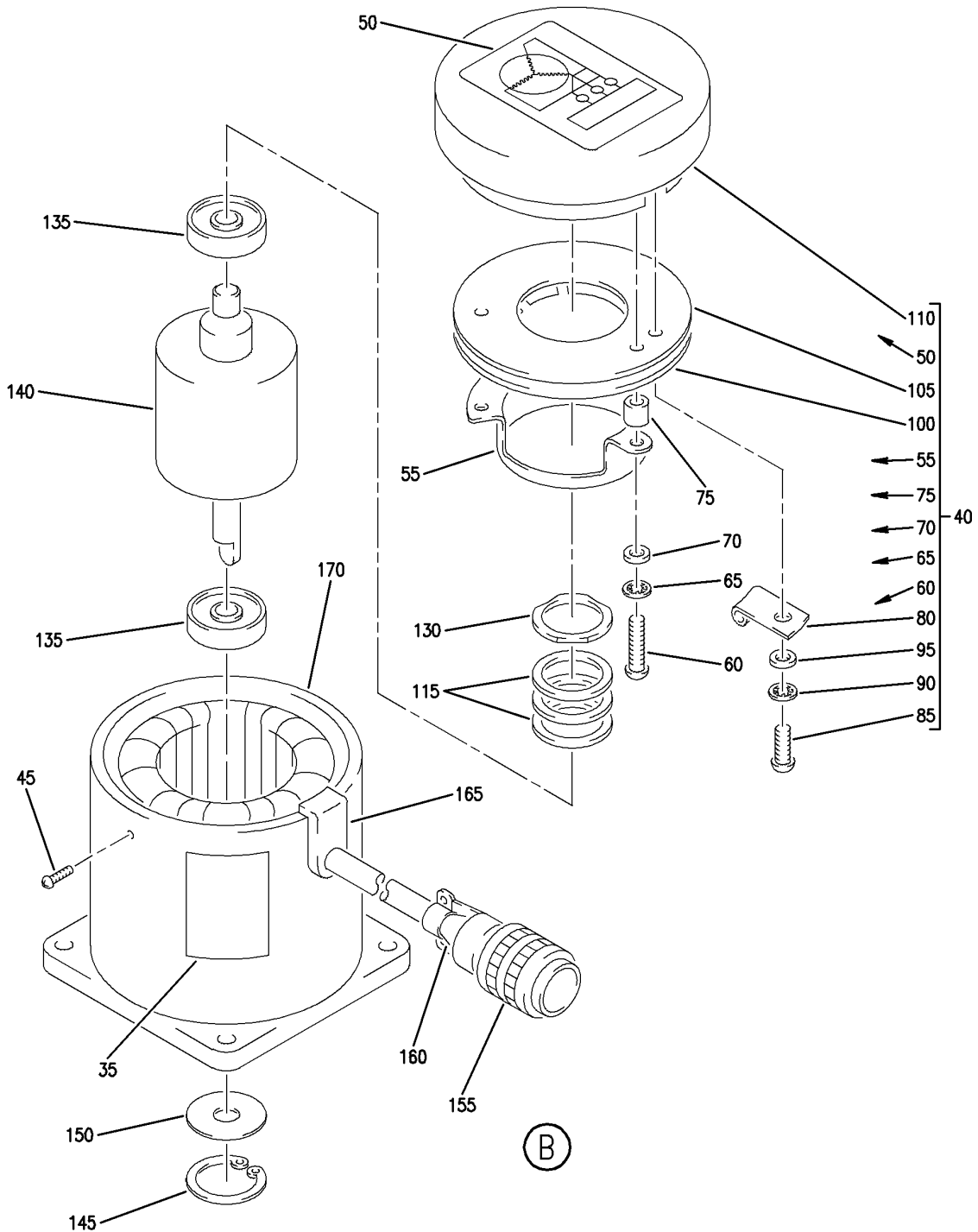
MOTOR ASSY-PUMP FILTER
FIGURE 12 (SHEET 1)

38-32-05-12

BRI
JAN 20/09

38-32-05-12
PAGE 0

BOEING
757
PARTS CATALOG (MAINTENANCE)



Y 38320512 SHT 2 REV 228

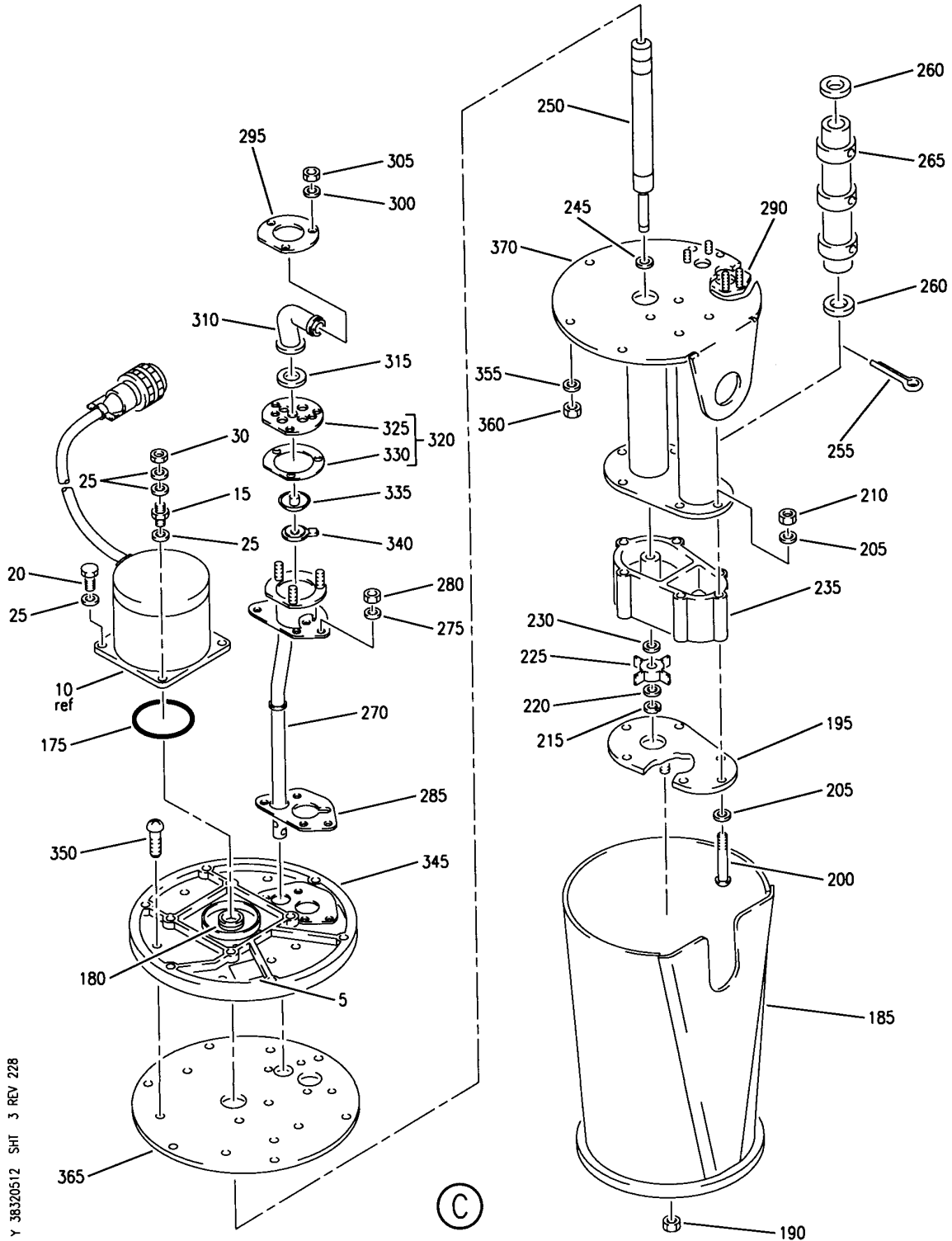
MOTOR ASSY-PUMP FILTER
FIGURE 12 (SHEET 2)

38-32-05-12

BRI
JAN 20/09

38-32-05-12
PAGE 0A

BOEING
757
PARTS CATALOG (MAINTENANCE)



Y 38320512 SH1 3 REV 228

MOTOR ASSY-PUMP FILTER
FIGURE 12 (SHEET 3)

38-32-05-12

BRI
JAN 20/09

38-32-05-12
PAGE 0B



757

PARTS CATALOG (MAINTENANCE)

FIG ITEM	PART NUMBER	1 2 3 4 5 6 7	NOMENCLATURE	EFFECT FROM TO	UNITS PER ASSY
12					
- 1	16204-002		MOTOR ASSY-PUMP FILTER MOTOR ASSY-PUMP FILTER SUPPLIER CODE: V29780 COMPONENT MAINT MANUAL REF: 38-33-02 FOR NHA SEE: 38-32-01-50	950999 950999	RF
5	2333-7		.DECAL-IDENT SUPPLIER CODE: V29780	950999	1
10	4812-70		.MOTOR ASSY- SUPPLIER CODE: V29780	950999	1
15	4812-25-1		ATTACHING PARTS .STUD- SUPPLIER CODE: V29780	950999	1
20	NAS501-3H4A		.BOLT	950999	3
25	AN960C10L		.WASHER	950999	6
30	NAS679C3M		.NUT	950999	1
			-----*-----		
35	4812-73		.. LABEL-IDENT SUPPLIER CODE: V29780	950999	1
40	4812-63		.. BELL ASSY-END SUPPLIER CODE: V29780 ATTACHING PARTS	950999	1
45	MS35190-233		.. SCREW- OPTIONAL PART: MS24583-22	950999	3
45	MS24583-22		.. SCREW- OPTIONAL PART: MS35190-233	950999	3
			-----*-----		
50	4812-74		... LABEL-SCHEMATIC SUPPLIER CODE: V29780	950999	1
55	4812-68		... ROTOR-TEMP SENSOR SUPPLIER CODE: V29780 ATTACHING PARTS	950999	1
60	AN515-6R10		... SCREW	950999	3
65	MS35333-37		... WASHER	950999	3
70	NAS620-6L		... WASHER	950999	1
			-----*-----		

MISSING ITEM NUMBERS NOT APPLICABLE

- ITEM NOT ILLUSTRATED

38-32-05-12

38-32-05
FIG. 12
PAGE 1
JAN 20/09

BRI



757

PARTS CATALOG (MAINTENANCE)

FIG ITEM	PART NUMBER	1 2 3 4 5 6 7	NOMENCLATURE	EFFECT FROM TO	UNITS PER ASSY
12					
75	4812-69	...	SPACER- SUPPLIER CODE: V29780	950999	3
80	AD955	...	CLAMP- SUPPLIER CODE: V95270 ATTACHING PARTS	950999	1
85	AN515-6R7	...	SCREW	950999	1
90	MS35333-37	...	WASHER	950999	1
95	NAS620-6L	...	WASHER	950999	1
			-----*-----		
100	4812-67-1	...	PROTECTOR-THRM SUPPLIER CODE: V29780	950999	1
105	4812-67-2	...	INSULATOR- SUPPLIER CODE: V29780	950999	1
110	4812-66	...	END BELL- SUPPLIER CODE: V29780	950999	1
115	3205-18-1	..	WASHER-SHIM .003 IN. SUPPLIER CODE: V29780	950999	AR
- 120	3205-18-2	..	WASHER-SHIM .005 IN. SUPPLIER CODE: V29780	950999	AR
- 125	3205-18-3	..	WASHER-SHIM .010 IN. SUPPLIER CODE: V29780	950999	AR
130	3205-16	..	WASHER-SPR SUPPLIER CODE: V29780	950999	1
135	3205-15	..	BEARING-BALL SUPPLIER CODE: V29780	950999	2
140	4812-11-14	..	ROTOR ASSY- SUPPLIER CODE: V29780	950999	1
145	MS16625-4086	..	PACKING	950999	1
150	4812-11-17	..	WASHER-BRG COVER SUPPLIER CODE: V29780	950999	1
155	MS24266R14B7P	..	RECEPTACLE	950999	1
160	3205-20-2	..	GROMMET- SUPPLIER CODE: V29780	950999	1
165	3205-20-1	..	GROMMET- SUPPLIER CODE: V29780	950999	1

MISSING ITEM NUMBERS NOT APPLICABLE

- ITEM NOT ILLUSTRATED

38-32-05-12

38-32-05
FIG. 12
PAGE 2
JAN 20/09

BRI

 **BOEING**
757
PARTS CATALOG (MAINTENANCE)

FIG ITEM	PART NUMBER	1 2 3 4 5 6 7	NOMENCLATURE	EFFECT FROM TO	UNITS PER ASSY
12					
170	4812-71		. . HOUSING-STATOR WITH CABLE SUPPLIER CODE: V29780	950999	1
175	2-132C557-70		. PACKING- SUPPLIER CODE: V02697 CONFIG CHG DATA FROM A CMM: REPLD BY 2-132N602-70	950999	1
175	2-132N602-70		. PACKING- SUPPLIER CODE: V02697 CONFIG CHG DATA FROM A CMM: REPLS 2-132C557-70	950999	1
180	025-050-12		. SEAL- SUPPLIER CODE: V29780	950999	2
185	4812-120		. BASKET- SUPPLIER CODE: V29780	950999	1
190	NAS679C08M		ATTACHING PARTS . NUT	950999	1
195	4812-171		-----*----- . PLATE-IMPELLER HSG SUPPLIER CODE: V29780 ATTACHING PARTS	950999	1
200	MS51957-53		. SCREW	950999	6
205	AN960C8		. WASHER	950999	12
210	NAS1291C08M		. NUT	950999	6
215	MS16624-4025		-----*----- . RING	950999	1
220	340121020		. WASHER- SUPPLIER CODE: V29780	950999	AR
225	4812-170		. IMPELLER- SUPPLIER CODE: V29780	950999	1
230	4812-31		. WASHER-THRUST SUPPLIER CODE: V29780	950999	AR
235	4812-105		. HOUSING-IMPELLER SUPPLIER CODE: V29780	950999	1
- 240	4812-172		. INSERT-IMPELLER HSG SUPPLIER CODE: V29780	950999	1

MISSING ITEM NUMBERS NOT APPLICABLE

- ITEM NOT ILLUSTRATED

BRI

38-32-05-12

BOEING PROPRIETARY - Copyright © - Unpublished Work - See title page for details.

38-32-05
FIG. 12
PAGE 3
MAY 20/09

BOEING
757
PARTS CATALOG (MAINTENANCE)

FIG ITEM	PART NUMBER	1 2 3 4 5 6 7	NOMENCLATURE	EFFECT FROM TO	UNITS PER ASSY
12					
245	4812-31		.WASHER-THRUST SUPPLIER CODE: V29780	950999	AR
250	4812-168		.DRIVE SHAFT- SUPPLIER CODE: V29780 CONFIG CHG DATA FROM A CMM: SUPSD BY 4812-174-20	950999	1
250	4812-174-20		.DRIVE SHAFT- SUPPLIER CODE: V29780 CONFIG CHG DATA FROM A CMM: SUPERSEDES 4812-168	950999	1
255	MS24665-87		.PIN	950999	1
260	4812-107		.WASHER- SUPPLIER CODE: V29780	950999	2
265	4812-141		.NOZZLE-SPRAY SUPPLIER CODE: V29780	950999	1
270	16202-018		.BRACKET-ANTI SIPHON VALVE SUPPLIER CODE: V29780 ATTACHING PARTS	950999	1
275	NAS620C8		.WASHER	950999	4
280	NAS1291C08M		.NUT	950999	4
			-----*-----		
285	16202-022		.GASKET- SUPPLIER CODE: V29780	950999	1
290	16202-030		.PLATE-ANTI SIPHON VALVE MTG SUPPLIER CODE: V29780	950999	1
295	16202-028		.WASHER-RETENTION SUPPLIER CODE: V29780 ATTACHING PARTS	950999	1
300	AN960C8		.WASHER	950999	3
305	NAS679C08M		.NUT	950999	3
			-----*-----		
310	4812-139		.TUBE-INLET SUPPLIER CODE: V29780	950999	1
315	4812-155		.GASKET- SUPPLIER CODE: V29780	950999	1

MISSING ITEM NUMBERS NOT APPLICABLE

— ITEM NOT ILLUSTRATED

BRI

38-32-05-12

BOEING PROPRIETARY - Copyright © - Unpublished Work - See title page for details.

38-32-05
FIG. 12
PAGE 4
MAY 20/09



757

PARTS CATALOG (MAINTENANCE)

FIG ITEM	PART NUMBER	1 2 3 4 5 6 7	NOMENCLATURE	EFFECT FROM TO	UNITS PER ASSY
12					
320	16202-026	.	SEAT ASSY-VALVE SUPPLIER CODE: V29780	950999	1
325	16202-024	..	PLATE ASSY- SUPPLIER CODE: V29780	950999	1
330	16202-025	..	GASKET- SUPPLIER CODE: V29780	950999	1
335	16202-027	.	VALVE-MUSHROOM SUPPLIER CODE: V29780	950999	1
340	16202-020	.	FLAPPER ASSY- SUPPLIER CODE: V29780	950999	1
345	4812-133	.	PLATE-MTG MOLDED SUPPLIER CODE: V29780	950999	1
			ATTACHING PARTS		
350	MS51957-46	.	SCREW	950999	8
355	AN960C8	.	WASHER	950999	16
360	NAS1291C08M	.	NUT	950999	8
			-----*-----		
365	4812-135	.	GASKET-BONDED SUPPLIER CODE: V29780	950999	1
370	4812-169	.	FRAME ASSY- SUPPLIER CODE: V29780	950999	1

MISSING ITEM NUMBERS NOT APPLICABLE

- ITEM NOT ILLUSTRATED

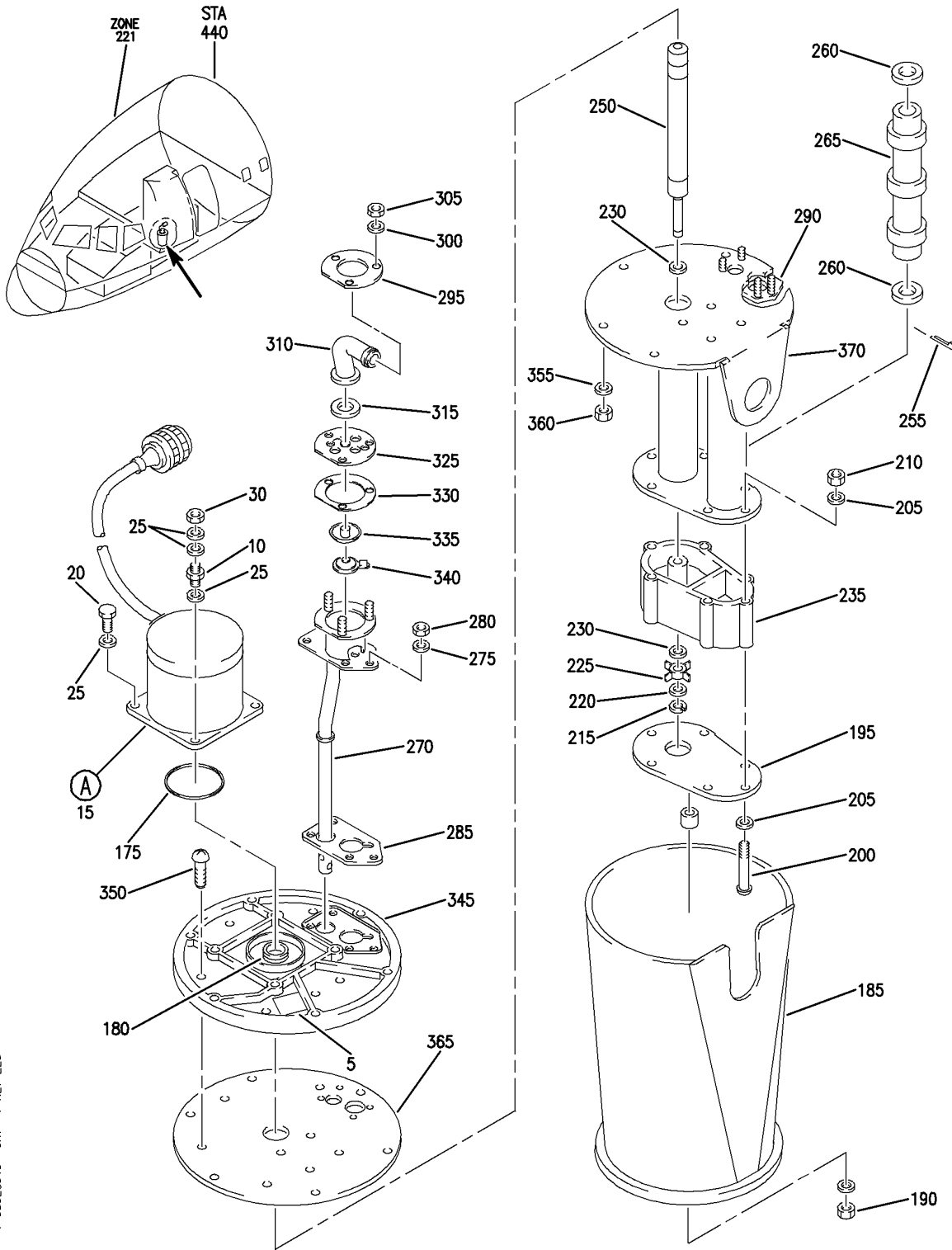
38-32-05-12

38-32-05
FIG. 12
PAGE 5
MAY 20/09

BRI

BOEING PROPRIETARY - Copyright © - Unpublished Work - See title page for details.

BOEING
757
PARTS CATALOG (MAINTENANCE)



Y 38320513 SHT 1 REV 228

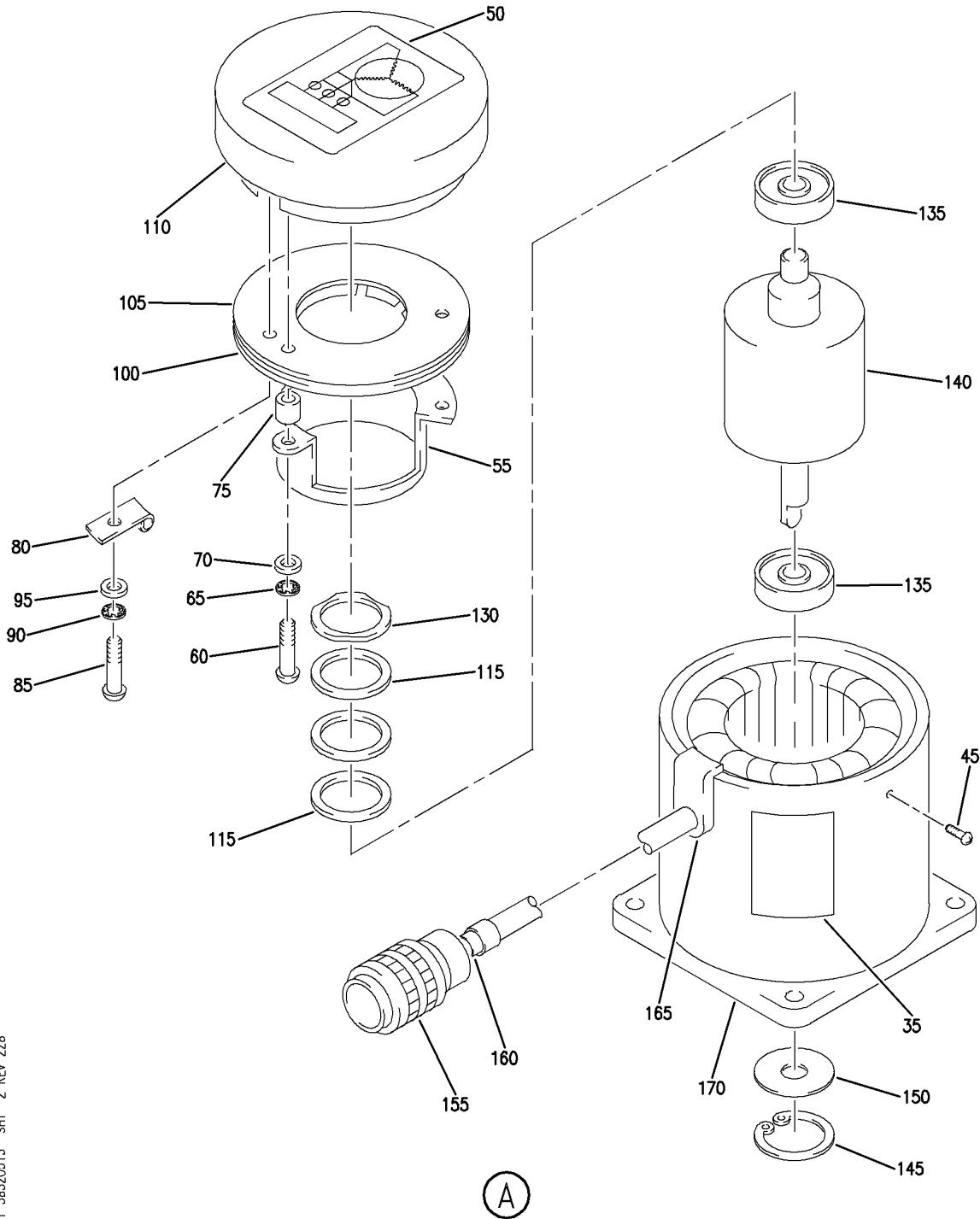
MOTOR ASSY-PUMP FILTER
FIGURE 13 (SHEET 1)

38-32-05-13

BRI
MAY 28/07

38-32-05-13
PAGE 0

BOEING
757
PARTS CATALOG (MAINTENANCE)



Y 38320513 SHT 2 REV 228

MOTOR ASSY-PUMP FILTER
FIGURE 13 (SHEET 2)

38-32-05-13

BRI
MAY 28/07

38-32-05-13
PAGE 0A

BOEING
757
PARTS CATALOG (MAINTENANCE)

FIG ITEM	PART NUMBER	1 2 3 4 5 6 7	NOMENCLATURE	EFFECT FROM TO	UNITS PER ASSY
R	13		MOTOR ASSY-PUMP FILTER	002004	
R				006102	
R				107999	
R	- 1	16204-002	MOTOR ASSY-PUMP FILTER	002004	RF
R			SUPPLIER CODE:	006102	
R			V29780	107999	
R			COMPONENT MAINT MANUAL REF:		
R			38-33-02		
R			FOR NHA SEE:		
R			38-32-01-51		
R	5	2333-7	.DECAL-IDENT	002004	1
R			SUPPLIER CODE:	006102	
R			V29780	107999	
R	10	4812-25-1	.STUD-	002004	1
R			SUPPLIER CODE:	006102	
R			V29780	107999	
R	15	4812-70	.MOTOR ASSY-	002004	1
R			SUPPLIER CODE:	006102	
R			V29780	107999	
R			ATTACHING PARTS		
R	20	NAS501-3H4A	.BOLT	002004	3
R				006102	
R				107999	
R	25	AN960C10L	.WASHER	002004	6
R				006102	
R				107999	
R	30	NAS679C3M	.NUT	002004	1
R				006102	
R				107999	
R	35	4812-73	-----*----- .. LABEL-IDENT	002004	1
R			SUPPLIER CODE:	006102	
R			V29780	107999	
R	- 40	4812-63	.. BELL ASSY-END	002004	1
R			SUPPLIER CODE:	006102	
R			V29780	107999	
R			ATTACHING PARTS		
R	45	MS35190-233	.. SCREW-	002004	3
R			OPTIONAL PART:	006102	
R			MS24583-22	107999	
R	45	MS24583-22	.. SCREW-	002004	3
R			OPTIONAL PART:	006102	
R			MS35190-233	107999	
R	50	4812-74	-----*----- ... LABEL-SCHEMATIC	002004	1
R			SUPPLIER CODE:	006102	
R			V29780	107999	

MISSING ITEM NUMBERS NOT APPLICABLE

- ITEM NOT ILLUSTRATED

BRI

38-32-05-13

38-32-05
FIG. 13
PAGE 1
MAY 20/09

BOEING
757
PARTS CATALOG (MAINTENANCE)

FIG ITEM	PART NUMBER	1 2 3 4 5 6 7	NOMENCLATURE	EFFECT FROM TO	UNITS PER ASSY
13					
R	55	4812-68	... ROTOR-TEMP SENSOR	002004	1
R			SUPPLIER CODE:	006102	
R			V29780	107999	
			ATTACHING PARTS		
R	60	AN515-6R10	... SCREW	002004	3
R				006102	
R				107999	
R	65	MS35333-37	... WASHER	002004	3
R				006102	
R				107999	
R	70	NAS620-6L	... WASHER	002004	1
R				006102	
R				107999	
			-----*-----		
R	75	4812-69	... SPACER-	002004	3
R			SUPPLIER CODE:	006102	
R			V29780	107999	
R	80	AD955	... CLAMP-	002004	1
R			SUPPLIER CODE:	006102	
R			V95270	107999	
			ATTACHING PARTS		
R	85	AN515-6R7	... SCREW	002004	1
R				006102	
R				107999	
R	90	MS35333-37	... WASHER	002004	1
R				006102	
R				107999	
R	95	NAS620-6L	... WASHER	002004	1
R				006102	
R				107999	
			-----*-----		
R	100	4812-67-1	... PROTECTOR-THRM	002004	1
R			SUPPLIER CODE:	006102	
R			V29780	107999	
R	105	4812-67-2	... INSULATOR-	002004	1
R			SUPPLIER CODE:	006102	
R			V29780	107999	
R	110	4812-66	... END BELL-	002004	1
R			SUPPLIER CODE:	006102	
R			V29780	107999	
R	115	3205-18-1	.. WASHER-SHIM .003 IN.	002004	AR
R			SUPPLIER CODE:	006102	
R			V29780	107999	
R	- 120	3205-18-2	.. WASHER-SHIM .005 IN.	002004	AR
R			SUPPLIER CODE:	006102	
R			V29780	107999	
R	- 125	3205-18-3	.. WASHER-SHIM .010 IN.	002004	AR
R			SUPPLIER CODE:	006102	
R			V29780	107999	

MISSING ITEM NUMBERS NOT APPLICABLE

- ITEM NOT ILLUSTRATED

BRI

38-32-05-13

38-32-05
FIG. 13
PAGE 2
MAY 20/09

BOEING
757
PARTS CATALOG (MAINTENANCE)

FIG ITEM	PART NUMBER	1 2 3 4 5 6 7	NOMENCLATURE	EFFECT FROM TO	UNITS PER ASSY
R	130	3205-16	.. WASHER-SPR SUPPLIER CODE: V29780	002004 006102 107999	1
R	135	3205-15	.. BEARING-BALL SUPPLIER CODE: V29780	002004 006102 107999	2
R	140	4812-11-14	.. ROTOR ASSY- SUPPLIER CODE: V29780	002004 006102 107999	1
R	145	MS16625-4086	.. PACKING	002004 006102 107999	1
R	150	4812-11-17	.. WASHER-BRG COVER SUPPLIER CODE: V29780	002004 006102 107999	1
R	155	MS24266R14B7P	.. RECEPTACLE	002004 006102 107999	1
R	160	3205-20-2	.. GROMMET- SUPPLIER CODE: V29780	002004 006102 107999	1
R	165	3205-20-1	.. GROMMET- SUPPLIER CODE: V29780	002004 006102 107999	1
R	170	4812-71	.. HOUSING-STATOR WITH CABLE SUPPLIER CODE: V29780	002004 006102 107999	1
R	175	2-132C557-70	.PACKING- SUPPLIER CODE: V02697 CONFIG CHG DATA FROM A CMM: REPLD BY 2-132N602-70	002004 006102 107999	1
R	175	2-132N602-70	.PACKING- SUPPLIER CODE: V02697 CONFIG CHG DATA FROM A CMM: REPLS 2-132C557-70	002004 006102 107999	1
R	180	025-050-12	.SEAL- SUPPLIER CODE: V29780	002004 006102 107999	2
R	185	4812-120	.BASKET- SUPPLIER CODE: V29780	002004 006102 107999	1
R	190	NAS679C08M	ATTACHING PARTS .NUT	002004 006102 107999	1
			-----*-----		

MISSING ITEM NUMBERS NOT APPLICABLE

— ITEM NOT ILLUSTRATED

BRI

38-32-05-13

BOEING PROPRIETARY - Copyright © - Unpublished Work - See title page for details.

38-32-05
FIG. 13
PAGE 3
MAY 20/09

BOEING
757
PARTS CATALOG (MAINTENANCE)

FIG ITEM	PART NUMBER	1 2 3 4 5 6 7	NOMENCLATURE	EFFECT FROM TO	UNITS PER ASSY
13					
R R R	195 4812-171		.PLATE-IMPELLER HSG SUPPLIER CODE: V29780 ATTACHING PARTS	002004 006102 107999	1
R R R	200 MS51957-53		.SCREW	002004 006102 107999	6
R R R	205 AN960C8		.WASHER	002004 006102 107999	12
R R R	210 NAS1291C08M		.NUT	002004 006102 107999	6
R R R	215 MS16624-4025		-----*----- .RING	002004 006102 107999	1
R R R	220 340121020		.WASHER- SUPPLIER CODE: V29780	002004 006102 107999	AR
R R R	225 4812-170		.IMPELLER- SUPPLIER CODE: V29780	002004 006102 107999	1
R R R	230 4812-31		.WASHER-THRUST SUPPLIER CODE: V29780	002004 006102 107999	AR
R R R	235 4812-105		.HOUSING-IMPELLER SUPPLIER CODE: V29780	002004 006102 107999	1
R R R	240 4812-172		.INSERT-IMPELLER HSG SUPPLIER CODE: V29780	002004 006102 107999	1
R R R	250 4812-168		.DRIVE SHAFT- SUPPLIER CODE: V29780 CONFIG CHG DATA FROM A CMM: SUPSD BY 4812-174-20	002004 006102 107999	1
R R R	250 4812-174-20		.DRIVE SHAFT- SUPPLIER CODE: V29780 CONFIG CHG DATA FROM A CMM: SUPERSEDES 4812-168	002004 006102 107999	1
R R R	255 MS24665-87		.PIN	002004 006102 107999	1
R R R	260 4812-107		.WASHER- SUPPLIER CODE: V29780	002004 006102 107999	2

MISSING ITEM NUMBERS NOT APPLICABLE

— ITEM NOT ILLUSTRATED

BRI

38-32-05-13

38-32-05
FIG. 13
PAGE 4
MAY 20/09



757

PARTS CATALOG (MAINTENANCE)

FIG ITEM	PART NUMBER	1 2 3 4 5 6 7	NOMENCLATURE	EFFECT FROM TO	UNITS PER ASSY
13					
R	265	4812-141	.NOZZLE-SPRAY SUPPLIER CODE: V29780	002004 006102 107999	1
R	270	16202-018	.BRACKET-ANTI SIPHON VALVE SUPPLIER CODE: V29780	002004 006102 107999	1
R	275	NAS620C8	.WASHER	002004 006102 107999	4
R	280	NAS1291C08M	.NUT	002004 006102 107999	4
			-----*-----		
R	285	16202-022	.GASKET- SUPPLIER CODE: V29780	002004 006102 107999	1
R	290	16202-030	.PLATE-ANTI SIPHON VALVE MTG SUPPLIER CODE: V29780	002004 006102 107999	1
R	295	16202-028	.WASHER-RETENTION SUPPLIER CODE: V29780	002004 006102 107999	1
R	300	AN960C8	.WASHER	002004 006102 107999	3
R	305	NAS679C08M	.NUT	002004 006102 107999	3
			-----*-----		
R	310	4812-139	.TUBE-INLET SUPPLIER CODE: V29780	002004 006102 107999	1
R	315	4812-155	.GASKET- SUPPLIER CODE: V29780	002004 006102 107999	1
R	320	16202-026	.SEAT ASSY-VALVE SUPPLIER CODE: V29780	002004 006102 107999	1
R	325	16202-024	..PLATE ASSY- SUPPLIER CODE: V29780	002004 006102 107999	1
R	330	16202-025	..GASKET- SUPPLIER CODE: V29780	002004 006102 107999	1

MISSING ITEM NUMBERS NOT APPLICABLE

- ITEM NOT ILLUSTRATED

38-32-05-13

38-32-05
FIG. 13
PAGE 5
MAY 20/09

BRI



757

PARTS CATALOG (MAINTENANCE)

FIG ITEM	PART NUMBER	1 2 3 4 5 6 7	NOMENCLATURE	EFFECT FROM TO	UNITS PER ASSY
13					
R	335	16202-027	. VALVE-MUSHROOM	002004	1
R			SUPPLIER CODE:	006102	
R			V29780	107999	
R	340	16202-020	. FLAPPER ASSY-	002004	1
R			SUPPLIER CODE:	006102	
R			V29780	107999	
R	345	4812-133	. PLATE-MTG MOLDED	002004	1
R			SUPPLIER CODE:	006102	
R			V29780	107999	
R			ATTACHING PARTS		
R	350	MS51957-46	. SCREW	002004	8
R				006102	
R				107999	
R	355	AN960C8	. WASHER	002004	16
R				006102	
R				107999	
R	360	NAS1291C08M	. NUT	002004	8
R				006102	
R				107999	
R			-----*-----		
R	365	4812-135	. GASKET-BONDED	002004	1
R			SUPPLIER CODE:	006102	
R			V29780	107999	
R	370	4812-169	. FRAME ASSY-	002004	1
R			SUPPLIER CODE:	006102	
R			V29780	107999	

MISSING ITEM NUMBERS NOT APPLICABLE

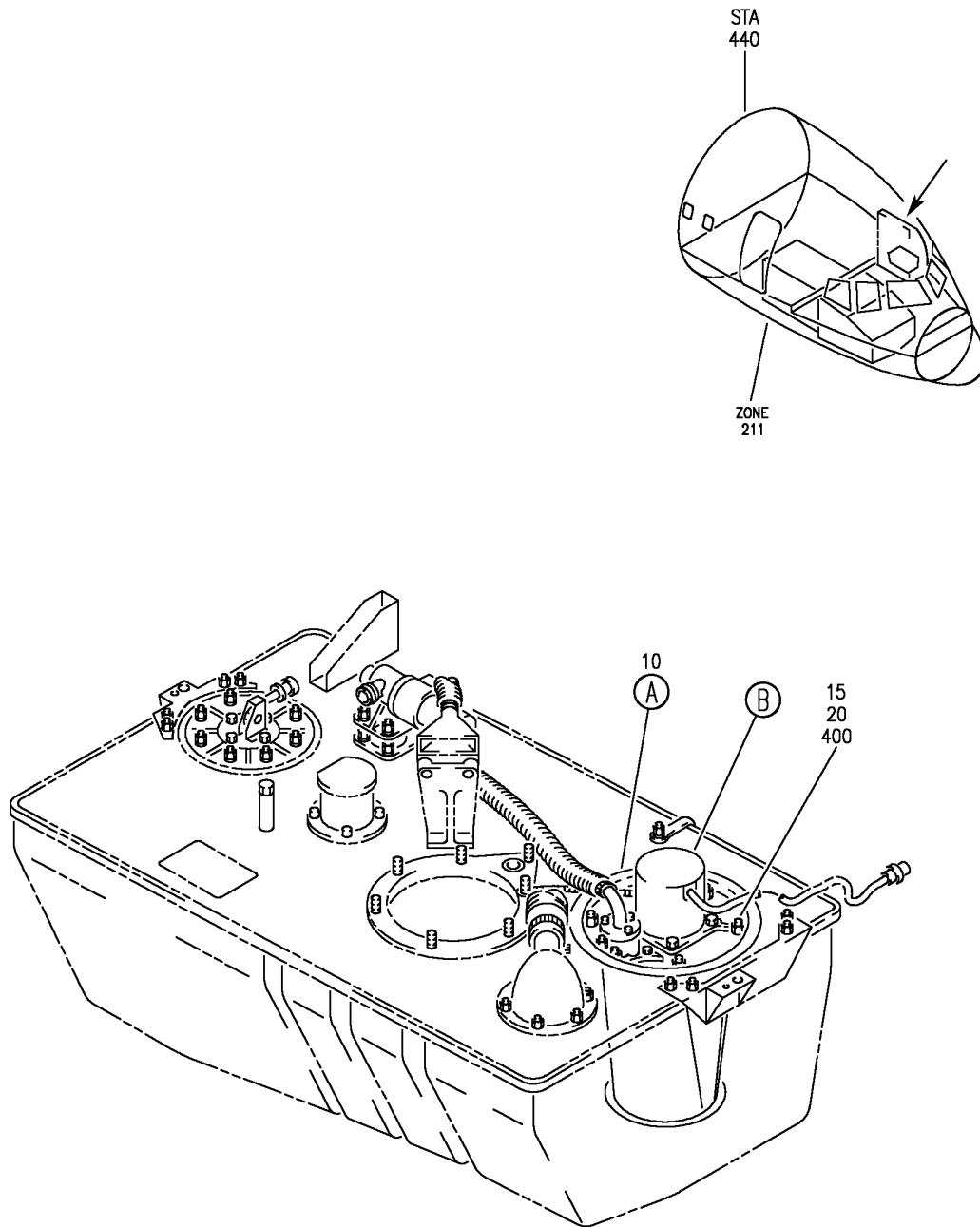
- ITEM NOT ILLUSTRATED

38-32-05-13

38-32-05
FIG. 13
PAGE 6
MAY 20/09

BRI

BOEING
757
PARTS CATALOG (MAINTENANCE)



Y 38320514 SH1 1 REV 335

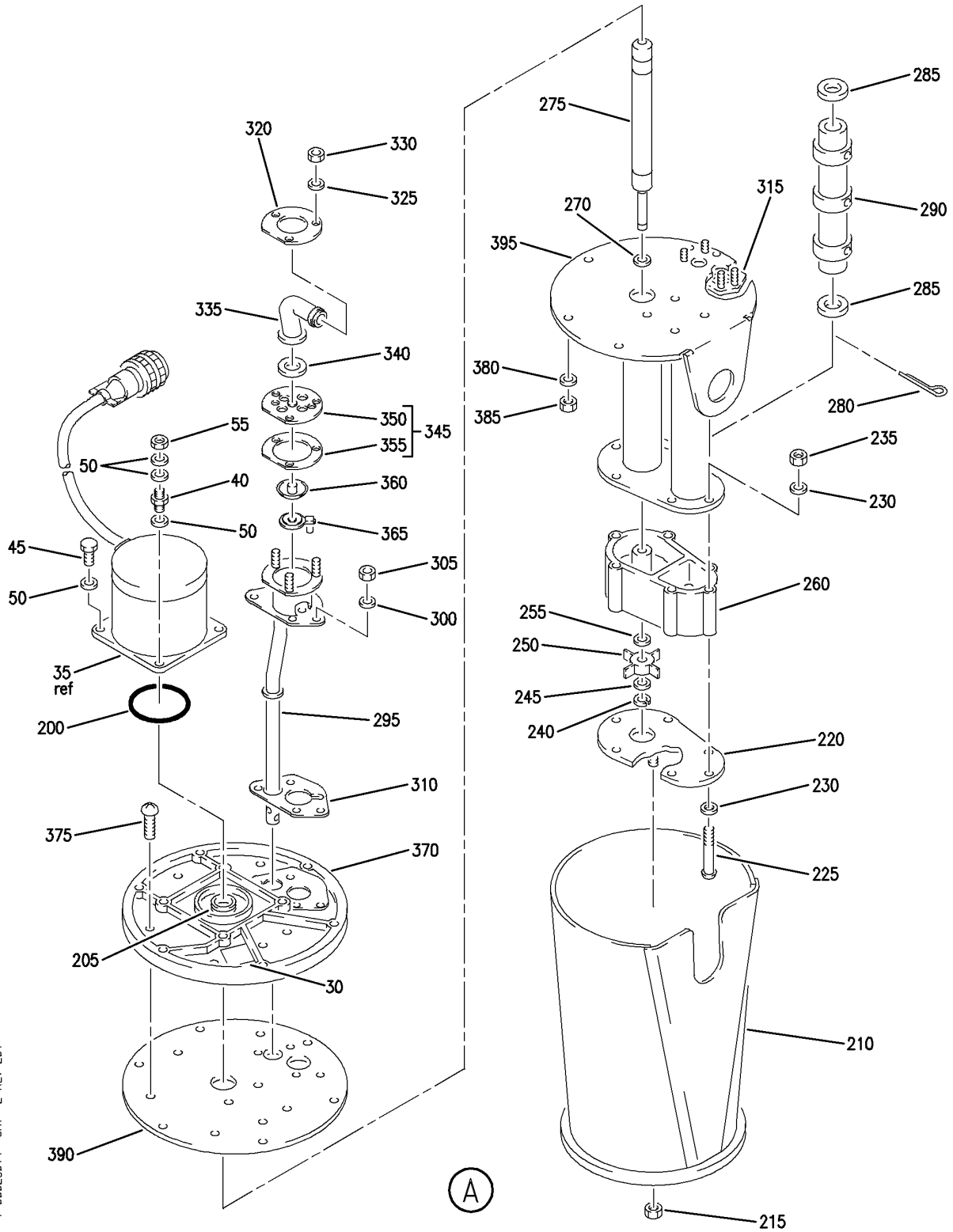
TOILET ASSY-FLUSHING (FLUSH MOTOR ONLY)
FIGURE 14 (SHEET 1)

38-32-05-14

BRI
MAY 20/09

38-32-05-14
PAGE 0


BOEING
 757
PARTS CATALOG (MAINTENANCE)



Y 38320514 SHT 2 REV 231

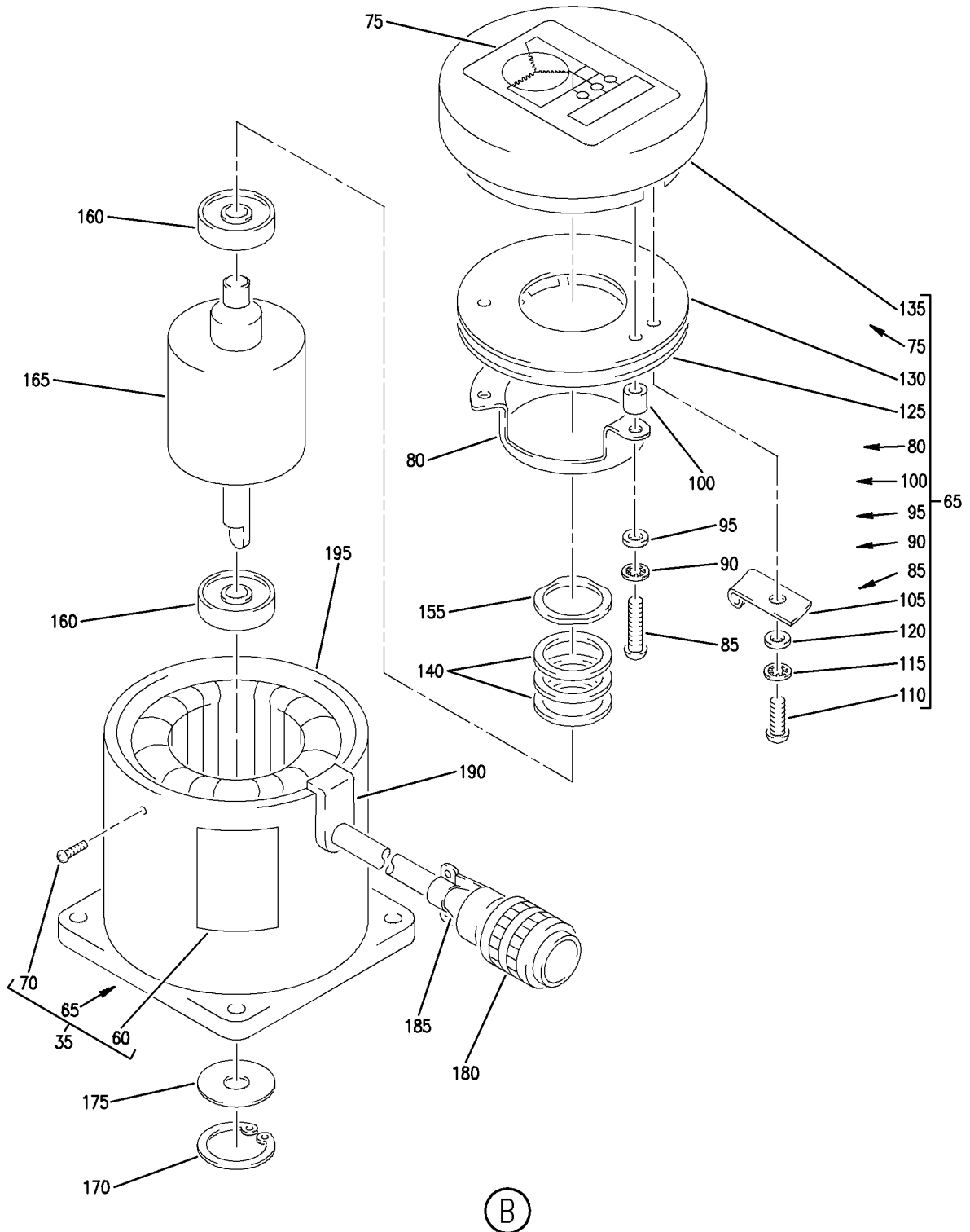
TOILET ASSY-FLUSHING (FLUSH MOTOR ONLY)
 FIGURE 14 (SHEET 2)

38-32-05-14

BRI
 MAY 28/07

38-32-05-14
 PAGE 0A

BOEING
757
PARTS CATALOG (MAINTENANCE)



Y 38320514 SHT 3 REV 231

(B)

TOILET ASSY-FLUSHING (FLUSH MOTOR ONLY)
FIGURE 14 (SHEET 3)

38-32-05-14

BRI
MAY 28/07

38-32-05-14
PAGE 0B



757

PARTS CATALOG (MAINTENANCE)

FIG ITEM	PART NUMBER	1 2 3 4 5 6 7	NOMENCLATURE	EFFECT FROM TO	UNITS PER ASSY
14			TOILET ASSY-FLUSHING (FLUSH MOTOR ONLY)	002004 006102 107999	
R R R R R R R R R R R	- 1 16300-013		TOILET ASSY-FLUSHING (FLUSH MOTOR ONLY) SUPPLIER CODE: V29780 SPECIFICATION NUMBER: S417N102-58 SB DATA FROM A CMM: POST 16200-38-03 CONFIG CHG DATA FROM A CMM: REPLS 16300-011 COMPONENT MAINT MANUAL REF: 38-33-01 FOR NHA/ADDITIONAL DET SEE: 38-32-01-01	002004 006102 107999	RF
	10 16204-002		.MOTOR ASSY-PUMP FILTER SUPPLIER CODE: V29780 COMPONENT MAINT MANUAL REF: 38-33-02	002004 006102 107999	1
	15 NAS70C161-438		ATTACHING PARTS .WASHER	002004 006102 107999	6
	20 NAS679C08M		.NUT	002004 006102 107999	6
	30 2333-7		-----*----- ..DECAL-IDENT SUPPLIER CODE: V29780	002004 006102 107999	1
	35 4812-70		..MOTOR ASSY- SUPPLIER CODE: V29780 ATTACHING PARTS	002004 006102 107999	1
	40 4812-25-1		..STUD- SUPPLIER CODE: V29780	002004 006102 107999	1
	45 NAS501-3H4A		..BOLT	002004 006102 107999	3
	50 AN960C10L		..WASHER	002004 006102 107999	6

MISSING ITEM NUMBERS NOT APPLICABLE

- ITEM NOT ILLUSTRATED

38-32-05-14

38-32-05
FIG. 14
PAGE 1
MAY 20/09

BRI

BOEING
757
PARTS CATALOG (MAINTENANCE)

FIG ITEM	PART NUMBER	1 2 3 4 5 6 7	NOMENCLATURE	EFFECT FROM TO	UNITS PER ASSY
14					
55	NAS679C3M	..	NUT	002004 006102 107999	1
			-----*-----		
60	4812-73	...	LABEL-IDENT SUPPLIER CODE: V29780	002004 006102 107999	1
65	4812-63	...	BELL ASSY-END SUPPLIER CODE: V29780	002004 006102 107999	1
			ATTACHING PARTS		
70	MS35190-233	...	SCREW- OPTIONAL PART: MS24583-22	002004 006102 107999	3
70	MS24583-22	...	SCREW- OPTIONAL PART: MS35190-233	002004 006102 107999	3
			-----*-----		
75	4812-74	LABEL-SCHEMATIC SUPPLIER CODE: V29780	002004 006102 107999	1
80	4812-68	ROTOR-TEMP SENSOR SUPPLIER CODE: V29780	002004 006102 107999	1
			ATTACHING PARTS		
85	AN515-6R10	SCREW	002004 006102 107999	3
90	MS35333-37	WASHER	002004 006102 107999	3
95	NAS620-6L	WASHER	002004 006102 107999	1
			-----*-----		
100	4812-69	SPACER- SUPPLIER CODE: V29780	002004 006102 107999	3
105	AD955	CLAMP- SUPPLIER CODE: V95270	002004 006102 107999	1
110	AN515-6R7	SCREW	002004 006102 107999	1
115	MS35333-37	WASHER	002004 006102 107999	1

MISSING ITEM NUMBERS NOT APPLICABLE

— ITEM NOT ILLUSTRATED

BRI

38-32-05-14

BOEING PROPRIETARY - Copyright © - Unpublished Work - See title page for details.

38-32-05
FIG. 14
PAGE 2
MAY 20/09



757

PARTS CATALOG (MAINTENANCE)

FIG ITEM	PART NUMBER	1 2 3 4 5 6 7	NOMENCLATURE	EFFECT FROM TO	UNITS PER ASSY
14					
120	NAS620-6L	WASHER	002004 006102 107999	1
125	4812-67-1	PROTECTOR-THRM SUPPLIER CODE: V29780	002004 006102 107999	1
130	4812-67-2	INSULATOR- SUPPLIER CODE: V29780	002004 006102 107999	1
135	4812-66	END BELL- SUPPLIER CODE: V29780	002004 006102 107999	1
140	3205-18-1	...	WASHER-SHIM .003 IN. SUPPLIER CODE: V29780	002004 006102 107999	AR
- 145	3205-18-2	...	WASHER-SHIM .005 IN. SUPPLIER CODE: V29780	002004 006102 107999	AR
- 150	3205-18-3	...	WASHER-SHIM .010 IN. SUPPLIER CODE: V29780	002004 006102 107999	AR
155	3205-16	...	WASHER-SPR SUPPLIER CODE: V29780	002004 006102 107999	1
160	3205-15	...	BEARING-BALL SUPPLIER CODE: V29780	002004 006102 107999	2
165	4812-11-14	...	ROTOR ASSY- SUPPLIER CODE: V29780	002004 006102 107999	1
170	MS16625-4086	...	PACKING	002004 006102 107999	1
175	4812-11-17	...	WASHER-BRG COVER SUPPLIER CODE: V29780	002004 006102 107999	1
180	MS24266R14B7P	...	RECEPTACLE	002004 006102 107999	1
185	3205-20-2	...	GROMMET- SUPPLIER CODE: V29780	002004 006102 107999	1
190	3205-20-1	...	GROMMET- SUPPLIER CODE: V29780	002004 006102 107999	1
195	4812-71	...	HOUSING-STATOR WITH CABLE SUPPLIER CODE: V29780	002004 006102 107999	1

MISSING ITEM NUMBERS NOT APPLICABLE

- ITEM NOT ILLUSTRATED

38-32-05-14

38-32-05
FIG. 14
PAGE 3
MAY 20/09

BRI



757

PARTS CATALOG (MAINTENANCE)

FIG ITEM	PART NUMBER	1 2 3 4 5 6 7	NOMENCLATURE	EFFECT FROM TO	UNITS PER ASSY
14					
200	2-132C557-70	..	PACKING- SUPPLIER CODE: V02697 CONFIG CHG DATA FROM A CMM: REPLD BY 2-132N602-70	002004 006102 107999	1
200	2-132N602-70	..	PACKING- SUPPLIER CODE: V02697 CONFIG CHG DATA FROM A CMM: REPLS 2-132C557-70	002004 006102 107999	1
205	025-050-12	..	SEAL- SUPPLIER CODE: V29780	002004 006102 107999	2
210	4812-120	..	BASKET- SUPPLIER CODE: V29780	002004 006102 107999	1
215	NAS679C08M	..	NUT ATTACHING PARTS	002004 006102 107999	1
220	4812-171	..	PLATE-IMPELLER HSG SUPPLIER CODE: V29780 ATTACHING PARTS	002004 006102 107999	1
225	MS51957-53	..	SCREW	002004 006102 107999	6
230	AN960C8	..	WASHER	002004 006102 107999	12
235	NAS1291C08M	..	NUT	002004 006102 107999	6
240	MS16624-4025	..	RING	002004 006102 107999	1
245	340121020	..	WASHER- SUPPLIER CODE: V29780	002004 006102 107999	AR
250	4812-170	..	IMPELLER- SUPPLIER CODE: V29780	002004 006102 107999	1
255	4812-31	..	WASHER-THRUST SUPPLIER CODE: V29780	002004 006102 107999	AR

MISSING ITEM NUMBERS NOT APPLICABLE

- ITEM NOT ILLUSTRATED

38-32-05-14

38-32-05
FIG. 14
PAGE 4
MAY 20/09

BRI



757

PARTS CATALOG (MAINTENANCE)

FIG ITEM	PART NUMBER	1 2 3 4 5 6 7	NOMENCLATURE	EFFECT FROM TO	UNITS PER ASSY
14					
260	4812-105		..HOUSING-IMPELLER SUPPLIER CODE: V29780	002004 006102 107999	1
- 265	4812-172		..INSERT-IMPELLER HSG SUPPLIER CODE: V29780	002004 006102 107999	1
270	4812-31		..WASHER-THRUST SUPPLIER CODE: V29780	002004 006102 107999	AR
275	4812-168		..DRIVE SHAFT- SUPPLIER CODE: V29780	002004 006102 107999	1
			CONFIG CHG DATA FROM A CMM: SUPSD BY 4812-174-20		
275	4812-174-20		..DRIVE SHAFT- SUPPLIER CODE: V29780	002004 006102 107999	1
			CONFIG CHG DATA FROM A CMM: SUPERSEDES 4812-168		
280	MS24665-87		..PIN	002004 006102 107999	1
285	4812-107		..WASHER- SUPPLIER CODE: V29780	002004 006102 107999	2
290	4812-141		..NOZZLE-SPRAY SUPPLIER CODE: V29780	002004 006102 107999	1
295	16202-018		..BRACKET-ANTI SIPHON VALVE SUPPLIER CODE: V29780	002004 006102 107999	1
			ATTACHING PARTS		
300	NAS620C8		..WASHER	002004 006102 107999	4
305	NAS1291C08M		..NUT	002004 006102 107999	4
			-----*-----		
310	16202-022		..GASKET- SUPPLIER CODE: V29780	002004 006102 107999	1
315	16202-030		..PLATE-ANTI SIPHON VALVE MTG SUPPLIER CODE: V29780	002004 006102 107999	1
320	16202-028		..WASHER-RETENTION SUPPLIER CODE: V29780	002004 006102 107999	1

MISSING ITEM NUMBERS NOT APPLICABLE

- ITEM NOT ILLUSTRATED

38-32-05-14

38-32-05
FIG. 14
PAGE 5
JAN 20/09

BRI



757

PARTS CATALOG (MAINTENANCE)

FIG ITEM	PART NUMBER	1 2 3 4 5 6 7	NOMENCLATURE	EFFECT FROM TO	UNITS PER ASSY
14			ATTACHING PARTS		
325	AN960C8		.. WASHER	002004 006102 107999	3
330	NAS679C08M		.. NUT	002004 006102 107999	3
			-----*-----		
335	4812-139		.. TUBE-INLET SUPPLIER CODE: V29780	002004 006102 107999	1
340	4812-155		.. GASKET- SUPPLIER CODE: V29780	002004 006102 107999	1
345	16202-026		.. SEAT ASSY-VALVE SUPPLIER CODE: V29780	002004 006102 107999	1
350	16202-024		... PLATE ASSY- SUPPLIER CODE: V29780	002004 006102 107999	1
355	16202-025		... GASKET- SUPPLIER CODE: V29780	002004 006102 107999	1
360	16202-027		.. VALVE-MUSHROOM SUPPLIER CODE: V29780	002004 006102 107999	1
365	16202-020		.. FLAPPER ASSY- SUPPLIER CODE: V29780	002004 006102 107999	1
370	4812-133		.. PLATE-MTG MOLDED SUPPLIER CODE: V29780	002004 006102 107999	1
			ATTACHING PARTS		
375	MS51957-46		.. SCREW	002004 006102 107999	8
380	AN960C8		.. WASHER	002004 006102 107999	16
385	NAS1291C08M		.. NUT	002004 006102 107999	8
			-----*-----		
390	4812-135		.. GASKET-BONDED SUPPLIER CODE: V29780	002004 006102 107999	1
395	4812-169		.. FRAME ASSY- SUPPLIER CODE: V29780	002004 006102 107999	1

MISSING ITEM NUMBERS NOT APPLICABLE

- ITEM NOT ILLUSTRATED

38-32-05-14

38-32-05
FIG. 14
PAGE 6
JAN 20/09

BRI



757
PARTS CATALOG (MAINTENANCE)

FIG ITEM	PART NUMBER	1 2 3 4 5 6 7	NOMENCLATURE	EFFECT FROM TO	UNITS PER ASSY
14 400	4812-15		.GROMMET- SUPPLIER CODE: V29780	002004 006102 107999	6

R
R
R

MISSING ITEM NUMBERS NOT APPLICABLE

- ITEM NOT ILLUSTRATED

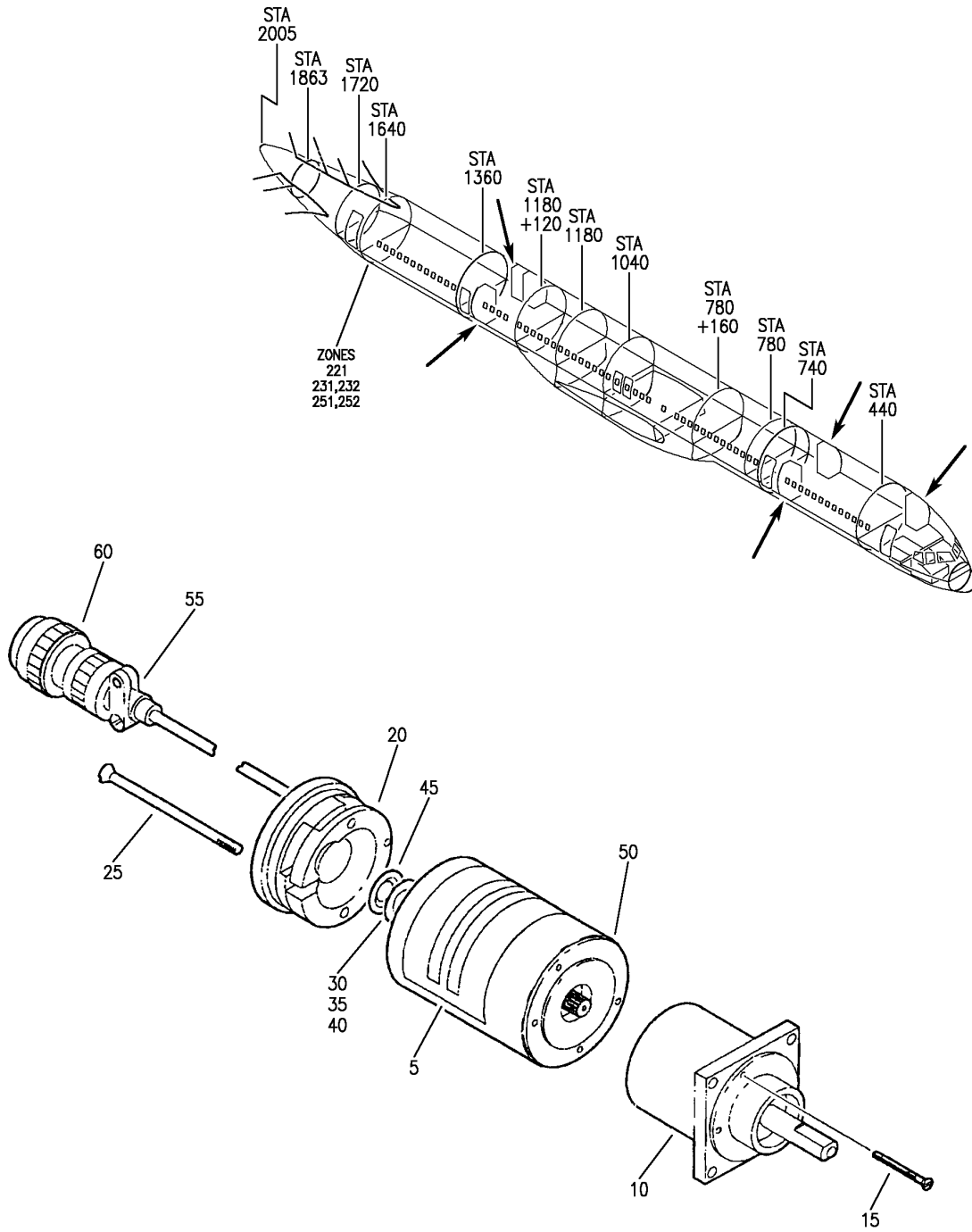
BRI

38-32-05-14

BOEING PROPRIETARY - Copyright © - Unpublished Work - See title page for details.

38-32-05
FIG. 14
PAGE 7
MAY 20/09

BOEING
757
PARTS CATALOG (MAINTENANCE)



Y 38320515 REV 257

MOTOR ASSY-WITH CONNECTOR TOILET FLUSH VALVE
FIGURE 15

38-32-05-15

BRI
JAN 20/09

38-32-05-15
PAGE 0

 **BOEING**
757
PARTS CATALOG (MAINTENANCE)

FIG ITEM	PART NUMBER	1 2 3 4 5 6 7	NOMENCLATURE	EFFECT FROM TO	UNITS PER ASSY
15			MOTOR ASSY-WITH CONNECTOR TOILET FLUSH VALVE	103106	
- 1	14330-062		MOTOR ASSY-WITH CONNECTOR TOILET FLUSH VALVE SUPPLIER CODE: V29780 FOR NHA SEE: 38-32-31-01 38-32-31-01A	103106	RF
5	15800-155		.LABEL- SUPPLIER CODE: V29780	103106	1
10	14330-243		.GEARHEAD ASSY- SUPPLIER CODE: V29780	103106	1
15	14330-238		ATTACHING PARTS .SCREW- SUPPLIER CODE: V29780	103106	4
20	14330-245		-----*----- .BRUSH HOLDER AND BRACKET- SUPPLIER CODE: V29780	103106	4
25	14330-239		ATTACHING PARTS .SCREW- SUPPLIER CODE: V29780	103106	2
30	14330-246-1		-----*----- .SHIM-0.003 THICK SUPPLIER CODE: V29780	103106	1
35	14330-246-2		.SHIM-0.005 THICK SUPPLIER CODE: V29780	103106	1
40	14330-246-3		.SHIM-0.010 THICK SUPPLIER CODE: V29780	103106	1
45	14330-247		.WASHER-SPRING SUPPLIER CODE: V29780	103106	1
50	14330-244		.HOUSING AND ARMATURE ASSY- SUPPLIER CODE: V29780	103106	1
55	M85049		.RELIEF-STRAIN SUPPLIER CODE: V29780 MISCELLANEOUS DATA: FULL PN M85049-52-1-8N	103106	1

MISSING ITEM NUMBERS NOT APPLICABLE

- ITEM NOT ILLUSTRATED

BRI

38-32-05-15

BOEING PROPRIETARY - Copyright © - Unpublished Work - See title page for details.

38-32-05
FIG. 15
PAGE 1
JAN 20/09



757

PARTS CATALOG (MAINTENANCE)

FIG ITEM	PART NUMBER	1 2 3 4 5 6 7	NOMENCLATURE	EFFECT FROM TO	UNITS PER ASSY
15					
55	M85049-52-1-8N	.	RELIEF-STRAIN SUPPLIER CODE: V29780	103106	1
60	MS3476L8-98P	.	CONNECTOR-	103106	1

MISSING ITEM NUMBERS NOT APPLICABLE

- ITEM NOT ILLUSTRATED

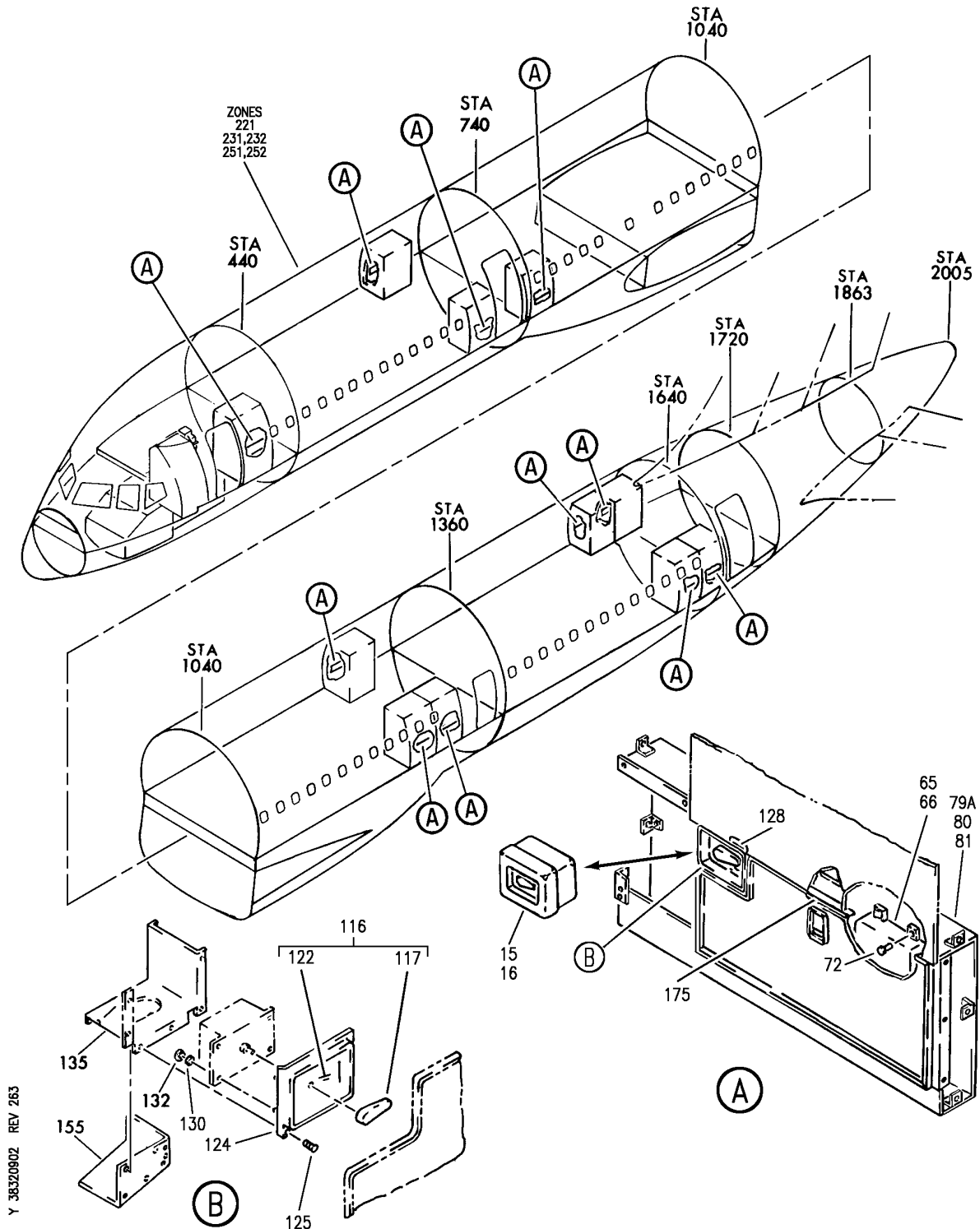
BRI

38-32-05-15

BOEING PROPRIETARY - Copyright © - Unpublished Work - See title page for details.

38-32-05
FIG. 15
PAGE 2
JAN 20/09

BOEING
757
PARTS CATALOG (MAINTENANCE)



Y 38320902 REV 263

ELECTRICAL AND PANEL ASSY-LINING AND BACK (WATER/WASTE ONLY)
FIGURE 2

38-32-09-02

BRI
JAN 20/08

38-32-09-02
PAGE 0



757

PARTS CATALOG (MAINTENANCE)

FIG ITEM	PART NUMBER	1 2 3 4 5 6 7	NOMENCLATURE	EFFECT FROM TO	UNITS PER ASSY
2			ELECTRICAL AND PANEL ASSY- LINING AND BACK (WATER/WASTE ONLY)	904949	
- 82	1A123-0043-2A		.BOX-WATER SEPARATOR LAV G SUPPLIER CODE: VS5825	904949	1

MISSING ITEM NUMBERS NOT APPLICABLE

- ITEM NOT ILLUSTRATED

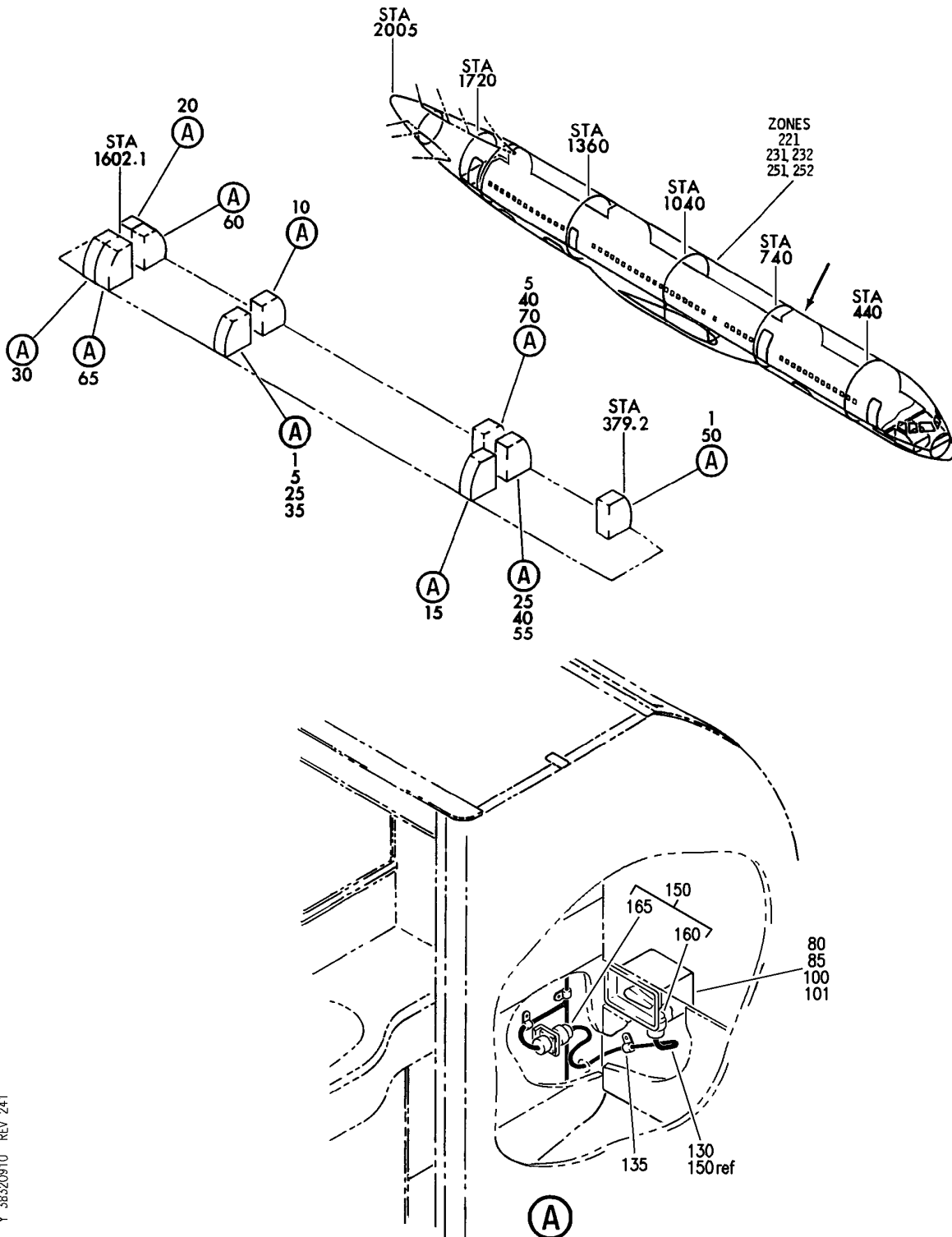
BRI

38-32-09-02

BOEING PROPRIETARY - Copyright © - Unpublished Work - See title page for details.

38-32-09
FIG. 02
PAGE 1
JAN 20/09

BOEING
757
PARTS CATALOG (MAINTENANCE)



Y 38320910 REV 241

ELECTRICAL ASSY-LAV (WATER/WASTE ONLY)
FIGURE 10

38-32-09-10

BRI
JAN 20/09

38-32-09-10
PAGE 0



757

PARTS CATALOG (MAINTENANCE)

FIG ITEM	PART NUMBER	1 2 3 4 5 6 7	NOMENCLATURE	EFFECT FROM TO	UNITS PER ASSY
10			ELECTRICAL ASSY-LAV (WATER/WASTE ONLY)	107107 952999	
1	1A122-0089-5		ELECTRICAL ASSY-LAV D AND F (WATER/WASTE ONLY) SUPPLIER CODE: VS5825 FOR NHA/OTHER SYS DET SEE: 25-41-03-51B 25-41-01-09E	107107	RF
10	1A122-0089-6		ELECTRICAL ASSY-LAV C (WATER/WASTE ONLY) SUPPLIER CODE: VS5825 FOR NHA/OTHER SYS DET SEE: 25-41-03-50B 25-41-04-60	107107 952999	RF
25	1A122-0089-5		ELECTRICAL ASSY-LAV D AND S (WATER/WASTE ONLY) SUPPLIER CODE: VS5825 FOR NHA/OTHER SYS DET SEE: 25-41-04-57 25-41-03-08C	952999	RF
35	1A122-0089-5		ELECTRICAL ASSY-LAV D (WATER/WASTE ONLY) SUPPLIER CODE: VS5825	952952	RF

MISSING ITEM NUMBERS NOT APPLICABLE

- ITEM NOT ILLUSTRATED

BRI

38-32-09-10

BOEING PROPRIETARY - Copyright © - Unpublished Work - See title page for details.

38-32-09
FIG. 10
PAGE 1
JAN 20/09



757

PARTS CATALOG (MAINTENANCE)

FIG ITEM	PART NUMBER	1 2 3 4 5 6 7	NOMENCLATURE	EFFECT FROM TO	UNITS PER ASSY
10 100	1A081-0155-1		.SWITCH ASSY-FLUSH TIMER LAV C, D AND F SUPPLIER CODE: VS5825 SPECIFICATION NUMBER: 60B50058-6 CONFIG CHG DATA FROM A CMM: SUPERSEDES TD1702-1002 SUPSD BY 1A081-0155-11 COMPONENT MAINT MANUAL REF: 25-41-18 OPTIONAL PART: 1A081-0155-11 VS5825 835867-401 V92824 TD2004-1002 V35344 TD1702-1002 V58657 FOR DETAILS SEE: 38-32-09-90A	107107 952999	1
100	835867-401		.SWITCH ASSY-FLUSH TIMER S2 LAV C, D AND F SUPPLIER CODE: V92824 SPECIFICATION NUMBER: 60B50058-6 CONFIG CHG DATA FROM A CMM: SUPERSEDES 1A081-0155-1 COMPONENT MAINT MANUAL REF: 25-41-18 OPTIONAL PART: 1A081-0155-1 VS5825 TD2004-1002 V35344 1A081-0155-11 VS5825 TD1702-1002 V58657 FOR DETAILS SEE: 38-32-09-90	107107 952999	1

MISSING ITEM NUMBERS NOT APPLICABLE

- ITEM NOT ILLUSTRATED

38-32-09-10

38-32-09
FIG. 10
PAGE 2
JAN 20/09

BRI



757

PARTS CATALOG (MAINTENANCE)

FIG ITEM	PART NUMBER	1 2 3 4 5 6 7	NOMENCLATURE	EFFECT FROM TO	UNITS PER ASSY
10 100	835867-401		.SWITCH ASSY-FLUSH TIMER LAV C AND D SUPPLIER CODE: V92824 SPECIFICATION NUMBER: 60B50058-6 CONFIG CHG DATA FROM A CMM: SUPERSEDES 1A081-0155-1 COMPONENT MAINT MANUAL REF: 25-41-18 OPTIONAL PART: 1A081-0155-1 VS5825 TD2004-1002 V35344 1A081-0155-11 VS5825 TD1702-1002 V58657 FOR DETAILS SEE: 38-32-09-90	952952	1
100	1A081-0155-1		.SWITCH ASSY-FLUSH TIMER LAV C, D AND F LAV G, K AND M SUPPLIER CODE: VS5825 SPECIFICATION NUMBER: 60B50058-6 CONFIG CHG DATA FROM A CMM: SUPSD BY 835867-401 SUPERSEDES TD1702-1002 COMPONENT MAINT MANUAL REF: 25-41-18 OPTIONAL PART: 1A081-0155-11 VS5825 835867-401 V92824 TD2004-1002 V35344 TD1702-1002 V58657 FOR DETAILS SEE: 38-32-09-90A	107107	1

MISSING ITEM NUMBERS NOT APPLICABLE

- ITEM NOT ILLUSTRATED

38-32-09-10

38-32-09
FIG. 10
PAGE 3
JAN 20/09

BRI



757

PARTS CATALOG (MAINTENANCE)

FIG ITEM	PART NUMBER	1 2 3 4 5 6 7	NOMENCLATURE	EFFECT FROM TO	UNITS PER ASSY
10 101	1A081-0155-11		.SWITCH ASSY-FLUSH TIMER LAV C, D AND F SUPPLIER CODE: VS5825 SPECIFICATION NUMBER: 60B50058-6 CONFIG CHG DATA FROM A CMM: SUPERSEDES 1A081-0155-1 COMPONENT MAINT MANUAL REF: 25-41-18 OPTIONAL PART: 1A081-0155-1 VS5825 835867-401 V92824 TD2004-1002 V35344 TD1702-1002 V58657 FOR DETAILS SEE: 38-32-09-90A	107107 952999	1
101	1A081-0155-1		.SWITCH ASSY-FLUSH TIMER SUPPLIER CODE: VS5825 SPECIFICATION NUMBER: 60B50058-6 CONFIG CHG DATA FROM A CMM: SUPERSEDES TD1702-1002 SUPSD BY 1A081-0155-11 COMPONENT MAINT MANUAL REF: 25-41-18 OPTIONAL PART: 1A081-0155-11 VS5825 835867-401 V92824 TD2004-1002 V35344 TD1702-1002 V58657 FOR DETAILS SEE: 38-32-09-90A	107107	1

MISSING ITEM NUMBERS NOT APPLICABLE

- ITEM NOT ILLUSTRATED

BRI

38-32-09-10

BOEING PROPRIETARY - Copyright © - Unpublished Work - See title page for details.

38-32-09
FIG. 10
PAGE 4
JAN 20/09



757

PARTS CATALOG (MAINTENANCE)

FIG ITEM	PART NUMBER	1 2 3 4 5 6 7	NOMENCLATURE	EFFECT FROM TO	UNITS PER ASSY
10 101	835867-401		.SWITCH ASSY-FLUSH TIMER S2 SUPPLIER CODE: V92824 SPECIFICATION NUMBER: 60B50058-6 CONFIG CHG DATA FROM A CMM: SUPERSEDES 1A081-0155-1 OPTIONAL PART: 1A081-0155-1 VS5825 TD2004-1002 V35344 1A081-0155-11 VS5825 TD1702-1002 V58657	107107	1
101	1A081-0155-11		.SWITCH ASSY-FLUSH TIMER SUPPLIER CODE: VS5825 SPECIFICATION NUMBER: 60B50058-6 CONFIG CHG DATA FROM A CMM: SUPERSEDES 1A081-0155-1 COMPONENT MAINT MANUAL REF: 25-41-18 OPTIONAL PART: 1A081-0155-1 VS5825 835867-401 V92824 TD2004-1002 V35344 TD1702-1002 V58657 FOR DETAILS SEE: 38-32-09-90A	107107	1

MISSING ITEM NUMBERS NOT APPLICABLE

- ITEM NOT ILLUSTRATED

BRI

38-32-09-10

BOEING PROPRIETARY - Copyright © - Unpublished Work - See title page for details.

38-32-09
FIG. 10
PAGE 5
JAN 20/09



757

PARTS CATALOG (MAINTENANCE)

FIG ITEM	PART NUMBER	1 2 3 4 5 6 7	NOMENCLATURE	EFFECT FROM TO	UNITS PER ASSY
10 - 102	835867-401		.SWITCH ASSY-FLUSH TIMER, S2 SUPPLIER CODE: V92824 SPECIFICATION NUMBER: 60B50058-6 COMPONENT MAINT MANUAL REF: 25-41-18 OPTIONAL PART: 1A081-0155-11 VS5825 1A081-0155-1 VS5825 TD2004-1002 V35344 TD1702-1002 V58657 FOR DETAILS SEE: 38-32-09-90	107107 952999	1
- 102	TD1702-1002		.SWITCH ASSY-FLUSH TIMER, S2 SUPPLIER CODE: V58657 SPECIFICATION NUMBER: 60B50058-6 OPTIONAL PART: 1A081-0155-1 VS5825 1A081-0155-11 VS5825 835867-401 V92824 TD2004-1002 V35344	107107 952999	1

MISSING ITEM NUMBERS NOT APPLICABLE

- ITEM NOT ILLUSTRATED

BRI

38-32-09-10

BOEING PROPRIETARY - Copyright © - Unpublished Work - See title page for details.

38-32-09
FIG. 10
PAGE 6
JAN 20/09



757

PARTS CATALOG (MAINTENANCE)

FIG ITEM	PART NUMBER	1 2 3 4 5 6 7	NOMENCLATURE	EFFECT FROM TO	UNITS PER ASSY
10 - 102	TD2004-1002		.SWITCH ASSY-FLUSH TIMER, S2 SUPPLIER CODE: V35344 SPECIFICATION NUMBER: 60B50058-6 COMPONENT MAINT MANUAL REF: 25-41-18 OPTIONAL PART: 1A081-0155-11 VS5825 835867-401 V92824 1A081-0155-1 VS5825 TD1702-1002 V58657	107107 952999	1
- 102	1A081-0155-1		.SWITCH ASSY-FLUSH TIMER, S2 SUPPLIER CODE: VS5825 SPECIFICATION NUMBER: 60B50058-6 COMPONENT MAINT MANUAL REF: 25-41-18 OPTIONAL PART: 1A081-0155-11 VS5825 835867-401 V92824 TD2004-1002 V35344 TD1702-1002 V58657 FOR DETAILS SEE: 38-32-09-90A	107107 952999	1

MISSING ITEM NUMBERS NOT APPLICABLE

- ITEM NOT ILLUSTRATED

BRI

38-32-09-10

BOEING PROPRIETARY - Copyright © - Unpublished Work - See title page for details.

38-32-09
FIG. 10
PAGE 7
JAN 20/09



757

PARTS CATALOG (MAINTENANCE)

FIG ITEM	PART NUMBER	1 2 3 4 5 6 7	NOMENCLATURE	EFFECT FROM TO	UNITS PER ASSY
10 - 102	1A081-0155-11		.SWITCH ASSY-FLUSH TIMER, S2 SUPPLIER CODE: VS5825 SPECIFICATION NUMBER: 60B50058-6 COMPONENT MAINT MANUAL REF: 25-41-18 OPTIONAL PART: 835867-401 V92824 1A081-0155-1 VS5825 TD2004-1002 V35344 TD1702-1002 V58657 FOR DETAILS SEE: 38-32-09-90A	107107 952999	1
- 102	TD2004-1002		.SWITCH ASSY-FLUSH TIMER, S2 SUPPLIER CODE: V35344 SPECIFICATION NUMBER: 60B50058-6 COMPONENT MAINT MANUAL REF: 25-41-18 OPTIONAL PART: 1A081-0155-11 VS5825 835867-401 V92824 1A081-0155-1 VS5825 TD1702-1002 V58657	107107 952999	1

MISSING ITEM NUMBERS NOT APPLICABLE

- ITEM NOT ILLUSTRATED

38-32-09-10

38-32-09
FIG. 10
PAGE 8
JAN 20/09

BRI



757

PARTS CATALOG (MAINTENANCE)

FIG ITEM	PART NUMBER	1 2 3 4 5 6 7	NOMENCLATURE	EFFECT FROM TO	UNITS PER ASSY
10 - 102	TD1702-1002		.SWITCH ASSY-FLUSH TIMER, S2 SUPPLIER CODE: V58657 SPECIFICATION NUMBER: 60B50058-6 OPTIONAL PART: 1A081-0155-1 VS5825 1A081-0155-11 VS5825 835867-401 V92824 TD2004-1002 V35344	107107 952999	1
- 102	1A081-0155-1		.SWITCH ASSY-FLUSH TIMER, S2 SUPPLIER CODE: VS5825 SPECIFICATION NUMBER: 60B50058-6 COMPONENT MAINT MANUAL REF: 25-41-18 OPTIONAL PART: 1A081-0155-11 VS5825 835867-401 V92824 TD2004-1002 V35344 TD1702-1002 V58657 FOR DETAILS SEE: 38-32-09-90A	952952	1

MISSING ITEM NUMBERS NOT APPLICABLE

- ITEM NOT ILLUSTRATED

BRI

38-32-09-10

BOEING PROPRIETARY - Copyright © - Unpublished Work - See title page for details.

38-32-09
FIG. 10
PAGE 9
JAN 20/09



757

PARTS CATALOG (MAINTENANCE)

FIG ITEM	PART NUMBER	1 2 3 4 5 6 7	NOMENCLATURE	EFFECT FROM TO	UNITS PER ASSY
10 - 102	1A081-0155-11		.SWITCH ASSY-FLUSH TIMER, S2 SUPPLIER CODE: VS5825 SPECIFICATION NUMBER: 60B50058-6 COMPONENT MAINT MANUAL REF: 25-41-18 OPTIONAL PART: 835867-401 V92824 1A081-0155-1 VS5825 TD2004-1002 V35344 TD1702-1002 V58657 FOR DETAILS SEE: 38-32-09-90A	952952	1
- 102	TD1702-1002		.SWITCH ASSY-FLUSH TIMER, S2 SUPPLIER CODE: V58657 SPECIFICATION NUMBER: 60B50058-6 OPTIONAL PART: 1A081-0155-1 VS5825 1A081-0155-11 VS5825 835867-401 V92824 TD2004-1002 V35344	107107 952999	1

MISSING ITEM NUMBERS NOT APPLICABLE

- ITEM NOT ILLUSTRATED

BRI

38-32-09-10

BOEING PROPRIETARY - Copyright © - Unpublished Work - See title page for details.

38-32-09
FIG. 10
PAGE 10
JAN 20/09



757

PARTS CATALOG (MAINTENANCE)

FIG ITEM	PART NUMBER	1 2 3 4 5 6 7	NOMENCLATURE	EFFECT FROM TO	UNITS PER ASSY
10 - 102	TD2004-1002		.SWITCH ASSY-FLUSH TIMER, S2 SUPPLIER CODE: V35344 SPECIFICATION NUMBER: 60B50058-6 COMPONENT MAINT MANUAL REF: 25-41-18 OPTIONAL PART: 1A081-0155-11 VS5825 835867-401 V92824 1A081-0155-1 VS5825 TD1702-1002 V58657	107107 952999	1
- 103	1A081-0155-11		.SWITCH ASSY-FLUSH TIMER, S2 SUPPLIER CODE: VS5825 SPECIFICATION NUMBER: 60B50058-6 COMPONENT MAINT MANUAL REF: 25-41-18 OPTIONAL PART: 835867-401 V92824 1A081-0155-1 VS5825 TD2004-1002 V35344 TD1702-1002 V58657 FOR DETAILS SEE: 38-32-09-90A	107107	1

MISSING ITEM NUMBERS NOT APPLICABLE

- ITEM NOT ILLUSTRATED

BRI

38-32-09-10

BOEING PROPRIETARY - Copyright © - Unpublished Work - See title page for details.

38-32-09
FIG. 10
PAGE 11
JAN 20/09



757

PARTS CATALOG (MAINTENANCE)

FIG ITEM	PART NUMBER	1 2 3 4 5 6 7	NOMENCLATURE	EFFECT FROM TO	UNITS PER ASSY
10 - 103	835867-401		.SWITCH ASSY-FLUSH TIMER, S2 SUPPLIER CODE: V92824 SPECIFICATION NUMBER: 60B50058-6 COMPONENT MAINT MANUAL REF: 25-41-18 OPTIONAL PART: 1A081-0155-11 VS5825 1A081-0155-1 VS5825 TD2004-1002 V35344 TD1702-1002 V58657	107107	1
- 103	TD2004-1002		.SWITCH ASSY-FLUSH TIMER, S2 SUPPLIER CODE: V35344 SPECIFICATION NUMBER: 60B50058-6 COMPONENT MAINT MANUAL REF: 25-41-18 OPTIONAL PART: 1A081-0155-11 VS5825 835867-401 V92824 1A081-0155-1 VS5825 TD1702-1002 V58657	107107	1
- 103	TD1702-1002		.SWITCH ASSY-FLUSH TIMER, S2 SUPPLIER CODE: V58657 SPECIFICATION NUMBER: 60B50058-6 OPTIONAL PART: 1A081-0155-1 VS5825 1A081-0155-11 VS5825 835867-401 V92824 TD2004-1002 V35344	107107	1

MISSING ITEM NUMBERS NOT APPLICABLE

- ITEM NOT ILLUSTRATED

38-32-09-10

38-32-09
FIG. 10
PAGE 12
JAN 20/09

BRI



757

PARTS CATALOG (MAINTENANCE)

FIG ITEM	PART NUMBER	1 2 3 4 5 6 7	NOMENCLATURE	EFFECT FROM TO	UNITS PER ASSY
10 - 104	TD2004-1002		.SWITCH ASSY-FLUSH TIMER, S2 SUPPLIER CODE: V35344 SPECIFICATION NUMBER: 60B50058-6 COMPONENT MAINT MANUAL REF: 25-41-18 OPTIONAL PART: 1A081-0155-11 VS5825 835867-401 V92824 1A081-0155-1 VS5825 TD1702-1002 V58657	107107	1
- 104	TD1702-1002		.SWITCH ASSY-FLUSH TIMER, S2 SUPPLIER CODE: V58657 SPECIFICATION NUMBER: 60B50058-6 OPTIONAL PART: 1A081-0155-1 VS5825 1A081-0155-11 VS5825 835867-401 V92824 TD2004-1002 V35344	107107	1
- 110	AN960PD8L		.WASHER	953999	4
- 120	NAS679A08		.NUT	953999	4
			-----*-----		
130	2A122-0089-9		.HARNES ASSY-LAV C, D AND F LAV G, K AND M SUPPLIER CODE: VS5825	107107	RF
135	BACC10DK3		.CLAMP	107107 952999	1
135	BACC10DK3		.CLAMP ATTACHING PARTS	107107	1
- 140	NAS603-6P		.SCREW	107107 952999	1
- 140	NAS603-6P		.SCREW	107107	1

MISSING ITEM NUMBERS NOT APPLICABLE

- ITEM NOT ILLUSTRATED

38-32-09-10

38-32-09
FIG. 10
PAGE 13
JAN 20/09

BRI



757

PARTS CATALOG (MAINTENANCE)

FIG ITEM	PART NUMBER	1 2 3 4 5 6 7	NOMENCLATURE	EFFECT FROM TO	UNITS PER ASSY
10					
- 145	AN960PD10L	.	WASHER	107107 952999	1
- 145	AN960PD10L	.	WASHER	107107	1
			-----*-----		
150	2A122-0089-9	.	HARNES ASSY-LAV D, C, AND F SUPPLIER CODE: VS5825	107107 952999	1
150	2A122-0089-9	.	HARNES ASSY- SUPPLIER CODE: VS5825	107107	1
160	BACC45FT14C7S	..	CONNECTOR-P2	107107 952999	1
160	BACC45FT14C7S	..	CONNECTOR-P2	107107	1
165	BACC45FT14C7P	..	CONNECTOR-P102	107107 952999	1
165	BACC45FT14C7P	..	CONNECTOR-P102	107107	1

MISSING ITEM NUMBERS NOT APPLICABLE

- ITEM NOT ILLUSTRATED

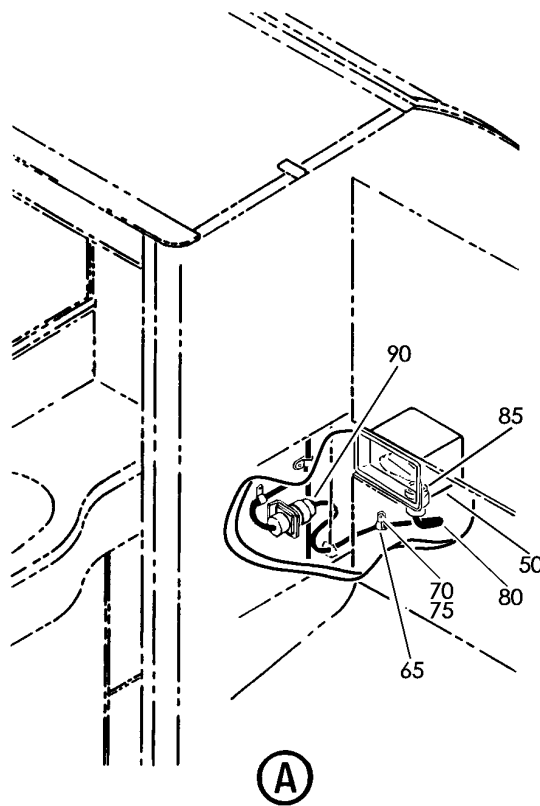
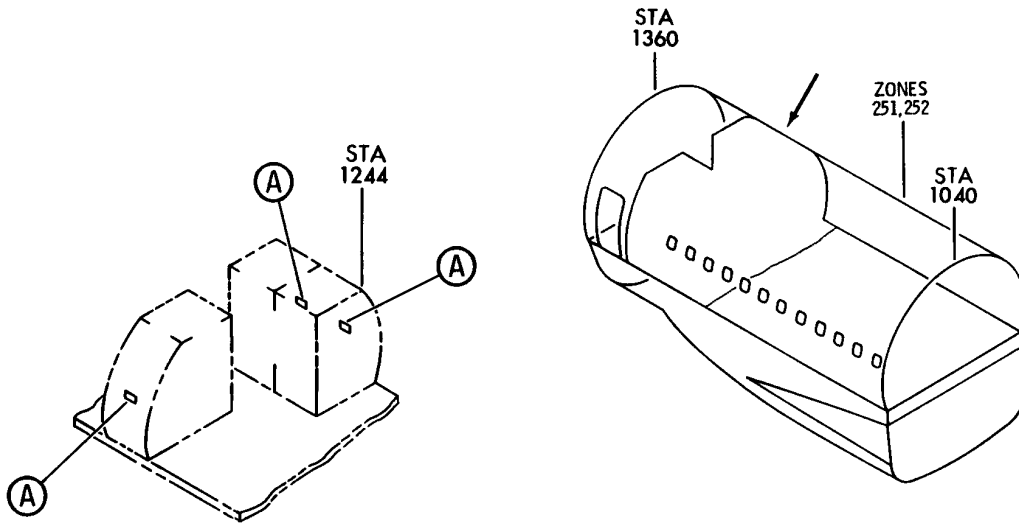
BRI

38-32-09-10

BOEING PROPRIETARY - Copyright © - Unpublished Work - See title page for details.

38-32-09
FIG. 10
PAGE 14
JAN 20/09

BOEING
757
PARTS CATALOG (MAINTENANCE)



Y 38320910A REV 237

ELECTRICAL ASSY-LAV (WATER/WASTE ONLY)
FIGURE 10A

38-32-09-10A

BRI
MAY 28/07

38-32-09-10A
PAGE 0



757

PARTS CATALOG (MAINTENANCE)

FIG ITEM	PART NUMBER	1 2 3 4 5 6 7	NOMENCLATURE	EFFECT FROM TO	UNITS PER ASSY
10A			ELECTRICAL ASSY-LAV (WATER/WASTE ONLY)	002004 006100 950951	
- 5	1A122-0089NPB		ELECTRICAL ASSY-LAV C (WATER/WASTE ONLY) SUPPLIER CODE: VS5825 FOR NHA/OTHER SYS DET SEE: 25-41-04-28	002004 006100	RF
- 5	1A122-0089NRA		ELECTRICAL ASSY-LAV C (WATER/WASTE ONLY) SUPPLIER CODE: VS5825 FOR NHA/OTHER SYS DET SEE: 25-41-04-27	950951	RF
- 25	1A122-0089NPA		ELECTRICAL ASSY-LAV B (WATER/WASTE ONLY) SUPPLIER CODE: VS5825	002004 006100	RF
- 30	1A122-0089NRB		ELECTRICAL ASSY-LAV D (WATER/WASTE ONLY) SUPPLIER CODE: VS5825	950951	RF
- 30	1A122-0089NPC		ELECTRICAL ASSY-LAV D (WATER/WASTE ONLY) SUPPLIER CODE: VS5825 FOR NHA/OTHER SYS DET SEE: 25-41-04-44	002004 006100	RF
- 40	1A122-0089NRC		ELECTRICAL ASSY-LAV S (WATER/WASTE ONLY) SUPPLIER CODE: VS5825 FOR NHA/OTHER SYS DET SEE: 25-41-03-08A	950951	RF

MISSING ITEM NUMBERS NOT APPLICABLE

- ITEM NOT ILLUSTRATED

38-32-09-10A

38-32-09
FIG. 10A
PAGE 1
JAN 20/09

BRI



757

PARTS CATALOG (MAINTENANCE)

FIG ITEM	PART NUMBER	1 2 3 4 5 6 7	NOMENCLATURE	EFFECT FROM TO	UNITS PER ASSY
10A - 50	1A081-0155-11		.SWITCH ASSY-FLUSH TIMER S2 SUPPLIER CODE: VS5825 SPECIFICATION NUMBER: 60B50058-6 CONFIG CHG DATA FROM A CMM: SUPERSEDES 1A081-0155-1 COMPONENT MAINT MANUAL REF: 25-41-18 OPTIONAL PART: 1A081-0155-1 VS5825 835867-401 V92824 TD2004-1002 V35344 TD1702-1002 V58657 FOR DETAILS SEE: 38-32-09-90A	002004 006100 950951	1
- 50	1A081-0155-1		.SWITCH ASSY-FLUSH TIMER S2 SUPPLIER CODE: VS5825 SPECIFICATION NUMBER: 60B50058-6 CONFIG CHG DATA FROM A CMM: SUPERSEDED BY 1A081-0155-11 COMPONENT MAINT MANUAL REF: 25-41-18 OPTIONAL PART: 1A081-0155-11 VS5825 835867-401 V92824 TD2004-1002 V35344 TD1702-1002 V58657 FOR DETAILS SEE: 38-32-09-90A	002004 006100 950951	1

MISSING ITEM NUMBERS NOT APPLICABLE

- ITEM NOT ILLUSTRATED

38-32-09-10A

38-32-09
FIG. 10A
PAGE 2
JAN 20/09

BRI



757

PARTS CATALOG (MAINTENANCE)

FIG ITEM	PART NUMBER	1 2 3 4 5 6 7	NOMENCLATURE	EFFECT FROM TO	UNITS PER ASSY
10A - 50	835867-401		.SWITCH ASSY-FLUSH TIMER SUPPLIER CODE: V92824 SPECIFICATION NUMBER: 60B50058-6 COMPONENT MAINT MANUAL REF: 25-41-18 OPTIONAL PART: 1A081-0155-1 VS5825 TD2004-1002 V35344 1A081-0155-11 VS5825 TD1702-1002 V58657 FOR DETAILS SEE: 38-32-09-90	002004 006100 950951	1
- 50	TD1702-1002		.SWITCH ASSY-FLUSH TIMER, S2 SUPPLIER CODE: V58657 SPECIFICATION NUMBER: 60B50058-6 OPTIONAL PART: 1A081-0155-1 VS5825 1A081-0155-11 VS5825 835867-401 V92824 TD2004-1002 V35344	002004 006100 950951	1

MISSING ITEM NUMBERS NOT APPLICABLE

- ITEM NOT ILLUSTRATED

BRI

38-32-09-10A

BOEING PROPRIETARY - Copyright © - Unpublished Work - See title page for details.

38-32-09
FIG. 10A
PAGE 3
JAN 20/09



757

PARTS CATALOG (MAINTENANCE)

FIG ITEM	PART NUMBER	1 2 3 4 5 6 7	NOMENCLATURE	EFFECT FROM TO	UNITS PER ASSY
10A - 50	TD2004-1002		.SWITCH ASSY-FLUSH TIMER, S2 SUPPLIER CODE: V35344 SPECIFICATION NUMBER: 60B50058-6 COMPONENT MAINT MANUAL REF: 25-41-18 OPTIONAL PART: 1A081-0155-11 VS5825 835867-401 V92824 1A081-0155-1 VS5825 TD1702-1002 V58657 ATTACHING PARTS	002004 006100 950951	1
- 55	AN960PD8L		.WASHER	002004 006100 950951	4
- 60	NAS679A08		.NUT	002004 006100 950951	4
			-----*		

MISSING ITEM NUMBERS NOT APPLICABLE

- ITEM NOT ILLUSTRATED

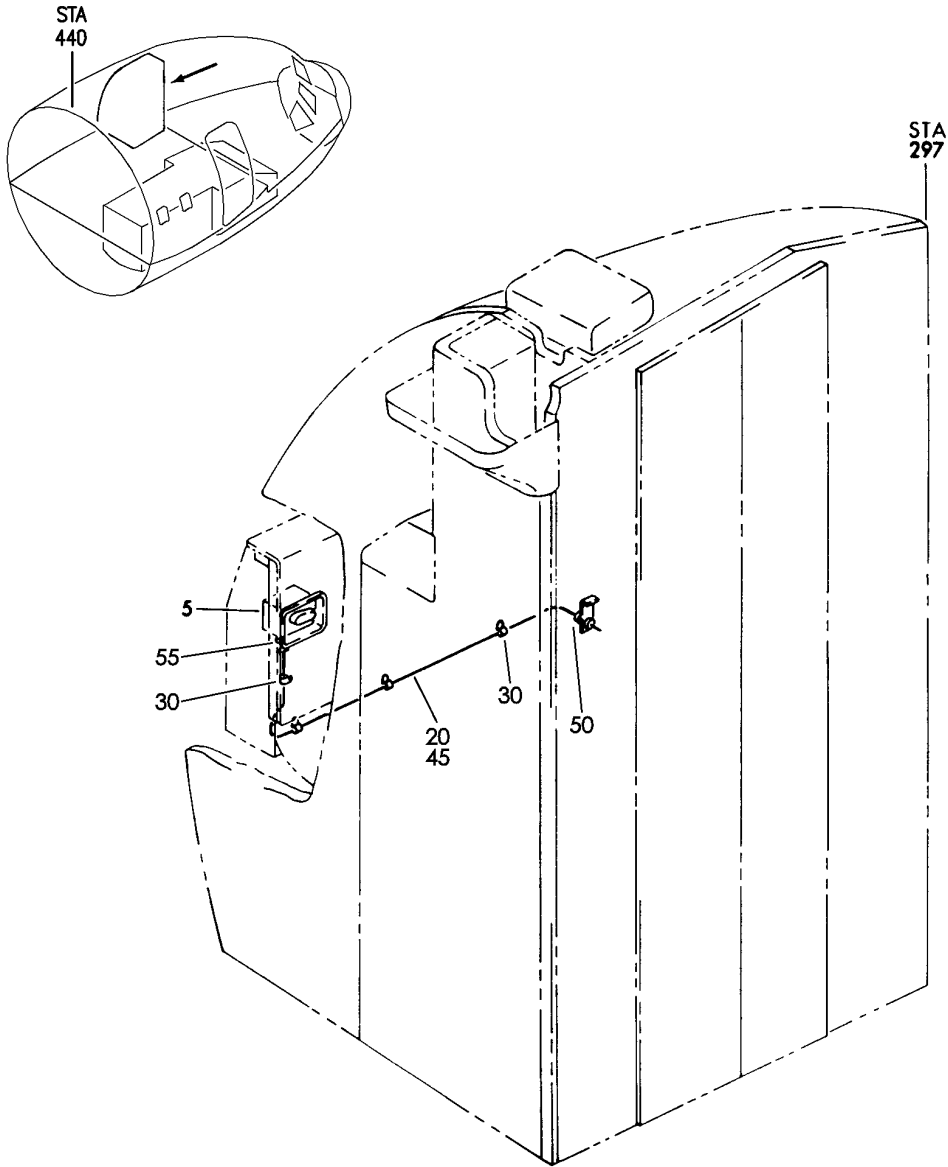
BRI

38-32-09-10A

BOEING PROPRIETARY - Copyright © - Unpublished Work - See title page for details.

38-32-09
FIG. 10A
PAGE 4
JAN 20/09

BOEING
757
PARTS CATALOG (MAINTENANCE)



Y 38320915 REV 241

ELECTRICAL ASSY-LAV (WATER/WASTE ONLY)
FIGURE 15

38-32-09-15

BRI
MAY 28/07

38-32-09-15
PAGE 0



757

PARTS CATALOG (MAINTENANCE)

FIG ITEM	PART NUMBER	1 2 3 4 5 6 7	NOMENCLATURE	EFFECT FROM TO	UNITS PER ASSY
15			ELECTRICAL ASSY-LAV (WATER/WASTE ONLY)	107107 121503 904949 952999	
- 1	1A112-0088-5		ELECTRICAL ASSY-LAV A (WATER/WASTE ONLY) SUPPLIER CODE: VS5825 FOR NHA/OTHER SYS DET SEE: 25-41-01-06 25-41-01-06E 25-41-01-06H	107107 121503 904949 952999	RF
5	835867-401		.SWITCH ASSY-FLUSH TIMER S2 SUPPLIER CODE: V92824 SPECIFICATION NUMBER: 60B50058-6 COMPONENT MAINT MANUAL REF: 25-47-90 OPTIONAL PART: TD2004-1002 V35344 1A081-0155-1 VS5825 1A081-0155-11 VS5825 TD1702-1002 V58657	107107 121503 904949 952999	1
5	1A081-0155-11		.SWITCH ASSY-FLUSH TIMER S2 SUPPLIER CODE: VS5825 SPECIFICATION NUMBER: 60B50058-6 COMPONENT MAINT MANUAL REF: 25-41-18 OPTIONAL PART: 835867-401 V92824 1A081-0155-1 VS5825 TD2004-1002 V35344 TD1702-1002 V58657 FOR DETAILS SEE: 38-32-09-90A	107107 121503 904949 952999	1

MISSING ITEM NUMBERS NOT APPLICABLE

- ITEM NOT ILLUSTRATED

BRI

38-32-09-15

BOEING PROPRIETARY - Copyright © - Unpublished Work - See title page for details.

38-32-09
FIG. 15
PAGE 1
JAN 20/09



757

PARTS CATALOG (MAINTENANCE)

FIG ITEM	PART NUMBER	1 2 3 4 5 6 7	NOMENCLATURE	EFFECT FROM TO	UNITS PER ASSY
15	5 1A081-0155-1		.SWITCH ASSY-FLUSH TIMER SUPPLIER CODE: VS5825 SPECIFICATION NUMBER: 60B50058-6 CONFIG CHG DATA FROM A CMM: SUPSD BY 1A081-0155-11 SUPSDS TD1702-1002 COMPONENT MAINT MANUAL REF: 25-41-18 OPTIONAL PART: 1A081-0155-11 VS5825 835867-401 V92824 TD2004-1002 V35344 TD1702-1002 V58657 FOR DETAILS SEE: 38-32-09-90A	107107 121503 904949 952999	1
	5 1A081-0155-11		.SWITCH ASSY-FLUSH TIMER S2 SUPPLIER CODE: VS5825 SPECIFICATION NUMBER: 60B50058-6 CONFIG CHG DATA FROM A CMM: SUPERSEDES 1A081-0155-1 COMPONENT MAINT MANUAL REF: 25-41-18 OPTIONAL PART: 1A081-0155-1 VS5825 835867-401 V92824 TD2004-1002 V35344 TD1702-1002 V58657 FOR DETAILS SEE: 38-32-09-90A	107107 121503 904949 952999	1

MISSING ITEM NUMBERS NOT APPLICABLE

- ITEM NOT ILLUSTRATED

38-32-09-15

38-32-09
FIG. 15
PAGE 2
JAN 20/09

BRI



757

PARTS CATALOG (MAINTENANCE)

FIG ITEM	PART NUMBER	1 2 3 4 5 6 7	NOMENCLATURE	EFFECT FROM TO	UNITS PER ASSY
15	5 TD2004-1002		.SWITCH ASSY-FLUSH TIMER, S2 SUPPLIER CODE: V35344 SPECIFICATION NUMBER: 60B50058-6 COMPONENT MAINT MANUAL REF: 25-41-18 OPTIONAL PART: 1A081-0155-11 VS5825 835867-401 V92824 1A081-0155-1 VS5825 TD1702-1002 V58657	107107 121503 904949 952999	1
	5 TD1702-1002		.SWITCH ASSY-FLUSH TIMER, S2 SUPPLIER CODE: V58657 SPECIFICATION NUMBER: 60B50058-6 OPTIONAL PART: 1A081-0155-1 VS5825 1A081-0155-11 VS5825 835867-401 V92824 TD2004-1002 V35344	107107 121503 904949 952999	1
- 10	AN960PD8L		ATTACHING PARTS .WASHER	121503 904949	4
- 15	NAS679A08		.NUT	121503 904949	4
	20 2A112-0086-9		-----*----- .HARNESS ASSY- SUPPLIER CODE: VS5825	107107	1
30	BACC10DK3		.CLAMP ATTACHING PARTS	107107	4
- 35	NAS603-7P		.SCREW	107107	4
- 40	AN960PD10L		.WASHER	107107	4
	45 2A112-0086-9		-----*----- .HARNESS ASSY- SUPPLIER CODE: VS5825	107107	1

MISSING ITEM NUMBERS NOT APPLICABLE

- ITEM NOT ILLUSTRATED

38-32-09-15

38-32-09
FIG. 15
PAGE 3
JAN 20/09

BRI



757

PARTS CATALOG (MAINTENANCE)

FIG ITEM	PART NUMBER	1 2 3 4 5 6 7	NOMENCLATURE	EFFECT FROM TO	UNITS PER ASSY
15					
50	BACC45FT14C7P	. .	CONNECTOR-P103	107107	1
55	BACC45FT14C7S	. .	CONNECTOR-P2	107107	1

MISSING ITEM NUMBERS NOT APPLICABLE

- ITEM NOT ILLUSTRATED

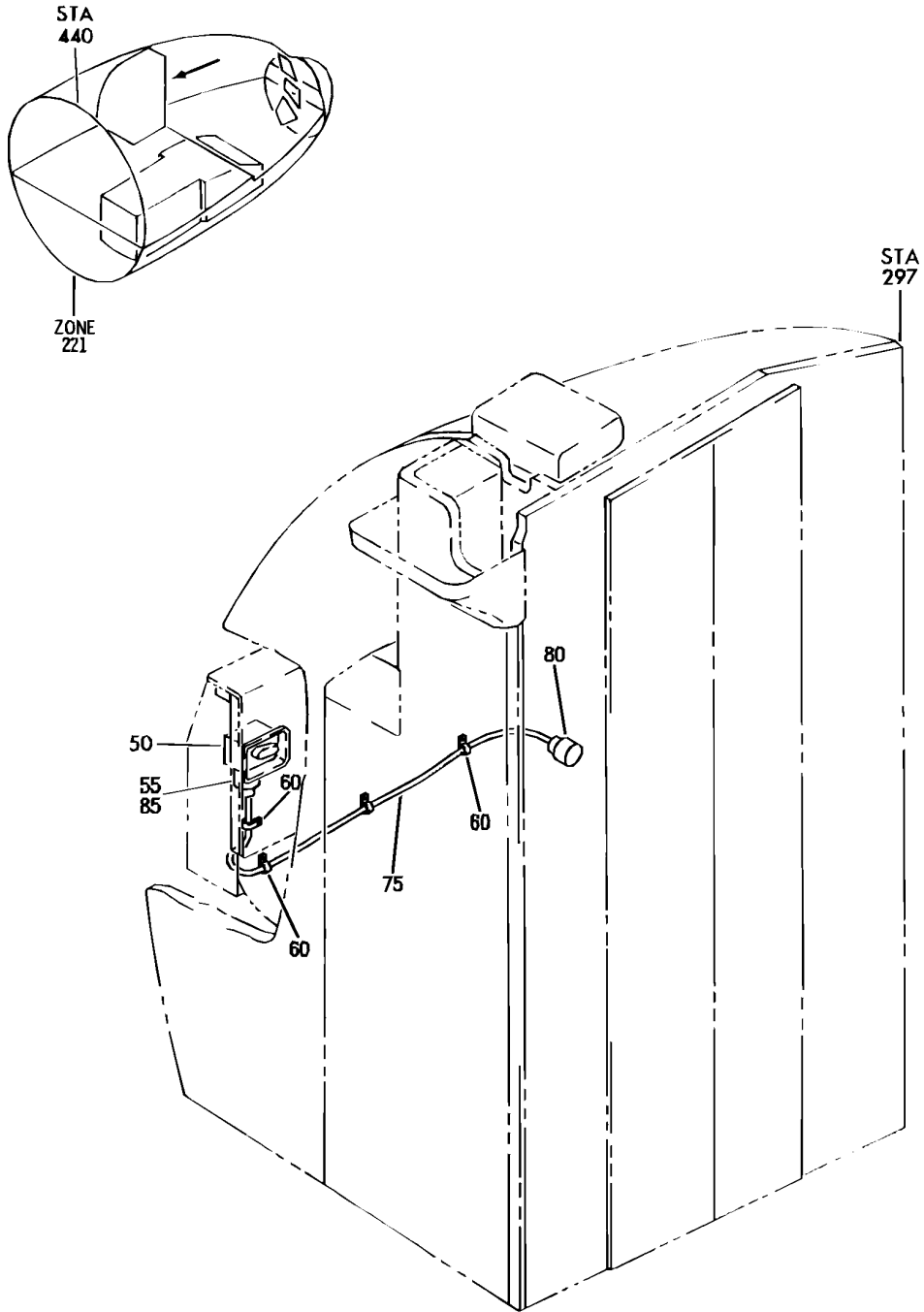
BRI

38-32-09-15

BOEING PROPRIETARY - Copyright © - Unpublished Work - See title page for details.

38-32-09
FIG. 15
PAGE 4
JAN 20/09

BOEING
757
PARTS CATALOG (MAINTENANCE)



Y 38320915A REV 237

ELECTRICAL ASSY-LAV A (WATER/WASTE ONLY)
FIGURE 15A

38-32-09-15A

BRI
MAY 28/07

38-32-09-15A
PAGE 0



757

PARTS CATALOG (MAINTENANCE)

FIG ITEM	PART NUMBER	1 2 3 4 5 6 7	NOMENCLATURE	EFFECT FROM TO	UNITS PER ASSY
15A			ELECTRICAL ASSY-LAV A (WATER/WASTE ONLY)	002004 006100 950951	
- 1	1A112-0088NPA		ELECTRICAL ASSY-LAV A (WATER/WASTE ONLY) SUPPLIER CODE: VS5825 FOR NHA/OTHER SYS DET SEE: 25-41-01-06F	002004 006100	RF
- 1	1A112-0088NRA		ELECTRICAL ASSY-LAV A (WATER/WASTE ONLY) SUPPLIER CODE: VS5825 FOR NHA/OTHER SYS DET SEE: 25-41-01-06B	950951	RF
50	1A081-0155-11		.SWITCH ASSY-FLUSH TIMER S2 SUPPLIER CODE: VS5825 SPECIFICATION NUMBER: 60B50058-6 CONFIG CHG DATA FROM A CMM: SUPERSEDES 1A081-0155-1 COMPONENT MAINT MANUAL REF: 25-41-18 OPTIONAL PART: 1A081-0155-1 VS5825 835867-401 V92824 TD2004-1002 V35344 TD1702-1002 V58657 FOR DETAILS SEE: 38-32-09-90A	002004 006100 950951	1

MISSING ITEM NUMBERS NOT APPLICABLE

- ITEM NOT ILLUSTRATED

38-32-09-15A

38-32-09
FIG. 15A
PAGE 1
JAN 20/09

BRI



757

PARTS CATALOG (MAINTENANCE)

FIG ITEM	PART NUMBER	1 2 3 4 5 6 7	NOMENCLATURE	EFFECT FROM TO	UNITS PER ASSY
15A 50	835867-401		.SWITCH ASSY-FLUSH TIMER S2 SUPPLIER CODE: V92824 SPECIFICATION NUMBER: 60B50058-6 COMPONENT MAINT MANUAL REF: 25-41-18 OPTIONAL PART: 1A081-0155-1 VS5825 TD2004-1002 V35344 1A081-0155-11 VS5825 TD1702-1002 V58657 FOR DETAILS SEE: 38-32-09-90	002004 006100 950951	1
50	1A081-0155-1		.SWITCH ASSY-FLUSH TIMER SUPPLIER CODE: VS5825 SPECIFICATION NUMBER: 60B50058-6 CONFIG CHG DATA FROM A CMM: SUPSD BY 1A081-0155-11 COMPONENT MAINT MANUAL REF: 25-41-18 OPTIONAL PART: 1A081-0155-11 VS5825 835867-401 V92824 TD2004-1002 V35344 TD1702-1002 V58657 FOR DETAILS SEE: 38-32-09-90A	002004 006100 950951	1

MISSING ITEM NUMBERS NOT APPLICABLE

- ITEM NOT ILLUSTRATED

38-32-09-15A

38-32-09
FIG. 15A
PAGE 2
JAN 20/09

BRI



757

PARTS CATALOG (MAINTENANCE)

FIG ITEM	PART NUMBER	1 2 3 4 5 6 7	NOMENCLATURE	EFFECT FROM TO	UNITS PER ASSY
15A 50	TD2004-1002		.SWITCH ASSY-FLUSH TIMER, S2 SUPPLIER CODE: V35344 SPECIFICATION NUMBER: 60B50058-6 COMPONENT MAINT MANUAL REF: 25-41-18 OPTIONAL PART: 1A081-0155-11 VS5825 835867-401 V92824 1A081-0155-1 VS5825 TD1702-1002 V58657	002004 006100 950951	1
50	TD1702-1002		.SWITCH ASSY-FLUSH TIMER, S2 SUPPLIER CODE: V58657 SPECIFICATION NUMBER: 60B50058-6 OPTIONAL PART: 1A081-0155-1 VS5825 1A081-0155-11 VS5825 835867-401 V92824 TD2004-1002 V35344	002004 006100 950951	1
55	BACC45FT14C7S		.CONNECTOR-P2	950951	RF

MISSING ITEM NUMBERS NOT APPLICABLE

- ITEM NOT ILLUSTRATED

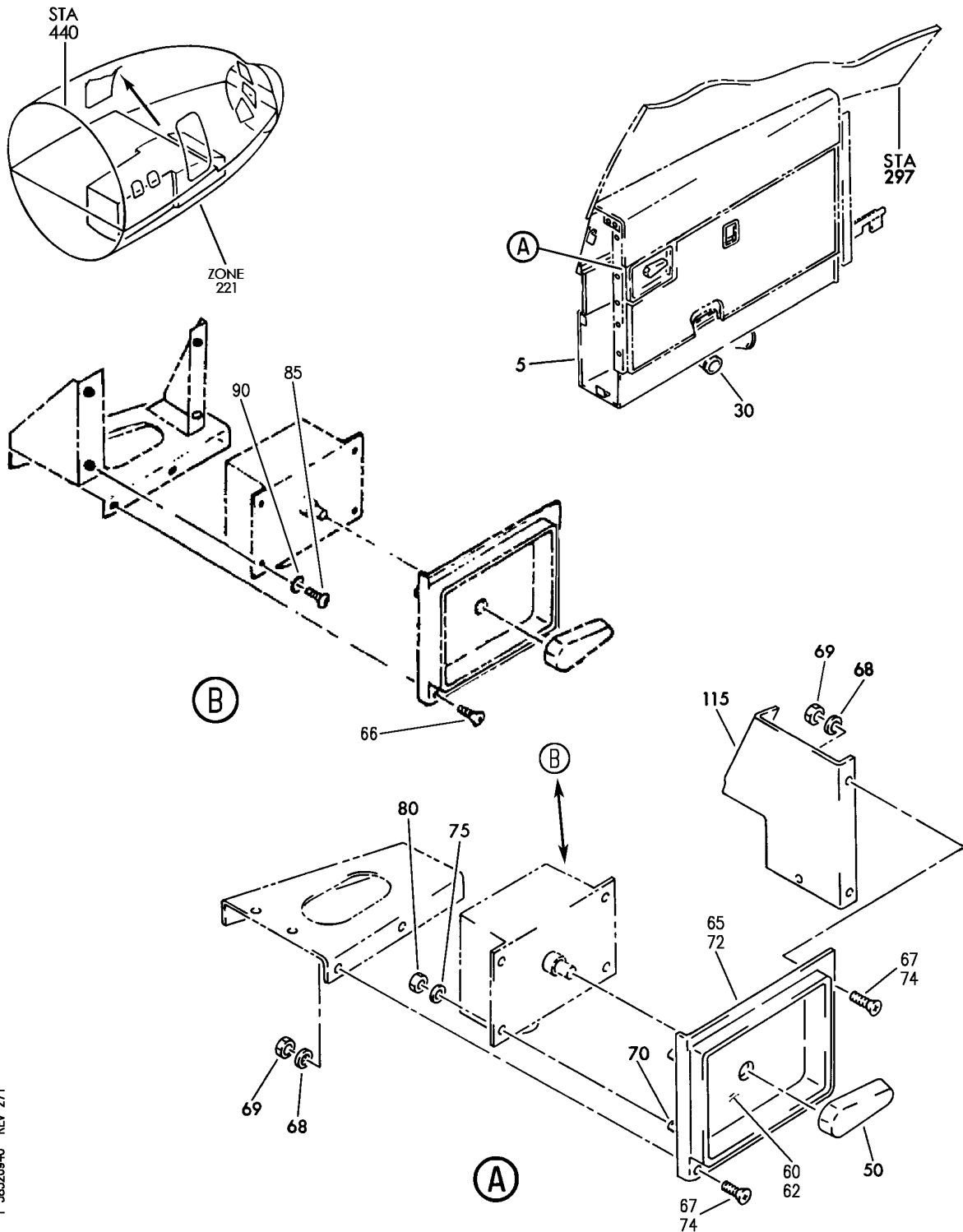
BRI

38-32-09-15A

BOEING PROPRIETARY - Copyright © - Unpublished Work - See title page for details.

38-32-09
FIG. 15A
PAGE 3
JAN 20/09

BOEING
757
PARTS CATALOG (MAINTENANCE)



Y 38320940 REV 271

PANEL ASSY-LINING AND BACK LAV A (WATER/WASTE ONLY)
FIGURE 40

38-32-09-40

BRI
MAY 28/07

38-32-09-40
PAGE 0



757

PARTS CATALOG (MAINTENANCE)

FIG ITEM	PART NUMBER	1 2 3 4 5 6 7	NOMENCLATURE	EFFECT FROM TO	UNITS PER ASSY
40			PANEL ASSY-LINING AND BACK LAV A (WATER/WASTE ONLY)	002004 006100 107107 121503 904999	
- 1	0A112-0016-1		PANEL ASSY-LINING AND BACK LAV A (WATER/WASTE ONLY) SUPPLIER CODE: VS5825 FOR NHA/OTHER SYS DET SEE: 25-41-01-06 25-41-01-06B 25-41-01-06E 25-41-01-06F 25-41-01-06H	002004 006100 107107 121503 904999	RF
5	1A113-0019-1C		.BOX ASSY-WATER SEPARATOR SUPPLIER CODE: VS5825 CONFIG CHG DATA FROM A CMM: SUPERSEDES 1A113-0019-1 SUPSD BY 1A113-0019-11C	107107	1
5	1A113-0019-1Q		.BOX-WATER SEPARATOR SUPPLIER CODE: VS5825	002004 006100 950999	1
5	1A113-0019-1		.BOX ASSY-WATER SEPARATOR SUPPLIER CODE: VS5825 CONFIG CHG DATA FROM A CMM: SUPSD BY 1A113-0019-1C SUPSD BY 1A113-0019-1A SUPSD BY 1A113-0019-1B	107107 121503 904949	1
5	1A113-0019-1L		.BOX-WATER SEPARATOR SUPPLIER CODE: VS5825	904949	1
- 10	NAS601-3P		.SCREW	107107	8
- 10	NAS603-5P		.SCREW	002004 006100 950951	8
- 15	NAS601-7P		.SCREW	002004 006100 107107	5
- 15	NAS1801-06-7		.SCREW	950951	5
- 17	NAS603-4P		.SCREW	107107 121503 904949	3
- 18	NAS602-8P		.SCREW	121503 904949	1

MISSING ITEM NUMBERS NOT APPLICABLE

- ITEM NOT ILLUSTRATED

38-32-09-40

38-32-09
FIG. 40
PAGE 1
JAN 20/09

BRI



757

PARTS CATALOG (MAINTENANCE)

FIG ITEM	PART NUMBER	1 2 3 4 5 6 7	NOMENCLATURE	EFFECT FROM TO	UNITS PER ASSY
40					
- 19	AN960PD10L	.	WASHER	002004 006100 107107	8
- 20	AN960PD6L	.	WASHER	107107	18
- 22	AN960PD10L	.	WASHER	121503 904949	3
- 23	AN960PD6L	.	WASHER	002004 006100	5
- 24A	AN960PD8L	.	WASHER	121503 904949	1
- 24B	AN960PD10L	.	WASHER	950951	18
- 25	NAS679A06	.	NUT	002004 006100 107107 950951	5
			-----*-----		
30	1A081-0160-1	.	SEPARATOR-WATER SUPPLIER CODE: VS5825 CONFIG CHG DATA FROM A CMM: SUPSD BY 1A081-0160-11 SUPSD BY 1A081-0160-21 SUPERSEDES 16400-001	002004 006100 121503 904949 952999	1
30	1A081-0160-11	.	SEPARATOR-WATER SUPPLIER CODE: VS5825 CONFIG CHG DATA FROM A CMM: SUPERSEDES 1A081-0160-1 SUPSD BY 1A081-0160-21	107107 950951	1
30	16400-001	.	SEPARATOR-WATER SUPPLIER CODE: V29780 CONFIG CHG DATA FROM A CMM: SUPSD BY 1A081-0160-1	121503 904949	1
30	1A081-0160-21	.	SEPARATOR-WATER SUPPLIER CODE: VS5825 CONFIG CHG DATA FROM A CMM: SUPERSEDES 1A081-0160-1 SUPERSEDES 1A081-0160-11	002004 006100 107107	1
- 35	NAS623-3-4	.	SCREW ATTACHING PARTS	002004 006100 107107 950951	4
- 36	NAS603-4P	.	SCREW	952999	3
- 37	NAS602-8P	.	SCREW	952999	1

MISSING ITEM NUMBERS NOT APPLICABLE

- ITEM NOT ILLUSTRATED

38-32-09-40

38-32-09
FIG. 40
PAGE 2
JAN 20/09

BRI



757

PARTS CATALOG (MAINTENANCE)

FIG ITEM	PART NUMBER	1 2 3 4 5 6 7	NOMENCLATURE	EFFECT FROM TO	UNITS PER ASSY
40					
- 40	AN960PD10L	.	WASHER	002004 006100 107107 950951	4
- 41	AN960PD10L	.	WASHER	952999	3
- 42	AN960PD8L	.	WASHER	952999	1
			-----*-----		
- 45	2A114-0020-1	.	HANDLE AND PLATE ASSY- FLUSH TIMER SWITCH SUPPLIER CODE: VS5825	002004 006100 107107 121503 904999	1
50	2A114-0020-3	..	HANDLE- SUPPLIER CODE: VS5825	002004 006100 107107 121503 904999	1
			ATTACHING PARTS		
- 55	MS18064-10	..	SETSCREW	002004 006100 107107 121503 904999	1
			-----*-----		
60	2A114-0020-7	..	PLATE- SUPPLIER CODE: VS5825	002004 006100 107107 121503 904999	1
65	2A114-0021-1	.	ESCUTCHEON- SUPPLIER CODE: VS5825	002004 006100 107107 121503 904999	1
			ATTACHING PARTS		
67	NAS514P632-5P	.	SCREW	002004 006100 950951	4
68	AN960KD6L	.	WASHER	950951	4
68	AN960PD6L	.	WASHER	002004 006100	4
69	NAS679A06	.	NUT	002004 006100 950951	4
			-----*-----		

MISSING ITEM NUMBERS NOT APPLICABLE

- ITEM NOT ILLUSTRATED

38-32-09-40

38-32-09
FIG. 40
PAGE 3
JAN 20/09

BRI



757

PARTS CATALOG (MAINTENANCE)

FIG ITEM	PART NUMBER	1 2 3 4 5 6 7	NOMENCLATURE	EFFECT FROM TO	UNITS PER ASSY
40					
70	2A113-0208-1		.PANEL-FLUSH TIMER SWITCH SUPPLIER CODE: VS5825	002004 006100 107107 121503 904999	1
80	NAS679A3		ATTACHING PARTS .NUT	121503 904949 952999	4
115	2A114-0225-1		-----*----- .PLATE ASSY-BARRIER SUPPLIER CODE: VS5825	950951	RF

MISSING ITEM NUMBERS NOT APPLICABLE

- ITEM NOT ILLUSTRATED

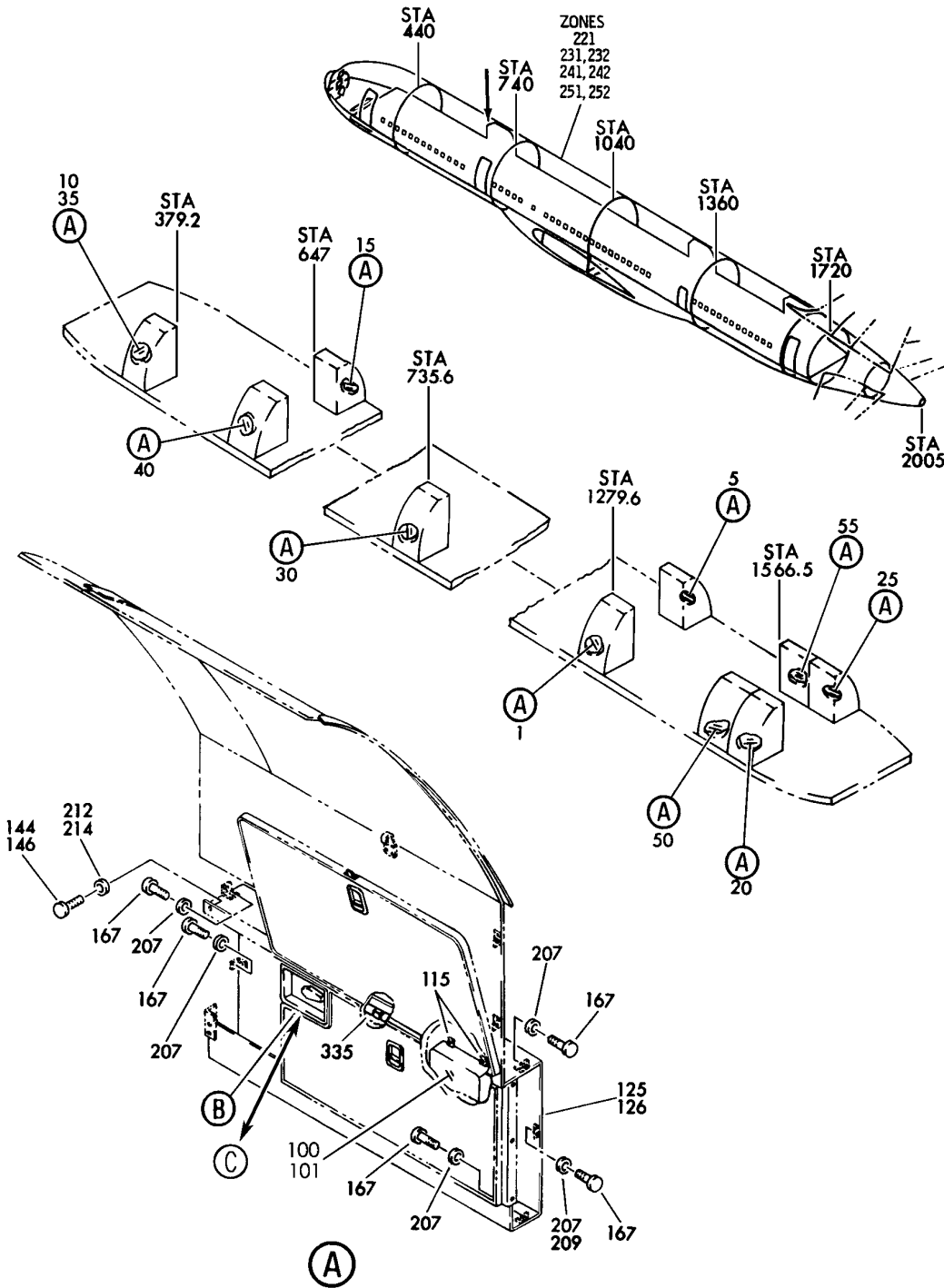
BRI

38-32-09-40

BOEING PROPRIETARY - Copyright © - Unpublished Work - See title page for details.

38-32-09
FIG. 40
PAGE 4
JAN 20/09

BOEING
757
PARTS CATALOG (MAINTENANCE)



Y 38320950 SH-T 1 REV 271

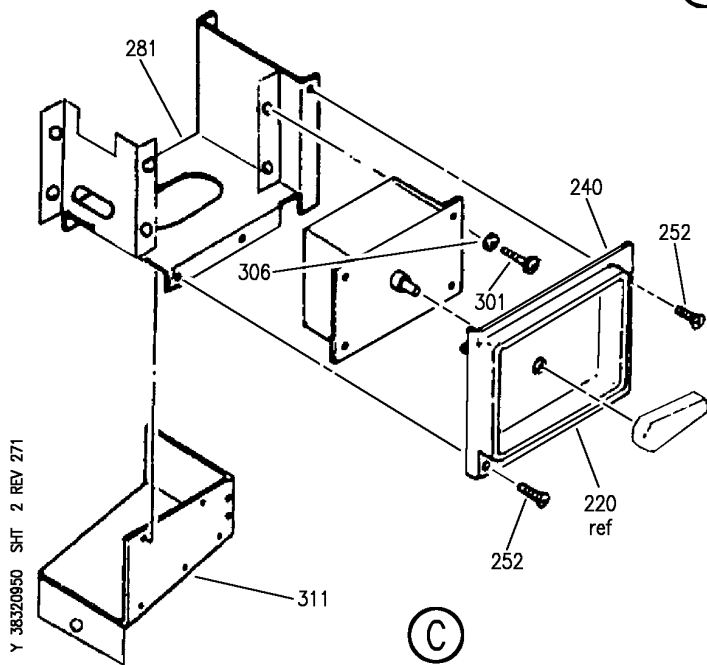
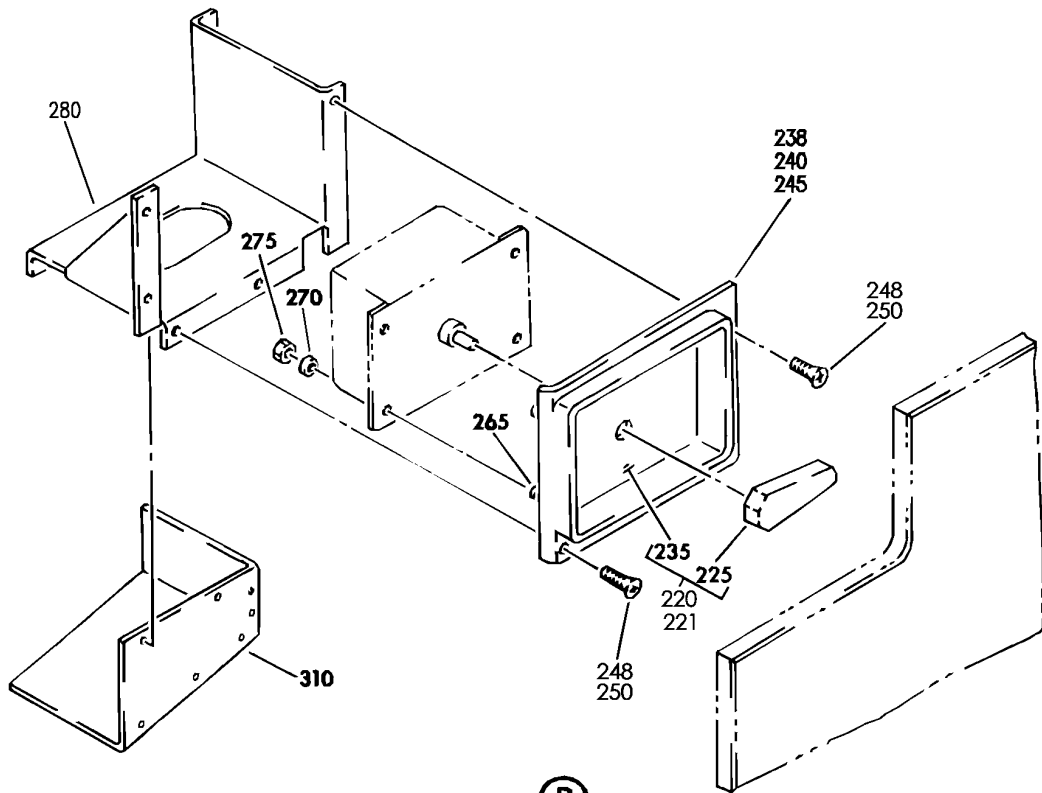
PANEL ASSY-LINING AND BACK LAV (WATER/WASTE ONLY)
FIGURE 50 (SHEET 1)

38-32-09-50

BRI
MAY 28/07

38-32-09-50
PAGE 0

BOEING
757
PARTS CATALOG (MAINTENANCE)



Y 38320950 SHT 2 REV 271

PANEL ASSY-LINING AND BACK LAV (WATER/WASTE ONLY)
FIGURE 50 (SHEET 2)

38-32-09-50

BRI
MAY 28/07

38-32-09-50
PAGE 0A



757

PARTS CATALOG (MAINTENANCE)

FIG ITEM	PART NUMBER	1 2 3 4 5 6 7	NOMENCLATURE	EFFECT FROM TO	UNITS PER ASSY
50			PANEL ASSY-LINING AND BACK LAV (WATER/WASTE ONLY)	107107 121503 904949 952999	
1	0A122-0018-192		PANEL ASSY-LINING AND BACK LAV C (WATER/WASTE ONLY) SUPPLIER CODE: VS5825 FOR NHA/OTHER SYS DET SEE: 25-41-04-96	121503 904949	RF
1	0A122-0018-292		PANEL ASSY-LINING AND BACK LAV C (WATER/WASTE ONLY) SUPPLIER CODE: VS5825 FOR NHA/OTHER SYS DET SEE: 25-41-04-60	952999	RF
1	0A122-0018-42		PANEL ASSY-LINING AND BACK LAV C (WATER/WASTE ONLY) SUPPLIER CODE: VS5825 FOR NHA/OTHER SYS DET SEE: 25-41-03-50B	107107	RF
5	0A122-0018-201		PANEL ASSY-LINING AND BACK LAV D (WATER/WASTE ONLY) SUPPLIER CODE: VS5825 FOR NHA/OTHER SYS DET SEE: 25-41-04-57 25-41-04-95	904949 952999	RF
5	0A122-0018-31		PANEL ASSY-LINING AND BACK LAV D (WATER/WASTE ONLY) SUPPLIER CODE: VS5825 FOR NHA/OTHER SYS DET SEE: 25-41-03-51B	107107 121503 904949	RF
10	0A132-0068-1		PANEL ASSY-LINING AND BACK LAV F (WATER/WASTE ONLY) SUPPLIER CODE: VS5825 FOR NHA/OTHER SYS DET SEE: 25-41-01-09D	121503 904949	RF
10	0A132-0068-11		PANEL ASSY-LINING AND BACK LAV F (WATER/WASTE ONLY) SUPPLIER CODE: VS5825 FOR NHA/OTHER SYS DET SEE: 25-41-01-09E	107107	RF

MISSING ITEM NUMBERS NOT APPLICABLE

- ITEM NOT ILLUSTRATED

38-32-09-50

38-32-09
FIG. 50
PAGE 1
JAN 20/09

BRI

BOEING PROPRIETARY - Copyright © - Unpublished Work - See title page for details.



757

PARTS CATALOG (MAINTENANCE)

FIG ITEM	PART NUMBER	1 2 3 4 5 6 7	NOMENCLATURE	EFFECT FROM TO	UNITS PER ASSY
50					
40	0A122-0018-281		PANEL ASSY-LINING AND BACK LAV S (WATER/WASTE ONLY) SUPPLIER CODE: VS5825 FOR NHA/OTHER SYS DET SEE: 25-41-03-08C	952952	RF
100	16400-001		.SEPARATOR-WATER LAV C SUPPLIER CODE: V29780 CONFIG CHG DATA FROM A CMM: SUPSD BY 1A081-0160-1	121503 904949	1
100	1A081-0160-1		.SEPARATOR-WATER LAV C LAV G SUPPLIER CODE: VS5825 CONFIG CHG DATA FROM A CMM: SUPERSEDES 16400-001 SUPSD BY 1A081-0160-11	107107 121503 904949 952999	1
100	1A081-0160-12		.SEPARATOR-WATER LAV F AND M LAV D AND F SUPPLIER CODE: VS5825 CONFIG CHG DATA FROM A CMM: SUPERSEDES 1A081-0160-2 SUPSD BY 1A081-0160-22	107107	1
100	1A081-0160-22		.SEPARATOR-WATER LAV J AND M LAV B, D AND S SUPPLIER CODE: VS5825 CONFIG CHG DATA FROM A CMM: SUPERSEDES 1A081-0160-12 SUPERSEDES 1A081-0160-2	107107	1
- 102	16400-001		.SEPARATOR-WATER LAV D AND F SUPPLIER CODE: V29780	121503 904949	1

MISSING ITEM NUMBERS NOT APPLICABLE

- ITEM NOT ILLUSTRATED

38-32-09-50

38-32-09
FIG. 50
PAGE 2
JAN 20/09

BRI

BOEING PROPRIETARY - Copyright © - Unpublished Work - See title page for details.



757

PARTS CATALOG (MAINTENANCE)

FIG ITEM	PART NUMBER	1 2 3 4 5 6 7	NOMENCLATURE	EFFECT FROM TO	UNITS PER ASSY
50 - 105	16400-002		.SEPARATOR-WATER LAV D AND F LAV D AND S SUPPLIER CODE: V29780 CONFIG CHG DATA FROM A CMM: SUPSD BY 1A081-0160-2	121503 904949	1
- 105	1A081-0160-2		.SEPARATOR-WATER LAV D AND F LAV D AND S LAV M AND T SUPPLIER CODE: VS5825 CONFIG CHG DATA FROM A CMM: SUPERSEDES 16400-002 SUPSD BY 0A081-0160-12	107107 121503 904949 953999	1
- 105	1A081-0160-2		.SEPARATOR-WATER LAV D LAV M LAV J LAV B SUPPLIER CODE: VS5825 CONFIG CHG DATA FROM A CMM: SUPERSEDES 16400-002 SUPSD BY 1A081-0160-22 SUPSD BY 1A081-0160-12	952952	1
- 105	1A081-0160-22		.SEPARATOR-WATER LAV D AND F SUPPLIER CODE: VS5825 CONFIG CHG DATA FROM A CMM: SUPERSEDES 1A081-0160-12	107107	1
- 107	16400-002		.SEPARATOR-WATER LAV C SUPPLIER CODE: V29780	121503 904949	1
- 110	1A081-0160-11		.SEPARATOR-WATER LAV K LAV C SUPPLIER CODE: VS5825 CONFIG CHG DATA FROM A CMM: SUPERSEDES 1A081-0160-1 SUPSD BY 1A081-0160-21	107107	1

MISSING ITEM NUMBERS NOT APPLICABLE

- ITEM NOT ILLUSTRATED

38-32-09-50

38-32-09
FIG. 50
PAGE 3
JAN 20/09

BRI



757

PARTS CATALOG (MAINTENANCE)

FIG ITEM	PART NUMBER	1 2 3 4 5 6 7	NOMENCLATURE	EFFECT FROM TO	UNITS PER ASSY
50 - 110	1A081-0160-21		.SEPARATOR-WATER, LAV C LAV K SUPPLIER CODE: VS5825 CONFIG CHG DATA FROM A CMM: SUPERSEDES 1A081-0160-11 SUPERSEDES 1A081-0160-12 ATTACHING PARTS	107107	1
115	NAS623-3-4P		.SCREW	121503 904949 953999	4
115	NAS623-3-4P		.SCREW-LAV C AND D	952952	4
115	NAS603-9P		.SCREW- LAV C, D AND F	107107	4
- 120	AN960PD10L		.WASHER	107107 121503 904949 953999	4
- 120	AN960PD10L		.WASHER- LAV C AND D -----*-----	952952	4
125	1A123-0043-2Q		.BOX-WATER SEPARATOR LAV C SUPPLIER CODE: VS5825	952999	1
125	1A123-0043-1C		.BOX-WATER SEPARATOR LAV F SUPPLIER CODE: VS5825	107107	1
125	1A123-0043-1L		.BOX-WATER SEPARATOR LAV S AND T LAV B AND D LAV D AND F SUPPLIER CODE: VS5825	904949	1
126	1A123-0043-1		.BOX-WATER SEPARATOR LAV F SUPPLIER CODE: VS5825 CONFIG CHG DATA FROM A CMM: SUPSD BY 1A123-0043-1A	121503 904949	1
- 127	1A123-0043-1		.BOX-WATER SEPARATOR LAV C SUPPLIER CODE: VS5825	121503 904949	1

MISSING ITEM NUMBERS NOT APPLICABLE

- ITEM NOT ILLUSTRATED

38-32-09-50

38-32-09
FIG. 50
PAGE 4
JAN 20/09

BRI



757

PARTS CATALOG (MAINTENANCE)

FIG ITEM	PART NUMBER	1 2 3 4 5 6 7	NOMENCLATURE	EFFECT FROM TO	UNITS PER ASSY
50					
- 128	1A123-0043-2A		.BOX-WATER SEPARATOR LAV C SUPPLIER CODE: VS5825	121503 904949	1
- 129	1A123-0043-1		.BOX-WATER SEPARATOR LAV D SUPPLIER CODE: VS5825	121503 904949	1
- 130	1A123-0043-12		.BOX-WATER SEPARATOR LAV C SUPPLIER CODE: VS5825 CONFIG CHG DATA FROM A CMM: SUPSD BY 1A123-0043-1A	107107 121503 904949	1
- 130	1A123-0043-1Q		.BOX-WATER SEPARATOR LAV D SUPPLIER CODE: VS5825	952952	1
- 130	1A123-0043-12C		.BOX-WATER SEPARATOR LAV C SUPPLIER CODE: VS5825 CONFIG CHG DATA FROM A CMM: SUPERSEDES 1A123-0043-12	107107	1
- 131	1A123-0043-1Q		.BOX-WATER SEPARATOR LAV D AND S SUPPLIER CODE: VS5825	952952	1
- 132	1A123-0043-12		.BOX-WATER SEPARATOR LAV D AND F SUPPLIER CODE: VS5825	121503 904949	1
- 133	1A123-0043-2L		.BOX-WATER SEPARATOR LAV C SUPPLIER CODE: VS5825	904949	1

MISSING ITEM NUMBERS NOT APPLICABLE

- ITEM NOT ILLUSTRATED

38-32-09-50

38-32-09
FIG. 50
PAGE 5
JAN 20/09

BRI



757

PARTS CATALOG (MAINTENANCE)

FIG ITEM	PART NUMBER	1 2 3 4 5 6 7	NOMENCLATURE	EFFECT FROM TO	UNITS PER ASSY
50					
- 135	1A123-0043-11		.BOX-WATER SEPARATOR LAV D SUPPLIER CODE: VS5825 CONFIG CHG DATA FROM A CMM: SUPSD BY 1A123-0043-11A SUPSD BY 1A123-0043-11B SUPSD BY 1A123-0043-11C	107107 121503 904949	1
- 135	1A123-0043-11C		.BOX-WATER SEPARATOR LAV D SUPPLIER CODE: VS5825 CONFIG CHG DATA FROM A CMM: SUPERSEDES 1A123-0043-11	107107	1
- 136	1A123-0043-11		.BOX-WATER SEPARATOR LAV C AND F SUPPLIER CODE: VS5825	121503 904949	1
- 140	NAS603-5P		ATTACHING PARTS .SCREW	121503 904949 953999	6
- 140	NAS603-5P		.SCREW	952952	6
- 145	NAS603-7P		.SCREW- LAV C, D AND F	107107	4
- 146	NAS603-5P		.SCREW- LAV C, D AND F	107107	2
- 155	NAS603-6P		.SCREW	121503 904949	2
- 155	NAS603-7P		.SCREW- LAV C AND D	952952	2
- 155	NAS603-7P		.SCREW	953999	2
- 160	NAS603-7P		.SCREW	121503 904949	2
- 160	NAS601-5P		.SCREW	952952	2
- 160	NAS603-5P		.SCREW	107107 953999	2
- 165	NAS601-5P		.SCREW- LAV C, D AND F	107107	6
- 170	NAS601-5P		.SCREW	121503 904949	2
- 170	NAS603-6P		.SCREW	952952	2
- 170	NAS603-6P		.SCREW	952952	2
- 175	AN960PD6L		.WASHER	121503 904949 953999	2

MISSING ITEM NUMBERS NOT APPLICABLE

- ITEM NOT ILLUSTRATED

38-32-09-50

38-32-09
FIG. 50
PAGE 6
JAN 20/09

BRI



757

PARTS CATALOG (MAINTENANCE)

FIG ITEM	PART NUMBER	1 2 3 4 5 6 7	NOMENCLATURE	EFFECT FROM TO	UNITS PER ASSY
50					
- 175	AN960PD6L	.WASHER		952952	2
- 180	AN960PD10	.WASHER		121503	6
				904949	
				953999	
- 180	AN960PD10	.WASHER		952952	6
- 185	AN960PD6L	.WASHER-	LAV C, D AND F	107107	6
- 192	AN960PD10L	.WASHER-	LAV C, D AND F	107107	2
- 200	AN960PD10L	.WASHER		121503	4
				904949	
				953999	
- 201	AN960PD10L	.WASHER		107107	2
- 205	AN960-4	.WASHER-	LAV C, D AND F	107107	8
- 210	AN960PD10L	.WASHER		952952	4
- 215	NAS679A06	.NUT-	LAV C, D AND F LAV J, K AND M	107107	4
			-----*-----		
220	2A114-0020-1	.HANDLE AND PLATE ASSY-	FLUSH LAV G, K AND M LAV C, D AND F LAV C, D AND S LAV J, K AND M SUPPLIER CODE: VS5825	107107 121503 904949 953999	1
220	2A114-0020-1	.HANDLE AND PLATE ASSY-	FLUSH LAV C AND D SUPPLIER CODE: VS5825	952952	1
225	2A114-0020-3	..HANDLE-	LAV G, K AND M LAV C, D AND F SUPPLIER CODE: VS5825	107107 121503 904949 953999	1
225	2A114-0020-3	..HANDLE-	SUPPLIER CODE: VS5825	952952	1
- 230	MS18064-10	..SETSCREW-	LAV G, K AND M LAV C, D AND F	107107 121503 904949 953999	1
- 230	MS18064-10	..SETSCREW		952952	1

MISSING ITEM NUMBERS NOT APPLICABLE

- ITEM NOT ILLUSTRATED

38-32-09-50

38-32-09
FIG. 50
PAGE 7
JAN 20/09

BRI



757

PARTS CATALOG (MAINTENANCE)

FIG ITEM	PART NUMBER	1 2 3 4 5 6 7	NOMENCLATURE	EFFECT FROM TO	UNITS PER ASSY
50					
235	2A114-0020-7	..	PLATE- LAV G, K AND M LAV C, D AND F SUPPLIER CODE: VS5825	107107 121503 904949 953999	1
235	2A114-0020-7	..	PLATE- SUPPLIER CODE: VS5825	952952	1
- 237	2A114-0020-5	..	PLATE- SUPPLIER CODE: VS5825	107107	1
240	2A114-0021-5	.ESCUTCHEON-	LAV D AND F LAV D AND S LAV M AND S LAV M AND T LAV F AND M LAV J AND M LAV B, D AND S SUPPLIER CODE: VS5825	107107 121503 904949 953999	1
240	2A114-0021-5	.ESCUTCHEON-	LAV D LAV S LAV M SUPPLIER CODE: VS5825	952952	1
- 242	2A114-0021-3	.ESCUTCHEON-	LAV C SUPPLIER CODE: VS5825	121503 904949	1
245	2A114-0021-3	.ESCUTCHEON-	LAV C LAV K SUPPLIER CODE: VS5825	107107 952999	1
250	NAS514P632-5P	.SCREW-	ATTACHING PARTS LAV C, D AND F	107107 121503 904949 953999	4
250	NAS514P632-5P	.SCREW-		952952	4
- 255	AN960PD6L	.WASHER		107107 121503 904949 953999	2
- 255	AN960PD6L	.WASHER		952952	2

MISSING ITEM NUMBERS NOT APPLICABLE

- ITEM NOT ILLUSTRATED

38-32-09-50

38-32-09
FIG. 50
PAGE 8
JAN 20/09

BRI

BOEING PROPRIETARY - Copyright © - Unpublished Work - See title page for details.



757

PARTS CATALOG (MAINTENANCE)

FIG ITEM	PART NUMBER	1 2 3 4 5 6 7	NOMENCLATURE	EFFECT FROM TO	UNITS PER ASSY
50					
- 260	NAS679A06		.NUT- LAV C, D AND F LAV G, K AND M	107107 121503 904949 953999	2
- 260	NAS679A06		.NUT	952952	2
265	2A113-0208-1		-----*----- .PANEL-FLUSH TIMER SWITCH LAV G, K AND M LAV C, D AND F LAV C, D AND S LAV J, K AND M SUPPLIER CODE: VS5825 SB DATA FROM A CMM: PRE SB 2A114-0021-25-74	107107 121503 904949 953999	1
265	2A113-0208-1		.PANEL-FLUSH TIMER SWITCH SUPPLIER CODE: VS5825	952952	1
270	AN960PD8L		ATTACHING PARTS .WASHER- LAV C, D AND F	107107 121503 904949 953999	4
270	AN960PD8L		.WASHER-	952952	4
275	NAS679A08		.NUT- LAV C, D AND F	107107 121503 904949 953999	4
275	NAS679A08		.NUT- -----*-----	952952	4
280	2A124-0102-1		.BARRIER- LAV D AND F LAV D AND S LAV B, D AND S LAV F AND M SUPPLIER CODE: VS5825 CONFIG CHG DATA FROM A CMM: SUPSD BY D75D30795-111	107107 121503 904949 953999	1
280	2A124-0102-1		.BARRIER- LAV D LAV F LAV S LAV J SUPPLIER CODE: VS5825	952952	1

MISSING ITEM NUMBERS NOT APPLICABLE

- ITEM NOT ILLUSTRATED

38-32-09-50

38-32-09
FIG. 50
PAGE 9
JAN 20/09

BRI



757

PARTS CATALOG (MAINTENANCE)

FIG ITEM	PART NUMBER	1 2 3 4 5 6 7	NOMENCLATURE	EFFECT FROM TO	UNITS PER ASSY
50					
- 285	2A124-0102-2		.BARRIER- LAV C LAV G LAV L SUPPLIER CODE: VS5825	107107 121503 904949 952999	1
- 293	NAS601-6P		.SCREW- LAV C, D AND F LAV J, K AND M LAV G, K AND M	107107	6
- 295	NAS601-6P		.SCREW	121503 904949	4
- 300	NAS601-6P		.SCREW	952952	1
- 300	NAS601-6P		.SCREW	952952	1
- 303	AN960PD6L		.WASHER- LAV C, D AND F LAV G, K AND M	107107	6
- 305	AN960PD6L		.WASHER	121503 904949 953999	4
- 305	AN960PD6L		.WASHER	952952	4
			-----*-----		
310	2A123-0276-11		.COVER-CONN. LAV F LAV S LAV J SUPPLIER CODE: VS5825 SB DATA FROM A CMM: POST SB2540-05-8	121503 904949	1
310	2A123-0276-11		.COVER-CONN. LAV D AND F LAV D AND S LAV S AND T SUPPLIER CODE: VS5825	107107 953999	1
310	2A123-0276-1		.COVER-CONN. LAV F SUPPLIER CODE: VS5825 SB DATA FROM A CMM: PRE SB2540-05-8	121503 904949	1
- 315	2A123-0276-11		.COVER-CONN. LAV D SUPPLIER CODE: VS5825	121503 904949 952952	1
- 320	2A123-0276-2		.COVER-CONN. LAV C SUPPLIER CODE: VS5825	952952	1

MISSING ITEM NUMBERS NOT APPLICABLE

- ITEM NOT ILLUSTRATED

38-32-09-50

38-32-09
FIG. 50
PAGE 10
JAN 20/09

BRI



757

PARTS CATALOG (MAINTENANCE)

FIG ITEM	PART NUMBER	1 2 3 4 5 6 7	NOMENCLATURE	EFFECT FROM TO	UNITS PER ASSY
50					
- 320	2A123-0276-12		.COVER-CONN. LAV C SUPPLIER CODE: VS5825	107107 121503 904949 952999	1
- 325	NAS601-6P		ATTACHING PARTS .SCREW- LAV G, K AND M LAV C, D AND F	107107 121503 904949 953999	3
- 325	NAS601-6P		.SCREW	952952	3
- 330	AN960PD6L		.WASHER- LAV C, D AND F	107107 121503 904949 953999	3
- 330	AN960PD6L		.WASHER -----*-----	952952	3
335	2A114-0097-3		.BRACKET-LATCH, LAV G, K AND M C, D AND F C, D AND S J, K AND M SUPPLIER CODE: VS5825	107107 953999	1
335	2A114-0097-3		.BRACKET-LATCH SUPPLIER CODE: VS5825	952952	1
- 340	NAS601-3P		ATTACHING PARTS .SCREW	107107 953999	4
- 340	NAS601-3P		.SCREW	952952	4
- 345	AN960PD6L		.WASHER	107107 953999	4
- 345	AN960PD6L		.WASHER -----*-----	952952	4

MISSING ITEM NUMBERS NOT APPLICABLE

- ITEM NOT ILLUSTRATED

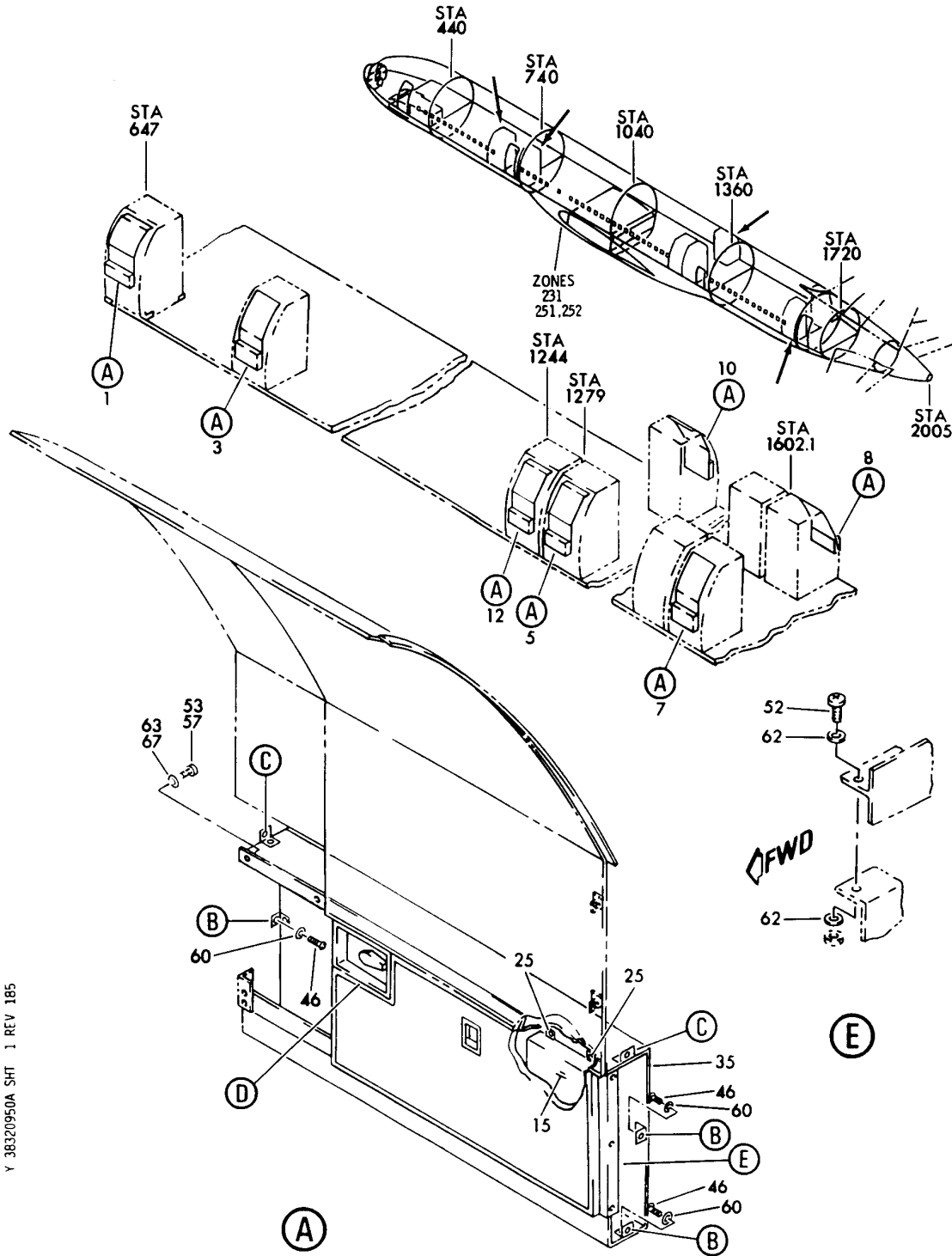
38-32-09-50

38-32-09
FIG. 50
PAGE 11
JAN 20/09

BRI

BOEING PROPRIETARY - Copyright © - Unpublished Work - See title page for details.

BOEING
757
PARTS CATALOG (MAINTENANCE)



Y 38320950A SHT 1 REV 185

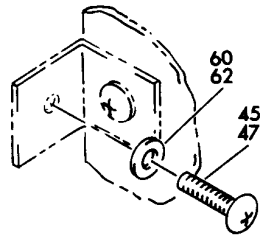
PANEL ASSY-LINING AND BACK LAV (WATER/WASTE ONLY)
FIGURE 50A (SHEET 1)

38-32-09-50A

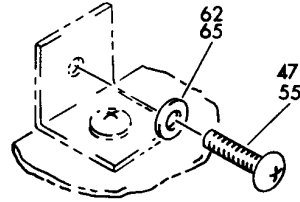
BRI
MAY 28/07

38-32-09-50A
PAGE 0

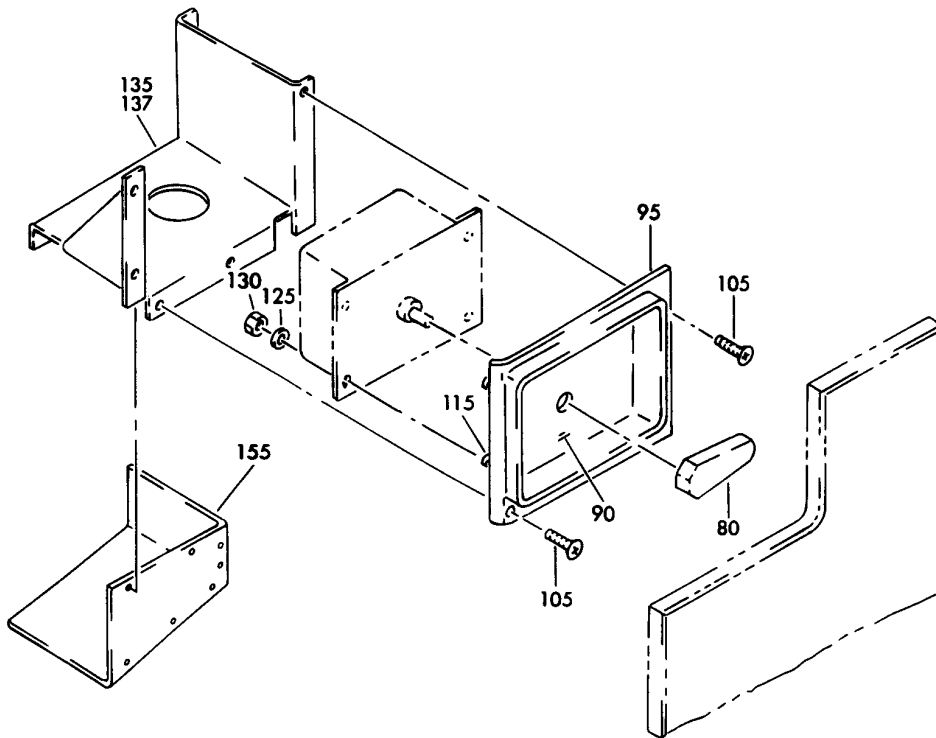
BOEING
757
PARTS CATALOG (MAINTENANCE)



(B)



(C)



(D)

Y 38320950A SH1 2 REV 183

PANEL ASSY-LINING AND BACK LAV (WATER/WASTE ONLY)
FIGURE 50A (SHEET 2)

38-32-09-50A

BRI
MAY 28/07

38-32-09-50A
PAGE 0A



757

PARTS CATALOG (MAINTENANCE)

FIG ITEM	PART NUMBER	1 2 3 4 5 6 7	NOMENCLATURE	EFFECT FROM TO	UNITS PER ASSY
50A			PANEL ASSY-LINING AND BACK LAV (WATER/WASTE ONLY)	002004 006100 950951	
1	0A122-0018-181		PANEL ASSY-LINING AND BACK LAV S (WATER/WASTE ONLY) SUPPLIER CODE: VS5825	950951	RF
5	0A122-0018-232		PANEL ASSY-LINING AND BACK LAV C (WATER/WASTE ONLY) SUPPLIER CODE: VS5825 FOR NHA/OTHER SYS DET SEE: 25-41-04-27 25-41-04-28	002004 006100 950951	RF
10	0A122-0018-221		PANEL ASSY-LINING AND BACK LAV D (WATER/WASTE ONLY) SUPPLIER CODE: VS5825 FOR NHA/OTHER SYS DET SEE: 25-41-04-43	950951	RF
10	0A122-0018-201		PANEL ASSY-LINING AND BACK LAV D (WATER/WASTE ONLY) SUPPLIER CODE: VS5825 FOR NHA/OTHER SYS DET SEE: 25-41-04-44	002004 006100	RF
12	0A122-0018-171		PANEL ASSY-LINING AND BACK LAV B WATER/WASTE ONLY) SUPPLIER CODE: VS5825	002004 006100	RF
15	1A081-0160-12		.SEPARATOR-WATER LAV D AND S LAV B AND D LAV T AND M SUPPLIER CODE: VS5825 CONFIG CHG DATA FROM A CMM: SUPSD BY 1A081-0160-22	002004 006100 950951	1
- 20	1A081-0160-11		.SEPARATOR-WATER LAV C LAV T SUPPLIER CODE: VS5825 CONFIG CHG DATA FROM A CMM: SUPSD BY 1A081-0160-21	002004 006100 950951	1

MISSING ITEM NUMBERS NOT APPLICABLE

- ITEM NOT ILLUSTRATED

38-32-09-50A

38-32-09
FIG. 50A
PAGE 1
JAN 20/09

BRI

BOEING PROPRIETARY - Copyright © - Unpublished Work - See title page for details.



757

PARTS CATALOG (MAINTENANCE)

FIG ITEM	PART NUMBER	1 2 3 4 5 6 7	NOMENCLATURE	EFFECT FROM TO	UNITS PER ASSY
50A - 20	1A081-0160-22	.	SEPARATOR-WATER LAV B AND D LAV T AND D LAV T AND M LAV S AND D SUPPLIER CODE: VS5825 CONFIG CHG DATA FROM A CMM: SUPERSEDES 1A081-0160-12 SUPERSEDES 1A081-0160-2	002004 006100 950951	1
- 20	1A081-0160-21	.	SEPARATOR-WATER LAV C LAV K SUPPLIER CODE: VS5825 CONFIG CHG DATA FROM A CMM: SUPERSEDES 1A081-0160-11	002004 006100 950951	1
25	NAS623-3-4	.	SCREW	002004 006100 950951	4
- 30	AN960PD10L	.	WASHER	002004 006100 950951	4
35	1A123-0043-1Q	.	BOX-WATER SEPARATOR LAV D AND S LAV B AND D SUPPLIER CODE: VS5825	002004 006100 950951	1
- 40	1A123-0043-2Q	.	BOX-WATER SEPARATOR LAV C SUPPLIER CODE: VS5825	002004 006100 950951	1
46	NAS601-5P	.	SCREW	950951	4
47	NAS601-5P	.	SCREW	002004 006100	6
- 50	NAS601-7P	.	SCREW	950951	4
52	NAS601-7P	.	SCREW	002004 006100	4
55	NAS603-5P	.	SCREW	950951	10
57	NAS601-5P	.	SCREW	002004 006100	2
60	AN960PD6L	.	WASHER	950951	4
62	AN960PD6L	.	WASHER	002004 006100	14
65	AN960PD10L	.	WASHER	950951	10

MISSING ITEM NUMBERS NOT APPLICABLE

- ITEM NOT ILLUSTRATED

38-32-09-50A

38-32-09
FIG. 50A
PAGE 2
JAN 20/09

BRI

BOEING PROPRIETARY - Copyright © - Unpublished Work - See title page for details.

BOEING
757
PARTS CATALOG (MAINTENANCE)

FIG ITEM	PART NUMBER	1 2 3 4 5 6 7	NOMENCLATURE	EFFECT FROM TO	UNITS PER ASSY
50A					
67	AN960PD10L		.WASHER	002004 006100	2
- 69	AN960PD6L		.WASHER	950951	8
- 70	NAS679A06		.NUT	950951	4
- 72	NAS679A06		.NUT	002004 006100	10
			-----*-----		
- 75	2A114-0020-1		.HANDLE AND PLATE ASSY- FLUSH TIMER SWITCH SUPPLIER CODE: VS5825	002004 006100 950951	1
80	2A114-0020-3		..HANDLE- SUPPLIER CODE: VS5825	002004 006100 950951	1
- 85	MS18064-10		..SETSCREW	002004 006100 950951	1
90	2A114-0020-5		..PLATE- SUPPLIER CODE: VS5825	950951	1
90	2A114-0020-6		..PLATE- SUPPLIER CODE: VS5825	002004 006100	1
95	2A114-0021-5		.ESCUTCHEON-LAV D AND S B AND D T AND D T AND M SUPPLIER CODE: VS5825	002004 006100 950951	1
- 100	2A114-0021-3		.ESCUTCHEON-LAV C AND K SUPPLIER CODE: VS5825	002004 006100 950951	1
105	NAS514P632-5P		ATTACHING PARTS .SCREW	002004 006100 950951	4
- 110	AN960PD6L		.WASHER	002004 006100 950951	2
- 112	NAS697A06		.NUT	002004 006100	2
			-----*-----		
115	2A113-0208-1		.PANEL-FLUSH TIMER SWITCH SUPPLIER CODE: VS5825	002004 006100 950951	1
- 120	NAS679A06		ATTACHING PARTS .NUT	950951	2
			-----*-----		

MISSING ITEM NUMBERS NOT APPLICABLE

- ITEM NOT ILLUSTRATED

BRI

38-32-09-50A

BOEING PROPRIETARY - Copyright © - Unpublished Work - See title page for details.

38-32-09
FIG. 50A
PAGE 3
JAN 20/09



757

PARTS CATALOG (MAINTENANCE)

FIG ITEM	PART NUMBER	1 2 3 4 5 6 7	NOMENCLATURE	EFFECT FROM TO	UNITS PER ASSY
50A					
125	AN960PD8L	.WASHER		950951	4
130	NAS679A08	.NUT		950951	4
135	2A124-0102-1	.BARRIER-		002004	1
		(LAV D AND S)		006100	
		(LAV B AND D)		950951	
		SUPPLIER CODE:			
		VS5825			
- 140	2A124-0102-2	.BARRIER-		002004	1
		(LAV C)		006100	
		SUPPLIER CODE:		950951	
		VS5825			
		ATTACHING PARTS			
- 145	NAS601-6P	.SCREW		002004	6
				006100	
				950951	
- 150	AN960PD6L	.WASHER		002004	6
				006100	
				950951	
155	2A123-0276-11	.COVER-CONN.		002004	1
		LAV D AND S		006100	
		LAV B AND D		950951	
		SUPPLIER CODE:			
		VS5825			
- 160	2A123-0276-12	.COVER-CONN., LAV C		002004	1
		SUPPLIER CODE:		006100	
		VS5825		950951	
		ATTACHING PARTS			
- 165	NAS601-6P	.SCREW		002004	3
				006100	
- 168	NAS601-6P	.SCREW		950951	2
- 170	AN960PD6L	.WASHER		002004	3
				006100	
- 175	AN960PD6L	.WASHER		950951	2

MISSING ITEM NUMBERS NOT APPLICABLE

- ITEM NOT ILLUSTRATED

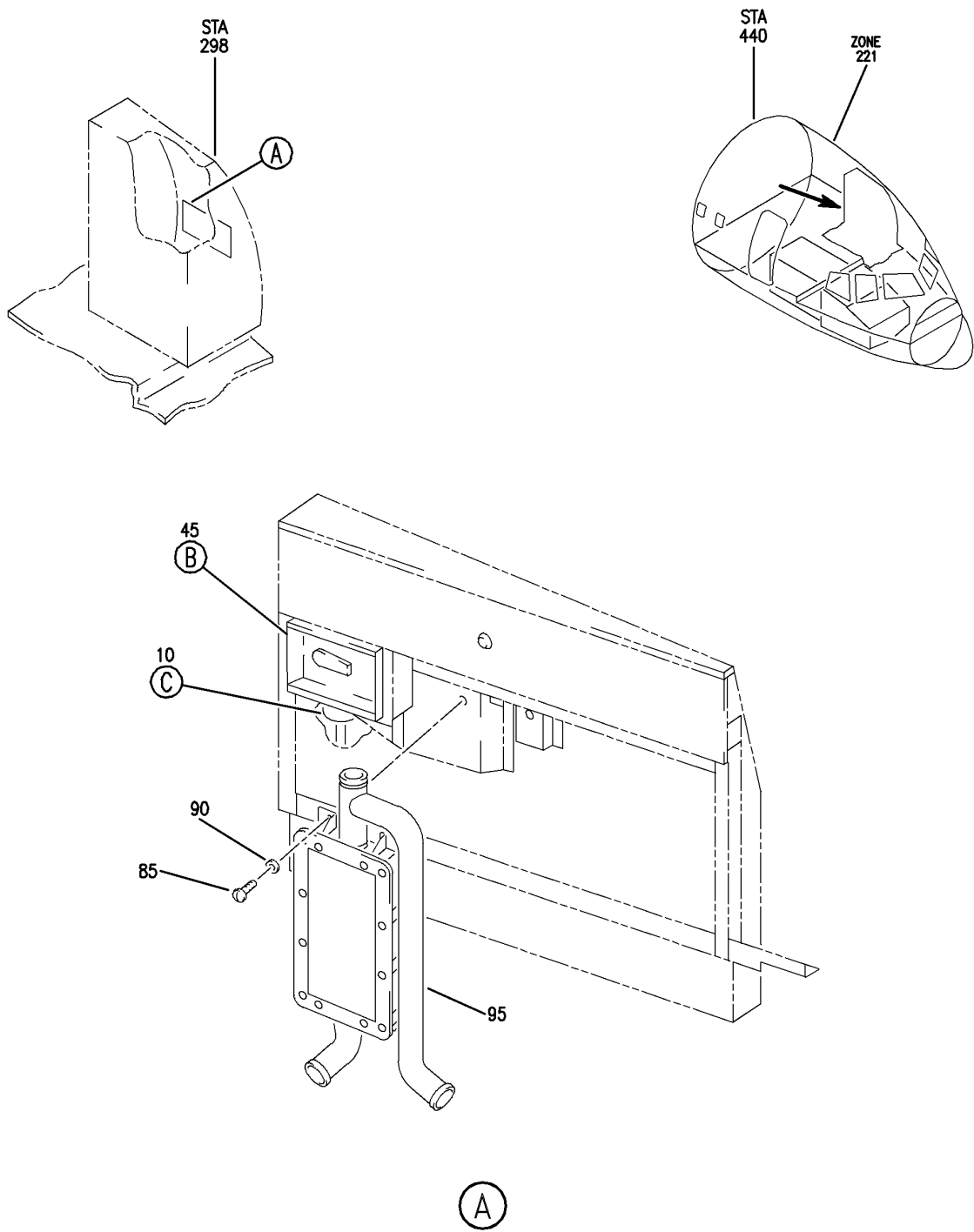
38-32-09-50A

38-32-09
FIG. 50A
PAGE 4
JAN 20/09

BRI

BOEING PROPRIETARY - Copyright © - Unpublished Work - See title page for details.

BOEING
757
PARTS CATALOG (MAINTENANCE)



Y 38320960F SHT 1 REV 244

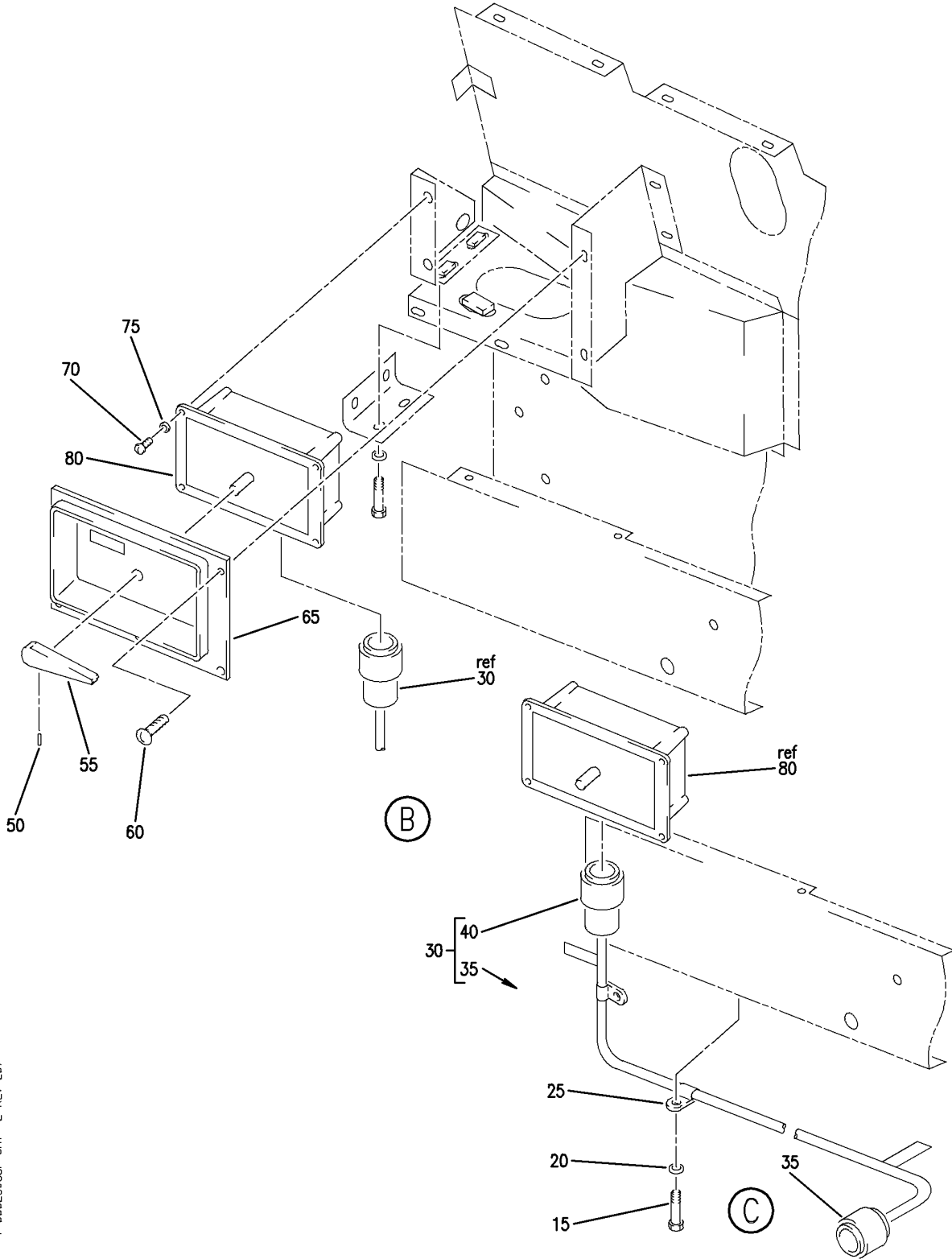
PANEL ASSY-LINING AND BACK SEG 120, LAV A (WATER/WASTE ONLY)
FIGURE 60F (SHEET 1)

38-32-09-60F

BRI
MAY 28/07

38-32-09-60F
PAGE 0

BOEING
757
PARTS CATALOG (MAINTENANCE)



Y 38320960F SHT 2 REV 237

PANEL ASSY-LINING AND BACK SEG 120, LAV A (WATER/WASTE ONLY)
FIGURE 60F (SHEET 2)

38-32-09-60F

BRI
MAY 28/07

38-32-09-60F
PAGE 0A



757

PARTS CATALOG (MAINTENANCE)

FIG ITEM	PART NUMBER	1 2 3 4 5 6 7	NOMENCLATURE	EFFECT FROM TO	UNITS PER ASSY
60F			PANEL ASSY-LINING AND BACK SEG 120, LAV A (WATER/WASTE ONLY)	101102 504903	
- 1	D75D12001-111B		PANEL ASSY-LINING AND BACK SEG 120, LAV A (WATER/WASTE ONLY) SUPPLIER CODE: VS5825 FOR NHA/OTHER SYS DET SEE: 25-41-01-46A	101102	RF
- 1	D75D12061-111A		PANEL ASSY-LINING AND BACK SEG 120, LAV A (TOILET SYSTEM ONLY) SUPPLIER CODE: VS5825 FOR NHA/OTHER SYS DET SEE: 25-41-01-12	504903	RF
15	NAS1801-06-7		.SCREW	101102 504903	4
20	AN960KD6L		.WASHER-	504903	4
20	NAS1149DN616K		.WASHER-	101102	4
25	BACC10DK3		.CLAMP	101102 504903	4
30	D75D93001-111		.HARNASS ASSY-FLUSH TIMER SUPPLIER CODE: VS5825	101102 504903	1
35	BACC45FT14C7P		..CONNECTOR-P103	101102 504903	1
40	BACC45FT14C7S		..CONNECTOR-P2	101102 504903	1
- 43	T18R		..TIE-INSULOK SUPPLIER CODE: VU3384 OPTIONAL PART: 89176-0001 VS5006	101102 504903	1
45	D75D36002-111B		.PANEL ASSY-BACK, TIMER SUPPLIER CODE: VS5825	101102 504903	RF
50	MS18064-10		..SETSCREW	101102 504903	1
55	2A114-0020-3		..HANDLE- SUPPLIER CODE: VS5825	101102 504903	1
60	NAS514P632-6P		..SCREW	101102 504903	4
65	D75D30803-111B		..PLATE ASSY- SUPPLIER CODE: VS5825	101102 504903	1

MISSING ITEM NUMBERS NOT APPLICABLE

- ITEM NOT ILLUSTRATED

38-32-09-60F

38-32-09
FIG. 60F
PAGE 1
JAN 20/09

BRI



757

PARTS CATALOG (MAINTENANCE)

FIG ITEM	PART NUMBER	1 2 3 4 5 6 7	NOMENCLATURE	EFFECT FROM TO	UNITS PER ASSY
60F					
70	NAS1801-08-7	..	SCREW	101102 504903	4
75	AN960KD8L	..	WASHER-	504903	4
75	NAS1149DN816K	..	WASHER-	101102	4
80	1A081-0155-11	..	SWITCH ASSY-FLUSH TIMER SUPPLIER CODE: VS5825 SPECIFICATION NUMBER: 60B50058-6 COMPONENT MAINT MANUAL REF: 25-41-18 OPTIONAL PART: 1A081-0155-1 VS5825 835867-401 V92824 TD2004-1002 V35344 TD1702-1002 V58657 FOR DETAILS SEE: 38-32-09-90A	101102 504903	1
80	835867-401	..	SWITCH ASSY-FLUSH TIMER, S2 SUPPLIER CODE: V92824 SPECIFICATION NUMBER: 60B50058-6 COMPONENT MAINT MANUAL REF: 25-41-18 OPTIONAL PART: 1A081-0155-11 VS5825 1A081-0155-1 VS5825 TD2004-1002 V35344 TD1702-1002 V58657	101102 504903	1

MISSING ITEM NUMBERS NOT APPLICABLE

- ITEM NOT ILLUSTRATED

BRI

38-32-09-60F

BOEING PROPRIETARY - Copyright © - Unpublished Work - See title page for details.

38-32-09
FIG. 60F
PAGE 2
JAN 20/09



757

PARTS CATALOG (MAINTENANCE)

FIG ITEM	PART NUMBER	1 2 3 4 5 6 7	NOMENCLATURE	EFFECT FROM TO	UNITS PER ASSY
60F 80	TD2004-1002		.. SWITCH ASSY-FLUSH TIMER, S2 SUPPLIER CODE: V35344 SPECIFICATION NUMBER: 60B50058-6 COMPONENT MAINT MANUAL REF: 25-41-18 OPTIONAL PART: 1A081-0155-11 VS5825 835867-401 V92824 1A081-0155-1 VS5825 TD1702-1002 V58657	101102 504903	1
80	1A081-0155-1		.. SWITCH ASSY-FLUSH TIMER, S2 SUPPLIER CODE: VS5825 SPECIFICATION NUMBER: 60B50058-6 COMPONENT MAINT MANUAL REF: 25-41-18 OPTIONAL PART: 1A081-0155-11 VS5825 835867-401 V92824 TD2004-1002 V35344 TD1702-1002 V58657 FOR DETAILS SEE: 38-32-09-90A	101102 504903	1

MISSING ITEM NUMBERS NOT APPLICABLE

- ITEM NOT ILLUSTRATED

38-32-09-60F

38-32-09
FIG. 60F
PAGE 3
JAN 20/09

BRI



757

PARTS CATALOG (MAINTENANCE)

FIG ITEM	PART NUMBER	1 2 3 4 5 6 7	NOMENCLATURE	EFFECT FROM TO	UNITS PER ASSY
60F 80	TD1702-1002		.. SWITCH ASSY-FLUSH TIMER, S2 SUPPLIER CODE: V58657 SPECIFICATION NUMBER: 60B50058-6 OPTIONAL PART: 1A081-0155-1 VS5825 1A081-0155-11 VS5825 835867-401 V92824 TD2004-1002 V35344	101102 504903	1
85	NAS1801-3-9		. SCREW	101102 504903	4
90	NAS1149K0332K		. WASHER-	504903	4
90	AN960KD10L		. WASHER-	101102 504903	4
95	1A081-0160-21		.. SEPARATOR-WATER SUPPLIER CODE: VS5825	101102 504903	1

MISSING ITEM NUMBERS NOT APPLICABLE

- ITEM NOT ILLUSTRATED

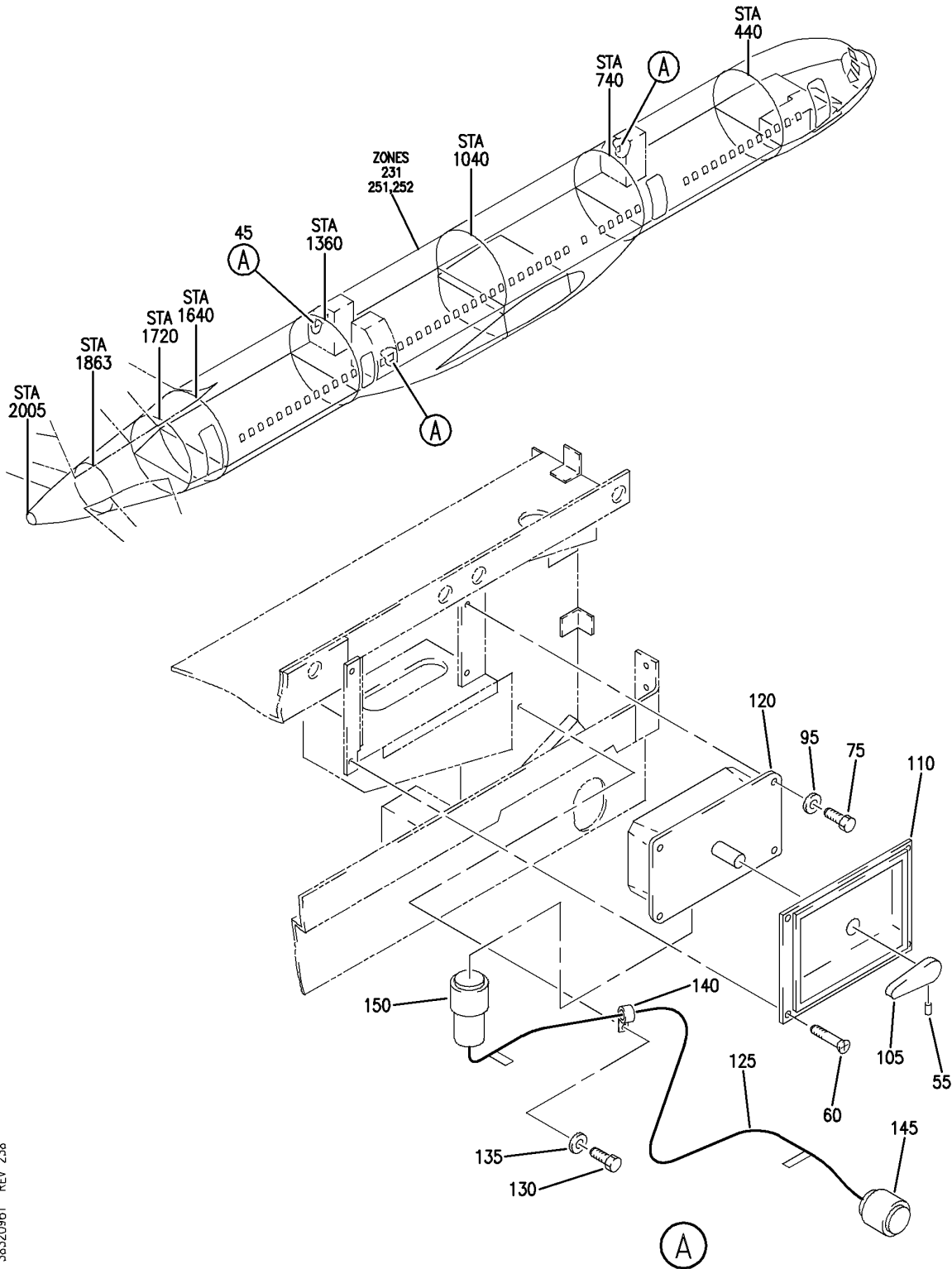
BRI

38-32-09-60F

BOEING PROPRIETARY - Copyright © - Unpublished Work - See title page for details.

38-32-09
FIG. 60F
PAGE 4
JAN 20/09

BOEING
757
PARTS CATALOG (MAINTENANCE)



Y 38320961 REV 238

PANEL INSTL-LINING AND BACK SEG 120, LAV (WATER/WASTE ONLY)
FIGURE 61

38-32-09-61

BRI
JAN 20/09

38-32-09-61
PAGE 0



757

PARTS CATALOG (MAINTENANCE)

FIG ITEM	PART NUMBER	1 2 3 4 5 6 7	NOMENCLATURE	EFFECT FROM TO	UNITS PER ASSY
61			PANEL INSTL-LINING AND BACK SEG 120, LAV (WATER/WASTE ONLY)	504903	
- 1	D75D12054-111A		PANEL ASSY-LINING AND BACK SEG 120, LAV C (WATER/WASTE ONLY) SUPPLIER CODE: VS5825 FOR NHA/OTHER SYS DET SEE: 25-41-03-50A	504903	RF
- 5	D75D12055-111A		PANEL ASSY-LINING AND BACK SEG 120, LAV D (WATER/WASTE ONLY) SUPPLIER CODE: VS5825 FOR NHA/OTHER SYS DET SEE: 25-41-03-51A	504903	RF
- 10	D75D12056-111A		PANEL ASSY-LINING AND BACK SEG 120, LAV F (WATER/WASTE ONLY) SUPPLIER CODE: VS5825 FOR NHA/OTHER SYS DET SEE: 25-41-01-12B	504903	RF
45	D75D36015-111C		.PANEL ASSY-TIMER, LAV C SUPPLIER CODE: VS5825	504903	RF
- 50	D75D36014-111D		.PANEL ASSY-TIMER, LAV D AND F SUPPLIER CODE: VS5825	504903	RF
55	MS18064-10		.. SETSCREW	504903	1
60	NAS514P632-6P		.. SCREW	504903	4
75	NAS1801-08-7		.. SCREW	504903	4
95	AN960KD8L		.. WASHER	504903	4
105	2A114-0020-3		.. HANDLE- SUPPLIER CODE: VS5825	504903	1
110	D75D30805-111C		.. PLATE ASSY-LAV C SUPPLIER CODE: VS5825	504903	1
- 115	D75D30804-111C		.. PLATE-LAV D AND F SUPPLIER CODE: VS5825	504903	1

MISSING ITEM NUMBERS NOT APPLICABLE

- ITEM NOT ILLUSTRATED

38-32-09-61

38-32-09
FIG. 61
PAGE 1
JAN 20/09

BRI



757

PARTS CATALOG (MAINTENANCE)

FIG ITEM	PART NUMBER	1 2 3 4 5 6 7	NOMENCLATURE	EFFECT FROM TO	UNITS PER ASSY
61 120	1A081-0155-11		.. SWITCH ASSY-FLUSH TIMER, S2 SUPPLIER CODE: VS5825 SPECIFICATION NUMBER: 60B50058-6 COMPONENT MAINT MANUAL REF: 25-41-18 OPTIONAL PART: 1A081-0155-1 VS5825 835867-401 V92824 TD2004-1002 V35344 TD1702-1002 V58657 FOR DETAILS SEE: 38-32-09-90A	504903	1
120	1A081-0155-1		. SWITCH ASSY-FLUSH TIMER, S2 SUPPLIER CODE: VS5825 SPECIFICATION NUMBER: 60B50058-6 COMPONENT MAINT MANUAL REF: 25-41-18 OPTIONAL PART: 1A081-0155-11 VS5825 835867-401 V92824 TD2004-1002 V35344 TD1702-1002 V58657 FOR DETAILS SEE: 38-32-09-90A	504903	1

MISSING ITEM NUMBERS NOT APPLICABLE

- ITEM NOT ILLUSTRATED

38-32-09-61

38-32-09
FIG. 61
PAGE 2
JAN 20/09

BRI



757

PARTS CATALOG (MAINTENANCE)

FIG ITEM	PART NUMBER	1 2 3 4 5 6 7	NOMENCLATURE	EFFECT FROM TO	UNITS PER ASSY
61 120	835867-401		.SWITCH ASSY-FLUSH TIMER, S2 SUPPLIER CODE: V92824 SPECIFICATION NUMBER: 60B50058-6 COMPONENT MAINT MANUAL REF: 25-41-18 OPTIONAL PART: 1A081-0155-11 VS5825 1A081-0155-1 VS5825 TD2004-1002 V35344 TD1702-1002 V58657	504903	1
120	TD2004-1002		.SWITCH ASSY-FLUSH TIMER, S2 SUPPLIER CODE: V35344 SPECIFICATION NUMBER: 60B50058-6 COMPONENT MAINT MANUAL REF: 25-41-18 OPTIONAL PART: 1A081-0155-11 VS5825 835867-401 V92824 1A081-0155-1 VS5825 TD1702-1002 V58657	504903	1
120	TD1702-1002		.SWITCH ASSY-FLUSH TIMER, S2 SUPPLIER CODE: V58657 SPECIFICATION NUMBER: 60B50058-6 OPTIONAL PART: 1A081-0155-1 VS5825 1A081-0155-11 VS5825 835867-401 V92824 TD2004-1002 V35344	504903	1

MISSING ITEM NUMBERS NOT APPLICABLE

- ITEM NOT ILLUSTRATED

38-32-09-61

38-32-09
FIG. 61
PAGE 3
JAN 20/09

BRI



757

PARTS CATALOG (MAINTENANCE)

FIG ITEM	PART NUMBER	1 2 3 4 5 6 7	NOMENCLATURE	EFFECT FROM TO	UNITS PER ASSY
61					
125	D75D93000-111		.HARNES ASSY-TIMER BACK SUPPLIER CODE: VS5825	504903	1
130	NAS1801-3-6		.SCREW	504903	1
135	AN960KD10L		.WASHER	504903	1
140	BACC10DK3		.CLAMP	504903	1
145	BACC45FT14C7P		..CONNECTOR-P102	504903	1
150	BACC45FT14C7S		..CONNECTOR-P12	504903	1
- 155	T18R		..TIE-INSULOK SUPPLIER CODE: VU3384 OPTIONAL PART: 89176-0001 VS5006	504903	1

MISSING ITEM NUMBERS NOT APPLICABLE

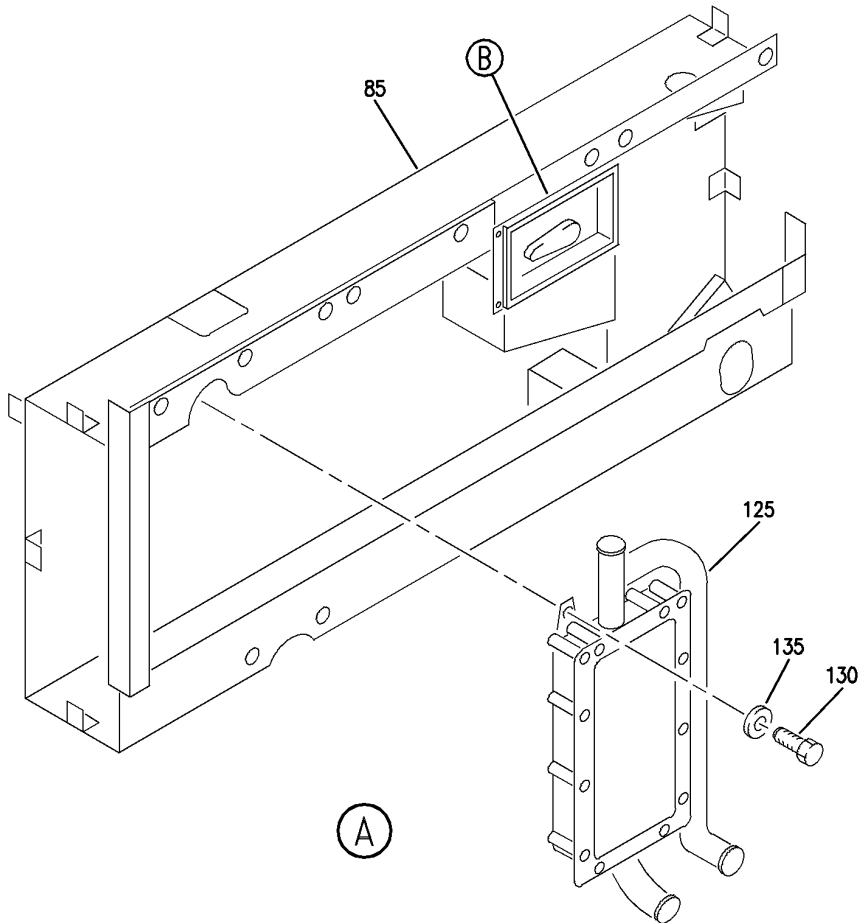
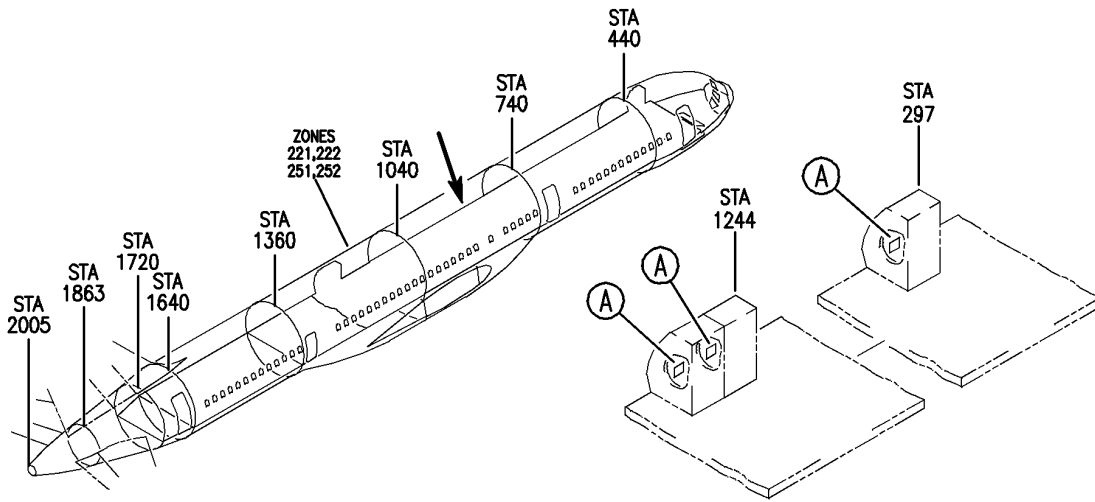
- ITEM NOT ILLUSTRATED

38-32-09-61

38-32-09
FIG. 61
PAGE 4
JAN 20/09

BRI

BOEING
757
PARTS CATALOG (MAINTENANCE)



Y 38320961A SH1 1 REV 246

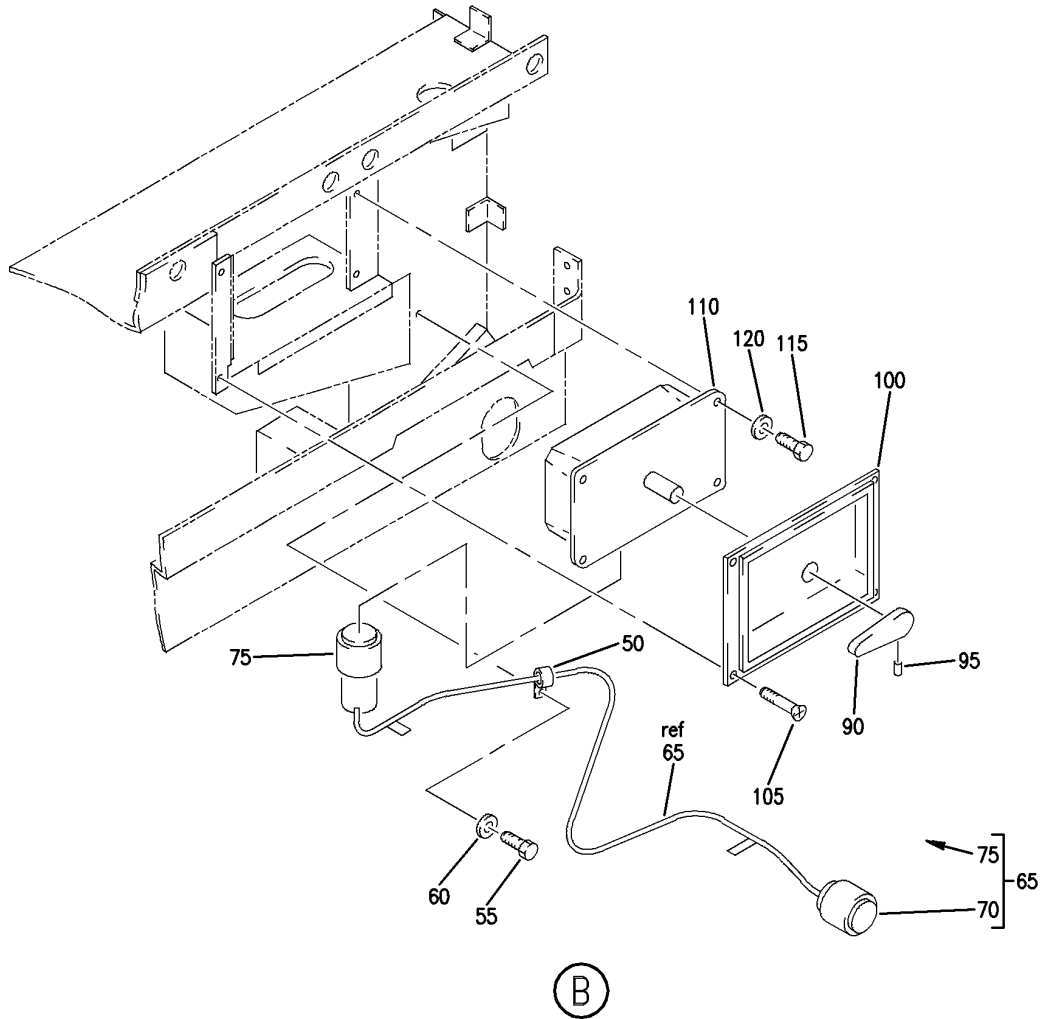
PANEL ASSY-LINING AND BACK SEG 120, LAV (WATER/WASTE ONLY)
FIGURE 61A (SHEET 1)

38-32-09-61A

BRI
MAY 28/07

38-32-09-61A
PAGE 0

BOEING
757
PARTS CATALOG (MAINTENANCE)



Y 38320961A SH1 2 REV 246

PANEL ASSY-LINING AND BACK SEG 120, LAV (WATER/WASTE ONLY)
FIGURE 61A (SHEET 2)

38-32-09-61A

BRI
MAY 28/07

38-32-09-61A
PAGE 0A



757

PARTS CATALOG (MAINTENANCE)

FIG ITEM	PART NUMBER	1 2 3 4 5 6 7	NOMENCLATURE	EFFECT FROM TO	UNITS PER ASSY
61A			PANEL ASSY-LINING AND BACK SEG 120, LAV (WATER/WASTE ONLY)	101102	
- 1	D75D12021-111C		PANEL ASSY-LINING AND BACK SEG 120, LAV B (WATER/WASTE ONLY) SUPPLIER CODE: VS5825 FOR NHA/OTHER SYS DET SEE: 25-41-03-52C	101102	RF
- 5	D75D12043-111C		PANEL ASSY-LINING AND BACK SEG 120, LAV C (WATER/WASTE ONLY) SUPPLIER CODE: VS5825 FOR NHA/OTHER SYS DET SEE: 25-41-03-50H	101102	RF
- 10	D75D12039-111C		PANEL ASSY-LINING AND BACK SEG 120, LAV D (WATER/WASTE ONLY) SUPPLIER CODE: VS5825 FOR NHA/OTHER SYS DET SEE: 25-41-03-51H	101102	RF
50	BACC10DK3		.CLAMP ATTACHING PARTS	101102	1
55	NAS1801-3-6		.SCREW	101102	1
60	NAS1149D0332K		.WASHER	101102	1
65	D75D93000-111		-----*----- .HARNESS ASSY- SUPPLIER CODE: VS5825	101102	1
70	BACC45FT14C7P		..CONNECTOR-P102	101102	1
75	BACC45FT14C7S		..CONNECTOR-P2	101102	1
- 80	T18R		..TIE-INSULOK SUPPLIER CODE: VU384 OPTIONAL PART: 89176-0001 VS5006	101102	1
85	D75D36014-111D		.PANEL ASSY-TIMER LAV B AND D SUPPLIER CODE: VS5825 POSITION DATA: BACK	101102	RF

MISSING ITEM NUMBERS NOT APPLICABLE

- ITEM NOT ILLUSTRATED

38-32-09-61A

38-32-09
FIG. 61A
PAGE 1
JAN 20/09

BRI

BOEING PROPRIETARY - Copyright © - Unpublished Work - See title page for details.



**757
PARTS CATALOG (MAINTENANCE)**

FIG ITEM	PART NUMBER	1 2 3 4 5 6 7	NOMENCLATURE	EFFECT FROM TO	UNITS PER ASSY
61A 85	D75D36015-111C	.	PANEL ASSY-TIMER LAV C SUPPLIER CODE: VS5825 POSITION DATA: BACK	101102	RF
90	2A114-0020-3	..	HANDLE- SUPPLIER CODE: VS5825 ATTACHING PARTS	101102	1
95	MS18064-10	..	SETSCREW -----*-----	101102	1
100	D75D30804-111C	..	PLATE-FLUSH TIMER LAV B AND D SUPPLIER CODE: VS5825	101102	1
100	D75D30805-111C	..	PLATE ASSY-FLUSH TIMER LAV C SUPPLIER CODE: VS5825 ATTACHING PARTS	101102	1
105	NAS514P632-6P	..	SCREW -----*-----	101102	4
110	1A081-0155-11	..	SWITCH ASSY-FLUSH TIMER S2 SUPPLIER CODE: VS5825 SPECIFICATION NUMBER: 60B50058-6 COMPONENT MAINT MANUAL REF: 25-41-18 OPTIONAL PART: 835867-401 V92824 1A081-0155-1 VS5825 TD2004-1002 V35344 TD1702-1002 V58657 FOR DETAILS SEE: 38-32-09-90A	101102	1

MISSING ITEM NUMBERS NOT APPLICABLE

— ITEM NOT ILLUSTRATED

38-32-09-61A

38-32-09
FIG. 61A
PAGE 2
JAN 20/09

BRI

BOEING PROPRIETARY - Copyright © - Unpublished Work - See title page for details.



757

PARTS CATALOG (MAINTENANCE)

FIG ITEM	PART NUMBER	1 2 3 4 5 6 7	NOMENCLATURE	EFFECT FROM TO	UNITS PER ASSY
61A 110	1A081-0155-1		.. SWITCH ASSY-FLUSH TIMER S2 SUPPLIER CODE: VS5825 SPECIFICATION NUMBER: 60B50058-6 COMPONENT MAINT MANUAL REF: 25-41-18 OPTIONAL PART: 835867-401 V92824 1A081-0155-11 VS5825 TD2004-1002 V35344 TD1702-1002 V58657 FOR DETAILS SEE: 38-32-09-90A	101102	1
110	835867-401		.. SWITCH ASSY-FLUSH TIMER S2 SUPPLIER CODE: V92824 SPECIFICATION NUMBER: 60B50058-6 COMPONENT MAINT MANUAL REF: 25-41-18 OPTIONAL PART: 1A081-0155-1 VS5825 1A081-0155-11 VS5825 TD2004-1002 V35344 TD1702-1002 V58657	101102	1

MISSING ITEM NUMBERS NOT APPLICABLE

- ITEM NOT ILLUSTRATED

38-32-09-61A

38-32-09
FIG. 61A
PAGE 3
JAN 20/09

BRI

BOEING PROPRIETARY - Copyright © - Unpublished Work - See title page for details.

 **BOEING**
757
PARTS CATALOG (MAINTENANCE)

FIG ITEM	PART NUMBER	1 2 3 4 5 6 7	NOMENCLATURE	EFFECT FROM TO	UNITS PER ASSY
61A 110	TD2004-1002		.. SWITCH ASSY-FLUSH TIMER S2 SUPPLIER CODE: V35344 SPECIFICATION NUMBER: 60B50058-6 COMPONENT MAINT MANUAL REF: 25-41-18 OPTIONAL PART: 1A081-0155-1 VS5825 1A081-0155-11 VS5825 835867-401 V92824 TD1702-1002 V58657	101102	1
110	TD1702-1002		.. SWITCH ASSY-FLUSH TIMER, S2 SUPPLIER CODE: V58657 SPECIFICATION NUMBER: 60B50058-6 OPTIONAL PART: 1A081-0155-1 VS5825 1A081-0155-11 VS5825 835867-401 V92824 TD2004-1002 V35344	101102	1
115	NAS1801-08-7		ATTACHING PARTS .. SCREW	101102	4
120	NAS1149DN816K		.. WASHER -----*-----	101102	4
125	1A081-0160-22		.. SEPARATOR-WATER LAV B AND D SUPPLIER CODE: VS5825	101102	1
125	1A081-0160-21		.. SEPARATOR-WATER LAV C SUPPLIER CODE: VS5825 ATTACHING PARTS	101102	1
130	NAS1801-3-9		.. SCREW	101102	4
135	NAS1149D0332K		.. WASHER -----*-----	101102	4

MISSING ITEM NUMBERS NOT APPLICABLE

— ITEM NOT ILLUSTRATED

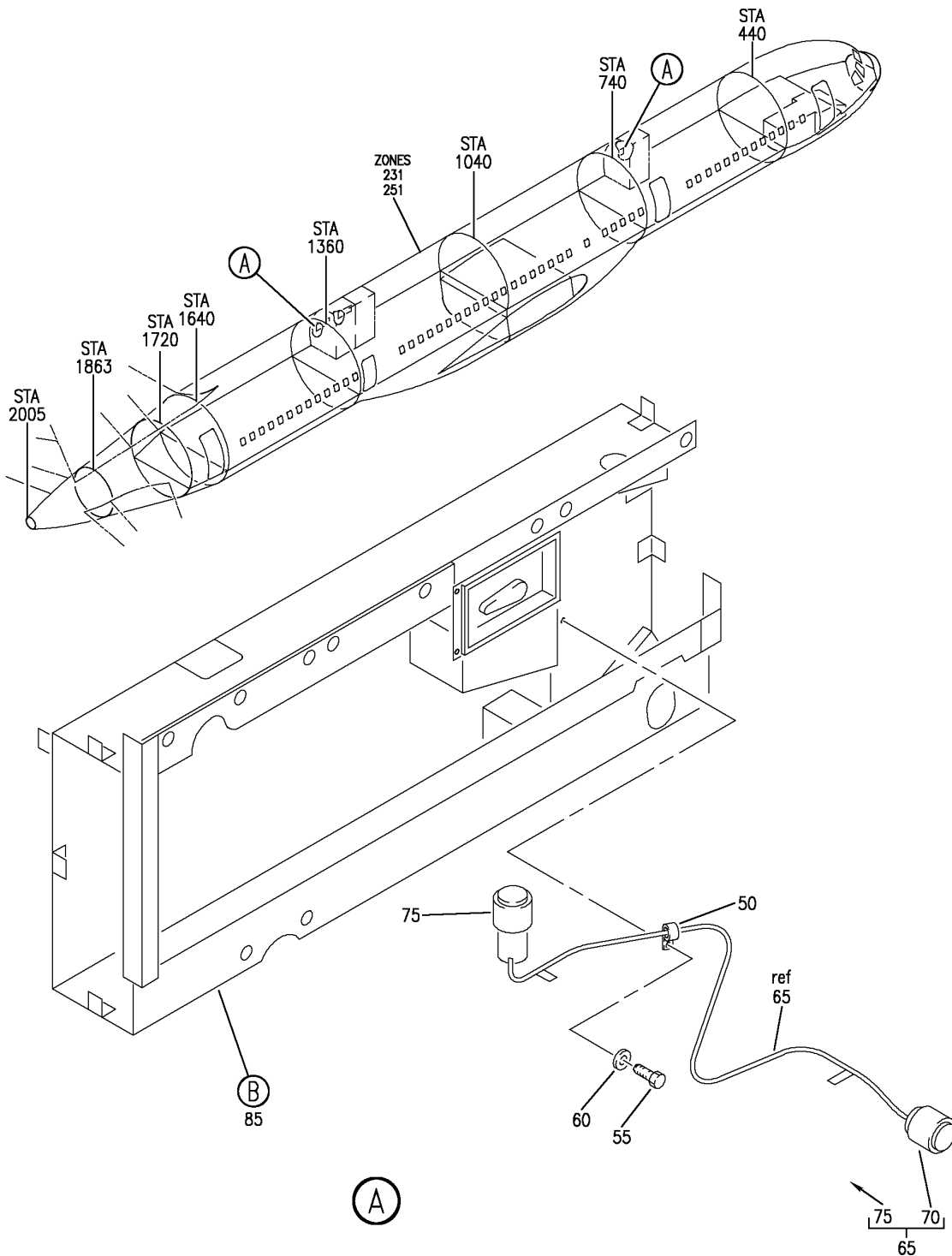
38-32-09-61A

38-32-09
FIG. 61A
PAGE 4
JAN 20/09

BRI

BOEING PROPRIETARY - Copyright © - Unpublished Work - See title page for details.

BOEING
757
PARTS CATALOG (MAINTENANCE)



Y 38320961B SHT 1 REV 250

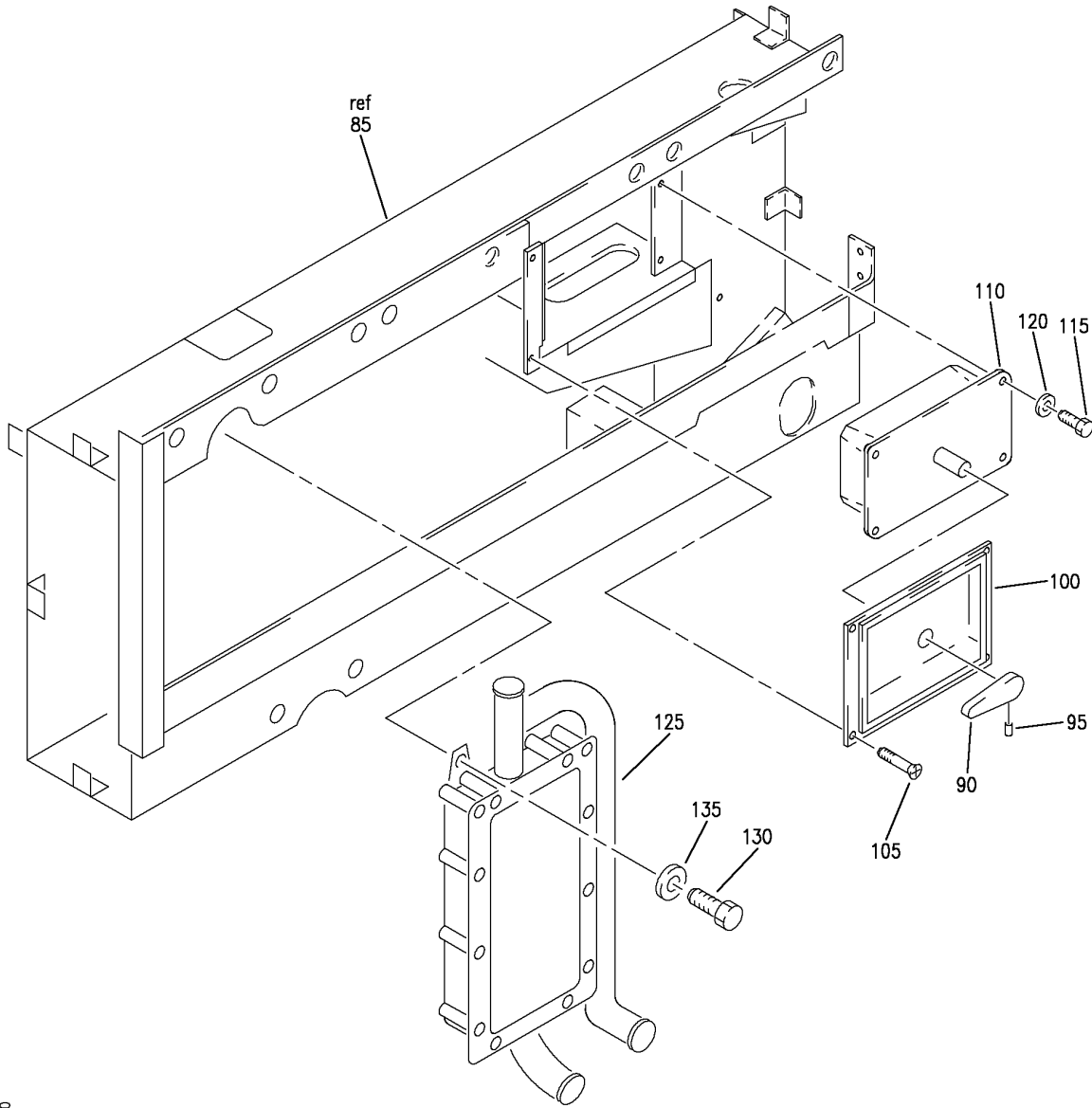
PANEL ASSY-LINING AND BACK SEG 120, LAV C,D AND S (WATER/WASTE ONLY)
FIGURE 61B (SHEET 1)

38-32-09-61B

BRI
JAN 20/09

38-32-09-61B
PAGE 0

BOEING
757
PARTS CATALOG (MAINTENANCE)



(B)

Y 38320961B SHT 2 REV 250

PANEL ASSY-LINING AND BACK SEG 120, LAV C,D AND S (WATER/WASTE ONLY)
FIGURE 61B (SHEET 2)

BRI
JAN 20/09

38-32-09-61B

38-32-09-61B
PAGE 0A



757

PARTS CATALOG (MAINTENANCE)

FIG ITEM	PART NUMBER	1 2 3 4 5 6 7	NOMENCLATURE	EFFECT FROM TO	UNITS PER ASSY
61B			PANEL ASSY-LINING AND BACK SEG 120, LAV C, D AND S (WATER/WASTE ONLY)	108120	
- 1	D75D12043-111E		PANEL ASSY-LINING AND BACK SEG 120, LAV C (WATER/WASTE ONLY) SUPPLIER CODE: VS5825 FOR NHA/OTHER SYS DET SEE: 25-41-03-25A	108120	RF
- 5	D75D12039-111H		PANEL ASSY-LINING AND BACK SEG 120, LAV D (WATER/WASTE ONLY) SUPPLIER CODE: VS5825 FOR NHA/OTHER SYS DET SEE: 25-41-03-51M	108120	RF
- 10	D75D12028-111D		PANEL ASSY-LINING AND BACK SEG 120, LAV S (WATER/WASTE ONLY) SUPPLIER CODE: VS5825	108120	RF
50	BACC10DK3		.CLAMP ATTACHING PARTS	108120	1
55	NAS1801-3-6		.SCREW	108120	1
60	NAS1149D0332K		.WASHER	108120	1
			-----*-----		
65	D75D93000-111		.HARNES ASSY-FLUSH TIMER SUPPLIER CODE: VS5825	108120	1
70	BACC45FT14C7P		..CONNECTOR-(P102)	108120	1
75	BACC45FT14C7S		..CONNECTOR-(P2)	108120	1
- 80	T18R		..TIE-INSULOK SUPPLIER CODE: VU3384 OPTIONAL PART: 89176-0001 VS5006	108120	1
85	D75D36015-111P		.PANEL ASSY-BACK, TIMER LAV C SUPPLIER CODE: VS5825	108120	RF
85	D75D36014-111T		.PANEL ASSY-BACK, TIMER LAV D AND S SUPPLIER CODE: VS5825	108120	RF
90	2A114-0020-3		..HANDLE- SUPPLIER CODE: VS5825	108120	1

MISSING ITEM NUMBERS NOT APPLICABLE

- ITEM NOT ILLUSTRATED

38-32-09-61B

38-32-09
FIG. 61B
PAGE 1
JAN 20/09

BRI

BOEING PROPRIETARY - Copyright © - Unpublished Work - See title page for details.



757

PARTS CATALOG (MAINTENANCE)

FIG ITEM	PART NUMBER	1 2 3 4 5 6 7	NOMENCLATURE	EFFECT FROM TO	UNITS PER ASSY
61B					
95	MS18064-10	..	SETSCREW	108120	1
100	D75D30805-111U	..	PLATE ASSY-FLUSH TIMER LAV C SUPPLIER CODE: VS5825	108120	1
100	D75D30804-111V	..	PLATE ASSY-FLUSH TIMER LAV D AND S SUPPLIER CODE: VS5825	108120	1
105	NAS514P632-6P	..	SCREW -----*-----	108120	4
110	1A081-0155-11	..	SWITCH ASSY-FLUSH TIMER S2 SUPPLIER CODE: VS5825 SPECIFICATION NUMBER: 60B50058-6 COMPONENT MAINT MANUAL REF: 25-41-18 OPTIONAL PART: 835867-401 V92824 1A081-0155-1 VS5825 TD2004-1002 V35344 TD1702-1002 V58657 FOR DETAILS SEE: 38-32-09-90A	108120	1

MISSING ITEM NUMBERS NOT APPLICABLE

- ITEM NOT ILLUSTRATED

38-32-09-61B

38-32-09
FIG. 61B
PAGE 2
JAN 20/09

BRI

BOEING PROPRIETARY - Copyright © - Unpublished Work - See title page for details.



757

PARTS CATALOG (MAINTENANCE)

FIG ITEM	PART NUMBER	1 2 3 4 5 6 7	NOMENCLATURE	EFFECT FROM TO	UNITS PER ASSY
61B 110	1A081-0155-1		.. SWITCH ASSY-FLUSH TIMER S2 SUPPLIER CODE: VS5825 SPECIFICATION NUMBER: 60B50058-6 COMPONENT MAINT MANUAL REF: 25-41-18 OPTIONAL PART: 835867-401 V92824 1A081-0155-11 VS5825 TD2004-1002 V35344 TD1702-1002 V58657 FOR DETAILS SEE: 38-32-09-90A	108120	1
110	835867-401		.. SWITCH ASSY-FLUSH TIMER S2 SUPPLIER CODE: V92824 SPECIFICATION NUMBER: 60B50058-6 COMPONENT MAINT MANUAL REF: 25-41-18 OPTIONAL PART: 1A081-0155-1 VS5825 1A081-0155-11 VS5825 TD2004-1002 V35344 TD1702-1002 V58657	108120	1

MISSING ITEM NUMBERS NOT APPLICABLE

- ITEM NOT ILLUSTRATED

BRI

38-32-09-61B

BOEING PROPRIETARY - Copyright © - Unpublished Work - See title page for details.

38-32-09
FIG. 61B
PAGE 3
JAN 20/09



757

PARTS CATALOG (MAINTENANCE)

FIG ITEM	PART NUMBER	1 2 3 4 5 6 7	NOMENCLATURE	EFFECT FROM TO	UNITS PER ASSY
61B 110	TD2004-1002		.. SWITCH ASSY-FLUSH TIMER S2 SUPPLIER CODE: V35344 SPECIFICATION NUMBER: 60B50058-6 COMPONENT MAINT MANUAL REF: 25-41-18 OPTIONAL PART: 1A081-0155-1 VS5825 1A081-0155-11 VS5825 835867-401 V92824 TD1702-1002 V58657	108120	1
110	TD1702-1002		.. SWITCH ASSY-FLUSH TIMER, S2 SUPPLIER CODE: V58657 SPECIFICATION NUMBER: 60B50058-6 OPTIONAL PART: 1A081-0155-1 VS5825 1A081-0155-11 VS5825 835867-401 V92824 TD2004-1002 V35344	108120	1
115	NAS1801-08-7		ATTACHING PARTS .. SCREW	108120	4
120	NAS1149DN816K		.. WASHER -----*-----	108120	4
125	1A081-0160-21		.. SEPARATOR-WATER LAV C SUPPLIER CODE: VS5825	108120	1
125	1A081-0160-22		.. SEPARATOR-WATER LAV D AND S SUPPLIER CODE: VS5825	108120	1
130	NAS1801-3-9		ATTACHING PARTS .. SCREW	108120	4
135	NAS1149D0332K		.. WASHER -----*-----	108120	4

MISSING ITEM NUMBERS NOT APPLICABLE

- ITEM NOT ILLUSTRATED

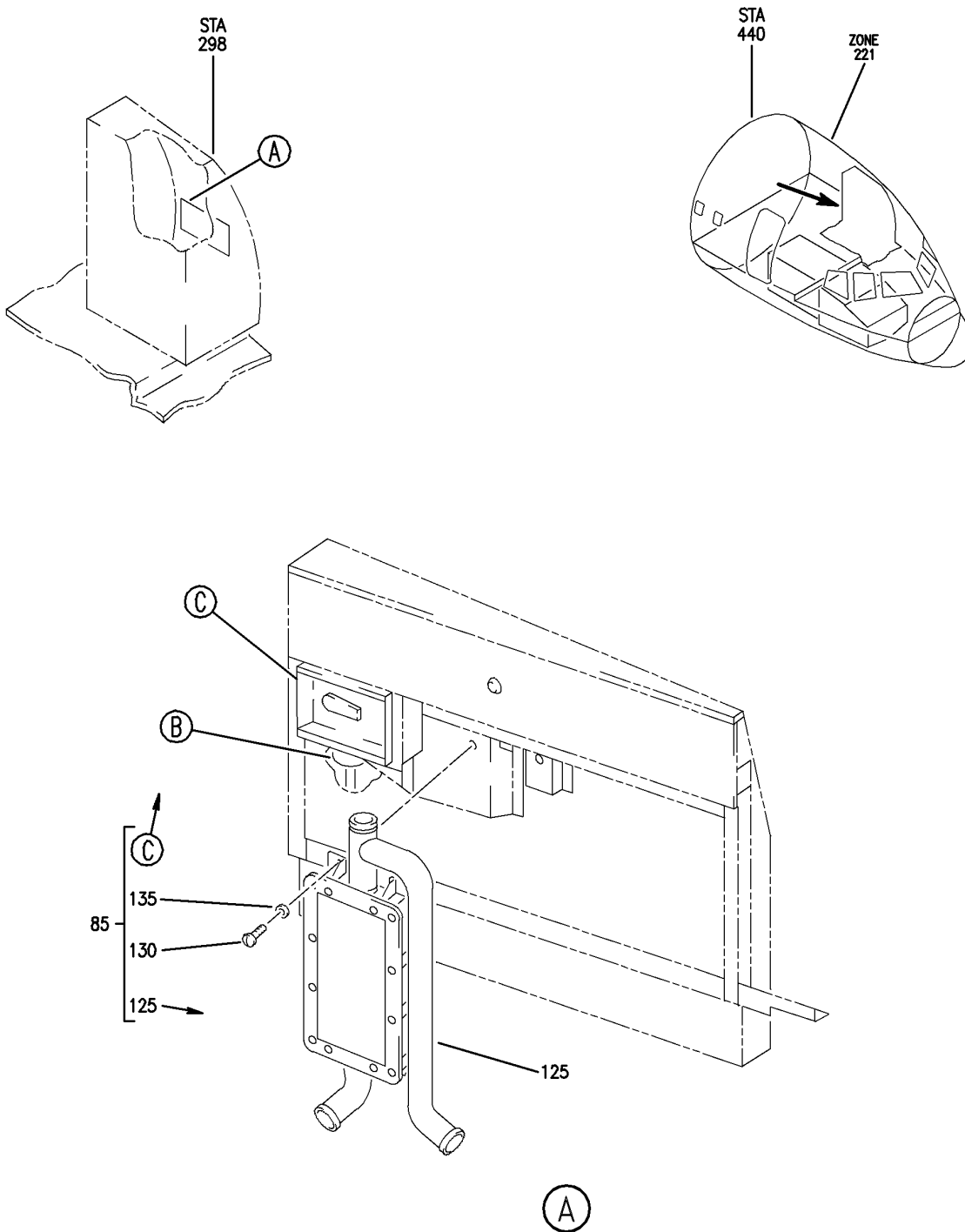
38-32-09-61B

38-32-09
FIG. 61B
PAGE 4
JAN 20/09

BRI

BOEING PROPRIETARY - Copyright © - Unpublished Work - See title page for details.

BOEING
757
PARTS CATALOG (MAINTENANCE)



Y 38320965A SHT 1 REV 239

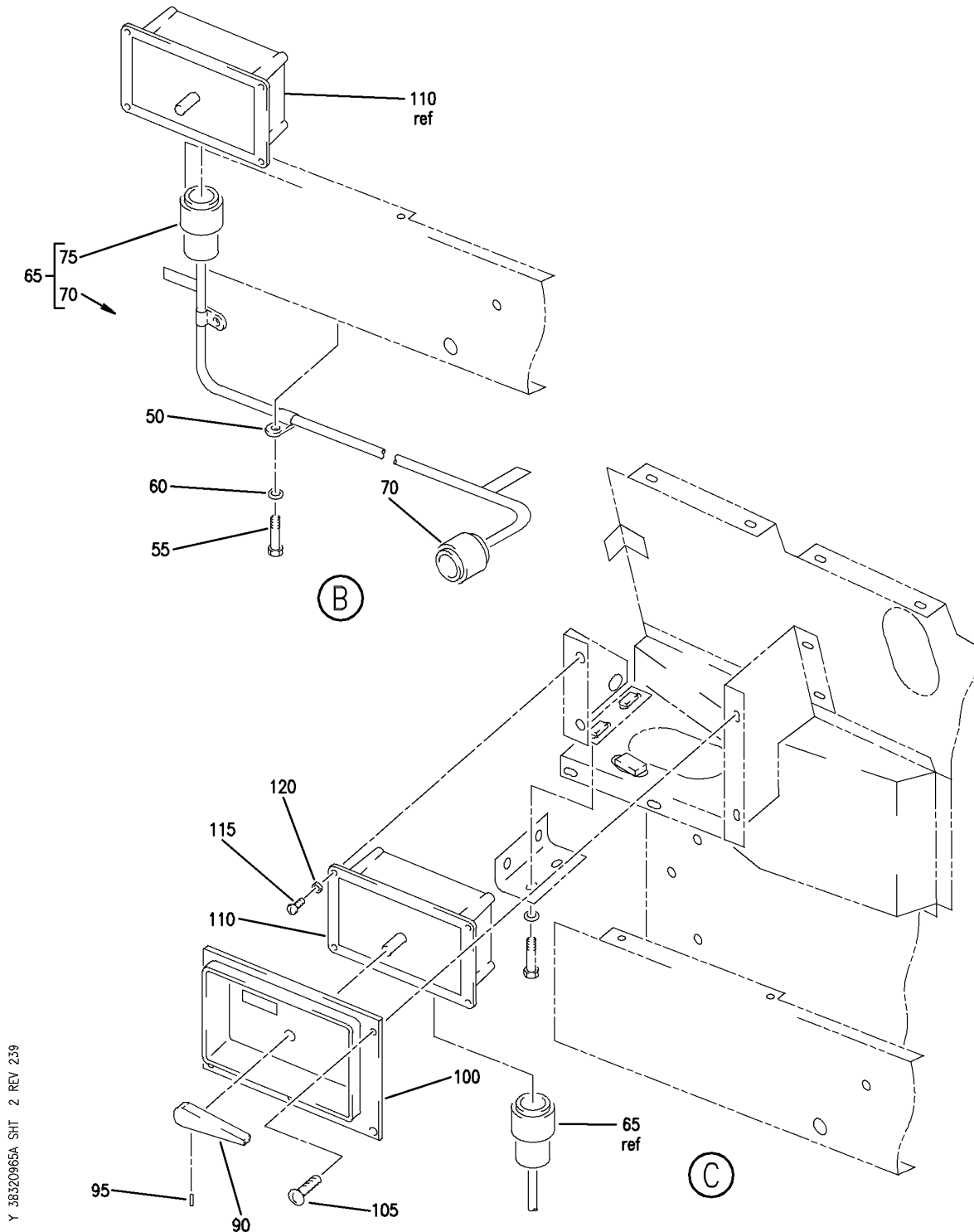
PANEL ASSY-LINING AND BACK SEG 120 LAV A (WATER/WASTE ONLY)
FIGURE 65A (SHEET 1)

38-32-09-65A

BRI
JAN 20/09

38-32-09-65A
PAGE 0

BOEING
757
PARTS CATALOG (MAINTENANCE)



PANEL ASSY-LINING AND BACK SEG 120 LAV A (WATER/WASTE ONLY)
FIGURE 65A (SHEET 2)

38-32-09-65A

BRI
JAN 20/09

38-32-09-65A
PAGE 0A

BOEING
757
PARTS CATALOG (MAINTENANCE)

FIG ITEM	PART NUMBER	1 2 3 4 5 6 7	NOMENCLATURE	EFFECT FROM TO	UNITS PER ASSY
65A			PANEL ASSY-LINING AND BACK SEG 120 LAV A (WATER/WASTE ONLY)	108120	
- 1	D75D12001-111U		PANEL ASSY-LINING AND BACK SEG 120 LAV A (WATER/WASTE ONLY) SUPPLIER CODE: VS5825 FOR NHA/OTHER SYS DET SEE: 25-41-01-06Q	108120	RF
50	BACC10DK3		.CLAMP ATTACHING PARTS	108120	4
55	NAS1801-06-7		.SCREW	108120	4
60	NAS1149DN616K		.WASHER	108120	4
			-----*-----		
65	D75D93001-111		.HARNES ASSY-FLUSH TIMER SUPPLIER CODE: VS5825 ATTACHING PARTS	108120	1
70	BACC45FT14C7P		..CONNECTOR- ELECTRICAL EQUIP NUMBER: P00103	108120	1
75	BACC45FT14C7S		..CONNECTOR- ELECTRICAL EQUIP NUMBER: P00002	108120	1
			-----*-----		
- 80	T18R		..TIE-INSULOK SUPPLIER CODE: VU3384 OPTIONAL PART: 89176-0001 VS5006	108120	1
85	D75D36002-111T		.PANEL ASSY-TIMER SUPPLIER CODE: VS5825 POSITION DATA: BACK	108120	RF
90	2A114-0020-3		..HANDLE- SUPPLIER CODE: VS5825 ATTACHING PARTS	108120	1
95	MS18064-10		..SETSCREW	108120	1
			-----*-----		
100	D75D30803-111T		..PLATE ASSY-FLUSH SUPPLIER CODE: VS5825 ATTACHING PARTS	108120	1
105	NAS514P632-6P		..SCREW	108120	4
			-----*-----		

MISSING ITEM NUMBERS NOT APPLICABLE

- ITEM NOT ILLUSTRATED

38-32-09-65A

38-32-09
FIG. 65A
PAGE 1
JAN 20/09

BRI

BOEING PROPRIETARY - Copyright © - Unpublished Work - See title page for details.



757

PARTS CATALOG (MAINTENANCE)

FIG ITEM	PART NUMBER	1 2 3 4 5 6 7	NOMENCLATURE	EFFECT FROM TO	UNITS PER ASSY
65A 110	1A081-0155-11		..SWITCH ASSY-FLUSH TIMER S2 SUPPLIER CODE: VS5825 SPECIFICATION NUMBER: 60B50058-6 COMPONENT MAINT MANUAL REF: 25-41-18 OPTIONAL PART: 1A081-0155-1 VS5825 835867-401 V92824 TD2004-1002 V35344 TD1702-1002 V58657 FOR DETAILS SEE: 38-32-09-90A	108120	1
110	1A081-0155-1		..SWITCH ASSY-FLUSH TIMER S2 SUPPLIER CODE: VS5825 SPECIFICATION NUMBER: 60B50058-6 COMPONENT MAINT MANUAL REF: 25-41-18 OPTIONAL PART: 1A081-0155-11 VS5825 835867-401 V92824 TD2004-1002 V35344 TD1702-1002 V58657 FOR DETAILS SEE: 38-32-09-90A	108120	1

MISSING ITEM NUMBERS NOT APPLICABLE

- ITEM NOT ILLUSTRATED

38-32-09-65A

38-32-09
FIG. 65A
PAGE 2
JAN 20/09

BRI



757

PARTS CATALOG (MAINTENANCE)

FIG ITEM	PART NUMBER	1 2 3 4 5 6 7	NOMENCLATURE	EFFECT FROM TO	UNITS PER ASSY
65A 110	835867-401		.. SWITCH ASSY-FLUSH TIMER S2 SUPPLIER CODE: V92824 SPECIFICATION NUMBER: 60B50058-6 COMPONENT MAINT MANUAL REF: 25-47-90 OPTIONAL PART: 1A081-0155-1 VS5825 1A081-0155-11 VS5825 TD2004-1002 V35344 TD1702-1002 V58657	108120	1
110	TD2004-1002		.. SWITCH ASSY-FLUSH TIMER, S2 SUPPLIER CODE: V35344 SPECIFICATION NUMBER: 60B50058-6 COMPONENT MAINT MANUAL REF: 25-41-18 OPTIONAL PART: 1A081-0155-11 VS5825 835867-401 V92824 1A081-0155-1 VS5825 TD1702-1002 V58657	108120	1
110	TD1702-1002		.. SWITCH ASSY-FLUSH TIMER, S2 SUPPLIER CODE: V58657 SPECIFICATION NUMBER: 60B50058-6 OPTIONAL PART: 1A081-0155-1 VS5825 1A081-0155-11 VS5825 835867-401 V92824 TD2004-1002 V35344	108120	1

MISSING ITEM NUMBERS NOT APPLICABLE

- ITEM NOT ILLUSTRATED

38-32-09-65A

38-32-09
FIG. 65A
PAGE 3
JAN 20/09

BRI



757

PARTS CATALOG (MAINTENANCE)

FIG ITEM	PART NUMBER	1 2 3 4 5 6 7	NOMENCLATURE	EFFECT FROM TO	UNITS PER ASSY
65A			ATTACHING PARTS		
115	NAS1801-08-7	..	SCREW	108120	4
120	NAS1149DN816K	..	WASHER	108120	4
			-----*-----		
125	1A081-0160-21	..	SEPARATOR-WATER	108120	1
			SUPPLIER CODE:		
			VS5825		
			ATTACHING PARTS		
130	NAS1801-3-9	..	SCREW	108120	4
135	NAS1149K0332K	..	WASHER	108120	4
			-----*-----		

MISSING ITEM NUMBERS NOT APPLICABLE

- ITEM NOT ILLUSTRATED

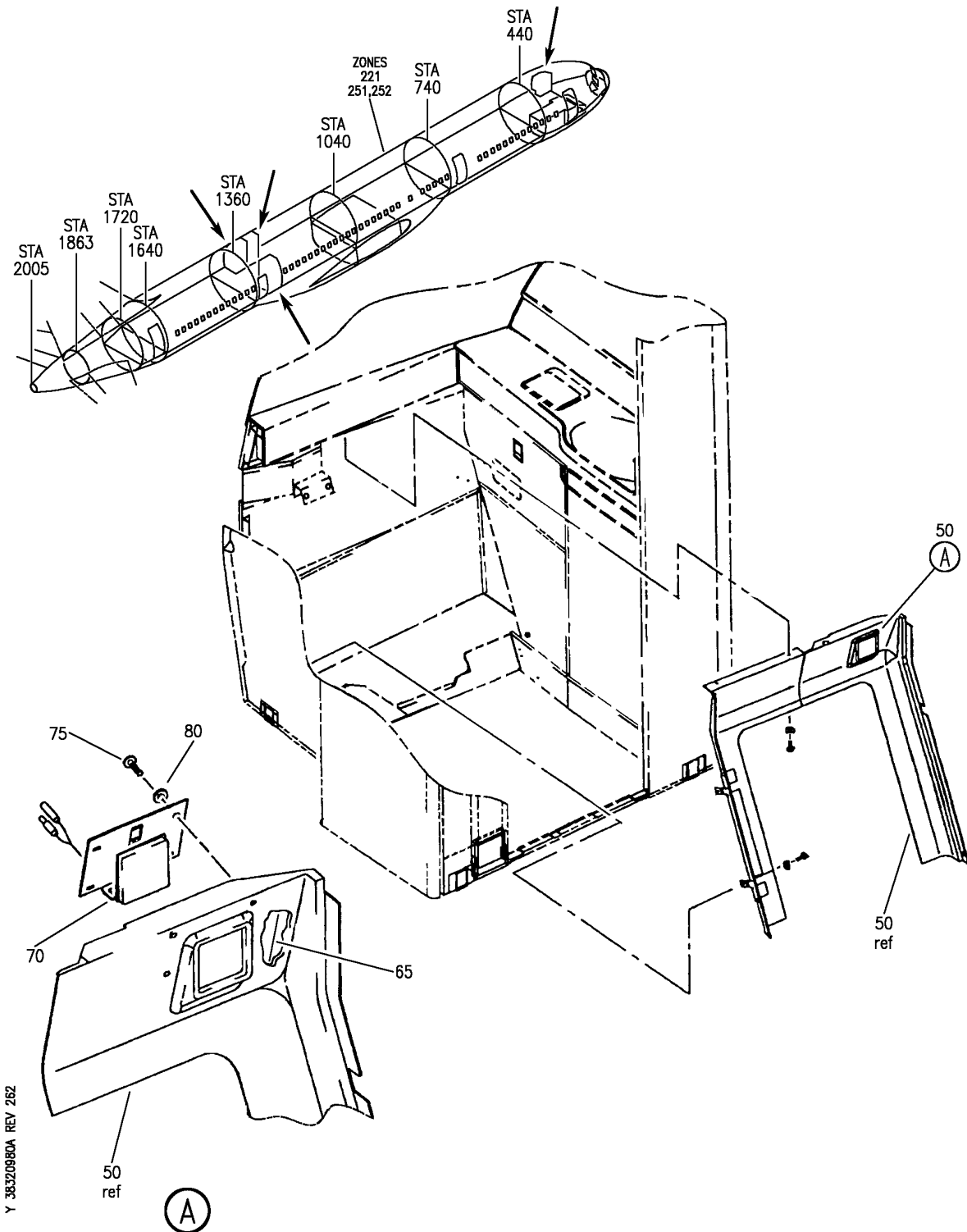
38-32-09-65A

38-32-09
FIG. 65A
PAGE 4
JAN 20/09

BRI

BOEING PROPRIETARY - Copyright © - Unpublished Work - See title page for details.

BOEING
757
PARTS CATALOG (MAINTENANCE)



Y 38320980A REV 262

SHROUD ASSY-TOILET, SEG 160 LAV (WATER/WASTE ONLY)
FIGURE 80A

38-32-09-80A

BRI
JAN 20/09

38-32-09-80A
PAGE 0



757

PARTS CATALOG (MAINTENANCE)

FIG ITEM	PART NUMBER	1 2 3 4 5 6 7	NOMENCLATURE	EFFECT FROM TO	UNITS PER ASSY
80A			SHROUD ASSY-TOILET, SEG 160 LAV (WATER/WASTE ONLY	103106	
- 1	D71D16001-111C		SHROUD ASSY-TOILET SEG 160 LAV A (WATER/WASTE ONLY) SUPPLIER CODE: VS5825 FOR NHA/OTHER SYS DET SEE: 25-41-01-40E	103106	RF
- 5	D71D16002-111C		SHROUD ASSY-TOILET SEG 160 LAV B AND D (WATER/WASTE ONLY) SUPPLIER CODE: VS5825 FOR NHA/OTHER SYS DET SEE: 25-41-03-52F 25-41-03-51R	103106	RF
- 10	D71D16002-211C		SHROUD ASSY-TOILET SEG 160 LAV C (WATER/WASTE ONLY) SUPPLIER CODE: VS5825 FOR NHA/OTHER SYS DET SEE: 25-41-03-50Q	103106	RF
50	D71A57000-111C		.SURROUND ASSY1-LAV A SUPPLIER CODE: VS5825	103106	RF
- 55	D71A57020-111C		.SURROUND ASSY1-LAV B AND D SUPPLIER CODE: VS5825	103106	RF
- 60	D71A57020-211C		.SURROUND ASSY1-LAV C SUPPLIER CODE: VS5825	103106	RF
65	D71D30050-111		..SUPPORT ASSY- SUPPLIER CODE: VS5825	103106	1
70	D71D30101-111		..SWITCH ASSY-PUSH (S6) SUPPLIER CODE: VS5825	103106	1
75	NAS1801-06-5		ATTACHING PARTS ..SCREW	103106	4
80	NAS1149DN616K		..WASHER -----*-----	103106	4

MISSING ITEM NUMBERS NOT APPLICABLE

- ITEM NOT ILLUSTRATED

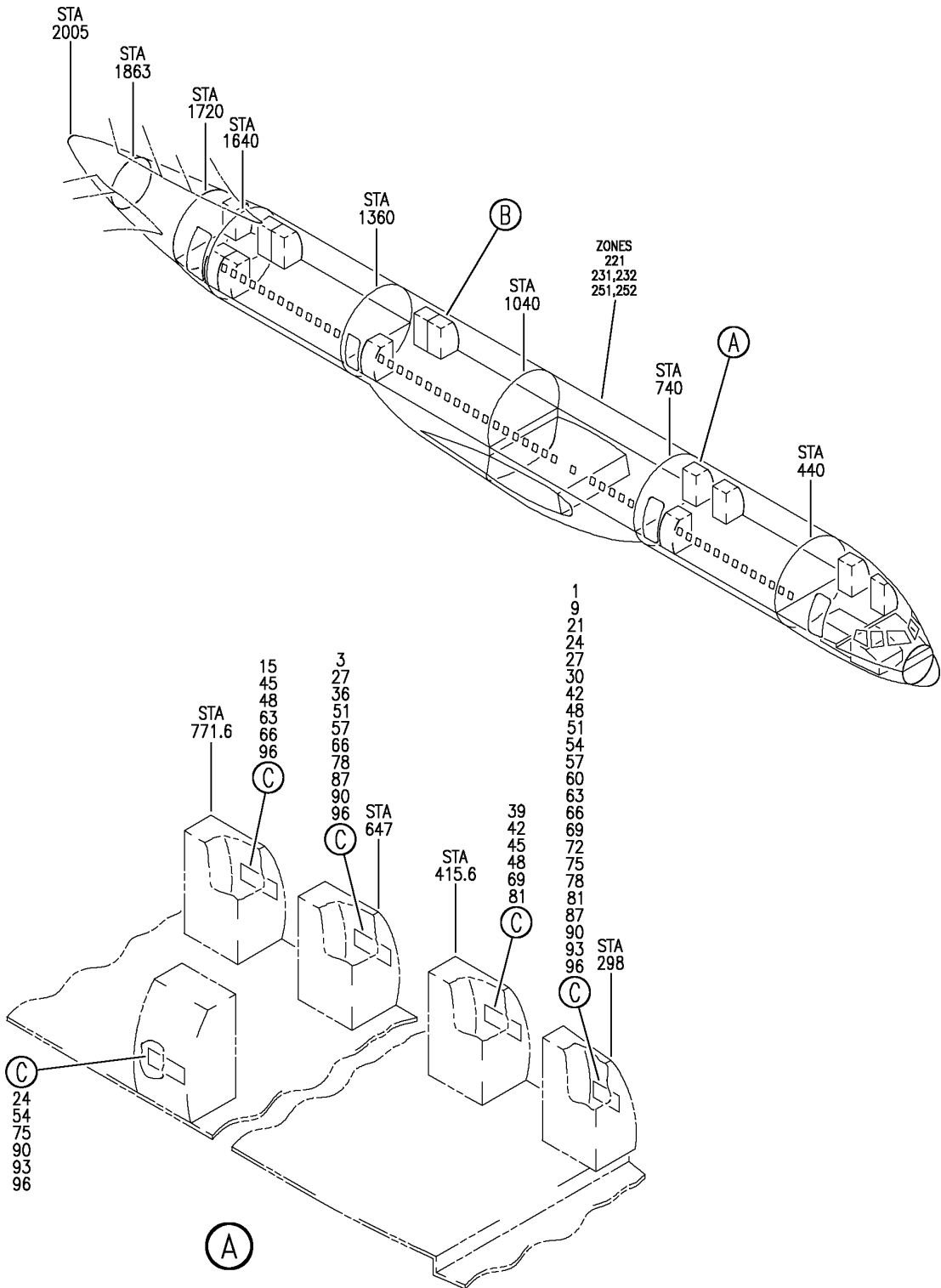
38-32-09-80A

38-32-09
FIG. 80A
PAGE 1
JAN 20/09

BRI

BOEING PROPRIETARY - Copyright © - Unpublished Work - See title page for details.

BOEING
757
PARTS CATALOG (MAINTENANCE)



Y 38320990 SH1 1 REV 332

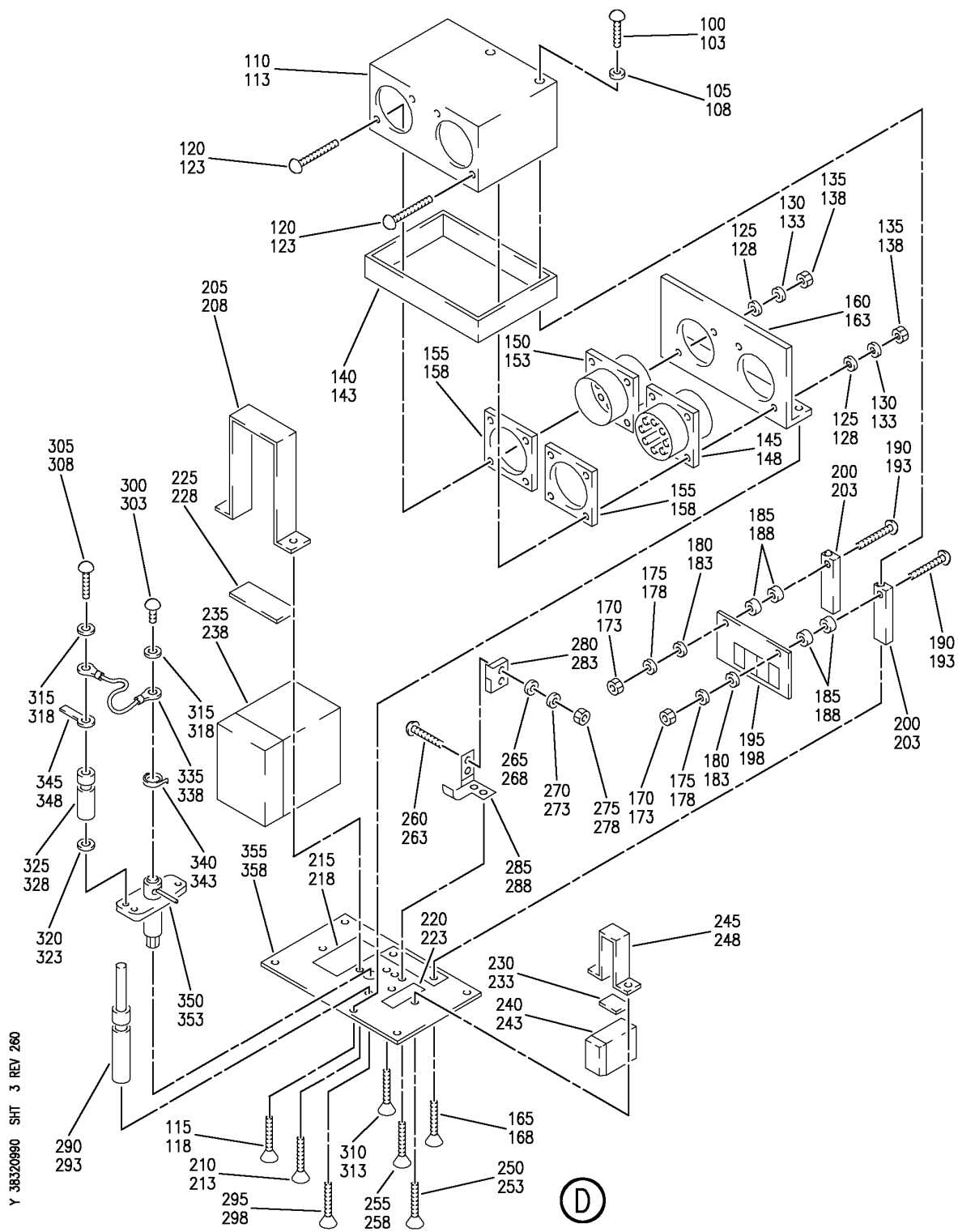
SWITCH ASSY-FLUSH TIMER LAV
FIGURE 90 (SHEET 1)

38-32-09-90

BRI
MAY 20/09

38-32-09-90
PAGE 0

BOEING
757
PARTS CATALOG (MAINTENANCE)



Y 38320990 SHT 3 REV 260

SWITCH ASSY-FLUSH TIMER LAV
FIGURE 90 (SHEET 3)

38-32-09-90

BRI
MAY 28/07

38-32-09-90
PAGE 0B



757

PARTS CATALOG (MAINTENANCE)

FIG ITEM	PART NUMBER	1 2 3 4 5 6 7	NOMENCLATURE	EFFECT FROM TO	UNITS PER ASSY
90			SWITCH ASSY-FLUSH TIMER LAV	002004 006100 107107 121503 904999	
1	835867-401		SWITCH ASSY-FLUSH TIMER LAV A SUPPLIER CODE: V92824 SPECIFICATION NUMBER: 60B50058-6 COMPONENT MAINT MANUAL REF: 25-41-18 OPTIONAL PART: 1A081-0155-1 VS5825 TD2004-1002 V35344 1A081-0155-11 VS5825 TD1702-1002 V58657 FOR NHA SEE: 38-32-09-15	121503 904949	RF
42	835867-401		SWITCH ASSY-FLUSH TIMER LAV A SUPPLIER CODE: V92824 SPECIFICATION NUMBER: 60B50058-6 COMPONENT MAINT MANUAL REF: 25-41-18 OPTIONAL PART: 1A081-0155-1 VS5825 TD2004-1002 V35344 1A081-0155-11 VS5825 TD1702-1002 V58657 FOR NHA SEE: 38-32-09-15	107107	RF

MISSING ITEM NUMBERS NOT APPLICABLE

- ITEM NOT ILLUSTRATED

38-32-09-90

38-32-09
FIG. 90
PAGE 1
JAN 20/09

BRI



757

PARTS CATALOG (MAINTENANCE)

FIG ITEM	PART NUMBER	1 2 3 4 5 6 7	NOMENCLATURE	EFFECT FROM TO	UNITS PER ASSY
90 42	835867-401		SWITCH ASSY-FLUSH TIMER LAV C, D AND F SUPPLIER CODE: V92824 V35344 SPECIFICATION NUMBER: 60B50058-6 COMPONENT MAINT MANUAL REF: 25-41-18 OPTIONAL PART: 1A081-0155-1 VS5825 TD2004-1002 V35344 1A081-0155-11 VS5825 TD1702-1002 V58657 FOR NHA SEE: 38-32-09-10	107107	RF
51	835867-401		SWITCH ASSY-FLUSH TIMER LAV A, C, D AND S SUPPLIER CODE: V92824 SPECIFICATION NUMBER: 60B50058-6 COMPONENT MAINT MANUAL REF: 25-41-18 OPTIONAL PART: 1A081-0155-1 VS5825 TD2004-1002 V35344 1A081-0155-11 VS5825 TD1702-1002 V58657 FOR NHA SEE: 38-32-09-10 38-32-09-10A 38-32-09-15 38-32-09-15A	950999	RF

MISSING ITEM NUMBERS NOT APPLICABLE

- ITEM NOT ILLUSTRATED

38-32-09-90

38-32-09
FIG. 90
PAGE 2
JAN 20/09

BRI



757

PARTS CATALOG (MAINTENANCE)

FIG ITEM	PART NUMBER	1 2 3 4 5 6 7	NOMENCLATURE	EFFECT FROM TO	UNITS PER ASSY
90 60	835867-401		SWITCH ASSY-FLUSH TIMER LAV A, B, C AND D SUPPLIER CODE: V92824 SPECIFICATION NUMBER: 60B50058-6 COMPONENT MAINT MANUAL REF: 25-41-18 OPTIONAL PART: 1A081-0155-1 VS5825 TD2004-1002 V35344 1A081-0155-11 VS5825 TD1702-1002 V58657 FOR NHA SEE: 38-32-09-10A 38-32-09-15A	002004 006100	RF
100	M3X6PHS	.	SCREW	121503 904949	2
100	M3X6PHS	.	SCREW	002004 006100 107107 950999	2
105	M3PLW	.	WASHER	121503 904949	2
105	M3PLW	.	WASHER	002004 006100 107107 950999	2
110	2A084-0368-3	.	COVER- SUPPLIER CODE: VS5825	121503 904949	1
110	2A084-0368-3	.	COVER- SUPPLIER CODE: VS5825	002004 006100 107107 950999	1
115	M3X6CSS	.	SCREW	121503 904949	3
115	M3X6CSS	.	SCREW	002004 006100 107107 950999	3
120	M3X10PHS	.	SCREW	121503 904949	4

MISSING ITEM NUMBERS NOT APPLICABLE

- ITEM NOT ILLUSTRATED

38-32-09-90

38-32-09
FIG. 90
PAGE 3
JAN 20/09

BRI



757

PARTS CATALOG (MAINTENANCE)

FIG ITEM	PART NUMBER	1 2 3 4 5 6 7	NOMENCLATURE	EFFECT FROM TO	UNITS PER ASSY
90					
120	M3X10PHS	.	SCREW	002004 006100 107107 950999	4
125	M3PLW	.	WASHER	121503 904949	4
125	M3PLW	.	WASHER	002004 006100 107107 950999	4
130	M3SPW	.	WASHER	121503 904949	4
130	M3SPW	.	WASHER	002004 006100 107107 950999	4
135	M3HXN	.	NUT	121503 904949	4
135	M3HXN	.	NUT	002004 006100 107107 950999	4
140	3A084-0220-3	.	SEAL-RUBBER SUPPLIER CODE: VS5825	121503 904949	1
140	3A084-0220-3	.	SEAL-RUBBER SUPPLIER CODE: VS5825	002004 006100 107107 950999	1
145	BACC45FN14-7P	.	CONNECTOR	121503 904949	1
145	BACC45FN14-7P	.	CONNECTOR	002004 006100 107107 950999	1
150	BACC45FN14-7S	.	CONNECTOR	121503 904949	1
150	BACC45FN14-7S	.	CONNECTOR	002004 006100 107107 950999	1
155	3A084-0222-3	.	BACKING- SUPPLIER CODE: VS5825	121503 904949	2
155	3A084-0222-3	.	BACKING- SUPPLIER CODE: VS5825	002004 006100 107107 950999	2

MISSING ITEM NUMBERS NOT APPLICABLE

- ITEM NOT ILLUSTRATED

38-32-09-90

38-32-09
FIG. 90
PAGE 4
JAN 20/09

BRI



757

PARTS CATALOG (MAINTENANCE)

FIG ITEM	PART NUMBER	1 2 3 4 5 6 7	NOMENCLATURE	EFFECT FROM TO	UNITS PER ASSY
90					
160	3A084-0223-3		.BRACKET- SUPPLIER CODE: VS5825	121503 904949	1
160	3A084-0223-3		.BRACKET- SUPPLIER CODE: VS5825	002004 006100 107107 950999	1
165	M3X10CSS		.SCREW	121503 904949	2
165	M3X10CSS		.SCREW	002004 006100 107107 950999	2
170	M2-6HXN		.NUT	121503 904949	4
170	M2-6HXN		.NUT	002004 006100 107107 950999	4
175	M2-6SPW		.WASHER	121503 904949	4
175	M2-6SPW		.WASHER	002004 006100 107107 950999	4
180	M3PLW		.WASHER	121503 904949	4
180	M3PLW		.WASHER	002004 006100 107107 950999	4
185	3A084-0526-1		.SPACER- SUPPLIER CODE: VS5825	121503 904949	4
185	3A084-0526-1		.SPACER- SUPPLIER CODE: VS5825	002004 006100 107107 950999	4
190	M2-6X16PHS		.SCREW	121503 904949	4
190	M2-6X16PHS		.SCREW	002004 006100 107107 950999	4
195	2A083-0369-1		.BOARD-PRINTED CKT SUPPLIER CODE: VS5825	121503 904949	1

MISSING ITEM NUMBERS NOT APPLICABLE

- ITEM NOT ILLUSTRATED

BRI

38-32-09-90

BOEING PROPRIETARY - Copyright © - Unpublished Work - See title page for details.

38-32-09
FIG. 90
PAGE 5
JAN 20/09



757

PARTS CATALOG (MAINTENANCE)

FIG ITEM	PART NUMBER	1 2 3 4 5 6 7	NOMENCLATURE	EFFECT FROM TO	UNITS PER ASSY
90					
195	2A083-0369-1		.BOARD-PRINTED CKT SUPPLIER CODE: VS5825	002004 006100 107107 950999	1
200	3A084-0236-3		.STUD- SUPPLIER CODE: VS5825	121503 904949	2
200	3A084-0236-3		.STUD- SUPPLIER CODE: VS5825	002004 006100 107107 950999	2
205	3A084-0231-3		.BAND- SUPPLIER CODE: VS5825	121503 904949	1
205	3A084-0231-3		.BAND- SUPPLIER CODE: VS5825	002004 006100 107107 950999	1
210	M3X6CSS		ATTACHING PARTS .SCREW	121503 904949	2
210	M3X6CSS		.SCREW	002004 006100 107107 950999	2
215	3A084-0230-3		-----*----- .PACKING- SUPPLIER CODE: VS5825	121503 904949	1
215	3A084-0230-3		.PACKING- SUPPLIER CODE: VS5825	002004 006100 107107 950999	1
220	3A084-0230-4		.PACKING- SUPPLIER CODE: VS5825	121503 904949	1
220	3A084-0230-4		.PACKING- SUPPLIER CODE: VS5825	002004 006100 107107 950999	1
225	3A084-0230-5		.PACKING- SUPPLIER CODE: VS5825	121503 904949	1
225	3A084-0230-5		.PACKING- SUPPLIER CODE: VS5825	002004 006100 107107 950999	1

MISSING ITEM NUMBERS NOT APPLICABLE

- ITEM NOT ILLUSTRATED

38-32-09-90

38-32-09
FIG. 90
PAGE 6
JAN 20/09

BRI

BOEING PROPRIETARY - Copyright © - Unpublished Work - See title page for details.



757

PARTS CATALOG (MAINTENANCE)

FIG ITEM	PART NUMBER	1 2 3 4 5 6 7	NOMENCLATURE	EFFECT FROM TO	UNITS PER ASSY
90					
230	3A084-0230-6		.PACKING- SUPPLIER CODE: VS5825	121503 904949	1
230	3A084-0230-6		.PACKING- SUPPLIER CODE: VS5825	002004 006100 107107 950999	1
235	NS40055		.RELAY- SUPPLIER CODE: VS5825	121503 904949	1
235	NS40055		.RELAY- SUPPLIER CODE: VS5825	002004 006100 107107 950999	1
240	NS40056		.RELAY- SUPPLIER CODE: VS5825	121503 904949	1
240	NS40056		.RELAY- SUPPLIER CODE: VS5825	002004 006100 107107 950999	1
245	3A084-0232-3		.BAND- SUPPLIER CODE: VS5825	121503 904949	1
245	3A084-0232-3		.BAND- SUPPLIER CODE: VS5825	002004 006100 107107 950999	1
			ATTACHING PARTS		
250	M3X6CSS		.SCREW	121503 904949	2
250	M3X6CSS		.SCREW	002004 006100 107107 950999	2
			-----*-----		
255	M2X6CSS		.SCREW	121503 904949	2
255	M2X6CSS		.SCREW	002004 006100 107107 950999	2
260	M2X8PHS		.SCREW- CONFIG CHG DATA FROM A CMM: SUPSD BY M2X10PHS	121503 904949	2
260	M2X10PHS		.SCREW- CONFIG CHG DATA FROM A CMM: SUPERSEDES M2X8PHS	121503 904949	2

MISSING ITEM NUMBERS NOT APPLICABLE

- ITEM NOT ILLUSTRATED

38-32-09-90

38-32-09
FIG. 90
PAGE 7
JAN 20/09

BRI

BOEING PROPRIETARY - Copyright © - Unpublished Work - See title page for details.



**757
PARTS CATALOG (MAINTENANCE)**

FIG ITEM	PART NUMBER	1 2 3 4 5 6 7	NOMENCLATURE	EFFECT FROM TO	UNITS PER ASSY
90					
260	M2X8PHS	.SCREW-	CONFIG CHG DATA FROM A CMM: SUPSD BY M2X10PHS	002004 006100 107107 950999	2
260	M2X10PHS	.SCREW-	CONFIG CHG DATA FROM A CMM: SUPERSEDES M2X8PHS	002004 006100 107107 950999	2
265	M2PLW	.SCREW		121503 904949	4
265	M2PLW	.SCREW		002004 006100 107107 950999	4
270	M2SPW	.WASHER		121503 904949	4
270	M2SPW	.WASHER		002004 006100 107107 950999	4
275	M2HXN	.NUT	ATTACHING PARTS	121503 904949	4
275	M2HXN	.NUT		002004 006100 107107 950999	4
280	NS40052	.SWITCH-	-----*----- SUPPLIER CODE: VS5825	121503 904949	1
280	NS40052	.SWITCH-	SUPPLIER CODE: VS5825	002004 006100 107107 950999	1
285	3A084-0235-31	.STOPPER-	SUPPLIER CODE: VS5825	121503 904949	1
285	3A084-0235-31	.STOPPER-	SUPPLIER CODE: VS5825	002004 006100 107107 950999	1
290	STKA1	.STUD-	SUPPLIER CODE: VS5825	121503 904949	1
290	STKA1	.STUD-	SUPPLIER CODE: VS5825	002004 006100 107107 950999	1

MISSING ITEM NUMBERS NOT APPLICABLE

— ITEM NOT ILLUSTRATED

38-32-09-90

38-32-09
FIG. 90
PAGE 8
JAN 20/09

BRI

BOEING PROPRIETARY - Copyright © - Unpublished Work - See title page for details.

 **BOEING**
757
PARTS CATALOG (MAINTENANCE)

FIG ITEM	PART NUMBER	1 2 3 4 5 6 7	NOMENCLATURE	EFFECT FROM TO	UNITS PER ASSY
90			ATTACHING PARTS		
295	M3X4CSS		.SCREW	121503 904949	1
295	M3X4CSS		.SCREW	002004 006100 107107 950999	1
			-----*-----		
300	M3X6PHS		.SCREW	121503 904949	1
300	M3X6PHS		.SCREW	002004 006100 107107 950999	1
305	M3X8PHS		.SCREW	121503 904949	1
305	M3X8PHS		.SCREW	002004 006100 107107 950999	1
- 310	M3X10CSS		.SCREW	121503 904949	3
- 310	M3X10CSS		.SCREW	002004 006100 107107 950999	3
315	A3PB		.WASHER-TOOTHED SUPPLIER CODE: VS5825	121503 904949	2
315	A3PB		.WASHER-TOOTHED SUPPLIER CODE: VS5825	002004 006100 107107 950999	2
320	M3PLW		.WASHER	121503 904949	1
320	M3PLW		.WASHER	002004 006100 107107 950999	1
325	3A084-0224-3		.NUT- SUPPLIER CODE: VS5825	121503 904949	1
325	3A084-0224-3		.NUT- SUPPLIER CODE: VS5825	002004 006100 107107 950999	1
- 330	ERG1SJ512		.RESISTOR- SUPPLIER CODE: VS5825	121503 904949	1

MISSING ITEM NUMBERS NOT APPLICABLE

- ITEM NOT ILLUSTRATED

BRI

38-32-09-90

BOEING PROPRIETARY - Copyright © - Unpublished Work - See title page for details.

38-32-09
FIG. 90
PAGE 9
JAN 20/09



757

PARTS CATALOG (MAINTENANCE)

FIG ITEM	PART NUMBER	1 2 3 4 5 6 7	NOMENCLATURE	EFFECT FROM TO	UNITS PER ASSY
90					
- 330	ERG1SJ512		.RESISTOR- SUPPLIER CODE: VS5825	002004 006100 107107 950999	1
335	NS40051		.WIRE ASSY-BRAIDED SUPPLIER CODE: VS5825	121503 904949	1
335	NS40051		.WIRE ASSY-BRAIDED SUPPLIER CODE: VS5825	002004 006100 107107 950999	1
340	3A084-0225-3		.SPRING- SUPPLIER CODE: VS5825	121503 904949	1
340	3A084-0225-3		.SPRING- SUPPLIER CODE: VS5825	002004 006100 107107 950999	1
345	3A084-0237-5		.TERMINAL-LUG SUPPLIER CODE: VS5825	121503 904949	1
345	3A084-0237-5		.TERMINAL-LUG SUPPLIER CODE: VS5825	002004 006100 107107 950999	1
350	NS40054		.SHAFT ASSY- SUPPLIER CODE: VS5825	121503 904949	1
350	NS40054		.SHAFT ASSY- SUPPLIER CODE: VS5825	002004 006100 107107 950999	1
355	NS40053		.CHASSIS- SUPPLIER CODE: VS5825	121503 904949	1
355	NS40053		.CHASSIS- SUPPLIER CODE: VS5825	002004 006100 107107 950999	1

MISSING ITEM NUMBERS NOT APPLICABLE

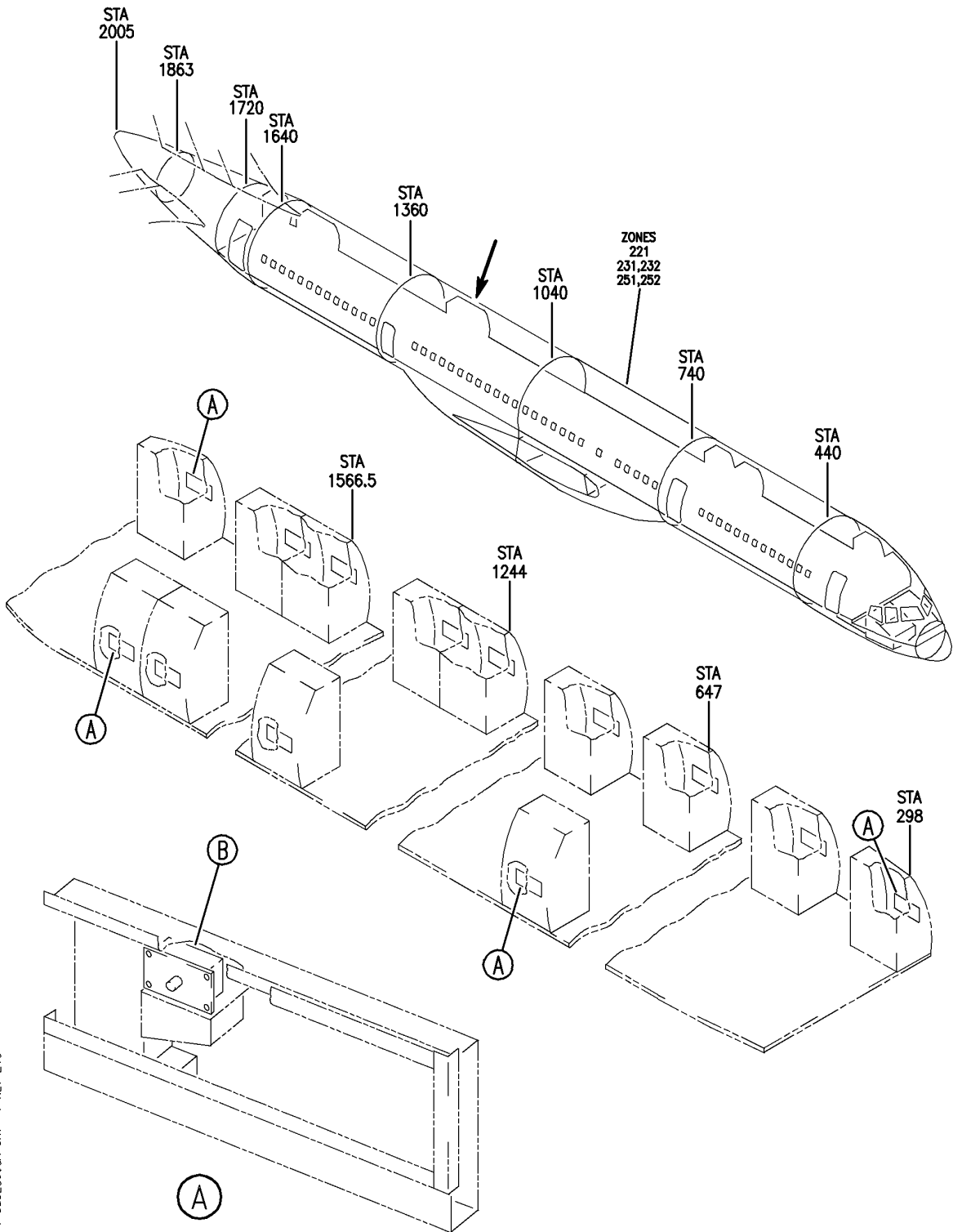
- ITEM NOT ILLUSTRATED

38-32-09-90

38-32-09
FIG. 90
PAGE 10
JAN 20/09

BRI

BOEING
757
PARTS CATALOG (MAINTENANCE)



Y 38320990A SH1 1 REV 246

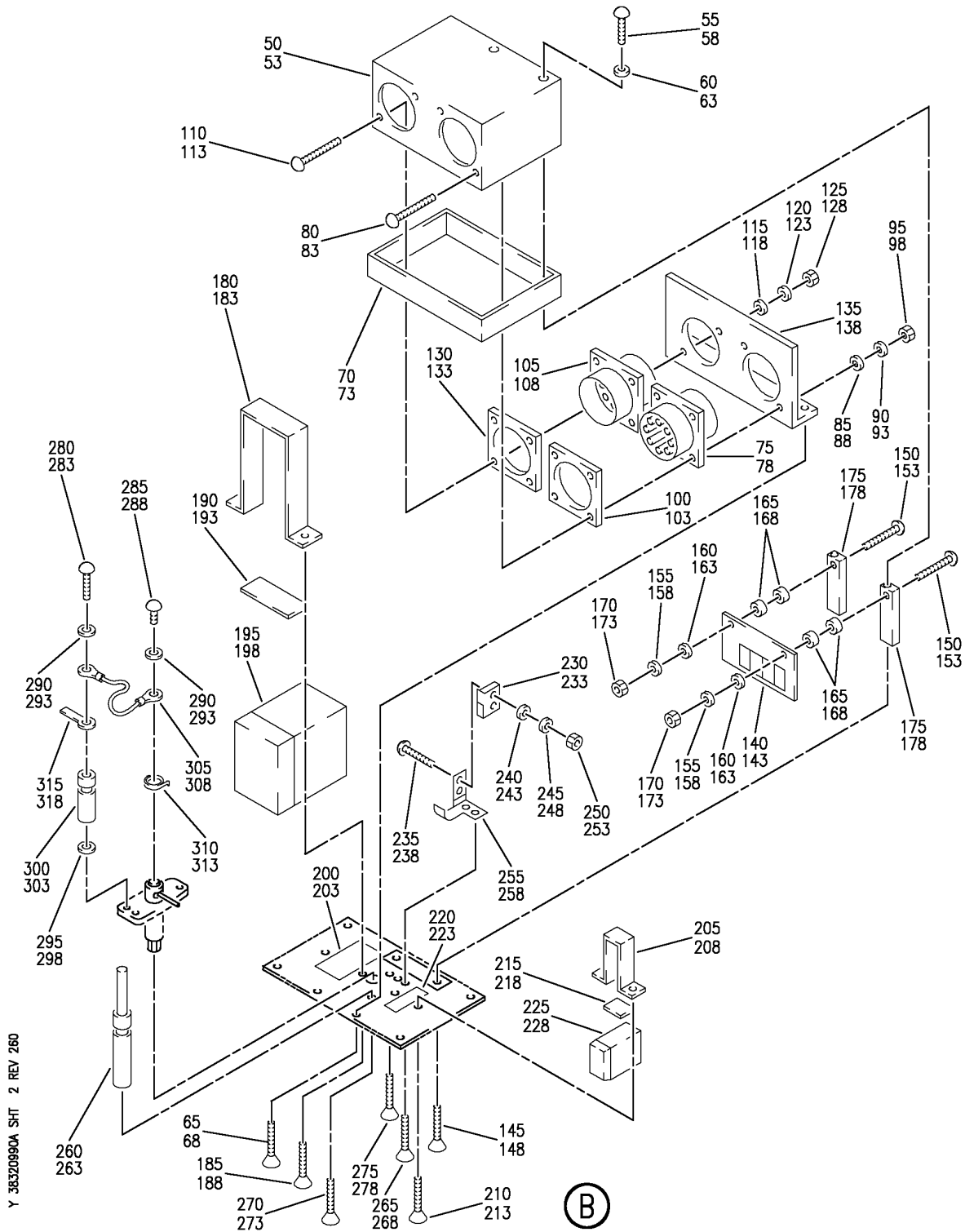
SWITCH ASSY-TIMER, TOILET FLUSH
FIGURE 90A (SHEET 1)

38-32-09-90A

BRI
MAY 28/07

38-32-09-90A
PAGE 0

BOEING
757
PARTS CATALOG (MAINTENANCE)



Y 3832090A SHT 2 REV 260

SWITCH ASSY-TIMER, TOILET FLUSH
FIGURE 90A (SHEET 2)

38-32-09-90A

BRI
MAY 28/07

38-32-09-90A
PAGE 0A



757

PARTS CATALOG (MAINTENANCE)

FIG ITEM	PART NUMBER	1 2 3 4 5 6 7	NOMENCLATURE	EFFECT FROM TO	UNITS PER ASSY
90A			SWITCH ASSY-TIMER,TOILET FLUSH	002004 006102 107107 121999	RF
- 1	1A081-0155-1		SWITCH ASSY-TIMER,TOILET FLUSH SUPPLIER CODE: VS5825 SPECIFICATION NUMBER: 60B50058-6 CONFIG CHG DATA FROM A CMM: SUPSD BY 1A081-0155-11 COMPONENT MAINT MANUAL REF: 25-41-18 OPTIONAL PART: 835867-401 V92824 1A081-0155-11 VS5825 TD2004-1002 V35344 TD1702-1002 V58657 FOR NHA SEE: 25-41-60-01 38-32-09-02 38-32-09-10 38-32-09-10A 38-32-09-15 38-32-09-15A 38-32-09-60F 38-32-09-61 38-32-09-61A 38-32-09-65A	002004 006102 107107 121999	RF

MISSING ITEM NUMBERS NOT APPLICABLE

- ITEM NOT ILLUSTRATED

BRI

38-32-09-90A

BOEING PROPRIETARY - Copyright © - Unpublished Work - See title page for details.

38-32-09
FIG. 90A
PAGE 1
JAN 20/09



757

PARTS CATALOG (MAINTENANCE)

FIG ITEM	PART NUMBER	1 2 3 4 5 6 7	NOMENCLATURE	EFFECT FROM TO	UNITS PER ASSY
90A - 1	1A081-0155-11		SWITCH ASSY-TIMER,TOILET FLUSH SUPPLIER CODE: VS5825 SPECIFICATION NUMBER: 60B50058-6 CONFIG CHG DATA FROM A CMM: SUPSDS 1A081-0155-1 COMPONENT MAINT MANUAL REF: 25-41-18 OPTIONAL PART: 835867-401 V92824 1A081-0155-1 VS5825 TD2004-1002 V35344 TD1702-1002 V58657 FOR NHA SEE: 25-41-60-01 38-32-09-02 38-32-09-10 38-32-09-10A 38-32-09-15 38-32-09-15A 38-32-09-60F 38-32-09-61 38-32-09-61A 38-32-09-65A	002004 006102 107107 121999	RF
50	2A084-0368-3		.COVER- SUPPLIER CODE: VS5825	121503 904949 952952	1
50	2A084-0368-3		.COVER- SUPPLIER CODE: VS5825	002004 006102 107107 504903 950951 953999	1
53	2A084-0368-3		.COVER- LAV B SUPPLIER CODE: VS5825	002004 006102 107107 504903 950951	1
55	M3X6PHS		ATTACHING PARTS .SCREW	121503 904949 952952	2

MISSING ITEM NUMBERS NOT APPLICABLE

- ITEM NOT ILLUSTRATED

38-32-09-90A

38-32-09
FIG. 90A
PAGE 2
JAN 20/09

BRI

BOEING PROPRIETARY - Copyright © - Unpublished Work - See title page for details.



757

PARTS CATALOG (MAINTENANCE)

FIG ITEM	PART NUMBER	1 2 3 4 5 6 7	NOMENCLATURE	EFFECT FROM TO	UNITS PER ASSY
90A 55	M3X6PHS	.	SCREW	002004 006102 107107 504903 950951 953999	2
58	M3X6PHS	.	SCREW- LAV B	002004 006102 107107 504903 950951	2
60	M3PLW	.	WASHER	121503 904949 952952	2
60	M3PLW	.	WASHER	002004 006102 107107 504903 950951 953999	2
63	M3PLW	.	WASHER- LAV B	002004 006102 107107 504903 950951	2
65	M3X6CSS	-----*	SCREW	121503 904949 952952	3
65	M3X6CSS	.	SCREW	002004 006102 107107 504903 950951 953999	3
68	M3X6CSS	.	SCREW- LAV B	002004 006102 107107 504903 950951	3
70	3A084-0220-3	.	SEAL-RUBBER SUPPLIER CODE: VS5825	121503 904949 952952	1
70	3A084-0220-3	.	SEAL-RUBBER SUPPLIER CODE: VS5825	002004 006102 107107 504903 950951 953999	1

MISSING ITEM NUMBERS NOT APPLICABLE

- ITEM NOT ILLUSTRATED

38-32-09-90A

38-32-09
FIG. 90A
PAGE 3
JAN 20/09

BRI

BOEING PROPRIETARY - Copyright © - Unpublished Work - See title page for details.



757

PARTS CATALOG (MAINTENANCE)

FIG ITEM	PART NUMBER	1 2 3 4 5 6 7	NOMENCLATURE	EFFECT FROM TO	UNITS PER ASSY
90A					
73	3A084-0220-3		.SEAL-RUBBER LAV B SUPPLIER CODE: VS5825	002004 006102 107107 504903 950951	1
75	BACC45FN14-7P		.CONNECTOR	121503 904949 952952	1
75	BACC45FN14-7P		.CONNECTOR	002004 006102 107107 504903 950951 953999	1
78	BACC45FN14-7P		.CONNECTOR- LAV B	002004 006102 107107 504903 950951	1
			ATTACHING PARTS		
80	M3X10PHS		.SCREW	121503 904949 952952	2
80	M3X10PHS		.SCREW	002004 006102 107107 504903 950951 953999	2
83	M3X10PHS		.SCREW- LAV B	002004 006102 107107 504903 950951	2
85	M3PLW		.WASHER	121503 904949 952952	2
85	M3PLW		.WASHER	002004 006102 107107 504903 950951 953999	2
88	M3PLW		.WASHER- LAV B	002004 006102 107107 504903 950951	2

MISSING ITEM NUMBERS NOT APPLICABLE

- ITEM NOT ILLUSTRATED

38-32-09-90A

38-32-09
FIG. 90A
PAGE 4
JAN 20/09

BRI

BOEING PROPRIETARY - Copyright © - Unpublished Work - See title page for details.



757

PARTS CATALOG (MAINTENANCE)

FIG ITEM	PART NUMBER	1 2 3 4 5 6 7	NOMENCLATURE	EFFECT FROM TO	UNITS PER ASSY
90A					
90	M3SPW	.	WASHER	121503 904949 952952	2
90	M3SPW	.	WASHER	002004 006102 107107 504903 950951 953999	2
93	M3SPW	.	WASHER- LAV B	002004 006102 107107 504903 950951 953999	2
95	M3HXN	.	NUT	121503 904949 952952	2
95	M3HXN	.	NUT	002004 006102 107107 504903 950951 953999	2
98	M3HXN	.	NUT- LAV B	002004 006102 107107 504903 950951	2
			-----*-----		
100	3A084-0222-3	.	BACKING- SUPPLIER CODE: VS5825	121503 904949 952952	1
100	3A084-0222-3	.	BACKING- SUPPLIER CODE: VS5825	002004 006102 107107 504903 950951 953999	1
103	3A084-0222-3	.	BACKING- LAV B SUPPLIER CODE: VS5825	002004 006102 107107 504903 950951 953999	1
105	BACC45FN14-7S	.	CONNECTOR	121503 904949 952952	1

MISSING ITEM NUMBERS NOT APPLICABLE

- ITEM NOT ILLUSTRATED

38-32-09-90A

38-32-09
FIG. 90A
PAGE 5
JAN 20/09

BRI

BOEING PROPRIETARY - Copyright © - Unpublished Work - See title page for details.



757

PARTS CATALOG (MAINTENANCE)

FIG ITEM	PART NUMBER	1 2 3 4 5 6 7	NOMENCLATURE	EFFECT FROM TO	UNITS PER ASSY
90A 105	BACC45FN14-7S	.	CONNECTOR	002004 006102 107107 504903 950951 953999	1
108	BACC45FN14-7S	.	CONNECTOR- LAV B	002004 006102 107107 504903 950951	1
110	M3X10PHS	.	ATTACHING PARTS SCREW	121503 904949 952952	2
110	M3X10PHS	.	SCREW	002004 006102 107107 504903 950951 953999	2
113	M3X10PHS	.	SCREW- LAV B	002004 006102 107107 504903 950951 953999	2
115	M3PLW	.	WASHER	121503 904949 952952	2
115	M3PLW	.	WASHER	002004 006102 107107 504903 950951 953999	2
118	M3PLW	.	WASHER- LAV B	002004 006102 107107 504903 950951 953999	2
120	M3SPW	.	WASHER	121503 904949 952952	2
120	M3SPW	.	WASHER	002004 006102 107107 504903 950951 953999	2

MISSING ITEM NUMBERS NOT APPLICABLE

- ITEM NOT ILLUSTRATED

38-32-09-90A

38-32-09
FIG. 90A
PAGE 6
JAN 20/09

BRI

BOEING PROPRIETARY - Copyright © - Unpublished Work - See title page for details.



757

PARTS CATALOG (MAINTENANCE)

FIG ITEM	PART NUMBER	1 2 3 4 5 6 7	NOMENCLATURE	EFFECT FROM TO	UNITS PER ASSY
90A 123	M3SPW		.WASHER- LAV B	002004 006102 107107 504903 950951	2
125	M3HXN		.NUT	121503 904949 952952	2
125	M3HXN		.NUT	002004 006102 107107 504903 950951 953999	2
128	M3HXN		.NUT- LAV B	002004 006102 107107 504903 950951	2
130	3A084-0222-3		-----*----- .BACKING- SUPPLIER CODE: VS5825	121503 904949 952952	1
130	3A084-0222-3		.BACKING- SUPPLIER CODE: VS5825	002004 006102 107107 504903 950951 953999	1
133	3A084-0222-3		.BACKING- LAV B SUPPLIER CODE: VS5825	002004 006102 107107 504903 950951	1
135	3A084-0223-3		.BRACKET- SUPPLIER CODE: VS5825	121503 904949 952952	1
135	3A084-0223-3		.BRACKET- SUPPLIER CODE: VS5825	002004 006102 107107 504903 950951 953999	1
138	3A084-0223-3		.BRACKET- LAV B SUPPLIER CODE: VS5825	002004 006102 107107 504903 950951	1

MISSING ITEM NUMBERS NOT APPLICABLE

- ITEM NOT ILLUSTRATED

38-32-09-90A

38-32-09
FIG. 90A
PAGE 7
JAN 20/09

BRI

BOEING PROPRIETARY - Copyright © - Unpublished Work - See title page for details.



757

PARTS CATALOG (MAINTENANCE)

FIG ITEM	PART NUMBER	1 2 3 4 5 6 7	NOMENCLATURE	EFFECT FROM TO	UNITS PER ASSY
90A 140	2A083-0369-1	.BOARD-	SUPPLIER CODE: VS5825	121503 904949 952952	1
140	2A083-0369-1	.BOARD-	SUPPLIER CODE: VS5825	002004 006102 107107 504903 950951 953999	1
143	2A083-0369-1	.BOARD-	LAV B SUPPLIER CODE: VS5825	002004 006102 107107 504903 950951	1
145	M3X10CSS	.SCREW	ATTACHING PARTS	121503 904949 952952	2
145	M3X10CSS	.SCREW		002004 006102 107107 504903 950951 953999	2
148	M3X10CSS	.SCREW-	LAV B	002004 006102 107107 504903 950951	2
150	M2-6X16PHS	.SCREW		121503 904949 952952	4
150	M2-6X16PHS	.SCREW		002004 006102 107107 504903 950951 953999	4
153	M2-6X16PHS	.SCREW-	LAV B	002004 006102 107107 504903 950951 953999	4
155	M2-6SPW	.WASHER		121503 904949 952952	4

MISSING ITEM NUMBERS NOT APPLICABLE

- ITEM NOT ILLUSTRATED

38-32-09-90A

38-32-09
FIG. 90A
PAGE 8
JAN 20/09

BRI

BOEING PROPRIETARY - Copyright © - Unpublished Work - See title page for details.



757

PARTS CATALOG (MAINTENANCE)

FIG ITEM	PART NUMBER	1 2 3 4 5 6 7	NOMENCLATURE	EFFECT FROM TO	UNITS PER ASSY
90A 155	M2-6SPW	.	WASHER	002004 006102 107107 504903 950951 953999	4
158	M2-6SPW	.	WASHER- LAV B	002004 006102 107107 504903 950951	4
160	M3PLW	.	WASHER	121503 904949 952952	4
160	M3PLW	.	WASHER	002004 006102 107107 504903 950951 953999	4
163	M3PLW	.	WASHER- LAV B	002004 006102 107107 504903 950951 953999	4
165	3A084-0526-1	.	SPACER- SUPPLIER CODE: VS5825	121503 904949 952952	4
165	3A084-0526-1	.	SPACER- SUPPLIER CODE: VS5825	002004 006102 107107 504903 950951 953999	4
168	3A084-0526-1	.	SPACER- LAV B SUPPLIER CODE: VS5825	002004 006102 107107 504903 950951 953999	4
170	M2-6HXN	.	NUT	121503 904949 952952	4
170	M2-6HXN	.	NUT	002004 006102 107107 504903 950951 953999	4

MISSING ITEM NUMBERS NOT APPLICABLE

- ITEM NOT ILLUSTRATED

38-32-09-90A

38-32-09
FIG. 90A
PAGE 9
JAN 20/09

BRI

BOEING PROPRIETARY - Copyright © - Unpublished Work - See title page for details.



757

PARTS CATALOG (MAINTENANCE)

FIG ITEM	PART NUMBER	1 2 3 4 5 6 7	NOMENCLATURE	EFFECT FROM TO	UNITS PER ASSY
90A 173	M2-6HXN		.NUT- LAV B	002004 006102 107107 504903 950951	4
175	3A084-0236-3		-----*----- .STUD- SUPPLIER CODE: VS5825	121503 904949 952952	2
175	3A084-0236-3		.STUD- SUPPLIER CODE: VS5825	002004 006102 107107 504903 950951 953999	2
178	3A084-0236-3		.STUD- LAV B SUPPLIER CODE: VS5825	002004 006102 107107 504903 950951	2
180	3A084-0231-3		.BAND- SUPPLIER CODE: VS5825	121503 904949 952952	1
180	3A084-0231-3		.BAND- SUPPLIER CODE: VS5825	002004 006102 107107 504903 950951 953999	1
183	3A084-0231-3		.BAND- LAV B SUPPLIER CODE: VS5825	002004 006102 107107 504903 950951	1
185	M3X6CSS		ATTACHING PARTS .SCREW	121503 904949 952952	2
185	M3X6CSS		.SCREW	002004 006102 107107 504903 950951 953999	2

MISSING ITEM NUMBERS NOT APPLICABLE

- ITEM NOT ILLUSTRATED

38-32-09-90A

38-32-09
FIG. 90A
PAGE 10
JAN 20/09

BRI

BOEING PROPRIETARY - Copyright © - Unpublished Work - See title page for details.

 **BOEING**
757
PARTS CATALOG (MAINTENANCE)

FIG ITEM	PART NUMBER	1 2 3 4 5 6 7	NOMENCLATURE	EFFECT FROM TO	UNITS PER ASSY
90A 188	M3X6CSS		.SCREW- LAV B	002004 006102 107107 504903 950951	2
190	3A084-0230-5		-----*----- .PACKING- SUPPLIER CODE: VS5825	121503 904949 952952	1
190	3A084-0230-5		.PACKING- SUPPLIER CODE: VS5825	002004 006102 107107 504903 950951 953999	1
193	3A084-0230-5		.PACKING- LAV B SUPPLIER CODE: VS5825	002004 006102 107107 504903 950951	1
195	NS40055		.RELAY- SUPPLIER CODE: VS5825	121503 904949 952952	1
195	NS40055		.RELAY- SUPPLIER CODE: VS5825	002004 006102 107107 504903 950951 953999	1
198	NS40055		.RELAY- LAV B SUPPLIER CODE: VS5825	002004 006102 107107 504903 950951	1
200	3A084-0230-3		.PACKING- SUPPLIER CODE: VS5825	121503 904949 952952	1
200	3A084-0230-3		.PACKING- SUPPLIER CODE: VS5825	002004 006102 107107 504903 950951 953999	1
203	3A084-0230-3		.PACKING- LAV B SUPPLIER CODE: VS5825	002004 006102 107107 504903 950951	1

MISSING ITEM NUMBERS NOT APPLICABLE

— ITEM NOT ILLUSTRATED

BRI

38-32-09-90A

BOEING PROPRIETARY - Copyright © - Unpublished Work - See title page for details.

38-32-09
FIG. 90A
PAGE 11
JAN 20/09



757

PARTS CATALOG (MAINTENANCE)

FIG ITEM	PART NUMBER	1 2 3 4 5 6 7	NOMENCLATURE	EFFECT FROM TO	UNITS PER ASSY
90A 205	3A084-0232-3	.BAND-	SUPPLIER CODE: VS5825	121503 904949 952952	1
205	3A084-0232-3	.BAND-	SUPPLIER CODE: VS5825	002004 006102 107107 504903 950951 953999	1
208	3A084-0232-3	.BAND-	LAV B SUPPLIER CODE: VS5825	002004 006102 107107 504903 950951	1
210	M3X6CSS	.SCREW	ATTACHING PARTS	121503 904949 952952	2
210	M3X6CSS	.SCREW		002004 006102 107107 504903 950951 953999	2
213	M3X6CSS	.SCREW-	LAV B	002004 006102 107107 504903 950951	2
215	3A084-0230-6	.PACKING-	-----*----- SUPPLIER CODE: VS5825	121503 904949 952952	1
215	3A084-0230-6	.PACKING-	SUPPLIER CODE: VS5825	002004 006102 107107 504903 950951 953999	1
218	3A084-0230-6	.PACKING-	LAV B SUPPLIER CODE: VS5825	002004 006102 107107 504903 950951	1
220	3A084-0230-4	.PACKING-	SUPPLIER CODE: VS5825	121503 904949 952952	1

MISSING ITEM NUMBERS NOT APPLICABLE

- ITEM NOT ILLUSTRATED

38-32-09-90A

38-32-09
FIG. 90A
PAGE 12
JAN 20/09

BRI

BOEING PROPRIETARY - Copyright © - Unpublished Work - See title page for details.



757

PARTS CATALOG (MAINTENANCE)

FIG ITEM	PART NUMBER	1 2 3 4 5 6 7	NOMENCLATURE	EFFECT FROM TO	UNITS PER ASSY
90A 220	3A084-0230-4		.PACKING- SUPPLIER CODE: VS5825	002004 006102 107107 504903 950951 953999	1
223	3A084-0230-4		.PACKING- LAV B SUPPLIER CODE: VS5825	002004 006102 107107 504903 950951 953999	1
225	NS40056		.RELAY- SUPPLIER CODE: VS5825	121503 904949 952952	1
225	NS40056		.RELAY- SUPPLIER CODE: VS5825	002004 006102 107107 504903 950951 953999	1
228	NS40056		.RELAY- LAV B SUPPLIER CODE: VS5825	002004 006102 107107 504903 950951 953999	1
230	NS40052		.SWITCH- SUPPLIER CODE: VS5825	121503 904949 952952	1
230	NS40052		.SWITCH- SUPPLIER CODE: VS5825	002004 006102 107107 504903 950951 953999	1
233	NS40052		.SWITCH- LAV B SUPPLIER CODE: VS5825	002004 006102 107107 504903 950951	1
235	M2X8PHS		ATTACHING PARTS .SCREW-	121503	2
			CONFIG CHG DATA FROM A CMM: SUPSD BY M2X10PHS	904949 952952	
235	M2X8PHS		.SCREW-	002004	2
			CONFIG CHG DATA FROM A CMM: SUPSD BY M2X10PHS	006102 107107 504903 950951 953999	

MISSING ITEM NUMBERS NOT APPLICABLE

- ITEM NOT ILLUSTRATED

38-32-09-90A

38-32-09
FIG. 90A
PAGE 13
JAN 20/09

BRI

BOEING PROPRIETARY - Copyright © - Unpublished Work - See title page for details.



757

PARTS CATALOG (MAINTENANCE)

FIG ITEM	PART NUMBER	1 2 3 4 5 6 7	NOMENCLATURE	EFFECT FROM TO	UNITS PER ASSY
90A 235	M2X10PHS	. SCREW-	CONFIG CHG DATA FROM A CMM: SUPSDS M2X8PHS	121503 904949 952952	2
235	M2X10PHS	. SCREW-	CONFIG CHG DATA FROM A CMM: SUPSDS M2X8PHS	002004 006102 107107 504903 950951 953999	2
238	M2X8PHS	. SCREW-	LAV B CONFIG CHG DATA FROM A CMM: SUPSD BY M2X10PHS	002004 006102 107107 504903 950951	2
238	M2X10PHS	. SCREW-	LAV B CONFIG CHG DATA FROM A CMM: SUPSDS M2X8PHS	002004 006102 107107 504903 950951	2
240	M2PLW	. SCREW		121503 904949 952952	4
240	M2PLW	. SCREW		002004 006102 107107 504903 950951 953999	4
243	M2PLW	. SCREW-	LAV B	002004 006102 107107 504903 950951	4
245	M2SPW	. WASHER		121503 904949 952952	4
245	M2SPW	. WASHER		002004 006102 107107 504903 950951 953999	4
248	M2SPW	. WASHER-	LAV B	002004 006102 107107 504903 950951	4

MISSING ITEM NUMBERS NOT APPLICABLE

- ITEM NOT ILLUSTRATED

38-32-09-90A

38-32-09
FIG. 90A
PAGE 14
JAN 20/09

BRI

BOEING PROPRIETARY - Copyright © - Unpublished Work - See title page for details.



757

PARTS CATALOG (MAINTENANCE)

FIG ITEM	PART NUMBER	1 2 3 4 5 6 7	NOMENCLATURE	EFFECT FROM TO	UNITS PER ASSY
90A 250	M2HXN	.NUT		121503 904949 952952	4
250	M2HXN	.NUT		002004 006102 107107 504903 950951 953999	4
253	M2HXN	.NUT- LAV B		002004 006102 107107 504903 950951	4
255	3A084-0235-31	-----*----- .STOPPER- SUPPLIER CODE: VS5825		121503 904949 952952	1
255	3A084-0235-31	.STOPPER- SUPPLIER CODE: VS5825		002004 006102 107107 504903 950951 953999	1
258	3A084-0235-31	.STOPPER- LAV B SUPPLIER CODE: VS5825		002004 006102 107107 504903 950951	1
260	STKA1	.STUD- SUPPLIER CODE: VS5825		121503 904949 952952	1
260	STKA1	.STUD- SUPPLIER CODE: VS5825		002004 006102 107107 504903 950951 953999	1
263	STKA1	.STUD- LAV B SUPPLIER CODE: VS5825		002004 006102 107107 504903 950951	1
265	M2X6CSS	ATTACHING PARTS .SCREW		121503 904949 952952	2

MISSING ITEM NUMBERS NOT APPLICABLE

- ITEM NOT ILLUSTRATED

38-32-09-90A

38-32-09
FIG. 90A
PAGE 15
JAN 20/09

BRI

BOEING PROPRIETARY - Copyright © - Unpublished Work - See title page for details.

 **BOEING**
757
PARTS CATALOG (MAINTENANCE)

FIG ITEM	PART NUMBER	1 2 3 4 5 6 7	NOMENCLATURE	EFFECT FROM TO	UNITS PER ASSY
90A 265	M2X6CSS	.	SCREW	002004 006102 107107 504903 950951 953999	2
268	M2X6CSS	.	SCREW- LAV B	002004 006102 107107 504903 950951	2
270	M3X6CSS	.	SCREW	121503 904949 952952	1
270	M3X6CSS	.	SCREW	002004 006102 107107 504903 950951 953999	1
273	M3X6CSS	.	SCREW- LAV B	002004 006102 107107 504903 950951	1
275	M3X10CSS	-----*	SCREW	121503 904949 952952	3
275	M3X10CSS	.	SCREW	002004 006102 107107 504903 950951 953999	3
278	M3X10CSS	.	SCREW- LAV B	002004 006102 107107 504903 950951	3
280	M3X8PHS	.	SCREW	121503 904949 952952	1
280	M3X8PHS	.	SCREW	002004 006102 107107 504903 950951 953999	1

MISSING ITEM NUMBERS NOT APPLICABLE

— ITEM NOT ILLUSTRATED

BRI

38-32-09-90A

BOEING PROPRIETARY - Copyright © - Unpublished Work - See title page for details.

38-32-09
FIG. 90A
PAGE 16
JAN 20/09



757

PARTS CATALOG (MAINTENANCE)

FIG ITEM	PART NUMBER	1 2 3 4 5 6 7	NOMENCLATURE	EFFECT FROM TO	UNITS PER ASSY
90A 283	M3X8PHS	.	SCREW- LAV B	002004 006102 107107 504903 950951	1
285	M3X6PHS	.	SCREW	121503 904949 952952	1
285	M3X6PHS	.	SCREW	002004 006102 107107 504903 950951 953999	1
288	M3X6PHS	.	SCREW- LAV B	002004 006102 107107 504903 950951	1
290	A3PB	.	WASHER- SUPPLIER CODE: VS5825	121503 904949 952952	2
290	A3PB	.	WASHER- SUPPLIER CODE: VS5825	002004 006102 107107 504903 950951 953999	2
293	A3PB	.	WASHER- LAV B SUPPLIER CODE: VS5825	002004 006102 107107 504903 950951	2
295	M3PLW	.	WASHER-	121503 904949 952952	1
295	M3PLW	.	WASHER-	002004 006102 107107 504903 950951 953999	1
298	M3PLW	.	WASHER- LAV B	002004 006102 107107 504903 950951	1

MISSING ITEM NUMBERS NOT APPLICABLE

- ITEM NOT ILLUSTRATED

38-32-09-90A

38-32-09
FIG. 90A
PAGE 17
JAN 20/09

BRI

BOEING PROPRIETARY - Copyright © - Unpublished Work - See title page for details.



757

PARTS CATALOG (MAINTENANCE)

FIG ITEM	PART NUMBER	1 2 3 4 5 6 7	NOMENCLATURE	EFFECT FROM TO	UNITS PER ASSY
90A 300	3A084-0224-3	.NUT-	SUPPLIER CODE: VS5825	121503 904949 952952	1
300	3A084-0224-3	.NUT-	SUPPLIER CODE: VS5825	002004 006102 107107 504903 950951 953999	1
303	3A084-0224-3	.NUT-	LAV B SUPPLIER CODE: VS5825	002004 006102 107107 504903 950951	1
305	NS40051	.WIRE ASSY-	SUPPLIER CODE: VS5825	121503 904949 952952	1
305	NS40051	.WIRE ASSY-	SUPPLIER CODE: VS5825	002004 006102 107107 504903 950951 953999	1
308	NS40051	.WIRE ASSY-	LAV B SUPPLIER CODE: VS5825	002004 006102 107107 504903 950951	1
310	3A084-0225-3	.SPRING-	SUPPLIER CODE: VS5825	121503 904949 952952	1
310	3A084-0225-3	.SPRING-	SUPPLIER CODE: VS5825	002004 006102 107107 504903 950951 953999	1
313	3A084-0225-3	.SPRING-	LAV B SUPPLIER CODE: VS5825	002004 006102 107107 504903 950951	1
315	3A084-0237-5	.TERMINAL-	SUPPLIER CODE: VS5825	121503 904949 952952	1

MISSING ITEM NUMBERS NOT APPLICABLE

- ITEM NOT ILLUSTRATED

BRI

38-32-09-90A

BOEING PROPRIETARY - Copyright © - Unpublished Work - See title page for details.

38-32-09
FIG. 90A
PAGE 18
JAN 20/09



757

PARTS CATALOG (MAINTENANCE)

FIG ITEM	PART NUMBER	1 2 3 4 5 6 7	NOMENCLATURE	EFFECT FROM TO	UNITS PER ASSY
90A 315	3A084-0237-5		. TERMINAL- SUPPLIER CODE: VS5825	002004 006102 107107 504903 950951 953999	1
318	3A084-0237-5		. TERMINAL- LAV B SUPPLIER CODE: VS5825	002004 006102 107107 504903 950951	1

MISSING ITEM NUMBERS NOT APPLICABLE

- ITEM NOT ILLUSTRATED

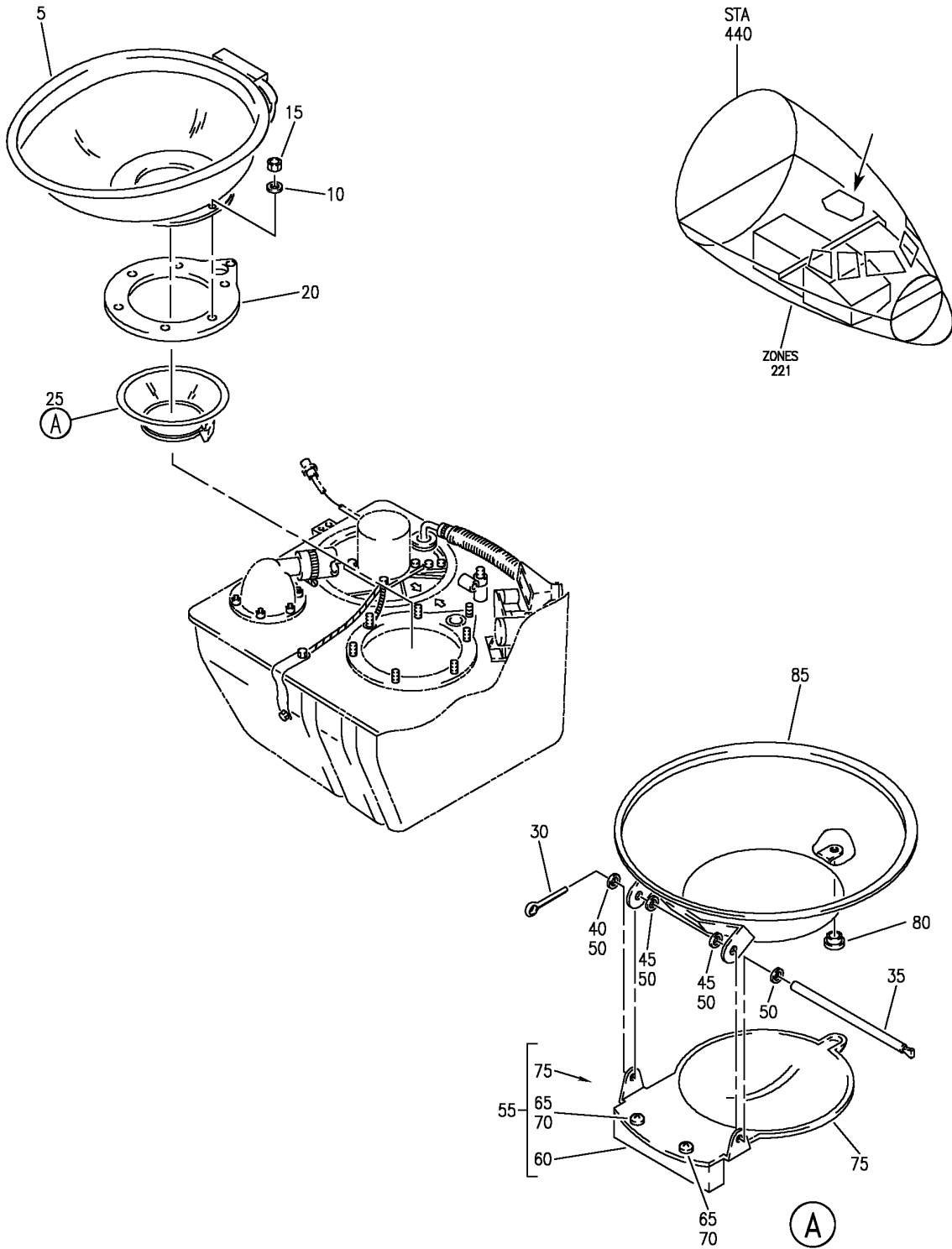
BRI

38-32-09-90A

BOEING PROPRIETARY - Copyright © - Unpublished Work - See title page for details.

38-32-09
FIG. 90A
PAGE 19
JAN 20/09

BOEING
757
PARTS CATALOG (MAINTENANCE)



Y 38321101 REV 335

TOILET ASSY-FLUSHING (TOILET BOWL ONLY)
FIGURE 1

38-32-11-01

BRI
MAY 20/09

38-32-11-01
PAGE 0

BOEING
757
PARTS CATALOG (MAINTENANCE)

FIG ITEM	PART NUMBER	1 2 3 4 5 6 7	NOMENCLATURE	EFFECT FROM TO	UNITS PER ASSY
1			TOILET ASSY-FLUSHING (TOILET BOWL ONLY)	002004 006102 107999	
- 1	16300-013		TOILET ASSY-FLUSHING (TOILET BOWL ONLY) SUPPLIER CODE: V29780 SPECIFICATION NUMBER: S417N102-58 SB DATA FROM A CMM: POST 16200-38-03 CONFIG CHG DATA FROM A CMM: REPLS 16300-011 COMPONENT MAINT MANUAL REF: 38-33-01 FOR NHA/ADDITIONAL DET SEE: 38-32-01-01	002004 006102 107999	RF
R R R R R R R R R R R	- 1	16300-001	TOILET ASSY-FLUSHING (TOILET BOWL ONLY) SUPPLIER CODE: V29780 SPECIFICATION NUMBER: S417N102-1 SB DATA FROM A CMM: PRE 16200-38-03 CONFIG CHG DATA FROM A CMM: REPLD BY 16300-008 COMPONENT MAINT MANUAL REF: 38-33-01 FOR NHA/OTHER SYS DET SEE: 38-32-01-01	107107 904949	RF
- 1	16300-008		TOILET ASSY-FLUSHING (TOILET BOWL ONLY) SUPPLIER CODE: V29780 SPECIFICATION NUMBER: S417N102-30 SB DATA FROM A CMM: PRE 3600-38-001 PRE 16200-38-03 CONFIG CHG DATA FROM A CMM: REPLS 16300-001 REPLD BY 16300-011 COMPONENT MAINT MANUAL REF: 38-33-01 FOR NHA/ADDITIONAL DET SEE: 38-32-01-01	002004 006102 107999	RF

MISSING ITEM NUMBERS NOT APPLICABLE

- ITEM NOT ILLUSTRATED

BRI

38-32-11-01

BOEING PROPRIETARY - Copyright © - Unpublished Work - See title page for details.

38-32-11
FIG. 01
PAGE 1
MAY 20/09

BOEING
757
PARTS CATALOG (MAINTENANCE)

FIG ITEM	PART NUMBER	1 2 3 4 5 6 7	NOMENCLATURE	EFFECT FROM TO	UNITS PER ASSY
1	16300-011		TOILET ASSY-FLUSHING (TOILET BOWL ONLY) SUPPLIER CODE: V29780 SPECIFICATION NUMBER: S417N102-46 SB DATA FROM A CMM: PRE 16200-38-03 POST 3600-38-001 CONFIG CHG DATA FROM A CMM: REPLS 16300-008 REPLD BY 16300-013 COMPONENT MAINT MANUAL REF: 38-33-01 FOR NHA/ADDITIONAL DET SEE: 38-32-01-01	002004 006102 107999	RF
R	5	4811-165	.BOWL- SUPPLIER CODE: V29780	002004 006102 107999	1
R	10	AN960C10L	ATTACHING PARTS .WASHER- USED ON: 16300-001 16300-003 16300-007 16300-008 16300-011	002004 006102 107999	8
R	10	AN960C10L	.WASHER- CONFIG CHG DATA FROM A CMM: REPLD BY NAS1149C0332R USED ON: 16300-013	002004 006102 107999	8
R	10	NAS1149C0332R	.WASHER- CONFIG CHG DATA FROM A CMM: REPLS AN960C10L USED ON: 16300-013	002004 006102 107999	8
R	15	NAS679C3M	.NUT	002004 006102 107999	7
R	20	4811-130	-----*----- .GASKET-BOWL SUPPLIER CODE: V29780	002004 006102 107999	1
R	25	3800-209	.SEPARATOR ASSY- SUPPLIER CODE: V29780	002004 006102 107999	1

MISSING ITEM NUMBERS NOT APPLICABLE

— ITEM NOT ILLUSTRATED

BRI

38-32-11-01

BOEING PROPRIETARY - Copyright © - Unpublished Work - See title page for details.

38-32-11
FIG. 01
PAGE 2
MAY 20/09

BOEING
757
PARTS CATALOG (MAINTENANCE)

FIG ITEM	PART NUMBER	1 2 3 4 5 6 7	NOMENCLATURE	EFFECT FROM TO	UNITS PER ASSY
1					
R	30		..PIN	002004	1
R				006102	
R				107999	
R	35		..PIN-	002004	1
R			SUPPLIER CODE:	006102	
R			V29780	107999	
R	40		..WASHER-REV E AND PRIOR	002004	1
R				006102	
R				107999	
R	45		..WASHER-NYLON REV E AND	002004	2
R			PRIOR	006102	
R			SUPPLIER CODE:	107999	
R			V86928		
R	50		..BEARING-NYLON REV F AND	002004	4
R			SUBS	006102	
R			SUPPLIER CODE:	107999	
R			V29780		
R	55		..FLAPPER ASSY-REV E AND	002004	1
R			PRIOR	006102	
R			SUPPLIER CODE:	107999	
R			V29780		
R	55		..FLAPPER ASSY-REV F AND	002004	1
R			SUBS	006102	
R			SUPPLIER CODE:	107999	
R			V29780		
R	60		...COUNTERWEIGHT-	002004	1
R			SUPPLIER CODE:	006102	
R			V29780	107999	
R			ATTACHING PARTS		
R	65		...SCREW	002004	2
R				006102	
R				107999	
R	70		...WASHER	002004	2
R				006102	
R				107999	
R	75		-----*----- ...BRACKET-	002004	1
R			SUPPLIER CODE:	006102	
R			V29780	107999	
R	80		..BUMPER-REV E AND PRIOR	002004	1
R			SUPPLIER CODE:	006102	
R			V29780	107999	
R	80		..BUMPER-REV F AND SUBS	002004	1
R			SUPPLIER CODE:	006102	
R			V29780	107999	
R	85		..CONE-REV E AND PRIOR	002004	1
R			SUPPLIER CODE:	006102	
R			V29780	107999	

MISSING ITEM NUMBERS NOT APPLICABLE

— ITEM NOT ILLUSTRATED

BRI

38-32-11-01

BOEING PROPRIETARY - Copyright © - Unpublished Work - See title page for details.

38-32-11
FIG. 01
PAGE 3
MAY 20/09



757

PARTS CATALOG (MAINTENANCE)

FIG ITEM	PART NUMBER	1 2 3 4 5 6 7	NOMENCLATURE	EFFECT FROM TO	UNITS PER ASSY
1 85	3800-231		..CONE-REV F AND SUBS SUPPLIER CODE: V29780	002004 006102 107999	1

R
R
R

MISSING ITEM NUMBERS NOT APPLICABLE

- ITEM NOT ILLUSTRATED

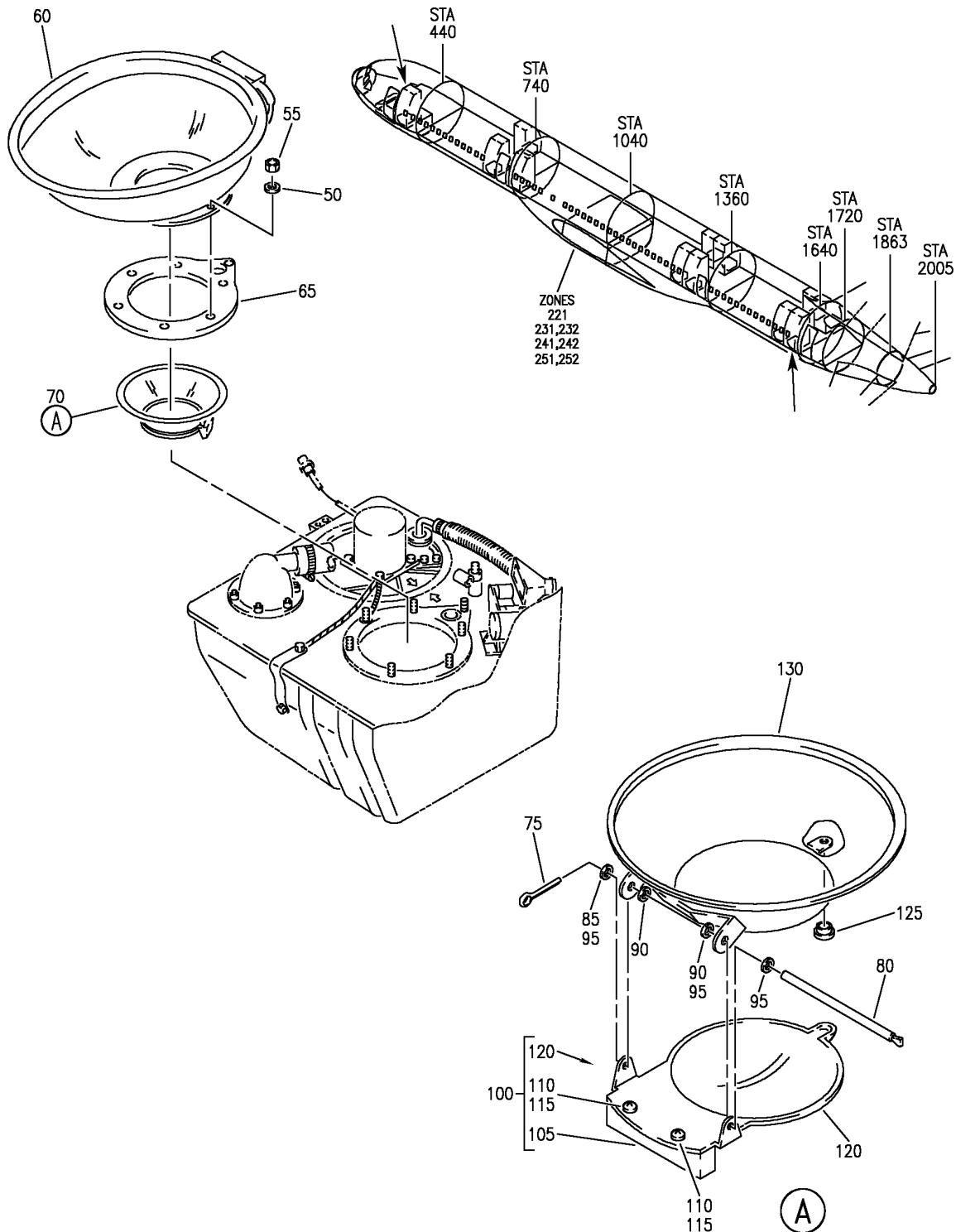
BRI

38-32-11-01

BOEING PROPRIETARY - Copyright © - Unpublished Work - See title page for details.

38-32-11
FIG. 01
PAGE 4
MAY 20/09

BOEING
757
PARTS CATALOG (MAINTENANCE)



Y 38321102 REV 335

TOILET ASSY-FLUSHING (TOILET BOWL ONLY)
FIGURE 2

38-32-11-02

BRI
MAY 20/09

38-32-11-02
PAGE 0



757

PARTS CATALOG (MAINTENANCE)

FIG ITEM	PART NUMBER	1 2 3 4 5 6 7	NOMENCLATURE	EFFECT FROM TO	UNITS PER ASSY
2					
- 1	16200-001		TOILET ASSY-FLUSHING (TOILET BOWL ONLY) TOILET ASSY-FLUSHING (TOILET BOWL ONLY) SUPPLIER CODE: V29780 POSITION DATA: MID-CAB. SPECIFICATION NUMBER: S417N102-3 SB DATA FROM A CMM: PRE 16200-38-03 CONFIG CHG DATA FROM A CMM: REPLD BY 16200-011 COMPONENT MAINT MANUAL REF: 38-33-01 FOR NHA/ADDITIONAL DET SEE: 38-32-01-01	107107 904949 107107 904949	RF
- 5	16200-002		TOILET ASSY-FLUSHING (TOILET BOWL ONLY) SUPPLIER CODE: V29780 SPECIFICATION NUMBER: S417N102-4 SB DATA FROM A CMM: PRE 16200-38-03 CONFIG CHG DATA FROM A CMM: REPLD BY 16200-012 COMPONENT MAINT MANUAL REF: 38-33-01 FOR NHA/ADDITIONAL DET SEE: 38-32-01-01	107107 904949	RF
R 50	AN960C10L		.WASHER	107107 904949	8
R 55	NAS679C3M		.NUT	107107 904949	7
R 60	4811-165		.BOWL- SUPPLIER CODE: V29780	107107 904949	1
R 65	4811-130		.GASKET-BOWL SUPPLIER CODE: V29780	107107 904949	1
R 70	3800-209		.SEPARATOR ASSY- SUPPLIER CODE: V29780	107107 904949	1
R 75	MS24665-22		..PIN	107107 904949	1

MISSING ITEM NUMBERS NOT APPLICABLE

- ITEM NOT ILLUSTRATED

38-32-11-02

38-32-11
FIG. 02
PAGE 1
MAY 20/09

BRI

BOEING
757
PARTS CATALOG (MAINTENANCE)

FIG ITEM	PART NUMBER	1 2 3 4 5 6 7	NOMENCLATURE	EFFECT FROM TO	UNITS PER ASSY
2					
R	80	55004-042-2	..PIN- SUPPLIER CODE: V29780	107107 904949	1
R	85	AN960C4	..WASHER- REV E AND PRIOR	107107 904949	1
R	90	5610-21-20	..WASHER-NYLON REV E AND PRIOR SUPPLIER CODE: V86928	107107 904949	2
R	95	3800-227	..BEARING-NYLON REV F AND SUBS SUPPLIER CODE: V29780	107107 904949	4
R	100	3800-210	..FLAPPER ASSY- REV E AND PRIOR SUPPLIER CODE: V29780	107107 904949	1
R	100	3800-230	..FLAPPER ASSY- REV F AND SUBS SUPPLIER CODE: V29780	107107 904949	1
R	105	3800-210-2	...COUNTERWEIGHT- SUPPLIER CODE: V29780 ATTACHING PARTS	107107 904949	1
R	110	MS24626-30	...SCREW	107107 904949	2
R	115	MS35338-137	...WASHER	107107 904949	2
R	120	3800-213	-----*----- ...BRACKET- SUPPLIER CODE: V29780	107107 904949	1
R	125	3155	..BUMPER-REV E AND PRIOR SUPPLIER CODE: V29780	107107 904949	1
R	125	3061	..BUMPER-REV F AND SUBS SUPPLIER CODE: V29780	107107 904949	1
R	130	3800-211	..CONE- REV E AND PRIOR SUPPLIER CODE: V29780	107107 904949	1
R	130	3800-231	..CONE- REV F AND SUBS SUPPLIER CODE: V29780	107107 904949	1

MISSING ITEM NUMBERS NOT APPLICABLE

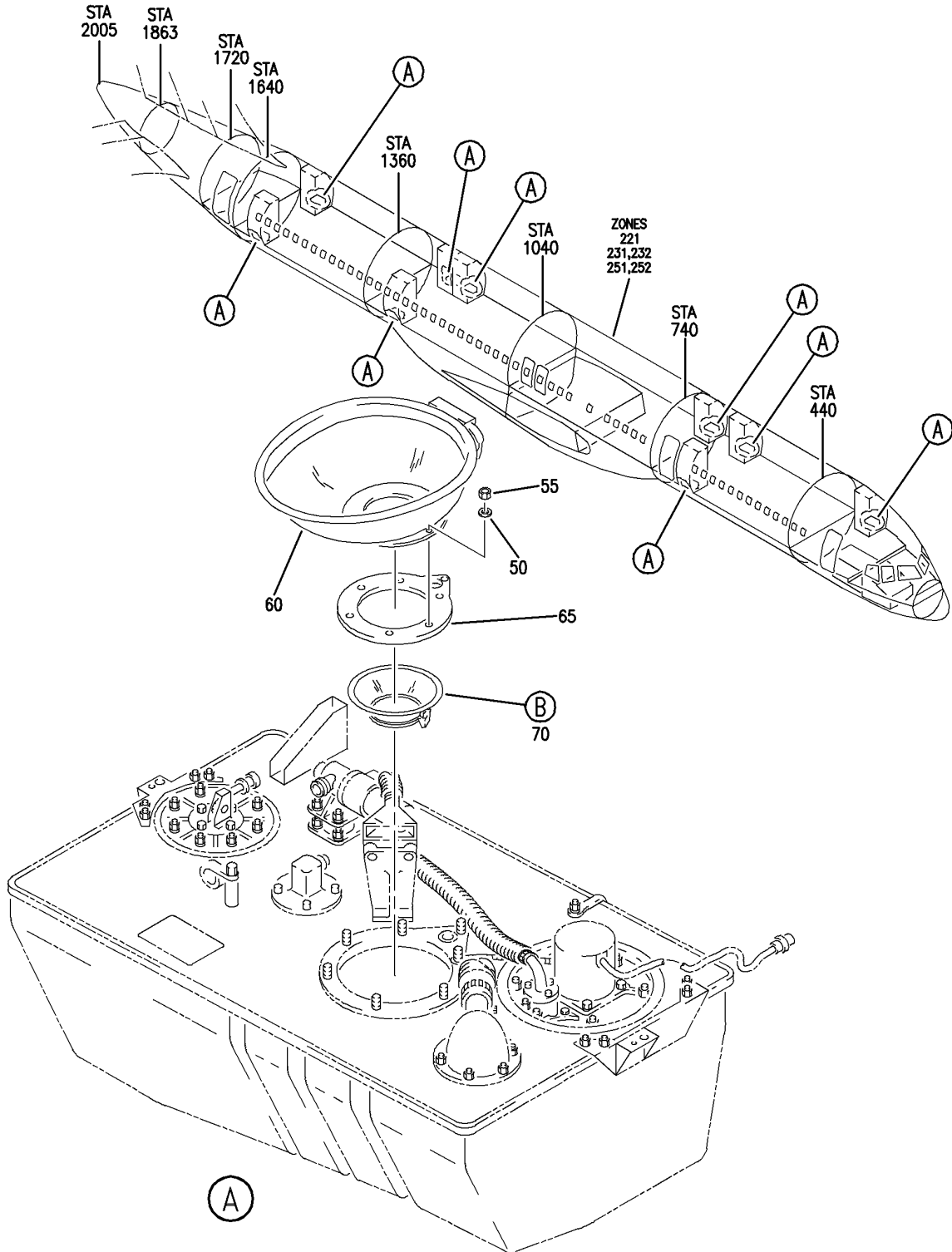
— ITEM NOT ILLUSTRATED

BRI

38-32-11-02

38-32-11
FIG. 02
PAGE 2
MAY 20/09

BOEING
757
PARTS CATALOG (MAINTENANCE)



Y 38321103 SH1 1 REV 248

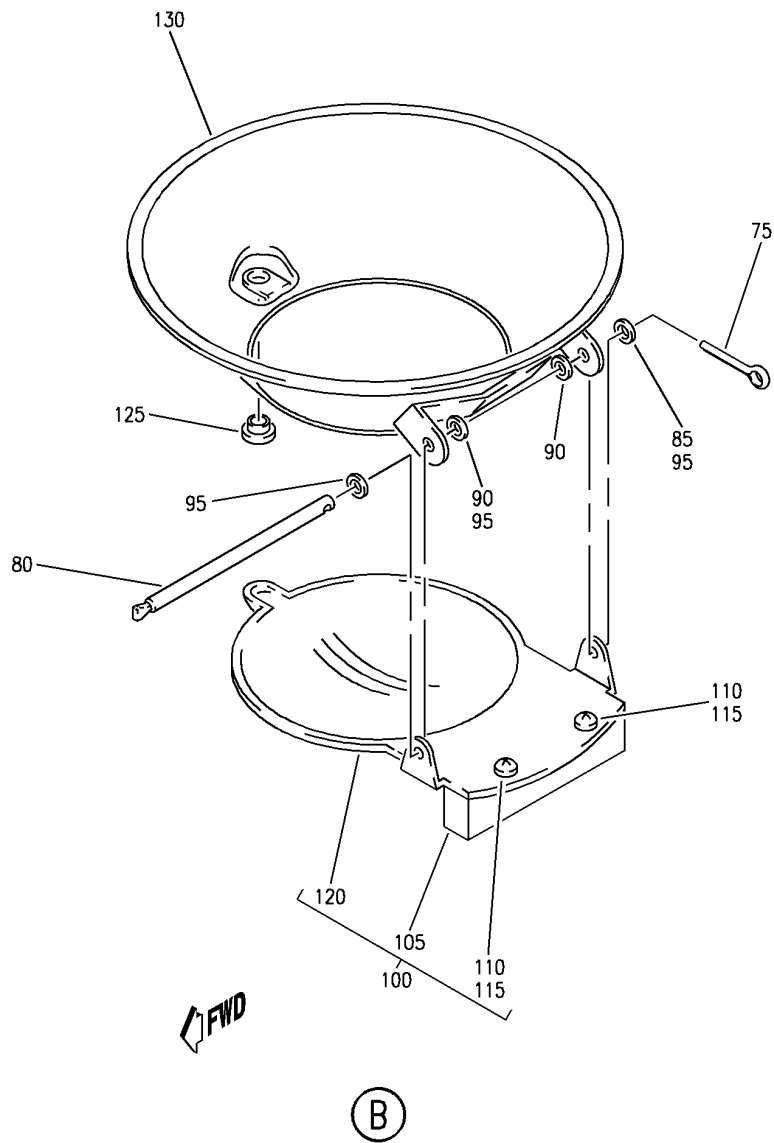
TOILET ASSY-FLUSHING (TOILET BOWL ONLY)
FIGURE 3 (SHEET 1)

38-32-11-03

BRI
MAY 28/07

38-32-11-03
PAGE 0

BOEING
757
PARTS CATALOG (MAINTENANCE)



Y 38321103 SH1 2 REV 297

TOILET ASSY-FLUSHING (TOILET BOWL ONLY)
FIGURE 3 (SHEET 2)

38-32-11-03

BRI
MAY 28/07

38-32-11-03
PAGE 0A



757

PARTS CATALOG (MAINTENANCE)

FIG ITEM	PART NUMBER	1 2 3 4 5 6 7	NOMENCLATURE	EFFECT FROM TO	UNITS PER ASSY
3			TOILET ASSY-FLUSHING (TOILET BOWL ONLY)	002004 006102 107999	
- 1	16200-011		TOILET ASSY-FLUSHING (TOILET BOWL ONLY) SUPPLIER CODE: V29780 POSITION DATA: MID-CAB SPECIFICATION NUMBER: S417N102-31 SB DATA FROM A CMM: PRE 3600-38-001 PRE 16200-38-03 CONFIG CHG DATA FROM A CMM: REPLS 16200-001 REPLD BY 16200-017 COMPONENT MAINT MANUAL REF: 38-33-01 FOR NHA/ADDITIONAL DET SEE: 38-32-01-01	002004 006102 107999	RF
- 1	16200-013		TOILET ASSY-FLUSHING (TOILET BOWL ONLY) SUPPLIER CODE: V29780 POSITION DATA: MID-CAB. SPECIFICATION NUMBER: S417N102-33 SB DATA FROM A CMM: PRE 3600-38-001 PRE 16200-38-03 CONFIG CHG DATA FROM A CMM: REPLS 16200-007 REPLD BY 16200-019 COMPONENT MAINT MANUAL REF: 38-33-01 FOR NHA/ADDITIONAL DET SEE: 38-32-53-03	950999	RF

MISSING ITEM NUMBERS NOT APPLICABLE

- ITEM NOT ILLUSTRATED

38-32-11-03

38-32-11
FIG. 03
PAGE 1
JAN 20/09

BRI

BOEING
757
PARTS CATALOG (MAINTENANCE)

FIG ITEM	PART NUMBER	1 2 3 4 5 6 7	NOMENCLATURE	EFFECT FROM TO	UNITS PER ASSY
3					
R	70	3800-209	.SEPARATOR ASSY-	002004	1
R			SUPPLIER CODE:	006102	
R			V29780	107999	
R	75	MS24665-22	..PIN	002004	1
R				006102	
R				107999	
R	80	55004-042-2	..PIN-	002004	1
R			SUPPLIER CODE:	006102	
R			V29780	107999	
R	85	AN960C4	..WASHER-REV E AND PRIOR	002004	1
R				006102	
R				107999	
R	90	5610-21-20	..WASHER-NYLON REV E AND PRIOR	002004	2
R			SUPPLIER CODE:	006102	
R			V86928	107999	
R	95	3800-227	..BEARING-NYLON REV F AND SUBS	002004	4
R			SUPPLIER CODE:	006102	
R			V29780	107999	
R	100	3800-210	..FLAPPER ASSY-REV E AND PRIOR	002004	1
R			SUPPLIER CODE:	006102	
R			V29780	107999	
R	100	3800-230	..FLAPPER ASSY-REV F AND SUBS	002004	1
R			SUPPLIER CODE:	006102	
R			V29780	107999	
R	105	3800-210-2	...COUNTERWEIGHT-	002004	1
R			SUPPLIER CODE:	006102	
R			V29780	107999	
R			ATTACHING PARTS		
R	110	MS24626-30	...SCREW	002004	2
R				006102	
R				107999	
R	115	MS35338-137	...WASHER	002004	2
R				006102	
R				107999	
R	120	3800-213	-----*----- ...BRACKET-	002004	1
R			SUPPLIER CODE:	006102	
R			V29780	107999	
R	125	3155	..BUMPER-REV E AND PRIOR	002004	1
R			SUPPLIER CODE:	006102	
R			V29780	107999	
R	125	3061	..BUMPER-REV F AND SUBS	002004	1
R			SUPPLIER CODE:	006102	
R			V29780	107999	

MISSING ITEM NUMBERS NOT APPLICABLE

— ITEM NOT ILLUSTRATED

BRI

38-32-11-03

38-32-11
FIG. 03
PAGE 4
MAY 20/09



757

PARTS CATALOG (MAINTENANCE)

FIG ITEM	PART NUMBER	1 2 3 4 5 6 7	NOMENCLATURE	EFFECT FROM TO	UNITS PER ASSY
R R R R R R	3 130	3800-211	..CONE-REV E AND PRIOR SUPPLIER CODE: V29780	002004 006102 107999	1
	130	3800-231	..CONE-REV F AND SUBS SUPPLIER CODE: V29780	002004 006102 107999	1

MISSING ITEM NUMBERS NOT APPLICABLE

- ITEM NOT ILLUSTRATED

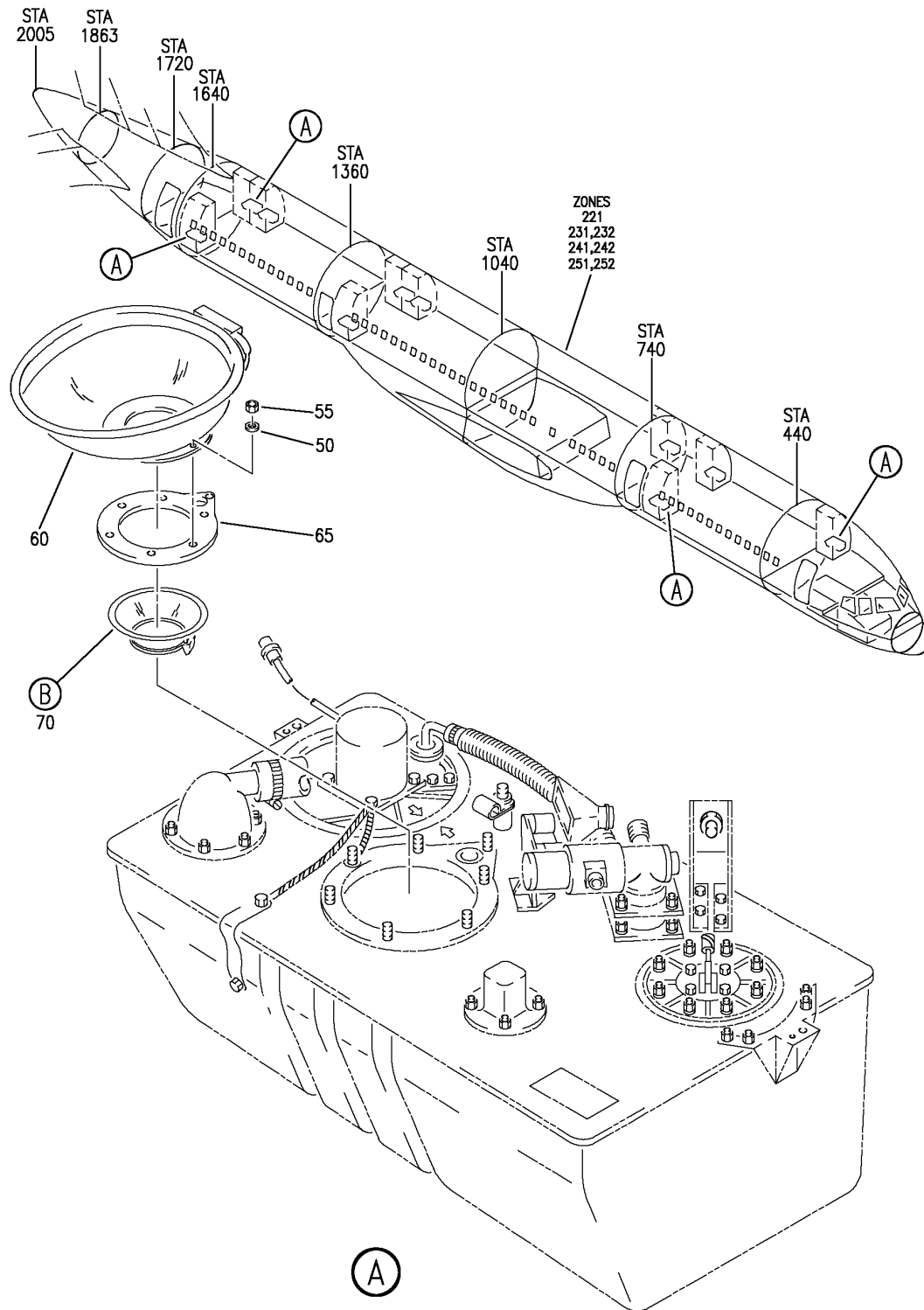
BRI

38-32-11-03

BOEING PROPRIETARY - Copyright © - Unpublished Work - See title page for details.

38-32-11
FIG. 03
PAGE 5
MAY 20/09

BOEING
757
PARTS CATALOG (MAINTENANCE)



Y 38321104 SHT 1 REV 248

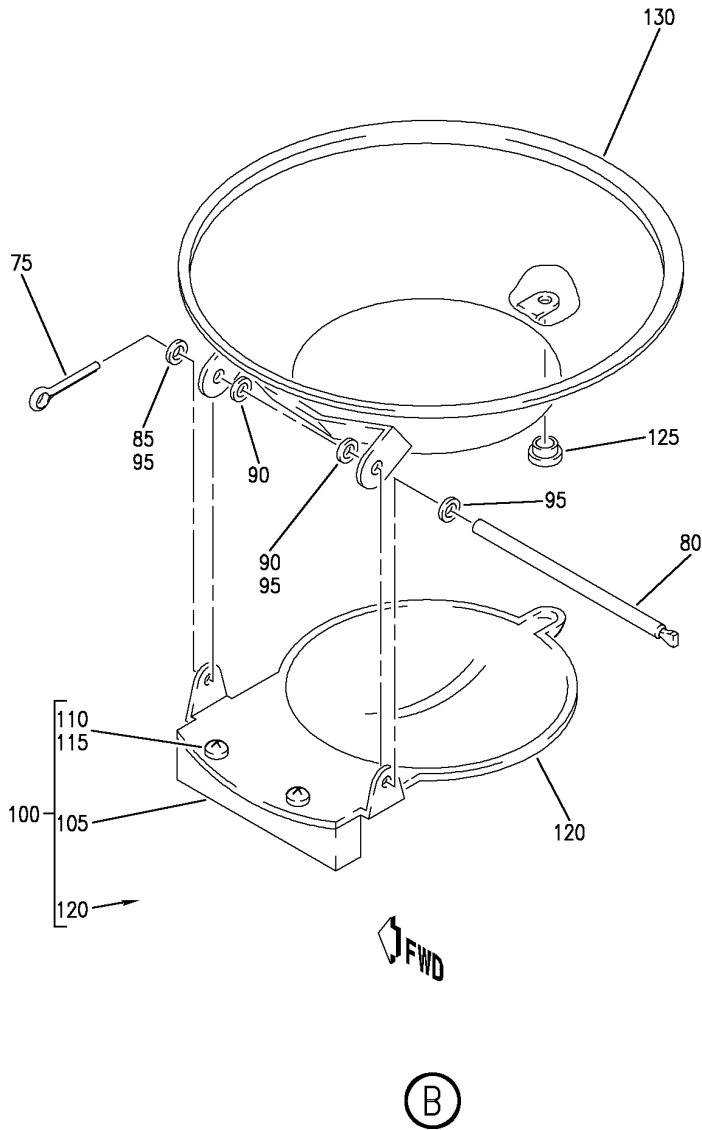
TOILET ASSY-FLUSHING (TOILET BOWL ONLY)
FIGURE 4 (SHEET 1)

38-32-11-04

BRI
MAY 28/07

38-32-11-04
PAGE 0

BOEING
757
PARTS CATALOG (MAINTENANCE)



Y 38321104 SHT 2 REV 248

TOILET ASSY-FLUSHING (TOILET BOWL ONLY)
FIGURE 4 (SHEET 2)

38-32-11-04

BRI
MAY 28/07

38-32-11-04
PAGE 0A

BOEING
757
PARTS CATALOG (MAINTENANCE)

FIG ITEM	PART NUMBER	1 2 3 4 5 6 7	NOMENCLATURE	EFFECT FROM TO	UNITS PER ASSY
4			TOILET ASSY-FLUSHING (TOILET BOWL ONLY)	002004 006102 107999	
- 1	16200-022		TOILET ASSY-FLUSHING (TOILET BOWL ONLY) SUPPLIER CODE: V29780 POSITION DATA: MID-CAB. SPECIFICATION NUMBER: S417N102-59 SB DATA FROM A CMM: POST 16200-38-03 CONFIG CHG DATA FROM A CMM: REPLS 16200-017 COMPONENT MAINT MANUAL REF: 38-33-01 FOR NHA/ADDITIONAL DET SEE: 38-32-01-01	002004 006102 107999	RF
R R R R R R R R R R R R R R R R	- 5	16200-023	TOILET ASSY-FLUSHING (TOILET SYSTEM ONLY) SUPPLIER CODE: V29780 POSITION DATA: MID-CAB. SPECIFICATION NUMBER: S417N102-60 SB DATA FROM A CMM: POST 16200-38-03 CONFIG CHG DATA FROM A CMM: REPLS 16200-018 COMPONENT MAINT MANUAL REF: 38-33-01 FOR NHA/OTHER SYS DET SEE: 38-32-01-01	002004 006102 107999	RF

MISSING ITEM NUMBERS NOT APPLICABLE

- ITEM NOT ILLUSTRATED

BRI

38-32-11-04

BOEING PROPRIETARY - Copyright © - Unpublished Work - See title page for details.

38-32-11
FIG. 04
PAGE 1
MAY 20/09

BOEING
757
PARTS CATALOG (MAINTENANCE)

FIG ITEM	PART NUMBER	1 2 3 4 5 6 7	NOMENCLATURE	EFFECT FROM TO	UNITS PER ASSY
R R R R R R R R R R R R R R	4 95	3800-227	.. BEARING-NYLON REV F AND SUBS SUPPLIER CODE: V29780	002004 006102 107999	4
	100	3800-210	.. FLAPPER ASSY- REV E AND PRIOR SUPPLIER CODE: V29780	002004 006102 107999	1
	100	3800-230	.. FLAPPER ASSY- REV F AND SUBS SUPPLIER CODE: V29780	002004 006102 107999	1
	105	3800-210-2	... COUNTERWEIGHT- SUPPLIER CODE: V29780 ATTACHING PARTS	002004 006102 107999	1
	110	MS24626-30	... SCREW	002004 006102 107999	2
	115	MS35338-137	... WASHER	002004 006102 107999	2
	120	3800-213	-----*----- ... BRACKET- SUPPLIER CODE: V29780	002004 006102 107999	1
	125	3155	.. BUMPER-REV E AND PRIOR SUPPLIER CODE: V29780	002004 006102 107999	1
	125	3061	.. BUMPER-REV F AND SUBS SUPPLIER CODE: V29780	002004 006102 107999	1
	130	3800-211	.. CONE- REV E AND PRIOR SUPPLIER CODE: V29780	002004 006102 107999	1
	130	3800-231	.. CONE- REV F AND SUBS SUPPLIER CODE: V29780	002004 006102 107999	1

MISSING ITEM NUMBERS NOT APPLICABLE

— ITEM NOT ILLUSTRATED

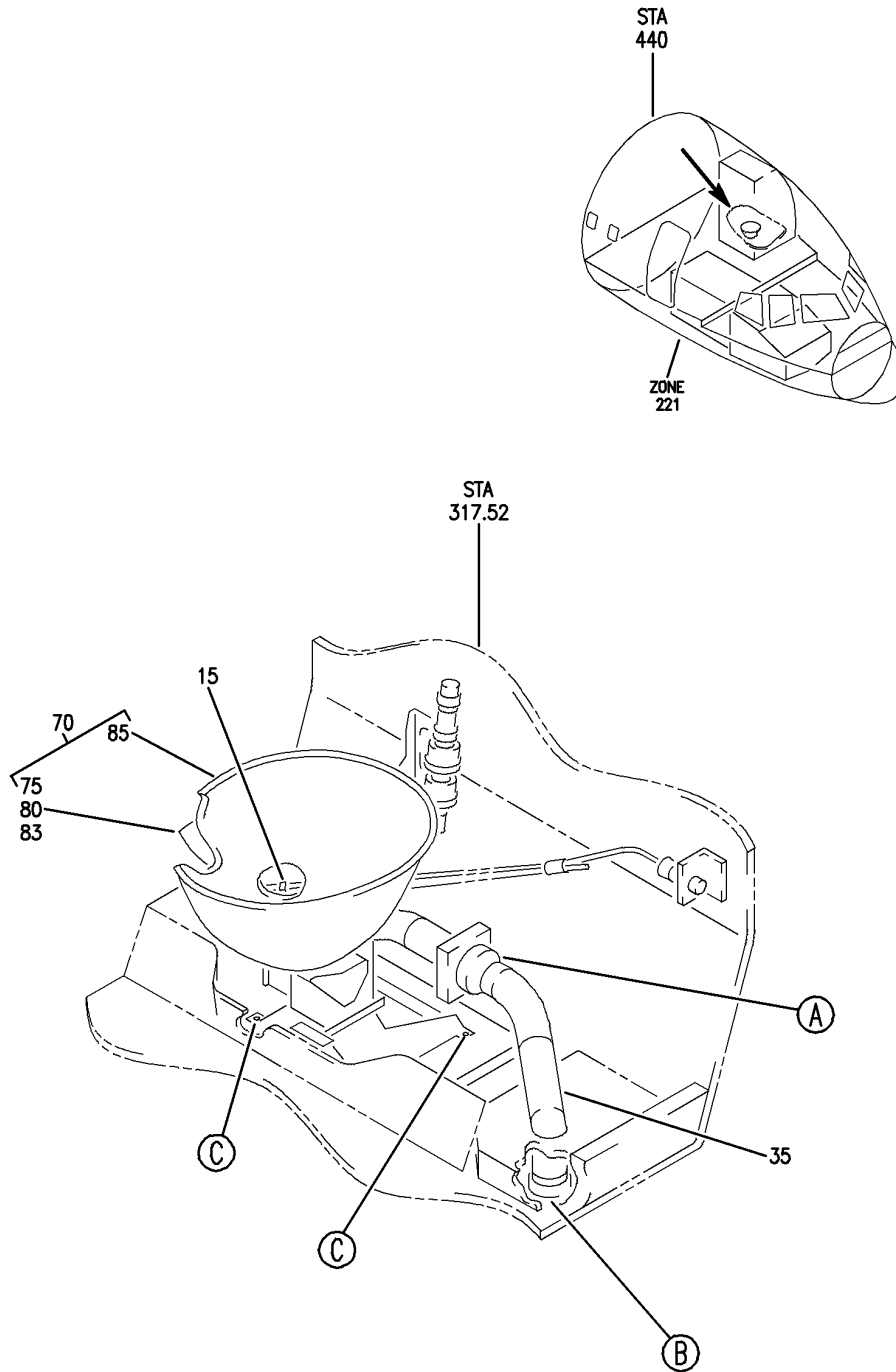
BRI

38-32-11-04

BOEING PROPRIETARY - Copyright © - Unpublished Work - See title page for details.

38-32-11
FIG. 04
PAGE 3
MAY 20/09

BOEING
757
PARTS CATALOG (MAINTENANCE)



Y 38321110 SHT 1 REV 243

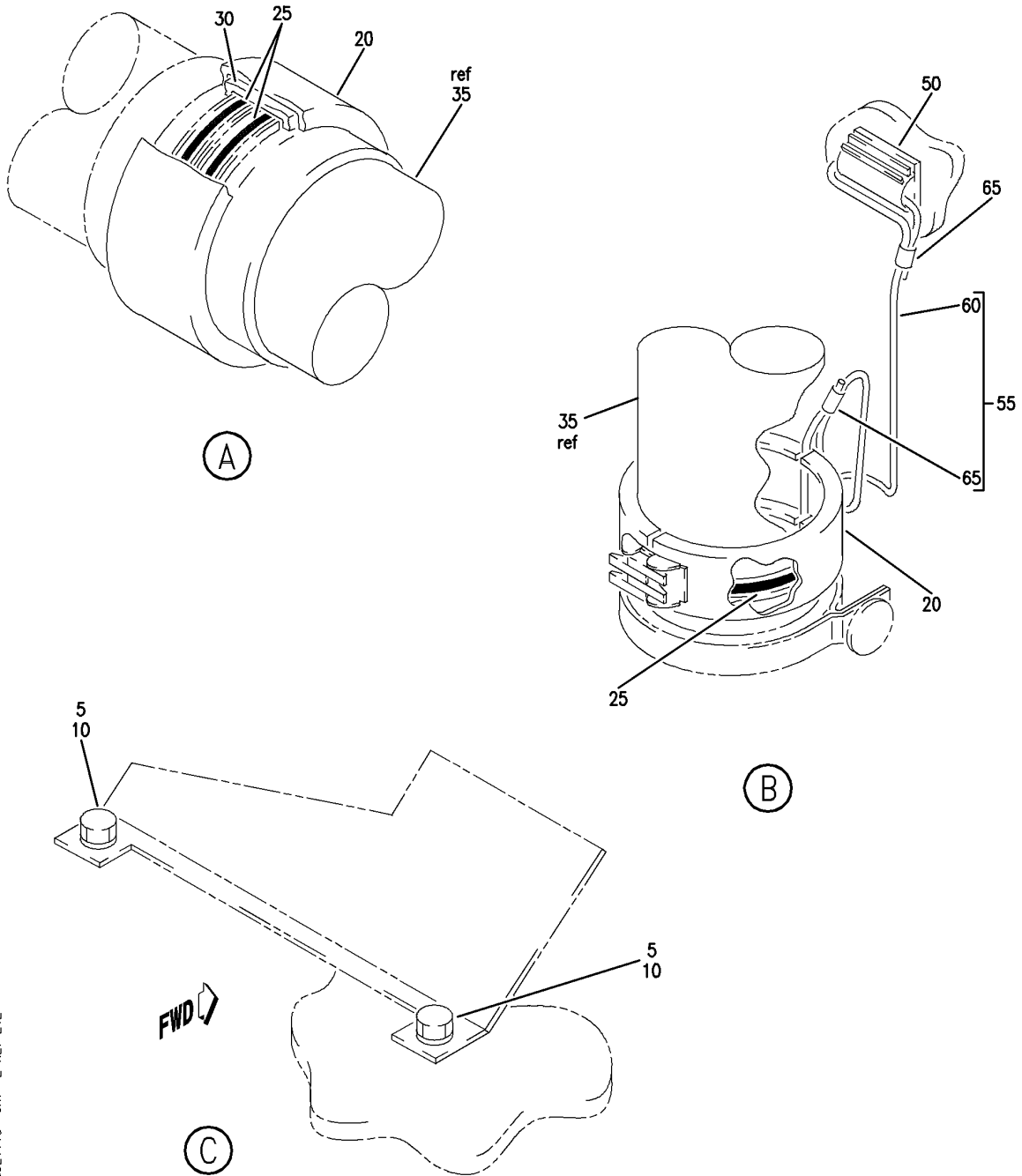
TOILET INSTL-LAV A
FIGURE 10 (SHEET 1)

38-32-11-10

BRI
JAN 20/09

38-32-11-10
PAGE 0

BOEING
757
PARTS CATALOG (MAINTENANCE)



Y 38321110 SHT 2 REV 242

TOILET INSTL-LAV A
FIGURE 10 (SHEET 2)

38-32-11-10

BRI
JAN 20/09

38-32-11-10
PAGE 0A



757

PARTS CATALOG (MAINTENANCE)

FIG ITEM	PART NUMBER	1 2 3 4 5 6 7	NOMENCLATURE	EFFECT FROM TO	UNITS PER ASSY
10					
- 1	MODREF17619		TOILET INSTL-LAV A TOILET INSTL-LAV A (EVAC) MODULE NUMBER: 417N1159-25 REV A	103106 103106	1
5	NAS1801-4-10		.SCREW	103106	4
10	NAS1149C0463R		.WASHER	103106	4
15	BACC10DK3		.CLAMP	103106	1
20	AS1655A32		.CLAMSHELL- SUPPLIER CODE: V24984 OPTIONAL PART: 14C02-32A V24984 W994-32DE V79326	103106	2
20	14C02-32A		.CLAMSHELL- SUPPLIER CODE: V24984 OPTIONAL PART: AS1655A32 V24984 W994-32DE V79326	103106	2
20	W994-32DE		.CLAMSHELL- SUPPLIER CODE: V79326 OPTIONAL PART: AS1655A32 V24984 14C02-32A V24984	103106	2
25	MS29513-226		.PACKING	103106	3
30	AS1654T32		.SLEEVE- SUPPLIER CODE: V24984 OPTIONAL PART: W908B32T V79326 14R02-32T V24984	103106	1
30	14R02-32T		.SLEEVE- SUPPLIER CODE: V24984 OPTIONAL PART: W908B32T V79326 AS1654T32 V24984	103106	1

MISSING ITEM NUMBERS NOT APPLICABLE

- ITEM NOT ILLUSTRATED

38-32-11-10

38-32-11
FIG. 10
PAGE 1
JAN 20/09

BRI



757

PARTS CATALOG (MAINTENANCE)

FIG ITEM	PART NUMBER	1 2 3 4 5 6 7	NOMENCLATURE	EFFECT FROM TO	UNITS PER ASSY
10					
30	W908B32T		.SLEEVE- SUPPLIER CODE: V79326 OPTIONAL PART: 14R02-32T V24984 AS1654T32 V24984	103106	1
35	417N8712-301		.TUBE ASSY- TUBING MATERIAL: STOCK 2.00 OD X .028 WT X LENGTH (DETERMINED AT FABRICATION) TI-COM-PURE 40 TUBING PER BMS 7-21, GRADE II	103106	1
- 40	14F02-32T		..FERRULE- SUPPLIER CODE: V24984 OPTIONAL PART: W902-32T V79326	103106	1
- 40	W902-32T		..FERRULE- SUPPLIER CODE: V24984 OPTIONAL PART: 14F02-32T V24984	103106	1
- 45	14K02-32T		..FERRULE- SUPPLIER CODE: V24984 OPTIONAL PART: 905B376S32TB V79326	103106	1
- 45	905B376S32TB		..FERRULE- SUPPLIER CODE: V79326 OPTIONAL PART: 14K02-32T V24984	103106	1
50	022-0188		.CLIP- SUPPLIER CODE: V34785	103106	1
55	478W3160-1		.LANYARD ASSY	103106	1
60	478W3160-2		..CORD	103106	1

MISSING ITEM NUMBERS NOT APPLICABLE

- ITEM NOT ILLUSTRATED

38-32-11-10

38-32-11
FIG. 10
PAGE 2
JAN 20/09

BRI



757

PARTS CATALOG (MAINTENANCE)

FIG ITEM	PART NUMBER	1 2 3 4 5 6 7	NOMENCLATURE	EFFECT FROM TO	UNITS PER ASSY
10 65	GSB156		.. SLEEVE SUPPLIER CODE: V59730 SPECIFICATION NUMBER: BACS13S156B OPTIONAL PART: YIC156 V12357	103106	2
70	417T1303-23		.TOILET ASSY- FUNCTIONAL DESCRIPTION: PROVIDES FOR PASSENGER AND CREW CONVENIENCE	103106	1
70	417T1303-41		.TOILET ASSY- FUNCTIONAL DESCRIPTION: PROVIDES FOR PASSENGER AND CREW CONVENIENCE	103106	1
80	BAC29PPS19594		.. PLACARD- PLACARD CONTENT: MONOGRAM PART NO. 15800-019-1 BOEING PART NO. 417T1303-23 USED ON: 417T1303-23	103106	1
83	BAC29PPS49962		.. PLACARD- PLACARD CONTENT: MONOGRAM PART NO. 15800-029-3 BOEING PART NO. 417T1303-41 USED ON: 417T1303-41	103106	1
85	15800-019-1		.. TOILET ASSY-VACUUM WASTE SYS SUPPLIER CODE: V29780 SPECIFICATION NUMBER: S417T104-37 CONFIG CHG DATA FROM A CMM: REPL BY 15800-029-03 MISCELLANEOUS DATA: 15800-019-1 EQUIVALENT TO 417T1303-23 COMPONENT MAINT MANUAL REF: 38-33-12 FOR DETAILS SEE: 38-32-31-01A	103106	1

MISSING ITEM NUMBERS NOT APPLICABLE

- ITEM NOT ILLUSTRATED

38-32-11-10

38-32-11
FIG. 10
PAGE 3
JAN 20/09

BRI

BOEING PROPRIETARY - Copyright © - Unpublished Work - See title page for details.



757

PARTS CATALOG (MAINTENANCE)

FIG ITEM	PART NUMBER	1 2 3 4 5 6 7	NOMENCLATURE	EFFECT FROM TO	UNITS PER ASSY
10 85	15800-029-3		..TOILET ASSY-VACUUM WASTE SYS SUPPLIER CODE: V29780 POSITION DATA: LH SPECIFICATION NUMBER: S417T104-55 CONFIG CHG DATA FROM A CMM: REPLS 15800-019-01 COMPONENT MAINT MANUAL REF: 38-33-20 FOR DETAILS SEE: 38-32-31-01	103106	1

MISSING ITEM NUMBERS NOT APPLICABLE

- ITEM NOT ILLUSTRATED

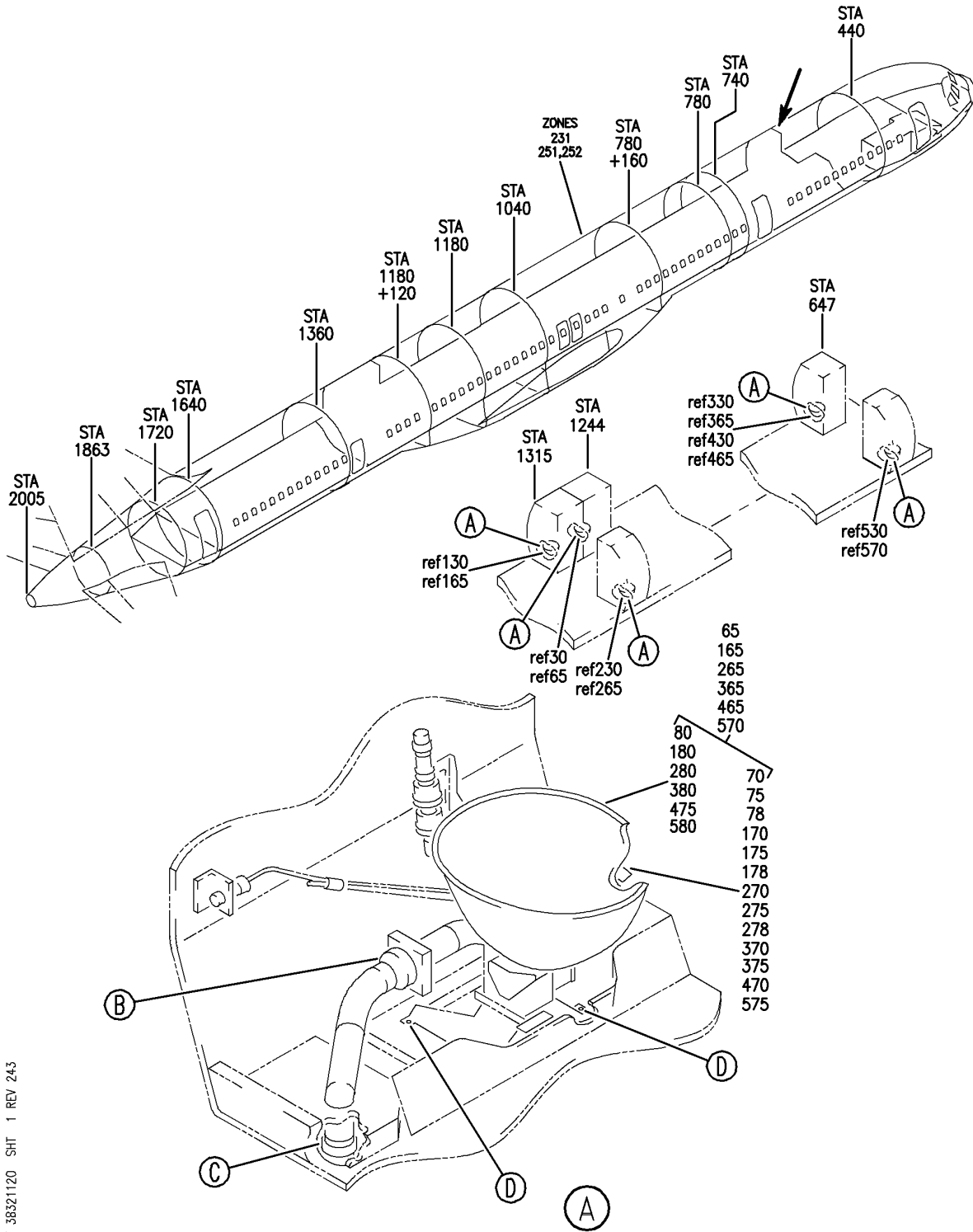
BRI

38-32-11-10

BOEING PROPRIETARY - Copyright © - Unpublished Work - See title page for details.

38-32-11
FIG. 10
PAGE 4
JAN 20/09

BOEING
757
PARTS CATALOG (MAINTENANCE)



Y 38321120 SHT 1 REV 243

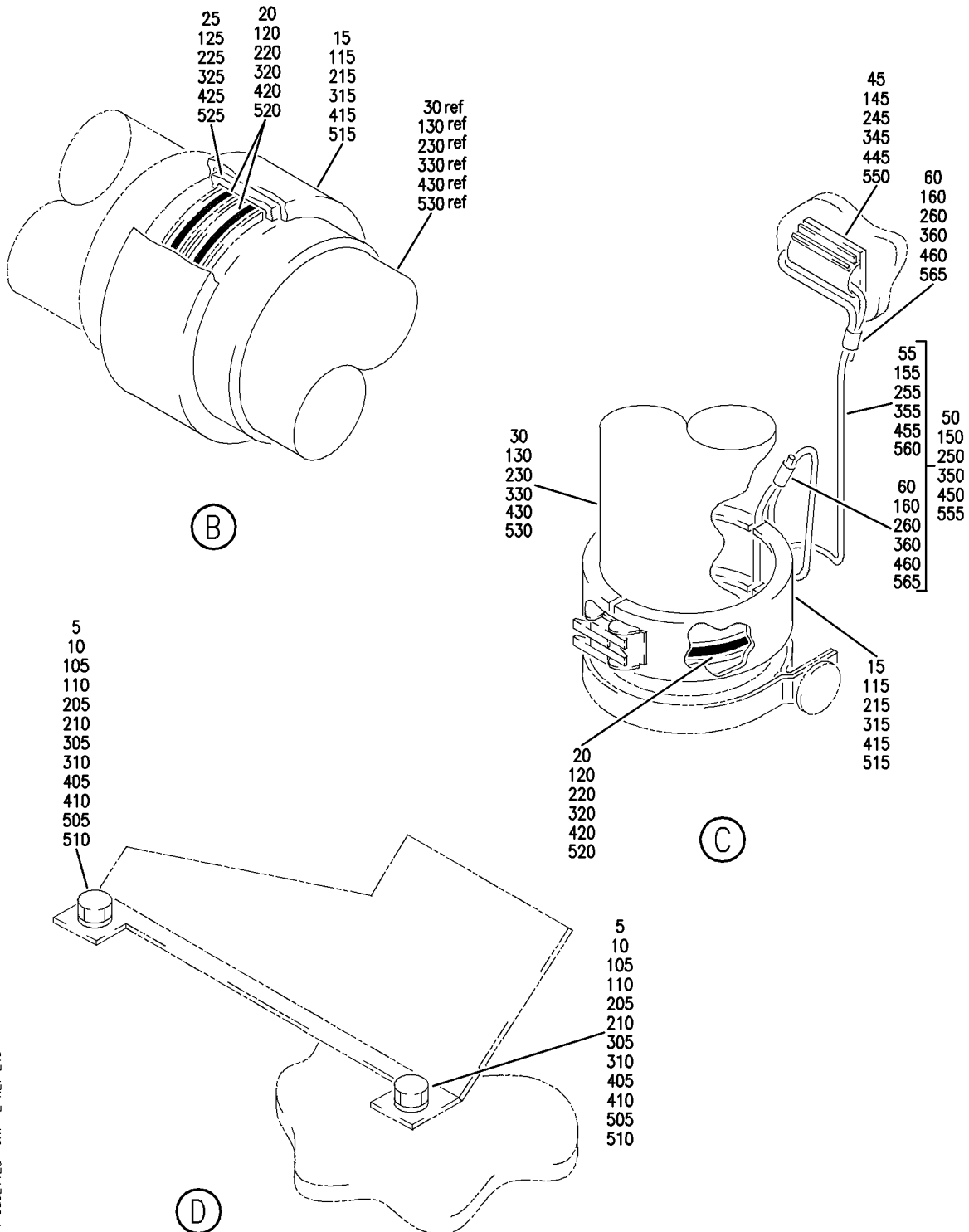
TOILET INSTL-LAV
FIGURE 20 (SHEET 1)

38-32-11-20

BRI
JAN 20/09

38-32-11-20
PAGE 0

BOEING
757
PARTS CATALOG (MAINTENANCE)



Y 38321120 SHT 2 REV 243

TOILET INSTL-LAV
FIGURE 20 (SHEET 2)

38-32-11-20



757

PARTS CATALOG (MAINTENANCE)

FIG ITEM	PART NUMBER	1 2 3 4 5 6 7	NOMENCLATURE	EFFECT FROM TO	UNITS PER ASSY
20			TOILET INSTL-LAV	103106	
- 1	MODREF17620		TOILET INSTL-LAV B (MONOGRAM) MODULE NUMBER: 417N1159-26 REV A	103106	1
5	NAS1801-4-10		.SCREW	103106	4
10	NAS1149C0463R		.WASHER	103106	4
15	AS1655A32		.CLAMSHELL- SUPPLIER CODE: V24984 OPTIONAL PART: 14C02-32A V24984 W994-32DE V79326	103106	2
15	14C02-32A		.CLAMSHELL- SUPPLIER CODE: V24984 OPTIONAL PART: AS1655A32 V24984 W994-32DE V79326	103106	2
15	W994-32DE		.CLAMSHELL- SUPPLIER CODE: V79326 OPTIONAL PART: AS1655A32 V24984 14C02-32A V24984	103106	2
20	MS29513-226		.PACKING	103106	3
25	AS1654T32		.SLEEVE- SUPPLIER CODE: V24984 OPTIONAL PART: 14R02-32T V24984 W908B32T V79326	103106	1
25	14R02-32T		.SLEEVE- SUPPLIER CODE: V24984 OPTIONAL PART: AS1654T32 V24984 W908B32T V79326	103106	1

MISSING ITEM NUMBERS NOT APPLICABLE

- ITEM NOT ILLUSTRATED

BRI

38-32-11-20

38-32-11
FIG. 20
PAGE 1
JAN 20/09



757

PARTS CATALOG (MAINTENANCE)

FIG ITEM	PART NUMBER	1 2 3 4 5 6 7	NOMENCLATURE	EFFECT FROM TO	UNITS PER ASSY
20					
25	W908B32T		.SLEEVE- SUPPLIER CODE: V79326 OPTIONAL PART: AS1654T32 V24984 14R02-32T V24984	103106	1
30	417N8712-303		.TUBE ASSY- TUBING MATERIAL: STOCK 2.00 OD X .028 WT X LENGTH (DETERMINED AT FABRICATION) TI-COM-PURE 40 TUBING PER BMS 7-21, GRADE II	103106	1
- 35	14F02-32T		..FERRULE- SUPPLIER CODE: V24984 OPTIONAL PART: W902-32T V79326	103106	1
- 35	W902-32T		..FERRULE- SUPPLIER CODE: V24984 OPTIONAL PART: 14F02-32T V24984	103106	1
- 40	14K02-32T		..FERRULE- SUPPLIER CODE: V24984 OPTIONAL PART: 905B376S32TB V79326	103106	1
- 40	905B376S32TB		..FERRULE- SUPPLIER CODE: V79326 OPTIONAL PART: 14K02-32T V24984	103106	1
45	022-0188		.CLIP- SUPPLIER CODE: V34785	103106	1
50	478W3160-1		.LANYARD ASSY	103106	1
55	478W3160-2		..CORD	103106	1

MISSING ITEM NUMBERS NOT APPLICABLE

- ITEM NOT ILLUSTRATED

38-32-11-20

38-32-11
FIG. 20
PAGE 2
JAN 20/09

BRI



757

PARTS CATALOG (MAINTENANCE)

FIG ITEM	PART NUMBER	1 2 3 4 5 6 7	NOMENCLATURE	EFFECT FROM TO	UNITS PER ASSY
20					
60	GSB156	..	SLEEVE SUPPLIER CODE: V59730 SPECIFICATION NUMBER: BACS13S156B OPTIONAL PART: YIC156 V12357	103106	1
65	417T1303-24	.TOILET ASSY-	FUNCTIONAL DESCRIPTION: PROVIDES FOR PASSENGER AND CREW CONVENIENCE	103106	1
65	417T1303-42	.TOILET ASSY-	FUNCTIONAL DESCRIPTION: PROVIDES FOR PASSENGER AND CREW CONVENIENCE	103106	1
75	BAC29PPS19595	..PLACARD-	PLACARD CONTENT: ENVIROVAC PART NO. 15800-019-2 BOEING PART NO. 417T1303-24 USED ON: 417T1303-24	103106	1
78	BAC29PPS49963	..PLACARD-	PLACARD CONTENT: MONOGRAM PART NO. 15800-029-4 BOEING PART NO. 417T1303-42 USED ON: 417T1303-42	103106	1
80	7900102	..TOILET ASSY-	SUPPLIER CODE: V58568 SPECIFICATION NUMBER: S417T104-50 COMPONENT MAINT MANUAL REF: 38-30-20 FOR DETAILS SEE: 38-32-31-02	103106	1

MISSING ITEM NUMBERS NOT APPLICABLE

- ITEM NOT ILLUSTRATED

BRI

38-32-11-20

BOEING PROPRIETARY - Copyright © - Unpublished Work - See title page for details.

38-32-11
FIG. 20
PAGE 3
JAN 20/09



757

PARTS CATALOG (MAINTENANCE)

FIG ITEM	PART NUMBER	1 2 3 4 5 6 7	NOMENCLATURE	EFFECT FROM TO	UNITS PER ASSY
20 80	15800-019-2		..TOILET ASSY-VACUUM WASTE SYS SUPPLIER CODE: V29780 SPECIFICATION NUMBER: S417T104-38 CONFIG CHG DATA FROM A CMM: REPL BY 15800-029-04 MISCELLANEOUS DATA: 15800-019-2 EQUIVALENT TO 417T1303-24 COMPONENT MAINT MANUAL REF: 38-33-12 FOR DETAILS SEE: 38-32-31-01A	103106	1
80	15800-029-4		..TOILET ASSY-VACUUM WASTE SYS SUPPLIER CODE: V29780 POSITION DATA: RH SPECIFICATION NUMBER: S417T104-56 CONFIG CHG DATA FROM A CMM: REPLS 15800-019-02 MISCELLANEOUS DATA: 15800-029-4 EQUIVALENT TO 417T1303-42 COMPONENT MAINT MANUAL REF: 38-33-20 FOR DETAILS SEE: 38-32-31-01	103106	1
- 100	MODREF17621		TOILET INSTL-LAV C (MONOGRAM) MODULE NUMBER: 417N1159-27 REV A	103106	1
105	NAS1801-4-10		.SCREW	103106	4
110	NAS1149C0463R		.WASHER	103106	4
115	AS1655A32		.CLAMSHELL- SUPPLIER CODE: V24984 OPTIONAL PART: 14C02-32A V24984 W994-32DE V79326	103106	2

MISSING ITEM NUMBERS NOT APPLICABLE

- ITEM NOT ILLUSTRATED

38-32-11-20

38-32-11
FIG. 20
PAGE 4
JAN 20/09

BRI



757

PARTS CATALOG (MAINTENANCE)

FIG ITEM	PART NUMBER	1 2 3 4 5 6 7	NOMENCLATURE	EFFECT FROM TO	UNITS PER ASSY
20 115	14C02-32A		.CLAMSHELL- SUPPLIER CODE: V24984 OPTIONAL PART: AS1655A32 V24984 W994-32DE V79326	103106	2
115	W994-32DE		.CLAMSHELL- SUPPLIER CODE: V79326 OPTIONAL PART: AS1655A32 V24984 14C02-32A V24984	103106	2
120 125	MS29513-226 AS1654T32		.PACKING .SLEEVE- SUPPLIER CODE: V24984 OPTIONAL PART: 14R02-32T V24984 W908B32T V79326	103106 103106	3 1
125	14R02-32T		.SLEEVE- SUPPLIER CODE: V24984 OPTIONAL PART: AS1654T32 V24984 W908B32T V79326	103106	1
125	W908B32T		.SLEEVE- SUPPLIER CODE: V79326 OPTIONAL PART: AS1654T32 V24984 14R02-32T V24984	103106	1
130	417N8712-305		.TUBE ASSY- TUBING MATERIAL: STOCK 2.00 OD X .028 WT X LENGTH (DETERMINED AT FABRICATION) TI-COM-PURE 40 TUBING PER BMS 7-21, GRADE II	103106	1

MISSING ITEM NUMBERS NOT APPLICABLE

- ITEM NOT ILLUSTRATED

38-32-11-20

38-32-11
FIG. 20
PAGE 5
JAN 20/09

BRI

BOEING PROPRIETARY - Copyright © - Unpublished Work - See title page for details.



757

PARTS CATALOG (MAINTENANCE)

FIG ITEM	PART NUMBER	1 2 3 4 5 6 7	NOMENCLATURE	EFFECT FROM TO	UNITS PER ASSY
20					
- 135	14F02-32T	..	FERRULE- SUPPLIER CODE: V24984 OPTIONAL PART: W902-32T V79326	103106	1
- 135	W902-32T	..	FERRULE- SUPPLIER CODE: V24984 OPTIONAL PART: 14F02-32T V24984	103106	1
- 140	14K02-32T	..	FERRULE- SUPPLIER CODE: V24984 OPTIONAL PART: 905B376S32TB V79326	103106	1
- 140	905B376S32TB	..	FERRULE- SUPPLIER CODE: V79326 OPTIONAL PART: 14K02-32T V24984	103106	1
145	022-0188	.CLIP-	SUPPLIER CODE: V34785	103106	1
150	478W3160-1	.LANYARD ASSY		103106	1
155	478W3160-2	..CORD		103106	1
160	GSB156	..SLEEVE	SUPPLIER CODE: V59730 SPECIFICATION NUMBER: BACS13S156B OPTIONAL PART: YIC156 V12357	103106	1
165	417T1303-23	.TOILET ASSY-	FUNCTIONAL DESCRIPTION: PROVIDES FOR PASSENGER AND CREW CONVENIENCE	103106	1
165	417T1303-41	.TOILET ASSY-	FUNCTIONAL DESCRIPTION: PROVIDES FOR PASSENGER AND CREW CONVENIENCE	103106	1

MISSING ITEM NUMBERS NOT APPLICABLE

- ITEM NOT ILLUSTRATED

38-32-11-20

38-32-11
FIG. 20
PAGE 6
JAN 20/09

BRI

BOEING PROPRIETARY - Copyright © - Unpublished Work - See title page for details.



757

PARTS CATALOG (MAINTENANCE)

FIG ITEM	PART NUMBER	1 2 3 4 5 6 7	NOMENCLATURE	EFFECT FROM TO	UNITS PER ASSY
20 175	BAC29PPS19594	..	PLACARD- PLACARD CONTENT: MONOGRAM PART NO. 15800-019-1 BOEING PART NO. 417T1303-23 USED ON: 417T1303-23	103106	1
178	BAC29PPS49962	..	PLACARD- PLACARD CONTENT: MONOGRAM PART NO. 15800-029-3 BOEING PART NO. 417T1303-41 USED ON: 417T1303-41	103106	1
180	15800-019-1	..	TOILET ASSY-VACUUM WASTE SYS SUPPLIER CODE: V29780 SPECIFICATION NUMBER: S417T104-37 CONFIG CHG DATA FROM A CMM: REPL BY 15800-029-03 MISCELLANEOUS DATA: 15800-019-1 EQUIVALENT TO 417T1303-23 COMPONENT MAINT MANUAL REF: 38-33-12 FOR DETAILS SEE: 38-32-31-01A	103106	1
180	15800-029-3	..	TOILET ASSY-VACUUM WASTE SYS SUPPLIER CODE: V29780 POSITION DATA: LH SPECIFICATION NUMBER: S417T104-55 CONFIG CHG DATA FROM A CMM: REPLS 15800-019-01 COMPONENT MAINT MANUAL REF: 38-33-20 FOR DETAILS SEE: 38-32-31-01	103106	1
- 200	MODREF17622		TOILET INSTL-LAV D (MONOGRAM) MODULE NUMBER: 417N1159-28 REV A	103106	1

MISSING ITEM NUMBERS NOT APPLICABLE

- ITEM NOT ILLUSTRATED

38-32-11-20

38-32-11
FIG. 20
PAGE 7
JAN 20/09

BRI



757

PARTS CATALOG (MAINTENANCE)

FIG ITEM	PART NUMBER	1 2 3 4 5 6 7	NOMENCLATURE	EFFECT FROM TO	UNITS PER ASSY
20					
205	NAS1801-4-10	.	SCREW	103106	4
210	NAS1149C0463R	.	WASHER	103106	4
215	AS1655A32	.	CLAMSHELL-	103106	2
			SUPPLIER CODE: V24984		
			OPTIONAL PART: 14C02-32A V24984 W994-32DE V79326		
215	14C02-32A	.	CLAMSHELL-	103106	2
			SUPPLIER CODE: V24984		
			OPTIONAL PART: AS1655A32 V24984 W994-32DE V79326		
215	W994-32DE	.	CLAMSHELL-	103106	2
			SUPPLIER CODE: V79326		
			OPTIONAL PART: AS1655A32 V24984 14C02-32A V24984		
220	MS29513-226	.	PACKING	103106	3
225	AS1654T32	.	SLEEVE-	103106	1
			SUPPLIER CODE: V24984		
			OPTIONAL PART: 14R02-32T V24984 W908B32T V79326		
225	14R02-32T	.	SLEEVE-	103106	1
			SUPPLIER CODE: V24984		
			OPTIONAL PART: AS1654T32 V24984 W908B32T V79326		

MISSING ITEM NUMBERS NOT APPLICABLE

- ITEM NOT ILLUSTRATED

38-32-11-20

38-32-11
FIG. 20
PAGE 8
JAN 20/09

BRI



757

PARTS CATALOG (MAINTENANCE)

FIG ITEM	PART NUMBER	1 2 3 4 5 6 7	NOMENCLATURE	EFFECT FROM TO	UNITS PER ASSY
20 225	W908B32T		.SLEEVE- SUPPLIER CODE: V79326 OPTIONAL PART: AS1654T32 V24984 14R02-32T V24984	103106	1
230	417N8712-303		.TUBE ASSY- TUBING MATERIAL: STOCK 2.00 OD X .028 WT X LENGTH (DETERMINED AT FABRICATION) TI-COM-PURE 40 TUBING PER BMS 7-21, GRADE II	103106	1
- 235	14F02-32T		..FERRULE- SUPPLIER CODE: V24984 OPTIONAL PART: W902-32T V79326	103106	1
- 235	W902-32T		..FERRULE- SUPPLIER CODE: V24984 OPTIONAL PART: 14F02-32T V24984	103106	1
- 240	14K02-32T		..FERRULE- SUPPLIER CODE: V24984 OPTIONAL PART: 905B376S32TB V79326	103106	1
- 240	905B376S32TB		..FERRULE- SUPPLIER CODE: V79326 OPTIONAL PART: 14K02-32T V24984	103106	1
245	022-0188		.CLIP- SUPPLIER CODE: V34785	103106	1
250	478W3160-1		.LANYARD ASSY	103106	1
255	478W3160-2		..CORD	103106	1

MISSING ITEM NUMBERS NOT APPLICABLE

- ITEM NOT ILLUSTRATED

38-32-11-20

38-32-11
FIG. 20
PAGE 9
JAN 20/09

BRI



757

PARTS CATALOG (MAINTENANCE)

FIG ITEM	PART NUMBER	1 2 3 4 5 6 7	NOMENCLATURE	EFFECT FROM TO	UNITS PER ASSY
20 260	GSB156	..	SLEEVE SUPPLIER CODE: V59730 SPECIFICATION NUMBER: BACS13S156B OPTIONAL PART: YIC156 V12357	103106	1
265	417T1303-24	.TOILET ASSY-	FUNCTIONAL DESCRIPTION: PROVIDES FOR PASSENGER AND CREW CONVENIENCE	103106	1
265	417T1303-42	.TOILET ASSY-	FUNCTIONAL DESCRIPTION: PROVIDES FOR PASSENGER AND CREW CONVENIENCE	103106	1
275	BAC29PPS19595	..PLACARD-	PLACARD CONTENT: ENVIROVAC PART NO. 15800-019-2 BOEING PART NO. 417T1303-24 USED ON: 417T1303-24	103106	1
278	BAC29PPS49963	..PLACARD-	PLACARD CONTENT: MONOGRAM PART NO. 15800-029-4 BOEING PART NO. 417T1303-42 USED ON: 417T1303-42	103106	1
280	7900102	..TOILET ASSY-	SUPPLIER CODE: V58568 SPECIFICATION NUMBER: S417T104-50 COMPONENT MAINT MANUAL REF: 38-30-20 FOR DETAILS SEE: 38-32-31-02	103106	1

MISSING ITEM NUMBERS NOT APPLICABLE

- ITEM NOT ILLUSTRATED

BRI

38-32-11-20

BOEING PROPRIETARY - Copyright © - Unpublished Work - See title page for details.

38-32-11
FIG. 20
PAGE 10
JAN 20/09



757

PARTS CATALOG (MAINTENANCE)

FIG ITEM	PART NUMBER	1 2 3 4 5 6 7	NOMENCLATURE	EFFECT FROM TO	UNITS PER ASSY
20 280	15800-019-2		..TOILET ASSY-VACUUM WASTE SYS SUPPLIER CODE: V29780 SPECIFICATION NUMBER: S417T104-38 CONFIG CHG DATA FROM A CMM: REPL BY 15800-029-04 MISCELLANEOUS DATA: 15800-019-2 EQUIVALENT TO 417T1303-24 COMPONENT MAINT MANUAL REF: 38-33-12 FOR DETAILS SEE: 38-32-31-01A	103106	1
280	15800-029-4		..TOILET ASSY-VACUUM WASTE SYS SUPPLIER CODE: V29780 POSITION DATA: RH SPECIFICATION NUMBER: S417T104-56 CONFIG CHG DATA FROM A CMM: REPLS 15800-019-02 MISCELLANEOUS DATA: 15800-029-4 EQUIVALENT TO 417T1303-42 COMPONENT MAINT MANUAL REF: 38-33-20 FOR DETAILS SEE: 38-32-31-01	103106	1

MISSING ITEM NUMBERS NOT APPLICABLE

- ITEM NOT ILLUSTRATED

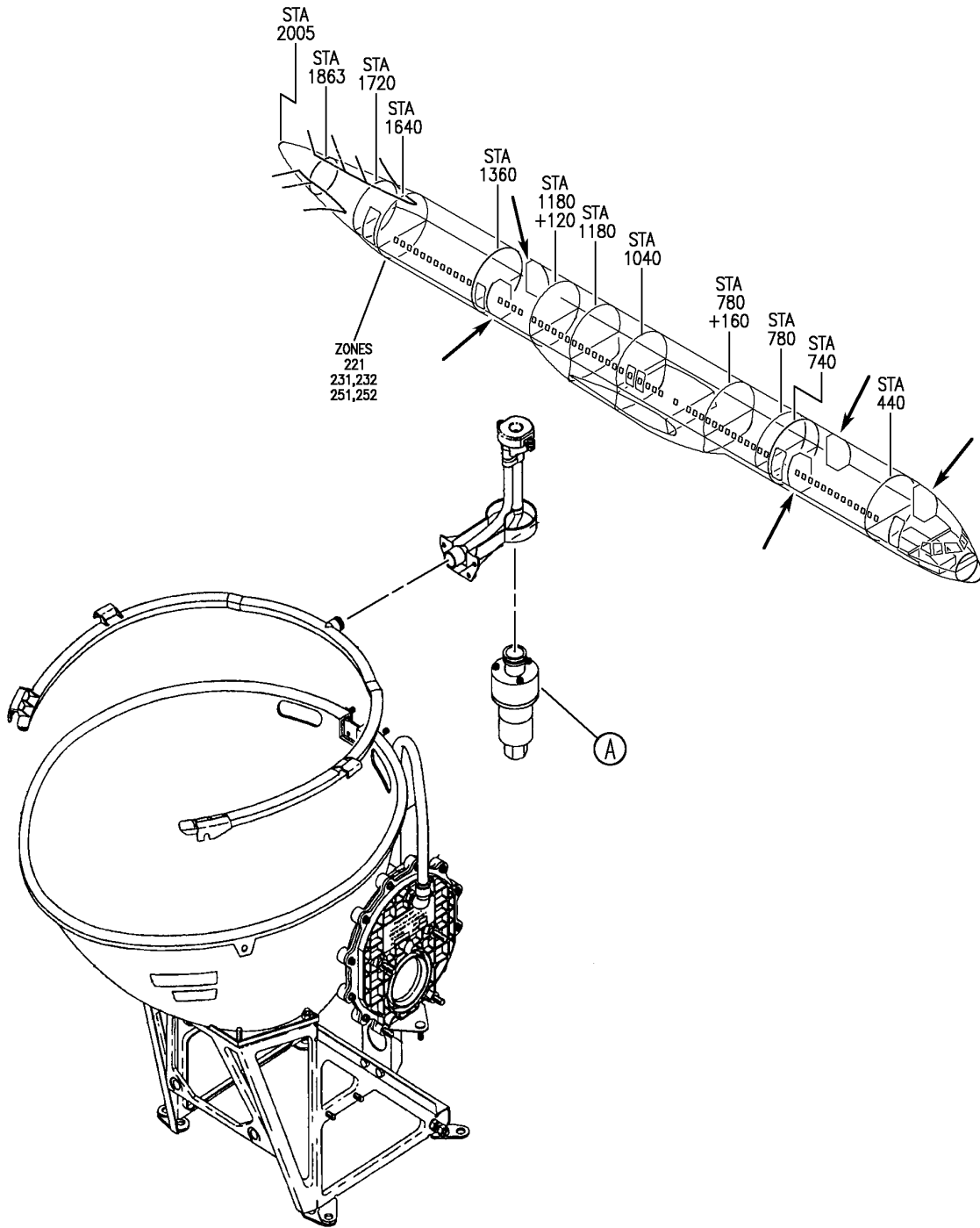
BRI

38-32-11-20

BOEING PROPRIETARY - Copyright © - Unpublished Work - See title page for details.

38-32-11
 FIG. 20
 PAGE 11
 JAN 20/09

BOEING
757
PARTS CATALOG (MAINTENANCE)



Y 38321505 SH1 1 REV 257

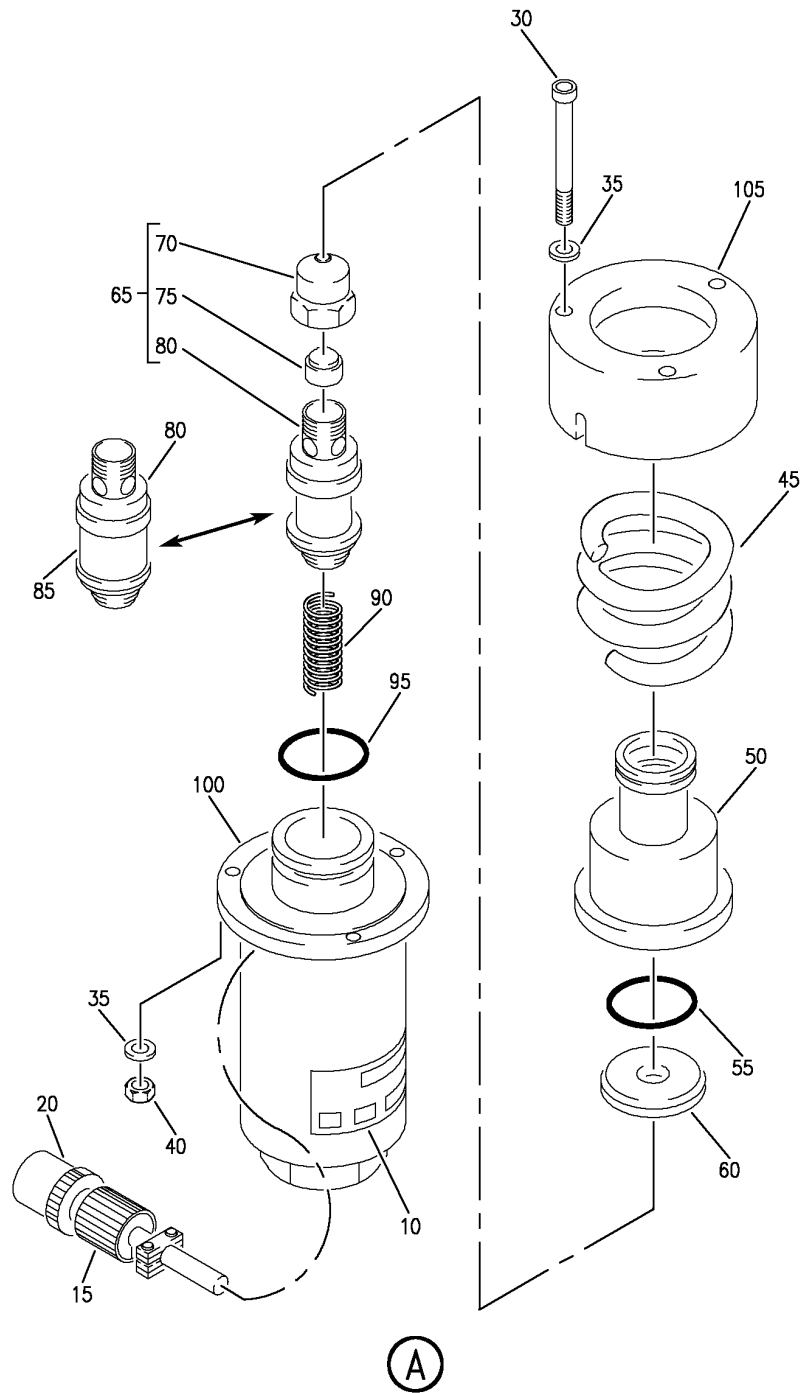
VALVE ASSY-VACUUM TOILET (RINSE VALVE ONLY)
FIGURE 5 (SHEET 1)

38-32-15-05

BRI
JAN 20/09

38-32-15-05
PAGE 0

BOEING
757
PARTS CATALOG (MAINTENANCE)



Y 38321505 SH1 2 REV 257

VALVE ASSY-VACUUM TOILET (RINSE VALVE ONLY)
FIGURE 5 (SHEET 2)

38-32-15-05

BRI
JAN 20/09

38-32-15-05
PAGE 0A



757

PARTS CATALOG (MAINTENANCE)

FIG ITEM	PART NUMBER	1 2 3 4 5 6 7	NOMENCLATURE	EFFECT FROM TO	UNITS PER ASSY
5			VALVE ASSY-VACUUM TOILET (RINSE VALVE ONLY)	103106	
- 1	15800-358		VALVE ASSY-VACUUM TOILET (RINSE VALVE ONLY) SUPPLIER CODE: V29780 COMPONENT MAINT MANUAL REF: 38-33-20 FOR NHA SEE: 38-32-31-01 38-32-31-01A	103106	RF
- 1	15800-348A		VALVE ASSY-RINSE SUPPLIER CODE: V29780 SB DATA FROM A CMM: POST SB 15800-38-06 CONFIG CHG DATA FROM A CMM: REPLS 15800-348 REPLD BY 15800-358 COMPONENT MAINT MANUAL REF: 38-31-12 FOR NHA SEE: 38-32-31-01A	103106	RF
- 1	15800-348		VALVE ASSY-RINSE SUPPLIER CODE: V29780 SB DATA FROM A CMM: PRE SB 15800-38-06 CONFIG CHG DATA FROM A CMM: REPLD BY 15800-348A COMPONENT MAINT MANUAL REF: 38-32-12 FOR NHA SEE: 38-32-31-01A	103106	RF
10	15800-340		.LABEL- SUPPLIER CODE: V29780	103106	1
15	M85049-52-1-8N		.RELIEF-STRAIN SUPPLIER CODE: V29780 MISCELLANEOUS DATA: PREFERRED PART OPTIONAL PART: MS3417-8N V29780	103106	1

MISSING ITEM NUMBERS NOT APPLICABLE

- ITEM NOT ILLUSTRATED

38-32-15-05

38-32-15
FIG. 05
PAGE 1
JAN 20/09

BRI



757

PARTS CATALOG (MAINTENANCE)

FIG ITEM	PART NUMBER	1 2 3 4 5 6 7	NOMENCLATURE	EFFECT FROM TO	UNITS PER ASSY
5					
15	MS3417-8N		.RELIEF-STRAIN SUPPLIER CODE: V29780 OPTIONAL PART: M85049-52-1-8N V29780	103106	1
20	MS3476L8-33P		.CONNECTOR-	103106	1
- 25	15800-371		.VALVE ASSY-SOLENOID SUPPLIER CODE: V29780 USED ON: 15800-358	103106	1
- 25	15800-359		.VALVE ASSY-SOLENOID SUPPLIER CODE: V29780 USED ON: 15800-348A	103106	1
- 25	15800-349		.VALVE ASSY-SOLENOID SUPPLIER CODE: V29780 USED ON: 15800-348	103106	1
30	NAS1352C04-18		..SCREW- USED ON: 15800-371	103106	3
30	NAS1352C04-20		..SCREW- USED ON: 15800-349 15800-359	103106	3
35	NAS620C4L		..WASHER	103106	6
40	NAS1291C04M		..NUT	103106	3
45	15800-359-4		..SPRING- SUPPLIER CODE: V29780 USED ON: 15800-359 15800-371	103106	1
45	15800-349-4		..SPRING- SUPPLIER CODE: V29780 USED ON: 15800-349	103106	1
50	15800-371-1		..ADAPTER- SUPPLIER CODE: V29780 USED ON: 15800-371	103106	1

MISSING ITEM NUMBERS NOT APPLICABLE

- ITEM NOT ILLUSTRATED

38-32-15-05

38-32-15
FIG. 05
PAGE 2
JAN 20/09

BRI



757

PARTS CATALOG (MAINTENANCE)

FIG ITEM	PART NUMBER	1 2 3 4 5 6 7	NOMENCLATURE	EFFECT FROM TO	UNITS PER ASSY
5					
50	15800-349-1	..	ADAPTER- SUPPLIER CODE: V29780 USED ON: 15800-349	103106	1
50	15800-359-1	..	ADAPTER- SUPPLIER CODE: V29780 USED ON: 15800-359	103106	1
55	15800-359-8	..	PACKING- SUPPLIER CODE: V29780 USED ON: 15800-359 15800-371	103106	1
55	15800-349-8	..	PACKING- SUPPLIER CODE: V29780 USED ON: 15800-349	103106	1
60	15800-359-2	..	SEAT- SUPPLIER CODE: V29780 USED ON: 15800-359 15800-371	103106	1
60	15800-349-2	..	SEAT- SUPPLIER CODE: V29780 USED ON: 15800-349	103106	1
65	15800-356	..	ARMATURE ASSY- SUPPLIER CODE: V29780	103106	1
70	15800-357-2	...	POPPET- SUPPLIER CODE: V29780	103106	1
75	15800-356-3	...	FLOAT- SUPPLIER CODE: V29780	103106	1
80	15800-356-1	...	ARMATURE- SUPPLIER CODE: V29780	103106	1

MISSING ITEM NUMBERS NOT APPLICABLE

- ITEM NOT ILLUSTRATED

38-32-15-05

38-32-15
FIG. 05
PAGE 3
JAN 20/09

BRI

BOEING PROPRIETARY - Copyright © - Unpublished Work - See title page for details.



757

PARTS CATALOG (MAINTENANCE)

FIG ITEM	PART NUMBER	1 2 3 4 5 6 7	NOMENCLATURE	EFFECT FROM TO	UNITS PER ASSY
5					
85	15800-356-2	...	BAND-WEAR SUPPLIER CODE: V29780 USED ON: 15800-359 15800-371	103106	2
90	15800-359-7	..	SPRING- SUPPLIER CODE: V29780 USED ON: 15800-359 15800-371	103106	1
90	15800-379-7	..	SPRING- SUPPLIER CODE: V29780 USED ON: 15800-349	103106	1
95	2-018E515-80	..	PACKING- SUPPLIER CODE: V29780	103106	1
100	15800-371-4	..	COIL- SUPPLIER CODE: V29780 USED ON: 15800-371	103106	1
100	15800-371-3	..	COIL- SUPPLIER CODE: V29780 USED ON: 15800-371	103106	1
100	15800-359-5	..	COIL- SUPPLIER CODE: V29780 USED ON: 15800-359	103106	1
100	15800-349-5	..	COIL- SUPPLIER CODE: V29780 USED ON: 15800-349	103106	1
105	15800-371-2	..	RETAINER- SUPPLIER CODE: V29780 USED ON: 15800-371	103106	1

MISSING ITEM NUMBERS NOT APPLICABLE

- ITEM NOT ILLUSTRATED

38-32-15-05

38-32-15
FIG. 05
PAGE 4
JAN 20/09

BRI



757

PARTS CATALOG (MAINTENANCE)

FIG ITEM	PART NUMBER	1 2 3 4 5 6 7	NOMENCLATURE	EFFECT FROM TO	UNITS PER ASSY
5 105	15800-359-3		..RETAINER- SUPPLIER CODE: V29780 USED ON: 15800-359	103106	1
105	15800-349-3		..RETAINER- SUPPLIER CODE: V29780 USED ON: 15800-349	103106	1

MISSING ITEM NUMBERS NOT APPLICABLE

- ITEM NOT ILLUSTRATED

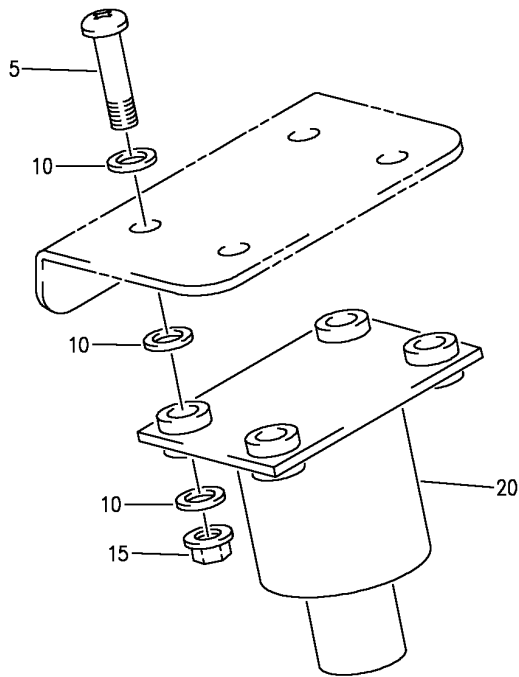
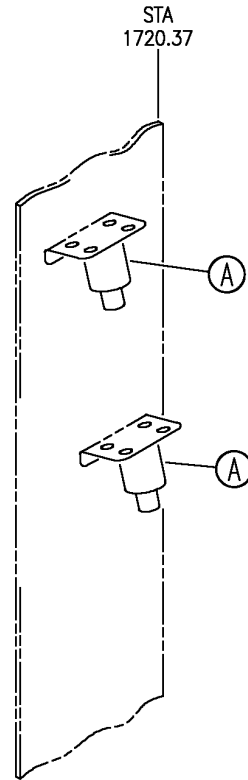
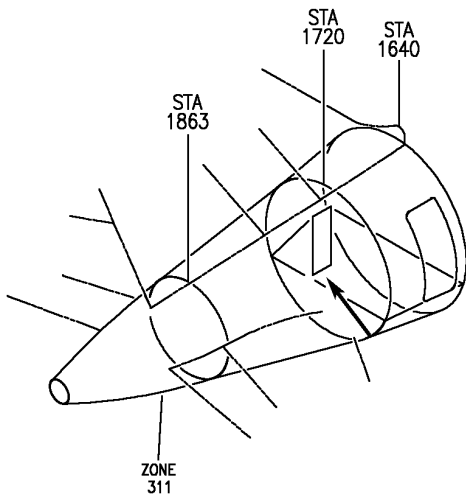
BRI

38-32-15-05

BOEING PROPRIETARY - Copyright © - Unpublished Work - See title page for details.

38-32-15
FIG. 05
PAGE 5
JAN 20/09

BOEING
757
PARTS CATALOG (MAINTENANCE)



A

Y 38323001 REV 274

SWITCH AND MARKER INSTL BAROMETRIC PRESSURE VACUUM WASTE SYSTEM
FIGURE 1

38-32-30-01

BRI
JAN 20/09

38-32-30-01
PAGE 0



757

PARTS CATALOG (MAINTENANCE)

FIG ITEM	PART NUMBER	1 2 3 4 5 6 7	NOMENCLATURE	EFFECT FROM TO	UNITS PER ASSY
1			SWITCH AND MARKER INSTL BAROMETRIC PRESSURE VACUUM WASTE SYSTEM	103106	
- 1	MODREF18990		SWITCH INSTL-BAROMETRIC PRESSURE VACUUM WASTE SYSTEM MODULE NUMBER: 417N8610-1 REV A	103106	1
5	BACB30NT06K3		.BOLT	103106	8
10	NAS1149DN632J		.WASHER	103106	24
15	PLH506CD		.NUT	103106	8
			SUPPLIER CODE: VF0224 SPECIFICATION NUMBER: BACN10YR06CD OPTIONAL PART: H52732-06CD V15653		
20	214C40-1-77		.SWITCH- SUPPLIER CODE: V02750 ELECTRICAL EQUIP NUMBER: S10631 S10632	103106	2

MISSING ITEM NUMBERS NOT APPLICABLE

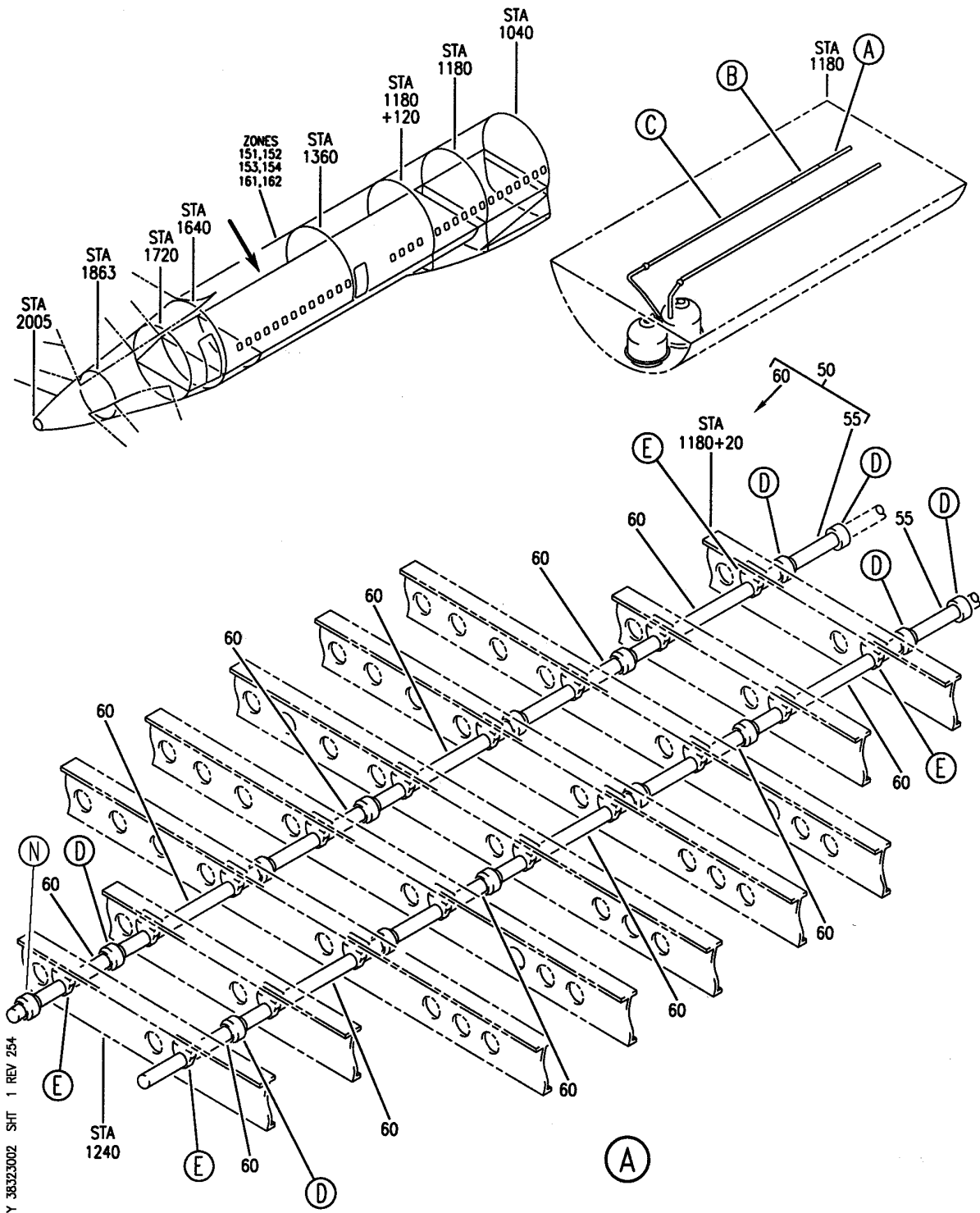
- ITEM NOT ILLUSTRATED

38-32-30-01

38-32-30
FIG. 01
PAGE 1
JAN 20/09

BRI

BOEING
757
PARTS CATALOG (MAINTENANCE)



Y 38323002 SHT 1 REV 254

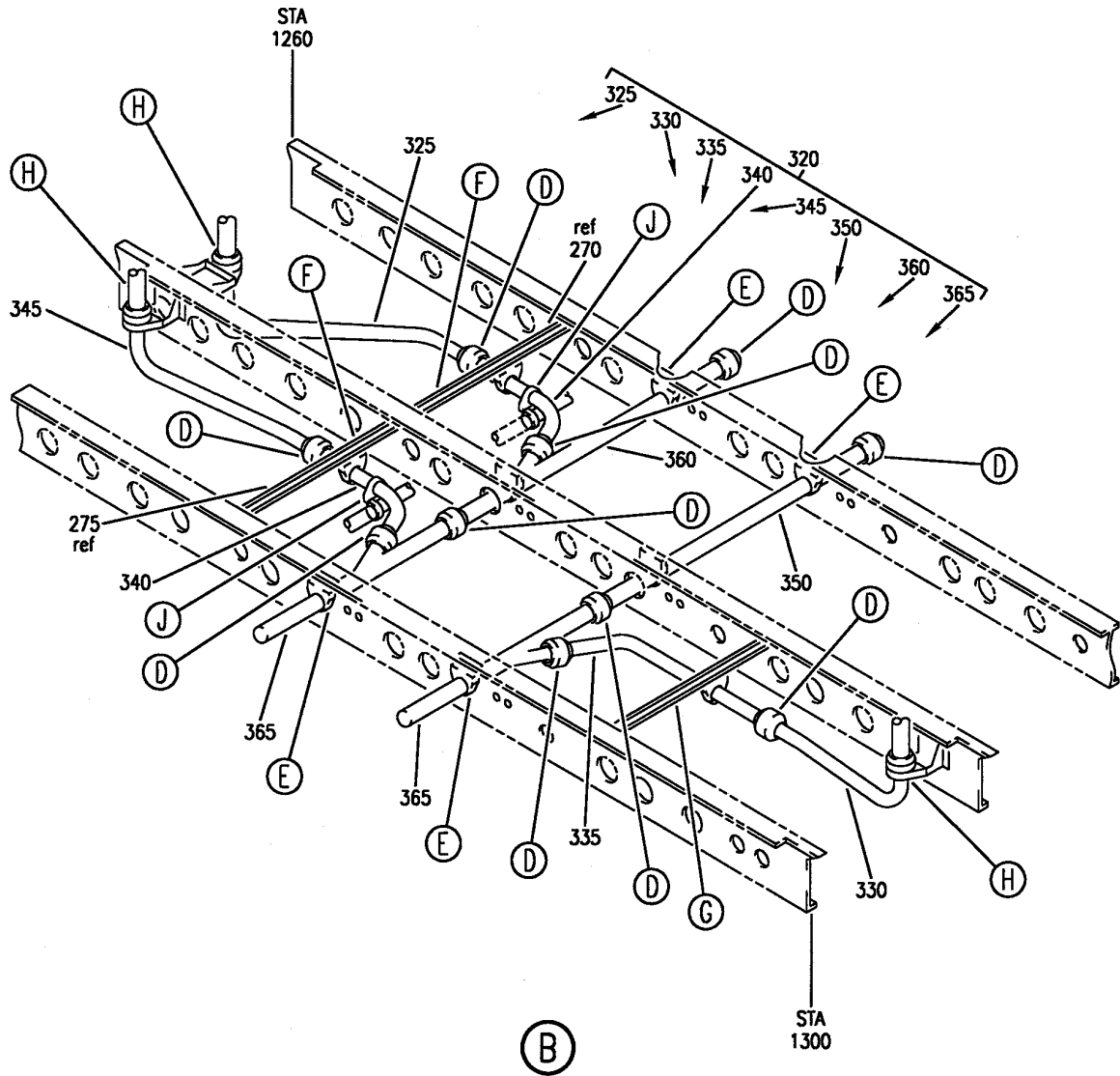
TUBING INSTL-MID-AFT VAC WASTE SYS
FIGURE 2 (SHEET 1)

38-32-30-02

BRI
JAN 20/09

38-32-30-02
PAGE 0

BOEING
757
PARTS CATALOG (MAINTENANCE)



Y 38323002 SHIT 2 REV 216

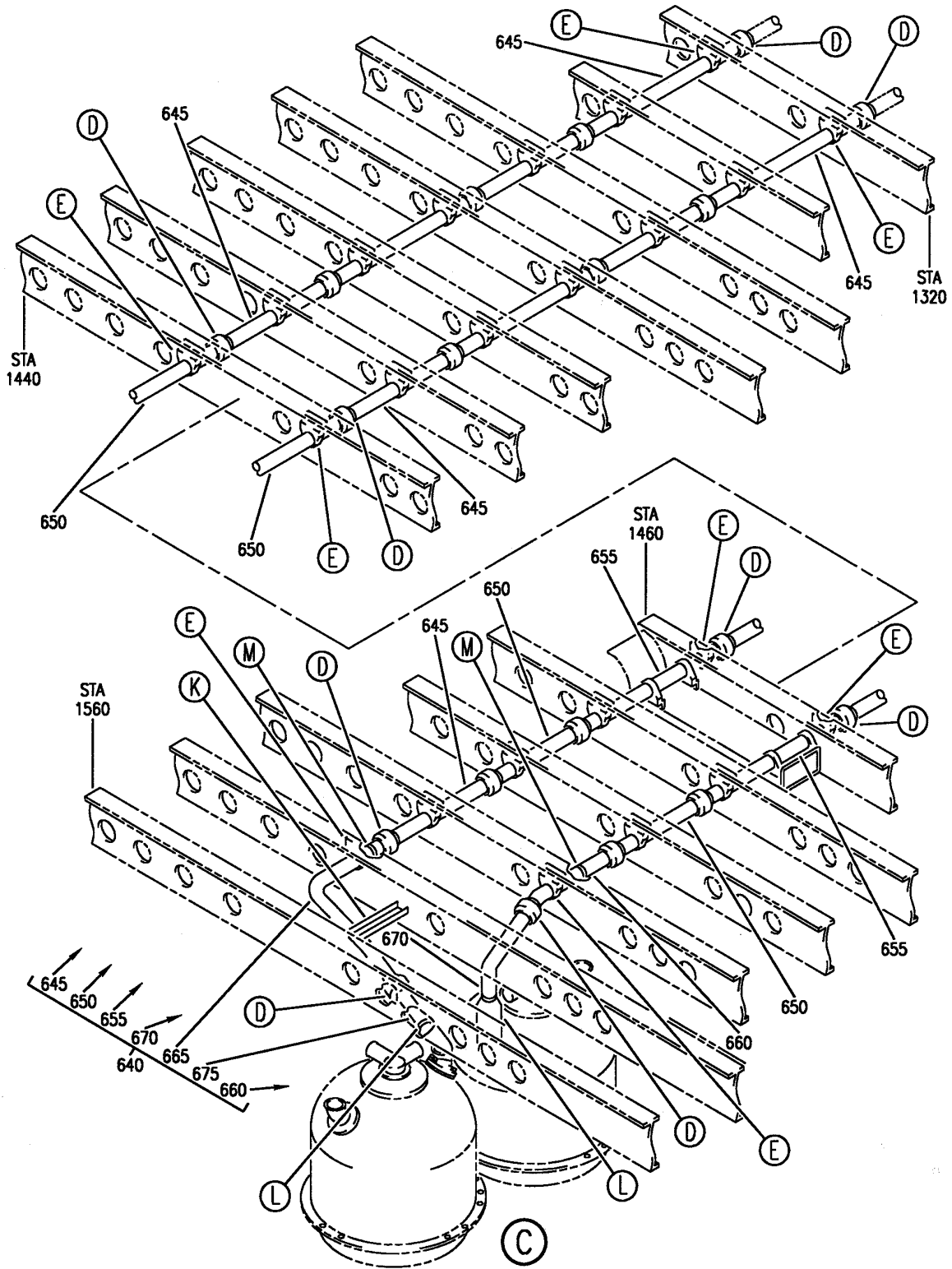
TUBING INSTL-MID-AFT VAC WASTE SYS
FIGURE 2 (SHEET 2)

38-32-30-02

BRI
JAN 20/09

38-32-30-02
PAGE 0A

BOEING
757
PARTS CATALOG (MAINTENANCE)



Y 38323002 SH1 3 REV 216

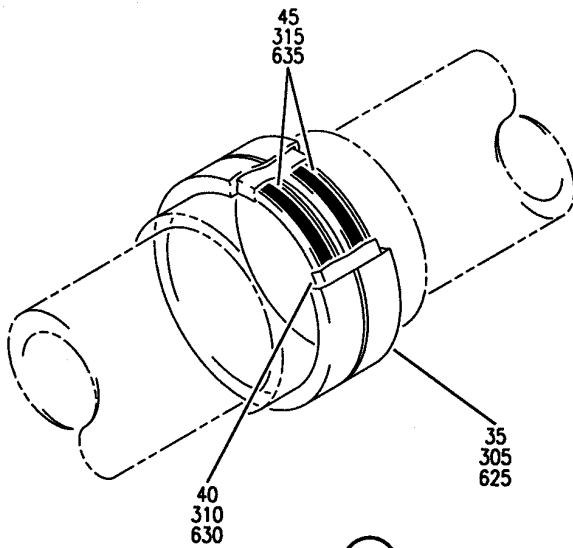
TUBING INSTL-MID-AFT VAC WASTE SYS
FIGURE 2 (SHEET 3)

38-32-30-02

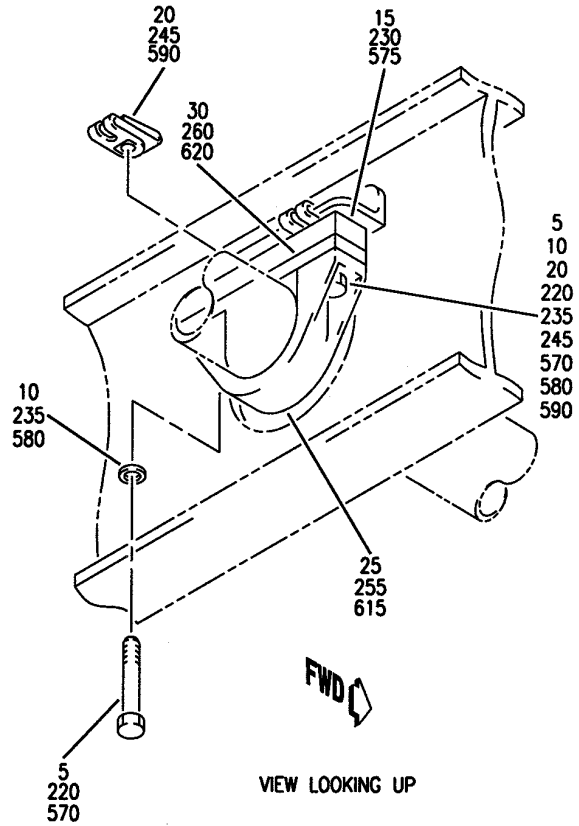
BRI
JAN 20/09

38-32-30-02
PAGE 0B

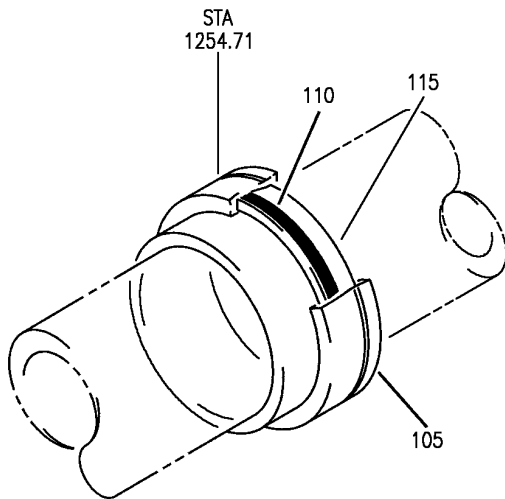
BOEING
757
PARTS CATALOG (MAINTENANCE)



(D)



(E)



(N)

Y 38323002 SH1 4 REV 254

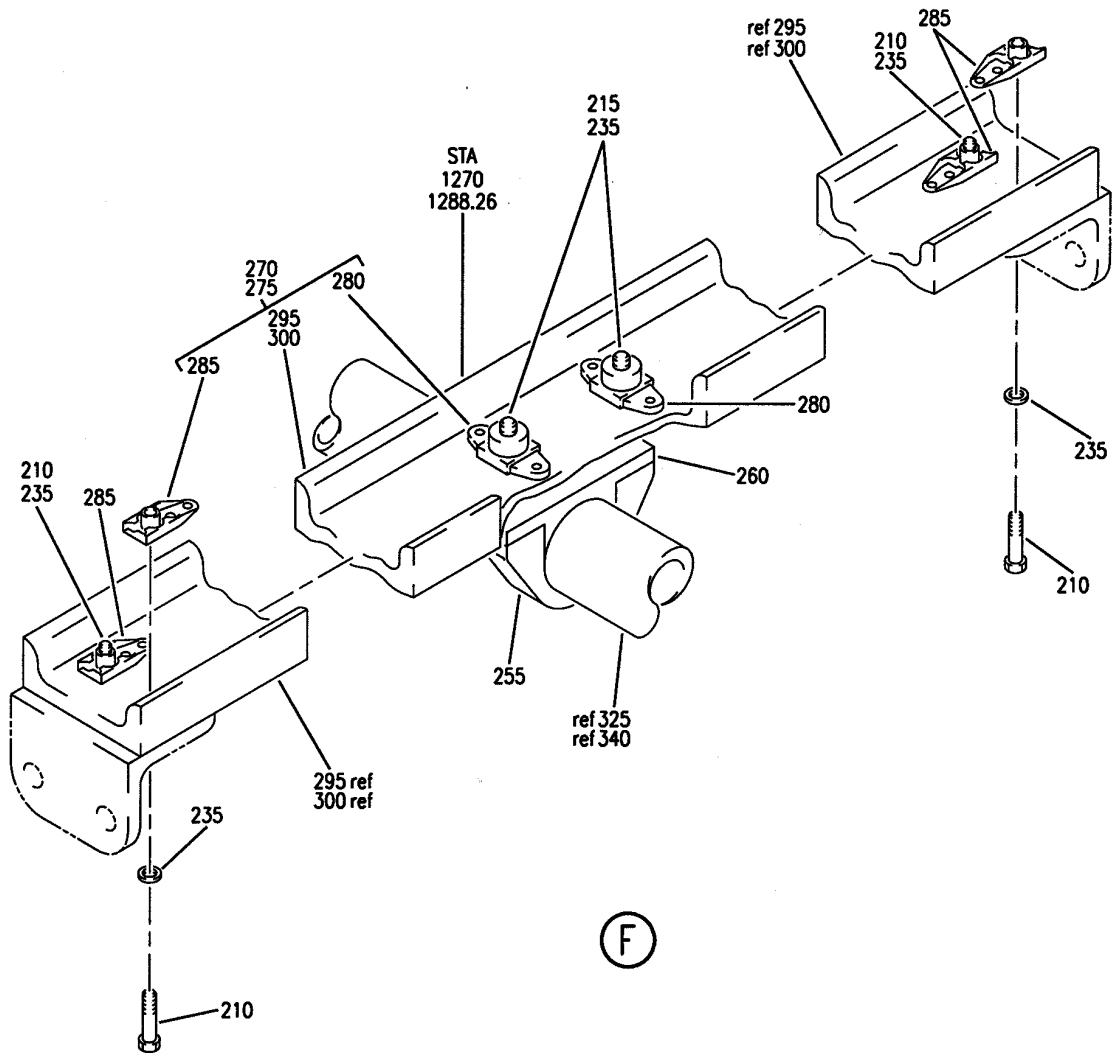
TUBING INSTL-MID-AFT VAC WASTE SYS
FIGURE 2 (SHEET 4)

38-32-30-02

BRI
JAN 20/09

38-32-30-02
PAGE 0C

BOEING
757
PARTS CATALOG (MAINTENANCE)



Y 38323002 SHT 5 REV 216

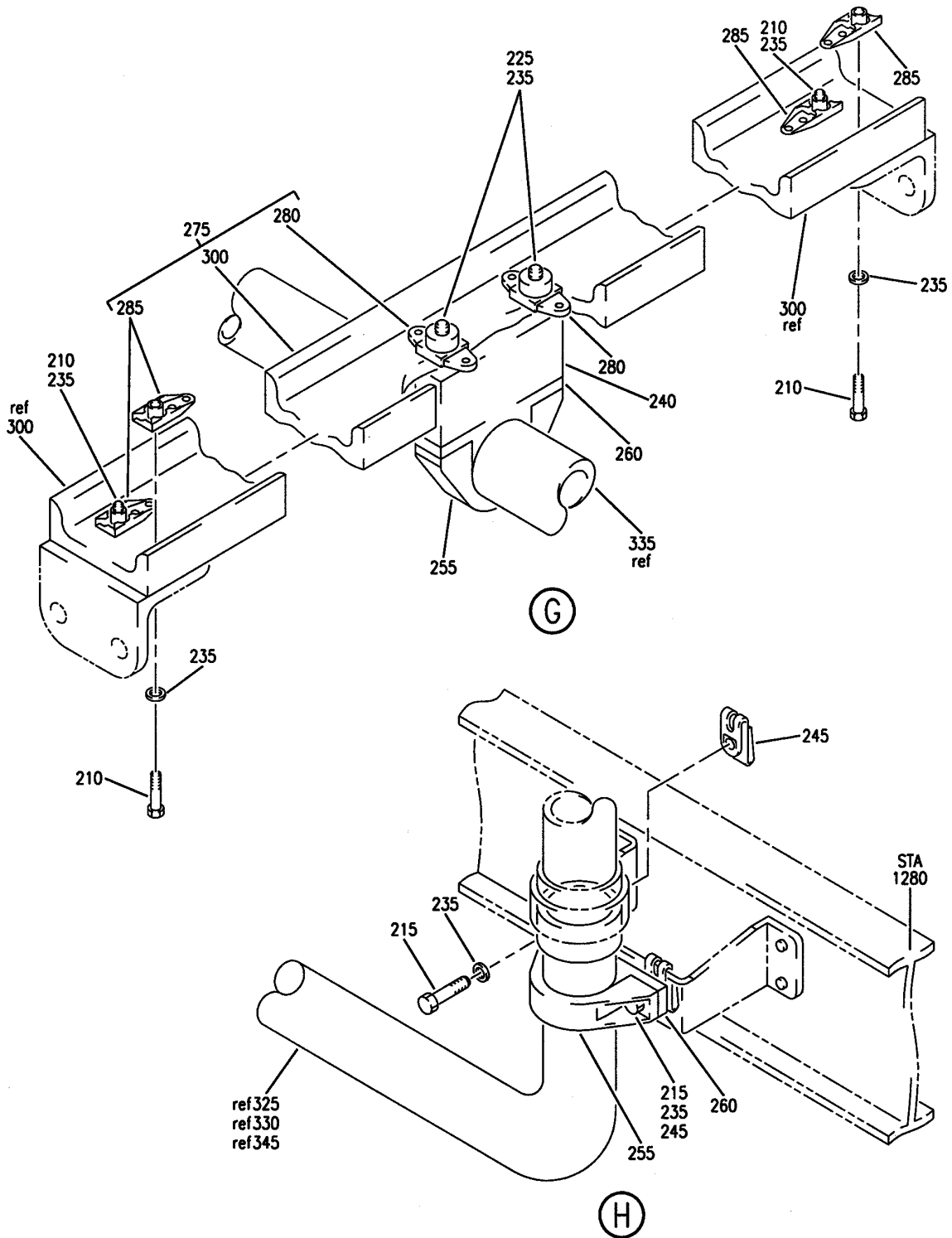
TUBING INSTL-MID-AFT VAC WASTE SYS
FIGURE 2 (SHEET 5)

38-32-30-02

BRI
JAN 20/09

38-32-30-02
PAGE 0D

BOEING
757
PARTS CATALOG (MAINTENANCE)



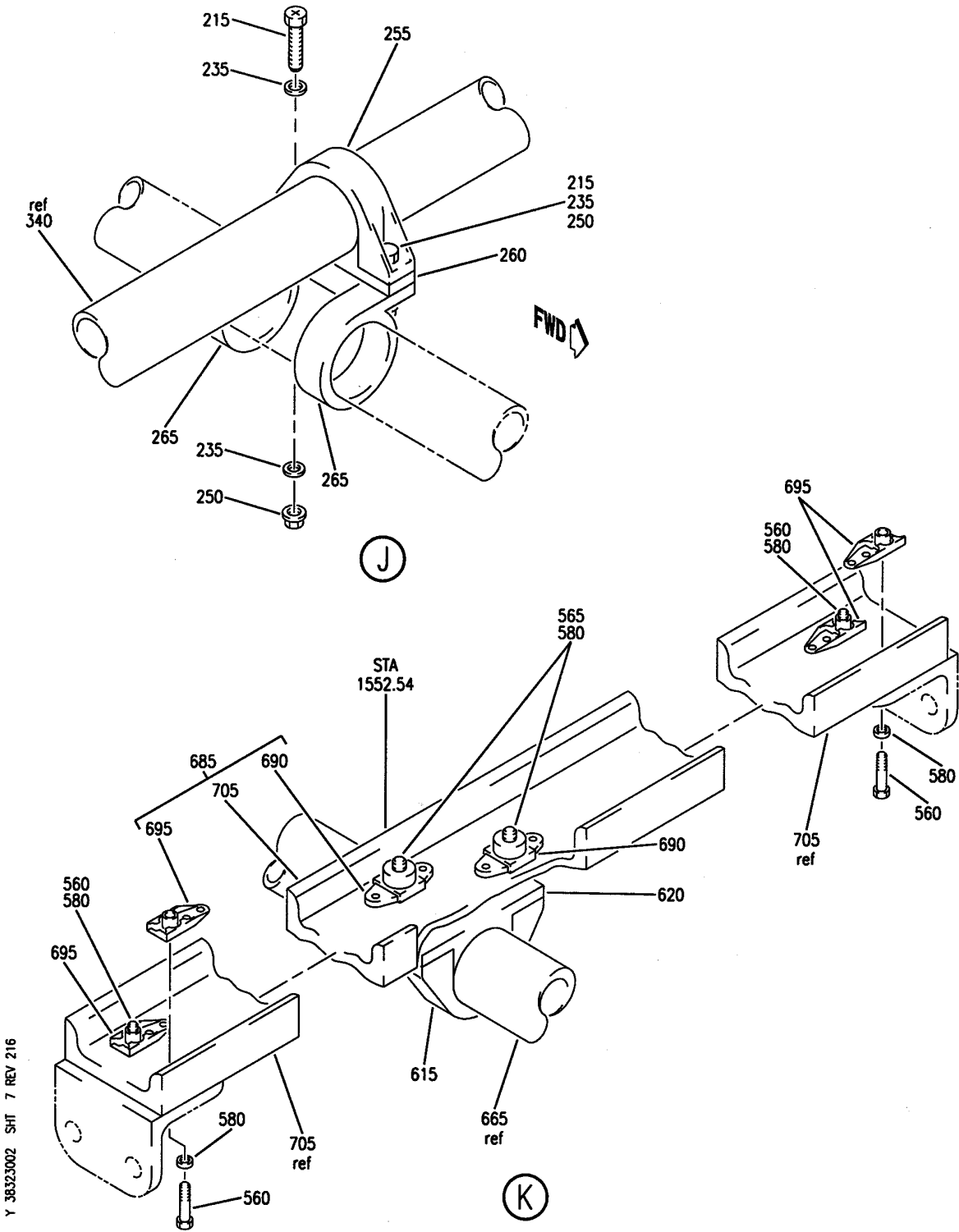
TUBING INSTL-MID-AFT VAC WASTE SYS
FIGURE 2 (SHEET 6)

38-32-30-02

BRI
JAN 20/09

38-32-30-02
PAGE 0E

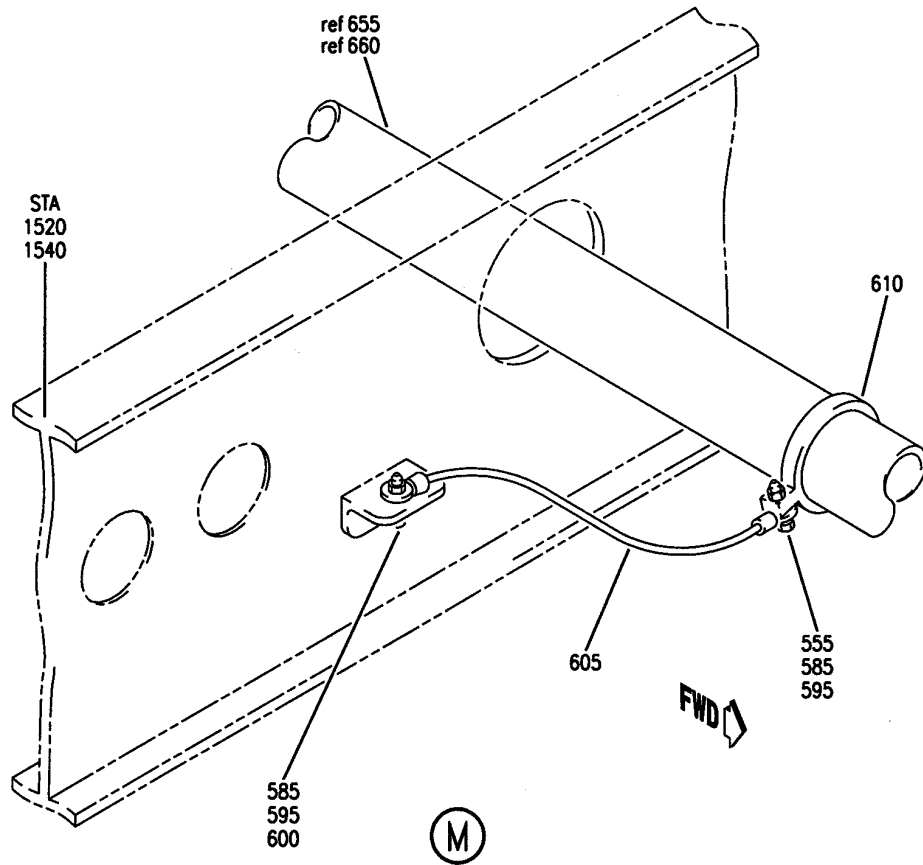
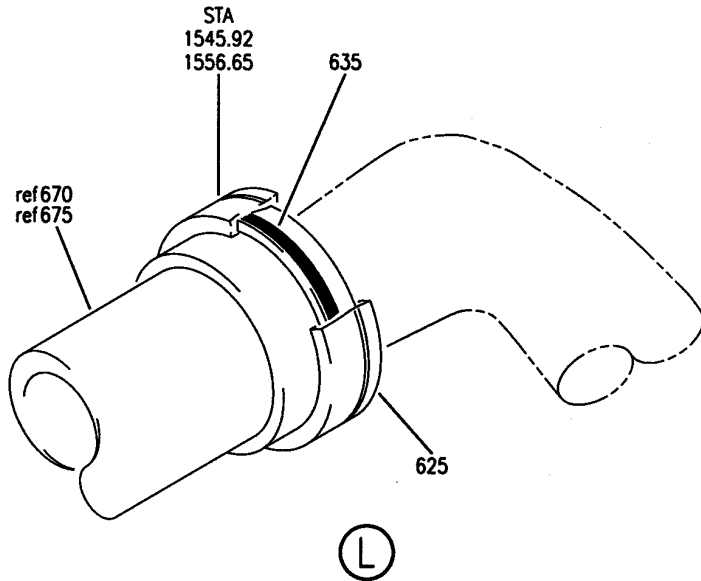
BOEING
757
PARTS CATALOG (MAINTENANCE)



TUBING INSTL-MID-AFT VAC WASTE SYS
FIGURE 2 (SHEET 7)

38-32-30-02

BOEING
757
PARTS CATALOG (MAINTENANCE)



Y 38323002 SHT 8 REV 216

TUBING INSTL-MID-AFT VAC WASTE SYS
FIGURE 2 (SHEET 8)

38-32-30-02

BRI
JAN 20/09

38-32-30-02
PAGE 06



757

PARTS CATALOG (MAINTENANCE)

FIG ITEM	PART NUMBER	1 2 3 4 5 6 7	NOMENCLATURE	EFFECT FROM TO	UNITS PER ASSY
2			TUBING INSTL-MID-AFT VAC WASTE SYS	103106	
- 100	MODREF31604		TUBING INSTL-VAC WASTE SYS MODULE NUMBER: 417N8760-9 REV A	103106	1
105	14C02-32A		.CLAMSHELL- SUPPLIER CODE: V24984 OPTIONAL PART: AS1655A32 V24984 W994-32DE V79326	103106	1
105	AS1655A32		.CLAMSHELL- SUPPLIER CODE: V24984 OPTIONAL PART: 14C02-32A V24984 W994-32DE V79326	103106	1
105	W997-32DE		.CLAMSHELL- SUPPLIER CODE: V79326 OPTIONAL PART: 14C02-32A V24984 AS1655A32 V24984	103106	1
110	M83461-1-226		.PACKING- OPTIONAL PART: MS29513-226	103106	1
110	MS29513-226		.PACKING- OPTIONAL PART: M83461-1-226	103106	1
115	417T0036-1		.CAP	103106	1
- 550	MODREF19016		TUBING INSTL-VAC WASTE SYS MODULE NUMBER: 417N8740-4 REV A POSITION DATA: MID-AFT CARGO STA1320-STA1540	103106	1
555	BACS12GU3K9		.SCREW	103106	2
560	BACS12GU3K11		.SCREW	103106	4
565	BACS12GU3K13		.SCREW	103106	2
570	BACS12GU3K17		.SCREW	103106	46
575	69B92447-24		.SPACER	103106	23
580	NAS1149D0332J		.WASHER	103106	54
585	NAS1149D0316H		.WASHER	103106	6

MISSING ITEM NUMBERS NOT APPLICABLE

- ITEM NOT ILLUSTRATED

38-32-30-02

38-32-30
FIG. 02
PAGE 1
JAN 20/09

BRI



757

PARTS CATALOG (MAINTENANCE)

FIG ITEM	PART NUMBER	1 2 3 4 5 6 7	NOMENCLATURE	EFFECT FROM TO	UNITS PER ASSY
2 590	BRC600-8-3GP	.NUT	SUPPLIER CODE: V52828 SPECIFICATION NUMBER: BACN10YD1G OPTIONAL PART: 130120G V60119	103106	46
595	PLH53CD	.NUT	SUPPLIER CODE: VF0224 SPECIFICATION NUMBER: BACN10YR3CD OPTIONAL PART: H52732-3CD V15653	103106	4
600	VNS1924CA1-8	.STUD	SUPPLIER CODE: V5M902 SPECIFICATION NUMBER: BACS53B1EA1 OPTIONAL PART: VNS1924CA3-1-8 V92215	103106	2
605	100544-4	.JUMPER ASSY	SUPPLIER CODE: V1FF12 SPECIFICATION NUMBER: BACJ40AD44-4 OPTIONAL PART: RBEJ40AD44-4 V1GK47	103106	2
610	AN735C32	.CLAMP		103106	2
615	BACC10EW32A	.CLAMP STRAP		103106	47
620	BACC10EW32B	.CLAMP SADDLE		103106	47
625	W994-32DE	.CLAMSHELL-	SUPPLIER CODE: V79326 OPTIONAL PART: 14C02-32A V24984	103106	25
625	14C02-32A	.CLAMSHELL-	SUPPLIER CODE: V24984 OPTIONAL PART: W994-32DE V79326	103106	25

MISSING ITEM NUMBERS NOT APPLICABLE

- ITEM NOT ILLUSTRATED

38-32-30-02

38-32-30
FIG. 02
PAGE 2
JAN 20/09

BRI

BOEING PROPRIETARY - Copyright © - Unpublished Work - See title page for details.



757

PARTS CATALOG (MAINTENANCE)

FIG ITEM	PART NUMBER	1 2 3 4 5 6 7	NOMENCLATURE	EFFECT FROM TO	UNITS PER ASSY
2 630	W908B32T		.SLEEVE- SUPPLIER CODE: V79326 OPTIONAL PART: 14R02-32T V24984	103106	19
630	14R02-32T		.SLEEVE- SUPPLIER CODE: V24984 OPTIONAL PART: W908B32T V79326	103106	19
635	MS29513-226		.PACKING- OPTIONAL PART: M83461-1-226	103106	40
635	M83461-1-226		.PACKING- OPTIONAL PART: MS29513-226	103106	40
640	417N8740-104		.TUBE ASSY-SET	103106	1
645	417N8711-1		..TUBE ASSY- TUBING MATERIAL: STOCK 2.00 OD X .020 WT X 29.46. TI-COM-PURE 40 TUBING PER BMS 7-21, GRADE II	103106	9
650	417N8711-3		..TUBE ASSY- TUBING MATERIAL: STOCK 2.00 OD X .020 WT X 21.60 TI-COM-PURE 40 TUBING PER BMS 7-21, GRADE II	103106	4
655	417N8711-19		..TUBE ASSY- TUBING MATERIAL: STOCK 2.00 OD X .020 WT X 25.09 TI-COM-PURE 40 TUBING PER BMS 7-21, GRADE II	103106	2
660	417N8712-61		..TUBE ASSY- TUBING MATERIAL: STOCK 2.00 OD X .028 WT X LENGTH (DETERMINED AT FABRICATION) TI-COM-PURE 40 TUBING PER BMS 7-21, GRADE II	103106	1

MISSING ITEM NUMBERS NOT APPLICABLE

- ITEM NOT ILLUSTRATED

38-32-30-02

38-32-30
FIG. 02
PAGE 3
JAN 20/09

BRI

BOEING PROPRIETARY - Copyright © - Unpublished Work - See title page for details.



757

PARTS CATALOG (MAINTENANCE)

FIG ITEM	PART NUMBER	1 2 3 4 5 6 7	NOMENCLATURE	EFFECT FROM TO	UNITS PER ASSY
2 665	417N8712-79	..	TUBE ASSY- TUBING MATERIAL: STOCK 2.00 OD X .028 WT X LENGTH (DETERMINED AT FABRICATION) TI-COM-PURE 40 TUBING PER BMS 7-21, GRADE II	103106	1
670	417N8712-63	..	TUBE ASSY- TUBING MATERIAL: STOCK 2.00 OD X .028 WT X LENGTH (DETERMINED AT FABRICATION) TI-COM-PURE 40 TUBING PER BMS 7-21, GRADE II	103106	1
675	417N8712-59	..	TUBE ASSY- TUBING MATERIAL: STOCK 2.00 OD X .028 WT X LENGTH (DETERMINED AT FABRICATION) TI-COM-PURE 40 TUBING PER BMS 7-21, GRADE II	103106	1
- 680	W902-32T	...	FERRULE- SUPPLIER CODE: V24984 OPTIONAL PART: 14F02-32T V24984	103106	2
- 680	14F02-32T	...	FERRULE- SUPPLIER CODE: V24984 OPTIONAL PART: W902-32T V79326	103106	2
685	417N8812-17	.	INTERCOSTAL ASSY	103106	1
690	BRF200C3D	..	NUTPLATE SUPPLIER CODE: V52828 SPECIFICATION NUMBER: BACN10JR3CFD OPTIONAL PART: K51602-3BAC V15653 NS202476-02 V80539 102F9201-3 V72962 T8092C1032CD V11815	103106	2

MISSING ITEM NUMBERS NOT APPLICABLE

- ITEM NOT ILLUSTRATED

38-32-30-02

38-32-30
FIG. 02
PAGE 4
JAN 20/09

BRI



757

PARTS CATALOG (MAINTENANCE)

FIG ITEM	PART NUMBER	1 2 3 4 5 6 7	NOMENCLATURE	EFFECT FROM TO	UNITS PER ASSY
2 695	BRF100C3D		..NUTPLATE SUPPLIER CODE: V52828 SPECIFICATION NUMBER: BACN10KB3CFD OPTIONAL PART: NS202478-02 V80539 102F9207P3 V72962 F51604-3 V15653 ATTACHING PARTS	103106	4
- 700	BACR15BA3AD		..RIVET- SIZE DETERMINED ON INSTL. -----*-----	103106	12
705	417N8812-18		..BRACKET	103106	1

MISSING ITEM NUMBERS NOT APPLICABLE

- ITEM NOT ILLUSTRATED

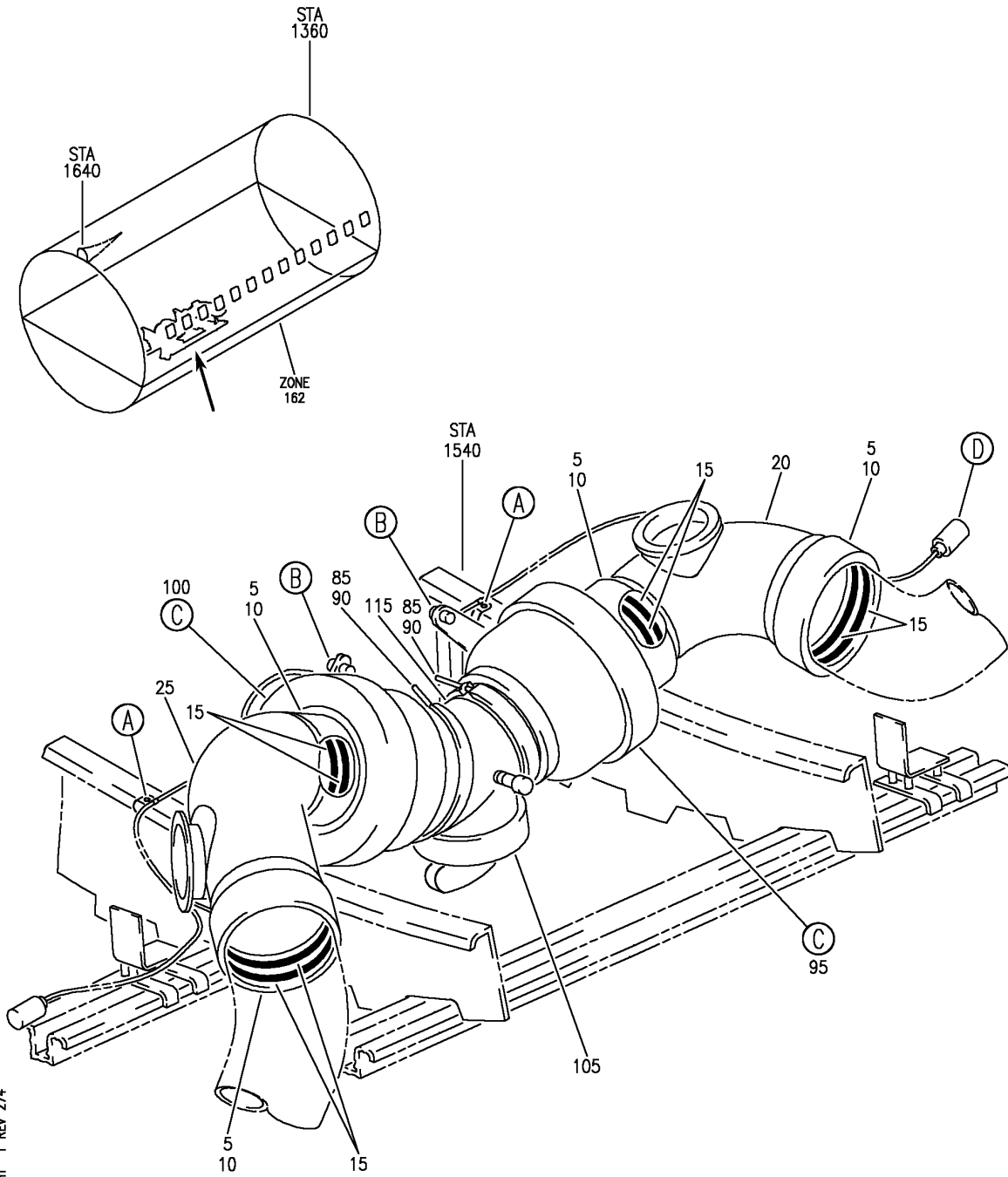
BRI

38-32-30-02

BOEING PROPRIETARY - Copyright © - Unpublished Work - See title page for details.

38-32-30
FIG. 02
PAGE 5
JAN 20/09

BOEING
757
PARTS CATALOG (MAINTENANCE)



Y 38323003 SHT 1 REV 274

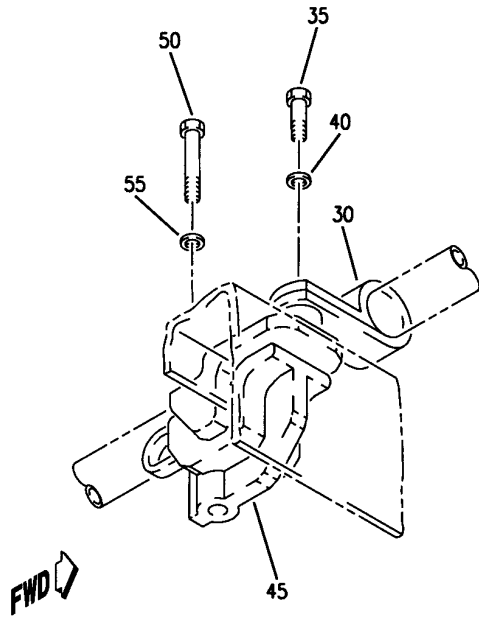
DRAIN AND MARKER INSTL BALL VALVE AND LIMIT SWITCH VACUUM WASTE SYSTEM
FIGURE 3 (SHEET 1)

BRI
JAN 20/09

38-32-30-03

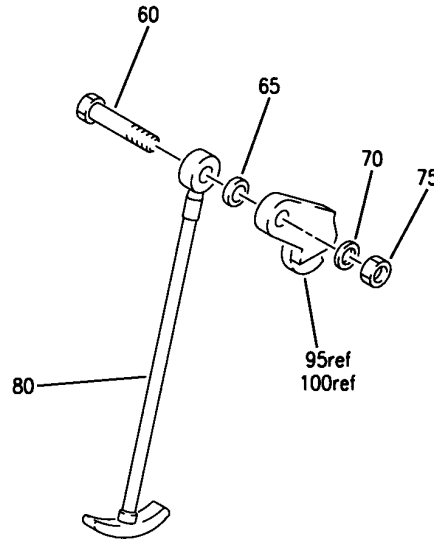
38-32-30-03
PAGE 0

BOEING
757
PARTS CATALOG (MAINTENANCE)



VIEW LOOKING UP

(A)



(B)

Y 38323003 SH1 2 REV 206

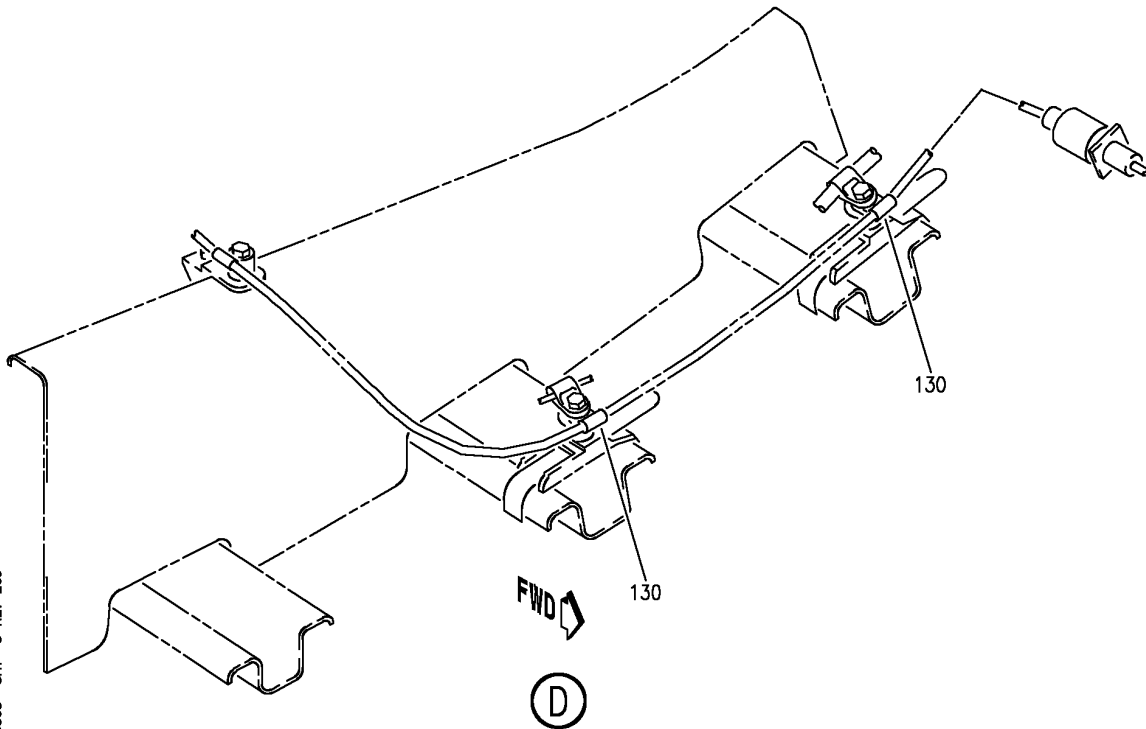
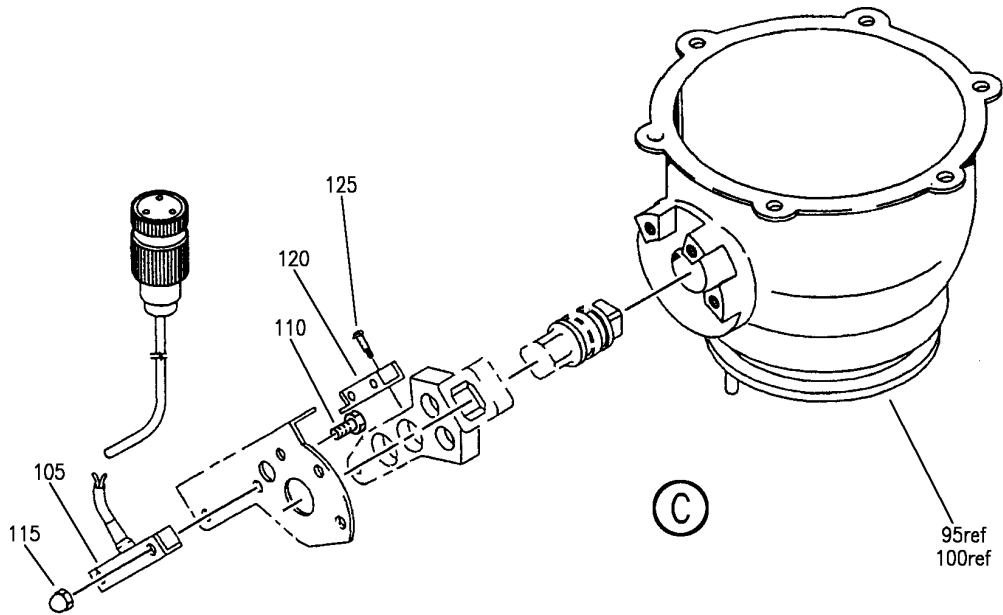
DRAIN AND MARKER INSTL BALL VALVE AND LIMIT SWITCH VACUUM WASTE SYSTEM
FIGURE 3 (SHEET 2)

38-32-30-03

BRI
JAN 20/09

38-32-30-03
PAGE 0A

BOEING
757
PARTS CATALOG (MAINTENANCE)



Y 38323003 SH1 3 REV 269

DRAIN AND MARKER INSTL BALL VALVE AND LIMIT SWITCH VACUUM WASTE SYSTEM
FIGURE 3 (SHEET 3)

BRI
JAN 20/09

38-32-30-03

38-32-30-03
PAGE 0B



757

PARTS CATALOG (MAINTENANCE)

FIG ITEM	PART NUMBER	1 2 3 4 5 6 7	NOMENCLATURE	EFFECT FROM TO	UNITS PER ASSY
3			DRAIN AND MARKER INSTL BALL VALVE AND LIMIT SWITCH VACUUM WASTE SYSTEM	103106	
- 1	MODREF18992		DRAIN INSTL-VACUUM WASTE SYSTEM MODULE NUMBER: 417N8630-1 REV A	103105	1
- 1	MODREF187165		DRAIN INSTL-VACUUM WASTE SYSTEM MODULE NUMBER: 417N8630-1 REV B	106106	1
5	14C02-56C		.CLAMSHELL- SUPPLIER CODE: V24984 OPTIONAL PART: W994BF56TE V24984 AS1655C56	103106	4
5	W994BF56TE		.CLAMSHELL- SUPPLIER CODE: V24984 OPTIONAL PART: 14C02-56C V24984 AS1655C56	103106	4
5	14C02-56C		.CLAMSHELL- SUPPLIER CODE: V24984 SPECIFICATION NUMBER: AS1655C56 OPTIONAL PART: W994BF56TE V24984 14C02-56C V24984	103106	4
10	14R02-56T		.SLEEVE- SUPPLIER CODE: V24984 OPTIONAL PART: W908B56T V24984 AS1654T56	103106	4

MISSING ITEM NUMBERS NOT APPLICABLE

- ITEM NOT ILLUSTRATED

38-32-30-03

38-32-30
FIG. 03
PAGE 1
JAN 20/09

BRI



757

PARTS CATALOG (MAINTENANCE)

FIG ITEM	PART NUMBER	1 2 3 4 5 6 7	NOMENCLATURE	EFFECT FROM TO	UNITS PER ASSY
3					
10	W908B56T		.SLEAVE- SUPPLIER CODE: V79326 OPTIONAL PART: 14R02-56T V24984 AS1654T56	103106	4
10	14R02-56T		.SLEAVE- SUPPLIER CODE: V24984 SPECIFICATION NUMBER: AS1654T56 OPTIONAL PART: W908B56T V24984 14R02-56T V24984	103106	4
15	M83461-1-238		.SEAL	103106	8
20	417N8631-3		.TUBE ASSY- TUBING MATERIAL: STOCK 3.50 OD X .035 WT X 10.2 LONG. LENGTH IS REFERENCE ONLY. ACTUAL LENGTH DETERMINED AT FABRICATION.	103106	1
25	417N8631-5		.TUBE ASSY- TUBING MATERIAL: STOCK 3.50 OD X .035 WT X 12.2 LONG. LENGTH IS REFERENCE ONLY. ACTUAL LENGTH DETERMINED AT FABRICATION.	103106	1
- 27	472W1208-4		..FLANGE	103106	1
- 28	14F03-56T		..FERRULE- SUPPLIER CODE: V24984 OPTIONAL PART: 903B375S56T V79326	103106	2
- 28	903B375S56T		..FERRULE- SUPPLIER CODE: V79326 OPTIONAL PART: 14F03-56T V24984	103106	2
30	BACC10DK2		.CLAMP ATTACHING PARTS	103106	2
- 35	BACS12GU3K6		.SCREW	103106	2

MISSING ITEM NUMBERS NOT APPLICABLE

- ITEM NOT ILLUSTRATED

38-32-30-03

38-32-30
FIG. 03
PAGE 2
JAN 20/09

BRI

 **BOEING**
757
PARTS CATALOG (MAINTENANCE)

FIG ITEM	PART NUMBER	1 2 3 4 5 6 7	NOMENCLATURE	EFFECT FROM TO	UNITS PER ASSY
3					
- 40	NAS1149C0332R		.WASHER -----*-----	103106	2
45	287W4149-1		.CLAMP-	103106	2
45	BACS38Y3		.SUPPORT- ATTACHING PARTS	103106	2
- 50	BACS12GU3K12		.SCREW	103106	2
- 55	NAS11349C0332R		.WASHER -----*-----	103106	2
60	NAS6603-10		.BOLT	103106	2
65	2160-0113-1		.SPACER- SUPPLIER CODE: V86831	103106	2
70	AN960C10L		.WASHER	103106	2
75	NAS679C3M		.NUT	103106	2
- 80	4112-0011-6		.LINKAGE ASSY-HANDLE PULL SUPPLIER CODE: V86831 FOR DETAILS SEE: 38-32-30-50	103106	2
85	14J29350E		.CLAMP SUPPLIER CODE: V5T400 SPECIFICATION NUMBER: BACC10GY350E OPTIONAL PART: 4385AF350E V94581 PDVC1137350E V14242 NM102701350E V8W928	103106	3
90	808048-4		.SEAL-GASK-0 SUPPLIER CODE: V83259	103106	2
95	2651-278-23		.VALVE ASSY-BALL SUPPLIER CODE: V86831 SPECIFICATION NUMBER: S417T105-26 ELECTRICAL EQUIP NUMBER: S10629 COMPONENT MAINT MANUAL REF: 38-38-09	103106	1

MISSING ITEM NUMBERS NOT APPLICABLE

- ITEM NOT ILLUSTRATED

BRI

38-32-30-03

BOEING PROPRIETARY - Copyright © - Unpublished Work - See title page for details.

38-32-30
FIG. 03
PAGE 3
MAY 20/09



757

PARTS CATALOG (MAINTENANCE)

FIG ITEM	PART NUMBER	1 2 3 4 5 6 7	NOMENCLATURE	EFFECT FROM TO	UNITS PER ASSY
3					
100	2651-278-24	.	VALVE ASSY-BALL SUPPLIER CODE: V86831 SPECIFICATION NUMBER: S417T105-27 ELECTRICAL EQUIP NUMBER: S10630 COMPONENT MAINT MANUAL REF: 38-38-09	103106	1
105	8102-0401	..	SENSOR- SUPPLIER CODE: V99564 SPECIFICATION NUMBER: 60B40018-42 ATTACHING PARTS	103106	1
110	MS24693C29	..	SCREW	103106	2
115	MS21046C06	..	NUT	103106	2
			-----*-----		
120	8112-0401	..	ACTUATOR- SUPPLIER CODE: V99564 SPECIFICATION NUMBER: 60B40018-32 ATTACHING PARTS	103106	1
125	MS35275-227	..	SCREW	103106	2
			-----*-----		
130	BACC10DK2	.	CLAMP ATTACHING PARTS	106106	2
- 135	BACS12GU3K10	.	SCREW	106106	2
- 140	NAS1149D0332J	.	WASHER	106106	2
- 145	BACW10DZ3	.	WASHER	106106	2
			-----*-----		
150	808048-1	.	SEAL-GASK-0 SUPPLIER CODE: V83259	103106	1
155	417N8631-1	.	TUBE ASSY- TUBING MATERIAL: STOCK 3.50 OD X .063 WT X 4.4 LONG. LENGTH IS REFERENCE ONLY. ACTUAL LENGTH DETERMINED AT FABRICATION.	103106	1
- 160	AS1582V08	..	FITTING-BLOWOUT	103106	1
- 165	417A8631-2	..	FLANGE ASSY	103106	2
170	MS51923-313	...	PIN	103106	1
175	417A8632-3	...	FLANGE	103106	1
180	417A8632-1	..	FLANGE	103106	1

MISSING ITEM NUMBERS NOT APPLICABLE

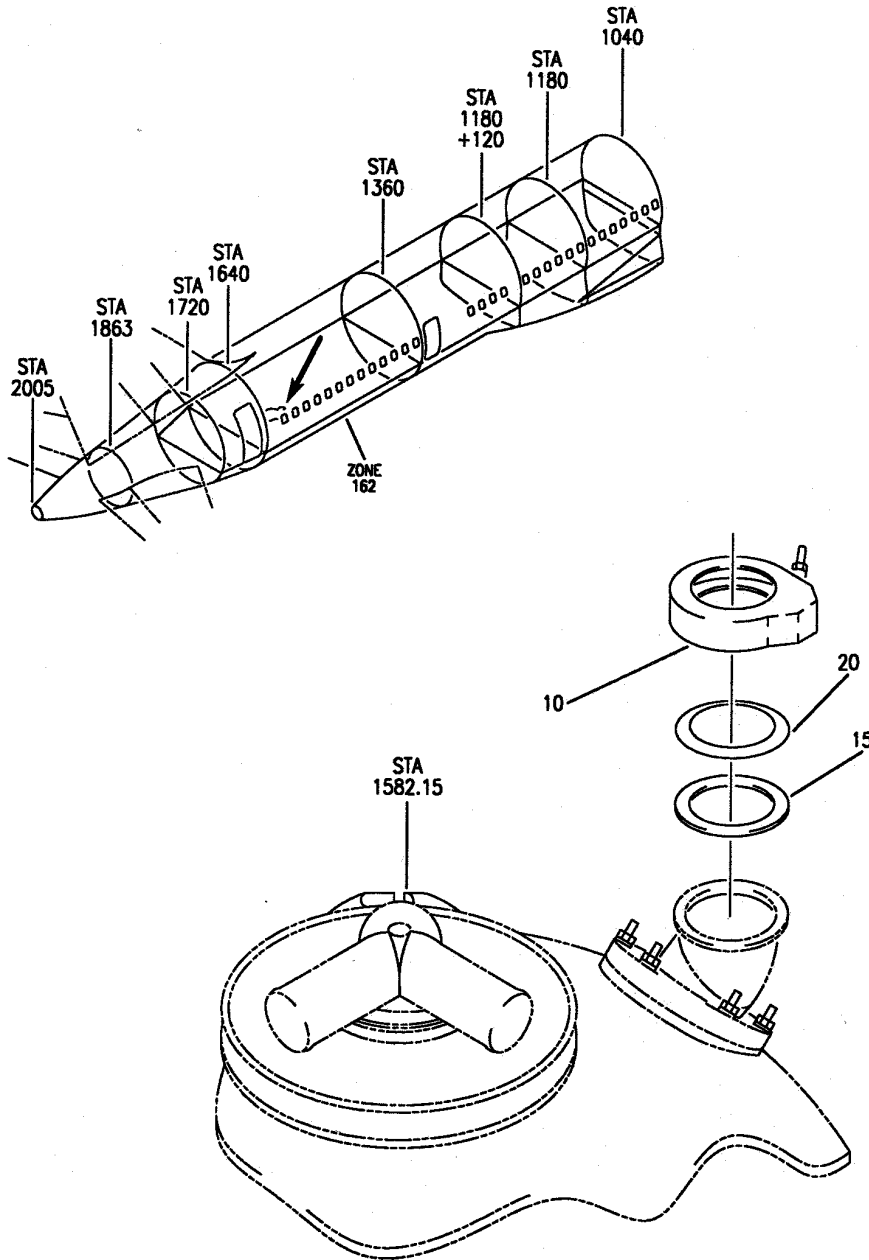
- ITEM NOT ILLUSTRATED

38-32-30-03

38-32-30
FIG. 03
PAGE 4
JAN 20/09

BRI

BOEING
757
PARTS CATALOG (MAINTENANCE)



Y 38323004 REV 218

CAP INSTL-VACUUM WASTE SYS
FIGURE 4

38-32-30-04

BRI
JAN 20/09

38-32-30-04
PAGE 0



757

PARTS CATALOG (MAINTENANCE)

FIG ITEM	PART NUMBER	1 2 3 4 5 6 7	NOMENCLATURE	EFFECT FROM TO	UNITS PER ASSY
4			CAP INSTL-VACUUM WASTE SYS	103106	
- 1	MODREF19023		CAP INSTL-VACUUM WASTE SYS WASTE TANK AND INLET MODULE NUMBER: 417N8760-1 REV A POSITION DATA: AFT	103106	1
- 5	MODREF19024		CAP INSTL-VACUUM WASTE SYS WASTE TANK AND INLET MODULE NUMBER: 417N8760-2 REV A POSITION DATA: AFT	103106	1
10	14J29300E		.CLAMP- SUPPLIER CODE: V5T400 SPECIFICATION NUMBER: BACC10GY300E OPTIONAL PART: 4385AF300E V94581 PDVC1137300E V14242 NM102701300E V8W928 BACC10DP300BE	103106	1
10	BACC10DP300BE		.CLAMP- OPTIONAL PART: BACC10GY300E	103106	1
15	808280		.SEAL- SUPPLIER CODE: V83259	103106	1
20	417T0018-1		.CAP	103106	1

MISSING ITEM NUMBERS NOT APPLICABLE

- ITEM NOT ILLUSTRATED

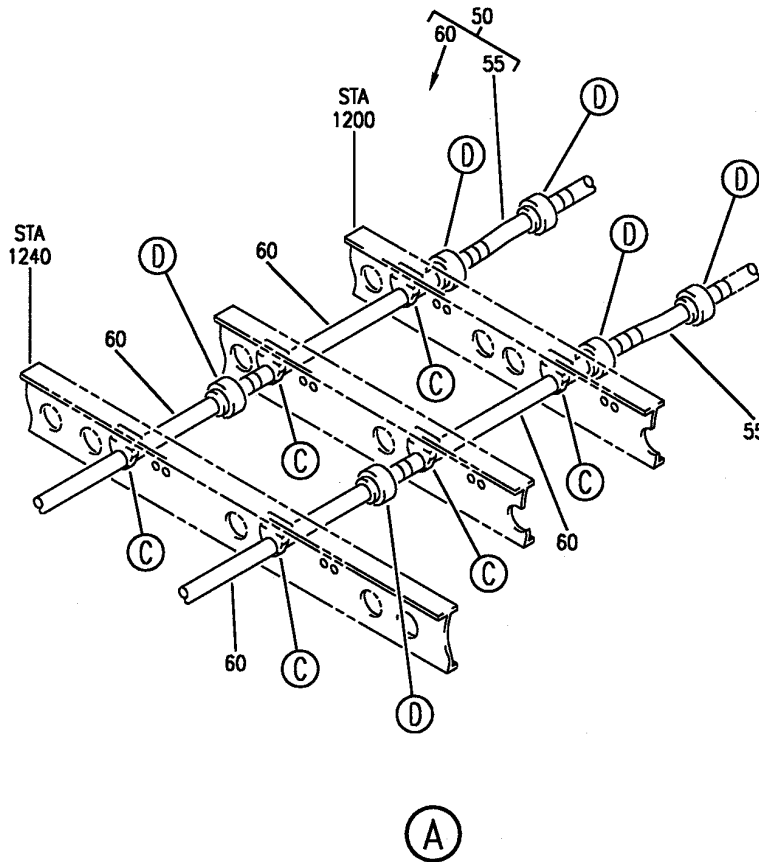
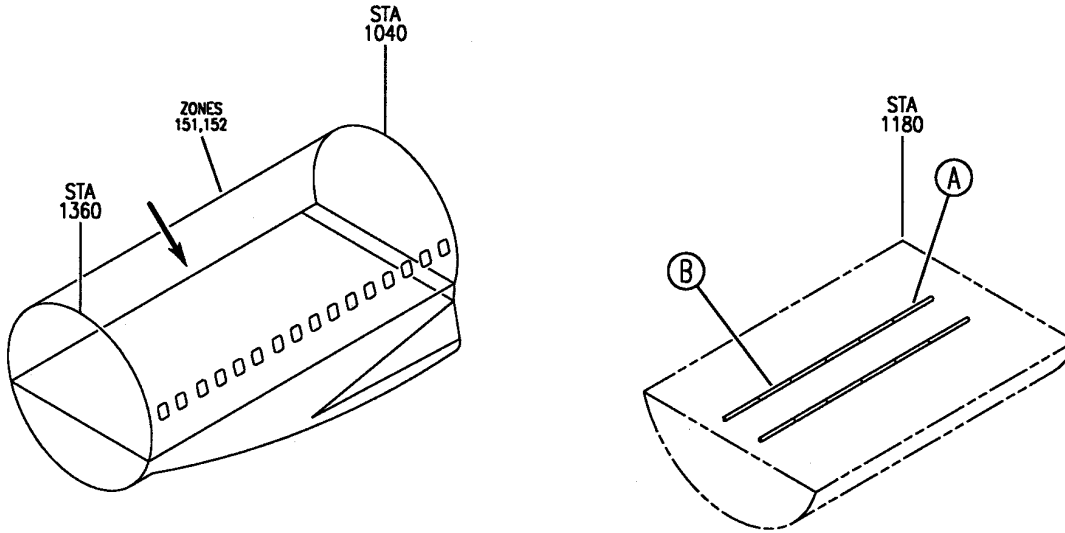
38-32-30-04

38-32-30
FIG. 04
PAGE 1
JAN 20/09

BRI

BOEING PROPRIETARY - Copyright © - Unpublished Work - See title page for details.

BOEING
757
PARTS CATALOG (MAINTENANCE)



Y 38323005 SH1 1 REV 218

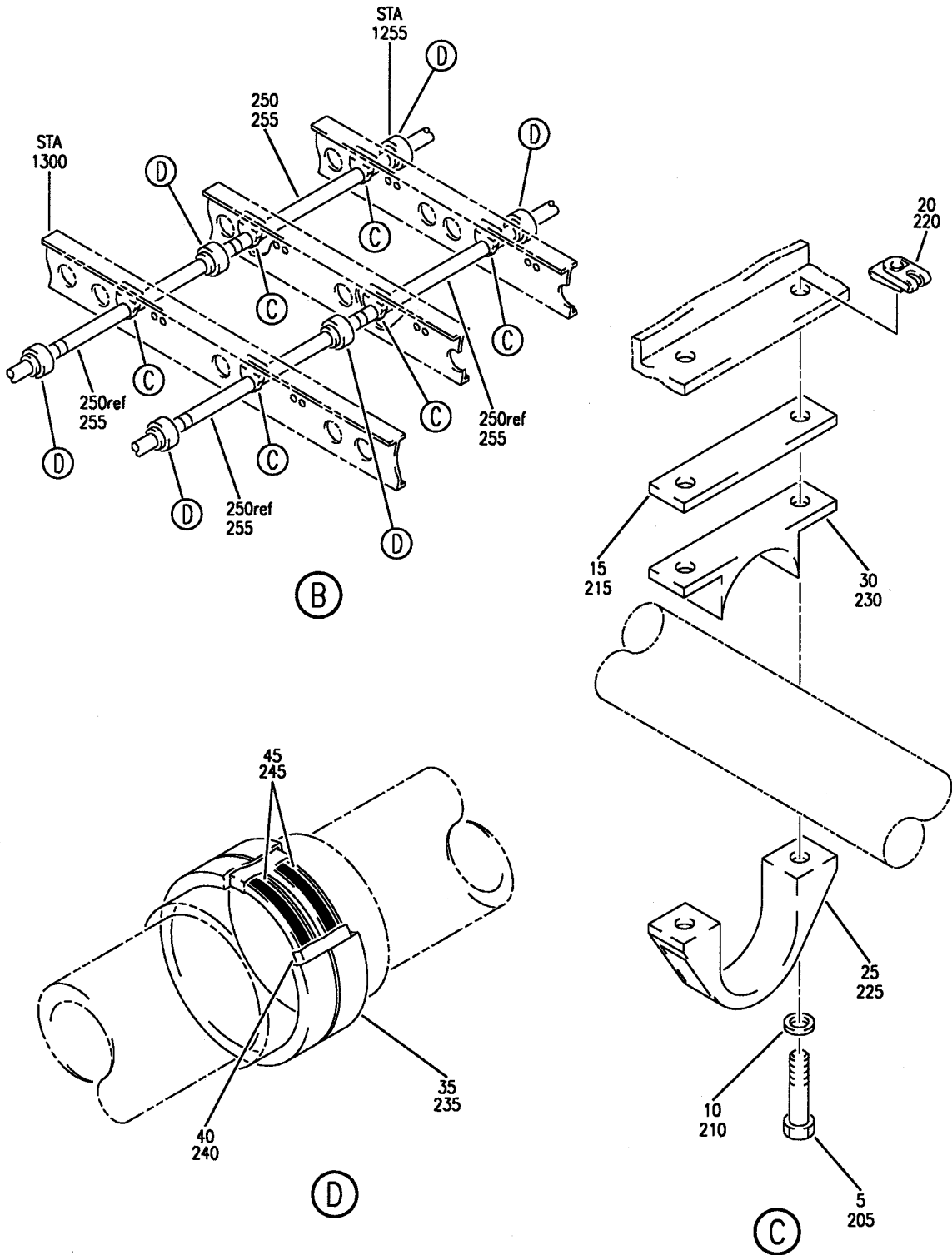
TUBING INSTL-MID-AFT VAC WASTE SYS
FIGURE 5 (SHEET 1)

38-32-30-05

BRI
JAN 20/09

38-32-30-05
PAGE 0

BOEING
757
PARTS CATALOG (MAINTENANCE)



Y 38323005 SHIT 2 REV 218

TUBING INSTL-MID-AFT VAC WASTE SYS
FIGURE 5 (SHEET 2)

38-32-30-05

BRI
JAN 20/09

38-32-30-05
PAGE 0A



757

PARTS CATALOG (MAINTENANCE)

FIG ITEM	PART NUMBER	1 2 3 4 5 6 7	NOMENCLATURE	EFFECT FROM TO	UNITS PER ASSY
5			TUBING INSTL-MID-AFT VAC WASTE SYS	103106	
- 1	417N8740-5		TUBING INSTL-VAC WASTE SYS POSITION DATA: MID-AFT CARGO STA 1200-STA 1240	103106	RF
5	BACS12GU3K17		.SCREW	103106	12
10	NAS1149D0332J		.WASHER	103106	12
15	69B92447-24		.SPACER	103106	6
20	BRC600-8-3GP		.NUT	103106	12
			SUPPLIER CODE: V52828		
			SPECIFICATION NUMBER: BACN10YD1G		
			OPTIONAL PART: 130120G V60119		
25	BACC10EW32A		.CLAMP STRAP	103106	6
30	BACC10EW32B		.CLAMP SADDLE	103106	6
35	14C02-32A		.CLAMSHELL- SUPPLIER CODE: V24984	103106	6
			OPTIONAL PART: W994-32DE V79326 AS1655A32 V24984		
35	W994-32DE		.CLAMSHELL- SUPPLIER CODE: V79326	103106	6
			OPTIONAL PART: 14C02-32A V24984 AS1655A32 V24984		
35	AS1655A32		.CLAMSHELL- SUPPLIER CODE: V24984	103106	6
			OPTIONAL PART: 14C02-32A V24984 W994-32DE V79326		

MISSING ITEM NUMBERS NOT APPLICABLE

- ITEM NOT ILLUSTRATED

38-32-30-05

38-32-30
FIG. 05
PAGE 1
JAN 20/09

BRI



757

PARTS CATALOG (MAINTENANCE)

FIG ITEM	PART NUMBER	1 2 3 4 5 6 7	NOMENCLATURE	EFFECT FROM TO	UNITS PER ASSY
5					
40	14R02-32T	.	SLEEVE- SUPPLIER CODE: V24984 OPTIONAL PART: W908B32T V79326 AS1654T32 V24984	103106	6
40	W908B32T	.	SLEEVE- SUPPLIER CODE: V79326 OPTIONAL PART: 14R02-32T V24984 AS1654T32 V24984	103106	6
40	AS1654T32	.	SLEEVE- SUPPLIER CODE: V24984 OPTIONAL PART: W908B32T V79326 14R02-32T V24984	103106	6
45	M83461-1-226	.	PACKING- OPTIONAL PART: MS29513-226	103106	12
45	MS29513-226	.	PACKING- OPTIONAL PART: M83461-1-226	103106	12
50	417N8740-105	.	TUBE ASSY-SET	103106	1
55	417N8712-57	..	TUBE ASSY	103106	2
60	417N8711-1	..	TUBE ASSY	103106	4
- 65	14F02-32T	...	FERRULE- SUPPLIER CODE: V24984 OPTIONAL PART: W902-32T V79326	103106	2
- 65	W902-32T	...	FERRULE- SUPPLIER CODE: V24984 OPTIONAL PART: 14F02-32T V24984	103106	2

MISSING ITEM NUMBERS NOT APPLICABLE

- ITEM NOT ILLUSTRATED

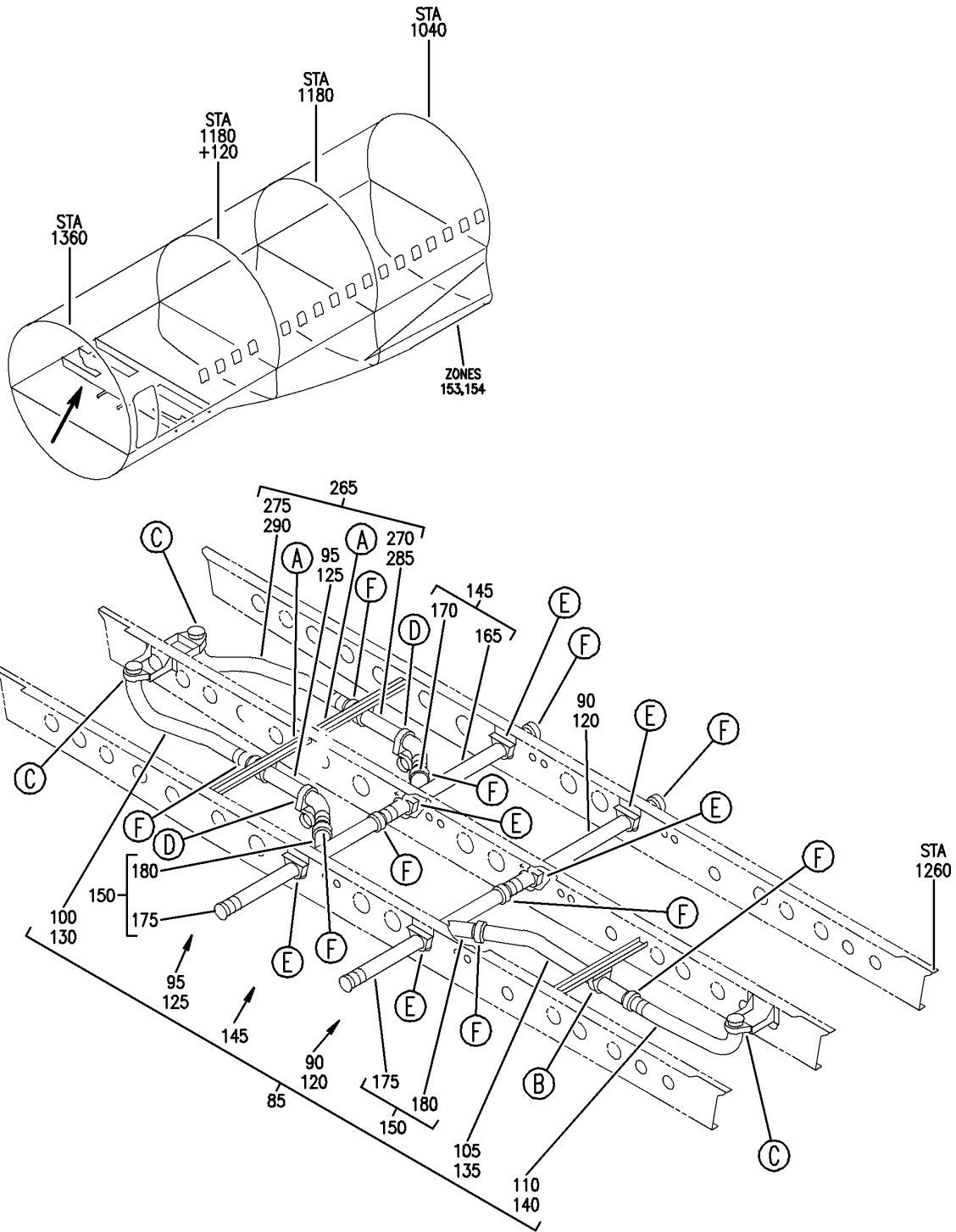
38-32-30-05

38-32-30
FIG. 05
PAGE 2
JAN 20/09

BRI

BOEING PROPRIETARY - Copyright © - Unpublished Work - See title page for details.

BOEING
757
PARTS CATALOG (MAINTENANCE)



Y 38323006 SHT 1 REV 239

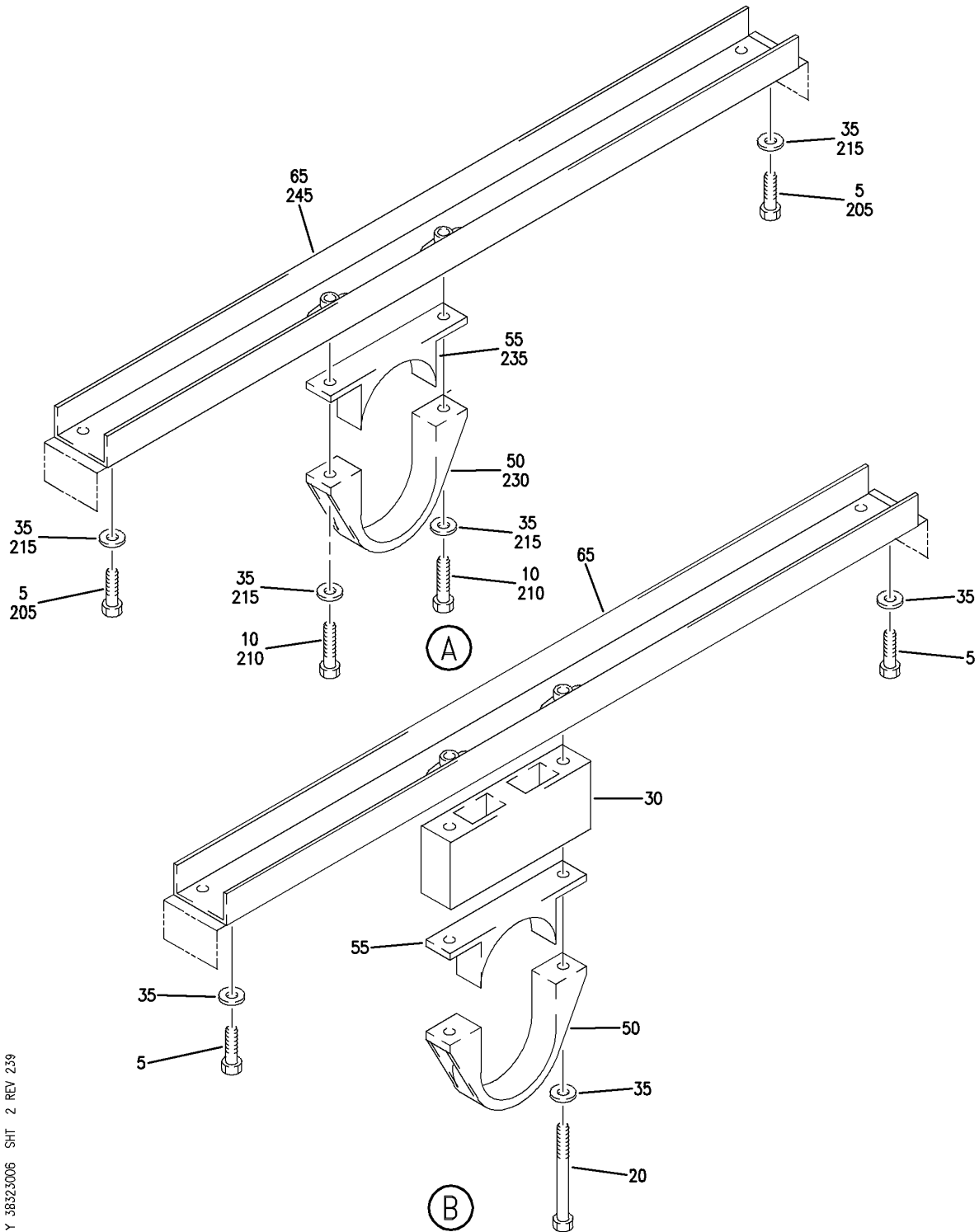
TUBING INSTL-VAC WASTE SYS MID-AFT
FIGURE 6 (SHEET 1)

38-32-30-06

BRI
JAN 20/09

38-32-30-06
PAGE 0

BOEING
757
PARTS CATALOG (MAINTENANCE)



Y 38323006 SHT 2 REV 239

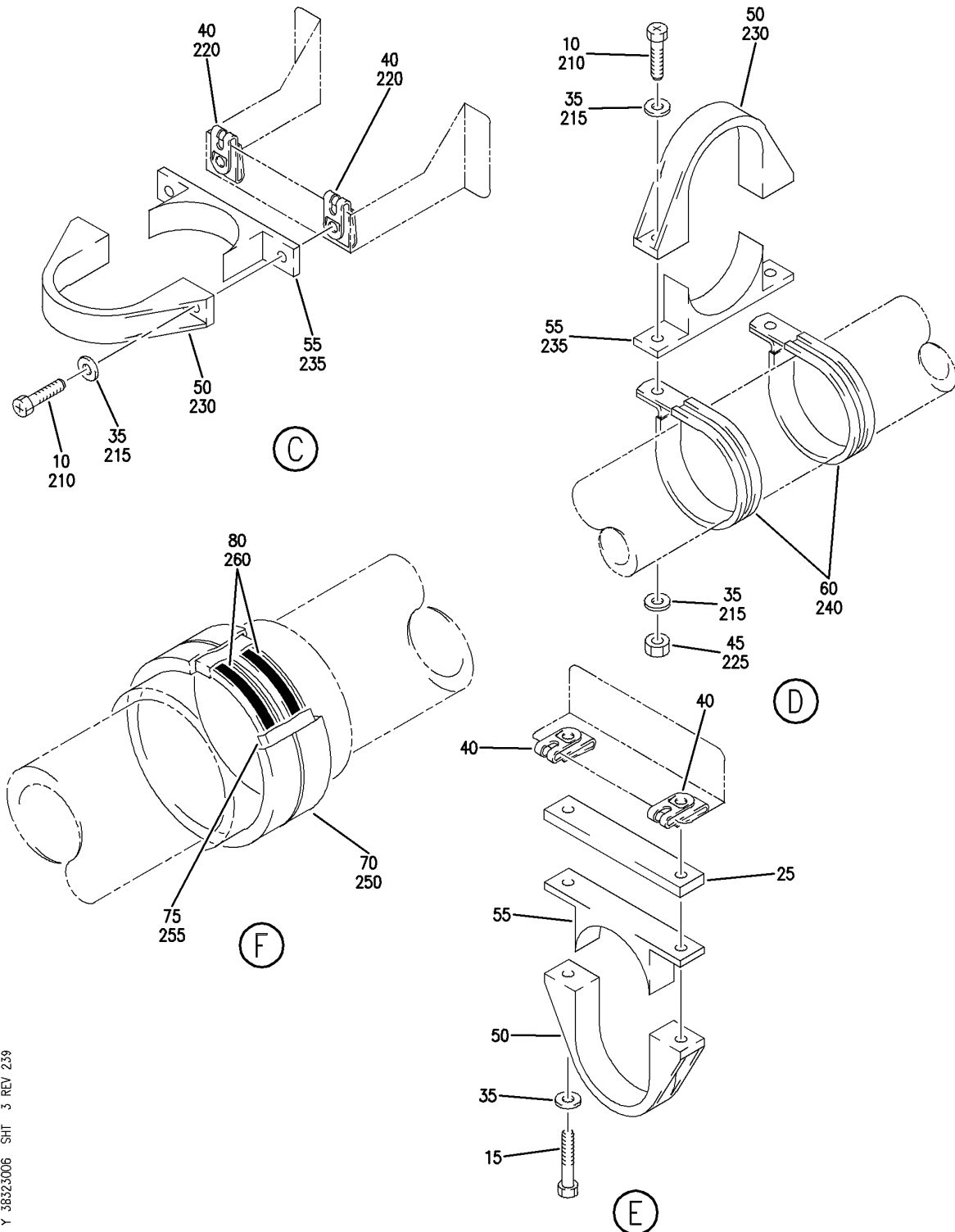
TUBING INSTL-VAC WASTE SYS MID-AFT
FIGURE 6 (SHEET 2)

38-32-30-06

BRI
JAN 20/09

38-32-30-06
PAGE 0A

BOEING
757
PARTS CATALOG (MAINTENANCE)



Y 38323006 SH1 3 REV 239

TUBING INSTL-VAC WASTE SYS MID-AFT
FIGURE 6 (SHEET 3)

38-32-30-06

BRI
JAN 20/09

38-32-30-06
PAGE 0B



757

PARTS CATALOG (MAINTENANCE)

FIG ITEM	PART NUMBER	1 2 3 4 5 6 7	NOMENCLATURE	EFFECT FROM TO	UNITS PER ASSY
6			TUBING INSTL-VAC WASTE SYS MID-AFT	103106	
- 1	MODREF19019		TUBING INSTL-VAC WASTE SYS MODULE NUMBER: 417N8740-7 REV A POSITION DATA: MID-AFT	103106	1
5	BACS12GU3K11		.SCREW	103106	8
10	BACS12GU3K13		.SCREW	103106	8
15	BACS12GU3K17		.SCREW	103106	12
20	BACS12GU3K38		.SCREW	103106	2
25	69B92447-24		.SPACER	103106	6
30	417A8717-6		.WASHER	103106	1
35	NAS1149D0332J		.WASHER	103106	32
40	BRC600-8-3GP		.NUT	103106	16
			SUPPLIER CODE: V52828 SPECIFICATION NUMBER: BACN10YD1G OPTIONAL PART: 130120G V60119		
45	PLH53CD		.NUT SUPPLIER CODE: VF0224 SPECIFICATION NUMBER: BACN10YR3CD OPTIONAL PART: H52732-3CD V15653	103106	2
50	BACC10EW32A		.CLAMP STRAP	103106	11
55	BACC10EW32B		.CLAMP SADDLE	103106	11
60	S258DT24		.CLAMP SUPPLIER CODE: V18076 SPECIFICATION NUMBER: BACC10DW24D OPTIONAL PART: TA4C44D24T V84971 475-24 V83930 8084D24T V72285 475A24 V83930	103106	2
65	417N8812-15		.INTERCOSTAL ASSY	103106	2

MISSING ITEM NUMBERS NOT APPLICABLE

- ITEM NOT ILLUSTRATED

38-32-30-06

38-32-30
FIG. 06
PAGE 1
JAN 20/09

BRI

BOEING PROPRIETARY - Copyright © - Unpublished Work - See title page for details.



757

PARTS CATALOG (MAINTENANCE)

FIG ITEM	PART NUMBER	1 2 3 4 5 6 7	NOMENCLATURE	EFFECT FROM TO	UNITS PER ASSY
6					
70	14C02-32A		.CLAMSHELL- SUPPLIER CODE: V24984 OPTIONAL PART: W994-32DE V79326 AS1655A32 V24984	103106	8
70	W994-32DE		.CLAMSHELL- SUPPLIER CODE: V79326 OPTIONAL PART: 14C02-32A V24984 AS1655A32 V24984	103106	8
70	AS1655A32		.CLAMSHELL- SUPPLIER CODE: V24984 OPTIONAL PART: 14C02-32A V24984 W994-32DE V79326	103106	8
75	14R02-32T		.SLEEVE- SUPPLIER CODE: V24984 OPTIONAL PART: W908B32T V79326 AS1654T32 V24984	103106	8
75	W908B32T		.SLEEVE- SUPPLIER CODE: V79326 OPTIONAL PART: 14R02-32T V24984 AS1654T32 V24984	103106	8
75	AS1654T32		.SLEEVE- SUPPLIER CODE: V24984 OPTIONAL PART: W908B32T V79326 14R02-32T V24984	103106	8

MISSING ITEM NUMBERS NOT APPLICABLE

- ITEM NOT ILLUSTRATED

38-32-30-06

38-32-30
FIG. 06
PAGE 2
JAN 20/09

BRI



757

PARTS CATALOG (MAINTENANCE)

FIG ITEM	PART NUMBER	1 2 3 4 5 6 7	NOMENCLATURE	EFFECT FROM TO	UNITS PER ASSY
6					
80	M83461-1-226	.PACKING-	OPTIONAL PART: MS29513-226	103106	16
80	MS29513-226	.PACKING-	OPTIONAL PART: M83461-1-226	103106	16
85	417N8740-107	.TUBE ASSY-SET		103106	1
90	417N8711-1	..TUBE ASSY		103106	1
95	417N8712-65	..TUBE ASSY		103106	1
100	417N8712-69	..TUBE ASSY		103106	1
105	417N8712-71	..TUBE ASSY		103106	1
110	417N8712-73	..TUBE ASSY		103106	1
- 115	14F02-32T	...FERRULE-	SUPPLIER CODE: V24984 OPTIONAL PART: W902-32T V79326	103106	2
- 115	W902-32T	...FERRULE-	SUPPLIER CODE: V24984 OPTIONAL PART: 14F02-32T V24984	103106	2
120	417N8711-2	...TUBE-	TUBING MATERIAL: 2.00 O.D. X 0.020 WT X 29.46. TI-COM-PURE 40 TUBING PER BMS 7-21, GRADE II USED ON: 417N8711-1	103106	1
125	417N8712-66	...TUBE-	TUBING MATERIAL: 2.00 O.D. X 0.028 WT X LENGTH (DETERMINED AT FABRICATION) TI-COM-PURE 40 TUBING PER BMS 7-21, GRADE II USED ON: 417N8712-65	103106	1

MISSING ITEM NUMBERS NOT APPLICABLE

- ITEM NOT ILLUSTRATED

38-32-30-06

38-32-30
FIG. 06
PAGE 3
JAN 20/09

BRI

BOEING PROPRIETARY - Copyright © - Unpublished Work - See title page for details.



757

PARTS CATALOG (MAINTENANCE)

FIG ITEM	PART NUMBER	1 2 3 4 5 6 7	NOMENCLATURE	EFFECT FROM TO	UNITS PER ASSY
6 130	417N8712-70	...	TUBE- TUBING MATERIAL: 2.00 O.D. X 0.028 WT X LENGTH (DETERMINED AT FABRICATION) TI-COM-PURE 40 TUBING PER BMS 7-21, GRADE II USED ON: 417N8712-69	103106	1
135	417N8712-72	...	TUBE- TUBING MATERIAL: 2.00 O.D. X 0.028 WT X LENGTH (DETERMINED AT FABRICATION) TI-COM-PURE 40 TUBING PER BMS 7-21, GRADE II USED ON: 417N8712-71	103106	1
140	417N8712-74	...	TUBE- TUBING MATERIAL: 2.00 O.D. X 0.028 WT X LENGTH (DETERMINED AT FABRICATION) TI-COM-PURE 40 TUBING PER BMS 7-21, GRADE II USED ON: 417N8712-73	103106	1
145	417N8713-7	..	TUBE ASSY	103106	1
150	417N8713-10	..	TUBE ASSY	103106	2
- 155	14F02-32T	...	FERRULE- SUPPLIER CODE: V24984 OPTIONAL PART: W902-32T V79326	103106	2
- 155	W902-32T	...	FERRULE- SUPPLIER CODE: V24984 OPTIONAL PART: 14F02-32T V24984	103106	2
- 160	14F03-32T	...	FERRULE- SUPPLIER CODE: V24984 OPTIONAL PART: 903B375S32T V79326	103106	1

MISSING ITEM NUMBERS NOT APPLICABLE

- ITEM NOT ILLUSTRATED

38-32-30-06

38-32-30
FIG. 06
PAGE 4
JAN 20/09

BRI



757

PARTS CATALOG (MAINTENANCE)

FIG ITEM	PART NUMBER	1 2 3 4 5 6 7	NOMENCLATURE	EFFECT FROM TO	UNITS PER ASSY
6					
- 160	903B375S32T		... FERRULE- SUPPLIER CODE: V79326 OPTIONAL PART: 14F03-32T V24984	103106	1
165	417N8713-8		... TUBE- TUBING MATERIAL: 2.00 O.D. X 0.028 WT X LENGTH (DETERMINED AT FABRICATION). TI-COM- PURE 40 TUBING PER BMS 7-21, GRADE II. USED ON: 417N8713-7	103106	1
170	417N8713-9		... TUBE- TUBING MATERIAL: 2.00 O.D. X 0.028 WT X LENGTH (DETERMINED AT FABRICATION). TI-COM- PURE 40 TUBING PER BMS 7-21, GRADE II. USED ON: 417N8713-7	103106	1
175	417N8713-11		... TUBE- TUBING MATERIAL: 2.00 O.D. X 0.028 WT X LENGTH (DETERMINED AT FABRICATION). TI-COM- PURE 40 TUBING PER BMS 7-21, GRADE II. USED ON: 417N8713-10	103106	1
180	417N8713-12		... TUBE- TUBING MATERIAL: 2.00 O.D. X 0.028 WT X LENGTH (DETERMINED AT FABRICATION). TI-COM- PURE 40 TUBING PER BMS 7-21, GRADE II. USED ON: 417N8713-10	103106	1
- 200	MODREF19020		TUBING INSTL-VAC WASTE SYS MODULE NUMBER: 417N8740-8 REV A POSITION DATA: MID-AFT	103106	1
205	BACS12GU3K11		.SCREW	103106	4
210	BACS12GU3K13		.SCREW	103106	6

MISSING ITEM NUMBERS NOT APPLICABLE

- ITEM NOT ILLUSTRATED

38-32-30-06

38-32-30
FIG. 06
PAGE 5
JAN 20/09

BRI

BOEING PROPRIETARY - Copyright © - Unpublished Work - See title page for details.



757

PARTS CATALOG (MAINTENANCE)

FIG ITEM	PART NUMBER	1 2 3 4 5 6 7	NOMENCLATURE	EFFECT FROM TO	UNITS PER ASSY
6					
215	NAS1149D0332J	.	WASHER	103106	12
220	BRC600-8-3GP	.	NUT	103106	2
			SUPPLIER CODE: V52828		
			SPECIFICATION NUMBER: BACN10YD1G		
			OPTIONAL PART: 130120G V60119		
225	PLH53CD	.	NUT	103106	2
			SUPPLIER CODE: VF0224		
			SPECIFICATION NUMBER: BACN10YR3CD		
			OPTIONAL PART: H52732-3CD V15653		
230	BACC10EW32A	.	CLAMP STRAP	103106	3
235	BACC10EW32B	.	CLAMP SADDLE	103106	3
240	S258DT24	.	CLAMP	103106	2
			SUPPLIER CODE: V18076		
			SPECIFICATION NUMBER: BACC10DW24D		
			OPTIONAL PART: TA4C44D24T V84971 475-24 V83930 8084D24T V72285 475A24 V83930		
245	417N8812-13	.	INTERCOSTAL ASSY	103106	1
250	14C02-32A	.	CLAMSHELL-	103106	2
			SUPPLIER CODE: V24984		
			OPTIONAL PART: W994-32DE V79326 AS1655A32 V24984		

MISSING ITEM NUMBERS NOT APPLICABLE

- ITEM NOT ILLUSTRATED

38-32-30-06

38-32-30
FIG. 06
PAGE 6
JAN 20/09

BRI

BOEING PROPRIETARY - Copyright © - Unpublished Work - See title page for details.



757

PARTS CATALOG (MAINTENANCE)

FIG ITEM	PART NUMBER	1 2 3 4 5 6 7	NOMENCLATURE	EFFECT FROM TO	UNITS PER ASSY
6 250	W994-32DE		.CLAMSHELL- SUPPLIER CODE: V79326 OPTIONAL PART: 14C02-32A V24984 AS1655A32 V24984	103106	2
250	AS1655A32		.CLAMSHELL- SUPPLIER CODE: V24984 OPTIONAL PART: 14C02-32A V24984 W994-32DE V79326	103106	2
255	14R02-32T		.SLEEVE- SUPPLIER CODE: V24984 OPTIONAL PART: W908B32T V79326 AS1654T32 V24984	103106	2
255	W908B32T		.SLEEVE- SUPPLIER CODE: V79326 OPTIONAL PART: AS1654T32 V24984 14R02-32T V24984	103106	2
255	AS1654T32		.SLEEVE- SUPPLIER CODE: V24984 OPTIONAL PART: W908B32T V79326 14R02-32T V24984	103106	2
260	M83461-1-226		.PACKING- OPTIONAL PART: MS29513-226	103106	4
260	MS29513-226		.PACKING- OPTIONAL PART: M83461-1-226	103106	4
265	417N8740-108		.SET ASSY-TUBE	103106	1
270	417N8712-65		..TUBE ASSY	103106	1
275	417N8712-67		..TUBE ASSY	103106	1

MISSING ITEM NUMBERS NOT APPLICABLE

- ITEM NOT ILLUSTRATED

38-32-30-06

38-32-30
FIG. 06
PAGE 7
JAN 20/09

BRI

BOEING PROPRIETARY - Copyright © - Unpublished Work - See title page for details.



757

PARTS CATALOG (MAINTENANCE)

FIG ITEM	PART NUMBER	1 2 3 4 5 6 7	NOMENCLATURE	EFFECT FROM TO	UNITS PER ASSY
6					
- 280	14F02-32T	...	FERRULE- SUPPLIER CODE: V24984 OPTIONAL PART: W902-32T V79326	103106	2
- 280	W902-32T	...	FERRULE- SUPPLIER CODE: V24984 OPTIONAL PART: 14F02-32T V24984	103106	2
285	417N8712-66	...	TUBE- TUBING MATERIAL: 2.00 O.D. X 0.028 WT X LENGTH (DETERMINED AT FABRICATION) TI-COM-PURE 40 TUBING PER BMS 7-21, GRADE II USED ON: 417N8712-65	103106	1
290	417N8712-68	...	TUBE- TUBING MATERIAL: 2.00 O.D. X 0.028 WT X LENGTH (DETERMINED AT FABRICATION) TI-COM-PURE 40 TUBING PER BMS 7-21, GRADE II USED ON: 417N8712-67	103106	1

MISSING ITEM NUMBERS NOT APPLICABLE

- ITEM NOT ILLUSTRATED

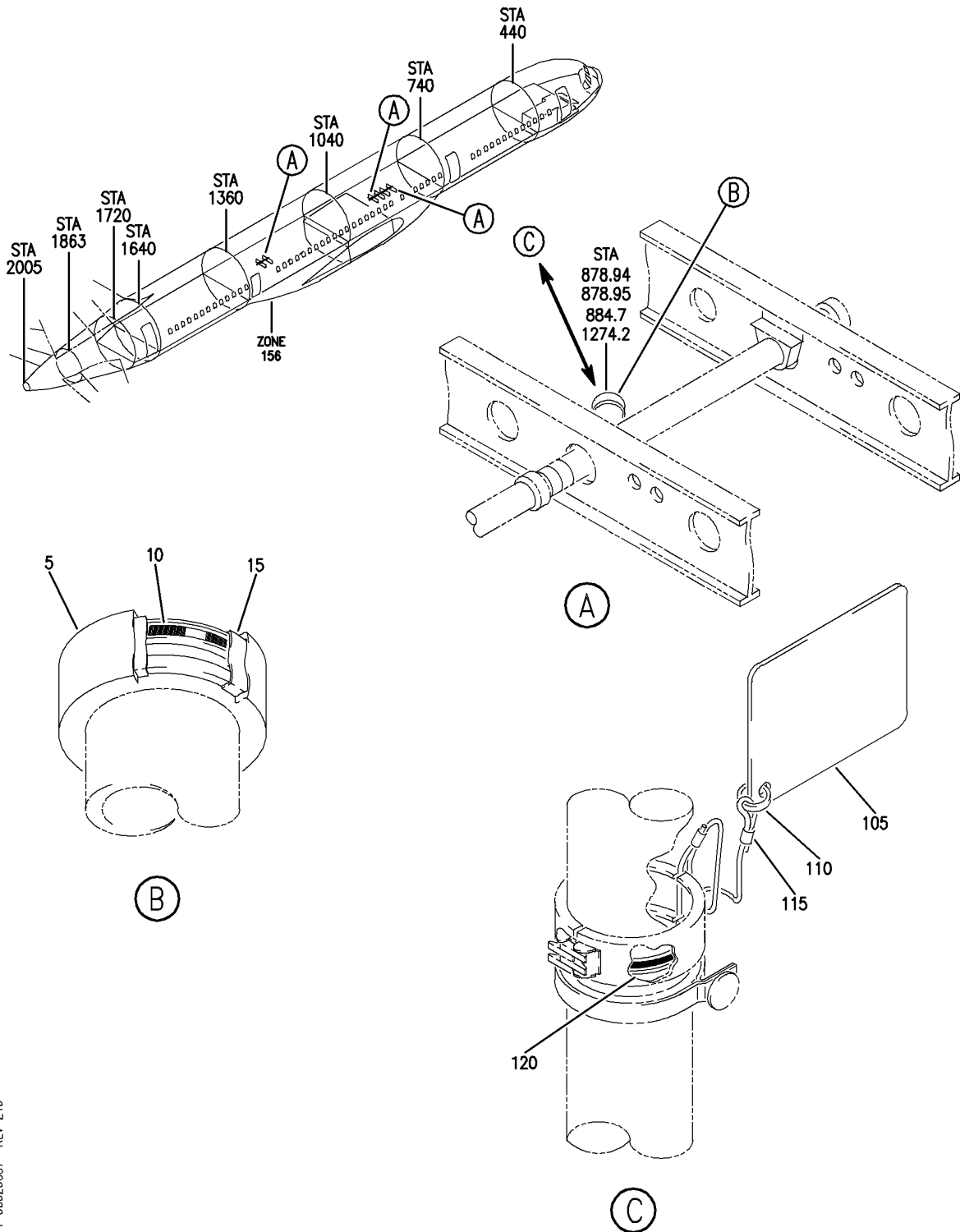
BRI

38-32-30-06

BOEING PROPRIETARY - Copyright © - Unpublished Work - See title page for details.

38-32-30
FIG. 06
PAGE 8
JAN 20/09

BOEING
757
PARTS CATALOG (MAINTENANCE)



Y 38323007 REV 243

CAP AND DISK INSTL VAC WASTE SYS
FIGURE 7

38-32-30-07

BRI
JAN 20/09

38-32-30-07
PAGE 0



757

PARTS CATALOG (MAINTENANCE)

FIG ITEM	PART NUMBER	1 2 3 4 5 6 7	NOMENCLATURE	EFFECT FROM TO	UNITS PER ASSY
7			CAP AND DISK INSTL VAC WASTE SYS	103106	
- 1	417N8760-3		CAP INSTL-VAC WASTE SYS POSITION DATA: LAV B	103106	RF
- 2	417N8760-4		CAP INSTL-VAC WASTE SYS POSITION DATA: LAV F	103106	RF
- 3	MODREF19027		CAP INSTL-VAC WASTE SYS MODULE NUMBER: 417N8760-5 REV A POSITION DATA: LAV V	103106	1
5	14C02-32A		.CLAMSHELL- SUPPLIER CODE: V24984 OPTIONAL PART: W994-32DE V79326 AS1655A32 V24984	103106	1
5	W994-32DE		.CLAMSHELL- SUPPLIER CODE: V79326 OPTIONAL PART: 14C02-32A V24984 AS1655A32 V24984	103106	1
5	AS1655A32		.CLAMSHELL- SUPPLIER CODE: V24984 OPTIONAL PART: 14C02-32A V24984 W994-32DE V79326	103106	1
10	M83461-1-226		.PACKING- OPTIONAL PART: MS29513-226	103106	1
10	MS29513-226		.PACKING- OPTIONAL PART: M83461-1-226	103106	1

MISSING ITEM NUMBERS NOT APPLICABLE

- ITEM NOT ILLUSTRATED

38-32-30-07

38-32-30
FIG. 07
PAGE 1
JAN 20/09

BRI



757

PARTS CATALOG (MAINTENANCE)

FIG ITEM	PART NUMBER	1 2 3 4 5 6 7	NOMENCLATURE	EFFECT FROM TO	UNITS PER ASSY
7					
15	417T0036-1		.CAP- POSITION DATA: STA 1274.2, LBL 15.2 AND WL 204.9 FOR -3 STA 884.7, LBL 9.67 AND WL 204.4 FOR -4 STA 878.94, RBL 29.29 AND WL 198.79 FOR -5	103106	1
- 100	MODREF23970		DISK INSTL-VAC WASTE SYS MODULE NUMBER: 417N8760-8 REV B POSITION DATA: LAV V	103106	1
105	BAC27DPA5141		.MARKER- PLACARD CONTENT: NOTICE CONTAINS FLOW-STOP DISK. REMOVE FLOW-STOP DISK BEFORE TOILET OPERATION	103106	1
110	BACR12BU8B		.RING	103106	1
115	417N8691-1		.LANYARD ASSY	103106	1
120	417A8718-1		.DISK-BLANKING	103106	1

MISSING ITEM NUMBERS NOT APPLICABLE

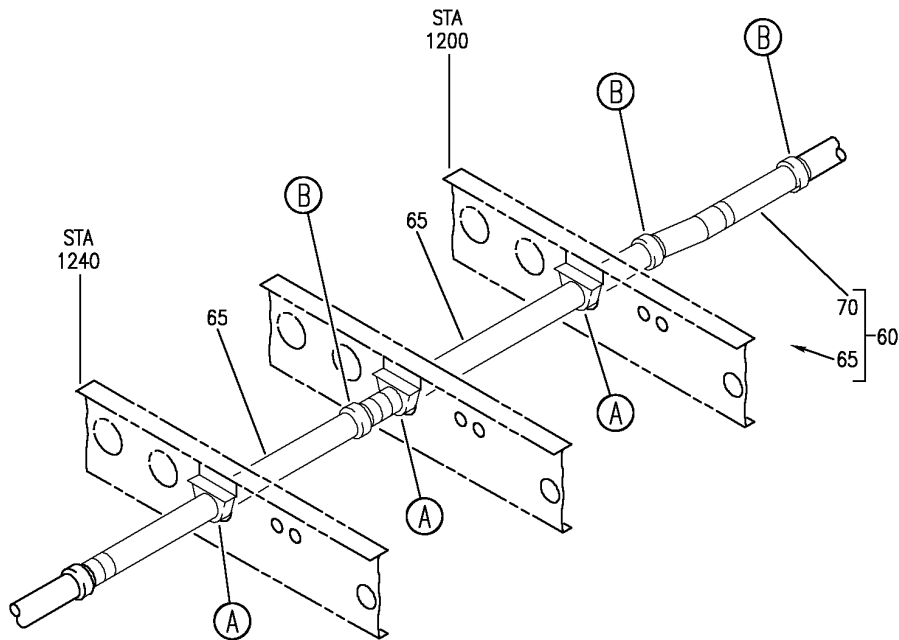
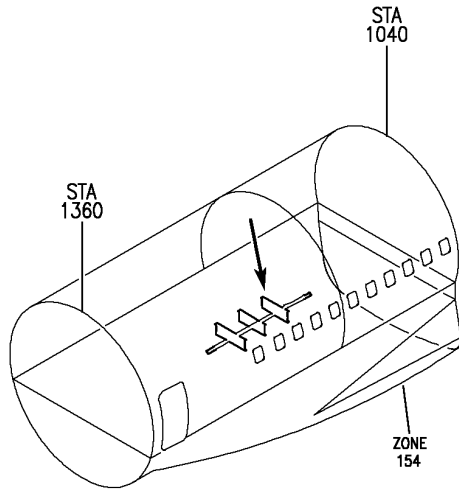
- ITEM NOT ILLUSTRATED

38-32-30-07

38-32-30
FIG. 07
PAGE 2
JAN 20/09

BRI

BOEING
757
PARTS CATALOG (MAINTENANCE)



Y 38323008 SH1 1 REV 254

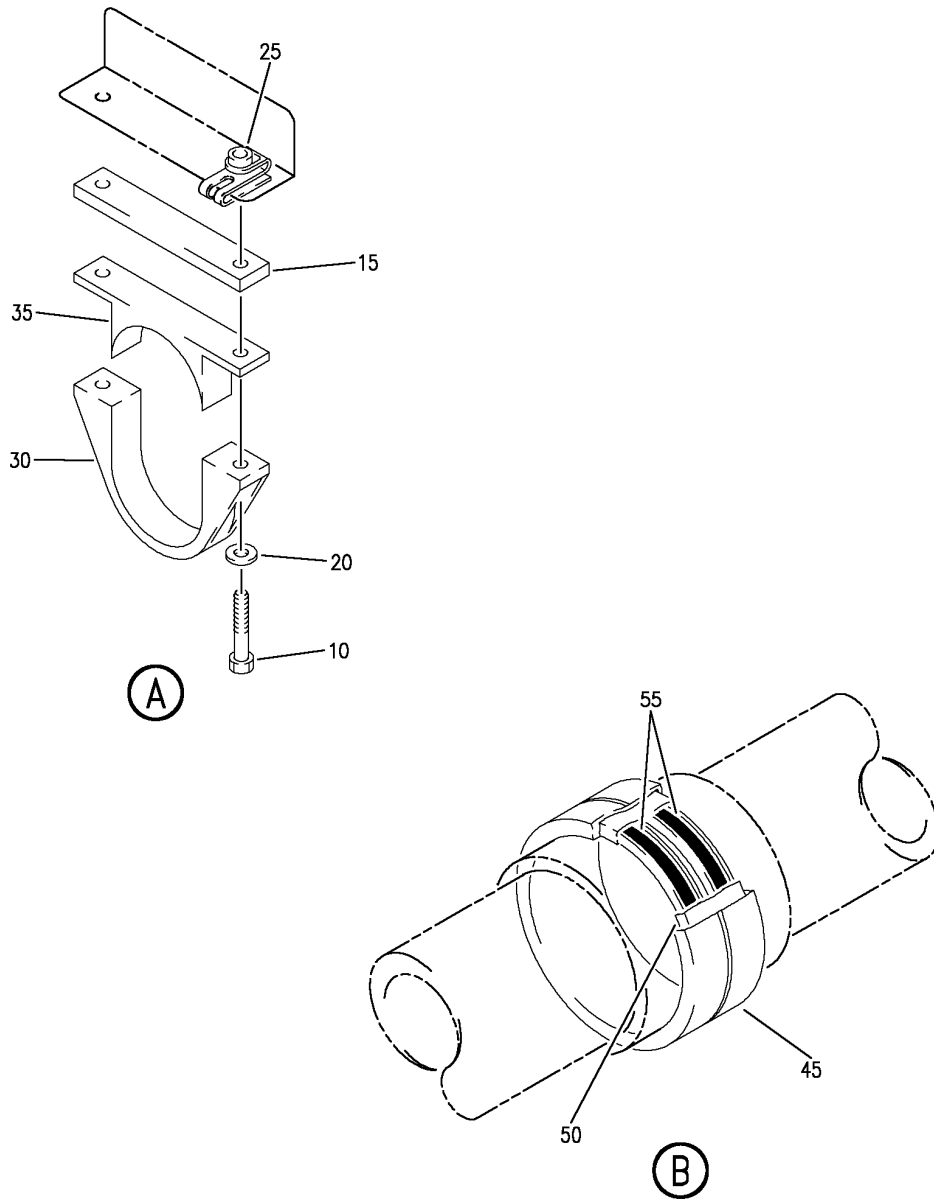
TUBING INSTL-VAC WASTE SYS
FIGURE 8 (SHEET 1)

38-32-30-08

BRI
JAN 20/09

38-32-30-08
PAGE 0

BOEING
757
PARTS CATALOG (MAINTENANCE)



Y 38323008 SH1 2 REV 254

TUBING INSTL-VAC WASTE SYS
FIGURE 8 (SHEET 2)

38-32-30-08

BRI
JAN 20/09

38-32-30-08
PAGE 0A



757

PARTS CATALOG (MAINTENANCE)

FIG ITEM	PART NUMBER	1 2 3 4 5 6 7	NOMENCLATURE	EFFECT FROM TO	UNITS PER ASSY
8					
- 1	MODREF31603		TUBING INSTL-VAC WASTE SYS TUBING INSTL-VAC WASTE SYS MODULE NUMBER: 417N8740-9 REV A	103106 103106	1
10	BACS12GU3K17		.SCREW	103106	6
15	69B92447-24		.SPACER	103106	3
20	NAS1149D0332J		.WASHER	103106	6
25	BRC600-8-3GP		.NUT SUPPLIER CODE: V52828 SPECIFICATION NUMBER: BACN10YD1G OPTIONAL PART: 130120G V60119	103106	6
30	BACC10EW32A		.CLAMP STRAP	103106	3
35	BACC10EW32B		.CLAMP SADDLE	103106	3
45	14C02-32A		.CLAMSHELL- SUPPLIER CODE: V24984 OPTIONAL PART: AS1655A32 V24984 W994-32DE V79326	103106	3
45	AS1655A32		.CLAMSHELL- SUPPLIER CODE: V24984 OPTIONAL PART: 14C02-32A V24984 W994-32DE V79326	103106	3
45	W994-32DE		.CLAMSHELL- SUPPLIER CODE: V79326 OPTIONAL PART: 14C02-32A V24984 AS1655A32 V24984	103106	3
50	14R02-32T		.SLEEVE- SUPPLIER CODE: V24984 OPTIONAL PART: W908B32T V79326	103106	3

MISSING ITEM NUMBERS NOT APPLICABLE

- ITEM NOT ILLUSTRATED

38-32-30-08

38-32-30
FIG. 08
PAGE 1
JAN 20/09

BRI



757

PARTS CATALOG (MAINTENANCE)

FIG ITEM	PART NUMBER	1 2 3 4 5 6 7	NOMENCLATURE	EFFECT FROM TO	UNITS PER ASSY
8					
50	W908B32T	.	SLEEVE- SUPPLIER CODE: V79326 OPTIONAL PART: 14R02-32T V24984	103106	3
55	M83461-1-226	.	PACKING- OPTIONAL PART: MS29513-226	103106	6
55	MS29513-226	.	PACKING- OPTIONAL PART: M83461-1-226	103106	6
60	417N8740-109	.	TUBE ASSY-SET	103106	1
65	417N8711-1	..	TUBE ASSY- TUBING MATERIAL: 2.00 O.D. X 0.020 WT X 29-46 TI-COM-PURE 40 TUBING PER BMS 7-21, GRADE II	103106	2
70	417N8712-57	..	TUBE ASSY- (WASTE WATER SYSTEM ONLY) TUBING MATERIAL: 2.00 O.D. X 0.020 WT X 29-46 TI-COM-PURE 40 TUBING PER BMS 7-21, GRADE II FUNCTIONAL REFERENCE: PLACARDS AND MARKINGS FOR DETAILS SEE 11-21-23-11	103106	1
- 75	14F02-32T	...	FERRULE- SUPPLIER CODE: V24984 OPTIONAL PART: W902-32T V79326	103106	2
- 75	W902-32T	...	FERRULE- SUPPLIER CODE: V24984 OPTIONAL PART: 14F02-32T V24984	103106	2

MISSING ITEM NUMBERS NOT APPLICABLE

- ITEM NOT ILLUSTRATED

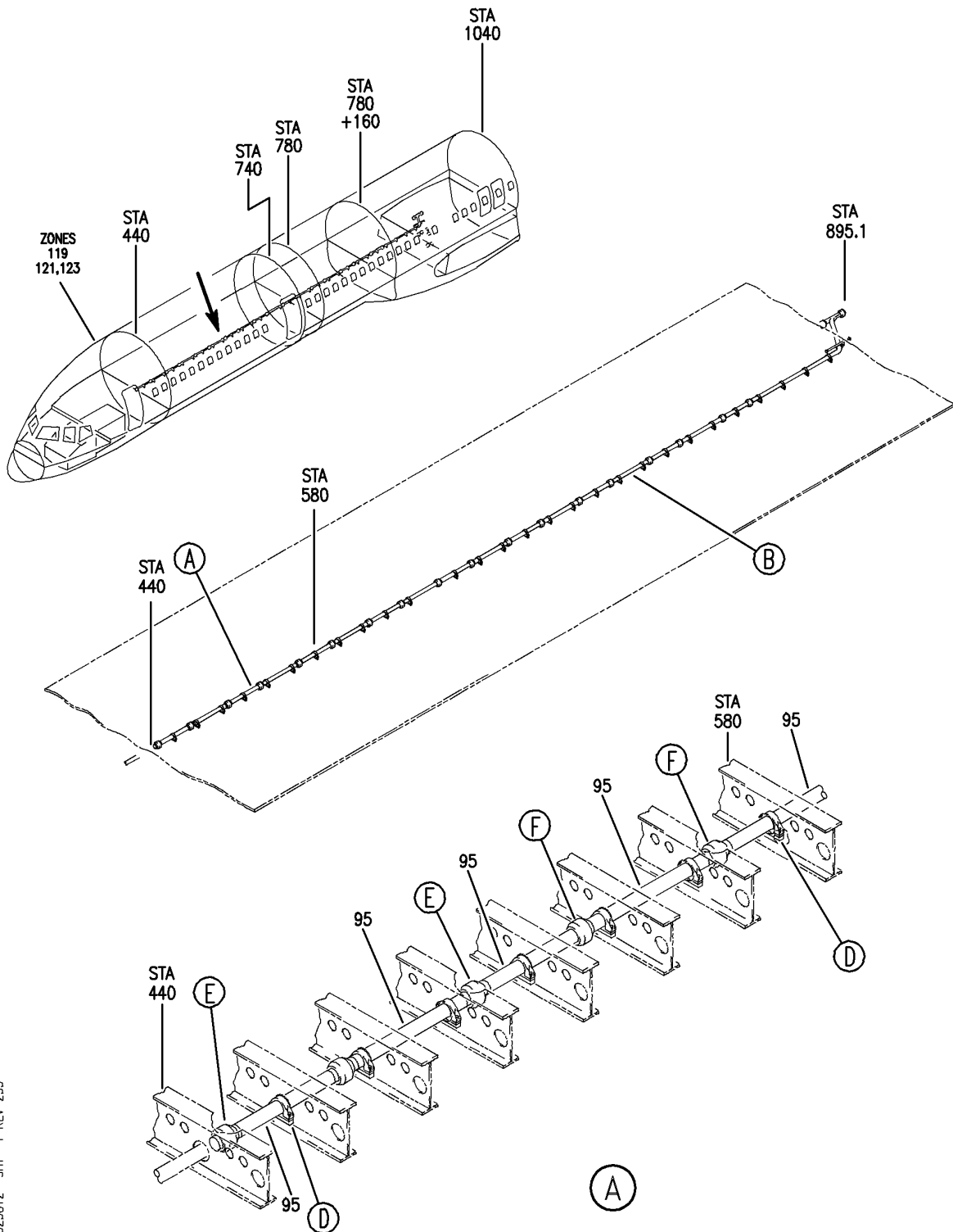
38-32-30-08

38-32-30
FIG. 08
PAGE 2
JAN 20/09

BRI

BOEING PROPRIETARY - Copyright © - Unpublished Work - See title page for details.

BOEING
757
PARTS CATALOG (MAINTENANCE)



Y 38323012 SHT 1 REV 235

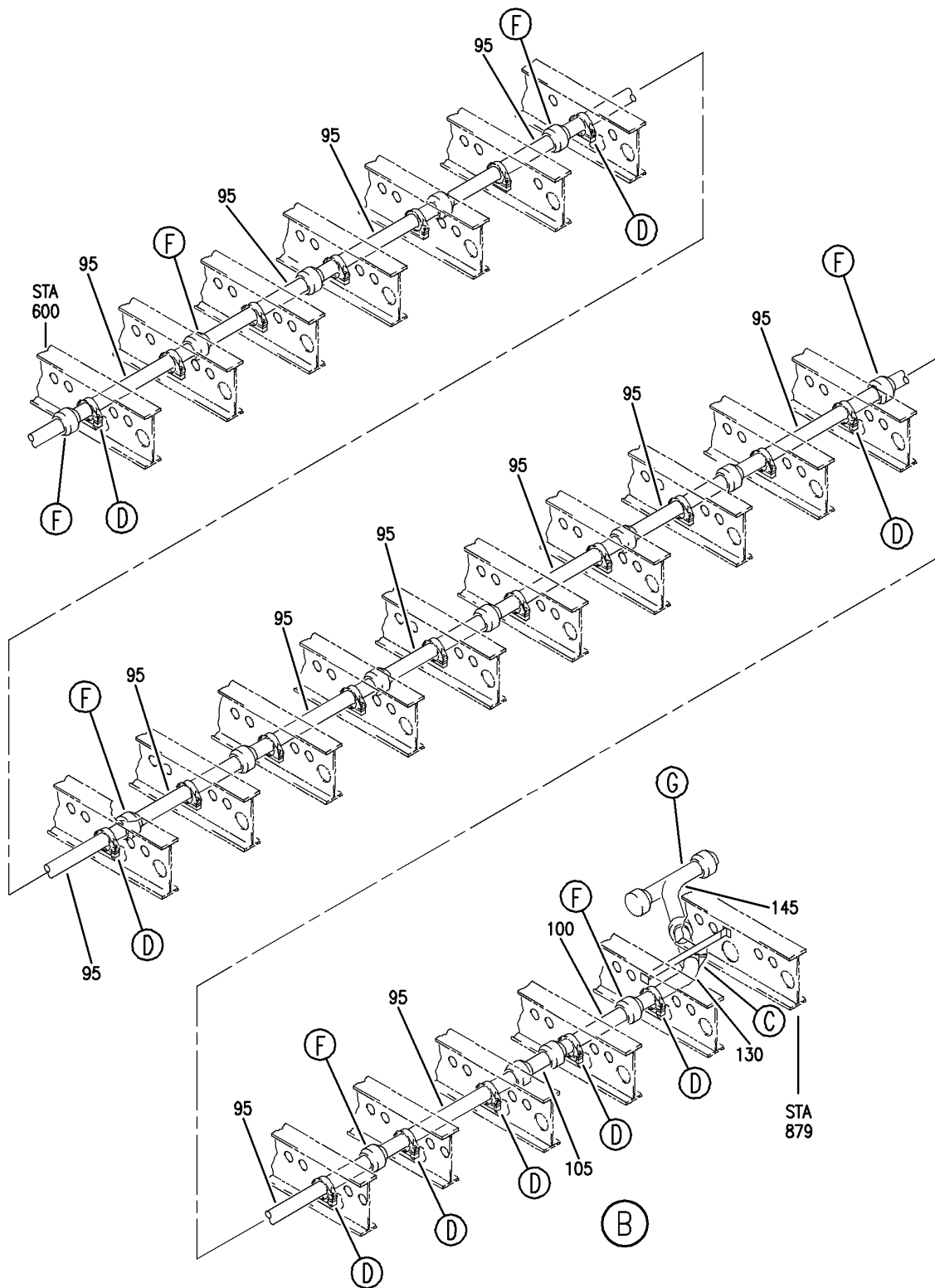
TUBING INSTL-VAC WASTE SYS MID-FWD
FIGURE 12 (SHEET 1)

38-32-30-12

BRI
JAN 20/09

38-32-30-12
PAGE 0

BOEING
757
PARTS CATALOG (MAINTENANCE)



Y 38323012 SHT 2 REV 235

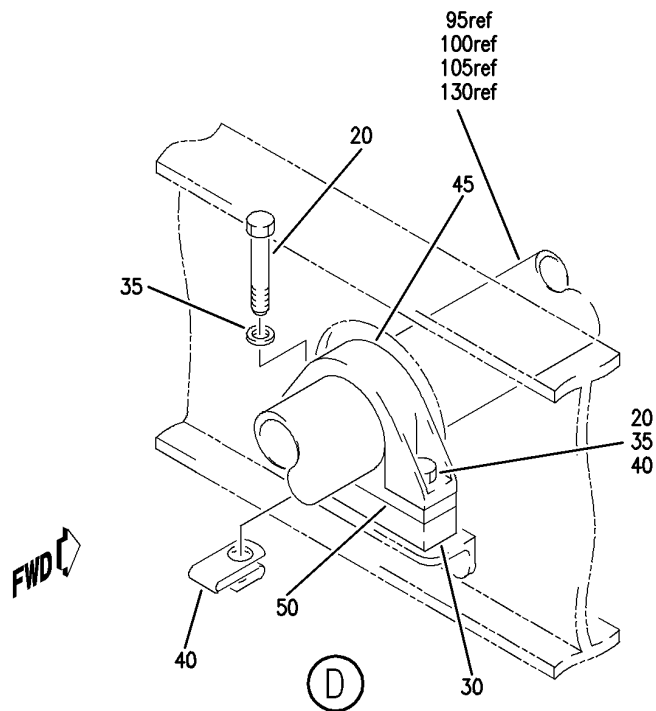
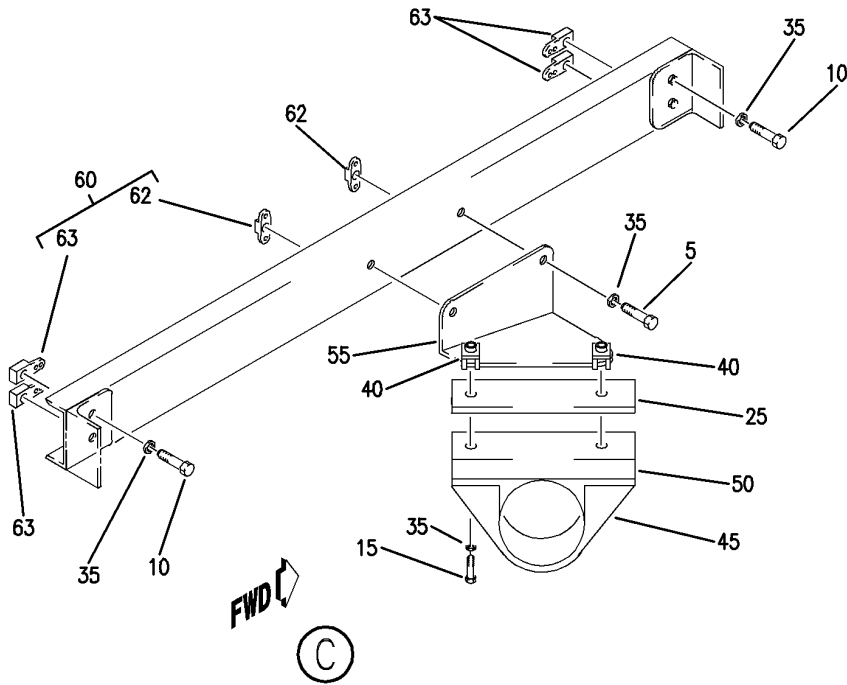
TUBING INSTL-VAC WASTE SYS MID-FWD
FIGURE 12 (SHEET 2)

38-32-30-12

BRI
JAN 20/09

38-32-30-12
PAGE 0A

BOEING
757
PARTS CATALOG (MAINTENANCE)



Y 38323012 SH1 3 REV 235

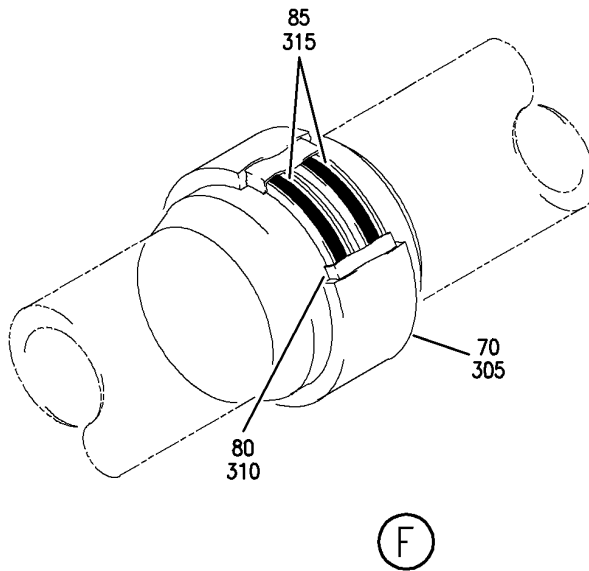
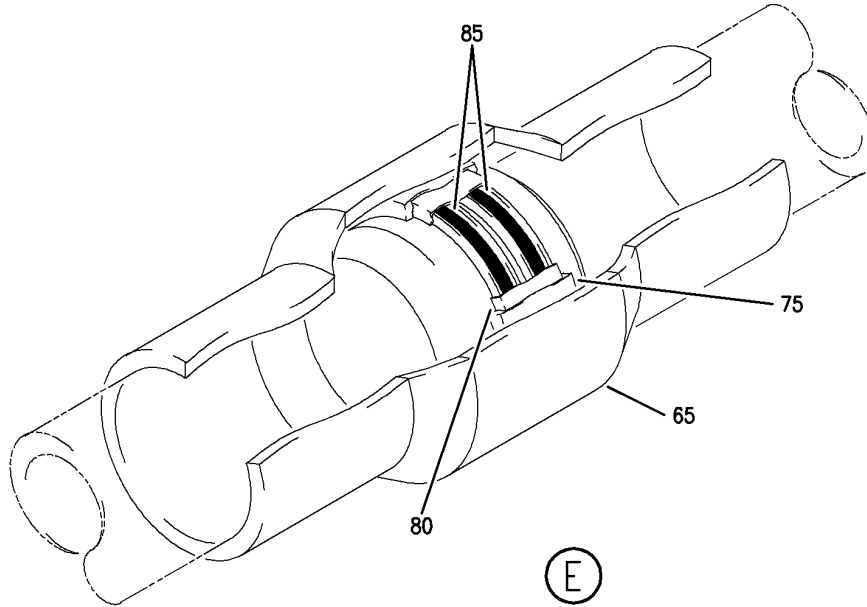
TUBING INSTL-VAC WASTE SYS MID-FWD
FIGURE 12 (SHEET 3)

38-32-30-12

BRI
JAN 20/09

38-32-30-12
PAGE 08

BOEING
757
PARTS CATALOG (MAINTENANCE)



Y 38323012 SH1 4 REV 235

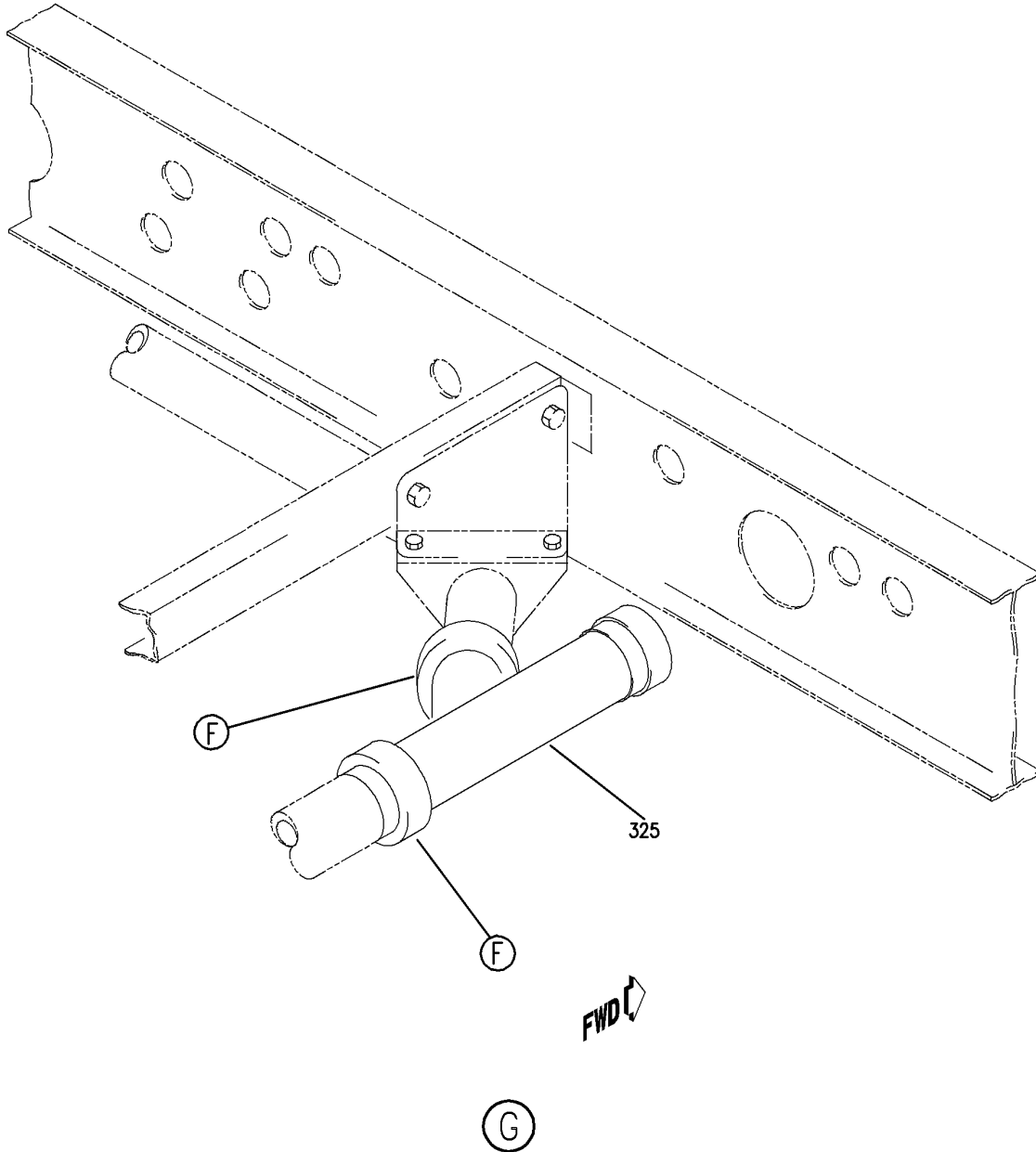
TUBING INSTL-VAC WASTE SYS MID-FWD
FIGURE 12 (SHEET 4)

38-32-30-12

BRI
JAN 20/09

38-32-30-12
PAGE 0C

BOEING
757
PARTS CATALOG (MAINTENANCE)



Y 38323012 SH1 5 REV 235

TUBING INSTL-VAC WASTE SYS MID-FWD
FIGURE 12 (SHEET 5)

38-32-30-12

BRI
JAN 20/09

38-32-30-12
PAGE 0D



757

PARTS CATALOG (MAINTENANCE)

FIG ITEM	PART NUMBER	1 2 3 4 5 6 7	NOMENCLATURE	EFFECT FROM TO	UNITS PER ASSY
12			TUBING INSTL-VAC WASTE SYS MID-FWD	103106	
- 300	417N8720-7		TUBING INSTL-VAC WASTE SYS POSITION DATA: MID-FWD	103106	RF
305	14C02-32A		.CLAMSHELL- SUPPLIER CODE: V24984 OPTIONAL PART: W994-32DE V79326 AS1655A32 V24984	103106	1
305	W994-32DE		.CLAMSHELL- SUPPLIER CODE: V79326 OPTIONAL PART: 14C02-32A V24984 AS1655A32 V24984	103106	1
305	AS1655A32		.CLAMSHELL- SUPPLIER CODE: V24984 OPTIONAL PART: 14C02-32A V24984 W994-32DE V79326	103106	1
310	14R02-32T		.SLEEVE- SUPPLIER CODE: V24984 OPTIONAL PART: W908B32T V79326 AS1654T32 V24984	103106	1
310	W908B32T		.SLEEVE- SUPPLIER CODE: V79326 OPTIONAL PART: 14R02-32T V24984 AS1654T32 V24984	103106	1

MISSING ITEM NUMBERS NOT APPLICABLE

- ITEM NOT ILLUSTRATED

38-32-30-12

38-32-30
FIG. 12
PAGE 1
JAN 20/09

BRI



757

PARTS CATALOG (MAINTENANCE)

FIG ITEM	PART NUMBER	1 2 3 4 5 6 7	NOMENCLATURE	EFFECT FROM TO	UNITS PER ASSY
12 310	AS1654T32		.SLEEVE- SUPPLIER CODE: V24984 OPTIONAL PART: W908B32T V79326 14R02-32T V24984	103106	1
315	M83461-1-226		.PACKING- OPTIONAL PART: MS29513-226	103106	2
315	MS29513-226		.PACKING- OPTIONAL PART: M83461-1-226	103106	2
- 320	417N8720-107		.TUBE ASSY SET	103106	1
325	417N8713-16		..TUBE ASSY- TUBING MATERIAL: 2.0 O.D X 0.028 WT X LENGTH (DETERMINED AT FABRICATION) TI-COM- PURE 40 TUBING PER BMS 7-21	103106	1
- 330	14F02-32T		...FERRULE- SUPPLIER CODE: V24984 OPTIONAL PART: W902-32T V79326	103106	2
- 330	W902-32T		...FERRULE- SUPPLIER CODE: V24984 OPTIONAL PART: 14F02-32T V24984	103106	2
- 335	14F03-32T		...FERRULE- SUPPLIER CODE: V24984 OPTIONAL PART: 903B375S32T V79326	103106	1
- 335	903B375S32T		...FERRULE- SUPPLIER CODE: V79326 OPTIONAL PART: 14F03-32T V24984	103106	1

MISSING ITEM NUMBERS NOT APPLICABLE

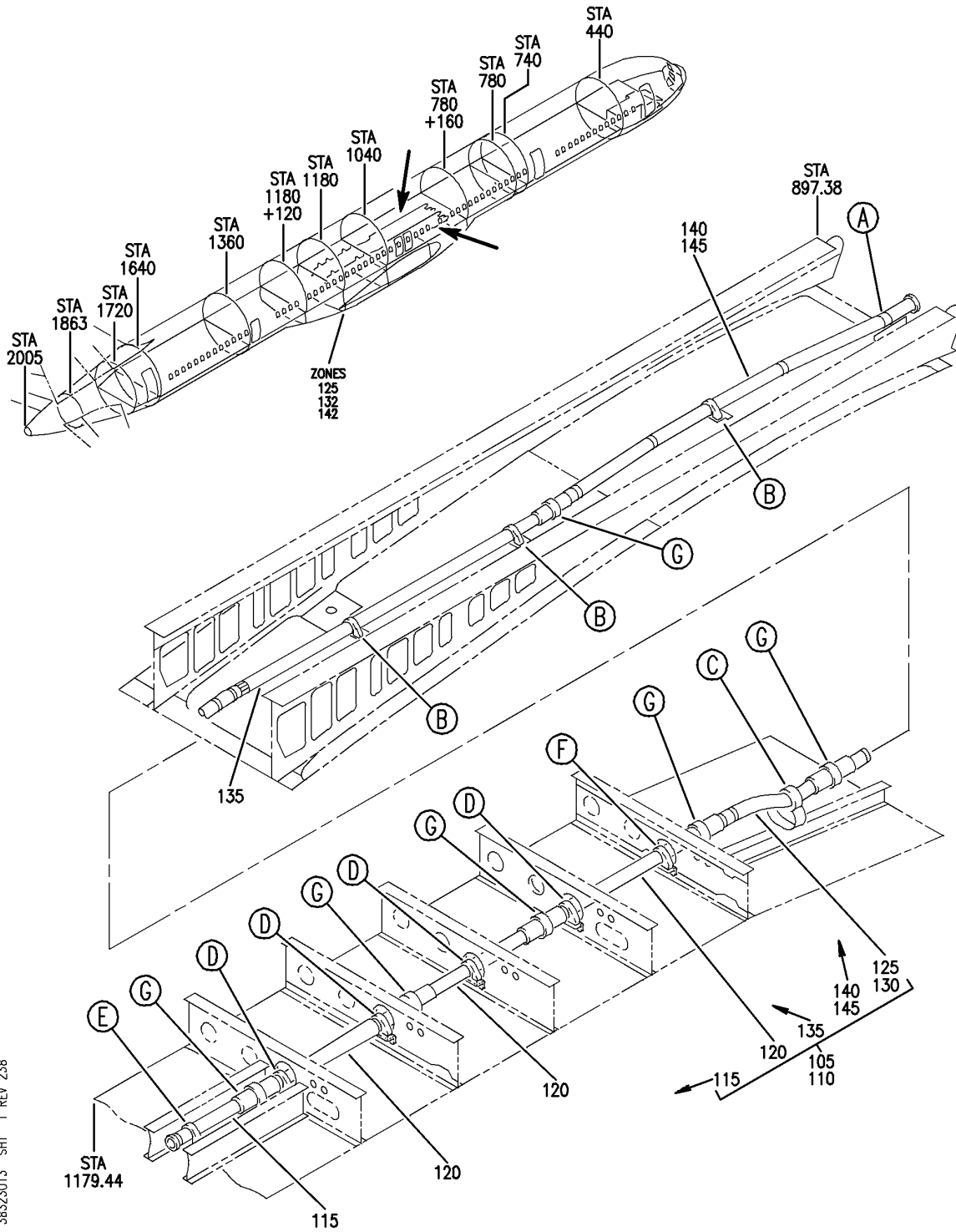
- ITEM NOT ILLUSTRATED

38-32-30-12

38-32-30
FIG. 12
PAGE 2
JAN 20/09

BRI

BOEING
757
PARTS CATALOG (MAINTENANCE)



Y 38323013 SHT 1 REV 238

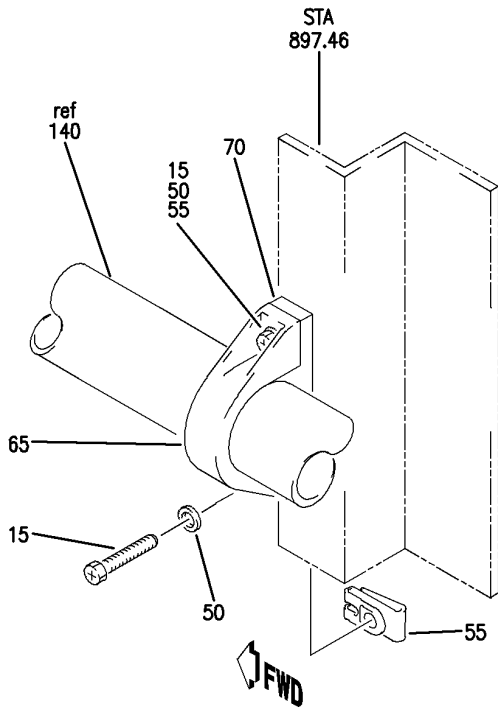
TUBING INSTL-VAC WASTE SYS, CTR
FIGURE 13 (SHEET 1)

38-32-30-13

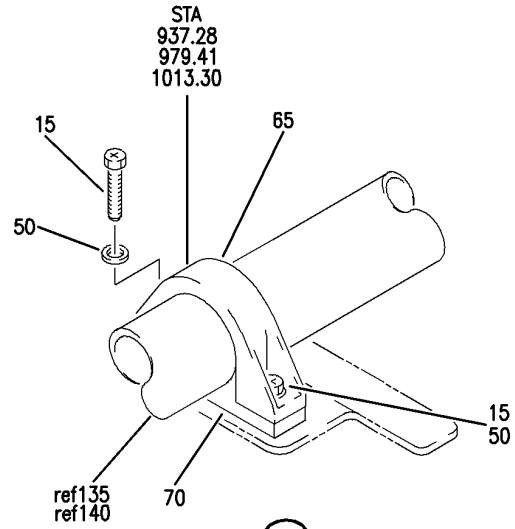
BRI
JAN 20/09

38-32-30-13
PAGE 0

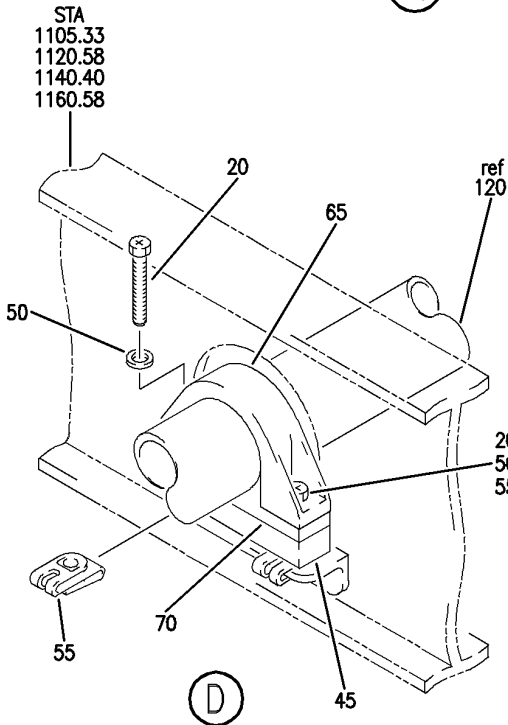

BOEING
 757
PARTS CATALOG (MAINTENANCE)



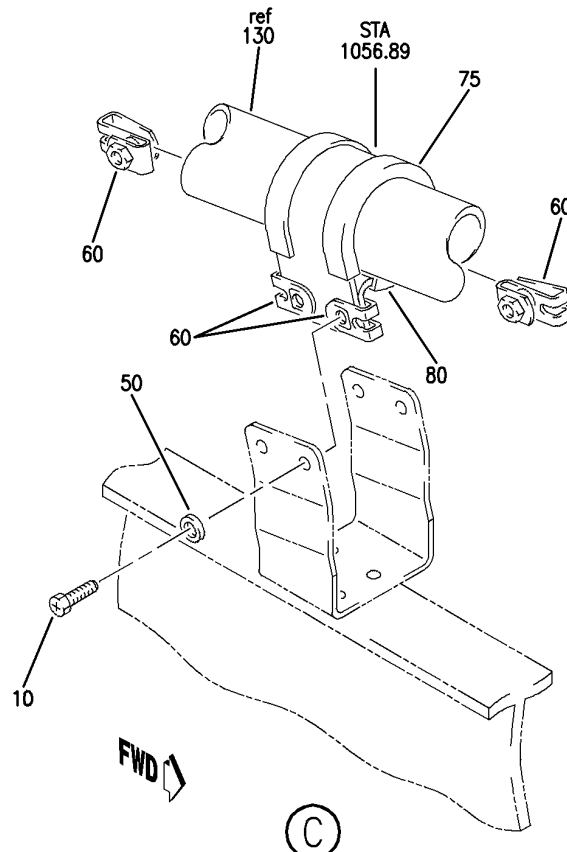
(A)



(B)



(D)



(C)

Y 38323013 SHT 2 REV 238

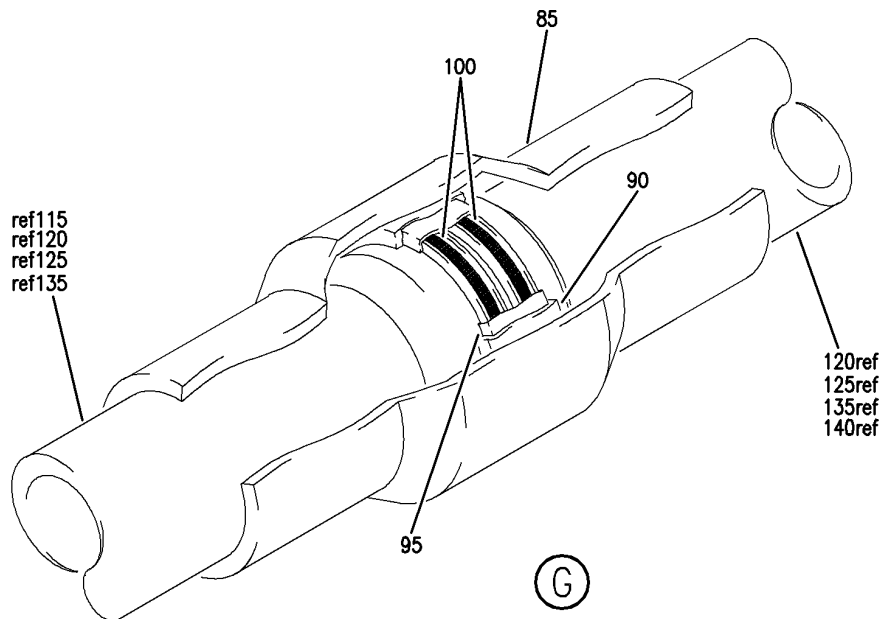
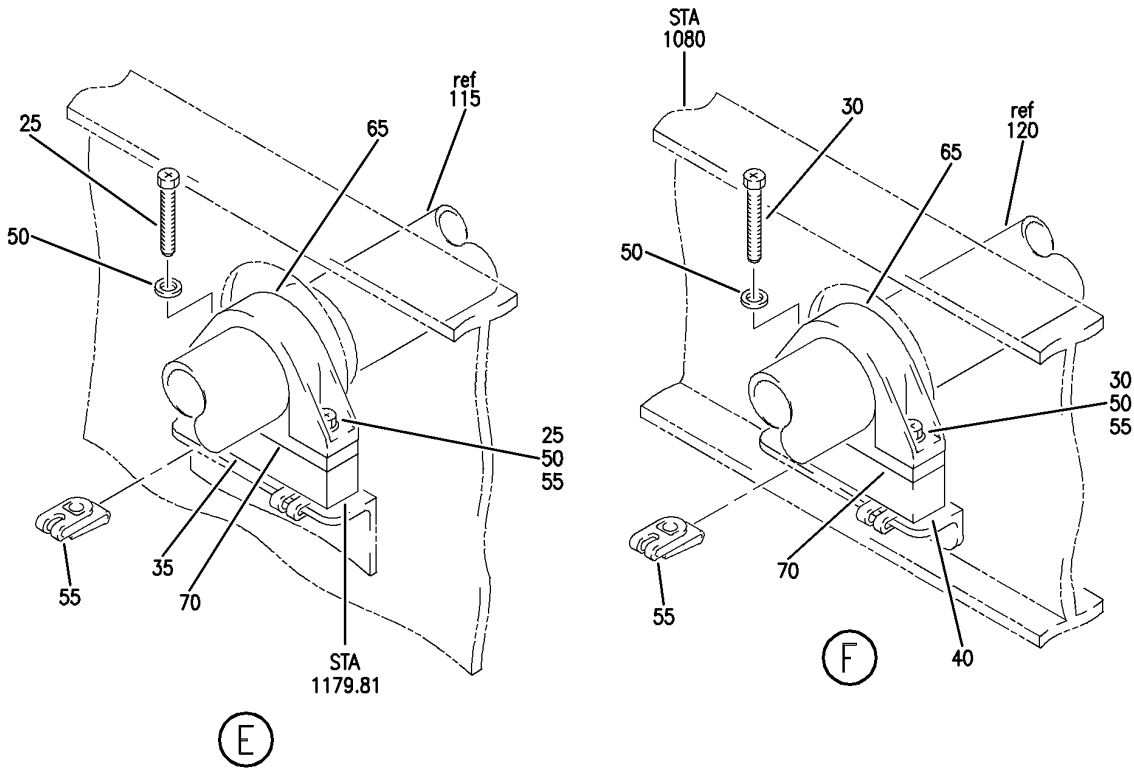
TUBING INSTL-VAC WASTE SYS, CTR
 FIGURE 13 (SHEET 2)

38-32-30-13

BRI
 JAN 20/09

38-32-30-13
 PAGE 0A

BOEING
757
PARTS CATALOG (MAINTENANCE)



Y 38323013 SH1 3 REV 238

TUBING INSTL-VAC WASTE SYS, CTR
FIGURE 13 (SHEET 3)

38-32-30-13

BRI
JAN 20/09

38-32-30-13
PAGE 0B



757

PARTS CATALOG (MAINTENANCE)

FIG ITEM	PART NUMBER	1 2 3 4 5 6 7	NOMENCLATURE	EFFECT FROM TO	UNITS PER ASSY
13			TUBING INSTL-VAC WASTE SYS, CTR	103106	
- 1	417N8730-1		TUBING INSTL-VAC WASTE SYS	103106	RF
- 3	MODREF19013		POSITION DATA: CTR		
			TUBING INSTL-VAC WASTE SYS	103106	1
			MODULE NUMBER: 417N8730-2 REV A		
			POSITION DATA: CTR		
10	BACS12GU3K8	.SCREW		103106	4
15	BACS12GU3K12	.SCREW		103106	8
20	BACS12GU3K18	.SCREW		103106	8
25	BACS12GU3K23	.SCREW		103106	2
30	BACS12GU3K26	.SCREW		103106	2
35	69B92447-41	.SPACER		103106	1
40	69B92447-55	.SPACER		103106	1
45	69B92447-58	.SPACER		103106	4
50	NAS1149D0332J	.WASHER		103106	24
55	BRC600-8-3GP	.NUT		103106	14
			SUPPLIER CODE: V52828		
			SPECIFICATION NUMBER: BACN10YD1G		
			OPTIONAL PART: 130120G		
			V60119		
60	130069	.NUT		103106	4
			SUPPLIER CODE: V60119		
			SPECIFICATION NUMBER: BACN10FX16		
			OPTIONAL PART: A11330-6-3		
			V72962		
			A4972-6-02		
			V72962		
			A4972-6-02		
			V72962		
65	BACC10EW32A	.CLAMP STRAP		103106	10
70	BACC10EW32B	.CLAMP SADDLE		103106	10

MISSING ITEM NUMBERS NOT APPLICABLE

- ITEM NOT ILLUSTRATED

38-32-30-13

38-32-30
FIG. 13
PAGE 1
JAN 20/09

BRI



757

PARTS CATALOG (MAINTENANCE)

FIG ITEM	PART NUMBER	1 2 3 4 5 6 7	NOMENCLATURE	EFFECT FROM TO	UNITS PER ASSY
13 75	BC116732H1	.CLAMP	SUPPLIER CODE: V14242 SPECIFICATION NUMBER: BACC10ER1-32H OPTIONAL PART: S315-1-32H V18076	103106	1
80	BACC10ER3-32H	.CLAMP	SUPPLIER CODE: V14242 SPECIFICATION NUMBER: BACC10ER3-32H OPTIONAL PART: S315-3-32H V18076	103106	1
85 90	472W2116-2 14C02-32C	.SHROUD .CLAMSHELL-	SUPPLIER CODE: V24984 OPTIONAL PART: W994-32CE V79326	103106 103106	6 6
90	W994-32CE	.CLAMSHELL-	SUPPLIER CODE: V79326 OPTIONAL PART: 14C02-32C V24984	103106	6
95	14R02-32T	.SLEEVE-	SUPPLIER CODE: V24984 OPTIONAL PART: W908B32T V79326	103106	6
95	W908B32T	.SLEEVE-	SUPPLIER CODE: V79326 OPTIONAL PART: 14R02-32T V24984	103106	6
100	M83461-1-226	.PACKING-	OPTIONAL PART: MS29513-226	103106	12
100	MS29513-226	.PACKING-	OPTIONAL PART: M83461-1-226	103106	12

MISSING ITEM NUMBERS NOT APPLICABLE

- ITEM NOT ILLUSTRATED

38-32-30-13

38-32-30
FIG. 13
PAGE 2
JAN 20/09

BRI



757

PARTS CATALOG (MAINTENANCE)

FIG ITEM	PART NUMBER	1 2 3 4 5 6 7	NOMENCLATURE	EFFECT FROM TO	UNITS PER ASSY
13					
105	417N8730-101		.TUBE ASSY-SET USED ON: 417N8730-1 MODREF19012	103106	1
110	417N8730-102		.TUBE ASSY-SET USED ON: 417N8730-2 MODREF19013	103106	1
115	417N8711-11		..TUBE ASSY- TUBING MATERIAL: 2.00 O.D. X 0.020 WT X 17.60 TI-COM-PURE 40 TUBING PER BMS 7-21, GRADE II	103106	1
120	417N8711-1		..TUBE ASSY- TUBING MATERIAL: 2.00 O.D. X 0.020 WT X 29-46 TI-COM-PURE 40 TUBING PER BMS 7-21, GRADE II	103106	3
125	417N8712-25		..TUBE ASSY- TUBING MATERIAL: 2.00 O.D. X 0.028 WT X LENGTH (DETERMINED AT FABRICATION) TI-COM-PURE 40 TUBING PER BMS 7-21, GRADE II USED ON: 417N8730-101	103106	1
130	417N8712-27		..TUBE ASSY- TUBING MATERIAL: 2.00 O.D. X 0.028 WT X LENGTH (DETERMINED AT FABRICATION) TI-COM-PURE 40 TUBING PER BMS 7-21, GRADE II USED ON: 417N8730-102	103106	1
135	417N8712-23		..TUBE ASSY- TUBING MATERIAL: 2.00 O.D. X 0.028 WT X LENGTH (DETERMINED AT FABRICATION) TI-COM-PURE 40 TUBING PER BMS 7-21, GRADE II	103106	1

MISSING ITEM NUMBERS NOT APPLICABLE

- ITEM NOT ILLUSTRATED

38-32-30-13

38-32-30
FIG. 13
PAGE 3
JAN 20/09

BRI



757

PARTS CATALOG (MAINTENANCE)

FIG ITEM	PART NUMBER	1 2 3 4 5 6 7	NOMENCLATURE	EFFECT FROM TO	UNITS PER ASSY
13 140	417N8712-19		..TUBE ASSY- TUBING MATERIAL: 2.00 O.D. X 0.028 WT X LENGTH (DETERMINED AT FABRICATION) TI-COM-PURE 40 TUBING PER BMS 7-21, GRADE II USED ON: 417N8730-101	103106	1
145	417N8712-21		..TUBE ASSY- TUBING MATERIAL: 2.00 O.D. X 0.028 WT X LENGTH (DETERMINED AT FABRICATION) TI-COM-PURE 40 TUBING PER BMS 7-21, GRADE II USED ON: 417N8730-102	103106	1
- 150	14F02-32T		...FERRULE- SUPPLIER CODE: V24984 OPTIONAL PART: W902-32T V79326	103106	2
- 150	W902-32T		...FERRULE- SUPPLIER CODE: V24984 OPTIONAL PART: 14F02-32T V24984	103106	2

MISSING ITEM NUMBERS NOT APPLICABLE

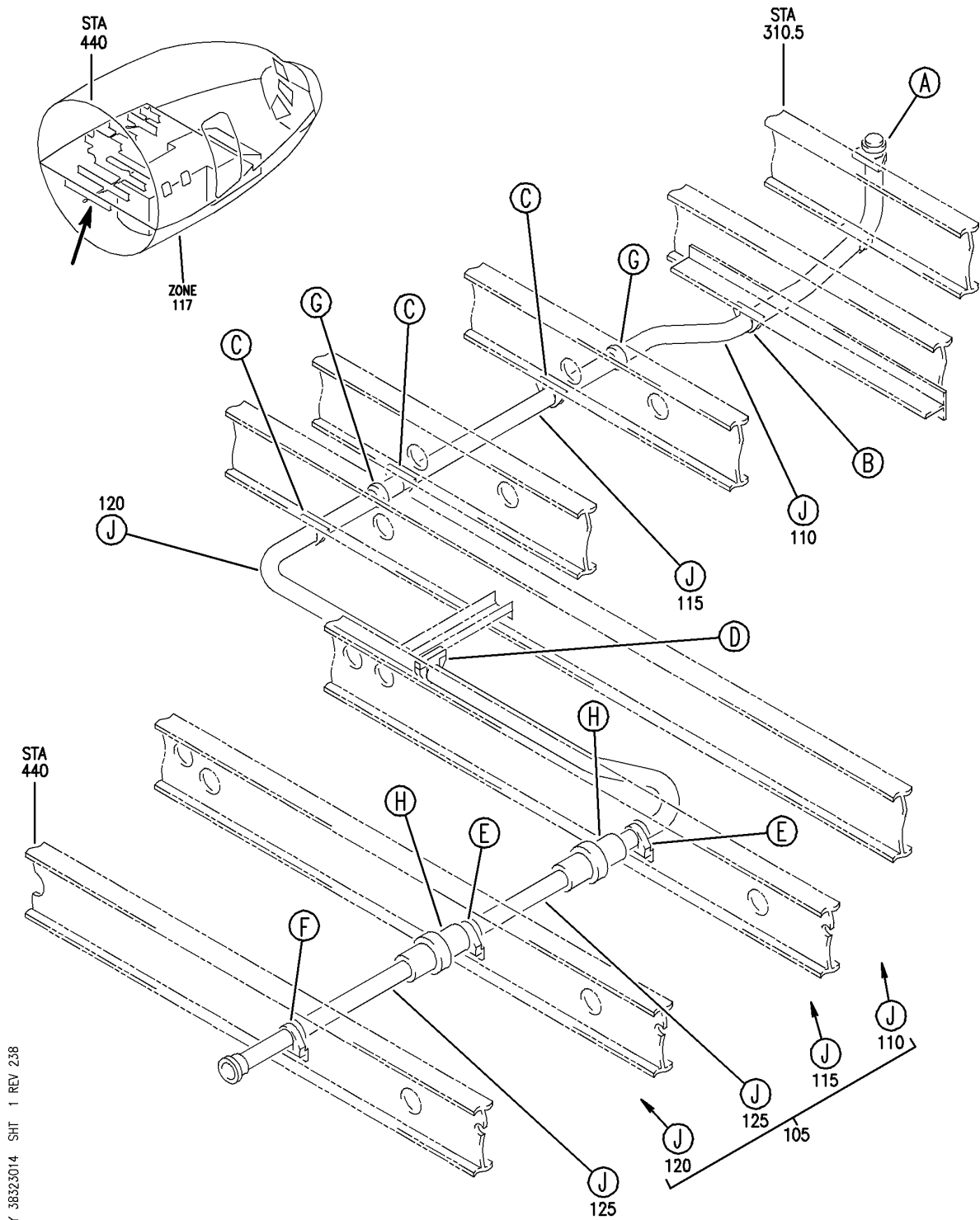
- ITEM NOT ILLUSTRATED

38-32-30-13

38-32-30
FIG. 13
PAGE 4
JAN 20/09

BRI

BOEING
757
PARTS CATALOG (MAINTENANCE)



Y 38323014 SHT 1 REV 238

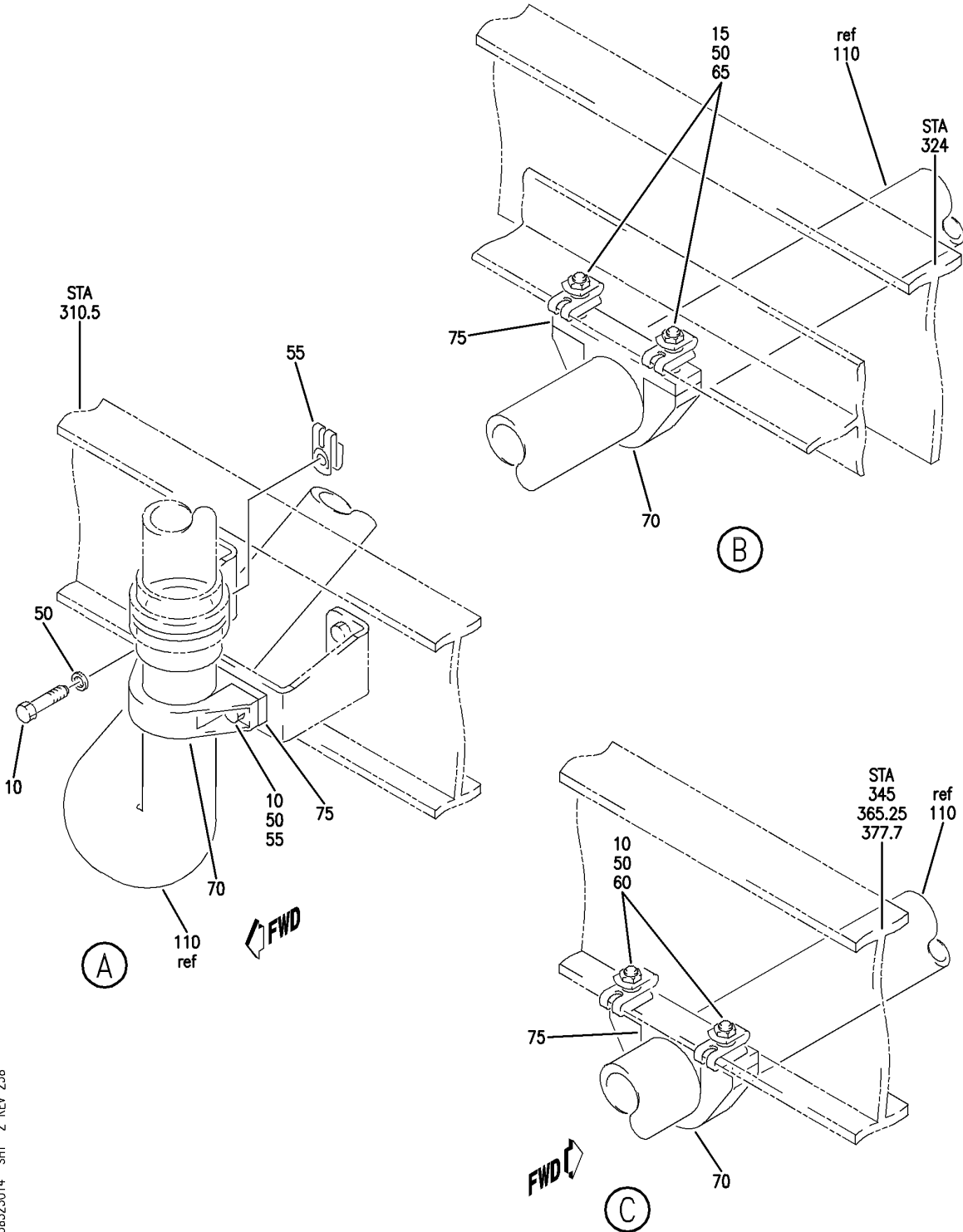
TUBING INSTL-VAC WASTE SYS, FWD
FIGURE 14 (SHEET 1)

38-32-30-14

BRI
JAN 20/09

38-32-30-14
PAGE 0

BOEING
757
PARTS CATALOG (MAINTENANCE)



Y 38323014 SHT 2 REV 238

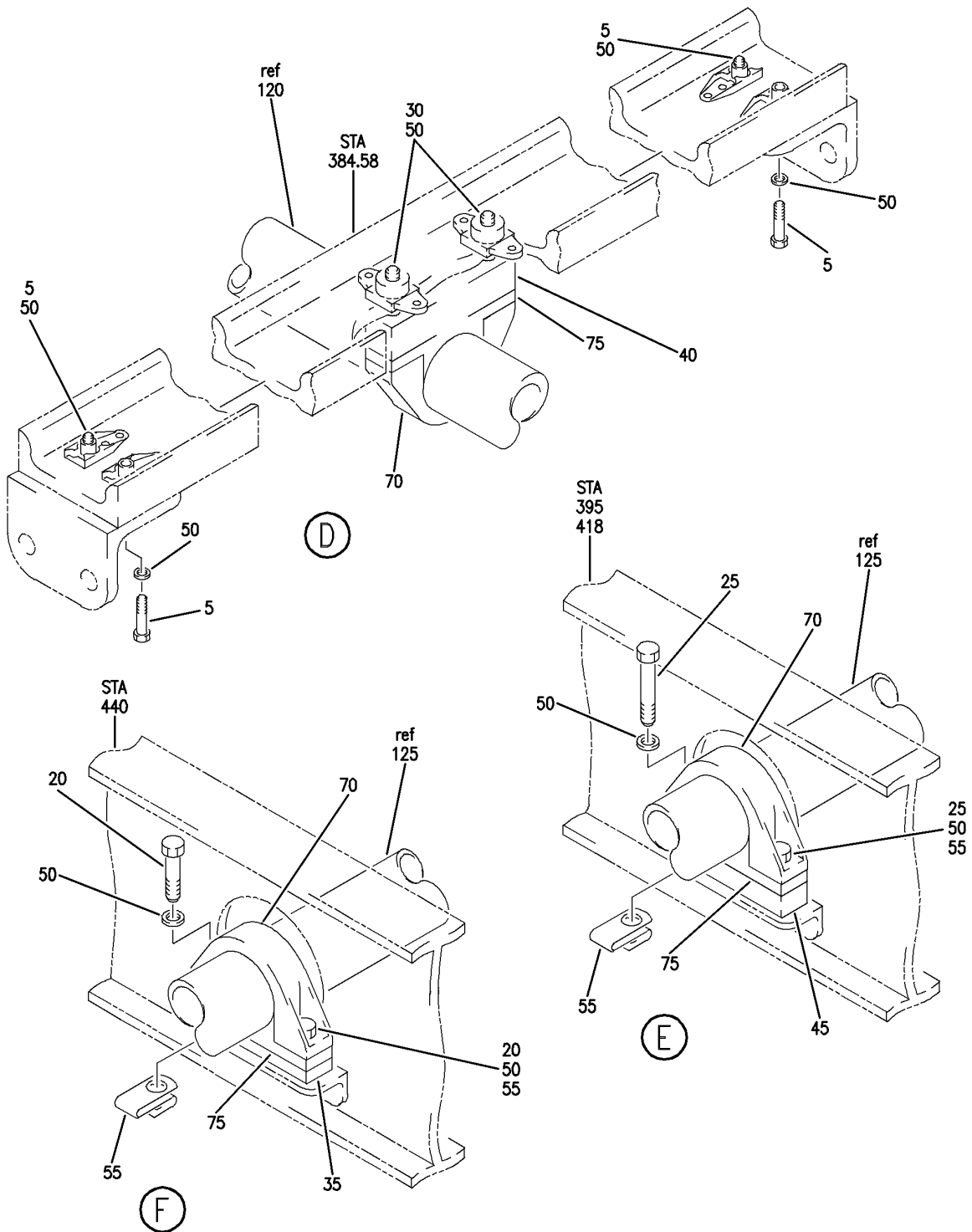
TUBING INSTL-VAC WASTE SYS, FWD
FIGURE 14 (SHEET 2)

38-32-30-14

BRI
JAN 20/09

38-32-30-14
PAGE 0A

BOEING
757
PARTS CATALOG (MAINTENANCE)



Y 38323014 SHT 3 REV 238

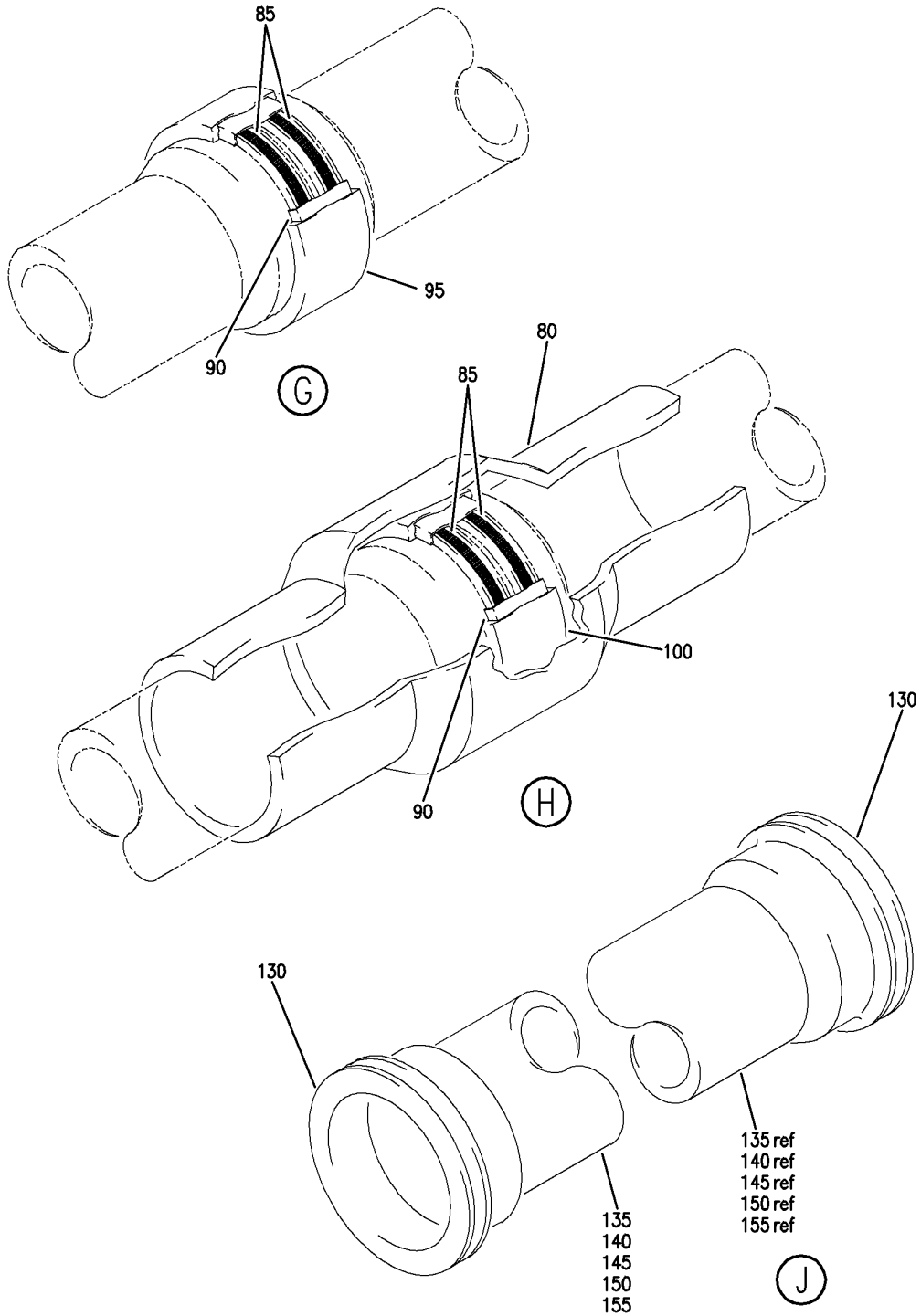
TUBING INSTL-VAC WASTE SYS, FWD
FIGURE 14 (SHEET 3)

38-32-30-14

BRI
JAN 20/09

38-32-30-14
PAGE 0B

BOEING
757
PARTS CATALOG (MAINTENANCE)



Y 38323014 SHT 4 REV 238

TUBING INSTL-VAC WASTE SYS, FWD
FIGURE 14 (SHEET 4)

38-32-30-14

BRI
JAN 20/09

38-32-30-14
PAGE 0C



757

PARTS CATALOG (MAINTENANCE)

FIG ITEM	PART NUMBER	1 2 3 4 5 6 7	NOMENCLATURE	EFFECT FROM TO	UNITS PER ASSY
14			TUBING INSTL-VAC WASTE SYS, FWD	103106	
- 3	MODREF19003		TUBING INSTL-VAC WASTE SYS LAV A STD SELECTIONS MODULE NUMBER: 417N8710-2 REV A POSITION DATA: FWD	103106	1
5	BACS12GU3K12	.SCREW		103106	4
10	BACS12GU3K14	.SCREW		103106	8
15	BACS12GU3K15	.SCREW		103106	2
20	BACS12GU3K18	.SCREW		103106	2
25	BACS12GU3K24	.SCREW		103106	4
30	BACS12GU3K36	.SCREW		103106	2
35	69B92447-58	.SPACER		103106	1
40	417A8717-4	.SPACER		103106	1
45	69B92447-41	.SPACER		103106	2
50	NAS1149D0332J	.WASHER		103106	22
55	BRC600-8-3GP	.NUT	SUPPLIER CODE: V52828 SPECIFICATION NUMBER: BACN10YD1G OPTIONAL PART: 130120G V60119	103106	8
60	BRC600-8G3GP	.NUT	SUPPLIER CODE: V52828 SPECIFICATION NUMBER: BACN10YD4G OPTIONAL PART: 130123G V60119	103106	6
65	BRC600-12-3GP	.NUT	SUPPLIER CODE: V52828 SPECIFICATION NUMBER: BACN10YD6G OPTIONAL PART: 130125G V60119	103106	2
70	BACC10EW32A	.CLAMP STRAP		103106	9
75	BACC10EW32B	.CLAMP SADDLE		103106	9
80	472W2116-2	.SHROUD		103106	2
85	MS29513-226	.PACKING-	OPTIONAL PART: M83461-1-226	103106	8

MISSING ITEM NUMBERS NOT APPLICABLE

- ITEM NOT ILLUSTRATED

38-32-30-14

38-32-30
FIG. 14
PAGE 1
JAN 20/09

BRI



757

PARTS CATALOG (MAINTENANCE)

FIG ITEM	PART NUMBER	1 2 3 4 5 6 7	NOMENCLATURE	EFFECT FROM TO	UNITS PER ASSY
14					
85	M83461-1-226		.PACKING- OPTIONAL PART: MS29513-226	103106	8
90	14R02-32T		.SLEEVE- SUPPLIER CODE: V24984 OPTIONAL PART: W908B32T V79326	103106	4
90	W908B32T		.SLEEVE- SUPPLIER CODE: V79326 OPTIONAL PART: 14R02-32T V24984	103106	4
95	14C02-32A		.CLAMSHELL- SUPPLIER CODE: V24984 OPTIONAL PART: W994-32DE V79326	103106	2
95	W994-32DE		.CLAMSHELL- SUPPLIER CODE: V79326 OPTIONAL PART: 14C02-32A V24984	103106	2
100	14C02-32C		.CLAMSHELL- SUPPLIER CODE: V24984 OPTIONAL PART: W994-32CE V79326	103106	2
100	W994-32CE		.CLAMSHELL- SUPPLIER CODE: V79326 OPTIONAL PART: 14C02-32C V24984	103106	2
105	417N8710-102		.TUBE ASSY-SET	103106	1
110	417N8712-1		..TUBE ASSY- TUBING MATERIAL: 2.00 O.D. X 0.028 WT. X LENTGTH (DETERMINED AT FABRICATION) TI-COM-PURE 40 TUBING PER BMS 7-21, GRADE II	103106	1

MISSING ITEM NUMBERS NOT APPLICABLE

- ITEM NOT ILLUSTRATED

38-32-30-14

38-32-30
FIG. 14
PAGE 2
JAN 20/09

BRI

BOEING PROPRIETARY - Copyright © - Unpublished Work - See title page for details.



757

PARTS CATALOG (MAINTENANCE)

FIG ITEM	PART NUMBER	1 2 3 4 5 6 7	NOMENCLATURE	EFFECT FROM TO	UNITS PER ASSY
14 115	417N8711-1	..	TUBE ASSY- TUBING MATERIAL: 2.00 O.D. X 0.020 WT X 29.46 TI-COM-PURE 40 TUBING PER BMS 7-21, GRADE II	103106	1
120	417N8712-85	..	TUBE	103106	1
125	417N8711-3	..	TUBE ASSY- TUBING MATERIAL: 2.00 O.D. X 0.020 WT X 21.60 TI-COM-PURE 40 TUBING PER BMS 7-21, GRADE II	103106	2
130	14F02-32T	...	FERRULE- SUPPLIER CODE: V24984 OPTIONAL PART: W902-32T V79326	103106	2
130	W902-32T	...	FERRULE- SUPPLIER CODE: V24984 OPTIONAL PART: 14F02-32T V24984	103106	2
135	417N8711-2	...	TUBE- USED ON: 417N8711-1	103106	1
140	417N8711-4	...	TUBE- USED ON: 417N8711-3	103106	1
145	417N8712-2	...	TUBE- USED ON: 417N8712-1	103106	1
150	417N8712-86	...	TUBE- USED ON: 417N8712-85	103106	1

MISSING ITEM NUMBERS NOT APPLICABLE

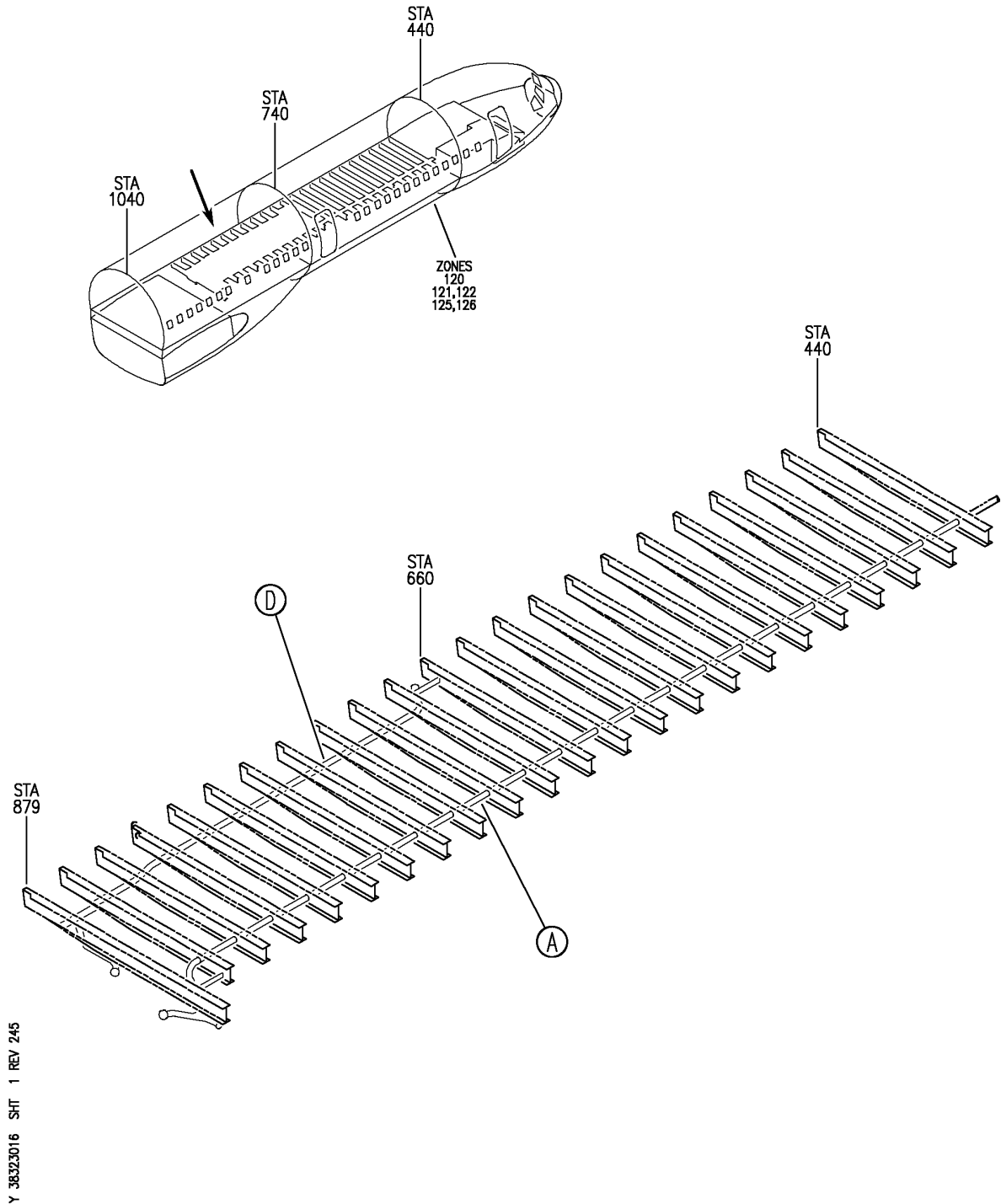
- ITEM NOT ILLUSTRATED

38-32-30-14

38-32-30
FIG. 14
PAGE 3
JAN 20/09

BRI

BOEING
757
PARTS CATALOG (MAINTENANCE)



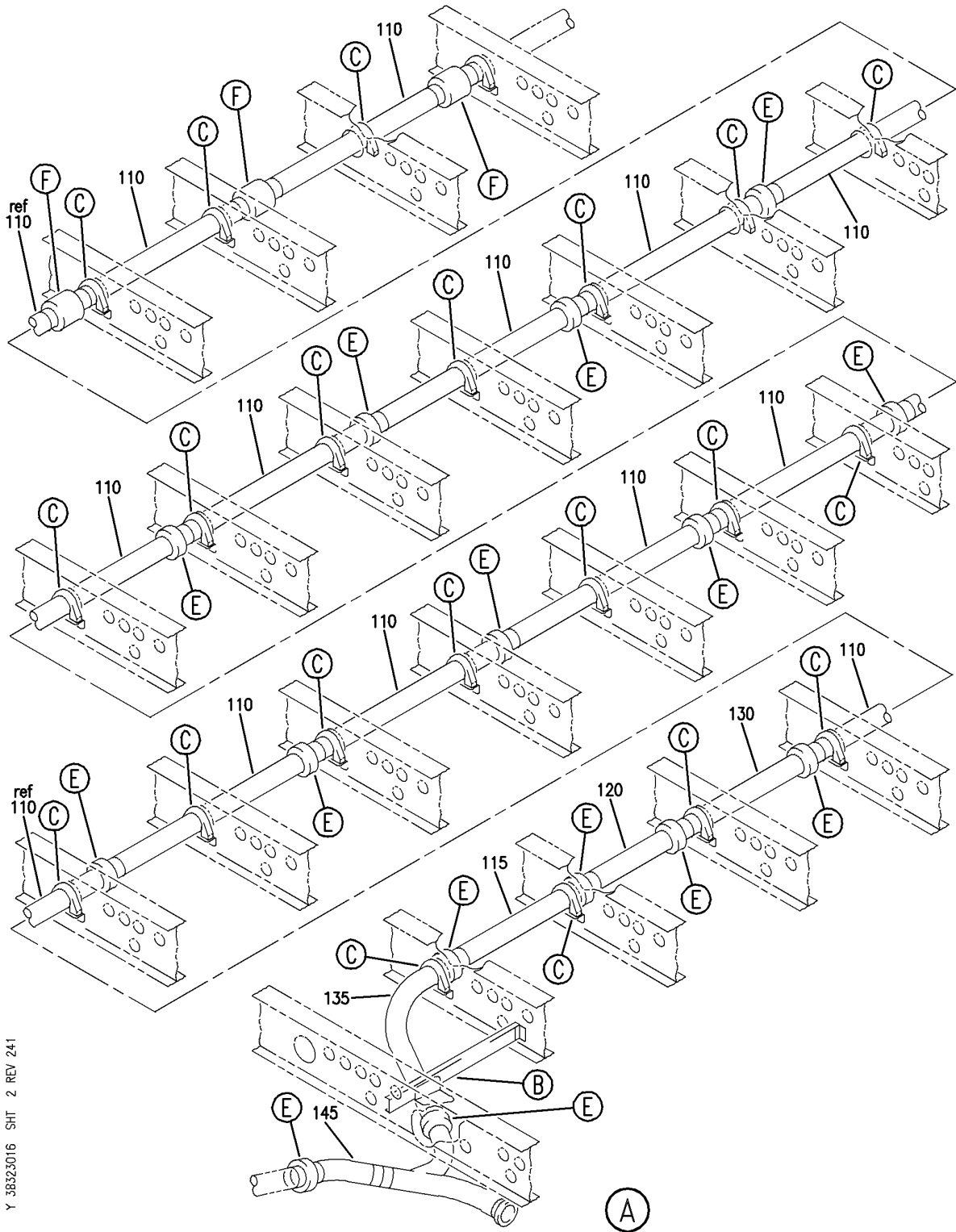
TUBING INSTL-VAC WASTE SYS MID-FWD
FIGURE 16 (SHEET 1)

38-32-30-16

BRI
JAN 20/09

38-32-30-16
PAGE 0

BOEING
757
PARTS CATALOG (MAINTENANCE)



Y 38323016 SH2 2 REV 241

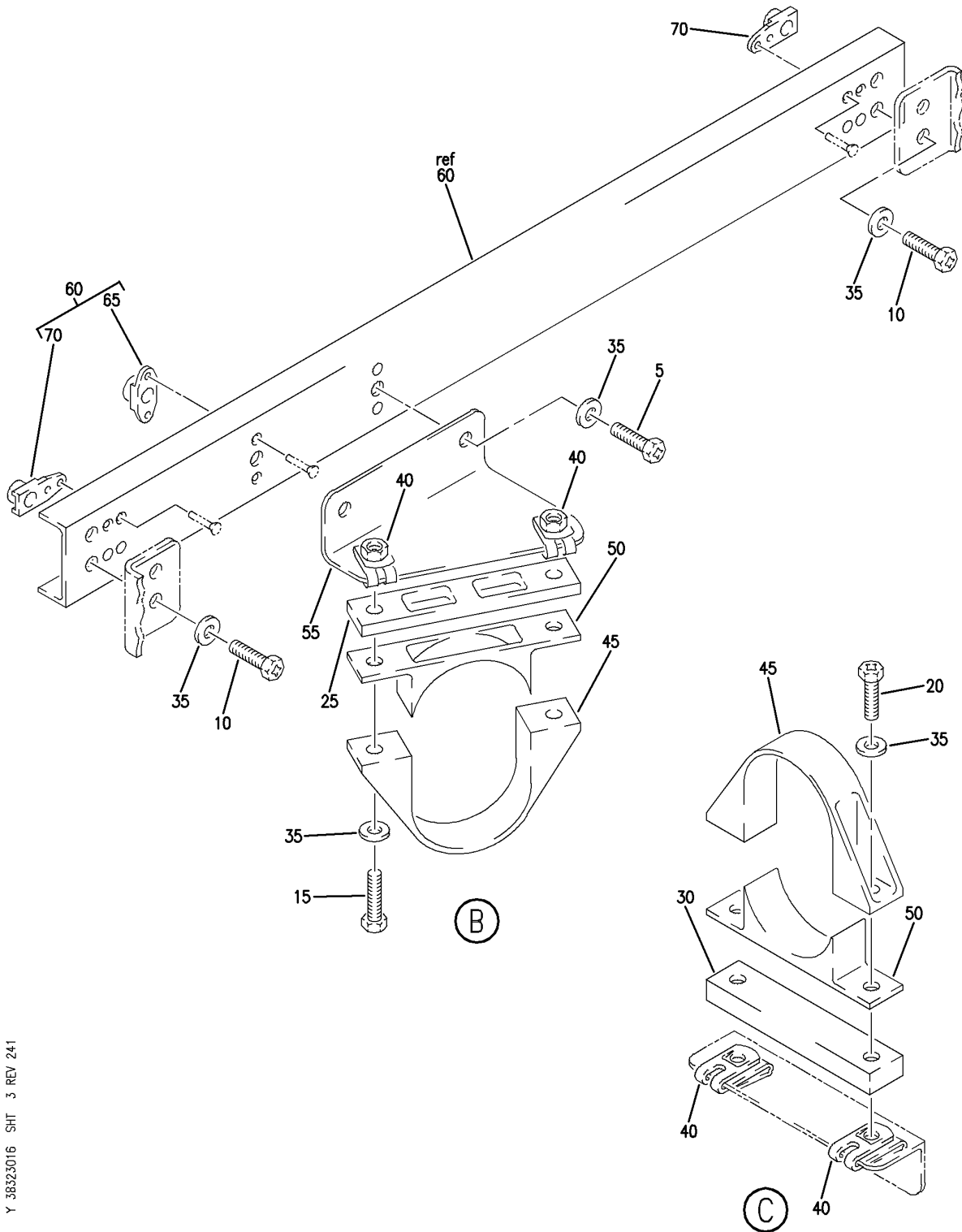
TUBING INSTL-VAC WASTE SYS MID-FWD
FIGURE 16 (SHEET 2)

38-32-30-16

BRI
JAN 20/09

38-32-30-16
PAGE 0A

BOEING
757
PARTS CATALOG (MAINTENANCE)



Y 38323016 SH1 3 REV 241

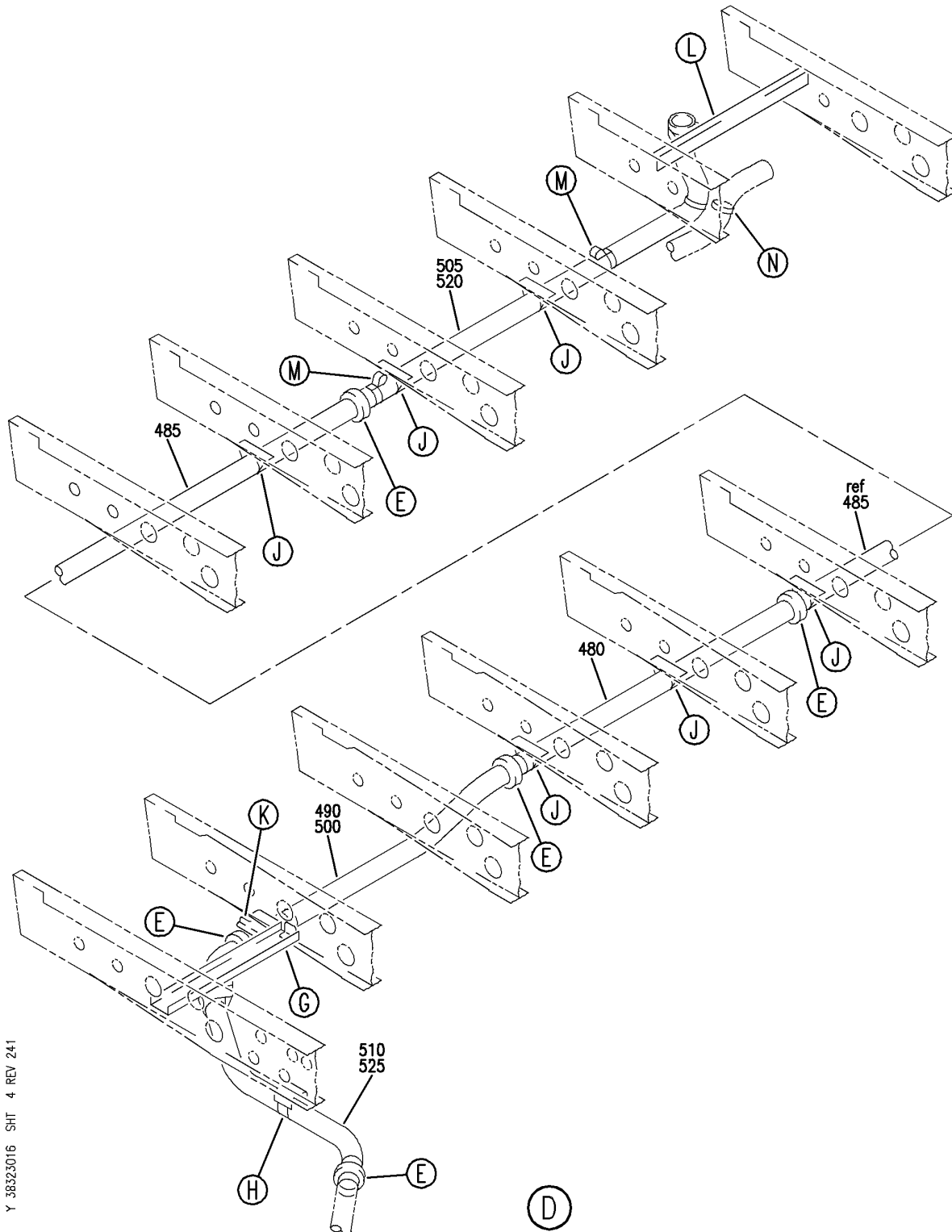
TUBING INSTL-VAC WASTE SYS MID-FWD
FIGURE 16 (SHEET 3)

38-32-30-16

BRI
JAN 20/09

38-32-30-16
PAGE 0B

BOEING
757
PARTS CATALOG (MAINTENANCE)



Y 38323016 SHT 4 REV 241

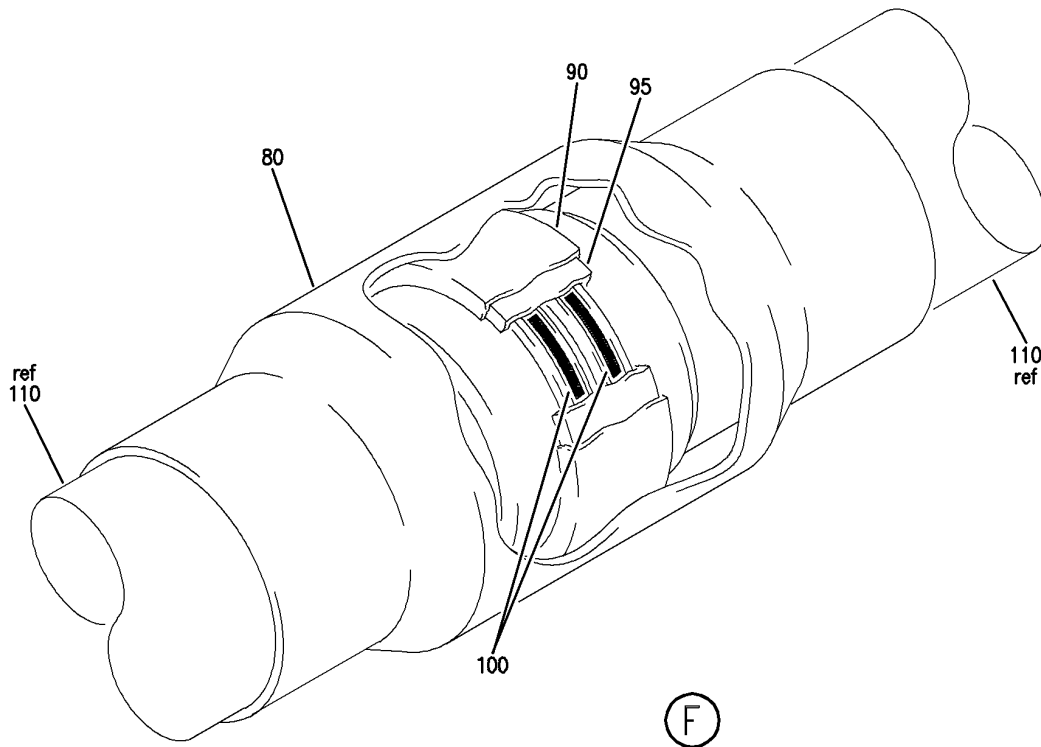
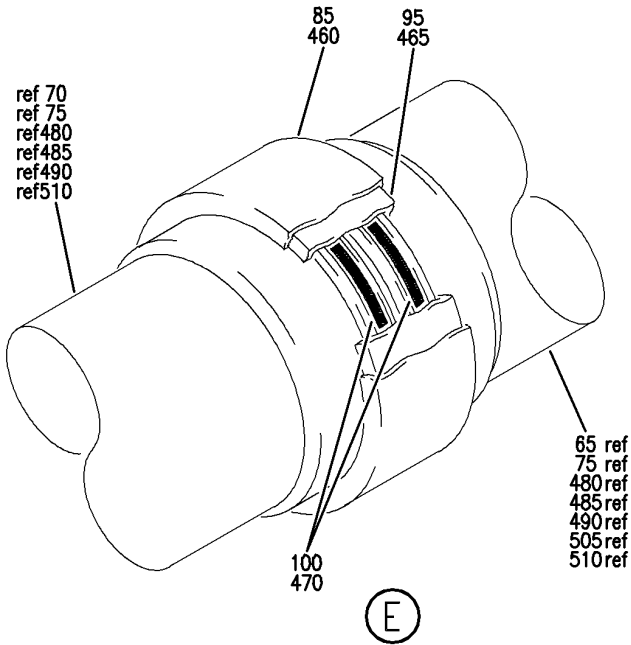
TUBING INSTL-VAC WASTE SYS MID-FWD
FIGURE 16 (SHEET 4)

38-32-30-16

BRI
JAN 20/09

38-32-30-16
PAGE 0C

BOEING
757
PARTS CATALOG (MAINTENANCE)



Y 38323016 SHT 5 REV 241

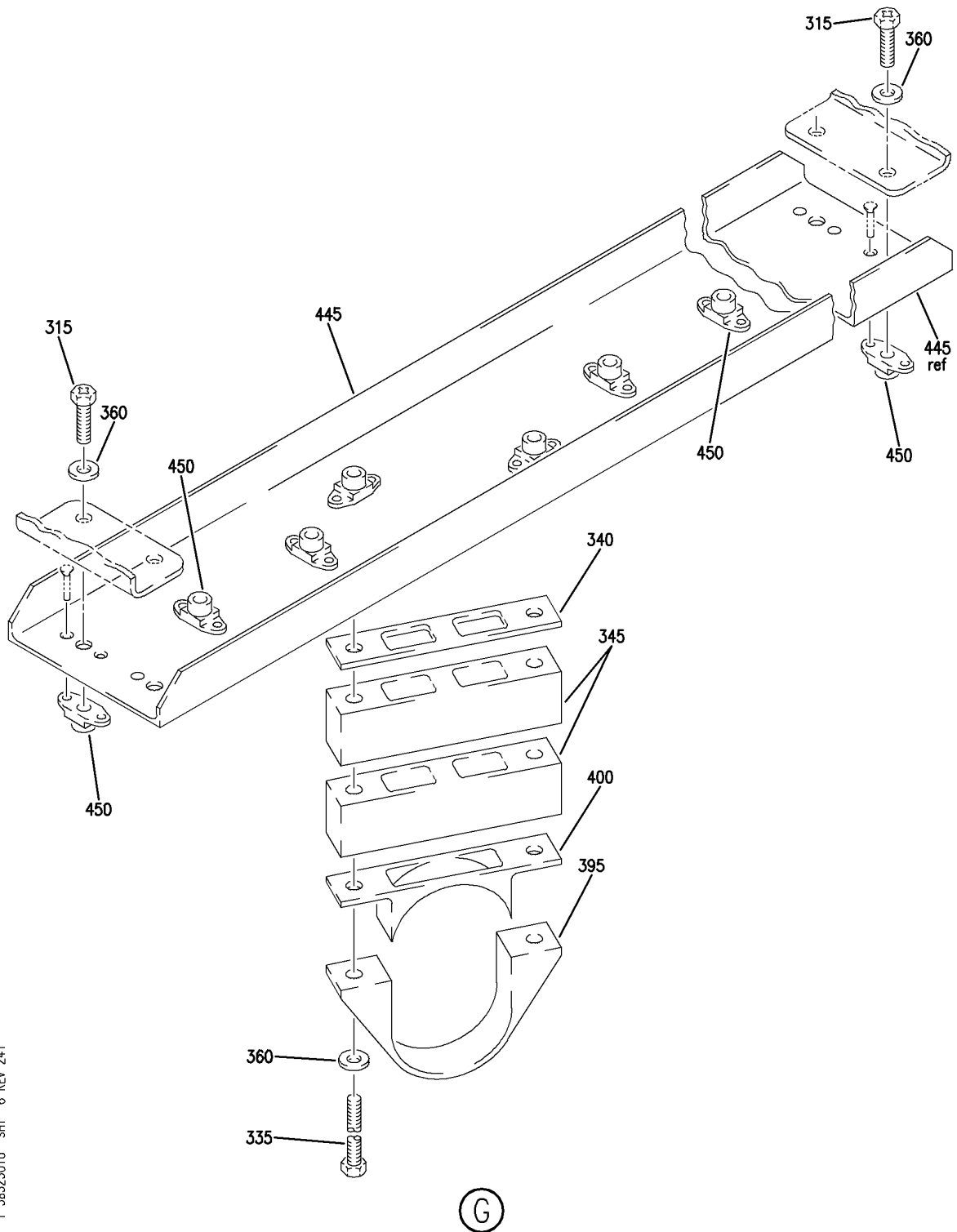
TUBING INSTL-VAC WASTE SYS MID-FWD
FIGURE 16 (SHEET 5)

38-32-30-16

BRI
JAN 20/09

38-32-30-16
PAGE 00

BOEING
757
PARTS CATALOG (MAINTENANCE)



Y 38323016 SH 6 REV 241

(G)

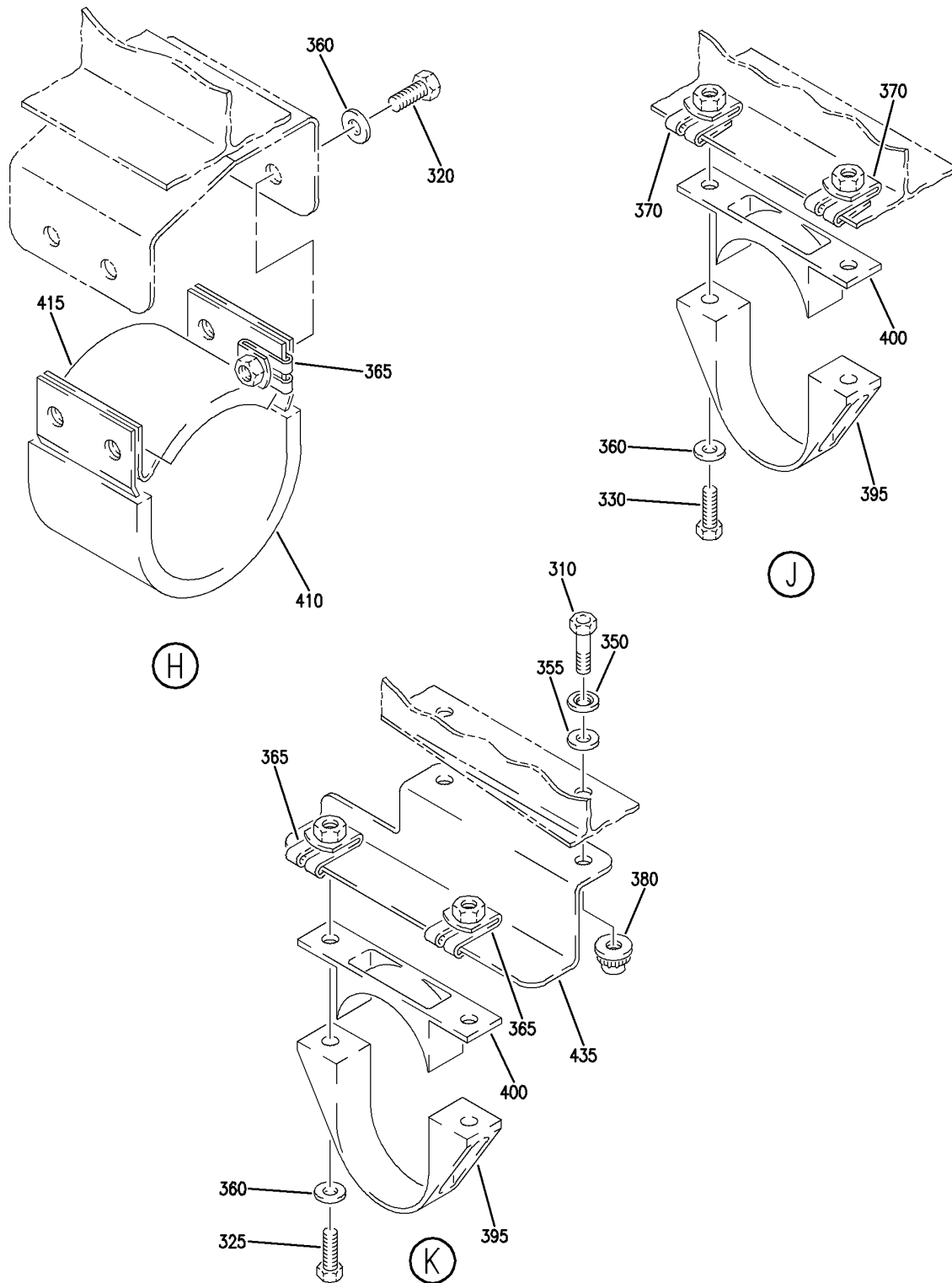
TUBING INSTL-VAC WASTE SYS MID-FWD
FIGURE 16 (SHEET 6)

38-32-30-16

BRI
JAN 20/09

38-32-30-16
PAGE 0E

BOEING
757
PARTS CATALOG (MAINTENANCE)



Y 38323016 SHT 7 REV 241

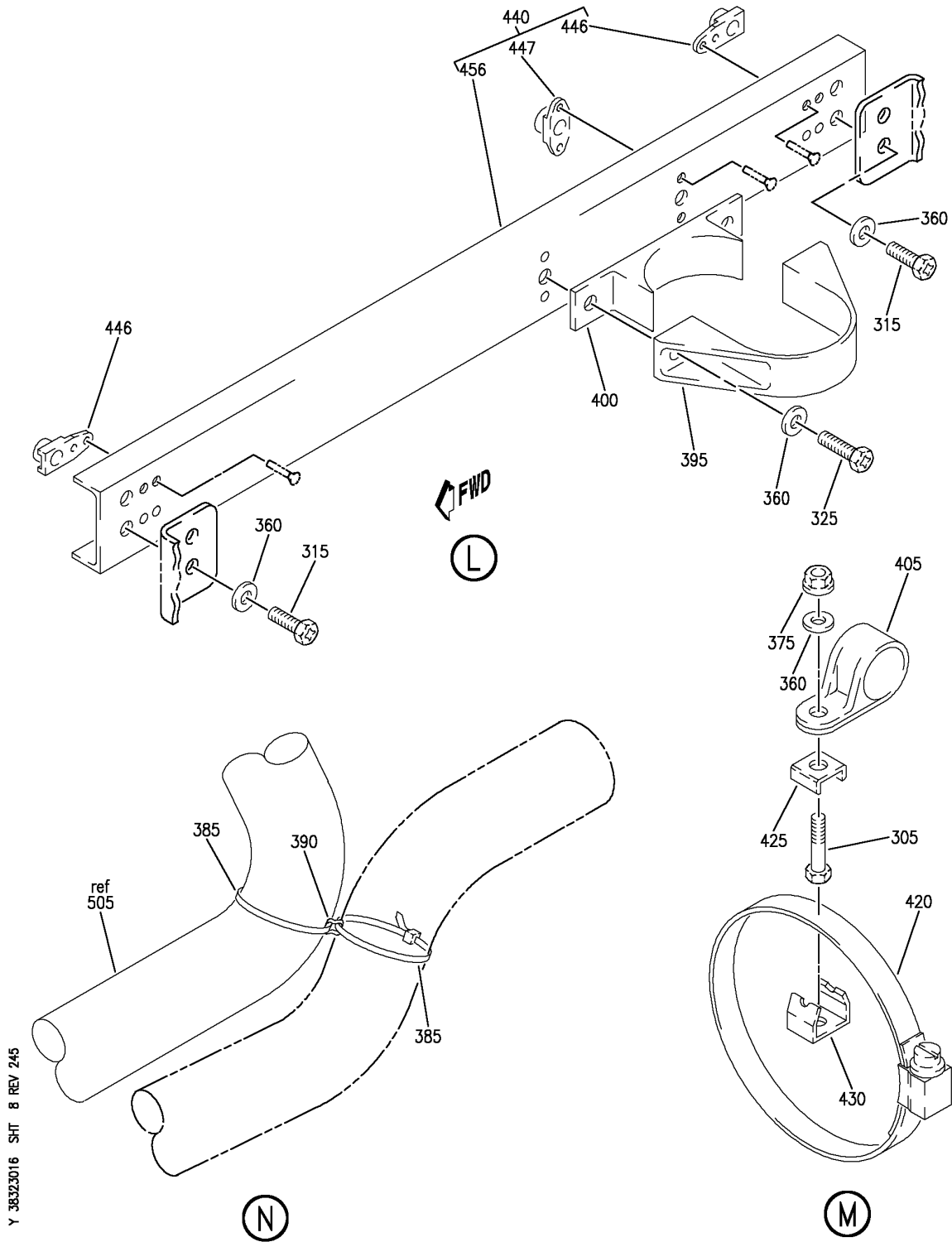
TUBING INSTL-VAC WASTE SYS MID-FWD
FIGURE 16 (SHEET 7)

38-32-30-16

BRI
JAN 20/09

38-32-30-16
PAGE OF

BOEING
757
PARTS CATALOG (MAINTENANCE)



Y 38323016 SHT 8 REV 245

TUBING INSTL-VAC WASTE SYS MID-FWD
FIGURE 16 (SHEET 8)

38-32-30-16

BRI
JAN 20/09

38-32-30-16
PAGE 08



757

PARTS CATALOG (MAINTENANCE)

FIG ITEM	PART NUMBER	1 2 3 4 5 6 7	NOMENCLATURE	EFFECT FROM TO	UNITS PER ASSY
16			TUBING INSTL-VAC WASTE SYS MID-FWD	103106	
- 1	MODREF19010		TUBING INSTL-VAC WASTE SYS LAV A MODULE NUMBER: 417N8720-8 REV A POSITION DATA: MID-FWD	103106	1
5	BACS12GU3K9	.SCREW		103106	2
10	BACS12GU3K11	.SCREW		103106	4
15	BACS12GU3K17	.SCREW		103106	2
20	BACS12GU3K18	.SCREW		103106	42
25	69B92447-24	.SPACER		103106	1
30	69B92447-58	.SPACER		103106	21
35	NAS1149D0332J	.WASHER		103106	50
40	BRC600-8-3GP	.NUT		103106	44
			SUPPLIER CODE: V52828 SPECIFICATION NUMBER: BACN10YD1G OPTIONAL PART: 130120G V60119		
45	BACC10EW32A	.CLAMP STRAP		103106	22
50	BACC10EW32B	.CLAMP SADDLE		103106	22
55	417N8811-36	.BRACKET		103106	1
60	417N8812-28	.BRACKET ASSY		103106	1
65	BRF200C3D	..NUTPLATE		103106	2
			SUPPLIER CODE: V52828 SPECIFICATION NUMBER: BACN10JR3CFD OPTIONAL PART: K51602-3BAC V15653 NS202476-02 V80539 102F9201-3 V72962 T8092C1032CD V11815		

MISSING ITEM NUMBERS NOT APPLICABLE

- ITEM NOT ILLUSTRATED

38-32-30-16

38-32-30
FIG. 16
PAGE 1
JAN 20/09

BRI



757

PARTS CATALOG (MAINTENANCE)

FIG ITEM	PART NUMBER	1 2 3 4 5 6 7	NOMENCLATURE	EFFECT FROM TO	UNITS PER ASSY
16 70	BRF100C3D		..NUTPLATE SUPPLIER CODE: V52828 SPECIFICATION NUMBER: BACN10KB3CFD OPTIONAL PART: NS202478-02 V80539 102F9207P3 V72962 F51604-3 V15653 ATTACHING PARTS	103106	4
- 75	BACR15BA3ADC		..RIVET- SIZE DETERMINED ON INSTL. -----*-----	103106	12
78	417N8812-29		..BRACKET	103106	1
80	472W2116-2		.SHROUD	103106	3
85	14C02-32A		.CLAMSHELL- SUPPLIER CODE: V24984 OPTIONAL PART: W994-32DE V79326 AS1655A32 V24984	103106	15
85	W994-32DE		.CLAMSHELL- SUPPLIER CODE: V79326 OPTIONAL PART: 14C02-32A V24984 AS1655A32 V24984	103106	15
85	AS1655A32		.CLAMSHELL- SUPPLIER CODE: V24984 OPTIONAL PART: 14C02-32A V24984 W994-32DE V79326	103106	15

MISSING ITEM NUMBERS NOT APPLICABLE

- ITEM NOT ILLUSTRATED

38-32-30-16

38-32-30
FIG. 16
PAGE 2
JAN 20/09

BRI



757

PARTS CATALOG (MAINTENANCE)

FIG ITEM	PART NUMBER	1 2 3 4 5 6 7	NOMENCLATURE	EFFECT FROM TO	UNITS PER ASSY
16 90	14C02-32C		.CLAMSHELL- SUPPLIER CODE: V24984 OPTIONAL PART: W994-32CE V79326 AS1655C32 V24984	103106	3
90	W994-32CE		.CLAMSHELL- SUPPLIER CODE: V79326 OPTIONAL PART: 14C02-32C V24984 AS1655C32 V24984	103106	3
90	AS1655C32		.CLAMSHELL- SUPPLIER CODE: V24984 OPTIONAL PART: 14C02-32C V24984 W994-32CE V79326	103106	3
95	14R02-32T		.SLEEVE- SUPPLIER CODE: V24984 OPTIONAL PART: W908B32T V79326 AS1654T32 V24984	103106	18
95	W908B32T		.SLEEVE- SUPPLIER CODE: V79326 OPTIONAL PART: 14R02-32T V24984 AS1654T32 V24984	103106	18
95	AS1654T32		.SLEEVE- SUPPLIER CODE: V24984 OPTIONAL PART: W908B32T V79326 14R02-32T V24984	103106	18

MISSING ITEM NUMBERS NOT APPLICABLE

- ITEM NOT ILLUSTRATED

38-32-30-16

38-32-30
FIG. 16
PAGE 3
JAN 20/09

BRI



757

PARTS CATALOG (MAINTENANCE)

FIG ITEM	PART NUMBER	1 2 3 4 5 6 7	NOMENCLATURE	EFFECT FROM TO	UNITS PER ASSY
16					
100	M83461-1-226		.PACKING- OPTIONAL PART: MS29513-226	103106	36
100	MS29513-226		.PACKING- OPTIONAL PART: M83461-1-226	103106	36
- 105	417N8720-108		.TUBE ASSY SET	103106	1
110	417N8711-1		..TUBE ASSY- TUBING MATERIAL: 2.00 O.D. X 0.020 WT X 29.46. TI-COM-PURE 40 TUBING PER BMS 7-21, GRADE II	103106	12
115	417N8711-3		..TUBE ASSY- TUBING MATERIAL: 2.00 O.D. X 0.020 WT X 21.60. TI-COM-PURE 40 TUBING PER BMS 7-21, GRADE II	103106	1
120	417N8711-21		..TUBE ASSY- TUBING MATERIAL: 2.00 O.D. X 0.020 WT X 12.40. TI-COM-PURE 40 TUBING PER BMS 7-21, GRADE II	103106	1
- 125	14F02-32T		...FERRULE- SUPPLIER CODE: V24984 OPTIONAL PART: W902-32T V79326	103106	2
- 125	W902-32T		...FERRULE- SUPPLIER CODE: V24984 OPTIONAL PART: 14F02-32T V24984	103106	2
130	417N8711-15		..TUBE ASSY	103106	1
135	417N8712-97		..TUBE ASSY- TUBING MATERIAL: 2.0 O.D X 0.028 WT X LENGTH (DETERMINED AT FABRICATION) TI-COM- PURE 40 TUBING PER BMS 7-21	103106	1

MISSING ITEM NUMBERS NOT APPLICABLE

- ITEM NOT ILLUSTRATED

38-32-30-16

38-32-30
FIG. 16
PAGE 4
JAN 20/09

BRI



757

PARTS CATALOG (MAINTENANCE)

FIG ITEM	PART NUMBER	1 2 3 4 5 6 7	NOMENCLATURE	EFFECT FROM TO	UNITS PER ASSY
16					
- 140	14F02-32T	...	FERRULE- SUPPLIER CODE: V24984 OPTIONAL PART: W902-32T V79326 AS1653T32	103106	2
- 140	W902-32T	...	FERRULE- SUPPLIER CODE: V24984 OPTIONAL PART: 14F02-32T V24984 AS1653T32	103106	2
- 140	14F02-32T	...	FERRULE- SUPPLIER CODE: V24984 SPECIFICATION NUMBER: AS1653T32 OPTIONAL PART: W902-32T V79326 14F02-32T V24984	103106	2
145	417N8713-13	..	TUBE ASSY- TUBING MATERIAL: 2.0 O.D X 0.028 WT X LENGTH (DETERMINED AT FABRICATION) TI-COM- PURE 40 TUBING PER BMS 7-21	103106	1
- 150	14F02-32T	...	FERRULE- SUPPLIER CODE: V24984 OPTIONAL PART: W902-32T V79326	103106	2
- 150	W902-32T	...	FERRULE- SUPPLIER CODE: V24984 OPTIONAL PART: 14F02-32T V24984	103106	2
- 155	14F03-32T	...	FERRULE- SUPPLIER CODE: V24984 OPTIONAL PART: 903B375S32T V79326	103106	1

MISSING ITEM NUMBERS NOT APPLICABLE

- ITEM NOT ILLUSTRATED

38-32-30-16

38-32-30
FIG. 16
PAGE 5
JAN 20/09

BRI



757

PARTS CATALOG (MAINTENANCE)

FIG ITEM	PART NUMBER	1 2 3 4 5 6 7	NOMENCLATURE	EFFECT FROM TO	UNITS PER ASSY
16					
- 155	903B375S32T		... FERRULE- SUPPLIER CODE: V79326 OPTIONAL PART: 14F03-32T V24984	103106	1
- 300	417N8720-9		TUBING INSTL-VAC WASTE SYS LAV P POSITION DATA: MID-FWD	103106	RF
305	BACB30NM3K4		.BOLT	103106	2
310	BACB30NM3K5		.BOLT	103106	2
315	BACS12GU3K8		.SCREW	103106	8
320	BACS12GU3K9		.SCREW	103106	4
325	BACS12GU3K12		.SCREW	103106	4
330	BACS12GU3K13		.SCREW	103106	12
335	BACS12GU3K45		.SCREW	103106	2
340	69B92447-25		.SPACER	103106	1
345	417A8717-7		.SPACER	103106	2
350	BACW10BP3CD		.WASHER	103106	2
355	BACW10BP3DP		.WASHER	103106	2
360	NAS1149D0332J		.WASHER	103106	32
365	BRC600-8-3GP		.NUT SUPPLIER CODE: V52828 SPECIFICATION NUMBER: BACN10YD1G OPTIONAL PART: 130120G V60119	103106	6
370	BRC600-8G3GP		.NUT SUPPLIER CODE: V52828 SPECIFICATION NUMBER: BACN10YD4G OPTIONAL PART: 130123G V60119	103106	12
375	PLH53CD		.NUT SUPPLIER CODE: VF0224 SPECIFICATION NUMBER: BACN10YR3CD OPTIONAL PART: H52732-3CD V15653	103106	2
380	NAS1805-3L		.NUT	103106	2

MISSING ITEM NUMBERS NOT APPLICABLE

- ITEM NOT ILLUSTRATED

38-32-30-16

38-32-30
FIG. 16
PAGE 6
JAN 20/09

BRI

BOEING PROPRIETARY - Copyright © - Unpublished Work - See title page for details.



757

PARTS CATALOG (MAINTENANCE)

FIG ITEM	PART NUMBER	1 2 3 4 5 6 7	NOMENCLATURE	EFFECT FROM TO	UNITS PER ASSY
16 385	PLT4SM	.	STRAP SUPPLIER CODE: V06383 SPECIFICATION NUMBER: BACS38K2 OPTIONAL PART: T05L0 V53421	103106	2
390	CR4H	.	CONNECTOR- SUPPLIER CODE: V06383	103106	1
395	BACC10EW32A	.	CLAMP STRAP	103106	9
400	BACC10EW32B	.	CLAMP SADDLE	103106	9
405	BACC10DK15	.	CLAMP	103106	2
410	S678-2-32H	.	CLAMP- SUPPLIER CODE: V18076	103106	1
415	S678-1-32H	.	CLAMP- SUPPLIER CODE: V18076	103106	1
420	BACC10JB054C068	.	CLAMP- OPTIONAL PART: STBC10GG74-91	103106	2
420	36	.	CLAMP- SUPPLIER CODE: V7Z588 SPECIFICATION NUMBER: STBC10GG74-91 OPTIONAL PART: WWD74-91H V66295 BACC10JB054C068	103106	2
425	BACB19F10S	.	BLOCK	103106	2
430	BACC15AN10	.	CLIP	103106	2
435	417N8811-33	.	BRACKET	103106	1
440	417N8812-26	.	BRACKET ASSY-	103106	1
445	417N8812-30	.	BRACKET ASSY	103106	1

MISSING ITEM NUMBERS NOT APPLICABLE

- ITEM NOT ILLUSTRATED

BRI

38-32-30-16

BOEING PROPRIETARY - Copyright © - Unpublished Work - See title page for details.

38-32-30
FIG. 16
PAGE 7
JAN 20/09



757

PARTS CATALOG (MAINTENANCE)

FIG ITEM	PART NUMBER	1 2 3 4 5 6 7	NOMENCLATURE	EFFECT FROM TO	UNITS PER ASSY
16 446	BRF100C3D		..NUTPLATE- SUPPLIER CODE: V52828 SPECIFICATION NUMBER: BACN10KB3CFD OPTIONAL PART: NS202478-02 V80539 102F9207P3 V72962 F51604-3 V15653 USED ON: 417N8812-26	103106	4
447	BRF200C3D		..NUTPLATE- SUPPLIER CODE: V52828 SPECIFICATION NUMBER: BACN10JR3CFD OPTIONAL PART: K51602-3BAC V15653 NS202476-02 V80539 102F9201-3 V72962 T8092C1032CD V11815 USED ON: 417N8812-26	103106	2
450	BRF200C3D		..NUTPLATE- SUPPLIER CODE: V52828 SPECIFICATION NUMBER: BACN10JR3CFD OPTIONAL PART: K51602-3BAC V15653 NS202476-02 V80539 102F9201-3 V72962 T8092C1032CD V11815 USED ON: 417N8812-30	103106	10

MISSING ITEM NUMBERS NOT APPLICABLE

- ITEM NOT ILLUSTRATED

BRI

38-32-30-16

BOEING PROPRIETARY - Copyright © - Unpublished Work - See title page for details.

38-32-30
FIG. 16
PAGE 8
JAN 20/09



757

PARTS CATALOG (MAINTENANCE)

FIG ITEM	PART NUMBER	1 2 3 4 5 6 7	NOMENCLATURE	EFFECT FROM TO	UNITS PER ASSY
16			ATTACHING PARTS		
- 452	BACR15BA3ADC		..RIVET- SIZE DETERMINED ON INSTL. USED ON: 417N8812-26	103106	12
- 455	BACR15BA3ADC		..RIVET- SIZE DETERMINED ON INSTL. USED ON: 417N8812-30	103106	20
			-----*-----		
456	417N8812-27		..BRACKET- USED ON: 417N8812-26	103106	1
457	417N8812-31		..BRACKET- USED ON: 417N8812-30	103106	1
460	14C02-32A		.CLAMSHELL- SUPPLIER CODE: V24984 OPTIONAL PART: W994-32DE V79326 AS1655A32 V24984	103106	5
460	W994-32DE		.CLAMSHELL- SUPPLIER CODE: V79326 OPTIONAL PART: 14C02-32A V24984 AS1655A32 V24984	103106	5
460	AS1655A32		.CLAMSHELL- SUPPLIER CODE: V24984 OPTIONAL PART: 14C02-32A V24984 W994-32DE V79326	103106	5
465	14R02-32T		.SLEEVE- SUPPLIER CODE: V24984 OPTIONAL PART: W908B32T V79326 AS1654T32 V24984	103106	5

MISSING ITEM NUMBERS NOT APPLICABLE

- ITEM NOT ILLUSTRATED

38-32-30-16

38-32-30
FIG. 16
PAGE 9
JAN 20/09

BRI



757

PARTS CATALOG (MAINTENANCE)

FIG ITEM	PART NUMBER	1 2 3 4 5 6 7	NOMENCLATURE	EFFECT FROM TO	UNITS PER ASSY
16 465	W908B32T	.SLEEVE-	SUPPLIER CODE: V79326 OPTIONAL PART: 14R02-32T V24984 AS1654T32 V24984	103106	5
465	AS1654T32	.SLEEVE-	SUPPLIER CODE: V24984 OPTIONAL PART: W908B32T V79326 14R02-32T V24984	103106	5
470	M83461-1-226	.PACKING-	OPTIONAL PART: MS29513-226	103106	10
470	MS29513-226	.PACKING-	OPTIONAL PART: M83461-1-226	103106	10
- 475	417N8720-109	.TUBE ASSY SET		103106	1
480	417N8711-23	..TUBE ASSY		103106	1
485	417N8711-25	..TUBE ASSY		103106	1
490	417N8712-11	..TUBE ASSY		103106	1
- 495	14F02-32T	...FERRULE-	SUPPLIER CODE: V24984 OPTIONAL PART: W902-32T V79326	103106	2
- 495	W902-32T	...FERRULE-	SUPPLIER CODE: V24984 OPTIONAL PART: 14F02-32T V24984	103106	2
500	417N8712-12	...TUBE-	TUBING MATERIAL: STOCK 2.00 OD X .028 WT X LENGTH (DETERMINED AT FABRICATION) TI-COM-PURE 40 TUBING PER BMS 7-21, GRADE II.	103106	1
505	417N8712-93	..TUBE ASSY		103106	1
510	417N8712-95	..TUBE ASSY		103106	1

MISSING ITEM NUMBERS NOT APPLICABLE

- ITEM NOT ILLUSTRATED

38-32-30-16

38-32-30
FIG. 16
PAGE 10
JAN 20/09

BRI



757

PARTS CATALOG (MAINTENANCE)

FIG ITEM	PART NUMBER	1 2 3 4 5 6 7	NOMENCLATURE	EFFECT FROM TO	UNITS PER ASSY
16					
- 515	14F02-32T		... FERRULE- SUPPLIER CODE: V24984 OPTIONAL PART: W902-32T V79326 AS1653T32	103106	2
- 515	W902-32T		... FERRULE- SUPPLIER CODE: V24984 OPTIONAL PART: 14F02-32T V24984 AS1653T32	103106	2
- 515	14F02-32T		... FERRULE- SUPPLIER CODE: V24984 SPECIFICATION NUMBER: AS1653T32 OPTIONAL PART: W902-32T V79326 14F02-32T V24984	103106	2
520	417N8712-94		... TUBE- USED ON: 417N8712-93	103106	1
525	417N8712-96		... TUBE- USED ON: 417N8712-95	103106	1

MISSING ITEM NUMBERS NOT APPLICABLE

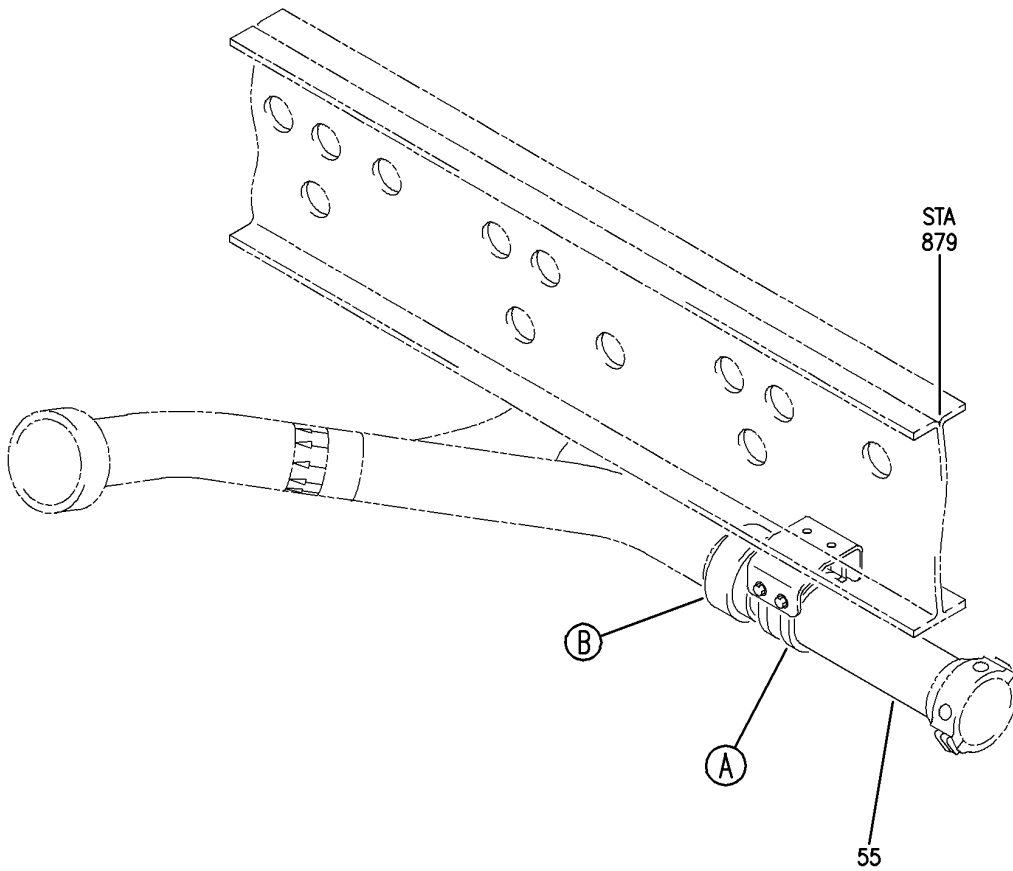
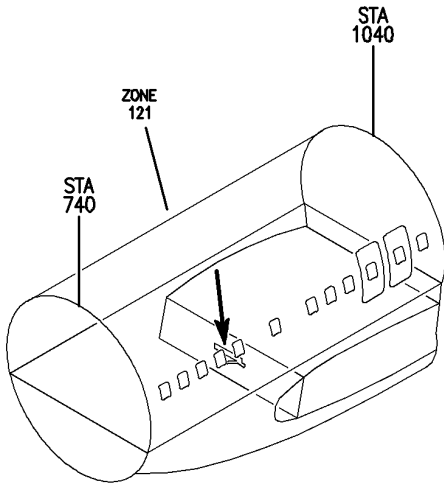
- ITEM NOT ILLUSTRATED

38-32-30-16

38-32-30
FIG. 16
PAGE 11
JAN 20/09

BRI

BOEING
757
PARTS CATALOG (MAINTENANCE)



Y 38323020 SHT 1 REV 243

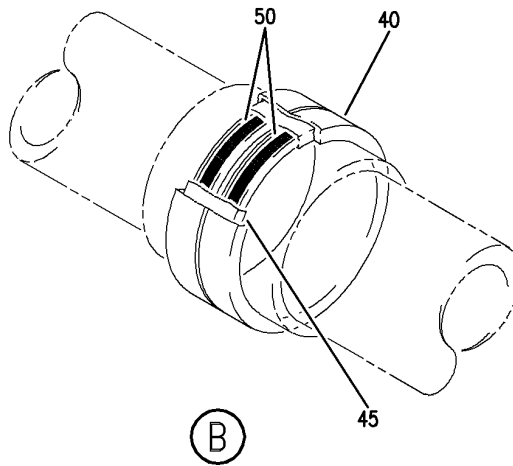
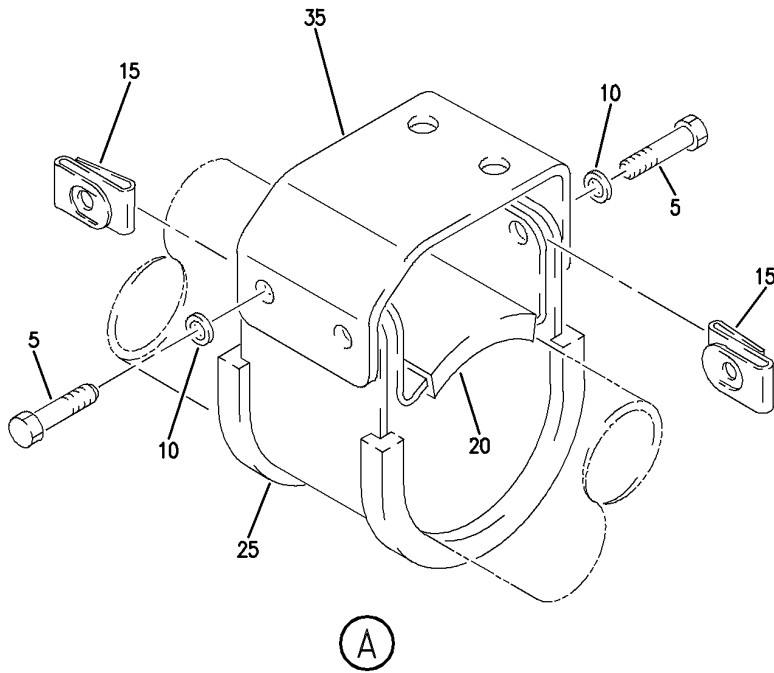
SUPPORT INSTL-VAC WASTE SYS
FIGURE 20 (SHEET 1)

38-32-30-20

BRI
JAN 20/09

38-32-30-20
PAGE 0

BOEING
757
PARTS CATALOG (MAINTENANCE)



Y 38323020 SHT 2 REV 243

SUPPORT INSTL-VAC WASTE SYS
FIGURE 20 (SHEET 2)

38-32-30-20

BRI
JAN 20/09

38-32-30-20
PAGE 0A



757

PARTS CATALOG (MAINTENANCE)

FIG ITEM	PART NUMBER	1 2 3 4 5 6 7	NOMENCLATURE	EFFECT FROM TO	UNITS PER ASSY
20			SUPPORT INSTL-VAC WASTE SYS	103106	
- 1	MODREF17844		SUPPORT INSTL-VAC WASTE SYS LAV V, STA 879 WITH STRAIGHT TUBE MODULE NUMBER: 417N8820-6 REV A	103106	1
5	BACS12GU3K9		.SCREW	103106	4
10	NAS1149D0332J		.WASHER	103106	4
15	BRC600-8-3GP		.NUT	103106	4
			SUPPLIER CODE: V52828 SPECIFICATION NUMBER: BACN10YD1G OPTIONAL PART: 130120G V60119		
20	S678-1-32H		.CLAMP- SUPPLIER CODE: V18076	103106	1
25	S678-2-32H		.CLAMP- SUPPLIER CODE: V18076	103106	1
30	417N8811-35		.BRACKET ATTACHING PARTS	103106	1
- 35	BACR15BB6ADC		.RIVET- SIZE DETERMINED ON INSTL. -----*-----	103106	2
40	14C02-32A		.CLAMSHELL- SUPPLIER CODE: V24984 OPTIONAL PART: AS1655A32 V24984 W994-32DE V79326	103106	1
40	AS1655A32		.CLAMSHELL- SUPPLIER CODE: V24984 OPTIONAL PART: 14C02-32A V24984 W994-32DE V79326	103106	1

MISSING ITEM NUMBERS NOT APPLICABLE

- ITEM NOT ILLUSTRATED

38-32-30-20

38-32-30
FIG. 20
PAGE 1
JAN 20/09

BRI



757

PARTS CATALOG (MAINTENANCE)

FIG ITEM	PART NUMBER	1 2 3 4 5 6 7	NOMENCLATURE	EFFECT FROM TO	UNITS PER ASSY
20					
40	W994-32DE		.CLAMSHELL- SUPPLIER CODE: V79326 OPTIONAL PART: 14C02-32A V24984 AS1655A32 V24984	103106	1
45	14R02-32T		.SLEEVE- SUPPLIER CODE: V24984 OPTIONAL PART: AS1654T32 V24984 W908B32T V79326	103106	1
45	AS1654T32		.SLEEVE- SUPPLIER CODE: V24984 OPTIONAL PART: 14R02-32T V24984 W908B32T V79326	103106	1
45	W908B32T		.SLEEVE- SUPPLIER CODE: V79326 OPTIONAL PART: 14R02-32T V24984 AS1654T32 V24984	103106	1
50	M83461-1-226		.PACKING- OPTIONAL PART: MS29513-226	103106	2
50	MS29513-226		.PACKING- OPTIONAL PART: M83461-1-226	103106	2
55	417A8711-13		.TUBE ASSY- TUBING MATERIAL: STOCK 2.00 OD X .020 WT X 8.50 TI-COM-PURE 40 TUBING PER BMS7-21, GRADE II	103106	1

MISSING ITEM NUMBERS NOT APPLICABLE

- ITEM NOT ILLUSTRATED

38-32-30-20

38-32-30
FIG. 20
PAGE 2
JAN 20/09

BRI



757

PARTS CATALOG (MAINTENANCE)

FIG ITEM	PART NUMBER	1 2 3 4 5 6 7	NOMENCLATURE	EFFECT FROM TO	UNITS PER ASSY
20 - 60	W902-32T		.. FERRULE- SUPPLIER CODE: V24984 OPTIONAL PART: 14F02-32T V24984	103106	2
- 60	14F02-32T		.. FERRULE- SUPPLIER CODE: V24984 OPTIONAL PART: W902-32T V79326	103106	2

MISSING ITEM NUMBERS NOT APPLICABLE

- ITEM NOT ILLUSTRATED

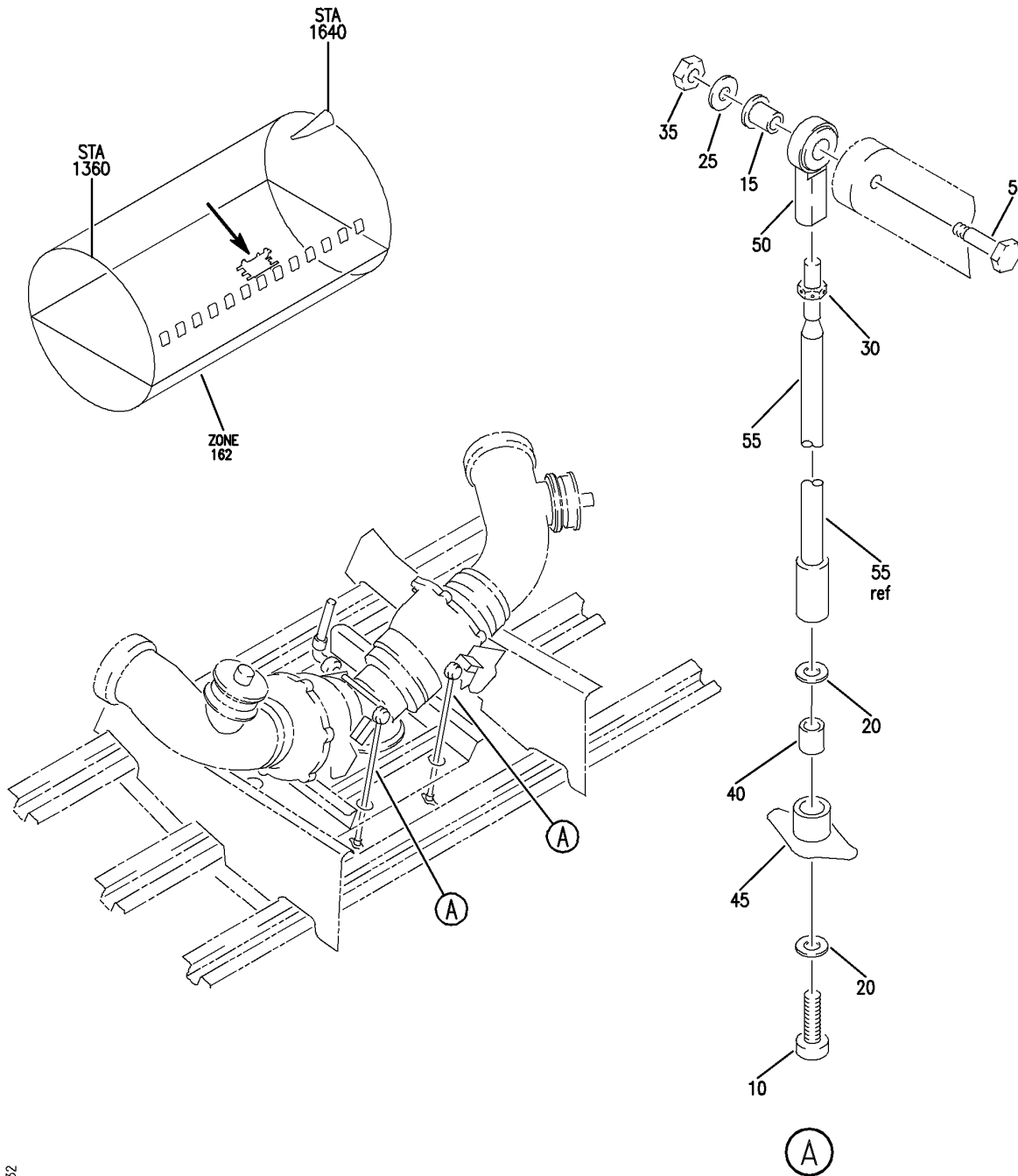
BRI

38-32-30-20

BOEING PROPRIETARY - Copyright © - Unpublished Work - See title page for details.

38-32-30
FIG. 20
PAGE 3
JAN 20/09

BOEING
757
PARTS CATALOG (MAINTENANCE)



Y 38323050 REV 232

LINKAGE ASSY-HANDLE PULL
FIGURE 50

38-32-30-50

BRI
JAN 20/09

38-32-30-50
PAGE 0



757

PARTS CATALOG (MAINTENANCE)

FIG ITEM	PART NUMBER	1 2 3 4 5 6 7	NOMENCLATURE	EFFECT FROM TO	UNITS PER ASSY
50					
- 1	4112-0011-6		LINKAGE ASSY-HANDLE PULL LINKAGE ASSY-HANDLE PULL SUPPLIER CODE: V86831 FOR NHA SEE: 38-32-30-03	103106 103106	RF
5	NAS6603-10		.BOLT	103106	1
10	MS21295-43		.SCREW	103106	1
15	2160-0113-1		.SPACER-LINKAGE SUPPLIER CODE: V86831	103106	1
20	RS723		.WASHER- SUPPLIER CODE: V86831	103106	2
25	AN960C10L		.WASHER	103106	1
30	NAS509-4C		.NUT	103106	1
35	NAS679C3M		.NUT	103106	1
40	2157-0167		.SLEEVE- SUPPLIER CODE: V86831	103106	1
45	2084-0057		.HANDLE- SUPPLIER CODE: V86831	103106	1
50	2147-0051-1		.ROD END-FEMALE SUPPLIER CODE: V86831	103106	1
55	2147-0027-6		.ROD-PULL SUPPLIER CODE: V86831	103106	1

MISSING ITEM NUMBERS NOT APPLICABLE

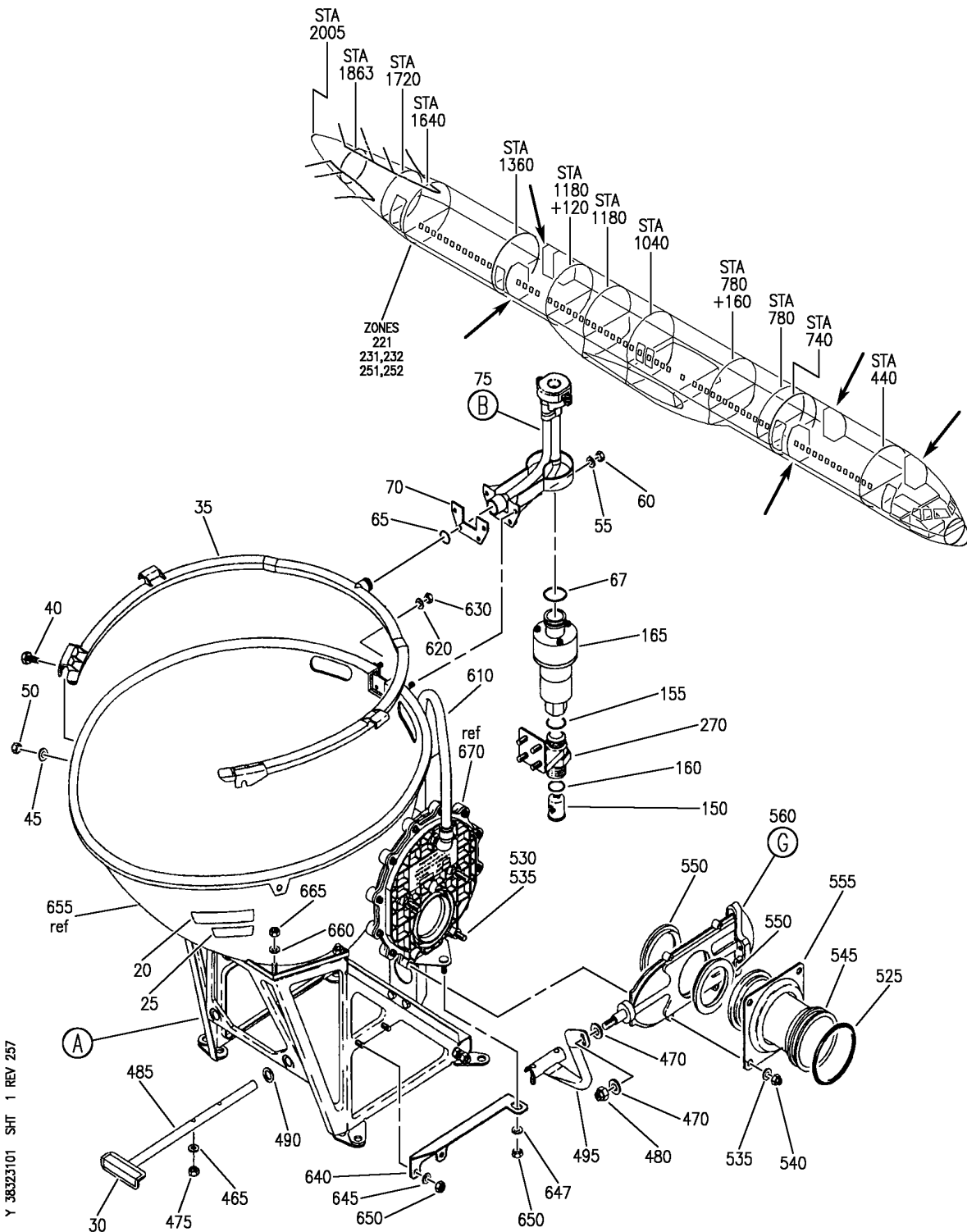
- ITEM NOT ILLUSTRATED

38-32-30-50

38-32-30
FIG. 50
PAGE 1
JAN 20/09

BRI

BOEING
757
PARTS CATALOG (MAINTENANCE)



Y 38323101 SHT 1 REV 257

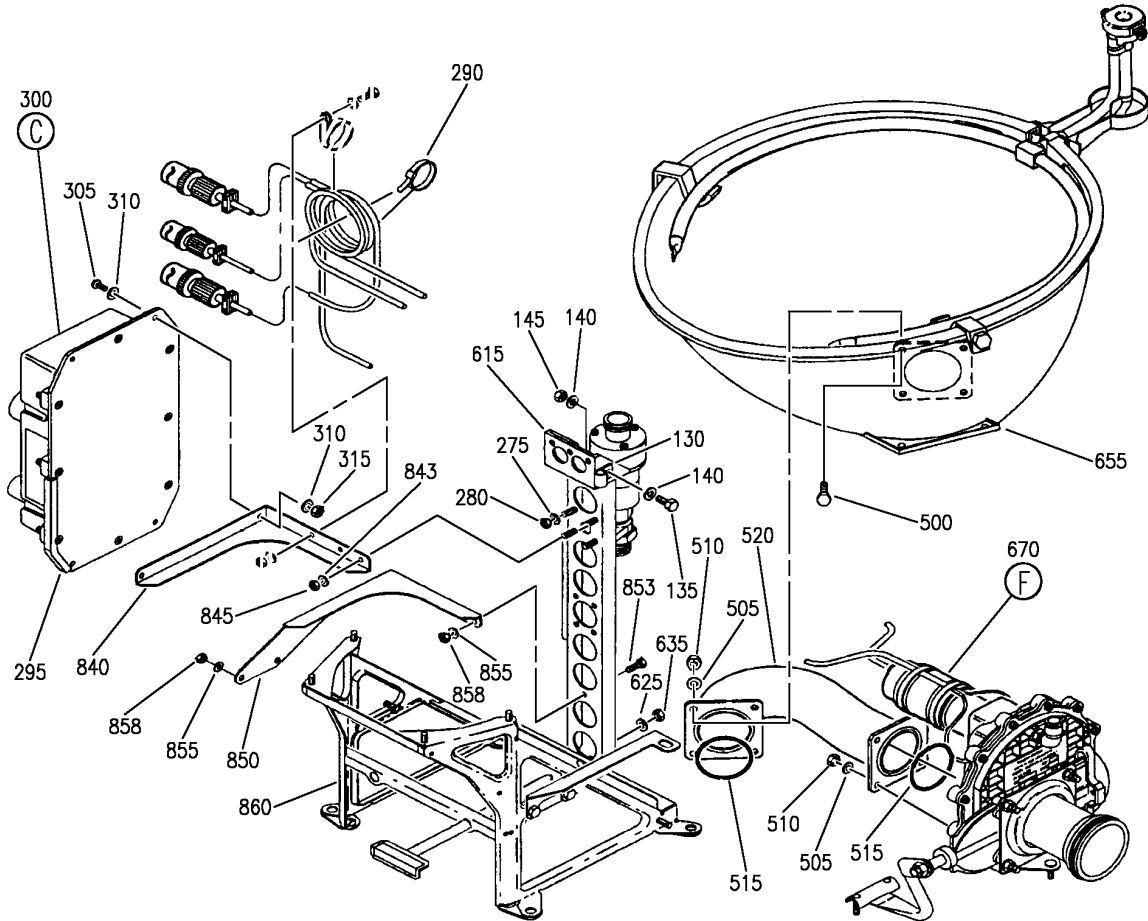
TOILET ASSY-VACUUM WASTE SYSTEM
FIGURE 1 (SHEET 1)

38-32-31-01

BRI
JAN 20/09

38-32-31-01
PAGE 0

BOEING
757
PARTS CATALOG (MAINTENANCE)



(A)

Y 38323101 SH1 2 REV 257

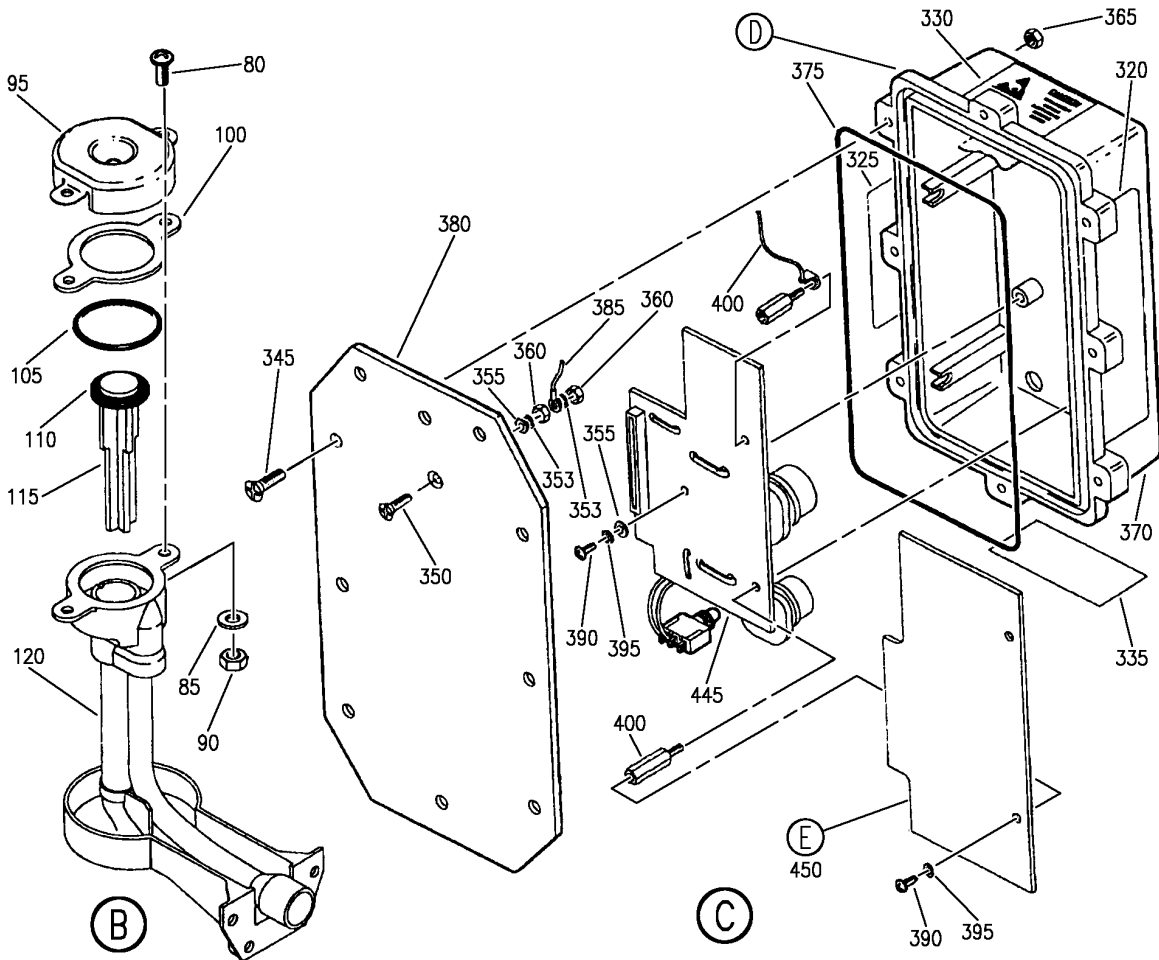
TOILET ASSY-VACUUM WASTE SYSTEM
FIGURE 1 (SHEET 2)

38-32-31-01

BRI
JAN 20/09

38-32-31-01
PAGE 0A

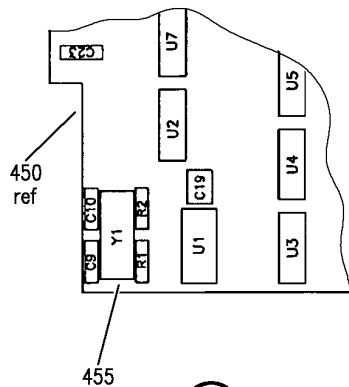

BOEING
 757
PARTS CATALOG (MAINTENANCE)



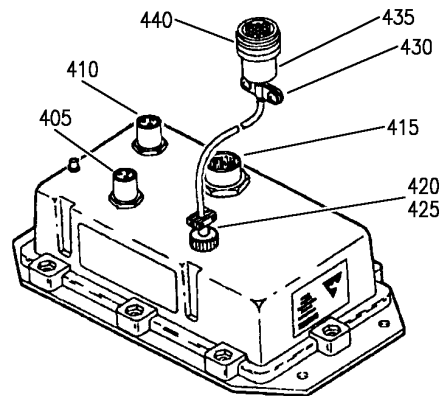
(B)

(C)

Y 38323101 SHT 3 REV 257



(E)



(D)

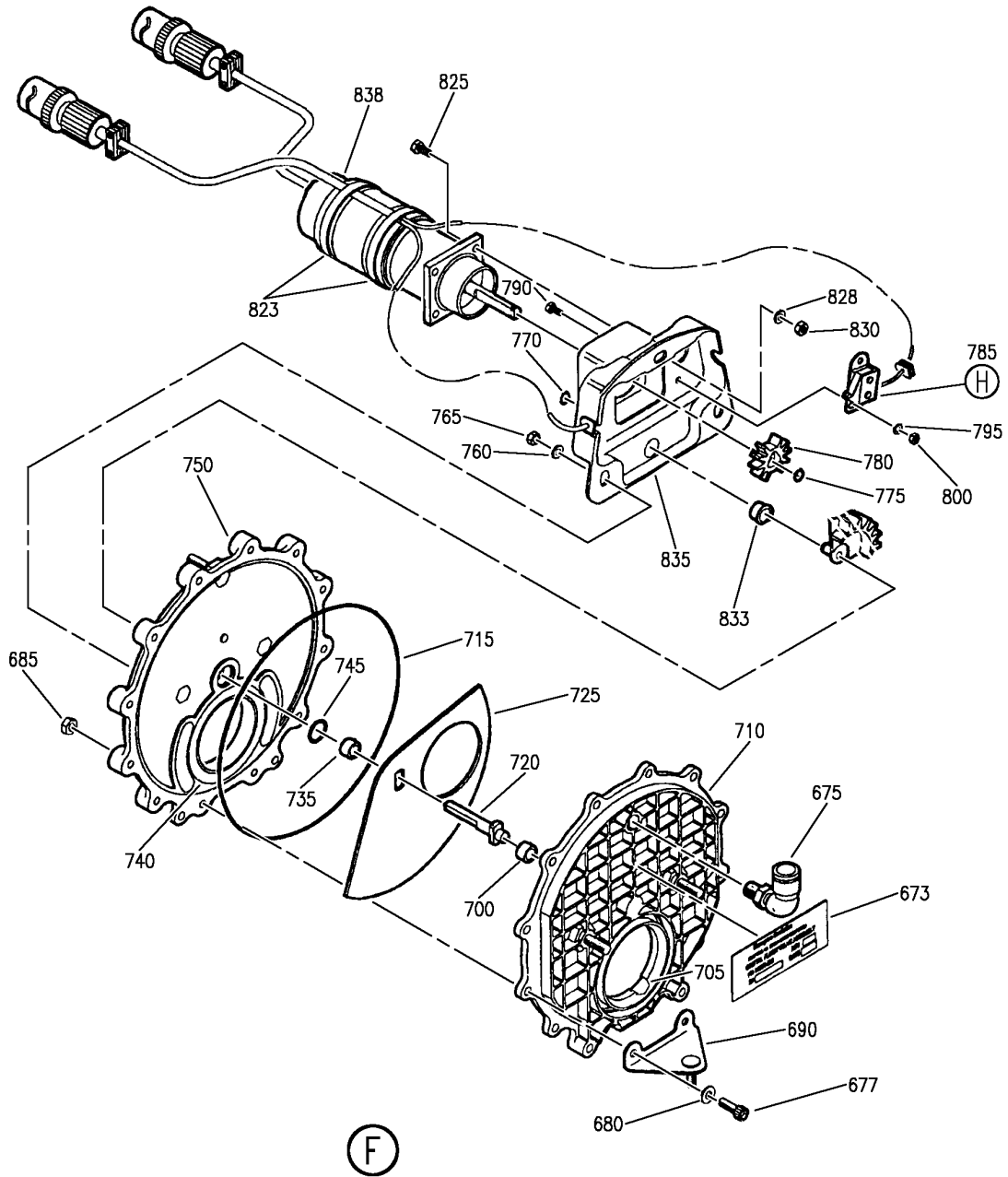
TOILET ASSY-VACUUM WASTE SYSTEM
FIGURE 1 (SHEET 3)

38-32-31-01

BRI
JAN 20/09

38-32-31-01
PAGE 0B

BOEING
757
PARTS CATALOG (MAINTENANCE)



Y 38323101 SH1 4 REV 257

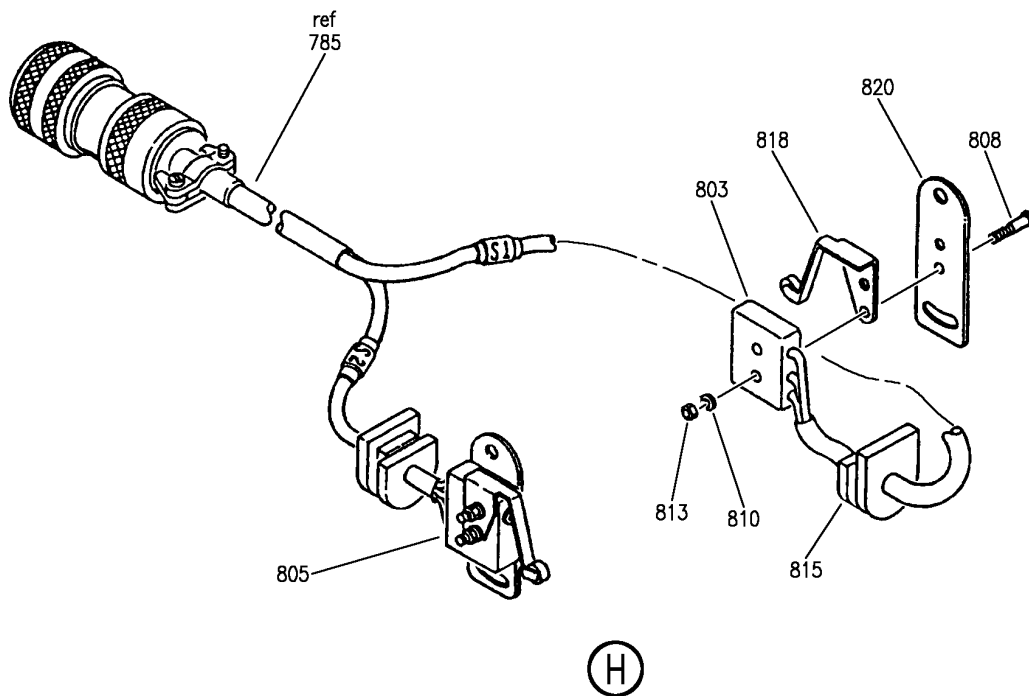
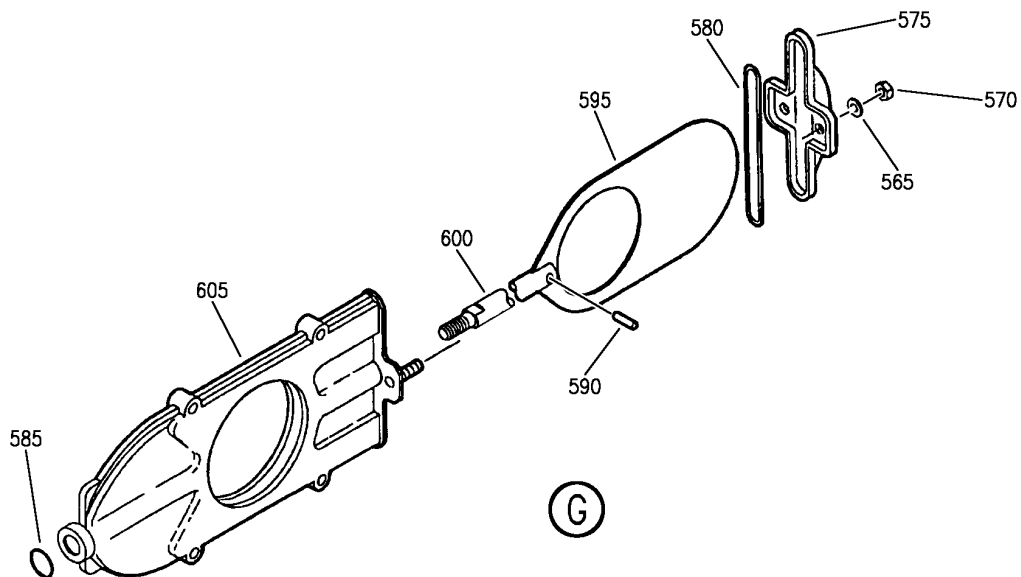
TOILET ASSY-VACUUM WASTE SYSTEM
FIGURE 1 (SHEET 4)

38-32-31-01

BRI
JAN 20/09

38-32-31-01
PAGE 0C

BOEING
757
PARTS CATALOG (MAINTENANCE)



Y 38323101 SHT 5 REV 257

TOILET ASSY-VACUUM WASTE SYSTEM
FIGURE 1 (SHEET 5)

38-32-31-01

BRI
JAN 20/09

38-32-31-01
PAGE 00



757

PARTS CATALOG (MAINTENANCE)

FIG ITEM	PART NUMBER	1 2 3 4 5 6 7	NOMENCLATURE	EFFECT FROM TO	UNITS PER ASSY
1			TOILET ASSY-VACUUM WASTE SYSTEM	103106	
- 1	15800-029-3		TOILET ASSY-VACUUM WASTE SYS SUPPLIER CODE: V29780 SPECIFICATION NUMBER: S417T104-55 CONFIG CHG DATA FROM A CMM: REPLS 15800-019-01 COMPONENT MAINT MANUAL REF: 38-33-20 FOR NHA SEE: 38-32-11-10 38-32-11-20	103106	RF
- 5	15800-029-4		TOILET ASSY-VACUUM WASTE SYS SUPPLIER CODE: V29780 SPECIFICATION NUMBER: S417T104-56 CONFIG CHG DATA FROM A CMM: REPLS 15800-019-02 MISCELLANEOUS DATA: 15800-029-4 EQUIVALENT TO 417T1303-42 COMPONENT MAINT MANUAL REF: 38-33-20 FOR NHA SEE: 38-32-11-20	103106	RF
20	15800-261-7		.LABEL-ID SUPPLIER CODE: V29780 USED ON: 15800-029-3	103106	1
22	15800-261-8		.LABEL-ID SUPPLIER CODE: V29780 USED ON: 15800-029-4	103106	1
25	BAC29PPS49962		.PLACARD- PLACARD CONTENT: MONOGRAM PART NO. 15800-029-3 BOEING PART NO. 417T1303-41 USED ON: 15800-029-3	103106	1

MISSING ITEM NUMBERS NOT APPLICABLE

- ITEM NOT ILLUSTRATED

38-32-31-01

38-32-31
FIG. 01
PAGE 1
JAN 20/09

BRI



757

PARTS CATALOG (MAINTENANCE)

FIG ITEM	PART NUMBER	1 2 3 4 5 6 7	NOMENCLATURE	EFFECT FROM TO	UNITS PER ASSY
1					
27	BAC29PPS49963		.PLACARD- PLACARD CONTENT: MONOGRAM PART NO. 15800-029-4 BOEING PART NO. 417T1303-42 USED ON: 15800-029-4	103106	1
30	15801-186		.LABEL-PULL TO CLOSE VALVE SUPPLIER CODE: V29780	103106	1
35	15801-112		.RING ASSY-FLUSH SUPPLIER CODE: V29780	103106	1
40	8-32UNC		ATTACHING PARTS .BOLT- SUPPLIER CODE: V29780 MISCELLANEOUS DATA: FULL PN 8-32UNCX5-16LG	103106	2
45	MS35333-72		.WASHER	103106	2
50	NAS679C08M		.NUT -----*-----	103106	2
55	AN960C8L		.WASHER	103106	4
60	NAS679C08M		.NUT	103106	4
65	2-012N602-70		.PACKING- SUPPLIER CODE: V02697	103106	1
67	2-015N602-70		.PACKING- SUPPLIER CODE: V02697	103106	1
70	15800-321		.GASKET- SUPPLIER CODE: V29780	103106	1
75	15801-120		.VALVE ASSY-ANTI-SIPHON SUPPLIER CODE: V29780	103106	1
80	MS51957-29		..SCREW	103106	2
85	AN960C6L		..WASHER	103106	2
90	NAS1291C06M		..NUT	103106	2
95	15800-318		..CAP- SUPPLIER CODE: V29780	103106	1
100	15800-317		..PLATE- SUPPLIER CODE: V29780	103106	1
105	2-021N602-70		..PACKING- SUPPLIER CODE: V02697	103106	1

MISSING ITEM NUMBERS NOT APPLICABLE

- ITEM NOT ILLUSTRATED

38-32-31-01

38-32-31
FIG. 01
PAGE 2
JAN 20/09

BRI



757

PARTS CATALOG (MAINTENANCE)

FIG ITEM	PART NUMBER	1 2 3 4 5 6 7	NOMENCLATURE	EFFECT FROM TO	UNITS PER ASSY
1					
110	446121188		.. SEAL-POPPET VALVE SUPPLIER CODE: V29780	103106	1
115	446121189		.. VALVE-POPPET SUPPLIER CODE: V29780	103106	1
120	14330-126		.. HOUSING- SUPPLIER CODE: V29780	103106	1
130	C10DK4		. CLAMP- SUPPLIER CODE: V03296 MISCELLANEOUS DATA: ORDER PN CK10DK-4 ATTACHING PARTS	103106	1
135	MS51957-45		. SCREW	103106	1
140	AN960C8L		. WASHER	103106	2
145	NAS1291C08M		. NUT	103106	1
			-----*-----		
150	15800-192		. SCREEN-RINSE VALVE SUPPLIER CODE: V29780	103106	1
155	3-906E515-80		. PACKING- SUPPLIER CODE: V02697	103106	1
160	2-012N602-70		. PACKING- SUPPLIER CODE: V02697	103106	1
165	15800-358		. VALVE ASSY-RINSE SUPPLIER CODE: V29780 COMPONENT MAINT MANUAL REF: 38-33-20 FOR DETAILS SEE: 38-32-15-05	103106	1
270	15801-140-2		. FITTING-RINSE VALVE SUPPLIER CODE: V29780 ATTACHING PARTS	103106	1
275	AN960C10L		. WASHER	103106	2
280	NAS679C3M		. NUT	103106	2
			-----*-----		
290	TY24M		. TIE-CABLE SUPPLIER CODE: V56501	103106	AR

MISSING ITEM NUMBERS NOT APPLICABLE

- ITEM NOT ILLUSTRATED

38-32-31-01

38-32-31
FIG. 01
PAGE 3
JAN 20/09

BRI

BOEING PROPRIETARY - Copyright © - Unpublished Work - See title page for details.



757

PARTS CATALOG (MAINTENANCE)

FIG ITEM	PART NUMBER	1 2 3 4 5 6 7	NOMENCLATURE	EFFECT FROM TO	UNITS PER ASSY
1					
295	15801-228-1	.	GROMMET-BONDED SUPPLIER CODE: V29780 USED ON: 15800-029-3	103106	1
297	15801-228-2	.	GROMMET-BONDED SUPPLIER CODE: V29780 USED ON: 15800-029-4	103106	1
300	15801-160	.	CONTROL UNIT-FLUSH SUPPLIER CODE: V29780	103106	1
305	8-32UNC	.	BOLT- SUPPLIER CODE: V29780 MISCELLANEOUS DATA: FULL PN 8-32UNCX3-8LG	103106	4
310	AN960C8L	.	WASHER	103106	8
315	NAS679C08M	.	NUT	103106	4
			-----*-----		
320	15801-178	..	LABEL-FCU ID SUPPLIER CODE: V29780	103106	1
325	15801-179	..	LABEL-FCU INTERCONNECT SUPPLIER CODE: V29780	103106	1
335	15800-436	..	LABEL-MAINTENANCE SWITCH SUPPLIER CODE: V29780	103106	1
345	NAS1102C06-7	..	SCREW	103106	8
350	AN507440R7	..	SCREW	103106	1
353	MS35338-135	..	WASHER	103106	2
355	AN960C4L	..	WASHER	103106	5
360	AN340C4	..	NUT	103106	2
365	NAS2108306	..	NUT	103106	8
370	15801-160-1	..	ENCLOSURE- SUPPLIER CODE: V29780	103106	1
375	14330-190-3	..	SEAL- SUPPLIER CODE: V77969	103106	1
380	14330-190-2	..	PLATE-MOUNTING SUPPLIER CODE: V29780	103106	1
385	1412-4	..	LUG-GROUND SUPPLIER CODE: V29780	103106	2

MISSING ITEM NUMBERS NOT APPLICABLE

- ITEM NOT ILLUSTRATED

38-32-31-01

38-32-31
FIG. 01
PAGE 4
JAN 20/09

BRI



757

PARTS CATALOG (MAINTENANCE)

FIG ITEM	PART NUMBER	1 2 3 4 5 6 7	NOMENCLATURE	EFFECT FROM TO	UNITS PER ASSY
1					
390	MS51957-15	..	SCREW	103106	3
395	MS35338-135	..	WASHER	103106	3
400	R4534-44A	..	STAND OFF- SUPPLIER CODE: V29780	103106	2
405	85107A8-3ASN	..	NUT-JAM CONNECTOR, (J2) SUPPLIER CODE: V29780	103106	1
410	85107A8-33SN	..	NUT-JAM CONNECTOR, (J1) SUPPLIER CODE: V29780	103106	1
415	85107A10-6SN	..	NUT-JAM CONNECTOR, (J3) SUPPLIER CODE: V29780	103106	1
420	CT25	..	NUT-CABLE SPRT SUPPLIER CODE: V29780 MISCELLANEOUS DATA: FULL PN CT-25	103106	1
425	CT26	..	CLAMP-CABLE SPRT SUPPLIER CODE: V29780 MISCELLANEOUS DATA: FULL PN CT-26	103106	1
430	3205-20-2	..	GROMMET- SUPPLIER CODE: V29780	103106	1
435	MS27291-3	..	SUPPORT-CABLE	103106	1
440	MS24266R14B12PN	..	CONNECTOR-PLUG	103106	1
445	15801-172	..	BOARD ASSY-INTERCONNECT SUPPLIER CODE: V29780	103106	1
450	15801-161	..	BOARD ASSY-PRINTED CIRCUIT SUPPLIER CODE: V29780	103106	1
455	7500150	...	LABEL-STATIC WARNING SUPPLIER CODE: V29780	103106	1
- 460	15800-229-1	.	SPONGE-RUBBER SUPPLIER CODE: V29780	103106	1
465	AN960C8L	.	WASHER	103106	2
470	NAS620C10	.	WASHER	103106	2
475	NAS679C08M	.	NUT	103106	2
480	NAS679C3M	.	NUT	103106	1
485	15801-185	.	HANDLE-PUSH-PULL SUPPLIER CODE: V29780	103106	1

MISSING ITEM NUMBERS NOT APPLICABLE

- ITEM NOT ILLUSTRATED

38-32-31-01

38-32-31
FIG. 01
PAGE 5
JAN 20/09

BRI



757

PARTS CATALOG (MAINTENANCE)

FIG ITEM	PART NUMBER	1 2 3 4 5 6 7	NOMENCLATURE	EFFECT FROM TO	UNITS PER ASSY
1					
490	5L1FF		.BEARING-SNAP-IN SUPPLIER CODE: V96881	103106	2
495	15801-184-1		.ARM-ID SUPPLIER CODE: V29780 USED ON: 15800-029-3	103106	1
497	15801-184-2		.ARM-ID SUPPLIER CODE: V29780 USED ON: 15800-029-4	103106	1
500	NAS501-3-4A		.BOLT	103106	4
505	AN960C10L		.WASHER	103106	8
510	NAS679C3M		.NUT	103106	8
515	2-135N506-65		.PACKING- SUPPLIER CODE: V02697	103106	2
520	14330-196		.ELBOW-BOWL SUPPLIER CODE: V29780	103106	1
525	2-226N602-70		.PACKING- SUPPLIER CODE: V02697 OPTIONAL PART: MS29513-226	103106	1
525	MS29513-226		.PACKING- OPTIONAL PART: 2-226N602-70 V02697	103106	1
530	NAS501-3-12A		.BOLT	103106	2
535	AN960C10L		.WASHER	103106	6
540	NAS679C3M		.NUT	103106	4
545	15801-152		.FITTING-OUTLET SUPPLIER CODE: V29780	103106	1
550	15800-246		.SEAL-SLIDE VALVE SUPPLIER CODE: V29780	103106	2
555	21520-013		.PLATE-SWIVEL SUPPLIER CODE: V29780	103106	1
560	15801-180		.VALVE ASSY-SLIDE SUPPLIER CODE: V29780	103106	1
565	NAS620C8L		..WASHER	103106	2
570	NAS1291C08M		..NUT	103106	2

MISSING ITEM NUMBERS NOT APPLICABLE

- ITEM NOT ILLUSTRATED

38-32-31-01

38-32-31
FIG. 01
PAGE 6
JAN 20/09

BRI

BOEING PROPRIETARY - Copyright © - Unpublished Work - See title page for details.

 **BOEING**
757
PARTS CATALOG (MAINTENANCE)

FIG ITEM	PART NUMBER	1 2 3 4 5 6 7	NOMENCLATURE	EFFECT FROM TO	UNITS PER ASSY
1					
575	15801-192	..	CAP-END SUPPLIER CODE: V29780	103106	1
580	2-010E515-80	..	PACKING- SUPPLIER CODE: V02697	103106	1
585	2-032N506-65	..	PACKING- SUPPLIER CODE: V02697	103106	1
590	MS171492	..	PIN-SPRING	103106	1
595	15800-224	..	SLIDE- SUPPLIER CODE: V29780	103106	1
600	15800-218	..	ROD- SUPPLIER CODE: V29780	103106	1
605	15801-191	..	HOUSING ASSY- SUPPLIER CODE: V29780	103106	1
610	14330-014	.	TUBE-VENT SUPPLIER CODE: V29780	103106	1
615	15801-155	.	SUPPORT-VERTICAL SUPPLIER CODE: V29780	103106	1
			ATTACHING PARTS		
620	AN960C8L	.	WASHER	103106	3
625	AN960C10L	.	WASHER	103106	2
630	NAS679C08M	.	NUT	103106	3
635	NAS679C03M	.	NUT	103106	2
			-----*-----		
640	14330-186-1	.	BRACKET-HOUSING SPRT SUPPLIER CODE: V29780 USED ON: 15800-029-3	103106	1
642	14330-186-2	.	BRACKET-HOUSING SPRT SUPPLIER CODE: V29780 USED ON: 15800-029-4	103106	1
			ATTACHING PARTS		
645	AN960C10L	.	WASHER	103106	2
647	MS15795-842	.	WASHER	103106	1
650	NAS679C3M	.	NUT	103106	3
			-----*-----		
655	14330-260-1	.	BOWL- SUPPLIER CODE: V29780	103106	1

MISSING ITEM NUMBERS NOT APPLICABLE

— ITEM NOT ILLUSTRATED

BRI

38-32-31-01

BOEING PROPRIETARY - Copyright © - Unpublished Work - See title page for details.

38-32-31
FIG. 01
PAGE 7
JAN 20/09



757

PARTS CATALOG (MAINTENANCE)

FIG ITEM	PART NUMBER	1 2 3 4 5 6 7	NOMENCLATURE	EFFECT FROM TO	UNITS PER ASSY
1					
657	14330-260-2	.	BOWL- SUPPLIER CODE: V29780	103106	1
660	NAS620C10L	.	WASHER	103106	4
665	NAS1291C3M	.	NUT	103106	4
670	14330-230	.	VALVE ASSY-FLUSH SUPPLIER CODE: V29780	103106	1
673	14330-211	..	LABEL-ID SUPPLIER CODE: V29780	103106	1
675	31990610	..	FITTING- SUPPLIER CODE: V29780	103106	1
677	NAS1352C08-10	..	SCREW	103106	12
680	AN960C8	..	WASHER	103106	12
685	MS21083C08	..	NUT	103106	12
690	14330-237	..	BRACKET-MOUNTING VALVE SUPPLIER CODE: V29780	103106	1
- 695	14330-232	..	HOUSING ASSY-BACK SUPPLIER CODE: V29780	103106	1
700	B46-2	...	BUSHING- SUPPLIER CODE: VOACA6	103106	1
705	14330-086	...	SEAL-FACE SUPPLIER CODE: V29780	103106	1
710	14330-254	...	HOUSING-BACK SUPPLIER CODE: V29780	103106	1
715	2-161N506-65	..	PACKING- SUPPLIER CODE: V02697	103106	1
720	14330-236	..	SHAFT- SUPPLIER CODE: V29780	103106	1
725	14330-235	..	PLATE-SLIDE SUPPLIER CODE: V29780	103106	1
- 730	14330-231	..	HOUSING ASSY-MOTOR MOUNT SUPPLIER CODE: V29780	103106	1
735	B46-2	...	BUSHING- SUPPLIER CODE: VOACA6	103106	1

MISSING ITEM NUMBERS NOT APPLICABLE

- ITEM NOT ILLUSTRATED

38-32-31-01

38-32-31
FIG. 01
PAGE 8
JAN 20/09

BRI



757

PARTS CATALOG (MAINTENANCE)

FIG ITEM	PART NUMBER	1 2 3 4 5 6 7	NOMENCLATURE	EFFECT FROM TO	UNITS PER ASSY
1					
740	14330-086	...	SEAL-FACE SUPPLIER CODE: V29780	103106	1
745	2-010E515-80	...	PACKING- SUPPLIER CODE: V02697	103106	1
750	14330-253	...	HOUSING ASSY-MOTOR MOUNT SUPPLIER CODE: V29780	103106	1
- 755	14330-240	..	GEAR AND SWITCH ASSY- MOTOR SUPPLIER CODE: V29780 ATTACHING PARTS	103106	1
760	AN960C10L	..	WASHER	103106	3
765	NAS1291C3M	..	NUT	103106	3
			-----*-----		
770	MS16624-4037	...	RING	103106	1
775	MS16624-4025	...	RING	103106	1
780	14330-070	...	GEAR ASSY-SWITCH ACTUATING SUPPLIER CODE: V29780	103106	1
785	14330-063	...	SWITCH AND HARNESS ASSY- SUPPLIER CODE: V29780 ATTACHING PARTS	103106	1
790	6-32UNC	...	BOLT- SUPPLIER CODE: V29780 MISCELLANEOUS DATA: FULL PN 6-32UNCX7-16LG	103106	4
795	NAS1149CN632R	...	WASHER	103106	4
800	NAS1291C06M	...	NUT	103106	4
			-----*-----		
803	14330-095-1	SWITCH-(CLOSE POSITION) SUPPLIER CODE: V29780	103106	1
805	14330-095-2	SWITCH-(OPEN POSITION) SUPPLIER CODE: V29780 ATTACHING PARTS	103106	1
808	MS51957-8	SCREW	103106	4
810	NAS620C2	WASHER	103106	4
813	NAS1291C02M	NUT	103106	4
			-----*-----		
815	3205-20-1	GROMMET- SUPPLIER CODE: V29780	103106	1

MISSING ITEM NUMBERS NOT APPLICABLE

- ITEM NOT ILLUSTRATED

38-32-31-01

38-32-31
FIG. 01
PAGE 9
JAN 20/09

BRI



757

PARTS CATALOG (MAINTENANCE)

FIG ITEM	PART NUMBER	1 2 3 4 5 6 7	NOMENCLATURE	EFFECT FROM TO	UNITS PER ASSY
1					
818	JM5	ACTUATOR- SUPPLIER CODE: V74059	103106	2
820	14330-067	BRACKET-SWITCH MOUNT SUPPLIER CODE: V29780	103106	2
823	VRT16S	...TIE-	SUPPLIER CODE: V29780	103106	2
825	8-32UNC	...BOLT-	SUPPLIER CODE: V29780 MISCELLANEOUS DATA: FULL PN 8-32UNCX9-16LG	103106	4
828	NAS1149CN816R	...WASHER		103106	4
830	NAS1291C08M	...NUT		103106	4
833	15801-016	...BUSHING-	SUPPLIER CODE: V29780	103106	1
835	14330-241	...BRACKET-	SUPPLIER CODE: V29780	103106	1
838	14330-062	...MOTOR ASSY-WITH CONNECTOR	SUPPLIER CODE: V29780 FOR DETAILS SEE: 38-32-05-15	103106	1
840	15801-156-1	.SUPPORT-HORIZONTAL	SUPPLIER CODE: V29780 USED ON: 15800-029-3	103106	1
842	15801-156-2	.SUPPORT-HORIZONTAL	SUPPLIER CODE: V29780 USED ON: 15800-029-4	103106	1
843	AN960C10L	.WASHER		103106	2
845	NAS679C3M	.NUT		103106	2
		-----*-----			
850	14330-185-1	.BRACKET-FCU SUPPORT	SUPPLIER CODE: V29780 USED ON: 15800-029-3	103106	1

MISSING ITEM NUMBERS NOT APPLICABLE

- ITEM NOT ILLUSTRATED

38-32-31-01

38-32-31
FIG. 01
PAGE 10
JAN 20/09

BRI

BOEING PROPRIETARY - Copyright © - Unpublished Work - See title page for details.



757

PARTS CATALOG (MAINTENANCE)

FIG ITEM	PART NUMBER	1 2 3 4 5 6 7	NOMENCLATURE	EFFECT FROM TO	UNITS PER ASSY
1 852	14330-185-2		.BRACKET-FCU SUPPORT SUPPLIER CODE: V29780 USED ON: 15800-029-4 ATTACHING PARTS	103106	1
853	NAS501-3-3A		.BOLT	103106	1
855	AN960C10L		.WASHER	103106	3
858	NAS679C3M		.NUT	103106	3
			-----*-----		
860	15801-194		.PEDESTAL ASSY- SUPPLIER CODE: V29780	103106	1

MISSING ITEM NUMBERS NOT APPLICABLE

- ITEM NOT ILLUSTRATED

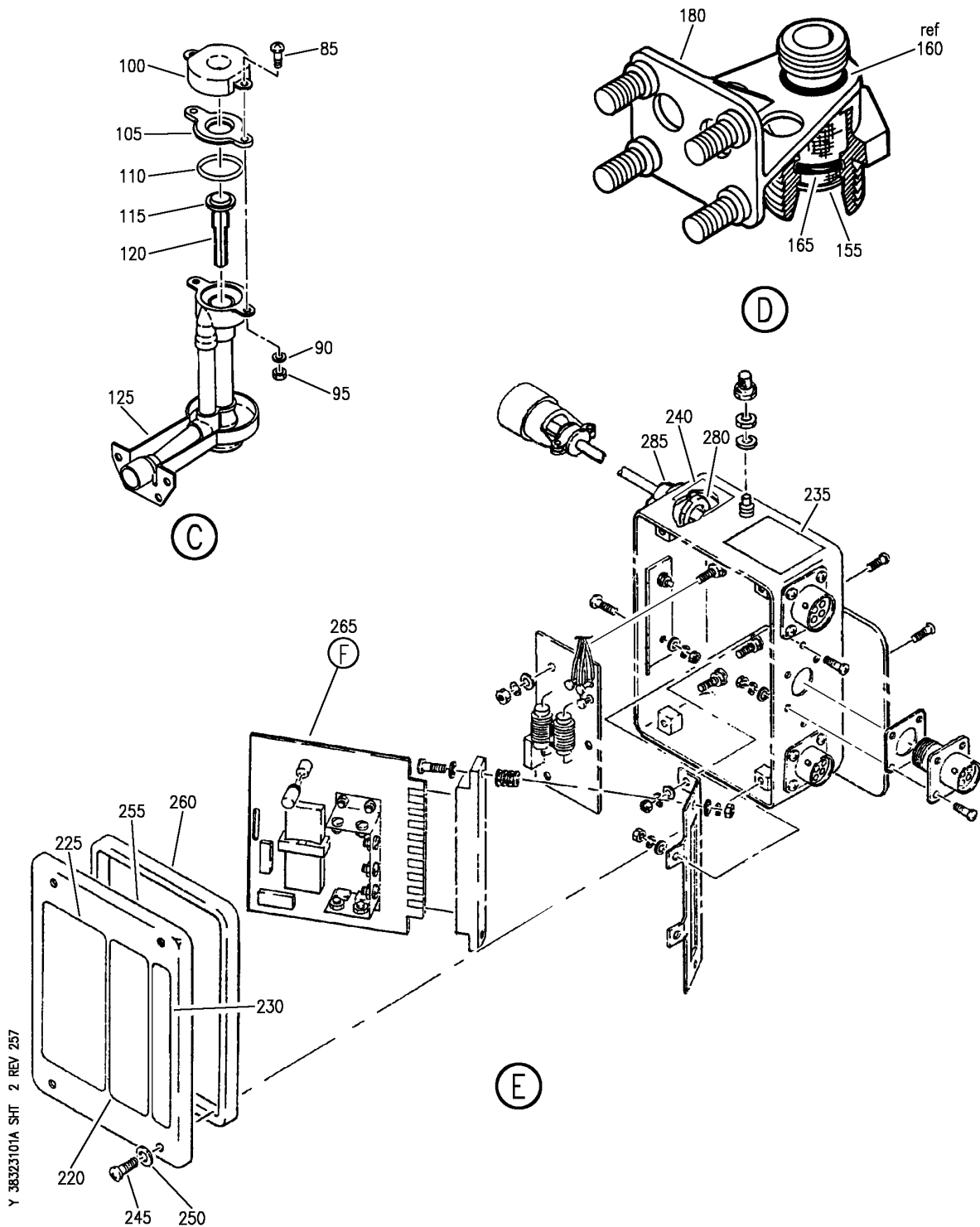
BRI

38-32-31-01

BOEING PROPRIETARY - Copyright © - Unpublished Work - See title page for details.

38-32-31
FIG. 01
PAGE 11
JAN 20/09

BOEING
757
PARTS CATALOG (MAINTENANCE)



Y 38323101A SHT 2 REV 257

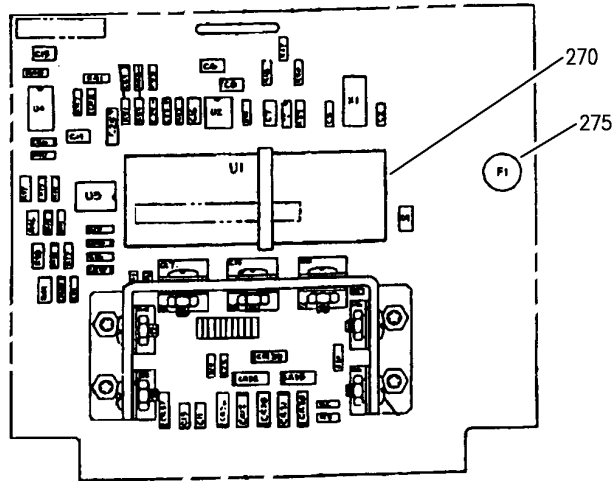
TOILET ASSY-VACUUM WASTE SYSTEM
FIGURE 1A (SHEET 2)

38-32-31-01A

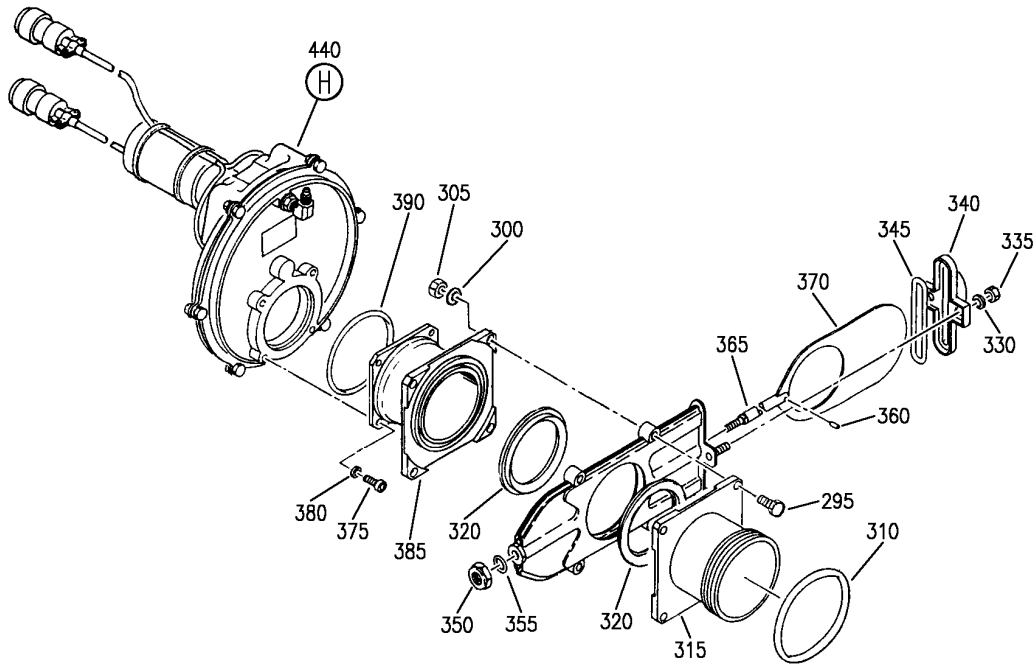
BRI
JAN 20/09

38-32-31-01A
PAGE 0A

BOEING
757
PARTS CATALOG (MAINTENANCE)



(F)



(G)

Y 38323101A SHT 3 REV 257

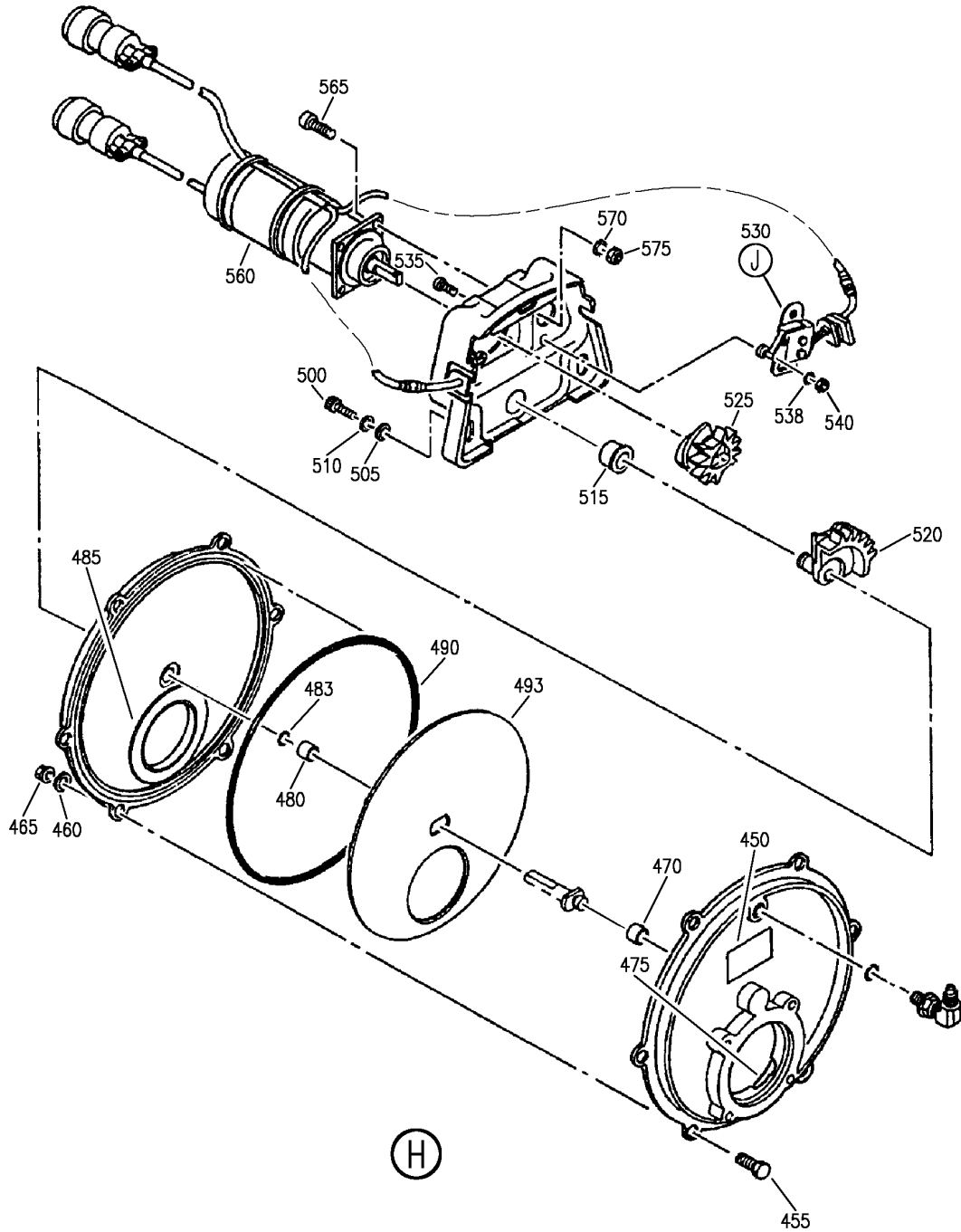
TOILET ASSY-VACUUM WASTE SYSTEM
FIGURE 1A (SHEET 3)

38-32-31-01A

BRI
JAN 20/09

38-32-31-01A
PAGE 0B

BOEING
757
PARTS CATALOG (MAINTENANCE)



Y 38323101A SHT 4 REV 257

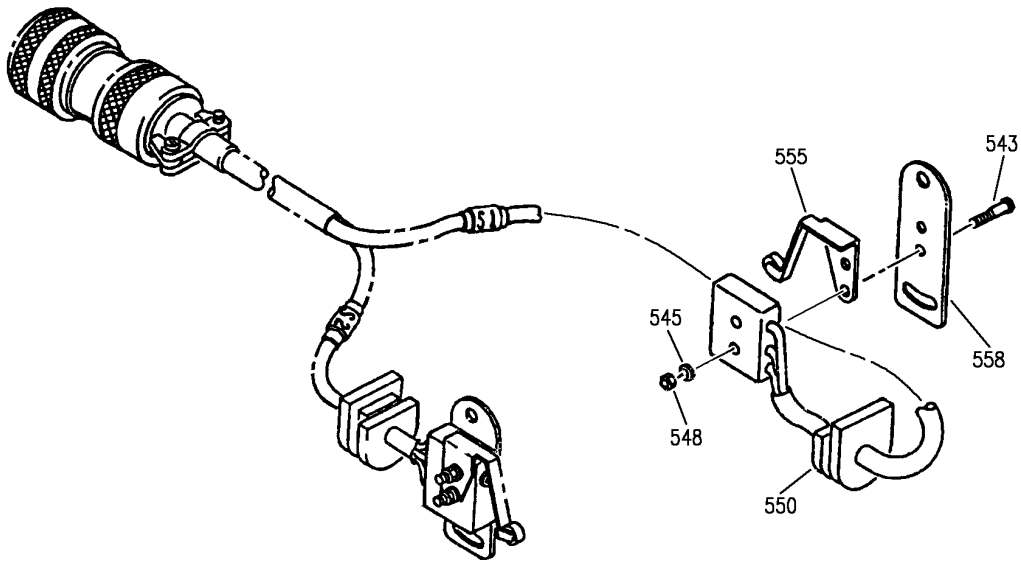
TOILET ASSY-VACUUM WASTE SYSTEM
FIGURE 1A (SHEET 4)

38-32-31-01A

BRI
JAN 20/09

38-32-31-01A
PAGE 0C

BOEING
757
PARTS CATALOG (MAINTENANCE)



J

Y 38323101A SHT 5 REV 257

TOILET ASSY-VACUUM WASTE SYSTEM
FIGURE 1A (SHEET 5)

BRI
JAN 20/09

38-32-31-01A

38-32-31-01A
PAGE 0D



757

PARTS CATALOG (MAINTENANCE)

FIG ITEM	PART NUMBER	1 2 3 4 5 6 7	NOMENCLATURE	EFFECT FROM TO	UNITS PER ASSY
1A			TOILET ASSY-VACUUM WASTE SYSTEM	103106	
- 1	15800-019-1		TOILET ASSY-VACUUM WASTE SYS SUPPLIER CODE: V29780 SPECIFICATION NUMBER: S417T104-37 CONFIG CHG DATA FROM A CMM: REPL BY 15800-029-03 MISCELLANEOUS DATA: 15800-019-1 EQUIVALENT TO 417T1303-23 COMPONENT MAINT MANUAL REF: 38-33-12 FOR NHA SEE: 38-32-11-10 38-32-11-20	103106	RF
- 5	15800-019-2		TOILET ASSY-VACUUM WASTE SYS SUPPLIER CODE: V29780 SPECIFICATION NUMBER: S417T104-38 CONFIG CHG DATA FROM A CMM: REPL BY 15800-029-04 MISCELLANEOUS DATA: 15800-019-2 EQUIVALENT TO 417T1303-24 COMPONENT MAINT MANUAL REF: 38-33-12 FOR NHA SEE: 38-32-11-20	103106	RF
20	15800-261-1		.LABEL-ID SUPPLIER CODE: V29780 USED ON: 15800-019-1	103106	1
22	15800-261-2		.LABEL-ID SUPPLIER CODE: V29780 USED ON: 15800-019-2	103106	1

MISSING ITEM NUMBERS NOT APPLICABLE

- ITEM NOT ILLUSTRATED

38-32-31-01A

38-32-31
FIG. 01A
PAGE 1
JAN 20/09

BRI



757

PARTS CATALOG (MAINTENANCE)

FIG ITEM	PART NUMBER	1 2 3 4 5 6 7	NOMENCLATURE	EFFECT FROM TO	UNITS PER ASSY
1 A					
25	BAC29PPS19594	.PLACARD-	PLACARD CONTENT: MONOGRAM PART NO. 15800-019-1 BOEING PART NO. 417T1303-23 USED ON: 15800-019-1	103106	1
27	BAC29PPS19595	.PLACARD-	PLACARD CONTENT: MONOGRAM PART NO. 15800-019-2 BOEING PART NO. 417T1303-24 USED ON: 15800-019-2	103106	1
30	15800-208	.LABEL-PULL TO CLOSE VALVE	SUPPLIER CODE: V29780	103106	1
35	15800-331	.RING-FLUSH	SUPPLIER CODE: V29780	103106	1
40	8-32UNCX5-16	.BOLT-	ATTACHING PARTS SUPPLIER CODE: V29780	103106	2
45	AN960C8L	.WASHER		103106	2
50	NAS679C08M	.NUT		103106	2
		-----*-----			
55	AN960C8L	.WASHER		103106	4
60	NAS679C08M	.NUT		103106	4
65	2-012N602-70	.PACKING-	SUPPLIER CODE: V02697	103106	1
70	2-015N602-70	.PACKING-	SUPPLIER CODE: V02697	103106	1
75	15800-321	.GASKET-	SUPPLIER CODE: V29780	103106	1
80	15801-120	.VALVE ASSY-ANTI-SIPHON	SUPPLIER CODE: V29780	103106	1
85	MS51957-29	..SCREW		103106	2
90	AN960C6L	..WASHER		103106	2
95	NAS1291C06M	..NUT		103106	2
100	15800-318	..CAP-	SUPPLIER CODE: V29780	103106	1

MISSING ITEM NUMBERS NOT APPLICABLE

- ITEM NOT ILLUSTRATED

38-32-31-01A

38-32-31
FIG. 01A
PAGE 2
JAN 20/09

BRI

BOEING PROPRIETARY - Copyright © - Unpublished Work - See title page for details.



757

PARTS CATALOG (MAINTENANCE)

FIG ITEM	PART NUMBER	1 2 3 4 5 6 7	NOMENCLATURE	EFFECT FROM TO	UNITS PER ASSY
1A					
105	15800-317	..	PLATE- SUPPLIER CODE: V29780	103106	1
110	2-021N602-70	..	PACKING- SUPPLIER CODE: V02697	103106	1
115	446121188	..	SEAL-POPPET VALVE SUPPLIER CODE: V29780	103106	1
120	446121189	..	VALVE-POPPET SUPPLIER CODE: V29780	103106	1
125	15801-119	..	HOUSING- SUPPLIER CODE: V29780	103106	1
130	C10DK2	.	CLAMP- SUPPLIER CODE: V03296	103106	1
135	8-32UNCX1-2	.	BOLT- SUPPLIER CODE: V29780	103106	1
140	AN960C8L	.	WASHER	103106	1
145	NAS1291C08M	.	NUT	103106	1
150	15801-014	.	TUBE-VENT SUPPLIER CODE: V29780	103106	1
155	15800-192	.	SCREEN-RINSE VALVE SUPPLIER CODE: V29780	103106	1
160	3-906E515-80	.	PACKING- SUPPLIER CODE: V02697	103106	1
165	2-012N602-70	.	PACKING- SUPPLIER CODE: V02697	103106	1
175	15800-348	.	VALVE ASSY-RINSE SUPPLIER CODE: V29780 SB DATA FROM A CMM: PRE SB 15800-38-06 CONFIG CHG DATA FROM A CMM: REPLD BY 15800-348A COMPONENT MAINT MANUAL REF: 38-32-12 FOR DETAILS SEE: 38-32-15-05	103106	1

MISSING ITEM NUMBERS NOT APPLICABLE

- ITEM NOT ILLUSTRATED

38-32-31-01A

38-32-31
FIG. 01A
PAGE 3
JAN 20/09

BRI

BOEING PROPRIETARY - Copyright © - Unpublished Work - See title page for details.



757

PARTS CATALOG (MAINTENANCE)

FIG ITEM	PART NUMBER	1 2 3 4 5 6 7	NOMENCLATURE	EFFECT FROM TO	UNITS PER ASSY
1A 175	15800-348A	.	VALVE ASSY-RINSE SUPPLIER CODE: V29780 SB DATA FROM A CMM: POST SB 15800-38-06 CONFIG CHG DATA FROM A CMM: REPLS 15800-348 REPLD BY 15800-358 COMPONENT MAINT MANUAL REF: 38-31-12 FOR DETAILS SEE: 38-32-15-05	103106	1
175	15800-358	.	VALVE ASSY-RINSE SUPPLIER CODE: V29780 CONFIG CHG DATA FROM A CMM: REPLS 15800-348A COMPONENT MAINT MANUAL REF: 38-33-20 FOR DETAILS SEE: 38-32-15-05	103106	1
180	15801-140-2	.	FITTING-RINSE VALVE SUPPLIER CODE: V29780 ATTACHING PARTS	103106	1
185	AN960C10L	.	WASHER	103106	4
190	NAS679C3M	.	NUT	103106	4
			-----*-----		
200	15801-040	.	CONTROL UNIT-FLUSH SUPPLIER CODE: V29780 ATTACHING PARTS	103106	1
205	NAS501-3-3A	.	BOLT	103106	4
210	AN960C10L	.	WASHER	103106	4
215	NAS679C3M	.	NUT	103106	4
			-----*-----		
220	15800-136	..	LABEL-ID SUPPLIER CODE: V29780	103106	1
225	15800-431	..	LABEL-FCU INTERCONNECT SUPPLIER CODE: V29780	103106	1
230	14400-354	..	LABEL-AMENDT SUPPLIER CODE: V29780	103106	1
235	15800-436	..	LABEL-MAINTENANCE SUPPLIER CODE: V29780	103106	1

MISSING ITEM NUMBERS NOT APPLICABLE

- ITEM NOT ILLUSTRATED

38-32-31-01A

38-32-31
FIG. 01A
PAGE 4
JAN 20/09

BRI

BOEING PROPRIETARY - Copyright © - Unpublished Work - See title page for details.



757

PARTS CATALOG (MAINTENANCE)

FIG ITEM	PART NUMBER	1 2 3 4 5 6 7	NOMENCLATURE	EFFECT FROM TO	UNITS PER ASSY
1A					
240	15801-024	..	LABEL-STATIC SENSITIVE SUPPLIER CODE: V29780	103106	1
245	OMT2-1001	..	SCREW- SUPPLIER CODE: V58993	103106	1
250	OMT3-1001	..	WASHER-SEAL SUPPLIER CODE: V58993	103106	1
255	CN21	..	COVER- SUPPLIER CODE: V29780	103106	1
260	50SDH7667-12	..	SEAL- SUPPLIER CODE: V77969	103106	1
265	15801-042	..	BOARD ASSY-PRINTED CIRCUIT SUPPLIER CODE: V29780	103106	1
270	15801-043-1	...	CONTROLLER-MICRO SUPPLIER CODE: V29780	103106	1
275	281005	...	FUSEHOLDER- SUPPLIER CODE: V75915	103106	1
280	CT25	..	NUT-CABLE SUPPORT SUPPLIER CODE: V29780	103106	1
285	CT26	..	CLAMP-CABLE SUPPORT SUPPLIER CODE: V29780	103106	1
295	NAS501-3-10A	.	BOLT	103106	4
300	AN960C10L	.	WASHER	103106	4
305	NAS679C3M	.	NUT	103106	4
310	2-226N602-70	.	PACKING- SUPPLIER CODE: V02697 OPTIONAL PART: MS29513-226	103106	1
310	MS29513-226	.	PACKING- OPTIONAL PART: 2-226N602-70 V02697	103106	1
315	15800-406-10	.	DRAIN-OUTLET SUPPLIER CODE: V29780	103106	1
320	15800-246	.	SEAL-SLIDE VALVE SUPPLIER CODE: V29780	103106	2

MISSING ITEM NUMBERS NOT APPLICABLE

- ITEM NOT ILLUSTRATED

38-32-31-01A

38-32-31
FIG. 01A
PAGE 5
JAN 20/09

BRI

BOEING PROPRIETARY - Copyright © - Unpublished Work - See title page for details.



757

PARTS CATALOG (MAINTENANCE)

FIG ITEM	PART NUMBER	1 2 3 4 5 6 7	NOMENCLATURE	EFFECT FROM TO	UNITS PER ASSY
1A					
- 325	15801-205	.	VALVE ASSY-SLIDE SUPPLIER CODE: V29780 OPTIONAL PART: 15800-240 V29780	103106	1
- 325	15800-240	.	VALVE ASSY-SLIDE SUPPLIER CODE: V29780 OPTIONAL PART: 15801-205 V29780	103106	1
330	NAS620C10L	..	WASHER	103106	2
335	NAS1291C3M	..	NUT	103106	2
340	15800-245	..	CAP-END SUPPLIER CODE: V29780	103106	1
345	2-135N506-65	..	PACKING- SUPPLIER CODE: V02697	103106	1
350	15800-221	..	NUT-SLEEVE CPLG ASSY SUPPLIER CODE: V29780	103106	1
355	2-010E515-80	..	PACKING- SUPPLIER CODE: V02697	103106	1
360	MS171492	..	PIN-SPRING	103106	1
365	15800-218	..	ROD- SUPPLIER CODE: V29780	103106	1
370	15800-244	..	SLIDE- SUPPLIER CODE: V29780	103106	1
375	MS24673-1	.	SCREW	103106	4
380	AN960C10L	.	WASHER	103106	4
385	15801-005	.	SPACER-VALVE SUPPLIER CODE: V29780	103106	1
390	2-135N506-65	.	PACKING- SUPPLIER CODE: V02697	103106	2
400	MS24673-1	.	SCREW	103106	4
410	NAS501-3-4A	.	BOLT	103106	4
415	AN960C10L	.	WASHER	103106	8
420	NAS679C3M	.	NUT	103106	4
425	14330-020T	.	ELBOW-BOWL SUPPLIER CODE: V29780	103106	1

MISSING ITEM NUMBERS NOT APPLICABLE

- ITEM NOT ILLUSTRATED

38-32-31-01A

38-32-31
FIG. 01A
PAGE 6
JAN 20/09

BRI

BOEING PROPRIETARY - Copyright © - Unpublished Work - See title page for details.



757

PARTS CATALOG (MAINTENANCE)

FIG ITEM	PART NUMBER	1 2 3 4 5 6 7	NOMENCLATURE	EFFECT FROM TO	UNITS PER ASSY
1 A					
430	2-135N506-65	.	PACKING- SUPPLIER CODE: V02697	103106	1
440	14330-050	.	VALVE ASSY-FLUSH, ORBITAL SLIDE SUPPLIER CODE: V29780	103106	1
450	14330-040	..	LABEL-ID SUPPLIER CODE: V29780	103106	1
455	NAS501-3-5A	..	BOLT	103106	6
460	NAS620C10L	..	WASHER	103106	6
465	NAS1291C3M	..	NUT	103106	6
- 468	14330-059	..	HOUSING ASSY-BACK SUPPLIER CODE: V29780	103106	1
470	B46-2	...	BUSHING- SUPPLIER CODE: VOACA6	103106	1
475	14330-086	...	SEAL-FACE SUPPLIER CODE: V29780	103106	1
- 477	14330-058	..	HOUSING ASSY-MOTOR MOUNT SUPPLIER CODE: V29780	103106	1
480	B46-2	...	BUSHING- SUPPLIER CODE: VOACA6	103106	1
483	2-010E515-80	...	PACKING- SUPPLIER CODE: V02697	103106	1
485	14330-086	...	SEAL-FACE SUPPLIER CODE: V29780	103106	1
490	2-161N506-65	..	PACKING- SUPPLIER CODE: V02697	103106	1
493	14330-235	..	PLATE- SUPPLIER CODE: V29780	103106	1
- 495	14330-060	..	GEAR AND SWITCH ASSY- MOTOR SUPPLIER CODE: V29780	103106	1
500	MS21295-22	..	SCREW- ATTACHING PARTS OPTIONAL PART: NAS1351C3LE7	103106	3

MISSING ITEM NUMBERS NOT APPLICABLE

- ITEM NOT ILLUSTRATED

38-32-31-01A

38-32-31
FIG. 01A
PAGE 7
JAN 20/09

BRI

BOEING PROPRIETARY - Copyright © - Unpublished Work - See title page for details.



757

PARTS CATALOG (MAINTENANCE)

FIG ITEM	PART NUMBER	1 2 3 4 5 6 7	NOMENCLATURE	EFFECT FROM TO	UNITS PER ASSY
1A					
500	NAS1351C3LE7	..	SCREW- OPTIONAL PART: MS21295-22	103106	3
505	NAS620C10L	..	WASHER	103106	3
510	MS35338-138	..	WASHER	103106	3
			-----*-----		
515	15801-016	...	BUSHING- SUPPLIER CODE: V29780	103106	1
520	14330-070	...	GEAR ASSY-PLATE SUPPLIER CODE: V29780	103106	1
525	14330-073	...	GEAR ASSY-ACTUATING SWITCH SUPPLIER CODE: V29780	103106	1
530	14330-063	...	SWITCH AND HARNESS ASSY- SWITCH SUPPLIER CODE: V29780	103106	1
			ATTACHING PARTS		
535	6-32UNCX7-16	...	BOLT- SUPPLIER CODE: V29780	103106	4
538	AN960C6L	...	WASHER	103106	4
540	NAS1291C06M	...	NUT	103106	4
543	MS51957-8	SCREW	103106	4
545	NAS620C2	WASHER	103106	4
548	NAS1291C02M	NUT	103106	4
			-----*-----		
550	3205-20-1	GROMMET- SUPPLIER CODE: V29780	103106	1
555	JM5	ACTUATOR- SUPPLIER CODE: V74059	103106	2
560	14330-062	...	MOTOR ASSY- SUPPLIER CODE: V29780	103106	1
			FOR DETAILS SEE: 38-32-05-15		
			ATTACHING PARTS		
565	8-32UNCX9-16	...	BOLT- SUPPLIER CODE: V29780	103106	4
570	AN960C8L	...	WASHER	103106	4
575	NAS1291C08M	...	NUT	103106	4
			-----*-----		

MISSING ITEM NUMBERS NOT APPLICABLE

- ITEM NOT ILLUSTRATED

38-32-31-01A

38-32-31
FIG. 01A
PAGE 8
JAN 20/09

BRI

BOEING PROPRIETARY - Copyright © - Unpublished Work - See title page for details.



757

PARTS CATALOG (MAINTENANCE)

FIG ITEM	PART NUMBER	1 2 3 4 5 6 7	NOMENCLATURE	EFFECT FROM TO	UNITS PER ASSY
1 A					
585	6-32UNCX3-4		.BOLT- SUPPLIER CODE: V29780	103106	2
590	AN960C6L		.WASHER	103106	2
595	NAS679C06M		.NUT	103106	2
600	15800-206		.HANDLE-PUSH-PULL SUPPLIER CODE: V29780	103106	1
605	5L1FF		.BEARING-TYPE 7 SUPPLIER CODE: V96881	103106	2

MISSING ITEM NUMBERS NOT APPLICABLE

- ITEM NOT ILLUSTRATED

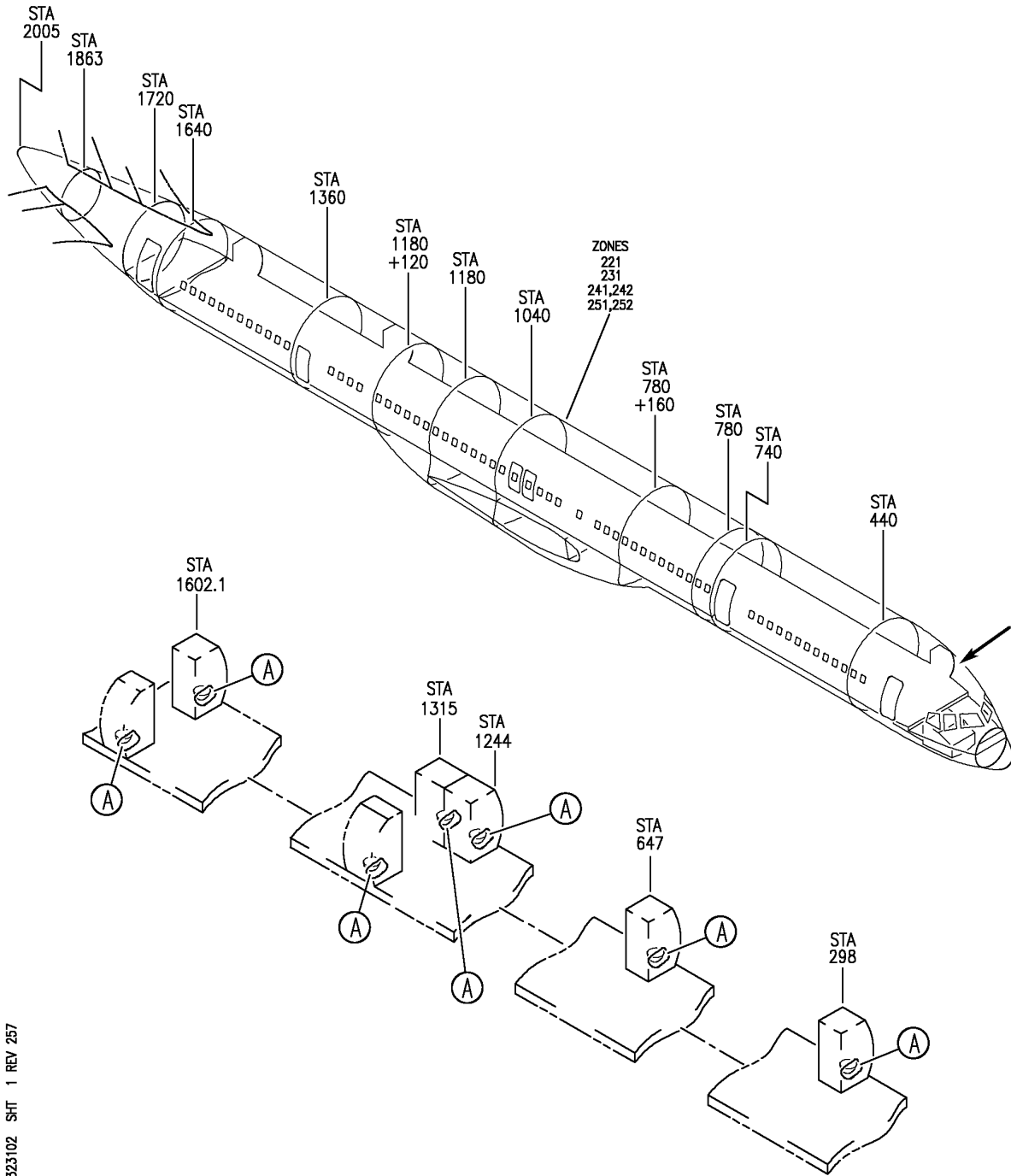
BRI

38-32-31-01A

BOEING PROPRIETARY - Copyright © - Unpublished Work - See title page for details.

38-32-31
FIG. 01A
PAGE 9
JAN 20/09

BOEING
757
PARTS CATALOG (MAINTENANCE)



Y 38323102 SHT 1 REV 257

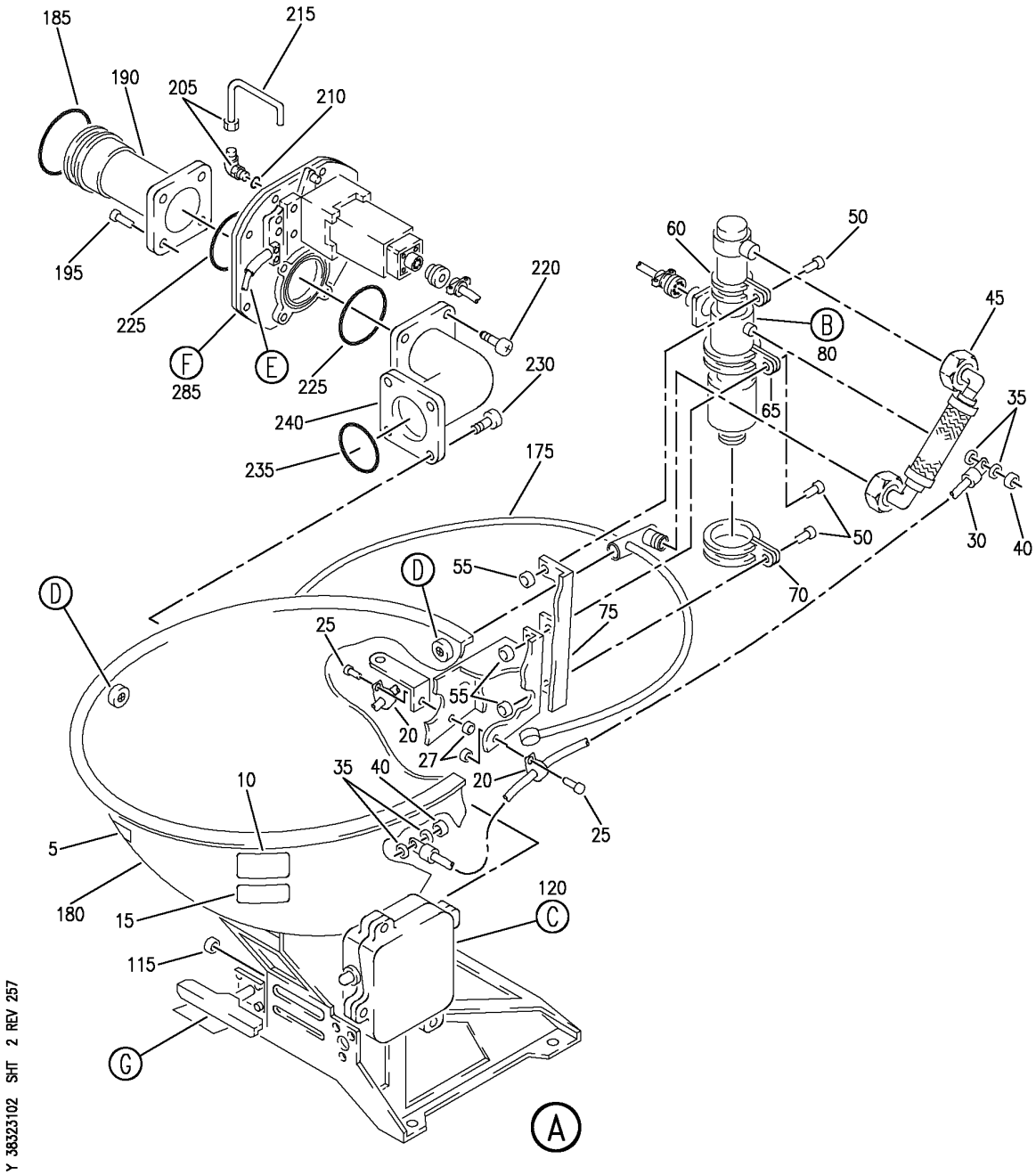
TOILET ASSY-VACUUM WASTE SYSTEM
FIGURE 2 (SHEET 1)

38-32-31-02

BRI
JAN 20/09

38-32-31-02
PAGE 0

BOEING
757
PARTS CATALOG (MAINTENANCE)



Y 38323102 SHT 2 REV 257

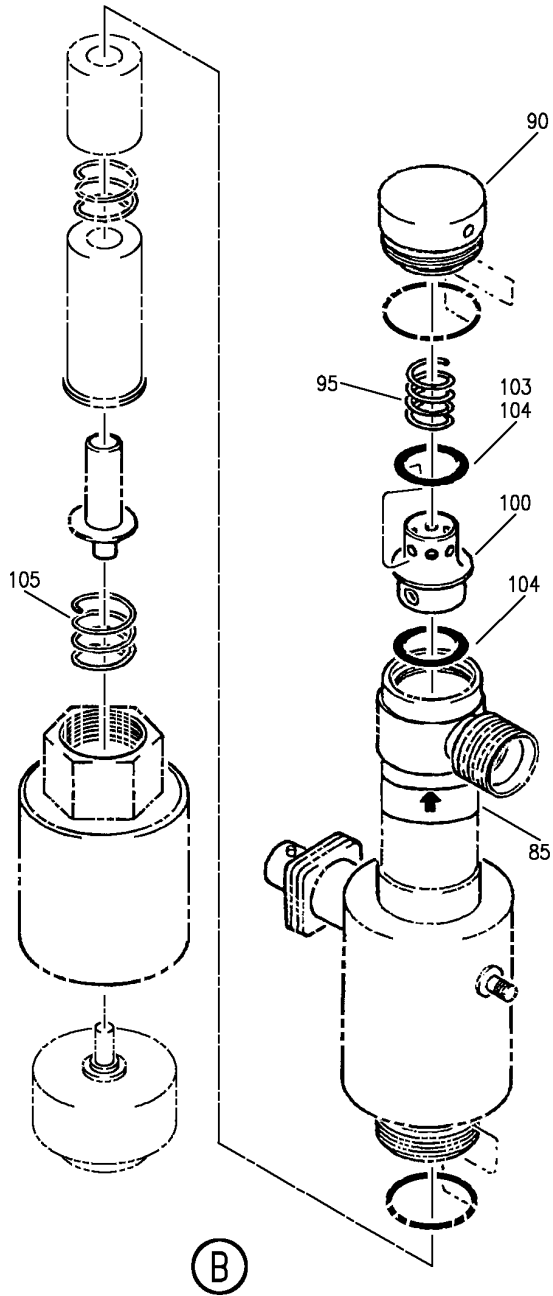
TOILET ASSY-VACUUM WASTE SYSTEM
FIGURE 2 (SHEET 2)

38-32-31-02

BRI
JAN 20/09

38-32-31-02
PAGE 0A

BOEING
757
PARTS CATALOG (MAINTENANCE)



Y 38323102 SH1 3 REV 257

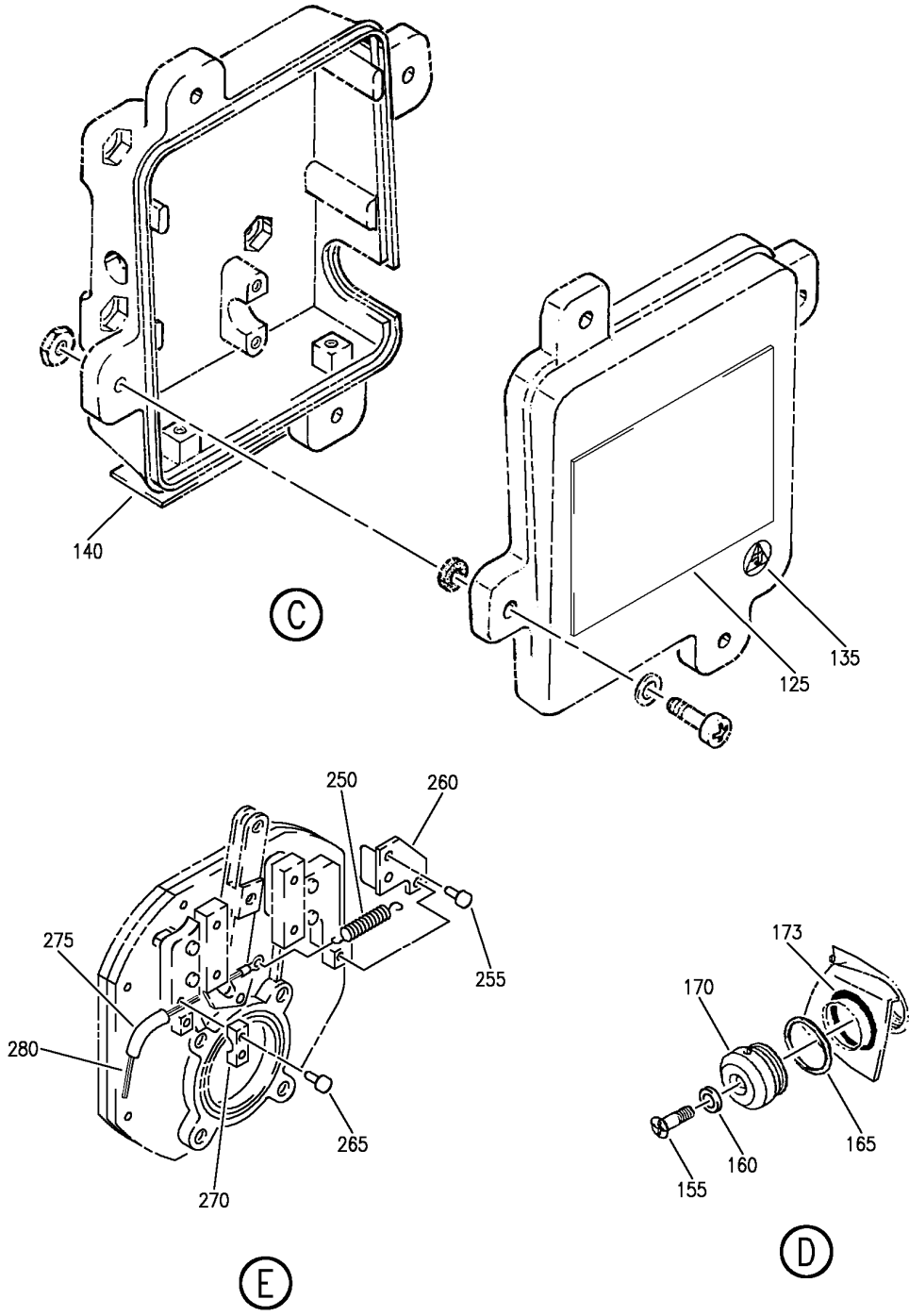
TOILET ASSY-VACUUM WASTE SYSTEM
FIGURE 2 (SHEET 3)

38-32-31-02

BRI
JAN 20/09

38-32-31-02
PAGE 0B

BOEING
757
PARTS CATALOG (MAINTENANCE)



Y 38323102 SHT 4 REV 257

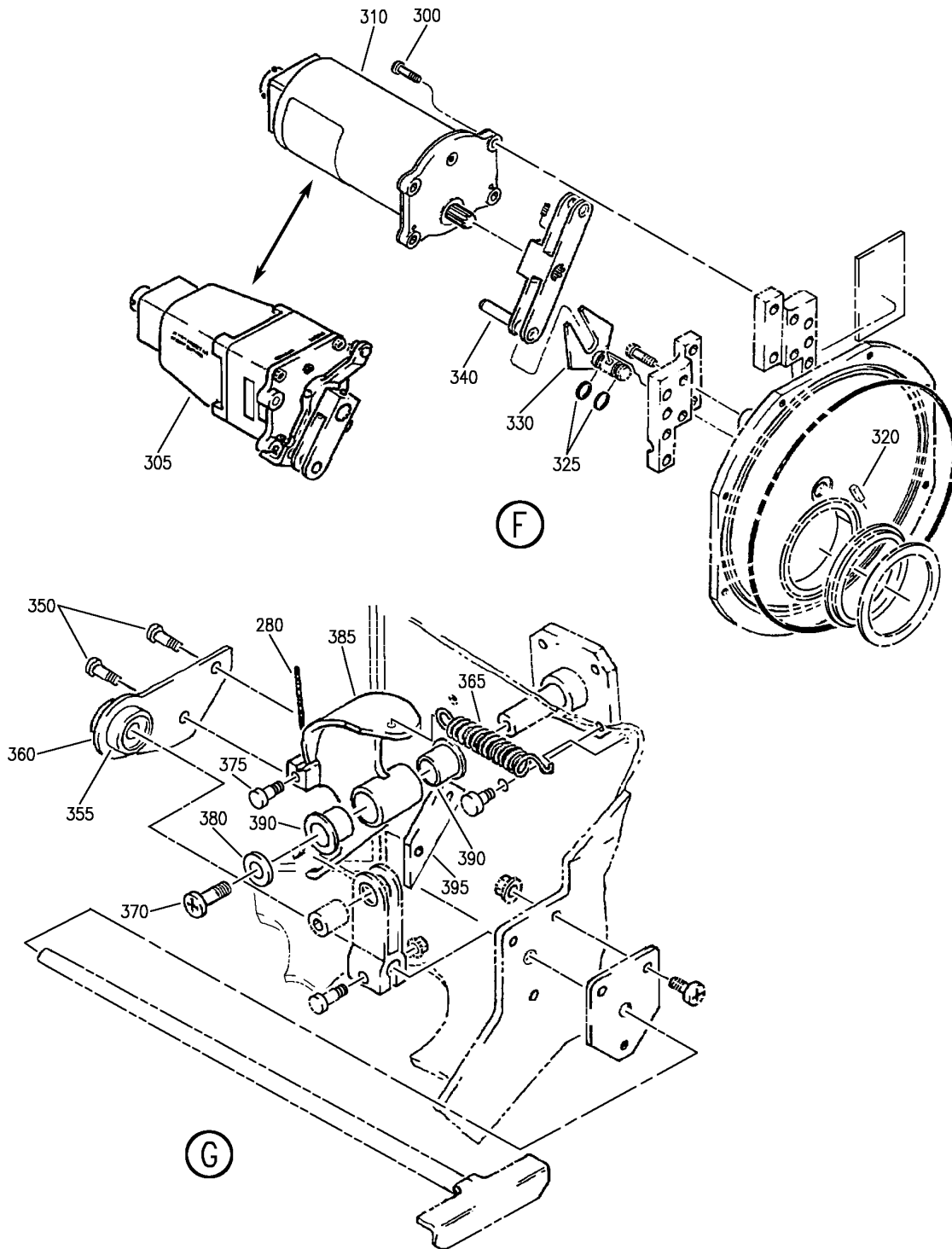
TOILET ASSY-VACUUM WASTE SYSTEM
FIGURE 2 (SHEET 4)

38-32-31-02

BRI
JAN 20/09

38-32-31-02
PAGE 0C

BOEING
757
PARTS CATALOG (MAINTENANCE)



Y 38323102 SHT 5 REV 257

TOILET ASSY-VACUUM WASTE SYSTEM
FIGURE 2 (SHEET 5)

38-32-31-02

BRI
JAN 20/09

38-32-31-02
PAGE 0D



757

PARTS CATALOG (MAINTENANCE)

FIG ITEM	PART NUMBER	1 2 3 4 5 6 7	NOMENCLATURE	EFFECT FROM TO	UNITS PER ASSY
2			TOILET ASSY-VACUUM WASTE SYSTEM	103106	
- 1	7900101		TOILET ASSY-VACUUM WASTE SYS SUPPLIER CODE: V58568 SPECIFICATION NUMBER: S417T104-49 COMPONENT MAINT MANUAL REF: 38-30-20 FOR NHA SEE: 38-32-11-10 38-32-11-20	103106	RF
- 3	7900102		TOILET ASSY-VACUUM WASTE SYS SUPPLIER CODE: V58568 SPECIFICATION NUMBER: S417T104-50 COMPONENT MAINT MANUAL REF: 38-30-20 FOR NHA SEE: 38-32-11-20	103106	RF
5	7600343-016		.NAMEPLATE- SUPPLIER CODE: V58568 POSITION DATA: RH USED ON: 7900102	103106	1
- 8	7600343-015		.NAMEPLATE- SUPPLIER CODE: V58568 POSITION DATA: LH USED ON: 7900101	103106	1
10	7600162-022		.NAMEPLATE- SUPPLIER CODE: V58568 POSITION DATA: RH USED ON: 7900102	103106	1

MISSING ITEM NUMBERS NOT APPLICABLE

- ITEM NOT ILLUSTRATED

38-32-31-02

38-32-31
FIG. 02
PAGE 1
JAN 20/09

BRI



757

PARTS CATALOG (MAINTENANCE)

FIG ITEM	PART NUMBER	1 2 3 4 5 6 7	NOMENCLATURE	EFFECT FROM TO	UNITS PER ASSY
2					
- 12	7600162-021		.NAMEPLATE- SUPPLIER CODE: V58568 POSITION DATA: LH USED ON: 7900101	103106	1
15	7600465-002		.NAMEPLATE- SUPPLIER CODE: V58568 POSITION DATA: RH USED ON: 7900102	103106	1
- 18	7600465-001		.NAMEPLATE- SUPPLIER CODE: V58568 POSITION DATA: LH USED ON: 7900101	103106	1
20	NAS1715C3N		.CLAMP ATTACHING PARTS	103106	2
25	NAS1635-3-8		.SCREW	103106	2
27	NAS1291C3M		.NUT	103106	2
30	867-5-5-14		-----*----- .CABLE- SUPPLIER CODE: V91812 MISCELLANEOUS DATA: ENVIROVAC INC 7600064-001 ATTACHING PARTS	103106	1
35	7600065		.WASHER- SUPPLIER CODE: V58568	103106	4
40	NAS1291C4M		.NUT -----*-----	103106	2
45	7600097		.HOSE-RINSE SUPPLIER CODE: V58568	103106	1
50	NAS1802-3-8		.SCREW	103106	3
55	NAS1291C3M		.NUT	103106	3
60	NAS1713C12N		.CLAMP-LOOP CUSHIONED	103106	1
65	NAS1713C26N		.CLAMP-LOOP CUSHIONED	103106	1
70	NAS1713C28N		.CLAMP-LOOP CUSHIONED	103106	1
75	7700081		.BRACKET-MOUNTING SUPPLIER CODE: V58568	103106	1

MISSING ITEM NUMBERS NOT APPLICABLE

- ITEM NOT ILLUSTRATED

38-32-31-02

38-32-31
FIG. 02
PAGE 2
JAN 20/09

BRI



757

PARTS CATALOG (MAINTENANCE)

FIG ITEM	PART NUMBER	1 2 3 4 5 6 7	NOMENCLATURE	EFFECT FROM TO	UNITS PER ASSY
2					
80	7800001-008		.VALVE ASSY-RINSE SUPPLIER CODE: V58568 COMPONENT MAINT MANUAL REF: 38-31-04	103106	1
85	7500164		..NAMEPLATE-OPTIONAL SUPPLIER CODE: V58568	103106	1
90	7500027		..CAP- SUPPLIER CODE: V58568	103106	1
95	7500031		..SPRING- SUPPLIER CODE: V58568	103106	1
100	7600049		..POPPET- SUPPLIER CODE: V58568 MISCELLANEOUS DATA: ORDER 7600344 FOR REPLACEMENT USED WITH: NAS1611-016	103106	1
100	7600344		..POPPET- SUPPLIER CODE: V58568 MISCELLANEOUS DATA: PREFERRED PART USED WITH: NAS1611-016	103106	1
103	NAS1611-016		.PACKING- USED WITH: 7600049	103106	1
104	NAS1611-016		.PACKING- USED WITH: 7600344	103106	2
105	7500032		..SPRING- SUPPLIER CODE: V58568	103106	1
115	NAS1291C3M		.NUT	103106	3
120	7800084-001		.CONTROL UNIT ASSY-FLUSH SUPPLIER CODE: V58568 POSITION DATA: LH COMPONENT MAINT MANUAL REF: 38-31-10 USED ON: 7900101	103106	1

MISSING ITEM NUMBERS NOT APPLICABLE

- ITEM NOT ILLUSTRATED

38-32-31-02

38-32-31
FIG. 02
PAGE 3
JAN 20/09

BRI



757

PARTS CATALOG (MAINTENANCE)

FIG ITEM	PART NUMBER	1 2 3 4 5 6 7	NOMENCLATURE	EFFECT FROM TO	UNITS PER ASSY
2					
- 123	7800084-002		.CONTROL UNIT ASSY-FLUSH SUPPLIER CODE: V58568 POSITION DATA: RH COMPONENT MAINT MANUAL REF: 38-31-10 USED ON: 7900102	103106	1
125	7600388		..NAMEPLATE-FCU INTERCONNECT SUPPLIER CODE: V58568 USED ON: 7800084-001	103106	1
- 130	7600387		..NAMEPLATE-FCU INTERCONNECT SUPPLIER CODE: V58568 USED ON: 7800084-002	103106	1
135	7500150		..LABEL-ESDS SUPPLIER CODE: V58568	103106	1
140	7500173		..NAMEPLATE- SUPPLIER CODE: V58568 USED ON: 7800084-001	103106	1
- 145	7500172		..NAMEPLATE- SUPPLIER CODE: V58568 USED ON: 7800084-002	103106	1
155	NAS1189E08P8L		.SCREW	103106	3
160	7500056		.GASKET-SCREW SUPPLIER CODE: V58568	103106	3
165	7600014		.GASKET-RINSE NOZZLE SUPPLIER CODE: V58568	103106	3
170	7600340		.NOZZLE-RINSE SUPPLIER CODE: V58568	103106	3
173	NAS1611-015		.PACKING	103106	3
175	7800003		.HEADER-RINSE SUPPLIER CODE: V58568	103106	1

MISSING ITEM NUMBERS NOT APPLICABLE

- ITEM NOT ILLUSTRATED

38-32-31-02

38-32-31
FIG. 02
PAGE 4
JAN 20/09

BRI



757

PARTS CATALOG (MAINTENANCE)

FIG ITEM	PART NUMBER	1 2 3 4 5 6 7	NOMENCLATURE	EFFECT FROM TO	UNITS PER ASSY
2					
180	7600000		.BOWL-TOILET SUPPLIER CODE: V58568	103106	1
185	NAS1611-226		.PACKING	103106	1
190	7700005		.PIPE-DISCHARGE SUPPLIER CODE: V58568	103106	1
195	NAS1190E4P7L		ATTACHING PARTS .SCREW	103106	4
205	7500160		-----*----- .FITTING- SUPPLIER CODE: V58568	103106	1
210	NAS1612-5		.PACKING	103106	1
215	7600339		.TUBE-VENT SUPPLIER CODE: V58568	103106	1
220	NAS1190E4P6L		.SCREW	103106	4
225	NAS1611-134		.PACKING	103106	2
230	NAS1190E4P7L		.SCREW	103106	4
235	NAS1611-134		.PACKING	103106	1
240	7700028		.ELBOW-DISCHARGE SUPPLIER CODE: V58568	103106	1
250	7500060		.SPRING-TENSION SUPPLIER CODE: V58568	103106	1
255	NAS1190E08P6L		.SCREW	103106	2
260	7600091		.BRACKET-SPRING SUPPLIER CODE: V58568	103106	1
265	NAS1190E08P10L		.SCREW	103106	2
270	7600073		.CLAMP-CABLE GUIDE SUPPLIER CODE: V58568	103106	1
275	7500062		.GUIDE-CABLE SUPPLIER CODE: V58568	103106	1
280	7600092		.CABLE-OVERRIDE SUPPLIER CODE: V58568	103106	1

MISSING ITEM NUMBERS NOT APPLICABLE

- ITEM NOT ILLUSTRATED

38-32-31-02

38-32-31
FIG. 02
PAGE 5
JAN 20/09

BRI

BOEING PROPRIETARY - Copyright © - Unpublished Work - See title page for details.



757

PARTS CATALOG (MAINTENANCE)

FIG ITEM	PART NUMBER	1 2 3 4 5 6 7	NOMENCLATURE	EFFECT FROM TO	UNITS PER ASSY
2					
285	7800000-010	.	VALVE ASSY-FLUSH SUPPLIER CODE: V58568 POSITION DATA: LH COMPONENT MAINT MANUAL REF: 38-31-01 USED ON: 7900101	103106	1
- 290	7800000-011	.	VALVE ASSY-FLUSH SUPPLIER CODE: V58568 POSITION DATA: RH COMPONENT MAINT MANUAL REF: 38-31-01 USED ON: 7900102	103106	1
300	MS51957-44	..	SCREW	103106	4
305	7700198	..	ACTUATOR ASSY- SUPPLIER CODE: V58568	103106	1
310	MS9244-01	...	DECAL-ASSY DATE	103106	1
320	7500014	..	PIN-KEY SUPPLIER CODE: V58568	103106	1
325	MS28775-010	..	PACKING	103106	2
330	7600037	..	YOKE ASSY-VALVE SUPPLIER CODE: V58568	103106	1
340	7600035	..	CRANK ASSY- SUPPLIER CODE: V58568	103106	1
350	NAS1190E08P6L	.	SCREW	103106	2
355	7500171	.	BEARING- SUPPLIER CODE: V58568	103106	1
360	7600372	.	FLANGE-REAR BEARING SUPPLIER CODE: V58568	103106	1
365	7600375	.	SPRING-TENSION SUPPLIER CODE: V58568	103106	1
370	NAS1190E3P6L	.	SCREW	103106	1
375	NAS1190E08P6L	.	SCREW	103106	1
380	AN960C10L	.	WASHER	103106	1
385	7700209	.	LINK-PULLEY SUPPLIER CODE: V58568	103106	1

MISSING ITEM NUMBERS NOT APPLICABLE

- ITEM NOT ILLUSTRATED

38-32-31-02

38-32-31
FIG. 02
PAGE 6
JAN 20/09

BRI



757

PARTS CATALOG (MAINTENANCE)

FIG ITEM	PART NUMBER	1 2 3 4 5 6 7	NOMENCLATURE	EFFECT FROM TO	UNITS PER ASSY
2 390	7600089		.BEARING-SHAFT SUPPLIER CODE: V58568	103106	2
395	7500057		.NUTPLATE- SUPPLIER CODE: V58568	103106	1

MISSING ITEM NUMBERS NOT APPLICABLE

- ITEM NOT ILLUSTRATED

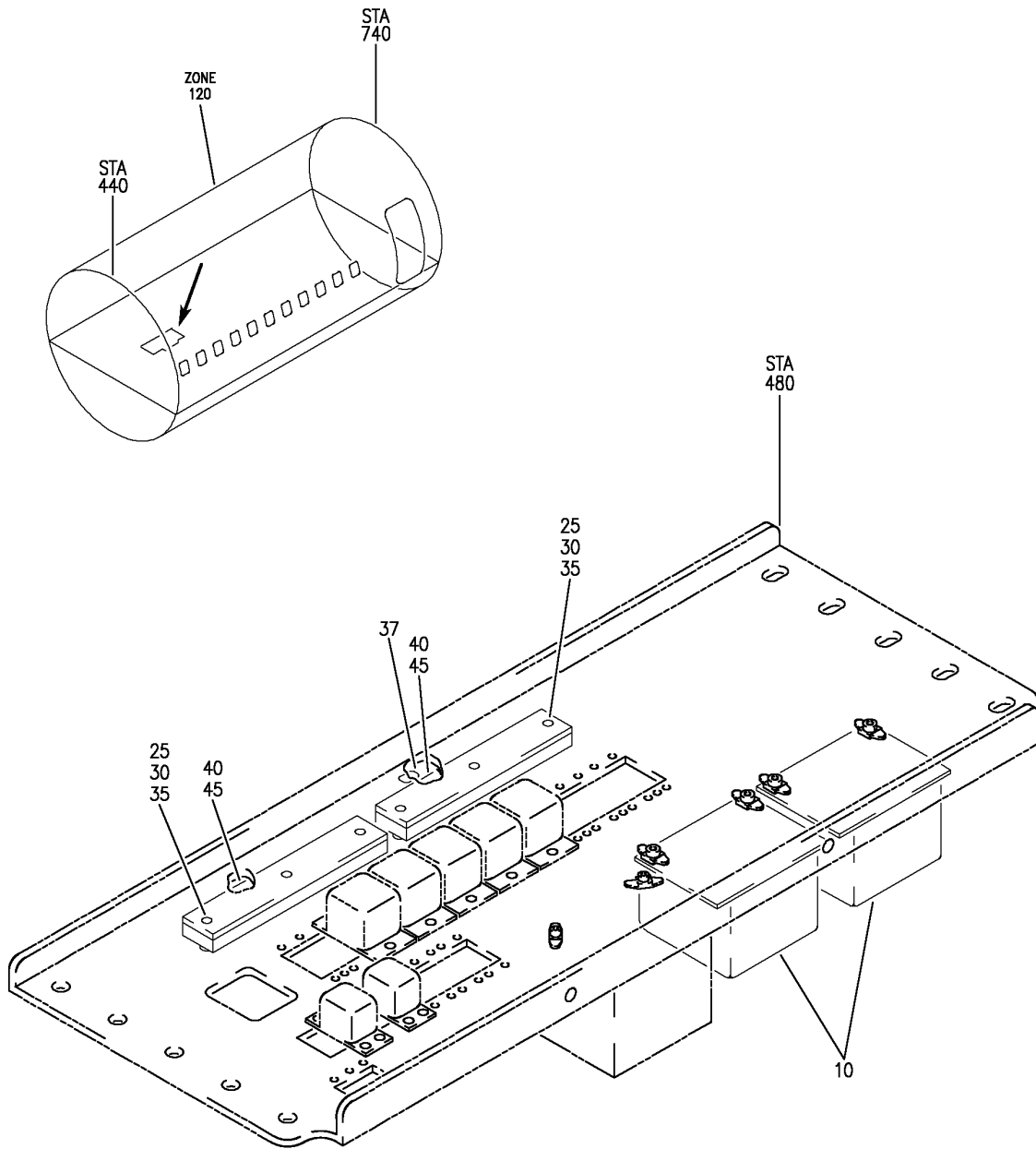
BRI

38-32-31-02

BOEING PROPRIETARY - Copyright © - Unpublished Work - See title page for details.

38-32-31
FIG. 02
PAGE 7
JAN 20/09

BOEING
757
PARTS CATALOG (MAINTENANCE)



Y 38323501A REV 254

PANEL INSTL-P65 MISC RELAY (WATER/WASTE ONLY)
FIGURE 1A

38-32-35-01A

BRI
JAN 20/09

38-32-35-01A
PAGE 0



757

PARTS CATALOG (MAINTENANCE)

FIG ITEM	PART NUMBER	1 2 3 4 5 6 7	NOMENCLATURE	EFFECT FROM TO	UNITS PER ASSY
1 A			PANEL INSTL-P65 MISC RELAY (WATER/WASTE ONLY)	103106	
- 1	MODREF31315		PANEL INSTL-P65 MISC RELAY (WATER/WASTE ONLY) MODULE NUMBER: 284N1747-402 REV B FOR OTHER SYS DETAILS SEE: 31-01-65-01 33-37-52-01A 34-22-02-04 34-46-51-01A 52-34-05-01	103105	1
- 1	MODREF34778		PANEL INSTL-P65 MISC RELAY (WATER/WASTE ONLY) MODULE NUMBER: 284N1747-402 REV C FOR OTHER SYS DETAILS SEE: 31-01-65-01 33-37-52-01A 34-22-02-04 34-46-51-01A 52-34-05-01	106106	1
10	9124-10400		.RELAY- SUPPLIER CODE: V58657 ELECTRICAL EQUIP NUMBER: K10765 K10766 ATTACHING PARTS	103106	2
- 15	NAS603-10P		.SCREW-	103105	8
- 15	BACS12CK3-10		.SCREW-	106106	8
- 20	NAS1149DN332J		.WASHER	103106	8
- 25	BACS12CK04-6		.SCREW-	106106	8
			-----*-----		
- 25	NAS600-6P		.SCREW-	103105	6
30	NAS1149DN616J		.WASHER	103106	6
35	MS35649-242		.NUT	103106	6
37	TTVF2525WE10		.TAPE-ID SUPPLIER CODE: VOKWOO SPECIFICATION NUMBER: BACT19J3 OPTIONAL PART: THT11-437W10 V85480	103106	AR
40	MS18029-2S6		.COVER ASSY	103106	2

MISSING ITEM NUMBERS NOT APPLICABLE

- ITEM NOT ILLUSTRATED

38-32-35-01A

38-32-35
FIG. 01A
PAGE 1
JAN 20/09

BRI

BOEING PROPRIETARY - Copyright © - Unpublished Work - See title page for details.



757

PARTS CATALOG (MAINTENANCE)

FIG ITEM	PART NUMBER	1 2 3 4 5 6 7	NOMENCLATURE	EFFECT FROM TO	UNITS PER ASSY
1 A 45	MS27212-2-6		. TERMINAL BOARD ASSY- ELECTRICAL EQUIP NUMBER: TB5062 TB5064	103106	2

MISSING ITEM NUMBERS NOT APPLICABLE

- ITEM NOT ILLUSTRATED

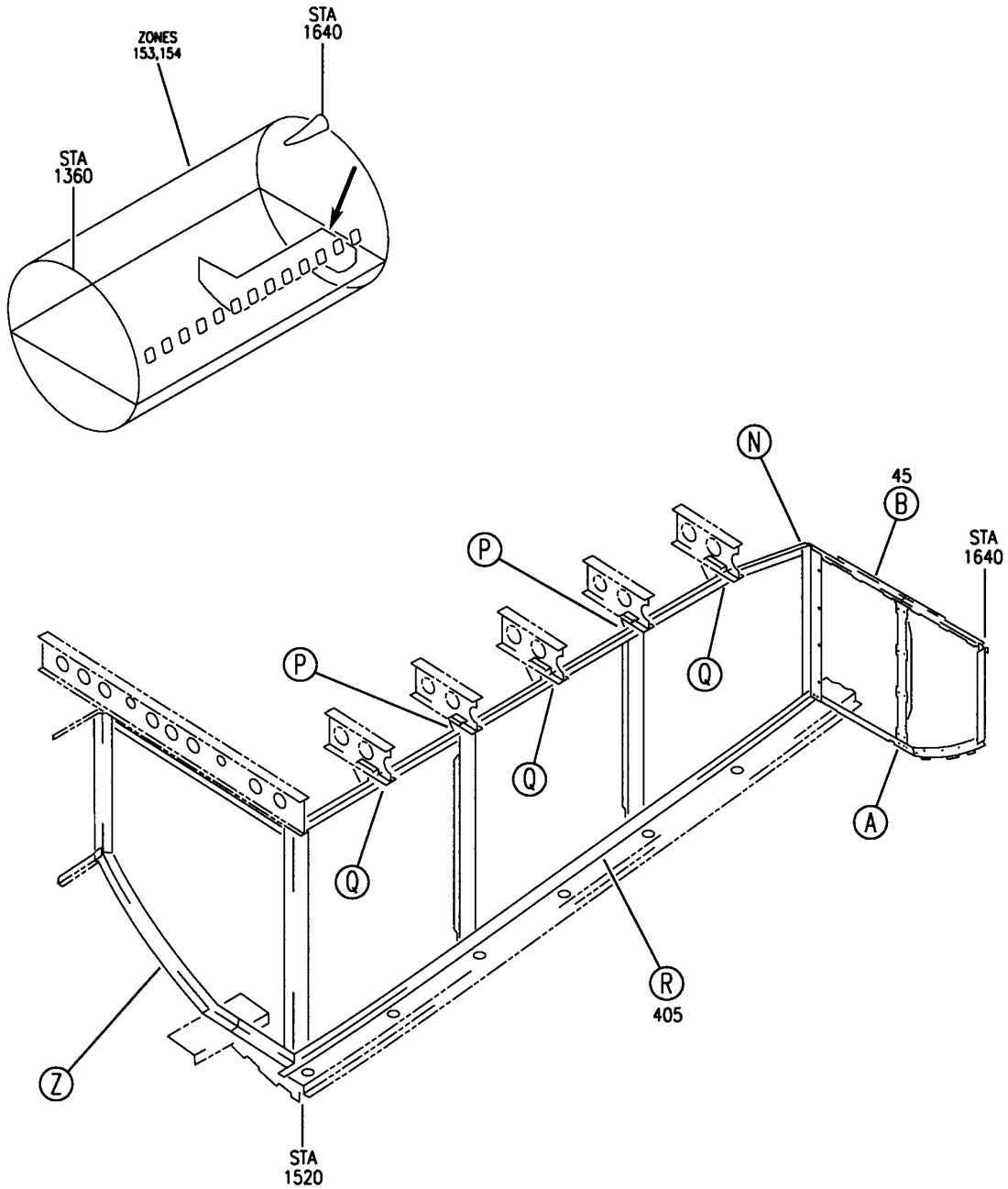
BRI

38-32-35-01A

BOEING PROPRIETARY - Copyright © - Unpublished Work - See title page for details.

38-32-35
FIG. 01A
PAGE 2
JAN 20/09

BOEING
757
PARTS CATALOG (MAINTENANCE)



Y 38323701 SHT 1 REV 206

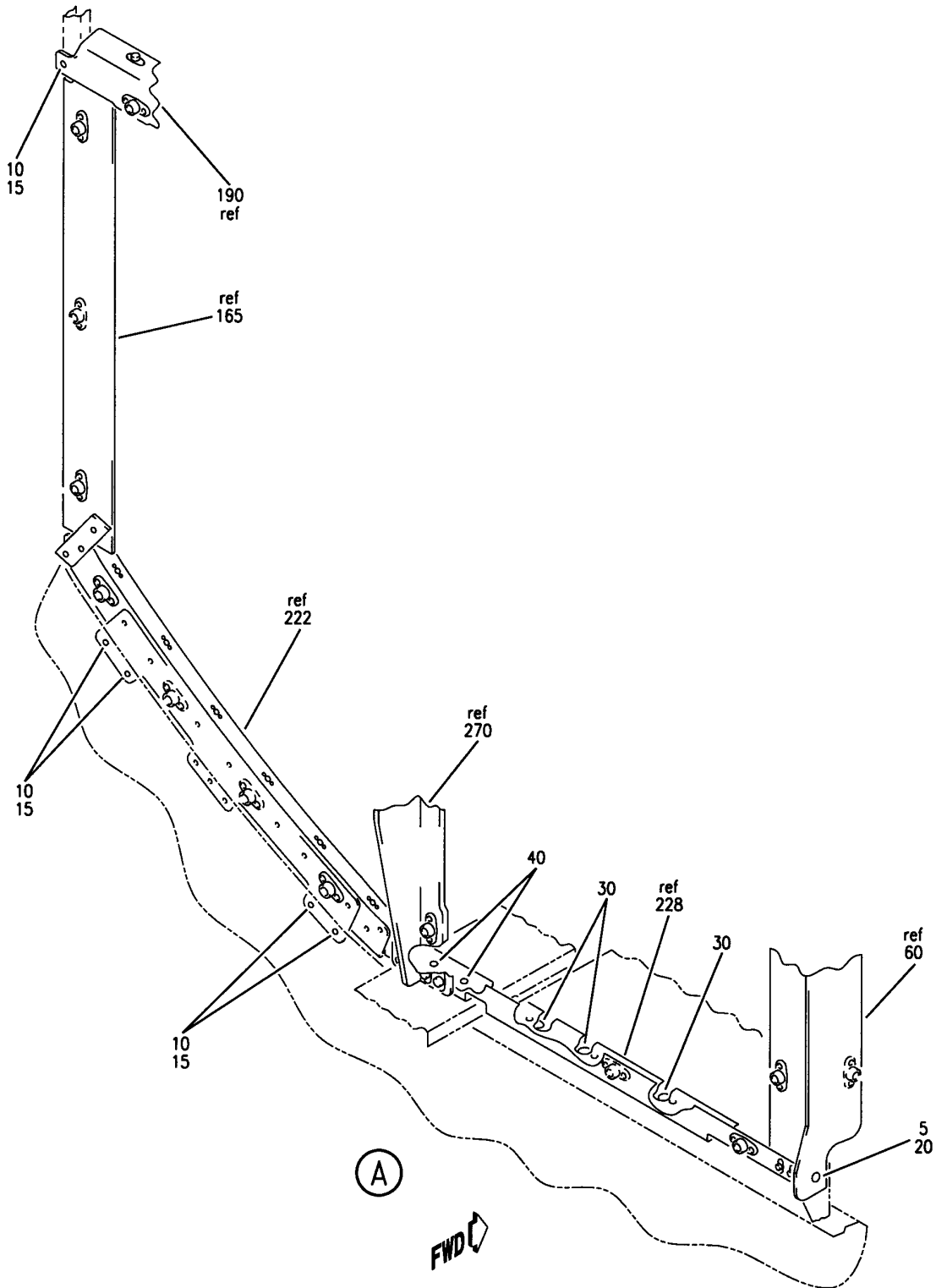
SUPPORT INSTL-WASTE TANK ENCLOSURE/STA 1640 BULKHEAD
FIGURE 1 (SHEET 1)

38-32-37-01

BRI
JAN 20/09

38-32-37-01
PAGE 0

BOEING
757
PARTS CATALOG (MAINTENANCE)



Y 38323701 SHT 2 REV 206

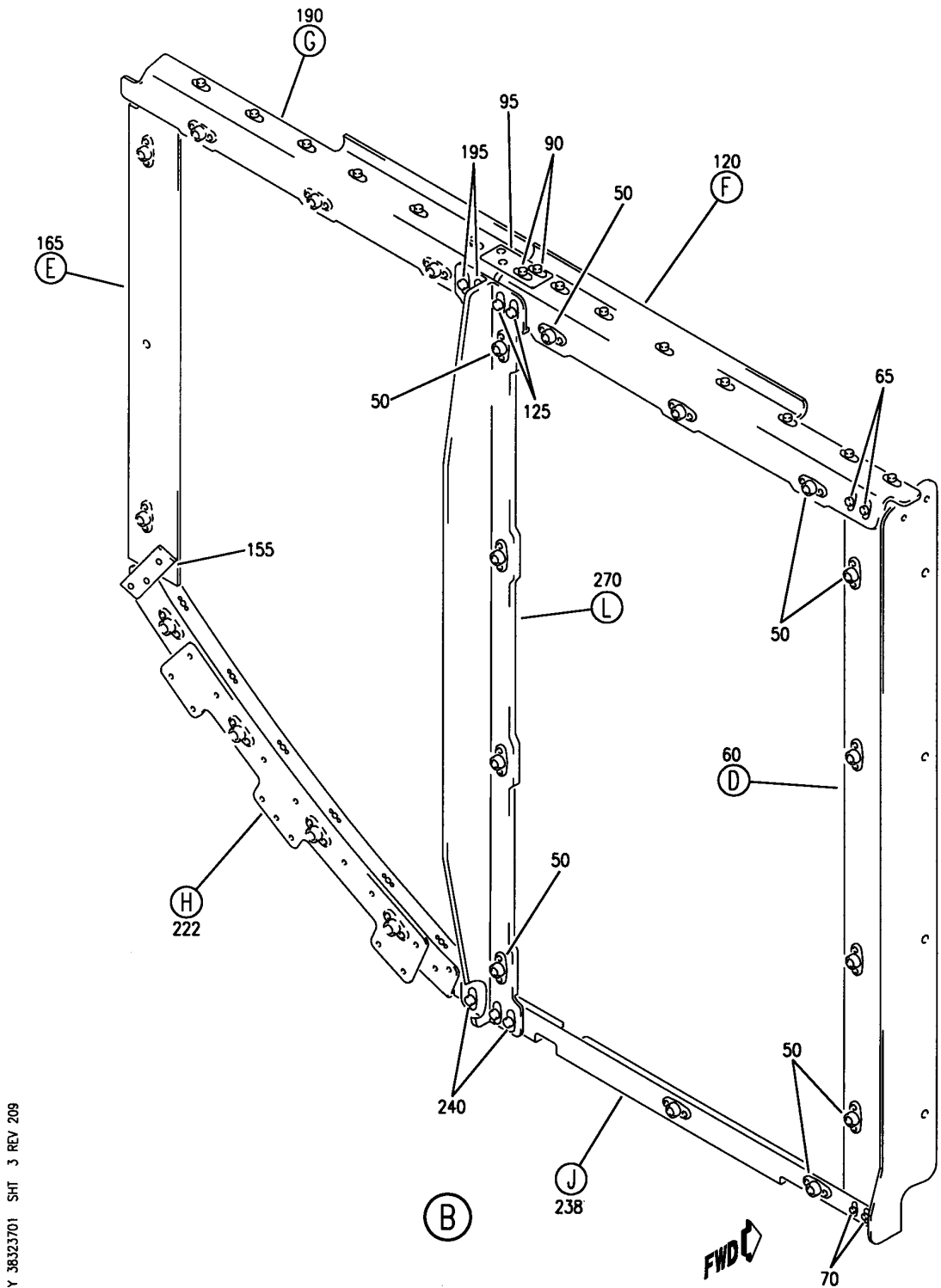
SUPPORT INSTL-WASTE TANK ENCLOSURE/STA 1640 BULKHEAD
FIGURE 1 (SHEET 2)

38-32-37-01

BRI
JAN 20/09

38-32-37-01
PAGE 0A

BOEING
757
PARTS CATALOG (MAINTENANCE)



Y 38323701 SH1 3 REV 209

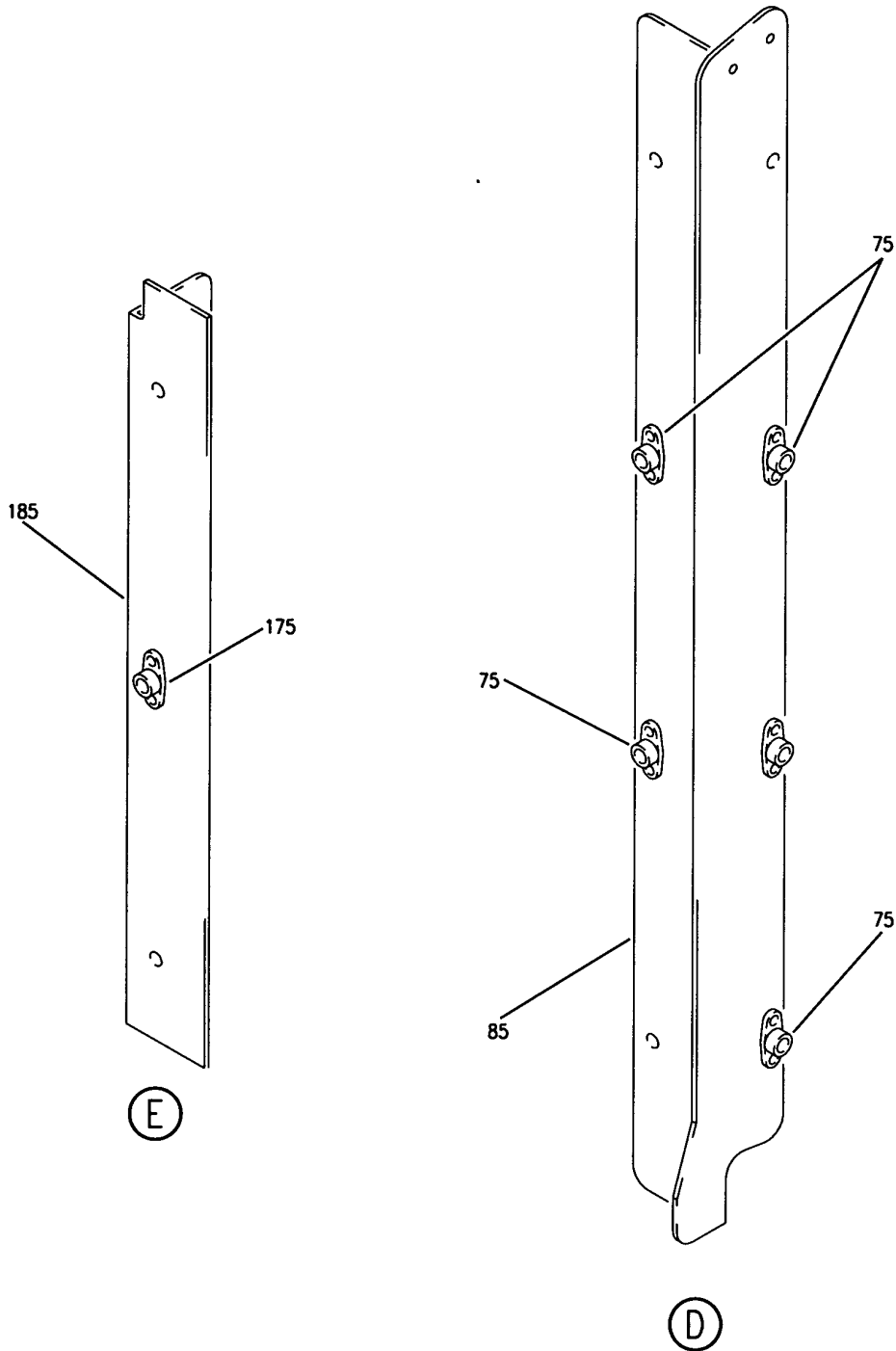
SUPPORT INSTL-WASTE TANK ENCLOSURE/STA 1640 BULKHEAD
FIGURE 1 (SHEET 3)

38-32-37-01

BRI
JAN 20/09

38-32-37-01
PAGE 0B

BOEING
757
PARTS CATALOG (MAINTENANCE)



Y 38323701 SH 4 REV 207

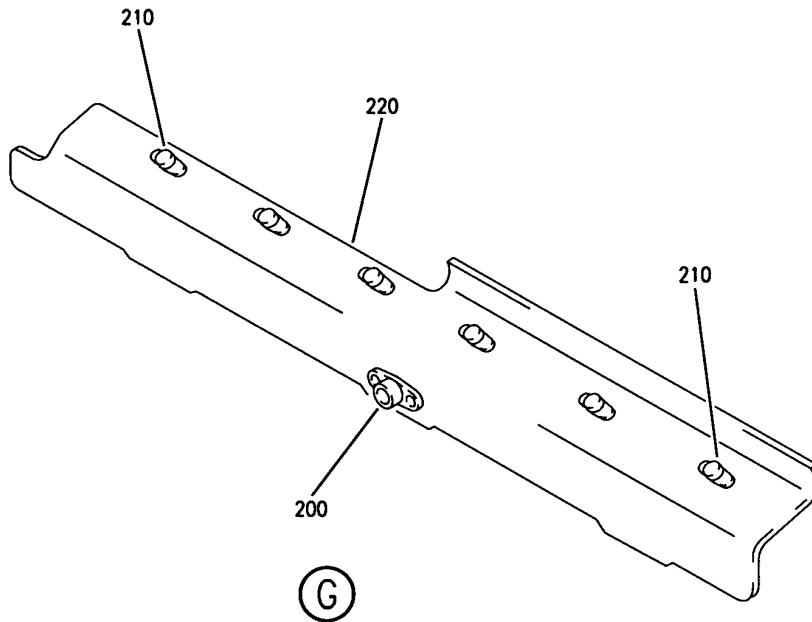
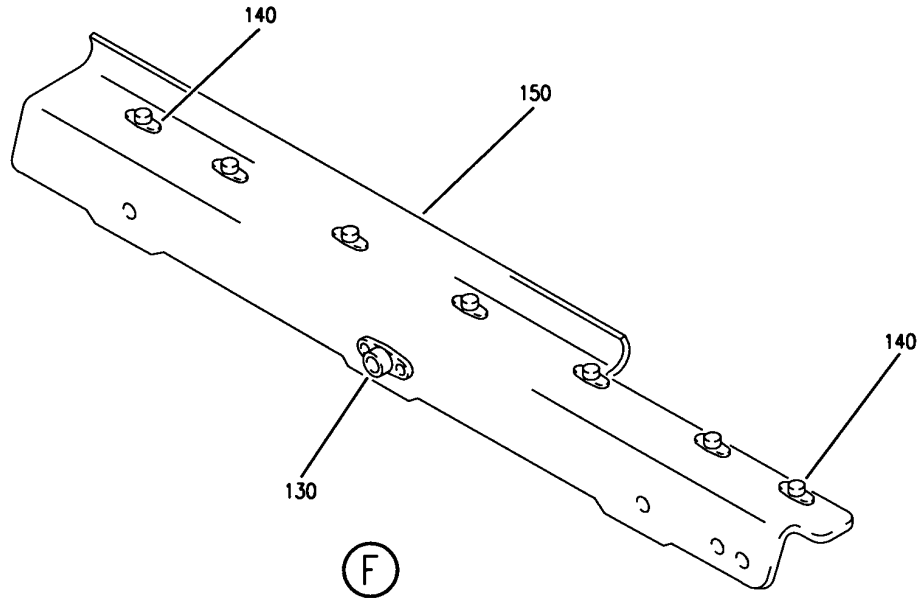
SUPPORT INSTL-WASTE TANK ENCLOSURE/STA 1640 BULKHEAD
FIGURE 1 (SHEET 4)

38-32-37-01

BRI
JAN 20/09

38-32-37-01
PAGE 0C

BOEING
757
PARTS CATALOG (MAINTENANCE)



Y 38323701 SHT 5 REV 207

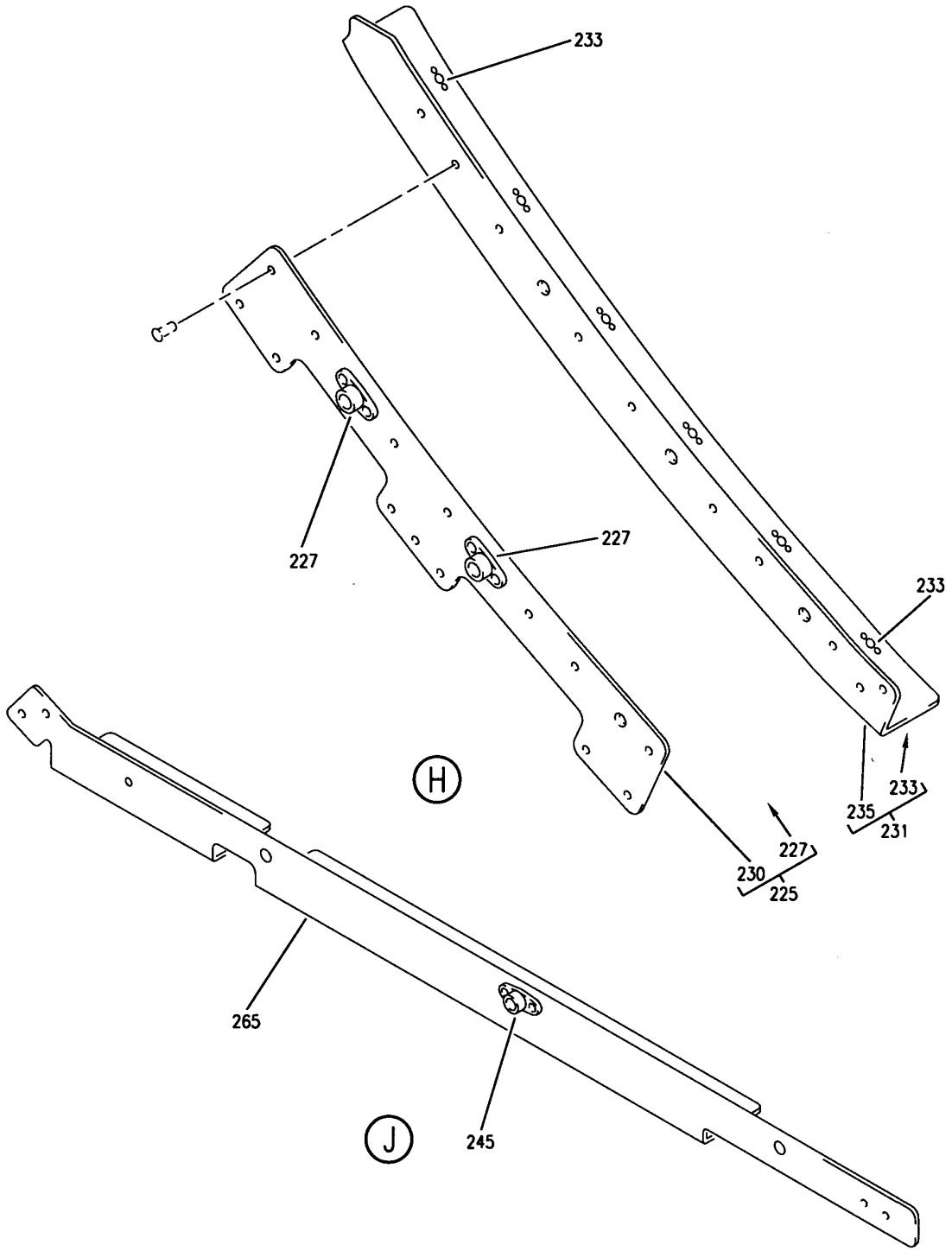
SUPPORT INSTL-WASTE TANK ENCLOSURE/STA 1640 BULKHEAD
FIGURE 1 (SHEET 5)

38-32-37-01

BRI
JAN 20/09

38-32-37-01
PAGE 0D

BOEING
757
PARTS CATALOG (MAINTENANCE)



Y 38323701 SHT 6 REV 207

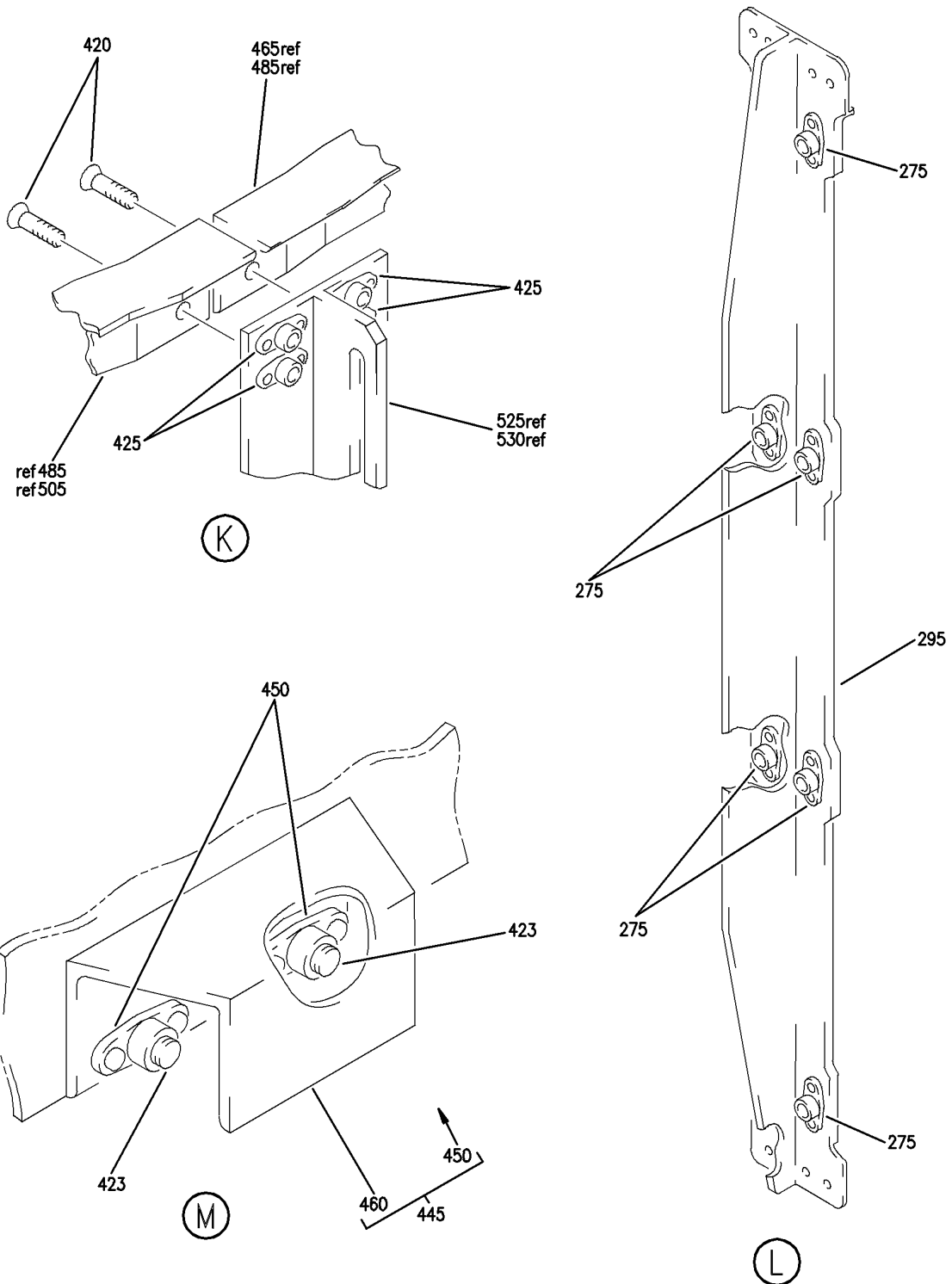
SUPPORT INSTL-WASTE TANK ENCLOSURE/STA 1640 BULKHEAD
FIGURE 1 (SHEET 6)

38-32-37-01

BRI
JAN 20/09

38-32-37-01
PAGE 0E

BOEING
757
PARTS CATALOG (MAINTENANCE)



Y 38323701 SH7 7 REV 231

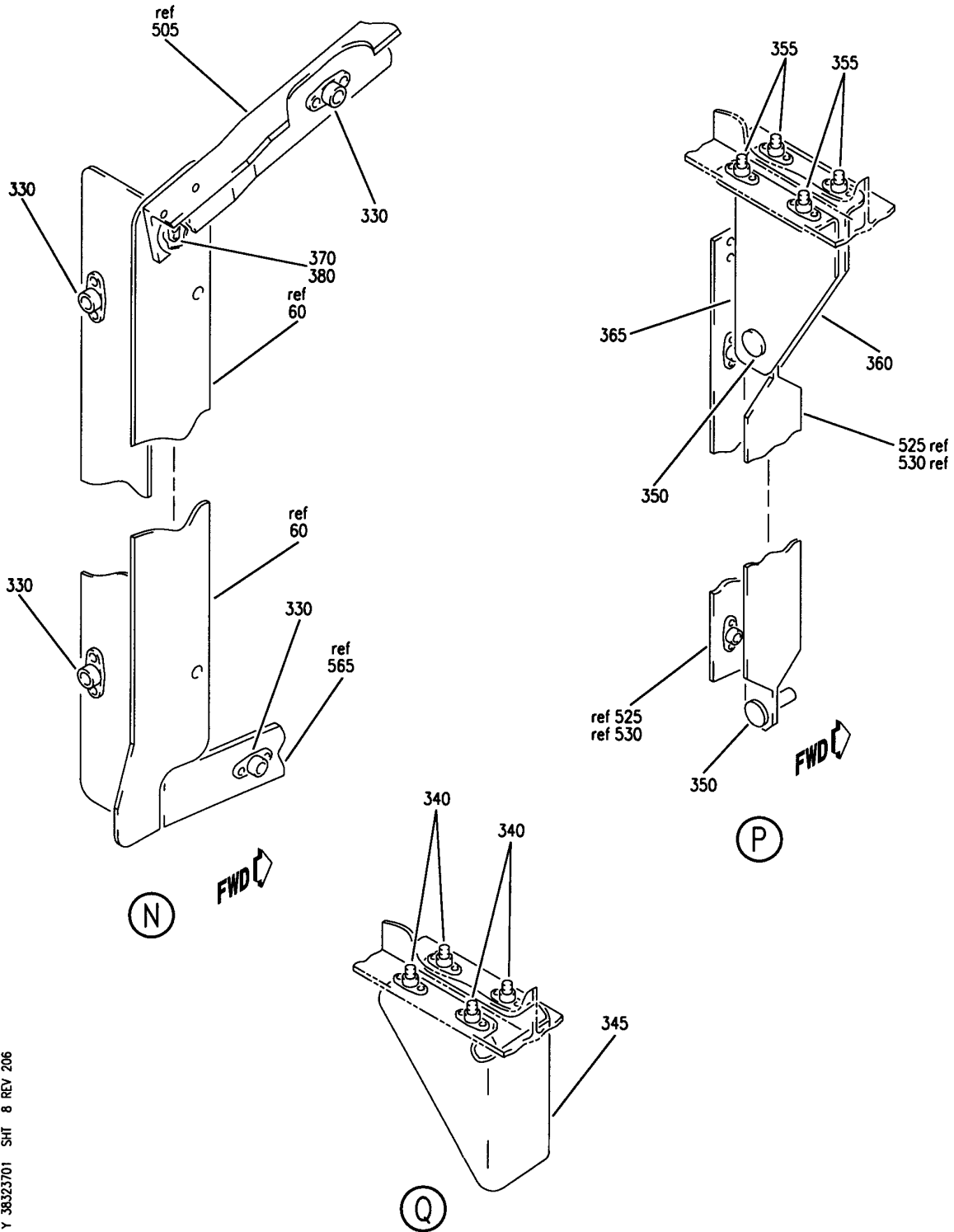
SUPPORT INSTL-WASTE TANK ENCLOSURE/STA 1640 BULKHEAD
FIGURE 1 (SHEET 7)

38-32-37-01

BRI
JAN 20/09

38-32-37-01
PAGE OF

BOEING
757
PARTS CATALOG (MAINTENANCE)



Y 38323701 SHT 8 REV 206

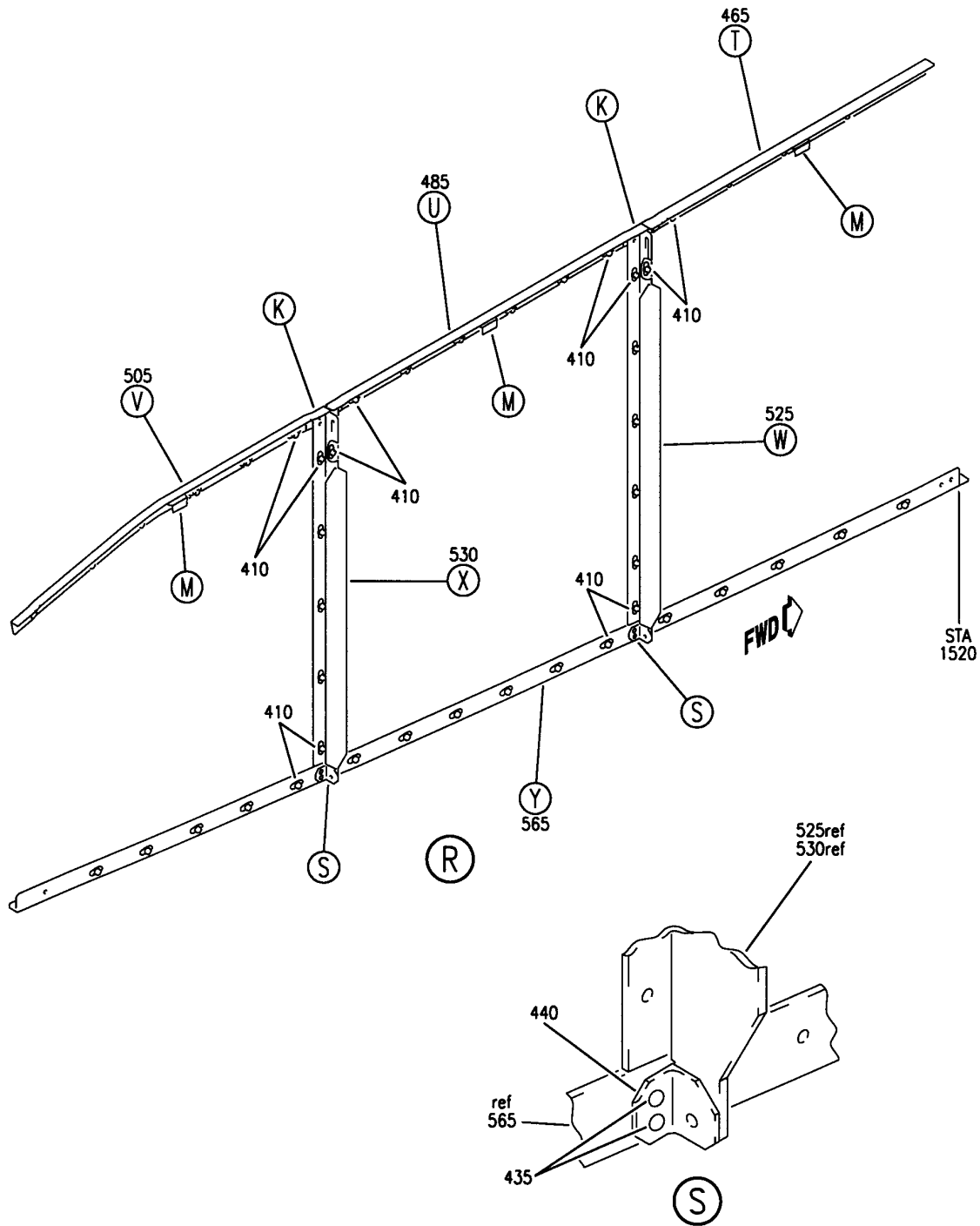
SUPPORT INSTL-WASTE TANK ENCLOSURE/STA 1640 BULKHEAD
FIGURE 1 (SHEET 8)

38-32-37-01

BRI
JAN 20/09

38-32-37-01
PAGE 06

BOEING
757
PARTS CATALOG (MAINTENANCE)



Y 38323701 SHT 9 REV 206

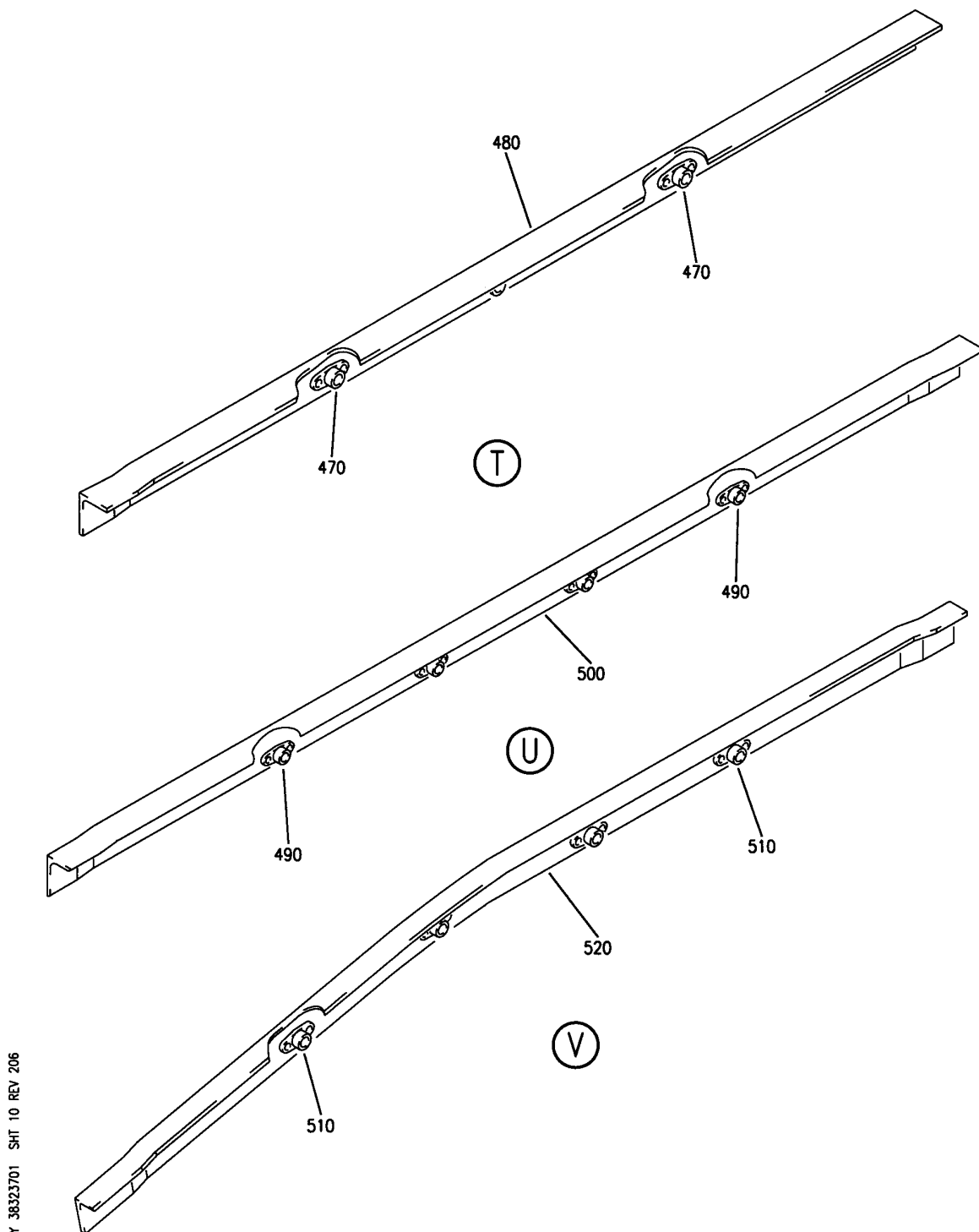
SUPPORT INSTL-WASTE TANK ENCLOSURE/STA 1640 BULKHEAD
FIGURE 1 (SHEET 9)

38-32-37-01

BRI
JAN 20/09

38-32-37-01
PAGE 0H

BOEING
757
PARTS CATALOG (MAINTENANCE)



Y 38323701 SHT 10 REV 206

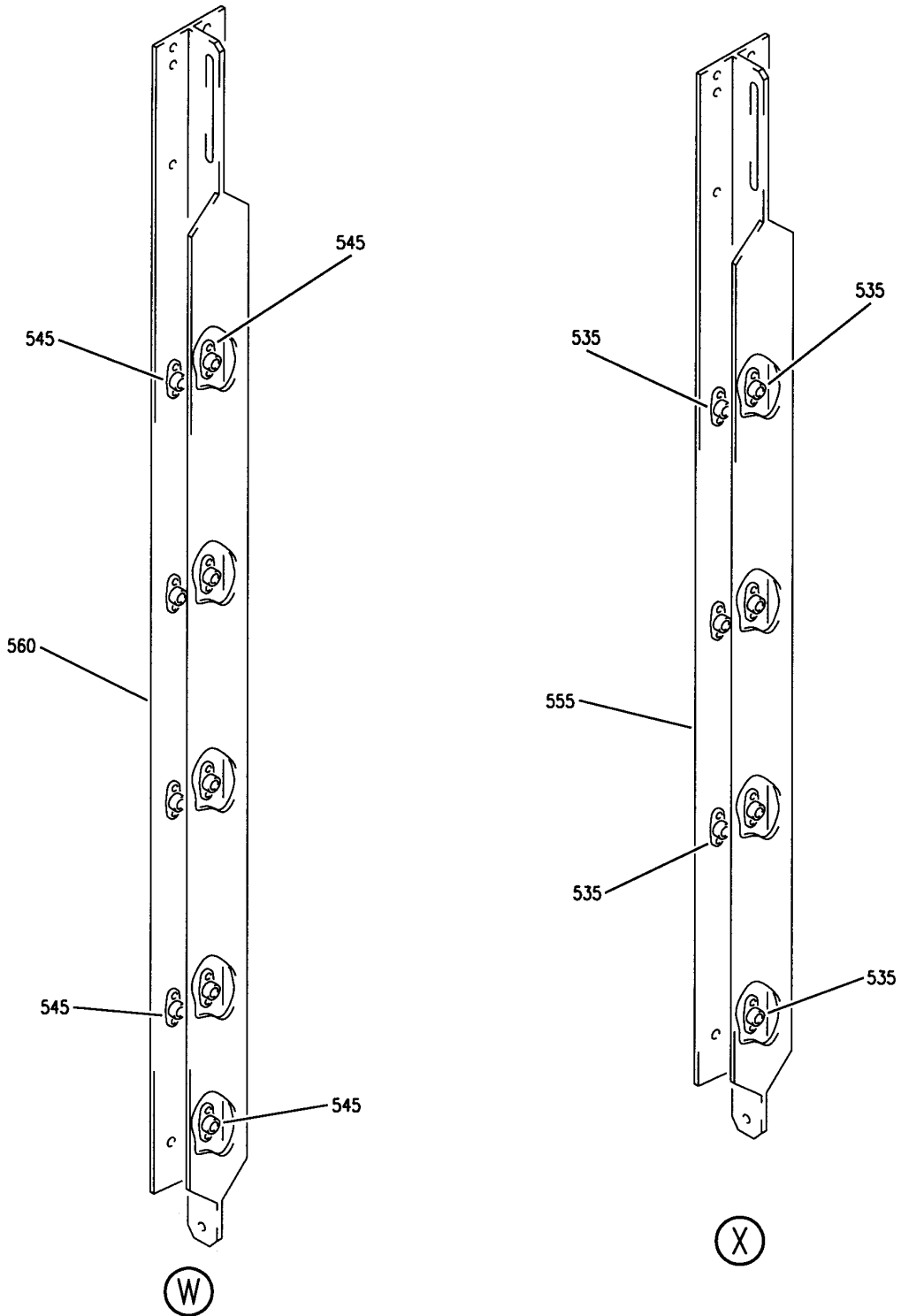
SUPPORT INSTL-WASTE TANK ENCLOSURE/STA 1640 BULKHEAD
FIGURE 1 (SHEET 10)

38-32-37-01

BRI
JAN 20/09

38-32-37-01
PAGE 01

BOEING
757
PARTS CATALOG (MAINTENANCE)



Y 38323701 SHT 11 REV 206

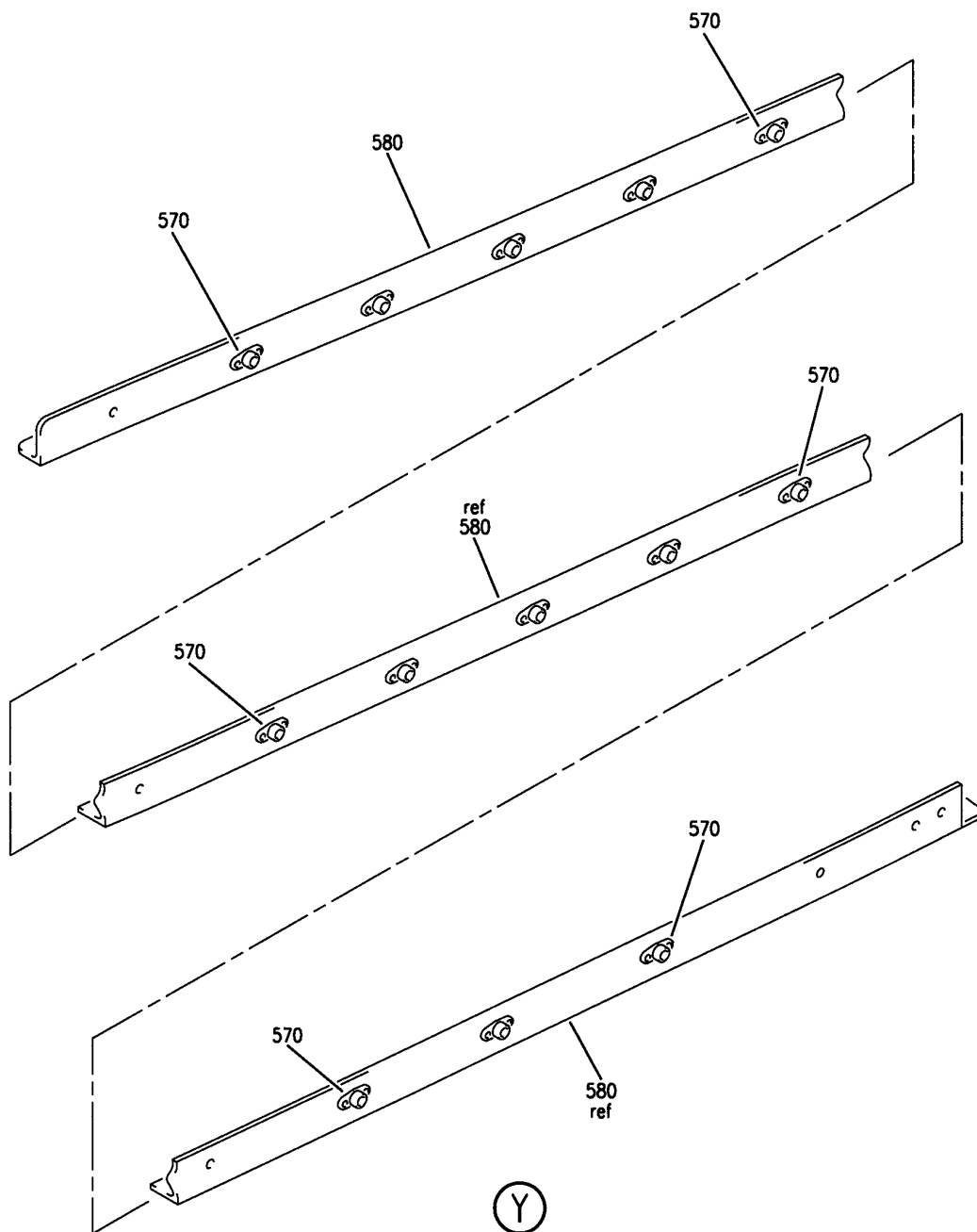
SUPPORT INSTL-WASTE TANK ENCLOSURE/STA 1640 BULKHEAD
FIGURE 1 (SHEET 11)

38-32-37-01

BRI
JAN 20/09

38-32-37-01
PAGE 0J

BOEING
757
PARTS CATALOG (MAINTENANCE)



Y 38323701 SHT 12 REV 206

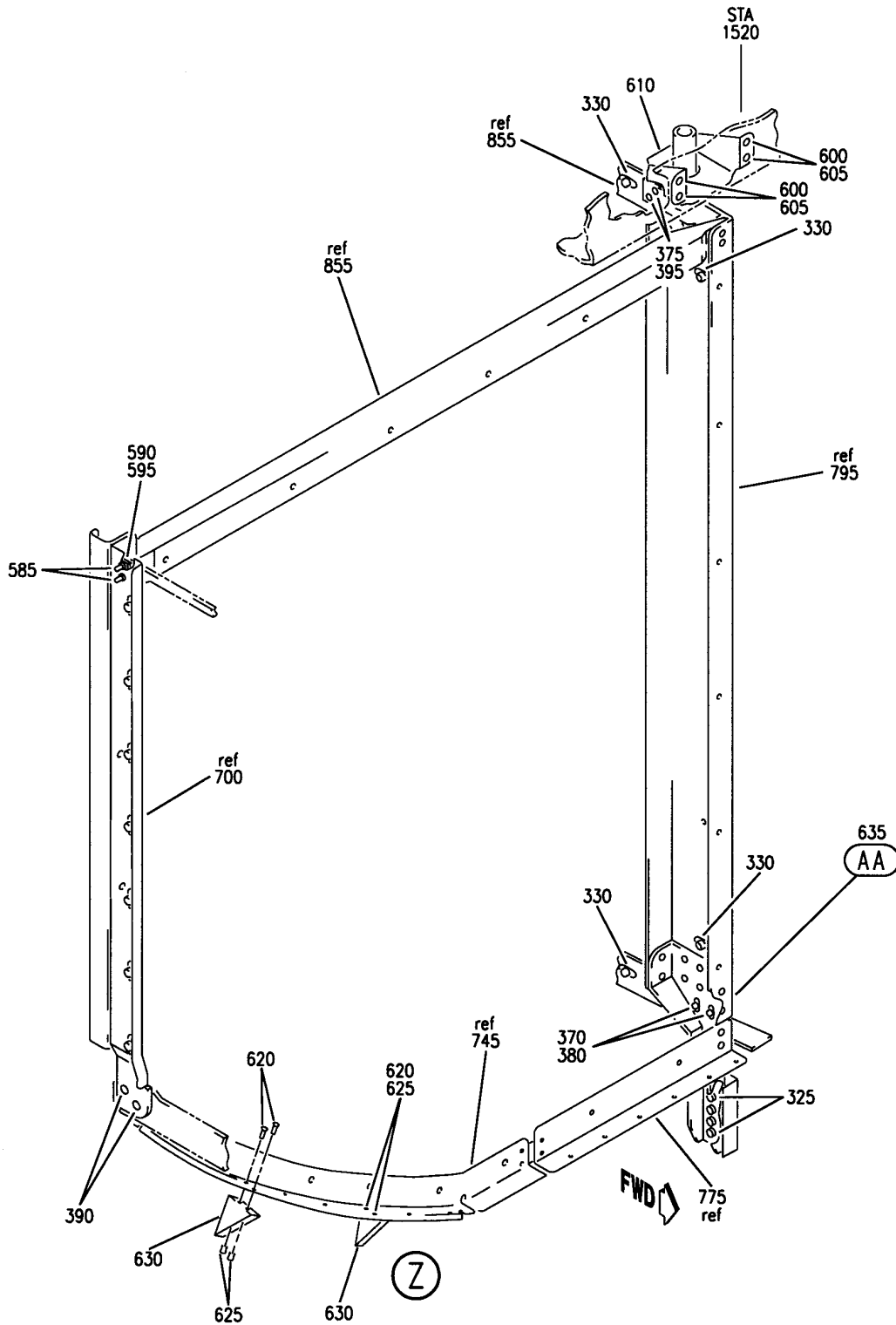
SUPPORT INSTL-WASTE TANK ENCLOSURE/STA 1640 BULKHEAD
FIGURE 1 (SHEET 12)

38-32-37-01

BRI
JAN 20/09

38-32-37-01
PAGE OK

BOEING
757
PARTS CATALOG (MAINTENANCE)



Y 38323701 SHT 13 REV 206

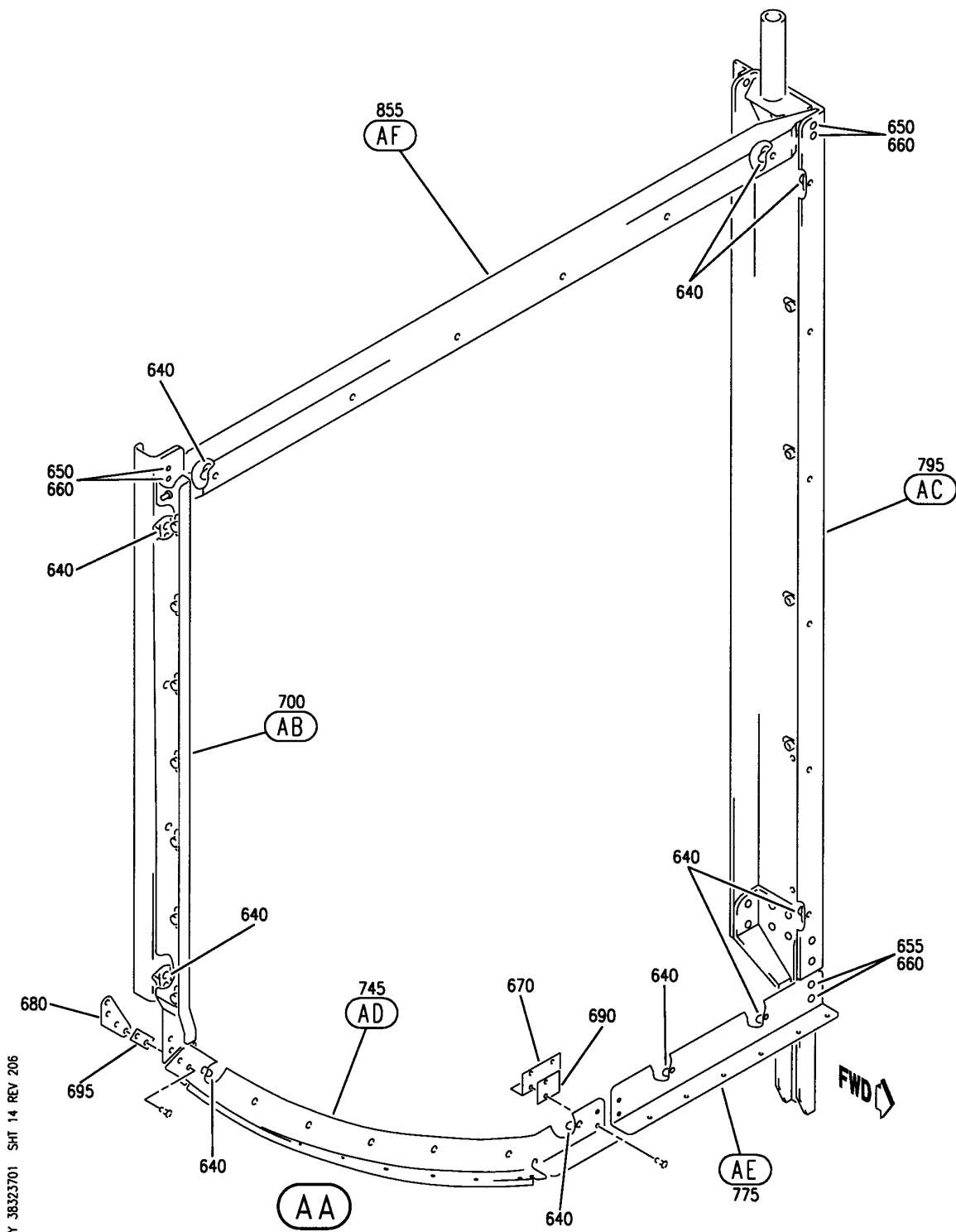
SUPPORT INSTL-WASTE TANK ENCLOSURE/STA 1640 BULKHEAD
FIGURE 1 (SHEET 13)

38-32-37-01

BRI
JAN 20/09

38-32-37-01
PAGE 01

BOEING
757
PARTS CATALOG (MAINTENANCE)



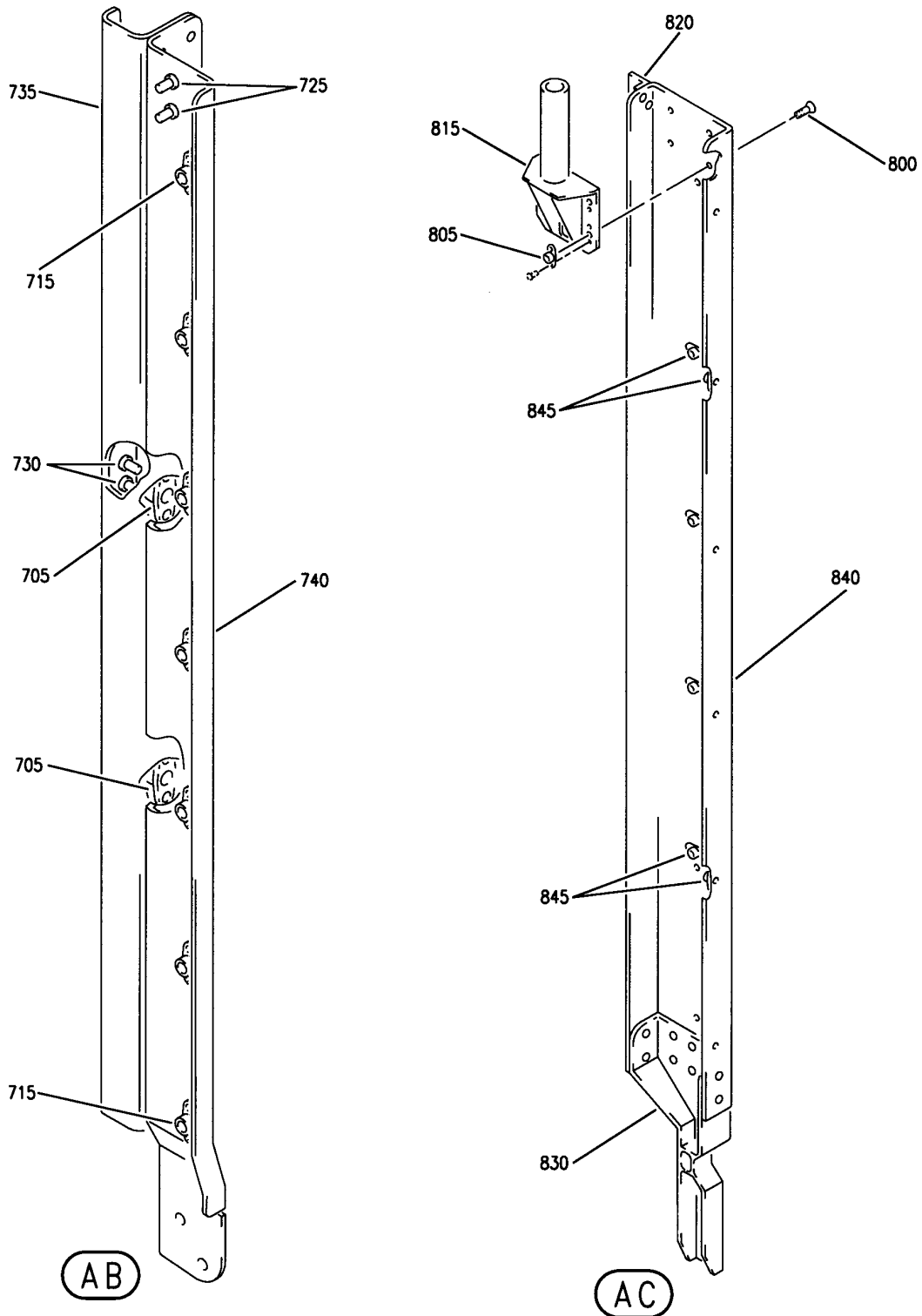
SUPPORT INSTL-WASTE TANK ENCLOSURE/STA 1640 BULKHEAD
FIGURE 1 (SHEET 14)

38-32-37-01

BRI
JAN 20/09

38-32-37-01
PAGE 0M

BOEING
757
PARTS CATALOG (MAINTENANCE)



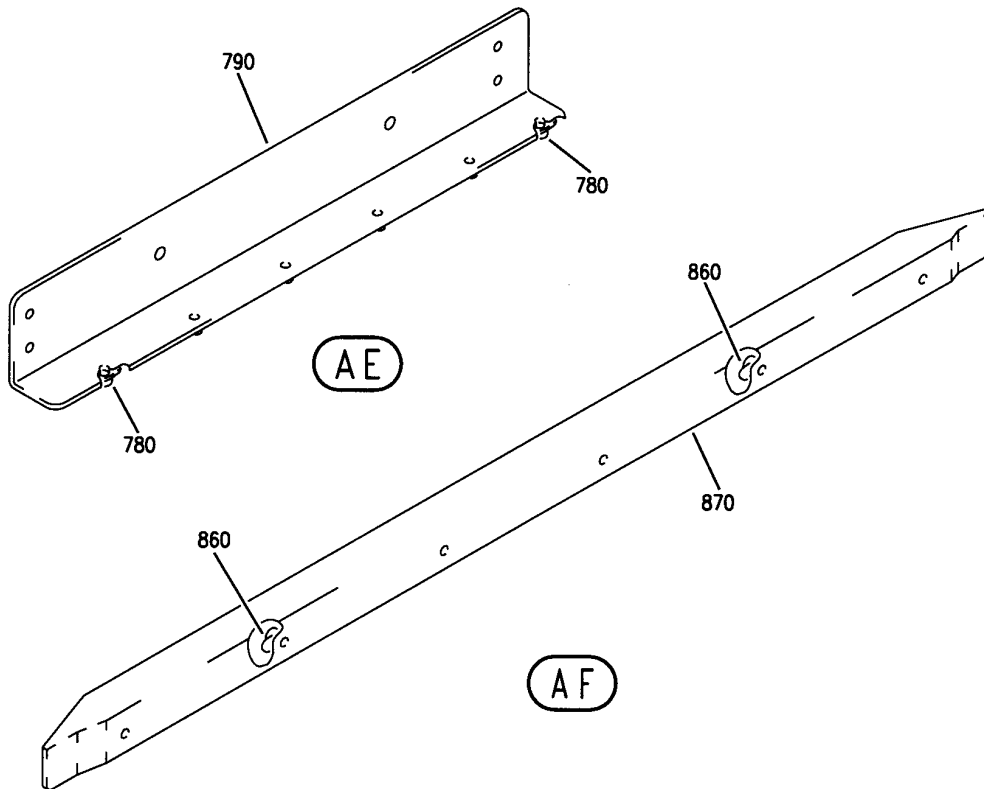
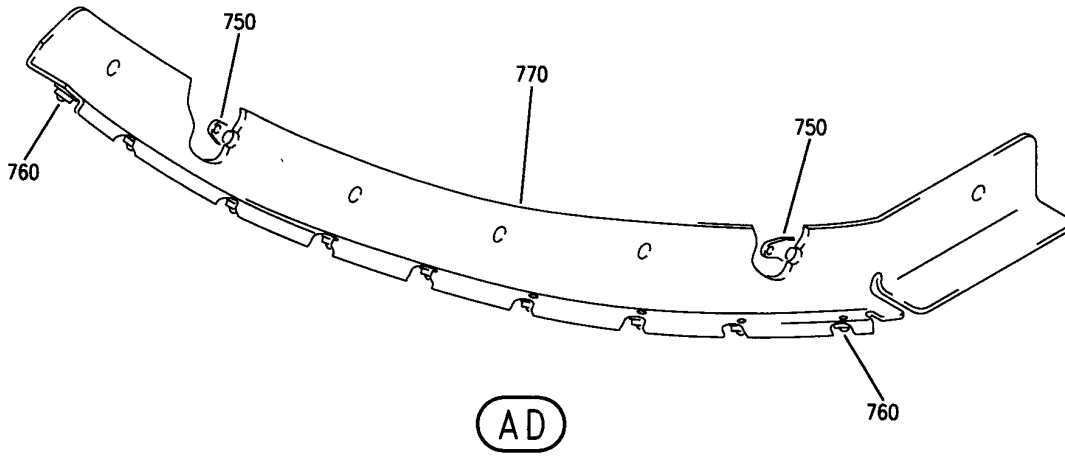
SUPPORT INSTL-WASTE TANK ENCLOSURE/STA 1640 BULKHEAD
FIGURE 1 (SHEET 15)

38-32-37-01

BRI
JAN 20/09

38-32-37-01
PAGE ON

BOEING
757
PARTS CATALOG (MAINTENANCE)



Y 38323701 SH1 16 REV 206

SUPPORT INSTL-WASTE TANK ENCLOSURE/STA 1640 BULKHEAD
FIGURE 1 (SHEET 16)

38-32-37-01

BRI
JAN 20/09

38-32-37-01
PAGE 00



757

PARTS CATALOG (MAINTENANCE)

FIG ITEM	PART NUMBER	1 2 3 4 5 6 7	NOMENCLATURE	EFFECT FROM TO	UNITS PER ASSY
1			SUPPORT INSTL-WASTE TANK ENCLOSURE/STA 1640 BULKHEAD	103106	
- 1	MODREF18559		SUPPORT INSTL-WASTE TANK ENCLOSURE/STA 1640 BULKHEAD	103106	1
5	BACB30NT4K4		MODULE NUMBER: 453N1290-1 REV A	103106	1
10	HST10AG6-4		.BOLT-	103106	5
			.BOLT		
			SUPPLIER CODE: V06725		
			SPECIFICATION NUMBER: BACB30VT6K4		
			OPTIONAL PART: HST10AG6-4		
			V73197		
			HST10AG6-4		
			V56878		
			HST10AG6-4		
			V0PTK6		
			WC10K6-4		
			V60516		
15	HST1094KP6		.COLLAR	103106	5
			SUPPLIER CODE: V73197		
			SPECIFICATION NUMBER: BACC30BS6		
20	MF53050-4CD		.NUTPLATE	103106	1
			SUPPLIER CODE: V15653		
			SPECIFICATION NUMBER: BACN10JN4CD		
			OPTIONAL PART: BRFM20C4D		
			V52828		
			T8301C428CD		
			V11815		
			102F9201M4		
			V72962		
			NS202487-048		
			V80539		
			MF51637-4		
			V15653		
			ATTACHING PARTS		
- 25	BACR15BA3ADC		.RIVET-	103106	2
			SIZE DETERMINED ON INSTL.		
			-----*-----		

MISSING ITEM NUMBERS NOT APPLICABLE

- ITEM NOT ILLUSTRATED

38-32-37-01

38-32-37
FIG. 01
PAGE 1
JAN 20/09

BRI



757

PARTS CATALOG (MAINTENANCE)

FIG ITEM	PART NUMBER	1 2 3 4 5 6 7	NOMENCLATURE	EFFECT FROM TO	UNITS PER ASSY
1	30 BRF200C3D		.NUTPLATE SUPPLIER CODE: V52828 SPECIFICATION NUMBER: BACN10JR3CFD OPTIONAL PART: K51602-3BAC V15653 NS202476-02 V80539 102F9201-3 V72962 T8092C1032CD V11815	103106	3
-	35 BACR15BA3ADC		.RIVET- SIZE DETERMINED ON INSTL. -----*-----	103106	2
	40 MS2114U5P		.RIVET- SIZE DETERMINED ON INSTL.	103106	2
	45 453N1291-1		.SUPPORT ASSY	103106	1
	50 85-99-199-15		..RECEPTACLE SUPPLIER CODE: V94222 SPECIFICATION NUMBER: BACR11AM5 OPTIONAL PART: 5-295 V94222 ATTACHING PARTS	103106	13
-	55 BACR15BA4ADC		..RIVET- SIZE DETERMINED ON INSTL. -----*-----	103106	26
	60 453N1292-26		..POST ASSY-CORNER ATTACHING PARTS	103106	1
	65 BACB30VF3K4		..BOLT	103106	2
	70 BACB30VF3K3		..BOLT -----*-----	103106	2
	75 85-99-199-15		...RECEPTACLE SUPPLIER CODE: V94222 SPECIFICATION NUMBER: BACR11AM5 OPTIONAL PART: 5-295 V94222	103106	5

MISSING ITEM NUMBERS NOT APPLICABLE

- ITEM NOT ILLUSTRATED

38-32-37-01

38-32-37
FIG. 01
PAGE 2
JAN 20/09

BRI



**757
PARTS CATALOG (MAINTENANCE)**

FIG ITEM	PART NUMBER	1 2 3 4 5 6 7	NOMENCLATURE	EFFECT FROM TO	UNITS PER ASSY
1			ATTACHING PARTS		
- 80	BACR15BA4ADC	...	RIVET- SIZE DETERMINED ON INSTL. -----*-----	103106	2
85	453N1292-25	...	POST-CORNER	103106	1
90	BACB30VF3K5	..	BOLT	103106	2
95	453N1293-33	..	PLATE ASSY-SPLICE	103106	1
- 100	BACR15BA5ADC	..	RIVET- SIZE DETERMINED ON INSTL. -----*-----	103106	2
120	453N1293-31	..	ANGLE ASSY- ATTACHING PARTS	103106	1
125	BACB30VF3K4	..	BOLT	103106	2
130	85-99-199-15	...	RECEPTACLE SUPPLIER CODE: V94222 SPECIFICATION NUMBER: BACR11AM5 OPTIONAL PART: 5-295 V94222	103106	1
- 135	BACR15BA4ADC	...	RIVET- SIZE DETERMINED ON INSTL. -----*-----	103106	2
140	BRF200C3D	...	NUTPLATE SUPPLIER CODE: V52828 SPECIFICATION NUMBER: BACN10JR3CFD OPTIONAL PART: K51602-3BAC V15653 NS202476-02 V80539 102F9201-3 V72962 T8092C1032CD V11815	103106	7
- 145	BACR15BA3ADC	...	RIVET- SIZE DETERMINED ON INSTL. -----*-----	103106	2
150	453N1293-4	...	ANGLE	103106	1
155	453N1291-7	..	SUPPORT ASSY	103106	1

MISSING ITEM NUMBERS NOT APPLICABLE

- ITEM NOT ILLUSTRATED

38-32-37-01

38-32-37
FIG. 01
PAGE 3
JAN 20/09

BRI



757

PARTS CATALOG (MAINTENANCE)

FIG ITEM	PART NUMBER	1 2 3 4 5 6 7	NOMENCLATURE	EFFECT FROM TO	UNITS PER ASSY
1			ATTACHING PARTS		
- 160	BACR15BA5ADC	..	RIVET- SIZE DETERMINED ON INSTL. -----*-----	103106	3
165	453N1293-7	..	ANGLE ASSY	103106	1
- 170	BACR15BA5ADC	..	RIVET- SIZE DETERMINED ON INSTL. -----*-----	103106	2
175	85-99-199-15	...	RECEPTACLE SUPPLIER CODE: V94222 SPECIFICATION NUMBER: BACR11AM5 OPTIONAL PART: 5-295 V94222	103106	1
- 180	BACR15BA4ADC	...	RIVET- SIZE DETERMINED ON INSTL. -----*-----	103106	2
185	453N1293-8	...	ANGLE	103106	1
190	453N1293-1	..	ANGLE ASSY	103106	1
195	BACB30VF3K4	..	BOLT -----*-----	103106	2
200	85-99-199-15	...	RECEPTACLE SUPPLIER CODE: V94222 SPECIFICATION NUMBER: BACR11AM5 OPTIONAL PART: 5-295 V94222	103106	1
- 205	BACR15BA4ADC	...	RIVET- SIZE DETERMINED ON INSTL. -----*-----	103106	2

MISSING ITEM NUMBERS NOT APPLICABLE

- ITEM NOT ILLUSTRATED

38-32-37-01

38-32-37
FIG. 01
PAGE 4
JAN 20/09

BRI

 **BOEING**
757
PARTS CATALOG (MAINTENANCE)

FIG ITEM	PART NUMBER	1 2 3 4 5 6 7	NOMENCLATURE	EFFECT FROM TO	UNITS PER ASSY
1 210	BRF200C3D		...NUTPLATE SUPPLIER CODE: V52828 SPECIFICATION NUMBER: BACN10JR3CFD OPTIONAL PART: K51602-3BAC V15653 NS202476-02 V80539 102F9201-3 V72962 T8092C1032CD V11815 ATTACHING PARTS	103106	6
- 215	BACR15BA3ADC		...RIVET- SIZE DETERMINED ON INSTL. -----*-----	103106	2
220	453N1293-2		...ANGLE	103106	1
222	453N1291-4		..SUPPORT ASSY ATTACHING PARTS	103106	1
- 223	BACR15BA5ADC		..RIVET- SIZE DETERMINED ON INSTL. -----*-----	103106	7
225	453N1293-11		...PLATE ASSY-SUPPORT	103106	1
227	85-99-199-15	RECEPTACLE SUPPLIER CODE: V94222 SPECIFICATION NUMBER: BACR11AM5 OPTIONAL PART: 5-295 V94222 ATTACHING PARTS	103106	2
- 228	BACR15BA4AD	RIVET- SIZE DETERMINED ON INSTL. -----*-----	103106	4
230	453N1293-12	PLATE-SUPPORT	103106	1
231	453N1293-5		...ANGLE ASSY	103106	1

MISSING ITEM NUMBERS NOT APPLICABLE

- ITEM NOT ILLUSTRATED

BRI

38-32-37-01

BOEING PROPRIETARY - Copyright © - Unpublished Work - See title page for details.

38-32-37
FIG. 01
PAGE 5
JAN 20/09



757

PARTS CATALOG (MAINTENANCE)

FIG ITEM	PART NUMBER	1 2 3 4 5 6 7	NOMENCLATURE	EFFECT FROM TO	UNITS PER ASSY
1 233	BRF200C3D	NUTPLATE SUPPLIER CODE: V52828 SPECIFICATION NUMBER: BACN10JR3CFD OPTIONAL PART: K51602-3BAC V15653 NS202476-02 V80539 102F9201-3 V72962 T8092C1032CD V11815 ATTACHING PARTS	103106	6
- 234	BACR15BA3AD	RIVET- SIZE DETERMINED ON INSTL. -----*-----	103106	2
235	453N1293-6	ANGLE	103106	1
238	453N1293-32	..	ANGLE ASSY- ATTACHING PARTS	103106	1
240	BACB30VF3K4	..	BOLT -----*-----	103106	3
245	85-99-199-15	...	RECEPTACLE SUPPLIER CODE: V94222 SPECIFICATION NUMBER: BACR11AM5 OPTIONAL PART: 5-295 V94222 ATTACHING PARTS	103106	1
- 250	BACR15BA4ADC	...	RIVET- SIZE DETERMINED ON INSTL. -----*-----	103106	2
265	453N1293-10	...	ANGLE	103106	1
270	453N1292-31	..	STANCHION ASSY-	103106	1
275	85-99-199-15	...	RECEPTACLE SUPPLIER CODE: V94222 SPECIFICATION NUMBER: BACR11AM5 OPTIONAL PART: 5-295 V94222 ATTACHING PARTS	103106	6
- 280	BACR15BA4ADC	...	RIVET- SIZE DETERMINED ON INSTL. -----*-----	103106	2

MISSING ITEM NUMBERS NOT APPLICABLE

- ITEM NOT ILLUSTRATED

38-32-37-01

38-32-37
FIG. 01
PAGE 6
JAN 20/09

BRI



757

PARTS CATALOG (MAINTENANCE)

FIG ITEM	PART NUMBER	1 2 3 4 5 6 7	NOMENCLATURE	EFFECT FROM TO	UNITS PER ASSY
1					
295	453N1292-27		...STANCHION-CENTER	103106	1
- 320	MODREF21130		SUPPORT INSTL-WASTE TANK ENCLOSURE/BULKHEAD	103106	1
			MODULE NUMBER: 453N1290-6 REV A		
			POSITION DATA: STA 1640		
325	BACB30NM3K3		.BOLT	103106	4
330	85-99-199-15		.RECEPTACLE	103106	8
			SUPPLIER CODE: V94222		
			SPECIFICATION NUMBER: BACR11AM5		
			OPTIONAL PART: 5-295 V94222		
			ATTACHING PARTS		
- 335	BACR15BA4ADC		.RIVET-	103106	2
			SIZE DETERMINED ON INSTL. -----*-----		
340	BACB30NM3K3		.BOLT	103106	12
345	453N1293-23		.BUMPER	103106	3
350	BLCR56D		.PIN	103106	4
			SUPPLIER CODE: V84256		
			SPECIFICATION NUMBER: BACP18AL5C6		
			OPTIONAL PART: DLC5R6D V16258 LH5CR6D V83014		
355	BACB30NM3K3		.BOLT	103106	8
360	453N1292-24		.BRACKET	103106	2
365	453N1292-23		.BRACKET	103106	2
370	BACB30VF3K3		.BOLT	103106	3
375	BACB30VF3K2		.BOLT	103106	2

MISSING ITEM NUMBERS NOT APPLICABLE

- ITEM NOT ILLUSTRATED

BRI

38-32-37-01

BOEING PROPRIETARY - Copyright © - Unpublished Work - See title page for details.

38-32-37
FIG. 01
PAGE 7
JAN 20/09



757

PARTS CATALOG (MAINTENANCE)

FIG ITEM	PART NUMBER	1 2 3 4 5 6 7	NOMENCLATURE	EFFECT FROM TO	UNITS PER ASSY
1 380	BRF200C3D		.NUTPLATE SUPPLIER CODE: V52828 SPECIFICATION NUMBER: BACN10JR3CFD OPTIONAL PART: K51602-3BAC V15653 NS202476-02 V80539 102F9201-3 V72962 T8092C1032CD V11815 ATTACHING PARTS	103106	3
- 385	BACR15BA3ADC		.RIVET- SIZE DETERMINED ON INSTL.	103106	2
390	BACR15BA6DC		.RIVET- SIZE DETERMINED ON INSTL.	103106	2
			-----*-----		
395	T8078S1032		.NUTPLATE SUPPLIER CODE: V11815 SPECIFICATION NUMBER: BACN10JP3C OPTIONAL PART: MK3000-3BAC V15653 NS103199-02 V80539 RMA9205M3 V72962 VN203A1-02 V92215 BRM300A3 V52828 ATTACHING PARTS	103106	2
- 400	BACR15BA3ADC		.RIVET- SIZE DETERMINED ON INSTL.	103106	2
			-----*-----		
405	453N1291-8		.SUPPORT ASSY-	103106	1
410	85-99-199-15		..RECEPTACLE SUPPLIER CODE: V94222 SPECIFICATION NUMBER: BACR11AM5 OPTIONAL PART: 5-295 V94222	103106	12

MISSING ITEM NUMBERS NOT APPLICABLE

- ITEM NOT ILLUSTRATED

38-32-37-01

38-32-37
FIG. 01
PAGE 8
JAN 20/09

BRI



757

PARTS CATALOG (MAINTENANCE)

FIG ITEM	PART NUMBER	1 2 3 4 5 6 7	NOMENCLATURE	EFFECT FROM TO	UNITS PER ASSY
1			ATTACHING PARTS		
- 415	BACR15BA4ADC	..	RIVET- SIZE DETERMINED ON INSTL. -----*-----	103106	2
420	BACB30VF3K3	..	BOLT	103106	8
423	BACB30VF3K2	..	BOLT	103106	6
425	BRF200C3D	..	NUTPLATE SUPPLIER CODE: V52828 SPECIFICATION NUMBER: BACN10JR3CFD OPTIONAL PART: K51602-3BAC V15653 NS202476-02 V80539 102F9201-3 V72962 T8092C1032CD V11815	103106	8
- 430	BACR15BA3ADC	..	RIVET- SIZE DETERMINED ON INSTL. -----*-----	103106	2
435	BACR15BA6DC	..	RIVET- SIZE DETERMINED ON INSTL.	103106	4
440	453N1292-22	..	CLIP	103106	2
445	453N1292-18	..	ANGLE ASSY-BUMPER	103106	3
450	BACN10JN3CFD	...	NUTPLATE ATTACHING PARTS	103106	6
- 455	BACR15BA3ADC	...	RIVET- SIZE DETERMINED ON INSTL. -----*-----	103106	2
460	453N1292-19	...	ANGLE-BUMPER	103106	3
465	453N1292-11	..	ANGLE ASSY	103106	1
470	85-99-199-15	...	RECEPTACLE SUPPLIER CODE: V94222 SPECIFICATION NUMBER: BACR11AM5 OPTIONAL PART: 5-295 V94222	103106	3
- 475	BACR15BA4ADC	...	RIVET- SIZE DETERMINED ON INSTL. -----*-----	103106	2
480	453N1292-12	...	ANGLE	103106	1
485	453N1292-9	..	ANGLE ASSY	103106	1

MISSING ITEM NUMBERS NOT APPLICABLE

- ITEM NOT ILLUSTRATED

38-32-37-01

38-32-37
FIG. 01
PAGE 9
JAN 20/09

BRI



757

PARTS CATALOG (MAINTENANCE)

FIG ITEM	PART NUMBER	1 2 3 4 5 6 7	NOMENCLATURE	EFFECT FROM TO	UNITS PER ASSY
1 490	85-99-199-15		...RECEPTACLE SUPPLIER CODE: V94222 SPECIFICATION NUMBER: BACR11AM5 OPTIONAL PART: 5-295 V94222 ATTACHING PARTS	103106	4
- 495	BACR15BA4ADC		...RIVET- SIZE DETERMINED ON INSTL. -----*-----	103106	2
500	453N1292-10		...ANGLE	103106	1
505	453N1292-7		..ANGLE ASSY	103106	1
510	85-99-199-15		...RECEPTACLE SUPPLIER CODE: V94222 SPECIFICATION NUMBER: BACR11AM5 OPTIONAL PART: 5-295 V94222 ATTACHING PARTS	103106	4
- 515	BACR15BA4ADC		...RIVET- SIZE DETERMINED ON INSTL. -----*-----	103106	2
520	453N1292-8		...ANGLE	103106	1
525	453N1292-1		..STANCHION ASSY	103106	1
530	453N1292-3		..STANCHION ASSY	103106	1
535	85-99-199-15		...RECEPTACLE- SUPPLIER CODE: V94222 SPECIFICATION NUMBER: BACR11AM5 OPTIONAL PART: 5-295 V94222 USED ON: 453N1292-3 ATTACHING PARTS	103106	7
- 540	BACR15BA4ADC		...RIVET- SIZE DETERMINED ON INSTL. -----*-----	103106	2

MISSING ITEM NUMBERS NOT APPLICABLE

- ITEM NOT ILLUSTRATED

BRI

38-32-37-01

38-32-37
FIG. 01
PAGE 10
JAN 20/09



757

PARTS CATALOG (MAINTENANCE)

FIG ITEM	PART NUMBER	1 2 3 4 5 6 7	NOMENCLATURE	EFFECT FROM TO	UNITS PER ASSY
1	545 85-99-199-15		...RECEPTACLE- SUPPLIER CODE: V94222 SPECIFICATION NUMBER: BACR11AM5 OPTIONAL PART: 5-295 V94222 USED ON: 453N1292-1 ATTACHING PARTS	103106	9
- 550	BACR15BA4ADC		...RIVET- SIZE DETERMINED ON INSTL. -----*-----	103106	2
555	453N1292-4		...STANCHION- USED ON: 453N1292-3	103106	1
560	453N1292-2		...STANCHION- USED ON: 453N1292-1	103106	1
565	453N1292-30		..ANGLE ASSY-	103106	1
570	85-99-199-15		...RECEPTACLE SUPPLIER CODE: V94222 SPECIFICATION NUMBER: BACR11AM5 OPTIONAL PART: 5-295 V94222 ATTACHING PARTS	103106	13
- 575	BACR15BA4ADC		...RIVET- SIZE DETERMINED ON INSTL. -----*-----	103106	2
580	453N1292-6		...ANGLE	103106	1
585	BACS12ER3K13		.SCREW	103106	2
590	453N1751-1		.WASHER	103106	1
595	453N1702-1		.SPACER	103106	1
600	BAC30NX6K		.BOLT	103106	4

MISSING ITEM NUMBERS NOT APPLICABLE

- ITEM NOT ILLUSTRATED

38-32-37-01

38-32-37
FIG. 01
PAGE 11
JAN 20/09

BRI

BOEING PROPRIETARY - Copyright © - Unpublished Work - See title page for details.



757

PARTS CATALOG (MAINTENANCE)

FIG ITEM	PART NUMBER	1 2 3 4 5 6 7	NOMENCLATURE	EFFECT FROM TO	UNITS PER ASSY
1 605	HL1087-6		.COLLAR SUPPLIER CODE: V73197 SPECIFICATION NUMBER: BACC30BH6 OPTIONAL PART: HL1087-6 V56878 HL1087-6 V92215 HL1087-6 V9N513	103106	4
610	453N1293-22		.BRACKET ATTACHING PARTS	103106	1
- 615	BACR15FT6D		.RIVET- SIZE DETERMINED ON INSTL. -----*-----	103106	3
620	HST10AG6-3		.BOLT SUPPLIER CODE: VOPTK6 SPECIFICATION NUMBER: BACB30VT6K3 OPTIONAL PART: HST10AG6-3 V06725 HST10AG6-3 V56878 HST10AG6-3 V73197 WC10K6-3 V60516	103106	4
625	BACC30BL6		.COLLAR SUPPLIER CODE: V73197 SPECIFICATION NUMBER: BACC30BL6 OPTIONAL PART: HST79-6 V92215 HST79CY6 V56878 HST79CY6 V5M902	103106	4
630	453N1292-29		.GUSSET	103106	2
635	453N1291-12		.SUPPORT ASSY-	103106	1

MISSING ITEM NUMBERS NOT APPLICABLE

- ITEM NOT ILLUSTRATED

BRI

38-32-37-01

38-32-37
FIG. 01
PAGE 12
JAN 20/09



757

PARTS CATALOG (MAINTENANCE)

FIG ITEM	PART NUMBER	1 2 3 4 5 6 7	NOMENCLATURE	EFFECT FROM TO	UNITS PER ASSY
1 640	85-99-199-15		.. RECEPTACLE SUPPLIER CODE: V94222 SPECIFICATION NUMBER: BACR11AM5 OPTIONAL PART: 5-295 V94222 ATTACHING PARTS	103106	10
- 645	BACR15BA4ADC		.. RIVET- SIZE DETERMINED ON INSTL. -----*-----	103106	2
650	BACB30VF3K4		.. BOLT	103106	4
655	BACB30VF3K3		.. BOLT	103106	2
660	BRF200C3D		.. NUTPLATE SUPPLIER CODE: V52828 SPECIFICATION NUMBER: BACN10JR3CFD OPTIONAL PART: K51602-3BAC V15653 NS202476-02 V80539 102F9201-3 V72962 T8092C1032CD V11815 ATTACHING PARTS	103106	6
- 665	BACR15BA3ADC		.. RIVET- SIZE DETERMINED ON INSTL. -----*-----	103106	2
670	453N1293-43		.. CLIP- ATTACHING PARTS	103106	1
- 675	BACR15BA6DC		.. RIVET- SIZE DETERMINED ON INSTL. -----*-----	103106	4
680	453W3422-5		.. CLIP ATTACHING PARTS	103106	1
- 685	BACR15BA6DC		.. RIVET- SIZE DETERMINED ON INSTL. -----*-----	103106	4
690	BACF3F012E016AN		.. FILLER	103106	1
695	BACF3F010E015AN		.. FILLER	103106	1
700	453N1291-10		.. SUPPORT ASSY-	103106	1

MISSING ITEM NUMBERS NOT APPLICABLE

- ITEM NOT ILLUSTRATED

38-32-37-01

38-32-37
FIG. 01
PAGE 13
JAN 20/09

BRI

 **BOEING**
757
PARTS CATALOG (MAINTENANCE)

FIG ITEM	PART NUMBER	1 2 3 4 5 6 7	NOMENCLATURE	EFFECT FROM TO	UNITS PER ASSY
1 705	85-99-199-15		...RECEPTACLE SUPPLIER CODE: V94222 SPECIFICATION NUMBER: BACR11AM5 OPTIONAL PART: 5-295 V94222 ATTACHING PARTS	103106	2
- 710	BACR15BA4ADC		...RIVET- SIZE DETERMINED ON INSTL. -----*-----	103106	2
715	BRF200C3D		...NUTPLATE SUPPLIER CODE: V52828 SPECIFICATION NUMBER: BACN10JR3CFD OPTIONAL PART: K51602-3BAC V15653 NS202476-02 V80539 102F9201-3 V72962 T8092C1032CD V11815 ATTACHING PARTS	103106	7
- 720	BACR15BA3ADC		...RIVET- SIZE DETERMINED ON INSTL. -----*-----	103106	2
725	NAS1329A3K130		...INSERT	103106	2
730	BACS13CH3CD130P		...INSERT	103106	2
735	453N1293-19		...SUPPORT	103106	1
740	453N1293-36		...SUPPORT-	103106	1
745	453N1293-41		..SUPPORT ASSY-	103106	1
750	85-99-199-15		...RECEPTACLE SUPPLIER CODE: V94222 SPECIFICATION NUMBER: BACR11AM5 OPTIONAL PART: 5-295 V94222 ATTACHING PARTS	103106	5
- 755	BACR15BA4ADC		...RIVET- SIZE DETERMINED ON INSTL. -----*-----	103106	2

MISSING ITEM NUMBERS NOT APPLICABLE

- ITEM NOT ILLUSTRATED

BRI

38-32-37-01

BOEING PROPRIETARY - Copyright © - Unpublished Work - See title page for details.

38-32-37
FIG. 01
PAGE 14
JAN 20/09



757

PARTS CATALOG (MAINTENANCE)

FIG ITEM	PART NUMBER	1 2 3 4 5 6 7	NOMENCLATURE	EFFECT FROM TO	UNITS PER ASSY
1 760	BRF200C3D		...NUTPLATE SUPPLIER CODE: V52828 SPECIFICATION NUMBER: BACN10JR3CFD OPTIONAL PART: K51602-3BAC V15653 NS202476-02 V80539 102F9201-3 V72962 T8092C1032CD V11815 ATTACHING PARTS	103106	9
- 765	BACR15BA3ADC		...RIVET- SIZE DETERMINED ON INSTL. -----*-----	103106	2
770	453N1293-42		...SUPPORT-	103106	1
775	453N1293-39		..SUPPORT ASSY-	103106	1
780	BRF200C3D		...NUTPLATE SUPPLIER CODE: V52828 SPECIFICATION NUMBER: BACN10JR3CFD OPTIONAL PART: K51602-3BAC V15653 NS202476-02 V80539 102F9201-3 V72962 T8092C1032CD V11815 ATTACHING PARTS	103106	6
- 785	BACR15BA3ADC		...RIVET- SIZE DETERMINED ON INSTL. -----*-----	103106	2
790	453N1293-40		...SUPPORT-	103106	1
795	453N1291-5		..SUPPORT ASSY	103106	1
800	BACB30VF3K3		...BOLT	103106	4

MISSING ITEM NUMBERS NOT APPLICABLE

- ITEM NOT ILLUSTRATED

38-32-37-01

38-32-37
FIG. 01
PAGE 15
JAN 20/09

BRI



757

PARTS CATALOG (MAINTENANCE)

FIG ITEM	PART NUMBER	1 2 3 4 5 6 7	NOMENCLATURE	EFFECT FROM TO	UNITS PER ASSY
1 805	BRF200C3D		...NUTPLATE SUPPLIER CODE: V52828 SPECIFICATION NUMBER: BACN10JR3CFD OPTIONAL PART: K51602-3BAC V15653 NS202476-02 V80539 102F9201-3 V72962 T8092C1032CD V11815 ATTACHING PARTS	103106	4
- 810	BACR15BA3ADC		...RIVET- SIZE DETERMINED ON INSTL. -----*-----	103106	2
815	453N1292-17		...PIN-FITTING	103106	1
820	453N1292-20		...CLIP ATTACHING PARTS	103106	1
- 825	BACR15FT6D		...RIVET- SIZE DETERMINED ON INSTL. -----*-----	103106	2
830	453N1292-15		...FITTING ATTACHING PARTS	103106	1
- 835	BACR15BA6DC		...RIVET- SIZE DETERMINED ON INSTL. -----*-----	103106	10
840	453N1293-26		...POST ASSY-CORNER	103106	1
845	85-99-199-15	RECEPTACLE SUPPLIER CODE: V94222 SPECIFICATION NUMBER: BACR11AM5 OPTIONAL PART: 5-295 V94222 ATTACHING PARTS	103106	8
- 850	BACR15BA4ADC	RIVET- SIZE DETERMINED ON INSTL. -----*-----	103106	2
855	453N1292-13		..CHANNEL ASSY	103106	1

MISSING ITEM NUMBERS NOT APPLICABLE

- ITEM NOT ILLUSTRATED

38-32-37-01

38-32-37
FIG. 01
PAGE 16
JAN 20/09

BRI

BOEING PROPRIETARY - Copyright © - Unpublished Work - See title page for details.



757

PARTS CATALOG (MAINTENANCE)

FIG ITEM	PART NUMBER	1 2 3 4 5 6 7	NOMENCLATURE	EFFECT FROM TO	UNITS PER ASSY
1 860	85-99-199-15		...RECEPTACLE SUPPLIER CODE: V94222 SPECIFICATION NUMBER: BACR11AM5 OPTIONAL PART: 5-295 V94222 ATTACHING PARTS	103106	4
- 865	BACR15BA4ADC		...RIVET- SIZE DETERMINED ON INSTL. -----*-----	103106	2
870	453N1292-14		...CHANNEL	103106	1

MISSING ITEM NUMBERS NOT APPLICABLE

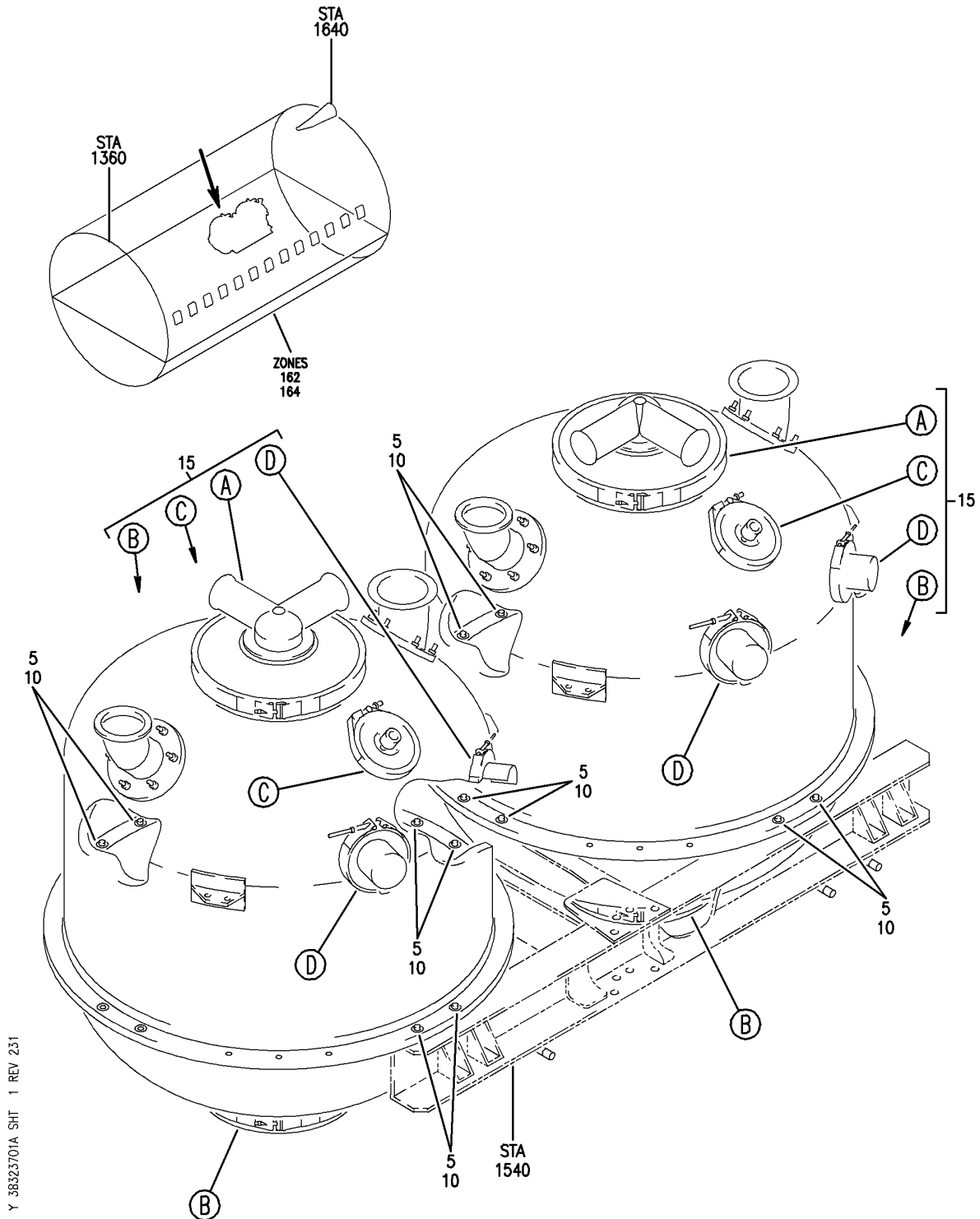
- ITEM NOT ILLUSTRATED

38-32-37-01

38-32-37
FIG. 01
PAGE 17
JAN 20/09

BRI

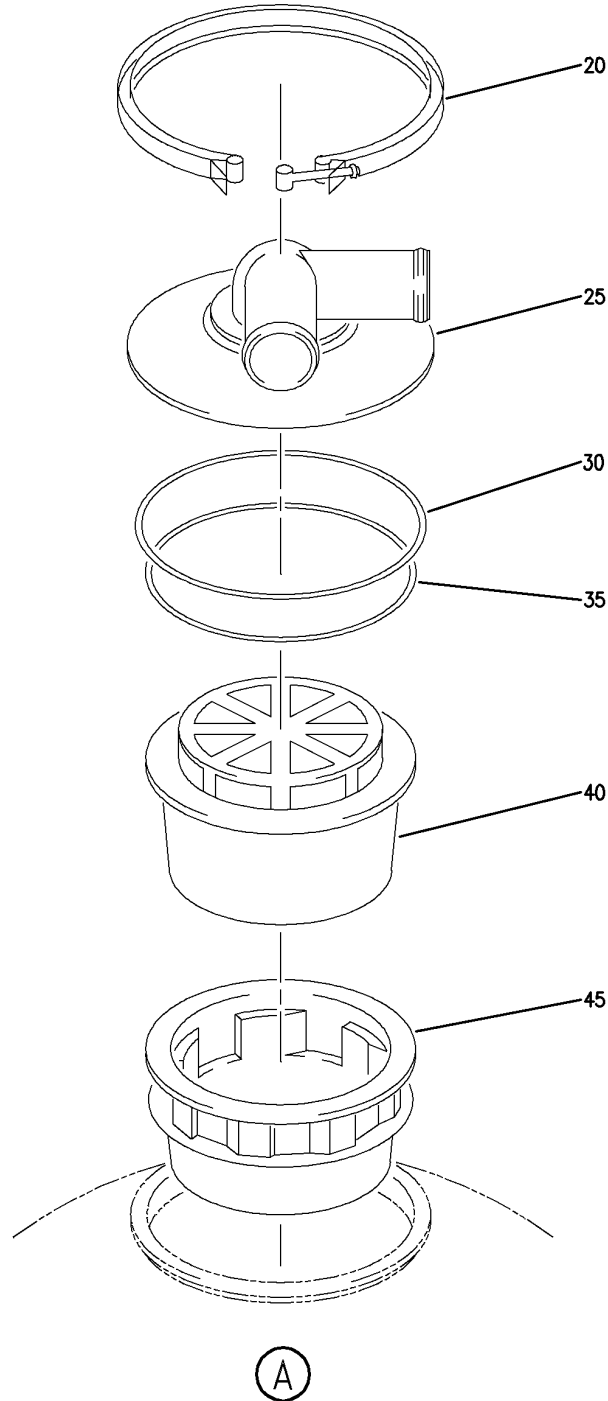
BOEING
757
PARTS CATALOG (MAINTENANCE)



TANK INSTL-VAC WASTE SYS
FIGURE 1A (SHEET 1)

38-32-37-01A

BOEING
757
PARTS CATALOG (MAINTENANCE)



Y 38323701A SHT 2 REV 231

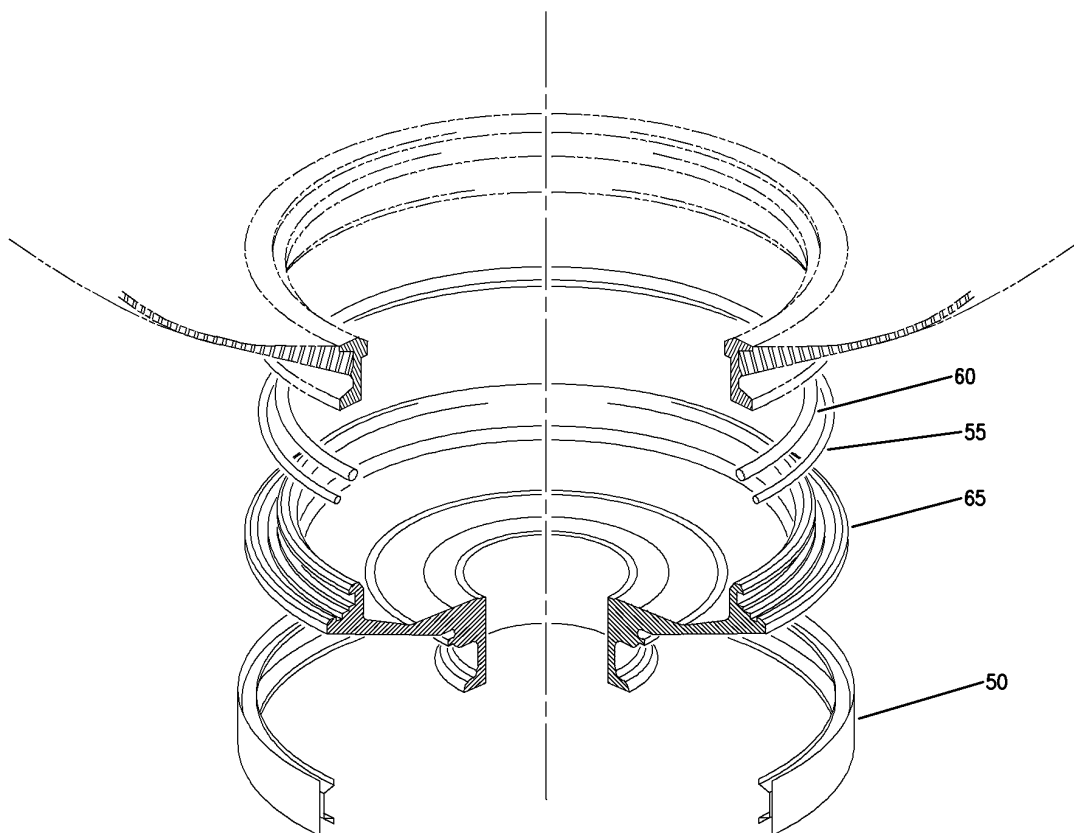
TANK INSTL-VAC WASTE SYS
FIGURE 1A (SHEET 2)

38-32-37-01A

BRI
JAN 20/09

38-32-37-01A
PAGE 0A

BOEING
757
PARTS CATALOG (MAINTENANCE)



(B)

Y 38323701A SH1 3 REV 231

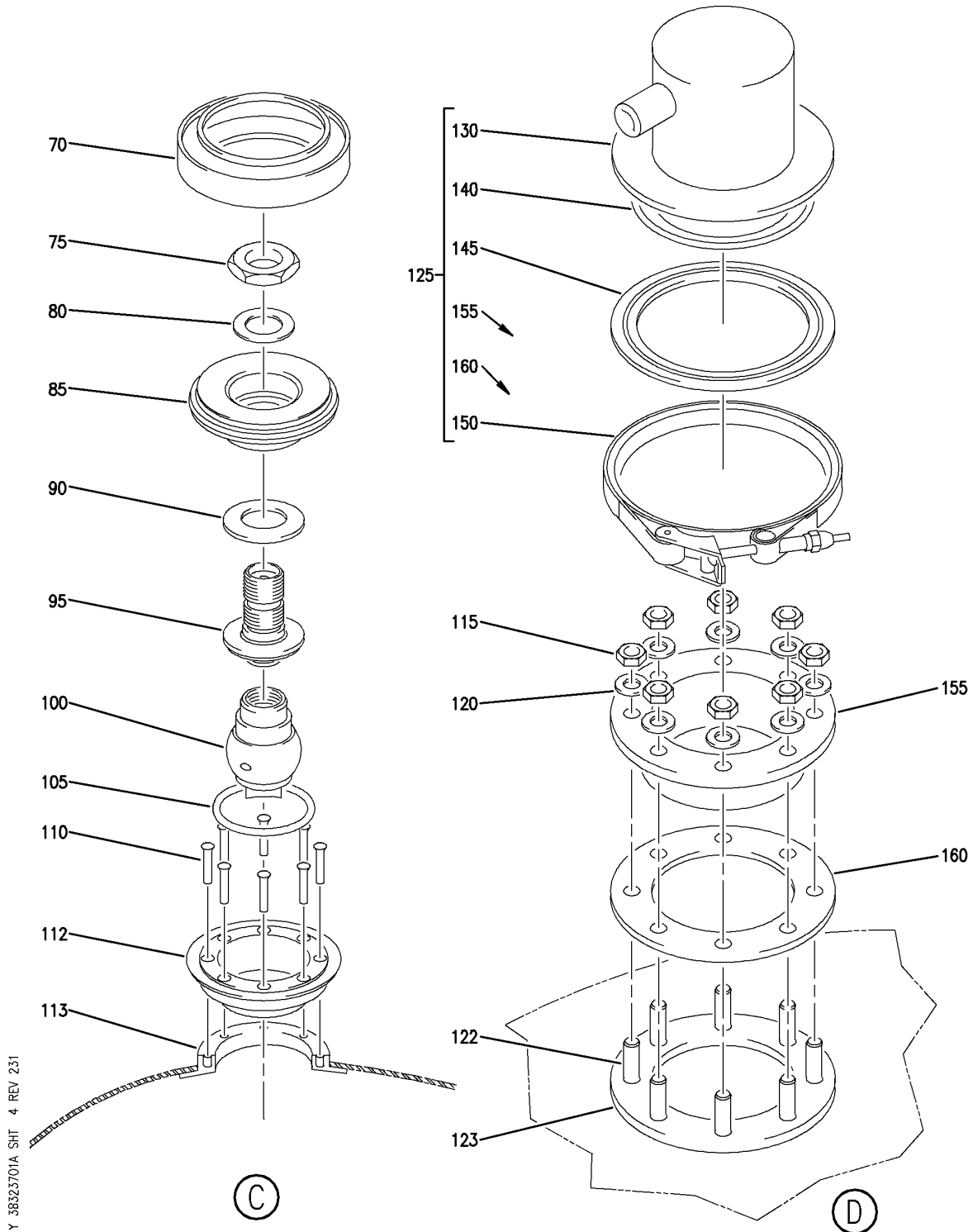
TANK INSTL-VAC WASTE SYS
FIGURE 1A (SHEET 3)

BRI
JAN 20/09

38-32-37-01A

38-32-37-01A
PAGE 0B

BOEING
757
PARTS CATALOG (MAINTENANCE)



Y 38323701A SHT 4 REV 231

TANK INSTL-VAC WASTE SYS
FIGURE 1A (SHEET 4)

38-32-37-01A

BRI
JAN 20/09

38-32-37-01A
PAGE 0C



757

PARTS CATALOG (MAINTENANCE)

FIG ITEM	PART NUMBER	1 2 3 4 5 6 7	NOMENCLATURE	EFFECT FROM TO	UNITS PER ASSY
1 A			TANK INSTL-VAC WASTE SYS	103106	
- 1	MODREF19000		TANK INSTL-VAC WASTE SYS MODULE NUMBER: 417N8670-1 REV A	103106	1
5	BACB30NR5K18		.BOLT	103106	12
10	BACW10BP5CD		.WASHER	103106	12
15	02024-001		.TANK ASSY-WASTE SUPPLIER CODE: V32500 SPECIFICATION NUMBER: S417T103-25 COMPONENT MAINT MANUAL REF: 38-32-11	103106	2
20	643205A1137A		..COUPLING-V-BAND SUPPLIER CODE: V14242	103106	1
25	00392-009		..CAP ASSY-UPR POLAR SUPPLIER CODE: V32500	103106	1
30	AS568-275S59-70		..RING- SUPPLIER CODE: V11314	103106	1
35	2-376S317-60		..RING- SUPPLIER CODE: V02697	103106	1
40	00083-002		..CANISTER-FILTER SUPPLIER CODE: V32500	103106	1
45	00091-003		..BOWL-OUTER SUPPLIER CODE: V32500 CONFIG CHG DATA FROM A CMM: REPLD BY 00091-005 OPTIONAL PART: 00091-005 V32500	103106	1
45	00091-005		..BOWL-OUTER SUPPLIER CODE: V32500 CONFIG CHG DATA FROM A CMM: REPLS 00091-003 OPTIONAL PART: 00091-003 V32500	103106	1

MISSING ITEM NUMBERS NOT APPLICABLE

- ITEM NOT ILLUSTRATED

38-32-37-01A

38-32-37
FIG. 01A
PAGE 1
JAN 20/09

BRI

BOEING PROPRIETARY - Copyright © - Unpublished Work - See title page for details.



757

PARTS CATALOG (MAINTENANCE)

FIG ITEM	PART NUMBER	1 2 3 4 5 6 7	NOMENCLATURE	EFFECT FROM TO	UNITS PER ASSY
1A					
50	643205A1137A	..	COUPLING-V-BAND SUPPLIER CODE: V14242 OPTIONAL PART: 93518-000 V32500	103106	1
50	93518-000	..	COUPLING-V-BAND SUPPLIER CODE: V00624 OPTIONAL PART: 643205A1137A V14242	103106	1
55	AS568-275S59-70	..	RING- SUPPLIER CODE: V11314	103106	1
60	2-376S317-60	..	RING- SUPPLIER CODE: V02697	103106	1
65	00393-005	..	CAP ASSY-LWR POLAR SUPPLIER CODE: V32500	103106	1
70	523225A438	..	COUPLING-V-BAND SUPPLIER CODE: V14242 OPTIONAL PART: 93824-002 V32500	103106	1
70	93824-002	..	COUPLING-V-BAND SUPPLIER CODE: V32500 OPTIONAL PART: 523225A438 V14242	103106	1
75	AN924-12J	..	NUT	103106	1
80	AN960XC1716	..	WASHER	103106	1
85	01510	..	FLANGE-MTG SUPPLIER CODE: V32500 CONFIG CHG DATA FROM A CMM: REPLD BY 01510-000	103106	1
85	01510-000	..	FLANGE-MTG SUPPLIER CODE: V32500 CONFIG CHG DATA FROM A CMM: REPLS 01510	103106	1
90	00090-001	..	GASKET-RINSE SYS SUPPLIER CODE: V32500	103106	1

MISSING ITEM NUMBERS NOT APPLICABLE

- ITEM NOT ILLUSTRATED

38-32-37-01A

38-32-37
FIG. 01A
PAGE 2
JAN 20/09

BRI

BOEING PROPRIETARY - Copyright © - Unpublished Work - See title page for details.



757

PARTS CATALOG (MAINTENANCE)

FIG ITEM	PART NUMBER	1 2 3 4 5 6 7	NOMENCLATURE	EFFECT FROM TO	UNITS PER ASSY
1A					
95	01664	..	HOUSING-ROTATING RINSE SUPPLIER CODE: V32500 CONFIG CHG DATA FROM A CMM: REPLD BY 01664-000	103106	1
95	01664-000	..	HOUSING-ROTATING RINSE SUPPLIER CODE: V32500 CONFIG CHG DATA FROM A CMM: REPLS 01664	103106	1
100	01593-021	..	NOZZLE-ROTATING RINSE SUPPLIER CODE: V32500	103106	1
105	2-329N674-70	..	RING- SUPPLIER CODE: V02697	103106	1
110	MS51959-33	..	SCREW	103106	8
112	01509	..	FLANGE-CLAMP MTG SUPPLIER CODE: V32500 CONFIG CHG DATA FROM A CMM: REPLD BY 01509-000	103106	1
112	01509-000	..	FLANGE-CLAMP MTG SUPPLIER CODE: V32500 CONFIG CHG DATA FROM A CMM: REPLS 01509	103106	1
113	01306-003	..	FITTING-MTG SUPPLIER CODE: V32500	103106	1
115	MS21044C06	..	NUT	103106	16
120	AN960C6	..	WASHER	103106	16
122	93500-103	..	STUD- SUPPLIER CODE: V32500	103106	16
123	00068-003	..	RING-MTG SUPPLIER CODE: V32500	103106	2
125	506-9000-41	..	SENSOR ASSY-LEVEL SUPPLIER CODE: V2W222 SPECIFICATION NUMBER: S417T108-3 COMPONENT MAINT MANUAL REF: 38-32-01	103106	2
130	899-156-612	...	SENSOR ASSY-WASTE TANK SUPPLIER CODE: V2W222	103106	1

MISSING ITEM NUMBERS NOT APPLICABLE

- ITEM NOT ILLUSTRATED

38-32-37-01A

38-32-37
FIG. 01A
PAGE 3
JAN 20/09

BRI

BOEING PROPRIETARY - Copyright © - Unpublished Work - See title page for details.



757

PARTS CATALOG (MAINTENANCE)

FIG ITEM	PART NUMBER	1 2 3 4 5 6 7	NOMENCLATURE	EFFECT FROM TO	UNITS PER ASSY
1 A					
- 135	899-156-611		...CABLE ASSY- SUPPLIER CODE: V2W222	103106	1
140	AS568-037		...RING- SUPPLIER CODE: V5E880	103106	1
145	808048-4		...SEAL- SUPPLIER CODE: V83259	103106	1
150	MM102711-350		...CLAMP- SUPPLIER CODE: V00624 OPTIONAL SUPPLIER CODE: 63367 14242	103106	1
155	899-156-40		...ADAPTER- SUPPLIER CODE: V2W222	103106	1
160	899-156-59		...GASKET- SUPPLIER CODE: V2W222	103106	1

MISSING ITEM NUMBERS NOT APPLICABLE

- ITEM NOT ILLUSTRATED

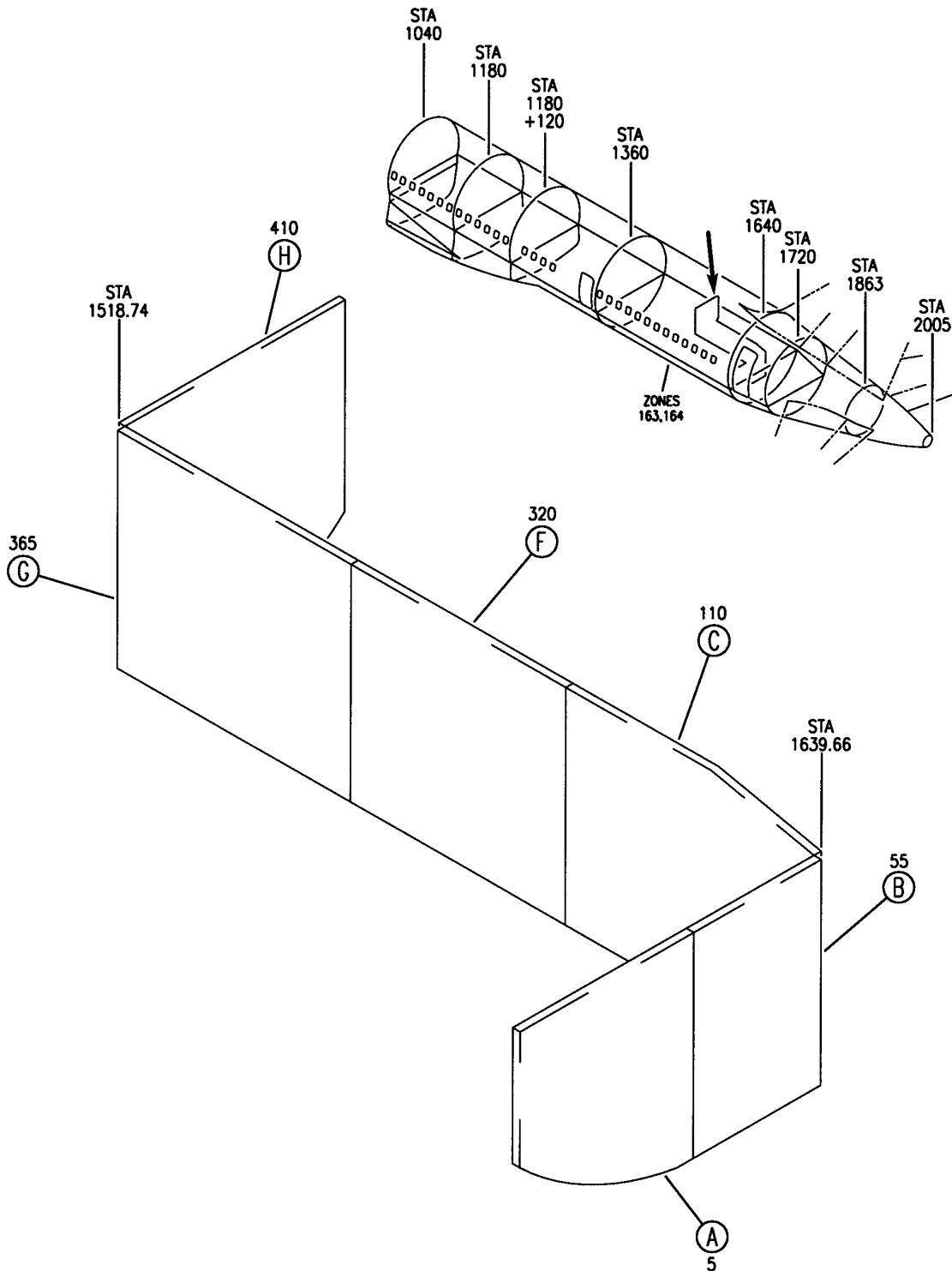
BRI

38-32-37-01A

BOEING PROPRIETARY - Copyright © - Unpublished Work - See title page for details.

38-32-37
FIG. 01A
PAGE 4
JAN 20/09

BOEING
757
PARTS CATALOG (MAINTENANCE)



Y 38323702 SHT 1 REV 205

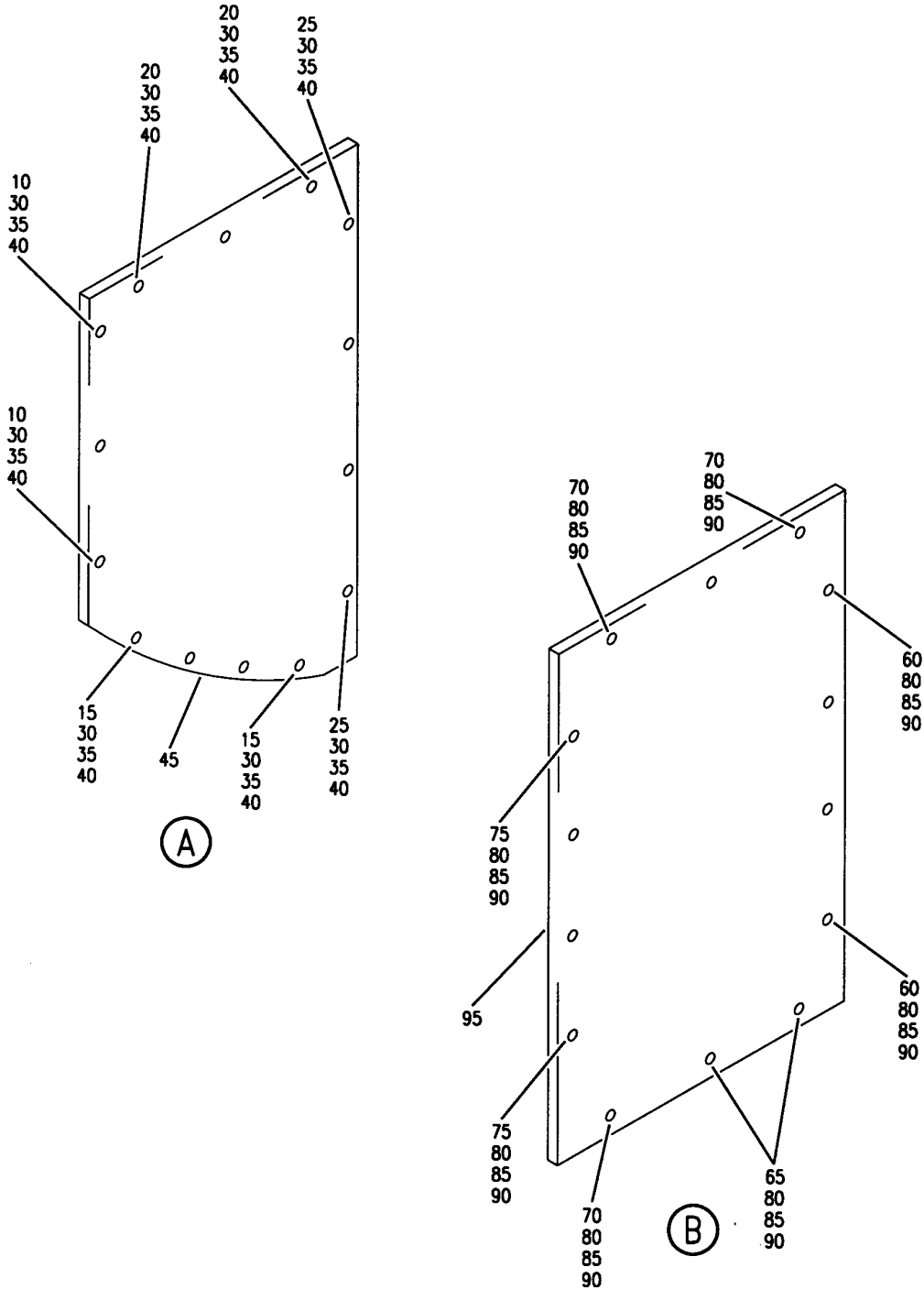
PANEL INSTL-STA 1640 BHD WASTE TANK ENCLOSURE
FIGURE 2 (SHEET 1)

38-32-37-02

BRI
JAN 20/09

38-32-37-02
PAGE 0

BOEING
757
PARTS CATALOG (MAINTENANCE)



Y 38323702 SH1 2 REV 205

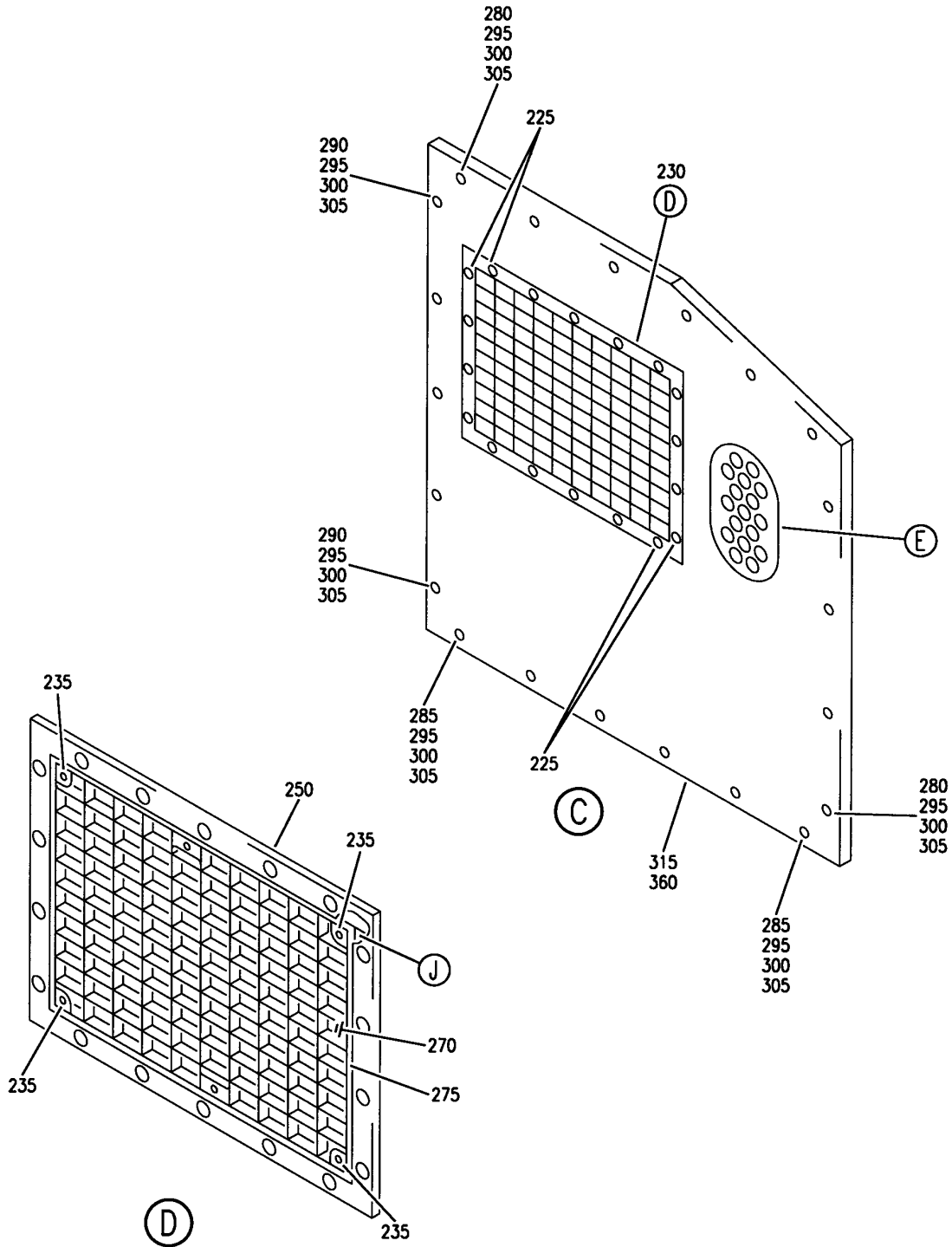
PANEL INSTL-STA 1640 BHD WASTE TANK ENCLOSURE
FIGURE 2 (SHEET 2)

38-32-37-02

BRI
JAN 20/09

38-32-37-02
PAGE 0A

BOEING
757
PARTS CATALOG (MAINTENANCE)



Y 38323702 SHT 3 REV 205

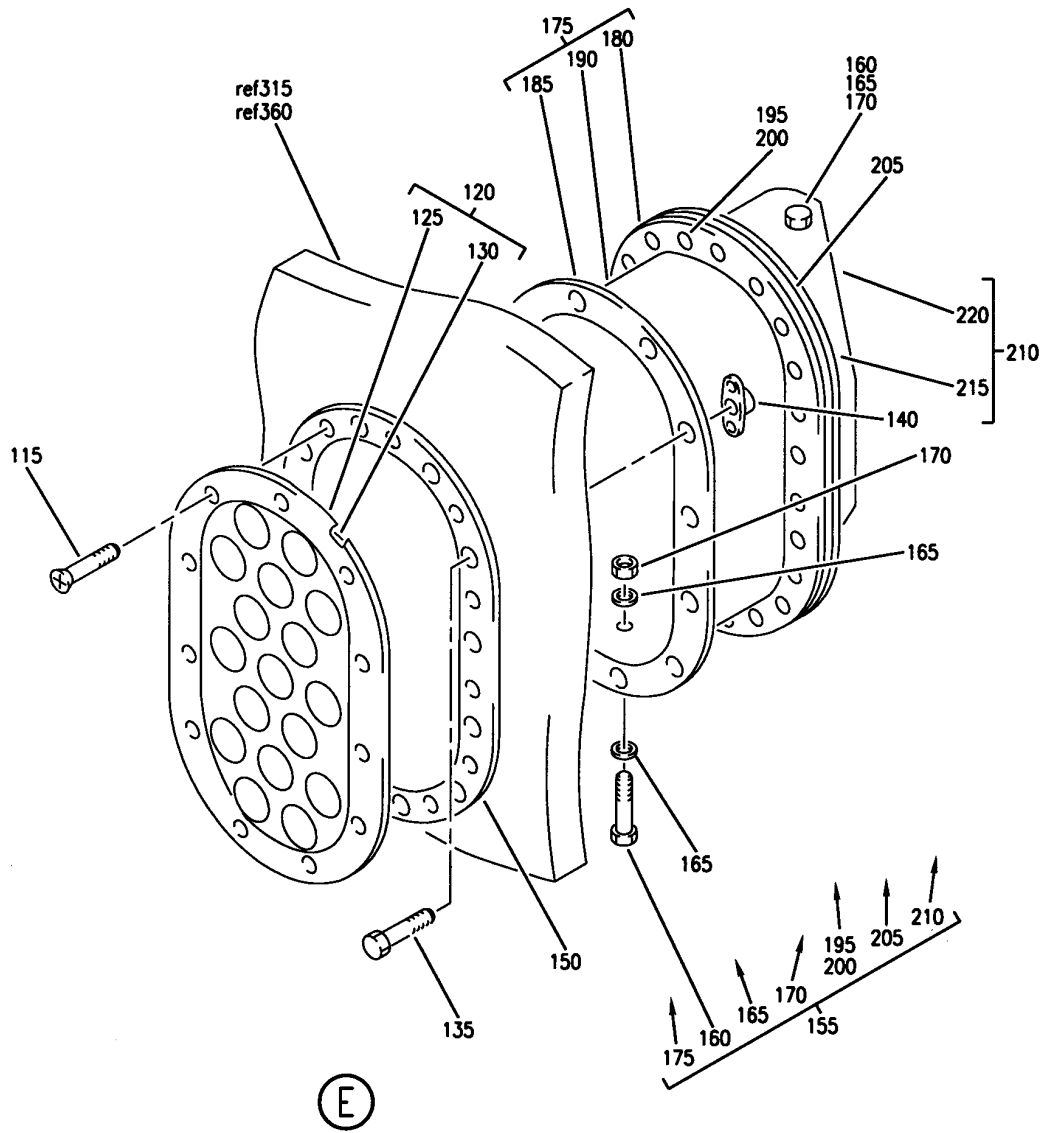
PANEL INSTL-STA 1640 BHD WASTE TANK ENCLOSURE
FIGURE 2 (SHEET 3)

38-32-37-02

BRI
JAN 20/09

38-32-37-02
PAGE 0B

BOEING
757
PARTS CATALOG (MAINTENANCE)



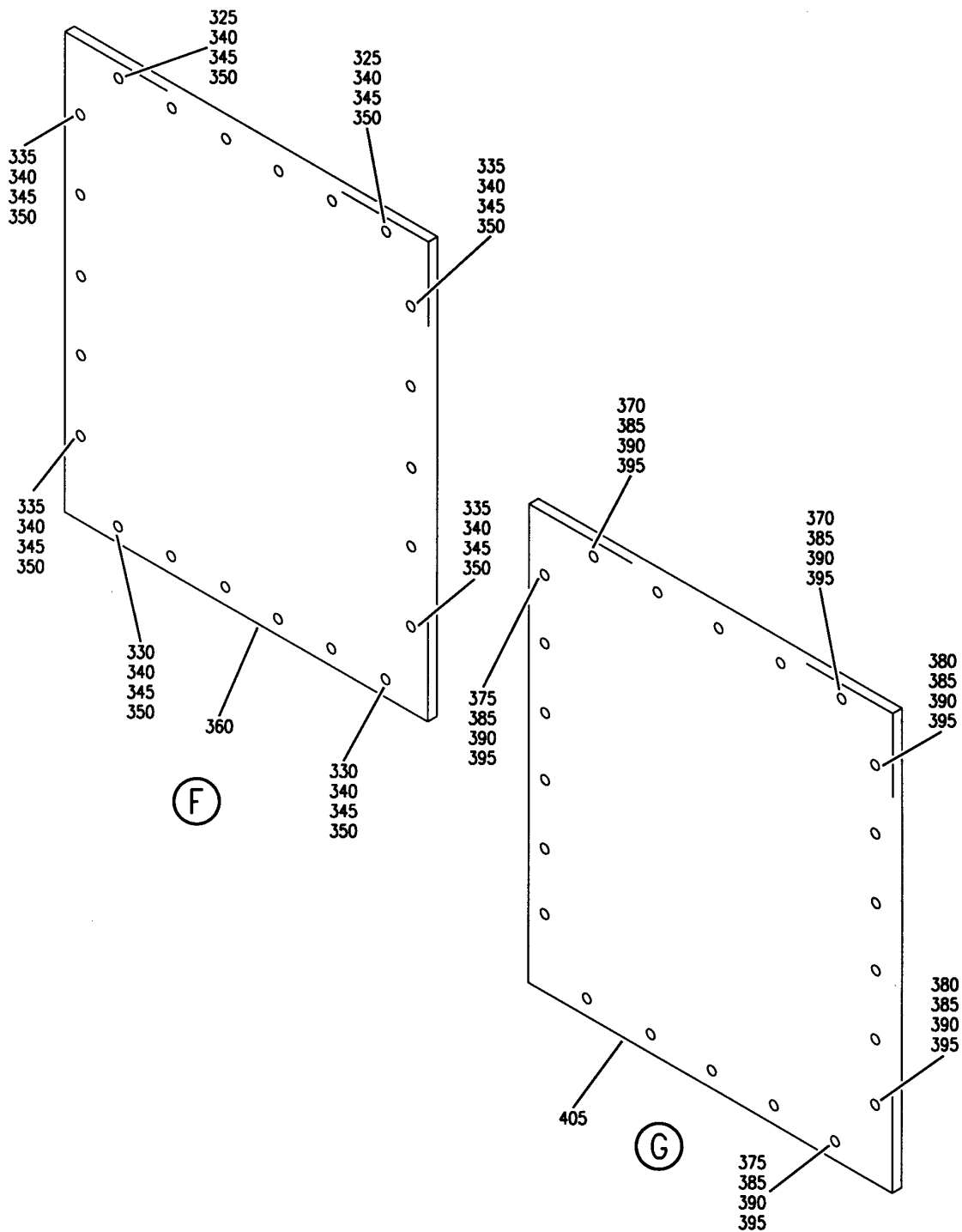
Y 38323702 SH1 4 REV 205

PANEL INSTL-STA 1640 BHD WASTE TANK ENCLOSURE
FIGURE 2 (SHEET 4)

38-32-37-02

BRI
JAN 20/09

38-32-37-02
PAGE 0C



Y 38323702 SH1 5 REV 205

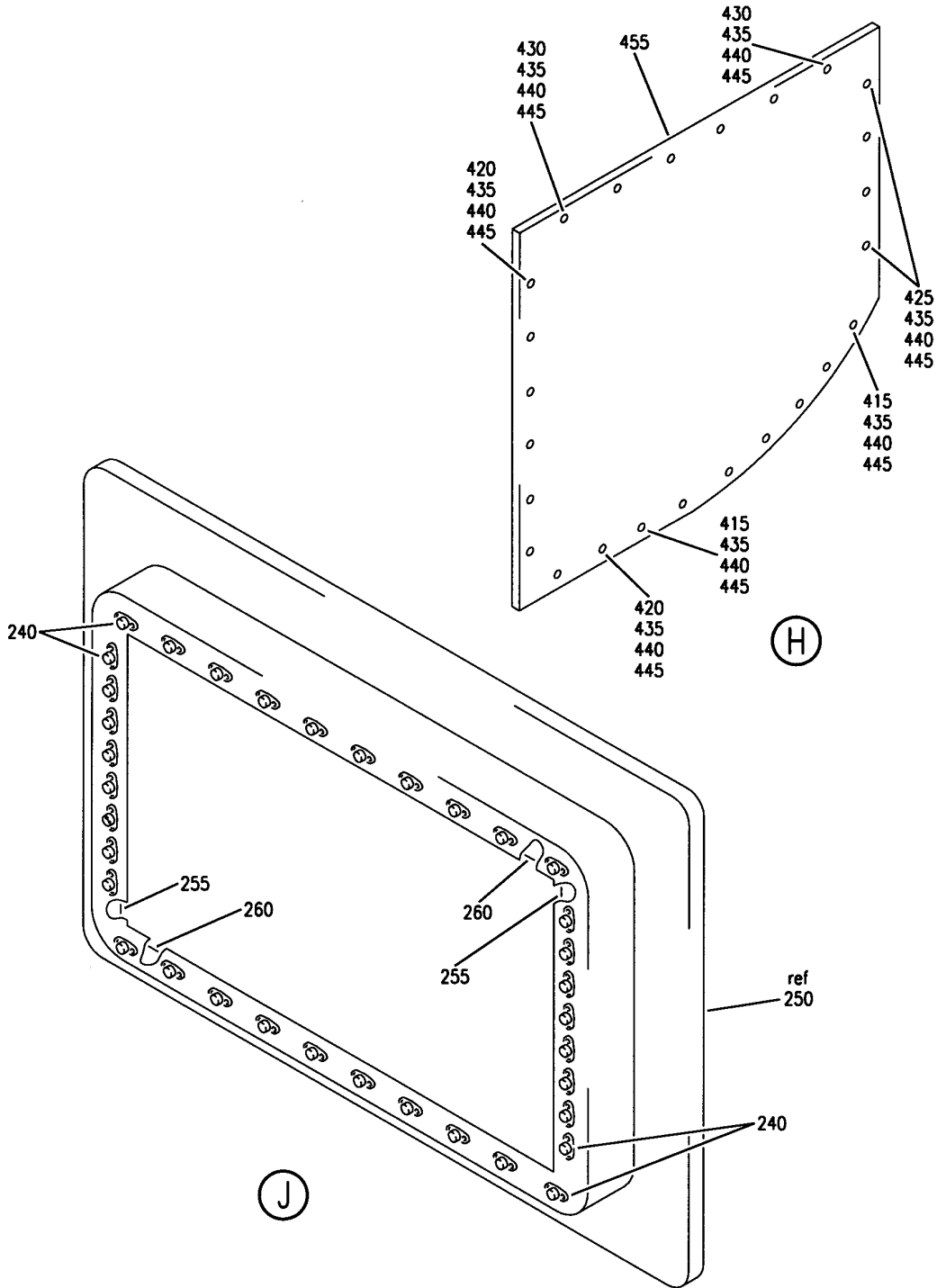
PANEL INSTL-STA 1640 BHD WASTE TANK ENCLOSURE
 FIGURE 2 (SHEET 5)

38-32-37-02

BRI
JAN 20/09

38-32-37-02
 PAGE 0D

BOEING
757
PARTS CATALOG (MAINTENANCE)



Y 38323702 SHT 6 REV 205

PANEL INSTL-STA 1640 BHD WASTE TANK ENCLOSURE
FIGURE 2 (SHEET 6)

38-32-37-02

BRI
JAN 20/09

38-32-37-02
PAGE 0E



757

PARTS CATALOG (MAINTENANCE)

FIG ITEM	PART NUMBER	1 2 3 4 5 6 7	NOMENCLATURE	EFFECT FROM TO	UNITS PER ASSY
2			PANEL INSTL-STA 1640 BHD WASTE TANK ENCLOSURE	103106	
- 1	MODREF18557		PANEL INSTL-BHD WASTE TANK ENCLOSURE MODULE NUMBER: 453N1280-1 REV A POSITION DATA: STA 1640	103106	1
5	453N1281-1		.PANEL ASSY	103106	1
10	BACS21AP6340RP		..STUD	103106	3
15	BACS21AP6380RP		..STUD	103106	4
20	BACS21AP6400RP		..STUD	103106	3
25	BACS21AP6500RP		..STUD	103106	4
30	85-46-101-41		..WASHER- SUPPLIER CODE: V94222	103106	14
35	BACR12AG5C		..RING	103106	14
40	14-18-150-24		..SPRING- SUPPLIER CODE: V94222	103106	14
45	453N1281-3		..PANEL ASSY-SUB	103106	1
- 50	453N1281-13		...SEAL	103106	AR
55	453N1281-2		.PANEL ASSY	103106	1
60	BACS21AP6320RP		..STUD	103106	4
65	BACS21AP6340RP		..STUD	103106	2
70	BACS21AP6400RP		..STUD	103106	4
75	BACS21AP6500RP		..STUD	103106	4
80	85-46-101-41		..WASHER- SUPPLIER CODE: V94222	103106	14
85	BACR12AG5C		..RING	103106	14
90	14-18-150-24		..SPRING- SUPPLIER CODE: V94222	103106	14
95	453N1281-4		..PANEL ASSY-SUB	103106	1
- 100	453N1281-13		...SEAL	103106	AR
- 105	MODREF18558		PANEL INSTL-BHD WASTE TANK ENCLOSURE MODULE NUMBER: 453N1280-4 REV A POSITION DATA: STA 1640	103106	1
110	453N1281-5		.PANEL ASSY	103106	1

MISSING ITEM NUMBERS NOT APPLICABLE

- ITEM NOT ILLUSTRATED

38-32-37-02

38-32-37
FIG. 02
PAGE 1
JAN 20/09

BRI



757

PARTS CATALOG (MAINTENANCE)

FIG ITEM	PART NUMBER	1 2 3 4 5 6 7	NOMENCLATURE	EFFECT FROM TO	UNITS PER ASSY
2					
115	CA3105-1032-7	..	SCREW SUPPLIER CODE: V73439 SPECIFICATION NUMBER: BACS12N10-7 OPTIONAL PART: CA3105-1032-7 V78189 SP1561-1032-7 V73439	103106	11
120	69-4337-1	..	GRILLE ASSY-BHD	103106	1
125	66-3436-1	...	GRILLE	103106	1
130	66-3433-2	...	GASKET	103106	1
135	BACB30LU3-18	..	BOLT	103106	11
140	BRF200C3D	..	NUTPLATE SUPPLIER CODE: V52828 SPECIFICATION NUMBER: BACN10JR3CFD OPTIONAL PART: K51602-3BAC V15653 NS202476-02 V80539 102F9201-3 V72962 T8092C1032CD V11815	103106	11
			ATTACHING PARTS		
- 145	BACR15BA3AD	..	RIVET- SIZE DETERMINED ON INSTL. -----*-----	103106	22
150	69-15274-3	..	RING	103106	1
155	65-4704-5	..	VALVE ASSY	103106	1
160	NAS603-18P	...	SCREW	103106	2
165	AN960D10	...	WASHER	103106	4
170	MS21042L3	...	NUT	103106	2
175	69-3598-2	...	ADAPTER ASSY-VALVE	103106	1
180	66-3434-1	FLANGE	103106	1
185	66-3434-2	FLANGE	103106	1
190	69-3572-1	TUBE	103106	1
195	NAS221-9	...	SCREW	103106	22
200	MS21042L3	...	NUT	103106	22
205	1111-569863	...	VALVE- SUPPLIER CODE: V92003 OPTIONAL PART: 2S2072 V99240	103106	1

MISSING ITEM NUMBERS NOT APPLICABLE

- ITEM NOT ILLUSTRATED

38-32-37-02

38-32-37
FIG. 02
PAGE 2
JAN 20/09

BRI



757

PARTS CATALOG (MAINTENANCE)

FIG ITEM	PART NUMBER	1 2 3 4 5 6 7	NOMENCLATURE	EFFECT FROM TO	UNITS PER ASSY
2					
205	2S2072		...VALVE- SUPPLIER CODE: V99240 OPTIONAL PART: 1111-569863 V92003	103106	1
210	69-3597-3		...ADAPTER ASSY	103106	1
215	66-3434-1	FLANGE	103106	1
220	69-3572-3	TUBE	103106	1
225	BACS12FA3K24		..SCREW-	103106	18
230	453A1512-1		..PANEL ASSY	103106	1
235	BACS12FA3K12		...SCREW	103106	6
240	MF53049-3		...NUTPLATE SUPPLIER CODE: V15653 SPECIFICATION NUMBER: BACN10JN3 OPTIONAL PART: BRFM20A3 V52828 MF1000-3BAC V15653 NS103218-02 V80539 RMF9201M3 V72962 VN252A02 V92215 T8124S3S V11815	103106	32
- 245	BACR15BA3AD		ATTACHING PARTS ...RIVET- SIZE DETERMINED ON INSTL. -----*-----	103106	64
250	453A1512-8		...FRAME	103106	1
255	453A1512-3		...STRIP ASSY-CAP	103106	2
260	453A1512-2		...STRIP ASSY-CAP	103106	2
- 265	453A1512-10		...SEAL-BULB	103106	AR
270	453A1512-11		...PANEL-BLOWOUT	103106	1
275	453A1512-9		...GRILL	103106	1
280	BACS21AP6320RP		..STUD	103106	10
285	BACS21AP6340RP		..STUD	103106	6
290	BACS21AP6380RP		..STUD	103106	5
295	85-46-101-41		..WASHER- SUPPLIER CODE: V94222	103106	21
300	BACR12AG5C		..RING	103106	21

MISSING ITEM NUMBERS NOT APPLICABLE

- ITEM NOT ILLUSTRATED

38-32-37-02

38-32-37
FIG. 02
PAGE 3
JAN 20/09

BRI



757

PARTS CATALOG (MAINTENANCE)

FIG ITEM	PART NUMBER	1 2 3 4 5 6 7	NOMENCLATURE	EFFECT FROM TO	UNITS PER ASSY
2					
305	14-18-150-24	..	SPRING- SUPPLIER CODE: V94222	103106	21
- 310	453N1281-13	..	SEAL	103106	AR
315	453N1281-9	..	PANEL ASSY-SUB	103106	1
320	453N1281-6	.	PANEL ASSY	103106	1
325	BACS21AP6320RP	..	STUD	103106	6
330	BACS21AP6340RP	..	STUD	103106	6
335	BACS21AP6380RP	..	STUD	103106	11
340	85-46-101-41	..	WASHER- SUPPLIER CODE: V94222	103106	23
345	BACR12AG5C	..	RING	103106	23
350	14-18-150-24	..	SPRING- SUPPLIER CODE: V94222	103106	23
- 355	453N1281-13	..	SEAL	103106	AR
360	453N1281-10	..	PANEL ASSY-SUB	103106	1
365	453N1281-7	.	PANEL ASSY	103106	1
370	BACS21AP6320RP	..	STUD	103106	5
375	BACS21AP6340RP	..	STUD	103106	11
380	BACS21AP6380RP	..	STUD	103106	6
385	85-46-101-41	..	WASHER- SUPPLIER CODE: V94222	103106	22
390	BACR12AG5C	..	RING	103106	22
395	14-18-150-24	..	SPRING- SUPPLIER CODE: V94222	103106	22
- 400	453N1281-13	..	SEAL	103106	AR
405	453N1281-11	..	PANEL ASSY-SUB	103106	1
410	453N1281-31	.	PANEL ASSY-	103106	1
415	BACS21AP6340RP	..	STUD	103106	7
420	BACS21AP6380RP	..	STUD	103106	8
425	BACS21AP6460RP	..	STUD- OPTIONAL PART: BACS21AP6480RP	103106	4
425	BACS21AP6480RP	..	STUD- OPTIONAL PART: BACS21AP6460RP	103106	4
430	BACS21AP6480RP	..	STUD ATTACHING PARTS	103106	6
435	85-46-101-41	..	WASHER- SUPPLIER CODE: V94222	103106	25
440	BACR12AG5C	..	RING	103106	25

MISSING ITEM NUMBERS NOT APPLICABLE

- ITEM NOT ILLUSTRATED

38-32-37-02

38-32-37
FIG. 02
PAGE 4
JAN 20/09

BRI

BOEING PROPRIETARY - Copyright © - Unpublished Work - See title page for details.



757

PARTS CATALOG (MAINTENANCE)

FIG ITEM	PART NUMBER	1 2 3 4 5 6 7	NOMENCLATURE	EFFECT FROM TO	UNITS PER ASSY
2					
445	14-18-150-24		.. SPRING-	103106	25
			SUPPLIER CODE:		
			V94222		
- 450	453N1281-13		.. SEAL	103106	AR
455	453N1281-32		.. PANEL ASSY-SUB	103106	1

MISSING ITEM NUMBERS NOT APPLICABLE

- ITEM NOT ILLUSTRATED

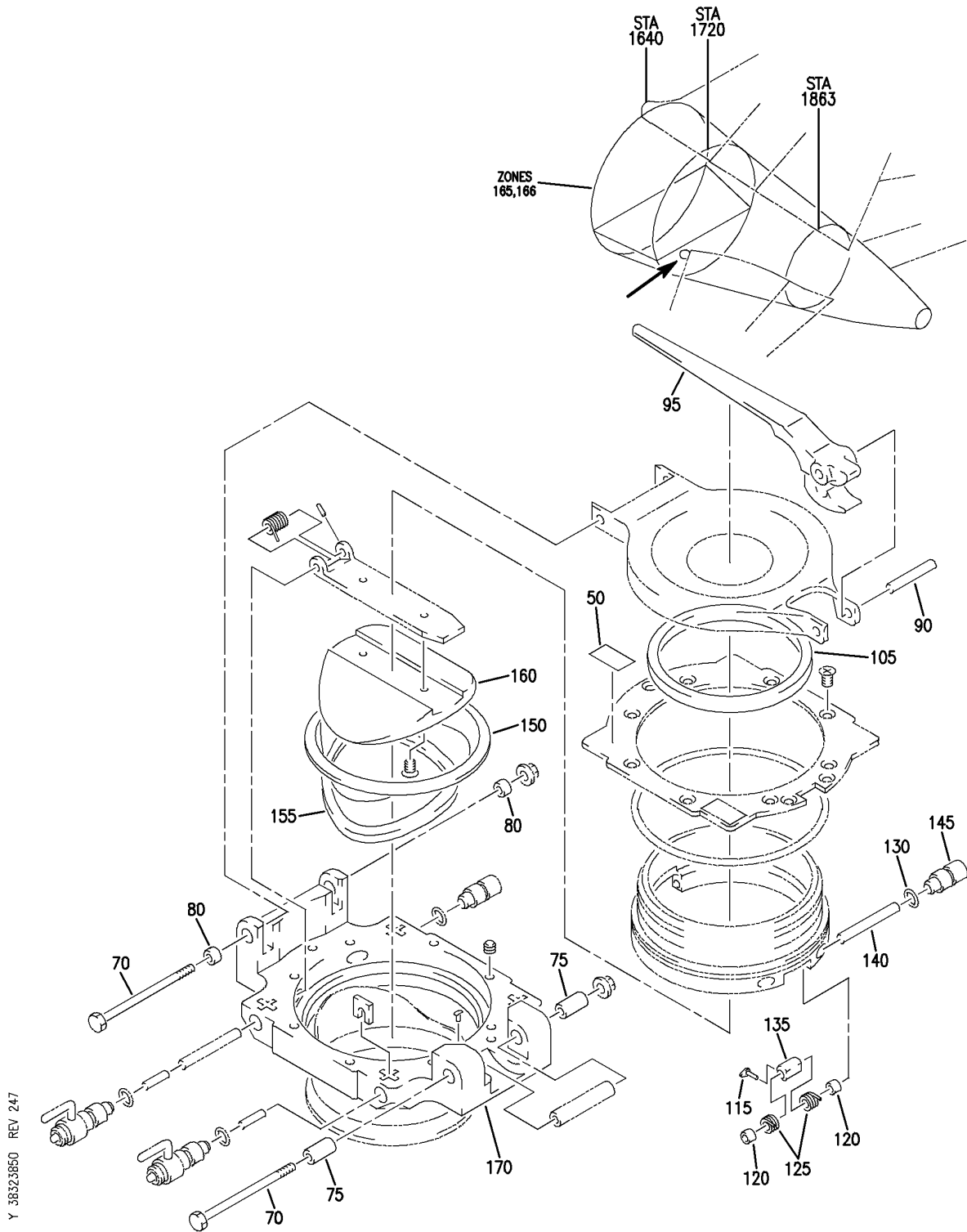
BRI

38-32-37-02

BOEING PROPRIETARY - Copyright © - Unpublished Work - See title page for details.

38-32-37
FIG. 02
PAGE 5
JAN 20/09

BOEING
757
PARTS CATALOG (MAINTENANCE)



CAP AND FLANGE ASSY-DRAIN VALVE
FIGURE 50

38-32-38-50

BRI
MAY 28/07

38-32-38-50
PAGE 0



757

PARTS CATALOG (MAINTENANCE)

FIG ITEM	PART NUMBER	1 2 3 4 5 6 7	NOMENCLATURE	EFFECT FROM TO	UNITS PER ASSY
50			CAP AND FLANGE ASSY-DRAIN VALVE	002004 006100 107107 121503 904999	
- 1	2651-311-1		CAP AND FLANGE ASSY-DRAIN VALVE SUPPLIER CODE: V86831 COMPONENT MAINT MANUAL REF: 38-37-01 OPTIONAL PART: 2651-311-6 V86831 POST AIRLINE MOD: VSRF REWORKED BY AIRLINE MOD: VSRF FOR NHA SEE: 38-31-53-01	107107 904949 952952	RF
- 1	2651-311-6		CAP AND FLANGE ASSY-DRAIN VALVE SUPPLIER CODE: V86831 MISCELLANEOUS DATA: 10-62213-1 OR 10-62213-2 CAN REPLACE BUT NOT BE REPLACED BY 2651-311-6 COMPONENT MAINT MANUAL REF: 38-37-01 QUALIFIED I/W DATA: 4259-20 OR 4259-31 OR D008-100 OR V4259J064S21 TOGETHER WITH V2651-301C10 OR 2651-301 AND 2651-269-6 CAN REPLACE OR BE REPLACED BY 2651-311-6 OPTIONAL PART: 2651-311-1 V86831 PRE SERVICE LETTER: 38-009 PRE AIRLINE MOD: V33586 FOR NHA SEE: 38-31-52-01 38-31-53-01	002004 006100 107107 121503 904999	RF

MISSING ITEM NUMBERS NOT APPLICABLE

- ITEM NOT ILLUSTRATED

38-32-38-50

38-32-38
FIG. 50
PAGE 1
JAN 20/09

BRI



757

PARTS CATALOG (MAINTENANCE)

FIG ITEM	PART NUMBER	1 2 3 4 5 6 7	NOMENCLATURE	EFFECT FROM TO	UNITS PER ASSY
50					
- 1	2651-311-9		CAP AND FLANGE ASSY-DRAIN SUPPLIER CODE: V86831 COMPONENT MAINT MANUAL REF: 38-37-01 PRE SERVICE LETTER: 38-009 FOR NHA SEE: 38-31-55-03	950952	RF
50	2124-0133-1		. LABEL-OPEN SUPPLIER CODE: V86831	002004 006100 107107 121503 904999	1
- 55	2124-0133-4		. LABEL-OPEN SUPPLIER CODE: V86831	002004 006100 107107 121503 904999	1
- 60	2124-0134		.. LABEL-SERVICING, (ENGLISH) SUPPLIER CODE: V86831 MISCELLANEOUS DATA: P/N NOT PART OF ASSY SHIPPED WITH END ITEM FOR INSTALLATION AT AIRCRAFT SERVICE PANEL	002004 006100 107107 121503 904999	1
- 65	2124-0136		.. LABEL-SERVICING, (SPANISH) SUPPLIER CODE: V86831 MISCELLANEOUS DATA: P/N NOT PART OF ASSY SHIPPED WITH END ITEM FOR INSTALLATION AT AIRCRAFT SERVICE PANEL	002004 006100 107107 121503 904999	1
70	NAS6303-42		. BOLT	002004 006100 107107 121503 904999	2
70	NAS6303H42		. BOLT	002004 006100 107107 121503 904999	2

MISSING ITEM NUMBERS NOT APPLICABLE

- ITEM NOT ILLUSTRATED

38-32-38-50

38-32-38
FIG. 50
PAGE 2
JAN 20/09

BRI



757

PARTS CATALOG (MAINTENANCE)

FIG ITEM	PART NUMBER	1 2 3 4 5 6 7	NOMENCLATURE	EFFECT FROM TO	UNITS PER ASSY
50					
75	2019-0035-2		.BUSHING-COVER PIVOT SUPPLIER CODE: V86831	002004 006100 107107 121503 904999	2
80	2019-0035-1		.BUSHING-COVER PIVOT SUPPLIER CODE: V86831	002004 006100 107107 121503 904999	2
- 85	NAS679C3M		.NUT	002004 006100 107107 121503 904999	2
90	2135-0137		.PIN- SUPPLIER CODE: V86831	002004 006100 107107 121503 904999	1
95	2111-0020		.HANDLE- SUPPLIER CODE: V86831	002004 006100 107107 121503 904999	1
- 100	0017-0004		.CAP- SUPPLIER CODE: V86831	002004 006100 107107 121503 904999	1
105	2152-0076		.SEAL-COVER SUPPLIER CODE: V86831	002004 006100 107107 121503 904999	1
115	2135-0148		.PIN-RETAINER, CAM SUPPLIER CODE: V86831	002004 006100 107107 121503 904999	1
120	2019-0045		.BUSHING-CAM SHAFT SUPPLIER CODE: V86831	002004 006100 107107 121503 904999	2

MISSING ITEM NUMBERS NOT APPLICABLE

- ITEM NOT ILLUSTRATED

38-32-38-50

38-32-38
FIG. 50
PAGE 3
JAN 20/09

BRI



757

PARTS CATALOG (MAINTENANCE)

FIG ITEM	PART NUMBER	1 2 3 4 5 6 7	NOMENCLATURE	EFFECT FROM TO	UNITS PER ASSY
50					
125	2161-0257		.SPRING-DBL TENSION LOCK SUPPLIER CODE: V86831 MISCELLANEOUS DATA: END ITEM S/N 0001 THRU 0542	002004 006100 107107 121503 904999	2
125	2161-0276		.SPRING-TENSION SUPPLIER CODE: V86831 MISCELLANEOUS DATA: END ITEM S/N 0543 AND UP	002004 006100 107107 121503 904999	2
130	RS900L010		.PACKING- SUPPLIER CODE: V86831	002004 006100 107107 121503 904999	1
135	2027-0039		.CAM-LOCK SUPPLIER CODE: V86831	002004 006100 107107 121503 904999	1
140	2155-0093-1		.SHAFT-PIVOT SUPPLIER CODE: V86831 USED ON: 2651-311-1 2651-311-5	002004 006100 107107 121503 904999	1
140	2155-0093-3		.SHAFT-PIVOT SUPPLIER CODE: V86831 USED ON: 2651-311-4 2651-311-6 2651-311-9	002004 006100 107107 121503 904999	1
145	2138-0082		.PLUG-SHAFT END SUPPLIER CODE: V86831	002004 006100 107107 121503 904999	1
150	2144-0102-2		.RETAINER-SEAL SUPPLIER CODE: V86831	002004 006100 107107 121503 904999	1
155	2152-0069		.SEAL-MOLDED SUPPLIER CODE: V86831	002004 006100 107107 121503 904999	1

MISSING ITEM NUMBERS NOT APPLICABLE

- ITEM NOT ILLUSTRATED

38-32-38-50

38-32-38
FIG. 50
PAGE 4
JAN 20/09

BRI

BOEING PROPRIETARY - Copyright © - Unpublished Work - See title page for details.



757

PARTS CATALOG (MAINTENANCE)

FIG ITEM	PART NUMBER	1 2 3 4 5 6 7	NOMENCLATURE	EFFECT FROM TO	UNITS PER ASSY
50 160	2140-0084		.POPPET- SUPPLIER CODE: V86831	002004 006100 107107 121503 904999	1
170	4090-0058-2		.HOUSING- SUPPLIER CODE: V86831 USED ON: 2651-311-1 2651-311-5	107107 904949 952952	1
170	4090-0058-3		.HOUSING- SUPPLIER CODE: V86831 USED ON: 2651-311-6 2651-311-9	002004 006100 107107 121503 904999	1

MISSING ITEM NUMBERS NOT APPLICABLE

- ITEM NOT ILLUSTRATED

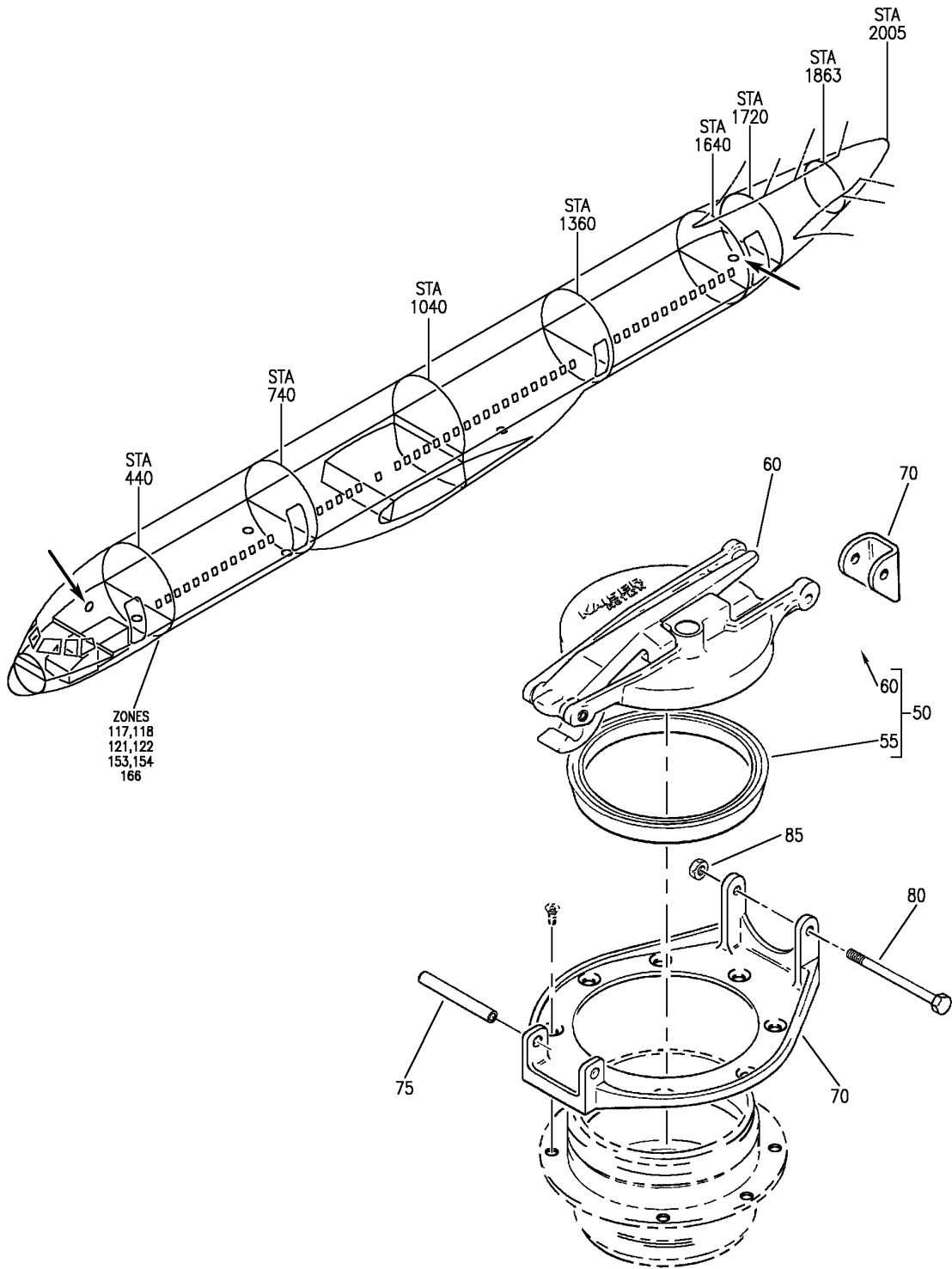
BRI

38-32-38-50

BOEING PROPRIETARY - Copyright © - Unpublished Work - See title page for details.

38-32-38
FIG. 50
PAGE 5
JAN 20/09

BOEING
757
PARTS CATALOG (MAINTENANCE)



Y 38323850B REV 284

CAP AND FLANGE ASSY-LAV
FIGURE 50B

38-32-38-50B

BRI
MAY 28/07

38-32-38-50B
PAGE 0



757

PARTS CATALOG (MAINTENANCE)

FIG ITEM	PART NUMBER	1 2 3 4 5 6 7	NOMENCLATURE	EFFECT FROM TO	UNITS PER ASSY
50B			CAP AND FLANGE ASSY-LAV	002004 121503	
- 1	2651-269-6		CAP AND FLANGE ASSY-LAV SUPPLIER CODE: V86831 QUALIFIED I/W DATA: 4259-20 OR 4259-31 OR D008-100 OR V4259J064S21 TOGETHER WITH V2651-301C10 OR 2651-301 AND 2651-269 CAN REPLACE OR BE REPLACED BY 2651-311-6 FOR NHA SEE: 38-31-52-01	002004 121503	RF
50	2651-256-1		.CAP ASSY- SUPPLIER CODE: V86831	002004 121503	1
55	2152-0054		..SEAL- SUPPLIER CODE: V86831	002004 121503	1
60	2111-0015		..LEVER- SUPPLIER CODE: V86831	002004 121503	1
- 65	4064-0050		.ROLLER ASSY-FLANGE SUPPLIER CODE: V86831	002004 121503	1
70	2064-0137-1		..FLANGE- SUPPLIER CODE: V86831	002004 121503	1
75	2148-0008		..ROLLER- SUPPLIER CODE: V86831	002004 121503	1
80	AN3C31A		.BOLT- USED ON: 2651-269-6	002004 121503	1
85	NAS679A3		.NUT	002004 121503	1
90	2018-0062		.BRACKET- SUPPLIER CODE: V86831 USED ON: 2651-269-6	002004 121503	2

MISSING ITEM NUMBERS NOT APPLICABLE

- ITEM NOT ILLUSTRATED

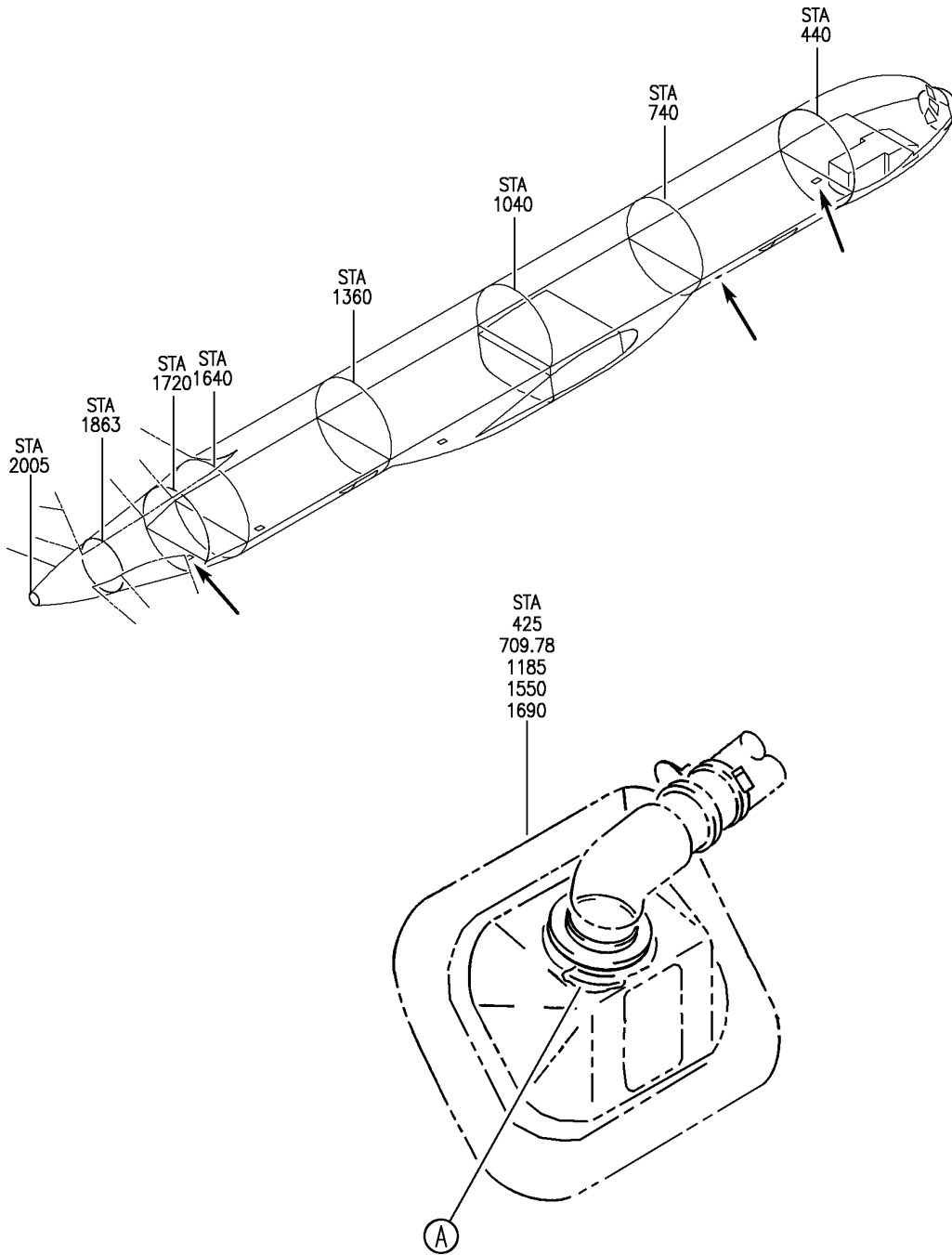
38-32-38-50B

38-32-38
FIG. 50B
PAGE 1
JAN 20/09

BRI

BOEING PROPRIETARY - Copyright © - Unpublished Work - See title page for details.

BOEING
757
PARTS CATALOG (MAINTENANCE)



Y 38323851 SH1 1 REV 248

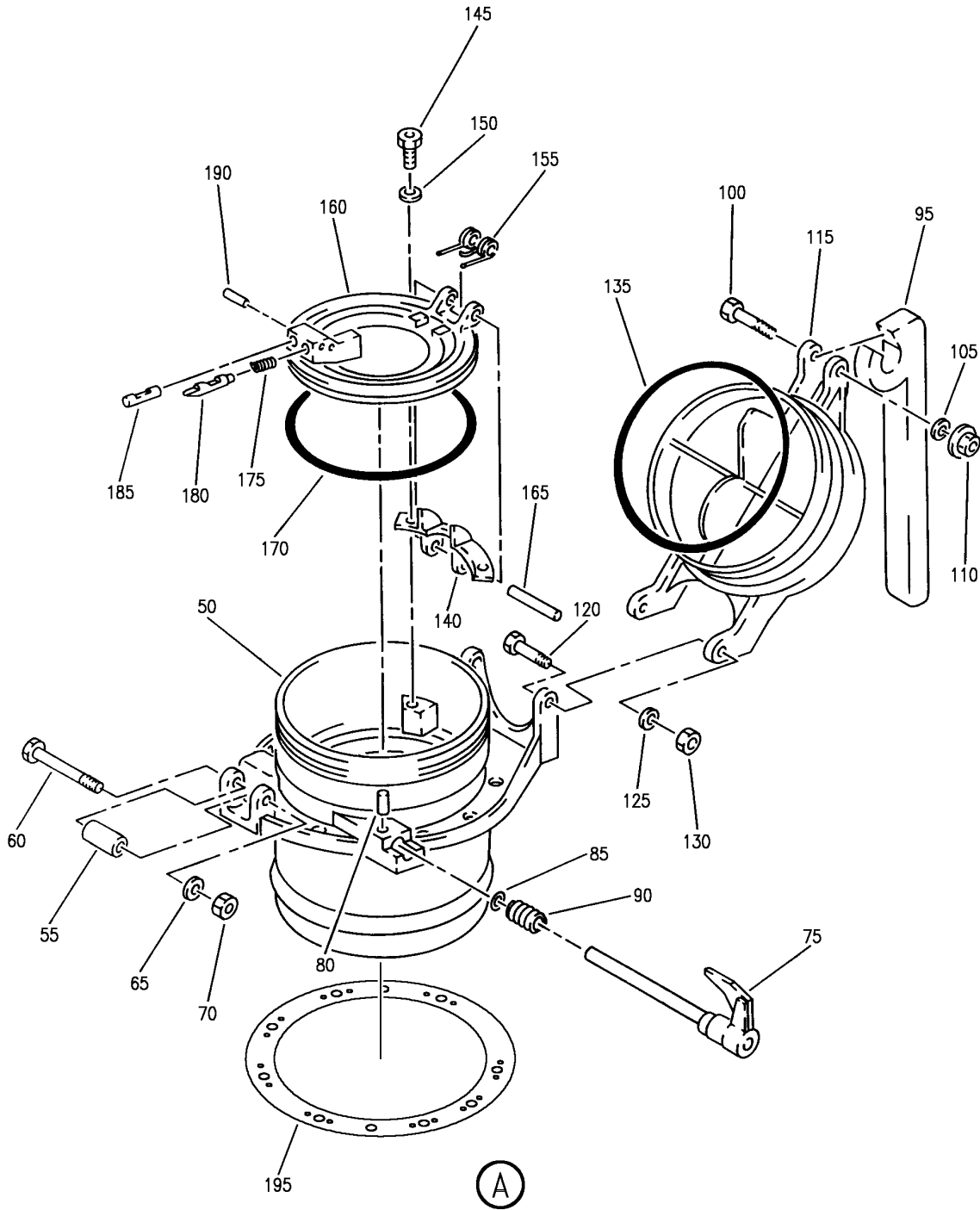
VALVE-WASTE SYS LAV DRAIN
FIGURE 51 (SHEET 1)

38-32-38-51

BRI
MAY 28/07

38-32-38-51
PAGE 0

BOEING
757
PARTS CATALOG (MAINTENANCE)



Y 38323851 SH1 2 REV 248

VALVE-WASTE SYS LAV DRAIN
FIGURE 51 (SHEET 2)

38-32-38-51

BRI
MAY 28/07

38-32-38-51
PAGE 0A



757

PARTS CATALOG (MAINTENANCE)

FIG ITEM	PART NUMBER	1 2 3 4 5 6 7	NOMENCLATURE	EFFECT FROM TO	UNITS PER ASSY
51			VALVE-WASTE SYS LAV DRAIN	002004	
- 1	331-0001-01		VALVE-WASTE SYS LAV DRAIN SUPPLIER CODE: V99321 SPECIFICATION NUMBER: 10-62213-1 MISCELLANEOUS DATA: 10-62213-1 OR 10-62213-2 CAN REPLACE BUT NOT BE REPLACED BY 10-60916-1 OR B229S64 OR V2651-216C00 OR 2651-216 OR V2651-216C10 OR 4259-20 OR 4259-31 OR D0008-100 OR V4259J064S20 OR 2651-311-6 OR 10101000CJ OR 2651-311-8 OR 10101000CJ2 10-62213-2 CAN REPLACE BUT NOT BE REPLACED BY 10-62213-1 737-SL-38-012 AND 757-SL-38-009 CALL OUT 10101000CN OPT TO 331-0001-01 COMPONENT MAINT MANUAL REF: 38-30-08 OPTIONAL PART: 10101000CN V99321 FOR NHA SEE: 38-31-52-01 38-31-52-01A 38-31-53-01 38-31-53-03 38-31-55-03 38-31-55-05	006999 002004 006100 107107 121503 904999	RF

MISSING ITEM NUMBERS NOT APPLICABLE

- ITEM NOT ILLUSTRATED

38-32-38-51

38-32-38
FIG. 51
PAGE 1
JAN 20/09

BRI

BOEING
757
PARTS CATALOG (MAINTENANCE)

FIG ITEM	PART NUMBER	1 2 3 4 5 6 7	NOMENCLATURE	EFFECT FROM TO	UNITS PER ASSY
51 - 1	331-0006-01		VALVE-WASTE SYS LAV DRAIN SUPPLIER CODE: V99321 FUNCTIONAL DESCRIPTION: ALLOWS WASTE TANK CONTENTS TO FLOW TO DISPOSAL TRUCK WHEN DRAIN TUBING IS ATTACHED AT SERVICE PANEL COMPONENT MAINT MANUAL REF: 38-30-08 FOR NHA SEE: 38-32-54-02	103106	RF
R R R R R R R R R R	- 1	332-0001-01	VALVE-WASTE SYS LAV DRAIN SUPPLIER CODE: V99321 COMPONENT MAINT MANUAL REF: 38-30-06 FOR NHA SEE: 38-31-52-01 38-31-52-01A 38-31-53-01 38-31-53-03 38-31-55-03 38-31-55-05	002004 006100 107107 121503 904999	RF
	50	331-0010-01	.NIPPLE- SUPPLIER CODE: V99321 USED ON: 331-0001-01	002004 121903	1
	50	331-0010-01	.NIPPLE- SUPPLIER CODE: V99321 USED ON: 331-0001-01	002004 006102 107107 121503 904949 952952	1
	50	331-0010-01	.NIPPLE- SUPPLIER CODE: V99321 USED ON: 331-0001-01	108120 950951 953999	1
	50	331-0012-01	.NIPPLE- SUPPLIER CODE: V99321 USED ON: 331-0006-01	103106	1
	55	1-01-07	.ROLLER- SUPPLIER CODE: V99321	103106	1

MISSING ITEM NUMBERS NOT APPLICABLE

- ITEM NOT ILLUSTRATED

BRI

38-32-38-51

BOEING PROPRIETARY - Copyright © - Unpublished Work - See title page for details.

38-32-38
FIG. 51
PAGE 2
MAY 20/09

 **BOEING**
757
PARTS CATALOG (MAINTENANCE)

FIG ITEM	PART NUMBER	1 2 3 4 5 6 7	NOMENCLATURE	EFFECT FROM TO	UNITS PER ASSY
51					
55	1-01-07		.ROLLER- SUPPLIER CODE: V99321	002004 006102 107107 121503 904949 952952	1
55	1-01-07		.ROLLER- SUPPLIER CODE: V99321	108120 950951 953999	1
60	1-01-01		ATTACHING PARTS .BOLT- SUPPLIER CODE: V99321	103106	1
60	1-01-01		.BOLT- SUPPLIER CODE: V99321	002004 006102 107107 121503 904949 952952	1
60	1-01-01		-----*----- .BOLT- SUPPLIER CODE: V99321	108120 950951 953999	1
65	AN960C10		ATTACHING PARTS .WASHER	103106	1
65	AN960C10		.WASHER	002004 006102 107107 121503 904949 952952	1
65	AN960C10		.WASHER	108120 950951 953999	1
70	MS21044C3		.NUT	103106	1
70	MS21044C3		.NUT	002004 006102 107107 121503 904949 952952	1
70	MS21044C3		.NUT	108120 950951 953999	1
75	10101C709		-----*----- .HANDLE-INNER FLAPPER SUPPLIER CODE: V99321	103106	1

MISSING ITEM NUMBERS NOT APPLICABLE

— ITEM NOT ILLUSTRATED

BRI

38-32-38-51

BOEING PROPRIETARY - Copyright © - Unpublished Work - See title page for details.

38-32-38
FIG. 51
PAGE 3
MAY 20/09



757

PARTS CATALOG (MAINTENANCE)

FIG ITEM	PART NUMBER	1 2 3 4 5 6 7	NOMENCLATURE	EFFECT FROM TO	UNITS PER ASSY
51					
75	10101C709		.HANDLE-INNER FLAPPER SUPPLIER CODE: V99321	002004 006102 107107 121503 904949 952952	1
75	10101C709		.HANDLE-INNER FLAPPER SUPPLIER CODE: V99321 ATTACHING PARTS	108120 950951 953999	1
80	MS51923-150		.PIN	103106	1
80	MS51923-150		.PIN	002004 006102 107107 121503 904949 952952	1
80	MS51923-150		.PIN	108120 950951 953999	1
			-----*-----		
85	5262133K		.SPRING- SUPPLIER CODE: V77308	103106	1
85	5262133K		.SPRING- SUPPLIER CODE: V77308	002004 006102 107107 121503 904949 952952	1
85	5262133K		.SPRING- SUPPLIER CODE: V77308	108120 950951 953999	1
90	1-01-28		.SPRING-TORSION SUPPLIER CODE: V99321	103106	1
90	1-01-28		.SPRING-TORSION SUPPLIER CODE: V99321	002004 006102 107107 121503 904949 952952	1
90	1-01-28		.SPRING-TORSION SUPPLIER CODE: V99321	108120 950951 953999	1
95	1-01-09		.HANDLE-OUTER CAP SUPPLIER CODE: V99321	103106	1

MISSING ITEM NUMBERS NOT APPLICABLE

- ITEM NOT ILLUSTRATED

38-32-38-51

38-32-38
FIG. 51
PAGE 4
MAY 20/09

BRI



757

PARTS CATALOG (MAINTENANCE)

FIG ITEM	PART NUMBER	1 2 3 4 5 6 7	NOMENCLATURE	EFFECT FROM TO	UNITS PER ASSY
51					
95	1-01-09		.HANDLE-OUTER CAP SUPPLIER CODE: V99321	002004 006102 107107 121503 904949 952952	1
95	1-01-09		.HANDLE-OUTER CAP SUPPLIER CODE: V99321	108120 950951 953999	1
100	1-01-01		ATTACHING PARTS .BOLT- SUPPLIER CODE: V99321	103106	1
100	1-01-01		.BOLT- SUPPLIER CODE: V99321	002004 006102 107107 121503 904949 952952	1
100	1-01-01		.BOLT- SUPPLIER CODE: V99321	108120 950951 953999	1
105	AN960C10		.WASHER	103106	1
105	AN960C10		.WASHER	002004 006102 107107 121503 904949 952952	1
105	AN960C10		.WASHER	108120 950951 953999	1
110	MS21044C3		.NUT	103106	1
110	MS21044C3		.NUT	002004 006102 107107 121503 904949 952952	1
110	MS21044C3		.NUT	108120 950951 953999	1
115	10101-1		-----*----- .CAP-OUTER SUPPLIER CODE: V99321	103106	1

MISSING ITEM NUMBERS NOT APPLICABLE

- ITEM NOT ILLUSTRATED

38-32-38-51

38-32-38
FIG. 51
PAGE 5
MAY 20/09

BRI

BOEING PROPRIETARY - Copyright © - Unpublished Work - See title page for details.



757

PARTS CATALOG (MAINTENANCE)

FIG ITEM	PART NUMBER	1 2 3 4 5 6 7	NOMENCLATURE	EFFECT FROM TO	UNITS PER ASSY
51 115	10101-1		.CAP-OUTER SUPPLIER CODE: V99321	002004 006102 107107 121503 904949 952952	1
115	10101-1		.CAP-OUTER SUPPLIER CODE: V99321	108120 950951 953999	1
120	1-01-02		ATTACHING PARTS .BOLT- SUPPLIER CODE: V99321	103106	2
120	1-01-02		.BOLT- SUPPLIER CODE: V99321	002004 006102 107107 121503 904949 952952	2
120	1-01-02		.BOLT- SUPPLIER CODE: V99321	108120 950951 953999	2
125	AN960C10		.WASHER	103106	2
125	AN960C10		.WASHER	002004 006102 107107 121503 904949 952952	2
125	AN960C10		.WASHER	108120 950951 953999	2
130	MS21044C3		.NUT	103106	2
130	MS21044C3		.NUT	002004 006102 107107 121503 904949 952952	2
130	MS21044C3		.NUT	108120 950951 953999	2
135	PRP568-340		-----*----- .PACKING-OUTER CAP SUPPLIER CODE: V77308 OPTIONAL PART: 1-01-10 V99321	103106	1

MISSING ITEM NUMBERS NOT APPLICABLE

- ITEM NOT ILLUSTRATED

38-32-38-51

38-32-38
FIG. 51
PAGE 6
MAY 20/09

BRI



757

PARTS CATALOG (MAINTENANCE)

FIG ITEM	PART NUMBER	1 2 3 4 5 6 7	NOMENCLATURE	EFFECT FROM TO	UNITS PER ASSY
51 135	PRP568-340		.PACKING-OUTER CAP SUPPLIER CODE: V77308 OPTIONAL PART: 1-01-10 V99321	002004 006102 107107 121503 904949 952952	1
135	PRP568-340		.PACKING-OUTER CAP SUPPLIER CODE: V77308 OPTIONAL PART: 1-01-10 V99321	108120 950951 953999	1
140	332-0008-01		.PACKING-HINGE SUPPLIER CODE: V99321	103106	1
140	332-0008-01		.PACKING-HINGE SUPPLIER CODE: V99321	002004 006102 107107 121503 904949 952952	1
140	332-0008-01		.PACKING-HINGE SUPPLIER CODE: V99321 ATTACHING PARTS	108120 950951 953999	1
145	NAS1352C06-8		.SCREW	103106	2
145	NAS1352C06-8		.SCREW	002004 006102 107107 121503 904949 952952	2
145	NAS1352C06-8		.SCREW	108120 950951 953999	2
150	MS35338-136		.WASHER	103106	2
150	MS35338-136		.WASHER	002004 006102 107107 121503 904949 952952	2
150	MS35338-136		.WASHER	108120 950951 953999	2
155	1-01-27		-----*----- .SPRING-DBL TORSION SUPPLIER CODE: V99321	103106	1

MISSING ITEM NUMBERS NOT APPLICABLE

- ITEM NOT ILLUSTRATED

38-32-38-51

38-32-38
FIG. 51
PAGE 7
MAY 20/09

BRI

BOEING PROPRIETARY - Copyright © - Unpublished Work - See title page for details.



757

PARTS CATALOG (MAINTENANCE)

FIG ITEM	PART NUMBER	1 2 3 4 5 6 7	NOMENCLATURE	EFFECT FROM TO	UNITS PER ASSY
51 155	1-01-27		.SPRING-DBL TORSION SUPPLIER CODE: V99321	002004 006102 107107 121503 904949 952952	1
155	1-01-27		.SPRING-DBL TORSION SUPPLIER CODE: V99321	108120 950951 953999	1
160	332-0006-01		.FLAPPER-INNER SUPPLIER CODE: V99321	103106	1
160	332-0006-01		.FLAPPER-INNER SUPPLIER CODE: V99321	002004 006102 107107 121503 904949 952952	1
160	332-0006-01		.FLAPPER-INNER SUPPLIER CODE: V99321	108120 950951 953999	1
165	10101-8		.PIN-HINGE SUPPLIER CODE: V99321	103106	1
165	10101-8		.PIN-HINGE SUPPLIER CODE: V99321	002004 006102 107107 121503 904949 952952	1
165	10101-8		.PIN-HINGE SUPPLIER CODE: V99321	108120 950951 953999	1
170	PRP568-336		.PACKING-INNER FLAPPER SUPPLIER CODE: V77308	103106	1
170	PRP568-336		.PACKING-INNER FLAPPER SUPPLIER CODE: V77308	108120 950951 953999	1
175	MS24585C112		.SPRING	103106	1
175	MS24585C112		.SPRING	002004 006102 107107 121503 904949 952952	1
175	MS24585C112		.SPRING	108120 950951 953999	1

MISSING ITEM NUMBERS NOT APPLICABLE

- ITEM NOT ILLUSTRATED

38-32-38-51

38-32-38
FIG. 51
PAGE 8
MAY 20/09

BRI

BOEING PROPRIETARY - Copyright © - Unpublished Work - See title page for details.

 **BOEING**
757
PARTS CATALOG (MAINTENANCE)

FIG ITEM	PART NUMBER	1 2 3 4 5 6 7	NOMENCLATURE	EFFECT FROM TO	UNITS PER ASSY
51					
180	1-01-37		.SPRING-CATCH SUPPLIER CODE: V99321	103106	1
180	1-01-37		.SPRING-CATCH SUPPLIER CODE: V99321	002004 006102 107107 121503 904949 952952	1
180	1-01-37		.SPRING-CATCH SUPPLIER CODE: V99321	108120 950951 953999	1
185	10101C727		.PIN-STATIONARY SUPPLIER CODE: V99321	103106	1
185	10101C727		.PIN-STATIONARY SUPPLIER CODE: V99321	002004 006102 107107 121503 904949 952952	1
185	10101C727		.PIN-STATIONARY SUPPLIER CODE: V99321	108120 950951 953999	1
190	MS51923-164		.PIN	103106	1
190	MS51923-164		.PIN	002004 006102 107107 121503 904949 952952	1
190	MS51923-164		.PIN	108120 950951 953999	1
195	10101C725		.FLANGE-NUT PLATE SUPPLIER CODE: V99321	103106	1
- 200	1-01-19		.KIT-OUTER CAP ASSY SUPPLIER CODE: V99321 MISCELLANEOUS DATA: CONSISTS OF 1-01-09, 1-01-01, AN960C10, MS21044C3, 10101-1, 1-01-02(2), AN960C10(2) MS21044C3(2) AND PRP568-340	002004 006999	RF

MISSING ITEM NUMBERS NOT APPLICABLE

- ITEM NOT ILLUSTRATED

BRI

38-32-38-51

BOEING PROPRIETARY - Copyright © - Unpublished Work - See title page for details.

38-32-38
FIG. 51
PAGE 9
MAY 20/09



757

PARTS CATALOG (MAINTENANCE)

FIG ITEM	PART NUMBER	1 2 3 4 5 6 7	NOMENCLATURE	EFFECT FROM TO	UNITS PER ASSY
51 - 205	1-01-48		.KIT-HANDLE ASSY SUPPLIER CODE: V99321 MISCELLANEOUS DATA: CONSISTS OF 10101C709, MS51923-150, 5262133K AND 1-10-28	002004 006999	RF
- 210	325-0006-01		.KIT-INNER FLAPPER ASSY SUPPLIER CODE: V99321 MISCELLANEOUS DATA: CONSISTS OF 332-0008-01, NAS1352C06-8(2), MS35338-136(2), 1-01-27, 332-0006-01, 10101-8, PRP568-336, MS24585C112, 1-01-37, 10101C727 AND MS51923-164	002004 006999	RF
- 215	325-0010-01		.KIT-SEALS SUPPLIER CODE: V99321 MISCELLANEOUS DATA: CONSISTS OF 5262133K, PRP568-340 AND PRP568-336	002004 006999	RF

MISSING ITEM NUMBERS NOT APPLICABLE

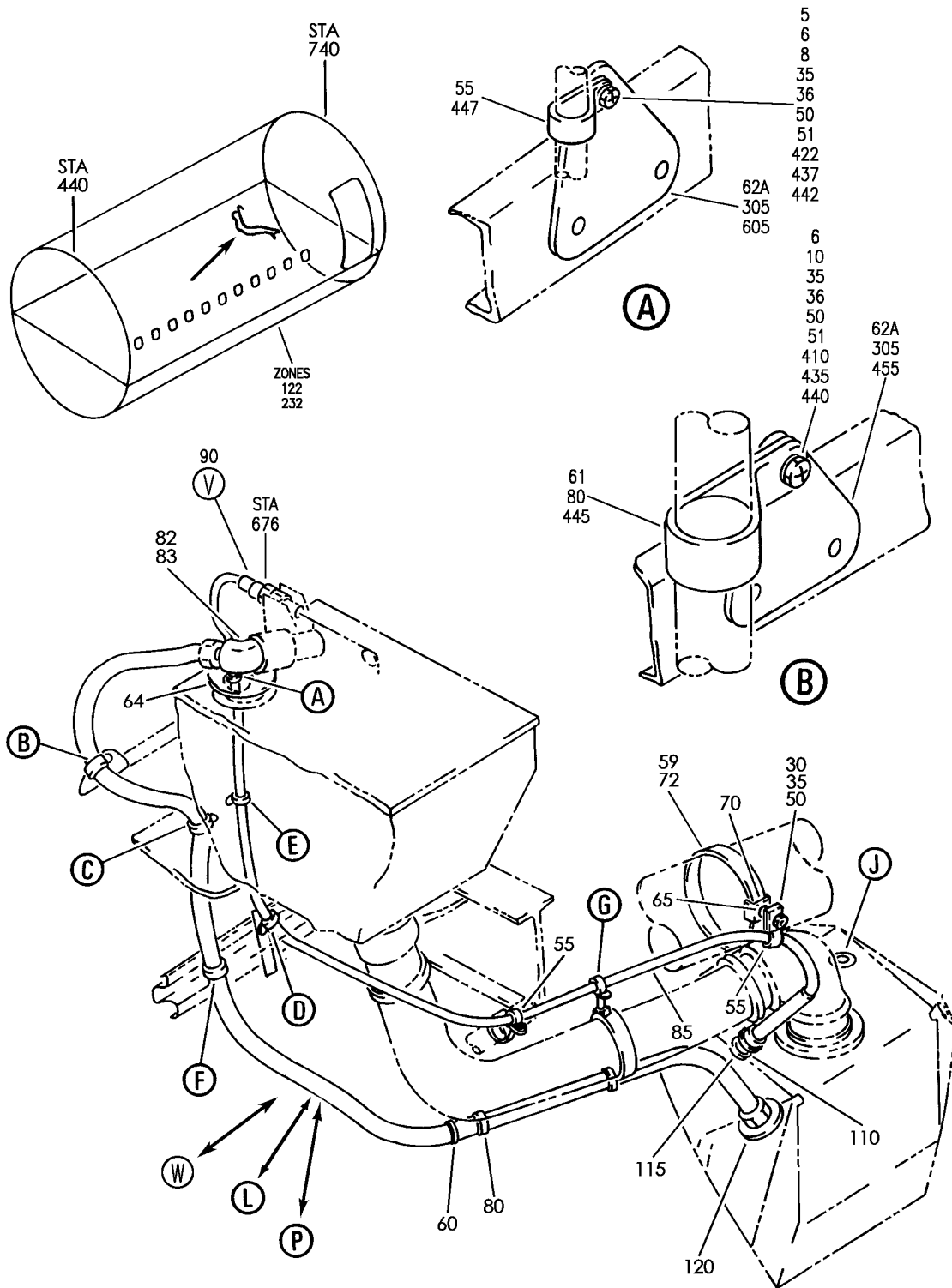
- ITEM NOT ILLUSTRATED

38-32-38-51

38-32-38
FIG. 51
PAGE 10
JAN 20/09

BRI

BOEING
757
PARTS CATALOG (MAINTENANCE)



Y 38325104 SH1 1 REV 331

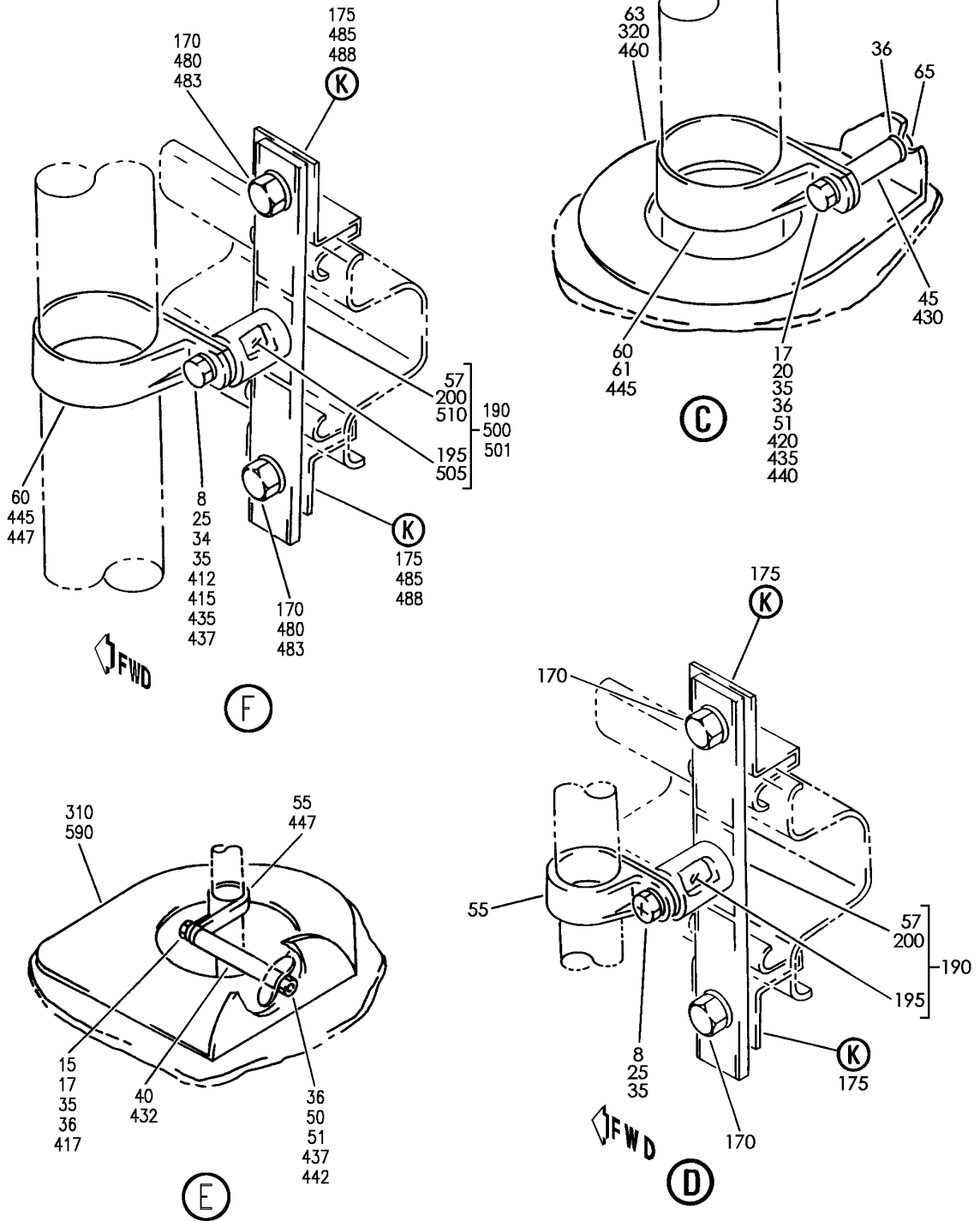
FLUSHLINE AND CABLE INSTL-FWD LAV S
FIGURE 4 (SHEET 1)

38-32-51-04

BRI
JAN 20/09

38-32-51-04
PAGE 0

BOEING
757
PARTS CATALOG (MAINTENANCE)



Y 38325104 SH1 2 REV 331

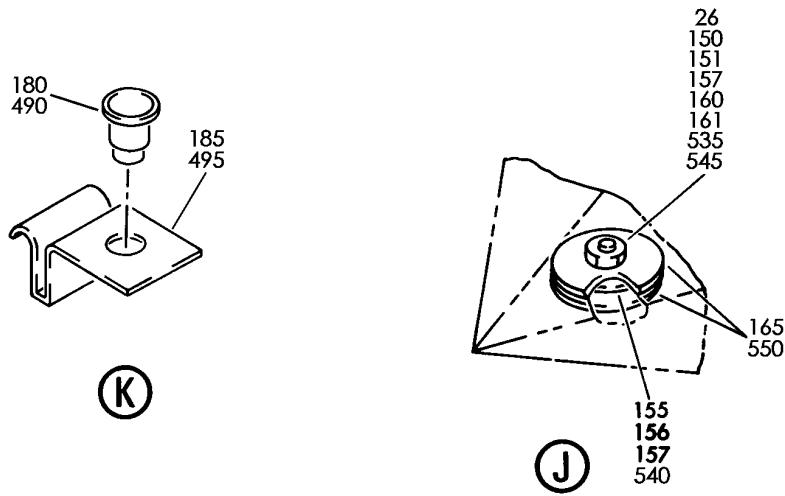
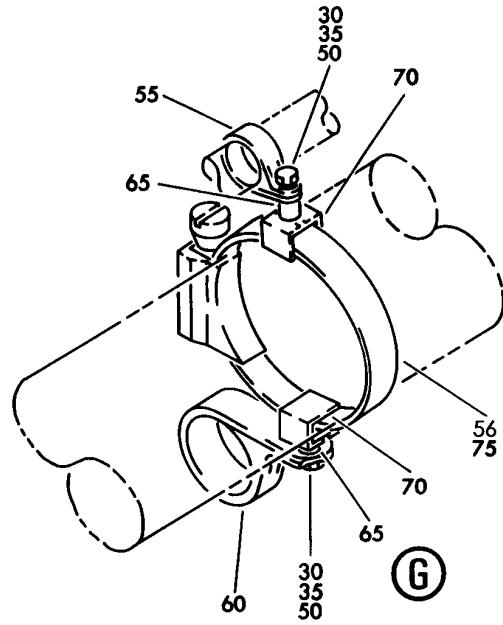
FLUSHLINE AND CABLE INSTL-FWD LAV S
FIGURE 4 (SHEET 2)

38-32-51-04

BRI
JAN 20/09

38-32-51-04
PAGE 0A

BOEING
757
PARTS CATALOG (MAINTENANCE)



Y 38325104 SH1 3 REV 228

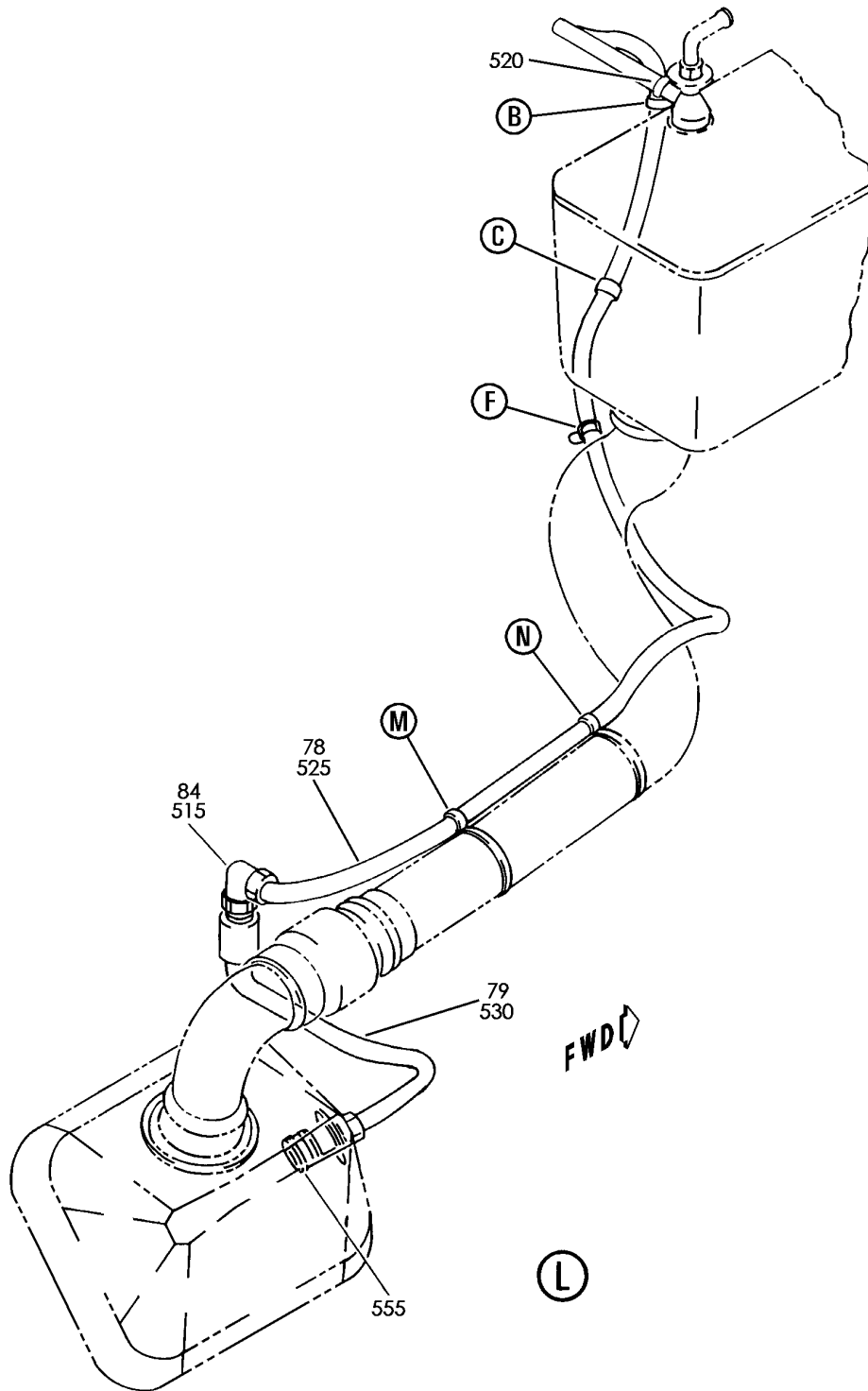
FLUSHLINE AND CABLE INSTL-FWD LAV S
FIGURE 4 (SHEET 3)

38-32-51-04

BRI
JAN 20/09

38-32-51-04
PAGE 0B

BOEING
757
PARTS CATALOG (MAINTENANCE)



Y 38325104 SH 4 REV 331

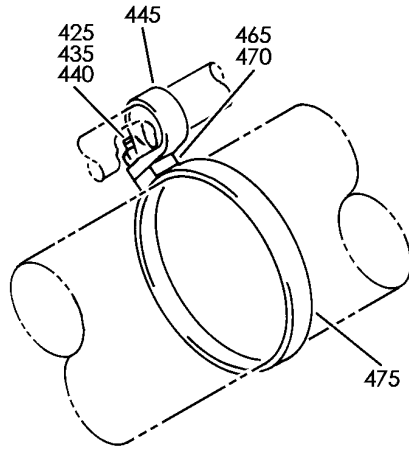
FLUSHLINE AND CABLE INSTL-FWD LAV S
FIGURE 4 (SHEET 4)

38-32-51-04

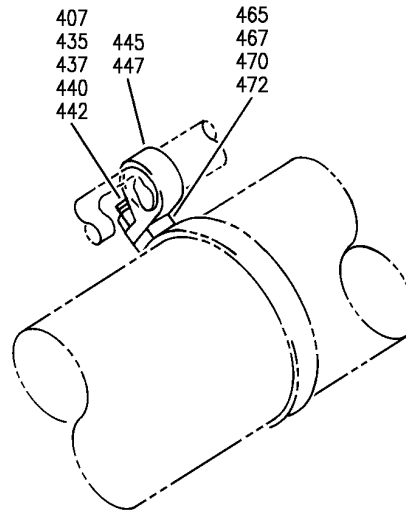
BRI
JAN 20/09

38-32-51-04
PAGE 0C

BOEING
757
PARTS CATALOG (MAINTENANCE)



(M)



(N)

Y 38325104 SH1 5 REV 331

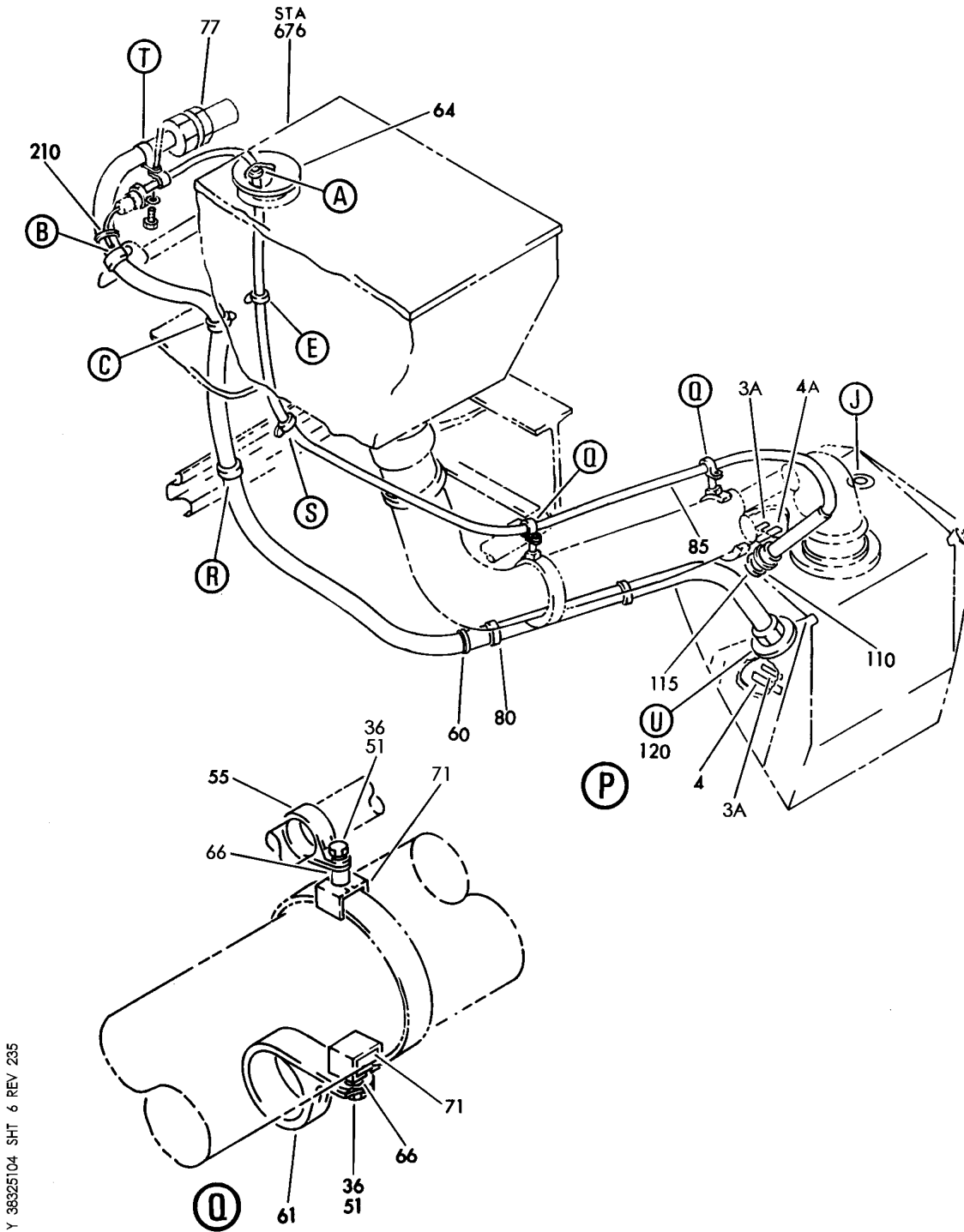
FLUSHLINE AND CABLE INSTL-FWD LAV S
FIGURE 4 (SHEET 5)

38-32-51-04

BRI
JAN 20/09

38-32-51-04
PAGE 0D

BOEING
757
PARTS CATALOG (MAINTENANCE)



Y 38325104 SHT 6 REV 235

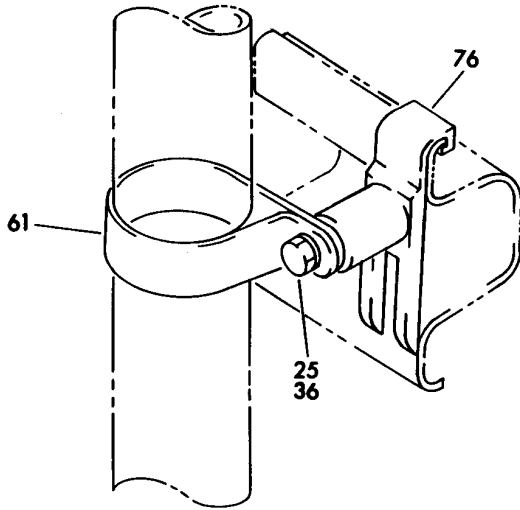
FLUSHLINE AND CABLE INSTL-FWD LAV S
FIGURE 4 (SHEET 6)

38-32-51-04

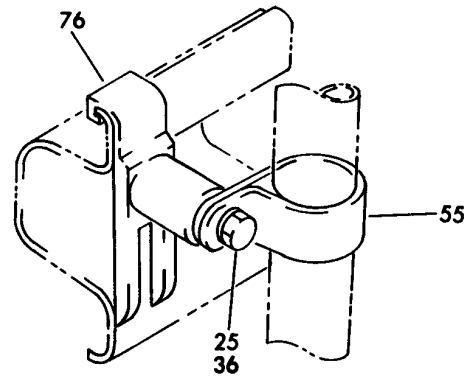
BRI
JAN 20/09

38-32-51-04
PAGE 0E

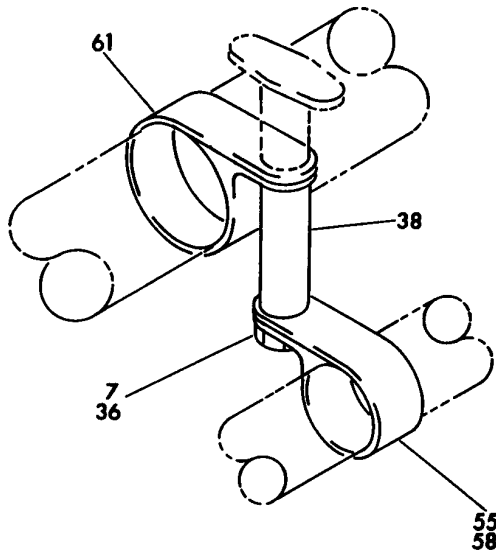
BOEING
757
PARTS CATALOG (MAINTENANCE)



(R)



(S)



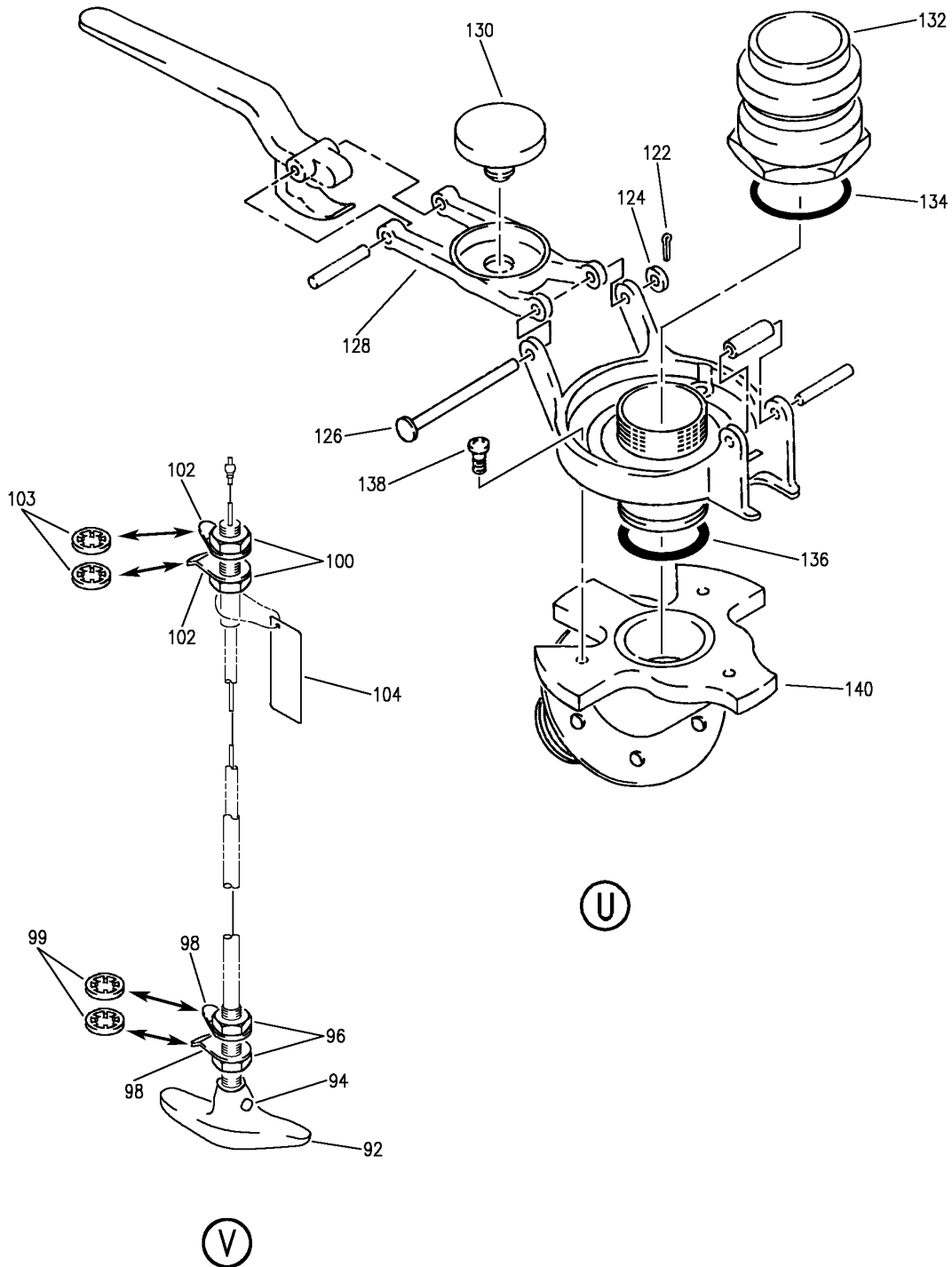
(T)

Y 38325104 SHT 7 REV 141

FLUSHLINE AND CABLE INSTL-FWD LAV S
FIGURE 4 (SHEET 7)

38-32-51-04

BOEING
757
PARTS CATALOG (MAINTENANCE)



Y 38325104 SH 8 REV 288

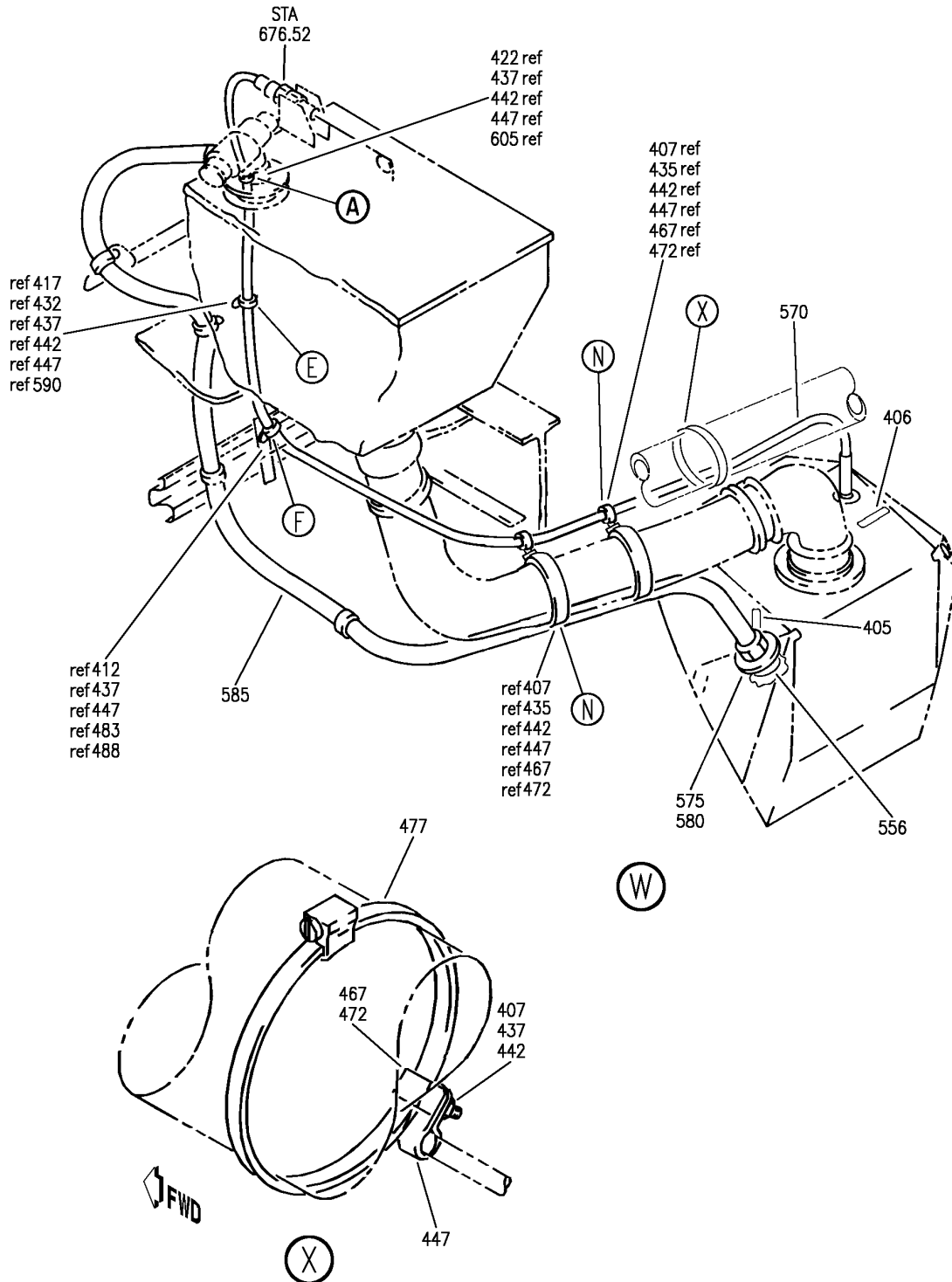
FLUSHLINE AND CABLE INSTL-FWD LAV S
FIGURE 4 (SHEET 8)

38-32-51-04

BRI
JAN 20/09

38-32-51-04
PAGE 06

BOEING
757
PARTS CATALOG (MAINTENANCE)



Y 38325104 SH1 9 REV 331

FLUSHLINE AND CABLE INSTL-FWD LAV S
FIGURE 4 (SHEET 9)

38-32-51-04

BRI
JAN 20/09

38-32-51-04
PAGE 0H



757

PARTS CATALOG (MAINTENANCE)

FIG ITEM	PART NUMBER	1 2 3 4 5 6 7	NOMENCLATURE	EFFECT FROM TO	UNITS PER ASSY
4			FLUSHLINE AND CABLE INSTL- FWD LAV S	108120 504903 950999	
- 1	417N8551-4		FLUSHLINE AND CABLE INSTL- LAV S POSITION DATA: FWD FOR NHA SEE: 25-20-00-01A	952952	RF
- 1	417N8551-18		FLUSHLINE AND CABLE INSTL- LAV S POSITION DATA: FWD FOR NHA SEE: 25-20-00-01A	950951 953999	RF
- 1	417N8551-25		FLUSHLINE AND CABLE INSTL- LAV S POSITION DATA: FWD FOR NHA SEE: 25-20-00-11B	108120	RF
5	NAS1801-3-7		.SCREW	108120 950950 952999	1
10	NAS1801-3-8		.SCREW	108120 950999	1
15	NAS1801-3-28		.SCREW	108120 950950 952999	1
20	NAS1801-3-26		.SCREW	950999	1
25	NAS1801-3-10		.SCREW	108120 950950 952999	2
30	NAS6703-5		.BOLT	108120 504903 950999	3
35	AN960KD10L		.WASHER	108120 504903 950999	11
40	NAS43DD3-78		.SPACER-	952952	1
40	NAS43DD3-78FC		.SPACER-	108120 950951 953999	1
45	NAS43DD3-74		.SPACER-	952952	1
45	NAS43DD3-74FC		.SPACER-	108120 504903 950951 953999	1

MISSING ITEM NUMBERS NOT APPLICABLE

- ITEM NOT ILLUSTRATED

38-32-51-04

38-32-51
FIG. 04
PAGE 1
JAN 20/09

BRI

BOEING PROPRIETARY - Copyright © - Unpublished Work - See title page for details.



757

PARTS CATALOG (MAINTENANCE)

FIG ITEM	PART NUMBER	1 2 3 4 5 6 7	NOMENCLATURE	EFFECT FROM TO	UNITS PER ASSY
4	50	MS21042L3	.NUT	108120 504903 950999	9
	55	BACC10DK5	.CLAMP	108120 504903 950951 953999	6
	60	BACC10DK14	.CLAMP	108120 504903 950999	5
	64	417N8305-20	.BRACKET-SPRT	108120 504903	1
	65	BACC15AN10	.CLIP	108120 504903 950999	3
	70	BACB19F10S	.BLOCK	108120 504903 950999	3
	72	136	.CLAMP SUPPLIER CODE: V7Z588 SPECIFICATION NUMBER: STBC10GG288 OPTIONAL PART: WWD288H V66295	108120 504903 950999	1
	75	NAS1922-0400-1	.CLAMP	108120 504903 950999	1
	80	41202-359	.HOSE ASSY- SUPPLIER CODE: V24984 SPECIFICATION NUMBER: 10-60871-359 OPTIONAL PART: AS4470-12-0810	108120 950999	1
	80	AS4470-12-0810	.HOSE ASSY- OPTIONAL PART: 41202-359 V24984	108120 950999	1
	82	NAS1761J1212	.ELBOW	108120 504903 950999	1

MISSING ITEM NUMBERS NOT APPLICABLE

- ITEM NOT ILLUSTRATED

38-32-51-04

38-32-51
FIG. 04
PAGE 2
JAN 20/09

BRI



757

PARTS CATALOG (MAINTENANCE)

FIG ITEM	PART NUMBER	1 2 3 4 5 6 7	NOMENCLATURE	EFFECT FROM TO	UNITS PER ASSY
4 85	570-713-025		.CABLE ASSY- SUPPLIER CODE: V06970 SPECIFICATION NUMBER: S417N202-25 OPTIONAL PART: 7-44017-25 V78710 2604430-014 V04638 OPTIONAL PART: 570-713-180 V06970 FOR DETAILS SEE: 38-32-51-50	108120 950999	1
85	2604430-014		.CABLE ASSY- SUPPLIER CODE: V81833 SPECIFICATION NUMBER: S417N202-25 COMPONENT MAINT MANUAL REF: 38-30-06 OPTIONAL PART: 570-713-025 V06970 7-44017-25 V78710 OPTIONAL PART: 570-713-180 V06970 FOR DETAILS SEE: 38-32-51-50	108120 950999	1
85	S417N202-96		.CABLE ASSY- OPTIONAL PART: 570-713-180 V06970 FOR DETAILS SEE: 38-32-51-50	108120 950999	1

MISSING ITEM NUMBERS NOT APPLICABLE

- ITEM NOT ILLUSTRATED

BRI

38-32-51-04

BOEING PROPRIETARY - Copyright © - Unpublished Work - See title page for details.

38-32-51
FIG. 04
PAGE 3
JAN 20/09



757

PARTS CATALOG (MAINTENANCE)

FIG ITEM	PART NUMBER	1 2 3 4 5 6 7	NOMENCLATURE	EFFECT FROM TO	UNITS PER ASSY
4 85	7-44017-25		.CABLE ASSY- SUPPLIER CODE: V78710 SPECIFICATION NUMBER: S417N202-25 COMPONENT MAINT MANUAL REF: 38-30-11 OPTIONAL PART: 570-713-025 V06970 2604430-014 V04638 OPTIONAL PART: 570-713-180 V06970 FOR DETAILS SEE: 38-32-51-50	108120 950999	1
85	570-713-180		.CABLE ASSY- SUPPLIER CODE: V06970 SPECIFICATION NUMBER: S417N202-107 OPTIONAL PART: 570-713-025 V06970 2604430-014 V04638 7-44017-25 V78710 7-44017-117 V78710 FOR DETAILS SEE: 38-32-51-50	108120 950999	1
110	417N8252-9		.WASHER-TAPERED	108120 950999	1
115	417N8252-7		.WASHER-TAPERED	108120 950999	1
120	V4709J016C40		.NIPPLE ASSY- SUPPLIER CODE: V84971 OPTIONAL PART: 0066-0009 V86831 H3-1320-1 V34941	952952	1

MISSING ITEM NUMBERS NOT APPLICABLE

- ITEM NOT ILLUSTRATED

38-32-51-04

38-32-51
FIG. 04
PAGE 4
JAN 20/09

BRI



757

PARTS CATALOG (MAINTENANCE)

FIG ITEM	PART NUMBER	1 2 3 4 5 6 7	NOMENCLATURE	EFFECT FROM TO	UNITS PER ASSY
4 120	0066-0009		.NIPPLE ASSY- SUPPLIER CODE: V86831 OPTIONAL PART: V4709J016C40 V84971 H3-1320-1 V34941	952952	1
120	H3-1320-1		.NIPPLE ASSY- SUPPLIER CODE: V34941 OPTIONAL PART: V4709J016C40 V84971 0066-0009 V86831	952952	1
120	0016-0021-1		.NIPPLE ASSY- SUPPLIER CODE: V86831 COMPONENT MAINT MANUAL REF: 38-32-10 ATTACHING PARTS	108120 504903 950951 953999	1
-121A	BACR15BB4AD		.RIVET- SIZE DETERMINED ON INSTL.	952952	6
-121B	BACB30VT5K		.BOLT- SIZE DETERMINED ON INSTL.	108120 950999	6
-121C	BACC30BS5S		.COLLAR SUPPLIER CODE: V73197 SPECIFICATION NUMBER: BACC30BS5S -----*-----	108120 950999	6
122	MS24665-1011		..PIN-COTTER	108120 504903 950951 953999	1
124	5710-151-30		..WASHER- SUPPLIER CODE: V86831 MISCELLANEOUS DATA: KAISER SPEC DWG RS365-8	108120 504903 950951 953999	1
126	2135-0176-1		..PIN-HINGE SUPPLIER CODE: V86831	108120 504903 950951 953999	1

MISSING ITEM NUMBERS NOT APPLICABLE

- ITEM NOT ILLUSTRATED

38-32-51-04

38-32-51
FIG. 04
PAGE 5
JAN 20/09

BRI

BOEING PROPRIETARY - Copyright © - Unpublished Work - See title page for details.



757

PARTS CATALOG (MAINTENANCE)

FIG ITEM	PART NUMBER	1 2 3 4 5 6 7	NOMENCLATURE	EFFECT FROM TO	UNITS PER ASSY
4					
128	4028-0023	..	CAP ASSY- SUPPLIER CODE: V86831	108120 504903 950951 953999	1
130	2048-0031-2	..	DISC-SEAL 0.297 THK SUPPLIER CODE: V86831 POST AIRLINE MOD: PCR29-96 VALP	950951	1
130	2048-0031-2	..	DISC-SEAL 0.297 THK SUPPLIER CODE: V86831	108120 504903 950951 953999	1
132	4709-6	..	NIPPLE- SUPPLIER CODE: V86831	108120 504903 950951 953999	1
134	MS29512-12	..	PACKING	108120 504903 950951 953999	1
136	MS9021-116	..	PACKING- OPTIONAL PART: AS3578-116	108120 504903 950951 953999	1
136	AS3578-116	..	PACKING- OPTIONAL PART: MS9021-116	108120 504903 950951 953999	1
138	MS51958-59	..	SCREW	108120 504903 950951 953999	3
140	2011-0043-1	..	BASE- SUPPLIER CODE: V86831	108120 504903 950951 953999	1
150	NAS604-9	.	SCREW	108120 950999	1
151	NAS603-8P	.	SCREW	108120 950999	1
155	417N8358-5	.	SPACER	108120 950999	1
156	417N8358-6	.	SPACER	108120 950951 953999	1

MISSING ITEM NUMBERS NOT APPLICABLE

- ITEM NOT ILLUSTRATED

38-32-51-04

38-32-51
FIG. 04
PAGE 6
JAN 20/09

BRI

BOEING PROPRIETARY - Copyright © - Unpublished Work - See title page for details.

 **BOEING**
757
PARTS CATALOG (MAINTENANCE)

FIG ITEM	PART NUMBER	1 2 3 4 5 6 7	NOMENCLATURE	EFFECT FROM TO	UNITS PER ASSY
4					
157	AN970-3	.	WASHER	108120 950951 953999	2
160	MS21042L4	.	NUT	108120 504903 950999	1
161	MS21042L3	.	NUT	108120 950999	1
165	417N8351-14	.	PATCH	108120 950999	2
170	NAS603-8P	.	SCREW	108120 950950 952999	4
175	69-50697-1	.	CLIP ASSY	108120 504903 950999	4
180	SL854C3F1CM	..	INSERT- SUPPLIER CODE: V97393	108120 504903 950999	1
185	69-50697-3	..	CLIP	108120 504903 950999	1
190	417N2111-1	.	SUPPORT ASSY	108120 504903 950999	2
195	NA2030-02L	..	INSERT- SUPPLIER CODE: V32387 OPTIONAL PART: NAS1395C3L	108120 504903 950999	1
195	NAS1395C3L	..	INSERT- OPTIONAL PART: NA2030-02L V32387	108120 504903 950999	1
200	417N2111-2	..	SUPPORT	108120 504903 950999	1
- 300	417N8551-6		SUPPORT INSTL- AND CONTROL CABLE, LAVS FOR NHA SEE: 25-20-00-01A 25-20-00-11B	108120 950999	RF
305	417N8313-4	.	BRACKET	108120 950999	2
310	417N8305-20	.	BRACKET	108120 950999	1

MISSING ITEM NUMBERS NOT APPLICABLE

- ITEM NOT ILLUSTRATED

BRI

38-32-51-04

38-32-51
FIG. 04
PAGE 7
JAN 20/09



757

PARTS CATALOG (MAINTENANCE)

FIG ITEM	PART NUMBER	1 2 3 4 5 6 7	NOMENCLATURE	EFFECT FROM TO	UNITS PER ASSY
4			ATTACHING PARTS		
- 315	BACR15FT6D		.RIVET-	108120	5
			SIZE DETERMINED ON INSTL.	950999	
			-----*-----		
	320 417N8305-22		.BRACKET	108120	1
				950999	
			ATTACHING PARTS		
- 325	BACR15FT6D		.RIVET-	108120	8
			SIZE DETERMINED ON INSTL.	950999	
			-----*-----		

MISSING ITEM NUMBERS NOT APPLICABLE

- ITEM NOT ILLUSTRATED

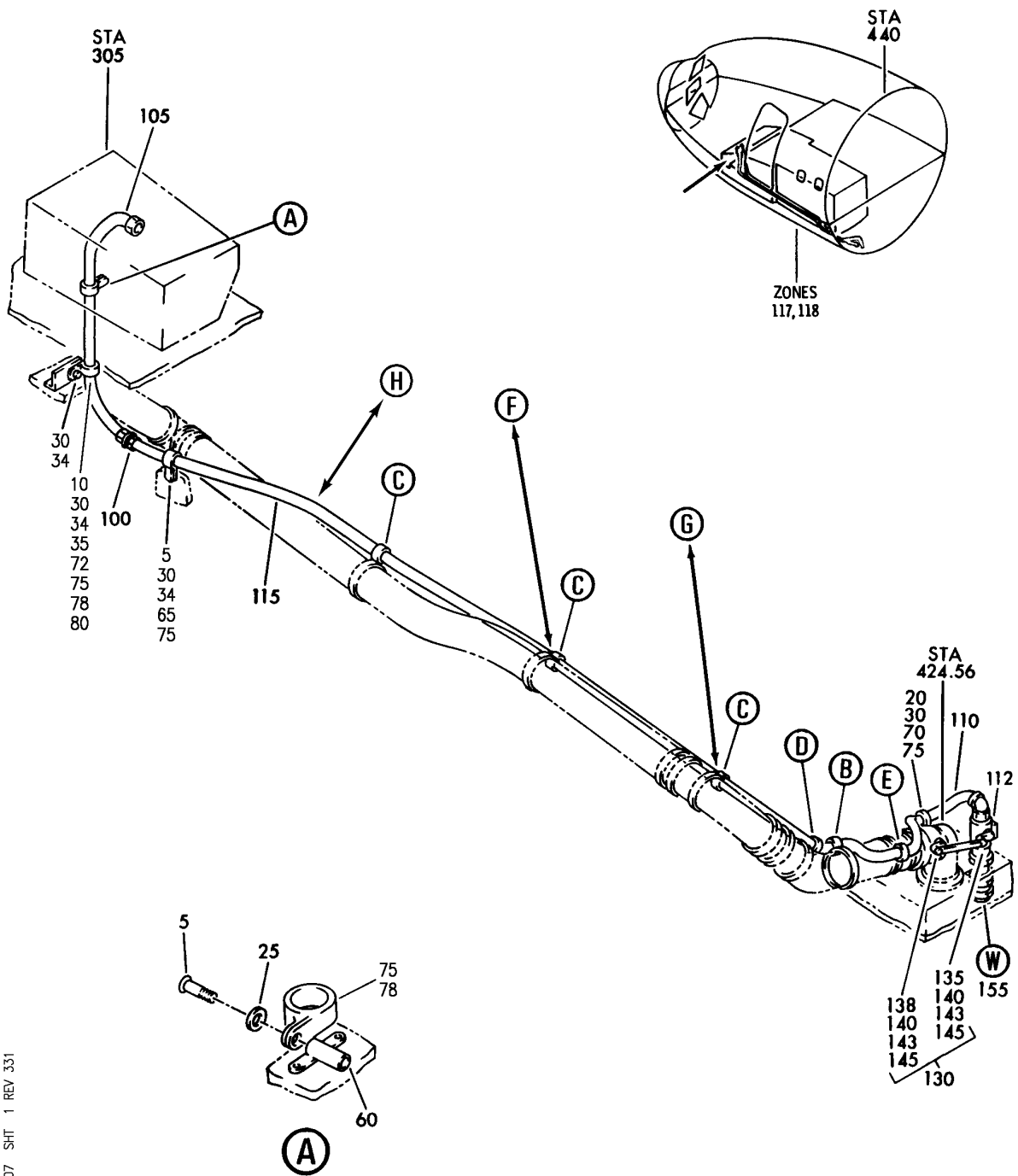
BRI

38-32-51-04

BOEING PROPRIETARY - Copyright © - Unpublished Work - See title page for details.

38-32-51
FIG. 04
PAGE 8
JAN 20/09

BOEING
757
PARTS CATALOG (MAINTENANCE)



Y 38325107 SH- 1 REV 331

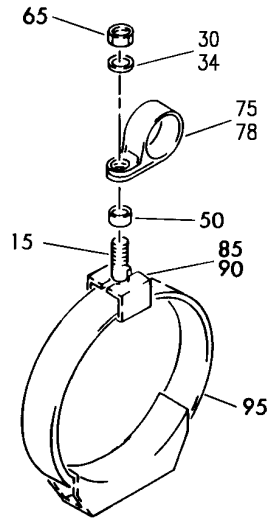
FLUSHLINE AND CABLE INSTL LAV FWD.
FIGURE 7 (SHEET 1)

38-32-51-07

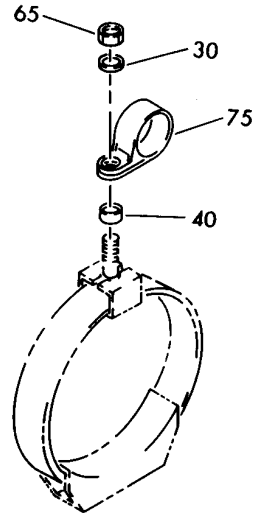
BRI
JAN 20/09

38-32-51-07
PAGE 0

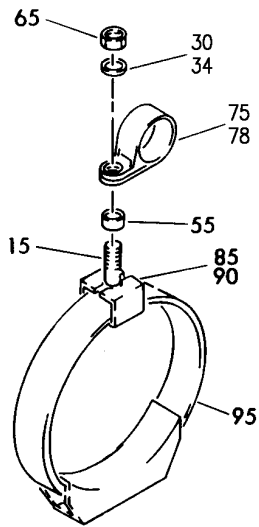
BOEING
757
PARTS CATALOG (MAINTENANCE)



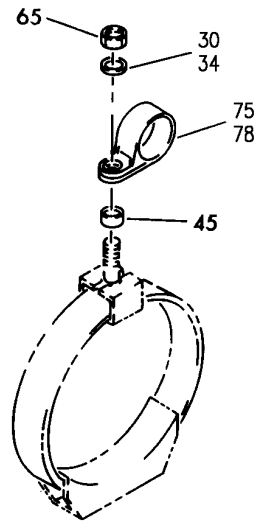
(B)



(C)



(E)



(D)

Y 38325107 SH1 2 REV 331

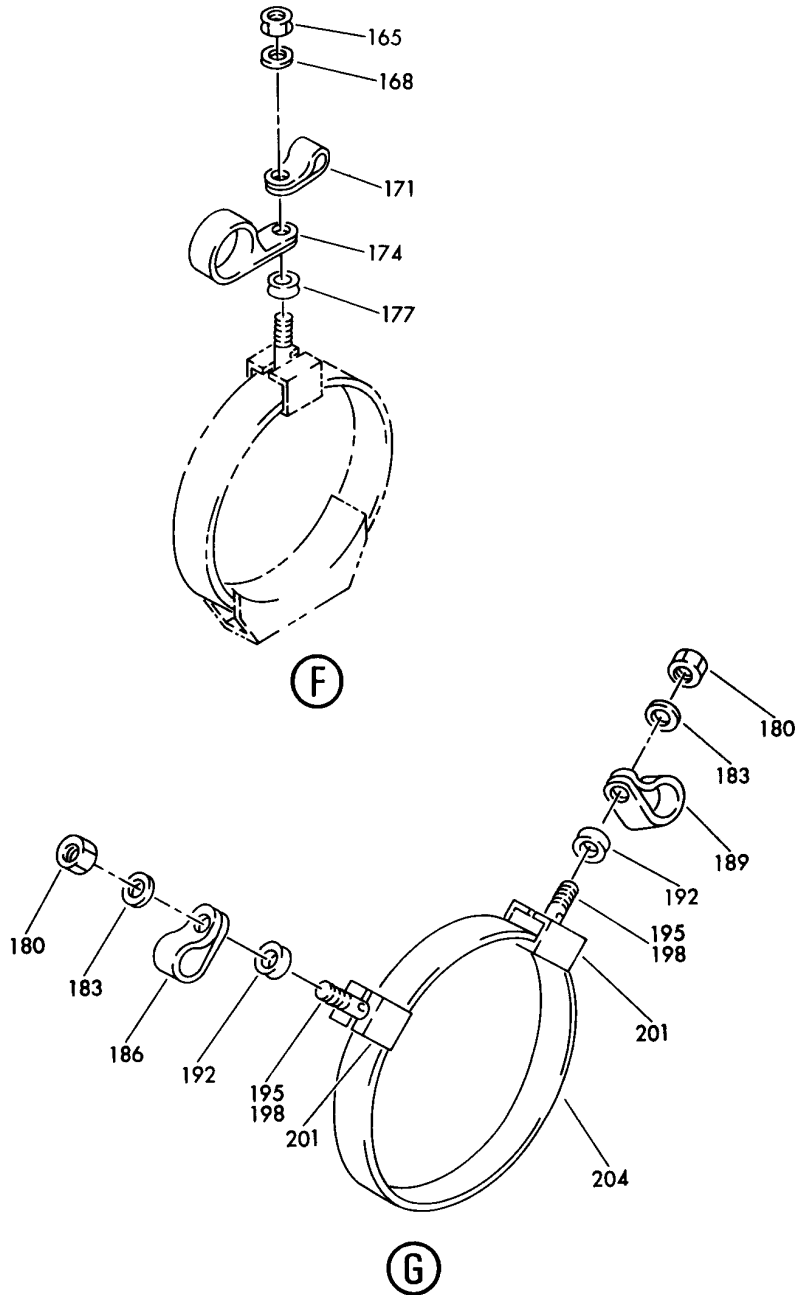
FLUSHLINE AND CABLE INSTL LAV FWD.
FIGURE 7 (SHEET 2)

38-32-51-07

BRI
JAN 20/09

38-32-51-07
PAGE 0A

BOEING
757
PARTS CATALOG (MAINTENANCE)



Y 38325107 SHT 3 REV 191

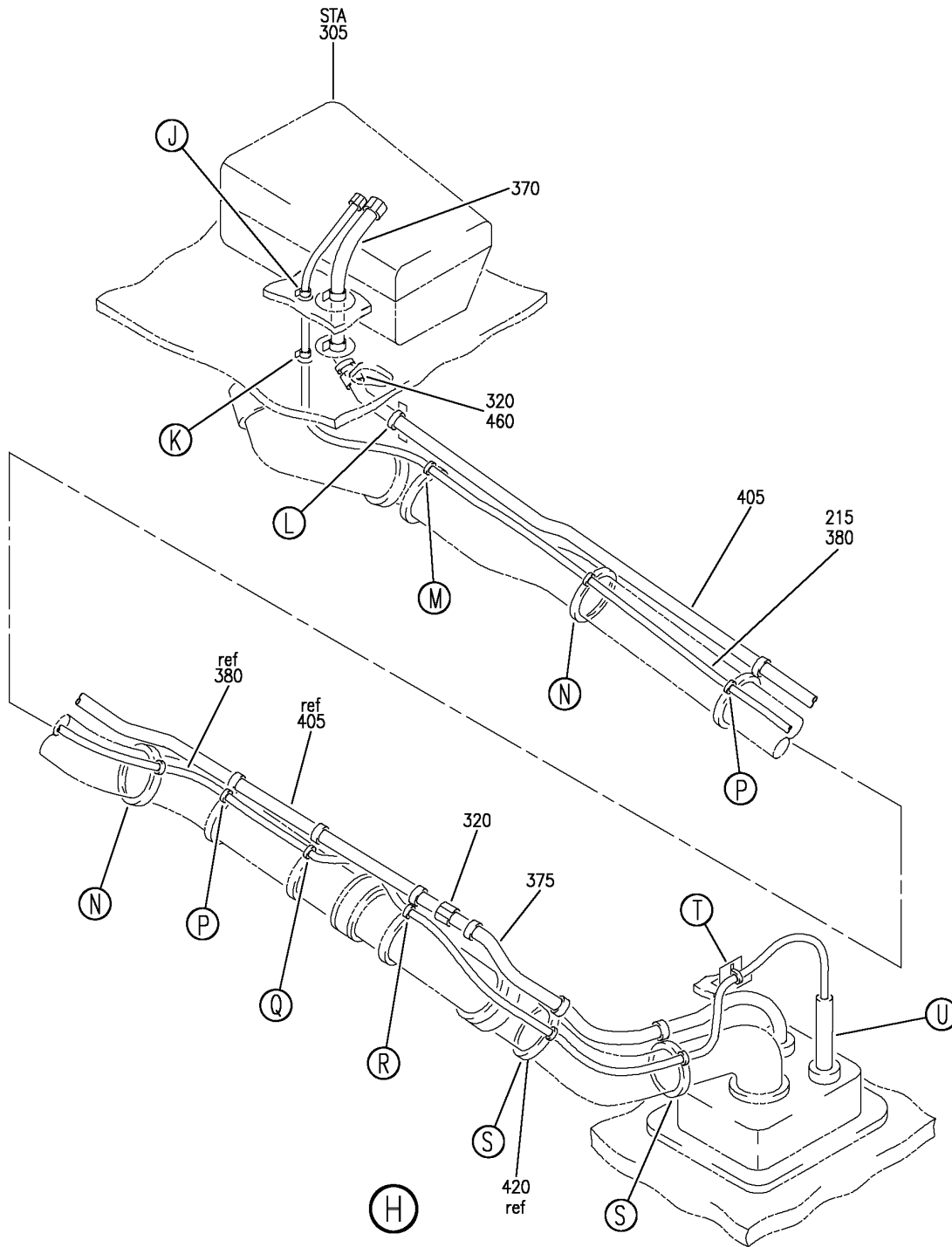
FLUSHLINE AND CABLE INSTL LAV FWD.
FIGURE 7 (SHEET 3)

38-32-51-07

BRI
MAY 28/07

38-32-51-07
PAGE 0B

BOEING
757
PARTS CATALOG (MAINTENANCE)



Y 38325107 SH1 4 REV 331

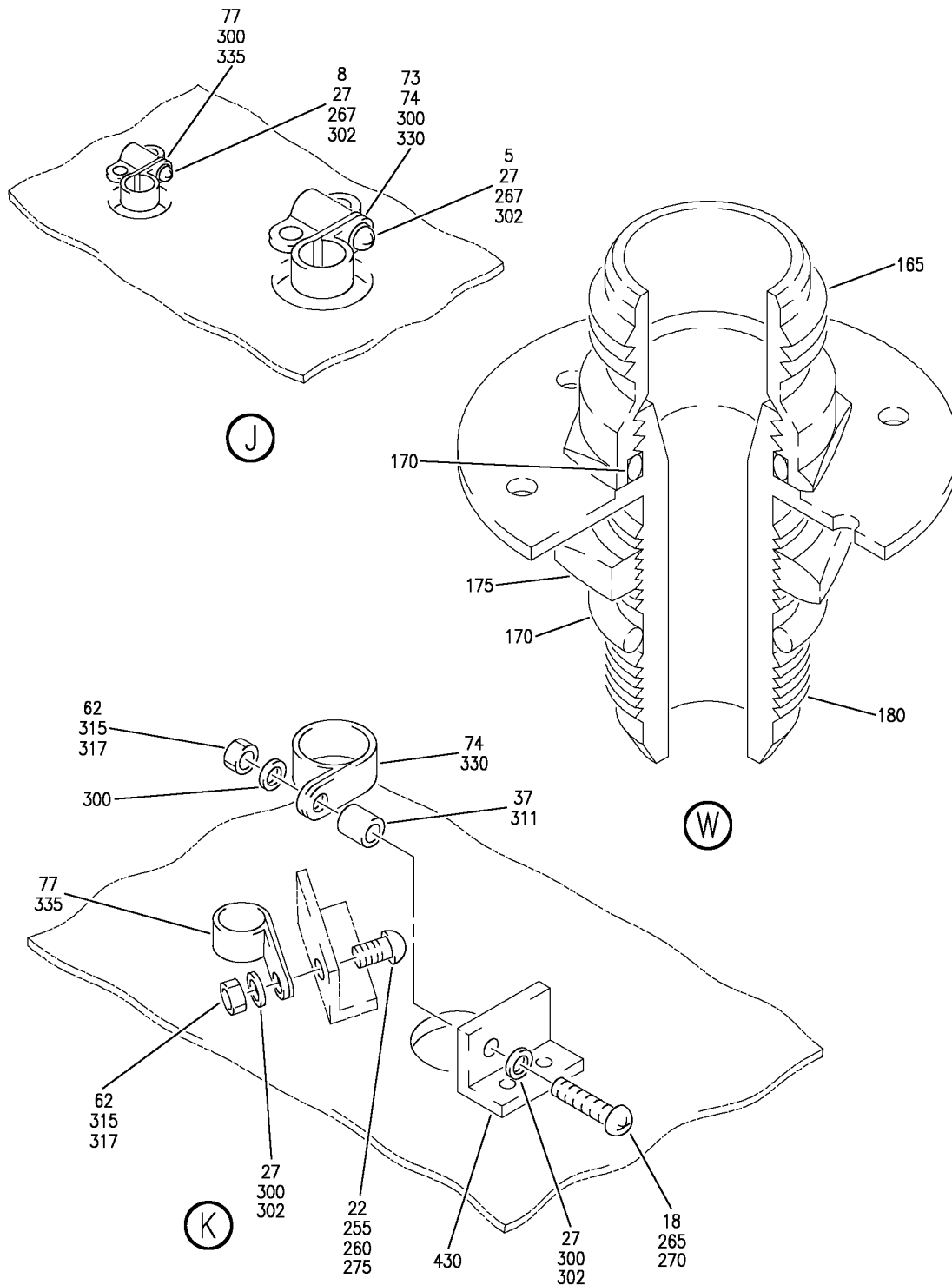
FLUSHLINE AND CABLE INSTL LAV FWD.
FIGURE 7 (SHEET 4)

38-32-51-07

BRI
JAN 20/09

38-32-51-07
PAGE 0C

BOEING
757
PARTS CATALOG (MAINTENANCE)



Y 38325107 SH1 5 REV 331

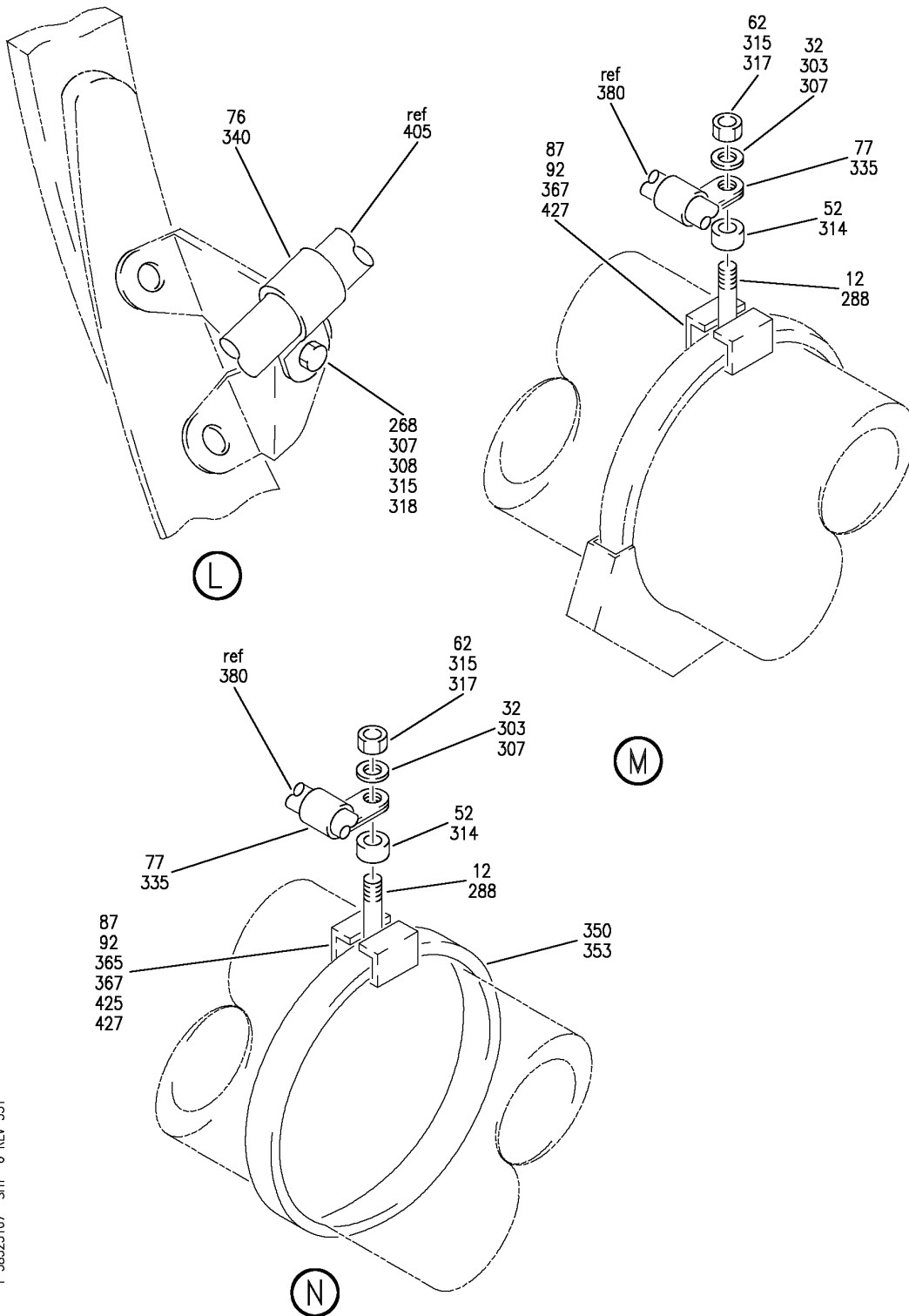
FLUSHLINE AND CABLE INSTL LAV FWD.
FIGURE 7 (SHEET 5)

38-32-51-07

BRI
JAN 20/09

38-32-51-07
PAGE 0D

BOEING
757
PARTS CATALOG (MAINTENANCE)



Y 38325107 SH1 6 REV 331

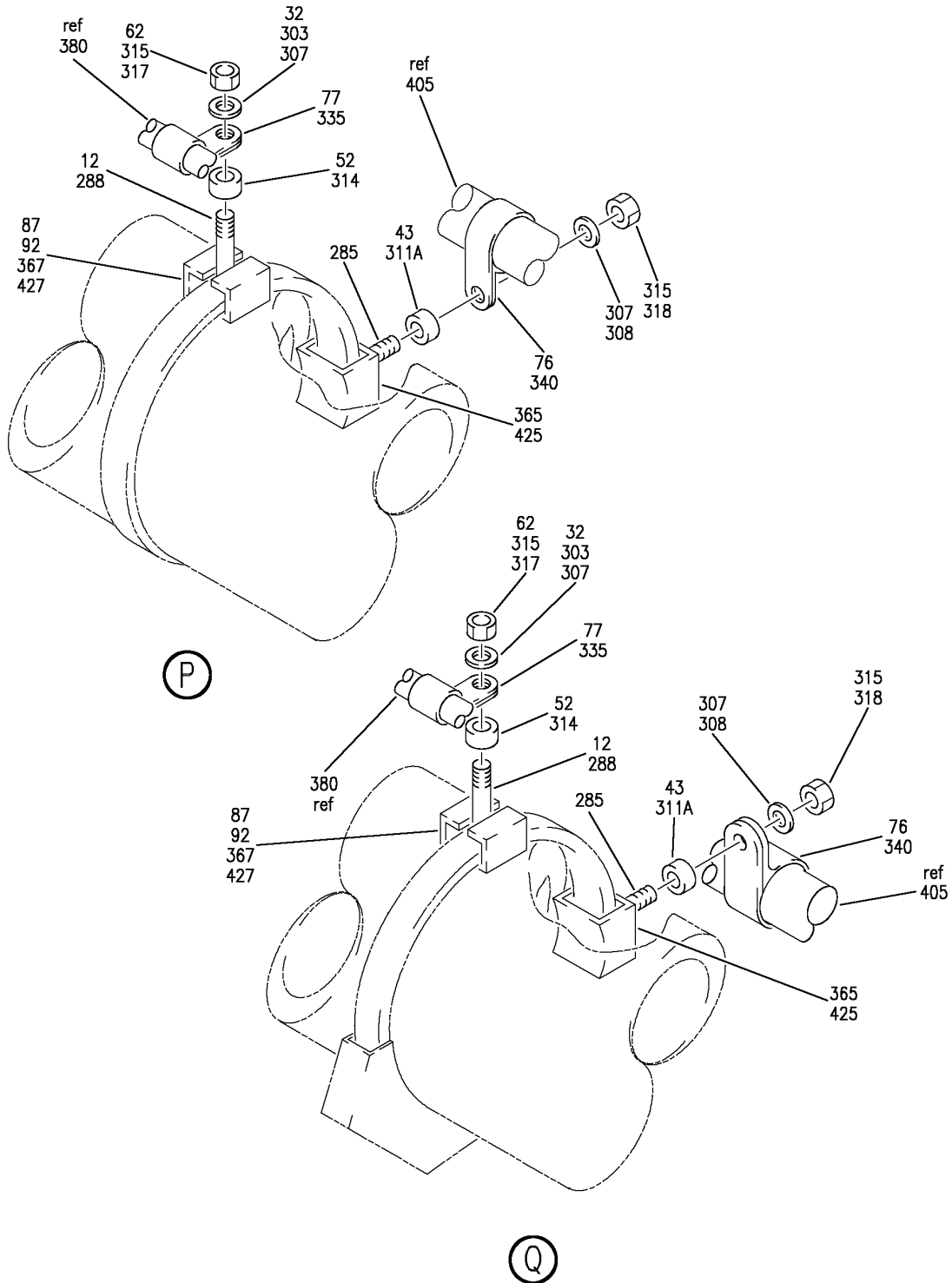
FLUSHLINE AND CABLE INSTL LAV FWD.
FIGURE 7 (SHEET 6)

38-32-51-07

BRI
JAN 20/09

38-32-51-07
PAGE 0E

BOEING
757
PARTS CATALOG (MAINTENANCE)



Y 38325107 SH1 7 REV 331

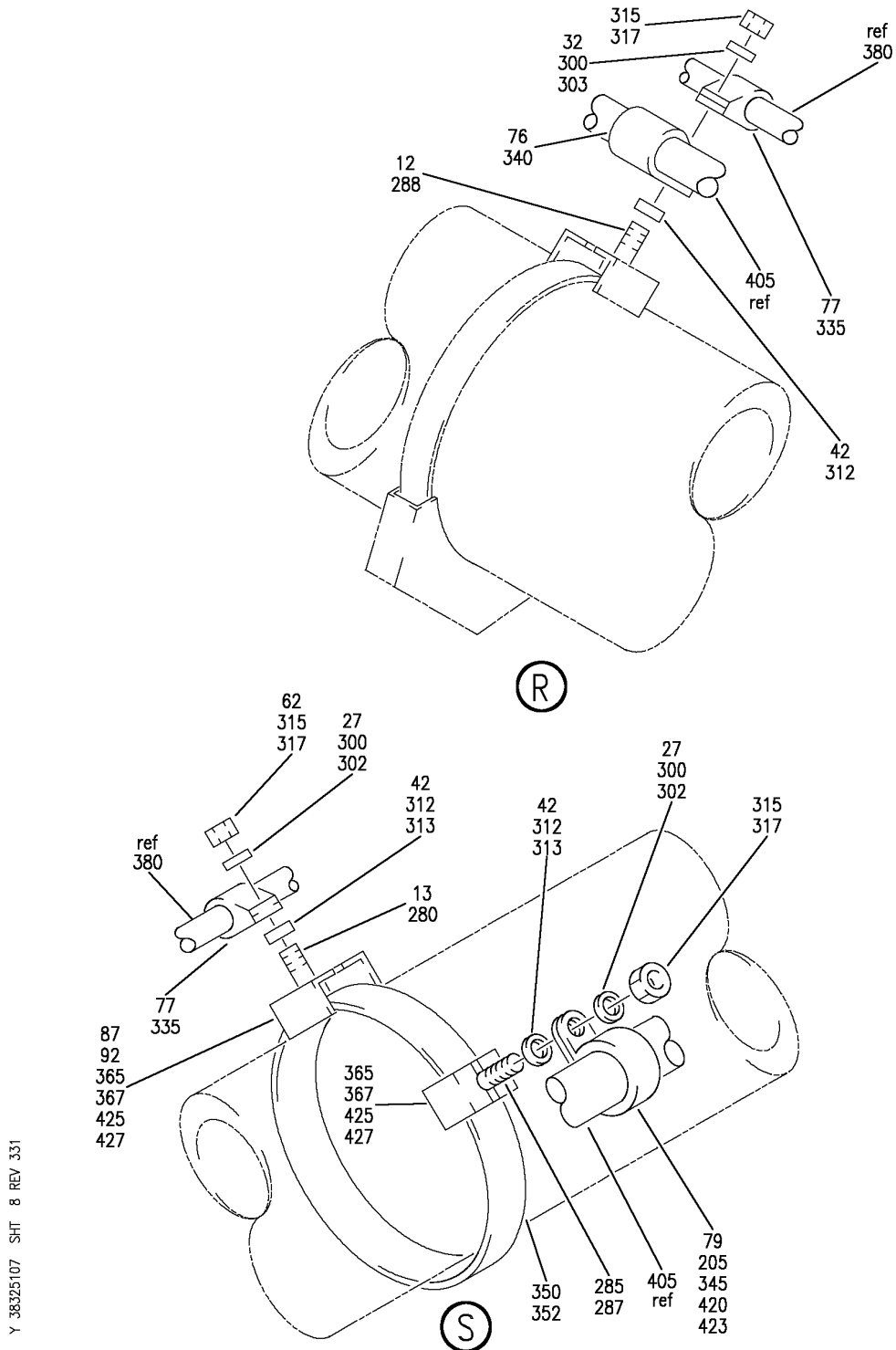
FLUSHLINE AND CABLE INSTL LAV FWD.
FIGURE 7 (SHEET 7)

38-32-51-07

BRI
JAN 20/09

38-32-51-07
PAGE OF

BOEING
757
PARTS CATALOG (MAINTENANCE)



Y 38325107 SH1 8 REV 331

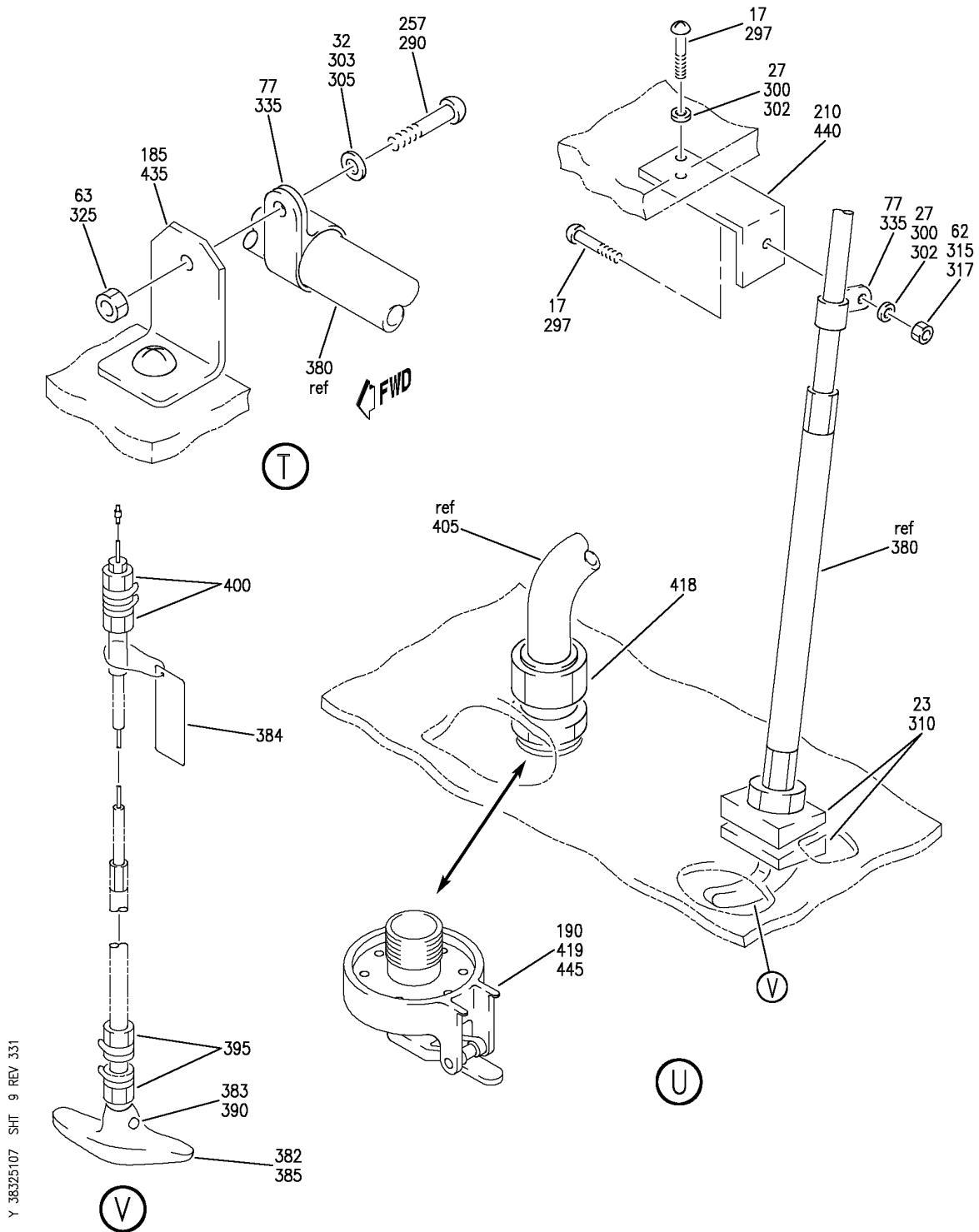
FLUSHLINE AND CABLE INSTL LAV FWD.
FIGURE 7 (SHEET 8)

38-32-51-07

BRI
JAN 20/09

38-32-51-07
PAGE 08

BOEING
757
PARTS CATALOG (MAINTENANCE)



FLUSHLINE AND CABLE INSTL LAV FWD.
FIGURE 7 (SHEET 9)

38-32-51-07

BRI
JAN 20/09

38-32-51-07
PAGE 0H



757

PARTS CATALOG (MAINTENANCE)

FIG ITEM	PART NUMBER	1 2 3 4 5 6 7	NOMENCLATURE	EFFECT FROM TO	UNITS PER ASSY
7			FLUSHLINE AND CABLE INSTL LAV FWD.	002004 107107 121503 904949 952952	
- 250	417N8251-14		FLUSHLINE AND CABLE INSTL- LAV POSITION DATA: FWD FOR NHA SEE: 25-20-00-03A	002004 107107 121503 904949 952952	RF
255	NAS1801-5-10		.SCREW	002004 107107 121503 904949 952952	1
260	BACS12CK3-10		.SCREW	002004 107107 121503 904949 952952	1
265	NAS1801-3-15		.SCREW	002004 107107 121503 904949 952952	1
270	BACS12CK3-15		.SCREW	002004 107107 121503 904949 952952	1
275	NAS1801-3-10		.SCREW	002004 107107 121503 904949 952952	1
280	NAS6703-5		.BOLT	002004 107107 121503 904949 952952	2
285	NAS6703-7		.BOLT	002004 107107 121503 904949 952952	5

MISSING ITEM NUMBERS NOT APPLICABLE

- ITEM NOT ILLUSTRATED

38-32-51-07

38-32-51
FIG. 07
PAGE 1
JAN 20/09

BRI

BOEING PROPRIETARY - Copyright © - Unpublished Work - See title page for details.



757

PARTS CATALOG (MAINTENANCE)

FIG ITEM	PART NUMBER	1 2 3 4 5 6 7	NOMENCLATURE	EFFECT FROM TO	UNITS PER ASSY
7					
290	NAS1801-3-8	.	SCREW	002004 107107 121503 904949 952952	1
295	NAS1801-3-7	.	SCREW	002004 107107 121503 904949 952952	1
297	BACS12CK3-8	.	SCREW-	002004 107107 121503 904949 952952	2
300	AN960PD10L	.	WASHER	002004 107107 121503 904949 952952	12
305	AN960-10L	.	WASHER	002004 107107 121503 904949 952952	1
307	AN960KD10L	.	WASHER	002004 107107 121503 904949 952952	10
310	417N8252-1	.	WASHER-	002004 107107 121503 904949 952952	2
313	NAS43DD3-8	.	SPACER	002004 107107 121503 904949 952952	4

MISSING ITEM NUMBERS NOT APPLICABLE

- ITEM NOT ILLUSTRATED

38-32-51-07

38-32-51
FIG. 07
PAGE 2
JAN 20/09

BRI

BOEING PROPRIETARY - Copyright © - Unpublished Work - See title page for details.



757

PARTS CATALOG (MAINTENANCE)

FIG ITEM	PART NUMBER	1 2 3 4 5 6 7	NOMENCLATURE	EFFECT FROM TO	UNITS PER ASSY
7 315	BRH10C3D	.NUT	SUPPLIER CODE: V52828 SPECIFICATION NUMBER: BACN10JC3CD OPTIONAL PART: T6C1032JCD V11815 NS202486-02 V80539 102LH9075-3W V72962 H51650-3BAC V15653	002004 107107 121503 904949 952952	18
320	MS21921-12J	.NUT		002004 107107 121503 904949 952952	2
325	MS21042L3	.NUT		002004 107107 121503 904949 952952	1
330	BACC10DK13	.CLAMP-		002004 107107 121503 904949 952952	2
335	BACC10DK5	.CLAMP-		002004 107107 121503 904949 952952	13
340	BACC10DK12	.CLAMP		002004 107107 121503 904949 952952	5
345	BACC10DK14	.CLAMP-		002004 107107 121503 904949 952952	2
350	NAS1922-0400-1	.CLAMP-	OPTIONAL PART: BACC10JB126C156	002004 107107 121503 904949 952952	4

MISSING ITEM NUMBERS NOT APPLICABLE

- ITEM NOT ILLUSTRATED

38-32-51-07

38-32-51
FIG. 07
PAGE 3
JAN 20/09

BRI



757

PARTS CATALOG (MAINTENANCE)

FIG ITEM	PART NUMBER	1 2 3 4 5 6 7	NOMENCLATURE	EFFECT FROM TO	UNITS PER ASSY
7					
350	BACC10JB126C156	.CLAMP-	OPTIONAL PART: NAS1922-0400-1	002004 107107 121503 904949 952952	4
365	BACC15AN10	.CLIP		002004 107107 121503 904949 952952	9
370	41207-377	.HOSE-	SUPPLIER CODE: V24984 SPECIFICATION NUMBER: 10-60871-377 OPTIONAL PART: AS4475-12-0304 V24984	002004 107107 121503 904949 952952	1
370	AS4475-12-0304	.HOSE-	OPTIONAL PART: 41207-377 V24984	002004 107107 121503 904949 952952	1
375	41209-370	.HOSE-	SUPPLIER CODE: V24984 SPECIFICATION NUMBER: 10-60871-370 OPTIONAL PART: AS4477-12-0314 V24984	002004 107107 121503 904949 952952	1
375	AS4477-12-0314	.HOSE-	OPTIONAL PART: 41209-370 V24984	002004 107107 121503 904949 952952	1
380	570-713-001	.CABLE ASSY-FLUSHLINE	SUPPLIER CODE: V06970 SPECIFICATION NUMBER: S417N202-3 OPTIONAL PART: 2604430-010 V04638 7-44017-3 V78710	002004 107107 121503 904949 952952	1

MISSING ITEM NUMBERS NOT APPLICABLE

- ITEM NOT ILLUSTRATED

38-32-51-07

38-32-51
FIG. 07
PAGE 4
JAN 20/09

BRI



757

PARTS CATALOG (MAINTENANCE)

FIG ITEM	PART NUMBER	1 2 3 4 5 6 7	NOMENCLATURE	EFFECT FROM TO	UNITS PER ASSY
7 380	7-44017-3		.CABLE ASSY-CONT SUPPLIER CODE: V78710 SPECIFICATION NUMBER: S417N202-3 COMPONENT MAINT MANUAL REF: 38-30-13 OPTIONAL PART: 570-713-001 V06970 2604430-010 V04638	002004 107107 121503 904949 952952	1
382	61751-1		..HANDLE- SUPPLIER CODE: V78710 USED ON: 7-44017-3 ATTACHING PARTS	002004 107107 121503 904949 952952	1
383	MS171526		..PIN- USED ON: 7-44017-3	002004 107107 121503 904949 952952	1
384	64204-1		-----*----- ..PLATE-IDENT SUPPLIER CODE: V78710 USED ON: 7-44017-3	002004 107107 121503 904949 952952	1
385	565-100-029		..HANDLE-TEE SUPPLIER CODE: V06970 USED ON: 570-713-001	002004 107107 121503 904949 952952	1
385	20302-4		..HANDLE-TEE SUPPLIER CODE: V78710 USED ON: 570-713-001	002004 107107 121503 904949 952952	1
390	MS16562-203		..PIN- USED ON: 570-713-001	002004 107107 121503 904949 952952	1
395	561-094-162		..NUT- SUPPLIER CODE: V06970 USED ON: 570-713-001	002004 107107 121503 904949 952952	2

MISSING ITEM NUMBERS NOT APPLICABLE

- ITEM NOT ILLUSTRATED

38-32-51-07

38-32-51
FIG. 07
PAGE 5
JAN 20/09

BRI



757

PARTS CATALOG (MAINTENANCE)

FIG ITEM	PART NUMBER	1 2 3 4 5 6 7	NOMENCLATURE	EFFECT FROM TO	UNITS PER ASSY
7 400	561-094-164	. .	NUT- SUPPLIER CODE: V06970 USED ON: 570-713-001	002004 107107 121503 904949 952952	2
405	417N8251-11	. .	TUBE ASSY- TUBING MATERIAL: STOCK .75 OD X .020 WALL X 132 LENGTH PER MIL-T-8504 304 ANNEALED TUBING OPTIONAL TO 0.75 OD X .028 WALL X 132 LENGTH PER MIL-T-8808 347 ANNEALED TUBING OPTIONAL TO 0.75 OD X .028 WALL X 132 LENGTH PER MIL-T-8808 ANNEALED TUBING	002004 107107 121503 904949 952952	1
- 410	AP2097H12	. .	SLEEVE SUPPLIER CODE: V01673 SPECIFICATION NUMBER: BACS13BX12H OPTIONAL PART: 2-02903-12H V11328 35235V12 V08199 AFP175V12 V30974 DB0S13BX12H V14798	002004 107107 121503 904949 952952	2
- 415	BACN10YE12	. .	NUT	002004 107107 121503 904949 952952	2
418	4709-21	. .	NIPPLE ASSY- SUPPLIER CODE: V86831 OPTIONAL PART: H3-1216-1 V34941	002004 107107 121503 904949 952952	1
418	H3-1216-1	. .	NIPPLE ASSY- SUPPLIER CODE: V34941 OPTIONAL PART: 4709-21 V86831	002004 107107 121503 904949 952952	1

MISSING ITEM NUMBERS NOT APPLICABLE

- ITEM NOT ILLUSTRATED

38-32-51-07

38-32-51
FIG. 07
PAGE 6
JAN 20/09

BRI



757

PARTS CATALOG (MAINTENANCE)

FIG ITEM	PART NUMBER	1 2 3 4 5 6 7	NOMENCLATURE	EFFECT FROM TO	UNITS PER ASSY
7 418	0016-0015-5		.CAP ASSY-LEVER SUPPLIER CODE: V86831 COMPONENT MAINT MANUAL REF: 38-32-10	002004 107107 121503 904949 952952	1
419	0016-0022-1		.CAP ASSY-LEVER SUPPLIER CODE: V86831 COMPONENT MAINT MANUAL REF: 38-32-10 FOR DETAILS SEE: 38-32-52-26	002004 107107 121503 904949 952952	1
420	N2088		.PLUG SUPPLIER CODE: V75345 SPECIFICATION NUMBER: BACP20BA1 OPTIONAL PART: SZ7105 V95272 4841 V84914	002004 107107 121503 904949 952952	1
425	BACB19F10S		.BLOCK-RETAINING BOLT	002004 107107 121503 904949 952952	7
430	417N8211-6		.BRACKET ASSY	002004 107107 121503 904949 952952	1
435	NS102557-02-1		.BRACKET- SUPPLIER CODE: V80539 SPECIFICATION NUMBER: BACB20G7F8L3 OPTIONAL PART: TA101CHT1-7-8 V84971 NS102557-02-1 V07170	002004 107107 121503 904949 952952	1
440	BACB2A009D1E1UY		.BRACKET-	002004 107107 121503 904949 952952	1

MISSING ITEM NUMBERS NOT APPLICABLE

- ITEM NOT ILLUSTRATED

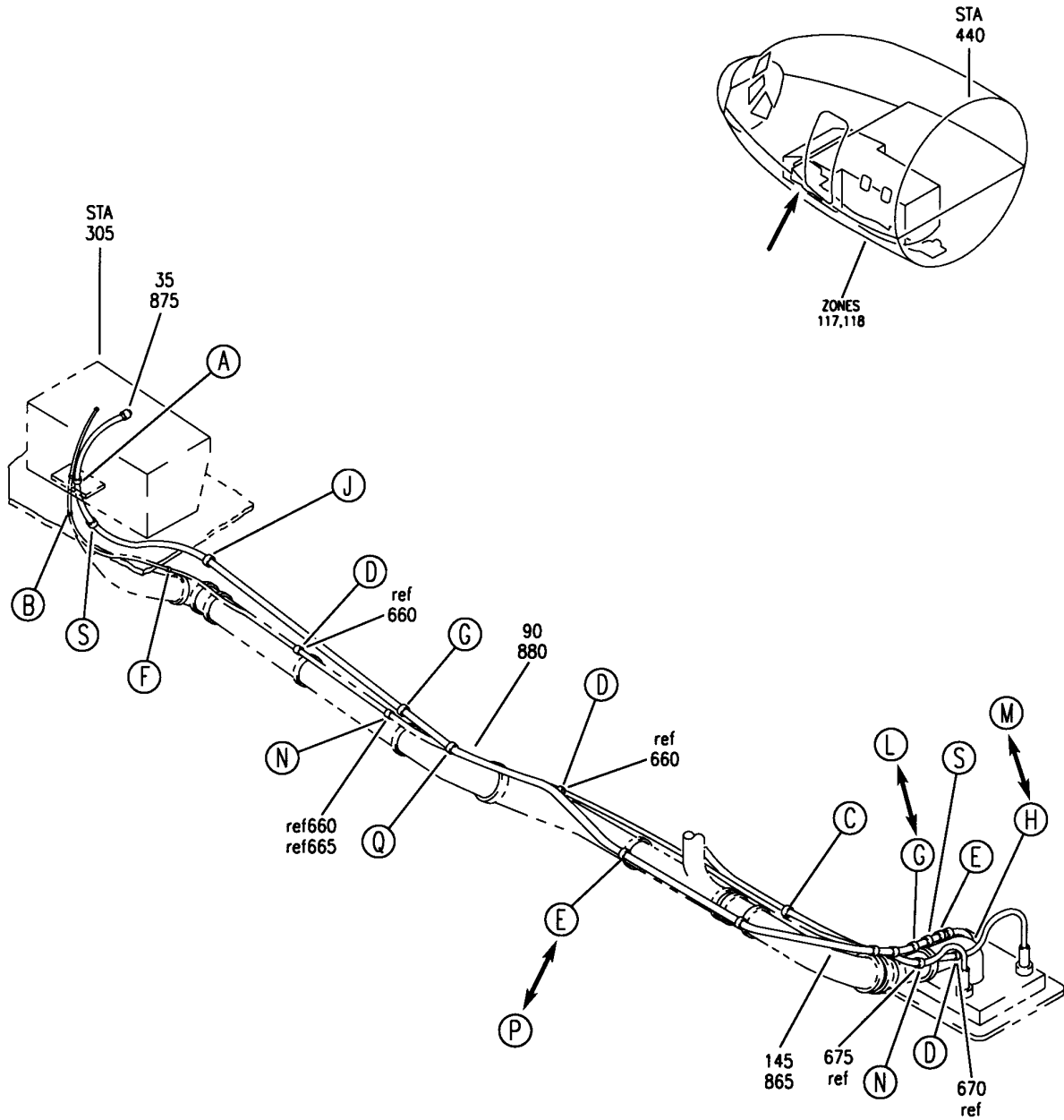
38-32-51-07

38-32-51
FIG. 07
PAGE 7
JAN 20/09

BRI

BOEING PROPRIETARY - Copyright © - Unpublished Work - See title page for details.

BOEING
757
PARTS CATALOG (MAINTENANCE)



Y 38325109 SHT 1 REV 206

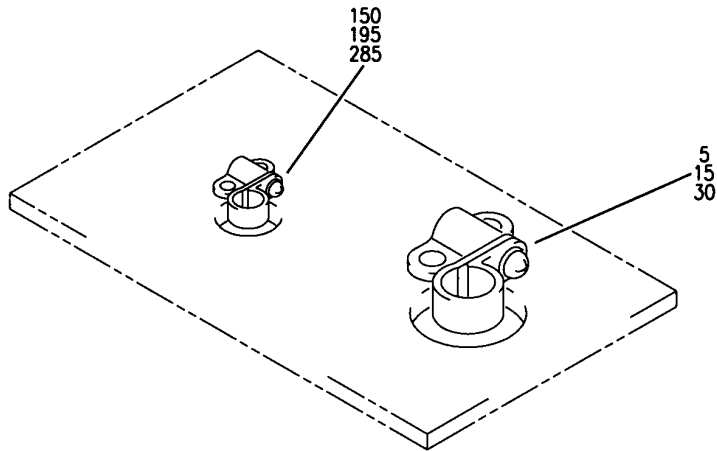
FLUSHLINE AND CABLE INSTL-LAV FWD
FIGURE 9 (SHEET 1)

38-32-51-09

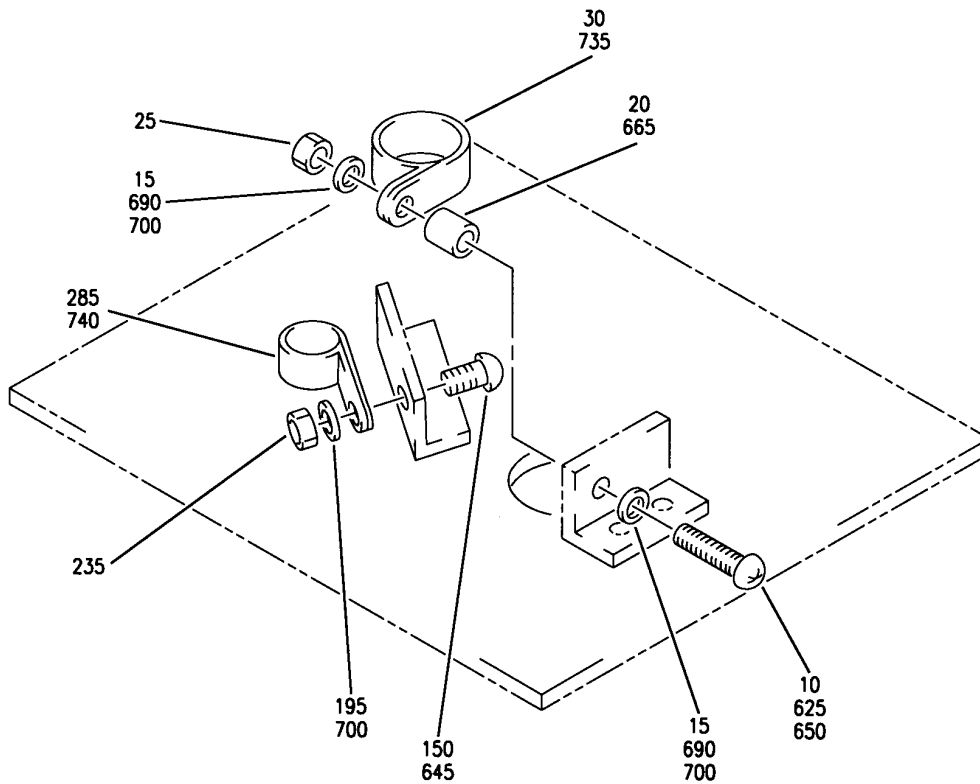
BRI
MAY 28/07

38-32-51-09
PAGE 0

BOEING
757
PARTS CATALOG (MAINTENANCE)



(A)



(B)

Y 38325109 SH1 2 REV 206

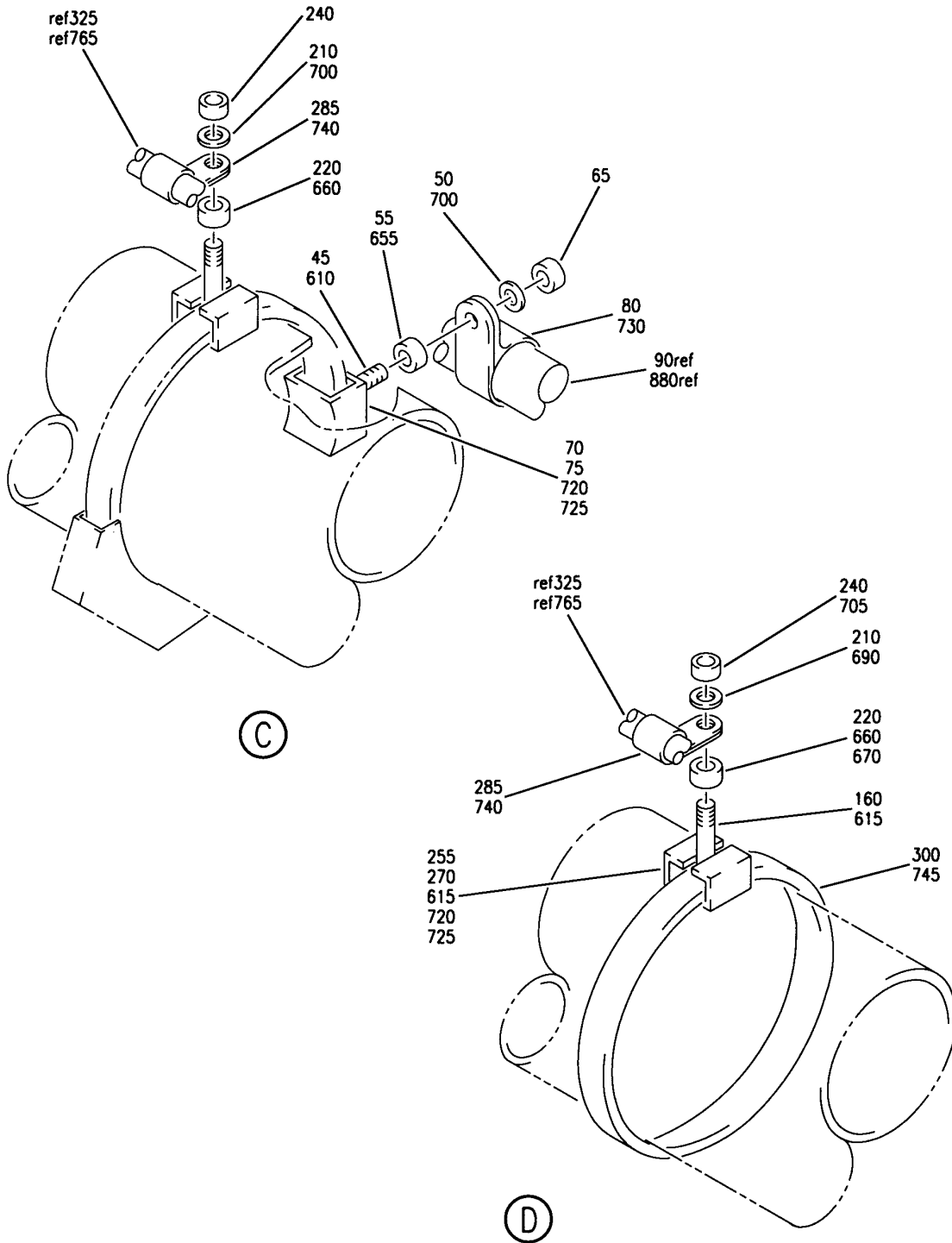
FLUSHLINE AND CABLE INSTL-LAV FWD
FIGURE 9 (SHEET 2)

38-32-51-09

BRI
MAY 28/07

38-32-51-09
PAGE 0A

BOEING
757
PARTS CATALOG (MAINTENANCE)



Y 38325109 SHT 3 REV 206

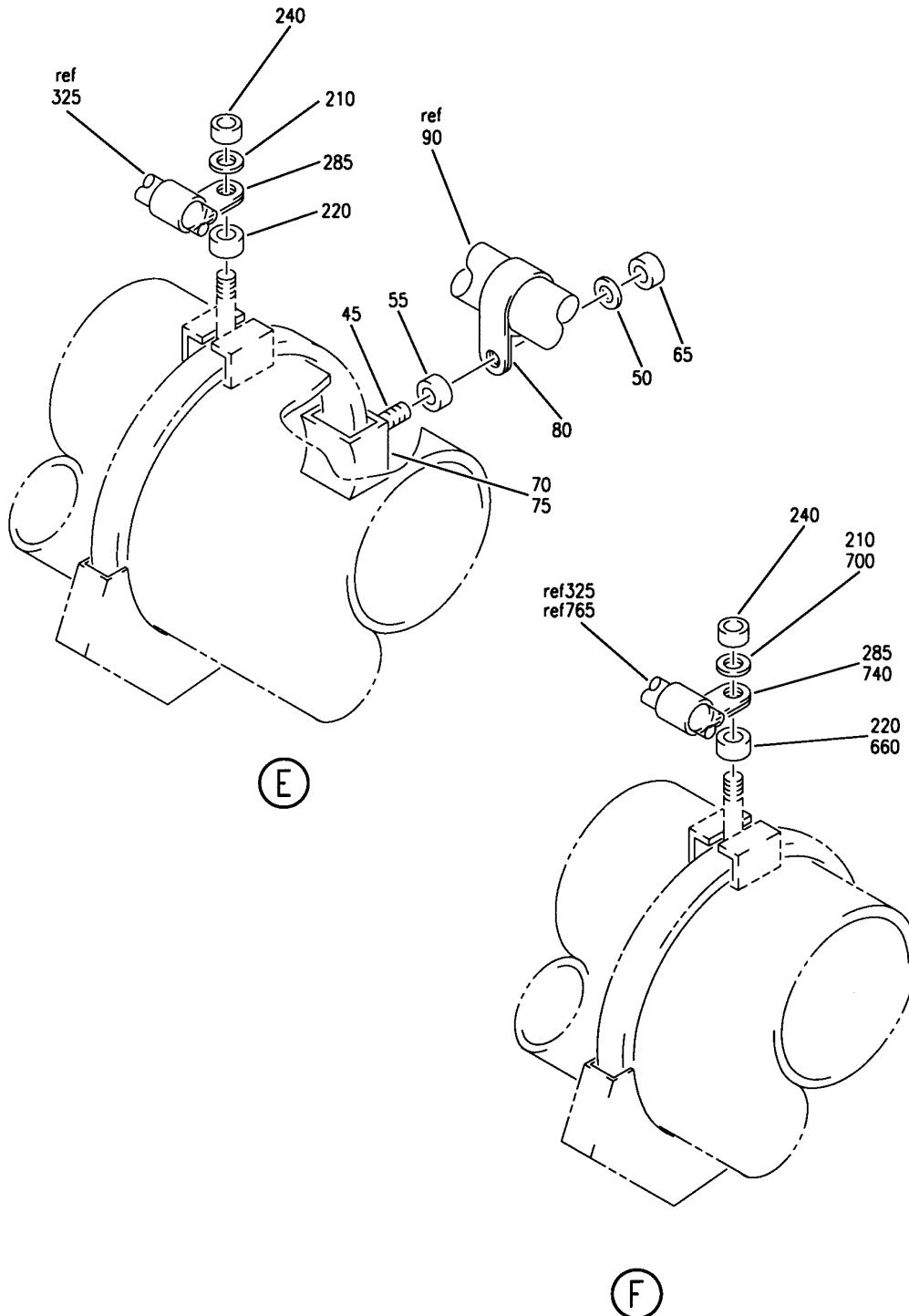
FLUSHLINE AND CABLE INSTL-LAV FWD
FIGURE 9 (SHEET 3)

38-32-51-09

BRI
MAY 28/07

38-32-51-09
PAGE 0B

BOEING
757
PARTS CATALOG (MAINTENANCE)



Y 38325109 SHT 4 REV 206

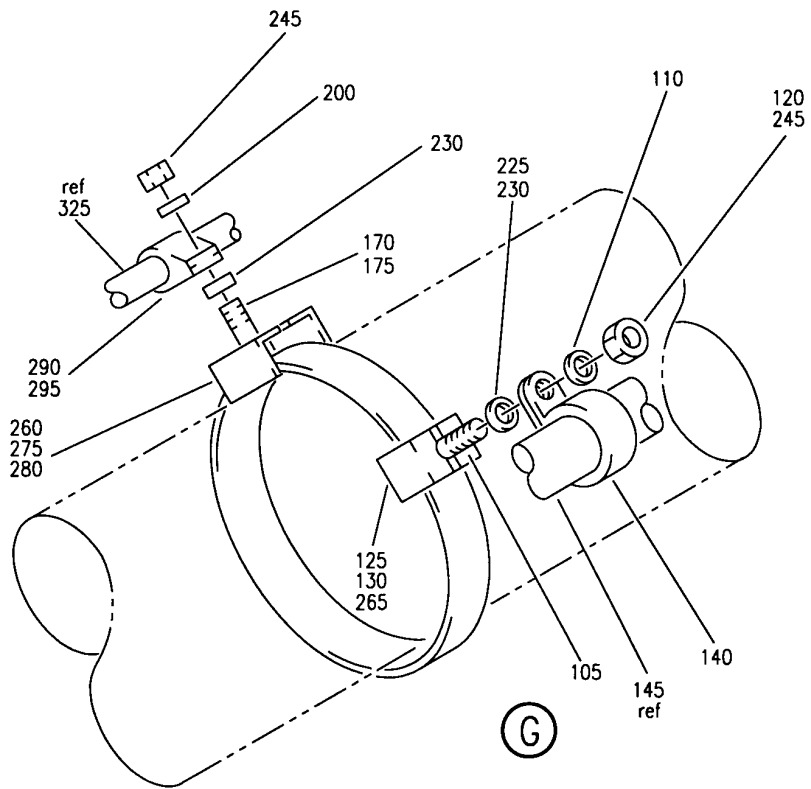
FLUSHLINE AND CABLE INSTL-LAV FWD
FIGURE 9 (SHEET 4)

38-32-51-09

BRI
MAY 28/07

38-32-51-09
PAGE 0C

BOEING
757
PARTS CATALOG (MAINTENANCE)



Y 38325109 SH1 5 REV 164

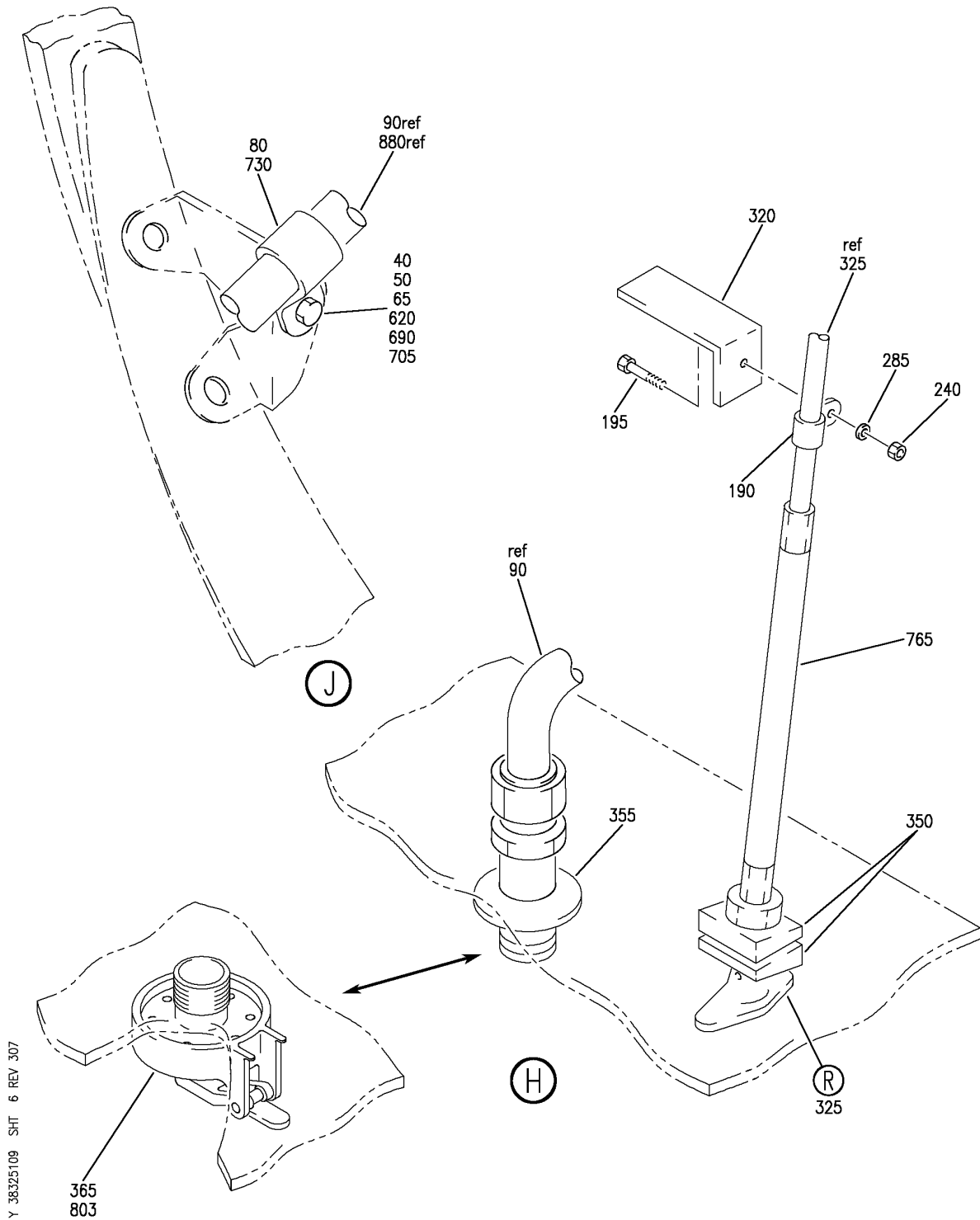
FLUSHLINE AND CABLE INSTL-LAV FWD
FIGURE 9 (SHEET 5)

38-32-51-09

BRI
MAY 28/07

38-32-51-09
PAGE 00

BOEING
757
PARTS CATALOG (MAINTENANCE)



Y 38325109 SHT 6 REV 307

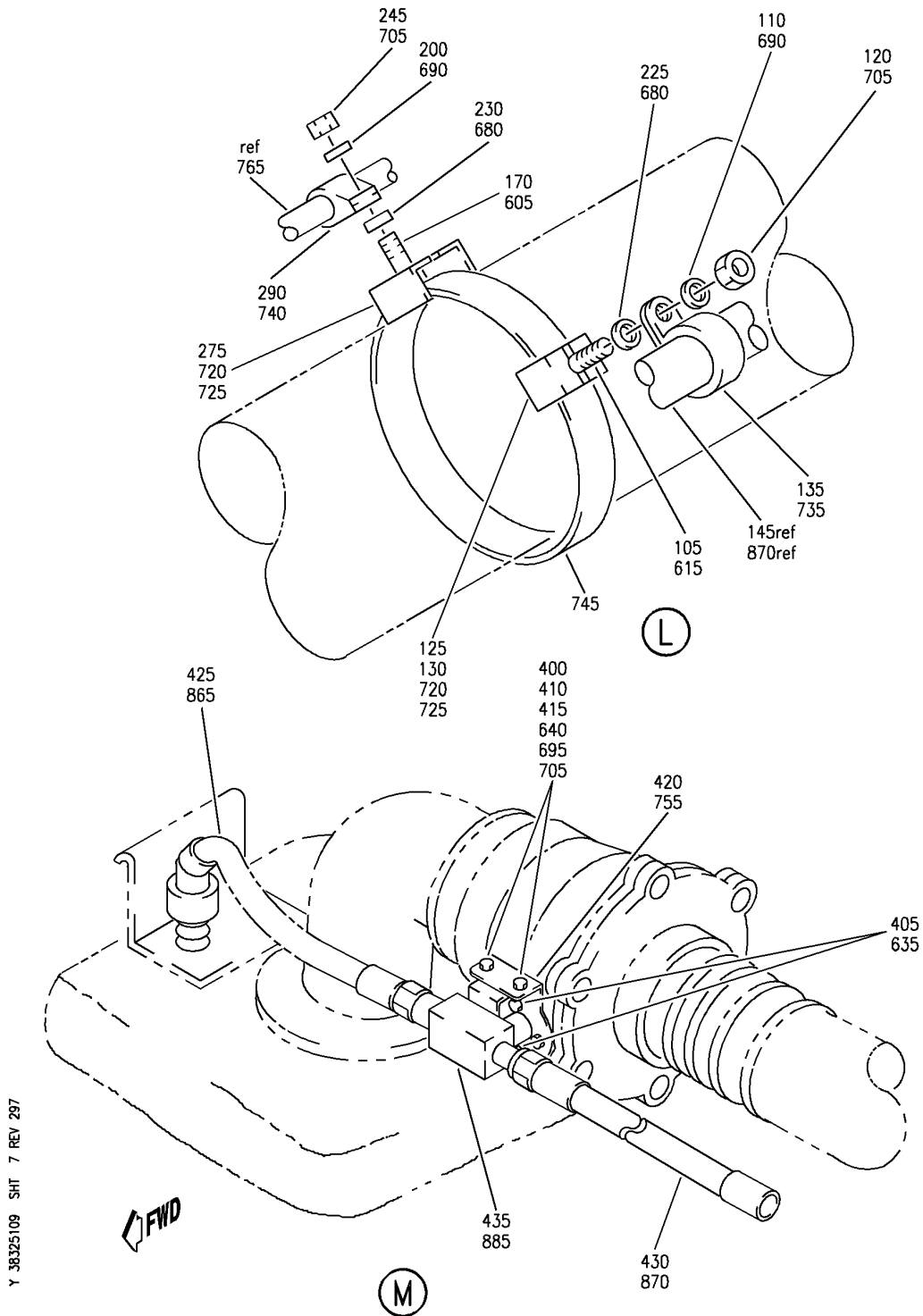
FLUSHLINE AND CABLE INSTL-LAV FWD
FIGURE 9 (SHEET 6)

38-32-51-09

BRI
MAY 28/07

38-32-51-09
PAGE 0E

BOEING
757
PARTS CATALOG (MAINTENANCE)



Y 38325109 SHT 7 REV 297

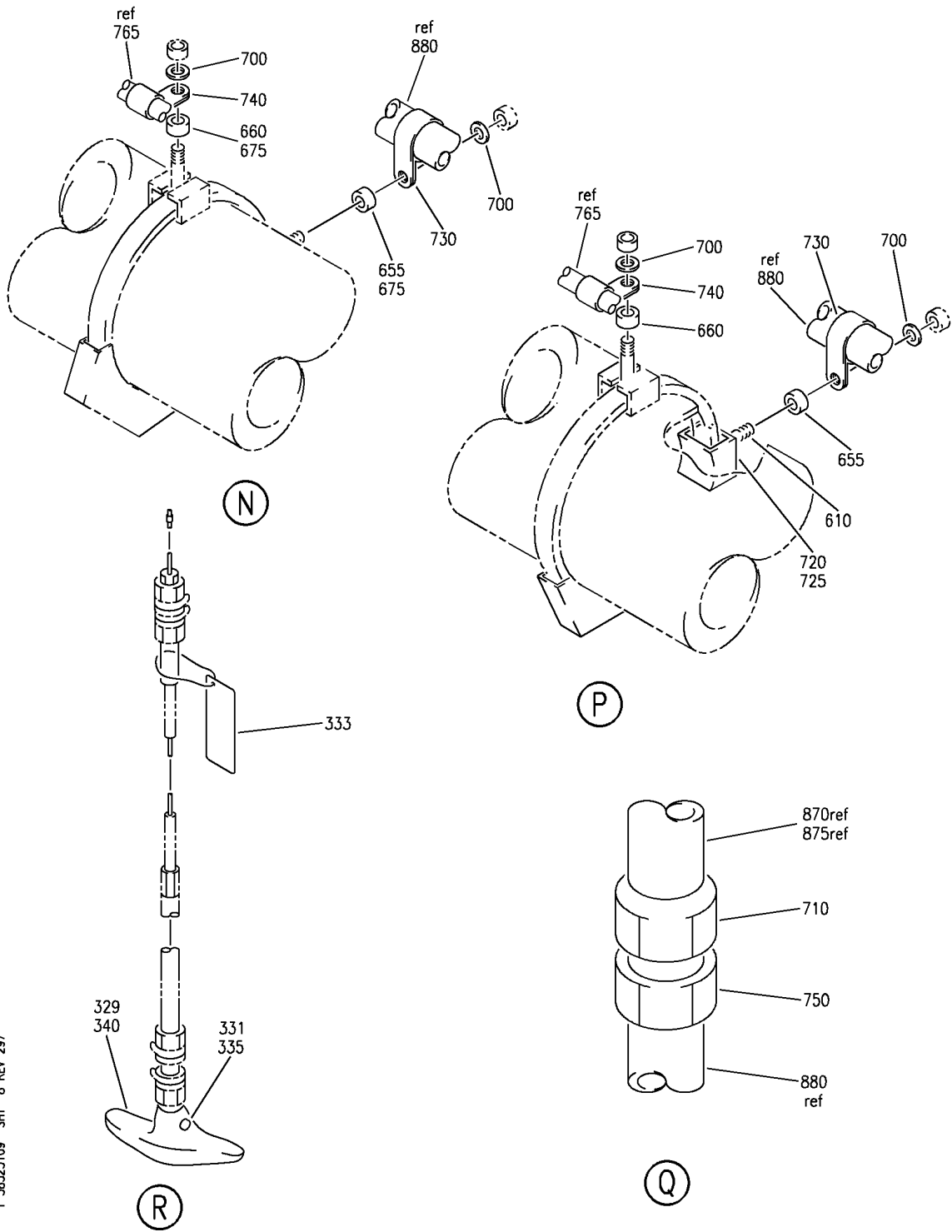
FLUSHLINE AND CABLE INSTL-LAV FWD
FIGURE 9 (SHEET 7)

38-32-51-09

BRI
MAY 28/07

38-32-51-09
PAGE OF

BOEING
757
PARTS CATALOG (MAINTENANCE)



Y 38325109 SHT 8 REV 297

FLUSHLINE AND CABLE INSTL-LAV FWD
FIGURE 9 (SHEET 8)

38-32-51-09

BRI
MAY 28/07

38-32-51-09
PAGE 0G



757

PARTS CATALOG (MAINTENANCE)

FIG ITEM	PART NUMBER	1 2 3 4 5 6 7	NOMENCLATURE	EFFECT FROM TO	UNITS PER ASSY
9			FLUSHLINE AND CABLE INSTL- LAV FWD	002004 006100 950999	
- 1	417N8251-14		FLUSHLINE AND CABLE INSTL- LAV POSITION DATA: FWD FOR NHA SEE: 25-20-00-01A	002004 952952	RF
- 1	417N8251-27		FLUSHLINE AND CABLE INSTL- LAV POSITION DATA: FWD FOR NHA SEE: 25-20-00-01A	006100 950951 953999	RF
5	BACS12CK3-12		.SCREW	002004 006100 950999	1
10	NAS1801-3-15		.SCREW	002004 006100 950999	1
15	AN960PD10L		.WASHER	002004 006100 950999	3
20	NAS43DD3-28		.SPACER	002004 006100 950999	1
30	BACC10DK13		.CLAMP	002004 006100 950999	2
35	41207-377		.HOSE- SUPPLIER CODE: V24984 SPECIFICATION NUMBER: 10-60871-377 OPTIONAL PART: AS4475-12-0304	002004 006100 950999	1
35	AS4475-12-0304		.HOSE- OPTIONAL PART: 41207-377 V24984	002004 006100 950999	1
40	BACS12CK3-12		.SCREW	002004 006100 950999	1
45	NAS6703-7		.BOLT	002004 006100 950999	2

MISSING ITEM NUMBERS NOT APPLICABLE

- ITEM NOT ILLUSTRATED

BRI

38-32-51-09

38-32-51
FIG. 09
PAGE 1
JAN 20/09



757

PARTS CATALOG (MAINTENANCE)

FIG ITEM	PART NUMBER	1 2 3 4 5 6 7	NOMENCLATURE	EFFECT FROM TO	UNITS PER ASSY
9					
50	AN960KD10L	.	WASHER	002004 006100 950999	5
55	NAS43DD3-12	.	SPACER	002004 006100 950999	3
60	NAS43DD3-8	.	SPACER	002004 006100 950999	1
65	BRH10C3D	.	NUT SUPPLIER CODE: V52828 SPECIFICATION NUMBER: BACN10JC3CD OPTIONAL PART: T6C1032JCD V11815 NS202486-02 V80539 102LH9075-3W V72962 H51650-3BAC V15653	002004 006100 950999	5
70	BACC15AN10	.	CLIP	002004 006100 950999	2
75	BACB19F10S	.	BLOCK	002004 006100 950999	2
80	BACC10DK12	.	CLAMP	002004 006100 950999	5
85	BACC10DK5	.	CLAMP	002004 006100 950999	1
90	417N8251-11	.	TUBE ASSY- TUBING MATERIAL: STOCK .75 OD X .020 WALL X 132 LENGTH PER MIL-T-8504 304 ANNEALED TUBING OPTIONAL TO 0.75 OD X .028 WALL X 132 LENGTH PER MIL-T-8808 347 ANNEALED TUBING OPTIONAL TO 0.75 OD X .028 WALL X 132 LENGTH PER MIL-T-8808 ANNEALED TUBING	002004 006100 950999	1

MISSING ITEM NUMBERS NOT APPLICABLE

- ITEM NOT ILLUSTRATED

38-32-51-09

38-32-51
FIG. 09
PAGE 2
JAN 20/09

BRI



757

PARTS CATALOG (MAINTENANCE)

FIG ITEM	PART NUMBER	1 2 3 4 5 6 7	NOMENCLATURE	EFFECT FROM TO	UNITS PER ASSY
9					
- 95	AP2097H12	..	SLEEVE SUPPLIER CODE: V01673 SPECIFICATION NUMBER: BACS13BX12H OPTIONAL PART: 2-02903-12H V11328 35235V12 V08199 AFP175V12 V30974 DBOS13BX12H V14798	002004 006100 950999	2
- 100	BACN10YE12	..	NUT	002004 006100 950999	2
105	NAS6703-7	.	BOLT	002004 006100 950999	2
110	AN960PD10L	.	WASHER	002004 006100 950999	2
115	NAS43DD3-8	.	SPACER	002004 006100 950999	2
120	BRH10C3D	.	NUT SUPPLIER CODE: V52828 SPECIFICATION NUMBER: BACN10JC3CD OPTIONAL PART: T6C1032JCD V11815 NS202486-02 V80539 102LH9075-3W V72962 H51650-3BAC V15653	002004 006100 950999	2
125	BACC15AN10	.	CLIP	002004 006100 950999	2
130	BACB19F10S	.	BLOCK	002004 006100 950999	2
135	BACC10DK14	.	CLAMP	002004 006100 950999	2

MISSING ITEM NUMBERS NOT APPLICABLE

- ITEM NOT ILLUSTRATED

38-32-51-09

38-32-51
FIG. 09
PAGE 3
JAN 20/09

BRI



757

PARTS CATALOG (MAINTENANCE)

FIG ITEM	PART NUMBER	1 2 3 4 5 6 7	NOMENCLATURE	EFFECT FROM TO	UNITS PER ASSY
9					
140	N2088		.PLUG SUPPLIER CODE: V75345 SPECIFICATION NUMBER: BACP20BA1 OPTIONAL PART: SZ7105 V95272 4841 V84914	002004 006100 950999	2
145	41209-370		.HOSE- SUPPLIER CODE: V24984 SPECIFICATION NUMBER: 10-60871-370 OPTIONAL PART: AS4477-12-0314	002004 006100 950999	1
145	AS4477-12-0314		.HOSE- OPTIONAL PART: 41209-370 V24984	002004 006100 950999	1
150	BACS12CK3-12		.SCREW	002004 006100 950999	1
155	NAS1801-3-10		.SCREW	002004 006100 950999	1
160	NAS6703-9		.BOLT	002004 006100 950999	2
165	NAS6703-5		.BOLT	002004 006100 950999	1
170	NAS6703-5		.BOLT	002004 006100 950999	1
180	NAS1801-3-7		.SCREW	002004 006100 950999	1
185	NAS1801-3-8		.SCREW	002004 006100 950999	1
190	BACS12CK3-8		.SCREW	002004 006100 950999	2
195	AN960PD10L		.WASHER	002004 006100 950999	4

MISSING ITEM NUMBERS NOT APPLICABLE

- ITEM NOT ILLUSTRATED

38-32-51-09

38-32-51
FIG. 09
PAGE 4
JAN 20/09

BRI

BOEING PROPRIETARY - Copyright © - Unpublished Work - See title page for details.



757

PARTS CATALOG (MAINTENANCE)

FIG ITEM	PART NUMBER	1 2 3 4 5 6 7	NOMENCLATURE	EFFECT FROM TO	UNITS PER ASSY
9					
200	AN960PD10L	.	WASHER	002004 006100 950999	2
210	AN960KD10L	.	WASHER	002004 006100 950999	6
215	AN960-10L	.	WASHER	002004 006100 950999	1
220	NAS43DD3-21	.	SPACER	002004 006100 950999	6
225	NAS43DD3-8	.	SPACER	002004 006100 950999	2
240	BRH10C3D	.	NUT SUPPLIER CODE: V52828 SPECIFICATION NUMBER: BACN10JC3CD OPTIONAL PART: T6C1032JCD V11815 NS202486-02 V80539 102LH9075-3W V72962 H51650-3BAC V15653	002004 006100 950999	7
245	BRH10C3D	.	NUT SUPPLIER CODE: V52828 SPECIFICATION NUMBER: BACN10JC3CD OPTIONAL PART: T6C1032JCD V11815 NS202486-02 V80539 102LH9075-3W V72962 H51650-3BAC V15653	002004 006100 950999	2
255	BACC15AN10	.	CLIP	002004 006100 950999	2
260	BACC15AN10	.	CLIP	002004 006100 950999	2

MISSING ITEM NUMBERS NOT APPLICABLE

- ITEM NOT ILLUSTRATED

38-32-51-09

38-32-51
FIG. 09
PAGE 5
JAN 20/09

BRI

BOEING PROPRIETARY - Copyright © - Unpublished Work - See title page for details.



757

PARTS CATALOG (MAINTENANCE)

FIG ITEM	PART NUMBER	1 2 3 4 5 6 7	NOMENCLATURE	EFFECT FROM TO	UNITS PER ASSY
9					
270	BACB19F10S	.	BLOCK	002004 006100 950999	2
275	BACB19F10S	.	BLOCK	002004 006100 950999	2
285	BACC10DK5	.	CLAMP	002004 006100 950999	9
290	BACC10DK5	.	CLAMP	002004 006100 950999	3
300	NAS1922-0400-1	.	CLAMP-	002004	2
			OPTIONAL PART: BACC10JB126C156	006100 950999	
300	BACC10JB126C156	.	CLAMP	002004 006100 950999	2
305	NAS1922-0400-1	.	CLAMP-	002004	2
			OPTIONAL PART: BACC10JB126C156	006100 950999	
305	BACC10JB126C156	.	CLAMP	002004 006100 950999	2
315	NS102557-02-1	.	BRACKET	002004	1
			SUPPLIER CODE: V80539	006100 950999	
			SPECIFICATION NUMBER: BACB20G7F8L3		
			OPTIONAL PART: TA101CHT1-7-8		
			V84971		
			NS102557-02-1		
			V07170		
320	BACB2A009D1E1UY	.	BRACKET	002004 006100 950999	1

MISSING ITEM NUMBERS NOT APPLICABLE

- ITEM NOT ILLUSTRATED

BRI

38-32-51-09

38-32-51
FIG. 09
PAGE 6
JAN 20/09



757

PARTS CATALOG (MAINTENANCE)

FIG ITEM	PART NUMBER	1 2 3 4 5 6 7	NOMENCLATURE	EFFECT FROM TO	UNITS PER ASSY
9 325	570-713-001		.CABLE ASSY-CONT SUPPLIER CODE: V06970 SPECIFICATION NUMBER: S417N202-3 OPTIONAL PART: 7-44017-3 V78710 2604430-010 V04638 OPTIONAL PART: 570-713-178 V06970	002004 006100 950999	1
325	7-44017-3		.CABLE ASSY-CONT SUPPLIER CODE: V78710 SPECIFICATION NUMBER: S417N202-3 COMPONENT MAINT MANUAL REF: 38-30-13 OPTIONAL PART: 570-713-001 V06970 2604430-010 V04638	002004 006100 950999	1
325	570-713-178		.CABLE ASSY-CONT SUPPLIER CODE: V06970 SPECIFICATION NUMBER: S417N202-126 OPTIONAL PART: 570-713-001 V06970	006100 950951 953999	1
329	61751-1		..HANDLE- SUPPLIER CODE: V78710 USED ON: 7-44017-3 ATTACHING PARTS	002004 006100 950999	1
331	MS171526		..PIN- USED ON: 7-44017-3 -----*-----	002004 006100 950999	1
333	64204-1		..PLATE-IDENT SUPPLIER CODE: V78710 USED ON: 7-44017-3	002004 006100 950999	1

MISSING ITEM NUMBERS NOT APPLICABLE

- ITEM NOT ILLUSTRATED

38-32-51-09

38-32-51
FIG. 09
PAGE 7
JAN 20/09

BRI



757

PARTS CATALOG (MAINTENANCE)

FIG ITEM	PART NUMBER	1 2 3 4 5 6 7	NOMENCLATURE	EFFECT FROM TO	UNITS PER ASSY
9					
335	MS16562-203	. .	PIN	002004 006100 950999	1
340	565-100-029	. .	HANDLE-TEE SUPPLIER CODE: V06970	002004 006100 950999	1
350	417N8252-1	. .	WASHER-TAPERED	002004 006100 950999	2
355	4709-21	. .	NIPPLE ASSY- SUPPLIER CODE: V86831 OPTIONAL PART: H3-1216-1 V34941	002004 006100 950999	1
355	H3-1216-1	. .	NIPPLE ASSY- SUPPLIER CODE: V34941 OPTIONAL PART: 4709-21 V86831	002004 006100 950999	1
355	0016-0015-5	. .	CAP ASSY-LEVER SUPPLIER CODE: V86831 COMPONENT MAINT MANUAL REF: 38-32-10 ATTACHING PARTS	002004 006100 950999	1
- 360	BACR15FT4D	. .	RIVET- SIZE DETERMINED ON INSTL. -----*-----	002004 952952	6
365	0016-0022-1	. .	CAP ASSY-LEVER SUPPLIER CODE: V86831 COMPONENT MAINT MANUAL REF: 38-32-10 FOR DETAILS SEE: 38-32-52-26 ATTACHING PARTS	002004 006100 950999	1
- 370	BACR15FT4D	. .	RIVET- SIZE DETERMINED ON INSTL. -----*-----	006100 950951 953999	6

MISSING ITEM NUMBERS NOT APPLICABLE

- ITEM NOT ILLUSTRATED

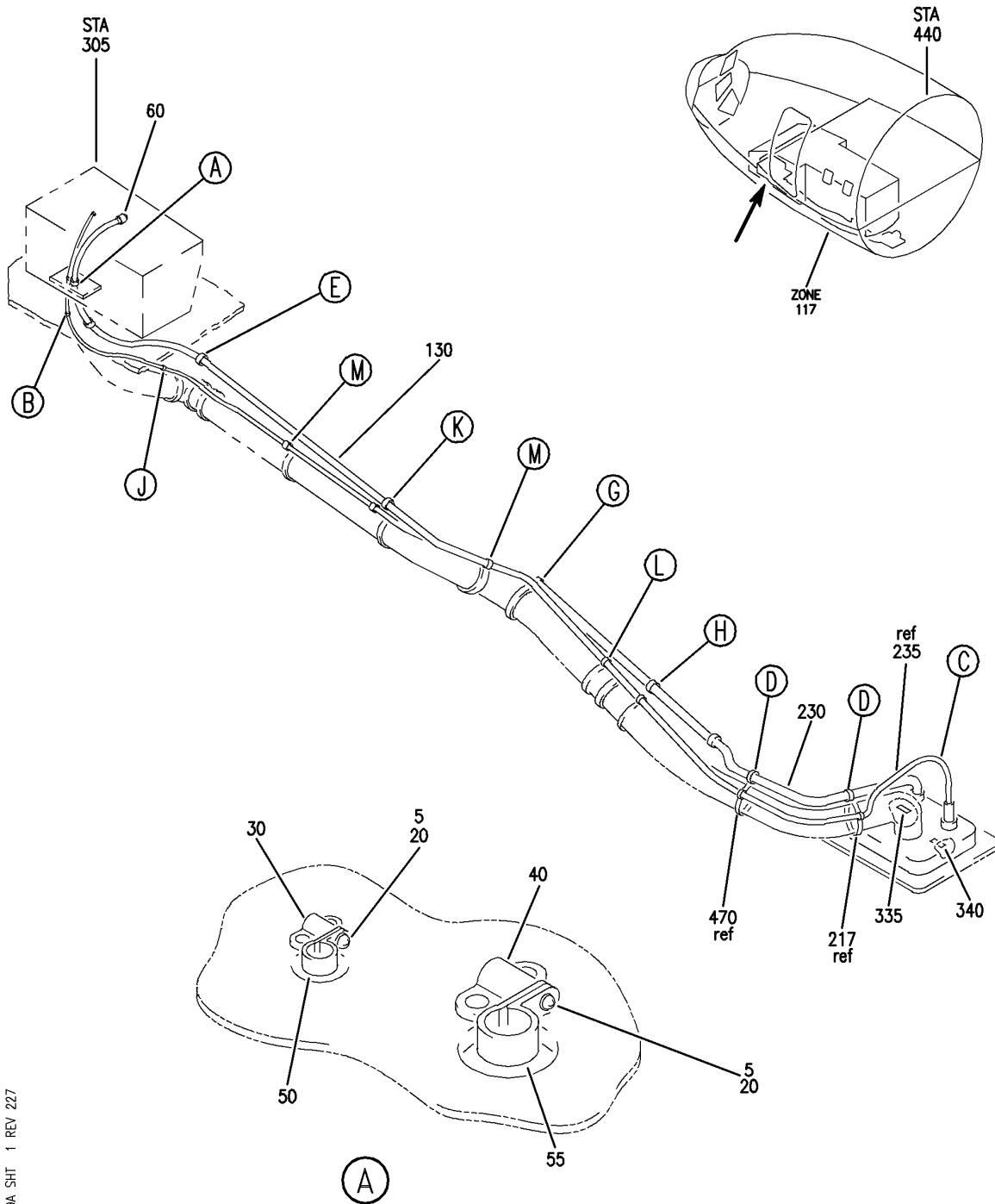
38-32-51-09

38-32-51
FIG. 09
PAGE 8
JAN 20/09

BRI

BOEING PROPRIETARY - Copyright © - Unpublished Work - See title page for details.

BOEING
757
PARTS CATALOG (MAINTENANCE)



Y 38325109A SHT 1 REV 227

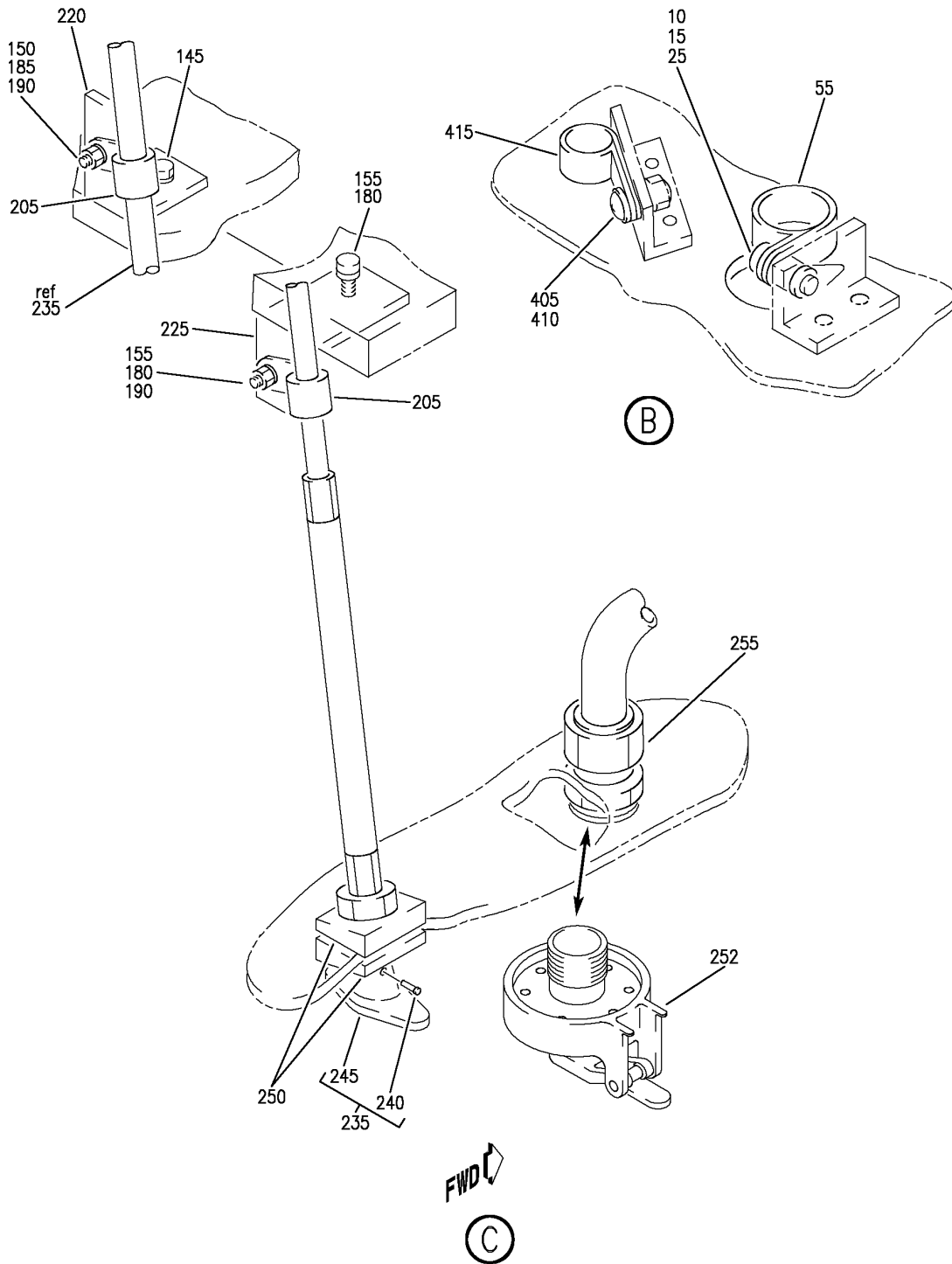
FLUSHLINE AND CABLE INSTL AND SUPPORT INSTL LAV A
FIGURE 9A (SHEET 1)

38-32-51-09A

BRI
MAY 28/07

38-32-51-09A
PAGE 0

BOEING
757
PARTS CATALOG (MAINTENANCE)



Y 38325109A SHT 2 REV 307

FLUSHLINE AND CABLE INSTL AND SUPPORT INSTL LAV A
FIGURE 9A (SHEET 2)

38-32-51-09A

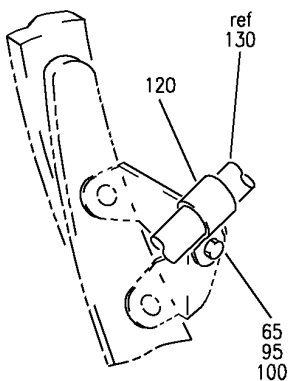
BRI
MAY 28/07

38-32-51-09A
PAGE 0A

BOEING
757
PARTS CATALOG (MAINTENANCE)



(D)



(E)

Y 38325109A SHT 3 REV 297

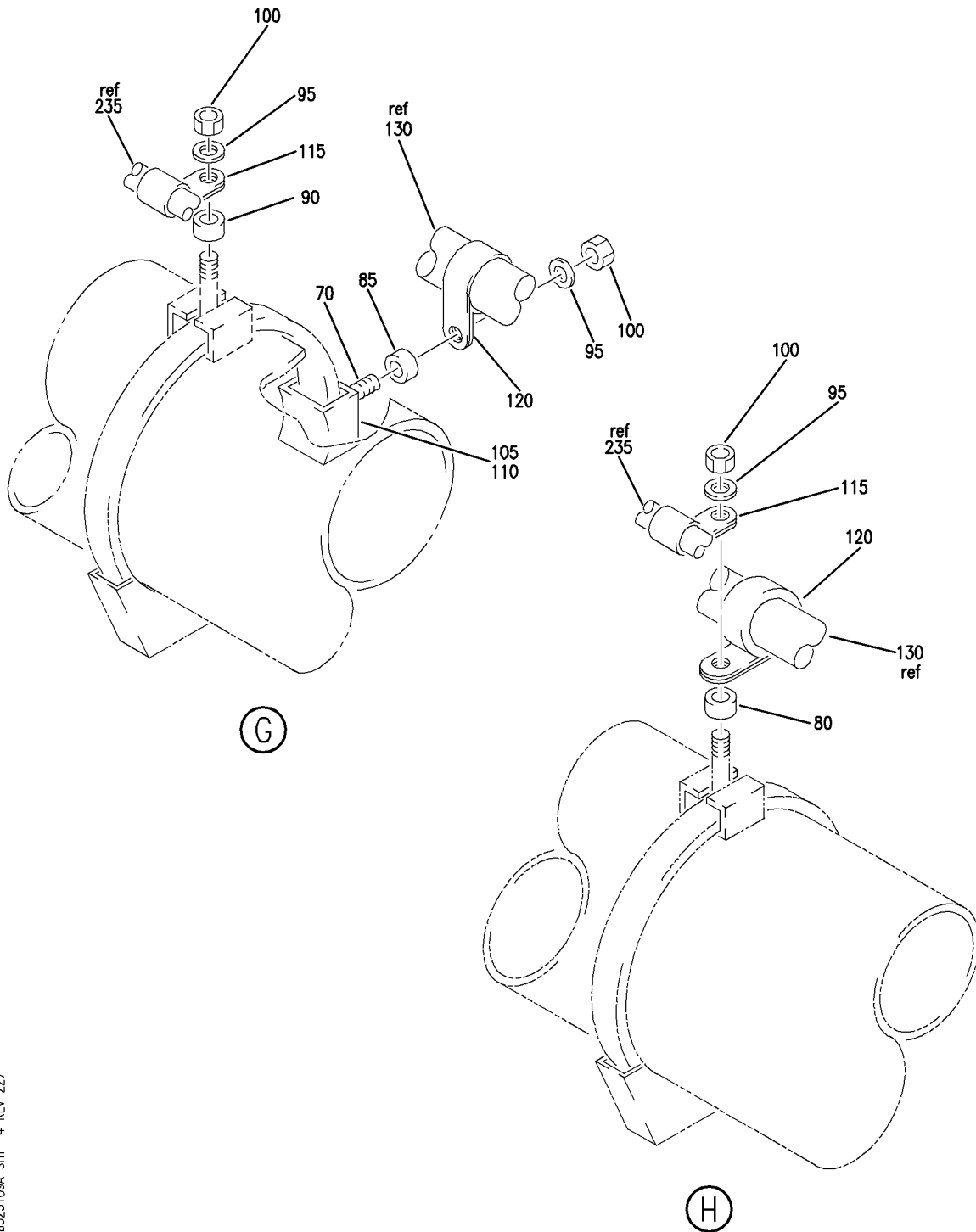
FLUSHLINE AND CABLE INSTL AND SUPPORT INSTL LAV A
FIGURE 9A (SHEET 3)

38-32-51-09A

BRI
MAY 28/07

38-32-51-09A
PAGE 0B

BOEING
757
PARTS CATALOG (MAINTENANCE)



Y 38325109A SHT 4 REV 227

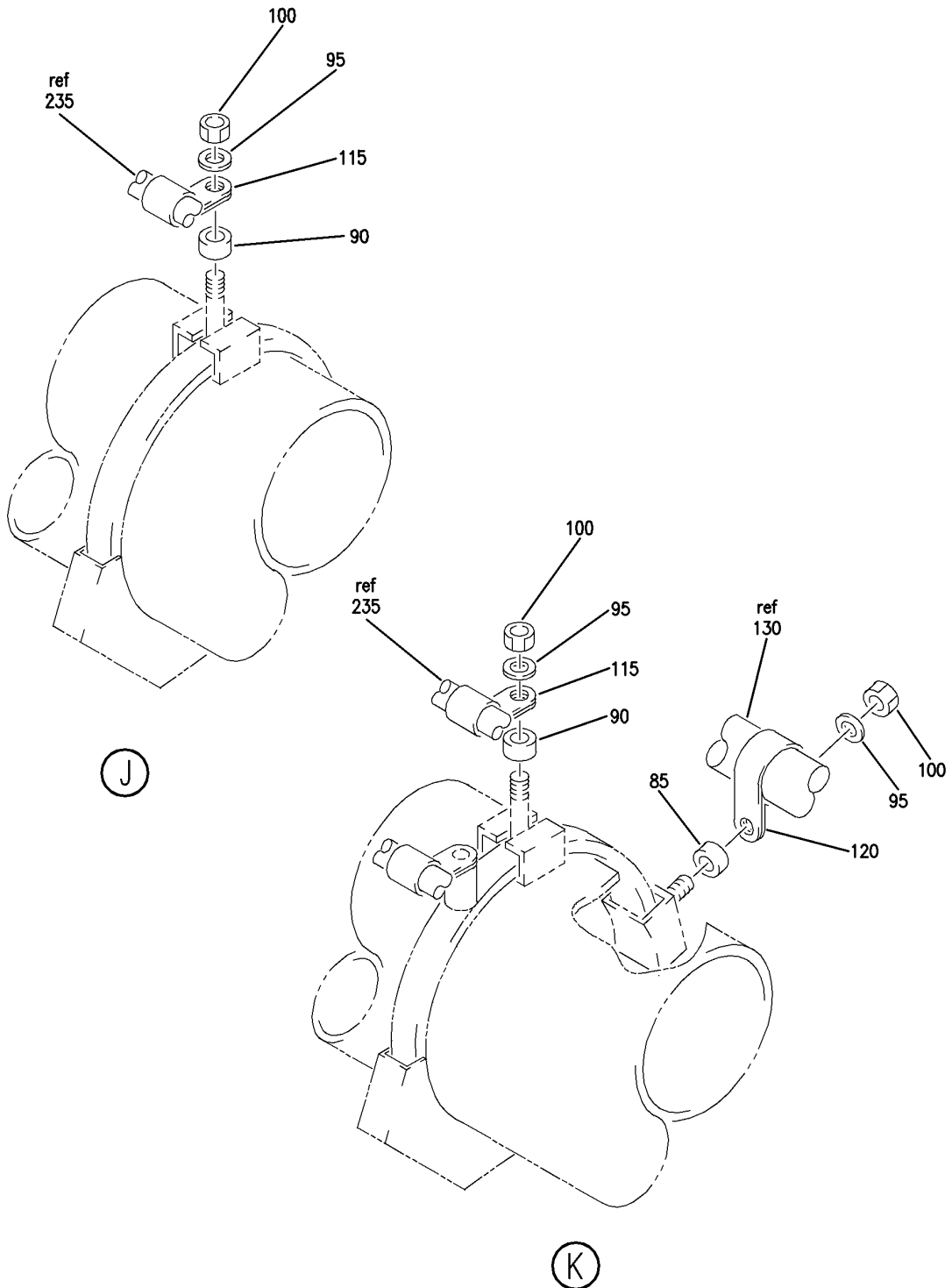
FLUSHLINE AND CABLE INSTL AND SUPPORT INSTL LAV A
FIGURE 9A (SHEET 4)

38-32-51-09A

BRI
MAY 28/07

38-32-51-09A
PAGE 0C

BOEING
757
PARTS CATALOG (MAINTENANCE)



Y 38325109A SHT 5 REV 227

FLUSHLINE AND CABLE INSTL AND SUPPORT INSTL LAV A
FIGURE 9A (SHEET 5)

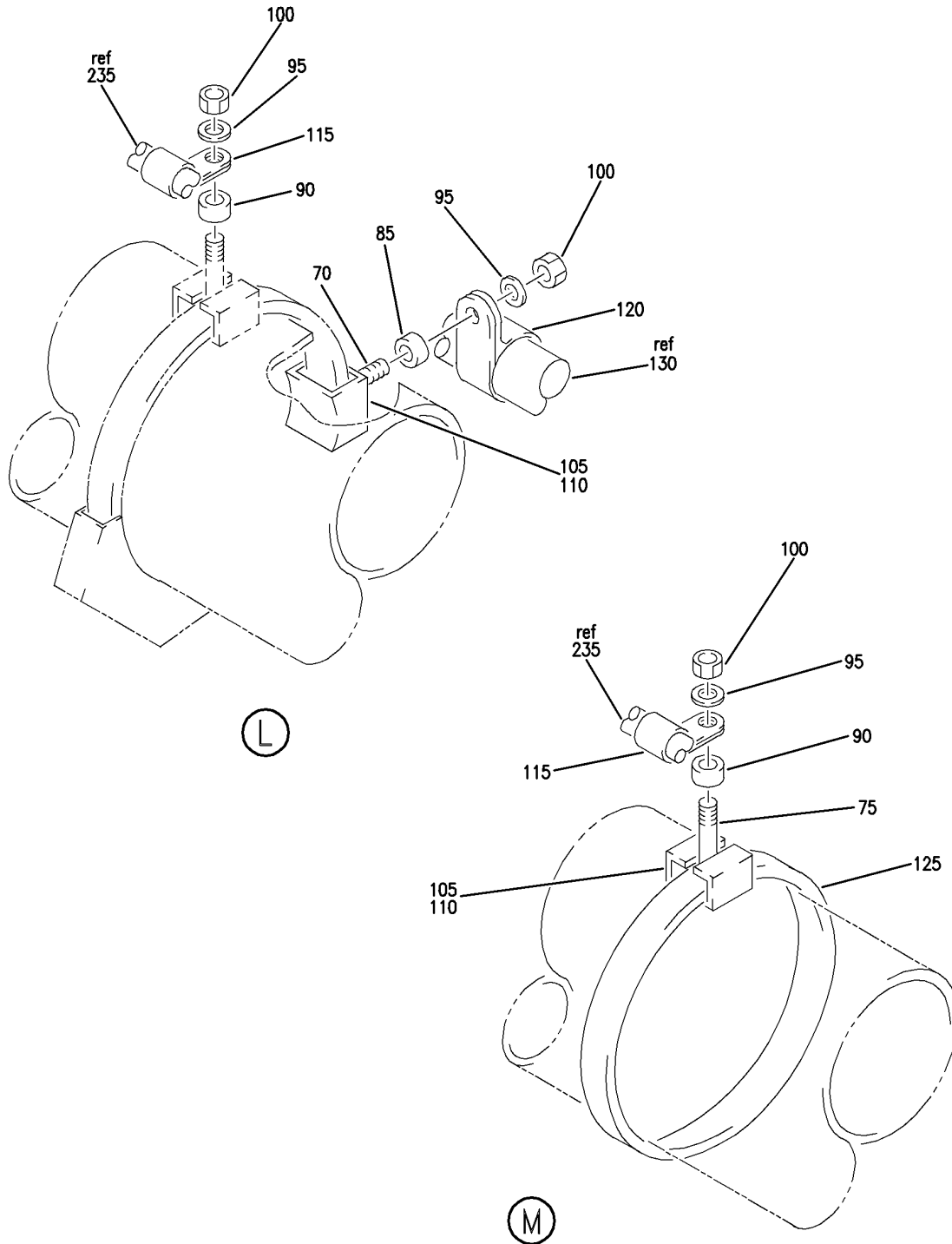
38-32-51-09A

BRI
MAY 28/07

38-32-51-09A
PAGE 0D

BOEING PROPRIETARY - Copyright © - Unpublished Work - See title page for details.

BOEING
757
PARTS CATALOG (MAINTENANCE)



Y 38325109A SH1 6 REV 227

FLUSHLINE AND CABLE INSTL AND SUPPORT INSTL LAV A
FIGURE 9A (SHEET 6)

38-32-51-09A

BRI
MAY 28/07

38-32-51-09A
PAGE 0E



757

PARTS CATALOG (MAINTENANCE)

FIG ITEM	PART NUMBER	1 2 3 4 5 6 7	NOMENCLATURE	EFFECT FROM TO	UNITS PER ASSY
9A			FLUSHLINE AND CABLE INSTL AND SUPPORT INSTL LAV A	101102 108120 504903	
- 1	417N8251-33		FLUSHLINE AND CABLE INSTL- LAV A FOR NHA SEE: 25-20-00-09	101102 108120 504903	RF
5	BACS12CK3-12		.SCREW	101102 108120 504903	2
10	BACS12GU3K15		.SCREW	101102 108120 504903	1
15	NAS43DD3-28FC		.SPACER	101102 108120 504903	1
20	AN960PD10L		.WASHER	101102 108120 504903	2
25	NAS1149D0316J		.WASHER	101102 108120 504903	2
30	BACN10GH3A2		.NUTPLATE	101102 108120 504903	1
- 35	NAS1398D4A		ATTACHING PARTS .RIVET- SIZE DETERMINED ON INSTL.	101102 108120 504903	2
40	BACN10GH3A4		-----*----- .NUTPLATE	101102 108120 504903	1
- 45	NAS1398D4A		ATTACHING PARTS .RIVET- SIZE DETERMINED ON INSTL.	101102 108120 504903	2
50	BACC10DK5		-----*----- .CLAMP	101102 108120 504903	1
55	BACC10DK13		.CLAMP	101102 108120 504903	2
60	AS4475-15-0304		.HOSE ASSY	101102 108120 504903	1

MISSING ITEM NUMBERS NOT APPLICABLE

- ITEM NOT ILLUSTRATED

38-32-51-09A

38-32-51
FIG. 09A
PAGE 1
JAN 20/09

BRI

BOEING PROPRIETARY - Copyright © - Unpublished Work - See title page for details.



757

PARTS CATALOG (MAINTENANCE)

FIG ITEM	PART NUMBER	1 2 3 4 5 6 7	NOMENCLATURE	EFFECT FROM TO	UNITS PER ASSY
9A					
65	BACS12CK3-12	.	SCREW	101102 108120 504903	1
70	NAS6703-7	.	BOLT	101102 108120 504903	2
75	NAS6703-9	.	BOLT	101102 108120 504903	2
80	NAS43DD3-8FC	.	SPACER	101102 108120 504903	1
85	NAS43DD3-12FC	.	SPACER	101102 108120 504903	3
90	NAS43DD3-21FC	.	SPACER	101102 108120 504903	6
95	NAS1149D0332J	.	WASHER	101102 108120 504903	11
100	BRH10C3D	.	NUT SUPPLIER CODE: V52828 SPECIFICATION NUMBER: BACN10JC3CD OPTIONAL PART: T6C1032JCD V11815 NS202486-02 V80539 102LH9075-3W V72962 H51650-3BAC V15653	101102 108120 504903	11
105	BACB19F10S	.	BLOCK	101102 108120 504903	4
110	BACC15AN10	.	CLIP	101102 108120 504903	4
115	BACC10DK5	.	CLAMP	101102 108120 504903	7
120	BACC10DK12	.	CLAMP	101102 108120 504903	5

MISSING ITEM NUMBERS NOT APPLICABLE

- ITEM NOT ILLUSTRATED

BRI

38-32-51-09A

BOEING PROPRIETARY - Copyright © - Unpublished Work - See title page for details.

38-32-51
FIG. 09A
PAGE 2
JAN 20/09



757

PARTS CATALOG (MAINTENANCE)

FIG ITEM	PART NUMBER	1 2 3 4 5 6 7	NOMENCLATURE	EFFECT FROM TO	UNITS PER ASSY
9A					
125	BACC10JB126C156	.	CLAMP	101102 108120 504903	2
130	417N8251-11	.	TUBE ASSY- TUBING MATERIAL: STOCK .75 OD X .020 WALL X 132 LENGTH PER MIL-T-8504 304 ANNEALED TUBING OPTIONAL TO 0.75 OD X .028 WALL X 132 LENGTH PER MIL-T-8808 347 ANNEALED TUBING OPTIONAL TO 0.75 OD X .028 WALL X 132 LENGTH PER MIL-T-8808 ANNEALED TUBING	101102 108120 504903	1
- 135	AP2097H12	..	SLEEVE SUPPLIER CODE: V01673 SPECIFICATION NUMBER: BACS13BX12H OPTIONAL PART: 2-02903-12H V11328 35235V12 V08199 AFP175V12 V30974 DBOS13BX12H V14798	101102 108120 504903	2
- 140	BACN10YE12	..	NUT	101102 108120 504903	2
145	BACS12GU3K7	.	SCREW	101102 108120 504903	1
150	BACS12GU3K8	.	SCREW	101102 108120 504903	1
155	BACS12CK3-8	.	SCREW	101102 108120 504903	2
160	NAS6703-5	.	BOLT	101102 108120 504903	1
165	NAS6703-7	.	BOLT	101102 108120 504903	1

MISSING ITEM NUMBERS NOT APPLICABLE

- ITEM NOT ILLUSTRATED

38-32-51-09A

38-32-51
FIG. 09A
PAGE 3
JAN 20/09

BRI

BOEING PROPRIETARY - Copyright © - Unpublished Work - See title page for details.



757

PARTS CATALOG (MAINTENANCE)

FIG ITEM	PART NUMBER	1 2 3 4 5 6 7	NOMENCLATURE	EFFECT FROM TO	UNITS PER ASSY
9A					
170	NAS43DD3-8	.	SPACER	101102 108120 504903	2
175	AN960PD10L	.	WASHER	101102 108120 504903	2
180	NAS1149D0316J	.	WASHER	101102 108120 504903	2
185	NAS1149D0332J	.	WASHER	101102 108120 504903	1
190	BRH10C3D	.	NUT SUPPLIER CODE: V52828 SPECIFICATION NUMBER: BACN10JC3CD OPTIONAL PART: T6C1032JCD V11815 NS202486-02 V80539 102LH9075-3W V72962 H51650-3BAC V15653	101102 108120 504903	4
195	BACB19F10S	.	BLOCK	101102 108120 504903	2
200	BACC15AN10	.	CLIP	101102 108120 504903	2
205	BACC10DK5	.	CLAMP	101102 108120 504903	3
210	BACC10DK14	.	CLAMP	101102 108120 504903	1
215	N2088	.	PLUG SUPPLIER CODE: V75345 SPECIFICATION NUMBER: BACP20BA1 OPTIONAL PART: SZ7105 V95272 4841 V84914	101102 108120 504903	1

MISSING ITEM NUMBERS NOT APPLICABLE

- ITEM NOT ILLUSTRATED

BRI

38-32-51-09A

BOEING PROPRIETARY - Copyright © - Unpublished Work - See title page for details.

38-32-51
FIG. 09A
PAGE 4
JAN 20/09



757

PARTS CATALOG (MAINTENANCE)

FIG ITEM	PART NUMBER	1 2 3 4 5 6 7	NOMENCLATURE	EFFECT FROM TO	UNITS PER ASSY
9A 217	BACC10JB126C156	.	CLAMP	101102 108120 504903	1
220	NS102557-02-1	.	BRACKET SUPPLIER CODE: V80539 SPECIFICATION NUMBER: BACB20G7F8L3 OPTIONAL PART: TA101CHT1-7-8 V84971 NS102557-02-1 V07170	101102 108120 504903	1
225	BACB2A009D1E1UY	.	BRACKET	101102 108120 504903	1
230	AS4477-12-0314	.	HOSE	101102 108120 504903	1
235	570-713-178	.	CABLE ASSY- SUPPLIER CODE: V06970 SPECIFICATION NUMBER: S417N202-126	101102 108120 504903	1
240	MS16562-203	..	PIN	101102 108120 504903	1
245	565-100-029	..	HANDLE-TEE SUPPLIER CODE: V06970	101102 108120 504903	1
250	417N8252-1	.	WASHER	101102 108120 504903	2
252	0016-0022-1	.	CAP ASSY-LEVER SUPPLIER CODE: V86831 COMPONENT MAINT MANUAL REF: 38-32-10 FOR DETAILS SEE: 38-32-52-26	101102 108120 504903	1
255	4709-21	.	NIPPLE ASSY- SUPPLIER CODE: V86831	101102 108120 504903	1
255	0016-0015-5	.	CAP ASSY- SUPPLIER CODE: V86831 COMPONENT MAINT MANUAL REF: 38-32-10	101102 108120 504903	1

MISSING ITEM NUMBERS NOT APPLICABLE

- ITEM NOT ILLUSTRATED

38-32-51-09A

38-32-51
FIG. 09A
PAGE 5
JAN 20/09

BRI



757

PARTS CATALOG (MAINTENANCE)

FIG ITEM	PART NUMBER	1 2 3 4 5 6 7	NOMENCLATURE	EFFECT FROM TO	UNITS PER ASSY
9A			ATTACHING PARTS		
- 260	BACB30VT5K		.BOLT- SIZE DETERMINED ON INSTL.	101102 108120	6
- 265	BACC30BL5		.COLLAR SUPPLIER CODE: V73197 SPECIFICATION NUMBER: BACC30BL5 OPTIONAL PART: HST79-5 V92215 HST79CY5 V56878 HST79CY5 V5M902 -----*-----	101102 108120 504903	6
335	BAC27DPA5058		.MARKER- PLACARD CONTENT: LH FWD FLUSH	101102 108120 504903	1
340	BAC27DPA5060		.MARKER- PLACARD CONTENT: LH FWD TOILET	101102 108120 504903	1
- 400	417N8251-34		SUPPORT INSTL-ADDITIONAL SUPPORTS FOR LAV A WITH NO LAV F FOR NHA SEE: 25-20-00-11B	101102	RF
405	BACS12GU3K10		.SCREW	101102	1
410	NAS1149D0316J		.WASHER	101102	1
415	BACC10DK5		.CLAMP	101102	1
420	NAS6703-5		.BOLT	101102	1
425	NAS6703-7		.BOLT	101102	1
430	NAS43DD3-8		.SPACER	101102	2
435	AN960PD10L		.WASHER	101102	2
440	BRH10C3D		.NUT SUPPLIER CODE: V52828 SPECIFICATION NUMBER: BACN10JC3CD OPTIONAL PART: T6C1032JCD V11815 NS202486-02 V80539 102LH9075-3W V72962 H51650-3BAC V15653	101102	2

MISSING ITEM NUMBERS NOT APPLICABLE

- ITEM NOT ILLUSTRATED

38-32-51-09A

38-32-51
FIG. 09A
PAGE 6
JAN 20/09

BRI

BOEING PROPRIETARY - Copyright © - Unpublished Work - See title page for details.



757

PARTS CATALOG (MAINTENANCE)

FIG ITEM	PART NUMBER	1 2 3 4 5 6 7	NOMENCLATURE	EFFECT FROM TO	UNITS PER ASSY
9A					
445	BACB19F10S	.	BLOCK	101102	2
450	BACC15AN10	.	CLIP	101102	2
455	BACC10DK5	.	CLAMP	101102	1
460	BACC10DK14	.	CLAMP	101102	1
465	N2088	.	PLUG	101102	1
			SUPPLIER CODE: V75345		
			SPECIFICATION NUMBER: BACP20BA1		
			OPTIONAL PART: SZ7105 V95272 4841 V84914		
470	BACC10JB126C156	.	CLAMP	101102	1

MISSING ITEM NUMBERS NOT APPLICABLE

- ITEM NOT ILLUSTRATED

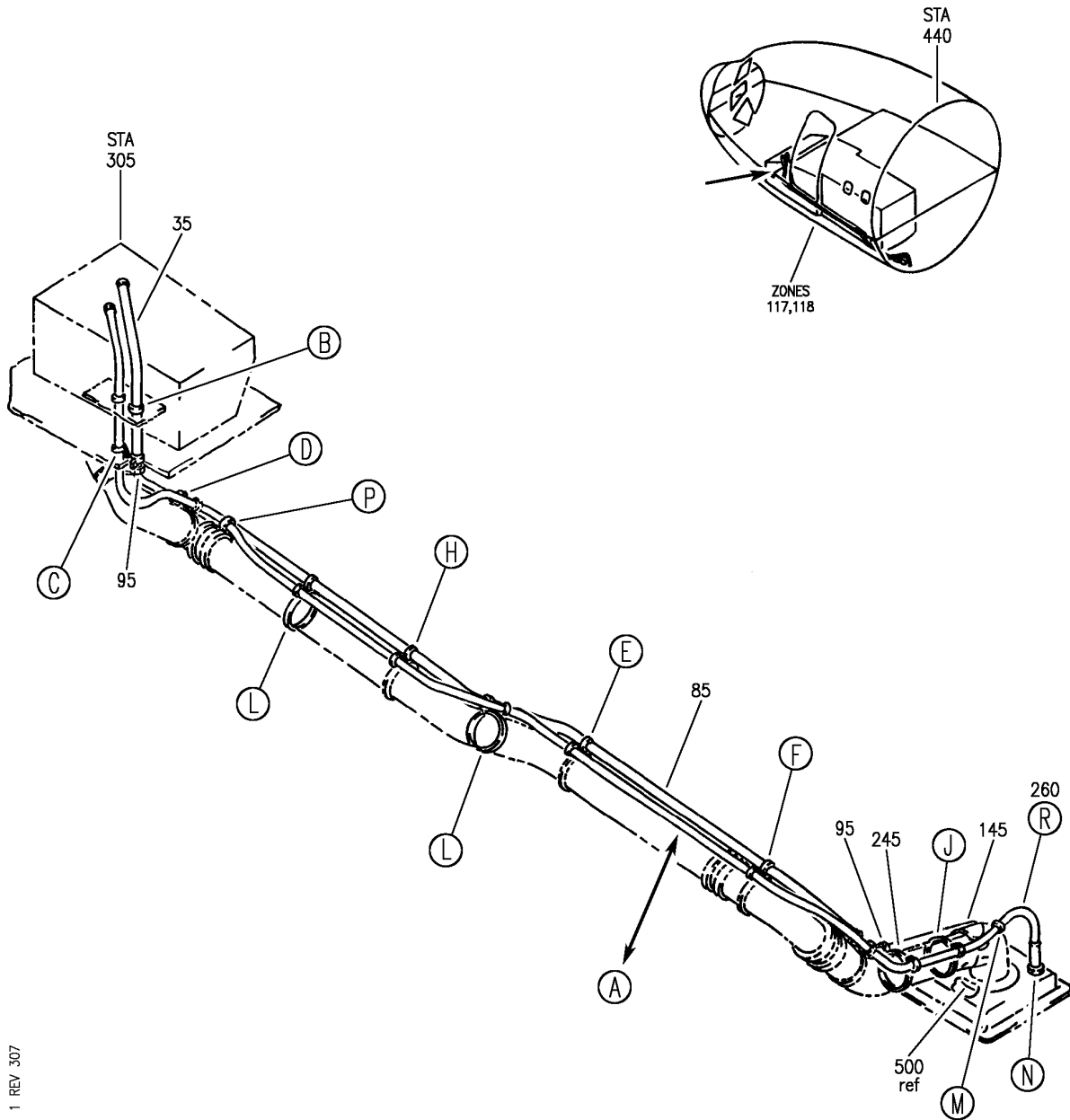
BRI

38-32-51-09A

BOEING PROPRIETARY - Copyright © - Unpublished Work - See title page for details.

38-32-51
FIG. 09A
PAGE 7
JAN 20/09

BOEING
757
PARTS CATALOG (MAINTENANCE)



Y 38325110 SH1 1 REV 307

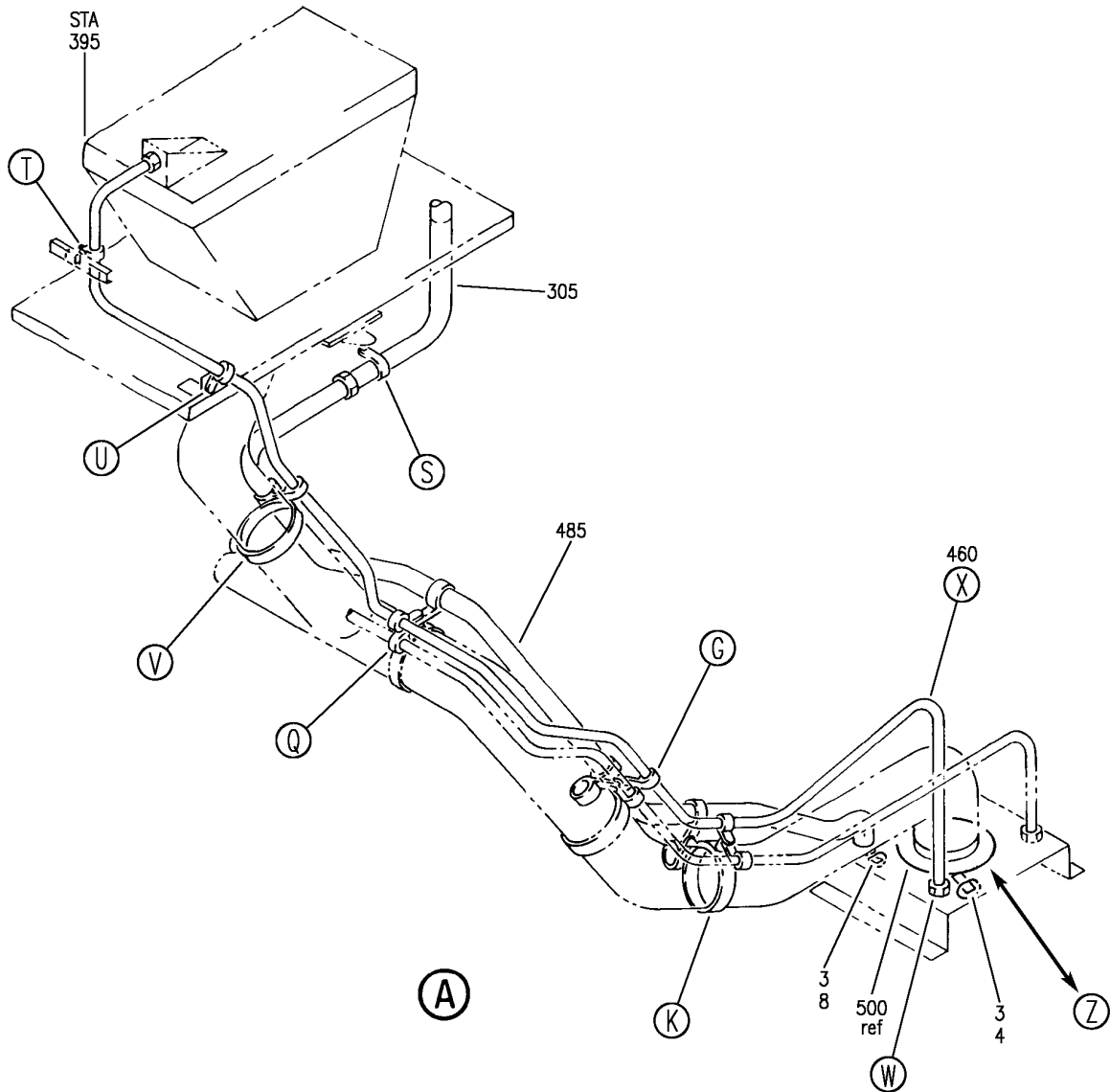
FLUSHLINE AND CABLE INSTL-LAV FWD
FIGURE 10 (SHEET 1)

38-32-51-10

BRI
MAY 28/07

38-32-51-10
PAGE 0

BOEING
757
PARTS CATALOG (MAINTENANCE)



Y 38325110 SH1 2 REV 307

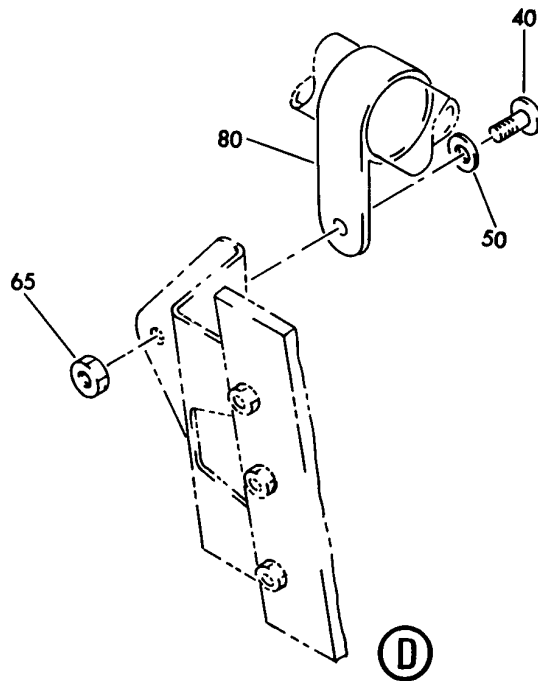
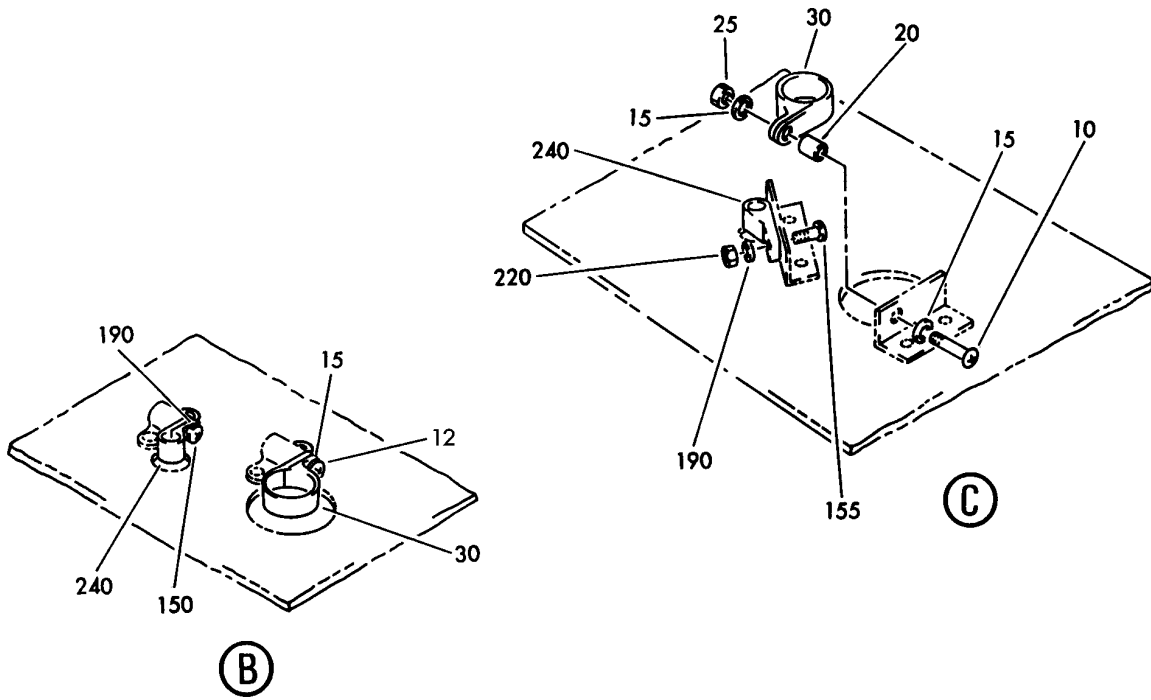
FLUSHLINE AND CABLE INSTL-LAV FWD
FIGURE 10 (SHEET 2)

38-32-51-10

BRI
MAY 28/07

38-32-51-10
PAGE 0A

BOEING
757
PARTS CATALOG (MAINTENANCE)



Y 38325110 SHT 3 REV 234

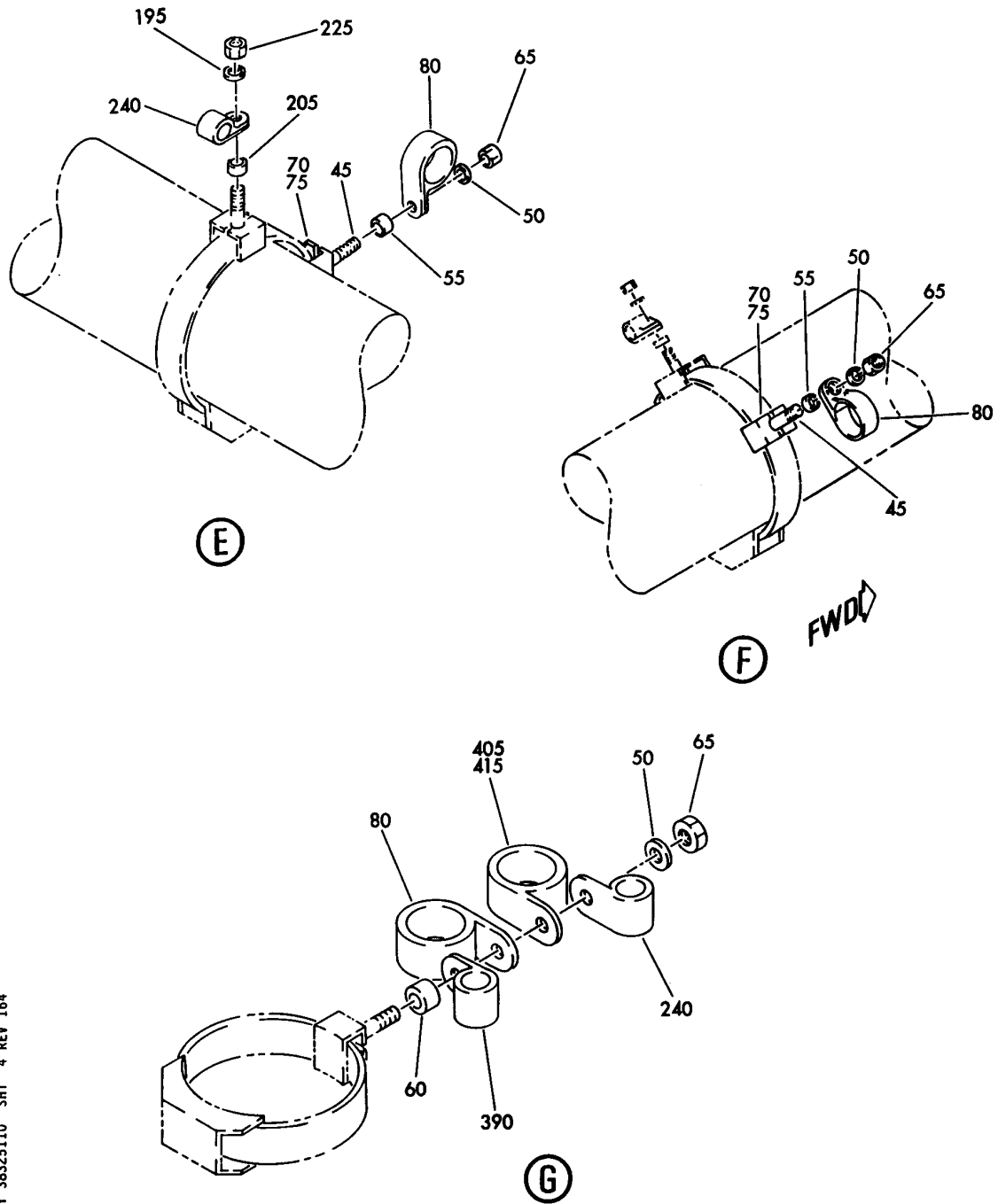
FLUSHLINE AND CABLE INSTL-LAV FWD
FIGURE 10 (SHEET 3)

BRI
MAY 28/07

38-32-51-10

38-32-51-10
PAGE 0B


BOEING
 757
PARTS CATALOG (MAINTENANCE)



Y 38325110 SH1 4 REV 164

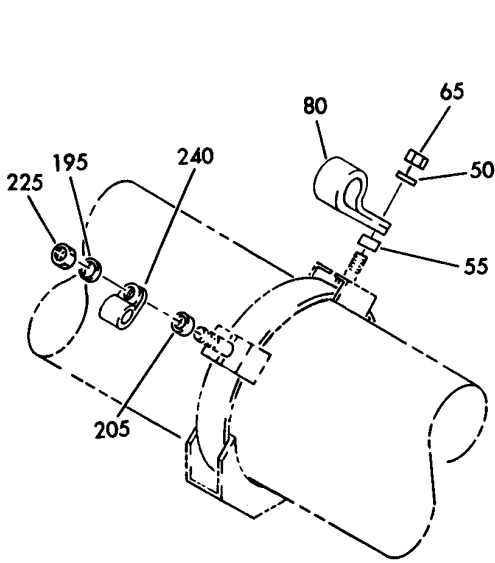
FLUSHLINE AND CABLE INSTL-LAV FWD
 FIGURE 10 (SHEET 4)

38-32-51-10

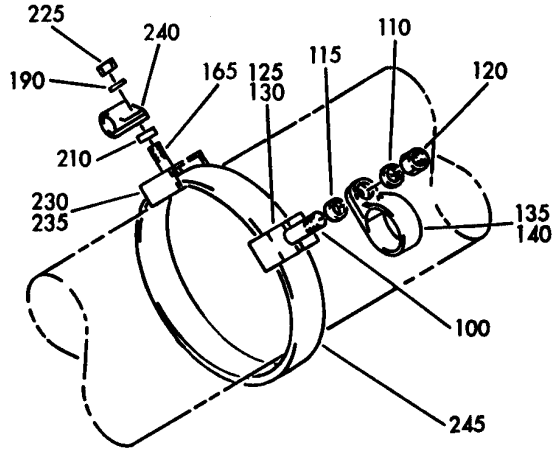
BRI
 MAY 28/07

38-32-51-10
 PAGE 0C

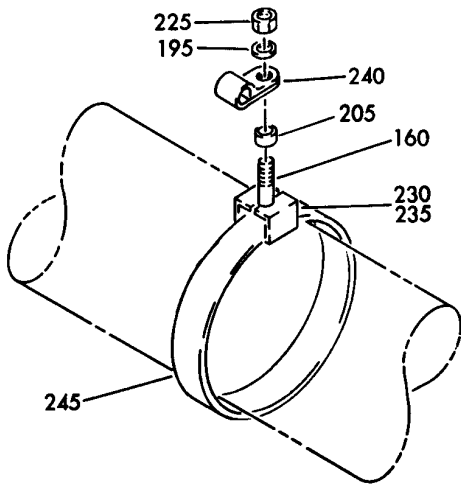
BOEING
757
PARTS CATALOG (MAINTENANCE)



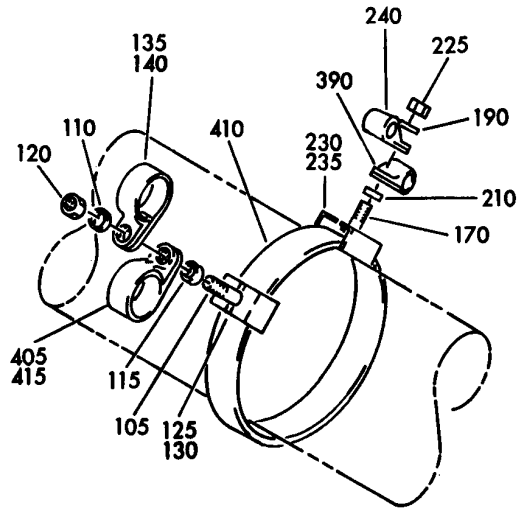
(H)



(J)



(L)



(K)

FWD

Y 38325110 SHT 5 REV 164

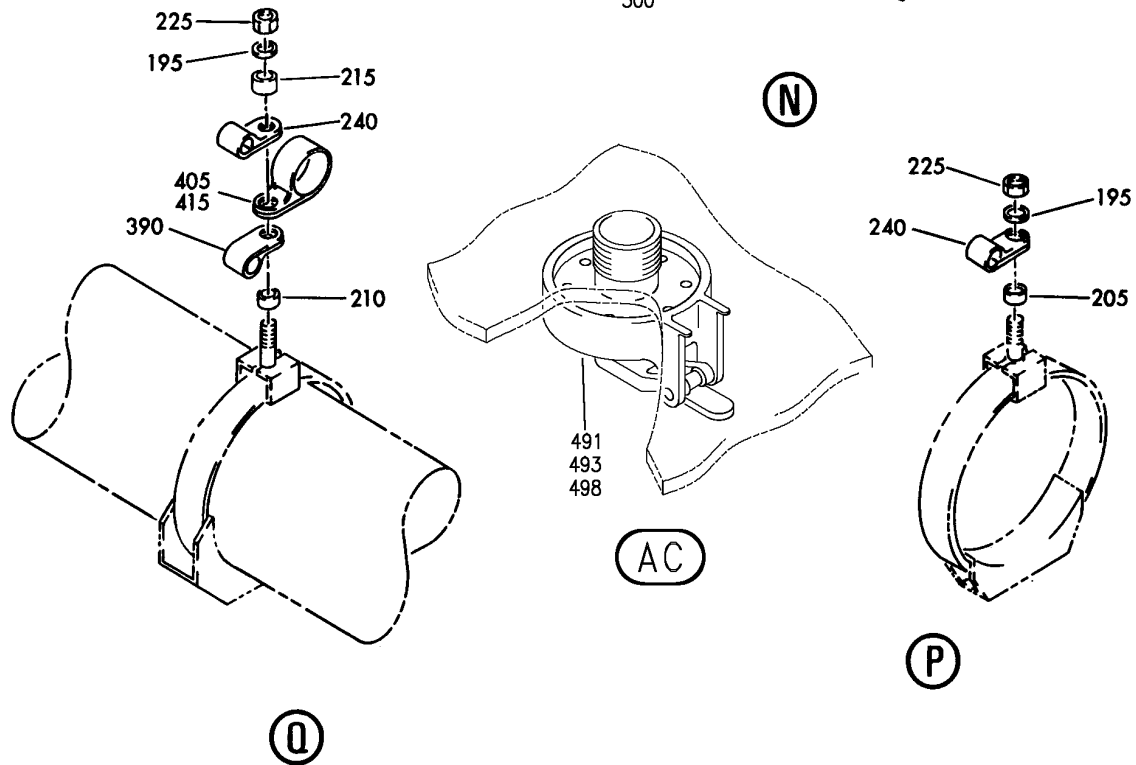
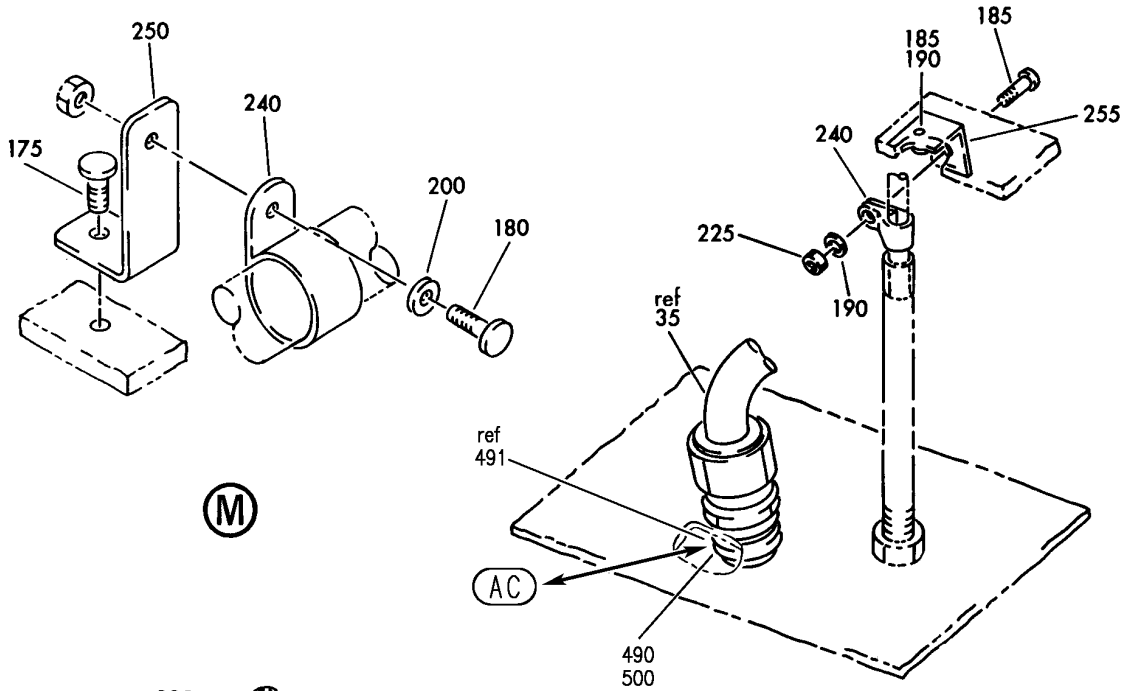
FLUSHLINE AND CABLE INSTL-LAV FWD
FIGURE 10 (SHEET 5)

38-32-51-10

BRI
MAY 28/07

38-32-51-10
PAGE 0D

BOEING
757
PARTS CATALOG (MAINTENANCE)



Y 38325110 SH1 6 REV 307

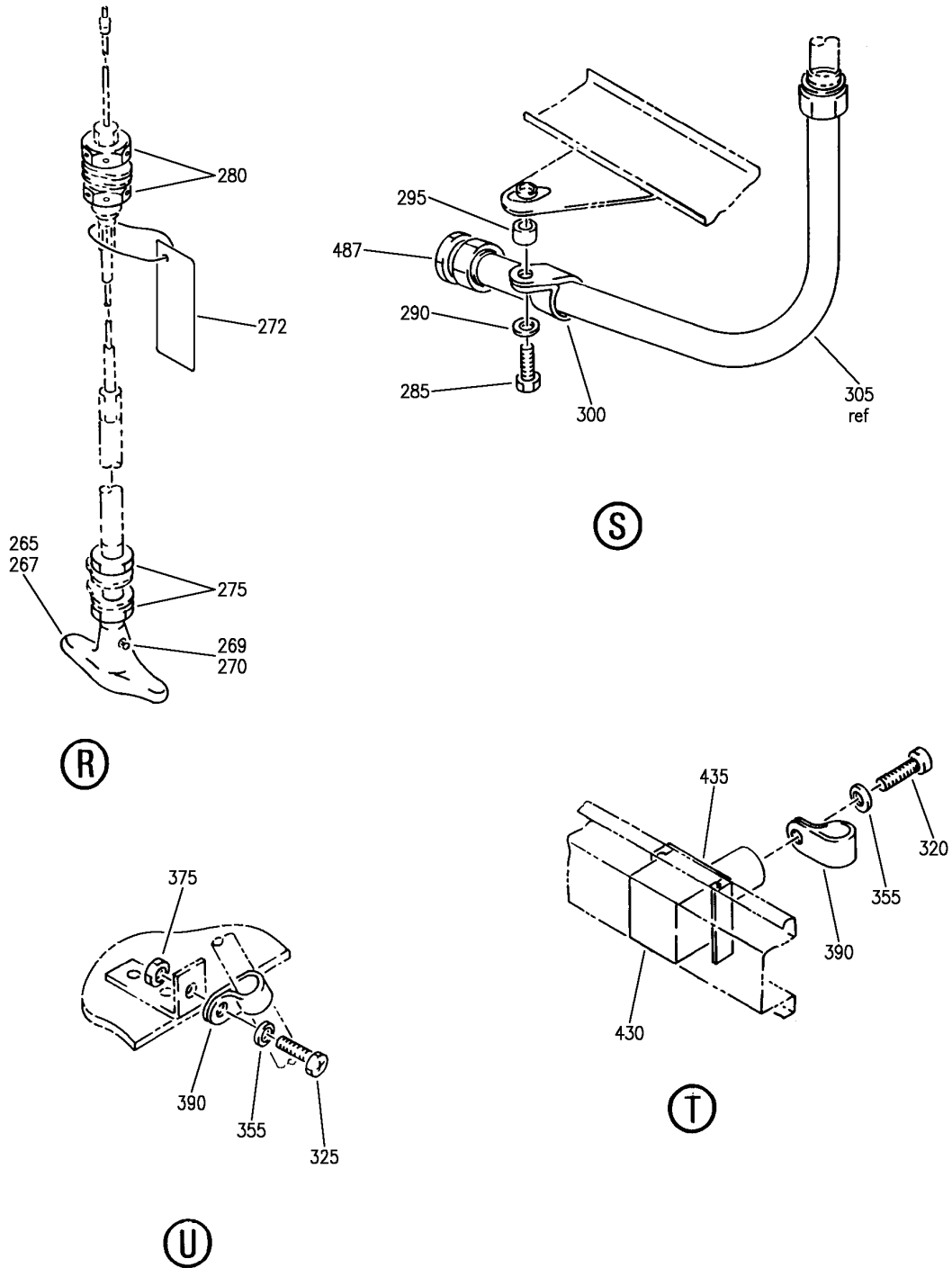
FLUSHLINE AND CABLE INSTL-LAV FWD
FIGURE 10 (SHEET 6)

38-32-51-10

BRI
MAY 28/07

38-32-51-10
PAGE 0E

BOEING
757
PARTS CATALOG (MAINTENANCE)



Y 38325110 SH1 7 REV 287

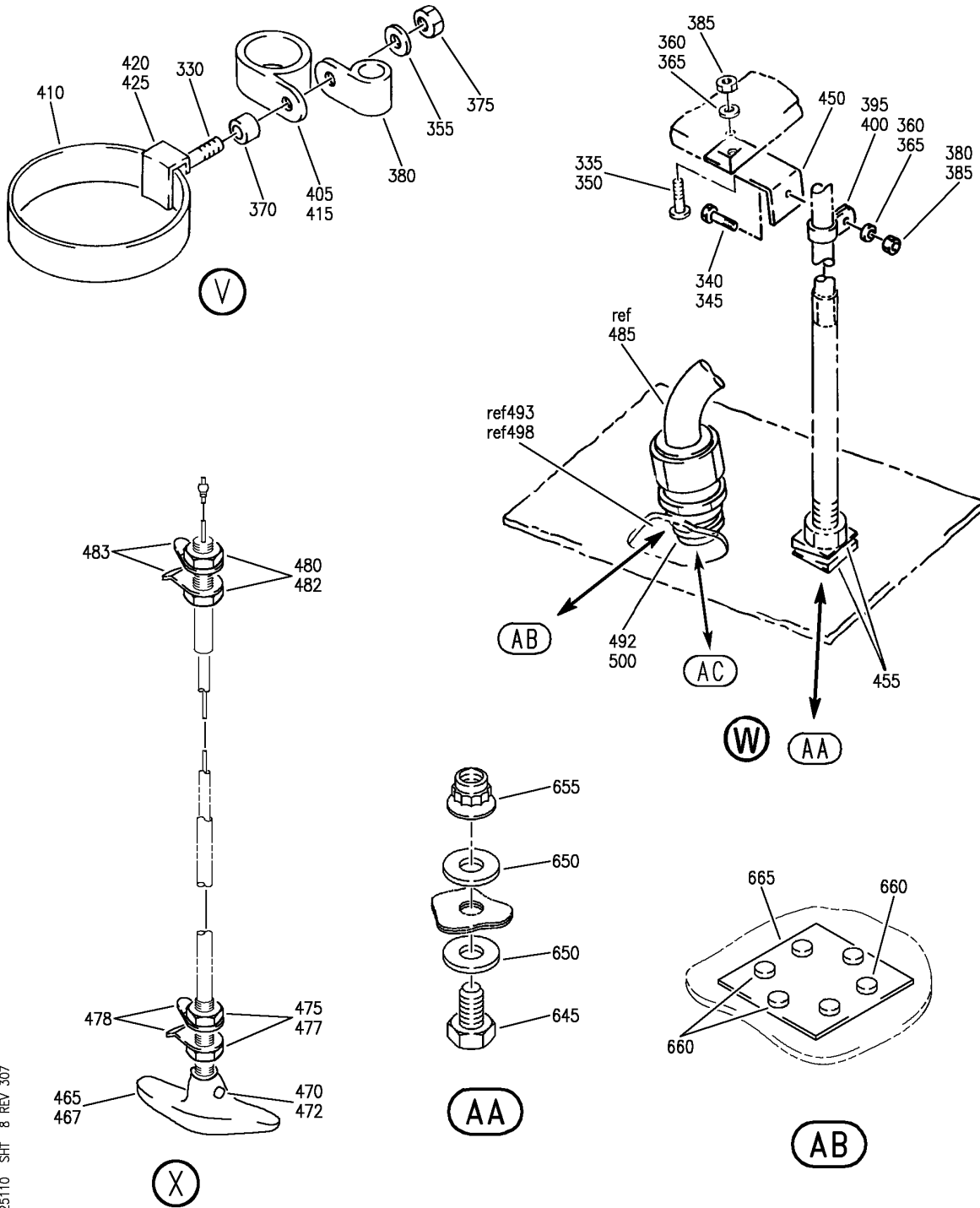
FLUSHLINE AND CABLE INSTL-LAV FWD
FIGURE 10 (SHEET 7)

38-32-51-10

BRI
MAY 28/07

38-32-51-10
PAGE OF


BOEING
 757
PARTS CATALOG (MAINTENANCE)



Y 38325110 SH-T 8 REV 307

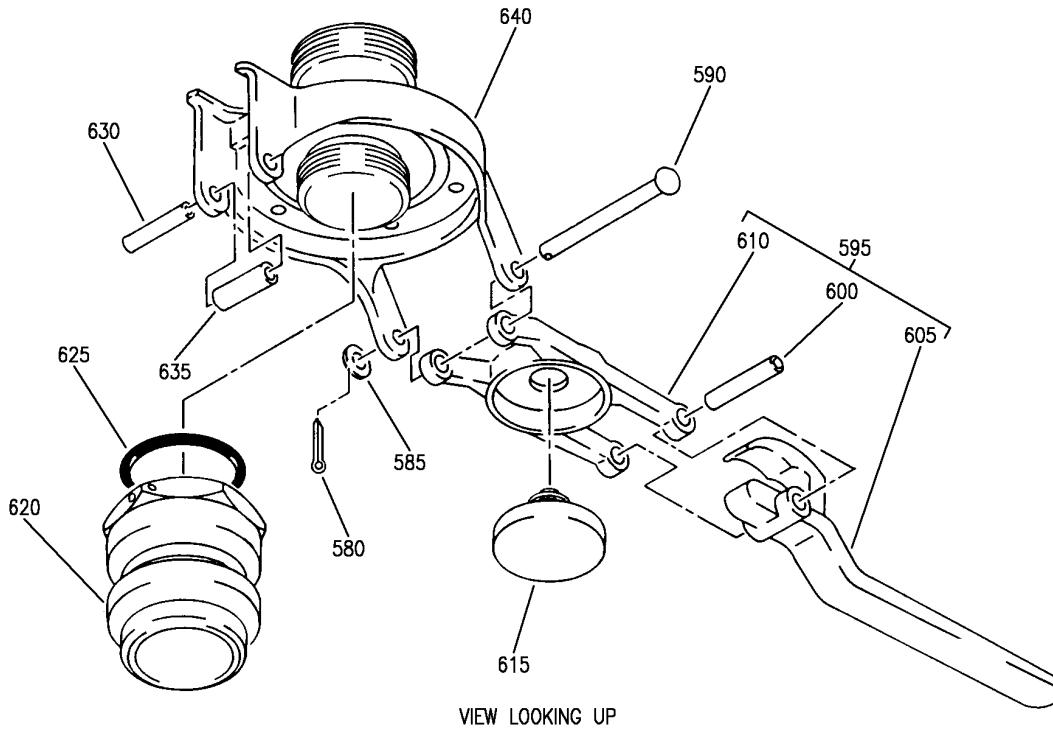
FLUSHLINE AND CABLE INSTL-LAV FWD
 FIGURE 10 (SHEET 8)

38-32-51-10

BRI
 MAY 28/07

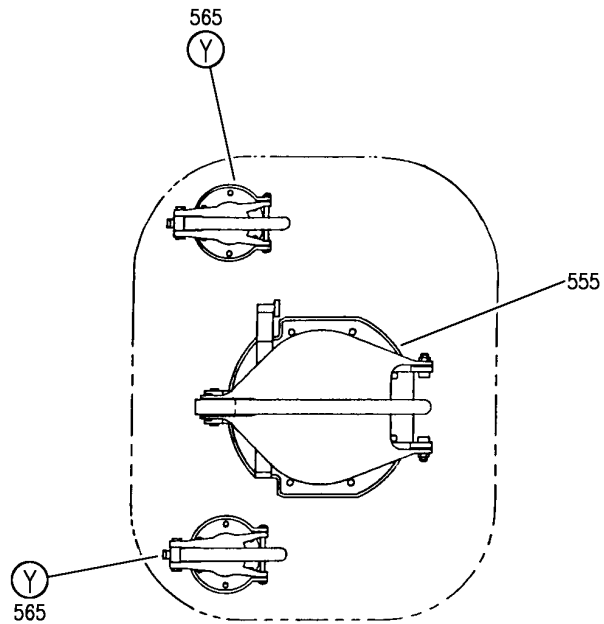
38-32-51-10
 PAGE 0G

BOEING
757
PARTS CATALOG (MAINTENANCE)



VIEW LOOKING UP

Y



VIEW LOOKING UP

Z

Y 38325110 SHT 9 REV 297

FLUSHLINE AND CABLE INSTL-LAV FWD
FIGURE 10 (SHEET 9)

38-32-51-10

BRI
MAY 28/07

38-32-51-10
PAGE 0H

BOEING PROPRIETARY - Copyright © - Unpublished Work - See title page for details.



757

PARTS CATALOG (MAINTENANCE)

FIG ITEM	PART NUMBER	1 2 3 4 5 6 7	NOMENCLATURE	EFFECT FROM TO	UNITS PER ASSY
10			FLUSHLINE AND CABLE INSTL- LAV FWD	107107 121949	
- 1	417N8251-14		FLUSHLINE AND CABLE INSTL- LAV POSITION DATA: FWD VARIABLE DRAWING REF: 417N8251-12 FOR NHA SEE: 25-20-00-01E	107107 121503 904949	RF
- 1	417N8251-35		FLUSHLINE AND CABLE INSTL- LAV POSITION DATA: FWD FOR NHA SEE: 25-20-00-11B	504903	RF
4	BAC27DPA5057		.MARKER-ALUMINUM FOIL PLACARD CONTENT: LH AFT FLUSH	504903	1
8	BAC27DPA5061		.MARKER-ALUMINUM FOIL PLACARD CONTENT: LH AFT TOILET	504903	1
10	BACS12CK3-15		.SCREW- QUALIFIED OPTIONAL DATA: (BACS12CK3-15 TOGETHER WITH BACN10JC3CD OPTIONAL TO NAS1801-3-15 TOGETHER WITH BACN10FX16)	107107 904949	1
10	NAS1801-3-15		.SCREW- QUALIFIED OPTIONAL DATA: (BACS12CK3-15 TOGETHER WITH BACN10JC3CD OPTIONAL TO NAS1801-3-15 TOGETHER WITH BACN10FX16)	107107 904949	1
10	NAS1801-3-15		.SCREW	121903	1
12	BACS12CK3-12		.SCREW	107107 121503 904949	1
15	AN960PD10L		.WASHER	107107 121949	3
20	NAS43DD3-28		.SPACER	107107 121949	1

MISSING ITEM NUMBERS NOT APPLICABLE

- ITEM NOT ILLUSTRATED

38-32-51-10

38-32-51
FIG. 10
PAGE 1
JAN 20/09

BRI



757

PARTS CATALOG (MAINTENANCE)

FIG ITEM	PART NUMBER	1 2 3 4 5 6 7	NOMENCLATURE	EFFECT FROM TO	UNITS PER ASSY
10 25	BRH10C3D		.NUT- SUPPLIER CODE: V52828 SPECIFICATION NUMBER: BACN10JC3CD OPTIONAL PART: T6C1032JCD V11815 NS202486-02 V80539 102LH9075-3W V72962 H51650-3BAC V15653 QUALIFIED OPTIONAL DATA: (BACS12CK3-15 TOGETHER WITH BACN10JC3CD OPTIONAL TO NAS1801-3-15 TOGETHER WITH BACN10FX16)	107107 904949	1
25	130069		.NUT- SUPPLIER CODE: V60119 SPECIFICATION NUMBER: BACN10FX16 OPTIONAL PART: A11330-6-3 V72962 A4972-6-02 V72962 A4972-6-02 V72962 QUALIFIED OPTIONAL DATA: (BACS12CK3-15 TOGETHER WITH BACN10JC3CD OPTIONAL TO NAS1801-3-15 TOGETHER WITH BACN10FX16)	107107 904949	1
30	BACC10DK13		.CLAMP	107107 121949	2
35	41207-377		.HOSE- SUPPLIER CODE: V24984 SPECIFICATION NUMBER: 10-60871-377 OPTIONAL PART: AS4475-12-0304	107107 121949	1

MISSING ITEM NUMBERS NOT APPLICABLE

- ITEM NOT ILLUSTRATED

38-32-51-10

38-32-51
FIG. 10
PAGE 2
JAN 20/09

BRI



757

PARTS CATALOG (MAINTENANCE)

FIG ITEM	PART NUMBER	1 2 3 4 5 6 7	NOMENCLATURE	EFFECT FROM TO	UNITS PER ASSY
10					
35	AS4475-12-0304	.HOSE-	OPTIONAL PART: 41207-377 V24984	107107 121949	1
40	BACS12CK3-12	.SCREW		107107 121949	1
45	NAS6703-7	.BOLT		107107 121949	2
50	AN960KD10L	.WASHER		107107 121949	5
55	NAS43DD3-12	.SPACER		107107 121949	3
60	NAS43DD3-8	.SPACER		107107 121949	1
65	BRH10C3D	.NUT	SUPPLIER CODE: V52828 SPECIFICATION NUMBER: BACN10JC3CD OPTIONAL PART: T6C1032JCD V11815 NS202486-02 V80539 102LH9075-3W V72962 H51650-3BAC V15653	107107 121949	5
70	BACC15AN10	.CLIP		107107 121949	2
75	BACB19F10S	.BLOCK		107107 121949	2
80	BACC10DK12	.CLAMP		107107 121949	5
85	417N8251-11	.TUBE ASSY-	TUBING MATERIAL: STOCK .75 OD X .020 WALL X 132 LENGTH PER MIL-T-8504 304 ANNEALED TUBING OPTIONAL TO 0.75 OD X .028 WALL X 132 LENGTH PER MIL-T-8808 347 ANNEALED TUBING OPTIONAL TO 0.75 OD X .028 WALL X 132 LENGTH PER MIL-T-8808 ANNEALED TUBING	107107 121949	1

MISSING ITEM NUMBERS NOT APPLICABLE

- ITEM NOT ILLUSTRATED

BRI

38-32-51-10

38-32-51
FIG. 10
PAGE 3
JAN 20/09



757

PARTS CATALOG (MAINTENANCE)

FIG ITEM	PART NUMBER	1 2 3 4 5 6 7	NOMENCLATURE	EFFECT FROM TO	UNITS PER ASSY
10					
- 90	AP2097H12	..	SLEEVE SUPPLIER CODE: V01673 SPECIFICATION NUMBER: BACS13BX12H OPTIONAL PART: 2-02903-12H V11328 35235V12 V08199 AFP175V12 V30974 DBOS13BX12H V14798	107107 121949	2
95	BACN10YE12	..	NUT	107107 121949	2
100	NAS6703-7	.	BOLT	107107 121949	1
105	NAS6703-12	.	BOLT	107107 121949	1
110	AN960PD10L	.	WASHER	107107 121949	2
115	NAS43DD3-8	.	SPACER	107107 121949	2
120	BRH10C3D	.	NUT SUPPLIER CODE: V52828 SPECIFICATION NUMBER: BACN10JC3CD OPTIONAL PART: T6C1032JCD V11815 NS202486-02 V80539 102LH9075-3W V72962 H51650-3BAC V15653	107107 121949	2
125	BACC15AN10	.	CLIP	107107 121949	2
130	BACB19F10S	.	BLOCK	107107 121949	2
135	BACC10DK14	.	CLAMP	107107 121949	2

MISSING ITEM NUMBERS NOT APPLICABLE

- ITEM NOT ILLUSTRATED

38-32-51-10

38-32-51
FIG. 10
PAGE 4
JAN 20/09

BRI

BOEING PROPRIETARY - Copyright © - Unpublished Work - See title page for details.



757

PARTS CATALOG (MAINTENANCE)

FIG ITEM	PART NUMBER	1 2 3 4 5 6 7	NOMENCLATURE	EFFECT FROM TO	UNITS PER ASSY
10 140	N2088		.PLUG SUPPLIER CODE: V75345 SPECIFICATION NUMBER: BACP20BA1 OPTIONAL PART: SZ7105 V95272 4841 V84914	107107 121949	2
145	41209-370		.HOSE- SUPPLIER CODE: V24984 SPECIFICATION NUMBER: 10-60871-370 OPTIONAL PART: AS4477-12-0314	107107 121949	1
145	AS4477-12-0314		.HOSE- OPTIONAL PART: 41209-370 V24984	107107 121949	1
150	BACS12CK3-12		.SCREW	107107 121949	1
155	NAS1801-3-10		.SCREW	121903	1
155	NAS1801-3-10		.SCREW- QUALIFIED OPTIONAL DATA: (BACS12CK3-10 TOGETHER WITH BACN10JC3CD OPTIONAL TO NAS1801-3-10 TOGETHER WITH BACN10FX16)	107107 904949	1
155	BACS12CK3-10		.SCREW- QUALIFIED OPTIONAL DATA: (BACS12CK3-10 TOGETHER WITH BACN10JC3CD OPTIONAL TO NAS1801-3-10 TOGETHER WITH BACN10FX16)	107107 904949	1
160	NAS6703-9		.BOLT	107107 121949	2
165	NAS6703-5		.BOLT	107107 121949	1
170	NAS6703-11		.BOLT	107107 121949	1
175	NAS1801-3-7		.SCREW	107107 121949	1
180	NAS1801-3-8		.SCREW	107107 121949	1

MISSING ITEM NUMBERS NOT APPLICABLE

- ITEM NOT ILLUSTRATED

38-32-51-10

38-32-51
FIG. 10
PAGE 5
JAN 20/09

BRI

BOEING PROPRIETARY - Copyright © - Unpublished Work - See title page for details.



757

PARTS CATALOG (MAINTENANCE)

FIG ITEM	PART NUMBER	1 2 3 4 5 6 7	NOMENCLATURE	EFFECT FROM TO	UNITS PER ASSY
10					
185	BACS12CK3-8	.	SCREW	107107 121949	2
190	AN960PD10L	.	WASHER	107107 121949	6
195	AN960KD10L	.	WASHER	107107 121949	6
200	AN960-10L	.	WASHER	107107 121949	1
205	NAS43DD3-21	.	SPACER	107107 121949	5
210	NAS43DD3-8	.	SPACER	107107 121949	3
215	NAS43DD3-28	.	SPACER	107107 121949	1
220	BRH10C3D	.	NUT-	107107 121949	1
			SUPPLIER CODE: V52828	904949	
			SPECIFICATION NUMBER: BACN10JC3CD		
			OPTIONAL PART: T6C1032JCD		
			V11815		
			NS202486-02		
			V80539		
			102LH9075-3W		
			V72962		
			H51650-3BAC		
			V15653		
			QUALIFIED OPTIONAL DATA: (BACS12CK3-10 TOGETHER WITH BACN10JC3CD OPTIONAL TO NAS1801-3-10 TOGETHER WITH BACN10FX16)		

MISSING ITEM NUMBERS NOT APPLICABLE

- ITEM NOT ILLUSTRATED

BRI

38-32-51-10

BOEING PROPRIETARY - Copyright © - Unpublished Work - See title page for details.

38-32-51
FIG. 10
PAGE 6
JAN 20/09



757

PARTS CATALOG (MAINTENANCE)

FIG ITEM	PART NUMBER	1 2 3 4 5 6 7	NOMENCLATURE	EFFECT FROM TO	UNITS PER ASSY
10 220	130069	.NUT-	SUPPLIER CODE: V60119 SPECIFICATION NUMBER: BACN10FX16 OPTIONAL PART: A11330-6-3 V72962 A4972-6-02 V72962 A4972-6-02 V72962 QUALIFIED OPTIONAL DATA: (BACS12CK3-10 TOGETHER WITH BACN10JC3CD OPTIONAL TO NAS1801-3-10 TOGETHER WITH BACN10FX16)	107107 904949	1
225	BRH10C3D	.NUT	SUPPLIER CODE: V52828 SPECIFICATION NUMBER: BACN10JC3CD OPTIONAL PART: T6C1032JCD V11815 NS202486-02 V80539 102LH9075-3W V72962 H51650-3BAC V15653	107107 121949	9
230	BACC15AN10	.CLIP		107107 121949	4
235	BACB19F10S	.BLOCK		107107 121949	4
240	BACC10DK5	.CLAMP		107107 121949	13
245	NAS1922-0400-1	.CLAMP-	OPTIONAL PART: BACC10JB126C156	107107 121949	4
245	BACC10JB126C156	.CLAMP-	OPTIONAL PART: NAS1922-0400-1	107107 121949	4

MISSING ITEM NUMBERS NOT APPLICABLE

- ITEM NOT ILLUSTRATED

38-32-51-10

38-32-51
FIG. 10
PAGE 7
JAN 20/09

BRI



757

PARTS CATALOG (MAINTENANCE)

FIG ITEM	PART NUMBER	1 2 3 4 5 6 7	NOMENCLATURE	EFFECT FROM TO	UNITS PER ASSY
10 250	NS102557-02-1	.BRACKET	SUPPLIER CODE: V80539 SPECIFICATION NUMBER: BACB20G7F8L3 OPTIONAL PART: TA101CHT1-7-8 V84971 NS102557-02-1 V07170	107107 121949	1
255	BACB2A009D1E1UY	.BRACKET		107107 121949	1
260	570-713-001	.CABLE ASSY-CONT	SUPPLIER CODE: V06970 SPECIFICATION NUMBER: S417N202-3 OPTIONAL PART: 7-44017-3 V78710 2604430-010 V04638	107107 121503 904949	1
260	7-44017-3	.CABLE ASSY-CONT	SUPPLIER CODE: V78710 SPECIFICATION NUMBER: S417N202-3 COMPONENT MAINT MANUAL REF: 38-30-13 OPTIONAL PART: 570-713-001 V06970 2604430-010 V04638	107107 121503 904949	1
260	7-44017-112	.CABLE ASSY-CONT	SUPPLIER CODE: V78710 SPECIFICATION NUMBER: S417N202-112 COMPONENT MAINT MANUAL REF: 38-30-13	504903	1
265	565-100-029	..HANDLE-TEE	SUPPLIER CODE: V06970 USED ON: 570-713-001	107107 121949	1

MISSING ITEM NUMBERS NOT APPLICABLE

- ITEM NOT ILLUSTRATED

38-32-51-10

38-32-51
FIG. 10
PAGE 8
JAN 20/09

BRI



757

PARTS CATALOG (MAINTENANCE)

FIG ITEM	PART NUMBER	1 2 3 4 5 6 7	NOMENCLATURE	EFFECT FROM TO	UNITS PER ASSY
10 265	20302-4		..HANDLE-TEE SUPPLIER CODE: V78710 USED ON: 570-713-001	107107 121503 904949	1
267	61751-1		..HANDLE- SUPPLIER CODE: V78710 USED ON: 7-44017-3 7-44017-112 ATTACHING PARTS	107107 121949	1
269	MS171526		..PIN- USED ON: 7-44017-3 7-44017-112 -----*-----	107107 121949	1
270	MS16562-203		..PIN- USED ON: 570-713-001	107107 121949	1
272	64204-1		..PLATE-IDENT SUPPLIER CODE: V78710 USED ON: 7-44017-3 7-44017-112	107107 121949	1
275	561-094-162		..NUT- SUPPLIER CODE: V06970 USED ON: 570-713-001	107107 121949	2
280	561-094-164		..NUT- SUPPLIER CODE: V06970 USED ON: 570-713-001	107107 121949	2
285	BACS12CK3-16		.SCREW	107107 121949	1
290	AN960PD10L		.WASHER	107107 121949	1
295	NAS43DD3-21		.SPACER	107107 121949	1
300	BACC10DK12		.CLAMP	107107 121949	1

MISSING ITEM NUMBERS NOT APPLICABLE

- ITEM NOT ILLUSTRATED

38-32-51-10

38-32-51
FIG. 10
PAGE 9
JAN 20/09

BRI

BOEING PROPRIETARY - Copyright © - Unpublished Work - See title page for details.



757

PARTS CATALOG (MAINTENANCE)

FIG ITEM	PART NUMBER	1 2 3 4 5 6 7	NOMENCLATURE	EFFECT FROM TO	UNITS PER ASSY
10 305	417N8251-5		.TUBE ASSY- TUBING MATERIAL: STOCK .75 OD X .028 WALL X 17.2 LENGTH PER MIL-T-8808 321 ANNEALED TUBING OPTIONAL TO 0.75 OD X .028 WALL X 17.2 LENGTH PER MIL-T-8808 347 ANNEALED TUBING	107107 121949	1
- 310	AP2097H12		..SLEEVE SUPPLIER CODE: V01673 SPECIFICATION NUMBER: BACS13BX12H OPTIONAL PART: 2-02903-12H V11328 35235V12 V08199 AFP175V12 V30974 DBOS13BX12H V14798	107107 121949	2
- 315	BACN10YE12		..NUT	107107 121949	2
320	BACS12CK3-7		.SCREW	107107 121949	1
325	BACS12CK3-9		.SCREW	107107 121949	1
330	NAS6703-11		.BOLT	107107 121949	1
335	BACS12CK3-6		.SCREW	107107 121503 904949	1
340	BACS12CK3-9		.SCREW	107107 121503 904949	1
355	AN960PD10L		.WASHER	107107 121949	3
360	AN960PD10L		.WASHER	107107 121503 904949	2
370	NAS43DD3-8		.SPACER	107107 121949	1

MISSING ITEM NUMBERS NOT APPLICABLE

- ITEM NOT ILLUSTRATED

BRI

38-32-51-10

38-32-51
FIG. 10
PAGE 10
JAN 20/09



757

PARTS CATALOG (MAINTENANCE)

FIG ITEM	PART NUMBER	1 2 3 4 5 6 7	NOMENCLATURE	EFFECT FROM TO	UNITS PER ASSY
10 375	BRH10C3D	.NUT	SUPPLIER CODE: V52828 SPECIFICATION NUMBER: BACN10JC3CD OPTIONAL PART: T6C1032JCD V11815 NS202486-02 V80539 102LH9075-3W V72962 H51650-3BAC V15653	107107 121949	2
380	BRH10C3D	.NUT	SUPPLIER CODE: V52828 SPECIFICATION NUMBER: BACN10JC3CD OPTIONAL PART: T6C1032JCD V11815 NS202486-02 V80539 102LH9075-3W V72962 H51650-3BAC V15653	107107 121503 904949	1
390	BACC10DK5	.CLAMP		107107 121949	6
395	BACC10DK5	.CLAMP		107107 121503 904949	1
405	BACC10DK14	.CLAMP		107107 121949	4
410	NAS1922-0400-1	.CLAMP- OPTIONAL PART: BACC10JB126C156		107107 121949	2
410	BACC10JB126C156	.CLAMP- OPTIONAL PART: NAS1922-0400-1		107107 121949	2

MISSING ITEM NUMBERS NOT APPLICABLE

- ITEM NOT ILLUSTRATED

38-32-51-10

38-32-51
FIG. 10
PAGE 11
JAN 20/09

BRI



757

PARTS CATALOG (MAINTENANCE)

FIG ITEM	PART NUMBER	1 2 3 4 5 6 7	NOMENCLATURE	EFFECT FROM TO	UNITS PER ASSY
10 415	N2088		.PLUG SUPPLIER CODE: V75345 SPECIFICATION NUMBER: BACP20BA1 OPTIONAL PART: SZ7105 V95272 4841 V84914	107107 121949	4
420	BACC15AN10		.CLIP	107107 121949	1
425	BACB19F10S		.BLOCK	107107 121949	1
430	S38J1		.SUPPORT SUPPLIER CODE: V59237 SPECIFICATION NUMBER: BACS38J1 OPTIONAL PART: 30187-2 V26835	107107 121949	1
435	S38J2		.SUPPORT SUPPLIER CODE: V59237 SPECIFICATION NUMBER: BACS38J2 OPTIONAL PART: 30187-3 V26835	107107 121949	1
450	417N8205-8		.BRACKET	107107 121949	2
455	417N8252-1		.WASHER	107107 121949	2
460	570-713-007		.CABLE ASSY-CONT SUPPLIER CODE: V06970 SPECIFICATION NUMBER: S417N202-9 OPTIONAL PART: 2604430-013 V04638 7-44017-9 V78710	107107 121949	1

MISSING ITEM NUMBERS NOT APPLICABLE

- ITEM NOT ILLUSTRATED

BRI

38-32-51-10

BOEING PROPRIETARY - Copyright © - Unpublished Work - See title page for details.

38-32-51
FIG. 10
PAGE 12
JAN 20/09



757

PARTS CATALOG (MAINTENANCE)

FIG ITEM	PART NUMBER	1 2 3 4 5 6 7	NOMENCLATURE	EFFECT FROM TO	UNITS PER ASSY
10 460	7-44017-9		.CABLE ASSY-CONT SUPPLIER CODE: V78710 SPECIFICATION NUMBER: S417N202-9 COMPONENT MAINT MANUAL REF: 38-30-11 OPTIONAL PART: 2604430-013 570-713-007	107107 121949	1
465	565-100-029		..HANDLE-TEE SUPPLIER CODE: V06970 USED ON: 570-713-007	107107 121949	1
465	20302-4		..HANDLE-TEE SUPPLIER CODE: V78710 USED ON: 570-713-007	107107 121503 904949	1
467	61751-1		..HANDLE- SUPPLIER CODE: V78710 USED ON: 7-44017-9	107107 121949	1
470	MS16562-203		..PIN- USED ON: 570-713-007	107107 121949	1
470	MS171526		..PIN- USED ON: 570-713-007	107107 121503 904949	1
472	MS171526		..PIN- USED ON: 7-44017-9	107107 121949	1
475	561-094-162		..NUT- SUPPLIER CODE: V06970 USED ON: 570-713-007	107107 121949	2
477	NAS509-8C		..NUT- USED ON: 7-44017-9	107107 121949	2
478	23293-3		..WASHER- SUPPLIER CODE: V78710 USED ON: 7-44017-9	107107 121949	2

MISSING ITEM NUMBERS NOT APPLICABLE

- ITEM NOT ILLUSTRATED

38-32-51-10

38-32-51
FIG. 10
PAGE 13
JAN 20/09

BRI



757

PARTS CATALOG (MAINTENANCE)

FIG ITEM	PART NUMBER	1 2 3 4 5 6 7	NOMENCLATURE	EFFECT FROM TO	UNITS PER ASSY
10 480	561-094-164	..	NUT- SUPPLIER CODE: V06970 USED ON: 570-713-007	107107 121949	2
482	NAS509-9C	..	NUT- USED ON: 7-44017-9	107107 121949	2
483	23293	..	WASHER- SUPPLIER CODE: V78710 USED ON: 7-44017-9	107107 121949	2
485	10-60871-349	.H	HOSE- OPTIONAL PART: AS4477-12-0743 AS4477-12-0744	107107 121949	1
485	AS4477-12-0743	.H	HOSE ASSY- OPTIONAL PART: 10-60871-349 AS4477-12-0744	107107 121949	1
485	AS4477-12-0744	.H	HOSE ASSY- OPTIONAL PART: AS4477-12-0743 10-60871-349	107107 121949	1
490	4709-21	.N	NIPPLE ASSY- SUPPLIER CODE: V86831 OPTIONAL PART: H3-1216-1 V34941	107107 121503 904949	1
490	H3-1216-1	.N	NIPPLE ASSY- SUPPLIER CODE: V34941 OPTIONAL PART: 4709-21 V86831	107107 121503 904949	1
490	0016-0015-5	.C	CAP ASSY-LEVER SUPPLIER CODE: V86831 COMPONENT MAINT MANUAL REF: 38-32-10	107107 121503 904949	1
491	0016-0022-1	.C	CAP ASSY-LEVER SUPPLIER CODE: V86831 COMPONENT MAINT MANUAL REF: 38-32-10 FOR DETAILS SEE: 38-32-52-26	107107 121503 904949	1

MISSING ITEM NUMBERS NOT APPLICABLE

- ITEM NOT ILLUSTRATED

38-32-51-10

38-32-51
FIG. 10
PAGE 14
JAN 20/09

BRI



757

PARTS CATALOG (MAINTENANCE)

FIG ITEM	PART NUMBER	1 2 3 4 5 6 7	NOMENCLATURE	EFFECT FROM TO	UNITS PER ASSY
10 492	4709-21		.NIPPLE ASSY- SUPPLIER CODE: V86831 OPTIONAL PART: H3-1216-1 V34941	107107 121503 904949	1
492	H3-1216-1		.NIPPLE ASSY- SUPPLIER CODE: V34941 OPTIONAL PART: 4709-21 V86831	107107 121503 904949	1
492	0016-0015-5		.CAP ASSY-LEVER SUPPLIER CODE: V86831 COMPONENT MAINT MANUAL REF: 38-32-10	107107 121503 904949	1
493	0016-0022-1		.CAP ASSY-LEVER SUPPLIER CODE: V86831 COMPONENT MAINT MANUAL REF: 38-32-10 FOR DETAILS SEE: 38-32-52-26 ATTACHING PARTS	107107 121503 904949	1
- 495	BACR15FT4D		.RIVET- SIZE DETERMINED ON INSTL.	107107 121503 904949	6
- 496	BACR15FT4D		.RIVET- SIZE DETERMINED ON INSTL. -----*-----	107107 121503 904949	6

MISSING ITEM NUMBERS NOT APPLICABLE

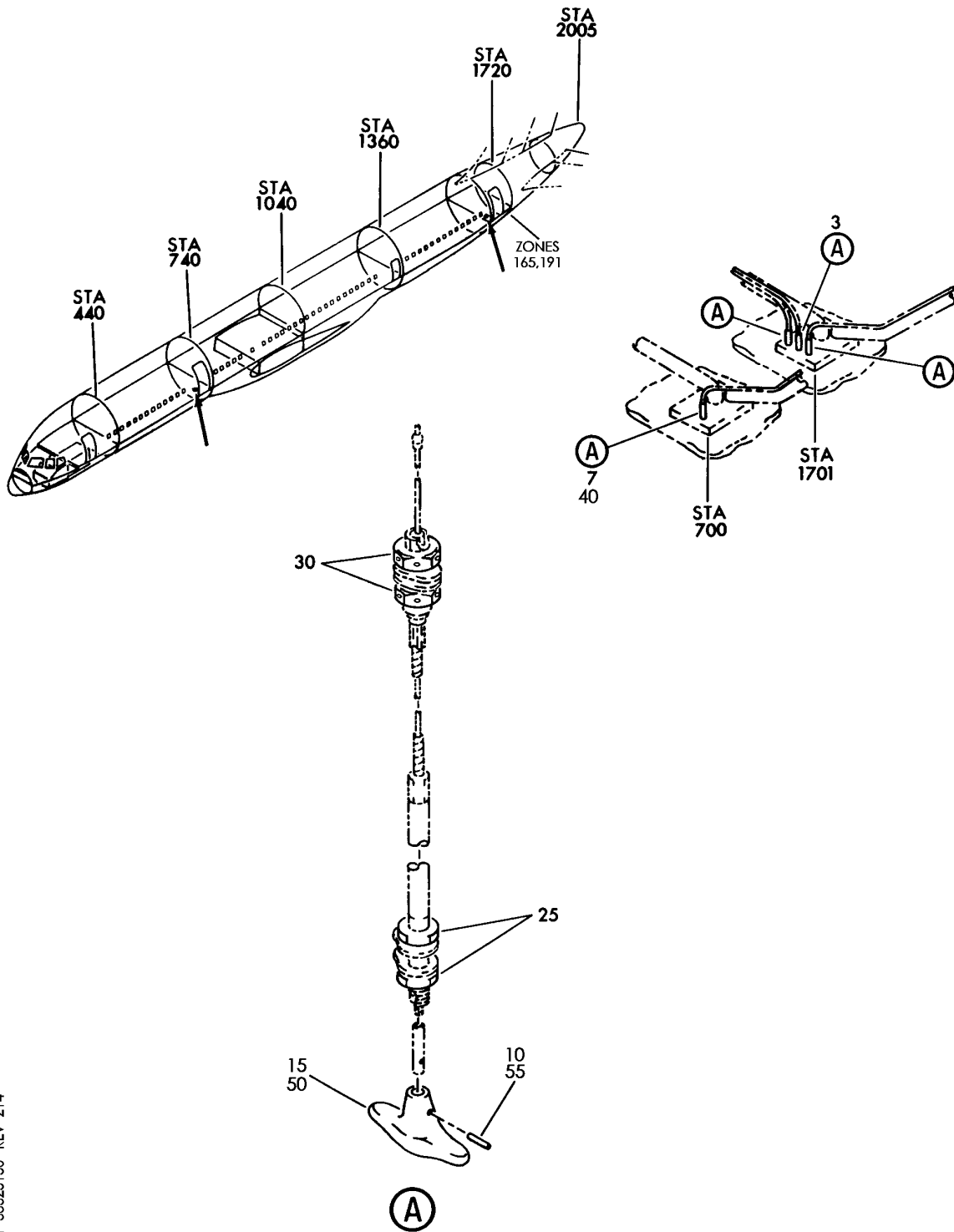
- ITEM NOT ILLUSTRATED

38-32-51-10

38-32-51
FIG. 10
PAGE 15
JAN 20/09

BRI

BOEING
757
PARTS CATALOG (MAINTENANCE)



Y 38325150 REV 214

CABLE ASSY-TOILET TANK DRAIN VALVE CONTROL
FIGURE 50

38-32-51-50

BRI
JAN 20/09

38-32-51-50
PAGE 0



757

PARTS CATALOG (MAINTENANCE)

FIG ITEM	PART NUMBER	1 2 3 4 5 6 7	NOMENCLATURE	EFFECT FROM TO	UNITS PER ASSY
50					
7	570-713-025		CABLE ASSY-TOILET TANK DRAIN VALVE CONTROL	108120 950999	RF
7	570-713-025		CABLE ASSY-TOILET TANK DRAIN VALVE CONTROL SUPPLIER CODE: V06970 SPECIFICATION NUMBER: S417N202-25 OPTIONAL PART: 7-44017-25 V78710 2604430-014 V04638 OPTIONAL PART: 570-713-180 V06970 FOR NHA SEE: 38-32-51-04	108120 950999	RF
7	S417N202-96		CABLE ASSY-TOILET TANK DRAIN VALVE CONTROL FOR NHA SEE: 38-32-51-04	108120 950999	RF
7	2604430-014		CABLE ASSY-TOILET TANK DRAIN VALVE CONTROL SUPPLIER CODE: V81833 SPECIFICATION NUMBER: S417N202-25 COMPONENT MAINT MANUAL REF: 38-30-06 OPTIONAL PART: 570-713-025 V06970 7-44017-25 V78710 OPTIONAL PART: 570-713-180 V06970 FOR NHA SEE: 38-32-51-04	108120 950999	RF

MISSING ITEM NUMBERS NOT APPLICABLE

- ITEM NOT ILLUSTRATED

38-32-51-50

38-32-51
FIG. 50
PAGE 1
JAN 20/09

BRI



757

PARTS CATALOG (MAINTENANCE)

FIG ITEM	PART NUMBER	1 2 3 4 5 6 7	NOMENCLATURE	EFFECT FROM TO	UNITS PER ASSY
50					
7	570-713-180		CABLE ASSY- SUPPLIER CODE: V06970 SPECIFICATION NUMBER: S417N202-107 OPTIONAL PART: 2604430-014 V04638 570-713-025 V06970 7-44017-25 V78710 FOR NHA SEE: 38-32-51-04	108120 950999	RF
10	MS171526		.PIN- USED ON: 7-44017-23	950999	1
10	MS16562-203		..PIN	108120 950999	1
15	20302-4		.HANDLE- SUPPLIER CODE: V78710 USED ON: 7-44017-23	950999	1
15	565-100-029		.HANDLE-TEE SUPPLIER CODE: V06970	108120 950999	1
25	561-094-162		.NUT- SUPPLIER CODE: V06970 USED ON: 570-713-025	950999	2
30	561-094-164		.NUT- SUPPLIER CODE: V06970 USED ON: 570-713-025	950999	2

MISSING ITEM NUMBERS NOT APPLICABLE

- ITEM NOT ILLUSTRATED

38-32-51-50

38-32-51
FIG. 50
PAGE 2
JAN 20/09

BRI

BOEING PROPRIETARY - Copyright © - Unpublished Work - See title page for details.



757

PARTS CATALOG (MAINTENANCE)

FIG ITEM	PART NUMBER	1 2 3 4 5 6 7	NOMENCLATURE	EFFECT FROM TO	UNITS PER ASSY
50 40	7-44017-25		CABLE ASSY-TOILET TANK DRAIN VALVE CONT SUPPLIER CODE: V78710 SPECIFICATION NUMBER: S417N202-25 COMPONENT MAINT MANUAL REF: 38-30-11 OPTIONAL PART: 570-713-025 V06970 2604430-014 V04638 OPTIONAL PART: 570-713-180 V06970 FOR NHA SEE: 38-32-51-04	108120 950999	RF
50	61751-1		.HANDLE-TEE SUPPLIER CODE: V78710	108120 950999	1
55	MS171526		.PIN -----*-----	108120 950999	1

MISSING ITEM NUMBERS NOT APPLICABLE

- ITEM NOT ILLUSTRATED

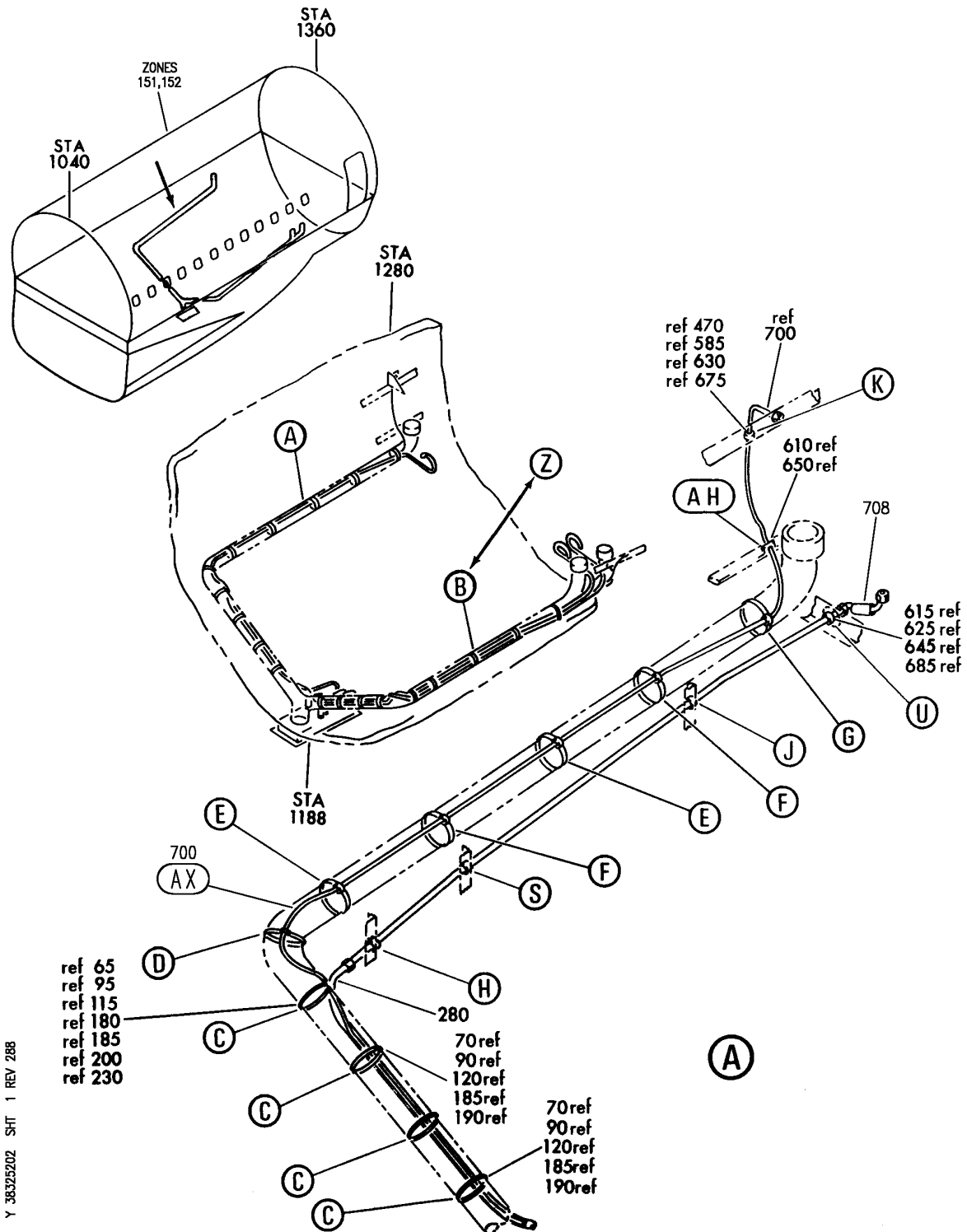
BRI

38-32-51-50

BOEING PROPRIETARY - Copyright © - Unpublished Work - See title page for details.

38-32-51
FIG. 50
PAGE 3
JAN 20/09


BOEING
 757
PARTS CATALOG (MAINTENANCE)



Y 38325202 SH1 1 REV 288

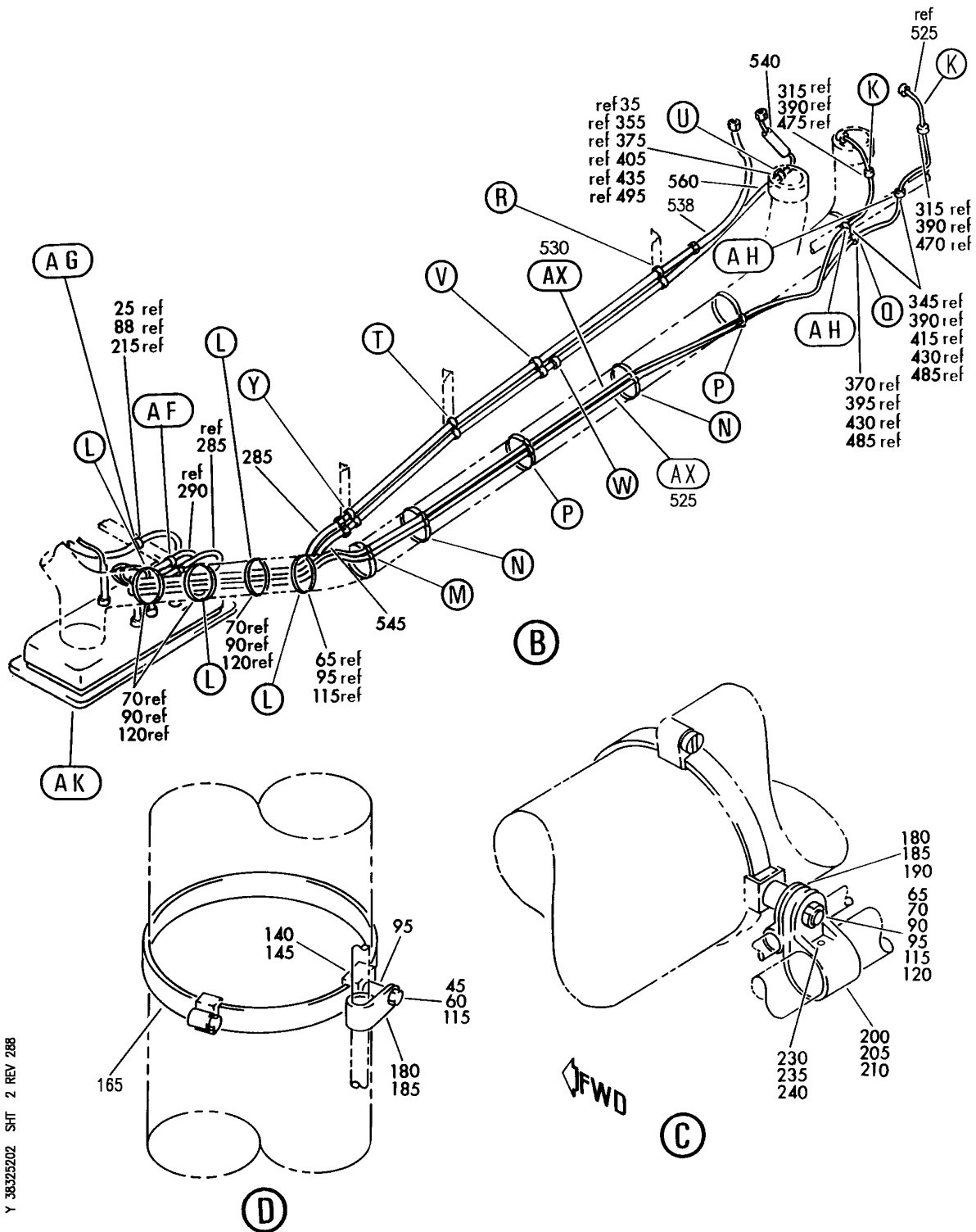
FLUSHLINE AND CONTROL CABLE INSTL-MID CABIN LAV
 FIGURE 2 (SHEET 1)

38-32-52-02

BRI
MAY 28/07

38-32-52-02
 PAGE 0

BOEING
757
PARTS CATALOG (MAINTENANCE)



Y 38325202 SHT 2 REV 288

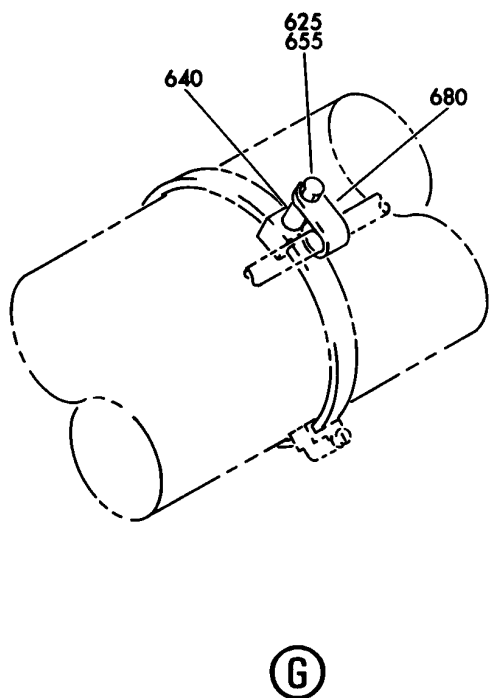
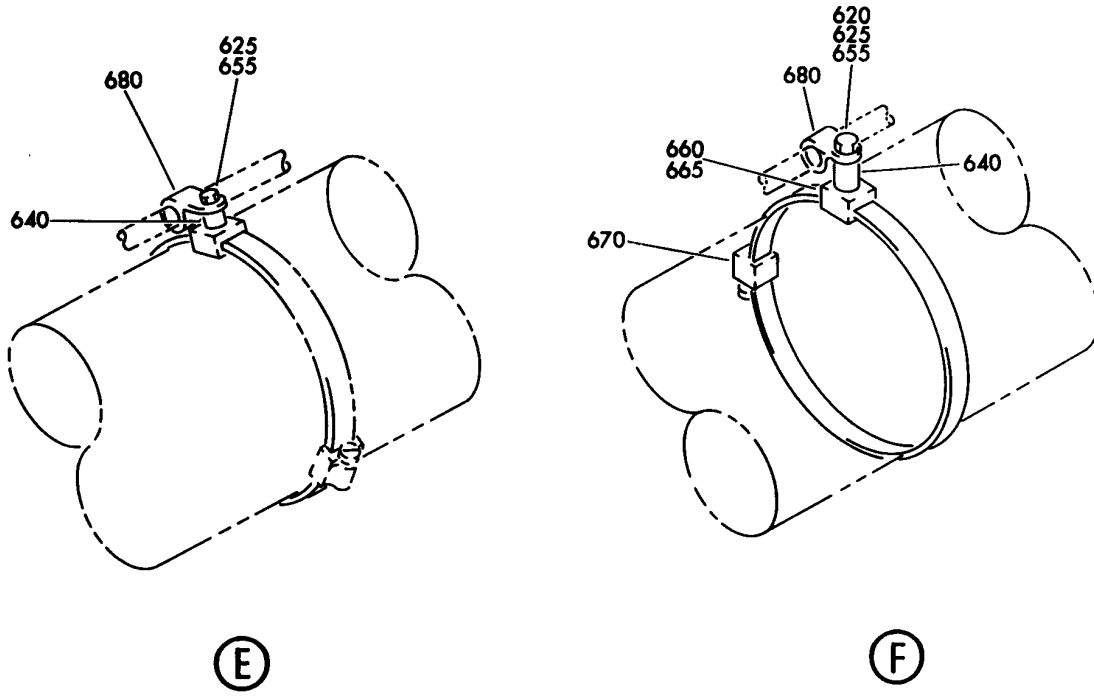
FLUSHLINE AND CONTROL CABLE INSTL-MID CABIN LAV
FIGURE 2 (SHEET 2)

38-32-52-02

BRI
MAY 28/07

38-32-52-02
PAGE 0A

BOEING
757
PARTS CATALOG (MAINTENANCE)



Y 38325202 SHT 3 REV 155

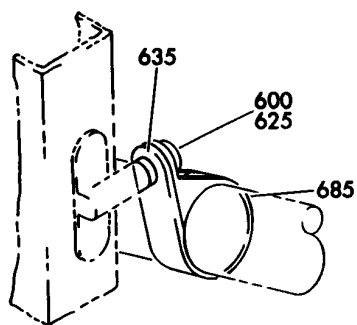
FLUSHLINE AND CONTROL CABLE INSTL-MID CABIN LAV
FIGURE 2 (SHEET 3)

38-32-52-02

BRI
MAY 28/07

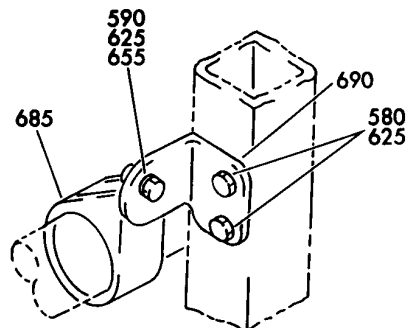
38-32-52-02
PAGE 0B

BOEING
757
PARTS CATALOG (MAINTENANCE)

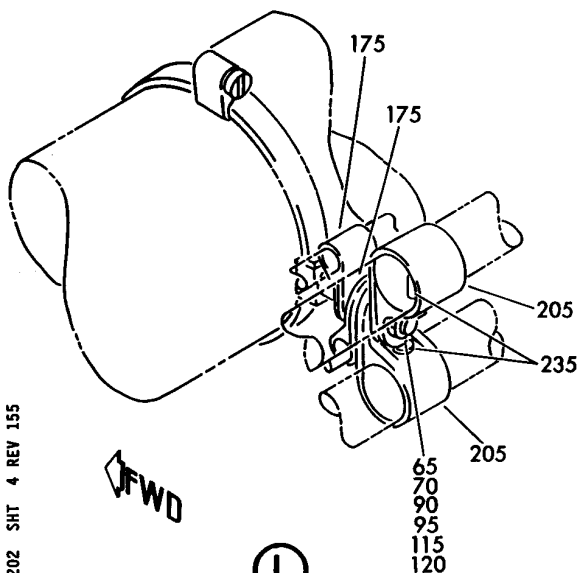


↙ FWD

(H)

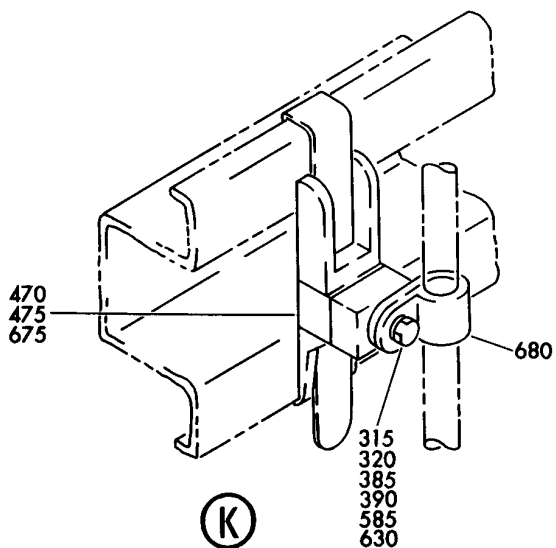


(J)



↙ FWD

(L)



(K)

Y 38325202 SHT 4 REV 155

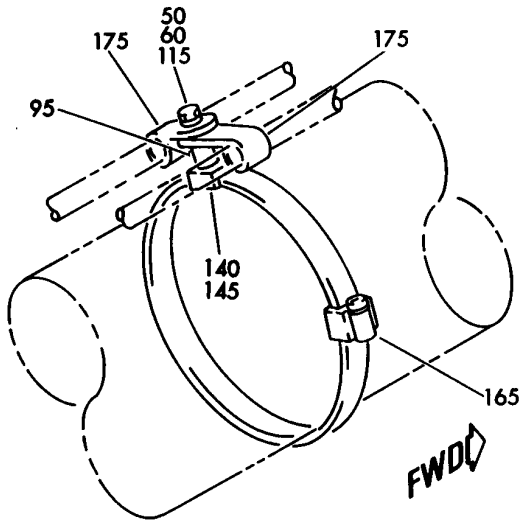
FLUSHLINE AND CONTROL CABLE INSTL-MID CABIN LAV
FIGURE 2 (SHEET 4)

38-32-52-02

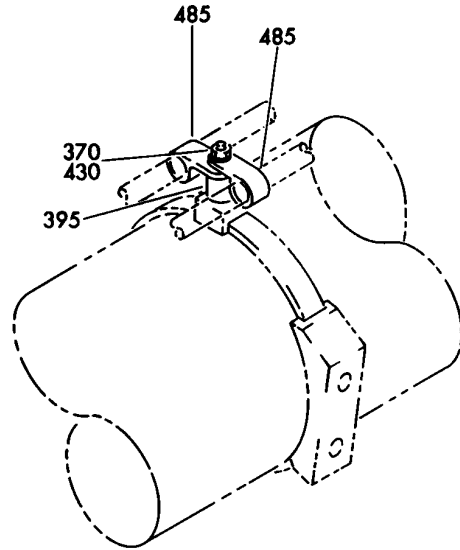
BRI
MAY 28/07

38-32-52-02
PAGE 0C

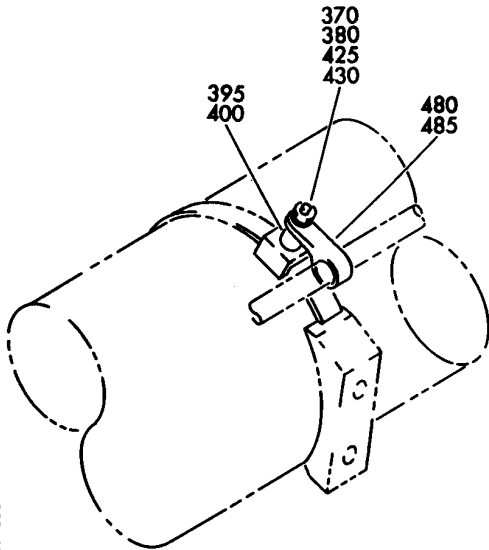
BOEING
757
PARTS CATALOG (MAINTENANCE)



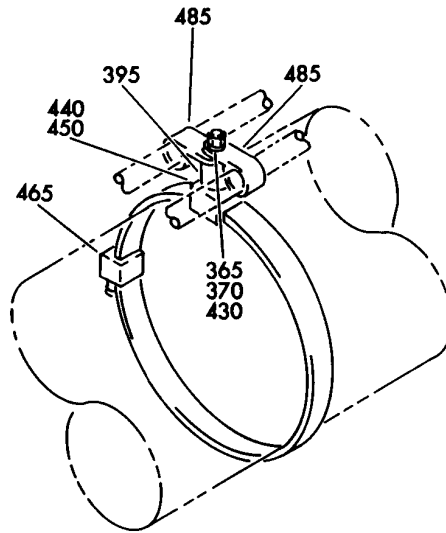
(M)



(N)



(O)



(P)

Y 38325202 SHT 5 REV 155

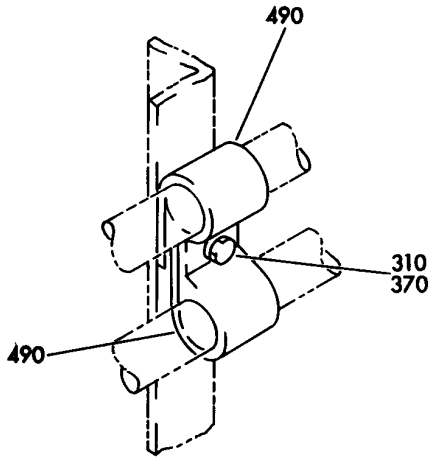
FLUSHLINE AND CONTROL CABLE INSTL-MID CABIN LAV
FIGURE 2 (SHEET 5)

38-32-52-02

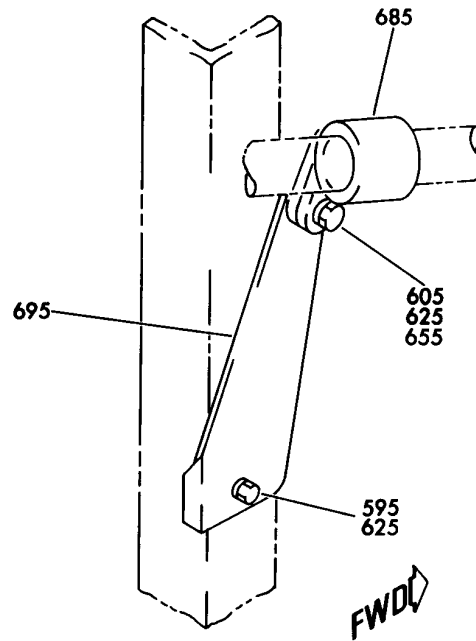
BRI
MAY 28/07

38-32-52-02
PAGE 0D

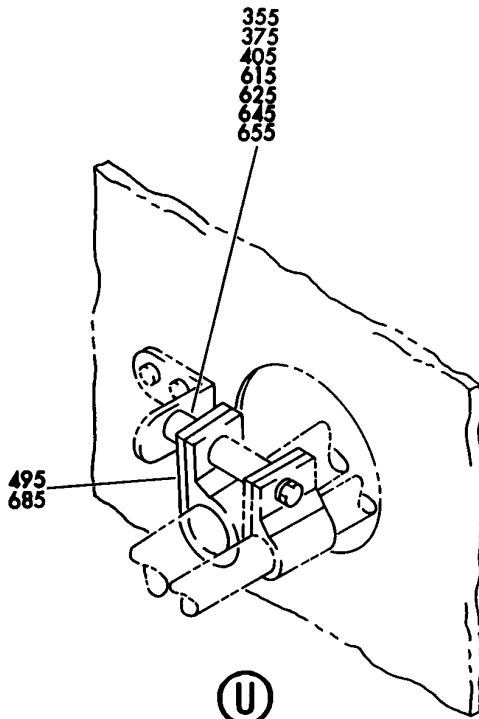
BOEING
757
PARTS CATALOG (MAINTENANCE)



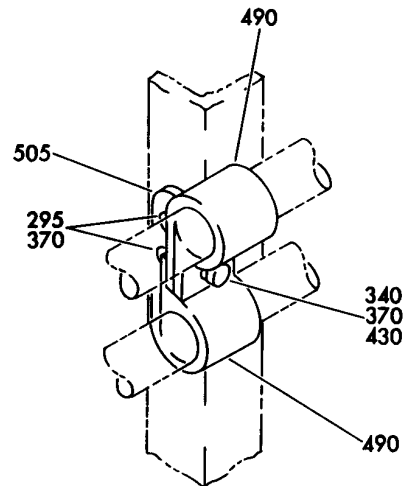
(R)



(S)



(U)



(T)

Y 38325202 SHT 6 REV 155

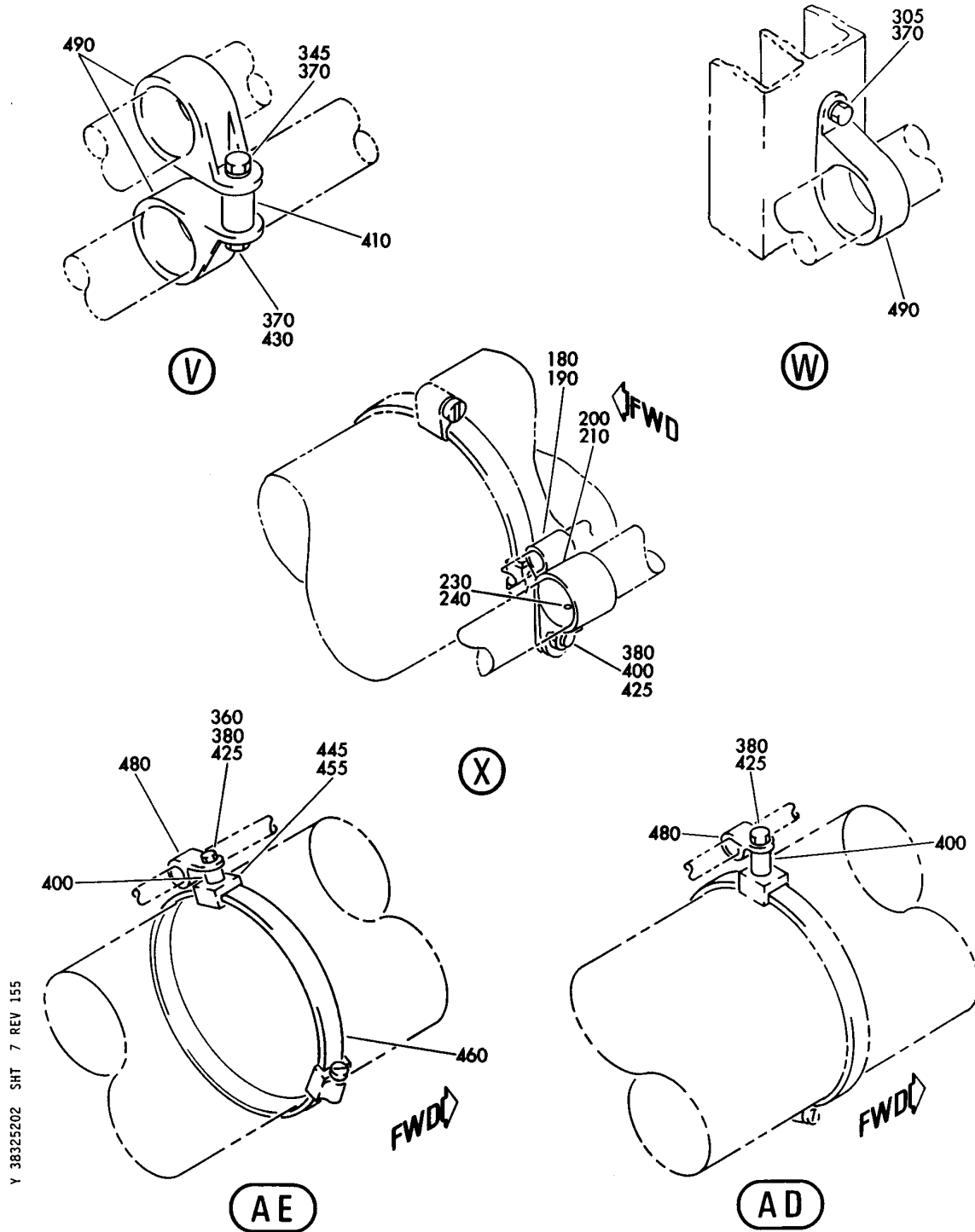
FLUSHLINE AND CONTROL CABLE INSTL-MID CABIN LAV
FIGURE 2 (SHEET 6)

38-32-52-02

BRI
MAY 28/07

38-32-52-02
PAGE 0E

BOEING
757
PARTS CATALOG (MAINTENANCE)



Y 38325202 SHT 7 REV 155

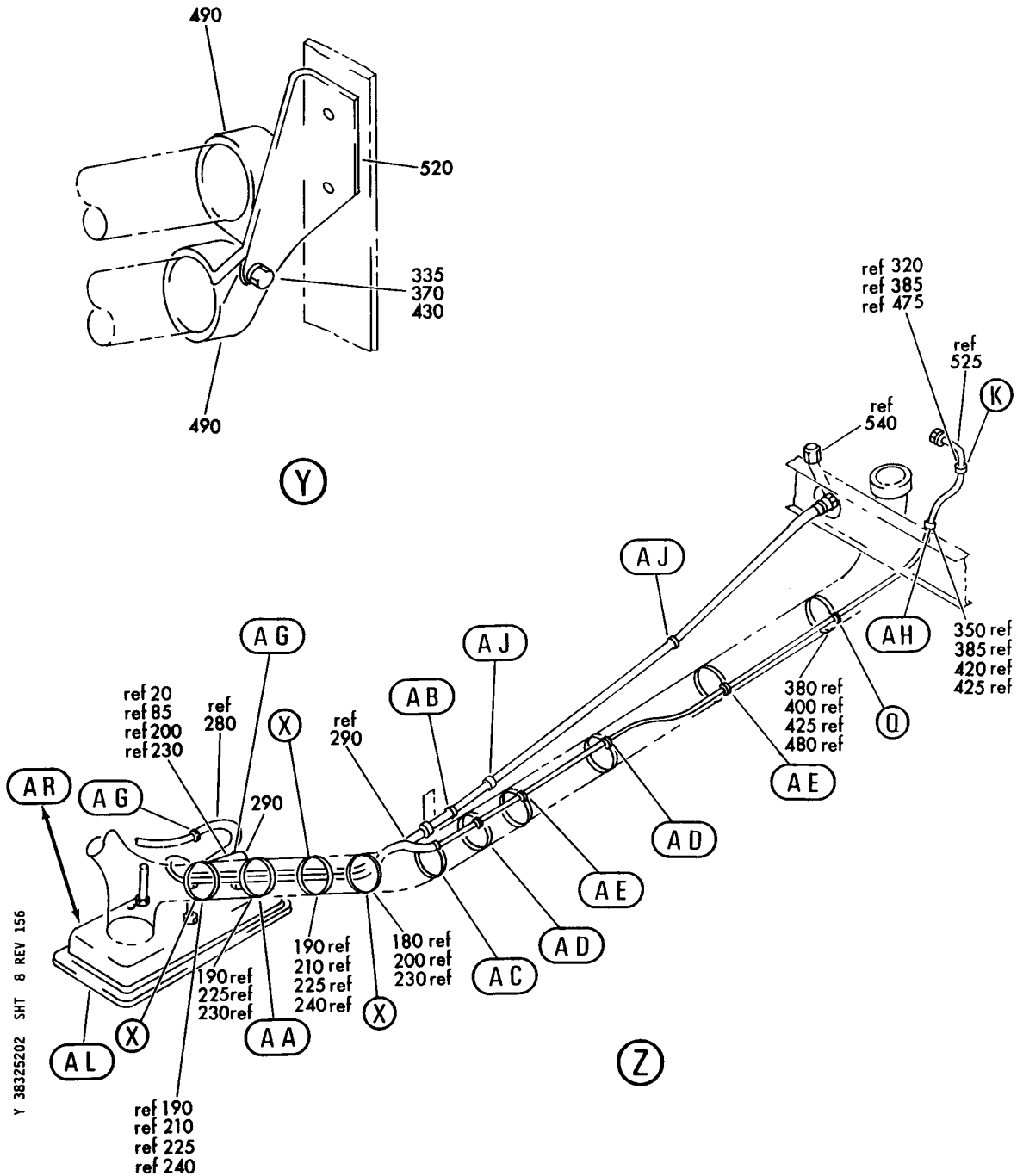
FLUSHLINE AND CONTROL CABLE INSTL-MID CABIN LAV
FIGURE 2 (SHEET 7)

38-32-52-02

BRI
MAY 28/07

38-32-52-02
PAGE OF

BOEING
757
PARTS CATALOG (MAINTENANCE)



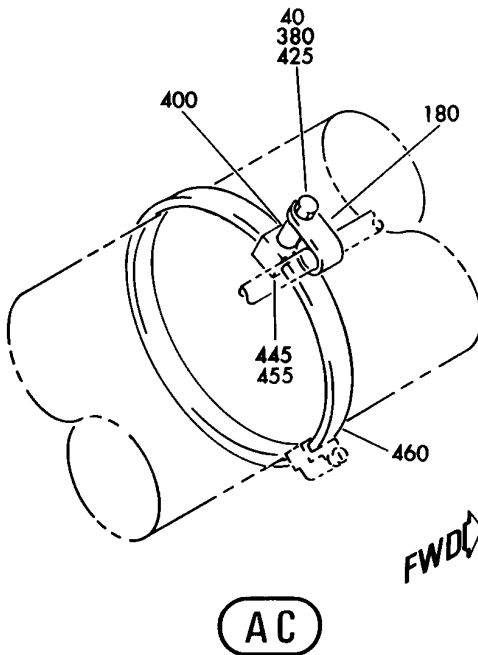
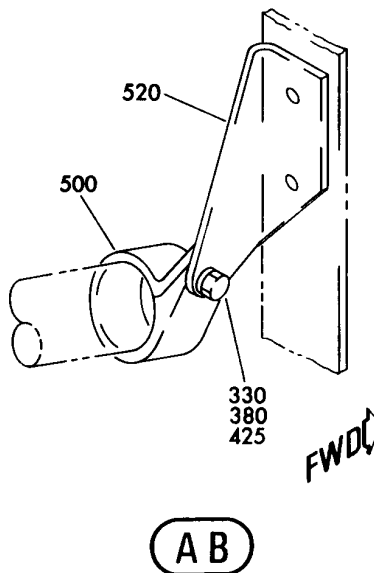
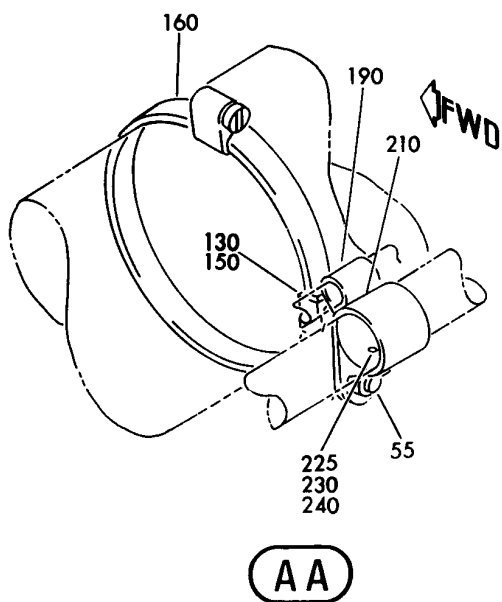
FLUSHLINE AND CONTROL CABLE INSTL-MID CABIN LAV
FIGURE 2 (SHEET 8)

38-32-52-02

BRI
MAY 28/07

38-32-52-02
PAGE 0G

BOEING
757
PARTS CATALOG (MAINTENANCE)



Y 38325202 SHT 9 REV 156

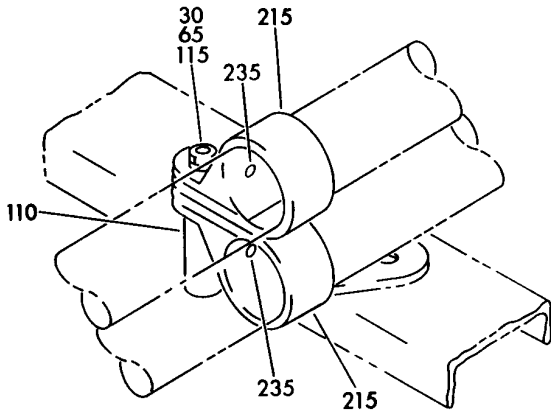
FLUSHLINE AND CONTROL CABLE INSTL-MID CABIN LAV
FIGURE 2 (SHEET 9)

38-32-52-02

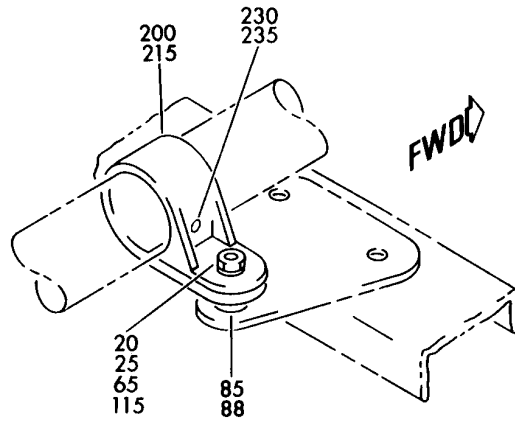
BRI
MAY 28/07

38-32-52-02
PAGE 0H

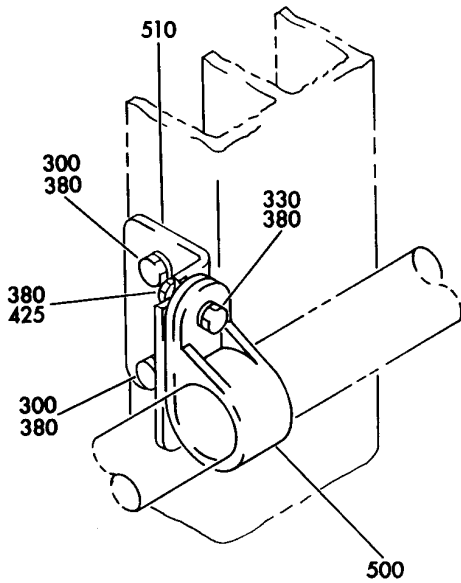
BOEING
757
PARTS CATALOG (MAINTENANCE)



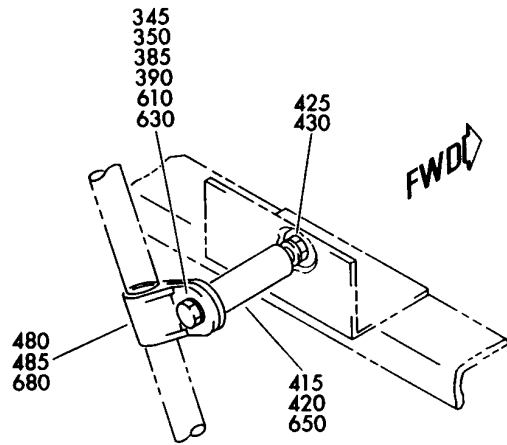
AF



AG



AJ



AH

Y 38325202 SHT 10 REV 156

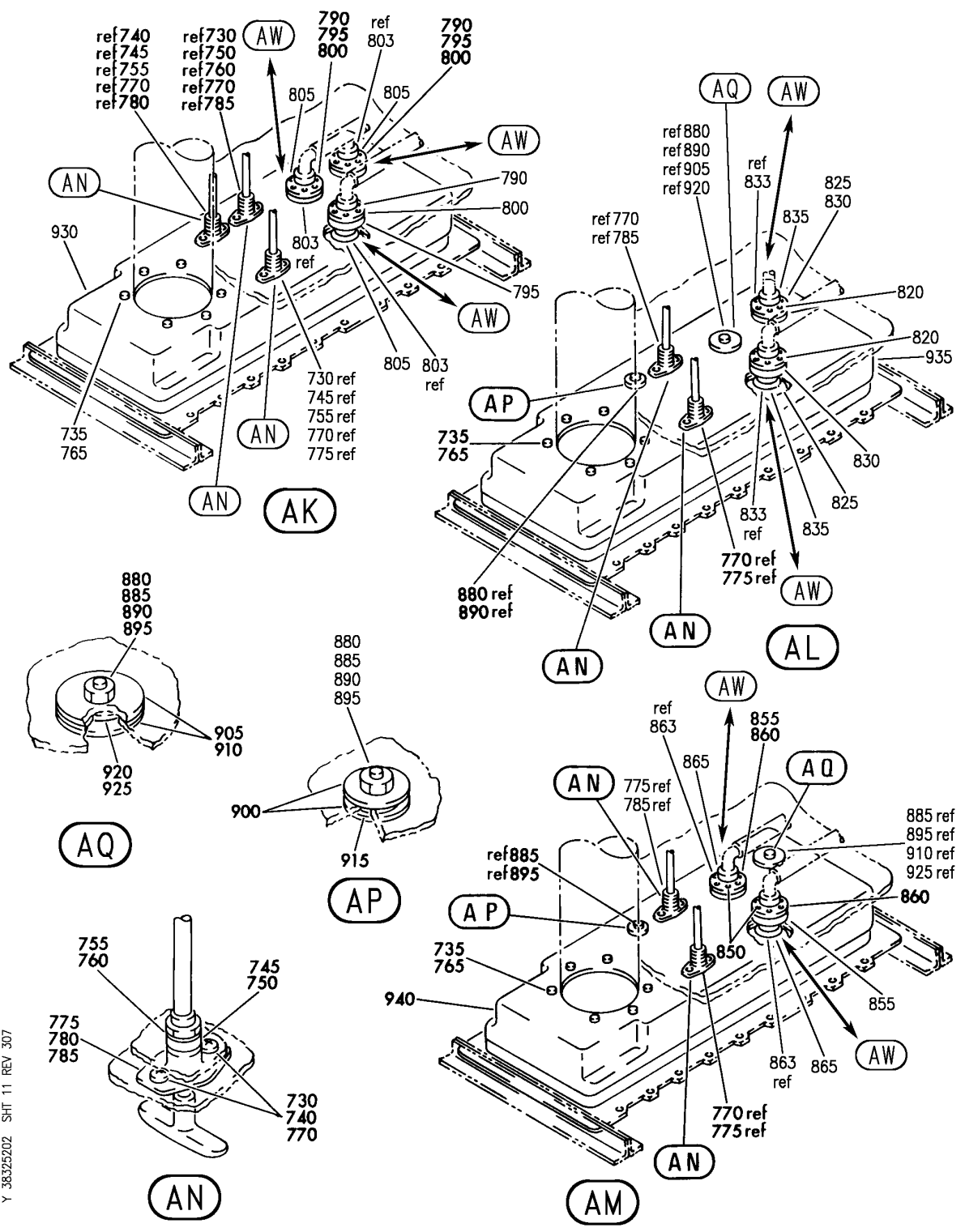
FLUSHLINE AND CONTROL CABLE INSTL-MID CABIN LAV
FIGURE 2 (SHEET 10)

38-32-52-02

BRI
MAY 28/07

38-32-52-02
PAGE 01

BOEING
757
PARTS CATALOG (MAINTENANCE)



Y 38325202 SHT 11 REV 307

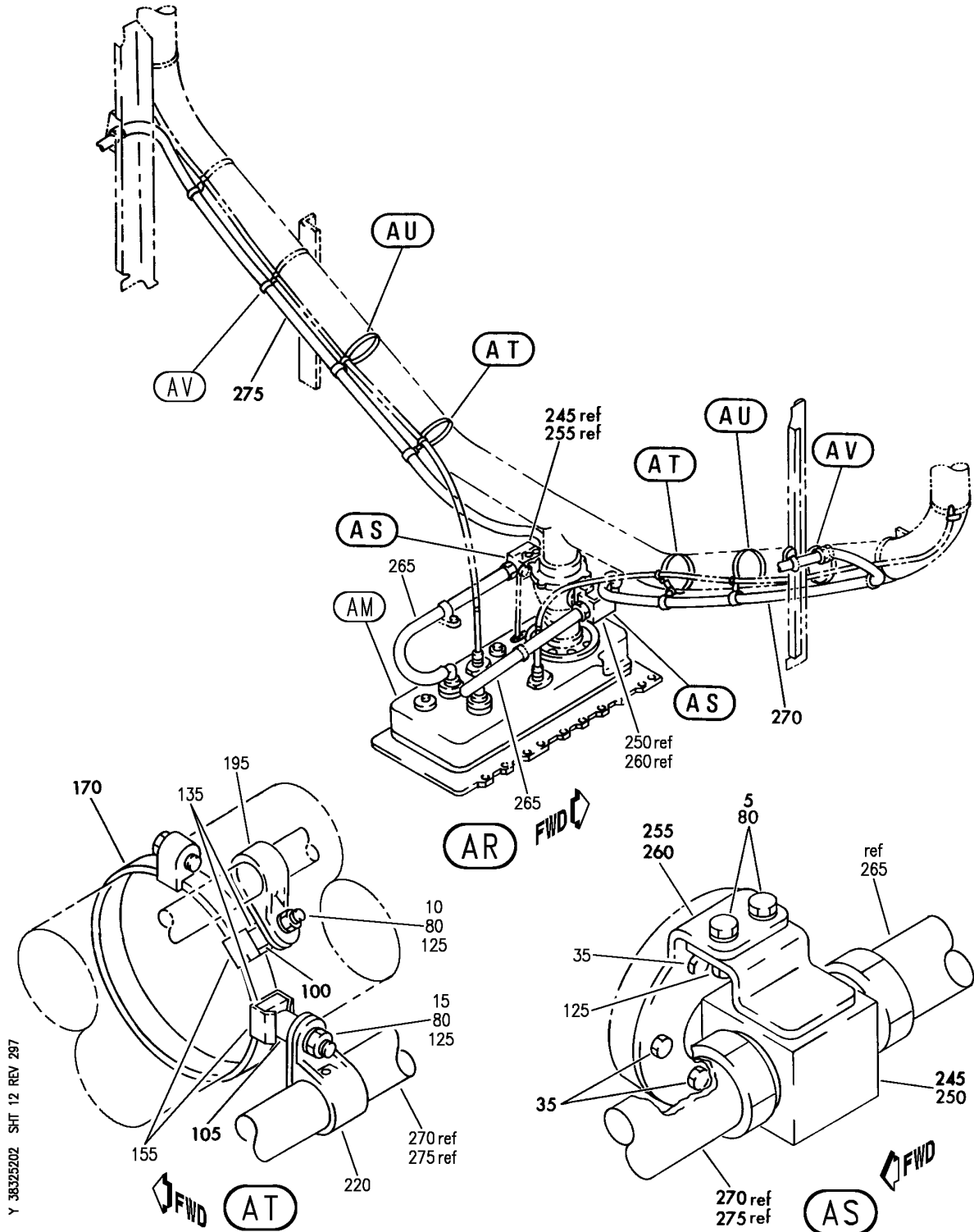
FLUSHLINE AND CONTROL CABLE INSTL-MID CABIN LAV
FIGURE 2 (SHEET 11)

38-32-52-02

BRI
MAY 28/07

38-32-52-02
PAGE 0J

BOEING
757
PARTS CATALOG (MAINTENANCE)



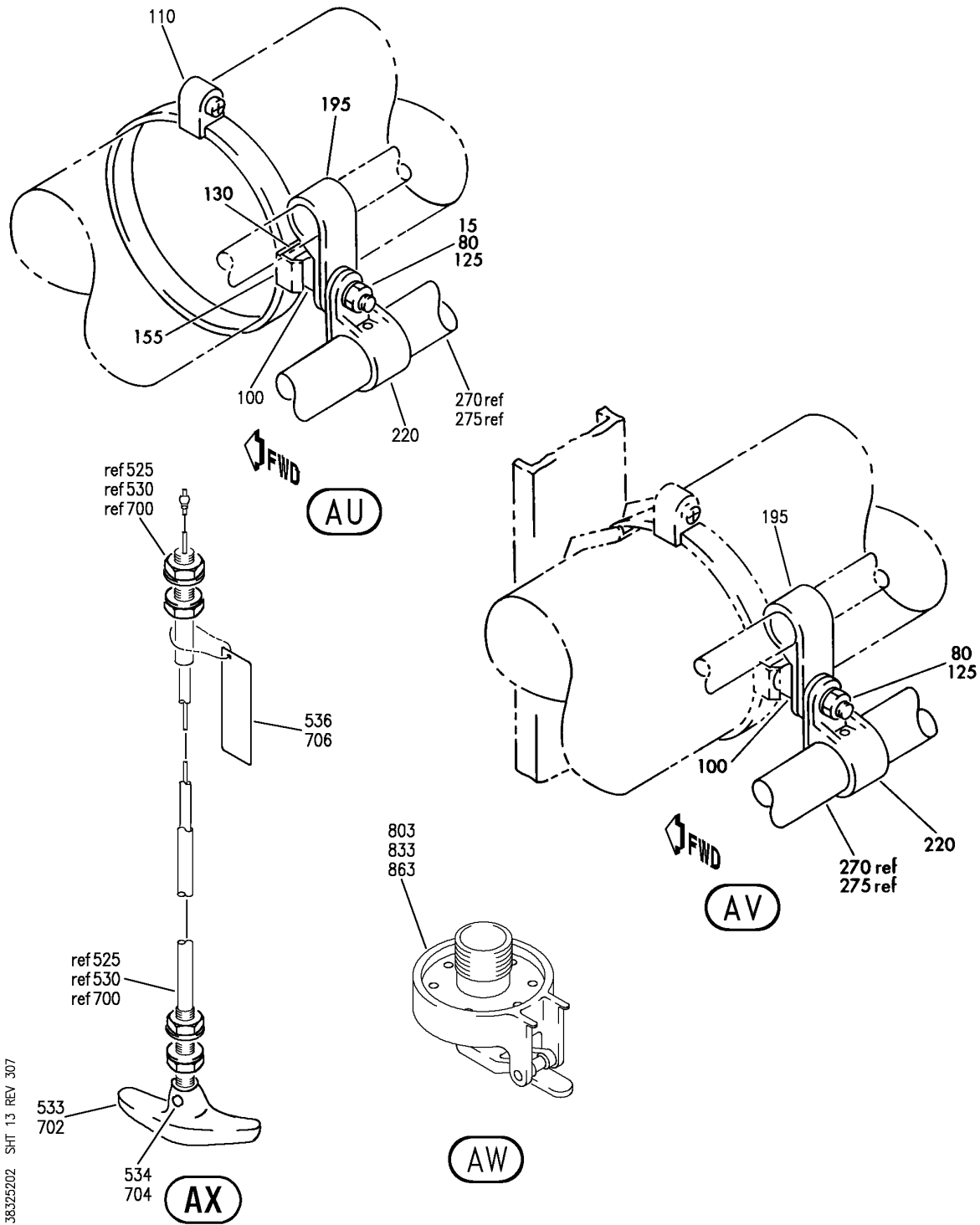
FLUSHLINE AND CONTROL CABLE INSTL-MID CABIN LAV
FIGURE 2 (SHEET 12)

38-32-52-02

BRI
MAY 28/07

38-32-52-02
PAGE OK

BOEING
757
PARTS CATALOG (MAINTENANCE)



Y 38325202 SHT 13 REV 307

FLUSHLINE AND CONTROL CABLE INSTL-MID CABIN LAV
FIGURE 2 (SHEET 13)

38-32-52-02

BRI
MAY 28/07

38-32-52-02
PAGE 01



757

PARTS CATALOG (MAINTENANCE)

FIG ITEM	PART NUMBER	1 2 3 4 5 6 7	NOMENCLATURE	EFFECT FROM TO	UNITS PER ASSY
2			FLUSHLINE AND CONTROL CABLE INSTL-MID CABIN LAV	006100 107107 950999	
- 1	417N8351-31		CABLE INSTL-FLUSHLINE AND CONTROL POSITION DATA: MID-CABIN LAV VARIABLE DRAWING REF: 417N8351-32 417N8351-23 FOR NHA SEE: 25-20-00-01A 25-20-00-03A	006016 950951 953999	RF
- 1	417N8351-35		CABLE INSTL-FLUSHLINE AND CONTROL POSITION DATA: MID-CABIN LAV FOR NHA SEE: 25-20-00-01A FOR NHA/OTHER SYS DET SEE: 25-20-00-03A	017100	RF
20	BACS12GU3K6	.	SCREW	950951	2
25	BACS12GU3K6	.	SCREW	006100 953999	1
30	BACS12GU3K28	.	SCREW	006100 953999	1
40	NAS6703-10	.	BOLT	950951	1
45	NAS6703-10	.	BOLT	006100 950951 953999	1
50	NAS6703-13	.	BOLT	006100 953999	1
55	NAS6703-13	.	BOLT	950951	1
60	AN960JD10L	.	WASHER	006100 950951 953999	2
65	AN960PD10L	.	WASHER	006100 950951 953999	4
70	AN960PD10L	.	WASHER	006100 950951 953999	6
85	NAS43DD3-14 FC	.	SPACER	950951	2
88	NAS43DD3-14 FC	.	SPACER	006100 953999	1
90	NAS43DD3-24 FC	.	SPACER	006100 950951 953999	6

MISSING ITEM NUMBERS NOT APPLICABLE

- ITEM NOT ILLUSTRATED

38-32-52-02

38-32-52
FIG. 02
PAGE 1
JAN 20/09

BRI



757

PARTS CATALOG (MAINTENANCE)

FIG ITEM	PART NUMBER	1 2 3 4 5 6 7	NOMENCLATURE	EFFECT FROM TO	UNITS PER ASSY
2					
95	NAS43DD3-24FC	.	SPACER	006100 950951 953999	4
110	NAS43DD3-64FC	.	SPACER	006100 953999	1
115	PLH53CD	.	NUT SUPPLIER CODE: VF0224 SPECIFICATION NUMBER: BACN10YR3CD OPTIONAL PART: H52732-3CD V15653	006100 950951 953999	AR
120	PLH53CD	.	NUT SUPPLIER CODE: VF0224 SPECIFICATION NUMBER: BACN10YR3CD OPTIONAL PART: H52732-3CD V15653	006100 950951 953999	6
130	BACB19F10S	.	BLOCK	950951	1
140	BACB19F10S	.	BLOCK	006100 950951 953999	2
145	BACC15AN10	.	CLIP	006100 950951 953999	2
150	BACC15AN10	.	CLIP	950951	1
160	NAS1922-0400-1	.	CLAMP- OPTIONAL PART: BACC10JB126C156	950951	1
160	BACC10JB126C156	.	CLAMP- OPTIONAL PART: NAS1922-0400-1	950951	1
165	NAS1922-0400-1	.	CLAMP- OPTIONAL PART: BACC10JB126C156	006100 950951 953999	2
165	BACC10JB126C156	.	CLAMP- OPTIONAL PART: NAS1922-0400-1	006100 950951 953999	2
175	BACC10DK5	.	CLAMP	006100 953999	10
180	BACC10DK5	.	CLAMP	950951	4
185	BACC10DK5	.	CLAMP	006100 953999	5
190	BACC10DK5	.	CLAMP	950951	6
200	BACC10DK14	.	CLAMP	950951	AR

MISSING ITEM NUMBERS NOT APPLICABLE

- ITEM NOT ILLUSTRATED

38-32-52-02

38-32-52
FIG. 02
PAGE 2
JAN 20/09

BRI

BOEING PROPRIETARY - Copyright © - Unpublished Work - See title page for details.



757

PARTS CATALOG (MAINTENANCE)

FIG ITEM	PART NUMBER	1 2 3 4 5 6 7	NOMENCLATURE	EFFECT FROM TO	UNITS PER ASSY
2					
205	BACC10DK14	.	CLAMP	006100 953999	AR
210	BACC10DK14	.	CLAMP	950951	AR
215	BACC10DK14	.	CLAMP	006100 953999	AR
225	N2088	.	PLUG SUPPLIER CODE: V75345 SPECIFICATION NUMBER: BACP20BA1 OPTIONAL PART: SZ7105 V95272 4841 V84914	006100 953999	AR
230	N2088	.	PLUG SUPPLIER CODE: V75345 SPECIFICATION NUMBER: BACP20BA1 OPTIONAL PART: SZ7105 V95272 4841 V84914	950951	AR
235	N2088	.	PLUG SUPPLIER CODE: V75345 SPECIFICATION NUMBER: BACP20BA1 OPTIONAL PART: SZ7105 V95272 4841 V84914	006100 953999	AR
240	N2088	.	PLUG SUPPLIER CODE: V75345 SPECIFICATION NUMBER: BACP20BA1 OPTIONAL PART: SZ7105 V95272 4841 V84914	950951	AR

MISSING ITEM NUMBERS NOT APPLICABLE

- ITEM NOT ILLUSTRATED

38-32-52-02

38-32-52
FIG. 02
PAGE 3
JAN 20/09

BRI



757

PARTS CATALOG (MAINTENANCE)

FIG ITEM	PART NUMBER	1 2 3 4 5 6 7	NOMENCLATURE	EFFECT FROM TO	UNITS PER ASSY
2					
280	41209-363		.HOSE- SUPPLIER CODE: V24984 SPECIFICATION NUMBER: 10-60871-363	006100 950951 953999	1
280	AS4477-12-0884		.HOSE	006100 950951 953999	1
285	41209-364		.HOSE- SUPPLIER CODE: V24984 SPECIFICATION NUMBER: 10-60871-364	006100 953999	1
290	41208-365		.HOSE- SUPPLIER CODE: V24984 SPECIFICATION NUMBER: 10-60871-365	006100 950951 953999	1
290	AS4476-12-0794		.HOSE ASSY	006100 950951 953999	1
295	BACB30NT3K1		.BOLT	006100 953999	2
300	BACB30NT3K1		.BOLT	950951	4
305	BACB30NT3K3		.BOLT	006100 953999	1
310	BACB30NT3K6		.BOLT	006100 953999	1
315	BACS12GU3K6		.SCREW	006100 953999	2
320	BACS12GU3K6		.SCREW	950951	1
330	BACS12GU3K9		.SCREW	950951	3
335	BACS12GU3K12		.SCREW	006100 953999	1
340	BACS12GU3K13		.SCREW	006100 953999	1
345	BACS12GU3K24		.SCREW	006100 953999	3
350	BACS12GU3K24		.SCREW	950951	1
355	BACS12GU3K32		.SCREW	006100 950951 953999	1
360	NAS6703-10		.BOLT	950951	2
365	NAS6703-13		.BOLT	006100 953999	2
370	AN960JD10L		.WASHER	006100 953999	14

MISSING ITEM NUMBERS NOT APPLICABLE

- ITEM NOT ILLUSTRATED

38-32-52-02

38-32-52
FIG. 02
PAGE 4
JAN 20/09

BRI

BOEING PROPRIETARY - Copyright © - Unpublished Work - See title page for details.



757

PARTS CATALOG (MAINTENANCE)

FIG ITEM	PART NUMBER	1 2 3 4 5 6 7	NOMENCLATURE	EFFECT FROM TO	UNITS PER ASSY
2					
375	AN960JD10L	.	WASHER	006100 950951 953999	1
380	AN960JD10L	.	WASHER	950951	14
385	AN960PD10L	.	WASHER	950951	2
390	AN960PD10L	.	WASHER	006100 953999	4
395	NAS43DD3-24FC	.	SPACER	006100 953999	5
400	NAS43DD3-24FC	.	SPACER	950951	5
405	NAS43DD3-28FC	.	SPACER	006100 950951 953999	1
410	NAS43DD3-48FC	.	SPACER	006100 953999	1
415	NAS43DD3-64FC	.	SPACER	006100 953999	2
420	NAS43DD3-64FC	.	SPACER	950951	1
425	PLH53CD	.	NUT	950951	9
			SUPPLIER CODE: VF0224		
			SPECIFICATION NUMBER: BACN10YR3CD		
			OPTIONAL PART: H52732-3CD V15653		
430	PLH53CD	.	NUT	006100 953999	10
			SUPPLIER CODE: VF0224		
			SPECIFICATION NUMBER: BACN10YR3CD		
			OPTIONAL PART: H52732-3CD V15653		
435	PLH53CD	.	NUT	006100 950951 953999	1
			SUPPLIER CODE: VF0224		
			SPECIFICATION NUMBER: BACN10YR3CD		
			OPTIONAL PART: H52732-3CD V15653		
440	BACB19F10S	.	BLOCK	006100 953999	2
445	BACB19F10S	.	BLOCK	950951	2
450	BACC15AN10	.	CLIP	006100 953999	2
455	BACC15AN10	.	CLIP	950951	2

MISSING ITEM NUMBERS NOT APPLICABLE

- ITEM NOT ILLUSTRATED

38-32-52-02

38-32-52
FIG. 02
PAGE 5
JAN 20/09

BRI



757

PARTS CATALOG (MAINTENANCE)

FIG ITEM	PART NUMBER	1 2 3 4 5 6 7	NOMENCLATURE	EFFECT FROM TO	UNITS PER ASSY
2					
460	NAS1922-0400-1	.CLAMP-	OPTIONAL PART: BACC10JB126C156	950951	2
460	BACC10JB126C156	.CLAMP-	OPTIONAL PART: NAS1922-0400-1	950951	2
465	NAS1922-0400-1	.CLAMP-	OPTIONAL PART: BACC10JB126C156	006100 953999	2
465	BACC10JB126C156	.CLAMP-	OPTIONAL PART: NAS1922-0400-1	006100 953999	2
470	30187-1	.SUPPORT	SUPPLIER CODE: V26835 SPECIFICATION NUMBER: BACS38J4 OPTIONAL PART: S38J4 V59237	006100 953999	2
475	30187-1	.SUPPORT	SUPPLIER CODE: V26835 SPECIFICATION NUMBER: BACS38J4 OPTIONAL PART: S38J4 V59237	950951	1
480	BACC10DK5	.CLAMP		950951	7
485	BACC10DK5	.CLAMP		006100 953999	13
490	BACC10DK12	.CLAMP		006100 953999	AR
495	BACC10DK12	.CLAMP		006100 950951 953999	AR
500	BACC10DK12	.CLAMP		950951	AR
505	417N8305-23	.BRACKET		006100 953999	1
510	417N8305-23	.BRACKET		950951	2
520	417N8305-24	.BRACKET		006016 950951 953999	1
520	417N8305-42	.BRACKET		017100	1

MISSING ITEM NUMBERS NOT APPLICABLE

- ITEM NOT ILLUSTRATED

BRI

38-32-52-02

BOEING PROPRIETARY - Copyright © - Unpublished Work - See title page for details.

38-32-52
FIG. 02
PAGE 6
JAN 20/09



757

PARTS CATALOG (MAINTENANCE)

FIG ITEM	PART NUMBER	1 2 3 4 5 6 7	NOMENCLATURE	EFFECT FROM TO	UNITS PER ASSY
2 525	7-44017-5		.CABLE ASSY-CONT SUPPLIER CODE: V78710 SPECIFICATION NUMBER: S417N202-5 COMPONENT MAINT MANUAL REF: 38-30-11 OPTIONAL PART: 570-713-003 V06970 2604430-012 V04638	006100 950951 953999	1
525	570-713-003		.CABLE ASSY-CONT SUPPLIER CODE: V06970 SPECIFICATION NUMBER: S417N202-5 COMPONENT MAINT MANUAL REF: 38-30-11 OPTIONAL PART: 7-44017-5 V78710 2604430-012 V04638	006100 950951 953999	1
525	7-44017-125		.CABLE ASSY-CONT SUPPLIER CODE: V78710 SPECIFICATION NUMBER: S417N202-125 COMPONENT MAINT MANUAL REF: 38-30-11	006100 950951 953999	1
530	7-44017-78		.CABLE ASSY- SUPPLIER CODE: V78710 SPECIFICATION NUMBER: S417N202-78 COMPONENT MAINT MANUAL REF: 38-30-11 OPTIONAL PART: 2604430-039 V04638	006100 950951 953999	1
533	61751-1		..HANDLE-TEE SUPPLIER CODE: V78710 USED ON: 7-44017-5 7-44017-78 7-44017-124 7-44017-125	006100 950951 953999	1

MISSING ITEM NUMBERS NOT APPLICABLE

- ITEM NOT ILLUSTRATED

38-32-52-02

38-32-52
FIG. 02
PAGE 7
JAN 20/09

BRI



757

PARTS CATALOG (MAINTENANCE)

FIG ITEM	PART NUMBER	1 2 3 4 5 6 7	NOMENCLATURE	EFFECT FROM TO	UNITS PER ASSY
2			ATTACHING PARTS		
534	MS171526		..PIN- USED ON: 7-44017-5 7-44017-78 7-44017-124 7-44017-125	006100 950951 953999	1
536	64204-1		-----*----- ..PLATE-IDENT SUPPLIER CODE: V78710 USED ON: 7-44017-124 7-44017-125	006100 950951 953999	1
538	AS4477-12-0174		.HOSE ASSY-	006100 107107 950999	1
538	41209-366		.HOSE- SUPPLIER CODE: V24984 SPECIFICATION NUMBER: 10-60871-366	006100 953999	1
540	AS4477-12-0840		.HOSE ASSY-	006100 950951 953999	1
540	41229-374		.HOSE- SUPPLIER CODE: V24984 SPECIFICATION NUMBER: 10-60871-374	006100 950951 953999	1
540	79205-751		.HOSE ASSY- SUPPLIER CODE: V24984 SPECIFICATION NUMBER: S417U206-751	006100 950951 953999	1
545	417N8351-26		.TUBE ASSY- TUBING MATERIAL: STOCK .75 OD X .02 WALL 304 CRES TUBE PER MIL-T-8504	006100 953999	1

MISSING ITEM NUMBERS NOT APPLICABLE

- ITEM NOT ILLUSTRATED

38-32-52-02

38-32-52
FIG. 02
PAGE 8
JAN 20/09

BRI

BOEING PROPRIETARY - Copyright © - Unpublished Work - See title page for details.



757

PARTS CATALOG (MAINTENANCE)

FIG ITEM	PART NUMBER	1 2 3 4 5 6 7	NOMENCLATURE	EFFECT FROM TO	UNITS PER ASSY
2					
- 550	AP2097H12	..	SLEEVE SUPPLIER CODE: V01673 SPECIFICATION NUMBER: BACS13BX12H OPTIONAL PART: 2-02903-12H V11328 35235V12 V08199 AFP175V12 V30974 DBOS13BX12H V14798	006100 953999	2
- 555	MS21921-12J	..	NUT	006100 953999	2
560	417N8351-27	.TUBE ASSY-	TUBING MATERIAL: STOCK .75 OD X .02 WALL 304 CRES TUBE PER MIL-T-8504	006100 950951 953999	1
- 565	AP2097H12	..	SLEEVE SUPPLIER CODE: V01673 SPECIFICATION NUMBER: BACS13BX12H OPTIONAL PART: 2-02903-12H V11328 35235V12 V08199 AFP175V12 V30974 DBOS13BX12H V14798	006100 950951 953999	1

MISSING ITEM NUMBERS NOT APPLICABLE

- ITEM NOT ILLUSTRATED

BRI

38-32-52-02

BOEING PROPRIETARY - Copyright © - Unpublished Work - See title page for details.

38-32-52
FIG. 02
PAGE 9
JAN 20/09



757

PARTS CATALOG (MAINTENANCE)

FIG ITEM	PART NUMBER	1 2 3 4 5 6 7	NOMENCLATURE	EFFECT FROM TO	UNITS PER ASSY
2					
- 570	35056V12	..	UNION SUPPLIER CODE: V08199 SPECIFICATION NUMBER: BACU24AB12H OPTIONAL PART: 4671097H12 V50948 2-01027-12H V11328 31875-12H V14397 AP1004H12 V01673 AFP941H12 V30974 DBOU24AB12H V14798	006100 950951 953999	1
- 575	MS21921-12J	..	NUT	006100 950951 953999	1
580	BACB30NT3K1	.	BOLT	006100 950951 953999	2
585	BACS12GU3K6	.	SCREW	006100 950951 953999	1
590	BACS12GU3K8	.	SCREW	006100 950951 953999	1
595	BACS12GU3K10	.	SCREW	006100 950951 953999	1
600	BACS12GU3K11	.	SCREW	006100 950951 953999	1
605	BACS12GU3K12	.	SCREW	006100 950951 953999	1
610	BACS12GU3K24	.	SCREW	006100 950951 953999	1
615	BACS12GU3K32	.	SCREW	006100 950951 953999	1
620	NAS6703-10	.	BOLT	006100 950951 953999	2

MISSING ITEM NUMBERS NOT APPLICABLE

- ITEM NOT ILLUSTRATED

38-32-52-02

38-32-52
FIG. 02
PAGE 10
JAN 20/09

BRI

BOEING PROPRIETARY - Copyright © - Unpublished Work - See title page for details.



757

PARTS CATALOG (MAINTENANCE)

FIG ITEM	PART NUMBER	1 2 3 4 5 6 7	NOMENCLATURE	EFFECT FROM TO	UNITS PER ASSY
2					
625	AN960JD10L	.	WASHER	006100 950951 953999	12
630	AN960PD10L	.	WASHER	006100 950951 953999	2
635	NAS43DD3-5FC	.	SPACER	006100 950951 953999	1
640	NAS43DD3-24FC	.	SPACER	006100 950951 953999	5
645	NAS43DD3-28FC	.	SPACER	006100 950951 953999	1
650	NAS43DD3-64FC	.	SPACER	006100 950951 953999	1
655	PLH53CD	.	NUT SUPPLIER CODE: VF0224 SPECIFICATION NUMBER: BACN10YR3CD OPTIONAL PART: H52732-3CD V15653	006100 950951 953999	9
660	BACB19F10S	.	BLOCK	006100 950951 953999	2
665	BACC15AN10	.	CLIP	006100 950951 953999	2
670	NAS1922-0400-1	.	CLAMP- OPTIONAL PART: BACC10JB126C156	006100 950951 953999	2
670	BACC10JB126C156	.	CLAMP- OPTIONAL PART: NAS1922-0400-1	006100 950951 953999	2
675	30187-1	.	SUPPORT SUPPLIER CODE: V26835 SPECIFICATION NUMBER: BACS38J4 OPTIONAL PART: S38J4 V59237	006100 950951 953999	1
680	BACC10DK5	.	CLAMP	006100 950951 953999	7

MISSING ITEM NUMBERS NOT APPLICABLE

- ITEM NOT ILLUSTRATED

38-32-52-02

38-32-52
FIG. 02
PAGE 11
JAN 20/09

BRI



757

PARTS CATALOG (MAINTENANCE)

FIG ITEM	PART NUMBER	1 2 3 4 5 6 7	NOMENCLATURE	EFFECT FROM TO	UNITS PER ASSY
2					
685	BACC10DK12	.	CLAMP	006100 950951 953999	AR
690	417N8305-23	.	BRACKET	006100 950951 953999	1
695	417N8305-34	.	BRACKET	006100 950951 953999	1
700	570-713-003	.	CABLE ASSY-CONT SUPPLIER CODE: V06970 SPECIFICATION NUMBER: S417N202-5 COMPONENT MAINT MANUAL REF: 38-30-11 OPTIONAL PART: 7-44017-5 V78710 2604430-012 V04638	006100 950951 953999	1
700	7-44017-5	.	CABLE ASSY-CONT SUPPLIER CODE: V78710 SPECIFICATION NUMBER: S417N202-5 COMPONENT MAINT MANUAL REF: 38-30-11 OPTIONAL PART: 570-713-003 V06970 2604430-012 V04638	006100 950951 953999	1
700	7-44017-125	.	CABLE ASSY-CONT SUPPLIER CODE: V78710 SPECIFICATION NUMBER: S417N202-125 COMPONENT MAINT MANUAL REF: 38-30-11	006100 950951 953999	1
702	61751-1	..	HANDLE-TEE SUPPLIER CODE: V78710	006100 950951 953999	1
704	MS171526	..	PIN -----*-----	006100 950951 953999	1

MISSING ITEM NUMBERS NOT APPLICABLE

- ITEM NOT ILLUSTRATED

38-32-52-02

38-32-52
FIG. 02
PAGE 12
JAN 20/09

BRI

BOEING PROPRIETARY - Copyright © - Unpublished Work - See title page for details.



757

PARTS CATALOG (MAINTENANCE)

FIG ITEM	PART NUMBER	1 2 3 4 5 6 7	NOMENCLATURE	EFFECT FROM TO	UNITS PER ASSY
2 706	64204-1		.. PLATE-IDENT SUPPLIER CODE: V78710	006100 950951 953999	1
708	41229-375		.HOSE- SUPPLIER CODE: V24984 SPECIFICATION NUMBER: 10-60871-375	006100 950951 953999	1
708	79205-752		.HOSE ASSY- SUPPLIER CODE: V24984 SPECIFICATION NUMBER: S417U206-752	006100 950951 953999	1
710	417N8351-30		.TUBE ASSY- TUBING MATERIAL: STOCK .75 O.D. X .02 WALL OPTIONAL TO .75 O.D. X .028 WALL 304 CRES TUBE PER MIL-T-8504	006100 950951 953999	1
- 715	AP2097H12		.. SLEEVE SUPPLIER CODE: V01673 SPECIFICATION NUMBER: BACS13BX12H OPTIONAL PART: 2-02903-12H V11328 35235V12 V08199 AFP175V12 V30974 DBOS13BX12H V14798	006100 950951 953999	1

MISSING ITEM NUMBERS NOT APPLICABLE

- ITEM NOT ILLUSTRATED

38-32-52-02

38-32-52
FIG. 02
PAGE 13
JAN 20/09

BRI



757

PARTS CATALOG (MAINTENANCE)

FIG ITEM	PART NUMBER	1 2 3 4 5 6 7	NOMENCLATURE	EFFECT FROM TO	UNITS PER ASSY
2					
- 720	35056V12	..	UNION SUPPLIER CODE: V08199 SPECIFICATION NUMBER: BACU24AB12H OPTIONAL PART: 4671097H12 V50948 2-01027-12H V11328 31875-12H V14397 AP1004H12 V01673 AFP941H12 V30974 DBOU24AB12H V14798	006100 950951 953999	1
- 725	MS21921-12J	..	NUT	006100 950951 953999	1
730	BACS12CK3U5	.	SCREW	006100 950951 953999	4
735	BACS12CK3U8	.	SCREW	006100 950951 953999	6
740	BACS12CK3U8	.	SCREW	006100 953999	2
745	K29913-8NF	.	WASHER SUPPLIER CODE: V15653 SPECIFICATION NUMBER: BACW10CA8CCU OPTIONAL PART: 70191-8U V56878 922010-8 V60119 942010-8 V60119	006100 950951 953999	2

MISSING ITEM NUMBERS NOT APPLICABLE

- ITEM NOT ILLUSTRATED

38-32-52-02

38-32-52
FIG. 02
PAGE 14
JAN 20/09

BRI



757

PARTS CATALOG (MAINTENANCE)

FIG ITEM	PART NUMBER	1 2 3 4 5 6 7	NOMENCLATURE	EFFECT FROM TO	UNITS PER ASSY
2 750	K29913-8NF		.WASHER SUPPLIER CODE: V15653 SPECIFICATION NUMBER: BACW10CA8CCU OPTIONAL PART: 70191-8U V56878 922010-8 V60119 942010-8 V60119	006100 953999	1
755	K29646-8NF		.WASHER SUPPLIER CODE: V15653 SPECIFICATION NUMBER: BACW10CA8CVU OPTIONAL PART: 70188-8U V56878 922009-8 V60119 942009-8 V60119	006100 950951 953999	2
760	K29646-8NF		.WASHER SUPPLIER CODE: V15653 SPECIFICATION NUMBER: BACW10CA8CVU OPTIONAL PART: 70188-8U V56878 922009-8 V60119 942009-8 V60119	006100 953999	1
765	BACW10P5C		.WASHER	006100 950951 953999	6
770	BACW10P5C		.WASHER	006100 953999	4
775	417N8353-1		.SPACER ASSY- OPTIONAL PART: 417N8352-2	006100 950951 953999	1
775	417N8352-2		.SPACER ASSY- OPTIONAL PART: 417N8353-1	006100 950951 953999	1

MISSING ITEM NUMBERS NOT APPLICABLE

- ITEM NOT ILLUSTRATED

38-32-52-02

38-32-52
FIG. 02
PAGE 15
JAN 20/09

BRI

BOEING PROPRIETARY - Copyright © - Unpublished Work - See title page for details.



757

PARTS CATALOG (MAINTENANCE)

FIG ITEM	PART NUMBER	1 2 3 4 5 6 7	NOMENCLATURE	EFFECT FROM TO	UNITS PER ASSY
2					
780	417N8353-1	.	SPACER ASSY- OPTIONAL PART: 417N8352-2	006100 953999	1
780	417N8352-2	.	SPACER ASSY- OPTIONAL PART: 417N8353-1	006100 953999	1
785	417N8353-5	.	SPACER ASSY	006100 950951 953999	1
790	NAS8202A20	.	SCREW	006100 953999	18
795	417N8352-5	.	SPACER ASSY-	006100 953999	3
800	417N8352-6	.	RING ASSY-	006100 953999	3
803	0016-0022-1	.	CAP ASSY-LEVER SUPPLIER CODE: V86831 COMPONENT MAINT MANUAL REF: 38-32-10 FOR DETAILS SEE: 38-32-52-26	006100 953999	3
805	4709-21	.	NIPPLE ASSY- SUPPLIER CODE: V86831	006100 953999	3
805	0016-0015-5	.	CAP ASSY-LEVER SUPPLIER CODE: V86831 COMPONENT MAINT MANUAL REF: 38-32-10	006100 953999	3
820	NAS8202A20	.	SCREW	950951	12
825	417N8352-5	.	SPACER ASSY-	950951	2
830	417N8352-6	.	RING ASSY-	950951	2
833	0016-0022-1	.	CAP ASSY-LEVER SUPPLIER CODE: V86831 COMPONENT MAINT MANUAL REF: 38-32-10 FOR DETAILS SEE: 38-32-52-26	950951	2
835	4709-21	.	NIPPLE ASSY- SUPPLIER CODE: V86831	950951	2
835	0016-0015-5	.	CAP ASSY-LEVER SUPPLIER CODE: V86831 COMPONENT MAINT MANUAL REF: 38-32-10	950951	2

MISSING ITEM NUMBERS NOT APPLICABLE

- ITEM NOT ILLUSTRATED

38-32-52-02

38-32-52
FIG. 02
PAGE 16
JAN 20/09

BRI



757

PARTS CATALOG (MAINTENANCE)

FIG ITEM	PART NUMBER	1 2 3 4 5 6 7	NOMENCLATURE	EFFECT FROM TO	UNITS PER ASSY
2					
863	0016-0022-1		.CAP ASSY-LEVER SUPPLIER CODE: V86831 COMPONENT MAINT MANUAL REF: 38-32-10 FOR DETAILS SEE: 38-32-52-26	950951	2
865	4709-21		.NIPPLE ASSY- SUPPLIER CODE: V86831	950951	2
865	0016-0015-5		.CAP ASSY-LEVER SUPPLIER CODE: V86831 COMPONENT MAINT MANUAL REF: 38-32-10	950951	2
880	NAS604-11P		.SCREW-	950951	2
890	PLH54CD		.NUT- SUPPLIER CODE: VF0224 SPECIFICATION NUMBER: BACN10YR4CD OPTIONAL PART: H52732-4CD V15653	950951	2
900	417N8358-1		.SPACER-	950951	1
905	417N8358-2		.SPACER-	950951	1
915	417N8351-17		.PATCH-	950951	2
920	417N8351-18		.CABLE INSTL	950951	2
930	417N8304-7		.PANEL ASSY-	006100 950951	1
935	417N8304-8		.PANEL ASSY-	953999 950951	1

MISSING ITEM NUMBERS NOT APPLICABLE

- ITEM NOT ILLUSTRATED

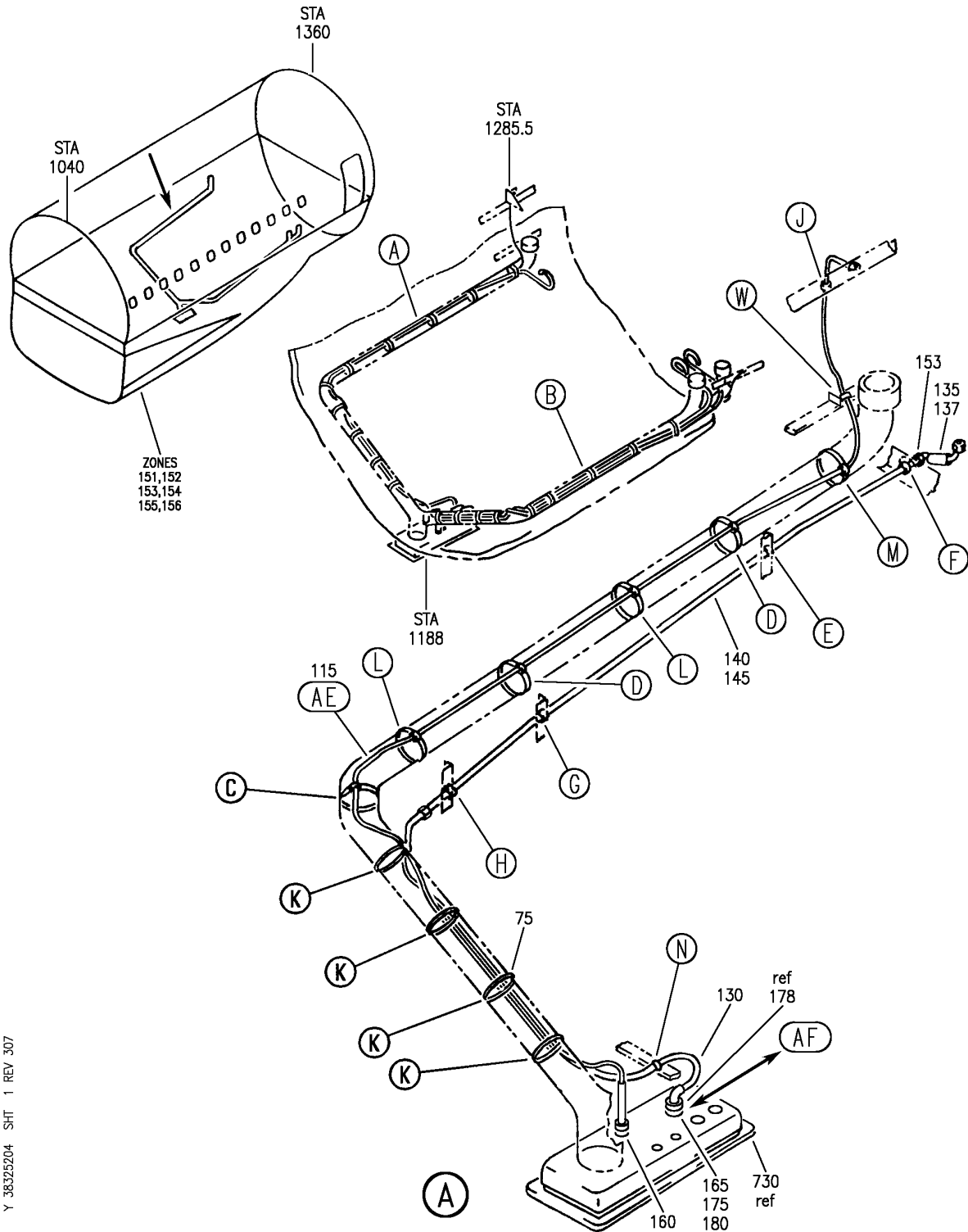
BRI

38-32-52-02

BOEING PROPRIETARY - Copyright © - Unpublished Work - See title page for details.

38-32-52
FIG. 02
PAGE 17
JAN 20/09

BOEING
757
PARTS CATALOG (MAINTENANCE)



Y 38325204 SHT 1 REV 307

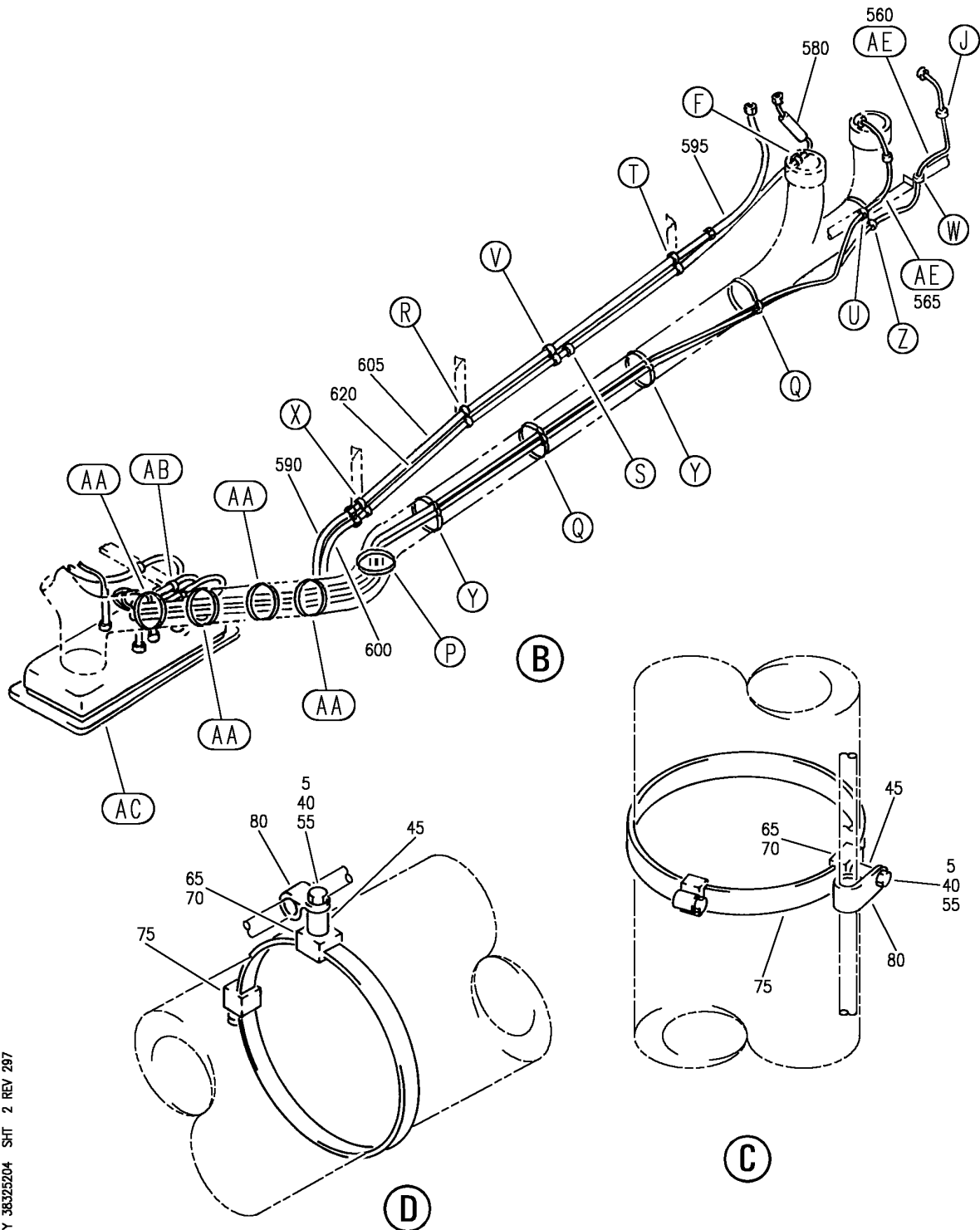
CABLE INSTL-FLUSHLINE AND CONTROL
FIGURE 4 (SHEET 1)

38-32-52-04

BRI
MAY 28/07

38-32-52-04
PAGE 0

BOEING
757
PARTS CATALOG (MAINTENANCE)



Y 38325204 SH1 2 REV 297

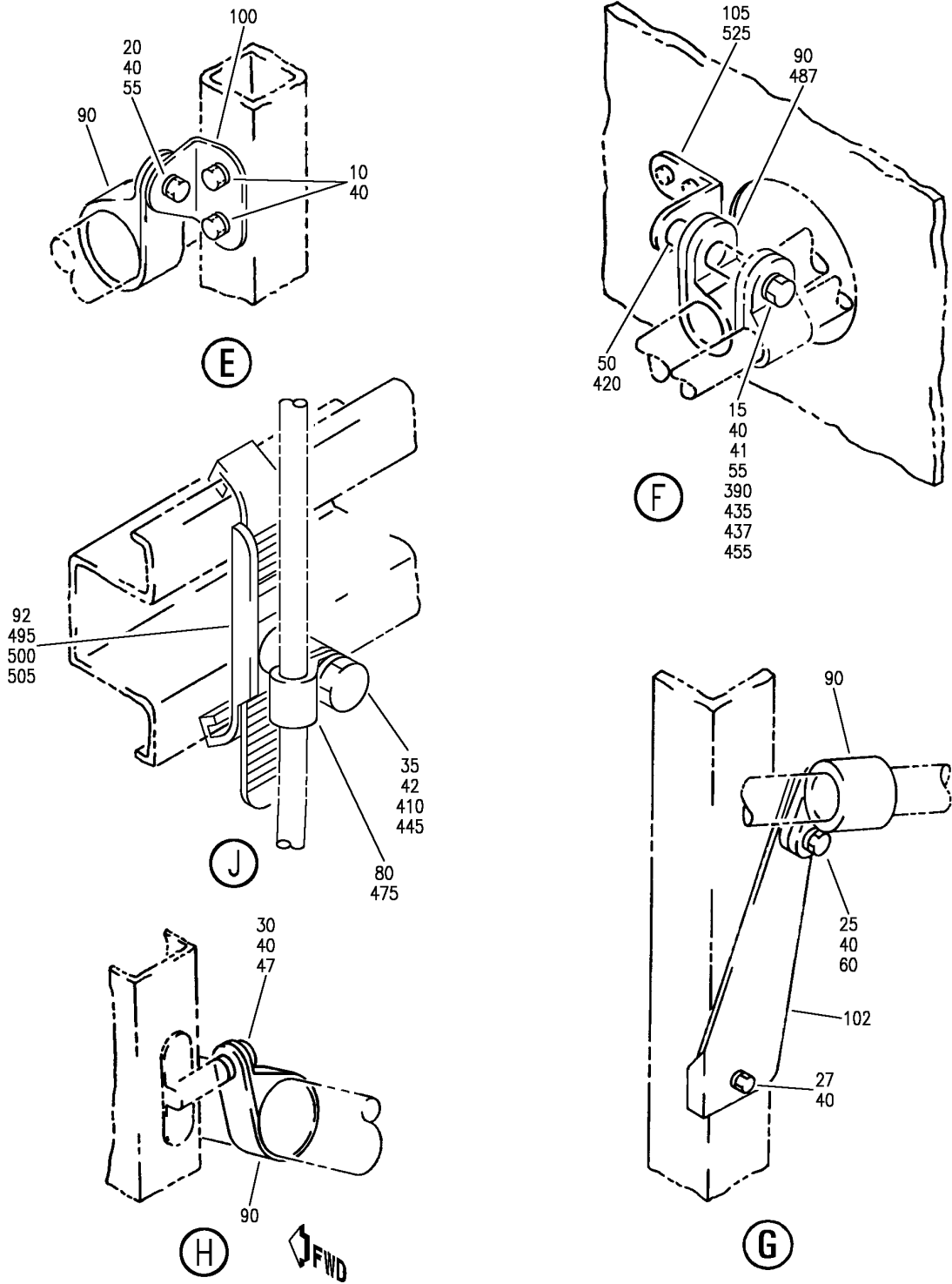
CABLE INSTL-FLUSHLINE AND CONTROL
FIGURE 4 (SHEET 2)

38-32-52-04

BRI
MAY 28/07

38-32-52-04
PAGE 0A

BOEING
757
PARTS CATALOG (MAINTENANCE)



Y 38325204 SH1 3 REV 297

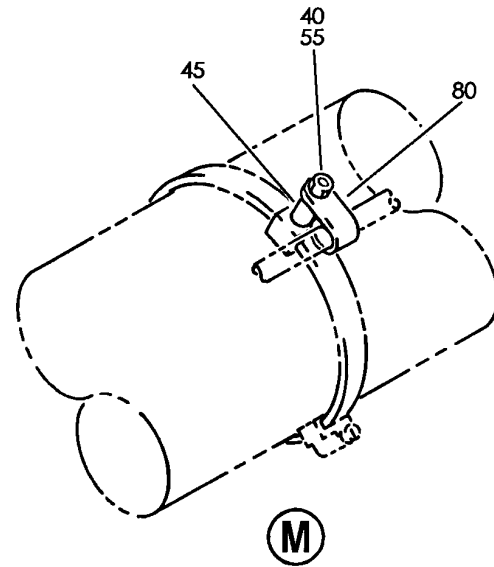
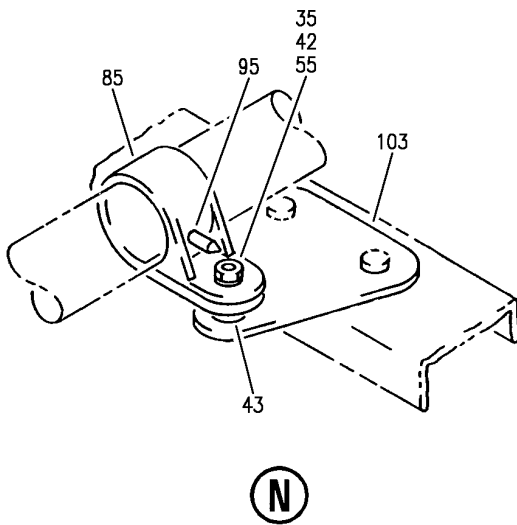
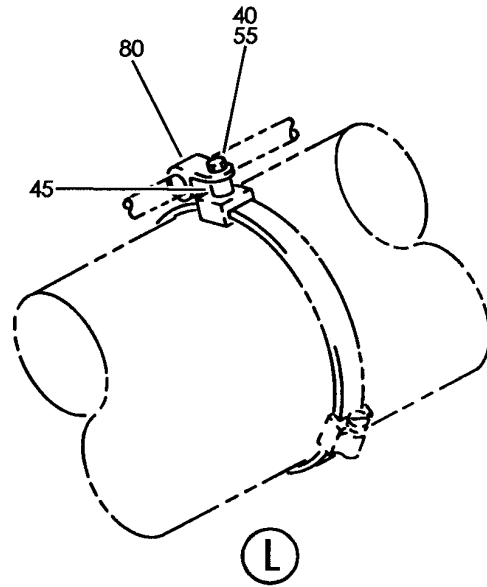
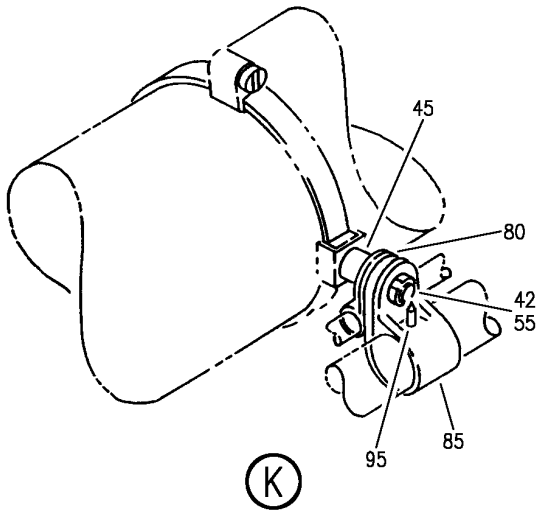
CABLE INSTL-FLUSHLINE AND CONTROL
FIGURE 4 (SHEET 3)

38-32-52-04

BRI
MAY 28/07

38-32-52-04
PAGE 0B

BOEING
757
PARTS CATALOG (MAINTENANCE)



Y 38325204 SH1 4 REV 297

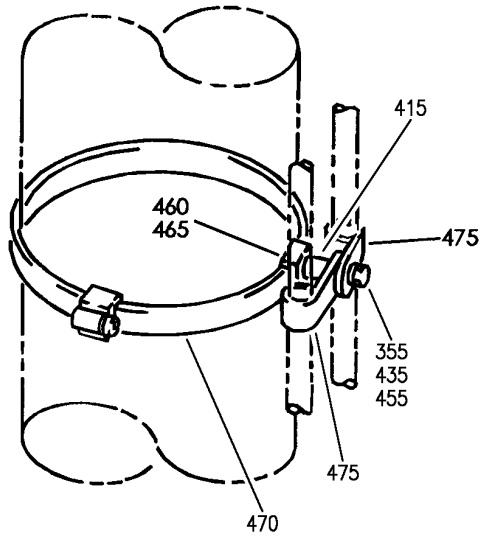
CABLE INSTL-FLUSHLINE AND CONTROL
FIGURE 4 (SHEET 4)

38-32-52-04

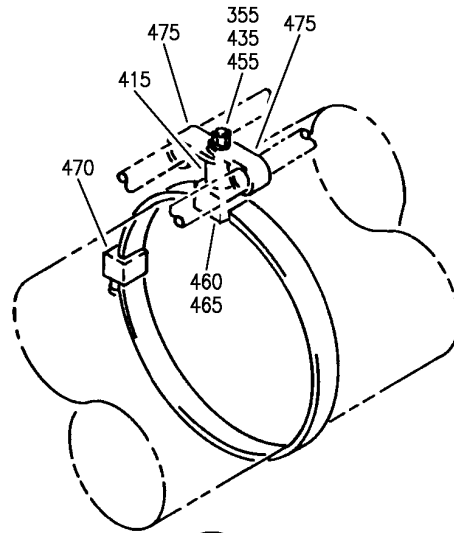
BRI
MAY 28/07

38-32-52-04
PAGE 0C

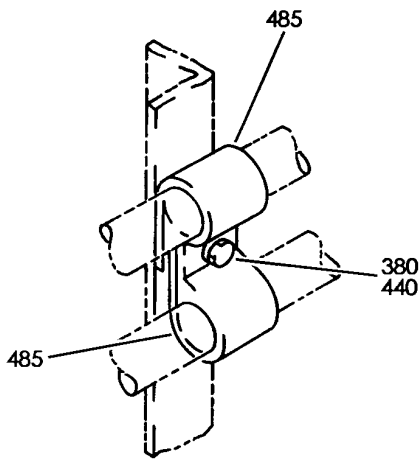
BOEING
757
PARTS CATALOG (MAINTENANCE)



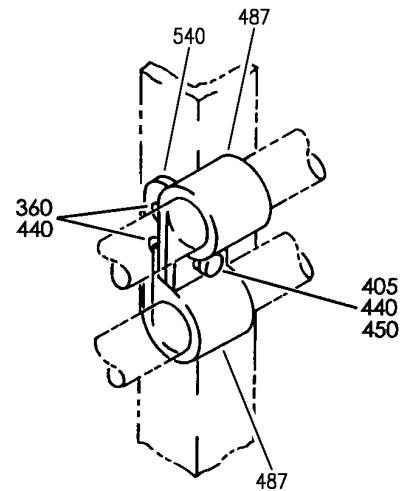
(P)



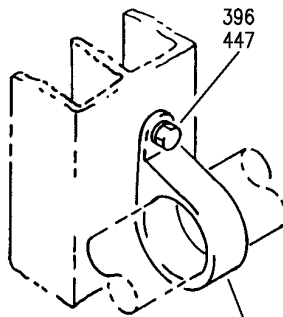
(Q)



(T)



(R)



(S)

Y 38325204 SH1 5 REV 297

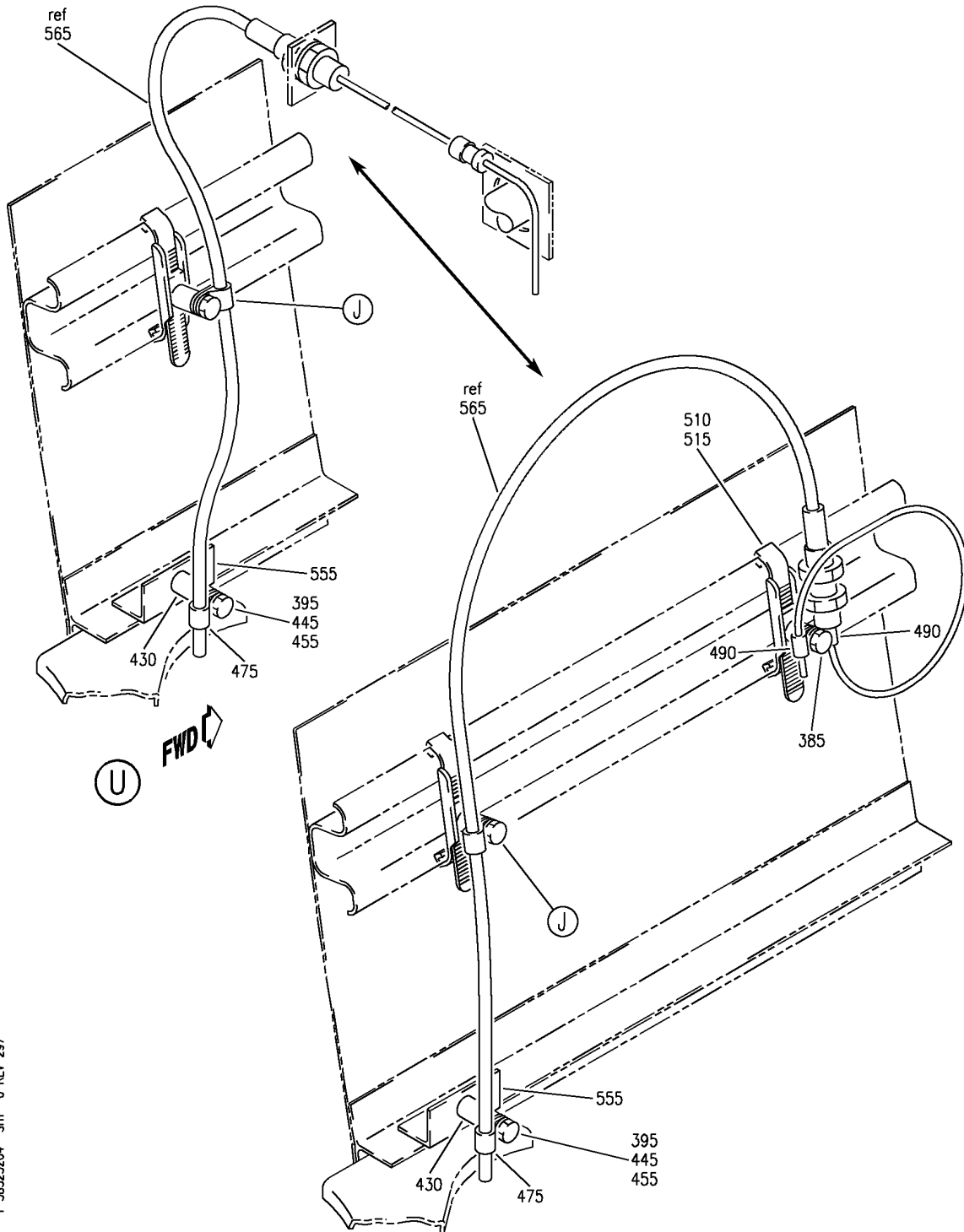
CABLE INSTL-FLUSHLINE AND CONTROL
FIGURE 4 (SHEET 5)

38-32-52-04

BRI
MAY 28/07

38-32-52-04
PAGE 0D

BOEING
 757
 PARTS CATALOG (MAINTENANCE)



Y 38325204 SH1 6 REV 297

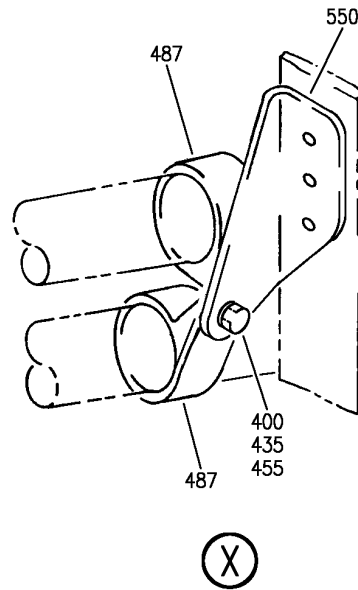
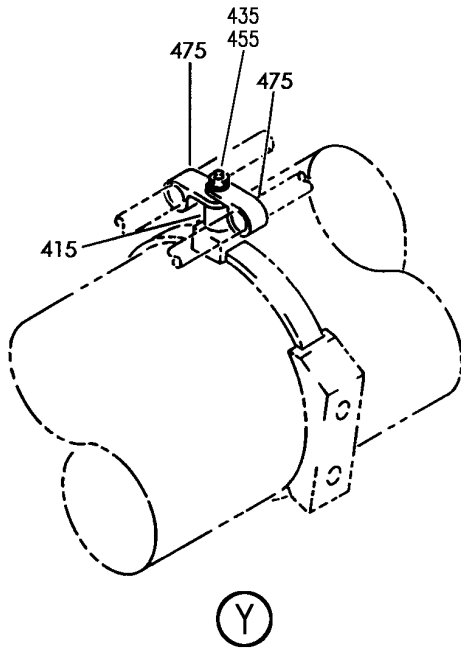
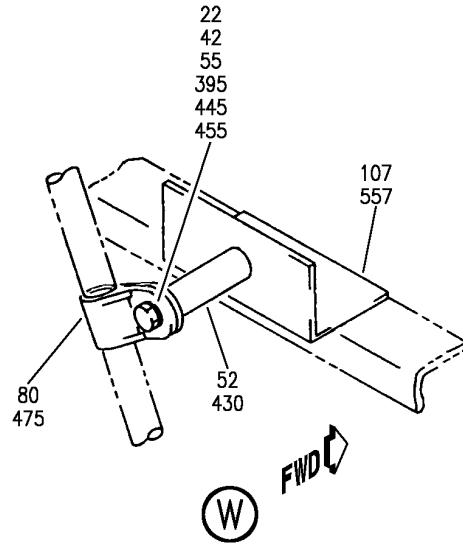
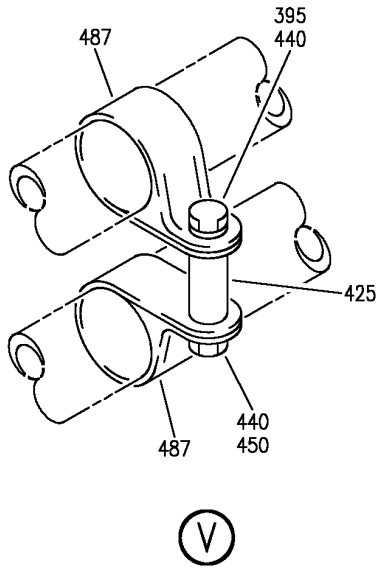
CABLE INSTL-FLUSHLINE AND CONTROL
 FIGURE 4 (SHEET 6)

38-32-52-04

BRI
 MAY 28/07

38-32-52-04
 PAGE 0E

BOEING
757
PARTS CATALOG (MAINTENANCE)



Y 38325204 SH1 7 REV 297

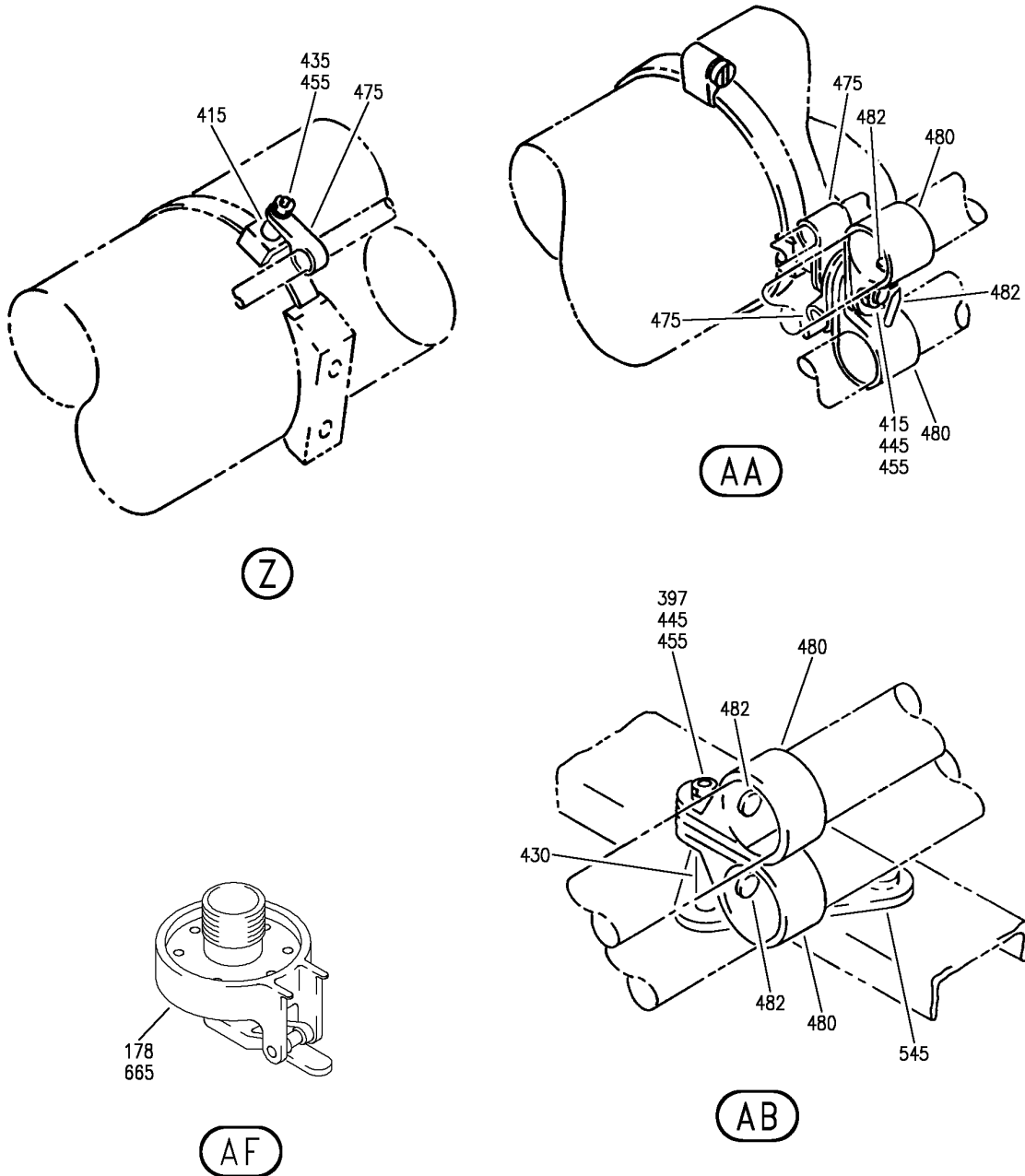
CABLE INSTL-FLUSHLINE AND CONTROL
FIGURE 4 (SHEET 7)

38-32-52-04

BRI
MAY 28/07

38-32-52-04
PAGE OF

BOEING
757
PARTS CATALOG (MAINTENANCE)



Y 38325204 SHT 8 REV 307

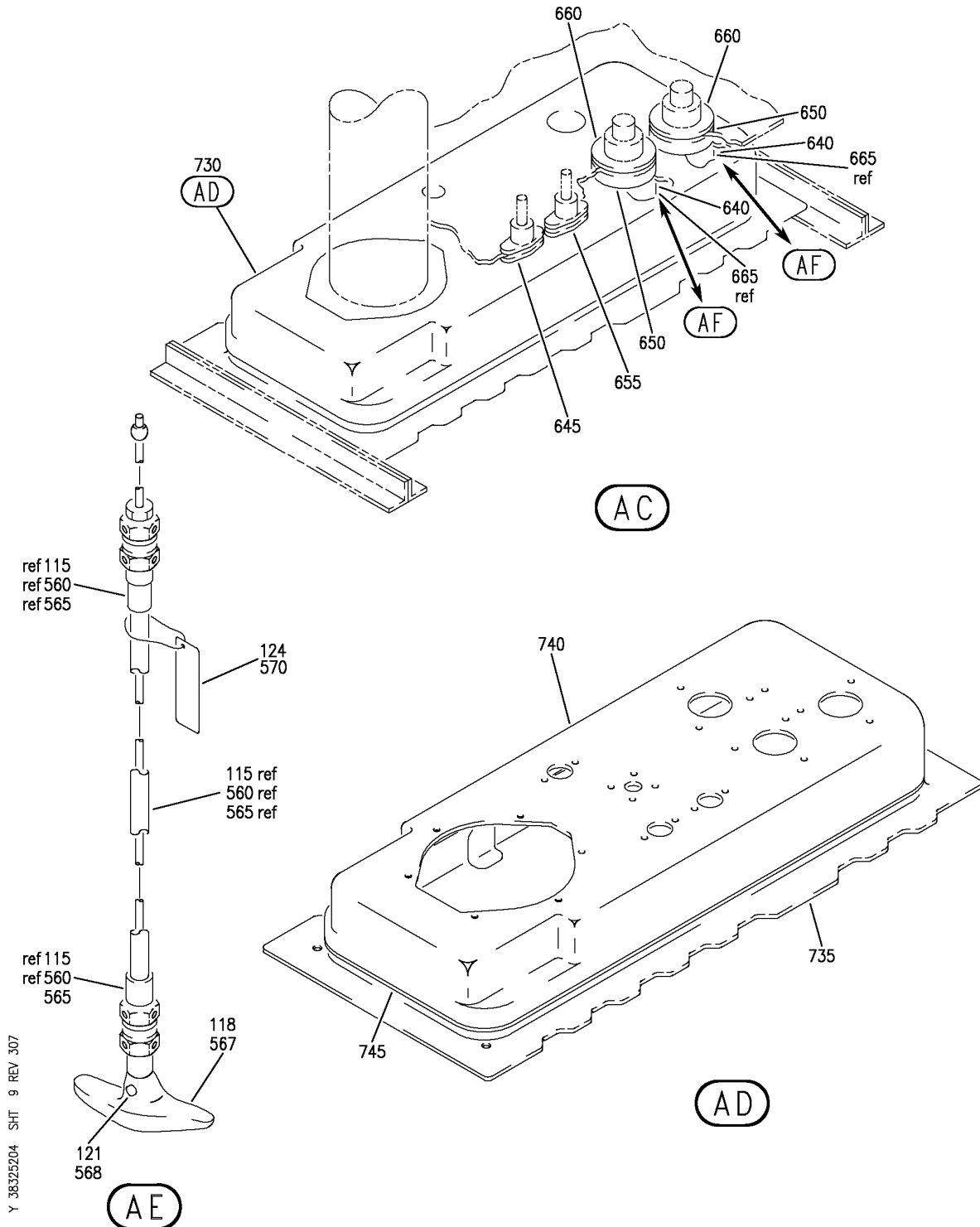
CABLE INSTL-FLUSHLINE AND CONTROL
FIGURE 4 (SHEET 8)

38-32-52-04

BRI
MAY 28/07

38-32-52-04
PAGE 08

BOEING
757
PARTS CATALOG (MAINTENANCE)



CABLE INSTL-FLUSHLINE AND CONTROL
FIGURE 4 (SHEET 9)

38-32-52-04

BRI
MAY 28/07

38-32-52-04
PAGE 0H



757

PARTS CATALOG (MAINTENANCE)

FIG ITEM	PART NUMBER	1 2 3 4 5 6 7	NOMENCLATURE	EFFECT FROM TO	UNITS PER ASSY
4			CABLE INSTL-FLUSHLINE AND CONTROL	101102 108120 504903	
- 1	417N8351-37		CABLE INSTL-FLUSHLINE AND CONTROL FOR NHA SEE: 25-20-00-09	101102 504903	RF
- 1	417N8351-48		CABLE INSTL-LAV D FLUSHLINE AND CONTROL FOR NHA SEE: 25-20-00-09	108120	RF
5	NAS6703-10		.BOLT	101102 108120 504903	3
10	BACB30NT3K1		.BOLT	101102 108120 504903	2
15	NAS1801-3-32		.SCREW	101102 504903	1
15	BACS12GU3K32		.SCREW	108120	1
20	NAS1801-3-8		.SCREW	101102 108120 504903	1
22	NAS1801-3-24		.SCREW	101102 108120 504903	1
25	BACS12GU3K12		.SCREW	101102 108120 504903	1
27	NAS1801-3-10		.SCREW	101102 108120 504903	1
30	NAS1801-3-11		.SCREW	101102 108120 504903	1
35	NAS1801-3-6		.SCREW	101102 108120 504903	2
40	AN960JD10L		.WASHER	101102 108120 504903	13
41	NAS1149D0332J		.WASHER	108120	1
42	AN960PD10L		.WASHER	101102 108120 504903	7
43	NAS43DD3-14FC		.SPACER	101102 108120 504903	1

MISSING ITEM NUMBERS NOT APPLICABLE

- ITEM NOT ILLUSTRATED

38-32-52-04

38-32-52
FIG. 04
PAGE 1
JAN 20/09

BRI



757

PARTS CATALOG (MAINTENANCE)

FIG ITEM	PART NUMBER	1 2 3 4 5 6 7	NOMENCLATURE	EFFECT FROM TO	UNITS PER ASSY
4	45	NAS43DD3-24	. SPACER	101102 108120 504903	10
	47	NAS43DD3-5FC	. SPACER	101102 108120 504903	1
	50	NAS43DD3-28FC	. SPACER	101102 108120 504903	1
	52	NAS43DD3-64FC	. SPACER	101102 108120 504903	1
	55	PLH53CD	.NUT SUPPLIER CODE: VF0224 SPECIFICATION NUMBER: BACN10YR3CD OPTIONAL PART: H52732-3CD V15653	101102 108120 504903	14
	60	MS2104263	.NUT	101102 108120 504903	1
	65	BACB19F10S	.BLOCK	101102 108120 504903	3
	70	BACC15AN10	.CLIP	101102 108120 504903	3
	75	NAS1922-0400-1	.CLAMP	101102 108120 504903	4
	80	BACC10DK5	.CLAMP	101102 108120 504903	12
	85	BACC10DK14	.CLAMP	101102 108120 504903	5

MISSING ITEM NUMBERS NOT APPLICABLE

- ITEM NOT ILLUSTRATED

38-32-52-04

38-32-52
FIG. 04
PAGE 2
JAN 20/09

BRI

BOEING PROPRIETARY - Copyright © - Unpublished Work - See title page for details.



757

PARTS CATALOG (MAINTENANCE)

FIG ITEM	PART NUMBER	1 2 3 4 5 6 7	NOMENCLATURE	EFFECT FROM TO	UNITS PER ASSY
4	90 JM44LC13WS12R	.CLAMP	SUPPLIER CODE: V22175 SPECIFICATION NUMBER: BACC10GE12 OPTIONAL PART: S369WH12 V18076 TA12C32WS12 V84971 509S12 V83930	101102 504903	4
	90 BACC10DK12	.CLAMP		108120	4
	92 69-64155-2	.SUPPORT-		101102 108120 504903	1
	92 S38J2	.SUPPORT-	SUPPLIER CODE: V59237 SPECIFICATION NUMBER: BACS38J2 OPTIONAL PART: 30187-3 V26835	101102 108120 504903	1
	95 N2088	.PLUG	SUPPLIER CODE: V75345 SPECIFICATION NUMBER: BACP20BA1 OPTIONAL PART: SZ7105 V95272 4841 V84914	101102 108120 504903	5
	100 417N8305-23	.BRACKET		101102 108120 504903	1
	102 417N8305-34	.BRACKET		101102 108120 504903	1
	103 417N8313-3	.BRACKET		101102 108120 504903	1

MISSING ITEM NUMBERS NOT APPLICABLE

- ITEM NOT ILLUSTRATED

38-32-52-04

38-32-52
FIG. 04
PAGE 3
JAN 20/09

BRI

BOEING PROPRIETARY - Copyright © - Unpublished Work - See title page for details.



757

PARTS CATALOG (MAINTENANCE)

FIG ITEM	PART NUMBER	1 2 3 4 5 6 7	NOMENCLATURE	EFFECT FROM TO	UNITS PER ASSY
4 105	NS102557-02-1	.BRACKET	SUPPLIER CODE: V80539 SPECIFICATION NUMBER: BACB20G7F8L3 OPTIONAL PART: TA101CHT1-7-8 V84971 NS102557-02-1 V07170	101102 108120 504903	1
107	BACB2D019D1E0UW	.BRACKET		101102 108120 504903	2
- 110	BACR15FT5D	.RIVET-	ATTACHING PARTS SIZE DETERMINED ON INSTL.	101102 108120 504903	2
115	7-44017-125	.CABLE ASSY-	-----*----- SUPPLIER CODE: V78710 SPECIFICATION NUMBER: S417N202-125 COMPONENT MAINT MANUAL REF: 38-30-11	101102 108120 504903	1
118	61751-1	..HANDLE-TEE	SUPPLIER CODE: V78710 ATTACHING PARTS	101102 108120 504903	1
121	MS171526	..PIN		101102 108120 504903	1
124	64204-1	..PLATE-IDENT	-----*----- SUPPLIER CODE: V78710	101102 108120 504903	1
130	AS4477-12-0884	.HOSE-	OPTIONAL PART: 41209-363 V24984	101102 108120 504903	1
130	41209-363	.HOSE-	SUPPLIER CODE: V24984 SPECIFICATION NUMBER: 10-60871-363 OPTIONAL PART: AS4477-12-0884	101102 108120 504903	1

MISSING ITEM NUMBERS NOT APPLICABLE

- ITEM NOT ILLUSTRATED

38-32-52-04

38-32-52
FIG. 04
PAGE 4
JAN 20/09

BRI



757

PARTS CATALOG (MAINTENANCE)

FIG ITEM	PART NUMBER	1 2 3 4 5 6 7	NOMENCLATURE	EFFECT FROM TO	UNITS PER ASSY
4 135	79205-752		.HOSE ASSY- SUPPLIER CODE: V24984 SPECIFICATION NUMBER: S417U206-752 OPTIONAL PART: 41229-375 V24984	101102 504903	1
135	41229-375		.HOSE- SUPPLIER CODE: V24984 SPECIFICATION NUMBER: 10-60871-375 OPTIONAL PART: 79205-752 V24984	101102 504903	1
137	79205-755		.HOSE ASSY- SUPPLIER CODE: V24984 SPECIFICATION NUMBER: S417U206-755	108120	1
140	417N8351-30		.TUBE ASSY- TUBING MATERIAL: STOCK .75 O.D. X .02 WALL OPTIONAL TO .75 O.D. X .028 WALL 304 CRES TUBE PER MIL-T-8504	101102 108120 504903	1
145	417N8351-22		.TUBE ASSY- TUBING MATERIAL: .75 OD X .020 WALL 304 CRES TUBE PER MIL-T-8504 OPTIONAL TO .75 OD X .028 WALL 304 CRES TUBE PER MIL-T-8808	101102 108120 504903	1
- 150	AP2097H12		..SLEEVE SUPPLIER CODE: V01673 SPECIFICATION NUMBER: BACS13BX12H OPTIONAL PART: 2-02903-12H V11328 35235V12 V08199 AFP175V12 V30974 DBOS13BX12H V14798	101102 108120 504903	1

MISSING ITEM NUMBERS NOT APPLICABLE

- ITEM NOT ILLUSTRATED

38-32-52-04

38-32-52
FIG. 04
PAGE 5
JAN 20/09

BRI



757

PARTS CATALOG (MAINTENANCE)

FIG ITEM	PART NUMBER	1 2 3 4 5 6 7	NOMENCLATURE	EFFECT FROM TO	UNITS PER ASSY
4 153	35056V12	..	UNION SUPPLIER CODE: V08199 SPECIFICATION NUMBER: BACU24AB12H OPTIONAL PART: 4671097H12 V50948 2-01027-12H V11328 31875-12H V14397 AP1004H12 V01673 AFP941H12 V30974 DBOU24AB12H V14798	101102 108120 504903	1
- 155	MS21921-12J	..	NUT	101102 108120 504903	1
160	417N8353-1	.	SPACER ASSY	101102 108120 504903	1
165	417N8352-5	.	SPACER ASSY	101102 108120 504903	1
175	417N8352-6	.	RING ASSY	101102 108120 504903	1
178	0016-0022-1	.	CAP ASSY- SUPPLIER CODE: V86831 COMPONENT MAINT MANUAL REF: 38-32-10 FOR DETAILS SEE: 38-32-52-26	101102 108120 504903	1
180	4709-21	.	NIPPLE ASSY- SUPPLIER CODE: V86831	101102 108120 504903	1
- 345	417N8351-38		CABLE INSTL-FLUSHLINE AND CONTROL FOR NHA SEE: 25-20-00-11B	101102	RF
355	NAS6703-13	.	BOLT	101102	3
360	BACB30NT3K1	.	BOLT	101102	2
- 365	BACB30NT3K3	.	BOLT	101102	1

MISSING ITEM NUMBERS NOT APPLICABLE

- ITEM NOT ILLUSTRATED

38-32-52-04

38-32-52
FIG. 04
PAGE 6
JAN 20/09

BRI



757

PARTS CATALOG (MAINTENANCE)

FIG ITEM	PART NUMBER	1 2 3 4 5 6 7	NOMENCLATURE	EFFECT FROM TO	UNITS PER ASSY
4 - 370	HL11VAZ5-11	.BOLT	SUPPLIER CODE: V60516 SPECIFICATION NUMBER: BACB30NW5K11 OPTIONAL PART: HL11VAZ5-11 V73197 HL11VAZ5-11 V92215 L803-5K11 V06725 HL11VAZ5K11 V97928 B30NW5K11 V97928 HL11VAZ5-11 VOPTK6 HL11VAZ5-11 V56878	101102	9
380	BACB30NT3K2	.BOLT		101102	1
390	NAS1801-3-32	.SCREW		101102	1
395	BACS12GU3K24	.SCREW		101102	3
396	NAS1801-3-10	.SCREW		101102	1
397	NAS1801-3-28	.SCREW		101102	1
400	BACS12GU3K12	.SCREW		101102	1
405	NAS1801-3-13	.SCREW		101102	1
410	NAS1801-3-6	.SCREW		101102	2
415	NAS43DD3-24	.SPACER		101102	10
420	NAS43DD3-28	.SPACER		101102	1
425	NAS43DD3-48	.SPACER		101102	1
430	NAS43DD3-64	.SPACER		101102	3
435	AN960JD10L	.WASHER		101102	8
440	AN960JD10L	.WASHER		101102	7
445	AN960PD10L	.WASHER		101102	9
447	NAS1149D0332J	.WASHER		101102	1
450	MS21042L3	.NUT		101102	2
455	PLH53CD	.NUT	SUPPLIER CODE: VF0224 SPECIFICATION NUMBER: BACN10YR3CD OPTIONAL PART: H52732-3CD V15653	101102	15
460	BACB19F10S	.BLOCK		101102	3
465	BACC15AN10	.CLIP		101102	3

MISSING ITEM NUMBERS NOT APPLICABLE

- ITEM NOT ILLUSTRATED

38-32-52-04

38-32-52
FIG. 04
PAGE 7
JAN 20/09

BRI



757

PARTS CATALOG (MAINTENANCE)

FIG ITEM	PART NUMBER	1 2 3 4 5 6 7	NOMENCLATURE	EFFECT FROM TO	UNITS PER ASSY
4					
470	NAS1922-0400-1	.	CLAMP- OPTIONAL PART: BACC10JB126C156	101102	3
470	BACC10JB126C156	.	CLAMP- OPTIONAL PART: NAS1922-0400-1	101102	3
475	BACC10DK5	.	CLAMP	101102	23
480	BACC10DK14	.	CLAMP	101102	10
482	N2088	.	PLUG SUPPLIER CODE: V75345 SPECIFICATION NUMBER: BACP20BA1 OPTIONAL PART: SZ7105 V95272 4841 V84914	101102	10
485	JM44LC13WS12R	.	CLAMP SUPPLIER CODE: V22175 SPECIFICATION NUMBER: BACC10GE12 OPTIONAL PART: S369WH12 V18076 TA12C32WS12 V84971 509S12 V83930	101102	2
487	BACC10DK12	.	CLAMP	101102	8
495	69-64155-1	.	SUPPORT	101102	1
500	69-64155-2	.	SUPPORT-	101102	1
500	S38J2	.	SUPPORT- SUPPLIER CODE: V59237 SPECIFICATION NUMBER: BACS38J2 OPTIONAL PART: 30187-3 V26835	101102	1
505	30187-1	.	SUPPORT SUPPLIER CODE: V26835 SPECIFICATION NUMBER: BACS38J4 OPTIONAL PART: S38J4 V59237	101102	2

MISSING ITEM NUMBERS NOT APPLICABLE

- ITEM NOT ILLUSTRATED

38-32-52-04

38-32-52
FIG. 04
PAGE 8
JAN 20/09

BRI



757

PARTS CATALOG (MAINTENANCE)

FIG ITEM	PART NUMBER	1 2 3 4 5 6 7	NOMENCLATURE	EFFECT FROM TO	UNITS PER ASSY
4 525	NS102557-02-1		.BRACKET SUPPLIER CODE: V80539 SPECIFICATION NUMBER: BACB20G7F8L3 OPTIONAL PART: TA101CHT1-7-8 V84971 NS102557-02-1 V07170	101102	1
540	417N8305-23		.BRACKET	101102	1
545	417N8313-3		.BRACKET	101102	1
550	417N8305-42		.BRACKET	101102	1
555	BACB2D022D1EQW		.BRACKET	101102	1
557	BACB2D019D1EQW		.BRACKET	101102	2
				108120	
				504903	
560	7-44017-125		.CABLE ASSY-CONT SUPPLIER CODE: V78710 SPECIFICATION NUMBER: S417N202-125 COMPONENT MAINT MANUAL REF: 38-30-13	101102	1
565	7-44017-78		.CABLE ASSY- SUPPLIER CODE: V78710 SPECIFICATION NUMBER: S417N202-78 COMPONENT MAINT MANUAL REF: 38-30-11 OPTIONAL PART: 2604430-039 V04638 OPTIONAL PART: S417N202-124	101102	1
565	7-44017-124		.CABLE ASSY- SUPPLIER CODE: V78710 SPECIFICATION NUMBER: S417N202-124 COMPONENT MAINT MANUAL REF: 38-30-13	101102	1
567	61751-1		..HANDLE-TEE SUPPLIER CODE: V78710	101102	1
568	MS171526		ATTACHING PARTS ..PIN -----*-----	101102	1

MISSING ITEM NUMBERS NOT APPLICABLE

- ITEM NOT ILLUSTRATED

38-32-52-04

38-32-52
FIG. 04
PAGE 9
JAN 20/09

BRI



757

PARTS CATALOG (MAINTENANCE)

FIG ITEM	PART NUMBER	1 2 3 4 5 6 7	NOMENCLATURE	EFFECT FROM TO	UNITS PER ASSY
4 570	64204-1		.. PLATE-IDENT SUPPLIER CODE: V78710 USED ON: 7-44017-124	101102	1
580	41229-374		.HOSE- SUPPLIER CODE: V24984 SPECIFICATION NUMBER: 10-60871-374 OPTIONAL PART: 79205-751 V24984	101102	1
580	79205-751		.HOSE ASSY- SUPPLIER CODE: V24984 SPECIFICATION NUMBER: S417U206-751 OPTIONAL PART: 41229-374 V24984	101102	1
590	41208-365		.HOSE- SUPPLIER CODE: V24984 SPECIFICATION NUMBER: 10-60871-365 OPTIONAL PART: AS4476-12-0794	101102	1
590	AS4476-12-0794		.HOSE ASSY- OPTIONAL PART: 41208-365 V24984	101102	1
595	AS4477-12-0174		.HOSE ASSY- OPTIONAL PART: 41209-366 V24984	101102	1
595	41209-366		.HOSE- SUPPLIER CODE: V24984 SPECIFICATION NUMBER: 10-60871-366 OPTIONAL PART: AS4477-12-0174	101102	1

MISSING ITEM NUMBERS NOT APPLICABLE

- ITEM NOT ILLUSTRATED

38-32-52-04

38-32-52
FIG. 04
PAGE 10
JAN 20/09

BRI



757

PARTS CATALOG (MAINTENANCE)

FIG ITEM	PART NUMBER	1 2 3 4 5 6 7	NOMENCLATURE	EFFECT FROM TO	UNITS PER ASSY
4 600	41209-364	.	HOSE- SUPPLIER CODE: V24984 SPECIFICATION NUMBER: 10-60871-364 OPTIONAL PART: AS4477-12-0840	101102	1
600	AS4477-12-0840	.	HOSE ASSY- OPTIONAL PART: 41209-364 V24984	101102	1
605	417N8351-26	.	TUBE ASSY- TUBING MATERIAL: STOCK .75 OD X .02 WALL 304 CRES TUBE PER MIL-T-8504	101102	1
- 610	AP2097H12	..	SLEEVE SUPPLIER CODE: V01673 SPECIFICATION NUMBER: BACS13BX12H OPTIONAL PART: 2-02903-12H V11328 35235V12 V08199 AFP175V12 V30974 DBOS13BX12H V14798	101102	2
- 615	MS21921-12J	..	NUT	101102	2
620	417N8351-27	.	TUBE ASSY- TUBING MATERIAL: STOCK .75 OD X .02 WALL 304 CRES TUBE PER MIL-T-8504	101102	1

MISSING ITEM NUMBERS NOT APPLICABLE

- ITEM NOT ILLUSTRATED

38-32-52-04

38-32-52
FIG. 04
PAGE 11
JAN 20/09

BRI



757

PARTS CATALOG (MAINTENANCE)

FIG ITEM	PART NUMBER	1 2 3 4 5 6 7	NOMENCLATURE	EFFECT FROM TO	UNITS PER ASSY
4					
- 625	AP2097H12	..	SLEEVE SUPPLIER CODE: V01673 SPECIFICATION NUMBER: BACS13BX12H OPTIONAL PART: 2-02903-12H V11328 35235V12 V08199 AFP175V12 V30974 DBOS13BX12H V14798	101102	1
- 630	35056V12	..	UNION SUPPLIER CODE: V08199 SPECIFICATION NUMBER: BACU24AB12H OPTIONAL PART: 4671097H12 V50948 2-01027-12H V11328 31875-12H V14397 AP1004H12 V01673 AFP941H12 V30974 DBOU24AB12H V14798	101102	1
- 635	MS21921-12J	..	NUT	101102	1
640	4709-21	.NIPPLE ASSY-	SUPPLIER CODE: V86831	101102	2
640	0016-0015-5	.CAP ASSY-LEVER	SUPPLIER CODE: V86831 COMPONENT MAINT MANUAL REF: 38-32-10	101102	2
645	417N8352-2	.SPACER ASSY-	OPTIONAL PART: 417N8353-1	101102	1
645	417N8353-1	.SPACER ASSY-	OPTIONAL PART: 417N8352-2	101102	1
650	417N8352-5	.SPACER ASSY		101102	2
655	417N8353-5	.SPACER ASSY		101102	1

MISSING ITEM NUMBERS NOT APPLICABLE

- ITEM NOT ILLUSTRATED

38-32-52-04

38-32-52
FIG. 04
PAGE 12
JAN 20/09

BRI



757

PARTS CATALOG (MAINTENANCE)

FIG ITEM	PART NUMBER	1 2 3 4 5 6 7	NOMENCLATURE	EFFECT FROM TO	UNITS PER ASSY
4					
660	417N8352-6	.	RING ASSY	101102	2
665	0016-0022-1	.	CAP ASSY-	101102	2
			SUPPLIER CODE: V86831		
			COMPONENT MAINT MANUAL REF: 38-32-10		
			FOR DETAILS SEE: 38-32-52-26		
730	417N8304-7	.	PANEL ASSY	101102	1
735	417N8314-5	..	COLLAR ASSY	101102	1
740	417N8309-11	..	SHROUD ASSY	101102	1
745	417N8309-3	...	RUBBER-MOLDED	101102	1

MISSING ITEM NUMBERS NOT APPLICABLE

- ITEM NOT ILLUSTRATED

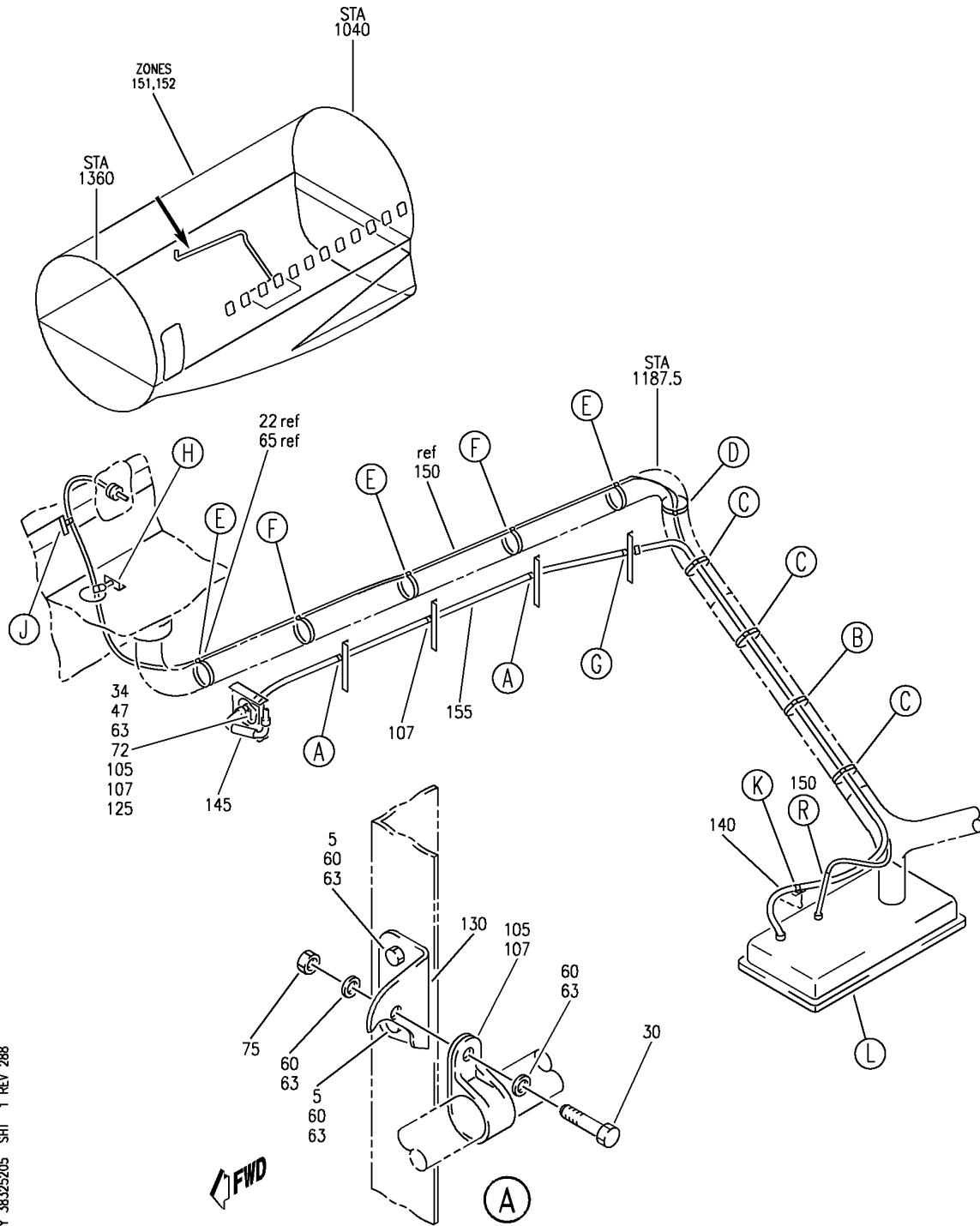
BRI

38-32-52-04

BOEING PROPRIETARY - Copyright © - Unpublished Work - See title page for details.

38-32-52
FIG. 04
PAGE 13
JAN 20/09

BOEING
757
PARTS CATALOG (MAINTENANCE)



Y 38325205 SHT 1 REV 288

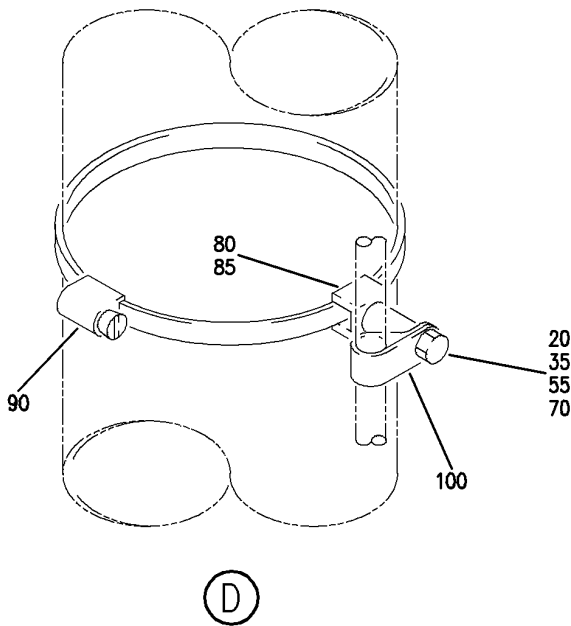
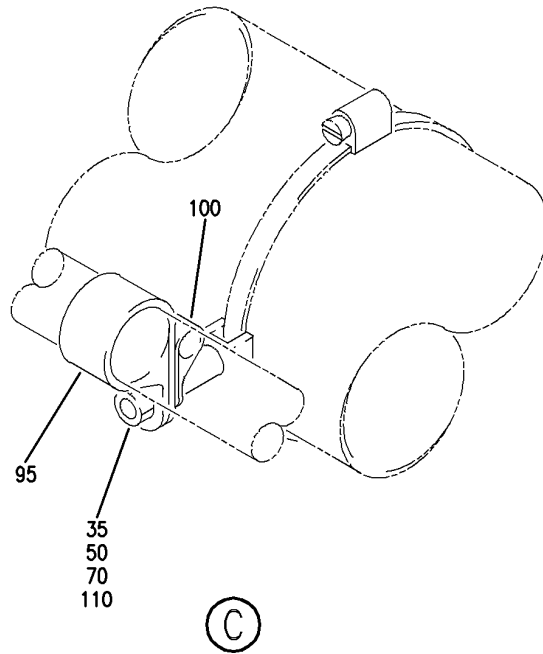
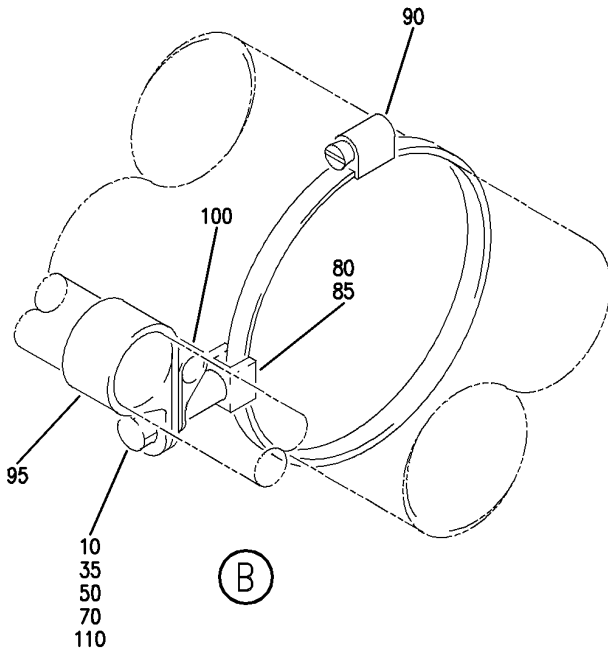
CABLE INSTL-FLUSHLINE AND CONT
FIGURE 5 (SHEET 1)

38-32-52-05

BRI
JAN 20/09

38-32-52-05
PAGE 0

BOEING
757
PARTS CATALOG (MAINTENANCE)



Y 38325205 SHT 2 REV 235

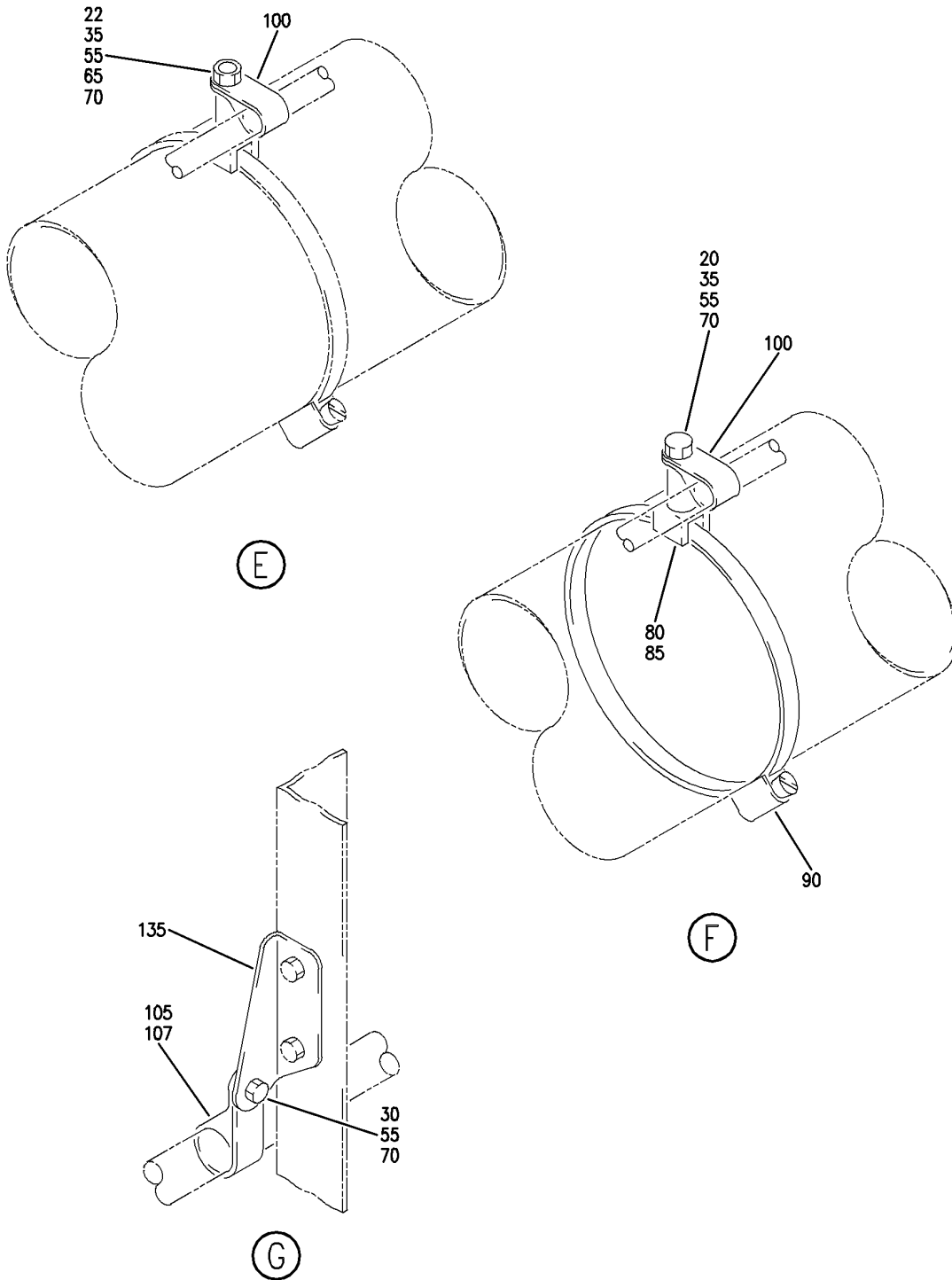
CABLE INSTL-FLUSHLINE AND CONT
FIGURE 5 (SHEET 2)

38-32-52-05

BRI
JAN 20/09

38-32-52-05
PAGE 0A

BOEING
757
PARTS CATALOG (MAINTENANCE)



Y 38325205 SHT 3 REV 235

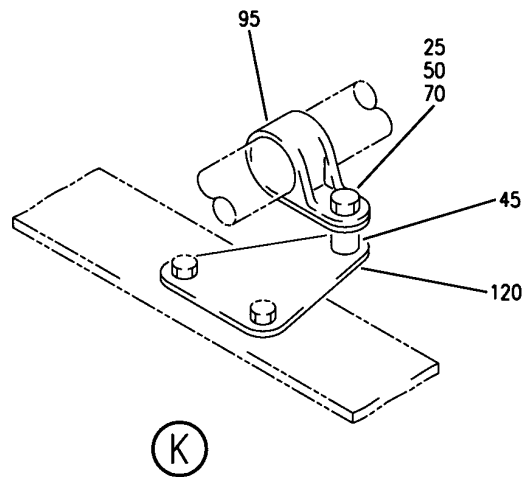
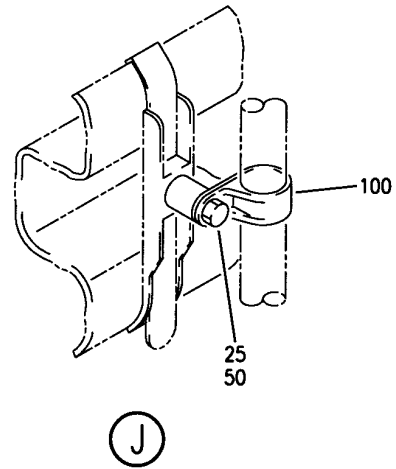
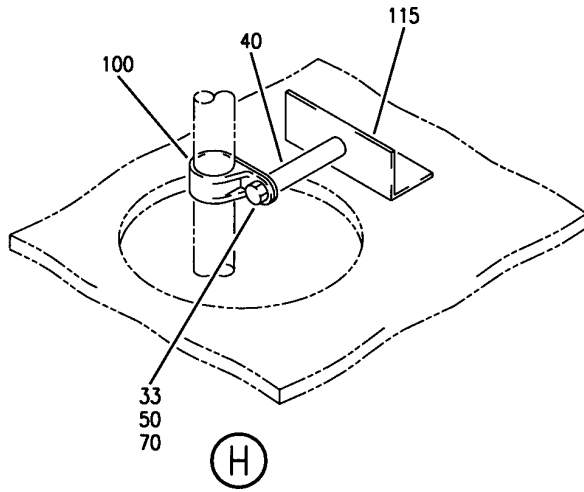
CABLE INSTL-FLUSHLINE AND CONT
FIGURE 5 (SHEET 3)

38-32-52-05

BRI
JAN 20/09

38-32-52-05
PAGE 0B

BOEING
757
PARTS CATALOG (MAINTENANCE)



Y 38325205 SH1 4 REV 2005

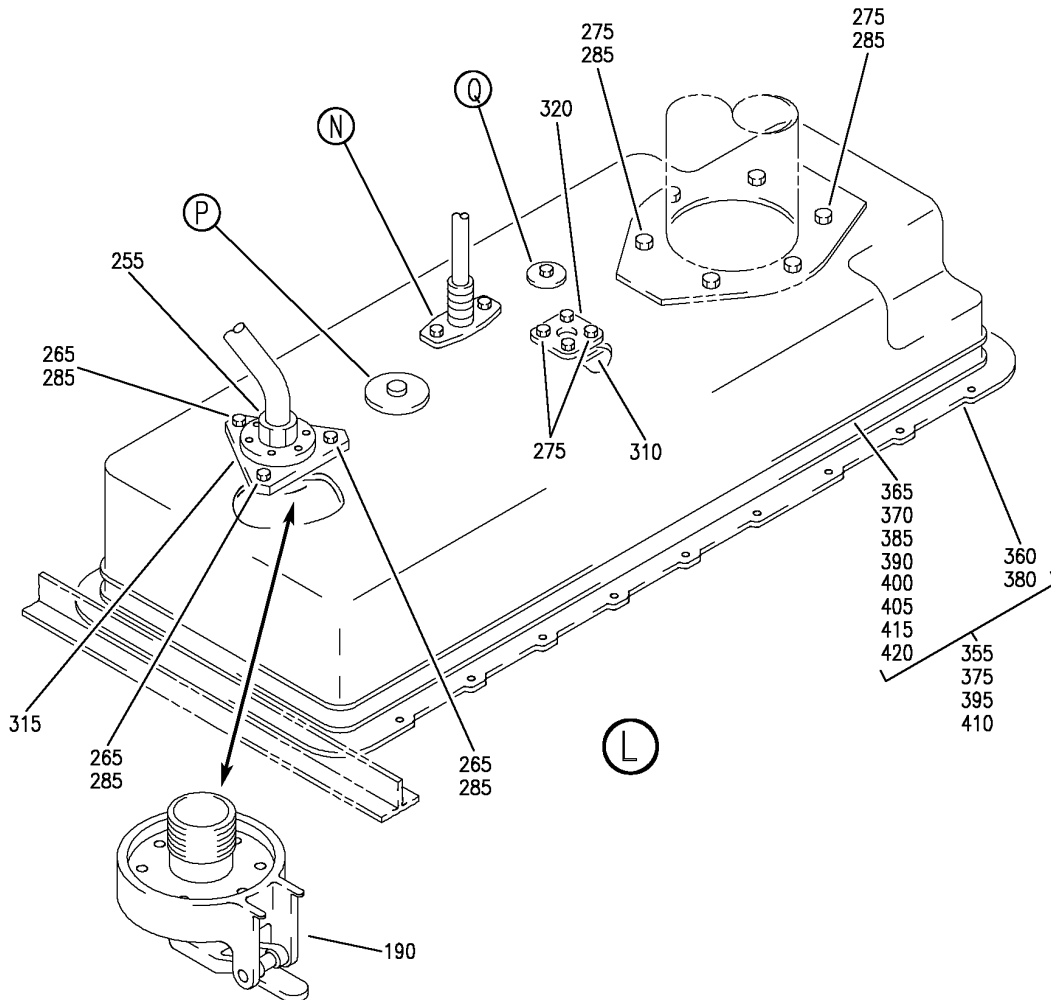
CABLE INSTL-FLUSHLINE AND CONT
FIGURE 5 (SHEET 4)

38-32-52-05

BRI
JAN 20/09

38-32-52-05
PAGE 0C

BOEING
757
PARTS CATALOG (MAINTENANCE)



Y 38325205 SH1 5 REV 307

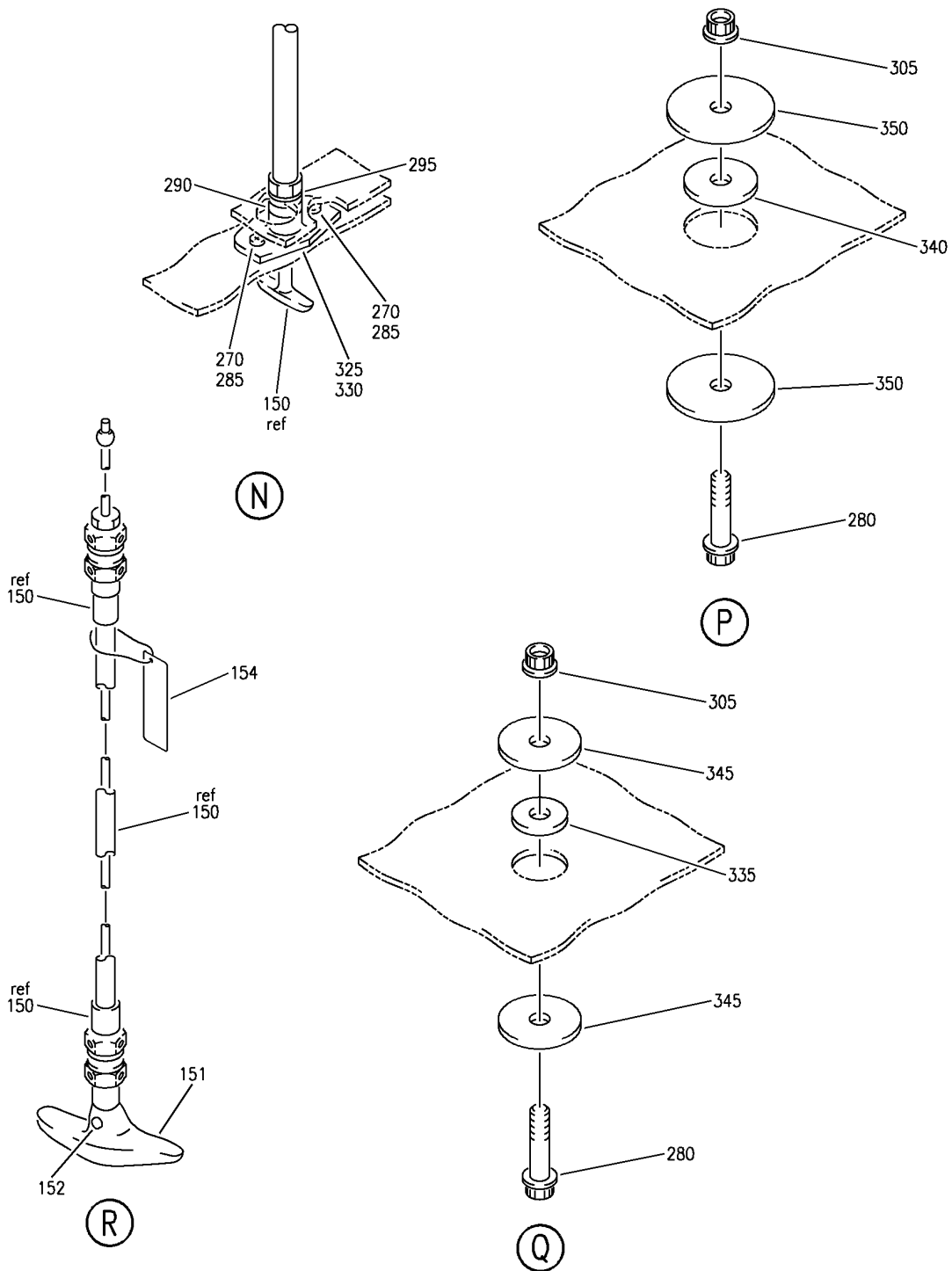
CABLE INSTL-FLUSHLINE AND CONT
FIGURE 5 (SHEET 5)

38-32-52-05

BRI
JAN 20/09

38-32-52-05
PAGE 0D

BOEING
757
PARTS CATALOG (MAINTENANCE)



Y 38325205 SH1 6 REV 288

CABLE INSTL-FLUSHLINE AND CONT
FIGURE 5 (SHEET 6)

38-32-52-05

BRI
JAN 20/09

38-32-52-05
PAGE 0E



757

PARTS CATALOG (MAINTENANCE)

FIG ITEM	PART NUMBER	1 2 3 4 5 6 7	NOMENCLATURE	EFFECT FROM TO	UNITS PER ASSY
5			CABLE INSTL-FLUSHLINE AND CONT	504903	
- 1	417N8351-40		CABLE INSTL-FLUSHLINE AND CONT FOR NHA SEE: 25-20-00-11B	504903	RF
5	BACB30NT3K1		.BOLT	504903	4
10	NAS6703-13		.BOLT	504903	1
- 15	BACB30RT5		.BOLT- SIZE DETERMINED ON INSTL.	504903	1
20	NAS6703-10		.BOLT	504903	3
22	HL11VAZ5-11		.BOLT SUPPLIER CODE: V60516 SPECIFICATION NUMBER: BACB30NW5K11 OPTIONAL PART: HL11VAZ5-11 V73197 HL11VAZ5-11 V92215 L803-5K11 V06725 HL11VAZ5K11 V97928 B30NW5K11 V97928 HL11VAZ5-11 VOPTK6 HL11VAZ5-11 V56878	504903	1
25	NAS1801-3-6		.SCREW	504903	2
30	NAS1801-3-9		.SCREW	504903	3
33	NAS1801-3-24		.SCREW	504903	1
35	NAS43DD3-24		.SPACER	504903	10
40	NAS43DD3-64		.SPACER	504903	1
45	NAS43DD3-14		.SPACER- USED ON: 417N8351-40	504903	1
50	AN960PD10L		.WASHER	504903	7
55	AN960KD10L		.WASHER	504903	7
60	AN960JD10L		.WASHER- USED ON: 417N8351-40	504903	8

MISSING ITEM NUMBERS NOT APPLICABLE

- ITEM NOT ILLUSTRATED

38-32-52-05

38-32-52
FIG. 05
PAGE 1
JAN 20/09

BRI



757

PARTS CATALOG (MAINTENANCE)

FIG ITEM	PART NUMBER	1 2 3 4 5 6 7	NOMENCLATURE	EFFECT FROM TO	UNITS PER ASSY
5					
65	HL97DU5	.COLLAR	SUPPLIER CODE: V73197 SPECIFICATION NUMBER: BACC30AB5S OPTIONAL PART: HL97DU5 V56878 HL97DU5 V5M902	504903	1
70	BRH10C3D	.NUT	SUPPLIER CODE: V52828 SPECIFICATION NUMBER: BACN10JC3CD OPTIONAL PART: T6C1032JCD V11815 NS202486-02 V80539 102LH9075-3W V72962 H51650-3BAC V15653	504903	13
75	MS21042L3	.NUT		504903	2
80	BACB19F10S	.BLOCK		504903	4
85	BACC15AN10	.CLIP		504903	4
90	NAS1922-0400-1	.CLAMP-	OPTIONAL PART: BACC10JB126C156	504903	4
90	BACC10JB126C156	.CLAMP-	OPTIONAL PART: NAS1922-0400-1	504903	4
95	BACC10DK14	.CLAMP		504903	5
100	BACC10DK5	.CLAMP		504903	12
105	BACC10DK12	.CLAMP-	USED ON: 417N8351-40	504903	4
110	N2088	.PLUG	SUPPLIER CODE: V75345 SPECIFICATION NUMBER: BACP20BA1 OPTIONAL PART: SZ7105 V95272 4841 V84914	504903	4
115	BACB2D019D1E0UW	.BRACKET		504903	1

MISSING ITEM NUMBERS NOT APPLICABLE

- ITEM NOT ILLUSTRATED

38-32-52-05

38-32-52
FIG. 05
PAGE 2
JAN 20/09

BRI



757

PARTS CATALOG (MAINTENANCE)

FIG ITEM	PART NUMBER	1 2 3 4 5 6 7	NOMENCLATURE	EFFECT FROM TO	UNITS PER ASSY
5					
120	417N8313-3	.	BRACKET	504903	1
125	417N8305-9	.	BRACKET	504903	1
130	417N8305-23	.	BRACKET	504903	2
135	417N8305-24	.	BRACKET	504903	1
140	41208-365	.	HOSE-	504903	1
			SUPPLIER CODE: V24984		
			SPECIFICATION NUMBER: 10-60871-365		
			OPTIONAL PART: AS4476-12-0794		
140	AS4476-12-0794	.	HOSE ASSY-	504903	1
			OPTIONAL PART: 41208-365		
145	41229-374	.	HOSE-	504903	1
			SUPPLIER CODE: V24984		
			SPECIFICATION NUMBER: 10-60871-374		
			OPTIONAL PART: 79205-751		
			V24984		
			USED ON: 417N8351-40		
145	79205-751	.	HOSE ASSY-	504903	1
			SUPPLIER CODE: V24984		
			SPECIFICATION NUMBER: S417U206-751		
			OPTIONAL PART: 41229-374		
			V24984		
			USED ON: 417N8351-40		
150	7-44017-125	.	CABLE ASSY-	504903	1
			SUPPLIER CODE: V78710		
			SPECIFICATION NUMBER: S417N202-125		
			COMPONENT MAINT MANUAL REF: 38-30-13		
151	61751-1	..	HANDLE-TEE	504903	1
			SUPPLIER CODE: V78710		
152	MS171526	..	PIN	504903	1
			ATTACHING PARTS		
			-----*-----		

MISSING ITEM NUMBERS NOT APPLICABLE

- ITEM NOT ILLUSTRATED

38-32-52-05

38-32-52
FIG. 05
PAGE 3
JAN 20/09

BRI

BOEING PROPRIETARY - Copyright © - Unpublished Work - See title page for details.



757

PARTS CATALOG (MAINTENANCE)

FIG ITEM	PART NUMBER	1 2 3 4 5 6 7	NOMENCLATURE	EFFECT FROM TO	UNITS PER ASSY
5					
154	64204-1	..	PLATE-IDENT SUPPLIER CODE: V78710	504903	1
155	417N8351-27	.TUBE	ASSY	504903	1
- 160	BACS13BH12H	..	SLEEVE	504903	1
- 165	35056V12	..	UNION SUPPLIER CODE: V08199 SPECIFICATION NUMBER: BACU24AB12H OPTIONAL PART: 4671097H12 V50948 2-01027-12H V11328 31875-12H V14397 AP1004H12 V01673 AFP941H12 V30974 DBOU24AB12H V14798	504903	1
- 170	MS21921-12J	..	NUT	504903	1
190	0016-0022-1	.CAP	ASSY- SUPPLIER CODE: V86831 COMPONENT MAINT MANUAL REF: 38-32-10 FOR DETAILS SEE: 38-32-52-26	504903	1
255	4709-21	.NIPPLE	ASSY- SUPPLIER CODE: V86831	504903	1
255	0016-0015-5	.CAP	ASSY-LEVER SUPPLIER CODE: V86831 COMPONENT MAINT MANUAL REF: 38-32-10	504903	1

MISSING ITEM NUMBERS NOT APPLICABLE

- ITEM NOT ILLUSTRATED

38-32-52-05

38-32-52
FIG. 05
PAGE 4
JAN 20/09

BRI



757

PARTS CATALOG (MAINTENANCE)

FIG ITEM	PART NUMBER	1 2 3 4 5 6 7	NOMENCLATURE	EFFECT FROM TO	UNITS PER ASSY
5 - 260	HL11VAZ5-14	.BOLT	SUPPLIER CODE: V60516 SPECIFICATION NUMBER: BACB30NW5K14 OPTIONAL PART: HL11VAZ5-14 V73197 HL11VAZ5-14 V92215 L803-5K14 V06725 B30NW5K14 V97928 HL11VAZ5-14 V97928 HL11VAZ5-14 VOPTK6 HL11VAZ5-14 V56878	504903	12
265	BACS12CK3U10	.SCREW		504903	3
270	BACS12CK3U5	.SCREW		504903	2
275	BACS12CK3U8	.SCREW		504903	10
280	NAS604-11P	.SCREW		504903	2
285	BACW10P5C	.WASHER		504903	11
290	BACW10CABCCU	.WASHER		504903	1
295	BACW10CABCVU	.WASHER		504903	1
- 300	HL97DU5	.COLLAR	SUPPLIER CODE: V73197 SPECIFICATION NUMBER: BACC30AB5S OPTIONAL PART: HL97DU5 V56878 HL97DU5 V5M902	504903	12
305	MS21042L4	.NUT		504903	2
310	417N8353-11	.PLATE		504903	1
315	417N8352-1	.SPACER ASSY		504903	1
320	417N8353-9	.SPACER ASSY		504903	1
325	417N8353-1	.SPACER ASSY		504903	1
330	417N8353-5	.SPACER ASSY		504903	1
335	417N8358-1	.SPACER		504903	1
340	417N8358-2	.SPACER		504903	1
345	417N8351-17	.PATCH		504903	2
350	417N8351-14	.PATCH		504903	2
355	417N8304-3	.PANEL ASSY		504903	1
360	417N8314-1	..COLLAR ASSY		504903	1

MISSING ITEM NUMBERS NOT APPLICABLE

- ITEM NOT ILLUSTRATED

38-32-52-05

38-32-52
FIG. 05
PAGE 5
JAN 20/09

BRI



757

PARTS CATALOG (MAINTENANCE)

FIG ITEM	PART NUMBER	1 2 3 4 5 6 7	NOMENCLATURE	EFFECT FROM TO	UNITS PER ASSY
5					
365	417N8309-6	..	SHROUD ASSY-MOLDED	504903	1
370	417N8309-3	...	RUBBER-MOLDED	504903	1
375	417N8304-5	.PANEL	ASSY	504903	1
380	417N8314-3	..	COLLAR ASSY	504903	1
385	417N8309-8	..	SHROUD ASSY	504903	1
390	417N8309-3	...	RUBBER-MOLDED	504903	1
395	417N8304-4	.PANEL	ASSY	504903	1
400	417N8309-7	..	SHROUD ASSY	504903	1
405	417N8309-3	...	RUBBER-MOLDED	504903	1
410	417N8304-6	.PANEL	ASSY	504903	1
415	417N8309-9	..	SHROUD ASSY	504903	1
420	417N8309-3	...	RUBBER-MOLDED	504903	1

MISSING ITEM NUMBERS NOT APPLICABLE

- ITEM NOT ILLUSTRATED

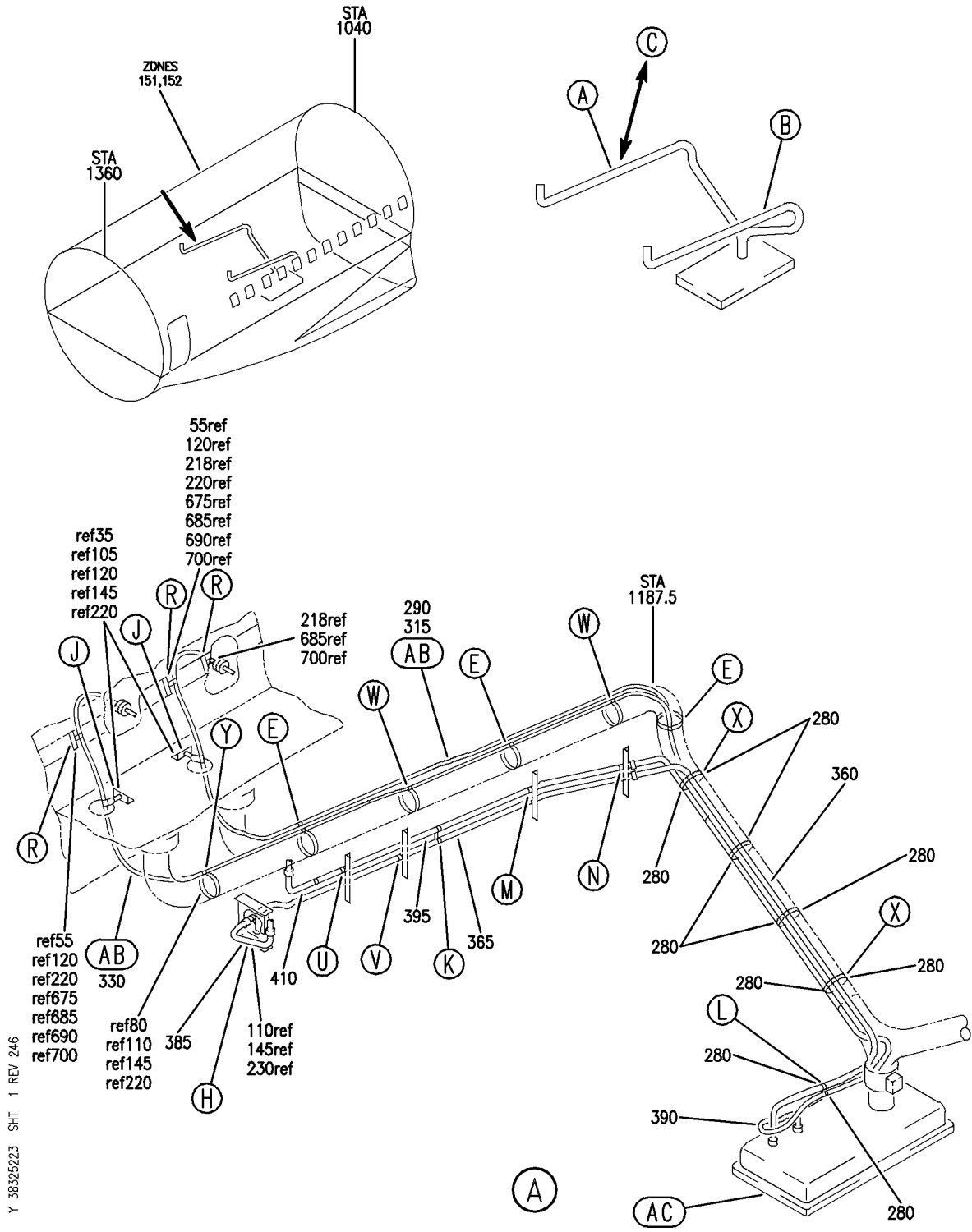
BRI

38-32-52-05

BOEING PROPRIETARY - Copyright © - Unpublished Work - See title page for details.

38-32-52
FIG. 05
PAGE 6
JAN 20/09


BOEING
 757
PARTS CATALOG (MAINTENANCE)



Y 38325223 SH1 1 REV 246

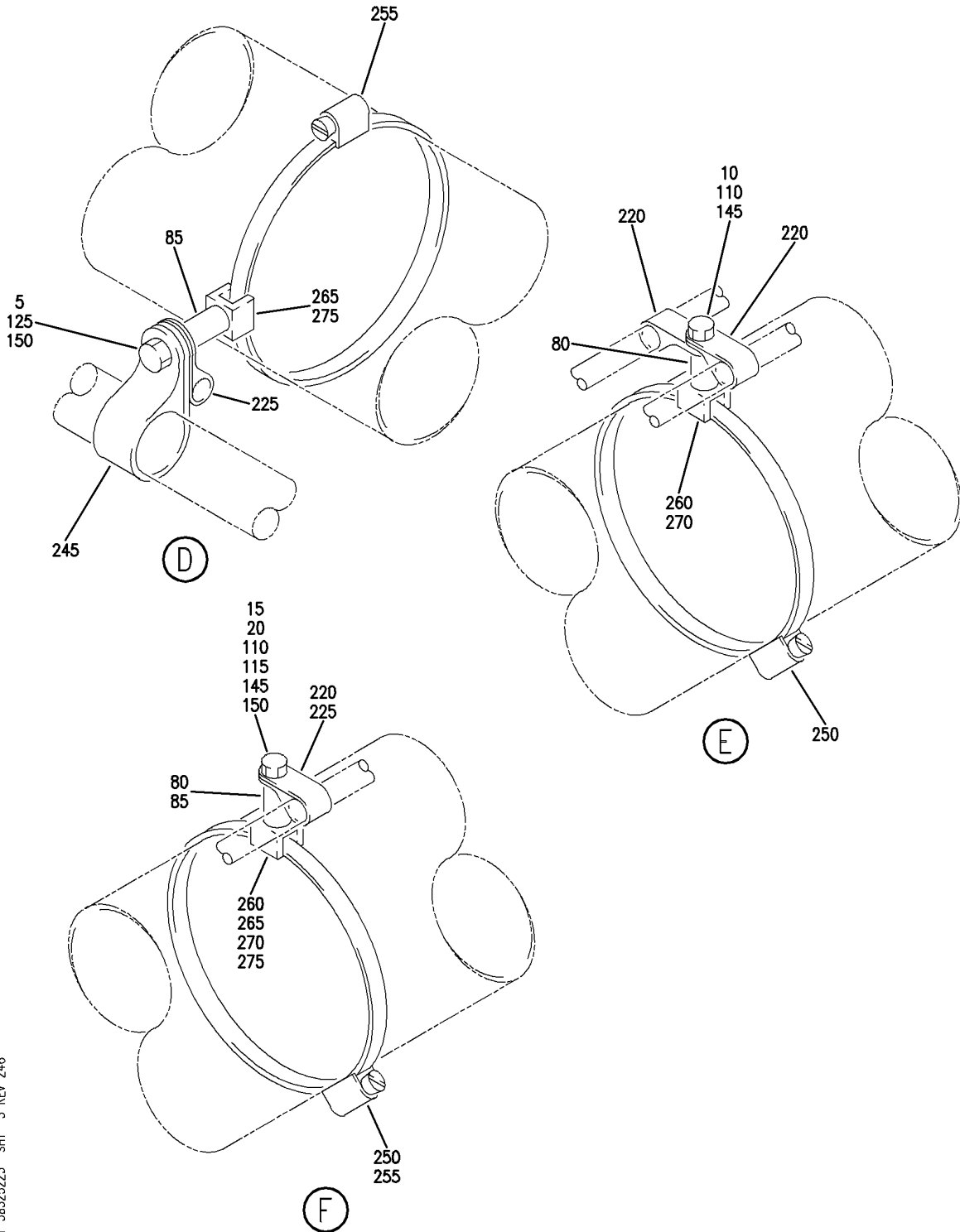
FLUSHLINE AND CABLE INSTL CONTROL-MID CAB.LAV
 FIGURE 23 (SHEET 1)

38-32-52-23

BRI
 MAY 28/07

38-32-52-23
 PAGE 0

BOEING
757
PARTS CATALOG (MAINTENANCE)



Y 38325223 SH1 3 REV 246

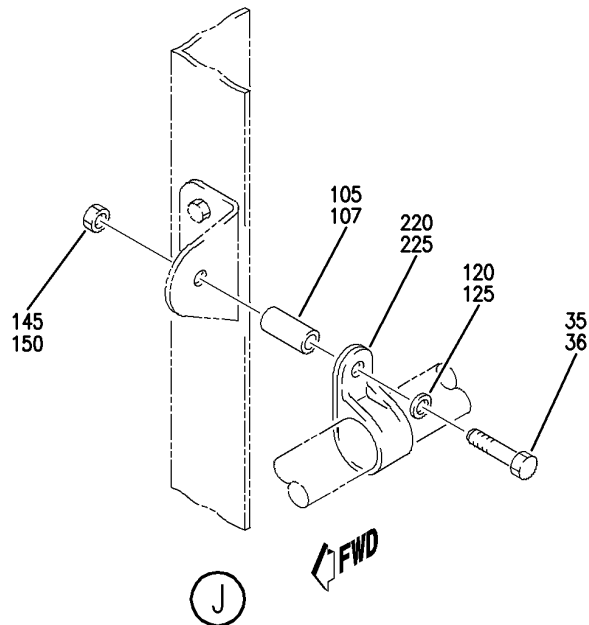
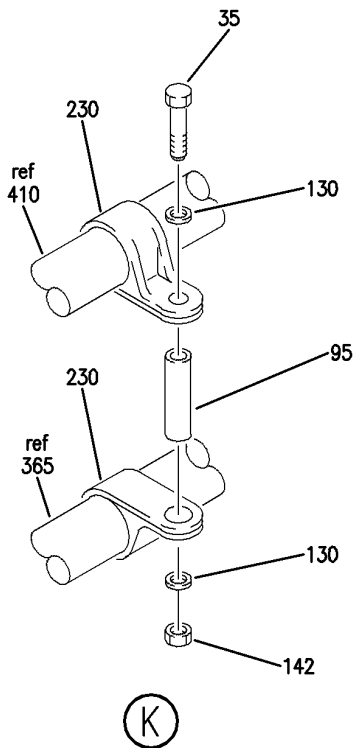
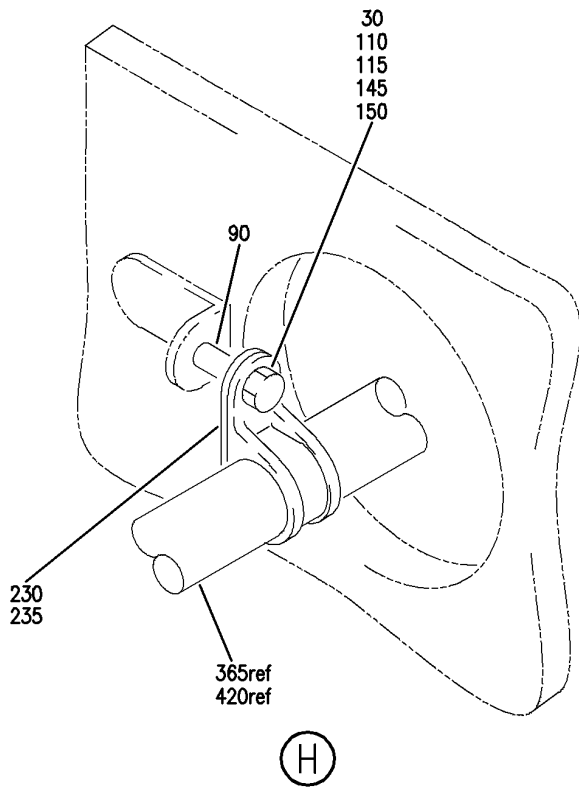
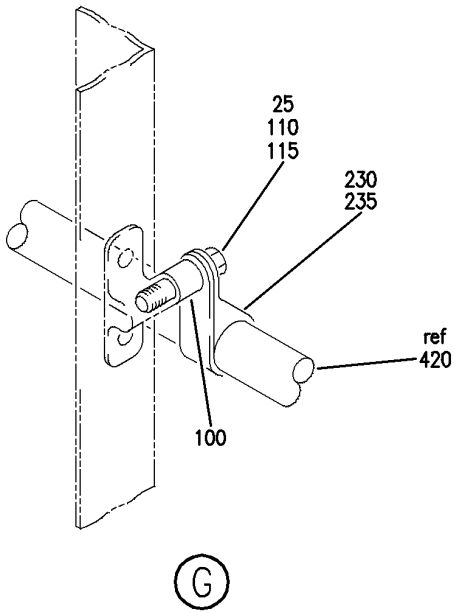
FLUSHLINE AND CABLE INSTL CONTROL-MID CAB.LAV
FIGURE 23 (SHEET 3)

38-32-52-23

BRI
MAY 28/07

38-32-52-23
PAGE 0B

BOEING
757
PARTS CATALOG (MAINTENANCE)



Y 38325223 SH1 4 REV 246

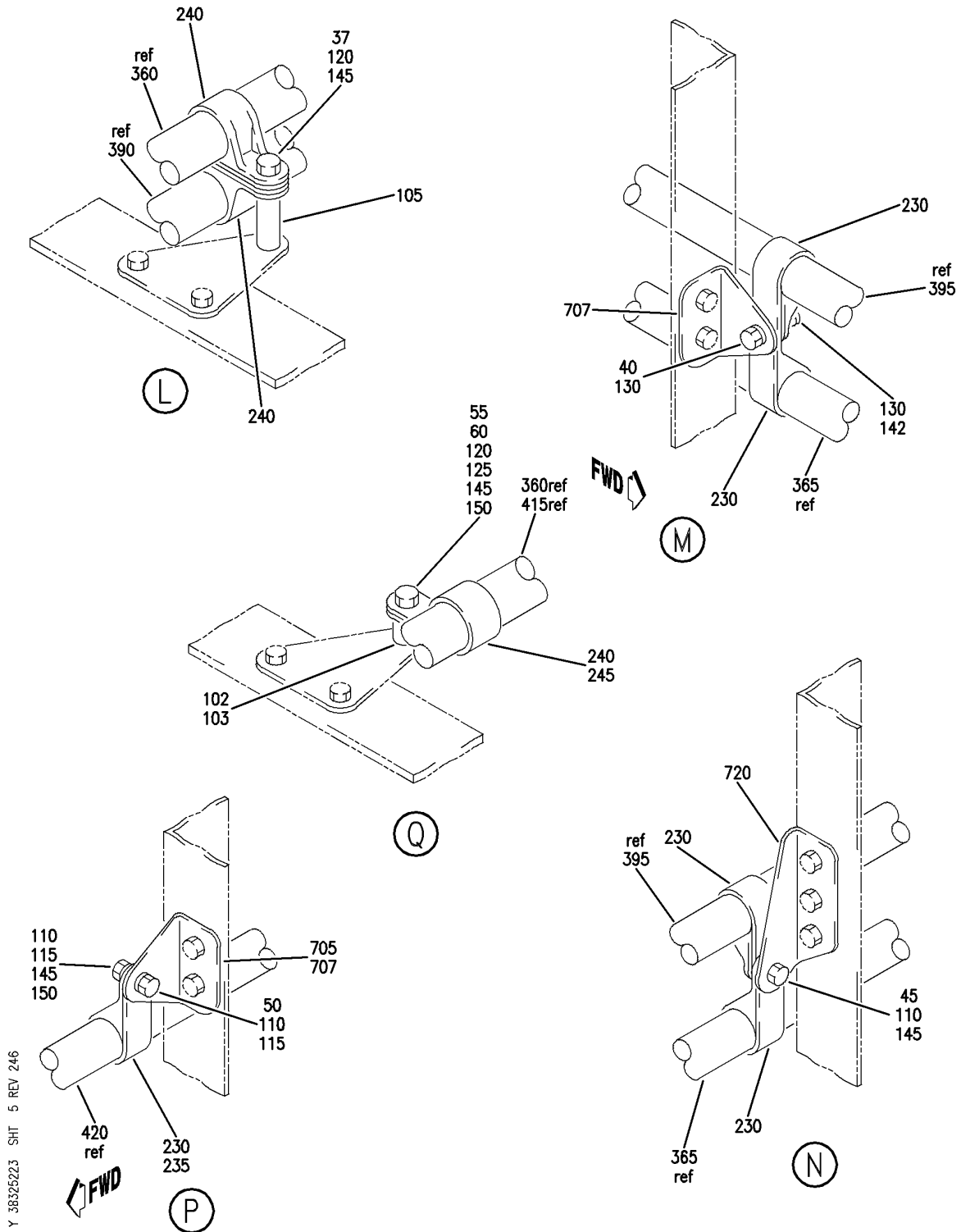
FLUSHLINE AND CABLE INSTL CONTROL-MID CAB.LAV
FIGURE 23 (SHEET 4)

38-32-52-23

BRI
MAY 28/07

38-32-52-23
PAGE 0C

BOEING
757
PARTS CATALOG (MAINTENANCE)



Y 38325223 SHIT 5 REV 246

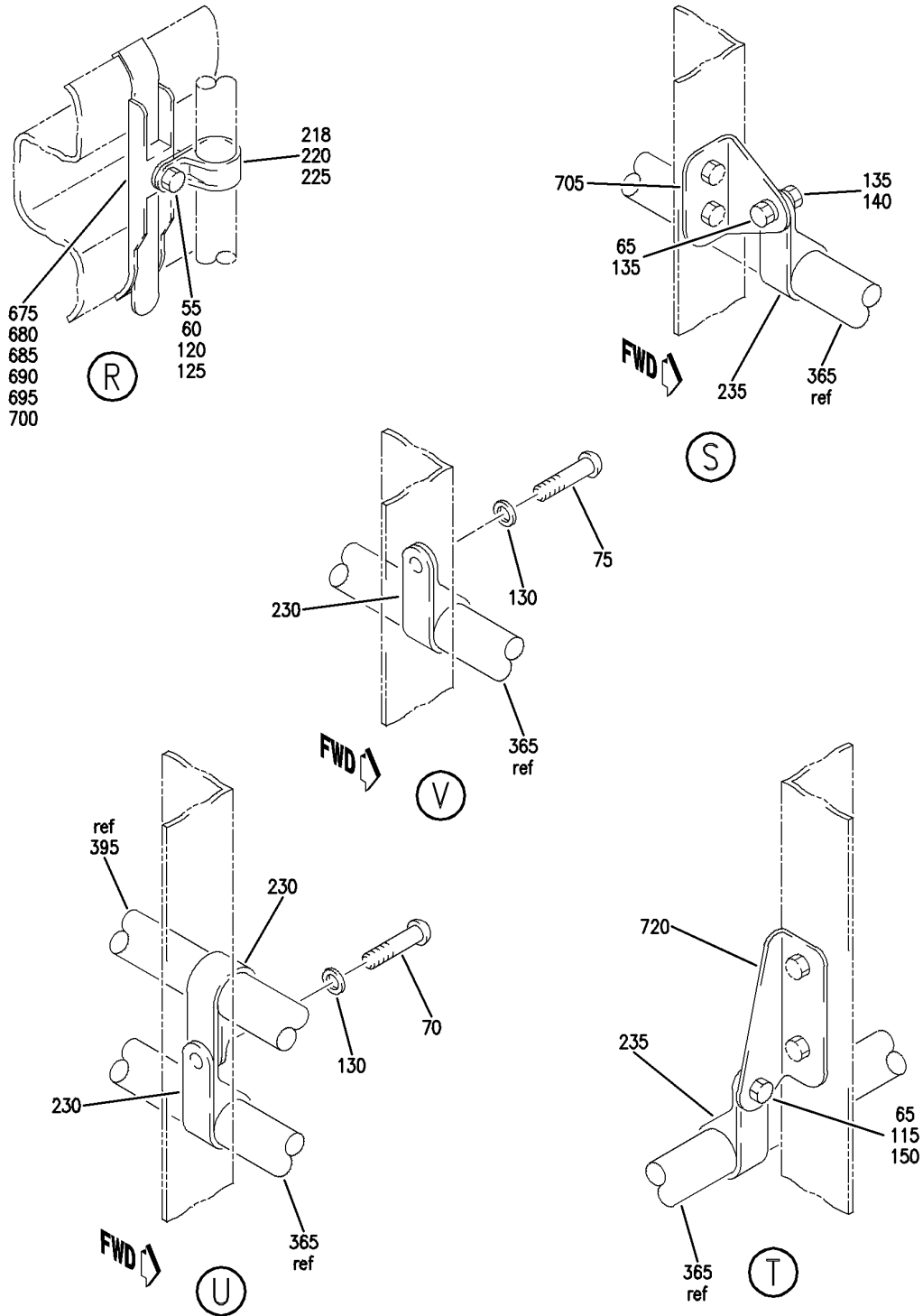
FLUSHLINE AND CABLE INSTL CONTROL-MID CAB.LAV
FIGURE 23 (SHEET 5)

38-32-52-23

BRI
MAY 28/07

38-32-52-23
PAGE 0D

BOEING
757
PARTS CATALOG (MAINTENANCE)



Y 38325223 SH1 6 REV 246

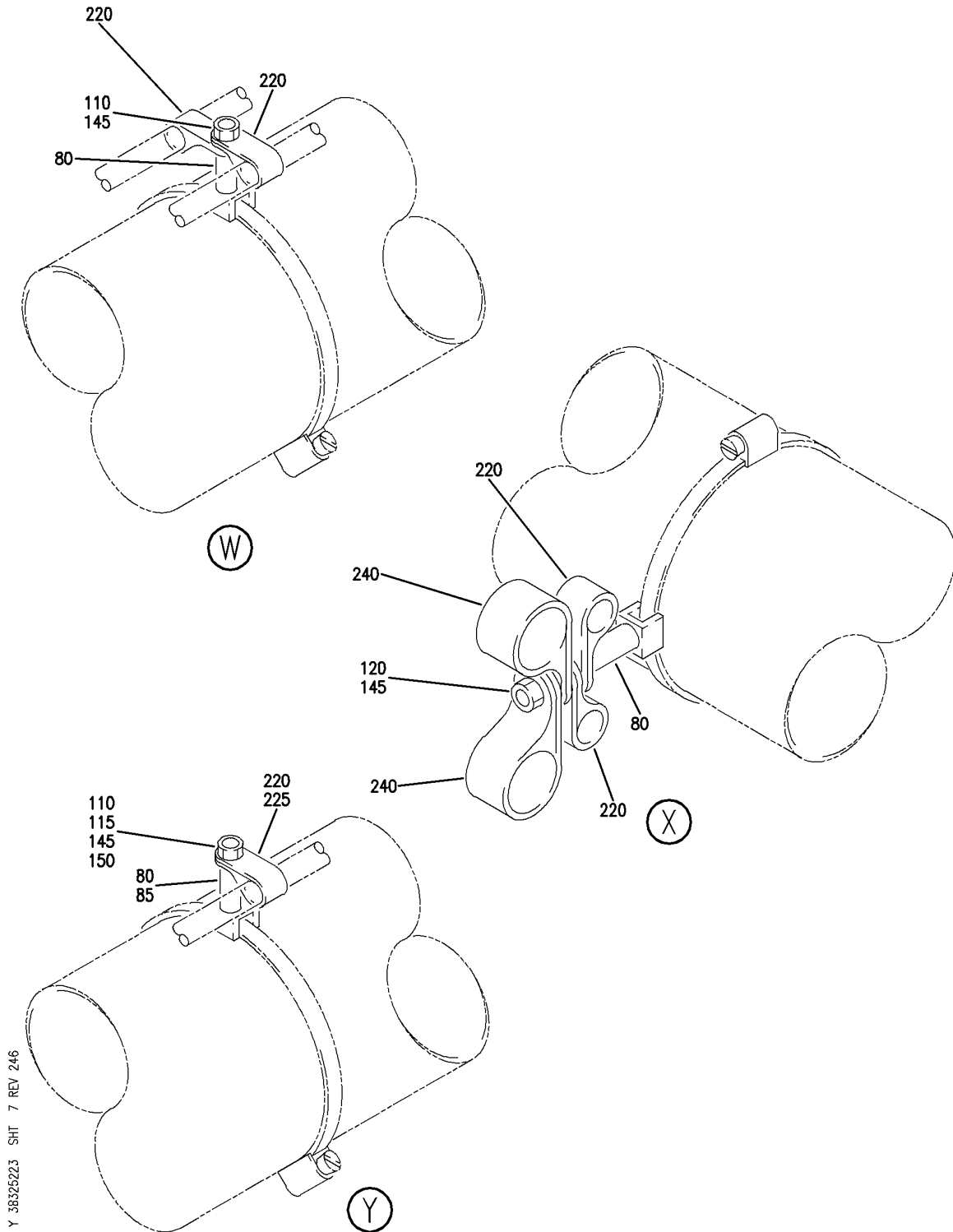
FLUSHLINE AND CABLE INSTL CONTROL-MID CAB.LAV
FIGURE 23 (SHEET 6)

38-32-52-23

BRI
MAY 28/07

38-32-52-23
PAGE 0E

BOEING
757
PARTS CATALOG (MAINTENANCE)



Y 38325223 SHT 7 REV 246

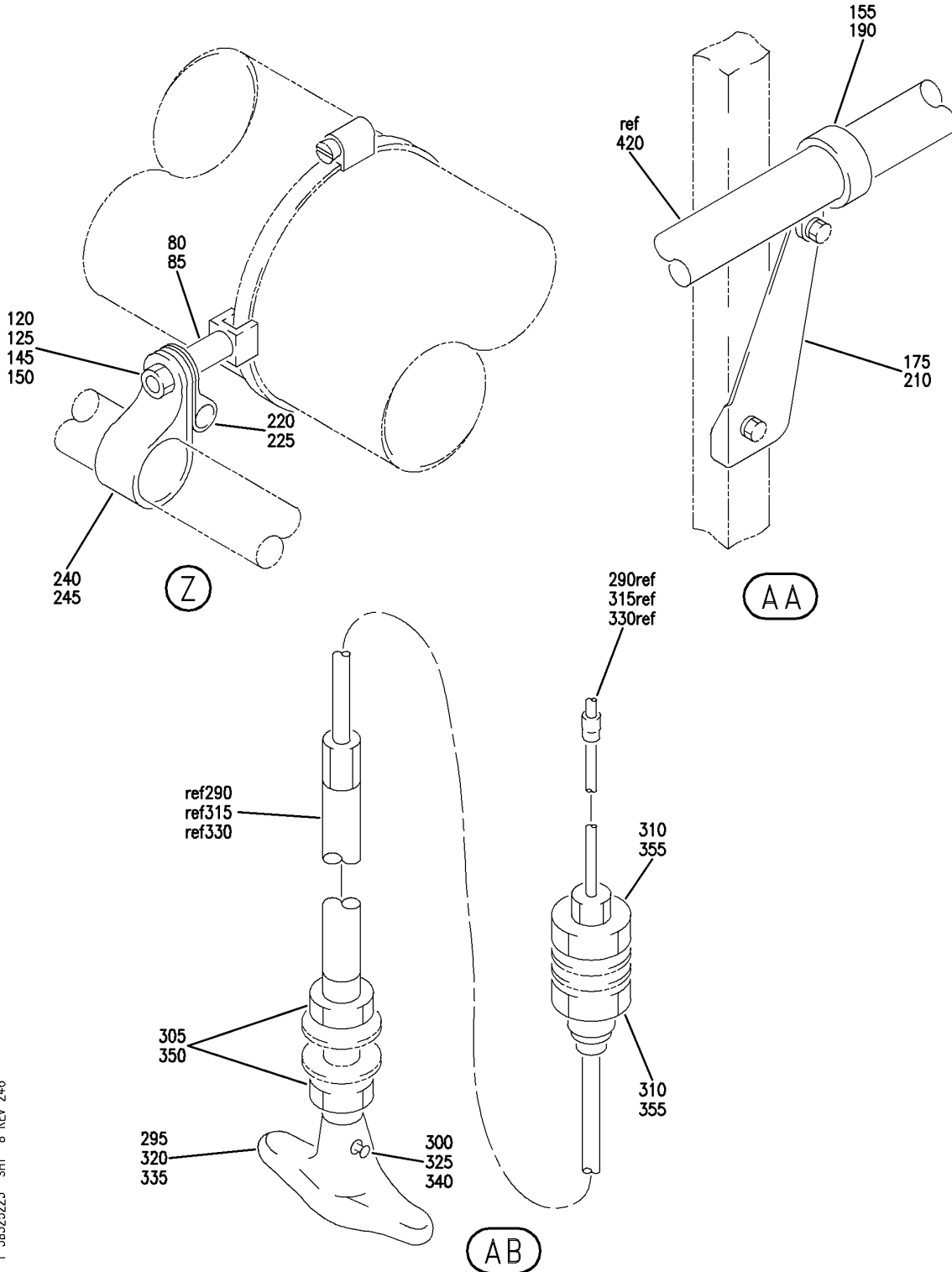
FLUSHLINE AND CABLE INSTL CONTROL-MID CAB.LAV
FIGURE 23 (SHEET 7)

38-32-52-23

BRI
MAY 28/07

38-32-52-23
PAGE OF

BOEING
757
PARTS CATALOG (MAINTENANCE)



Y 38325223 SH8 8 REV 246

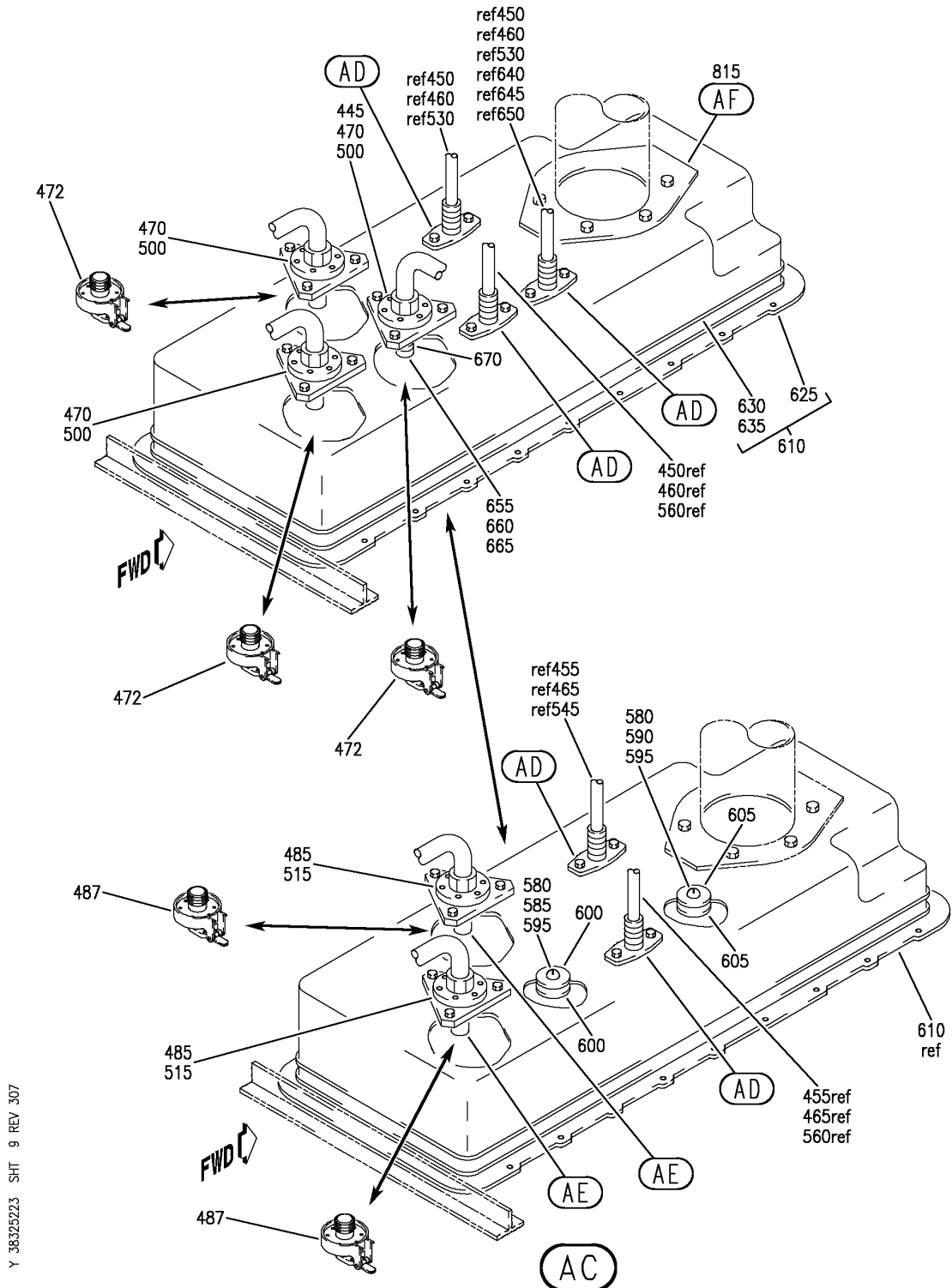
FLUSHLINE AND CABLE INSTL CONTROL-MID CAB.LAV
FIGURE 23 (SHEET 8)

38-32-52-23

BRI
MAY 28/07

38-32-52-23
PAGE 08

BOEING
757
PARTS CATALOG (MAINTENANCE)



Y 38325223 SHT 9 REV 307

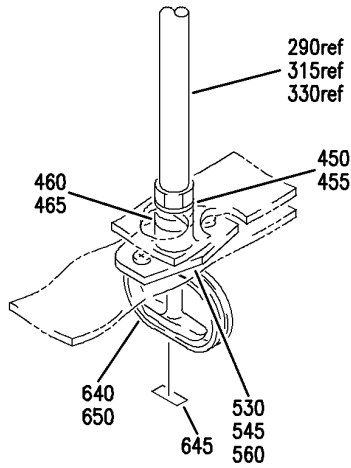
FLUSHLINE AND CABLE INSTL CONTROL-MID CAB.LAV
FIGURE 23 (SHEET 9)

38-32-52-23

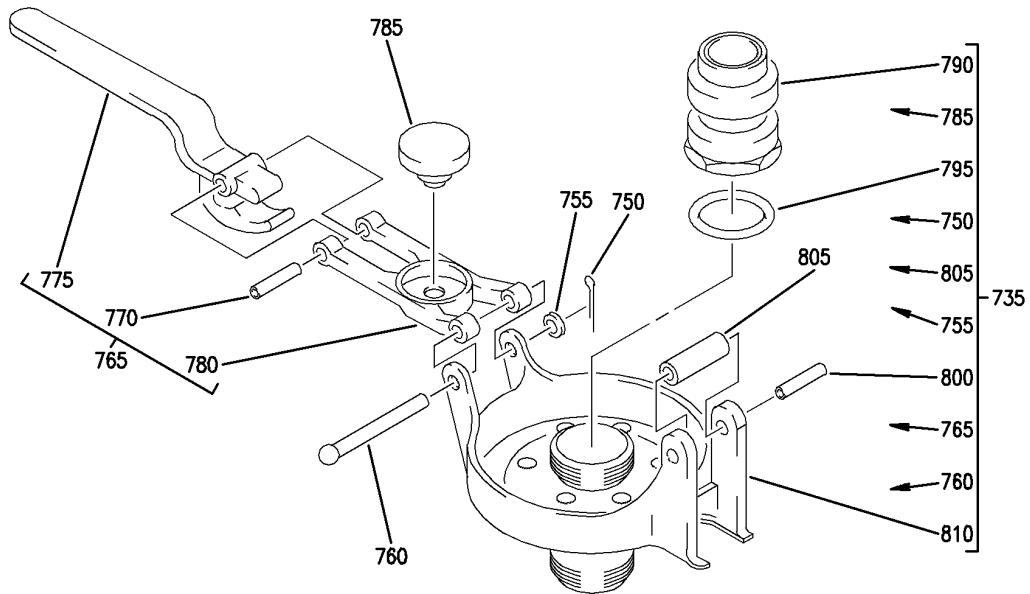
BRI
MAY 28/07

38-32-52-23
PAGE 0H

BOEING
 757
 PARTS CATALOG (MAINTENANCE)



AD



AE

Y 38325223 SHT 10 REV 246

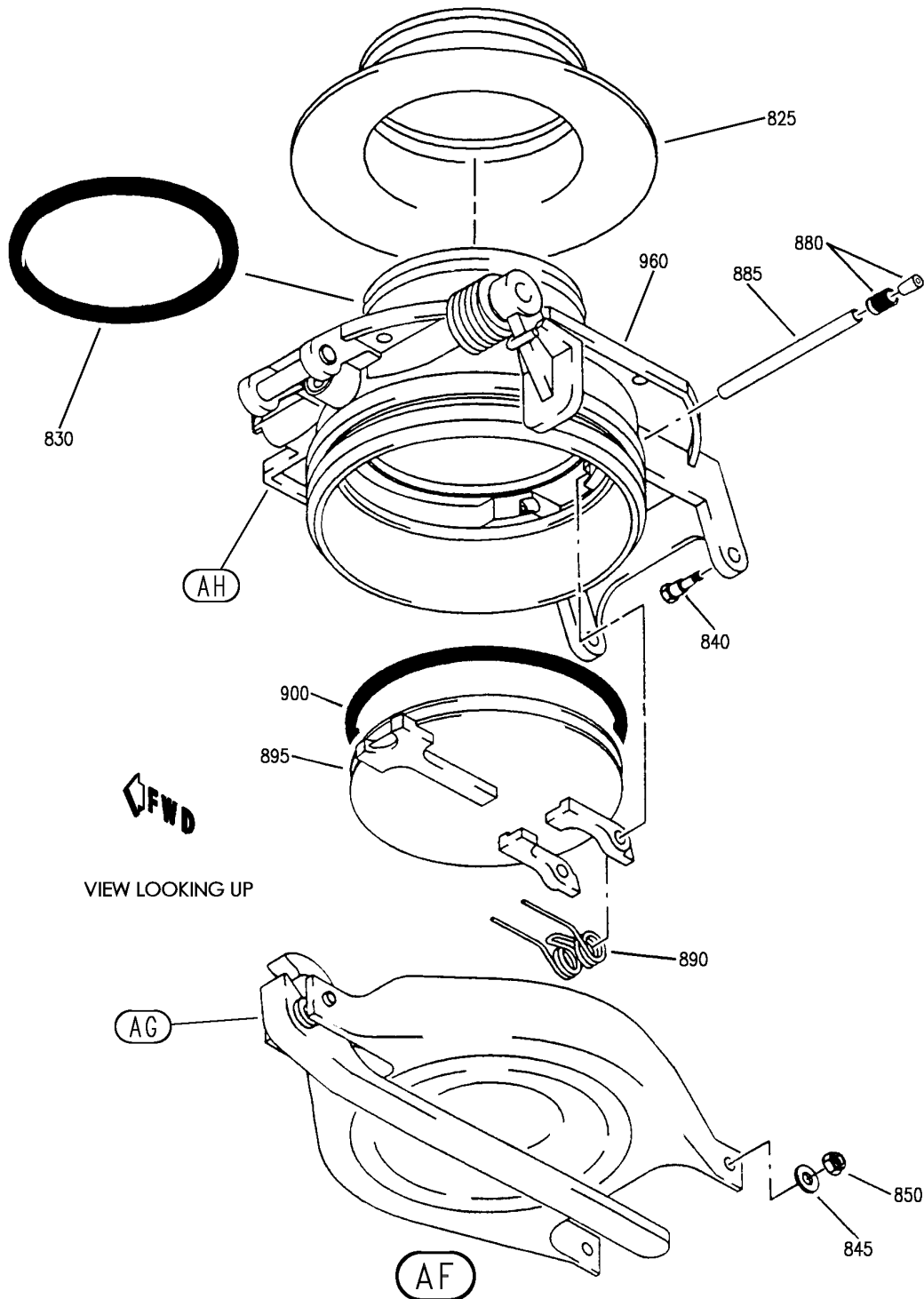
FLUSHLINE AND CABLE INSTL CONTROL-MID CAB.LAV
 FIGURE 23 (SHEET 10)

38-32-52-23

BRI
 MAY 28/07

38-32-52-23
 PAGE 01

BOEING
757
PARTS CATALOG (MAINTENANCE)



Y 38325223 SHT 11 REV 246

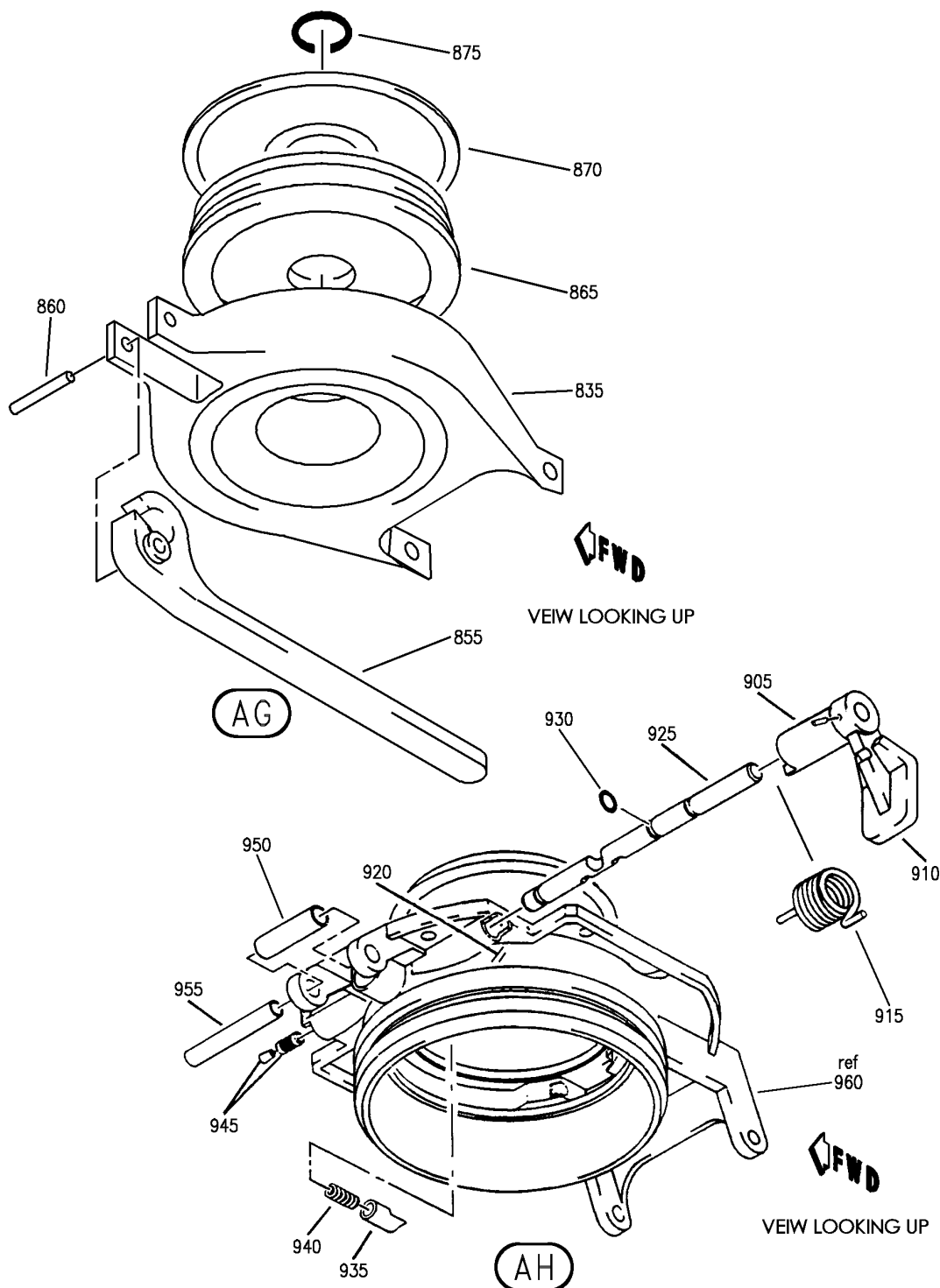
FLUSHLINE AND CABLE INSTL CONTROL-MID CAB.LAV
FIGURE 23 (SHEET 11)

38-32-52-23

BRI
MAY 28/07

38-32-52-23
PAGE 0J

BOEING
757
PARTS CATALOG (MAINTENANCE)



Y 38325223 SH1 12 REV 246

FLUSHLINE AND CABLE INSTL CONTROL-MID CAB.LAV
FIGURE 23 (SHEET 12)

38-32-52-23

BRI
MAY 28/07

38-32-52-23
PAGE OK



757

PARTS CATALOG (MAINTENANCE)

FIG ITEM	PART NUMBER	1 2 3 4 5 6 7	NOMENCLATURE	EFFECT FROM TO	UNITS PER ASSY
23			FLUSHLINE AND CABLE INSTL CONTROL-MID CAB.LAV	002004 107107 121503 904949 952952	
- 1	417N8351-18		CABLE INSTL- CONTROL POSITION DATA: MID CAB. LAV VARIABLE DRAWING REF: 417N8351-24 417N8351-23 FOR NHA SEE: 25-20-00-01A 25-20-00-01E 25-20-00-03A	002004 107107 121503 904949 952952	RF
5	NAS6703-13		.BOLT	121503 904949	1
10	NAS6703-13		.BOLT	002004 107107 952952	3
15	NAS6703-10		.BOLT	002004 107107 952952	3
20	NAS6703-10		.BOLT	121503 904949	6
25	NAS1801-3-11		.SCREW	002004 107107 121503 904949 952952	1
30	NAS1801-3-32		.SCREW	002004 107107 121503 904949 952952	2
35	NAS1801-3-24		.SCREW	002004 107107 952952	4
36	NAS1801-3-24		.SCREW	121503 904949	2
37	NAS1801-3-28		.SCREW	002004 107107 952952	1
40	NAS1801-3-13		.SCREW	002004 107107 952952	1

MISSING ITEM NUMBERS NOT APPLICABLE

- ITEM NOT ILLUSTRATED

38-32-52-23

38-32-52
FIG. 23
PAGE 1
JAN 20/09

BRI



757

PARTS CATALOG (MAINTENANCE)

FIG ITEM	PART NUMBER	1 2 3 4 5 6 7	NOMENCLATURE	EFFECT FROM TO	UNITS PER ASSY
23					
45	NAS1801-3-12	.	SCREW	002004 107107 952952	1
50	NAS1801-3-8	.	SCREW	002004 107107 121503 904949 952952	1
55	NAS1801-3-6	.	SCREW	002004 107107 952952	4
60	NAS1801-3-6	.	SCREW	121503 904949	4
65	NAS1801-3-9	.	SCREW	121503 904949	3
70	BACB30NT3K6	.	BOLT	002004 107107 952952	1
75	BACB30NT3K3	.	BOLT	002004 107107 952952	1
80	NAS43DD3-24	.	SPACER	002004 107107 952952	20
85	NAS43DD3-24	.	SPACER	121503 904949	20
90	NAS43DD3-28	.	SPACER	002004 107107 121503 904949 952952	2
95	NAS43DD3-48	.	SPACER	002004 107107 952952	1
100	NAS43DD3-5	.	SPACER	002004 107107 121503 904949 952952	1
102	NAS43DD3-14	.	SPACER	121503 904949	2
103	NAS43DD3-14	.	SPACER	002004 107107 952952	1
105	NAS43DD3-64	.	SPACER	002004 107107 952952	4
107	NAS43DD3-64	.	SPACER	121503 904949	2

MISSING ITEM NUMBERS NOT APPLICABLE

- ITEM NOT ILLUSTRATED

38-32-52-23

38-32-52
FIG. 23
PAGE 2
JAN 20/09

BRI



757

PARTS CATALOG (MAINTENANCE)

FIG ITEM	PART NUMBER	1 2 3 4 5 6 7	NOMENCLATURE	EFFECT FROM TO	UNITS PER ASSY
23					
110	AN960KD10L	.	WASHER	002004 107107 952952	17
115	AN960KD10L	.	WASHER	121503 904949	17
120	AN960PD10L	.	WASHER	002004 107107 952952	16
125	AN960PD10L	.	WASHER	121503 904949	14
130	AN960JD10L	.	WASHER	002004 107107 952952	6
135	AN960JD10L	.	WASHER	121503 904949	4
140	MS21042L3	.	NUT	121503 904949	2
142	MS21042L3	.	NUT	002004 107107 952952	2
145	BRH10C3D	.	NUT SUPPLIER CODE: V52828 SPECIFICATION NUMBER: BACN10JC3CD OPTIONAL PART: T6C1032JCD V11815 NS202486-02 V80539 102LH9075-3W V72962 H51650-3BAC V15653	002004 107107 952952	29
150	BRH10C3D	.	NUT SUPPLIER CODE: V52828 SPECIFICATION NUMBER: BACN10JC3CD OPTIONAL PART: T6C1032JCD V11815 NS202486-02 V80539 102LH9075-3W V72962 H51650-3BAC V15653	121503 904949	28

MISSING ITEM NUMBERS NOT APPLICABLE

- ITEM NOT ILLUSTRATED

38-32-52-23

38-32-52
FIG. 23
PAGE 3
JAN 20/09

BRI



757

PARTS CATALOG (MAINTENANCE)

FIG ITEM	PART NUMBER	1 2 3 4 5 6 7	NOMENCLATURE	EFFECT FROM TO	UNITS PER ASSY
23 155	BACC10DK12	.	CLAMP-	002004 107107 121503 904949 952952	1
- 160	NAS1801-3-12	.	ATTACHING PARTS SCREW-	002004 107107 121503 904949 952952	1
- 165	AN960KD10L	.	WASHER-	002004 107107 121503 904949 952952	1
- 170	MS21042L3	.	NUT-	002004 107107 121503 904949 952952	1
175	417N8305-34	-----*	BRACKET-	002004 107107 121503 904949 952952	1
- 180	NAS1801-3-10	.	ATTACHING PARTS SCREW-	002004 107107 121503 904949 952952	1
- 185	AN960KD10L	.	WASHER-	002004 107107 121503 904949 952952	1
218	BACC10DK2	.	CLAMP	107107 952952	2
220	BACC10DK5	.	CLAMP	002004 107107 952952	35
225	BACC10DK5	.	CLAMP	121503 904949	24
230	BACC10DK12	.	CLAMP	002004 107107 952952	13

MISSING ITEM NUMBERS NOT APPLICABLE

- ITEM NOT ILLUSTRATED

38-32-52-23

38-32-52
FIG. 23
PAGE 4
JAN 20/09

BRI



757

PARTS CATALOG (MAINTENANCE)

FIG ITEM	PART NUMBER	1 2 3 4 5 6 7	NOMENCLATURE	EFFECT FROM TO	UNITS PER ASSY
23					
235	BACC10DK12	.	CLAMP	121503 904949	7
240	BACC10DK14	.	CLAMP	002004 107107	15
245	BACC10DK14	.	CLAMP	952952 121503	10
250	NAS1922-0400-1	.	CLAMP-	904949 002004	6
			OPTIONAL PART: BACC10JB126C156	107107 952952	
250	BACC10JB126C156	.	CLAMP-	002004	6
			OPTIONAL PART: NAS1922-0400-1	107107 952952	
255	NAS1922-0400-1	.	CLAMP-	121503	7
			OPTIONAL PART: BACC10JB126C156	904949	
255	BACC10JB126C156	.	CLAMP-	121503	7
			OPTIONAL PART: NAS1922-0400-1	904949	
260	BACC15AN10	.	CLIP	002004 107107	6
				952952	
265	BACC15AN10	.	CLIP	121503	7
				904949	
270	BACC15AN10	.	CLIP	002004 107107	6
				952952	
275	BACC15AN10	.	CLIP	121503	7
				904949	
280	N2088	.	PLUG	002004	AR
			SUPPLIER CODE: V75345	107107	
			SPECIFICATION NUMBER: BACP20BA1	952952	
			OPTIONAL PART: SZ7105		
			V95272		
			4841		
			V84914		
285	N2088	.	PLUG	121503	AR
			SUPPLIER CODE: V75345	904949	
			SPECIFICATION NUMBER: BACP20BA1		
			OPTIONAL PART: SZ7105		
			V95272		
			4841		
			V84914		

MISSING ITEM NUMBERS NOT APPLICABLE

- ITEM NOT ILLUSTRATED

38-32-52-23

38-32-52
FIG. 23
PAGE 5
JAN 20/09

BRI

BOEING PROPRIETARY - Copyright © - Unpublished Work - See title page for details.



757

PARTS CATALOG (MAINTENANCE)

FIG ITEM	PART NUMBER	1 2 3 4 5 6 7	NOMENCLATURE	EFFECT FROM TO	UNITS PER ASSY
23 290	570-713-002		.CABLE ASSY-CONT SUPPLIER CODE: V06970 SPECIFICATION NUMBER: S417N202-4 OPTIONAL PART: 7-44017-4 V78710 2604430-011 V04638	002004 107107 952952	1
290	7-44017-124		.CABLE ASSY- SUPPLIER CODE: V78710 SPECIFICATION NUMBER: S417N202-124 COMPONENT MAINT MANUAL REF: 38-30-13	002004 107107 952952	1
290	7-44017-4		.CABLE ASSY-CONT SUPPLIER CODE: V78710 SPECIFICATION NUMBER: S417N202-4 COMPONENT MAINT MANUAL REF: 38-30-11 OPTIONAL PART: 570-713-002 V06970 2604430-011 V04638	002004 107107 952952	1
295	565-100-029		..HANDLE-TEE SUPPLIER CODE: V06970 USED ON: 570-713-002	002004 107107 952952	1
295	61751-1		..HANDLE-TEE SUPPLIER CODE: V78710 USED ON: 7-44017-4 7-44017-124	002004 107107 952952	1
300	MS16562-203		..PIN- USED ON: 570-713-002	002004 107107 952952	1
300	MS171526		ATTACHING PARTS ..PIN- USED ON: 7-44017-4 7-44017-124 -----*-----	002004 107107 952952	1

MISSING ITEM NUMBERS NOT APPLICABLE

- ITEM NOT ILLUSTRATED

38-32-52-23

38-32-52
FIG. 23
PAGE 6
JAN 20/09

BRI



757

PARTS CATALOG (MAINTENANCE)

FIG ITEM	PART NUMBER	1 2 3 4 5 6 7	NOMENCLATURE	EFFECT FROM TO	UNITS PER ASSY
23 305	561-094-162	..	NUT- SUPPLIER CODE: V06970 USED ON: 570-713-002	002004 107107 952952	2
310	561-094-164	..	NUT- SUPPLIER CODE: V06970 USED ON: 570-713-002	002004 107107 952952	2
330	570-713-003	.C	CABLE ASSY-CONT SUPPLIER CODE: V06970 SPECIFICATION NUMBER: S417N202-5 COMPONENT MAINT MANUAL REF: 38-30-11 OPTIONAL PART: 7-44017-5 V78710 2604430-012 V04638	002004 107107 121503 904949 952952	2
330	7-44017-125	.C	CABLE ASSY-CONT SUPPLIER CODE: V78710 SPECIFICATION NUMBER: S417N202-125 COMPONENT MAINT MANUAL REF: 38-30-11	002004 107107 121503 904949 952952	2
335	565-100-029	..	HANDLE-TEE SUPPLIER CODE: V06970 USED ON: 570-713-003	002004 107107 121503 904949 952952	1
335	20302-4	..	HANDLE-TEE SUPPLIER CODE: V78710 USED ON: 7-44017-125	002004 107107 121503 904949 952952	1
340	MS16562-203	..	PIN- USED ON: 570-713-003	002004 107107 121503 904949 952952	1
340	MS171526	..	PIN- USED ON: 7-44017-125	002004 107107 121503 904949 952952	1

MISSING ITEM NUMBERS NOT APPLICABLE

- ITEM NOT ILLUSTRATED

38-32-52-23

38-32-52
FIG. 23
PAGE 7
JAN 20/09

BRI



757

PARTS CATALOG (MAINTENANCE)

FIG ITEM	PART NUMBER	1 2 3 4 5 6 7	NOMENCLATURE	EFFECT FROM TO	UNITS PER ASSY
23 350	561-094-162	..	NUT- SUPPLIER CODE: V06970 USED ON: 570-713-003	002004 107107 121503 904949 952952	2
355	561-094-164	..	NUT- SUPPLIER CODE: V06970 USED ON: 570-713-003	002004 107107 121503 904949 952952	2
360	41208-365	.H	HOSE- SUPPLIER CODE: V24984 SPECIFICATION NUMBER: 10-60871-365	002004 107107 121503 904949 952952	1
365	417N8351-27	.T	TUBE ASSY- TUBING MATERIAL: STOCK .75 OD X .02 WALL 304 CRES TUBE PER MIL-T-8504	002004 107107 121503 904949 952952	1
- 370	AP2097H12	..	SLEEVE SUPPLIER CODE: V01673 SPECIFICATION NUMBER: BACS13BX12H OPTIONAL PART: 2-02903-12H V11328 35235V12 V08199 AFP175V12 V30974 DBOS13BX12H V14798	002004 107107 121503 904949 952952	1

MISSING ITEM NUMBERS NOT APPLICABLE

- ITEM NOT ILLUSTRATED

38-32-52-23

38-32-52
FIG. 23
PAGE 8
JAN 20/09

BRI



757

PARTS CATALOG (MAINTENANCE)

FIG ITEM	PART NUMBER	1 2 3 4 5 6 7	NOMENCLATURE	EFFECT FROM TO	UNITS PER ASSY
23 - 375	35056V12	..	UNION SUPPLIER CODE: V08199 SPECIFICATION NUMBER: BACU24AB12H OPTIONAL PART: 4671097H12 V50948 2-01027-12H V11328 31875-12H V14397 AP1004H12 V01673 AFP941H12 V30974 DBOU24AB12H V14798	002004 107107 121503 904949 952952	1
- 380	MS21921-12J	..	NUT	002004 107107 121503 904949 952952	1
385	41229-374	.HOSE-	SUPPLIER CODE: V24984 SPECIFICATION NUMBER: 10-60871-374	002004 107107 121503 904949 952952	1
390	41209-364	.HOSE-	SUPPLIER CODE: V24984 SPECIFICATION NUMBER: 10-60871-364	002004 107107 952952	1
395	417N8351-26	.TUBE ASSY-	TUBING MATERIAL: STOCK .75 OD X .02 WALL 304 CRES TUBE PER MIL-T-8504	002004 107107 952952	1

MISSING ITEM NUMBERS NOT APPLICABLE

- ITEM NOT ILLUSTRATED

38-32-52-23

38-32-52
FIG. 23
PAGE 9
JAN 20/09

BRI



757

PARTS CATALOG (MAINTENANCE)

FIG ITEM	PART NUMBER	1 2 3 4 5 6 7	NOMENCLATURE	EFFECT FROM TO	UNITS PER ASSY
23 - 400	AP2097H12	..	SLEEVE SUPPLIER CODE: V01673 SPECIFICATION NUMBER: BACS13BX12H OPTIONAL PART: 2-02903-12H V11328 35235V12 V08199 AFP175V12 V30974 DBOS13BX12H V14798	002004 107107 952952	2
- 405	MS21921-12J	..	NUT	002004 107107 952952	2
410	41209-366	.HOSE-	SUPPLIER CODE: V24984 SPECIFICATION NUMBER: 10-60871-366	002004	1
415	41209-363	.HOSE-	SUPPLIER CODE: V24984 SPECIFICATION NUMBER: 10-60871-363	002004 107107 121503 904949 952952	1
420	417N8351-30	.TUBE ASSY-	TUBING MATERIAL: STOCK .75 O.D. X .02 WALL OPTIONAL TO .75 O.D. X .028 WALL 304 CRES TUBE PER MIL-T-8504	002004 107107 121503 904949 952952	1
- 425	AP2097H12	..	SLEEVE SUPPLIER CODE: V01673 SPECIFICATION NUMBER: BACS13BX12H OPTIONAL PART: 2-02903-12H V11328 35235V12 V08199 AFP175V12 V30974 DBOS13BX12H V14798	002004 107107 121503 904949 952952	1

MISSING ITEM NUMBERS NOT APPLICABLE

- ITEM NOT ILLUSTRATED

38-32-52-23

38-32-52
FIG. 23
PAGE 10
JAN 20/09

BRI



757

PARTS CATALOG (MAINTENANCE)

FIG ITEM	PART NUMBER	1 2 3 4 5 6 7	NOMENCLATURE	EFFECT FROM TO	UNITS PER ASSY
23					
- 430	35056V12		.. UNION SUPPLIER CODE: V08199 SPECIFICATION NUMBER: BACU24AB12H OPTIONAL PART: 4671097H12 V50948 2-01027-12H V11328 31875-12H V14397 AP1004H12 V01673 AFP941H12 V30974 DBOU24AB12H V14798	002004 107107 121503 904949 952952	1
- 435	MS21921-12J		.. NUT	002004 107107 121503 904949 952952	1
440	41229-375		. HOSE- SUPPLIER CODE: V24984 SPECIFICATION NUMBER: 10-60871-375	002004 107107 121503 904949 952952	1
445	MS21913J12		. PLUG	107107 952952	1
450	K29646-8NF		. WASHER SUPPLIER CODE: V15653 SPECIFICATION NUMBER: BACW10CA8CVU OPTIONAL PART: 70188-8U V56878 922009-8 V60119 942009-8 V60119	002004 107107 952952	3

MISSING ITEM NUMBERS NOT APPLICABLE

- ITEM NOT ILLUSTRATED

38-32-52-23

38-32-52
FIG. 23
PAGE 11
JAN 20/09

BRI



757

PARTS CATALOG (MAINTENANCE)

FIG ITEM	PART NUMBER	1 2 3 4 5 6 7	NOMENCLATURE	EFFECT FROM TO	UNITS PER ASSY
23 455	K29646-8NF		.WASHER SUPPLIER CODE: V15653 SPECIFICATION NUMBER: BACW10CA8CVU OPTIONAL PART: 70188-8U V56878 922009-8 V60119 942009-8 V60119	121503 904949	2
460	K29913-8NF		.WASHER SUPPLIER CODE: V15653 SPECIFICATION NUMBER: BACW10CA8CCU OPTIONAL PART: 70191-8U V56878 922010-8 V60119 942010-8 V60119	002004 107107 952952	3
465	K29913-8NF		.WASHER SUPPLIER CODE: V15653 SPECIFICATION NUMBER: BACW10CA8CCU OPTIONAL PART: 70191-8U V56878 922010-8 V60119 942010-8 V60119	121503 904949	2
470	4709-21		.NIPPLE ASSY- SUPPLIER CODE: V86831 OPTIONAL PART: H3-1216-1 V34941	002004 107107 952952	3
470	H3-1216-1		.NIPPLE ASSY- SUPPLIER CODE: V34941 OPTIONAL PART: 4709-21 V86831	002004 107107 952952	3

MISSING ITEM NUMBERS NOT APPLICABLE

- ITEM NOT ILLUSTRATED

38-32-52-23

38-32-52
FIG. 23
PAGE 12
JAN 20/09

BRI



757

PARTS CATALOG (MAINTENANCE)

FIG ITEM	PART NUMBER	1 2 3 4 5 6 7	NOMENCLATURE	EFFECT FROM TO	UNITS PER ASSY
23 470	0016-0015-5		.CAP ASSY-LEVER SUPPLIER CODE: V86831 COMPONENT MAINT MANUAL REF: 38-32-10	002004 107107 952952	3
472	0016-0022-1		.CAP ASSY-LEVER SUPPLIER CODE: V86831 COMPONENT MAINT MANUAL REF: 38-32-10 FOR DETAILS SEE: 38-32-52-26 ATTACHING PARTS	002004 107107 952952	3
- 475	HL11VAZ5-11		.BOLT SUPPLIER CODE: V60516 SPECIFICATION NUMBER: BACB30NW5K11 OPTIONAL PART: HL11VAZ5-11 V73197 HL11VAZ5-11 V92215 L803-5K11 V06725 HL11VAZ5K11 V97928 B30NW5K11 V97928 HL11VAZ5-11 VOPTK6 HL11VAZ5-11 V56878	002004 107107 952952	18
- 480	HL97DU5		.COLLAR SUPPLIER CODE: V73197 SPECIFICATION NUMBER: BACC30AB5S OPTIONAL PART: HL97DU5 V56878 HL97DU5 V5M902 -----*-----	002004 107107 952952	18

MISSING ITEM NUMBERS NOT APPLICABLE

- ITEM NOT ILLUSTRATED

38-32-52-23

38-32-52
FIG. 23
PAGE 13
JAN 20/09

BRI



757

PARTS CATALOG (MAINTENANCE)

FIG ITEM	PART NUMBER	1 2 3 4 5 6 7	NOMENCLATURE	EFFECT FROM TO	UNITS PER ASSY
23 485	4709-21		.NIPPLE ASSY- SUPPLIER CODE: V86831 OPTIONAL PART: H3-1216-1 V34941	121503 904949	2
485	H3-1216-1		.NIPPLE ASSY- SUPPLIER CODE: V34941 OPTIONAL PART: 4709-21 V86831	121503 904949	2
485	0016-0015-5		.CAP ASSY-LEVER SUPPLIER CODE: V86831 COMPONENT MAINT MANUAL REF: 38-32-10	121503 904949	2
487	0016-0022-1		.CAP ASSY-LEVER SUPPLIER CODE: V86831 COMPONENT MAINT MANUAL REF: 38-32-10 FOR DETAILS SEE: 38-32-52-26 ATTACHING PARTS	121503 904949	2
- 490	HL11VAZ5-11		.BOLT SUPPLIER CODE: V60516 SPECIFICATION NUMBER: BACB30NW5K11 OPTIONAL PART: HL11VAZ5-11 V73197 HL11VAZ5-11 V92215 L803-5K11 V06725 HL11VAZ5K11 V97928 B30NW5K11 V97928 HL11VAZ5-11 VOPTK6 HL11VAZ5-11 V56878	121503 904949	12

MISSING ITEM NUMBERS NOT APPLICABLE

- ITEM NOT ILLUSTRATED

38-32-52-23

38-32-52
FIG. 23
PAGE 14
JAN 20/09

BRI

 **BOEING**
757
PARTS CATALOG (MAINTENANCE)

FIG ITEM	PART NUMBER	1 2 3 4 5 6 7	NOMENCLATURE	EFFECT FROM TO	UNITS PER ASSY
23 - 495	HL97DU5		.COLLAR SUPPLIER CODE: V73197 SPECIFICATION NUMBER: BACC30AB5S OPTIONAL PART: HL97DU5 V56878 HL97DU5 V5M902 -----*-----	121503 904949	12
500	417N8352-1		.SPACER ASSY ATTACHING PARTS	002004 107107 952952	3
- 505	BACS12CK3U10		.SCREW	002004 107107 952952	9
- 510	BACW10P5C		.WASHER	002004 107107 952952	9
515	417N8352-1		.SPACER ASSY ATTACHING PARTS	121503 904949	2
- 520	BACS12CK3U10		.SCREW	121503 904949	6
- 525	BACW10P5C		.WASHER	121503 904949	6
530	417N8352-2		.SPACER ASSY- OPTIONAL PART: 417N8353-1	002004 107107 952952	2
530	417N8353-1		.SPACER ASSY- OPTIONAL PART: 417N8352-2	002004 107107 952952	2
- 535	BACS12CK3U8		.SCREW ATTACHING PARTS	002004 107107 952952	4
- 540	BACW10P5C		.WASHER	002004 107107 952952	4
545	417N8352-2		.SPACER ASSY- OPTIONAL PART: 417N8353-1	121503 904949	1

MISSING ITEM NUMBERS NOT APPLICABLE

- ITEM NOT ILLUSTRATED

BRI

38-32-52-23

BOEING PROPRIETARY - Copyright © - Unpublished Work - See title page for details.

38-32-52
FIG. 23
PAGE 15
JAN 20/09

 **BOEING**
757
PARTS CATALOG (MAINTENANCE)

FIG ITEM	PART NUMBER	1 2 3 4 5 6 7	NOMENCLATURE	EFFECT FROM TO	UNITS PER ASSY
23					
545	417N8353-1		.SPACER ASSY- OPTIONAL PART: 417N8352-2 ATTACHING PARTS	121503 904949	1
- 550	BACS12CK3U8		.SCREW	121503 904949	2
- 555	BACW10P5C		.WASHER	121503 904949	2
			-----*-----		
560	417N8353-5		.SPACER ASSY	002004 107107 121503 904949 952952	1
			ATTACHING PARTS		
- 565	BACS12CK3U5		.SCREW	002004 107107 121503 904949 952952	2
- 570	BACW10P5C		.WASHER	002004 107107 121503 904949 952952	2
			-----*-----		
580	NAS604-11P		.SCREW	121503 904949	2
585	417N8358-1		.SPACER	121503 904949	1
590	417N8358-2		.SPACER	121503 904949	1
595	MS21042L4		.NUT	121503 904949	2
600	417N8351-17		.PATCH	121503 904949	2
605	417N8351-14		.PATCH	121503 904949	2
610	417N8304-5		.PANEL ASSY-SVCE	002004 107107 952952	1
610	417N8304-6		.PANEL ASSY-SVCE	121503 904949	1
			ATTACHING PARTS		
- 615	BACS12CK3U8		.SCREW	002004 107107 121503 904949 952952	6

MISSING ITEM NUMBERS NOT APPLICABLE

- ITEM NOT ILLUSTRATED

BRI

38-32-52-23

BOEING PROPRIETARY - Copyright © - Unpublished Work - See title page for details.

38-32-52
FIG. 23
PAGE 16
JAN 20/09



757

PARTS CATALOG (MAINTENANCE)

FIG ITEM	PART NUMBER	1 2 3 4 5 6 7	NOMENCLATURE	EFFECT FROM TO	UNITS PER ASSY
23 - 620	BACW10P5C	.	WASHER	002004 107107 121503 904949 952952	6
625	417N8314-3	-----*	.. COLLAR ASSY	002004 107107 121503 904949 952952	1
630	417N8309-8	..	SHROUD ASSY	002004 107107 952952	1
630	417N8309-9	..	SHROUD ASSY	121503 904949	1
635	417N8309-3	...	RUBBER-MOLDED	002004 107107 121503 904949 952952	1
640	417N8357-1	.	GUARD ASSY-HANDLE	107107 952952	1
645	BAC27NPA0720	..	MARKER-ALUMINUM FOIL PLACARD CONTENT: DEACTIVATED	107107 952952	1
650	NAS1515J8H	.	WASHER	107107 952952	1
655	BACB30LR6-4	.	BOLT	107107 952952	1
660	93-125	.	GROMMET SUPPLIER CODE: V77969 SPECIFICATION NUMBER: BACG20C21	107107 952952	1
665	NAS813-20	.	CAP	107107 952952	1
670	16	.	CLAMP SUPPLIER CODE: V7Z588 SPECIFICATION NUMBER: STBC10GG38-48 OPTIONAL PART: WWD38-48H V66295	107107 952952	1

MISSING ITEM NUMBERS NOT APPLICABLE

- ITEM NOT ILLUSTRATED

38-32-52-23

38-32-52
FIG. 23
PAGE 17
JAN 20/09

BRI



757

PARTS CATALOG (MAINTENANCE)

FIG ITEM	PART NUMBER	1 2 3 4 5 6 7	NOMENCLATURE	EFFECT FROM TO	UNITS PER ASSY
23 675	S38J1	.	SUPPORT SUPPLIER CODE: V59237 SPECIFICATION NUMBER: BACS38J1 OPTIONAL PART: 30187-2 V26835	002004	3
680	S38J1	.	SUPPORT SUPPLIER CODE: V59237 SPECIFICATION NUMBER: BACS38J1 OPTIONAL PART: 30187-2 V26835	121503 904949	2
685	S38J1	.	SUPPORT SUPPLIER CODE: V59237 SPECIFICATION NUMBER: BACS38J1 OPTIONAL PART: 30187-2 V26835	107107 952952	4
690	S38J2	.	SUPPORT SUPPLIER CODE: V59237 SPECIFICATION NUMBER: BACS38J2 OPTIONAL PART: 30187-3 V26835	002004	3
695	S38J2	.	SUPPORT SUPPLIER CODE: V59237 SPECIFICATION NUMBER: BACS38J2 OPTIONAL PART: 30187-3 V26835	121503 904949	2
700	S38J2	.	SUPPORT SUPPLIER CODE: V59237 SPECIFICATION NUMBER: BACS38J2 OPTIONAL PART: 30187-3 V26835	107107 952952	4

MISSING ITEM NUMBERS NOT APPLICABLE

- ITEM NOT ILLUSTRATED

38-32-52-23

38-32-52
FIG. 23
PAGE 18
JAN 20/09

BRI



757

PARTS CATALOG (MAINTENANCE)

FIG ITEM	PART NUMBER	1 2 3 4 5 6 7	NOMENCLATURE	EFFECT FROM TO	UNITS PER ASSY
23					
705	417N8305-23	.	BRACKET	121503 904949	3
707	417N8305-23	.	BRACKET	002004 107107 952952	2
- 710	BACB30NT3K1		ATTACHING PARTS .BOLT	002004 107107 121503 904949 952952	6
- 712	BACB30NT3K1	.	BOLT	002004 107107 952952	4
- 715	AN960KD10L	.	WASHER	121503 904949	6
- 717	AN960KD10L	.	WASHER	002004 107107 952952	4
720	417N8305-24	-----*	BRACKET	002004 107107 121503 904949 952952	1
- 725	NAS1801-3-8		ATTACHING PARTS .SCREW	002004 107107 121503 904949 952952	2
		-----*			

MISSING ITEM NUMBERS NOT APPLICABLE

- ITEM NOT ILLUSTRATED

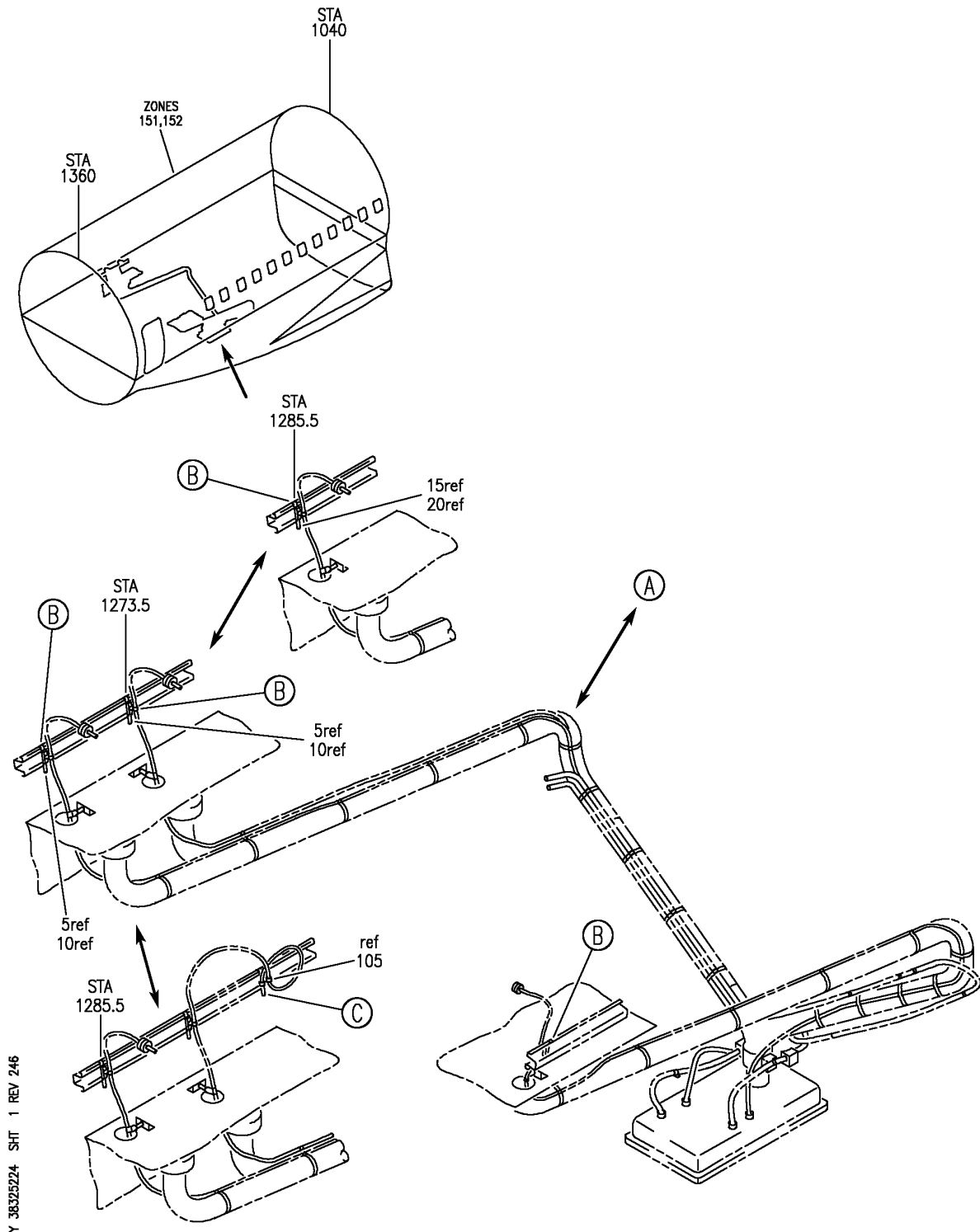
BRI

38-32-52-23

BOEING PROPRIETARY - Copyright © - Unpublished Work - See title page for details.

38-32-52
FIG. 23
PAGE 19
JAN 20/09

BOEING
757
PARTS CATALOG (MAINTENANCE)



Y 38325224 SHT 1 REV 246

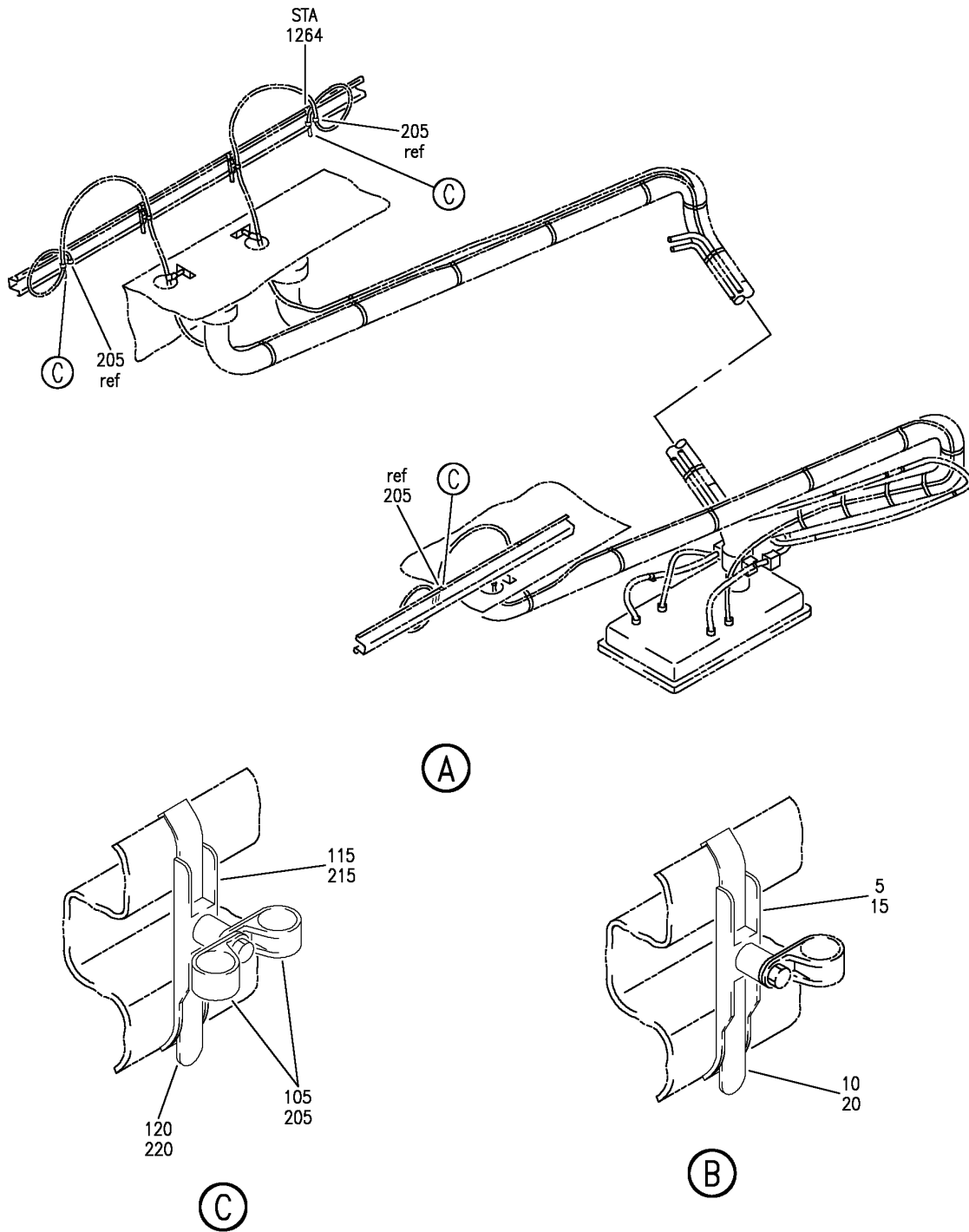
SUPPORT INSTL-LAV FLUSHLINE AND CONT CABLE MID CAB.
FIGURE 24 (SHEET 1)

38-32-52-24

BRI
JAN 20/09

38-32-52-24
PAGE 0

BOEING
757
PARTS CATALOG (MAINTENANCE)



Y 38325224 SH1 2 REV 246

SUPPORT INSTL-LAV FLUSHLINE AND CONT CABLE MID CAB.
FIGURE 24 (SHEET 2)

38-32-52-24

BRI
JAN 20/09

38-32-52-24
PAGE 0A



757

PARTS CATALOG (MAINTENANCE)

FIG ITEM	PART NUMBER	1 2 3 4 5 6 7	NOMENCLATURE	EFFECT FROM TO	UNITS PER ASSY
24			SUPPORT INSTL-LAV FLUSHLINE AND CONT CABLE MID CAB.	952999	
- 100	417N8351-12		SUPPORT INSTL-LAV FLUSHLINE AND CONT CABLE (VARIABLE) POSITION DATA: MID CAB. FOR NHA SEE: 25-20-00-01A	952999	RF
105	BACC10DK2		.CLAMP ATTACHING PARTS	952999	2
- 110	NAS1801-3-9		.SCREW	952999	1
			-----*-----		
115	S38J1		.SUPPORT SUPPLIER CODE: V59237 SPECIFICATION NUMBER: BACS38J1 OPTIONAL PART: 30187-2 V26835	952999	1
120	S38J2		.SUPPORT SUPPLIER CODE: V59237 SPECIFICATION NUMBER: BACS38J2 OPTIONAL PART: 30187-3 V26835	952999	1

MISSING ITEM NUMBERS NOT APPLICABLE

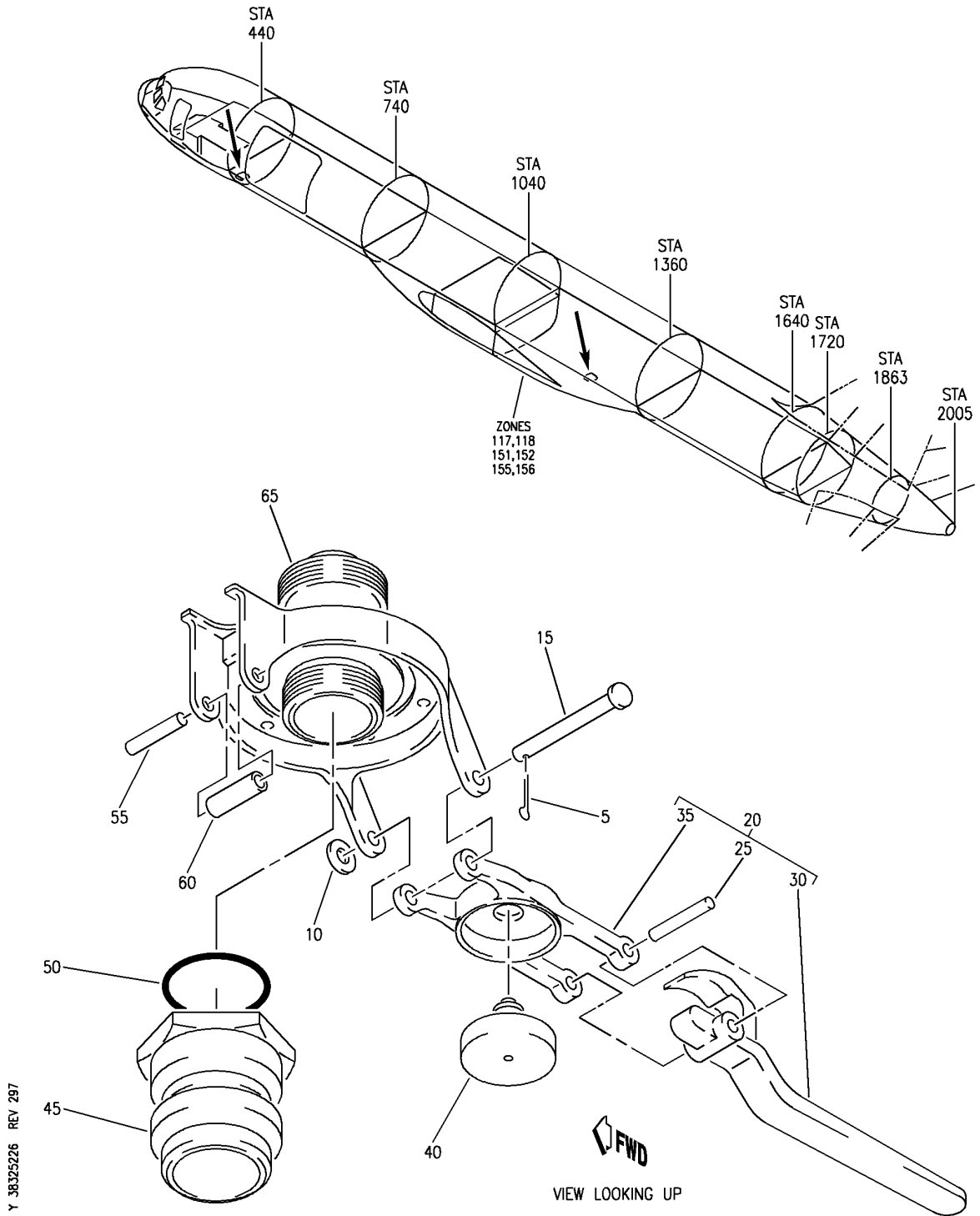
- ITEM NOT ILLUSTRATED

38-32-52-24

38-32-52
FIG. 24
PAGE 1
JAN 20/09

BRI

BOEING
757
PARTS CATALOG (MAINTENANCE)



Y 38325226 REV 297

CAP ASSY LEVER
FIGURE 26

38-32-52-26

BRI
MAY 28/07

38-32-52-26
PAGE 0



757

PARTS CATALOG (MAINTENANCE)

FIG ITEM	PART NUMBER	1 2 3 4 5 6 7	NOMENCLATURE	EFFECT FROM TO	UNITS PER ASSY
26			CAP ASSY LEVER	002004 006102 107999	
1	0016-0022-1		CAP ASSY-LEVER SUPPLIER CODE: V86831 COMPONENT MAINT MANUAL REF: 38-32-10 FOR NHA SEE: 38-32-51-07 38-32-51-09 38-32-51-09A 38-32-51-10 38-32-52-02 38-32-52-04 38-32-52-05 38-32-52-23	002004 006102 107999	RF
5	MS24665-1011		.PIN	504903 950951	1
5	MS24665-1011		.PIN	002004 006102 108120 952999	1
5	MS24665-1011		.PIN	107107 121503 904949	1
10	5710-151-30		.WASHER-FLAT 0.171 ID X 0.312 OD X 0.030 THK SUPPLIER CODE: V86298	504903 950951	1
10	5710-151-30		.WASHER-FLAT 0.171 ID X 0.312 OD X 0.030 THK SUPPLIER CODE: V86298	002004 006102 108120 952999	1
10	5710-151-30		.WASHER-FLAT 0.171 ID X 0.312 OD X 0.030 THK SUPPLIER CODE: V86298	107107 121503 904949	1
15	2135-0176-1		.PIN- SUPPLIER CODE: V86831	504903 950951	1
15	2135-0176-1		.PIN- SUPPLIER CODE: V86831	002004 006102 108120 952999	1
15	2135-0176-1		.PIN- SUPPLIER CODE: V86831	107107 121503 904949	1

MISSING ITEM NUMBERS NOT APPLICABLE

- ITEM NOT ILLUSTRATED

38-32-52-26

38-32-52
FIG. 26
PAGE 1
JAN 20/09

BRI



757

PARTS CATALOG (MAINTENANCE)

FIG ITEM	PART NUMBER	1 2 3 4 5 6 7	NOMENCLATURE	EFFECT FROM TO	UNITS PER ASSY
26					
20	4028-0023		.CAP ASSY- SUPPLIER CODE: V86831	950951	1
20	4028-0023		.CAP ASSY- SUPPLIER CODE: V86831	504903	1
20	4028-0023		.CAP ASSY- SUPPLIER CODE: V86831	002004 006102 108120 952999	1
20	4028-0023		.CAP ASSY- SUPPLIER CODE: V86831	107107 121503 904949	1
- 24	ASL610JA3-2		.CAP ASSY- SUPPLIER CODE: V8B250 POST AIRLINE MOD: 757-10-99 VALP REFERENCE AIRLINE MOD: IPC-P99-757-10-99 VALP	950951	1
25	2135-0127-1		..PIN- SUPPLIER CODE: V86831	950951	1
25	2135-0127-1		..PIN- SUPPLIER CODE: V86831	504903	1
25	2135-0127-1		..PIN- SUPPLIER CODE: V86831	002004 006102 108120 952999	1
25	2135-0127-1		..PIN- SUPPLIER CODE: V86831	107107 121503 904949	1
30	2111-0018		..LEVER- SUPPLIER CODE: V86831	950951	1
30	2111-0018		..LEVER- SUPPLIER CODE: V86831	504903	1
30	2111-0018		..LEVER- SUPPLIER CODE: V86831	002004 006102 108120 952999	1
30	2111-0018		..LEVER- SUPPLIER CODE: V86831	107107 121503 904949	1

MISSING ITEM NUMBERS NOT APPLICABLE

- ITEM NOT ILLUSTRATED

38-32-52-26

38-32-52
FIG. 26
PAGE 2
JAN 20/09

BRI



757

PARTS CATALOG (MAINTENANCE)

FIG ITEM	PART NUMBER	1 2 3 4 5 6 7	NOMENCLATURE	EFFECT FROM TO	UNITS PER ASSY
26					
35	2028-0086	..	CAP- SUPPLIER CODE: V86831	950951	1
35	2028-0086	..	CAP- SUPPLIER CODE: V86831	504903	1
35	2028-0086	..	CAP- SUPPLIER CODE: V86831	002004 006102 108120 952999	1
35	2028-0086	..	CAP- SUPPLIER CODE: V86831	107107 121503 904949 950951	1
40	2048-0031-2	..	DISC-SEAL 0.297 THK SUPPLIER CODE: V86831	950951	1
40	2048-0031-2	..	DISC-SEAL 0.297 THK SUPPLIER CODE: V86831	504903	1
40	2048-0031-2	..	DISC-SEAL 0.297 THK SUPPLIER CODE: V86831	002004 006102 108120 952999	1
40	2048-0031-2	..	DISC-SEAL 0.297 THK SUPPLIER CODE: V86831	107107 121503 904949 950951	1
45	4709-6	..	NIPPLE-1.00 ID SUPPLIER CODE: V86831	950951	1
45	4709-6	..	NIPPLE-1.00 ID SUPPLIER CODE: V86831	504903	1
45	4709-6	..	NIPPLE-1.00 ID SUPPLIER CODE: V86831	002004 006102 108120 952999	1
45	4709-6	..	NIPPLE-1.00 ID SUPPLIER CODE: V86831	107107 121503 904949 950951	1
50	MS29512-12	..	PACKING	950951	1
50	MS29512-12	..	PACKING	504903	1
50	MS29512-12	..	PACKING	002004 006102 108120 952999	1
50	MS29512-12	..	PACKING	107107 121503 904949	1

MISSING ITEM NUMBERS NOT APPLICABLE

- ITEM NOT ILLUSTRATED

38-32-52-26

38-32-52
FIG. 26
PAGE 3
JAN 20/09

BRI

BOEING PROPRIETARY - Copyright © - Unpublished Work - See title page for details.



757

PARTS CATALOG (MAINTENANCE)

FIG ITEM	PART NUMBER	1 2 3 4 5 6 7	NOMENCLATURE	EFFECT FROM TO	UNITS PER ASSY
26					
55	2135-0127-1	..	PIN- SUPPLIER CODE: V86831	950951	1
55	2135-0127-1	..	PIN- SUPPLIER CODE: V86831	504903	1
55	2135-0127-1	..	PIN- SUPPLIER CODE: V86831	002004 006102 108120 952999	1
55	2135-0127-1	..	PIN- SUPPLIER CODE: V86831	107107 121503 904949 950951	1
60	2148-0011	..	ROLLER- SUPPLIER CODE: V86831	950951	1
60	2148-0011	..	ROLLER- SUPPLIER CODE: V86831	504903	1
60	2148-0011	..	ROLLER- SUPPLIER CODE: V86831	002004 006102 108120 952999	1
60	2148-0011	..	ROLLER- SUPPLIER CODE: V86831	107107 121503 904949 950951	1
65	2063-0279-1	..	FITTING-NIPPLE SUPPLIER CODE: V86831	950951	1
65	2063-0279-1	..	FITTING-NIPPLE SUPPLIER CODE: V86831	504903	1
65	2063-0279-1	..	FITTING-NIPPLE SUPPLIER CODE: V86831	002004 006102 108120 952999	1
65	2063-0279-1	..	FITTING-NIPPLE SUPPLIER CODE: V86831	107107 121503 904949	1

MISSING ITEM NUMBERS NOT APPLICABLE

- ITEM NOT ILLUSTRATED

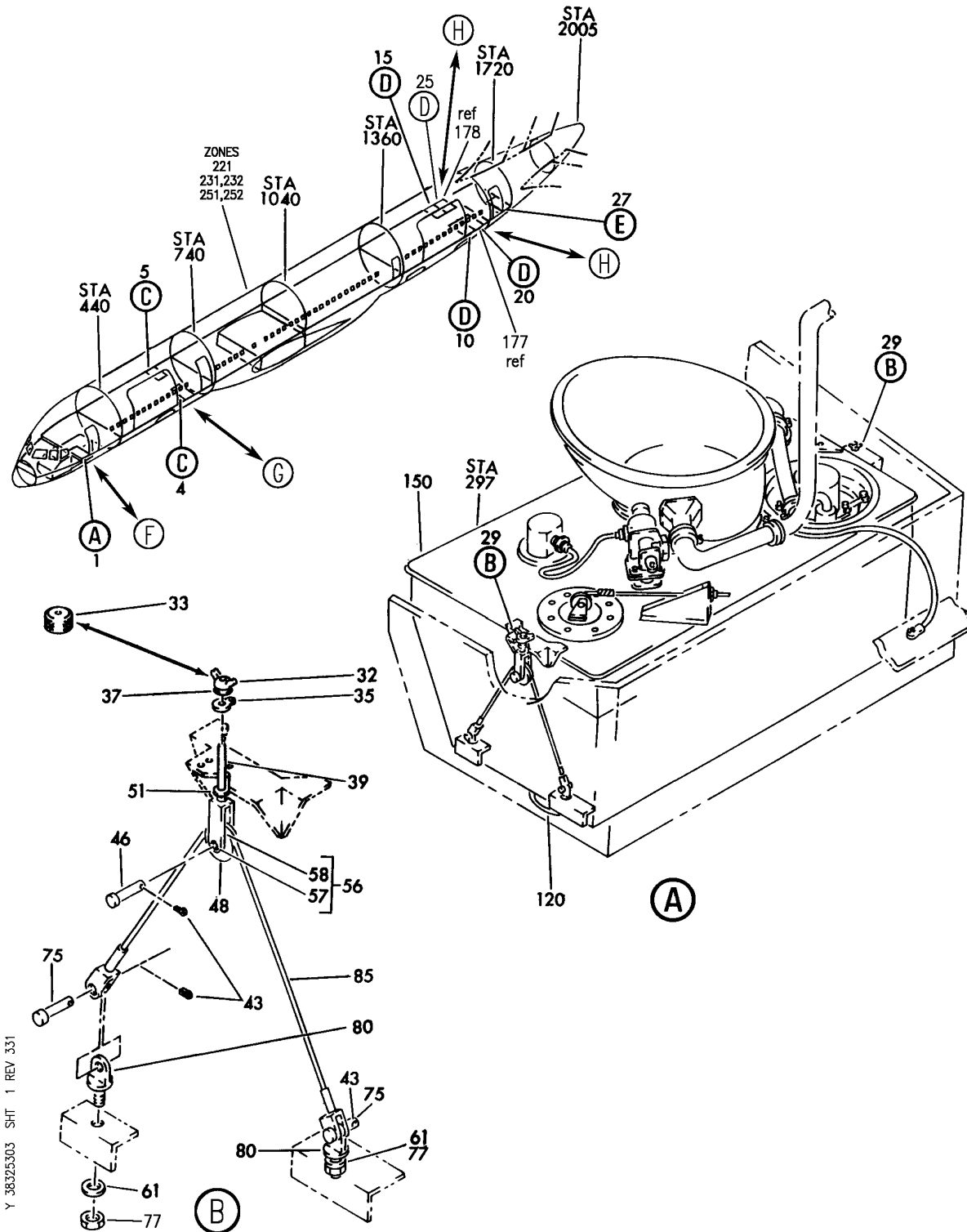
38-32-52-26

38-32-52
FIG. 26
PAGE 4
JAN 20/09

BRI

BOEING PROPRIETARY - Copyright © - Unpublished Work - See title page for details.

BOEING
757
PARTS CATALOG (MAINTENANCE)



Y 38325303 SHT 1 REV 331

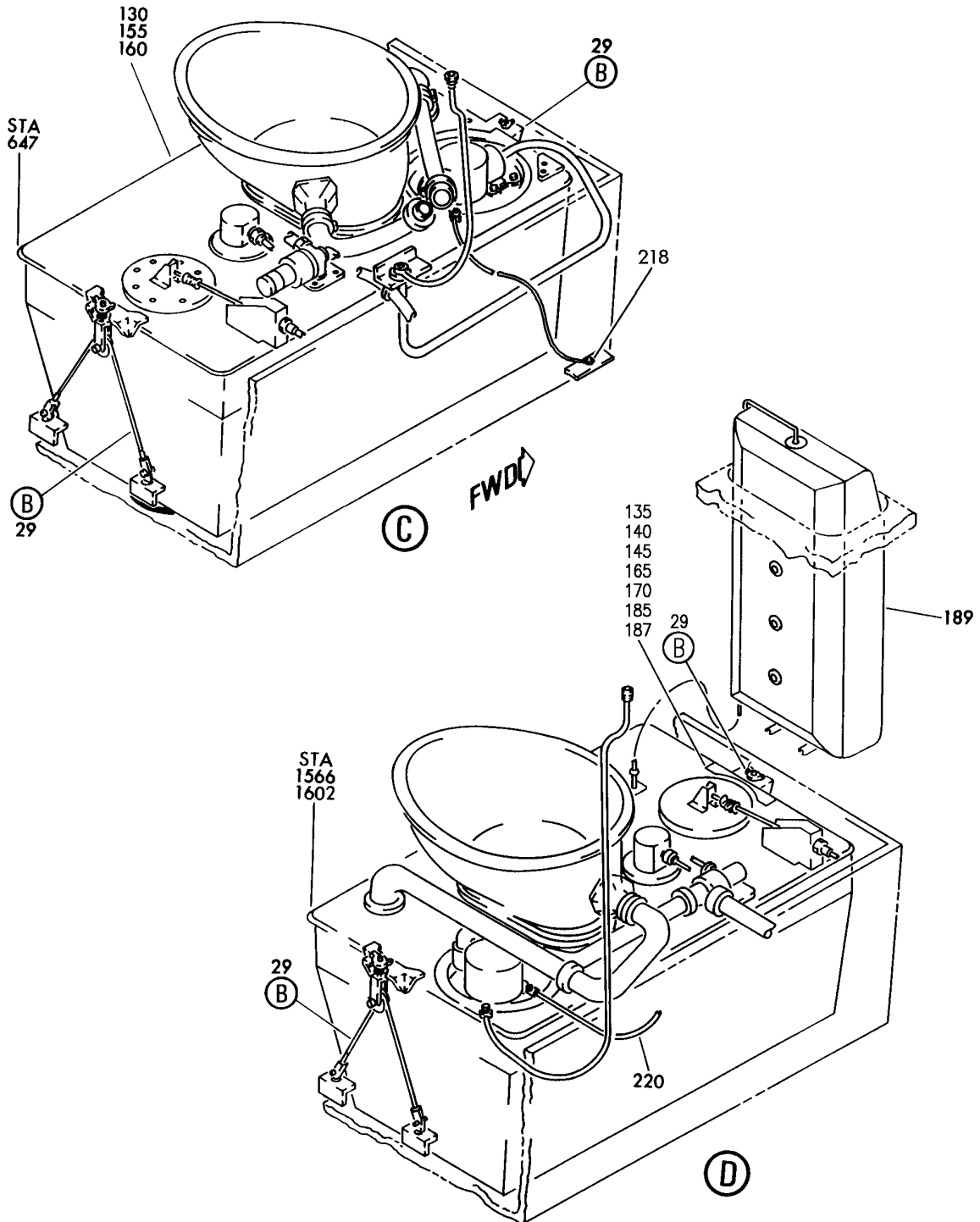
TOILET AND GROUND INSTL-LAV A, G, J, K, L, M, R, S
FIGURE 3 (SHEET 1)

38-32-53-03

BRI
JAN 20/09

38-32-53-03
PAGE 0

BOEING
757
PARTS CATALOG (MAINTENANCE)



Y 38325303 SH-T 2 REV 331

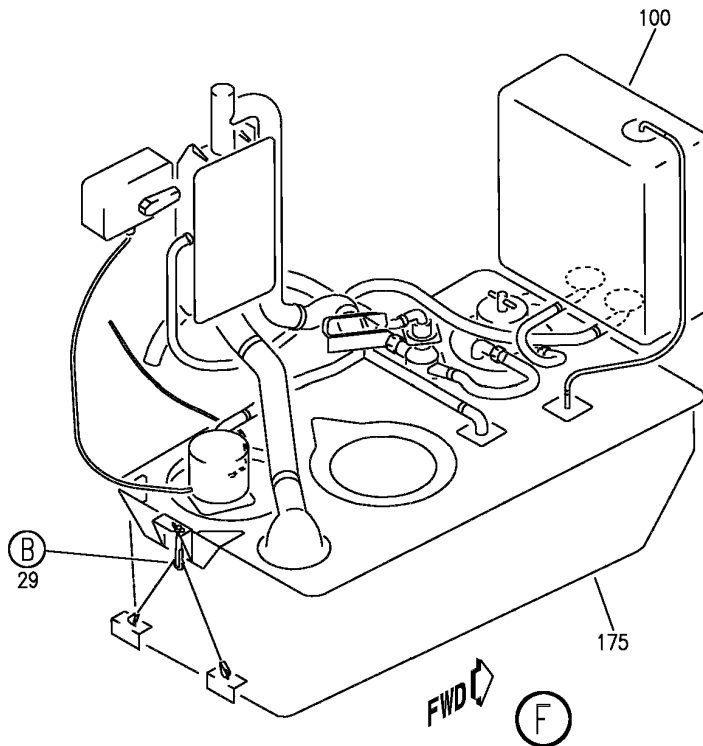
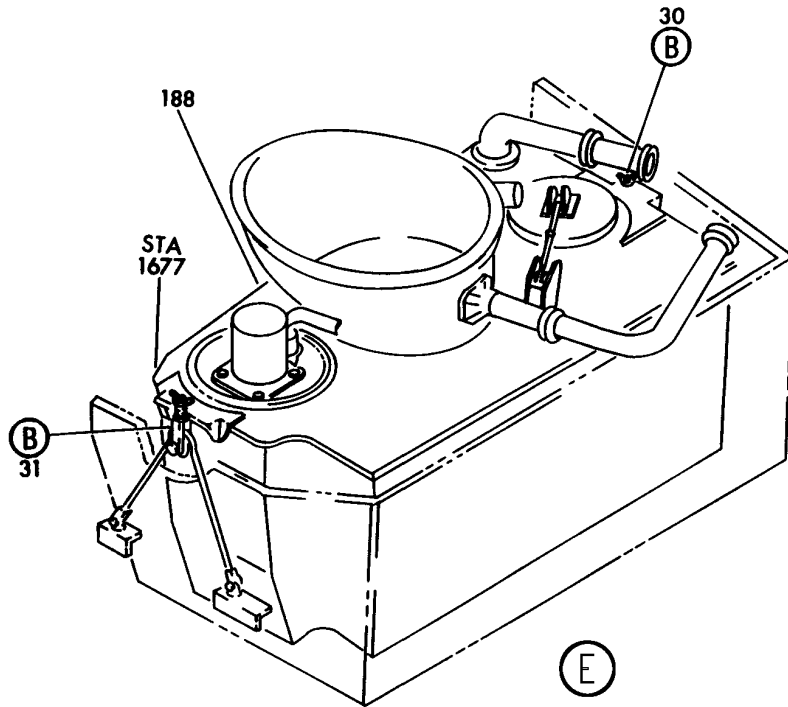
TOILET AND GROUND INSTL-LAV A, G, J, K, L, M, R, S
FIGURE 3 (SHEET 2)

BRI
JAN 20/09

38-32-53-03

38-32-53-03
PAGE 0A

BOEING
757
PARTS CATALOG (MAINTENANCE)



Y 38325303 SH1 3 REV 331

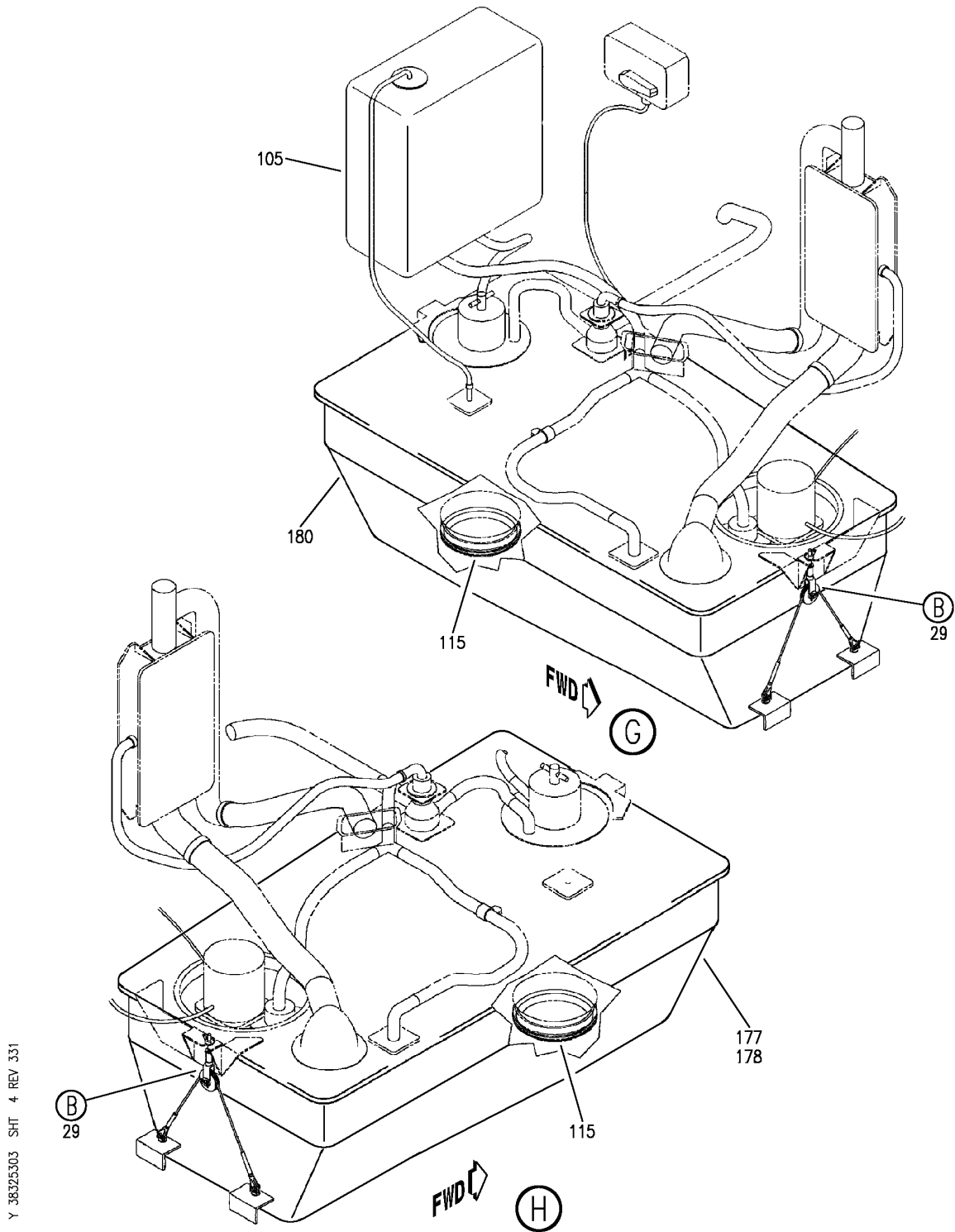
TOILET AND GROUND INSTL-LAV A, G, J, K, L, M, R, S
FIGURE 3 (SHEET 3)

38-32-53-03

BRI
JAN 20/09

38-32-53-03
PAGE 0B

BOEING
757
PARTS CATALOG (MAINTENANCE)



Y 38325303 SH-T 4 REV 331

TOILET AND GROUND INSTL-LAV A, G, J, K, L, M, R, S
FIGURE 3 (SHEET 4)

38-32-53-03

BRI
JAN 20/09

38-32-53-03
PAGE 0C



757

PARTS CATALOG (MAINTENANCE)

FIG ITEM	PART NUMBER	1 2 3 4 5 6 7	NOMENCLATURE	EFFECT FROM TO	UNITS PER ASSY
3			TOILET AND GROUND INSTL- LAV A, G, J, K, L, M, R, S	108120 950999	
- 4	417N1112-230		TOILET INSTL-LAV S FOR NHA SEE: 25-20-00-01A 38-32-53-40	950999	RF
- 4	417N1112-237		TOILET INSTL-LAV S FOR NHA SEE: 25-20-00-07D	108120	RF
29	417N1112-899		.TIEDOWN ASSY	108120 950999	2
32	MS35426-13		..NUT- OPTIONAL PART: SL2505-3 V97393	108120 950999	1
33	SL2505-3		..NUT- SUPPLIER CODE: V97393 OPTIONAL PART: MS35426-13	108120 950999	1
35	MS25081C0		..WASHER	108120 950999	1
37	AN960C10		..WASHER	108120 950999	1
39	NAS1454C3-0108		..ROD- OPTIONAL PART: NAS1454C3-0200	108120 950999	1
39	NAS1454C3-0200		..ROD- OPTIONAL PART: NAS1454C3-0108	108120 950999	1
43	MS24665-151		..PIN	108120 950999	3
46	MS20392-2C17		..PIN- OPTIONAL PART: BACP18BD2C19	108120 950999	1
46	BACP18BD2C19		..PIN- OPTIONAL PART: MS20392-2C17	108120 950999	1
48	SMS24566M1B		..PULLEY SUPPLIER CODE: V29965 SPECIFICATION NUMBER: BACP30F13A OPTIONAL PART: R35F13A V25337 BMP30F13A V22277	108120 950999	1

MISSING ITEM NUMBERS NOT APPLICABLE

- ITEM NOT ILLUSTRATED

38-32-53-03

38-32-53
FIG. 03
PAGE 1
JAN 20/09

BRI



757

PARTS CATALOG (MAINTENANCE)

FIG ITEM	PART NUMBER	1 2 3 4 5 6 7	NOMENCLATURE	EFFECT FROM TO	UNITS PER ASSY
3					
51	MS25082-3	..	NUT	108120 950999	1
56	66-15449-1	..	CLEVIS ASSY	108120 950999	1
57	BACS13P3CN4	...	INSERT	108120 950999	1
58	AN481-3P	...	CLEVIS- OPTIONAL PART: MS27976-3	108120 950999	1
58	MS27976-3	...	CLEVIS- OPTIONAL PART: AN481-3P	108120 950999	1
61	AN960C10	..	WASHER	108120 950999	2
75	MS20392-2C9	..	PIN	108120 950999	2
77	MS21042L3	..	NUT	108120 950999	2
80	AN42BC4A	..	BOLT	108120 950999	2
85	BACC2D3A00166AA	..	CABLE ASSY	108120 950999	1
120	PRP1847-346	.	GASKET- SUPPLIER CODE: V25184 SPECIFICATION NUMBER: BACG10T49 OPTIONAL PART: 2-346-47-071 V02697 SRCCZ1415-49 V95272 AN6227-49	108120 950999	1
120	AN6227-49	.	PACKING- OPTIONAL PART: BACG10T49	108120 950999	1

MISSING ITEM NUMBERS NOT APPLICABLE

- ITEM NOT ILLUSTRATED

38-32-53-03

38-32-53
FIG. 03
PAGE 2
JAN 20/09

BRI

BOEING PROPRIETARY - Copyright © - Unpublished Work - See title page for details.



757

PARTS CATALOG (MAINTENANCE)

FIG ITEM	PART NUMBER	1 2 3 4 5 6 7	NOMENCLATURE	EFFECT FROM TO	UNITS PER ASSY
3 155	16200-013		.TOILET ASSY-FLUSHING SUPPLIER CODE: V29780 POSITION DATA: MID-CAB. SPECIFICATION NUMBER: S417N102-33 SB DATA FROM A CMM: PRE 3600-38-001 PRE 16200-38-03 CONFIG CHG DATA FROM A CMM: REPLS 16200-007 REPLD BY 16200-019 COMPONENT MAINT MANUAL REF: 38-33-01 USED ON: 417N1112-225 FOR DETAILS SEE: 38-32-01-43 38-32-02-10 38-32-03-12 38-32-04-15 38-32-11-03	950999	1
- 204	417N1111-211		GROUND INSTL-TOILET TANK ELEC LAV S FOR NHA SEE: 25-20-00-01A 25-20-00-07D 38-32-53-40	108120 950999	RF
218	BACS53B1ES1		.STUD- USED ON: 417N1111-211 417N1111-221 417N1111-431 MODREF17263 MODREF17269	108120 950999	1
220	1002BB18		.JUMPER ASSY SUPPLIER CODE: V1FF12 SPECIFICATION NUMBER: BACJ40A20-18 OPTIONAL PART: TJEJ40A20-18 V33483 740A20-18 V91812 RBEJ20-18 V1GK47	950999	1

MISSING ITEM NUMBERS NOT APPLICABLE

- ITEM NOT ILLUSTRATED

38-32-53-03

38-32-53
FIG. 03
PAGE 4
JAN 20/09

BRI



757

PARTS CATALOG (MAINTENANCE)

FIG ITEM	PART NUMBER	1 2 3 4 5 6 7	NOMENCLATURE	EFFECT FROM TO	UNITS PER ASSY
3 220	1002BB18		. JUMPER ASSY- SUPPLIER CODE: V1FF12 SPECIFICATION NUMBER: BACJ40A20-18 OPTIONAL PART: TJEJ40A20-18 V33483 740A20-18 V91812 RBEJ20-18 V1GK47 USED ON: 417N1111-211 417N1111-221 417N1111-431 MODREF17263 MODREF17269	950999	1
220	1002BB18		. JUMPER ASSY- SUPPLIER CODE: V1FF12 SPECIFICATION NUMBER: BACJ40A20-18 OPTIONAL PART: TJEJ40A20-18 V33483 740A20-18 V91812 RBEJ20-18 V1GK47 USED ON: 417N1111-211 MODREF17263	108120	1
- 225	BRH10C3D		ATTACHING PARTS . NUT SUPPLIER CODE: V52828 SPECIFICATION NUMBER: BACN10JC3CD OPTIONAL PART: T6C1032JCD V11815 NS202486-02 V80539 102LH9075-3W V72962 H51650-3BAC V15653	950999	1

MISSING ITEM NUMBERS NOT APPLICABLE

- ITEM NOT ILLUSTRATED

38-32-53-03

38-32-53
FIG. 03
PAGE 5
JAN 20/09

BRI



757

PARTS CATALOG (MAINTENANCE)

FIG ITEM	PART NUMBER	1 2 3 4 5 6 7 NOMENCLATURE	EFFECT FROM TO	UNITS PER ASSY
3 - 225	BRH10C3D	.NUT- SUPPLIER CODE: V52828 SPECIFICATION NUMBER: BACN10JC3CD OPTIONAL PART: T6C1032JCD V11815 NS202486-02 V80539 102LH9075-3W V72962 H51650-3BAC V15653 USED ON: 417N1111-211 MODREF17263 -----*-----	108120	1

MISSING ITEM NUMBERS NOT APPLICABLE

- ITEM NOT ILLUSTRATED

38-32-53-03

38-32-53
FIG. 03
PAGE 6
JAN 20/09

BRI

 **BOEING**
757
PARTS CATALOG (MAINTENANCE)

NON-ILLUSTRATED FIGURE

THE ITEMS REFLECTED IN THIS FIGURE ARE INTENTIONALLY
NON-ILLUSTRATED. THEY ARE REFERENCED TO EITHER A
NEXT HIGHER OR NEXT LOWER ASSEMBLY/INSTALLATION FIGURE.

COLLECTOR INSTL-LAV
FIGURE 40

38-32-53-40

BRI
MAY 28/07

38-32-53-40
PAGE 0

 **BOEING**
757
PARTS CATALOG (MAINTENANCE)

FIG ITEM	PART NUMBER	1 2 3 4 5 6 7	NOMENCLATURE	EFFECT FROM TO	UNITS PER ASSY
40			COLLECTOR INSTL-LAV	010100 950951 953999	
- 1	417N1150-14		COLLECTOR INSTL-LAV USA FOR NHA/OTHER SYS DET SEE: 25-20-00-01A	950951	RF
- 1	417N1150-8		COLLECTOR INSTL-LAV GUI FOR NHA/OTHER SYS DET SEE: 25-20-00-01A	953999	RF
- 2	417N1150-9		COLLECTOR INSTL-LAV BRI FOR NHA/OTHER SYS DET SEE: 25-20-00-01A	010010	RF
- 2	417N1150-20		COLLECTOR INSTL-LAV BRI FOR NHA/OTHER SYS DET SEE: 25-20-00-01A	011100	RF
- 20	417N1111-101		.GROUND INSTL-TOILET TANK ELEC LAV A FOR DETAILS SEE: 38-32-01-01	010100 950951 953999	1
- 20	417N1111-211		.GROUND INSTL-TOILET TANK ELEC LAV S FOR DETAILS SEE: 38-32-53-03	950951 953999	1
- 20	417N1111-311		.GROUND INSTL-TOILET TANK ELEC LAV B FOR DETAILS SEE: 38-32-01-01	010100	1
- 20	417N1111-331		.GROUND INSTL-TOILET TANK ELEC LAV C FOR DETAILS SEE: 38-32-01-01	010100 950951 953999	1
- 20	417N1111-341		.GROUND INSTL-TOILET TANK ELEC LAV D FOR DETAILS SEE: 38-32-01-01	010100 950951 953999	1
- 25	417N1112-117		.TOILET INSTL-FLUSHING LAV A FOR DETAILS SEE: 38-32-01-01	010100 950951 953999	1
- 25	417N1112-230		.TOILET INSTL-FLUSHING LAV S FOR DETAILS SEE: 38-32-53-03	950951 953999	1
- 25	417N1112-351		.TOILET INSTL-FLUSHING LAV B FOR DETAILS SEE: 38-32-01-01	010100	1

MISSING ITEM NUMBERS NOT APPLICABLE

- ITEM NOT ILLUSTRATED

BRI

38-32-53-40

38-32-53
FIG. 40
PAGE 1
JAN 20/09



757

PARTS CATALOG (MAINTENANCE)

FIG ITEM	PART NUMBER	1 2 3 4 5 6 7	NOMENCLATURE	EFFECT FROM TO	UNITS PER ASSY
40					
- 25	417N1112-352		.TOILET INSTL-FLUSHING LAV C FOR DETAILS SEE: 38-32-01-01	010100 950951 953999	1
- 25	417N1112-353		.TOILET INSTL-FLUSHING LAV D FOR DETAILS SEE: 38-32-01-01	010100 950951 953999	1

MISSING ITEM NUMBERS NOT APPLICABLE

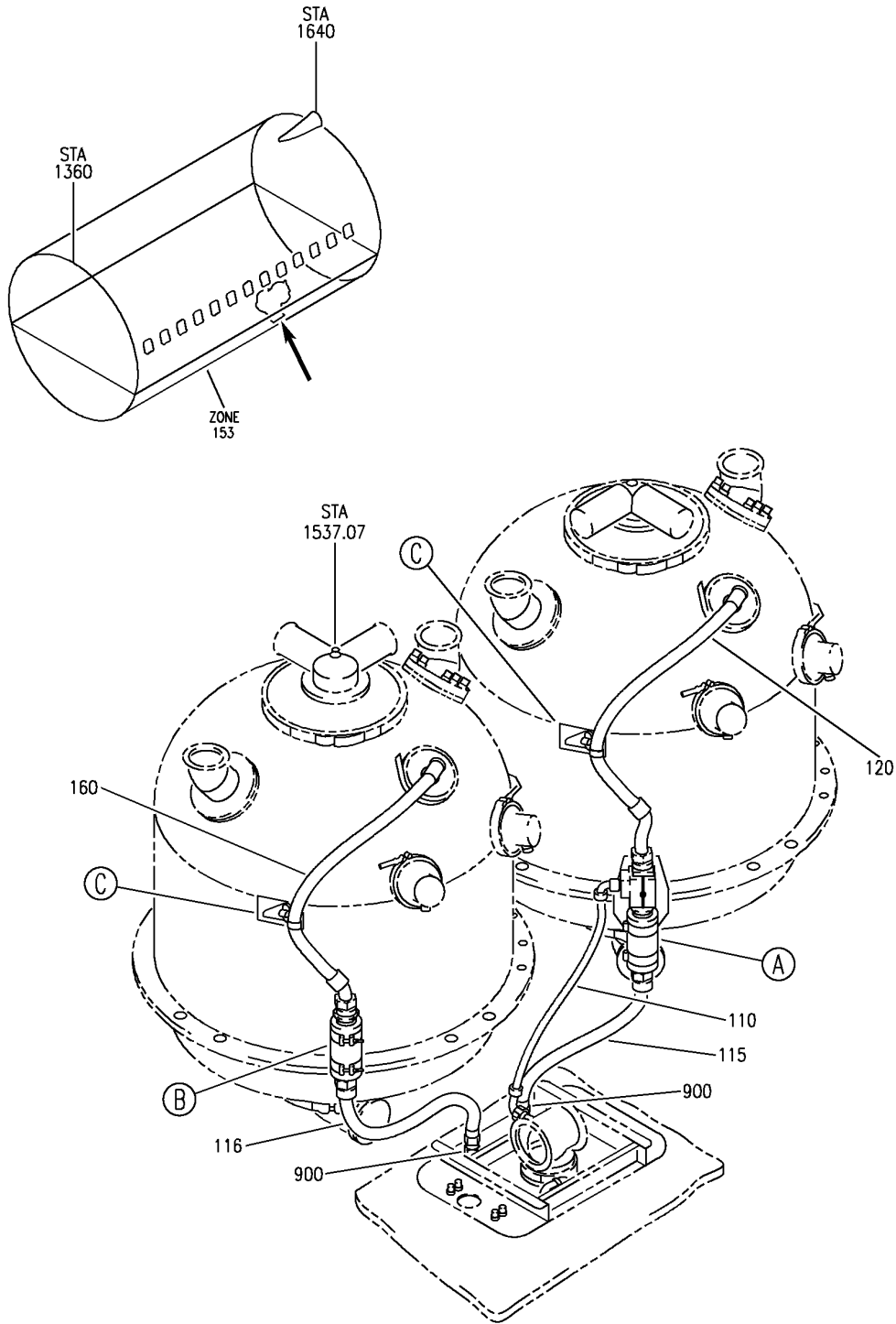
- ITEM NOT ILLUSTRATED

38-32-53-40

38-32-53
FIG. 40
PAGE 2
JAN 20/09

BRI

BOEING
757
PARTS CATALOG (MAINTENANCE)



Y 38325401 SHT 1 REV 287

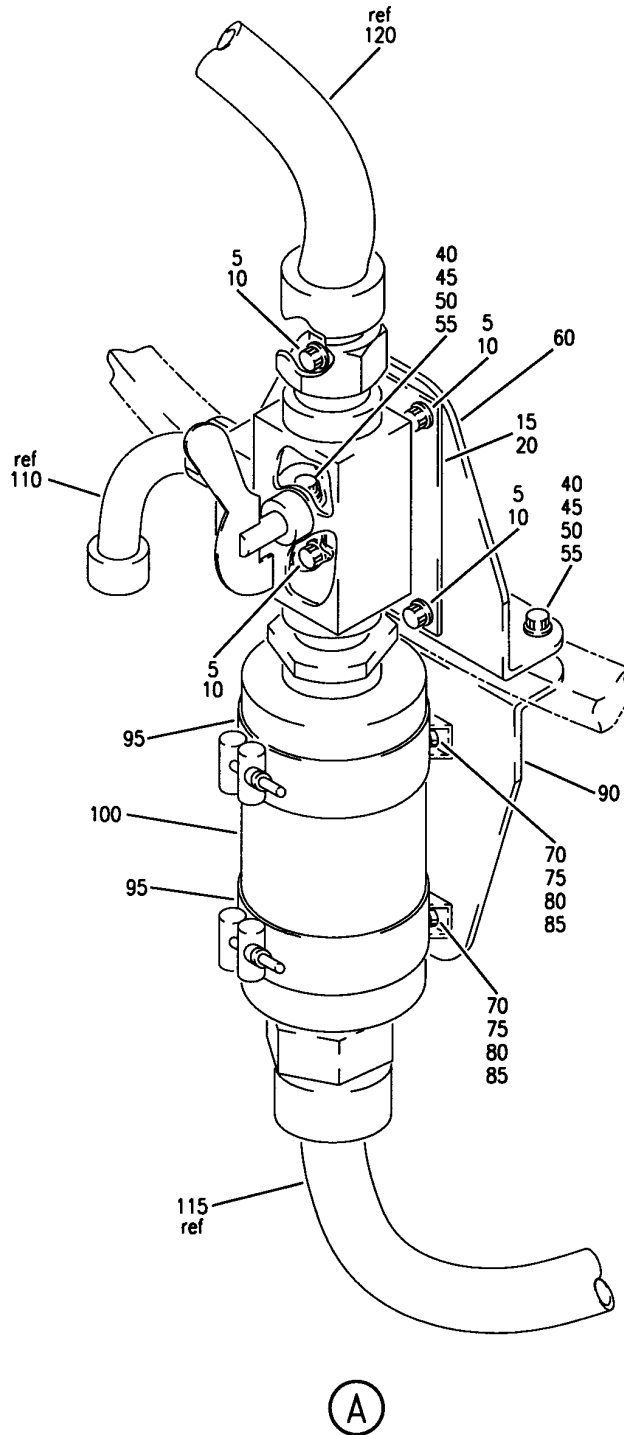
HOSE INSTL-RINSE VAC WASTE SYS
FIGURE 1 (SHEET 1)

38-32-54-01

BRI
JAN 20/09

38-32-54-01
PAGE 0

BOEING
757
PARTS CATALOG (MAINTENANCE)



Y 38325401 SH1 2 REV 205

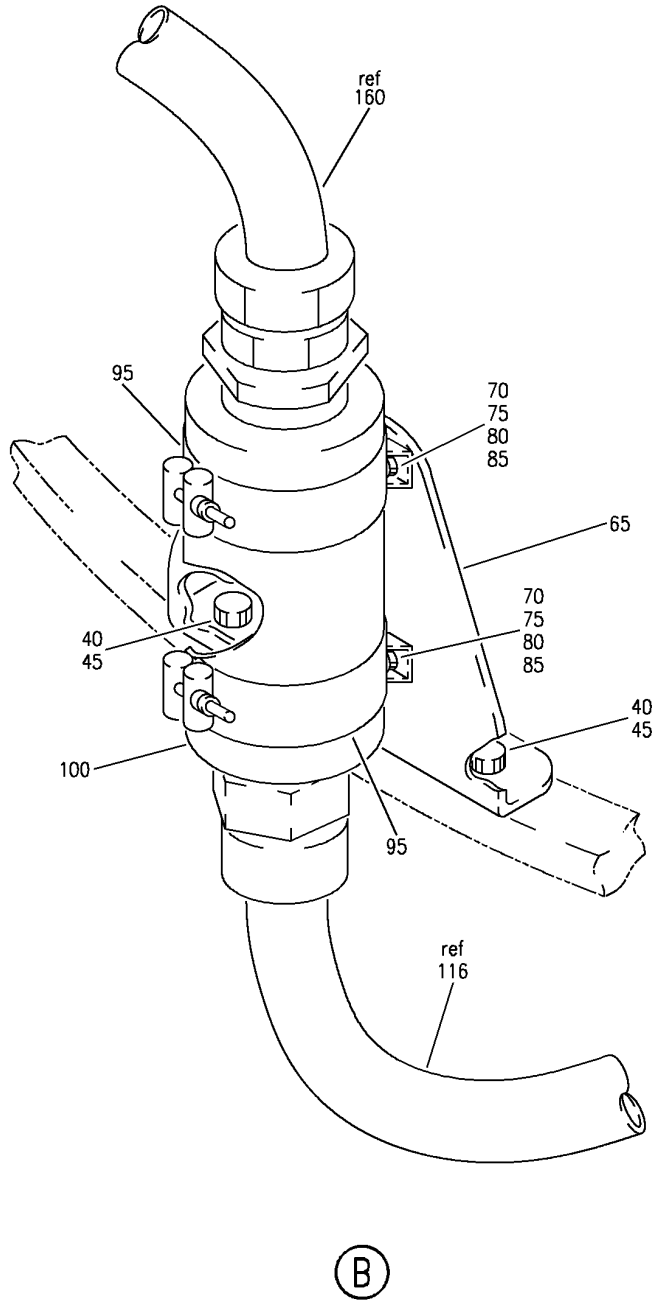
HOSE INSTL-RINSE VAC WASTE SYS
FIGURE 1 (SHEET 2)

38-32-54-01

BRI
JAN 20/09

38-32-54-01
PAGE 0A

BOEING
757
PARTS CATALOG (MAINTENANCE)



Y 38325401 SH1 3 REV 287

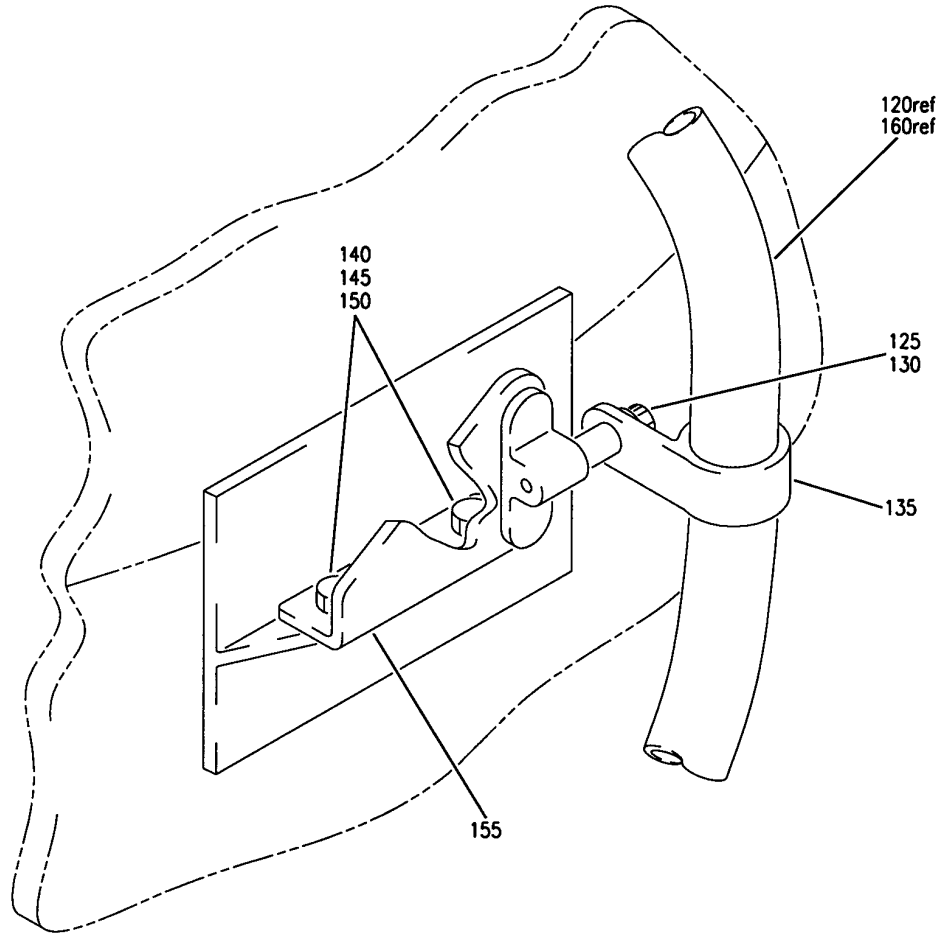
HOSE INSTL-RINSE VAC WASTE SYS
FIGURE 1 (SHEET 3)

38-32-54-01

BRI
JAN 20/09

38-32-54-01
PAGE 0B

BOEING
757
PARTS CATALOG (MAINTENANCE)



(C)

Y 38325401 SH1 4 REV 205

HOSE INSTL-RINSE VAC WASTE SYS
FIGURE 1 (SHEET 4)

38-32-54-01

BRI
JAN 20/09

38-32-54-01
PAGE 0C



757

PARTS CATALOG (MAINTENANCE)

FIG ITEM	PART NUMBER	1 2 3 4 5 6 7	NOMENCLATURE	EFFECT FROM TO	UNITS PER ASSY
1			HOSE INSTL-RINSE VAC WASTE SYS	103106	
- 1	MODREF18993		HOSE INSTL-RINSE VAC WASTE SYS MODULE NUMBER: 417N8640-1 REV A	103106	1
5	BACB30NM3K4		.BOLT	103106	4
10	BACW10BP3CD		.WASHER	103106	4
15	MS28778-12		.PACKING	103106	1
20	12D1012		.VALVE- SUPPLIER CODE: V82829 SPECIFICATION NUMBER: 10-60784-33 COMPONENT MAINT MANUAL REF: 38-31-03	103106	1
40	BACB30NM3K13		.BOLT	103106	4
45	BACW10BN3AC		.WASHER	103106	4
50	NAS1149D0332J		.WASHER	103106	2
55	PLH53CD		.NUT SUPPLIER CODE: VF0224 SPECIFICATION NUMBER: BACN10YR3CD OPTIONAL PART: H52732-3CD V15653	103106	2
60	417N8641-1		.BACKET	103106	1
65	472W1213-1		.BRACKET ASSY	103106	1
70	BACB30NM3K4		.BOLT	103106	4
75	NAS1149D0332J		.WASHER	103106	4
80	PLH53CD		.NUT SUPPLIER CODE: VF0224 SPECIFICATION NUMBER: BACN10YR3CD OPTIONAL PART: H52732-3CD V15653	103106	4
85	BACB19F12S		.CLIP	103106	4
90	417N8641-3		.BRACKET ASSY	103106	1

MISSING ITEM NUMBERS NOT APPLICABLE

- ITEM NOT ILLUSTRATED

38-32-54-01

38-32-54
FIG. 01
PAGE 1
MAY 20/09

BRI



757

PARTS CATALOG (MAINTENANCE)

FIG ITEM	PART NUMBER	1 2 3 4 5 6 7	NOMENCLATURE	EFFECT FROM TO	UNITS PER ASSY
1	95 3140AB024E		.CLAMP SUPPLIER CODE: V94581 SPECIFICATION NUMBER: BACC10FY024SE OPTIONAL PART: BC1083-024SE V14242 NE103338-024 V8W928	103106	4
	100 1743705		.FILTER- SUPPLIER CODE: V90005	103106	2
-	102 1743715		..CONNECTOR-INLET SUPPLIER CODE: V90005	103106	1
-	102A 033527		..PACKING-NIT0-924 SUPPLIER CODE: V90005	103106	1
-	102B 1744346		..SPRING- SUPPLIER CODE: V90005	103106	1
-	103 1743716-00PMA		..ELEMENT-USE HOUSING P/N 1743714-01 SUPPLIER CODE: V90005	103106	1
-	103 1743716-00-OEM		..ELEMENT-USE HOUSING P/N 1743714 SUPPLIER CODE: V90005	103106	1
-	104 1743714-01		..HOUSING-USE ELEMENT P/N 1743716-00PMA SUPPLIER CODE: V90005	103106	1
-	104 1743714		..HOUSING-USE ELEMENT P/N 1743716-00-OEM SUPPLIER CODE: V90005	103106	1
R	110 AS4474H0240-312		.HOSE ASSY	103106	1
	115 AS4469-12-0180		.HOSE ASSY	103106	1
	116 AS4469-12-0330		.HOSE ASSY	103106	1
	120 AS4471-12-0310		.HOSE ASSY	103106	1
	125 BACB30NM3K5		.BOLT	103106	2
	130 BACW10BN3AC		.WASHER	103106	2
	135 BACC10DK16		.CLAMP	103106	2
	140 BACB30NM3K2		.BOLT	103106	4
	145 NAS1149D0332J		.WASHER	103106	4

MISSING ITEM NUMBERS NOT APPLICABLE

- ITEM NOT ILLUSTRATED

38-32-54-01

38-32-54
FIG. 01
PAGE 2
MAY 20/09

BRI



757

PARTS CATALOG (MAINTENANCE)

FIG ITEM	PART NUMBER	1 2 3 4 5 6 7	NOMENCLATURE	EFFECT FROM TO	UNITS PER ASSY
1 150	PLH53CD		.NUT SUPPLIER CODE: VF0224 SPECIFICATION NUMBER: BACN10YR3CD OPTIONAL PART: H52732-3CD V15653	103106	4
155	472W1213-3		.BRACKET ASSY	103106	2
160	AS4473K0280-075		.HOSE ASSY	103106	1
900			ILLUSTRATION REFERENCE: HOSE AND MARKER INSTL RINSE LINE HEATER VAC WASTE SYS 30-71-51-01	103106	RF

MISSING ITEM NUMBERS NOT APPLICABLE

- ITEM NOT ILLUSTRATED

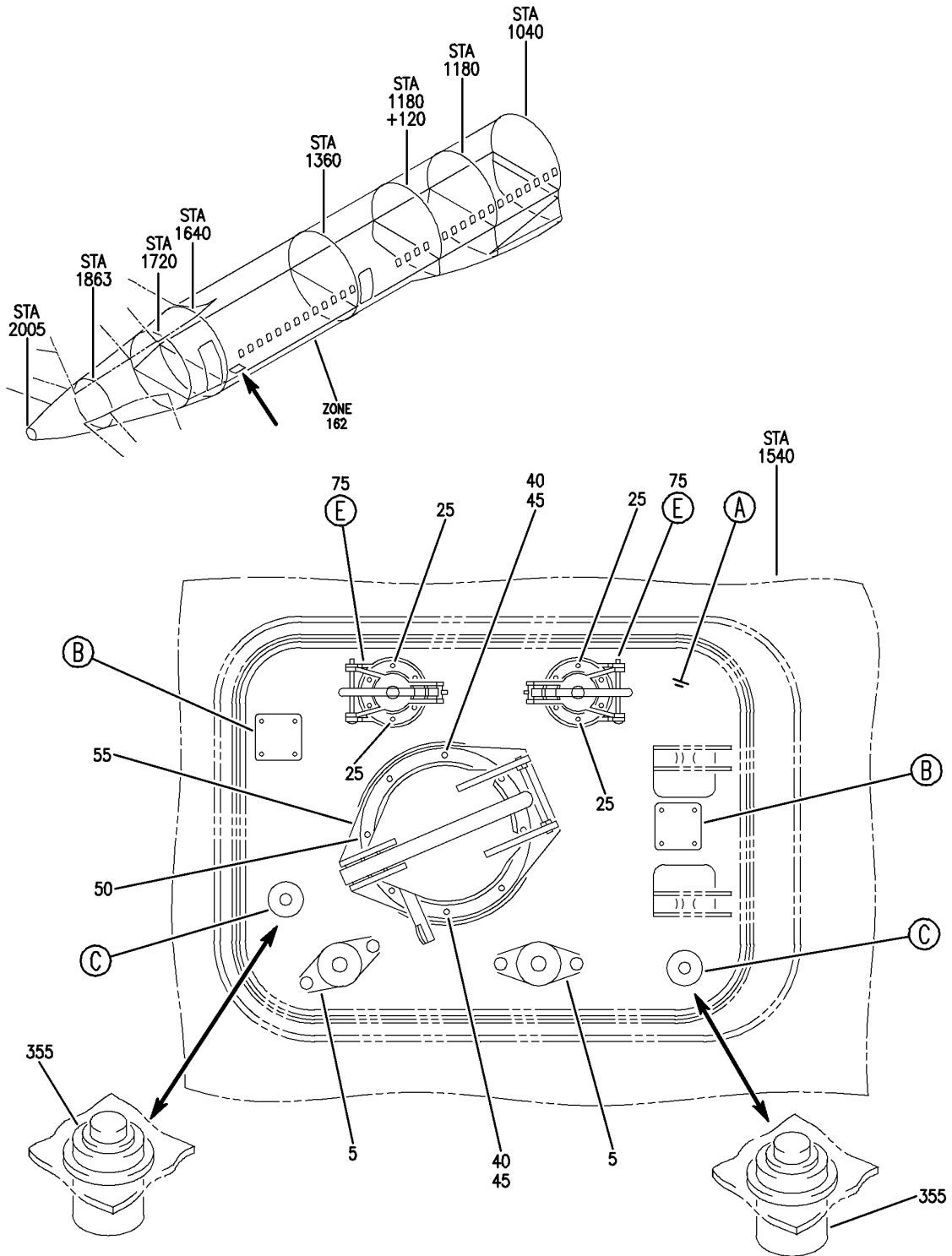
BRI

38-32-54-01

BOEING PROPRIETARY - Copyright © - Unpublished Work - See title page for details.

38-32-54
FIG. 01
PAGE 3
JAN 20/09

BOEING
757
PARTS CATALOG (MAINTENANCE)



Y 38325402 SHT 1 REV 243

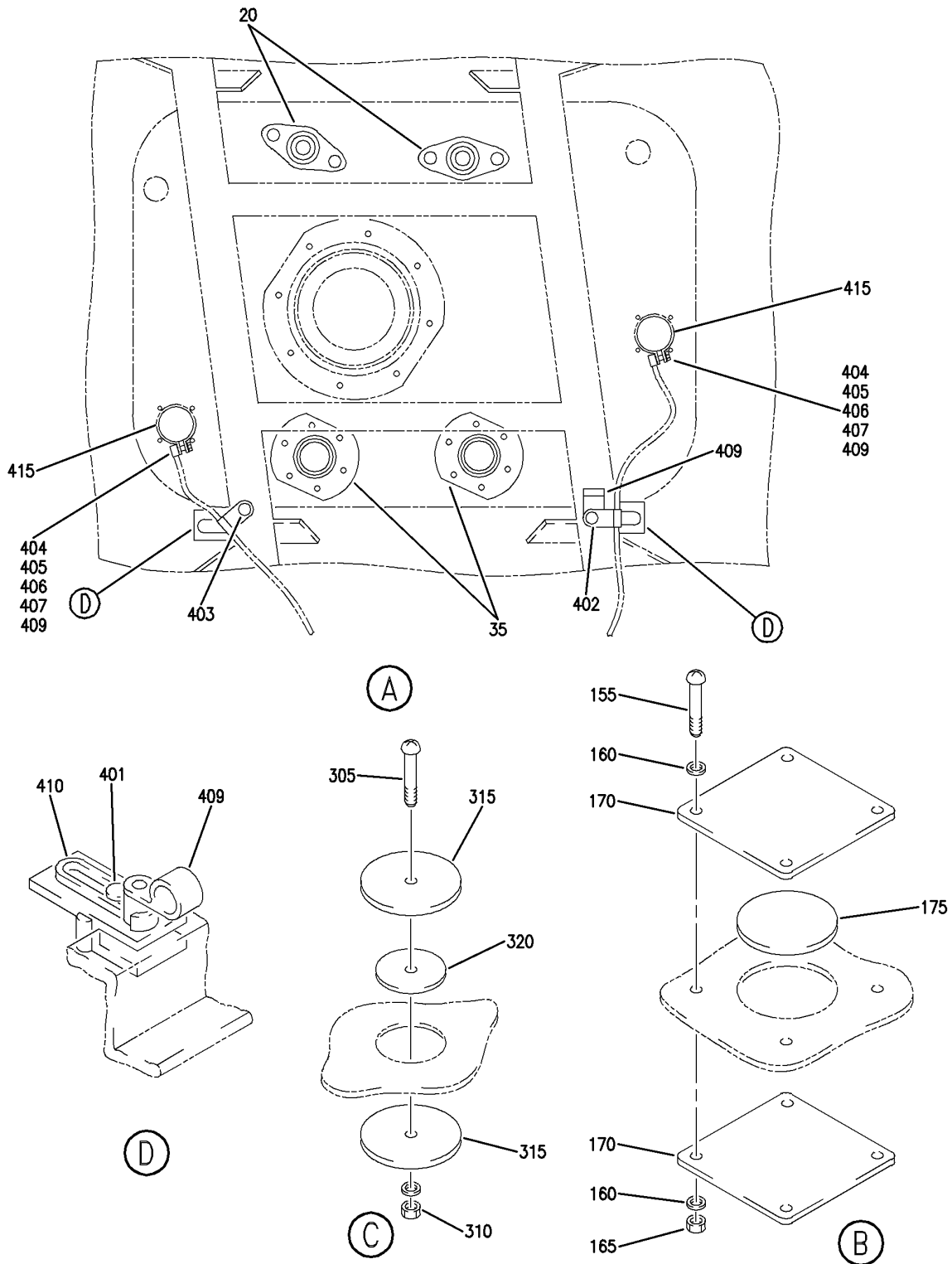
COMPONENTS INSTL-VAC WASTE SYS SVCE PNL
FIGURE 2 (SHEET 1)

38-32-54-02

BRI
JAN 20/09

38-32-54-02
PAGE 0

BOEING
757
PARTS CATALOG (MAINTENANCE)



Y 38325402 SH1 2 REV 243

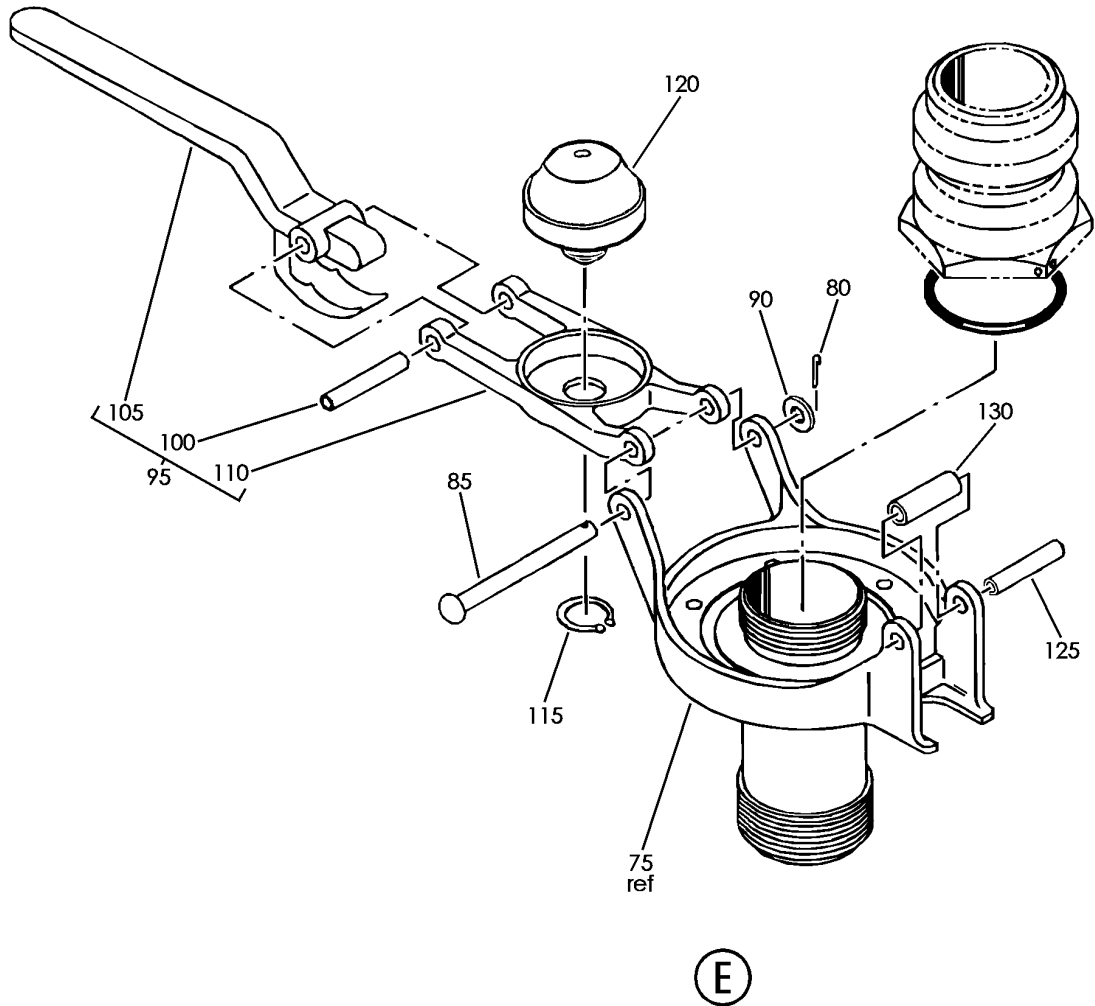
COMPONENTS INSTL-VAC WASTE SYS SVCE PNL
FIGURE 2 (SHEET 2)

38-32-54-02

BRI
JAN 20/09

38-32-54-02
PAGE 0A

BOEING
757
PARTS CATALOG (MAINTENANCE)



Y 38325402 SH1 3 REV 243

COMPONENTS INSTL-VAC WASTE SYS SVCE PNL
FIGURE 2 (SHEET 3)

38-32-54-02

BRI
JAN 20/09

38-32-54-02
PAGE 08



757

PARTS CATALOG (MAINTENANCE)

FIG ITEM	PART NUMBER	1 2 3 4 5 6 7	NOMENCLATURE	EFFECT FROM TO	UNITS PER ASSY
2			COMPONENTS INSTL-VAC WASTE SYS SVCE PNL	103106	
- 1	MODREF18994		COMPONENT INSTL-VAC WASTE SYS DRAIN MODULE NUMBER: 417N8650-1 REV A	103106	1
5	4012-0026		.UNIBALL ASSY- SUPPLIER CODE: V86831	103106	2
- 10	NAS8203A15		ATTACHING PARTS .SCREW	103106	4
- 15	NAS1149D0332J		.WASHER -----*-----	103106	4
20	417A8651-1		.PLATE ASSY	103106	2
25	BACB30NT06K4		.BOLT	103106	12
35	417A8651-2		.PLATE ASSY	103106	2
40	BACB30NT3K8		.BOLT	103106	8
45	BACW10BP3ACU		.WASHER	103106	8
50	331-0006-01		.VALVE- SUPPLIER CODE: V99321 FUNCTIONAL DESCRIPTION: ALLOWS WASTE TANK CONTENTS TO FLOW TO DISPOSAL TRUCK WHEN DRAIN TUBING IS ATTACHED AT SERVICE PANEL COMPONENT MAINT MANUAL REF: 38-30-08 FOR DETAILS SEE: 38-32-38-51	103106	1
55	417N8309-10		.GASKET	103106	1
75	0016-0039-1		.CAP ASSY-LEVER 1 IN. RINSE FITTING SUPPLIER CODE: V86831 FUNCTIONAL DESCRIPTION: ALLOWS SERVICE HOOK-UP TO RINSE WASTE TANKS AND ALSO ALLOWS INJECTION OF DEGERM AGENT BEFORE OPERATION COMPONENT MAINT MANUAL REF: 38-32-11	103106	2
80	MS24665-1011		..PIN-COTTER MISCELLANEOUS DATA: ITEMS IN OVERHAUL KIT P/N 0182-0069-1	103106	1

MISSING ITEM NUMBERS NOT APPLICABLE

- ITEM NOT ILLUSTRATED

38-32-54-02

38-32-54
FIG. 02
PAGE 1
JAN 20/09

BRI



757

PARTS CATALOG (MAINTENANCE)

FIG ITEM	PART NUMBER	1 2 3 4 5 6 7	NOMENCLATURE	EFFECT FROM TO	UNITS PER ASSY
2					
85	2135-0176-1	..	PIN- SUPPLIER CODE: V86831	103106	1
90	5710-151-30	..	WASHER-FLAT 0.171 ID X 0.3120D X 0.030 THK SUPPLIER CODE: V86298	103106	1
95	4028-0023	..	CAP ASSY- SUPPLIER CODE: V86831 MISCELLANEOUS DATA: ITEMS IN OVERHAUL KIT P/N 0182-0069-1	103106	1
100	2135-0127-1	...	PIN-SWAGED SUPPLIER CODE: V86831	103106	1
105	2111-0018	...	LEVER- SUPPLIER CODE: V86831	103106	1
110	2028-0086	...	CAP- SUPPLIER CODE: V86831	103106	1
115	5555-37	..	RING-RETAINING SUPPLIER CODE: V79136 MISCELLANEOUS DATA: ITEMS IN OVERHAUL KIT P/N 0182-0069-1 ITEMS IN PLUG KIT P/N 0183-0057-1	103106	1
120	2138-0123-1	..	PLUG- SUPPLIER CODE: V86831 MISCELLANEOUS DATA: ITEMS IN OVERHAUL KIT P/N 0182-0069-1 ITEMS IN PLUG KIT P/N 0183-0057-1	103106	1
125	2135-0127-1	..	PIN-SWAGED SUPPLIER CODE: V86831	103106	1
130	2148-0011	..	ROLLER- SUPPLIER CODE: V86831	103106	1
- 350	MODREF18997		LIGHT INSTL-VAC WASTE SYS SENSOR MODULE NUMBER: 417N8650-4 REV A	103106	1

MISSING ITEM NUMBERS NOT APPLICABLE

- ITEM NOT ILLUSTRATED

38-32-54-02

38-32-54
FIG. 02
PAGE 2
JAN 20/09

BRI



757

PARTS CATALOG (MAINTENANCE)

FIG ITEM	PART NUMBER	1 2 3 4 5 6 7	NOMENCLATURE	EFFECT FROM TO	UNITS PER ASSY
2 355	21393-001		.LIGHT- SUPPLIER CODE: V81590 ATTACHING PARTS	103106	2
- 360	BACW10BP10APU		.WASHER -----*-----	103106	2
- 390	MODREF18998		GAUGE INSTL-VAC WASTE SYS MODULE NUMBER: 417N8650-5 REV A	103106	1
401	NAS603-14P		.SCREW	103106	2
402	NAS1801-3-10		.SCREW	103106	1
403	NAS1801-3-8		.SCREW	103106	1
404	BACS12GU3K10		.SCREW	103106	2
405	NAS1149D0332J		.WASHER	103106	6
406	PLH53CD		.NUT SUPPLIER CODE: VF0224 SPECIFICATION NUMBER: BACN10YR3CD OPTIONAL PART: H52732-3CD V15653	103106	2
407	AN735D24		.CLAMP	103106	2
409	BACC10DK4		.CLAMP	103106	5
410	287W4149-2		.CLIP	103106	2
415	163CV67		.GAUGE- SUPPLIER CODE: V35918 SPECIFICATION NUMBER: S417N207-13 ATTACHING PARTS	103106	2
- 420	NAS1149CN632R		.WASHER	103106	8
- 425	PLH506CD		.NUT SUPPLIER CODE: VF0224 SPECIFICATION NUMBER: BACN10YR06CD OPTIONAL PART: H52732-06CD V15653 -----*-----	103106	8

MISSING ITEM NUMBERS NOT APPLICABLE

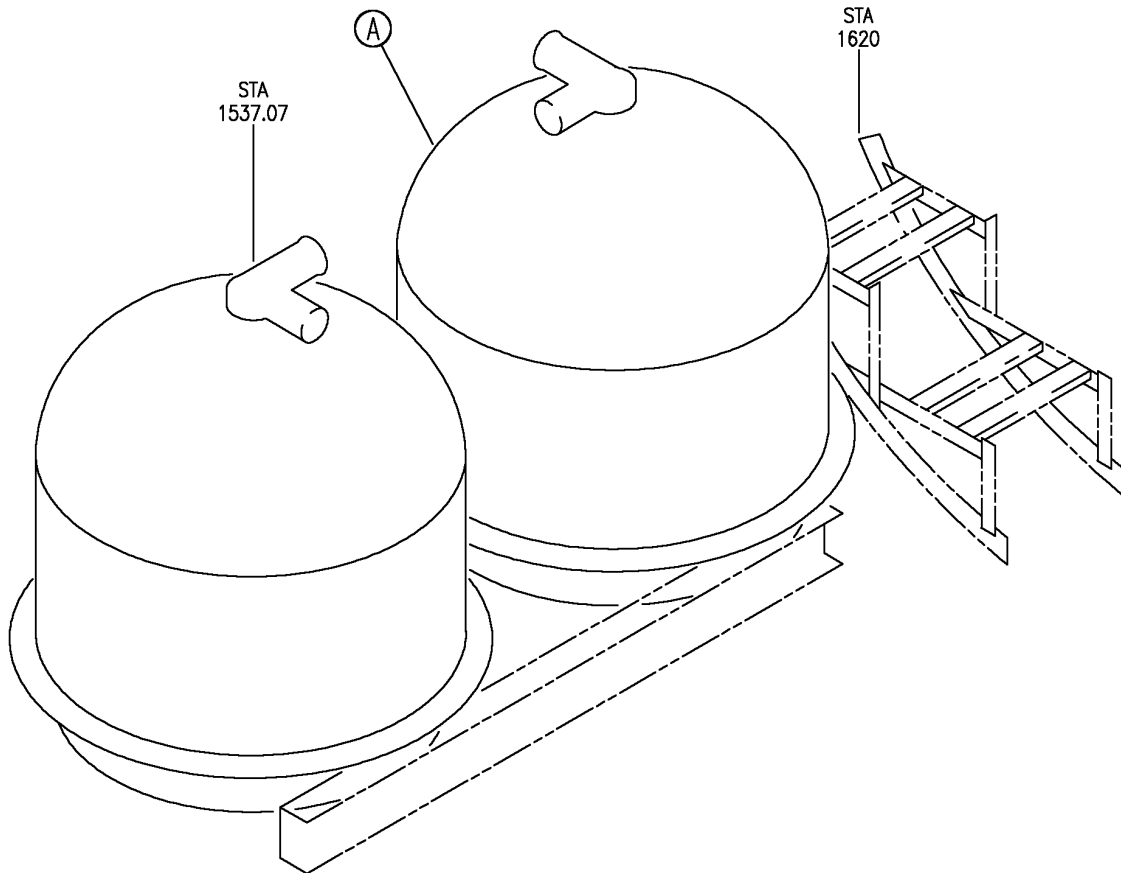
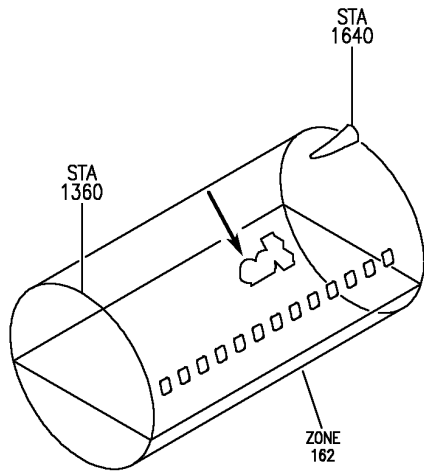
- ITEM NOT ILLUSTRATED

38-32-54-02

38-32-54
FIG. 02
PAGE 3
JAN 20/09

BRI

BOEING
757
PARTS CATALOG (MAINTENANCE)



Y 38325411 SH1 1 REV 274

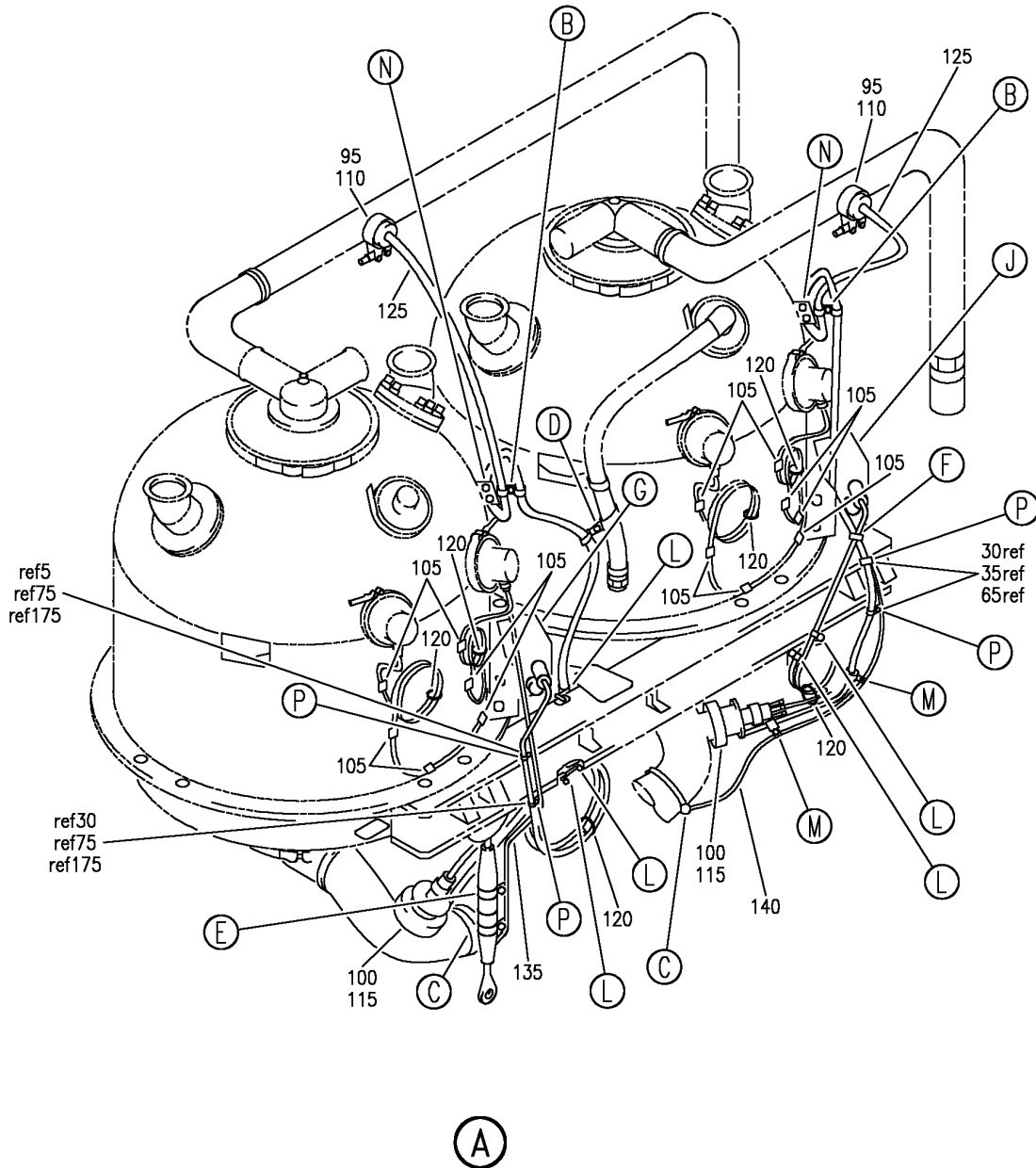
SENSOR INSTL-LEVEL VACUUM WASTE SYSTEM
FIGURE 11 (SHEET 1)

38-32-54-11

BRI
JAN 20/09

38-32-54-11
PAGE 0

BOEING
757
PARTS CATALOG (MAINTENANCE)



Y 38325411 SH1 2 REV 274

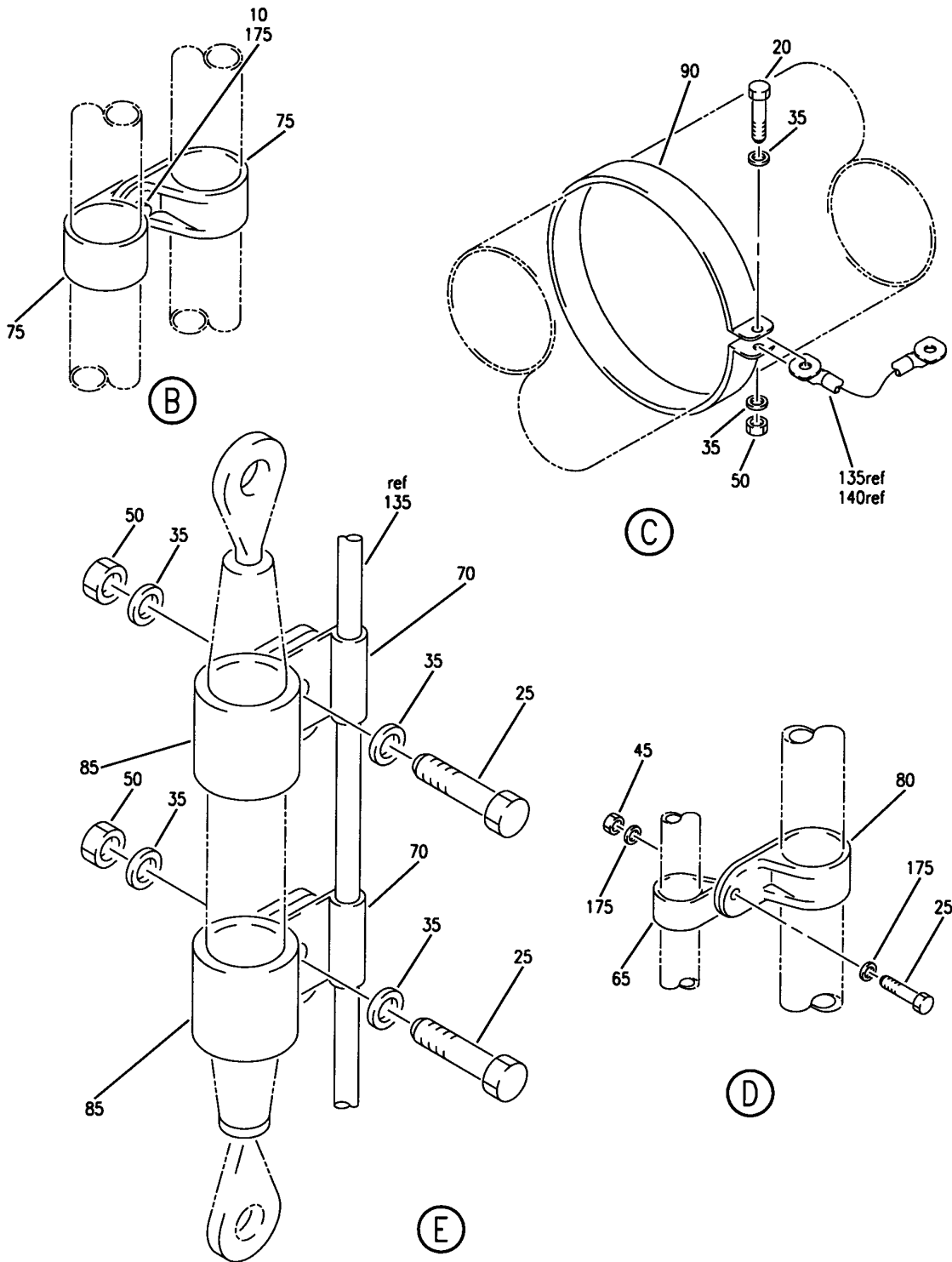
SENSOR INSTL-LEVEL VACUUM WASTE SYSTEM
FIGURE 11 (SHEET 2)

38-32-54-11

BRI
JAN 20/09

38-32-54-11
PAGE 0A

BOEING
757
PARTS CATALOG (MAINTENANCE)



Y 38325411 SHT 3 REV 207

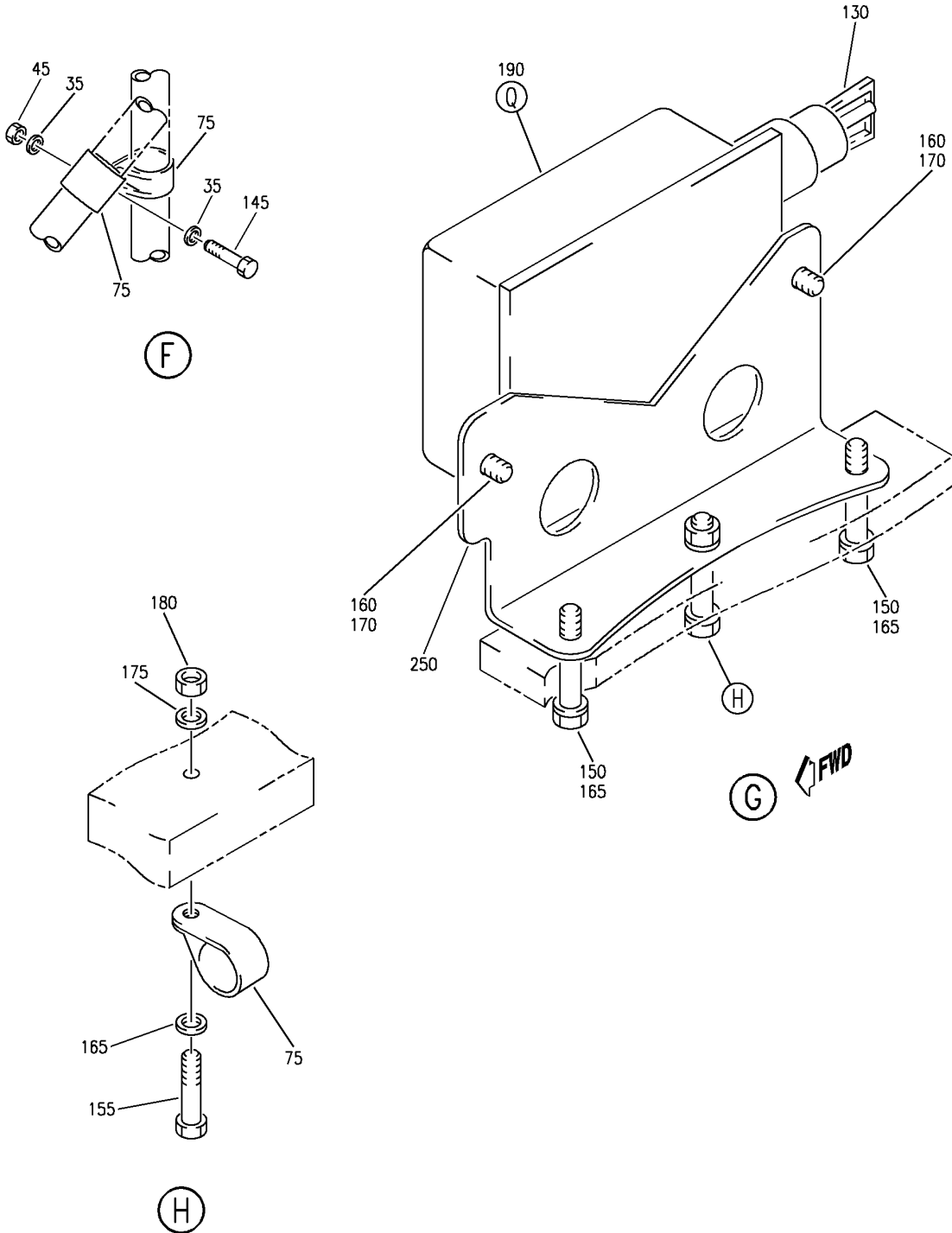
SENSOR INSTL-LEVEL VACUUM WASTE SYSTEM
FIGURE 11 (SHEET 3)

38-32-54-11

BRI
JAN 20/09

38-32-54-11
PAGE 0B

BOEING
757
PARTS CATALOG (MAINTENANCE)



Y 38325411 SHT 4 REV 281

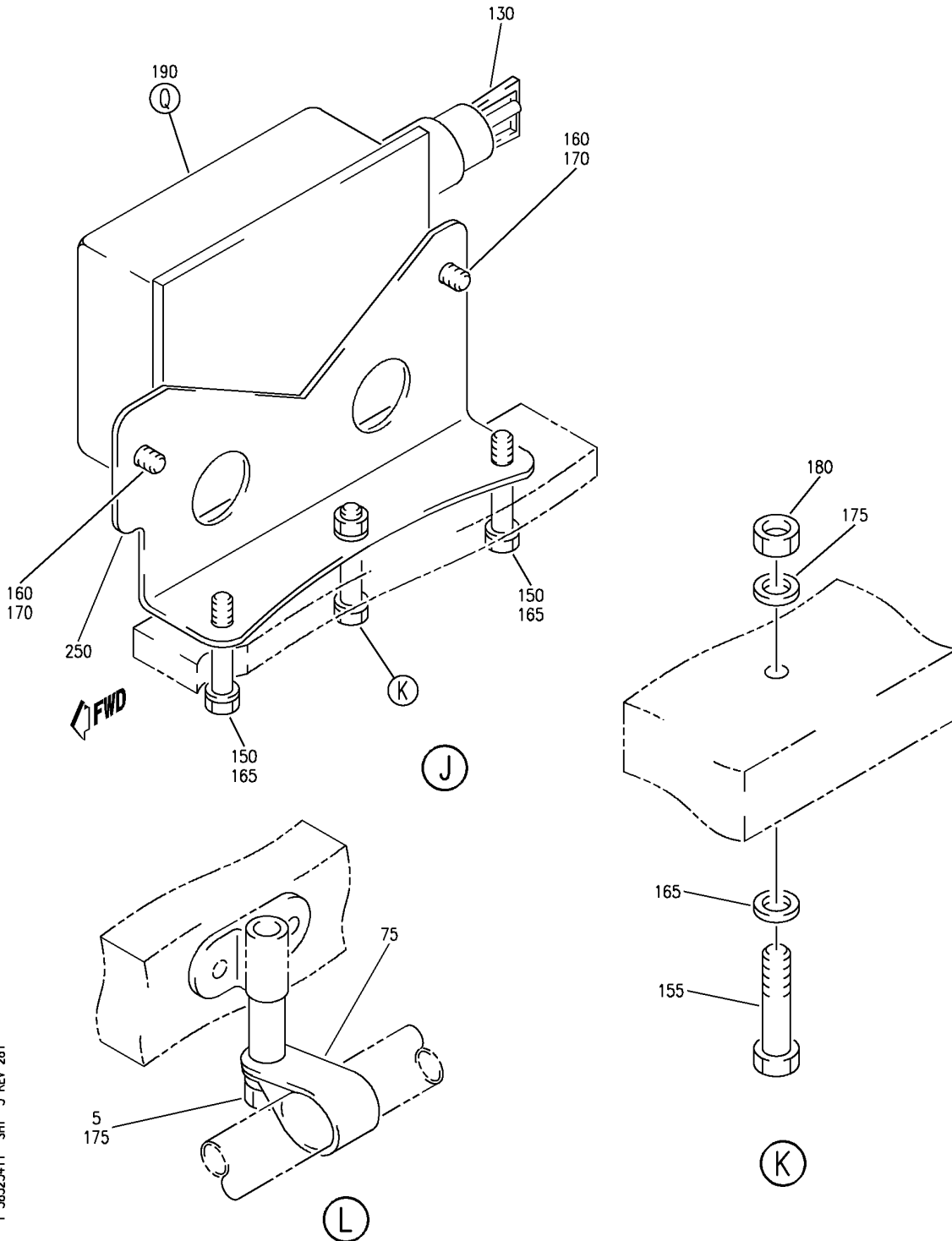
SENSOR INSTL-LEVEL VACUUM WASTE SYSTEM
FIGURE 11 (SHEET 4)

38-32-54-11

BRI
JAN 20/09

38-32-54-11
PAGE 0C

BOEING
757
PARTS CATALOG (MAINTENANCE)



Y 38325411 SH 5 REV 281

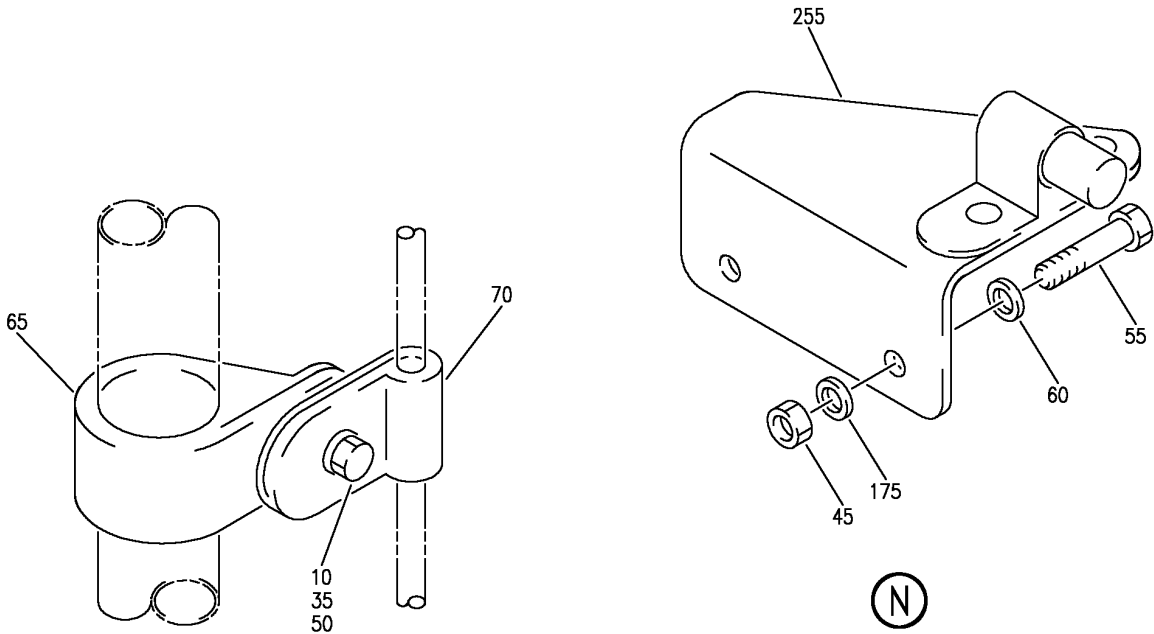
SENSOR INSTL-LEVEL VACUUM WASTE SYSTEM
FIGURE 11 (SHEET 5)

38-32-54-11

BRI
JAN 20/09

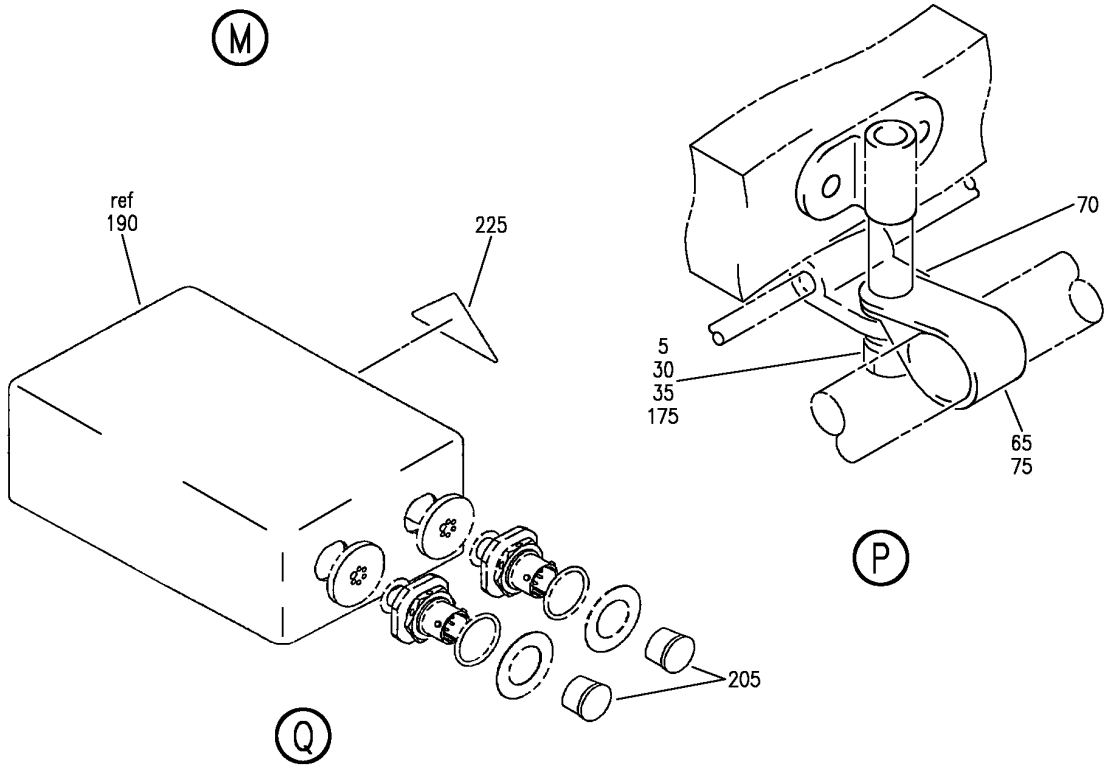
38-32-54-11
PAGE 0D

BOEING
757
PARTS CATALOG (MAINTENANCE)



(M)

(N)



(P)

(Q)

Y 38325411 SH1 6 REV 281

SENSOR INSTL-LEVEL VACUUM WASTE SYSTEM
FIGURE 11 (SHEET 6)

38-32-54-11

BRI
JAN 20/09

38-32-54-11
PAGE 0E



757

PARTS CATALOG (MAINTENANCE)

FIG ITEM	PART NUMBER	1 2 3 4 5 6 7	NOMENCLATURE	EFFECT FROM TO	UNITS PER ASSY
11			SENSOR INSTL-LEVEL VACUUM WASTE SYSTEM	103106	
- 1	MODREF19001		SENSOR INSTL-LEVEL VACUUM WASTE SYSTEM MODULE NUMBER: 417N8680-6 REV A	103106	1
5	BACS12GU3K6		.SCREW	103106	6
10	BACS12GU3K8		.SCREW	103106	2
15	BACS12GU3K9		.SCREW	103106	2
20	BACS12GU3K10		.SCREW	103106	2
25	BACS12GU3K11		.SCREW	103106	3
30	BACS12GU4K9		.SCREW	103106	3
35	NAS1149C0332R		.WASHER	103106	14
45	PLH53CD		.NUT	103106	6
			SUPPLIER CODE: VF0224 SPECIFICATION NUMBER: BACN10YR3CD OPTIONAL PART: H52732-3CD V15653		
50	PLH53CM		.NUT	103106	6
			SUPPLIER CODE: VF0224 SPECIFICATION NUMBER: BACN10YR3CM OPTIONAL PART: H52732-3CM V15653		
55	BACB30NM3K3		.BOLT	103106	4
60	BACW10BN3AC		.WASHER	103106	4
65	JM44LC13WS5R		.CLAMP	103106	5
			SUPPLIER CODE: V22175 SPECIFICATION NUMBER: BACC10GE5 OPTIONAL PART: S369WH5 V18076 TA12C32WS5 V84971 509S5 V83930		
70	BACC10DK2		.CLAMP	103106	8
75	BACC10DK7		.CLAMP	103106	12
80	BACC10DK16		.CLAMP	103106	1
85	AN735C16		.CLAMP	103106	2

MISSING ITEM NUMBERS NOT APPLICABLE

- ITEM NOT ILLUSTRATED

38-32-54-11

38-32-54
FIG. 11
PAGE 1
JAN 20/09

BRI



757

PARTS CATALOG (MAINTENANCE)

FIG ITEM	PART NUMBER	1 2 3 4 5 6 7	NOMENCLATURE	EFFECT FROM TO	UNITS PER ASSY
11					
90	AN735C56	.CLAMP-	OPTIONAL PART: MS21919CG52	103106	2
90	MS21919CG52	.CLAMP-	OPTIONAL PART: AN735C56	103106	2
95	14J29150E	.CLAMP	SUPPLIER CODE: V5T400 SPECIFICATION NUMBER: BACC10GY150E OPTIONAL PART: 4385AF150E V94581 PDVC1137150E V14242 NM102701150E V8W928	103106	2
100	14J29275E	.CLAMP	SUPPLIER CODE: V5T400 SPECIFICATION NUMBER: BACC10GY275E OPTIONAL PART: NM102701275E V8W928 4385AF275E V94581 PDVC1137275E V14242	103106	2
105	022-0250	.CLAMP-	SUPPLIER CODE: V06383	103106	13
110	888162	.GASKOSEAL-	SUPPLIER CODE: V83259	103106	2
115	898034	.GASKOSEAL-	SUPPLIER CODE: V83259	103106	2
120	T05R0	.STRAP	SUPPLIER CODE: V53421 SPECIFICATION NUMBER: BACS38K1 OPTIONAL PART: PLT2SM V06383	103106	6

MISSING ITEM NUMBERS NOT APPLICABLE

- ITEM NOT ILLUSTRATED

38-32-54-11

38-32-54
FIG. 11
PAGE 2
JAN 20/09

BRI



757

PARTS CATALOG (MAINTENANCE)

FIG ITEM	PART NUMBER	1 2 3 4 5 6 7	NOMENCLATURE	EFFECT FROM TO	UNITS PER ASSY
11 125	1721F4		.SENSOR-LEVEL CLS SUPPLIER CODE: V59885 FUNCTIONAL DESCRIPTION: PROVIDES CONTINUOUS INDICATION OF WASTE TANK CONTENTS SPECIFICATION NUMBER: S417T108-12 COMPONENT MAINT MANUAL REF: 38-30-34	103106	2
130	1774J1		.CABLE-ELECTRICAL SUPPLIER CODE: V59885 FUNCTIONAL DESCRIPTION: PROVIDES AN INTERFACE BETWEEN THE CONTINUOUS LEVEL SENSOR AND LOGIC CONTROL MODULE FOR THE WASTE LEVEL MEASUREMENT SYSTEM. SPECIFICATION NUMBER: S417T108-13 COMPONENT MAINT MANUAL REF: 38-30-36	103106	2
135	BACJ40AC54-30		.JUMPER	103106	1
140	86654-38		.JUMPER SUPPLIER CODE: V91812 SPECIFICATION NUMBER: BACJ40AC54-38 OPTIONAL PART: RBEJ40AC54-38 V1GK47 100654-38 V1FF12	103106	1
145	BACB30NM3K5		.BOLT	103106	1
150	BACB30NM3K12		.BOLT	103106	5
155	BACB30NM3K14		.BOLT	103106	1
160	BACB30NM4K6		.BOLT	103106	4
165	BACW10BN3AC		.WASHER	103106	6
170	BACW10BN4AC		.WASHER	103106	4
175	NAS1149D0332J		.WASHER	103106	17

MISSING ITEM NUMBERS NOT APPLICABLE

- ITEM NOT ILLUSTRATED

38-32-54-11

38-32-54
FIG. 11
PAGE 3
JAN 20/09

BRI



757

PARTS CATALOG (MAINTENANCE)

FIG ITEM	PART NUMBER	1 2 3 4 5 6 7	NOMENCLATURE	EFFECT FROM TO	UNITS PER ASSY
11 180	PLH53CD	.	NUT SUPPLIER CODE: VF0224 SPECIFICATION NUMBER: BACN10YR3CD OPTIONAL PART: H52732-3CD V15653	103106	2
190	1742F9	.	SENSOR-LOGIC CONTROL SUPPLIER CODE: V59885 FUNCTIONAL DESCRIPTION: SUPPLIES POWER TO AND PROVIDES INDICATION OF WASTE TANK CONTENTS FROM THE SENSORS INDICATION OF TANK CONTENTS SPECIFICATION NUMBER: S417T108-17 ELECTRICAL EQUIP NUMBER: M11341 M11342 COMPONENT MAINT MANUAL REF: 38-30-37	103106	2
205	70161-0025	..	CAP-PROTECTIVE SUPPLIER CODE: V59885	103106	2
- 210	70161-0021	..	CAP-PROTECTIVE SUPPLIER CODE: V59885	103106	2
- 220	01742-0339-0001	..	NAMEPLATE-LCM 1742F9 SUPPLIER CODE: V59885	103106	1
225	01281-1158-0001	..	DECAL-WARNING SUPPLIER CODE: V59885	103106	1
- 230	01742-0258-0001	..	NAMEPLATE-COVER LAYER SUPPLIER CODE: V59885	103106	1
250	472W1401-3	.	BRACKET ASSY-LCM	103106	2
255	472W1213-4	.	BRACKET ASSY	103106	2

MISSING ITEM NUMBERS NOT APPLICABLE

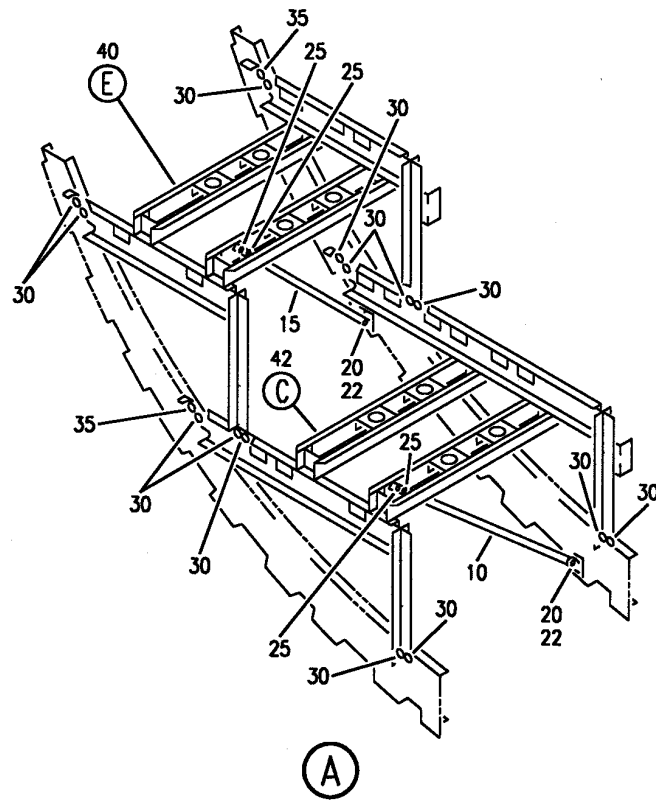
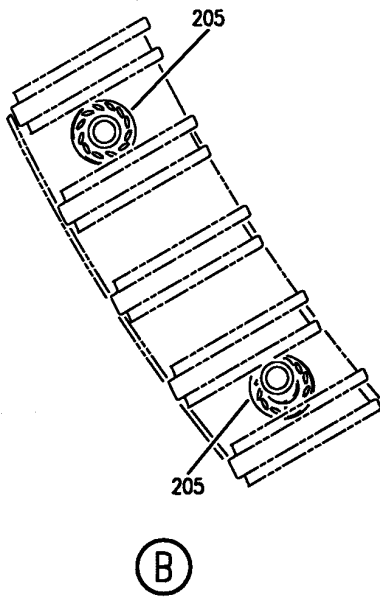
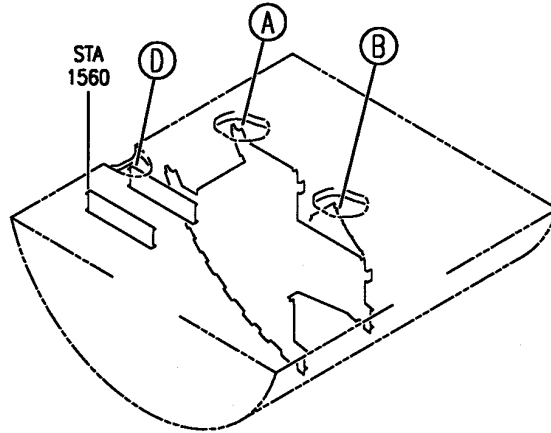
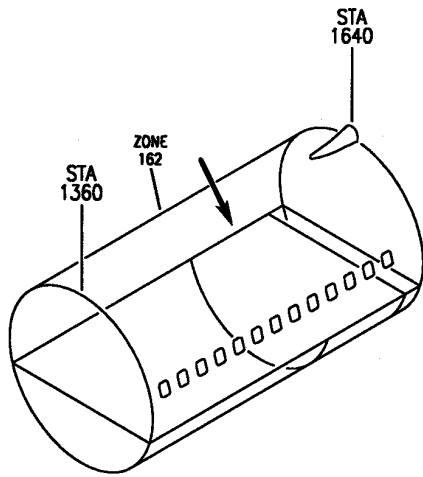
- ITEM NOT ILLUSTRATED

38-32-54-11

38-32-54
FIG. 11
PAGE 4
JAN 20/09

BRI

BOEING
757
PARTS CATALOG (MAINTENANCE)



Y 38325412 SH1 1 REV 220

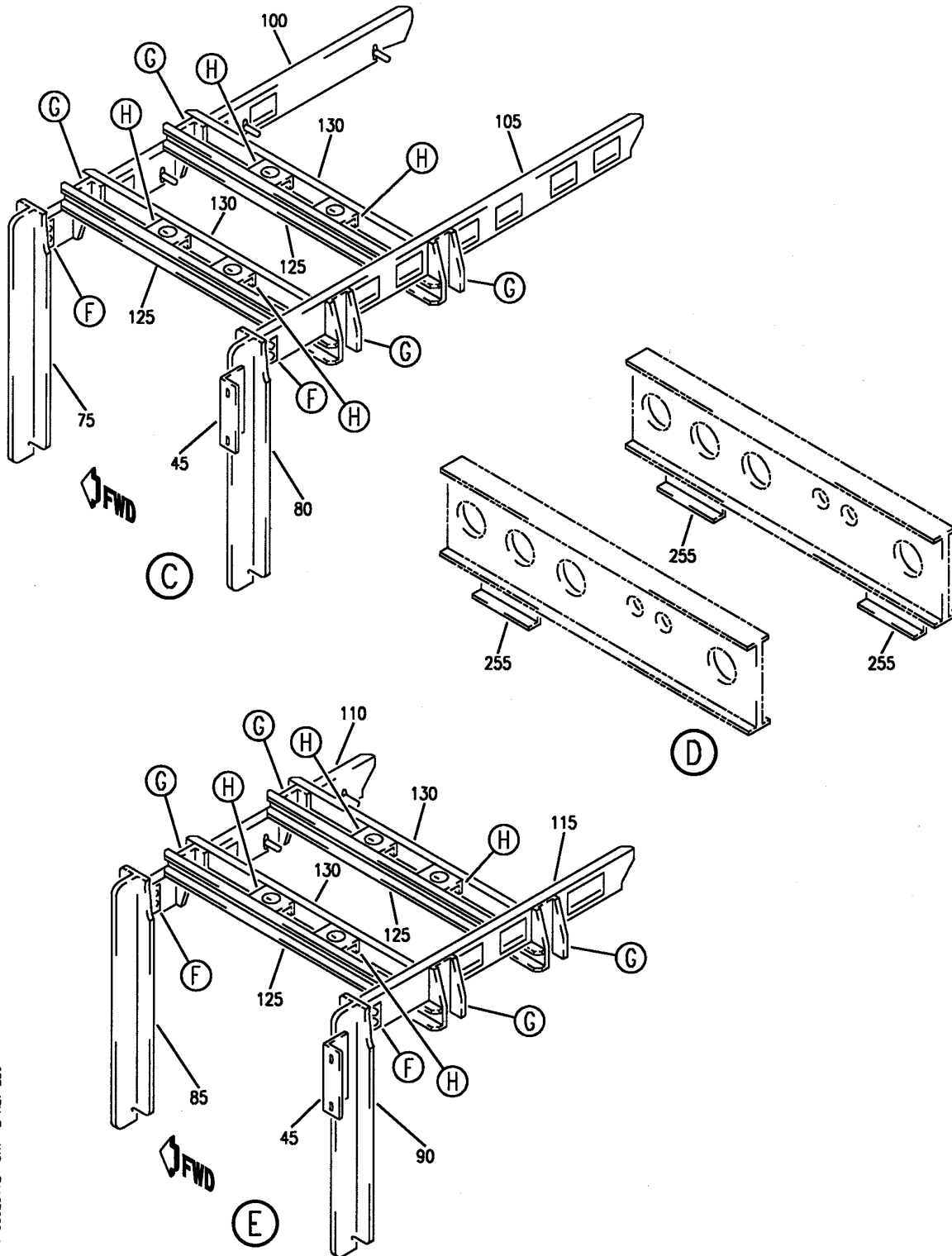
SUPPORT INSTL-VAC WASTE SYS
FIGURE 12 (SHEET 1)

38-32-54-12

BRI
JAN 20/09

38-32-54-12
PAGE 0


BOEING
 757
PARTS CATALOG (MAINTENANCE)



Y 38325412 SH 2 REV 220

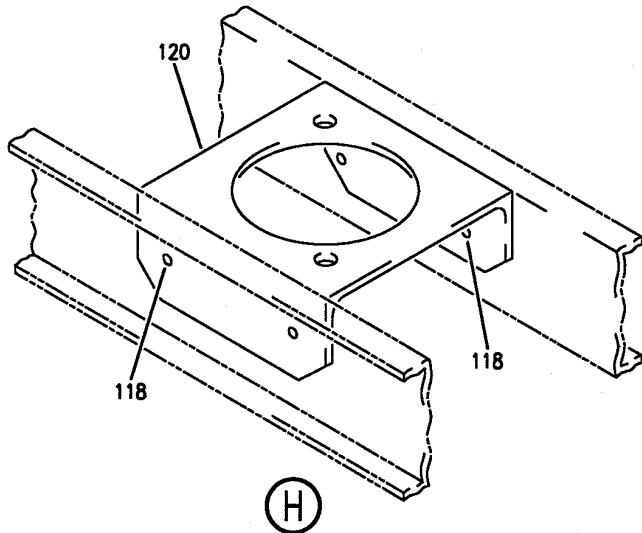
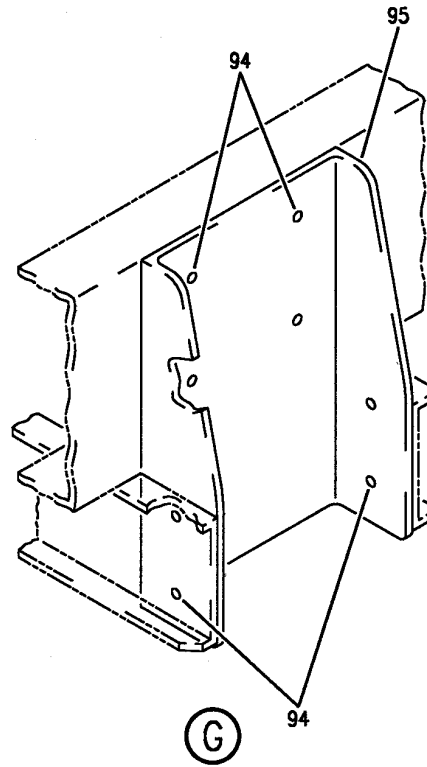
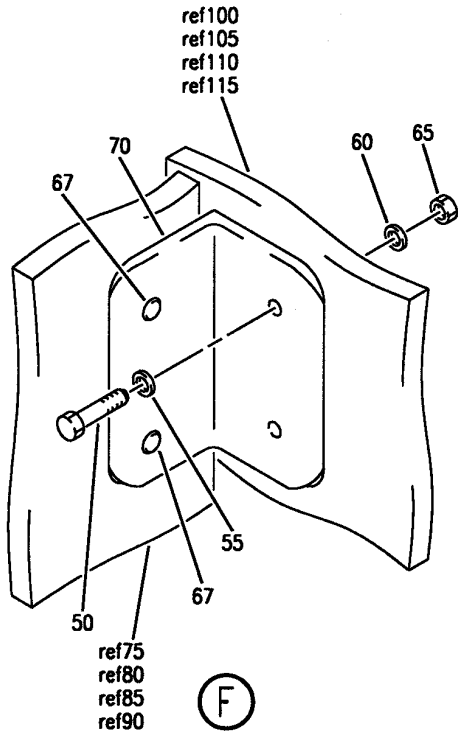
SUPPORT INSTL-VAC WASTE SYS
FIGURE 12 (SHEET 2)

38-32-54-12

BRI
JAN 20/09

38-32-54-12
PAGE 0A

BOEING
757
PARTS CATALOG (MAINTENANCE)



Y 38325412 SH1 3 REV 220

SUPPORT INSTL-VAC WASTE SYS
FIGURE 12 (SHEET 3)

38-32-54-12

BRI
JAN 20/09

38-32-54-12
PAGE 0B



757

PARTS CATALOG (MAINTENANCE)

FIG ITEM	PART NUMBER	1 2 3 4 5 6 7	NOMENCLATURE	EFFECT FROM TO	UNITS PER ASSY
12					
- 1	MODREF17849		SUPPORT INSTL-VAC WASTE SYS SUPPORT INSTL-VAC WASTE SYS MODULE NUMBER: 417N8880-1 REV A	103106 103106	1
10	417N8883-2		.BRACKET	103106	1
15	417N8883-1		.BRACKET	103106	1
20	HL1012AZ6-2		.BOLT SUPPLIER CODE: V97928 SPECIFICATION NUMBER: BACB30NX6K2 OPTIONAL PART: HL12VAZ6-2 V73197 HL12VAZ6-2 V92215 HL12VAZ6-2 V97928 L802-6K2 V06725 HL12VAZ6-2 V56878 HL1012AZ6-2 VOPTK6 HL1012AZ6-2 V06725 HL1012AZ6-2 V06950 HL1012AZ6-2 V17446 HL1012AZ6-2 V56878 HL1012AZ6-2 V60516 HL1012AZ6-2 V73197 -----*	103106	2

MISSING ITEM NUMBERS NOT APPLICABLE

- ITEM NOT ILLUSTRATED

38-32-54-12

38-32-54
FIG. 12
PAGE 1
JAN 20/09

BRI

 **BOEING**
757
PARTS CATALOG (MAINTENANCE)

FIG ITEM	PART NUMBER	1 2 3 4 5 6 7	NOMENCLATURE	EFFECT FROM TO	UNITS PER ASSY
12					
22	HL1087-6	.	COLLAR SUPPLIER CODE: V73197 SPECIFICATION NUMBER: BACC30BH6 OPTIONAL PART: HL1087-6 V56878 HL1087-6 V92215 HL1087-6 V9N513 ATTACHING PARTS	103106	2
25	BACR15BB4AD	.	RIVET- SIZE DETERMINED ON INSTL.	103106	4
30	BACR15FT6D	.	RIVET- SIZE DETERMINED ON INSTL.	103106	14
35	BACR15FT8D	.	RIVET- SIZE DETERMINED ON INSTL.	103106	2
40	417N8881-1	.	SHELF ASSY- POSITION DATA: UPR	103106	1
42	417N8881-2	.	SHELF ASSY- POSITION DATA: LWR	103106	1
45	417N8883-5	..	BRACKET ATTACHING PARTS	103106	1
- 47	BACR15BB5AD	..	RIVET- SIZE DETERMINED ON INSTL.	103106	2
50	BACB30NM3K3	..	BOLT	103106	4
55	BACW10BN3AC	..	WASHER- POSITION DATA: UNDER HEAD	103106	4
60	NAS1149D0363J	..	WASHER- POSITION DATA: UNDER NUT	103106	4
65	PLH53CD	..	NUT SUPPLIER CODE: VFO224 SPECIFICATION NUMBER: BACN10YR3CD OPTIONAL PART: H52732-3CD V15653	103106	4
67	BACR15BB6AD	..	RIVET- SIZE DETERMINED ON INSTL.	103106	4
70	417N8882-11	..	BRACKET	103106	2

MISSING ITEM NUMBERS NOT APPLICABLE

- ITEM NOT ILLUSTRATED

38-32-54-12

38-32-54
FIG. 12
PAGE 2
JAN 20/09

BRI

BOEING PROPRIETARY - Copyright © - Unpublished Work - See title page for details.



757

PARTS CATALOG (MAINTENANCE)

FIG ITEM	PART NUMBER	1 2 3 4 5 6 7	NOMENCLATURE	EFFECT FROM TO	UNITS PER ASSY
12					
75	417N8882-4	..	STANCHION- USED ON: 417N8881-2	103106	1
80	417N8882-2	..	STANCHION- USED ON: 417N8881-2	103106	1
85	417N8882-3	..	STANCHION- USED ON: 417N8881-1	103106	1
90	417N8882-1	..	STANCHION- USED ON: 417N8881-1	103106	1
94	BACR15BB5AD	..	RIVET- SIZE DETERMINED ON INSTL.	103106	32
95	417A8762-17	..	CLIP	103106	4
100	417N8882-8	..	BEAM- USED ON: 417N8881-2	103106	1
105	417N8882-6	..	BEAM- USED ON: 417N8881-2	103106	1
110	417N8882-7	..	BEAM- USED ON: 417N8881-1	103106	1
115	417N8882-5	..	BEAM- USED ON: 417N8881-1	103106	1
118	BACR15BB5AD	..	RIVET- SIZE DETERMINED ON INSTL.	103106	16
120	417A8762-9	..	CHANNEL-SHOCK MOUNT	103106	4
125	417N8882-9	..	BEAM	103106	2
130	417N8882-10	..	BEAM	103106	2
- 200	MODREF17850		SUPPORT INSTL-VAC WASTE SYS MODULE NUMBER: 417N8880-2 REV A	103106	1
205	417A8625-1	.	NOZZLE ASSY-VENT ATTACHING PARTS	103106	2
- 210	BACB30NN3K2	.	BOLT -----*-----	103106	24
- 250	MODREF17851		SUPPORT INSTL-VAC WASTE SYS MODULE NUMBER: 417N8880-3 REV A	103106	1
255	417N8883-8	.	BRACKET ATTACHING PARTS	103106	3
- 260	BACR15FT6D	.	RIVET- SIZE DETERMINED ON INSTL. -----*-----	103106	6

MISSING ITEM NUMBERS NOT APPLICABLE

- ITEM NOT ILLUSTRATED

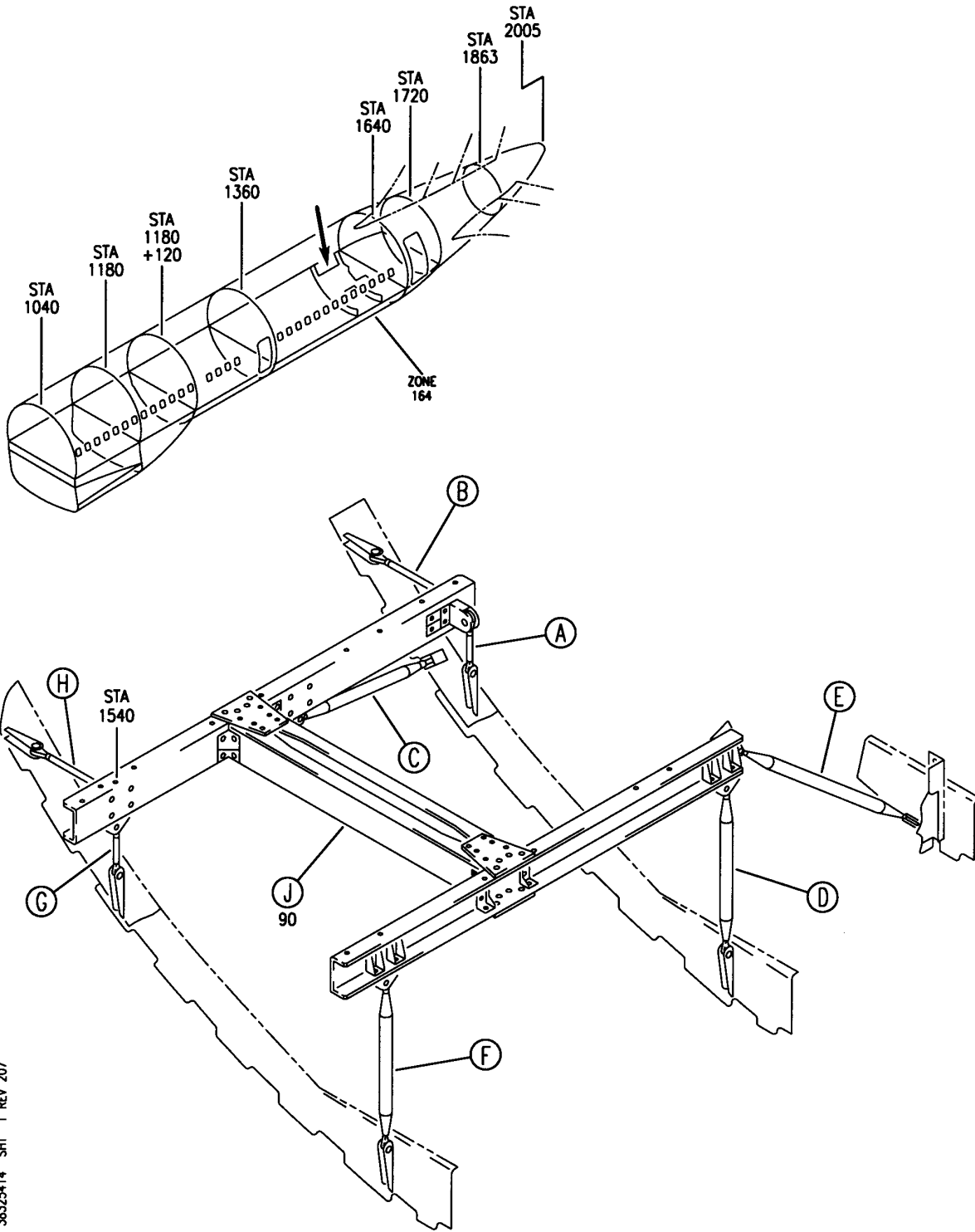
38-32-54-12

38-32-54
FIG. 12
PAGE 3
JAN 20/09

BRI

BOEING PROPRIETARY - Copyright © - Unpublished Work - See title page for details.

BOEING
757
PARTS CATALOG (MAINTENANCE)



Y 38325414 SHT 1 REV 207

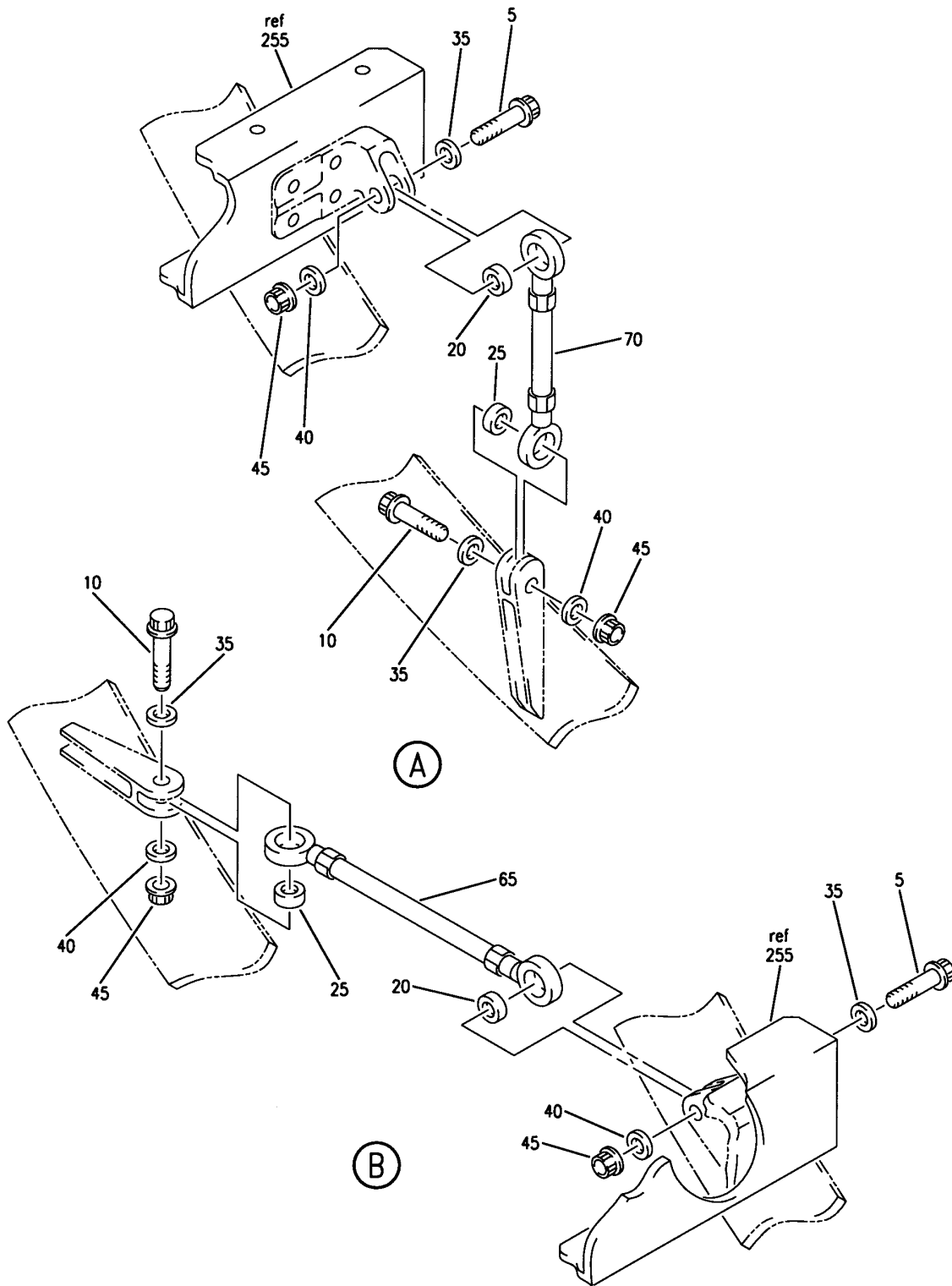
SUPPORT INSTL-VAC WASTE SYS
FIGURE 14 (SHEET 1)

38-32-54-14

BRI
JAN 20/09

38-32-54-14
PAGE 0

BOEING
757
PARTS CATALOG (MAINTENANCE)



Y 38325414 SH1 2 REV 207

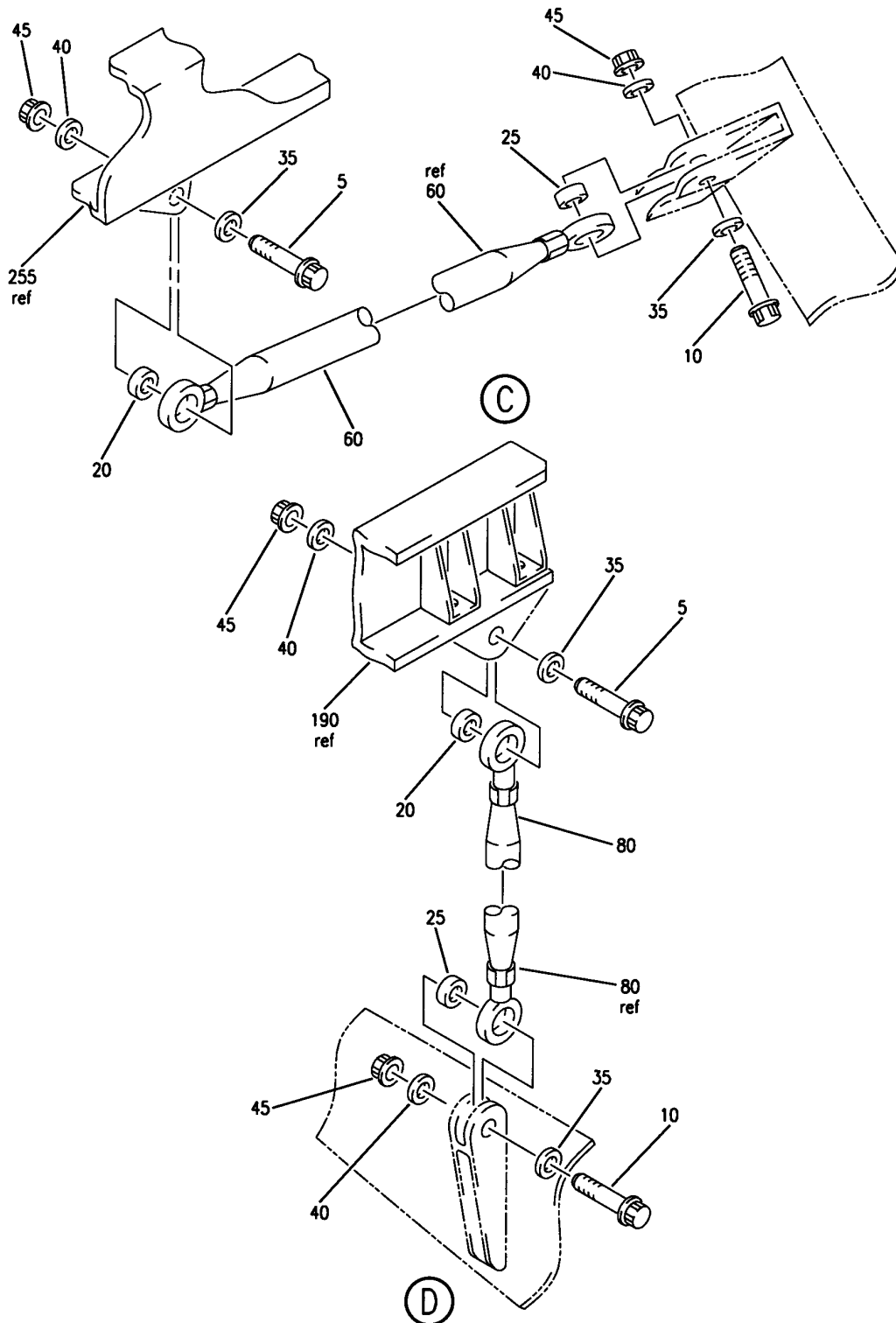
SUPPORT INSTL-VAC WASTE SYS
FIGURE 14 (SHEET 2)

38-32-54-14

BRI
JAN 20/09

38-32-54-14
PAGE 0A

BOEING
757
PARTS CATALOG (MAINTENANCE)



Y 38325414 SHT 3 REV 207

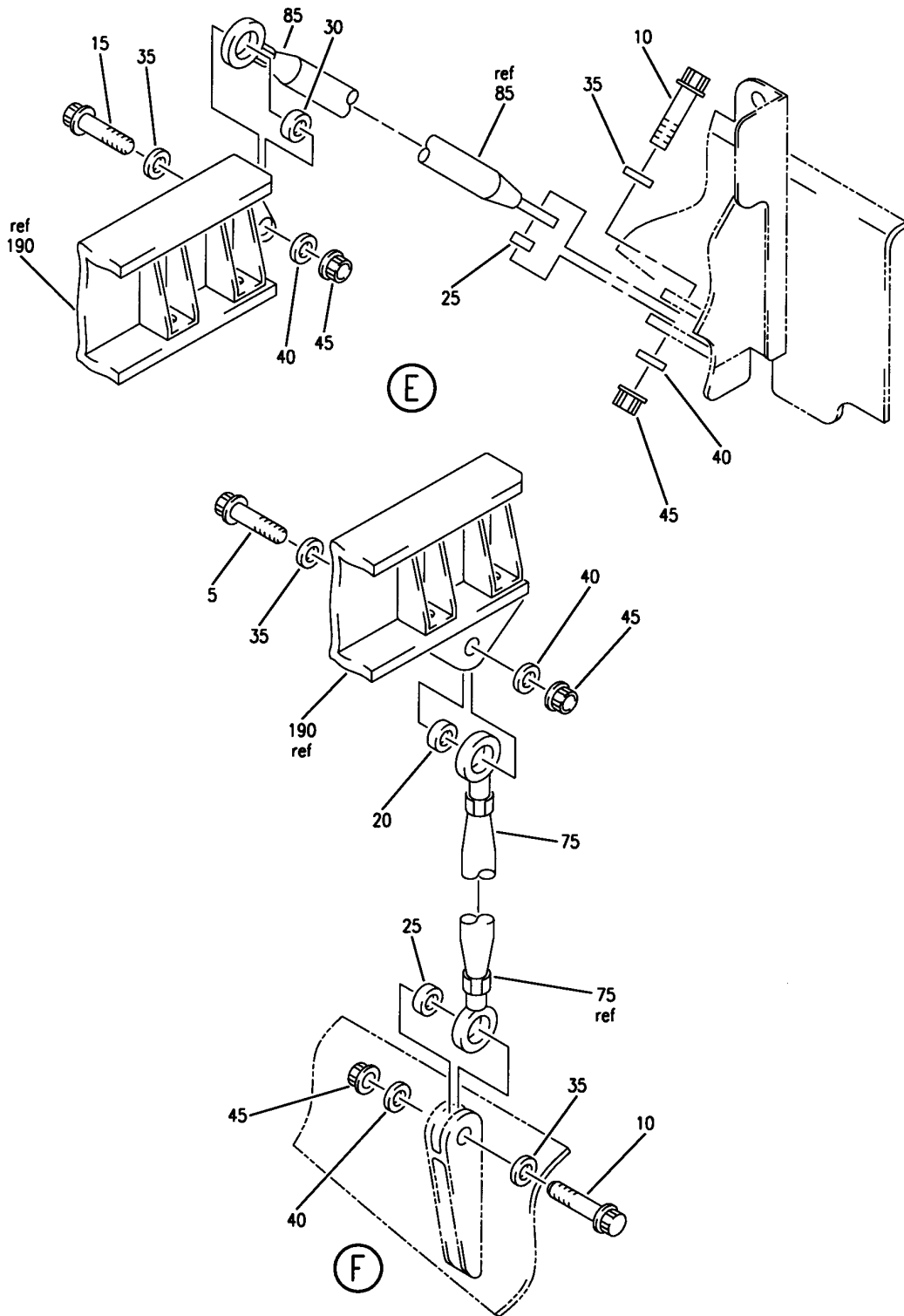
SUPPORT INSTL-VAC WASTE SYS
FIGURE 14 (SHEET 3)

38-32-54-14

BRI
JAN 20/09

38-32-54-14
PAGE 0B

BOEING
757
PARTS CATALOG (MAINTENANCE)



Y 38325414 SHT 4 REV 207

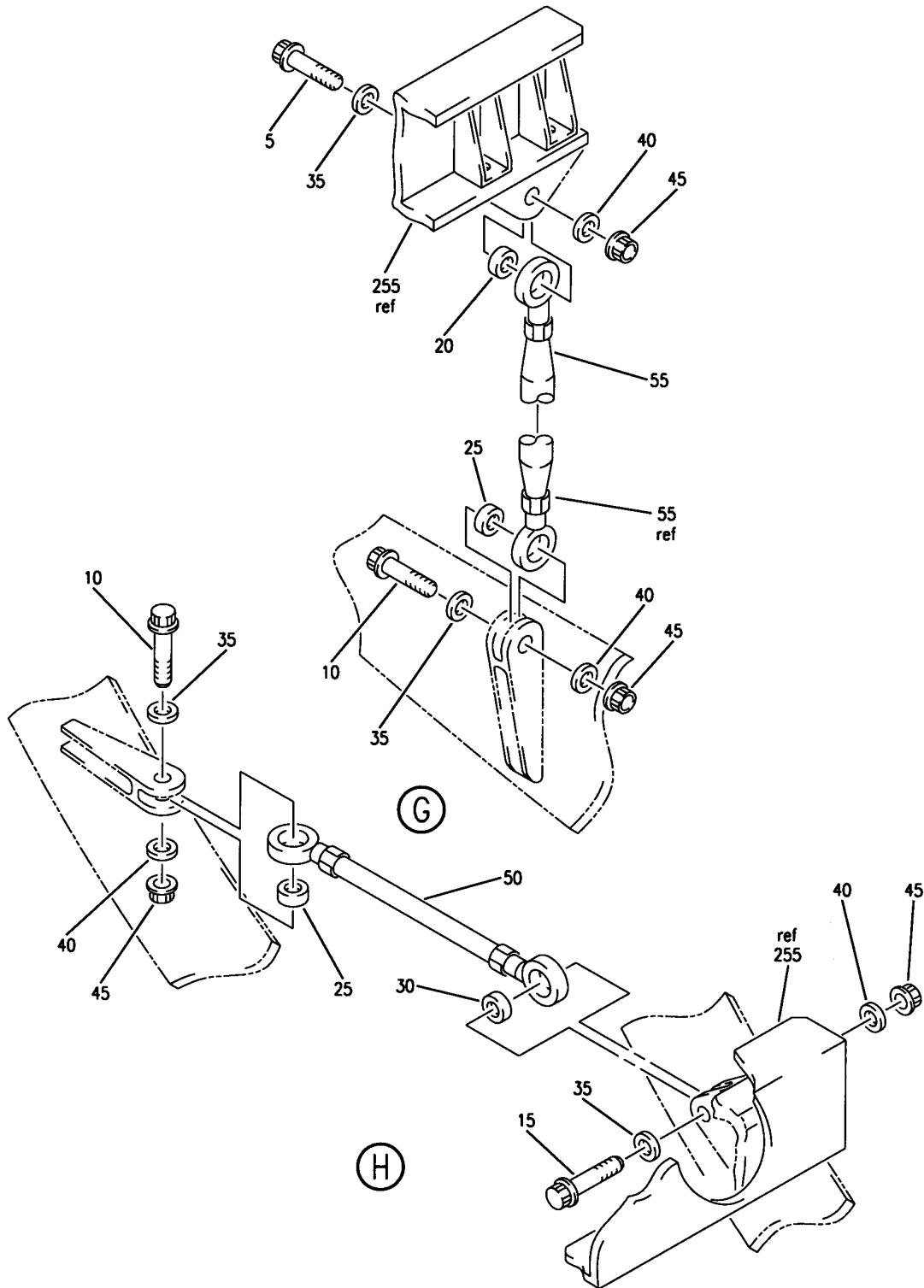
SUPPORT INSTL-VAC WASTE SYS
FIGURE 14 (SHEET 4)

38-32-54-14

BRI
JAN 20/09

38-32-54-14
PAGE 0C

BOEING
757
PARTS CATALOG (MAINTENANCE)



Y 38325414 SHT 5 REV 207

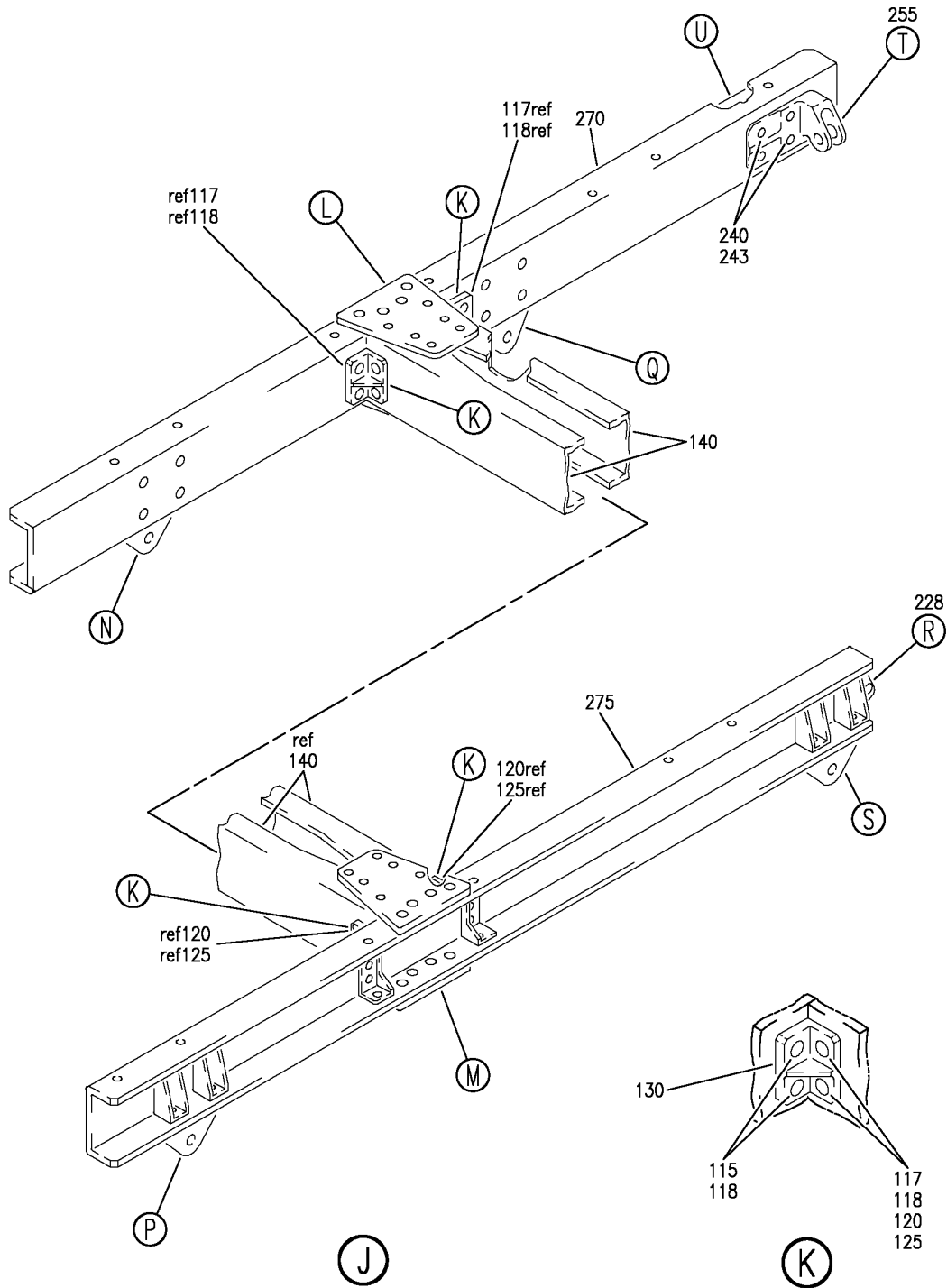
SUPPORT INSTL-VAC WASTE SYS
FIGURE 14 (SHEET 5)

38-32-54-14

BRI
JAN 20/09

38-32-54-14
PAGE 0D

BOEING
757
PARTS CATALOG (MAINTENANCE)



Y 38325414 SHT 6 REV 251

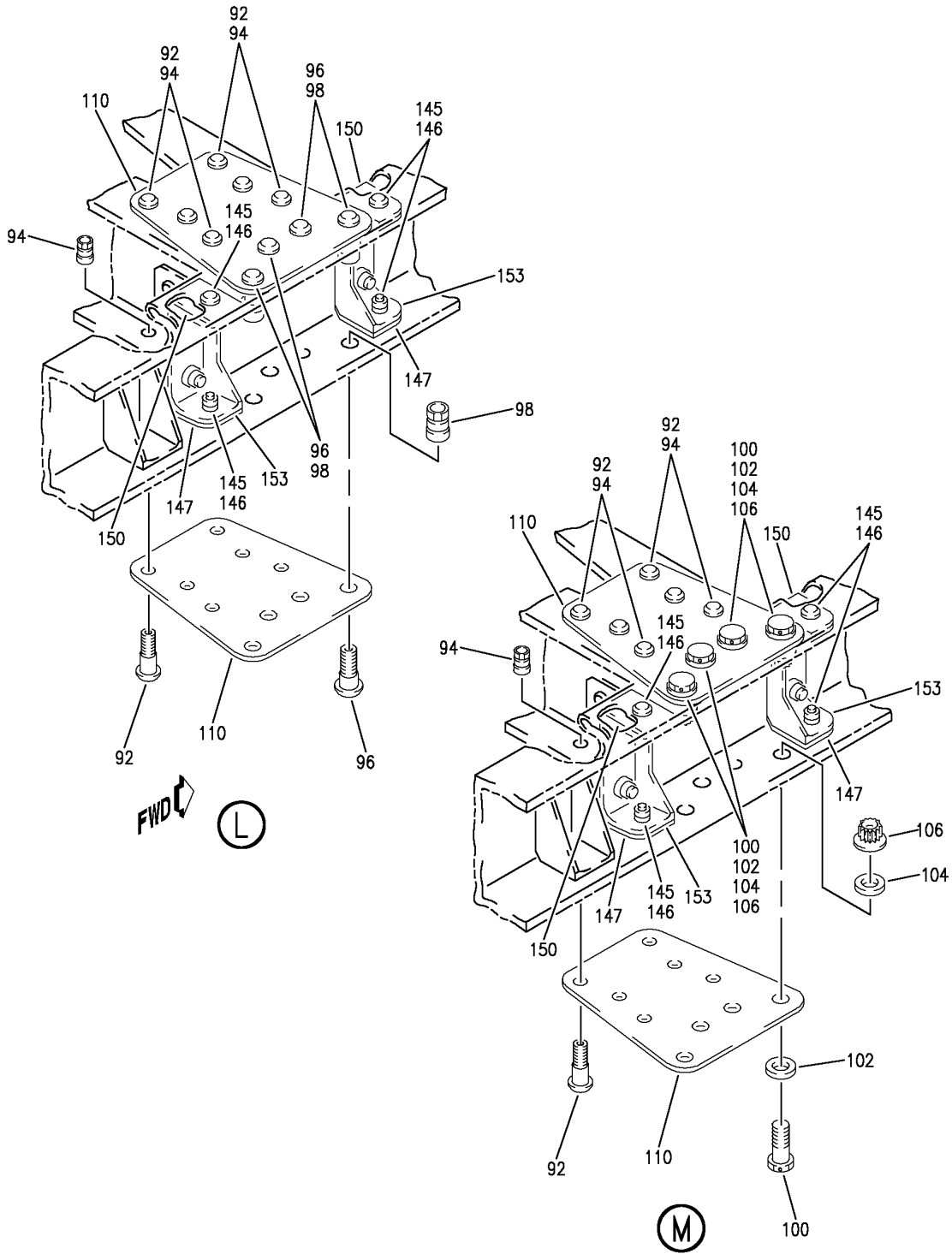
SUPPORT INSTL-VAC WASTE SYS
FIGURE 14 (SHEET 6)

38-32-54-14

BRI
JAN 20/09

38-32-54-14
PAGE 0E

BOEING
757
PARTS CATALOG (MAINTENANCE)



Y 38325414 SHT 7 REV 251

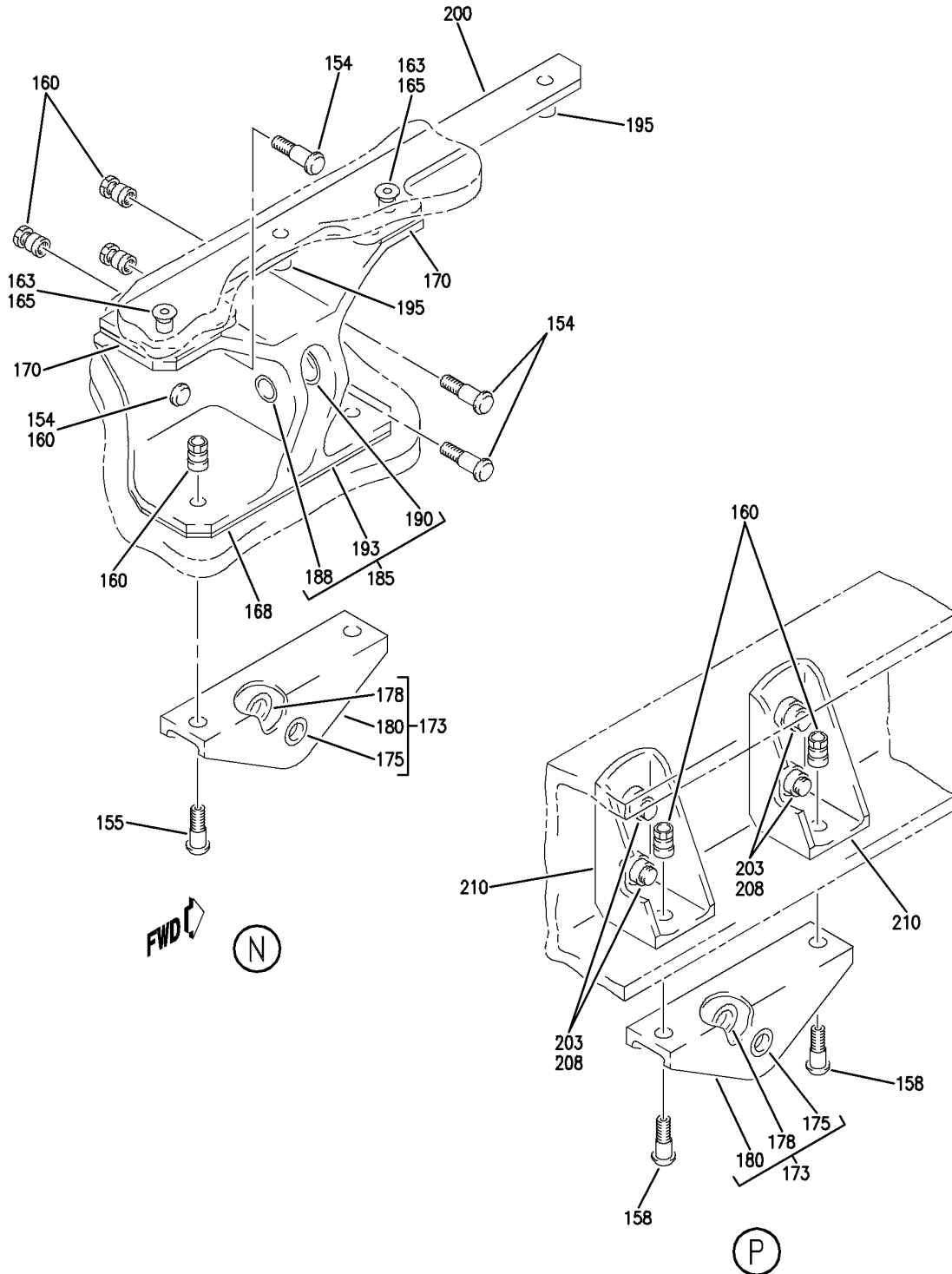
SUPPORT INSTL-VAC WASTE SYS
FIGURE 14 (SHEET 7)

38-32-54-14

BRI
JAN 20/09

38-32-54-14
PAGE OF

BOEING
757
PARTS CATALOG (MAINTENANCE)



Y 38325414 SH1 8 REV 229

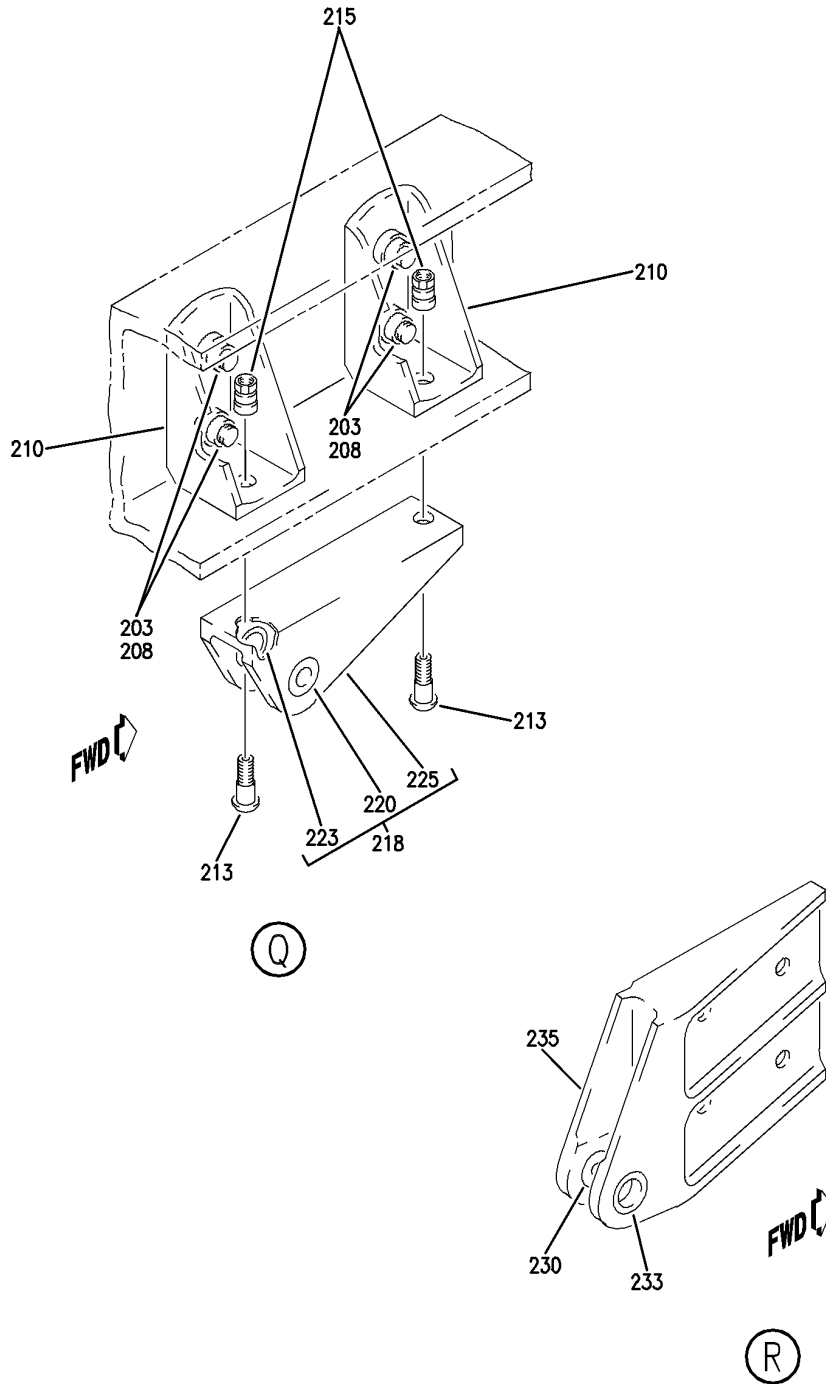
SUPPORT INSTL-VAC WASTE SYS
FIGURE 14 (SHEET 8)

38-32-54-14

BRI
JAN 20/09

38-32-54-14
PAGE 08

BOEING
757
PARTS CATALOG (MAINTENANCE)



Y 38325414 SH1 9 REV 229

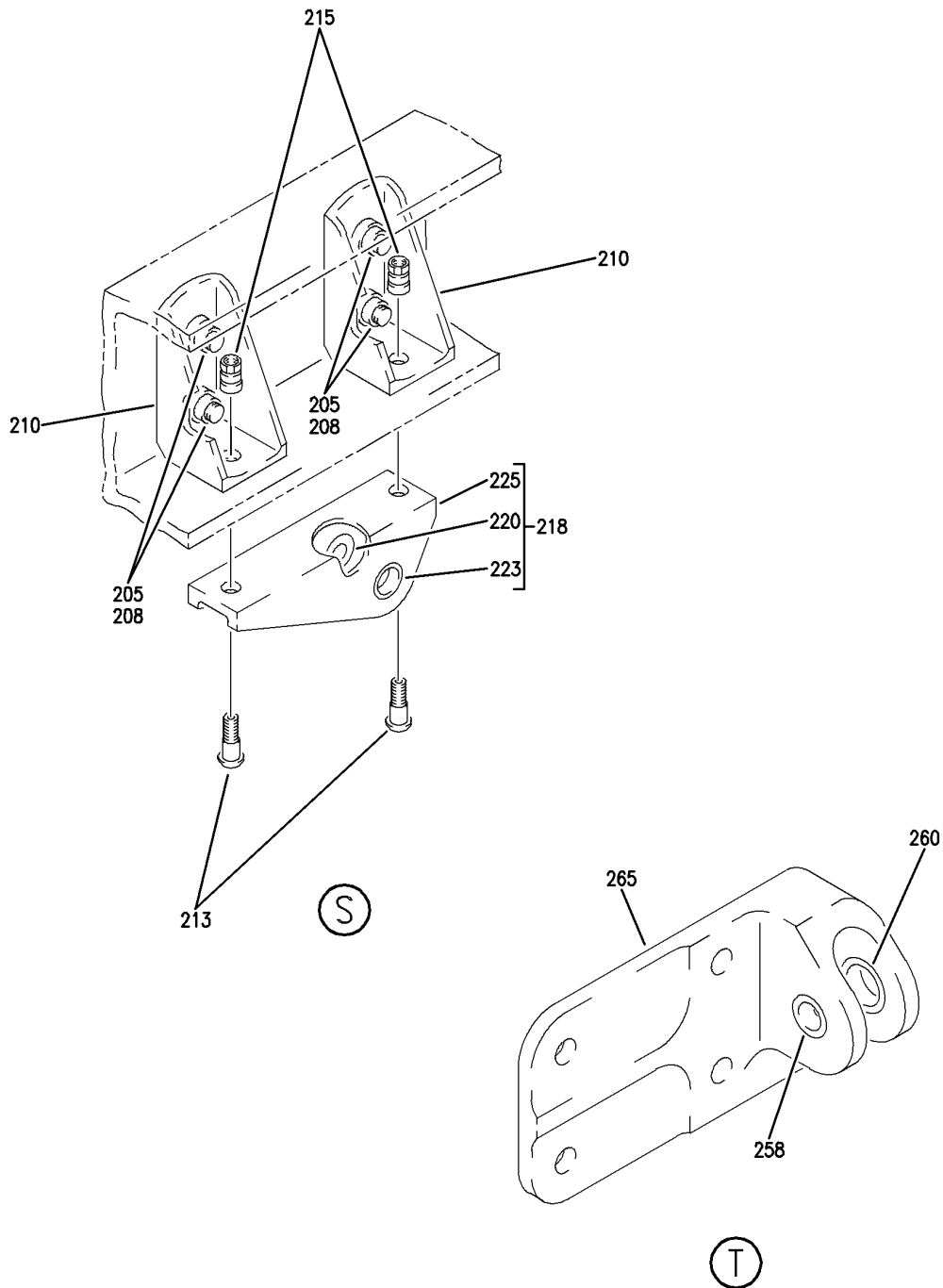
SUPPORT INSTL-VAC WASTE SYS
FIGURE 14 (SHEET 9)

38-32-54-14

BRI
JAN 20/09

38-32-54-14
PAGE 0H

BOEING
757
PARTS CATALOG (MAINTENANCE)



Y 38325414 SHT 10 REV 229

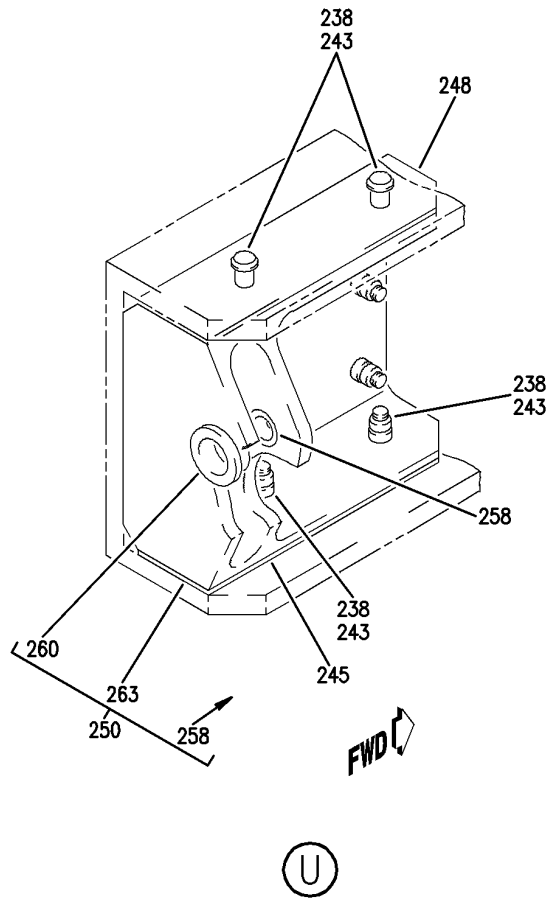
SUPPORT INSTL-VAC WASTE SYS
FIGURE 14 (SHEET 10)

38-32-54-14

BRI
JAN 20/09

38-32-54-14
PAGE 01

BOEING
757
PARTS CATALOG (MAINTENANCE)



Y 38325414 SHT 11 REV 229

SUPPORT INSTL-VAC WASTE SYS
FIGURE 14 (SHEET 11)

38-32-54-14

BRI
JAN 20/09

38-32-54-14
PAGE 0J



757

PARTS CATALOG (MAINTENANCE)

FIG ITEM	PART NUMBER	1 2 3 4 5 6 7	NOMENCLATURE	EFFECT FROM TO	UNITS PER ASSY
14			SUPPORT INSTL-VAC WASTE SYS	103106	RF
1	MODREF17852		SUPPORT INSTL-VAC WASTE SYS MODULE NUMBER: 417N8890-1 REV A	103106	1
5	BACB30LE4K15		.BOLT	103106	6
10	BACB30LE4K16		.BOLT	103106	8
15	BACB30LE4K17		.BOLT	103106	2
20	BACB28AK04-032		.BUSHING	103106	6
25	BACB28AK04-034		.BUSHING	103106	8
30	BACB28AK04-038		.BUSHING	103106	2
35	BACW10BP4CD		.WASHER	103106	16
40	BACW10BP4DP		.WASHER	103106	16
45	PLH54CD		.NUT	103106	16
			SUPPLIER CODE: VF0224		
			SPECIFICATION NUMBER: BACN10YR4CD		
			OPTIONAL PART: H52732-4CD V15653		
50	S401W121-630		.ROD- OPTIONAL PART: USC757-002-630 V31293	103106	1
50	USC757-002-630		.ROD- SUPPLIER CODE: V31293 OPTIONAL PART: S401W121-630	103106	1
55	S401W121-631		.ROD- OPTIONAL PART: USC757-002-631 V31293	103106	1
55	USC757-002-631		.ROD- SUPPLIER CODE: V31293 OPTIONAL PART: S401W121-631	103106	1
60	S401W121-632		.ROD- OPTIONAL PART: USC757-002-632 V31293	103106	1
60	USC757-002-632		.ROD- SUPPLIER CODE: V31293 OPTIONAL PART: S401W121-632	103106	1

MISSING ITEM NUMBERS NOT APPLICABLE

- ITEM NOT ILLUSTRATED

38-32-54-14

38-32-54
FIG. 14
PAGE 1
JAN 20/09

BRI

BOEING PROPRIETARY - Copyright © - Unpublished Work - See title page for details.



757

PARTS CATALOG (MAINTENANCE)

FIG ITEM	PART NUMBER	1 2 3 4 5 6 7	NOMENCLATURE	EFFECT FROM TO	UNITS PER ASSY
14					
65	S401W121-633	.ROD-	OPTIONAL PART: USC757-002-633 V31293	103106	1
65	USC757-002-633	.ROD-	SUPPLIER CODE: V31293 OPTIONAL PART: S401W121-633	103106	1
70	S401W121-634	.ROD-	OPTIONAL PART: USC757-002-634 V31293	103106	1
70	USC757-002-634	.ROD-	SUPPLIER CODE: V31293 OPTIONAL PART: S401W121-634	103106	1
75	S401W121-635	.ROD-	OPTIONAL PART: USC757-002-635 V31293	103106	1
75	USC757-002-635	.ROD-	SUPPLIER CODE: V31293 OPTIONAL PART: S401W121-635	103106	1
80	S401W121-636	.ROD-	OPTIONAL PART: USC757-002-636 V31293	103106	1
80	USC757-002-636	.ROD-	SUPPLIER CODE: V31293 OPTIONAL PART: S401W121-636	103106	1
85	S401W121-637	.ROD-	OPTIONAL PART: USC757-002-637 V31293	103106	1
85	USC757-002-637	.ROD-	SUPPLIER CODE: V31293 OPTIONAL PART: S401W121-637	103106	1
90	417N8891-1	.CRADLE ASSY		103106	1

MISSING ITEM NUMBERS NOT APPLICABLE

- ITEM NOT ILLUSTRATED

38-32-54-14

38-32-54
FIG. 14
PAGE 2
JAN 20/09

BRI

BOEING PROPRIETARY - Copyright © - Unpublished Work - See title page for details.



757

PARTS CATALOG (MAINTENANCE)

FIG ITEM	PART NUMBER	1 2 3 4 5 6 7	NOMENCLATURE	EFFECT FROM TO	UNITS PER ASSY
14 92	HL1012AZ6-6	..	BOLT SUPPLIER CODE: V97928 SPECIFICATION NUMBER: BACB30NX6K6 OPTIONAL PART: HL12VAZ6-6 V73197 HL12VAZ6-6 V92215 HL12VAZ6-6 V97928 L802-6K6 V06725 HL12VAZ6-6 V56878 HL1012AZ6-6 V0PTK6 HL1012AZ6-6 V06725 HL1012AZ6-6 V06950 HL1012AZ6-6 V17446 HL1012AZ6-6 V56878 HL1012AZ6-6 V60516 HL1012AZ6-6 V73197	103106	24
94	HL1087-6	..	COLLAR SUPPLIER CODE: V73197 SPECIFICATION NUMBER: BACC30BH6 OPTIONAL PART: HL1087-6 V56878 HL1087-6 V92215 HL1087-6 V9N513	103106	24

MISSING ITEM NUMBERS NOT APPLICABLE

- ITEM NOT ILLUSTRATED

38-32-54-14

38-32-54
FIG. 14
PAGE 3
JAN 20/09

BRI



757

PARTS CATALOG (MAINTENANCE)

FIG ITEM	PART NUMBER	1 2 3 4 5 6 7	NOMENCLATURE	EFFECT FROM TO	UNITS PER ASSY
14 96	HL1012AZ8-6	..	BOLT SUPPLIER CODE: VOPTK6 SPECIFICATION NUMBER: BACB30NX8K6 OPTIONAL PART: HL12VAZ8-6 V73197 HL12VAZ8-6 V92215 HL12VAZ8-6 V97928 L802-8K6 V06725 HL12VAZ8-6 V56878 HL1012AZ8-6 V06725 HL1012AZ8-6 V06950 HL1012AZ8-6 V17446 HL1012AZ8-6 V56878 HL1012AZ8-6 V60516 HL1012AZ8-6 V73197 HL1012AZ8-6 V97928	103106	8
98	HL1087-8	..	COLLAR SUPPLIER CODE: V9N513 SPECIFICATION NUMBER: BACC30BH8 OPTIONAL PART: HL1087-8 V92215 HL1087-8 V73197 HL1087-8 V56878	103106	8
100	BACB30NM4K8	..	BOLT	103106	8
102	BACW10BP4CD	..	WASHER- POSITION DATA: UNDER HEAD	103106	8
104	BACW10BP4DP	..	WASHER- POSITION DATA: UNDER NUT	103106	8

MISSING ITEM NUMBERS NOT APPLICABLE

- ITEM NOT ILLUSTRATED

38-32-54-14

38-32-54
FIG. 14
PAGE 4
JAN 20/09

BRI

BOEING PROPRIETARY - Copyright © - Unpublished Work - See title page for details.



757

PARTS CATALOG (MAINTENANCE)

FIG ITEM	PART NUMBER	1 2 3 4 5 6 7	NOMENCLATURE	EFFECT FROM TO	UNITS PER ASSY
14					
106	NAS1805-4L	..	NUT	103106	8
110	417N8894-6	..	PLATE-	103106	4
			OPTIONAL PART: 417N8894-7		
110	417N8894-7	..	PLATE-	103106	4
			OPTIONAL PART: 417N8894-6		
115	HL1012AZ8-8	..	BOLT	103106	8
			SUPPLIER CODE: VOPTK6		
			SPECIFICATION NUMBER: BACB30NX8K8		
			OPTIONAL PART: HL12VAZ8-8		
			V73197		
			HL12VAZ8-8		
			V92215		
			HL12VAZ8-8		
			V97928		
			L802-8K8		
			V06725		
			HL12VAZ8-8		
			V56878		
			HL1012AZ8-8		
			V06725		
			HL1012AZ8-8		
			V06950		
			HL1012AZ8-8		
			V17446		
			HL1012AZ8-8		
			V56878		
			HL1012AZ8-8		
			V60516		
			HL1012AZ8-8		
			V73197		
			HL1012AZ8-8		
			V97928		

MISSING ITEM NUMBERS NOT APPLICABLE

- ITEM NOT ILLUSTRATED

38-32-54-14

38-32-54
FIG. 14
PAGE 5
JAN 20/09

BRI

BOEING PROPRIETARY - Copyright © - Unpublished Work - See title page for details.



757

PARTS CATALOG (MAINTENANCE)

FIG ITEM	PART NUMBER	1 2 3 4 5 6 7	NOMENCLATURE	EFFECT FROM TO	UNITS PER ASSY
14 117	HL1012AZ8-4	..	BOLT SUPPLIER CODE: VOPTK6 SPECIFICATION NUMBER: BACB30NX8K4 OPTIONAL PART: HL12VAZ8-4 V73197 HL12VAZ8-4 V92215 HL12VAZ8-4 V97928 L802-8K4 V06725 HL12VAZ8-4 V56878 HL1012AZ8-4 V06725 HL1012AZ8-4 V06950 HL1012AZ8-4 V17446 HL1012AZ8-4 V56878 HL1012AZ8-4 V60516 HL1012AZ8-4 V73197 HL1012AZ8-4 V97928	103106	4
118	HL1087-8	..	COLLAR SUPPLIER CODE: V9N513 SPECIFICATION NUMBER: BACC30BH8 OPTIONAL PART: HL1087-8 V92215 HL1087-8 V73197 HL1087-8 V56878	103106	12
120	BACB30NM4K5	..	BOLT	103106	4
125	BACW10BP4CD	..	WASHER- POSITION DATA: UNDER HEAD	103106	4
130	417N8894-4	..	FITTING- OPTIONAL PART: 417N8894-5	103106	4

MISSING ITEM NUMBERS NOT APPLICABLE

- ITEM NOT ILLUSTRATED

38-32-54-14

38-32-54
FIG. 14
PAGE 6
JAN 20/09

BRI



757

PARTS CATALOG (MAINTENANCE)

FIG ITEM	PART NUMBER	1 2 3 4 5 6 7	NOMENCLATURE	EFFECT FROM TO	UNITS PER ASSY
14					
130	417N8894-5	..	FITTING- OPTIONAL PART: 417N8894-4	103106	4
140	417N8892-2	..	BEAM	103106	2
145	HL1012AZ6-7	..	BOLT SUPPLIER CODE: V97928 SPECIFICATION NUMBER: BACB30NX6K7 OPTIONAL PART: HL12VAZ6-7 V73197 HL12VAZ6-7 V92215 HL12VAZ6-7 V97928 L802-6K7 V06725 HL12VAZ6-7 V56878 HL1012AZ6-7 V0PTK6 HL1012AZ6-7 V06725 HL1012AZ6-7 V06950 HL1012AZ6-7 V17446 HL1012AZ6-7 V56878 HL1012AZ6-7 V60516 HL1012AZ6-7 V73197	103106	8
146	HL1087-6	..	COLLAR SUPPLIER CODE: V73197 SPECIFICATION NUMBER: BACC30BH6 OPTIONAL PART: HL1087-6 V56878 HL1087-6 V92215 HL1087-6 V9N513	103106	8
147	BACS40R014B110F	..	SHIM	103106	4
150	BACS40R014D110F	..	SHIM	103106	4
153	417N8894-2	..	FITTING	103106	4

MISSING ITEM NUMBERS NOT APPLICABLE

- ITEM NOT ILLUSTRATED

38-32-54-14

38-32-54
FIG. 14
PAGE 7
JAN 20/09

BRI

BOEING PROPRIETARY - Copyright © - Unpublished Work - See title page for details.



757

PARTS CATALOG (MAINTENANCE)

FIG ITEM	PART NUMBER	1 2 3 4 5 6 7	NOMENCLATURE	EFFECT FROM TO	UNITS PER ASSY
14 154	HL1012AZ6-4	. .	BOLT SUPPLIER CODE: V97928 SPECIFICATION NUMBER: BACB30NX6K4 OPTIONAL PART: HL12VAZ6-4 V73197 HL12VAZ6-4 V92215 HL12VAZ6-4 V97928 L802-6K4 V06725 HL12VAZ6-4 V56878 HL1012AZ6-4 V0PTK6 HL1012AZ6-4 V06725 HL1012AZ6-4 V06950 HL1012AZ6-4 V17446 HL1012AZ6-4 V56878 HL1012AZ6-4 V60516 HL1012AZ6-4 V73197	103106	4

MISSING ITEM NUMBERS NOT APPLICABLE

- ITEM NOT ILLUSTRATED

BRI

38-32-54-14

BOEING PROPRIETARY - Copyright © - Unpublished Work - See title page for details.

38-32-54
FIG. 14
PAGE 8
JAN 20/09



757

PARTS CATALOG (MAINTENANCE)

FIG ITEM	PART NUMBER	1 2 3 4 5 6 7	NOMENCLATURE	EFFECT FROM TO	UNITS PER ASSY
14 155	HL1012AZ6-9		.. BOLT SUPPLIER CODE: V97928 SPECIFICATION NUMBER: BACB30NX6K9 OPTIONAL PART: HL12VAZ6-9 V73197 HL12VAZ6-9 V92215 HL12VAZ6-9 V97928 L802-6K9 V06725 HL12VAZ6-9 V56878 HL1012AZ6-9 V0PTK6 HL1012AZ6-9 V06725 HL1012AZ6-9 V06950 HL1012AZ6-9 V17446 HL1012AZ6-9 V56878 HL1012AZ6-9 V60516 HL1012AZ6-9 V73197	103106	2

MISSING ITEM NUMBERS NOT APPLICABLE

- ITEM NOT ILLUSTRATED

BRI

38-32-54-14

BOEING PROPRIETARY - Copyright © - Unpublished Work - See title page for details.

38-32-54
 FIG. 14
 PAGE 9
 JAN 20/09



757

PARTS CATALOG (MAINTENANCE)

FIG ITEM	PART NUMBER	1 2 3 4 5 6 7	NOMENCLATURE	EFFECT FROM TO	UNITS PER ASSY
14 158	HL1012AZ6-10	..	BOLT SUPPLIER CODE: V97928 SPECIFICATION NUMBER: BACB30NX6K10 OPTIONAL PART: HL12VAZ6-10 V73197 HL12VAZ6-10 V92215 HL12VAZ6-10 V97928 L802-6K10 V06725 HL12VAZ6-10 V56878 HL1012AZ6-10 V0PTK6 HL1012AZ6-10 V06725 HL1012AZ6-10 V06950 HL1012AZ6-10 V17446 HL1012AZ6-10 V56878 HL1012AZ6-10 V60516 HL1012AZ6-10 V73197	103106	2
160	HL1087-6	..	COLLAR SUPPLIER CODE: V73197 SPECIFICATION NUMBER: BACC30BH6 OPTIONAL PART: HL1087-6 V56878 HL1087-6 V92215 HL1087-6 V9N513	103106	8
163	WC331K6-10	..	BOLT SUPPLIER CODE: V60516 SPECIFICATION NUMBER: BACB30YP6K10	103106	2

MISSING ITEM NUMBERS NOT APPLICABLE

- ITEM NOT ILLUSTRATED

38-32-54-14

38-32-54
FIG. 14
PAGE 10
JAN 20/09

BRI



757

PARTS CATALOG (MAINTENANCE)

FIG ITEM	PART NUMBER	1 2 3 4 5 6 7	NOMENCLATURE	EFFECT FROM TO	UNITS PER ASSY
14 165	BACC30BL6	..	COLLAR SUPPLIER CODE: V73197 SPECIFICATION NUMBER: BACC30BL6 OPTIONAL PART: HST79-6 V92215 HST79CY6 V56878 HST79CY6 V5M902	103106	2
168	BACS40R014C332F	..	SHIM	103106	1
170	BACS40R014D100F	..	SHIM	103106	2
173	417N8893-3	..	FITTING	103106	2
175	BACB28AP04P014	...	BUSHING	103106	1
178	BACB28AT06B014C	...	BUSHING	103106	1
180	417N8893-4	...	FITTING	103106	1
185	417N8893-1	..	FITTING	103106	1
188	BACB28AP04P018	...	BUSHING	103106	1
190	BACB28AT06B018C	...	BUSHING	103106	1
193	417N8893-2	...	FITTING	103106	1
195	MF53050-5CD	..	NUTPLATE SUPPLIER CODE: V15653 SPECIFICATION NUMBER: BACN10JN5CD OPTIONAL PART: T8301C524CD V11815 102F9201M5 V72962 NS202487-054 V80539 MF51637-5 V15653 T8124S5S V11815 BRFM20C5D V52828	103106	2
- 198	BACR15BA4ADC	..	RIVET- SIZE DETERMINED ON INSTL. -----*-----	103106	4
200	417N8894-1	..	FITTING	103106	1

MISSING ITEM NUMBERS NOT APPLICABLE

- ITEM NOT ILLUSTRATED

38-32-54-14

38-32-54
FIG. 14
PAGE 11
JAN 20/09

BRI

BOEING PROPRIETARY - Copyright © - Unpublished Work - See title page for details.



757

PARTS CATALOG (MAINTENANCE)

FIG ITEM	PART NUMBER	1 2 3 4 5 6 7	NOMENCLATURE	EFFECT FROM TO	UNITS PER ASSY
14 203	HL1012AZ6-4	. .	BOLT SUPPLIER CODE: V97928 SPECIFICATION NUMBER: BACB30NX6K4 OPTIONAL PART: HL12VAZ6-4 V73197 HL12VAZ6-4 V92215 HL12VAZ6-4 V97928 L802-6K4 V06725 HL12VAZ6-4 V56878 HL1012AZ6-4 V0PTK6 HL1012AZ6-4 V06725 HL1012AZ6-4 V06950 HL1012AZ6-4 V17446 HL1012AZ6-4 V56878 HL1012AZ6-4 V60516 HL1012AZ6-4 V73197	103106	8

MISSING ITEM NUMBERS NOT APPLICABLE

- ITEM NOT ILLUSTRATED

BRI

38-32-54-14

BOEING PROPRIETARY - Copyright © - Unpublished Work - See title page for details.

38-32-54
FIG. 14
PAGE 12
JAN 20/09



757

PARTS CATALOG (MAINTENANCE)

FIG ITEM	PART NUMBER	1 2 3 4 5 6 7	NOMENCLATURE	EFFECT FROM TO	UNITS PER ASSY
14 205	HL1012AZ6-6	..	BOLT SUPPLIER CODE: V97928 SPECIFICATION NUMBER: BACB30NX6K6 OPTIONAL PART: HL12VAZ6-6 V73197 HL12VAZ6-6 V92215 HL12VAZ6-6 V97928 L802-6K6 V06725 HL12VAZ6-6 V56878 HL1012AZ6-6 V0PTK6 HL1012AZ6-6 V06725 HL1012AZ6-6 V06950 HL1012AZ6-6 V17446 HL1012AZ6-6 V56878 HL1012AZ6-6 V60516 HL1012AZ6-6 V73197	103106	4
208	HL1087-6	..	COLLAR SUPPLIER CODE: V73197 SPECIFICATION NUMBER: BACC30BH6 OPTIONAL PART: HL1087-6 V56878 HL1087-6 V92215 HL1087-6 V9N513	103106	12
210	417N8894-3	..	FITTING	103106	6

MISSING ITEM NUMBERS NOT APPLICABLE

- ITEM NOT ILLUSTRATED

38-32-54-14

38-32-54
FIG. 14
PAGE 13
JAN 20/09

BRI



757

PARTS CATALOG (MAINTENANCE)

FIG ITEM	PART NUMBER	1 2 3 4 5 6 7	NOMENCLATURE	EFFECT FROM TO	UNITS PER ASSY
14 213	HL1012AZ6-10	..	BOLT SUPPLIER CODE: V97928 SPECIFICATION NUMBER: BACB30NX6K10 OPTIONAL PART: HL12VAZ6-10 V73197 HL12VAZ6-10 V92215 HL12VAZ6-10 V97928 L802-6K10 V06725 HL12VAZ6-10 V56878 HL1012AZ6-10 V0PTK6 HL1012AZ6-10 V06725 HL1012AZ6-10 V06950 HL1012AZ6-10 V17446 HL1012AZ6-10 V56878 HL1012AZ6-10 V60516 HL1012AZ6-10 V73197	103106	4
215	HL1087-6	..	COLLAR SUPPLIER CODE: V73197 SPECIFICATION NUMBER: BACC30BH6 OPTIONAL PART: HL1087-6 V56878 HL1087-6 V92215 HL1087-6 V9N513	103106	4
218	417N8893-7	..	FITTING	103106	2
220	BACB28AP04P014	...	BUSHING	103106	1
223	BACB28AT06B014C	...	BUSHING	103106	1
225	417N8893-8	...	FITTING	103106	1
228	417N8893-5	..	FITTING	103106	1
230	BACB28AP04P018	...	BUSHING	103106	1
233	BACB28AT06B018C	...	BUSHING	103106	1

MISSING ITEM NUMBERS NOT APPLICABLE

- ITEM NOT ILLUSTRATED

38-32-54-14

38-32-54
FIG. 14
PAGE 14
JAN 20/09

BRI



757

PARTS CATALOG (MAINTENANCE)

FIG ITEM	PART NUMBER	1 2 3 4 5 6 7	NOMENCLATURE	EFFECT FROM TO	UNITS PER ASSY
14					
235	417N8893-6	...	FITTING	103106	1
238	HL1012AZ6-7	..	BOLT	103106	4
			SUPPLIER CODE: V97928		
			SPECIFICATION NUMBER: BACB30NX6K7		
			OPTIONAL PART: HL12VAZ6-7		
			V73197		
			HL12VAZ6-7		
			V92215		
			HL12VAZ6-7		
			V97928		
			L802-6K7		
			V06725		
			HL12VAZ6-7		
			V56878		
			HL1012AZ6-7		
			V0PTK6		
			HL1012AZ6-7		
			V06725		
			HL1012AZ6-7		
			V06950		
			HL1012AZ6-7		
			V17446		
			HL1012AZ6-7		
			V56878		
			HL1012AZ6-7		
			V60516		
			HL1012AZ6-7		
			V73197		

MISSING ITEM NUMBERS NOT APPLICABLE

- ITEM NOT ILLUSTRATED

BRI

38-32-54-14

BOEING PROPRIETARY - Copyright © - Unpublished Work - See title page for details.

38-32-54
FIG. 14
PAGE 15
JAN 20/09



757

PARTS CATALOG (MAINTENANCE)

FIG ITEM	PART NUMBER	1 2 3 4 5 6 7	NOMENCLATURE	EFFECT FROM TO	UNITS PER ASSY
14 240	HL1012AZ6-8	..	BOLT SUPPLIER CODE: V97928 SPECIFICATION NUMBER: BACB30NX6K8 OPTIONAL PART: HL12VAZ6-8 V73197 HL12VAZ6-8 V92215 HL12VAZ6-8 V97928 L802-6K8 V06725 HL12VAZ6-8 V56878 HL1012AZ6-8 V0PTK6 HL1012AZ6-8 V06725 HL1012AZ6-8 V06950 HL1012AZ6-8 V17446 HL1012AZ6-8 V56878 HL1012AZ6-8 V60516 HL1012AZ6-8 V73197	103106	4
243	HL1087-6	..	COLLAR SUPPLIER CODE: V73197 SPECIFICATION NUMBER: BACC30BH6 OPTIONAL PART: HL1087-6 V56878 HL1087-6 V92215 HL1087-6 V9N513	103106	8
245	BACS40R014B340F	..	SHIM	103106	1
248	BACS40R014D340F	..	SHIM	103106	1
250	417N8893-9	..	FITTING	103106	1
255	417N8893-11	..	FITTING	103106	1
258	BACB28AP04P014	...	BUSHING	103106	1
260	BACB28AT06B014C	...	BUSHING	103106	1

MISSING ITEM NUMBERS NOT APPLICABLE

- ITEM NOT ILLUSTRATED

38-32-54-14

38-32-54
FIG. 14
PAGE 16
JAN 20/09

BRI



757

PARTS CATALOG (MAINTENANCE)

FIG ITEM	PART NUMBER	1 2 3 4 5 6 7	NOMENCLATURE	EFFECT FROM TO	UNITS PER ASSY
14					
263	417N8893-10		... FITTING- USED ON: 417N8893-9	103106	1
265	417N8893-12		... FITTING- USED ON: 417N8893-11	103106	1
270	417N8892-1		.. BEAM	103106	1
275	417N8892-3		.. BEAM	103106	1

MISSING ITEM NUMBERS NOT APPLICABLE

- ITEM NOT ILLUSTRATED

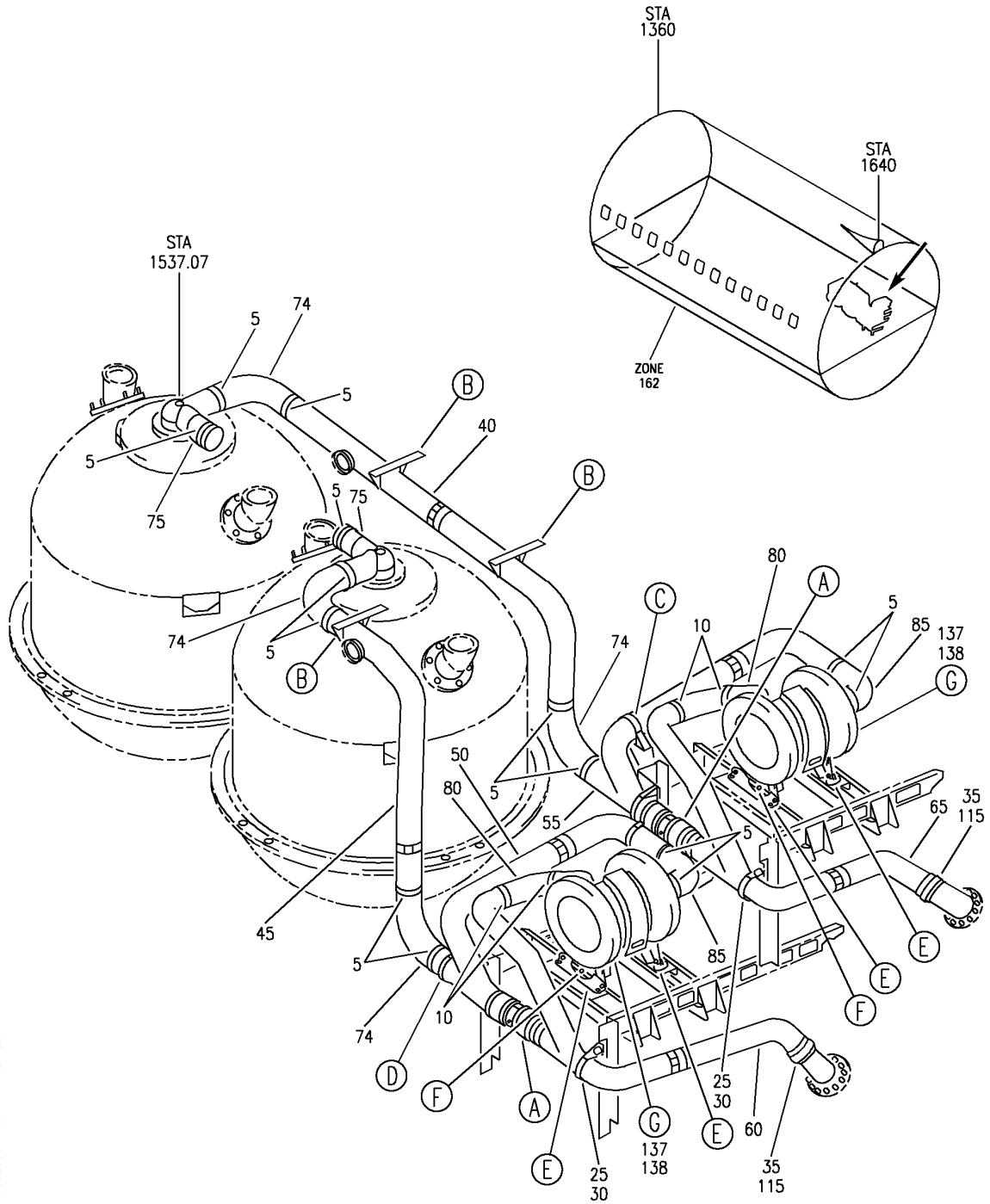
BRI

38-32-54-14

BOEING PROPRIETARY - Copyright © - Unpublished Work - See title page for details.

38-32-54
FIG. 14
PAGE 17
JAN 20/09

BOEING
757
PARTS CATALOG (MAINTENANCE)



Y 38325501 SHT 1 REV 281

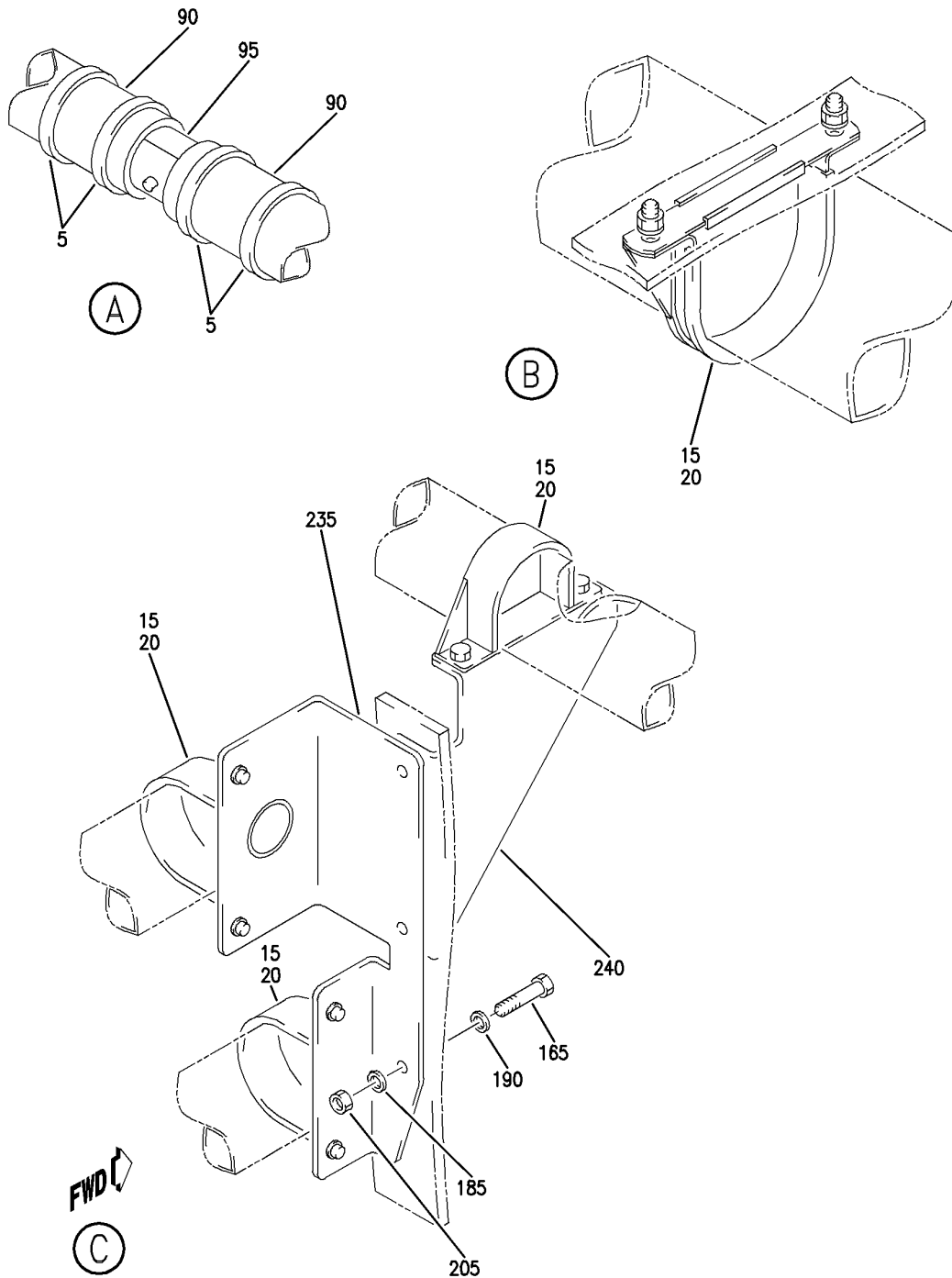
BLOWER AND VENT INSTL VACUUM OVERBOARD
FIGURE 1 (SHEET 1)

38-32-55-01

BRI
JAN 20/09

38-32-55-01
PAGE 0

BOEING
757
PARTS CATALOG (MAINTENANCE)



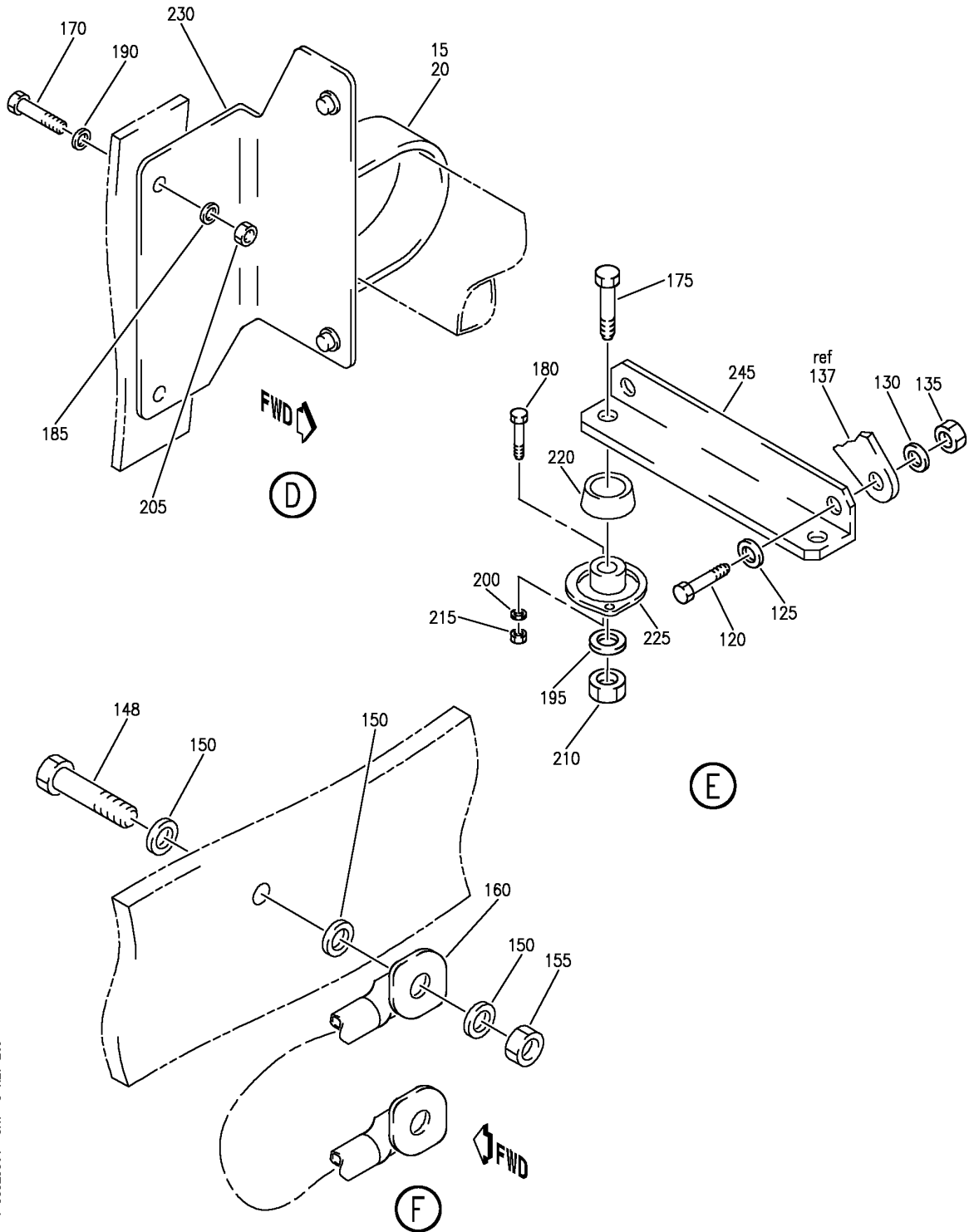
BLOWER AND VENT INSTL VACUUM OVERBOARD
FIGURE 1 (SHEET 2)

38-32-55-01

BRI
JAN 20/09

38-32-55-01
PAGE 0A

BOEING
757
PARTS CATALOG (MAINTENANCE)



Y 38325501 SH1 3 REV 269

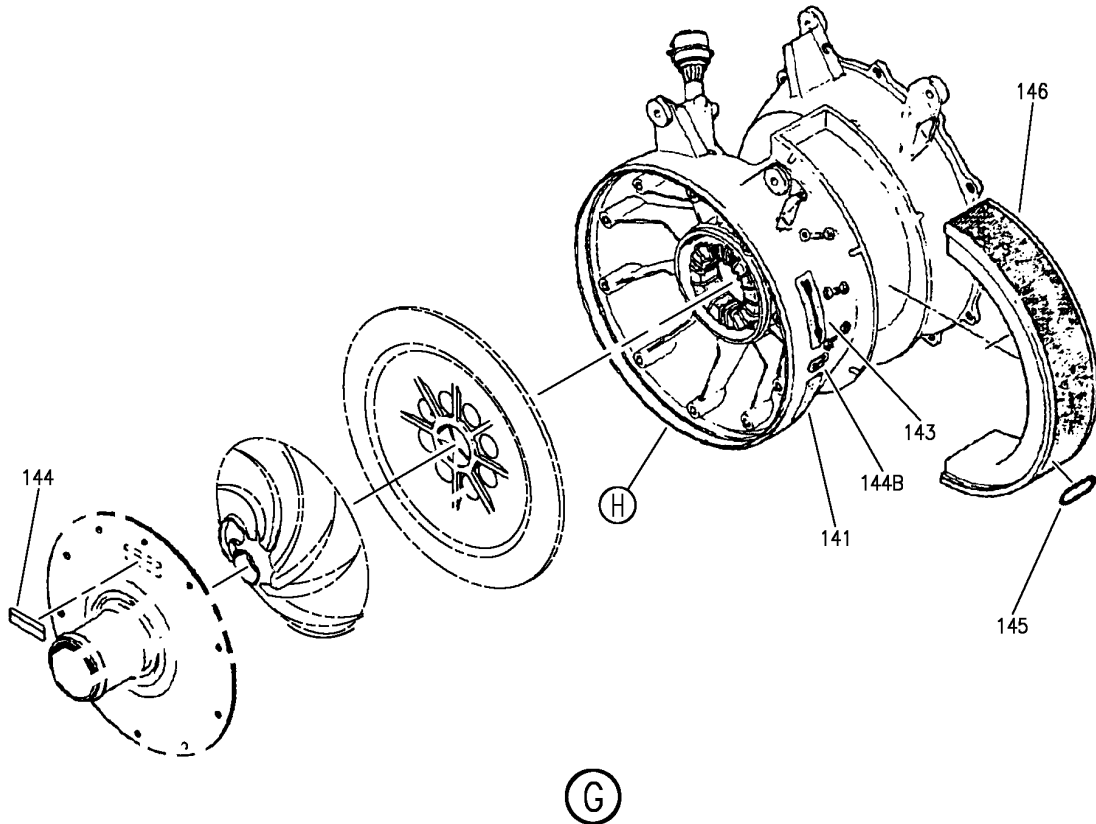
BLOWER AND VENT INSTL VACUUM OVERBOARD
FIGURE 1 (SHEET 3)

38-32-55-01

BRI
JAN 20/09

38-32-55-01
PAGE 0B

BOEING
757
PARTS CATALOG (MAINTENANCE)



Y 38325501 SHT 4 REV 281

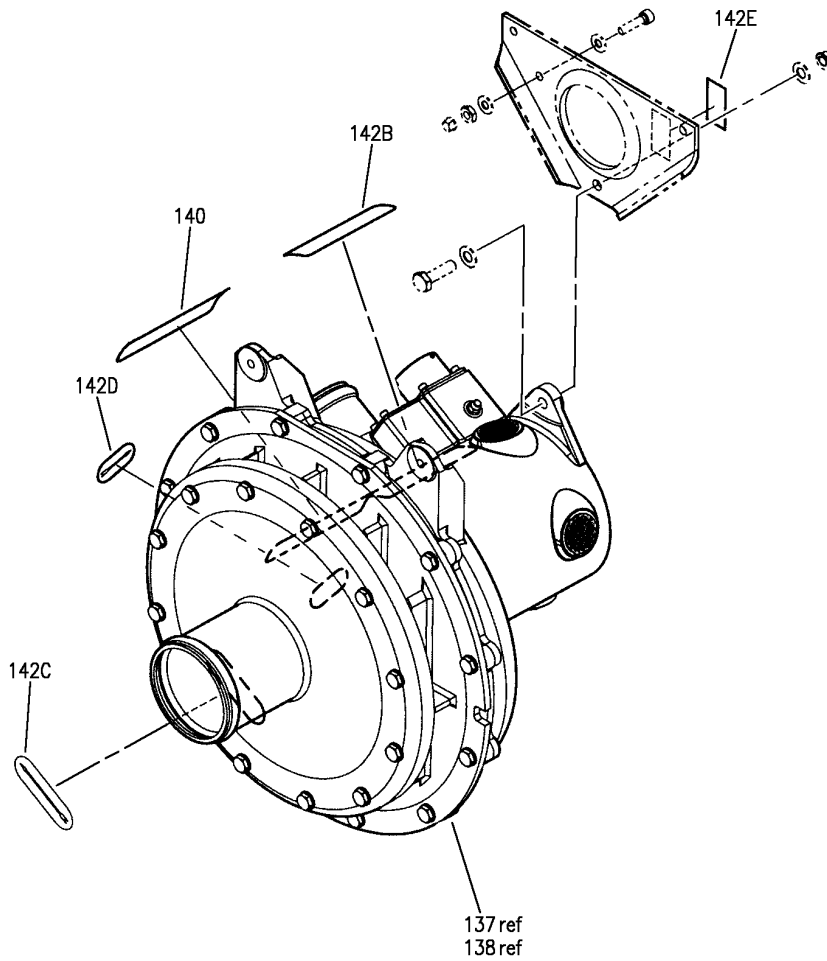
BLOWER AND VENT INSTL VACUUM OVERBOARD
FIGURE 1 (SHEET 4)

38-32-55-01

BRI
JAN 20/09

38-32-55-01
PAGE 0C

BOEING
757
PARTS CATALOG (MAINTENANCE)



(H)

Y 38325501 SH1 5 REV 298

BLOWER AND VENT INSTL VACUUM OVERBOARD
FIGURE 1 (SHEET 5)

38-32-55-01

BRI
JAN 20/09

38-32-55-01
PAGE 0D



757

PARTS CATALOG (MAINTENANCE)

FIG ITEM	PART NUMBER	1 2 3 4 5 6 7	NOMENCLATURE	EFFECT FROM TO	UNITS PER ASSY
1			BLOWER AND VENT INSTL VACUUM OVERBOARD	103106	
- 1	MODREF18991		BLOWER AND VENT INSTL- VACUUM OVERBOARD MODULE NUMBER: 417N8620-1 REV A	103105	1
- 1	MODREF190930		BLOWER AND VENT INSTL- VACUUM OVERBOARD MODULE NUMBER: 417N8620-1 REV B	106106	1
5	NAS1922-0275-1		.CLAMP	103106	22
10	NAS1922-0225-1		.CLAMP	103106	4
15	BACC10EW40A		.CLAMP STRAP	103106	7
20	BACC10EW40B		.CLAMP SADDLE	103106	7
25	BACC10EW36A		.CLAMP SADDLE	103106	2
30	BACC10EW36B		.CLAMP SADDLE	103106	2
35	14C02-36A		.CLAM SHELL- SUPPLIER CODE: V24984	103106	2
35	W994-36DE		OPTIONAL PART: W994-36DE V79326 .CLAM SHELL- SUPPLIER CODE: V79326	103106	2
40	417N8621-13		OPTIONAL PART: 14C02-36A V24984 .TUBE ASSY- TUBING MATERIAL: STOCK STOCK 2.50 OD X .028 WT X 57.0 LONG, LENGTH AS REFERENCE ONLY. ACTUAL LENGTH DETERMINED AT FABRICATION. TI-COM-PURE 40 TUBING PER BMS7-21, GRADE II.	103106	1
45	417N8621-15		.TUBE ASSY- TUBING MATERIAL: STOCK STOCK 2.50 OD X .028 WT X 40.0 LONG, LENGTH AS REFERENCE ONLY. ACTUAL LENGTH DETERMINED AT FABRICATION. TI-COM-PURE 40 TUBING PER BMS7-21, GRADE II.	103106	1
50	417N8621-10		.TUBE ASSY	103106	1

MISSING ITEM NUMBERS NOT APPLICABLE

- ITEM NOT ILLUSTRATED

38-32-55-01

38-32-55
FIG. 01
PAGE 1
JAN 20/09

BRI

BOEING PROPRIETARY - Copyright © - Unpublished Work - See title page for details.



757

PARTS CATALOG (MAINTENANCE)

FIG ITEM	PART NUMBER	1 2 3 4 5 6 7	NOMENCLATURE	EFFECT FROM TO	UNITS PER ASSY
1					
- 51	417N8621-11		..TUBE ASSY- TUBING MATERIAL: STOCK STOCK 2.50 OD X .028 WT X 12.0 LONG, LENGTH AS REFERENCE ONLY. ACTUAL LENGTH DETERMINED AT FABRICATION. TI-COM-PURE 40 TUBING PER BMS7-21, GRADE II.	103106	1
- 52	417N8621-12		..TUBE ASSY- TUBING MATERIAL: STOCK STOCK 2.50 OD X .028 WT X 37.0 LONG, LENGTH AS REFERENCE ONLY. ACTUAL LENGTH DETERMINED AT FABRICATION. TI-COM-PURE 40 TUBING PER BMS7-21, GRADE II.	103106	1
55	417N8621-7		.TUBE ASSY	103106	1
- 56	417N8621-8		..TUBE ASSY- TUBING MATERIAL: STOCK STOCK 2.50 OD X .028 WT X 12.0 LONG, LENGTH AS REFERENCE ONLY. ACTUAL LENGTH DETERMINED AT FABRICATION. TI-COM-PURE 40 TUBING PER BMS7-21, GRADE II.	103106	1
- 57	417N8621-9		..TUBE ASSY- TUBING MATERIAL: STOCK STOCK 2.50 OD X .028 WT X 37.0 LONG. LENGTH AS REFERENCE ONLY. ACTUAL LENGTH DETERMINED AT FABRICATION. TI-COM-PURE 40 TUBING PER BMS7-21, GRADE II.	103106	1
60	417N8621-4		.TUBE ASSY	103106	1

MISSING ITEM NUMBERS NOT APPLICABLE

- ITEM NOT ILLUSTRATED

38-32-55-01

38-32-55
FIG. 01
PAGE 2
JAN 20/09

BRI



757

PARTS CATALOG (MAINTENANCE)

FIG ITEM	PART NUMBER	1 2 3 4 5 6 7	NOMENCLATURE	EFFECT FROM TO	UNITS PER ASSY
1					
- 61	417N8621-23	..	TUBE- TUBING MATERIAL: STOCK STOCK 2.50 OD X .028 WT X 1.0 LONG, LENGTH AS REFERENCE ONLY. ACTUAL LENGTH DETERMINED AT FABRICATION. TI-COM-PURE 40 TUBING PER BMS 7-21, GRADE II	103106	1
- 62	417N8621-24	..	TUBE- TUBING MATERIAL: STOCK STOCK 2.50 OD X .028 WT X 2.0 LONG, LENGTH AS REFERENCE ONLY. ACTUAL LENGTH DETERMINED AT FABRICATION. TI-COM-PURE 40 TUBING PER BMS7-21, GRADE II.	103106	1
- 63	417N8621-5	..	TUBE- TUBING MATERIAL: STOCK STOCK 2.25 OD X .028 WT X 33.0 LONG, LENGTH AS REFERENCE ONLY. ACTUAL LENGTH DETERMINED AT FABRICATION. TI-COM-PURE 40 TUBING PER BMS7-21, GRADE II.	103106	1
- 64	417N8621-6	..	TUBE- TUBING MATERIAL: STOCK 2.25 OD X .028 WT X 25.0 LONG. LENGTH IS REFERENCE ONLY. ACTUAL LENGTH DETERMINED AT FABRICATION. TI-COM-PURE 40 TUBING PER BMS7-21, GRADE II.	103106	1
65	417N8621-1	.	TUBE ASSY	103106	1
- 66	417N8621-2	..	TUBE- TUBING MATERIAL: STOCK 2.25 OD X .028 WT X 27.0 LONG. LENGTH IS REFERENCE ONLY. ACTUAL LENGTH DETERMINED AT FABRICATION. TI-COM-PURE 40 TUBING PER BMS7-21, GRADE II.	103106	1

MISSING ITEM NUMBERS NOT APPLICABLE

- ITEM NOT ILLUSTRATED

38-32-55-01

38-32-55
FIG. 01
PAGE 3
JAN 20/09

BRI



757

PARTS CATALOG (MAINTENANCE)

FIG ITEM	PART NUMBER	1 2 3 4 5 6 7	NOMENCLATURE	EFFECT FROM TO	UNITS PER ASSY
1					
- 67	417N8621-3	..	TUBE- TUBING MATERIAL: STOCK 2.25 OD X .028 WT X 27.0 LONG. LENGTH IS REFERENCE ONLY. ACTUAL LENGTH DETERMINED AT FABRICATION. TI-COM-PURE 40 TUBING PER BMS7-21, GRADE II.	103106	1
- 68	417N8621-21	..	TUBE- TUBING MATERIAL: STOCK STOCK 2.50 OD X .028 WT X 1.0 LONG, LENGTH AS REFERENCE ONLY. ACTUAL LENGTH DETERMINED AT FABRICATION. TI-COM-PURE 40 TUBING PER BMS 7-21, GRADE II	103106	1
- 69	417N8621-22	..	TUBE- TUBING MATERIAL: STOCK 2.50 OD X .028 WT X 2.0 LONG. LENGTH IS REFERENCE ONLY. ACTUAL LENGTH DETERMINED AT FABRICATION. TI-COM-PURE 40 TUBING PER BMS7-21, GRADE II.	103106	1
- 72	14K02-36T	..	FERRULE- SUPPLIER CODE: V24984 OPTIONAL PART: 905B376S36TA V79326	103106	1
- 72	905B376S36TA	..	FERRULE- SUPPLIER CODE: V79326 OPTIONAL PART: 14K02-36T V24984	103106	1
74	BOE2143-0018	.	CONNECTOR-FLEXIBLE SUPPLIER CODE: V16632 SPECIFICATION NUMBER: S417U009-18	103106	4

MISSING ITEM NUMBERS NOT APPLICABLE

- ITEM NOT ILLUSTRATED

38-32-55-01

38-32-55
FIG. 01
PAGE 4
JAN 20/09

BRI



757

PARTS CATALOG (MAINTENANCE)

FIG ITEM	PART NUMBER	1 2 3 4 5 6 7	NOMENCLATURE	EFFECT FROM TO	UNITS PER ASSY
1					
75	BOE2006-0008	.	CONNECTOR-FLEXIBLE SUPPLIER CODE: V16632 SPECIFICATION NUMBER: 60B50062-8 OPTIONAL PART: BOE2006-0005 V16632	103106	2
80	BOE2143-0005	.	CONNECTOR-FLEXIBLE SUPPLIER CODE: V16632 SPECIFICATION NUMBER: S417U009-5	103106	2
85	BOE2143-0004	.	CONNECTOR-FLEXIBLE SUPPLIER CODE: V16632 SPECIFICATION NUMBER: S417U009-4	103106	2
90	BOE2143-0009	.	CONNECTOR-FLEXIBLE SUPPLIER CODE: V16632 SPECIFICATION NUMBER: S417U009-9	103106	4
95	606515-1	.	VALVE- SUPPLIER CODE: V70210 FUNCTIONAL DESCRIPTION: VACUUM BLOWER BYPASS VALVE, IN PARALLEL WITH THE VACUUM BLOWER, BY- PASS THE VOLUMETRIC FLOW WHEN IT BECOMES EXCESSIVE. SPECIFICATION NUMBER: S417T102-2 COMPONENT MAINT MANUAL REF: 38-32-04 ATTACHING PARTS	103106	2
- 100	BACS12GU3K12	.	SCREW	103106	18
- 105	NAS1149D0332J	.	WASHER	103106	18
- 110	BRC600-8-3GP	.	NUT SUPPLIER CODE: V52828 SPECIFICATION NUMBER: BACN10YD1G OPTIONAL PART: 130120G V60119 -----*-----	103106	18

MISSING ITEM NUMBERS NOT APPLICABLE

- ITEM NOT ILLUSTRATED

38-32-55-01

38-32-55
FIG. 01
PAGE 5
JAN 20/09

BRI



757

PARTS CATALOG (MAINTENANCE)

FIG ITEM	PART NUMBER	1 2 3 4 5 6 7	NOMENCLATURE	EFFECT FROM TO	UNITS PER ASSY
1					
115	M83461-1-228		.PACKING- OPTIONAL PART: MS29513-228	103106	2
115	MS29513-228		.PACKING- OPTIONAL PART: M83461-1-228	103106	2
120	BACB30NM3K7		.BOLT	103106	8
125	BACW10BN3AC		.WASHER	103106	8
130	NAS1149D0363J		.WASHER	103106	8
135	PLH53CD		.NUT	103106	8
			SUPPLIER CODE: VF0224 SPECIFICATION NUMBER: BACN10YR3CD OPTIONAL PART: H52732-3CD V15653		
137	606802-2		.BLOWER ASSY-VACUUM (SERIES 1 THRU 6) SUPPLIER CODE: V70210 FUNCTIONAL DESCRIPTION: PROVIDES VACUUM IN WASTE TANKS FOR FLUSHING TOILETS SPECIFICATION NUMBER: S417T102-1 ELECTRICAL EQUIP NUMBER: M11343 M11344 COMPONENT MAINT MANUAL REF: 38-32-02 OPTIONAL PART: 645172-1 V70210	103106	2

MISSING ITEM NUMBERS NOT APPLICABLE

- ITEM NOT ILLUSTRATED

38-32-55-01

38-32-55
FIG. 01
PAGE 6
JAN 20/09

BRI



757

PARTS CATALOG (MAINTENANCE)

FIG ITEM	PART NUMBER	1 2 3 4 5 6 7	NOMENCLATURE	EFFECT FROM TO	UNITS PER ASSY
1 138	645172-1		.BLOWER ASSY-VACUUM (SERIES 1 THRU 4) SUPPLIER CODE: V70210 FUNCTIONAL DESCRIPTION: PROVIDES VACUUM IN WASTE TANKS FOR FLUSHING TOILETS SPECIFICATION NUMBER: S417T102-5 ELECTRICAL EQUIP NUMBER: M11343 M11344 COMPONENT MAINT MANUAL REF: 38-32-06 OPTIONAL PART: 645172-2 V70210 OPTIONAL PART: 606802-2 V70210	103106	2
140	2805244-1		..PLATE-IDENT (USED ON SERIES 1) SUPPLIER CODE: V70210 USED ON: 645172-1	103106	1
140	2805244-3		..PLATE-IDENT (USED ON SERIES 2) SUPPLIER CODE: V70210 USED ON: 645172-1	103106	1
140	2805244-4		..PLATE-IDENT (USED ON SERIES 3) SUPPLIER CODE: V70210 USED ON: 645172-1	103106	1
140	2805244-5		..PLATE-IDENT (USED ON SERIES 4) SUPPLIER CODE: V70210 USED ON: 645172-1	103106	1

MISSING ITEM NUMBERS NOT APPLICABLE

- ITEM NOT ILLUSTRATED

38-32-55-01

38-32-55
FIG. 01
PAGE 7
JAN 20/09

BRI



757

PARTS CATALOG (MAINTENANCE)

FIG ITEM	PART NUMBER	1 2 3 4 5 6 7	NOMENCLATURE	EFFECT FROM TO	UNITS PER ASSY
1					
141	606404-2		..PLATE-IDENT (USED ON SERIES 1) SUPPLIER CODE: V70210 USED ON: 606802-2	103106	1
141	606404-3		..PLATE-IDENT (USED ON SERIES 2) SUPPLIER CODE: V70210 USED ON: 606802-2	103106	1
141	606404-4		..PLATE-IDENT (USED ON SERIES 3) SUPPLIER CODE: V70210 USED ON: 606802-2	103106	1
141	606404-5		..PLATE-IDENT (USED ON SERIES 4) SUPPLIER CODE: V70210 USED ON: 606802-2	103106	1
141	606404-6		..PLATE-IDENT (USED ON SERIES 5) SUPPLIER CODE: V70210 USED ON: 606802-2	103106	1
141	606404-7		..PLATE-IDENT (USED ON SERIES 6) SUPPLIER CODE: V70210 USED ON: 606802-2	103106	1
142B	2805244-2		..PLATE-IDENT SUPPLIER CODE: V70210 USED ON: 645172-1	103106	1
142C	S8302MP1		..LABEL- SUPPLIER CODE: V70210 USED ON: 645172-1	103106	1

MISSING ITEM NUMBERS NOT APPLICABLE

- ITEM NOT ILLUSTRATED

38-32-55-01

38-32-55
FIG. 01
PAGE 8
JAN 20/09

BRI

BOEING PROPRIETARY - Copyright © - Unpublished Work - See title page for details.

 **BOEING**
757
PARTS CATALOG (MAINTENANCE)

FIG ITEM	PART NUMBER	1 2 3 4 5 6 7	NOMENCLATURE	EFFECT FROM TO	UNITS PER ASSY
1 142D	S8188MP7		.. PLATE- SUPPLIER CODE: V70210 USED ON: 645172-1	103106	1
142E	2805498-1		.. LABEL-CAUTION SUPPLIER CODE: V70210 USED ON: 645172-1	103106	1
143	S8302-1		.. LABEL- SUPPLIER CODE: V70210 USED ON: 606802-2	103106	1
144	2356795-1		.. PLATE-CAUTION SUPPLIER CODE: V70210 USED ON: 606802-2	103106	2
144A	S8188M7		.. PLATE-INSTRUCTION SUPPLIER CODE: V70210 USED ON: 606802-2	103106	1
145	S9026G221		.. PACKING-PREFORMED SUPPLIER CODE: V70210 USED ON: 606802-2	103106	4
146	606338-1		.. FILTER-(SERIES 1 THRU 3) SUPPLIER CODE: V70210 CONFIG CHG DATA FROM A CMM: REPLD BY 606338-2 USED ON: 606802-2	103106	1
146	606338-2		.. FILTER-(SERIES 1 THRU 3) SUPPLIER CODE: V70210 CONFIG CHG DATA FROM A CMM: REPLACES 606338-1 USED ON: 606802-2	103106	1
146	606338-2		.. FILTER-(SERIES 4 THRU 6) SUPPLIER CODE: V70210 USED ON: 606802-2	103106	1

MISSING ITEM NUMBERS NOT APPLICABLE

— ITEM NOT ILLUSTRATED

38-32-55-01

38-32-55
FIG. 01
PAGE 9
JAN 20/09

BRI

BOEING PROPRIETARY - Copyright © - Unpublished Work - See title page for details.



757

PARTS CATALOG (MAINTENANCE)

FIG ITEM	PART NUMBER	1 2 3 4 5 6 7	NOMENCLATURE	EFFECT FROM TO	UNITS PER ASSY
1					
148	BACS12GU3K8	.	SCREW	103106	2
150	NAS1149D0332J	.	WASHER	103106	6
155	PLH53CD	.	NUT	103106	2
			SUPPLIER CODE: VF0224		
			SPECIFICATION NUMBER: BACN10YR3CD		
			OPTIONAL PART: H52732-3CD V15653		
160	740A20-5	.	JUMPER ASSY	103106	2
			SUPPLIER CODE: V91812		
			SPECIFICATION NUMBER: BACJ40A20-5		
			OPTIONAL PART: TJEJ40A20-5 V33483 RBEJ20-5 V1GK47		
165	BACB30NM3K3	.	BOLT	103106	3
170	BACB30NM3K4	.	BOLT	103106	2
175	BACB30NT4K17	.	BOLT	103106	8
180	BACS12GU08K7	.	SCREW	103106	16
185	NAS1149D0363J	.	WASHER	103106	5
190	BACW10BN3AC	.	WASHER	103106	5
195	BACW10P47S	.	WASHER	103106	8
200	NAS1149DN832J	.	WASHER	103106	16
205	PLH53CD	.	NUT	103106	5
			SUPPLIER CODE: VF0224		
			SPECIFICATION NUMBER: BACN10YR3CD		
			OPTIONAL PART: H52732-3CD V15653		
210	PLH54CD	.	NUT	103106	8
			SUPPLIER CODE: VF0224		
			SPECIFICATION NUMBER: BACN10YR4CD		
			OPTIONAL PART: H52732-4CD V15653		

MISSING ITEM NUMBERS NOT APPLICABLE

- ITEM NOT ILLUSTRATED

BRI

38-32-55-01

BOEING PROPRIETARY - Copyright © - Unpublished Work - See title page for details.

38-32-55
FIG. 01
PAGE 10
JAN 20/09



757

PARTS CATALOG (MAINTENANCE)

FIG ITEM	PART NUMBER	1 2 3 4 5 6 7	NOMENCLATURE	EFFECT FROM TO	UNITS PER ASSY
1 215	BRH10C08D	.	NUT SUPPLIER CODE: V52828 SPECIFICATION NUMBER: BACN10JC08CD OPTIONAL PART: H51650-08BAC V15653 102LH9075-82W V72962 NS202486-82 V80539 T6C832JCD V11815	103106	16
220	J3015-1	.	COLLAR SUPPLIER CODE: V76005 SPECIFICATION NUMBER: BACS14C15	103106	8
225	BACS14C156-13	.	SHOCK MOUNT	103106	8
230	417N8883-13	.	BRACKET	103106	1
235	417N8883-14	.	BRACKET	103106	1
240	417N8883-12	.	BRACKET	103106	1
245	472W1107-5	.	BRACKET	103106	4

MISSING ITEM NUMBERS NOT APPLICABLE

- ITEM NOT ILLUSTRATED

BRI

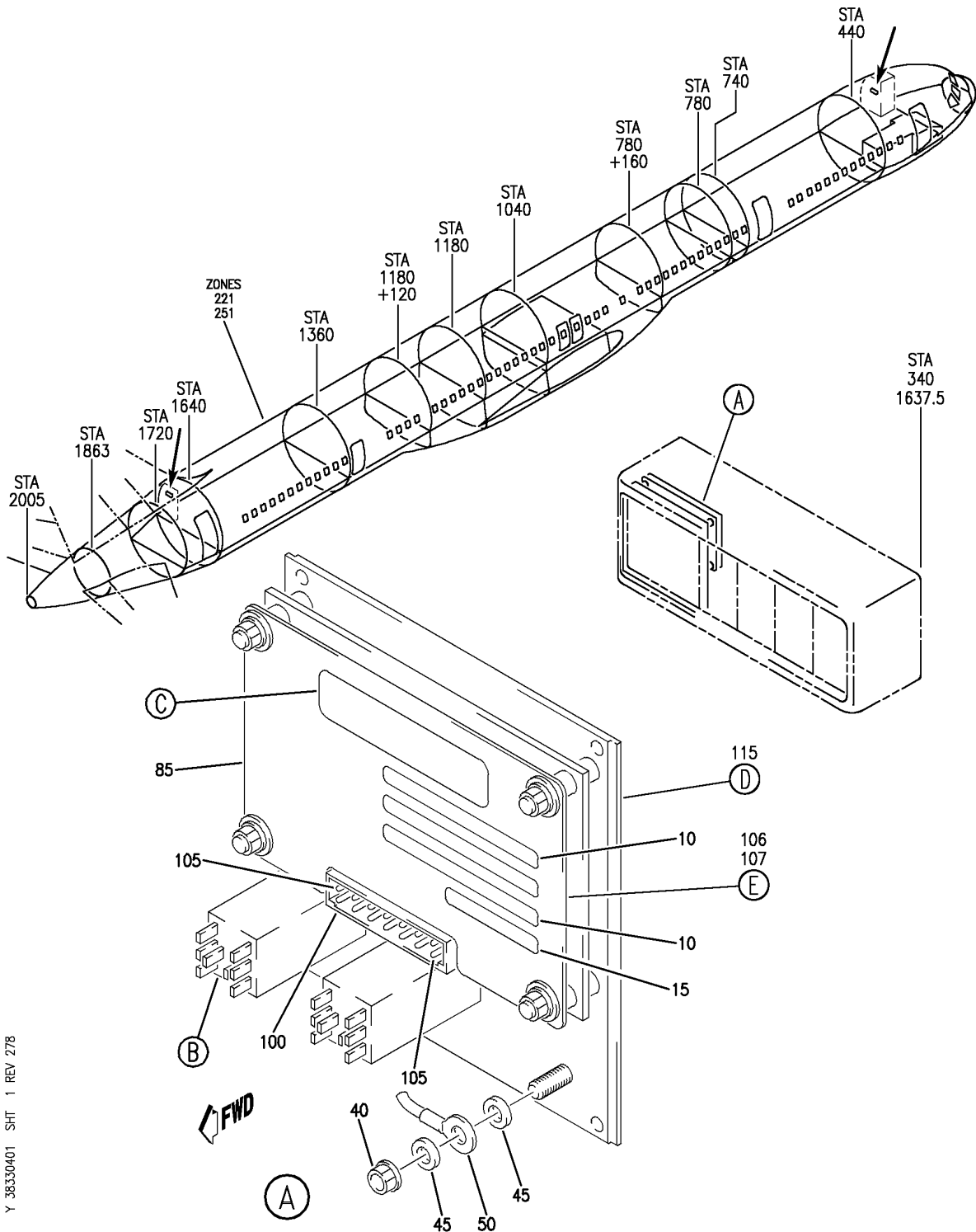
38-32-55-01

BOEING PROPRIETARY - Copyright © - Unpublished Work - See title page for details.

38-32-55
FIG. 01
PAGE 11
JAN 20/09

WASTE TANK QUANTITY INDICATION SYSTEM

BOEING
757
PARTS CATALOG (MAINTENANCE)



Y 38330401 SHT 1 REV 278

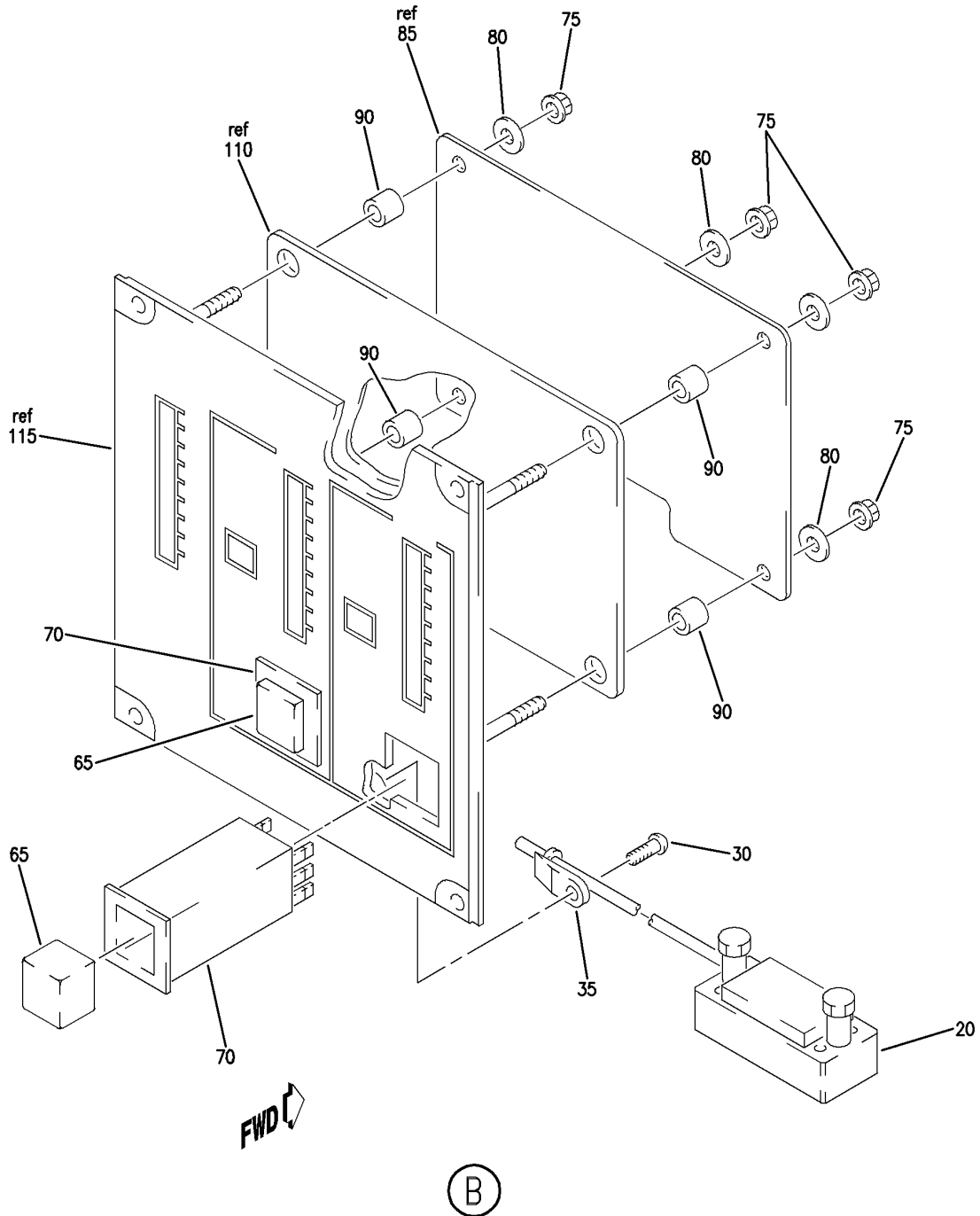
MODULE ASSY-POTABLE WATER/ VAC WASTE, ATTENDANT PNL (WATER/WASTE ONLY)
FIGURE 1 (SHEET 1)

38-33-04-01

BRI
JAN 20/09

38-33-04-01
PAGE 0

BOEING
757
PARTS CATALOG (MAINTENANCE)



Y 38330401 SHT 2 REV 238

MODULE ASSY-POTABLE WATER/ VAC WASTE, ATTENDANT PNL (WATER/WASTE ONLY)
FIGURE 1 (SHEET 2)

BRI
JAN 20/09

38-33-04-01

38-33-04-01
PAGE 0A

BOEING
757
PARTS CATALOG (MAINTENANCE)

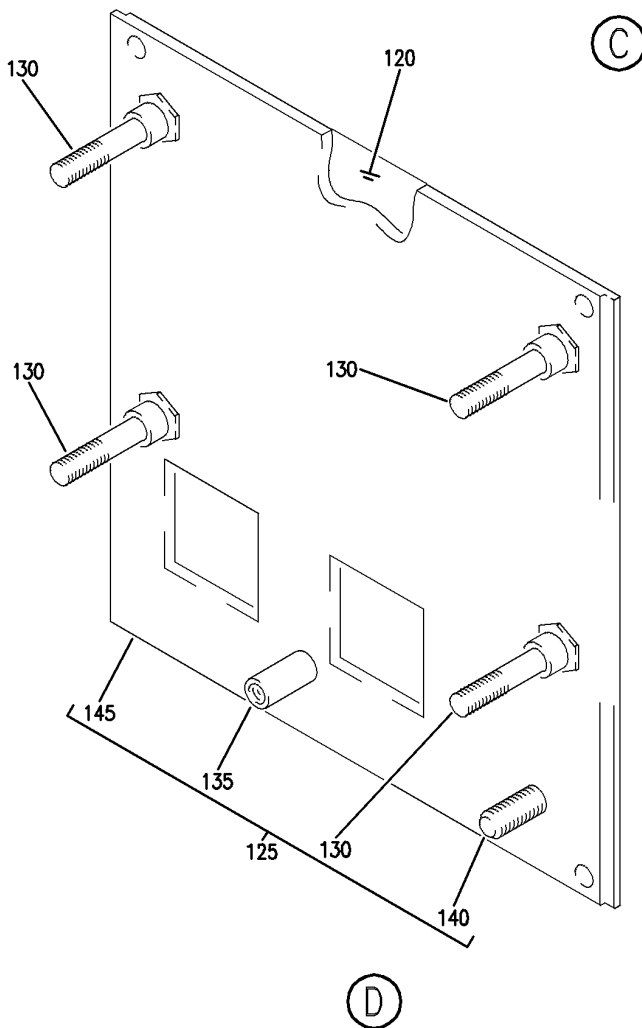
5

POTABLE WATER/ VAC WASTE MODULE

BOEING P/N S417A150-20

P/N 285N0405-1 SERNO

MOD LEVEL A B C D MFG DATE



Y 38330401 SHT 3 REV 238

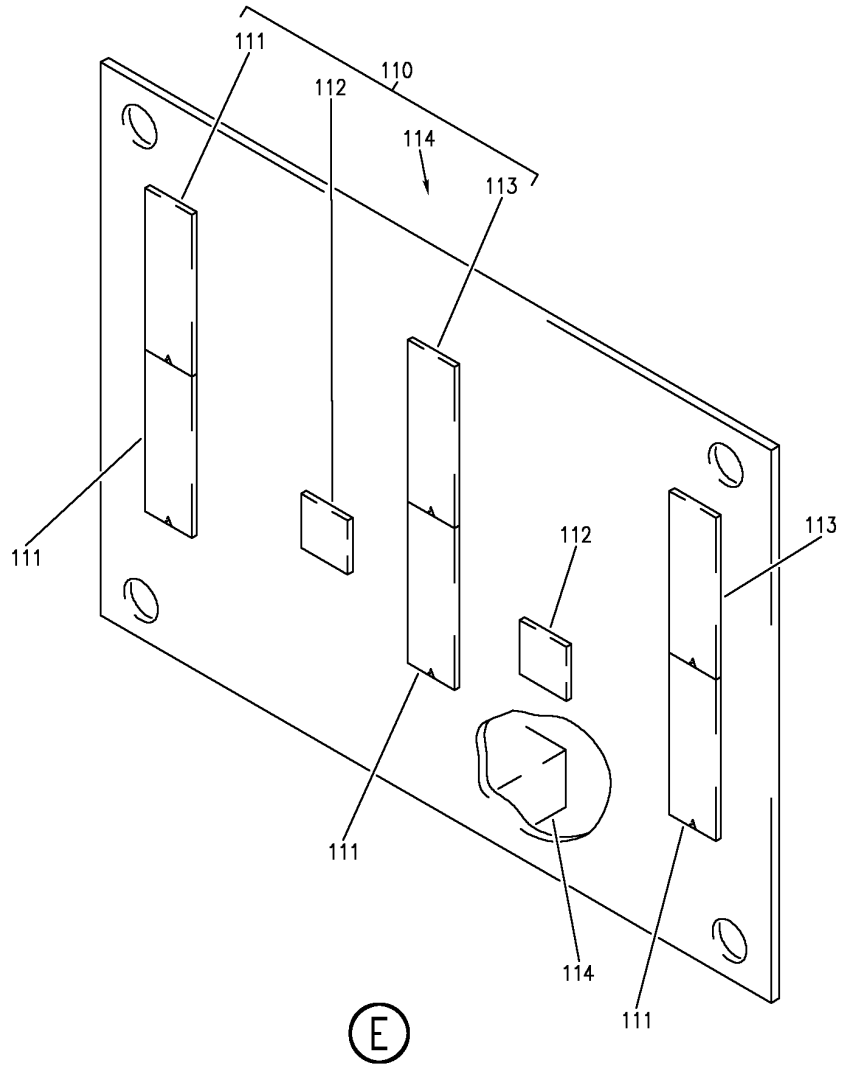
MODULE ASSY-POTABLE WATER/ VAC WASTE, ATTENDANT PNL (WATER/WASTE ONLY)
FIGURE 1 (SHEET 3)

38-33-04-01

BRI
JAN 20/09

38-33-04-01
PAGE 08

BOEING
757
PARTS CATALOG (MAINTENANCE)



Y 38330401 SH1 4 REV 27B

MODULE ASSY-POTABLE WATER/ VAC WASTE, ATTENDANT PNL (WATER/WASTE ONLY)
FIGURE 1 (SHEET 4)

BRI
JAN 20/09

38-33-04-01

38-33-04-01
PAGE 0C



757

PARTS CATALOG (MAINTENANCE)

FIG ITEM	PART NUMBER	1 2 3 4 5 6 7	NOMENCLATURE	EFFECT FROM TO	UNITS PER ASSY
1			MODULE ASSY-POTABLE WATER/ VAC WASTE, ATTENDANT PNL (WATER/WASTE ONLY)	103106	
- 1	285N0405-1		MODULE ASSY-POTABLE WATER/ VAC WASTE, ATTENDANT PNL (WATER/WASTE ONLY) SUPPLIER CODE: V89954 ELECTRICAL EQUIP NUMBER: M11345 FOR NHA/OTHER SYS DET SEE: 31-17-11-04	103106	RF
	5 BAC27DEX6745		.MARKER- SUPPLIER CODE: V89954	103106	1
	10 S906-10207-2		.LABEL-STOCK	103106	3
	15 S906-10207-4		.LABEL-STOCK	103106	1
	20 SGMC104M0ER000		.CONNECTOR- SUPPLIER CODE: V28198 SPECIFICATION NUMBER: S906-30234-401 ELECTRICAL EQUIP NUMBER: P00001	103106	1
- 25	M39029-34-440		.CONTACT- SUPPLIER CODE: V28918 OPTIONAL PART: MC422N V28918	103106	21
- 25	MC422N		.CONTACT- SUPPLIER CODE: V28918 OPTIONAL PART: M39029-34-440 V28918	103106	21
	30 MS51957-43		.SCREW	103106	1
	35 TA1S8C		.TIE- SUPPLIER CODE: V06383	103106	1
	40 MS21042L3		.NUT	103106	1
	45 NAS1149D0316J		.WASHER	103106	2
	50 2-36153-3		.TERMINAL-LUG SUPPLIER CODE: V00779 SPECIFICATION NUMBER: BACT12AR224 ELECTRICAL EQUIP NUMBER: E00001	103106	1

MISSING ITEM NUMBERS NOT APPLICABLE

- ITEM NOT ILLUSTRATED

38-33-04-01

38-33-04
FIG. 01
PAGE 1
JAN 20/09

BRI



757

PARTS CATALOG (MAINTENANCE)

FIG ITEM	PART NUMBER	1 2 3 4 5 6 7	NOMENCLATURE	EFFECT FROM TO	UNITS PER ASSY
1					
65	2100-240		.LENS-WHITE, AMB INSERT LEGEND "LAVS INOP" SUPPLIER CODE: V91929	103106	2
70	2100-1		.SWITCH ASSY-2 POLE SUPPLIER CODE: V91929 ELECTRICAL EQUIP NUMBER: S00001 S00002	103106	2
- 73	85		..BULB- SUPPLIER CODE: V08805	103106	1
75	MS21043-06		.NUT	103106	4
80	NAS1149CN632R		.WASHER	103106	4
85	285A1700-88		.COVER- SUPPLIER CODE: V89954	103106	1
90	NAS43DD1-16FC		.SPACER	103106	4
100	2-87631-5		.CONNECTOR- SUPPLIER CODE: V00779 ELECTRICAL EQUIP NUMBER: J00001	103106	1
105	87046-3		.CONTACT- SUPPLIER CODE: V00779	103106	14
106	285N0405-3		.SUBKIT ASSY- SUPPLIER CODE: V89954 OPTIONAL PART: 285N0405-2 V89954 FOR DETAILS SEE: 11-35-13-40	103106	1
106	285N0405-2		.SUBKIT ASSY- SUPPLIER CODE: V89954 OPTIONAL PART: 285N0405-3 V89954 FOR DETAILS SEE: 11-35-13-40	103106	1

MISSING ITEM NUMBERS NOT APPLICABLE

- ITEM NOT ILLUSTRATED

38-33-04-01

38-33-04
FIG. 01
PAGE 2
JAN 20/09

BRI



757

PARTS CATALOG (MAINTENANCE)

FIG ITEM	PART NUMBER	1 2 3 4 5 6 7	NOMENCLATURE	EFFECT FROM TO	UNITS PER ASSY
1					
110	285N1002-1		..WIRING ASSY-PRINTED SUPPLIER CODE: V89954 ELECTRICAL EQUIP NUMBER: A00001 USED ON: 285N0405-2	103106	1
110	285N1002-2		..WIRING ASSY-PRINTED SUPPLIER CODE: V89954 ELECTRICAL EQUIP NUMBER: A00001 USED ON: 285N0405-3	103106	1
111	HDSP4850HIC00		...LED- SUPPLIER CODE: V50434 SPECIFICATION NUMBER: S906-10135-5004 USED ON: 285N1002-1	103106	4
112	HLMP2755EFB00		...LED- SUPPLIER CODE: V50434 SPECIFICATION NUMBER: S906-10135-5006	103106	2
113	HDSP4848		...LED- SUPPLIER CODE: V50434 SPECIFICATION NUMBER: S906-10135-5007 USED ON: 285N1002-1	103106	2
114	1-103188-3		...CONNECTOR- SUPPLIER CODE: V00779 SPECIFICATION NUMBER: S906-70293-9	103106	1
115	285A1700-84		.FACEPLATE ASSY- SUPPLIER CODE: V89954	103106	1
120	285A1700-86		..FACEPLATE-DECORATIVE SUPPLIER CODE: V89954	103106	1
125	285A1700-85		..BACKPLATE ASSY- SUPPLIER CODE: V89954	103106	1

MISSING ITEM NUMBERS NOT APPLICABLE

- ITEM NOT ILLUSTRATED

38-33-04-01

38-33-04
FIG. 01
PAGE 3
JAN 20/09

BRI

BOEING PROPRIETARY - Copyright © - Unpublished Work - See title page for details.



757

PARTS CATALOG (MAINTENANCE)

FIG ITEM	PART NUMBER	1 2 3 4 5 6 7	NOMENCLATURE	EFFECT FROM TO	UNITS PER ASSY
1 130	285A1701-1		... STANDOFF- SUPPLIER CODE: V89954	103106	4
135	BS0S832-16		... STANDOFF- SUPPLIER CODE: V46384	103106	1
140	FHS032-8		... STANDOFF- SUPPLIER CODE: V46384	103106	1
- 145	285A1700-87		.. BACKPLATE- SUPPLIER CODE: V89954	103106	1

MISSING ITEM NUMBERS NOT APPLICABLE

- ITEM NOT ILLUSTRATED

BRI

38-33-04-01

BOEING PROPRIETARY - Copyright © - Unpublished Work - See title page for details.

38-33-04
FIG. 01
PAGE 4
JAN 20/09